



Australian Government

IP Australia

AUSTRALIAN OFFICIAL JOURNAL

OF

DESIGNS

Did you know a searchable version of this journal is now available online?

It's FREE and EASY to SEARCH.

Find it at

<http://pericles.ipaustralia.gov.au/ols/epublish/content/olsEpublications.jsp>
or using the "Online Journals" link on the IP Australia home page.

This Page Left Intentionally Blank

Contents

General Information & Notices

Proceedings Under the Designs Act 1906 preserved as a result of the provisions of Chapter 12 Part 2 of the Designs Act 2003

Application for Extension of Period of Registration	8624
Applications Refused	8623
Corrigenda	8627
Extension of Period of Registration of Designs	8624
Extensions of Time Granted	8625
Names Registered - Alterations and Amendments	8626
Registrations Ceased	8624
Subsequent Owners Registered	8625

Proceedings Under the Designs Act 2003

Applications Assigned	8642
Applications Lapsed	8641
Applications Lodged	8631
Applications Withdrawn	8641
Certificate of Examination	8644
Corrigenda	8643
Extension of Time Granted Under Section 137	8642
Names Registered - Alterations and Amendments	8642
Publication and Registration Proceedings	
Designs Registered 313328 to 313506.....	8645
Registrations Ceased	8642
Subsequent Owners Registered	8642

This Page Left Intentionally Blank

For information on the following please see our website www.ipaustralia.gov.au or contact our Customer Service Network on 1300651010

[Editorial enquiries](#)

[Contact information](#)

[Freedom of Information ACT](#)

[Professional Standards Board](#)

[Sales](#)

[Requests for Information under Section 194 \(c\)](#)

[Country Codes](#)

[Trade Mark and Designs Hearing Sessions](#)

[INID \(Internationally agreed Numbers for the Identification of Data\)](#)

“INID” NUMBERS in use on Australian Design Documents

“INID” is an acronym for “Internationally agreed Numbers for the Identification of Data”.

(10) Data concerning the registration/renewal

- (11) Serial number of the registration and/or number of the design document
- (12) Plain language designation of the kind of published document
- (19) Identification, using the two-letter code according to WIPO Standard ST.3, of the authority publishing or registering the industrial design

(20) Data concerning the application

- (21) Serial number of the application
- (22) Date of filing of the application
- (24) Date from which the industrial design right has effect

(30) Data relating to priority under the Paris Convention

- (31) Serial number assigned to the priority application
- (32) Date of filing of the priority application
- (33) Two-letter code, according to WIPO Standard ST.3, identifying the authority with which the priority application was made

(40) Date(s) of making information available to the public

- (45) Date of publication of the registered industrial design by printing or similar process, or making it available to the public by any other means

(50) Miscellaneous Information

- (51) International Classification for Industrial Designs (class and subclass of the Locarno Classification)
- (54) Designation of article(s) or product(s) covered by the industrial design or title of the industrial design
- (55) Reproduction of the industrial design (e.g., drawing, photograph) and explanations relating to the reproduction
- (56) List of prior art documents, if separate from descriptive text
- (57) Description of characteristic features of the industrial design including indication of colours

(60) References to other legally related application(s) and registration(s)

- (62) Serial number(s) and, if available, filing date(s) of application(s), registration(s) or document(s) related by division
- (66) Serial number(s) of the application, or the registration, of the design(s) which is (are) a variant(s) of the present one

(70) Identification of parties concerned with the application or registration

- (71) Name(s) and address(es) of the applicant(s)
- (72) Name(s) of the creator(s) if known to be such
- (74) Name(s) and address(es) of the representative(s)

This Page Left Intentionally Blank

Official Notice

**Intellectual Property Legislation Amendment
Regulations 2007 (No. 1)**

On 27 March 2007, the remaining Schedules to the *Intellectual Property Laws Amendment Act 2006* ('Amendment Act') will commence (Schedules 1, 2, 3 (Part 2), 4, 10 and 12). Among other things, Schedule 12 to the Amendment Act will insert new sections into the *Designs Act 2003* and the *Olympic Insignia Protection Act 1987* to clarify the effect of the Designs Office and its State offices not being open for business ('the close down provisions').

On 22 March 2007 the Federal Executive Council made the *Intellectual Property Legislation Amendment Regulations 2007 (No. 1)*—'the amendment regulations'. The amendment regulations have been registered in the Federal Register of Legislative Instruments and will appear on ComLaw (www.comlaw.gov.au). Generally, the amendment regulations will have effect from 27 March 2007.

The amendment regulations will amend the Designs Regulations and the *Olympic Insignia Protection Regulations 1993* to prescribe several matters under the close-down provisions. Details of how the close-down provisions will operate are provided below.

The amendment regulations will also amend the Designs Regulations to

- declare Montenegro to be a Convention country in its own right, separately from Serbia which also continues as a Convention country; and
- declare Yemen to be a Convention country.

The amendment regulations will also amend the *Patents Regulations 1991*, the *Plant Breeder's Rights Regulations 1994* and the *Trade Marks Regulations 1995*. For further information on the amendments to the Patents Regulations and the Trade Marks Regulations please see the 2007 *Official Notices* for Patents and Trade Marks titled *Intellectual Property Legislation Amendment Regulations 2007 (No. 1)*, available through <http://www.ipaustralia.gov.au/resources/officialnotices.shtml>. For further information on the amendments to the Plant Breeder's Rights Regulations, please see the next issue of the *Plant Varieties Journal*, which will be available via the Plant Breeder's Rights page at www.ipaustralia.gov.au/pbr/index.shtml#journal.

Contact: Customer Services Network
Phone: 1300 651 010
Fax: 02 6283 7999
E-mail: assist@ipaustralia.gov.au
Web: www.ipaustralia.gov.au

How the new close-down provisions in the Designs legislation and the Olympic Insignia Protection legislation will operate

On 27 March 2007, the new close-down provisions in the Designs legislation and the Olympic Insignia Protection legislation will commence operation. The operation of these provisions is discussed below in two separate sections, because they operate slightly differently.

Close down provisions in the Designs legislation

The close-down provisions in the Designs legislation are new section 136A of the *Designs Act 2003* and new regulations 11.32 to 11.34 of the *Designs Regulations 2004*. The close-down provisions address the following situation:

- there is some time-period provided in the Designs legislation for you to do some action at the Designs Office in Canberra ('the Canberra office') or the State sub-offices of the Designs Office ('the State offices'); and
- on the last day of that period, the Canberra office or a State office is not open for business.

Generally, the close-down provisions will let you do that action at the Canberra office or State office that was not open for business—on the next day that the particular office is open for business—and still be in time.

The close-down provisions are not limited to your filing documents or paying fees at the Canberra office or a State office. They also pick up actions that can be done by delegates of the Registrar of Designs ('the Registrar') in some period provided in the designs legislation.

For example, the registration of a design that is being examined ceases if the Registrar is not satisfied in the relevant prescribed period that a certificate of examination can be issued **or** that the registration should be revoked—see paragraphs 48(1)(a) and 65(3)(b) of the Designs Act and regulation 5.04 of the Designs Regulations. If the relevant period ends on a day when the Canberra office is closed, the close-down provisions will let a delegate decide to issue the certificate of examination or to revoke the registration on the next day the Canberra office is open for business.

In practical terms, IP Australia expects that the close-down provisions will result in minimal change for you. The principal difference is that you will not be substantially disadvantaged by the Canberra office and the State offices being closed for the period between Christmas Day and the New Year's Day holiday. Also, you will not be substantially disadvantaged by the Canberra office or any of the State offices being closed unexpectedly (e.g. owing to bushfires or power failure). Several examples of how the close-down provisions can help you are set out at the end of this notice.

In addition, even when the Canberra office is closed, IP Australia will continue to provide facilities for receiving electronic communications through IP Australia's secure corporate fax number—02 6283 7999. Responses to examiner's reports can also be sent by e-mail to IP Australia's general e-mail address: assist@ipaustalia.gov.au. See the news item of 3 January 2007, at www.ipaustralia.gov.au/resources/news_new.shtml#2, announcing the revised Electronic Business Rules and providing a link to them.

When will the Canberra office and the State offices be closed?

As is currently the case, the Canberra office and the State offices will be closed for several national and local public holidays.

Soon the Director General of IP Australia will declare the days on which the Canberra office and State offices will not be open for business during the 2007 Calendar year. This declaration will be published promptly on the *Whats New* and *Official Notices* pages of IP Australia's website (at www.ipaustralia.gov.au/resources/news_new.shtml and www.ipaustralia.gov.au/resources/officialnotices.shtml respectively). The declaration will also be published in the *Official Journal of Designs*, which is available through <http://pericles.ipaustralia.gov.au/ols/epublish/content/olsEpublications.jsp>.

If the Canberra office or any State office is closed unexpectedly, then the Director General will also declare the particular days that the Canberra office or particular State office affected were not open for business. The declaration will be published on the *Whats New* and *Official Notice* pages of IP Australia's website, and in the *Official Journal*.

What actions will not be governed by the new close-down provisions?

Actions that are *not* done at the Canberra office and the State offices will not be governed by the new close-down provisions. These are actions done in relation to proceedings in a court or a tribunal. For these actions, the previous position will continue unchanged. For periods provided in legislation governing a court or tribunal (e.g. court rules), you will need to continue to refer to that legislation. For periods provided in the Designs legislation for a court proceeding, you will need to continue to refer to subsection 36 (2) of the *Acts Interpretation Act 1901* to consider when you can do the action.

For example, subsection 71 (4) of the Designs Act requires that court proceedings for infringement of a design must be started within 6 years from the day on which the alleged infringement occurred. Infringement proceedings may be brought in the Federal Court or a Supreme Court of a State or Territory. If the last day of that 6-year period ends on a public holiday in the place where a particular court is located, subsection 36 (2) of the Acts Interpretation Act will allow the infringement proceedings to be commenced on the next business day in that place.

For a discussion of the operation of subsection 36 (2) of the Acts Interpretation Act, please see the 2004 Official Notice *Time periods and local holidays*. The notice was published on the *Official notices: Designs notices 2002 – 2005* webpage on 17 December 2004 at http://www.ipaustralia.gov.au/resources/officialnotices_d0.shtml#1, where it can still be found.

Here are several examples of how the close-down provisions can help you.

Weekends and other days on which all the Canberra office and State offices are closed

On Friday 22 June 2007, a person in New Zealand files an application for registration of a design (the first application for that design anywhere). Under section 27 of the Designs Act and regulation 3.06 of the Designs Regulations, the New Zealand applicant has 6 months to make an application in Australia for the same design claiming a right of priority from the New Zealand filing—i.e. by Saturday 22 December 2007 at the latest.

The Canberra office and all of its State offices close for the Christmas period on the afternoon of Monday 24 December 2007, and do not re-open for business until the morning of Wednesday

2 January 2008. During that period (if the applicant wishes), the Australian application can be filed at the Canberra office by way of IP Australia's secure corporate fax number—02 6283 7999.

On Wednesday 2 January 2008, the application can be filed at the Canberra office—in person, by receipt of post or by fax to IP Australia's secure corporate fax number (see

above). It can also be filed at any of the State offices in person or by receipt of post. If the application for the design is filed on that Wednesday, it will be in time to validly claim a right of priority from the New Zealand filing.

Public holidays affecting the Canberra office but not the State offices

On Monday 17 September 2007, an applicant files at the Victorian State office in Melbourne an application for a design, and does not request the registration of the design in the application. This is the first filing of the design by the applicant. Generally, the applicant has six months to request the registration of the design—by Monday 17 March 2008, at the latest. The application will lapse otherwise.

The Canberra Day holiday is celebrated on a Monday in March each year—in 2008 on 17 March. The Canberra office is not open for business on that day, but all the State offices are open. The request for registration of the design could be filed at any of the State offices in person or by receipt of post. Alternatively, as IP Australia's secure corporate fax number (see above) is available on Canberra day, the request can also be filed via that means on Canberra Day.

On Tuesday 18 March 2008 when the Canberra office re-opens, the request for registration of the design could be filed in time with the Canberra office—in person, by receipt of post or by IP Australia's secure corporate fax number (see above). However, on that Tuesday, the request could *not* be filed in time at any of the State offices, which were open on the Monday.

State or local public holidays affecting a State office

On 1 July 2004, an application for registration of a design is filed, and the design is registered. On

20 August 2007, the registered owner requests the Registrar to examine the design, but the registered owner does not pay the prescribed fee when filing the request. The Registrar writes to the registered owner on 6 September 2007, inviting the registered owner to pay the outstanding fee within 2 months after the date of the invitation—by 6 November 2007 at the latest. If the registered owner does not pay the fee by that date, the registration will cease.

The Victorian office in Melbourne is closed for the Melbourne Cup holiday, a public holiday in Melbourne—in 2007 on 6 November. The Canberra office and the *other* State offices are open for business. The fee can be paid at the Canberra office—in person, by receipt of post or by faxing credit card details to IP Australia's secure corporate fax number (see above). The fee could also be paid at the other State offices—in person or by receipt of post.

On Wednesday 7 November 2007, the fee could be paid in time at the Victorian office, in person or by receipt of post. On that Wednesday, the fee could *not* be paid in time at the Canberra office or at any of the *other* State offices, which were open on the Tuesday. This would also exclude paying the fee by faxing credit card details to IP Australia's secure corporate fax number (see above), since the receiving fax machine is located in Canberra.

Unexpected closure of a Canberra office or State office

The five-year initial term of registration of a design expires on 18 June 2009. Under section 47 of the Designs Act, the registered owner may apply for a renewal of the registration for a further five years counted from that expiry date. Under subsection 47 (2) of the Designs Act and regulation 4.09 of the Designs Regulations, the application for renewal may be made and the prescribed fee for renewal may be paid up to six months after the expiry date—provided the registered owner also pays the additional fee for each month or part of month after the expiry date that the fee is paid. So the registered owner has until 18 December 2007 at the latest to apply for renewal of the registration.

As it happens, on Friday 18 December 2009, the Canberra office is closed because of a city-wide failure of the water supply. The Canberra office re-opens for business on Monday 21 December 2009, when the water supply is restored. On the Monday, the Director General of IP Australia declares that the Canberra office was not open for business on the Friday.

On the Monday, the application for renewal can be filed and the renewal fee and the additional fee for six months can be paid at the Canberra office—in person, by receipt of post or by faxing it to IP Australia's secure corporate fax number. The request cannot be made and the fees cannot be paid at any of the State offices that were open on the Thursday, and still be in time.

Close down provisions in the Olympic Insignia Protection legislation

The close-down provisions in the Olympic Insignia Protection legislation are new section 14A of the *Olympic Insignia Protection Act 1987* (OIP Act) and new regulations 6A to 6C of the *Olympic Insignia Protection Regulations 1993* (OIP Regulations). The close-down provisions apply only to Chapter 2 of the OIP Act, which protects the Olympic insignia by:

- making the Australian Olympic Committee (AOC) the owner of copyright in the Olympic symbol;
- making the AOC the owner of certain Olympic designs; and
- providing that the Olympic motto, the Olympic symbol and certain other Olympic images must not be registered as trade marks.

Chapter 2 of the OIP Act is the only chapter in the OIP Act that provides for any actions to be done at the Designs Office in some prescribed period. Those actions are:

- a person making representations objecting to the grant of an application for registration of a Olympic design—in a specified period of at least 60 days after the date of a notice in the *Gazette* and *Official Journal* (subsections 10(5) and 10(6) of the OIP Act);
- the AOC applying to the Registrar of Designs to extend the protection period of a registered Olympic design—during the period beginning on the day the design is registered to not later than 6 months before the end of the protection period (subsection 11(1) of the OIP Act);
- a person making representations objecting to the grant of an application for extension of the protection period—in a specified period of at least 60 days after the date of a notice in the *Gazette* and *Official Journal* (subsections 11(4) and 11(5) of the OIP Act); and
- the Registrar extending the protection period before the end of that period—subsection 11(6) of the OIP Act.

The close-down provisions in the OIP legislation operate differently from those in the Designs legislation. The *Designs Act 2003* provides that actions may be taken at the State sub-offices of the Designs Office. In contrast, the OIP Act does not provide for any action to be done at any of those State offices. Any action to be done at the Designs Office under the OIP legislation must be done at the Canberra office. So the close-down provisions in the OIP legislation address the following situation:

- there is some period provided in Chapter 2 of the OIP legislation for doing some action at the Canberra office; and
- on the last day of that period, the Canberra office is not open for business.

As a result, the close-down provisions will allow the actions listed above to be done on the next day that the Canberra office is open for business, and still be done in time.

When will the Canberra office be closed?

As is currently the case, the Canberra office will be closed for several national and local public holidays. See the discussion under the heading *When will the Canberra office and the State offices be closed?* Above, as to when the Canberra Office will be closed. At the same time the Director General declares when the Canberra office is not open for business for the purposes of the Designs legislation, the Director General will also declare when the Canberra office is not open for the purposes of the OIP legislation. These declarations will be published in the same manner as declarations under the Designs close-down provisions (see above).

What actions will not be governed by the new close-down provisions?

As with the operation of the close-down provisions in the Designs legislation, actions that are not done at the Canberra office will not be governed by the close-down provisions in the OIP legislation. These are actions done in relation to proceedings in a court or a tribunal.

There is a single action of this type to be done in a period provided in Chapter 2 of the OIP Act. This action is the AOC granting or refusing consent to a licensee instituting an action or proceeding for infringement of the monopoly in a protected design—which must be done within 7 days after the day on which the licensee serves notice on the AOC (subsection 8(5) of the OIP Act). If the AOC fails to grant or refuse consent in that period, it is deemed at the end of that period to have granted the consent required.

The exclusion of this action from the close-down provisions means that subsection 36(2) of the *Acts Interpretation Act 1901* will continue to apply to the action. As a result, if the period provided in subsection 8(5) of the OIP Act ends on a weekend, a public holiday or a bank holiday in a place where the action can be performed, the action can be done on the next business day at that place. The AOC is currently based in Sydney, so the place where the consent could be granted or refused is the office of the AOC in Sydney. Accordingly, it is public holidays and bank holidays in Sydney that are relevant, *not* those in Canberra.

Actions to be done under the *other* chapters of the OIP Act will not be governed by the close-down provisions. This is because these actions are not done at the Designs Office at all. For example, Chapter 3 of the OIP Act prohibits the commercial use of certain Olympic expressions—e.g. Olympic, Olympiad etc—unless the user holds a licence granted by the AOC. Among other things, that chapter provides for applying to the courts for remedies for contravening use of protected Olympic expressions. The chapter also provides for seizure by Customs of imported goods bearing such expressions. There are several actions to be taken before the Chief Executive Officer of Customs (CEO) in particular periods. For example, the objector can request that the CEO extend the period for holding the seized goods—in which the objector can apply to a court for an injunction in relation to those goods—by up to 10 *working days*. The expression *working days* is already defined to exclude days of the weekend and public holidays in the ACT.

Contact: IP Australia
Phone: 1300 651 010
Fax: +61 2 6283 7999
E-mail: assist@ipaustralia.gov.au
Web: www.ipaustralia.gov.au

Official Notice

Reminder notice - Change of Bank for IP Australia

As at 1 April 2007 IP Australia has changed to the National Australia Bank for all our banking.

Account customers of IP Australia have already been formally advised by letter of our new bank details, including our BSB and Branch numbers.

If you haven't already done so all non-account customers should contact IP Australia for further information.

Alternatively, you may visit our website to find the relevant information for "Making a Payment":

www.ipaustralia.gov.au/resources/forms_finance.shtml

Contact: IP Australia
Phone: 1300 651 010
Fax: +61 2 6283 7999
E-mail: assist@ipaustralia.gov.au
Web: www.ipaustralia.gov.au

Official Notice

Victorian State Office
Relocation Notice

We are pleased to announce that the Victorian State Office of IP Australia will be moving to new premises effective from Monday, May 7, 2007.

The new office is located between Elizabeth and Swanston Streets in the heart of Melbourne's central business district.

The new address will be:

Level 1, 257 Collins Street
Melbourne Vic 3000
(access via lifts at rear of building)

As part of this move IP Australia will join a range of agencies at the "Innovation @ 257 Resource Centre" all of which are involved in helping innovators and entrepreneurs alike to assess the feasibility of their business ideas.

All phone, facsimile and e-mail address numbers remain unchanged.

Contact: IP Australia
Phone: 1300 651 010
Fax: +61 2 6283 7999
E-mail: assist@ipaustrialia.gov.au
Web: www.ipaustrialia.gov.au

Official Notice

**Designs Act 2003
Correction of Register**

A request under Designs Regulation 9.05(2) has been made by the registered owner of Design Nos. 311195, 311196 and 311197 to correct a clerical error or obvious mistake in the date of the convention details lodged.

The proposed requests states that the date of the convention details should read 6 April 2006 and not 7 April 2006 as previously published in the Australian Official Journal of Designs dated 23 November 2006. As the proposed amendment would materially alter the meaning or scope of the entry, the Registrar is required to advertise the applications for opposition purposes.

Advertisement of these applications will appear in the Official Journal of Designs of 5 April 2007.

Any interested person will then have one (1) month from this date to oppose these requested corrections.

If no oppositions are lodged, then the Registrar will consider these requests as soon as possible.

Contact: IP Australia
Phone: 1300 651 010
Fax: +61 2 6283 7999
E-Mail: assist@ipaustralia.gov.au
Web: www.ipaustralia.gov.au

This Page Left Intentionally Blank

Proceedings under the Designs Act 1906 preserved as a result of the provisions of Chapter 12 Part 2 of the Designs Act 2003.

This Page Left Intentionally Blank

Applications Refused

00040 / 2004 (18-03)	00041 / 2004 (18-03)
00042 / 2004 (18-03)	00043 / 2004 (18-03)
01148 / 2004 (18-03)	01149 / 2004 (18-03)
01150 / 2004 (18-03)	01151 / 2004 (18-03)
01152 / 2004 (18-03)	01153 / 2004 (18-03)
01154 / 2004 (18-03)	01155 / 2004 (18-03)
01156 / 2004 (18-03)	01157 / 2004 (18-03)
01158 / 2004 (18-03)	01159 / 2004 (18-03)
01160 / 2004 (18-03)	01161 / 2004 (18-03)
01162 / 2004 (18-03)	01163 / 2004 (18-03)
01164 / 2004 (18-03)	01165 / 2004 (18-03)
01166 / 2004 (18-03)	01167 / 2004 (18-03)

Application for Extension of Period of Registration

Applications under Section 27A(2) for extension of registration of the following designs have been lodged. In the event that a design is shown to be not new or original, the Registrar may refuse to extend the period of registration. Sub-section 27A(4) allows any person to lodge at the Designs Office material relevant to the question whether the design is not new or original. That material must be lodged within 11 months of the date when the registration of the design was made. Further details of the conditions and procedures for the lodgement of material are contained in Form 8 provided under the Designs Regulation 24.

Registration Number	Registered Owner	Registration Date
158523	PATRICK THORNTON	21/03/2006
158541	ALICE DOYLE	21/03/2006

Extension of Period of Registration of Designs

1st Period (Section 27A(8))

158522	158523	158525
158527	158536	158537
158538	158541	

2nd Period (Section 27A(12))

143675	143691	143692
143693	143694	143695
143958	143959	143960
144020	144096	144478
144893	144950	145145
145322	145323	145326
145333	145334	145335
145445	145451	145456
145457	145458	145459
145504	145507	145511
145512	145513	145514
145515	145516	145517
145518	145520	145535
145536	145576	145577
145578	145579	145580
145581	145582	145583
145584	145585	145622
145745	145746	145761
145830	145983	146021
146074	146134	146195
146196	146237	146293
146332	146340	146389
146422	146512	146567
146615	146769	146770
146771	146844	146878
146881	147158	147159
147160	147237	147465
147564	147719	147750
147849	147973	147974
148126	148150	148430
148453	148454	148455

148524	148525	148969
149137	149507	149568
149569	149570	149571
149572	149573	149591
149610	149611	150022
150065	150084	150176
150235	151018	151149
151150	152802	

3rd Period (Section 27A(13))

126242	126333	127900
127941	127958	127962
128201	128221	128222
128223	128253	128270
128372	128435	128551
128645	128723	128791
128792	128909	129023
129049	129068	129072
129248	129312	129633
129952	130320	130561
131156	132045	132247
132606	132855	132856
133672	140658	

Registrations Ceased

Note: Some of the following Registrations may have been previously advertised as ceased. In this instance, the previous advertisement still prevails.

112358	112383	112384
112385	112386	112387
112388	112389	112455
112456	112457	112458
112459	112550	112551
112615	112672	112678
112713	112748	112767
112948	112949	112950
112951	113328	113953
113954	114225	114226
114519	114992	119921
119922	120017	124974
125941	126534	126535
126536	126537	126538
126558	126582	126586
126587	126607	126625
126652	126743	126769
126837	126935	127005
127016	127138	128570
129445	141954	142006
142046	142067	143414
143415	143438	143439
143440	143532	143592
143598	143612	143613
143615	143616	143617
143618	143712	143715
143718	143727	143728
143779	143780	143784

143785	143859	143946
143947	143986	144330
144472	144473	144596
144853	145073	145712
145713	145893	145895
145896	146180	146279
148403	148426	148580
148600	149133	149159
152173		

Extensions of time granted

Applications lodged for extension of time have been granted.

126242 **The Bambach Saddle Seat Pty Limited** An Extension of time to extend a registration has been granted to 18/01/2007

144096 **Botanic Niche Pty Ltd** An Extension of time to extend a registration has been granted to 26/03/2007

Subsequent Owners Registered

(The name in parentheses is that of the subsequent owner)

138191	(Trans Atlantic Technologies Pty Ltd;Tiltform Technologies Limited) Tiltform Pty Ltd
140037	(Trans Atlantic Technologies Pty Ltd;Tiltform Technologies Limited) Tiltform Pty Ltd
138191	(SRB Construction Technologies Pty Ltd) Trans Atlantic Technologies Pty Ltd;Tiltform Technologies Limited
140037	(SRB Construction Technologies Pty Ltd) Trans Atlantic Technologies Pty Ltd;Tiltform Technologies Limited
140992	(Trans Atlantic Technologies Pty Ltd) Tiltform Technologies Limited
148612	(Trans Atlantic Technologies Pty Ltd) Tiltform Technologies Limited
150887	(Trans Atlantic Technologies Pty Ltd) Tiltform Technologies Limited
145462	(Trans Atlantic Technologies Pty Ltd) Tiltform Technologies Limited
150678	(Trans Atlantic Technologies Pty Ltd) Tiltform Technologies Limited
150641	(Trans Atlantic Technologies Pty Ltd) Tiltform Technologies Limited
143915	(Trans Atlantic Technologies Pty Ltd) Tiltform Technologies Limited
142467	(Trans Atlantic Technologies Pty Ltd) Tiltform Technologies Limited
142464	(Trans Atlantic Technologies Pty Ltd) Tiltform Technologies Limited
140967	(Trans Atlantic Technologies Pty Ltd) Tiltform Technologies Limited
143917	(Trans Atlantic Technologies Pty Ltd) Tiltform Technologies Limited
148389	(Trans Atlantic Technologies Pty Ltd) Tiltform Technologies Limited
140143	(Trans Atlantic Technologies Pty Ltd) Tiltform Technologies Limited

Subsequent Owners Registered

155332	(Robert K. Bulte) RK & JM Holdings Pty Ltd
155333	(Robert K. Bulte) RK & JM Holdings Pty Ltd
155331	(Robert K. Bulte) RK & JM Holdings Pty Ltd
139952	(Robert K. Bulte) Techsafe Corporation Pty Ltd
140171	(Robert K. Bulte) Techsafe Corporation Pty Ltd
140172	(Robert K. Bulte) Techsafe Corporation Pty Ltd
153745	(Robert K. Bulte) Techsafe Corporation Pty Ltd
155136	(Robert K. Bulte) Techsafe Corporation Pty Ltd
153666	(Robert K. Bulte) Techsafe Corporation Pty Ltd
148389	(SRB Construction Technologies Pty Ltd) Trans Atlantic Technologies Pty Ltd
140143	(SRB Construction Technologies Pty Ltd) Trans Atlantic Technologies Pty Ltd
140967	(SRB Construction Technologies Pty Ltd) Trans Atlantic Technologies Pty Ltd
140992	(SRB Construction Technologies Pty Ltd) Trans Atlantic Technologies Pty Ltd
142464	(SRB Construction Technologies Pty Ltd) Trans Atlantic Technologies Pty Ltd
142467	(SRB Construction Technologies Pty Ltd) Trans Atlantic Technologies Pty Ltd
143915	(SRB Construction Technologies Pty Ltd) Trans Atlantic Technologies Pty Ltd
143917	(SRB Construction Technologies Pty Ltd) Trans Atlantic Technologies Pty Ltd
145462	(SRB Construction Technologies Pty Ltd) Trans Atlantic Technologies Pty Ltd
148612	(SRB Construction Technologies Pty Ltd) Trans Atlantic Technologies Pty Ltd
150641	(SRB Construction Technologies Pty Ltd) Trans Atlantic Technologies Pty Ltd
150678	(SRB Construction Technologies Pty Ltd) Trans Atlantic Technologies Pty Ltd
150887	(SRB Construction Technologies Pty Ltd) Trans Atlantic Technologies Pty Ltd
156609	(BGI Acquisition, LLC) Burrows Golf Inc.
150409	(Passive Fire Systems (Qld) Pty Ltd) Paul Robertson
149723	(Passive Fire Systems (Qld) Pty Ltd) Paul Robertson
138696	(Cup Concept Mehrwegsysteme GmbH) De Ster Holding B.V.
116010	(Trishul Australia Pty Ltd) ASI Design Build Construct Pty Limited
116011	(Trishul Australia Pty Ltd) ASI Design Build Construct Pty Limited
123101	(Trishul Australia Pty Ltd) ASI Design Build Construct Pty Limited
127004	(Trishul Australia Pty Ltd) ASI Design Build Construct Pty Limited
130626	(Trishul Australia Pty Ltd) ASI Design Build Construct Pty Limited
133447	(Trishul Australia Pty Ltd) ASI Design Build Construct Pty Limited
133942	(Trishul Australia Pty Ltd) ASI Design Build Construct Pty Limited
134340	(Trishul Australia Pty Ltd) ASI Design Build Construct

Subsequent Owners Registered

Pty Limited

Names Registered - Alterations and Amendments

(The name in parentheses is the new name of the proprietor)

140037 (**Tiltform Pty Ltd**) A R Tiltform Pty Ltd

Corrigenda

Number

In Vol 21 , No 5 , page 8414 under the heading **Registrations Ceased**; Design No. 126333 should be deleted.

This Page Left Intentionally Blank

Proceedings under the Designs Act 2003.

This Page Left Intentionally Blank

Applications Lodged

Lodgement information is in the following order: **Applicant's Name**; International Classification, Name of Product, Lodgement Date and **Design Number**. If the applicant claims an earlier priority date under an International Convention, the Convention Country and the associated filing date are shown in parentheses before the Lodgement Date. Divisional information will also appear in parentheses before the Lodgement Date.

de Vos Charter & Associates; Roadwest Transport Equipment & Sales Pty Ltd; Scorecorp Pty Ltd; 12-10, Rear chassis transverse and coupling support member for a truck/prime mover/trailer chassis, 19 Mar 2007	16977/2007	Azuma Design Pty Limited; 08-06, A hinge, 21 Mar 2007	17001/2007
Acco Australia Pty Ltd; 19-04, Document file with identification block, 05 Mar 2007	16744/2007	ADC Communications (Australia) Pty Limited; 13-03E, Electrical connector, 14 Mar 2007	16901/2007
Acco Australia Pty Ltd; 19-04, Document wallet with identification block, 05 Mar 2007	16745/2007	ADC Communications (Australia) Pty Limited; 13-03E, Dust cover for an electrical connector, 14 Mar 2007	16902/2007
Acco Australia Pty Ltd; 19-04, Display book with cover identification block, 05 Mar 2007	16746/2007	Barker, Jacqueline; 06-01E, Portable baby highchair, (NZ, 23 Jan 2007) 20 Mar 2007	16981/2007
Acco Australia Pty Ltd; 19-04, Display book with spine identification block, 05 Mar 2007	16747/2007	Bickle, Peter; Bickle, Beverley; Taylor, Alistair; 08-08L, Structural bracket to support electronic whiteboard/ whiteboard pull down screen, speakers, amplifier, computer,, DVD player, video/data projector inclusive of network/ VGA/DVI/composite/component/and s.vide cabling, 21 Mar 2007	17018/2007
Adapt-It Shelves Limited; 06-04NES, Adjustable shelving, (NZ, 04 Dec 2006) 23 Mar 2007	17045/2007	Bickle, Beverley; Bickle, Peter; Taylor, Alistair; 08-08L, Structural bracket to support electronic whiteboard/ whiteboard pull down screen, speakers, amplifier, computer,, DVD player, video/data projector inclusive of network/ VGA/DVI/composite/component/and s.vide cabling, 21 Mar 2007	17018/2007
Ager, Gavin; 12-16A, A removable trailer wheel, 19 Mar 2007	16978/2007	Black & Decker, Inc.; 08-01, Cordless drill, (US, 06 Sep 2006) 05 Mar 2007	16752/2007
Alcan Technology & Management Ltd.; 09-03NES, Container, (EM, 28 Nov 2006) 13 Mar 2007	16878/2007	Black & Decker, Inc.; 10-04, Light line generating device, (US, 27 Sep 2006) 23 Mar 2007	17058/2007
Alcan Technology & Management Ltd.; 09-03NES, Container, (EM, 28 Nov 2006) 13 Mar 2007	16877/2007	Black & Decker, Inc.; 08-01, Drill with integral laser, (US, 06 Sep 2006) 05 Mar 2007	16753/2007
Aliquantum Pty Ltd; 25-02H, Privacy screens, 12 Mar 2007	16834/2007	Black & Decker, Inc.; 13-02, A battery pack, (EM, 18 Sep 2006) 15 Mar 2007	16936/2007
Alzheimer's Australia SA Inc.; 11-01NES, Design for the production of lapel pins and all associated promotional materials, 20 Mar 2007	16982/2007	Black & Decker, Inc.; 13-02, A charging unit for battery packs, (EM, 18 Sep 2006) 15 Mar 2007	16937/2007
Arton Giftware Pty. Ltd.; 12-05, Frame, 20 Mar 2007	16979/2007	Black & Decker, Inc.; 08-01, Drill with integral laser, (US, 06 Sep 2006) 05 Mar 2007	16754/2007
Astra Furniture Pty Ltd; Tsorakidis, Arki; 16-04, Tables, buffet, entertainment units, display units, 20 Nov 2006	15965/2006	Black & Decker, Inc.; 08-03, A reciprocating saw, (US, 15 Sep 2006) 07 Mar 2007	16768/2007
Astra Furniture Pty Ltd; Tsorakidis, Arki; 06-03A, Table, 20 Nov 2006	15964/2006	Black & Decker, Inc.; 08-03, A reciprocating saw, (US, 15 Sep 2006) 07 Mar 2007	16769/2007
Australian Plastic Profiles Pty Ltd; 08-08NES, Display mounting stirrup, 13 Mar 2007	16890/2007	Bonson Industrial Co. Limited; 09-01NES, Tamper evident container, (NZ, 08 Sep 2006) 07 Mar 2007	16780/2007
Australian Plastic Profiles Pty Ltd; 08-08NES, Display mounting strip, 13 Mar 2007	16891/2007		
Axial Vector Engine Corporation; 13-01, Generator and/or motor assembly, (US, 08 Sep 2006) 08 Mar 2007	16800/2007		
Azuma Design Pty Limited; 08-06, A handle, 14 Mar 2007	16900/2007		

Breezway Australia (Holdings) Pty Ltd; 25-02K, Louvre blade of indefinite length, 06 Mar 2007	16759/2007	Collison Bros Stock Holding and Handling Yards Pty Ltd; 25-02C, 12-16B, Stock holding panels and gates. Stock crates, 07 Mar 2007	16757/2007
BRIX S.r.l.; 25-01G, Covering or cladding elements, (EM, 22 Sep 2006) 19 Mar 2007	16957/2007	Commonwealth Scientific and Industrial Research Organisation; 14-03NES, A compact dual-polarised Ka-band feed system for satellite &/or terrestrial communications, 22 Mar 2007	17017/2007
Cadbury Schweppes PLC; 09-03L, Packaging/container, 28 Feb 2007	16691/2007	Cook, Murray Norman; 23-02NES, Drain grate having brush facility, 28 Feb 2007	16687/2007
Cadet Shoes Pty Ltd; 02-04B, Sole unit, 21 Mar 2007	17010/2007	Costarid Pty Ltd; 25-01G, An external corner moulding, 01 Mar 2007	16705/2007
Caiting, Liao; 19-04, Photo album, (NZ, 28 Aug 2006) 01 Mar 2007	16722/2007	Costarid Pty Ltd; 25-01G, An external corner moulding, 01 Mar 2007	16706/2007
Calor; 07-05A, Steam generating base for laundry iron, (FR, 27 Sep 2006) 28 Feb 2007	16699/2007	Costarid Pty Ltd; 25-01G, An external corner moulding, 01 Mar 2007	16707/2007
Calor; 07-05A, Steam generating base for laundry iron, (FR, 27 Sep 2006) 07 Mar 2007	16764/2007	Costarid Pty Ltd; 25-01G, An external corner moulding, 01 Mar 2007	16708/2007
Caroma Industries Limited; 23-01H, A button and spout assembly, 01 Mar 2007	16716/2007	Costarid Pty Ltd; 25-01G, An external corner moulding, 01 Mar 2007	16709/2007
Carty, Gregory Joseph; 08-08D, Brick wall clamp, 21 Mar 2007	17004/2007	Costarid Pty Ltd; 25-01G, An external corner moulding, 01 Mar 2007	16911/2007
Cashmere Blazer Pty Ltd; 03-01B, Pouch, 08 Mar 2007	16794/2007	Crowhurst, Peter; 14-01, The design is applicable to the product model ADPC2400 branded as XSports(TM)2400, 16 Mar 2007	16954/2007
Cawthorne, Barry Colin; 23-02NES, Arrestor or grease trap, 02 Mar 2007	16731/2007	Crown Equipment Corporation; 12-05, Walkie stacker, (US, 29 Sep 2006) 19 Mar 2007	16955/2007
Cawthorne, Barry Colin; 23-02NES, Arrestor or grease trap, 02 Mar 2007	16732/2007	Crown Equipment Corporation; 12-05, 15-02, Walkie stacker power unit, (US, 29 Sep 2006) 19 Mar 2007	16956/2007
Chef'n Corporation; 04-01, A brush, (US, 11 Sep 2006) 06 Mar 2007	16762/2007	Crown Equipment Corporation; 12-05, Walkie stacker lift truck, (US, 29 Sep 2006) 19 Mar 2007	15966/2006
Chef'n Corporation; 07-06NES, A scoop, (US, 29 Sep 2006) 23 Mar 2007	17060/2007	Currie, Timothy; 20-02NES, Display boxes and display units, 13 Dec 2006	16863/2007
Chongqing Sokon Automobile Industry (Group) Co., Ltd.; 12-08, Multi-utility mini-bus, (CN, 11 Sep 2006) 09 Mar 2007	16855/2007	Cyberkart Pty Limited; 12-99, Foldable driving simulator frame, 13 Mar 2007	17006/2007
Choon Nang Electrical Appliance Mfy., Ltd; 08-01, Sharpener for drill bits, (HK, 13 Sep 2006) 09 Mar 2007	16837/2007	Cypro-Ssage Pty Ltd; 28-03NES, Hand held massager, 21 Mar 2007	16970/2007
Clipsal Australia Pty Ltd; 10-04, Socket plug tool, 07 Mar 2007	16776/2007	CAE Inc; 12-16NES, Operator station, (US, 05 Mar 2007) 19 Mar 2007	16971/2007
Clipsal Australia Pty Ltd; 13-03D, Socket plug, 07 Mar 2007	16775/2007	CAE Inc; 21-03, Simulator enclosure, (US, 05 Mar 2007) 19 Mar 2007	16972/2007
Coca-Cola Company, The; 07-01C, Vessel, (US, 28 Sep 2006) 14 Mar 2007	16903/2007	CAE Inc; 21-03, Simulator enclosure, (US, 05 Mar 2007) 19 Mar 2007	
Colgate-Palmolive Company; 09-01B, Container, (US, 15 Sep 2006) 15 Mar 2007	16945/2007		

D'Firo Design, Inc.; 03-03, Asymmetrical canopy, (US, 05 Sep 2006) 01 Mar 2007	16741/2007	Denys Lloyd Filleul and Marcia Ann Filleul Trading as Playground Centre; 21-02F, An exercise machine, (NZ, 21 Sep 2006) 21 Mar 2007	16990/2007
Dailys Limited; 02-02B, Coverall, 21 Mar 2007	16994/2007	Denys Lloyd Filleul and Marcia Ann Filleul Trading as Playground Centre; 21-03, A seesaw, (NZ, 21 Sep 2006) 21 Mar 2007	16987/2007
Dart Industries Inc.; 09-03M, Container, (US, 05 Oct 2006) 14 Mar 2007	16905/2007	Denys Lloyd Filleul and Marcia Ann Filleul Trading as Playground Centre; 21-03, A seesaw, (NZ, 21 Sep 2006) 21 Mar 2007	16988/2007
Dart Industries Inc.; 09-07NES, Cover, (US, 05 Oct 2006) 14 Mar 2007	16906/2007	Denys Lloyd Filleul and Marcia Ann Filleul Trading as Playground Centre; 21-03, A seesaw, (NZ, 21 Sep 2006) 21 Mar 2007	16989/2007
Dart Industries Inc.; 09-03L, Covered container, (US, 05 Oct 2006) 14 Mar 2007	16907/2007	Dethier, Livin Fernand Georges; 12-02, Cart, (BX, 21 Sep 2006) 21 Mar 2007	17005/2007
Dauphin Entwicklungs-und Beteiligungs GmbH; 06-06G, Armrest, (EM, 15 Sep 2006) 14 Mar 2007	16904/2007	Doyle, Alana; 02-01B, Nappy, 08 Mar 2007	16778/2007
Davies, Cindy-Lee; 07-06C, Napkin ring/table holder - for tea spoon/knife, 12 Mar 2007	16822/2007	Duff, Simon; 26-05B, The product is a floor lamp using led lighting and a moulded biodegradable material for construction., 21 Mar 2007	16986/2007
Davies, Cindy-Lee; 06-07, Rosie pattern flat placemat and wall hanging mirror - same design, 12 Mar 2007	16827/2007	E-Measurement Solutions Limited; 10-04, Electronic tape measure, (EM, 28 Sep 2006) 23 Mar 2007	17059/2007
Davies, Cindy-Lee; 06-07, Lovey placemat and wall motif (mirrored), 12 Mar 2007	16828/2007	Eaton Corporation; 21-02C, Golf grip, (US, 06 Sep 2006) 05 Mar 2007	16749/2007
Davies, Cindy-Lee; 07-06B, Tia pattern for table use and wall application, 12 Mar 2007	16829/2007	Eaton Corporation; 21-02C, Golf grip, (US, 06 Sep 2006) 05 Mar 2007	16750/2007
Davies, Cindy-Lee; 06-07, Sophia pattern - Applied to table placemat, coaster and wall mirror in various sizes, 12 Mar 2007	16830/2007	Eaton Corporation; 21-02C, Golf grip, (US, 19 Sep 2006) 07 Mar 2007	16770/2007
Davies-Lightly, Cindy-Lee; 06-07, Silhouette cut childrens mirrors, 12 Mar 2007	16823/2007	Eccosit Industries Pty Ltd; 06-01NES, Chair back outer moulding, 08 Mar 2007	16781/2007
Davies-Lightly, Cindy-Lee; 06-07, Silhouette cut childrens mirrors, 12 Mar 2007	16824/2007	Eccosit Industries Pty Ltd; 06-01NES, Chair back outer moulding, 08 Mar 2007	16783/2007
Davies-Lightly, Cindy-Lee; 06-07, Silhouette cut childrens mirrors, 12 Mar 2007	16825/2007	Eccosit Industries Pty Ltd; 06-01NES, Chair back outer moulding, 08 Mar 2007	16782/2007
Davies-Lightly, Cindy-Lee; 06-07, Silhouette cut childrens mirrors, 12 Mar 2007	16826/2007	Ergonomiprodukter i Bodafors AB; 03-01NES, Hardcase for a chair, (EM, 24 Nov 2006) 16 Mar 2007	16920/2007
Decor Corporation Pty Ltd, The; 04-01, Dish brush, 22 Mar 2007	17027/2007	Ergonomiprodukter i Bodafors AB; 06-01F, A chair, (EM, 24 Nov 2006) 16 Mar 2007	16921/2007
Decor Corporation Pty Ltd, The; 07-04, Vegetable peeler, 22 Mar 2007	17028/2007	Ergonomiprodukter i Bodafors AB; 06-01F, A chair, (EM, 24 Nov 2006) 16 Mar 2007	16922/2007
Decor Corporation Pty Ltd, The; 04-01, Dish brush, 22 Mar 2007	17029/2007	Ergonomiprodukter i Bodafors AB; 06-01F, A chair, (EM, 24 Nov 2006) 16 Mar 2007	16923/2007
Decor Corporation Pty Ltd, The; 07-05NES, Dish brush holder, 22 Mar 2007	17030/2007		
Decor Corporation Pty Ltd, The; 07-05E, Mop head body, 22 Mar 2007	17031/2007		

Ergonomiprodukter i Bodafors AB; 06-01F, A chair, (EM, 24 Nov 2006) 16 Mar 2007	16924/2007	Gemini Industries Pty Ltd; 23-02C, Toilet pan, 23 Mar 2007	17041/2007
Ergonomiprodukter i Bodafors AB; 06-01F, A chair, (EM, 24 Nov 2006) 16 Mar 2007	16925/2007	Gemini Industries Pty Ltd; 23-02C, Toilet pan, 23 Mar 2007	17042/2007
Ergonomiprodukter i Bodafors AB; 06-01F, A chair, (EM, 24 Nov 2006) 16 Mar 2007	16927/2007	Gemini Industries Pty Ltd; 23-02C, Toilet pan, 23 Mar 2007	17043/2007
Ergonomiprodukter i Bodafors AB; 06-01F, A chair, (EM, 24 Nov 2006) 16 Mar 2007	16919/2007	Glaxo Group Limited; 24-04, Inhalation devices, (GB, 14 Sep 2006) 13 Mar 2007	16876/2007
Ergonomiprodukter i Bodafors AB; 06-01F, A chair, (EM, 24 Nov 2006) 16 Mar 2007	16725/2007	Graham, Aaron; 27-99, Tobacco smoking bongs, bong down stems, smoking accessories, 26 Mar 2007	17061/2007
Eveready Battery Company, Inc.; 26-02, A lighting device, (US, 27 Sep 2006) 02 Mar 2007	16726/2007	Guccio Gucci S.p.A.; 03-01B, A handbag, (EM, 05 Mar 2007) 22 Mar 2007	17019/2007
Eveready Battery Company, Inc.; 26-02, A flashlight, (US, 27 Sep 2006) 02 Mar 2007	16727/2007	GCC Management Ltd; 15-01, Driving mechanism, 22 Sep 2006	14228/2006
Eveready Battery Company, Inc.; 26-02, A lighting device, (US, 27 Sep 2006) 02 Mar 2007	17009/2007	Hansa Metallwerke AG; 23-01H, An operating lever for a mixer tap, (EM, 26 Sep 2006) 19 Mar 2007	16959/2007
ELC Management LLC; 28-03NES, Applicator heads, (US, 25 Sep 2006) 21 Mar 2007	17008/2007	Hansa Metallwerke AG; 23-01H, A mixer tap, (EM, 26 Sep 2006) 19 Mar 2007	16960/2007
ELC Management LLC; 28-03NES, Applicator heads/applicators, (US, 24 Oct 2006) 21 Mar 2007	16918/2007	Hansa Metallwerke AG; 23-01H, A mixer tap, (EM, 26 Sep 2006) 19 Mar 2007	16961/2007
ESmart Group Pty Ltd; 23-03NES, Draft guard for a fireplace, 15 Mar 2007	16917/2007	Hart, Russell Peter; 14-01, Loudspeaker, 02 Mar 2007	16718/2007
ESmart Group Pty Ltd; 23-03NES, Draft guard for a fireplace, 15 Mar 2007	16734/2007	Hart, Russell Peter; 14-01, Subwoofer loudspeaker, 02 Mar 2007	16719/2007
Fahmi, Ismail; 02-02NES, Ti Shirt, 06 Mar 2007	16710/2007	Hart, Russell Peter; 14-99, Stand, 02 Mar 2007	16720/2007
Fantech Pty Ltd; 23-04, Fan, 01 Mar 2007	16910/2007	Hella Fahrzeugteile Austria GmbH; 26-03, Searchlight, (EM, 19 Sep 2006) 16 Mar 2007	16943/2007
Felici, Mauro; 07-01B, Sticky bowl, 14 Mar 2007	16908/2007	Hills Industries Limited; 07-05D, Compact single frame folding clothes line, 28 Feb 2007	16669/2007
Foddis, Ulisse; 08-08NES, Camera mount, (DE, 15 Sep 2006) 14 Mar 2007	17021/2007	Hills Industries Limited; 07-05D, Single frame folding clothes line, 28 Feb 2007	16670/2007
Form Cut PTY LTD; 09-03H, Packaging inserts, 22 Mar 2007	17022/2007	Hsiao, I-Min; 03-01NES, An air compressed crank case, 22 Mar 2007	17016/2007
Form Cut PTY LTD; 09-03H, Packaging inserts, 22 Mar 2007	17020/2007	Huett, Sarah Louise; 08-06, Articulated pivoting post hinge, 02 Mar 2007	16711/2007
Form Cut PTY LTD; 09-03H, Packaging inserts, 22 Mar 2007	17000/2007	I-Slices Innovations (Pty) Ltd; 28-03NES, Packaging for a cosmetic product, (ZA, 03 Sep 2006) 02 Mar 2007	16742/2007
Foy, Mitchell Gordon; 10-02, Clocks, watches, computer applications, whitegoods, mobile phones, billboards, car dashboards, ipods, 22 Mar 2007	16859/2007	Imetec S.p.A.; 08-08NES, 23-01E, Connector male element thereof and female element thereof, (EM, 26 Feb 2007) 12 Mar 2007	16850/2007
Fraser, Karen; 03-99, Baby carrier, 14 Mar 2007	16680/2007	Inder, Shane; 07-06C, A salt or pepper mill, 26 Mar 2007	17037/2007
Freelance Corporate Promotions; 02-02NES, A garment, 28 Feb 2007	17040/2007	Inder, Shane; 07-02F, A domestic toaster, 26 Mar 2007	17038/2007

Innotech Pty Ltd; 14-03NES, A breathing apparatus communication assembly, 20 Mar 2007	16995/2007	Johnson & Johnson Consumer Companies, Inc.; 09-03NES, Container, (US, 08 Sep 2006) 08 Mar 2007	16802/2007
Innotech Pty Ltd; 14-01, A microphone assembly, 20 Mar 2007	16996/2007	Kabushiki Kaisha Toshiba, also Trading as Toshiba Corporation; 14-01, A television receiver, (JP, 27 Dec 2006) 08 Mar 2007	16796/2007
Innotech Pty Ltd; 14-01, A loudspeaker assembly, 20 Mar 2007	16997/2007		
Ireland, Bruce Ian; 25-01B, A spacer strip insert for concrete flooring, 11 Nov 2005	15569/2006	Kabushiki Kaisha Toyoda Jidoshokki Seisakusho; 12-05, A crane for an automated warehousing system, (JP, 01 Sep 2006) 28 Feb 2007	16692/2007
ILLYCAFFE' SpA con unico socio; 07-02L, Coffee machine, (EM, 11 Dec 2006) 16 Mar 2007	16933/2007	Kabushiki Kaisha Toyoda Jidoshokki Seisakusho; 14-02, A control device with management function for an automated warehousing system, (JP, 01 Sep 2006) 28 Feb 2007	16700/2007
J & M Technology Pty Ltd; 08-05K, Trowel blade, 07 Mar 2007	16777/2007		
Jahrling, Lothar; 02-04A, Footwear insert, (EM, 18 Sep 2006) 13 Mar 2007	16880/2007	Kabushiki Kaisha Toyoda Jidoshokki Seisakusho; 14-02, A remote controller of a crane for an automated warehousing system, (JP, 01 Sep 2006) 28 Feb 2007	16701/2007
Jahrling, Lothar; 02-04A, Footwear insert, (EM, 18 Sep 2006) 13 Mar 2007	16881/2007		
Jahrling, Lothar; 02-04A, Footwear insert, (EM, 18 Sep 2006) 13 Mar 2007	16882/2007	Kabushiki Kaisha Toyoda Jidoshokki Seisakusho; 14-02, A control device for an automated warehousing system, (JP, 01 Sep 2006) 28 Feb 2007	16702/2007
Jahrling, Lothar; 02-04A, Footwear insert, (EM, 18 Sep 2006) 13 Mar 2007	16883/2007	Kabushiki Kaisha Toyoda Jidoshokki Seisakusho; 25-02C, A gate with control and management function for an automated warehousing system, (JP, 01 Sep 2006) 28 Feb 2007	16693/2007
Jahrling, Lothar; 02-04A, Footwear insert, (EM, 18 Sep 2006) 13 Mar 2007	16884/2007		
Jahrling, Lothar; 02-04A, Footwear insert, (EM, 18 Sep 2006) 13 Mar 2007	16885/2007	Kabushiki Kaisha Toyoda Jidoshokki Seisakusho; 14-03NES, Operation panel for a crane of an automated warehousing system, (JP, 01 Sep 2006) 28 Feb 2007	16694/2007
Jahrling, Lothar; 02-04A, Footwear insert, (EM, 18 Sep 2006) 13 Mar 2007	16886/2007	Kabushiki Kaisha Toyoda Jidoshokki Seisakusho; 14-03NES, Operation panel for a crane of an automated warehousing system, (JP, 01 Sep 2006) 28 Feb 2007	16695/2007
Jahrling, Lothar; 02-04A, Footwear insert, (EM, 18 Sep 2006) 13 Mar 2007	16887/2007		
Jahrling, Lothar; 02-04A, Footwear insert, (EM, 18 Sep 2006) 13 Mar 2007	16888/2007	Kabushiki Kaisha Toyoda Jidoshokki Seisakusho; 14-03NES, An operation panel for an automated warehousing system, (JP, 01 Sep 2006) 28 Feb 2007	16696/2007
James, Thomas Philip Wickham; 21-01K, Playing card, 01 Mar 2007	16685/2007	Kabushiki Kaisha Toyoda Jidoshokki Seisakusho; 14-03NES, Control device with management function for an automated warehousing system, (JP, 01 Sep 2006) 28 Feb 2007	16697/2007
James, Thomas Philip Wickham; 21-01L, Game board piece, 01 Mar 2007	16686/2007		
James Hardie International Finance B.V.; 25-01D, Building element, 21 Mar 2007	17003/2007	Kaebel Leisure Pty Ltd; 21-99, Play equipment assembly, 07 Mar 2007	16773/2007
James Hardie International Finance B.V.; 25-01D, Building element, 08 Mar 2007	16798/2007		
James Hardie International Finance B.V.; 25-01D, Building element, 08 Mar 2007	16799/2007	Kai R&D Center Co., Ltd.; 24-02, Surgical cutting tool, (JP, 08 Sep 2006) 07 Mar 2007	16772/2007
James Hardie International Finance B.V.; 25-01D, Building element, 08 Mar 2007	16797/2007		
Johnson & Johnson Consumer Companies, Inc.; 09-03NES, Container, (US, 08 Sep 2006) 08 Mar 2007	16801/2007	Kendall, Alan Brian; 12-16B, Automobile wheelarch flare, 23 Mar 2007	17057/2007
		King Dix Pty Limited; 14-02, Track pad for machinery, 05 Mar 2007	16755/2007

King Dix Pty Limited; 14-02, Truck pad for machinery, 05 Mar 2007	16756/2007	Mi Concepts Pty Ltd; 23-01NES, Mobile storage and distribution apparatus for fluids, 22 Mar 2007	17036/2007
Kohler Co.; 23-02C, Toilet seat and cover, (US, 31 Aug 2006) 28 Feb 2007	16674/2007	Mink Pink Fashion Group Pty Ltd; 02-02C, 02-02NES, Clothing, 09 Mar 2007	16795/2007
Kohler Co.; 23-02C, Toilet seat cover, (US, 31 Aug 2006) 28 Feb 2007	16675/2007	Mitsubishi Pencil Co., Ltd; 19-06, Pen, (JP, 05 Sep 2006) 28 Feb 2007	16698/2007
Koninklijke Philips Electronics N.V.; 28-03A, Three head brush shaver, (EM, 31 Aug 2006) 28 Feb 2007	16681/2007	Morrison, Michael; 08-01, Spade fork, 14 Mar 2007	16909/2007
Krebar Pty Ltd, Trading as Paige Stainless Fabrications; 25-01NES, Elongate grating member, 02 Mar 2007	16733/2007	Mortimer, Colin David; 08-05K, Industrial tools, 22 Mar 2007	17007/2007
Kulak Pty Ltd; 08-08NES, Fuse panel mounting blocks for electricity supply pillar boxes, 19 Mar 2007	16974/2007	N.V. Nutricia; 09-03NES, Packaging, (EM, 22 Dec 2006) 12 Mar 2007	16846/2007
Lifestyle Products Inc.; 02-04NES, Footwear, (US, 18 Sep 2006) 16 Mar 2007	16931/2007	N.V. Nutricia; 09-03NES, Packaging, (EM, 22 Dec 2006) 12 Mar 2007	16847/2007
Louden, Lisa Annette; 02-02NES, Lace retaining cuff, 01 Mar 2007	16717/2007	N.V. Nutricia; 09-03NES, Packaging, (EM, 22 Dec 2006) 12 Mar 2007	16848/2007
LG Electronics Inc.; 14-03E, Mobile telephone, 09 Mar 2007	16856/2007	Nestle Waters; 09-01A, Bottle, (CH, 20 Nov 2006) 05 Mar 2007	16748/2007
M.Y. Caravans Services; 25-01NES, P/T roof, 14 Mar 2007	16879/2007	Nokia Corporation; 14-02, Internet device, (FI, 31 Oct 2006) 09 Mar 2007	16851/2007
Makari, Nabil; 15-03B, Mid-sized mulcher, 02 Mar 2007	16730/2007	Nokia Corporation; 14-03A, Headset, (FI, 22 Sep 2006) 21 Mar 2007	17015/2007
McPherson's Limited; 08-05H, Knife sharpener housing, 16 Mar 2007	16939/2007	Nokia Corporation; 14-03E, Handset, (FI, 26 Oct 2006) 09 Mar 2007	16852/2007
Med-Eng Systems Inc.; 02-02B, Protective garment for the upper torso and lower arms, 16 Mar 2006	14554/2006	Nokia Corporation; 14-03E, Handset, (FI, 12 Sep 2006) 09 Mar 2007	16853/2007
Med-Eng Systems Inc.; 02-02B, Protective garment for the lower torso, knees and lower legs, 16 Mar 2006	14555/2006	O Book Pty Ltd, The; 19-04, Books and printed matter, 20 Oct 2006	16804/2007
Med-Eng Systems Inc.; 02-02B, Protective garment for the lower torso, 16 Mar 2006	14556/2006	O Book Pty Ltd, The; 19-04, Books and printed matter, 20 Oct 2006	16805/2007
Meridian Medical Technologies, Inc.; 24-02, Injector carry pack, (US, 07 Jul 2006) 02 Jan 2007	16950/2007	O Book Pty Ltd, The; 19-04, Books and printed matter, 20 Oct 2006	16806/2007
Meridian Medical Technologies, Inc.; 24-02, Injector carry pack, (US, 07 Jul 2006) 02 Jan 2007	16951/2007	O Book Pty Ltd, The; 19-04, Books and printed matter, 20 Oct 2006	16807/2007
Meridian Medical Technologies, Inc.; 24-02, Injector carry pack, (US, 07 Jul 2006) 02 Jan 2007	16952/2007	O Book Pty Ltd, The; 19-04, Books and printed matter, 20 Oct 2006	16808/2007
Metalicus Australia Pty Ltd; 02-02NES, Ladies garments, 19 Mar 2007	16964/2007	O Book Pty Ltd, The; 19-04, Books and printed matter, 20 Oct 2006	16809/2007
Metlam Australia Pty. Limited; 08-06, Hinge, 15 Mar 2007	16915/2007	O Book Pty Ltd, The; 19-04, Books and printed matter, 20 Oct 2006	16810/2007
Metlam Australia Pty. Limited; 08-09, Door hook, 15 Mar 2007	16916/2007	O Book Pty Ltd, The; 19-04, Books and printed matter, 20 Oct 2006	16811/2007
Mi Concepts Pty Ltd; 23-01NES, Mobile storage and distribution apparatus for fluids, 22 Mar 2007	17035/2007	O Book Pty Ltd, The; 19-04, Books and printed matter, 20 Oct 2006	16812/2007
		O Book Pty Ltd, The; 19-04, Books and printed matter, 20 Oct 2006	16813/2007
		O Book Pty Ltd, The; 19-04, Books and printed matter, 20 Oct 2006	16814/2007

O Book Pty Ltd, The; 19-04, Books and printed matter, 20 Oct 2006	16815/2007	Peter Reisenthel; 12-02, Trolley, 19 Mar 2007	16969/2007
O Book Pty Ltd, The; 19-04, Books and printed matter, 20 Oct 2006	16816/2007	Phoenix Industries Pty Ltd; 23-01H, Basin mixer, 21 Mar 2007	17011/2007
O Book Pty Ltd, The; 19-04, Books and printed matter, 20 Oct 2006	16817/2007	Phoenix Industries Pty Ltd; 07-05D, Towel rail, 21 Mar 2007	17012/2007
O Book Pty Ltd, The; 19-04, Books and printed matter, 20 Oct 2006	16818/2007	Phoenix Industries Pty Ltd; 23-01H, Shower arm and head, 21 Mar 2007	17013/2007
O Book Pty Ltd, The; 19-04, Books and printed matter, 20 Oct 2006	16819/2007	Phoenix Industries Pty Ltd; 23-01H, Mixer handle, 21 Mar 2007	17014/2007
O Book Pty Ltd, The; 19-04, Books and printed matter, 20 Oct 2006	16820/2007	Pi-Design AG; 07-01G, Teapot, (DK, 20 Sep 2006) 07 Mar 2007	16774/2007
O Book Pty Ltd, The; 19-04, Books and printed matter, 20 Oct 2006	16821/2007	Pi-Design AG; 07-02NES, Milk frother, (DK, 07 Sep 2006) 02 Mar 2007	16729/2007
Oakley, Inc.; 16-06, Eyeglass frame, (US, 27 Sep 2006) 19 Mar 2007	16962/2007	Pluznyk, Borys; 19-06, A stencil, 16 Mar 2007	16926/2007
Oakley, Inc.; 16-06, Eyeglass components comprising frame and earstems, (US, 27 Sep 2006) 19 Mar 2007	16963/2007	Proact Medical Systems (Australia) Pty Ltd; 24-01, 24-02, Proact pro-breathe single use silicone laryngeal mask, 14 Mar 2007	16860/2007
Ozbags Pty Ltd; 03-01D, Bag, 08 Mar 2007	16785/2007	Procter & Gamble Company, The; 28-03NES, Therapeutic device, (US, 08 Sep 2006) 08 Mar 2007	16779/2007
Pacific Market International, LLC; 09-01NES, Air pot, (US, 26 Sep 2006) 15 Mar 2007	16935/2007	Pump n Seal Australia Pty Ltd; 15-02, Shaft safety guard, 09 Mar 2007	16803/2007
Pacific Products (International) Pty Limited; 23-01H, 23-02B, Signature shower set, 06 Mar 2006	14300/2006	RacePointMedia LLC; 14-03NES, Multimedia controller, (US, 07 Sep 2006) 28 Feb 2007	16689/2007
Pactiv Corporation; 03-01A, A slider bag, (US, 07 Jun 2006) (Divisional of 15624/2006) 19 Mar 2007	16958/2007	Radio Flyer, Inc.; 21-01F, Telescoping bicycle, (US, 29 Sep 2006) 14 Mar 2007	16894/2007
Pain, John Ronald; 02-02NES, T-shirts, 26 Mar 2007	17039/2007	Ramtaps Pty Ltd; 23-01A, Hand-shower holder for hand-rail, 15 Mar 2007	16914/2007
Palmerston Limited; 14-04, Display of an electronic device, 08 Mar 2007	16793/2007	Reckitt Benckiser (UK) Limited; 28-99, Air freshener device, (EM, 21 Sep 2006) 13 Mar 2007	16867/2007
Palmerston Limited; 14-04, Display of an electronic device, 05 Mar 2007	16751/2007	Reckitt Benckiser (UK) Limited; 28-99, Air freshener device, (EM, 21 Sep 2006) 13 Mar 2007	16868/2007
Panton, Roger Alexander; 25-01NES, Split pin installer, 23 Mar 2007	17026/2007	Reckitt Benckiser (UK) Limited; 28-99, Air freshener device, (EM, 21 Sep 2006) 13 Mar 2007	16869/2007
Peter Opsvik AS; 06-01NES, Backrest for a chair, (NO, 04 Sep 2006) 02 Mar 2007	16723/2007	Reckitt Benckiser (UK) Limited; 28-99, Air freshener device, (EM, 21 Sep 2006) 13 Mar 2007	16870/2007
Peter Opsvik AS; 06-01NES, Backrest for a chair, (NO, 04 Sep 2006) 02 Mar 2007	16724/2007	Reckitt Benckiser (UK) Limited; 28-99, Air freshener device, (EM, 21 Sep 2006) 13 Mar 2007	16871/2007
Peter Reisenthel; 09-05, Bag for laundry, 19 Mar 2007	16965/2007	Reckitt Benckiser (UK) Limited; 28-99, Air freshener device, (EM, 21 Sep 2006) 13 Mar 2007	16864/2007
Peter Reisenthel; 09-04, Basket, 19 Mar 2007	16966/2007	Reckitt Benckiser (UK) Limited; 28-99, Air freshener device, (EM, 21 Sep 2006) 13 Mar 2007	16865/2007
Peter Reisenthel; 09-04, Basket, 19 Mar 2007	16967/2007		
Peter Reisenthel; 12-02, Trolley, 19 Mar 2007	16968/2007		

Reckitt Benckiser (UK) Limited; 28-99, Air freshener device, (EM, 21 Sep 2006) 13 Mar 2007	16866/2007	Schuessleder, Michael; Wittkoswki, Maik; 02-03, Cap with rear flap, (EM, 13 Sep 2006) 13 Mar 2007	16862/2007
Reckitt Benckiser Inc.; 09-05, Blister package, (US, 26 Sep 2006) 06 Mar 2007	16758/2007	Schuessleder, Michael; Wittkoswki, Maik; 02-03, Cap, (EM, 13 Sep 2006) 13 Mar 2007	16861/2007
Richardson, Cled; 25-02H, Residential windows, 21 Mar 2007	16984/2007	Scorecorp Pty Ltd; de Vos Charter & Associates; Roadwest Transport Equipment & Sales Pty Ltd; 12-10, Rear chassis transverse and coupling support member for a truck/prime mover/trailer chassis, 19 Mar 2007	16977/2007
Roadwest Transport Equipment & Sales Pty Ltd; de Vos Charter & Associates; Scorecorp Pty Ltd; 12-10, Rear chassis transverse and coupling support member for a truck/prime mover/trailer chassis, 19 Mar 2007	16977/2007	Seapa Pty Ltd; 08-08NES, An oyster basket attachment assembly, 15 Mar 2007	16913/2007
Roadwest Transport Equipment & Sales Pty Ltd; 12-10, Side tipping trailer, 19 Mar 2007	16975/2007	Sellers, David R.; 03-01C, Ski boot attachment, (US, 22 Sep 2006) 19 Mar 2007	16973/2007
Roadwest Transport Equipment & Sales Pty Ltd; 12-10, Body for a side tipping trailer, 19 Mar 2007	16976/2007	Shaw, Geoff; 12-10, (Luggage) trailers, 12 Mar 2007	16832/2007
Rosemin Pty Ltd; 02-02C, Secret dress, 16 Nov 2006	16947/2007	Sheppard, Craig; 08-05L, Portable door spraying rack, 21 Mar 2007	16985/2007
Rosemin Pty Ltd; 02-02C, Tea cup dress, 16 Nov 2006	16948/2007	Shop-Vac Corporation; 15-05, Vacuum cleaner, (US, 22 Sep 2006) 22 Mar 2007	17032/2007
Rosemin Pty Ltd; 02-02C, Princess dress, 16 Nov 2006	16949/2007	Shop-Vac Corporation; 15-05, Vacuum cleaner, (US, 22 Sep 2006) 28 Feb 2007	16676/2007
Ross, Lance John; 21-01L, Chess learner board, 20 Mar 2007	16980/2007	Shop-Vac Corporation; 15-05, Vacuum cleaner, (US, 22 Sep 2006) 13 Mar 2007	16872/2007
Rotho BabyDesign GMBH; 09-03NES, Container, (EM, 07 Sep 2006) 07 Mar 2007	16784/2007	Shop-Vac Corporation; 15-05, Vacuum cleaner, (US, 22 Sep 2006) 28 Feb 2007	16677/2007
S.C. Johnson & Son, Inc.; 26-01, Candle holder, (US, 14 Sep 2006) 12 Mar 2007	16849/2007	Shop-Vac Corporation; 15-05, Vacuum cleaner, (US, 22 Sep 2006) 28 Feb 2007	16678/2007
S.C. Johnson & Son, Inc.; 24-99, Volatile actives venting face plate, (US, 08 Sep 2006) 07 Mar 2007	16771/2007	Shop-Vac Corporation; 15-03NES, Mulching vacuum, (US, 22 Sep 2006) 28 Feb 2007	16679/2007
SafetyLink Pty Ltd; 25-02NES, Surface mounted plate; part of a complete unit which is riveted to a roof of a building with an eyebolt for a user, to attach to. Height safety equipment, 01 Mar 2007	16703/2007	Shuttleworth, Kym; 06-13B, Cot and bed sheet system, 16 Mar 2007	16932/2007
Samatra Holdings Limited; 03-03, 12-12, A stroller shade, (GB, 20 Feb 2007) 01 Mar 2007	16893/2007	Simmons, Neville; Simmons, Richard; Simmons, Jack Graeme; Simmons, Andrew; 25-01K, An extrusion, (NZ, 01 Jun 2006) 01 Dec 2006	16983/2007
Schlegel, Robert F.; 12-16K, Motor vehicle cargo carrier, 28 Feb 2007	16667/2007	Simmons, Richard; Simmons, Neville; Simmons, Jack Graeme; Simmons, Andrew; 25-01K, An extrusion, (NZ, 01 Jun 2006) 01 Dec 2006	16983/2007
Scholastic Inc.; 19-04, A book, (EM, 25 Sep 2006) 23 Mar 2007	17055/2007	Simmons, Jack Graeme; Simmons, Neville; Simmons, Richard; Simmons, Andrew; 25-01K, An extrusion, (NZ, 01 Jun 2006) 01 Dec 2006	16983/2007
Scholastic Inc.; 19-04, A page for a book, (EM, 25 Sep 2006) 23 Mar 2007	17056/2007	Simmons, Andrew; Simmons, Neville; Simmons, Richard; Simmons, Jack Graeme; 25-01K, An extrusion, (NZ, 01 Jun 2006) 01 Dec 2006	16983/2007
Schreder; 26-03, Exterior light, (CO, 11 Sep 2006) 09 Mar 2007	16854/2007		

Smalley, Ken; 25-03, Rising sun, garden tunnel rounded v1 arbour, 02 Mar 2007	16712/2007	Taylor, Alistair; Bickle, Peter; Bickle, Beverley; 08-08L, Structural bracket to support electronic whiteboard/ whiteboard pull down screen, speakers, amplifier, computer,, DVD player, video/data projector inclusive of network/ VGA/DVI/composite/component/and s. vide cabling, 21 Mar 2007	17018/2007
Smalley, Ken; 25-03, Rising sun, garden tunnel rounded v2 arbour, 02 Mar 2007	16713/2007		
Smalley, Ken; 25-03, Rising sun, garden tunnel pitched arbour, 02 Mar 2007	16714/2007	Team Poly Pty Ltd; 12-16C, Front bumper for a vehicle, 16 Mar 2007	16934/2007
Smalley, Ken; 25-03, Heart pattern, garden tunnel rounded arbour, 02 Mar 2007	16715/2007	Team Poly Pty Ltd; 23-01F, Tank, 23 Mar 2007	17046/2007
Smartbag Pty Limited; 06-13NES, Reusable seat cover, 02 Mar 2007	16728/2007	Team Poly Pty Ltd; 23-01F, Tank, 23 Mar 2007	17047/2007
Smiths Medical ASD, Inc.; 24-04, Respiratory therapy device, (US, 03 Oct 2006) 22 Mar 2007	17033/2007	Team Poly Pty Ltd; 23-01F, Tank, 23 Mar 2007	17048/2007
Sony Computer Entertainment Inc.; 14-99, 14-01, Stand for an electronic device, (JP, 04 Dec 2006) 15 Mar 2007	16946/2007	Team Poly Pty Ltd; 23-01F, Tank, 23 Mar 2007	17049/2007
Southland-CNG Securities Pty Ltd; 06-06D, Drawer, 21 Mar 2007	17002/2007	Team Poly Pty Ltd; 12-16B, Front bumper for a vehicle, 23 Mar 2007	17050/2007
Spectro Enterprises Pty Ltd; 23-02A, A toilet roll holder and grab rail, 28 Feb 2007	16668/2007	Team Poly Pty Ltd; 12-16B, Front bumper for a vehicle, 23 Mar 2007	17051/2007
Starclan Pty Ltd; 25-01D, Panel side edge connector, 19 Mar 2007	17023/2007	Team Poly Pty Ltd; 12-16B, Front bumper for a vehicle, 23 Mar 2007	17052/2007
Starclan Pty Ltd; 25-01D, Panel side edge connector, 19 Mar 2007	17024/2007	Team Poly Pty Ltd; 12-16B, Front bumper for a vehicle, 23 Mar 2007	17053/2007
Starclan Pty Ltd; 25-01D, Panel side edge connector, 19 Mar 2007	17025/2007	Terumo Kabushiki Kaisha; 24-02, Needling device, (JP, 19 Oct 2006) 13 Mar 2007	16873/2007
Steelworks Hardware L.L.C.; 04-01, Magnetic sweeper, (US, 25 Sep 2006) 23 Mar 2007	17044/2007	The Coca-Cola Company; 09-01NES, Bottle, (GB, 19 Sep 2006) 28 Feb 2007	16688/2007
Stratco (Australia) Pty Limited; 23-01F, Elongate tank, 07 Mar 2007	16766/2007	The Vehicle Production Group LLC; 12-08, Automobile, (US, 15 Sep 2006) 15 Mar 2007	16938/2007
Stratco (Australia) Pty Limited; 23-01F, Round tank, 07 Mar 2007	16767/2007	The Wilner Group Pty Ltd; 08-08A, 25-02B, Door wedge, 12 Mar 2007	16838/2007
Sullivan, Peter; 07-07A, Bottler carrier, (GB, 02 Oct 2006) 13 Mar 2007	16858/2007	The Wilner Group Pty Ltd; 08-08A, 25-02B, Door wedge, 12 Mar 2007	16839/2007
Sunbeam Corporation Limited; 07-02L, Espresso machine, 22 Mar 2007	17034/2007	The Wilner Group Pty Ltd; 08-08A, 25-02B, Door wedge, 12 Mar 2007	16840/2007
Suzhou Eagle Electric Vehicle Manufacturing Co., Ltd.; 12-02, A golf cart, (CN, 19 Dec 2006) 01 Mar 2007	16721/2007	The Wilner Group Pty Ltd; 08-08A, 25-02B, Door wedge, 12 Mar 2007	16841/2007
Swatch AG (Swatch SA) (Swatch Ltd); 20-02E, Display stand for jewellery, (WO, 10 Oct 2006) 19 Jan 2007	16084/2007	The Wilner Group Pty Ltd; 08-08A, 25-02B, Door wedge, 12 Mar 2007	16842/2007
SAVERGLASS; 07-01F, Flask, 12 Mar 2007	16845/2007	The Wilner Group Pty Ltd; 08-08A, 25-02B, Door wedge, 12 Mar 2007	16843/2007
		The Wilner Group Pty Ltd; 08-08A, 25-02B, Door wedge, 12 Mar 2007	16844/2007
		The Yokohama Rubber Co., Ltd.; 12-15C, Automobile tyre, (JP, 21 Sep 2006) 20 Mar 2007	16993/2007

Thomson Asia Limited; 14-03A, Telephone set, (HK, 16 Nov 2006) 28 Feb 2007	16665/2007	Vater, Lance Malcolm; 08-08NES, Metal frame support and/or re-enforcement bracket, 02 Mar 2007	16736/2007
Thomson Asia Limited; 14-03A, Telephone set, (HK, 16 Nov 2006) 28 Feb 2007	16666/2007	Vater, Lance Malcolm; 08-08NES, Metal frame corner support and/or re-enforcement bracket, 02 Mar 2007	16737/2007
Thorn Lighting Ltd.; 13-03E, Light switch panel, (EM, 21 Sep 2006) 09 Mar 2007	16835/2007	Vater, Lance Malcolm; 08-08NES, Metal frame corner support and/or re-enforcement bracket, 02 Mar 2007	16738/2007
Thorn Lighting Ltd.; 13-03E, Light switch panel, (EM, 21 Sep 2006) 09 Mar 2007	16836/2007	Vater, Lance Malcolm; 08-08NES, Metal frame support and/or re-enforcement bracket, 02 Mar 2007	16739/2007
Thule Sweden AB; 12-16B, Roof boxes, (EM, 08 Sep 2006) 06 Mar 2007	16760/2007	Vaughan Skinner, Samantha; 02-07A, Wholesome productions, 01 Mar 2007	16671/2007
Thule Sweden AB; 12-16B, Roof boxes, (EM, 08 Sep 2006) 06 Mar 2007	16761/2007	Vaughan Skinner, Samantha; 09-03F, Button, 01 Mar 2007	16672/2007
Trakka Pty Limited; 06-09, A pair of complementary mattresses or seat cushions, for a campervan, caravan or motorhome, 15 Mar 2007	16912/2007	Vaughan Skinner, Samantha; 02-02B, Apron, 01 Mar 2007	16673/2007
Tsorakidis, Arki; Astra Furniture Pty Ltd; 06-03A, Table, 20 Nov 2006	15964/2006	Visy Industrial Packaging Holdings Pty Ltd; 09-02B, A container, 28 Feb 2007	16690/2007
Tsorakidis, Arki; Astra Furniture Pty Ltd; 16-04, Tables, buffet, entertainment units, display units, 20 Nov 2006	15965/2006	Vogue Pergolas Pty Ltd; 03-03, Umbrellas - outside shade structures, 13 Mar 2007	16857/2007
Turbosmart Pty Ltd; 15-01, Race port blow-off valve, 01 Mar 2007	16704/2007	Vomac Pty Ltd; 12-16NES, Combined operators seat and console for operation of machinery, 13 Mar 2007	16892/2007
Turner, Judith; 10-04, A ruler/sewing aid, 06 Mar 2007	16743/2007	Vosschemie GmbH; 31-00, Mixers, industrial, (EM, 19 Sep 2006) 13 Mar 2007	16889/2007
Unilever N.V.; 07-05E, Cleansing implement, (US, 10 Oct 2006) 20 Mar 2007	16991/2007	Wah, Peter Chin Chen; 08-05NES, Roller cleaner with opener, 19 Mar 2007	16953/2007
Unilever PLC; 07-05E, Cleansing implement, (US, 10 Oct 2006) 20 Mar 2007	16992/2007	Wahl Clipper Corporation; 28-03D, Comb attachment, (US, 18 Sep 2006) 16 Mar 2007	16940/2007
Valk Nominees Pty Limited; 11-05, Flags, 16 Mar 2007	16928/2007	Wahl Clipper Corporation; 28-03D, Attachment comb, (US, 18 Sep 2006) 16 Mar 2007	16941/2007
Valk Nominees Pty Limited; 11-05, Flags, 16 Mar 2007	16929/2007	Wahl Clipper Corporation; 28-03D, Comb attachment, (US, 18 Sep 2006) 16 Mar 2007	16942/2007
Valk Nominees Pty Limited; 11-05, Flags, 16 Mar 2007	16930/2007	Ware, M.; 07-06B, Drink coaster holder, 12 Mar 2007	16833/2007
Vascular Insights LLC; 24-02, Handpiece for a medical device, (US, 13 Sep 2006) 13 Mar 2007	16875/2007	Watkins Manufacturing Corporation; 25-03, Spa shell, (US, 26 Sep 2006) 23 Mar 2007	17054/2007
Vater, Lance Malcolm; 08-08NES, Metal frame support and/or re-enforcement bracket, 02 Mar 2007	16740/2007	Wittkoswki, Maik; Schuessleder, Michael; 02-03, Cap with rear flap, (EM, 13 Sep 2006) 13 Mar 2007	16862/2007
Vater, Lance Malcolm; 08-08NES, Metal frame support and/or re-enforcement bracket, 02 Mar 2007	16735/2007	Wittkoswki, Maik; Schuessleder, Michael; 02-03, Cap, (EM, 13 Sep 2006) 13 Mar 2007	16861/2007
Vater, Lance Malcolm; 08-08NES, Support bracket, 08 Mar 2007	16786/2007	Woolworths Limited; 20-02E, Produce display structure, 14 Mar 2007	16895/2007
Vater, Lance Malcolm; 08-08NES, Support bracket, 08 Mar 2007	16787/2007	Woolworths Limited; 20-02E, Produce display structure, 14 Mar 2007	16896/2007
Vater, Lance Malcolm; 08-08NES, Support bracket, 08 Mar 2007	16788/2007	Woolworths Limited; 20-02E, Produce display structure, 14 Mar 2007	16897/2007

Woolworths Limited; 20-02E, Produce display structure, 14 Mar 2007	16898/2007	001 Corporation; 09-01G, Bottle, (US, 27 Sep 2006) 08 Mar 2007	16791/2007
Woolworths Limited; 20-02E, Produce display structure, 14 Mar 2007	16899/2007	001 Corporation; 09-01G, Bottle, (US, 27 Sep 2006) 08 Mar 2007	16792/2007
Your Shadow Technologies Pty Ltd; 12-02, A golf cart, 12 Mar 2007	16831/2007		
ZKL, a.s.; 09-03M, Box, (CS, 08 Sep 2006) 07 Mar 2007	16763/2007		

Applications Withdrawn

15965 / 2006 (16-04)

Applications Lapsed

14597 / 2006 (02-02C)	14598 / 2006 (02-02C)
14599 / 2006 (02-02C)	14600 / 2006 (02-02C)
14601 / 2006 (02-02C)	14602 / 2006 (02-02C)
14603 / 2006 (02-02C)	14604 / 2006 (02-02C)
14605 / 2006 (02-02C)	14606 / 2006 (02-02C)
14607 / 2006 (02-02C)	14608 / 2006 (02-02C)
14609 / 2006 (02-02C)	14610 / 2006 (02-02C)
14611 / 2006 (02-02C)	14612 / 2006 (02-02C)
14613 / 2006 (02-02C)	15489 / 2006 (06-03C)
15558 / 2006 (15-05)	15622 / 2006 (20-03NES)
15631 / 2006 (03-01A)	

Registrations Ceased

306083 306084

Extensions of time granted under Section 137

Applications lodged under section 137 for extension of time have been granted.

305501 **Colgate-Palmolive Company**

305502 **Colgate-Palmolive Company**

305503 **Colgate-Palmolive Company**

15666/2006 **Rosemin Pty Ltd**

Applications Assigned

(The name in parentheses is that of the subsequent applicant)

15414/2006 (**Dream Property GmbH**) Tim Ziemann;Jurgen Leuring

16606/2007 (**Review Holdings Pty Ltd**) Review Australia Pty Ltd

16607/2007 (**Review Holdings Pty Ltd**) Review Australia Pty Ltd

16608/2007 (**Review Holdings Pty Ltd**) Review Australia Pty Ltd

16609/2007 (**Review Holdings Pty Ltd**) Review Australia Pty Ltd

16610/2007 (**Review Holdings Pty Ltd**) Review Australia Pty Ltd

16611/2007 (**Review Holdings Pty Ltd**) Review Australia Pty Ltd

Subsequent Owners Registered

(The name in parentheses is that of the subsequent owner)

303348 (**Trans Atlantic Technologies Pty Ltd**) Tiltform Technologies Limited

303348 (**SRB Construction Technologies Pty Ltd**) Trans Atlantic Technologies Pty Ltd

301633 (**BGI Acquisition, LLC**) Burrows Golf L.L.C.

300655 (**BGI Acquisition, LLC**) Burrows Golf L.L.C.

300654 (**BGI Acquisition, LLC**) Burrows Golf L.L.C.

300587 (**BGI Acquisition, LLC**) Burrows Golf L.L.C.

300423 (**BGI Acquisition, LLC**) Burrows Golf L.L.C.

300285 (**BGI Acquisition, LLC**) Burrows Golf L.L.C.

Names Registered - Alterations and Amendments

(The name in parentheses is that of the subsequent applicant)

313379 (**Fritsch and Son Pty Ltd**) Fritsch and Son

309719 (**Coles Group Asia Pty Ltd**) Coles Myer Asia Pty Limited

Corrigenda

Number 313109

In Vol 21 , No 5 , page 8492 under the heading **Australian Registered Design**; (57) Statement of Newness and Distinctiveness should read: The newness and distinctiveness of chair design 13967/2006 comes about from the distinctive arch that spans from the front leg to the back leg on either side of the chair. The arches also double as an armrest at their highest point for the user. Furthermore these elements are incorporated in the chair as a single mould.

Number 312640

In Vol 21 , No 3 , page 8216 under the heading **Australian Registered Design**; (72) Name(s) of Designer(s) should read: Jason Alan Born and Trent John Kahute and Douglas Arthur Marsden and Roland Stark.

Number 304969

In Vol 20 , No 3 , page 3708 under the heading **Australian Registered Design**; (72) Name(s) of Designer(s) should read: Kehl T. Lesourd and Kirk A. Tedsen and Eric L. Wagner and Christopher D. Carlisle and Michael MacVittie.

Number 309711

In Vol 20 , No 20 , page 6542 under the heading **Australian Registered Design**; (72) Name(s) of Designer(s) should read: Barbara Jean Vinecombe.

Number 11541/2006

In Vol 21 , No 1 , page 7835 under the heading **Applications Lapsed**; Design No. 11541/2006 should be deleted.

Certificate(s) of Examination

Examination of the following Design Registration(s) has been completed. Infringement proceedings may now be commenced.

303034	06-01F	23/03/2007
303035	06-01F	23/03/2007
303036	06-06G	23/03/2007
307405	09-03M	16/03/2007
307406	09-03M	16/03/2007
307407	09-03M	16/03/2007
307408	09-03M	16/03/2007
307409	09-03M	16/03/2007
307924	23-01D	27/03/2007
307972	08-08H	26/03/2007
307978	09-03K	23/03/2007
308246	08-07	28/03/2007
308253	06-01E	20/03/2007
308262	08-06	23/03/2007
308617	15-99	23/03/2007
308618	15-99	23/03/2007
308619	15-99	23/03/2007
308620	15-99	23/03/2007
308621	15-99	23/03/2007
308622	15-99	23/03/2007
308674	30-06	27/03/2007
308887	15-99	23/03/2007
308925	08-06	23/03/2007
308926	08-06	23/03/2007
308957	06-05	23/03/2007
308958	03-01D	23/03/2007
308959	06-07	23/03/2007
309092	12-10	22/03/2007
309383	08-06	23/03/2007
309391	08-06	23/03/2007
309404	08-06	23/03/2007
313109	06-01H	21/03/2007

Publication and Registration Proceedings

Designs Registered

This section provides a concordance between design number and registration number of Designs covered in this journal. It also shows the main class and registration date.

This section covers Registration numbers 313328 to 313506 .

The registration number shown below should be used in all future correspondence.

Design Number	Registration Number	International Classification Code (IDC)	Registration Date	Design Number	Registration Number	International Classification Code (IDC)	Registration Date
13555/2005	313369	03-01NES	22/03/2007	15189/2006	313476	25-01NES	27/03/2007
11289/2006	313370	12-05	22/03/2007	15288/2006	313449	06-04D	27/03/2007
11719/2006	313371	07-01NES	22/03/2007	15299/2006	313380	28-99	22/03/2007
11982/2006	313486	09-03H	27/03/2007	15310/2006	313477	12-10	27/03/2007
11984/2006	313444	26-02	26/03/2007	15311/2006	313478	12-10	27/03/2007
11986/2006	313443	26-02	26/03/2007	15340/2006	313479	09-03K	27/03/2007
12035/2006	313442	02-02NES	26/03/2007	15347/2006	313368	05-05B	22/03/2007
12207/2006	313487	26-02	27/03/2007	15365/2006	313480	11-04	27/03/2007
12603/2006	313441	07-01C	26/03/2007	15533/2006	313481	99-00	27/03/2007
12605/2006	313440	07-06A	26/03/2007	15545/2006	313445	06-02	26/03/2007
12715/2006	313439	28-99	26/03/2007	15546/2006	313446	06-02	26/03/2007
12786/2006	313438	07-05E	26/03/2007	15553/2006	313492	13-03E	27/03/2007
13110/2006	313418	13-01	23/03/2007	15554/2006	313493	13-03E	27/03/2007
13178/2006	313372	07-99A	22/03/2007	15560/2006	313482	15-05	27/03/2007
13179/2006	313373	07-99A	22/03/2007	15594/2006	313424	09-01B	23/03/2007
13180/2006	313374	07-99A	22/03/2007	15662/2006	313381	24-04	22/03/2007
13198/2006	313419	03-01NES	23/03/2007	15667/2006	313462	23-01G	27/03/2007
13261/2006	313460	02-02C	27/03/2007	15701/2006	313425	05-06NES	23/03/2007
13392/2006	313420	26-05NES	23/03/2007	15710/2006	313483	14-03E	27/03/2007
13393/2006	313421	26-04	23/03/2007	15711/2006	313484	14-03A	27/03/2007
13394/2006	313451	26-04	27/03/2007	15730/2006	313426	05-06NES	23/03/2007
13395/2006	313452	26-99	27/03/2007	15839/2006	313485	06-02	27/03/2007
13515/2006	313328	09-08	20/03/2007	15851/2006	313363	28-03NES	22/03/2007
13709/2006	313375	14-03NES	22/03/2007	15863/2006	313465	23-01E	27/03/2007
13910/2006	313453	02-02C	27/03/2007	15898/2006	313382	09-07A	22/03/2007
13912/2006	313463	02-02NES	27/03/2007	15899/2006	313383	09-07A	22/03/2007
13913/2006	313461	02-02B	27/03/2007	15913/2006	313384	06-13B	22/03/2007
13918/2006	313466	08-07	27/03/2007	15914/2006	313447	21-02F	26/03/2007
13919/2006	313467	08-07	27/03/2007	15963/2006	313412	26-05NES	23/03/2007
13920/2006	313468	08-07	27/03/2007	15964/2006	313450	06-03A	27/03/2007
13936/2006	313469	06-01G	27/03/2007	15794/2007	313343	30-04	20/03/2007
13986/2006	313470	13-99	27/03/2007	15796/2007	313416	23-01F	23/03/2007
14012/2006	313488	06-04B	27/03/2007	15798/2007	313415	15-07	23/03/2007
14104/2006	313345	25-02K	22/03/2007	15799/2007	313342	09-02C	20/03/2007
14105/2006	313346	25-02K	22/03/2007	15800/2007	313341	09-03A	20/03/2007
14106/2006	313347	25-01NES	22/03/2007	15801/2007	313340	09-01K	20/03/2007
14269/2006	313471	02-03	27/03/2007	15802/2007	313339	09-01K	20/03/2007
14331/2006	313489	15-04	27/03/2007	15803/2007	313338	24-02	20/03/2007
14479/2006	313472	24-04	27/03/2007	15805/2007	313337	13-03NES	20/03/2007
14480/2006	313473	24-04	27/03/2007	15806/2007	313336	14-03NES	20/03/2007
14488/2006	313422	13-03C	23/03/2007	15807/2007	313331	09-07B	20/03/2007
14515/2006	313376	07-07NES	22/03/2007	15808/2007	313332	09-07B	20/03/2007
14525/2006	313377	12-16A	22/03/2007	15809/2007	313414	12-16NES	23/03/2007
14526/2006	313378	12-16A	22/03/2007	15810/2007	313413	12-16NES	23/03/2007
14665/2006	313474	06-04NES	27/03/2007	15811/2007	313411	12-02	23/03/2007
14918/2006	313365	09-05	22/03/2007	15812/2007	313335	09-03M	20/03/2007
14919/2006	313366	09-05	22/03/2007	15813/2007	313334	09-03M	20/03/2007
14920/2006	313367	09-05	22/03/2007	15814/2007	313333	09-03M	20/03/2007
14981/2006	313475	03-03	27/03/2007	15815/2007	313417	07-05E	23/03/2007
15055/2006	313379	25-01A	22/03/2007	15832/2007	313330	13-02	20/03/2007
15106/2006	313490	09-01A	27/03/2007	15833/2007	313406	23-04	23/03/2007
15186/2006	313423	07-99C	23/03/2007	15834/2007	313407	23-04	23/03/2007
15188/2006	313491	13-03D	27/03/2007	15835/2007	313408	23-04	23/03/2007

Publication and Registration Proceedings - Designs Registered cont'd

Design Number	Registration Number	International Classification Code (IDC)	Registration Date	Design Number	Registration Number	International Classification Code (IDC)	Registration Date
15836/2007	313409	23-04	23/03/2007	15918/2007	313329	25-03	20/03/2007
15837/2007	313410	23-04	23/03/2007	15919/2007	313498	28-03A	27/03/2007
15838/2007	313405	07-05E	23/03/2007	15920/2007	313499	28-03B	27/03/2007
15839/2007	313404	07-05E	23/03/2007	15921/2007	313500	21-01NES	27/03/2007
15840/2007	313403	07-05E	23/03/2007	15925/2007	313501	14-02	27/03/2007
15841/2007	313402	07-05E	23/03/2007	15926/2007	313502	13-02	27/03/2007
15843/2007	313401	07-05E	23/03/2007	15927/2007	313503	14-02	27/03/2007
15845/2007	313400	07-06C	23/03/2007	15928/2007	313504	09-05	27/03/2007
15846/2007	313399	07-06C	23/03/2007	15995/2007	313437	02-07D	23/03/2007
15847/2007	313398	07-06C	23/03/2007	16118/2007	313344	06-01L	20/03/2007
15848/2007	313397	07-06C	23/03/2007	16135/2007	313360	09-07NES	22/03/2007
15850/2007	313396	25-02G	23/03/2007	16324/2007	313505	28-99	27/03/2007
15851/2007	313348	09-03L	22/03/2007	16325/2007	313506	28-99	27/03/2007
15852/2007	313349	09-01K	22/03/2007	16521/2007	313361	28-03NES	22/03/2007
15853/2007	313350	09-01K	22/03/2007	16522/2007	313362	28-03NES	22/03/2007
15854/2007	313351	09-01K	22/03/2007	16523/2007	313359	09-07NES	22/03/2007
15855/2007	313352	09-01K	22/03/2007	16606/2007	313454	02-02C	27/03/2007
15856/2007	313353	09-07C	22/03/2007	16607/2007	313455	02-02C	27/03/2007
15857/2007	313354	09-07NES	22/03/2007	16608/2007	313456	02-02C	27/03/2007
15858/2007	313355	24-01	22/03/2007	16609/2007	313457	02-02C	27/03/2007
15864/2007	313364	26-05B	22/03/2007	16610/2007	313458	02-02C	27/03/2007
15866/2007	313356	25-02B	22/03/2007	16611/2007	313459	02-02C	27/03/2007
15867/2007	313357	08-07	22/03/2007	16627/2007	313464	02-02NES	27/03/2007
15868/2007	313358	28-03NES	22/03/2007	16743/2007	313385	10-04	22/03/2007
15882/2007	313427	23-01H	23/03/2007	16758/2007	313386	09-05	22/03/2007
15883/2007	313428	23-01H	23/03/2007	16833/2007	313387	07-06B	22/03/2007
15884/2007	313429	23-01H	23/03/2007	16864/2007	313388	28-99	22/03/2007
15885/2007	313430	21-01B	23/03/2007	16865/2007	313389	28-99	22/03/2007
15886/2007	313494	15-09	27/03/2007	16866/2007	313390	28-99	22/03/2007
15887/2007	313495	07-05NES	27/03/2007	16867/2007	313391	28-99	22/03/2007
15888/2007	313496	23-01A	27/03/2007	16868/2007	313392	28-99	22/03/2007
15892/2007	313431	09-03L	23/03/2007	16869/2007	313393	28-99	22/03/2007
15893/2007	313432	09-07B	23/03/2007	16870/2007	313394	28-99	22/03/2007
15896/2007	313433	06-01F	23/03/2007	16871/2007	313395	28-99	22/03/2007
15897/2007	313434	06-01F	23/03/2007	16933/2007	313448	07-02L	26/03/2007
15898/2007	313435	06-01F	23/03/2007				
15899/2007	313436	06-01NES	23/03/2007				
15907/2007	313497	20-03C	27/03/2007				

Publication and Registration Proceedings
Class Listing of Designs Published or Registered

The following section shows an International Classification Code listing of the Registered or Published Designs covered in this supplement.

Classification	Registration Number	Design Number	Classification	Registration Number	Design Number
02-02 B	313461	13913/2006	07-99 A	313374	13180/2006
02-02 C	313453	13910/2006	07-99 C	313423	15186/2006
02-02 C	313454	16606/2007	08-06	313494	15886/2007
02-02 C	313455	16607/2007	08-07	313357	15867/2007
02-02 C	313456	16608/2007	08-07	313466	13918/2006
02-02 C	313457	16609/2007	08-07	313467	13919/2006
02-02 C	313458	16610/2007	08-07	313468	13920/2006
02-02 C	313459	16611/2007	08-09	313466	13918/2006
02-02 C	313460	13261/2006	08-09	313467	13919/2006
02-02 NES	313442	12035/2006	08-09	313468	13920/2006
02-02 NES	313453	13910/2006	09-01 A	313490	15106/2006
02-02 NES	313463	13912/2006	09-01 B	313424	15594/2006
02-02 NES	313464	16627/2007	09-01 K	313339	15802/2007
02-03	313471	14269/2006	09-01 K	313340	15801/2007
02-06	313438	12786/2006	09-01 K	313349	15852/2007
02-07 D	313437	15995/2007	09-01 K	313350	15853/2007
03-01 NES	313369	13555/2005	09-01 K	313351	15854/2007
03-01 NES	313419	13198/2006	09-01 K	313352	15855/2007
03-03	313475	14981/2006	09-02 C	313342	15799/2007
05-05 B	313368	15347/2006	09-03 A	313341	15800/2007
05-06 NES	313425	15701/2006	09-03 F	313372	13178/2006
05-06 NES	313426	15730/2006	09-03 F	313373	13179/2006
06-01 F	313433	15896/2007	09-03 F	313374	13180/2006
06-01 F	313434	15897/2007	09-03 H	313486	11982/2006
06-01 F	313435	15898/2007	09-03 K	313479	15340/2006
06-01 G	313469	13936/2006	09-03 L	313348	15851/2007
06-01 L	313344	16118/2007	09-03 L	313431	15892/2007
06-01 NES	313436	15899/2007	09-03 M	313333	15814/2007
06-02	313445	15545/2006	09-03 M	313334	15813/2007
06-02	313446	15546/2006	09-03 M	313335	15812/2007
06-02	313485	15839/2006	09-05	313365	14918/2006
06-03 A	313450	15964/2006	09-05	313366	14919/2006
06-04 B	313488	14012/2006	09-05	313367	14920/2006
06-04 D	313449	15288/2006	09-05	313386	16758/2007
06-04 NES	313474	14665/2006	09-05	313504	15928/2007
06-13 B	313384	15913/2006	09-07 A	313382	15898/2006
07-01 C	313441	12603/2006	09-07 A	313383	15899/2006
07-01 NES	313371	11719/2006	09-07 B	313331	15807/2007
07-02 L	313448	16933/2007	09-07 B	313332	15808/2007
07-05 E	313401	15843/2007	09-07 B	313432	15893/2007
07-05 E	313402	15841/2007	09-07 C	313353	15856/2007
07-05 E	313403	15840/2007	09-07 NES	313354	15857/2007
07-05 E	313404	15839/2007	09-07 NES	313359	16523/2007
07-05 E	313405	15838/2007	09-07 NES	313360	16135/2007
07-05 E	313417	15815/2007	09-08	313328	13515/2006
07-05 E	313438	12786/2006	10-04	313385	16743/2007
07-05 NES	313495	15887/2007	11-04	313480	15365/2006
07-06 A	313440	12605/2006	12-02	313411	15811/2007
07-06 B	313387	16833/2007	12-05	313370	11289/2006
07-06 C	313397	15848/2007	12-10	313477	15310/2006
07-06 C	313398	15847/2007	12-10	313478	15311/2006
07-06 C	313399	15846/2007	12-16 A	313377	14525/2006
07-06 C	313400	15845/2007	12-16 A	313378	14526/2006
07-07 NES	313376	14515/2006	12-16 NES	313413	15810/2007
07-99 A	313372	13178/2006	12-16 NES	313414	15809/2007
07-99 A	313373	13179/2006	12-99	313328	13515/2006

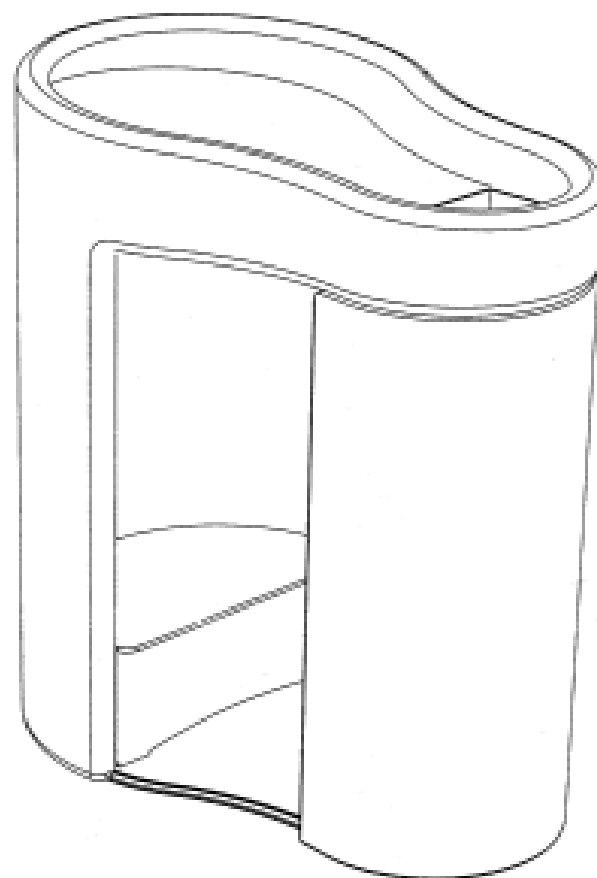
Registration Proceedings - Class Listing of Designs Published or Registered cont'd

Classification	Registration Number	Design Number	Classification	Registration Number	Design Number
13-01	313418	13110/2006	25-01 NES	313347	14106/2006
13-02	313330	15832/2007	25-01 NES	313476	15189/2006
13-02	313470	13986/2006	25-02 B	313356	15866/2007
13-02	313502	15926/2007	25-02 G	313396	15850/2007
13-03 C	313422	14488/2006	25-02 K	313345	14104/2006
13-03 D	313491	15188/2006	25-02 K	313346	14105/2006
13-03 E	313491	15188/2006	25-02 NES	313347	14106/2006
13-03 E	313492	15553/2006	25-03	313329	15918/2007
13-03 E	313493	15554/2006	26-02	313443	11986/2006
13-03 NES	313337	15805/2007	26-02	313444	11984/2006
13-99	313470	13986/2006	26-02	313487	12207/2006
14-02	313501	15925/2007	26-04	313421	13393/2006
14-02	313503	15927/2007	26-04	313451	13394/2006
14-03 A	313484	15711/2006	26-05 B	313364	15864/2007
14-03 E	313483	15710/2006	26-05 D	313421	13393/2006
14-03 NES	313336	15806/2007	26-05 D	313451	13394/2006
14-03 NES	313375	13709/2006	26-05 NES	313412	15963/2006
15-04	313489	14331/2006	26-05 NES	313420	13392/2006
15-05	313482	15560/2006	26-05 NES	313487	12207/2006
15-07	313415	15798/2007	26-99	313420	13392/2006
15-09	313494	15886/2007	26-99	313452	13395/2006
15-99	313418	13110/2006	28-03 A	313498	15919/2007
20-02 NES	313370	11289/2006	28-03 B	313499	15920/2007
20-03 C	313497	15907/2007	28-03 NES	313358	15868/2007
21-01 B	313430	15885/2007	28-03 NES	313361	16521/2007
21-01 NES	313500	15921/2007	28-03 NES	313362	16522/2007
21-02 F	313447	15914/2006	28-03 NES	313363	15851/2006
23-01 A	313496	15888/2007	28-99	313380	15299/2006
23-01 E	313465	15863/2006	28-99	313388	16864/2007
23-01 F	313416	15796/2007	28-99	313389	16865/2007
23-01 G	313462	15667/2006	28-99	313390	16866/2007
23-01 H	313427	15882/2007	28-99	313391	16867/2007
23-01 H	313428	15883/2007	28-99	313392	16868/2007
23-01 H	313429	15884/2007	28-99	313393	16869/2007
23-02 B	313356	15866/2007	28-99	313394	16870/2007
23-04	313406	15833/2007	28-99	313395	16871/2007
23-04	313407	15834/2007	28-99	313439	12715/2006
23-04	313408	15835/2007	28-99	313505	16324/2007
23-04	313409	15836/2007	28-99	313506	16325/2007
23-04	313410	15837/2007	29-02	313419	13198/2006
24-01	313355	15858/2007	30-04	313343	15794/2007
24-02	313338	15803/2007	99-00	313481	15533/2006
24-04	313381	15662/2006			
24-04	313472	14479/2006			
24-04	313473	14480/2006			
25-01 A	313379	15055/2006			

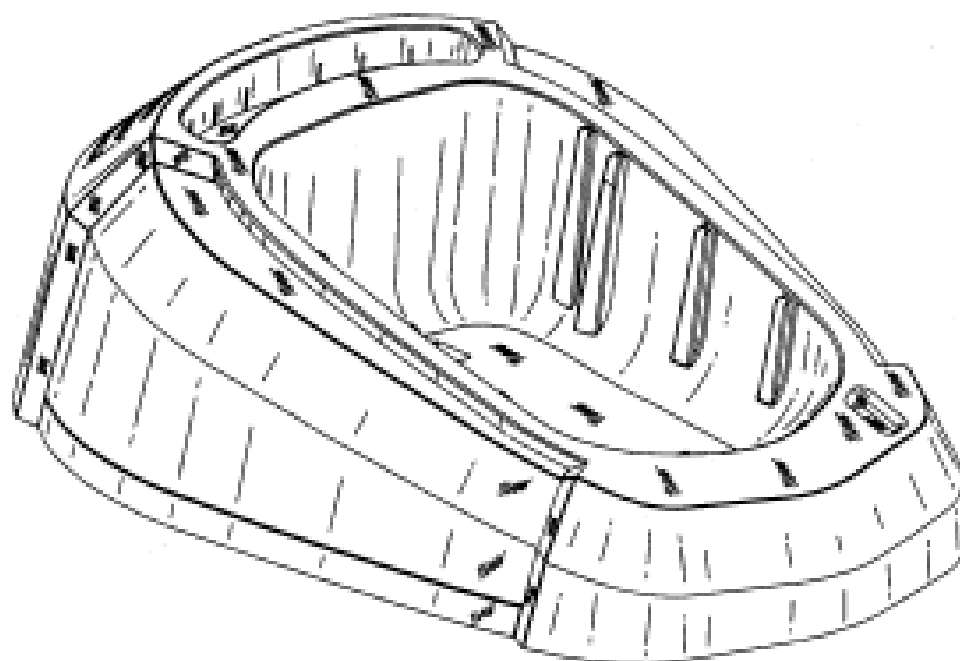
- (21) Design Number: **13515/2006**
- (22) Date of Filing Application: **09 August 2006**
- (24) Date from which industrial property rights may have effect: **09 August 2006**
- (54) Product in respect of which the design is registered: **An equipment support base**
- (51) International Design Classification: **09-08, 12-99**
- (71) Name(s) and Address(s) of Applicant(s):
Ty Gerard Hermans
2 Zammit Street Deception Bay Queensland 4508 Australia
- (72) Name(s) of Designer(s): **Ty Gerard Hermans**
- (45) Registration Date: **20 March 2007**
- (56) Related Art Documents: **Not Applicable**
- (57) Statement of Newness and Distinctiveness: **Nil**



- (21) Design Number: **15918/2007**
- (22) Date of Filing Application: **10 January 2007**
- (24) Date from which industrial property rights may have effect: **10 January 2007**
- (54) Product in respect of which the design is registered: **Portable booth**
- (51) International Design Classification: **25-03**
- (71) Name(s) and Address(s) of Applicant(s):
Marija Ivkovic trading as Photobooth
PO Box 4054 Richmond Victoria 3121 Australia
Lachlan Moore trading as Photobooth
PO Box 4054 Richmond Victoria 3121 Australia
- (72) Name(s) of Designer(s): **Nicolas McColl**
- (45) Registration Date: **20 March 2007**
- (56) Related Art Documents: **Not Applicable**
- (57) Statement of Newness and Distinctiveness: **Nil**



(21) Design Number: **15832/2007**
(22) Date of Filing Application: **04 January 2007**
(24) Date from which industrial property rights may have effect: **04 January 2007**
(54) Product in respect of which the design is registered: **A charger base such as for a drill**
(51) International Design Classification: **13-02**
(71) Name(s) and Address(s) of Applicant(s):
Black & Decker Inc
1207 Drummond Plaza Newark Delaware 19711 United States of America
(72) Name(s) of Designer(s): **Mark Stratford**
(45) Registration Date: **20 March 2007**
(30) Convention priority data:
(31) Number (32) Date (33) Country
000565239 25 Jul 2006 EUROPEAN COMMUNITY
(56) Related Art Documents: **Not Applicable**
(57) Statement of Newness and Distinctiveness: **Nil**



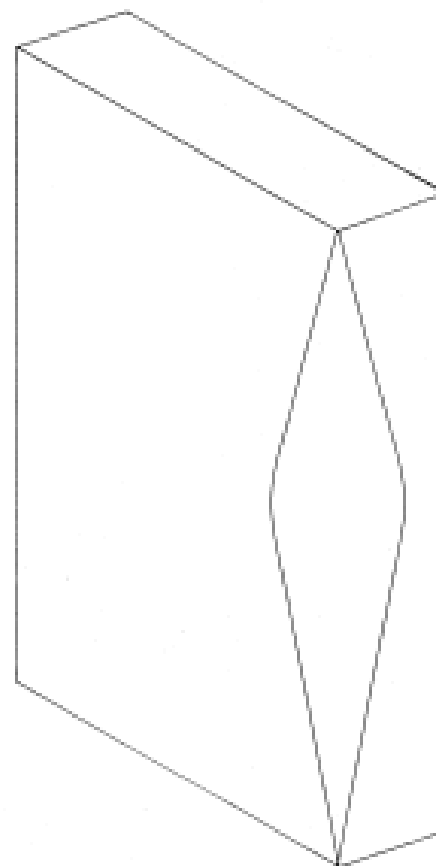
(21) Design Number: **15807/2007**
(22) Date of Filing Application: **03 January 2007**
(24) Date from which industrial property rights may have effect: **03 January 2007**
(54) Product in respect of which the design is registered: **Can end**
(51) International Design Classification: **09-07B**
(71) Name(s) and Address(s) of Applicant(s):
Crown Packaging Technology Inc
11535 S. Central Avenue Alsip Illinois 60803-2599 United States of America
(72) Name(s) of Designer(s): **Peter S. Foskett**
(45) Registration Date: **20 March 2007**
(30) Convention priority data:
(31) Number (32) Date (33) Country
000567755 28 Jul 2006 EUROPEAN COMMUNITY
(56) Related Art Documents: **Not Applicable**
(57) Statement of Newness and Distinctiveness: **Nil**



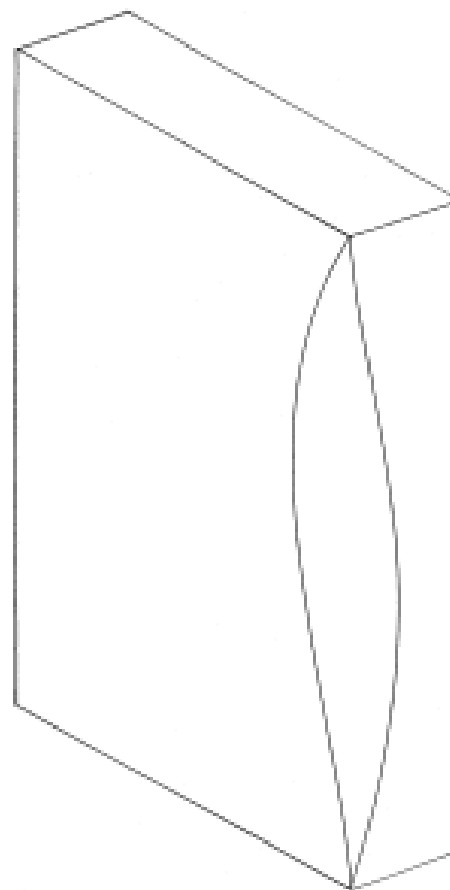
(21) Design Number: **15808/2007**
(22) Date of Filing Application: **03 January 2007**
(24) Date from which industrial property rights may have effect: **03 January 2007**
(54) Product in respect of which the design is registered: **Can end**
(51) International Design Classification: **09-07B**
(71) Name(s) and Address(s) of Applicant(s):
Crown Packaging Technology Inc
11535 S. Central Avenue Alsip Illinois 60803-2599 United States of America
(72) Name(s) of Designer(s): **Peter S. Foskett**
(45) Registration Date: **20 March 2007**
(30) Convention priority data:
(31) Number (32) Date (33) Country
000567755 28 Jul 2006 EUROPEAN COMMUNITY
(56) Related Art Documents: **Not Applicable**
(57) Statement of Newness and Distinctiveness: **Nil**



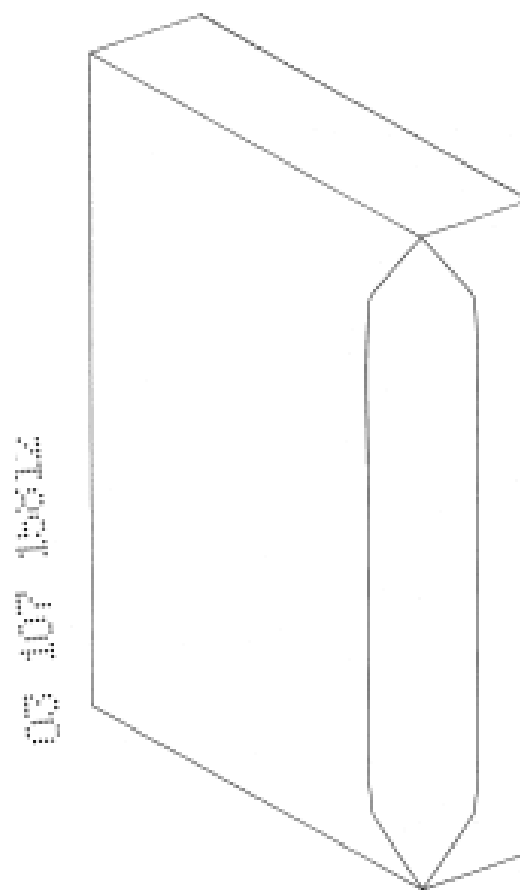
(21) Design Number: **15814/2007**
(22) Date of Filing Application: **03 January 2007**
(24) Date from which industrial property rights may have effect: **03 January 2007**
(54) Product in respect of which the design is registered: **A box**
(51) International Design Classification: **09-03M**
(71) Name(s) and Address(s) of Applicant(s):
Anzpac Services (Australia) Pty Limited
Virginia Park Westfield Drive Eastgardens New South Wales 2036 Australia
(72) Name(s) of Designer(s): **Glenn Brailey and Frank Federico**
(45) Registration Date: **20 March 2007**
(56) Related Art Documents: **Not Applicable**
(57) Statement of Newness and Distinctiveness: **Newness and distinctiveness is claimed in the visual features of the bevel surface.**



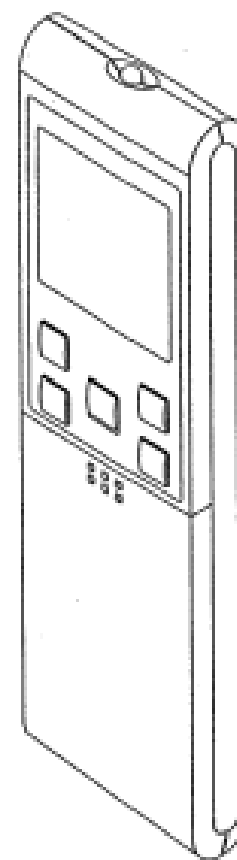
- (21) Design Number: **15813/2007**
- (22) Date of Filing Application: **03 January 2007**
- (24) Date from which industrial property rights may have effect: **03 January 2007**
- (54) Product in respect of which the design is registered: **A box**
- (51) International Design Classification: **09-03M**
- (71) Name(s) and Address(s) of Applicant(s):
Anzpac Services (Australia) Pty Limited
Virginia Park Westfield Drive Eastgardens New South Wales 2036
Australia
- (72) Name(s) of Designer(s): **Frank Frederico and Glenn Brailey**
- (45) Registration Date: **20 March 2007**
- (56) Related Art Documents: **Not Applicable**
- (57) Statement of Newness and Distinctiveness: **Newness and distinctiveness is claimed in the visual features of the bevel surface.**



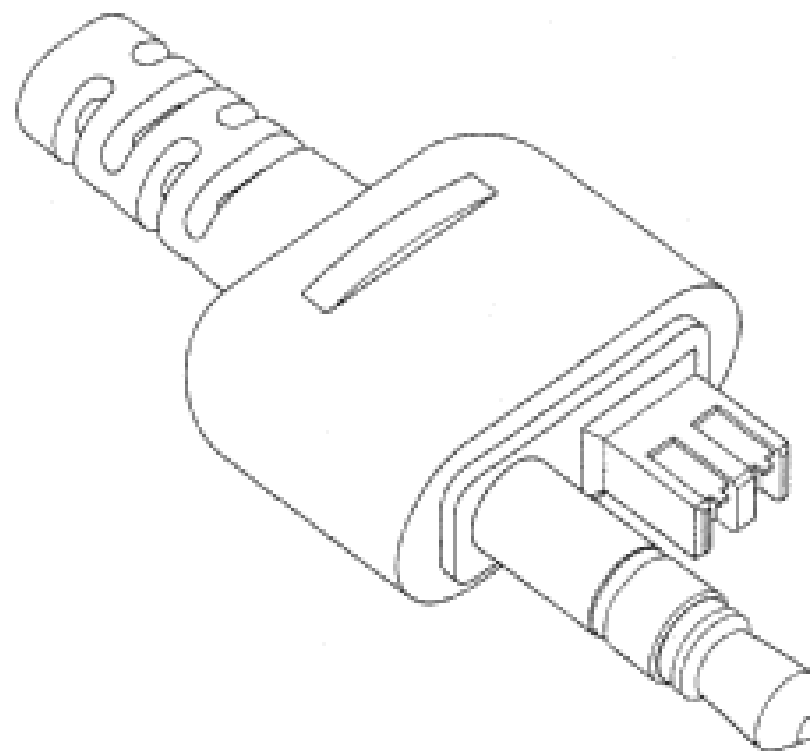
- (21) Design Number: **15812/2007**
- (22) Date of Filing Application: **03 January 2007**
- (24) Date from which industrial property rights may have effect: **03 January 2007**
- (54) Product in respect of which the design is registered: **A box**
- (51) International Design Classification: **09-03M**
- (71) Name(s) and Address(s) of Applicant(s):
Anzpac Services (Australia) Pty Limited
Virginia Park Westfield Drive Eastgardens New South Wales 2036
Australia
- (72) Name(s) of Designer(s): **Glenn Brailey and Frank Federico**
- (45) Registration Date: **20 March 2007**
- (56) Related Art Documents: **Not Applicable**
- (57) Statement of Newness and Distinctiveness: **Newness and distinctiveness is claimed in the visual features of the bevel surface.**



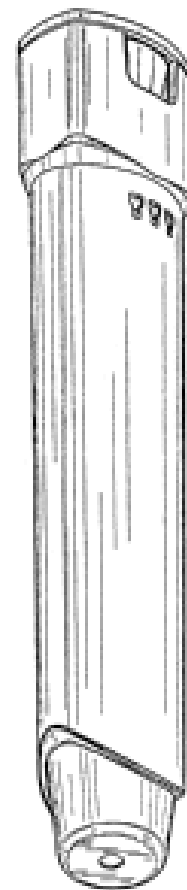
- (21) Design Number: **15806/2007**
(22) Date of Filing Application: **03 January 2007**
(24) Date from which industrial property rights may have effect: **03 January 2007**
(54) Product in respect of which the design is registered: **Remote control**
(51) International Design Classification: **14-03NES**
(71) Name(s) and Address(s) of Applicant(s):
Daikin Industries Ltd.
Umeda Center Building 4-12 Nakazaki-Nishi 2-chome Kita-Ku
Osaka-shi Osaka-fu Japan
(72) Name(s) of Designer(s): **Yumi Ohta**
(45) Registration Date: **20 March 2007**
(30) Convention priority data:
(31) Number (32) Date (33) Country
2006-031258 14 Nov 2006 JAPAN
(56) Related Art Documents: **Not Applicable**
(57) Statement of Newness and Distinctiveness: **Nil**



- (21) Design Number: **15805/2007**
(22) Date of Filing Application: **02 January 2007**
(24) Date from which industrial property rights may have effect: **02 January 2007**
(54) Product in respect of which the design is registered: **Connector plug**
(51) International Design Classification: **13-03NES**
(71) Name(s) and Address(s) of Applicant(s):
Nintendo Co., Ltd.
11-1 Hokotate-cho Kamitoba Minami-ku Kyoto-shi Kyoto Japan
(72) Name(s) of Designer(s): **Naoya Kawanobe**
(45) Registration Date: **20 March 2007**
(30) Convention priority data:
(31) Number (32) Date (33) Country
2006-017934 07 Jul 2006 JAPAN
(56) Related Art Documents: **Not Applicable**
(57) Statement of Newness and Distinctiveness: **Nil**



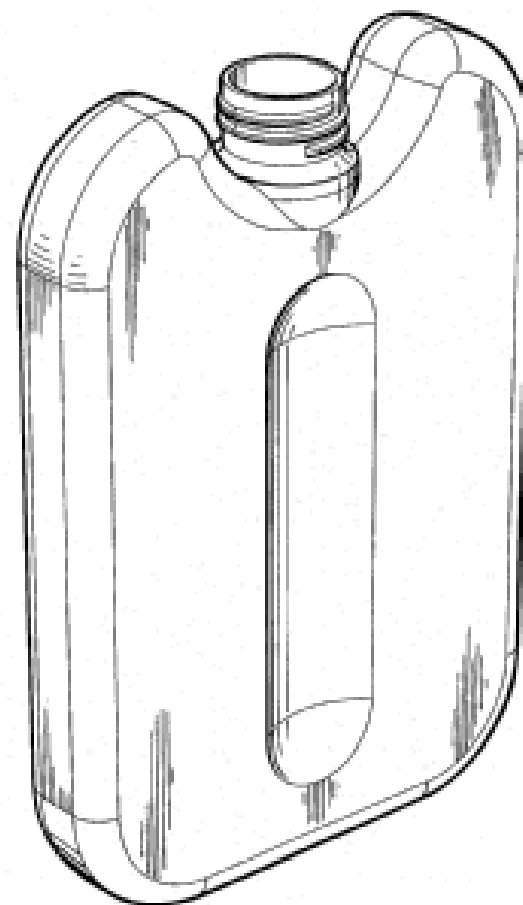
- (21) Design Number: **15803/2007**
(22) Date of Filing Application: **02 January 2007**
(24) Date from which industrial property rights may have effect: **02 January 2007**
(54) Product in respect of which the design is registered: **Injector**
(51) International Design Classification: **24-02**
(71) Name(s) and Address(s) of Applicant(s):
Meridian Medical Technologies, Inc
6350 Stevens Forest Road Suite 301 Columbia Maryland 21046 United States of America
(72) Name(s) of Designer(s): **Matthew E. Young and Sophie R. Raven and Julian Dixon**
(45) Registration Date: **20 March 2007**
(56) Related Art Documents: **Not Applicable**
(57) Statement of Newness and Distinctiveness: **Those features of the injector depicted in the representations that are new and distinctive are the shape and/or configuration.**



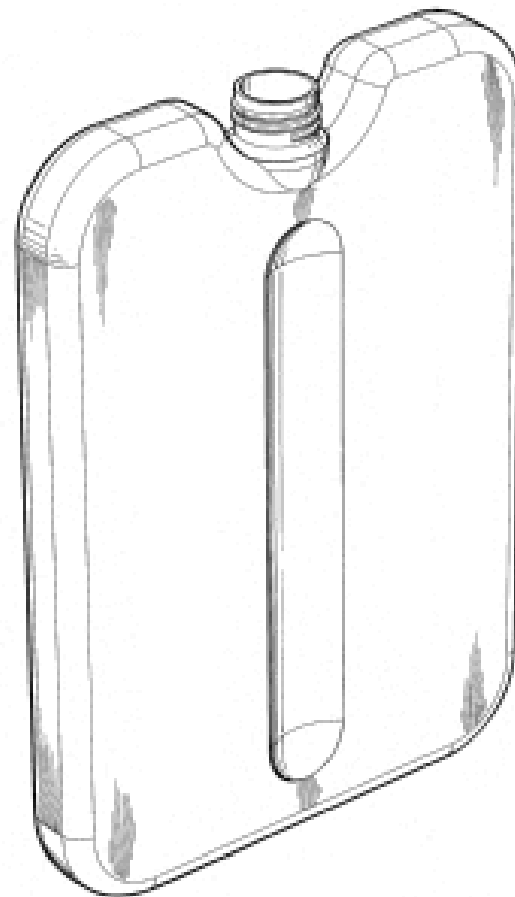
- (21) Design Number: **15802/2007**
(22) Date of Filing Application: **02 January 2007**
(24) Date from which industrial property rights may have effect: **02 January 2007**
(54) Product in respect of which the design is registered: **Chiller bottle**
(51) International Design Classification: **09-01K**
(71) Name(s) and Address(s) of Applicant(s):
The Decor Corporation Pty Ltd
1314 Ferntree Gully Road Scoresby Victoria 3179 Australia
(72) Name(s) of Designer(s): **Arthur Richard Carlson**
(45) Registration Date: **20 March 2007**
(30) Convention priority data:

(31) Number	(32) Date	(33) Country
408447	11 Dec 2006	NEW ZEALAND

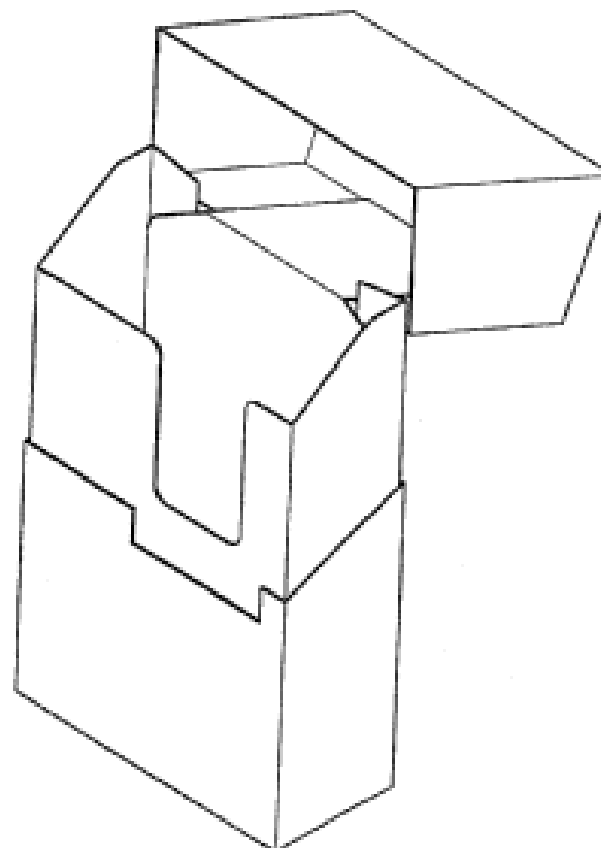
(56) Related Art Documents: **Not Applicable**
(57) Statement of Newness and Distinctiveness: **Nil**



(21) Design Number: **15801/2007**
(22) Date of Filing Application: **02 January 2007**
(24) Date from which industrial property rights may have effect: **02 January 2007**
(54) Product in respect of which the design is registered: **Chiller bottle**
(51) International Design Classification: **09-01K**
(71) Name(s) and Address(s) of Applicant(s):
The Decor Corporation Pty Ltd
1314 Ferntree Gully Road Scoresby Victoria 3179 Australia
(72) Name(s) of Designer(s): **Arthur Richard Carlson**
(45) Registration Date: **20 March 2007**
(30) Convention priority data:
(31) Number (32) Date (33) Country
408446 11 Dec 2006 NEW ZEALAND
(56) Related Art Documents: **Not Applicable**
(57) Statement of Newness and Distinctiveness: **Nil**



(21) Design Number: **15800/2007**
(22) Date of Filing Application: **02 January 2007**
(24) Date from which industrial property rights may have effect: **02 January 2007**
(54) Product in respect of which the design is registered: **Pack**
(51) International Design Classification: **09-03A**
(71) Name(s) and Address(s) of Applicant(s):
Philip Morris Products S.A.
Quai Jeanrenaud 3 CH-2000 Nauchatel Switzerland
(72) Name(s) of Designer(s): **Jean-Michel Toinet and Ralf Basler**
(45) Registration Date: **20 March 2007**
(30) Convention priority data:
(31) Number (32) Date (33) Country
000557590-0001 07 Jul 2006 EUROPEAN COMMUNITY
(56) Related Art Documents: **Not Applicable**
(57) Statement of Newness and Distinctiveness: **Nil**



(21) Design Number: **15799/2007**

(22) Date of Filing Application: **02 January 2007**

(24) Date from which industrial property rights may have effect: **02 January 2007**

(54) Product in respect of which the design is registered: **Beer keg**

(51) International Design Classification: **09-02C**

(71) Name(s) and Address(s) of Applicant(s):

Heineken Supply Chain B.V.

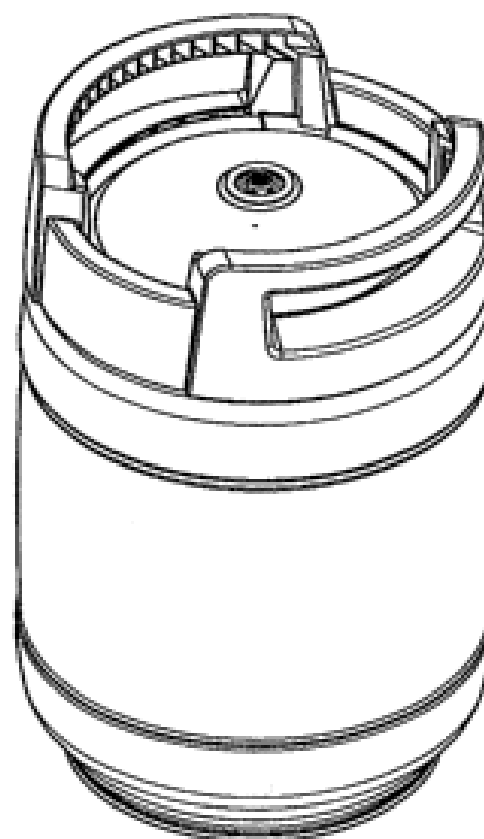
Burgemeester Smeetsweg 1 2382 PH Zoeterwoude The Netherlands

(72) Name(s) of Designer(s): **Bart Jan Bax**

(45) Registration Date: **20 March 2007**

(56) Related Art Documents: **Not Applicable**

(57) Statement of Newness and Distinctiveness: **Newness and distinctiveness reside in the features of the design as shown in the representations.**



(21) Design Number: **15794/2007**

(22) Date of Filing Application: **02 January 2007**

(24) Date from which industrial property rights may have effect: **02 January 2007**

(54) Product in respect of which the design is registered: **Stirrup**

(51) International Design Classification: **30-04**

(71) Name(s) and Address(s) of Applicant(s):

Herm. Sprenger GmbH & Co. KG

Alexanderstrasse 10-21 58644 Iserlohn Germany

(72) Name(s) of Designer(s): **Heinz Baumann and Valentin Vollmecke and Brigitte Schulte**

(45) Registration Date: **20 March 2007**

(30) Convention priority data:

(31) Number

(32) Date

(33) Country

000570031

02 Aug 2006

EUROPEAN COMMUNITY

(56) Related Art Documents: **Not Applicable**

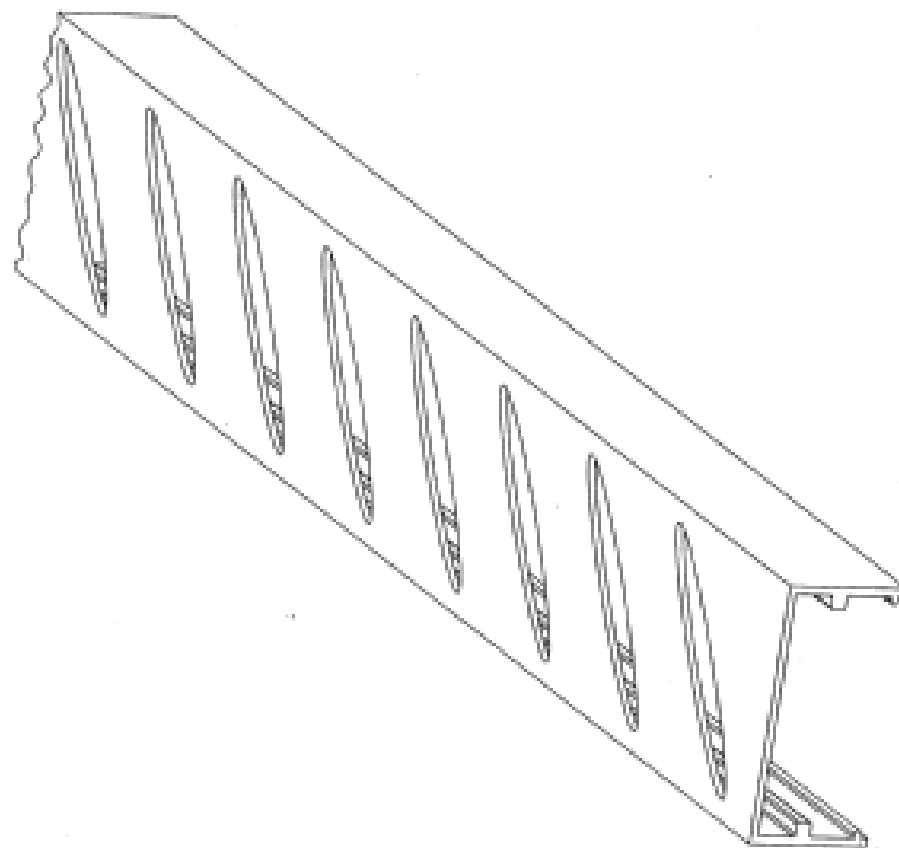
(57) Statement of Newness and Distinctiveness: **Newness and distinctiveness is claimed in the shape and/or configuration of a 'Stirrup' as illustrated in the representations. In determining the features of the design the indicia appearing thereon should be disregarded.**



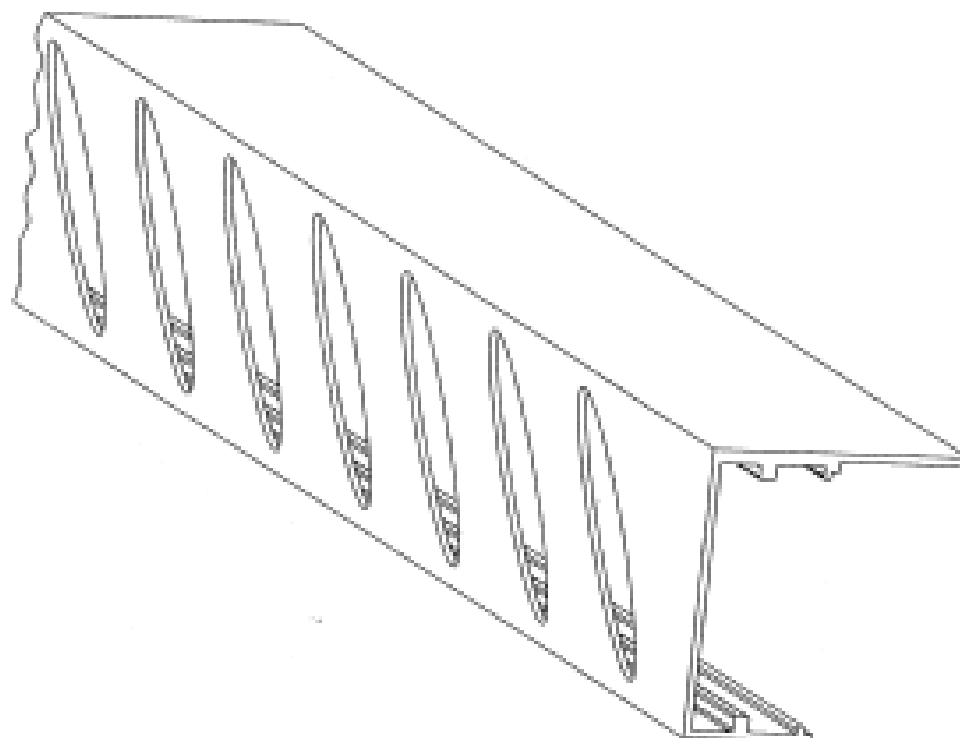
- (21) Design Number: **16118/2007**
(22) Date of Filing Application: **24 January 2007**
(24) Date from which industrial property rights may have effect: **24 January 2007**
(54) Product in respect of which the design is registered: **Furniture items**
(51) International Design Classification: **06-01L**
(71) Name(s) and Address(s) of Applicant(s):
Angela Catherine McRae Griffiths
10 Eurella Avenue Sandy Bay Tasmania 7000 Australia
(72) Name(s) of Designer(s): **Angela Catherine McRae Griffiths**
(45) Registration Date: **20 March 2007**
(56) Related Art Documents: **Not Applicable**
(57) Statement of Newness and Distinctiveness: **Nil**



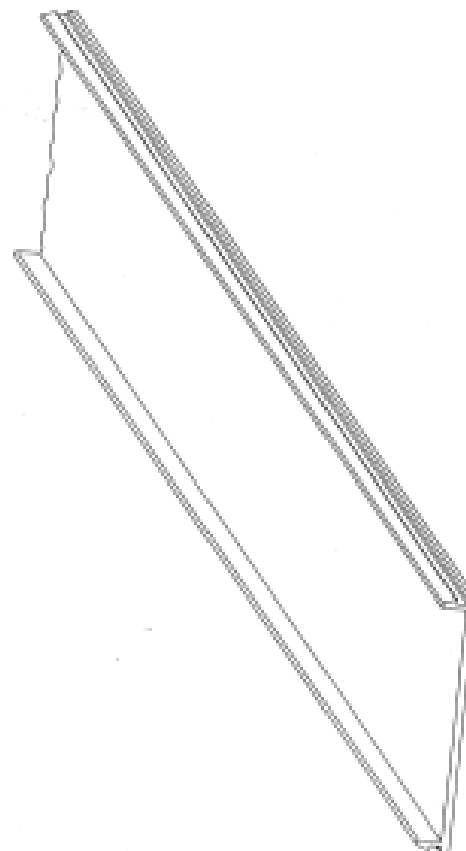
- (21) Design Number: **14104/2006**
(22) Date of Filing Application: **09 August 2006**
(24) Date from which industrial property rights may have effect: **09 August 2006**
(54) Product in respect of which the design is registered: **Sets of shutters**
(51) International Design Classification: **25-02K**
(71) Name(s) and Address(s) of Applicant(s):
Ahmad El-Maghchouch
11 Bolton Street Guildford New South Wales 2161 Australia
Abdul Fatah Maghchouch
11 Bolton Street Guildford New South Wales 2161 Australia
(72) Name(s) of Designer(s): **Ahmad El-Maghchouch and Abdul Fatah Maghchouch**
(45) Registration Date: **22 March 2007**
(56) Related Art Documents: **Not Applicable**
(57) Statement of Newness and Distinctiveness: **Monopoly is claimed in the shape and configuration of the set of shutters of indefinite length, as shown in the representation. The design is repeated at regular intervals throughout the length of the shutters.**



- (21) Design Number: **14105/2006**
(22) Date of Filing Application: **09 August 2006**
(24) Date from which industrial property rights may have effect: **09 August 2006**
(54) Product in respect of which the design is registered: **Sets of shutters**
(51) International Design Classification: **25-02K**
(71) Name(s) and Address(s) of Applicant(s):
Ahmad El-Maghchouch
11 Bolton Street Guildford New South Wales 2161 Australia
Abdul Fatah Maghchouch
11 Bolton Street Guildford New South Wales 2161 Australia
(72) Name(s) of Designer(s): **Ahmad El-Maghchouch and Abdul Fatah Maghchouch**
(45) Registration Date: **22 March 2007**
(56) Related Art Documents: **Not Applicable**
(57) Statement of Newness and Distinctiveness: **Monopoly is claimed in the shape and configuration of the sets of shutters of indefinite length, as shown in the representation. The design is repeated at regular intervals throughout the length of the shutters.**



- (21) Design Number: **14106/2006**
(22) Date of Filing Application: **09 August 2006**
(24) Date from which industrial property rights may have effect: **09 August 2006**
(54) Product in respect of which the design is registered: **Sets of shutters**
(51) International Design Classification: **25-01NES, 25-02NES**
(71) Name(s) and Address(s) of Applicant(s):
Ahmad El-Maghchouch
11 Bolton Street Guildford New South Wales 2161 Australia
Abdul Fatah Maghchouch
11 Bolton Street Guildford New South Wales 2161 Australia
(72) Name(s) of Designer(s): **Ahmad El and Abdul Fatan Maghchouch**
(45) Registration Date: **22 March 2007**
(56) Related Art Documents: **Not Applicable**
(57) Statement of Newness and Distinctiveness: **Monopoly is claimed in the shape and configuration of the set of shutters of indefinite length as shown in the representation.**



- (21) Design Number: **15851/2007**
(22) Date of Filing Application: **05 January 2007**
(24) Date from which industrial property rights may have effect: **05 January 2007**
(54) Product in respect of which the design is registered: **A container**
(51) International Design Classification: **09-03L**
(71) Name(s) and Address(s) of Applicant(s):
Atlantic Pacific Foods Pty Ltd
Level 18 300 Queen Street Brisbane Queensland 4000 Australia
(72) Name(s) of Designer(s): **Michael Grima**
(45) Registration Date: **22 March 2007**
(56) Related Art Documents: **Not Applicable**
(57) Statement of Newness and Distinctiveness: **Newness and distinctiveness is claimed in the visual features shown in the representations excluding the written information.**



- (21) Design Number: **15852/2007**
(22) Date of Filing Application: **05 January 2007**
(24) Date from which industrial property rights may have effect: **05 January 2007**
(54) Product in respect of which the design is registered: **Bottle**
(51) International Design Classification: **09-01K**
(71) Name(s) and Address(s) of Applicant(s):
Plastics Packaging Products Pty Ltd
20 Coco Drive Glenmore Park New South Wales 2745 Australia
(72) Name(s) of Designer(s): **Nitin Lotliker**
(45) Registration Date: **22 March 2007**
(56) Related Art Documents: **Not Applicable**
(57) Statement of Newness and Distinctiveness: **Newness and distinctiveness is claimed in the features of shape and configuration of the bottle shown in the representations.**



- (21) Design Number: **15853/2007**
(22) Date of Filing Application: **05 January 2007**
(24) Date from which industrial property rights may have effect: **05 January 2007**
(54) Product in respect of which the design is registered: **Bottle base**
(51) International Design Classification: **09-01K**
(71) Name(s) and Address(s) of Applicant(s):
Plastics Packaging Products Pty Ltd
20 Coco Drive Glenmore Park New South Wales 2745 Australia
(72) Name(s) of Designer(s): **Nitin Lotliker**
(45) Registration Date: **22 March 2007**
(56) Related Art Documents: **Not Applicable**
(57) Statement of Newness and Distinctiveness: **Newness and distinctiveness is claimed in the features of shape and configuration of the bottle base shown in the representations. The portions marked "B" on the representations are to be disregarded when considering the scope of the monopoly.**



- (21) Design Number: **15854/2007**
(22) Date of Filing Application: **05 January 2007**
(24) Date from which industrial property rights may have effect: **05 January 2007**
(54) Product in respect of which the design is registered: **Bottle shoulder**
(51) International Design Classification: **09-01K**
(71) Name(s) and Address(s) of Applicant(s):
Plastics Packaging Products Pty Ltd
20 Coco Drive Glenmore Park New South Wales 2745 Australia
(72) Name(s) of Designer(s): **Nitin Lotliker**
(45) Registration Date: **22 March 2007**
(56) Related Art Documents: **Not Applicable**
(57) Statement of Newness and Distinctiveness: **Newness and distinctiveness is claimed in the features of shape and configuration of the bottle shoulder shown in the representations. The portions marked "A" on the representations are to be disregarded when considering the scope of the monopoly.**



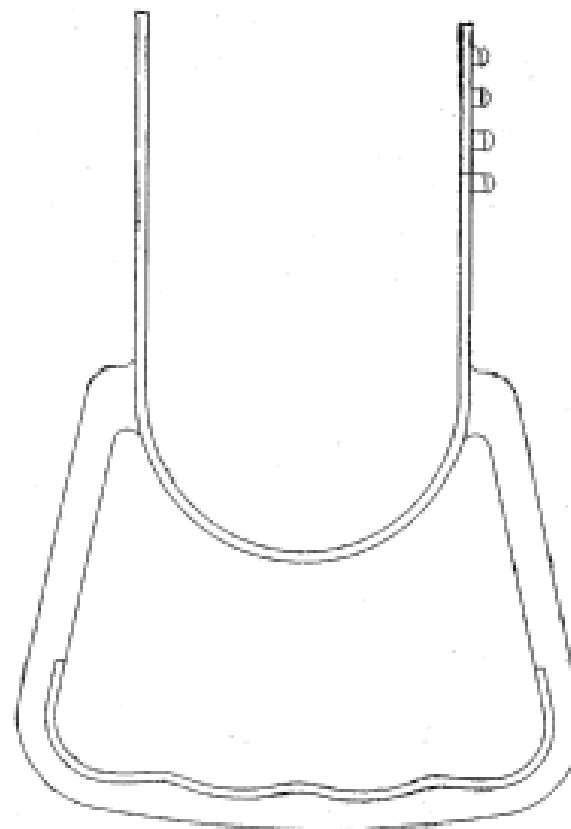
- (21) Design Number: **15855/2007**
(22) Date of Filing Application: **05 January 2007**
(24) Date from which industrial property rights may have effect: **05 January 2007**
(54) Product in respect of which the design is registered: **Bottle Wall**
(51) International Design Classification: **09-01K**
(71) Name(s) and Address(s) of Applicant(s):
Plastics Packaging Products Pty Ltd
20 Coco Drive Glenmore Park New South Wales 2745 Australia
(72) Name(s) of Designer(s): **Nitin Lotliker**
(45) Registration Date: **22 March 2007**
(56) Related Art Documents: **Not Applicable**
(57) Statement of Newness and Distinctiveness: **Newness and distinctiveness is claimed in the features of shape and configuration of the bottle wall shown in the representations. The portions marked "C" on the representations are to be disregarded when considering the scope of the monopoly.**



- (21) Design Number: **15856/2007**
(22) Date of Filing Application: **05 January 2007**
(24) Date from which industrial property rights may have effect: **05 January 2007**
(54) Product in respect of which the design is registered: **Closure**
(51) International Design Classification: **09-07C**
(71) Name(s) and Address(s) of Applicant(s):
Plastics Packaging Products Pty Ltd
20 Coco Drive Glenmore Park New South Wales 2745 Australia
(72) Name(s) of Designer(s): **Nitin Lotliker**
(45) Registration Date: **22 March 2007**
(56) Related Art Documents: **Not Applicable**
(57) Statement of Newness and Distinctiveness: **Nil**

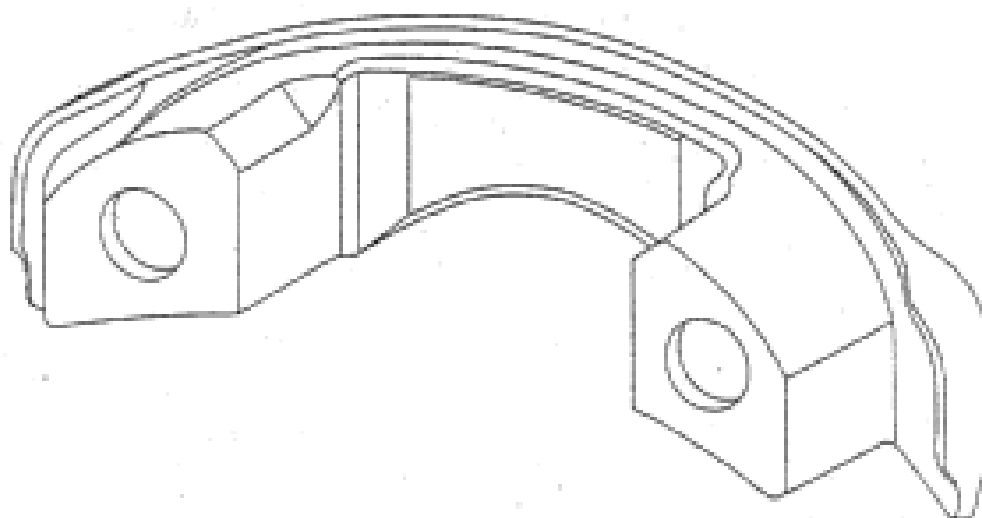


- (21) Design Number: **15857/2007**
- (22) Date of Filing Application: **05 January 2007**
- (24) Date from which industrial property rights may have effect: **05 January 2007**
- (54) Product in respect of which the design is registered: **Carrying handle**
- (51) International Design Classification: **09-07NES**
- (71) Name(s) and Address(s) of Applicant(s):
Plastics Packaging Products Pty Ltd
20 Coco Drive Glenmore Park New South Wales 2745 Australia
- (72) Name(s) of Designer(s): **Nitin Lotliker**
- (45) Registration Date: **22 March 2007**
- (56) Related Art Documents: **Not Applicable**
- (57) Statement of Newness and Distinctiveness: **Nil**

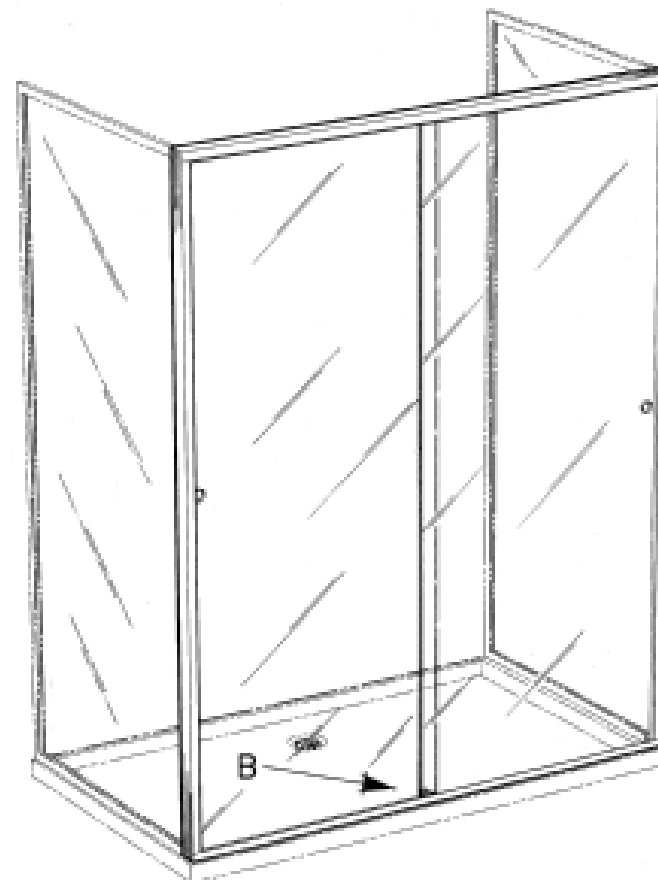


- (21) Design Number: **15858/2007**
- (22) Date of Filing Application: **05 January 2007**
- (24) Date from which industrial property rights may have effect: **05 January 2007**
- (54) Product in respect of which the design is registered: **Ports cap for respiratory mask**
- (51) International Design Classification: **24-01**
- (71) Name(s) and Address(s) of Applicant(s):
ResMed Ltd
1 Elizabeth Macarthur Drive Bella Vista New South Wales 2153 Australia
- (72) Name(s) of Designer(s): **Philip Thomas Stallard and Mark Bertinetti and Scott Alexander Howard**
- (45) Registration Date: **22 March 2007**
- (30) Convention priority data:

(31) Number	(32) Date	(33) Country
29/262,667	10 Jul 2006	UNITED STATES OF AMERICA
- (56) Related Art Documents: **Not Applicable**
- (57) Statement of Newness and Distinctiveness: **Nil**

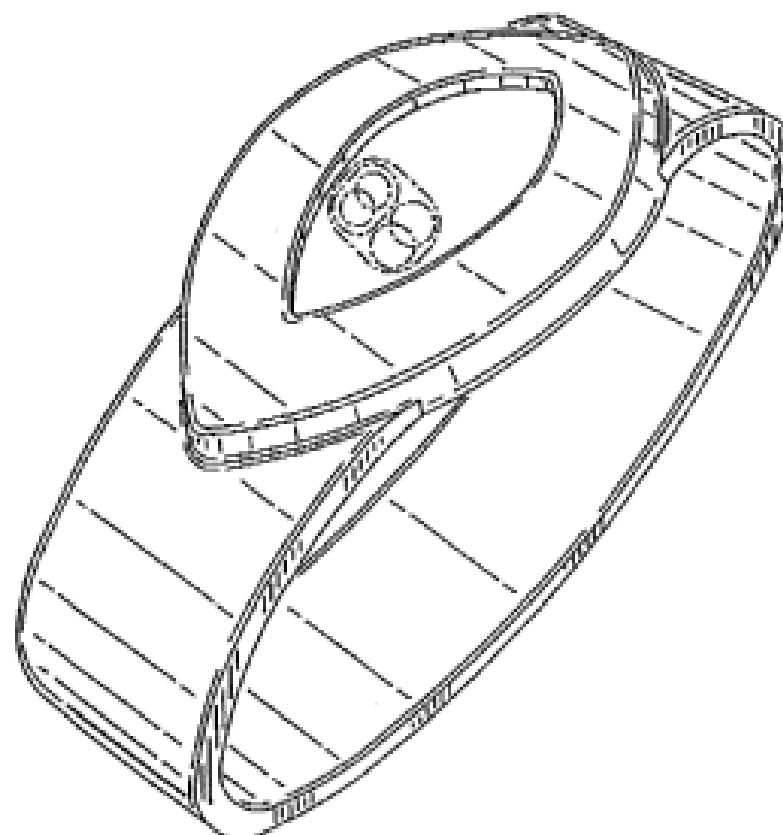


- (21) Design Number: **15866/2007**
- (22) Date of Filing Application: **08 January 2007**
- (24) Date from which industrial property rights may have effect: **08 January 2007**
- (54) Product in respect of which the design is registered: **Shower screen door module**
- (51) International Design Classification: **25-02B, 23-02B**
- (71) Name(s) and Address(s) of Applicant(s):
Peter Van Doorn
41-43 Church Street Hawthorn Victoria 3122 Australia
- (72) Name(s) of Designer(s): **Peter Van Doorn**
- (45) Registration Date: **22 March 2007**
- (56) Related Art Documents: **Not Applicable**
- (57) Statement of Newness and Distinctiveness: **Newness and distinctiveness is claimed in those features of shape and/or configuration of a shower door module as illustrated in continuous lines in the accompanying representation.**

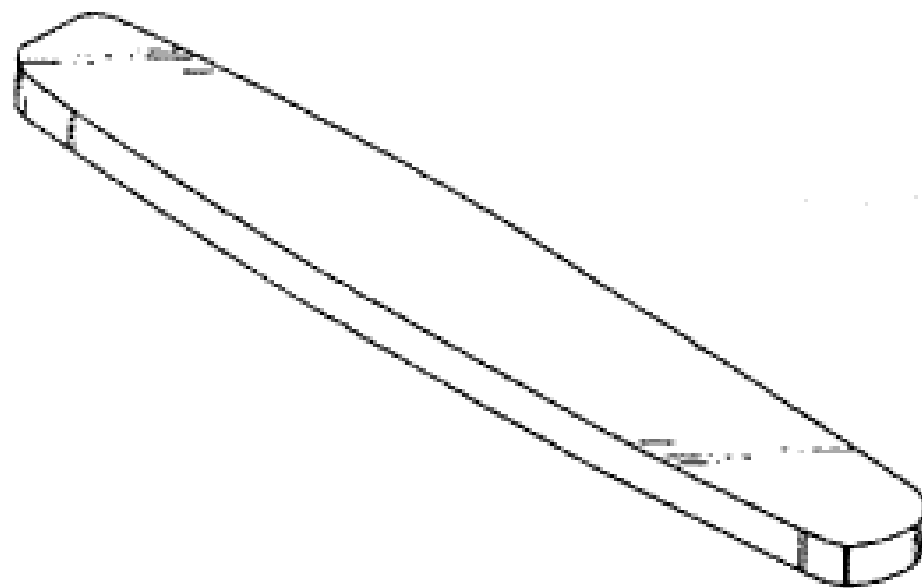


- (21) Design Number: **15867/2007**
- (22) Date of Filing Application: **08 January 2007**
- (24) Date from which industrial property rights may have effect: **08 January 2007**
- (54) Product in respect of which the design is registered: **Wrist band holding a proximity payment device**
- (51) International Design Classification: **08-07**
- (71) Name(s) and Address(s) of Applicant(s):
MasterCard International Incorporated
2000 Purchase Street Purchase New York 10577 United States of America
- (72) Name(s) of Designer(s): **Jo-Ann Yuengling**
- (45) Registration Date: **22 March 2007**
- (30) Convention priority data:

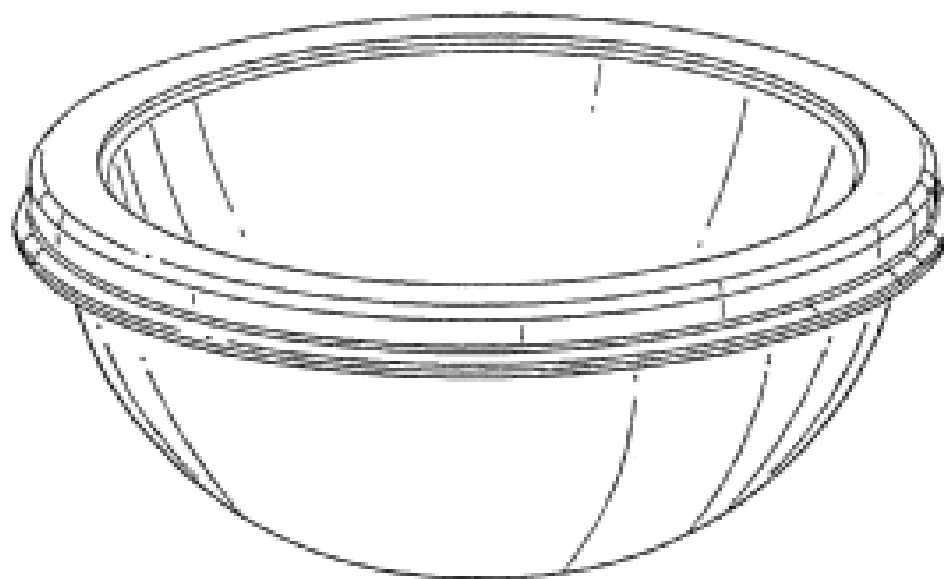
(31) Number	(32) Date	(33) Country
29/262679	07 Jul 2006	UNITED STATES OF AMERICA
- (56) Related Art Documents: **Not Applicable**
- (57) Statement of Newness and Distinctiveness: **Nil**



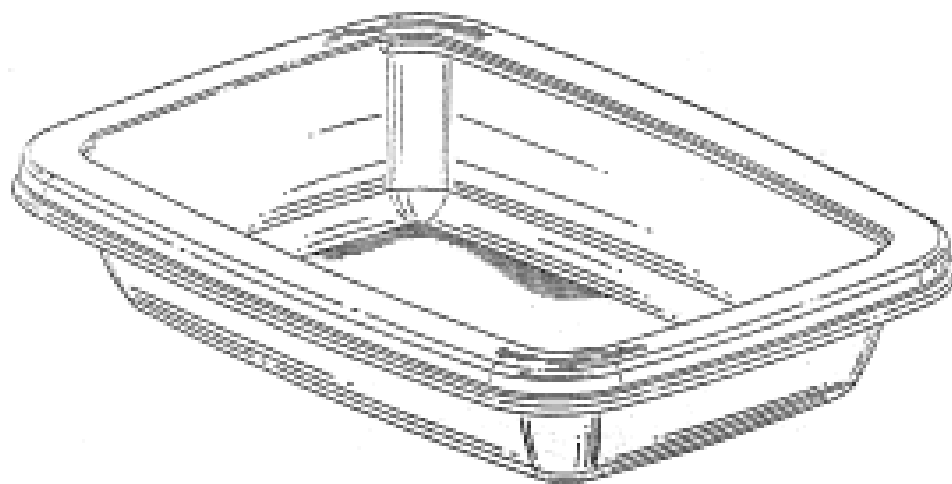
(21) Design Number: **15868/2007**
(22) Date of Filing Application: **08 January 2007**
(24) Date from which industrial property rights may have effect: **08 January 2007**
(54) Product in respect of which the design is registered: **Nail file**
(51) International Design Classification: **28-03NES**
(71) Name(s) and Address(s) of Applicant(s):
OPI Products, Inc.
13034 Saticoy Street North Hollywood California 91605 United States of America
(72) Name(s) of Designer(s): **George Schaeffer**
(45) Registration Date: **22 March 2007**
(30) Convention priority data:
(31) Number (32) Date (33) Country
29264076 02 Aug 2006 UNITED STATES OF AMERICA
(56) Related Art Documents: **Not Applicable**
(57) Statement of Newness and Distinctiveness: **Nil**



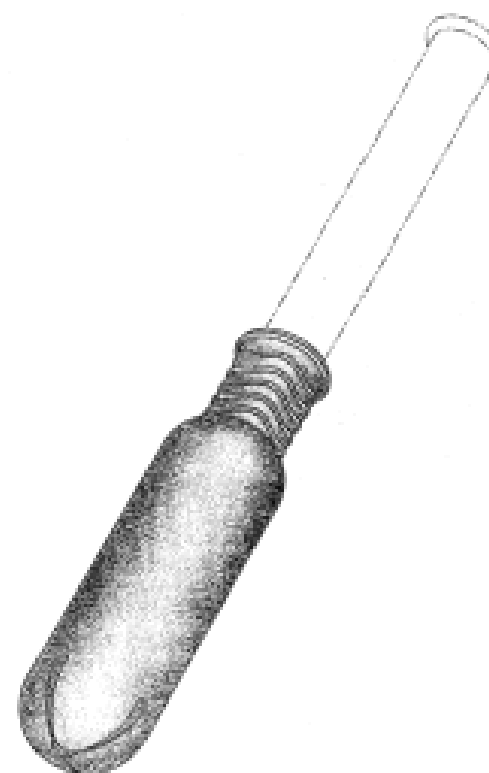
(21) Design Number: **16523/2007**
(22) Date of Filing Application: **25 January 2007**
(24) Date from which industrial property rights may have effect: **25 January 2007**
(54) Product in respect of which the design is registered: **Lid**
(51) International Design Classification: **09-07NES**
(71) Name(s) and Address(s) of Applicant(s):
Dart Industries Inc.
14901 S. Orange Blossom Trail Orlando Florida 32877 United States of America
(72) Name(s) of Designer(s): **Jan-Hendrik de Groote and Dimitri M.C.J. Backaert**
(45) Registration Date: **22 March 2007**
(30) Convention priority data:
(31) Number (32) Date (33) Country
29/264,919 22 Aug 2006 UNITED STATES OF AMERICA
(56) Related Art Documents: **Not Applicable**
(57) Statement of Newness and Distinctiveness: **Those features of the lid depicted in the representations that are new and distinctive are the shape and/or configuration.**



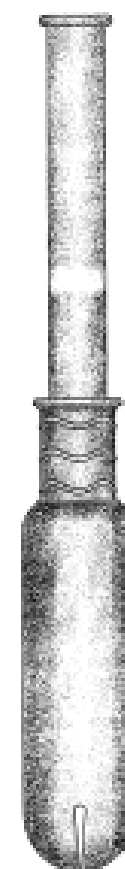
(21) Design Number: **16135/2007**
 (22) Date of Filing Application: **25 January 2007**
 (24) Date from which industrial property rights may have effect: **25 January 2007**
 (54) Product in respect of which the design is registered: **Lid**
 (51) International Design Classification: **09-07NES**
 (71) Name(s) and Address(s) of Applicant(s):
Dart Industries Inc
14901 S. Orange Blossom Trail Orlando Florida 32837 United States of America
 (72) Name(s) of Designer(s): **Jan-Hendrik de Groote and Dimitri M.C.J. Backaert**
 (45) Registration Date: **22 March 2007**
 (30) Convention priority data:
 (31) Number (32) Date (33) Country
29/264,919 22 Aug 2006 UNITED STATES OF AMERICA
 (56) Related Art Documents: **Not Applicable**
 (57) Statement of Newness and Distinctiveness: **Those features of the lid depicted in the representations that are new and distinctive are the shape and/or configuration.**



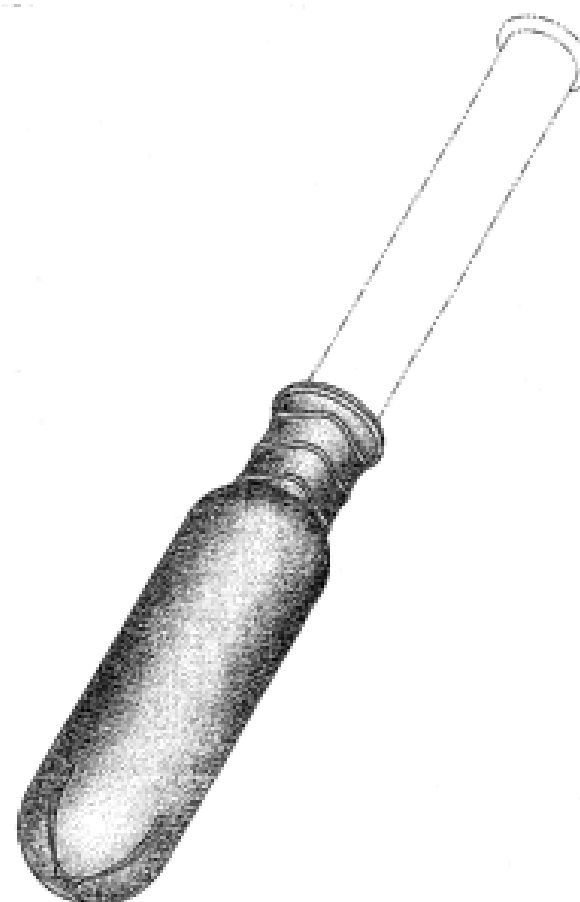
(21) Design Number: **16521/2007**
 (22) Date of Filing Application: **21 December 2006**
 (24) Date from which industrial property rights may have effect: **21 December 2006**
 (54) Product in respect of which the design is registered: **Applicator**
 (51) International Design Classification: **28-03NES**
 (71) Name(s) and Address(s) of Applicant(s):
Playtex Products Inc.
300 Nyala Farms Road Westport Connecticut 06880 United States of America
 (72) Name(s) of Designer(s): **Keith Edgett and Robert Jorgensen**
 (45) Registration Date: **22 March 2007**
 (30) Convention priority data:
 (31) Number (32) Date (33) Country
29/261,993 23 Jun 2006 UNITED STATES OF AMERICA
 (56) Related Art Documents: **Not Applicable**
 (57) Statement of Newness and Distinctiveness: **Those features of the applicator depicted in the representations that are new and distinctive are the shape and/or configuration. The features shown in broken lines are not part of the design and are to be disregarded when considering the overall impression of the design.**



- (21) Design Number: **16522/2007**
(22) Date of Filing Application: **21 December 2006**
(24) Date from which industrial property rights may have effect: **21 December 2006**
(54) Product in respect of which the design is registered: **Applicator**
(51) International Design Classification: **28-03NES**
(71) Name(s) and Address(s) of Applicant(s):
Playtex Products Inc.
300 Nyala Farms Road Westport Connecticut 06880 United States of America
(72) Name(s) of Designer(s): **Keith Edgett and Robert Jorgensen**
(45) Registration Date: **22 March 2007**
(30) Convention priority data:
(31) Number (32) Date (33) Country
29/261,993 23 Jun 2006 UNITED STATES OF AMERICA
(56) Related Art Documents: **Not Applicable**
(57) Statement of Newness and Distinctiveness: **Those features of the applicator depicted in the representations that are new and distinctive are the shape and/or configuration.**



- (21) Design Number: **15851/2006**
(22) Date of Filing Application: **21 December 2006**
(24) Date from which industrial property rights may have effect: **21 December 2006**
(54) Product in respect of which the design is registered: **Applicator**
(51) International Design Classification: **28-03NES**
(71) Name(s) and Address(s) of Applicant(s):
Playtex Products, Inc
300 Nyala Farms Road Westport Connecticut 06880 United States of America
(72) Name(s) of Designer(s): **Keith Edgett and Robert Jorgensen**
(45) Registration Date: **22 March 2007**
(30) Convention priority data:
(31) Number (32) Date (33) Country
29/261,993 23 Jun 2006 UNITED STATES OF AMERICA
(56) Related Art Documents: **Not Applicable**
(57) Statement of Newness and Distinctiveness: **Those features of the applicators depicted in the representations that are new and distinctive are the shape and/or configuration. The features shown in broken lines are not part of the design and are to be disregarded when considering the overall impression of the design.**



(21) Design Number: **15864/2007**

(22) Date of Filing Application: **04 January 2007**

(24) Date from which industrial property rights may have effect: **04 January 2007**

(54) Product in respect of which the design is registered: **Light**

(51) International Design Classification: **26-05B**

(71) Name(s) and Address(s) of Applicant(s):

**Zumtobel Lighting GmbH & Co. KG
Grevenmarschstr. 74-78 32657 Lemgo Germany**

(72) Name(s) of Designer(s): **Jorg Tragatschnig**

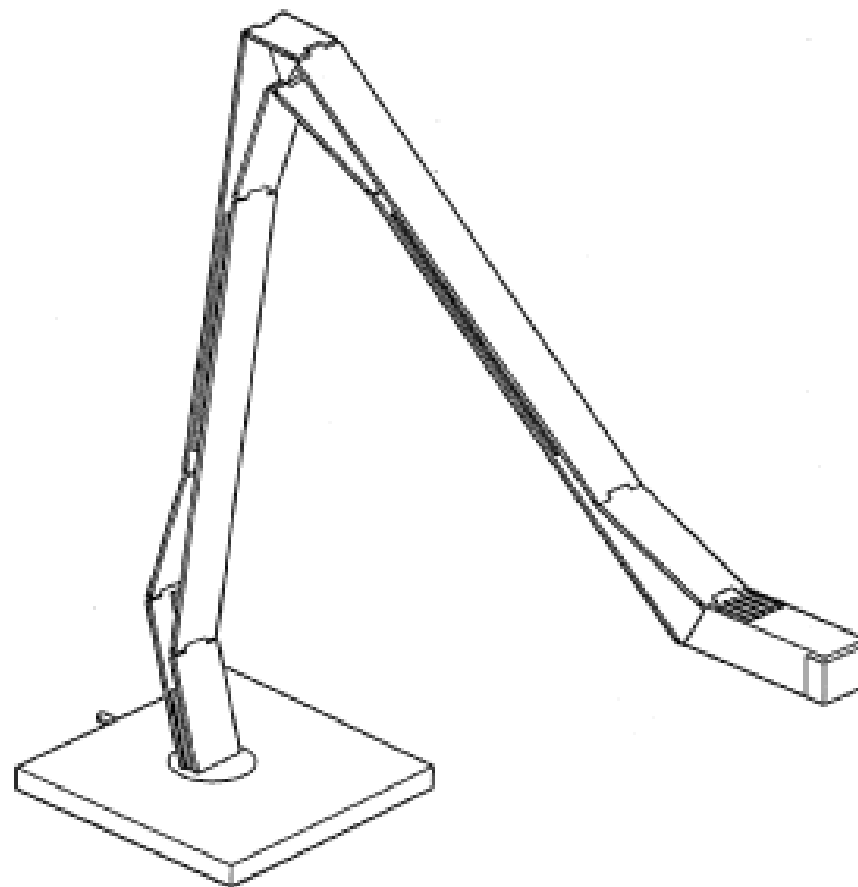
(45) Registration Date: **22 March 2007**

(30) Convention priority data:

(31) Number	(32) Date	(33) Country
000556238#0001	06 Jul 2006	EUROPEAN COMMUNITY

(56) Related Art Documents: **Not Applicable**

(57) Statement of Newness and Distinctiveness: **Newness and distinctiveness is claimed in the features of shape and/or configuration of a light as illustrated in the accompanying representations.**



(21) Design Number: **14918/2006**

(22) Date of Filing Application: **27 October 2006**

(24) Date from which industrial property rights may have effect: **27 October 2006**

(54) Product in respect of which the design is registered: **A box for a DVD or similar disc**

(51) International Design Classification: **09-05**

(71) Name(s) and Address(s) of Applicant(s):

**Dubois Limited
Amaray House Arkwright Road Corby Northants NN17 5AE United Kingdom**

(72) Name(s) of Designer(s): **Robert Johnston and Peter Antony Farrar and John A. Gelardi and Kenny Freitag**

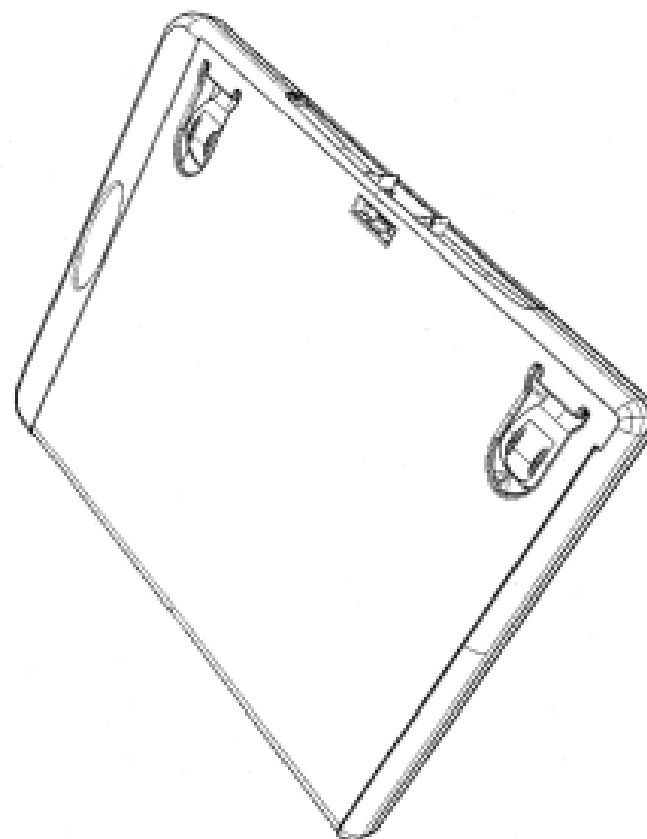
(45) Registration Date: **22 March 2007**

(30) Convention priority data:

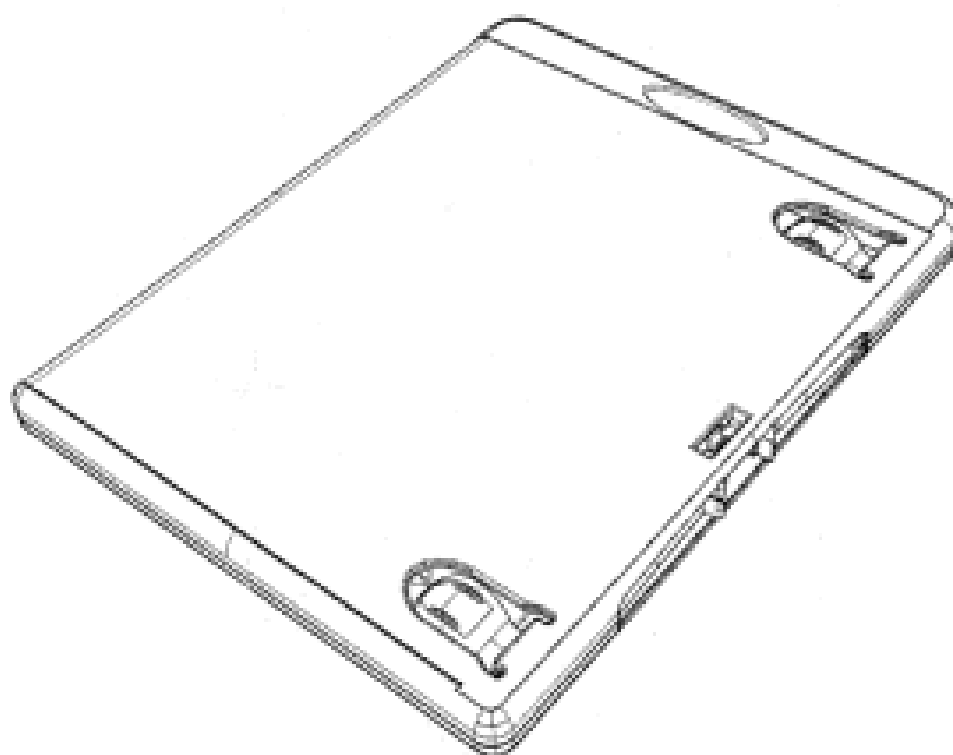
(31) Number	(32) Date	(33) Country
527080	11 May 2006	EUROPEAN COMMUNITY

(56) Related Art Documents: **Not Applicable**

(57) Statement of Newness and Distinctiveness: **Visual Features of the design which are new and distinctive are the features of the shape and configuration of a box for a DVD or similar disc as illustrated in the representations.**



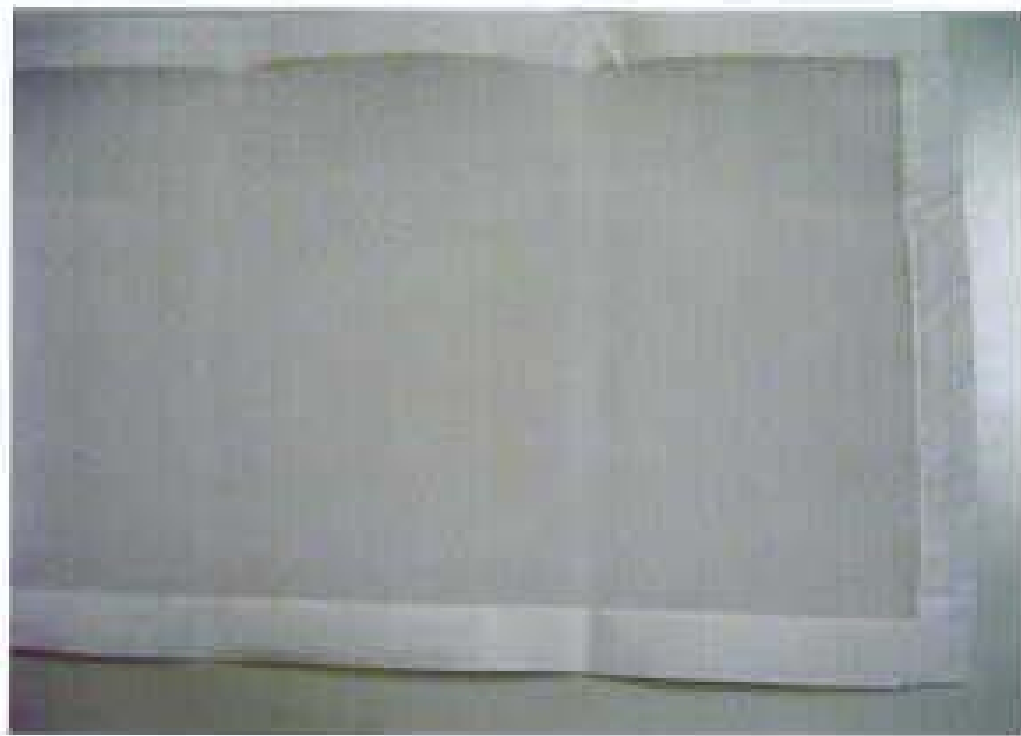
- (21) Design Number: **14919/2006**
(22) Date of Filing Application: **27 October 2006**
(24) Date from which industrial property rights may have effect: **27 October 2006**
(54) Product in respect of which the design is registered: **A box for a DVD or similar disc**
(51) International Design Classification: **09-05**
(71) Name(s) and Address(s) of Applicant(s):
Dubois Limited
Amaray House Arkwright Road Corby Northants NN17 5AE United Kingdom
(72) Name(s) of Designer(s): **Robert Johnston and Peter Antony Farrar and John A. Gelardi and Kenny Freitag**
(45) Registration Date: **22 March 2007**
(30) Convention priority data:
(31) Number (32) Date (33) Country
527080 11 May 2006 EUROPEAN COMMUNITY
(56) Related Art Documents: **Not Applicable**
(57) Statement of Newness and Distinctiveness: **Visual features of the design which are new and distinctive are the features of shape and configuration of a box for a DVD or similar disc as illustrated in the representations. The features shown in broken lines in the views of the open box are not part of the design and are to be disregarded.**



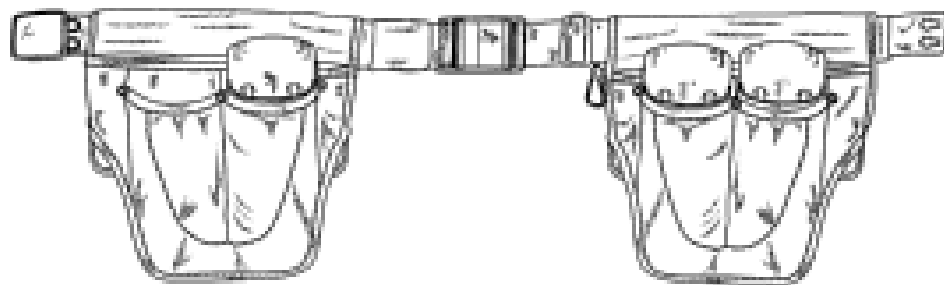
- (21) Design Number: **14920/2006**
(22) Date of Filing Application: **27 October 2006**
(24) Date from which industrial property rights may have effect: **27 October 2006**
(54) Product in respect of which the design is registered: **A box for a DVD or similar disc**
(51) International Design Classification: **09-05**
(71) Name(s) and Address(s) of Applicant(s):
Dubois Limited
Amaray House Arkwright Road Corby Northants NN17 5AE United Kingdom
(72) Name(s) of Designer(s): **Robert Johnston and Peter Antony Farrar and John A. Gelardi and Kenny Freitag**
(45) Registration Date: **22 March 2007**
(30) Convention priority data:
(31) Number (32) Date (33) Country
527080 11 May 2006 EUROPEAN COMMUNITY
(56) Related Art Documents: **Not Applicable**
(57) Statement of Newness and Distinctiveness: **Visual features of the design which are new and distinctive are the features of colour, shape and configuration of a box for a DVD or similar disc as illustrated in the representations.**



- (21) Design Number: **15347/2006**
(22) Date of Filing Application: **21 November 2006**
(24) Date from which industrial property rights may have effect: **21 November 2006**
(54) Product in respect of which the design is registered: **Protector**
(51) International Design Classification: **05-05B**
(71) Name(s) and Address(s) of Applicant(s):
The Little Linen Company Pty Ltd
32/25 Claremont Street South Yarra Victoria 3141 Australia
(72) Name(s) of Designer(s): **Ben Wilson**
(45) Registration Date: **22 March 2007**
(56) Related Art Documents: **Not Applicable**
(57) Statement of Newness and Distinctiveness: **Newness and distinctiveness is claimed of the shape and configuration of the protector shown in the accompanying representations and also in the pattern and ornamentation of the two layers of fabric from which the protector is made. The protector is of fixed width but of indeterminate length and has a constant cross-section over its length apart from the border.**



- (21) Design Number: **13555/2005**
(22) Date of Filing Application: **19 August 2005**
(24) Date from which industrial property rights may have effect: **19 August 2005**
(54) Product in respect of which the design is registered: **A grilling utility belt**
(51) International Design Classification: **03-01NES**
(71) Name(s) and Address(s) of Applicant(s):
Grillslinger International Limited
Corner Cuba and Vivian Streets Wellington 6001 New Zealand
(72) Name(s) of Designer(s): **Stephen Eric Logan and Alister Douglas Malcolm Brown**
(45) Registration Date: **22 March 2007**
(30) Convention priority data:
(31) Number (32) Date (33) Country
405872 21 Feb 2005 NEW ZEALAND
(56) Related Art Documents: **Not Applicable**
(57) Statement of Newness and Distinctiveness: **Newness and distinctiveness is claimed in the feature of shape and configuration of a grilling utility belt as illustrated in the representations accompanying the application.**



(21) Design Number: **11289/2006**

(22) Date of Filing Application: **29 March 2006**

(24) Date from which industrial property rights may have effect: **29 March 2006**

(54) Product in respect of which the design is registered: **Motorcycle turntable**

(51) International Design Classification: **12-05, 20-02NES**

(71) Name(s) and Address(s) of Applicant(s):

Richard Jones

25 Cameron Parade Bundoora Victoria 3083 Australia

(72) Name(s) of Designer(s): **Richard Jones**

(45) Registration Date: **22 March 2007**

(56) Related Art Documents: **Not Applicable**

(57) Statement of Newness and Distinctiveness: **I wish to identify the two side plates (wings) and their connection to the main channel (body).**



(21) Design Number: **11719/2006**

(22) Date of Filing Application: **24 April 2006**

(24) Date from which industrial property rights may have effect: **24 April 2006**

(54) Product in respect of which the design is registered: **Container**

(51) International Design Classification: **07-01NES**

(71) Name(s) and Address(s) of Applicant(s):

The Decor Corporation Pty Ltd

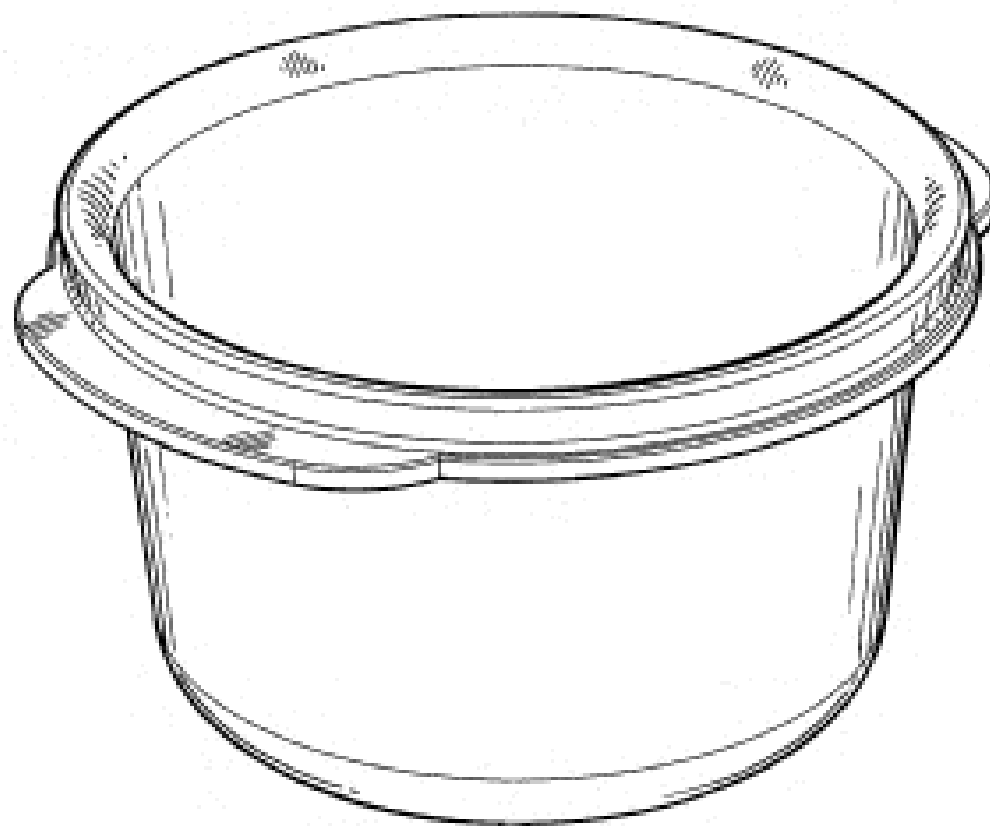
1314 Ferntree Gully Road Scoresby Victoria 3179 Australia

(72) Name(s) of Designer(s): **Arthur Richard Carlson**

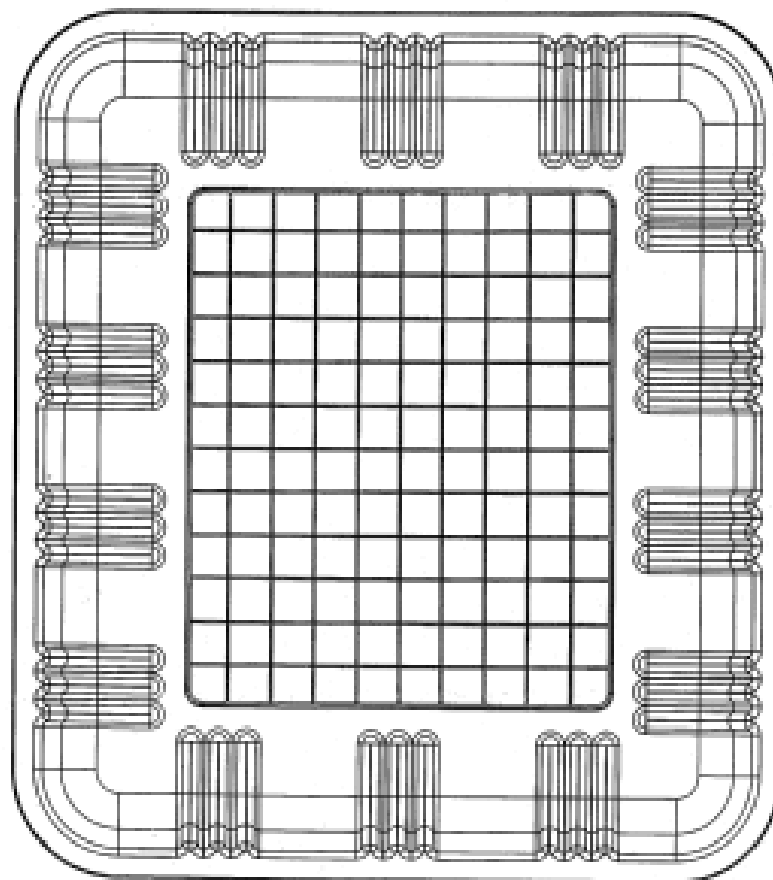
(45) Registration Date: **22 March 2007**

(56) Related Art Documents: **Not Applicable**

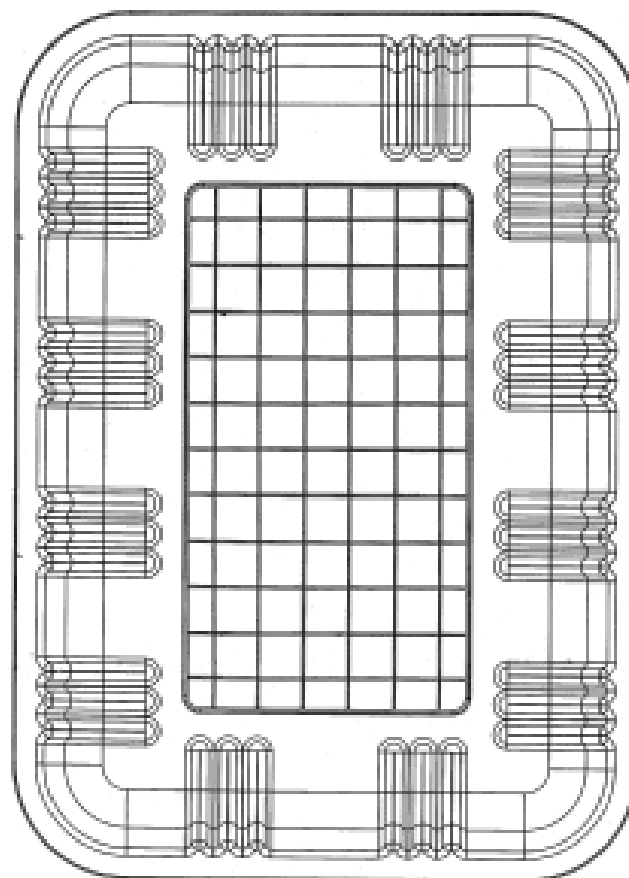
(57) Statement of Newness and Distinctiveness: **Nil**



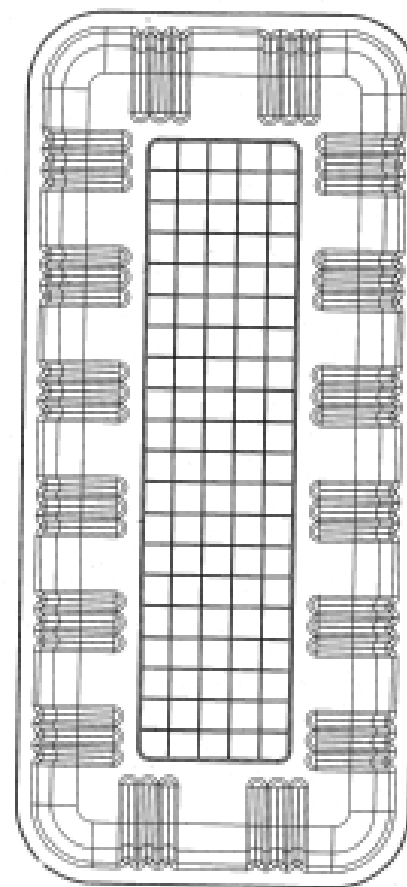
- (21) Design Number: **13178/2006**
(22) Date of Filing Application: **21 July 2006**
(24) Date from which industrial property rights may have effect: **21 July 2006**
(54) Product in respect of which the design is registered: **Food trays**
(51) International Design Classification: **07-99A, 09-03F**
(71) Name(s) and Address(s) of Applicant(s):
Starpack Australia Pty Ltd
1946 Hume Highway Campbellfield Victoria 3061 Australia
(72) Name(s) of Designer(s): **Charlie Tu**
(45) Registration Date: **22 March 2007**
(56) Related Art Documents: **Not Applicable**
(57) Statement of Newness and Distinctiveness: **The new features of the design are the shape and configuration of Food Trays as shown in the presentations.**



- (21) Design Number: **13179/2006**
(22) Date of Filing Application: **21 July 2006**
(24) Date from which industrial property rights may have effect: **21 July 2006**
(54) Product in respect of which the design is registered: **Food trays**
(51) International Design Classification: **07-99A, 09-03F**
(71) Name(s) and Address(s) of Applicant(s):
Starpack Australia Pty Ltd
1946 Hume Highway Campbellfield Victoria 3061 Australia
(72) Name(s) of Designer(s): **Charlie Tu**
(45) Registration Date: **22 March 2007**
(56) Related Art Documents: **Not Applicable**
(57) Statement of Newness and Distinctiveness: **The new features of the design are the shape and configuration of Food Trays as shown in the presentations.**

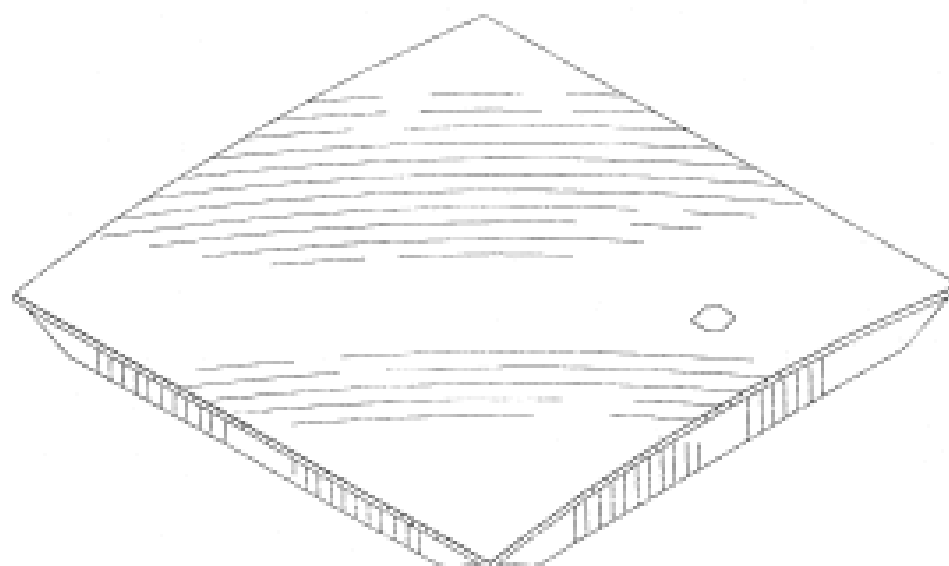


- (21) Design Number: **13180/2006**
- (22) Date of Filing Application: **21 July 2006**
- (24) Date from which industrial property rights may have effect: **21 July 2006**
- (54) Product in respect of which the design is registered: **Food trays**
- (51) International Design Classification: **07-99A, 09-03F**
- (71) Name(s) and Address(s) of Applicant(s):
Starpack Australia Pty Ltd
1946 Hume Highway Campbellfield Victoria 3061 Australia
- (72) Name(s) of Designer(s): **Charlie Tu**
- (45) Registration Date: **22 March 2007**
- (56) Related Art Documents: **Not Applicable**
- (57) Statement of Newness and Distinctiveness: **The new features of the design are the shape and configuration of Food Trays as shown in the presentations.**

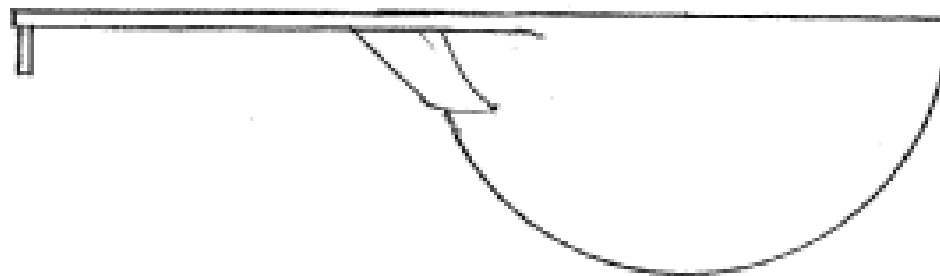


- (21) Design Number: **13709/2006**
- (22) Date of Filing Application: **21 August 2006**
- (24) Date from which industrial property rights may have effect: **21 August 2006**
- (54) Product in respect of which the design is registered: **RFID reader housing**
- (51) International Design Classification: **14-03NES**
- (71) Name(s) and Address(s) of Applicant(s):
Assa Abloy Identification Technology Group AB
Klarabergsviadukten 90 Stockholm 107 23 Sweden
- (72) Name(s) of Designer(s): **Randall D. Bousfield**
- (45) Registration Date: **22 March 2007**
- (30) Convention priority data:

(31) Number	(32) Date	(33) Country
29238480	16 Sep 2005	UNITED STATES OF AMERICA
- (56) Related Art Documents: **Not Applicable**
- (57) Statement of Newness and Distinctiveness: **Newness and distinctiveness is claimed in the visual features shown in solid lines in the representations.**



- (21) Design Number: **14515/2006**
(22) Date of Filing Application: **06 October 2006**
(24) Date from which industrial property rights may have effect: **06 October 2006**
(54) Product in respect of which the design is registered: **Scoop**
(51) International Design Classification: **07-07NES**
(71) Name(s) and Address(s) of Applicant(s):
Raymond John Baker
286 Maribyrnong Road Moonee Ponds Victoria 3039 Australia
(72) Name(s) of Designer(s): **Raymond John Baker**
(45) Registration Date: **22 March 2007**
(56) Related Art Documents: **Not Applicable**
(57) Statement of Newness and Distinctiveness: **Nil**



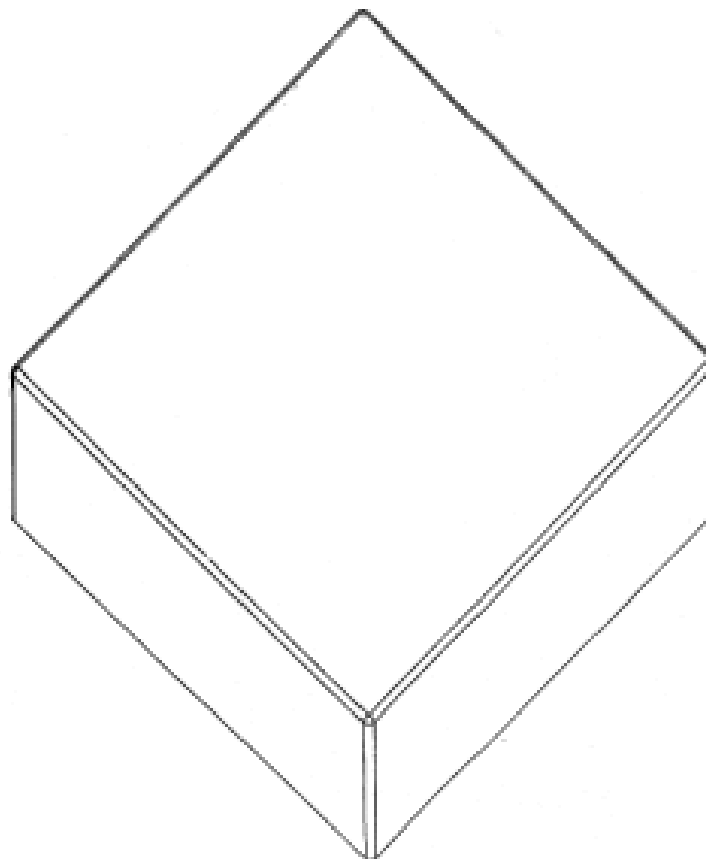
- (21) Design Number: **14525/2006**
(22) Date of Filing Application: **06 October 2006**
(24) Date from which industrial property rights may have effect: **06 October 2006**
(54) Product in respect of which the design is registered: **Wheel for a vehicle**
(51) International Design Classification: **12-16A**
(71) Name(s) and Address(s) of Applicant(s):
Ford Motor Company of Australia Limited
1735 Sydney Road Campbellfield Victoria 3061 Australia
(72) Name(s) of Designer(s): **Graham Wadsworth**
(45) Registration Date: **22 March 2007**
(56) Related Art Documents: **Not Applicable**
(57) Statement of Newness and Distinctiveness: **Newness and distinctiveness resides in the visual features of shape and/or configuration of a wheel for a vehicle as illustrated in the representations.**



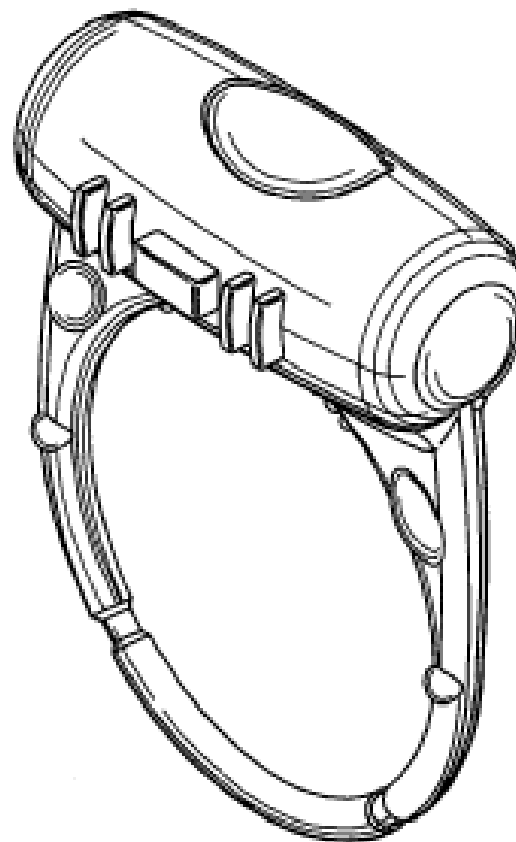
- (21) Design Number: **14526/2006**
(22) Date of Filing Application: **06 October 2006**
(24) Date from which industrial property rights may have effect: **06 October 2006**
(54) Product in respect of which the design is registered: **Wheel for a vehicle**
(51) International Design Classification: **12-16A**
(71) Name(s) and Address(s) of Applicant(s):
Ford Motor Company of Australia Limited
1735 Sydney Road Campbellfield Victoria 3061 Australia
(72) Name(s) of Designer(s): **Graham Wadsworth**
(45) Registration Date: **22 March 2007**
(56) Related Art Documents: **Not Applicable**
(57) Statement of Newness and Distinctiveness: **Newness and distinctiveness resides in the visual features of shape and/or configuration of a wheel for a vehicle as illustrated in the representations.**



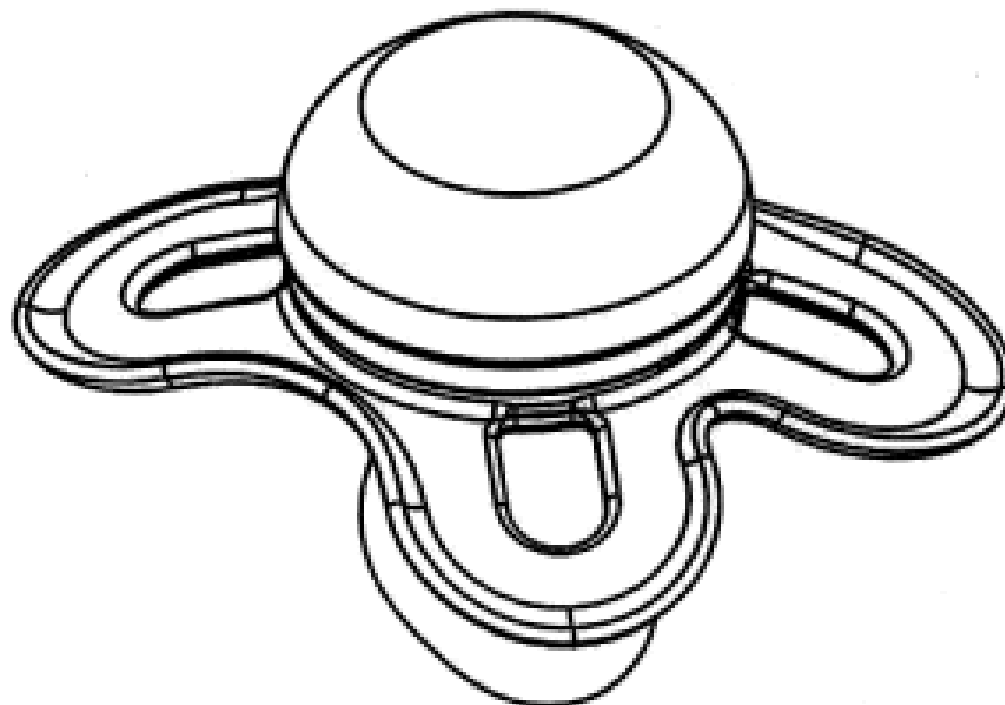
- (21) Design Number: **15055/2006**
(22) Date of Filing Application: **03 November 2006**
(24) Date from which industrial property rights may have effect: **03 November 2006**
(54) Product in respect of which the design is registered: **A set of paver and tiles**
(51) International Design Classification: **25-01A**
(71) Name(s) and Address(s) of Applicant(s):
Fritsch and Son Pty Ltd
82 Companion Way Tweed Heads New South Wales Australia 2485
(72) Name(s) of Designer(s): **Daniel Fritsch**
(45) Registration Date: **22 March 2007**
(56) Related Art Documents: **Not Applicable**
(57) Statement of Newness and Distinctiveness: **For this type of diamond shaped paver a rounded top edge is new and distinctive. It will provide the paver with a differing finished surface with increased visual appeal. Monopoly is claimed in the features of the shape of the pavers as illustrated in the accompanying representations. In considering the extent of monopoly protection the features of the depth and relative width/length of the pavers are to be disregarded.**



- (21) Design Number: **15299/2006**
(22) Date of Filing Application: **17 November 2006**
(24) Date from which industrial property rights may have effect: **17 November 2006**
(54) Product in respect of which the design is registered: **Sex toy**
(51) International Design Classification: **28-99**
(71) Name(s) and Address(s) of Applicant(s):
LRC Products Limited
35 New Bridge Street London EC4V 6BW England
(72) Name(s) of Designer(s): **Sean Joseph Tasker and Mark Vincent Critchley**
and Suren Solanki and John Douglas Joyce
(45) Registration Date: **22 March 2007**
(30) Convention priority data:
(31) Number (32) Date (33) Country
000534029 18 May 2006 EUROPEAN COMMUNITY
(56) Related Art Documents: **Not Applicable**
(57) Statement of Newness and Distinctiveness: **The shape and configuration of the sex toy shown in the representations is new and distinctive.**



- (21) Design Number: **15662/2006**
(22) Date of Filing Application: **11 December 2006**
(24) Date from which industrial property rights may have effect: **11 December 2006**
(54) Product in respect of which the design is registered: **Pacifier**
(51) International Design Classification: **24-04**
(71) Name(s) and Address(s) of Applicant(s):
MAM Babyartikel Gesellschaft m.b.H
Lorenz-Mandl-Gasse 50 1160 Wien Austria
(72) Name(s) of Designer(s): **Peter Rohrig**
(45) Registration Date: **22 March 2007**
(30) Convention priority data:
(31) Number (32) Date (33) Country
000574504 14 Aug 2006 EUROPEAN COMMUNITY
(56) Related Art Documents: **Not Applicable**
(57) Statement of Newness and Distinctiveness: **Newness and distinctiveness is claimed in the features of shape and/or configuration of a pacifier as illustrated in the accompanying representations.**



(21) Design Number: **15898/2006**

(22) Date of Filing Application: **22 December 2006**

(24) Date from which industrial property rights may have effect: **22 December 2006**

(54) Product in respect of which the design is registered: **Bottle**

(51) International Design Classification: **09-07A**

(71) Name(s) and Address(s) of Applicant(s):

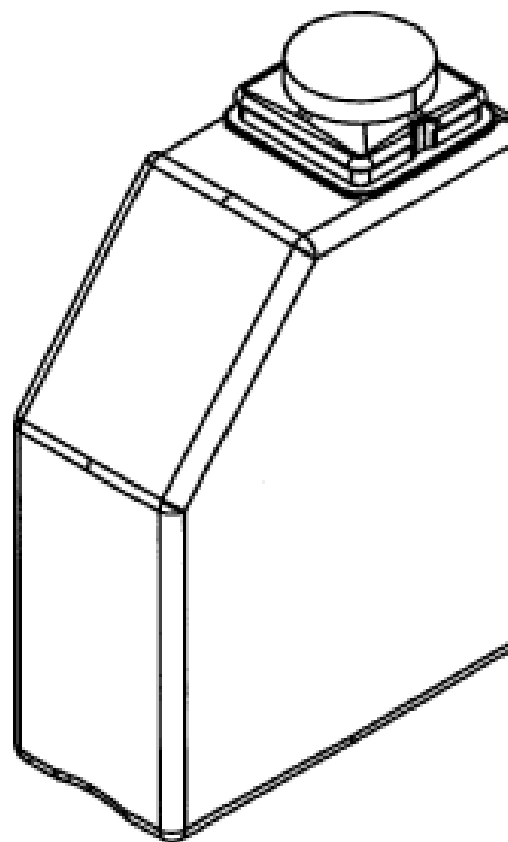
Sagacity Ventures Pty Ltd
C/-Stannards Accountants Level 1 60 Toorak Road South Yarra
Victoria 3141 Australia

(72) Name(s) of Designer(s): **John Mount**

(45) Registration Date: **22 March 2007**

(56) Related Art Documents: **Not Applicable**

(57) Statement of Newness and Distinctiveness: **The new and distinctive features claimed are the shape and/or configuration of the bottle cap as shown in the representations attached.**



(21) Design Number: **15899/2006**

(22) Date of Filing Application: **22 December 2006**

(24) Date from which industrial property rights may have effect: **22 December 2006**

(54) Product in respect of which the design is registered: **Bottle cap**

(51) International Design Classification: **09-07A**

(71) Name(s) and Address(s) of Applicant(s):

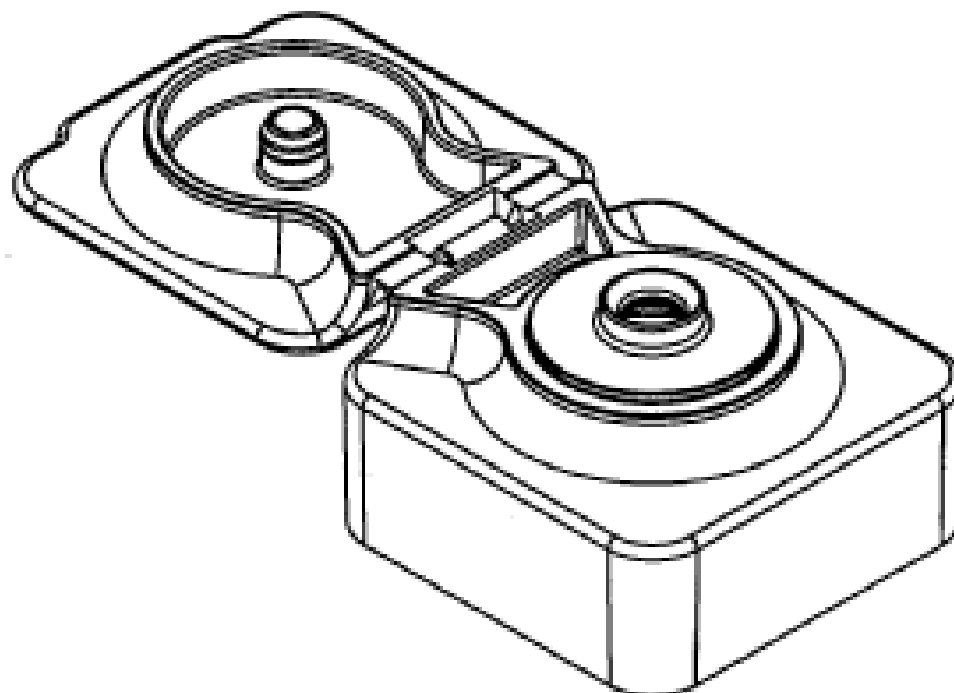
Sagacity Ventures Pty Ltd
C/-Stannards Accountants Level 1 60 Toorak Road South Yarra
Victoria 3141 Australia

(72) Name(s) of Designer(s): **John Mount**

(45) Registration Date: **22 March 2007**

(56) Related Art Documents: **Not Applicable**

(57) Statement of Newness and Distinctiveness: **The new and distinctive features claimed are the shape and/or configuration of the bottle cap as shown in the representations attached.**



- (21) Design Number: **15913/2006**
(22) Date of Filing Application: **22 December 2006**
(24) Date from which industrial property rights may have effect: **22 December 2006**
(54) Product in respect of which the design is registered: **Baby wrap**
(51) International Design Classification: **06-13B**
(71) Name(s) and Address(s) of Applicant(s):
Elizabeth Mulheron
9 Euclid Street Winston Hills New South Wales 2153 Australia
(72) Name(s) of Designer(s): **Elizabeth Mulheron**
(45) Registration Date: **22 March 2007**
(30) Convention priority data:
(31) Number (32) Date (33) Country
2006904163 31 Jul 2006 AUSTRALIA
(56) Related Art Documents: **Not Applicable**
(57) Statement of Newness and Distinctiveness: **Newness and distinctiveness is claimed in the visual features of shape and/or configuration shown in solid lines in the representations disregarding fastening means and stitching.**



- (21) Design Number: **16743/2007**
(22) Date of Filing Application: **06 March 2007**
(24) Date from which industrial property rights may have effect: **06 March 2007**
(54) Product in respect of which the design is registered: **A ruler/sewing aid**
(51) International Design Classification: **10-04**
(71) Name(s) and Address(s) of Applicant(s):
Judith Turner
34 Rawlinna Drive Mermaid Waters Queensland 4218 Australia
(72) Name(s) of Designer(s): **Judith Turner**
(45) Registration Date: **22 March 2007**
(56) Related Art Documents: **Not Applicable**
(57) Statement of Newness and Distinctiveness: **The ruler has section cut out of it to help marking a garment. Sections are cut out (shown in white) and ruler is folded (made of paper) then able to be used on a sewing machine.**



(21) Design Number: **16758/2007**

(22) Date of Filing Application: **06 March 2007**

(24) Date from which industrial property rights may have effect: **06 March 2007**

(54) Product in respect of which the design is registered: **Blister package**

(51) International Design Classification: **09-05**

(71) Name(s) and Address(s) of Applicant(s):

Reckitt Benckiser Inc.

Morris Corporate Center IV 399 Interpace Parkway Parsippany New Jersey 07054 United States of America

(72) Name(s) of Designer(s): **Patrick Derouault and Frederic Moreux and Viktoria Vari and Sebastiao Gularte and Beatriz Borges Neves**

(45) Registration Date: **22 March 2007**

(30) Convention priority data:

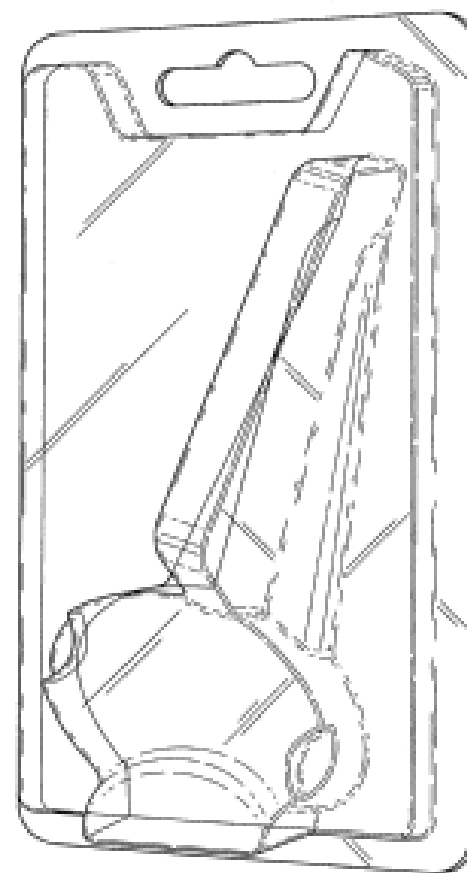
(31) Number
29/249194

(32) Date
26 Sep 2006

(33) Country
UNITED STATES OF AMERICA

(56) Related Art Documents: **Not Applicable**

(57) Statement of Newness and Distinctiveness: **Newness and distinctiveness reside in the features of the design shown in solid lines in the representations excluding those features shown in broken lines.**



(21) Design Number: **16833/2007**

(22) Date of Filing Application: **12 March 2007**

(24) Date from which industrial property rights may have effect: **12 March 2007**

(54) Product in respect of which the design is registered: **Drink coaster holder**

(51) International Design Classification: **07-06B**

(71) Name(s) and Address(s) of Applicant(s):

M. Ware

55 Salisbury Drive Nowra New South Wales 2541 Australia

(72) Name(s) of Designer(s): **Michael Ware**

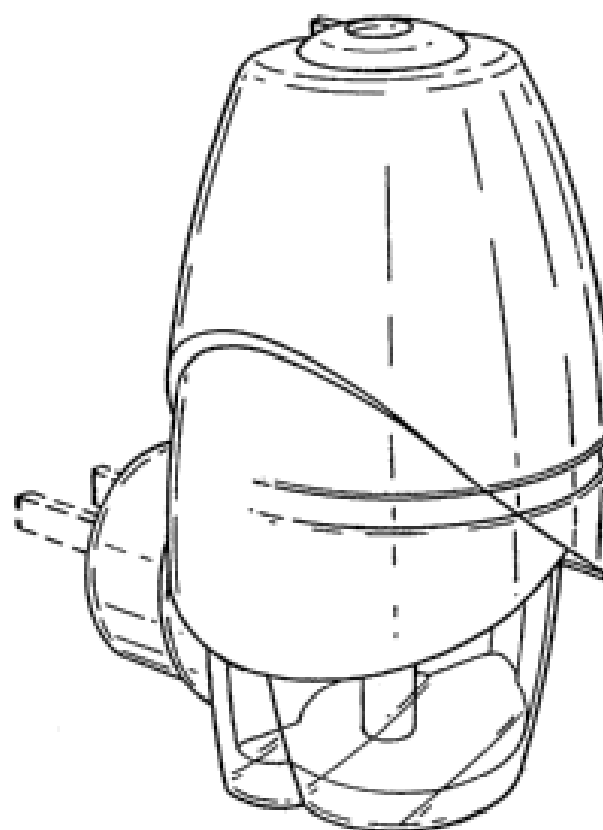
(45) Registration Date: **22 March 2007**

(56) Related Art Documents: **Not Applicable**

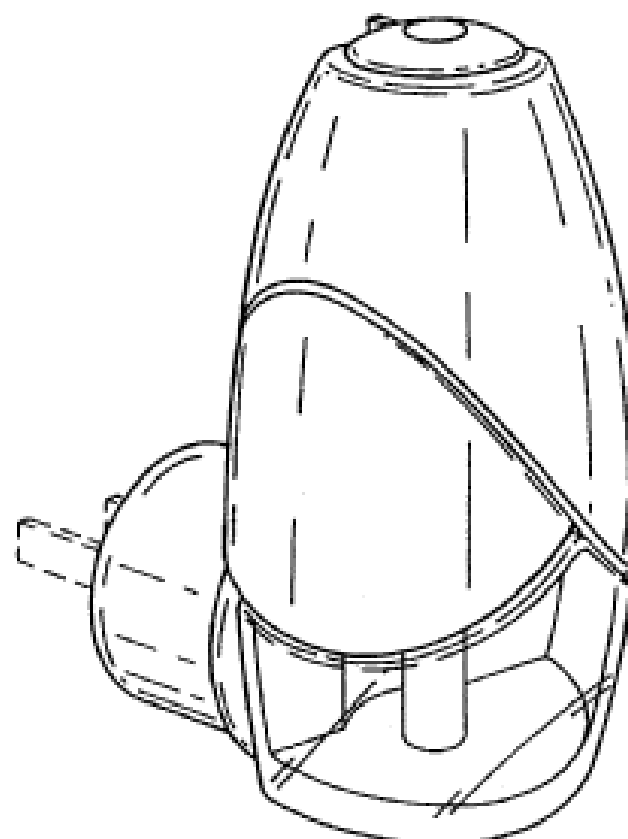
(57) Statement of Newness and Distinctiveness: **The design of this drink coaster holder is a distinct configuration of geometric shapes that form a secure housing to which a drink coaster is inserted. The design features strong compact forms and sleek attractive lines that engage a variety of materials and textures. This collaboration of distinctive functional features and efficient geometric shapes is designed to maximize the air flow through the housing and around the exposed areas of the coaster allowing the coaster to dry out with out compromising its integrity or form. The design has two component orientations top and base. View 1/5, 2/5, 3/5: The top of the housing shown here is designed to accomodate coasters of various sizes in a secure position. The top of the housing may employ any number of colours patterns and logos. View 4/5, 5/5: The base of the housing configuration is shown here. It has a deliberate arrangement of raised dimples along the top side of the base designed to separate the top and bottom of the housing and to maximise air flow through the housing. The arrangement of raised dimples on the under side of the base is designed to stabilize the housing and maximize the air flow under the housing. This simple efficient application of practical physics, combined with contemporary ergonomic styling are the distinguishing features that make this design unique.**



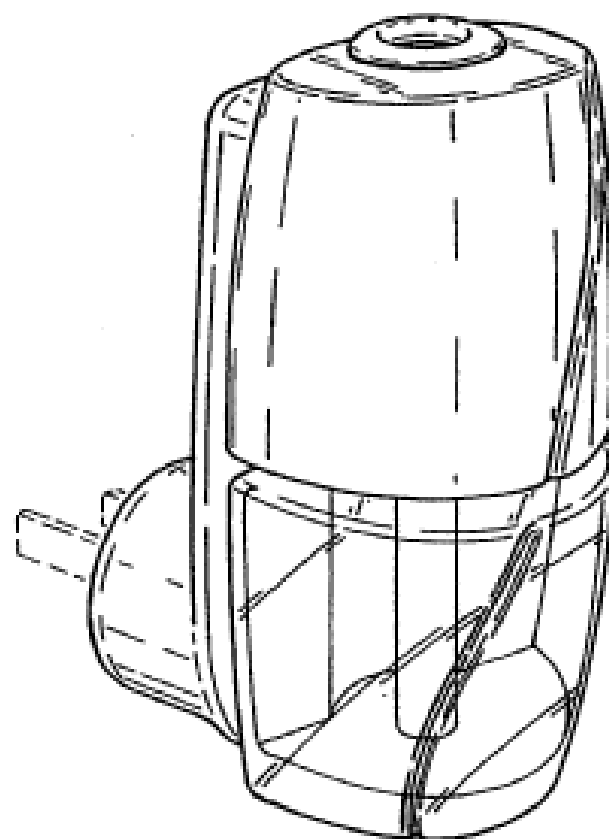
(21) Design Number: **16864/2007**
(22) Date of Filing Application: **13 March 2007**
(24) Date from which industrial property rights may have effect: **13 March 2007**
(54) Product in respect of which the design is registered: **Air freshener device**
(51) International Design Classification: **28-99**
(71) Name(s) and Address(s) of Applicant(s):
Reckitt Benckiser (UK) Limited
103-105 Bath Road Slough Berkshire SL1 3UH United Kingdom
(72) Name(s) of Designer(s): **Steven Bellofatto and Scott Douglas Salmon and Alex Cantoni and Mario Alexander Turchi**
(45) Registration Date: **22 March 2007**
(30) Convention priority data:
(31) Number (32) Date (33) Country
000592902#0001 21 Sep 2006 EUROPEAN COMMUNITY
(56) Related Art Documents: **Not Applicable**
(57) Statement of Newness and Distinctiveness: **Newness and distinctiveness reside in the features of the design as shown in the representations excluding the features of the electrical pins.**



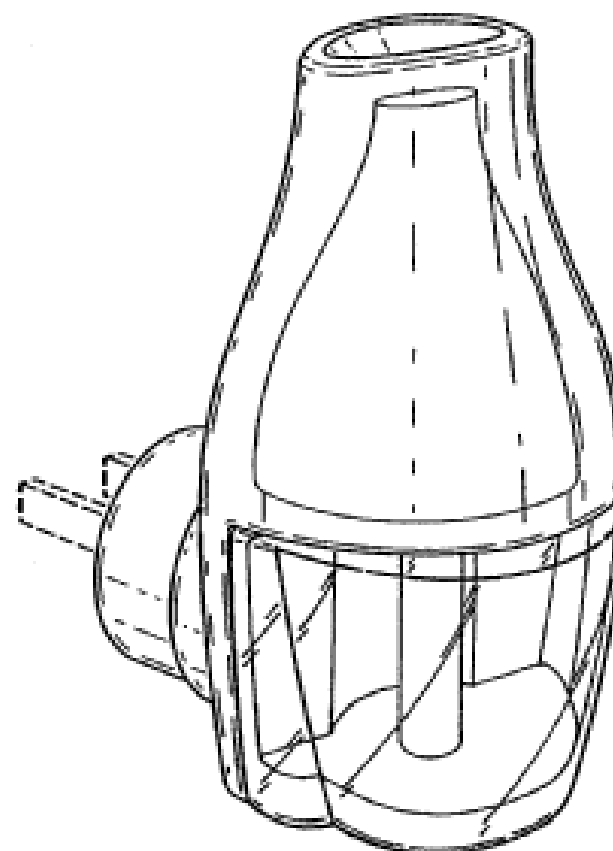
(21) Design Number: **16865/2007**
(22) Date of Filing Application: **13 March 2007**
(24) Date from which industrial property rights may have effect: **13 March 2007**
(54) Product in respect of which the design is registered: **Air freshener device**
(51) International Design Classification: **28-99**
(71) Name(s) and Address(s) of Applicant(s):
Reckitt Benckiser (UK) Limited
103-105 Bath Road Slough Berkshire SL1 3UH United Kingdom
(72) Name(s) of Designer(s): **Steven Bellofatto and Scott Douglas Salmon and Alex Cantoni and Mario Alexander Turchi**
(45) Registration Date: **22 March 2007**
(30) Convention priority data:
(31) Number (32) Date (33) Country
000592902#0002 21 Sep 2006 EUROPEAN COMMUNITY
(56) Related Art Documents: **Not Applicable**
(57) Statement of Newness and Distinctiveness: **Newness and distinctiveness reside in the features of the design as shown in the representations excluding the features of the electrical pins.**



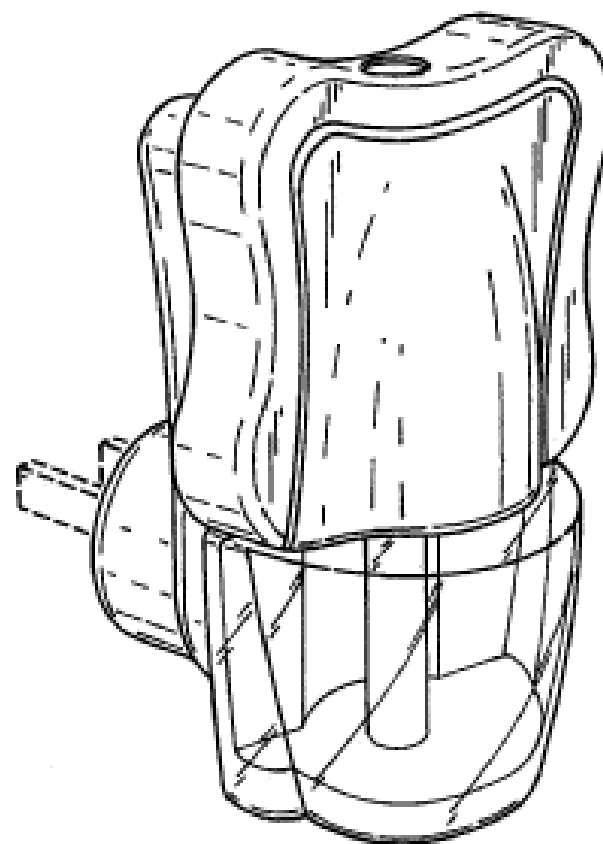
- (21) Design Number: **16866/2007**
(22) Date of Filing Application: **13 March 2007**
(24) Date from which industrial property rights may have effect: **13 March 2007**
(54) Product in respect of which the design is registered: **Air freshener device**
(51) International Design Classification: **28-99**
(71) Name(s) and Address(s) of Applicant(s):
Reckitt Benckiser (UK) Limited
103-105 Bath Road Slough Berkshire SL1 3UH United Kingdom
(72) Name(s) of Designer(s): **Steven Bellofatto and Scott Douglas Salmon and Alex Cantoni and Mario Alexander Turchi**
(45) Registration Date: **22 March 2007**
(30) Convention priority data:
(31) Number (32) Date (33) Country
000592902#0003 21 Sep 2006 EUROPEAN COMMUNITY
(56) Related Art Documents: **Not Applicable**
(57) Statement of Newness and Distinctiveness: **Newness and distinctiveness reside in the features of the design as shown in the representations excluding the features of the electrical pins.**



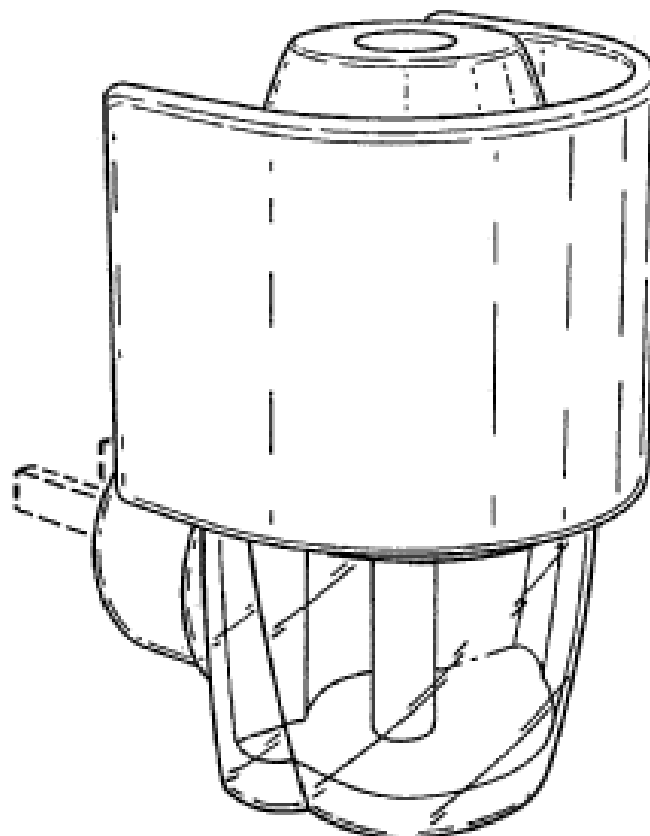
- (21) Design Number: **16867/2007**
(22) Date of Filing Application: **13 March 2007**
(24) Date from which industrial property rights may have effect: **13 March 2007**
(54) Product in respect of which the design is registered: **Air freshener device**
(51) International Design Classification: **28-99**
(71) Name(s) and Address(s) of Applicant(s):
Reckitt Benckiser (UK) Limited
103-105 Bath Road Slough Berkshire SL1 3UH United Kingdom
(72) Name(s) of Designer(s): **Steven Bellofatto and Scott Douglas Salmon and Alex Cantoni and Mario Alexander Turchi**
(45) Registration Date: **22 March 2007**
(30) Convention priority data:
(31) Number (32) Date (33) Country
000592902#0004 21 Sep 2006 EUROPEAN COMMUNITY
(56) Related Art Documents: **Not Applicable**
(57) Statement of Newness and Distinctiveness: **Newness and distinctiveness reside in the features of the design as shown in the representations excluding the features of the electrical pins.**



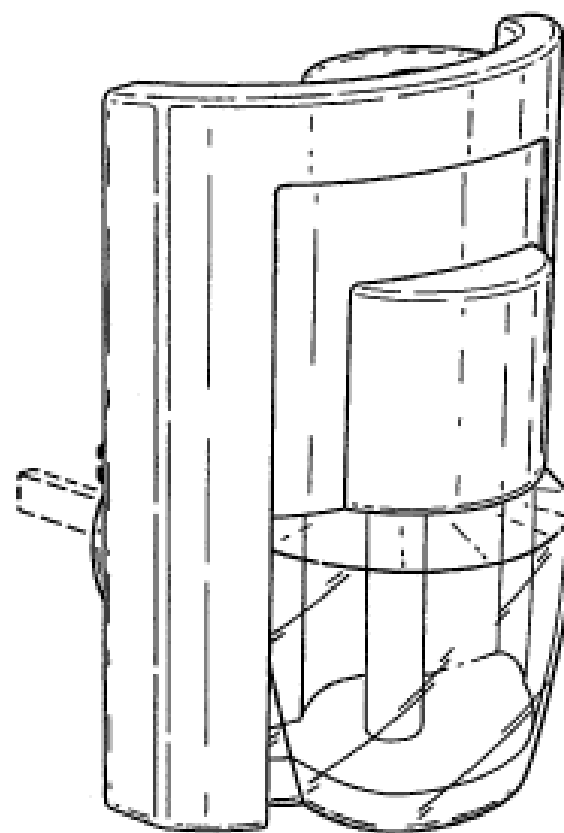
- (21) Design Number: **16868/2007**
(22) Date of Filing Application: **13 March 2007**
(24) Date from which industrial property rights may have effect: **13 March 2007**
(54) Product in respect of which the design is registered: **Air freshener device**
(51) International Design Classification: **28-99**
(71) Name(s) and Address(s) of Applicant(s):
Reckitt Benckiser (UK) Limited
103-105 Bath Road Slough Berkshire SL1 3UH United Kingdom
(72) Name(s) of Designer(s): **Steven Bellofatto and Scott Douglas Salmon and Alex Cantoni and Mario Alexander Turchi**
(45) Registration Date: **22 March 2007**
(30) Convention priority data:
(31) Number (32) Date (33) Country
000592902#0005 21 Sep 2006 EUROPEAN COMMUNITY
(56) Related Art Documents: **Not Applicable**
(57) Statement of Newness and Distinctiveness: **Newness and distinctiveness reside in the features of the design as shown in the representations excluding the features of the electrical pins.**



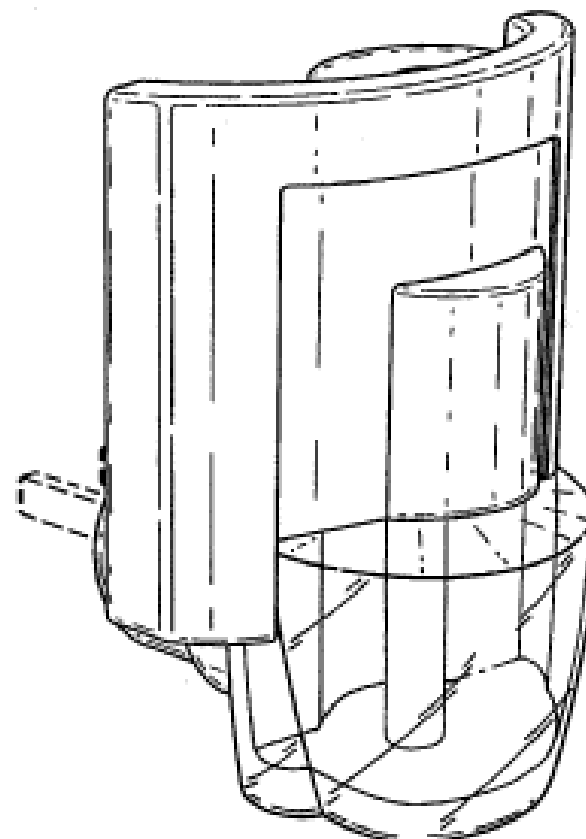
- (21) Design Number: **16869/2007**
(22) Date of Filing Application: **13 March 2007**
(24) Date from which industrial property rights may have effect: **13 March 2007**
(54) Product in respect of which the design is registered: **Air freshener device**
(51) International Design Classification: **28-99**
(71) Name(s) and Address(s) of Applicant(s):
Reckitt Benckiser (UK) Limited
103-105 Bath Road Slough Berkshire SL1 3UH United Kingdom
(72) Name(s) of Designer(s): **Steven Bellofatto and Scott Douglas Salmon and Alex Cantoni and Mario Alexander Turchi**
(45) Registration Date: **22 March 2007**
(30) Convention priority data:
(31) Number (32) Date (33) Country
000592902#0006 21 Sep 2006 EUROPEAN COMMUNITY
(56) Related Art Documents: **Not Applicable**
(57) Statement of Newness and Distinctiveness: **Newness and distinctiveness reside in the features of the design as shown in the representations excluding the features of the electrical pins.**



- (21) Design Number: **16870/2007**
- (22) Date of Filing Application: **13 March 2007**
- (24) Date from which industrial property rights may have effect: **13 March 2007**
- (54) Product in respect of which the design is registered: **Air freshener device**
- (51) International Design Classification: **28-99**
- (71) Name(s) and Address(s) of Applicant(s):
Reckitt Benckiser (UK) Limited
103-105 Bath Road Slough Berkshire SL1 3UH United Kingdom
- (72) Name(s) of Designer(s): **Steven Bellofatto and Scott Douglas Salmon and Alex Cantoni and Mario Alexander Turchi**
- (45) Registration Date: **22 March 2007**
- (30) Convention priority data:
(31) Number (32) Date (33) Country
000592902#0007 21 Sep 2006 EUROPEAN COMMUNITY
- (56) Related Art Documents: **Not Applicable**
- (57) Statement of Newness and Distinctiveness: **Newness and distinctiveness reside in the features of the design as shown in the representations excluding the features of the electrical pins.**



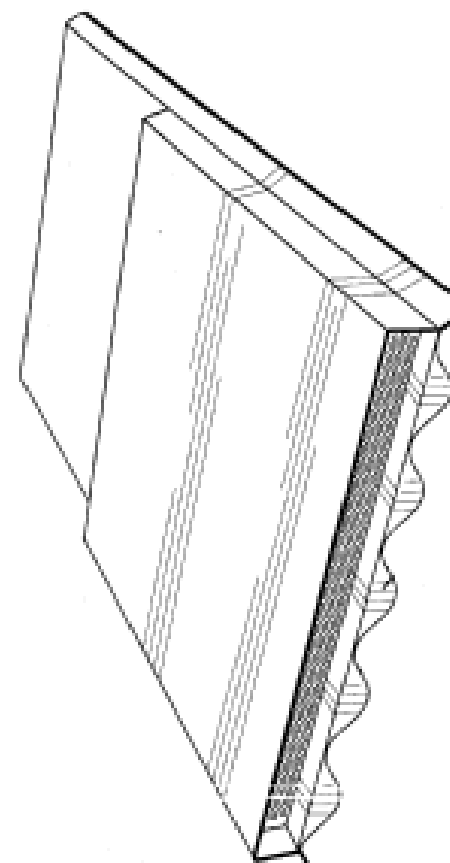
- (21) Design Number: **16871/2007**
- (22) Date of Filing Application: **13 March 2007**
- (24) Date from which industrial property rights may have effect: **13 March 2007**
- (54) Product in respect of which the design is registered: **Air freshener device**
- (51) International Design Classification: **28-99**
- (71) Name(s) and Address(s) of Applicant(s):
Reckitt Benckiser (UK) Limited
103-105 Bath Road Slough Berkshire SL1 3UH United Kingdom
- (72) Name(s) of Designer(s): **Steven Bellofatto and Scott Douglas Salmon and Alex Cantoni and Mario Alexander Turchi**
- (45) Registration Date: **22 March 2007**
- (30) Convention priority data:
(31) Number (32) Date (33) Country
000592902#0008 21 Sep 2006 EUROPEAN COMMUNITY
- (56) Related Art Documents: **Not Applicable**
- (57) Statement of Newness and Distinctiveness: **Newness and distinctiveness reside in the features of the design as shown in the features of the electrical pins.**



- (21) Design Number: **15850/2007**
- (22) Date of Filing Application: **05 January 2007**
- (24) Date from which industrial property rights may have effect: **05 January 2007**
- (54) Product in respect of which the design is registered: **Vent**
- (51) International Design Classification: **25-02G**
- (71) Name(s) and Address(s) of Applicant(s):

Kevin Baker
18 Dobbin Circuit Nicholls ACT 2913 Australia

- (72) Name(s) of Designer(s): **Kevin Baker**
- (45) Registration Date: **23 March 2007**
- (56) Related Art Documents: **Not Applicable**
- (57) Statement of Newness and Distinctiveness: **Newness and distinctiveness is claimed in the shape and/or configuration of the vent as a whole without consideration of the pattern or configuration of the grill shown in the circles of figures or the shape of the sealing section marked as A.**



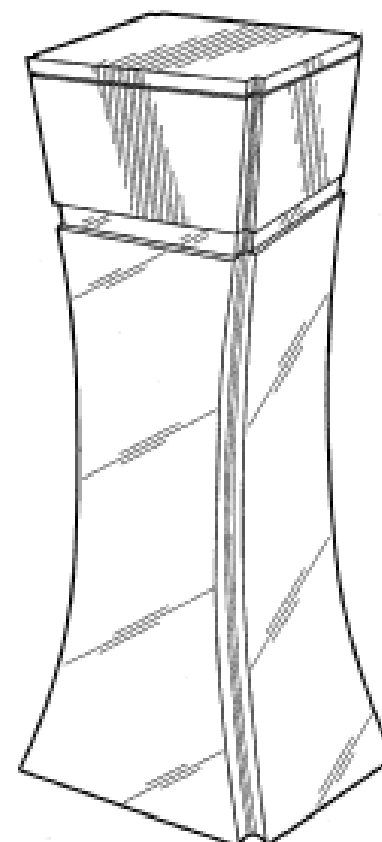
- (21) Design Number: **15848/2007**
- (22) Date of Filing Application: **05 January 2007**
- (24) Date from which industrial property rights may have effect: **05 January 2007**
- (54) Product in respect of which the design is registered: **Pepper grinder**
- (51) International Design Classification: **07-06C**
- (71) Name(s) and Address(s) of Applicant(s):

Jeffery Marshall
180 Treaty Road Drexel Hill PA 19026 United States of America

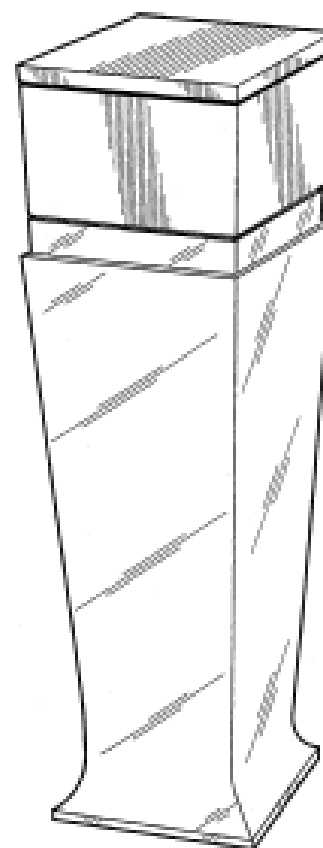
Scott Cooter
219 Central Avenue Hatboro PA 19040 United States of America

- (72) Name(s) of Designer(s): **Jeffery Marshall and Scott Cooter**
 - (45) Registration Date: **23 March 2007**
 - (30) Convention priority data:
- | | | |
|------------------|--------------------|---------------------------------|
| (31) Number | (32) Date | (33) Country |
| 29/262590 | 07 Jul 2006 | UNITED STATES OF AMERICA |

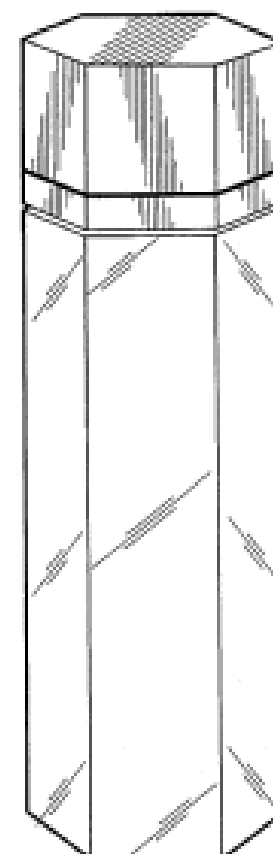
- (56) Related Art Documents: **Not Applicable**
- (57) Statement of Newness and Distinctiveness: **Nil**



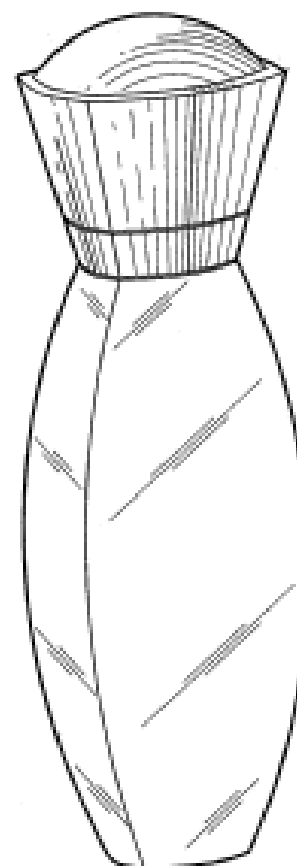
(21) Design Number: **15847/2007**
 (22) Date of Filing Application: **05 January 2007**
 (24) Date from which industrial property rights may have effect: **05 January 2007**
 (54) Product in respect of which the design is registered: **Pepper grinder**
 (51) International Design Classification: **07-06C**
 (71) Name(s) and Address(s) of Applicant(s):
Jeffery Marshall
180 Treaty Road Drexel Hill PA 19026 United States of America
Scott Cooter
219 Central Avenue Hatboro PA 19040 United States of America
 (72) Name(s) of Designer(s): **Jeffery Marshall and Scott Cooter**
 (45) Registration Date: **23 March 2007**
 (30) Convention priority data:
 (31) Number (32) Date (33) Country
29/262589 07 Jul 2006 UNITED STATES OF AMERICA
 (56) Related Art Documents: **Not Applicable**
 (57) Statement of Newness and Distinctiveness: **Nil**



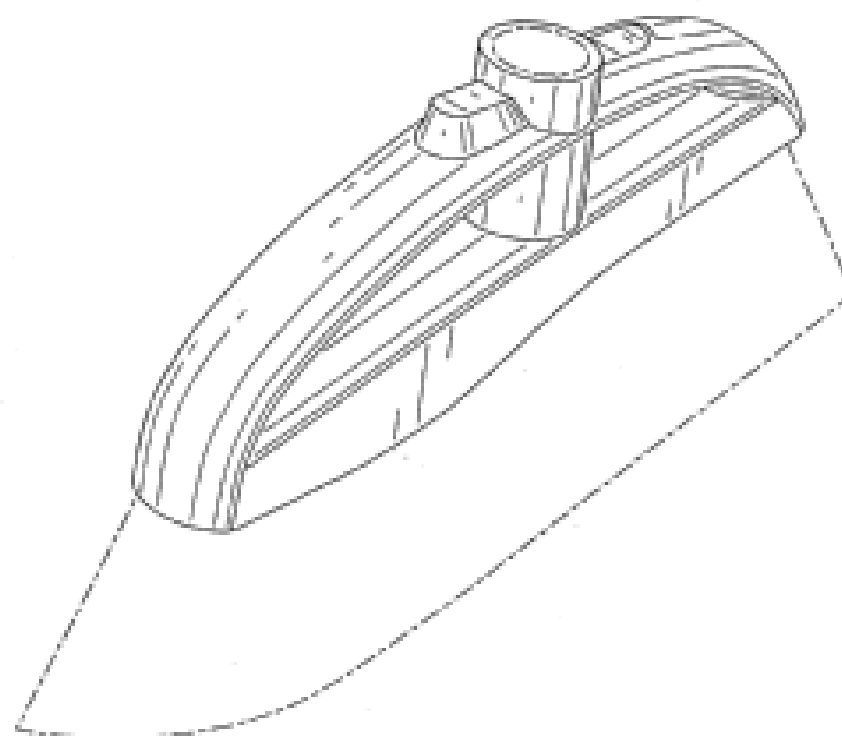
(21) Design Number: **15846/2007**
 (22) Date of Filing Application: **05 January 2007**
 (24) Date from which industrial property rights may have effect: **05 January 2007**
 (54) Product in respect of which the design is registered: **Pepper grinder**
 (51) International Design Classification: **07-06C**
 (71) Name(s) and Address(s) of Applicant(s):
Jeffery Marshall
180 Treaty Road Drexel Hill PA 19026 United States of America
Scott Cooter
219 Central Avenue Hatboro PA 19040 United States of America
 (72) Name(s) of Designer(s): **Jeffery Marshall and Scott Cooter**
 (45) Registration Date: **23 March 2007**
 (30) Convention priority data:
 (31) Number (32) Date (33) Country
29/262588 07 Jul 2006 UNITED STATES OF AMERICA
 (56) Related Art Documents: **Not Applicable**
 (57) Statement of Newness and Distinctiveness: **Nil**



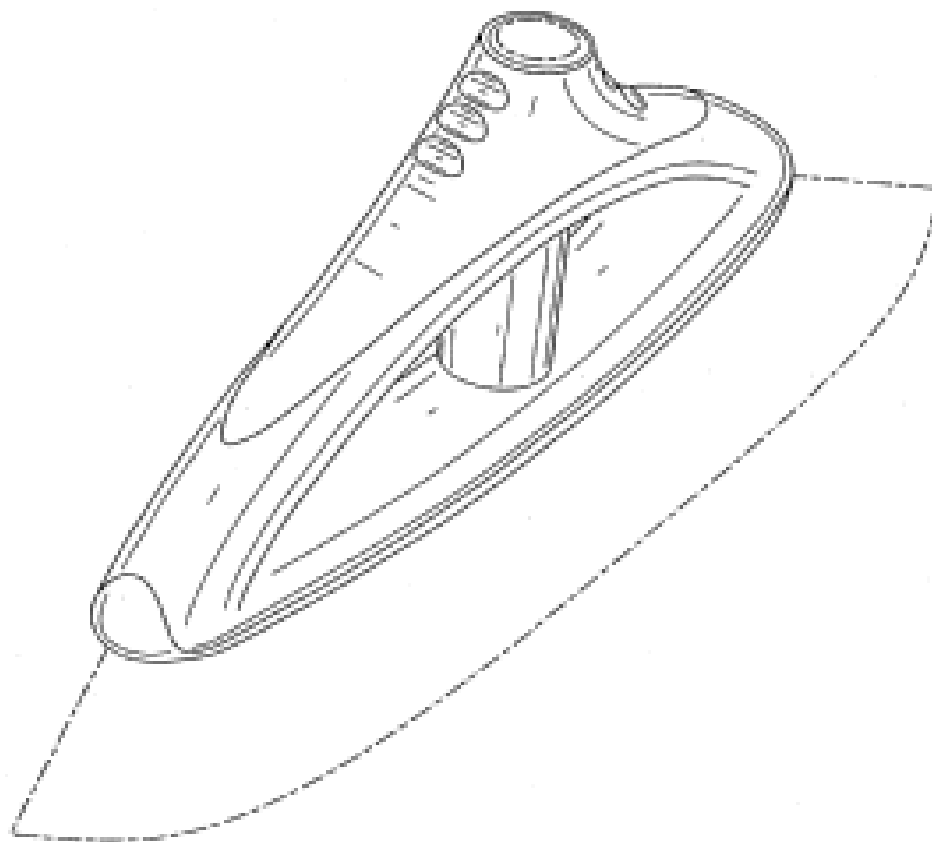
(21) Design Number: **15845/2007**
(22) Date of Filing Application: **05 January 2007**
(24) Date from which industrial property rights may have effect: **05 January 2007**
(54) Product in respect of which the design is registered: **Pepper grinder**
(51) International Design Classification: **07-06C**
(71) Name(s) and Address(s) of Applicant(s):
Jeffery Marshall
180 Treaty Road Drexel Hill PA 19026 United States of America
Scott Cooter
219 Central Avenue Hatboro PA 19040 United States of America
(72) Name(s) of Designer(s): **Jeffery Marshall and Scott Cooter**
(45) Registration Date: **23 March 2007**
(30) Convention priority data:
(31) Number (32) Date (33) Country
29/262587 07 Jul 2006 UNITED STATES OF AMERICA
(56) Related Art Documents: **Not Applicable**
(57) Statement of Newness and Distinctiveness: **Nil**



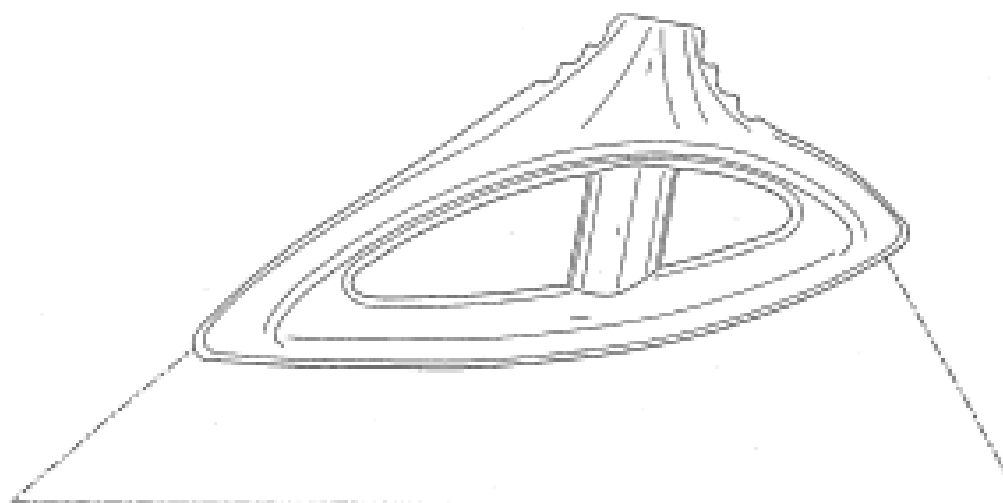
(21) Design Number: **15843/2007**
(22) Date of Filing Application: **04 January 2007**
(24) Date from which industrial property rights may have effect: **04 January 2007**
(54) Product in respect of which the design is registered: **Broom body**
(51) International Design Classification: **07-05E**
(71) Name(s) and Address(s) of Applicant(s):
Carl Freudenberg KG
Hohnerweg 2-4 D-69469 Weinheim Germany
(72) Name(s) of Designer(s): **Norbert W. Weis**
(45) Registration Date: **23 March 2007**
(30) Convention priority data:
(31) Number (32) Date (33) Country
29/267688 18 Oct 2006 UNITED STATES OF AMERICA
(56) Related Art Documents: **Not Applicable**
(57) Statement of Newness and Distinctiveness: **Newness and distinctiveness is claimed in the visual features shown in solid lines in the representations.**



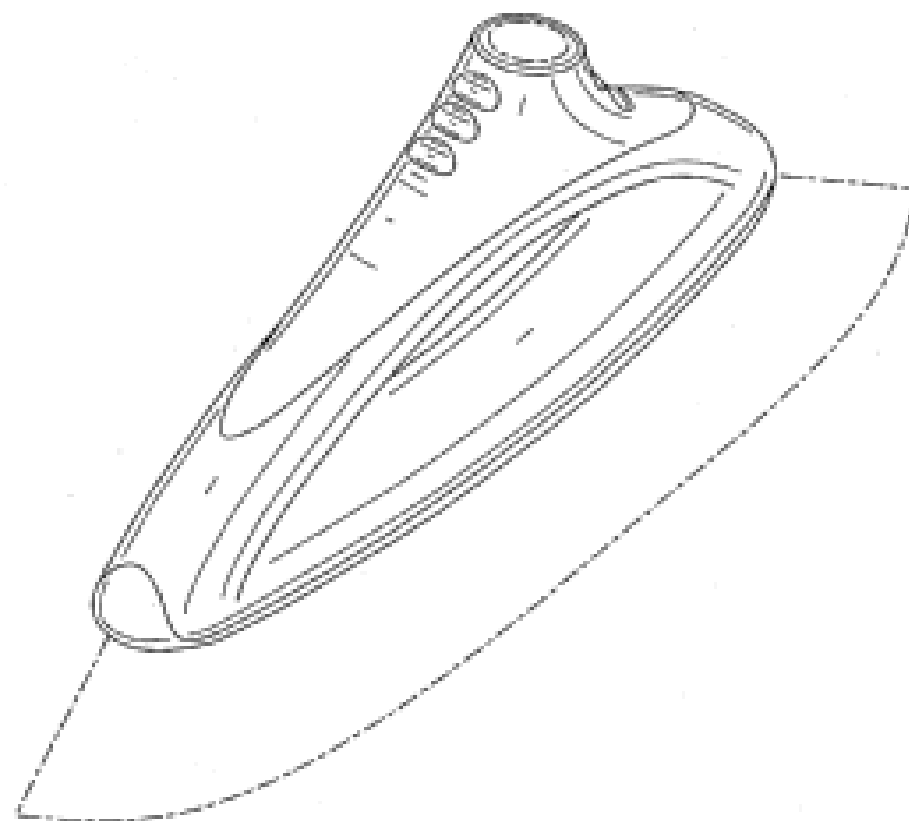
- (21) Design Number: **15841/2007**
(22) Date of Filing Application: **04 January 2007**
(24) Date from which industrial property rights may have effect: **04 January 2007**
(54) Product in respect of which the design is registered: **Broom body**
(51) International Design Classification: **07-05E**
(71) Name(s) and Address(s) of Applicant(s):
Carl Freudenberg KG
Hohnerweg 2-4 D-69469 Weinheim Germany
(72) Name(s) of Designer(s): **Norbert W. Weis and Ronald D. Tillery**
(45) Registration Date: **23 March 2007**
(30) Convention priority data:
(31) Number (32) Date (33) Country
29/267667 18 Oct 2006 UNITED STATES OF AMERICA
(56) Related Art Documents: **Not Applicable**
(57) Statement of Newness and Distinctiveness: **Newness and distinctiveness is claimed in the visual features shown in solid lines in the representations.**



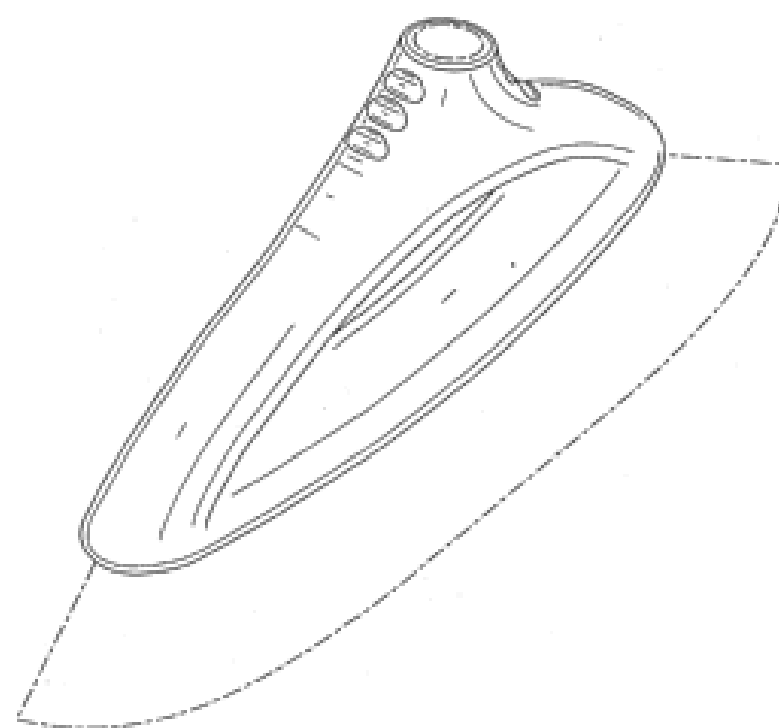
- (21) Design Number: **15840/2007**
(22) Date of Filing Application: **04 January 2007**
(24) Date from which industrial property rights may have effect: **04 January 2007**
(54) Product in respect of which the design is registered: **Broom body**
(51) International Design Classification: **07-05E**
(71) Name(s) and Address(s) of Applicant(s):
Carl Freudenberg KG
Hohnerweg 2-4 D-69469 Weinheim Germany
(72) Name(s) of Designer(s): **Norbert W. Weis and Ronald D. Tillery**
(45) Registration Date: **23 March 2007**
(30) Convention priority data:
(31) Number (32) Date (33) Country
29/267667 18 Oct 2006 UNITED STATES OF AMERICA
(56) Related Art Documents: **Not Applicable**
(57) Statement of Newness and Distinctiveness: **Newness and distinctiveness is claimed in the visual features shown in solid lines in the representations.**



- (21) Design Number: **15839/2007**
(22) Date of Filing Application: **04 January 2007**
(24) Date from which industrial property rights may have effect: **04 January 2007**
(54) Product in respect of which the design is registered: **Broom body**
(51) International Design Classification: **07-05E**
(71) Name(s) and Address(s) of Applicant(s):
Carl Freudenberg KG
Hohnerweg 2-4 D-69469 Weinheim Germany
(72) Name(s) of Designer(s): **Norbert W. Weis and Ronald D. Tillery**
(45) Registration Date: **23 March 2007**
(30) Convention priority data:
(31) Number (32) Date (33) Country
29/267667 18 Oct 2006 UNITED STATES OF AMERICA
(56) Related Art Documents: **Not Applicable**
(57) Statement of Newness and Distinctiveness: **Newness and distinctiveness is claimed in the visual features shown in solid lines in the representations.**



- (21) Design Number: **15838/2007**
(22) Date of Filing Application: **04 January 2007**
(24) Date from which industrial property rights may have effect: **04 January 2007**
(54) Product in respect of which the design is registered: **Broom body**
(51) International Design Classification: **07-05E**
(71) Name(s) and Address(s) of Applicant(s):
Carl Freudenberg KG
Hohnerweg 2-4 D-69469 Weinheim Germany
(72) Name(s) of Designer(s): **Norbert W. Weis and Ronald D. Tillery**
(45) Registration Date: **23 March 2007**
(30) Convention priority data:
(31) Number (32) Date (33) Country
29/267667 18 Oct 2006 UNITED STATES OF AMERICA
(56) Related Art Documents: **Not Applicable**
(57) Statement of Newness and Distinctiveness: **Newness and distinctiveness is claimed in the visual features shown in solid lines in the representations.**



(21) Design Number: **15833/2007**
(22) Date of Filing Application: **04 January 2007**
(24) Date from which industrial property rights may have effect: **04 January 2007**
(54) Product in respect of which the design is registered: **Air-conditioner**
(51) International Design Classification: **23-04**
(71) Name(s) and Address(s) of Applicant(s):

Daikin Industries Ltd.
Umeda Center Building 4-12 Nakazaki-Nishi 2-chome Kita-Ku
Osaka-shi Osaka-fu Japan

(72) Name(s) of Designer(s): **Kentaro Niki**

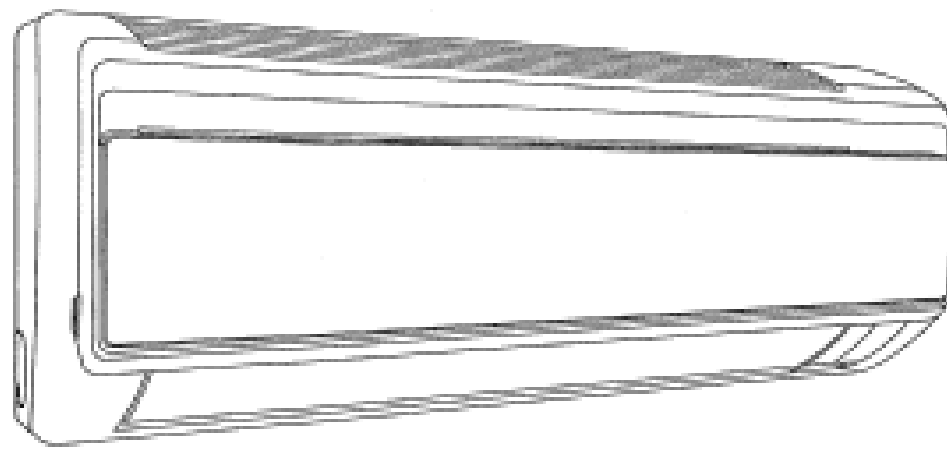
(45) Registration Date: **23 March 2007**

(30) Convention priority data:

(31) Number	(32) Date	(33) Country
2006-028319	19 Oct 2006	JAPAN

(56) Related Art Documents: **Not Applicable**

(57) Statement of Newness and Distinctiveness: **Nil**



(21) Design Number: **15834/2007**
(22) Date of Filing Application: **04 January 2007**
(24) Date from which industrial property rights may have effect: **04 January 2007**
(54) Product in respect of which the design is registered: **Outdoor-unit of air-conditioner**

(51) International Design Classification: **23-04**

(71) Name(s) and Address(s) of Applicant(s):

Daikin Industries Ltd.
Umeda Center Building 4-12 Nakazaki-Nishi 2-chome Kita-Ku
Osaka-shi Osaka-fu Japan

(72) Name(s) of Designer(s): **Hisashi Shimizu**

(45) Registration Date: **23 March 2007**

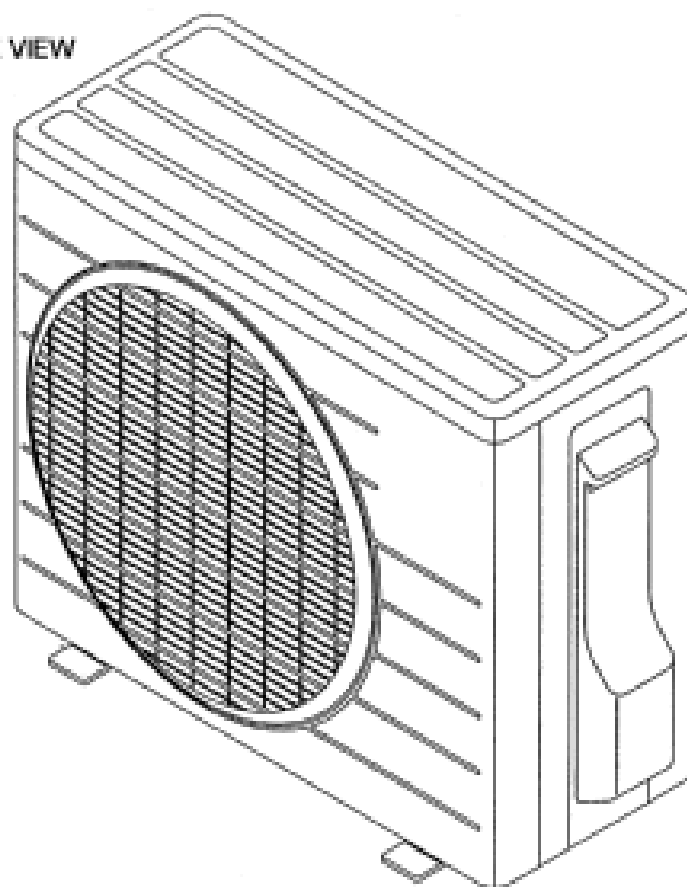
(30) Convention priority data:

(31) Number	(32) Date	(33) Country
2006-027955	16 Oct 2006	JAPAN

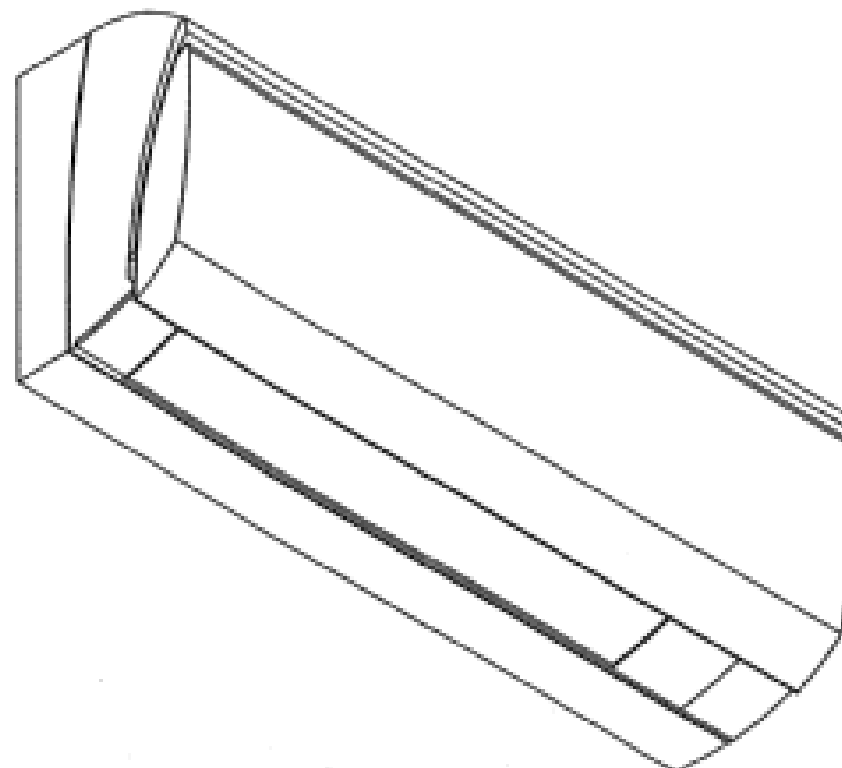
(56) Related Art Documents: **Not Applicable**

(57) Statement of Newness and Distinctiveness: **Nil**

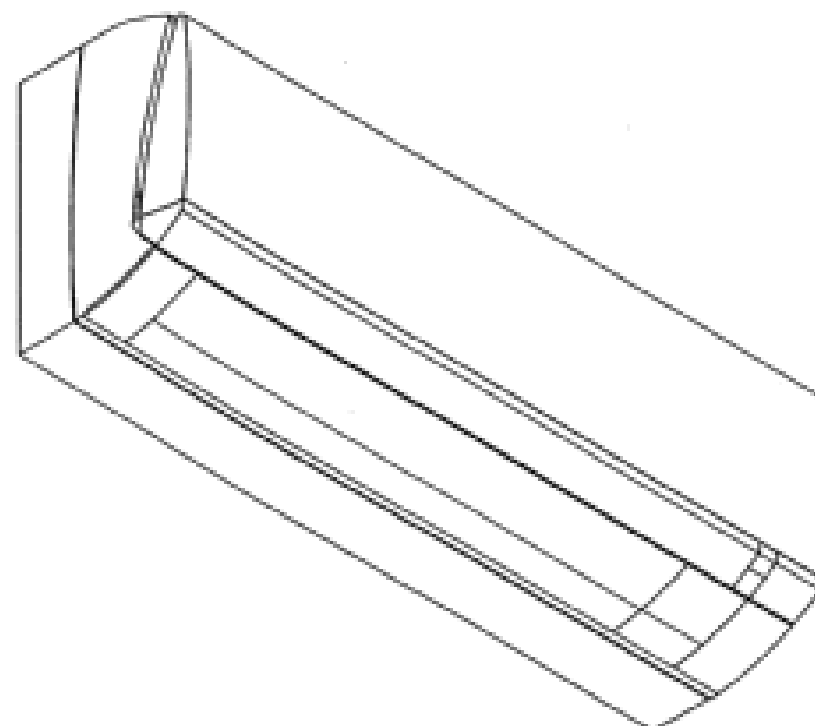
PERSPECTIVE VIEW



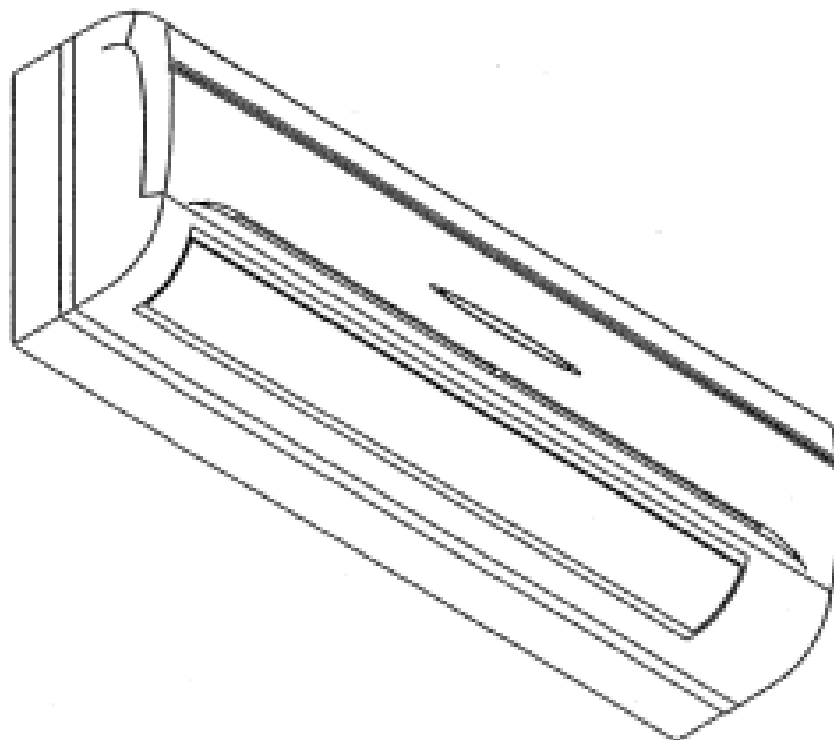
(21) Design Number: **15835/2007**
(22) Date of Filing Application: **04 January 2007**
(24) Date from which industrial property rights may have effect: **04 January 2007**
(54) Product in respect of which the design is registered: **Air-conditioner**
(51) International Design Classification: **23-04**
(71) Name(s) and Address(s) of Applicant(s):
Daikin Industries Ltd.
Umeda Center Building 4-12 Nakazaki-Nishi 2-chome Kita-Ku
Osaka-shi Osaka-fu Japan
(72) Name(s) of Designer(s): **Junji Nakamura**
(45) Registration Date: **23 March 2007**
(30) Convention priority data:
(31) Number (32) Date (33) Country
2006-032311 27 Nov 2006 JAPAN
(56) Related Art Documents: **Not Applicable**
(57) Statement of Newness and Distinctiveness: **Nil**



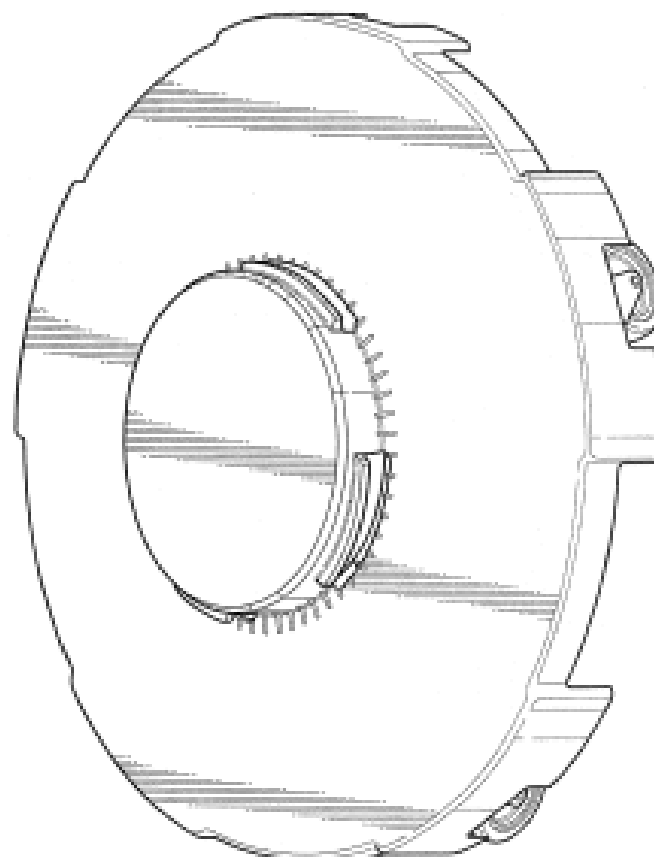
(21) Design Number: **15836/2007**
(22) Date of Filing Application: **04 January 2007**
(24) Date from which industrial property rights may have effect: **04 January 2007**
(54) Product in respect of which the design is registered: **Air-conditioner**
(51) International Design Classification: **23-04**
(71) Name(s) and Address(s) of Applicant(s):
Daikin Industries Ltd.
Umeda Center Building 4-12 Nakazaki-Nishi 2-chome Kita-Ku
Osaka-shi Osaka-fu Japan
(72) Name(s) of Designer(s): **Junji Nakamura**
(45) Registration Date: **23 March 2007**
(30) Convention priority data:
(31) Number (32) Date (33) Country
2006-032315 27 Nov 2006 JAPAN
(56) Related Art Documents: **Not Applicable**
(57) Statement of Newness and Distinctiveness: **Nil**



(21) Design Number: **15837/2007**
(22) Date of Filing Application: **04 January 2007**
(24) Date from which industrial property rights may have effect: **04 January 2007**
(54) Product in respect of which the design is registered: **Air-conditioner**
(51) International Design Classification: **23-04**
(71) Name(s) and Address(s) of Applicant(s):
Daikin Industries Ltd.
Umeda Center Building 4-12 Nakazaki-Nishi 2-chome Kita-Ku
Osaka-shi Osaka-fu Japan
(72) Name(s) of Designer(s): **Junji Nakamura and Koichiro Seki and Masahiko Chooji**
(45) Registration Date: **23 March 2007**
(30) Convention priority data:
(31) Number (32) Date (33) Country
2006-032316 27 Nov 2006 JAPAN
(56) Related Art Documents: **Not Applicable**
(57) Statement of Newness and Distinctiveness: **Nil**



(21) Design Number: **15811/2007**
(22) Date of Filing Application: **03 January 2007**
(24) Date from which industrial property rights may have effect: **03 January 2007**
(54) Product in respect of which the design is registered: **Dolly**
(51) International Design Classification: **12-02**
(71) Name(s) and Address(s) of Applicant(s):
Impact Products, LLC
2840 Centennial Road Toledo Ohio 43617 United States of America
(72) Name(s) of Designer(s): **Stephen A. Dukes**
(45) Registration Date: **23 March 2007**
(30) Convention priority data:
(31) Number (32) Date (33) Country
29/248026 26 Jul 2006 UNITED STATES OF AMERICA
(56) Related Art Documents: **Not Applicable**
(57) Statement of Newness and Distinctiveness: **Newness and distinctiveness resides in the features of shape and/or configuration of a dolly as illustrated in the accompanying representations.**



(21) Design Number: **15963/2006**

(22) Date of Filing Application: **27 December 2006**

(24) Date from which industrial property rights may have effect: **27 December 2006**

(54) Product in respect of which the design is registered: **Lamp**

(51) International Design Classification: **26-05NES**

(71) Name(s) and Address(s) of Applicant(s):

**The Daylight Company (Holdings) Limited
89-91 Scrubs Lane London NW10 6QU Great Britain**

(72) Name(s) of Designer(s): **Fraser Hodgson**

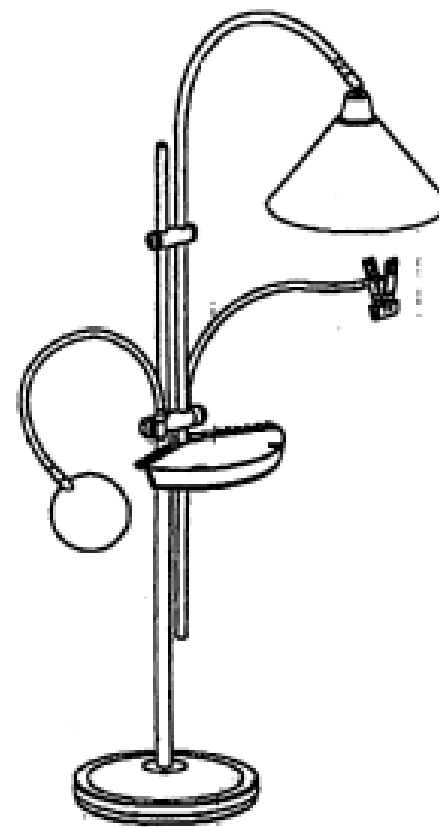
(45) Registration Date: **23 March 2007**

(30) Convention priority data:

(31) Number	(32) Date	(33) Country
000559455	12 Jul 2006	EUROPEAN COMMUNITY

(56) Related Art Documents: **Not Applicable**

(57) Statement of Newness and Distinctiveness: **Newness and distinctiveness is claimed in the shape and/or configuration of lamp as illustrated by the unbroken lines in the accompanying representation/s.**



(21) Design Number: **15810/2007**

(22) Date of Filing Application: **03 January 2007**

(24) Date from which industrial property rights may have effect: **03 January 2007**

(54) Product in respect of which the design is registered: **Boost controller**

(51) International Design Classification: **12-16NES**

(71) Name(s) and Address(s) of Applicant(s):

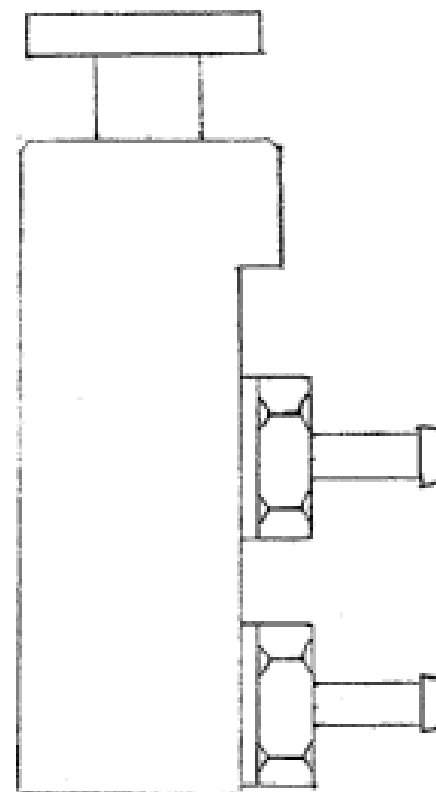
**James Chiu
4/4 Kenneth Avenue Baulkham Hills New South Wales 2153 Australia**

(72) Name(s) of Designer(s): **James Chiu**

(45) Registration Date: **23 March 2007**

(56) Related Art Documents: **Not Applicable**

(57) Statement of Newness and Distinctiveness: **Nil**



(21) Design Number: **15809/2007**

(22) Date of Filing Application: **03 January 2007**

(24) Date from which industrial property rights may have effect: **03 January 2007**

(54) Product in respect of which the design is registered: **Oil cooler**

(51) International Design Classification: **12-16NES**

(71) Name(s) and Address(s) of Applicant(s):

James Chiu

4/4 Kenneth Avenue Baulkham Hills New South Wales 2153 Australia

(72) Name(s) of Designer(s): **James Chiu**

(45) Registration Date: **23 March 2007**

(56) Related Art Documents: **Not Applicable**

(57) Statement of Newness and Distinctiveness: **Nil**



(21) Design Number: **15798/2007**

(22) Date of Filing Application: **03 January 2007**

(24) Date from which industrial property rights may have effect: **03 January 2007**

(54) Product in respect of which the design is registered: **An open-faced refrigerator**

(51) International Design Classification: **15-07**

(71) Name(s) and Address(s) of Applicant(s):

Skope Industries Limited

66 Princess Street Christchurch New Zealand

(72) Name(s) of Designer(s): **Darryl John Best**

(45) Registration Date: **23 March 2007**

(30) Convention priority data:

(31) Number

407840

(32) Date

11 Jul 2006

(33) Country

NEW ZEALAND

(56) Related Art Documents: **Not Applicable**

(57) Statement of Newness and Distinctiveness: **The particular visual features of the design which are new and distinctive are the shape or configuration.**



(21) Design Number: **15796/2007**

(22) Date of Filing Application: **02 January 2007**

(24) Date from which industrial property rights may have effect: **02 January 2007**

(54) Product in respect of which the design is registered: **Superior 2000 - under eave watertank**

(51) International Design Classification: **23-01F**

(71) Name(s) and Address(s) of Applicant(s):

Superior Tanks

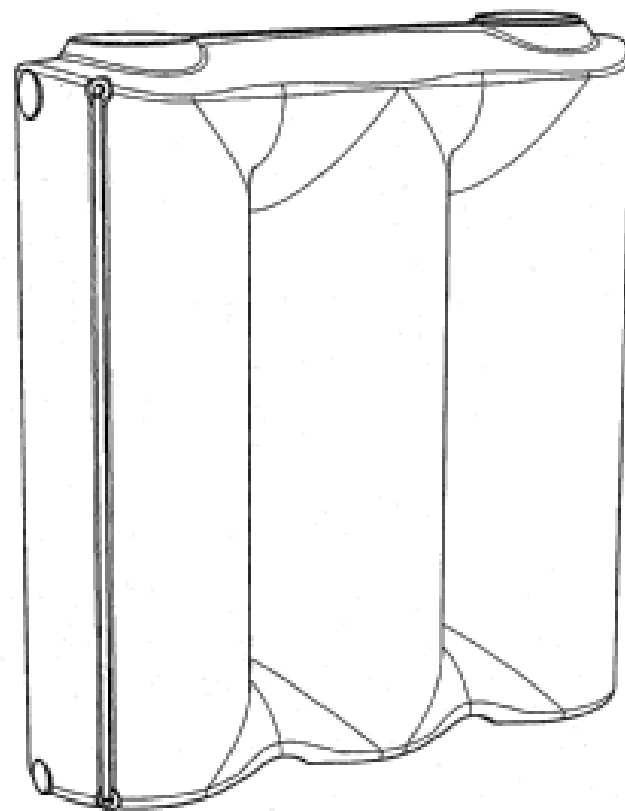
5 West Circuit Sunshine Victoria 3020 Australia

(72) Name(s) of Designer(s): **Jamie Mustrad**

(45) Registration Date: **23 March 2007**

(56) Related Art Documents: **Not Applicable**

(57) Statement of Newness and Distinctiveness: **New method and style of blending the vertical columns into the horizontal cylinders creates a wave in base and top profile. Also, protruding vertical ribs to protect a sight glass on one or more vertical columns.**



(21) Design Number: **15815/2007**

(22) Date of Filing Application: **04 January 2007**

(24) Date from which industrial property rights may have effect: **04 January 2007**

(54) Product in respect of which the design is registered: **Sponge/scourer**

(51) International Design Classification: **07-05E**

(71) Name(s) and Address(s) of Applicant(s):

Intellectual Property Development Corporation Pty Ltd

Level 9 51 Queen Street Melbourne Victoria 3000 Australia

(72) Name(s) of Designer(s): **Phillip Withers**

(45) Registration Date: **23 March 2007**

(56) Related Art Documents: **Not Applicable**

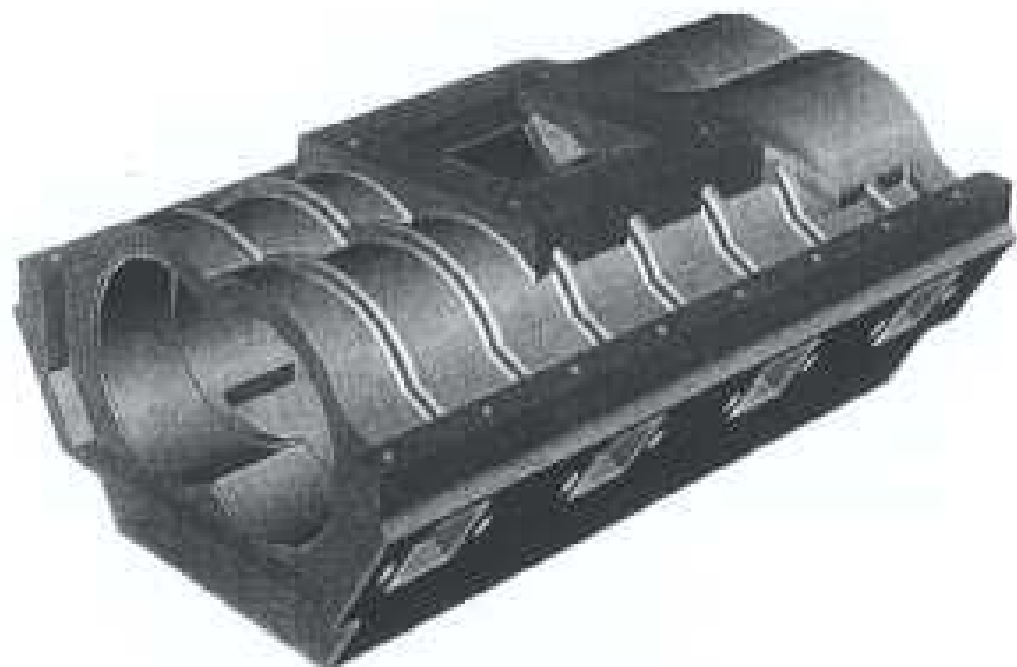
(57) Statement of Newness and Distinctiveness: **Newness and distinctiveness are claimed in the features of shape and configuration and pattern and ornamentation, including the colours bright green and yellow, of a sponge/scourer as shown in the accompanying representations.**



(21) Design Number: **13110/2006**
(22) Date of Filing Application: **20 July 2006**
(24) Date from which industrial property rights may have effect: **20 July 2006**
(54) Product in respect of which the design is registered: **Housing**
(51) International Design Classification: **13-01, 15-99**
(71) Name(s) and Address(s) of Applicant(s):

Norkres Pty Ltd
21-23 Hi-Tech Court Croydon South Victoria 3136 Australia

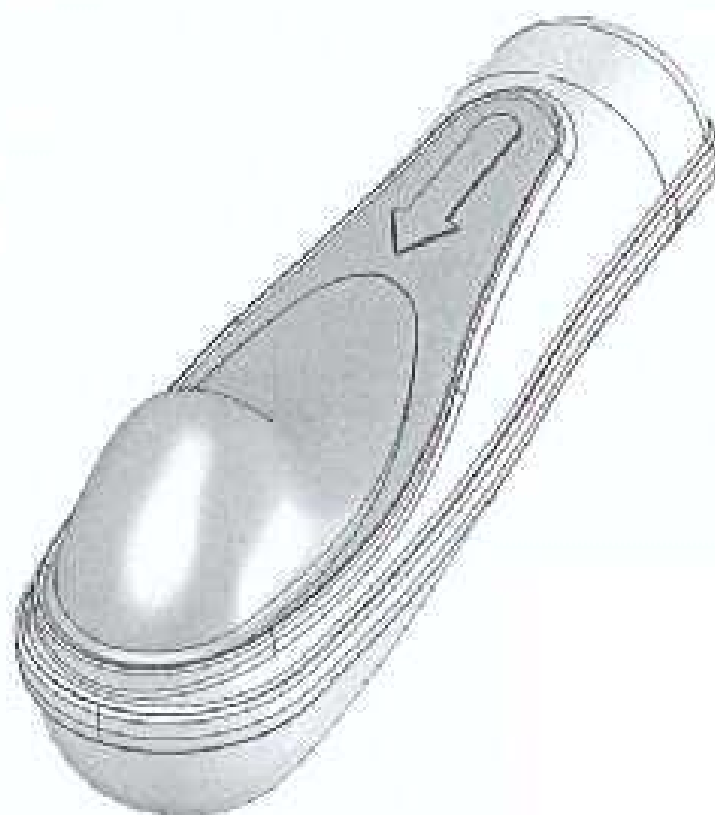
(72) Name(s) of Designer(s): **Thomas Kreskas**
(45) Registration Date: **23 March 2007**
(56) Related Art Documents: **Not Applicable**
(57) Statement of Newness and Distinctiveness: **Nil**



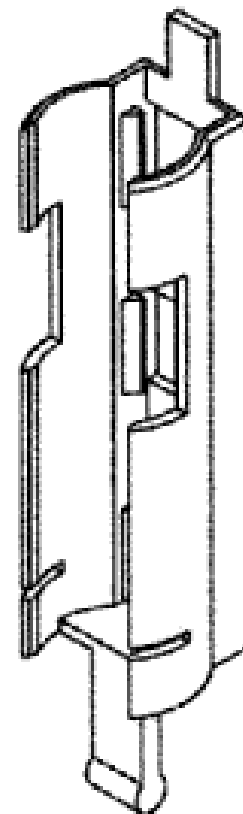
(21) Design Number: **13198/2006**
(22) Date of Filing Application: **25 July 2006**
(24) Date from which industrial property rights may have effect: **25 July 2006**
(54) Product in respect of which the design is registered: **Casing for safety device**
(51) International Design Classification: **03-01NES, 29-02**
(71) Name(s) and Address(s) of Applicant(s):

John Hanson
5/12 Montana Road Mermaid Beach Queensland 4218 Australia

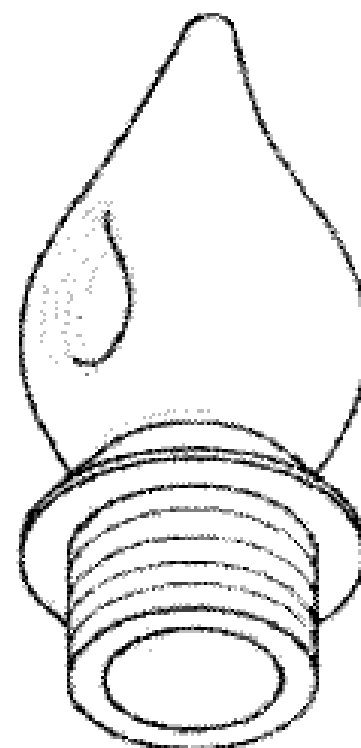
(72) Name(s) of Designer(s): **John Hanson**
(45) Registration Date: **23 March 2007**
(56) Related Art Documents: **Not Applicable**
(57) Statement of Newness and Distinctiveness: **Nil.**



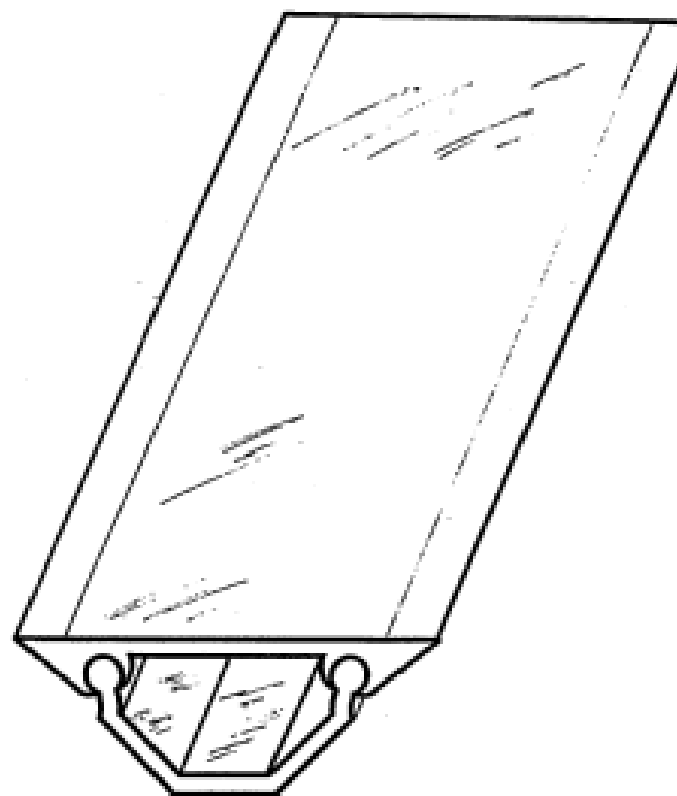
- (21) Design Number: **13392/2006**
- (22) Date of Filing Application: **01 August 2006**
- (24) Date from which industrial property rights may have effect: **01 August 2006**
- (54) Product in respect of which the design is registered: **Candlelite chassis**
- (51) International Design Classification: **26-05NES, 26-99**
- (71) Name(s) and Address(s) of Applicant(s):
Glowstix Australia Pty Ltd
Unit 7 4 Whitehead Court Glendenning NSW 2761 Australia
- (72) Name(s) of Designer(s): **Norman Nassif and Paul Cohen**
- (45) Registration Date: **23 March 2007**
- (56) Related Art Documents: **Not Applicable**
- (57) Statement of Newness and Distinctiveness: **Nil**



- (21) Design Number: **13393/2006**
- (22) Date of Filing Application: **01 August 2006**
- (24) Date from which industrial property rights may have effect: **01 August 2006**
- (54) Product in respect of which the design is registered: **Candlelite top**
- (51) International Design Classification: **26-04, 26-05D**
- (71) Name(s) and Address(s) of Applicant(s):
Glowstix Australia Pty Ltd
Unit 7 4 Whitehead Court Glendenning NSW 2761 Australia
- (72) Name(s) of Designer(s): **Norman Nassif and Paul Cohen**
- (45) Registration Date: **23 March 2007**
- (56) Related Art Documents: **Not Applicable**
- (57) Statement of Newness and Distinctiveness: **Nil**



(21) Design Number: **14488/2006**
(22) Date of Filing Application: **06 October 2006**
(24) Date from which industrial property rights may have effect: **06 October 2006**
(54) Product in respect of which the design is registered: **Conduit (electrical)**
(51) International Design Classification: **13-03C**
(71) Name(s) and Address(s) of Applicant(s):
Andrew Diotti
6 Langdon Avenue Clarence Park South Australia 5034 Australia
(72) Name(s) of Designer(s): **Andrew Diotti**
(45) Registration Date: **23 March 2007**
(56) Related Art Documents: **Not Applicable**
(57) Statement of Newness and Distinctiveness: **Nil**



(21) Design Number: **15186/2006**
(22) Date of Filing Application: **14 November 2006**
(24) Date from which industrial property rights may have effect: **14 November 2006**
(54) Product in respect of which the design is registered: **Sun screen applicator**
(51) International Design Classification: **07-99C**
(71) Name(s) and Address(s) of Applicant(s):
Glenn Mason
3 Booralie Road Terrey Hills New South Wales 2084 Australia
(72) Name(s) of Designer(s): **Glenn Mason**
(45) Registration Date: **23 March 2007**
(56) Related Art Documents: **Not Applicable**
(57) Statement of Newness and Distinctiveness: **Nil**

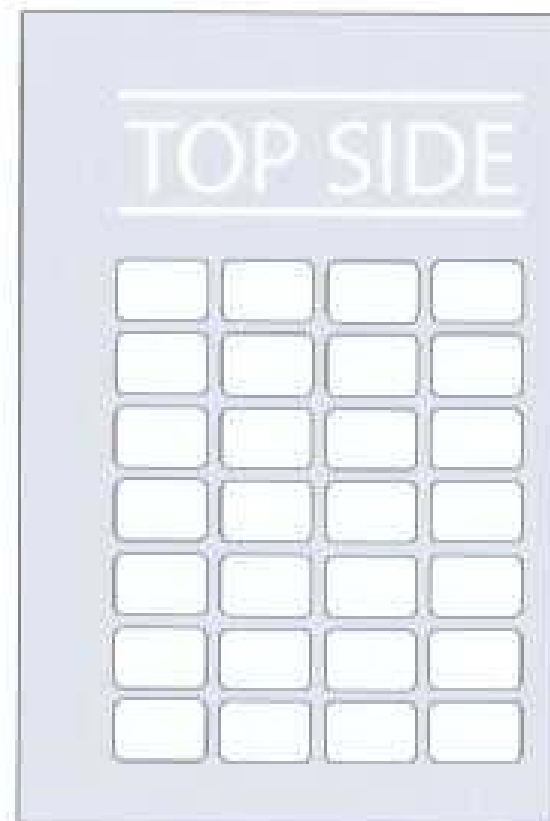


- (21) Design Number: **15594/2006**
- (22) Date of Filing Application: **06 December 2006**
- (24) Date from which industrial property rights may have effect: **06 December 2006**
- (54) Product in respect of which the design is registered: **Bottle**
- (51) International Design Classification: **09-01B**
- (71) Name(s) and Address(s) of Applicant(s):
The Coca-Cola Company
One Coca-Cola Plaza NW Atlanta Georgia 30313 United States of America
- (72) Name(s) of Designer(s): **Carie A. Davis and Courtney E. Cook and Darryl J. Dawson**
- (45) Registration Date: **23 March 2007**
- (30) Convention priority data:

(31) Number	(32) Date	(33) Country
29/262,556	06 Jul 2006	UNITED STATES OF AMERICA
- (56) Related Art Documents: **Not Applicable**
- (57) Statement of Newness and Distinctiveness: **Those features of the bottle depicted in the representations that are new and distinctive are the shape and/or configuration. The features shown in broken lines are to be disregarded when considering the overall impression of the design.**



- (21) Design Number: **15701/2006**
- (22) Date of Filing Application: **14 December 2006**
- (24) Date from which industrial property rights may have effect: **14 December 2006**
- (54) Product in respect of which the design is registered: **Cold seal foil to fit PersoCare medication management systems and cold deal to fit generic products.**
- (51) International Design Classification: **05-06NES**
- (71) Name(s) and Address(s) of Applicant(s):
Klaus Petrulis
Shop 49A Centro Shopping Ctr Cnr Federal Rd & Prospect Hwy Seven Hills New South Wales 2147 Australia
- (72) Name(s) of Designer(s): **Klaus Petrulis**
- (45) Registration Date: **23 March 2007**
- (56) Related Art Documents: **Not Applicable**
- (57) Statement of Newness and Distinctiveness: **Cold seal mechanism suitable for single sheet for laser/ink jet printer. Medical grade non porous foil backed paper.**

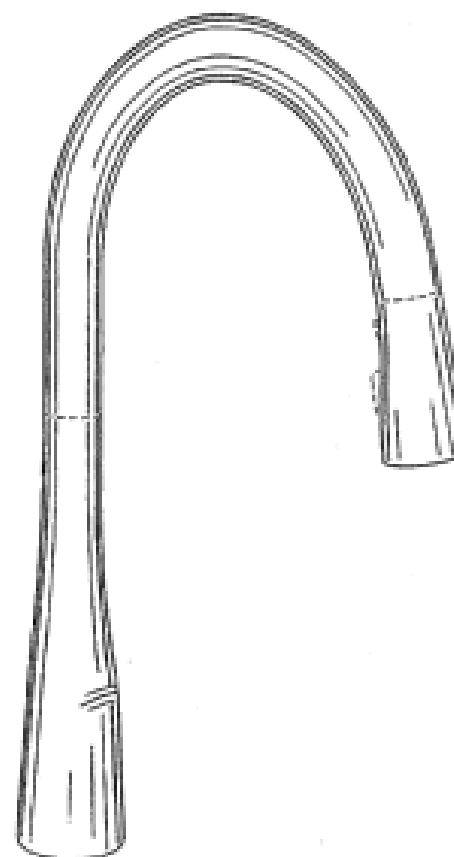


- (21) Design Number: **15730/2006**
- (22) Date of Filing Application: **14 December 2006**
- (24) Date from which industrial property rights may have effect: **14 December 2006**
- (54) Product in respect of which the design is registered: **Cold seal foil to fit PersoCare medication management systems and cold seal to fit generic products**
- (51) International Design Classification: **05-06NES**
- (71) Name(s) and Address(s) of Applicant(s):
Klaus Petrulis
Shop 49A Centro Shopping Ctr Cnr Federal Rd & Prospect Hwy Seven Hills New South Wales 2147 Australia
- (72) Name(s) of Designer(s): **Klaus Petrulis**
- (45) Registration Date: **23 March 2007**
- (56) Related Art Documents: **Not Applicable**
- (57) Statement of Newness and Distinctiveness: **Cold seal mechanism suitable for single sheet for laser/ink jet printer. Medical grade non porous foil backed paper.**

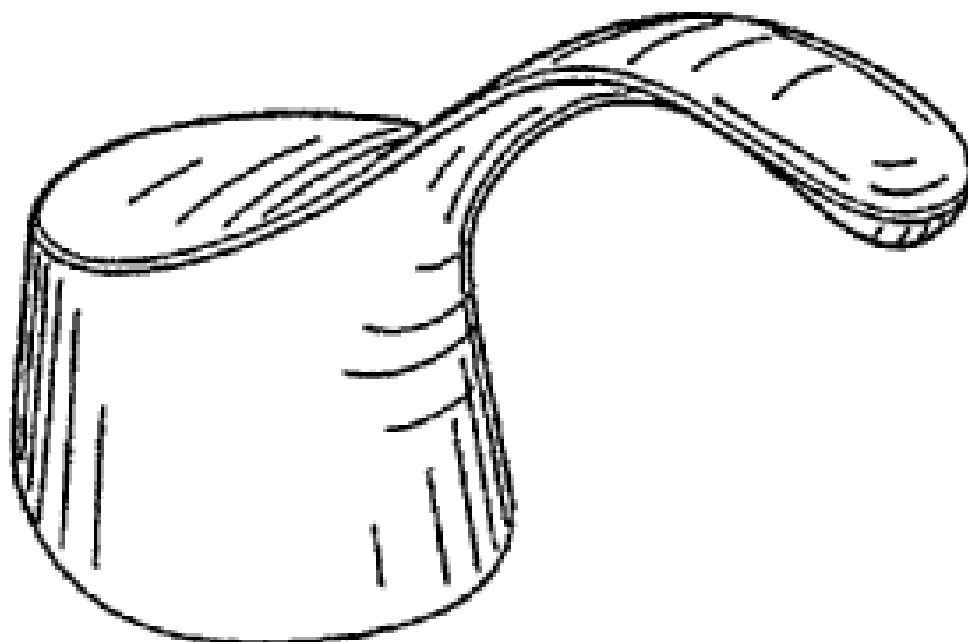


- (21) Design Number: **15882/2007**
- (22) Date of Filing Application: **08 January 2007**
- (24) Date from which industrial property rights may have effect: **08 January 2007**
- (54) Product in respect of which the design is registered: **Spout**
- (51) International Design Classification: **23-01H**
- (71) Name(s) and Address(s) of Applicant(s):
Kohler Co.
444 Highland Drive Kohler WI 53044 United States of America
- (72) Name(s) of Designer(s): **Niels J. Eilmus**
- (45) Registration Date: **23 March 2007**
- (30) Convention priority data:

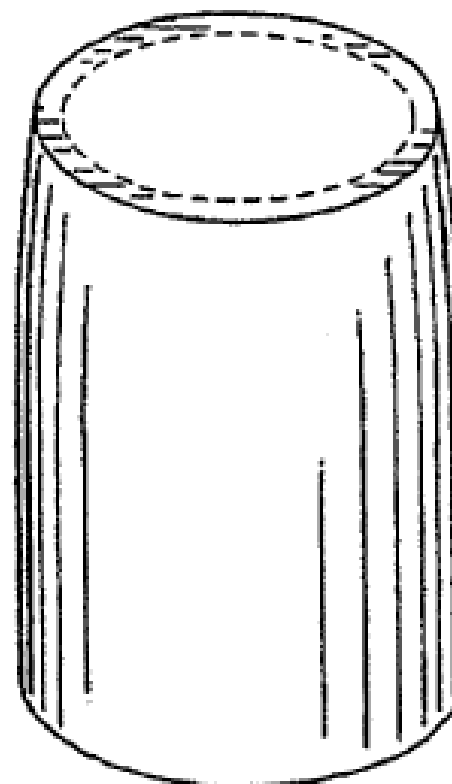
(31) Number	(32) Date	(33) Country
29/262655	07 Jul 2006	UNITED STATES OF AMERICA
- (56) Related Art Documents: **Not Applicable**
- (57) Statement of Newness and Distinctiveness: **When determining whether the design is substantially similar in overall impression to another design, no regard is to be had to those features shown in dotted out line in the accompanying drawings.**



(21) Design Number: **15883/2007**
(22) Date of Filing Application: **08 January 2007**
(24) Date from which industrial property rights may have effect: **08 January 2007**
(54) Product in respect of which the design is registered: **Faucet handle**
(51) International Design Classification: **23-01H**
(71) Name(s) and Address(s) of Applicant(s):
Kohler Co.
444 Highland Drive Kohler WI 53044 United States of America
(72) Name(s) of Designer(s): **Niels J. Eilmus**
(45) Registration Date: **23 March 2007**
(30) Convention priority data:
(31) Number (32) Date (33) Country
29/262654 07 Jul 2006 UNITED STATES OF AMERICA
(56) Related Art Documents: **Not Applicable**
(57) Statement of Newness and Distinctiveness: **When determining whether the design is substantially similar in overall impression to another design, no regard is to be had to those features shown in dotted out line in the accompanying drawings.**



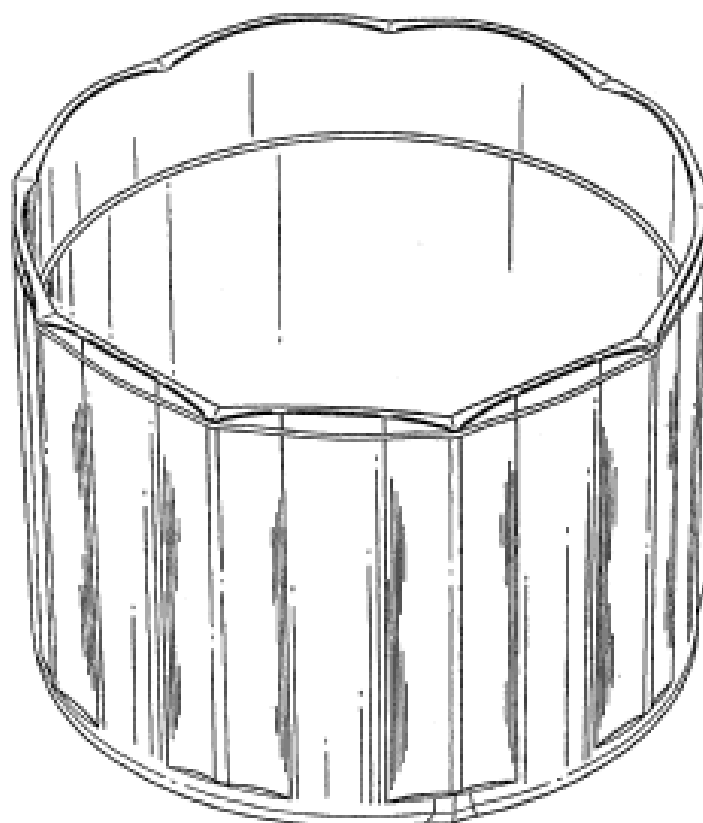
(21) Design Number: **15884/2007**
(22) Date of Filing Application: **08 January 2007**
(24) Date from which industrial property rights may have effect: **08 January 2007**
(54) Product in respect of which the design is registered: **Escutcheon**
(51) International Design Classification: **23-01H**
(71) Name(s) and Address(s) of Applicant(s):
Kohler Co.
444 Highland Drive Kohler WI 53044 United States of America
(72) Name(s) of Designer(s): **Niels J. Eilmus**
(45) Registration Date: **23 March 2007**
(30) Convention priority data:
(31) Number (32) Date (33) Country
29/262654 07 Jul 2006 UNITED STATES OF AMERICA
(56) Related Art Documents: **Not Applicable**
(57) Statement of Newness and Distinctiveness: **When determining whether the design is substantially similar in overall impression to another design, no regard is to be had to those features shown in dotted out line in the accompanying drawings.**



- (21) Design Number: **15885/2007**
(22) Date of Filing Application: **08 January 2007**
(24) Date from which industrial property rights may have effect: **08 January 2007**
(54) Product in respect of which the design is registered: **A doll**
(51) International Design Classification: **21-01B**
(71) Name(s) and Address(s) of Applicant(s):
M.D.I. International Pty Ltd
680 Boundary Road Richlands Queensland 4077 Australia
(72) Name(s) of Designer(s): **Kirsty Jennette Bourke and Simon Gidley**
(45) Registration Date: **23 March 2007**
(56) Related Art Documents: **Not Applicable**
(57) Statement of Newness and Distinctiveness: **Nil**



- (21) Design Number: **15892/2007**
(22) Date of Filing Application: **09 January 2007**
(24) Date from which industrial property rights may have effect: **09 January 2007**
(54) Product in respect of which the design is registered: **Container**
(51) International Design Classification: **09-03L**
(71) Name(s) and Address(s) of Applicant(s):
Dart Industries Inc
14901 S. Orange Blossom Trail Orlando Florida 32837 United States of America
(72) Name(s) of Designer(s): **Hanno Kortleven**
(45) Registration Date: **23 March 2007**
(30) Convention priority data:
(31) Number (32) Date (33) Country
29/263,816 31 Jul 2006 UNITED STATES OF AMERICA
(56) Related Art Documents: **Not Applicable**
(57) Statement of Newness and Distinctiveness: **Those features of the container depicted in the representations that are new and distinctive are the shape and/or configuration.**



(21) Design Number: **15893/2007**

(22) Date of Filing Application: **09 January 2007**

(24) Date from which industrial property rights may have effect: **09 January 2007**

(54) Product in respect of which the design is registered: **Lid**

(51) International Design Classification: **09-07B**

(71) Name(s) and Address(s) of Applicant(s):

Dart Industries Inc
14901 S. Orange Blossom Trail Orlando Florida 32837 United States of America

(72) Name(s) of Designer(s): **Dimitri M.C.J. Backaert and Hanno Kortleven**

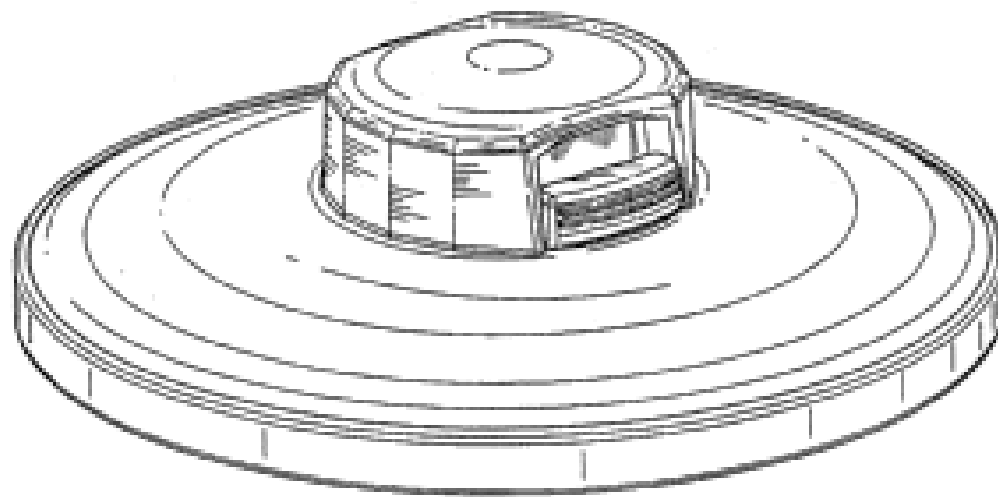
(45) Registration Date: **23 March 2007**

(30) Convention priority data:

(31) Number	(32) Date	(33) Country
29/263,817	31 Jul 2006	UNITED STATES OF AMERICA

(56) Related Art Documents: **Not Applicable**

(57) Statement of Newness and Distinctiveness: **Those features of the container depicted in the representations that are new and distinctive are the shape and/or configuration.**



(21) Design Number: **15896/2007**

(22) Date of Filing Application: **09 January 2007**

(24) Date from which industrial property rights may have effect: **09 January 2007**

(54) Product in respect of which the design is registered: **Chair**

(51) International Design Classification: **06-01F**

(71) Name(s) and Address(s) of Applicant(s):

Itoki Corporation
4-12 Imafuku-higashi 1-Chome Joto-ku Osaka 536-0002 Japan

(72) Name(s) of Designer(s): **Yasuhiro Nakamura and Takayuki Kumazawa**

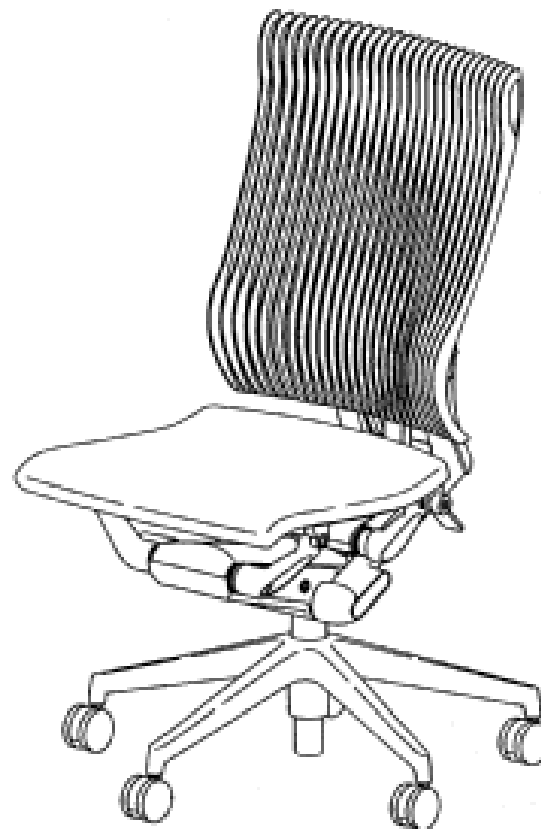
(45) Registration Date: **23 March 2007**

(30) Convention priority data:

(31) Number	(32) Date	(33) Country
2006-018247	11 Jul 2006	JAPAN

(56) Related Art Documents: **Not Applicable**

(57) Statement of Newness and Distinctiveness: **Nil**



(21) Design Number: **15897/2007**
(22) Date of Filing Application: **09 January 2007**
(24) Date from which industrial property rights may have effect: **09 January 2007**
(54) Product in respect of which the design is registered: **Chair**
(51) International Design Classification: **06-01F**
(71) Name(s) and Address(s) of Applicant(s):

Itoki Corporation
4-12 Imafuku-higashi 1-Chome Joto-ku Osaka 536-0002 Japan

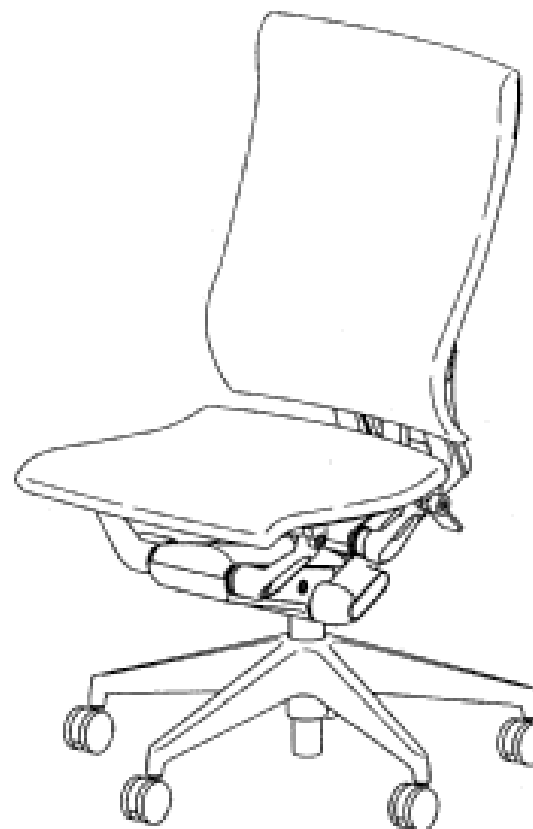
(72) Name(s) of Designer(s): **Yasuhiro Nakamura and Takayuki Kumazawa**
(45) Registration Date: **23 March 2007**

(30) Convention priority data:

(31) Number	(32) Date	(33) Country
2006-018248	11 Jul 2006	JAPAN

(56) Related Art Documents: **Not Applicable**

(57) Statement of Newness and Distinctiveness: **Nil**



(21) Design Number: **15898/2007**
(22) Date of Filing Application: **09 January 2007**
(24) Date from which industrial property rights may have effect: **09 January 2007**
(54) Product in respect of which the design is registered: **Chair**
(51) International Design Classification: **06-01F**
(71) Name(s) and Address(s) of Applicant(s):

Itoki Corporation
4-12 Imafuku-higashi 1-Chome Joto-ku Osaka 536-0002 Japan

(72) Name(s) of Designer(s): **Yasuhiro Nakamura and Takayuki Kumazawa**
(45) Registration Date: **23 March 2007**

(30) Convention priority data:

(31) Number	(32) Date	(33) Country
2006-018246	11 Jul 2006	JAPAN

(56) Related Art Documents: **Not Applicable**

(57) Statement of Newness and Distinctiveness: **Nil**



(21) Design Number: **15899/2007**

(22) Date of Filing Application: **09 January 2007**

(24) Date from which industrial property rights may have effect: **09 January 2007**

(54) Product in respect of which the design is registered: **Reclining massage chair**

(51) International Design Classification: **06-01NES**

(71) Name(s) and Address(s) of Applicant(s):

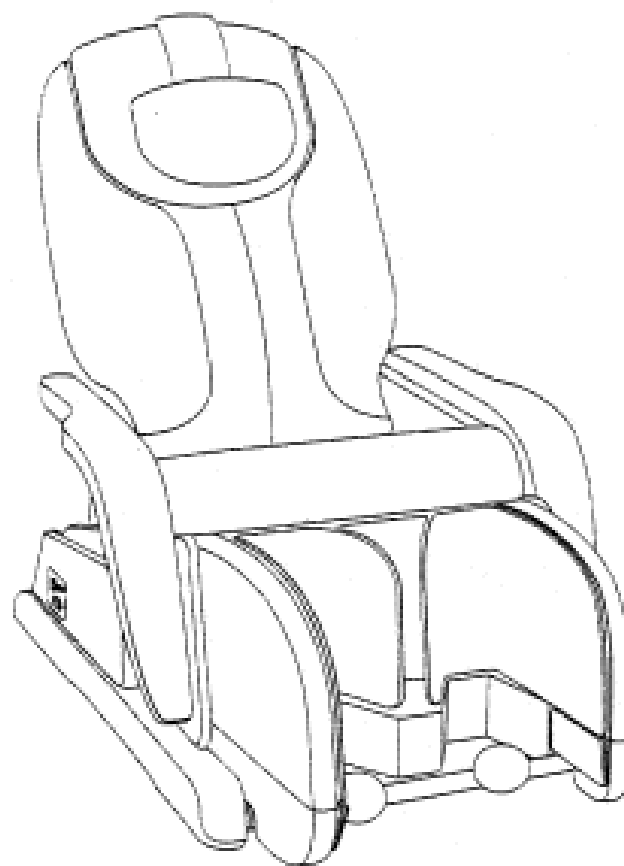
OSIM International Ltd
65 Ubi Avenue 1 OSIM Headquarters Singapore 408939

(72) Name(s) of Designer(s): **Elwyn Kwang Ling Ng**

(45) Registration Date: **23 March 2007**

(56) Related Art Documents: **Not Applicable**

(57) Statement of Newness and Distinctiveness: **Monopoly is claimed in the shape and configuration of the features of the article as depicted in the accompanying representations.**



(21) Design Number: **15995/2007**

(22) Date of Filing Application: **17 January 2007**

(24) Date from which industrial property rights may have effect: **17 January 2007**

(54) Product in respect of which the design is registered: **Needle**

(51) International Design Classification: **02-07D**

(71) Name(s) and Address(s) of Applicant(s):

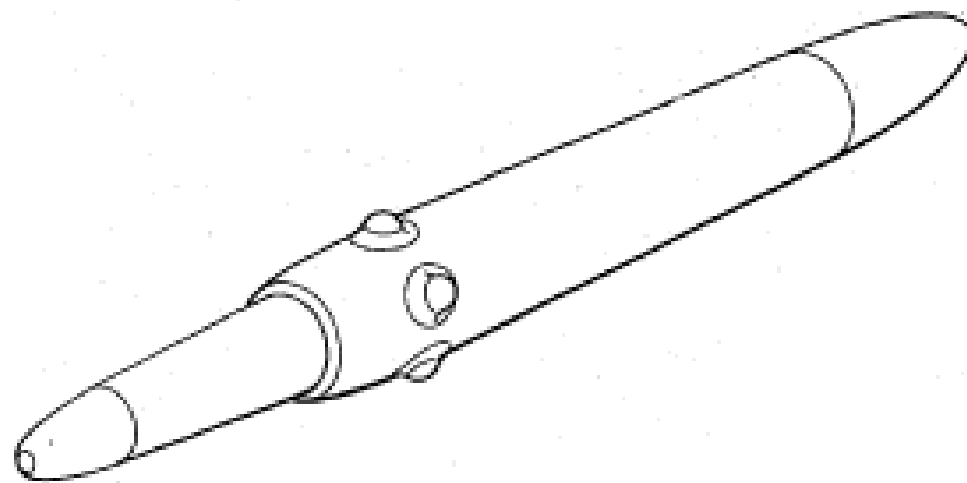
Maree Louise White
18A Brickwood Street Brighton Victoria 3186 Australia

(72) Name(s) of Designer(s): **Maree Louise White**

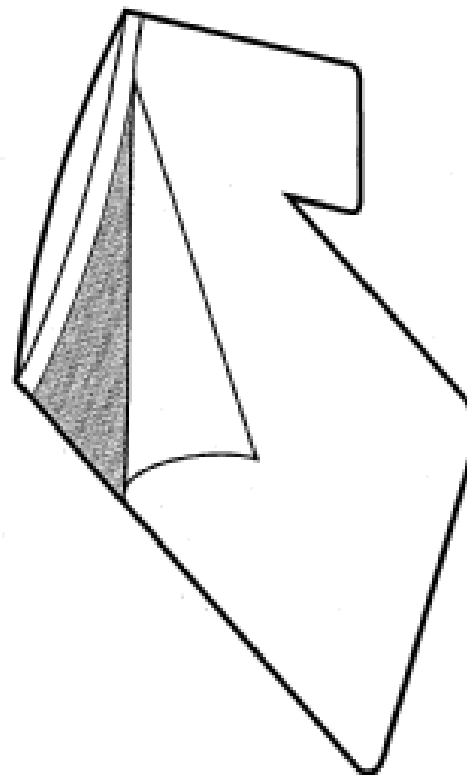
(45) Registration Date: **23 March 2007**

(56) Related Art Documents: **Not Applicable**

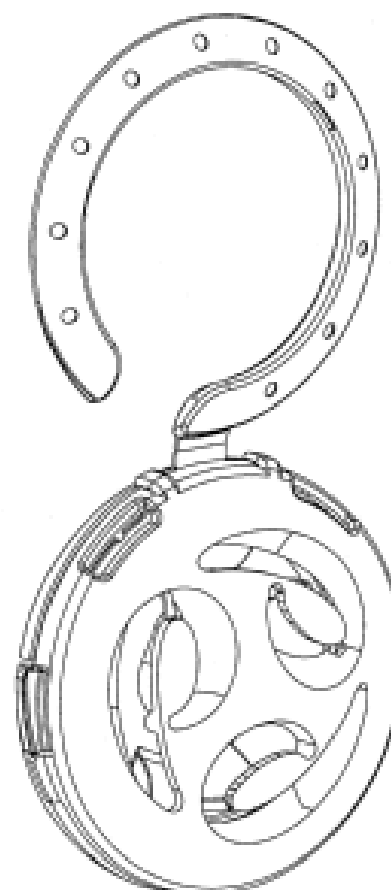
(57) Statement of Newness and Distinctiveness: **Nil**



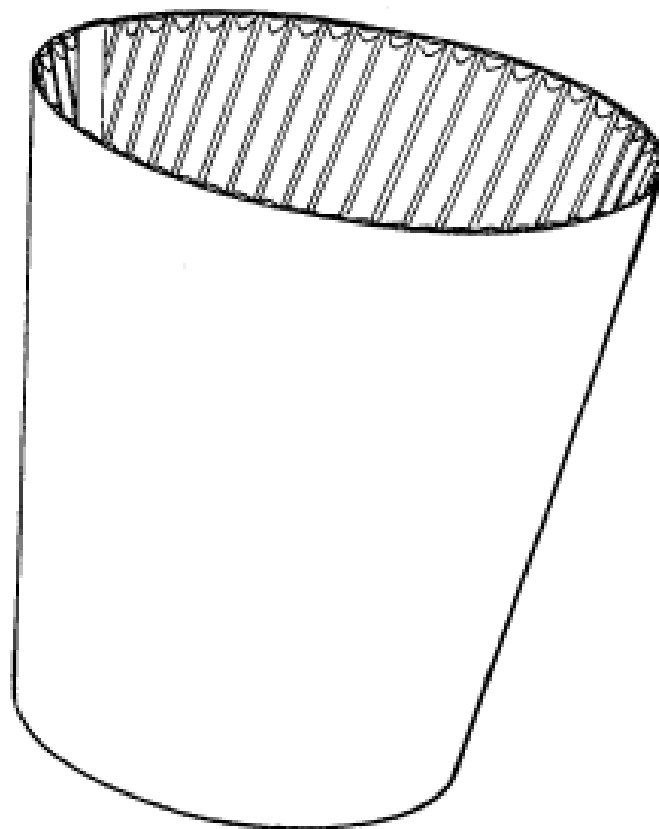
- (21) Design Number: **12786/2006**
- (22) Date of Filing Application: **29 June 2006**
- (24) Date from which industrial property rights may have effect: **29 June 2006**
- (54) Product in respect of which the design is registered: **Clothes cleaning glove**
- (51) International Design Classification: **07-05E, 02-06**
- (71) Name(s) and Address(s) of Applicant(s):
Alleywho Pty Ltd
57 William Street Northbridge Western Australia 6003 Australia
- (72) Name(s) of Designer(s): **Alley Michelle**
- (45) Registration Date: **26 March 2007**
- (56) Related Art Documents: **Not Applicable**
- (57) Statement of Newness and Distinctiveness: **Newness and distinctiveness is claimed in the features of shape and/or configuration of a clothes cleaning glove as shown in these attached representations, wherein the adhesive layer is applied to only one side of the glove.**



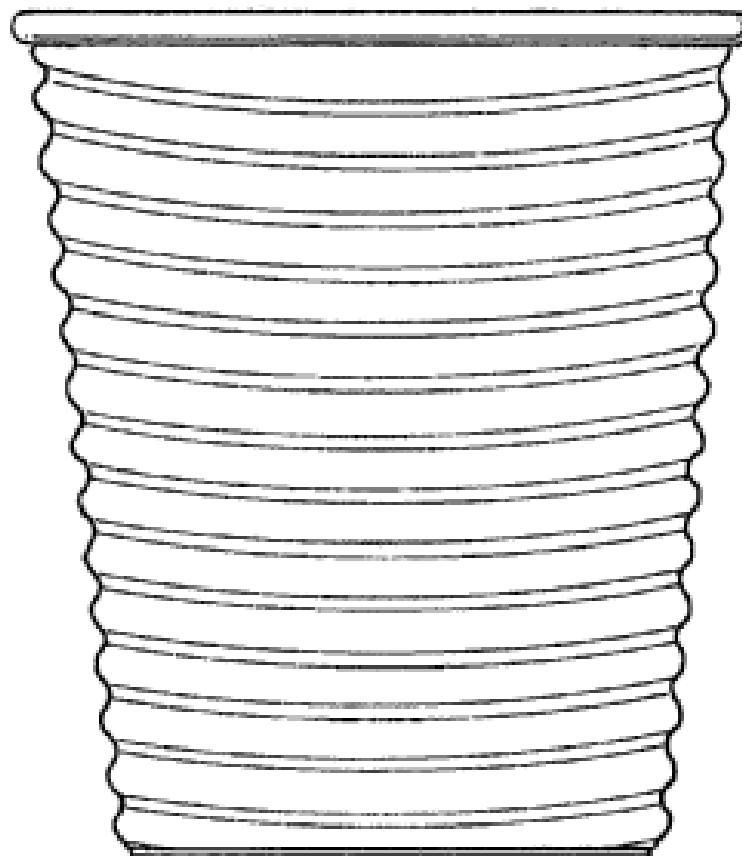
- (21) Design Number: **12715/2006**
- (22) Date of Filing Application: **22 June 2006**
- (24) Date from which industrial property rights may have effect: **22 June 2006**
- (54) Product in respect of which the design is registered: **Air deodorising apparatus**
- (51) International Design Classification: **28-99**
- (71) Name(s) and Address(s) of Applicant(s):
Samar, LLC
10 South Riverside Plaza Suite 1800 Chicago Illinois 60606 United States of America
- (72) Name(s) of Designer(s): **Siao Foot Kee**
- (45) Registration Date: **26 March 2007**
- (30) Convention priority data:
(31) Number (32) Date (33) Country
000504832-0001 30 Mar 2006 EUROPEAN COMMUNITY
- (56) Related Art Documents: **Not Applicable**
- (57) Statement of Newness and Distinctiveness: **Nil.**



(21) Design Number: **12605/2006**
(22) Date of Filing Application: **16 June 2006**
(24) Date from which industrial property rights may have effect: **16 June 2006**
(54) Product in respect of which the design is registered: **Beverage cup sleeve**
(51) International Design Classification: **07-06A**
(71) Name(s) and Address(s) of Applicant(s):
Carl-Louis Pty Ltd
4 Straits Avenue Granville New South Wales 2142 Australia
(72) Name(s) of Designer(s): **Carl Karam**
(45) Registration Date: **26 March 2007**
(56) Related Art Documents: **Not Applicable**
(57) Statement of Newness and Distinctiveness: **Nil.**



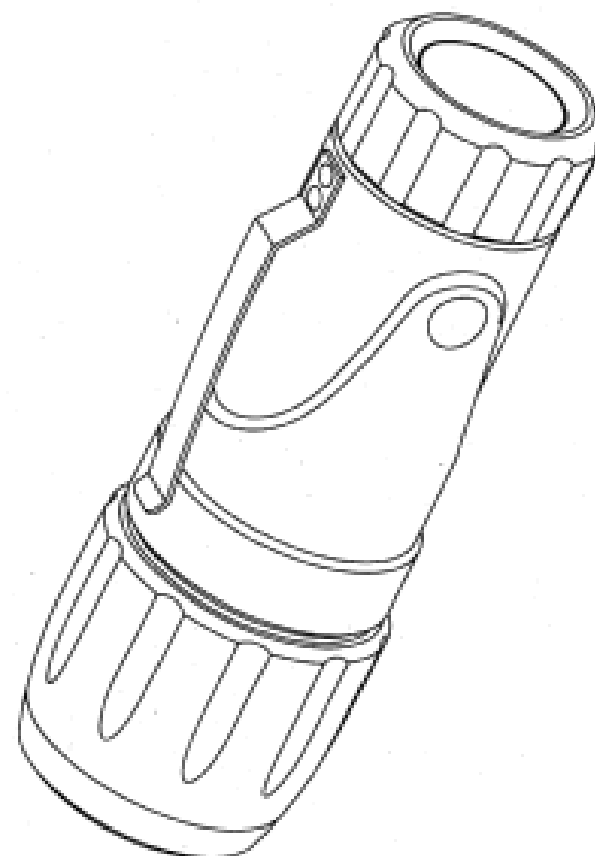
(21) Design Number: **12603/2006**
(22) Date of Filing Application: **16 June 2006**
(24) Date from which industrial property rights may have effect: **16 June 2006**
(54) Product in respect of which the design is registered: **Beverage container**
(51) International Design Classification: **07-01C**
(71) Name(s) and Address(s) of Applicant(s):
Carl-Louis Pty Ltd
4 Straits Avenue Granville New South Wales 2142 Australia
(72) Name(s) of Designer(s): **Carl Karam**
(45) Registration Date: **26 March 2007**
(56) Related Art Documents: **Not Applicable**
(57) Statement of Newness and Distinctiveness: **Nil.**



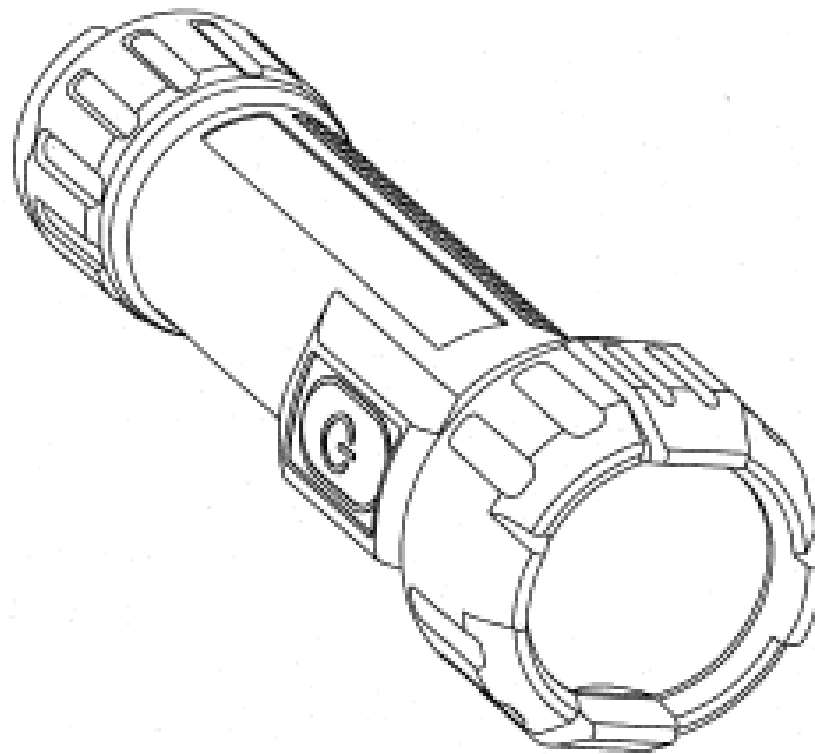
(21) Design Number: **12035/2006**
(22) Date of Filing Application: **10 May 2006**
(24) Date from which industrial property rights may have effect: **10 May 2006**
(54) Product in respect of which the design is registered: **Top x 6**
(51) International Design Classification: **02-02NES**
(71) Name(s) and Address(s) of Applicant(s):
Sportsgirl Pty Ltd
24-40 Rosslyn Street West Melbourne Victoria 3003 Australia
(72) Name(s) of Designer(s): **Gavin Gage**
(45) Registration Date: **26 March 2007**
(56) Related Art Documents: **Not Applicable**
(57) Statement of Newness and Distinctiveness: **Nil**



(21) Design Number: **11986/2006**
(22) Date of Filing Application: **05 May 2006**
(24) Date from which industrial property rights may have effect: **05 May 2006**
(54) Product in respect of which the design is registered: **A flashlight**
(51) International Design Classification: **26-02**
(71) Name(s) and Address(s) of Applicant(s):
Eveready Battery Company, Inc.
533 Maryville University Drive St Louis Missouri 63164 United States of America
(72) Name(s) of Designer(s): **Tim Rugendyke and Peter McMillan and John Brown**
(45) Registration Date: **26 March 2007**
(56) Related Art Documents: **Not Applicable**
(57) Statement of Newness and Distinctiveness: **Nil**



- (21) Design Number: **11984/2006**
- (22) Date of Filing Application: **05 May 2006**
- (24) Date from which industrial property rights may have effect: **05 May 2006**
- (54) Product in respect of which the design is registered: **A flashlight**
- (51) International Design Classification: **26-02**
- (71) Name(s) and Address(s) of Applicant(s):
Eveready Battery Company, Inc.
533 Maryville University Drive St Louis Missouri 63164 United States of America
- (72) Name(s) of Designer(s): **Peter McMillan and Tim Rugendyke**
- (45) Registration Date: **26 March 2007**
- (56) Related Art Documents: **Not Applicable**
- (57) Statement of Newness and Distinctiveness: **Nil**



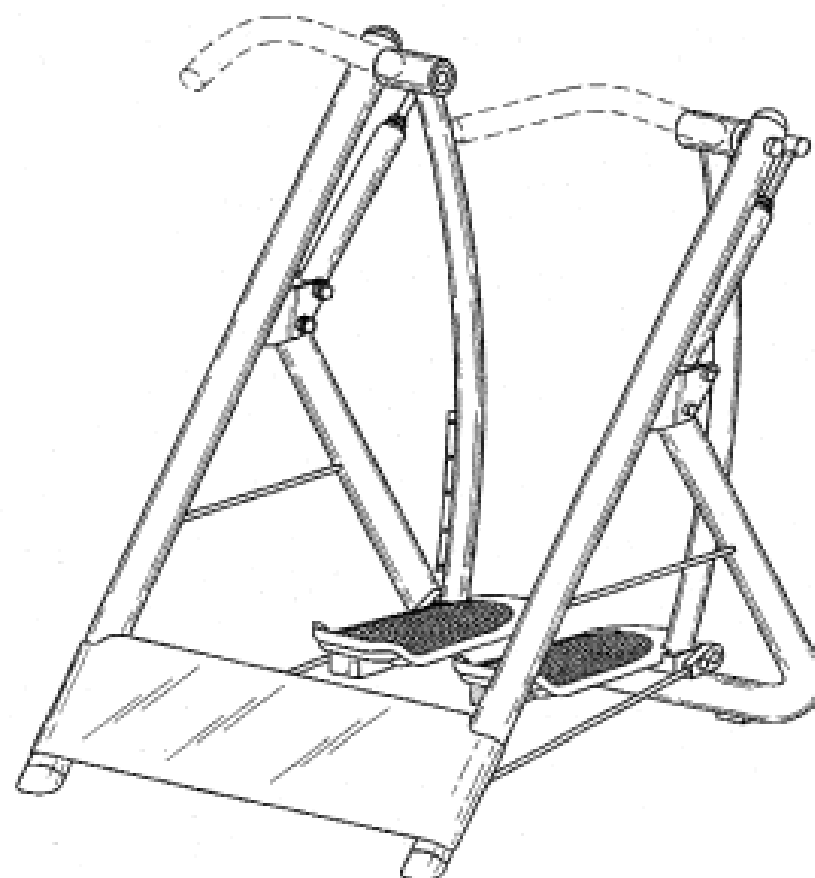
- (21) Design Number: **15545/2006**
- (22) Date of Filing Application: **04 December 2006**
- (24) Date from which industrial property rights may have effect: **04 December 2006**
- (54) Product in respect of which the design is registered: **Cot**
- (51) International Design Classification: **06-02**
- (71) Name(s) and Address(s) of Applicant(s):
Tasman Eco Furniture Pty Ltd
580#588 Hume Highway Casula New South Wales 2170 Australia
- (72) Name(s) of Designer(s): **Steven Cenatiempo**
- (45) Registration Date: **26 March 2007**
- (56) Related Art Documents: **Not Applicable**
- (57) Statement of Newness and Distinctiveness: **Improved locking mechanism. Locking mechanism now located on end posts rather than sliding side.**



(21) Design Number: **15546/2006**
(22) Date of Filing Application: **04 December 2006**
(24) Date from which industrial property rights may have effect: **04 December 2006**
(54) Product in respect of which the design is registered: **Cot**
(51) International Design Classification: **06-02**
(71) Name(s) and Address(s) of Applicant(s):
Tasman Eco Furniture Pty Ltd
580#588 Hume Highway Casula New South Wales 2170 Australia
(72) Name(s) of Designer(s): **Steven Cenatiempo**
(45) Registration Date: **26 March 2007**
(56) Related Art Documents: **Not Applicable**
(57) Statement of Newness and Distinctiveness: **Decrease in thickness of timber end posts. Improved locking mechanism. Mechanism now located on posts rather than sliding side.**



(21) Design Number: **15914/2006**
(22) Date of Filing Application: **22 December 2006**
(24) Date from which industrial property rights may have effect: **22 December 2006**
(54) Product in respect of which the design is registered: **Exercise machine**
(51) International Design Classification: **21-02F**
(71) Name(s) and Address(s) of Applicant(s):
Royce H. Husted
1294 Elkton Farm Road Forest Virginia 24551 United States of America
Joel P. Husted
1294 Elkton Farm Road Forest Virginia 24551 United States of America
(72) Name(s) of Designer(s): **Royce H. Husted and Joel P. Husted**
(45) Registration Date: **26 March 2007**
(30) Convention priority data:
(31) Number (32) Date (33) Country
11/479,108 30 Jun 2006 UNITED STATES OF AMERICA
(56) Related Art Documents: **Not Applicable**
(57) Statement of Newness and Distinctiveness: **Nil**



(21) Design Number: **16933/2007**

(22) Date of Filing Application: **16 March 2007**

(24) Date from which industrial property rights may have effect: **16 March 2007**

(54) Product in respect of which the design is registered: **Coffee machine**

(51) International Design Classification: **07-02L**

(71) Name(s) and Address(s) of Applicant(s):

**ILLYCAFFE' SpA con unico socio
Via Flavia 110 Trieste 34147 Italy**

(72) Name(s) of Designer(s): **Luca Trazzi**

(45) Registration Date: **26 March 2007**

(30) Convention priority data:

(31) Number	(32) Date	(33) Country
634795	11 Dec 2006	EUROPEAN COMMUNITY

(56) Related Art Documents: **Not Applicable**

(57) Statement of Newness and Distinctiveness: **The new and distinct features of shape and configuration of the coffee machine as shown in the attached representations.**



(21) Design Number: **15288/2006**

(22) Date of Filing Application: **20 November 2006**

(24) Date from which industrial property rights may have effect: **20 November 2006**

(54) Product in respect of which the design is registered: **buffet**

(51) International Design Classification: **06-04D**

(71) Name(s) and Address(s) of Applicant(s):

**Arki Tsorakidis
PO Box 367 Somerton Victoria 3062 Australia**

**Astra Furniture Pty Ltd
PO Box 367 Somerton Victoria 3062 Australia**

(72) Name(s) of Designer(s): **Arki Tsorakidis**

(45) Registration Date: **27 March 2007**

(56) Related Art Documents: **Not Applicable**

(57) Statement of Newness and Distinctiveness: **The end are a mitre cut with a profile on a 45% angle.**



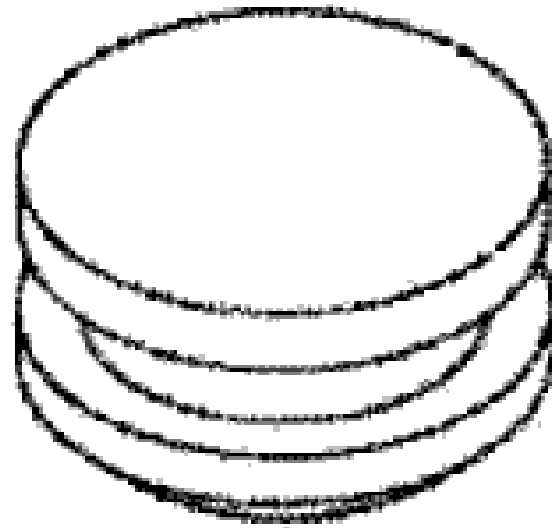
- (21) Design Number: **15964/2006**
(22) Date of Filing Application: **20 November 2006**
(24) Date from which industrial property rights may have effect: **20 November 2006**
(54) Product in respect of which the design is registered: **Table**
(51) International Design Classification: **06-03A**
(71) Name(s) and Address(s) of Applicant(s):
Arki Tsorakidis
PO Box 367 Somerton Victoria 3062 Australia
Astra Furniture Pty Ltd
PO Box 367 Somerton Victoria 3062 Australia
(72) Name(s) of Designer(s): **Arki Tsorakidis**
(45) Registration Date: **27 March 2007**
(56) Related Art Documents: **Not Applicable**
(57) Statement of Newness and Distinctiveness: **The ends are a mitre cut with a profile on a 45% angle.**



- (21) Design Number: **13394/2006**
(22) Date of Filing Application: **01 August 2006**
(24) Date from which industrial property rights may have effect: **01 August 2006**
(54) Product in respect of which the design is registered: **Novelty candle**
(51) International Design Classification: **26-04, 26-05D**
(71) Name(s) and Address(s) of Applicant(s):
Glowstix Australia Pty Ltd
Unit 7 4 Whitehead Court Glendenning NSW 2761 Australia
(72) Name(s) of Designer(s): **Norman Nassif and Paul Cohen**
(45) Registration Date: **27 March 2007**
(56) Related Art Documents: **Not Applicable**
(57) Statement of Newness and Distinctiveness: **The flame shape top incorporates a smaller shape image in the middle of the flame. At the top candle where the flame part is inserted into the candle body, there is a gentle slope from the rounded edge of the candle that slopes down to the point of contact with the flame top. The bottom cap of the candle has a hole to which a push button is inserted for activation of the candle.**



(21) Design Number: **13395/2006**
(22) Date of Filing Application: **01 August 2006**
(24) Date from which industrial property rights may have effect: **01 August 2006**
(54) Product in respect of which the design is registered: **Candlelite button**
(51) International Design Classification: **26-99**
(71) Name(s) and Address(s) of Applicant(s):
Glowstix Australia Pty Ltd
Unit 7 4 Whitehead Court Glendenning NSW 2761 Australia
(72) Name(s) of Designer(s): **Norman Nassif and Paul Cohen**
(45) Registration Date: **27 March 2007**
(56) Related Art Documents: **Not Applicable**
(57) Statement of Newness and Distinctiveness: **Nil**



(21) Design Number: **13910/2006**
(22) Date of Filing Application: **30 August 2006**
(24) Date from which industrial property rights may have effect: **30 August 2006**
(54) Product in respect of which the design is registered: **Ladies garment**
(51) International Design Classification: **02-02C, 02-02NES**
(71) Name(s) and Address(s) of Applicant(s):
Review Holdings Pty Ltd
131 Chestnut Street Richmond Victoria 3121 Australia
(72) Name(s) of Designer(s): **Jayne Ellis**
(45) Registration Date: **27 March 2007**
(56) Related Art Documents: **Not Applicable**
(57) Statement of Newness and Distinctiveness: **Nil**



(21) Design Number: **16606/2007**

(22) Date of Filing Application: **30 August 2006**

(24) Date from which industrial property rights may have effect: **30 August 2006**

(54) Product in respect of which the design is registered: **Ladies garments**

(51) International Design Classification: **02-02C**

(71) Name(s) and Address(s) of Applicant(s):

**Review Holdings Pty Ltd
131 Chestnut Street Richmond Victoria 3121 Australia**

(72) Name(s) of Designer(s): **Jayne Ellis**

(45) Registration Date: **27 March 2007**

(56) Related Art Documents: **Not Applicable**

(57) Statement of Newness and Distinctiveness: **Nil**



(21) Design Number: **16607/2007**

(22) Date of Filing Application: **30 August 2006**

(24) Date from which industrial property rights may have effect: **30 August 2006**

(54) Product in respect of which the design is registered: **Ladies garments**

(51) International Design Classification: **02-02C**

(71) Name(s) and Address(s) of Applicant(s):

**Review Holdings Pty Ltd
131 Chestnut Street Richmond Victoria 3121 Australia**

(72) Name(s) of Designer(s): **Jayne Ellis**

(45) Registration Date: **27 March 2007**

(56) Related Art Documents: **Not Applicable**

(57) Statement of Newness and Distinctiveness: **Nil**



- (21) Design Number: **16608/2007**
(22) Date of Filing Application: **30 August 2006**
(24) Date from which industrial property rights may have effect: **30 August 2006**
(54) Product in respect of which the design is registered: **Ladies garments**
(51) International Design Classification: **02-02C**
(71) Name(s) and Address(s) of Applicant(s):
Review Holdings Pty Ltd
131 Chestnut Street Richmond Victoria 3121 Australia
(72) Name(s) of Designer(s): **Jayne Ellis**
(45) Registration Date: **27 March 2007**
(56) Related Art Documents: **Not Applicable**
(57) Statement of Newness and Distinctiveness: **Nil**



- (21) Design Number: **16609/2007**
(22) Date of Filing Application: **30 August 2006**
(24) Date from which industrial property rights may have effect: **30 August 2006**
(54) Product in respect of which the design is registered: **Ladies garments**
(51) International Design Classification: **02-02C**
(71) Name(s) and Address(s) of Applicant(s):
Review Holdings Pty Ltd
131 Chestnut Street Richmond Victoria 3121 Australia
(72) Name(s) of Designer(s): **Jayne Ellis**
(45) Registration Date: **27 March 2007**
(56) Related Art Documents: **Not Applicable**
(57) Statement of Newness and Distinctiveness: **Nil**



(21) Design Number: **16610/2007**

(22) Date of Filing Application: **30 August 2006**

(24) Date from which industrial property rights may have effect: **30 August 2006**

(54) Product in respect of which the design is registered: **Ladies garments**

(51) International Design Classification: **02-02C**

(71) Name(s) and Address(s) of Applicant(s):

**Review Holdings Pty Ltd
131 Chestnut Street Richmond Victoria 3121 Australia**

(72) Name(s) of Designer(s): **Jayne Ellis**

(45) Registration Date: **27 March 2007**

(56) Related Art Documents: **Not Applicable**

(57) Statement of Newness and Distinctiveness: **Nil**



(21) Design Number: **16611/2007**

(22) Date of Filing Application: **30 August 2006**

(24) Date from which industrial property rights may have effect: **30 August 2006**

(54) Product in respect of which the design is registered: **Ladies garments**

(51) International Design Classification: **02-02C**

(71) Name(s) and Address(s) of Applicant(s):

**Review Holdings Pty Ltd
131 Chestnut Street Richmond Victoria 3121 Australia**

(72) Name(s) of Designer(s): **Jayne Ellis**

(45) Registration Date: **27 March 2007**

(56) Related Art Documents: **Not Applicable**

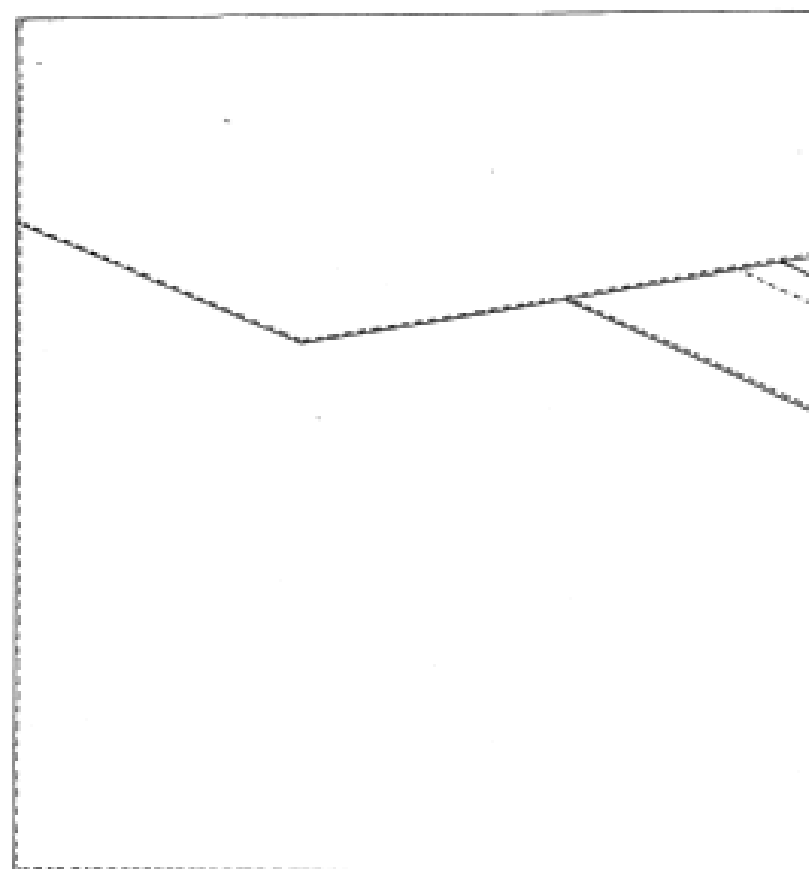
(57) Statement of Newness and Distinctiveness: **Nil**



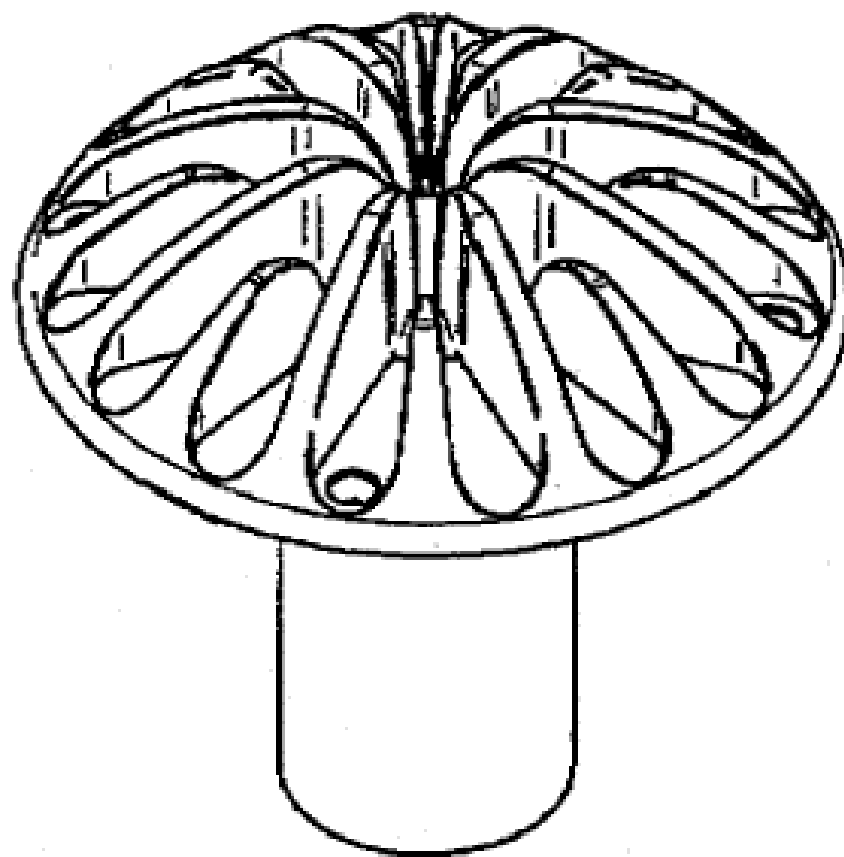
(21) Design Number: **13261/2006**
(22) Date of Filing Application: **27 July 2006**
(24) Date from which industrial property rights may have effect: **27 July 2006**
(54) Product in respect of which the design is registered: **Shorts**
(51) International Design Classification: **02-02C**
(71) Name(s) and Address(s) of Applicant(s):
Sportsgirl Pty Ltd
24-40 Rosslyn Street West Melbourne Victoria 3003 Australia
(72) Name(s) of Designer(s): **Gavin Gage**
(45) Registration Date: **27 March 2007**
(56) Related Art Documents: **Not Applicable**
(57) Statement of Newness and Distinctiveness: **Nil**



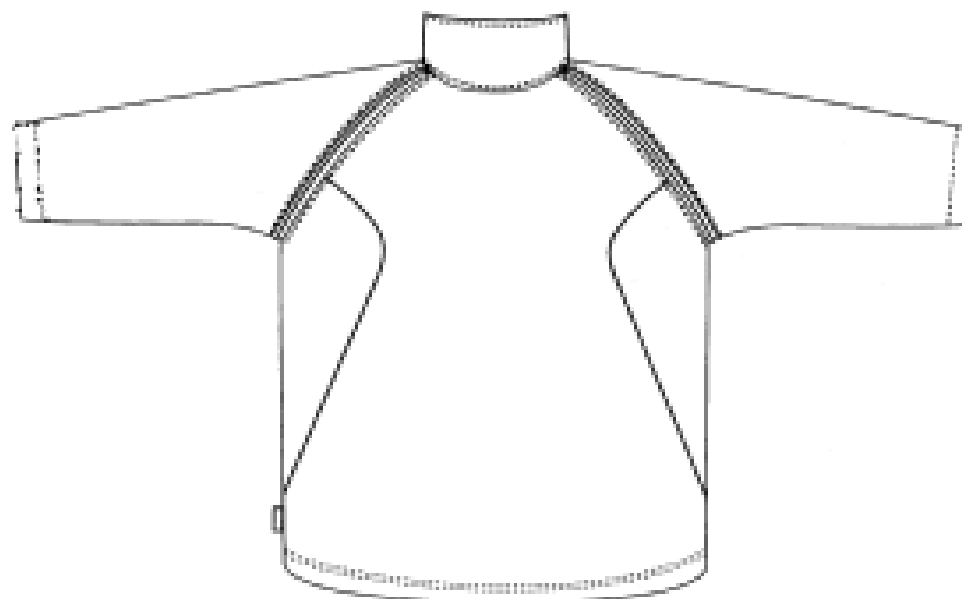
(21) Design Number: **13913/2006**
(22) Date of Filing Application: **30 August 2006**
(24) Date from which industrial property rights may have effect: **30 August 2006**
(54) Product in respect of which the design is registered: **Jacket pocket**
(51) International Design Classification: **02-02B**
(71) Name(s) and Address(s) of Applicant(s):
Textile House Pty Ltd
30 Barrett Street Kensington Victoria 3031 Australia
(72) Name(s) of Designer(s): **Kruno Janjic**
(45) Registration Date: **27 March 2007**
(56) Related Art Documents: **Not Applicable**
(57) Statement of Newness and Distinctiveness: **Nil**



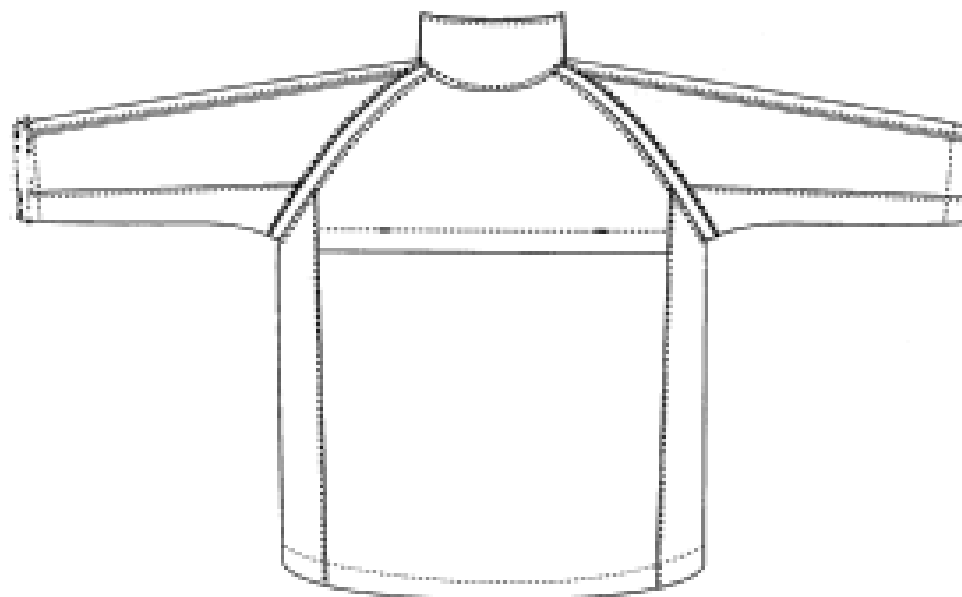
(21) Design Number: **15667/2006**
(22) Date of Filing Application: **07 December 2006**
(24) Date from which industrial property rights may have effect: **07 December 2006**
(54) Product in respect of which the design is registered: **Anti - Hair entrapment device for spas and pools**
(51) International Design Classification: **23-01G**
(71) Name(s) and Address(s) of Applicant(s):
Gary Hall The Bodyguard N.S.W
14 Mill Hill Road Port Macquarie New South Wales 2444 Australia
(72) Name(s) of Designer(s): **Gary G. Hall**
(45) Registration Date: **27 March 2007**
(56) Related Art Documents: **Not Applicable**
(57) Statement of Newness and Distinctiveness: **Anti hair entrapment. Bodyguard.**



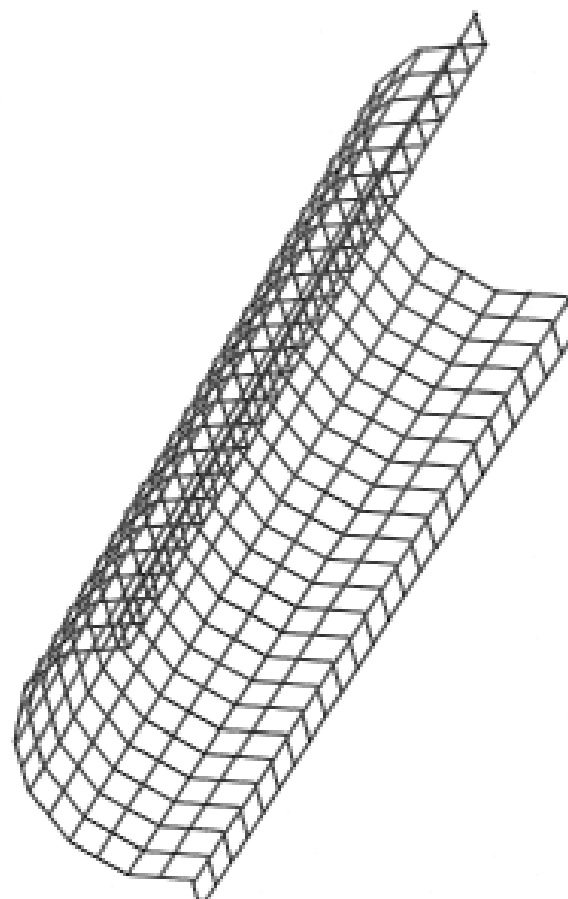
(21) Design Number: **13912/2006**
(22) Date of Filing Application: **30 August 2006**
(24) Date from which industrial property rights may have effect: **30 August 2006**
(54) Product in respect of which the design is registered: **Jackets**
(51) International Design Classification: **02-02NES**
(71) Name(s) and Address(s) of Applicant(s):
Textile House Pty Ltd
30 Barrett Street Kensington Victoria 3031 Australia
(72) Name(s) of Designer(s): **Angela Morgan**
(45) Registration Date: **27 March 2007**
(56) Related Art Documents: **Not Applicable**
(57) Statement of Newness and Distinctiveness: **Nil**



- (21) Design Number: **16627/2007**
(22) Date of Filing Application: **30 August 2006**
(24) Date from which industrial property rights may have effect: **30 August 2006**
(54) Product in respect of which the design is registered: **Jackets**
(51) International Design Classification: **02-02NES**
(71) Name(s) and Address(s) of Applicant(s):
Textile House Pty Ltd
30 Barrett Street Kensington Victoria 3031 Australia
(72) Name(s) of Designer(s): **Angela Morgan**
(45) Registration Date: **27 March 2007**
(56) Related Art Documents: **Not Applicable**
(57) Statement of Newness and Distinctiveness: **Nil**



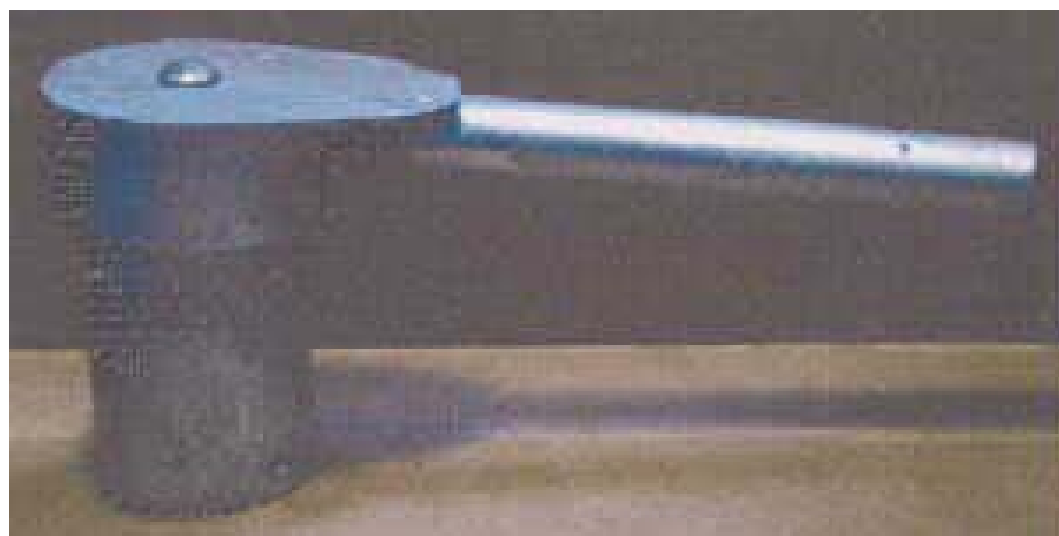
- (21) Design Number: **15863/2006**
(22) Date of Filing Application: **21 December 2006**
(24) Date from which industrial property rights may have effect: **21 December 2006**
(54) Product in respect of which the design is registered: **Ground support for a leach drain**
(51) International Design Classification: **23-01E**
(71) Name(s) and Address(s) of Applicant(s):
Ronald Frederick Hopley
59 McCombe Road Bunbury Western Australia 6230 Australia
(72) Name(s) of Designer(s): **Ronald Frederick Hopley**
(45) Registration Date: **27 March 2007**
(56) Related Art Documents: **Not Applicable**
(57) Statement of Newness and Distinctiveness: **Each feature of the design considered separately or in combination with any other feature or features.**



(21) Design Number: **13918/2006**
(22) Date of Filing Application: **29 August 2006**
(24) Date from which industrial property rights may have effect: **29 August 2006**
(54) Product in respect of which the design is registered: **Closure closer**
(51) International Design Classification: **08-07, 08-09**
(71) Name(s) and Address(s) of Applicant(s):
Bacoz Pty Ltd
11 Coolac Street Cheltenham Victoria 3192 Australia
(72) Name(s) of Designer(s): **Brian Arthur Cook**
(45) Registration Date: **27 March 2007**
(56) Related Art Documents: **Not Applicable**
(57) Statement of Newness and Distinctiveness: **Nil**



(21) Design Number: **13919/2006**
(22) Date of Filing Application: **29 August 2006**
(24) Date from which industrial property rights may have effect: **29 August 2006**
(54) Product in respect of which the design is registered: **Closure closer**
(51) International Design Classification: **08-07, 08-09**
(71) Name(s) and Address(s) of Applicant(s):
Bacoz Pty Ltd
11 Coolac Street Cheltenham Victoria 3192 Australia
(72) Name(s) of Designer(s): **Brian Arthur Cook**
(45) Registration Date: **27 March 2007**
(56) Related Art Documents: **Not Applicable**
(57) Statement of Newness and Distinctiveness: **Nil**



(21) Design Number: **13920/2006**

(22) Date of Filing Application: **29 August 2006**

(24) Date from which industrial property rights may have effect: **29 August 2006**

(54) Product in respect of which the design is registered: **Channel mount**

(51) International Design Classification: **08-07, 08-09**

(71) Name(s) and Address(s) of Applicant(s):

Bacoz Pty Ltd

11 Coolac Street Cheltenham Victoria 3192 Australia

(72) Name(s) of Designer(s): **Brian Arthur Cook**

(45) Registration Date: **27 March 2007**

(56) Related Art Documents: **Not Applicable**

(57) Statement of Newness and Distinctiveness: **Nil**



(21) Design Number: **13936/2006**

(22) Date of Filing Application: **01 September 2006**

(24) Date from which industrial property rights may have effect: **01 September 2006**

(54) Product in respect of which the design is registered: **Element lounge**

(51) International Design Classification: **06-01G**

(71) Name(s) and Address(s) of Applicant(s):

The Product People Pty Ltd

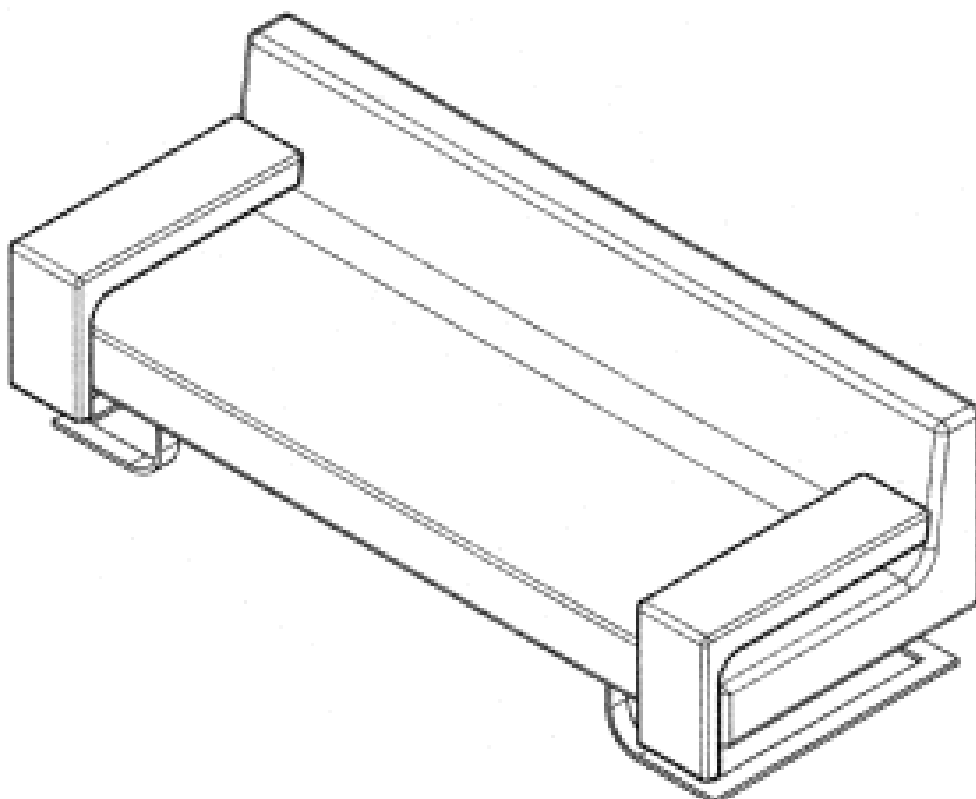
10 Bond Street Sydney New South Wales 2000 Australia

(72) Name(s) of Designer(s): **Sheldon King**

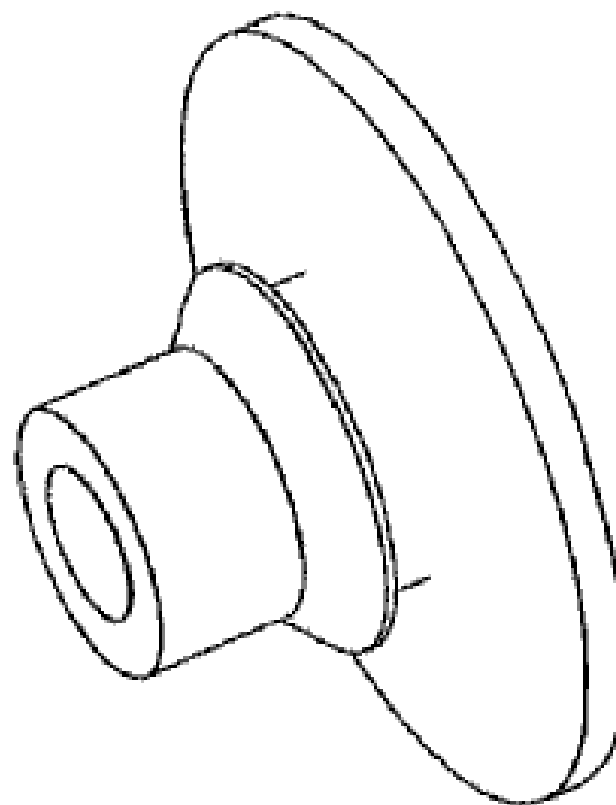
(45) Registration Date: **27 March 2007**

(56) Related Art Documents: **Not Applicable**

(57) Statement of Newness and Distinctiveness: **The slim flat bar leg construction supports the lounge from under the central bulk of the lounge, directly underneath the wait of the occupant. The armrest slides along the length of the lounge from side to side converting the lounge from a 3 seater to a 2 seater and a single seater. The armrest rolls over the front of the lounge and passes the base of the lounge at which point there are secured to a rail. The main body and armrest of the lounge are constructed as single geometric elements, hence the name of the lounge 'Element Lounge'.**



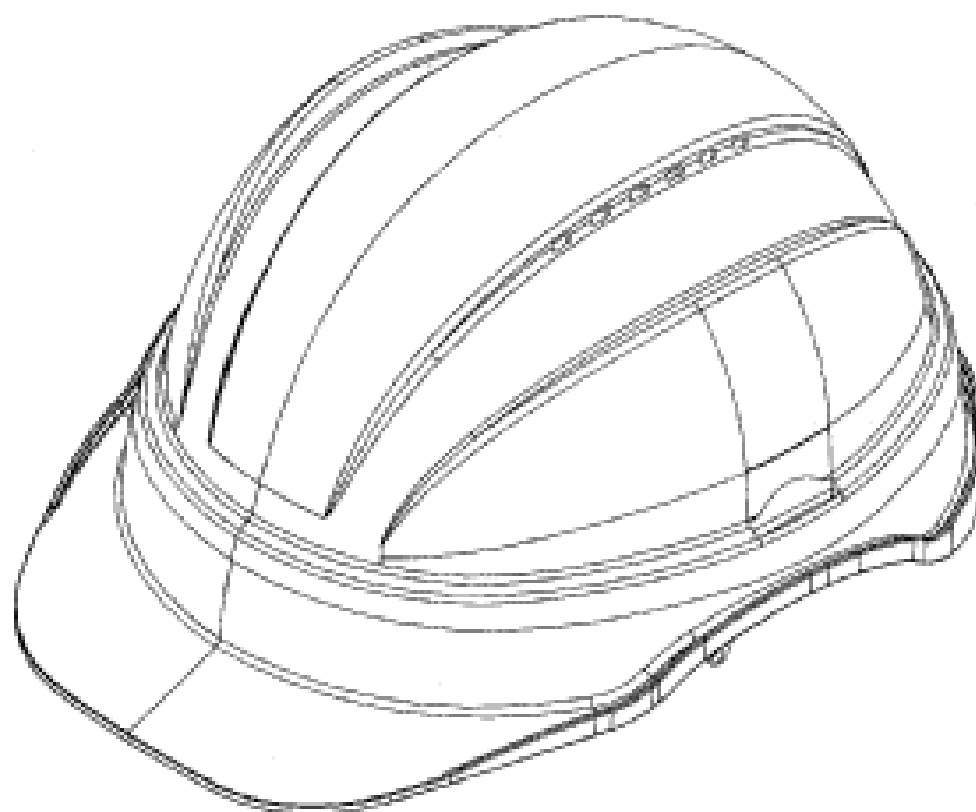
- (21) Design Number: **13986/2006**
(22) Date of Filing Application: **04 September 2006**
(24) Date from which industrial property rights may have effect: **04 September 2006**
(54) Product in respect of which the design is registered: **Electric fence star post insulator**
(51) International Design Classification: **13-99, 13-02**
(71) Name(s) and Address(s) of Applicant(s):
Warrick Morley
"Keeley" Girilambone New South Wales 2831 Australia
(72) Name(s) of Designer(s): **Warrick Morley**
(45) Registration Date: **27 March 2007**
(56) Related Art Documents: **Not Applicable**
(57) Statement of Newness and Distinctiveness: **A flange which locks the insulator into the hole of a star post whilst allowing wire to pass through the centre of the insulator.**



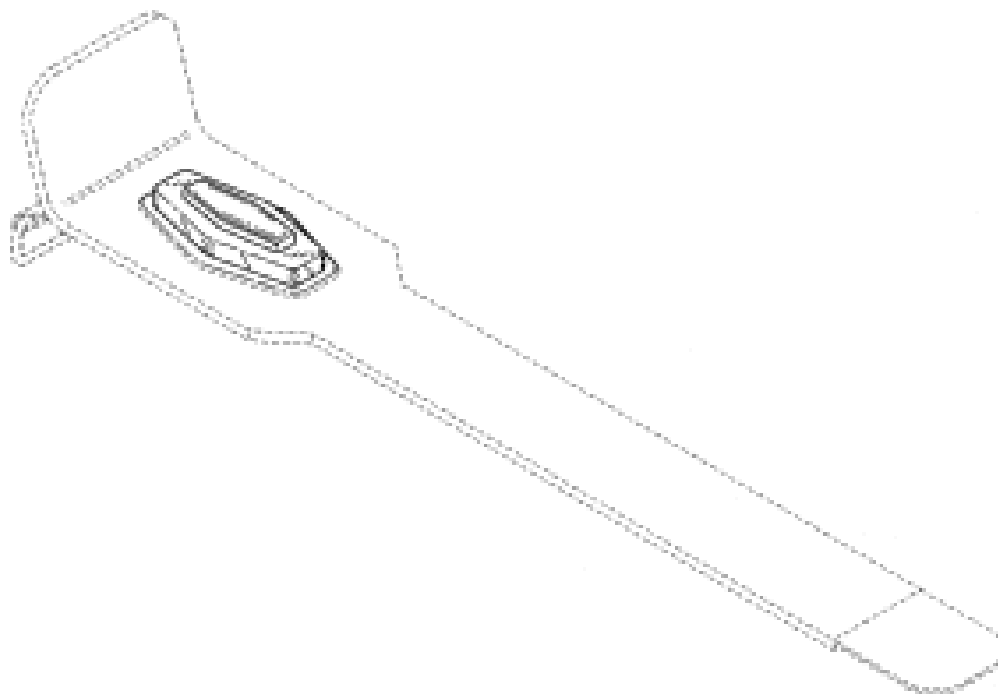
- (21) Design Number: **14269/2006**
(22) Date of Filing Application: **22 September 2006**
(24) Date from which industrial property rights may have effect: **22 September 2006**
(54) Product in respect of which the design is registered: **Helmet**
(51) International Design Classification: **02-03**
(71) Name(s) and Address(s) of Applicant(s):
Maurice Lyndon Filleul
11 Acorn Street Royal Oak Auckland New Zealand
(72) Name(s) of Designer(s): **Maurice Lyndon Filleul**
(45) Registration Date: **27 March 2007**
(30) Convention priority data:

(31) Number	(32) Date	(33) Country
407847	12 Jul 2006	NEW ZEALAND

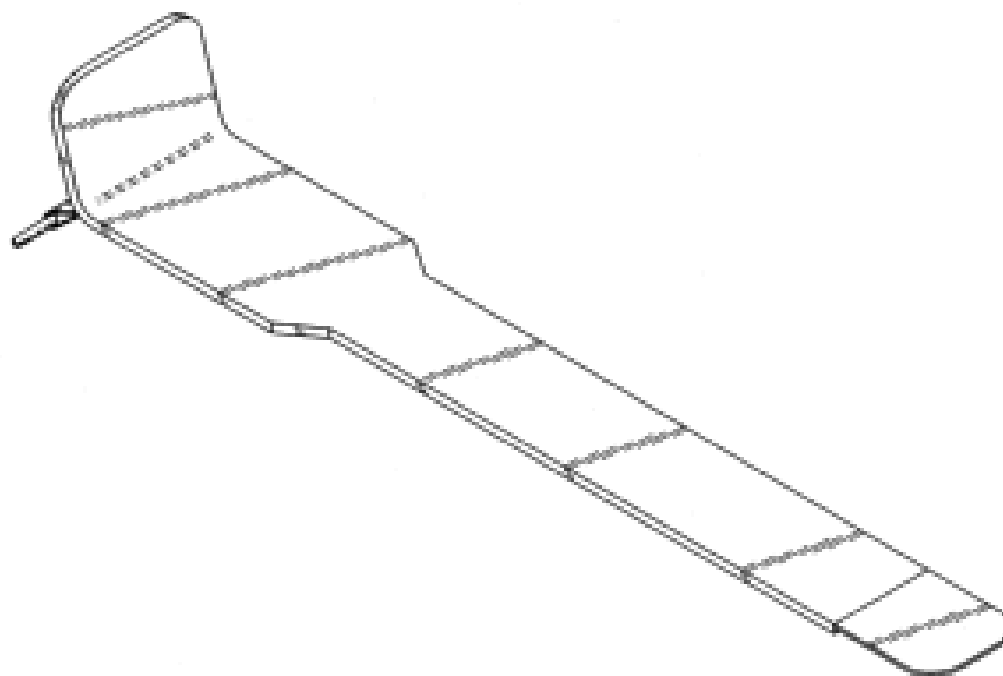
(56) Related Art Documents: **Not Applicable**
(57) Statement of Newness and Distinctiveness: **Newness and distinctiveness are claimed in the features of shape and/or configuration of a helmet, as illustrated in the accompanying representations.**



(21) Design Number: **14479/2006**
(22) Date of Filing Application: **04 October 2006**
(24) Date from which industrial property rights may have effect: **04 October 2006**
(54) Product in respect of which the design is registered: **Pad ornamentation for appendage wrap**
(51) International Design Classification: **24-04**
(71) Name(s) and Address(s) of Applicant(s):
3M Innovative Properties Company
3M Center Saint Paul Minnesota 55133-3427 United States of America
(72) Name(s) of Designer(s): **Robert Hadley Jordan and James Lincoln Young**
(45) Registration Date: **27 March 2007**
(30) Convention priority data:
(31) Number (32) Date (33) Country
29/257469 04 Apr 2006 UNITED STATES OF AMERICA
(56) Related Art Documents: **Not Applicable**
(57) Statement of Newness and Distinctiveness: **Newness and distinctiveness is claimed in the visual features shown in solid lines in the representations.**



(21) Design Number: **14480/2006**
(22) Date of Filing Application: **04 October 2006**
(24) Date from which industrial property rights may have effect: **04 October 2006**
(54) Product in respect of which the design is registered: **Appendage wrap**
(51) International Design Classification: **24-04**
(71) Name(s) and Address(s) of Applicant(s):
3M Innovative Properties Company
3M Center Saint Paul Minnesota 55133-3427 United States of America
(72) Name(s) of Designer(s): **James Lincoln Young**
(45) Registration Date: **27 March 2007**
(30) Convention priority data:
(31) Number (32) Date (33) Country
29/257468 04 Apr 2006 UNITED STATES OF AMERICA
(56) Related Art Documents: **Not Applicable**
(57) Statement of Newness and Distinctiveness: **Newness and distinctiveness is claimed in the visual features shown in solid lines in the representations.**



(21) Design Number: **14665/2006**

(22) Date of Filing Application: **16 October 2006**

(24) Date from which industrial property rights may have effect: **16 October 2006**

(54) Product in respect of which the design is registered: **Shadow magazine rack**

(51) International Design Classification: **06-04NES**

(71) Name(s) and Address(s) of Applicant(s):

Yuichiro Nakano

1/7 Manningham Street Parkville Victoria 3052 Australia

(72) Name(s) of Designer(s): **Yuichiro Nakano**

(45) Registration Date: **27 March 2007**

(56) Related Art Documents: **Not Applicable**

(57) Statement of Newness and Distinctiveness: **The shape of the dog as the basis of the magazine rack is what makes the design distinctive.**



(21) Design Number: **14981/2006**

(22) Date of Filing Application: **27 October 2006**

(24) Date from which industrial property rights may have effect: **27 October 2006**

(54) Product in respect of which the design is registered: **Hanging parasol**

(51) International Design Classification: **03-03**

(71) Name(s) and Address(s) of Applicant(s):

Hangzhou China Arts Economic & Trading Corp. Ltd

Building 25 Jindu New City 326 Wenyuan Road Hangzhou City

Zhejiang Province 310012 China

(72) Name(s) of Designer(s): **Ren Li**

(45) Registration Date: **27 March 2007**

(30) Convention priority data:

(31) Number

(32) Date

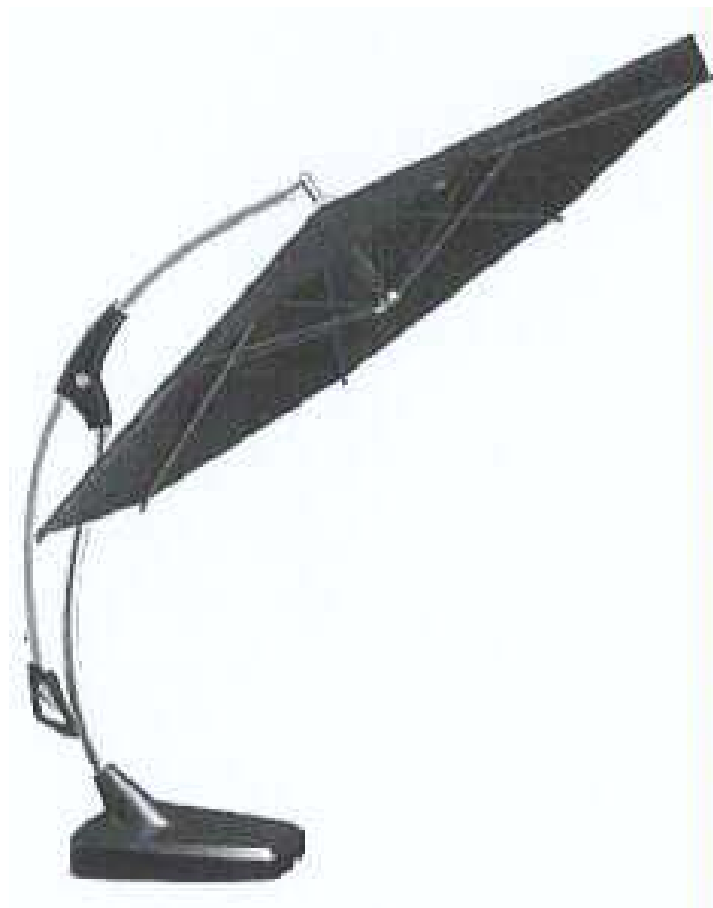
(33) Country

200630040800.2 18 Sep 2006

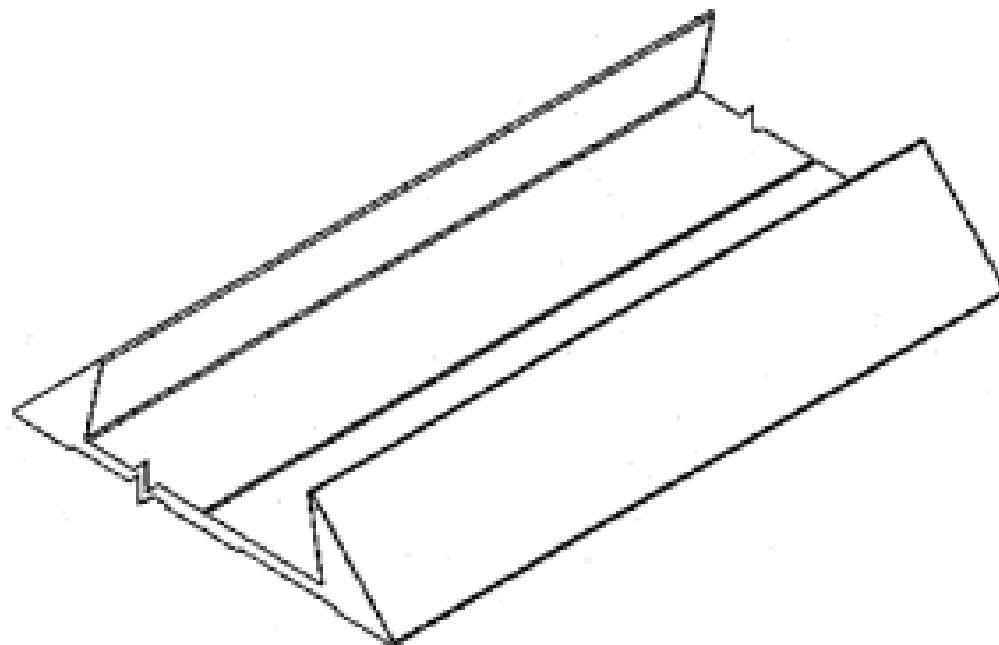
CHINA

(56) Related Art Documents: **Not Applicable**

(57) Statement of Newness and Distinctiveness: **Each feature of the design considered separately or in combination with any other feature or features.**



- (21) Design Number: **15189/2006**
(22) Date of Filing Application: **13 November 2006**
(24) Date from which industrial property rights may have effect: **13 November 2006**
(54) Product in respect of which the design is registered: **Edge form**
(51) International Design Classification: **25-01NES**
(71) Name(s) and Address(s) of Applicant(s):
Retail & Commercial Properties Pty Ltd
37 Bordeaux Street Doncaster Victoria 3108 Australia
(72) Name(s) of Designer(s): **Michael Samuel**
(45) Registration Date: **27 March 2007**
(56) Related Art Documents: **Not Applicable**
(57) Statement of Newness and Distinctiveness: **Monopoly is claimed in the features of shape or configuration of an edge form of indefinite length as shown in the accompanying representation.**



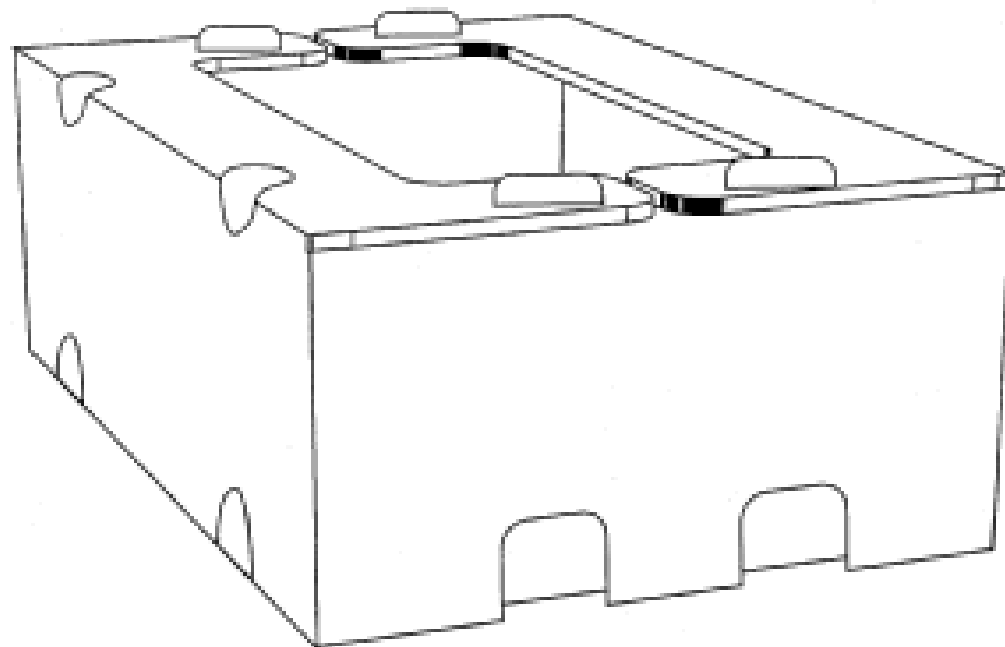
- (21) Design Number: **15310/2006**
(22) Date of Filing Application: **20 November 2006**
(24) Date from which industrial property rights may have effect: **20 November 2006**
(54) Product in respect of which the design is registered: **Trailer**
(51) International Design Classification: **12-10**
(71) Name(s) and Address(s) of Applicant(s):
Carlex Pty Ltd
Unit 5/21 Power Road Bayswater Victoria 3153 Australia
(72) Name(s) of Designer(s): **Alexander Meno**
(45) Registration Date: **27 March 2007**
(56) Related Art Documents: **Not Applicable**
(57) Statement of Newness and Distinctiveness: **Folding roll-a-way modular trailer 6'x4' see enclosed attachment LCI-846TA.**



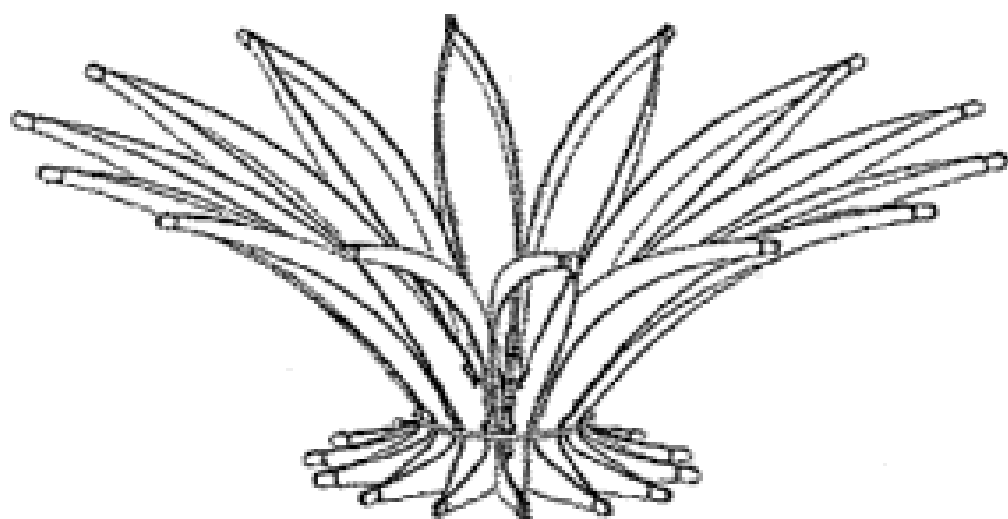
- (21) Design Number: **15311/2006**
(22) Date of Filing Application: **20 November 2006**
(24) Date from which industrial property rights may have effect: **20 November 2006**
(54) Product in respect of which the design is registered: **Trailer**
(51) International Design Classification: **12-10**
(71) Name(s) and Address(s) of Applicant(s):
Carlex Pty Ltd
Unit 5/21 Power Road Bayswater Victoria 3153 Australia
(72) Name(s) of Designer(s): **Alexander Meno**
(45) Registration Date: **27 March 2007**
(56) Related Art Documents: **Not Applicable**
(57) Statement of Newness and Distinctiveness: **Folding roll-a-way modular trailer 8'x4' see enclosed attachment LCI-850TAB.**



- (21) Design Number: **15340/2006**
(22) Date of Filing Application: **14 November 2006**
(24) Date from which industrial property rights may have effect: **14 November 2006**
(54) Product in respect of which the design is registered: **Fresh produce container**
(51) International Design Classification: **09-03K**
(71) Name(s) and Address(s) of Applicant(s):
Fresh Box Pty Ltd
75 Greenford Street Chapel Hill Queensland 4069 Australia
(72) Name(s) of Designer(s): **Peter Florentzos and Nick Florentzos**
(45) Registration Date: **27 March 2007**
(56) Related Art Documents: **Not Applicable**
(57) Statement of Newness and Distinctiveness: **Nil**



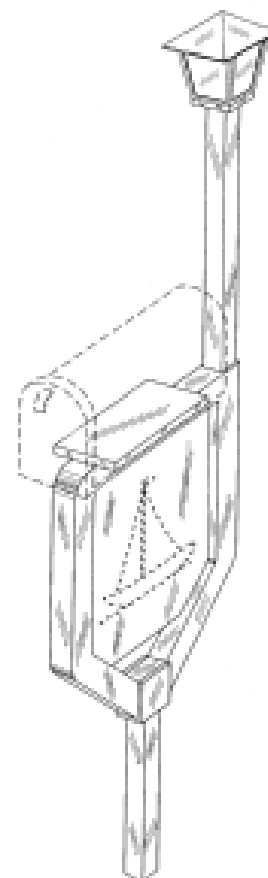
(21) Design Number: **15365/2006**
 (22) Date of Filing Application: **22 November 2006**
 (24) Date from which industrial property rights may have effect: **22 November 2006**
 (54) Product in respect of which the design is registered: **Fruit bowl, table base, lampshade, platter, decorative ornament**
 (51) International Design Classification: **11-04**
 (71) Name(s) and Address(s) of Applicant(s):
Christopher John Metcalfe
56 Thorncombe Road Te Awamutu 2400 New Zealand
 (72) Name(s) of Designer(s): **Christopher John Metcalfe**
 (45) Registration Date: **27 March 2007**
 (56) Related Art Documents: **Not Applicable**
 (57) Statement of Newness and Distinctiveness: **Nil**



(21) Design Number: **15533/2006**
 (22) Date of Filing Application: **01 December 2006**
 (24) Date from which industrial property rights may have effect: **01 December 2006**
 (54) Product in respect of which the design is registered: **A support for a mailbox**
 (51) International Design Classification: **99-00**
 (71) Name(s) and Address(s) of Applicant(s):
Anthony J. Newbill
PO Box 21360 Wickenburg Arizona 85358 United States of America
 (72) Name(s) of Designer(s): **Anthony J. Newbill**
 (45) Registration Date: **27 March 2007**
 (30) Convention priority data:

(31) Number	(32) Date	(33) Country
29261991	26 Jun 2006	UNITED STATES OF AMERICA

 (56) Related Art Documents: **Not Applicable**
 (57) Statement of Newness and Distinctiveness: **Newness and distinctiveness is claimed in the visual features shown in solid lines in the representations.**



(21) Design Number: **15560/2006**
(22) Date of Filing Application: **04 December 2006**
(24) Date from which industrial property rights may have effect: **04 December 2006**
(54) Product in respect of which the design is registered: **Vacuum cleaner**
(51) International Design Classification: **15-05**
(71) Name(s) and Address(s) of Applicant(s):
Morphy Richards Ltd
Swinton Works Talbot Road Mexborough South Yorkshire S64 8AJ
United Kingdom
(72) Name(s) of Designer(s): **Glyn Hauser**
(45) Registration Date: **27 March 2007**
(30) Convention priority data:
(31) Number (32) Date (33) Country
000540521 07 Jun 2006 EUROPEAN COMMUNITY
(56) Related Art Documents: **Not Applicable**
(57) Statement of Newness and Distinctiveness: **The new and distinct features are the features of shape and configuration of the vacuum cleaner as shown in the representations.**



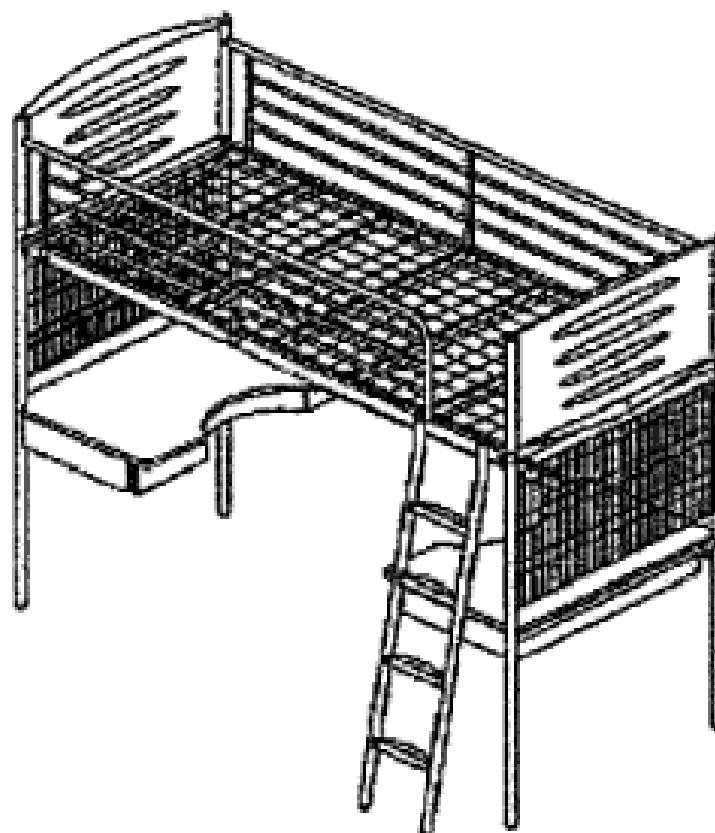
(21) Design Number: **15710/2006**
(22) Date of Filing Application: **13 December 2006**
(24) Date from which industrial property rights may have effect: **13 December 2006**
(54) Product in respect of which the design is registered: **Handset**
(51) International Design Classification: **14-03E**
(71) Name(s) and Address(s) of Applicant(s):
Nokia Corporation
Keilalahdentie 4 FIN-02150 Espoo Finland
(72) Name(s) of Designer(s): **Jamie Cobb**
(45) Registration Date: **27 March 2007**
(30) Convention priority data:
(31) Number (32) Date (33) Country
M20060130 14 Jun 2006 FINLAND
(56) Related Art Documents: **Not Applicable**
(57) Statement of Newness and Distinctiveness: **Nil**



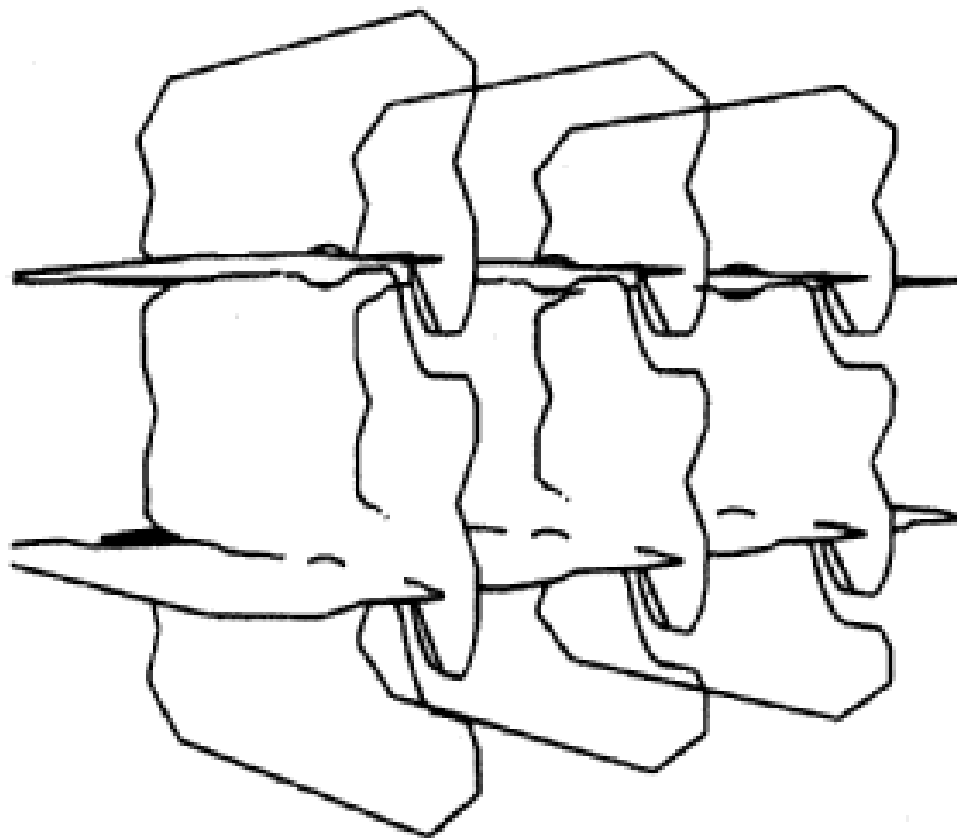
(21) Design Number: **15711/2006**
(22) Date of Filing Application: **13 December 2006**
(24) Date from which industrial property rights may have effect: **13 December 2006**
(54) Product in respect of which the design is registered: **Front cover for a handset**
(51) International Design Classification: **14-03A**
(71) Name(s) and Address(s) of Applicant(s):
Nokia Corporation
Keilalahdentie 4 FIN-02150 Espoo Finland
(72) Name(s) of Designer(s): **Jamie Cobb**
(45) Registration Date: **27 March 2007**
(30) Convention priority data:
(31) Number (32) Date (33) Country
M20060130 14 Jun 2006 FINLAND
(56) Related Art Documents: **Not Applicable**
(57) Statement of Newness and Distinctiveness: **Nil**



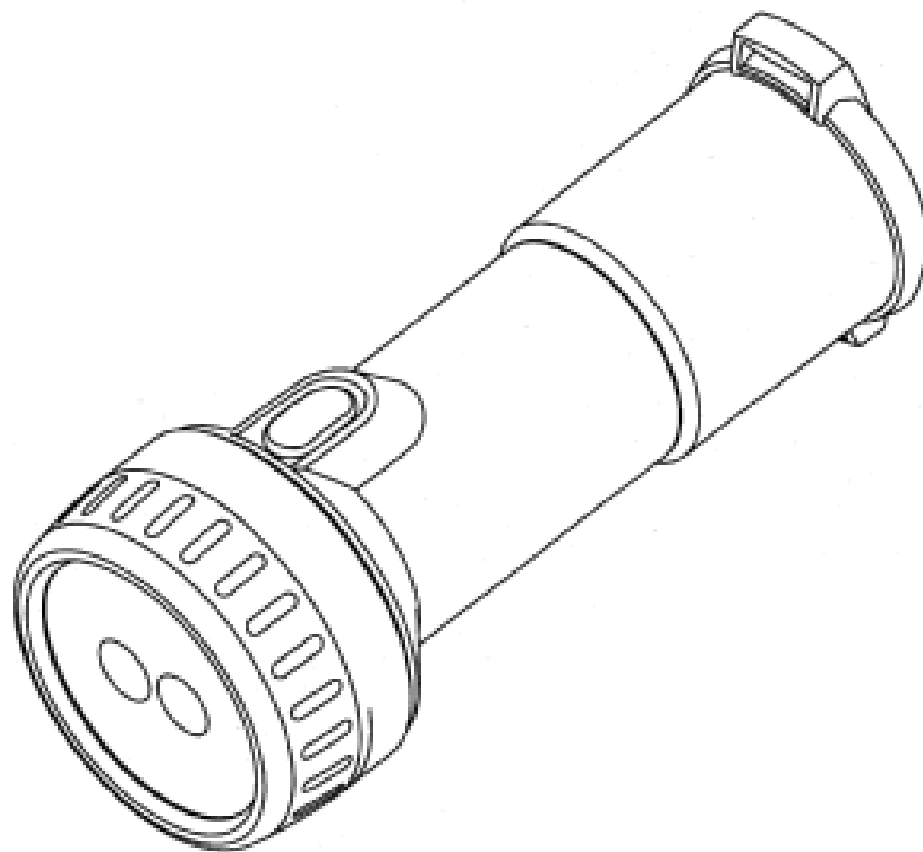
(21) Design Number: **15839/2006**
(22) Date of Filing Application: **21 December 2006**
(24) Date from which industrial property rights may have effect: **21 December 2006**
(54) Product in respect of which the design is registered: **OBSP bed**
(51) International Design Classification: **06-02**
(71) Name(s) and Address(s) of Applicant(s):
Tube Home (M) SDN BHD
No. 6 Jalan Perusahaan 2 Kawasan Perusahaan Beranang Hulu
Langat Malaysia Selangor 43700
(72) Name(s) of Designer(s): **Tan Yok Chin**
(45) Registration Date: **27 March 2007**
(56) Related Art Documents: **Not Applicable**
(57) Statement of Newness and Distinctiveness: **Nil**



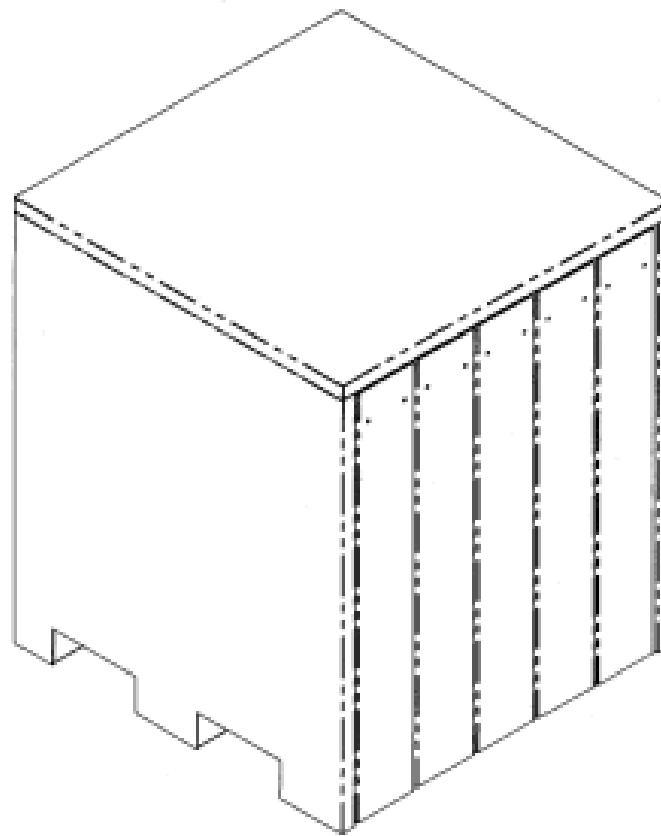
- (21) Design Number: **11982/2006**
(22) Date of Filing Application: **05 May 2006**
(24) Date from which industrial property rights may have effect: **05 May 2006**
(54) Product in respect of which the design is registered: **Catch lock interlocking dividers**
(51) International Design Classification: **09-03H**
(71) Name(s) and Address(s) of Applicant(s):
ESCUBE Packaging
18 Binney Road Kings Park New South Wales 2148 Australia
(72) Name(s) of Designer(s): **Craig Holland**
(45) Registration Date: **27 March 2007**
(56) Related Art Documents: **Not Applicable**
(57) Statement of Newness and Distinctiveness: **The newly created design BSD39Ptn is a diecut interlocking divider designed to divide 12 bottles and to avoid label scuffing. The divider is manufactured from solid fibreboard material. The uniqueness of the design is that it has a locking catch to prevent dividers from falling apart once locked into position, and also has a wave effect to reduce material usage.**



- (21) Design Number: **12207/2006**
(22) Date of Filing Application: **19 May 2006**
(24) Date from which industrial property rights may have effect: **19 May 2006**
(54) Product in respect of which the design is registered: **Lighting device**
(51) International Design Classification: **26-02, 26-05NES**
(71) Name(s) and Address(s) of Applicant(s):
Eveready Battery Company, Inc.
533 Maryville University Drive St Louis Missouri 63164 United States of America
(72) Name(s) of Designer(s): **John Robert Brown and Timothy Rugendyke and David Spartano**
(45) Registration Date: **27 March 2007**
(56) Related Art Documents: **Not Applicable**
(57) Statement of Newness and Distinctiveness: **Nil.**



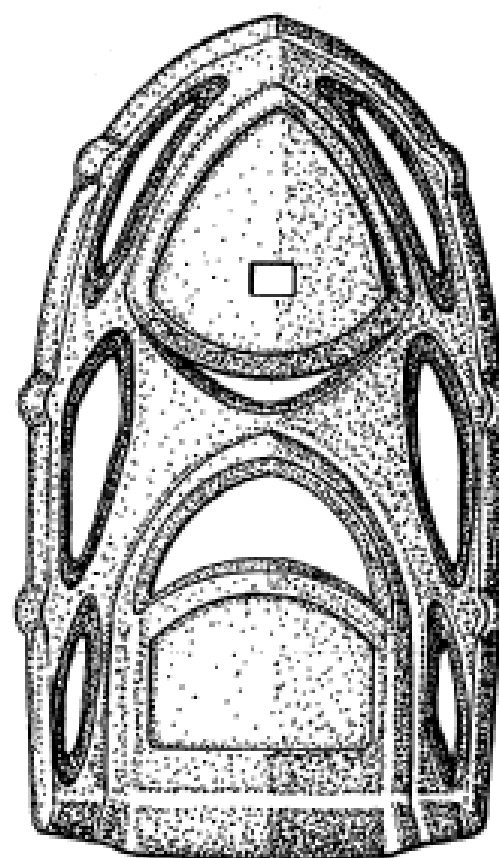
- (21) Design Number: **14012/2006**
(22) Date of Filing Application: **07 September 2006**
(24) Date from which industrial property rights may have effect: **07 September 2006**
(54) Product in respect of which the design is registered: **Tooling cabinet**
(51) International Design Classification: **06-04B**
(71) Name(s) and Address(s) of Applicant(s):
Advance Metal Products (Aust) Pty Ltd
24 Williamson Road Ingleburn New South Wales 2565 Australia
(72) Name(s) of Designer(s): **Glen Hoad and Diane Grima**
(45) Registration Date: **27 March 2007**
(56) Related Art Documents: **Not Applicable**
(57) Statement of Newness and Distinctiveness: **Narrow Vertical drawers arranged side by side inside cabinet body. Forklift access cut outs from sides. Full height vertical drawers.**



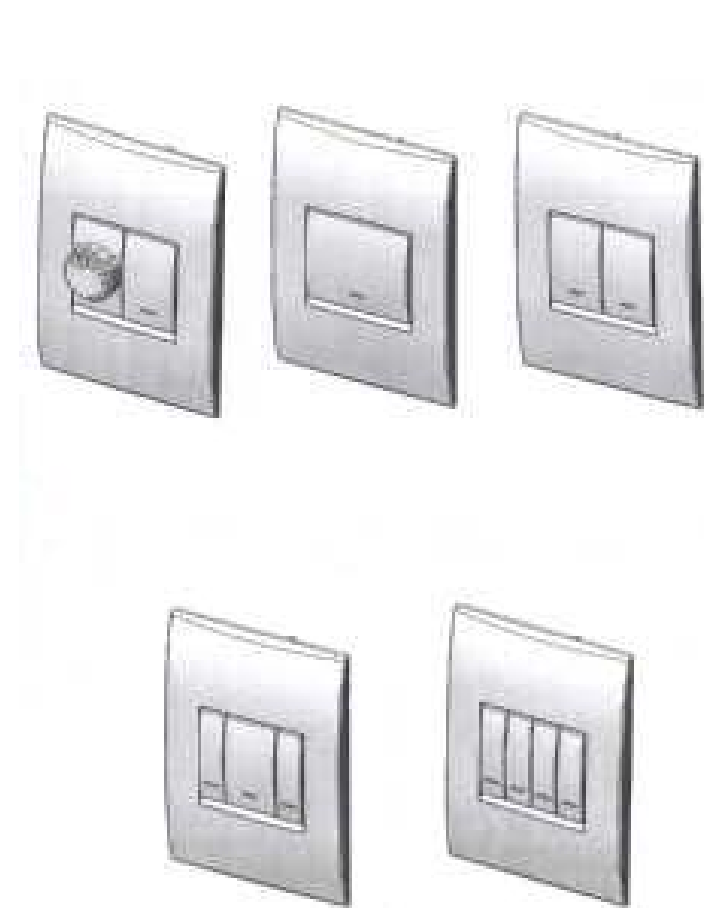
- (21) Design Number: **14331/2006**
(22) Date of Filing Application: **28 September 2006**
(24) Date from which industrial property rights may have effect: **28 September 2006**
(54) Product in respect of which the design is registered: **Dual pass 25000LB pull down tractor**
(51) International Design Classification: **15-04**
(71) Name(s) and Address(s) of Applicant(s):
SMW Drilling Services Pty Ltd
28 George Street Singleton New South Wales 2330 Australia
(72) Name(s) of Designer(s): **Ben Chaniago and Len Ison**
(45) Registration Date: **27 March 2007**
(56) Related Art Documents: **Not Applicable**
(57) Statement of Newness and Distinctiveness: **Twin mast rotary blast hole drill mounted on a agricultural tractor.**



(21) Design Number: **15106/2006**
 (22) Date of Filing Application: **07 November 2006**
 (24) Date from which industrial property rights may have effect: **07 November 2006**
 (54) Product in respect of which the design is registered: **Retainer for rust inhibitor**
 (51) International Design Classification: **09-01A**
 (71) Name(s) and Address(s) of Applicant(s):
WD-40 Company
1061 Cudahy Place San Diego California 92110 United States of America
 (72) Name(s) of Designer(s): **Francois Duval and Ivan Brousseau and Graham P. Milner and Stephanie Barry and Paul Checklin**
 (45) Registration Date: **27 March 2007**
 (30) Convention priority data:
 (31) Number (32) Date (33) Country
29/259,280 05 May 2006 UNITED STATES OF AMERICA
 (56) Related Art Documents: **Not Applicable**
 (57) Statement of Newness and Distinctiveness: **The newness and distinctiveness of the design resides in the shape and configuration of a retainer for rust inhibitor as illustrated in the representations.**



(21) Design Number: **15188/2006**
 (22) Date of Filing Application: **14 November 2006**
 (24) Date from which industrial property rights may have effect: **14 November 2006**
 (54) Product in respect of which the design is registered: **A dimmer switch A single switch (2 way)**
 (51) International Design Classification: **13-03D, 13-03E**
 (71) Name(s) and Address(s) of Applicant(s):
Schneider Electric New Zealand Holdings Limited
11 Moncur Place Middleton Christchurch New Zealand
 (72) Name(s) of Designer(s): **Ian Davidson**
 (45) Registration Date: **27 March 2007**
 (30) Convention priority data:
 (31) Number (32) Date (33) Country
407572 15 May 2006 NEW ZEALAND
 (56) Related Art Documents: **Not Applicable**
 (57) Statement of Newness and Distinctiveness: **The novelty claimed for the design resides in the features of shape and/or configuration all as shown in the representations excluding the shape and configuration of the fittings behind the front face of each of the fittings, apparent in the side and top views of each fitting.**



- (21) Design Number: **15553/2006**
(22) Date of Filing Application: **05 December 2006**
(24) Date from which industrial property rights may have effect: **05 December 2006**
(54) Product in respect of which the design is registered: **An electrical socket**
(51) International Design Classification: **13-03E**
(71) Name(s) and Address(s) of Applicant(s):
Schneider Electric New Zealand Holdings Limited
11 Moncur Place Middleton Christchurch New Zealand
(72) Name(s) of Designer(s): **Nigel Ruhi Hingston**
(45) Registration Date: **27 March 2007**
(30) Convention priority data:
(31) Number (32) Date (33) Country
407669 07 Jun 2006 NEW ZEALAND
(56) Related Art Documents: **Not Applicable**
(57) Statement of Newness and Distinctiveness: **The novelty claimed for the design resides in the features of shape and/or configuration all as shown in the representations.**



- (21) Design Number: **15554/2006**
(22) Date of Filing Application: **05 December 2006**
(24) Date from which industrial property rights may have effect: **05 December 2006**
(54) Product in respect of which the design is registered: **An electrical socket**
(51) International Design Classification: **13-03E**
(71) Name(s) and Address(s) of Applicant(s):
Schneider Electric New Zealand Holdings Limited
11 Moncur Place Middleton Christchurch New Zealand
(72) Name(s) of Designer(s): **Nigel Ruhi Hingston**
(45) Registration Date: **27 March 2007**
(30) Convention priority data:
(31) Number (32) Date (33) Country
407670 07 Jun 2006 NEW ZEALAND
(56) Related Art Documents: **Not Applicable**
(57) Statement of Newness and Distinctiveness: **The novelty claimed for the design resides in the features of shape and/or configuration all as shown in the representations.**



(21) Design Number: **15886/2007**

(22) Date of Filing Application: **09 January 2007**

(24) Date from which industrial property rights may have effect: **09 January 2007**

(54) Product in respect of which the design is registered: **Hand tool handle**

(51) International Design Classification: **15-09, 08-06**

(71) Name(s) and Address(s) of Applicant(s):

Dexter-Russell, Inc.
44 Green River Street Southbridge Massachusetts 01550 United States of America

(72) Name(s) of Designer(s): **Carol Catalano and Aaron Double**

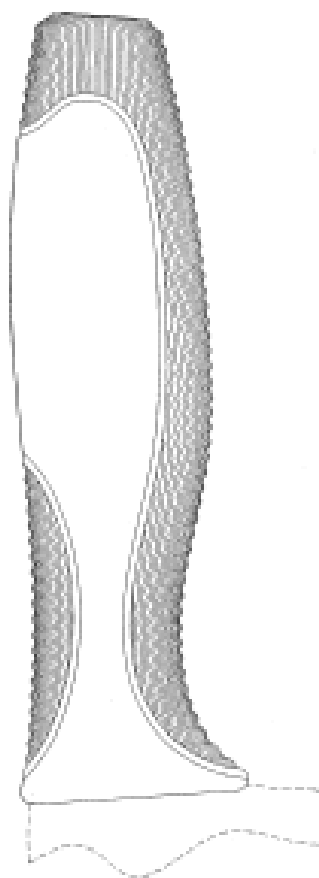
(45) Registration Date: **27 March 2007**

(30) Convention priority data:

(31) Number	(32) Date	(33) Country
29/248,981	14 Sep 2006	UNITED STATES OF AMERICA

(56) Related Art Documents: **Not Applicable**

(57) Statement of Newness and Distinctiveness: **When considering the new and distinctive design, subject of this application, the parts illustrated as a broken line, showing a handle opening, are to be disregarded and do not form part of the design.**



(21) Design Number: **15887/2007**

(22) Date of Filing Application: **09 January 2007**

(24) Date from which industrial property rights may have effect: **09 January 2007**

(54) Product in respect of which the design is registered: **Barbeque cleaning tool**

(51) International Design Classification: **07-05NES**

(71) Name(s) and Address(s) of Applicant(s):

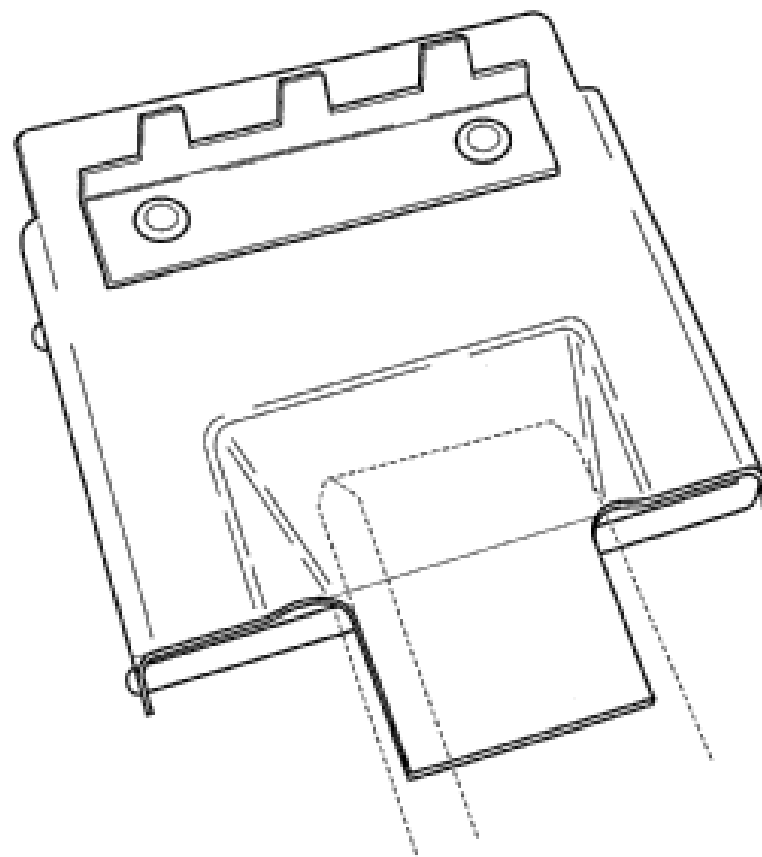
The Crowle Foundation Limited
Unit 1 3-5 Rhodes Street West Ryde New South Wales 2114 Australia

(72) Name(s) of Designer(s): **Frank Osterlund**

(45) Registration Date: **27 March 2007**

(56) Related Art Documents: **Not Applicable**

(57) Statement of Newness and Distinctiveness: **Newness and distinctiveness is claimed in the features of the barbeque cleaning tool shown in solid lines in the accompanying representations.**



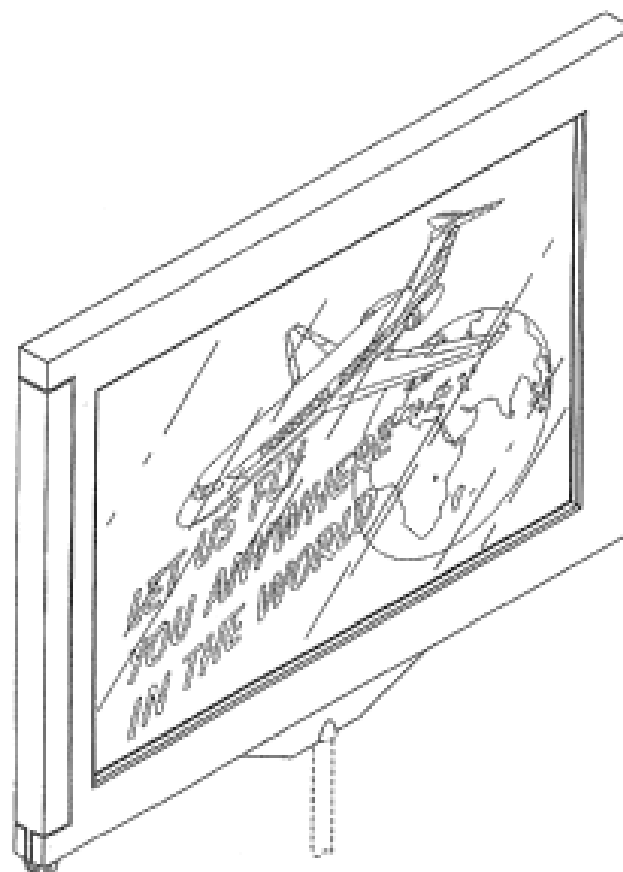
- (21) Design Number: **15888/2007**
(22) Date of Filing Application: **10 January 2007**
(24) Date from which industrial property rights may have effect: **10 January 2007**
(54) Product in respect of which the design is registered: **Plumbing clearout**
(51) International Design Classification: **23-01A**
(71) Name(s) and Address(s) of Applicant(s):
Art Plastics Pty Ltd
14 White Street Bayswater Western Australia 6053 Australia
(72) Name(s) of Designer(s): **Tim Lucas**
(45) Registration Date: **27 March 2007**
(56) Related Art Documents: **Not Applicable**
(57) Statement of Newness and Distinctiveness: **Nil**



- (21) Design Number: **15907/2007**
(22) Date of Filing Application: **10 January 2007**
(24) Date from which industrial property rights may have effect: **10 January 2007**
(54) Product in respect of which the design is registered: **An advertising standard**
(51) International Design Classification: **20-03C**
(71) Name(s) and Address(s) of Applicant(s):
Emerald Sky Trading 330 (Proprietary) Limited
7 La Mystique Pinotage Street Meyersdal Alberton 1447 South Africa
(72) Name(s) of Designer(s): **James Henry Murray and Alice Susan Johnston**
(45) Registration Date: **27 March 2007**
(30) Convention priority data:

(31) Number	(32) Date	(33) Country
A2006/1039	11 Jul 2006	SOUTH AFRICA

(56) Related Art Documents: **Not Applicable**
(57) Statement of Newness and Distinctiveness: **Newness and distinctiveness resides in the shape and/or configuration of an advertising standard as shown in the accompanying representations. When interpreting the scope of protection, the features shown in phantom, including the wording and the pictures of the aeroplane and globe, are to be disregarded.**



(21) Design Number: **15919/2007**

(22) Date of Filing Application: **10 January 2007**

(24) Date from which industrial property rights may have effect: **10 January 2007**

(54) Product in respect of which the design is registered: **Personal styling razor**

(51) International Design Classification: **28-03A**

(71) Name(s) and Address(s) of Applicant(s):

Sharidan Stiles

2570 Harlan Drive Redding California 96003 United States of America

(72) Name(s) of Designer(s): **Sharidan Stiles**

(45) Registration Date: **27 March 2007**

(30) Convention priority data:

(31) Number

(32) Date

(33) Country

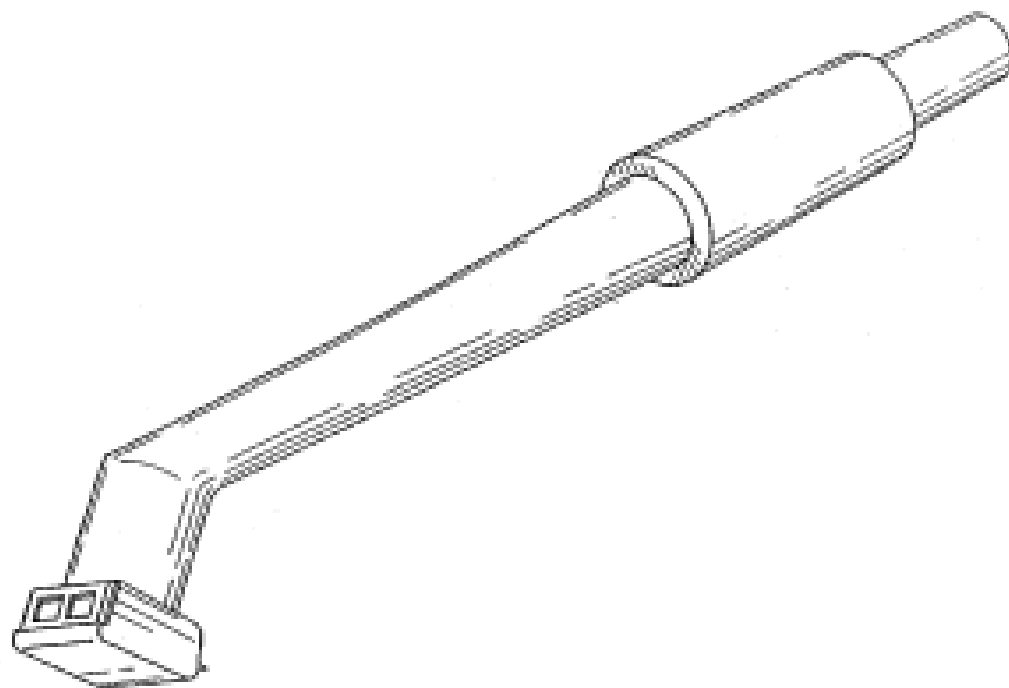
29/263,005

14 Jul 2006

UNITED STATES OF AMERICA

(56) Related Art Documents: **Not Applicable**

(57) Statement of Newness and Distinctiveness: **Newness and distinctiveness resides in the visual features of shape and/or configuration of a personal styling razor as illustrated in the accompanying representations.**



(21) Design Number: **15920/2007**

(22) Date of Filing Application: **11 January 2007**

(24) Date from which industrial property rights may have effect: **11 January 2007**

(54) Product in respect of which the design is registered: **Styling wand**

(51) International Design Classification: **28-03B**

(71) Name(s) and Address(s) of Applicant(s):

Kevin Murphy Professional Pty. Ltd.

23A Westside Drive Laverton North Victoria 3026 Australia

(72) Name(s) of Designer(s): **Peter McDonald**

(45) Registration Date: **27 March 2007**

(56) Related Art Documents: **Not Applicable**

(57) Statement of Newness and Distinctiveness: **The new features of the design are the shape and configuration of the styling wand. The words "Kevin Murphy", the symbols on the wand and the contrast colour at the base of the handle and the base of the cone-tip form no part of the design.**



- (21) Design Number: **15921/2007**
(22) Date of Filing Application: **10 January 2007**
(24) Date from which industrial property rights may have effect: **10 January 2007**
(54) Product in respect of which the design is registered: **Toy**
(51) International Design Classification: **21-01NES**
(71) Name(s) and Address(s) of Applicant(s):

Ciuffo Gatto S.r.l
Via Duchessa Jolanda 19 I-10138 Torino Italy

(72) Name(s) of Designer(s): **Franca Leo**

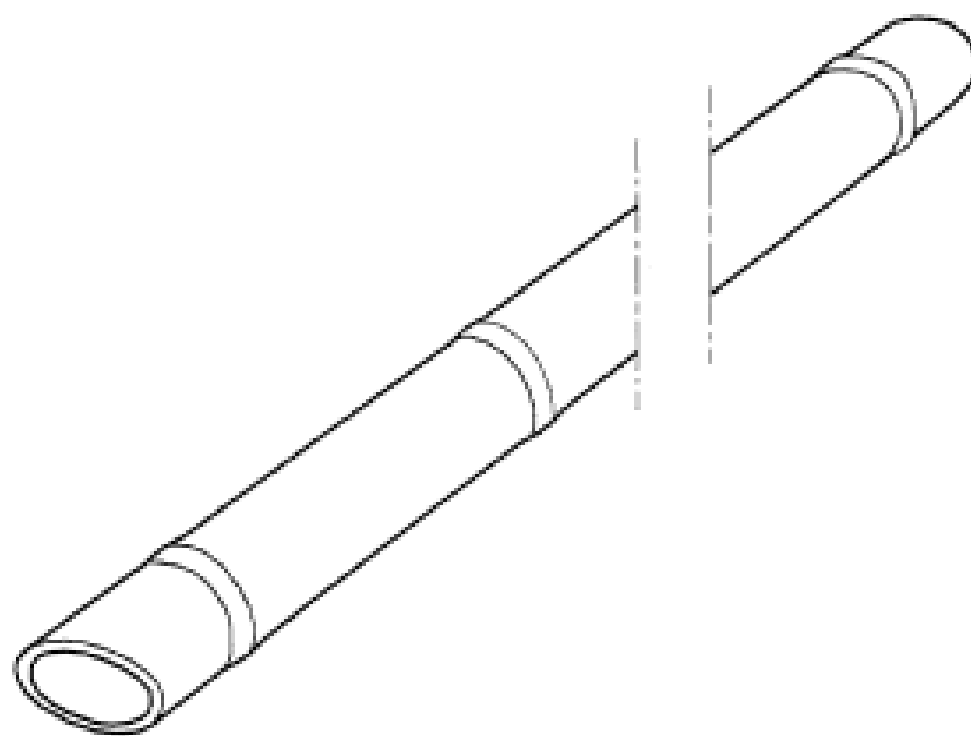
(45) Registration Date: **27 March 2007**

(30) Convention priority data:

(31) Number	(32) Date	(33) Country
000560495	13 Jul 2006	EUROPEAN COMMUNITY

(56) Related Art Documents: **Not Applicable**

(57) Statement of Newness and Distinctiveness: **Those features of the toy depicted in the representations that are new and distinctive are the shape and/or configuration. The toy may be of any length with the collar repeated at regular intervals along the length.**



- (21) Design Number: **15925/2007**
(22) Date of Filing Application: **11 January 2007**
(24) Date from which industrial property rights may have effect: **11 January 2007**
(54) Product in respect of which the design is registered: **Remote controller**
(51) International Design Classification: **14-02**
(71) Name(s) and Address(s) of Applicant(s):

Microsoft Corporation
One Microsoft Way Redmond Washington 98052 United States of America

(72) Name(s) of Designer(s): **Carl J. Ledbetter**

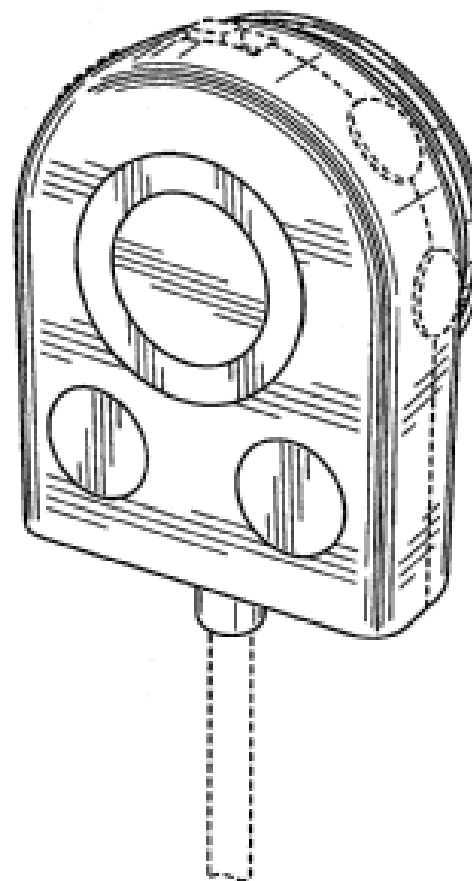
(45) Registration Date: **27 March 2007**

(30) Convention priority data:

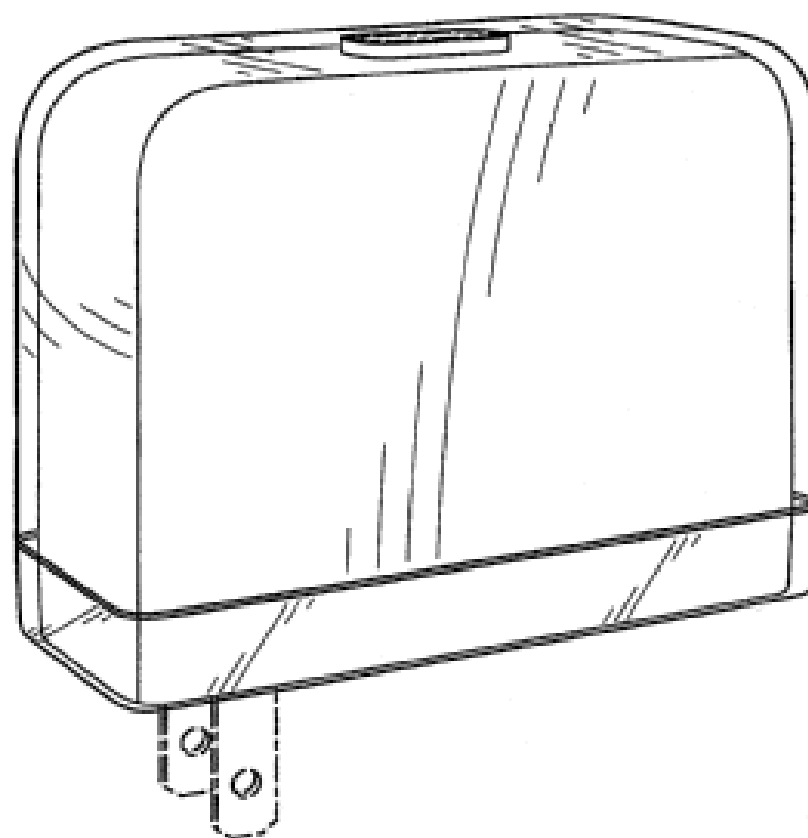
(31) Number	(32) Date	(33) Country
29/248482	17 Aug 2006	UNITED STATES OF AMERICA

(56) Related Art Documents: **Not Applicable**

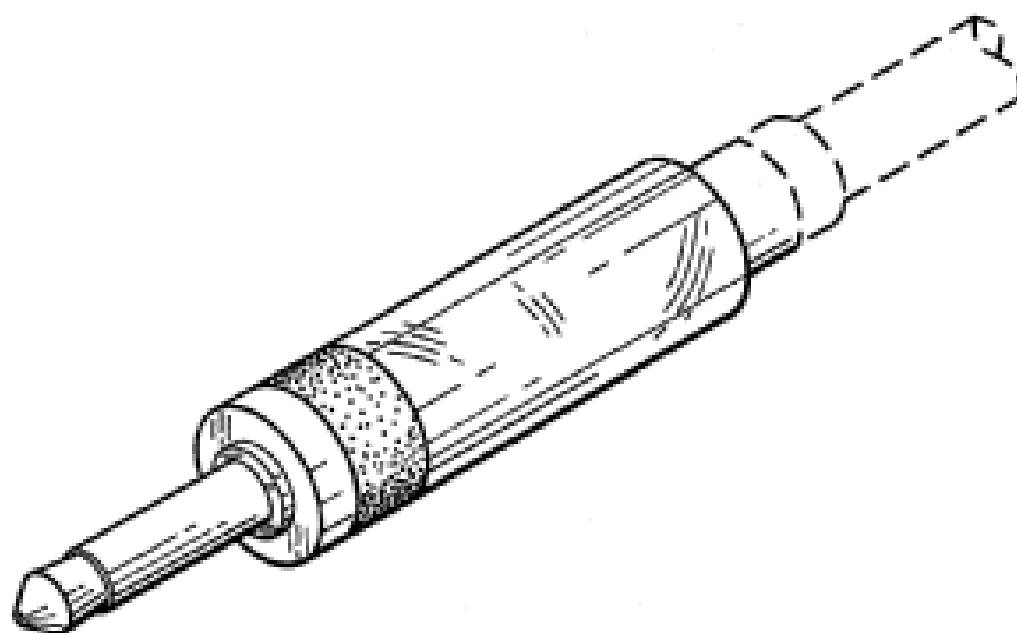
(57) Statement of Newness and Distinctiveness: **Newness and distinctiveness reside in one or more visual features of a remote controller as illustrated in the accompanying representations. The features shown in broken outline are illustrative only and do not form part of the design.**



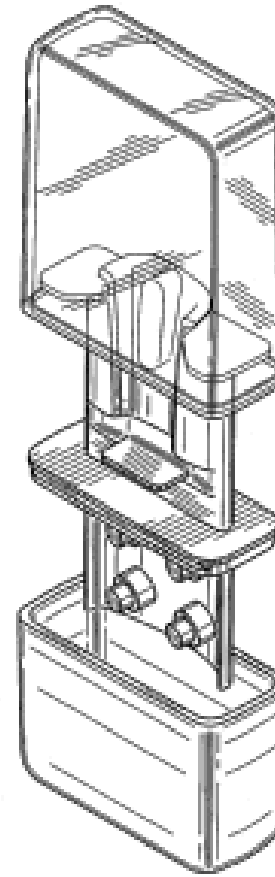
(21) Design Number: **15926/2007**
 (22) Date of Filing Application: **11 January 2007**
 (24) Date from which industrial property rights may have effect: **11 January 2007**
 (54) Product in respect of which the design is registered: **Portion of an adapter**
 (51) International Design Classification: **13-02**
 (71) Name(s) and Address(s) of Applicant(s):
Microsoft Corporation
One Microsoft Way Redmond Washington 98052 United States of America
 (72) Name(s) of Designer(s): **Carl J. Ledbetter**
 (45) Registration Date: **27 March 2007**
 (30) Convention priority data:
 (31) Number (32) Date (33) Country
29/248486 17 Aug 2006 UNITED STATES OF AMERICA
 (56) Related Art Documents: **Not Applicable**
 (57) Statement of Newness and Distinctiveness: **Newness and distinctiveness reside in one or more visual features of a portion of an adapter as illustrated in the accompanying representations. The features shown in broken outline are illustrative only and do not form part of the design.**



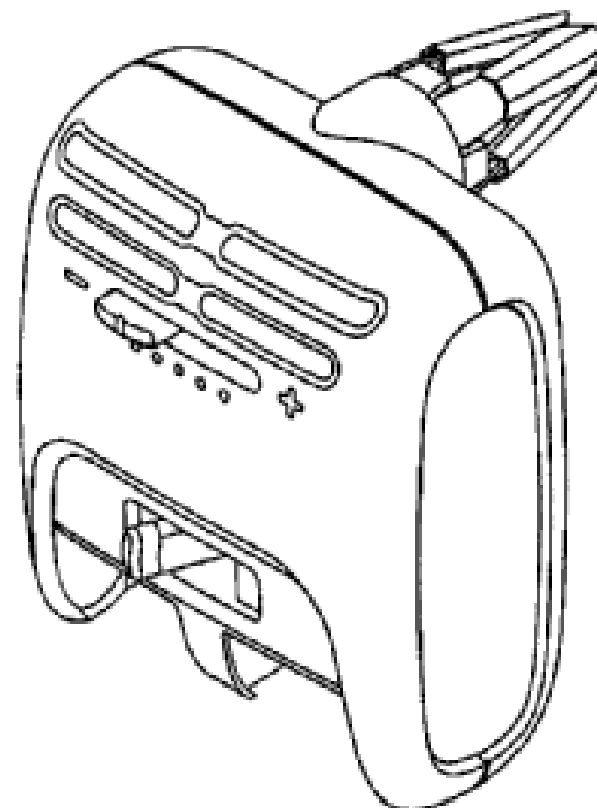
(21) Design Number: **15927/2007**
 (22) Date of Filing Application: **11 January 2007**
 (24) Date from which industrial property rights may have effect: **11 January 2007**
 (54) Product in respect of which the design is registered: **Portion of a cabling assembly**
 (51) International Design Classification: **14-02**
 (71) Name(s) and Address(s) of Applicant(s):
Microsoft Corporation
One Microsoft Way Redmond Washington 98052 United States of America
 (72) Name(s) of Designer(s): **Carl J. Ledbetter**
 (45) Registration Date: **27 March 2007**
 (30) Convention priority data:
 (31) Number (32) Date (33) Country
29/248485 17 Aug 2006 UNITED STATES OF AMERICA
 (56) Related Art Documents: **Not Applicable**
 (57) Statement of Newness and Distinctiveness: **Newness and distinctiveness reside in one or more visual features of a portion of a cabling assembly as illustrated in the accompanying representations. The features shown in broken outline are illustrative only and do not form part of the design.**



(21) Design Number: **15928/2007**
(22) Date of Filing Application: **11 January 2007**
(24) Date from which industrial property rights may have effect: **11 January 2007**
(54) Product in respect of which the design is registered: **Product packaging**
(51) International Design Classification: **09-05**
(71) Name(s) and Address(s) of Applicant(s):
Microsoft Corporation
One Microsoft Way Redmond Washington 98052 United States of America
(72) Name(s) of Designer(s): **Carl J. Ledbetter**
(45) Registration Date: **27 March 2007**
(30) Convention priority data:
(31) Number (32) Date (33) Country
29/250423 15 Nov 2006 UNITED STATES OF AMERICA
(56) Related Art Documents: **Not Applicable**
(57) Statement of Newness and Distinctiveness: **Newness and distinctiveness reside in one or more visual features of product packaging as illustrated in the accompanying representations. The features shown in broken outline are illustrative only and do not form part of the design.**



(21) Design Number: **16324/2007**
(22) Date of Filing Application: **06 February 2007**
(24) Date from which industrial property rights may have effect: **06 February 2007**
(54) Product in respect of which the design is registered: **Air deodorising apparatus**
(51) International Design Classification: **28-99**
(71) Name(s) and Address(s) of Applicant(s):
Samar, LLC
10 South Riverside Plaza Suite 1800 Chicago Illinois 60606 United States of America
(72) Name(s) of Designer(s): **Bjorn Weggelaar**
(45) Registration Date: **27 March 2007**
(30) Convention priority data:
(31) Number (32) Date (33) Country
594,783#001 26 Sep 2006 EUROPEAN COMMUNITY
(56) Related Art Documents: **Not Applicable**
(57) Statement of Newness and Distinctiveness: **Nil**



- (21) Design Number: **16325/2007**
(22) Date of Filing Application: **06 February 2007**
(24) Date from which industrial property rights may have effect: **06 February 2007**
(54) Product in respect of which the design is registered: **Refill bottle**
(51) International Design Classification: **28-99**
(71) Name(s) and Address(s) of Applicant(s):
Samar, LLC
10 South Riverside Plaza Suite 1800 Chicago Illinois 60606 United States of America
(72) Name(s) of Designer(s): **Bjorn Weggelaar**
(45) Registration Date: **27 March 2007**
(30) Convention priority data:
(31) Number (32) Date (33) Country
594,783#002 26 Sep 2006 EUROPEAN COMMUNITY
(56) Related Art Documents: **Not Applicable**
(57) Statement of Newness and Distinctiveness: **Nil**

