



Australian Government

IP Australia

AUSTRALIAN OFFICIAL JOURNAL

OF

DESIGNS

Did you know a searchable version of this journal is now available online?

It's FREE and EASY to SEARCH.

Find it at

<http://pericles.ipaustralia.gov.au/ols/epublish/content/olsEpublications.jsp>
or using the "Online Journals" link on the IP Australia home page.

This Page Left Intentionally Blank

Contents

General Information & Notices

Proceedings Under the Designs Act 1906 preserved as a result of the provisions of Chapter 12 Part 2 of the Designs Act 2003

Application for Extension of Period of Registration	8810
Applications Lapsed	8809
Extension of Period of Registration of Designs	8810
Extensions of Time Granted	8810
Names Registered - Alterations and Amendments	8811
Registrations Ceased	8810
Subsequent Owners Registered	8811

Proceedings Under the Designs Act 2003

Applications Lapsed	8820
Applications Lodged	8815
Applications Withdrawn	8820
Certificate of Examination	8823
Corrigenda	8822
Extension of Time Granted Under Section 137	8821
Publication and Registration Proceedings	
Designs Published	8824
Designs Registered 313608 to 313826.	8825
Registrations Ceased	8821
Subsequent Owners Registered	8821

This Page Left Intentionally Blank

For information on the following please see our website www.ipaustralia.gov.au or contact our Customer Service Network on 1300651010

[Editorial enquiries](#)

[Contact information](#)

[Freedom of Information ACT](#)

[Professional Standards Board](#)

[Sales](#)

[Requests for Information under Section 194 \(c\)](#)

[Country Codes](#)

[Trade Mark and Designs Hearing Sessions](#)

[INID \(Internationally agreed Numbers for the Identification of Data\)](#)

“INID” NUMBERS in use on Australian Design Documents

“INID” is an acronym for “Internationally agreed Numbers for the Identification of Data”.

(10) Data concerning the registration/renewal

- (11) Serial number of the registration and/or number of the design document
- (12) Plain language designation of the kind of published document
- (19) Identification, using the two-letter code according to WIPO Standard ST.3, of the authority publishing or registering the industrial design

(20) Data concerning the application

- (21) Serial number of the application
- (22) Date of filing of the application
- (24) Date from which the industrial design right has effect

(30) Data relating to priority under the Paris Convention

- (31) Serial number assigned to the priority application
- (32) Date of filing of the priority application
- (33) Two-letter code, according to WIPO Standard ST.3, identifying the authority with which the priority application was made

(40) Date(s) of making information available to the public

- (45) Date of publication of the registered industrial design by printing or similar process, or making it available to the public by any other means

(50) Miscellaneous Information

- (51) International Classification for Industrial Designs (class and subclass of the Locarno Classification)
- (54) Designation of article(s) or product(s) covered by the industrial design or title of the industrial design
- (55) Reproduction of the industrial design (e.g., drawing, photograph) and explanations relating to the reproduction
- (56) List of prior art documents, if separate from descriptive text
- (57) Description of characteristic features of the industrial design including indication of colours

(60) References to other legally related application(s) and registration(s)

- (62) Serial number(s) and, if available, filing date(s) of application(s), registration(s) or document(s) related by division
- (66) Serial number(s) of the application, or the registration, of the design(s) which is (are) a variant(s) of the present one

(70) Identification of parties concerned with the application or registration

- (71) Name(s) and address(es) of the applicant(s)
- (72) Name(s) of the creator(s) if known to be such
- (74) Name(s) and address(es) of the representative(s)

This Page Left Intentionally Blank

Official Notice**Designs Act 2003
Amendments to Registered Designs at Examination**

The following amendments have been made to details previously published in the Australian Official Journal of Designs during the Examination process:

Registration Number	Amendment type	New details
306996	Classification	05-06B, 25-03

Contact: IP Australia
Phone: 1300 651 010
Fax: +61 2 6283 7999
E-Mail: assist@ipaustralia.gov.au
Web: www.ipaustralia.gov.au

This Page Left Intentionally Blank

**Proceedings under the Designs Act 1906 preserved as a
result of the provisions of Chapter 12 Part 2 of the Designs
Act 2003.**

This Page Left Intentionally Blank

Applications Lapsed

03334 / 2003 (19-06)

Application for Extension of Period of Registration

Applications under Section 27A(2) for extension of registration of the following designs have been lodged. In the event that a design is shown to be not new or original, the Registrar may refuse to extend the period of registration. Sub-section 27A(4) allows any person to lodge at the Designs Office material relevant to the question whether the design is not new or original. That material must be lodged within 11 months of the date when the registration of the design was made. Further details of the conditions and procedures for the lodgement of material are contained in Form 8 provided under the Designs Regulation 24.

Registration Number	Registered Owner	Registration Date
158543	REAL JUICE PTY LIMITED	11/04/2006
158545	JARAM PRODUCTS PTY	11/04/2006
158546	JARAM PRODUCTS PTY	11/04/2006

Extension of Period of Registration of Designs

1st Period (Section 27A(8))

156723	158543	158545
158546		

2nd Period (Section 27A(12))

141887	144949	145453
145454	145522	145524
145684	145741	145835
145849	145950	145951
146022	146198	146240
146336	146392	146393
146506	146565	146566
146720	146721	146929
147093	147163	147310
147311	147312	147361
147362	147363	147364
147467	147468	147501
147555	147575	147635
147636	147713	148309
148587	148588	150042
150548		

3rd Period (Section 27A(13))

127908	128233	128524
128542	128552	128554
128555	128572	128649
128667	128748	128788
128867	128907	128964
129073	129153	129154
129196	129197	129293
129295	129320	129339
129568	129696	129698
129702	130282	130752
130753	130754	130854
131285	131504	131872

Registrations Ceased

Note: Some of the following Registrations may have been previously advertised as ceased. In this instance, the previous advertisement still prevails.

111838	112564	112566
112569	112570	112576
112577	112606	112607
112687	112689	112698
112795	112796	113021
113367	114045	114709
115232	115293	115750
116010	116011	116046
119872	125240	126733
126735	126805	126807
126808	126809	127139
127140	127141	127216
127217	127310	127357
127515	127633	127842
128292	128293	128407
128447	129221	129948
129949	129983	130143
130144	142587	142649
142669	143729	143730
143731	143732	143733
143760	143793	143794
143825	143826	143827
143829	143862	143865
143866	143868	143869
143870	143871	143872
143873	143874	143875
143876	143877	143878
143879	143880	143903
143911	143912	144030
144099	144100	144102
144189	144207	144228
144340	144341	144342
144343	144483	144528
144598	144767	144768
144769	145612	145613
145715	146182	146700
146701	146702	147459
148305	148361	148513
148581	148640	148685
148966	158494	158547
158548	158549	158550
158551	158552	158553
158554	158555	158556

Extensions of time granted

Applications lodged for extension of time have been granted.

141887 **Michael Charles Mortimer** An Extension of time to extend a registration has been granted to 13/04/2007

Subsequent Owners Registered

(The name in parentheses is that of the subsequent owner)

- 139076 (**CCV Holdings Proprietary Limited**) Edmonds Products Australia Pty Limited
- 142273 (**CCV Holdings Proprietary Limited**) Edmonds Products Australia Pty Limited
- 135663 (**CCV Holdings Proprietary Limited**) Edmonds Products Australia Pty Limited
- 142535 (**CCV Holdings Proprietary Limited**) Edmonds Products Australia Pty Limited
- 154094 (**MEI, Inc. a Delaware Corporation**) Mars Incorporated
- 158089 (**MEI, Inc. a Delaware Corporation**) Mars Incorporated

Names Registered - Alterations and Amendments

(The name in parentheses is the new name of the proprietor)

- 127306 (**Pyropanel Technologies Pty Ltd**) Frame Engineering Pty Ltd
- 127307 (**Pyropanel Technologies Pty Ltd**) Frame Engineering Pty Ltd
- 129617 (**Pyropanel Technologies Pty Ltd**) Frame Engineering Pty Ltd
- 129618 (**Pyropanel Technologies Pty Ltd**) Frame Engineering Pty Ltd
- 118986 (**Legrand France and Legrand SNC**) Legrand France
- 134684 (**Legrand France and Legrand SNC**) Legrand
- 148228 (**Legrand France and Legrand SNC**) Legrand and Legrand SNC
- 148679 (**Legrand France and Legrand SNC**) Legrand and Legrand SNC
- 148678 (**Legrand France and Legrand SNC**) Legrand and Legrand SNC
- 148227 (**Legrand France and Legrand SNC**) Legrand and Legrand SNC
- 134685 (**Legrand France and Legrand SNC**) Legrand
- 134686 (**Legrand France and Legrand SNC**) Legrand
- 134687 (**Legrand France and Legrand SNC**) Legrand

This Page Left Intentionally Blank

Proceedings under the Designs Act 2003.

This Page Left Intentionally Blank

Applications Lodged

Lodgement information is in the following order: **Applicant's Name**; International Classification, Name of Product, Lodgement Date and **Design Number**. If the applicant claims an earlier priority date under an International Convention, the Convention Country and the associated filing date are shown in parentheses before the Lodgement Date. Divisional information will also appear in parentheses before the Lodgement Date.

Aktiebolaget Electrolux; 15-05, Vacuum cleaner dust bag, (SE, 12 Oct 2006) 10 Apr 2007	17383/2007	Bond, Norma Beatrice Carmen; 08-09, On-face security jam, 13 Apr 2007	17401/2007
American Sterilizer Company; 09-03NES, 24-01, Container for reprocessing medical devices, (US, 25 Oct 2006) 11 Apr 2007	17370/2007	Buggymate Pty Ltd; 21-02C, Practice putting device, 17 Apr 2007	17469/2007
Ariete S.p.A.; 07-02NES, Kitchen appliance for cooking foods, (EM, 19 Oct 2006) 12 Apr 2007	17404/2007	Cadet Shoes Pty Ltd; 02-04NES, Shoe, 17 Apr 2007	17461/2007
Ariete S.p.A.; 07-02NES, Kitchen appliance for cooking foods, (EM, 19 Oct 2006) 12 Apr 2007	17405/2007	Callaway Golf Company; 21-02C, Golf club head, (US, 16 Oct 2006) 13 Apr 2007	17427/2007
Astra Tech AB; 24-02, Surgical implements, (EM, 07 Nov 2006) 12 Apr 2007	17406/2007	Casey, Bryan Patrick; Morehu, Jacqueline; 09-01D, Fluid dispenser, 03 Apr 2007	17310/2007
AstraZeneca AB; 09-03L, A container, (EM, 03 Oct 2006) 03 Apr 2007	17289/2007	Cave, Harley Leonard; Shen, Ling; 06-03B, Table, 03 Apr 2007	17300/2007
AstraZeneca AB; 09-03L, A container, (EM, 03 Oct 2006) 03 Apr 2007	17290/2007	Cave, Harley Leonard; Shen, Ling; 06-03A, Table, 03 Apr 2007	17301/2007
AstraZeneca AB; 09-03L, A container, (EM, 03 Oct 2006) 03 Apr 2007	17291/2007	Cave, Harley Leonard; Shen, Ling; 06-03A, Table, 03 Apr 2007	17302/2007
Attack Marine Limited; Roberts, William Perry; 12-06A, A boat hull, 13 Apr 2007	17431/2007	CoolSystems, Inc.; 30-01, Equine back wrap, (US, 16 Oct 2006) 16 Apr 2007	17434/2007
Bellnet Pty Ltd; 12-16NES, Holden Ve induction unit, 13 Apr 2007	17411/2007	Creative Technology Ltd; 14-01, Media player, (SG, 28 Dec 2006) 17 Apr 2007	17470/2007
Benex Technologies Pty Ltd; 25-01A, A building block, 12 Apr 2007	17388/2007	Dauphin Entwicklungs-und Beteiligungs GmbH; 06-01F, Chair, (EM, 13 Oct 2006) 12 Apr 2007	17409/2007
Benex Technologies Pty Ltd; 25-01A, A building block, 12 Apr 2007	17389/2007	Davis, Martin; 06-01NES, Chair, stool, ottoman, bench seat, 16 Apr 2007	17416/2007
Benex Technologies Pty Ltd; 25-01A, A building block, 12 Apr 2007	17387/2007	Design House ApS, The; 07-02E, Grill, (EM, 11 Oct 2006) 04 Apr 2007	17317/2007
BioPad Ltd.; 24-01, Fetal motor activity detector, (IL, 17 Oct 2006) 12 Apr 2007	17403/2007	Design House ApS, The; 07-02E, Grill, (EM, 11 Oct 2006) 04 Apr 2007	17316/2007
Black & Decker Inc.; 08-01, Drill, (EM, 26 Jun 2006) (Divisional of 15846/2006) 05 Apr 2007	17346/2007	Designed Blinds Australia Pty Ltd; 08-08H, Motorised blind crown component, 17 Apr 2007	17443/2007
Black & Decker Inc.; 08-01, Drill, (EM, 26 Jun 2006) (Divisional of 15846/2006) 05 Apr 2007	17347/2007	Designed Blinds Australia Pty Ltd; 08-08H, Motorised blind crown component, 17 Apr 2007	17444/2007
Black & Decker Inc.; 08-01, Drill, (EM, 26 Jun 2006) (Divisional of 15846/2006) 05 Apr 2007	17348/2007	Designed Blinds Australia Pty Ltd; 08-08H, Motorised blind crown component, 17 Apr 2007	17445/2007
Bond, Norma Beatrice Carmen; 25-02B, Security door frame, 13 Apr 2007	17400/2007	Designed Blinds Australia Pty Ltd; 08-08H, Motorised blind drive component, 17 Apr 2007	17446/2007
		Designed Blinds Australia Pty Ltd; 08-08H, Motorised blind drive component, 17 Apr 2007	17447/2007
		Designed Blinds Australia Pty Ltd; 08-08H, Motorised blind drive component, 17 Apr 2007	17448/2007

Designed Blinds Australia Pty Ltd; 08-08H, Motorised blind crown component, 17 Apr 2007	17449/2007	Formway Furniture Limited; 06-03C, A workstation cluster, (US, 06 Oct 2006) 03 Apr 2007	17277/2007
Designed Blinds Australia Pty Ltd; 08-08H, Motorised blind drive component, 17 Apr 2007	17450/2007	Formway Furniture Limited; 06-03C, A workstation cluster, (US, 06 Oct 2006) 03 Apr 2007	17278/2007
Designed Blinds Australia Pty Ltd; 08-08H, Motorised blind assembly, 17 Apr 2007	17451/2007	Formway Furniture Limited; 06-06E, A desktop, (US, 06 Oct 2006) 03 Apr 2007	17279/2007
Designed Blinds Australia Pty Ltd; 08-08H, Motorised blind assembly, 17 Apr 2007	17452/2007	Formway Furniture Limited; 06-06E, A desktop, (US, 06 Oct 2006) 03 Apr 2007	17280/2007
Designed Blinds Australia Pty Ltd; 08-08H, Motorised blind assembly, 17 Apr 2007	17453/2007	Formway Furniture Limited; 06-06E, A desktop, (US, 06 Oct 2006) 03 Apr 2007	17281/2007
Designed Blinds Australia Pty Ltd; 08-08H, Motorised blind assembly, 17 Apr 2007	17454/2007	Formway Furniture Limited; 06-03C, A workstation, (US, 06 Oct 2006) 03 Apr 2007	17282/2007
Designed Blinds Australia Pty Ltd; 08-08H, Motorised blind assembly, 17 Apr 2007	17455/2007	Formway Furniture Limited; 06-03C, A workstation, (US, 06 Oct 2006) 03 Apr 2007	17283/2007
Dias Aluminium Products Pty. Ltd.; 25-01K, Shower screen head/sill, 10 Apr 2007	17391/2007	Formway Furniture Limited; 06-03C, A workstation, (US, 06 Oct 2006) 03 Apr 2007	17284/2007
Dias Aluminium Products Pty. Ltd.; 25-01K, Shower screen head/sill, 10 Apr 2007	17392/2007	Formway Furniture Limited; 06-03C, A workstation cluster, (US, 06 Oct 2006) 03 Apr 2007	17285/2007
Dias Aluminium Products Pty. Ltd.; 25-01K, Shower screen head/sill, 10 Apr 2007	17393/2007	Formway Furniture Limited; 06-03C, A workstation cluster, (US, 06 Oct 2006) 03 Apr 2007	17286/2007
Dias Aluminium Products Pty. Ltd.; 25-01K, Shower screen head/sill, 10 Apr 2007	17394/2007	Formway Furniture Limited; 06-03C, A workstation cluster, (US, 06 Oct 2006) 03 Apr 2007	17287/2007
Diesel S.p.A; 02-04NES, Footwear, 10 Apr 2007	17368/2007	Formway Furniture Limited; 06-06E, A desktop, (US, 06 Oct 2006) 03 Apr 2007	17273/2007
Dyson Limited; 15-05, A tool for a cleaning appliance, (GB, 25 Oct 2006) 10 Apr 2007	17384/2007	Francis, Rex William; 12-16P, Anchor, 04 Apr 2007	17324/2007
Electrolux Home Products Pty Limited; 07-02E, A barbecue and barbecue components, 16 Apr 2007	17436/2007	Garth Living Pty Ltd; 07-02NES, Cooking apparatus, 17 Apr 2007	17462/2007
Eveready Battery Company, Inc.; 13-02, Battery charger, (US, 31 Oct 2006) 03 Apr 2007	17307/2007	Gordon, Andrew; 08-08NES, Stablatable- a device that stops chairs and tables from wobbling, 16 Apr 2007	17430/2007
Fajak, John; 21-02NES, Flexi gym, 05 Apr 2007	17308/2007	Grant, Anja; 06-03A, Fold table, 16 Apr 2007	17414/2007
Fernholly Pty Ltd; 12-06A, A boat hull, 03 Apr 2007	17309/2007	Gration, Tristan Kent; 06-01NES, Seat, 05 Apr 2007	17318/2007
First Data Corporation; 14-02, Point of sale device with keypad, (US, 16 Oct 2006) 03 Apr 2007	17292/2007	Gration, Tristan Kent; 26-05B, Lamp, 11 Apr 2007	17376/2007
First Data Corporation; 14-02, Point of sale device with display screen, (US, 16 Oct 2006) 03 Apr 2007	17293/2007	Gration, Tristan Kent; 26-05B, Lamp, 11 Apr 2007	17367/2007
Formway Furniture Limited; 06-06E, A desktop, (US, 06 Oct 2006) 03 Apr 2007	17274/2007	Gration, Tristan Kent; 06-01H, Lounge, 05 Apr 2007	17319/2007
Formway Furniture Limited; 13-03D, Power receptacle, (US, 16 Oct 2006) 11 Apr 2007	17369/2007	Gration, Tristan Kent; 06-01NES, Seat, 05 Apr 2007	17320/2007
Formway Furniture Limited; 06-03C, A workstation, (US, 06 Oct 2006) 03 Apr 2007	17275/2007	Great Wall Motor Company Limited; 26-06, A rear combination light for an automobile, 03 Apr 2007	17294/2007
Formway Furniture Limited; 06-03C, A workstation, (US, 06 Oct 2006) 03 Apr 2007	17276/2007		

Grey, Phillip; O'Hara, Grant; 12-16L, Tow ball cover for vehicles, 10 Apr 2007	17332/2007	Jackita Pty Ltd; 06-13B, Manchester - top sheets; all blankets (cotton; wool; synthetic) for double, queen and king size beds, 04 Apr 2007	17271/2007
Grey, Phillip; O'Hara, Grant; 12-16L, Tow ball cover for vehicles, 10 Apr 2007	17333/2007	Jaram Products Pty; 12-16NES, Trekka mounting bar, 11 Apr 2007	17395/2007
Grey, Phillip; O'Hara, Grant; 12-16L, Tow ball cover for vehicles, 10 Apr 2007	17331/2007	Jaram Products Pty; 12-16K, Trekka luggage basket, 11 Apr 2007	17396/2007
GMCA Pty Ltd; 08-03, A mitre saw, (GB, 13 Oct 2006) 05 Apr 2007	17360/2007	Jaram Products Pty; 08-08L, In ground basket (oblong indentation), 11 Apr 2007	17397/2007
Halco Pty Ltd; 22-05, Fishing lure, 13 Apr 2007	17402/2007	Jaram Products Pty; 08-08L, In ground bracket (circular indentation), 11 Apr 2007	17398/2007
Hansgrohe AG; 23-02B, Shower installation, (EM, 11 Oct 2006) 03 Apr 2007	17298/2007	Johnson & Johnson Consumer Companies, Inc.; 24-01, Imaging station, (US, 02 Oct 2006) 02 Apr 2007	17270/2007
Havestock Pty Ltd; 25-02NES, Manhole cover, 13 Apr 2007	17417/2007	Jorgenson-Watts Pty Ltd; 25-02B, Door, 05 Apr 2007	17337/2007
I Ways; 03-01NES, A device to carry a bottle, container, drinking vessel or the like and in particular, for a bottle holder to be, fastened to a user, 12 Apr 2007	17371/2007	Jorgenson-Watts Pty Ltd; 25-02H, Window screen, shutter, 05 Apr 2007	17338/2007
I Ways; 03-01NES, A device to carry a bottle, container, drinking vessel or the like and in particular, for a bottle holder to be, fastened to a user, 12 Apr 2007	17372/2007	Jorgenson-Watts Pty Ltd; 25-01K, Extrusion, 05 Apr 2007	17339/2007
I Ways; 03-01NES, A device to carry a bottle, container, drinking vessel or the like and in particular, for a bottle holder to be, fastened to a user, 12 Apr 2007	17373/2007	Jorgenson-Watts Pty Ltd; 25-02B, Door, 05 Apr 2007	17334/2007
I Ways; 03-01NES, A device to carry a bottle, container, drinking vessel or the like and in particular, for a bottle holder to be, fastened to a user, 12 Apr 2007	17374/2007	Jorgenson-Watts Pty Ltd; 25-02B, Door, 05 Apr 2007	17335/2007
I Ways; 03-01NES, A device to carry a bottle, container, drinking vessel or the like and in particular, for a bottle holder to be, fastened to a user, 12 Apr 2007	17375/2007	Jorgenson-Watts Pty Ltd; 25-02B, Door, 05 Apr 2007	17336/2007
Intellec Development Group Pty Ltd; 08-99, Nut rotation indicator, 04 Apr 2007	17311/2007	Ke, Zhi Jun; 25-01K, Boltdown glass channel, 04 Apr 2007	17322/2007
Intellec Development Group Pty Ltd; 08-99, Nut rotation indicator, 04 Apr 2007	17312/2007	Ke, Zhi Jun; 25-01K, Bolt down glass channel, 11 Apr 2007	17362/2007
ITW Australia Pty Ltd; 20-02NES, A display container, 13 Apr 2007	17426/2007	Kendall, Alan Brian; 12-16B, Automobile side skirt, 05 Apr 2007	17357/2007
ITW Construction Products Australia Pty Ltd; 25-01B, A ferrule chair, 13 Apr 2007	17425/2007	Kendall, Alan Brian; 12-16B, Automobile front bumper, 05 Apr 2007	17358/2007
Jackita Pty Ltd; 06-13B, Doona's - all makes, types; fillings eg wool; duck; goose; synthetic for double, queen and king size beds, 04 Apr 2007	17272/2007	Kendall, Alan Brian; 12-16B, Automobile rear bumper, 05 Apr 2007	17359/2007
		Kooyman, Vivian; Waddell, Lisa; 02-02NES, Children's swimming robe, 17 Apr 2007	17442/2007
		Lacoste; 02-04NES, Shoe, (EM, 16 Mar 2007) 11 Apr 2007	17377/2007
		Lacoste; 02-04NES, Shoe, (EM, 16 Mar 2007) 11 Apr 2007	17378/2007
		Lacoste; 02-04NES, Shoe, (EM, 16 Mar 2007) 11 Apr 2007	17379/2007
		Lifestyle Products Inc.; 02-03, Hat, (US, 16 Oct 2006) 12 Apr 2007	17410/2007
		Little Gems Australia Pty Ltd; 02-02B, Raincoat/poncho, 11 Apr 2007	17363/2007

Little Gems Australia Pty Ltd; 02-02B, Raincoat/poncho, 11 Apr 2007	17364/2007	O'Hara, Grant; Grey, Phillip; 12-16L, Tow ball cover for vehicles, 10 Apr 2007	17331/2007
LX2 Pty Ltd; 25-01K, Track for holding purpose made inserts for sweeping, raking, and squeegee rubber., 30 Mar 2007	17266/2007	Okamura Corporation; 06-01F, A chair, (JP, 24 Oct 2006) 17 Apr 2007	17463/2007
LX2 Pty Ltd; 08-05NES, Plastic drum spanner, 03 Apr 2007	17268/2007	Okamura Corporation; 06-01F, A chair, (JP, 24 Oct 2006) 17 Apr 2007	17467/2007
Ma, Yunfeng; 13-01, Portable generator, 04 Apr 2007	17327/2007	Okamura Corporation; 06-01F, A chair, (JP, 24 Oct 2006) 17 Apr 2007	17468/2007
Marijnissen, Jan Willem; 07-02E, Barbecue, 11 Apr 2007	17419/2007	Okamura Corporation; 06-01F, A chair, (JP, 24 Oct 2006) 17 Apr 2007	17464/2007
Mary Kay, Inc.; 09-03L, Container, (US, 21 Dec 2006) 17 Apr 2007	17459/2007	Okamura Corporation; 06-01F, A chair, (JP, 24 Oct 2006) 17 Apr 2007	17465/2007
Mc Cleary, Wayne; Webber, Ben; 21-02D, Six fins on the bottom end of any watercraft, 16 Apr 2007	17413/2007	Okamura Corporation; 06-01F, A chair, (JP, 24 Oct 2006) 17 Apr 2007	17466/2007
Meridian Bioscience, Inc.; 24-02, Lateral flow assay device, (US, 03 Oct 2006) 03 Apr 2007	17296/2007	Orient Beverage Company Pty Ltd; 09-01K, A bottle, 05 Apr 2007	17315/2007
Meridian Bioscience, Inc.; 24-02, Lateral flow assay device, (US, 03 Oct 2006) 03 Apr 2007	17297/2007	Otsuka Pharmaceutical Co., Ltd.; 09-03M, Box, (JP, 17 Oct 2006) 13 Apr 2007	17418/2007
Milner, Wayne Russell; 25-01E, Gate supports to go over top and bottom of posts to support top and bottom rails and sheets for gates, 16 Apr 2007	17420/2007	Outerspace Design Pty Ltd; 01-01, A frozen confection, 05 Apr 2007	17349/2007
Mitsubishi Electric Corporation; 23-04, Air-conditioner, (JP, 30 Oct 2006) 04 Apr 2007	17321/2007	Outerspace Design Pty Ltd; 01-01, A frozen confection, 05 Apr 2007	17350/2007
Mobbs, Stephen; 06-08, Clothes hanger, advertising material/space, 17 Apr 2007	17460/2007	Paradigm Services Limited; 14-03NES, Communications equipment, (EM, 30 Oct 2006) 03 Apr 2007	17264/2007
Moore, John Joseph; 09-09, Dump bin, 16 Apr 2007	17438/2007	Patin Trading 184 (Proprietary) Limited; 01-01, Bread product, (ZA, 17 Nov 2006) 04 Apr 2007	17326/2007
Morehu, Jacqueline; Casey, Bryan Patrick; 09-01D, Fluid dispenser, 03 Apr 2007	17310/2007	Peyridieu, Philippe; Sanderson, Henry; 08-08NES, Appliance holder, (US, 16 Oct 2006) 16 Apr 2007	17435/2007
MSA Gallet S.A.; 02-03, Helmet, (EM, 13 Dec 2006) 13 Apr 2007	17423/2007	Poly Industries Pty Ltd; 09-08, Pallet, 13 Apr 2007	17428/2007
Nexus Development Limited; 11-05, A banner, 03 Apr 2007	17269/2007	Portashade; 03-03, Shadecloth carports or entertainment area, 18 Apr 2007	17458/2007
Nokia Corporation; 14-03E, A handset, (FI, 09 Oct 2006) 03 Apr 2007	17288/2007	Premier-Fosters (Australia) Pty Limited; 23-01K, A valve, 05 Apr 2007	17354/2007
Norton, Mathew; 08-04, Impact collator mounting apparatus, 17 Apr 2007	17433/2007	Premier-Fosters (Australia) Pty Limited; 23-01K, A valve, 05 Apr 2007	17355/2007
Nuozzi, Antonio Lucio; 04-01, Metal peener, welding brush, combination multi function tool, steel construction, 16 Apr 2007	17432/2007	Premier-Fosters (Australia) Pty Limited; 23-01K, A valve, 05 Apr 2007	17356/2007
O'Hara, Grant; Grey, Phillip; 12-16L, Tow ball cover for vehicles, 10 Apr 2007	17333/2007	R.T. Ivett Building Design & Const.; 25-03, Light weight steel and concrete module for construction of low cost housing, 18 Apr 2007	17457/2007
O'Hara, Grant; Grey, Phillip; 12-16L, Tow ball cover for vehicles, 10 Apr 2007	17332/2007	Review Australia Pty Ltd; 02-02NES, Ladies garments, 04 Apr 2007	17323/2007
		Ridaut-Allen, Michael; 08-06, Toilet seat lifter, 11 Apr 2007	17361/2007
		Roberts, William Perry; Attack Marine Limited; 12-06A, A boat hull, 13 Apr 2007	17431/2007
		Rosemin Pty Ltd; 02-02C, Dress, 17 Apr 2007	17439/2007

RMD Press Co Pty Limited; 25-01E, Ground anchor, 12 Apr 2007	17407/2007	Technicon Industries Pty Ltd; 23-02C, Toilet pan, 13 Apr 2007	17421/2007
RMD Press Co Pty Limited; 08-08K, Wedge, 12 Apr 2007	17408/2007	The Coleman Company, Inc.; 26-02, Lantern, (US, 14 Nov 2006) 03 Apr 2007	17306/2007
RMD Press Company Pty Ltd; 25-02C, Decorative fence spear, 10 Apr 2007	17328/2007	Thermobaby Societe Par Actions Simplifiee; 23-02C, Toilet seat adapter for babies, (EM, 29 Nov 2006) 16 Apr 2007	17437/2007
RMD Press Company Pty Ltd; 25-02C, Decorative fence spear, 10 Apr 2007	17329/2007	TimeMug LLC; 07-01D, A beverage mug, (US, 27 Oct 2006) 13 Apr 2007	17424/2007
RMD Press Company Pty Ltd; 25-02C, Decorative fence spear, 10 Apr 2007	17330/2007	TimeMug LLC; 07-01D, A beverage mug, (US, 13 Oct 2006) 03 Apr 2007	17295/2007
S.C. Johnson & Son, Inc.; 07-05E, Handheld fabric sweeper, (US, 02 Oct 2006) 02 Apr 2007	17267/2007	Tip Top Dry Cleaners Pty Ltd; 09-01K, A bottle, 12 Apr 2007	17390/2007
Samtara Holdings Limited; 12-12, A stroller shade, 13 Apr 2007	17412/2007	Tombow Pencil Co., Ltd.; 19-06, Cap for coating transfer device, (JP, 20 Oct 2006) 10 Apr 2007	17365/2007
Sanderson, Henry; Peyridieu, Philippe; 08-08NES, Appliance holder, (US, 16 Oct 2006) 16 Apr 2007	17435/2007	Tombow Pencil Co., Ltd.; 19-06, Applicator head for a coating transfer device, (JP, 20 Oct 2006) 10 Apr 2007	17366/2007
Sedus Stoll Aktiengesellschaft; 06-01F, Perch for sitting - Case 1, (EM, 10 Oct 2006) 10 Apr 2007	17352/2007	Total Health & Thermal Imaging Pty Ltd; 23-01G, Water tank cleanser, 11 Apr 2007	17399/2007
Sedus Stoll Aktiengesellschaft; 06-01F, Perch for sitting - Case 2, (EM, 10 Oct 2006) 10 Apr 2007	17353/2007	TOYMONSTER Intellectual Property LIMITED; 21-01F, A ride-on tricycle, 05 Apr 2007	17345/2007
Sedus Stoll Aktiengesellschaft; 06-03B, Folding table, (EM, 19 Oct 2006) 10 Apr 2007	17351/2007	Unilever PLC; 09-07A, Actuator, (EM, 20 Oct 2006) 03 Apr 2007	17303/2007
Shachihata Inc; 19-06, Marking pen, (JP, 03 Oct 2006) 02 Apr 2007	17265/2007	Unilever PLC; 09-01A, Aerosol, (EM, 20 Oct 2006) 03 Apr 2007	17304/2007
Shen, Ling; Cave, Harley Leonard; 06-03B, Table, 03 Apr 2007	17300/2007	Unitex Granular Marble Pty Ltd; 25-01A, Building wall base block, 17 Apr 2007	17440/2007
Shen, Ling; Cave, Harley Leonard; 06-03A, Table, 03 Apr 2007	17302/2007	Unitex Granular Marble Pty Ltd; 25-01A, Building wall base block, 17 Apr 2007	17441/2007
Shen, Ling; Cave, Harley Leonard; 06-03A, Table, 03 Apr 2007	17301/2007	Villeroy & Boch AG.; 07-01A, Plate, (DE, 09 Oct 2006) 05 Apr 2007	17340/2007
Sheppard, Isaac; 03-01A, Laptop/notebook bag/case, 16 Apr 2007	17415/2007	Villeroy & Boch AG.; 07-01B, Bowl, (EM, 25 Oct 2006) 11 Apr 2007	17381/2007
Song, Dr. Lida; 25-04, Steel plank with timber surface for lapping on steel planks of scaffold system to fill gaps between scaffold platforms, 16 Apr 2007	17429/2007	Villeroy & Boch AG.; 07-01A, Plate, (DE, 09 Oct 2006) 05 Apr 2007	17341/2007
Sony Ericsson Mobile Communications AB; 14-03E, Mobile phone, (EM, 30 Oct 2006) 11 Apr 2007	17382/2007	Villeroy & Boch AG.; 07-01D, Cup, (DE, 09 Oct 2006) 05 Apr 2007	17342/2007
Sumitomo Electric Industries, Ltd.; 08-05F, A fibre holder, (JP, 01 Nov 2006) 11 Apr 2007	17380/2007	Villeroy & Boch AG.; 07-01D, Saucer, (DE, 09 Oct 2006) 05 Apr 2007	17343/2007
Swanston, Graham Charles; 08-05K, Finishing float, 05 Apr 2007	17313/2007	Villeroy & Boch AG.; 07-01B, Bowl, (DE, 09 Oct 2006) 05 Apr 2007	17344/2007
Swanston, Graham Charles; 08-05K, Float groove tool, 05 Apr 2007	17314/2007	Vizirama 112 (Proprietary) Limited; 26-99, Reflector, (ZA, 06 Oct 2006) 03 Apr 2007	17299/2007
Tamminga, Dirk Meile Marcel; 21-02F, Exercise apparatus, (BX, 11 Oct 2006) 04 Apr 2007	17325/2007	Wabtec Corporation; 08-06, Modular transit assist handle, (US, 13 Oct 2006) 13 Apr 2007	17422/2007

Waddell, Lisa; Kooyman, Vivian;
02-02NES, Children's swimming robe, 17 Apr
2007

17442/2007

Webber, Ben; Mc Cleary, Wayne;
21-02D, Six fins on the bottom end of any
watercraft, 16 Apr 2007

17413/2007

Applications Withdrawn

17456 / 2007

Applications Lapsed

13250 / 2006 (03-01C)	14228 / 2006 (15-01)
14413 / 2006 (12-06A)	14527 / 2006 (26-05NES)
14528 / 2006 (26-05NES)	14533 / 2006 (02-02C)
14585 / 2006 (26-02)	14646 / 2006 (19-01)
16357 / 2007 (23-01F)	16400 / 2007 (25-03)
16413 / 2007 (08-08L)	16414 / 2007 (08-08L)
16428 / 2007 (23-01F)	16429 / 2007 (23-01F)
16430 / 2007 (23-01F)	16431 / 2007 (23-01F)

Registrations Ceased

303072	303206	304148
305501	305502	305503
306507	306526	306531
306556		

Extensions of time granted under Section 137

Applications lodged under section 137 for extension of time have been granted.

304230 **Sportservice Pty Ltd**

304230 **Sportservice Pty Ltd**

10714/2006 **Ray Jones**

14228/2006 **GCC Management Ltd**

15314/2006 **Inflatable Image Technologies Pty Limited**

Subsequent Owners Registered

(The name in parentheses is that of the subsequent owner)

308870	(BS Holdings Inc) Everest Biomedical Instruments, Co.
308870	(BrainScope Company Inc) BS Holdings Inc
308002	(Bico Pty Ltd.) Bio Waste Systems Pty. Ltd.
308871	(BS Holdings Inc) Everest Biomedical Instruments, Co.
308871	(BrainScope Company Inc) BS Holdings Inc

Corrigenda

Number 313117

In Vol 21 , No 5 , page 8496 under the heading **Australian Registered Design**; (30) Convention priority data should read: (31) Number DA 2006 00061 (32) Date 17 February 2006 (33) Country DENMARK.

Certificate(s) of Examination

Examination of the following Design Registration(s) has been completed. Infringement proceedings may now be commenced.

302924	25-01E	13/04/2007
305723	09-01H	19/04/2007
305970	01-01	23/04/2007
305975	01-01	23/04/2007
306329	25-01K	12/04/2007
306979	25-01G	12/04/2007
306996	05-06B	18/04/2007
307042	25-01G	12/04/2007
307421	08-05N	18/04/2007
307617	12-15D	24/04/2007
307618	12-15D	24/04/2007
307643	06-02	23/04/2007
307733	25-02H	23/04/2007
307734	25-02H	23/04/2007
307735	25-02H	23/04/2007
307761	22-06	28/02/2007
307762	22-06	28/02/2007
307953	12-15C	16/04/2007
308044	24-04	13/04/2007
308045	24-04	13/04/2007
308046	24-02	13/04/2007
308465	12-15C	16/04/2007
308630	23-02B	13/04/2007
308650	07-05A	20/04/2007
308683	07-07A	19/04/2007
308851	13-02	24/04/2007
308852	16-01	23/04/2007
308853	16-01	23/04/2007
308854	16-01	23/04/2007
308855	16-01	23/04/2007
308856	16-01	23/04/2007
308857	14-01	23/04/2007
308916	08-07	16/04/2007
309200	14-01	12/04/2007
309201	14-01	12/04/2007
309277	14-01	12/04/2007
309278	14-01	12/04/2007
309311	23-01E	18/04/2007
309312	23-01E	18/04/2007
309398	31-00	12/04/2007
309456	08-07	16/04/2007
310113	23-01A	17/04/2007
310221	09-01G	24/04/2007
310222	09-01C	24/04/2007
310369	23-01A	17/04/2007
310563	12-08	20/04/2007

Publication and Registration Proceedings
Designs Published

The following Design(s) are now published.

Design Number	International Classification Code (IDC)	Publication Date
15797/2007	11-05	20/04/2007

Publication and Registration Proceedings

Designs Registered

This section provides a concordance between design number and registration number of Designs covered in this journal. It also shows the main class and registration date.

This section covers Registration numbers 313608 to 313826 .

The registration number shown below should be used in all future correspondence.

Design Number	Registration Number	International Classification Code (IDC)	Registration Date	Design Number	Registration Number	International Classification Code (IDC)	Registration Date
10309/2006	313709	03-01NES	20/04/2007	16025/2007	313696	12-12	19/04/2007
10971/2006	313608	22-06	16/04/2007	16026/2007	313697	13-03NES	19/04/2007
11025/2006	313609	02-02B	16/04/2007	16027/2007	313698	12-16A	19/04/2007
11351/2006	313659	23-02B	17/04/2007	16028/2007	313699	12-16NES	19/04/2007
14554/2006	313610	02-02B	16/04/2007	16029/2007	313700	12-16NES	19/04/2007
14555/2006	313611	02-02B	16/04/2007	16030/2007	313701	12-16B	19/04/2007
14556/2006	313612	02-02B	16/04/2007	16032/2007	313702	09-03NES	19/04/2007
15282/2006	313660	02-02C	17/04/2007	16033/2007	313703	09-07NES	19/04/2007
15283/2006	313662	02-02C	17/04/2007	16034/2007	313704	13-03C	19/04/2007
15285/2006	313664	02-02C	17/04/2007	16038/2007	313682	07-04	17/04/2007
15342/2006	313781	15-01	24/04/2007	16039/2007	313683	12-16C	17/04/2007
15414/2006	313749	14-01	23/04/2007	16040/2007	313705	13-02	19/04/2007
15446/2006	313663	23-02NES	17/04/2007	16041/2007	313706	13-02	19/04/2007
15470/2006	313710	28-03NES	20/04/2007	16042/2007	313711	20-02E	20/04/2007
15488/2006	313684	25-01K	19/04/2007	16043/2007	313712	20-02E	20/04/2007
15624/2006	313666	03-01A	17/04/2007	16044/2007	313713	20-02E	20/04/2007
15731/2006	313780	26-05NES	24/04/2007	16045/2007	313714	24-04	20/04/2007
15902/2006	313826	09-01D	24/04/2007	16046/2007	313715	24-04	20/04/2007
15804/2007	313667	24-02	17/04/2007	16047/2007	313716	24-04	20/04/2007
15865/2007	313731	07-06D	20/04/2007	16048/2007	313717	24-04	20/04/2007
15947/2007	313673	08-07	17/04/2007	16049/2007	313718	24-04	20/04/2007
15948/2007	313668	08-07	17/04/2007	16050/2007	313719	24-04	20/04/2007
15955/2007	313672	14-02	17/04/2007	16051/2007	313720	24-04	20/04/2007
15983/2007	313613	26-02	16/04/2007	16052/2007	313721	24-04	20/04/2007
15984/2007	313614	26-02	16/04/2007	16053/2007	313722	24-04	20/04/2007
15985/2007	313615	26-02	16/04/2007	16054/2007	313750	09-01H	23/04/2007
15986/2007	313616	03-01B	16/04/2007	16055/2007	313751	07-01F	23/04/2007
15988/2007	313617	02-04NES	16/04/2007	16056/2007	313752	07-01F	23/04/2007
15989/2007	313618	02-04NES	16/04/2007	16057/2007	313723	26-05NES	20/04/2007
15990/2007	313619	19-06	16/04/2007	16058/2007	313724	26-05NES	20/04/2007
15991/2007	313620	20-02E	16/04/2007	16059/2007	313725	26-05NES	20/04/2007
15992/2007	313674	20-02E	17/04/2007	16060/2007	313726	26-05NES	20/04/2007
15996/2007	313675	14-02	17/04/2007	16061/2007	313727	26-05NES	20/04/2007
15997/2007	313676	14-02	17/04/2007	16062/2007	313728	26-05NES	20/04/2007
16004/2007	313677	24-02	17/04/2007	16063/2007	313729	28-03C	20/04/2007
16005/2007	313621	24-02	16/04/2007	16064/2007	313730	25-02H	20/04/2007
16006/2007	313622	24-02	16/04/2007	16072/2007	313732	12-15B	20/04/2007
16007/2007	313623	24-02	16/04/2007	16073/2007	313733	12-15B	20/04/2007
16008/2007	313624	12-15B	16/04/2007	16074/2007	313734	24-04	20/04/2007
16009/2007	313686	23-01H	19/04/2007	16075/2007	313735	24-04	20/04/2007
16010/2007	313687	23-01H	19/04/2007	16077/2007	313707	23-02F	19/04/2007
16011/2007	313688	23-01H	19/04/2007	16078/2007	313736	25-02NES	20/04/2007
16012/2007	313689	23-01H	19/04/2007	16079/2007	313737	08-07	20/04/2007
16013/2007	313690	19-99	19/04/2007	16080/2007	313738	08-07	20/04/2007
16014/2007	313678	14-01	17/04/2007	16081/2007	313776	09-01G	24/04/2007
16015/2007	313679	14-01	17/04/2007	16082/2007	313775	30-04	24/04/2007
16016/2007	313680	25-01F	17/04/2007	16083/2007	313774	30-04	24/04/2007
16017/2007	313681	30-04	17/04/2007	16084/2007	313773	20-02E	24/04/2007
16020/2007	313691	25-04	19/04/2007	16085/2007	313772	25-02C	24/04/2007
16021/2007	313692	14-02	19/04/2007	16087/2007	313771	21-02B	24/04/2007
16022/2007	313693	14-02	19/04/2007	16088/2007	313770	12-16B	24/04/2007
16023/2007	313694	14-02	19/04/2007	16089/2007	313769	12-16B	24/04/2007
16024/2007	313695	12-12	19/04/2007	16090/2007	313759	21-01A	24/04/2007

Publication and Registration Proceedings - Designs Registered cont'd

Design Number	Registration Number	International Classification Code (IDC)	Registration Date	Design Number	Registration Number	International Classification Code (IDC)	Registration Date
16091/2007	313760	21-01A	24/04/2007	16176/2007	313807	26-06	24/04/2007
16092/2007	313757	23-02F	24/04/2007	16177/2007	313808	26-06	24/04/2007
16093/2007	313758	23-02F	24/04/2007	16179/2007	313806	02-03	24/04/2007
16094/2007	313763	07-06C	24/04/2007	16180/2007	313805	13-03D	24/04/2007
16095/2007	313762	08-01	24/04/2007	16198/2007	313631	08-09	16/04/2007
16096/2007	313767	26-01	24/04/2007	16207/2007	313632	09-01B	16/04/2007
16097/2007	313768	26-01	24/04/2007	16208/2007	313633	09-01B	16/04/2007
16098/2007	313764	07-99NES	24/04/2007	16211/2007	313634	13-03C	16/04/2007
16099/2007	313765	07-99A	24/04/2007	16212/2007	313635	13-03C	16/04/2007
16100/2007	313766	07-99A	24/04/2007	16213/2007	313636	13-03C	16/04/2007
16101/2007	313761	15-05	24/04/2007	16214/2007	313637	13-03C	16/04/2007
16102/2007	313782	08-03	24/04/2007	16215/2007	313638	26-05A	16/04/2007
16103/2007	313756	14-99	24/04/2007	16216/2007	313639	26-05A	16/04/2007
16104/2007	313755	03-01A	24/04/2007	16217/2007	313640	26-05A	16/04/2007
16105/2007	313754	12-02	24/04/2007	16218/2007	313641	26-05A	16/04/2007
16106/2007	313753	14-03E	24/04/2007	16219/2007	313642	23-03A	16/04/2007
16107/2007	313777	14-03E	24/04/2007	16220/2007	313643	07-06NES	16/04/2007
16108/2007	313778	14-03E	24/04/2007	16222/2007	313644	08-07	16/04/2007
16109/2007	313779	14-03A	24/04/2007	16223/2007	313645	06-03A	16/04/2007
16110/2007	313783	12-02	24/04/2007	16224/2007	313646	30-04	16/04/2007
16111/2007	313784	21-02C	24/04/2007	16225/2007	313647	06-03NES	16/04/2007
16112/2007	313785	21-02C	24/04/2007	16227/2007	313648	28-02	16/04/2007
16113/2007	313786	21-02C	24/04/2007	16228/2007	313649	15-07	16/04/2007
16114/2007	313787	21-02C	24/04/2007	16229/2007	313650	12-16NES	16/04/2007
16119/2007	313788	12-16NES	24/04/2007	16230/2007	313651	12-16NES	16/04/2007
16121/2007	313789	07-01C	24/04/2007	16233/2007	313652	08-06	16/04/2007
16123/2007	313790	13-03D	24/04/2007	16234/2007	313653	08-06	16/04/2007
16124/2007	313791	09-03M	24/04/2007	16235/2007	313654	08-06	16/04/2007
16125/2007	313792	09-03M	24/04/2007	16239/2007	313655	15-02	16/04/2007
16127/2007	313793	07-02N	24/04/2007	16240/2007	313656	15-02	16/04/2007
16132/2007	313794	12-06B	24/04/2007	16241/2007	313657	15-02	16/04/2007
16133/2007	313795	09-03E	24/04/2007	16242/2007	313658	08-06	16/04/2007
16134/2007	313796	12-06B	24/04/2007	16423/2007	313625	08-05L	16/04/2007
16136/2007	313797	03-01NES	24/04/2007	16460/2007	313626	19-03	16/04/2007
16137/2007	313798	09-03NES	24/04/2007	16461/2007	313627	19-03	16/04/2007
16139/2007	313799	30-04	24/04/2007	16592/2007	313747	24-99	23/04/2007
16141/2007	313800	07-02NES	24/04/2007	16593/2007	313748	24-02	23/04/2007
16142/2007	313801	28-03A	24/04/2007	16613/2007	313746	07-05NES	23/04/2007
16143/2007	313802	28-03A	24/04/2007	16639/2007	313745	14-02	23/04/2007
16144/2007	313803	23-04	24/04/2007	16640/2007	313744	14-02	23/04/2007
16145/2007	313804	07-02L	24/04/2007	16705/2007	313743	25-01G	23/04/2007
16147/2007	313825	03-01NES	24/04/2007	16874/2007	313742	19-04	23/04/2007
16151/2007	313824	08-08D	24/04/2007	16947/2007	313661	02-02C	17/04/2007
16152/2007	313823	07-02NES	24/04/2007	16949/2007	313665	02-02C	17/04/2007
16153/2007	313822	08-01	24/04/2007	16950/2007	313669	24-02	17/04/2007
16154/2007	313818	19-02	24/04/2007	16951/2007	313670	24-02	17/04/2007
16155/2007	313819	19-02	24/04/2007	16952/2007	313671	24-02	17/04/2007
16156/2007	313820	19-02	24/04/2007	16983/2007	313685	25-01K	19/04/2007
16157/2007	313821	19-02	24/04/2007	17259/2007	313628	28-03NES	16/04/2007
16160/2007	313817	07-04	24/04/2007	17260/2007	313629	28-03NES	16/04/2007
16168/2007	313816	12-08	24/04/2007	17263/2007	313630	12-16NES	16/04/2007
16169/2007	313815	12-08	24/04/2007	17382/2007	313708	14-03E	19/04/2007
16170/2007	313814	12-16B	24/04/2007	17432/2007	313741	04-01	23/04/2007
16171/2007	313809	12-16B	24/04/2007	17459/2007	313740	09-03L	23/04/2007
16172/2007	313810	12-16B	24/04/2007	17462/2007	313739	07-02NES	23/04/2007
16173/2007	313811	12-16B	24/04/2007				
16174/2007	313812	12-16B	24/04/2007				
16175/2007	313813	12-16B	24/04/2007				

Publication and Registration Proceedings - Designs Registered cont'd

Publication and Registration Proceedings
Class Listing of Designs Published or Registered

The following section shows an International Classification Code listing of the Registered or Published Designs covered in this supplement.

Classification	Registration Number	Design Number	Classification	Registration Number	Design Number
02-02 B	313609	11025/2006	09-01 D	313826	15902/2006
02-02 B	313610	14554/2006	09-01 G	313776	16081/2007
02-02 B	313611	14555/2006	09-01 H	313750	16054/2007
02-02 B	313612	14556/2006	09-03 E	313795	16133/2007
02-02 C	313660	15282/2006	09-03 L	313740	17459/2007
02-02 C	313661	16947/2007	09-03 M	313791	16124/2007
02-02 C	313662	15283/2006	09-03 M	313792	16125/2007
02-02 C	313664	15285/2006	09-03 NES	313702	16032/2007
02-02 C	313665	16949/2007	09-03 NES	313798	16137/2007
02-03	313806	16179/2007	09-07 NES	313703	16033/2007
02-04 NES	313617	15988/2007	11-05		15797/2007
02-04 NES	313618	15989/2007	12-02	313754	16105/2007
03-01 A	313666	15624/2006	12-02	313783	16110/2007
03-01 A	313755	16104/2007	12-06 B	313794	16132/2007
03-01 B	313616	15986/2007	12-06 B	313796	16134/2007
03-01 NES	313709	10309/2006	12-08	313815	16169/2007
03-01 NES	313797	16136/2007	12-08	313816	16168/2007
03-01 NES	313825	16147/2007	12-12	313695	16024/2007
04-01	313741	17432/2007	12-12	313696	16025/2007
06-01 H	313645	16223/2007	12-15 B	313624	16008/2007
06-03 A	313645	16223/2007	12-15 B	313732	16072/2007
06-03 NES	313647	16225/2007	12-15 B	313733	16073/2007
07-01 C	313789	16121/2007	12-16 A	313698	16027/2007
07-01 F	313751	16055/2007	12-16 B	313701	16030/2007
07-01 F	313752	16056/2007	12-16 B	313769	16089/2007
07-02 L	313804	16145/2007	12-16 B	313770	16088/2007
07-02 N	313793	16127/2007	12-16 B	313809	16171/2007
07-02 NES	313739	17462/2007	12-16 B	313810	16172/2007
07-02 NES	313800	16141/2007	12-16 B	313811	16173/2007
07-02 NES	313823	16152/2007	12-16 B	313812	16174/2007
07-04	313682	16038/2007	12-16 B	313813	16175/2007
07-04	313817	16160/2007	12-16 B	313814	16170/2007
07-05 NES	313746	16613/2007	12-16 C	313683	16039/2007
07-06 C	313763	16094/2007	12-16 E	313615	15985/2007
07-06 D	313731	15865/2007	12-16 NES	313630	17263/2007
07-06 NES	313643	16220/2007	12-16 NES	313650	16229/2007
07-99 A	313765	16099/2007	12-16 NES	313651	16230/2007
07-99 A	313766	16100/2007	12-16 NES	313699	16028/2007
07-99 NES	313764	16098/2007	12-16 NES	313700	16029/2007
08-01	313762	16095/2007	12-16 NES	313788	16119/2007
08-01	313822	16153/2007	13-02	313705	16040/2007
08-03	313782	16102/2007	13-02	313706	16041/2007
08-05 L	313625	16423/2007	13-03 C	313634	16211/2007
08-06	313652	16233/2007	13-03 C	313635	16212/2007
08-06	313653	16234/2007	13-03 C	313636	16213/2007
08-06	313654	16235/2007	13-03 C	313637	16214/2007
08-06	313658	16242/2007	13-03 C	313704	16034/2007
08-07	313644	16222/2007	13-03 D	313790	16123/2007
08-07	313668	15948/2007	13-03 D	313805	16180/2007
08-07	313673	15947/2007	13-03 NES	313697	16026/2007
08-07	313737	16079/2007	14-01	313678	16014/2007
08-07	313738	16080/2007	14-01	313679	16015/2007
08-08 D	313824	16151/2007	14-01	313749	15414/2006
08-09	313631	16198/2007	14-02	313672	15955/2007
09-01 B	313632	16207/2007	14-02	313675	15996/2007
09-01 B	313633	16208/2007	14-02	313676	15997/2007

Registration Proceedings - Class Listing of Designs Published or Registered cont'd

Classification	Registration Number	Design Number	Classification	Registration Number	Design Number
14-02	313692	16021/2007	24-02	313670	16951/2007
14-02	313693	16022/2007	24-02	313671	16952/2007
14-02	313694	16023/2007	24-02	313677	16004/2007
14-02	313744	16640/2007	24-02	313748	16593/2007
14-02	313745	16639/2007	24-04	313714	16045/2007
14-03 A	313779	16109/2007	24-04	313715	16046/2007
14-03 E	313708	17382/2007	24-04	313716	16047/2007
14-03 E	313753	16106/2007	24-04	313717	16048/2007
14-03 E	313777	16107/2007	24-04	313718	16049/2007
14-03 E	313778	16108/2007	24-04	313719	16050/2007
14-99	313756	16103/2007	24-04	313720	16051/2007
15-01	313781	15342/2006	24-04	313721	16052/2007
15-02	313655	16239/2007	24-04	313722	16053/2007
15-02	313656	16240/2007	24-04	313734	16074/2007
15-02	313657	16241/2007	24-04	313735	16075/2007
15-05	313761	16101/2007	24-99	313747	16592/2007
15-07	313649	16228/2007	25-01 F	313680	16016/2007
19-02	313818	16154/2007	25-01 G	313743	16705/2007
19-02	313819	16155/2007	25-01 K	313684	15488/2006
19-02	313820	16156/2007	25-01 K	313685	16983/2007
19-02	313821	16157/2007	25-02 C	313772	16085/2007
19-03	313626	16460/2007	25-02 H	313730	16064/2007
19-03	313627	16461/2007	25-02 H	313772	16085/2007
19-04	313742	16874/2007	25-02 NES	313736	16078/2007
19-06	313619	15990/2007	25-04	313691	16020/2007
19-99	313690	16013/2007	26-01	313767	16096/2007
20-02 E	313620	15991/2007	26-01	313768	16097/2007
20-02 E	313674	15992/2007	26-02	313613	15983/2007
20-02 E	313711	16042/2007	26-02	313614	15984/2007
20-02 E	313712	16043/2007	26-02	313615	15985/2007
20-02 E	313713	16044/2007	26-05 A	313638	16215/2007
20-02 E	313773	16084/2007	26-05 A	313639	16216/2007
21-01 A	313759	16090/2007	26-05 A	313640	16217/2007
21-01 A	313760	16091/2007	26-05 A	313641	16218/2007
21-02 B	313771	16087/2007	26-05 NES	313723	16057/2007
21-02 C	313784	16111/2007	26-05 NES	313724	16058/2007
21-02 C	313785	16112/2007	26-05 NES	313725	16059/2007
21-02 C	313786	16113/2007	26-05 NES	313726	16060/2007
21-02 C	313787	16114/2007	26-05 NES	313727	16061/2007
21-02 NES	313754	16105/2007	26-05 NES	313728	16062/2007
21-03	313620	15991/2007	26-05 NES	313780	15731/2006
21-03	313674	15992/2007	26-06	313807	16176/2007
22-06	313608	10971/2006	26-06	313808	16177/2007
23-01 H	313686	16009/2007	28-02	313648	16227/2007
23-01 H	313687	16010/2007	28-03 A	313801	16142/2007
23-01 H	313688	16011/2007	28-03 A	313802	16143/2007
23-01 H	313689	16012/2007	28-03 C	313729	16063/2007
23-02 B	313659	11351/2006	28-03 NES	313628	17259/2007
23-02 F	313707	16077/2007	28-03 NES	313629	17260/2007
23-02 F	313757	16092/2007	28-03 NES	313710	15470/2006
23-02 F	313758	16093/2007	30-04	313646	16224/2007
23-02 NES	313663	15446/2006	30-04	313681	16017/2007
23-03 A	313642	16219/2007	30-04	313774	16083/2007
23-04	313803	16144/2007	30-04	313775	16082/2007
24-02	313621	16005/2007	30-04	313799	16139/2007
24-02	313622	16006/2007			
24-02	313623	16007/2007			
24-02	313667	15804/2007			
24-02	313669	16950/2007			

Registration Proceedings - Class Listing of Designs Published or Registered cont'd

(12) AUSTRALIAN PUBLISHED DESIGN

(19) AU

(21) Design Number: **15797/2007**

(22) Date of Filing Application: **02 January 2007**

(54) Product in respect of which the design is published: **Flag**

(51) International Design Classification: **11-05**

(71) Name(s) and Address(s) of Applicant(s):

Christopher James Wolfs
4/40 Hamson Terrace Nundah Queensland 4012 Australia

(72) Name(s) of Designer(s): **Christopher James Wolfs**

(43) Publication Date: **20 April 2007**

(56) Related Art Documents: **Not Applicable**

(57) Statement of Newness and Distinctiveness: **The principle feature of my flag design which is new and distinctive is the horizontal tri-colour ground consisting of three (3) panels of equal height extending for the full length (i.e. fly) of the flag. The panel colours from top to bottom are: white, green and gold. The secondary features of the design are the symbols portrayed, which in themselves are distinctive but not new. But the colours of such symbols and how they are located on the tri-colour ground is new and distinctive. These symbols include a green seven-point star at the upper hoist (i.e. top, left corner) vertically located central to the upper panel, where the outer diameter of the star is 1/4 of the flag's height (i.e. hoist). The seven-point star, known as the Commonwealth star, is otherwise similar to that described in the schedule to the Flag Act 1953. The distinctive feature of the seven-point star is its size, location and green colour. The primary symbol of the flag is a Southern Cross of white stars located at the flag's centre. The Southern Cross is similar to that described in the schedule to the Flag Act 1953. The new and distinctive features in relation to this symbol include green firmbriation of those stars which are located (wholly or in part) on the white or gold panels. The drawings attached to my design application depict the Southern Cross with four seven-point stars and one five-point star as described in Flag Act 1953. It should be noted that there are other possible variations of the Southern Cross (including the numbers of star points) which may display the new and distinctive features described above.**



(12) AUSTRALIAN REGISTERED DESIGN

(19) AU

(11) AU-S- 313608

(21) Design Number: **10971/2006**

(22) Date of Filing Application: **13 March 2006**

(24) Date from which industrial property rights may have effect: **13 March 2006**

(54) Product in respect of which the design is registered: **Insect barrier device**

(51) International Design Classification: **22-06**

(71) Name(s) and Address(s) of Applicant(s):

Reckitt Benckiser (Australia) Pty Limited
44 Wharf Road West Ryde New South Wales 2114 Australia

(72) Name(s) of Designer(s): **Kon Euan Wong**

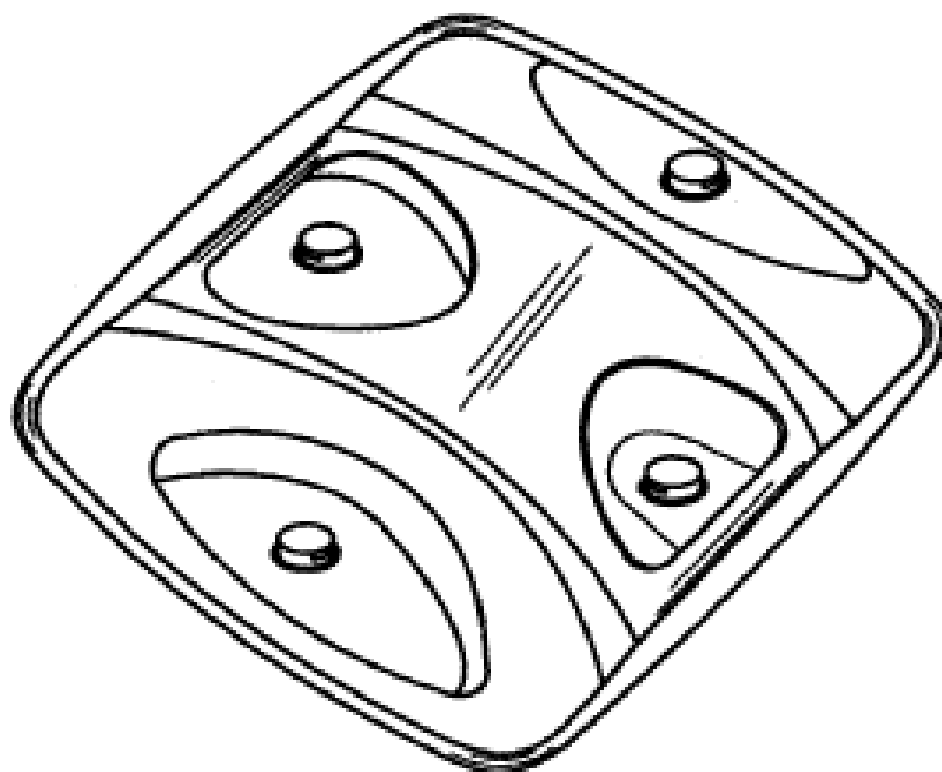
(45) Registration Date: **16 April 2007**

(30) Convention priority data:

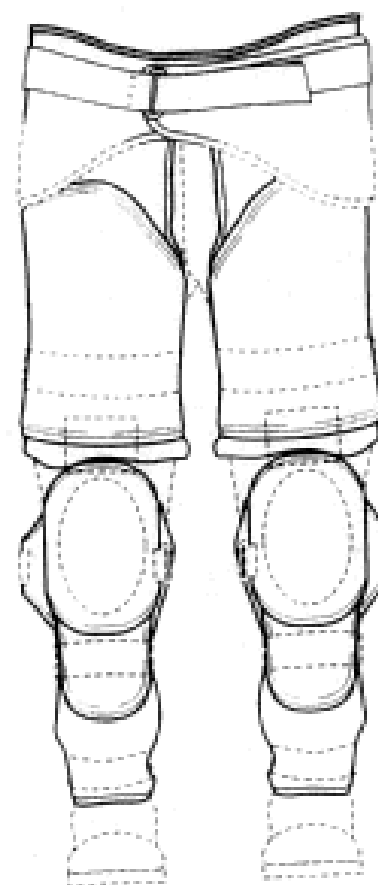
(31) Number	(32) Date	(33) Country
000402169-2	16 Sep 2005	EUROPEAN COMMUNITY

(56) Related Art Documents: **Not Applicable**

(57) Statement of Newness and Distinctiveness: **Newness and distinctiveness reside in the features of the design as shown in the representations.**



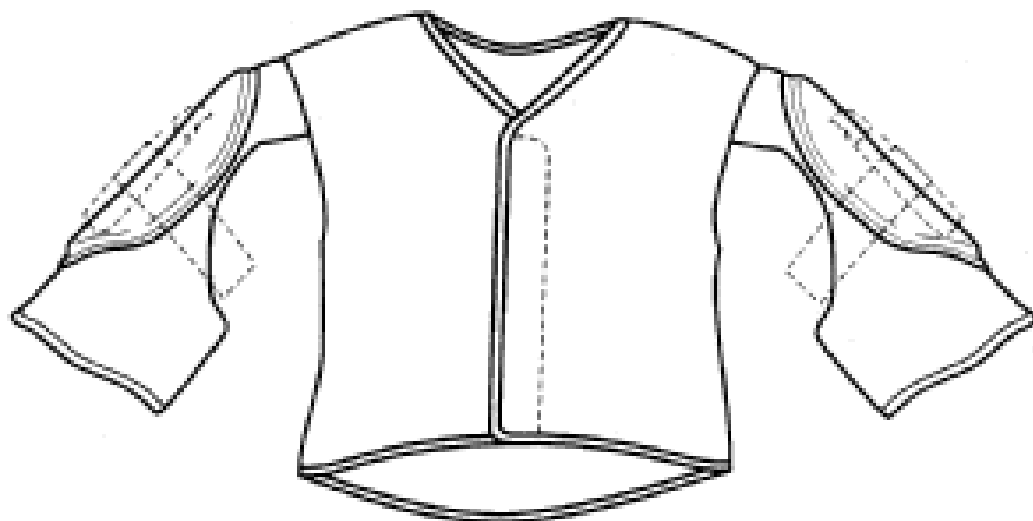
- (21) Design Number: **11025/2006**
- (22) Date of Filing Application: **16 March 2006**
- (24) Date from which industrial property rights may have effect: **16 March 2006**
- (54) Product in respect of which the design is registered: **Protective garment for the lower torso with knee protectors and lower leg portions**
- (51) International Design Classification: **02-02B**
- (71) Name(s) and Address(s) of Applicant(s):
Med-Eng Systems Inc.
2400 St. Laurent Boulevard Ottawa Ontario K1G 6C4 Canada
- (72) Name(s) of Designer(s): **Daniel Crossman and Luciana Scafita and Clint Hedge and Geoffrey Fisher and Magda Slobozianu and Justin Myles**
- (45) Registration Date: **16 April 2007**
- (56) Related Art Documents: **Not Applicable**
- (57) Statement of Newness and Distinctiveness: **Newness and distinctiveness is claimed in the visual features of the protective garment for the lower torso with knee protectors and lower leg portions shown in the representations. In considering the extent of the monopoly, the features shown in broken lines should be disregarded.**



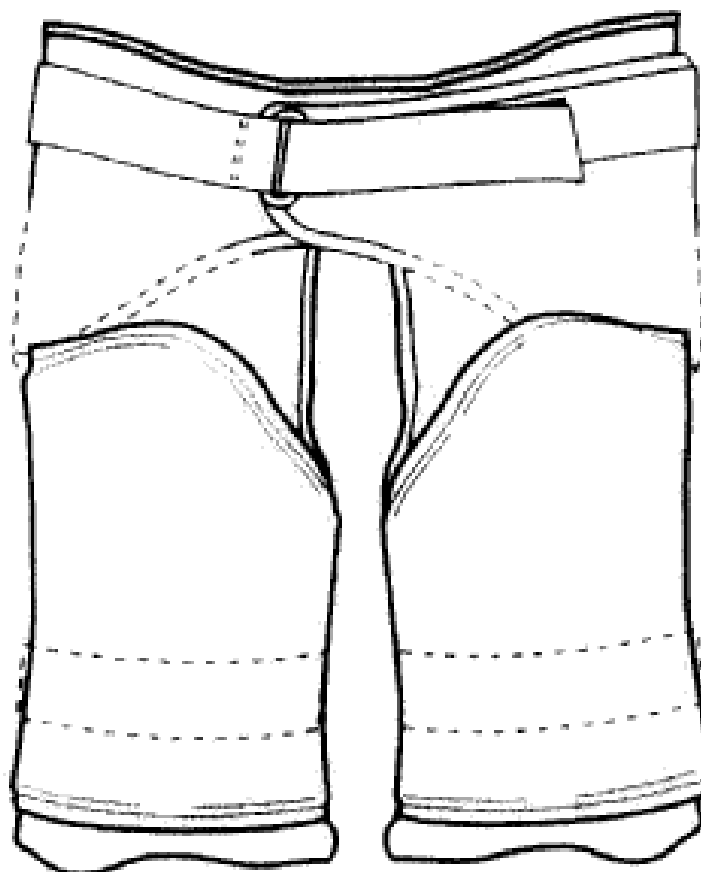
- (21) Design Number: **14554/2006**
- (22) Date of Filing Application: **16 March 2006**
- (24) Date from which industrial property rights may have effect: **16 March 2006**
- (54) Product in respect of which the design is registered: **Protective garment for the upper torso and lower arms**
- (51) International Design Classification: **02-02B**
- (71) Name(s) and Address(s) of Applicant(s):
Med-Eng Systems Inc.
2400 St. Laurent Boulevard Ottawa Ontario K1G 6C4 Canada
- (72) Name(s) of Designer(s): **Daniel Crossman and Luciana Scafita and Clint Hedge and Geoffrey Fisher and Magda Slobozianu and Justin Myles**
- (45) Registration Date: **16 April 2007**
- (56) Related Art Documents: **Not Applicable**
- (57) Statement of Newness and Distinctiveness: **Newness and distinctiveness is claimed in the visual features of the protective garment for the upper torso and lower arms, shown in the representations. In considering the extent of monopoly, the visual features shown in broken lines should be disregarded.**



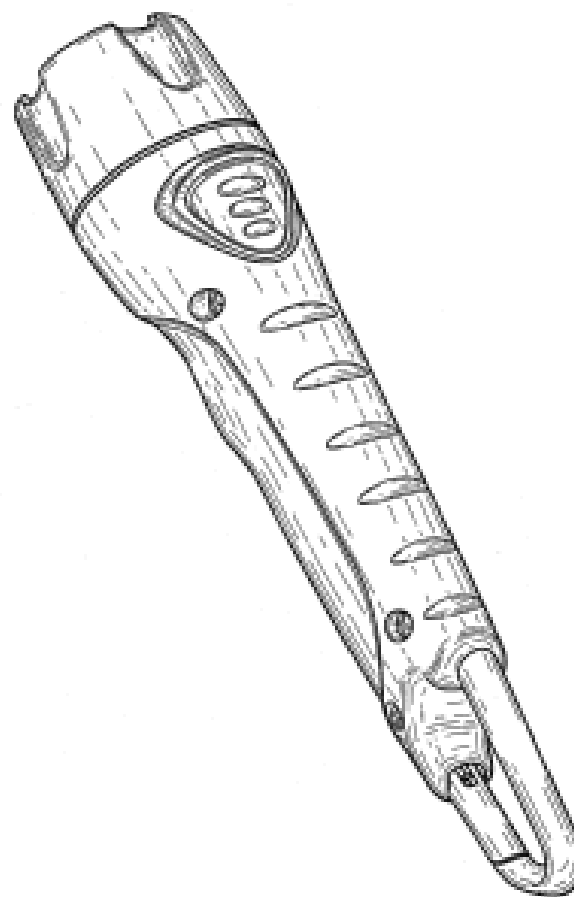
- (21) Design Number: **14555/2006**
(22) Date of Filing Application: **16 March 2006**
(24) Date from which industrial property rights may have effect: **16 March 2006**
(54) Product in respect of which the design is registered: **Protective garment for the upper torso**
(51) International Design Classification: **02-02B**
(71) Name(s) and Address(s) of Applicant(s):
Med-Eng Systems Inc.
2400 St. Laurent Boulevard Ottawa Ontario K1G 6C4 Canada
(72) Name(s) of Designer(s): **Daniel Crossman and Luciana Scafita and Clint Hedge and Geoffrey Fisher and Magda Slobozianu and Justin Myles**
(45) Registration Date: **16 April 2007**
(56) Related Art Documents: **Not Applicable**
(57) Statement of Newness and Distinctiveness: **Newness and distinctiveness is claimed in the visual features of the protective garment for the upper torso, shown in the representations. In considering the extent of monopoly, the visual features shown in broken lines should be disregarded.**



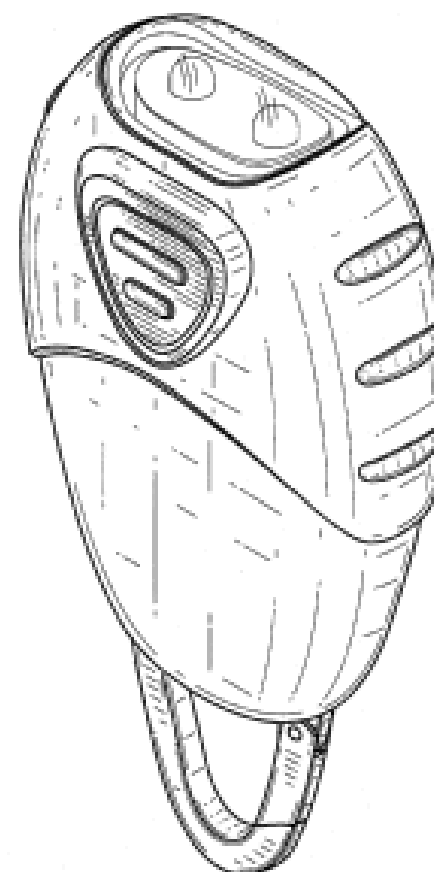
- (21) Design Number: **14556/2006**
(22) Date of Filing Application: **16 March 2006**
(24) Date from which industrial property rights may have effect: **16 March 2006**
(54) Product in respect of which the design is registered: **Protective garment for the lower torso**
(51) International Design Classification: **02-02B**
(71) Name(s) and Address(s) of Applicant(s):
Med-Eng Systems Inc.
2400 St. Laurent Boulevard Ottawa Ontario K1G 6C4 Canada
(72) Name(s) of Designer(s): **Daniel Crossman and Luciana Scafita and Clint Hedge and Geoffrey Fisher and Magda Slobozianu and Justin Myles**
(45) Registration Date: **16 April 2007**
(56) Related Art Documents: **Not Applicable**
(57) Statement of Newness and Distinctiveness: **Newness and distinctiveness is claimed in the visual features of the protective garment for the lower torso, shown in the representations. In considering the extent of monopoly, the visual features shown in broken lines should be disregarded.**



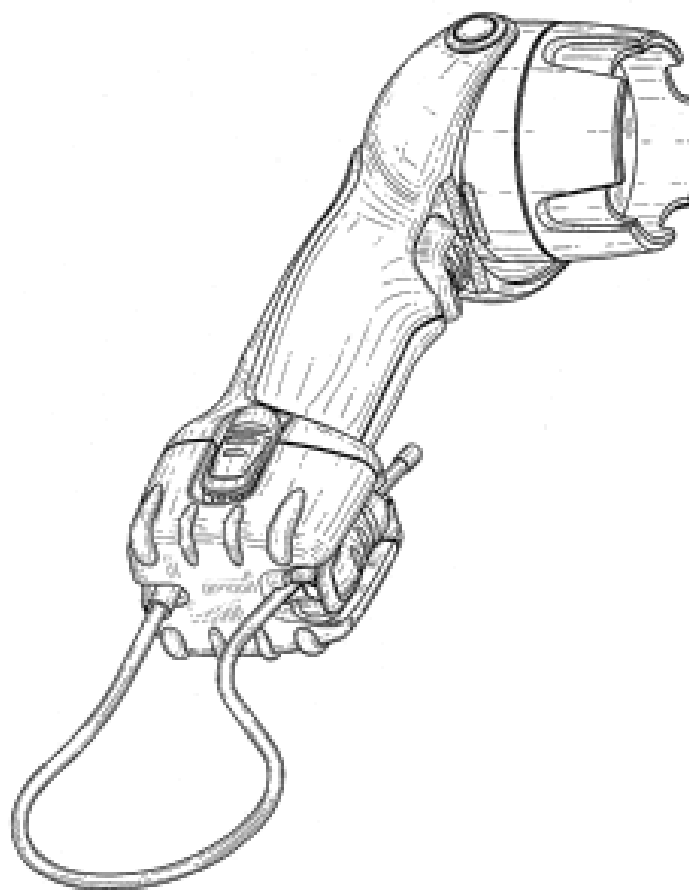
(21) Design Number: **15983/2007**
(22) Date of Filing Application: **15 January 2007**
(24) Date from which industrial property rights may have effect: **15 January 2007**
(54) Product in respect of which the design is registered: **A flashlight (2AA husky carabiner light)**
(51) International Design Classification: **26-02**
(71) Name(s) and Address(s) of Applicant(s):
Eveready Battery Company, Inc.
533 Maryville University Drive St Louis Missouri 63164 United States of America
(72) Name(s) of Designer(s): **Scott W. Osiecki and David J. Hine**
(45) Registration Date: **16 April 2007**
(30) Convention priority data:
(31) Number (32) Date (33) Country
29/263173 18 Jul 2006 UNITED STATES OF AMERICA
(56) Related Art Documents: **Not Applicable**
(57) Statement of Newness and Distinctiveness: **Nil**



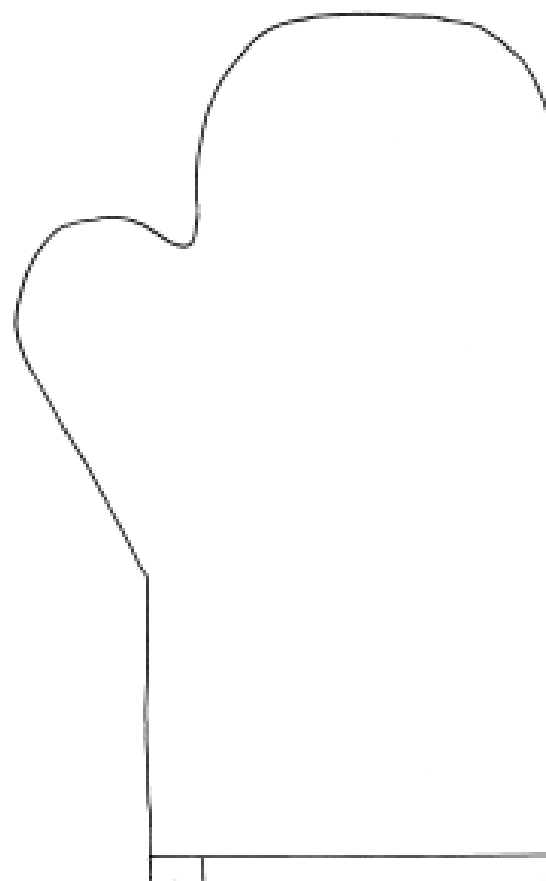
(21) Design Number: **15984/2007**
(22) Date of Filing Application: **15 January 2007**
(24) Date from which industrial property rights may have effect: **15 January 2007**
(54) Product in respect of which the design is registered: **A flashlight (2AA husky retractable carabiner light)**
(51) International Design Classification: **26-02**
(71) Name(s) and Address(s) of Applicant(s):
Eveready Battery Company, Inc.
533 Maryville University Drive St Louis Missouri 63164 United States of America
(72) Name(s) of Designer(s): **Scott W. Osiecki and David J. Hine and Tyler T. Watson**
(45) Registration Date: **16 April 2007**
(30) Convention priority data:
(31) Number (32) Date (33) Country
29/263170 18 Jul 2006 UNITED STATES OF AMERICA
(56) Related Art Documents: **Not Applicable**
(57) Statement of Newness and Distinctiveness: **Nil**



- (21) Design Number: **15985/2007**
(22) Date of Filing Application: **15 January 2007**
(24) Date from which industrial property rights may have effect: **15 January 2007**
(54) Product in respect of which the design is registered: **A flashlight (husky swivel head light)**
(51) International Design Classification: **26-02, 12-16E**
(71) Name(s) and Address(s) of Applicant(s):
Eveready Battery Company, Inc.
533 Maryville University Drive St Louis Missouri 63164 United States of America
(72) Name(s) of Designer(s): **Scott W. Osiecki and David J. Hine**
(45) Registration Date: **16 April 2007**
(30) Convention priority data:
(31) Number (32) Date (33) Country
29/263171 18 Jul 2006 UNITED STATES OF AMERICA
(56) Related Art Documents: **Not Applicable**
(57) Statement of Newness and Distinctiveness: **Nil**



- (21) Design Number: **15986/2007**
(22) Date of Filing Application: **15 January 2007**
(24) Date from which industrial property rights may have effect: **15 January 2007**
(54) Product in respect of which the design is registered: **Handy bag or hand-e-bag**
(51) International Design Classification: **03-01B**
(71) Name(s) and Address(s) of Applicant(s):
Makim Pty Ltd
1/484-486 Princes Highway Gymea New South Wales 2227 Australia
(72) Name(s) of Designer(s): **Matthew George and Kimberley George**
(45) Registration Date: **16 April 2007**
(56) Related Art Documents: **Not Applicable**
(57) Statement of Newness and Distinctiveness: **A disposable bag in the shape of an outline of a hand. It will be sealable at the opening after use.**



(21) Design Number: **15988/2007**
 (22) Date of Filing Application: **15 January 2007**
 (24) Date from which industrial property rights may have effect: **15 January 2007**
 (54) Product in respect of which the design is registered: **Footwear**
 (51) International Design Classification: **02-04NES**
 (71) Name(s) and Address(s) of Applicant(s):
Vibram USA, Inc.
9 Damon Mill Square Suite H3 Concord 01742#2842 MA United States of America
 (72) Name(s) of Designer(s): **Robert Fliri**
 (45) Registration Date: **16 April 2007**
 (30) Convention priority data:

(31) Number	(32) Date	(33) Country
29/263,073	15 Jul 2006	UNITED STATES OF AMERICA

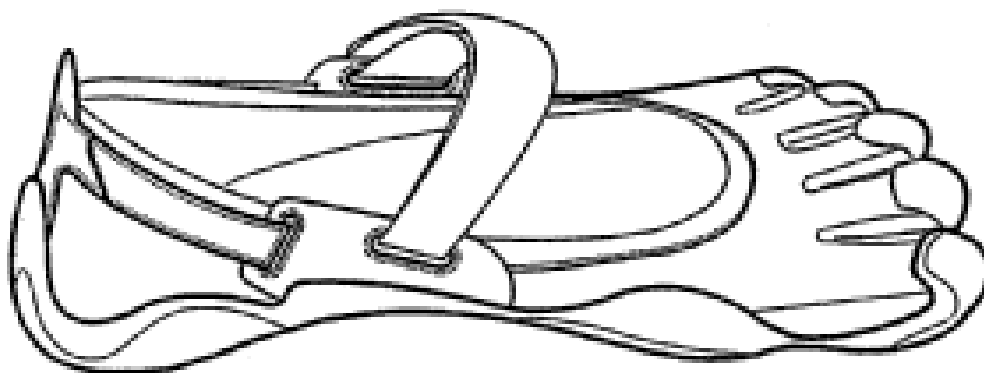
 (56) Related Art Documents: **Not Applicable**
 (57) Statement of Newness and Distinctiveness: **Newness and distinctiveness resides in the shape and/or configuration of footwear as shown in the accompanying representations. When interpreting the scope of protection, the logo and symbols shown in the bottom plan view are to be disregarded.**



(21) Design Number: **15989/2007**
 (22) Date of Filing Application: **15 January 2007**
 (24) Date from which industrial property rights may have effect: **15 January 2007**
 (54) Product in respect of which the design is registered: **Footwear**
 (51) International Design Classification: **02-04NES**
 (71) Name(s) and Address(s) of Applicant(s):
Vibram USA, Inc.
9 Damon Mill Square Suite H3 Concord 01742#2842 MA United States of America
 (72) Name(s) of Designer(s): **Robert Fliri**
 (45) Registration Date: **16 April 2007**
 (30) Convention priority data:

(31) Number	(32) Date	(33) Country
29/263,073	15 Jul 2006	UNITED STATES OF AMERICA

 (56) Related Art Documents: **Not Applicable**
 (57) Statement of Newness and Distinctiveness: **Newness and distinctiveness resides in the shape and/or configuration of footwear as shown in the accompanying representations. When interpreting the scope of protection, the logo and symbols shown in the bottom plan view are to be disregarded.**



- (21) Design Number: **15990/2007**
- (22) Date of Filing Application: **15 January 2007**
- (24) Date from which industrial property rights may have effect: **15 January 2007**
- (54) Product in respect of which the design is registered: **A stylus pen**
- (51) International Design Classification: **19-06**
- (71) Name(s) and Address(s) of Applicant(s):

Nintendo Co. Ltd
11-1 Hokotate-cho Kamitoba Minami-ku Kyoto-shi Kyoto Japan

- (72) Name(s) of Designer(s): **Kazuhiro Maruyama**

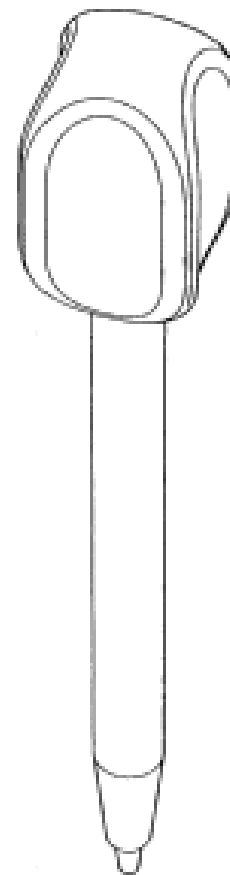
- (45) Registration Date: **16 April 2007**

- (30) Convention priority data:

(31) Number	(32) Date	(33) Country
2006#030040	02 Nov 2006	JAPAN

- (56) Related Art Documents: **Not Applicable**

- (57) Statement of Newness and Distinctiveness: **Nil**



- (21) Design Number: **15991/2007**
- (22) Date of Filing Application: **15 January 2007**
- (24) Date from which industrial property rights may have effect: **15 January 2007**
- (54) Product in respect of which the design is registered: **A support base for a stand for an electronic game machine**
- (51) International Design Classification: **20-02E, 21-03**
- (71) Name(s) and Address(s) of Applicant(s):

Nintendo Co. Ltd
11-1 Hokotate-cho Kamitoba Minami-ku Kyoto-shi Kyoto Japan

- (72) Name(s) of Designer(s): **Kenichiro Ashida and Junji Takamoto and Noboru Wakitani and Masato Ibuki and Shinji Yamamoto and Fumiyoshi Suetake and Akiko Suga**

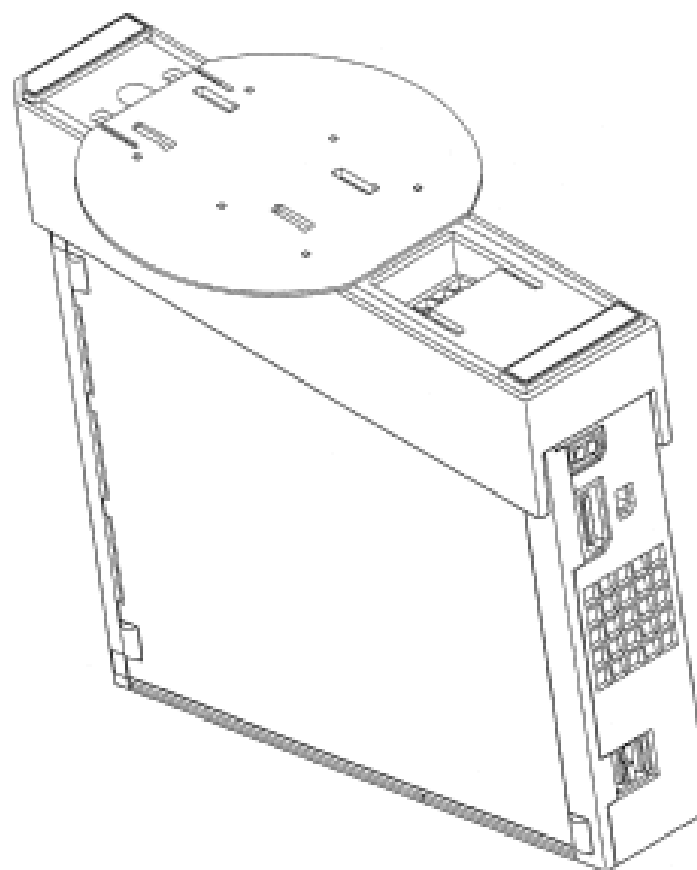
- (45) Registration Date: **16 April 2007**

- (30) Convention priority data:

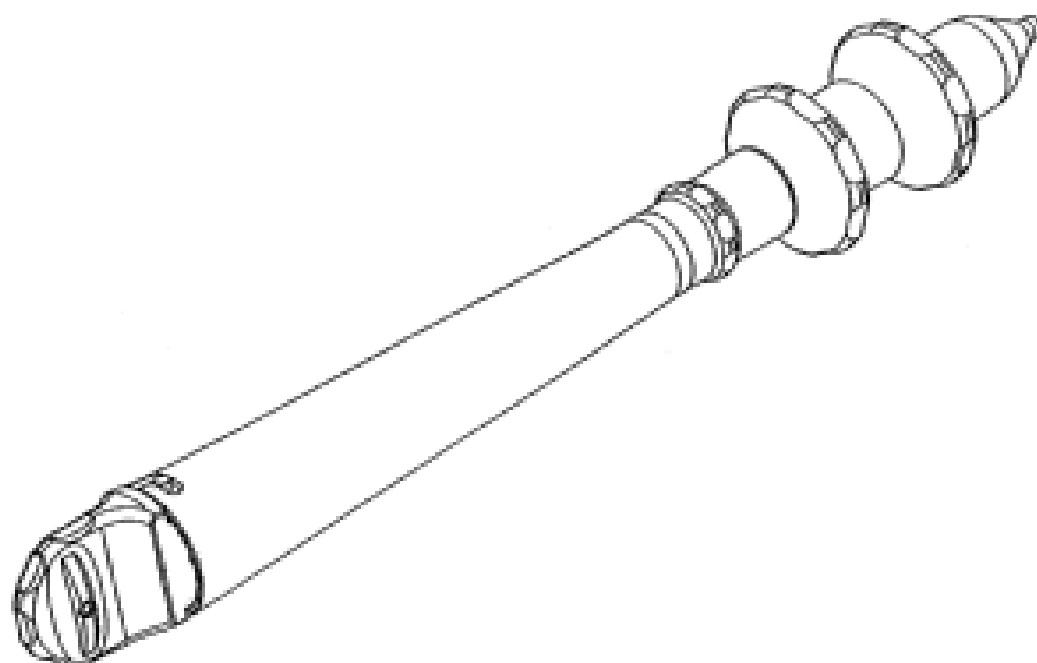
(31) Number	(32) Date	(33) Country
2006#025689	26 Sep 2006	JAPAN

- (56) Related Art Documents: **Not Applicable**

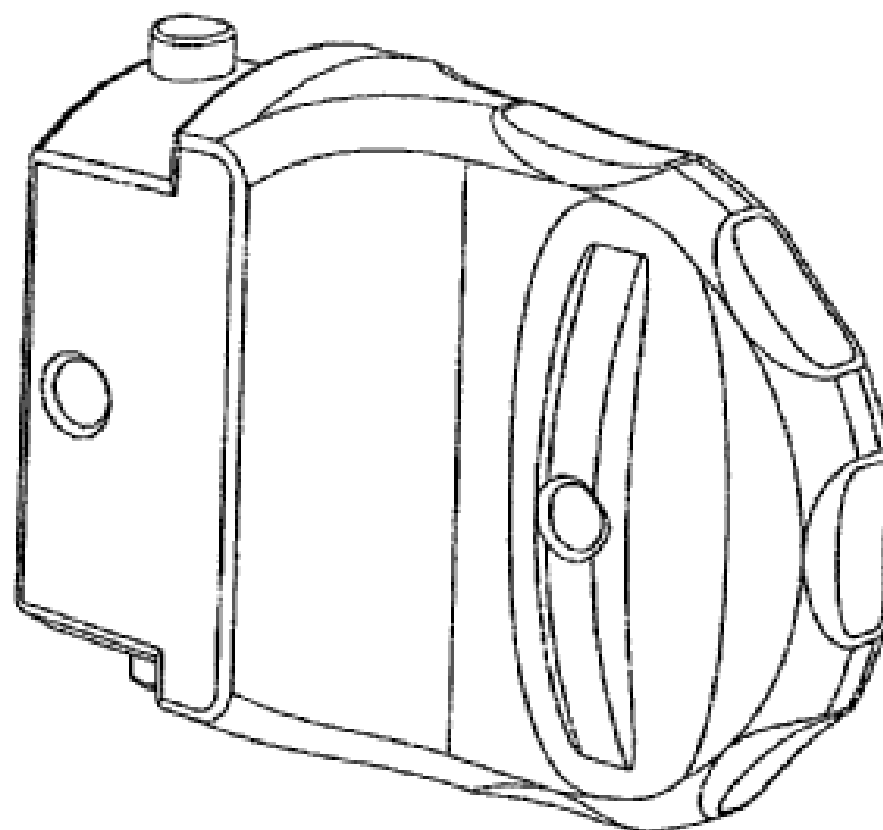
- (57) Statement of Newness and Distinctiveness: **Nil**



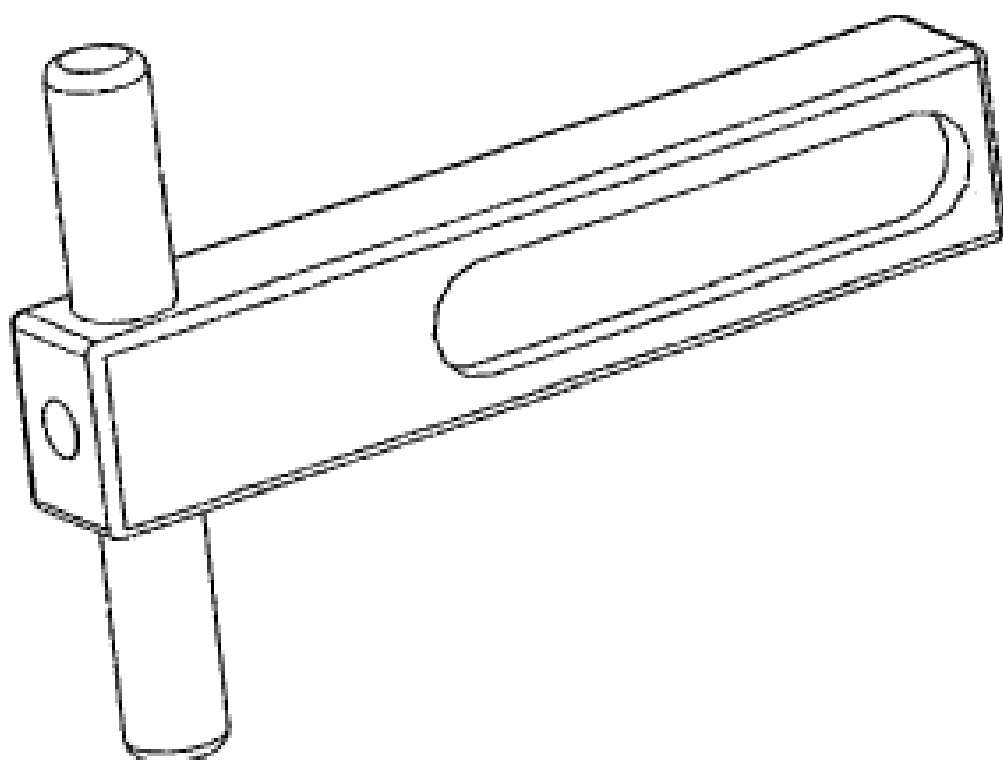
(21) Design Number: **16005/2007**
(22) Date of Filing Application: **16 January 2007**
(24) Date from which industrial property rights may have effect: **16 January 2007**
(54) Product in respect of which the design is registered: **Catheter handle**
(51) International Design Classification: **24-02**
(71) Name(s) and Address(s) of Applicant(s):
CathRx Ltd
Suite 111 Nat. Innovation Ctr Australian Technology Park Eveleigh
New South Wales 1430 Australia
(72) Name(s) of Designer(s): **Neil Lawrence Anderson and Evan Chong and Paul Turner**
(45) Registration Date: **16 April 2007**
(30) Convention priority data:
(31) Number (32) Date (33) Country
29/264148 04 Aug 2006 UNITED STATES OF AMERICA
(56) Related Art Documents: **Not Applicable**
(57) Statement of Newness and Distinctiveness: **Newness and distinctiveness reside in the features of the design as shown in the representations.**



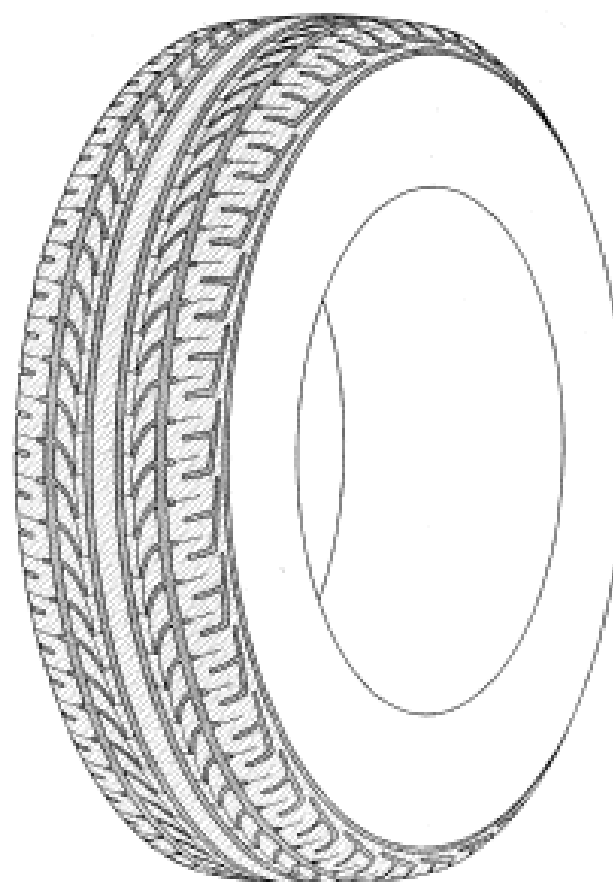
(21) Design Number: **16006/2007**
(22) Date of Filing Application: **16 January 2007**
(24) Date from which industrial property rights may have effect: **16 January 2007**
(54) Product in respect of which the design is registered: **Catheter handle control knob**
(51) International Design Classification: **24-02**
(71) Name(s) and Address(s) of Applicant(s):
CathRx Ltd
Suite 111 Nat. Innovation Ctr Australian Technology Park Eveleigh
New South Wales 1430 Australia
(72) Name(s) of Designer(s): **Neil Lawrence Anderson and Evan Chong and Paul Turner**
(45) Registration Date: **16 April 2007**
(30) Convention priority data:
(31) Number (32) Date (33) Country
29/264205 04 Aug 2006 UNITED STATES OF AMERICA
(56) Related Art Documents: **Not Applicable**
(57) Statement of Newness and Distinctiveness: **Newness and distinctiveness reside in the features of the design as shown in the representations.**



(21) Design Number: **16007/2007**
 (22) Date of Filing Application: **16 January 2007**
 (24) Date from which industrial property rights may have effect: **16 January 2007**
 (54) Product in respect of which the design is registered: **Catheter handle component**
 (51) International Design Classification: **24-02**
 (71) Name(s) and Address(s) of Applicant(s):
CathRx Ltd
Suite 111 Nat. Innovation Ctr Australian Technology Park Eveleigh
New South Wales 1430 Australia
 (72) Name(s) of Designer(s): **Neil Lawrence Anderson and Evan Chong and Paul Turner**
 (45) Registration Date: **16 April 2007**
 (30) Convention priority data:
 (31) Number (32) Date (33) Country
29/264206 04 Aug 2006 UNITED STATES OF AMERICA
 (56) Related Art Documents: **Not Applicable**
 (57) Statement of Newness and Distinctiveness: **Newness and distinctiveness reside in the features of the design as shown in the representations.**



(21) Design Number: **16008/2007**
 (22) Date of Filing Application: **16 January 2007**
 (24) Date from which industrial property rights may have effect: **16 January 2007**
 (54) Product in respect of which the design is registered: **Tyre**
 (51) International Design Classification: **12-15B**
 (71) Name(s) and Address(s) of Applicant(s):
The Goodyear Tire & Rubber Company
1144 East Market Street Akron Ohio 44316-0001 United States of America
 (72) Name(s) of Designer(s): **Michel Pierre Charles Robert and Christian Labbe and Paul Welbes and William Urbano Villamizar**
 (45) Registration Date: **16 April 2007**
 (30) Convention priority data:
 (31) Number (32) Date (33) Country
29/263689 27 Jul 2006 UNITED STATES OF AMERICA
 (56) Related Art Documents: **Not Applicable**
 (57) Statement of Newness and Distinctiveness: **Newness and distinctiveness is claimed in the features of shape and/or configuration of the tread of a tyre as illustrated in the accompanying representations, wherein the shape and/or configuration of the tread is repeated throughout the circumference of the tyre.**



- (21) Design Number: **16423/2007**
- (22) Date of Filing Application: **15 February 2007**
- (24) Date from which industrial property rights may have effect: **15 February 2007**
- (54) Product in respect of which the design is registered: **Paint roller tray**
- (51) International Design Classification: **08-05L**
- (71) Name(s) and Address(s) of Applicant(s):

M. Ware
55 Salisbury Drive Nowra New South Wales 2541 Australia

(72) Name(s) of Designer(s): **M. Ware**

(45) Registration Date: **16 April 2007**

(56) Related Art Documents: **Not Applicable**

(57) Statement of Newness and Distinctiveness: **This paint roller tray design amalgamates distinctive shapes and deliberate angles that consolidate the visual features of this design. This unique configuration of shapes and angles was developed to enhance safety and productivity. This design is a collaboration of two interactive but autonomous component shapes. Design components: view 1/5 - 2/5 Ref 1/5 The paint roller tray housing. Ref 2/5 The paint roller tray. This design employs three distinctive function modes: detached/open/closed. Detached mode: view 1/5 - 2/5 This design mode provides access for cleaning and servicing. Open mode: view 3/5 This design mode provides a fixed working platform and access for loading the paint. Closed mode: view 4/5 This design mode provides a reasonably air tight housing that increases the working life of the paint by reducing the air flow around the paint. This design mode allows the paint the roller and the roller frame to be secured within the housing in a vertical position. The distinctive forms and functional features of this design increases productivity and reduces the occupational health and safety issues generally associated when painting with rollers. The strong clean lines and the geometric simplicity of this design is another distinguishing visual feature that makes this design unique.**



- (21) Design Number: **16460/2007**
- (22) Date of Filing Application: **19 February 2007**
- (24) Date from which industrial property rights may have effect: **19 February 2007**
- (54) Product in respect of which the design is registered: **Class 16: Calendars, posters, diaries, journals, stationery, educational materials and other printed matter**
- (51) International Design Classification: **19-03**
- (71) Name(s) and Address(s) of Applicant(s):

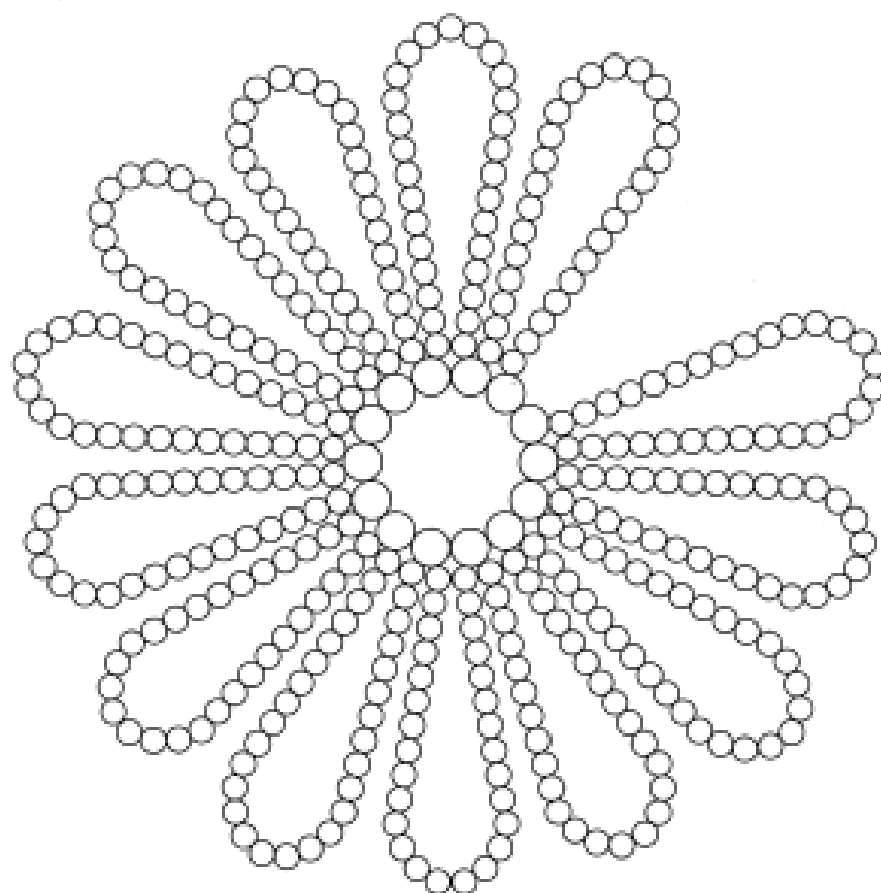
Sally Diamond
25 Coventry Street Hawthorne Queensland 4171 Australia

(72) Name(s) of Designer(s): **Sally Diamond**

(45) Registration Date: **16 April 2007**

(56) Related Art Documents: **Not Applicable**

(57) Statement of Newness and Distinctiveness: **The "Moon Blossom Calendar" template is a new and distinctive way to look at a calendar year, and the phases of the moon, at a glance in one graphic. Source of design information: The "mbc/moonloop" is an annual calendar, based on astronomical calculation and designed around the lunar cycle, the cycle of the phases of the moon. The Common Era International Calendar is a solar calendar measuring units of time; calendar days, weeks, months and years based on the solar cycle or the cycle of the seasons, it is a measurement of time that it takes the sun to appear to travel around the sky from a given point back to that same point, January 1st - December 31st. The "mbc/moonloop" will use this Common Era International Calendar annual unit of measurement of 12 months as a time measurement reference, however each individual month will commence at the beginning of a new moon, with each new moon commencing a new lunar month. Therefore in summary the "mbc/moonloop" will be measuring months defined in lunar cycles as well as years measured in solar cycles. Individual Design Pattern: A lunation, the passage of the moon from one new moon to the next will be displayed in the shape of a loop with an anchoring point of two new moons. Each new moon symbolizes the beginning and ending of a lunar month. Each loop is a configuration of individual circles that represent individual days. The formation of a loop represents a lunar month. Each loop will be designed in accordance with the cycles of the moon and therefore due to the irregular motion of the moon each lunar month will vary between 28 and 29 days. The number of loops in the design will be determined by using Common Era International Calendar to determine how many lunations of**



the moon will cycle within the unit of measurement that forms an Common Era International Calendar, 12 months. Once the number of loops, and the duration of each loop have been calculated, they will be designed in the "mbc/moonloop" pattern. This pattern resembles a flower. The centring points are the new moons of the lunar cycle that happen concurrently within the year of the Common Era International Calendar. From the inner circle of new moons, a design in the shape of a petal will be anchored from each new moon to form a lunar month. Each loop, or petal, is a group of circles joined side by side, each circle calender day, week, month and year.

(12) AUSTRALIAN REGISTERED DESIGN
(19) AU

(11) AU-S- 313627

(21) Design Number: **16461/2007**

(22) Date of Filing Application: **19 February 2007**

(24) Date from which industrial property rights may have effect: **19 February 2007**

(54) Product in respect of which the design is registered: **Class 16: Calendars, posters, diaries, journals, stationery, educational materials and other printed matter**

(51) International Design Classification: **19-03**

(71) Name(s) and Address(s) of Applicant(s):

Sally Diamond

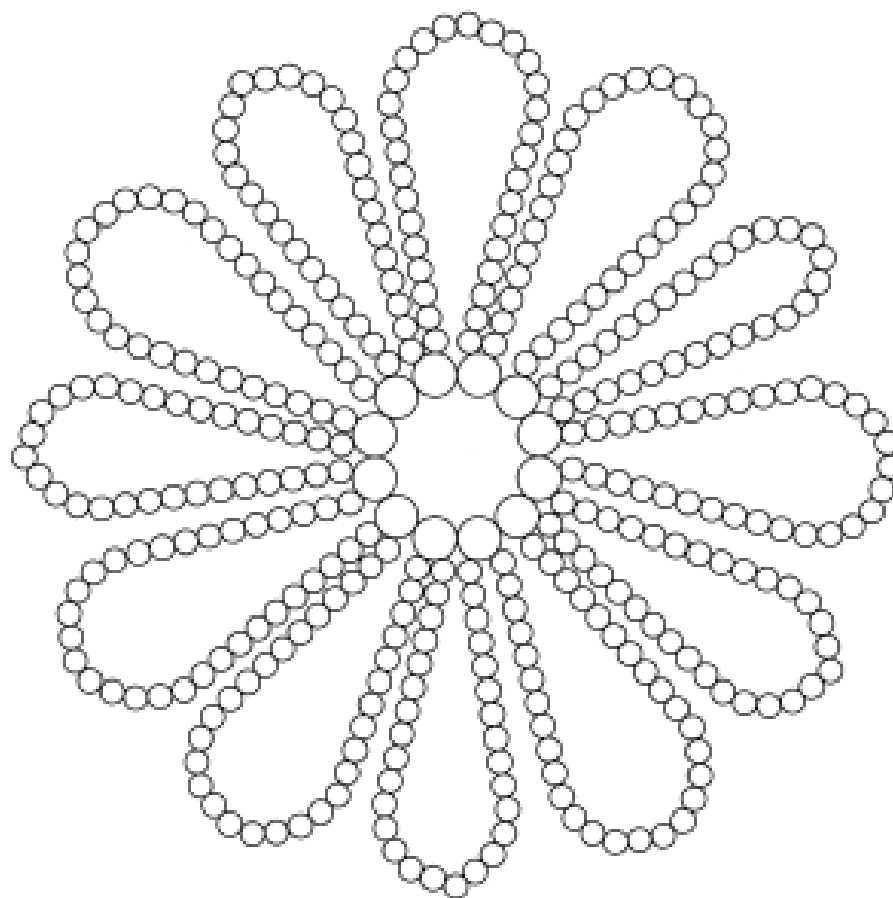
25 Coventry Street Hawthorne Queensland 4171 Australia

(72) Name(s) of Designer(s): **Sally Diamond**

(45) Registration Date: **16 April 2007**

(56) Related Art Documents: **Not Applicable**

(57) Statement of Newness and Distinctiveness: **The "Moon Blossom Calendar" template is a new and distinctive way to look at a calendar year, and the phases of the moon, at a glance in one graphic. Source of design information: The "mbc/monthloop" is an annual calendar, designed with the lunar cycle, the cycle of the phases of the moon incorporated into the Common Era International Calendar year. The Common Era International Calendar is a solar calendar measuring units of time; calendar days, weeks, months, and years based on the solar cycle or the cycle of the seasons, it is a measurement of time that it takes the sun to appear to travel around the sky from a given point back to that same point, Jan 1st-Dec 31st. The "mbc/monthloop" will use the Common Era International Calendar annual unit of measurement, 12 months as a time frame, however each individual calendar month will also show the coinciding phases of the lunar month within the Common Era International Calendar day, week, month and therefore year. In summary the "mbc/monthloop" will be measuring months defined in solar cycles as well as demonstrating lunar months and cycles within the annual Common Era International Calendar. Individual design pattern: The "mbc/monthloop" calendar month will be displayed in the shape of a loop with an anchoring point of a circle to demonstrate the current month. Each loop will be designed in accordance with the duration of the month within the year and therefore due to the changing days within each month, loop lengths will vary between 28, 29, 30 and 31 days. (April/June/September/November all have 30 days, Janaury/March/May/July/August/October/December all have 31 days and February has 28 or 29 days depending on the year). The**

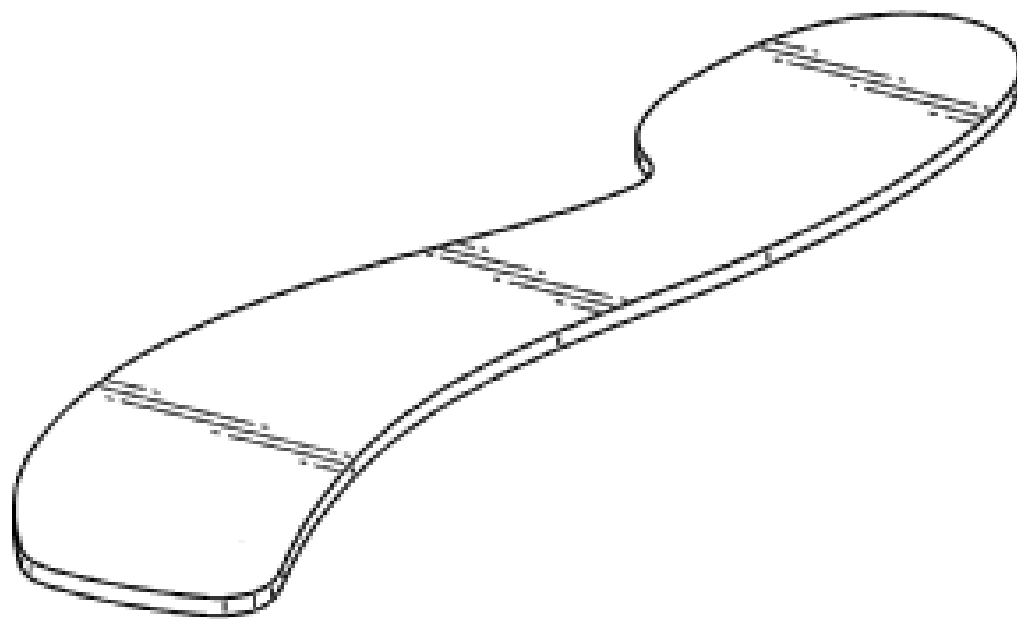


"mbc/monthloop" annual calendar pattern resembles a flower with the centring points being the 12 months of a solar cycle, January - December. Each month is represented by a larger circle; these circles join to create a large inner circle that forms the anchoring point for the 12 individual month loops, or petals. Each petal is made up of smaller circles all of the same size, these circles represent the individual calendar days within a calendar month, side by side in the pattern of a loop. Concurrently within the "mbc/monthloop" annual calendar design, the phases of the moon will also be graphically demonstrated. lines coming from one central point.

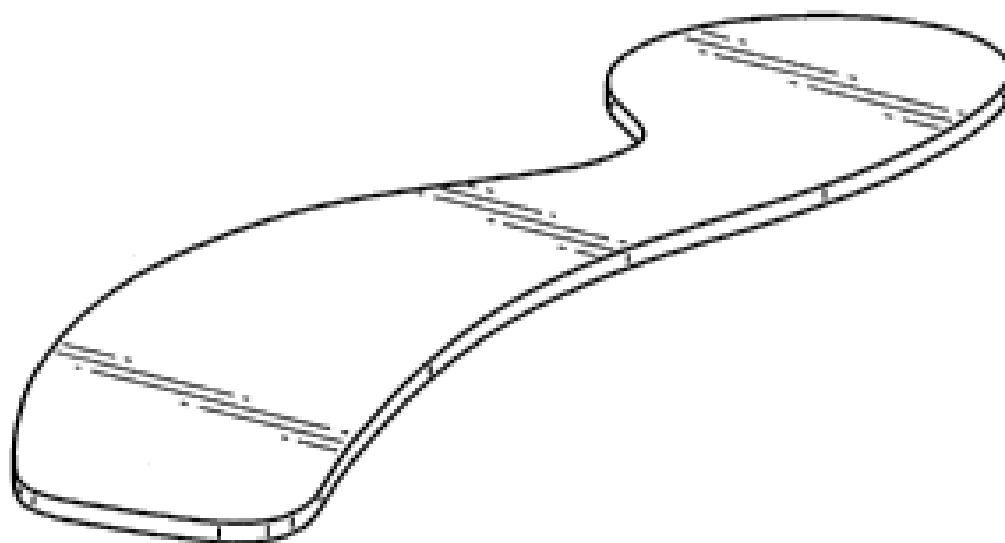
(12) AUSTRALIAN REGISTERED DESIGN
(19) AU

(11) AU-S- 313628

-
- (21) Design Number: **17259/2007**
(22) Date of Filing Application: **30 March 2007**
(24) Date from which industrial property rights may have effect: **30 March 2007**
(54) Product in respect of which the design is registered: **Depilatory device**
(51) International Design Classification: **28-03NES**
(71) Name(s) and Address(s) of Applicant(s):
Reckitt Benckiser (UK) Limited
103-105 Bath Road Slough Berkshire SL1 3UH United Kingdom
(72) Name(s) of Designer(s): **Bruno Lablaine**
(45) Registration Date: **16 April 2007**
(30) Convention priority data:
(31) Number (32) Date (33) Country
000601943#0001 06 Oct 2006 EUROPEAN COMMUNITY
(56) Related Art Documents: **Not Applicable**
(57) Statement of Newness and Distinctiveness: **Newness and distinctiveness reside in the features of the design as shown in the representations.**



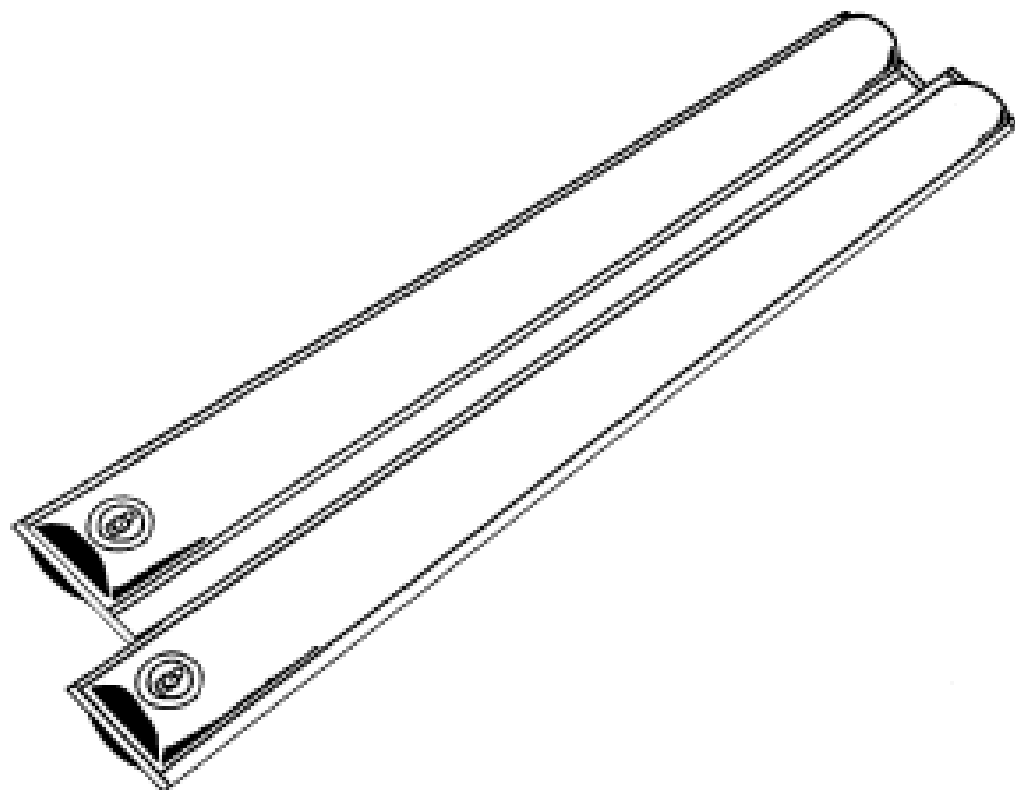
- (21) Design Number: **17260/2007**
(22) Date of Filing Application: **30 March 2007**
(24) Date from which industrial property rights may have effect: **30 March 2007**
(54) Product in respect of which the design is registered: **Depilatory device**
(51) International Design Classification: **28-03NES**
(71) Name(s) and Address(s) of Applicant(s):
Reckitt Benckiser (UK) Limited
103-105 Bath Road Slough Berkshire SL1 3UH United Kingdom
(72) Name(s) of Designer(s): **Bruno Lablaine**
(45) Registration Date: **16 April 2007**
(30) Convention priority data:
(31) Number (32) Date (33) Country
000601943#0002 06 Oct 2006 EUROPEAN COMMUNITY
(56) Related Art Documents: **Not Applicable**
(57) Statement of Newness and Distinctiveness: **Newness and distinctiveness reside in the features of the design as shown in the representations.**



- (21) Design Number: **17263/2007**
(22) Date of Filing Application: **03 April 2007**
(24) Date from which industrial property rights may have effect: **03 April 2007**
(54) Product in respect of which the design is registered: **6 speed gear shifter**
(51) International Design Classification: **12-16NES**
(71) Name(s) and Address(s) of Applicant(s):
Peter Gruber
PO Box 2407 Melton South Victoria 3338 Australia
(72) Name(s) of Designer(s): **Peter Gruber**
(45) Registration Date: **16 April 2007**
(56) Related Art Documents: **Not Applicable**
(57) Statement of Newness and Distinctiveness: **All features of this design are 100% new and distinctive.**



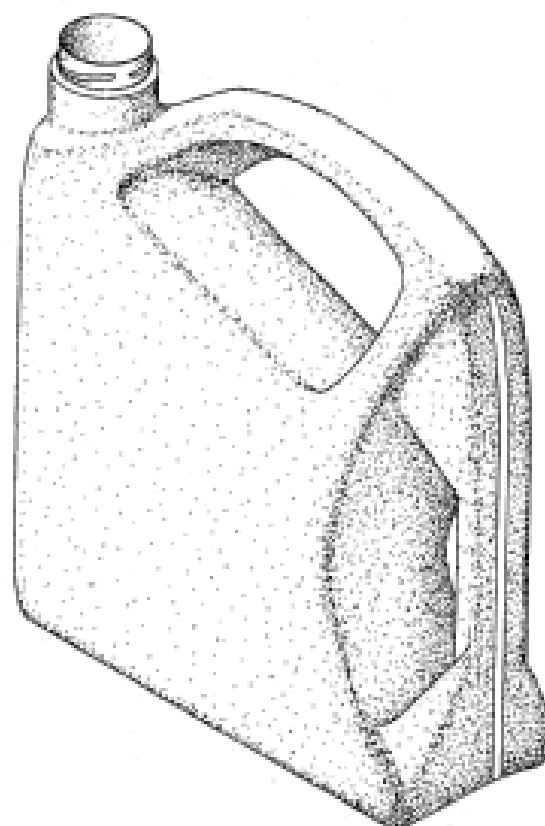
- (21) Design Number: **16198/2007**
(22) Date of Filing Application: **01 February 2007**
(24) Date from which industrial property rights may have effect: **01 February 2007**
(54) Product in respect of which the design is registered: **Draught excluder**
(51) International Design Classification: **08-09**
(71) Name(s) and Address(s) of Applicant(s):
Alarimda Pty Ltd
50 Longview Court Thomastown Victoria 3074 Australia
(72) Name(s) of Designer(s): **Ray McCluskey**
(45) Registration Date: **16 April 2007**
(56) Related Art Documents: **Not Applicable**
(57) Statement of Newness and Distinctiveness: **1. Item is double sided tube shape 2. One side (tube) is shorter at both ends than the other side**



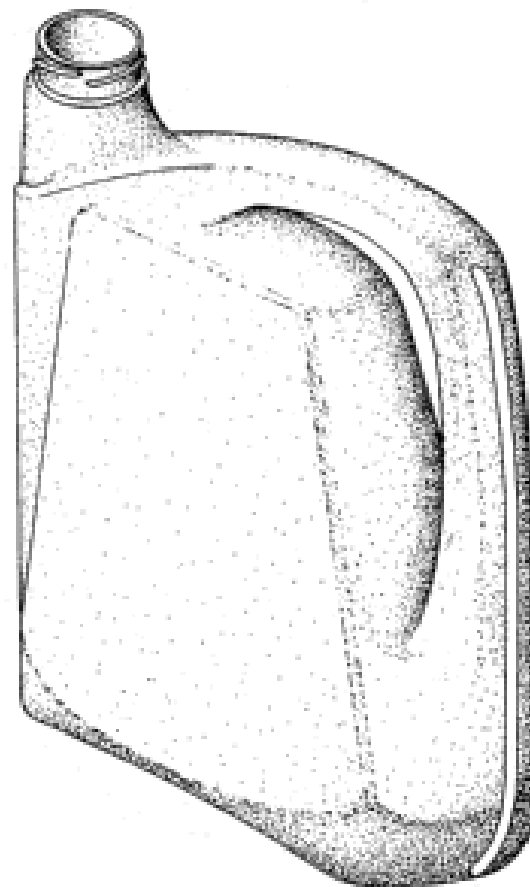
- (21) Design Number: **16207/2007**
(22) Date of Filing Application: **31 January 2007**
(24) Date from which industrial property rights may have effect: **31 January 2007**
(54) Product in respect of which the design is registered: **Container for lubricants**
(51) International Design Classification: **09-01B**
(71) Name(s) and Address(s) of Applicant(s):
Shell Brands International AG
Baarermatte 6340 Baar Switzerland
(72) Name(s) of Designer(s): **Guy Anthony Williams and Timothy Peter James**
(45) Registration Date: **16 April 2007**
(30) Convention priority data:

(31) Number	(32) Date	(33) Country
4000841	13 Dec 2006	UNITED KINGDOM

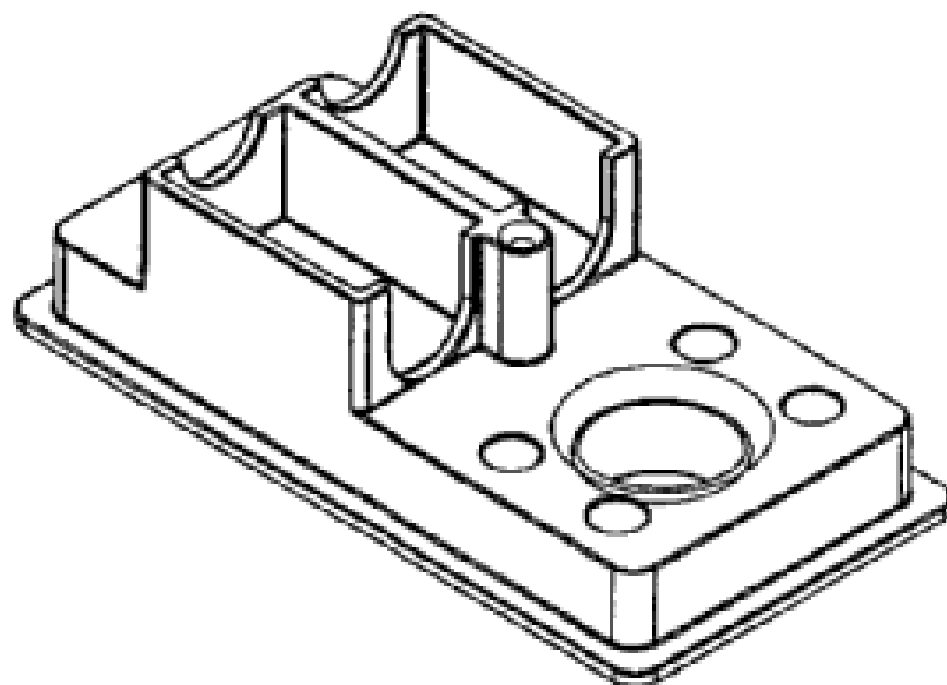
(56) Related Art Documents: **Not Applicable**
(57) Statement of Newness and Distinctiveness: **Nil**



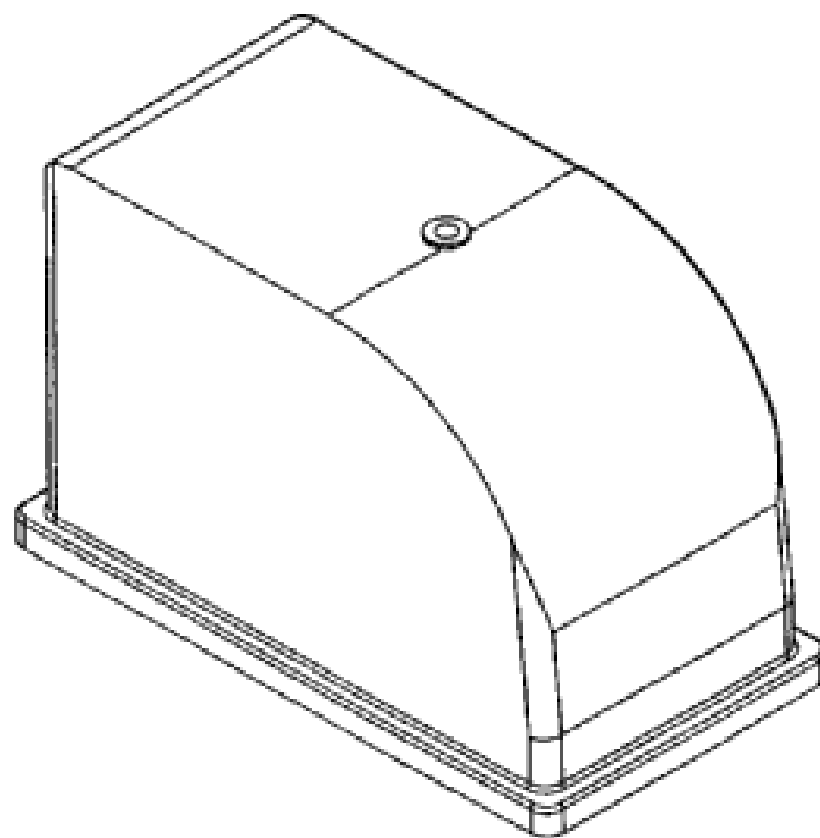
(21) Design Number: **16208/2007**
(22) Date of Filing Application: **31 January 2007**
(24) Date from which industrial property rights may have effect: **31 January 2007**
(54) Product in respect of which the design is registered: **Container for lubricants**
(51) International Design Classification: **09-01B**
(71) Name(s) and Address(s) of Applicant(s):
Shell Brands International AG
Baareratte 6340 Baar Switzerland
(72) Name(s) of Designer(s): **Guy Anthony Williams and Timothy Peter James**
(45) Registration Date: **16 April 2007**
(30) Convention priority data:
(31) Number (32) Date (33) Country
4000842 13 Dec 2006 UNITED KINGDOM
(56) Related Art Documents: **Not Applicable**
(57) Statement of Newness and Distinctiveness: **Nil**



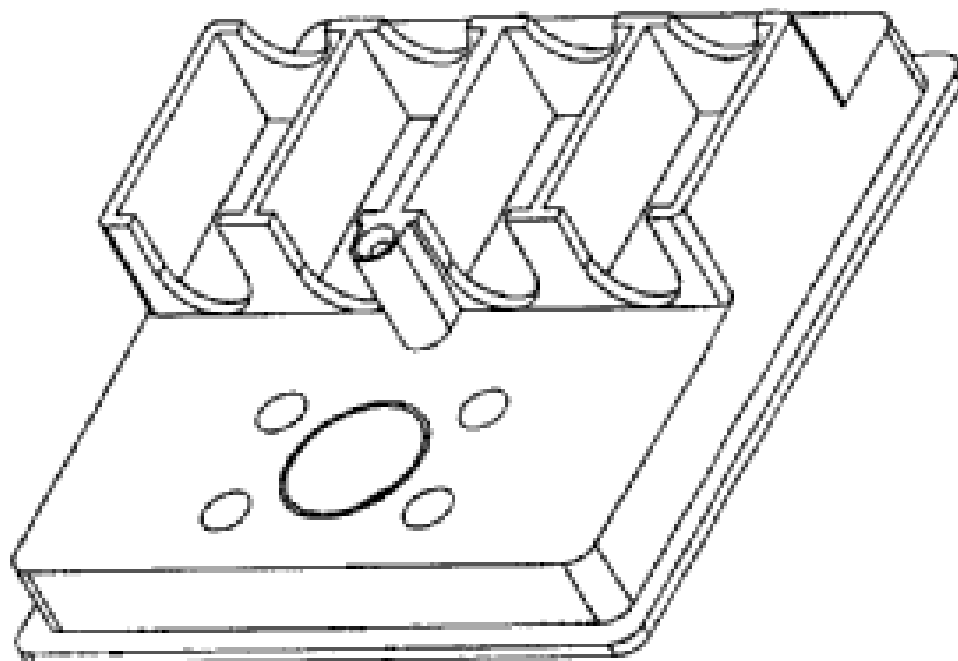
(21) Design Number: **16211/2007**
(22) Date of Filing Application: **31 January 2007**
(24) Date from which industrial property rights may have effect: **31 January 2007**
(54) Product in respect of which the design is registered: **Electrical connection box base**
(51) International Design Classification: **13-03C**
(71) Name(s) and Address(s) of Applicant(s):
Cable Accessories (Australia) Pty. Ltd.
26 Derby Street Silverwater New South Wales 2128 Australia
(72) Name(s) of Designer(s): **Laurance Dahdah**
(45) Registration Date: **16 April 2007**
(56) Related Art Documents: **Not Applicable**
(57) Statement of Newness and Distinctiveness: **Newness and distinctiveness is claimed in the features of shape and/or configuration of an electrical connection box base as illustrated in the accompanying representations.**



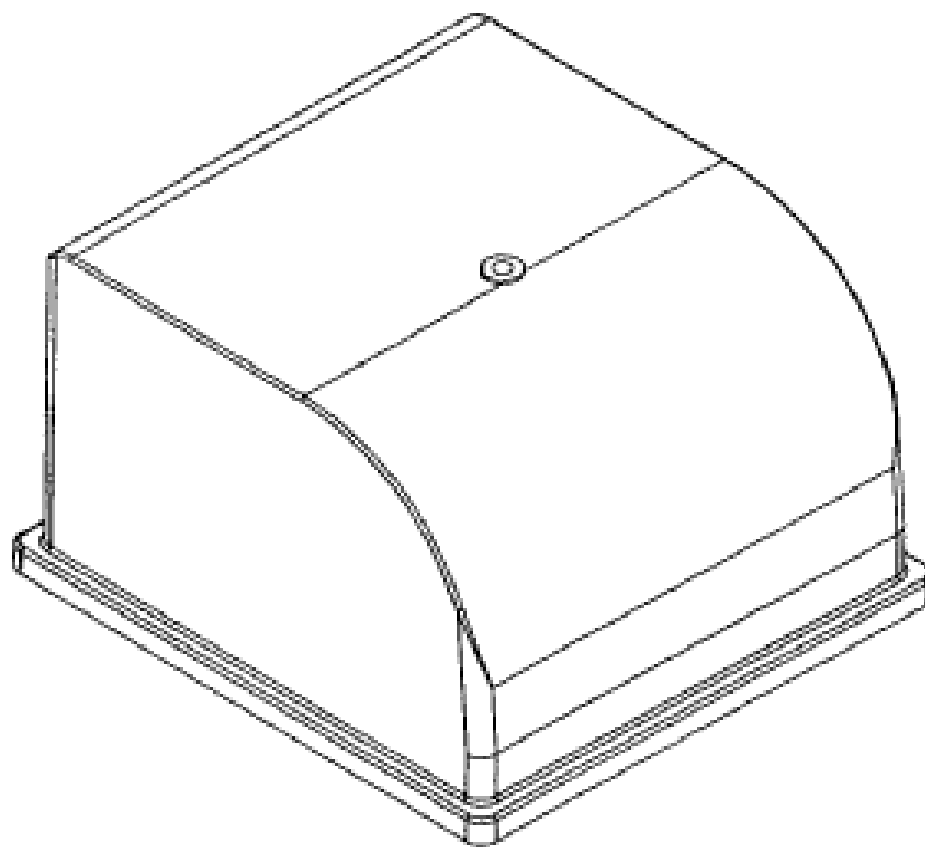
- (21) Design Number: **16212/2007**
(22) Date of Filing Application: **31 January 2007**
(24) Date from which industrial property rights may have effect: **31 January 2007**
(54) Product in respect of which the design is registered: **Electrical connection box cover**
(51) International Design Classification: **13-03C**
(71) Name(s) and Address(s) of Applicant(s):
Cable Accessories (Australia) Pty. Ltd.
26 Derby Street Silverwater New South Wales 2128 Australia
(72) Name(s) of Designer(s): **Laurance Dahdah**
(45) Registration Date: **16 April 2007**
(56) Related Art Documents: **Not Applicable**
(57) Statement of Newness and Distinctiveness: **Newness and distinctiveness is claimed in the features of shape and/or configuration of an electrical connection box cover as illustrated in the accompanying representations.**



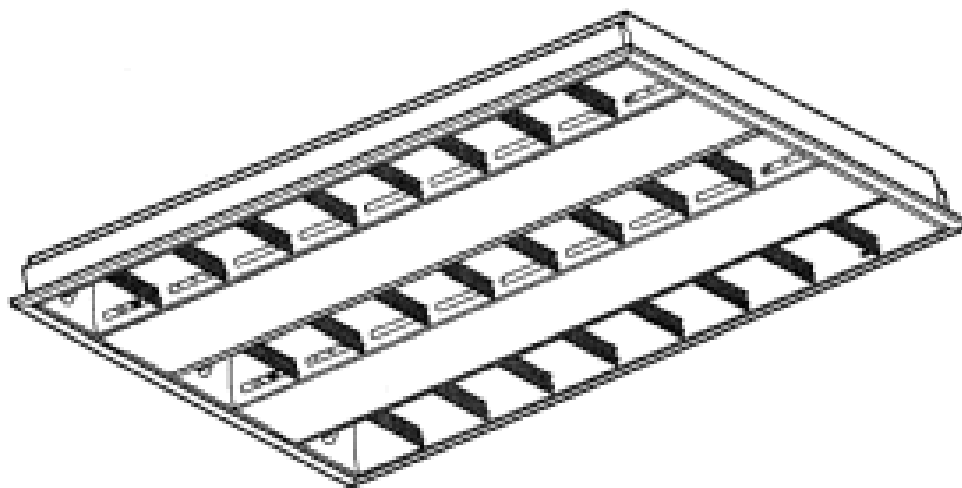
- (21) Design Number: **16213/2007**
(22) Date of Filing Application: **31 January 2007**
(24) Date from which industrial property rights may have effect: **31 January 2007**
(54) Product in respect of which the design is registered: **Electrical connection box base**
(51) International Design Classification: **13-03C**
(71) Name(s) and Address(s) of Applicant(s):
Cable Accessories (Australia) Pty. Ltd.
26 Derby Street Silverwater New South Wales 2128 Australia
(72) Name(s) of Designer(s): **Laurance Dahdah**
(45) Registration Date: **16 April 2007**
(56) Related Art Documents: **Not Applicable**
(57) Statement of Newness and Distinctiveness: **Newness and distinctiveness is claimed in the features of shape and/or configuration of an electrical connection box base as illustrated in the accompanying representations.**



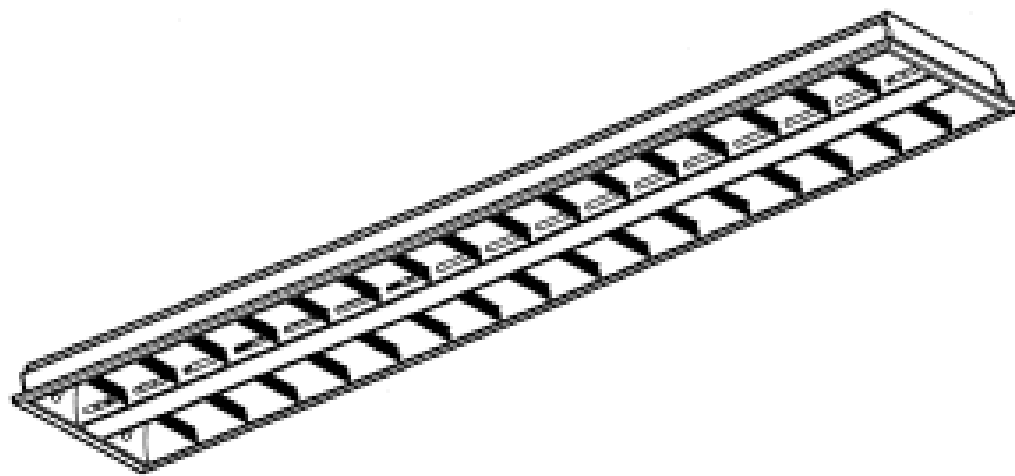
- (21) Design Number: **16214/2007**
(22) Date of Filing Application: **31 January 2007**
(24) Date from which industrial property rights may have effect: **31 January 2007**
(54) Product in respect of which the design is registered: **Electrical connection box cover**
(51) International Design Classification: **13-03C**
(71) Name(s) and Address(s) of Applicant(s):
Cable Accessories (Australia) Pty. Ltd.
26 Derby Street Silverwater New South Wales 2128 Australia
(72) Name(s) of Designer(s): **Laurance Dahdah**
(45) Registration Date: **16 April 2007**
(56) Related Art Documents: **Not Applicable**
(57) Statement of Newness and Distinctiveness: **Newness and distinctiveness is claimed in the features of shape and/or configuration of an electrical connection box cover as illustrated in the accompanying representations.**



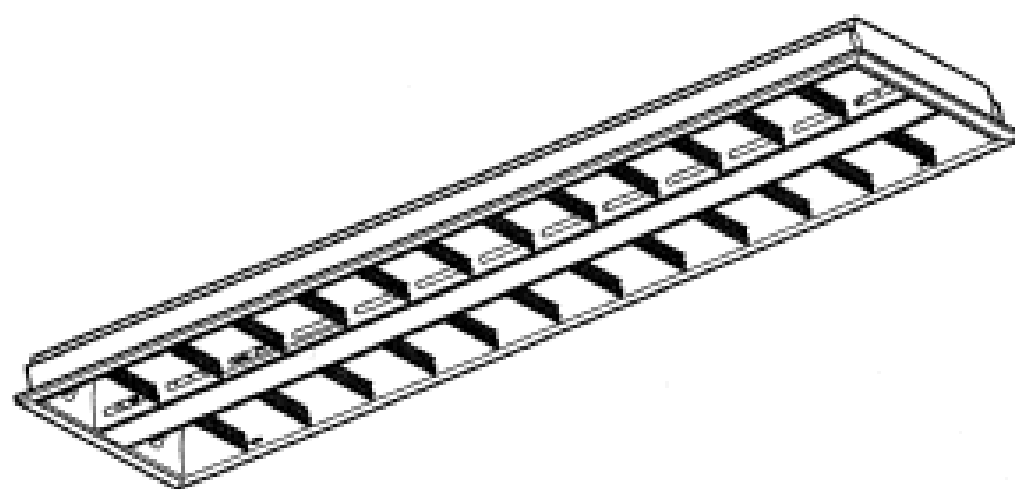
- (21) Design Number: **16215/2007**
(22) Date of Filing Application: **31 January 2007**
(24) Date from which industrial property rights may have effect: **31 January 2007**
(54) Product in respect of which the design is registered: **Luminaire**
(51) International Design Classification: **26-05A**
(71) Name(s) and Address(s) of Applicant(s):
Koninklijke Philips Electronics N.V.
Groenewoudseweg 1 5621 BA Eindhoven The Netherlands
(72) Name(s) of Designer(s): **Tony C.T. Tseng**
(45) Registration Date: **16 April 2007**
(30) Convention priority data:
(31) Number (32) Date (33) Country
000574199-0004 11 Aug 2006 EUROPEAN COMMUNITY
(56) Related Art Documents: **Not Applicable**
(57) Statement of Newness and Distinctiveness: **Newness and distinctiveness reside in the features of the design as shown in the representations.**



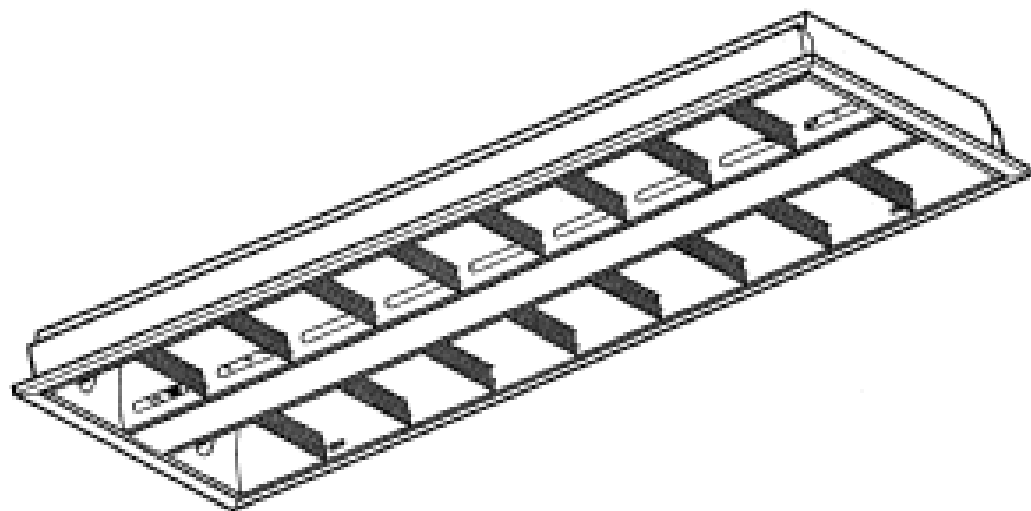
- (21) Design Number: **16216/2007**
(22) Date of Filing Application: **31 January 2007**
(24) Date from which industrial property rights may have effect: **31 January 2007**
(54) Product in respect of which the design is registered: **Luminaire**
(51) International Design Classification: **26-05A**
(71) Name(s) and Address(s) of Applicant(s):
Koninklijke Philips Electronics N.V.
Groenewoudseweg 1 5621 BA Eindhoven The Netherlands
(72) Name(s) of Designer(s): **Tony C.T. Tseng**
(45) Registration Date: **16 April 2007**
(30) Convention priority data:
(31) Number (32) Date (33) Country
000574199-0003 11 Aug 2006 EUROPEAN COMMUNITY
(56) Related Art Documents: **Not Applicable**
(57) Statement of Newness and Distinctiveness: **Newness and distinctiveness reside in the features of the design as shown in the representations.**



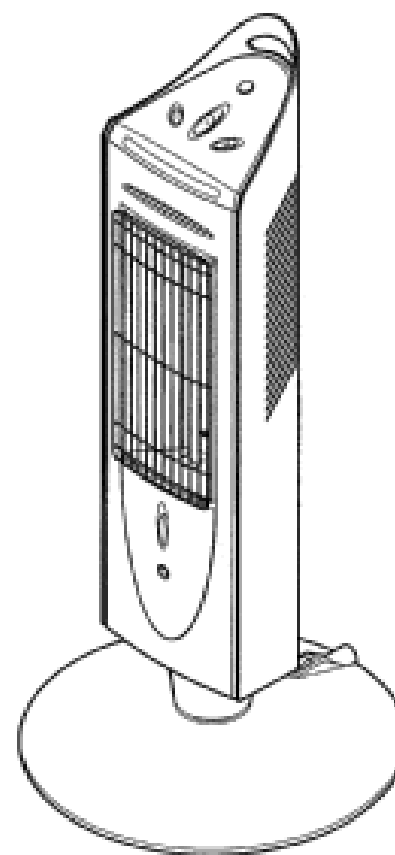
- (21) Design Number: **16217/2007**
(22) Date of Filing Application: **31 January 2007**
(24) Date from which industrial property rights may have effect: **31 January 2007**
(54) Product in respect of which the design is registered: **Luminaire**
(51) International Design Classification: **26-05A**
(71) Name(s) and Address(s) of Applicant(s):
Koninklijke Philips Electronics N.V.
Groenewoudseweg 1 5621 BA Eindhoven The Netherlands
(72) Name(s) of Designer(s): **Tony C.T. Tseng**
(45) Registration Date: **16 April 2007**
(30) Convention priority data:
(31) Number (32) Date (33) Country
000574199-0002 11 Aug 2006 EUROPEAN COMMUNITY
(56) Related Art Documents: **Not Applicable**
(57) Statement of Newness and Distinctiveness: **Newness and distinctiveness reside in the features of the design as shown in the representations.**



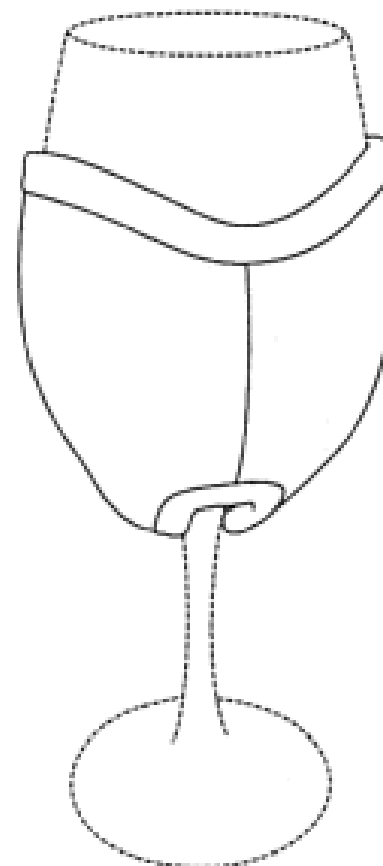
- (21) Design Number: **16218/2007**
(22) Date of Filing Application: **31 January 2007**
(24) Date from which industrial property rights may have effect: **31 January 2007**
(54) Product in respect of which the design is registered: **Luminaire**
(51) International Design Classification: **26-05A**
(71) Name(s) and Address(s) of Applicant(s):
Koninklijke Philips Electronics N.V.
Groenewoudseweg 1 5621 BA Eindhoven The Netherlands
(72) Name(s) of Designer(s): **Tony C.T. Tseng**
(45) Registration Date: **16 April 2007**
(30) Convention priority data:
(31) Number (32) Date (33) Country
000574199-0001 11 Aug 2006 EUROPEAN COMMUNITY
(56) Related Art Documents: **Not Applicable**
(57) Statement of Newness and Distinctiveness: **Newness and distinctiveness reside in the features of the design as shown in the representations.**



- (21) Design Number: **16219/2007**
(22) Date of Filing Application: **31 January 2007**
(24) Date from which industrial property rights may have effect: **31 January 2007**
(54) Product in respect of which the design is registered: **Infra red short wave heater**
(51) International Design Classification: **23-03A**
(71) Name(s) and Address(s) of Applicant(s):
Koninklijke Philips Electronics N.V.
Groenewoudseweg 1 5621 BA Eindhoven The Netherlands
(72) Name(s) of Designer(s): **Beom-Cheol Park**
(45) Registration Date: **16 April 2007**
(30) Convention priority data:
(31) Number (32) Date (33) Country
000571658-0001 04 Aug 2006 EUROPEAN COMMUNITY
(56) Related Art Documents: **Not Applicable**
(57) Statement of Newness and Distinctiveness: **Newness and distinctiveness reside in the features of the design as shown in the representations.**

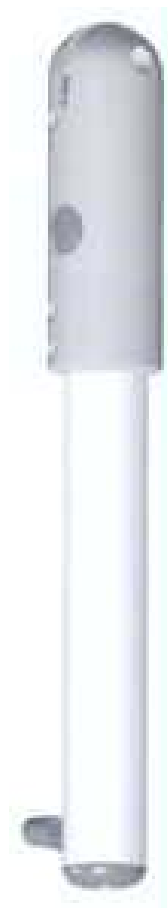


- (21) Design Number: **16220/2007**
- (22) Date of Filing Application: **31 January 2007**
- (24) Date from which industrial property rights may have effect: **31 January 2007**
- (54) Product in respect of which the design is registered: **Wine glass cooler**
- (51) International Design Classification: **07-06NES**
- (71) Name(s) and Address(s) of Applicant(s):
Creative Products Enterprises Pty Limited
68-72 Derby Street Silverwater New South Wales 2128 Australia
- (72) Name(s) of Designer(s): **David Te**
- (45) Registration Date: **16 April 2007**
- (56) Related Art Documents: **Not Applicable**
- (57) Statement of Newness and Distinctiveness: **Newness is claimed in the features of shape and configuration of the wine glass cooler as shown in the accompanying representations.**

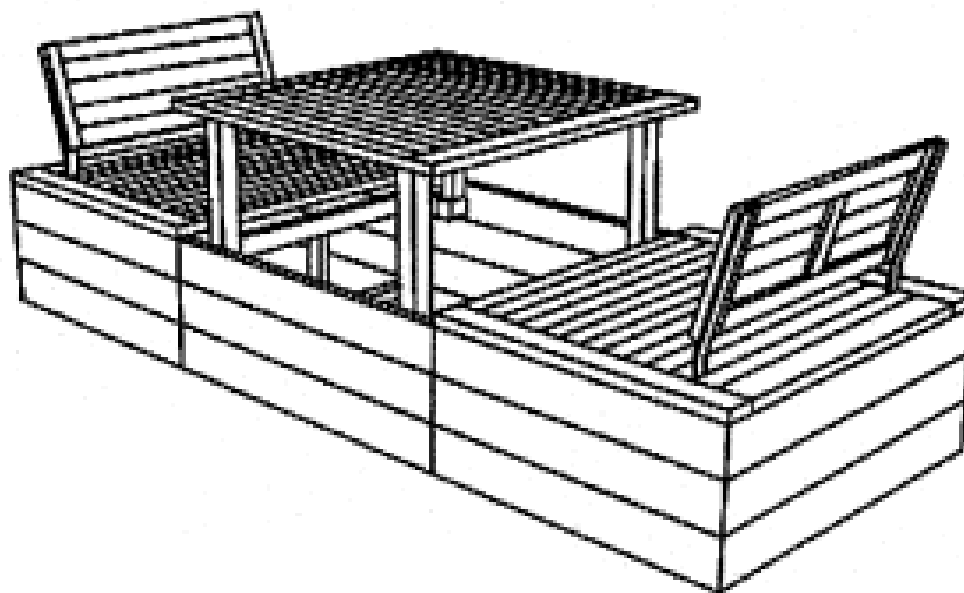


- (21) Design Number: **16222/2007**
- (22) Date of Filing Application: **31 January 2007**
- (24) Date from which industrial property rights may have effect: **31 January 2007**
- (54) Product in respect of which the design is registered: **Portal openers**
- (51) International Design Classification: **08-07**
- (71) Name(s) and Address(s) of Applicant(s):
SOMFY SAS
50 avenue du Nouveau Monde Cluses 74300 France
- (72) Name(s) of Designer(s): **Olivier Charleux**
- (45) Registration Date: **16 April 2007**
- (30) Convention priority data:

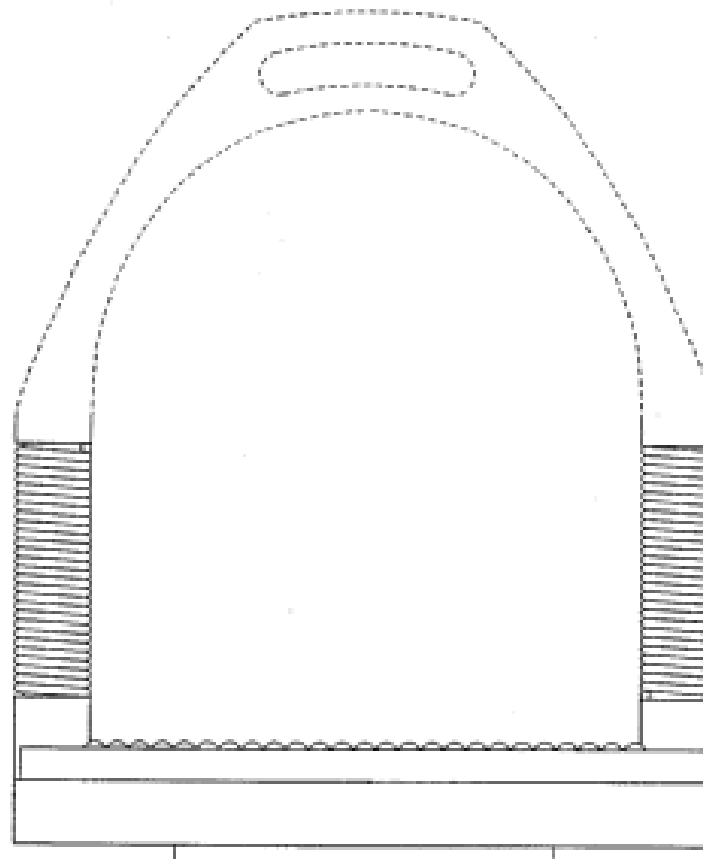
(31) Number	(32) Date	(33) Country
000573860	08 Aug 2006	EUROPEAN COMMUNITY
- (56) Related Art Documents: **Not Applicable**
- (57) Statement of Newness and Distinctiveness: **Nil**



(21) Design Number: **16223/2007**
 (22) Date of Filing Application: **01 February 2007**
 (24) Date from which industrial property rights may have effect: **01 February 2007**
 (54) Product in respect of which the design is registered: **Convertible table and chair set**
 (51) International Design Classification: **06-03A, 06-01H**
 (71) Name(s) and Address(s) of Applicant(s):
Design Tray Interior (S) Pte Ltd
Blk 1 Kaki Bukit Avenue 3 #05-24 Building KB-1 Singapore 416087
 (72) Name(s) of Designer(s): **Jacqueline Suah**
 (45) Registration Date: **16 April 2007**
 (30) Convention priority data:
 (31) Number (32) Date (33) Country
D2006/726/A 01 Aug 2006 SINGAPORE
 (56) Related Art Documents: **Not Applicable**
 (57) Statement of Newness and Distinctiveness: **Visual features of the design which are new and distinctive are the features of shape and configuration of a convertible table and chair set as illustrated in the representations.**



(21) Design Number: **16224/2007**
 (22) Date of Filing Application: **31 January 2007**
 (24) Date from which industrial property rights may have effect: **31 January 2007**
 (54) Product in respect of which the design is registered: **Horse stirrup**
 (51) International Design Classification: **30-04**
 (71) Name(s) and Address(s) of Applicant(s):
Action Japan Inc.
Action Japan Bldg. 9-16 Mikagehonmachi 2-chome Higashinada-ku
Kobe-shi Hyogo 658-0046 Japan
 (72) Name(s) of Designer(s): **Keizo Nishimura**
 (45) Registration Date: **16 April 2007**
 (30) Convention priority data:
 (31) Number (32) Date (33) Country
576962-001-004 09 Aug 2006 EUROPEAN COMMUNITY
 (56) Related Art Documents: **Not Applicable**
 (57) Statement of Newness and Distinctiveness: **Newness and distinctiveness resides in the shape or configuration of the horse stirrup shown in the accompanying representations, and in considering the extent of the monopoly protection, the features of the horse stirrup shown in phantom are to be disregarded.**



- (21) Design Number: **16225/2007**
(22) Date of Filing Application: **01 February 2007**
(24) Date from which industrial property rights may have effect: **01 February 2007**
(54) Product in respect of which the design is registered: **Play table with sandbox**
(51) International Design Classification: **06-03NES**
(71) Name(s) and Address(s) of Applicant(s):

Keter Plastic Ltd.
2 Sapir Street Industrial Area 46852 Herzelia Israel

(72) Name(s) of Designer(s): **Charon Blum**

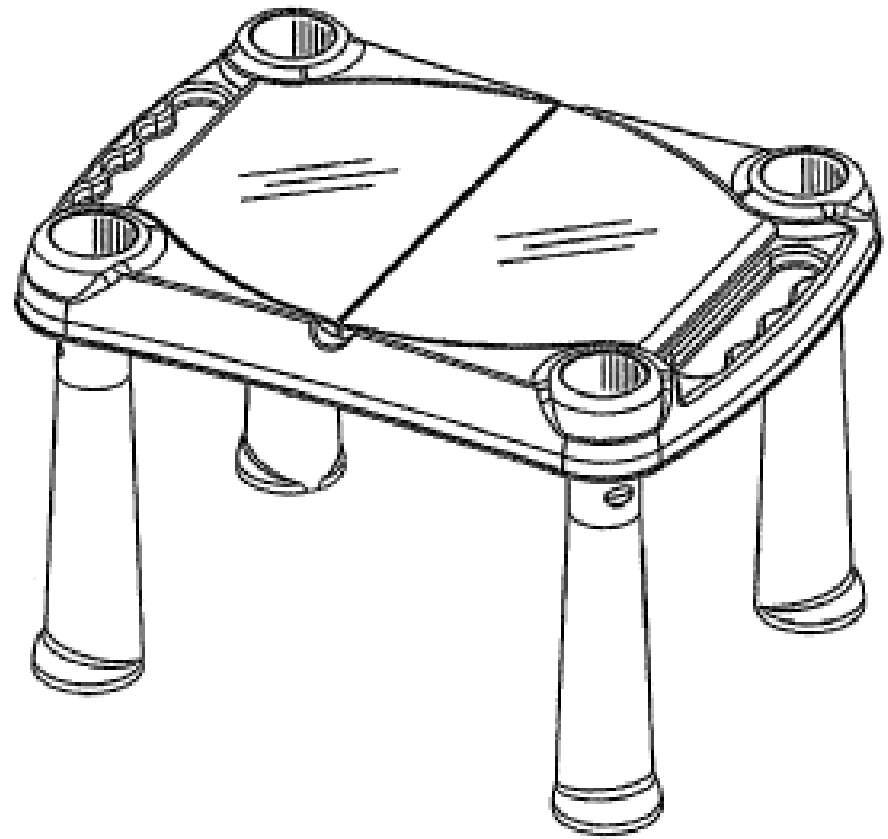
(45) Registration Date: **16 April 2007**

(30) Convention priority data:

(31) Number	(32) Date	(33) Country
29/263982	02 Aug 2006	UNITED STATES OF AMERICA

(56) Related Art Documents: **Not Applicable**

(57) Statement of Newness and Distinctiveness: **Newness and distinctiveness is claimed in the features of shape and/or configuration of a play table with sandbox as illustrated in the accompanying representations.**



- (21) Design Number: **16227/2007**
(22) Date of Filing Application: **01 February 2007**
(24) Date from which industrial property rights may have effect: **01 February 2007**
(54) Product in respect of which the design is registered: **Soap bar**
(51) International Design Classification: **28-02**
(71) Name(s) and Address(s) of Applicant(s):

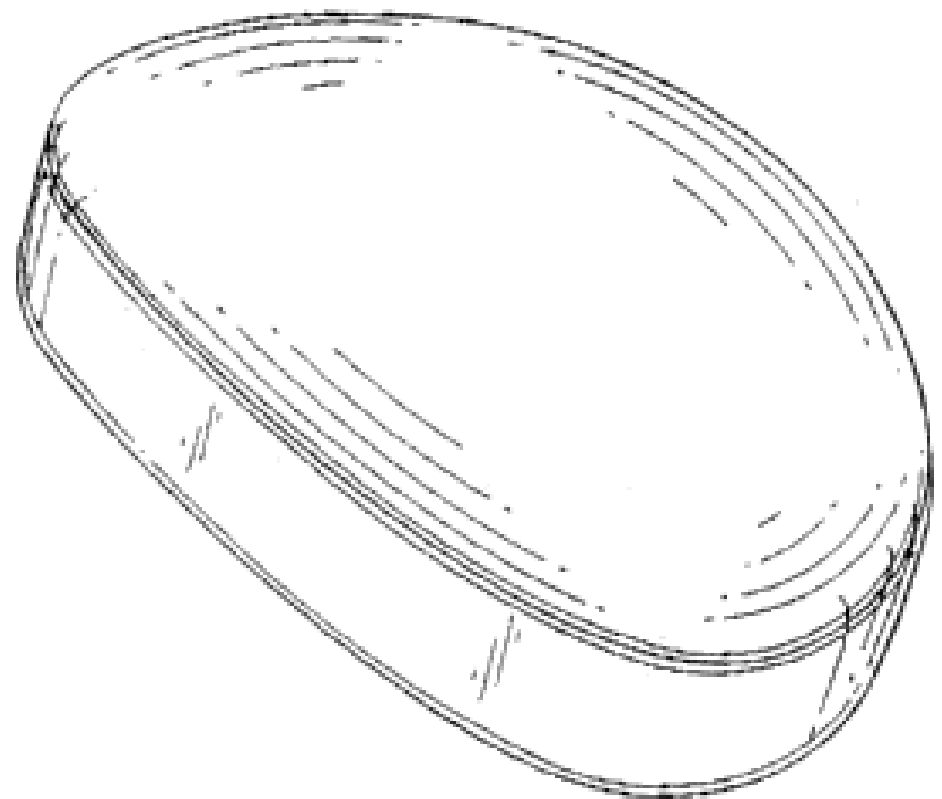
Unilever PLC
Unilever House Blackfriars London EC4P 4BQ United Kingdom

(72) Name(s) of Designer(s): **Harald Gutfleisch and Richard William Seymour and Michael James Webster**

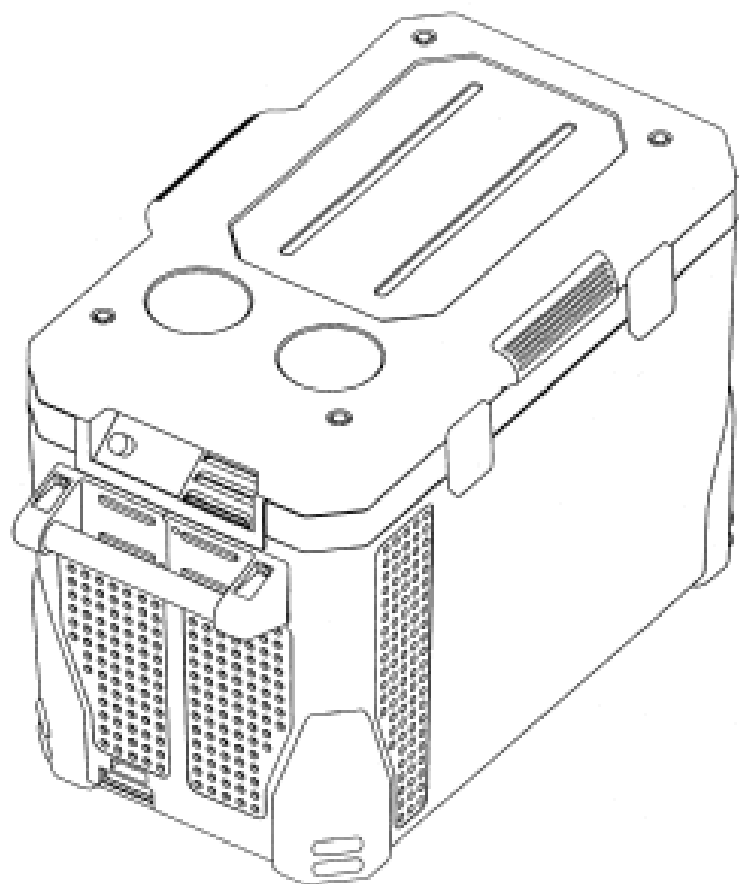
(45) Registration Date: **16 April 2007**

(56) Related Art Documents: **Not Applicable**

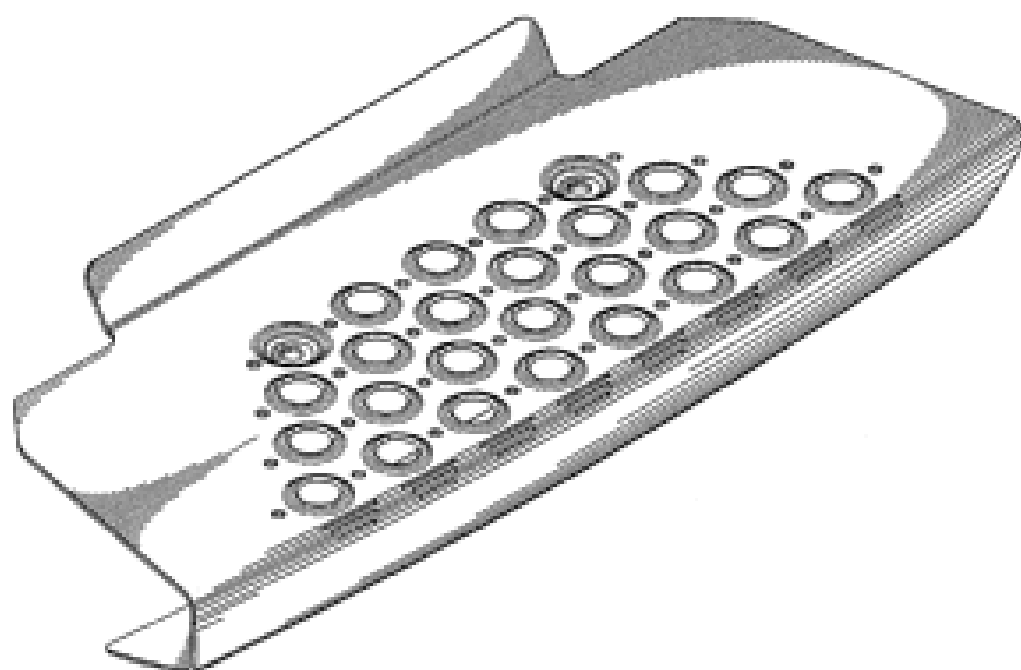
(57) Statement of Newness and Distinctiveness: **Nil**



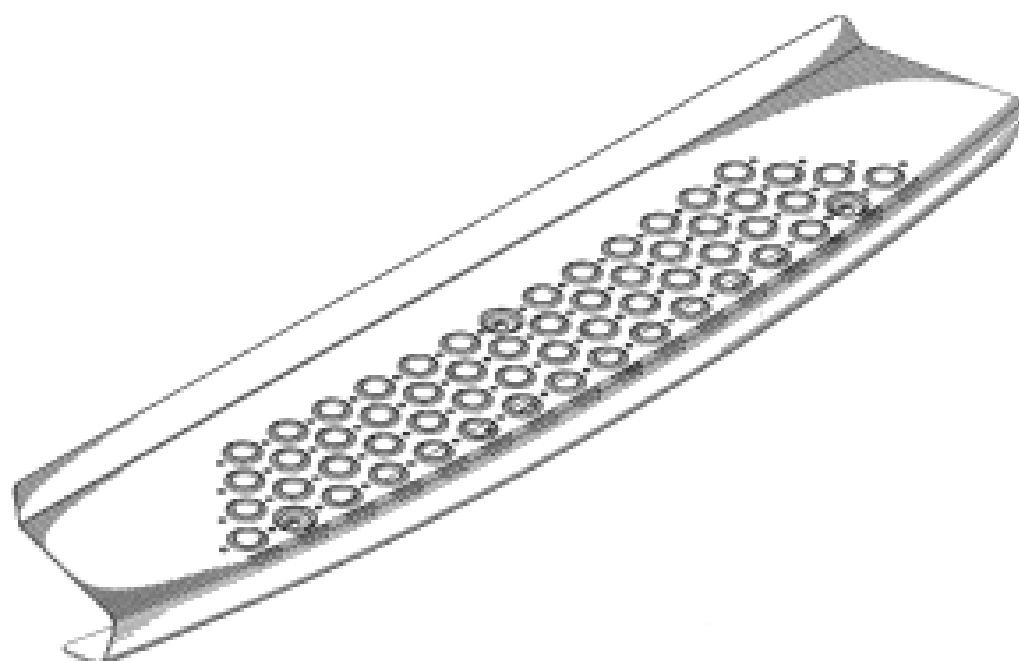
- (21) Design Number: **16228/2007**
(22) Date of Filing Application: **01 February 2007**
(24) Date from which industrial property rights may have effect: **01 February 2007**
(54) Product in respect of which the design is registered: **Portable refrigerator**
(51) International Design Classification: **15-07**
(71) Name(s) and Address(s) of Applicant(s):
Sawafuji Electric Co., Ltd.
15#14 Toyotama Kita 6#chome Nerima-ku Tokyo Japan
(72) Name(s) of Designer(s): **Masahiro Takemoto and Hideo Sakai and Yoshiaki Amano**
(45) Registration Date: **16 April 2007**
(30) Convention priority data:
(31) Number (32) Date (33) Country
2006#020661 04 Aug 2006 JAPAN
(56) Related Art Documents: **Not Applicable**
(57) Statement of Newness and Distinctiveness: **Newness and Distinctiveness resides in the shape and configuration of a portable refrigerator as shown in the representation.**



- (21) Design Number: **16229/2007**
(22) Date of Filing Application: **01 February 2007**
(24) Date from which industrial property rights may have effect: **01 February 2007**
(54) Product in respect of which the design is registered: **Vehicle access step**
(51) International Design Classification: **12-16NES**
(71) Name(s) and Address(s) of Applicant(s):
PACCAR Inc
777-106th Avenue Northeast Bellevue Washington 98004 United States of America
(72) Name(s) of Designer(s): **Gerald Jay Angelo and Wayne K. Simons and Daniel R. Kieffer and Robert Odell Culwell and Richard D. Wailes Jr. and Jake Tyler Ferderer**
(45) Registration Date: **16 April 2007**
(56) Related Art Documents: **Not Applicable**
(57) Statement of Newness and Distinctiveness: **Newness and distinctiveness are claimed in the features of shape and/or configuration of a vehicle access step to be applied to a truck body, as illustrated in the accompanying representatives.**

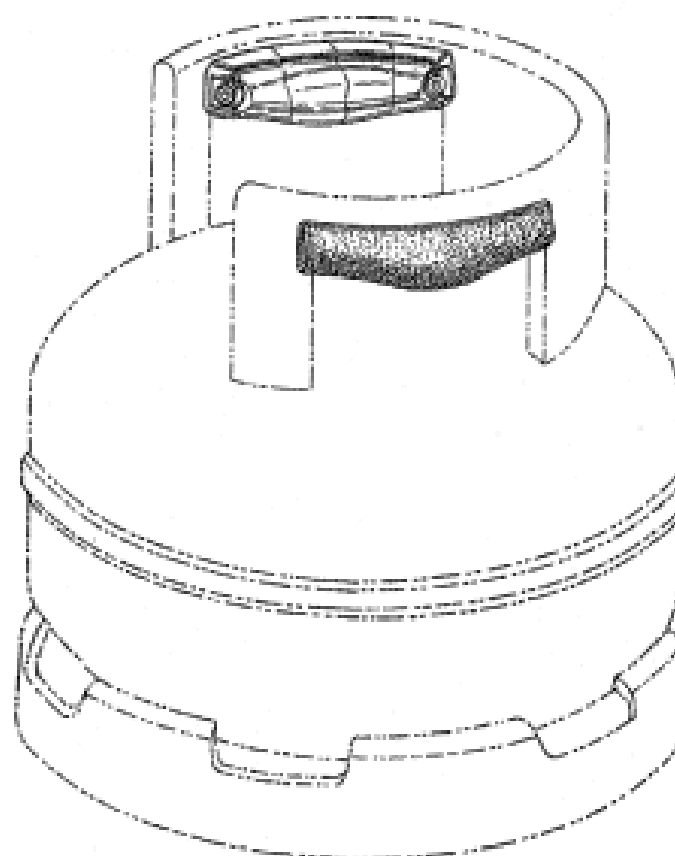


- (21) Design Number: **16230/2007**
- (22) Date of Filing Application: **01 February 2007**
- (24) Date from which industrial property rights may have effect: **01 February 2007**
- (54) Product in respect of which the design is registered: **Vehicle cab step**
- (51) International Design Classification: **12-16NES**
- (71) Name(s) and Address(s) of Applicant(s):
PACCAR Inc
777-106th Avenue Northeast Bellevue Washington 98004 United States of America
- (72) Name(s) of Designer(s): **Gerald Jay Angelo and Wayne K. Simons and Daniel R. Kieffer and Jake Tyler Ferderer and Robert Odell Culwell and Richard D. Wailes Jr.**
- (45) Registration Date: **16 April 2007**
- (56) Related Art Documents: **Not Applicable**
- (57) Statement of Newness and Distinctiveness: **Newness and distinctiveness are claimed in the features of shape and/or configuration of a vehicle cab step to be applied to a truck body, as illustrated in the accompanying representatives.**

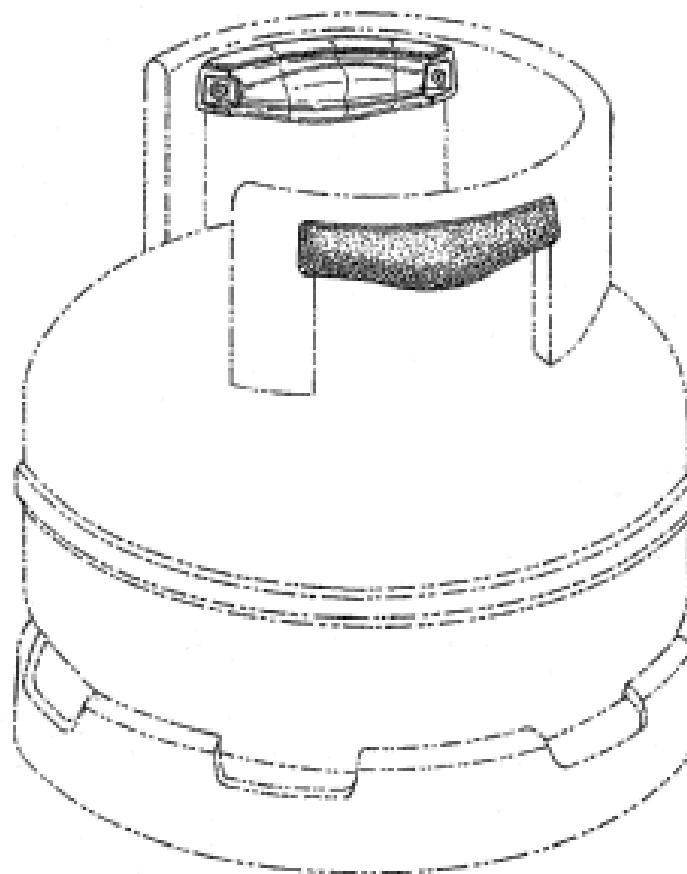


- (21) Design Number: **16233/2007**
- (22) Date of Filing Application: **02 February 2007**
- (24) Date from which industrial property rights may have effect: **02 February 2007**
- (54) Product in respect of which the design is registered: **Handle for a portable gas cylinder**
- (51) International Design Classification: **08-06**
- (71) Name(s) and Address(s) of Applicant(s):
Amtrol Inc.
1400 Division Road West Warwick Rhode Island 02893 United States of America
- (72) Name(s) of Designer(s): **Jose Luis Veiga Dias and Tiago Oliveira**
- (45) Registration Date: **16 April 2007**
- (30) Convention priority data:

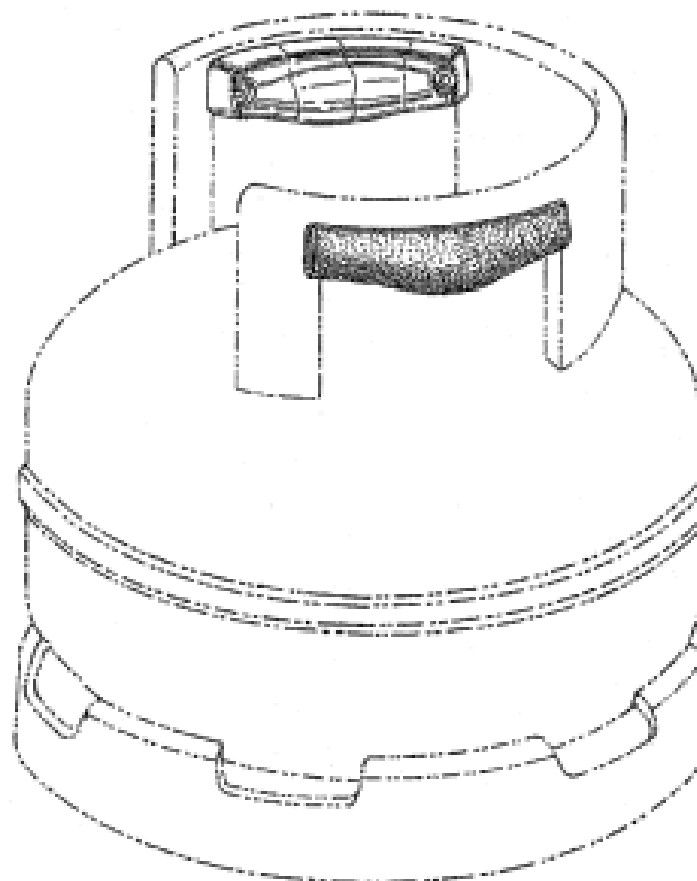
(31) Number	(32) Date	(33) Country
29/264,174	04 Aug 2006	UNITED STATES OF AMERICA
- (56) Related Art Documents: **Not Applicable**
- (57) Statement of Newness and Distinctiveness: **Newness and distinctiveness reside in the features of shape and/or configuration of each handle of the portable gas cylinder as shown in the representations. Newness and distinctiveness is not claimed in the portable gas cylinder shown in broken lines in the representations for illustrative purposes.**



(21) Design Number: **16234/2007**
(22) Date of Filing Application: **02 February 2007**
(24) Date from which industrial property rights may have effect: **02 February 2007**
(54) Product in respect of which the design is registered: **Handle for a portable gas cylinder**
(51) International Design Classification: **08-06**
(71) Name(s) and Address(s) of Applicant(s):
Amtrol Inc.
1400 Division Road West Warwick Rhode Island 02893 United States of America
(72) Name(s) of Designer(s): **Jose Luis Veiga Dias and Tiago Oliveira**
(45) Registration Date: **16 April 2007**
(30) Convention priority data:
(31) Number (32) Date (33) Country
29/264,174 04 Aug 2006 UNITED STATES OF AMERICA
(56) Related Art Documents: **Not Applicable**
(57) Statement of Newness and Distinctiveness: **Newness and distinctiveness reside in the features of shape and/or configuration of each handle of the portable gas cylinder as shown in the representations. Newness and distinctiveness is not claimed in the portable gas cylinder shown in broken lines in the representations for illustrative purposes.**



(21) Design Number: **16235/2007**
(22) Date of Filing Application: **02 February 2007**
(24) Date from which industrial property rights may have effect: **02 February 2007**
(54) Product in respect of which the design is registered: **Handle for a portable gas cylinder**
(51) International Design Classification: **08-06**
(71) Name(s) and Address(s) of Applicant(s):
Amtrol Inc.
1400 Division Road West Warwick Rhode Island 02893 United States of America
(72) Name(s) of Designer(s): **Jose Luis Veiga Dias and Tiago Oliveira**
(45) Registration Date: **16 April 2007**
(30) Convention priority data:
(31) Number (32) Date (33) Country
29/264,174 04 Aug 2006 UNITED STATES OF AMERICA
(56) Related Art Documents: **Not Applicable**
(57) Statement of Newness and Distinctiveness: **Newness and distinctiveness reside in the features of shape and/or configuration of each handle of the portable gas cylinder as shown in the representations. Newness and distinctiveness is not claimed in the portable gas cylinder shown in broken lines in the representations for illustrative purposes.**



(21) Design Number: **16239/2007**
(22) Date of Filing Application: **02 February 2007**
(24) Date from which industrial property rights may have effect: **02 February 2007**

(54) Product in respect of which the design is registered: **A pump**

(51) International Design Classification: **15-02**

(71) Name(s) and Address(s) of Applicant(s):

Leader Pumps Group S.p.A.
Via Bonanno Pisano 1 Bientina 56031 Italy

(72) Name(s) of Designer(s): **Stefano Tazioli**

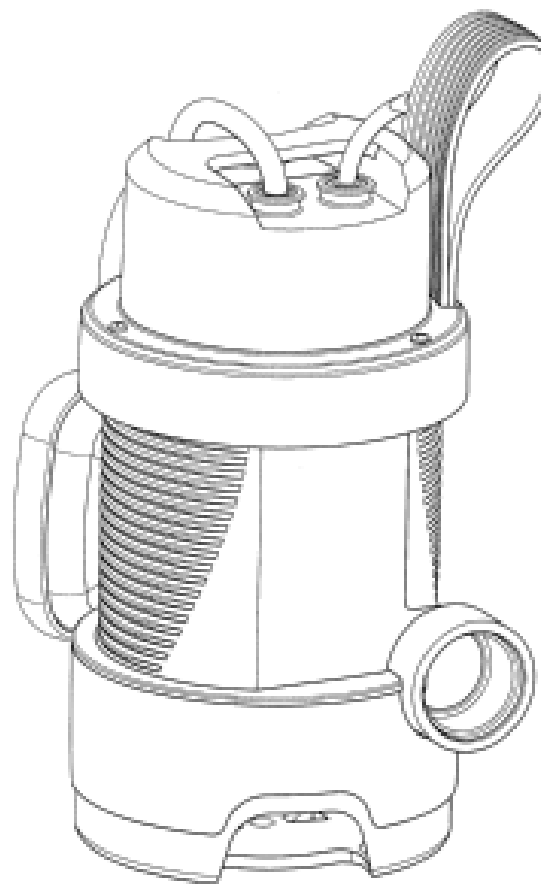
(45) Registration Date: **16 April 2007**

(30) Convention priority data:

(31) Number	(32) Date	(33) Country
000572078	07 Aug 2006	EUROPEAN COMMUNITY

(56) Related Art Documents: **Not Applicable**

(57) Statement of Newness and Distinctiveness: **Nil**



(21) Design Number: **16240/2007**
(22) Date of Filing Application: **02 February 2007**
(24) Date from which industrial property rights may have effect: **02 February 2007**

(54) Product in respect of which the design is registered: **A pump**

(51) International Design Classification: **15-02**

(71) Name(s) and Address(s) of Applicant(s):

Leader Pumps Group S.p.A.
Via Bonanno Pisano 1 Bientina 56031 Italy

(72) Name(s) of Designer(s): **Stefano Tazioli**

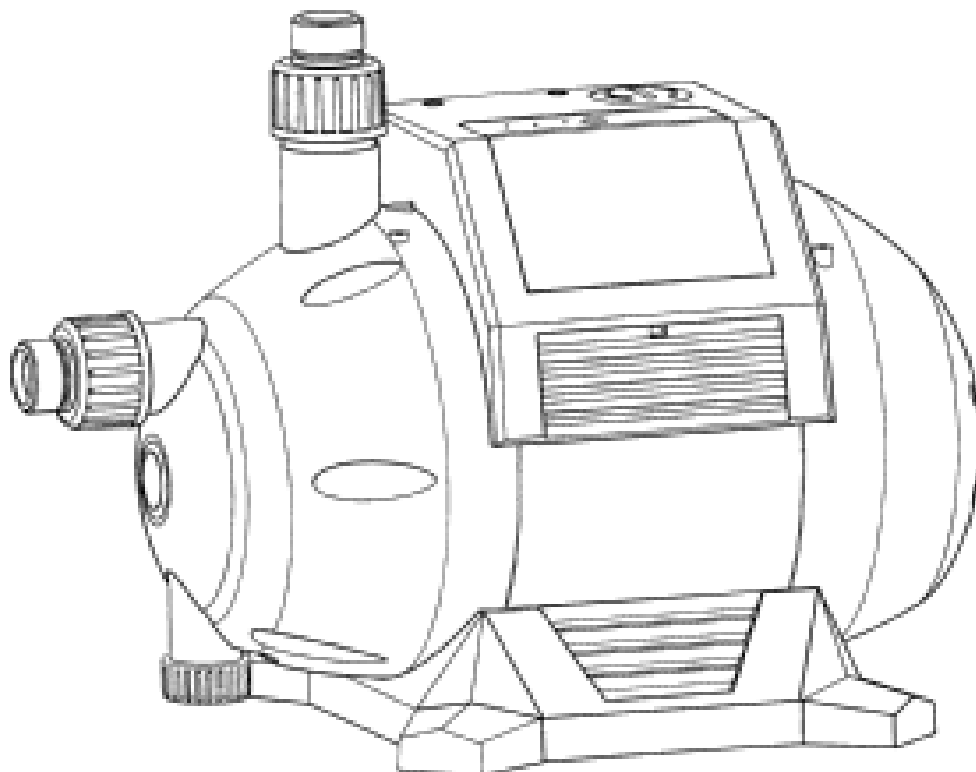
(45) Registration Date: **16 April 2007**

(30) Convention priority data:

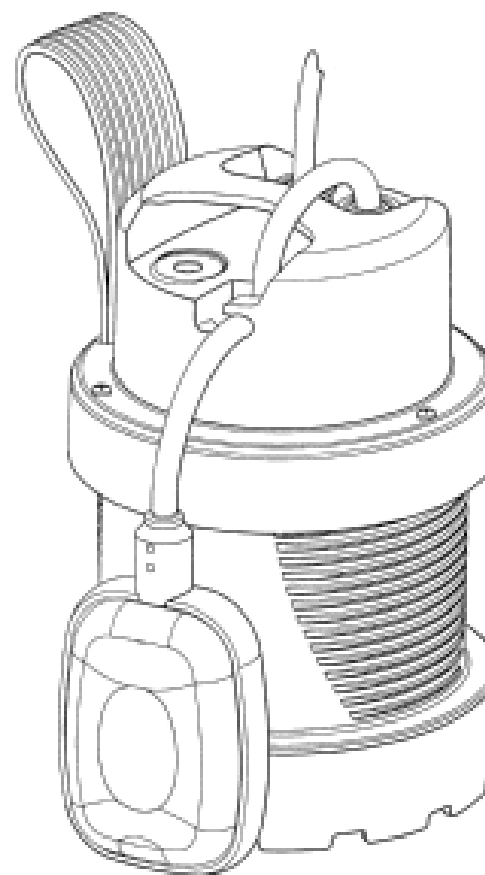
(31) Number	(32) Date	(33) Country
000572003	07 Aug 2006	EUROPEAN COMMUNITY

(56) Related Art Documents: **Not Applicable**

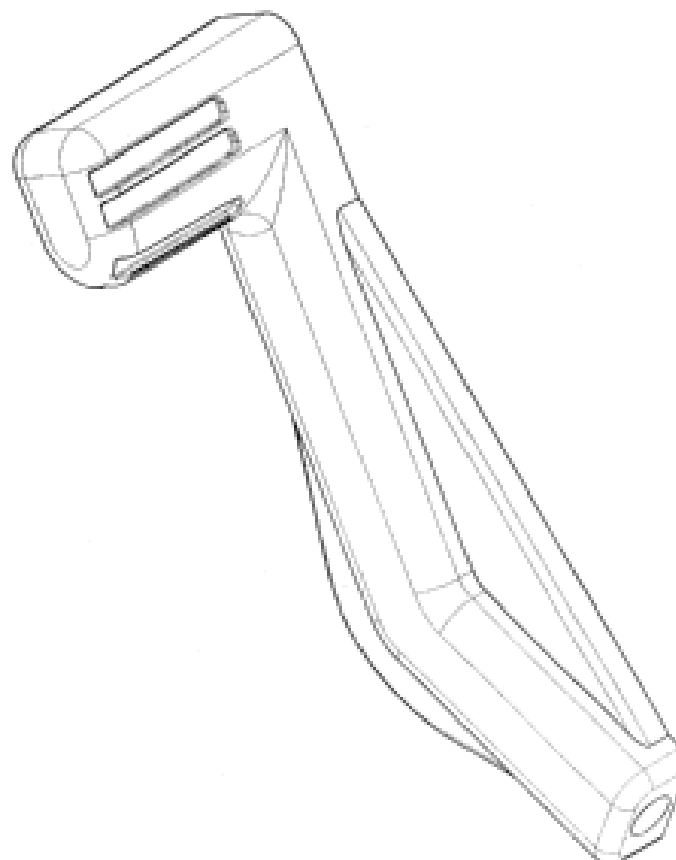
(57) Statement of Newness and Distinctiveness: **Nil**



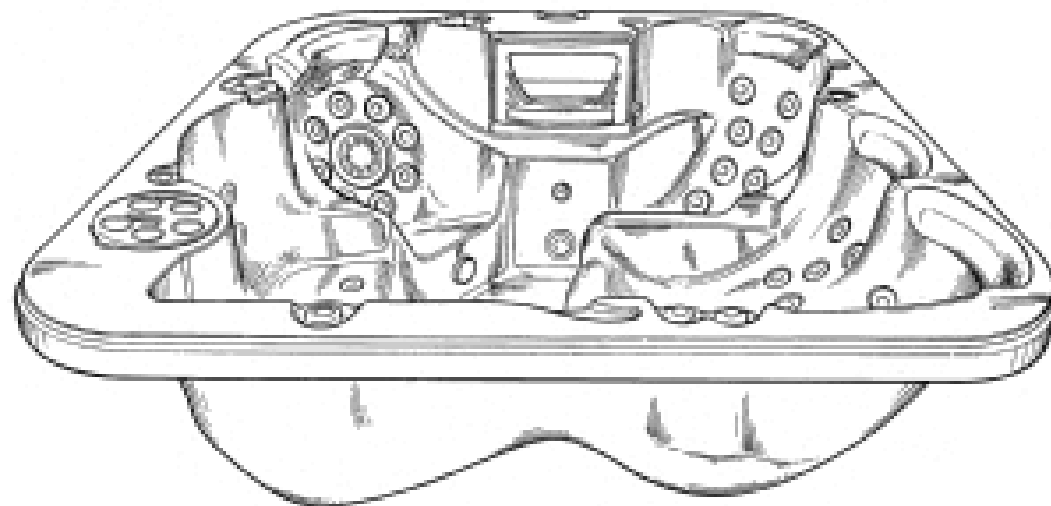
- (21) Design Number: **16241/2007**
(22) Date of Filing Application: **02 February 2007**
(24) Date from which industrial property rights may have effect: **02 February 2007**
(54) Product in respect of which the design is registered: **A pump**
(51) International Design Classification: **15-02**
(71) Name(s) and Address(s) of Applicant(s):
Leader Pumps Group S.p.A.
Via Bonanno Pisano 1 Bientina 56031 Italy
(72) Name(s) of Designer(s): **Stefano Tazioli**
(45) Registration Date: **16 April 2007**
(30) Convention priority data:
(31) Number (32) Date (33) Country
000572078 07 Aug 2006 EUROPEAN COMMUNITY
(56) Related Art Documents: **Not Applicable**
(57) Statement of Newness and Distinctiveness: **Nil**



- (21) Design Number: **16242/2007**
(22) Date of Filing Application: **02 February 2007**
(24) Date from which industrial property rights may have effect: **02 February 2007**
(54) Product in respect of which the design is registered: **Handle of a pressure switch**
(51) International Design Classification: **08-06**
(71) Name(s) and Address(s) of Applicant(s):
I-Min Hsiao
No. 427 Sec.2 Doujhong Road Tianjhong Township Changhua County
520 Taiwan R.O.C.
(72) Name(s) of Designer(s): **I-Min Hsiao**
(45) Registration Date: **16 April 2007**
(56) Related Art Documents: **Not Applicable**
(57) Statement of Newness and Distinctiveness: **Newness and distinctiveness is claimed in the shape and/or configuration of a handle of a pressure switch as illustrated in the accompanying representations. In considering the scope of the design, the dotted lines in the figure of the perspective view showing handle in use should be disregarded.**



- (21) Design Number: **11351/2006**
(22) Date of Filing Application: **31 March 2006**
(24) Date from which industrial property rights may have effect: **31 March 2006**
(54) Product in respect of which the design is registered: **Spa**
(51) International Design Classification: **23-02B**
(71) Name(s) and Address(s) of Applicant(s):
T&G Enterprises (VIC) Pty Ltd
11 Doherty Street Pakenham Victoria 3810 Australia
(72) Name(s) of Designer(s): **Malcolm Tansey**
(45) Registration Date: **17 April 2007**
(56) Related Art Documents: **Not Applicable**
(57) Statement of Newness and Distinctiveness: **Newness and distinctiveness is claimed in the features of shape and/or configuration of a spa as illustrated in the accompanying representations.**



- (21) Design Number: **15282/2006**
(22) Date of Filing Application: **16 November 2006**
(24) Date from which industrial property rights may have effect: **16 November 2006**
(54) Product in respect of which the design is registered: **Secret dress**
(51) International Design Classification: **02-02C**
(71) Name(s) and Address(s) of Applicant(s):
Rosemin Pty Ltd
444 Chapel Street South Yarra Victoria 3141 Australia
(72) Name(s) of Designer(s): **Semin Kim**
(45) Registration Date: **17 April 2007**
(56) Related Art Documents: **Not Applicable**
(57) Statement of Newness and Distinctiveness: **Nil**



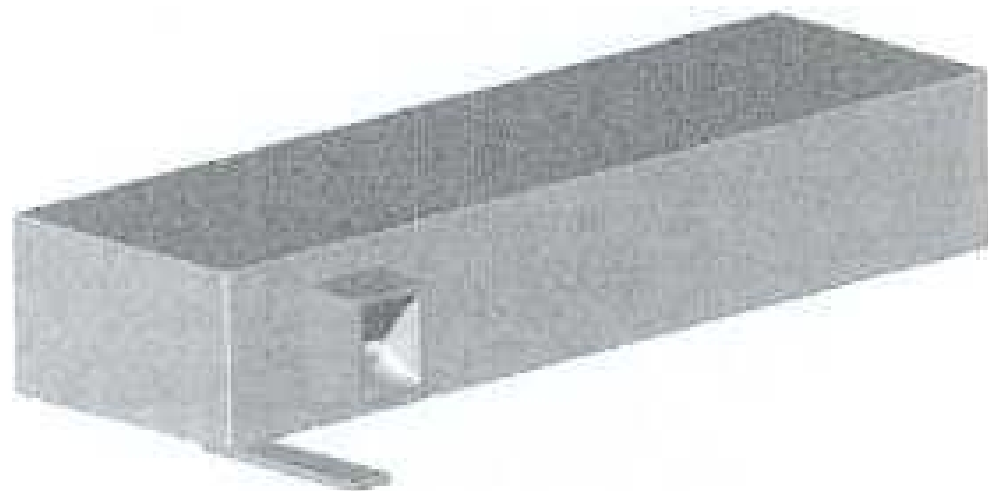
- (21) Design Number: **16947/2007**
(22) Date of Filing Application: **16 November 2006**
(24) Date from which industrial property rights may have effect: **16 November 2006**
(54) Product in respect of which the design is registered: **Secret dress**
(51) International Design Classification: **02-02C**
(71) Name(s) and Address(s) of Applicant(s):
Rosemin Pty Ltd
444 Chapel Street South Yarra Victoria 3141 Australia
(72) Name(s) of Designer(s): **Semin Kim**
(45) Registration Date: **17 April 2007**
(56) Related Art Documents: **Not Applicable**
(57) Statement of Newness and Distinctiveness: **Nil**



- (21) Design Number: **15283/2006**
(22) Date of Filing Application: **16 November 2006**
(24) Date from which industrial property rights may have effect: **16 November 2006**
(54) Product in respect of which the design is registered: **Lilac dress**
(51) International Design Classification: **02-02C**
(71) Name(s) and Address(s) of Applicant(s):
Rosemin Pty Ltd
444 Chapel Street South Yarra Victoria 3141 Australia
(72) Name(s) of Designer(s): **Semin Kim**
(45) Registration Date: **17 April 2007**
(56) Related Art Documents: **Not Applicable**
(57) Statement of Newness and Distinctiveness: **Nil**



(21) Design Number: **15446/2006**
(22) Date of Filing Application: **27 November 2006**
(24) Date from which industrial property rights may have effect: **27 November 2006**
(54) Product in respect of which the design is registered: **Sanitary fitting**
(51) International Design Classification: **23-02NES**
(71) Name(s) and Address(s) of Applicant(s):
Aloys F Dornbracht GmbH & Co KG
Kobbingser Muhle 6 D-58640 Iserlohn Germany
(72) Name(s) of Designer(s): **Michael Sieger**
(45) Registration Date: **17 April 2007**
(30) Convention priority data:
(31) Number (32) Date (33) Country
000540067 06 Jun 2006 GERMANY
(56) Related Art Documents: **Not Applicable**
(57) Statement of Newness and Distinctiveness: **Nil**



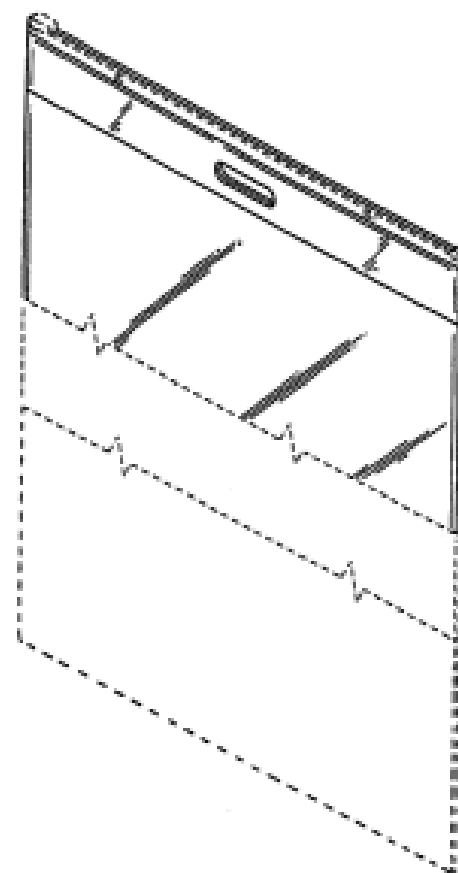
(21) Design Number: **15285/2006**
(22) Date of Filing Application: **16 November 2006**
(24) Date from which industrial property rights may have effect: **16 November 2006**
(54) Product in respect of which the design is registered: **Princess dress**
(51) International Design Classification: **02-02C**
(71) Name(s) and Address(s) of Applicant(s):
Rosemin Pty Ltd
444 Chapel Street South Yarra Victoria 3141 Australia
(72) Name(s) of Designer(s): **Semin Kim**
(45) Registration Date: **17 April 2007**
(56) Related Art Documents: **Not Applicable**
(57) Statement of Newness and Distinctiveness: **Nil**



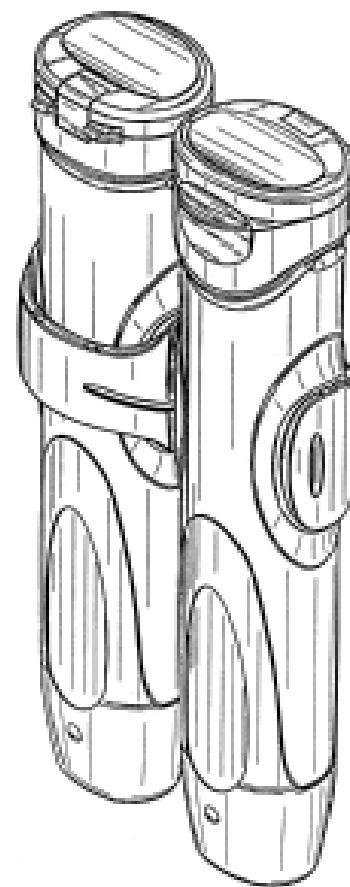
- (21) Design Number: **16949/2007**
(22) Date of Filing Application: **16 November 2006**
(24) Date from which industrial property rights may have effect: **16 November 2006**
(54) Product in respect of which the design is registered: **Princess dress**
(51) International Design Classification: **02-02C**
(71) Name(s) and Address(s) of Applicant(s):
Rosemin Pty Ltd
444 Chapel Street South Yarra Victoria 3141 Australia
(72) Name(s) of Designer(s): **Semin Kim**
(45) Registration Date: **17 April 2007**
(56) Related Art Documents: **Not Applicable**
(57) Statement of Newness and Distinctiveness: **Nil**



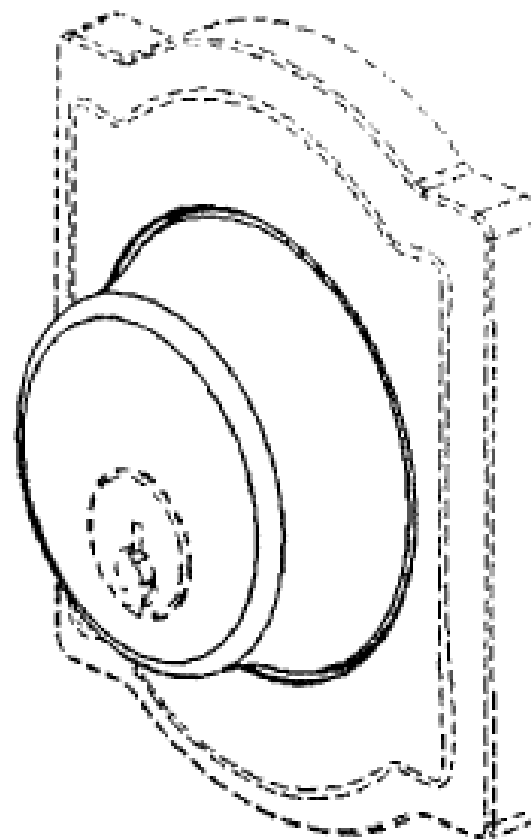
- (21) Design Number: **15624/2006**
(22) Date of Filing Application: **07 December 2006**
(24) Date from which industrial property rights may have effect: **07 December 2006**
(54) Product in respect of which the design is registered: **A slider bag**
(51) International Design Classification: **03-01A**
(71) Name(s) and Address(s) of Applicant(s):
Pactiv Corporation
1900 West Field Court Lake Forest Illinois 60045 United States of America
(72) Name(s) of Designer(s): **James S. Blythe**
(45) Registration Date: **17 April 2007**
(30) Convention priority data:
(31) Number (32) Date (33) Country
29261163 07 Jun 2006 UNITED STATES OF AMERICA
(56) Related Art Documents: **Not Applicable**
(57) Statement of Newness and Distinctiveness: **Newness and distinctiveness is claimed in the visual features shown in solid lines in the representations.**



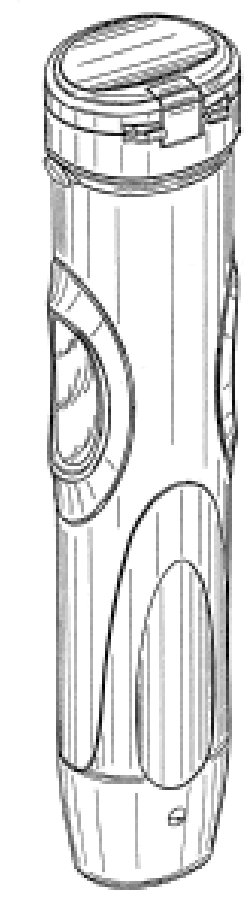
(21) Design Number: **15804/2007**
 (22) Date of Filing Application: **02 January 2007**
 (24) Date from which industrial property rights may have effect: **02 January 2007**
 (54) Product in respect of which the design is registered: **Injector carry pack**
 (51) International Design Classification: **24-02**
 (71) Name(s) and Address(s) of Applicant(s):
Meridian Medical Technologies, Inc
6350 Stevens Forest Road Suite 301 Columbia Maryland 21046 United States of America
 (72) Name(s) of Designer(s): **Grant Smetham and Matthew E. Young and Sophie R. Raven**
 (45) Registration Date: **17 April 2007**
 (30) Convention priority data:
 (31) Number (32) Date (33) Country
29/262,613 07 Jul 2006 UNITED STATES OF AMERICA
 (56) Related Art Documents: **Not Applicable**
 (57) Statement of Newness and Distinctiveness: **Those features of the injector carry packs depicted in the representations that are new and distinctive are the shape and/or configuration.**



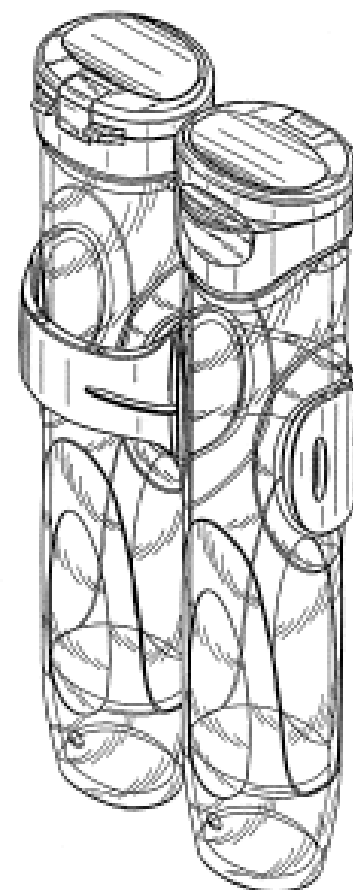
(21) Design Number: **15948/2007**
 (22) Date of Filing Application: **11 January 2007**
 (24) Date from which industrial property rights may have effect: **11 January 2007**
 (54) Product in respect of which the design is registered: **Deadbolt exterior**
 (51) International Design Classification: **08-07**
 (71) Name(s) and Address(s) of Applicant(s):
Schlage Lock Company
Suite 200 111 Congressional Boulevard Carmel IN 46032 United States of America
 (72) Name(s) of Designer(s): **Theodore Roberts Rockwood**
 (45) Registration Date: **17 April 2007**
 (30) Convention priority data:
 (31) Number (32) Date (33) Country
29/247768 11 Jul 2006 UNITED STATES OF AMERICA
 (56) Related Art Documents: **Not Applicable**
 (57) Statement of Newness and Distinctiveness: **The shape and configuration of the deadbolt exterior is new and distinctive. In considering the newness and distinctiveness of the design, features shown in broken lines are to be disregarded.**



- (21) Design Number: **16950/2007**
- (22) Date of Filing Application: **02 January 2007**
- (24) Date from which industrial property rights may have effect: **02 January 2007**
- (54) Product in respect of which the design is registered: **Injector carry pack**
- (51) International Design Classification: **24-02**
- (71) Name(s) and Address(s) of Applicant(s):
Meridian Medical Technologies, Inc
6350 Stevens Forest Road Suite 301 Columbia Maryland 21046 United States of America
- (72) Name(s) of Designer(s): **Grant Smetham and Matthew E. Young and Sophie R. Raven**
- (45) Registration Date: **17 April 2007**
- (30) Convention priority data:
(31) Number (32) Date (33) Country
29/262,613 07 Jul 2006 UNITED STATES OF AMERICA
- (56) Related Art Documents: **Not Applicable**
- (57) Statement of Newness and Distinctiveness: **Those features of the injector carry pack depicted in the representations that are new and distinctive are the shape and/or configuration.**



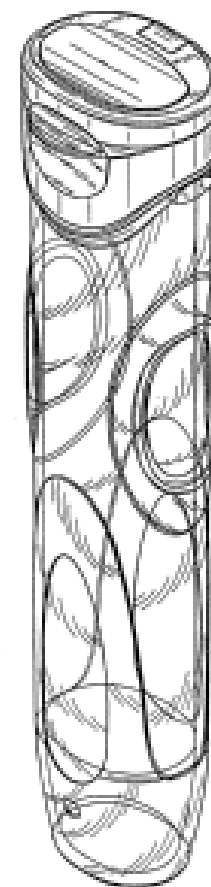
- (21) Design Number: **16951/2007**
- (22) Date of Filing Application: **02 January 2007**
- (24) Date from which industrial property rights may have effect: **02 January 2007**
- (54) Product in respect of which the design is registered: **Injector carry pack**
- (51) International Design Classification: **24-02**
- (71) Name(s) and Address(s) of Applicant(s):
Meridian Medical Technologies, Inc
6350 Stevens Forest Road Suite 301 Columbia Maryland 21046 United States of America
- (72) Name(s) of Designer(s): **Grant Smetham and Matthew E. Young and Sophie R. Raven**
- (45) Registration Date: **17 April 2007**
- (30) Convention priority data:
(31) Number (32) Date (33) Country
29/262,613 07 Jul 2006 UNITED STATES OF AMERICA
- (56) Related Art Documents: **Not Applicable**
- (57) Statement of Newness and Distinctiveness: **Those features of the injector carry pack depicted in the representations that are new and distinctive are the shape and/or configuration.**



(19) AU

- (21) Design Number: **16952/2007**
- (22) Date of Filing Application: **02 January 2007**
- (24) Date from which industrial property rights may have effect: **02 January 2007**
- (54) Product in respect of which the design is registered: **Injector carry pack**
- (51) International Design Classification: **24-02**
- (71) Name(s) and Address(s) of Applicant(s):
Meridian Medical Technologies, Inc
6350 Stevens Forest Road Suite 301 Columbia Maryland 21046 United States of America
- (72) Name(s) of Designer(s): **Grant Smetham and Matthew E. Young and Sophie R. Raven**
- (45) Registration Date: **17 April 2007**
- (30) Convention priority data:

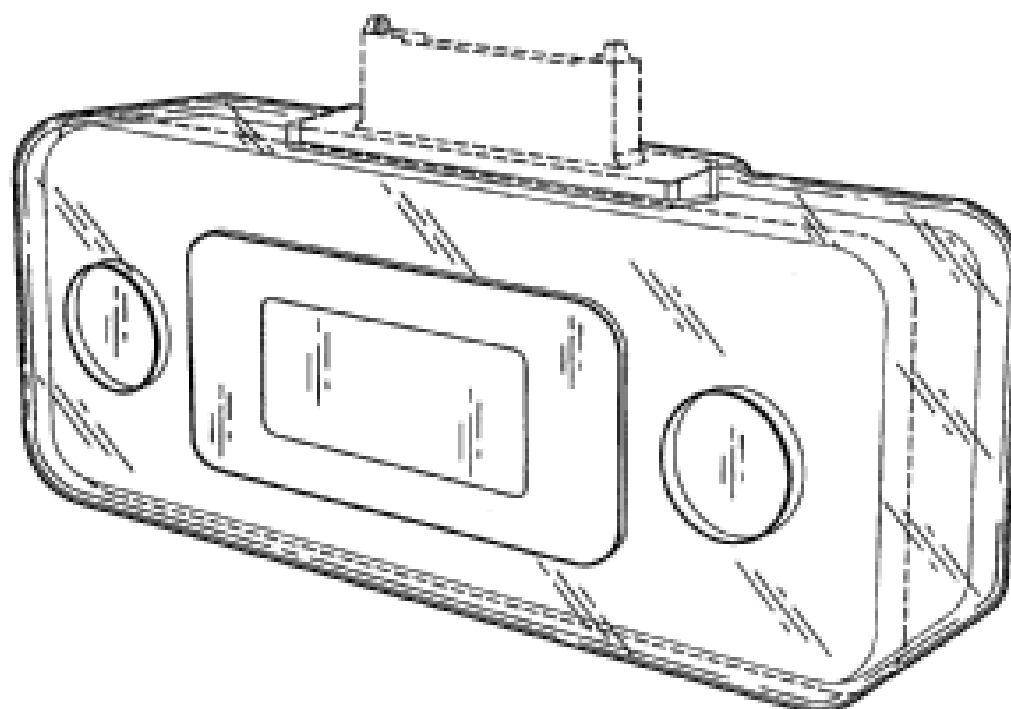
(31) Number	(32) Date	(33) Country
29/262,613	07 Jul 2006	UNITED STATES OF AMERICA
- (56) Related Art Documents: **Not Applicable**
- (57) Statement of Newness and Distinctiveness: **Those features of the injector carry pack depicted in the representations that are new and distinctive are the shape and/or configuration.**



(19) AU

- (21) Design Number: **15955/2007**
- (22) Date of Filing Application: **11 January 2007**
- (24) Date from which industrial property rights may have effect: **11 January 2007**
- (54) Product in respect of which the design is registered: **Receiver device**
- (51) International Design Classification: **14-02**
- (71) Name(s) and Address(s) of Applicant(s):
Microsoft Corporation
One Microsoft Way Redmond Washington 98052 United States of America
- (72) Name(s) of Designer(s): **Carl J. Ledbetter**
- (45) Registration Date: **17 April 2007**
- (30) Convention priority data:

(31) Number	(32) Date	(33) Country
29/248483	17 Aug 2006	UNITED STATES OF AMERICA
- (56) Related Art Documents: **Not Applicable**
- (57) Statement of Newness and Distinctiveness: **Newness and distinctiveness reside in one or more visual features of a receiver device as illustrated in the accompanying representations. The features shown in broken outline are illustrative only and do not form part of the design.**



(21) Design Number: **15947/2007**

(22) Date of Filing Application: **11 January 2007**

(24) Date from which industrial property rights may have effect: **11 January 2007**

(54) Product in respect of which the design is registered: **Deadbolt exterior**

(51) International Design Classification: **08-07**

(71) Name(s) and Address(s) of Applicant(s):

Schlage Lock Company
Suite 200 111 Congressional Boulevard Carmel IN 46032 United States of America

(72) Name(s) of Designer(s): **Theodore Roberts Rockwood**

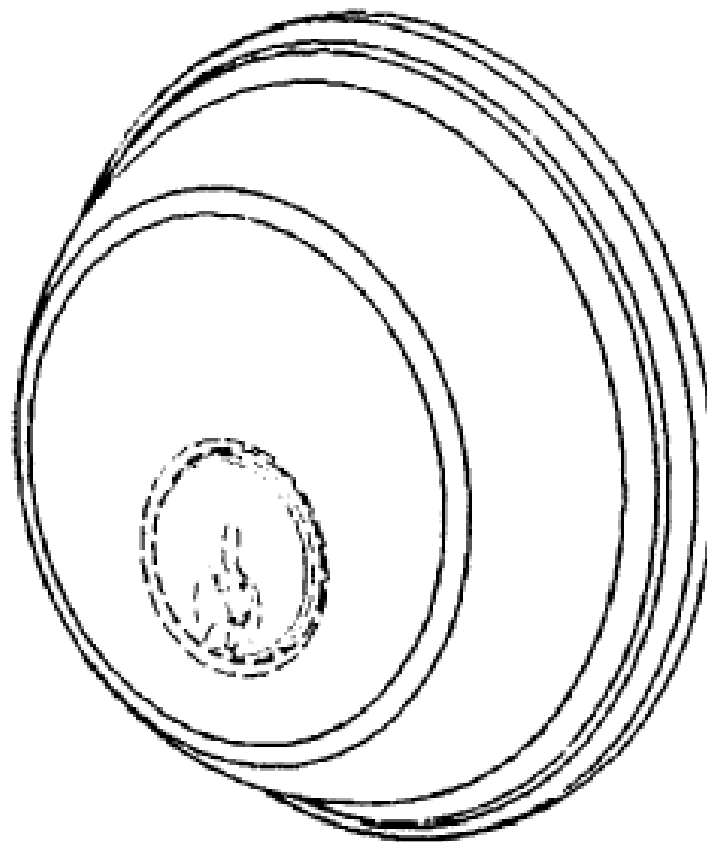
(45) Registration Date: **17 April 2007**

(30) Convention priority data:

(31) Number	(32) Date	(33) Country
29/247770	11 Jul 2006	UNITED STATES OF AMERICA

(56) Related Art Documents: **Not Applicable**

(57) Statement of Newness and Distinctiveness: **The shape and configuration of the deadbolt exterior is new and distinctive. In considering the newness and distinctiveness of the design, features shown in broken lines are to be disregarded.**



(21) Design Number: **15992/2007**

(22) Date of Filing Application: **15 January 2007**

(24) Date from which industrial property rights may have effect: **15 January 2007**

(54) Product in respect of which the design is registered: **A stand for an electronic game machine**

(51) International Design Classification: **20-02E, 21-03**

(71) Name(s) and Address(s) of Applicant(s):

Nintendo Co. Ltd
11-1 Hokotate-cho Kamitoba Minami-ku Kyoto-shi Kyoto Japan

(72) Name(s) of Designer(s): **Kazuhiro Maruyama and Norihisa Yabe**

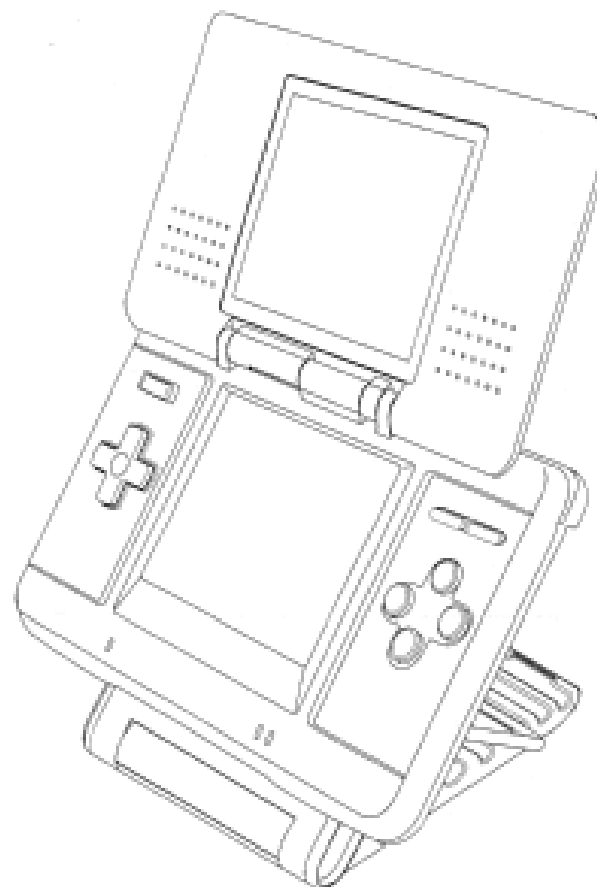
(45) Registration Date: **17 April 2007**

(30) Convention priority data:

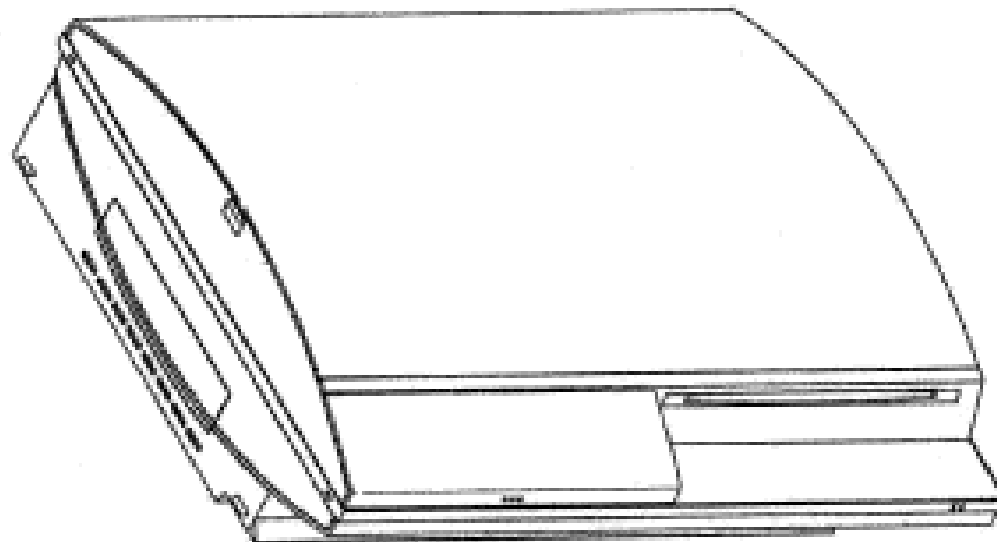
(31) Number	(32) Date	(33) Country
2006#022195	23 Aug 2006	JAPAN

(56) Related Art Documents: **Not Applicable**

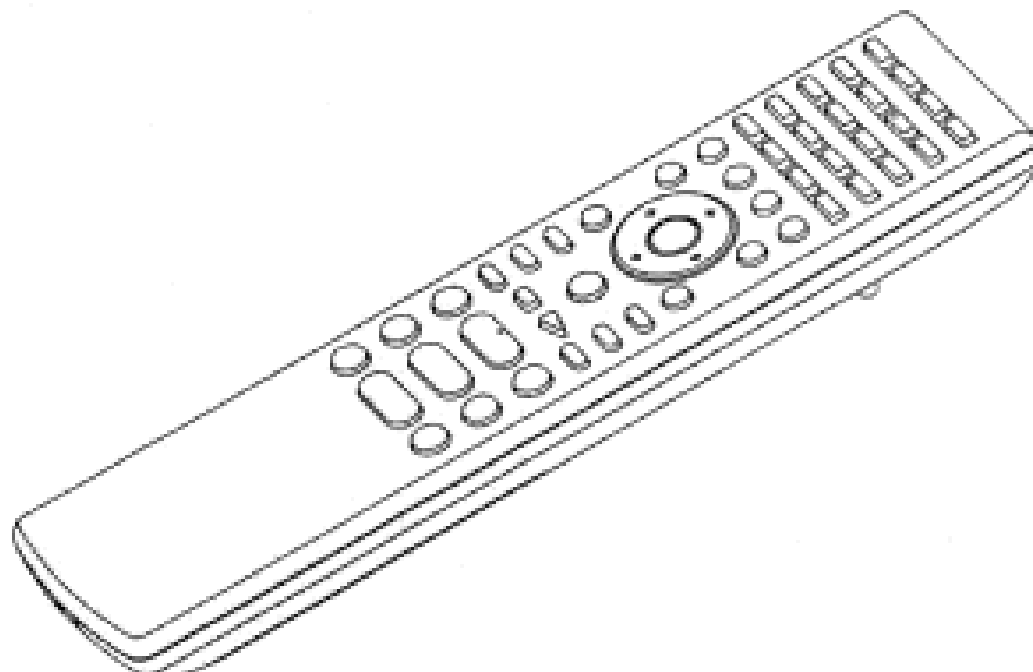
(57) Statement of Newness and Distinctiveness: **Nil**



- (21) Design Number: **15996/2007**
(22) Date of Filing Application: **16 January 2007**
(24) Date from which industrial property rights may have effect: **16 January 2007**
(54) Product in respect of which the design is registered: **Arithmetic and control unit**
(51) International Design Classification: **14-02**
(71) Name(s) and Address(s) of Applicant(s):
Sony Computer Entertainment Inc.
2-6-21 Minami-Aoyama Minato-ku Tokyo 107-0062 Japan
(72) Name(s) of Designer(s): **Ken Kutaragi and Teiyu Goto**
(45) Registration Date: **17 April 2007**
(30) Convention priority data:
(31) Number (32) Date (33) Country
2006#027309 10 Oct 2006 JAPAN
(56) Related Art Documents: **Not Applicable**
(57) Statement of Newness and Distinctiveness: **Newness and distinctiveness resides in the shape and/or configuration of an arithmetic and control unit as illustrated in the accompanying representations.**



- (21) Design Number: **15997/2007**
(22) Date of Filing Application: **16 January 2007**
(24) Date from which industrial property rights may have effect: **16 January 2007**
(54) Product in respect of which the design is registered: **Remote controller for electronic device**
(51) International Design Classification: **14-02**
(71) Name(s) and Address(s) of Applicant(s):
Sony Computer Entertainment Inc.
2-6-21 Minami-Aoyama Minato-ku Tokyo 107-0062 Japan
(72) Name(s) of Designer(s): **Teiyu Goto**
(45) Registration Date: **17 April 2007**
(30) Convention priority data:
(31) Number (32) Date (33) Country
2006#025314 21 Sep 2006 JAPAN
(56) Related Art Documents: **Not Applicable**
(57) Statement of Newness and Distinctiveness: **Newness and distinctiveness resides in the shape and/or configuration of a remote controller for electronic device as illustrated in the accompanying representations.**



(21) Design Number: **16004/2007**
 (22) Date of Filing Application: **16 January 2007**
 (24) Date from which industrial property rights may have effect: **16 January 2007**
 (54) Product in respect of which the design is registered: **Catheter sheath**
 (51) International Design Classification: **24-02**
 (71) Name(s) and Address(s) of Applicant(s):

CathRx Ltd
Suite 111 Nat. Innovation Ctr Australian Technology Park Eveleigh
New South Wales 1430 Australia

(72) Name(s) of Designer(s): **Neil Lawrence Anderson**

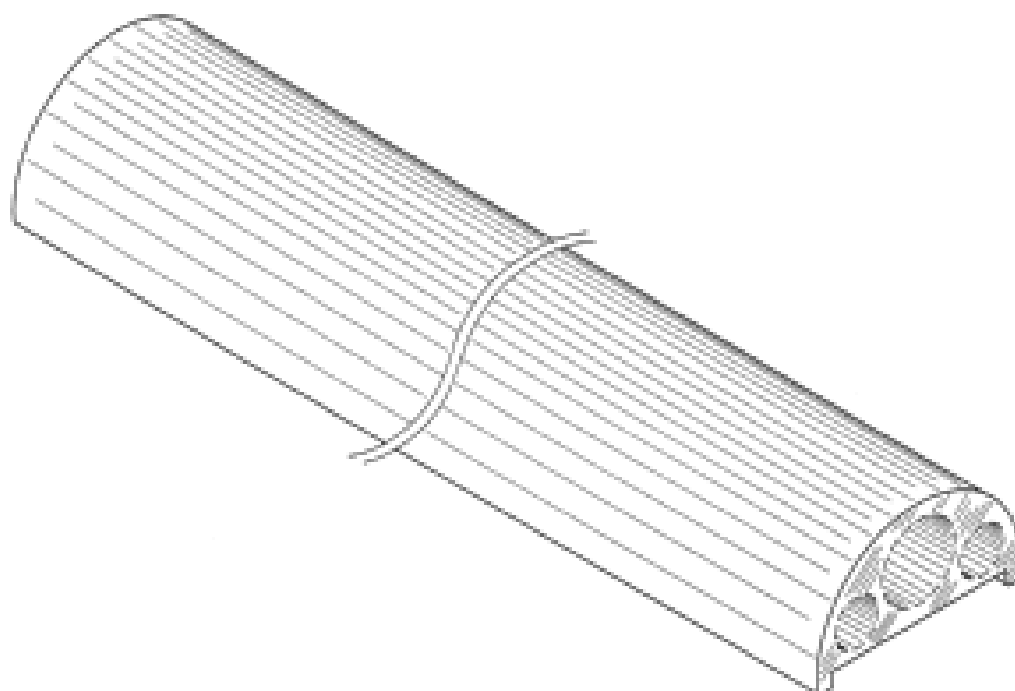
(45) Registration Date: **17 April 2007**

(30) Convention priority data:

(31) Number	(32) Date	(33) Country
29/264054	01 Aug 2006	UNITED STATES OF AMERICA

(56) Related Art Documents: **Not Applicable**

(57) Statement of Newness and Distinctiveness: **Newness and distinctiveness reside in the features of the design as shown in the representations. The features of the article shown in dotted lines in the representations do not form part of the design and are to be disregarded in interpreting the scope of the protection of the design. Further, the break in the catheter sheath in Figs. 1#4 and 6 of the drawings signifies that the catheter sheath is of indefinite length.**



(21) Design Number: **16014/2007**
 (22) Date of Filing Application: **16 January 2007**
 (24) Date from which industrial property rights may have effect: **16 January 2007**
 (54) Product in respect of which the design is registered: **Media device**
 (51) International Design Classification: **14-01**
 (71) Name(s) and Address(s) of Applicant(s):

Apple Computer, Inc.
1 Infinite Loop Cupertino California 95014-2084 United States of America

(72) Name(s) of Designer(s): **Bartley K. Andre and Daniel J. Coster and Richard P. Howarth and Jonathan P. Ive and Steve Jobs and Duncan Robert Kerr and Shin Nishibori and Matthew Dean Rohrbach and Douglas B. Satzger and Calvin Q. Seid and Christopher J. Stringer and Eugene Antony Whang and Rico Zorkendorfer and Daniele De Iulii**

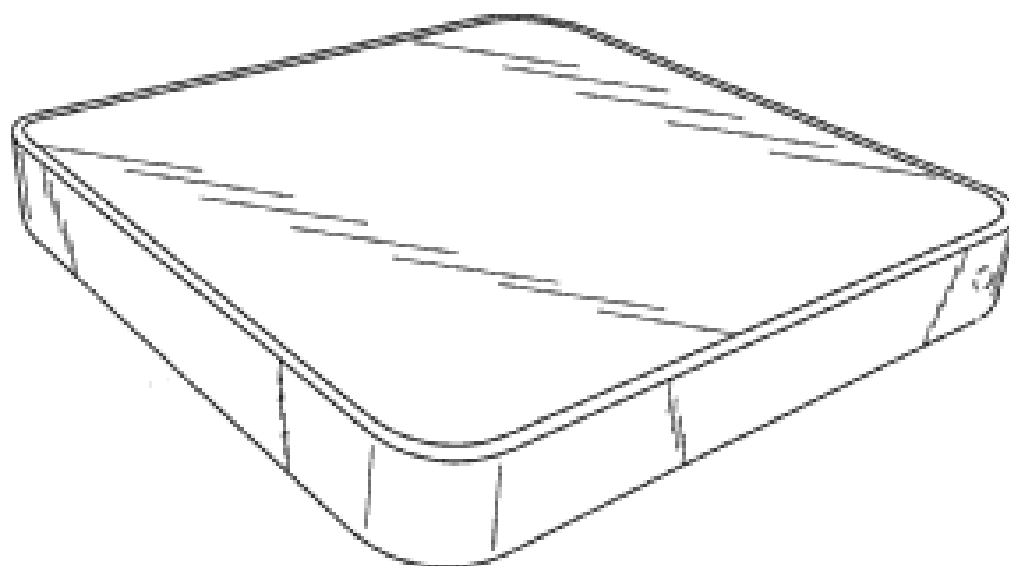
(45) Registration Date: **17 April 2007**

(30) Convention priority data:

(31) Number	(32) Date	(33) Country
29/265955	11 Sep 2006	UNITED STATES OF AMERICA

(56) Related Art Documents: **Not Applicable**

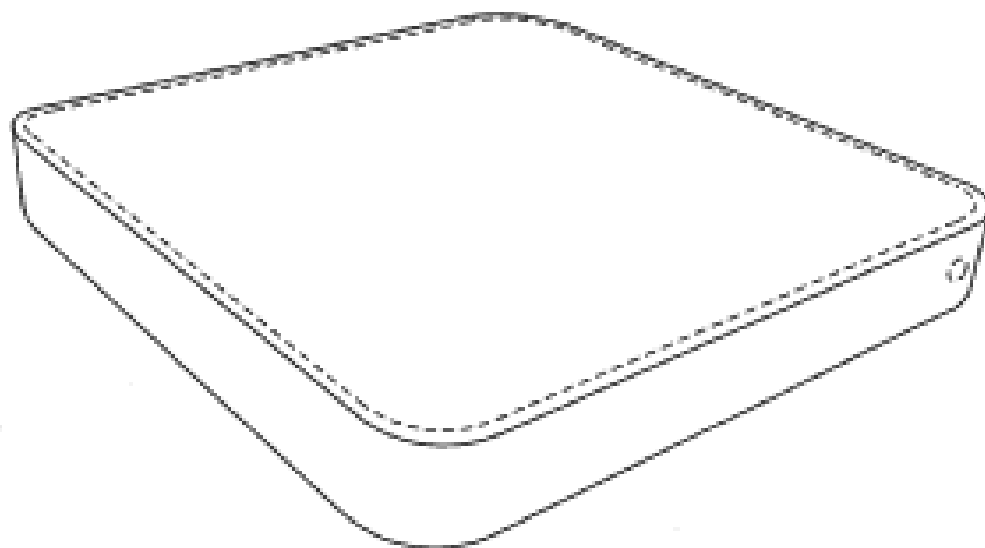
(57) Statement of Newness and Distinctiveness: **Nil**



(19) AU

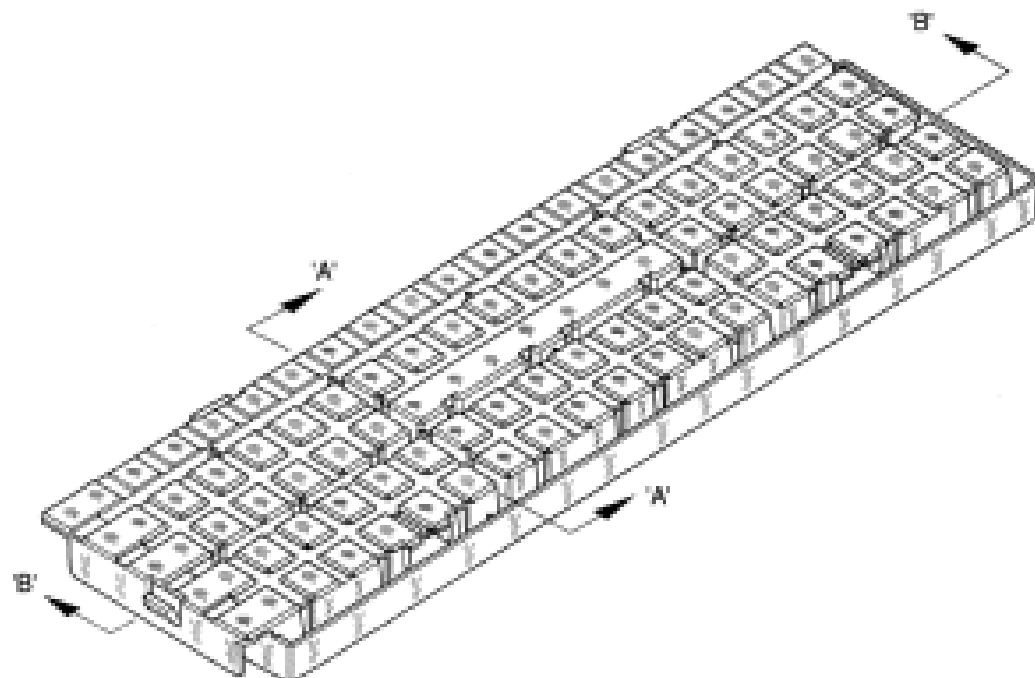
- (21) Design Number: **16015/2007**
- (22) Date of Filing Application: **16 January 2007**
- (24) Date from which industrial property rights may have effect: **16 January 2007**
- (54) Product in respect of which the design is registered: **Media device**
- (51) International Design Classification: **14-01**
- (71) Name(s) and Address(s) of Applicant(s):
Apple Computer, Inc.
1 Infinite Loop Cupertino California 95014-2084 United States of America
- (72) Name(s) of Designer(s): **Bartley K. Andre and Daniel J. Coster and Richard P. Howarth and Jonathan P. Ive and Steve Jobs and Duncan Robert Kerr and Shin Nishibori and Matthew Dean Rohrbach and Douglas B. Satzger and Calvin Q. Seid and Christopher J. Stringer and Eugene Antony Whang and Rico Zorkendorfer and Daniele De Iulii**
- (45) Registration Date: **17 April 2007**
- (30) Convention priority data:

(31) Number	(32) Date	(33) Country
29/266005	11 Sep 2006	UNITED STATES OF AMERICA
- (56) Related Art Documents: **Not Applicable**
- (57) Statement of Newness and Distinctiveness: **When considering the newness and distinctiveness of the design, particular regard should be given to the features of shape and configuration depicted in the representations with solid lines.**

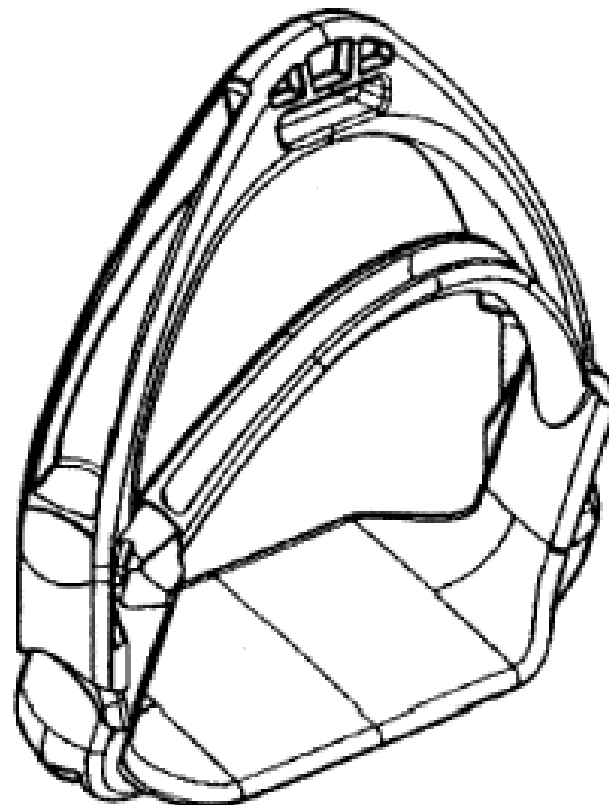


(19) AU

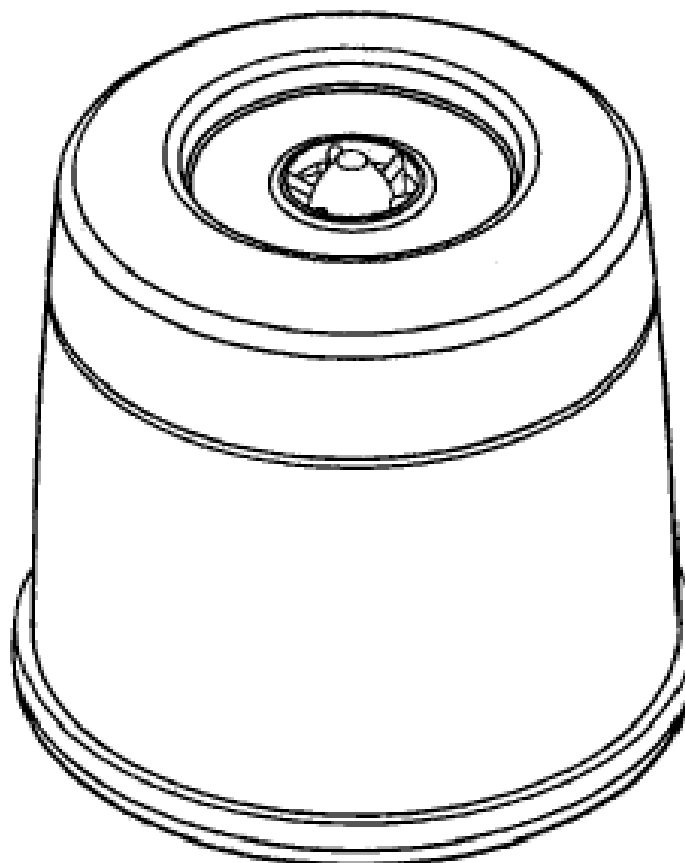
- (21) Design Number: **16016/2007**
- (22) Date of Filing Application: **16 January 2007**
- (24) Date from which industrial property rights may have effect: **16 January 2007**
- (54) Product in respect of which the design is registered: **Demountable floor tile**
- (51) International Design Classification: **25-01F**
- (71) Name(s) and Address(s) of Applicant(s):
Ponale Pty Ltd
2B Northbrook Avenue Malvern Victoria 3144 Australia
- (72) Name(s) of Designer(s): **Paul Blackie**
- (45) Registration Date: **17 April 2007**
- (56) Related Art Documents: **Not Applicable**
- (57) Statement of Newness and Distinctiveness: **Nil**



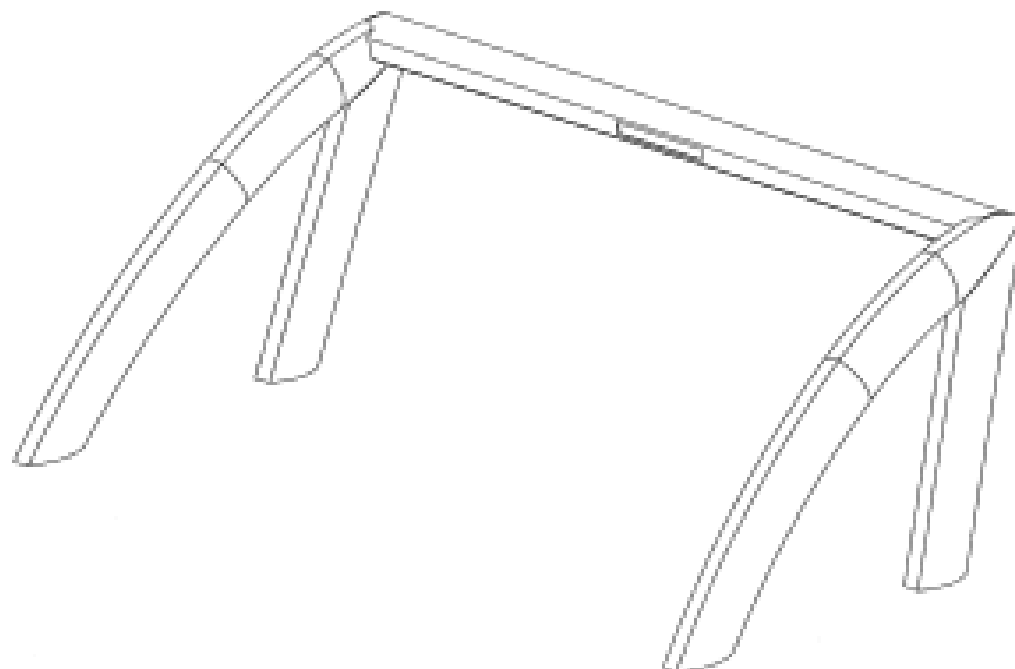
(21) Design Number: **16017/2007**
(22) Date of Filing Application: **16 January 2007**
(24) Date from which industrial property rights may have effect: **16 January 2007**
(54) Product in respect of which the design is registered: **Stirrup**
(51) International Design Classification: **30-04**
(71) Name(s) and Address(s) of Applicant(s):
BBL International Pty Ltd
1 International Court Caribbean Park Scoresby Victoria 3179 Australia
(72) Name(s) of Designer(s): **Hayden Gregory Bostock**
(45) Registration Date: **17 April 2007**
(56) Related Art Documents: **Not Applicable**
(57) Statement of Newness and Distinctiveness: **Nil**



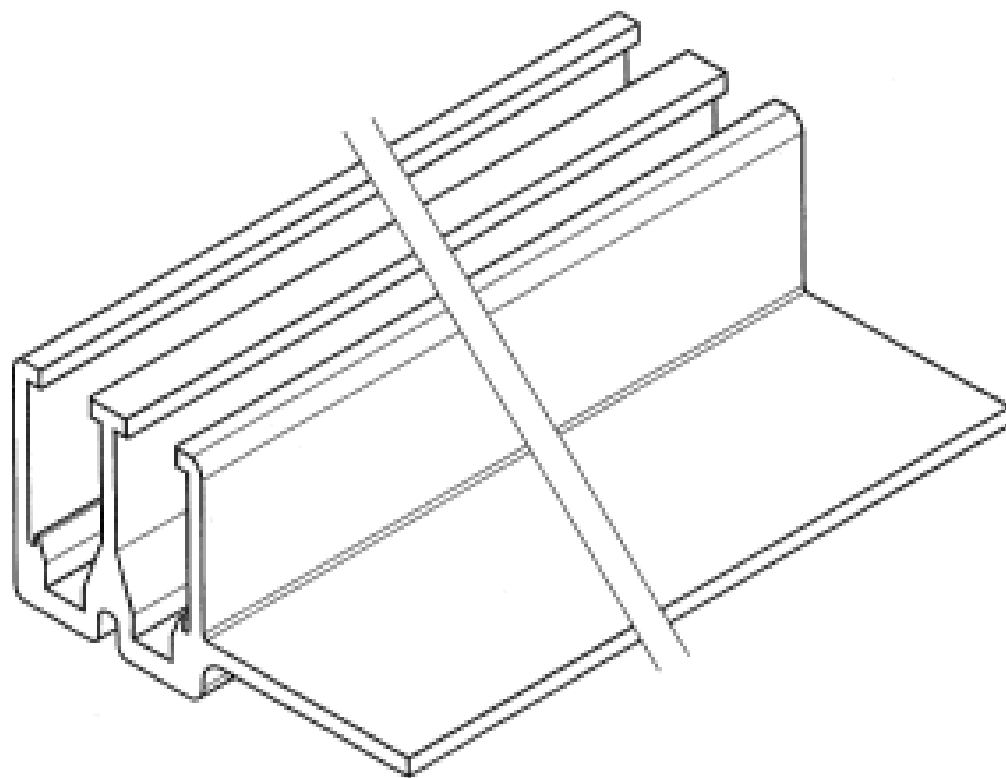
(21) Design Number: **16038/2007**
(22) Date of Filing Application: **18 January 2007**
(24) Date from which industrial property rights may have effect: **18 January 2007**
(54) Product in respect of which the design is registered: **Capsule for beverage making machines**
(51) International Design Classification: **07-04**
(71) Name(s) and Address(s) of Applicant(s):
Illycaffè S.P.A.
Via Flavia 110 34147 Trieste Italy
(72) Name(s) of Designer(s): **Carlo Bach and Maurizio Di Robilant and Giuliano Dell'Orto**
(45) Registration Date: **17 April 2007**
(30) Convention priority data:
(31) Number (32) Date (33) Country
000567938 28 Jul 2006 EUROPEAN COMMUNITY
(56) Related Art Documents: **Not Applicable**
(57) Statement of Newness and Distinctiveness: **Nil**



- (21) Design Number: **16039/2007**
(22) Date of Filing Application: **18 January 2007**
(24) Date from which industrial property rights may have effect: **18 January 2007**
(54) Product in respect of which the design is registered: **Motor vehicle sports bar**
(51) International Design Classification: **12-16C**
(71) Name(s) and Address(s) of Applicant(s):
Frontline Australasia Pty Ltd
55 Letcon Drive Bangholme Victoria 3175 Australia
(72) Name(s) of Designer(s): **Rod Mawson and Daniel Trott**
(45) Registration Date: **17 April 2007**
(56) Related Art Documents: **Not Applicable**
(57) Statement of Newness and Distinctiveness: **Nil**



- (21) Design Number: **15488/2006**
(22) Date of Filing Application: **01 December 2006**
(24) Date from which industrial property rights may have effect: **01 December 2006**
(54) Product in respect of which the design is registered: **An extrusion**
(51) International Design Classification: **25-01K**
(71) Name(s) and Address(s) of Applicant(s):
Neville Simmons
7 Waokauri Place Mangere Auckland New Zealand
Richard Simmons
7 Waokauri Place Mangere Auckland New Zealand
Jack Graeme Simmons
7 Waokauri Place Mangere Auckland New Zealand
Andrew Simmons
7 Waokauri Place Mangere Auckland New Zealand
(72) Name(s) of Designer(s): **Neville Simmons and Richard Simmons and Jack Graeme Simmons and Andrew Simmons**
(45) Registration Date: **19 April 2007**
(30) Convention priority data:
(31) Number (32) Date (33) Country
407642 01 Jun 2006 NEW ZEALAND
(56) Related Art Documents: **Not Applicable**
(57) Statement of Newness and Distinctiveness: **The novelty claimed for the design resides in the features of shape and/or configuration all as shown in the representations. The extrusion is of constant cross-section and indefinite length.**



- (21) Design Number: **16983/2007**
(22) Date of Filing Application: **01 December 2006**
(24) Date from which industrial property rights may have effect: **01 December 2006**
(54) Product in respect of which the design is registered: **An extrusion**
(51) International Design Classification: **25-01K**
(71) Name(s) and Address(s) of Applicant(s):

Neville Simmons
7 Waokauri Place Mangere Auckland New Zealand

Richard Simmons
7 Waokauri Place Mangere Auckland New Zealand

Jack Graeme Simmons
7 Waokauri Place Mangere Auckland New Zealand

Andrew Simmons
7 Waokauri Place Mangere Auckland New Zealand

- (72) Name(s) of Designer(s): **Neville Simmons and Richard Simmons and Jack Graeme Simmons and Andrew Simmons**

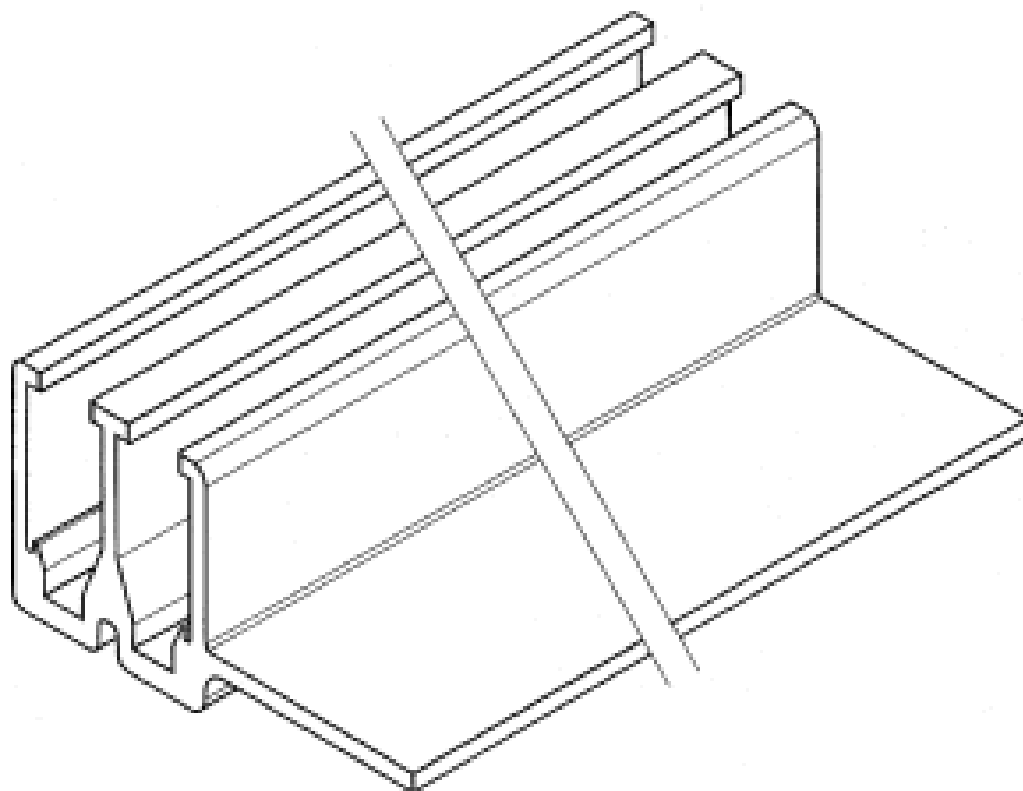
- (45) Registration Date: **19 April 2007**

- (30) Convention priority data:

(31) Number	(32) Date	(33) Country
407642	01 Jun 2006	NEW ZEALAND

- (56) Related Art Documents: **Not Applicable**

- (57) Statement of Newness and Distinctiveness: **The novelty claimed for the design resides in the features of shape and/or configuration all as shown in the representations. The extrusion is of constant cross-section and indefinite length.**



- (21) Design Number: **16009/2007**
(22) Date of Filing Application: **17 January 2007**
(24) Date from which industrial property rights may have effect: **17 January 2007**
(54) Product in respect of which the design is registered: **A tap**
(51) International Design Classification: **23-01H**
(71) Name(s) and Address(s) of Applicant(s):

Roca Sanitario S.A.
Rambla Lluch 2 08850 Gava Barcelona Spain

- (72) Name(s) of Designer(s): **Miguel Angel Munar Saura**

- (45) Registration Date: **19 April 2007**

- (30) Convention priority data:

(31) Number	(32) Date	(33) Country
000564059	21 Jul 2006	EUROPEAN COMMUNITY

- (56) Related Art Documents: **Not Applicable**

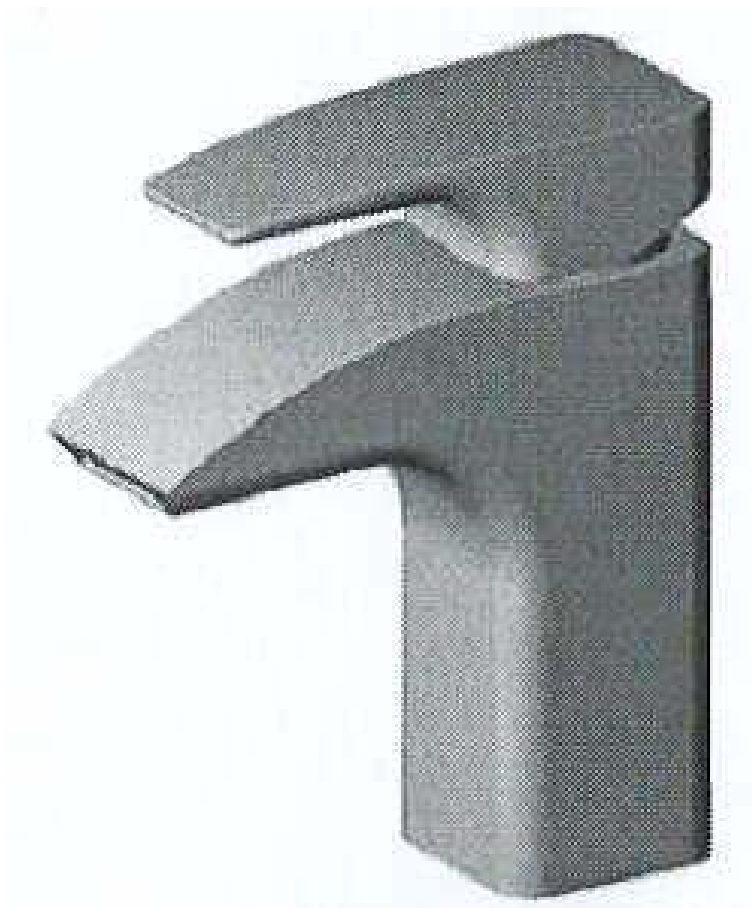
- (57) Statement of Newness and Distinctiveness: **Nil**



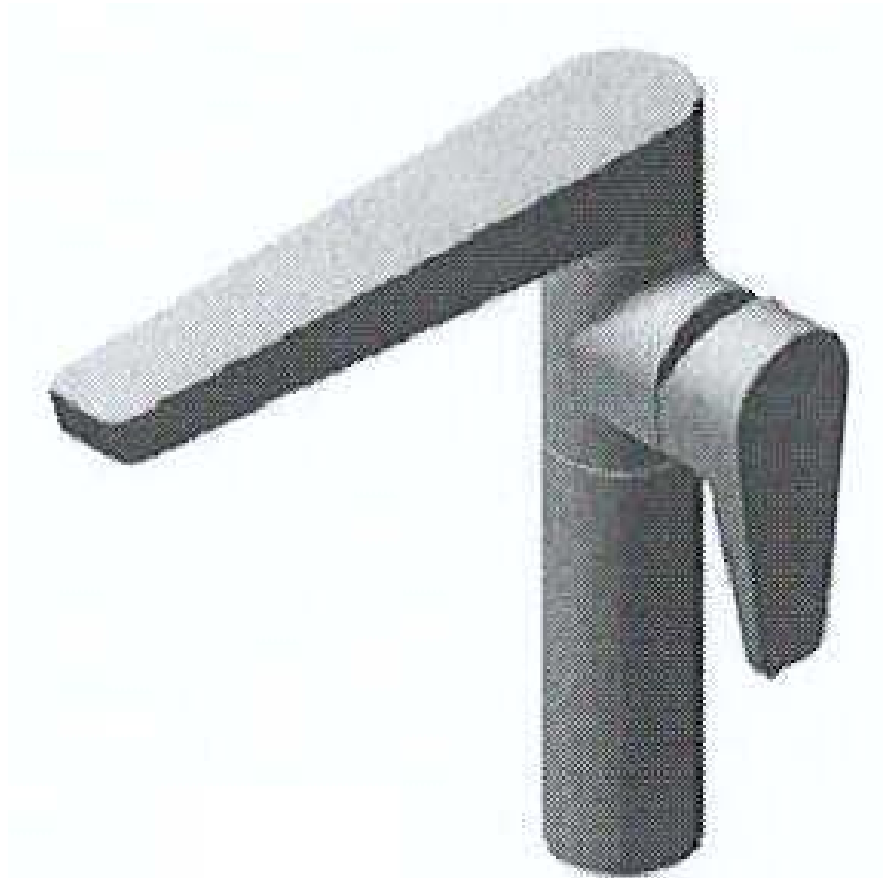
(21) Design Number: **16010/2007**
(22) Date of Filing Application: **17 January 2007**
(24) Date from which industrial property rights may have effect: **17 January 2007**
(54) Product in respect of which the design is registered: **A tap**
(51) International Design Classification: **23-01H**
(71) Name(s) and Address(s) of Applicant(s):
Roca Sanitario S.A.
Rambla Lluch 2 08850 Gava Barcelona Spain
(72) Name(s) of Designer(s): **Miguel Angel Munar Saura**
(45) Registration Date: **19 April 2007**
(30) Convention priority data:
(31) Number (32) Date (33) Country
000564059 21 Jul 2006 EUROPEAN COMMUNITY
(56) Related Art Documents: **Not Applicable**
(57) Statement of Newness and Distinctiveness: **Nil**



(21) Design Number: **16011/2007**
(22) Date of Filing Application: **17 January 2007**
(24) Date from which industrial property rights may have effect: **17 January 2007**
(54) Product in respect of which the design is registered: **A tap**
(51) International Design Classification: **23-01H**
(71) Name(s) and Address(s) of Applicant(s):
Roca Sanitario S.A.
Rambla Lluch 2 08850 Gava Barcelona Spain
(72) Name(s) of Designer(s): **Miguel Angel Munar Saura**
(45) Registration Date: **19 April 2007**
(30) Convention priority data:
(31) Number (32) Date (33) Country
000564059 21 Jul 2006 EUROPEAN COMMUNITY
(56) Related Art Documents: **Not Applicable**
(57) Statement of Newness and Distinctiveness: **Nil**



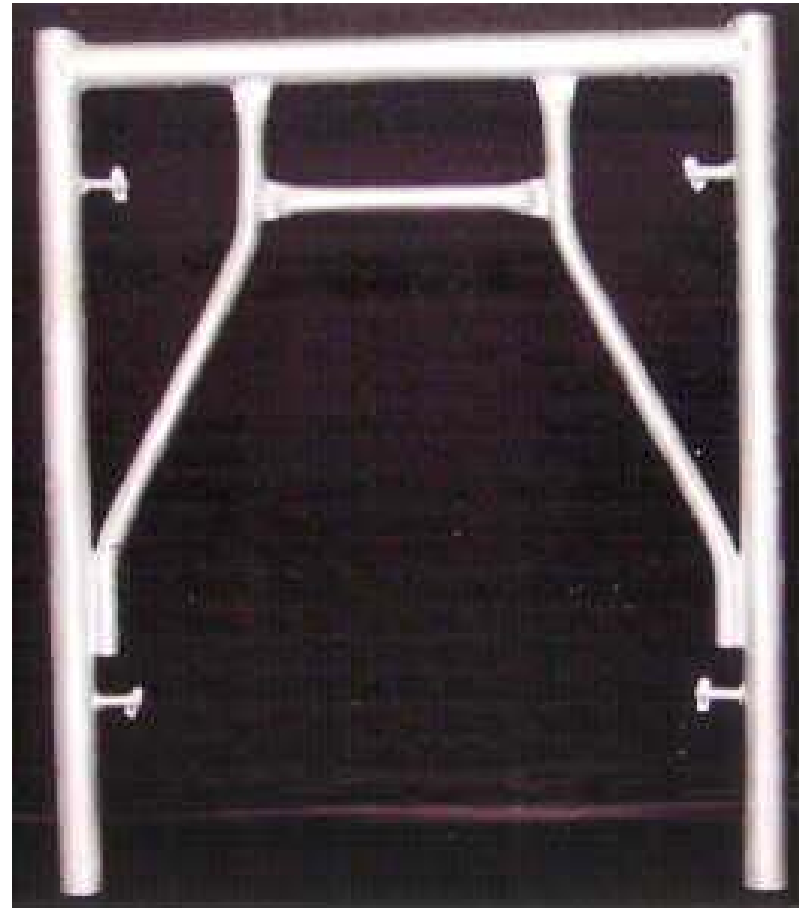
(21) Design Number: **16012/2007**
(22) Date of Filing Application: **17 January 2007**
(24) Date from which industrial property rights may have effect: **17 January 2007**
(54) Product in respect of which the design is registered: **A tap**
(51) International Design Classification: **23-01H**
(71) Name(s) and Address(s) of Applicant(s):
Roca Sanitario S.A.
Rambla Lluch 2 08850 Gava Barcelona Spain
(72) Name(s) of Designer(s): **Miguel Angel Munar Saura**
(45) Registration Date: **19 April 2007**
(30) Convention priority data:
(31) Number (32) Date (33) Country
000564059 21 Jul 2006 EUROPEAN COMMUNITY
(56) Related Art Documents: **Not Applicable**
(57) Statement of Newness and Distinctiveness: **Nil**



(21) Design Number: **16013/2007**
(22) Date of Filing Application: **17 January 2007**
(24) Date from which industrial property rights may have effect: **17 January 2007**
(54) Product in respect of which the design is registered: **My ancestral wheel the genealogy display board**
(51) International Design Classification: **19-99**
(71) Name(s) and Address(s) of Applicant(s):
Sven Tor Nord
Unit 2 13/15 Gould Street Frankston Victoria 3199 Australia
(72) Name(s) of Designer(s): **Sven Tor Nord**
(45) Registration Date: **19 April 2007**
(56) Related Art Documents: **Not Applicable**
(57) Statement of Newness and Distinctiveness: **Nil**



- (21) Design Number: **16020/2007**
(22) Date of Filing Application: **18 January 2007**
(24) Date from which industrial property rights may have effect: **18 January 2007**
(54) Product in respect of which the design is registered: **Steel frame scaffold**
(51) International Design Classification: **25-04**
(71) Name(s) and Address(s) of Applicant(s):
Global Scaffold Sales Pty Ltd
PO Box 107 Westminster Western Australia 6061 Australia
(72) Name(s) of Designer(s): **Mike Lee and Robert Wissink**
(45) Registration Date: **19 April 2007**
(56) Related Art Documents: **Not Applicable**
(57) Statement of Newness and Distinctiveness: **Nil**



- (21) Design Number: **16021/2007**
(22) Date of Filing Application: **17 January 2007**
(24) Date from which industrial property rights may have effect: **17 January 2007**
(54) Product in respect of which the design is registered: **Support for installing arithmetic and control unit**
(51) International Design Classification: **14-02**
(71) Name(s) and Address(s) of Applicant(s):
Sony Computer Entertainment Inc.
2-6-21 Minami-Aoyama Minato-ku Tokyo 107-0062 Japan
(72) Name(s) of Designer(s): **Seigi Sasaki and Mitsuru Kamimachi and Yasuhiro Orimoto and Kensuke Kita and Chikashi Aoki and Nobuyuki Shimizu and Yasuhiro Osaki**
(45) Registration Date: **19 April 2007**
(30) Convention priority data:
(31) Number (32) Date (33) Country
2006-025299 21 Sep 2006 JAPAN
(56) Related Art Documents: **Not Applicable**
(57) Statement of Newness and Distinctiveness: **Newness and distinctiveness resides in the shape and/or configuration of a support for installing arithmetic and control unit as illustrated in the accompanying representations.**



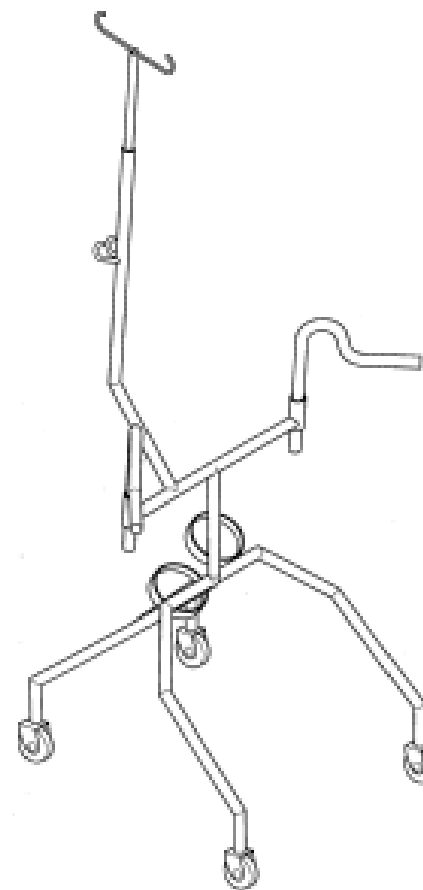
- (21) Design Number: **16022/2007**
(22) Date of Filing Application: **17 January 2007**
(24) Date from which industrial property rights may have effect: **17 January 2007**
(54) Product in respect of which the design is registered: **Support body for installing arithmetic and control unit**
(51) International Design Classification: **14-02**
(71) Name(s) and Address(s) of Applicant(s):
Sony Computer Entertainment Inc.
2-6-21 Minami-Aoyama Minato-ku Tokyo 107-0062 Japan
(72) Name(s) of Designer(s): **Seigi Sasaki and Mitsuru Kamimachi and Yasuhiro Orimoto and Kensuke Kita and Chikashi Aoki and Nobuyuki Shimizu and Yasuhiro Osaki**
(45) Registration Date: **19 April 2007**
(30) Convention priority data:
(31) Number (32) Date (33) Country
2006-025300 21 Sep 2006 JAPAN
(56) Related Art Documents: **Not Applicable**
(57) Statement of Newness and Distinctiveness: **Newness and distinctiveness resides in the shape and/or configuration of a support body for installing arithmetic and control unit as illustrated in the accompanying representations.**



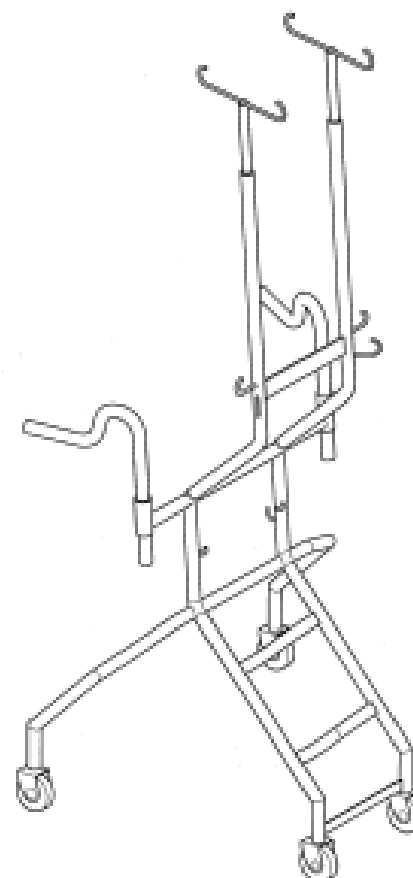
- (21) Design Number: **16023/2007**
(22) Date of Filing Application: **17 January 2007**
(24) Date from which industrial property rights may have effect: **17 January 2007**
(54) Product in respect of which the design is registered: **Support for installing arithmetic and control unit**
(51) International Design Classification: **14-02**
(71) Name(s) and Address(s) of Applicant(s):
Sony Computer Entertainment Inc.
2-6-21 Minami-Aoyama Minato-ku Tokyo 107-0062 Japan
(72) Name(s) of Designer(s): **Seigi Sasaki and Mitsuru Kamimachi and Yasuhiro Orimoto and Kensuke Kita and Chikashi Aoki and Nobuyuki Shimizu and Yasuhiro Osaki**
(45) Registration Date: **19 April 2007**
(30) Convention priority data:
(31) Number (32) Date (33) Country
2006-025301 21 Sep 2006 JAPAN
(56) Related Art Documents: **Not Applicable**
(57) Statement of Newness and Distinctiveness: **Newness and distinctiveness resides in the shape and/or configuration of a support for installing arithmetic and control unit as illustrated in the accompanying representations. The features shown in red are for illustrative purposes only and do not form part of the design.**



- (21) Design Number: **16024/2007**
(22) Date of Filing Application: **17 January 2007**
(24) Date from which industrial property rights may have effect: **17 January 2007**
(54) Product in respect of which the design is registered: **Mobility frame with medical apparatus support**
(51) International Design Classification: **12-12**
(71) Name(s) and Address(s) of Applicant(s):
About Time Technologies Pty Ltd
71 Goongarrie Drive Cooloongup Western Australia 6168 Australia
(72) Name(s) of Designer(s): **Leslie Tomlinson**
(45) Registration Date: **19 April 2007**
(56) Related Art Documents: **Not Applicable**
(57) Statement of Newness and Distinctiveness: **Newness and distinctiveness is claimed in the features of shape and/or configuration of a mobility frame with medical apparatus support as illustrated in the accompanying representations.**



- (21) Design Number: **16025/2007**
(22) Date of Filing Application: **17 January 2007**
(24) Date from which industrial property rights may have effect: **17 January 2007**
(54) Product in respect of which the design is registered: **Mobility frame with medical apparatus support**
(51) International Design Classification: **12-12**
(71) Name(s) and Address(s) of Applicant(s):
About Time Technologies Pty Ltd
71 Goongarrie Drive Cooloongup Western Australia 6168 Australia
(72) Name(s) of Designer(s): **Leslie Tomlinson**
(45) Registration Date: **19 April 2007**
(56) Related Art Documents: **Not Applicable**
(57) Statement of Newness and Distinctiveness: **Newness and distinctiveness is claimed in the features of shape and/or configuration of a mobility frame with medical apparatus support as illustrated in the accompanying representations.**



- (21) Design Number: **16026/2007**
(22) Date of Filing Application: **17 January 2007**
(24) Date from which industrial property rights may have effect: **17 January 2007**
(54) Product in respect of which the design is registered: **Electromagnetic starter**
(51) International Design Classification: **13-03NES**
(71) Name(s) and Address(s) of Applicant(s):

Chint Group Corp.
Chint Industrial Zone Liushi Yueqing Zhejiang 325604 China

(72) Name(s) of Designer(s): **Weibin Wang**

(45) Registration Date: **19 April 2007**

(30) Convention priority data:

(31) Number	(32) Date	(33) Country
200630156920.9	10 Nov 2006	CHINA

(56) Related Art Documents: **Not Applicable**

(57) Statement of Newness and Distinctiveness: **Each feature of the design considered separately or in combination with any other feature or features. The words and symbols appearing in the attached representations form no part of the design.**



- (21) Design Number: **16027/2007**
(22) Date of Filing Application: **17 January 2007**
(24) Date from which industrial property rights may have effect: **17 January 2007**
(54) Product in respect of which the design is registered: **Steering wheel of automobiles**
(51) International Design Classification: **12-16A**
(71) Name(s) and Address(s) of Applicant(s):

Honda Motor Co. Ltd
1-1 Minami-Aoyama 2-chome Minato-ku Tokyo 107-8556 Japan

(72) Name(s) of Designer(s): **Yosuke Shimizu**

(45) Registration Date: **19 April 2007**

(30) Convention priority data:

(31) Number	(32) Date	(33) Country
2006-019376	24 Jul 2006	JAPAN

(56) Related Art Documents: **Not Applicable**

(57) Statement of Newness and Distinctiveness: **Nil**



(21) Design Number: **16028/2007**
(22) Date of Filing Application: **17 January 2007**
(24) Date from which industrial property rights may have effect: **17 January 2007**
(54) Product in respect of which the design is registered: **Instrument panel of automobiles**
(51) International Design Classification: **12-16NES**
(71) Name(s) and Address(s) of Applicant(s):
Honda Motor Co. Ltd
1-1 Minami-Aoyama 2-chome Minato-ku Tokyo 107-8556 Japan
(72) Name(s) of Designer(s): **Yoshiki Honma and Jose Wyszogrod**
(45) Registration Date: **19 April 2007**
(30) Convention priority data:
(31) Number (32) Date (33) Country
2006-019371 24 Jul 2006 JAPAN
(56) Related Art Documents: **Not Applicable**
(57) Statement of Newness and Distinctiveness: **Nil**



(21) Design Number: **16029/2007**
(22) Date of Filing Application: **17 January 2007**
(24) Date from which industrial property rights may have effect: **17 January 2007**
(54) Product in respect of which the design is registered: **Control panel of automobiles**
(51) International Design Classification: **12-16NES**
(71) Name(s) and Address(s) of Applicant(s):
Honda Motor Co. Ltd
1-1 Minami-Aoyama 2-chome Minato-ku Tokyo 107-8556 Japan
(72) Name(s) of Designer(s): **Keisuke Kato**
(45) Registration Date: **19 April 2007**
(30) Convention priority data:
(31) Number (32) Date (33) Country
2006-019372 24 Jul 2006 JAPAN
(56) Related Art Documents: **Not Applicable**
(57) Statement of Newness and Distinctiveness: **Nil**



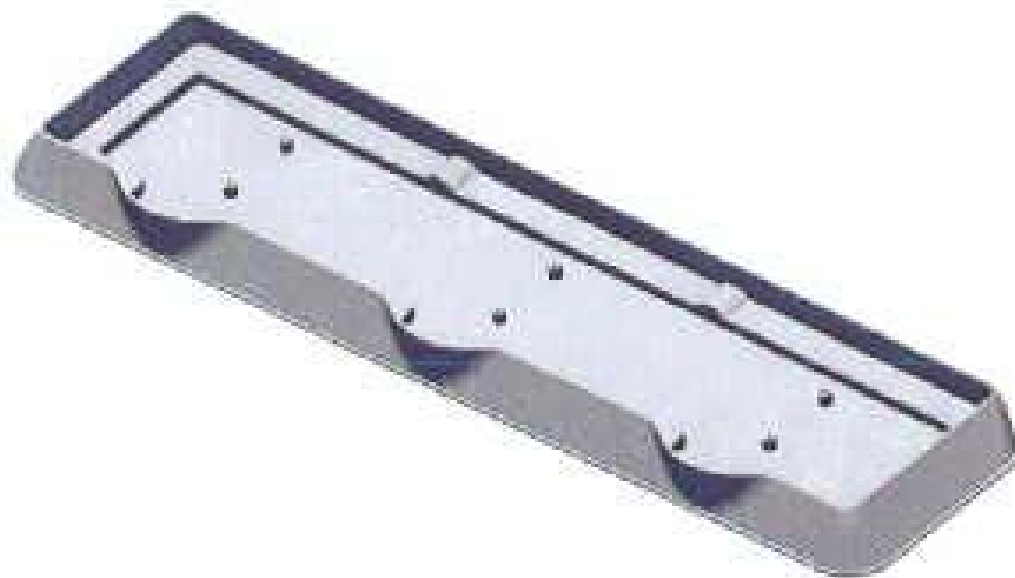
- (21) Design Number: **16030/2007**
(22) Date of Filing Application: **17 January 2007**
(24) Date from which industrial property rights may have effect: **17 January 2007**
(54) Product in respect of which the design is registered: **Front door lining of automobiles**
(51) International Design Classification: **12-16B**
(71) Name(s) and Address(s) of Applicant(s):
Honda Motor Co. Ltd
1-1 Minami-Aoyama 2-chome Minato-ku Tokyo 107-8556 Japan
(72) Name(s) of Designer(s): **Keisuke Kato**
(45) Registration Date: **19 April 2007**
(30) Convention priority data:
(31) Number (32) Date (33) Country
2006-019373 24 Jul 2006 JAPAN
(56) Related Art Documents: **Not Applicable**
(57) Statement of Newness and Distinctiveness: **Nil**



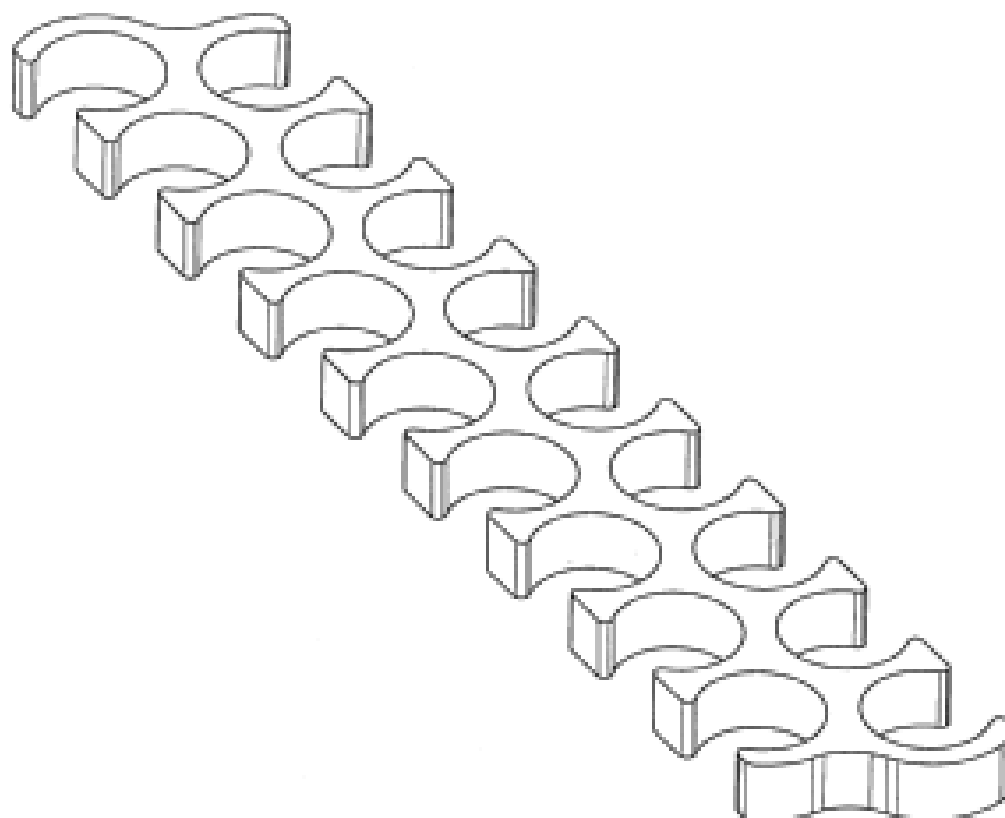
- (21) Design Number: **16032/2007**
(22) Date of Filing Application: **17 January 2007**
(24) Date from which industrial property rights may have effect: **17 January 2007**
(54) Product in respect of which the design is registered: **Modular container**
(51) International Design Classification: **09-03NES**
(71) Name(s) and Address(s) of Applicant(s):
Quizcamp-Fabrico E Comercio De Produtos Alimentares, S.A.
Rua Mem Rodrigues 4A P-1400-249 Lisboa Portugal
(72) Name(s) of Designer(s): **Luis Quental Medeiros Pereira and Ana Cristina Leite Oliveira**
(45) Registration Date: **19 April 2007**
(30) Convention priority data:
(31) Number (32) Date (33) Country
000592738-001 21 Sep 2006 EUROPEAN COMMUNITY
(56) Related Art Documents: **Not Applicable**
(57) Statement of Newness and Distinctiveness: **Nil**



(21) Design Number: **16033/2007**
(22) Date of Filing Application: **17 January 2007**
(24) Date from which industrial property rights may have effect: **17 January 2007**
(54) Product in respect of which the design is registered: **Container lid/base**
(51) International Design Classification: **09-07NES**
(71) Name(s) and Address(s) of Applicant(s):
Quizcamp-Fabrico E Comercio De Produtos Alimentares, S.A.
Rua Mem Rodrigues 4A P-1400-249 Lisboa Portugal
(72) Name(s) of Designer(s): **Luis Quental Medeiros Pereira and Ana Cristina Leite Oliveira**
(45) Registration Date: **19 April 2007**
(30) Convention priority data:
(31) Number (32) Date (33) Country
000592738-002 21 Sep 2006 EUROPEAN COMMUNITY
(56) Related Art Documents: **Not Applicable**
(57) Statement of Newness and Distinctiveness: **Nil**



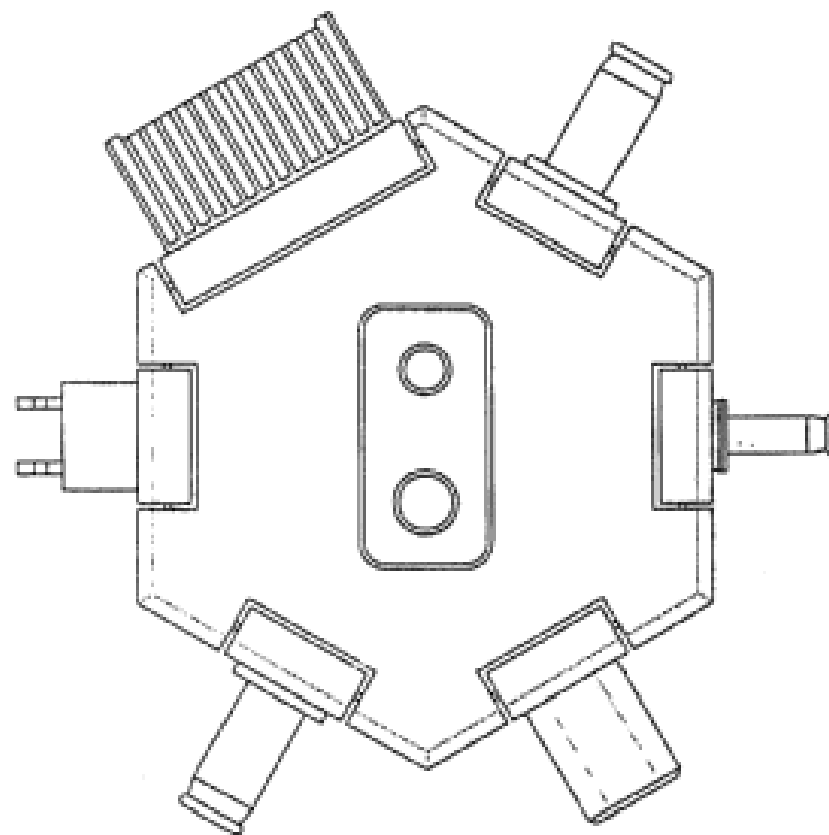
(21) Design Number: **16034/2007**
(22) Date of Filing Application: **18 January 2007**
(24) Date from which industrial property rights may have effect: **18 January 2007**
(54) Product in respect of which the design is registered: **Cable management device**
(51) International Design Classification: **13-03C**
(71) Name(s) and Address(s) of Applicant(s):
ADC Communications (Australia) Pty Limited
2 Hereford Street Berkeley Vale New South Wales 2261 Australia
(72) Name(s) of Designer(s): **Leonard James Patchett and Scott David Lee**
(45) Registration Date: **19 April 2007**
(56) Related Art Documents: **Not Applicable**
(57) Statement of Newness and Distinctiveness: **The features of shape and configuration of the cable management device shown in the accompanying representations are considered to be new and distinctive.**



(19) AU

- (21) Design Number: **16040/2007**
- (22) Date of Filing Application: **18 January 2007**
- (24) Date from which industrial property rights may have effect: **18 January 2007**
- (54) Product in respect of which the design is registered: **Mobile telephone charger**
- (51) International Design Classification: **13-02**
- (71) Name(s) and Address(s) of Applicant(s):
Jose Luis De La Torre Barreiro
Estenabez Calderon 5 7th F 28020 Madrid Spain
Francisco Lorenzo Esteban Azpiroz
Estenabez Calderon 5 7th F 28020 Madrid Spain
- (72) Name(s) of Designer(s): **Jose Luis De La Torre Barreiro and Francisco Lorenzo Esteban Azpiroz**
- (45) Registration Date: **19 April 2007**
- (30) Convention priority data:

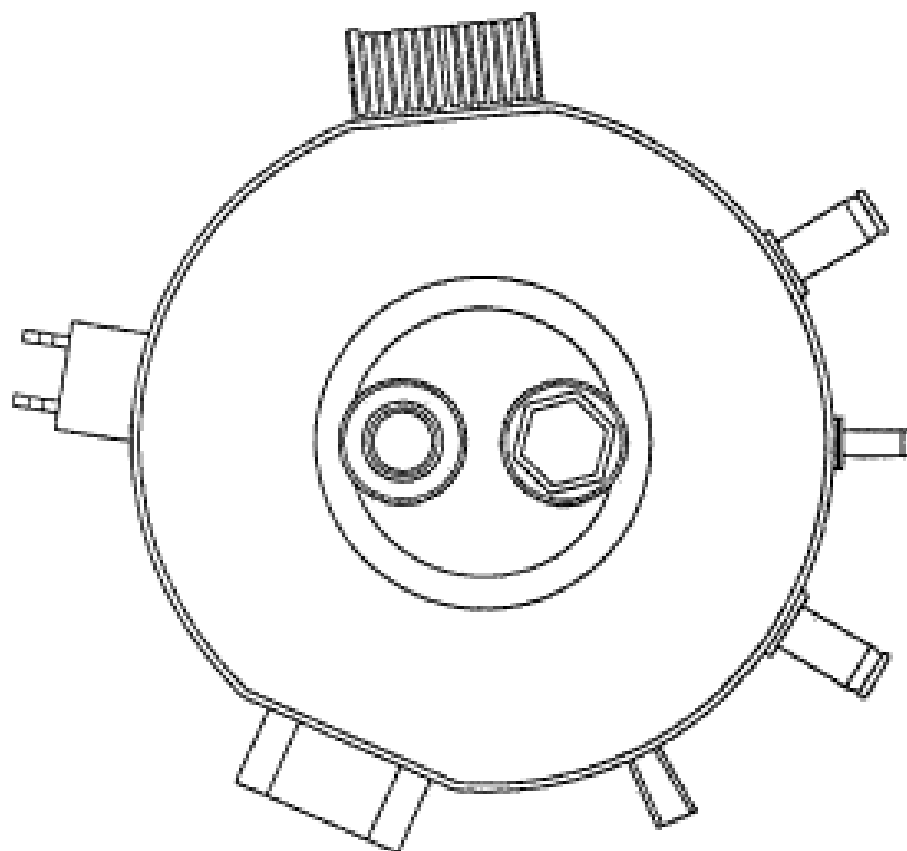
(31) Number	(32) Date	(33) Country
000588819	15 Sep 2006	EUROPEAN COMMUNITY
- (56) Related Art Documents: **Not Applicable**
- (57) Statement of Newness and Distinctiveness: **Nil**



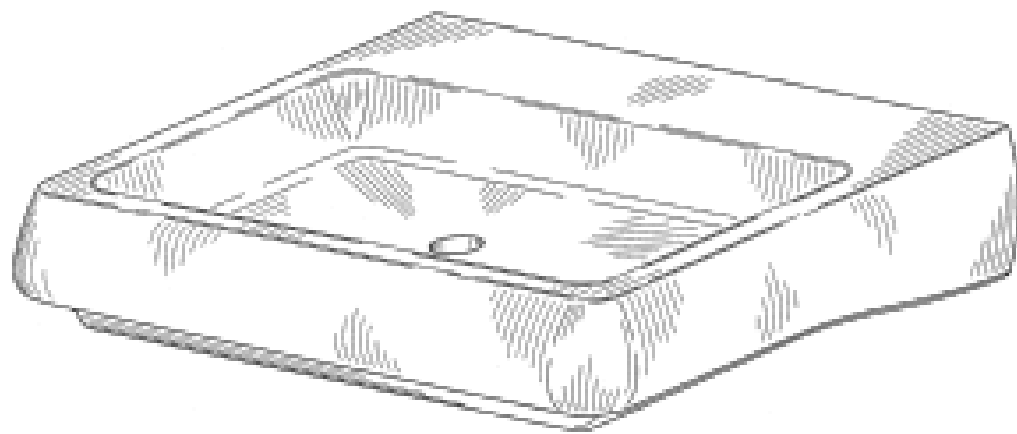
(19) AU

- (21) Design Number: **16041/2007**
- (22) Date of Filing Application: **18 January 2007**
- (24) Date from which industrial property rights may have effect: **18 January 2007**
- (54) Product in respect of which the design is registered: **Mobile telephone charger**
- (51) International Design Classification: **13-02**
- (71) Name(s) and Address(s) of Applicant(s):
Jose Luis De La Torre Barreiro
Estenabez Calderon 5 7th F 28020 Madrid Spain
Francisco Lorenzo Esteban Azpiroz
Estenabez Calderon 5 7th F 28020 Madrid Spain
- (72) Name(s) of Designer(s): **Jose Luis De La Torre Barreiro and Francisco Lorenzo Esteban Azpiroz**
- (45) Registration Date: **19 April 2007**
- (30) Convention priority data:

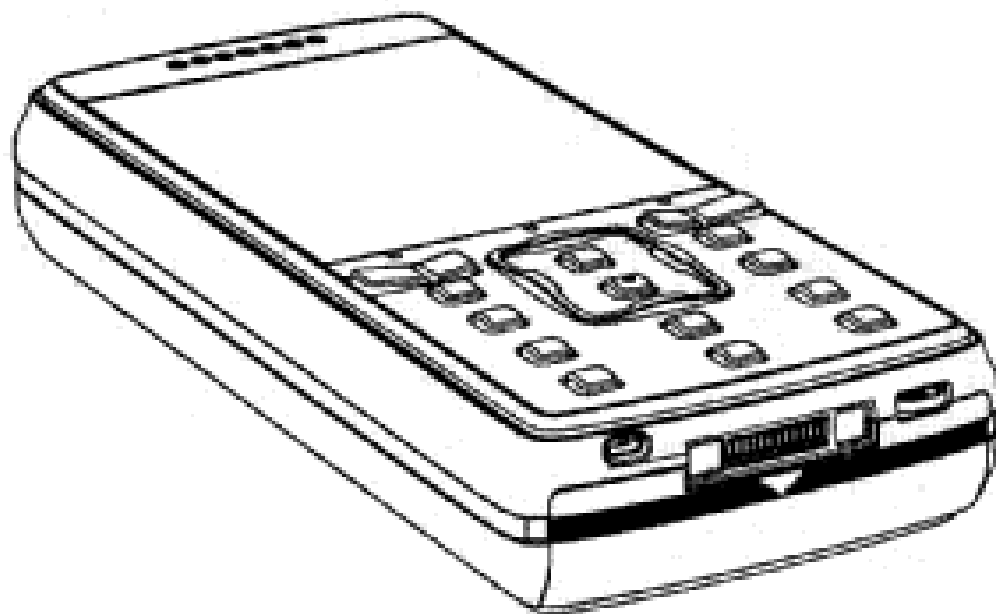
(31) Number	(32) Date	(33) Country
000588819	15 Sep 2006	EUROPEAN COMMUNITY
- (56) Related Art Documents: **Not Applicable**
- (57) Statement of Newness and Distinctiveness: **Nil**



(21) Design Number: **16077/2007**
(22) Date of Filing Application: **19 January 2007**
(24) Date from which industrial property rights may have effect: **19 January 2007**
(54) Product in respect of which the design is registered: **Sink**
(51) International Design Classification: **23-02F**
(71) Name(s) and Address(s) of Applicant(s):
Kohler France SAS
60 Rue De Turenne 75139 Paris Cedex 03 France
(72) Name(s) of Designer(s): **Francois Kergoet**
(45) Registration Date: **19 April 2007**
(30) Convention priority data:
(31) Number (32) Date (33) Country
000563143 19 Jul 2006 EUROPEAN COMMUNITY
(56) Related Art Documents: **Not Applicable**
(57) Statement of Newness and Distinctiveness: **Nil**



(21) Design Number: **17382/2007**
(22) Date of Filing Application: **11 April 2007**
(24) Date from which industrial property rights may have effect: **11 April 2007**
(54) Product in respect of which the design is registered: **Mobile phone**
(51) International Design Classification: **14-03E**
(71) Name(s) and Address(s) of Applicant(s):
Sony Ericsson Mobile Communications AB
Nya Vattentorget SE 221 88 Lund Sweden
(72) Name(s) of Designer(s): **Henrik Jensfelt**
(45) Registration Date: **19 April 2007**
(30) Convention priority data:
(31) Number (32) Date (33) Country
000613484 30 Oct 2006 EUROPEAN COMMUNITY
(56) Related Art Documents: **Not Applicable**
(57) Statement of Newness and Distinctiveness: **Nil**



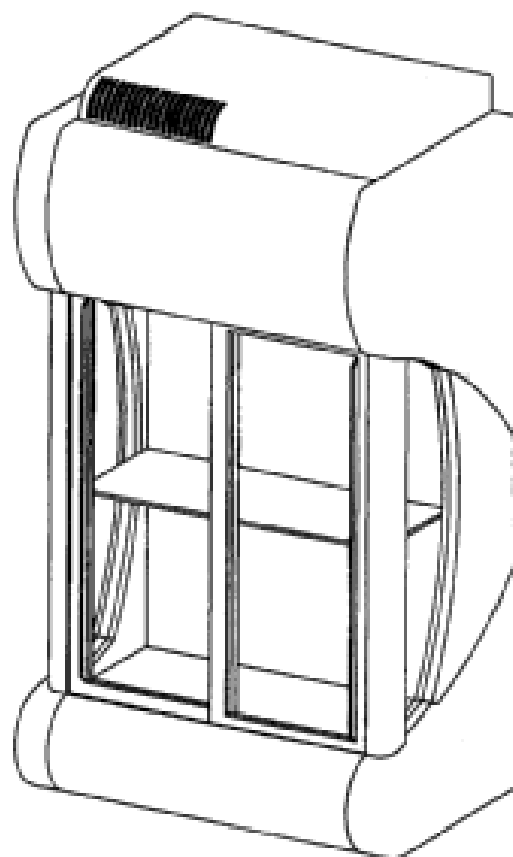
- (21) Design Number: **10309/2006**
(22) Date of Filing Application: **31 January 2006**
(24) Date from which industrial property rights may have effect: **31 January 2006**
(54) Product in respect of which the design is registered: **Capsule holder**
(51) International Design Classification: **03-01NES**
(71) Name(s) and Address(s) of Applicant(s):
Societe Des Produits Nestle S.A.
1800 Vevey Switzerland
(72) Name(s) of Designer(s): **Jean-Luc Denisart and Sebastien Dassi and Yves Marmier and Pierre Struzka**
(45) Registration Date: **20 April 2007**
(30) Convention priority data:
(31) Number (32) Date (33) Country
131988 11 Aug 2005 SWITZERLAND
(56) Related Art Documents: **Not Applicable**
(57) Statement of Newness and Distinctiveness: **Nil**



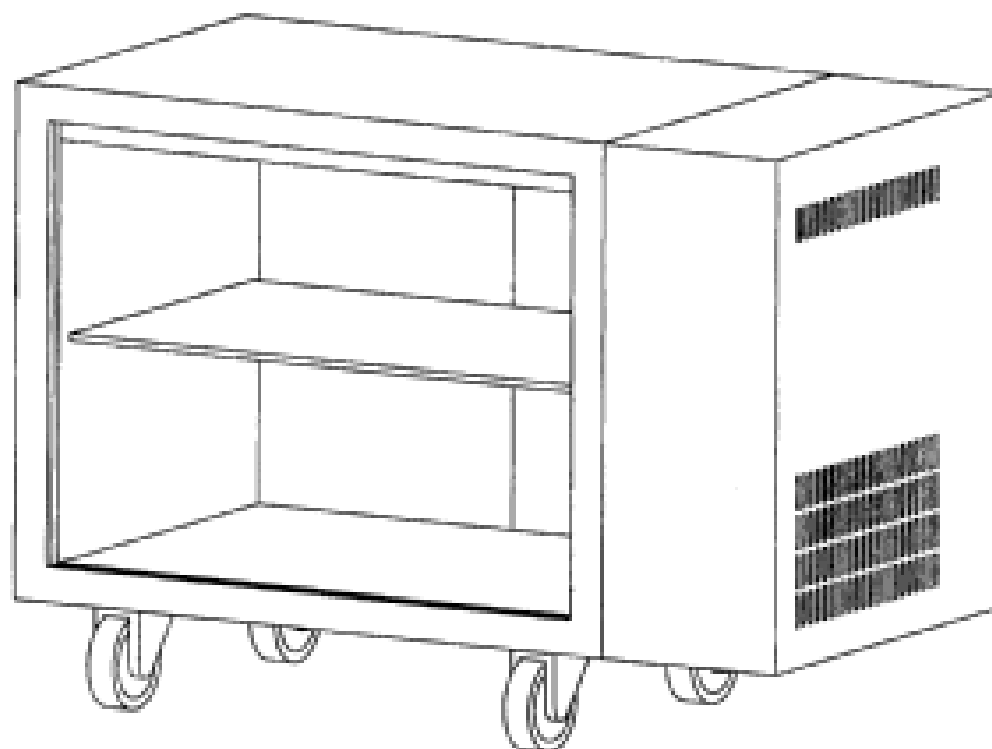
- (21) Design Number: **15470/2006**
(22) Date of Filing Application: **29 November 2006**
(24) Date from which industrial property rights may have effect: **29 November 2006**
(54) Product in respect of which the design is registered: **Vibromassage device**
(51) International Design Classification: **28-03NES**
(71) Name(s) and Address(s) of Applicant(s):
CPC Holdings (Hong Kong) Limited
FLA/RM 1005 Allied Kajima Building 138 Gloucester Road Wan Chai
Hong Kong
(72) Name(s) of Designer(s): **Edouard Hagege**
(45) Registration Date: **20 April 2007**
(30) Convention priority data:
(31) Number (32) Date (33) Country
000540836-0002 29 May 2006 EUROPEAN COMMUNITY
(56) Related Art Documents: **Not Applicable**
(57) Statement of Newness and Distinctiveness: **Newness and distinctiveness reside in the features of the design as shown in the representations.**



(21) Design Number: **16042/2007**
(22) Date of Filing Application: **18 January 2007**
(24) Date from which industrial property rights may have effect: **18 January 2007**
(54) Product in respect of which the design is registered: **Cold storage show case**
(51) International Design Classification: **20-02E**
(71) Name(s) and Address(s) of Applicant(s):
Sanyo Electric Co. Ltd
5-5 Keihanondori 2-chome Moriguchi-shi Osaka-fu Japan
(72) Name(s) of Designer(s): **Sou Kumazawa**
(45) Registration Date: **20 April 2007**
(30) Convention priority data:
(31) Number (32) Date (33) Country
2006-019190 21 Jul 2006 JAPAN
(56) Related Art Documents: **Not Applicable**
(57) Statement of Newness and Distinctiveness: **Nil**



(21) Design Number: **16043/2007**
(22) Date of Filing Application: **18 January 2007**
(24) Date from which industrial property rights may have effect: **18 January 2007**
(54) Product in respect of which the design is registered: **Cold storage show case**
(51) International Design Classification: **20-02E**
(71) Name(s) and Address(s) of Applicant(s):
Sanyo Electric Co. Ltd
5-5 Keihanondori 2-chome Moriguchi-shi Osaka-fu Japan
(72) Name(s) of Designer(s): **Sou Kumazawa**
(45) Registration Date: **20 April 2007**
(30) Convention priority data:
(31) Number (32) Date (33) Country
2006-019189 21 Jul 2006 JAPAN
(56) Related Art Documents: **Not Applicable**
(57) Statement of Newness and Distinctiveness: **Nil**



(21) Design Number: **16044/2007**
(22) Date of Filing Application: **18 January 2007**
(24) Date from which industrial property rights may have effect: **18 January 2007**
(54) Product in respect of which the design is registered: **Cold storage show case**
(51) International Design Classification: **20-02E**
(71) Name(s) and Address(s) of Applicant(s):

Sanyo Electric Co. Ltd
5-5 Keihanondori 2-chome Moriguchi-shi Osaka-fu Japan

(72) Name(s) of Designer(s): **Sou Kumazawa**

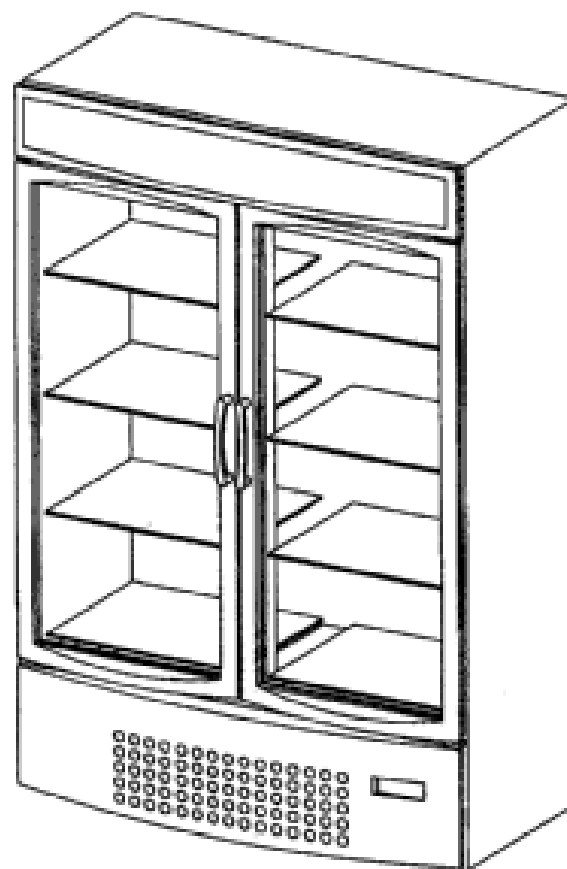
(45) Registration Date: **20 April 2007**

(30) Convention priority data:

(31) Number	(32) Date	(33) Country
2006-019191	21 Jul 2006	JAPAN

(56) Related Art Documents: **Not Applicable**

(57) Statement of Newness and Distinctiveness: **Nil**



(21) Design Number: **16045/2007**
(22) Date of Filing Application: **18 January 2007**
(24) Date from which industrial property rights may have effect: **18 January 2007**
(54) Product in respect of which the design is registered: **Sanitary towel**
(51) International Design Classification: **24-04**
(71) Name(s) and Address(s) of Applicant(s):

SCA Hygiene Products AB
S-405 03 Goteborg Sweden

(72) Name(s) of Designer(s): **Anita Haraldsson Hedbratt and Maria Gustin Bergstrom and Shadi Yazarlo-Stahl**

(45) Registration Date: **20 April 2007**

(30) Convention priority data:

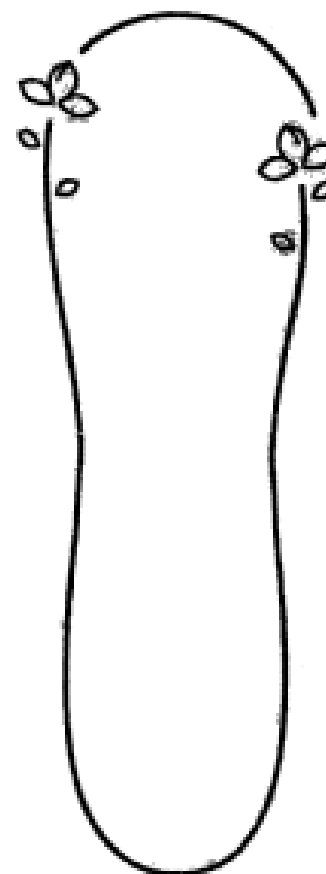
(31) Number	(32) Date	(33) Country
000599725-1/-17	18 Sep 2006	EUROPEAN COMMUNITY

(56) Related Art Documents: **Not Applicable**

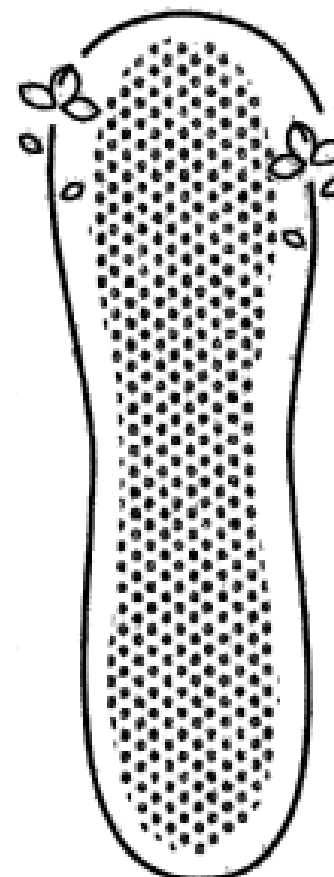
(57) Statement of Newness and Distinctiveness: **Nil**



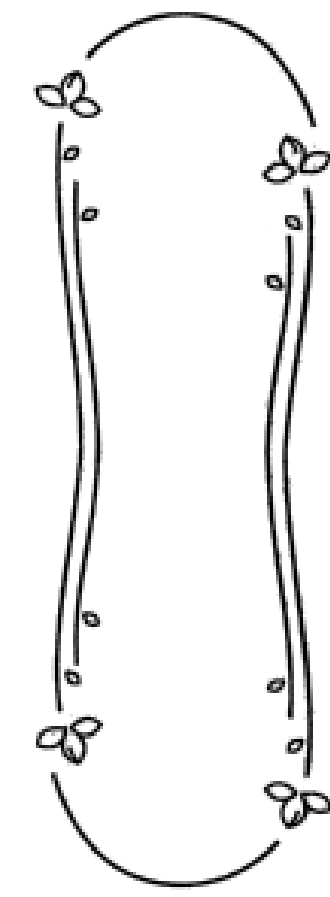
(21) Design Number: **16046/2007**
(22) Date of Filing Application: **18 January 2007**
(24) Date from which industrial property rights may have effect: **18 January 2007**
(54) Product in respect of which the design is registered: **Sanitary towel decoration**
(51) International Design Classification: **24-04**
(71) Name(s) and Address(s) of Applicant(s):
SCA Hygiene Products AB
S-405 03 Goteborg Sweden
(72) Name(s) of Designer(s): **Anita Haraldsson Hedbratt and Maria Gustin Bergstrom and Shadi Yazarlo-Stahl**
(45) Registration Date: **20 April 2007**
(30) Convention priority data:
(31) Number (32) Date (33) Country
000599725-1/-17 18 Sep 2006 EUROPEAN COMMUNITY
(56) Related Art Documents: **Not Applicable**
(57) Statement of Newness and Distinctiveness: **Nil**



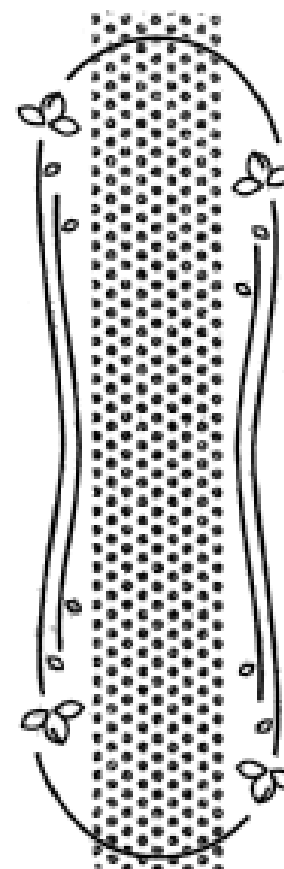
(21) Design Number: **16047/2007**
(22) Date of Filing Application: **18 January 2007**
(24) Date from which industrial property rights may have effect: **18 January 2007**
(54) Product in respect of which the design is registered: **Sanitary towel decoration**
(51) International Design Classification: **24-04**
(71) Name(s) and Address(s) of Applicant(s):
SCA Hygiene Products AB
S-405 03 Goteborg Sweden
(72) Name(s) of Designer(s): **Anita Haraldsson Hedbratt and Maria Gustin Bergstrom and Shadi Yazarlo-Stahl**
(45) Registration Date: **20 April 2007**
(30) Convention priority data:
(31) Number (32) Date (33) Country
000599725-1/-17 18 Sep 2006 EUROPEAN COMMUNITY
(56) Related Art Documents: **Not Applicable**
(57) Statement of Newness and Distinctiveness: **Nil**



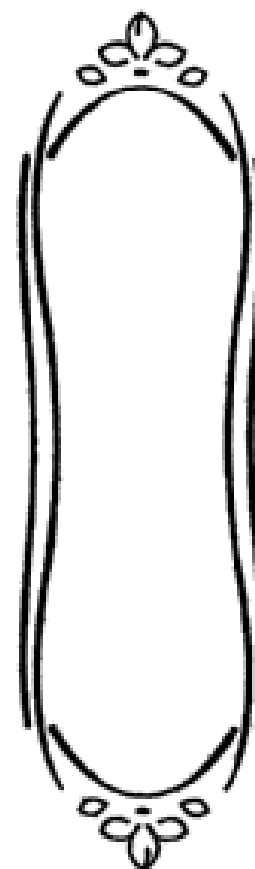
(21) Design Number: **16048/2007**
(22) Date of Filing Application: **18 January 2007**
(24) Date from which industrial property rights may have effect: **18 January 2007**
(54) Product in respect of which the design is registered: **Sanitary towel decoration**
(51) International Design Classification: **24-04**
(71) Name(s) and Address(s) of Applicant(s):
SCA Hygiene Products AB
S-405 03 Goteborg Sweden
(72) Name(s) of Designer(s): **Anita Haraldsson Hedbratt and Maria Gustin Bergstrom and Shadi Yazarlo-Stahl**
(45) Registration Date: **20 April 2007**
(30) Convention priority data:
(31) Number (32) Date (33) Country
000599725-1/-17 18 Sep 2006 EUROPEAN COMMUNITY
(56) Related Art Documents: **Not Applicable**
(57) Statement of Newness and Distinctiveness: **Nil**



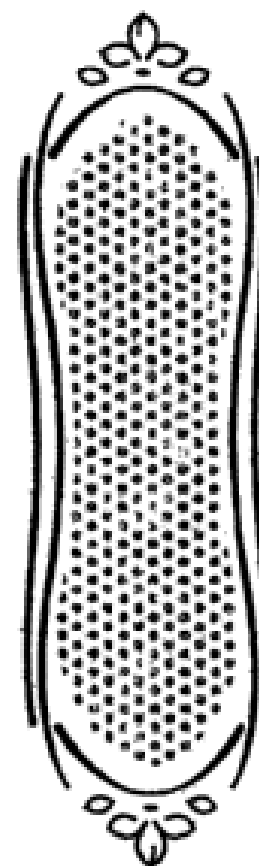
(21) Design Number: **16049/2007**
(22) Date of Filing Application: **18 January 2007**
(24) Date from which industrial property rights may have effect: **18 January 2007**
(54) Product in respect of which the design is registered: **Sanitary towel decoration**
(51) International Design Classification: **24-04**
(71) Name(s) and Address(s) of Applicant(s):
SCA Hygiene Products AB
S-405 03 Goteborg Sweden
(72) Name(s) of Designer(s): **Anita Haraldsson Hedbratt and Maria Gustin Bergstrom and Shadi Yazarlo-Stahl**
(45) Registration Date: **20 April 2007**
(30) Convention priority data:
(31) Number (32) Date (33) Country
000599725-1/-17 18 Sep 2006 EUROPEAN COMMUNITY
(56) Related Art Documents: **Not Applicable**
(57) Statement of Newness and Distinctiveness: **Nil**



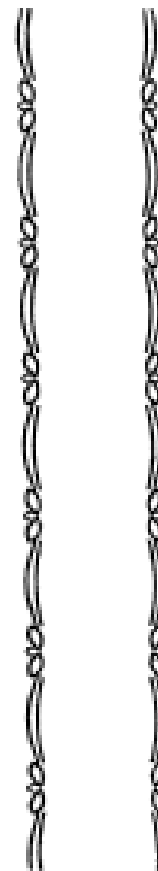
(21) Design Number: **16050/2007**
(22) Date of Filing Application: **18 January 2007**
(24) Date from which industrial property rights may have effect: **18 January 2007**
(54) Product in respect of which the design is registered: **Sanitary towel decoration**
(51) International Design Classification: **24-04**
(71) Name(s) and Address(s) of Applicant(s):
SCA Hygiene Products AB
S-405 03 Goteborg Sweden
(72) Name(s) of Designer(s): **Anita Haraldsson Hedbratt and Maria Gustin Bergstrom and Shadi Yazarlo-Stahl**
(45) Registration Date: **20 April 2007**
(30) Convention priority data:
(31) Number (32) Date (33) Country
000599725-1/-17 18 Sep 2006 EUROPEAN COMMUNITY
(56) Related Art Documents: **Not Applicable**
(57) Statement of Newness and Distinctiveness: **Nil**



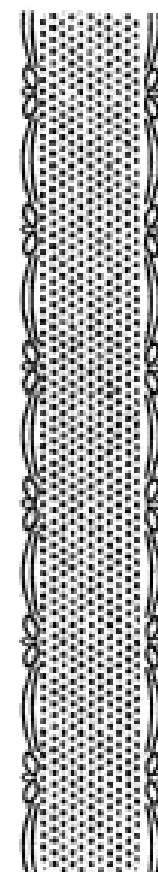
(21) Design Number: **16051/2007**
(22) Date of Filing Application: **18 January 2007**
(24) Date from which industrial property rights may have effect: **18 January 2007**
(54) Product in respect of which the design is registered: **Sanitary towel decoration**
(51) International Design Classification: **24-04**
(71) Name(s) and Address(s) of Applicant(s):
SCA Hygiene Products AB
S-405 03 Goteborg Sweden
(72) Name(s) of Designer(s): **Anita Haraldsson Hedbratt and Maria Gustin Bergstrom and Shadi Yazarlo-Stahl**
(45) Registration Date: **20 April 2007**
(30) Convention priority data:
(31) Number (32) Date (33) Country
000599725-1/-17 18 Sep 2006 EUROPEAN COMMUNITY
(56) Related Art Documents: **Not Applicable**
(57) Statement of Newness and Distinctiveness: **Nil**



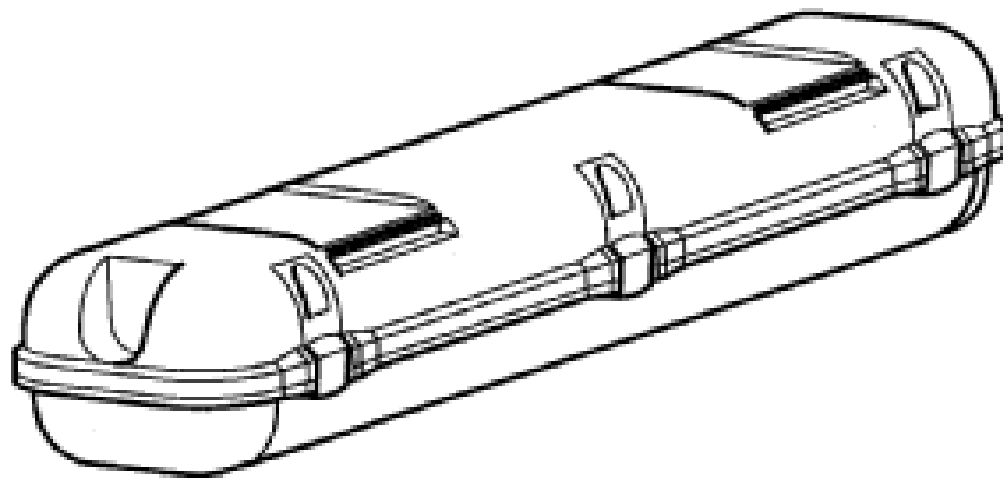
(21) Design Number: **16052/2007**
(22) Date of Filing Application: **18 January 2007**
(24) Date from which industrial property rights may have effect: **18 January 2007**
(54) Product in respect of which the design is registered: **Sanitary towel decoration**
(51) International Design Classification: **24-04**
(71) Name(s) and Address(s) of Applicant(s):
SCA Hygiene Products AB
S-405 03 Goteborg Sweden
(72) Name(s) of Designer(s): **Anita Haraldsson Hedbratt and Maria Gustin Bergstrom and Shadi Yazarlo-Stahl**
(45) Registration Date: **20 April 2007**
(30) Convention priority data:
(31) Number (32) Date (33) Country
000599725-1/-17 18 Sep 2006 EUROPEAN COMMUNITY
(56) Related Art Documents: **Not Applicable**
(57) Statement of Newness and Distinctiveness: **Nil**



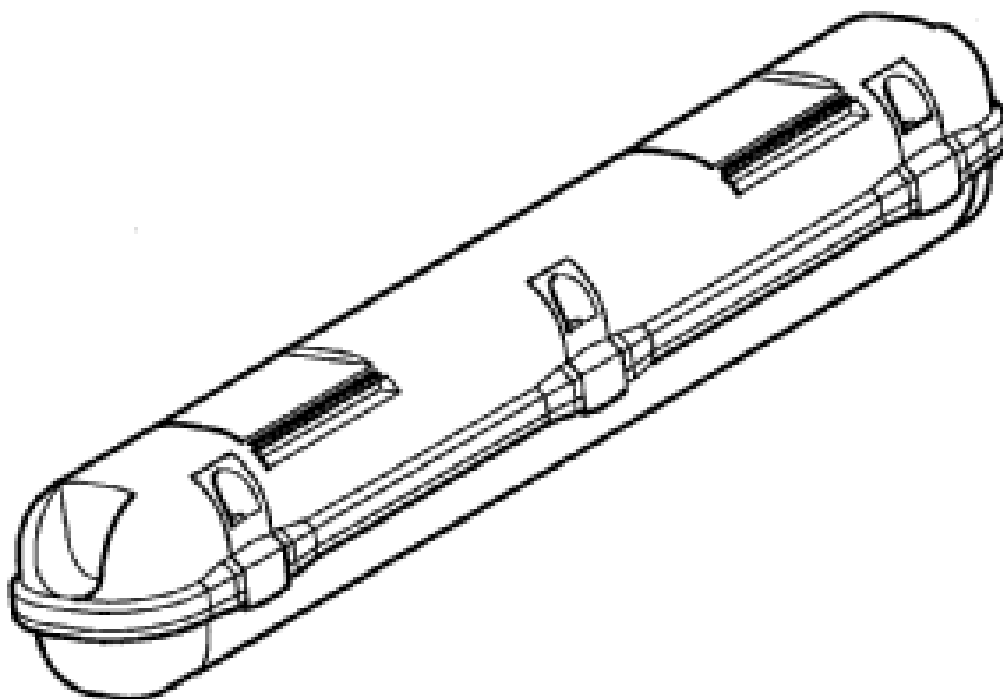
(21) Design Number: **16053/2007**
(22) Date of Filing Application: **18 January 2007**
(24) Date from which industrial property rights may have effect: **18 January 2007**
(54) Product in respect of which the design is registered: **Sanitary towel decoration**
(51) International Design Classification: **24-04**
(71) Name(s) and Address(s) of Applicant(s):
SCA Hygiene Products AB
S-405 03 Goteborg Sweden
(72) Name(s) of Designer(s): **Anita Haraldsson Hedbratt and Maria Gustin Bergstrom and Shadi Yazarlo-Stahl**
(45) Registration Date: **20 April 2007**
(30) Convention priority data:
(31) Number (32) Date (33) Country
000599725-1/-17 18 Sep 2006 EUROPEAN COMMUNITY
(56) Related Art Documents: **Not Applicable**
(57) Statement of Newness and Distinctiveness: **Nil**



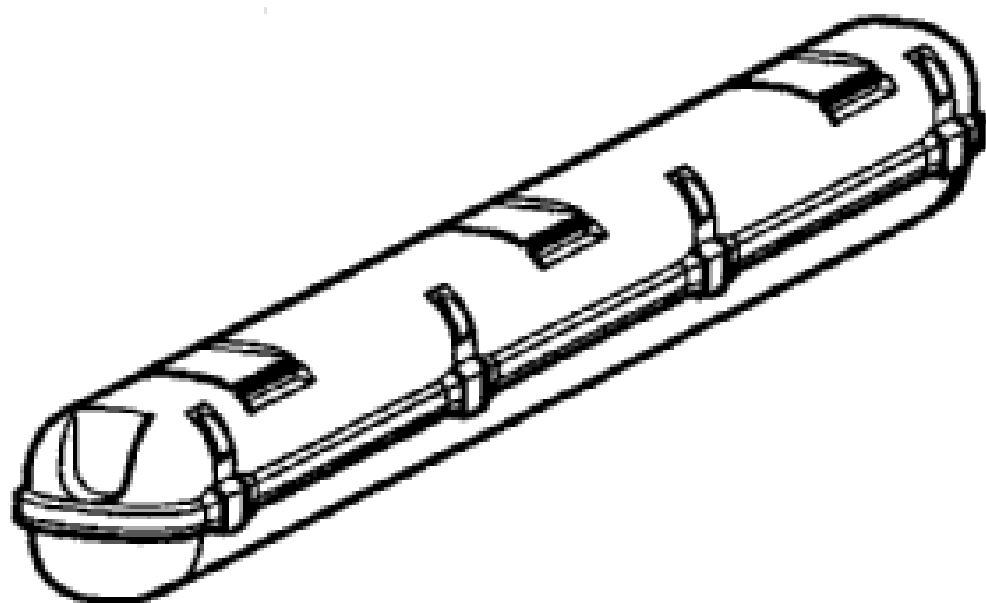
- (21) Design Number: **16057/2007**
(22) Date of Filing Application: **18 January 2007**
(24) Date from which industrial property rights may have effect: **18 January 2007**
(54) Product in respect of which the design is registered: **Luminaire (batten)**
(51) International Design Classification: **26-05NES**
(71) Name(s) and Address(s) of Applicant(s):
Koninklijke Philips Electronics N.V.
Groenewoudseweg 1 5621 BA Eindhoven The Netherlands
(72) Name(s) of Designer(s): **Tony C.T. Tseng**
(45) Registration Date: **20 April 2007**
(30) Convention priority data:
(31) Number (32) Date (33) Country
000570544-0005 03 Aug 2006 EUROPEAN COMMUNITY
(56) Related Art Documents: **Not Applicable**
(57) Statement of Newness and Distinctiveness: **Newness and distinctiveness reside in the features of the design as shown in the representations.**



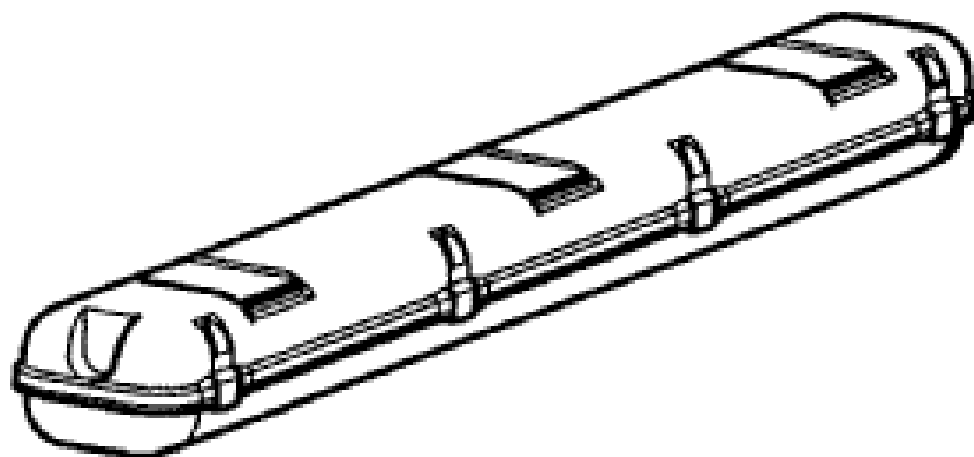
- (21) Design Number: **16058/2007**
(22) Date of Filing Application: **18 January 2007**
(24) Date from which industrial property rights may have effect: **18 January 2007**
(54) Product in respect of which the design is registered: **Luminaire (batten)**
(51) International Design Classification: **26-05NES**
(71) Name(s) and Address(s) of Applicant(s):
Koninklijke Philips Electronics N.V.
Groenewoudseweg 1 5621 BA Eindhoven The Netherlands
(72) Name(s) of Designer(s): **Tony C.T. Tseng**
(45) Registration Date: **20 April 2007**
(30) Convention priority data:
(31) Number (32) Date (33) Country
000570544-0006 03 Aug 2006 EUROPEAN COMMUNITY
(56) Related Art Documents: **Not Applicable**
(57) Statement of Newness and Distinctiveness: **Newness and distinctiveness reside in the features of the design as shown in the representations.**



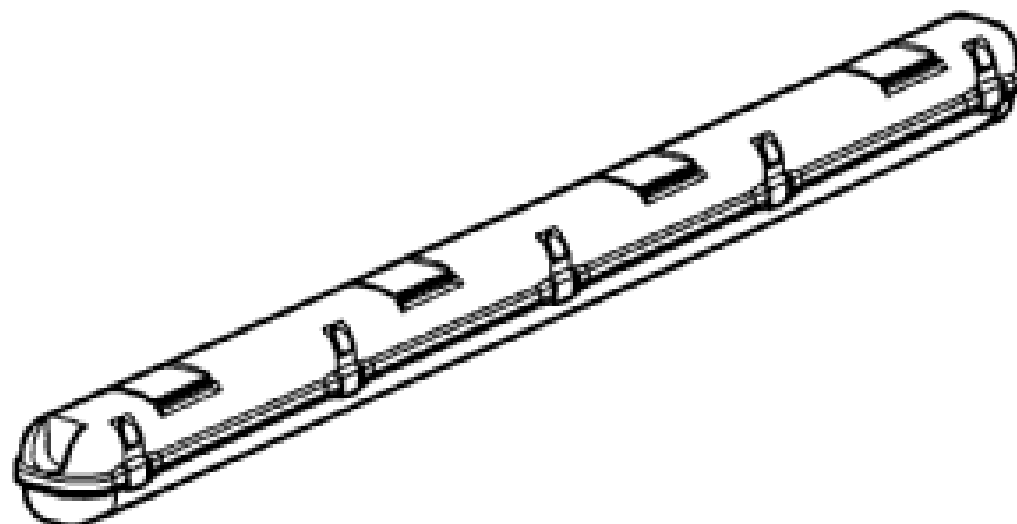
- (21) Design Number: **16059/2007**
(22) Date of Filing Application: **18 January 2007**
(24) Date from which industrial property rights may have effect: **18 January 2007**
(54) Product in respect of which the design is registered: **Luminaire (batten)**
(51) International Design Classification: **26-05NES**
(71) Name(s) and Address(s) of Applicant(s):
Koninklijke Philips Electronics N.V.
Groenewoudseweg 1 5621 BA Eindhoven The Netherlands
(72) Name(s) of Designer(s): **Tony C.T. Tseng**
(45) Registration Date: **20 April 2007**
(30) Convention priority data:
(31) Number (32) Date (33) Country
000570544-0003 03 Aug 2006 EUROPEAN COMMUNITY
(56) Related Art Documents: **Not Applicable**
(57) Statement of Newness and Distinctiveness: **Newness and distinctiveness reside in the features of the design as shown in the representations.**



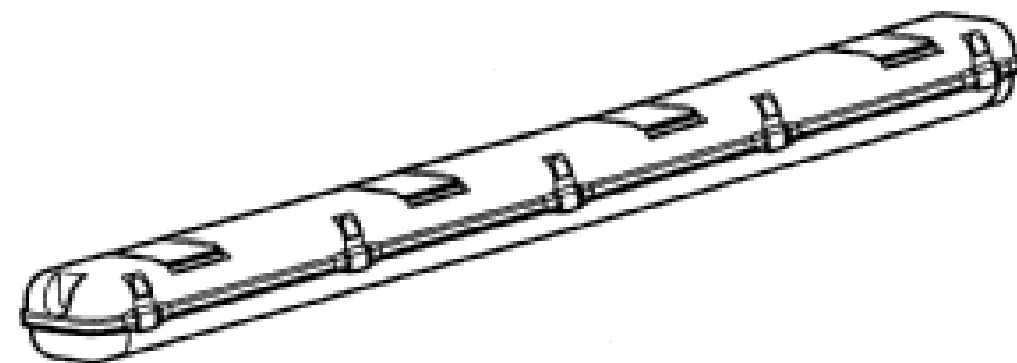
- (21) Design Number: **16060/2007**
(22) Date of Filing Application: **18 January 2007**
(24) Date from which industrial property rights may have effect: **18 January 2007**
(54) Product in respect of which the design is registered: **Luminaire (batten)**
(51) International Design Classification: **26-05NES**
(71) Name(s) and Address(s) of Applicant(s):
Koninklijke Philips Electronics N.V.
Groenewoudseweg 1 5621 BA Eindhoven The Netherlands
(72) Name(s) of Designer(s): **Tony C.T. Tseng**
(45) Registration Date: **20 April 2007**
(30) Convention priority data:
(31) Number (32) Date (33) Country
000570544-0004 03 Aug 2006 EUROPEAN COMMUNITY
(56) Related Art Documents: **Not Applicable**
(57) Statement of Newness and Distinctiveness: **Newness and distinctiveness reside in the features of the design as shown in the representations.**



- (21) Design Number: **16061/2007**
(22) Date of Filing Application: **18 January 2007**
(24) Date from which industrial property rights may have effect: **18 January 2007**
(54) Product in respect of which the design is registered: **Luminaire (batten)**
(51) International Design Classification: **26-05NES**
(71) Name(s) and Address(s) of Applicant(s):
Koninklijke Philips Electronics N.V.
Groenewoudseweg 1 5621 BA Eindhoven The Netherlands
(72) Name(s) of Designer(s): **Tony C.T. Tseng**
(45) Registration Date: **20 April 2007**
(30) Convention priority data:
(31) Number (32) Date (33) Country
000570544-0001 03 Aug 2006 EUROPEAN COMMUNITY
(56) Related Art Documents: **Not Applicable**
(57) Statement of Newness and Distinctiveness: **Newness and distinctiveness reside in the features of the design as shown in the representations.**



- (21) Design Number: **16062/2007**
(22) Date of Filing Application: **18 January 2007**
(24) Date from which industrial property rights may have effect: **18 January 2007**
(54) Product in respect of which the design is registered: **Luminaire (batten)**
(51) International Design Classification: **26-05NES**
(71) Name(s) and Address(s) of Applicant(s):
Koninklijke Philips Electronics N.V.
Groenewoudseweg 1 5621 BA Eindhoven The Netherlands
(72) Name(s) of Designer(s): **Tony C.T. Tseng**
(45) Registration Date: **20 April 2007**
(30) Convention priority data:
(31) Number (32) Date (33) Country
000570544-0002 03 Aug 2006 EUROPEAN COMMUNITY
(56) Related Art Documents: **Not Applicable**
(57) Statement of Newness and Distinctiveness: **Newness and distinctiveness reside in the features of the design as shown in the representations.**



(21) Design Number: **16063/2007**

(22) Date of Filing Application: **19 January 2007**

(24) Date from which industrial property rights may have effect: **19 January 2007**

(54) Product in respect of which the design is registered: **Hair clip**

(51) International Design Classification: **28-03C**

(71) Name(s) and Address(s) of Applicant(s):

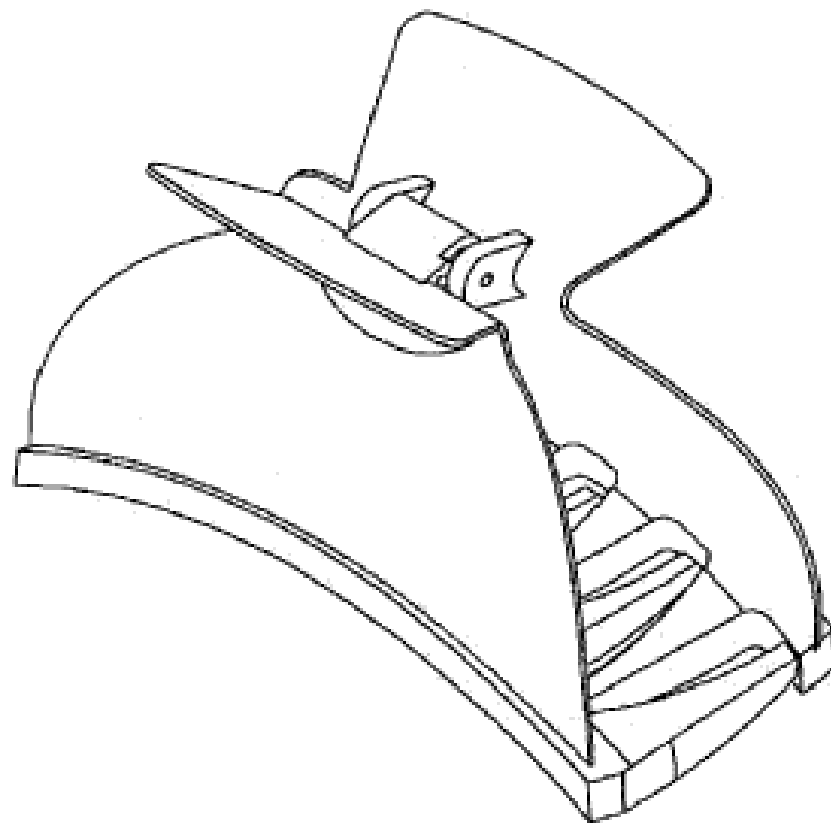
French Fashion (H.K.) Limited
Block C 15th Floor Tung Chun Industrial Building Stage I 9-11 Cheung
Wing Rd Kwai Chung New Territories Hong Kong

(72) Name(s) of Designer(s): **Francois C. Pichon**

(45) Registration Date: **20 April 2007**

(56) Related Art Documents: **Not Applicable**

(57) Statement of Newness and Distinctiveness: **Nil**



(21) Design Number: **16064/2007**

(22) Date of Filing Application: **19 January 2007**

(24) Date from which industrial property rights may have effect: **19 January 2007**

(54) Product in respect of which the design is registered: **Valance**

(51) International Design Classification: **25-02H**

(71) Name(s) and Address(s) of Applicant(s):

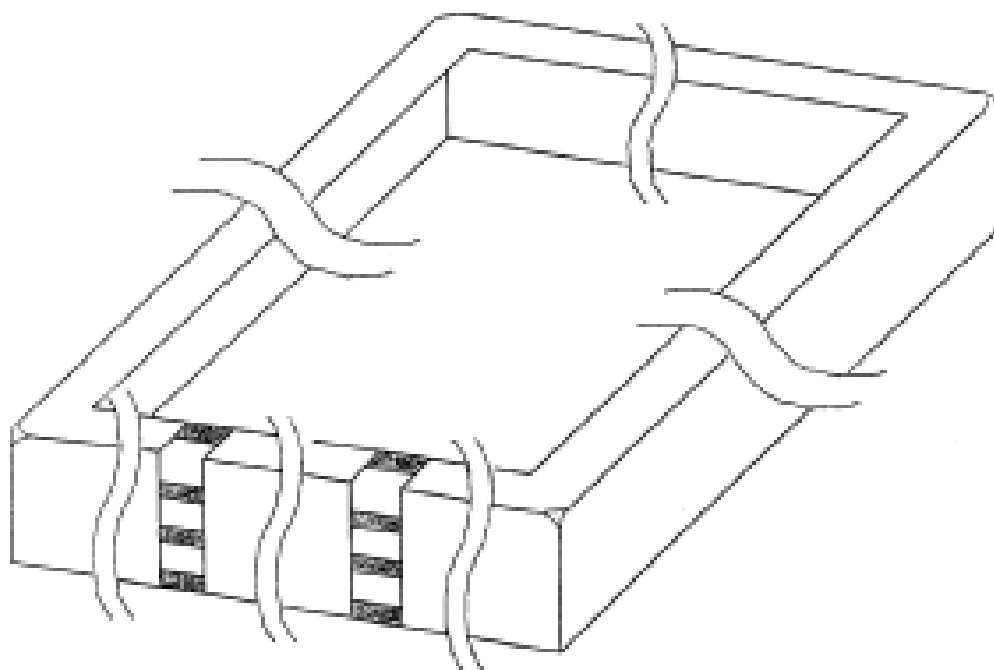
Legend Imports Pty Limited
33 Cross Street Brookvale New South Wales 2100 Australia

(72) Name(s) of Designer(s): **Graeme L. Duffy**

(45) Registration Date: **20 April 2007**

(56) Related Art Documents: **Not Applicable**

(57) Statement of Newness and Distinctiveness: **The valance is of variable width and length as indicated by the 'break' lines in the representations.**

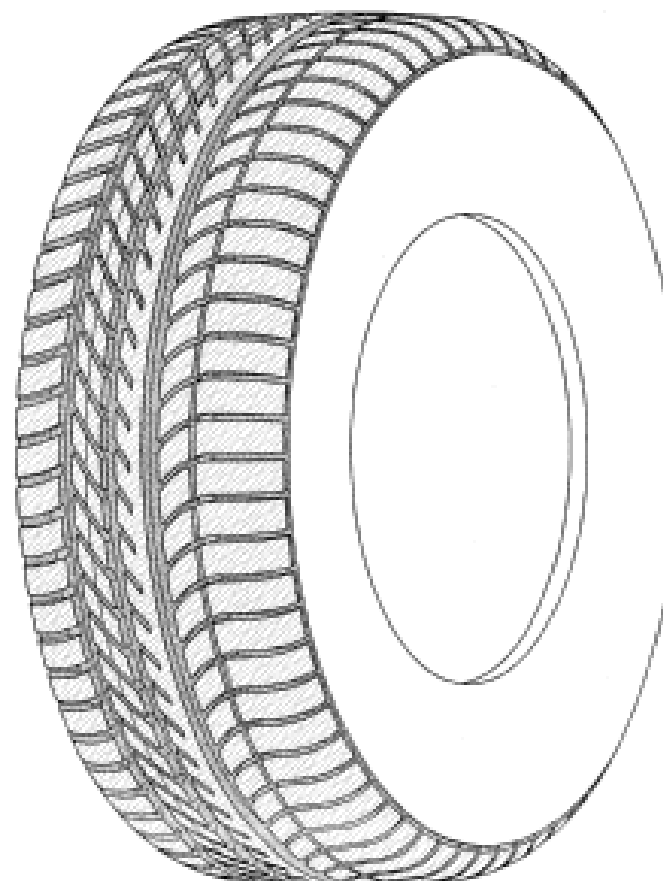


- (21) Design Number: **15865/2007**
- (22) Date of Filing Application: **08 January 2007**
- (24) Date from which industrial property rights may have effect: **08 January 2007**
- (54) Product in respect of which the design is registered: **Opening screw cap wine bottles and crown seal bottle tops, both lift off and twist off**
- (51) International Design Classification: **07-06D**
- (71) Name(s) and Address(s) of Applicant(s):
Cawsey Menck Pty Ltd
2 Rothwell Avenue Concord West New South Wales 2138 Australia
- (72) Name(s) of Designer(s): **Richard Owen Menck**
- (45) Registration Date: **20 April 2007**
- (56) Related Art Documents: **Not Applicable**
- (57) Statement of Newness and Distinctiveness: **Novelty is claimed as unique wine bottle screw cap and crown seal and twist top cap remover. Distinctiveness is claimed in the teeth and slot design for removing wine bottle screw caps and both crown seals lift off and twist top.**

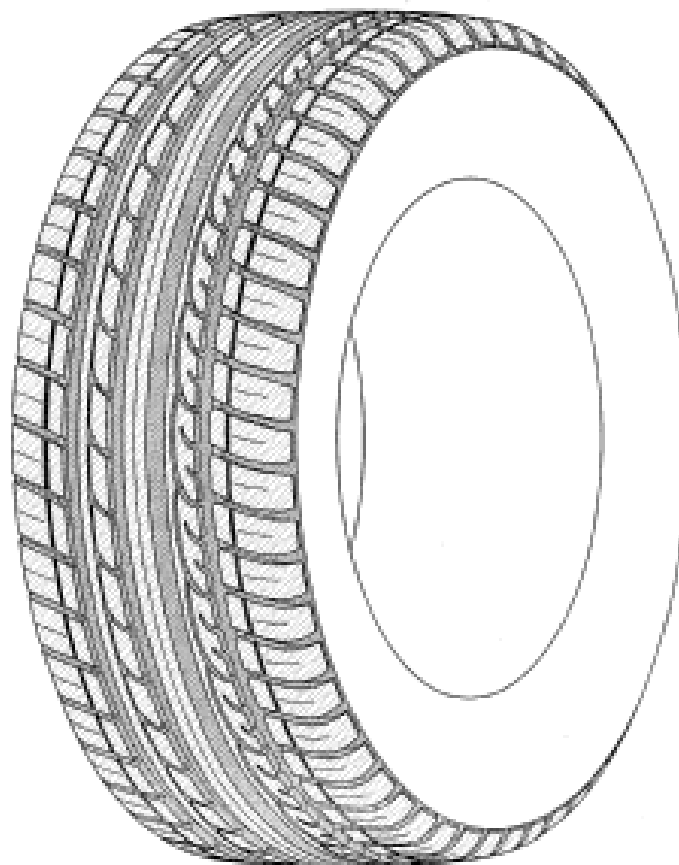


- (21) Design Number: **16072/2007**
- (22) Date of Filing Application: **19 January 2007**
- (24) Date from which industrial property rights may have effect: **19 January 2007**
- (54) Product in respect of which the design is registered: **Tyre**
- (51) International Design Classification: **12-15B**
- (71) Name(s) and Address(s) of Applicant(s):
The Goodyear Tire & Rubber Company
1144 East Market Street Akron Ohio 44316#0001 United States of America
- (72) Name(s) of Designer(s): **Maurice Graas and Marco Joseph Eicher and Sebastien Morin and Xavier Sebastien Benoit Fraipont and Jerome Marcel Germain Delu and Sebastien Willy Fontaine and Kenneth Jenner Powell and Vincent Dominique Claude Rion and Francois Baumard and Marc Hubert and Thierry Vincent Joseph Martin Botman and Andre Hardy and Josepha Beaubras**
- (45) Registration Date: **20 April 2007**
- (30) Convention priority data:

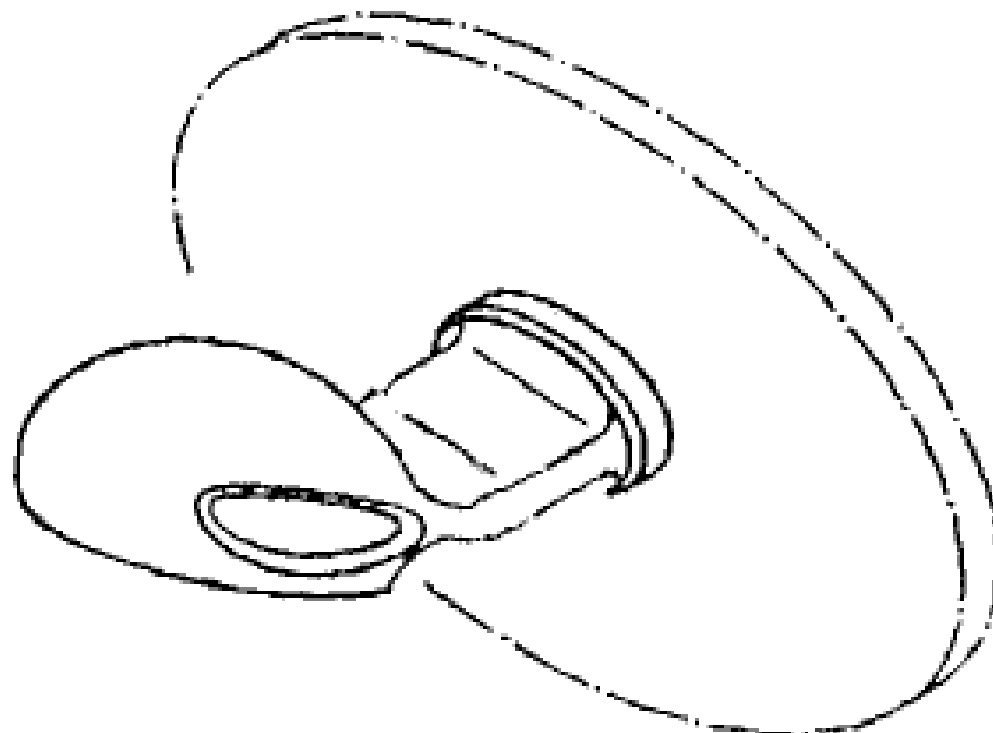
(31) Number	(32) Date	(33) Country
29/263944	01 Aug 2006	UNITED STATES OF AMERICA
- (56) Related Art Documents: **Not Applicable**
- (57) Statement of Newness and Distinctiveness: **Newness and distinctiveness is claimed in the features of shape and/or configuration of the tread of a tyre as illustrated in the accompanying representations, wherein the shape and/or configuration of the tread is repeated throughout the circumference of the tyre.**



- (21) Design Number: **16073/2007**
(22) Date of Filing Application: **19 January 2007**
(24) Date from which industrial property rights may have effect: **19 January 2007**
(54) Product in respect of which the design is registered: **Tyre**
(51) International Design Classification: **12-15B**
(71) Name(s) and Address(s) of Applicant(s):
The Goodyear Tire & Rubber Company
1144 East Market Street Akron Ohio 44316#0001 United States of America
(72) Name(s) of Designer(s): **Saburo Miyabe and Christian Windisch and Helmut Fehl and Yasuo Wada and Osamu Abe**
(45) Registration Date: **20 April 2007**
(30) Convention priority data:
(31) Number (32) Date (33) Country
29/263887 31 Jul 2006 UNITED STATES OF AMERICA
(56) Related Art Documents: **Not Applicable**
(57) Statement of Newness and Distinctiveness: **Newness and distinctiveness is claimed in the features of shape and/or configuration of the tread of the tyre as illustrated in the accompanying representations, wherein the shape and/or configuration of the tread is repeated throughout the circumference of the tyre.**



- (21) Design Number: **16074/2007**
(22) Date of Filing Application: **19 January 2007**
(24) Date from which industrial property rights may have effect: **19 January 2007**
(54) Product in respect of which the design is registered: **Pacifier**
(51) International Design Classification: **24-04**
(71) Name(s) and Address(s) of Applicant(s):
MAM Babyartikel Gesellschaft m.b.H
Lorenz-Mandl-Gasse 50 1160 Wien Austria
(72) Name(s) of Designer(s): **Peter Rohrig**
(45) Registration Date: **20 April 2007**
(56) Related Art Documents: **Not Applicable**
(57) Statement of Newness and Distinctiveness: **Newness and distinctiveness is claimed in the features of shape and/or configuration of the following parts of a pacifier as illustrated in continuous lines in the accompanying representations: the suction part having openings formed in the sides; and the thin walled shank located between the shield and the suction part.**



(21) Design Number: **16075/2007**

(22) Date of Filing Application: **19 January 2007**

(24) Date from which industrial property rights may have effect: **19 January 2007**

(54) Product in respect of which the design is registered: **Pacifier**

(51) International Design Classification: **24-04**

(71) Name(s) and Address(s) of Applicant(s):

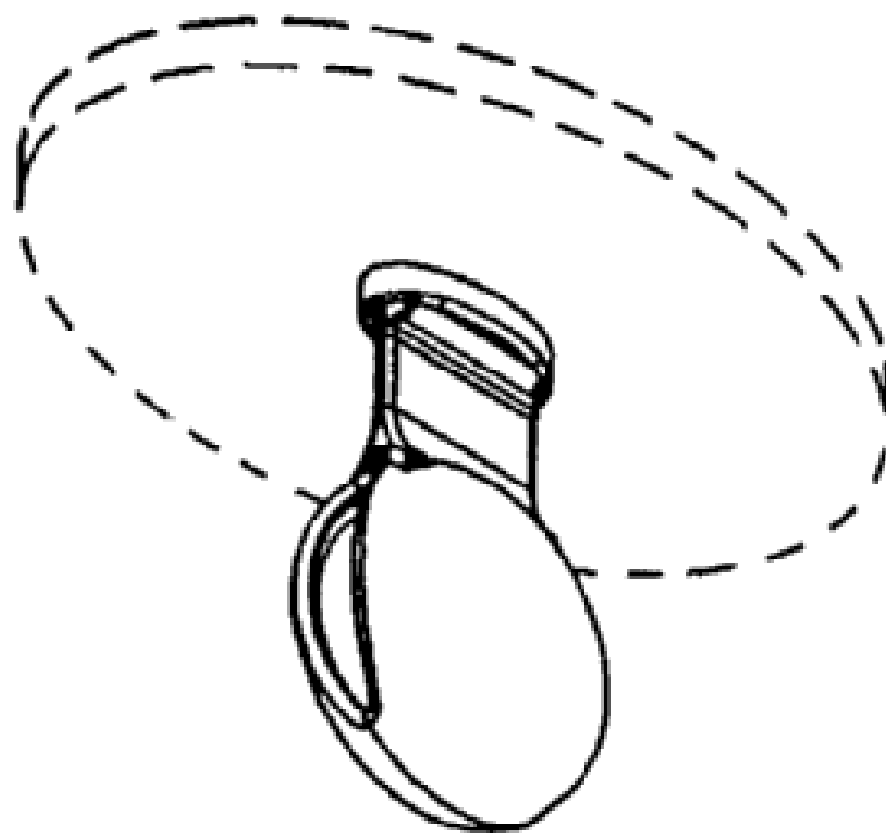
MAM Babyartikel Gesellschaft m.b.H
Lorenz-Mandl-Gasse 50 1160 Wien Austria

(72) Name(s) of Designer(s): **Peter Rohrig**

(45) Registration Date: **20 April 2007**

(56) Related Art Documents: **Not Applicable**

(57) Statement of Newness and Distinctiveness: **Newness and distinctiveness is claimed in the features of shape and/or configuration of the following parts of a pacifier as illustrated in continuous lines in the accompanying representations: the suction part having openings formed in the sides; and the thin walled shank located between the shield and the suction part.**



(21) Design Number: **16078/2007**

(22) Date of Filing Application: **19 January 2007**

(24) Date from which industrial property rights may have effect: **19 January 2007**

(54) Product in respect of which the design is registered: **Barrier strip**

(51) International Design Classification: **25-02NES**

(71) Name(s) and Address(s) of Applicant(s):

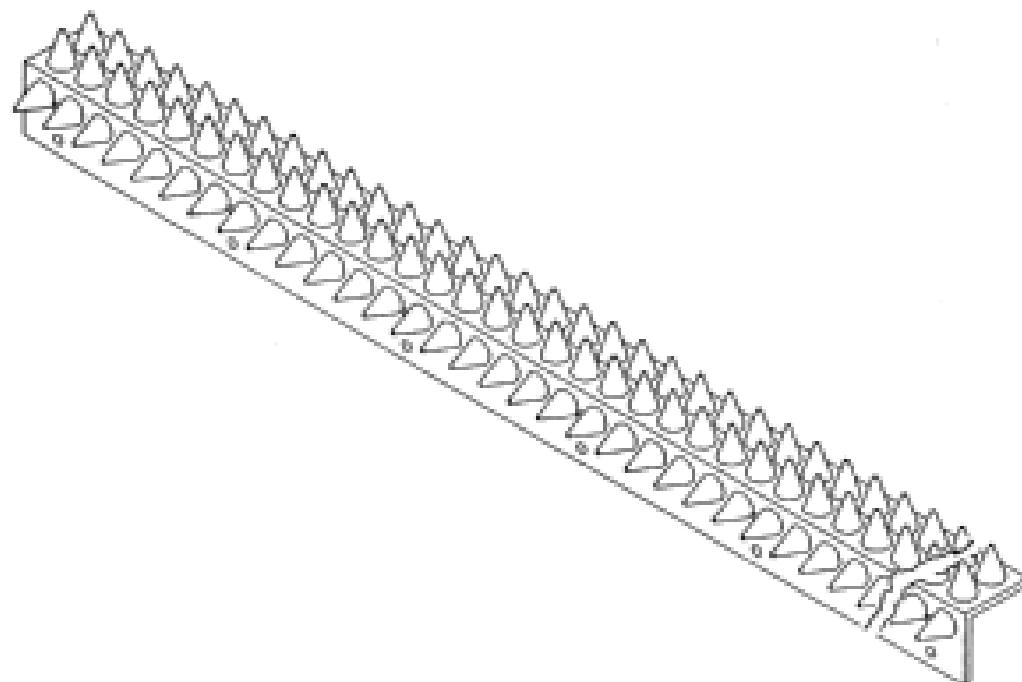
John Scheirs
3 Esplanade Lane Edithvale Victoria 3196 Australia

(72) Name(s) of Designer(s): **John Scheirs**

(45) Registration Date: **20 April 2007**

(56) Related Art Documents: **Not Applicable**

(57) Statement of Newness and Distinctiveness: **Nil**



- (21) Design Number: **16079/2007**
- (22) Date of Filing Application: **19 January 2007**
- (24) Date from which industrial property rights may have effect: **19 January 2007**
- (54) Product in respect of which the design is registered: **Lock escutcheon**
- (51) International Design Classification: **08-07**
- (71) Name(s) and Address(s) of Applicant(s):

Harrow Products LLC
PO Box 0445 155 Chestnut Ridge Road Montvale NJ 07645 United States of America

- (72) Name(s) of Designer(s): **Rockwood Theodore Roberts and Victor Bogdanov and George Frolov**

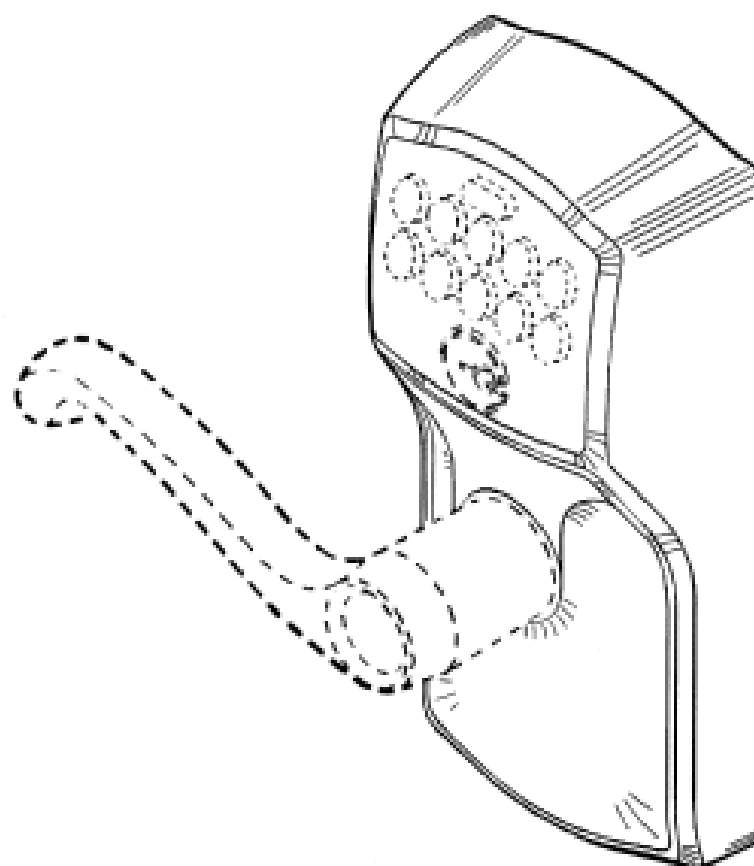
- (45) Registration Date: **20 April 2007**

- (30) Convention priority data:

(31) Number	(32) Date	(33) Country
29/247944	21 Jul 2006	UNITED STATES OF AMERICA

- (56) Related Art Documents: **Not Applicable**

- (57) Statement of Newness and Distinctiveness: **The shape and configuration of the lock escutcheon shown in the representations is new and distinctive. In considering the newness and distinctiveness of the design, features shown in broken lines are to be disregarded.**



- (21) Design Number: **16080/2007**
- (22) Date of Filing Application: **19 January 2007**
- (24) Date from which industrial property rights may have effect: **19 January 2007**
- (54) Product in respect of which the design is registered: **Lock escutcheon**
- (51) International Design Classification: **08-07**
- (71) Name(s) and Address(s) of Applicant(s):

Harrow Products LLC
PO Box 0445 155 Chestnut Ridge Road Montvale NJ 07645 United States of America

- (72) Name(s) of Designer(s): **Rockwood Theodore Roberts and Victor Bogdanov and George Frolov**

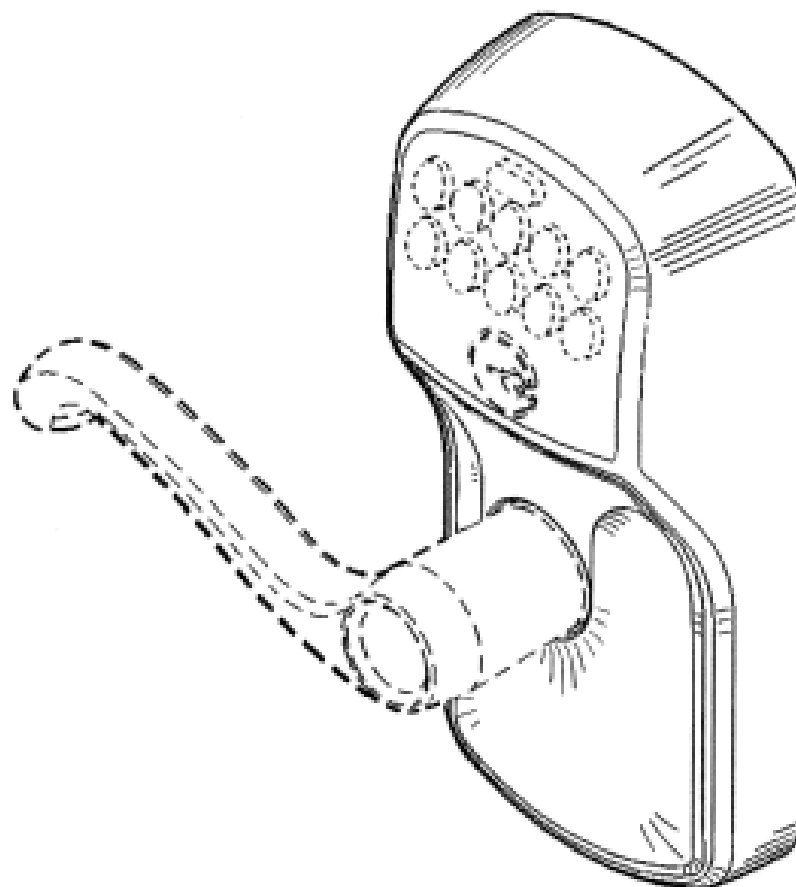
- (45) Registration Date: **20 April 2007**

- (30) Convention priority data:

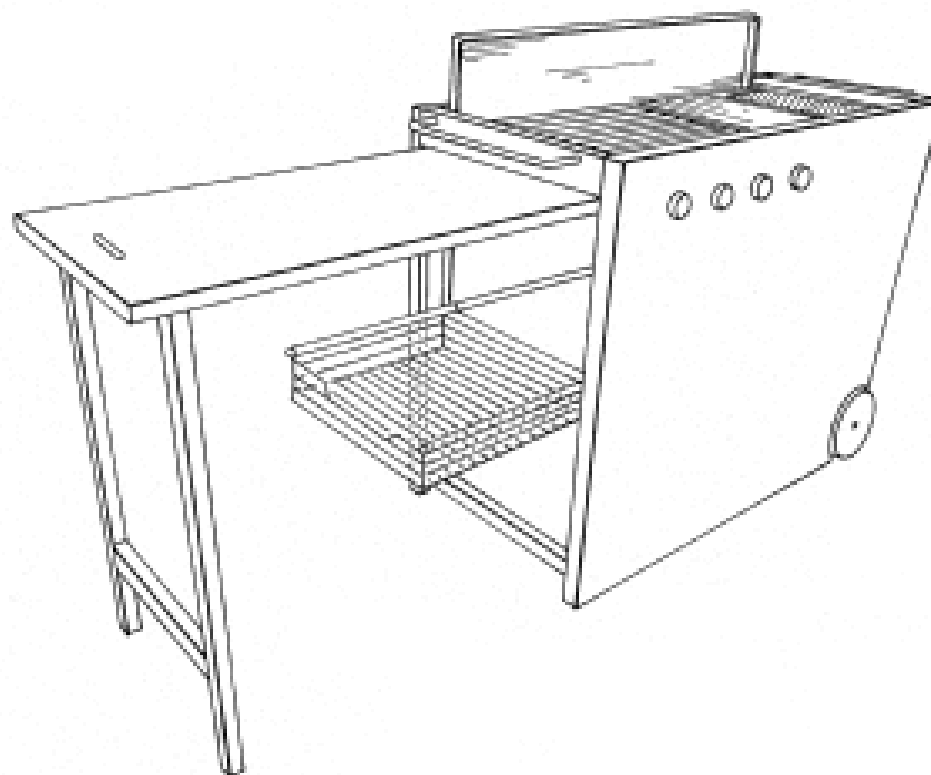
(31) Number	(32) Date	(33) Country
29/247943	21 Jul 2006	UNITED STATES OF AMERICA

- (56) Related Art Documents: **Not Applicable**

- (57) Statement of Newness and Distinctiveness: **The shape and configuration of the lock escutcheon is new and distinctive. In considering the newness and distinctiveness of the design, features shown in broken lines are to be disregarded.**



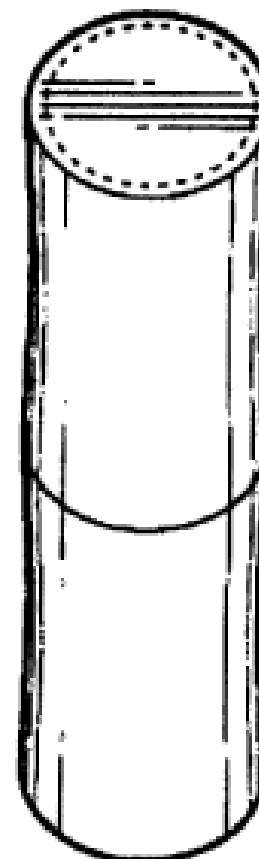
(21) Design Number: **17462/2007**
 (22) Date of Filing Application: **17 April 2007**
 (24) Date from which industrial property rights may have effect: **17 April 2007**
 (54) Product in respect of which the design is registered: **Cooking apparatus**
 (51) International Design Classification: **07-02NES**
 (71) Name(s) and Address(s) of Applicant(s):
Garth Living Pty Ltd
C/o 45 Yale Drive Epping Victoria 3076 Australia
 (72) Name(s) of Designer(s): **Gavin Hill**
 (45) Registration Date: **23 April 2007**
 (56) Related Art Documents: **Not Applicable**
 (57) Statement of Newness and Distinctiveness: **Newness and distinctiveness reside in the features of the design as shown in the representations.**



(21) Design Number: **17459/2007**
 (22) Date of Filing Application: **17 April 2007**
 (24) Date from which industrial property rights may have effect: **17 April 2007**
 (54) Product in respect of which the design is registered: **Container**
 (51) International Design Classification: **09-03L**
 (71) Name(s) and Address(s) of Applicant(s):
Mary Kay, Inc.
16251N Dallas Parkway PO Box 799045 Dallas TX 75379#9045 United States of America
 (72) Name(s) of Designer(s): **Timothy P. Maddy**
 (45) Registration Date: **23 April 2007**
 (30) Convention priority data:

(31) Number	(32) Date	(33) Country
29/275,360	21 Dec 2006	UNITED STATES OF AMERICA

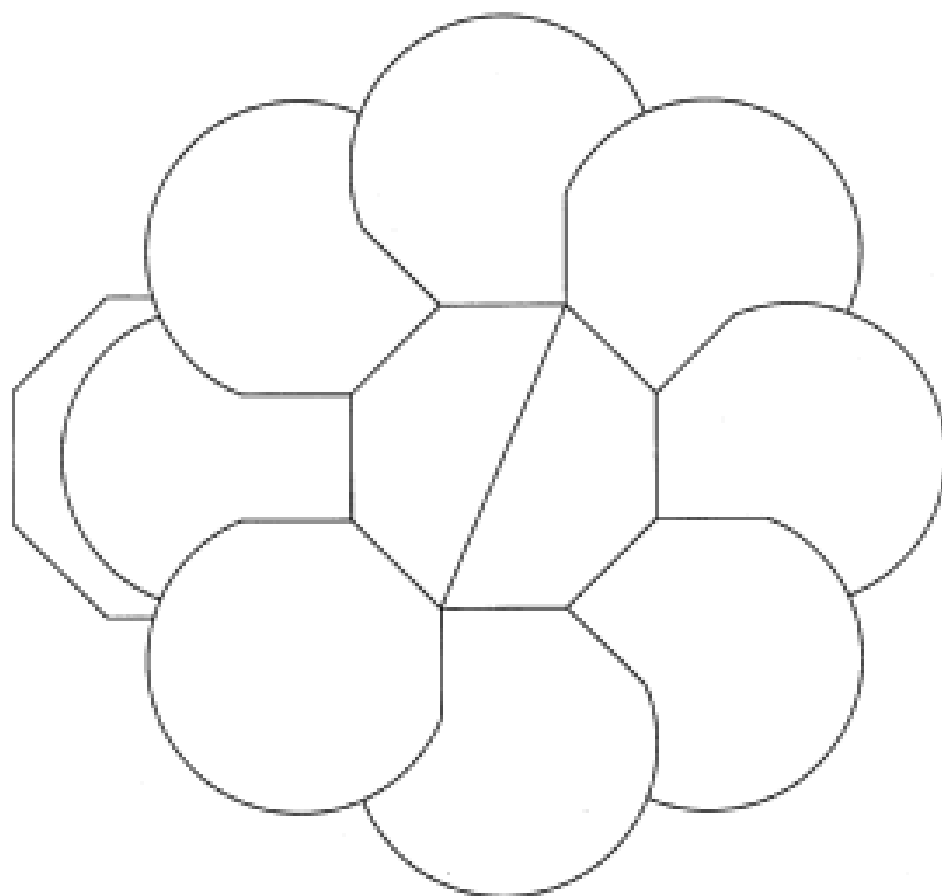
 (56) Related Art Documents: **Not Applicable**
 (57) Statement of Newness and Distinctiveness: **Nil**



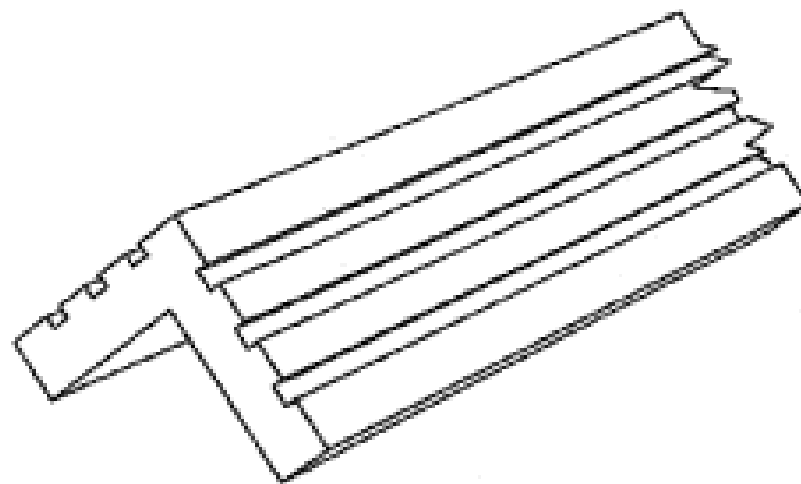
- (21) Design Number: **17432/2007**
- (22) Date of Filing Application: **16 April 2007**
- (24) Date from which industrial property rights may have effect: **16 April 2007**
- (54) Product in respect of which the design is registered: **Metal peener, welding brush, combination multi function tool, steel construction**
- (51) International Design Classification: **04-01**
- (71) Name(s) and Address(s) of Applicant(s):
Antonio Lucio Nuozzi
26 Balmoral Street East Victoria Park Western Australia 6101
Australia
- (72) Name(s) of Designer(s): **Antonio Nuozzi**
- (45) Registration Date: **23 April 2007**
- (56) Related Art Documents: **Not Applicable**
- (57) Statement of Newness and Distinctiveness: **Nil**



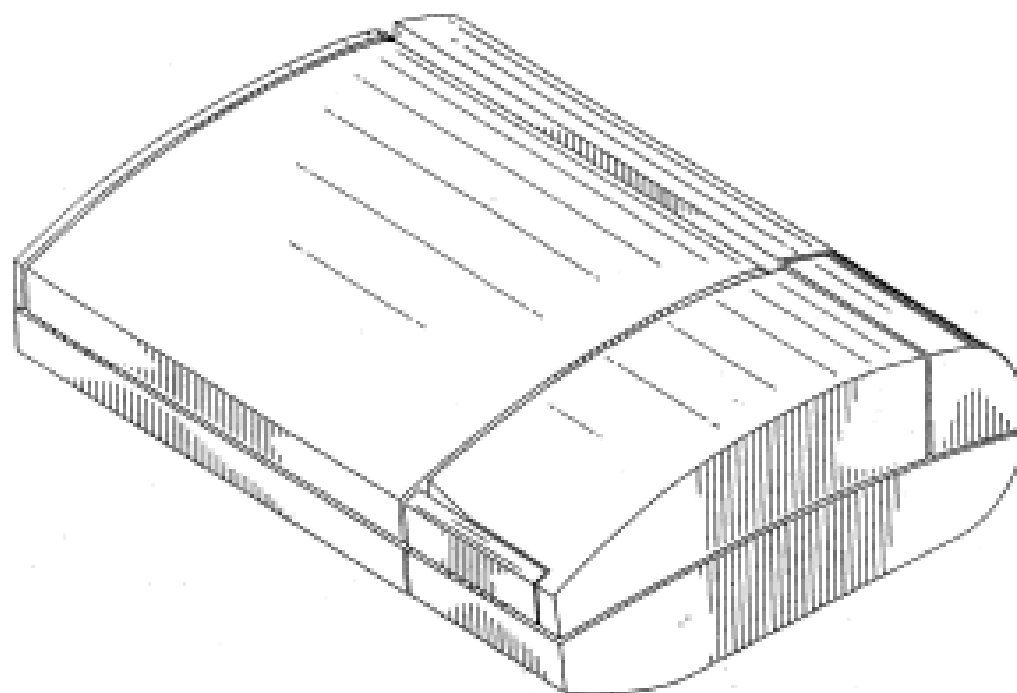
- (21) Design Number: **16874/2007**
- (22) Date of Filing Application: **13 March 2007**
- (24) Date from which industrial property rights may have effect: **13 March 2007**
- (54) Product in respect of which the design is registered: **Books**
- (51) International Design Classification: **19-04**
- (71) Name(s) and Address(s) of Applicant(s):
Walker Books Ltd
87 Vauxhall Walk London SE11 5HJ United Kingdom
- (72) Name(s) of Designer(s): **Frances Barry**
- (45) Registration Date: **23 April 2007**
- (56) Related Art Documents: **Not Applicable**
- (57) Statement of Newness and Distinctiveness: **Nil**



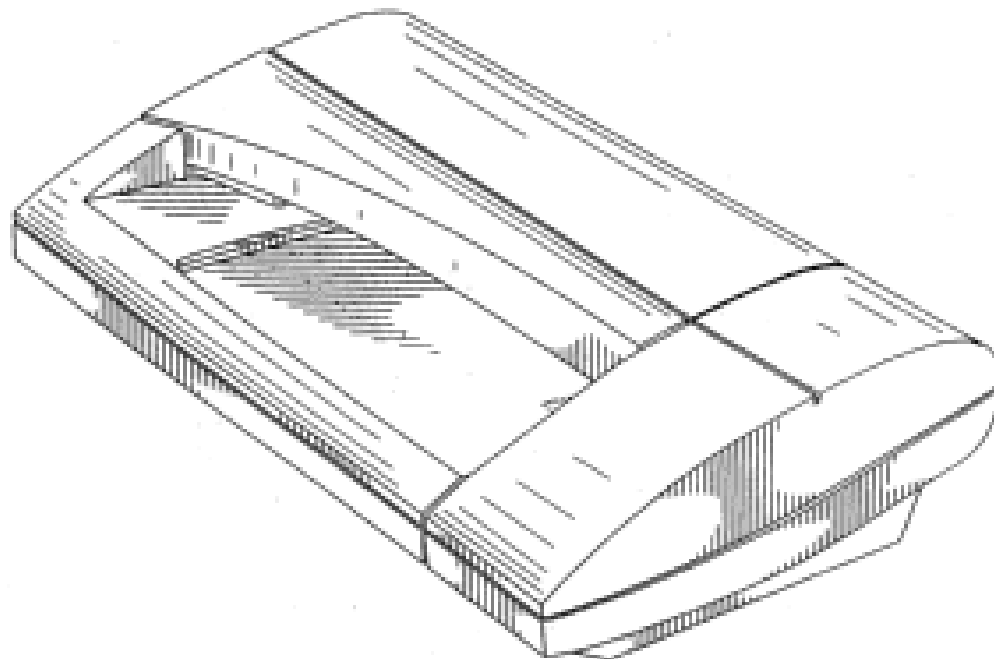
- (21) Design Number: **16705/2007**
(22) Date of Filing Application: **01 March 2007**
(24) Date from which industrial property rights may have effect: **01 March 2007**
(54) Product in respect of which the design is registered: **An external corner moulding**
(51) International Design Classification: **25-01G**
(71) Name(s) and Address(s) of Applicant(s):
Costarid Pty Ltd
25 Sydenham Road Norwood South Australia 5067 Australia
(72) Name(s) of Designer(s): **Dimitri Costaridis**
(45) Registration Date: **23 April 2007**
(56) Related Art Documents: **Not Applicable**
(57) Statement of Newness and Distinctiveness: **Nil**



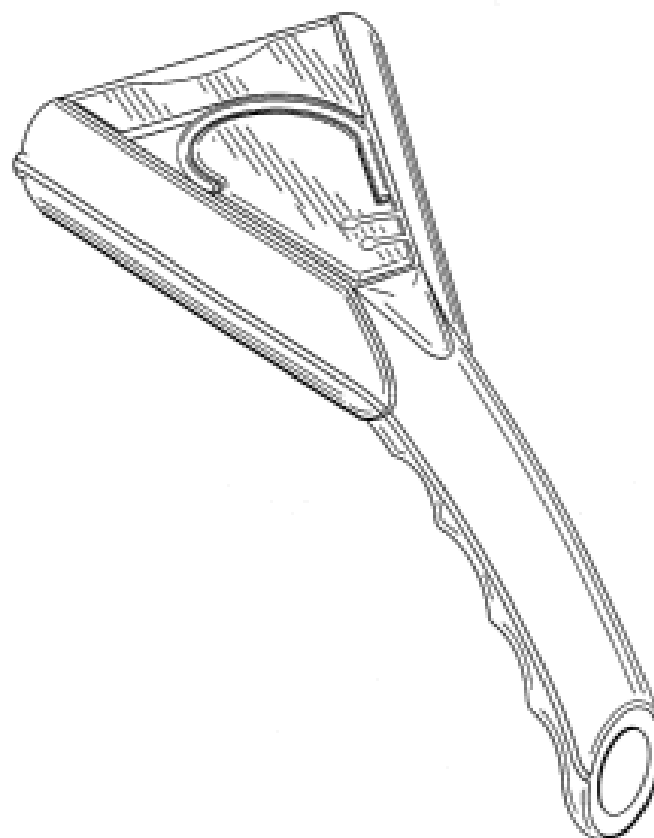
- (21) Design Number: **16640/2007**
(22) Date of Filing Application: **27 February 2007**
(24) Date from which industrial property rights may have effect: **27 February 2007**
(54) Product in respect of which the design is registered: **Electronic scanner**
(51) International Design Classification: **14-02**
(71) Name(s) and Address(s) of Applicant(s):
Sanford, L.P.
29 East Stephenson Street Freeport Illinois 61032 United States of America
(72) Name(s) of Designer(s): **Lou Genatossio and Hal Avery**
(45) Registration Date: **23 April 2007**
(30) Convention priority data:
(31) Number (32) Date (33) Country
29/265,400 30 Aug 2006 UNITED STATES OF AMERICA
(56) Related Art Documents: **Not Applicable**
(57) Statement of Newness and Distinctiveness: **Nil**



(21) Design Number: **16639/2007**
(22) Date of Filing Application: **27 February 2007**
(24) Date from which industrial property rights may have effect: **27 February 2007**
(54) Product in respect of which the design is registered: **Electronic scanner**
(51) International Design Classification: **14-02**
(71) Name(s) and Address(s) of Applicant(s):
Sanford, L.P.
29 East Stephenson Street Freeport IL 61032 United States of America
(72) Name(s) of Designer(s): **Lou Genatossio and Hal Avery**
(45) Registration Date: **23 April 2007**
(30) Convention priority data:
(31) Number (32) Date (33) Country
29/265,353 30 Aug 2006 UNITED STATES OF AMERICA
(56) Related Art Documents: **Not Applicable**
(57) Statement of Newness and Distinctiveness: **Nil**



(21) Design Number: **16613/2007**
(22) Date of Filing Application: **26 February 2007**
(24) Date from which industrial property rights may have effect: **26 February 2007**
(54) Product in respect of which the design is registered: **Garment steamer**
(51) International Design Classification: **07-05NES**
(71) Name(s) and Address(s) of Applicant(s):
Ninth Tentacle, Inc.
13910 Northwest Passage #302 Marina Del Rey CA 90292 United States of America
(72) Name(s) of Designer(s): **Andrew J. Tobias**
(45) Registration Date: **23 April 2007**
(56) Related Art Documents: **Not Applicable**
(57) Statement of Newness and Distinctiveness: **Nil**



(21) Design Number: **16592/2007**
 (22) Date of Filing Application: **23 February 2007**
 (24) Date from which industrial property rights may have effect: **23 February 2007**
 (54) Product in respect of which the design is registered: **Nasal pillow interface**
 (51) International Design Classification: **24-99**
 (71) Name(s) and Address(s) of Applicant(s):

RIC Investments, LLC
801 West Street 2nd Floor Wilmington Delaware 19801#1545 United States of America

(72) Name(s) of Designer(s): **Derrick Andrews**

(45) Registration Date: **23 April 2007**

(30) Convention priority data:

(31) Number	(32) Date	(33) Country
29/265,503	01 Sep 2006	UNITED STATES OF AMERICA

(56) Related Art Documents: **Not Applicable**

(57) Statement of Newness and Distinctiveness: **The following visual features of the design are new and distinctive: The features of shape and configuration of a nasal pillow interface as shown in solid lines in the accompanying drawings. In considering the newness and distinctiveness of the design, no regard is to be had to the visual features depicted by the broken lines.**



(21) Design Number: **16593/2007**
 (22) Date of Filing Application: **23 February 2007**
 (24) Date from which industrial property rights may have effect: **23 February 2007**
 (54) Product in respect of which the design is registered: **Chin mounted patient interface**
 (51) International Design Classification: **24-02**
 (71) Name(s) and Address(s) of Applicant(s):

RIC Investments, LLC
801 West Street 2nd Floor Wilmington Delaware 19801#1545 United States of America

(72) Name(s) of Designer(s): **Derrick Andrews and Jerome Matula Jr**

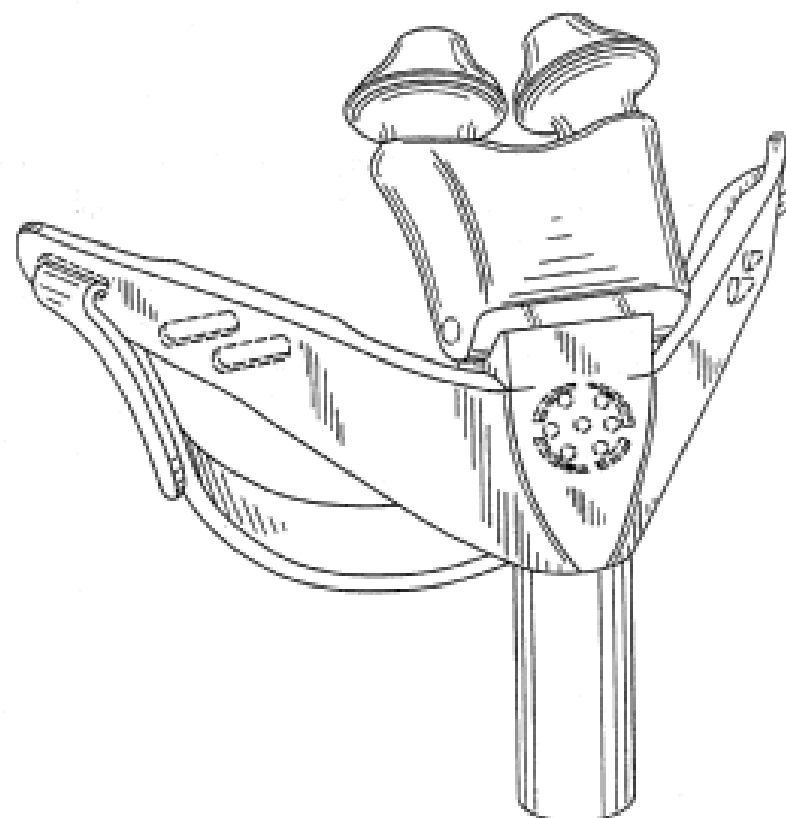
(45) Registration Date: **23 April 2007**

(30) Convention priority data:

(31) Number	(32) Date	(33) Country
29/265,505	01 Sep 2006	UNITED STATES OF AMERICA

(56) Related Art Documents: **Not Applicable**

(57) Statement of Newness and Distinctiveness: **The following visual features of the design are new and distinctive: The features of shape and configuration of a chin mounted patient interface as shown in solid lines in the accompanying drawings. In considering the newness and distinctiveness of the design, no regard is to be had to the visual features depicted by the broken lines.**



- (21) Design Number: **15414/2006**
(22) Date of Filing Application: **24 November 2006**
(24) Date from which industrial property rights may have effect: **24 November 2006**
(54) Product in respect of which the design is registered: **Receivers**
(51) International Design Classification: **14-01**
(71) Name(s) and Address(s) of Applicant(s):
Dream Property GmbH
Pierbusch 24 44536 Lunen Germany
(72) Name(s) of Designer(s): **Joanna Gwozdz**
(45) Registration Date: **23 April 2007**
(30) Convention priority data:
(31) Number (32) Date (33) Country
535067-0001/002 24 May 2006 EUROPEAN COMMUNITY
(56) Related Art Documents: **Not Applicable**
(57) Statement of Newness and Distinctiveness: **Those features of the receivers depicted in the representations that are new and distinctive are the shape or configuration and/or pattern or ornamentation. The textual matter shown in the representations may or may not form part of the designs.**



- (21) Design Number: **16054/2007**
(22) Date of Filing Application: **19 January 2007**
(24) Date from which industrial property rights may have effect: **19 January 2007**
(54) Product in respect of which the design is registered: **Bottle**
(51) International Design Classification: **09-01H**
(71) Name(s) and Address(s) of Applicant(s):
SAVERGLASS
Place de La Gare 60960 Feuquieres France
(72) Name(s) of Designer(s): **Didier Rica**
(45) Registration Date: **23 April 2007**
(56) Related Art Documents: **Not Applicable**
(57) Statement of Newness and Distinctiveness: **Newness and distinctiveness reside in the features of the design as shown in the representations, and in particular in its heavy appearance resulting from the large diameter of the body of the bottle, in the long, very cylindrical, profile of the neck, also of relatively large diameter, and in the appearance of the slightly asymmetrical shoulder, of the very deep punt, having a symmetrical profile endowed with a prominent lump of glass at the bottom of the punt, and of the narrow base which is devoid of streaks or lines.**



(21) Design Number: **16055/2007**

(22) Date of Filing Application: **19 January 2007**

(24) Date from which industrial property rights may have effect: **19 January 2007**

(54) Product in respect of which the design is registered: **Chocolate jug**

(51) International Design Classification: **07-01F**

(71) Name(s) and Address(s) of Applicant(s):

Pi-Design AG

Kantonstrasse 100 Postfach 463 CH-6234 Triengen Switzerland

(72) Name(s) of Designer(s): **Jorgen Bodum**

(45) Registration Date: **23 April 2007**

(30) Convention priority data:

(31) Number

(32) Date

(33) Country

DA 2006

30 Aug 2006

DENMARK

00234

(56) Related Art Documents: **Not Applicable**

(57) Statement of Newness and Distinctiveness: **Nil**



(21) Design Number: **16056/2007**

(22) Date of Filing Application: **19 January 2007**

(24) Date from which industrial property rights may have effect: **19 January 2007**

(54) Product in respect of which the design is registered: **Chocolate jug**

(51) International Design Classification: **07-01F**

(71) Name(s) and Address(s) of Applicant(s):

Pi-Design AG

Kantonstrasse 100 Postfach 463 CH-6234 Triengen Switzerland

(72) Name(s) of Designer(s): **Jorgen Bodum**

(45) Registration Date: **23 April 2007**

(30) Convention priority data:

(31) Number

(32) Date

(33) Country

DA 2006

30 Aug 2006

DENMARK

00234

(56) Related Art Documents: **Not Applicable**

(57) Statement of Newness and Distinctiveness: **Nil**



(21) Design Number: **16106/2007**
 (22) Date of Filing Application: **23 January 2007**
 (24) Date from which industrial property rights may have effect: **23 January 2007**
 (54) Product in respect of which the design is registered: **Handset**
 (51) International Design Classification: **14-03E**
 (71) Name(s) and Address(s) of Applicant(s):

Nokia Corporation
Keilalahdentie 4 FIN-02150 Espoo Finland

(72) Name(s) of Designer(s): **Aaron Moss**

(45) Registration Date: **24 April 2007**

(30) Convention priority data:

(31) Number	(32) Date	(33) Country
M20060143	24 Jul 2006	FINLAND

(56) Related Art Documents: **Not Applicable**

(57) Statement of Newness and Distinctiveness: **Nil**



(21) Design Number: **16105/2007**
 (22) Date of Filing Application: **23 January 2007**
 (24) Date from which industrial property rights may have effect: **23 January 2007**
 (54) Product in respect of which the design is registered: **Ski equipment transport apparatus**
 (51) International Design Classification: **12-02, 21-02NES**
 (71) Name(s) and Address(s) of Applicant(s):

David R. Sellers
3305 Country Road 96 Ward Colorado 80481 United States of America

(72) Name(s) of Designer(s): **David R. Sellers and Deanna L. Griffith and Daniel W. Ashcraft and Gregory S. Thune**

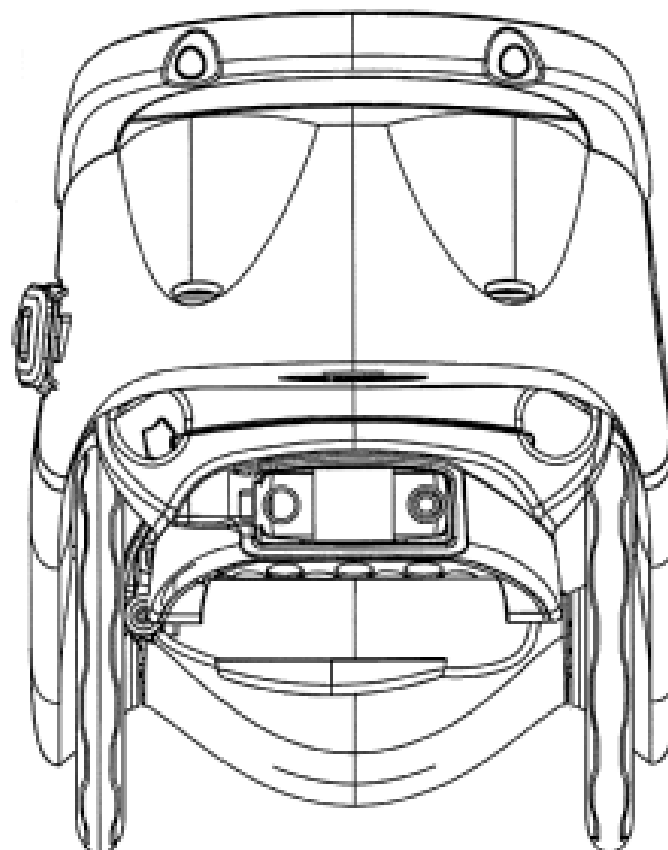
(45) Registration Date: **24 April 2007**

(30) Convention priority data:

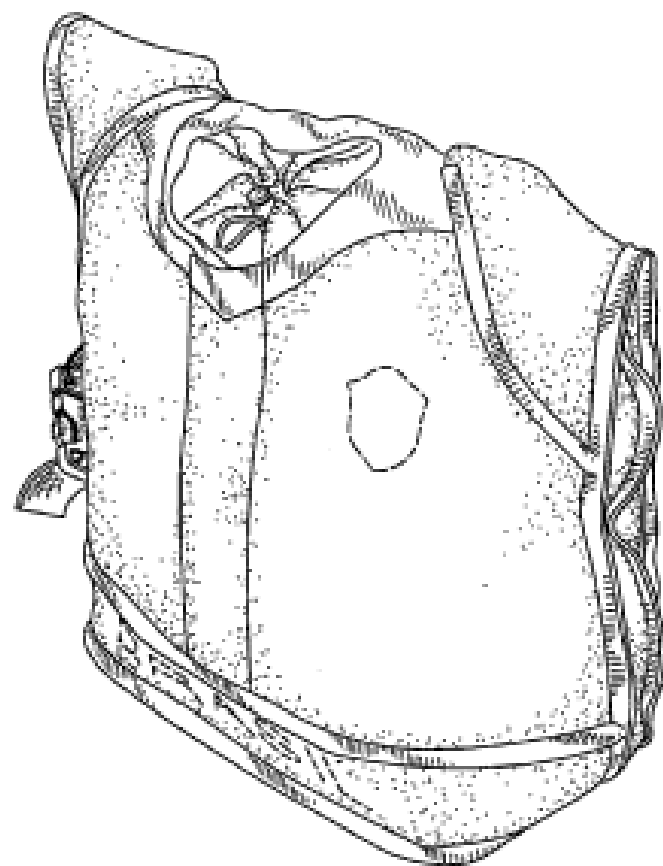
(31) Number	(32) Date	(33) Country
29/263,842	27 Jul 2006	UNITED STATES OF AMERICA

(56) Related Art Documents: **Not Applicable**

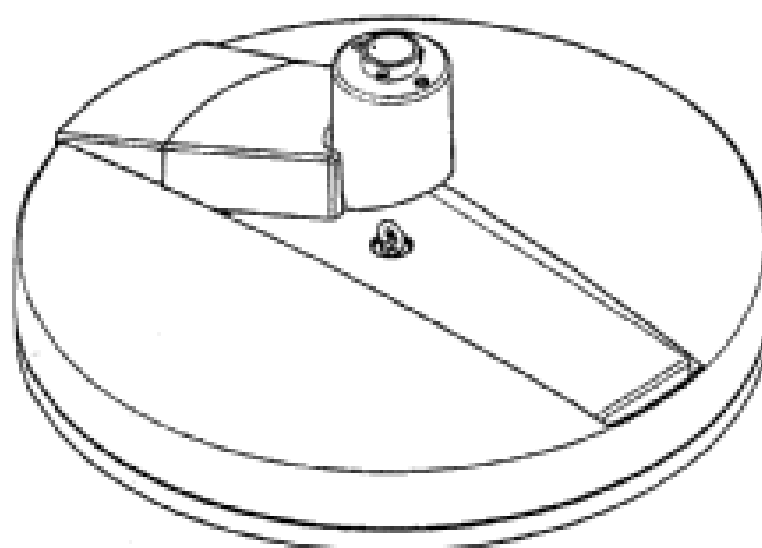
(57) Statement of Newness and Distinctiveness: **The following visual features of the design are new and distinctive: The new and distinctive features of shape and configuration of a ski equipment transport apparatus as shown in solid lines in the accompanying drawings. In considering the newness and distinctiveness of the design, no regard is to be had to the visual features depicted by the broken lines.**



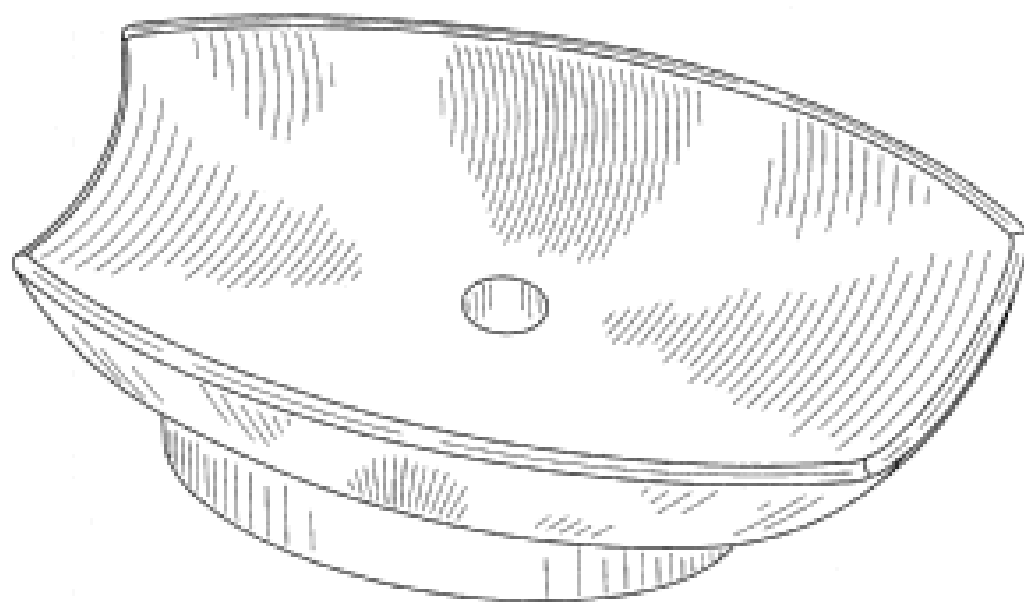
- (21) Design Number: **16104/2007**
(22) Date of Filing Application: **23 January 2007**
(24) Date from which industrial property rights may have effect: **23 January 2007**
(54) Product in respect of which the design is registered: **Rucksack**
(51) International Design Classification: **03-01A**
(71) Name(s) and Address(s) of Applicant(s):
Mark Scott
Linton Brook Calderview Court Pepper Hill Shelf Halifax HX3 7UA
United Kingdom
Massimo Tenani
Via A Cazzaniga 161 Brugherio Milan 20047 Italy
(72) Name(s) of Designer(s): **Massimo Tenani and Mark Scott**
(45) Registration Date: **24 April 2007**
(30) Convention priority data:
(31) Number (32) Date (33) Country
29/264765 17 Aug 2006 UNITED STATES OF AMERICA
(56) Related Art Documents: **Not Applicable**
(57) Statement of Newness and Distinctiveness: **Newness and distinctiveness is claimed in the shape and/or configuration of a rucksack as depicted in the attached representations.**



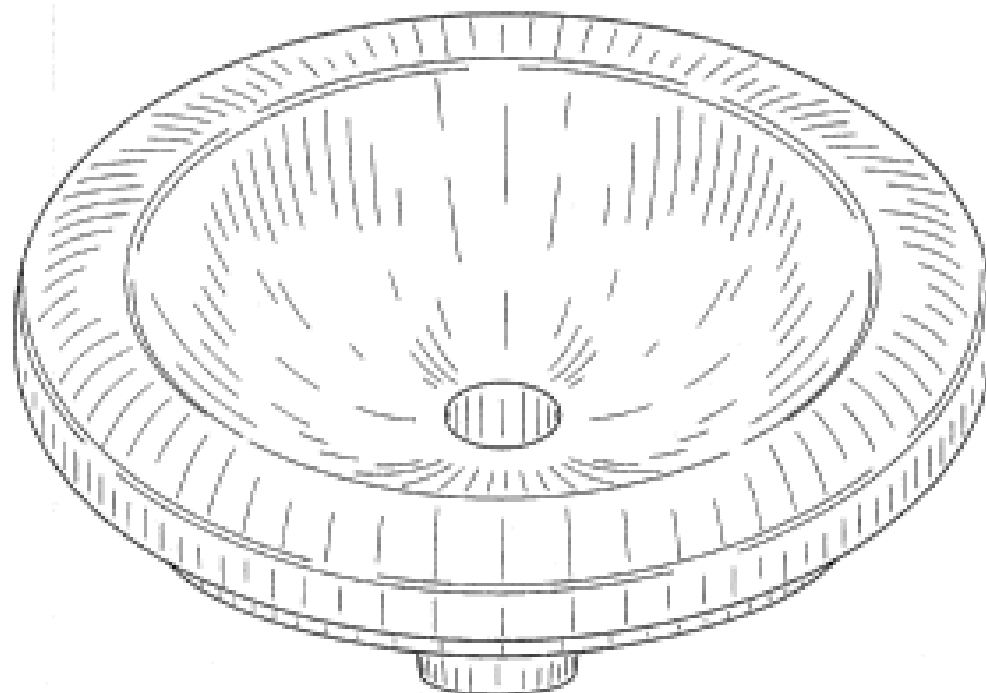
- (21) Design Number: **16103/2007**
(22) Date of Filing Application: **23 January 2007**
(24) Date from which industrial property rights may have effect: **23 January 2007**
(54) Product in respect of which the design is registered: **Sound disk**
(51) International Design Classification: **14-99**
(71) Name(s) and Address(s) of Applicant(s):
Robert Bosch GmbH
Postfach 30 02 20 Stuttgart D-70442 Germany
(72) Name(s) of Designer(s): **Albert J.A. Van Dijk**
(45) Registration Date: **24 April 2007**
(30) Convention priority data:
(31) Number (32) Date (33) Country
000578034 21 Aug 2006 EUROPEAN COMMUNITY
(56) Related Art Documents: **Not Applicable**
(57) Statement of Newness and Distinctiveness: **Nil**



(21) Design Number: **16092/2007**
(22) Date of Filing Application: **22 January 2007**
(24) Date from which industrial property rights may have effect: **22 January 2007**
(54) Product in respect of which the design is registered: **Sink**
(51) International Design Classification: **23-02F**
(71) Name(s) and Address(s) of Applicant(s):
Kohler France SAS
60 Rue De Turenne 75139 Paris Cedex 03 France
(72) Name(s) of Designer(s): **Francois Kergoet**
(45) Registration Date: **24 April 2007**
(30) Convention priority data:
(31) Number (32) Date (33) Country
000567870 28 Jul 2006 EUROPEAN COMMUNITY
(56) Related Art Documents: **Not Applicable**
(57) Statement of Newness and Distinctiveness: **Nil**



(21) Design Number: **16093/2007**
(22) Date of Filing Application: **22 January 2007**
(24) Date from which industrial property rights may have effect: **22 January 2007**
(54) Product in respect of which the design is registered: **Sink**
(51) International Design Classification: **23-02F**
(71) Name(s) and Address(s) of Applicant(s):
Kohler France SAS
60 Rue De Turenne 75139 Paris Cedex 03 France
(72) Name(s) of Designer(s): **Francois Kergoet**
(45) Registration Date: **24 April 2007**
(30) Convention priority data:
(31) Number (32) Date (33) Country
000567862 28 Jul 2006 EUROPEAN COMMUNITY
(56) Related Art Documents: **Not Applicable**
(57) Statement of Newness and Distinctiveness: **Nil**



- (21) Design Number: **16090/2007**
(22) Date of Filing Application: **23 January 2007**
(24) Date from which industrial property rights may have effect: **23 January 2007**
(54) Product in respect of which the design is registered: **Koala soft toy**
(51) International Design Classification: **21-01A**
(71) Name(s) and Address(s) of Applicant(s):
Shuiyun Wu
8/75-79 Minter Street Canterbury New South Wales 2193 Australia
(72) Name(s) of Designer(s): **Shuiyun Wu**
(45) Registration Date: **24 April 2007**
(56) Related Art Documents: **Not Applicable**
(57) Statement of Newness and Distinctiveness: **The new features of design are the shape and configuration of the koala soft toy.**



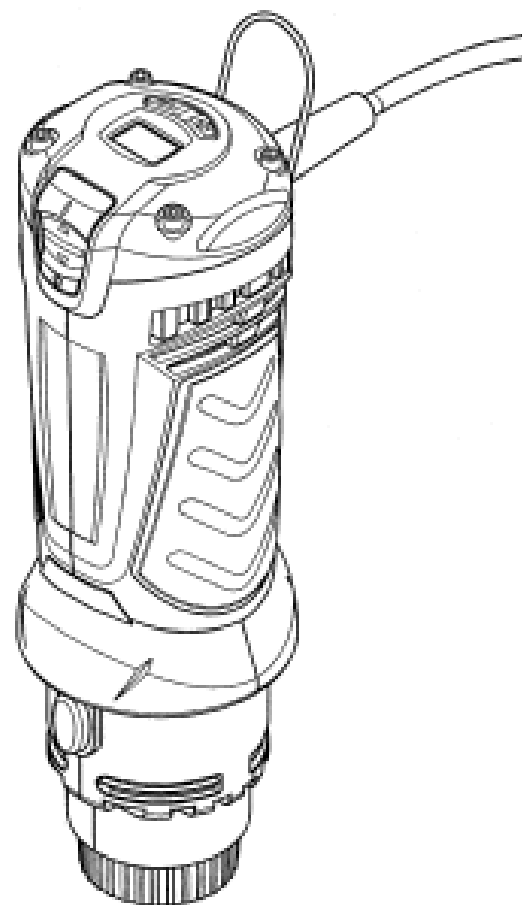
- (21) Design Number: **16091/2007**
(22) Date of Filing Application: **23 January 2007**
(24) Date from which industrial property rights may have effect: **23 January 2007**
(54) Product in respect of which the design is registered: **Kangaroo soft toy**
(51) International Design Classification: **21-01A**
(71) Name(s) and Address(s) of Applicant(s):
Shuiyun Wu
8/75-79 Minter Street Canterbury New South Wales 2193 Australia
(72) Name(s) of Designer(s): **Shuiyun Wu**
(45) Registration Date: **24 April 2007**
(56) Related Art Documents: **Not Applicable**
(57) Statement of Newness and Distinctiveness: **The new features of design are the shape and configuration of the kangaroo soft toy.**



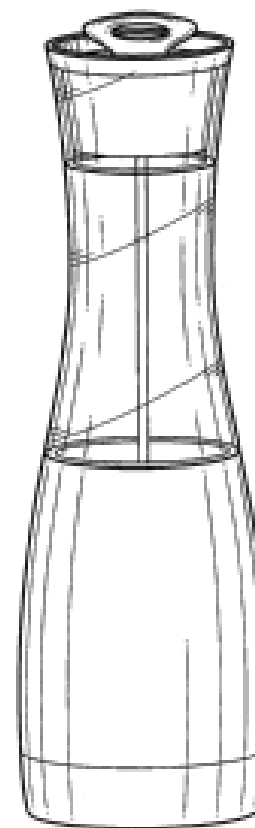
- (21) Design Number: **16101/2007**
(22) Date of Filing Application: **22 January 2007**
(24) Date from which industrial property rights may have effect: **22 January 2007**
(54) Product in respect of which the design is registered: **Vacuum cleaner**
(51) International Design Classification: **15-05**
(71) Name(s) and Address(s) of Applicant(s):
Morphy Richards Ltd
Swinton Works Talbot Road Mexborough South Yorkshire S64 8AJ
United Kingdom
(72) Name(s) of Designer(s): **Glyn Hauser**
(45) Registration Date: **24 April 2007**
(30) Convention priority data:
(31) Number (32) Date (33) Country
000603097 10 Oct 2006 EUROPEAN COMMUNITY
(56) Related Art Documents: **Not Applicable**
(57) Statement of Newness and Distinctiveness: **The shape and configuration of the vacuum cleaner shown in the attached representations are the new and distinct features.**



- (21) Design Number: **16095/2007**
(22) Date of Filing Application: **22 January 2007**
(24) Date from which industrial property rights may have effect: **22 January 2007**
(54) Product in respect of which the design is registered: **Rotary driving tool**
(51) International Design Classification: **08-01**
(71) Name(s) and Address(s) of Applicant(s):
Choon Nang Electrical Appliance Mfy., Ltd
11th Floor Ha Lung Industrial Building 52 Wong Chuk Hang Road
Aberdeen Hong Kong
(72) Name(s) of Designer(s): **Ping Hay Heum**
(45) Registration Date: **24 April 2007**
(30) Convention priority data:
(31) Number (32) Date (33) Country
0601944.8 25 Jul 2006 HONG KONG
(56) Related Art Documents: **Not Applicable**
(57) Statement of Newness and Distinctiveness: **Newness and distinctiveness in the design as applied to a rotary driving tool and features thereof reside in the shape and configuration thereof as illustrated in the accompanying representations.**



- (21) Design Number: **16094/2007**
(22) Date of Filing Application: **22 January 2007**
(24) Date from which industrial property rights may have effect: **22 January 2007**
(54) Product in respect of which the design is registered: **Mill**
(51) International Design Classification: **07-06C**
(71) Name(s) and Address(s) of Applicant(s):
Trudeau Corporation 1889 Inc.
1600 Eiffel Boucherville QC J4B 5Y1 Canada
(72) Name(s) of Designer(s): **Pierre Tardif and Kim Hoang**
(45) Registration Date: **24 April 2007**
(56) Related Art Documents: **Not Applicable**
(57) Statement of Newness and Distinctiveness: **Nil**



- (21) Design Number: **16098/2007**
(22) Date of Filing Application: **19 January 2007**
(24) Date from which industrial property rights may have effect: **19 January 2007**
(54) Product in respect of which the design is registered: **Knife block**
(51) International Design Classification: **07-99NES**
(71) Name(s) and Address(s) of Applicant(s):
Robert Welch Designs Limited
Lower High Street Chipping Campden GL55 6DY England
(72) Name(s) of Designer(s): **Paul deBretton Gordon**
(45) Registration Date: **24 April 2007**
(30) Convention priority data:

(31) Number	(32) Date	(33) Country
000572540	02 Aug 2006	EUROPEAN COMMUNITY

(56) Related Art Documents: **Not Applicable**
(57) Statement of Newness and Distinctiveness: **A new design of knife block**



(21) Design Number: **16099/2007**
(22) Date of Filing Application: **19 January 2007**
(24) Date from which industrial property rights may have effect: **19 January 2007**
(54) Product in respect of which the design is registered: **Kitchen utensil stand**
(51) International Design Classification: **07-99A**
(71) Name(s) and Address(s) of Applicant(s):
Robert Welch Designs Limited
Lower High Street Chipping Campden GL55 6DY England
(72) Name(s) of Designer(s): **Paul deBretton Gordon**
(45) Registration Date: **24 April 2007**
(30) Convention priority data:
(31) Number (32) Date (33) Country
000572540 02 Aug 2006 EUROPEAN COMMUNITY
(56) Related Art Documents: **Not Applicable**
(57) Statement of Newness and Distinctiveness: **A new design of kitchen utensil stand**



(21) Design Number: **16100/2007**
(22) Date of Filing Application: **19 January 2007**
(24) Date from which industrial property rights may have effect: **19 January 2007**
(54) Product in respect of which the design is registered: **Kitchen utensil stand**
(51) International Design Classification: **07-99A**
(71) Name(s) and Address(s) of Applicant(s):
Robert Welch Designs Limited
Lower High Street Chipping Campden GL55 6DY England
(72) Name(s) of Designer(s): **Paul deBretton Gordon**
(45) Registration Date: **24 April 2007**
(30) Convention priority data:
(31) Number (32) Date (33) Country
000572540 02 Aug 2006 EUROPEAN COMMUNITY
(56) Related Art Documents: **Not Applicable**
(57) Statement of Newness and Distinctiveness: **A new design of kitchen utensil stand**



(21) Design Number: **16096/2007**
(22) Date of Filing Application: **19 January 2007**
(24) Date from which industrial property rights may have effect: **19 January 2007**
(54) Product in respect of which the design is registered: **Candlestick**
(51) International Design Classification: **26-01**
(71) Name(s) and Address(s) of Applicant(s):
Robert Welch Designs Limited
Lower High Street Chipping Campden GL55 6DY England
(72) Name(s) of Designer(s): **Ruth Williams**
(45) Registration Date: **24 April 2007**
(30) Convention priority data:
(31) Number (32) Date (33) Country
000572565 02 Aug 2006 EUROPEAN COMMUNITY
(56) Related Art Documents: **Not Applicable**
(57) Statement of Newness and Distinctiveness: **A new design of candlestick**

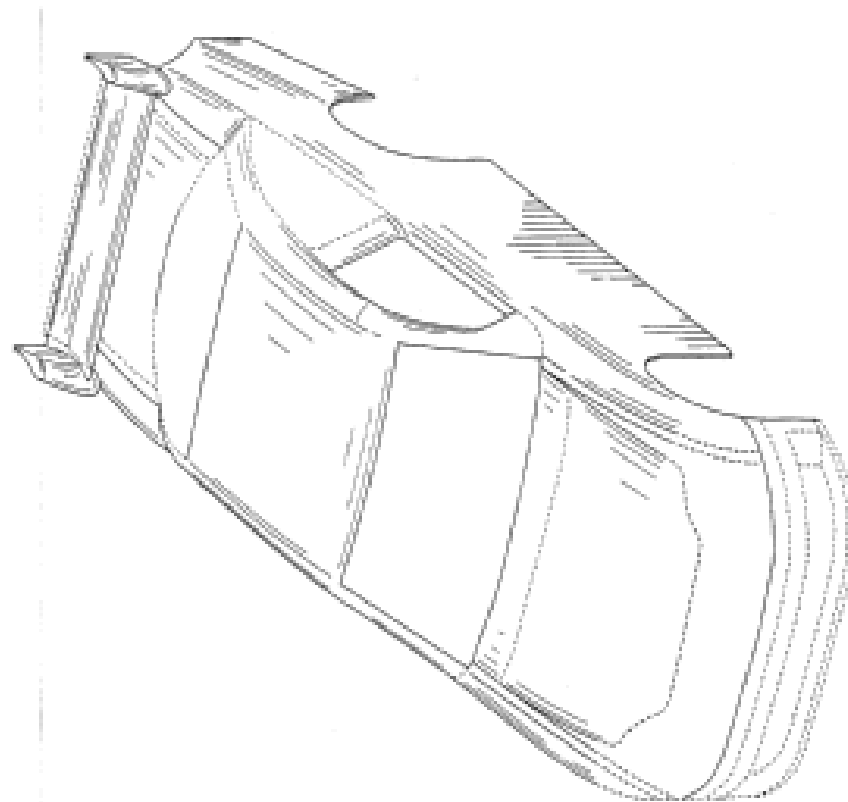


(21) Design Number: **16097/2007**
(22) Date of Filing Application: **19 January 2007**
(24) Date from which industrial property rights may have effect: **19 January 2007**
(54) Product in respect of which the design is registered: **Candlestick**
(51) International Design Classification: **26-01**
(71) Name(s) and Address(s) of Applicant(s):
Robert Welch Designs Limited
Lower High Street Chipping Campden GL55 6DY England
(72) Name(s) of Designer(s): **Ruth Williams**
(45) Registration Date: **24 April 2007**
(30) Convention priority data:
(31) Number (32) Date (33) Country
000572565 02 Aug 2006 EUROPEAN COMMUNITY
(56) Related Art Documents: **Not Applicable**
(57) Statement of Newness and Distinctiveness: **A new design of candlestick**



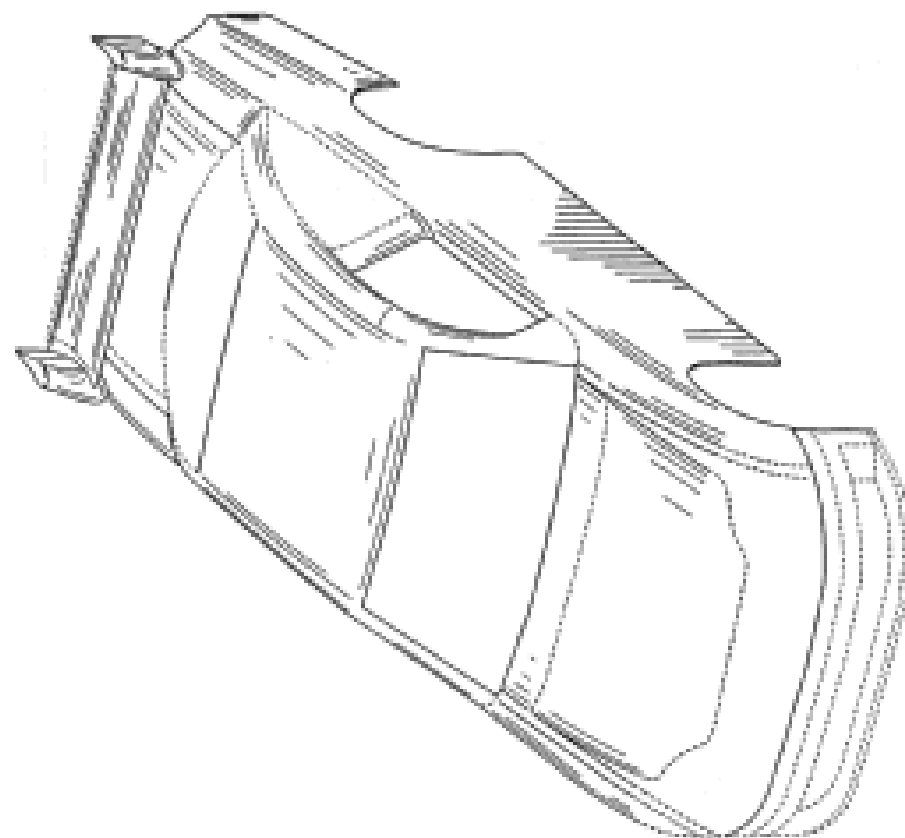
- (21) Design Number: **16089/2007**
- (22) Date of Filing Application: **19 January 2007**
- (24) Date from which industrial property rights may have effect: **19 January 2007**
- (54) Product in respect of which the design is registered: **Vehicle body portions and wing**
- (51) International Design Classification: **12-16B**
- (71) Name(s) and Address(s) of Applicant(s):
National Association for Stock Car Auto Racing, Inc.
1801 West International Speedway Boulevard Daytona Beach FL
32114 United States of America
- (72) Name(s) of Designer(s): **Donald E. Krueger and Daniel Dean Kurtz and Daniel Barry Honeycutt**
- (45) Registration Date: **24 April 2007**
- (30) Convention priority data:

(31) Number	(32) Date	(33) Country
29/250,519	17 Nov 2006	UNITED STATES OF AMERICA
- (56) Related Art Documents: **Not Applicable**
- (57) Statement of Newness and Distinctiveness: **The newness and distinctiveness of the design resides in the features of shape and/or configuration of the vehicle body portions and wing shown in unbroken lines in the accompanying representations.**

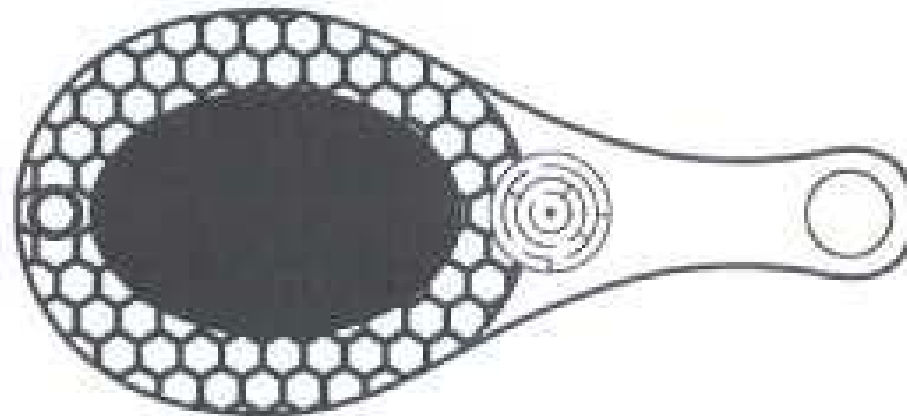


- (21) Design Number: **16088/2007**
- (22) Date of Filing Application: **19 January 2007**
- (24) Date from which industrial property rights may have effect: **19 January 2007**
- (54) Product in respect of which the design is registered: **Vehicle body portions and wing**
- (51) International Design Classification: **12-16B**
- (71) Name(s) and Address(s) of Applicant(s):
National Association for Stock Car Auto Racing, Inc.
1801 West International Speedway Boulevard Daytona Beach FL
32114 United States of America
- (72) Name(s) of Designer(s): **Donald E. Krueger and Daniel Dean Kurtz and Daniel Barry Honeycutt**
- (45) Registration Date: **24 April 2007**
- (30) Convention priority data:

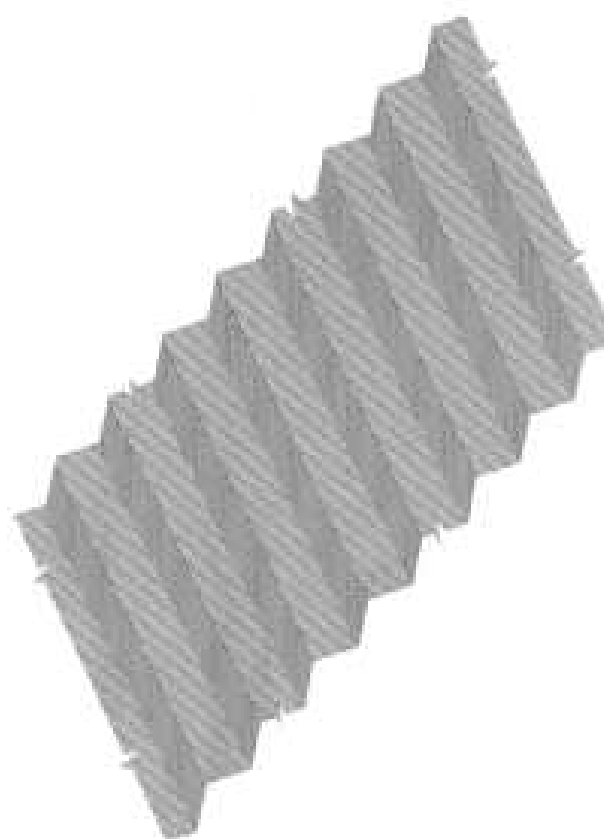
(31) Number	(32) Date	(33) Country
29/250,519	17 Nov 2006	UNITED STATES OF AMERICA
- (56) Related Art Documents: **Not Applicable**
- (57) Statement of Newness and Distinctiveness: **The newness and distinctiveness of the design resides in the features of shape and/or configuration of the vehicle body portions and wing shown in unbroken lines in the accompanying representations.**



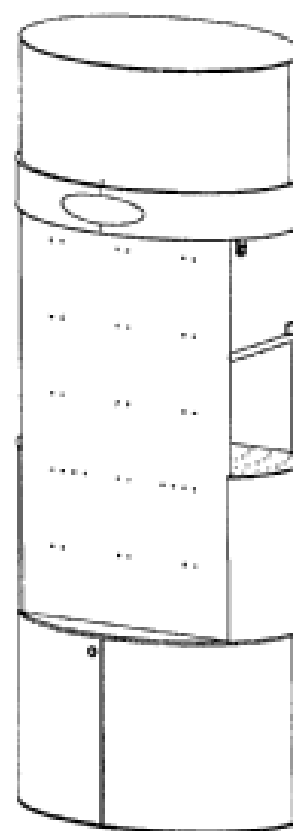
(21) Design Number: **16087/2007**
(22) Date of Filing Application: **19 January 2007**
(24) Date from which industrial property rights may have effect: **19 January 2007**
(54) Product in respect of which the design is registered: **Racquet**
(51) International Design Classification: **21-02B**
(71) Name(s) and Address(s) of Applicant(s):
Tap Ball 2000 S.A.R.L
No 92 rue Benoit Malon 94270 Le Kremlin Bicetre France
(72) Name(s) of Designer(s): **Bruno Sanges**
(45) Registration Date: **24 April 2007**
(30) Convention priority data:
(31) Number (32) Date (33) Country
000620141 13 Nov 2006 EUROPEAN COMMUNITY
(56) Related Art Documents: **Not Applicable**
(57) Statement of Newness and Distinctiveness: **Nil**



(21) Design Number: **16085/2007**
(22) Date of Filing Application: **19 January 2007**
(24) Date from which industrial property rights may have effect: **19 January 2007**
(54) Product in respect of which the design is registered: **Insect mesh material of indefinite length and width**
(51) International Design Classification: **25-02C, 25-02H**
(71) Name(s) and Address(s) of Applicant(s):
Hui Qing Tang
307 Gallaghers Road Glen Waverley Victoria 3150 Australia
(72) Name(s) of Designer(s): **Hui Qing Tang**
(45) Registration Date: **24 April 2007**
(56) Related Art Documents: **Not Applicable**
(57) Statement of Newness and Distinctiveness: **Nil**



(21) Design Number: **16084/2007**
(22) Date of Filing Application: **19 January 2007**
(24) Date from which industrial property rights may have effect: **19 January 2007**
(54) Product in respect of which the design is registered: **Display stand for jewellery**
(51) International Design Classification: **20-02E**
(71) Name(s) and Address(s) of Applicant(s):
Swatch AG (Swatch SA) (Swatch Ltd)
94 rue Jakob Stampfli Bienne Switzerland
(72) Name(s) of Designer(s): **Assunta Drotsky**
(45) Registration Date: **24 April 2007**
(30) Convention priority data:
(31) Number (32) Date (33) Country
DM/068 205 10 Oct 2006 WORLD INTELLECTUAL PROPERTY ORGANIZATION (WIPO)
(56) Related Art Documents: **Not Applicable**
(57) Statement of Newness and Distinctiveness: **Nil**



(21) Design Number: **16083/2007**
(22) Date of Filing Application: **19 January 2007**
(24) Date from which industrial property rights may have effect: **19 January 2007**
(54) Product in respect of which the design is registered: **Stirrup**
(51) International Design Classification: **30-04**
(71) Name(s) and Address(s) of Applicant(s):
BBL International Pty Ltd
1 International Court Caribbean Park Scoresby Victoria 3179 Australia
(72) Name(s) of Designer(s): **Hayden Gregory Bostock**
(45) Registration Date: **24 April 2007**
(56) Related Art Documents: **Not Applicable**
(57) Statement of Newness and Distinctiveness: **Nil**



(21) Design Number: **16082/2007**

(22) Date of Filing Application: **19 January 2007**

(24) Date from which industrial property rights may have effect: **19 January 2007**

(54) Product in respect of which the design is registered: **Stirrup**

(51) International Design Classification: **30-04**

(71) Name(s) and Address(s) of Applicant(s):

BBL International Pty Ltd
1 International Court Caribbean Park Scoresby Victoria 3179 Australia

(72) Name(s) of Designer(s): **Hayden Gregory Bostock**

(45) Registration Date: **24 April 2007**

(56) Related Art Documents: **Not Applicable**

(57) Statement of Newness and Distinctiveness: **Nil**



(21) Design Number: **16081/2007**

(22) Date of Filing Application: **19 January 2007**

(24) Date from which industrial property rights may have effect: **19 January 2007**

(54) Product in respect of which the design is registered: **Flask for perfumery products**

(51) International Design Classification: **09-01G**

(71) Name(s) and Address(s) of Applicant(s):

Parfums Christian Dior
33 Avenue Hoche Paris F-75008 France

(72) Name(s) of Designer(s): **Francois Gautier**

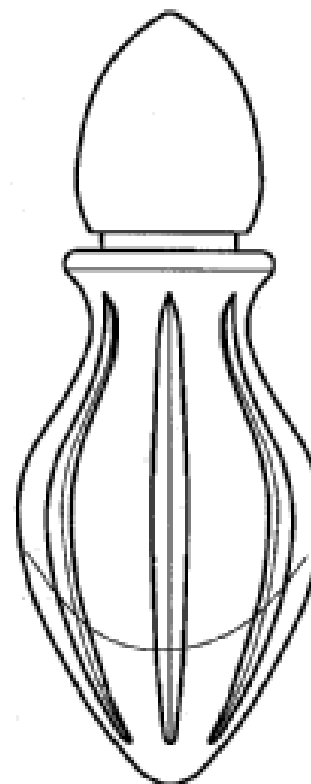
(45) Registration Date: **24 April 2007**

(30) Convention priority data:

(31) Number	(32) Date	(33) Country
000567581#0002	28 Jul 2006	EUROPEAN COMMUNITY

(56) Related Art Documents: **Not Applicable**

(57) Statement of Newness and Distinctiveness: **Nil**



(21) Design Number: **16107/2007**
(22) Date of Filing Application: **23 January 2007**
(24) Date from which industrial property rights may have effect: **23 January 2007**
(54) Product in respect of which the design is registered: **Handset**
(51) International Design Classification: **14-03E**
(71) Name(s) and Address(s) of Applicant(s):

Nokia Corporation
Keilalahdentie 4 FIN-02150 Espoo Finland

(72) Name(s) of Designer(s): **Christopher Scales and Anton Fahlgren**

(45) Registration Date: **24 April 2007**

(30) Convention priority data:

(31) Number	(32) Date	(33) Country
M20060145	24 Jul 2006	FINLAND

(56) Related Art Documents: **Not Applicable**

(57) Statement of Newness and Distinctiveness: **Nil**



(21) Design Number: **16108/2007**
(22) Date of Filing Application: **23 January 2007**
(24) Date from which industrial property rights may have effect: **23 January 2007**
(54) Product in respect of which the design is registered: **Handset**
(51) International Design Classification: **14-03E**
(71) Name(s) and Address(s) of Applicant(s):

Nokia Corporation
Keilalahdentie 4 FIN-02150 Espoo Finland

(72) Name(s) of Designer(s): **Christopher Scales and Anton Fahlgren**

(45) Registration Date: **24 April 2007**

(30) Convention priority data:

(31) Number	(32) Date	(33) Country
M20060145	24 Jul 2006	FINLAND

(56) Related Art Documents: **Not Applicable**

(57) Statement of Newness and Distinctiveness: **Nil**



(19) AU

- (21) Design Number: **16109/2007**
- (22) Date of Filing Application: **23 January 2007**
- (24) Date from which industrial property rights may have effect: **23 January 2007**
- (54) Product in respect of which the design is registered: **Front cover for a handset**
- (51) International Design Classification: **14-03A**
- (71) Name(s) and Address(s) of Applicant(s):
Nokia Corporation
Keilalahdentie 4 FIN-02150 Espoo Finland
- (72) Name(s) of Designer(s): **Aaron Moss**
- (45) Registration Date: **24 April 2007**
- (30) Convention priority data:

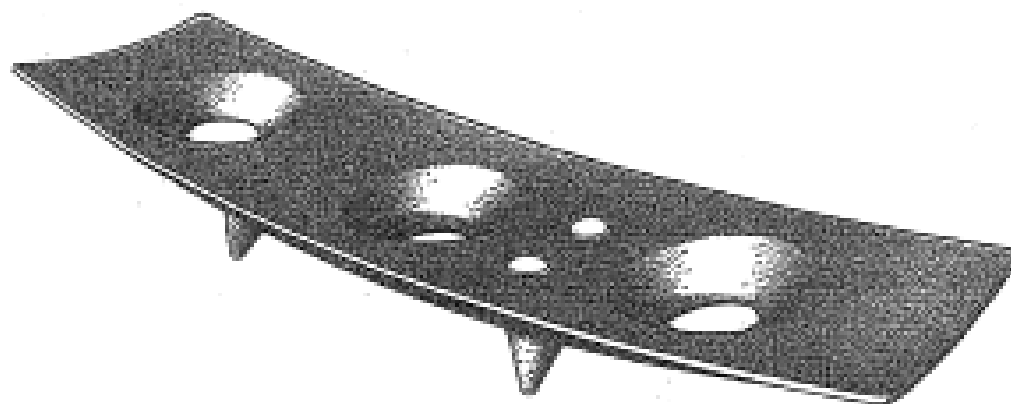
(31) Number	(32) Date	(33) Country
M20060143	24 Jul 2006	FINLAND
- (56) Related Art Documents: **Not Applicable**
- (57) Statement of Newness and Distinctiveness: **Nil**



(19) AU

- (21) Design Number: **15731/2006**
- (22) Date of Filing Application: **14 December 2006**
- (24) Date from which industrial property rights may have effect: **14 December 2006**
- (54) Product in respect of which the design is registered: **A base for a decorative light object**
- (51) International Design Classification: **26-05NES**
- (71) Name(s) and Address(s) of Applicant(s):
S.C. Johnson & Son Inc.
1525 Howe Street Racine Wisconsin 53403-2236 United States of America
- (72) Name(s) of Designer(s): **Scott W. Demarest and Sarah E. Heathcock and Matthew Abbondanzio and Simon M. Conway and Thomas J. Queoff and Kathleen M. Herbage and AnneMarie S. Harder and Han Xin and Kit R. Morris**
- (45) Registration Date: **24 April 2007**
- (30) Convention priority data:

(31) Number	(32) Date	(33) Country
29/247400	15 Jun 2006	UNITED STATES OF AMERICA
- (56) Related Art Documents: **Not Applicable**
- (57) Statement of Newness and Distinctiveness: **Newness and distinctiveness is claimed in those features of shape and/or configuration of a base for a decorative light object as illustrated in continuous lines in the accompanying representations, apart from the switch buttons of figures 1 and 3 and the electric adaptor of figures 4 and 6.**



- (21) Design Number: **15342/2006**
(22) Date of Filing Application: **21 November 2006**
(24) Date from which industrial property rights may have effect: **21 November 2006**
(54) Product in respect of which the design is registered: **Engine**
(51) International Design Classification: **15-01**
(71) Name(s) and Address(s) of Applicant(s):
Axial Vector Engine Corporation
One World Trade Centre 121 SW Salmon Street Suite 1100 Portland
Oregon 97204 United States of America
(72) Name(s) of Designer(s): **Larry A. Kubes and Pierre-Luis Vernhes and Chris Lambert and Jeff Klaver and Peter Campbell**
(45) Registration Date: **24 April 2007**
(30) Convention priority data:
(31) Number (32) Date (33) Country
29/260276 22 May 2006 UNITED STATES OF AMERICA
(56) Related Art Documents: **Not Applicable**
(57) Statement of Newness and Distinctiveness: **Nil**



- (21) Design Number: **16102/2007**
(22) Date of Filing Application: **24 January 2007**
(24) Date from which industrial property rights may have effect: **24 January 2007**
(54) Product in respect of which the design is registered: **Utility knife**
(51) International Design Classification: **08-03**
(71) Name(s) and Address(s) of Applicant(s):
Gary F. Holliday
72 John Robb Way Cudgen New South Wales 2487 Australia
(72) Name(s) of Designer(s): **Gary Francis Holliday**
(45) Registration Date: **24 April 2007**
(56) Related Art Documents: **Not Applicable**
(57) Statement of Newness and Distinctiveness: **Newness and distinctiveness is claimed in the features of shape and/or configuration of a foldable utility knife as shown in the accompanying representations.**



(21) Design Number: **16110/2007**
(22) Date of Filing Application: **23 January 2007**
(24) Date from which industrial property rights may have effect: **23 January 2007**
(54) Product in respect of which the design is registered: **Motorised cart**
(51) International Design Classification: **12-02**
(71) Name(s) and Address(s) of Applicant(s):

Suzhou Eagle Electric Vehicle Manufacturing Co. Ltd
No. 699 Tongyuan Road Suzhou Industry Park Suzhou 215006
People's Republic of China

(72) Name(s) of Designer(s): **Xinyong Tuo**

(45) Registration Date: **24 April 2007**

(30) Convention priority data:

(31) Number	(32) Date	(33) Country
200630141063.5	29 Sep 2006	CHINA

(56) Related Art Documents: **Not Applicable**

(57) Statement of Newness and Distinctiveness: **Nil**



(21) Design Number: **16111/2007**
(22) Date of Filing Application: **23 January 2007**
(24) Date from which industrial property rights may have effect: **23 January 2007**
(54) Product in respect of which the design is registered: **Golf putter head**
(51) International Design Classification: **21-02C**
(71) Name(s) and Address(s) of Applicant(s):

Karsten Manufacturing Corporation
2201 West Desert Cove Phoenix Arizona 85029 United States of
America

(72) Name(s) of Designer(s): **Marty R. Jertson and David D. Jones**

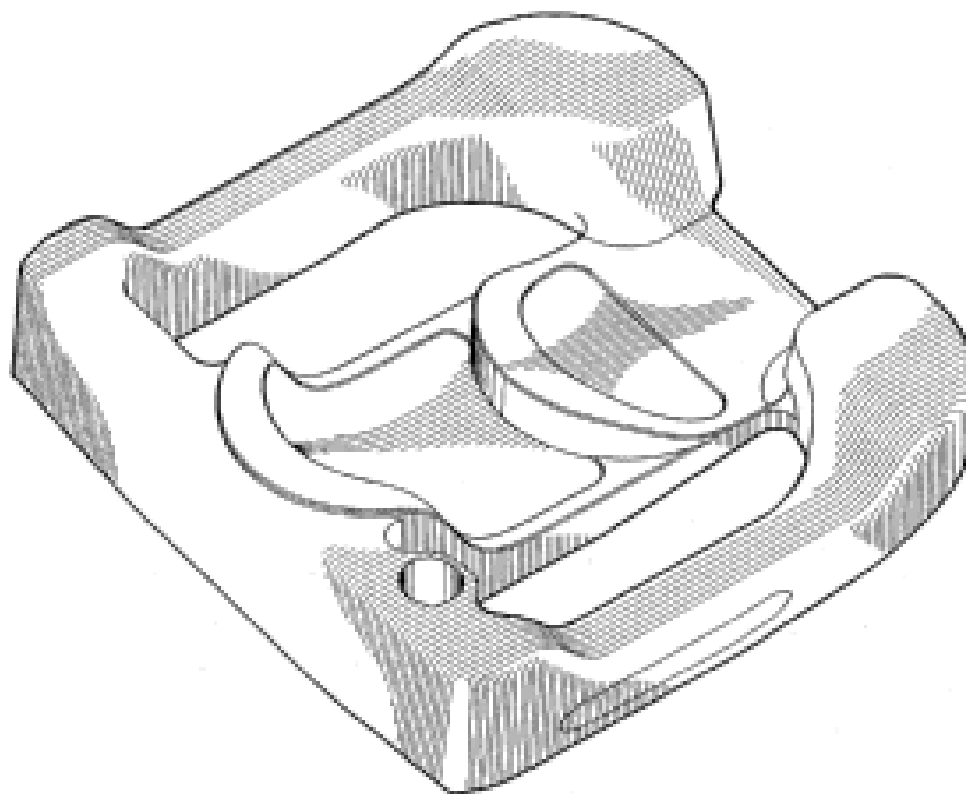
(45) Registration Date: **24 April 2007**

(30) Convention priority data:

(31) Number	(32) Date	(33) Country
29/263611	25 Jul 2006	UNITED STATES OF AMERICA

(56) Related Art Documents: **Not Applicable**

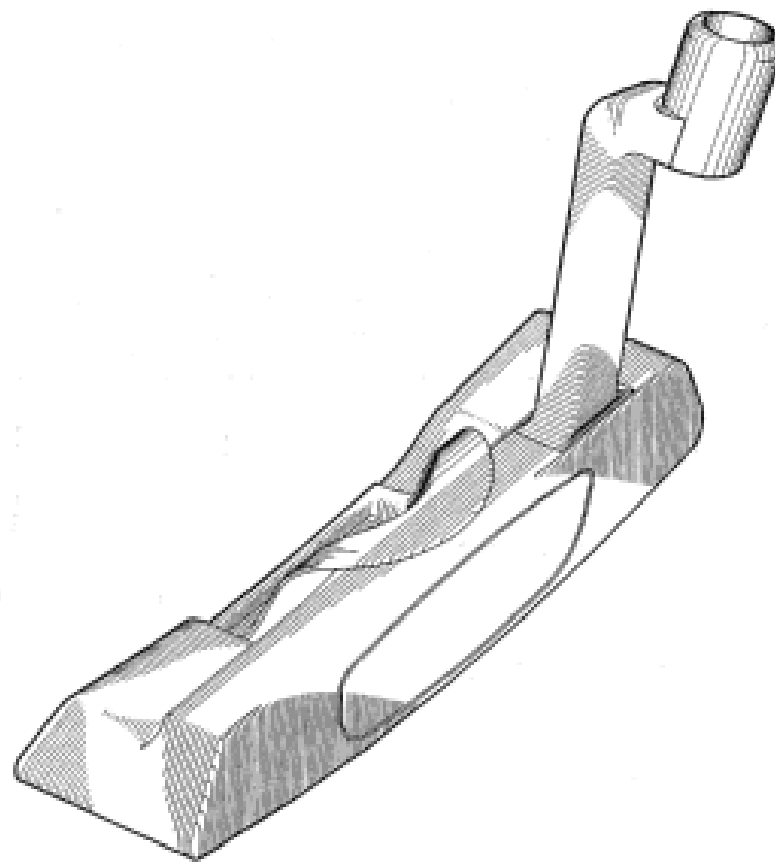
(57) Statement of Newness and Distinctiveness: **Nil**



(21) Design Number: **16112/2007**
 (22) Date of Filing Application: **23 January 2007**
 (24) Date from which industrial property rights may have effect: **23 January 2007**
 (54) Product in respect of which the design is registered: **Golf putter head**
 (51) International Design Classification: **21-02C**
 (71) Name(s) and Address(s) of Applicant(s):
Karsten Manufacturing Corporation
2201 West Desert Cove Phoenix Arizona 85029 United States of America
 (72) Name(s) of Designer(s): **Anthony D. Serrano and David D. Jones**
 (45) Registration Date: **24 April 2007**
 (30) Convention priority data:

(31) Number	(32) Date	(33) Country
29/263749	28 Jul 2006	UNITED STATES OF AMERICA

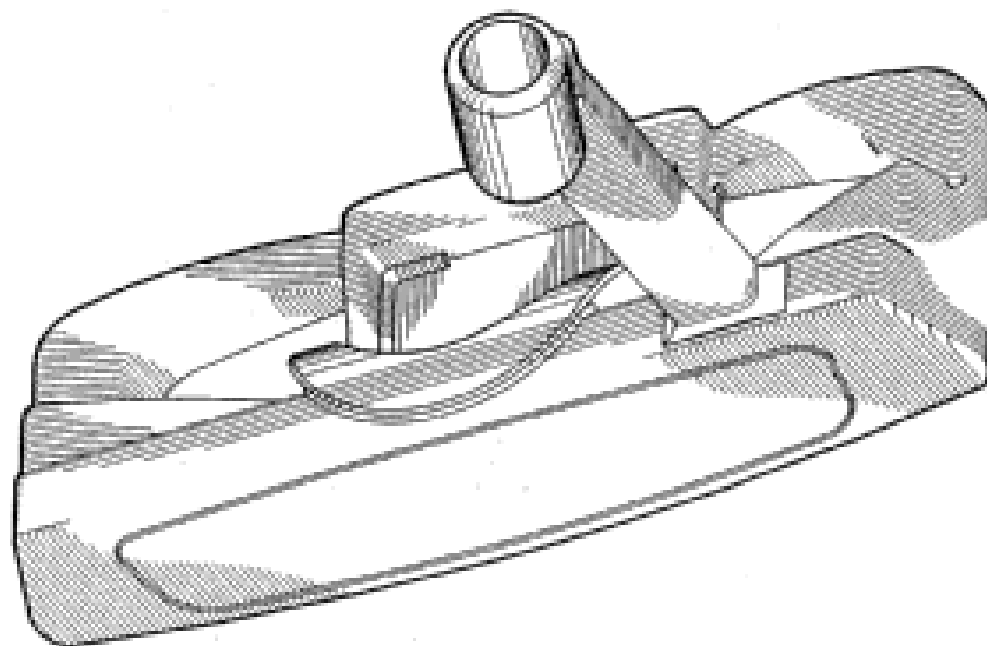
 (56) Related Art Documents: **Not Applicable**
 (57) Statement of Newness and Distinctiveness: **Nil**



(21) Design Number: **16113/2007**
 (22) Date of Filing Application: **23 January 2007**
 (24) Date from which industrial property rights may have effect: **23 January 2007**
 (54) Product in respect of which the design is registered: **Golf putter head**
 (51) International Design Classification: **21-02C**
 (71) Name(s) and Address(s) of Applicant(s):
Karsten Manufacturing Corporation
2201 West Desert Cove Phoenix Arizona 85029 United States of America
 (72) Name(s) of Designer(s): **Anthony D. Serrano and Xiaojian Chen**
 (45) Registration Date: **24 April 2007**
 (30) Convention priority data:

(31) Number	(32) Date	(33) Country
29/263750	28 Jul 2006	UNITED STATES OF AMERICA

 (56) Related Art Documents: **Not Applicable**
 (57) Statement of Newness and Distinctiveness: **Nil**



(21) Design Number: **16114/2007**

(22) Date of Filing Application: **23 January 2007**

(24) Date from which industrial property rights may have effect: **23 January 2007**

(54) Product in respect of which the design is registered: **Golf putter head**

(51) International Design Classification: **21-02C**

(71) Name(s) and Address(s) of Applicant(s):

**Karsten Manufacturing Corporation
2201 West Desert Cove Phoenix Arizona 85029 United States of
America**

(72) Name(s) of Designer(s): **Anthony D. Serrano and David D. Jones**

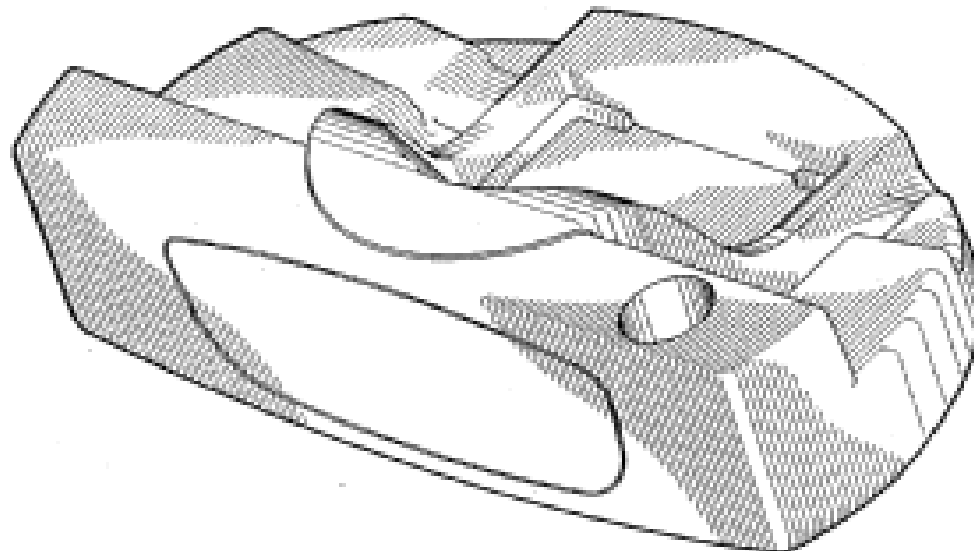
(45) Registration Date: **24 April 2007**

(30) Convention priority data:

(31) Number	(32) Date	(33) Country
29/263747	28 Jul 2006	UNITED STATES OF AMERICA

(56) Related Art Documents: **Not Applicable**

(57) Statement of Newness and Distinctiveness: **Nil**



(21) Design Number: **16119/2007**

(22) Date of Filing Application: **24 January 2007**

(24) Date from which industrial property rights may have effect: **24 January 2007**

(54) Product in respect of which the design is registered: **Backpack work station/storage unit for vehicles**

(51) International Design Classification: **12-16NES**

(71) Name(s) and Address(s) of Applicant(s):

**Shane Gordon Macklin
24 Eatonvale Road Tinana Queensland 4650 Australia**

(72) Name(s) of Designer(s): **Shane Gordon Macklin**

(45) Registration Date: **24 April 2007**

(56) Related Art Documents: **Not Applicable**

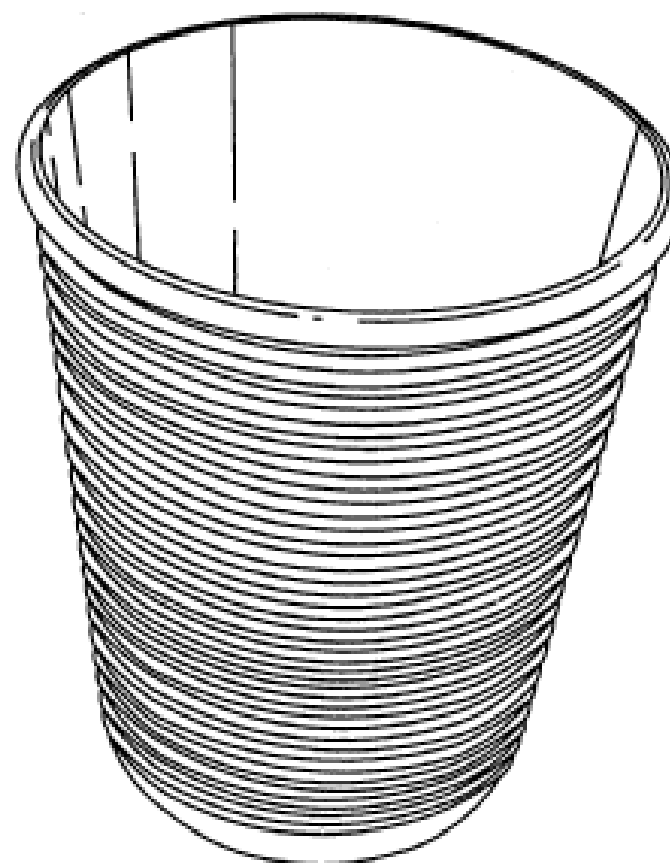
(57) Statement of Newness and Distinctiveness: **A multipurpose work station that can be mounted to the rear of a vehicle, incorporating a work surface/cutting board/storage/rod holders and bucket holders.**



- (21) Design Number: **16121/2007**
- (22) Date of Filing Application: **25 January 2007**
- (24) Date from which industrial property rights may have effect: **25 January 2007**
- (54) Product in respect of which the design is registered: **Beverage container**
- (51) International Design Classification: **07-01C**
- (71) Name(s) and Address(s) of Applicant(s):

Carl-Louis Pty Ltd
PO Box 106 Blaxcel New South Wales 2142 Australia

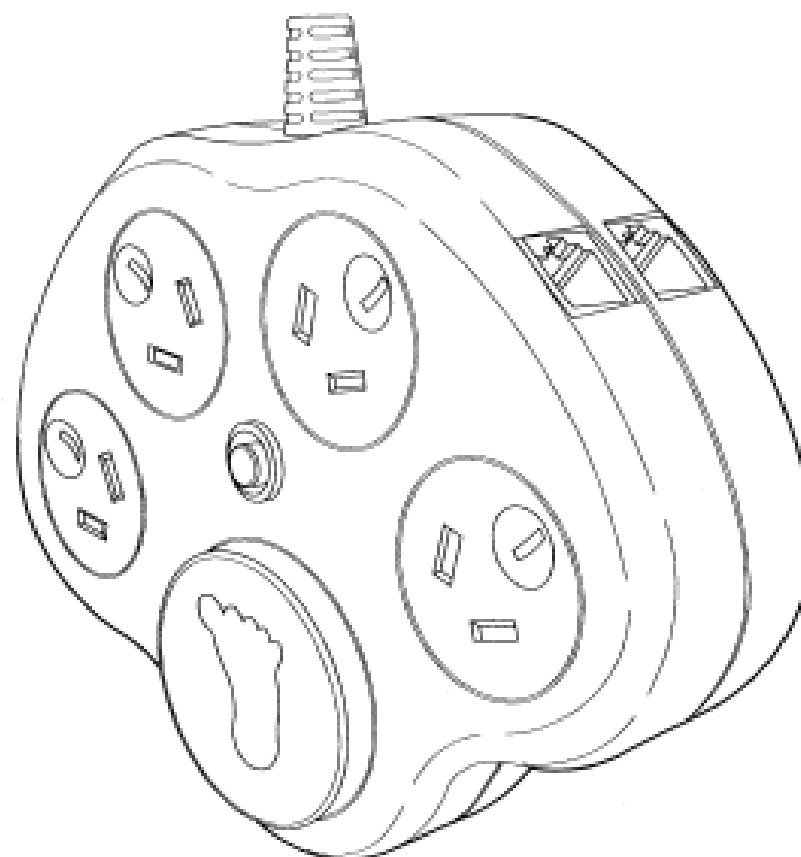
- (72) Name(s) of Designer(s): **Carl Karam**
- (45) Registration Date: **24 April 2007**
- (56) Related Art Documents: **Not Applicable**
- (57) Statement of Newness and Distinctiveness: **Newness and distinctiveness is claimed in respect of the shape and configuration of the outside surface of the beverage container illustrated in the accompanying representations. In carrying out a consideration in accordance with Section 19 the shape and/or configuration of the inside surface of the beverage container is not to be considered either new or distinctive and does not form part of the design.**



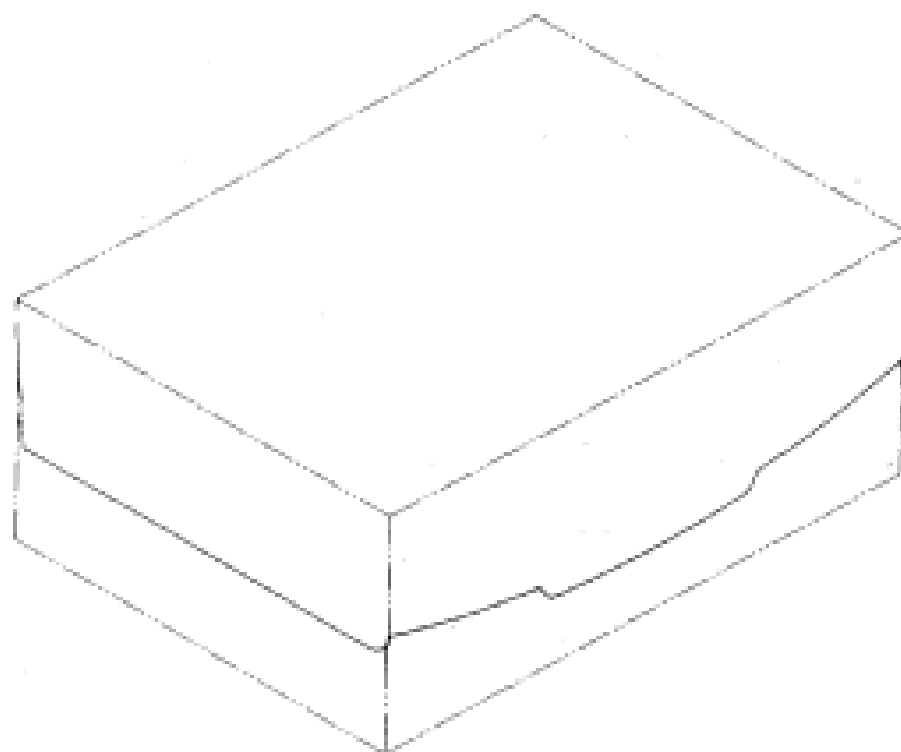
- (21) Design Number: **16123/2007**
- (22) Date of Filing Application: **24 January 2007**
- (24) Date from which industrial property rights may have effect: **24 January 2007**
- (54) Product in respect of which the design is registered: **A power board**
- (51) International Design Classification: **13-03D**
- (71) Name(s) and Address(s) of Applicant(s):

Jackson Industries Pty Limited
16 Brookhollow Avenue Norwest Business Park Baulkham Hills New South Wales 2153 Australia

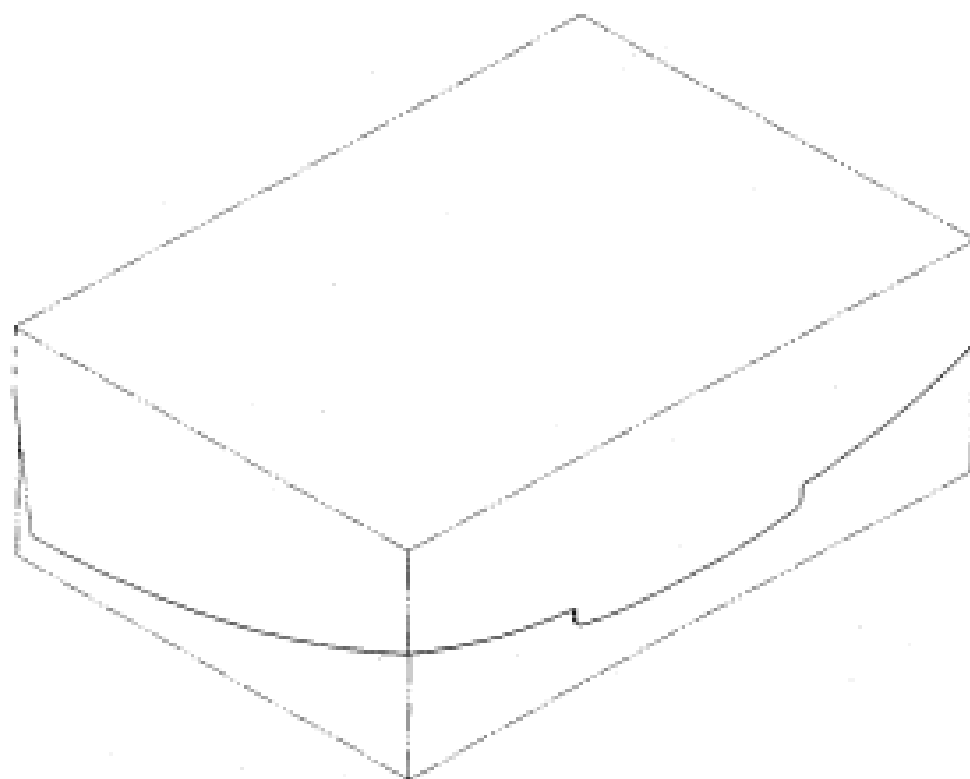
- (72) Name(s) of Designer(s): **Ross Alec Jackson**
- (45) Registration Date: **24 April 2007**
- (56) Related Art Documents: **Not Applicable**
- (57) Statement of Newness and Distinctiveness: **Newness and distinctiveness is claimed in the features of shape and/or configuration of a foot-shaped switch of a power board as illustrated in the accompanying representations.**



- (21) Design Number: **16124/2007**
(22) Date of Filing Application: **24 January 2007**
(24) Date from which industrial property rights may have effect: **24 January 2007**
(54) Product in respect of which the design is registered: **Box**
(51) International Design Classification: **09-03M**
(71) Name(s) and Address(s) of Applicant(s):
Unilever PLC
Unilever House Blackfriars London EC4P 4BQ United Kingdom
(72) Name(s) of Designer(s): **Dennis Irwin Steiger and Claudia Bugni and Richard William Seymour and Adrian Barclay Caroen and Ian Peter Whatley and Bernd Jansing**
(45) Registration Date: **24 April 2007**
(30) Convention priority data:
(31) Number (32) Date (33) Country
29/269585 04 Dec 2006 UNITED STATES OF AMERICA
(56) Related Art Documents: **Not Applicable**
(57) Statement of Newness and Distinctiveness: **Newness and distinctiveness is claimed in the visual features shown in the representations.**



- (21) Design Number: **16125/2007**
(22) Date of Filing Application: **24 January 2007**
(24) Date from which industrial property rights may have effect: **24 January 2007**
(54) Product in respect of which the design is registered: **Box**
(51) International Design Classification: **09-03M**
(71) Name(s) and Address(s) of Applicant(s):
Unilever PLC
Unilever House Blackfriars London EC4P 4BQ United Kingdom
(72) Name(s) of Designer(s): **Dennis Irwin Steiger and Claudia Bugni and Bernd Jansing and Richard William Seymour and Adrian Barclay Caroen and Ian Peter Whatley**
(45) Registration Date: **24 April 2007**
(30) Convention priority data:
(31) Number (32) Date (33) Country
29/269593 04 Dec 2006 UNITED STATES OF AMERICA
(56) Related Art Documents: **Not Applicable**
(57) Statement of Newness and Distinctiveness: **Newness and distinctiveness is claimed in the visual features shown in the representations.**



(19) AU

(21) Design Number: **16127/2007**

(22) Date of Filing Application: **24 January 2007**

(24) Date from which industrial property rights may have effect: **24 January 2007**

(54) Product in respect of which the design is registered: **Steamer**

(51) International Design Classification: **07-02N**

(71) Name(s) and Address(s) of Applicant(s):

Chef'n Corporation
1520 4th Avenue 3rd Floor Seattle Washington 98101 United States of America

(72) Name(s) of Designer(s): **David A. Holcomb and Jonah S. Griffith**

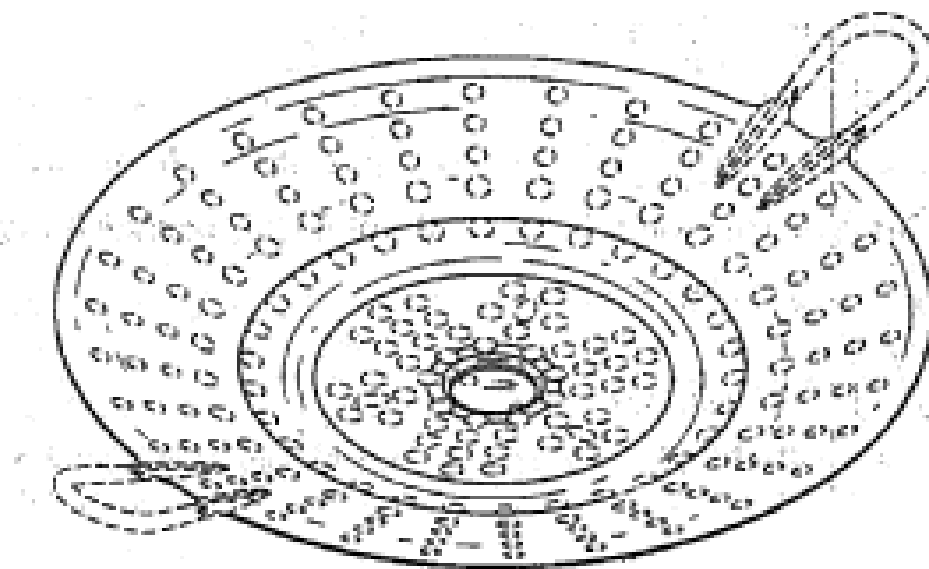
(45) Registration Date: **24 April 2007**

(30) Convention priority data:

(31) Number	(32) Date	(33) Country
60820336	25 Jul 2006	UNITED STATES OF AMERICA

(56) Related Art Documents: **Not Applicable**

(57) Statement of Newness and Distinctiveness: **Newness and distinctiveness is claimed in the visual features shown in solid lines in the representations.**



(19) AU

(21) Design Number: **16132/2007**

(22) Date of Filing Application: **25 January 2007**

(24) Date from which industrial property rights may have effect: **25 January 2007**

(54) Product in respect of which the design is registered: **Catamaran**

(51) International Design Classification: **12-06B**

(71) Name(s) and Address(s) of Applicant(s):

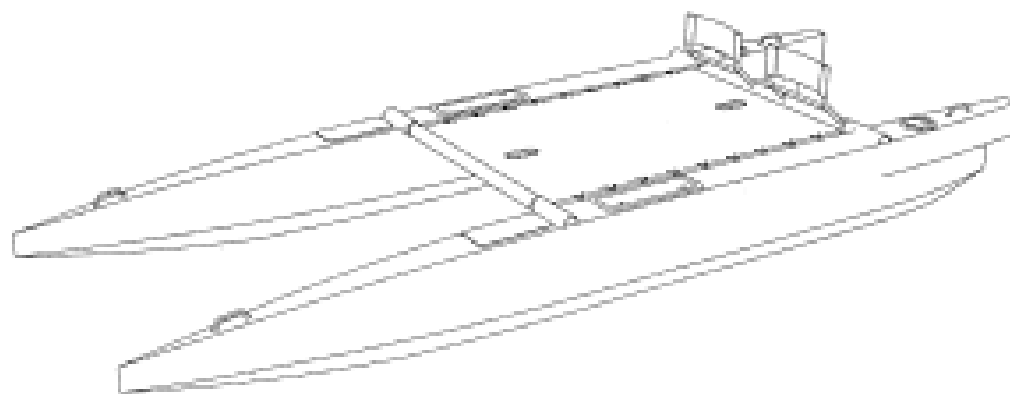
CRT Designs Pty Ltd
Lot 2 Vandenberg Road Robertson New South Wales 2577 Australia

(72) Name(s) of Designer(s): **Chris Turner**

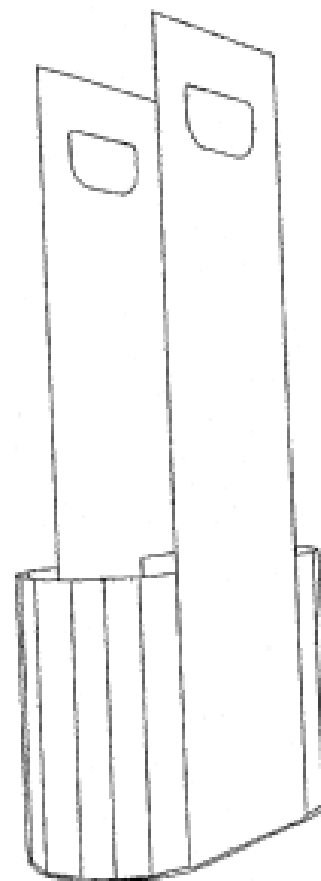
(45) Registration Date: **24 April 2007**

(56) Related Art Documents: **Not Applicable**

(57) Statement of Newness and Distinctiveness: **Newness and distinctiveness reside in one or more visual features of the catamaran shown in the accompanying representations.**



- (21) Design Number: **16133/2007**
(22) Date of Filing Application: **25 January 2007**
(24) Date from which industrial property rights may have effect: **25 January 2007**
(54) Product in respect of which the design is registered: **A carton for carrying bottles and a blank therefor**
(51) International Design Classification: **09-03E**
(71) Name(s) and Address(s) of Applicant(s):
Amcor Limited
679 Victoria Street Abbotsford Victoria 3067 Australia
(72) Name(s) of Designer(s): **Kym Artis**
(45) Registration Date: **24 April 2007**
(56) Related Art Documents: **Not Applicable**
(57) Statement of Newness and Distinctiveness: **Nil**



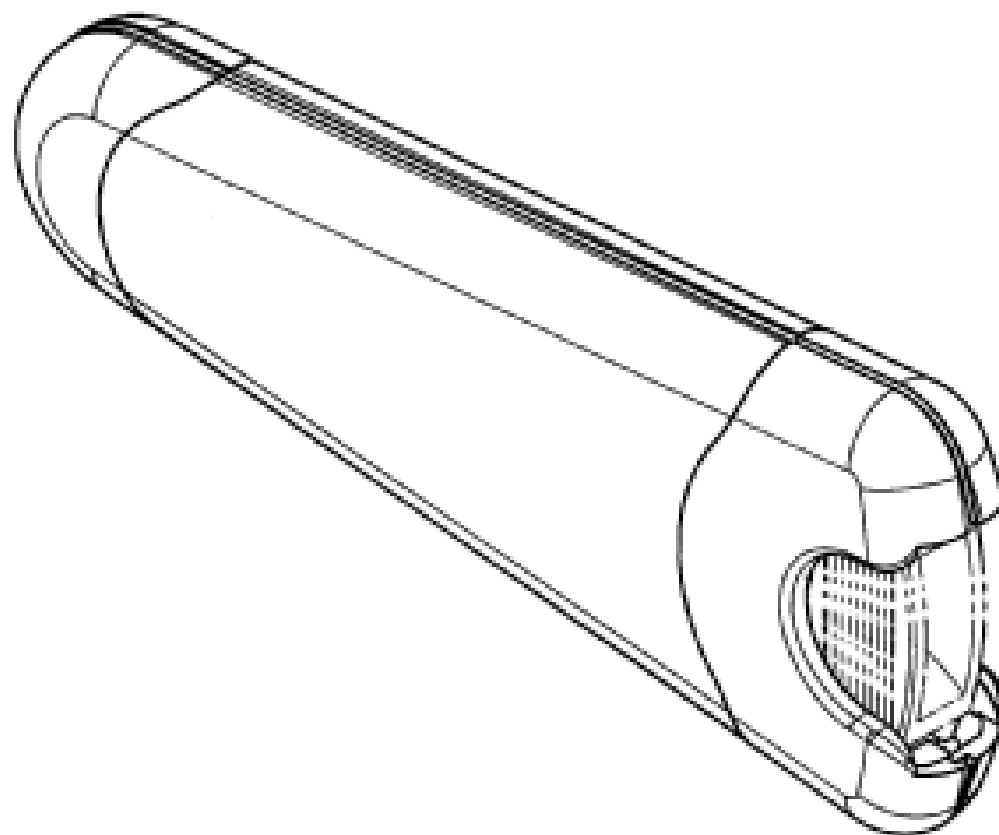
- (21) Design Number: **16134/2007**
(22) Date of Filing Application: **25 January 2007**
(24) Date from which industrial property rights may have effect: **25 January 2007**
(54) Product in respect of which the design is registered: **Catamaran hull**
(51) International Design Classification: **12-06B**
(71) Name(s) and Address(s) of Applicant(s):
CRT Designs Pty Ltd
Lot 2 Vandenberg Road Robertson New South Wales 2577 Australia
(72) Name(s) of Designer(s): **Chris Turner**
(45) Registration Date: **24 April 2007**
(56) Related Art Documents: **Not Applicable**
(57) Statement of Newness and Distinctiveness: **Newness and distinctiveness reside in one or more visual features of the catamaran hull shown in the accompanying representations.**



- (21) Design Number: **16136/2007**
(22) Date of Filing Application: **25 January 2007**
(24) Date from which industrial property rights may have effect: **25 January 2007**
(54) Product in respect of which the design is registered: **Scabbard**
(51) International Design Classification: **03-01NES**
(71) Name(s) and Address(s) of Applicant(s):

McPherson's Limited
5 Dunlop Road Mulgrave Victoria 3170 Australia

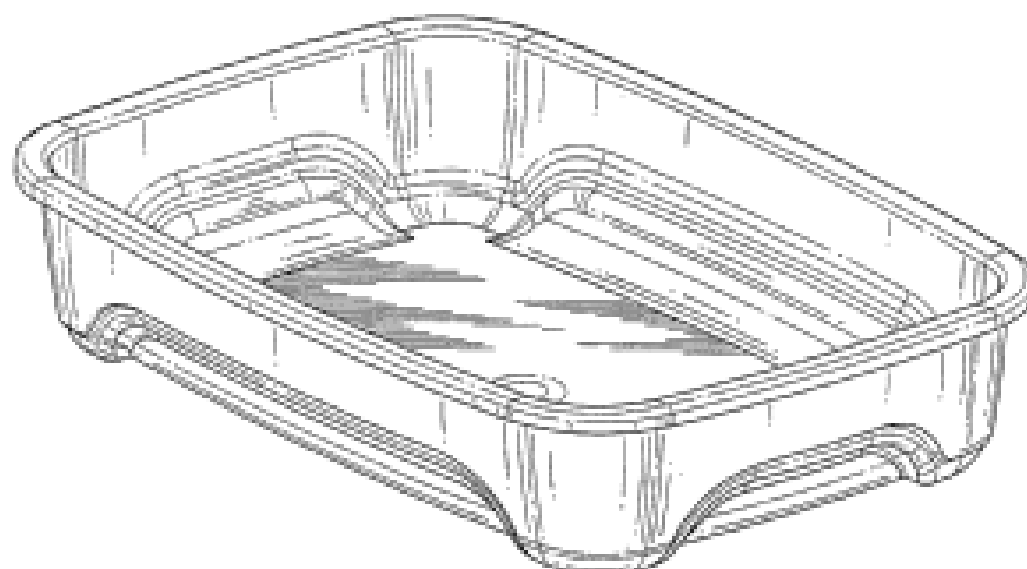
- (72) Name(s) of Designer(s): **Sammy Chan**
(45) Registration Date: **24 April 2007**
(56) Related Art Documents: **Not Applicable**
(57) Statement of Newness and Distinctiveness: **Those features of the scabbard depicted in the representations that are new and distinctive are the shape and/or configuration. The features shown in broken lines are not part of the design and are to be disregarded when considering the overall impression of the design.**



- (21) Design Number: **16137/2007**
(22) Date of Filing Application: **25 January 2007**
(24) Date from which industrial property rights may have effect: **25 January 2007**
(54) Product in respect of which the design is registered: **Containers**
(51) International Design Classification: **09-03NES**
(71) Name(s) and Address(s) of Applicant(s):

Dart Industries Inc.
14901 S. Orange Blossom Trail Orlando Florida 32837 United States of America

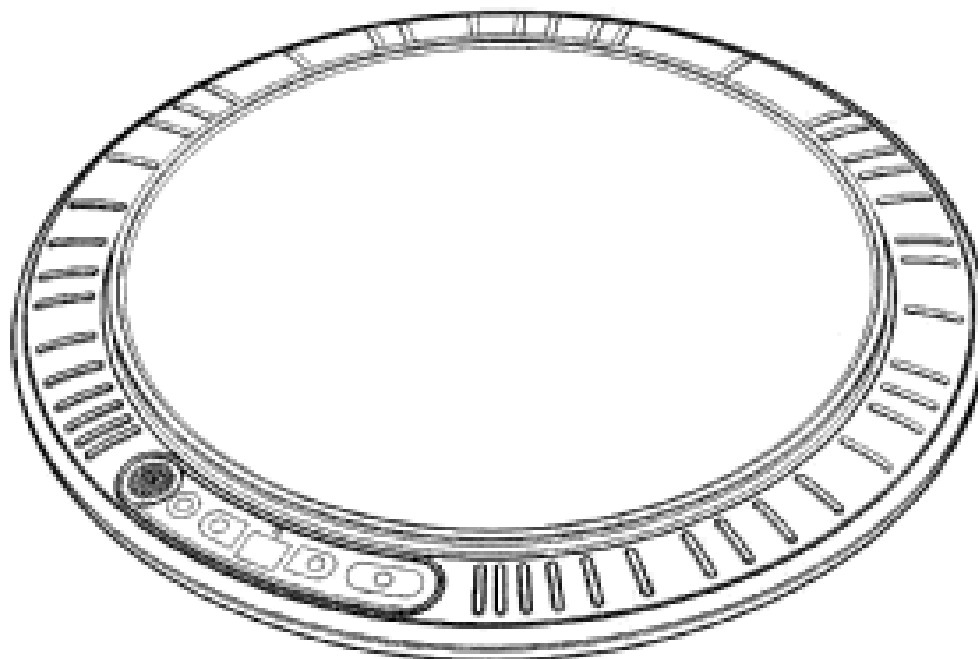
- (72) Name(s) of Designer(s): **Jan-Hendrik de Groote and Dimitri M.C.J. Backaert**
(45) Registration Date: **24 April 2007**
(30) Convention priority data:
(31) Number (32) Date (33) Country
29/264,918 22 Aug 2006 UNITED STATES OF AMERICA
(56) Related Art Documents: **Not Applicable**
(57) Statement of Newness and Distinctiveness: **Those features of the containers depicted in the representations that are new and distinctive are the shape and/or configuration.**



- (21) Design Number: **16139/2007**
- (22) Date of Filing Application: **25 January 2007**
- (24) Date from which industrial property rights may have effect: **25 January 2007**
- (54) Product in respect of which the design is registered: **Secura dog (dog lead)**
- (51) International Design Classification: **30-04**
- (71) Name(s) and Address(s) of Applicant(s):
Access Oss Pty Ltd
5 Helen Street Northcote Victoria 3070 Australia
- (72) Name(s) of Designer(s): **Sherryl Smith**
- (45) Registration Date: **24 April 2007**
- (56) Related Art Documents: **Not Applicable**
- (57) Statement of Newness and Distinctiveness: **Handle end opens.**

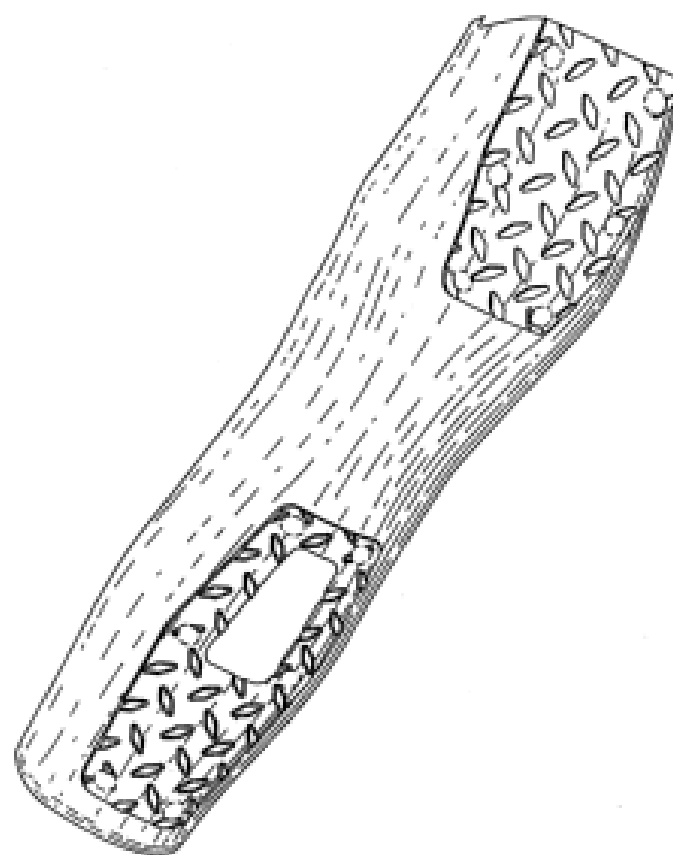


- (21) Design Number: **16141/2007**
- (22) Date of Filing Application: **25 January 2007**
- (24) Date from which industrial property rights may have effect: **25 January 2007**
- (54) Product in respect of which the design is registered: **Cake cutting tray**
- (51) International Design Classification: **07-02NES**
- (71) Name(s) and Address(s) of Applicant(s):
Salton, Inc.
1955 Field Court Lake Forest Illinois 60045 United States of America
- (72) Name(s) of Designer(s): **Guillaume Jean Since**
- (45) Registration Date: **24 April 2007**
- (56) Related Art Documents: **Not Applicable**
- (57) Statement of Newness and Distinctiveness: **Newness and distinctiveness resides in the features of shape and/or configuration of a cake cutting tray as shown in the accompanying representations.**



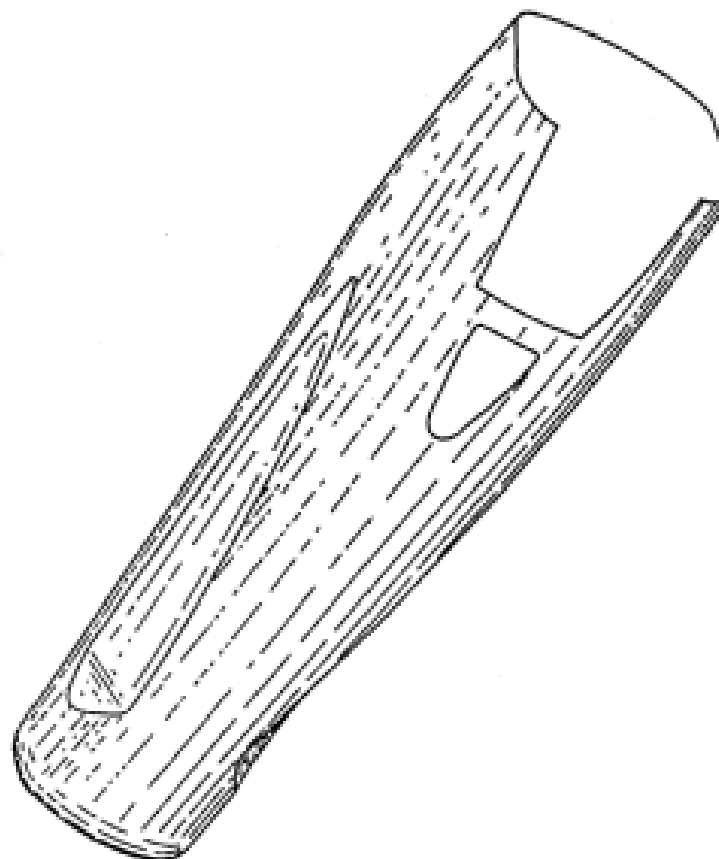
- (21) Design Number: **16142/2007**
- (22) Date of Filing Application: **25 January 2007**
- (24) Date from which industrial property rights may have effect: **25 January 2007**
- (54) Product in respect of which the design is registered: **Handle housing for hair trimmer**
- (51) International Design Classification: **28-03A**
- (71) Name(s) and Address(s) of Applicant(s):
Wahl Clipper Corporation
2900 North Locust Street Sterling 61081 Illinois United States of America
- (72) Name(s) of Designer(s): **Jason M. Long**
- (45) Registration Date: **24 April 2007**
- (30) Convention priority data:

(31) Number	(32) Date	(33) Country
29/263,872	31 Jul 2006	UNITED STATES OF AMERICA
- (56) Related Art Documents: **Not Applicable**
- (57) Statement of Newness and Distinctiveness: **The shape and configuration of the handle housing for hair trimmer in the attached representations are the new and distinctive features.**

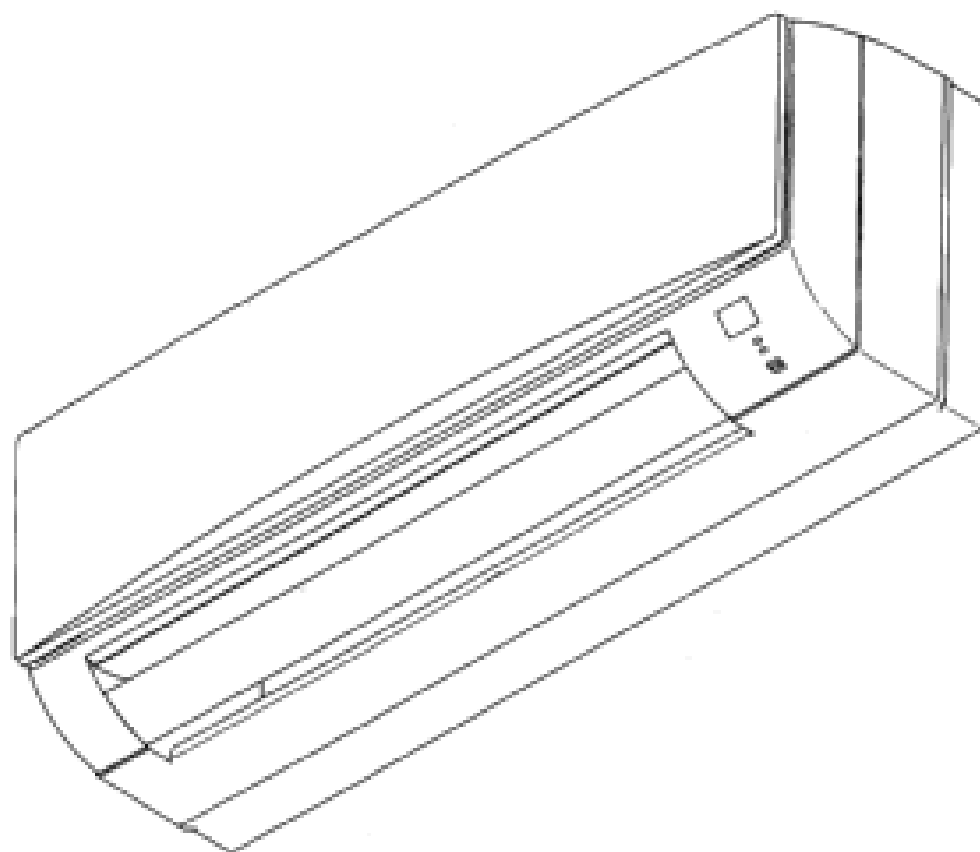


- (21) Design Number: **16143/2007**
- (22) Date of Filing Application: **25 January 2007**
- (24) Date from which industrial property rights may have effect: **25 January 2007**
- (54) Product in respect of which the design is registered: **Handle housing for hair trimmer**
- (51) International Design Classification: **28-03A**
- (71) Name(s) and Address(s) of Applicant(s):
Wahl Clipper Corporation
2900 North Locust Street Sterling 61081 Illinois United States of America
- (72) Name(s) of Designer(s): **Jason M. Long and Robert N. Buck Jr**
- (45) Registration Date: **24 April 2007**
- (30) Convention priority data:

(31) Number	(32) Date	(33) Country
29/263873	31 Jul 2006	UNITED STATES OF AMERICA
- (56) Related Art Documents: **Not Applicable**
- (57) Statement of Newness and Distinctiveness: **The shape and configuration of the handle housing for hair trimmer in the attached representations are the new and distinctive features.**



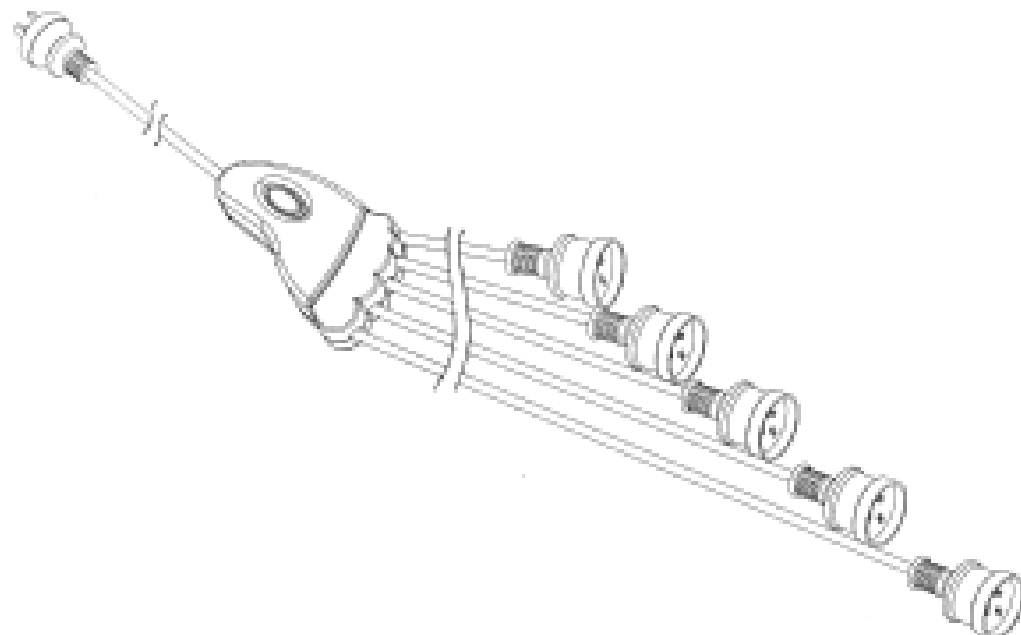
(21) Design Number: **16144/2007**
(22) Date of Filing Application: **25 January 2007**
(24) Date from which industrial property rights may have effect: **25 January 2007**
(54) Product in respect of which the design is registered: **Air-conditioner**
(51) International Design Classification: **23-04**
(71) Name(s) and Address(s) of Applicant(s):
Mitsubishi Electric Corporation
7-3 Marunouchi 2-chome Chiyoda-ku Tokyo 100-8310 Japan
(72) Name(s) of Designer(s): **Masataka Nagahori and Hiroshi Asaoka**
(45) Registration Date: **24 April 2007**
(30) Convention priority data:
(31) Number (32) Date (33) Country
2006-019992 28 Jul 2006 JAPAN
(56) Related Art Documents: **Not Applicable**
(57) Statement of Newness and Distinctiveness: **Nil**



(21) Design Number: **16145/2007**
(22) Date of Filing Application: **25 January 2007**
(24) Date from which industrial property rights may have effect: **25 January 2007**
(54) Product in respect of which the design is registered: **Coffee jug**
(51) International Design Classification: **07-02L**
(71) Name(s) and Address(s) of Applicant(s):
Pi-Design AG
Kantonstrasse 100 Postfach 463 CH-6234 Triengen Switzerland
(72) Name(s) of Designer(s): **Jorgen Bodum**
(45) Registration Date: **24 April 2007**
(30) Convention priority data:
(31) Number (32) Date (33) Country
DA 2006 17 Aug 2006 DENMARK
00219
(56) Related Art Documents: **Not Applicable**
(57) Statement of Newness and Distinctiveness: **Nil**



- (21) Design Number: **16180/2007**
(22) Date of Filing Application: **30 January 2007**
(24) Date from which industrial property rights may have effect: **30 January 2007**
(54) Product in respect of which the design is registered: **A power connection device**
(51) International Design Classification: **13-03D**
(71) Name(s) and Address(s) of Applicant(s):
Jackson Industries Pty Limited
16 Brookhollow Avenue Norwest Business Park Baulkham Hills New South Wales 2153 Australia
(72) Name(s) of Designer(s): **Ross Alec Jackson**
(45) Registration Date: **24 April 2007**
(56) Related Art Documents: **Not Applicable**
(57) Statement of Newness and Distinctiveness: **Newness and distinctiveness is claimed in the features of shape and/or configuration of a radiussed casing and foot switch of a power connection device as illustrated in the accompanying representations.**



- (21) Design Number: **16179/2007**
(22) Date of Filing Application: **30 January 2007**
(24) Date from which industrial property rights may have effect: **30 January 2007**
(54) Product in respect of which the design is registered: **Helmet**
(51) International Design Classification: **02-03**
(71) Name(s) and Address(s) of Applicant(s):
OGK KABUTO Co., Ltd
3#4 Nagata-nishi 6-chome Higashi-Osaka-shi Osaka Japan
(72) Name(s) of Designer(s): **Takeshi Murakami**
(45) Registration Date: **24 April 2007**
(30) Convention priority data:
(31) Number (32) Date (33) Country
2006#21175 09 Aug 2006 JAPAN
(56) Related Art Documents: **Not Applicable**
(57) Statement of Newness and Distinctiveness: **Nil**



- (21) Design Number: **16176/2007**
(22) Date of Filing Application: **30 January 2007**
(24) Date from which industrial property rights may have effect: **30 January 2007**
(54) Product in respect of which the design is registered: **Rear combination lamp for an automobile**
(51) International Design Classification: **26-06**
(71) Name(s) and Address(s) of Applicant(s):
Toyota Jidosha Kabushiki Kaisha
1 Toyota-cho Toyota-shi AICHI-KEN 471-8571 Japan
(72) Name(s) of Designer(s): **Kazuhiro Sato**
(45) Registration Date: **24 April 2007**
(56) Related Art Documents: **Not Applicable**
(57) Statement of Newness and Distinctiveness: **Newness and distinctiveness resides in the shape and/or configuration of the design as applied to the rear combination lamp for an automobile as shown in the accompanying representations.**



- (21) Design Number: **16177/2007**
(22) Date of Filing Application: **30 January 2007**
(24) Date from which industrial property rights may have effect: **30 January 2007**
(54) Product in respect of which the design is registered: **Front combination lamp for an automobile**
(51) International Design Classification: **26-06**
(71) Name(s) and Address(s) of Applicant(s):
Toyota Jidosha Kabushiki Kaisha
1 Toyota-cho Toyota-shi AICHI-KEN 471-8571 Japan
(72) Name(s) of Designer(s): **Yukio Kushima**
(45) Registration Date: **24 April 2007**
(56) Related Art Documents: **Not Applicable**
(57) Statement of Newness and Distinctiveness: **Newness and distinctiveness resides in the shape and/or configuration of the design as applied to the front combination lamp for an automobile as shown in the accompanying representations.**



- (21) Design Number: **16171/2007**
(22) Date of Filing Application: **30 January 2007**
(24) Date from which industrial property rights may have effect: **30 January 2007**
(54) Product in respect of which the design is registered: **Front grille for an automobile**
(51) International Design Classification: **12-16B**
(71) Name(s) and Address(s) of Applicant(s):
Toyota Jidosha Kabushiki Kaisha
1 Toyota-cho Toyota-shi AICHI-KEN 471-8571 Japan
(72) Name(s) of Designer(s): **Kenji Kido and Yukio Kushima**
(45) Registration Date: **24 April 2007**
(56) Related Art Documents: **Not Applicable**
(57) Statement of Newness and Distinctiveness: **Newness and distinctiveness resides in the shape and/or configuration of the design as applied to the front grille for an automobile as shown in the accompanying representations.**



- (21) Design Number: **16172/2007**
(22) Date of Filing Application: **30 January 2007**
(24) Date from which industrial property rights may have effect: **30 January 2007**
(54) Product in respect of which the design is registered: **Front bumper for an automobile**
(51) International Design Classification: **12-16B**
(71) Name(s) and Address(s) of Applicant(s):
Toyota Jidosha Kabushiki Kaisha
1 Toyota-cho Toyota-shi AICHI-KEN 471-8571 Japan
(72) Name(s) of Designer(s): **Kenji Kido and Yukio Kushima and Kazuhiro Sato**
(45) Registration Date: **24 April 2007**
(56) Related Art Documents: **Not Applicable**
(57) Statement of Newness and Distinctiveness: **Newness and distinctiveness resides in the shape and/or configuration of the design as applied to the front bumper for an automobile as shown in the accompanying representations.**



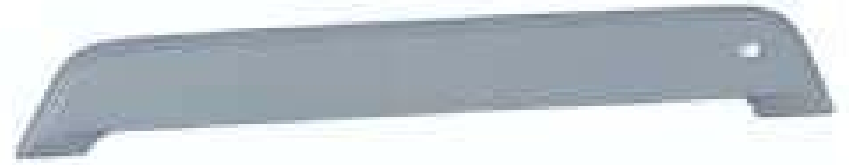
- (21) Design Number: **16173/2007**
(22) Date of Filing Application: **30 January 2007**
(24) Date from which industrial property rights may have effect: **30 January 2007**
(54) Product in respect of which the design is registered: **Spoiler for an automobile**
(51) International Design Classification: **12-16B**
(71) Name(s) and Address(s) of Applicant(s):
Toyota Jidosha Kabushiki Kaisha
1 Toyota-cho Toyota-shi AICHI-KEN 471-8571 Japan
(72) Name(s) of Designer(s): **Kazuhiro Sato**
(45) Registration Date: **24 April 2007**
(56) Related Art Documents: **Not Applicable**
(57) Statement of Newness and Distinctiveness: **Newness and distinctiveness resides in the shape and/or configuration of the design as applied to the spoiler for an automobile as shown in the accompanying representations.**



- (21) Design Number: **16174/2007**
(22) Date of Filing Application: **30 January 2007**
(24) Date from which industrial property rights may have effect: **30 January 2007**
(54) Product in respect of which the design is registered: **Rear bumper for an automobile**
(51) International Design Classification: **12-16B**
(71) Name(s) and Address(s) of Applicant(s):
Toyota Jidosha Kabushiki Kaisha
1 Toyota-cho Toyota-shi AICHI-KEN 471-8571 Japan
(72) Name(s) of Designer(s): **Kenji Kido and Shuusaku Kodama and Kazuhiro Sato**
(45) Registration Date: **24 April 2007**
(56) Related Art Documents: **Not Applicable**
(57) Statement of Newness and Distinctiveness: **Newness and distinctiveness resides in the shape and/or configuration of the design as applied to the rear bumper for an automobile as shown in the accompanying representations.**



- (21) Design Number: **16175/2007**
(22) Date of Filing Application: **30 January 2007**
(24) Date from which industrial property rights may have effect: **30 January 2007**
(54) Product in respect of which the design is registered: **Rear decorative panel for an automobile**
(51) International Design Classification: **12-16B**
(71) Name(s) and Address(s) of Applicant(s):
Toyota Jidosha Kabushiki Kaisha
1 Toyota-cho Toyota-shi AICHI-KEN 471-8571 Japan
(72) Name(s) of Designer(s): **Kazuhiro Sato**
(45) Registration Date: **24 April 2007**
(56) Related Art Documents: **Not Applicable**
(57) Statement of Newness and Distinctiveness: **Newness and distinctiveness resides in the shape and/or configuration of the design as applied to the rear decorative panel for an automobile as shown in the accompanying representations.**



- (21) Design Number: **16170/2007**
(22) Date of Filing Application: **30 January 2007**
(24) Date from which industrial property rights may have effect: **30 January 2007**
(54) Product in respect of which the design is registered: **Front grille for an automobile**
(51) International Design Classification: **12-16B**
(71) Name(s) and Address(s) of Applicant(s):
Toyota Jidosha Kabushiki Kaisha
1 Toyota-cho Toyota-shi AICHI-KEN 471-8571 Japan
(72) Name(s) of Designer(s): **Shuusaku Kodama and Yukio Kushima**
(45) Registration Date: **24 April 2007**
(56) Related Art Documents: **Not Applicable**
(57) Statement of Newness and Distinctiveness: **Newness and distinctiveness resides in the shape and/or configuration of the design as applied to the front grille for an automobile as shown in the accompanying representations.**



(21) Design Number: **16169/2007**

(22) Date of Filing Application: **30 January 2007**

(24) Date from which industrial property rights may have effect: **30 January 2007**

(54) Product in respect of which the design is registered: **Automobile**

(51) International Design Classification: **12-08**

(71) Name(s) and Address(s) of Applicant(s):

**Toyota Jidosha Kabushiki Kaisha
1 Toyota-cho Toyota-shi AICHI-KEN 471-8571 Japan**

(72) Name(s) of Designer(s): **Kenji Kido and Ian Richard Cartabiano and Shuusaku Kodama**

(45) Registration Date: **24 April 2007**

(56) Related Art Documents: **Not Applicable**

(57) Statement of Newness and Distinctiveness: **Newness and distinctiveness resides in the shape and/or configuration of the design as applied to the automobile as shown in the accompanying representations.**



(21) Design Number: **16168/2007**

(22) Date of Filing Application: **30 January 2007**

(24) Date from which industrial property rights may have effect: **30 January 2007**

(54) Product in respect of which the design is registered: **Automobile**

(51) International Design Classification: **12-08**

(71) Name(s) and Address(s) of Applicant(s):

**Toyota Jidosha Kabushiki Kaisha
1 Toyota-cho Toyota-shi AICHI-KEN 471-8571 Japan**

(72) Name(s) of Designer(s): **Kenji Kido and Ian Richard Cartabiano and Shuusaku Kodama**

(45) Registration Date: **24 April 2007**

(56) Related Art Documents: **Not Applicable**

(57) Statement of Newness and Distinctiveness: **Newness and distinctiveness resides in the shape and/or configuration of the design as applied to the automobile as shown in the accompanying representations.**



(21) Design Number: **16160/2007**

(22) Date of Filing Application: **29 January 2007**

(24) Date from which industrial property rights may have effect: **29 January 2007**

(54) Product in respect of which the design is registered: **Grinding medium**

(51) International Design Classification: **07-04**

(71) Name(s) and Address(s) of Applicant(s):

**Ozz Industries (Pty) Limited trading as Ozz Foundries
15 Birmingham Road Benoni Industrial Sites Gauteng South Africa**

(72) Name(s) of Designer(s): **Clive Jones and Joseph Lurie and Konstant Greyling**

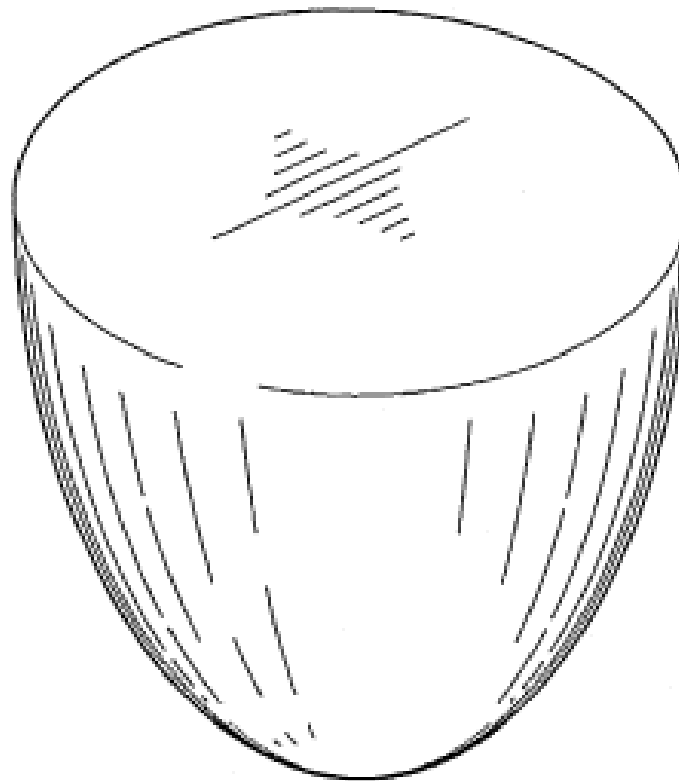
(45) Registration Date: **24 April 2007**

(30) Convention priority data:

(31) Number	(32) Date	(33) Country
A2006/1120	27 Jul 2006	SOUTH AFRICA

(56) Related Art Documents: **Not Applicable**

(57) Statement of Newness and Distinctiveness: **Newness and distinctiveness resides in the shape and configuration of the design for a grinding medium as shown in the accompanying representations.**



(21) Design Number: **16154/2007**

(22) Date of Filing Application: **29 January 2007**

(24) Date from which industrial property rights may have effect: **29 January 2007**

(54) Product in respect of which the design is registered: **Document sorter parts**

(51) International Design Classification: **19-02**

(71) Name(s) and Address(s) of Applicant(s):

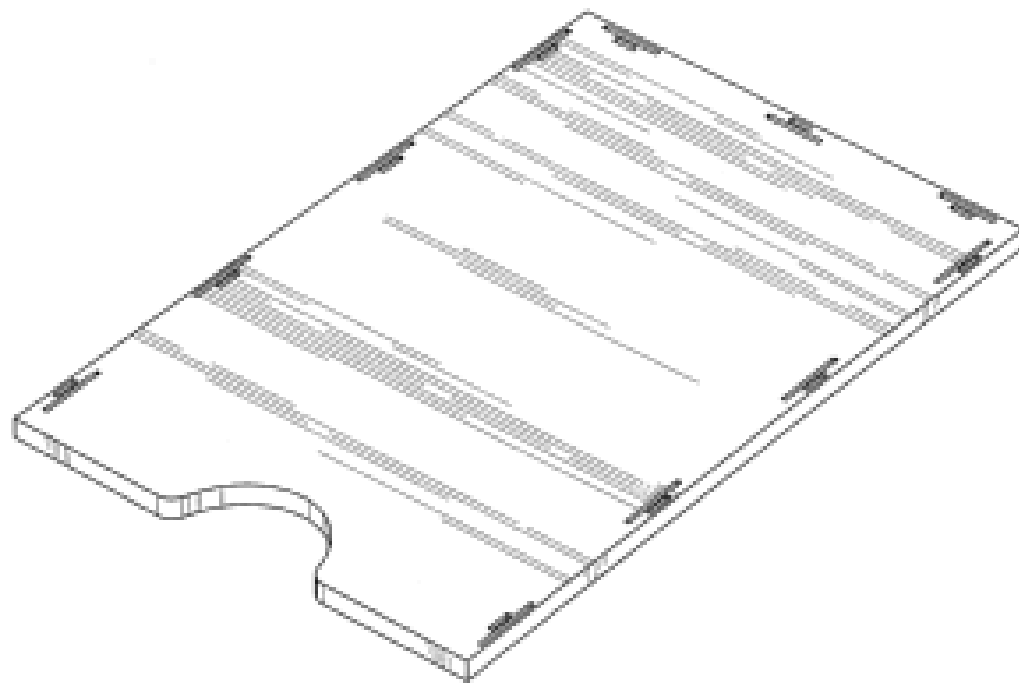
**Donald Luke
70 Nungerner Street Balwyn Victoria 3103 Australia**

(72) Name(s) of Designer(s): **Donald Luke**

(45) Registration Date: **24 April 2007**

(56) Related Art Documents: **Not Applicable**

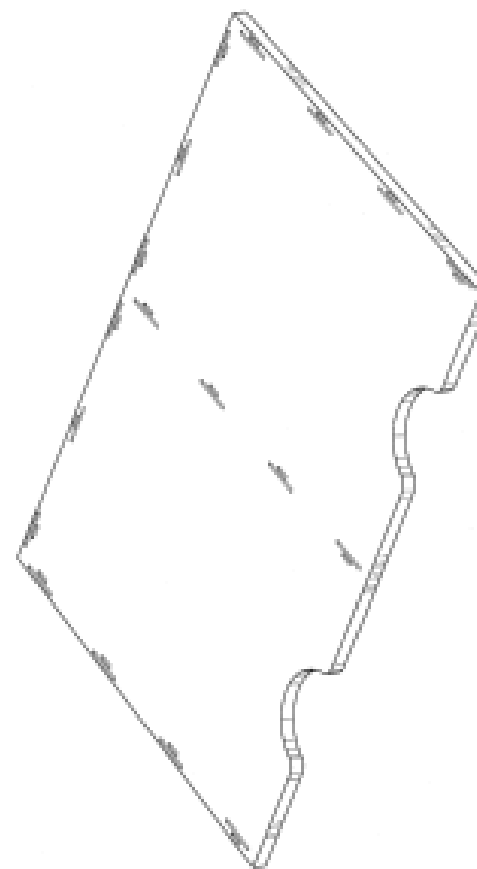
(57) Statement of Newness and Distinctiveness: **Nil**



- (21) Design Number: **16155/2007**
- (22) Date of Filing Application: **29 January 2007**
- (24) Date from which industrial property rights may have effect: **29 January 2007**
- (54) Product in respect of which the design is registered: **Document sorter parts**
- (51) International Design Classification: **19-02**
- (71) Name(s) and Address(s) of Applicant(s):

Donald Luke
70 Nungerner Street Balwyn Victoria 3103 Australia

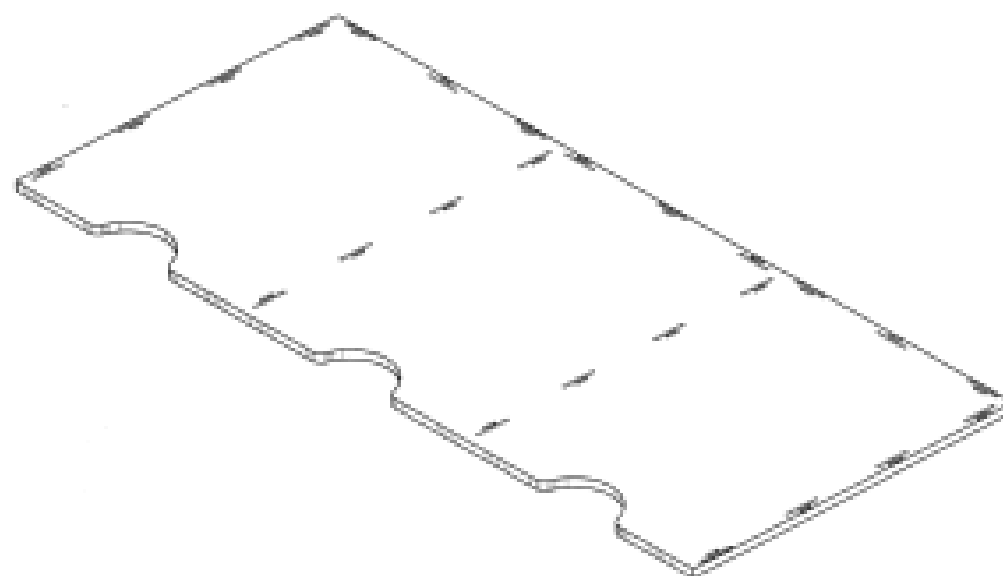
- (72) Name(s) of Designer(s): **Donald Luke**
- (45) Registration Date: **24 April 2007**
- (56) Related Art Documents: **Not Applicable**
- (57) Statement of Newness and Distinctiveness: **Nil**



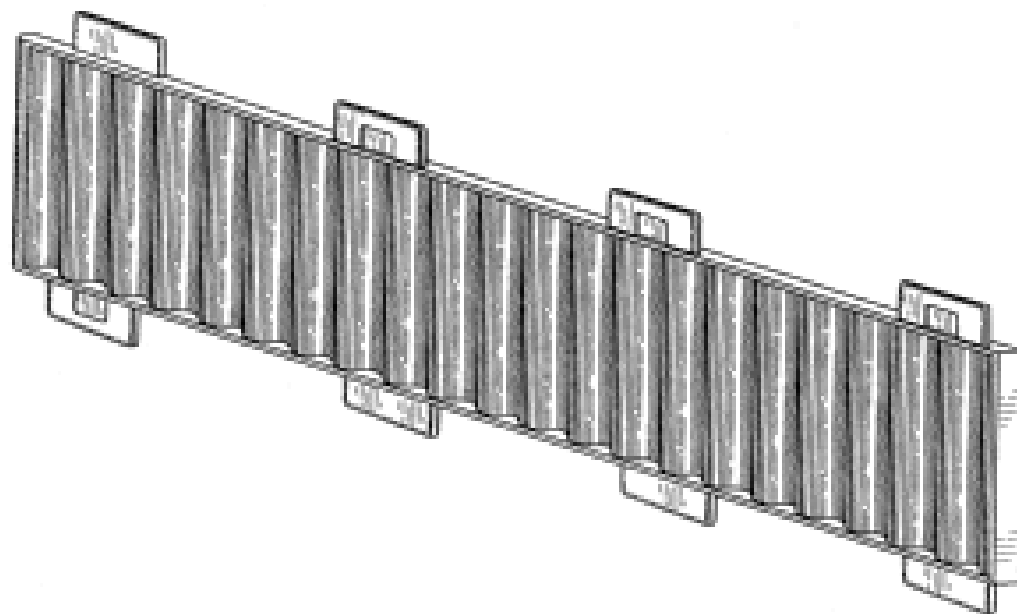
- (21) Design Number: **16156/2007**
- (22) Date of Filing Application: **29 January 2007**
- (24) Date from which industrial property rights may have effect: **29 January 2007**
- (54) Product in respect of which the design is registered: **Document sorter parts**
- (51) International Design Classification: **19-02**
- (71) Name(s) and Address(s) of Applicant(s):

Donald Luke
70 Nungerner Street Balwyn Victoria 3103 Australia

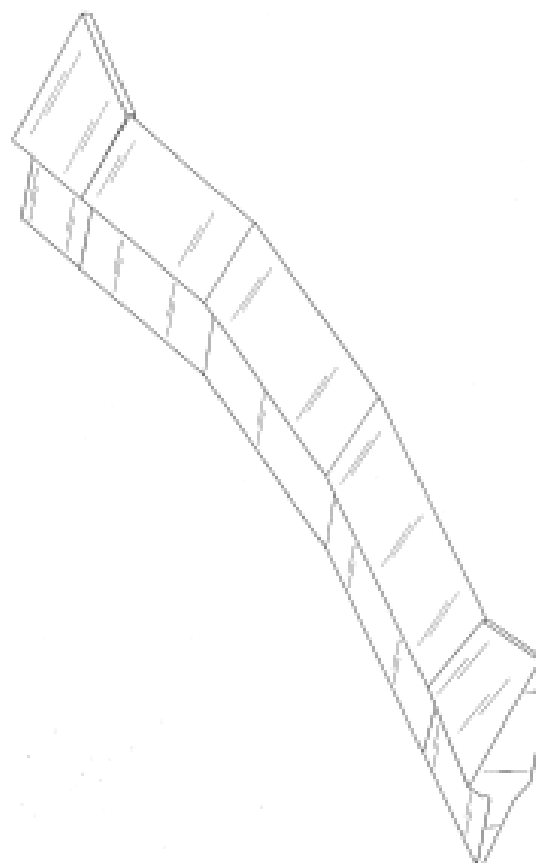
- (72) Name(s) of Designer(s): **Donald Luke**
- (45) Registration Date: **24 April 2007**
- (56) Related Art Documents: **Not Applicable**
- (57) Statement of Newness and Distinctiveness: **Nil**



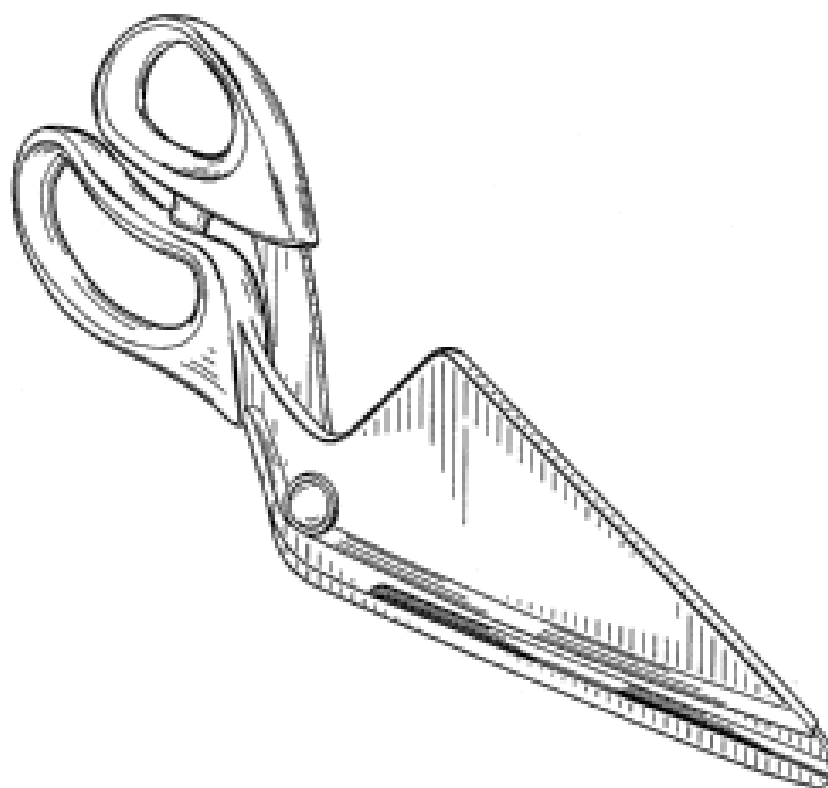
(21) Design Number: **16157/2007**
 (22) Date of Filing Application: **29 January 2007**
 (24) Date from which industrial property rights may have effect: **29 January 2007**
 (54) Product in respect of which the design is registered: **Document sorter parts**
 (51) International Design Classification: **19-02**
 (71) Name(s) and Address(s) of Applicant(s):
Donald Luke
70 Nungerner Street Balwyn Victoria 3103 Australia
 (72) Name(s) of Designer(s): **Donald Luke**
 (45) Registration Date: **24 April 2007**
 (56) Related Art Documents: **Not Applicable**
 (57) Statement of Newness and Distinctiveness: **Nil**



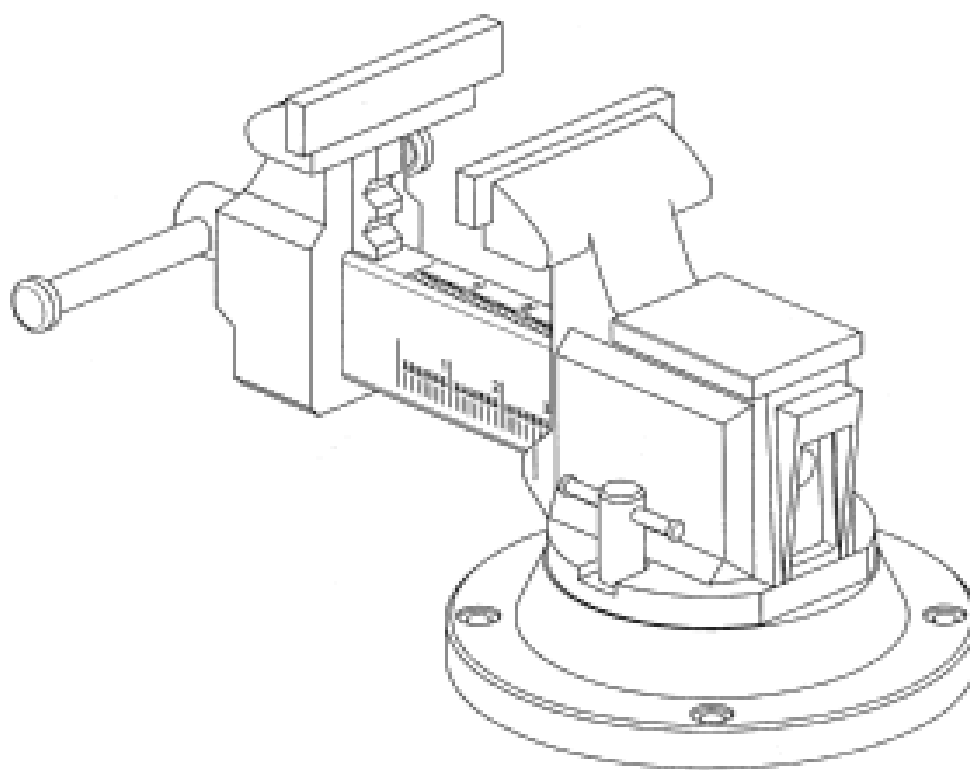
(21) Design Number: **16153/2007**
 (22) Date of Filing Application: **29 January 2007**
 (24) Date from which industrial property rights may have effect: **29 January 2007**
 (54) Product in respect of which the design is registered: **Bucket base edge shroud system**
 (51) International Design Classification: **08-01**
 (71) Name(s) and Address(s) of Applicant(s):
Caterpillar Inc.
100 N E Adams Street Peoria Illinois 61629#6490 United States of America
 (72) Name(s) of Designer(s): **Emily J. Boggs and Robert A. Hohmann**
 (45) Registration Date: **24 April 2007**
 (30) Convention priority data:
 (31) Number (32) Date (33) Country
29/264699 16 Aug 2006 UNITED STATES OF AMERICA
 (56) Related Art Documents: **Not Applicable**
 (57) Statement of Newness and Distinctiveness: **Nil**



- (21) Design Number: **16152/2007**
(22) Date of Filing Application: **29 January 2007**
(24) Date from which industrial property rights may have effect: **29 January 2007**
(54) Product in respect of which the design is registered: **Pizza scissors**
(51) International Design Classification: **07-02NES**
(71) Name(s) and Address(s) of Applicant(s):
Progressive International Corporation
6111 South 228th Street Kent WA 98032 United States of America
(72) Name(s) of Designer(s): **Sarah S. Peterson and Roger A. Brown**
(45) Registration Date: **24 April 2007**
(30) Convention priority data:
(31) Number (32) Date (33) Country
29/248,078 27 Jul 2006 UNITED STATES OF AMERICA
(56) Related Art Documents: **Not Applicable**
(57) Statement of Newness and Distinctiveness: **The shape and configuration of the pizza scissors is new and distinctive.**



- (21) Design Number: **16151/2007**
(22) Date of Filing Application: **29 January 2007**
(24) Date from which industrial property rights may have effect: **29 January 2007**
(54) Product in respect of which the design is registered: **Vise with fractional notations**
(51) International Design Classification: **08-08D**
(71) Name(s) and Address(s) of Applicant(s):
Thorsen Tools, Inc.
4120 Jurupa Street Suite 216 Ontario CA 91761 United States of America
(72) Name(s) of Designer(s): **David Meholovitch**
(45) Registration Date: **24 April 2007**
(30) Convention priority data:
(31) Number (32) Date (33) Country
29/248,180 01 Aug 2006 UNITED STATES OF AMERICA
(56) Related Art Documents: **Not Applicable**
(57) Statement of Newness and Distinctiveness: **Nil**



(21) Design Number: **16147/2007**

(22) Date of Filing Application: **29 January 2007**

(24) Date from which industrial property rights may have effect: **29 January 2007**

(54) Product in respect of which the design is registered: **Holster**

(51) International Design Classification: **03-01NES**

(71) Name(s) and Address(s) of Applicant(s):

Lucas K. Bowers

**C/- Trademark Works Level 50 101 Collins Street Melbourne Victoria
3000 Australia**

Christopher J. Bowers

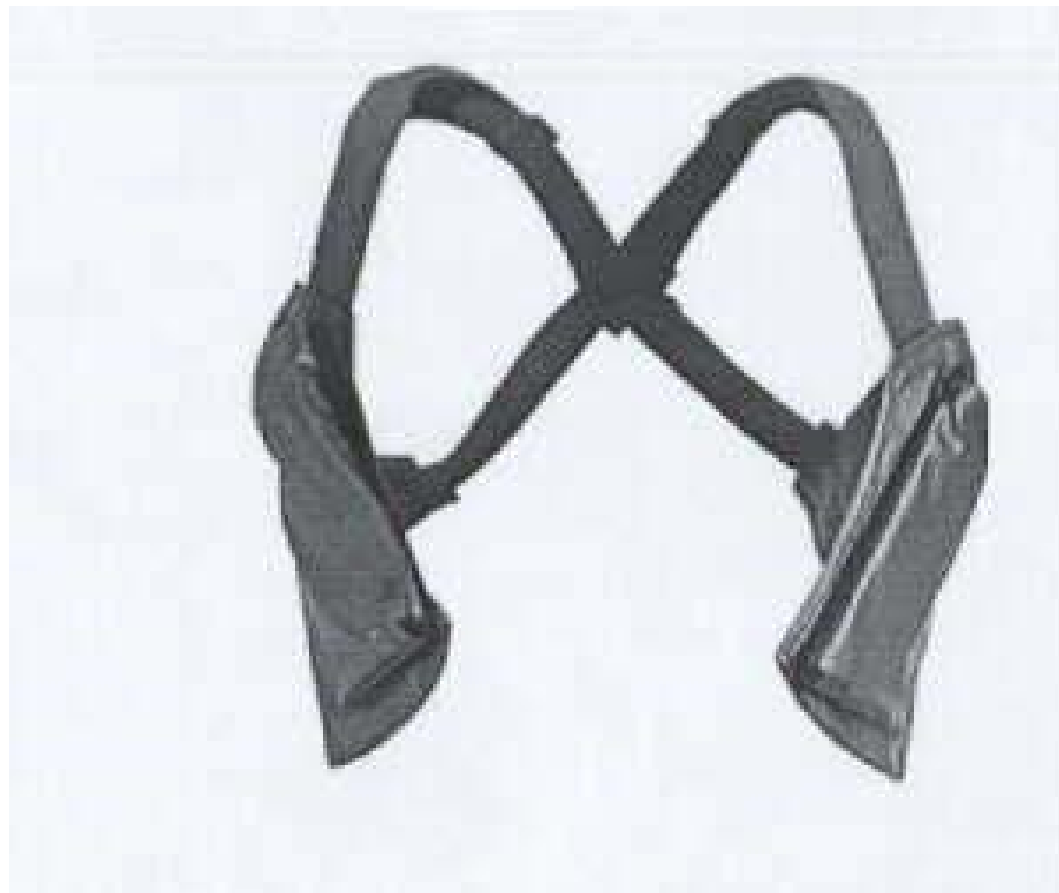
**C/- Trademark Works Level 50 101 Collins Street Melbourne Victoria
3000 Australia**

(72) Name(s) of Designer(s): **Lucas K. Bowers and Christopher J. Bowers**

(45) Registration Date: **24 April 2007**

(56) Related Art Documents: **Not Applicable**

(57) Statement of Newness and Distinctiveness: **Monopoly is claimed in the shape and/or configuration of the holster as illustrated in the accompanying representations.**



(21) Design Number: **15902/2006**

(22) Date of Filing Application: **22 December 2006**

(24) Date from which industrial property rights may have effect: **22 December 2006**

(54) Product in respect of which the design is registered: **Container**

(51) International Design Classification: **09-01D**

(71) Name(s) and Address(s) of Applicant(s):

Drogheria E Alimentari S.r.l.

Viale Nilde Iotti 23/25 I-51037 San Piero a Sieve Firenze Italy

(72) Name(s) of Designer(s): **Elena Carapelli**

(45) Registration Date: **24 April 2007**

(30) Convention priority data:

(31) Number

(32) Date

(33) Country

000549050

22 Jun 2006

EUROPEAN COMMUNITY

(56) Related Art Documents: **Not Applicable**

(57) Statement of Newness and Distinctiveness: **Those features of the container depicted in the representations that are new and distinctive are the shape and/or configuration. The bottom view may or may not form part of the design.**

