



Australian Government

IP Australia

AUSTRALIAN OFFICIAL JOURNAL

OF

DESIGNS

Did you know a searchable version of this journal is now available online?

It's FREE and EASY to SEARCH.

Find it at

<http://pericles.ipaustralia.gov.au/ols/epublish/content/olsEpublications.jsp>
or using the "Online Journals" link on the IP Australia home page.

This Page Left Intentionally Blank

Contents

General Information & Notices

**Proceedings Under the Designs Act 1906 preserved as a result of the provisions of Chapter 12
Part 2 of the Designs Act 2003**

Applications for Extension of Time	8944
Extension of Period of Registration of Designs	8944
Extensions of Time Granted	8944
Names Registered - Alterations and Amendments	8944
Registrations Ceased	8944

Proceedings Under the Designs Act 2003

Applications Lapsed	8954
Applications Lodged	8949
Certificate of Examination	8957
Corrigenda	8956
Extension of Time Granted Under Section 137	8955
Publication and Registration Proceedings	
Designs Registered 313827 to 314038.....	8958

This Page Left Intentionally Blank

For information on the following please see our website www.ipaustralia.gov.au or contact our Customer Service Network on 1300651010

[Editorial enquiries](#)

[Contact information](#)

[Freedom of Information ACT](#)

[Professional Standards Board](#)

[Sales](#)

[Requests for information under Section 194 \(c\)](#)

[Country Codes](#)

[Trade Mark and Designs Hearing Sessions](#)

[INID \(Internationally agreed Numbers for the Identification of Data\)](#)

“INID” NUMBERS in use on Australian Design Documents

“INID” is an acronym for “Internationally agreed **N**umbers for the **I**dentification of **D**ata”.

(10) Data concerning the registration/renewal

- (11) Serial number of the registration and/or number of the design document
- (12) Plain language designation of the kind of published document
- (19) Identification, using the two-letter code according to WIPO Standard ST.3, of the authority publishing or registering the industrial design

(20) Data concerning the application

- (21) Serial number of the application
- (22) Date of filing of the application
- (24) Date from which the industrial design right has effect

(30) Data relating to priority under the Paris Convention

- (31) Serial number assigned to the priority application
- (32) Date of filing of the priority application
- (33) Two-letter code, according to WIPO Standard ST.3, identifying the authority with which the priority application was made

(40) Date(s) of making information available to the public

- (45) Date of publication of the registered industrial design by printing or similar process, or making it available to the public by any other means

(50) Miscellaneous Information

- (51) International Classification for Industrial Designs (class and subclass of the Locarno Classification)
- (54) Designation of article(s) or product(s) covered by the industrial design or title of the industrial design
- (55) Reproduction of the industrial design (e.g., drawing, photograph) and explanations relating to the reproduction
- (56) List of prior art documents, if separate from descriptive text
- (57) Description of characteristic features of the industrial design including indication of colours

(60) References to other legally related application(s) and registration(s)

- (62) Serial number(s) and, if available, filing date(s) of application(s), registration(s) or document(s) related by division
- (66) Serial number(s) of the application, or the registration, of the design(s) which is (are) a variant(s) of the present one

(70) Identification of parties concerned with the application or registration

- (71) Name(s) and address(es) of the applicant(s)
- (72) Name(s) of the creator(s) if known to be such
- (74) Name(s) and address(es) of the representative(s)

This Page Left Intentionally Blank

Official Notice**Designs Act 2003
Amendments to Registered Designs at Examination**

The following amendments have been made to details previously published in the Australian Official Journal of Designs during the Examination process:

Registration Number	Amendment type	New details
308851	Classification	13-02
310221	Classification	09-01C, 09-01G, 11-02A
310222	Classification	09-01C, 09-01G, 11-02A

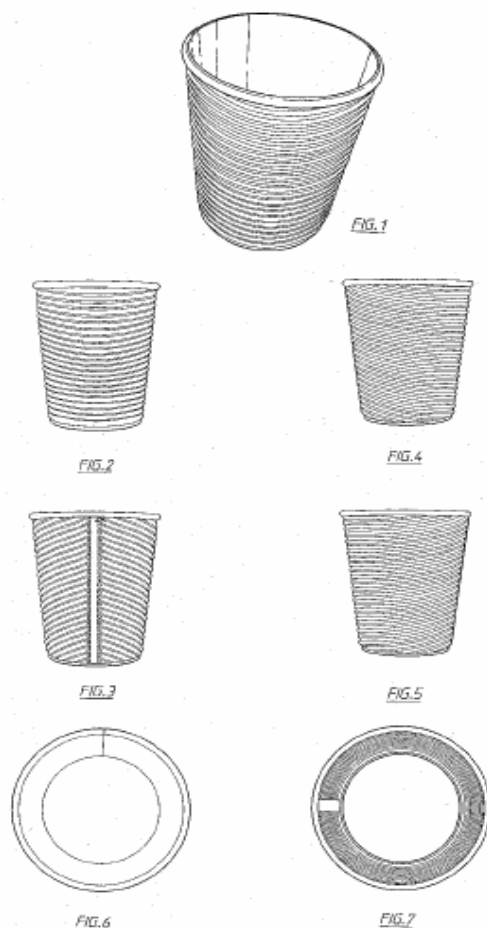
Contact: IP Australia
Phone: 1300 651 010
Fax: +61 2 6283 7999
E-Mail: assist@ipaaustralia.gov.au
Web: www.ipaustralia.gov.au

Official Notice

**Designs Act 2003
Correction of Register**

The following corrections under Regulation 9.05 (2) have been made to details previously published in the Australian Official Journal of Designs:

Registration Number	Amendment type	New details
313026	Representations	Representations as below



Contact: IP Australia
Phone: 1300 651 010
Fax: +61 2 6283 7999
E-Mail: assist@ipaustalia.gov.au
Web: www.ipaustralia.gov.au

Proceedings under the Designs Act 1906 preserved as a result of the provisions of Chapter 12 Part 2 of the Designs Act 2003.

This Page Left Intentionally Blank

Applications Lapsed

There were no Applications Lapsed under this section

Extension of Period of Registration of Designs

2nd Period (Section 27A(12))

144327	144432	144433
144440	144652	144653
144951	145382	145528
145529	145530	145537
145592	145626	145637
145640	145694	145843
145952	145989	146144
146199	146291	146338
146617	146663	146664
146665	146666	146879
146961	146962	147165
147171	147220	147221
147222	147332	147466
147638	147698	148013
148014	148429	148492
148589	148602	148622
148675	148983	149089
149319	149552	150316
150497	150892	153535
153567		

3rd Period (Section 27A(13))

127931	128561	128599
128600	128601	128605
128626	128627	128689
128706	128769	128798
128853	128890	128930
129044	129117	129118
129416	129429	129493
129509	129536	129699
130875	131505	131507
131508	131509	131510
132383	143333	

Registrations Ceased

Note: Some of the following Registrations may have been previously advertised as ceased. In this instance, the previous advertisement still prevails.

112349	112704	112705
112706	112707	112722
112833	112834	112846
113029	113030	113031
113190	113237	113238
113537	113775	114001
116221	116282	116283
126844	126847	126884
126938	126941	126971
126972	126990	127033
127047	127048	127114
127163	127270	127378
127407	127502	127843

128595	128847	129065
129500	129528	129538
129539	129642	129693
130030	130404	130578
131873	142410	142411
142918	142974	143079
143914	143918	143933
143937	143938	143939
143940	143949	143953
143992	143993	144016
144035	144036	144056
144071	144106	144107
144108	144110	144190
144191	144345	144346
144347	144348	144349
144350	144352	144353
144354	144355	144356
144357	144358	144359
144360	144412	144655
144656	144657	144658
144659	144770	144771
144772	144773	144774
144775	144776	144777
144778	144858	145123
145370	145655	145656
145774	145775	145776
146444	146553	146950
147086	147448	147632
147825	147900	148054
148055	148056	148057
148059	148217	148218
148303	148863	148889
148890	148891	148962
149034		

Applications for Extension of time

Applications for extension of time have been lodged. Objections must be lodged within 1 month from the date of this journal.

142688 **Holden Ltd** Extension of time to extend a registration. Address for Service: PHILLIPS ORMONDE & FITZPATRICK367 Collins Street MELBOURNE VIC 3000

Extensions of time granted

Applications lodged for extension of time have been granted.

144327 **Uttam Gaekwad** An Extension of time to extend a registration has been granted to 19/04/2007

Names Registered - Alterations and Amendments

(The name in parentheses is the new name of the proprietor)

122784	(Warner-Lambert Company LLC) Warner-Lambert Company
140499	(Warner-Lambert Company LLC) Warner-Lambert Company

This Page Left Intentionally Blank

Proceedings under the Designs Act 2003.

This Page Left Intentionally Blank

Applications Lodged

Lodgement information is in the following order: **Applicant's Name**; International Classification, Name of Product, Lodgement Date and **Design Number**. If the applicant claims an earlier priority date under an International Convention, the Convention Country and the associated filing date are shown in parentheses before the Lodgement Date. Divisional information will also appear in parentheses before the Lodgement Date.

A and W Pacific Trading Pty Limited; 21-02C, Golf practise mat, 18 Apr 2007	17483/2007	ACCO Brands USA LLC; 20-02NES, Display board frame, (US, 19 Oct 2006) 18 Apr 2007	17490/2007
A and W Pacific Trading Pty Limited; 21-02C, Golf practise mat, 18 Apr 2007	17484/2007	Beacham, Christopher; 21-02D, Removable fin attachment for watercraft, 20 Apr 2007	17523/2007
A and W Pacific Trading Pty Limited; 21-02C, Golf practise kit, 18 Apr 2007	17485/2007	Belkin International, Inc.; 13-03C, Cable management device, (US, 27 Oct 2006) 20 Apr 2007	17536/2007
A and W Pacific Trading Pty Limited; 21-02C, Golf practise kit, 18 Apr 2007	17486/2007	Belkin International, Inc.; 13-03C, Cable management device, (US, 27 Oct 2006) 20 Apr 2007	17537/2007
Aba of Sweden AB; 23-01A, A clamp part for hoses and pipes, (EM, 31 Oct 2006) 27 Apr 2007	17653/2007	Bennett Trading Limited; 06-09, A pillow, (NZ, 27 Oct 2006) 27 Apr 2007	17662/2007
Aba of Sweden AB; 23-01A, Connection component, (EM, 31 Oct 2006) 27 Apr 2007	17654/2007	Bewick (WA) Pty Ltd; 24-04, Therapeutic wheatbag, 30 Apr 2007	17658/2007
Albert, Robert; 08-07, Weldmesh farm gates, 20 Apr 2007	17496/2007	Black & Decker, Inc.; 08-03, String trimmer, (EM, 28 Nov 2006) 30 Apr 2007	17663/2007
Architectural Steelworks Pty Ltd; 06-05, BDW - TS1, 30 Apr 2007	17635/2007	Blacklock, Geoffrey David; 99-00, Valve box support, 30 Apr 2007	17655/2007
Architectural Steelworks Pty Ltd; 06-01C, PMD - ST1, 30 Apr 2007	17636/2007	Buttsworth, Jack Raymond; 25-02C, Stock grid bridge beam, 01 May 2007	17660/2007
Architectural Steelworks Pty Ltd; 06-05, PMD - TS1, 30 Apr 2007	17637/2007	Cadbury Adams USA LLC; 09-03L, Container with lid, (US, 26 Oct 2006) 18 Apr 2007	17479/2007
Architectural Steelworks Pty Ltd; 06-01C, URB - ST1, 30 Apr 2007	17638/2007	Callaway Golf Company; 21-02C, Putter head, (US, 20 Oct 2006) 18 Apr 2007	17492/2007
Architectural Steelworks Pty Ltd; 06-01C, BWD - ST1, 30 Apr 2007	17634/2007	Callaway Golf Company; 21-02C, Putter head, (US, 20 Oct 2006) 18 Apr 2007	17493/2007
Arzouman, Harry H.; 12-05, Commercial lifting device, (US, 31 Oct 2006) 19 Apr 2007	17502/2007	Camarillo Projects Limited; 25-03, A kitset pool, (NZ, 12 Jan 2007) 26 Apr 2007	17629/2007
Astra Furniture Pty Ltd; Tsorakidis, Arki; 06-04D, Tasmanian blackwood entertainment unit, 28 Mar 2007	17104/2007	Cargill Australia Limited; 09-03NES, A box lid blank, 24 Apr 2007	17613/2007
Autoflyer Proprietary Limited; 12-16NES, 20-03NES, Decorative novelty device for mounting on vehicles and the like, 20 Apr 2007	17524/2007	Cargill Australia Limited; 09-03NES, A box lid blank, 24 Apr 2007	17614/2007
Axcess Oss Pty Ltd; 03-01D, Fly safe liquids pack, 18 Apr 2007	17481/2007	Creative Technology Ltd; 14-01, Media player, (US, 03 Jan 2007) 18 Apr 2007	17494/2007
AB Electrolux; 15-05, Vacuum cleaner, (SE, 03 Nov 2006) 23 Apr 2007	17583/2007	Crystal Wedding Bouquets; 11-99, , 23 Apr 2007	17527/2007
ACCO Brands USA LLC; 20-02NES, Display board frame, (US, 19 Oct 2006) 18 Apr 2007	17487/2007	Dann, Anthony; 06-01E, Furniture - stool, 20 Apr 2007	17497/2007
ACCO Brands USA LLC; 20-02NES, Display board frame, (US, 19 Oct 2006) 18 Apr 2007	17488/2007	Danson, Robert John; 25-01E, A fence post, 19 Apr 2007	17498/2007
ACCO Brands USA LLC; 20-02NES, Display board frame, (US, 19 Oct 2006) 18 Apr 2007	17489/2007	Dauphin Entwicklungs-und Beteiligungs GmbH; 06-06G, Chair backrest, (EM, 23 Oct 2006) 19 Apr 2007	17504/2007

Dauphin Entwicklungs-und Beteiligungs GmbH; 06-06G, Chair backrest, (EM, 23 Oct 2006) 19 Apr 2007	17505/2007	Global Scaffold Sales Pty Ltd; 25-02C, Frame scaffold hand rail post, 30 Apr 2007	17642/2007
Dauphin Entwicklungs-und Beteiligungs GmbH; 06-01F, Chair, (EM, 23 Oct 2006) 19 Apr 2007	17506/2007	Global Scaffold Sales Pty Ltd; 25-02C, Frame scaffold hand rail, 30 Apr 2007	17643/2007
Dauphin Entwicklungs-und Beteiligungs GmbH; 06-01F, Chair, (EM, 23 Oct 2006) 19 Apr 2007	17507/2007	Global Scaffold Sales Pty Ltd; 25-04, Frame scaffold cross brace, 30 Apr 2007	17644/2007
Dauphin Entwicklungs-und Beteiligungs GmbH; 06-01F, Chair, (EM, 23 Oct 2006) 19 Apr 2007	17508/2007	Global Scaffold Sales Pty Ltd; 25-04, Scaffold hop up bracket, 30 Apr 2007	17645/2007
Dauphin Entwicklungs-und Beteiligungs GmbH; 06-01F, Chair, (DE, 23 Oct 2006) 19 Apr 2007	17509/2007	Global Scaffold Sales Pty Ltd; 25-04, Frame scaffold joining pin, 30 Apr 2007	17646/2007
Dauphin Entwicklungs-und Beteiligungs GmbH; 06-01F, Chair, (DE, 23 Oct 2006) 19 Apr 2007	17509/2007	Global Scaffold Sales Pty Ltd; 25-04, Scaffold screw jack, 30 Apr 2007	17647/2007
Dauphin Entwicklungs-und Beteiligungs GmbH; 06-01F, Chair, (DE, 23 Oct 2006) 19 Apr 2007	17510/2007	Global Scaffold Sales Pty Ltd; 25-04, Scaffold with step access both sides, 30 Apr 2007	17648/2007
Dauphin Entwicklungs-und Beteiligungs GmbH; 06-01F, Chair, (DE, 23 Oct 2006) 19 Apr 2007	17510/2007	Global Scaffold Sales Pty Ltd; 25-04, Scaffold metal hook-on plank, 30 Apr 2007	17649/2007
Dauphin Entwicklungs-und Beteiligungs GmbH; 06-01F, Chair, (DE, 23 Oct 2006) 19 Apr 2007	17511/2007	Global Scaffold Sales Pty Ltd; 25-04, Scaffold toggle pin, 30 Apr 2007	17650/2007
Dauphin Entwicklungs-und Beteiligungs GmbH; 06-01F, Chair, (DE, 23 Oct 2006) 19 Apr 2007	17512/2007	Global Scaffold Sales Pty Ltd; 25-04, Frame scaffold cross brace locking system on toggle pin, 30 Apr 2007	17651/2007
Dauphin Entwicklungs-und Beteiligungs GmbH; 06-01F, Chair, (DE, 23 Oct 2006) 19 Apr 2007	17513/2007	Global Scaffold Sales Pty Ltd; 25-04, Frame scaffold system, 30 Apr 2007	17652/2007
Dauphin Entwicklungs-und Beteiligungs GmbH; 06-01F, Chair, (DE, 23 Oct 2006) 19 Apr 2007	17514/2007	Gruber, Peter; 12-16NES, Gearshift assembly, 03 May 2007	17703/2007
De Angelis, Davide; 07-01NES, Ice-cream drip guard, 24 Apr 2007	17597/2007	Harris Gas Equipment; 23-01K, Double redundancy safety relief valve for cylinder regulator application, 19 Apr 2007	17476/2007
Design Display Initiative Pty Ltd; 08-08NES, A bracket, 19 Apr 2007	17500/2007	Harris Gas Equipment; 23-01K, Double redundancy safety relief valve for regulator board system, 19 Apr 2007	17475/2007
Dorchester Hotel Limited; 19-08, Printed matter, (EM, 20 Oct 2006) 20 Apr 2007	17589/2007	Hella Fahrzeugteile Austria GmbH; 26-03, Searchlight, (EM, 19 Sep 2006) 16 Mar 2007	16944/2007
Dura-Post (Aust) Pty Ltd; 25-01E, A road side post base, 18 Apr 2007	17482/2007	Hitachi Appliances, Inc.; 15-07, Refrigerator, (JP, 23 Feb 2007) 24 Apr 2007	17595/2007
Econix Limited; 09-09, Refuse receptacle, (EP, 27 Oct 2006) 26 Apr 2007	17618/2007	J B Sales International Limited; 15-04, Hydraulic coupler, (NZ, 26 Oct 2006) 24 Apr 2007	17586/2007
Econix Limited; 09-09, Refuse receptacle, (EP, 27 Oct 2006) 26 Apr 2007	17619/2007	J.R. McLeod Pty Ltd; 25-02NES, A protective barrier frame, 30 Apr 2007	17659/2007
ELC Management LLC; 99-00, Applicator head, (US, 24 Oct 2006) 21 Mar 2007	17386/2007	Jazz Print Limited; 12-16NES, Number plate surround, (NZ, 12 Feb 2007) 24 Apr 2007	17608/2007
ELC Management LLC; 99-00, Applicator head, (US, 24 Oct 2006) 21 Mar 2007	17385/2007	Jones, Jason; 25-02C, Exterior: Visual screen.fence.windbreak.arbours.ornament Interior: Partition, 23 Apr 2007	17526/2007
ESmart Group Pty Ltd; 23-03F, Burner insert for a fireplace, 24 Apr 2007	17587/2007	Keats, John Rodney; 11-02B, Garden product post or wall mounted stackable plant pot, 27 Apr 2007	17623/2007
GlaxoSmithKline Consumer Healthcare GmbH & Co. KG; 09-07A, Actuator, (GB, 20 Oct 2006) 18 Apr 2007	17480/2007	Koehn, Ekkehard; 25-02NES, Shade apparatus, 24 Apr 2007	17590/2007

Koninklijke Philips Electronics N.V.; 23-03A, Heater, (EM, 23 Oct 2006) 18 Apr 2007	17491/2007	Oakley, Inc.; 16-06, 14-01, Eyeglass components comprising a frame with earstems, (US, 15 Dec 2006) 30 Apr 2007	17664/2007
Kookaburra Campers; 99-00, A kookaburra, 26 Feb 2007	16598/2007	Oakley, Inc.; 16-06, 14-01, Eyeglass components comprising a pair of earstems, (US, 27 Sep 2006) 30 Apr 2007	17665/2007
Kosta, Michael; 21-02D, A float for use in diving or spearfishing, 24 Apr 2007	17612/2007	Obrist Closures Switzerland GmbH; 09-07NES, Closure cap with insert, 27 Apr 2007	17641/2007
Lee, Hyung Choon; 25-01NES, Bead, 26 Apr 2007	17625/2007	Omega SA (Omega AG) (Omega Ltd.); 10-02, Wristwatch, (WO, 31 Oct 2006) 24 Apr 2007	17594/2007
Linke, Gregory David; 08-08NES, Hook for hanging/support for shelf, 20 Apr 2007	17501/2007	Onesteel Reinforcing Pty Limited; 25-02C, Mine mesh, 20 Apr 2007	17573/2007
Linke, Gregory David; 08-08NES, Hook for hanging/support for shelf, 20 Apr 2007	17515/2007	Onesteel Reinforcing Pty Limited; 25-02C, Mine mesh, 20 Apr 2007	17574/2007
Linke, Gregory David; 08-08N, Hook for hanging/support for shelf, 20 Apr 2007	17516/2007	Onesteel Reinforcing Pty Limited; 25-02C, Mine mesh, 20 Apr 2007	17575/2007
Linke, Gregory David; 08-08NES, Hook for hanging/support for shelf, 20 Apr 2007	17517/2007	Onesteel Reinforcing Pty Limited; 25-02C, Mine mesh, 20 Apr 2007	17576/2007
Linke, Gregory David; 08-08NES, Hook for hanging/support for shelf, 20 Apr 2007	17518/2007	Onesteel Reinforcing Pty Limited; 25-02C, Mine mesh, 20 Apr 2007	17577/2007
Linke, Gregory David; 08-08NES, Hook for hanging/support for shelf, 20 Apr 2007	17519/2007	Pathfinder Systems Australia Pty Ltd; 25-02NES, Tactile indicator with mounting shaft, 26 Apr 2007	17630/2007
Linke, Gregory David; 08-08NES, Hook for hanging/support for shelf, 20 Apr 2007	17520/2007	Pathfinder Systems Australia Pty Ltd; 25-02NES, Tactile indicators with mounting blade, 26 Apr 2007	17631/2007
Linke, Gregory David; 08-08N, Hook for hanging/support for shelf, 20 Apr 2007	17521/2007	Peter W Beck Pty Ltd; 11-01A, A ring (outer), 26 Apr 2007	17627/2007
Linke, Gregory David; 08-08N, Hook for hanging/support for shelf, 20 Apr 2007	17522/2007	Peter W Beck Pty Ltd; 11-01A, A ring assembly, 26 Apr 2007	17628/2007
Lorient Polyproducts Ltd; 25-99, Smoke seal for doors or windows, (EM, 30 Mar 2007) 20 Apr 2007	17578/2007	Peter W Beck Pty Ltd; 11-01A, A ring (inner), 26 Apr 2007	17626/2007
LX2 Pty Ltd; 08-05P, Spanner, 26 Apr 2007	17596/2007	Philip Morris Products S.A.; 09-03A, Pack, particularly useful for smokable articles, (EM, 15 Nov 2006) 27 Apr 2007	17656/2007
Madd International Limited; 21-02F, Trampoline with enclosure and stabilising ring, (HK, 13 Nov 2006) 24 Apr 2007	17591/2007	Philip Morris Products S.A.; 09-03A, Pack, particularly useful for smokable articles, (EM, 15 Nov 2006) 27 Apr 2007	17657/2007
McQuinn, Glenn; 26-06, Independant battery powered magnetic clearance light, 30 Apr 2007	17632/2007	Phoenix Industries Pty Ltd; 23-01H, Tap handle, 18 Apr 2007	17477/2007
Natasa Enterprises Ltd.; 08-05G, Cartridge luber, (US, 03 Oct 2006) 03 Apr 2007	17305/2007	Phoenix Industries Pty Ltd; 23-01H, Tap, 18 Apr 2007	17478/2007
New Balance Athletic Shoe, Inc.; 02-04B, Shoe sole, (US, 22 Nov 2006) 17 Apr 2007	17471/2007	Phone Defense Pty Ltd; 09-05, Toiletry bags, 18 Apr 2007	17474/2007
New Balance Athletic Shoe, Inc.; 02-04B, Shoe sole, (US, 22 Nov 2006) 17 Apr 2007	17472/2007	Pi-Design AG; 07-02NES, Milk frother, (CH, 25 Oct 2006) 23 Apr 2007	17582/2007
Nilsson, Amelia Bristed; 02-02NES, Infant attire, 30 Apr 2007	17633/2007	Pi-Design AG; 07-02K, Teapot, (DK, 31 Oct 2006) 26 Apr 2007	17621/2007
		Raven Products Pty Ltd; 09-99, Clam packaging, 17 Apr 2007	17580/2007

Reckitt Benckiser Inc.; 28-03NES, Cageless lavatory dispensing device, (US, 24 Oct 2006) 24 Apr 2007	17600/2007	Rolex SA; 10-02, Watch dial, (CH, 31 Oct 2006) 30 Apr 2007	17667/2007
Reckitt Benckiser Inc.; 28-03NES, Cageless lavatory dispensing device, (US, 24 Oct 2006) 24 Apr 2007	17601/2007	Rolex SA; 10-02, Bezel for a watch, (CH, 31 Oct 2006) 30 Apr 2007	17668/2007
Reckitt Benckiser Inc.; 28-03NES, Cageless lavatory dispensing device, (US, 24 Oct 2006) 24 Apr 2007	17602/2007	Rolex SA; 10-02, Watch, (CH, 31 Oct 2006) 30 Apr 2007	17669/2007
Reckitt Benckiser Inc.; 28-03NES, Cageless lavatory dispensing device, (US, 24 Oct 2006) 24 Apr 2007	17603/2007	Ruello, Luciano; 08-07, Keyhole locking device, 26 Apr 2007	17615/2007
Reckitt Benckiser Inc.; 28-03NES, Hanger for a lavatory dispensing device, (US, 24 Oct 2006) 24 Apr 2007	17604/2007	S.C. Johnson & Son Inc.; 28-03NES, Applicator, (US, 29 Nov 2006) 27 Apr 2007	17640/2007
Reckitt Benckiser Inc.; 28-03NES, Hanger for a lavatory dispensing device, (US, 24 Oct 2006) 24 Apr 2007	17605/2007	S.C. Johnson & Son, Inc.; 26-01, Candle holder, (US, 17 Oct 2006) 17 Apr 2007	17473/2007
Reckitt Benckiser Inc.; 28-03NES, Hanger for a lavatory dispensing device, (US, 24 Oct 2006) 24 Apr 2007	17606/2007	Santos, (a French societe par actions simplifiee); 31-00, Press for fruits or vegetables, (EM, 27 Oct 2006) 26 Apr 2007	17624/2007
Reckitt Benckiser Inc.; 28-03NES, Hanger for a lavatory dispensing device, (US, 24 Oct 2006) 24 Apr 2007	17607/2007	Shachihata Inc.; 19-06, Cap for writing tool, (JP, 08 Nov 2006) 30 Apr 2007	17661/2007
Reckitt Benckiser N.V.; 09-01NES, Dispensing device, (EM, 24 Oct 2006) 20 Apr 2007	17528/2007	Sharp Kabushiki Kaisha; 07-02B, Microwave oven, (JP, 15 Nov 2006) 26 Apr 2007	17622/2007
Reckitt Benckiser N.V.; 09-01A, Dispensing device, (EM, 24 Oct 2006) 20 Apr 2007	17529/2007	Siemens Aktiengesellschaft; 13-03NES, Compact starter, (EM, 05 Mar 2007) 20 Apr 2007	17538/2007
Reckitt Benckiser N.V.; 09-01NES, Dispensing device, (EM, 24 Oct 2006) 20 Apr 2007	17530/2007	Siemens Aktiengesellschaft; 13-03NES, Reversing starter, (EM, 05 Mar 2007) 20 Apr 2007	17544/2007
Reckitt Benckiser N.V.; 09-01NES, Dispensing device, (EM, 24 Oct 2006) 20 Apr 2007	17531/2007	Siemens Aktiengesellschaft; 13-03NES, Reversing starter, (EM, 05 Mar 2007) 20 Apr 2007	17545/2007
Reckitt Benckiser N.V.; 09-01NES, Dispensing device, (EM, 24 Oct 2006) 20 Apr 2007	17532/2007	Siemens Aktiengesellschaft; 13-03NES, Reversing starter, (EM, 05 Mar 2007) 20 Apr 2007	17546/2007
Reckitt Benckiser N.V.; 09-01NES, Dispensing device, (EM, 24 Oct 2006) 20 Apr 2007	17533/2007	Siemens Aktiengesellschaft; 13-03NES, Reversing starter, (EM, 05 Mar 2007) 20 Apr 2007	17547/2007
Reckitt Benckiser N.V.; 09-01NES, Dispensing device, (EM, 24 Oct 2006) 20 Apr 2007	17534/2007	Siemens Aktiengesellschaft; 13-03NES, Reversing starter, (EM, 05 Mar 2007) 20 Apr 2007	17548/2007
Reckitt Benckiser N.V.; 09-01NES, Dispensing device, (EM, 24 Oct 2006) 20 Apr 2007	17535/2007	Siemens Aktiengesellschaft; 13-03NES, Reversing starter, (EM, 05 Mar 2007) 20 Apr 2007	17549/2007
Review Australia Pty Ltd; 02-02C, 02-02NES, Ladies garments, 20 Apr 2007	17499/2007	Siemens Aktiengesellschaft; 13-03NES, Compact starter, (EM, 05 Mar 2007) 20 Apr 2007	17539/2007
Rokset Industries Pty Ltd; 04-04, A paint brush, 23 Apr 2007	17588/2007	Siemens Aktiengesellschaft; 13-03NES, Compact starter, (EM, 05 Mar 2007) 20 Apr 2007	17540/2007
Rolex SA; 10-02, Watch, (CH, 31 Oct 2006) 30 Apr 2007	17666/2007	Siemens Aktiengesellschaft; 13-03NES, Compact starter, (EM, 05 Mar 2007) 20 Apr 2007	17541/2007
Rolex SA; 10-02, Watch, (CH, 31 Oct 2006) 30 Apr 2007	17670/2007	Siemens Aktiengesellschaft; 13-03NES, Compact starter, (EM, 05 Mar 2007) 20 Apr 2007	17542/2007

Siemens Aktiengesellschaft; 13-03NES, Compact starter, (EM, 05 Mar 2007) 20 Apr 2007	17543/2007	Toyota Jidosha Kabushiki Kaisha; 12-08, Automobile, 20 Apr 2007	17551/2007
Silver Cross Holdings Limited; 12-12, Pushchair, (EM, 21 Feb 2007) 23 Apr 2007	17584/2007	Toyota Jidosha Kabushiki Kaisha; 12-08, Automobile, 20 Apr 2007	17552/2007
Silver Cross Holdings Limited; 12-12, Pushchair, (EM, 21 Feb 2007) 23 Apr 2007	17585/2007	Toyota Jidosha Kabushiki Kaisha; 12-16B, Vehicle front assembly, 20 Apr 2007	17553/2007
Springboard Retail Networks Inc; 14-01, Display device, (CA, 26 Oct 2006) 24 Apr 2007	17609/2007	Toyota Jidosha Kabushiki Kaisha; 12-16B, Vehicle front assembly, 20 Apr 2007	17554/2007
Springboard Retail Networks Inc; 14-01, Display device, (CA, 26 Oct 2006) 24 Apr 2007	17610/2007	Toyota Jidosha Kabushiki Kaisha; 26-06, Combination lamp for automobile, 20 Apr 2007	17555/2007
Springboard Retail Networks Inc; 14-01, Display device, (CA, 26 Oct 2006) 24 Apr 2007	17611/2007	Toyota Jidosha Kabushiki Kaisha; 26-06, Combination lamp for automobile, 20 Apr 2007	17556/2007
Springboard Retail Networks Inc; 14-01, Display device, (CA, 26 Oct 2006) 24 Apr 2007	17611/2007	Toyota Jidosha Kabushiki Kaisha; 26-06, Combination lamp for automobile, 20 Apr 2007	17557/2007
Stratco (Australia) Pty Limited; 23-02C, Urinal, 20 Apr 2007	17550/2007	Toyota Jidosha Kabushiki Kaisha; 26-06, Combination lamp for automobile, 20 Apr 2007	17558/2007
Swarovski Aktiengesellschaft; 11-02E, Ornamanetal object, (EM, 01 Dec 2006) 20 Apr 2007	17565/2007	Toyota Jidosha Kabushiki Kaisha; 12-16B, Grille for automobile, 20 Apr 2007	17559/2007
Swatch AG (Swatch SA) (Swatch Ltd); 10-07, Watch case, (WO, 07 Nov 2006) 24 Apr 2007	17592/2007	Toyota Jidosha Kabushiki Kaisha; 12-16B, Grille for automobile, 20 Apr 2007	17560/2007
Swatch AG (Swatch SA) (Swatch Ltd); 10-07, Watch case, (WO, 07 Nov 2006) 24 Apr 2007	17593/2007	Toyota Jidosha Kabushiki Kaisha; 12-16B, Bumper for automobile, 20 Apr 2007	17561/2007
Tasman Sinkware Pty Ltd; 23-02F, Sink, 20 Apr 2007	17566/2007	Toyota Jidosha Kabushiki Kaisha; 12-16B, Bumper for automobile, 20 Apr 2007	17562/2007
Tasman Sinkware Pty Ltd; 23-02F, Sink, 20 Apr 2007	17567/2007	Toyota Jidosha Kabushiki Kaisha; 12-16B, Bumper for automobile, 20 Apr 2007	17563/2007
Tasman Sinkware Pty Ltd; 23-02F, Sink, 20 Apr 2007	17568/2007	Toyota Jidosha Kabushiki Kaisha; 12-16D, Decor strip, 20 Apr 2007	17564/2007
Tasman Sinkware Pty Ltd; 23-02F, Sink, 20 Apr 2007	17569/2007	Tsorakidis, Arki; Astra Furniture Pty Ltd; 06-04D, Tasmanian blackwood entertainment unit, 28 Mar 2007	17104/2007
Tasman Sinkware Pty Ltd; 23-02F, Sink, 20 Apr 2007	17570/2007	Unilever PLC; 09-01A, Aerosol, 24 Apr 2007	17598/2007
Tasman Sinkware Pty Ltd; 23-02F, Sink, 20 Apr 2007	17571/2007	Unilever PLC; 09-01A, Aerosol, 24 Apr 2007	17599/2007
Tasman Sinkware Pty Ltd; 23-02F, Sink, 20 Apr 2007	17572/2007	Vandoes Computer Systems Pty Ltd; 14-04, Computer screen used for data entry, 29 Mar 2007	17163/2007
Textile House Pty Ltd; 02-02NES, Jackets, 30 Aug 2006	17705/2007	Wanzl Metallwarenfabrik GmbH; 25-02NES, Cash desk barrier, (EM, 06 Nov 2006) 23 Apr 2007	17581/2007
Thats Comfy Baby Blankets, Ana Wines; 06-13B, Pram blanket/liner, 20 Apr 2007	17495/2007	Waterson, Robert Douglas; 08-08NES, Locking tag, 23 Apr 2007	17579/2007
Thatslove Pty Ltd; 02-02NES, Material and canvas material/art work, 10 Jan 2007	15903/2007	Watertight Products (Aust) Pty Ltd; 25-01NES, Bead element of indeterminant length, 26 Apr 2007	17620/2007
The Yokohama Rubber Co., Ltd.; 12-15A, Automobile tyre, (JP, 31 Oct 2006) 27 Apr 2007	17639/2007	Wolfson, Marla; 07-99C, Paper roll dispenser, (US, 27 Mar 2007) 26 Apr 2007	17616/2007
The Yokohama Rubber Co., Ltd.; 12-15A, Automobile tyre, (JP, 20 Oct 2006) 19 Apr 2007	17503/2007	Wolfson, Marla; 07-99C, Paper roll dispenser, (US, 27 Mar 2007) 26 Apr 2007	17617/2007

WWM Concepts Pty Ltd;
99-00, , 21 Mar 2007

16998/2007

1 Class Pty Ltd;

17525/2007

06-13C, 02-02NES, On bath robe, bath sheet,
bath towel, hand towel, and face washer, 23
Apr 2007

WWM Concepts Pty Ltd;
99-00, , 21 Mar 2007

16999/2007

Applications Lapsed

14754 / 2006 (02-02C)

14846 / 2006 (26-02)

14870 / 2006 (02-02C)

14951 / 2006 (06-10)

14952 / 2006 (06-10)

15052 / 2006 (08-05A)

15907 / 2006 (09-01D)

15926 / 2006 (20-02C)

15928 / 2006 (20-02C)

15849 / 2007 (21-02NES)

15877 / 2007 (01-01)

15878 / 2007 (01-01)

15879 / 2007 (01-01)

15894 / 2007 (06-01H)

16503 / 2007 (30-03)

16504 / 2007 (30-03)

16505 / 2007 (27-05)

16597 / 2007 (09-05)

16598 / 2007 (99-00)

16671 / 2007 (02-07A)

16672 / 2007 (09-03F)

16673 / 2007 (02-02B)

Extensions of time granted under Section 137

Applications lodged under section 137 for extension of time have been granted.

15075/2005 **Counselling Help Pty Ltd**

14646/2006 **Andrew Kromer**

Corrigenda

Number 312518

In Vol 21 , No 3 , page 8155 under the heading **(12) Australian Registered Design;** (30) Convention priority data should read: (31) Number 200630014220.6 (32) Date 21 April 2006 (33) Country CHINA.

Number 312519

In Vol 21 , No 3 , page 8155 under the heading **(12) Australian Registered Design;** (30) Convention priority data should read: (31) Number 200630014219.3 (32) Date 21 April 2006 (33) Country CHINA.

Number 312520

In Vol 21 , No 3 , page 8156 under the heading **(12) Australian Registered Design;** (30) Convention priority data should read: (31) Number 200630014218.9 (32) Date 21 April 2006 (33) Country CHINA.

Number 307570

In Vol 20 , No 14 , page 5312 under the heading **(12) Australian Registered Design;** (51) International Design Classification should read: 24-02.

Number 313437

In Vol 21 , No 7 , page 8703 under the heading **(12) Australian Registered Design;** (51) International Design Classification should read: 24-02.

Certificate(s) of Examination

Examination of the following Design Registration(s) has been completed. Infringement proceedings may now be commenced.

304758	10-04	01/05/2007
304759	10-04	01/05/2007
304760	10-04	01/05/2007
305779	14-01	04/05/2007
306176	18-99	04/05/2007
306280	23-01H	04/05/2007
306554	25-01B	26/04/2007
306883	19-06	07/05/2007
307741	18-04	30/04/2007
307742	18-04	30/04/2007
307743	18-04	30/04/2007
307744	18-04	30/04/2007
307745	18-04	30/04/2007
307746	18-04	30/04/2007
307756	19-06	26/04/2007
307774	19-02	04/05/2007
308230	18-04	30/04/2007
308272	19-02	04/05/2007
308273	19-02	04/05/2007
308693	14-02	04/05/2007
308741	19-02	07/05/2007
309104	09-01H	07/05/2007
309105	09-01H	07/05/2007
309182	16-02	04/05/2007
309218	28-03A	01/05/2007
309240	19-02	04/05/2007
309284	19-02	04/05/2007
309445	06-03A	08/05/2007
309446	06-03A	08/05/2007
309486	23-01E	01/05/2007
309487	23-01E	01/05/2007
309686	09-07B	07/05/2007
309925	06-09	30/04/2007
310258	12-05	07/05/2007
310262	12-05	07/05/2007
310278	12-05	07/05/2007
310279	12-05	07/05/2007
310280	12-05	07/05/2007
310281	12-05	07/05/2007
310282	23-02A	30/04/2007
310471	12-02	04/05/2007
310639	08-03	09/05/2007
310640	08-03	09/05/2007
310755	23-02A	30/04/2007
310809	23-02A	30/04/2007
310889	23-02A	30/04/2007
311034	23-02A	30/04/2007
311048	23-02A	30/04/2007
311050	23-02A	30/04/2007
311052	23-02A	30/04/2007
311054	23-02A	30/04/2007
311056	23-02A	30/04/2007
311673	12-05	07/05/2007
312540	28-03A	01/05/2007
312541	28-03A	01/05/2007
313282	15-05	26/04/2007

Publication and Registration Proceedings

Designs Registered

This section provides a concordance between design number and registration number of Designs covered in this journal. It also shows the main class and registration date.

This section covers Registration numbers 313827 to 314038 .

The registration number shown below should be used in all future correspondence.

Design Number	Registration Number	International Classification Code (IDC)	Registration Date	Design Number	Registration Number	International Classification Code (IDC)	Registration Date
10213/2005	314014	23-02F	08/05/2007	16253/2007	313857	08-08NES	01/05/2007
10214/2005	314013	23-01F	08/05/2007	16254/2007	313858	14-01	01/05/2007
12886/2005	314003	11-01NES	08/05/2007	16256/2007	313859	08-08K	01/05/2007
14392/2005	314004	16-06	08/05/2007	16257/2007	313860	15-05	01/05/2007
15013/2005	314002	09-02B	07/05/2007	16258/2007	313861	09-05	01/05/2007
15075/2005	313954	02-02A	04/05/2007	16259/2007	313862	08-08NES	01/05/2007
15648/2005	314008	08-06	08/05/2007	16260/2007	313863	08-08NES	01/05/2007
15684/2005	314009	09-01NES	08/05/2007	16261/2007	313864	09-05	01/05/2007
11052/2006	314005	03-01C	08/05/2007	16271/2007	313865	09-06	01/05/2007
11652/2006	313932	08-08NES	03/05/2007	16272/2007	313989	02-02C	07/05/2007
12024/2006	313964	02-01B	04/05/2007	16273/2007	313990	02-02C	07/05/2007
12856/2006	313845	08-08D	27/04/2007	16274/2007	313991	02-02C	07/05/2007
12997/2006	313922	25-02A	04/05/2007	16275/2007	313992	02-02C	07/05/2007
13424/2006	313988	02-02C	07/05/2007	16276/2007	313993	02-02C	07/05/2007
14232/2006	313868	07-02B	07/05/2007	16277/2007	313866	23-03B	01/05/2007
14985/2006	314006	03-01C	08/05/2007	16278/2007	313867	23-03B	01/05/2007
15631/2006	313967	03-01A	04/05/2007	16280/2007	313893	23-03B	02/05/2007
15732/2006	313894	26-04	02/05/2007	16289/2007	313891	01-01	02/05/2007
15765/2006	313963	06-09	04/05/2007	16290/2007	313892	01-01	02/05/2007
15835/2006	313844	07-04	27/04/2007	16291/2007	313869	14-02	07/05/2007
15846/2006	313961	08-01	04/05/2007	16292/2007	313870	14-02	07/05/2007
15966/2006	314010	20-02NES	08/05/2007	16293/2007	313889	07-02L	02/05/2007
15993/2007	314011	07-06B	08/05/2007	16294/2007	313888	07-02L	02/05/2007
15994/2007	314012	07-06B	08/05/2007	16295/2007	313887	09-03K	02/05/2007
16067/2007	313973	15-03B	07/05/2007	16296/2007	313886	09-03K	02/05/2007
16068/2007	313974	12-16A	07/05/2007	16297/2007	313885	09-03K	02/05/2007
16122/2007	313827	07-01C	27/04/2007	16298/2007	313884	09-03K	02/05/2007
16149/2007	313962	23-03A	04/05/2007	16299/2007	313883	08-99	02/05/2007
16163/2007	313853	06-04NES	01/05/2007	16300/2007	313871	12-02	07/05/2007
16164/2007	313854	06-04NES	01/05/2007	16301/2007	313872	08-01	07/05/2007
16166/2007	313836	08-07	27/04/2007	16302/2007	313873	23-02B	07/05/2007
16167/2007	313837	08-07	27/04/2007	16303/2007	313874	09-03K	07/05/2007
16181/2007	313852	13-03D	27/04/2007	16304/2007	313875	09-03K	07/05/2007
16182/2007	313851	07-05NES	27/04/2007	16305/2007	313876	09-03K	07/05/2007
16183/2007	313850	07-05NES	27/04/2007	16306/2007	313877	09-03K	07/05/2007
16184/2007	313849	07-05NES	27/04/2007	16307/2007	313878	21-02A	07/05/2007
16185/2007	313848	07-05NES	27/04/2007	16326/2007	313879	09-07A	07/05/2007
16186/2007	313847	19-06	27/04/2007	16327/2007	313880	12-15NES	07/05/2007
16187/2007	313842	14-03A	27/04/2007	16331/2007	313881	28-99	07/05/2007
16188/2007	313841	14-03A	27/04/2007	16332/2007	313882	28-99	07/05/2007
16189/2007	313840	26-05A	27/04/2007	16340/2007	313895	01-01	02/05/2007
16190/2007	313839	26-05A	27/04/2007	16341/2007	313896	01-01	02/05/2007
16191/2007	313838	26-05A	27/04/2007	16342/2007	313897	21-02C	02/05/2007
16199/2007	313835	14-03E	27/04/2007	16343/2007	313898	13-01	02/05/2007
16200/2007	313834	14-03E	27/04/2007	16344/2007	313899	23-04	02/05/2007
16201/2007	313831	23-01NES	27/04/2007	16345/2007	313900	24-01	02/05/2007
16202/2007	313832	23-01NES	27/04/2007	16346/2007	313901	24-01	02/05/2007
16203/2007	313833	23-01NES	27/04/2007	16347/2007	313902	08-08NES	02/05/2007
16204/2007	313829	23-01NES	27/04/2007	16348/2007	313903	08-08NES	02/05/2007
16205/2007	313830	23-01NES	27/04/2007	16349/2007	313918	07-06NES	04/05/2007
16206/2007	313828	23-01NES	27/04/2007	16350/2007	313917	07-06B	04/05/2007
16251/2007	313855	14-01	01/05/2007	16351/2007	313919	07-01G	04/05/2007
16252/2007	313856	14-01	01/05/2007	16352/2007	313920	07-01B	04/05/2007

Publication and Registration Proceedings - Designs Registered cont'd

Design Number	Registration Number	International Classification Code (IDC)	Registration Date	Design Number	Registration Number	International Classification Code (IDC)	Registration Date
16353/2007	313921	07-01A	04/05/2007	16442/2007	313978	14-02	07/05/2007
16356/2007	313916	14-03E	04/05/2007	16448/2007	314000	08-08NES	07/05/2007
16360/2007	313915	03-03	04/05/2007	16449/2007	313975	06-03NES	07/05/2007
16361/2007	313910	06-04NES	04/05/2007	16450/2007	313994	07-02K	07/05/2007
16366/2007	313909	08-05NES	04/05/2007	16451/2007	313995	07-02F	07/05/2007
16367/2007	313914	23-04	04/05/2007	16452/2007	313996	07-01C	07/05/2007
16368/2007	313913	14-02	04/05/2007	16453/2007	313997	18-04	07/05/2007
16369/2007	313912	14-02	04/05/2007	16454/2007	313998	27-99	07/05/2007
16370/2007	313908	03-03	04/05/2007	16456/2007	313999	25-01G	07/05/2007
16371/2007	313907	06-01C	04/05/2007	16458/2007	314001	12-05	07/05/2007
16372/2007	313911	24-02	04/05/2007	16462/2007	314027	09-02C	08/05/2007
16373/2007	313931	08-08B	04/05/2007	16465/2007	314026	08-02	08/05/2007
16374/2007	313930	08-08B	04/05/2007	16466/2007	314025	08-03	08/05/2007
16375/2007	313929	08-08B	04/05/2007	16467/2007	314023	25-04	08/05/2007
16376/2007	313928	08-08B	04/05/2007	16468/2007	314015	03-01A	08/05/2007
16377/2007	313966	12-06A	04/05/2007	16469/2007	314016	03-01D	08/05/2007
16378/2007	313906	18-02	04/05/2007	16470/2007	314017	03-01A	08/05/2007
16379/2007	313905	18-02	04/05/2007	16471/2007	314018	03-01B	08/05/2007
16380/2007	313923	18-02	04/05/2007	16472/2007	314019	03-01A	08/05/2007
16381/2007	313924	18-02	04/05/2007	16473/2007	314020	03-01D	08/05/2007
16382/2007	313925	16-01	04/05/2007	16474/2007	314021	03-01A	08/05/2007
16383/2007	313926	08-02	04/05/2007	16475/2007	314035	15-04	08/05/2007
16384/2007	313927	08-08NES	04/05/2007	16477/2007	314034	04-01	08/05/2007
16385/2007	313970	08-08NES	04/05/2007	16478/2007	314033	04-01	08/05/2007
16387/2007	313965	12-16A	04/05/2007	16479/2007	314032	06-01F	08/05/2007
16392/2007	313960	12-16NES	04/05/2007	16480/2007	314031	06-01F	08/05/2007
16393/2007	313959	02-02C	04/05/2007	16484/2007	314030	08-08C	08/05/2007
16396/2007	313933	06-03B	03/05/2007	16485/2007	314029	14-03A	08/05/2007
16397/2007	313958	25-03	04/05/2007	16486/2007	314022	15-05	08/05/2007
16398/2007	313957	16-01	04/05/2007	16487/2007	314024	15-05	08/05/2007
16399/2007	313956	16-01	04/05/2007	16490/2007	314036	06-01F	08/05/2007
16403/2007	313955	19-01	04/05/2007	16491/2007	314037	06-06G	08/05/2007
16405/2007	313934	23-01E	03/05/2007	16492/2007	314038	06-06H	08/05/2007
16409/2007	313969	08-05A	04/05/2007	16495/2007	314028	15-07	08/05/2007
16410/2007	313935	13-02	03/05/2007	17104/2007	314007	06-04D	08/05/2007
16411/2007	313936	15-05	03/05/2007	17110/2007	313846	08-08D	27/04/2007
16412/2007	313937	15-05	03/05/2007	17111/2007	313843	07-04	27/04/2007
16415/2007	313938	25-02NES	03/05/2007	17167/2007	313890	08-99	02/05/2007
16416/2007	313939	25-02NES	03/05/2007	17216/2007	313972	12-08	07/05/2007
16417/2007	313940	12-06A	03/05/2007	17223/2007	313943	06-13B	03/05/2007
16418/2007	313941	12-06A	03/05/2007	17413/2007	313944	21-02D	03/05/2007
16420/2007	313942	25-04	03/05/2007	17423/2007	313945	02-03	03/05/2007
16421/2007	313968	25-04	04/05/2007	17600/2007	313946	28-03NES	03/05/2007
16422/2007	313977	09-03NES	07/05/2007	17601/2007	313947	28-03NES	03/05/2007
16424/2007	313976	21-02NES	07/05/2007	17602/2007	313948	28-03NES	03/05/2007
16426/2007	313987	06-03D	07/05/2007	17603/2007	313949	28-03NES	03/05/2007
16432/2007	313986	09-08	07/05/2007	17604/2007	313950	28-03NES	03/05/2007
16433/2007	313985	09-08	07/05/2007	17605/2007	313951	28-03NES	03/05/2007
16434/2007	313984	09-08	07/05/2007	17606/2007	313952	28-03NES	03/05/2007
16435/2007	313983	08-08B	07/05/2007	17607/2007	313953	28-03NES	03/05/2007
16436/2007	313982	08-08B	07/05/2007	17703/2007	313971	12-16NES	07/05/2007
16438/2007	313981	09-05	07/05/2007				
16439/2007	313980	10-04	07/05/2007				
16440/2007	313979	14-02	07/05/2007				
16441/2007	313904	29-02	04/05/2007				

Publication and Registration Proceedings
Class Listing of Designs Published or Registered

The following section shows an International Classification Code listing of the Registered or Published Designs covered in this supplement.

Classification	Registration Number	Design Number	Classification	Registration Number	Design Number
01-01	313891	16289/2007	07-04	313843	17111/2007
01-01	313892	16290/2007	07-04	313844	15835/2006
01-01	313895	16340/2007	07-05 NES	313848	16185/2007
01-01	313896	16341/2007	07-05 NES	313849	16184/2007
02-01 B	313964	12024/2006	07-05 NES	313850	16183/2007
02-02 A	313954	15075/2005	07-05 NES	313851	16182/2007
02-02 C	313959	16393/2007	07-06 B	313917	16350/2007
02-02 C	313988	13424/2006	07-06 B	314011	15993/2007
02-02 C	313989	16272/2007	07-06 B	314012	15994/2007
02-02 C	313990	16273/2007	07-06 NES	313918	16349/2007
02-02 C	313991	16274/2007	08-01	313872	16301/2007
02-02 C	313992	16275/2007	08-01	313961	15846/2006
02-02 C	313993	16276/2007	08-02	313926	16383/2007
02-02 NES	313988	13424/2006	08-02	314026	16465/2007
02-03	313945	17423/2007	08-03	314025	16466/2007
03-01 A	313967	15631/2006	08-05 A	313969	16409/2007
03-01 A	314015	16468/2007	08-05 NES	313909	16366/2007
03-01 A	314017	16470/2007	08-06	314008	15648/2005
03-01 A	314019	16472/2007	08-07	313836	16166/2007
03-01 A	314021	16474/2007	08-07	313837	16167/2007
03-01 B	314018	16471/2007	08-08 B	313928	16376/2007
03-01 C	314005	11052/2006	08-08 B	313929	16375/2007
03-01 C	314006	14985/2006	08-08 B	313930	16374/2007
03-01 D	314016	16469/2007	08-08 B	313931	16373/2007
03-01 D	314020	16473/2007	08-08 B	313982	16436/2007
03-03	313908	16370/2007	08-08 B	313983	16435/2007
03-03	313915	16360/2007	08-08 C	314030	16484/2007
04-01	314033	16478/2007	08-08 D	313845	12856/2006
04-01	314034	16477/2007	08-08 D	313846	17110/2007
06-01 C	313907	16371/2007	08-08 K	313859	16256/2007
06-01 F	314031	16480/2007	08-08 NES	313857	16253/2007
06-01 F	314032	16479/2007	08-08 NES	313862	16259/2007
06-01 F	314036	16490/2007	08-08 NES	313863	16260/2007
06-03 B	313933	16396/2007	08-08 NES	313902	16347/2007
06-03 D	313987	16426/2007	08-08 NES	313903	16348/2007
06-03 NES	313975	16449/2007	08-08 NES	313927	16384/2007
06-04 D	314007	17104/2007	08-08 NES	313932	11652/2006
06-04 NES	313853	16163/2007	08-08 NES	313970	16385/2007
06-04 NES	313854	16164/2007	08-08 NES	314000	16448/2007
06-04 NES	313910	16361/2007	08-99	313883	16299/2007
06-06 G	314037	16491/2007	08-99	313890	17167/2007
06-06 H	314038	16492/2007	09-01 NES	314009	15684/2005
06-09	313963	15765/2006	09-02 B	314002	15013/2005
06-11	314012	15994/2007	09-02 C	314027	16462/2007
06-13 B	313943	17223/2007	09-03 K	313874	16303/2007
07-01 A	313921	16353/2007	09-03 K	313875	16304/2007
07-01 B	313920	16352/2007	09-03 K	313876	16305/2007
07-01 C	313827	16122/2007	09-03 K	313877	16306/2007
07-01 C	313996	16452/2007	09-03 K	313884	16298/2007
07-01 G	313919	16351/2007	09-03 K	313885	16297/2007
07-02 B	313868	14232/2006	09-03 K	313886	16296/2007
07-02 C	313868	14232/2006	09-03 K	313887	16295/2007
07-02 F	313995	16451/2007	09-03 NES	313977	16422/2007
07-02 K	313994	16450/2007	09-05	313861	16258/2007
07-02 L	313888	16294/2007	09-05	313864	16261/2007
07-02 L	313889	16293/2007	09-05	313981	16438/2007

Registration Proceedings - Class Listing of Designs Published or Registered cont'd

Classification	Registration Number	Design Number	Classification	Registration Number	Design Number
09-06	313865	16271/2007	19-01	313955	16403/2007
09-07 A	313879	16326/2007	19-06	313847	16186/2007
09-08	313984	16434/2007	20-02 NES	314010	15966/2006
09-08	313985	16433/2007	21-02 A	313878	16307/2007
09-08	313986	16432/2007	21-02 C	313897	16342/2007
10-04	313980	16439/2007	21-02 D	313944	17413/2007
11-01 NES	314003	12886/2005	21-02 NES	313976	16424/2007
12-02	313871	16300/2007	23-01 E	313934	16405/2007
12-05	314001	16458/2007	23-01 F	314013	10214/2005
12-06 A	313940	16417/2007	23-01 NES	313828	16206/2007
12-06 A	313941	16418/2007	23-01 NES	313829	16204/2007
12-06 A	313966	16377/2007	23-01 NES	313830	16205/2007
12-08	313972	17216/2007	23-01 NES	313831	16201/2007
12-15 NES	313880	16327/2007	23-01 NES	313832	16202/2007
12-16 A	313965	16387/2007	23-01 NES	313833	16203/2007
12-16 A	313974	16068/2007	23-02 B	313873	16302/2007
12-16 NES	313960	16392/2007	23-02 F	314014	10213/2005
12-16 NES	313971	17703/2007	23-03 A	313962	16149/2007
13-01	313898	16343/2007	23-03 B	313866	16277/2007
13-02	313935	16410/2007	23-03 B	313867	16278/2007
13-03 D	313852	16181/2007	23-03 B	313893	16280/2007
14-01	313855	16251/2007	23-04	313899	16344/2007
14-01	313856	16252/2007	23-04	313914	16367/2007
14-01	313858	16254/2007	24-01	313900	16345/2007
14-02	313869	16291/2007	24-01	313901	16346/2007
14-02	313870	16292/2007	24-02	313911	16372/2007
14-02	313912	16369/2007	25-01 G	313999	16456/2007
14-02	313913	16368/2007	25-02 A	313922	12997/2006
14-02	313978	16442/2007	25-02 NES	313938	16415/2007
14-02	313979	16440/2007	25-02 NES	313939	16416/2007
14-03 A	313841	16188/2007	25-03	313958	16397/2007
14-03 A	313842	16187/2007	25-04	313942	16420/2007
14-03 A	314029	16485/2007	25-04	313968	16421/2007
14-03 E	313834	16200/2007	25-04	314023	16467/2007
14-03 E	313835	16199/2007	26-04	313894	15732/2006
14-03 E	313916	16356/2007	26-05 A	313838	16191/2007
15-03 B	313973	16067/2007	26-05 A	313839	16190/2007
15-04	314035	16475/2007	26-05 A	313840	16189/2007
15-05	313860	16257/2007	27-99	313998	16454/2007
15-05	313936	16411/2007	28-03 NES	313946	17600/2007
15-05	313937	16412/2007	28-03 NES	313947	17601/2007
15-05	313997	16453/2007	28-03 NES	313948	17602/2007
15-05	314022	16486/2007	28-03 NES	313949	17603/2007
15-05	314024	16487/2007	28-03 NES	313950	17604/2007
15-07	314028	16495/2007	28-03 NES	313951	17605/2007
16-01	313925	16382/2007	28-03 NES	313952	17606/2007
16-01	313956	16399/2007	28-03 NES	313953	17607/2007
16-01	313957	16398/2007	28-99	313881	16331/2007
16-06	314004	14392/2005	28-99	313882	16332/2007
18-02	313905	16379/2007	29-02	313904	16441/2007
18-02	313906	16378/2007			
18-02	313923	16380/2007			
18-02	313924	16381/2007			
18-04	313997	16453/2007			

(21) Design Number: **16122/2007**

(22) Date of Filing Application: **25 January 2007**

(24) Date from which industrial property rights may have effect: **25 January 2007**

(54) Product in respect of which the design is registered: **Beverage container**

(51) International Design Classification: **07-01C**

(71) Name(s) and Address(s) of Applicant(s):

Carl-Louis Pty Ltd

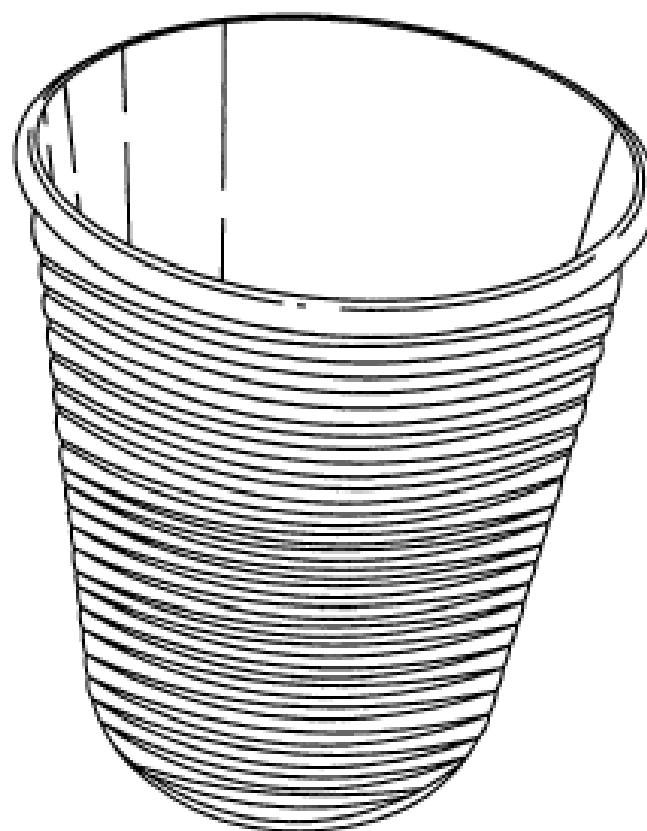
PO Box 106 Blaxcel New South Wales 2142 Australia

(72) Name(s) of Designer(s): **Carl Karam**

(45) Registration Date: **27 April 2007**

(56) Related Art Documents: **Not Applicable**

(57) Statement of Newness and Distinctiveness: **Newness and distinctiveness is claimed in respect of the shape and configuration of the outside surface of the beverage container illustrated in the accompanying representations. In carrying out a consideration in accordance with Section 19 the shape and/or configuration of the inside surface of the beverage container is not to be considered either new or distinctive and does not form part of the design.**



(21) Design Number: **16206/2007**

(22) Date of Filing Application: **31 January 2007**

(24) Date from which industrial property rights may have effect: **31 January 2007**

(54) Product in respect of which the design is registered: **Pressure vessel**

(51) International Design Classification: **23-01NES**

(71) Name(s) and Address(s) of Applicant(s):

Ausmark Group Pty Ltd

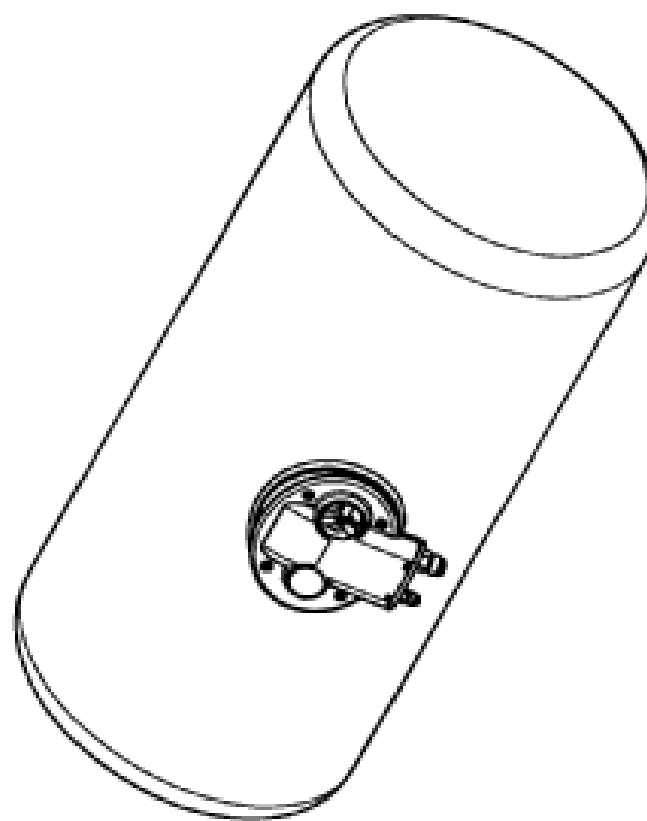
Unit 5 41-49 Norcal Road Nunawading Victoria 3131 Australia

(72) Name(s) of Designer(s): **Garry Owen Thompson and Ashley James Thompson**

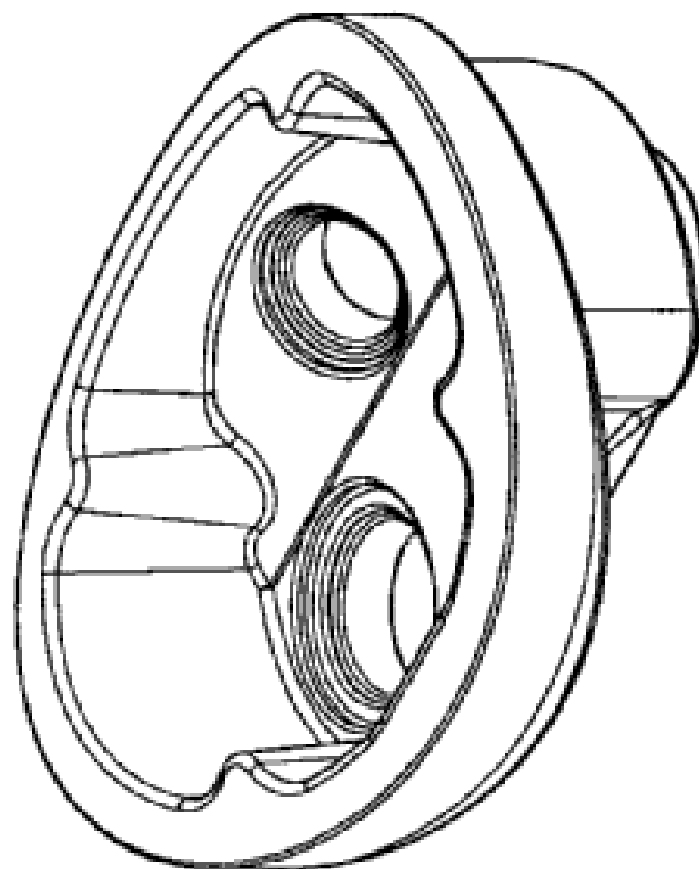
(45) Registration Date: **27 April 2007**

(56) Related Art Documents: **Not Applicable**

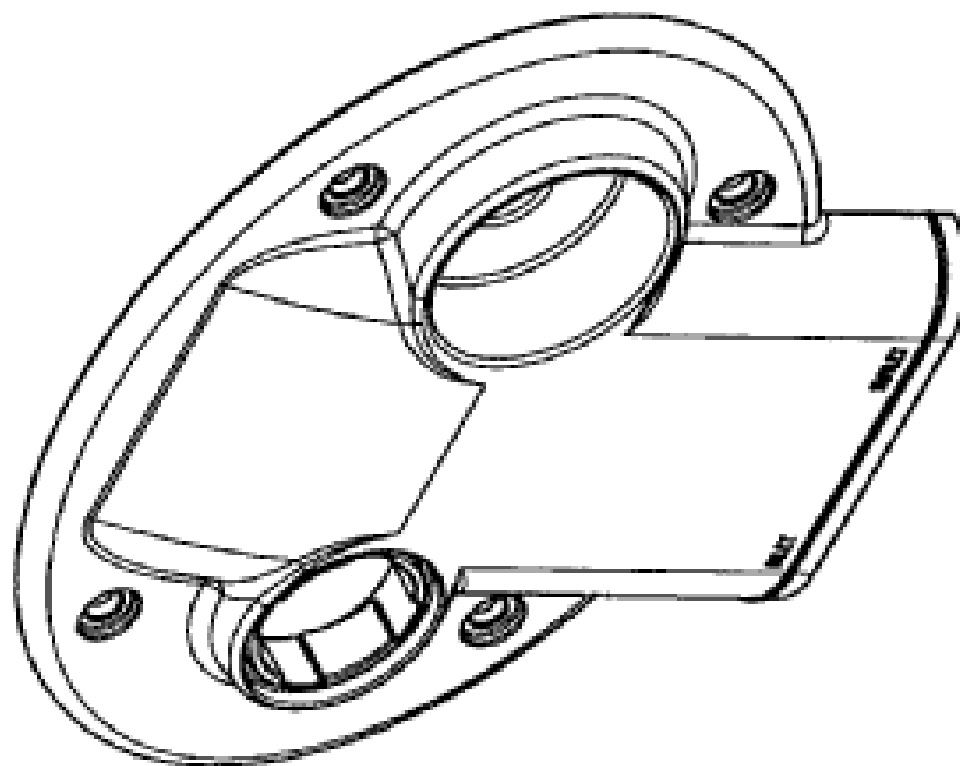
(57) Statement of Newness and Distinctiveness: **Newness and distinctiveness resides in the shape and configuration of the valve housing of a pressure vessel as depicted in the representations.**



- (21) Design Number: **16204/2007**
- (22) Date of Filing Application: **31 January 2007**
- (24) Date from which industrial property rights may have effect: **31 January 2007**
- (54) Product in respect of which the design is registered: **Valve housing**
- (51) International Design Classification: **23-01NES**
- (71) Name(s) and Address(s) of Applicant(s):
Ausmark Group Pty Ltd
Unit 5 41-49 Norcal Road Nunawading Victoria 3131 Australia
- (72) Name(s) of Designer(s): **Garry Owen Thompson and Ashley James Thompson**
- (45) Registration Date: **27 April 2007**
- (56) Related Art Documents: **Not Applicable**
- (57) Statement of Newness and Distinctiveness: **Nil**



- (21) Design Number: **16205/2007**
- (22) Date of Filing Application: **31 January 2007**
- (24) Date from which industrial property rights may have effect: **31 January 2007**
- (54) Product in respect of which the design is registered: **Cover for valve housing**
- (51) International Design Classification: **23-01NES**
- (71) Name(s) and Address(s) of Applicant(s):
Ausmark Group Pty Ltd
Unit 5 41-49 Norcal Road Nunawading Victoria 3131 Australia
- (72) Name(s) of Designer(s): **Garry Owen Thompson and Ashley James Thompson**
- (45) Registration Date: **27 April 2007**
- (56) Related Art Documents: **Not Applicable**
- (57) Statement of Newness and Distinctiveness: **Nil**



(21) Design Number: **16201/2007**

(22) Date of Filing Application: **31 January 2007**

(24) Date from which industrial property rights may have effect: **31 January 2007**

(54) Product in respect of which the design is registered: **Safety valve**

(51) International Design Classification: **23-01NES**

(71) Name(s) and Address(s) of Applicant(s):

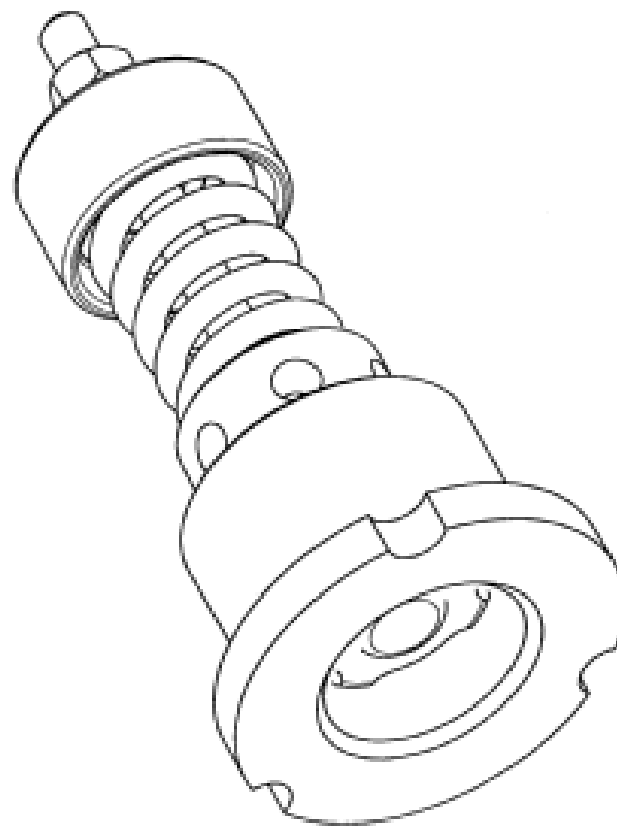
Ausmark Group Pty Ltd
Unit 5 41-49 Norcal Road Nunawading Victoria 3131 Australia

(72) Name(s) of Designer(s): **Garry Owen Thompson and Ashley James Thompson**

(45) Registration Date: **27 April 2007**

(56) Related Art Documents: **Not Applicable**

(57) Statement of Newness and Distinctiveness: **Nil**



(21) Design Number: **16202/2007**

(22) Date of Filing Application: **31 January 2007**

(24) Date from which industrial property rights may have effect: **31 January 2007**

(54) Product in respect of which the design is registered: **Service valve for pressure vessel**

(51) International Design Classification: **23-01NES**

(71) Name(s) and Address(s) of Applicant(s):

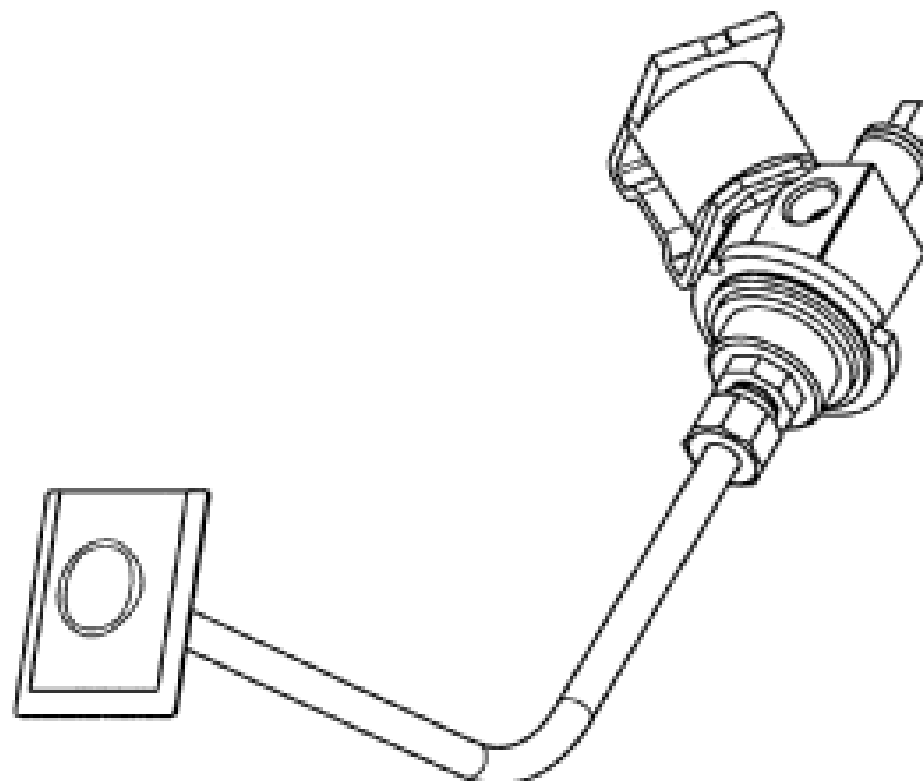
Ausmark Group Pty Ltd
Unit 5 41-49 Norcal Road Nunawading Victoria 3131 Australia

(72) Name(s) of Designer(s): **Garry Owen Thompson and Ashley James Thompson**

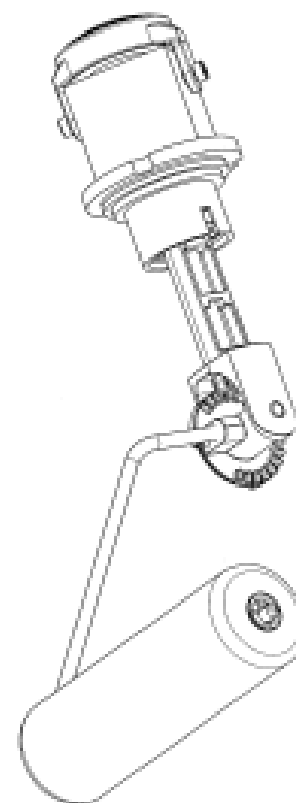
(45) Registration Date: **27 April 2007**

(56) Related Art Documents: **Not Applicable**

(57) Statement of Newness and Distinctiveness: **Nil**

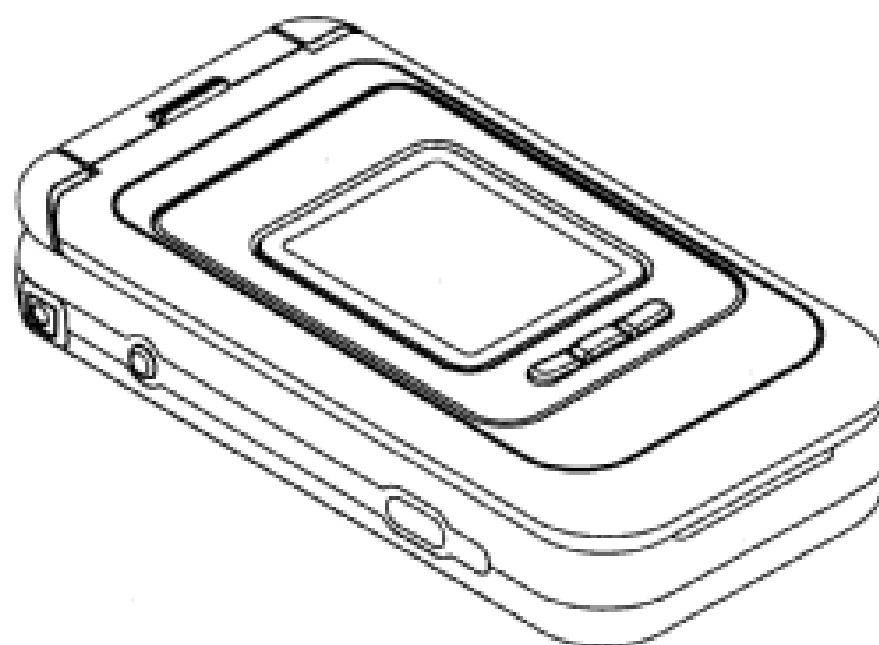


- (21) Design Number: **16203/2007**
- (22) Date of Filing Application: **31 January 2007**
- (24) Date from which industrial property rights may have effect: **31 January 2007**
- (54) Product in respect of which the design is registered: **Fill-limiting valve for pressure vessel**
- (51) International Design Classification: **23-01NES**
- (71) Name(s) and Address(s) of Applicant(s):
Ausmark Group Pty Ltd
Unit 5 41-49 Norcal Road Nunawading Victoria 3131 Australia
- (72) Name(s) of Designer(s): **Garry Owen Thompson and Ashley James Thompson**
- (45) Registration Date: **27 April 2007**
- (56) Related Art Documents: **Not Applicable**
- (57) Statement of Newness and Distinctiveness: **Nil**



- (21) Design Number: **16200/2007**
- (22) Date of Filing Application: **31 January 2007**
- (24) Date from which industrial property rights may have effect: **31 January 2007**
- (54) Product in respect of which the design is registered: **Handset**
- (51) International Design Classification: **14-03E**
- (71) Name(s) and Address(s) of Applicant(s):
Nokia Corporation
Keilalahdentie 4 FIN-02150 Espoo Finland
- (72) Name(s) of Designer(s): **Totti Helin and Dimitre D. Mehandjiysky and Tej Chauhan and Grace Boicel and Valerie Pegon and Tanja Fisher**
- (45) Registration Date: **27 April 2007**
- (30) Convention priority data:

(31) Number	(32) Date	(33) Country
29248527	18 Aug 2006	UNITED STATES OF AMERICA
- (56) Related Art Documents: **Not Applicable**
- (57) Statement of Newness and Distinctiveness: **Nil**

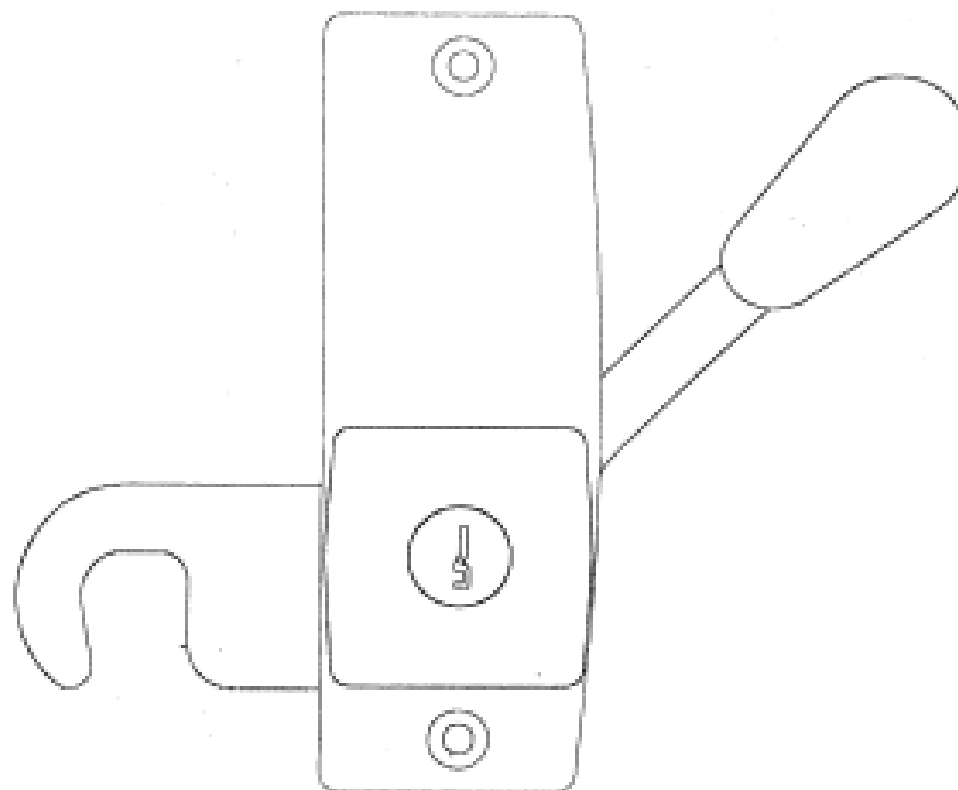


- (21) Design Number: **16199/2007**
- (22) Date of Filing Application: **31 January 2007**
- (24) Date from which industrial property rights may have effect: **31 January 2007**
- (54) Product in respect of which the design is registered: **Handset**
- (51) International Design Classification: **14-03E**
- (71) Name(s) and Address(s) of Applicant(s):
Nokia Corporation
Keilalahdentie 4 FIN-02150 Espoo Finland
- (72) Name(s) of Designer(s): **Matti Juhani (Jussi) Ruohonen and Anthony Dalby**
- (45) Registration Date: **27 April 2007**
- (30) Convention priority data:

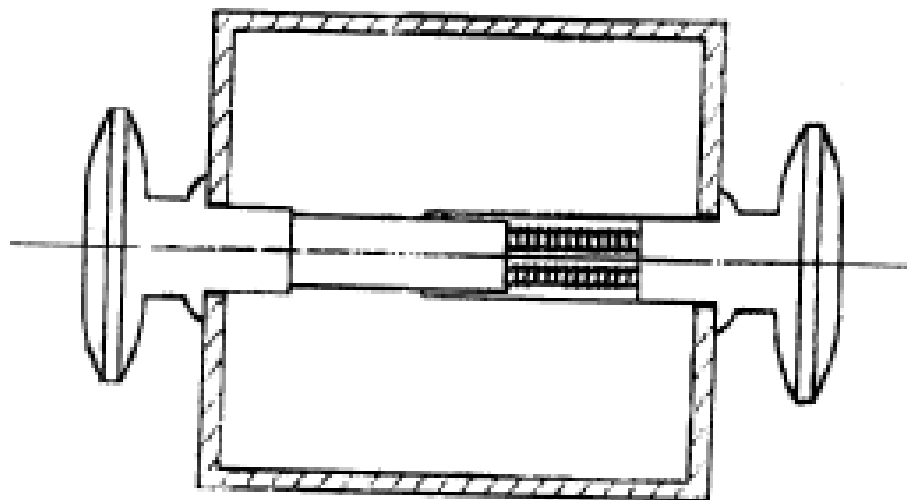
(31) Number	(32) Date	(33) Country
M20060153	18 Aug 2006	FINLAND
- (56) Related Art Documents: **Not Applicable**
- (57) Statement of Newness and Distinctiveness: **Nil**



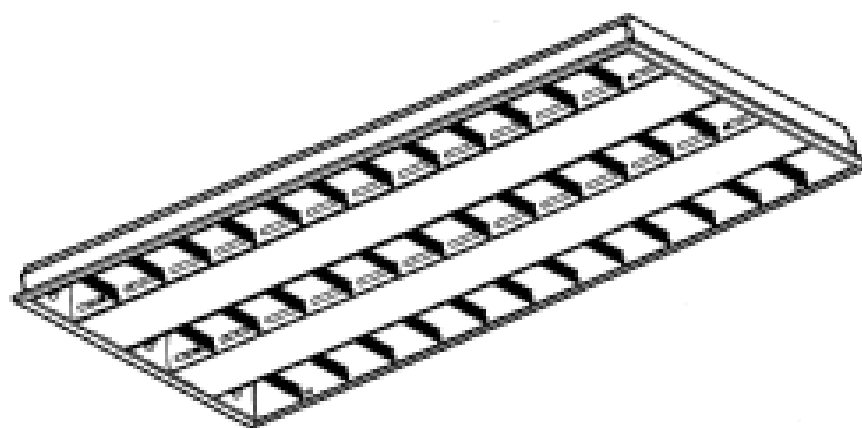
- (21) Design Number: **16166/2007**
- (22) Date of Filing Application: **31 January 2007**
- (24) Date from which industrial property rights may have effect: **31 January 2007**
- (54) Product in respect of which the design is registered: **Gate lock**
- (51) International Design Classification: **08-07**
- (71) Name(s) and Address(s) of Applicant(s):
Wayne Milner
128 Kings Road St Albans Victoria 3021 Australia
- (72) Name(s) of Designer(s): **B. Uren**
- (45) Registration Date: **27 April 2007**
- (56) Related Art Documents: **Not Applicable**
- (57) Statement of Newness and Distinctiveness: **Lock is identical both sides of gate.**



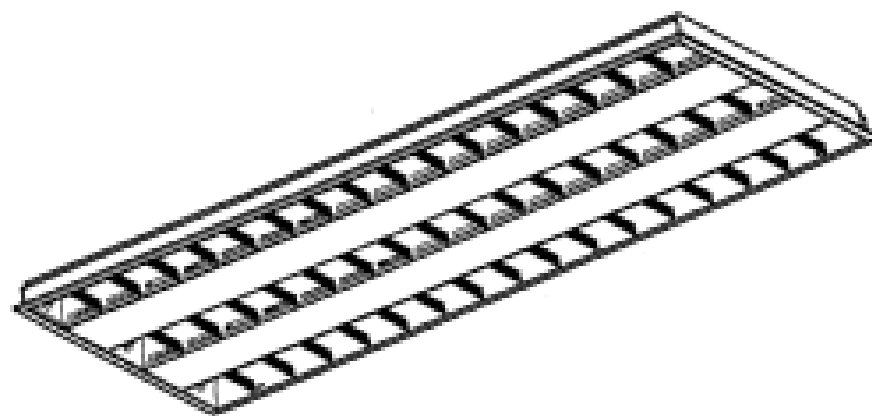
- (21) Design Number: **16167/2007**
(22) Date of Filing Application: **31 January 2007**
(24) Date from which industrial property rights may have effect: **31 January 2007**
(54) Product in respect of which the design is registered: **The one way pin is to be used by gate lock**
(51) International Design Classification: **08-07**
(71) Name(s) and Address(s) of Applicant(s):
Wayne Milner
128 Kings Road St Albans Victoria 3021 Australia
(72) Name(s) of Designer(s): **B. Uren**
(45) Registration Date: **27 April 2007**
(56) Related Art Documents: **Not Applicable**
(57) Statement of Newness and Distinctiveness: **One way pin will be pushed from two sides of hole drilled in post to hold gate lock when closed.**



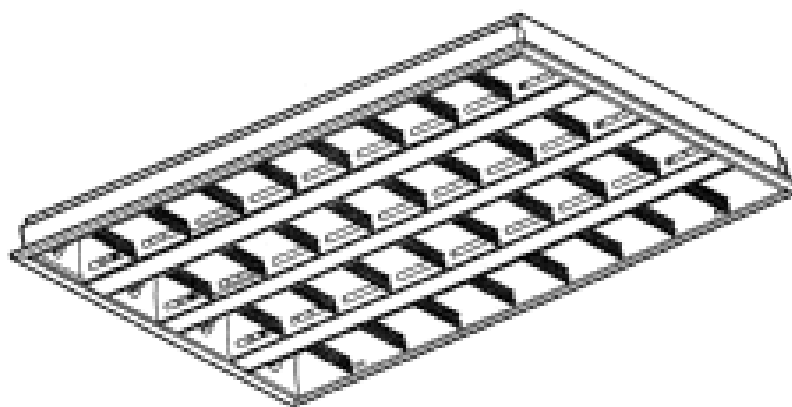
- (21) Design Number: **16191/2007**
(22) Date of Filing Application: **30 January 2007**
(24) Date from which industrial property rights may have effect: **30 January 2007**
(54) Product in respect of which the design is registered: **Luminaire**
(51) International Design Classification: **26-05A**
(71) Name(s) and Address(s) of Applicant(s):
Koninklijke Philips Electronics N.V.
Groenewoudseweg 1 5621 BA Eindhoven The Netherlands
(72) Name(s) of Designer(s): **Tony Ct Tseng**
(45) Registration Date: **27 April 2007**
(30) Convention priority data:
(31) Number (32) Date (33) Country
000574199#0005 11 Aug 2006 EUROPEAN COMMUNITY
(56) Related Art Documents: **Not Applicable**
(57) Statement of Newness and Distinctiveness: **Newness and distinctiveness reside in the features of the design as shown in the representations.**



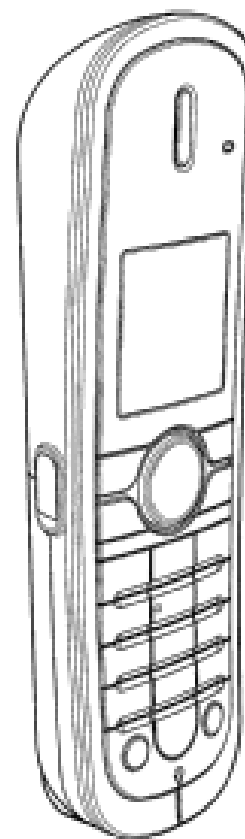
(21) Design Number: **16190/2007**
(22) Date of Filing Application: **30 January 2007**
(24) Date from which industrial property rights may have effect: **30 January 2007**
(54) Product in respect of which the design is registered: **Luminaire**
(51) International Design Classification: **26-05A**
(71) Name(s) and Address(s) of Applicant(s):
Koninklijke Philips Electronics N.V.
Groenewoudseweg 1 5621 BA Eindhoven The Netherlands
(72) Name(s) of Designer(s): **Tony Ct Tseng**
(45) Registration Date: **27 April 2007**
(30) Convention priority data:
(31) Number (32) Date (33) Country
000574199#0006 11 Aug 2006 EUROPEAN COMMUNITY
(56) Related Art Documents: **Not Applicable**
(57) Statement of Newness and Distinctiveness: **Newness and distinctiveness reside in the features of the design as shown in the representations.**



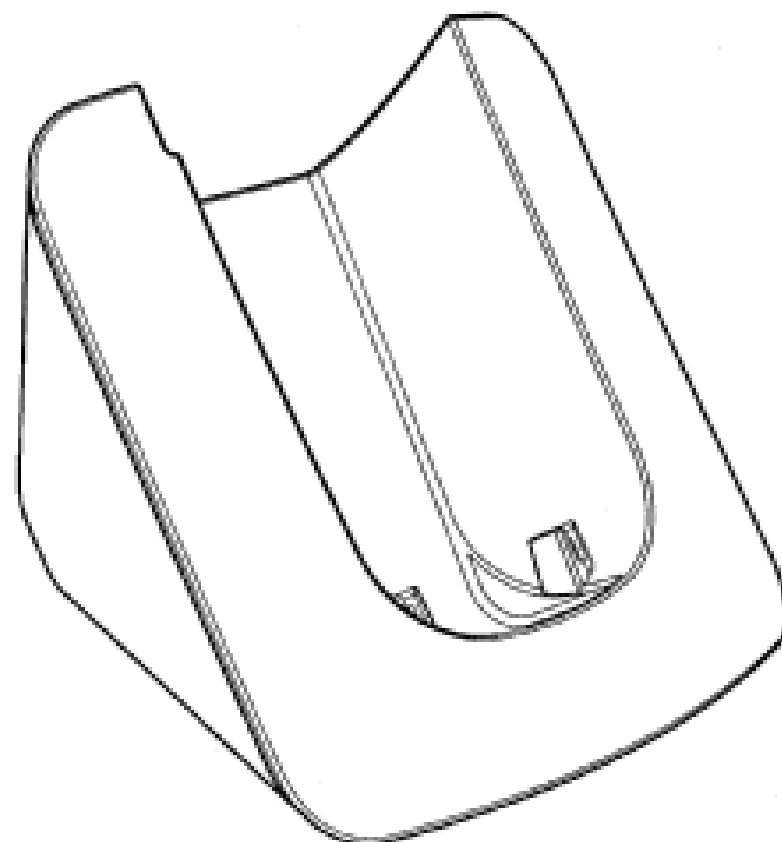
(21) Design Number: **16189/2007**
(22) Date of Filing Application: **30 January 2007**
(24) Date from which industrial property rights may have effect: **30 January 2007**
(54) Product in respect of which the design is registered: **Luminaire**
(51) International Design Classification: **26-05A**
(71) Name(s) and Address(s) of Applicant(s):
Koninklijke Philips Electronics N.V.
Groenewoudseweg 1 5621 BA Eindhoven The Netherlands
(72) Name(s) of Designer(s): **Tony Ct Tseng**
(45) Registration Date: **27 April 2007**
(30) Convention priority data:
(31) Number (32) Date (33) Country
000574199#0007 11 Aug 2006 EUROPEAN COMMUNITY
(56) Related Art Documents: **Not Applicable**
(57) Statement of Newness and Distinctiveness: **Newness and distinctiveness reside in the features of the design as shown in the representations.**



(21) Design Number: **16188/2007**
(22) Date of Filing Application: **30 January 2007**
(24) Date from which industrial property rights may have effect: **30 January 2007**
(54) Product in respect of which the design is registered: **Telephone handset**
(51) International Design Classification: **14-03A**
(71) Name(s) and Address(s) of Applicant(s):
Koninklijke Philips Electronics N.V.
Groenewoudseweg 1 5621 BA Eindhoven The Netherlands
(72) Name(s) of Designer(s): **Jean-Marie Paul Surtouc**
(45) Registration Date: **27 April 2007**
(30) Convention priority data:
(31) Number (32) Date (33) Country
000571740#0001 07 Aug 2006 EUROPEAN COMMUNITY
(56) Related Art Documents: **Not Applicable**
(57) Statement of Newness and Distinctiveness: **Newness and distinctiveness reside in the features of the design as shown in the representations.**



(21) Design Number: **16187/2007**
(22) Date of Filing Application: **30 January 2007**
(24) Date from which industrial property rights may have effect: **30 January 2007**
(54) Product in respect of which the design is registered: **Base station for telephone handset**
(51) International Design Classification: **14-03A**
(71) Name(s) and Address(s) of Applicant(s):
Koninklijke Philips Electronics N.V.
Groenewoudseweg 1 5621 BA Eindhoven The Netherlands
(72) Name(s) of Designer(s): **Jean-Marie Paul Surtouc**
(45) Registration Date: **27 April 2007**
(30) Convention priority data:
(31) Number (32) Date (33) Country
000571740#0002 07 Aug 2006 EUROPEAN COMMUNITY
(56) Related Art Documents: **Not Applicable**
(57) Statement of Newness and Distinctiveness: **Newness and distinctiveness reside in the features of the design as shown in the representations.**



(21) Design Number: **17111/2007**

(22) Date of Filing Application: **21 December 2006**

(24) Date from which industrial property rights may have effect: **21 December 2006**

(54) Product in respect of which the design is registered: **Cutting member**

(51) International Design Classification: **07-04**

(71) Name(s) and Address(s) of Applicant(s):

**AHWI Maschinenbau GmbH
Im Branden 15 D-88634 Herdwangen Germany**

(72) Name(s) of Designer(s): **Artur Willibald**

(45) Registration Date: **27 April 2007**

(30) Convention priority data:

(31) Number	(32) Date	(33) Country
EU	11 Jul 2006	EUROPEAN COMMUNITY
000558440		

(62) Divisional of: **313844**

(56) Related Art Documents: **Not Applicable**

(57) Statement of Newness and Distinctiveness: **The particular visual features of the design which are new and distinctive are shape or configuration.**



(21) Design Number: **15835/2006**

(22) Date of Filing Application: **21 December 2006**

(24) Date from which industrial property rights may have effect: **21 December 2006**

(54) Product in respect of which the design is registered: **Cutting member**

(51) International Design Classification: **07-04**

(71) Name(s) and Address(s) of Applicant(s):

**AHWI Maschinenbau GmbH
Im Branden 15 D-88634 Herdwangen Germany**

(72) Name(s) of Designer(s): **Artur Willibald**

(45) Registration Date: **27 April 2007**

(30) Convention priority data:

(31) Number	(32) Date	(33) Country
EU	11 Jul 2006	EUROPEAN COMMUNITY
000558440		

(56) Related Art Documents: **Not Applicable**

(57) Statement of Newness and Distinctiveness: **The particular visual features of the design which are new and distinctive are shape or configuration.**



(21) Design Number: 12856/2006

(22) Date of Filing Application: 05 July 2006

(24) Date from which industrial property rights may have effect: 05 July 2006

(54) Product in respect of which the design is registered: X4 Clamp (fixed)

(51) International Design Classification: 08-08D

(71) Name(s) and Address(s) of Applicant(s):

Shane Harriden

1/12 Devitt Street Narrabeen New South Wales 2101 Australia

(72) Name(s) of Designer(s): **Shane Harriden**

(45) Registration Date: 27 April 2007

(56) Related Art Documents: **Not Applicable**

(57) Statement of Newness and Distinctiveness: **The X4 Clamp (fixed) has unique features that no other clamp has on the market, such as; Ease of operation (one handed) which includes a 4 part mechanism. Has a adjustable bolt which is unique to the X4 and X5 Clamp. The X5 (adjustable) has an adjustable arm for adjusting the only difference between the both.**



(21) Design Number: 17110/2007

(22) Date of Filing Application: 05 July 2006

(24) Date from which industrial property rights may have effect: 05 July 2006

(54) Product in respect of which the design is registered: X5 clamp (adjustable)

(51) International Design Classification: 08-08D

(71) Name(s) and Address(s) of Applicant(s):

Shane Harriden

1/12 Devitt Street Narrabeen New South Wales 2101 Australia

(72) Name(s) of Designer(s): **Shane Harriden**

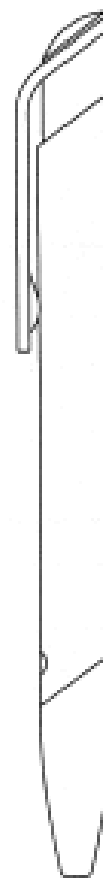
(45) Registration Date: 27 April 2007

(56) Related Art Documents: **Not Applicable**

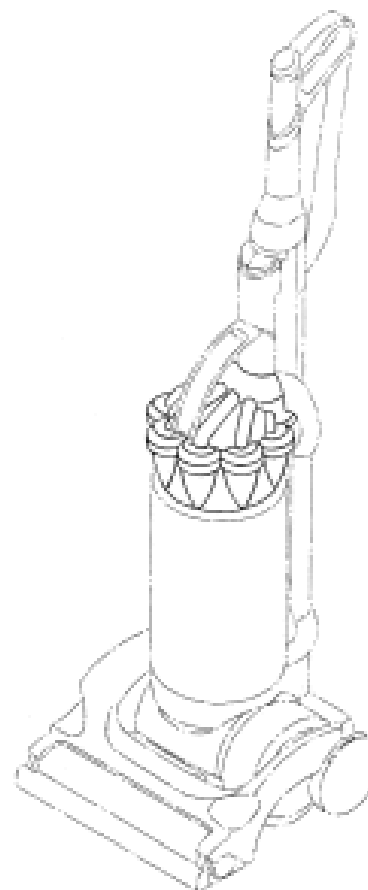
(57) Statement of Newness and Distinctiveness: **The X4 clamp (fixed) has unique features that no other clamp has on the market, such as. Ease of operation (one handed) which includes a 4 part mechanism. Has a adjustable bolt which is unique to the X4 and X5 clamp. The X5 (adjustable) has an adjustable arm for adjusting the only difference between the both.**



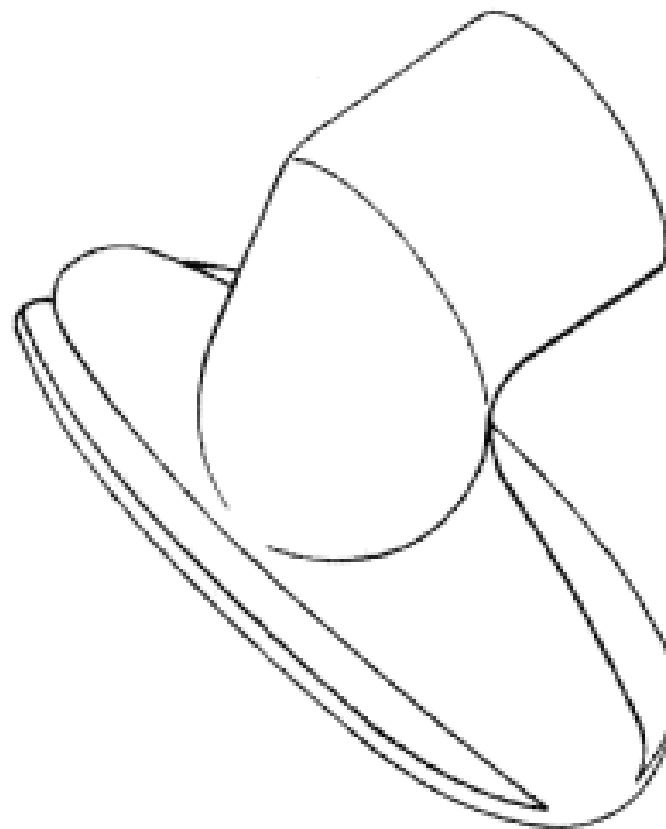
- (21) Design Number: **16186/2007**
(22) Date of Filing Application: **30 January 2007**
(24) Date from which industrial property rights may have effect: **30 January 2007**
(54) Product in respect of which the design is registered: **Writing instrument**
(51) International Design Classification: **19-06**
(71) Name(s) and Address(s) of Applicant(s):
Senator GmbH & Co. KGaA
Bahnhofsstrasse 57 64401 Gross Bieberau Germany
(72) Name(s) of Designer(s): **Hans-Juergen Beyer**
(45) Registration Date: **27 April 2007**
(30) Convention priority data:
(31) Number (32) Date (33) Country
40604137.7 07 Aug 2006 GERMANY
(56) Related Art Documents: **Not Applicable**
(57) Statement of Newness and Distinctiveness: **Newness and distinctiveness reside in the features of the design as shown in the representations.**



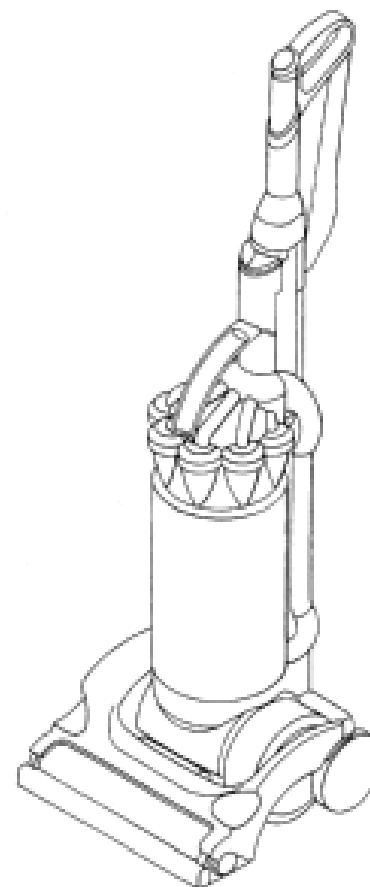
- (21) Design Number: **16185/2007**
(22) Date of Filing Application: **30 January 2007**
(24) Date from which industrial property rights may have effect: **30 January 2007**
(54) Product in respect of which the design is registered: **A vacuum cleaner**
(51) International Design Classification: **07-05NES**
(71) Name(s) and Address(s) of Applicant(s):
Dyson Limited
Tetbury Hill Malmesbury Wiltshire SN16 0RP United Kingdom
(72) Name(s) of Designer(s): **James Dyson and Evan James Stevens**
(45) Registration Date: **27 April 2007**
(30) Convention priority data:
(31) Number (32) Date (33) Country
3025599 08 Aug 2006 UNITED KINGDOM
(56) Related Art Documents: **Not Applicable**
(57) Statement of Newness and Distinctiveness: **Newness and distinctiveness resides in the features of shape and/or configuration of a vacuum cleaner as illustrated in the accompanying representations. The features shown in broken outline do not form part of the design.**



- (21) Design Number: **16184/2007**
(22) Date of Filing Application: **30 January 2007**
(24) Date from which industrial property rights may have effect: **30 January 2007**
(54) Product in respect of which the design is registered: **A tool for a cleaning appliance**
(51) International Design Classification: **07-05NES**
(71) Name(s) and Address(s) of Applicant(s):
Dyson Limited
Tetbury Hill Malmesbury Wiltshire SN16 0RP United Kingdom
(72) Name(s) of Designer(s): **James Dyson and Stuart Lloyd Genn**
(45) Registration Date: **27 April 2007**
(30) Convention priority data:
(31) Number (32) Date (33) Country
3025597 08 Aug 2006 UNITED KINGDOM
(56) Related Art Documents: **Not Applicable**
(57) Statement of Newness and Distinctiveness: **Newness and distinctiveness resides in the features of shape and/or configuration of a tool for a cleaning appliance as illustrated in the accompanying representations.**



- (21) Design Number: **16183/2007**
(22) Date of Filing Application: **30 January 2007**
(24) Date from which industrial property rights may have effect: **30 January 2007**
(54) Product in respect of which the design is registered: **A vacuum cleaner**
(51) International Design Classification: **07-05NES**
(71) Name(s) and Address(s) of Applicant(s):
Dyson Limited
Tetbury Hill Malmesbury Wiltshire SN16 0RP United Kingdom
(72) Name(s) of Designer(s): **James Dyson and Evan James Stevens and Hadley White**
(45) Registration Date: **27 April 2007**
(30) Convention priority data:
(31) Number (32) Date (33) Country
3025596 08 Aug 2006 UNITED KINGDOM
(56) Related Art Documents: **Not Applicable**
(57) Statement of Newness and Distinctiveness: **Newness and distinctiveness resides in the features of shape and/or configuration of a vacuum cleaner as illustrated in the accompanying representations.**



- (21) Design Number: **16182/2007**
(22) Date of Filing Application: **30 January 2007**
(24) Date from which industrial property rights may have effect: **30 January 2007**
(54) Product in respect of which the design is registered: **A vacuum cleaner**
(51) International Design Classification: **07-05NES**
(71) Name(s) and Address(s) of Applicant(s):

Dyson Limited
Tetbury Hill Malmesbury Wiltshire SN16 0RP United Kingdom

(72) Name(s) of Designer(s): **James Dyson and Evan James Stevens**

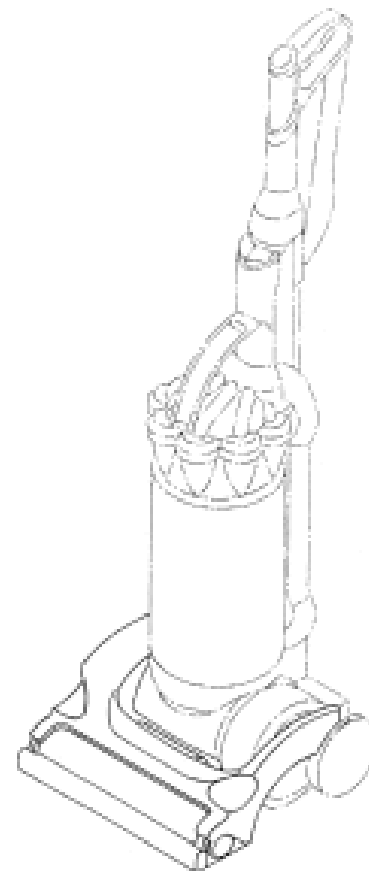
(45) Registration Date: **27 April 2007**

(30) Convention priority data:

(31) Number	(32) Date	(33) Country
3025598	08 Aug 2006	UNITED KINGDOM

(56) Related Art Documents: **Not Applicable**

(57) Statement of Newness and Distinctiveness: **Newness and distinctiveness resides in the features of shape and/or configuration of a vacuum cleaner as illustrated in the accompanying representations. The features shown in broken outline do not form part of the design.**



- (21) Design Number: **16181/2007**
(22) Date of Filing Application: **30 January 2007**
(24) Date from which industrial property rights may have effect: **30 January 2007**
(54) Product in respect of which the design is registered: **A power connection device**
(51) International Design Classification: **13-03D**
(71) Name(s) and Address(s) of Applicant(s):

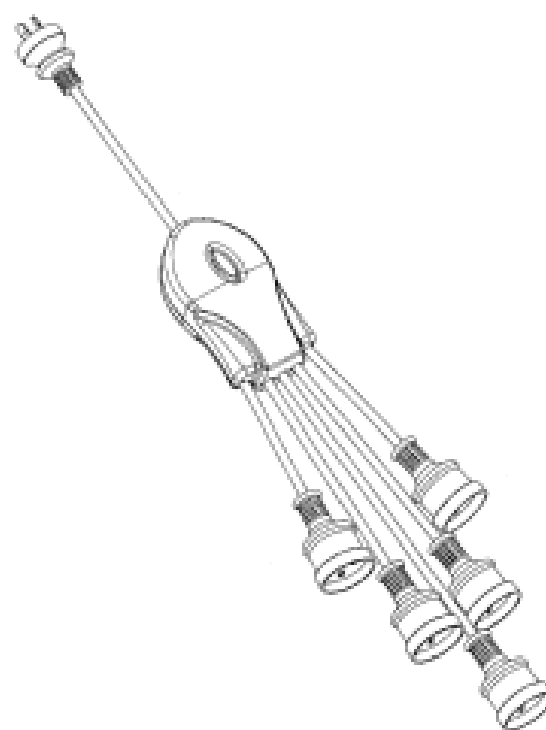
Jackson Industries Pty Limited
16 Brookhollow Avenue Norwest Business Park Baulkham Hills New South Wales 2153 Australia

(72) Name(s) of Designer(s): **Ross Alec Jackson**

(45) Registration Date: **27 April 2007**

(56) Related Art Documents: **Not Applicable**

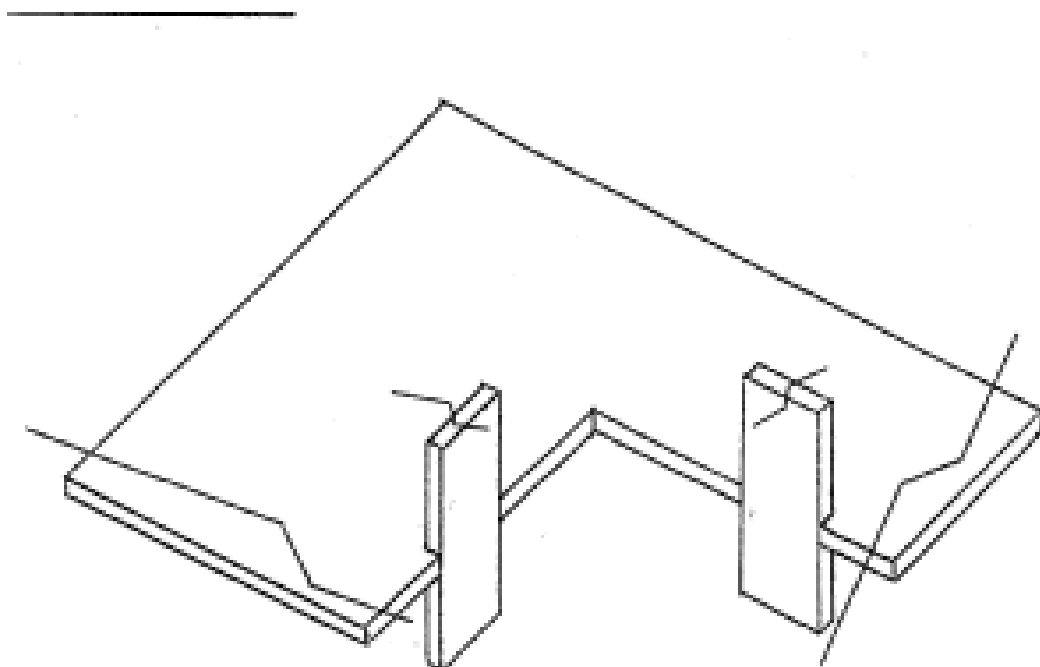
(57) Statement of Newness and Distinctiveness: **Newness and distinctiveness is claimed in the features of shape and/or configuration of a radiussed casing and foot switch of a power connection device as illustrated in the accompanying representations.**



- (21) Design Number: **16163/2007**
- (22) Date of Filing Application: **31 January 2007**
- (24) Date from which industrial property rights may have effect: **31 January 2007**
- (54) Product in respect of which the design is registered: **Corner shelf**
- (51) International Design Classification: **06-04NES**
- (71) Name(s) and Address(s) of Applicant(s):

Geoffrey Francis Keating
7 Bacon Place Beechboro Western Australia 6063 Australia

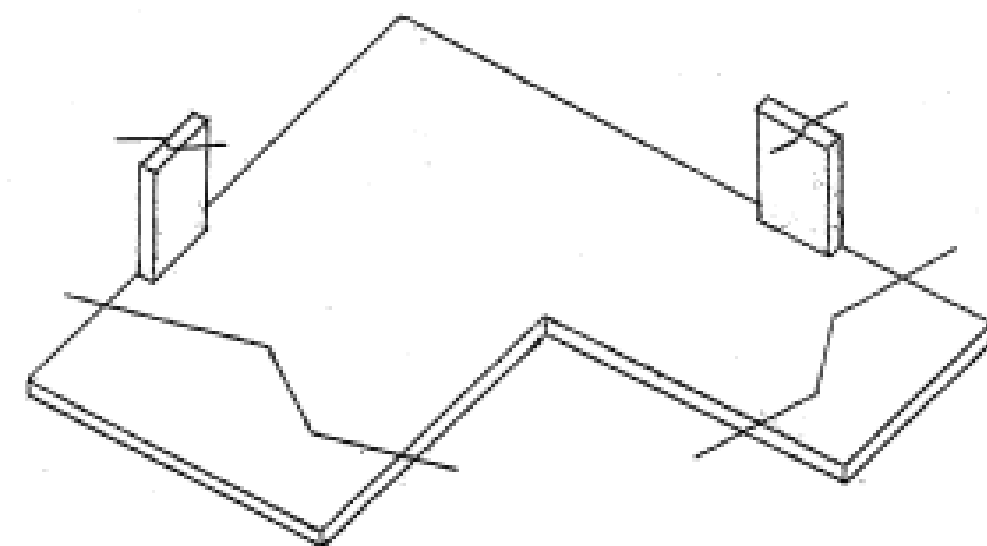
- (72) Name(s) of Designer(s): **Geoffrey Francis Keating**
- (45) Registration Date: **01 May 2007**
- (56) Related Art Documents: **Not Applicable**
- (57) Statement of Newness and Distinctiveness: **Newness and distinctiveness is claimed in the features of shape and/or configuration of a corner shelf as illustrated in the accompanying representations. The supporting arms are of indefinite width as are the shelves as illustrated.**



- (21) Design Number: **16164/2007**
- (22) Date of Filing Application: **31 January 2007**
- (24) Date from which industrial property rights may have effect: **31 January 2007**
- (54) Product in respect of which the design is registered: **Corner shelf**
- (51) International Design Classification: **06-04NES**
- (71) Name(s) and Address(s) of Applicant(s):

Geoffrey Francis Keating
7 Bacon Place Beechboro Western Australia 6063 Australia

- (72) Name(s) of Designer(s): **Geoffrey Francis Keating**
- (45) Registration Date: **01 May 2007**
- (56) Related Art Documents: **Not Applicable**
- (57) Statement of Newness and Distinctiveness: **Newness and distinctiveness is claimed in the features of shape and/or configuration of a corner shelf as illustrated in the accompanying representations. The supporting arms are of indefinite width as are the shelves as illustrated.**



- (21) Design Number: **16251/2007**
- (22) Date of Filing Application: **02 February 2007**
- (24) Date from which industrial property rights may have effect: **02 February 2007**
- (54) Product in respect of which the design is registered: **Media device**
- (51) International Design Classification: **14-01**
- (71) Name(s) and Address(s) of Applicant(s):

Apple Computer, Inc.
1 Infinite Loop Cupertino California 95014-2084 United States of America

- (72) Name(s) of Designer(s): **Bartley K. Andre and Daniel J. Coster and Richard P. Howarth and Jonathan P. Ive and Steve Jobs and Duncan Robert Kerr and Shin Nishibori and Matthew Dean Rohrbach and Douglas B. Satzger and Calvin Q. Seid and Christopher J. Stringer and Eugene Antony Whang and Rico Zorkendorfer and Daniele De Iuliis**

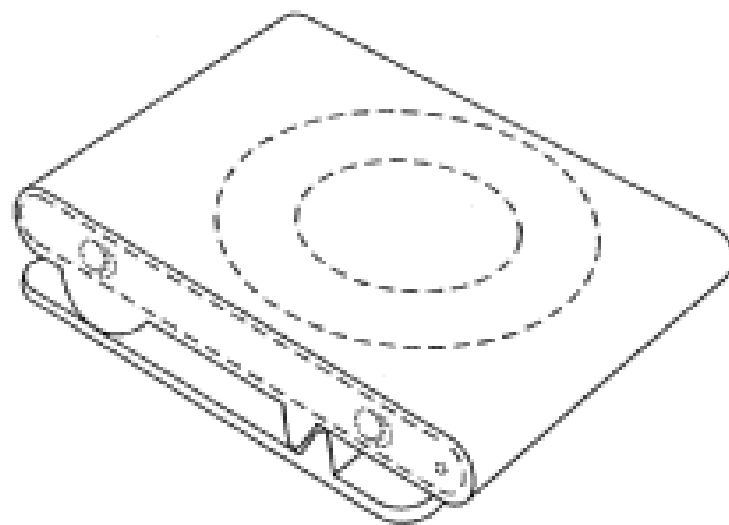
- (45) Registration Date: **01 May 2007**

- (30) Convention priority data:

(31) Number	(32) Date	(33) Country
29/265577	01 Sep 2006	UNITED STATES OF AMERICA

- (56) Related Art Documents: **Not Applicable**

- (57) Statement of Newness and Distinctiveness: **When considering the newness and distinctiveness of the design, particular regard should be given to the features of shape and configuration depicted in solid lines in the representations.**



- (21) Design Number: **16252/2007**
- (22) Date of Filing Application: **02 February 2007**
- (24) Date from which industrial property rights may have effect: **02 February 2007**
- (54) Product in respect of which the design is registered: **Media device**
- (51) International Design Classification: **14-01**
- (71) Name(s) and Address(s) of Applicant(s):

Apple Computer, Inc.
1 Infinite Loop Cupertino California 95014-2084 United States of America

- (72) Name(s) of Designer(s): **Bartley K. Andre and Daniel J. Coster and Richard P. Howarth and Jonathan P. Ive and Steve Jobs and Duncan Robert Kerr and Shin Nishibori and Matthew Dean Rohrbach and Douglas B. Satzger and Calvin Q. Seid and Christopher J. Stringer and Eugene Antony Whang and Rico Zorkendorfer and Daniele De Iuliis**

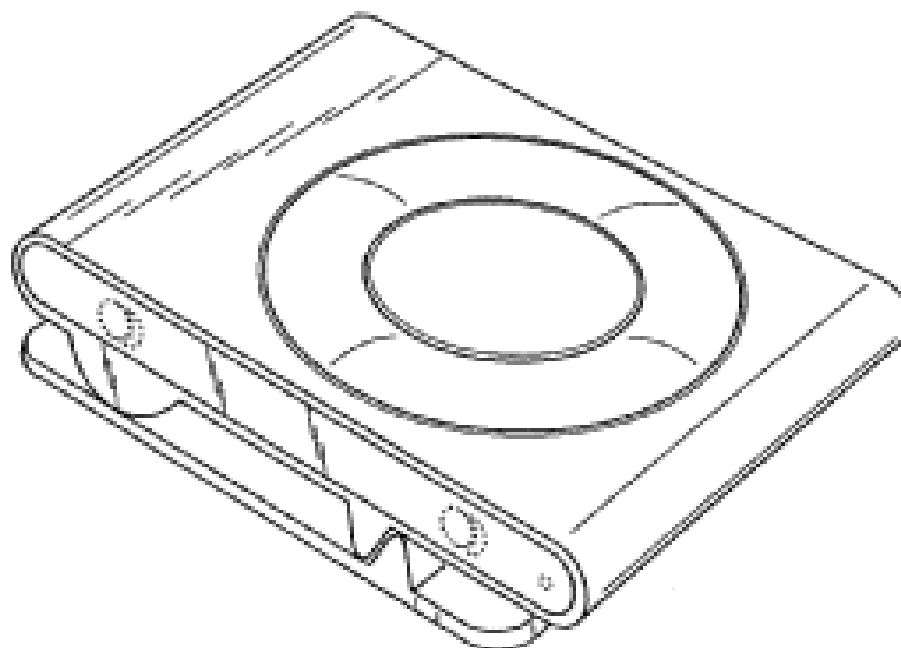
- (45) Registration Date: **01 May 2007**

- (30) Convention priority data:

(31) Number	(32) Date	(33) Country
29/265521	01 Sep 2006	UNITED STATES OF AMERICA

- (56) Related Art Documents: **Not Applicable**

- (57) Statement of Newness and Distinctiveness: **Nil**



(19) AU

- (21) Design Number: **16253/2007**
- (22) Date of Filing Application: **02 February 2007**
- (24) Date from which industrial property rights may have effect: **02 February 2007**
- (54) Product in respect of which the design is registered: **Stand**
- (51) International Design Classification: **08-08NES**
- (71) Name(s) and Address(s) of Applicant(s):

Apple Computer, Inc.
1 Infinite Loop Cupertino California 95014-2084 United States of America

- (72) Name(s) of Designer(s): **Bartley K. Andre and Daniel J. Coster and Richard P. Howarth and Jonathan P. Ive and Duncan Robert Kerr and Shin Nishibori and Matthew Dean Rohrbach and Douglas B. Satzger and Calvin Q. Seid and Christopher J. Stringer and Eugene Antony Whang and Rico Zorkendorfer and Daniele De Iuliis**

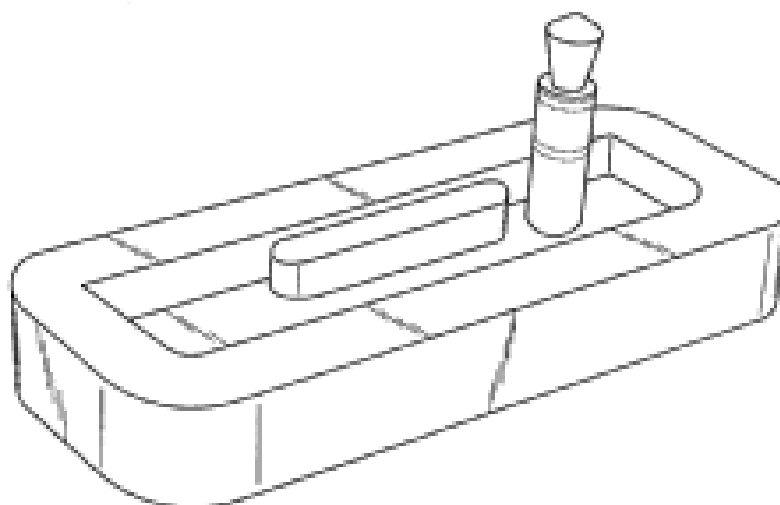
(45) Registration Date: **01 May 2007**

(30) Convention priority data:

(31) Number	(32) Date	(33) Country
29/265590	01 Sep 2006	UNITED STATES OF AMERICA

(56) Related Art Documents: **Not Applicable**

(57) Statement of Newness and Distinctiveness: **Nil**



(19) AU

- (21) Design Number: **16254/2007**
- (22) Date of Filing Application: **02 February 2007**
- (24) Date from which industrial property rights may have effect: **02 February 2007**
- (54) Product in respect of which the design is registered: **Media device**
- (51) International Design Classification: **14-01**
- (71) Name(s) and Address(s) of Applicant(s):

Apple Computer, Inc.
1 Infinite Loop Cupertino California 95014-2084 United States of America

- (72) Name(s) of Designer(s): **Bartley K. Andre and Daniel J. Coster and Richard P. Howarth and Jonathan P. Ive and Steve Jobs and Duncan Robert Kerr and Shin Nishibori and Matthew Dean Rohrbach and Douglas B. Satzger and Calvin Q. Seid and Christopher J. Stringer and Eugene Antony Whang and Rico Zorkendorfer and Daniele De Iuliis**

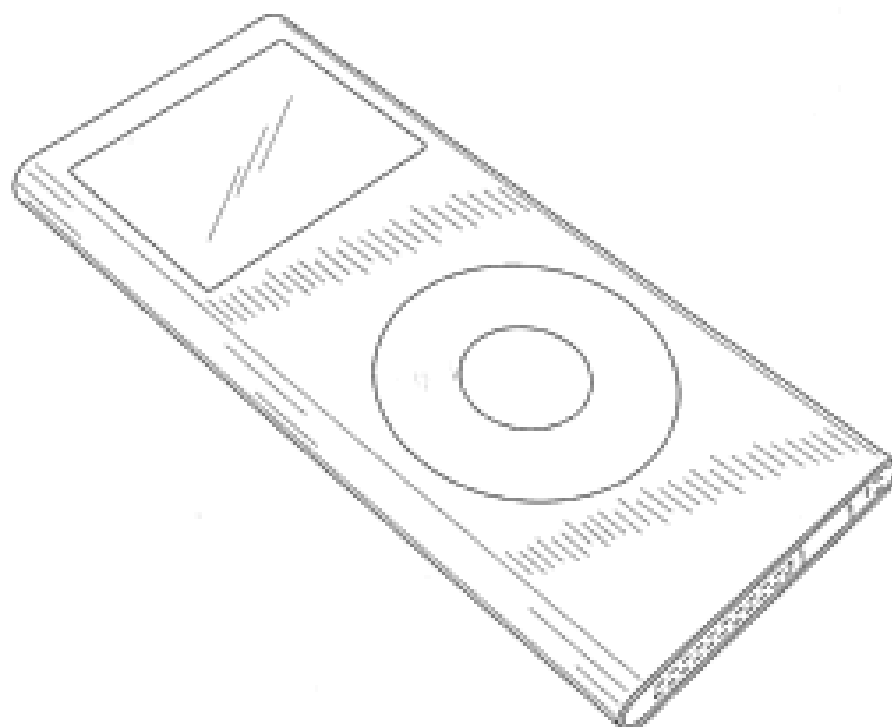
(45) Registration Date: **01 May 2007**

(30) Convention priority data:

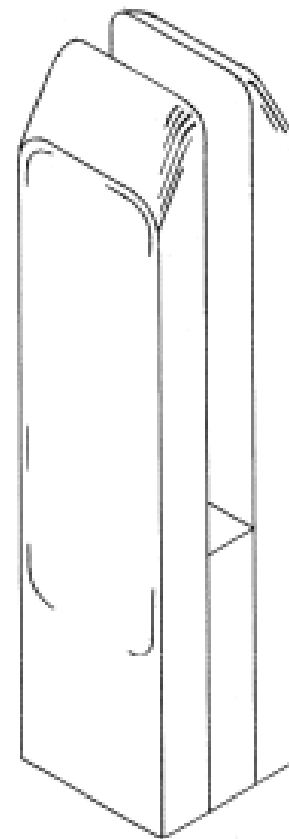
(31) Number	(32) Date	(33) Country
29/265520	01 Sep 2006	UNITED STATES OF AMERICA

(56) Related Art Documents: **Not Applicable**

(57) Statement of Newness and Distinctiveness: **When considering the newness and distinctiveness of the design, particular regard should be given to the relative proportions of the length, width and thickness of the media device depicted in the accompanying representations.**

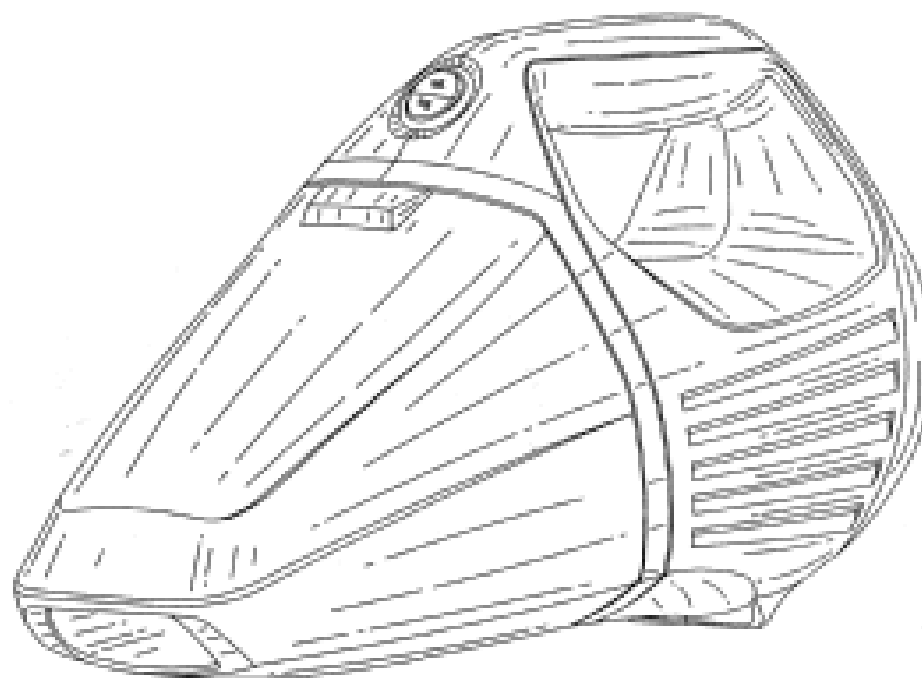


- (21) Design Number: **16256/2007**
- (22) Date of Filing Application: **02 February 2007**
- (24) Date from which industrial property rights may have effect: **02 February 2007**
- (54) Product in respect of which the design is registered: **Bracket for (fences, balustrades, barriers and enclosures)**
- (51) International Design Classification: **08-08K**
- (71) Name(s) and Address(s) of Applicant(s):
Manfred Schopf
64 Errol Street North Melbourne Victoria 3051 Australia
John Schopf
64 Errol Street North Melbourne Victoria 3051 Australia
- (72) Name(s) of Designer(s): **Manfred Schopf and John Schopf**
- (45) Registration Date: **01 May 2007**
- (56) Related Art Documents: **Not Applicable**
- (57) Statement of Newness and Distinctiveness: **Nil**

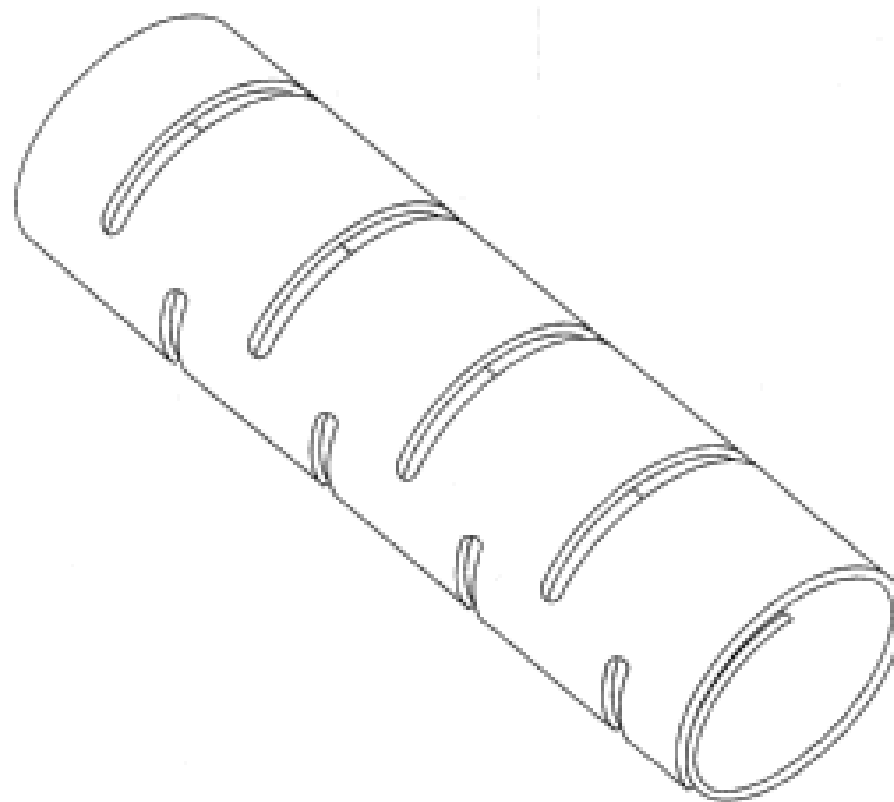


- (21) Design Number: **16257/2007**
- (22) Date of Filing Application: **02 February 2007**
- (24) Date from which industrial property rights may have effect: **02 February 2007**
- (54) Product in respect of which the design is registered: **Vacuum cleaner**
- (51) International Design Classification: **15-05**
- (71) Name(s) and Address(s) of Applicant(s):
Black & Decker, Inc.
1207 Drummond Plaza Newark Delaware 19711 United States of America
- (72) Name(s) of Designer(s): **Graeme Crawley**
- (45) Registration Date: **01 May 2007**
- (30) Convention priority data:

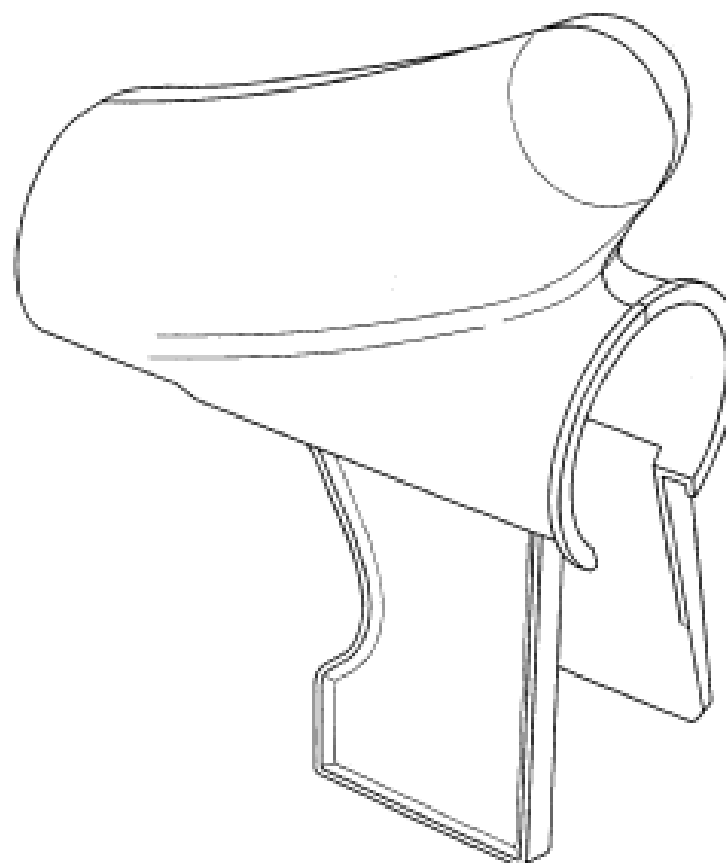
(31) Number	(32) Date	(33) Country
000571294	04 Aug 2006	EUROPEAN COMMUNITY
- (56) Related Art Documents: **Not Applicable**
- (57) Statement of Newness and Distinctiveness: **Nil**



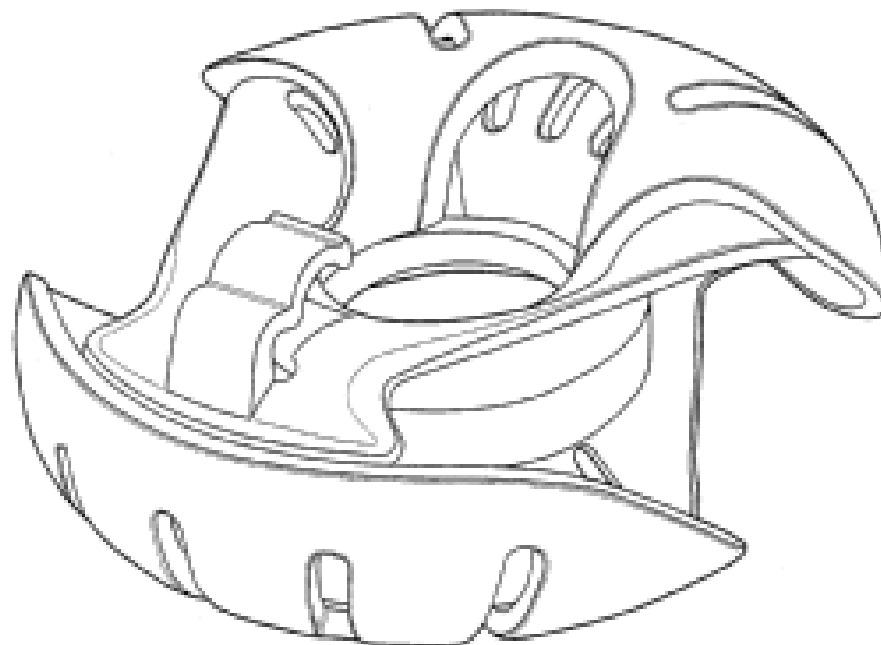
(21) Design Number: **16258/2007**
(22) Date of Filing Application: **02 February 2007**
(24) Date from which industrial property rights may have effect: **02 February 2007**
(54) Product in respect of which the design is registered: **Piping for wires**
(51) International Design Classification: **09-05**
(71) Name(s) and Address(s) of Applicant(s):
Maria Angeles Perez Delgado
Casino no.2 38620 San Miguel De Abona Tenerife Spain
(72) Name(s) of Designer(s): **Maria Angeles Perez Delgado**
(45) Registration Date: **01 May 2007**
(56) Related Art Documents: **Not Applicable**
(57) Statement of Newness and Distinctiveness: **Nil**



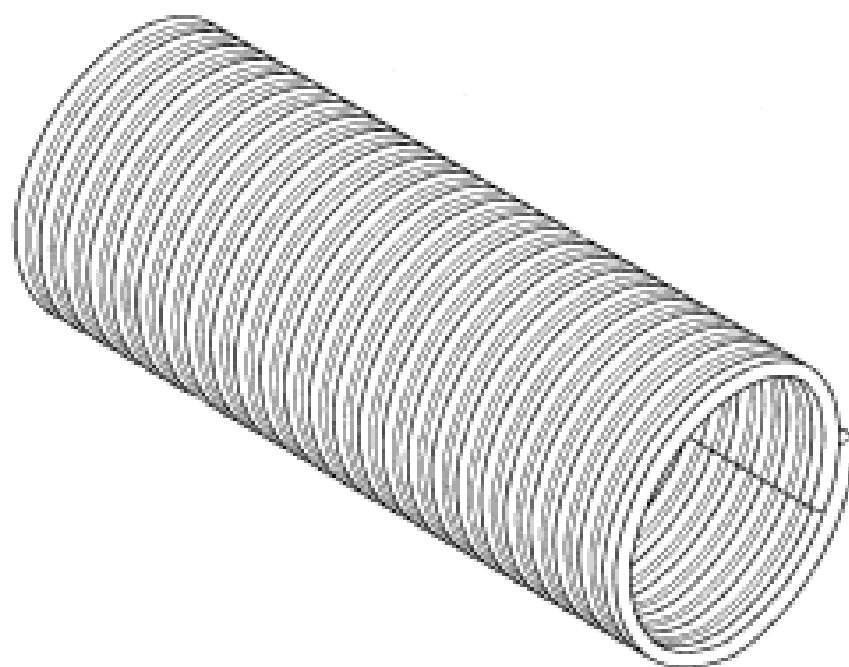
(21) Design Number: **16259/2007**
(22) Date of Filing Application: **02 February 2007**
(24) Date from which industrial property rights may have effect: **02 February 2007**
(54) Product in respect of which the design is registered: **Device to guide cables**
(51) International Design Classification: **08-08NES**
(71) Name(s) and Address(s) of Applicant(s):
Maria Angeles Perez Delgado
Casino no.2 38620 San Miguel De Abona Tenerife Spain
(72) Name(s) of Designer(s): **Maria Angeles Perez Delgado**
(45) Registration Date: **01 May 2007**
(56) Related Art Documents: **Not Applicable**
(57) Statement of Newness and Distinctiveness: **Nil**



- (21) Design Number: **16260/2007**
(22) Date of Filing Application: **02 February 2007**
(24) Date from which industrial property rights may have effect: **02 February 2007**
(54) Product in respect of which the design is registered: **Accesory for electrical wires**
(51) International Design Classification: **08-08NES**
(71) Name(s) and Address(s) of Applicant(s):
Maria Angeles Perez Delgado
Casino no.2 38620 San Miguel De Abona Tenerife Spain
(72) Name(s) of Designer(s): **Maria Angeles Perez Delgado**
(45) Registration Date: **01 May 2007**
(56) Related Art Documents: **Not Applicable**
(57) Statement of Newness and Distinctiveness: **Nil**



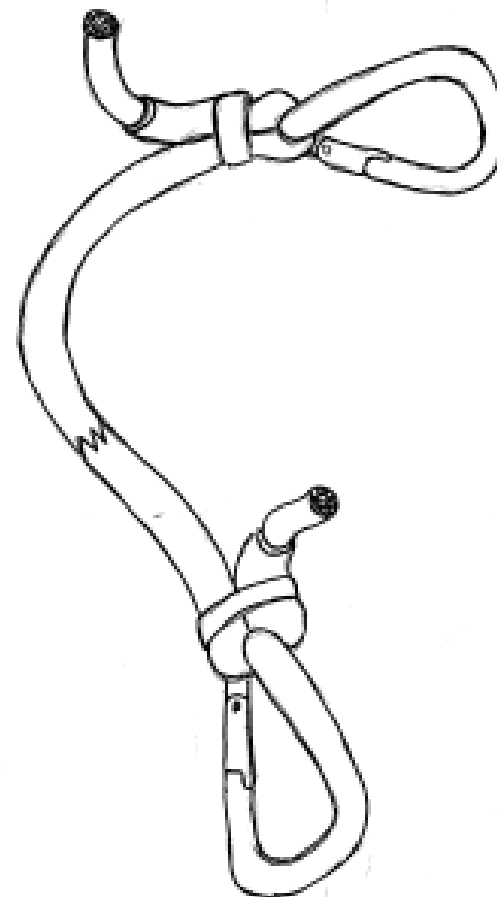
- (21) Design Number: **16261/2007**
(22) Date of Filing Application: **02 February 2007**
(24) Date from which industrial property rights may have effect: **02 February 2007**
(54) Product in respect of which the design is registered: **Piping for wires**
(51) International Design Classification: **09-05**
(71) Name(s) and Address(s) of Applicant(s):
Maria Angeles Perez Delgado
Casino no.2 38620 San Miguel De Abona Tenerife Spain
(72) Name(s) of Designer(s): **Maria Angeles Perez Delgado**
(45) Registration Date: **01 May 2007**
(56) Related Art Documents: **Not Applicable**
(57) Statement of Newness and Distinctiveness: **Nil**



- (21) Design Number: **16271/2007**
- (22) Date of Filing Application: **02 February 2007**
- (24) Date from which industrial property rights may have effect: **02 February 2007**
- (54) Product in respect of which the design is registered: **Safety stretch cord**
- (51) International Design Classification: **09-06**
- (71) Name(s) and Address(s) of Applicant(s):

Gary Allen Greer
3 Collinson Street Beaconsfield Western Australia 6162 Australia

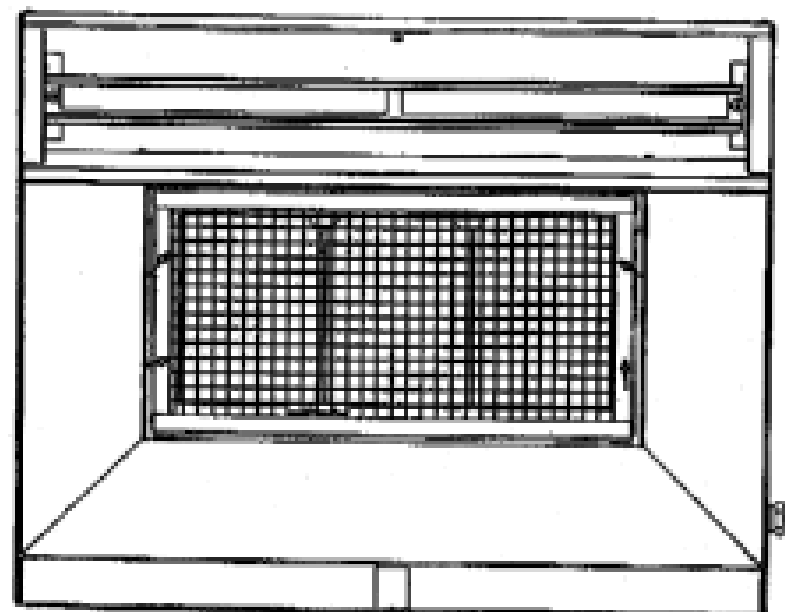
- (72) Name(s) of Designer(s): **Gary Allen Greer**
- (45) Registration Date: **01 May 2007**
- (56) Related Art Documents: **Not Applicable**
- (57) Statement of Newness and Distinctiveness: **Monopoly is claimed in the configuration of the stretch cord shown in the representation. The cord is of indefinite length and diameter. No monopoly is claimed for the shape and configuration of the clips shown.**



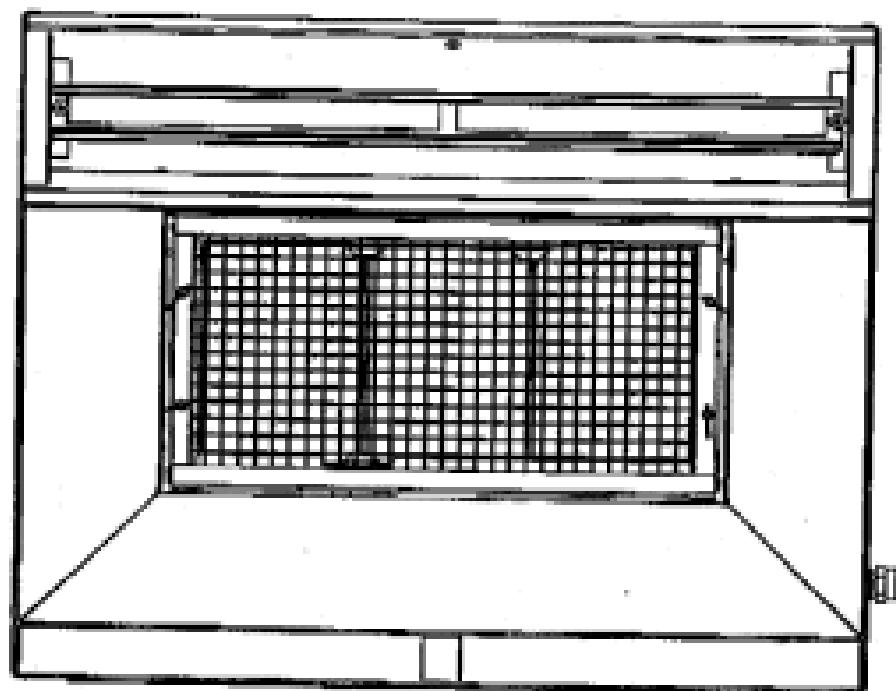
- (21) Design Number: **16277/2007**
- (22) Date of Filing Application: **05 February 2007**
- (24) Date from which industrial property rights may have effect: **05 February 2007**
- (54) Product in respect of which the design is registered: **A heater**
- (51) International Design Classification: **23-03B**
- (71) Name(s) and Address(s) of Applicant(s):

Rinnai New Zealand Limited
691 Mt Albert Road Royal Oak Auckland New Zealand

- (72) Name(s) of Designer(s): **Greg Brinsden**
- (45) Registration Date: **01 May 2007**
- (30) Convention priority data:
 - (31) Number (32) Date (33) Country
 - 408380 16 Nov 2006 NEW ZEALAND**
- (56) Related Art Documents: **Not Applicable**
- (57) Statement of Newness and Distinctiveness: **The novelty claimed for the design resides in the features of shape and/or configuration all as shown in front views of the representations. No novelty is claimed in respect of the number of grids across the front of the heater nor in the mounting bracket.**



- (21) Design Number: **16278/2007**
(22) Date of Filing Application: **05 February 2007**
(24) Date from which industrial property rights may have effect: **05 February 2007**
(54) Product in respect of which the design is registered: **A heater**
(51) International Design Classification: **23-03B**
(71) Name(s) and Address(s) of Applicant(s):
Rinnai New Zealand Limited
691 Mt Albert Road Royal Oak Auckland New Zealand
(72) Name(s) of Designer(s): **Greg Brinsden**
(45) Registration Date: **01 May 2007**
(30) Convention priority data:
(31) Number (32) Date (33) Country
408379 16 Nov 2006 NEW ZEALAND
(56) Related Art Documents: **Not Applicable**
(57) Statement of Newness and Distinctiveness: **The novelty claimed for the design resides in the features of shape and/or configuration all as shown in the representations. No novelty is claimed in respect of the number of grids across the front of the heater.**



- (21) Design Number: **14232/2006**
(22) Date of Filing Application: **21 September 2006**
(24) Date from which industrial property rights may have effect: **21 September 2006**
(54) Product in respect of which the design is registered: **A cooking appliance**
(51) International Design Classification: **07-02B, 07-02C**
(71) Name(s) and Address(s) of Applicant(s):
Electrolux Home Products Pty Limited
175 Bonds Road Riverwood New South Wales 2210 Australia
(72) Name(s) of Designer(s): **Alex Gray and Lars Erikson and Lyndon Craig**
(45) Registration Date: **07 May 2007**
(56) Related Art Documents: **Not Applicable**
(57) Statement of Newness and Distinctiveness: **Nil**



- (21) Design Number: **16291/2007**
- (22) Date of Filing Application: **05 February 2007**
- (24) Date from which industrial property rights may have effect: **05 February 2007**
- (54) Product in respect of which the design is registered: **Electronic mouse**
- (51) International Design Classification: **14-02**
- (71) Name(s) and Address(s) of Applicant(s):

Microsoft Corporation
One Microsoft Way Redmond Washington 98052 United States of America

(72) Name(s) of Designer(s): **Steven W. Fisher and Young Soo Kim**

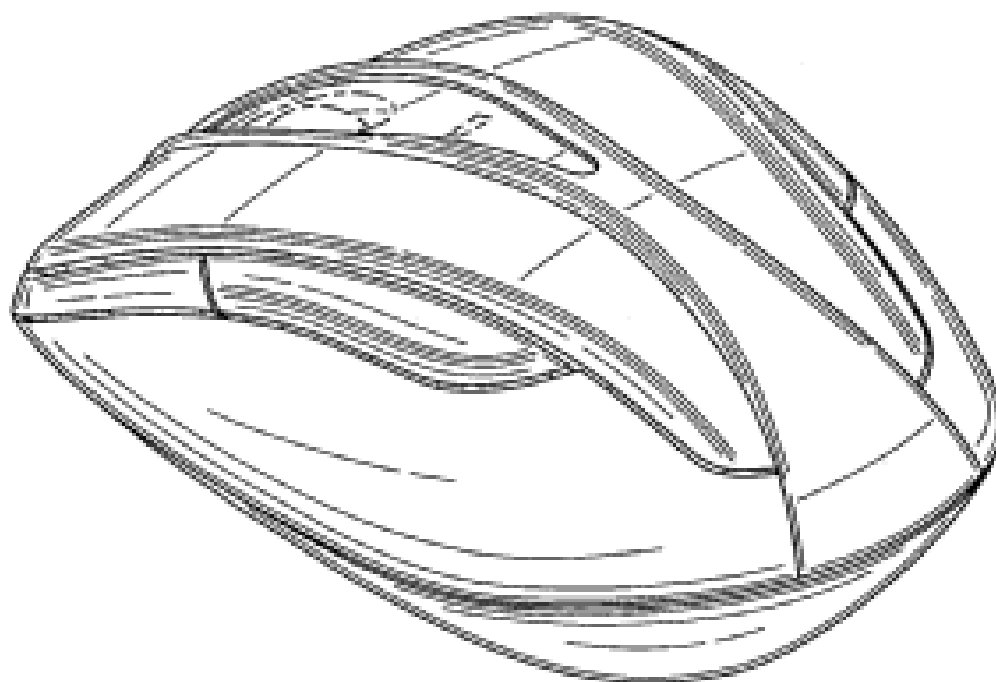
(45) Registration Date: **07 May 2007**

(30) Convention priority data:

(31) Number	(32) Date	(33) Country
29/248267	04 Aug 2006	UNITED STATES OF AMERICA

(56) Related Art Documents: **Not Applicable**

(57) Statement of Newness and Distinctiveness: **Newness and distinctiveness reside in one or more visual features of an electronic mouse as illustrated in the accompanying representations. The features shown in broken outline are illustrative only and do not form part of the design.**



- (21) Design Number: **16292/2007**
- (22) Date of Filing Application: **05 February 2007**
- (24) Date from which industrial property rights may have effect: **05 February 2007**
- (54) Product in respect of which the design is registered: **Electronic mouse**
- (51) International Design Classification: **14-02**
- (71) Name(s) and Address(s) of Applicant(s):

Microsoft Corporation
One Microsoft Way Redmond Washington 98052 United States of America

(72) Name(s) of Designer(s): **Monique Chatterjee**

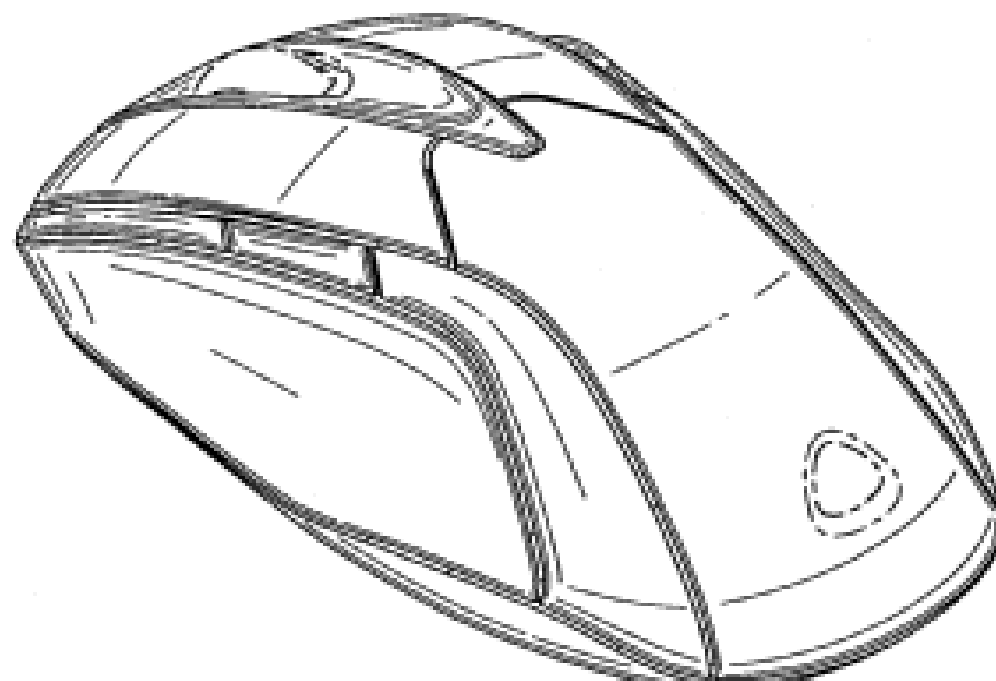
(45) Registration Date: **07 May 2007**

(30) Convention priority data:

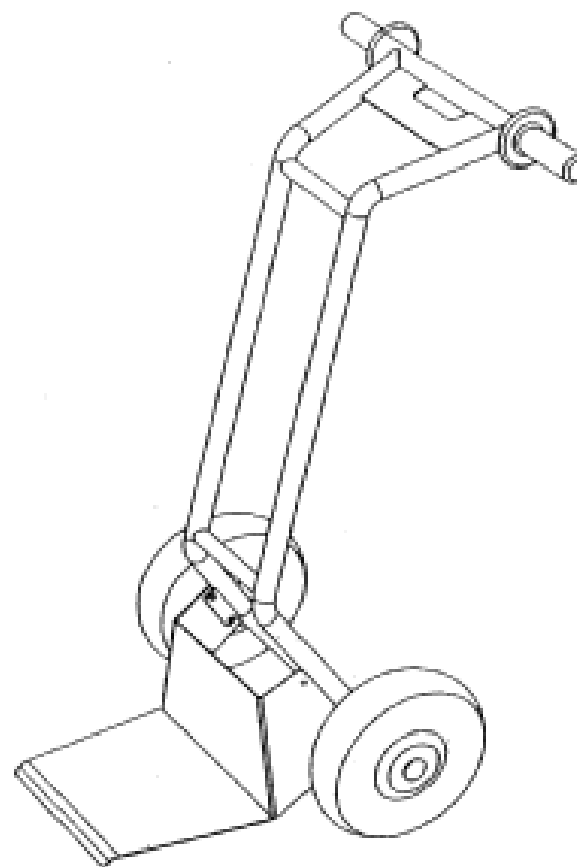
(31) Number	(32) Date	(33) Country
29/248232	04 Aug 2006	UNITED STATES OF AMERICA

(56) Related Art Documents: **Not Applicable**

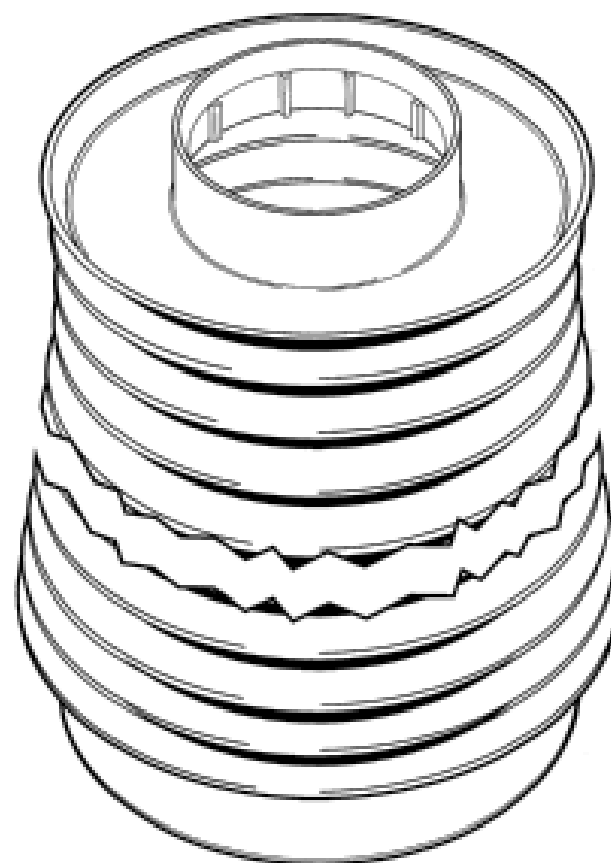
(57) Statement of Newness and Distinctiveness: **Newness and distinctiveness reside in one or more visual features of an electronic mouse as illustrated in the accompanying representations. The features shown in broken outline are illustrative only and do not form part of the design.**



(21) Design Number: **16300/2007**
(22) Date of Filing Application: **05 February 2007**
(24) Date from which industrial property rights may have effect: **05 February 2007**
(54) Product in respect of which the design is registered: **Cart**
(51) International Design Classification: **12-02**
(71) Name(s) and Address(s) of Applicant(s):
Livin Fernand Georges Dethier
Leemkuilstraat 144 3570 Alken Belgium
(72) Name(s) of Designer(s): **Livin Fernand Georges Dethier**
(45) Registration Date: **07 May 2007**
(30) Convention priority data:
(31) Number (32) Date (33) Country
782061#01/02 04 Aug 2006 BENELUX
(56) Related Art Documents: **Not Applicable**
(57) Statement of Newness and Distinctiveness: **Nil**



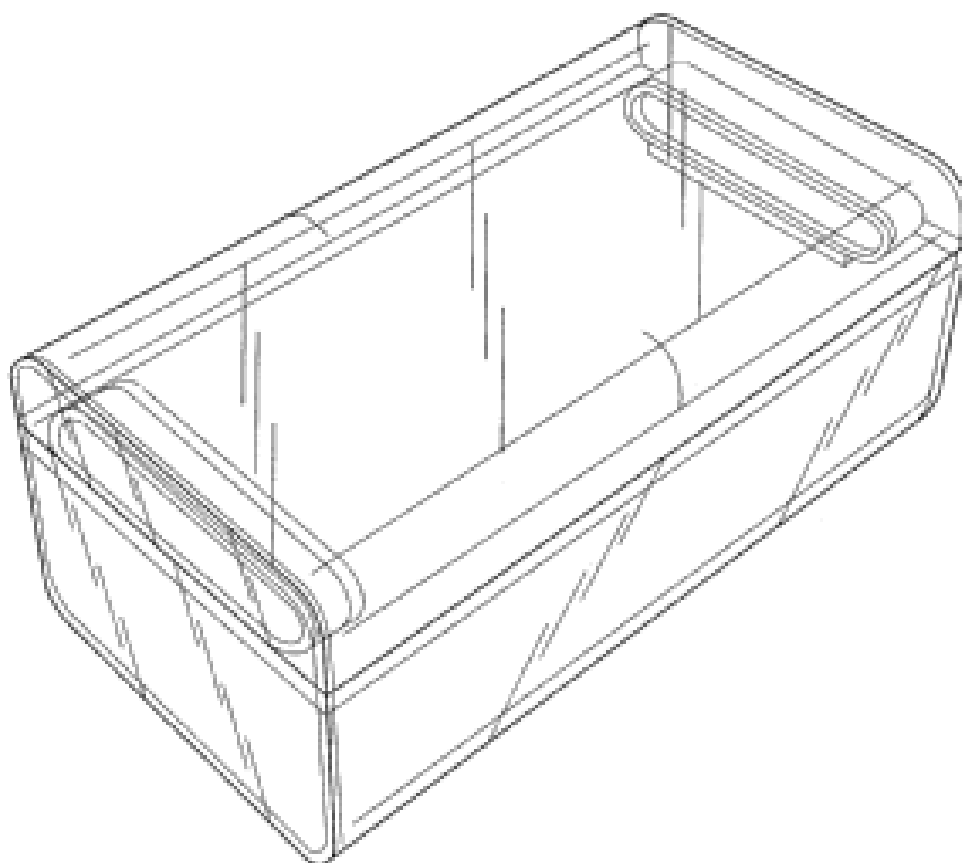
(21) Design Number: **16301/2007**
(22) Date of Filing Application: **05 February 2007**
(24) Date from which industrial property rights may have effect: **05 February 2007**
(54) Product in respect of which the design is registered: **Drill shroud**
(51) International Design Classification: **08-01**
(71) Name(s) and Address(s) of Applicant(s):
Gregory John Radich
34 Packer Street Beckenham Western Australia 6107 Australia
(72) Name(s) of Designer(s): **Gregory John Radich**
(45) Registration Date: **07 May 2007**
(56) Related Art Documents: **Not Applicable**
(57) Statement of Newness and Distinctiveness: **Each feature of the drill shroud, considered separately, or in combination with any other feature or features.**



- (21) Design Number: **16302/2007**
(22) Date of Filing Application: **05 February 2007**
(24) Date from which industrial property rights may have effect: **05 February 2007**
(54) Product in respect of which the design is registered: **A bath for animals**
(51) International Design Classification: **23-02B**
(71) Name(s) and Address(s) of Applicant(s):
Mavlab Pty Ltd
33 Rowland Street Slacks Creek Queensland 4127 Australia
(72) Name(s) of Designer(s): **Scot Farley**
(45) Registration Date: **07 May 2007**
(56) Related Art Documents: **Not Applicable**
(57) Statement of Newness and Distinctiveness: **Newness and distinctiveness is claimed in the shape or configuration of the bath as illustrated.**



- (21) Design Number: **16303/2007**
(22) Date of Filing Application: **05 February 2007**
(24) Date from which industrial property rights may have effect: **05 February 2007**
(54) Product in respect of which the design is registered: **Package**
(51) International Design Classification: **09-03K**
(71) Name(s) and Address(s) of Applicant(s):
Apple Computer, Inc.
1 Infinite Loop Cupertino California 95014-2084 United States of America
(72) Name(s) of Designer(s): **Bartley K. Andre and Daniel J. Coster and Daniele De Iulius and Richard P. Howarth and Jonathan P. Ive and Steve Jobs and Duncan Robert Kerr and Shin Nishibori and Matthew Dean Rohrbach and Douglas B. Satzger and Calvin Q. Seid and Christopher J. Stringe and Eugene Antony Whang and Rico Zorkendorfer**
(45) Registration Date: **07 May 2007**
(30) Convention priority data:
(31) Number (32) Date (33) Country
29/265951 11 Sep 2006 UNITED STATES OF AMERICA
(56) Related Art Documents: **Not Applicable**
(57) Statement of Newness and Distinctiveness: **Nil**



- (21) Design Number: **16304/2007**
- (22) Date of Filing Application: **05 February 2007**
- (24) Date from which industrial property rights may have effect: **05 February 2007**
- (54) Product in respect of which the design is registered: **Package**
- (51) International Design Classification: **09-03K**
- (71) Name(s) and Address(s) of Applicant(s):

Apple Computer, Inc.
1 Infinite Loop Cupertino California 95014-2084 United States of America

- (72) Name(s) of Designer(s): **Bartley K. Andre and Daniel J. Coster and Daniele De Iulius and Richard P. Howarth and Jonathan P. Ive and Steve Jobs and Duncan Robert Kerr and Shin Nishibori and Matthew Dean Rohrbach and Douglas B. Satzger and Calvin Q. Seid and Christopher J. Stringe and Eugene Antony Whang and Rico Zorkendorfer**

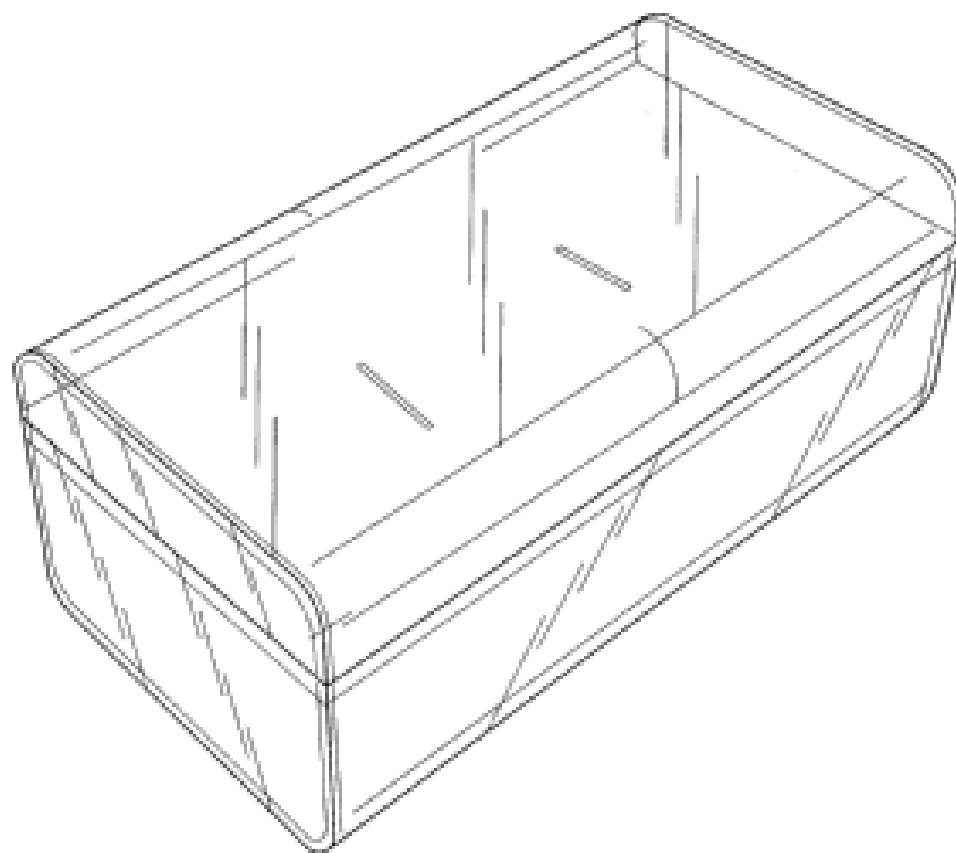
(45) Registration Date: **07 May 2007**

(30) Convention priority data:

(31) Number	(32) Date	(33) Country
29/265951	11 Sep 2006	UNITED STATES OF AMERICA

(56) Related Art Documents: **Not Applicable**

(57) Statement of Newness and Distinctiveness: **Nil**



- (21) Design Number: **16305/2007**
- (22) Date of Filing Application: **05 February 2007**
- (24) Date from which industrial property rights may have effect: **05 February 2007**
- (54) Product in respect of which the design is registered: **Package**
- (51) International Design Classification: **09-03K**
- (71) Name(s) and Address(s) of Applicant(s):

Apple Computer, Inc.
1 Infinite Loop Cupertino California 95014-2084 United States of America

- (72) Name(s) of Designer(s): **Bartley K. Andre and Daniel J. Coster and Daniele De Iulius and Richard P. Howarth and Jonathan P. Ive and Steve Jobs and Duncan Robert Kerr and Shin Nishibori and Matthew Dean Rohrbach and Douglas B. Satzger and Calvin Q. Seid and Christopher J. Stringe and Eugene Antony Whang and Rico Zorkendorfer**

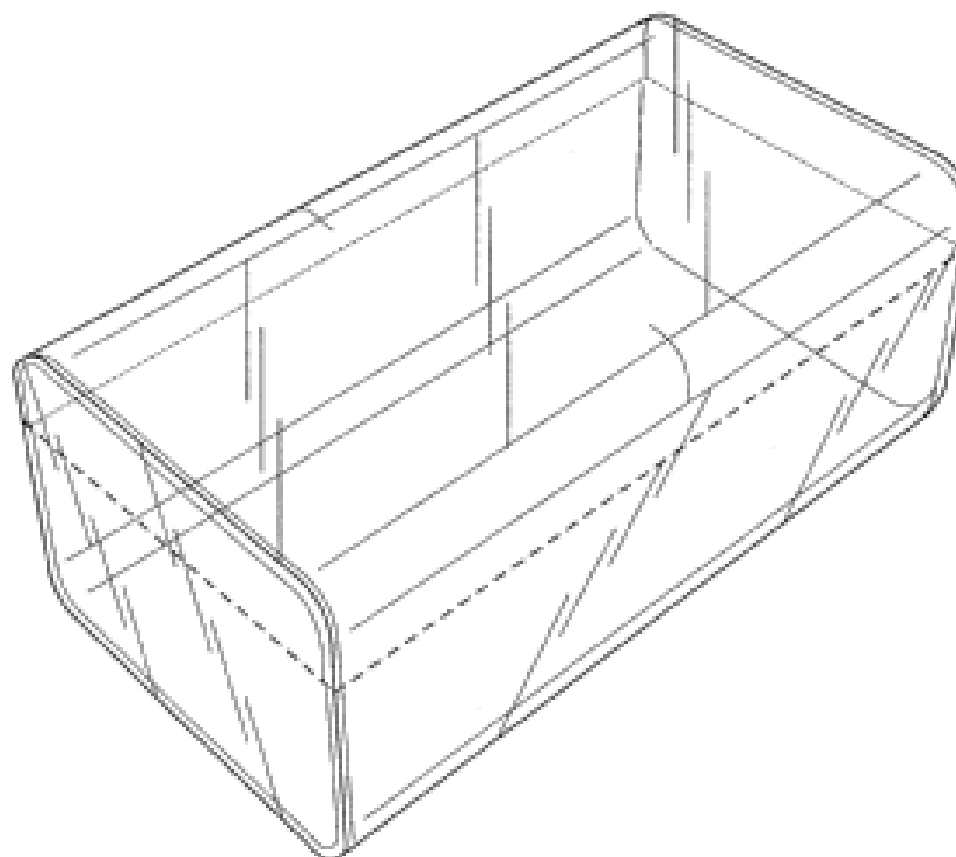
(45) Registration Date: **07 May 2007**

(30) Convention priority data:

(31) Number	(32) Date	(33) Country
29/265952	11 Sep 2006	UNITED STATES OF AMERICA

(56) Related Art Documents: **Not Applicable**

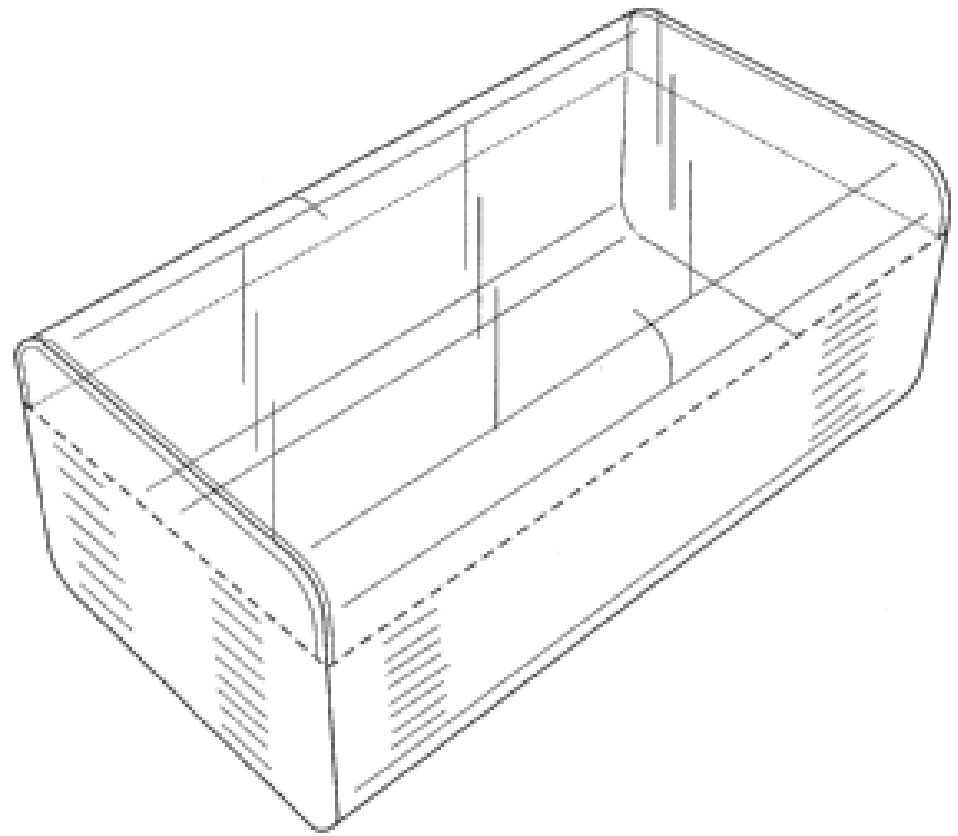
(57) Statement of Newness and Distinctiveness: **Newness and distinctiveness of the design resides in the feature of shape and configuration of a package depicted in the accompanying representations.**



(19) AU

- (21) Design Number: **16306/2007**
- (22) Date of Filing Application: **05 February 2007**
- (24) Date from which industrial property rights may have effect: **05 February 2007**
- (54) Product in respect of which the design is registered: **Package**
- (51) International Design Classification: **09-03K**
- (71) Name(s) and Address(s) of Applicant(s):
Apple Computer, Inc.
1 Infinite Loop Cupertino California 95014-2084 United States of America
- (72) Name(s) of Designer(s): **Bartley K. Andre and Daniel J. Coster and Daniele De Iulius and Richard P. Howarth and Jonathan P. Ive and Steve Jobs and Duncan Robert Kerr and Shin Nishibori and Matthew Dean Rohrbach and Douglas B. Satzger and Calvin Q. Seid and Christopher J. Stringe and Eugene Antony Whang and Rico Zorkendorfer**
- (45) Registration Date: **07 May 2007**
- (30) Convention priority data:

(31) Number	(32) Date	(33) Country
29/265952	11 Sep 2006	UNITED STATES OF AMERICA
- (56) Related Art Documents: **Not Applicable**
- (57) Statement of Newness and Distinctiveness: **Newness and distinctiveness of the present design resides in the features of shape and configuration of a package having an opaque portion and translucent portion as depicted in the accompanying drawings.**



(19) AU

- (21) Design Number: **16307/2007**
- (22) Date of Filing Application: **05 February 2007**
- (24) Date from which industrial property rights may have effect: **05 February 2007**
- (54) Product in respect of which the design is registered: **Ball**
- (51) International Design Classification: **21-02A**
- (71) Name(s) and Address(s) of Applicant(s):
SGG Patents LLC
3330 Cumberland Boulevard Suite 800 Atlanta Georgia 30339 United States of America
- (72) Name(s) of Designer(s): **Ronald P. Laliberty and Michael W. Maziarz**
- (45) Registration Date: **07 May 2007**
- (30) Convention priority data:

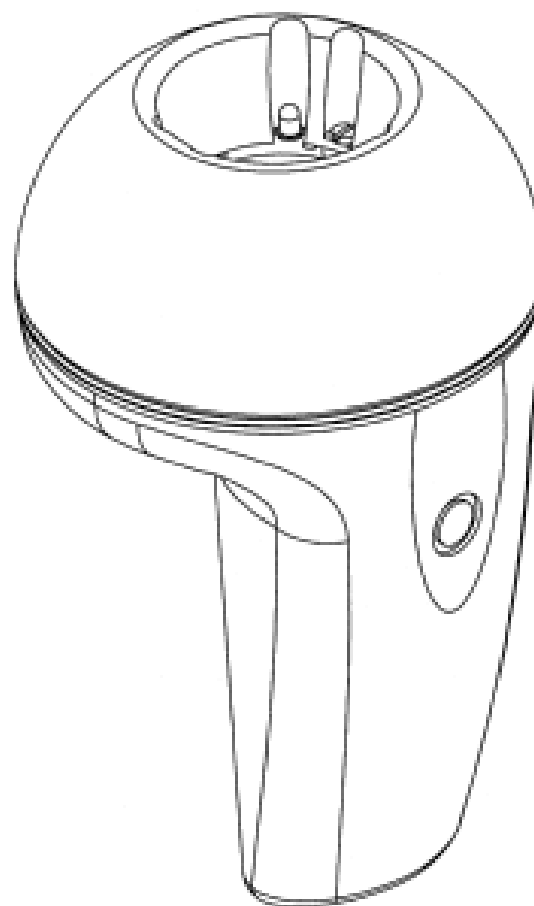
(31) Number	(32) Date	(33) Country
29/265,427	31 Aug 2006	UNITED STATES OF AMERICA
- (56) Related Art Documents: **Not Applicable**
- (57) Statement of Newness and Distinctiveness: **Those features of the ball depicted in the representations that are new and distinctive are the shape, configuration, pattern and ornamentation. The features shown in broken lines are not part of the design and are to be disregarded when considering the overall impression of the design.**



(21) Design Number: **16326/2007**
 (22) Date of Filing Application: **06 February 2007**
 (24) Date from which industrial property rights may have effect: **06 February 2007**
 (54) Product in respect of which the design is registered: **Aerosol dispenser**
 (51) International Design Classification: **09-07A**
 (71) Name(s) and Address(s) of Applicant(s):
Crown Packaging Technology Inc
11535 S. Central Avenue Alsip Illinois 60803-2599 United States of America
 (72) Name(s) of Designer(s): **Thomas Hedley Maxwell-Wood**
 (45) Registration Date: **07 May 2007**
 (30) Convention priority data:

(31) Number	(32) Date	(33) Country
000573332	10 Aug 2006	EUROPEAN COMMUNITY

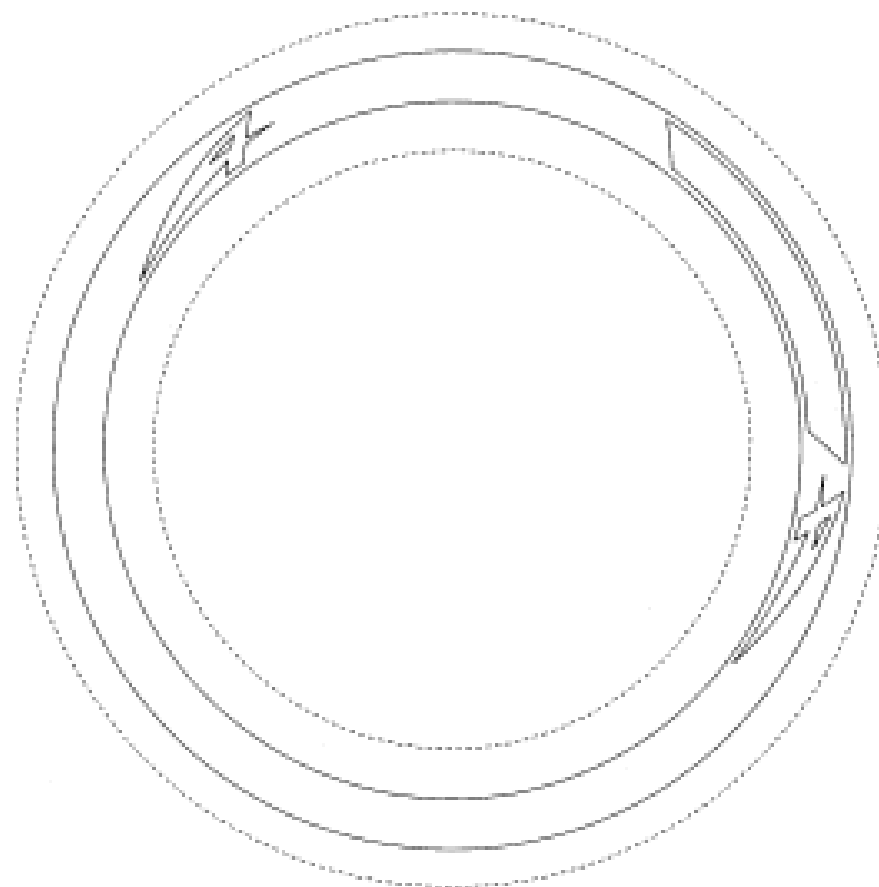
 (56) Related Art Documents: **Not Applicable**
 (57) Statement of Newness and Distinctiveness: **Nil**



(21) Design Number: **16327/2007**
 (22) Date of Filing Application: **06 February 2007**
 (24) Date from which industrial property rights may have effect: **06 February 2007**
 (54) Product in respect of which the design is registered: **An automobile tyre**
 (51) International Design Classification: **12-15NES**
 (71) Name(s) and Address(s) of Applicant(s):
Bridgestone Corporation
10-1 Kyobashi 1-chome Chuo-ku Tokyo Japan
 (72) Name(s) of Designer(s): **Sotaro Iwabuchi**
 (45) Registration Date: **07 May 2007**
 (30) Convention priority data:

(31) Number	(32) Date	(33) Country
2006#21380	10 Aug 2006	JAPAN

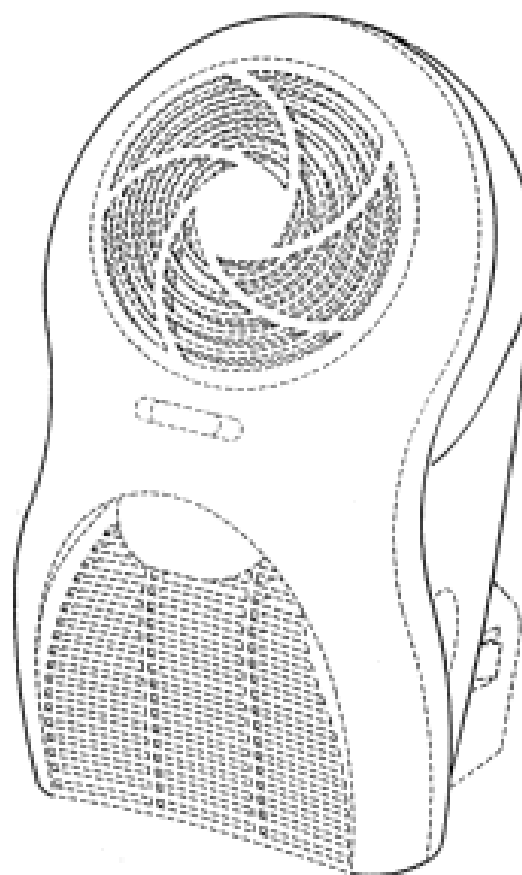
 (56) Related Art Documents: **Not Applicable**
 (57) Statement of Newness and Distinctiveness: **Newness and distinctiveness is claimed in the visual features of pattern or ornamentation in the side wall of the tyre as shown in solid lines in the representations.**



(21) Design Number: **16331/2007**
 (22) Date of Filing Application: **06 February 2007**
 (24) Date from which industrial property rights may have effect: **06 February 2007**
 (54) Product in respect of which the design is registered: **Air purifier**
 (51) International Design Classification: **28-99**
 (71) Name(s) and Address(s) of Applicant(s):
S.C. Johnson & Son Inc.
1525 Howe Street Racine Wisconsin 53403-2236 United States of America
 (72) Name(s) of Designer(s): **Thomas Van Dyk and Marissa A.K. Schultz**
 (45) Registration Date: **07 May 2007**
 (30) Convention priority data:

(31) Number	(32) Date	(33) Country
29/248293	08 Aug 2006	UNITED STATES OF AMERICA

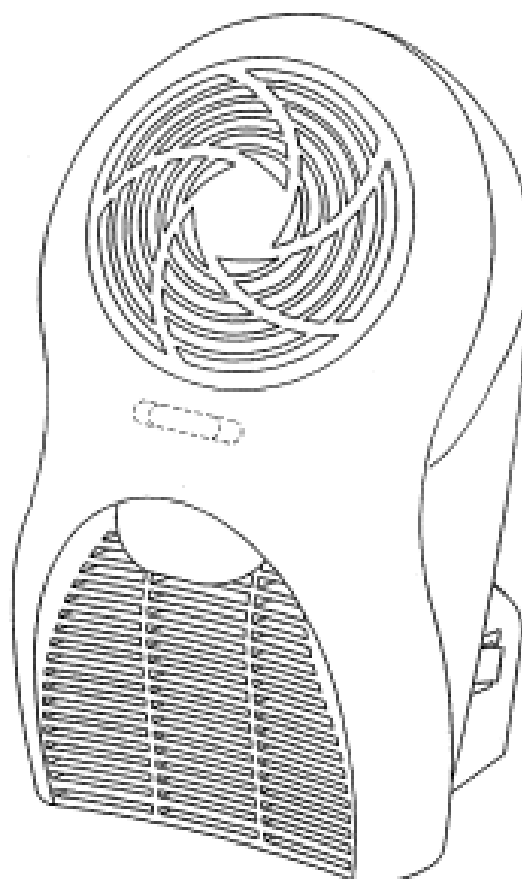
 (56) Related Art Documents: **Not Applicable**
 (57) Statement of Newness and Distinctiveness: **Newness and distinctiveness is claimed in the features of shape and/or configuration of an air purifier as illustrated in continuous lines in the accompanying representations.**



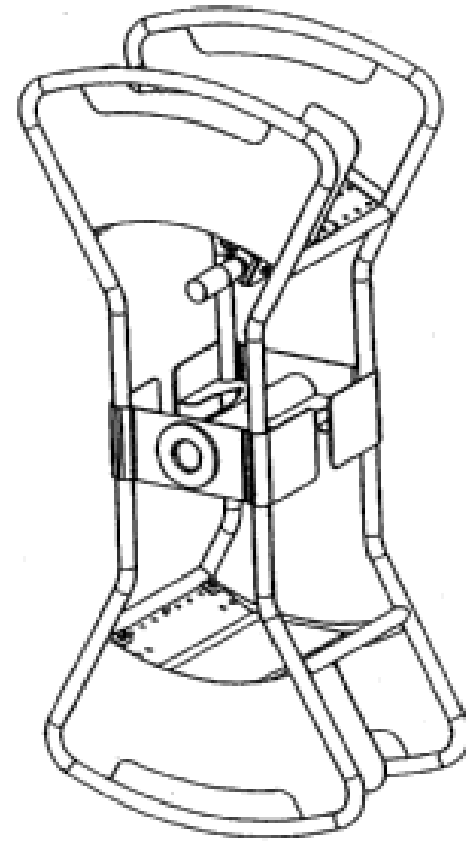
(21) Design Number: **16332/2007**
 (22) Date of Filing Application: **06 February 2007**
 (24) Date from which industrial property rights may have effect: **06 February 2007**
 (54) Product in respect of which the design is registered: **Air purifier**
 (51) International Design Classification: **28-99**
 (71) Name(s) and Address(s) of Applicant(s):
S.C. Johnson & Son Inc.
1525 Howe Street Racine Wisconsin 53403-2236 United States of America
 (72) Name(s) of Designer(s): **Thomas Van Dyk and Marissa A.K. Schultz**
 (45) Registration Date: **07 May 2007**
 (30) Convention priority data:

(31) Number	(32) Date	(33) Country
29/248293	08 Aug 2006	UNITED STATES OF AMERICA

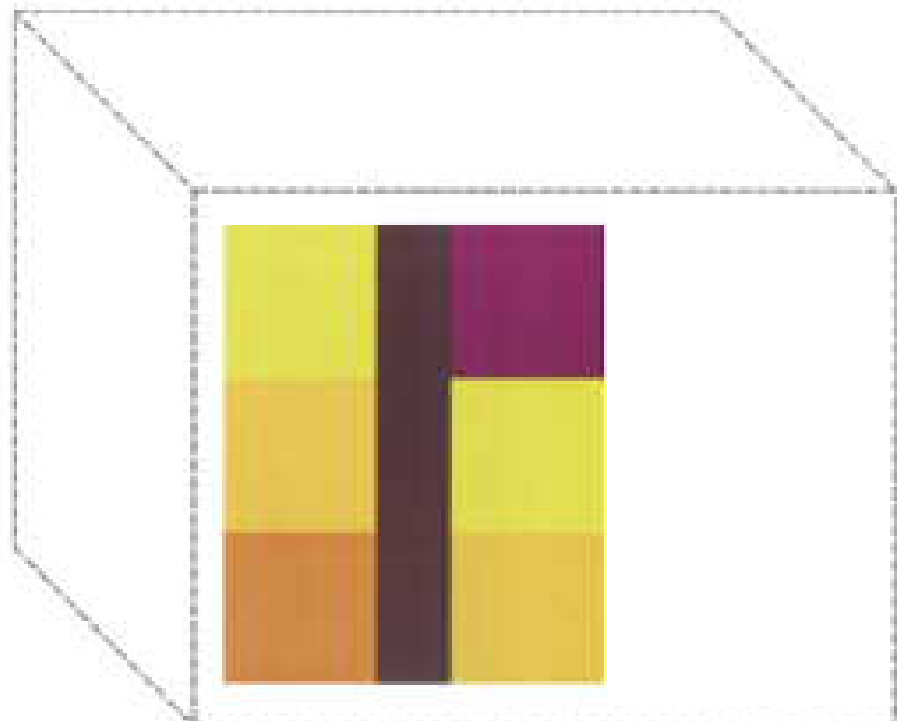
 (56) Related Art Documents: **Not Applicable**
 (57) Statement of Newness and Distinctiveness: **Newness and distinctiveness is claimed in the features of shape and/or configuration of an air purifier as illustrated in continuous lines in the accompanying representations.**



(21) Design Number: **16299/2007**
(22) Date of Filing Application: **05 February 2007**
(24) Date from which industrial property rights may have effect: **05 February 2007**
(54) Product in respect of which the design is registered: **Reel**
(51) International Design Classification: **08-99**
(71) Name(s) and Address(s) of Applicant(s):
Livin Fernand Georges Dethier
Leemkuilstraat 144 3570 Alken Belgium
(72) Name(s) of Designer(s): **Livin Fernand Georges Dethier**
(45) Registration Date: **02 May 2007**
(30) Convention priority data:
(31) Number (32) Date (33) Country
782061#01/02 04 Aug 2006 BENELUX
(56) Related Art Documents: **Not Applicable**
(57) Statement of Newness and Distinctiveness: **Nil**



(21) Design Number: **16298/2007**
(22) Date of Filing Application: **05 February 2007**
(24) Date from which industrial property rights may have effect: **05 February 2007**
(54) Product in respect of which the design is registered: **Package**
(51) International Design Classification: **09-03K**
(71) Name(s) and Address(s) of Applicant(s):
Societe Des Produits Nestle S.A.
1800 Vevey Switzerland
(72) Name(s) of Designer(s): **Christine Boillevin**
(45) Registration Date: **02 May 2007**
(30) Convention priority data:
(31) Number (32) Date (33) Country
133157 24 Aug 2006 SWITZERLAND
(56) Related Art Documents: **Not Applicable**
(57) Statement of Newness and Distinctiveness: **Newness and distinctiveness reside in the features of pattern and ornamentation of the design for a package as shown in the accompanying representations. The shape and configuration of the package shown in broken outline and the position and relative size of the features of pattern and ornamentation in relation to the package are illustrative only and do not form part of the design.**



(21) Design Number: **16297/2007**

(22) Date of Filing Application: **05 February 2007**

(24) Date from which industrial property rights may have effect: **05 February 2007**

(54) Product in respect of which the design is registered: **Package**

(51) International Design Classification: **09-03K**

(71) Name(s) and Address(s) of Applicant(s):

**Societe Des Produits Nestle S.A.
1800 Vevey Switzerland**

(72) Name(s) of Designer(s): **Christine Boillevin**

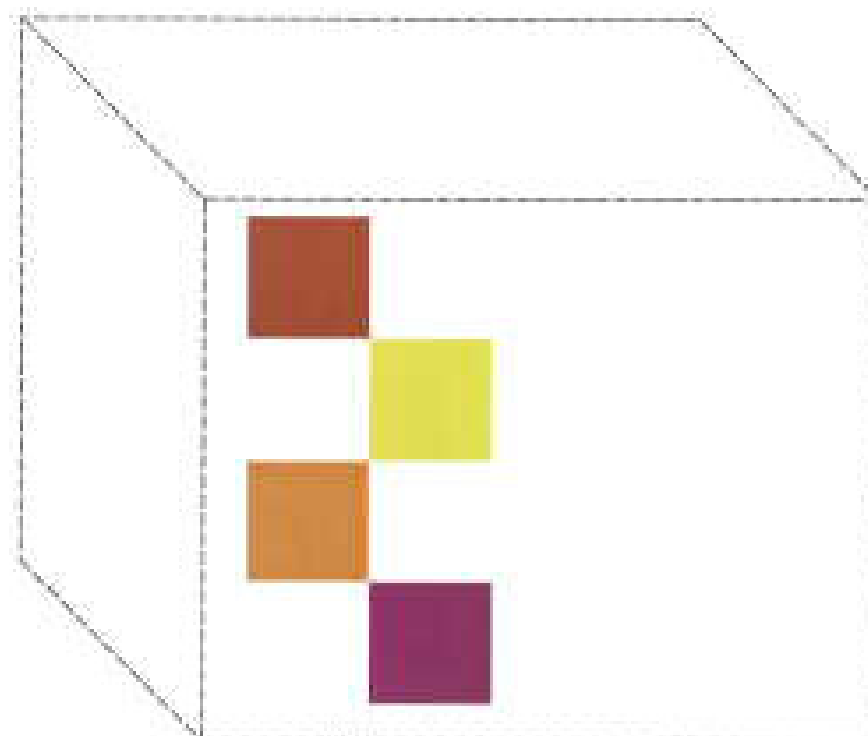
(45) Registration Date: **02 May 2007**

(30) Convention priority data:

(31) Number	(32) Date	(33) Country
133156	24 Aug 2006	SWITZERLAND

(56) Related Art Documents: **Not Applicable**

(57) Statement of Newness and Distinctiveness: **Newness and distinctiveness reside in the features of pattern and ornamentation of the package shown in the accompanying representations. The shape and configuration of the package shown in broken line and the position and relative size of the features of pattern and ornamentation in relation to the package are illustrative only and do not form part of the design.**



(21) Design Number: **16296/2007**

(22) Date of Filing Application: **05 February 2007**

(24) Date from which industrial property rights may have effect: **05 February 2007**

(54) Product in respect of which the design is registered: **Package**

(51) International Design Classification: **09-03K**

(71) Name(s) and Address(s) of Applicant(s):

**Societe Des Produits Nestle S.A.
1800 Vevey Switzerland**

(72) Name(s) of Designer(s): **Christine Boillevin**

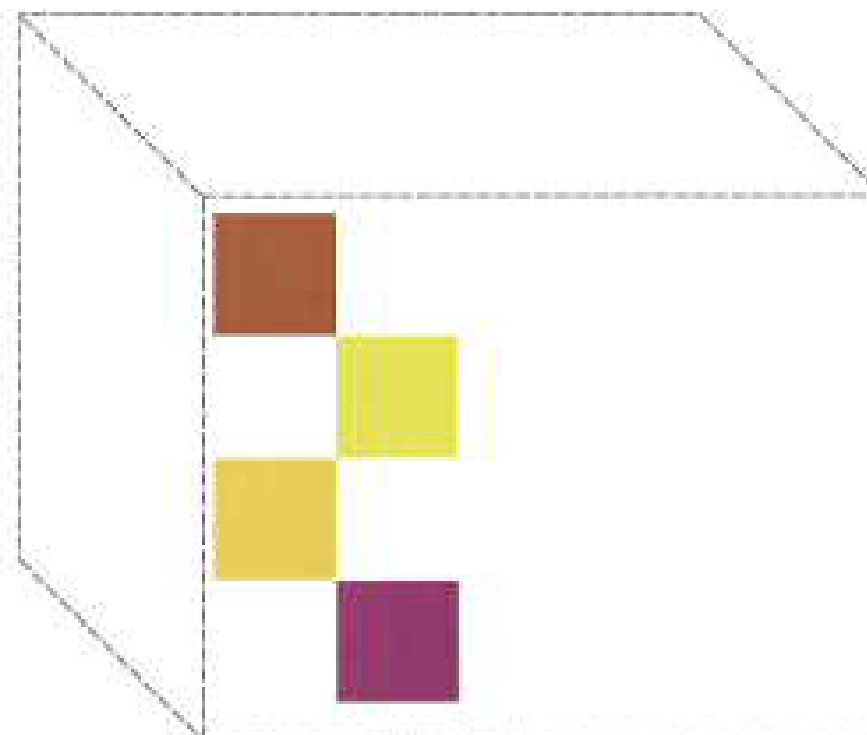
(45) Registration Date: **02 May 2007**

(30) Convention priority data:

(31) Number	(32) Date	(33) Country
133156	24 Aug 2006	SWITZERLAND

(56) Related Art Documents: **Not Applicable**

(57) Statement of Newness and Distinctiveness: **Newness and distinctiveness reside in the features of pattern and ornamentation of the design for a package as shown in the accompanying representations. The shape and configuration of the package shown in broken outline and the position and relative size of the features of pattern and ornamentation in relation to the package are illustrative only and do not form part of the design.**



(21) Design Number: **16295/2007**

(22) Date of Filing Application: **05 February 2007**

(24) Date from which industrial property rights may have effect: **05 February 2007**

(54) Product in respect of which the design is registered: **Package**

(51) International Design Classification: **09-03K**

(71) Name(s) and Address(s) of Applicant(s):

**Societe Des Produits Nestle S.A.
1800 Vevey Switzerland**

(72) Name(s) of Designer(s): **Christine Boillevin**

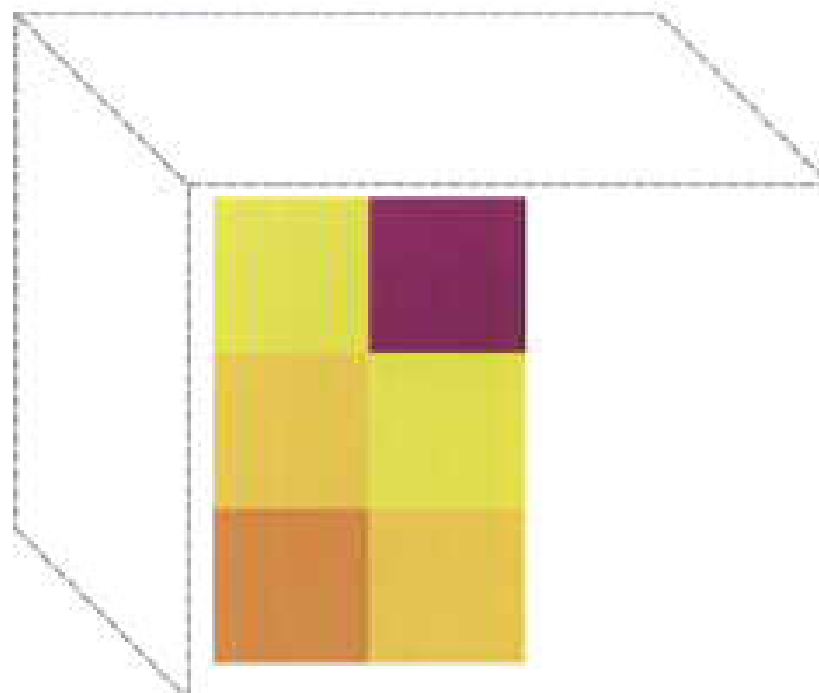
(45) Registration Date: **02 May 2007**

(30) Convention priority data:

(31) Number	(32) Date	(33) Country
133157	24 Aug 2006	SWITZERLAND

(56) Related Art Documents: **Not Applicable**

(57) Statement of Newness and Distinctiveness: **Newness and distinctiveness reside in the features of pattern and ornamentation of the design for a package as shown in the accompanying representations. The shape and configuration of the package shown in broken outline and the position and relative size of the features of pattern and ornamentation in relation to the package are illustrative only and do not form part of the design.**



(21) Design Number: **16294/2007**

(22) Date of Filing Application: **05 February 2007**

(24) Date from which industrial property rights may have effect: **05 February 2007**

(54) Product in respect of which the design is registered: **Coffee machine**

(51) International Design Classification: **07-02L**

(71) Name(s) and Address(s) of Applicant(s):

**Societe Des Produits Nestle S.A.
1800 Vevey Switzerland**

(72) Name(s) of Designer(s): **Antoine Cahen**

(45) Registration Date: **02 May 2007**

(30) Convention priority data:

(31) Number	(32) Date	(33) Country
133184	13 Oct 2006	SWITZERLAND

(56) Related Art Documents: **Not Applicable**

(57) Statement of Newness and Distinctiveness: **Newness and distinctiveness reside in the shape and configuration of the coffee machine as shown in the accompanying representations.**



(21) Design Number: **16293/2007**

(22) Date of Filing Application: **05 February 2007**

(24) Date from which industrial property rights may have effect: **05 February 2007**

(54) Product in respect of which the design is registered: **Coffee machine**

(51) International Design Classification: **07-02L**

(71) Name(s) and Address(s) of Applicant(s):

**Societe Des Produits Nestle S.A.
1800 Vevey Switzerland**

(72) Name(s) of Designer(s): **Antoine Cahen**

(45) Registration Date: **02 May 2007**

(30) Convention priority data:

(31) Number	(32) Date	(33) Country
133184	13 Oct 2006	SWITZERLAND

(56) Related Art Documents: **Not Applicable**

(57) Statement of Newness and Distinctiveness: **Newness and distinctiveness reside in the shape and configuration of the coffee machine as shown in the accompanying representations.**



(21) Design Number: **17167/2007**

(22) Date of Filing Application: **28 March 2007**

(24) Date from which industrial property rights may have effect: **28 March 2007**

(54) Product in respect of which the design is registered: **Portable hand-held hose reel**

(51) International Design Classification: **08-99**

(71) Name(s) and Address(s) of Applicant(s):

**Global Industries Holdings Ltd
400 Skokie Boulevard Suite 700 Northbrook Illinois 60062 United States of America**

(72) Name(s) of Designer(s): **Pei-Ying Lin and Chanwa Nguy**

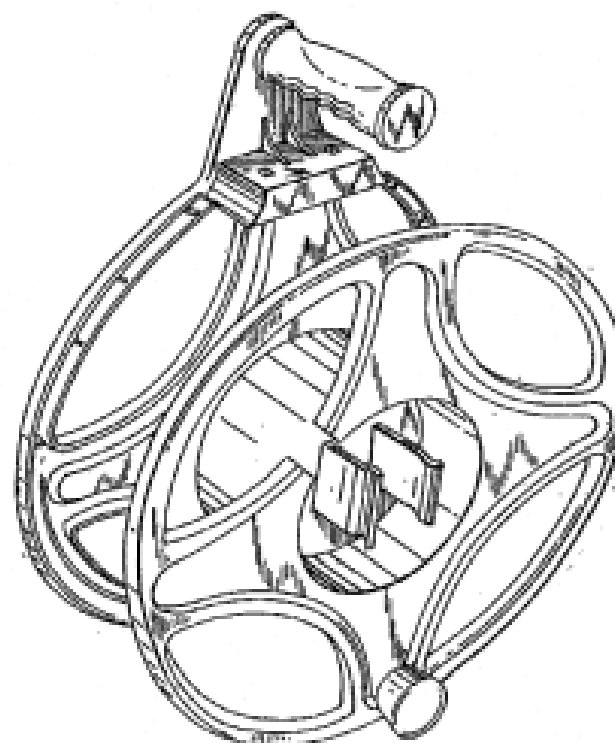
(45) Registration Date: **02 May 2007**

(30) Convention priority data:

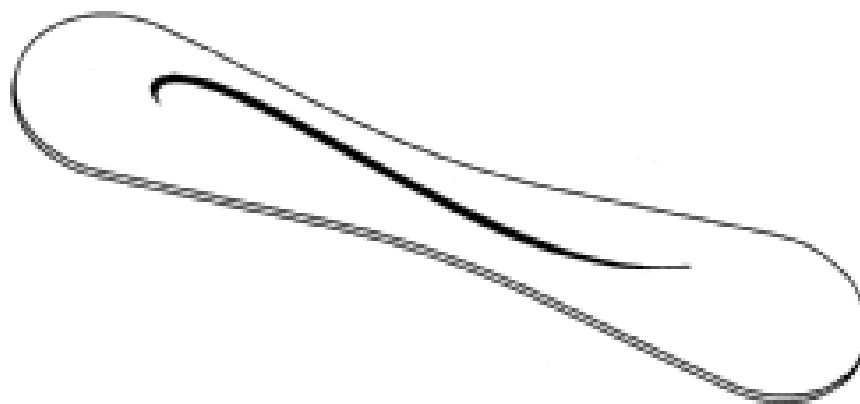
(31) Number	(32) Date	(33) Country
29/248,258	25 Sep 2006	UNITED STATES OF AMERICA

(56) Related Art Documents: **Not Applicable**

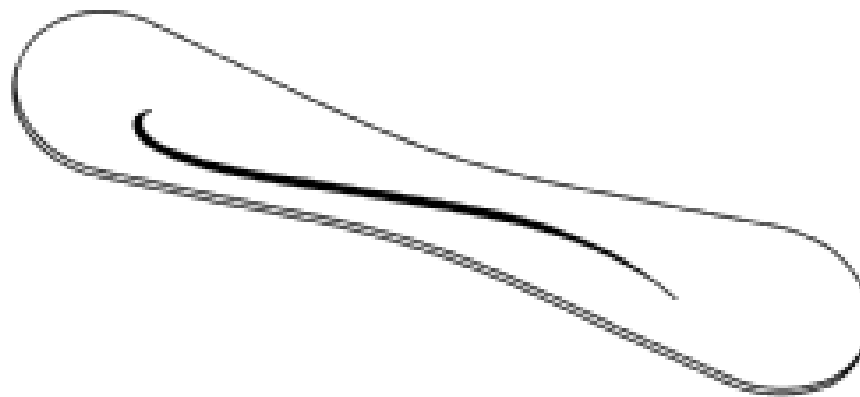
(57) Statement of Newness and Distinctiveness: **Nil**



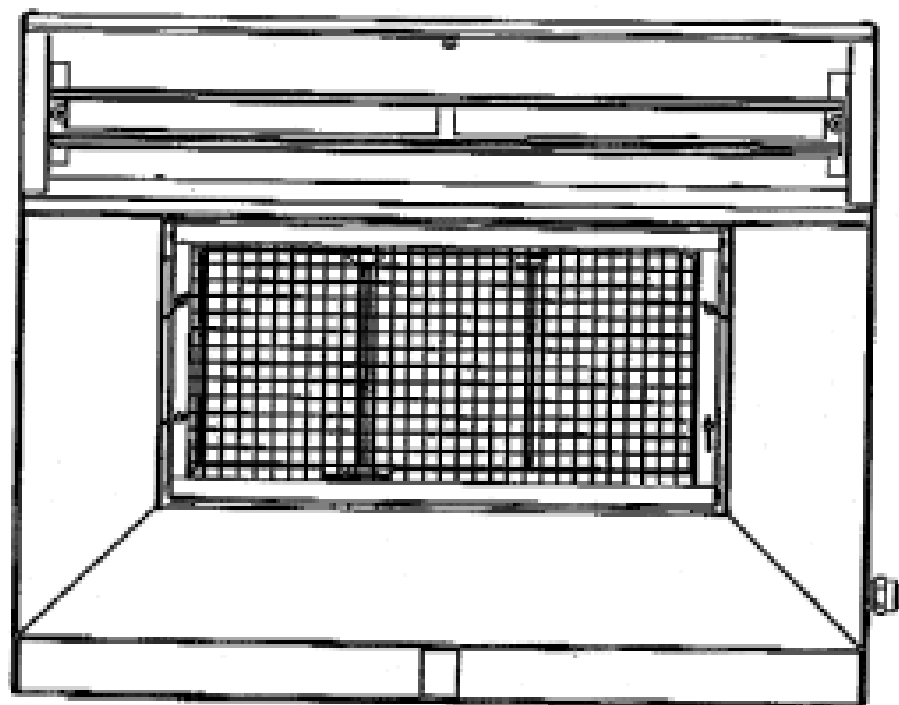
(21) Design Number: **16289/2007**
(22) Date of Filing Application: **05 February 2007**
(24) Date from which industrial property rights may have effect: **05 February 2007**
(54) Product in respect of which the design is registered: **Ice cream stick**
(51) International Design Classification: **01-01**
(71) Name(s) and Address(s) of Applicant(s):
Unilever PLC
Unilever House Blackfriars London EC4P 4BQ England
(72) Name(s) of Designer(s): **David Alan Harding-Brown and Dietmar Ewald**
Josef Pavel
(45) Registration Date: **02 May 2007**
(30) Convention priority data:
(31) Number (32) Date (33) Country
000577465#0001 16 Aug 2006 EUROPEAN COMMUNITY
(56) Related Art Documents: **Not Applicable**
(57) Statement of Newness and Distinctiveness: **Nil**



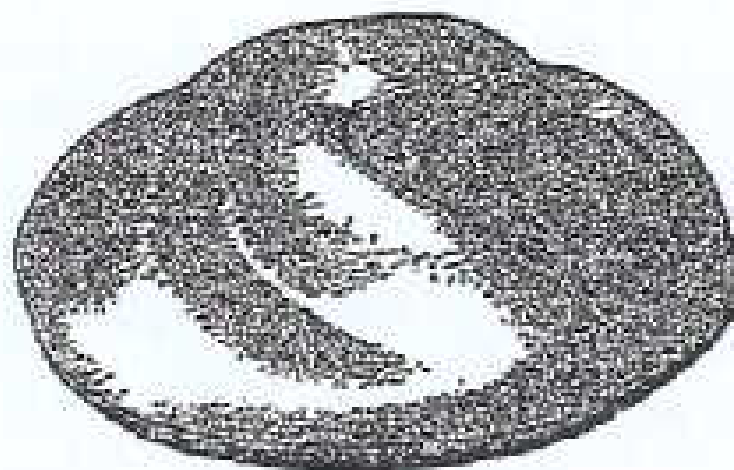
(21) Design Number: **16290/2007**
(22) Date of Filing Application: **05 February 2007**
(24) Date from which industrial property rights may have effect: **05 February 2007**
(54) Product in respect of which the design is registered: **Ice cream stick**
(51) International Design Classification: **01-01**
(71) Name(s) and Address(s) of Applicant(s):
Unilever PLC
Unilever House Blackfriars London EC4P 4BQ England
(72) Name(s) of Designer(s): **David Alan Harding-Brown and Dietmar Ewald**
Josef Pavel
(45) Registration Date: **02 May 2007**
(30) Convention priority data:
(31) Number (32) Date (33) Country
000577465#0002 16 Aug 2006 EUROPEAN COMMUNITY
(56) Related Art Documents: **Not Applicable**
(57) Statement of Newness and Distinctiveness: **Nil**



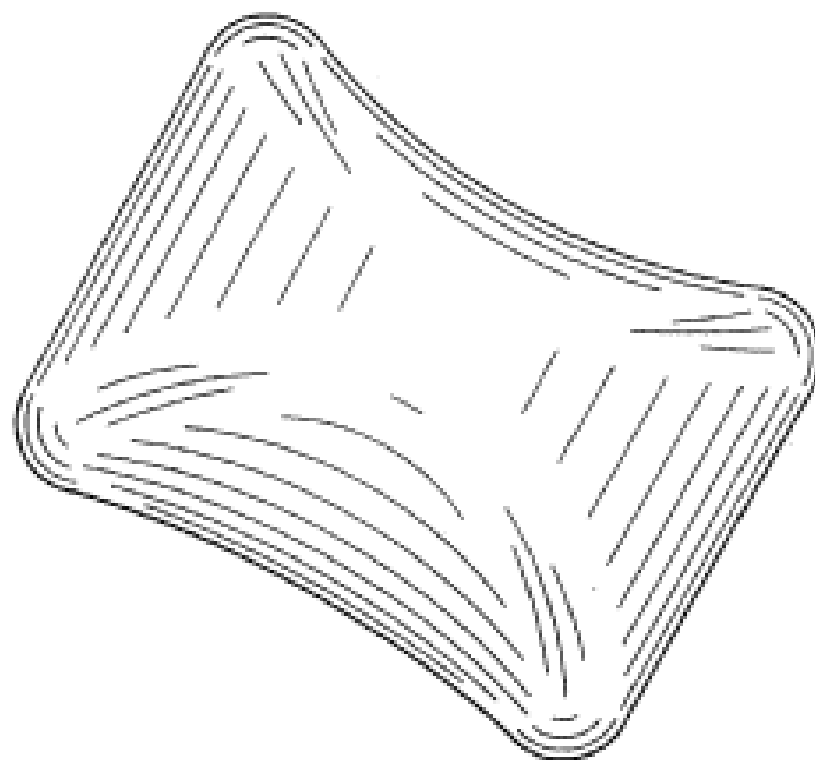
- (21) Design Number: **16280/2007**
(22) Date of Filing Application: **05 February 2007**
(24) Date from which industrial property rights may have effect: **05 February 2007**
(54) Product in respect of which the design is registered: **A heater**
(51) International Design Classification: **23-03B**
(71) Name(s) and Address(s) of Applicant(s):
Rinnai New Zealand Limited
691 Mt Albert Road Royal Oak Auckland New Zealand
(72) Name(s) of Designer(s): **Greg Brinsden**
(45) Registration Date: **02 May 2007**
(30) Convention priority data:
(31) Number (32) Date (33) Country
408378 16 Nov 2006 NEW ZEALAND
(56) Related Art Documents: **Not Applicable**
(57) Statement of Newness and Distinctiveness: **The novelty claimed for the design resides in the features of shape and/or configuration all as shown in top front, top and top rear of the representations. No novelty is claimed in respect of the number of grids across the front of the heater nor in the mounting bracket.**



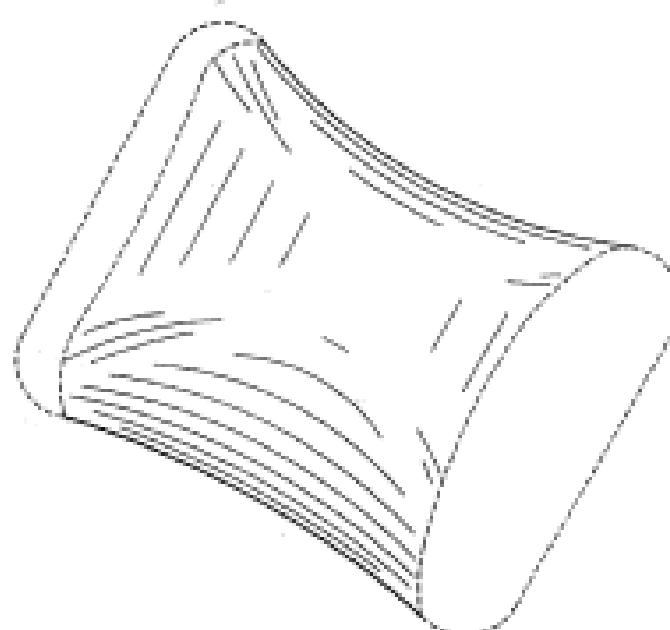
- (21) Design Number: **15732/2006**
(22) Date of Filing Application: **14 December 2006**
(24) Date from which industrial property rights may have effect: **14 December 2006**
(54) Product in respect of which the design is registered: **Decorative light object**
(51) International Design Classification: **26-04**
(71) Name(s) and Address(s) of Applicant(s):
S.C. Johnson & Son, Inc.
1525 Howe Street Racine Wisconsin 53403-2236 United States of America
(72) Name(s) of Designer(s): **Scott W. Demarest and Sarah E. Heathcock and Matthew Abbondanzio and Simon M. Conway and Thomas J. Queoff and Kathleen M. Herbage and AnneMarie S. Harder and Han Xin and Kit R. Morris**
(45) Registration Date: **02 May 2007**
(30) Convention priority data:
(31) Number (32) Date (33) Country
29/247400 15 Jun 2006 UNITED STATES OF AMERICA
(56) Related Art Documents: **Not Applicable**
(57) Statement of Newness and Distinctiveness: **Newness and distinctiveness is claimed in the features of shape and/or configuration of a decorative light object as illustrated in the accompanying representations.**



- (21) Design Number: **16340/2007**
(22) Date of Filing Application: **07 February 2007**
(24) Date from which industrial property rights may have effect: **07 February 2007**
(54) Product in respect of which the design is registered: **Confectionary pellet**
(51) International Design Classification: **01-01**
(71) Name(s) and Address(s) of Applicant(s):
Wm. Wrigley Jr. Company
410 N. Michigan Avenue Chicago Illinois United States of America
(72) Name(s) of Designer(s): **Joan Fabre Fornaguera**
(45) Registration Date: **02 May 2007**
(30) Convention priority data:
(31) Number (32) Date (33) Country
29/248516 18 Aug 2006 UNITED STATES OF AMERICA
(56) Related Art Documents: **Not Applicable**
(57) Statement of Newness and Distinctiveness: **Newness and distinctiveness is claimed in the features of shape and/or configuration of a confectionary pellet as illustrated in the accompanying representations.**



- (21) Design Number: **16341/2007**
(22) Date of Filing Application: **07 February 2007**
(24) Date from which industrial property rights may have effect: **07 February 2007**
(54) Product in respect of which the design is registered: **Confectionary pellet**
(51) International Design Classification: **01-01**
(71) Name(s) and Address(s) of Applicant(s):
Wm. Wrigley Jr. Company
410 N. Michigan Avenue Chicago Illinois 60611 United States of America
(72) Name(s) of Designer(s): **Joan Fabre Fornaguera**
(45) Registration Date: **02 May 2007**
(30) Convention priority data:
(31) Number (32) Date (33) Country
29/248516 18 Aug 2006 UNITED STATES OF AMERICA
(56) Related Art Documents: **Not Applicable**
(57) Statement of Newness and Distinctiveness: **Newness and distinctiveness is claimed in the features other than those shown in phantom of shape and/or configuration of a confectionary pellet as illustrated in the accompanying representations.**



- (21) Design Number: **16342/2007**
(22) Date of Filing Application: **07 February 2007**
(24) Date from which industrial property rights may have effect: **07 February 2007**
(54) Product in respect of which the design is registered: **Golf hole marker**
(51) International Design Classification: **21-02C**
(71) Name(s) and Address(s) of Applicant(s):

Andrew Julian Tyndale-Biscoe
43 Saxon Road Sandhurst Sandton Republic of South Africa

(72) Name(s) of Designer(s): **Andrew Julian Tyndale-Biscoe**

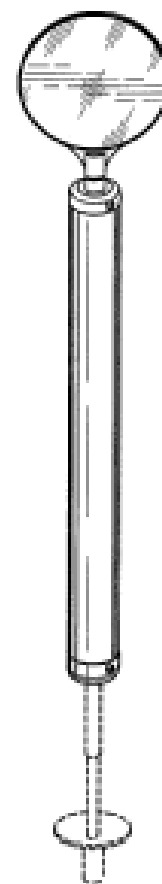
(45) Registration Date: **02 May 2007**

(30) Convention priority data:

(31) Number	(32) Date	(33) Country
A2006/01204	15 Aug 2006	SOUTH AFRICA

(56) Related Art Documents: **Not Applicable**

(57) Statement of Newness and Distinctiveness: **Newness and distinctiveness is claimed in those features of shape and/or configuration of a golf hole marker illustrated in continuous lines in the accompanying representations.**



- (21) Design Number: **16343/2007**
(22) Date of Filing Application: **07 February 2007**
(24) Date from which industrial property rights may have effect: **07 February 2007**
(54) Product in respect of which the design is registered: **Electrical alternator**
(51) International Design Classification: **13-01**
(71) Name(s) and Address(s) of Applicant(s):

C.E. Niehoff & Co.
2021 Lee Street Evanston Illinois 60202 United States of America

(72) Name(s) of Designer(s): **Majid Naghshineh**

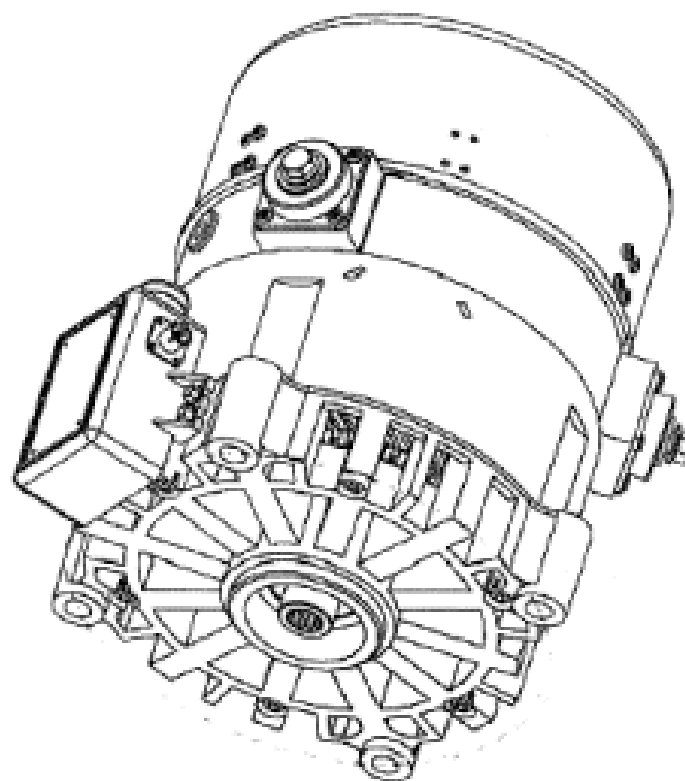
(45) Registration Date: **02 May 2007**

(30) Convention priority data:

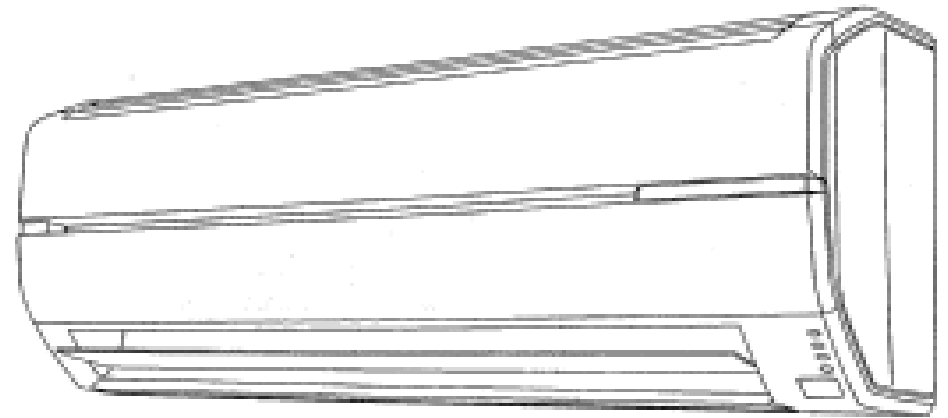
(31) Number	(32) Date	(33) Country
29/264450	09 Aug 2006	UNITED STATES OF AMERICA

(56) Related Art Documents: **Not Applicable**

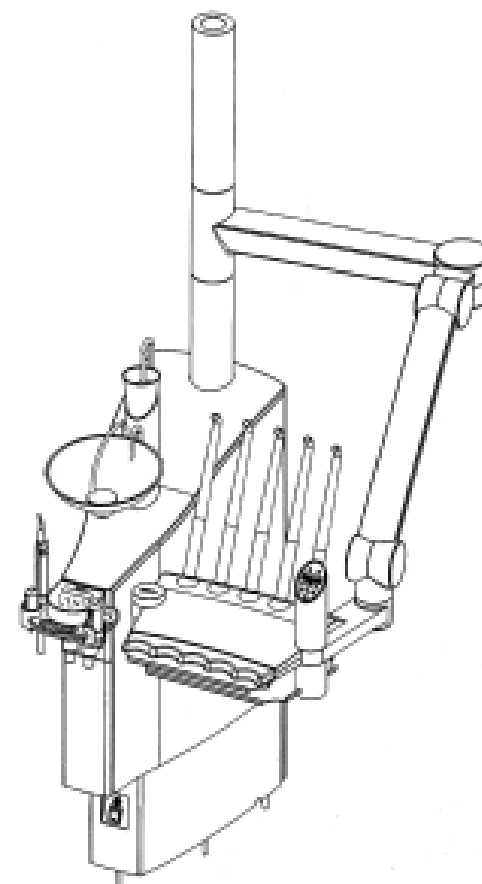
(57) Statement of Newness and Distinctiveness: **Newness and distinctiveness is claimed in the features of shape and/or configuration of an electrical alternator as illustrated in the accompanying representations.**



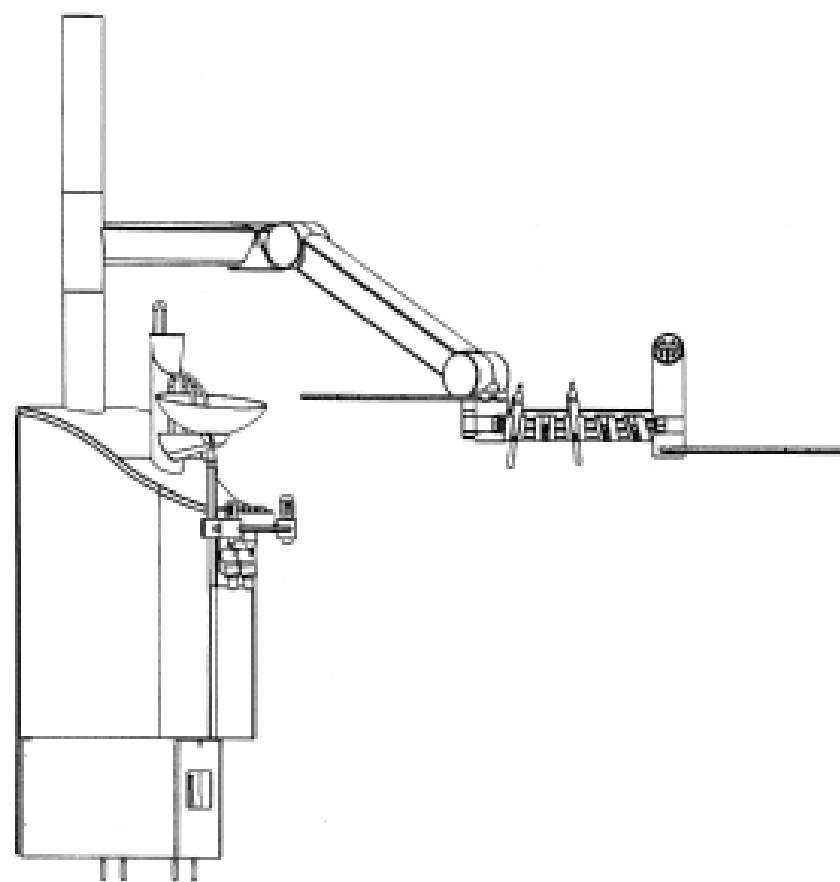
- (21) Design Number: **16344/2007**
(22) Date of Filing Application: **07 February 2007**
(24) Date from which industrial property rights may have effect: **07 February 2007**
(54) Product in respect of which the design is registered: **Air conditioner**
(51) International Design Classification: **23-04**
(71) Name(s) and Address(s) of Applicant(s):
Fujitsu General Limited
1116 Suenaga Takatsu-Ku Kawasaki-Shi Kanagawa-ken Japan
(72) Name(s) of Designer(s): **Hajime Yamamoto**
(45) Registration Date: **02 May 2007**
(30) Convention priority data:
(31) Number (32) Date (33) Country
2006#020861 07 Aug 2006 JAPAN
(56) Related Art Documents: **Not Applicable**
(57) Statement of Newness and Distinctiveness: **Newness and distinctiveness is claimed in the features of shape and/or configuration of the central opening labelled "2" and the contoured edge of the cover labelled "1" of an air conditioner as illustrated in the accompanying representations.**



- (21) Design Number: **16345/2007**
(22) Date of Filing Application: **07 February 2007**
(24) Date from which industrial property rights may have effect: **07 February 2007**
(54) Product in respect of which the design is registered: **Dental equipment**
(51) International Design Classification: **24-01**
(71) Name(s) and Address(s) of Applicant(s):
Heka Dental ApS
Baldershoj 38 DK-2635 Ishoj Denmark
(72) Name(s) of Designer(s): **David Lewis**
(45) Registration Date: **02 May 2007**
(30) Convention priority data:
(31) Number (32) Date (33) Country
000579404 11 Aug 2006 EUROPEAN COMMUNITY
(56) Related Art Documents: **Not Applicable**
(57) Statement of Newness and Distinctiveness: **Nil**



(21) Design Number: **16346/2007**
(22) Date of Filing Application: **07 February 2007**
(24) Date from which industrial property rights may have effect: **07 February 2007**
(54) Product in respect of which the design is registered: **Dental equipment**
(51) International Design Classification: **24-01**
(71) Name(s) and Address(s) of Applicant(s):
Heka Dental ApS
Baldershoj 38 DK-2635 Ishoj Denmark
(72) Name(s) of Designer(s): **David Lewis**
(45) Registration Date: **02 May 2007**
(30) Convention priority data:
(31) Number (32) Date (33) Country
000579404 11 Aug 2006 EUROPEAN COMMUNITY
(56) Related Art Documents: **Not Applicable**
(57) Statement of Newness and Distinctiveness: **Nil**



(21) Design Number: **16347/2007**
(22) Date of Filing Application: **07 February 2007**
(24) Date from which industrial property rights may have effect: **07 February 2007**
(54) Product in respect of which the design is registered: **Suspension device**
(51) International Design Classification: **08-08NES**
(71) Name(s) and Address(s) of Applicant(s):
Tooltech Pty Ltd
19-25 Antimony Street Carole Park Queensland 4300 Australia
(72) Name(s) of Designer(s): **Wayne Scott**
(45) Registration Date: **02 May 2007**
(56) Related Art Documents: **Not Applicable**
(57) Statement of Newness and Distinctiveness: **Newness and distinctiveness are claimed in the shape and configuration of the suspension device depicted in the accompanying representations.**



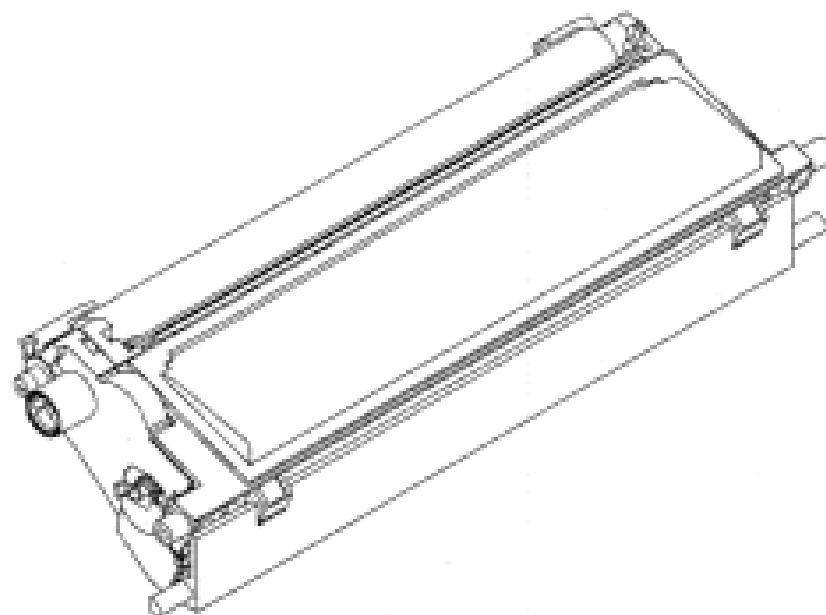
- (21) Design Number: **16348/2007**
(22) Date of Filing Application: **07 February 2007**
(24) Date from which industrial property rights may have effect: **07 February 2007**
(54) Product in respect of which the design is registered: **Suspension device**
(51) International Design Classification: **08-08NES**
(71) Name(s) and Address(s) of Applicant(s):
Tooltech Pty Ltd
19-25 Antimony Street Carole Park Queensland 4300 Australia
(72) Name(s) of Designer(s): **Wayne Scott**
(45) Registration Date: **02 May 2007**
(56) Related Art Documents: **Not Applicable**
(57) Statement of Newness and Distinctiveness: **Newness and distinctiveness are claimed in the shape and configuration of the suspension device depicted in the accompanying representations.**



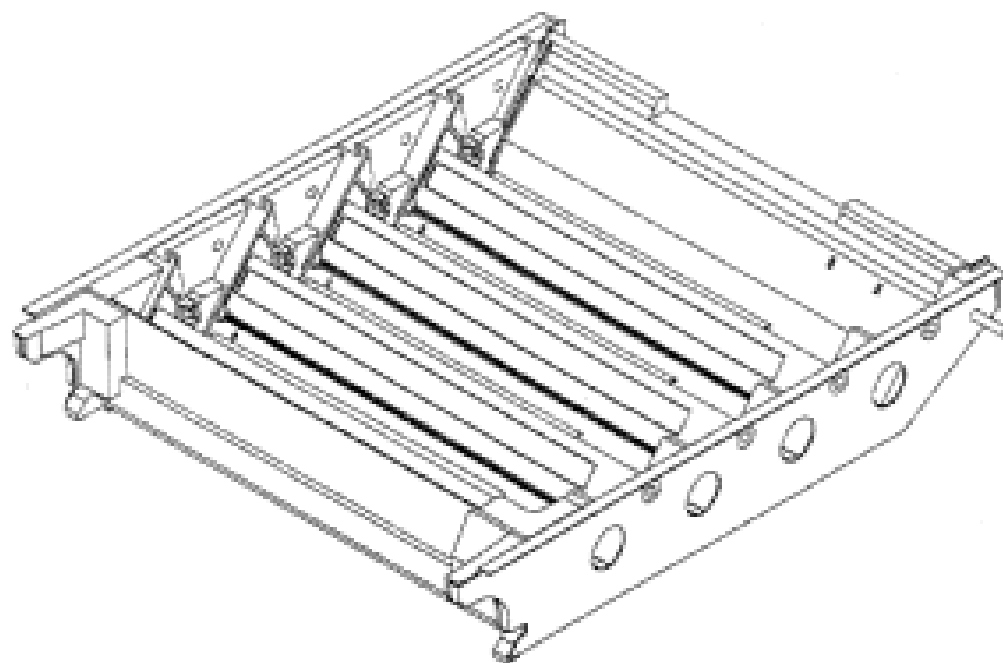
- (21) Design Number: **16441/2007**
(22) Date of Filing Application: **14 February 2007**
(24) Date from which industrial property rights may have effect: **14 February 2007**
(54) Product in respect of which the design is registered: **Safety net for a grave**
(51) International Design Classification: **29-02**
(71) Name(s) and Address(s) of Applicant(s):
Kenneth Andrew Filcock
5 Riesling Street Corowa New South Wales 2646 Australia
(72) Name(s) of Designer(s): **Kenneth Andrew Filcock**
(45) Registration Date: **04 May 2007**
(56) Related Art Documents: **Not Applicable**
(57) Statement of Newness and Distinctiveness: **Newness and distinctiveness is claimed in the shape and/or configuration of a "Safety Net for a GraveSafety net for a grave" as illustrated in the representations.**



- (21) Design Number: **16379/2007**
(22) Date of Filing Application: **09 February 2007**
(24) Date from which industrial property rights may have effect: **09 February 2007**
(54) Product in respect of which the design is registered: **Toner cartridge**
(51) International Design Classification: **18-02**
(71) Name(s) and Address(s) of Applicant(s):
Brother Industries, Ltd
15#1 Naeshiro-cho Mizuho-ku Nagoya-shi Aichi-Ken Japan
(72) Name(s) of Designer(s): **Naoya Kamimura and Makoto Ishi and Yasushi Okabe and Isao Kishi**
(45) Registration Date: **04 May 2007**
(30) Convention priority data:
(31) Number (32) Date (33) Country
2006#021431 10 Aug 2006 JAPAN
(56) Related Art Documents: **Not Applicable**
(57) Statement of Newness and Distinctiveness: **Monopoly is claimed in the features of shape, configuration, pattern and ornamentation of the article as depicted and explained in the accompanying representations.**



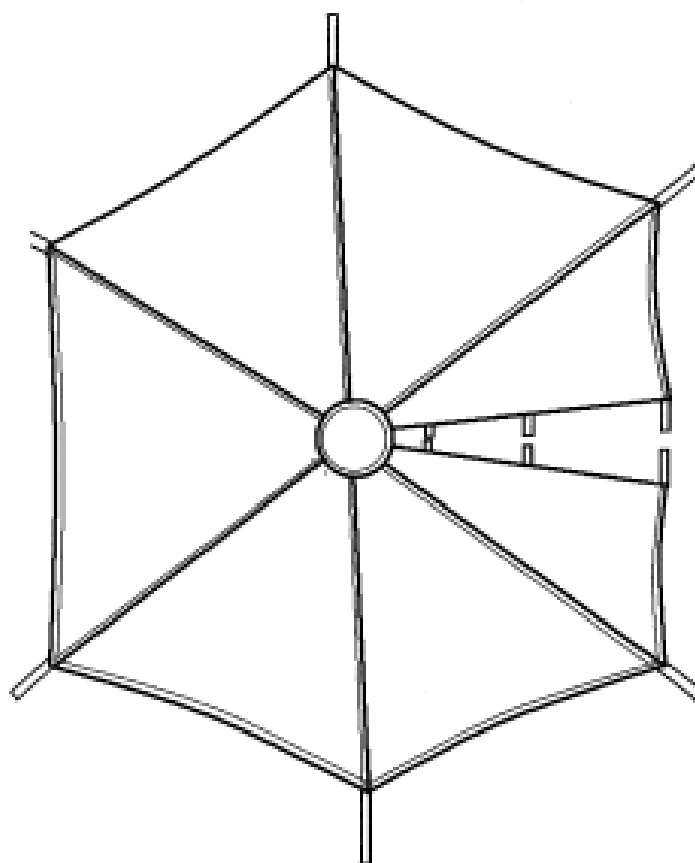
- (21) Design Number: **16378/2007**
(22) Date of Filing Application: **09 February 2007**
(24) Date from which industrial property rights may have effect: **09 February 2007**
(54) Product in respect of which the design is registered: **Photosensitive drum unit**
(51) International Design Classification: **18-02**
(71) Name(s) and Address(s) of Applicant(s):
Brother Industries, Ltd
15#1 Naeshiro-cho Mizuho-ku Nagoya-shi Aichi-Ken Japan
(72) Name(s) of Designer(s): **Naoya Kamimura and Makoto Ishi and Yasushi Okabe and Isao Kishi**
(45) Registration Date: **04 May 2007**
(30) Convention priority data:
(31) Number (32) Date (33) Country
2006#021438 10 Aug 2006 JAPAN
(56) Related Art Documents: **Not Applicable**
(57) Statement of Newness and Distinctiveness: **Monopoly is claimed in the features of shape, configuration, pattern and ornamentation of the article as depicted and explained in the accompanying representations.**



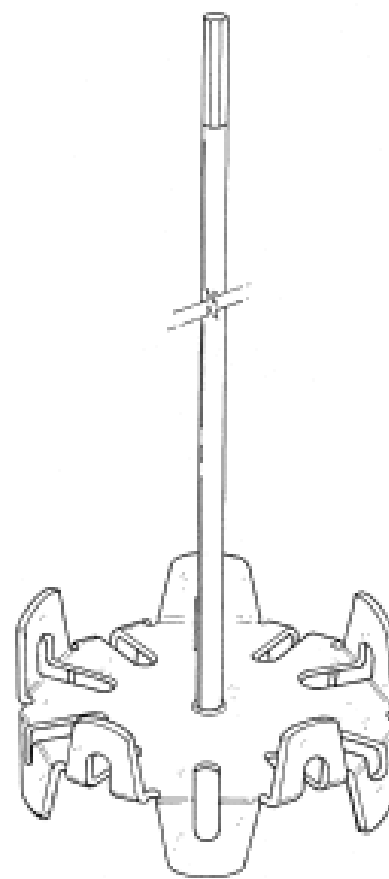
- (21) Design Number: **16371/2007**
(22) Date of Filing Application: **09 February 2007**
(24) Date from which industrial property rights may have effect: **09 February 2007**
(54) Product in respect of which the design is registered: **Furniture**
(51) International Design Classification: **06-01C**
(71) Name(s) and Address(s) of Applicant(s):
Jason John Muscat
87 Minchin Drive Minchinbury New South Wales 2770 Australia
(72) Name(s) of Designer(s): **Jason John Muscat**
(45) Registration Date: **04 May 2007**
(56) Related Art Documents: **Not Applicable**
(57) Statement of Newness and Distinctiveness: **The new features of the design are segmented elements with varying widths assimilating a bar code on a perspex platform.**



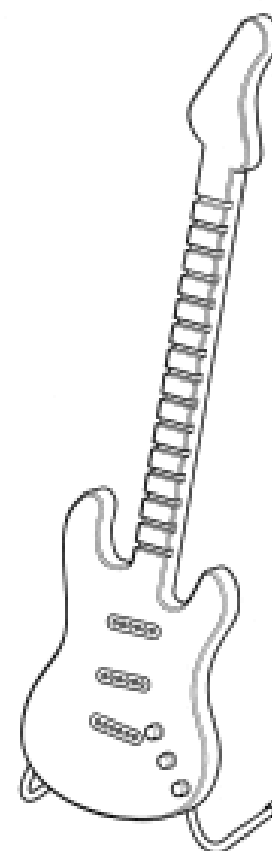
- (21) Design Number: **16370/2007**
(22) Date of Filing Application: **09 February 2007**
(24) Date from which industrial property rights may have effect: **09 February 2007**
(54) Product in respect of which the design is registered: **Sun shelter**
(51) International Design Classification: **03-03**
(71) Name(s) and Address(s) of Applicant(s):
Christine Barbara Hampton
5 Muncaster Place Cranebrook New South Wales 2749 Australia
(72) Name(s) of Designer(s): **Christine Barbara Hampton**
(45) Registration Date: **04 May 2007**
(56) Related Art Documents: **Not Applicable**
(57) Statement of Newness and Distinctiveness: **The sea teepee allows user to stand and change clothes inside in privacy. The sea teepee creates large shade area beneath regardless of the angle of the sun.**



- (21) Design Number: **16366/2007**
(22) Date of Filing Application: **09 February 2007**
(24) Date from which industrial property rights may have effect: **09 February 2007**
(54) Product in respect of which the design is registered: **Bucket mixer**
(51) International Design Classification: **08-05NES**
(71) Name(s) and Address(s) of Applicant(s):
LX2 Pty Ltd
73 Fauntleroy Avenue Ascot Western Australia 6104 Australia
(72) Name(s) of Designer(s): **James Larmont**
(45) Registration Date: **04 May 2007**
(56) Related Art Documents: **Not Applicable**
(57) Statement of Newness and Distinctiveness: **When attached to a drill machine by the verticle rod, the multi winged spindle acts to airate and mix material such as cement, plaster, chemicals, fertilizer.**



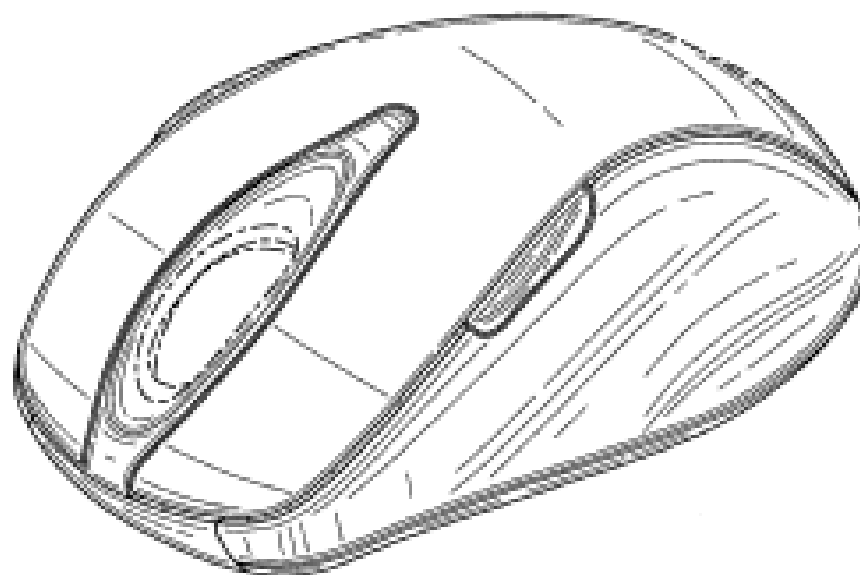
- (21) Design Number: **16361/2007**
(22) Date of Filing Application: **09 February 2007**
(24) Date from which industrial property rights may have effect: **09 February 2007**
(54) Product in respect of which the design is registered: **A compact disc holder**
(51) International Design Classification: **06-04NES**
(71) Name(s) and Address(s) of Applicant(s):
Paul Ken Watherston
60 Mataram Road Woongarah Central Coast New South Wales 2259 Australia
(72) Name(s) of Designer(s): **Paul Ken Watherston**
(45) Registration Date: **04 May 2007**
(56) Related Art Documents: **Not Applicable**
(57) Statement of Newness and Distinctiveness: **Newness and distinctiveness is claimed in the features of shape and configuration of a design for a compact disc holder as illustrated in the accompanying representations.**



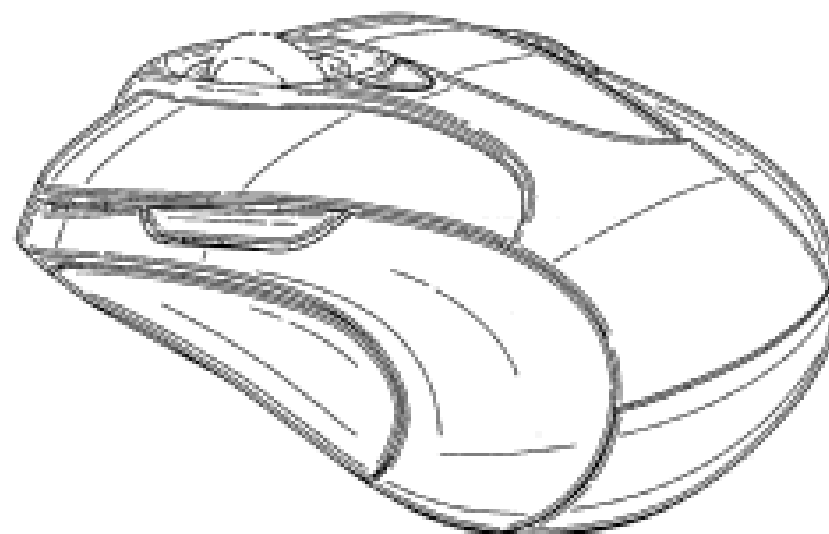
(21) Design Number: **16372/2007**
(22) Date of Filing Application: **08 February 2007**
(24) Date from which industrial property rights may have effect: **08 February 2007**
(54) Product in respect of which the design is registered: **Device for treating muscles**
(51) International Design Classification: **24-02**
(71) Name(s) and Address(s) of Applicant(s):
Jukka Heininen
Asematie 2 A FI-35700 Vilppula Finland
(72) Name(s) of Designer(s): **Jukka Heininen**
(45) Registration Date: **04 May 2007**
(30) Convention priority data:
(31) Number (32) Date (33) Country
M-20060150 11 Aug 2006 FINLAND
(56) Related Art Documents: **Not Applicable**
(57) Statement of Newness and Distinctiveness: **Those features of the device for treating muscles depicted in the representations that are new and distinctive are the shape and/or configuration.**



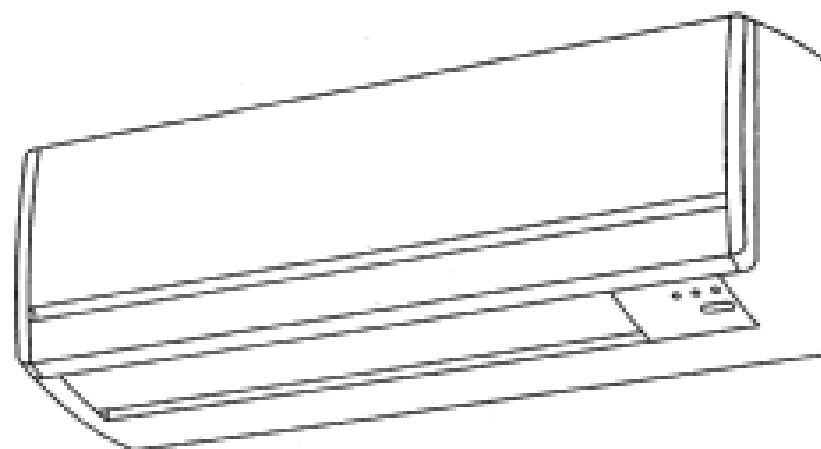
(21) Design Number: **16369/2007**
(22) Date of Filing Application: **08 February 2007**
(24) Date from which industrial property rights may have effect: **08 February 2007**
(54) Product in respect of which the design is registered: **An electronic mouse**
(51) International Design Classification: **14-02**
(71) Name(s) and Address(s) of Applicant(s):
Microsoft Corporation
One Microsoft Way Redmond Washington 98052 United States of America
(72) Name(s) of Designer(s): **Steven W. Fisher**
(45) Registration Date: **04 May 2007**
(30) Convention priority data:
(31) Number (32) Date (33) Country
29/248401 15 Aug 2006 UNITED STATES OF AMERICA
(56) Related Art Documents: **Not Applicable**
(57) Statement of Newness and Distinctiveness: **Newness and distinctiveness reside in one or more visual features of an electronic mouse as illustrated in the accompanying representations. The features shown in broken outline are illustrative only and do not form part of the design.**



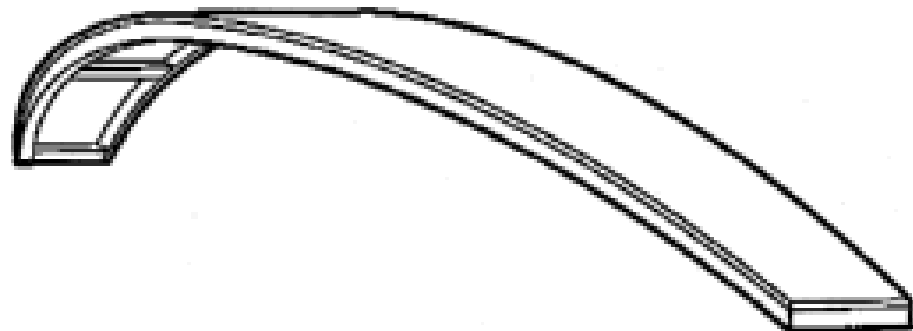
(21) Design Number: **16368/2007**
(22) Date of Filing Application: **08 February 2007**
(24) Date from which industrial property rights may have effect: **08 February 2007**
(54) Product in respect of which the design is registered: **Electronic mouse**
(51) International Design Classification: **14-02**
(71) Name(s) and Address(s) of Applicant(s):
Microsoft Corporation
One Microsoft Way Redmond Washington 98052 United States of America
(72) Name(s) of Designer(s): **Steven W. Fisher and Robert M. Freed**
(45) Registration Date: **04 May 2007**
(30) Convention priority data:
(31) Number (32) Date (33) Country
29/248409 15 Aug 2006 UNITED STATES OF AMERICA
(56) Related Art Documents: **Not Applicable**
(57) Statement of Newness and Distinctiveness: **Newness and distinctiveness reside in one or more visual features of an electronic mouse as illustrated in the accompanying representations. The features shown in broken outline are illustrative only and do not form part of the design.**



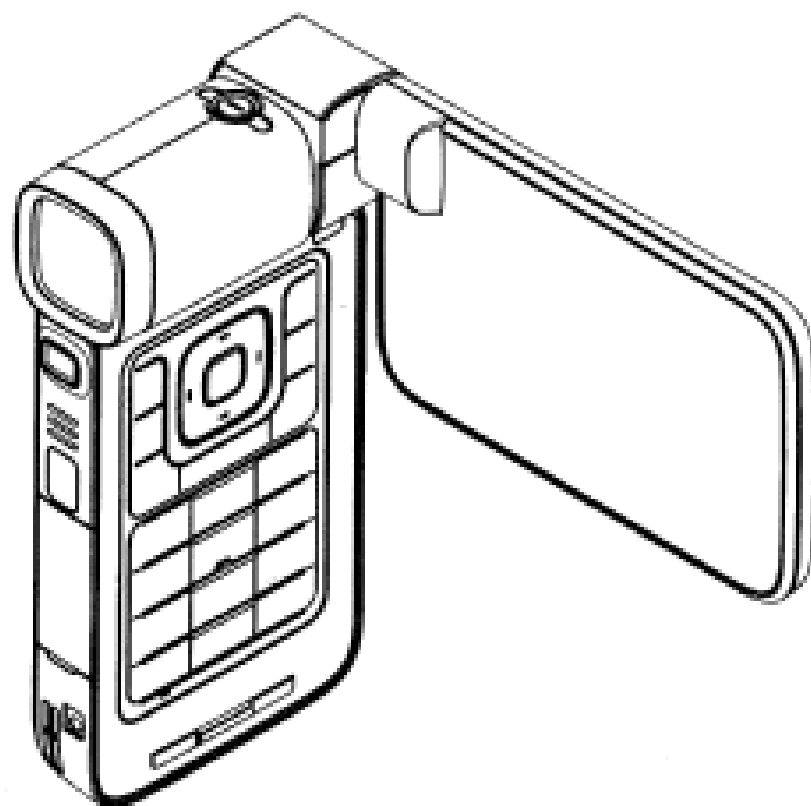
(21) Design Number: **16367/2007**
(22) Date of Filing Application: **08 February 2007**
(24) Date from which industrial property rights may have effect: **08 February 2007**
(54) Product in respect of which the design is registered: **Air conditioner**
(51) International Design Classification: **23-04**
(71) Name(s) and Address(s) of Applicant(s):
Toshiba Carrier Corporation
1-1 Shibaura 1-chome Minato-ku Tokyo Japan
(72) Name(s) of Designer(s): **Tomiaki Ishihara**
(45) Registration Date: **04 May 2007**
(30) Convention priority data:
(31) Number (32) Date (33) Country
2006-021384 10 Aug 2006 JAPAN
(56) Related Art Documents: **Not Applicable**
(57) Statement of Newness and Distinctiveness: **Newness and distinctiveness is claimed in the features of shape and/or configuration of an air conditioner as illustrated in the accompanying representations.**



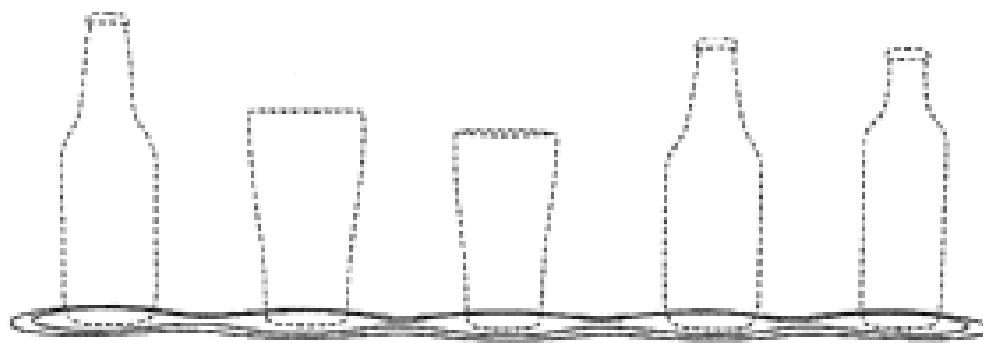
- (21) Design Number: **16360/2007**
(22) Date of Filing Application: **08 February 2007**
(24) Date from which industrial property rights may have effect: **08 February 2007**
(54) Product in respect of which the design is registered: **Canopy**
(51) International Design Classification: **03-03**
(71) Name(s) and Address(s) of Applicant(s):
 Michael Breen
 Lot 41 Parkland Road Stoneville Western Australia 6081 Australia
 Helmut Hilz
 12 Dalry Road Darlington Western Australia 6070 Australia
(72) Name(s) of Designer(s): **Michael Breen**
(45) Registration Date: **04 May 2007**
(56) Related Art Documents: **Not Applicable**
(57) Statement of Newness and Distinctiveness: **Newness and distinctiveness is claimed in the features of shape and/or configuration of a canopy as illustrated in the accompanying drawings.**



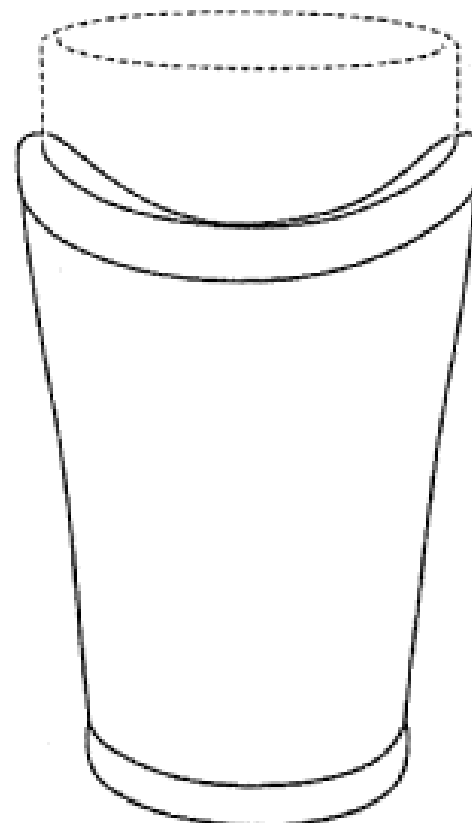
- (21) Design Number: **16356/2007**
(22) Date of Filing Application: **08 February 2007**
(24) Date from which industrial property rights may have effect: **08 February 2007**
(54) Product in respect of which the design is registered: **Handset**
(51) International Design Classification: **14-03E**
(71) Name(s) and Address(s) of Applicant(s):
 Nokia Corporation
 Keilalahdentie 4 FIN-02150 Espoo Finland
(72) Name(s) of Designer(s): **Shunjiro Eguchi**
(45) Registration Date: **04 May 2007**
(30) Convention priority data:
 (31) Number (32) Date (33) Country
 M20060163 30 Aug 2006 FINLAND
(56) Related Art Documents: **Not Applicable**
(57) Statement of Newness and Distinctiveness: **Nil**



- (21) Design Number: **16350/2007**
- (22) Date of Filing Application: **08 February 2007**
- (24) Date from which industrial property rights may have effect: **08 February 2007**
- (54) Product in respect of which the design is registered: **Bar runner**
- (51) International Design Classification: **07-06B**
- (71) Name(s) and Address(s) of Applicant(s):
Creative Products Enterprises Pty Limited
68-72 Derby Street Silverwater New South Wales 2128 Australia
- (72) Name(s) of Designer(s): **David Te**
- (45) Registration Date: **04 May 2007**
- (56) Related Art Documents: **Not Applicable**
- (57) Statement of Newness and Distinctiveness: **Newness is claimed in the features of shape and configuration of the bar runner as shown in the accompanying representations.**



- (21) Design Number: **16349/2007**
- (22) Date of Filing Application: **08 February 2007**
- (24) Date from which industrial property rights may have effect: **08 February 2007**
- (54) Product in respect of which the design is registered: **Schooner holder**
- (51) International Design Classification: **07-06NES**
- (71) Name(s) and Address(s) of Applicant(s):
Creative Products Enterprises Pty Limited
68-72 Derby Street Silverwater New South Wales 2128 Australia
- (72) Name(s) of Designer(s): **David Te**
- (45) Registration Date: **04 May 2007**
- (56) Related Art Documents: **Not Applicable**
- (57) Statement of Newness and Distinctiveness: **Newness is claimed in the features of shape and configuration of the schooner holder as shown in the accompanying representations.**



(21) Design Number: **16351/2007**

(22) Date of Filing Application: **07 February 2007**

(24) Date from which industrial property rights may have effect: **07 February 2007**

(54) Product in respect of which the design is registered: **Pot**

(51) International Design Classification: **07-01G**

(71) Name(s) and Address(s) of Applicant(s):

Villeroy & Boch AG
Saaruferstrasse 14#18 D-66693 Mettlach Germany

(72) Name(s) of Designer(s): **Helmut Frank**

(45) Registration Date: **04 May 2007**

(30) Convention priority data:

(31) Number	(32) Date	(33) Country
000573720	08 Aug 2006	EUROPEAN COMMUNITY

(56) Related Art Documents: **Not Applicable**

(57) Statement of Newness and Distinctiveness: **The shape and configuration of the product is new and distinctive. The text and logo shown on the under-side of the product is to be disregarded.**



(21) Design Number: **16352/2007**

(22) Date of Filing Application: **07 February 2007**

(24) Date from which industrial property rights may have effect: **07 February 2007**

(54) Product in respect of which the design is registered: **Plate**

(51) International Design Classification: **07-01B**

(71) Name(s) and Address(s) of Applicant(s):

Villeroy & Boch AG
Saaruferstrasse 14#18 D-66693 Mettlach Germany

(72) Name(s) of Designer(s): **Andrea Luft**

(45) Registration Date: **04 May 2007**

(30) Convention priority data:

(31) Number	(32) Date	(33) Country
000573720	08 Aug 2006	EUROPEAN COMMUNITY

(56) Related Art Documents: **Not Applicable**

(57) Statement of Newness and Distinctiveness: **The shape and configuration of the product is new and distinctive. The text and logo shown on the under-side of the product is to be disregarded.**



(21) Design Number: **16353/2007**

(22) Date of Filing Application: **07 February 2007**

(24) Date from which industrial property rights may have effect: **07 February 2007**

(54) Product in respect of which the design is registered: **Plate**

(51) International Design Classification: **07-01A**

(71) Name(s) and Address(s) of Applicant(s):

Villeroy & Boch AG
Saaruferstrasse 14#18 D-66693 Mettlach Germany

(72) Name(s) of Designer(s): **Andrea Luft**

(45) Registration Date: **04 May 2007**

(30) Convention priority data:

(31) Number	(32) Date	(33) Country
000573720	08 Aug 2006	EUROPEAN COMMUNITY

(56) Related Art Documents: **Not Applicable**

(57) Statement of Newness and Distinctiveness: **The shape and configuration of the product is new and distinctive. The text and logo shown on the under-side of the product is to be disregarded.**



(21) Design Number: **12997/2006**

(22) Date of Filing Application: **09 May 2006**

(24) Date from which industrial property rights may have effect: **09 May 2006**

(54) Product in respect of which the design is registered: **Post**

(51) International Design Classification: **25-02A**

(71) Name(s) and Address(s) of Applicant(s):

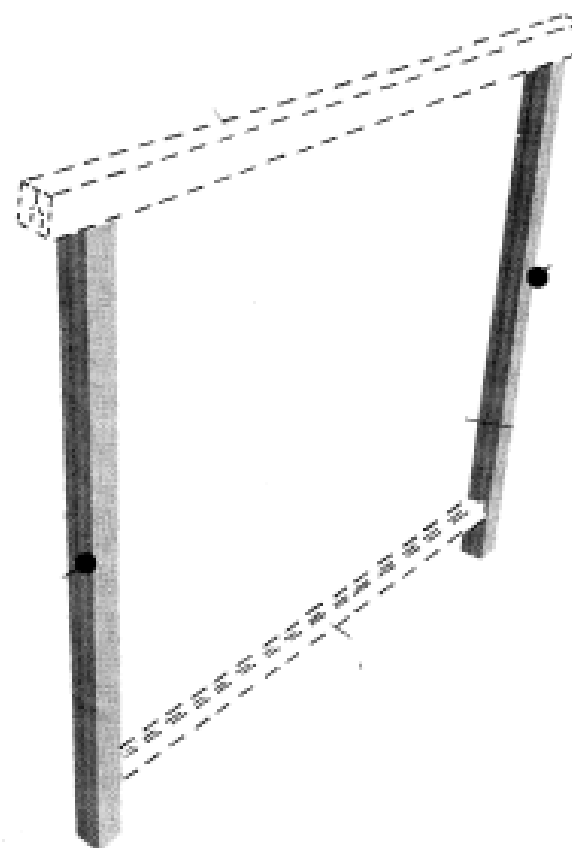
Robert Phillip Griffiths
589 Gardeners Road Mascot New South Wales 2020 Australia

(72) Name(s) of Designer(s): **Robert Phillip Griffiths**

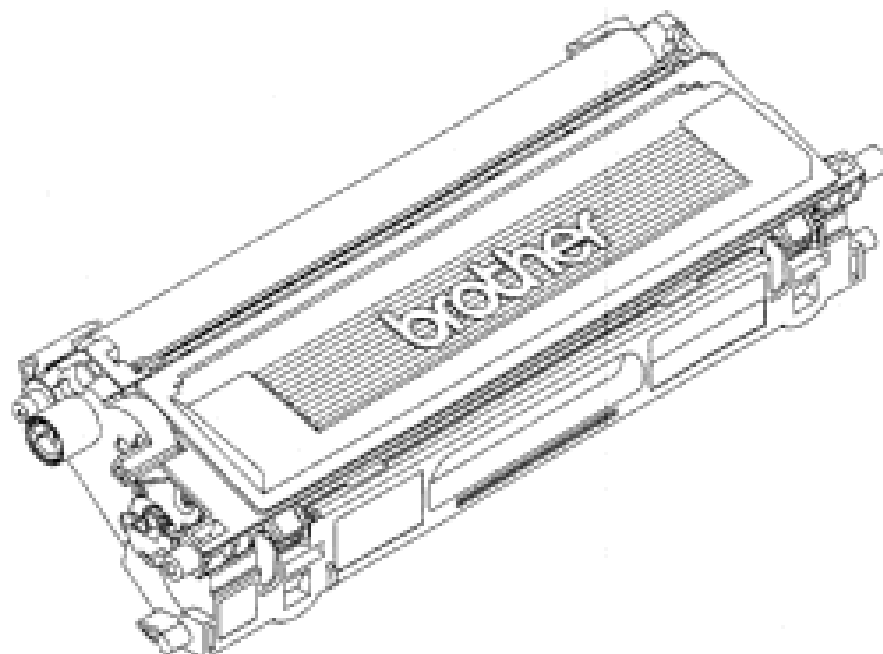
(45) Registration Date: **04 May 2007**

(56) Related Art Documents: **Not Applicable**

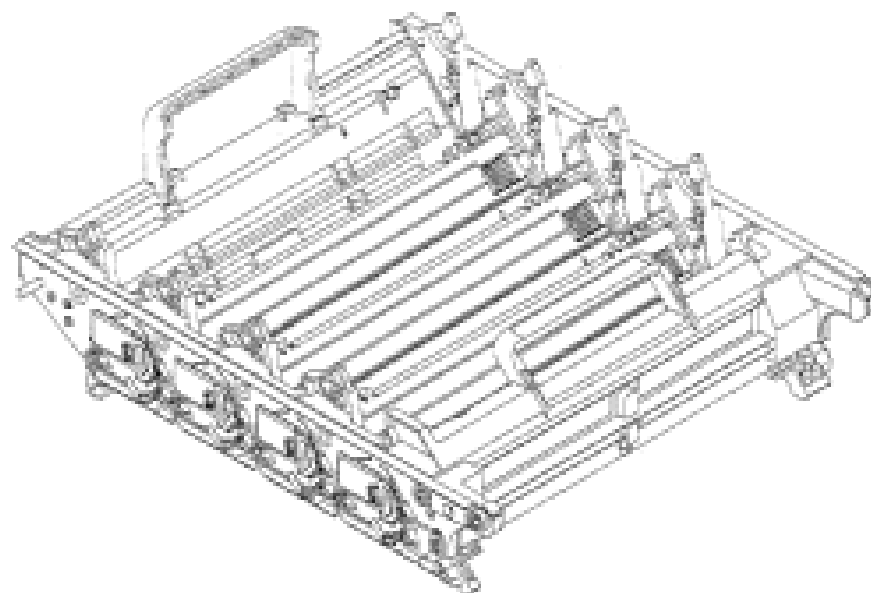
(57) Statement of Newness and Distinctiveness: **Visual features of the design which are new and distinctive are inter alia the features of shape and/or configuration of the post (marked "P"). In determining the scope of the design, the top rail (marked "T"), the bottom rail (marked "B") and the panel (marked "G") are to be disregarded. The rod (marked "R") and the clip-in fascia (marked "C") are optional and may be omitted or substituted with a functional equivalent. The thread on the rod (marked "R") and the thread on the central bore (marked "B") is optional and may be substituted with an alternative surface configuration such as a smooth surface. The rod (marked "R"), the post (marked "P") and the clip-in fascia (marked "C") are each of indeterminate length.**



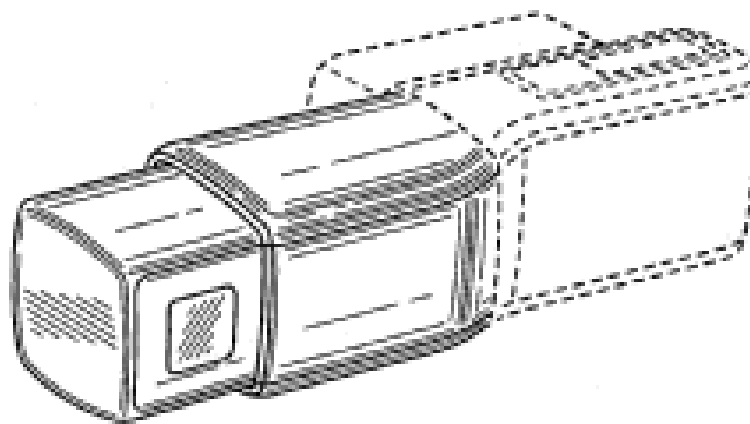
- (21) Design Number: **16380/2007**
(22) Date of Filing Application: **09 February 2007**
(24) Date from which industrial property rights may have effect: **09 February 2007**
(54) Product in respect of which the design is registered: **Toner cartridge**
(51) International Design Classification: **18-02**
(71) Name(s) and Address(s) of Applicant(s):
Brother Industries, Ltd
15#1 Naeshiro-cho Mizuho-ku Nagoya-shi Aichi-Ken Japan
(72) Name(s) of Designer(s): **Naoya Kamimura and Makoto Ishi and Yasushi Okabe and Isao Kishi**
(45) Registration Date: **04 May 2007**
(30) Convention priority data:
(31) Number (32) Date (33) Country
2006#021429 10 Aug 2006 JAPAN
(56) Related Art Documents: **Not Applicable**
(57) Statement of Newness and Distinctiveness: **All visual features of the design as depicted and explained in the accompanying representations, except for the word brother shown in figures 1, 2, 7 and 9, are new and distinctive.**



- (21) Design Number: **16381/2007**
(22) Date of Filing Application: **09 February 2007**
(24) Date from which industrial property rights may have effect: **09 February 2007**
(54) Product in respect of which the design is registered: **Photosensitive drum unit**
(51) International Design Classification: **18-02**
(71) Name(s) and Address(s) of Applicant(s):
Brother Industries, Ltd
15#1 Naeshiro-cho Mizuho-ku Nagoya-shi Aichi-Ken Japan
(72) Name(s) of Designer(s): **Naoya Kamimura and Makoto Ishi and Yasushi Okabe and Isao Kishi**
(45) Registration Date: **04 May 2007**
(30) Convention priority data:
(31) Number (32) Date (33) Country
2006#021437 10 Aug 2006 JAPAN
(56) Related Art Documents: **Not Applicable**
(57) Statement of Newness and Distinctiveness: **Monopoly is claimed in the features of shape, configuration, pattern and ornamentation of the article as depicted and explained in the accompanying representations.**



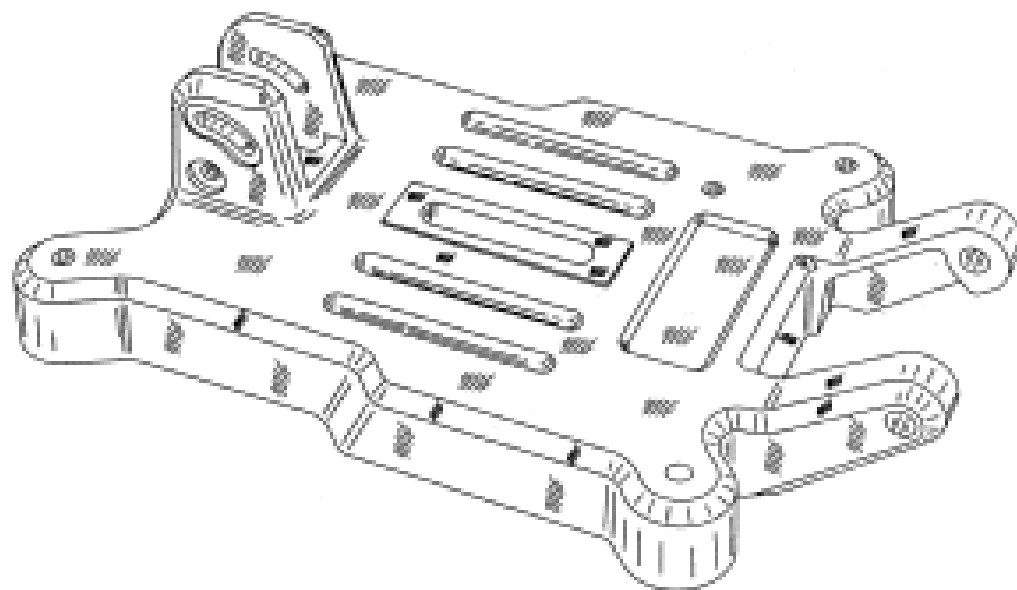
(21) Design Number: **16382/2007**
(22) Date of Filing Application: **09 February 2007**
(24) Date from which industrial property rights may have effect: **09 February 2007**
(54) Product in respect of which the design is registered: **A portion of an electronic camera**
(51) International Design Classification: **16-01**
(71) Name(s) and Address(s) of Applicant(s):
Microsoft Corporation
One Microsoft Way Redmond Washington 98052 United States of America
(72) Name(s) of Designer(s): **Young Soo Kim**
(45) Registration Date: **04 May 2007**
(30) Convention priority data:
(31) Number (32) Date (33) Country
29/248312 09 Aug 2006 UNITED STATES OF AMERICA
(56) Related Art Documents: **Not Applicable**
(57) Statement of Newness and Distinctiveness: **Newness and distinctiveness reside in one or more visual features of a portion of an electronic camera as illustrated in the accompanying representations. The features shown in broken outline are illustrative only and do not form part of the design.**



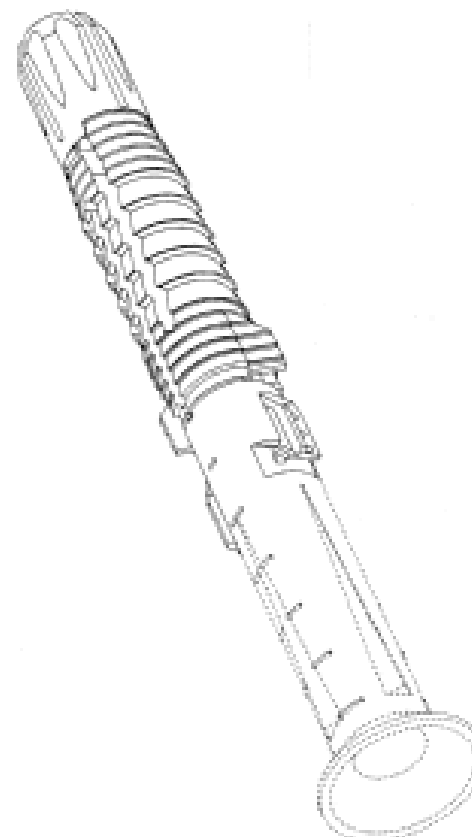
(21) Design Number: **16383/2007**
(22) Date of Filing Application: **09 February 2007**
(24) Date from which industrial property rights may have effect: **09 February 2007**
(54) Product in respect of which the design is registered: **Demolition hammer**
(51) International Design Classification: **08-02**
(71) Name(s) and Address(s) of Applicant(s):
Robert Bosch GmbH
Postfach 30 02 20 D-70442 Stuttgart Germany
(72) Name(s) of Designer(s): **Hans-Peter Aglassinger**
(45) Registration Date: **04 May 2007**
(30) Convention priority data:
(31) Number (32) Date (33) Country
000579974 16 Aug 2006 EUROPEAN COMMUNITY
(56) Related Art Documents: **Not Applicable**
(57) Statement of Newness and Distinctiveness: **Newness and distinctiveness are provided by the shape and/or configuration of the design shown in the representations. In considering the scope of the newness protection any indicia on the demolition hammer is to be disregarded.**



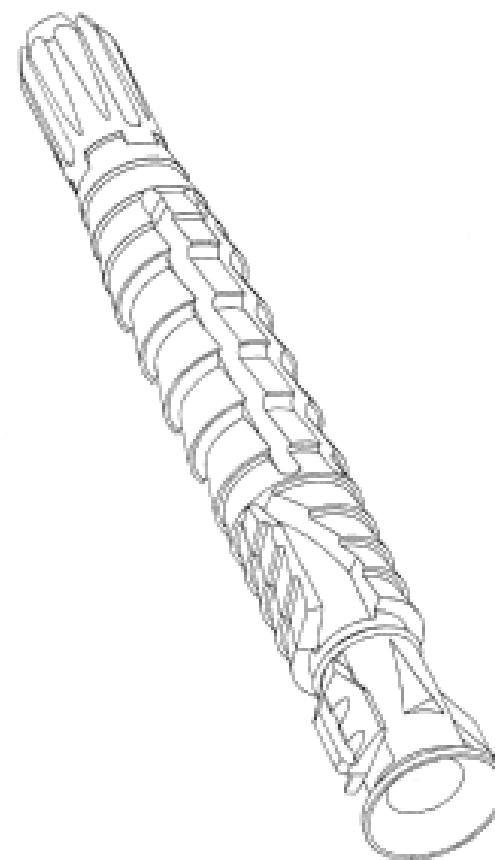
(21) Design Number: **16384/2007**
(22) Date of Filing Application: **09 February 2007**
(24) Date from which industrial property rights may have effect: **09 February 2007**
(54) Product in respect of which the design is registered: **A drill stand base**
(51) International Design Classification: **08-08NES**
(71) Name(s) and Address(s) of Applicant(s):
Black & Decker, Inc.
1207 Drummond Plaza Newark Delaware 19711 United States of America
(72) Name(s) of Designer(s): **Stefan Sell**
(45) Registration Date: **04 May 2007**
(30) Convention priority data:
(31) Number (32) Date (33) Country
000574561 11 Aug 2006 EUROPEAN COMMUNITY
(56) Related Art Documents: **Not Applicable**
(57) Statement of Newness and Distinctiveness: **Nil**



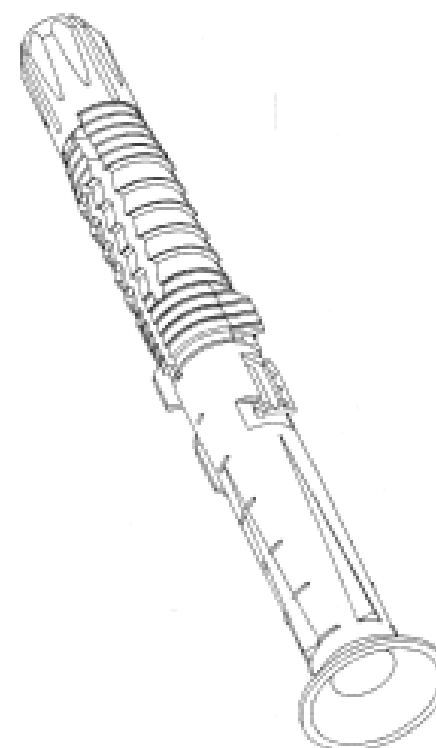
(21) Design Number: **16376/2007**
(22) Date of Filing Application: **08 February 2007**
(24) Date from which industrial property rights may have effect: **08 February 2007**
(54) Product in respect of which the design is registered: **Screw anchor**
(51) International Design Classification: **08-08B**
(71) Name(s) and Address(s) of Applicant(s):
ITW Construction Products Italy S.r.l. con Unico Socio
Viale della Regione Veneto 5 Padova 35127 Italy
(72) Name(s) of Designer(s): **Federico Cabrele**
(45) Registration Date: **04 May 2007**
(30) Convention priority data:
(31) Number (32) Date (33) Country
574355 11 Aug 2006 EUROPEAN COMMUNITY
(56) Related Art Documents: **Not Applicable**
(57) Statement of Newness and Distinctiveness: **Newness and distinctiveness is claimed in the visual features shown in solid lines in the representations.**



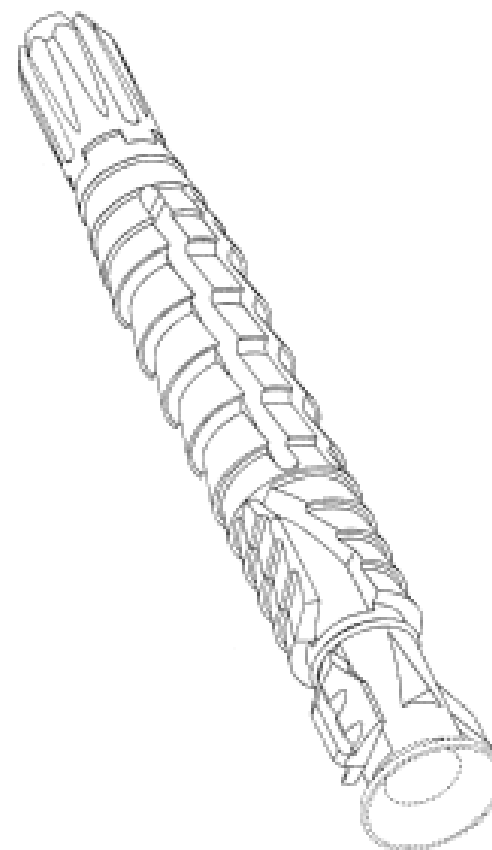
(21) Design Number: **16375/2007**
(22) Date of Filing Application: **08 February 2007**
(24) Date from which industrial property rights may have effect: **08 February 2007**
(54) Product in respect of which the design is registered: **Screw anchor**
(51) International Design Classification: **08-08B**
(71) Name(s) and Address(s) of Applicant(s):
ITW Construction Products Italy S.r.l. con Unico Socio
Viale della Regione Veneto 5 Padova 35127 Italy
(72) Name(s) of Designer(s): **Federico Cabrele**
(45) Registration Date: **04 May 2007**
(30) Convention priority data:
(31) Number (32) Date (33) Country
574355 11 Aug 2006 EUROPEAN COMMUNITY
(56) Related Art Documents: **Not Applicable**
(57) Statement of Newness and Distinctiveness: **Nil**



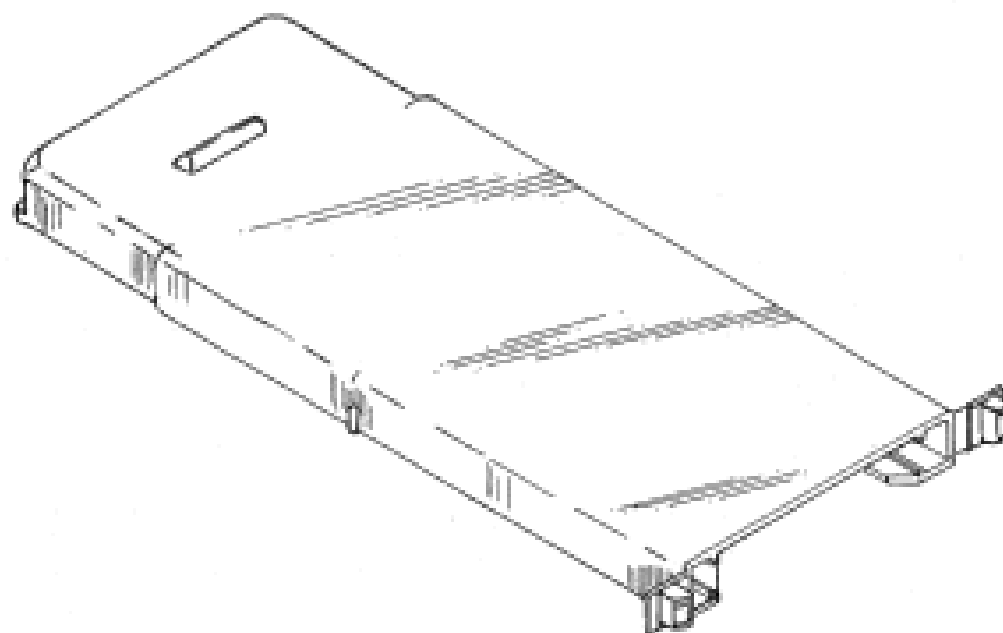
(21) Design Number: **16374/2007**
(22) Date of Filing Application: **08 February 2007**
(24) Date from which industrial property rights may have effect: **08 February 2007**
(54) Product in respect of which the design is registered: **Screw anchor**
(51) International Design Classification: **08-08B**
(71) Name(s) and Address(s) of Applicant(s):
ITW Construction Products Italy S.r.l. con Unico Socio
Viale della Regione Veneto 5 Padova 35127 Italy
(72) Name(s) of Designer(s): **Federico Cabrele**
(45) Registration Date: **04 May 2007**
(30) Convention priority data:
(31) Number (32) Date (33) Country
574355 11 Aug 2006 EUROPEAN COMMUNITY
(56) Related Art Documents: **Not Applicable**
(57) Statement of Newness and Distinctiveness: **Nil**



- (21) Design Number: **16373/2007**
(22) Date of Filing Application: **08 February 2007**
(24) Date from which industrial property rights may have effect: **08 February 2007**
(54) Product in respect of which the design is registered: **Screw anchor**
(51) International Design Classification: **08-08B**
(71) Name(s) and Address(s) of Applicant(s):
ITW Construction Products Italy S.r.l. con Unico Socio
Viale della Regione Veneto 5 Padova 35127 Italy
(72) Name(s) of Designer(s): **Federico Cabrele**
(45) Registration Date: **04 May 2007**
(30) Convention priority data:
(31) Number (32) Date (33) Country
574355 11 Aug 2006 EUROPEAN COMMUNITY
(56) Related Art Documents: **Not Applicable**
(57) Statement of Newness and Distinctiveness: **Newness and distinctiveness is claimed in the visual features shown in solid lines in the representations.**



- (21) Design Number: **11652/2006**
(22) Date of Filing Application: **19 April 2006**
(24) Date from which industrial property rights may have effect: **19 April 2006**
(54) Product in respect of which the design is registered: **A dowel cover**
(51) International Design Classification: **08-08NES**
(71) Name(s) and Address(s) of Applicant(s):
Daniel Charles Underwood
20 Bunowang Street Balmoral Queensland 4171 Australia
(72) Name(s) of Designer(s): **Daniel Charles Underwood**
(45) Registration Date: **03 May 2007**
(56) Related Art Documents: **Not Applicable**
(57) Statement of Newness and Distinctiveness: **Nil**



(21) Design Number: **16396/2007**

(22) Date of Filing Application: **13 February 2007**

(24) Date from which industrial property rights may have effect: **13 February 2007**

(54) Product in respect of which the design is registered: **Furniture - table**

(51) International Design Classification: **06-03B**

(71) Name(s) and Address(s) of Applicant(s):

Eric Siu

2/393#395 Liverpool Road Strathfield New South Wales 2136 Australia

(72) Name(s) of Designer(s): **Eric Siu**

(45) Registration Date: **03 May 2007**

(56) Related Art Documents: **Not Applicable**

(57) Statement of Newness and Distinctiveness: **The new features of the design are the shape, and using one flat piece of material to form a top and legs that are bent downwards on each end.**



(21) Design Number: **16405/2007**

(22) Date of Filing Application: **13 February 2007**

(24) Date from which industrial property rights may have effect: **13 February 2007**

(54) Product in respect of which the design is registered: **A stormwater pit**

(51) International Design Classification: **23-01E**

(71) Name(s) and Address(s) of Applicant(s):

CM Concrete Products Pty Ltd

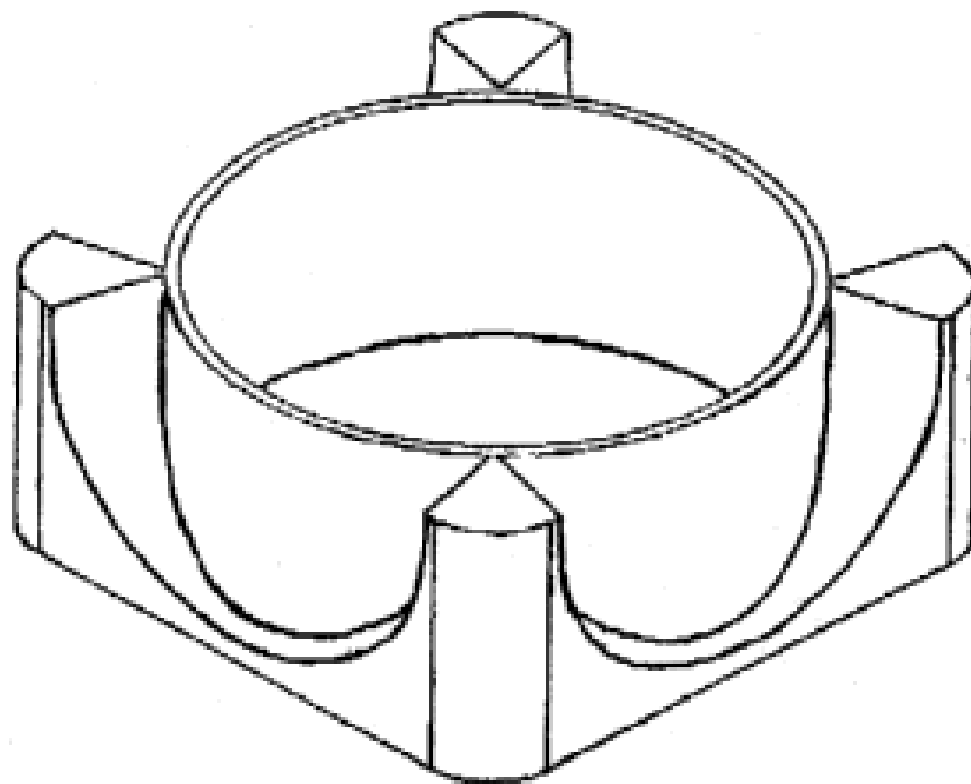
4 Quarry Road Stapleton Queensland 4207 Australia

(72) Name(s) of Designer(s): **Phillip Anthony Thomas**

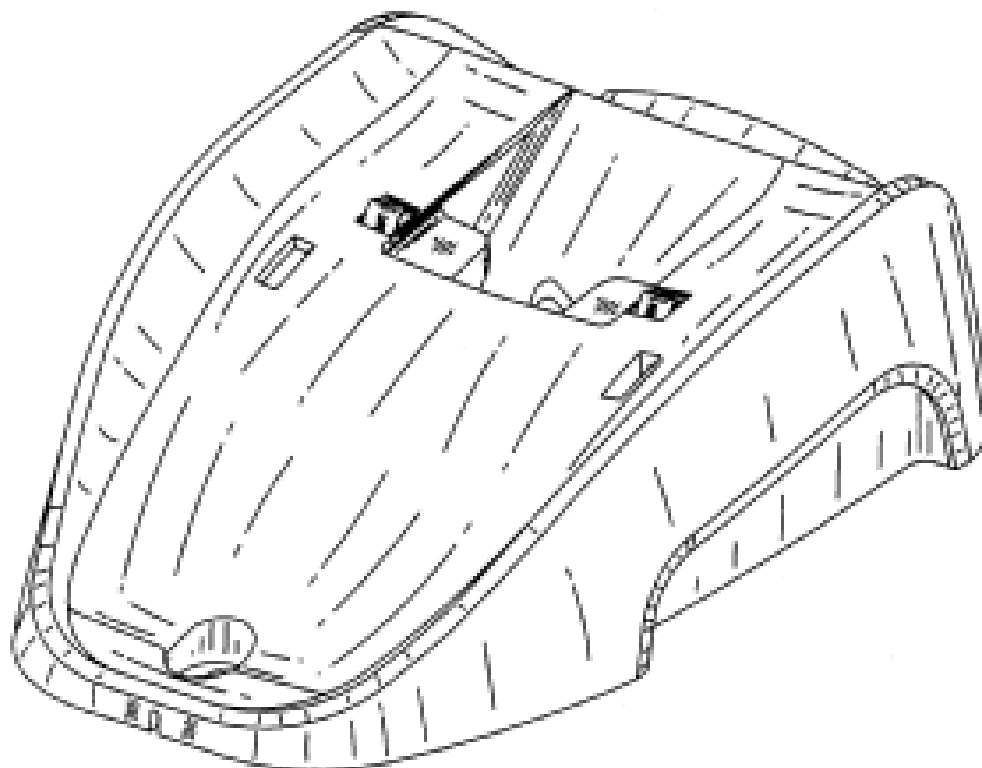
(45) Registration Date: **03 May 2007**

(56) Related Art Documents: **Not Applicable**

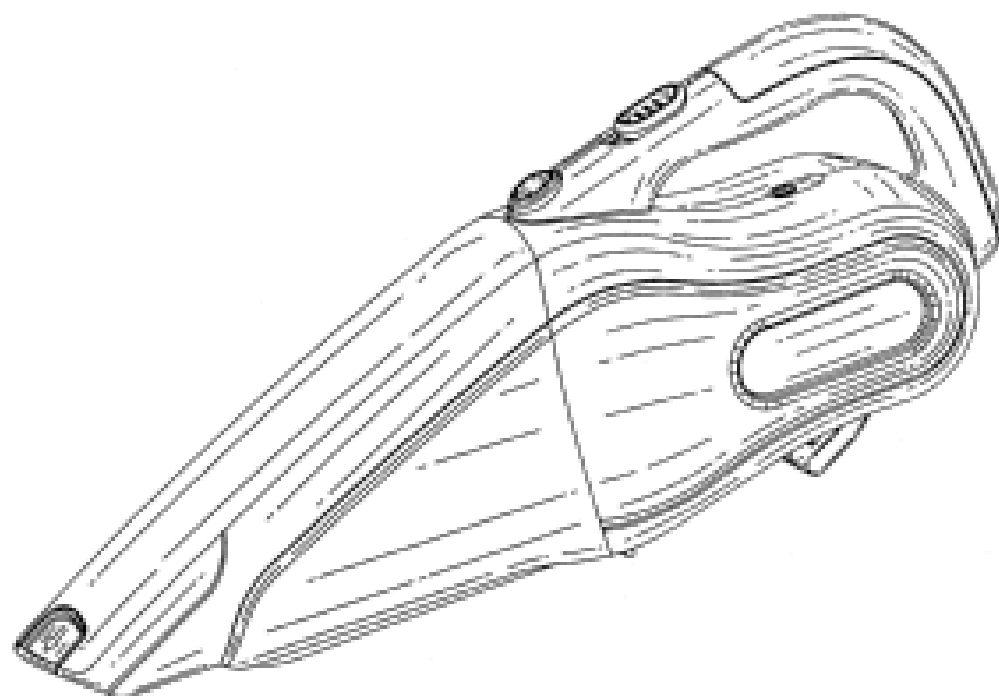
(57) Statement of Newness and Distinctiveness: **Monopoly is claimed in the features in shape and configuration of a stormwater pit as illustrated in the accompanying representations.**



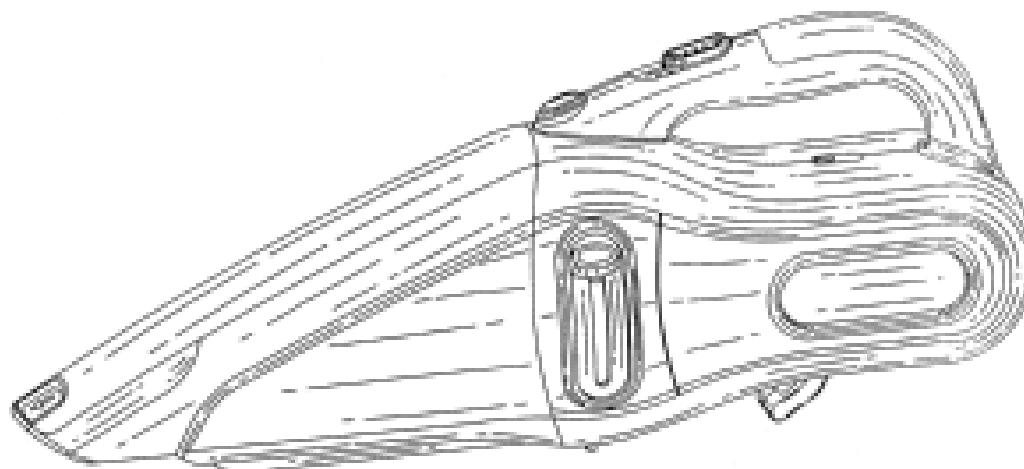
(21) Design Number: **16410/2007**
(22) Date of Filing Application: **13 February 2007**
(24) Date from which industrial property rights may have effect: **13 February 2007**
(54) Product in respect of which the design is registered: **A charger base for a hand-held vacuum cleaner**
(51) International Design Classification: **13-02**
(71) Name(s) and Address(s) of Applicant(s):
Black & Decker, Inc.
1207 Drummond Plaza Newark Delaware 19711 United States of America
(72) Name(s) of Designer(s): **Mark Stratford**
(45) Registration Date: **03 May 2007**
(30) Convention priority data:
(31) Number (32) Date (33) Country
000607650 20 Oct 2006 UNITED STATES OF AMERICA
(56) Related Art Documents: **Not Applicable**
(57) Statement of Newness and Distinctiveness: **Nil**



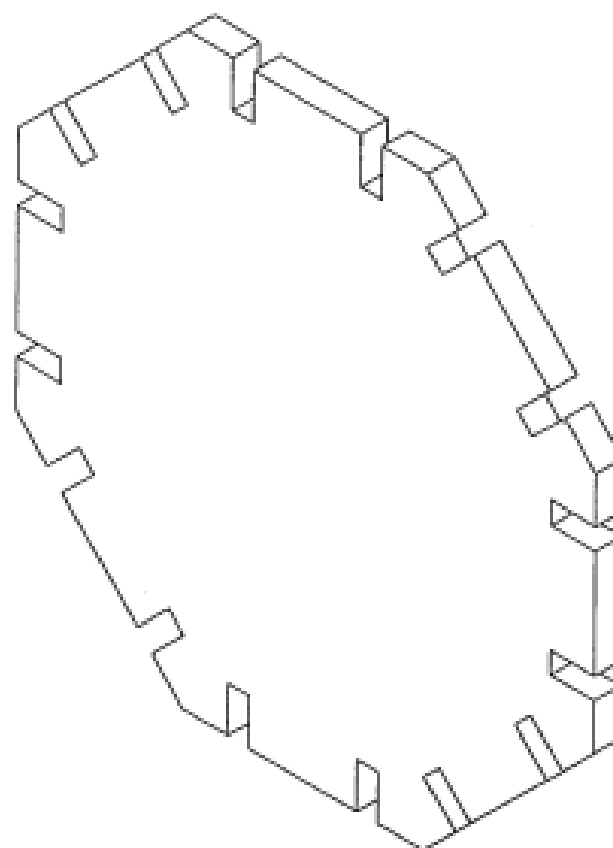
(21) Design Number: **16411/2007**
(22) Date of Filing Application: **13 February 2007**
(24) Date from which industrial property rights may have effect: **13 February 2007**
(54) Product in respect of which the design is registered: **A hand-held vacuum cleaner**
(51) International Design Classification: **15-05**
(71) Name(s) and Address(s) of Applicant(s):
Black & Decker, Inc.
1207 Drummond Plaza Newark Delaware 19711 United States of America
(72) Name(s) of Designer(s): **Mark Stratford**
(45) Registration Date: **03 May 2007**
(30) Convention priority data:
(31) Number (32) Date (33) Country
000607643 20 Oct 2006 EUROPEAN COMMUNITY
(56) Related Art Documents: **Not Applicable**
(57) Statement of Newness and Distinctiveness: **Nil**



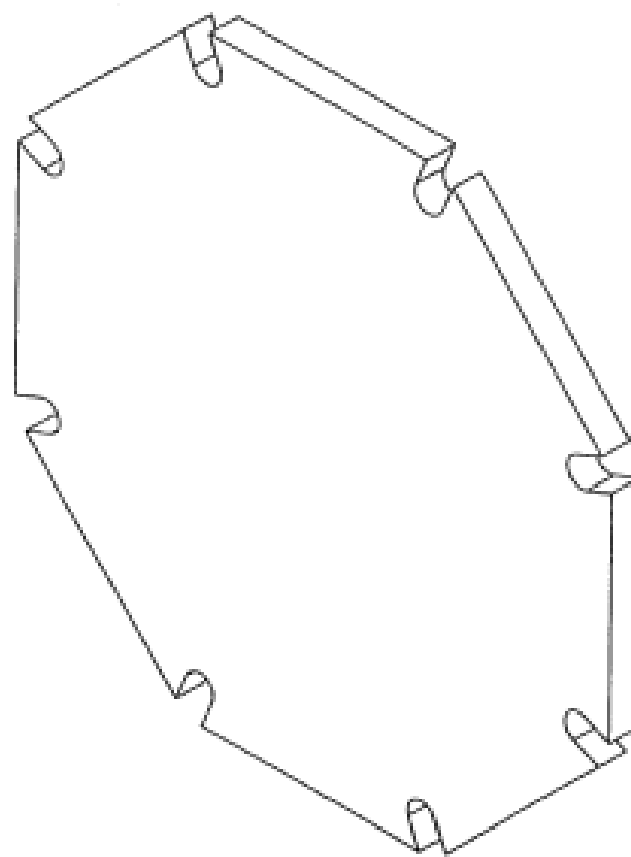
(21) Design Number: **16412/2007**
(22) Date of Filing Application: **13 February 2007**
(24) Date from which industrial property rights may have effect: **13 February 2007**
(54) Product in respect of which the design is registered: **A hand-held vacuum cleaner**
(51) International Design Classification: **15-05**
(71) Name(s) and Address(s) of Applicant(s):
Black & Decker, Inc.
1207 Drummond Plaza Newark Delaware 19711 United States of America
(72) Name(s) of Designer(s): **Mark Stratford**
(45) Registration Date: **03 May 2007**
(30) Convention priority data:
(31) Number (32) Date (33) Country
000607668 20 Oct 2006 UNITED STATES OF AMERICA
(56) Related Art Documents: **Not Applicable**
(57) Statement of Newness and Distinctiveness: **Nil**



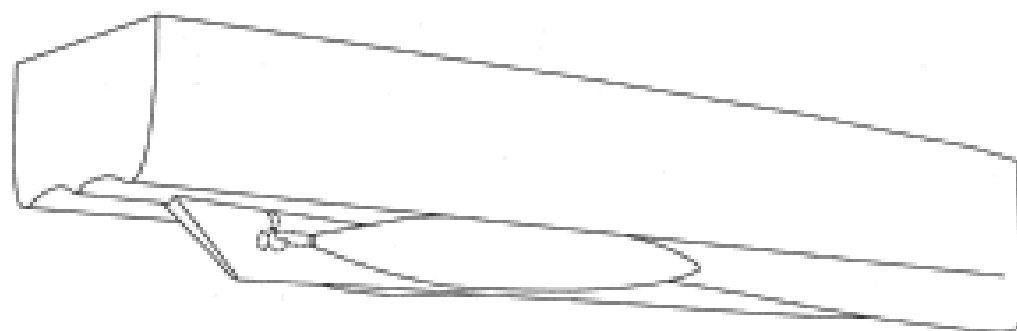
(21) Design Number: **16415/2007**
(22) Date of Filing Application: **13 February 2007**
(24) Date from which industrial property rights may have effect: **13 February 2007**
(54) Product in respect of which the design is registered: **Pile plate**
(51) International Design Classification: **25-02NES**
(71) Name(s) and Address(s) of Applicant(s):
Piling Contractors Pty Ltd
5 Jacque Court Lawton Queensland 4501 Australia
(72) Name(s) of Designer(s): **Keith Smith**
(45) Registration Date: **03 May 2007**
(56) Related Art Documents: **Not Applicable**
(57) Statement of Newness and Distinctiveness: **Newness and distinctiveness resides in the shape and configuration of the pile plate shown in the accompanying representations.**



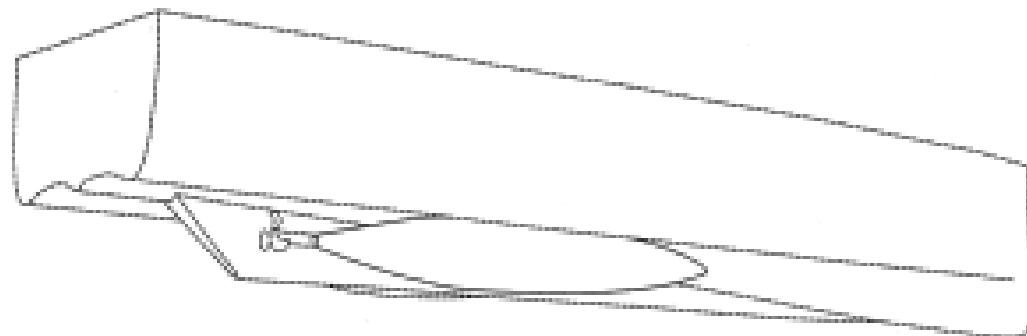
- (21) Design Number: **16416/2007**
(22) Date of Filing Application: **13 February 2007**
(24) Date from which industrial property rights may have effect: **13 February 2007**
(54) Product in respect of which the design is registered: **Pile plate**
(51) International Design Classification: **25-02NES**
(71) Name(s) and Address(s) of Applicant(s):
Piling Contractors Pty Ltd
5 Jacque Court Lawton Queensland 4501 Australia
(72) Name(s) of Designer(s): **Keith Smith**
(45) Registration Date: **03 May 2007**
(56) Related Art Documents: **Not Applicable**
(57) Statement of Newness and Distinctiveness: **Newness and distinctiveness resides in the shape and configuration of the pile plate shown in the accompanying representations.**



- (21) Design Number: **16417/2007**
(22) Date of Filing Application: **13 February 2007**
(24) Date from which industrial property rights may have effect: **13 February 2007**
(54) Product in respect of which the design is registered: **Boat hull**
(51) International Design Classification: **12-06A**
(71) Name(s) and Address(s) of Applicant(s):
Ta Chiao Chou Yacht Building Co., Ltd.
No 168 Sec 1 Lung Mi Road Long Yuan Village Pali Shiang Taipei
Hsien 249 Taiwan
(72) Name(s) of Designer(s): **Wen Yun Chen**
(45) Registration Date: **03 May 2007**
(30) Convention priority data:
(31) Number (32) Date (33) Country
29/266381 20 Sep 2006 UNITED STATES OF AMERICA
(56) Related Art Documents: **Not Applicable**
(57) Statement of Newness and Distinctiveness: **Newness and distinctiveness reside in the features of the design shown in solid lines in the representations in particular in the combination of the v-shaped monohull and the two streamlined protrusions located at the bottom of the hull either side of the v-shaped portion but excluding those parts shown in broken lines.**



- (21) Design Number: **16418/2007**
(22) Date of Filing Application: **13 February 2007**
(24) Date from which industrial property rights may have effect: **13 February 2007**
(54) Product in respect of which the design is registered: **Boat hull**
(51) International Design Classification: **12-06A**
(71) Name(s) and Address(s) of Applicant(s):
Ta Chiao Chou Yacht Building Co., Ltd.
No 168 Sec 1 Lung Mi Road Long Yuan Village Pali Shiang Taipei
Hsien 249 Taiwan
(72) Name(s) of Designer(s): **Wen Yun Chen**
(45) Registration Date: **03 May 2007**
(30) Convention priority data:
(31) Number (32) Date (33) Country
29/266381 20 Sep 2006 UNITED STATES OF AMERICA
(56) Related Art Documents: **Not Applicable**
(57) Statement of Newness and Distinctiveness: **Newness and distinctiveness reside in the features of the design shown in solid lines in the representations and in particular the shape of the two streamlined protrusions at the bottom of the hull and enclosing propulsion compartments of the boat hull but excluding the parts shown in broken lines.**



- (21) Design Number: **16420/2007**
(22) Date of Filing Application: **13 February 2007**
(24) Date from which industrial property rights may have effect: **13 February 2007**
(54) Product in respect of which the design is registered: **Pole step**
(51) International Design Classification: **25-04**
(71) Name(s) and Address(s) of Applicant(s):
Preformed Line Products (Australia) Pty Ltd
190 Power Street Glendenning New South Wales 2761 Australia
(72) Name(s) of Designer(s): **Philip Kenneth Timbrell**
(45) Registration Date: **03 May 2007**
(56) Related Art Documents: **Not Applicable**
(57) Statement of Newness and Distinctiveness: **Nil**



(21) Design Number: **17223/2007**

(22) Date of Filing Application: **02 April 2007**

(24) Date from which industrial property rights may have effect: **02 April 2007**

(54) Product in respect of which the design is registered: **Reversible baby wrap**

(51) International Design Classification: **06-13B**

(71) Name(s) and Address(s) of Applicant(s):

Berserkus Pty Ltd

PO Box 7388 Leura New South Wales 2780 Australia

(72) Name(s) of Designer(s): **Sally Ruth Bourguignon**

(45) Registration Date: **03 May 2007**

(56) Related Art Documents: **Not Applicable**

(57) Statement of Newness and Distinctiveness: **This baby wrap (or swaddling wrap) has a unique shape and configuration which is designed to be used by both right and left handed people - so is reversible. It has a long band shape to wrap around the upper body and has an attached pouch for the baby's feet/legs to go into. This foot pouch flap helps stop the baby kicking themselves out of the wrap and can be turned over - reversing the wrap for comfortable wrapping by left handed people. The unique shape is also designed to best utilize the fabric where it is needed and avoid bulky left overs.**



(21) Design Number: **17413/2007**

(22) Date of Filing Application: **16 April 2007**

(24) Date from which industrial property rights may have effect: **16 April 2007**

(54) Product in respect of which the design is registered: **Six finned surfboard**

(51) International Design Classification: **21-02D**

(71) Name(s) and Address(s) of Applicant(s):

Ben Webber

12 Gloria Street South Golden Beach New South Wales 2483 Australia

Wayne Mc Cleary

12 Gloria Street South Golden Beach New South Wales 2483 Australia

(72) Name(s) of Designer(s): **Wayne Mc Cleary and Benjamin Webber**

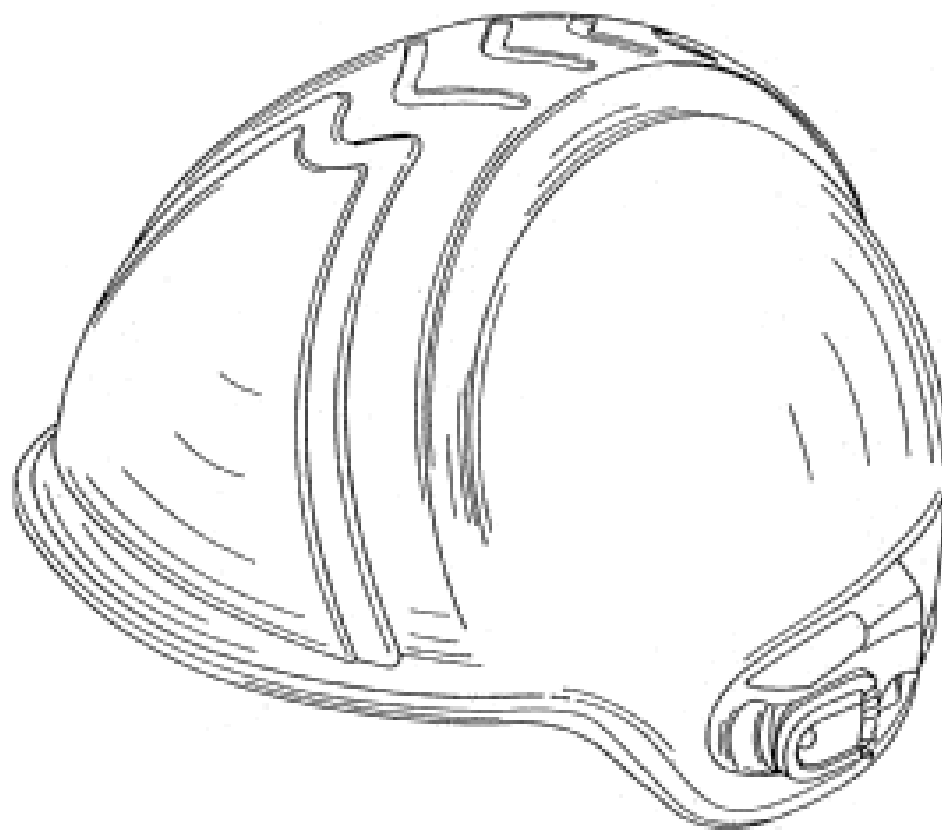
(45) Registration Date: **03 May 2007**

(56) Related Art Documents: **Not Applicable**

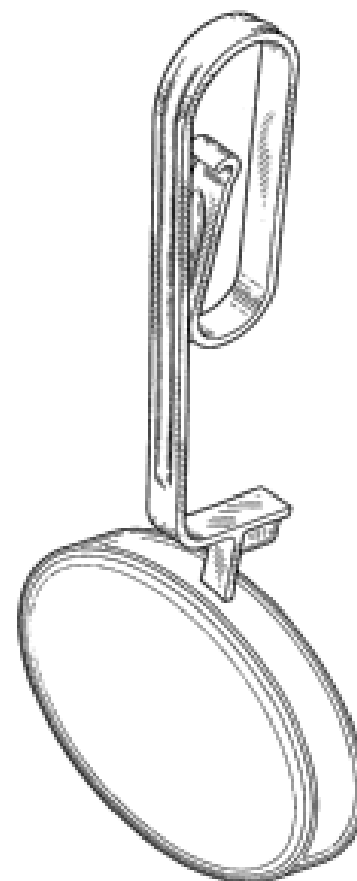
(57) Statement of Newness and Distinctiveness: **Please refer to photos provided. Please disregard board shape and fin shape. The six fin configuration is to be considered when determining new and distinctiveness.**



(21) Design Number: **17423/2007**
(22) Date of Filing Application: **13 April 2007**
(24) Date from which industrial property rights may have effect: **13 April 2007**
(54) Product in respect of which the design is registered: **Helmet**
(51) International Design Classification: **02-03**
(71) Name(s) and Address(s) of Applicant(s):
MSA Gallet S.A.
Simplified Shareholding Co. Zone Industrielle Sud 01400 Chatillon Sur
Chalarnone France
(72) Name(s) of Designer(s): **Sabrina Morel**
(45) Registration Date: **03 May 2007**
(30) Convention priority data:
(31) Number (32) Date (33) Country
000 651 286 13 Dec 2006 EUROPEAN COMMUNITY
(56) Related Art Documents: **Not Applicable**
(57) Statement of Newness and Distinctiveness: **Nil**

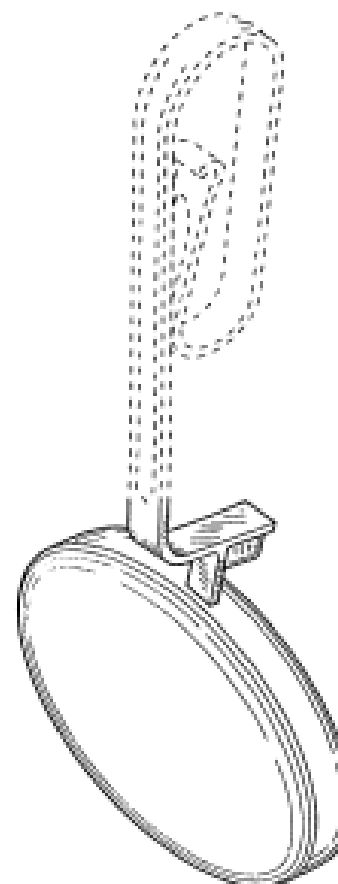


(21) Design Number: **17600/2007**
(22) Date of Filing Application: **24 April 2007**
(24) Date from which industrial property rights may have effect: **24 April 2007**
(54) Product in respect of which the design is registered: **Cageless lavatory**
dispensing device
(51) International Design Classification: **28-03NES**
(71) Name(s) and Address(s) of Applicant(s):
Reckitt Benckiser Inc.
Morris Corporate Center IV 399 Interpace Parkway Parsippany New
Jersey 07054 United States of America
(72) Name(s) of Designer(s): **Nevin Arora and Diane Joyce Burt and**
Christopher Brian King and Robert Lu
(45) Registration Date: **03 May 2007**
(30) Convention priority data:
(31) Number (32) Date (33) Country
29/249849 24 Oct 2006 UNITED STATES OF AMERICA
(56) Related Art Documents: **Not Applicable**
(57) Statement of Newness and Distinctiveness: **Newness and distinctiveness**
reside in the features of the design shown in solid lines in the
representations.



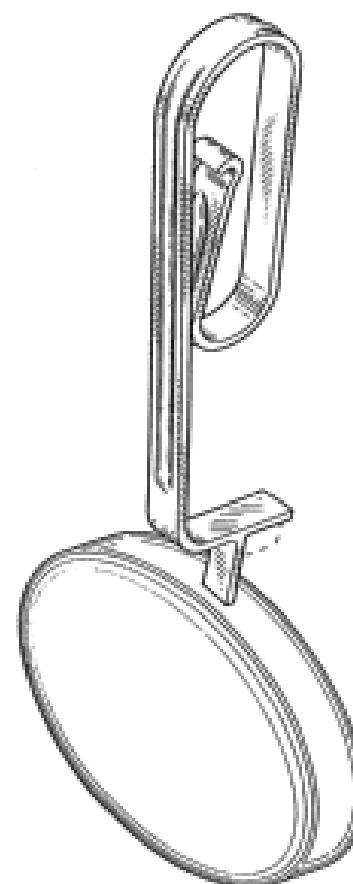
- (21) Design Number: **17601/2007**
- (22) Date of Filing Application: **24 April 2007**
- (24) Date from which industrial property rights may have effect: **24 April 2007**
- (54) Product in respect of which the design is registered: **Cageless lavatory dispensing device**
- (51) International Design Classification: **28-03NES**
- (71) Name(s) and Address(s) of Applicant(s):
Reckitt Benckiser Inc.
Morris Corporate Center IV 399 Interpace Parkway Parsippany New Jersey 07054 United States of America
- (72) Name(s) of Designer(s): **Nevin Arora and Diane Joyce Burt and Christopher Brian King and Robert Lu**
- (45) Registration Date: **03 May 2007**
- (30) Convention priority data:

(31) Number	(32) Date	(33) Country
29/249849	24 Oct 2006	UNITED STATES OF AMERICA
- (56) Related Art Documents: **Not Applicable**
- (57) Statement of Newness and Distinctiveness: **Newness and distinctiveness reside in the features of the design shown in solid lines in the representations excluding those features shown in broken lines.**



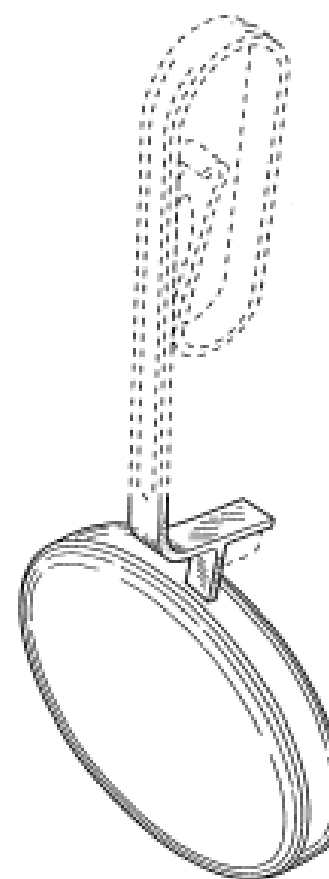
- (21) Design Number: **17602/2007**
- (22) Date of Filing Application: **24 April 2007**
- (24) Date from which industrial property rights may have effect: **24 April 2007**
- (54) Product in respect of which the design is registered: **Cageless lavatory dispensing device**
- (51) International Design Classification: **28-03NES**
- (71) Name(s) and Address(s) of Applicant(s):
Reckitt Benckiser Inc.
Morris Corporate Center IV 399 Interpace Parkway Parsippany New Jersey 07054 United States of America
- (72) Name(s) of Designer(s): **Nevin Arora and Diane Joyce Burt and Christopher Brian King and Robert Lu**
- (45) Registration Date: **03 May 2007**
- (30) Convention priority data:

(31) Number	(32) Date	(33) Country
29/249849	24 Oct 2006	UNITED STATES OF AMERICA
- (56) Related Art Documents: **Not Applicable**
- (57) Statement of Newness and Distinctiveness: **Newness and distinctiveness reside in the features of the design shown in solid lines in the representations excluding those features shown in broken lines.**



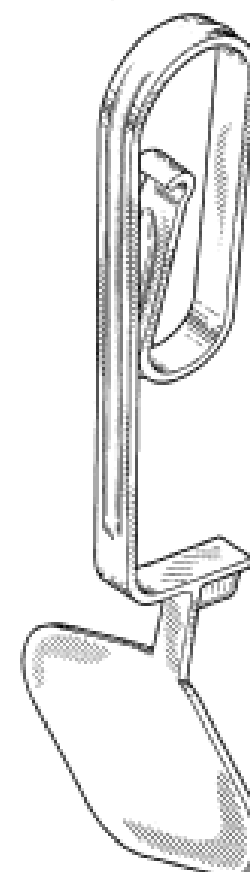
- (21) Design Number: **17603/2007**
- (22) Date of Filing Application: **24 April 2007**
- (24) Date from which industrial property rights may have effect: **24 April 2007**
- (54) Product in respect of which the design is registered: **Cageless lavatory dispensing device**
- (51) International Design Classification: **28-03NES**
- (71) Name(s) and Address(s) of Applicant(s):
Reckitt Benckiser Inc.
Morris Corporate Center IV 399 Interpace Parkway Parsippany New Jersey 07054 United States of America
- (72) Name(s) of Designer(s): **Nevin Arora and Diane Joyce Burt and Christopher Brian King and Robert Lu**
- (45) Registration Date: **03 May 2007**
- (30) Convention priority data:

(31) Number	(32) Date	(33) Country
29/249849	24 Oct 2006	UNITED STATES OF AMERICA
- (56) Related Art Documents: **Not Applicable**
- (57) Statement of Newness and Distinctiveness: **Newness and distinctiveness reside in the features of the design shown in solid lines in the representations excluding those features shown in broken lines.**



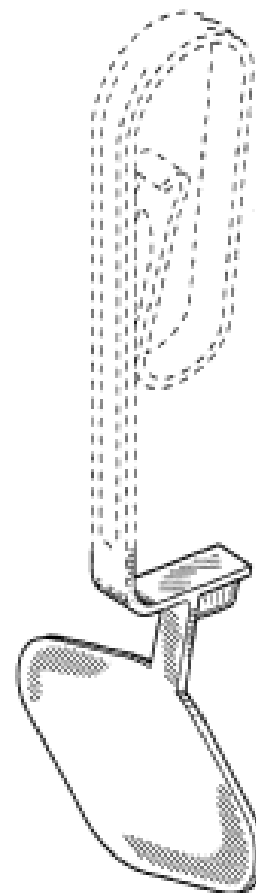
- (21) Design Number: **17604/2007**
- (22) Date of Filing Application: **24 April 2007**
- (24) Date from which industrial property rights may have effect: **24 April 2007**
- (54) Product in respect of which the design is registered: **Hanger for a lavatory dispensing device**
- (51) International Design Classification: **28-03NES**
- (71) Name(s) and Address(s) of Applicant(s):
Reckitt Benckiser Inc.
Morris Corporate Center IV 399 Interpace Parkway Parsippany New Jersey 07054 United States of America
- (72) Name(s) of Designer(s): **Diane Joyce Burt and Christopher Brian King and Robert Lu**
- (45) Registration Date: **03 May 2007**
- (30) Convention priority data:

(31) Number	(32) Date	(33) Country
29/249847	24 Oct 2006	UNITED STATES OF AMERICA
- (56) Related Art Documents: **Not Applicable**
- (57) Statement of Newness and Distinctiveness: **Newness and distinctiveness reside in the features of the design as shown in the accompanying representations.**



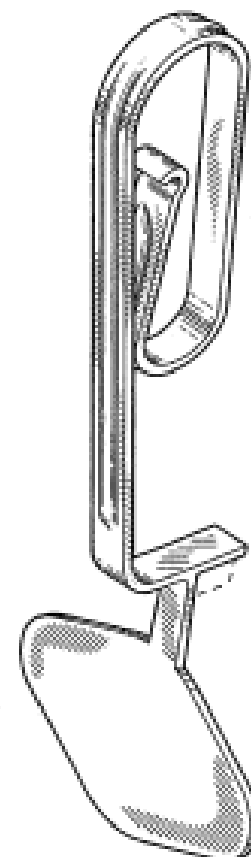
- (21) Design Number: **17605/2007**
- (22) Date of Filing Application: **24 April 2007**
- (24) Date from which industrial property rights may have effect: **24 April 2007**
- (54) Product in respect of which the design is registered: **Hanger for a lavatory dispensing device**
- (51) International Design Classification: **28-03NES**
- (71) Name(s) and Address(s) of Applicant(s):
Reckitt Benckiser Inc.
Morris Corporate Center IV 399 Interpace Parkway Parsippany New Jersey 07054 United States of America
- (72) Name(s) of Designer(s): **Diane Joyce Burt and Christopher Brian King and Robert Lu**
- (45) Registration Date: **03 May 2007**
- (30) Convention priority data:

(31) Number	(32) Date	(33) Country
29/249847	24 Oct 2006	UNITED STATES OF AMERICA
- (56) Related Art Documents: **Not Applicable**
- (57) Statement of Newness and Distinctiveness: **Newness and distinctiveness reside in the features of the design shown in solid lines in the representations excluding those features shown in broken lines.**

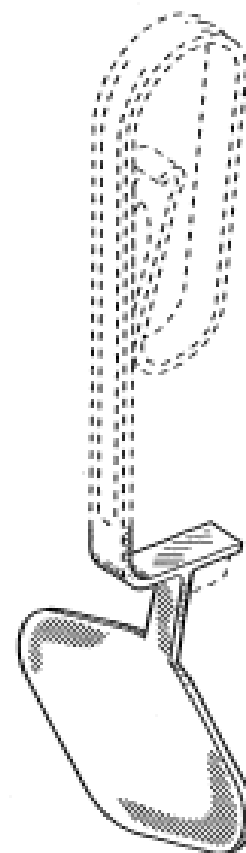


- (21) Design Number: **17606/2007**
- (22) Date of Filing Application: **24 April 2007**
- (24) Date from which industrial property rights may have effect: **24 April 2007**
- (54) Product in respect of which the design is registered: **Hanger for a lavatory dispensing device**
- (51) International Design Classification: **28-03NES**
- (71) Name(s) and Address(s) of Applicant(s):
Reckitt Benckiser Inc.
Morris Corporate Center IV 399 Interpace Parkway Parsippany New Jersey 07054 United States of America
- (72) Name(s) of Designer(s): **Diane Joyce Burt and Christopher Brian King and Robert Lu**
- (45) Registration Date: **03 May 2007**
- (30) Convention priority data:

(31) Number	(32) Date	(33) Country
29/249847	24 Oct 2006	UNITED STATES OF AMERICA
- (56) Related Art Documents: **Not Applicable**
- (57) Statement of Newness and Distinctiveness: **Newness and distinctiveness reside in the features of the design shown in solid lines in the representations excluding those features shown in broken lines.**



- (21) Design Number: **17607/2007**
(22) Date of Filing Application: **24 April 2007**
(24) Date from which industrial property rights may have effect: **24 April 2007**
(54) Product in respect of which the design is registered: **Hanger for a lavatory dispensing device**
(51) International Design Classification: **28-03NES**
(71) Name(s) and Address(s) of Applicant(s):
Reckitt Benckiser Inc.
Morris Corporate Center IV 399 Interpace Parkway Parsippany New Jersey 07054 United States of America
(72) Name(s) of Designer(s): **Diane Joyce Burt and Christopher Brian King and Robert Lu**
(45) Registration Date: **03 May 2007**
(30) Convention priority data:
(31) Number (32) Date (33) Country
29/249847 24 Oct 2006 UNITED STATES OF AMERICA
(56) Related Art Documents: **Not Applicable**
(57) Statement of Newness and Distinctiveness: **Newness and distinctiveness reside in the features of the design shown in solid lines in the representations excluding those features shown in broken lines.**

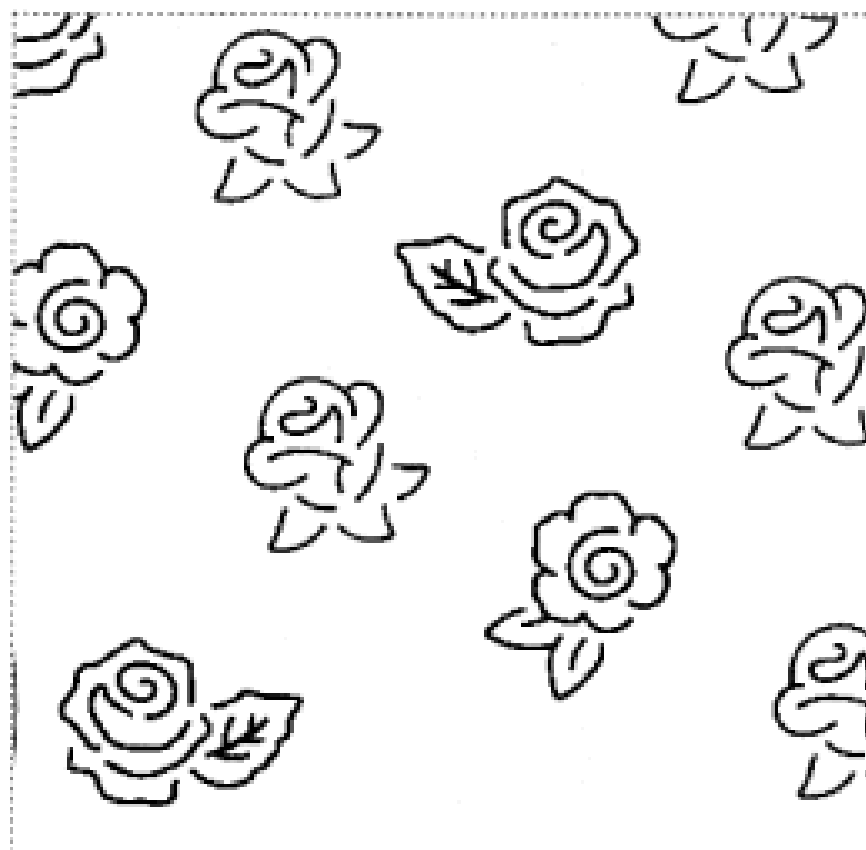


- (21) Design Number: **15075/2005**
(22) Date of Filing Application: **18 November 2005**
(24) Date from which industrial property rights may have effect: **18 November 2005**
(54) Product in respect of which the design is registered: **Swimming rash t-shirt**
(51) International Design Classification: **02-02A**
(71) Name(s) and Address(s) of Applicant(s):
Counselling Help Pty Ltd
c/- Bennett Carroll 33 Sanders Street Upper Mt Gravatt Queensland 4122 Australia
(72) Name(s) of Designer(s): **Guy Austin Gibbons**
(45) Registration Date: **04 May 2007**
(56) Related Art Documents: **Not Applicable**
(57) Statement of Newness and Distinctiveness: **Nil**



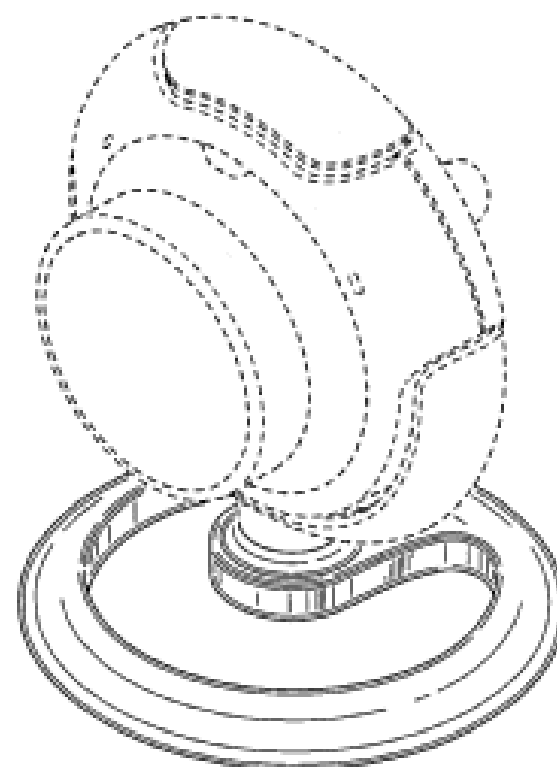
(19) AU

(21) Design Number: **16403/2007**
(22) Date of Filing Application: **12 February 2007**
(24) Date from which industrial property rights may have effect: **12 February 2007**
(54) Product in respect of which the design is registered: **A paper product**
(51) International Design Classification: **19-01**
(71) Name(s) and Address(s) of Applicant(s):
First Quality Tissue LLC
80 Cuttermill Road Suite 500 Great Neck NY 11021 Unites States of America
(72) Name(s) of Designer(s): **Giacomo Bianchi**
(45) Registration Date: **04 May 2007**
(30) Convention priority data:
(31) Number (32) Date (33) Country
29/264,587 14 Aug 2006 UNITED STATES OF AMERICA
(56) Related Art Documents: **Not Applicable**
(57) Statement of Newness and Distinctiveness: **Nil**

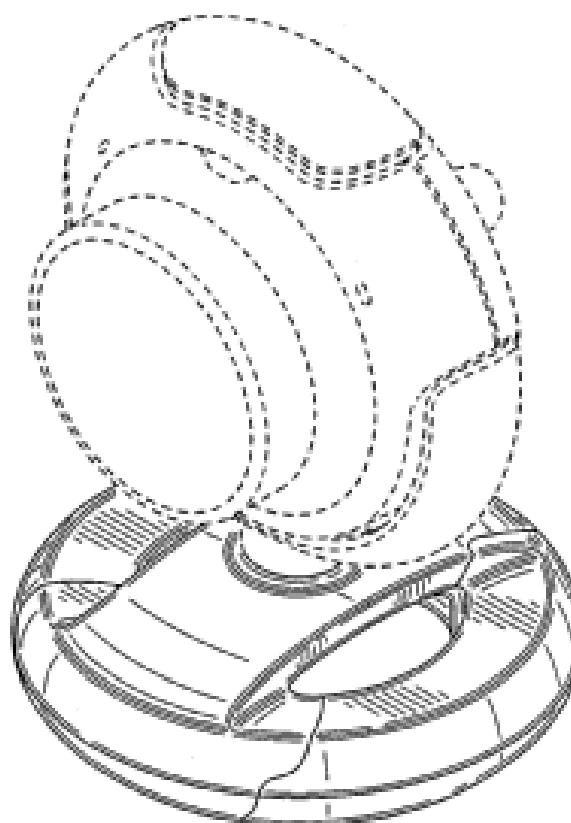


(19) AU

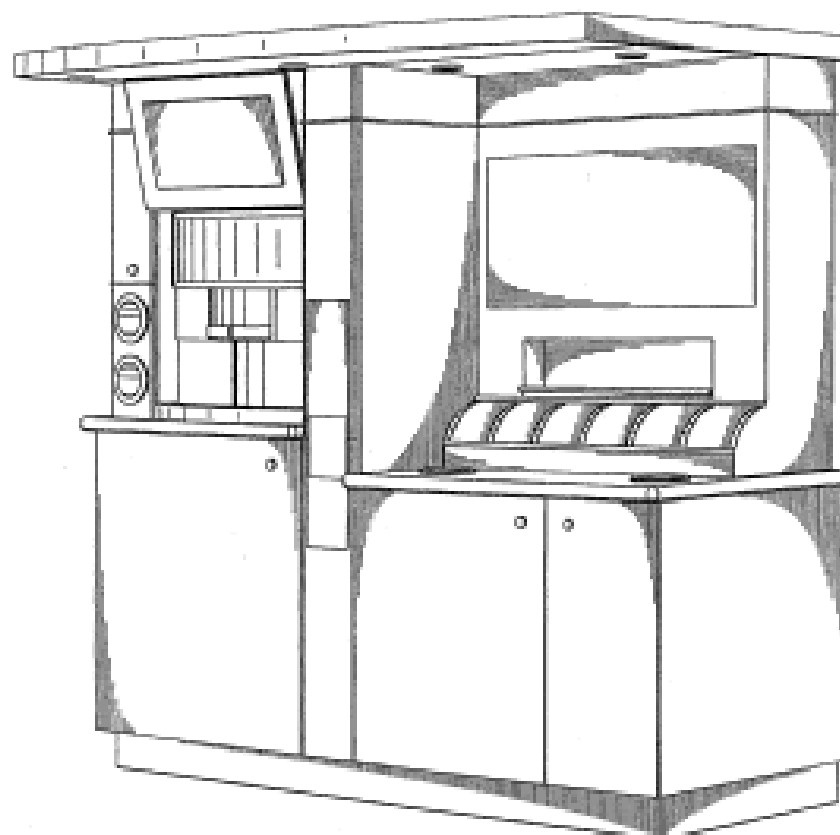
(21) Design Number: **16399/2007**
(22) Date of Filing Application: **12 February 2007**
(24) Date from which industrial property rights may have effect: **12 February 2007**
(54) Product in respect of which the design is registered: **Portion of an electronic camera**
(51) International Design Classification: **16-01**
(71) Name(s) and Address(s) of Applicant(s):
Microsoft Corporation
One Microsoft Way Redmond Washington 98052 United States of America
(72) Name(s) of Designer(s): **Steven W. Fisher and Oliver F. Grabes and Ferdinand Johannes van Engelen and Robert B. Hubler and Adam M. O'Hern and Tim Hulford**
(45) Registration Date: **04 May 2007**
(30) Convention priority data:
(31) Number (32) Date (33) Country
29/248549 21 Sep 2006 UNITED STATES OF AMERICA
(56) Related Art Documents: **Not Applicable**
(57) Statement of Newness and Distinctiveness: **Newness and distinctiveness reside in one or more visual features of a portion of an electronic camera as illustrated in the accompanying representations. The features shown in broken outline are illustrative only and do not form part of the design.**



(21) Design Number: **16398/2007**
 (22) Date of Filing Application: **12 February 2007**
 (24) Date from which industrial property rights may have effect: **12 February 2007**
 (54) Product in respect of which the design is registered: **Portion of an electronic camera**
 (51) International Design Classification: **16-01**
 (71) Name(s) and Address(s) of Applicant(s):
Microsoft Corporation
One Microsoft Way Redmond Washington 98052 United States of America
 (72) Name(s) of Designer(s): **Steven W. Fisher and Oliver F. Grabes and Ferdinand Johannes van Engelen and Robert B. Hubler and Adam M. O'Hern and Tim Hulford**
 (45) Registration Date: **04 May 2007**
 (30) Convention priority data:
 (31) Number (32) Date (33) Country
29/248547 21 Aug 2006 UNITED STATES OF AMERICA
 (56) Related Art Documents: **Not Applicable**
 (57) Statement of Newness and Distinctiveness: **Newness and distinctiveness reside in one or more visual features of a portion of an electronic camera as illustrated in the accompanying representations. The features shown in broken outline are illustrative only and do not form part of the design.**



(21) Design Number: **16397/2007**
 (22) Date of Filing Application: **12 February 2007**
 (24) Date from which industrial property rights may have effect: **12 February 2007**
 (54) Product in respect of which the design is registered: **Drink dispensing kiosk**
 (51) International Design Classification: **25-03**
 (71) Name(s) and Address(s) of Applicant(s):
Concordia Coffee Company, Inc.
1287#120th Avenue NE Bellevue Washington 98005#2121 United States of America
 (72) Name(s) of Designer(s): **David E. Isett and Wayne R. Stearns**
 (45) Registration Date: **04 May 2007**
 (30) Convention priority data:
 (31) Number (32) Date (33) Country
29/264746 16 Aug 2006 UNITED STATES OF AMERICA
 (56) Related Art Documents: **Not Applicable**
 (57) Statement of Newness and Distinctiveness: **Newness and distinctiveness reside in the features of the design as shown in the representations.**



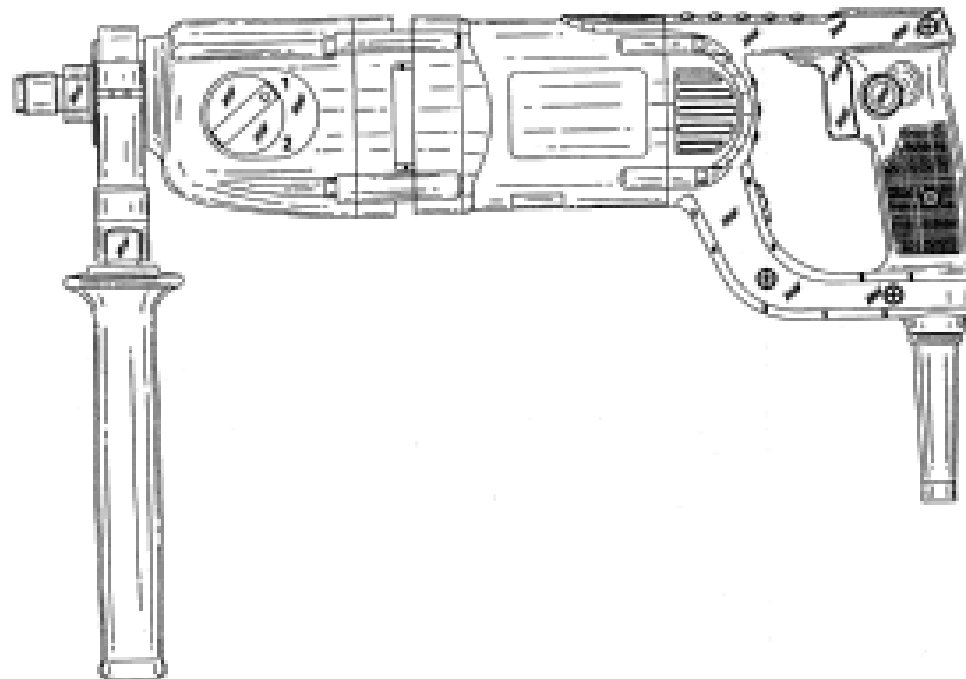
- (21) Design Number: **16393/2007**
(22) Date of Filing Application: **12 February 2007**
(24) Date from which industrial property rights may have effect: **12 February 2007**
(54) Product in respect of which the design is registered: **A pair of pants**
(51) International Design Classification: **02-02C**
(71) Name(s) and Address(s) of Applicant(s):
Morrison IP Pty Ltd ATF Morrison IP Trust
Level 1 88 High Street Fremantle Western Australia 6160 Australia
(72) Name(s) of Designer(s): **Kylie-Jane Radford**
(45) Registration Date: **04 May 2007**
(56) Related Art Documents: **Not Applicable**
(57) Statement of Newness and Distinctiveness: **Has an apron style set of pockets with a low belt loop and a belt which features a buckle and buttons.**



- (21) Design Number: **16392/2007**
(22) Date of Filing Application: **12 February 2007**
(24) Date from which industrial property rights may have effect: **12 February 2007**
(54) Product in respect of which the design is registered: **Instrument/automotive gauge pod/holder**
(51) International Design Classification: **12-16NES**
(71) Name(s) and Address(s) of Applicant(s):
Alan Mears
23 Trochidae Way Heathridge Western Australia 6027 Australia
(72) Name(s) of Designer(s): **Alan Mears**
(45) Registration Date: **04 May 2007**
(56) Related Art Documents: **Not Applicable**
(57) Statement of Newness and Distinctiveness: **The gauge pod is mounted in the "corner" of the vehicle dashboard (at the base of the drivers side A-pillar). It is moulded/shaped to fit the shape and contour of the A-pillar and dashboard. The depth/length of the gauge pod extends to the bottom of the windscreen. The front of the gauge pod moulds to the dashboard contour and is sized to fit up to a 60mm instrument gauge.**



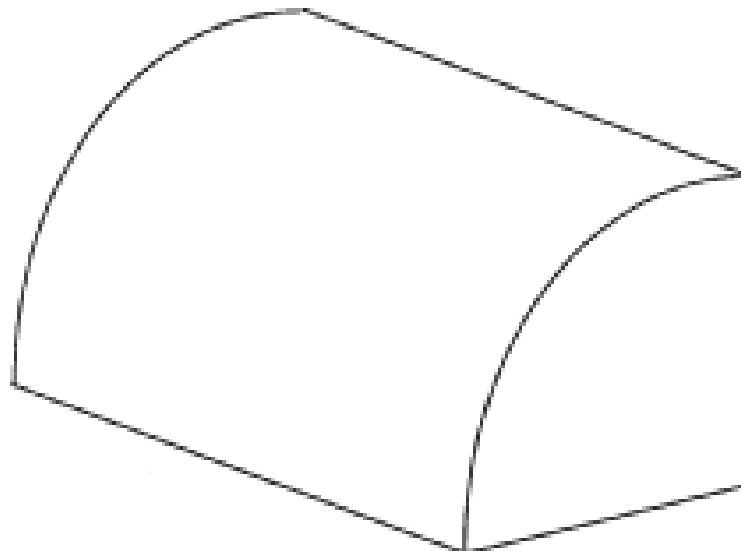
- (21) Design Number: **15846/2006**
(22) Date of Filing Application: **21 December 2006**
(24) Date from which industrial property rights may have effect: **21 December 2006**
(54) Product in respect of which the design is registered: **Drill**
(51) International Design Classification: **08-01**
(71) Name(s) and Address(s) of Applicant(s):
Black & Decker Inc
1207 Drummond Plaza Newark Delaware 19711 United States of America
(72) Name(s) of Designer(s): **Stefan Sell**
(45) Registration Date: **04 May 2007**
(30) Convention priority data:
(31) Number (32) Date (33) Country
000550280 26 Jun 2006 EUROPEAN COMMUNITY
(56) Related Art Documents: **Not Applicable**
(57) Statement of Newness and Distinctiveness: **Nil**



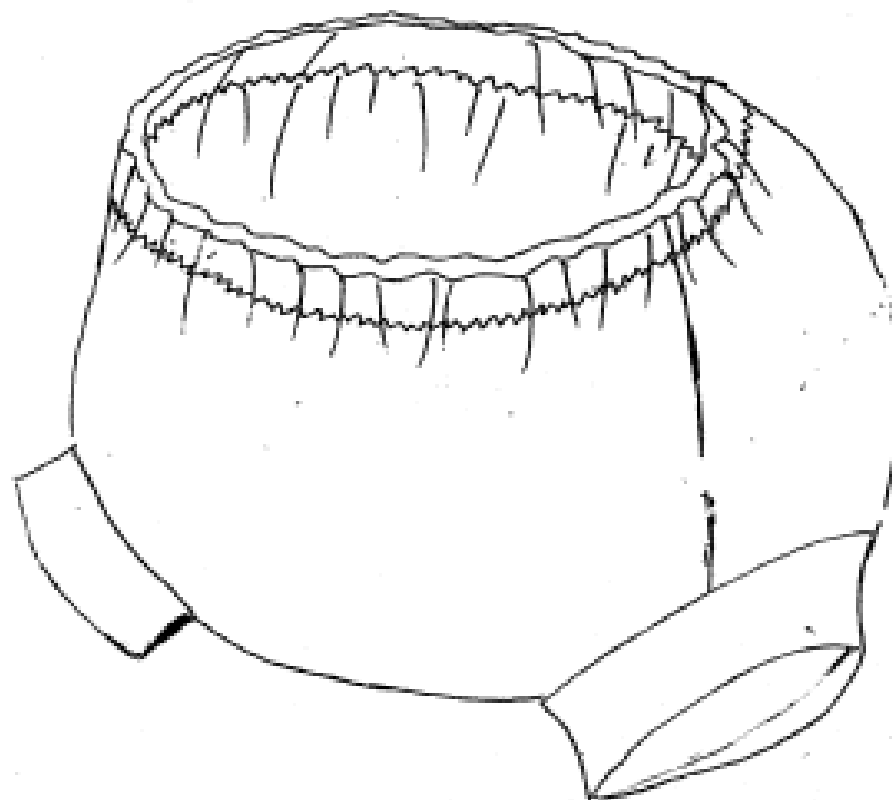
- (21) Design Number: **16149/2007**
(22) Date of Filing Application: **30 January 2007**
(24) Date from which industrial property rights may have effect: **30 January 2007**
(54) Product in respect of which the design is registered: **3 tile radiant heater**
(51) International Design Classification: **23-03A**
(71) Name(s) and Address(s) of Applicant(s):
Bromic Pty Ltd
1 Suttor Street Silverwater New South Wales 2128 Australia
(72) Name(s) of Designer(s): **Shane Marshall**
(45) Registration Date: **04 May 2007**
(56) Related Art Documents: **Not Applicable**
(57) Statement of Newness and Distinctiveness: **The new heater design will incorporate a flat or curved 'black glass facia' covering the burners which emits a soft red glow. This adds to its visual appeal and aids in mood setting. When the burners are on, the glass provides a soft red glow which adds to its visual appeal and aids in mood setting. The rear casing is formed in a curved sail shape. The rear housing encloses all of the automated components, including the wiring, so that they are not visible to consumers. The heater is available with a 240V and a 9Volt battery, power supply option.**



- (21) Design Number: **15765/2006**
(22) Date of Filing Application: **14 December 2006**
(24) Date from which industrial property rights may have effect: **14 December 2006**
(54) Product in respect of which the design is registered: **Cushion**
(51) International Design Classification: **06-09**
(71) Name(s) and Address(s) of Applicant(s):
Sacilla Pty Ltd
PO Box 474 Cranbourne Victoria 3977 Australia
(72) Name(s) of Designer(s): **Adriana Maria Sbisà**
(45) Registration Date: **04 May 2007**
(56) Related Art Documents: **Not Applicable**
(57) Statement of Newness and Distinctiveness: **Newness and distinctiveness are claimed in the features of shape and/or configuration of a cushion, as illustrated in the accompanying representations.**



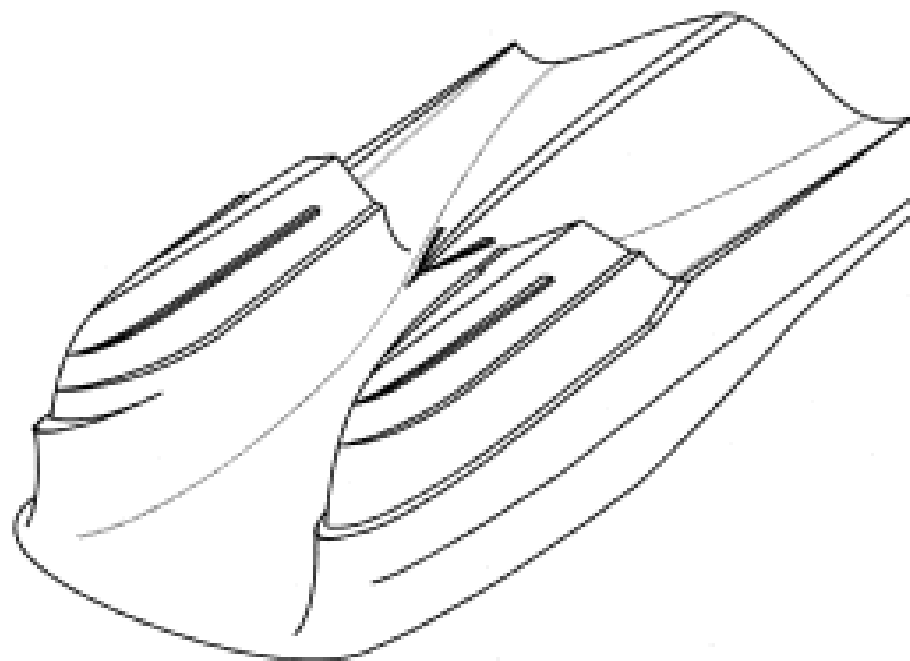
- (21) Design Number: **12024/2006**
(22) Date of Filing Application: **11 May 2006**
(24) Date from which industrial property rights may have effect: **11 May 2006**
(54) Product in respect of which the design is registered: **Aquatic swim nappy**
(51) International Design Classification: **02-01B**
(71) Name(s) and Address(s) of Applicant(s):
Celia Galpin
5 St Helena Road Byron Bay NSW 2482
(72) Name(s) of Designer(s): **Angela Dixon**
(45) Registration Date: **04 May 2007**
(56) Related Art Documents: **Not Applicable**
(57) Statement of Newness and Distinctiveness: **The aquatic swimnappy has a microfleece inner lining and double leg pads on each leg it also has a concealed waist band.**



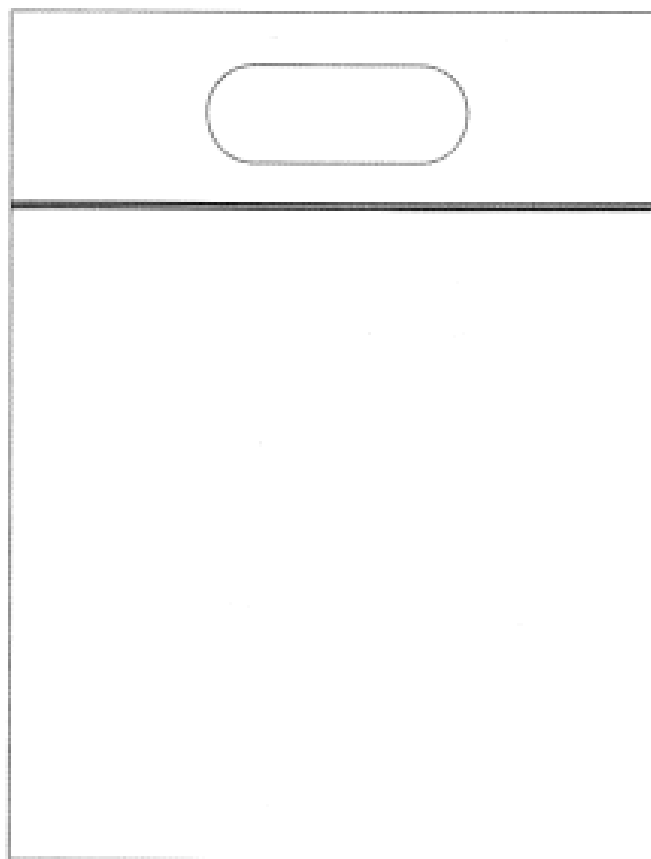
(21) Design Number: **16387/2007**
(22) Date of Filing Application: **12 February 2007**
(24) Date from which industrial property rights may have effect: **12 February 2007**
(54) Product in respect of which the design is registered: **Alloy wheel**
(51) International Design Classification: **12-16A**
(71) Name(s) and Address(s) of Applicant(s):
Daniel Galea
8 Lalor Court Springvale Victoria 3172 Australia
(72) Name(s) of Designer(s): **Mason Lu**
(45) Registration Date: **04 May 2007**
(56) Related Art Documents: **Not Applicable**
(57) Statement of Newness and Distinctiveness: **Nil**



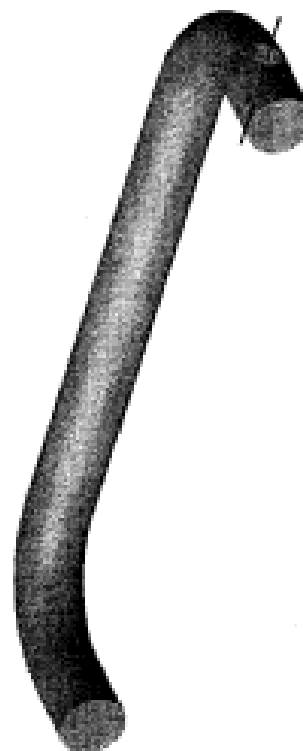
(21) Design Number: **16377/2007**
(22) Date of Filing Application: **12 February 2007**
(24) Date from which industrial property rights may have effect: **12 February 2007**
(54) Product in respect of which the design is registered: **Boat hull**
(51) International Design Classification: **12-06A**
(71) Name(s) and Address(s) of Applicant(s):
David Richard Gibbs
4 Cody Street Brisbane Queensland 4152 Australia
(72) Name(s) of Designer(s): **David Richard Gibbs**
(45) Registration Date: **04 May 2007**
(56) Related Art Documents: **Not Applicable**
(57) Statement of Newness and Distinctiveness: **Nil**



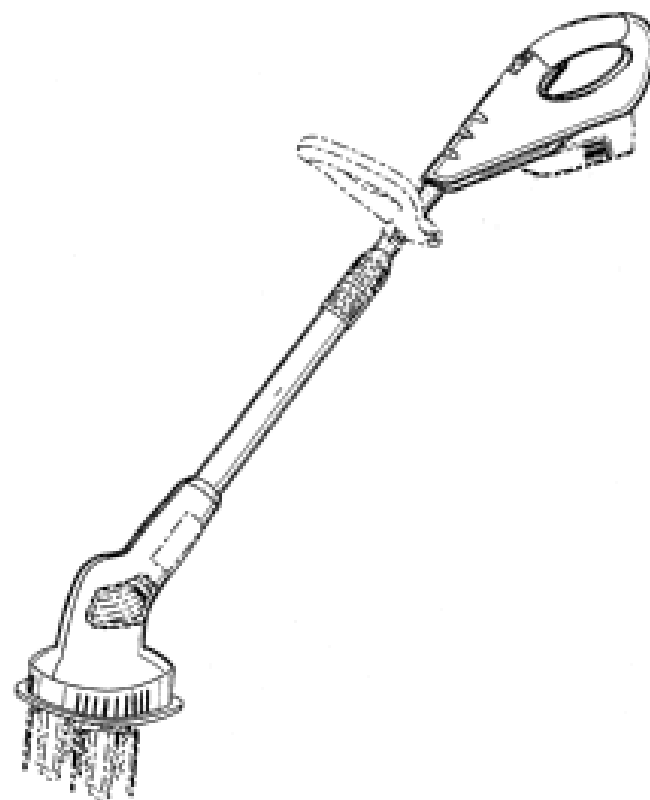
- (21) Design Number: **15631/2006**
(22) Date of Filing Application: **08 December 2006**
(24) Date from which industrial property rights may have effect: **08 December 2006**
(54) Product in respect of which the design is registered: **Plastic bag/satchel**
(51) International Design Classification: **03-01A**
(71) Name(s) and Address(s) of Applicant(s):
F.H. Booth P/L
114#117 Victoria Road Marrickville New South Wales 2204 Australia
(72) Name(s) of Designer(s): **Colin Weeks and George Maniatis**
(45) Registration Date: **04 May 2007**
(56) Related Art Documents: **Not Applicable**
(57) Statement of Newness and Distinctiveness: **Monopoly is claimed in the shape and/or configuration of a plastic bag/satchel with integrated locking (recloseable) device and carry handle as illustrated in the accompanying representation(s).**



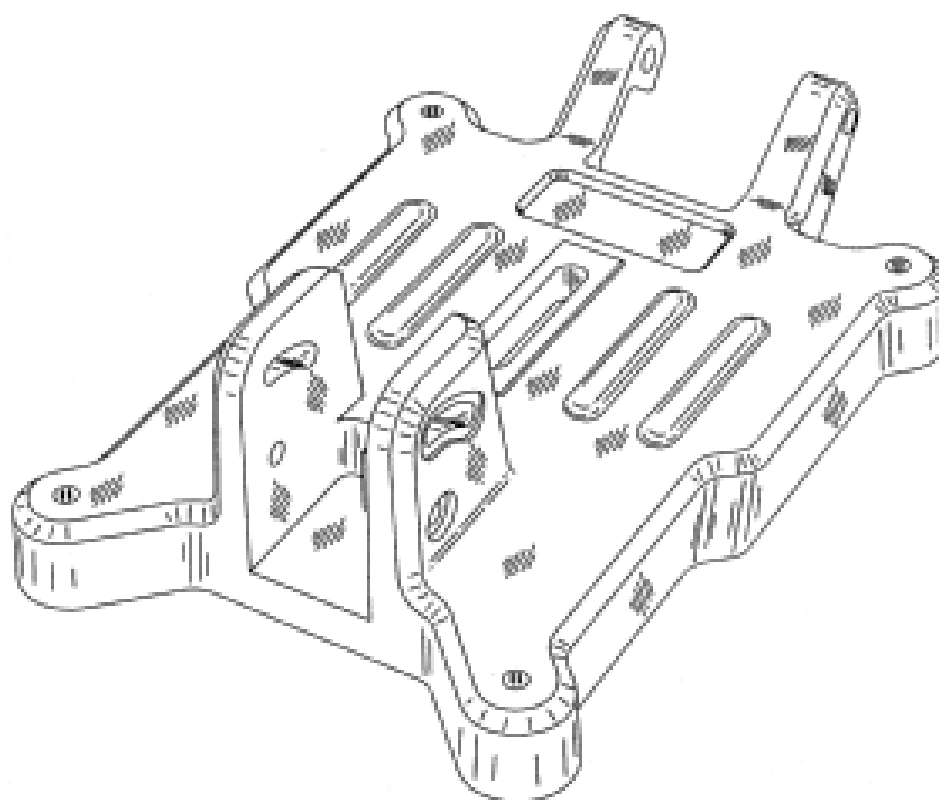
- (21) Design Number: **16421/2007**
(22) Date of Filing Application: **13 February 2007**
(24) Date from which industrial property rights may have effect: **13 February 2007**
(54) Product in respect of which the design is registered: **Pole step**
(51) International Design Classification: **25-04**
(71) Name(s) and Address(s) of Applicant(s):
Preformed Line Products (Australia) Pty Ltd
190 Power Street Glendenning New South Wales 2761 Australia
(72) Name(s) of Designer(s): **Philip Kenneth Timbrell**
(45) Registration Date: **04 May 2007**
(56) Related Art Documents: **Not Applicable**
(57) Statement of Newness and Distinctiveness: **Nil**



(21) Design Number: **16409/2007**
 (22) Date of Filing Application: **13 February 2007**
 (24) Date from which industrial property rights may have effect: **13 February 2007**
 (54) Product in respect of which the design is registered: **A cultivator**
 (51) International Design Classification: **08-05A**
 (71) Name(s) and Address(s) of Applicant(s):
Black & Decker, Inc.
1207 Drummond Plaza Newark Delaware 19711 United States of America
 (72) Name(s) of Designer(s): **Thomas W. Murray and Patrick Wade Mooney and Joshua D. Eaton**
 (45) Registration Date: **04 May 2007**
 (30) Convention priority data:
 (31) Number (32) Date (33) Country
29264764 17 Aug 2006 UNITED STATES OF AMERICA
 (56) Related Art Documents: **Not Applicable**
 (57) Statement of Newness and Distinctiveness: **Newness and distinctiveness is claimed in the visual features shown in solid lines in the representations.**



(21) Design Number: **16385/2007**
 (22) Date of Filing Application: **09 February 2007**
 (24) Date from which industrial property rights may have effect: **09 February 2007**
 (54) Product in respect of which the design is registered: **A drill stand base**
 (51) International Design Classification: **08-08NES**
 (71) Name(s) and Address(s) of Applicant(s):
Black & Decker, Inc.
1207 Drummond Plaza Newark Delaware 19711 United States of America
 (72) Name(s) of Designer(s): **Stefan Sell**
 (45) Registration Date: **04 May 2007**
 (30) Convention priority data:
 (31) Number (32) Date (33) Country
000574561 11 Aug 2006 EUROPEAN COMMUNITY
 (56) Related Art Documents: **Not Applicable**
 (57) Statement of Newness and Distinctiveness: **Nil**



- (21) Design Number: **17703/2007**
(22) Date of Filing Application: **03 May 2007**
(24) Date from which industrial property rights may have effect: **03 May 2007**
(54) Product in respect of which the design is registered: **Gearshift assembly**
(51) International Design Classification: **12-16NES**
(71) Name(s) and Address(s) of Applicant(s):
Peter Gruber
248-260 Minns Road Melton Victoria 3337 Australia
(72) Name(s) of Designer(s): **Peter Gruber**
(45) Registration Date: **07 May 2007**
(56) Related Art Documents: **Not Applicable**
(57) Statement of Newness and Distinctiveness: **Nil**



- (21) Design Number: **17216/2007**
(22) Date of Filing Application: **29 March 2007**
(24) Date from which industrial property rights may have effect: **29 March 2007**
(54) Product in respect of which the design is registered: **An automobile**
(51) International Design Classification: **12-08**
(71) Name(s) and Address(s) of Applicant(s):
Honda Motor Co., Ltd.
1-1 Minami-Aoyama 2-Chome Minato-Ku Tokyo Japan
(72) Name(s) of Designer(s): **Daisuke Sawai**
(45) Registration Date: **07 May 2007**
(56) Related Art Documents: **Not Applicable**
(57) Statement of Newness and Distinctiveness: **Newness and distinctiveness is claimed in the features of shape and/or configuration of an automobile as illustrated in the accompanying representations.**



- (21) Design Number: **16067/2007**
- (22) Date of Filing Application: **19 January 2007**
- (24) Date from which industrial property rights may have effect: **19 January 2007**
- (54) Product in respect of which the design is registered: **Mower deck**
- (51) International Design Classification: **15-03B**
- (71) Name(s) and Address(s) of Applicant(s):

Masport Limited
1#37 Mt Wellington Highway Penrose Auckland New Zealand

(72) Name(s) of Designer(s): **David McKay**

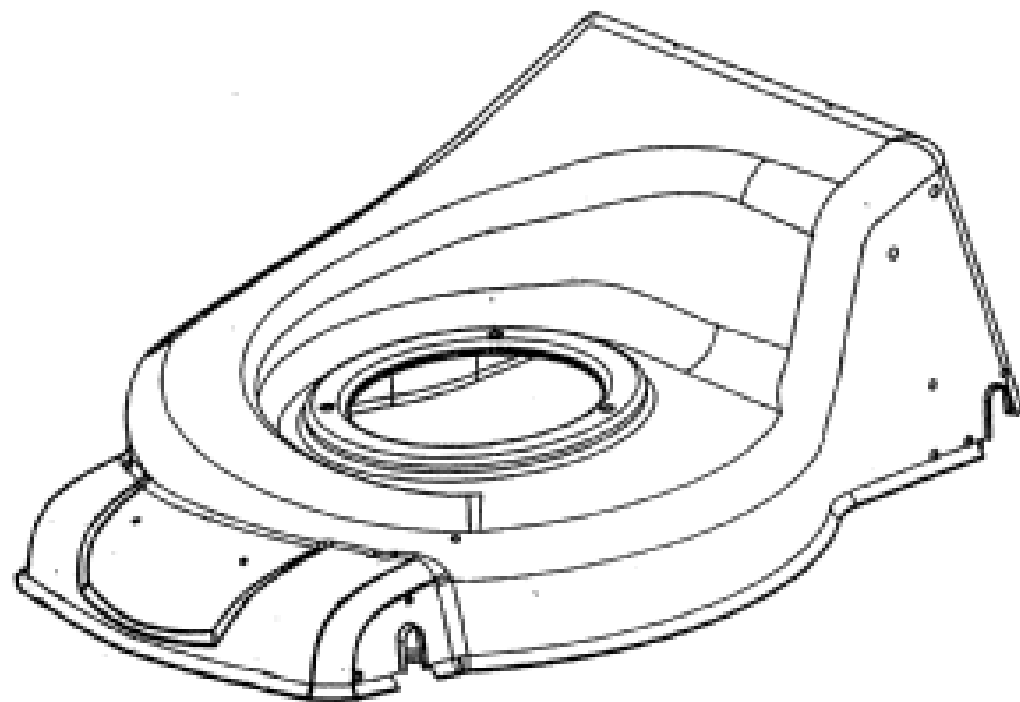
(45) Registration Date: **07 May 2007**

(30) Convention priority data:

(31) Number	(32) Date	(33) Country
407913	24 Jul 2006	NEW ZEALAND

(56) Related Art Documents: **Not Applicable**

(57) Statement of Newness and Distinctiveness: **The novelty claimed for the design resides in the features of shape and/or configuration all as shown in the representations.**



- (21) Design Number: **16068/2007**
- (22) Date of Filing Application: **19 January 2007**
- (24) Date from which industrial property rights may have effect: **19 January 2007**
- (54) Product in respect of which the design is registered: **A wheel**
- (51) International Design Classification: **12-16A**
- (71) Name(s) and Address(s) of Applicant(s):

Masport Limited
1#37 Mt Wellington Highway Penrose Auckland New Zealand

(72) Name(s) of Designer(s): **David McKay**

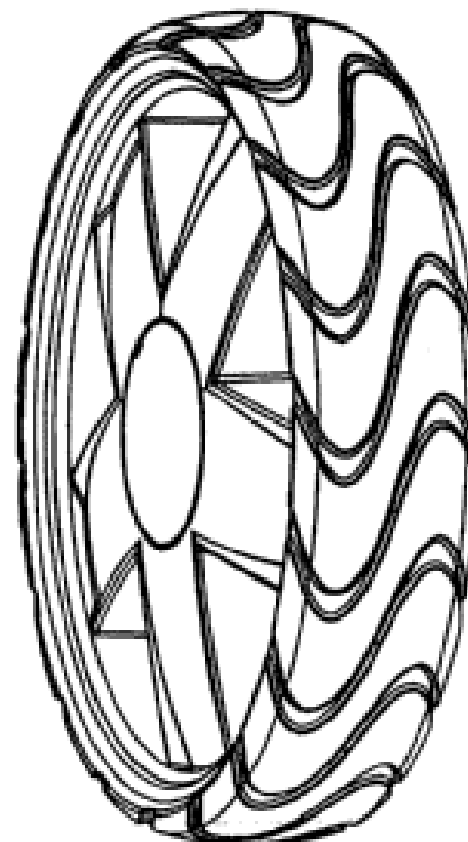
(45) Registration Date: **07 May 2007**

(30) Convention priority data:

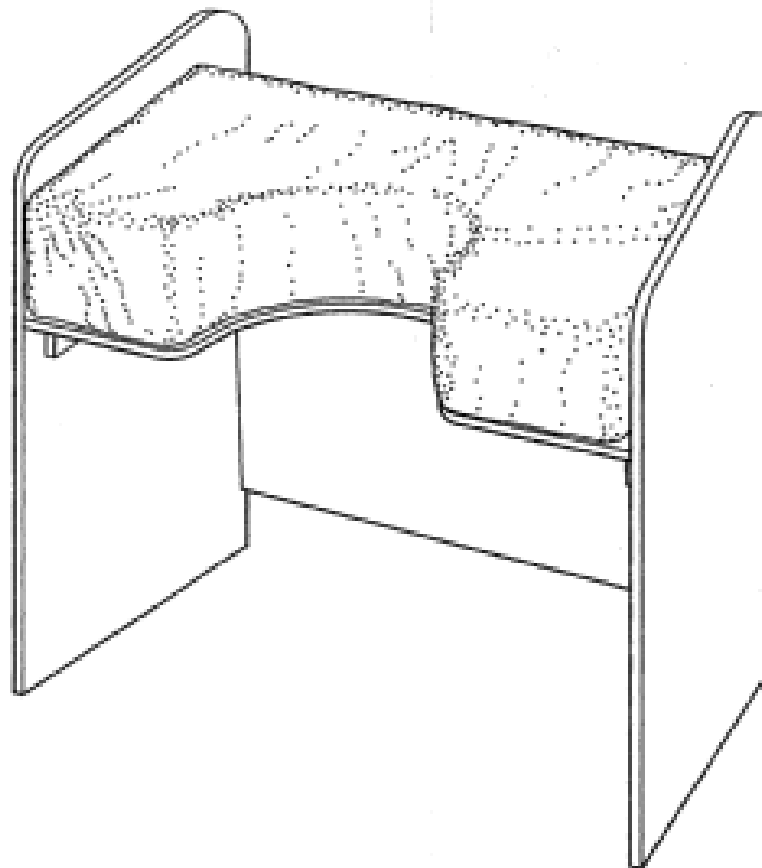
(31) Number	(32) Date	(33) Country
407914	24 Jul 2006	NEW ZEALAND

(56) Related Art Documents: **Not Applicable**

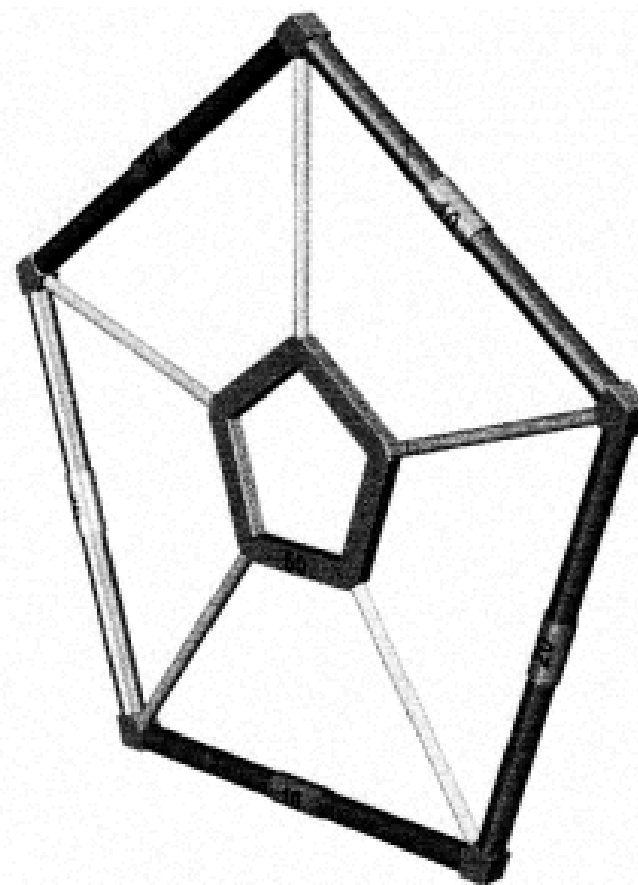
(57) Statement of Newness and Distinctiveness: **The novelty claimed for the design resides in the features of shape and/or configuration of the tyre portion and front face portion of the wheel illustrated in the representations.**



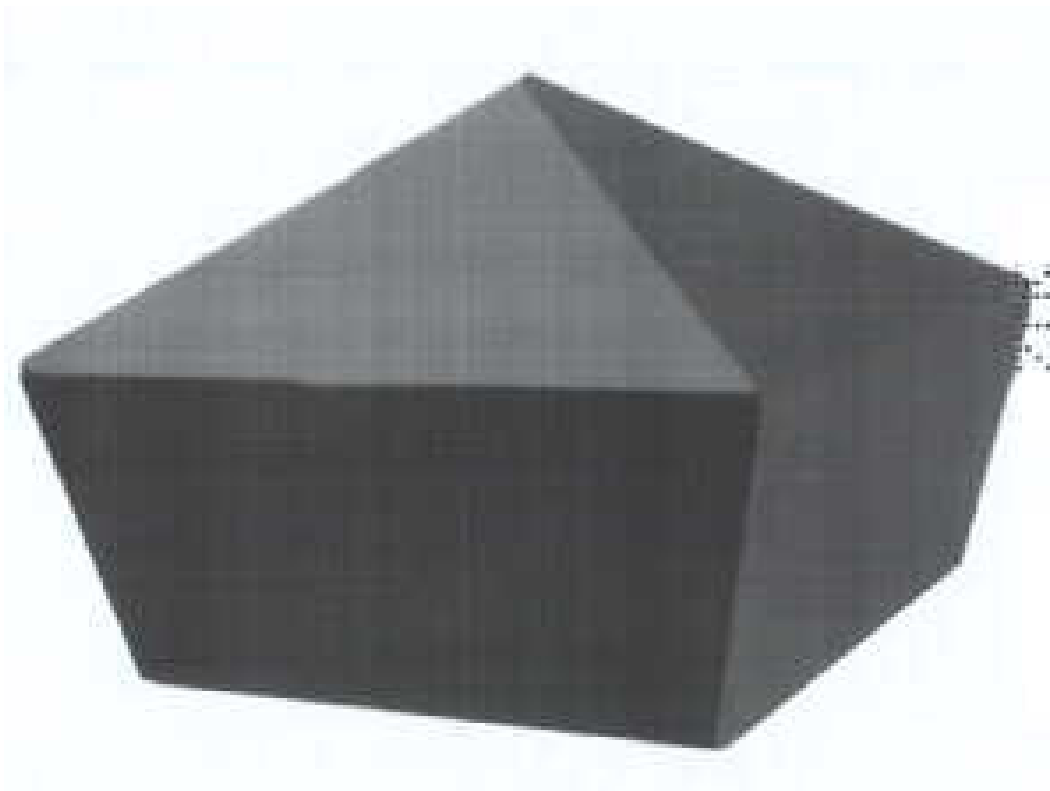
- (21) Design Number: **16449/2007**
(22) Date of Filing Application: **15 February 2007**
(24) Date from which industrial property rights may have effect: **15 February 2007**
(54) Product in respect of which the design is registered: **Breast feeding table**
(51) International Design Classification: **06-03NES**
(71) Name(s) and Address(s) of Applicant(s):
Tom Orr
272 Lawrence Street Alexandria New South Wales 2015 Australia
(72) Name(s) of Designer(s): **Tom Orr**
(45) Registration Date: **07 May 2007**
(56) Related Art Documents: **Not Applicable**
(57) Statement of Newness and Distinctiveness: **Newness and distinctiveness is claimed in the features of shape and/or configuration of a breast feeding table as illustrated in the accompanying representations.**



- (21) Design Number: **16424/2007**
(22) Date of Filing Application: **15 February 2007**
(24) Date from which industrial property rights may have effect: **15 February 2007**
(54) Product in respect of which the design is registered: **Game target**
(51) International Design Classification: **21-02NES**
(71) Name(s) and Address(s) of Applicant(s):
Shannon L. Smith
6 Swan Court Harrington Park New South Wales 2567 Australia
(72) Name(s) of Designer(s): **Shannon L. Smith**
(45) Registration Date: **07 May 2007**
(56) Related Art Documents: **Not Applicable**
(57) Statement of Newness and Distinctiveness: **The target is shaped in a pentagon and is designed with components for easy assembly.**



- (21) Design Number: **16422/2007**
(22) Date of Filing Application: **15 February 2007**
(24) Date from which industrial property rights may have effect: **15 February 2007**
(54) Product in respect of which the design is registered: **Packaging**
(51) International Design Classification: **09-03NES**
(71) Name(s) and Address(s) of Applicant(s):
Woogi Puffs Pty Ltd
6/16 Panama Street Canning Vale Western Australia 6155 Australia
(72) Name(s) of Designer(s): **Blair Francis Ward and Francis James Grabbi**
(45) Registration Date: **07 May 2007**
(56) Related Art Documents: **Not Applicable**
(57) Statement of Newness and Distinctiveness: **Five sided product packaging featuring a peaked convex lid and a reflected concave base such that multiple packages may be stacked.**



- (21) Design Number: **16442/2007**
(22) Date of Filing Application: **14 February 2007**
(24) Date from which industrial property rights may have effect: **14 February 2007**
(54) Product in respect of which the design is registered: **Keyboard**
(51) International Design Classification: **14-02**
(71) Name(s) and Address(s) of Applicant(s):
Microsoft Corporation
One Microsoft Way Redmond Washington 98052 United States of America
(72) Name(s) of Designer(s): **Daniel G. O'Neil**
(45) Registration Date: **07 May 2007**
(30) Convention priority data:
(31) Number (32) Date (33) Country
29/248651 25 Aug 2006 UNITED STATES OF AMERICA
(56) Related Art Documents: **Not Applicable**
(57) Statement of Newness and Distinctiveness: **Newness and distinctiveness reside in one or more visual features of a keyboard as illustrated in the accompanying representations. The features shown in broken outline are illustrative only and do not form part of the design.**



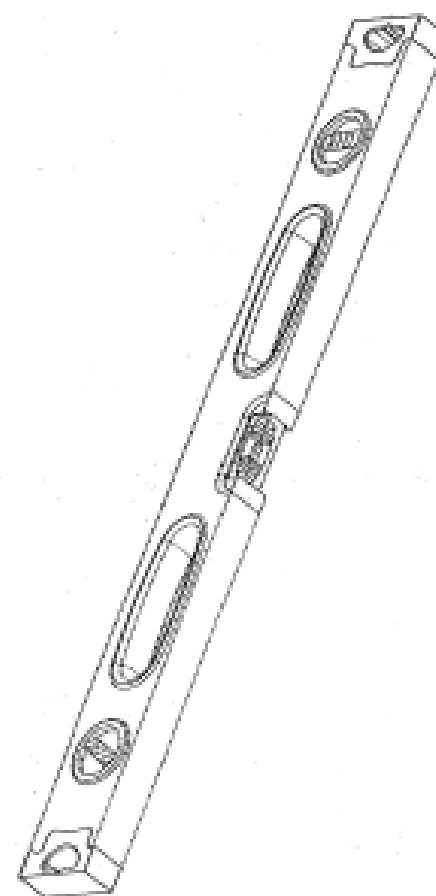
- (21) Design Number: **16440/2007**
(22) Date of Filing Application: **14 February 2007**
(24) Date from which industrial property rights may have effect: **14 February 2007**
(54) Product in respect of which the design is registered: **USB device**
(51) International Design Classification: **14-02**
(71) Name(s) and Address(s) of Applicant(s):
THOMSON, Societe Anonyme
46 Quai Alphonse Le Gallo 92100 Boulogne-Billancourt France
(72) Name(s) of Designer(s): **Jean-Francois Pintos and Phillippe Minard**
(45) Registration Date: **07 May 2007**
(56) Related Art Documents: **Not Applicable**
(57) Statement of Newness and Distinctiveness: **Newness and distinctiveness is claimed in the features of shape and/or configuration of a USB device as illustrated in the accompanying representations whilst excluding the USB plug extending from the housing of the device.**



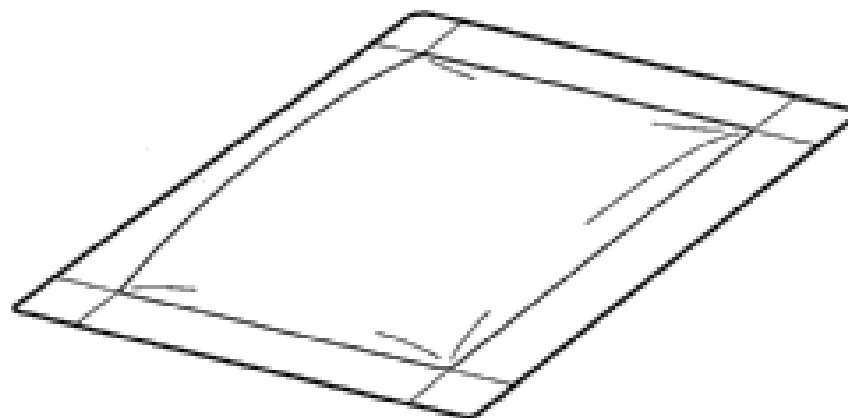
- (21) Design Number: **16439/2007**
(22) Date of Filing Application: **14 February 2007**
(24) Date from which industrial property rights may have effect: **14 February 2007**
(54) Product in respect of which the design is registered: **Level tool**
(51) International Design Classification: **10-04**
(71) Name(s) and Address(s) of Applicant(s):
James S. Allemand
11746 Wind Dance Drive Mokena Illinois 60448 United States of America
Qiu Jianping
No. 35#37 Jiuhuan Road Jiubao Hangzhou China
(72) Name(s) of Designer(s): **James S. Allemand and Qiu Jianping**
(45) Registration Date: **07 May 2007**
(30) Convention priority data:

(31) Number	(32) Date	(33) Country
29/264643	15 Aug 2006	UNITED STATES OF AMERICA

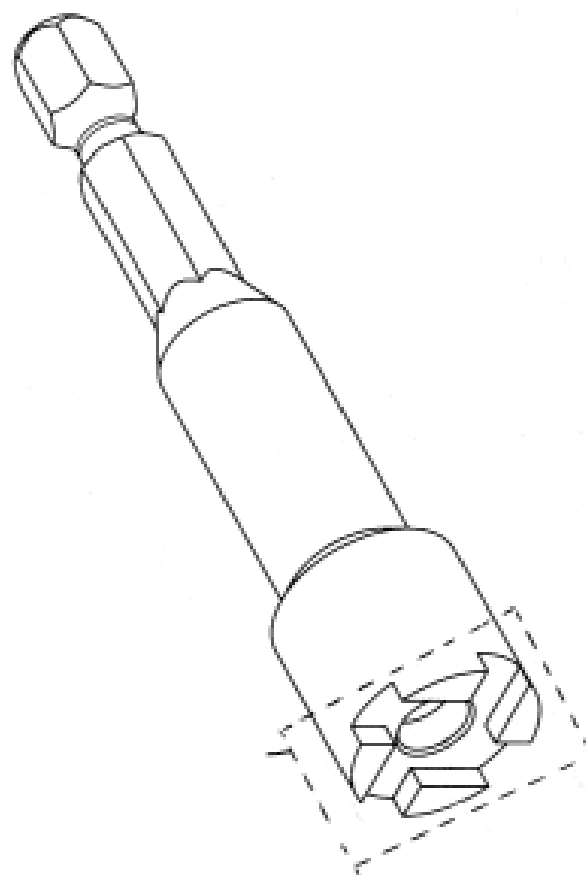
(56) Related Art Documents: **Not Applicable**
(57) Statement of Newness and Distinctiveness: **Newness and distinctiveness is claimed in the features of shape and/or configuration of the end caps of a level tool as illustrated in continuous lines in the accompanying representations.**



- (21) Design Number: **16438/2007**
(22) Date of Filing Application: **14 February 2007**
(24) Date from which industrial property rights may have effect: **14 February 2007**
(54) Product in respect of which the design is registered: **Film encapsulated liquid/gel pack**
(51) International Design Classification: **09-05**
(71) Name(s) and Address(s) of Applicant(s):
Dyson's Packaging Pty Ltd
5-7 Abrams Street Balcatta Western Australia 6021 Australia
(72) Name(s) of Designer(s): **David Kilpatrick**
(45) Registration Date: **07 May 2007**
(56) Related Art Documents: **Not Applicable**
(57) Statement of Newness and Distinctiveness: **Newness and distinctiveness is claimed in the features of shape and/or configuration of the film encapsulated liquid/gel pack as illustrated in the accompanying representations, particularly the relative proportion between the sealed margin areas of the pack and the central liquid/gel volume portion thereof, and the central liquid/gel volume portion being less than 50ml in volume.**



- (21) Design Number: **16436/2007**
(22) Date of Filing Application: **14 February 2007**
(24) Date from which industrial property rights may have effect: **14 February 2007**
(54) Product in respect of which the design is registered: **A driving portion of a screw driver**
(51) International Design Classification: **08-08B**
(71) Name(s) and Address(s) of Applicant(s):
ITW Australia Pty Ltd
3 Chester Street Oakleigh Victoria 3166 Australia
(72) Name(s) of Designer(s): **Francis Bernard Tovenati**
(45) Registration Date: **07 May 2007**
(56) Related Art Documents: **Not Applicable**
(57) Statement of Newness and Distinctiveness: **Newness and distinctiveness is claimed in the shape and/or configuration of the driving portion marked "A" in the representations.**



(21) Design Number: **16435/2007**

(22) Date of Filing Application: **14 February 2007**

(24) Date from which industrial property rights may have effect: **14 February 2007**

(54) Product in respect of which the design is registered: **A screw head**

(51) International Design Classification: **08-08B**

(71) Name(s) and Address(s) of Applicant(s):

ITW Australia Pty Ltd

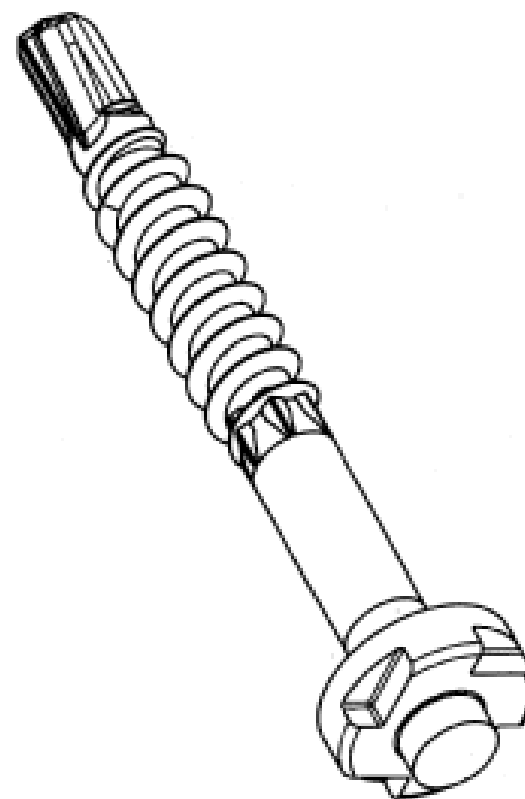
3 Chester Street Oakleigh Victoria 3166 Australia

(72) Name(s) of Designer(s): **Francis Bernard Tovenati**

(45) Registration Date: **07 May 2007**

(56) Related Art Documents: **Not Applicable**

(57) Statement of Newness and Distinctiveness: **Newness and distinctiveness is claimed in the shape and/or configuration of the screw head marked "A" in the representations.**



(21) Design Number: **16434/2007**

(22) Date of Filing Application: **14 February 2007**

(24) Date from which industrial property rights may have effect: **14 February 2007**

(54) Product in respect of which the design is registered: **Pallet**

(51) International Design Classification: **09-08**

(71) Name(s) and Address(s) of Applicant(s):

Giannarelli Holdings Pty Ltd

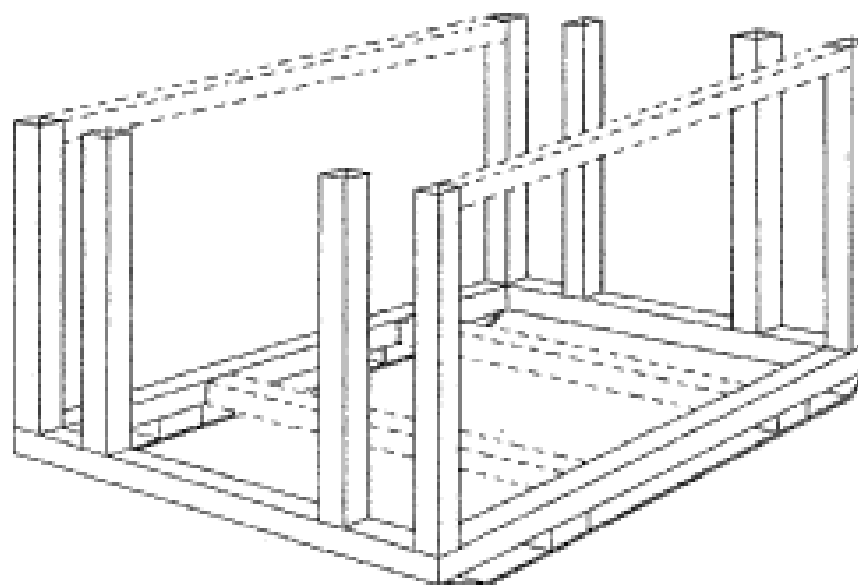
121 Trawalla Avenue Thomastown Victoria 3074 Australia

(72) Name(s) of Designer(s): **John Giannarelli and Emilio Giannarelli**

(45) Registration Date: **07 May 2007**

(56) Related Art Documents: **Not Applicable**

(57) Statement of Newness and Distinctiveness: **Newness and distinctiveness resides in the features of shape and/or configuration of a pallet as shown in solid lines in the accompanying representations.**



(21) Design Number: **16433/2007**

(22) Date of Filing Application: **14 February 2007**

(24) Date from which industrial property rights may have effect: **14 February 2007**

(54) Product in respect of which the design is registered: **Pallet**

(51) International Design Classification: **09-08**

(71) Name(s) and Address(s) of Applicant(s):

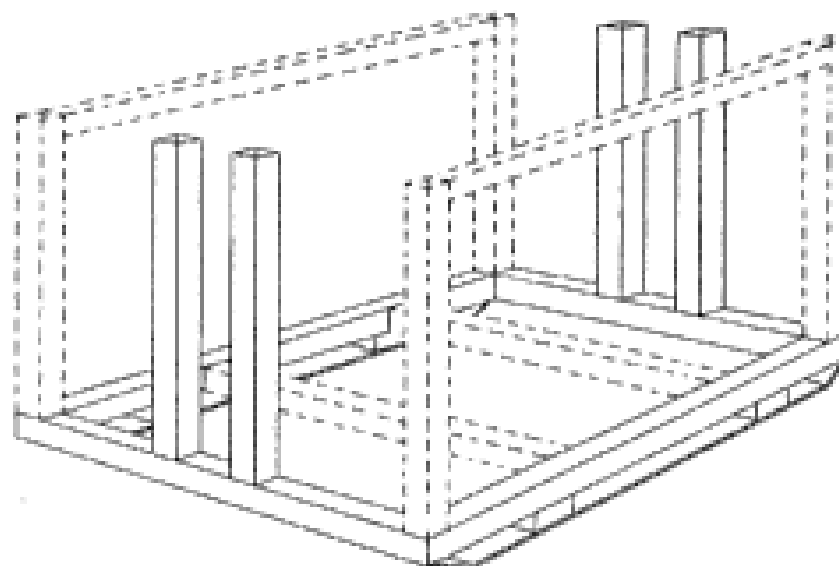
Giannarelli Holdings Pty Ltd
121 Trawalla Avenue Thomastown Victoria 3074 Australia

(72) Name(s) of Designer(s): **John Giannarelli and Emilio Giannarelli**

(45) Registration Date: **07 May 2007**

(56) Related Art Documents: **Not Applicable**

(57) Statement of Newness and Distinctiveness: **Newness and distinctiveness resides in the features of shape and/or configuration of a pallet as shown in solid lines in the accompanying representations.**



(21) Design Number: **16432/2007**

(22) Date of Filing Application: **14 February 2007**

(24) Date from which industrial property rights may have effect: **14 February 2007**

(54) Product in respect of which the design is registered: **Pallet**

(51) International Design Classification: **09-08**

(71) Name(s) and Address(s) of Applicant(s):

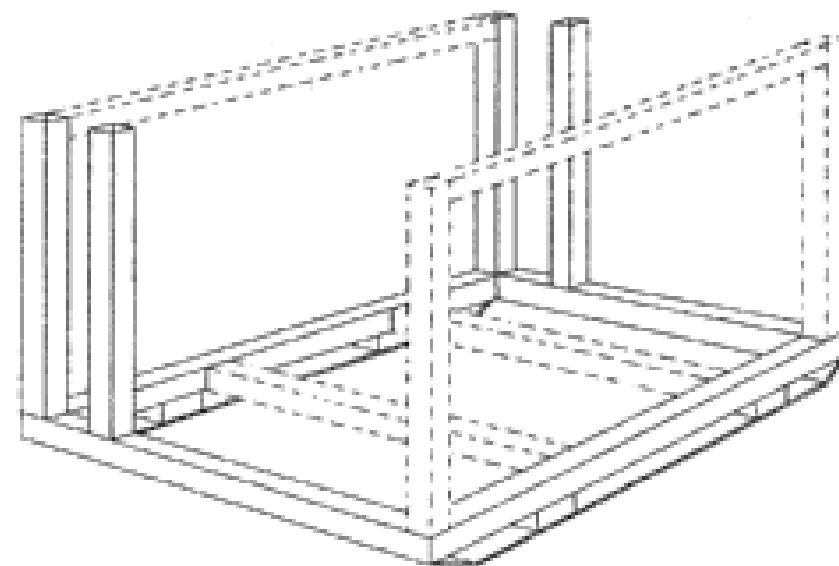
Giannarelli Holdings Pty Ltd
121 Trawalla Avenue Thomastown Victoria 3074 Australia

(72) Name(s) of Designer(s): **John Giannarelli and Emilio Giannarelli**

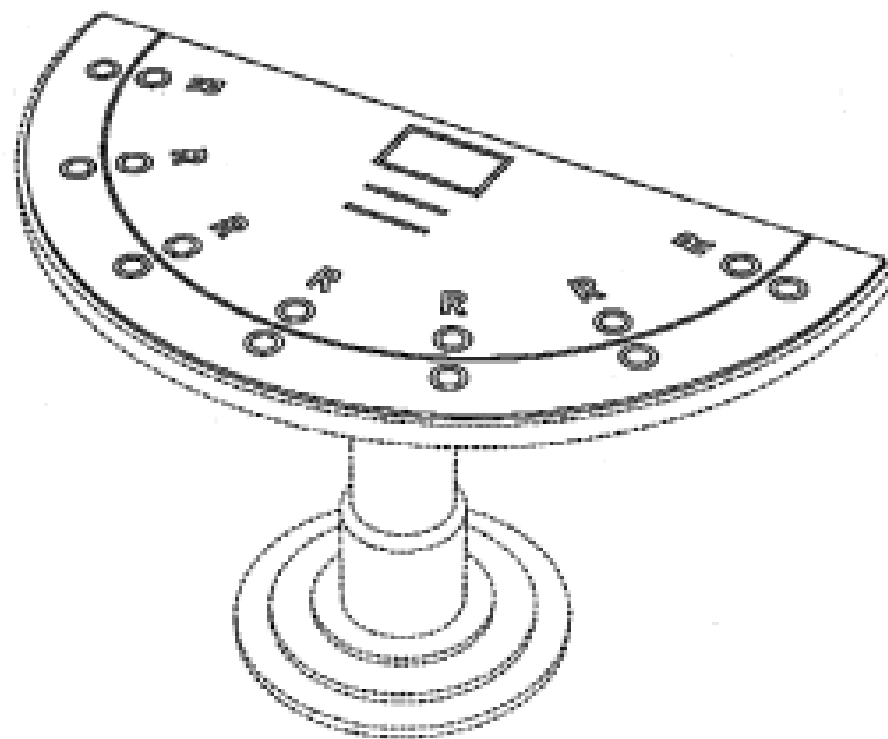
(45) Registration Date: **07 May 2007**

(56) Related Art Documents: **Not Applicable**

(57) Statement of Newness and Distinctiveness: **Newness and distinctiveness resides in the features of shape and/or configuration of a pallet as shown in solid lines in the accompanying representations.**



- (21) Design Number: **16426/2007**
- (22) Date of Filing Application: **14 February 2007**
- (24) Date from which industrial property rights may have effect: **14 February 2007**
- (54) Product in respect of which the design is registered: **Card game playing surface**
- (51) International Design Classification: **06-03D**
- (71) Name(s) and Address(s) of Applicant(s):
Harry Richani
36 Bayview Parade Gulfview Heights South Australia 2096 Australia
- (72) Name(s) of Designer(s): **Harry Richani**
- (45) Registration Date: **07 May 2007**
- (56) Related Art Documents: **Not Applicable**
- (57) Statement of Newness and Distinctiveness: **Newness and distinctiveness is claimed in the shape and/or configuration of the card game playing surface as illustrated in the accompanying representations. In considering the scope of newness and distinctiveness no consideration is to be given to the table as designated by the dotted lines.**



- (21) Design Number: **13424/2006**
- (22) Date of Filing Application: **03 August 2006**
- (24) Date from which industrial property rights may have effect: **03 August 2006**
- (54) Product in respect of which the design is registered: **Clothing**
- (51) International Design Classification: **02-02C, 02-02NES**
- (71) Name(s) and Address(s) of Applicant(s):
Wonderwear Pty Ltd
36 Alfred Street South Melbourne Victoria 3205 Australia
- (72) Name(s) of Designer(s): **Kate Danaher**
- (45) Registration Date: **07 May 2007**
- (56) Related Art Documents: **Not Applicable**
- (57) Statement of Newness and Distinctiveness: **Nil**



- (21) Design Number: **16272/2007**
- (22) Date of Filing Application: **03 August 2006**
- (24) Date from which industrial property rights may have effect: **03 August 2006**
- (54) Product in respect of which the design is registered: **Clothing**
- (51) International Design Classification: **02-02C**
- (71) Name(s) and Address(s) of Applicant(s):
Wonderwear Pty Ltd
36 Alfred Street South Melbourne Victoria 3205 Australia
- (72) Name(s) of Designer(s): **Kate Danaher**
- (45) Registration Date: **07 May 2007**
- (56) Related Art Documents: **Not Applicable**
- (57) Statement of Newness and Distinctiveness: **Nil**



- (21) Design Number: **16273/2007**
- (22) Date of Filing Application: **03 August 2006**
- (24) Date from which industrial property rights may have effect: **03 August 2006**
- (54) Product in respect of which the design is registered: **Clothing**
- (51) International Design Classification: **02-02C**
- (71) Name(s) and Address(s) of Applicant(s):
Wonderwear Pty Ltd
36 Alfred Street South Melbourne Victoria 3205 Australia
- (72) Name(s) of Designer(s): **Kate Danaher**
- (45) Registration Date: **07 May 2007**
- (56) Related Art Documents: **Not Applicable**
- (57) Statement of Newness and Distinctiveness: **Nil**



- (21) Design Number: **16274/2007**
- (22) Date of Filing Application: **03 August 2006**
- (24) Date from which industrial property rights may have effect: **03 August 2006**
- (54) Product in respect of which the design is registered: **Clothing**
- (51) International Design Classification: **02-02C**
- (71) Name(s) and Address(s) of Applicant(s):
Wonderwear Pty Ltd
36 Alfred Street South Melbourne Victoria 3205 Australia
- (72) Name(s) of Designer(s): **Kate Danaher**
- (45) Registration Date: **07 May 2007**
- (56) Related Art Documents: **Not Applicable**
- (57) Statement of Newness and Distinctiveness: **Nil**



- (21) Design Number: **16275/2007**
- (22) Date of Filing Application: **03 August 2006**
- (24) Date from which industrial property rights may have effect: **03 August 2006**
- (54) Product in respect of which the design is registered: **Clothing**
- (51) International Design Classification: **02-02C**
- (71) Name(s) and Address(s) of Applicant(s):
Wonderwear Pty Ltd
36 Alfred Street South Melbourne Victoria 3205 Australia
- (72) Name(s) of Designer(s): **Kate Danaher**
- (45) Registration Date: **07 May 2007**
- (56) Related Art Documents: **Not Applicable**
- (57) Statement of Newness and Distinctiveness: **Nil**



(21) Design Number: **16276/2007**

(22) Date of Filing Application: **03 August 2006**

(24) Date from which industrial property rights may have effect: **03 August 2006**

(54) Product in respect of which the design is registered: **Clothing**

(51) International Design Classification: **02-02C**

(71) Name(s) and Address(s) of Applicant(s):

**Wonderwear Pty Ltd
36 Alfred Street South Melbourne Victoria 3205 Australia**

(72) Name(s) of Designer(s): **Kate Danaher**

(45) Registration Date: **07 May 2007**

(56) Related Art Documents: **Not Applicable**

(57) Statement of Newness and Distinctiveness: **Nil**



(21) Design Number: **16450/2007**

(22) Date of Filing Application: **15 February 2007**

(24) Date from which industrial property rights may have effect: **15 February 2007**

(54) Product in respect of which the design is registered: **Kettle**

(51) International Design Classification: **07-02K**

(71) Name(s) and Address(s) of Applicant(s):

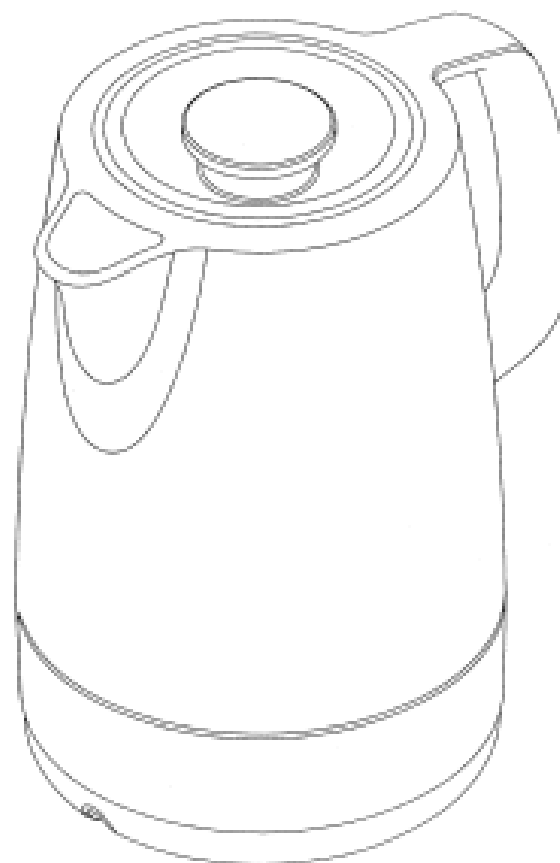
**Sunbeam Corporation Limited
Unit 5 & 6 13 Lord Street Botany New South Wales 2019 Australia**

(72) Name(s) of Designer(s): **Nick O'Loughlin**

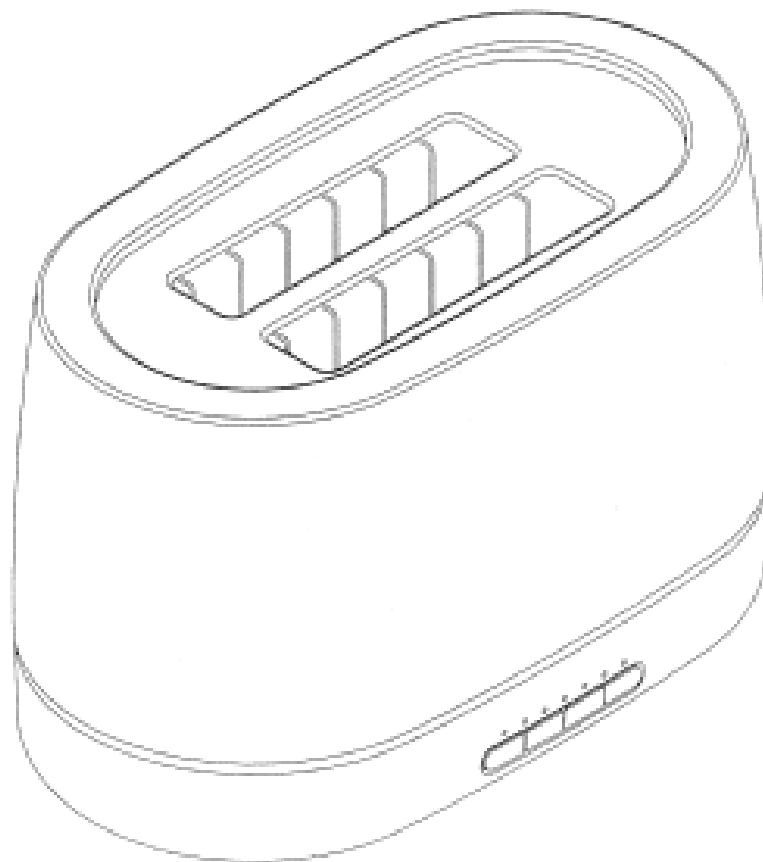
(45) Registration Date: **07 May 2007**

(56) Related Art Documents: **Not Applicable**

(57) Statement of Newness and Distinctiveness: **Newness and distinctiveness resides in the shape and/or configuration of the kettle as illustrated in the accompanying illustrations.**



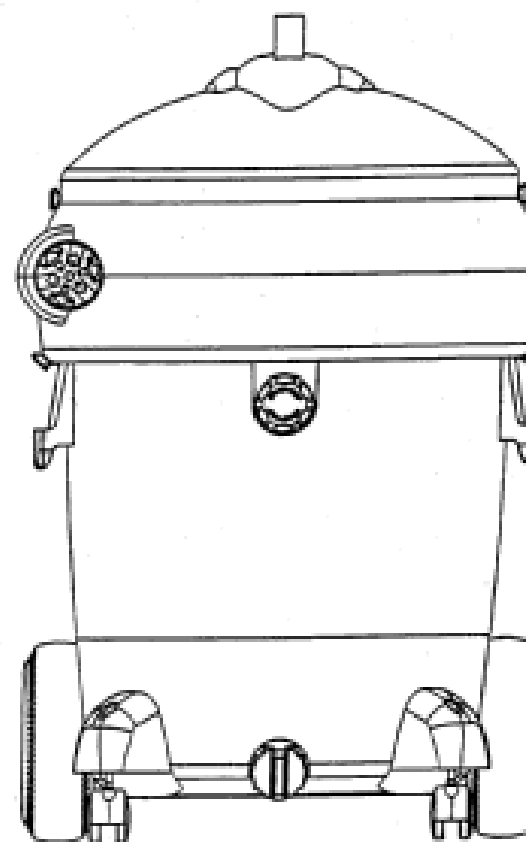
(21) Design Number: **16451/2007**
(22) Date of Filing Application: **15 February 2007**
(24) Date from which industrial property rights may have effect: **15 February 2007**
(54) Product in respect of which the design is registered: **Toaster**
(51) International Design Classification: **07-02F**
(71) Name(s) and Address(s) of Applicant(s):
Sunbeam Corporation Limited
Unit 5 & 6 13 Lord Street Botany New South Wales 2019 Australia
(72) Name(s) of Designer(s): **Nick O'Loughlin**
(45) Registration Date: **07 May 2007**
(56) Related Art Documents: **Not Applicable**
(57) Statement of Newness and Distinctiveness: **Newness and distinctiveness resides in the shape and/or configuration of the toaster as illustrated in the accompanying illustrations.**



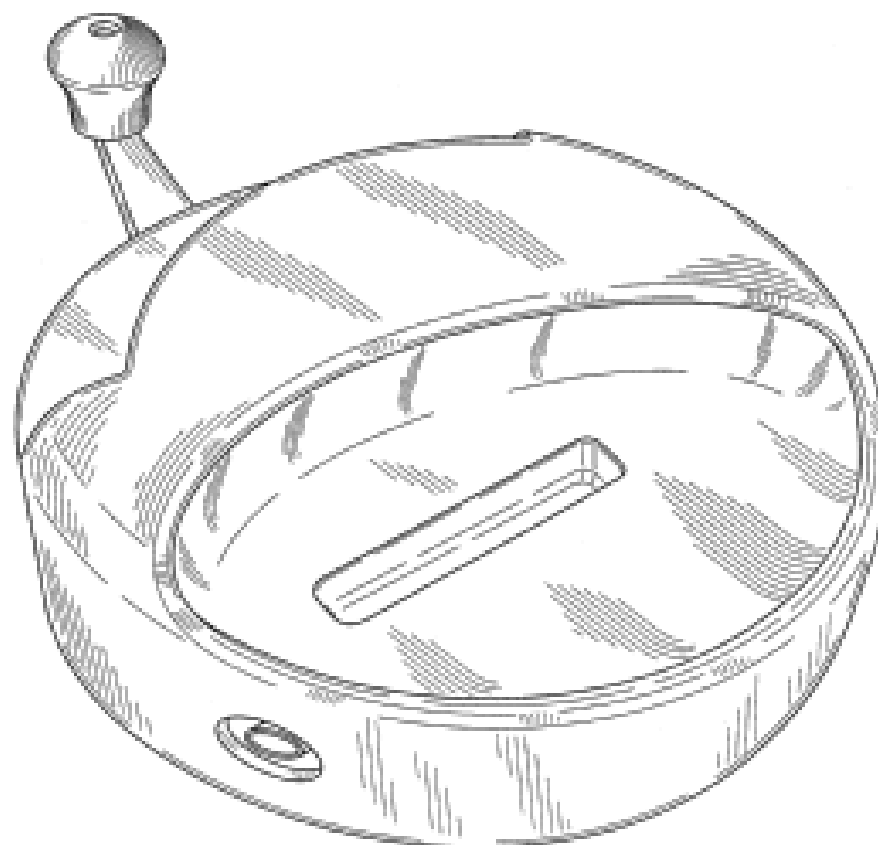
(21) Design Number: **16452/2007**
(22) Date of Filing Application: **15 February 2007**
(24) Date from which industrial property rights may have effect: **15 February 2007**
(54) Product in respect of which the design is registered: **Glass**
(51) International Design Classification: **07-01C**
(71) Name(s) and Address(s) of Applicant(s):
Pi-Design AG
Kantonsstrasse 100 Postfach 463 CH-6234 Triengen Switzerland
(72) Name(s) of Designer(s): **Jorgen Bodum**
(45) Registration Date: **07 May 2007**
(30) Convention priority data:
(31) Number (32) Date (33) Country
DA 2006 17 Aug 2006 DENMARK
00220
(56) Related Art Documents: **Not Applicable**
(57) Statement of Newness and Distinctiveness: **The following visual features of the design are new and distinctive: double wall inside glass**



(21) Design Number: **16453/2007**
 (22) Date of Filing Application: **15 February 2007**
 (24) Date from which industrial property rights may have effect: **15 February 2007**
 (54) Product in respect of which the design is registered: **Shredder/vacuum cleaner**
 (51) International Design Classification: **18-04, 15-05**
 (71) Name(s) and Address(s) of Applicant(s):
Shop Vac Corporation
2323 Reach Road Williamsport PA 17701#0307 United States Of America
 (72) Name(s) of Designer(s): **Robert L. Crevling Jr and Jason Gottschall**
 (45) Registration Date: **07 May 2007**
 (30) Convention priority data:
 (31) Number (32) Date (33) Country
29/266513 22 Sep 2006 UNITED STATES OF AMERICA
 (56) Related Art Documents: **Not Applicable**
 (57) Statement of Newness and Distinctiveness: **Nil**



(21) Design Number: **16454/2007**
 (22) Date of Filing Application: **15 February 2007**
 (24) Date from which industrial property rights may have effect: **15 February 2007**
 (54) Product in respect of which the design is registered: **Cigarette-making machine**
 (51) International Design Classification: **27-99**
 (71) Name(s) and Address(s) of Applicant(s):
Republic Tobacco L.P.
2301 Ravine Way Glenview IL 60025 United States of America
 (72) Name(s) of Designer(s): **Mei Lin**
 (45) Registration Date: **07 May 2007**
 (30) Convention priority data:
 (31) Number (32) Date (33) Country
29/250967 07 Dec 2006 UNITED STATES OF AMERICA
 (56) Related Art Documents: **Not Applicable**
 (57) Statement of Newness and Distinctiveness: **When determining whether design 1 is substantially similar in overall impression to another design, no regard is to be had to those features shown in dotted outline in the accompanying representations.**



(21) Design Number: **16456/2007**

(22) Date of Filing Application: **15 February 2007**

(24) Date from which industrial property rights may have effect: **15 February 2007**

(54) Product in respect of which the design is registered: **Wall cladding panel**

(51) International Design Classification: **25-01G**

(71) Name(s) and Address(s) of Applicant(s):

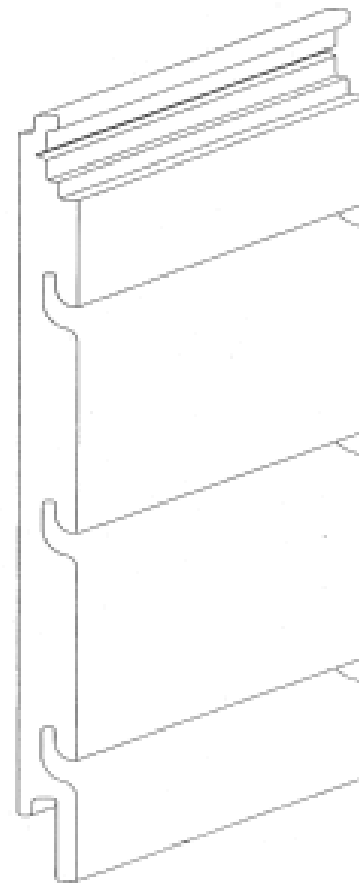
**Warren Stanley Street
56 Ashmore Road Bundall Queensland 4217 Australia**

(72) Name(s) of Designer(s): **Warren Stanley Street**

(45) Registration Date: **07 May 2007**

(56) Related Art Documents: **Not Applicable**

(57) Statement of Newness and Distinctiveness: **The new and distinctive features are the features of shape and configuration of the wall cladding panel as shown in the representations. The number of slots in the panel, the height of the panel and the width of the panel are not new and distinctive features and may be varied from those shown in the attached representation.**



(21) Design Number: **16448/2007**

(22) Date of Filing Application: **16 February 2007**

(24) Date from which industrial property rights may have effect: **16 February 2007**

(54) Product in respect of which the design is registered: **Advance surface plate, used to secure a roof anchor to the surface of a roof sheeting - height safety**

(51) International Design Classification: **08-08NES**

(71) Name(s) and Address(s) of Applicant(s):

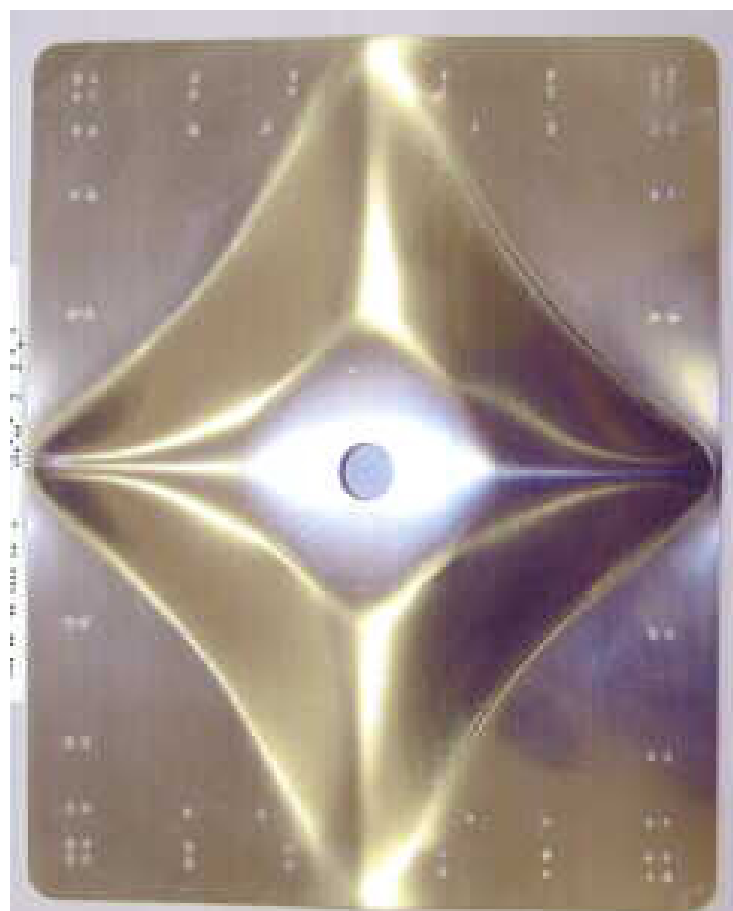
**SafetyLink Pty Ltd
16 Moola Street Hawks Nest New South Wales 2324 Australia**

(72) Name(s) of Designer(s): **Arvo Poldmaa and Daniel Poldmaa**

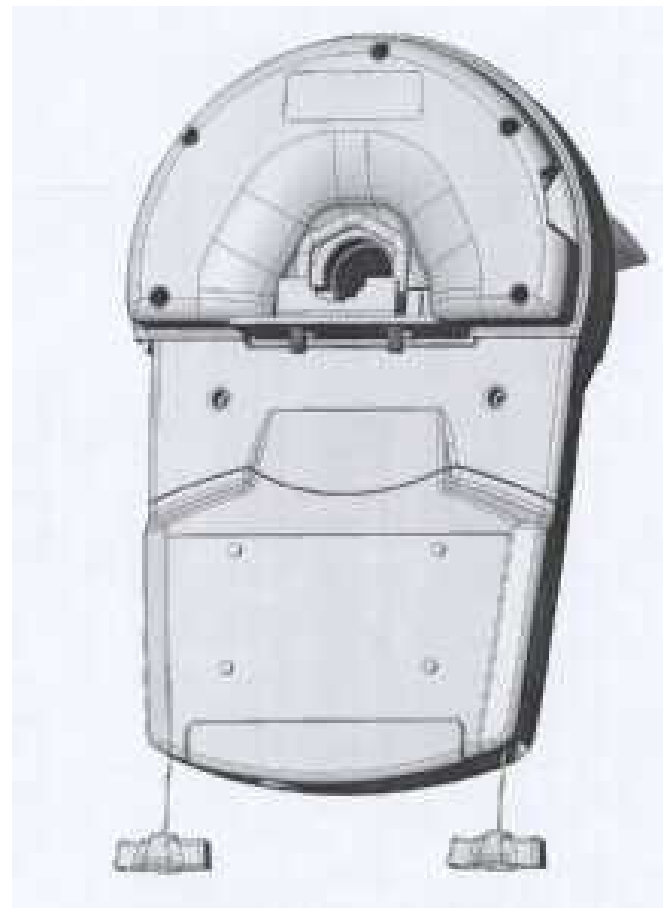
(45) Registration Date: **07 May 2007**

(56) Related Art Documents: **Not Applicable**

(57) Statement of Newness and Distinctiveness: **The moulded shape of the plate. The location of the drilling holes.**

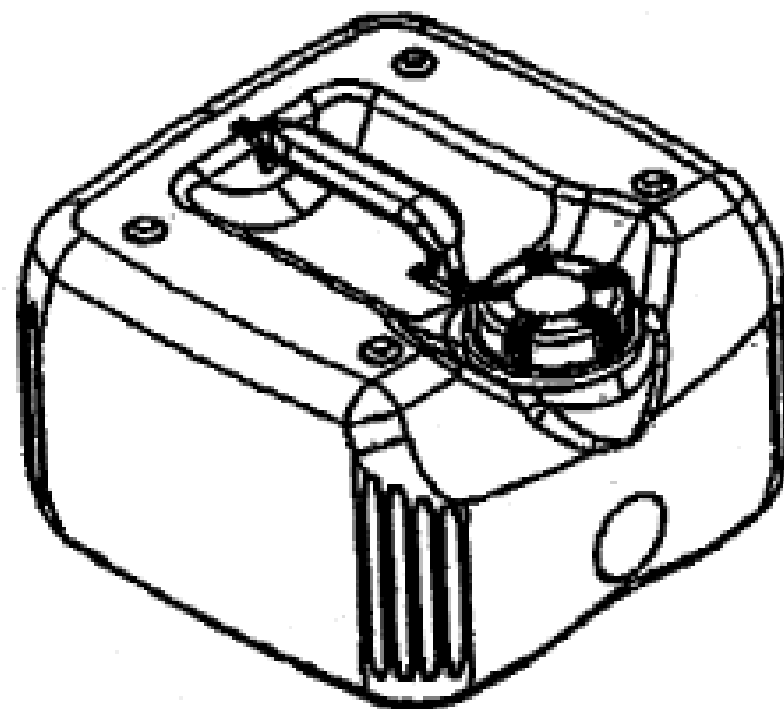


- (21) Design Number: **16458/2007**
- (22) Date of Filing Application: **16 February 2007**
- (24) Date from which industrial property rights may have effect: **16 February 2007**
- (54) Product in respect of which the design is registered: **A drive unit for a roller door**
- (51) International Design Classification: **12-05**
- (71) Name(s) and Address(s) of Applicant(s):
Herculift Access Technology (Australia) Pty Ltd
298 King Georges Road Beverly Hills New South Wales 2209 Australia
- (72) Name(s) of Designer(s): **Yi Lu and Wei Lu**
- (45) Registration Date: **07 May 2007**
- (56) Related Art Documents: **Not Applicable**
- (57) Statement of Newness and Distinctiveness: **Monopoly is claimed in the shape and configuration of a drive unit for a roller door as shown in the accompanying representations.**



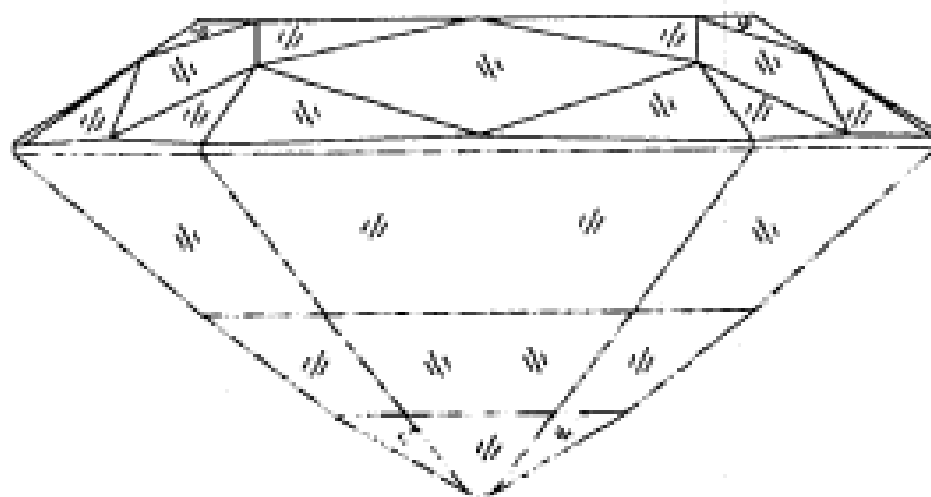
- (21) Design Number: **15013/2005**
- (22) Date of Filing Application: **11 November 2005**
- (24) Date from which industrial property rights may have effect: **11 November 2005**
- (54) Product in respect of which the design is registered: **Stackable jerry can**
- (51) International Design Classification: **09-02B**
- (71) Name(s) and Address(s) of Applicant(s):
Alto Packaging Limited
Level 6 LJ Hooker House 57-59 Symonds Street Auckland New Zealand
- (72) Name(s) of Designer(s): **Allan Dorset and Lance Knighton**
- (45) Registration Date: **07 May 2007**
- (30) Convention priority data:

(31) Number	(32) Date	(33) Country
406225	12 May 2005	NEW ZEALAND
- (56) Related Art Documents: **Not Applicable**
- (57) Statement of Newness and Distinctiveness: **Nil**



(19) AU

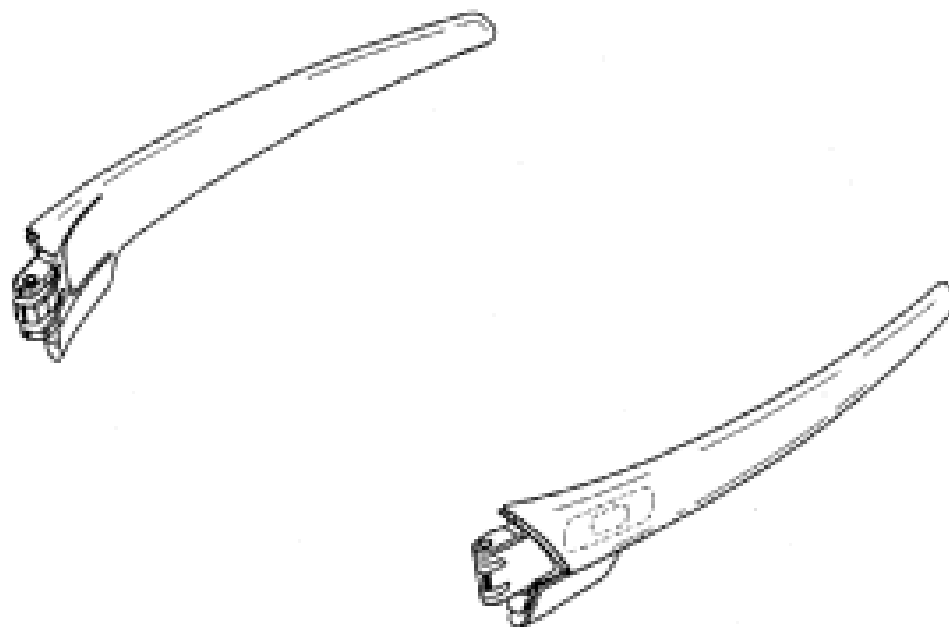
- (21) Design Number: **12886/2005**
- (22) Date of Filing Application: **06 July 2005**
- (24) Date from which industrial property rights may have effect: **26 November 2003**
- (54) Product in respect of which the design is registered: **A cut diamond**
- (51) International Design Classification: **11-01NES**
- (71) Name(s) and Address(s) of Applicant(s):
ABA Diamond Corporation
15 West 47th Street Suite 403 New York New York 10036 United States of America
- (72) Name(s) of Designer(s): **George Ari Abaev**
- (45) Registration Date: **08 May 2007**
- (62) Divisional of: **158258**
- (56) Related Art Documents: **Not Applicable**
- (57) Statement of Newness and Distinctiveness: **Newness and distinctiveness is claimed in the shape and/or configuration of the crown of the diamond as shown in solid lines in the representations.**



(19) AU

- (21) Design Number: **14392/2005**
- (22) Date of Filing Application: **07 October 2005**
- (24) Date from which industrial property rights may have effect: **07 October 2005**
- (54) Product in respect of which the design is registered: **Ear stems for eyeglasses**
- (51) International Design Classification: **16-06**
- (71) Name(s) and Address(s) of Applicant(s):
Oakley, Inc.
One Icon Foothill Ranch California 92610 United States of America
- (72) Name(s) of Designer(s): **James H. Jannard and Hans Karsten Moritz and Colin Baden**
- (45) Registration Date: **08 May 2007**
- (30) Convention priority data:

(31) Number	(32) Date	(33) Country
29227719	13 Apr 2005	UNITED STATES OF AMERICA
- (56) Related Art Documents: **Not Applicable**
- (57) Statement of Newness and Distinctiveness: **Newness and distinctiveness is claimed in the visual features shown in solid lines in the representations.**



- (21) Design Number: **17104/2007**
(22) Date of Filing Application: **28 March 2007**
(24) Date from which industrial property rights may have effect: **28 March 2007**
(54) Product in respect of which the design is registered: **Tasmanian blackwood entertainment unit**
(51) International Design Classification: **06-04D**
(71) Name(s) and Address(s) of Applicant(s):
Arki Tsorakidis
PO Box 367 Somerton Victoria 3062 Australia
Astra Furniture Pty Ltd
PO Box 367 Somerton Victoria 3062 Australia
(72) Name(s) of Designer(s): **Arki Tsorakidis**
(45) Registration Date: **08 May 2007**
(56) Related Art Documents: **Not Applicable**
(57) Statement of Newness and Distinctiveness: **Mitre cut with a profile on a 45 degree angle.**



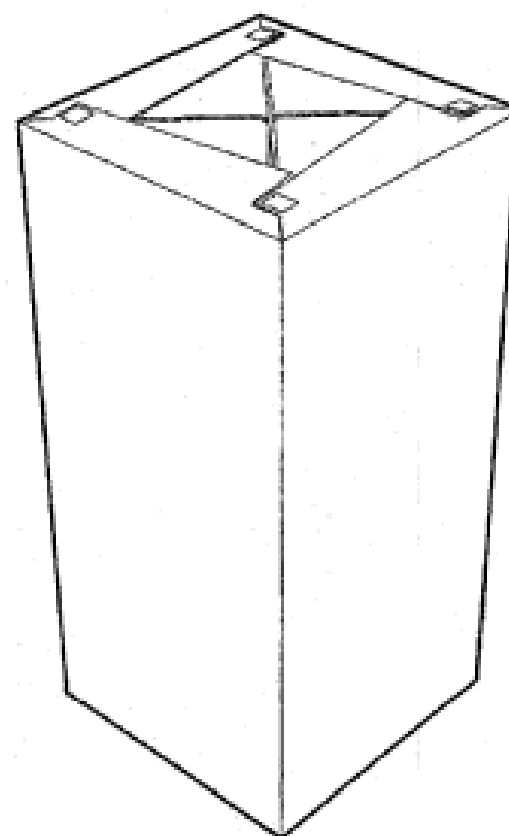
- (21) Design Number: **15648/2005**
(22) Date of Filing Application: **22 December 2005**
(24) Date from which industrial property rights may have effect: **22 December 2005**
(54) Product in respect of which the design is registered: **Door handle**
(51) International Design Classification: **08-06**
(71) Name(s) and Address(s) of Applicant(s):
Asa Abloy New Zealand Limited
6 Armstrong Road North Harbour Industrial Estate Albany Auckland
1331 New Zealand
(72) Name(s) of Designer(s): **Shelley Ellen Farrell**
(45) Registration Date: **08 May 2007**
(56) Related Art Documents: **Not Applicable**
(57) Statement of Newness and Distinctiveness: **Newness and distinctiveness is claimed in the feature of shape and configuration of a door handle as illustrated in the representations accompanying the application. The portions shown with cross-hatching form no part of the design.**



- (21) Design Number: **15684/2005**
(22) Date of Filing Application: **21 December 2005**
(24) Date from which industrial property rights may have effect: **21 December 2005**
(54) Product in respect of which the design is registered: **Collapsible bottle**
(51) International Design Classification: **09-01NES**
(71) Name(s) and Address(s) of Applicant(s):
Cool Chili AS
Stromsveien 200 Oslo NO-0668 Norway
(72) Name(s) of Designer(s): **Kim Hindsgaul**
(45) Registration Date: **08 May 2007**
(30) Convention priority data:
(31) Number (32) Date (33) Country
20050320 21 Jun 2005 NORWAY
(56) Related Art Documents: **Not Applicable**
(57) Statement of Newness and Distinctiveness: **Newness and distinctiveness reside in the features of the design as shown in the representations, the design being for a collapsible bottle and the representations variously showing the bottle expanded, partly collapsed and fully collapsed states.**



- (21) Design Number: **15966/2006**
(22) Date of Filing Application: **13 December 2006**
(24) Date from which industrial property rights may have effect: **13 December 2006**
(54) Product in respect of which the design is registered: **Display boxes and display units**
(51) International Design Classification: **20-02NES**
(71) Name(s) and Address(s) of Applicant(s):
Timothy Currie
92 Buckingham Street Richmond Victoria 3121 Australia
(72) Name(s) of Designer(s): **Timothy Currie and Andrew Wolfe and Tom Allnutt**
(45) Registration Date: **08 May 2007**
(56) Related Art Documents: **Not Applicable**
(57) Statement of Newness and Distinctiveness: **Nil**



(21) Design Number: **15993/2007**

(22) Date of Filing Application: **17 January 2007**

(24) Date from which industrial property rights may have effect: **17 January 2007**

(54) Product in respect of which the design is registered: **Drink mats (coasters)**

(51) International Design Classification: **07-06B**

(71) Name(s) and Address(s) of Applicant(s):

Fiona Ginn

PO Box 409 Quinns Rocks Western Australia 6030 Australia

(72) Name(s) of Designer(s): **Fiona Ginn**

(45) Registration Date: **08 May 2007**

(56) Related Art Documents: **Not Applicable**

(57) Statement of Newness and Distinctiveness: **This design is new because of its shape.**



(21) Design Number: **15994/2007**

(22) Date of Filing Application: **17 January 2007**

(24) Date from which industrial property rights may have effect: **17 January 2007**

(54) Product in respect of which the design is registered: **Assembly mat (sitting floor mat), table placement mat**

(51) International Design Classification: **07-06B, 06-11**

(71) Name(s) and Address(s) of Applicant(s):

Fiona Ginn

PO Box 409 Quinns Rocks Western Australia 6030 Australia

(72) Name(s) of Designer(s): **Fiona Ginn**

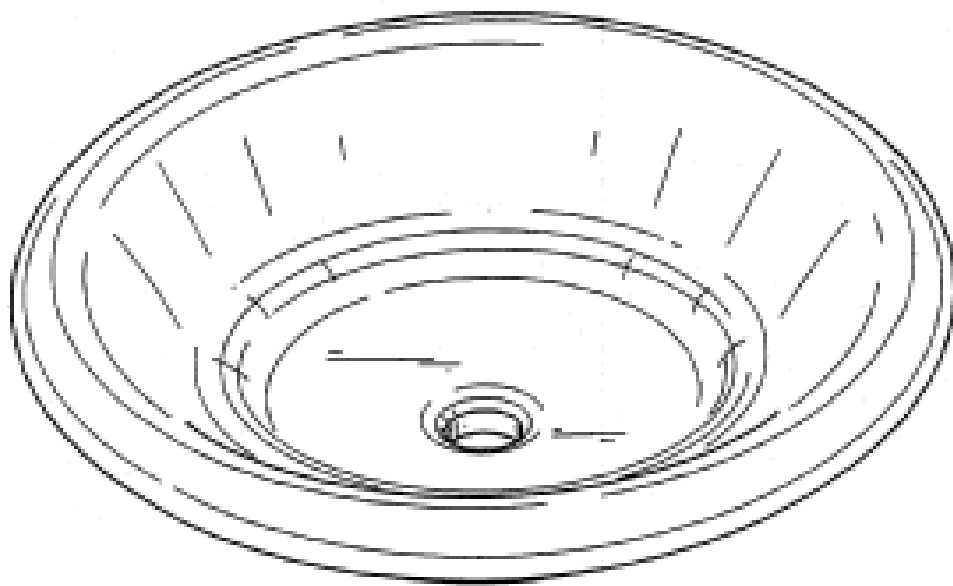
(45) Registration Date: **08 May 2007**

(56) Related Art Documents: **Not Applicable**

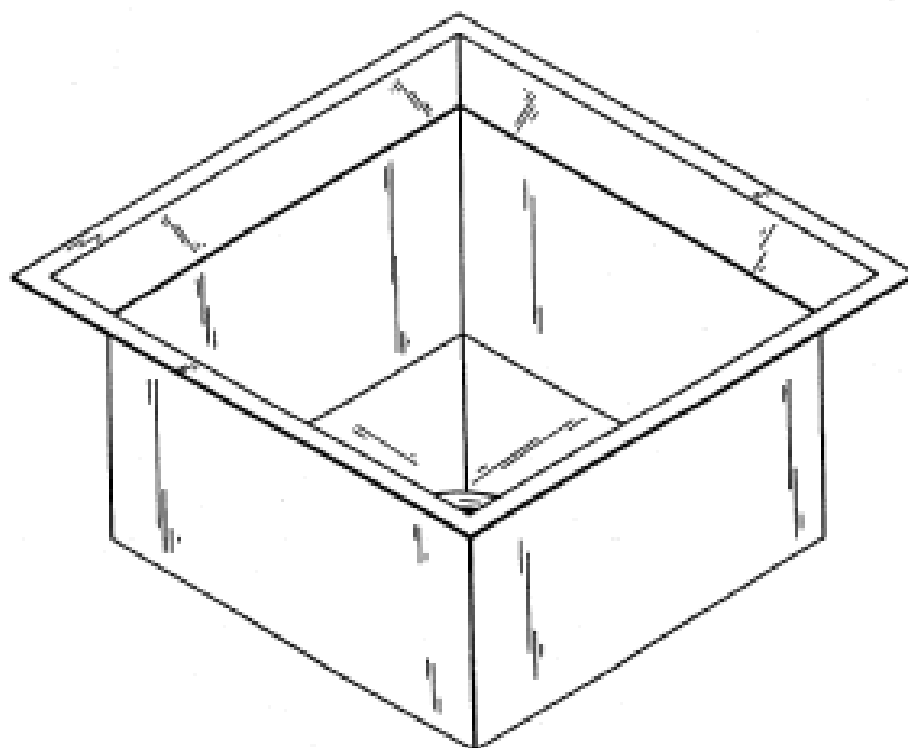
(57) Statement of Newness and Distinctiveness: **This design is new because of its shape and fabric/rubber used in its design.**



(21) Design Number: **10214/2005**
(22) Date of Filing Application: **20 January 2005**
(24) Date from which industrial property rights may have effect: **20 January 2005**
(54) Product in respect of which the design is registered: **Lavatory**
(51) International Design Classification: **23-01F**
(71) Name(s) and Address(s) of Applicant(s):
Kohler Co.
444 Highland Drive Kohler WI 53044 United States of America
(72) Name(s) of Designer(s): **Elise A. Sutopo**
(45) Registration Date: **08 May 2007**
(56) Related Art Documents: **Not Applicable**
(57) Statement of Newness and Distinctiveness: **Nil**



(21) Design Number: **10213/2005**
(22) Date of Filing Application: **20 January 2005**
(24) Date from which industrial property rights may have effect: **20 January 2005**
(54) Product in respect of which the design is registered: **Sink**
(51) International Design Classification: **23-02F**
(71) Name(s) and Address(s) of Applicant(s):
Kohler Co.
444 Highland Drive Kohler WI 53044 United States of America
(72) Name(s) of Designer(s): **Michelle E. Bayer**
(45) Registration Date: **08 May 2007**
(56) Related Art Documents: **Not Applicable**
(57) Statement of Newness and Distinctiveness: **Nil**



- (21) Design Number: **16468/2007**
- (22) Date of Filing Application: **19 February 2007**
- (24) Date from which industrial property rights may have effect: **19 February 2007**
- (54) Product in respect of which the design is registered: **Luggage**
- (51) International Design Classification: **03-01A**
- (71) Name(s) and Address(s) of Applicant(s):
Spencer & Rutherford Pty Ltd
199 Fitzroy Street St Kilda Victoria 3182 Australia
- (72) Name(s) of Designer(s): **Kim Michaelides**
- (45) Registration Date: **08 May 2007**
- (56) Related Art Documents: **Not Applicable**
- (57) Statement of Newness and Distinctiveness: **Nil**



- (21) Design Number: **16469/2007**
- (22) Date of Filing Application: **19 February 2007**
- (24) Date from which industrial property rights may have effect: **19 February 2007**
- (54) Product in respect of which the design is registered: **Luggage**
- (51) International Design Classification: **03-01D**
- (71) Name(s) and Address(s) of Applicant(s):
Spencer & Rutherford Pty Ltd
199 Fitzroy Street St Kilda Victoria 3182 Australia
- (72) Name(s) of Designer(s): **Kim Michaelides**
- (45) Registration Date: **08 May 2007**
- (56) Related Art Documents: **Not Applicable**
- (57) Statement of Newness and Distinctiveness: **Nil**



- (21) Design Number: **16470/2007**
(22) Date of Filing Application: **19 February 2007**
(24) Date from which industrial property rights may have effect: **19 February 2007**
(54) Product in respect of which the design is registered: **Luggage**
(51) International Design Classification: **03-01A**
(71) Name(s) and Address(s) of Applicant(s):
Spencer & Rutherford Pty Ltd
199 Fitzroy Street St Kilda Victoria 3182 Australia
(72) Name(s) of Designer(s): **Kim Michaelides**
(45) Registration Date: **08 May 2007**
(56) Related Art Documents: **Not Applicable**
(57) Statement of Newness and Distinctiveness: **Nil**



- (21) Design Number: **16471/2007**
(22) Date of Filing Application: **19 February 2007**
(24) Date from which industrial property rights may have effect: **19 February 2007**
(54) Product in respect of which the design is registered: **Luggage**
(51) International Design Classification: **03-01B**
(71) Name(s) and Address(s) of Applicant(s):
Spencer & Rutherford Pty Ltd
199 Fitzroy Street St Kilda Victoria 3182 Australia
(72) Name(s) of Designer(s): **Kim Michaelides**
(45) Registration Date: **08 May 2007**
(56) Related Art Documents: **Not Applicable**
(57) Statement of Newness and Distinctiveness: **Nil**



- (21) Design Number: **16472/2007**
(22) Date of Filing Application: **19 February 2007**
(24) Date from which industrial property rights may have effect: **19 February 2007**
(54) Product in respect of which the design is registered: **Luggage**
(51) International Design Classification: **03-01A**
(71) Name(s) and Address(s) of Applicant(s):
Spencer & Rutherford Pty Ltd
199 Fitzroy Street St Kilda Victoria 3182 Australia
(72) Name(s) of Designer(s): **Kim Michaelides**
(45) Registration Date: **08 May 2007**
(56) Related Art Documents: **Not Applicable**
(57) Statement of Newness and Distinctiveness: **Nil**



- (21) Design Number: **16473/2007**
(22) Date of Filing Application: **19 February 2007**
(24) Date from which industrial property rights may have effect: **19 February 2007**
(54) Product in respect of which the design is registered: **Luggage**
(51) International Design Classification: **03-01D**
(71) Name(s) and Address(s) of Applicant(s):
Spencer & Rutherford Pty Ltd
199 Fitzroy Street St Kilda Victoria 3182 Australia
(72) Name(s) of Designer(s): **Kim Michaelides**
(45) Registration Date: **08 May 2007**
(56) Related Art Documents: **Not Applicable**
(57) Statement of Newness and Distinctiveness: **Nil**

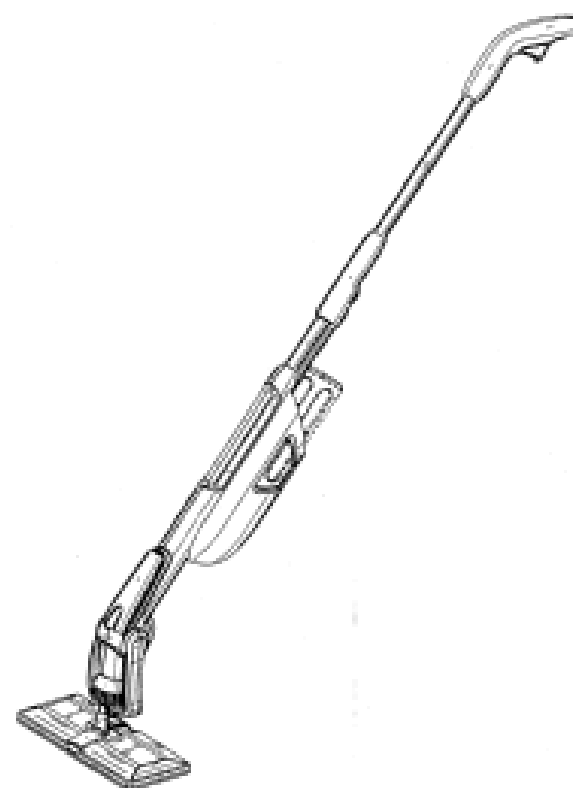


- (21) Design Number: **16474/2007**
- (22) Date of Filing Application: **19 February 2007**
- (24) Date from which industrial property rights may have effect: **19 February 2007**
- (54) Product in respect of which the design is registered: **Luggage**
- (51) International Design Classification: **03-01A**
- (71) Name(s) and Address(s) of Applicant(s):
Spencer & Rutherford Pty Ltd
199 Fitzroy Street St Kilda Victoria 3182 Australia
- (72) Name(s) of Designer(s): **Kim Michaelides**
- (45) Registration Date: **08 May 2007**
- (56) Related Art Documents: **Not Applicable**
- (57) Statement of Newness and Distinctiveness: **Nil**



- (21) Design Number: **16486/2007**
- (22) Date of Filing Application: **16 February 2007**
- (24) Date from which industrial property rights may have effect: **16 February 2007**
- (54) Product in respect of which the design is registered: **A powered hard floor cleaner**
- (51) International Design Classification: **15-05**
- (71) Name(s) and Address(s) of Applicant(s):
Black & Decker, Inc.
1207 Drummond Plaza Newark Delaware 19711 United States of America
- (72) Name(s) of Designer(s): **Christopher J. Murray**
- (45) Registration Date: **08 May 2007**
- (30) Convention priority data:

(31) Number	(32) Date	(33) Country
29264766	17 Aug 2006	UNITED STATES OF AMERICA
- (56) Related Art Documents: **Not Applicable**
- (57) Statement of Newness and Distinctiveness: **Newness and distinctiveness is claimed in the visual features shown in solid lines in the representations.**



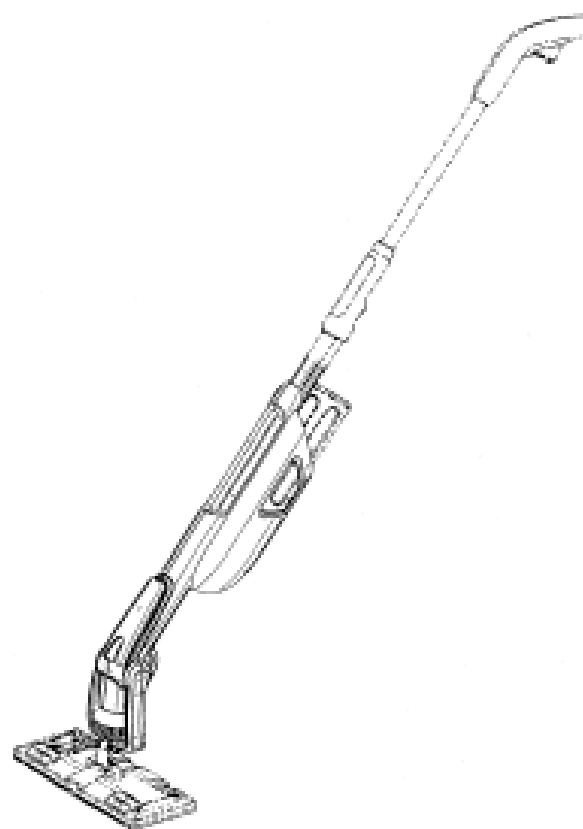
(21) Design Number: **16467/2007**
 (22) Date of Filing Application: **19 February 2007**
 (24) Date from which industrial property rights may have effect: **19 February 2007**
 (54) Product in respect of which the design is registered: **Pull-out ladder**
 (51) International Design Classification: **25-04**
 (71) Name(s) and Address(s) of Applicant(s):
Classic Cabins
C/- B. Garrett 14 Sydney Road Bayswater Victoria 3153 Australia
 (72) Name(s) of Designer(s): **Bruce Garrett**
 (45) Registration Date: **08 May 2007**
 (56) Related Art Documents: **Not Applicable**
 (57) Statement of Newness and Distinctiveness: **Newness and distinctiveness is claimed in the shape, configuration, pattern and operation of a pull-out ladder which folds flat against a wall as illustrated in the representations.**



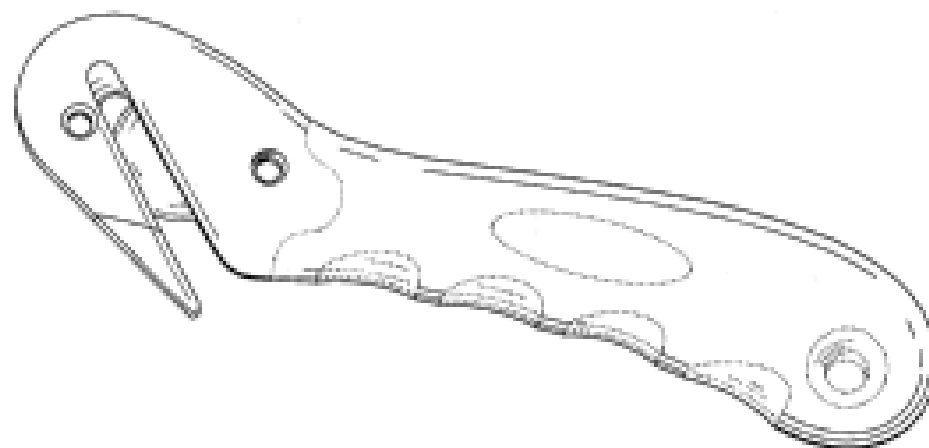
(21) Design Number: **16487/2007**
 (22) Date of Filing Application: **16 February 2007**
 (24) Date from which industrial property rights may have effect: **16 February 2007**
 (54) Product in respect of which the design is registered: **A powered hard floor cleaner**
 (51) International Design Classification: **15-05**
 (71) Name(s) and Address(s) of Applicant(s):
Black & Decker, Inc.
1207 Drummond Plaza Newark Delaware 19711 United States of America
 (72) Name(s) of Designer(s): **Christopher J. Murray**
 (45) Registration Date: **08 May 2007**
 (30) Convention priority data:

(31) Number	(32) Date	(33) Country
29264768	17 Aug 2006	UNITED STATES OF AMERICA

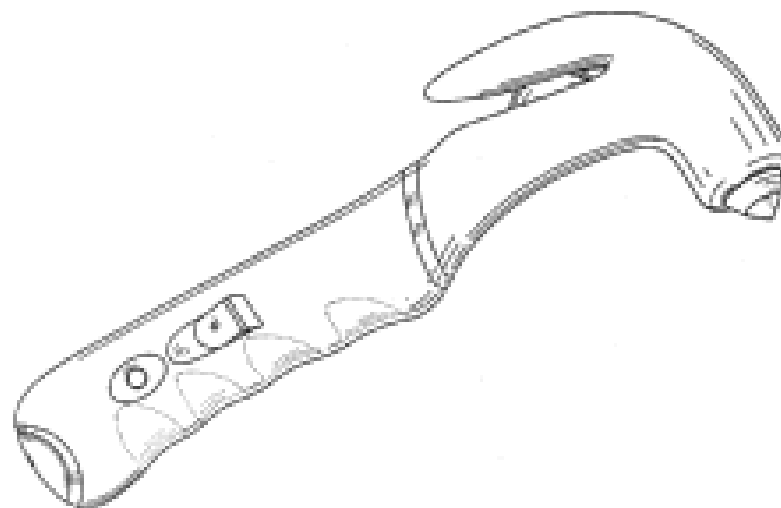
 (56) Related Art Documents: **Not Applicable**
 (57) Statement of Newness and Distinctiveness: **Newness and distinctiveness is claimed in the visual features shown in solid lines in the representations.**



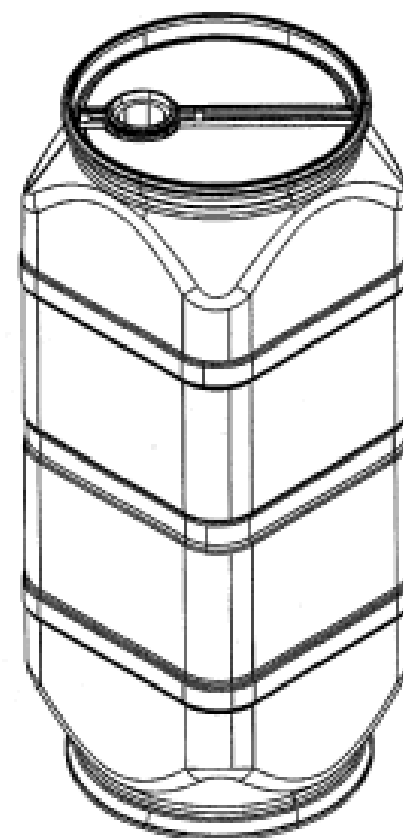
- (21) Design Number: **16466/2007**
(22) Date of Filing Application: **19 February 2007**
(24) Date from which industrial property rights may have effect: **19 February 2007**
(54) Product in respect of which the design is registered: **A hooked knife**
(51) International Design Classification: **08-03**
(71) Name(s) and Address(s) of Applicant(s):
Yuewei Wu
Ningbo Xingwei Plastic Product Co., Ltd. Industrial Zone of Xidian
Ninghai 315613 People's Republic of China
(72) Name(s) of Designer(s): **Yuewei Wu**
(45) Registration Date: **08 May 2007**
(56) Related Art Documents: **Not Applicable**
(57) Statement of Newness and Distinctiveness: **Nil**



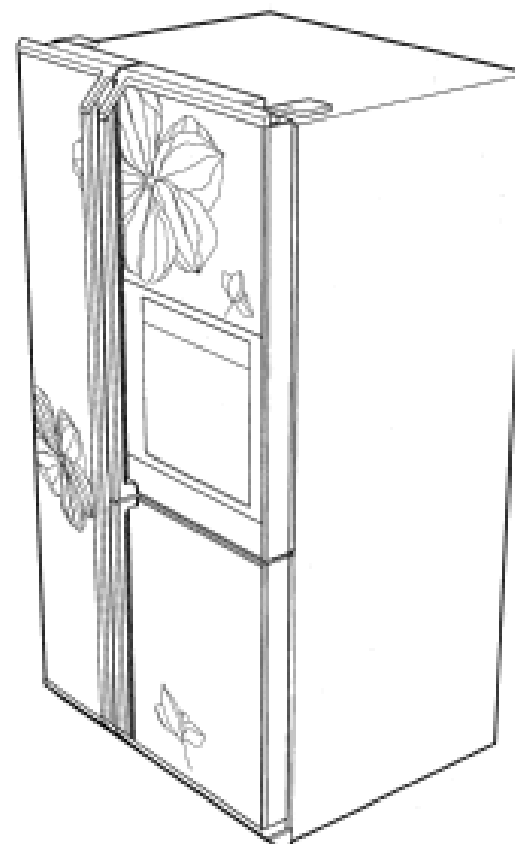
- (21) Design Number: **16465/2007**
(22) Date of Filing Application: **19 February 2007**
(24) Date from which industrial property rights may have effect: **19 February 2007**
(54) Product in respect of which the design is registered: **A safe hammer**
(51) International Design Classification: **08-02**
(71) Name(s) and Address(s) of Applicant(s):
Yuewei Wu
Ningbo Xingwei Plastic Product Co., Ltd. Industrial Zone of Xidian
Ninghai 315613 People's Republic of China
(72) Name(s) of Designer(s): **Yuewei Wu**
(45) Registration Date: **08 May 2007**
(56) Related Art Documents: **Not Applicable**
(57) Statement of Newness and Distinctiveness: **Nil**



- (21) Design Number: **16462/2007**
(22) Date of Filing Application: **19 February 2007**
(24) Date from which industrial property rights may have effect: **19 February 2007**
(54) Product in respect of which the design is registered: **Drum container**
(51) International Design Classification: **09-02C**
(71) Name(s) and Address(s) of Applicant(s):
Kenso Corporation (M) Sdn Bhd
Lot 29 Jalan Sungai Pinang 5/4 Taman Perindustrian Pulau Indah
Pulau Indah Selangor 42920 Malaysia
(72) Name(s) of Designer(s): **Soh Kinn Yeow**
(45) Registration Date: **08 May 2007**
(56) Related Art Documents: **Not Applicable**
(57) Statement of Newness and Distinctiveness: **Nil**



- (21) Design Number: **16495/2007**
(22) Date of Filing Application: **16 February 2007**
(24) Date from which industrial property rights may have effect: **16 February 2007**
(54) Product in respect of which the design is registered: **Refrigerator**
(51) International Design Classification: **15-07**
(71) Name(s) and Address(s) of Applicant(s):
LG Electronics Inc.
20 Yoido-dong Youngdungpo-ku Seoul Republic of Korea
(72) Name(s) of Designer(s): **Kyung Soo Park and Ji Hee Kim**
(45) Registration Date: **08 May 2007**
(30) Convention priority data:
(31) Number (32) Date (33) Country
30#2006#0034850 24 Aug 2006 REPUBLIC OF KOREA
(56) Related Art Documents: **Not Applicable**
(57) Statement of Newness and Distinctiveness: **The newness and distinctiveness of the design resides in the features of pattern and ornamentation applied to the front face of the refrigerator depicted in the accompanying representations.**



(21) Design Number: **16485/2007**

(22) Date of Filing Application: **16 February 2007**

(24) Date from which industrial property rights may have effect: **16 February 2007**

(54) Product in respect of which the design is registered: **Handsfree device for handset/charger**

(51) International Design Classification: **14-03A**

(71) Name(s) and Address(s) of Applicant(s):

Nokia Corporation
Keilalahdentie 4 FIN-02150 Espoo Finland

(72) Name(s) of Designer(s): **Lea Sarasjoki**

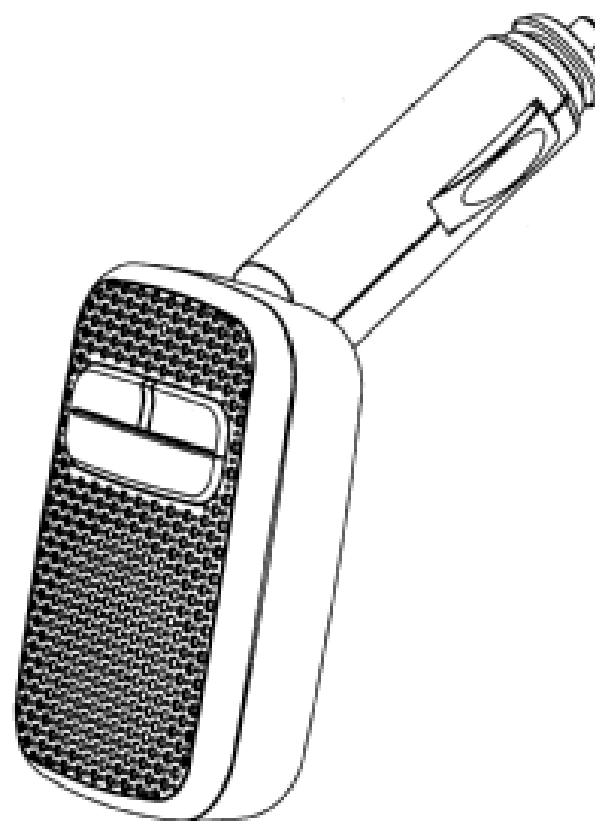
(45) Registration Date: **08 May 2007**

(30) Convention priority data:

(31) Number	(32) Date	(33) Country
M20060154	18 Aug 2006	FINLAND

(56) Related Art Documents: **Not Applicable**

(57) Statement of Newness and Distinctiveness: **Nil**



(21) Design Number: **16484/2007**

(22) Date of Filing Application: **16 February 2007**

(24) Date from which industrial property rights may have effect: **16 February 2007**

(54) Product in respect of which the design is registered: **Clip**

(51) International Design Classification: **08-08C**

(71) Name(s) and Address(s) of Applicant(s):

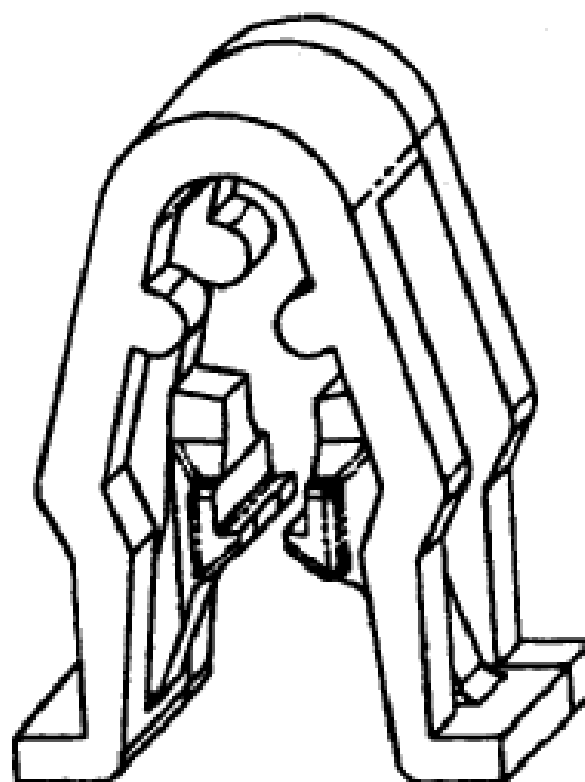
ITW Australia Pty Ltd
3 Chester Street Oakleigh Victoria 3166 Australia

(72) Name(s) of Designer(s): **Gregory K. Keays**

(45) Registration Date: **08 May 2007**

(56) Related Art Documents: **Not Applicable**

(57) Statement of Newness and Distinctiveness: **Nil**



(21) Design Number: **16480/2007**
(22) Date of Filing Application: **16 February 2007**
(24) Date from which industrial property rights may have effect: **16 February 2007**
(54) Product in respect of which the design is registered: **Chair**
(51) International Design Classification: **06-01F**
(71) Name(s) and Address(s) of Applicant(s):

Itoki Corporation
4#12 Imafuku-higashi 1-Chome Joto-ku Osaka-shi Osaka 536#0002
Japan

(72) Name(s) of Designer(s): **Eric Chan**

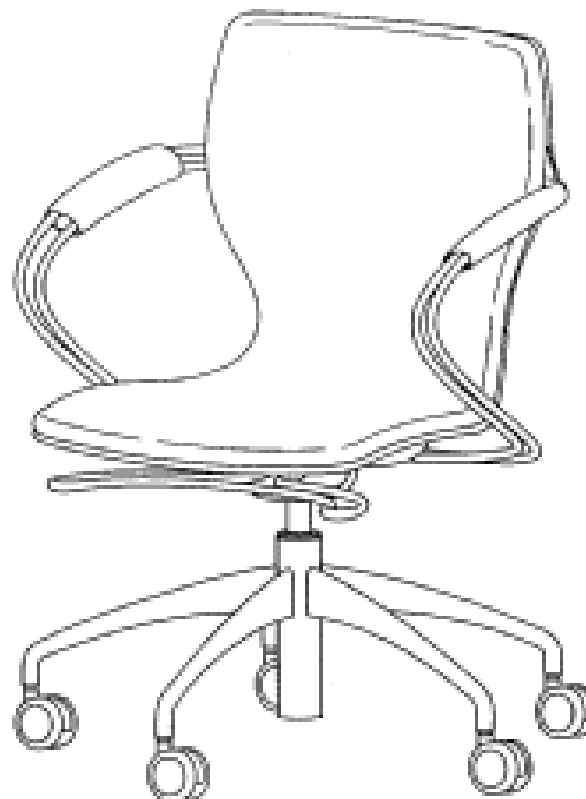
(45) Registration Date: **08 May 2007**

(30) Convention priority data:

(31) Number	(32) Date	(33) Country
2006#021899	17 Aug 2006	JAPAN

(56) Related Art Documents: **Not Applicable**

(57) Statement of Newness and Distinctiveness: **Nil**



(21) Design Number: **16479/2007**
(22) Date of Filing Application: **16 February 2007**
(24) Date from which industrial property rights may have effect: **16 February 2007**
(54) Product in respect of which the design is registered: **Chair**
(51) International Design Classification: **06-01F**
(71) Name(s) and Address(s) of Applicant(s):

Itoki Corporation
4#12 Imafuku-higashi 1-Chome Joto-ku Osaka-shi Osaka 536#0002
Japan

(72) Name(s) of Designer(s): **Eric Chan**

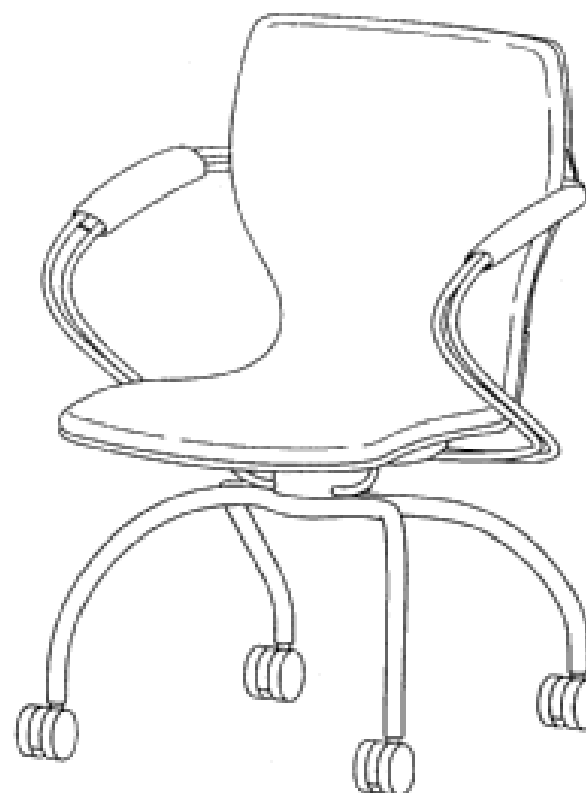
(45) Registration Date: **08 May 2007**

(30) Convention priority data:

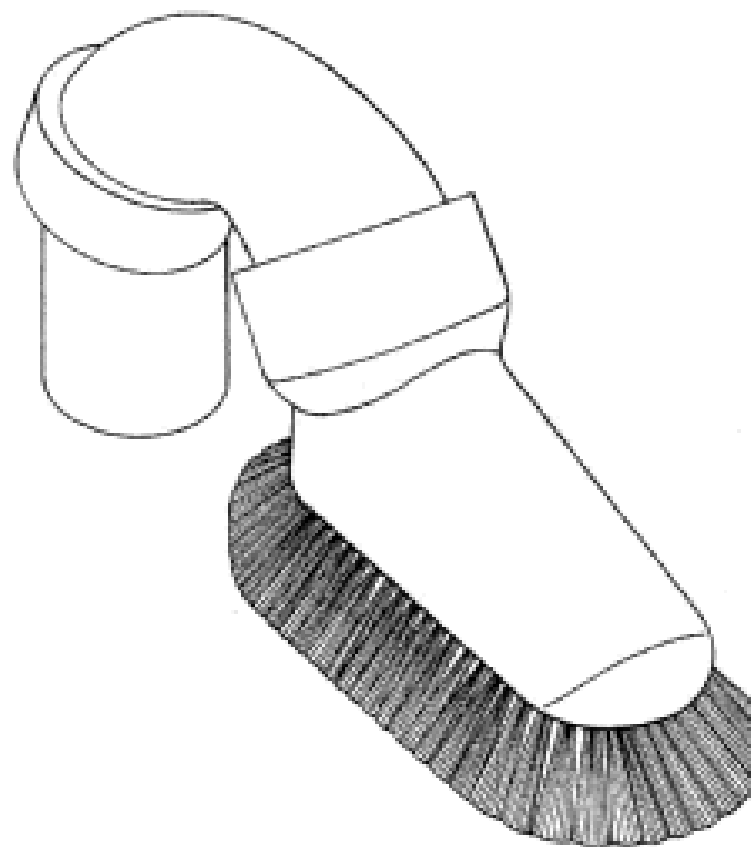
(31) Number	(32) Date	(33) Country
2006#021898	17 Aug 2006	JAPAN

(56) Related Art Documents: **Not Applicable**

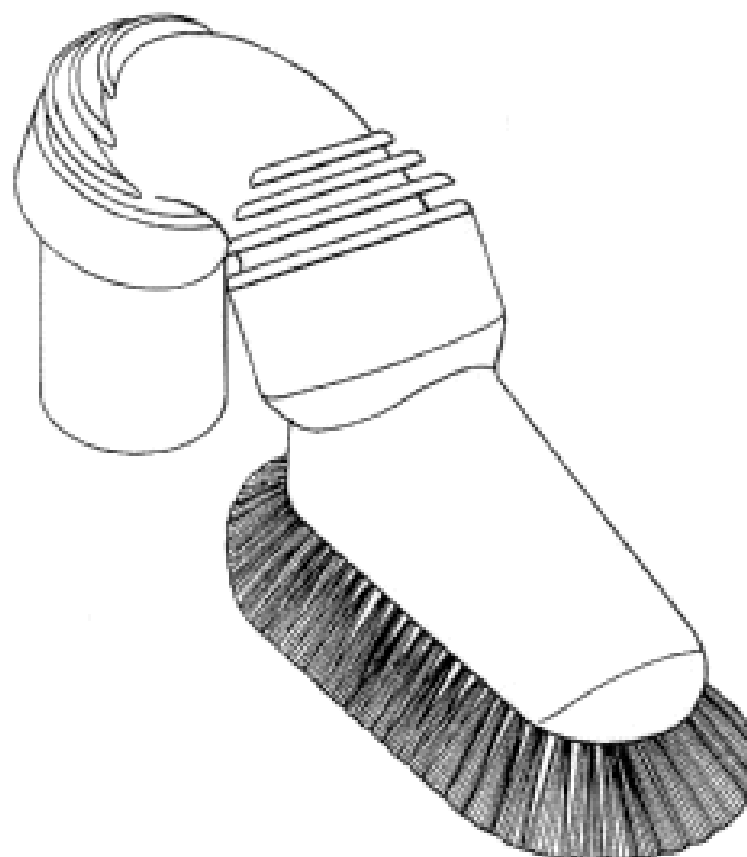
(57) Statement of Newness and Distinctiveness: **Nil**



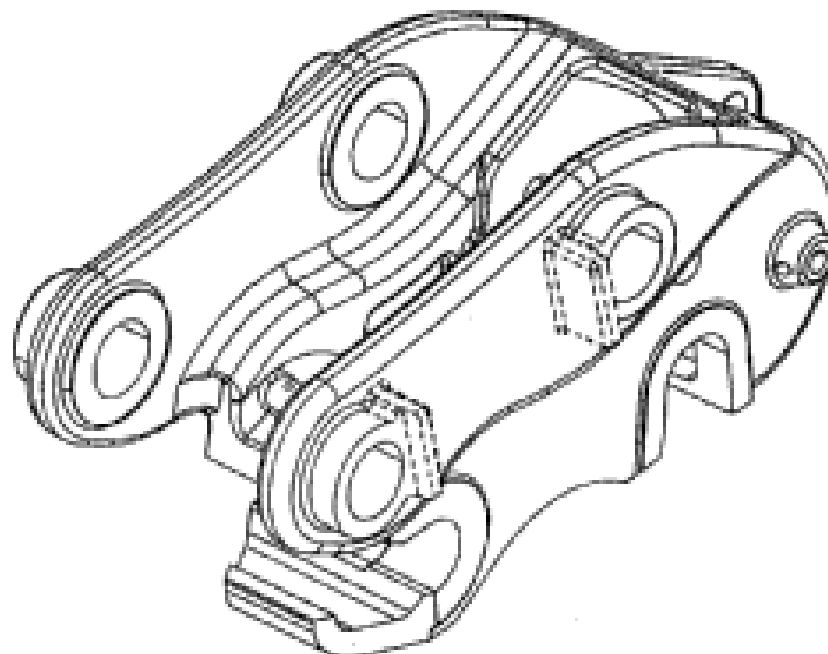
(21) Design Number: **16478/2007**
(22) Date of Filing Application: **16 February 2007**
(24) Date from which industrial property rights may have effect: **16 February 2007**
(54) Product in respect of which the design is registered: **A tool for a cleaning appliance**
(51) International Design Classification: **04-01**
(71) Name(s) and Address(s) of Applicant(s):
Dyson Limited
Tetbury Hill Malmesbury Wiltshire SN16 0RP United Kingdom
(72) Name(s) of Designer(s): **Adam Andrew Wishney**
(45) Registration Date: **08 May 2007**
(30) Convention priority data:
(31) Number (32) Date (33) Country
3025766 24 Aug 2006 UNITED KINGDOM
(56) Related Art Documents: **Not Applicable**
(57) Statement of Newness and Distinctiveness: **Newness and distinctiveness resides in the features of shape and/or configuration of a tool for a cleaning appliance as illustrated in the accompanying representations.**



(21) Design Number: **16477/2007**
(22) Date of Filing Application: **16 February 2007**
(24) Date from which industrial property rights may have effect: **16 February 2007**
(54) Product in respect of which the design is registered: **A tool for a cleaning appliance**
(51) International Design Classification: **04-01**
(71) Name(s) and Address(s) of Applicant(s):
Dyson Limited
Tetbury Hill Malmesbury Wiltshire SN16 0RP United Kingdom
(72) Name(s) of Designer(s): **Adam Andrew Wishney**
(45) Registration Date: **08 May 2007**
(30) Convention priority data:
(31) Number (32) Date (33) Country
3025765 24 Aug 2006 UNITED KINGDOM
(56) Related Art Documents: **Not Applicable**
(57) Statement of Newness and Distinctiveness: **Newness and distinctiveness resides in the features of shape and/or configuration of a tool for a cleaning appliance as illustrated in the accompanying representations.**



- (21) Design Number: **16475/2007**
(22) Date of Filing Application: **16 February 2007**
(24) Date from which industrial property rights may have effect: **16 February 2007**
(54) Product in respect of which the design is registered: **Coupler for coupling accessories to the excavator arm of an excavator**
(51) International Design Classification: **15-04**
(71) Name(s) and Address(s) of Applicant(s):
Miller UK Limited
Bassington Industrial Estate Bassington Lane Cramlington
Northumberland NE23 8AD United Kingdom
(72) Name(s) of Designer(s): **Gary Miller and Ronald Keith Miller and Gary Pendleton and Howard Reay**
(45) Registration Date: **08 May 2007**
(56) Related Art Documents: **Not Applicable**
(57) Statement of Newness and Distinctiveness: **Newness and distinctiveness is claimed in the features of shape and/or configuration of the front jaw labelled "1", the sideplates labelled "2" and the round rear portion labelled "3" of a coupler for coupling accessories to the excavator arm of an excavator as illustrated in continuous lines in the accompanying representations.**



- (21) Design Number: **16490/2007**
(22) Date of Filing Application: **19 February 2007**
(24) Date from which industrial property rights may have effect: **19 February 2007**
(54) Product in respect of which the design is registered: **Chair**
(51) International Design Classification: **06-01F**
(71) Name(s) and Address(s) of Applicant(s):
Ekornes ASA
N-6222 Ikornnes Norway
(72) Name(s) of Designer(s): **Jan Lade**
(45) Registration Date: **08 May 2007**
(30) Convention priority data:
(31) Number (32) Date (33) Country
20060457 05 Sep 2006 NORWAY
(56) Related Art Documents: **Not Applicable**
(57) Statement of Newness and Distinctiveness: **Newness and distinctiveness resides in the shape and/or configuration of a chair as illustrated in the accompanying representations.**



(21) Design Number: **16491/2007**
(22) Date of Filing Application: **19 February 2007**
(24) Date from which industrial property rights may have effect: **19 February 2007**
(54) Product in respect of which the design is registered: **Part of chair**
(51) International Design Classification: **06-06G**
(71) Name(s) and Address(s) of Applicant(s):

Ekornes ASA
N-6222 Ikkornnes Norway

(72) Name(s) of Designer(s): **Jan Lade**

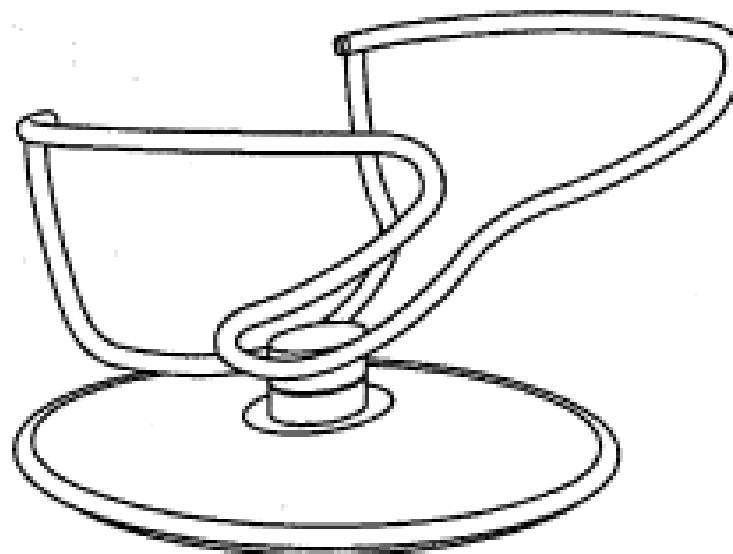
(45) Registration Date: **08 May 2007**

(30) Convention priority data:

(31) Number	(32) Date	(33) Country
20060457	05 Sep 2006	NORWAY

(56) Related Art Documents: **Not Applicable**

(57) Statement of Newness and Distinctiveness: **Newness and distinctiveness resides in the shape and/or configuration of a part of a chair as shown in the accompanying representations.**



(21) Design Number: **16492/2007**
(22) Date of Filing Application: **19 February 2007**
(24) Date from which industrial property rights may have effect: **19 February 2007**
(54) Product in respect of which the design is registered: **Frame of chair**
(51) International Design Classification: **06-06H**
(71) Name(s) and Address(s) of Applicant(s):

Ekornes ASA
N-6222 Ikkornnes Norway

(72) Name(s) of Designer(s): **Jan Lade**

(45) Registration Date: **08 May 2007**

(30) Convention priority data:

(31) Number	(32) Date	(33) Country
20060457	05 Sep 2006	NORWAY

(56) Related Art Documents: **Not Applicable**

(57) Statement of Newness and Distinctiveness: **Newness and distinctiveness resides in the shape and/or configuration of a frame of a chair as illustrated in the accompanying representations.**

