



**Australian Government**

---

**IP Australia**

**AUSTRALIAN OFFICIAL JOURNAL**

**OF**

**DESIGNS**

Did you know a searchable version of this journal is now available online?  
It's FREE and EASY to SEARCH.

Find it at

<http://pericles.ipaustralia.gov.au/ols/epublish/content/olsEpublications.jsp>  
or using the "Online Journals" link on the IP Australia home page.

This Page Left Intentionally Blank

## Contents

### General Information & Notices

#### Proceedings Under the Designs Act 1906 preserved as a result of the provisions of Chapter 12 Part 2 of the Designs Act 2003

Application for Extension of Period of Registration .....	9070
Extension of Period of Registration of Designs .....	9070
Extensions of Time Granted .....	9071
Names Registered - Alterations and Amendments .....	9071
Registrations Ceased .....	9070
Subsequent Owners Registered .....	9071

#### Proceedings Under the Designs Act 2003

Applications Assigned .....	9085
Applications Lapsed .....	9084
Applications Lodged .....	9077
Applications Withdrawn .....	9084
Certificate of Examination .....	9087
Extension of Time Granted Under Section 137 .....	9085
Names Registered - Alterations and Amendments .....	9086
Publication and Registration Proceedings	
Designs Registered 314039 to 314217.....	9088
Registrations Ceased .....	9085
Subsequent Owners Registered .....	9085

This Page Left Intentionally Blank

For information on the following please see our website [www.ipaustralia.gov.au](http://www.ipaustralia.gov.au) or contact our Customer Service Network on 1300651010

[Editorial enquiries](#)

[Contact information](#)

[Freedom of Information ACT](#)

[Professional Standards Board](#)

[Sales](#)

[Requests for Information under Section 194 \(c\)](#)

[Country Codes](#)

[Trade Mark and Designs Hearing Sessions](#)

[INID \(Internationally agreed Numbers for the Identification of Data\)](#)

## “INID” NUMBERS in use on Australian Design Documents

“INID” is an acronym for “Internationally agreed Numbers for the Identification of Data”.

### (10) Data concerning the registration/renewal

- (11) Serial number of the registration and/or number of the design document
- (12) Plain language designation of the kind of published document
- (19) Identification, using the two-letter code according to WIPO Standard ST.3, of the authority publishing or registering the industrial design

### (20) Data concerning the application

- (21) Serial number of the application
- (22) Date of filing of the application
- (24) Date from which the industrial design right has effect

### (30) Data relating to priority under the Paris Convention

- (31) Serial number assigned to the priority application
- (32) Date of filing of the priority application
- (33) Two-letter code, according to WIPO Standard ST.3, identifying the authority with which the priority application was made

### (40) Date(s) of making information available to the public

- (45) Date of publication of the registered industrial design by printing or similar process, or making it available to the public by any other means

### (50) Miscellaneous Information

- (51) International Classification for Industrial Designs (class and subclass of the Locarno Classification)
- (54) Designation of article(s) or product(s) covered by the industrial design or title of the industrial design
- (55) Reproduction of the industrial design (e.g., drawing, photograph) and explanations relating to the reproduction
- (56) List of prior art documents, if separate from descriptive text
- (57) Description of characteristic features of the industrial design including indication of colours

### (60) References to other legally related application(s) and registration(s)

- (62) Serial number(s) and, if available, filing date(s) of application(s), registration(s) or document(s) related by division
- (66) Serial number(s) of the application, or the registration, of the design(s) which is (are) a variant(s) of the present one

### (70) Identification of parties concerned with the application or registration

- (71) Name(s) and address(es) of the applicant(s)
- (72) Name(s) of the creator(s) if known to be such
- (74) Name(s) and address(es) of the representative(s)

This Page Left Intentionally Blank

This Page Left Intentionally Blank

**Proceedings under the Designs Act 1906 preserved as a result of the provisions of Chapter 12 Part 2 of the Designs Act 2003.**



This Page Left Intentionally Blank

**Applications Lapsed**

There were no Applications Lapsed under this section

**Application for Extension of Period of Registration**

Applications under Section 27A(2) for extension of registration of the following designs have been lodged. In the event that a design is shown to be not new or original, the Registrar may refuse to extend the period of registration. Sub-section 27A(4) allows any person to lodge at the Designs Office material relevant to the question whether the design is not new or original. That material must be lodged within 11 months of the date when the registration of the design was made. Further details of the conditions and procedures for the lodgement of material are contained in Form 8 provided under the Designs Regulation 24.

Registration Number	Registered Owner	Registration Date
158548	GARY NEIL JONES	11/04/2006
158549	GARY NEIL JONES	11/04/2006
158550	GARY NEIL JONES	11/04/2006
158551	GARY NEIL JONES	11/04/2006
158552	CUMMINSCORP LIMITED	11/04/2006
158553	CUMMINSCORP LIMITED	11/04/2006
158554	CUMMINSCORP LIMITED	11/04/2006
158555	CUMMINSCORP LIMITED	11/04/2006
158556	CUMMINSCORP LIMITED	11/04/2006
158564	KIERON DOWD and RODNEY DARRYL HUNWICK	15/05/2006
158565	AUSTRALIAN SOLID TANKING SYSTEMS PTY LTD	15/05/2006

**Extension of Period of Registration of Designs**

**1st Period (Section 27A(8))**

158548	158549	158550
158551	158552	158553
158554	158555	158556
158562	158563	158564
158565	158566	158567
158568	158569	158570

**2nd Period (Section 27A(12))**

143650	143690	143736
144098	144180	144400
145341	145444	145673
145738	145760	145795
145908	146023	146083
146150	146151	146197
146200	146335	146359
146507	146828	146880
147516	147556	147557
147943	147944	148170
148565	148671	148672
148673	148674	148892
148950	149140	149193

149509	149534	149774
149890	149909	149922
150105	150410	150411
150412	150413	150933
150991	153910	154030
154031	154128	156703
158250	158302	158313

**3rd Period (Section 27A(13))**

127578	127581	128124
128125	128126	128127
128128	128129	128130
128136	128137	128324
128888	128969	128989
129010	129119	129208
129396	129482	129613
129649	129963	130057
130445	130972	132421
132777		

**Registrations Ceased**

Note: Some of the following Registrations may have been previously advertised as ceased. In this instance, the previous advertisement still prevails.

112753	112783	112787
112791	112939	112940
112961	112962	113121
113208	113355	113385
113736	113788	115074
115194	115715	116358
127049	127055	127083
127084	127117	127142
127335	127337	127586
127669	128169	128515
128810	129641	130241
130746	130982	131320
131321	139700	142390
142431	142490	142491
143830	144017	144072
144169	144174	144208
144363	144365	144368
144373	144494	144495
144609	144610	144630
144665	144666	144859
145296	145658	145716
145817	146283	146557
146764	146850	146873
146986	147016	147089
147090	147151	147152
147553	147919	148220
148221	148222	148223
148224	148225	148241
148242	148243	148244
148273	148363	151011
155200		

**Extensions of time granted**

Applications lodged for extension of time have been granted.

144098 **Frito-Lay North America, Inc.** An Extension of time to extend a registration has been granted to 07/05/2007

158548 **Gary Neil Jones** An Extension of time to extend a registration has been granted to 09/05/2007

158549 **Gary Neil Jones** An Extension of time to extend a registration has been granted to 09/05/2007

158550 **Gary Neil Jones** An Extension of time to extend a registration has been granted to 09/05/2007

158551 **Gary Neil Jones** An Extension of time to extend a registration has been granted to 09/05/2007

158552 **Cumminscorp Limited** An Extension of time to extend a registration has been granted to 11/05/2007

158553 **Cumminscorp Limited** An Extension of time to extend a registration has been granted to 11/05/2007

158554 **Cumminscorp Limited** An Extension of time to extend a registration has been granted to 11/05/2007

158555 **Cumminscorp Limited** An Extension of time to extend a registration has been granted to 11/05/2007

158556 **Cumminscorp Limited** An Extension of time to extend a registration has been granted to 11/05/2007

**Subsequent Owners Registered**

(The name in parentheses is that of the subsequent owner)

- 154361 ( **JPT Enterprises Pty Limited** ) Adrian Wells
- 155356 ( **JPT Enterprises Pty Limited** ) Adrian Wells
- 155358 ( **JPT Enterprises Pty Limited** ) Adrian Wells
- 124790 ( **Melwire Pty Ltd** ) Polyscreen Pty Ltd
- 145054 ( **Melwire Pty Ltd** ) Polyscreen Pty Ltd
- 116700 ( **Pal Two Limited** ) Paint Aids Limited
- 133298 ( **IPH International Pty Ltd** ) Crimsafe Security Systems Pty Ltd
- 134112 ( **IPH International Pty Ltd** ) Crimsafe Security Systems Pty Ltd
- 134476 ( **IPH International Pty Ltd** ) Crimsafe Security Systems Pty Ltd
- 134477 ( **IPH International Pty Ltd** ) Crimsafe Security Systems Pty Ltd
- 134559 ( **IPH International Pty Ltd** ) Crimsafe Security Systems Pty Ltd
- 136073 ( **IPH International Pty Ltd** ) Crimsafe Security Systems Pty Ltd
- 137468 ( **IPH International Pty Ltd** ) Crimsafe Security Systems Pty Ltd
- 140415 ( **IPH International Pty Ltd** ) Crimsafe Security Systems Pty Ltd
- 143755 ( **IPH International Pty Ltd** ) Crimsafe Security Systems Pty Ltd
- 144426 ( **IPH International Pty Ltd** ) Crimsafe Security Systems Pty Ltd

**Subsequent Owners Registered**

- 144427 ( **IPH International Pty Ltd** ) Crimsafe Security Systems Pty Ltd
- 144428 ( **IPH International Pty Ltd** ) Crimsafe Security Systems Pty Ltd
- 152602 ( **IPH International Pty Ltd** ) Crimsafe Security Systems Pty Ltd
- 152614 ( **IPH International Pty Ltd** ) Crimsafe Security Systems Pty Ltd
- 152615 ( **IPH International Pty Ltd** ) Crimsafe Security Systems Pty Ltd
- 152616 ( **IPH International Pty Ltd** ) Crimsafe Security Systems Pty Ltd
- 152617 ( **IPH International Pty Ltd** ) Crimsafe Security Systems Pty Ltd
- 156339 ( **IPH International Pty Ltd** ) Crimsafe Security Systems Pty Ltd
- 146638 ( **IPH International Pty Ltd** ) Crimsafe Security Systems Pty Ltd
- 157881 ( **Commonwealth Games Federation** ) Melbourne 2006 Commonwealth Games Corporation
- 157882 ( **Commonwealth Games Federation** ) Melbourne 2006 Commonwealth Games Corporation
- 157956 ( **Commonwealth Games Federation** ) Melbourne 2006 Commonwealth Games Corporation
- 128599 ( **Ashton Company No. 1 Pty Limited** ) Ashton Manufacturing Pty Ltd
- 128600 ( **Ashton Company No. 1 Pty Limited** ) Ashton Manufacturing Pty Ltd
- 128601 ( **Ashton Company No. 1 Pty Limited** ) Ashton Manufacturing Pty Ltd
- 145379 ( **Eliwell Controls Srl** ) Invensys Controls Italy Srl
- 145380 ( **Eliwell Controls Srl** ) Invensys Controls Italy Srl
- 150077 ( **Applica Consumer Products, Inc** ) HP Intellectual Corp.
- 155595 ( **Applica Consumer Products, Inc** ) HP Intellectual Corp.
- 115691 ( **Bradken Operations Pty Limited** ) Wundowie Foundry Pty Ltd
- 115693 ( **Bradken Operations Pty Limited** ) Wundowie Foundry Pty Ltd
- 135426 ( **Bradken Operations Pty Limited** ) Wundowie Foundry Pty Ltd
- 135427 ( **Bradken Operations Pty Limited** ) Wundowie Foundry Pty Ltd
- 135428 ( **Bradken Operations Pty Limited** ) Wundowie Foundry Pty Ltd
- 136347 ( **Bradken Operations Pty Limited** ) Wundowie Foundry Pty Ltd
- 141276 ( **Yalp Pty Ltd;Somerset Property Developments Pty Ltd** ) Spirit Paddle Sports Pty Ltd
- 142517 ( **Yalp Pty Ltd;Somerset Property Developments Pty Ltd** ) Spirit Paddle Sports Pty Ltd

**Names Registered - Alterations and Amendments**

(The name in parentheses is the new name of the proprietor)

- 154411 ( **Huntleigh Technology Limited** ) Huntleigh Technology

	PLC
153877	( <b>Huntleigh Technology Limited</b> ) Huntleigh Technology PLC
148777	( <b>Huntleigh Technology Limited</b> ) Huntleigh Technology PLC
148164	( <b>Huntleigh Technology Limited</b> ) Huntleigh Technology PLC
147113	( <b>Huntleigh Technology Limited</b> ) Huntleigh Technology PLC
146054	( <b>Huntleigh Technology Limited</b> ) Huntleigh Technology PLC
143230	( <b>Huntleigh Technology Limited</b> ) Huntleigh Technology PLC
137193	( <b>Huntleigh Technology Limited</b> ) Huntleigh Technology PLC
132717	( <b>Huntleigh Technology Limited</b> ) Huntleigh Technology PLC
132716	( <b>Huntleigh Technology Limited</b> ) Huntleigh Technology PLC
131475	( <b>Huntleigh Technology Limited</b> ) Huntleigh Technology PLC
151268	( <b>Huntleigh Technology Limited</b> ) Huntleigh Technology PLC
135160	( <b>MERIAL</b> ) Merial
136606	( <b>MERIAL</b> ) Merial

This Page Left Intentionally Blank



**Proceedings under the Designs Act 2003.**



This Page Left Intentionally Blank

**Applications Lodged**

Lodgement information is in the following order: **Applicant's Name**; International Classification, Name of Product, Lodgement Date and **Design Number**. If the applicant claims an earlier priority date under an International Convention, the Convention Country and the associated filing date are shown in parentheses before the Lodgement Date. Divisional information will also appear in parentheses before the Lodgement Date.

<b>iLinko Ltd.;</b> 12-12, Stroller, (EM, 17 Nov 2006) 17 May 2007	<b>17965/2007</b>	<b>Akg Acoustics G.m.b.H.;</b> 14-01, Microphone with integrated fastener, (EM, 12 Jan 2007) 09 May 2007	<b>17838/2007</b>
<b>iLinko Ltd.;</b> 06-01E, High chair, (EM, 17 Nov 2006) 17 May 2007	<b>17973/2007</b>	<b>Akg Acoustics G.m.b.H.;</b> 14-01, Microphone, (EM, 12 Jan 2007) 09 May 2007	<b>17839/2007</b>
<b>iLinko Ltd.;</b> 06-01E, High chair, (EM, 17 Nov 2006) 17 May 2007	<b>17974/2007</b>	<b>Akg Acoustics G.m.b.H.;</b> 14-01, Microphone, (EM, 12 Jan 2007) 09 May 2007	<b>17840/2007</b>
<b>iLinko Ltd.;</b> 06-01E, High chair, (EM, 17 Nov 2006) 17 May 2007	<b>17975/2007</b>	<b>Akg Acoustics G.m.b.H.;</b> 14-01, Microphone with integrated fastener, (EM, 12 Jan 2007) 09 May 2007	<b>17841/2007</b>
<b>iLinko Ltd.;</b> 06-01E, High chair, (EM, 17 Nov 2006) 17 May 2007	<b>17976/2007</b>	<b>Akg Acoustics G.m.b.H.;</b> 14-01, Microphone with integrated fastener, (EM, 12 Jan 2007) 09 May 2007	<b>17842/2007</b>
<b>iLinko Ltd.;</b> 06-01E, High chair, (EM, 17 Nov 2006) 17 May 2007	<b>17977/2007</b>	<b>Aliquantum Pty Ltd.;</b> 06-06NES, Privacy screens, 08 May 2007	<b>17783/2007</b>
<b>iLinko Ltd.;</b> 12-12, Stroller, (EM, 17 Nov 2006) 17 May 2007	<b>17966/2007</b>	<b>Ancor Limited;</b> 09-01NES, A carton with spout and blank therefor, 02 May 2007	<b>17712/2007</b>
<b>iLinko Ltd.;</b> 06-01E, High chair, (EM, 17 Nov 2006) 17 May 2007	<b>17967/2007</b>	<b>Ankapro Products Pty Ltd.;</b> 25-02B, This product is to suit the snap on skirting, 08 May 2007	<b>17820/2007</b>
<b>iLinko Ltd.;</b> 06-01E, High chair, (EM, 17 Nov 2006) 17 May 2007	<b>17968/2007</b>	<b>Ankapro Products Pty Ltd.;</b> 25-02E, This design is to suit the snap on anchor for cornices. This is the internal & external corners., 08 May 2007	<b>17821/2007</b>
<b>iLinko Ltd.;</b> 06-01E, High chair, (EM, 17 Nov 2006) 17 May 2007	<b>17969/2007</b>	<b>Ankapro Products Pty Ltd.;</b> 25-02E, This design is to suit the snap on anchor for skirting. This is the internal & external corners., 08 May 2007	<b>17822/2007</b>
<b>iLinko Ltd.;</b> 06-01E, High chair, (EM, 17 Nov 2006) 17 May 2007	<b>17970/2007</b>	<b>Arrow Emergency Systems;</b> 10-06, Portable solar powered signs and signals, 16 May 2007	<b>17944/2007</b>
<b>iLinko Ltd.;</b> 06-01E, High chair, (EM, 17 Nov 2006) 17 May 2007	<b>17971/2007</b>	<b>Australian Inhibitor Pty Ltd.;</b> 09-07NES, A cover, 02 May 2007	<b>17710/2007</b>
<b>iLinko Ltd.;</b> 06-01E, High chair, (EM, 17 Nov 2006) 17 May 2007	<b>17972/2007</b>	<b>Avdel UK Limited;</b> 08-99, Battery tool, (EM, 21 Dec 2006) 04 May 2007	<b>17745/2007</b>
<b>iLinko Ltd.;</b> 03-03, Canopy for a stroller, (EM, 17 Nov 2006) 17 May 2007	<b>17964/2007</b>	<b>ABB Technology Ltd.;</b> 10-04, Voltmeter, (EM, 15 Nov 2006) 03 May 2007	<b>17722/2007</b>
<b>Abbott, Brian Kevan;</b> 08-08NES, Pump mounting pad, 14 May 2007	<b>17908/2007</b>	<b>ADC Communications (Australia) Pty Limited;</b> 13-03NES, Contact assembly, 04 May 2007	<b>17753/2007</b>
<b>Adam Laws Pty Ltd.;</b> 07-06D, Bottle opener, 08 May 2007	<b>17784/2007</b>	<b>ADC Communications (Australia) Pty Limited;</b> 13-03D, Electrical connector, 07 May 2007	<b>17758/2007</b>
<b>Aeroflex International Co., Ltd.;</b> 99-00, Scratchproof member, (TH, 14 Nov 2006) 14 May 2007	<b>17905/2007</b>	<b>ADC Communications (Australia) Pty Limited;</b> 13-03D, Electrical connector, 07 May 2007	<b>17797/2007</b>
<b>Aeroflex International Co., Ltd.;</b> 08-08NES, Fastening member, (TH, 14 Nov 2006) 14 May 2007	<b>17906/2007</b>		

<b>ADC Communications (Australia) Pty Limited;</b> 13-03D, Power outlet, 04 May 2007	<b>17754/2007</b>	<b>Closure Medical Corporation;</b> 24-01, Dispenser, (US, 30 Nov 2006) 09 May 2007	<b>17833/2007</b>
<b>ADC Communications (Australia) Pty Limited;</b> 13-03D, Power outlet, 04 May 2007	<b>17755/2007</b>	<b>Clothier, Ross;</b> 15-01, Metal jacket harmonic balancer, 18 May 2007	<b>17958/2007</b>
<b>Balu Pty Ltd;</b> 25-02A, Post, 09 May 2007	<b>17824/2007</b>	<b>Clothier, Ross;</b> 15-01, Metal jacket harmonic balancer, 18 May 2007	<b>17959/2007</b>
<b>Beaute Prestige International;</b> 09-01G, Perfume bottle, (FR, 23 Jan 2007) 07 May 2007	<b>17788/2007</b>	<b>Co-Ordinated Thermal Systems Pty Ltd;</b> 09-03NES, Humidifying unit case, 14 May 2007	<b>17912/2007</b>
<b>Belkin Corporation;</b> 14-02, USB hub, (US, 01 Dec 2006) 04 May 2007	<b>17714/2007</b>	<b>Cryovac Australia Pty Ltd;</b> 09-03L, A container, 07 May 2007	<b>17782/2007</b>
<b>Berman, Ronald H.;</b> 09-01NES, Can shaped pouch, (US, 22 Nov 2006) 16 May 2007	<b>17945/2007</b>	<b>Dart Industries Inc.;</b> 07-01D, Mug, (US, 08 Sep 2006) 20 Feb 2007	<b>17716/2007</b>
<b>Bielby, Malcolm; Reed, Garry;</b> 08-06, Marine fixtures, 07 May 2007	<b>17752/2007</b>	<b>Demain Technology Pty Ltd;</b> 08-05NES, Tool housing, 10 May 2007	<b>17856/2007</b>
<b>Black &amp; Decker, Inc.;</b> 08-05N, Pole scrubber, (US, 07 Nov 2006) 03 May 2007	<b>17721/2007</b>	<b>Dench, David;</b> 23-03NES, Cylinder/gas bottle warmer, 08 May 2007	<b>17806/2007</b>
<b>Black &amp; Decker, Inc.;</b> 10-04, Light line generating device, (US, 15 Nov 2006) 15 May 2007	<b>17928/2007</b>	<b>Douglas Bean (Australia) Pty Ltd;</b> 07-01F, Jug with lid, 07 May 2007	<b>17702/2007</b>
<b>Bledina, S.A.S.;</b> 09-03F, Container for food products, (EM, 15 Nov 2006) 14 May 2007	<b>17907/2007</b>	<b>Dowd, Kieron J.;</b> 09-05, Product packaging (class 09), 10 May 2007	<b>17853/2007</b>
<b>Bowtie Racing Products;</b> 08-08D, Any product of a round shape that needs mounted.(ie) fuel pump, coil, instrument guages, overflow bottles, 09 May 2007	<b>17796/2007</b>	<b>Dyson's Packaging Pty Ltd;</b> 09-03M, Box, 14 May 2007	<b>17904/2007</b>
<b>Braun, George Robert;</b> 22-05, Squid Lure, 01 May 2007	<b>17697/2007</b>	<b>DBS Distributors;</b> 23-01A, , 03 May 2007	<b>17709/2007</b>
<b>Bricor Pty Ltd;</b> 19-02, Label holder, 17 May 2007	<b>17962/2007</b>	<b>DEDON GmbH;</b> 06-01NES, Beach chair, 03 May 2007	<b>17726/2007</b>
<b>Brown &amp; Muller Pty Ltd;</b> 09-03M, Tampon holder, 07 May 2007	<b>17798/2007</b>	<b>DEDON GmbH;</b> 06-01G, Furniture module, 03 May 2007	<b>17727/2007</b>
<b>Cable Accessories (Australia) Pty. Ltd.;</b> 13-03NES, Supporting panel insert of an electrical connection housing, 04 May 2007	<b>17749/2007</b>	<b>DEDON GmbH;</b> 06-01G, Furniture module, 03 May 2007	<b>17728/2007</b>
<b>Cable Accessories (Australia) Pty. Ltd.;</b> 13-03NES, Electrical connection housing base, 04 May 2007	<b>17750/2007</b>	<b>DEDON GmbH;</b> 06-01G, Furniture module, 03 May 2007	<b>17729/2007</b>
<b>Cable Accessories (Australia) Pty. Ltd.;</b> 13-03NES, Electrical connection housing cover, 04 May 2007	<b>17751/2007</b>	<b>DEDON GmbH;</b> 06-03A, Table, 03 May 2007	<b>17730/2007</b>
<b>Cadet Shoes Pty Ltd;</b> 02-04B, Sole unit, 04 May 2007	<b>17725/2007</b>	<b>DEDON GmbH;</b> 06-01G, Furniture module, 03 May 2007	<b>17731/2007</b>
<b>Careco Australia Pty Ltd;</b> 06-13B, Bed Linen, 01 May 2007	<b>17672/2007</b>	<b>DEDON GmbH;</b> 06-01NES, Recliner furniture, 03 May 2007	<b>17732/2007</b>
<b>Chiang, Herman;</b> 16-06, Swimming goggle, 23 Apr 2007	<b>17676/2007</b>	<b>DEDON GmbH;</b> 06-01G, Lounge chair, 03 May 2007	<b>17733/2007</b>
<b>Clampett, Mari;</b> 06-09, Maternity pillow, 04 May 2007	<b>17746/2007</b>	<b>DEDON GmbH;</b> 06-01G, Lounge chair, 03 May 2007	<b>17734/2007</b>
<b>Closure Medical Corporation;</b> 24-01, Dispenser, (US, 30 Nov 2006) 09 May 2007	<b>17832/2007</b>	<b>DEDON GmbH;</b> 06-01G, Furniture module, 03 May 2007	<b>17735/2007</b>
		<b>DEDON GmbH;</b> 06-01G, Furniture module, 03 May 2007	<b>17736/2007</b>
		<b>DEDON GmbH;</b> 06-01NES, Beach chair, 03 May 2007	<b>17737/2007</b>
		<b>DEDON GmbH;</b> 06-01G, Furniture module, 03 May 2007	<b>17738/2007</b>

<b>DEDON GmbH;</b> 06-01F, Chair, 03 May 2007	<b>17739/2007</b>	<b>Garmond Australia Pty. Limited;</b> 25-01K, 06-07, Extrusions for picture frames, 01 May 2007	<b>17679/2007</b>
<b>DEDON GmbH;</b> 06-01F, Armchair, 03 May 2007	<b>17740/2007</b>	<b>Garmond Australia Pty. Limited;</b> 25-01K, 06-07, Extrusions for picture frames, 01 May 2007	<b>17680/2007</b>
<b>DEDON GmbH;</b> 06-01F, Armchair, 03 May 2007	<b>17741/2007</b>	<b>Garmond Australia Pty. Limited;</b> 25-01K, 06-07, Extrusions for picture frames, 01 May 2007	<b>17681/2007</b>
<b>DEDON GmbH;</b> 06-03A, Table, 03 May 2007	<b>17742/2007</b>	<b>Garmond Australia Pty. Limited;</b> 25-01K, 06-07, Extrusions for picture frames, 01 May 2007	<b>17682/2007</b>
<b>DEDON GmbH;</b> 06-01F, Lounge chair, 03 May 2007	<b>17743/2007</b>	<b>Garmond Australia Pty. Limited;</b> 25-01K, 06-07, Extrusions for picture frames, 01 May 2007	<b>17683/2007</b>
<b>DEDON GmbH;</b> 06-01G, 2-seater furniture, 03 May 2007	<b>17744/2007</b>	<b>Garmond Australia Pty. Limited;</b> 25-01K, 06-07, Extrusions for picture frames, 01 May 2007	<b>17684/2007</b>
<b>E.D. Oates Pty Ltd;</b> 09-07NES, End cap, 09 May 2007	<b>17845/2007</b>	<b>Garmond Australia Pty. Limited;</b> 25-01K, 06-07, Extrusions for picture frames, 01 May 2007	<b>17685/2007</b>
<b>E.D. Oates Pty Ltd;</b> 08-06, Handle, 09 May 2007	<b>17844/2007</b>	<b>Garmond Australia Pty. Limited;</b> 25-01K, 06-07, Extrusions for picture frames, 01 May 2007	<b>17686/2007</b>
<b>Eccosit Industries Pty Ltd;</b> 06-06G, Chair back, 14 May 2007	<b>17870/2007</b>	<b>George, Isla;</b> 06-13NES, Baby cuddle rug security blanket, 30 Apr 2007	<b>17674/2007</b>
<b>Eccosit Industries Pty Ltd;</b> 06-06G, Chair back, 14 May 2007	<b>17871/2007</b>	<b>Grant, Nerez;</b> 02-05, Infant bib, 02 May 2007	<b>17694/2007</b>
<b>Eccosit Industries Pty Ltd;</b> 06-06G, Chair back, 10 May 2007	<b>17850/2007</b>	<b>GAT Distribution NZ Limited;</b> 25-01K, Extrusion, 15 May 2007	<b>17919/2007</b>
<b>Eccosit Industries Pty Ltd;</b> 06-06G, Chair back, 10 May 2007	<b>17851/2007</b>	<b>GM Global Technology Operations, Inc.;</b> 12-16A, Vehicle wheel, 04 May 2007	<b>17715/2007</b>
<b>Eccosit Industries Pty Ltd;</b> 06-06G, Chair back, 10 May 2007	<b>17852/2007</b>	<b>Hager B &amp; R Pty Ltd;</b> 13-03D, Double power point, 17 May 2007	<b>17987/2007</b>
<b>Eccosit Industries Pty Ltd;</b> 06-06G, Chair back, 10 May 2007	<b>17849/2007</b>	<b>Hager B &amp; R Pty Ltd;</b> 13-03D, Double power point, 17 May 2007	<b>17988/2007</b>
<b>Etccl, David Andrew;</b> 23-04, Hanger for flexible air conditioning ductwork, 16 May 2007	<b>17916/2007</b>	<b>Hager B &amp; R Pty Ltd;</b> 13-03D, Double power point, 17 May 2007	<b>17989/2007</b>
<b>Everpads Co., Ltd;</b> 08-03, Chisel, 17 May 2007	<b>17963/2007</b>	<b>Hager B &amp; R Pty Ltd;</b> 13-03D, Double power point, 17 May 2007	<b>17990/2007</b>
<b>ESmart Group Pty Ltd;</b> 23-03E, Outdoor flueless fireplace, 17 May 2007	<b>17932/2007</b>	<b>Hager B &amp; R Pty Ltd;</b> 13-03D, Double power point, 17 May 2007	<b>17991/2007</b>
<b>Feiner, Henry;</b> 23-02B, 23-01H, Bathroom set, 15 May 2007	<b>17918/2007</b>	<b>Hansa Metallwerke AG;</b> 23-02B, Hand shower, (EM, 17 Nov 2006) 16 May 2007	<b>17950/2007</b>
<b>Ford, Jeffrey Francis William;</b> 08-05N, A cornice sander, 07 May 2007	<b>17792/2007</b>	<b>Hansa Metallwerke AG;</b> 23-02B, Hand shower, (EM, 17 Nov 2006) 16 May 2007	<b>17951/2007</b>
<b>Foreman, Andrew Val;</b> 06-10, Door curtain (printed), 14 May 2007	<b>17903/2007</b>	<b>Hansa Metallwerke AG;</b> 23-02B, Hand shower, (EM, 17 Nov 2006) 16 May 2007	<b>17952/2007</b>
<b>Framelock Structures Pty Ltd;</b> 03-03, Portable shade structure, 17 May 2007	<b>17961/2007</b>	<b>Hansa Metallwerke AG;</b> 23-02B, Hand shower, (EM, 17 Nov 2006) 16 May 2007	<b>17953/2007</b>
<b>Frizell, Peter;</b> 10-06, , 08 May 2007	<b>17790/2007</b>	<b>Hansa Metallwerke AG;</b> 23-02B, Hand shower, (EM, 17 Nov 2006) 16 May 2007	<b>17954/2007</b>
<b>Frizell, Peter;</b> 10-06, , 08 May 2007	<b>17791/2007</b>		
<b>Garmond Australia Pty. Limited;</b> 25-01K, 06-07, Extrusions for picture frames, 01 May 2007	<b>17677/2007</b>		
<b>Garmond Australia Pty. Limited;</b> 25-01K, 06-07, Extrusions for picture frames, 01 May 2007	<b>17678/2007</b>		

<b>Hansa Metallwerke AG;</b> 23-02B, Hand shower, (EM, 17 Nov 2006) 16 May 2007	<b>17955/2007</b>	<b>Kohler Co.;</b> 06-04F, Cabinet, (US, 17 Nov 2006) 17 May 2007	<b>17978/2007</b>
<b>Hartwall Oy Ab, K.;</b> 14-03NES, Housing for radio frequency identification tags, (EM, 21 Dec 2006) 09 May 2007	<b>17825/2007</b>	<b>Kohler Co.;</b> 23-02F, Lavatory, (US, 06 Nov 2006) 07 May 2007	<b>17786/2007</b>
<b>Hatten, Barbara Valerie;</b> 28-04, Hairpiece, 30 Apr 2007	<b>17675/2007</b>	<b>Kohler Co.;</b> 23-02F, Lavatory, (US, 06 Nov 2006) 07 May 2007	<b>17787/2007</b>
<b>Heine Optotechnik GmbH &amp; Co. KG;</b> 26-99, 02-03, Headlamp with binocular lens and glasses, (EM, 13 Nov 2006) 03 May 2007	<b>17718/2007</b>	<b>Kolder Pty Ltd;</b> 06-04C, Wardrobe stile section, 17 May 2007	<b>17933/2007</b>
<b>Heiniger Australia Pty Ltd;</b> 30-99, Shearing comb, 03 May 2007	<b>17717/2007</b>	<b>Kolder Pty Ltd;</b> 06-04C, Wardrobe stile section, 17 May 2007	<b>17934/2007</b>
<b>Hill &amp; Smith Limited;</b> 25-02NES, Safety barriers, (EM, 21 Nov 2006) 15 May 2007	<b>17917/2007</b>	<b>Kolder Pty Ltd;</b> 06-04C, Wardrobe stile section, 17 May 2007	<b>17935/2007</b>
<b>Honda Motor Co., Ltd.;</b> 12-08, Automobile, (JP, 24 Nov 2006) 15 May 2007	<b>17930/2007</b>	<b>Kolder Pty Ltd;</b> 06-04C, Bumper stop for wardrobe section, 17 May 2007	<b>17936/2007</b>
<b>Honda Motor Co., Ltd.;</b> 26-06, Rear combination lamp for automobile, (JP, 17 Nov 2006) 11 May 2007	<b>17881/2007</b>	<b>Kolder Pty Ltd;</b> 23-02B, Glazing channel section for shower screen, 17 May 2007	<b>17937/2007</b>
<b>Honda Motor Co., Ltd.;</b> 12-08, Automobile, (JP, 20 Nov 2006) 11 May 2007	<b>17878/2007</b>	<b>Kolder Pty Ltd;</b> 23-02B, Hob section for shower screen, 17 May 2007	<b>17938/2007</b>
<b>Honda Motor Co., Ltd.;</b> 26-06, Front combination lamp for automobile, (JP, 17 Nov 2006) 11 May 2007	<b>17880/2007</b>	<b>Kolder Pty Ltd;</b> 23-02B, Sill section for telescopic shower screen, 17 May 2007	<b>17939/2007</b>
<b>Huntleigh Technology Limited;</b> 15-02, Pump, (GB, 15 Nov 2006) 11 May 2007	<b>17865/2007</b>	<b>Kolder Pty Ltd;</b> 23-02B, Sill section for telescopic shower screen, 17 May 2007	<b>17940/2007</b>
<b>Joe's Wrought Iron and Aluminium Pty Ltd;</b> 25-01K, 25-02C, Extrusion for a ballustrade, 08 May 2007	<b>17915/2007</b>	<b>Kolder Pty Ltd;</b> 23-02B, Corner block connection for shower screen, 17 May 2007	<b>17941/2007</b>
<b>Join Pty Ltd;</b> 11-02B, Planter, 18 May 2007	<b>17960/2007</b>	<b>Kolder Pty Ltd;</b> 23-02B, Corner block connection for shower screen, 17 May 2007	<b>17942/2007</b>
<b>K &amp; J Haak Engineering Pty Ltd;</b> 08-08M, Adjustable mirror support arm, 14 May 2007	<b>17901/2007</b>	<b>Kolder Pty Ltd;</b> 23-02B, Corner block connection for shower screen, 17 May 2007	<b>17943/2007</b>
<b>King Dix Pty Limited;</b> 14-02, Track pad for machinery, 10 May 2007	<b>17863/2007</b>	<b>Koninklijke Philips Electronics N.V.;</b> 26-04, Batten for fluorescent lamp, (EM, 15 Nov 2006) 04 May 2007	<b>17748/2007</b>
<b>King Dix Pty Limited;</b> 14-02, Track pad for machinery, 10 May 2007	<b>17862/2007</b>	<b>Kraft Foods (Australia) Limited;</b> 09-01H, Bottle, 09 May 2007	<b>17846/2007</b>
<b>Kohler Co.;</b> 23-01H, Faucet, (US, 15 Nov 2006) 15 May 2007	<b>17920/2007</b>	<b>Krivitsky, Jacqueline;</b> 07-01C, Beverage container, 16 May 2007	<b>17931/2007</b>
<b>Kohler Co.;</b> 23-01H, Spout, (US, 17 Nov 2006) 16 May 2007	<b>17946/2007</b>	<b>Kursace Holdings Pty Ltd;</b> 07-02D, A cooking device, 14 May 2007	<b>17914/2007</b>
<b>Kohler Co.;</b> 08-06, Handle, (US, 15 Nov 2006) 15 May 2007	<b>17921/2007</b>	<b>Lady of Australia Pty Ltd;</b> 08-06, Hand bag help, 15 May 2007	<b>17913/2007</b>
<b>Kohler Co.;</b> 23-01H, Spout, (US, 15 Nov 2006) 15 May 2007	<b>17922/2007</b>	<b>Linak A/S;</b> 15-01, An electrical drive unit for adjustable beds and slatted beds, (DK, 14 Nov 2006) 11 May 2007	<b>17877/2007</b>
<b>Kohler Co.;</b> 23-02F, Lavatory, (US, 06 Nov 2006) 07 May 2007	<b>17785/2007</b>	<b>Livingstone International Pty Ltd;</b> 24-04, , 18 May 2007	<b>17957/2007</b>

<b>Louey, Merv;</b> 06-06E, 06-06H, 06-06A, 26-05B, Base detail for table, stool, lamp, coatstand, 11 May 2007	<b>17899/2007</b>	<b>Papamiliades, Peter;</b> 23-01B, Tube (180 degrees), 16 May 2007	<b>17926/2007</b>
<b>LG Electronics Inc.;</b> 14-03E, Cellular phone, (KR, 28 Feb 2007) 14 May 2007	<b>17911/2007</b>	<b>Papamiliades, Peter;</b> 23-01B, Tube (180 degrees), 16 May 2007	<b>17927/2007</b>
<b>LG Electronics Inc.;</b> 14-03E, Cellular phone, (KR, 13 Nov 2006) 30 Apr 2007	<b>17671/2007</b>	<b>Parry, Stuart;</b> 21-03, Novelty nose, 10 May 2007	<b>17854/2007</b>
<b>LRC Products Limited;</b> 08-99, Scraper, (EM, 17 Nov 2006) 02 May 2007	<b>17711/2007</b>	<b>Polebrook Pty Limited;</b> 08-08B, Washer, 02 May 2007	<b>17700/2007</b>
<b>Mason, Kevin;</b> 26-04, Underwater transom light, (US, 10 Nov 2006) 10 May 2007	<b>17860/2007</b>	<b>Prairie Packaging, Inc.;</b> 09-07B, Disposable cup lid, (US, 13 Nov 2006) 08 May 2007	<b>17807/2007</b>
<b>Mass Electronics Pty Ltd;</b> 07-04, Cutting board, 16 May 2007	<b>17948/2007</b>	<b>Prairie Packaging, Inc.;</b> 09-07B, Disposable cup lid, (US, 13 Nov 2006) 08 May 2007	<b>17808/2007</b>
<b>McKenna, Brett;</b> 23-01NES, Apparatus for use in collecting rainwater, 30 Apr 2007	<b>17673/2007</b>	<b>Prairie Packaging, Inc.;</b> 09-07B, Disposable cup lid, (US, 13 Nov 2006) 08 May 2007	<b>17809/2007</b>
<b>Mehegan, Jack;</b> 21-02C, Golf putter aid (ball hole retriever), 02 May 2007	<b>17691/2007</b>	<b>Prairie Packaging, Inc.;</b> 09-07B, Disposable cup lid, (US, 13 Nov 2006) 08 May 2007	<b>17810/2007</b>
<b>Microsoft Corporation;</b> 14-01, Ear phones, (Divisional of 15924/2007) 11 May 2007	<b>17896/2007</b>	<b>Prairie Packaging, Inc.;</b> 09-07B, Disposable cup lid, (US, 13 Nov 2006) 08 May 2007	<b>17811/2007</b>
<b>Microsoft Corporation;</b> 14-03NES, Remote controller, (Divisional of 15922/2007) 11 May 2007	<b>17897/2007</b>	<b>Prairie Packaging, Inc.;</b> 09-07B, Disposable cup lid, 08 May 2007	<b>17812/2007</b>
<b>Miscamble, Michael Patrick;</b> 20-03NES, A sign, 11 May 2007	<b>17872/2007</b>	<b>Prairie Packaging, Inc.;</b> 09-07B, Disposable cup lid, (US, 13 Nov 2006) 08 May 2007	<b>17813/2007</b>
<b>Miscamble, Michael Patrick;</b> 20-03NES, A sign, 11 May 2007	<b>17873/2007</b>	<b>Prairie Packaging, Inc.;</b> 09-07B, Disposable cup lid, (US, 13 Nov 2006) 08 May 2007	<b>17814/2007</b>
<b>Multimedia Games, Inc.;</b> 21-03, Gaming machine, (US, 14 Nov 2006) 14 May 2007	<b>17900/2007</b>	<b>Prairie Packaging, Inc.;</b> 09-07B, Disposable cup lid, (US, 13 Nov 2006) 08 May 2007	<b>17815/2007</b>
<b>Nanotechnology Victoria;</b> 24-01, Inhaler, 03 May 2007	<b>17706/2007</b>	<b>Prairie Packaging, Inc.;</b> 09-07B, Disposable cup lid, (US, 13 Nov 2006) 08 May 2007	<b>17816/2007</b>
<b>Nanotechnology Victoria;</b> 24-01, Applicator, 03 May 2007	<b>17707/2007</b>	<b>Prairie Packaging, Inc.;</b> 09-07B, Disposable cup lid, (US, 13 Nov 2006) 08 May 2007	<b>17817/2007</b>
<b>Nice SPA;</b> 15-99, Actuating device, (IT, 13 Nov 2006) 11 May 2007	<b>17874/2007</b>	<b>Prairie Packaging, Inc.;</b> 09-07B, Disposable cup lid, (US, 13 Nov 2006) 08 May 2007	<b>17818/2007</b>
<b>Nord, Sven Tor;</b> 19-01, My ancestral wheel the genealogy display board, 02 May 2007	<b>17692/2007</b>	<b>Prairie Packaging, Inc.;</b> 09-07B, Disposable cup lid, (US, 13 Nov 2006) 08 May 2007	<b>17819/2007</b>
<b>Orbea, S. Coop. Ltda;</b> 12-11, Bicycle frame, 11 May 2007	<b>17876/2007</b>	<b>Priestley, Marcia;</b> 03-01NES, Square bag, circular bag, 09 May 2007	<b>17823/2007</b>
<b>Otsuka Pharmaceutical Factory, Inc.;</b> 24-04, Infusion solution bag, (JP, 13 Nov 2006) 11 May 2007	<b>17875/2007</b>	<b>Provincial Events Pty Ltd;</b> 20-03NES, 26-05A, Light box advertising using existing fluorescent light fitting, 10 May 2007	<b>17855/2007</b>
<b>Outotec Oyj;</b> 15-99, Rotor module, collar for a modular rotor, (EM, 22 Nov 2006) 16 May 2007	<b>17947/2007</b>	<b>Puma Aktiengesellschaft Rudolf Dassler Sport;</b> 02-04A, Cleat for a shoe, 09 May 2007	<b>17843/2007</b>
<b>OSIM International Ltd;</b> 28-03NES, Calf and foot massager, 07 May 2007	<b>17789/2007</b>	<b>Reed, Garry; Bielby, Malcolm;</b> 08-06, Marine fixtures, 07 May 2007	<b>17752/2007</b>

<b>ResMed Ltd;</b> 24-01, Valve for respiratory mask, (US, 13 Nov 2006) 11 May 2007	<b>17882/2007</b>	<b>Samar, LLC;</b> 28-99, Air deodorising refill, (EM, 19 Feb 2007) 09 May 2007	<b>17837/2007</b>
<b>ResMed Ltd;</b> 24-01, Frame for respiratory mask, (US, 14 Nov 2006) 11 May 2007	<b>17888/2007</b>	<b>Savant Systems LLC;</b> 14-04, User interface for display screen, (US, 15 Nov 2006) 15 May 2007	<b>17929/2007</b>
<b>ResMed Ltd;</b> 24-01, Frame for respiratory mask, (US, 14 Nov 2006) 11 May 2007	<b>17889/2007</b>	<b>Shanahan, John M.;</b> 09-03C, A container, (US, 07 Nov 2006) 03 May 2007	<b>17719/2007</b>
<b>ResMed Ltd;</b> 24-01, Frame for respiratory mask, (US, 14 Nov 2006) 11 May 2007	<b>17890/2007</b>	<b>Shanahan, John M.;</b> 09-03C, A container, (US, 07 Nov 2006) 03 May 2007	<b>17720/2007</b>
<b>ResMed Ltd;</b> 24-01, Frame for respiratory mask, (US, 14 Nov 2006) 11 May 2007	<b>17891/2007</b>	<b>Silvan H20 Pty Ltd;</b> 23-01G, Water filter, 02 May 2007	<b>17708/2007</b>
<b>ResMed Ltd;</b> 24-01, Respiratory mask, (US, 14 Nov 2006) 11 May 2007	<b>17892/2007</b>	<b>Singh, Daryl (Dlight);</b> 26-05B, , 09 May 2007	<b>17848/2007</b>
<b>ResMed Ltd;</b> 24-01, Respiratory mask, (US, 14 Nov 2006) 11 May 2007	<b>17893/2007</b>	<b>Smiths Medical ASD, Inc.;</b> 24-01, Respiratory therapy device, (US, 03 Nov 2006) 01 May 2007	<b>17696/2007</b>
<b>ResMed Ltd;</b> 24-01, Respiratory mask, (US, 14 Nov 2006) 11 May 2007	<b>17894/2007</b>	<b>Sony Ericsson Mobile Communications AB;</b> 14-03E, Mobile phone, (EM, 04 Dec 2006) 09 May 2007	<b>17834/2007</b>
<b>ResMed Ltd;</b> 24-01, Respiratory mask, (US, 14 Nov 2006) 11 May 2007	<b>17895/2007</b>	<b>Sony Ericsson Mobile Communications AB;</b> 14-03E, Mobile phone, (EM, 04 Dec 2006) 09 May 2007	<b>17835/2007</b>
<b>ResMed Ltd;</b> 24-01, Valve for respiratory mask, (US, 13 Nov 2006) 11 May 2007	<b>17883/2007</b>	<b>Spencer and Rutherford Pty. Ltd.;</b> 03-01B, Handbags, 09 May 2007	<b>17799/2007</b>
<b>ResMed Ltd;</b> 24-01, Valve for respiratory mask, (US, 13 Nov 2006) 11 May 2007	<b>17884/2007</b>	<b>Spencer and Rutherford Pty. Ltd.;</b> 03-01B, Handbags, 09 May 2007	<b>17800/2007</b>
<b>ResMed Ltd;</b> 24-01, Valve for respiratory mask, (US, 13 Nov 2006) 11 May 2007	<b>17885/2007</b>	<b>Spencer and Rutherford Pty. Ltd.;</b> 03-01B, Handbags, 09 May 2007	<b>17801/2007</b>
<b>ResMed Ltd;</b> 24-01, Anti-asphyxia valve clip for respiratory mask, (US, 13 Nov 2006) 11 May 2007	<b>17886/2007</b>	<b>Spencer and Rutherford Pty. Ltd.;</b> 03-01B, Handbags, 09 May 2007	<b>17802/2007</b>
<b>ResMed Ltd;</b> 24-01, Adjustable forehead support dial for respiratory mask, (US, 14 Nov 2006) 11 May 2007	<b>17887/2007</b>	<b>Spencer and Rutherford Pty. Ltd.;</b> 03-01B, Handbags, 09 May 2007	<b>17803/2007</b>
<b>Review Australia Pty Ltd;</b> 02-02C, 02-02NES, Ladies garments, 01 May 2007	<b>17689/2007</b>	<b>Sportsgirl Pty Ltd;</b> 02-02NES, Knit tops, 01 May 2007	<b>17804/2007</b>
<b>Robert Welch Designs Limited;</b> 07-03, Kitchen knife handle, (EM, 19 Dec 2006) 03 May 2007	<b>17698/2007</b>	<b>Springfield, Jonathon;</b> 29-01, Fire extinguisher, 11 May 2007	<b>17805/2007</b>
<b>Robert Welch Designs Limited;</b> 07-03, Kitchen knife handle, (EM, 19 Dec 2006) 03 May 2007	<b>17699/2007</b>	<b>Steelite International PLC;</b> 07-01B, Bowl, (EM, 07 Nov 2006) 07 May 2007	<b>17690/2007</b>
<b>Rockline Industries, Inc.;</b> 05-06NES, Embossed wipe, (US, 10 Nov 2006) 10 May 2007	<b>17869/2007</b>	<b>Steelite International PLC;</b> 07-01B, Bowl, (EM, 07 Nov 2006) 07 May 2007	<b>17859/2007</b>
<b>Samar, LLC;</b> 09-07A, Air deodorising apparatus, (EM, 19 Feb 2007) 09 May 2007	<b>17836/2007</b>	<b>Steelite International PLC;</b> 07-01B, Bowl, (EM, 07 Nov 2006) 07 May 2007	<b>17793/2007</b>
		<b>Stevenson, Scott A.;</b> 03-01D, Tools and trowls, 10 May 2007	<b>17794/2007</b>
		<b>Straumann Holding AG;</b> 24-99, Screw of a dental implant, (EM, 12 Nov 2006) 10 May 2007	<b>17795/2007</b>
			<b>17831/2007</b>
			<b>17866/2007</b>

<b>Straumann Holding AG;</b> 24-99, Abutment of a dental implant, (EM, 16 Nov 2006) 10 May 2007	<b>17867/2007</b>	<b>Weigall, Mark;</b> 21-02B, Cricket bat, 02 May 2007	<b>17693/2007</b>
<b>Straumann Holding AG;</b> 24-99, Abutment of a dental implant, (EM, 16 Nov 2006) 10 May 2007	<b>17868/2007</b>	<b>Westside Wholesalers Pty Ltd;</b> 07-01C, Flute, 03 May 2007	<b>17723/2007</b>
<b>Team Poly Pty Ltd;</b> 12-16C, Front bumper for a vehicle, 17 May 2007	<b>17992/2007</b>	<b>Westside Wholesalers Pty Ltd;</b> 07-01C, Flute, 03 May 2007	<b>17724/2007</b>
<b>Tecnimed SRL;</b> 24-01, Device for treating insect bites, (EM, 13 Nov 2006) 11 May 2007	<b>17898/2007</b>	<b>Wolverine World Wide, Inc.;</b> 02-04B, A footwear sole, (US, 09 Nov 2006) 07 May 2007	<b>17769/2007</b>
<b>The Coca-Cola Company;</b> 09-01H, Bottle, (US, 28 Aug 2006) 23 Feb 2007	<b>17857/2007</b>	<b>Wolverine World Wide, Inc.;</b> 02-04B, A footwear sole, (US, 09 Nov 2006) 07 May 2007	<b>17770/2007</b>
<b>The Coca-Cola Company;</b> 09-01H, Bottle, (US, 28 Aug 2006) 23 Feb 2007	<b>17858/2007</b>	<b>Wolverine World Wide, Inc.;</b> 02-04NES, A footwear upper, (US, 09 Nov 2006) 07 May 2007	<b>17771/2007</b>
<b>The Coleman Company, Inc.;</b> 07-02E, Grill cart, (US, 22 Feb 2007) 14 May 2007	<b>17909/2007</b>	<b>Wolverine World Wide, Inc.;</b> 02-04B, A footwear sole, (US, 09 Nov 2006) 07 May 2007	<b>17772/2007</b>
<b>The Coleman Company, Inc.;</b> 06-01H, Chair, (US, 22 Feb 2007) 14 May 2007	<b>17910/2007</b>	<b>Wolverine World Wide, Inc.;</b> 02-04NES, A footwear upper, (US, 09 Nov 2006) 07 May 2007	<b>17759/2007</b>
<b>The Yokohama Rubber Co., Ltd.;</b> 12-15A, Automobile tyre, (JP, 08 Nov 2006) 04 May 2007	<b>17747/2007</b>	<b>Wolverine World Wide, Inc.;</b> 02-04B, A footwear sole, (US, 09 Nov 2006) 07 May 2007	<b>17760/2007</b>
<b>Thinking Ergonomix;</b> 06-03A, Trapeze is a desking system which allows the legs to slide along beams to create a wide variety of table shapes and, sizes., 03 May 2007	<b>17704/2007</b>	<b>Wolverine World Wide, Inc.;</b> 02-04B, A footwear sole, (US, 09 Nov 2006) 07 May 2007	<b>17761/2007</b>
<b>Thorn Europhane;</b> 26-02, Lighting lantern, (EM, 29 Jan 2007) 15 May 2007	<b>17923/2007</b>	<b>Wolverine World Wide, Inc.;</b> 02-04B, A footwear sole, (US, 09 Nov 2006) 07 May 2007	<b>17773/2007</b>
<b>Thorn Europhane;</b> 26-02, Lighting lantern, (EM, 29 Jan 2007) 15 May 2007	<b>17924/2007</b>	<b>Wolverine World Wide, Inc.;</b> 02-04B, A footwear sole, (US, 09 Nov 2006) 07 May 2007	<b>17762/2007</b>
<b>Thorn Europhane;</b> 26-02, Lighting lantern, (EM, 29 Jan 2007) 15 May 2007	<b>17925/2007</b>	<b>Wolverine World Wide, Inc.;</b> 02-04B, A footwear sole, (US, 09 Nov 2006) 07 May 2007	<b>17774/2007</b>
<b>Trixell SAS;</b> 16-99, Radiography cassette, (EM, 28 Nov 2006) 11 May 2007	<b>17879/2007</b>	<b>Wolverine World Wide, Inc.;</b> 02-04B, A footwear sole, (US, 09 Nov 2006) 07 May 2007	<b>17775/2007</b>
<b>Turbosmart Pty Ltd;</b> 15-01, Fpr - fuel pressure regulator, 03 May 2007	<b>17713/2007</b>	<b>Wolverine World Wide, Inc.;</b> 02-04B, A footwear sole, (US, 09 Nov 2006) 07 May 2007	<b>17776/2007</b>
<b>Turrell Creations;</b> 02-01B, Terry toweling nappy, 14 May 2007	<b>17902/2007</b>	<b>Wolverine World Wide, Inc.;</b> 02-04B, A footwear sole, (US, 09 Nov 2006) 07 May 2007	<b>17777/2007</b>
<b>Vesely, John;</b> 12-16K, Vehicle rack system, 16 May 2007	<b>17949/2007</b>	<b>Wolverine World Wide, Inc.;</b> 02-04NES, A footwear upper, (US, 09 Nov 2006) 07 May 2007	<b>17763/2007</b>
<b>Vidovic, Vicky;</b> 06-13NES, Adjustable ironing board cover, 02 May 2007	<b>17701/2007</b>	<b>Wolverine World Wide, Inc.;</b> 02-04B, A footwear sole, (US, 09 Nov 2006) 07 May 2007	<b>17764/2007</b>
<b>Villa Maria Estate Limited;</b> 09-03NES, Carton, 01 May 2007	<b>17687/2007</b>	<b>Wolverine World Wide, Inc.;</b> 02-04B, A footwear sole, (US, 09 Nov 2006) 07 May 2007	<b>17765/2007</b>
<b>Vin Singlz Limited;</b> 09-01K, Bottle, (NZ, 23 Nov 2006) 04 May 2007	<b>17756/2007</b>	<b>Wolverine World Wide, Inc.;</b> 02-04NES, A footwear upper, (US, 09 Nov 2006) 07 May 2007	<b>17778/2007</b>
<b>Weggery, James Charles;</b> 09-03M, A box, (NZ, 09 Nov 2006) 09 May 2007	<b>17847/2007</b>		



<b>Wolverine World Wide, Inc.;</b> 02-04NES, A footwear upper, (US, 09 Nov 2006) 07 May 2007	<b>17766/2007</b>	<b>Wolverine World Wide, Inc.;</b> 02-04NES, A footwear upper, (US, 09 Nov 2006) 07 May 2007	<b>17781/2007</b>
<b>Wolverine World Wide, Inc.;</b> 02-04NES, A footwear upper, (US, 09 Nov 2006) 07 May 2007	<b>17779/2007</b>	<b>Woolley, Joanne;</b> 02-03, Sports merchandise, 30 Apr 2007	<b>17688/2007</b>
<b>Wolverine World Wide, Inc.;</b> 02-04B, A footwear sole, (US, 09 Nov 2006) 07 May 2007	<b>17767/2007</b>	<b>X-Technology Swiss GmbH;</b> 02-01NES, Underwear, (EM, 02 Nov 2006) 01 May 2007	<b>17695/2007</b>
<b>Wolverine World Wide, Inc.;</b> 02-04NES, A footwear upper, (US, 09 Nov 2006) 07 May 2007	<b>17780/2007</b>	<b>Yelo, LLC;</b> 25-03, A cabin, (US, 06 Nov 2006) 07 May 2007	<b>17757/2007</b>
<b>Wolverine World Wide, Inc.;</b> 02-04B, A footwear sole, (US, 09 Nov 2006) 07 May 2007	<b>17768/2007</b>	<b>Zumtobel Lighting GmbH &amp; Co. KG;</b> 26-05C, Ceiling lamp, (EM, 10 Nov 2006) 10 May 2007	<b>17864/2007</b>

**Applications Withdrawn**

16312 / 2007 (07-02P)	16428 / 2007 (23-01F)
16430 / 2007 (23-01F)	16431 / 2007 (23-01F)
16932 / 2007 (06-13B)	

**Applications Lapsed**

11570 / 2006 (15-02)	11593 / 2006 (25-02NES)
14330 / 2006 (08-08D)	15095 / 2006 (25-01K)
15096 / 2006 (24-99)	15098 / 2006 (24-99)
15099 / 2006 (24-99)	15119 / 2006 (02-02C)
15132 / 2006 (10-01)	15297 / 2006 (02-04NES)
15639 / 2006 (26-05A)	15727 / 2006 (13-02)
16718 / 2007 (14-01)	16719 / 2007 (14-01)
16720 / 2007 (14-99)	

**Registrations Ceased**

305532                      305533                      305800

**Extensions of time granted under Section 137**

Applications lodged under section 137 for extension of time have been granted.

15877/2007 **S&M NuTec, LLC**

15878/2007 **S&M NuTec, LLC**

15879/2007 **S&M NuTec, LLC**

15894/2007 **Orient Sino (Guangzhou) Industrial Corp. Ltd**

16428/2007 **Alternative Concepts Pty Ltd**

16429/2007 **Alternative Concepts Pty Ltd**

16430/2007 **Alternative Concepts Pty Ltd**

16431/2007 **Alternative Concepts Pty Ltd**

**Applications Assigned**

(The name in parentheses is that of the subsequent applicant)

14223/2006    **( Waterlink Investments Pty Ltd )** Dianti Nominees Pty Ltd

**Subsequent Owners Registered**

(The name in parentheses is that of the subsequent owner)

- 305632            **( Slabset Manufacturing Pty Ltd )** Clare Elise Broadbent
- 306242            **( Slabset Manufacturing Pty Ltd )** Clare Elise Broadbent
- 311765            **( Gecko IP Holdings Pty Limited )** Cicada Mobile Pty Limited
- 303040            **( Invacare UK Operations Limited )** Invacare (UK) Limited
- 301220            **( Pacific Plastics Pty Ltd;IPH International Pty Ltd )** Crimsafe Security Systems Pty Ltd;Pacific Plastics Pty Ltd
- 307055            **( IPH International Pty Ltd )** Crimsafe Security Systems Pty Ltd
- 307176            **( IPH International Pty Ltd )** Crimsafe Security Systems Pty Ltd
- 307612            **( IPH International Pty Ltd )** Crimsafe Security Systems Pty Ltd
- 307613            **( IPH International Pty Ltd )** Crimsafe Security Systems Pty Ltd
- 307614            **( IPH International Pty Ltd )** Crimsafe Security Systems Pty Ltd
- 302043            **( Pacific Plastics Pty Ltd;IPH International Pty Ltd )** Crimsafe Security Systems Pty Ltd;Pacific Plastics Pty Ltd
- 309489            **( Ray Technology Group B.V. )** Kel Development B.V.
- 300465            **( Bradken Operations Pty Limited )** Wundowie Foundry Pty Ltd
- 300466            **( Bradken Operations Pty Limited )** Wundowie Foundry Pty Ltd
- 309442            **( Creative Facility Pty Ltd )** ATC Pty Ltd
- 312999            **( Creative Facility Pty Ltd )** ATC Pty Ltd

303890 ( **Dematic Pty Ltd** ) Siemens Limited  
303888 ( **Dematic Pty Ltd** ) Siemens Limited  
303889 ( **Dematic Pty Ltd** ) Siemens Limited  
301237 ( **Dematic Pty Ltd** ) Siemens Limited

**Names Registered - Alterations and Amendments**

(The name in parentheses is that of the subsequent applicant)

306980 ( **Biobag International AS** ) PolarGruppen AS  
309754 ( **Huntleigh Technology Limited** ) Huntleigh Technology  
PLC

**Certificate(s) of Examination**

Examination of the following Design Registration(s) has been completed. Infringement proceedings may now be commenced.

301822	25-02C	17/05/2007
305623	21-01NES	14/05/2007
305742	13-03D	23/05/2007
306013	12-12	14/05/2007
306907	12-12	14/05/2007
306990	03-01A	17/05/2007
307581	08-01	21/05/2007
307771	21-01N	15/05/2007
307772	21-01N	15/05/2007
307804	13-02	21/05/2007
307877	08-09	21/05/2007
307974	14-02	14/05/2007
308460	06-01F	15/05/2007
308861	26-02	23/05/2007
309202	24-04	23/05/2007
309313	07-01C	15/05/2007
309314	07-01C	15/05/2007
309345	28-03NES	21/05/2007
309465	15-01	10/05/2007
309481	28-01	16/05/2007
309595	25-02C	17/05/2007
309596	25-02C	17/05/2007
309616	09-07A	15/05/2007
309642	16-06	23/05/2007
309720	06-04NES	23/05/2007
309826	09-07A	15/05/2007
309969	20-02C	15/05/2007
310163	21-01N	14/05/2007
310205	08-08NES	10/05/2007
310224	15-09	15/05/2007
310226	15-05	22/05/2007
310330	15-07	21/05/2007
310370	15-09	15/05/2007
310449	01-06	23/05/2007
310465	12-16C	14/05/2007
310466	12-16C	14/05/2007
310619	24-04	21/05/2007
310659	14-03A	14/05/2007
310660	14-03A	14/05/2007
310661	14-03A	14/05/2007
310662	14-03A	14/05/2007
311116	24-04	21/05/2007
311117	24-04	21/05/2007
311118	24-04	21/05/2007
311182	25-03	22/05/2007
311183	23-02B	22/05/2007
311184	23-02B	22/05/2007
312566	07-06A	15/05/2007
312567	07-01C	15/05/2007
312568	07-06A	15/05/2007
312617	12-16N	18/05/2007
312629	12-16N	18/05/2007

**Publication and Registration Proceedings**

**Designs Registered**

This section provides a concordance between design number and registration number of Designs covered in this journal. It also shows the main class and registration date.

This section covers Registration numbers 314039 to 314217 .

The registration number shown below should be used in all future correspondence.

Design Number	Registration Number	International Classification Code (IDC)	Registration Date	Design Number	Registration Number	International Classification Code (IDC)	Registration Date
14569/2005	314095	05-06B	15/05/2007	16510/2007	314041	25-01K	10/05/2007
15330/2005	314064	07-05D	15/05/2007	16511/2007	314042	08-06	10/05/2007
11231/2006	314175	07-05B	22/05/2007	16512/2007	314043	25-02NES	10/05/2007
12205/2006	314198	26-02	23/05/2007	16513/2007	314044	25-01K	10/05/2007
12604/2006	314140	07-01C	17/05/2007	16514/2007	314045	25-01K	10/05/2007
12784/2006	314149	06-02	17/05/2007	16515/2007	314046	25-02A	10/05/2007
12878/2006	314174	14-02	22/05/2007	16516/2007	314047	07-02P	10/05/2007
13001/2006	314148	06-05	17/05/2007	16518/2007	314048	07-99NES	10/05/2007
13911/2006	314199	02-02NES	23/05/2007	16524/2007	314057	23-02B	11/05/2007
13953/2006	314151	25-01E	17/05/2007	16525/2007	314056	06-06H	11/05/2007
14074/2006	314169	08-08B	22/05/2007	16527/2007	314083	08-08NES	14/05/2007
14841/2006	314114	08-05NES	15/05/2007	16528/2007	314082	08-08NES	14/05/2007
14842/2006	314115	08-05NES	15/05/2007	16535/2007	314088	06-01G	14/05/2007
14998/2006	314177	02-02C	22/05/2007	16536/2007	314087	06-01G	14/05/2007
15284/2006	314062	02-02C	11/05/2007	16537/2007	314086	26-04	14/05/2007
15286/2006	314166	09-01K	22/05/2007	16538/2007	314084	08-05NES	14/05/2007
15314/2006	314061	03-03	11/05/2007	16539/2007	314085	08-05NES	14/05/2007
15921/2006	314167	09-03C	22/05/2007	16540/2007	314081	21-02C	14/05/2007
15927/2006	314176	20-02C	22/05/2007	16542/2007	314111	02-02NES	15/05/2007
15930/2006	314170	09-05	22/05/2007	16543/2007	314110	25-02A	15/05/2007
15860/2007	314163	21-99	22/05/2007	16555/2007	314066	25-01B	15/05/2007
15861/2007	314101	26-03	15/05/2007	16556/2007	314067	25-01B	15/05/2007
15862/2007	314099	26-03	15/05/2007	16560/2007	314068	07-02L	15/05/2007
15863/2007	314100	26-03	15/05/2007	16561/2007	314069	26-04	15/05/2007
15880/2007	314096	09-03C	15/05/2007	16562/2007	314070	26-04	15/05/2007
15881/2007	314097	09-03C	15/05/2007	16563/2007	314071	09-07B	15/05/2007
15905/2007	314200	06-09	23/05/2007	16564/2007	314072	14-02	15/05/2007
16018/2007	314164	15-03B	22/05/2007	16565/2007	314073	14-02	15/05/2007
16036/2007	314059	23-01D	11/05/2007	16566/2007	314074	02-04NES	15/05/2007
16069/2007	314144	15-03B	17/05/2007	16567/2007	314075	02-04NES	15/05/2007
16076/2007	314173	02-04C	22/05/2007	16568/2007	314076	02-04NES	15/05/2007
16120/2007	314172	25-02H	22/05/2007	16569/2007	314077	02-04NES	15/05/2007
16126/2007	314201	07-02R	23/05/2007	16570/2007	314078	25-02NES	15/05/2007
16192/2007	314162	28-03A	22/05/2007	16571/2007	314079	25-02NES	15/05/2007
16226/2007	314116	15-99	15/05/2007	16572/2007	314089	25-02NES	14/05/2007
16236/2007	314197	30-02	22/05/2007	16574/2007	314090	09-03NES	14/05/2007
16237/2007	314098	06-07	15/05/2007	16575/2007	314113	21-01A	15/05/2007
16336/2007	314065	08-05K	15/05/2007	16576/2007	314112	08-07	15/05/2007
16391/2007	314145	11-04	17/05/2007	16582/2007	314108	02-03	15/05/2007
16394/2007	314146	11-04	17/05/2007	16583/2007	314109	02-03	15/05/2007
16395/2007	314147	11-04	17/05/2007	16585/2007	314106	07-03	15/05/2007
16401/2007	314171	12-16B	22/05/2007	16586/2007	314107	07-03	15/05/2007
16425/2007	314165	12-16N	22/05/2007	16587/2007	314105	14-01	15/05/2007
16427/2007	314150	21-01M	17/05/2007	16590/2007	314103	19-04	15/05/2007
16457/2007	314203	23-02NES	23/05/2007	16591/2007	314104	19-04	15/05/2007
16464/2007	314142	08-08A	17/05/2007	16596/2007	314102	14-03A	15/05/2007
16493/2007	314039	15-99	10/05/2007	16600/2007	314117	02-05	15/05/2007
16494/2007	314055	23-01NES	11/05/2007	16601/2007	314118	05-05B	15/05/2007
16496/2007	314058	08-08A	11/05/2007	16602/2007	314119	05-05D	15/05/2007
16498/2007	314040	12-16N	10/05/2007	16603/2007	314141	09-01NES	17/05/2007
16501/2007	314060	15-05	11/05/2007	16605/2007	314121	12-16NES	18/05/2007
16502/2007	314120	15-05	18/05/2007	16614/2007	314122	08-08L	18/05/2007
16506/2007	314054	11-01NES	11/05/2007	16615/2007	314123	08-08NES	18/05/2007

Publication and Registration Proceedings - Designs Registered cont'd

Design Number	Registration Number	International Classification Code (IDC)	Registration Date	Design Number	Registration Number	International Classification Code (IDC)	Registration Date
16616/2007	314124	08-08L	18/05/2007	16670/2007	314185	07-05D	22/05/2007
16617/2007	314125	08-08NES	18/05/2007	16674/2007	314184	23-02C	22/05/2007
16618/2007	314126	08-08NES	18/05/2007	16675/2007	314183	23-02C	22/05/2007
16619/2007	314127	08-08NES	18/05/2007	16676/2007	314181	15-05	22/05/2007
16620/2007	314128	08-08NES	18/05/2007	16678/2007	314182	15-05	22/05/2007
16621/2007	314129	02-07NES	18/05/2007	16679/2007	314179	15-03NES	22/05/2007
16622/2007	314130	02-06	18/05/2007	16691/2007	314206	09-03L	23/05/2007
16623/2007	314131	14-01	18/05/2007	16692/2007	314207	12-05	23/05/2007
16624/2007	314202	02-02NES	23/05/2007	16693/2007	314208	25-02C	23/05/2007
16625/2007	314204	02-02NES	23/05/2007	16694/2007	314209	14-03NES	23/05/2007
16626/2007	314205	02-02NES	23/05/2007	16695/2007	314210	14-03NES	23/05/2007
16628/2007	314132	10-03	18/05/2007	16696/2007	314211	14-03NES	23/05/2007
16629/2007	314133	26-02	18/05/2007	16697/2007	314212	14-03NES	23/05/2007
16630/2007	314134	26-02	18/05/2007	16698/2007	314213	19-06	23/05/2007
16631/2007	314135	25-02H	18/05/2007	16699/2007	314214	07-05A	23/05/2007
16632/2007	314136	25-02H	18/05/2007	16700/2007	314215	14-02	23/05/2007
16635/2007	314137	15-05	18/05/2007	16701/2007	314216	14-03NES	23/05/2007
16637/2007	314196	23-01NES	22/05/2007	16798/2007	314168	25-01D	22/05/2007
16638/2007	314195	23-01NES	22/05/2007	16927/2007	314178	06-01F	22/05/2007
16644/2007	314161	11-02E	17/05/2007	16948/2007	314063	02-02C	11/05/2007
16645/2007	314160	11-02E	17/05/2007	17000/2007	314143	10-02	17/05/2007
16646/2007	314159	11-02E	17/05/2007	17217/2007	314138	12-05	18/05/2007
16647/2007	314158	11-02NES	17/05/2007	17310/2007	314139	09-01D	18/05/2007
16648/2007	314157	11-02NES	17/05/2007	17415/2007	314049	03-01A	10/05/2007
16649/2007	314156	11-02E	17/05/2007	17430/2007	314180	08-08NES	22/05/2007
16650/2007	314155	11-02E	17/05/2007	17580/2007	314050	09-99	10/05/2007
16651/2007	314154	11-02E	17/05/2007	17626/2007	314051	11-01A	10/05/2007
16652/2007	314153	11-02E	17/05/2007	17627/2007	314052	11-01A	10/05/2007
16653/2007	314152	11-02E	17/05/2007	17628/2007	314053	11-01A	10/05/2007
16654/2007	314194	07-05D	22/05/2007	17705/2007	314217	02-02NES	23/05/2007
16655/2007	314193	12-16N	22/05/2007	17746/2007	314094	06-09	15/05/2007
16656/2007	314192	12-16N	22/05/2007	17798/2007	314080	09-03M	15/05/2007
16657/2007	314191	12-16N	22/05/2007	17834/2007	314092	14-03E	15/05/2007
16658/2007	314190	20-02E	22/05/2007	17835/2007	314093	14-03E	15/05/2007
16664/2007	314189	06-04NES	22/05/2007	17854/2007	314091	21-03	15/05/2007
16667/2007	314188	12-16K	22/05/2007				
16668/2007	314187	23-02A	22/05/2007				
16669/2007	314186	07-05D	22/05/2007				

**Publication and Registration Proceedings**  
**Class Listing of Designs Published or Registered**

The following section shows an International Classification Code listing of the Registered or Published Designs covered in this supplement.

<b>Classification</b>	<b>Registration Number</b>	<b>Design Number</b>	<b>Classification</b>	<b>Registration Number</b>	<b>Design Number</b>
02-02 C	314062	15284/2006	08-05 NES	314115	14842/2006
02-02 C	314063	16948/2007	08-06	314042	16511/2007
02-02 C	314177	14998/2006	08-07	314112	16576/2007
02-02 NES	314111	16542/2007	08-08 A	314058	16496/2007
02-02 NES	314199	13911/2006	08-08 A	314142	16464/2007
02-02 NES	314202	16624/2007	08-08 B	314169	14074/2006
02-02 NES	314204	16625/2007	08-08 L	314122	16614/2007
02-02 NES	314205	16626/2007	08-08 L	314124	16616/2007
02-02 NES	314217	17705/2007	08-08 NES	314082	16528/2007
02-03	314108	16582/2007	08-08 NES	314083	16527/2007
02-03	314109	16583/2007	08-08 NES	314123	16615/2007
02-04 C	314173	16076/2007	08-08 NES	314125	16617/2007
02-04 NES	314074	16566/2007	08-08 NES	314126	16618/2007
02-04 NES	314075	16567/2007	08-08 NES	314127	16619/2007
02-04 NES	314076	16568/2007	08-08 NES	314128	16620/2007
02-04 NES	314077	16569/2007	08-08 NES	314180	17430/2007
02-05	314117	16600/2007	09-01 D	314139	17310/2007
02-06	314130	16622/2007	09-01 K	314166	15286/2006
02-07 NES	314118	16601/2007	09-01 NES	314141	16603/2007
02-07 NES	314119	16602/2007	09-02 NES	314170	15930/2006
02-07 NES	314129	16621/2007	09-03 C	314096	15880/2007
03-01 A	314049	17415/2007	09-03 C	314097	15881/2007
03-03	314061	15314/2006	09-03 C	314167	15921/2006
05-05 B	314118	16601/2007	09-03 L	314206	16691/2007
05-05 D	314119	16602/2007	09-03 M	314080	17798/2007
05-06 B	314095	14569/2005	09-03 NES	314090	16574/2007
06-01 F	314178	16927/2007	09-05	314170	15930/2006
06-01 G	314087	16536/2007	09-07 B	314071	16563/2007
06-01 G	314088	16535/2007	09-99	314050	17580/2007
06-02	314149	12784/2006	10-02	314143	17000/2007
06-03 NES	314149	12784/2006	10-03	314132	16628/2007
06-04 NES	314189	16664/2007	11-01 A	314051	17626/2007
06-05	314148	13001/2006	11-01 A	314052	17627/2007
06-05	314149	12784/2006	11-01 A	314053	17628/2007
06-06 B	314149	12784/2006	11-01 NES	314054	16506/2007
06-06 H	314056	16525/2007	11-02 E	314152	16653/2007
06-07	314098	16237/2007	11-02 E	314153	16652/2007
06-09	314094	17746/2007	11-02 E	314154	16651/2007
06-09	314200	15905/2007	11-02 E	314155	16650/2007
07-01 C	314140	12604/2006	11-02 E	314156	16649/2007
07-02 L	314068	16560/2007	11-02 E	314159	16646/2007
07-02 P	314047	16516/2007	11-02 E	314160	16645/2007
07-02 R	314201	16126/2007	11-02 E	314161	16644/2007
07-03	314106	16585/2007	11-02 NES	314157	16648/2007
07-03	314107	16586/2007	11-02 NES	314158	16647/2007
07-05 A	314214	16699/2007	11-04	314145	16391/2007
07-05 B	314175	11231/2006	11-04	314146	16394/2007
07-05 D	314064	15330/2005	11-04	314147	16395/2007
07-05 D	314185	16670/2007	12-05	314138	17217/2007
07-05 D	314186	16669/2007	12-05	314207	16692/2007
07-05 D	314194	16654/2007	12-13	314061	15314/2006
07-99 NES	314048	16518/2007	12-16 B	314171	16401/2007
08-05 K	314065	16336/2007	12-16 K	314188	16667/2007
08-05 NES	314084	16538/2007	12-16 N	314040	16498/2007
08-05 NES	314085	16539/2007	12-16 N	314165	16425/2007
08-05 NES	314114	14841/2006	12-16 N	314191	16657/2007

Registration Proceedings - Class Listing of Designs Published or Registered cont'd

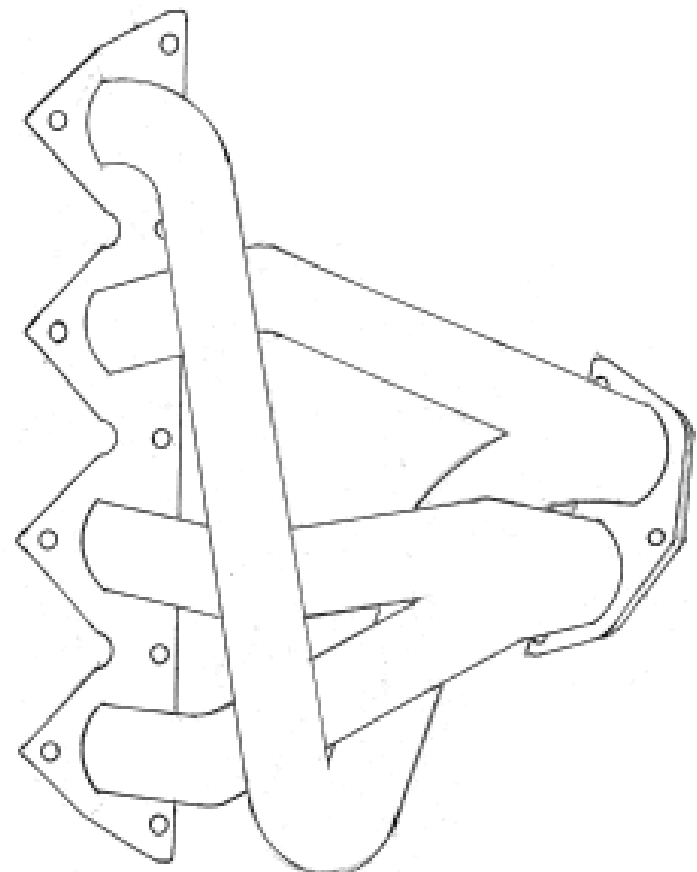
Classification	Registration Number	Design Number	Classification	Registration Number	Design Number
12-16 N	314192	16656/2007	23-01 NES	314195	16638/2007
12-16 N	314193	16655/2007	23-01 NES	314196	16637/2007
12-16 NES	314121	16605/2007	23-02 A	314064	15330/2005
13-02	314073	16565/2007	23-02 A	314187	16668/2007
14-01	314105	16587/2007	23-02 B	314057	16524/2007
14-01	314131	16623/2007	23-02 C	314183	16675/2007
14-02	314072	16564/2007	23-02 C	314184	16674/2007
14-02	314073	16565/2007	23-02 NES	314203	16457/2007
14-02	314174	12878/2006	24-01	314108	16582/2007
14-02	314215	16700/2007	24-01	314109	16583/2007
14-03 A	314102	16596/2007	25-01 B	314066	16555/2007
14-03 E	314092	17834/2007	25-01 B	314067	16556/2007
14-03 E	314093	17835/2007	25-01 D	314168	16798/2007
14-03 NES	314209	16694/2007	25-01 E	314151	13953/2006
14-03 NES	314210	16695/2007	25-01 K	314041	16510/2007
14-03 NES	314211	16696/2007	25-01 K	314044	16513/2007
14-03 NES	314212	16697/2007	25-01 K	314045	16514/2007
14-03 NES	314216	16701/2007	25-02 A	314046	16515/2007
15-03 B	314144	16069/2007	25-02 A	314110	16543/2007
15-03 B	314164	16018/2007	25-02 C	314208	16693/2007
15-03 NES	314179	16679/2007	25-02 H	314135	16631/2007
15-05	314060	16501/2007	25-02 H	314136	16632/2007
15-05	314120	16502/2007	25-02 H	314172	16120/2007
15-05	314137	16635/2007	25-02 NES	314043	16512/2007
15-05	314181	16676/2007	25-02 NES	314078	16570/2007
15-05	314182	16678/2007	25-02 NES	314079	16571/2007
15-99	314039	16493/2007	25-02 NES	314089	16572/2007
15-99	314116	16226/2007	26-02	314133	16629/2007
19-01	314118	16601/2007	26-02	314134	16630/2007
19-01	314119	16602/2007	26-02	314198	12205/2006
19-04	314103	16590/2007	26-03	314099	15862/2007
19-04	314104	16591/2007	26-03	314100	15863/2007
19-06	314213	16698/2007	26-03	314101	15861/2007
20-02 C	314176	15927/2006	26-04	314069	16561/2007
20-02 E	314190	16658/2007	26-04	314070	16562/2007
21-01 A	314113	16575/2007	26-04	314086	16537/2007
21-01 M	314150	16427/2007	26-05 NES	314198	12205/2006
21-02 C	314081	16540/2007	28-03 A	314162	16192/2007
21-03	314091	17854/2007	30-02	314197	16236/2007
21-99	314163	15860/2007			
23-01 D	314059	16036/2007			
23-01 NES	314055	16494/2007			



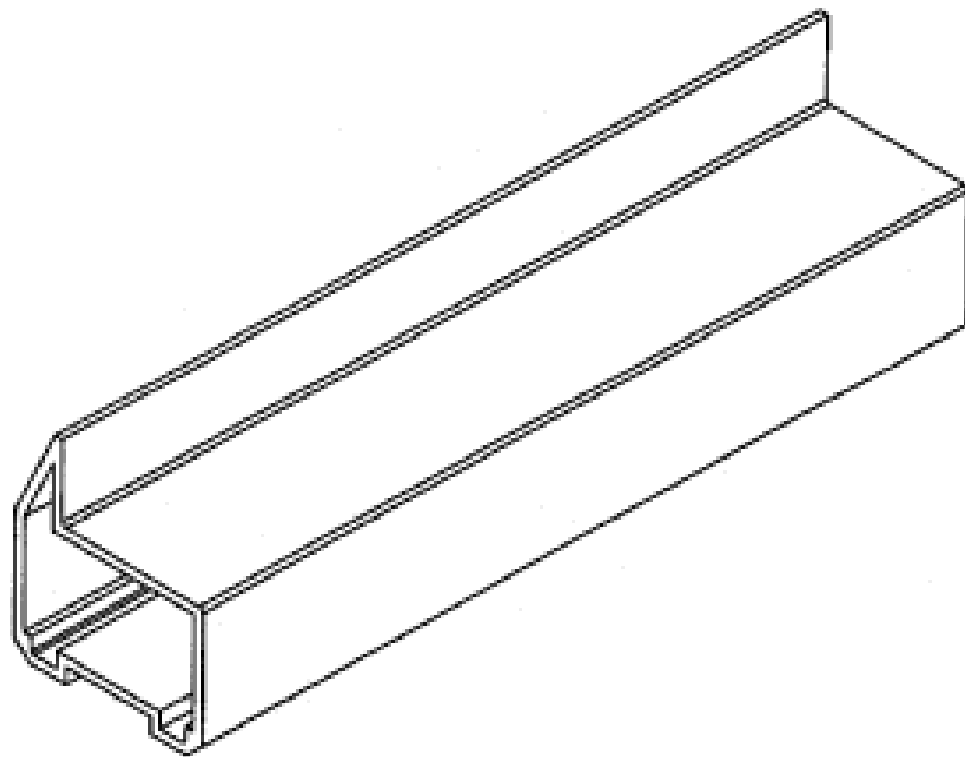
- (21) Design Number: **16493/2007**  
(22) Date of Filing Application: **19 February 2007**  
(24) Date from which industrial property rights may have effect: **19 February 2007**  
(54) Product in respect of which the design is registered: **Floatable screen and suction device**  
(51) International Design Classification: **15-99**  
(71) Name(s) and Address(s) of Applicant(s):  
**F P D Scandinavia AB**  
**Dalgatan 6 SE-934 32 Kage Sweden**  
(72) Name(s) of Designer(s): **Eiwe Wihk**  
(45) Registration Date: **10 May 2007**  
(30) Convention priority data:  
(31) Number (32) Date (33) Country  
**06#0471 08 Sep 2006 SWEDEN**  
(56) Related Art Documents: **Not Applicable**  
(57) Statement of Newness and Distinctiveness: **Newness and distinctiveness reside in the features of the design as shown in the representations.**



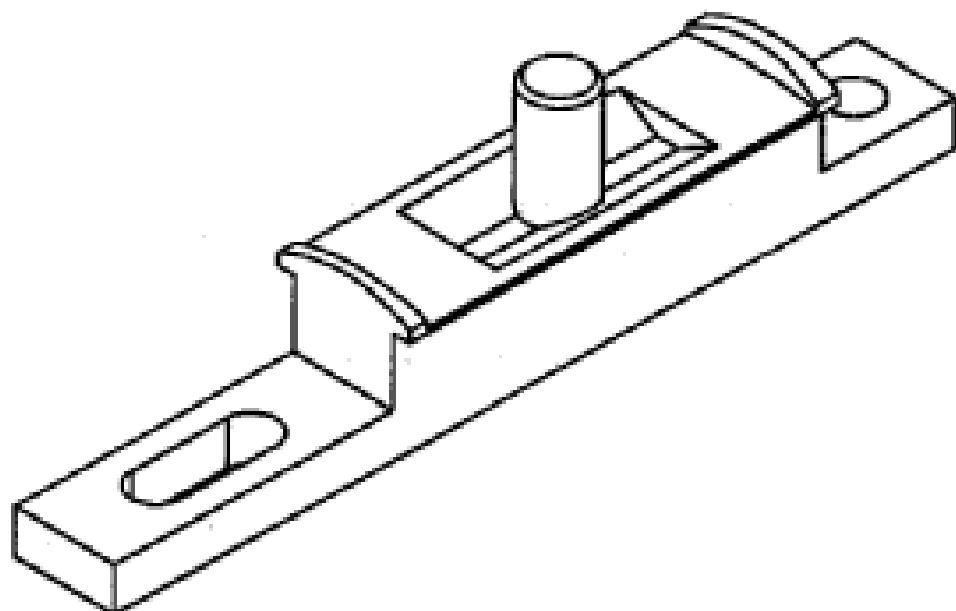
- (21) Design Number: **16498/2007**  
(22) Date of Filing Application: **20 February 2007**  
(24) Date from which industrial property rights may have effect: **20 February 2007**  
(54) Product in respect of which the design is registered: **Exhaust header**  
(51) International Design Classification: **12-16N**  
(71) Name(s) and Address(s) of Applicant(s):  
**Borison Tchen**  
**2 Conrad Court Blackburn North Victoria 3130 Australia**  
(72) Name(s) of Designer(s): **Borison Tchen**  
(45) Registration Date: **10 May 2007**  
(56) Related Art Documents: **Not Applicable**  
(57) Statement of Newness and Distinctiveness: **The new features of the design are the shape and configuration of the pipe of the exhaust header as represented by accompanying illustrations.**



- (21) Design Number: **16510/2007**  
(22) Date of Filing Application: **19 February 2007**  
(24) Date from which industrial property rights may have effect: **19 February 2007**  
(54) Product in respect of which the design is registered: **Extrusion for shower screen as per attached drawings**  
(51) International Design Classification: **25-01K**  
(71) Name(s) and Address(s) of Applicant(s):  
**Maliform Pty Ltd**  
**33 Industrial Drive Braeside Victoria 3195 Australia**  
(72) Name(s) of Designer(s): **Colin Opwald**  
(45) Registration Date: **10 May 2007**  
(56) Related Art Documents: **Not Applicable**  
(57) Statement of Newness and Distinctiveness: **As per attached drawings.**



- (21) Design Number: **16511/2007**  
(22) Date of Filing Application: **19 February 2007**  
(24) Date from which industrial property rights may have effect: **19 February 2007**  
(54) Product in respect of which the design is registered: **Pivot block for shower screen as per attached drawings**  
(51) International Design Classification: **08-06**  
(71) Name(s) and Address(s) of Applicant(s):  
**Maliform Pty Ltd**  
**33 Industrial Drive Braeside Victoria 3195 Australia**  
(72) Name(s) of Designer(s): **Colin Opwald**  
(45) Registration Date: **10 May 2007**  
(56) Related Art Documents: **Not Applicable**  
(57) Statement of Newness and Distinctiveness: **As per attached drawings.**



(21) Design Number: **16512/2007**

(22) Date of Filing Application: **19 February 2007**

(24) Date from which industrial property rights may have effect: **19 February 2007**

(54) Product in respect of which the design is registered: **Frame for shower screen as per attached drawings**

(51) International Design Classification: **25-02NES**

(71) Name(s) and Address(s) of Applicant(s):

**Maliform Pty Ltd**

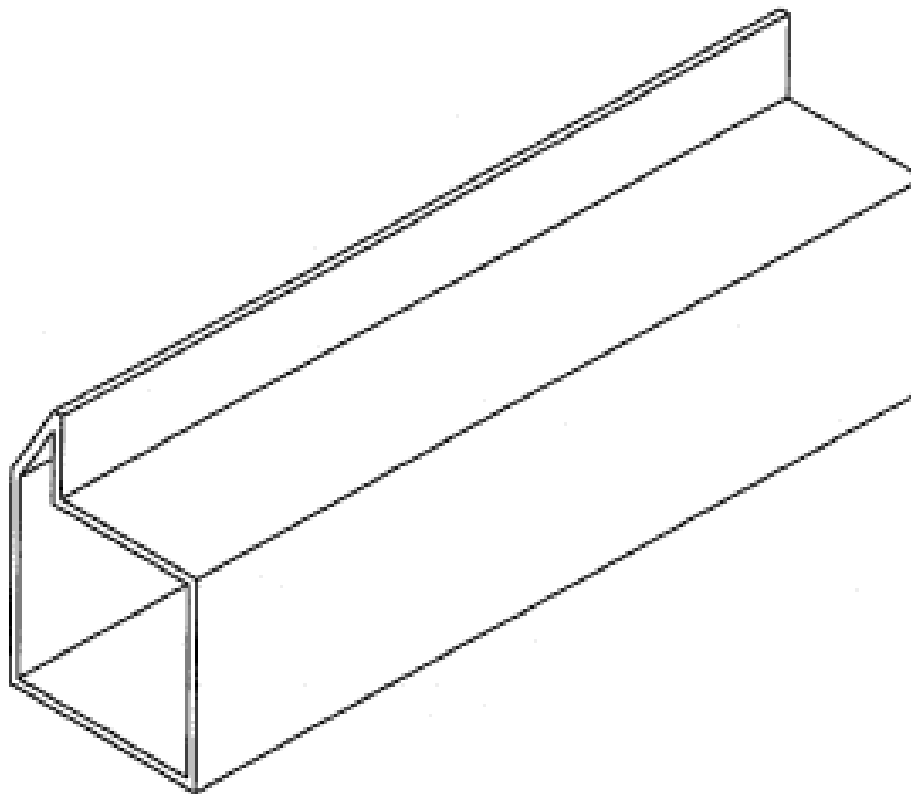
**33 Industrial Drive Braeside Victoria 3195 Australia**

(72) Name(s) of Designer(s): **Colin Opwald**

(45) Registration Date: **10 May 2007**

(56) Related Art Documents: **Not Applicable**

(57) Statement of Newness and Distinctiveness: **As per attached drawings.**



(21) Design Number: **16513/2007**

(22) Date of Filing Application: **19 February 2007**

(24) Date from which industrial property rights may have effect: **19 February 2007**

(54) Product in respect of which the design is registered: **Extrusion for shower screen as per attached drawings**

(51) International Design Classification: **25-01K**

(71) Name(s) and Address(s) of Applicant(s):

**Maliform Pty Ltd**

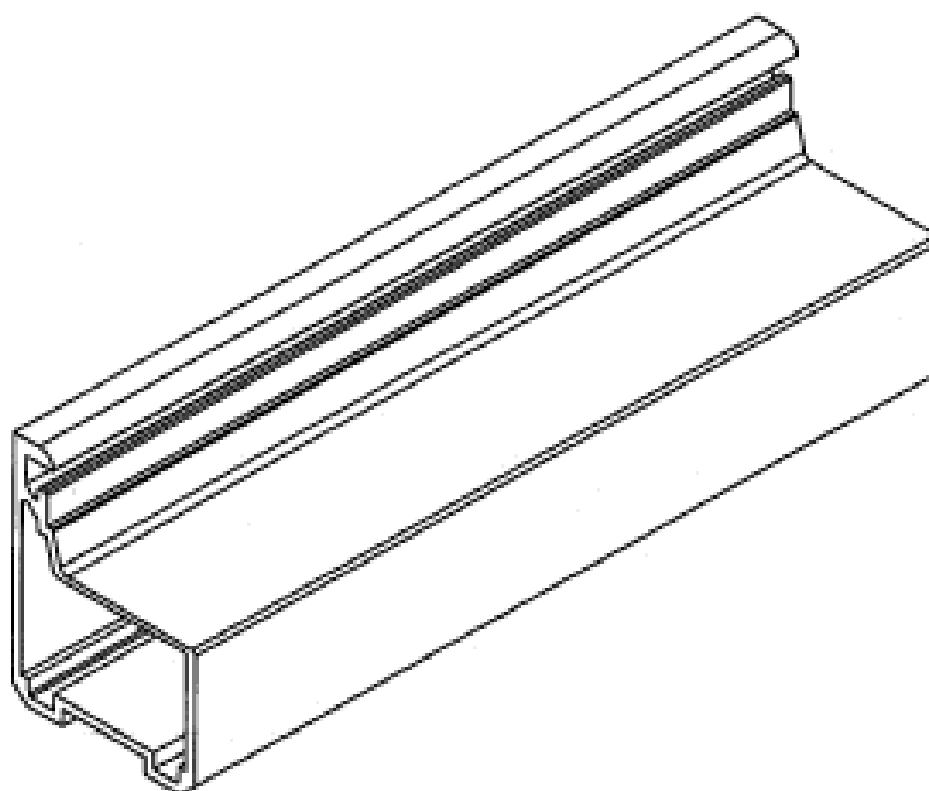
**33 Industrial Drive Braeside Victoria 3195 Australia**

(72) Name(s) of Designer(s): **Colin Opwald**

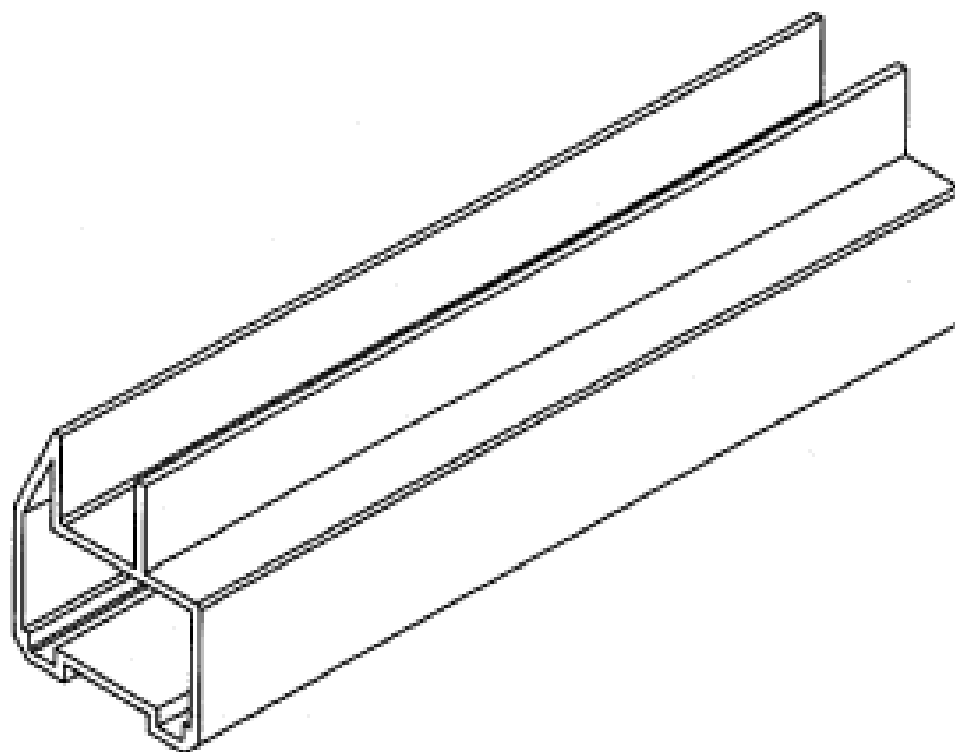
(45) Registration Date: **10 May 2007**

(56) Related Art Documents: **Not Applicable**

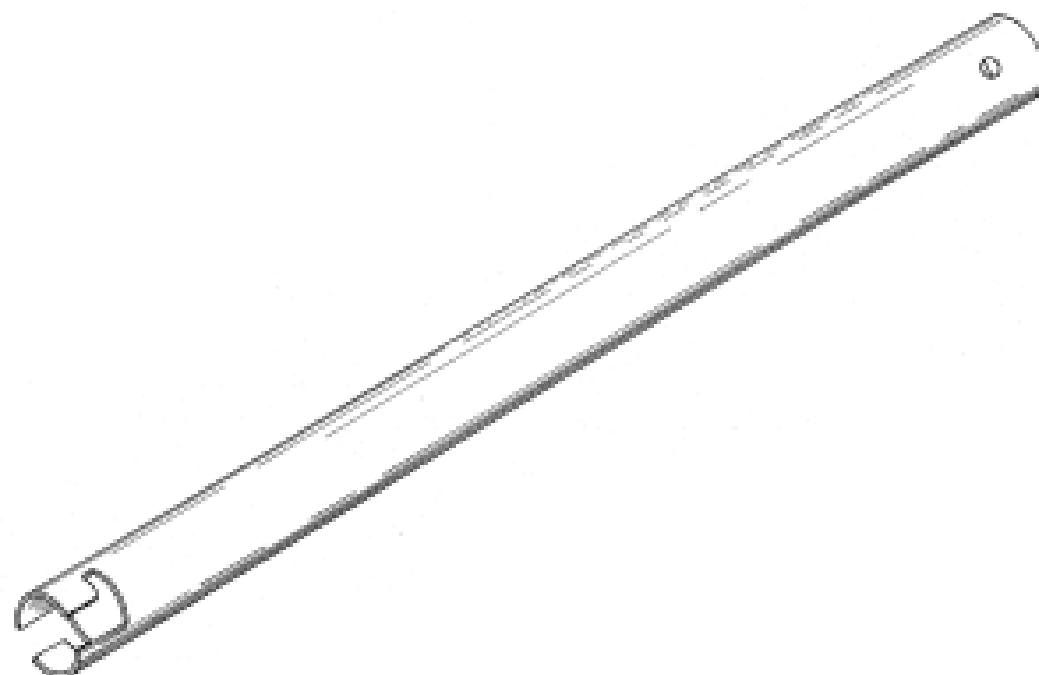
(57) Statement of Newness and Distinctiveness: **As per attached drawings.**



- (21) Design Number: **16514/2007**  
(22) Date of Filing Application: **19 February 2007**  
(24) Date from which industrial property rights may have effect: **19 February 2007**  
(54) Product in respect of which the design is registered: **Extrusion for shower screen as per attached drawings**  
(51) International Design Classification: **25-01K**  
(71) Name(s) and Address(s) of Applicant(s):  
**Maliform Pty Ltd**  
**33 Industrial Drive Braeside Victoria 3195 Australia**  
(72) Name(s) of Designer(s): **Colin Opwald**  
(45) Registration Date: **10 May 2007**  
(56) Related Art Documents: **Not Applicable**  
(57) Statement of Newness and Distinctiveness: **As per attached drawings.**



- (21) Design Number: **16515/2007**  
(22) Date of Filing Application: **20 February 2007**  
(24) Date from which industrial property rights may have effect: **20 February 2007**  
(54) Product in respect of which the design is registered: **A bollard sleeve**  
(51) International Design Classification: **25-02A**  
(71) Name(s) and Address(s) of Applicant(s):  
**Scott Andrew Davy**  
**Unit 1/25 Steel Street Capalaba Queensland 4157 Australia**  
**Andrew Noel Thompson**  
**Unit 1/25 Steel Street Capalaba Queensland 4157 Australia**  
(72) Name(s) of Designer(s): **Andrew Noel Thompson**  
(45) Registration Date: **10 May 2007**  
(56) Related Art Documents: **Not Applicable**  
(57) Statement of Newness and Distinctiveness: **Monopoly is claimed in the shape and configuration of a bollard sleeve as shown in the accompanying representations.**



(21) Design Number: **16516/2007**

(22) Date of Filing Application: **20 February 2007**

(24) Date from which industrial property rights may have effect: **20 February 2007**

(54) Product in respect of which the design is registered: **Foodstuffs form**

(51) International Design Classification: **07-02P**

(71) Name(s) and Address(s) of Applicant(s):

**Dart Industries Inc**  
**14901 S. Orange Blossom Trail Orlando Florida 32837 United States of America**

(72) Name(s) of Designer(s): **Douglas M. Laib and Victor J.J. Cautereels**

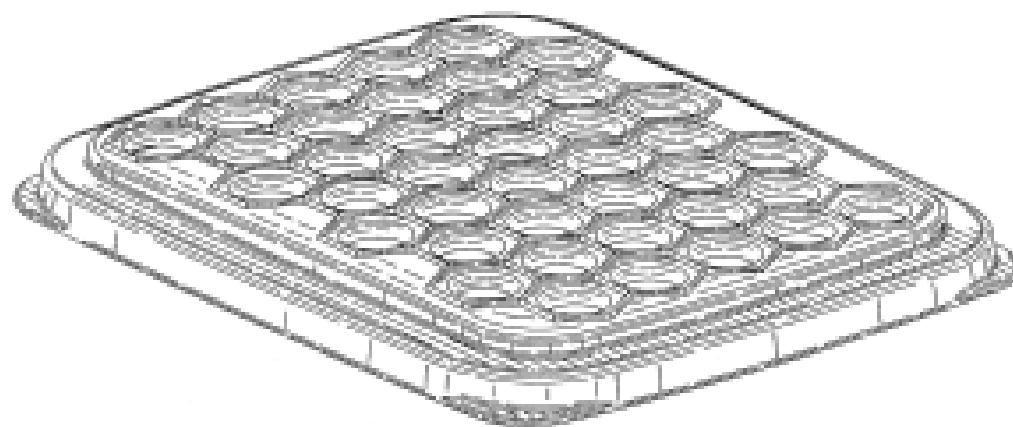
(45) Registration Date: **10 May 2007**

(30) Convention priority data:

(31) Number	(32) Date	(33) Country
<b>29/265,825</b>	<b>08 Sep 2006</b>	<b>UNITED STATES OF AMERICA</b>

(56) Related Art Documents: **Not Applicable**

(57) Statement of Newness and Distinctiveness: **Those features of the foodstuffs form depicted in the representations that are new and distinctive are the shape and/or configuration.**



(21) Design Number: **16518/2007**

(22) Date of Filing Application: **20 February 2007**

(24) Date from which industrial property rights may have effect: **20 February 2007**

(54) Product in respect of which the design is registered: **Scoop**

(51) International Design Classification: **07-99NES**

(71) Name(s) and Address(s) of Applicant(s):

**Dart Industries Inc**  
**14901 S. Orange Blossom Trail Orlando Florida 32837 United States of America**

(72) Name(s) of Designer(s): **Douglas M. Laib**

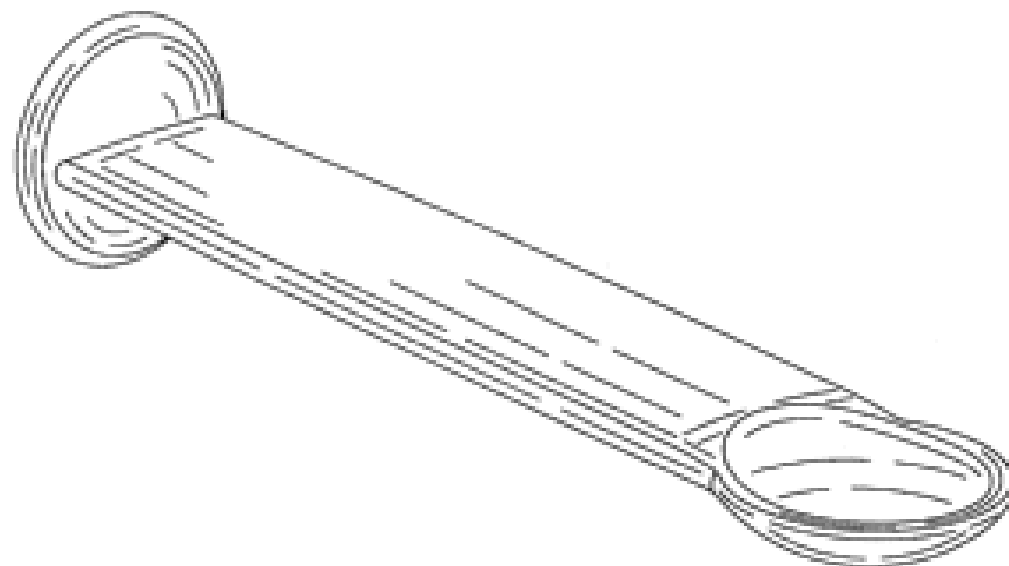
(45) Registration Date: **10 May 2007**

(30) Convention priority data:

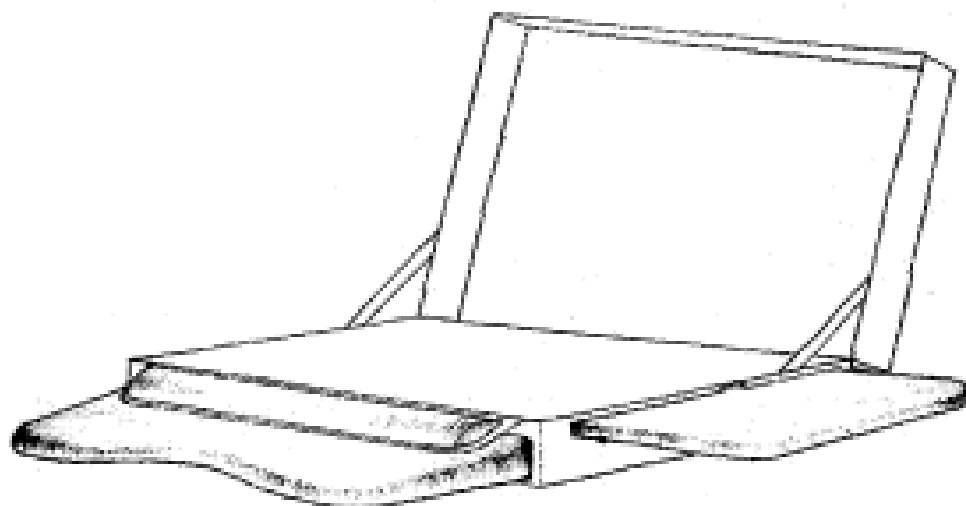
(31) Number	(32) Date	(33) Country
<b>29/265,826</b>	<b>08 Sep 2006</b>	<b>UNITED STATES OF AMERICA</b>

(56) Related Art Documents: **Not Applicable**

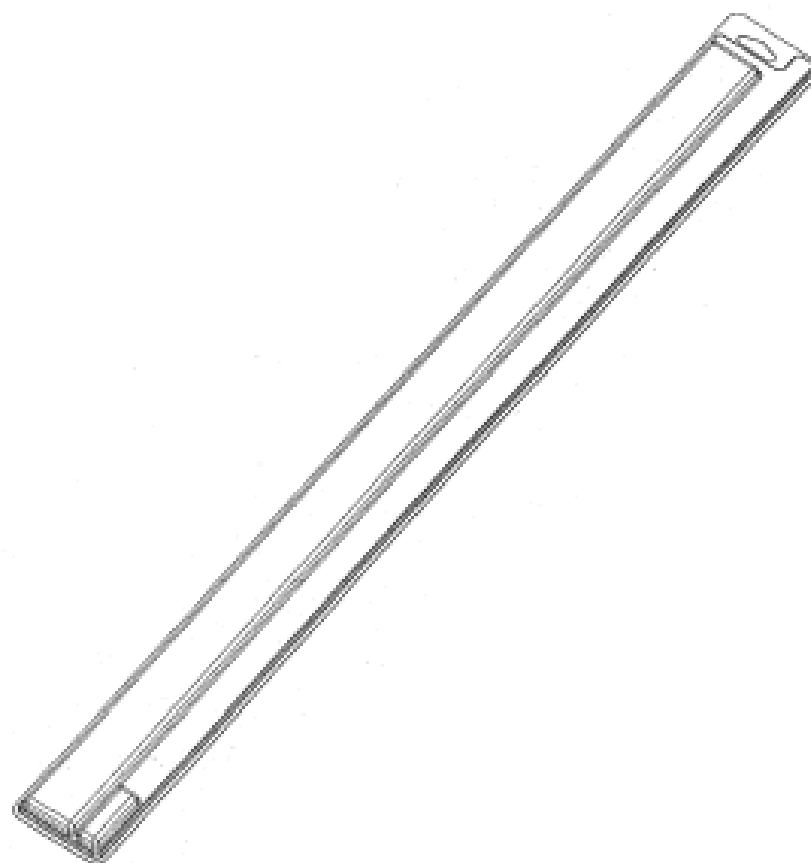
(57) Statement of Newness and Distinctiveness: **Those features of the scoop depicted in the representations that are new and distinctive are the shape and/or configuration.**



- (21) Design Number: **17415/2007**  
(22) Date of Filing Application: **16 April 2007**  
(24) Date from which industrial property rights may have effect: **16 April 2007**  
(54) Product in respect of which the design is registered: **Laptop/notebook bag/case**  
(51) International Design Classification: **03-01A**  
(71) Name(s) and Address(s) of Applicant(s):  
**Isaac Sheppard**  
**43 Skermans Lane Booroobin Queensland 4552 Australia**  
(72) Name(s) of Designer(s): **Isaac Sheppard**  
(45) Registration Date: **10 May 2007**  
(56) Related Art Documents: **Not Applicable**  
(57) Statement of Newness and Distinctiveness: **This design is of the internals of a laptop bag/case. The innovation of this design addresses the ergonomics and practicality of using a laptop when either on your lap or on a desk or table. The design provides a supportive shelf which is situated between you and the laptop which would provide comfort and/or support for your forearms while using the laptop's keyboard when either on your lap or on a desk or table. The other design feature is a shelf, which could be on either the right or left of the case/bag depending on the design type (refer to diagram 4 and 5 on page 2/2), which can allow the use of a mouse while on your lap without having to use a table or desk.**



- (21) Design Number: **17580/2007**  
(22) Date of Filing Application: **17 April 2007**  
(24) Date from which industrial property rights may have effect: **17 April 2007**  
(54) Product in respect of which the design is registered: **Clam packaging**  
(51) International Design Classification: **09-99**  
(71) Name(s) and Address(s) of Applicant(s):  
**Raven Products Pty Ltd**  
**18#22 Aldershot Road Lonsdale South Australia 5160 Australia**  
(72) Name(s) of Designer(s): **Russell Clark and Michael Moulding and Andrew Whittaker**  
(45) Registration Date: **10 May 2007**  
(56) Related Art Documents: **Not Applicable**  
(57) Statement of Newness and Distinctiveness: **Nil**



(21) Design Number: **17626/2007**

(22) Date of Filing Application: **26 April 2007**

(24) Date from which industrial property rights may have effect: **26 April 2007**

(54) Product in respect of which the design is registered: **A ring (inner)**

(51) International Design Classification: **11-01A**

(71) Name(s) and Address(s) of Applicant(s):

**Peter W Beck Pty Ltd**

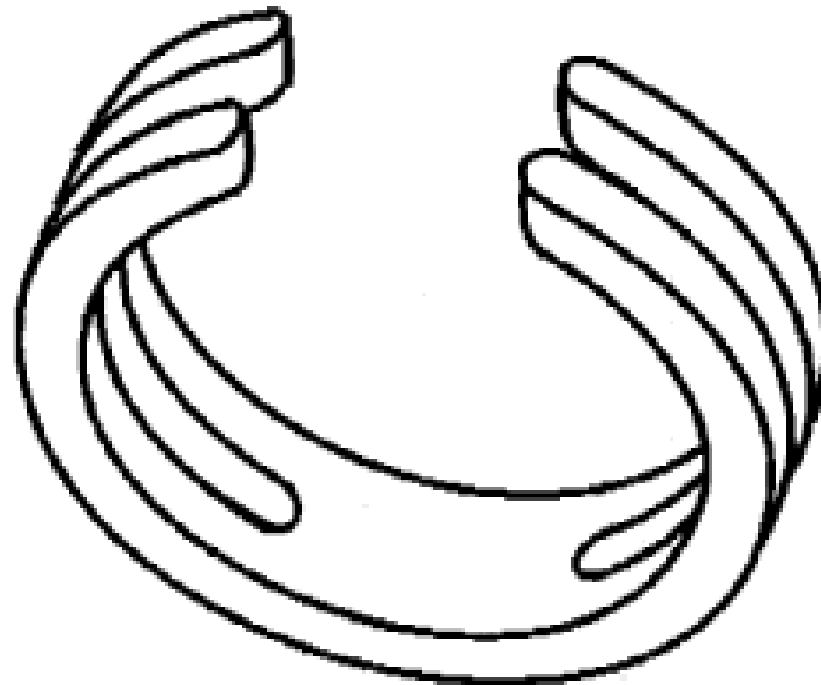
**14 Duncan Court Ottoway Park South Australia 5013 Australia**

(72) Name(s) of Designer(s): **Karl Saul and Andrew Monks and Kirsty Earle**

(45) Registration Date: **10 May 2007**

(56) Related Art Documents: **Not Applicable**

(57) Statement of Newness and Distinctiveness: **Nil**



(21) Design Number: **17627/2007**

(22) Date of Filing Application: **26 April 2007**

(24) Date from which industrial property rights may have effect: **26 April 2007**

(54) Product in respect of which the design is registered: **A ring (outer)**

(51) International Design Classification: **11-01A**

(71) Name(s) and Address(s) of Applicant(s):

**Peter W Beck Pty Ltd**

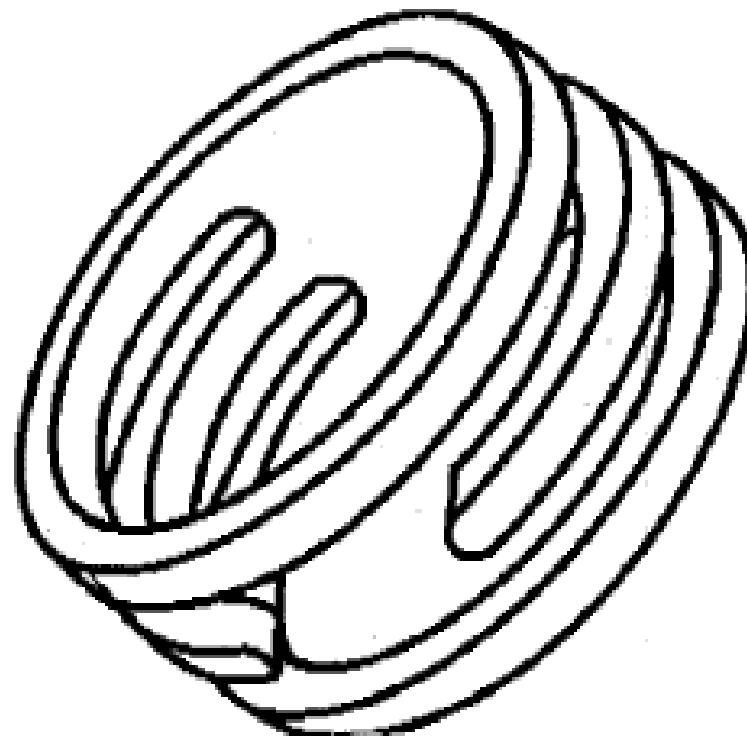
**14 Duncan Court Ottoway Park South Australia 5013 Australia**

(72) Name(s) of Designer(s): **Karl Saul and Andrew Monks and Kirsty Earle**

(45) Registration Date: **10 May 2007**

(56) Related Art Documents: **Not Applicable**

(57) Statement of Newness and Distinctiveness: **Nil**



(21) Design Number: **17628/2007**

(22) Date of Filing Application: **26 April 2007**

(24) Date from which industrial property rights may have effect: **26 April 2007**

(54) Product in respect of which the design is registered: **A ring assembly**

(51) International Design Classification: **11-01A**

(71) Name(s) and Address(s) of Applicant(s):

**Peter W Beck Pty Ltd**

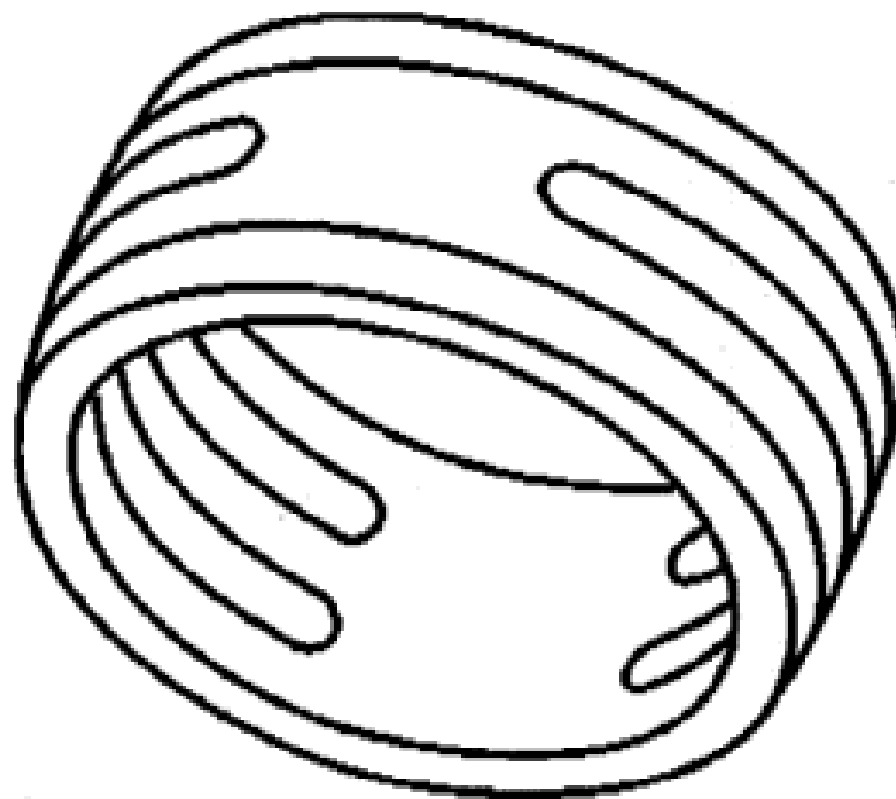
**14 Duncan Court Ottoway Park South Australia 5013 Australia**

(72) Name(s) of Designer(s): **Karl Saul and Andrew Monks and Kirsty Earle**

(45) Registration Date: **10 May 2007**

(56) Related Art Documents: **Not Applicable**

(57) Statement of Newness and Distinctiveness: **Nil**



(21) Design Number: **16506/2007**

(22) Date of Filing Application: **21 February 2007**

(24) Date from which industrial property rights may have effect: **21 February 2007**

(54) Product in respect of which the design is registered: **Jewellery brooch**

(51) International Design Classification: **11-01NES**

(71) Name(s) and Address(s) of Applicant(s):

**Stephen Mulqueen**

**1 Welch Street North Manly New South Wales 2096 Australia**

(72) Name(s) of Designer(s): **Stephen Mulqueen**

(45) Registration Date: **11 May 2007**

(56) Related Art Documents: **Not Applicable**

(57) Statement of Newness and Distinctiveness: **The new features of the design are the shape and configuration of the brass cartridge and butterfly form as shown in the accompanying representations.**





(21) Design Number: **16494/2007**

(22) Date of Filing Application: **19 February 2007**

(24) Date from which industrial property rights may have effect: **19 February 2007**

(54) Product in respect of which the design is registered: **Suction nozzle**

(51) International Design Classification: **23-01NES**

(71) Name(s) and Address(s) of Applicant(s):

**F P D Scandinavia AB**  
**Dalgatan 6 SE-934 32 Kage Sweden**

(72) Name(s) of Designer(s): **Eiwe Wihk**

(45) Registration Date: **11 May 2007**

(30) Convention priority data:

(31) Number	(32) Date	(33) Country
<b>06#0471</b>	<b>08 Sep 2006</b>	<b>SWEDEN</b>

(56) Related Art Documents: **Not Applicable**

(57) Statement of Newness and Distinctiveness: **Newness and distinctiveness reside in the features of the design as shown in the representations.**



(21) Design Number: **16525/2007**

(22) Date of Filing Application: **21 February 2007**

(24) Date from which industrial property rights may have effect: **21 February 2007**

(54) Product in respect of which the design is registered: **Chair**

(51) International Design Classification: **06-06H**

(71) Name(s) and Address(s) of Applicant(s):

**BRADO S.P.A.**  
**Via Cal di Mezzo 3 Valdobbiadene 31030 Italy**

(72) Name(s) of Designer(s): **Fabio Guizzo**

(45) Registration Date: **11 May 2007**

(56) Related Art Documents: **Not Applicable**

(57) Statement of Newness and Distinctiveness: **Nil**



(21) Design Number: **16524/2007**

(22) Date of Filing Application: **21 February 2007**

(24) Date from which industrial property rights may have effect: **21 February 2007**

(54) Product in respect of which the design is registered: **Over-head shower unit**

(51) International Design Classification: **23-02B**

(71) Name(s) and Address(s) of Applicant(s):

**Aquatica NZ Limited**  
**9 Saunders Place Avondale Auckland New Zealand**

(72) Name(s) of Designer(s): **Gareth Wilson**

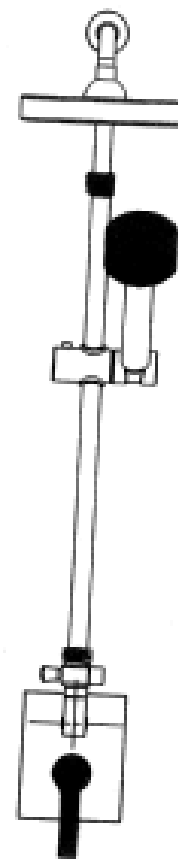
(45) Registration Date: **11 May 2007**

(30) Convention priority data:

(31) Number	(32) Date	(33) Country
<b>408032</b>	<b>23 Aug 2006</b>	<b>NEW ZEALAND</b>

(56) Related Art Documents: **Not Applicable**

(57) Statement of Newness and Distinctiveness: **Newness and distinctiveness resides in the features of shape and configuration of an over-head shower unit as shown in the accompanying representations. Those portions of the over-head shower unit highlighted by a blue wash are to be disregarded in assessing newness and distinctiveness.**



(21) Design Number: **16496/2007**

(22) Date of Filing Application: **20 February 2007**

(24) Date from which industrial property rights may have effect: **20 February 2007**

(54) Product in respect of which the design is registered: **Doorway Carpet Gripper**

(51) International Design Classification: **08-08A**

(71) Name(s) and Address(s) of Applicant(s):

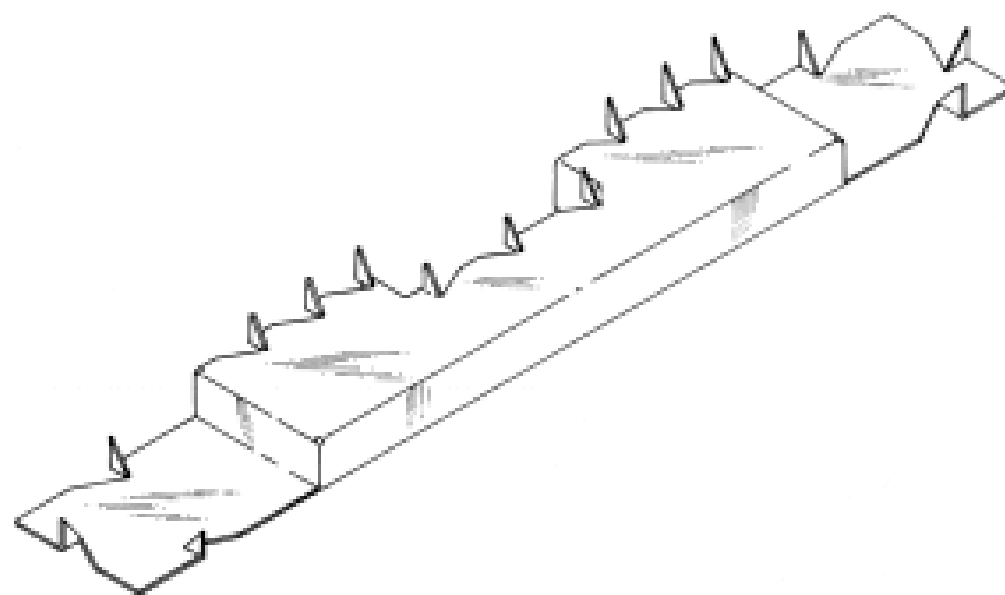
**John Colin Ford**  
**Unit 5 25 Rise Street Mt Gravatt East Queensland 4122 Australia**

(72) Name(s) of Designer(s): **John Colin Ford**

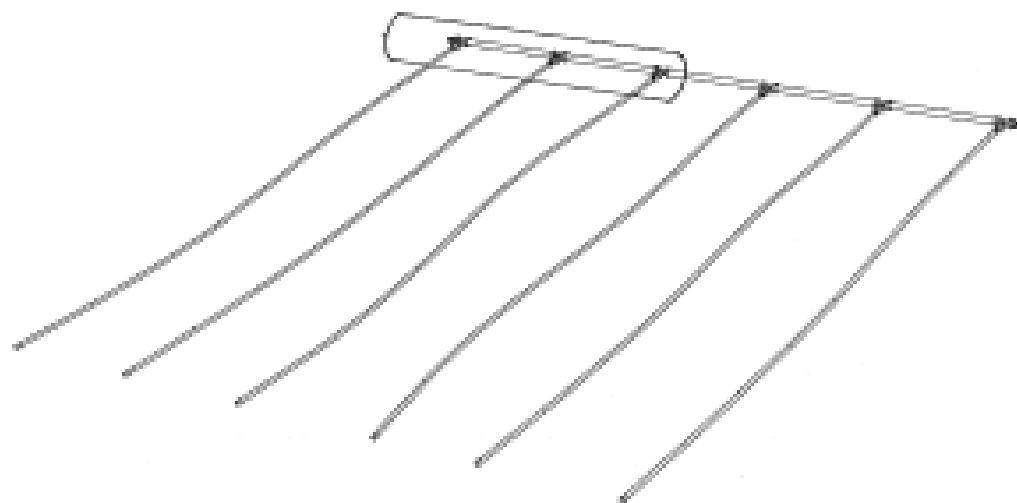
(45) Registration Date: **11 May 2007**

(56) Related Art Documents: **Not Applicable**

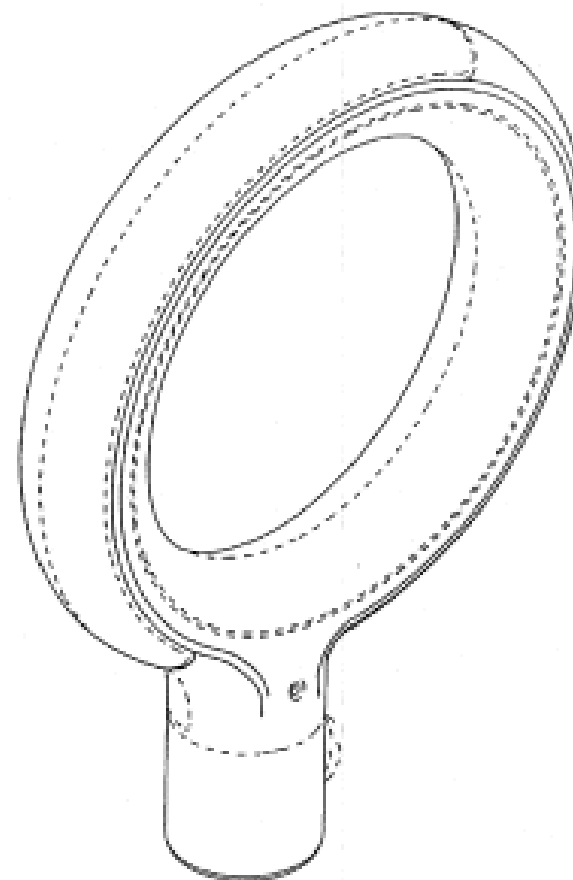
(57) Statement of Newness and Distinctiveness: **Nil**



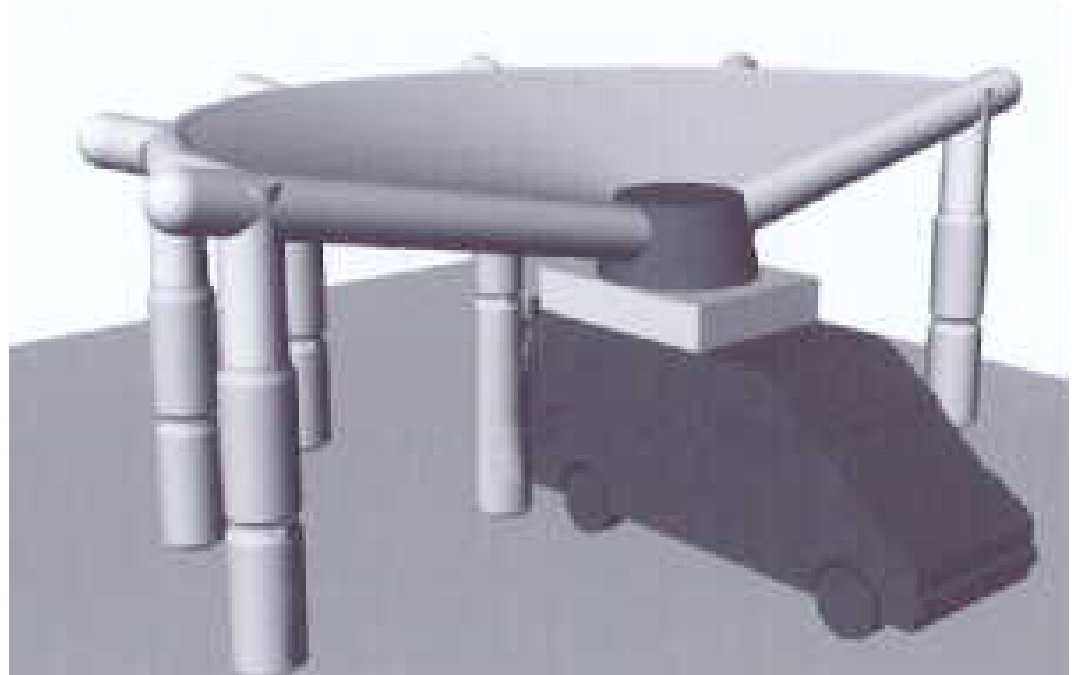
- (21) Design Number: **16036/2007**  
(22) Date of Filing Application: **18 January 2007**  
(24) Date from which industrial property rights may have effect: **18 January 2007**  
(54) Product in respect of which the design is registered: **Portable and quick-connecting drip watering system**  
(51) International Design Classification: **23-01D**  
(71) Name(s) and Address(s) of Applicant(s):  
**Lennon's Grass Courts Pty Ltd**  
**57 Teringie Drive Teringie South Australia 5072 Australia**  
(72) Name(s) of Designer(s): **Brenden Ian Lennon**  
(45) Registration Date: **11 May 2007**  
(56) Related Art Documents: **Not Applicable**  
(57) Statement of Newness and Distinctiveness: **In assessing the newness and distinctiveness of this design, it should be appreciated that the portable and quick-connecting watering system may include one or more dripper hose elements (as marked B in representation 4/4). It should also be appreciated that the length of the dripper hose elements and the spacing therebetween may vary.**



- (21) Design Number: **16501/2007**  
(22) Date of Filing Application: **19 February 2007**  
(24) Date from which industrial property rights may have effect: **19 February 2007**  
(54) Product in respect of which the design is registered: **Handle for a vacuum cleaner**  
(51) International Design Classification: **15-05**  
(71) Name(s) and Address(s) of Applicant(s):  
**Electrolux Home Care Products North America**  
**807 North Main Street Bloomington Illinois 61701 United States of America**  
(72) Name(s) of Designer(s): **Vincent Bobrosky and Randall Sandlin and Jeffrey Smith**  
(45) Registration Date: **11 May 2007**  
(30) Convention priority data:  
(31) Number      (32) Date      (33) Country  
**29/264,785      18 Aug 2006      UNITED STATES OF AMERICA**  
(56) Related Art Documents: **Not Applicable**  
(57) Statement of Newness and Distinctiveness: **Newness and distinctiveness reside in the features of shape and/or configuration of the handle for a vacuum cleaner, as shown in the representations. Newness and distinctiveness is not claimed in the features shown in broken lines in the representations.**



- (21) Design Number: **15314/2006**  
(22) Date of Filing Application: **20 November 2006**  
(24) Date from which industrial property rights may have effect: **20 November 2006**  
(54) Product in respect of which the design is registered: **ShelterMe inflatable image system**  
(51) International Design Classification: **03-03, 12-13**  
(71) Name(s) and Address(s) of Applicant(s):  
**Inflatable Image Technologies Pty Limited**  
**Factory 2 11 Hume Road Smithfield New South Wales 2164 Australia**  
(72) Name(s) of Designer(s): **Chris Miller and Tom Zayit**  
(45) Registration Date: **11 May 2007**  
(56) Related Art Documents: **Not Applicable**  
(57) Statement of Newness and Distinctiveness: **Inflatable shelter canopy, with vertical [inflatable] pillars supporting an inflatable perimeter beam, radial beams and a roof-canopy, constant-cold-air inflation pressure derived from fan in housing mounted on vehicle or other support medium, blower-fan combined with housing, the latter which also functions as storage when ShelterMe deflated. Nothing similar is known to pre-exist.**



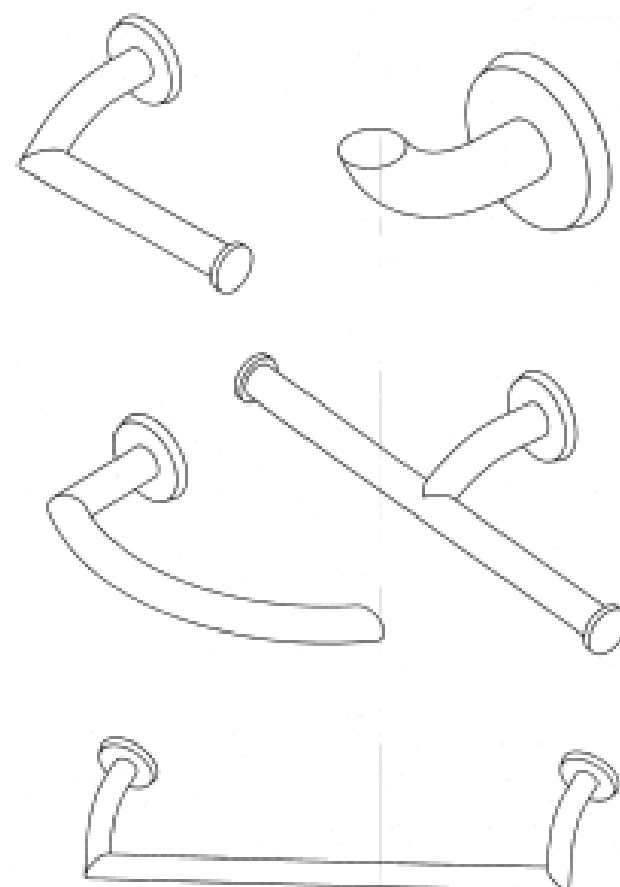
- (21) Design Number: **15284/2006**  
(22) Date of Filing Application: **16 November 2006**  
(24) Date from which industrial property rights may have effect: **16 November 2006**  
(54) Product in respect of which the design is registered: **Tea cup dress**  
(51) International Design Classification: **02-02C**  
(71) Name(s) and Address(s) of Applicant(s):  
**Rosemin Pty Ltd**  
**444 Chapel Street South Yarra Victoria 3141 Australia**  
(72) Name(s) of Designer(s): **Semin Kim**  
(45) Registration Date: **11 May 2007**  
(56) Related Art Documents: **Not Applicable**  
(57) Statement of Newness and Distinctiveness: **Nil**



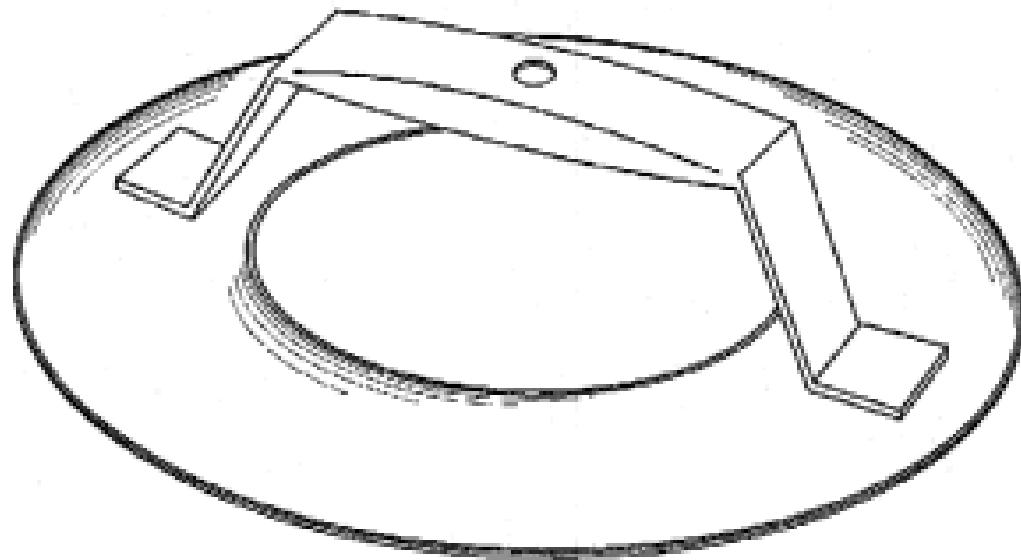
- (21) Design Number: **16948/2007**
- (22) Date of Filing Application: **16 November 2006**
- (24) Date from which industrial property rights may have effect: **16 November 2006**
- (54) Product in respect of which the design is registered: **Tea cup dress**
- (51) International Design Classification: **02-02C**
- (71) Name(s) and Address(s) of Applicant(s):  
**Rosemin Pty Ltd**  
**444 Chapel Street South Yarra Victoria 3141 Australia**
- (72) Name(s) of Designer(s): **Semin Kim**
- (45) Registration Date: **11 May 2007**
- (56) Related Art Documents: **Not Applicable**
- (57) Statement of Newness and Distinctiveness: **Nil**



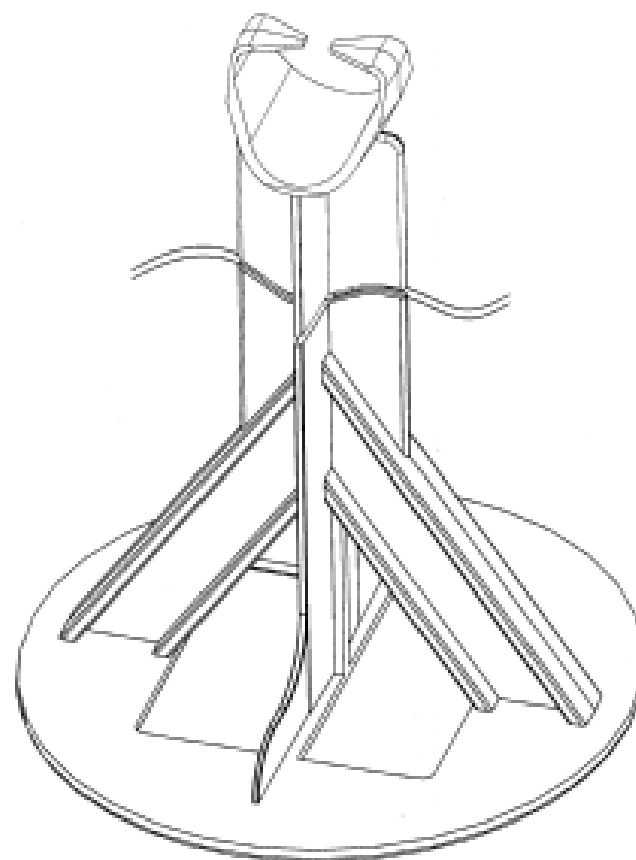
- (21) Design Number: **15330/2005**
- (22) Date of Filing Application: **01 December 2005**
- (24) Date from which industrial property rights may have effect: **08 July 2005**
- (54) Product in respect of which the design is registered: **A set of bathroom accessories (1) Single towel rail, (2) Single toilet roll holder, (3) Double toilet roll holder,**
- (51) International Design Classification: **07-05D, 23-02A**
- (71) Name(s) and Address(s) of Applicant(s):  
**Phoenix Industries Pty Ltd**  
**7 Ashburn Place Blackburn Victoria 3130 Australia**
- (72) Name(s) of Designer(s): **Natalia Mona Tjahjono**
- (45) Registration Date: **15 May 2007**
- (62) Divisional of: **12949/2005**
- (56) Related Art Documents: **Not Applicable**
- (57) Statement of Newness and Distinctiveness: **Unique combinations between curved and straight lines, unique attachment (position) in glass shelf design.**



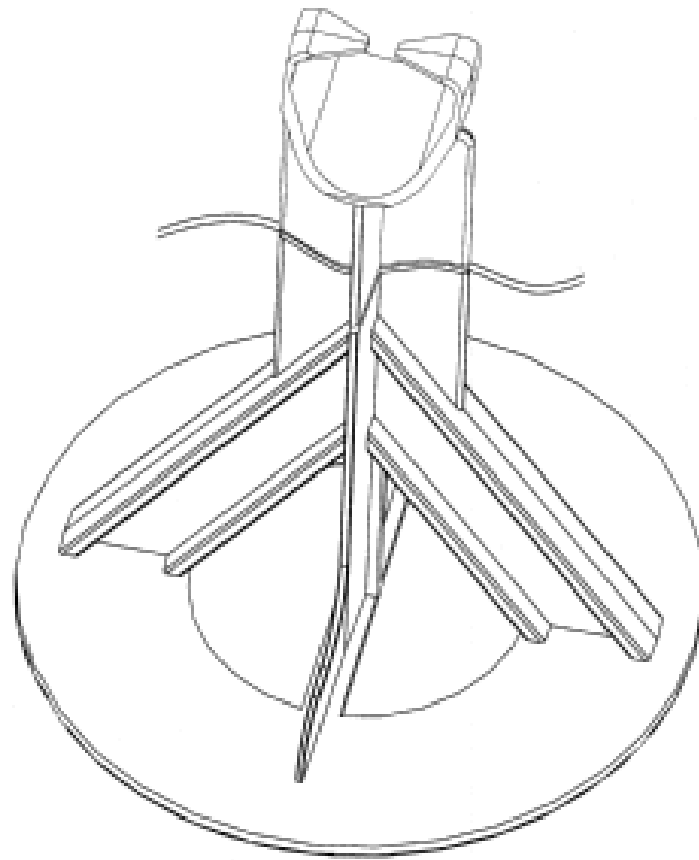
- (21) Design Number: **16336/2007**  
(22) Date of Filing Application: **07 February 2007**  
(24) Date from which industrial property rights may have effect: **07 February 2007**  
(54) Product in respect of which the design is registered: **Ring float**  
(51) International Design Classification: **08-05K**  
(71) Name(s) and Address(s) of Applicant(s):  
**Roy Thomas Littler**  
**105 River Road Peachester Queensland 4519 Australia**  
(72) Name(s) of Designer(s): **Roy Thomas Littler**  
(45) Registration Date: **15 May 2007**  
(56) Related Art Documents: **Not Applicable**  
(57) Statement of Newness and Distinctiveness: **Monopoly is claimed in the features of shape and configuration of a ring float as illustrated in the accompanying representations.**



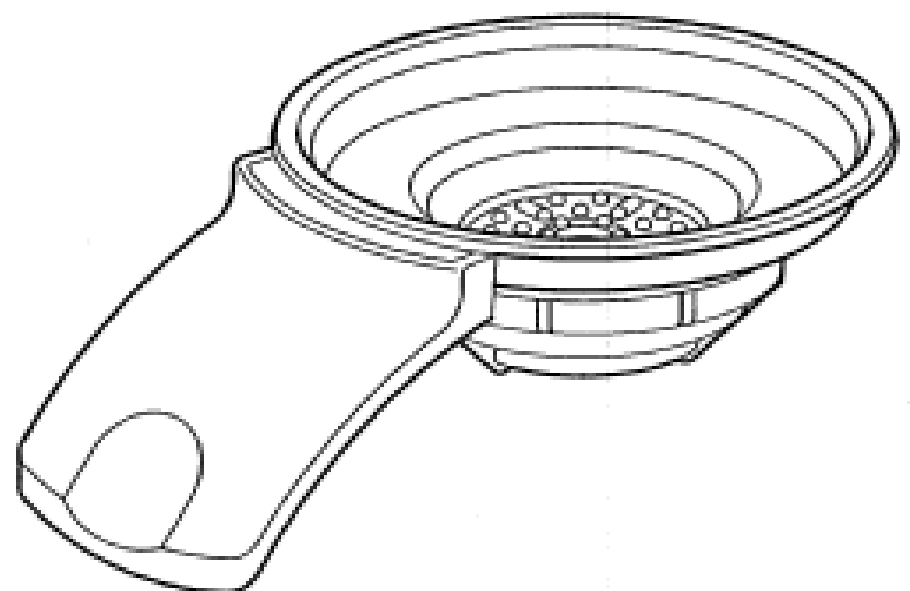
- (21) Design Number: **16555/2007**  
(22) Date of Filing Application: **22 February 2007**  
(24) Date from which industrial property rights may have effect: **22 February 2007**  
(54) Product in respect of which the design is registered: **Spacer for concrete reinforcement**  
(51) International Design Classification: **25-01B**  
(71) Name(s) and Address(s) of Applicant(s):  
**ITW Construction Products Australia Pty Ltd**  
**3 Chester Street Oakleigh Victoria 3166 Australia**  
(72) Name(s) of Designer(s): **Andrew Emden O'Loughlin**  
(45) Registration Date: **15 May 2007**  
(56) Related Art Documents: **Not Applicable**  
(57) Statement of Newness and Distinctiveness: **Newness and distinctiveness is claimed in the features and/or configuration of the spacer shown in the representations. The central post of the spacer is of indefinite length as shown in the representations.**



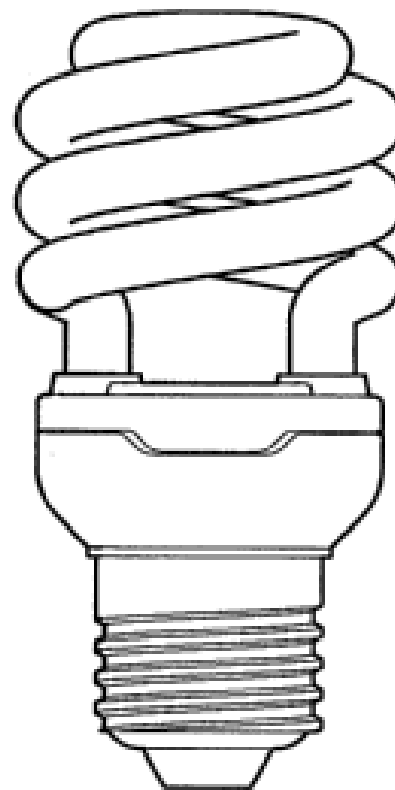
- (21) Design Number: **16556/2007**  
(22) Date of Filing Application: **22 February 2007**  
(24) Date from which industrial property rights may have effect: **22 February 2007**  
(54) Product in respect of which the design is registered: **Spacer for concrete reinforcement**  
(51) International Design Classification: **25-01B**  
(71) Name(s) and Address(s) of Applicant(s):  
**ITW Construction Products Australia Pty Ltd**  
**3 Chester Street Oakleigh Victoria 3166 Australia**  
(72) Name(s) of Designer(s): **Andrew Emden O'Loughlin**  
(45) Registration Date: **15 May 2007**  
(56) Related Art Documents: **Not Applicable**  
(57) Statement of Newness and Distinctiveness: **Newness and distinctiveness is claimed in the features and/or configuration of the spacer shown in the representations. The central post of the spacer is of indefinite length as shown in the representations.**



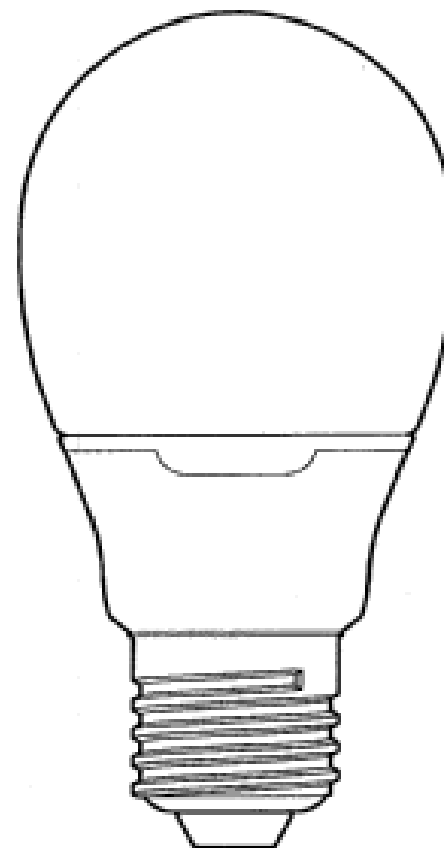
- (21) Design Number: **16560/2007**  
(22) Date of Filing Application: **22 February 2007**  
(24) Date from which industrial property rights may have effect: **22 February 2007**  
(54) Product in respect of which the design is registered: **Padholder**  
(51) International Design Classification: **07-02L**  
(71) Name(s) and Address(s) of Applicant(s):  
**Koninklijke Philips Electronics N.V.**  
**Groenewoudseweg 1 5621 BA Eindhoven The Netherlands**  
(72) Name(s) of Designer(s): **Alexander Paul Johannus de Visser**  
(45) Registration Date: **15 May 2007**  
(30) Convention priority data:  
(31) Number (32) Date (33) Country  
**000585435#0001 08 Sep 2006 EUROPEAN COMMUNITY**  
(56) Related Art Documents: **Not Applicable**  
(57) Statement of Newness and Distinctiveness: **Newness and distinctiveness reside in the features of the design as shown in the representations.**



- (21) Design Number: **16561/2007**  
(22) Date of Filing Application: **22 February 2007**  
(24) Date from which industrial property rights may have effect: **22 February 2007**  
(54) Product in respect of which the design is registered: **Twisted lamp**  
(51) International Design Classification: **26-04**  
(71) Name(s) and Address(s) of Applicant(s):  
**Koninklijke Philips Electronics N.V.**  
**Groenewoudseweg 1 5621 BA Eindhoven The Netherlands**  
(72) Name(s) of Designer(s): **Ernest Kin Man To and Kun Peng and Jiali Xu**  
(45) Registration Date: **15 May 2007**  
(30) Convention priority data:  
(31) Number (32) Date (33) Country  
**000585732#0001 08 Sep 2006 EUROPEAN COMMUNITY**  
(56) Related Art Documents: **Not Applicable**  
(57) Statement of Newness and Distinctiveness: **Newness and distinctiveness reside in the features of the design as shown in the representations.**



- (21) Design Number: **16562/2007**  
(22) Date of Filing Application: **22 February 2007**  
(24) Date from which industrial property rights may have effect: **22 February 2007**  
(54) Product in respect of which the design is registered: **Energy saving lamp**  
(51) International Design Classification: **26-04**  
(71) Name(s) and Address(s) of Applicant(s):  
**Koninklijke Philips Electronics N.V.**  
**Groenewoudseweg 1 5621 BA Eindhoven The Netherlands**  
(72) Name(s) of Designer(s): **Ernest Kin Man To and Kun Peng and Jiali Xu**  
(45) Registration Date: **15 May 2007**  
(30) Convention priority data:  
(31) Number (32) Date (33) Country  
**000585732#0002 08 Sep 2006 EUROPEAN COMMUNITY**  
(56) Related Art Documents: **Not Applicable**  
(57) Statement of Newness and Distinctiveness: **Newness and distinctiveness reside in the features of the design as shown in the representations.**





(21) Design Number: **16563/2007**  
(22) Date of Filing Application: **22 February 2007**  
(24) Date from which industrial property rights may have effect: **22 February 2007**  
(54) Product in respect of which the design is registered: **Lid for storage jar**  
(51) International Design Classification: **09-07B**  
(71) Name(s) and Address(s) of Applicant(s):

**Pi-Design AG**  
**Kantonsstrasse 100 Postfach 463 CH-6234 Triengen Switzerland**

(72) Name(s) of Designer(s): **Jorgen Bodum**

(45) Registration Date: **15 May 2007**

(30) Convention priority data:

(31) Number	(32) Date	(33) Country
<b>DA 2006 00235</b>	<b>31 Aug 2006</b>	<b>DENMARK</b>

(56) Related Art Documents: **Not Applicable**

(57) Statement of Newness and Distinctiveness: **Nil**



(21) Design Number: **16564/2007**  
(22) Date of Filing Application: **22 February 2007**  
(24) Date from which industrial property rights may have effect: **22 February 2007**  
(54) Product in respect of which the design is registered: **A terminal**  
(51) International Design Classification: **14-02**  
(71) Name(s) and Address(s) of Applicant(s):

**Bang & Olufsen A/S**  
**Peter Bangs VEJ 15 Postboks 40 7600 Struer Denmark**

(72) Name(s) of Designer(s): **David Lewis**

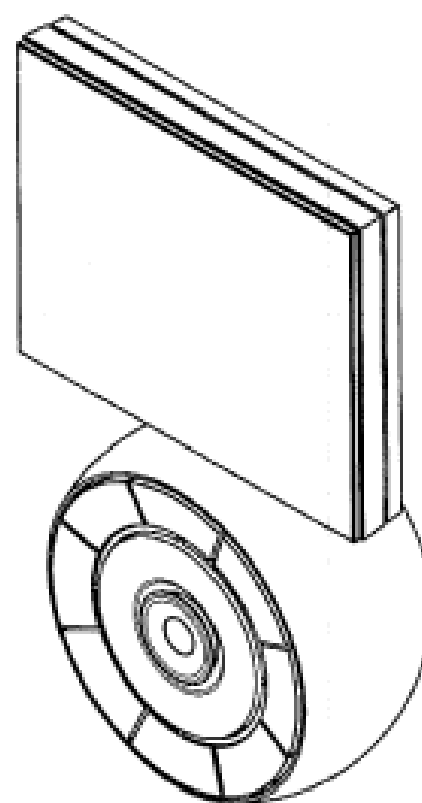
(45) Registration Date: **15 May 2007**

(30) Convention priority data:

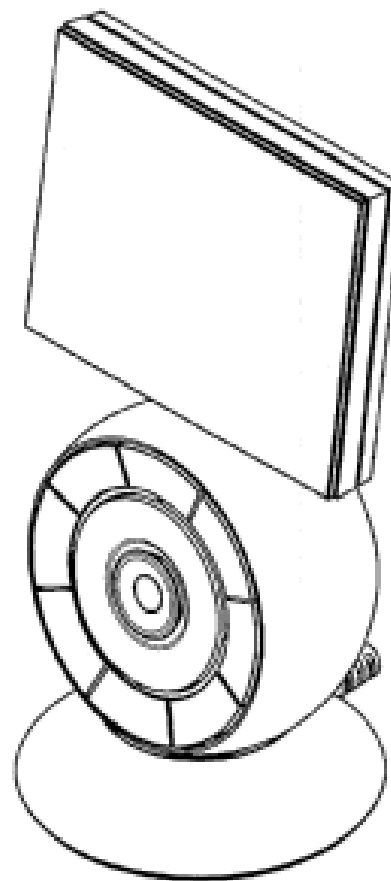
(31) Number	(32) Date	(33) Country
<b>DA2006 00224</b>	<b>22 Aug 2006</b>	<b>DENMARK</b>

(56) Related Art Documents: **Not Applicable**

(57) Statement of Newness and Distinctiveness: **Nil**



(21) Design Number: **16565/2007**  
(22) Date of Filing Application: **22 February 2007**  
(24) Date from which industrial property rights may have effect: **22 February 2007**  
(54) Product in respect of which the design is registered: **A terminal together with a charger**  
(51) International Design Classification: **14-02, 13-02**  
(71) Name(s) and Address(s) of Applicant(s):  
**Bang & Olufsen A/S**  
**Peter Bangs VEJ 15 Postboks 40 7600 Struer Denmark**  
(72) Name(s) of Designer(s): **David Lewis**  
(45) Registration Date: **15 May 2007**  
(30) Convention priority data:  
(31) Number (32) Date (33) Country  
**DA2006 22 Aug 2006 DENMARK**  
**00224**  
(56) Related Art Documents: **Not Applicable**  
(57) Statement of Newness and Distinctiveness: **Nil**



(21) Design Number: **16566/2007**  
(22) Date of Filing Application: **22 February 2007**  
(24) Date from which industrial property rights may have effect: **22 February 2007**  
(54) Product in respect of which the design is registered: **Shoe**  
(51) International Design Classification: **02-04NES**  
(71) Name(s) and Address(s) of Applicant(s):  
**Lacoste**  
**8 rue de Castiglione 75001 Paris France**  
(72) Name(s) of Designer(s): **David Hickman**  
(45) Registration Date: **15 May 2007**  
(30) Convention priority data:  
(31) Number (32) Date (33) Country  
**000663133 02 Feb 2007 EUROPEAN COMMUNITY**  
(56) Related Art Documents: **Not Applicable**  
(57) Statement of Newness and Distinctiveness: **Nil**



(21) Design Number: **16567/2007**  
(22) Date of Filing Application: **22 February 2007**  
(24) Date from which industrial property rights may have effect: **22 February 2007**  
(54) Product in respect of which the design is registered: **Shoe**  
(51) International Design Classification: **02-04NES**  
(71) Name(s) and Address(s) of Applicant(s):  
**Lacoste**  
**8 rue de Castiglione 75001 Paris France**  
(72) Name(s) of Designer(s): **Georgina James**  
(45) Registration Date: **15 May 2007**  
(30) Convention priority data:  
(31) Number (32) Date (33) Country  
**000663133 02 Feb 2007 EUROPEAN COMMUNITY**  
(56) Related Art Documents: **Not Applicable**  
(57) Statement of Newness and Distinctiveness: **Nil**



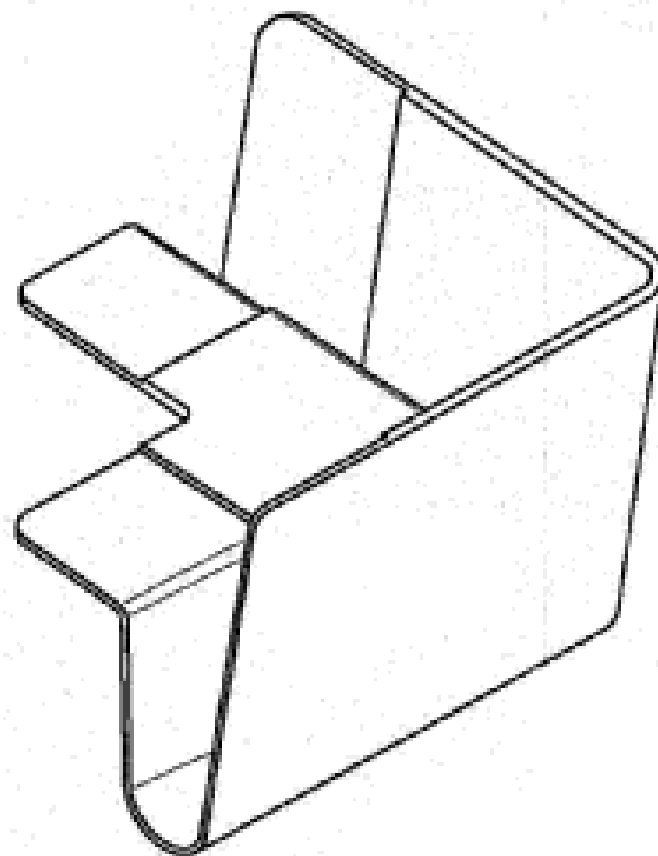
(21) Design Number: **16568/2007**  
(22) Date of Filing Application: **22 February 2007**  
(24) Date from which industrial property rights may have effect: **22 February 2007**  
(54) Product in respect of which the design is registered: **Shoe**  
(51) International Design Classification: **02-04NES**  
(71) Name(s) and Address(s) of Applicant(s):  
**Lacoste**  
**8 rue de Castiglione 75001 Paris France**  
(72) Name(s) of Designer(s): **Georgina James**  
(45) Registration Date: **15 May 2007**  
(30) Convention priority data:  
(31) Number (32) Date (33) Country  
**000663133 02 Feb 2007 EUROPEAN COMMUNITY**  
(56) Related Art Documents: **Not Applicable**  
(57) Statement of Newness and Distinctiveness: **Nil**



(21) Design Number: **16569/2007**  
(22) Date of Filing Application: **22 February 2007**  
(24) Date from which industrial property rights may have effect: **22 February 2007**  
(54) Product in respect of which the design is registered: **Shoe**  
(51) International Design Classification: **02-04NES**  
(71) Name(s) and Address(s) of Applicant(s):  
**Lacoste**  
**8 rue de Castiglione 75001 Paris France**  
(72) Name(s) of Designer(s): **David Hickman**  
(45) Registration Date: **15 May 2007**  
(30) Convention priority data:  
(31) Number (32) Date (33) Country  
**000663133 02 Feb 2007 EUROPEAN COMMUNITY**  
(56) Related Art Documents: **Not Applicable**  
(57) Statement of Newness and Distinctiveness: **Nil**



(21) Design Number: **16570/2007**  
(22) Date of Filing Application: **22 February 2007**  
(24) Date from which industrial property rights may have effect: **22 February 2007**  
(54) Product in respect of which the design is registered: **A connector for a wall drainage element**  
(51) International Design Classification: **25-02NES**  
(71) Name(s) and Address(s) of Applicant(s):  
**Watertight Products (Aust) Pty Ltd**  
**Unit 17 10 Vulcan Road Canning Vale Western Australia 6155**  
**Australia**  
(72) Name(s) of Designer(s): **Stephen Paulle**  
(45) Registration Date: **15 May 2007**  
(56) Related Art Documents: **Not Applicable**  
(57) Statement of Newness and Distinctiveness: **Each feature of the design considered separately or in combination with any other feature or features.**



(21) Design Number: **16571/2007**

(22) Date of Filing Application: **22 February 2007**

(24) Date from which industrial property rights may have effect: **22 February 2007**

(54) Product in respect of which the design is registered: **A connector for a wall drainage element**

(51) International Design Classification: **25-02NES**

(71) Name(s) and Address(s) of Applicant(s):

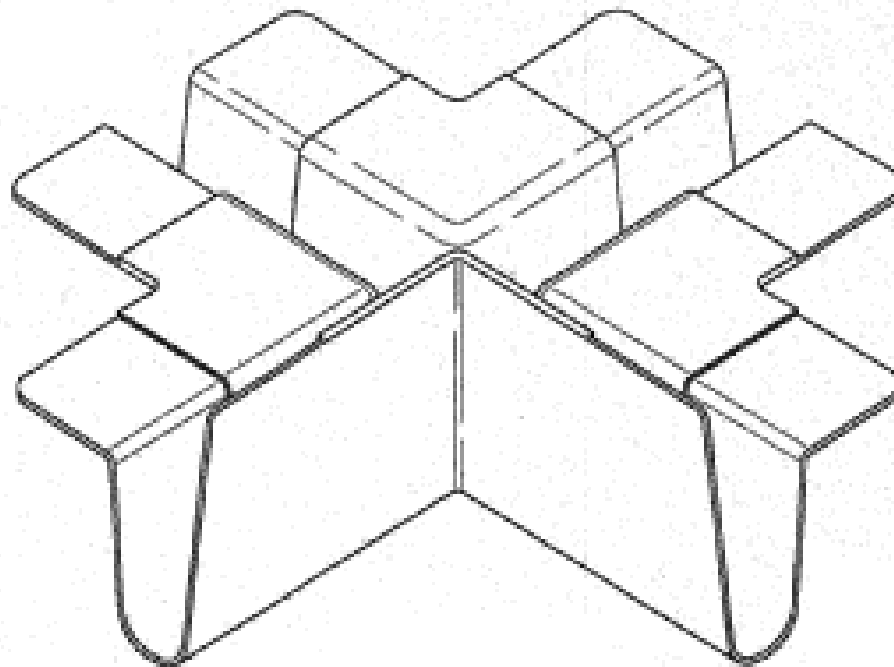
**Watertight Products (Aust) Pty Ltd  
Unit 17 10 Vulcan Road Canning Vale Western Australia 6155  
Australia**

(72) Name(s) of Designer(s): **Stephen Paulle**

(45) Registration Date: **15 May 2007**

(56) Related Art Documents: **Not Applicable**

(57) Statement of Newness and Distinctiveness: **Each feature of the design considered separately or in combination with any other feature or features.**



(21) Design Number: **17798/2007**

(22) Date of Filing Application: **07 May 2007**

(24) Date from which industrial property rights may have effect: **07 May 2007**

(54) Product in respect of which the design is registered: **Tampon holder**

(51) International Design Classification: **09-03M**

(71) Name(s) and Address(s) of Applicant(s):

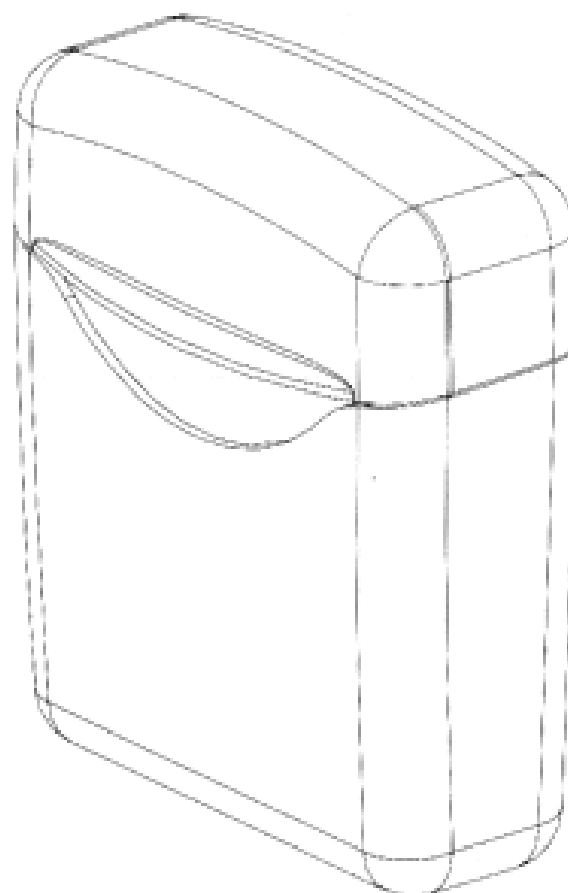
**Brown & Muller Pty Ltd  
25 Lill Place Anketell Western Australia 6167 Australia**

(72) Name(s) of Designer(s): **Carilyn Brown and Kerri Muller**

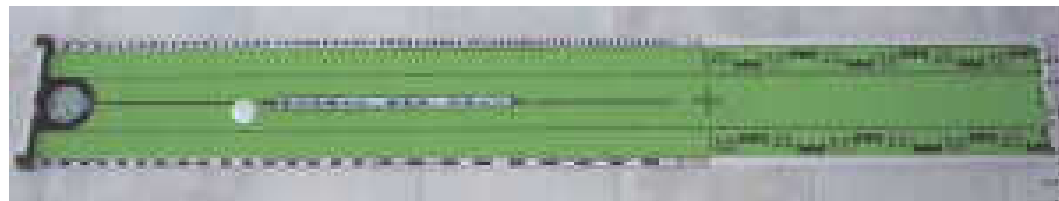
(45) Registration Date: **15 May 2007**

(56) Related Art Documents: **Not Applicable**

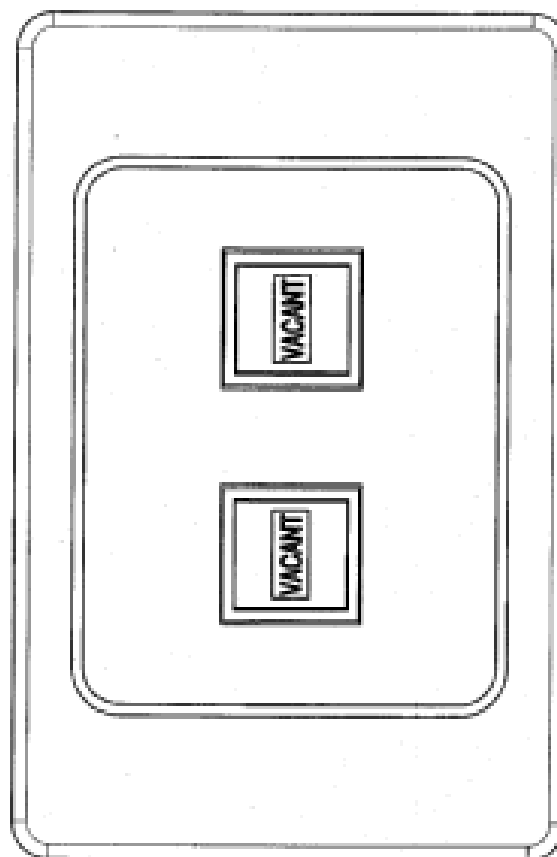
(57) Statement of Newness and Distinctiveness: **Nil**



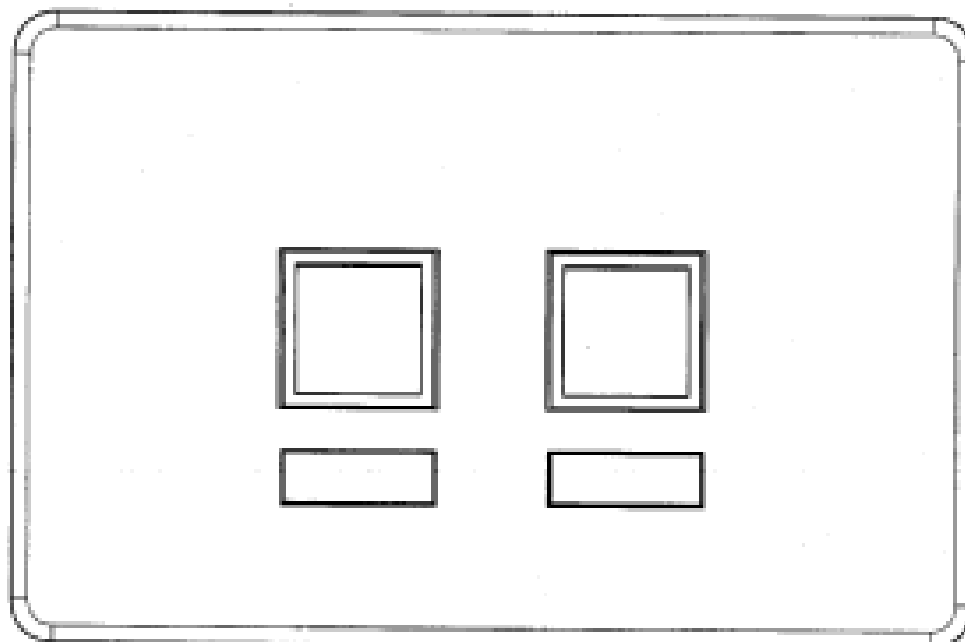
- (21) Design Number: **16540/2007**
- (22) Date of Filing Application: **22 February 2007**
- (24) Date from which industrial property rights may have effect: **22 February 2007**
- (54) Product in respect of which the design is registered: **The R2 line and length putting practice device**
- (51) International Design Classification: **21-02C**
- (71) Name(s) and Address(s) of Applicant(s):  
**Richard Patrick Butler Rice**  
**No. 2 Stringybark Terrigal New South Wales Australia**
- (72) Name(s) of Designer(s): **Richard Patrick Butler Rice**
- (45) Registration Date: **14 May 2007**
- (56) Related Art Documents: **Not Applicable**
- (57) Statement of Newness and Distinctiveness: **The R2 line and length putting surface complete with its rubber rebound cushion and backswing meter has been designed specifically for operating the R2 line and length sliding ball Patent No. PA 137934/PCT. In awarding the patent the PCT attorneys adjudged the ball to be novel and innovative. Accordingly the putting surface which is specifically designed as a sliding surface for the patented ball will be new and distinctive.**



- (21) Design Number: **16528/2007**
- (22) Date of Filing Application: **22 February 2007**
- (24) Date from which industrial property rights may have effect: **22 February 2007**
- (54) Product in respect of which the design is registered: **Data cable face plates**
- (51) International Design Classification: **08-08NES**
- (71) Name(s) and Address(s) of Applicant(s):  
**Wideband Technology Pty Ltd**  
**c/- jdrlegal Pty Ltd Level 5 45 William Street Melbourne Victoria 3000**  
**Australia**
- (72) Name(s) of Designer(s): **Nathan Portnoy**
- (45) Registration Date: **14 May 2007**
- (56) Related Art Documents: **Not Applicable**
- (57) Statement of Newness and Distinctiveness: **The features of shape and configuration of the data cable face plate as illustrated in the representations affixed hereto.**



- (21) Design Number: **16527/2007**  
(22) Date of Filing Application: **22 February 2007**  
(24) Date from which industrial property rights may have effect: **22 February 2007**  
(54) Product in respect of which the design is registered: **Data cable face plates**  
(51) International Design Classification: **08-08NES**  
(71) Name(s) and Address(s) of Applicant(s):  
**Wideband Technology Pty Ltd**  
**c/- jdrlegal Pty Ltd Level 5 45 William Street Melbourne Victoria 3000**  
**Australia**  
(72) Name(s) of Designer(s): **Nathan Portnoy**  
(45) Registration Date: **14 May 2007**  
(56) Related Art Documents: **Not Applicable**  
(57) Statement of Newness and Distinctiveness: **The features of shape and configuration of the data cable face plate as illustrated in the representations affixed hereto.**



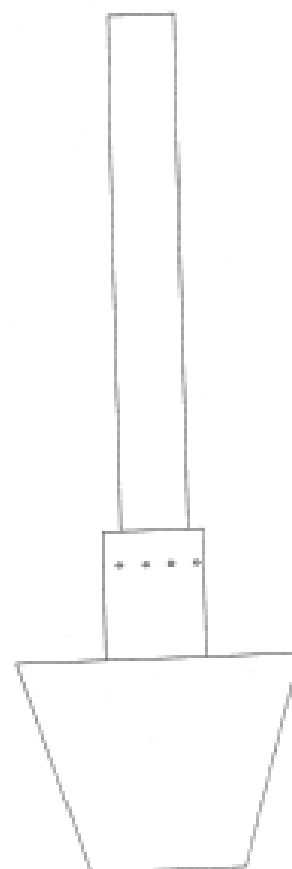
- (21) Design Number: **16538/2007**  
(22) Date of Filing Application: **21 February 2007**  
(24) Date from which industrial property rights may have effect: **21 February 2007**  
(54) Product in respect of which the design is registered: **Press for ceramic tiles**  
(51) International Design Classification: **08-05NES**  
(71) Name(s) and Address(s) of Applicant(s):  
**Sacmi Cooperativa Meccanici Imola Societa' Cooperativa**  
**Via Selice Provinciale 17/A 40026 Imola Bologna Italy**  
(72) Name(s) of Designer(s): **Marco Salieri**  
(45) Registration Date: **14 May 2007**  
(30) Convention priority data:  
(31) Number (32) Date (33) Country  
**MO2006O000010 27 Sep 2006 ITALY**  
(56) Related Art Documents: **Not Applicable**  
(57) Statement of Newness and Distinctiveness: **Newness and distinctiveness reside in the features of the design as shown in the representations.**



(21) Design Number: **16539/2007**  
(22) Date of Filing Application: **21 February 2007**  
(24) Date from which industrial property rights may have effect: **21 February 2007**  
(54) Product in respect of which the design is registered: **Press for ceramic tiles**  
(51) International Design Classification: **08-05NES**  
(71) Name(s) and Address(s) of Applicant(s):  
**Sacmi Cooperativa Meccanici Imola Societa' Cooperativa**  
**Via Selice Provinciale 17/A 40026 Imola Bologna Italy**  
(72) Name(s) of Designer(s): **Marco Salieri**  
(45) Registration Date: **14 May 2007**  
(30) Convention priority data:  
(31) Number (32) Date (33) Country  
**MO2006O000010 27 Sep 2006 ITALY**  
(56) Related Art Documents: **Not Applicable**  
(57) Statement of Newness and Distinctiveness: **Newness and distinctiveness reside in the features of the design as shown in the representations.**



(21) Design Number: **16537/2007**  
(22) Date of Filing Application: **21 February 2007**  
(24) Date from which industrial property rights may have effect: **21 February 2007**  
(54) Product in respect of which the design is registered: **Decorative light**  
(51) International Design Classification: **26-04**  
(71) Name(s) and Address(s) of Applicant(s):  
**Natural Light Gardens**  
**16 Cleveland Street Lawson New South Wales 2783 Australia**  
(72) Name(s) of Designer(s): **Andrew Vilder**  
(45) Registration Date: **14 May 2007**  
(56) Related Art Documents: **Not Applicable**  
(57) Statement of Newness and Distinctiveness: **Nil**





(21) Design Number: **16536/2007**

(22) Date of Filing Application: **21 February 2007**

(24) Date from which industrial property rights may have effect: **21 February 2007**

(54) Product in respect of which the design is registered: **Chair**

(51) International Design Classification: **06-01G**

(71) Name(s) and Address(s) of Applicant(s):

**Ekornes ASA  
N-6222 Ikornnes Norway**

(72) Name(s) of Designer(s): **Jan Lade**

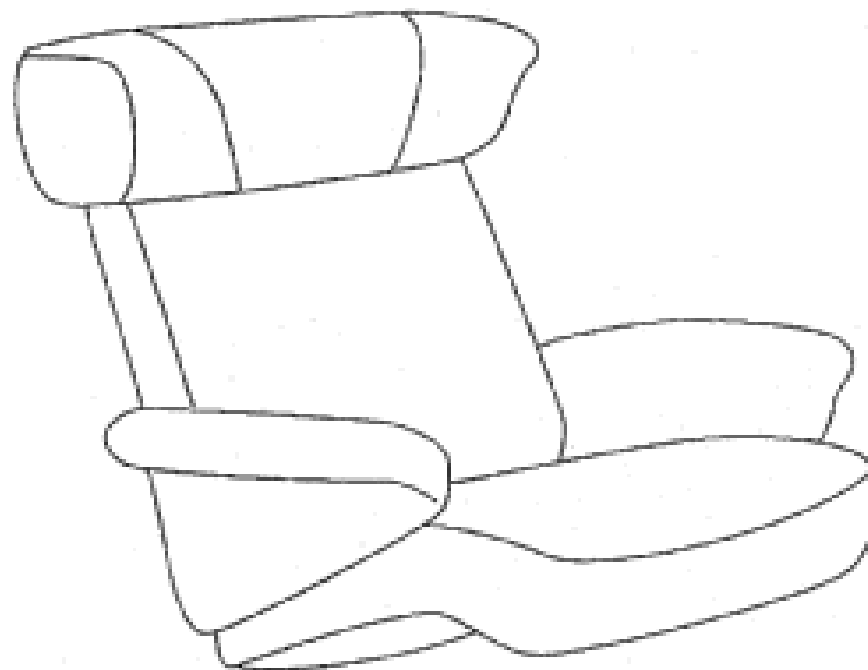
(45) Registration Date: **14 May 2007**

(30) Convention priority data:

(31) Number	(32) Date	(33) Country
<b>20060540</b>	<b>23 Oct 2006</b>	<b>NORWAY</b>

(56) Related Art Documents: **Not Applicable**

(57) Statement of Newness and Distinctiveness: **Newness and distinctiveness resides in the features of shape and/or configuration of a chair as illustrated in the accompanying representations.**



(21) Design Number: **16535/2007**

(22) Date of Filing Application: **21 February 2007**

(24) Date from which industrial property rights may have effect: **21 February 2007**

(54) Product in respect of which the design is registered: **Chair**

(51) International Design Classification: **06-01G**

(71) Name(s) and Address(s) of Applicant(s):

**Ekornes ASA  
N-6222 Ikornnes Norway**

(72) Name(s) of Designer(s): **Jan Lade**

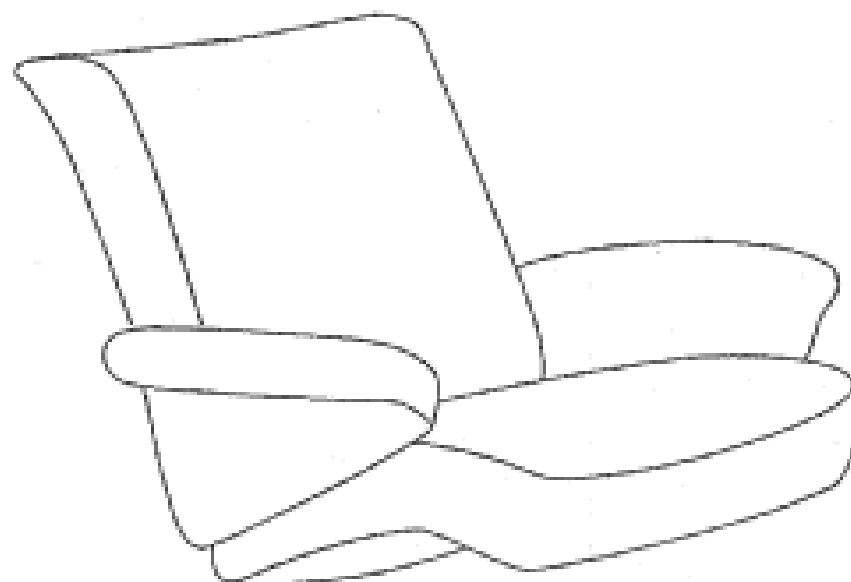
(45) Registration Date: **14 May 2007**

(30) Convention priority data:

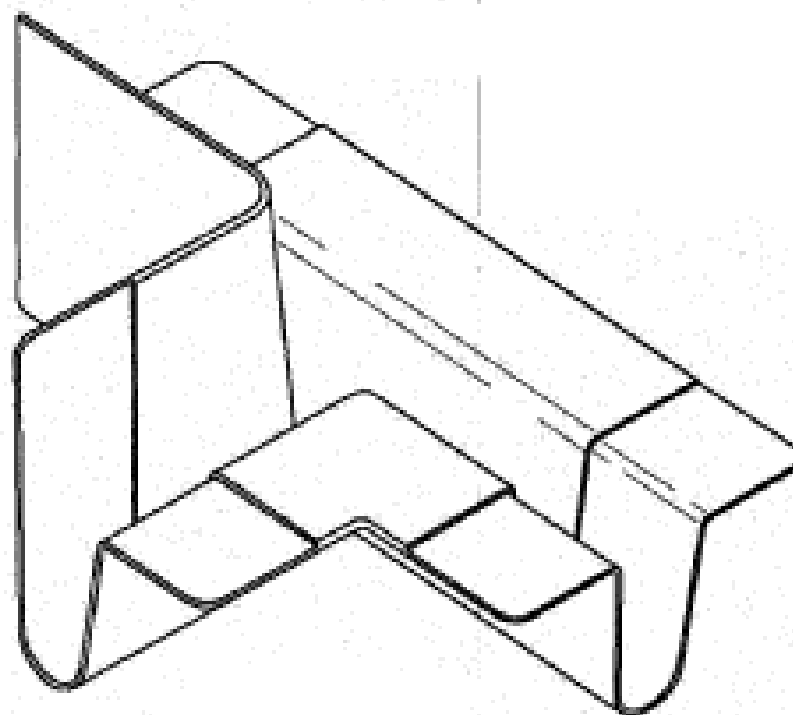
(31) Number	(32) Date	(33) Country
<b>20060540</b>	<b>23 Oct 2006</b>	<b>NORWAY</b>

(56) Related Art Documents: **Not Applicable**

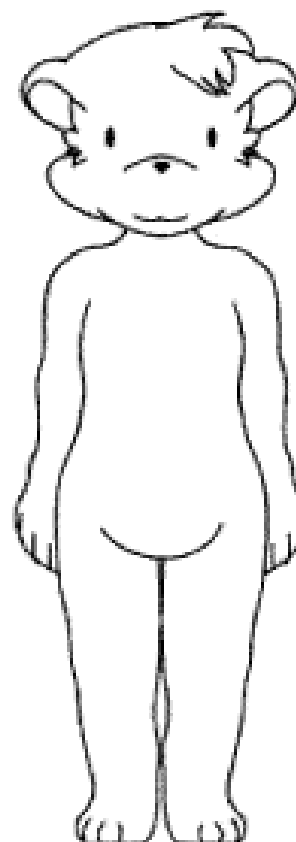
(57) Statement of Newness and Distinctiveness: **Newness and distinctiveness resides in the features of shape and/or configuration of a chair as illustrated in the accompanying representations.**



- (21) Design Number: **16572/2007**  
(22) Date of Filing Application: **22 February 2007**  
(24) Date from which industrial property rights may have effect: **22 February 2007**  
(54) Product in respect of which the design is registered: **A connector for a wall drainage element**  
(51) International Design Classification: **25-02NES**  
(71) Name(s) and Address(s) of Applicant(s):  
**Watertight Products (Aust) Pty Ltd**  
**Unit 17 10 Vulcan Road Canning Vale Western Australia 6155**  
**Australia**  
(72) Name(s) of Designer(s): **Stephen Paulle**  
(45) Registration Date: **14 May 2007**  
(56) Related Art Documents: **Not Applicable**  
(57) Statement of Newness and Distinctiveness: **Each feature of the design considered separately or in combination with any other feature or features.**



- (21) Design Number: **16574/2007**  
(22) Date of Filing Application: **22 February 2007**  
(24) Date from which industrial property rights may have effect: **22 February 2007**  
(54) Product in respect of which the design is registered: **A toy**  
(51) International Design Classification: **09-03NES**  
(71) Name(s) and Address(s) of Applicant(s):  
**Three Pagodas Pty Ltd**  
**16 Courallie Road Northbridge New South Wales 2063 Australia**  
(72) Name(s) of Designer(s): **Elizabeth Eutick**  
(45) Registration Date: **14 May 2007**  
(56) Related Art Documents: **Not Applicable**  
(57) Statement of Newness and Distinctiveness: **Newness and distinctiveness are claimed in the shape and configuration of a toy as depicted in the accompanying representations.**



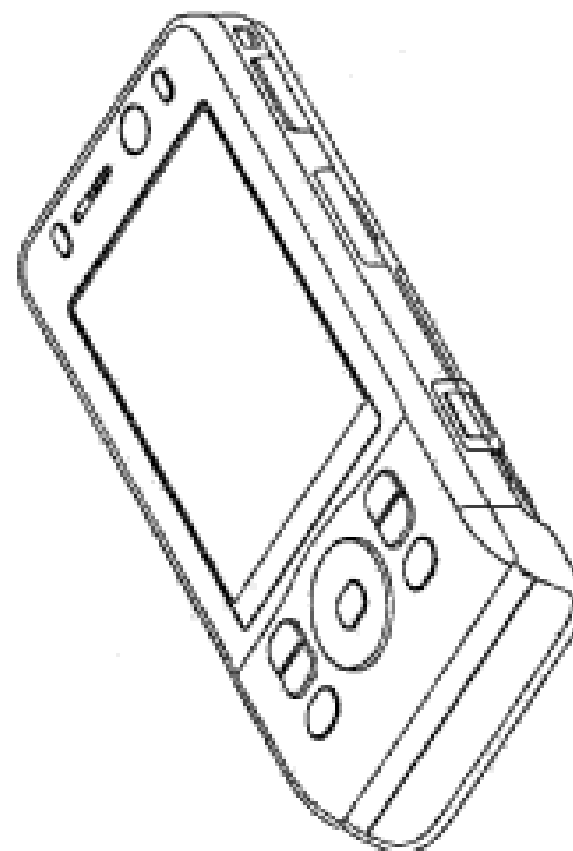
- (21) Design Number: **17854/2007**  
(22) Date of Filing Application: **10 May 2007**  
(24) Date from which industrial property rights may have effect: **10 May 2007**  
(54) Product in respect of which the design is registered: **Novelty nose**  
(51) International Design Classification: **21-03**  
(71) Name(s) and Address(s) of Applicant(s):  
**Stuart Parry**  
**Factory 1 12 Mosrael Place Rowville Victoria 3178 Australia**  
(72) Name(s) of Designer(s): **Stuart Parry**  
(45) Registration Date: **15 May 2007**  
(56) Related Art Documents: **Not Applicable**  
(57) Statement of Newness and Distinctiveness: **Nil**



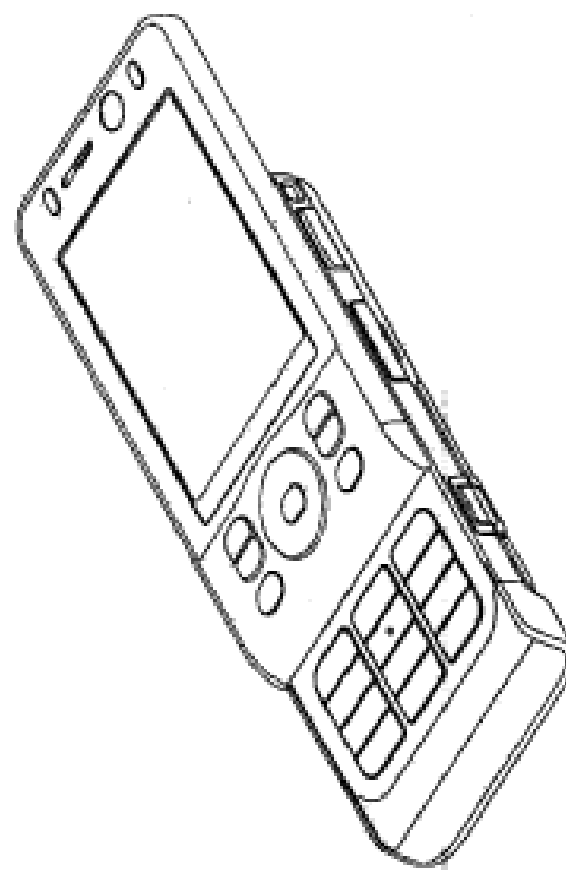
- (21) Design Number: **17834/2007**  
(22) Date of Filing Application: **09 May 2007**  
(24) Date from which industrial property rights may have effect: **09 May 2007**  
(54) Product in respect of which the design is registered: **Mobile phone**  
(51) International Design Classification: **14-03E**  
(71) Name(s) and Address(s) of Applicant(s):  
**Sony Ericsson Mobile Communications AB**  
**Nya Vattentorget SE 221 88 Lund Sweden**  
(72) Name(s) of Designer(s): **Shigeaki Suzuki**  
(45) Registration Date: **15 May 2007**  
(30) Convention priority data:  

(31) Number	(32) Date	(33) Country
<b>000631890</b>	<b>04 Dec 2006</b>	<b>EUROPEAN COMMUNITY</b>

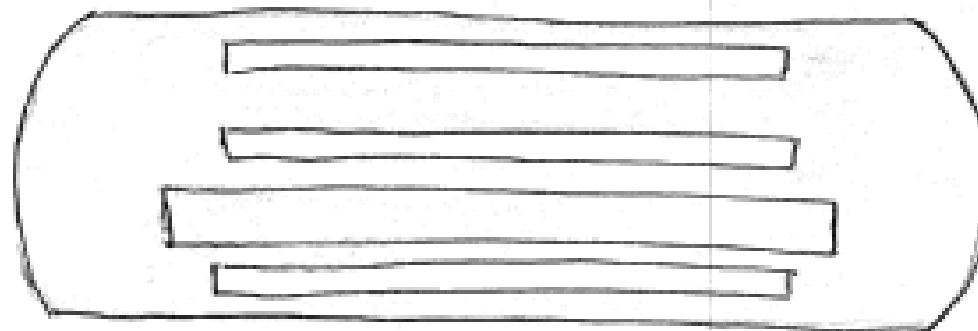
  
(56) Related Art Documents: **Not Applicable**  
(57) Statement of Newness and Distinctiveness: **Nil**



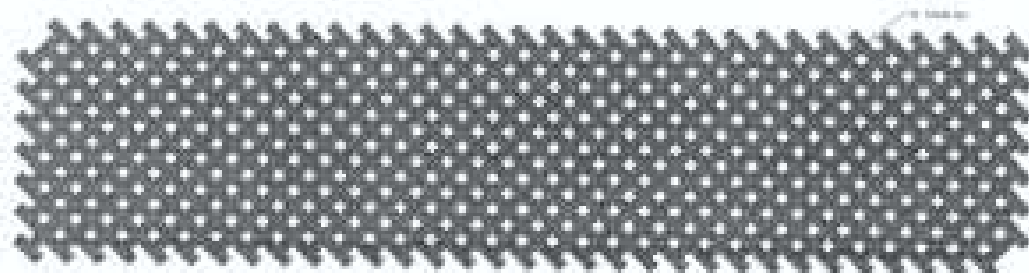
(21) Design Number: **17835/2007**  
(22) Date of Filing Application: **09 May 2007**  
(24) Date from which industrial property rights may have effect: **09 May 2007**  
(54) Product in respect of which the design is registered: **Mobile phone**  
(51) International Design Classification: **14-03E**  
(71) Name(s) and Address(s) of Applicant(s):  
**Sony Ericsson Mobile Communications AB**  
**Nya Vattentorget SE 221 88 Lund Sweden**  
(72) Name(s) of Designer(s): **Shigeaki Suzuki**  
(45) Registration Date: **15 May 2007**  
(30) Convention priority data:  
(31) Number      (32) Date      (33) Country  
**000631890      04 Dec 2006      EUROPEAN COMMUNITY**  
(56) Related Art Documents: **Not Applicable**  
(57) Statement of Newness and Distinctiveness: **Nil**



(21) Design Number: **17746/2007**  
(22) Date of Filing Application: **04 May 2007**  
(24) Date from which industrial property rights may have effect: **04 May 2007**  
(54) Product in respect of which the design is registered: **Maternity pillow**  
(51) International Design Classification: **06-09**  
(71) Name(s) and Address(s) of Applicant(s):  
**Mari Clampett**  
**140 Suncoast Beach Drive Mt Coolum Queensland 4573 Australia**  
(72) Name(s) of Designer(s): **Mari Clampett**  
(45) Registration Date: **15 May 2007**  
(56) Related Art Documents: **Not Applicable**  
(57) Statement of Newness and Distinctiveness: **Two roll-shaped pillows with a wide strap between them adjustable through velcro, meant to support both back & belly for pregnant women whilst lying down.**



- (21) Design Number: **14569/2005**
- (22) Date of Filing Application: **18 October 2005**
- (24) Date from which industrial property rights may have effect: **18 October 2005**
- (54) Product in respect of which the design is registered: **Plastic material with a repeating embossing pattern in which the pattern is indefinite in 2 dimensions.**
- (51) International Design Classification: **05-06B**
- (71) Name(s) and Address(s) of Applicant(s):  
**Intellectual Property Development Corporation Pty Ltd  
Level 9 51 Queen Street Melbourne Victoria 3000 Australia**
- (72) Name(s) of Designer(s): **Mark Bayly**
- (45) Registration Date: **15 May 2007**
- (56) Related Art Documents: **Not Applicable**
- (57) Statement of Newness and Distinctiveness: **Newness and distinctiveness are claimed in the features of pattern and/or ornamentation of a repeating embossing pattern, as illustrated in the accompanying representations.**



- (21) Design Number: **15880/2007**
- (22) Date of Filing Application: **08 January 2007**
- (24) Date from which industrial property rights may have effect: **08 January 2007**
- (54) Product in respect of which the design is registered: **Packaging**
- (51) International Design Classification: **09-03C**
- (71) Name(s) and Address(s) of Applicant(s):  
**S&M NuTec, LLC  
1 Design Drive North Kansas City Missouri 64116 United States of America**
- (72) Name(s) of Designer(s): **Nancy Dercher**
- (45) Registration Date: **15 May 2007**
- (30) Convention priority data:
  - (31) Number      (32) Date      (33) Country
  - 560370#0002      06 Jul 2006      EUROPEAN COMMUNITY**
- (56) Related Art Documents: **Not Applicable**
- (57) Statement of Newness and Distinctiveness: **The distinctive features of the design are the pattern and ornamentation as shown in the accompanying representation.**



- (21) Design Number: **15881/2007**  
(22) Date of Filing Application: **08 January 2007**  
(24) Date from which industrial property rights may have effect: **08 January 2007**  
(54) Product in respect of which the design is registered: **Packaging**  
(51) International Design Classification: **09-03C**  
(71) Name(s) and Address(s) of Applicant(s):  
**S&M NuTec, LLC**  
**1 Design Drive North Kansas City Missouri 64116 United States of America**  
(72) Name(s) of Designer(s): **Nancy Dercher**  
(45) Registration Date: **15 May 2007**  
(30) Convention priority data:  
(31) Number (32) Date (33) Country  
**560370#0001 06 Jul 2006 EUROPEAN COMMUNITY**  
(56) Related Art Documents: **Not Applicable**  
(57) Statement of Newness and Distinctiveness: **The distinctive features of the design are the pattern and ornamentation as shown in the accompanying representation.**



- (21) Design Number: **16237/2007**  
(22) Date of Filing Application: **05 February 2007**  
(24) Date from which industrial property rights may have effect: **05 February 2007**  
(54) Product in respect of which the design is registered: **Fly on the wall mirror**  
(51) International Design Classification: **06-07**  
(71) Name(s) and Address(s) of Applicant(s):  
**Cindy-Lee Davies**  
**GPO Box 2437 Melbourne Victoria 3001 Australia**  
(72) Name(s) of Designer(s): **Cindy-Lee Davies**  
(45) Registration Date: **15 May 2007**  
(56) Related Art Documents: **Not Applicable**  
(57) Statement of Newness and Distinctiveness: **Acrylic laser cut mirror acrylic fly for the wall - 3mm thick. Pattern of uniqueness in design and uniqueness in application. Size variable. Approx 30cm x 30cm. Uniqueness of name in reference to the object.**



(21) Design Number: **15862/2007**  
(22) Date of Filing Application: **04 January 2007**  
(24) Date from which industrial property rights may have effect: **04 January 2007**  
(54) Product in respect of which the design is registered: **Lighting fixture**  
(51) International Design Classification: **26-03**  
(71) Name(s) and Address(s) of Applicant(s):  
**Thorne Europhane**  
**156 Boulevard Haussmann 75008 Paris France**  
(72) Name(s) of Designer(s): **Olivier Dutheil**  
(45) Registration Date: **15 May 2007**  
(30) Convention priority data:  
(31) Number (32) Date (33) Country  
**000555404#0001 05 Jul 2006 EUROPEAN COMMUNITY**  
(56) Related Art Documents: **Not Applicable**  
(57) Statement of Newness and Distinctiveness: **Newness and distinctiveness is claimed in the features of shape and/or configuration of a lighting fixture as illustrated in the accompanying representations.**



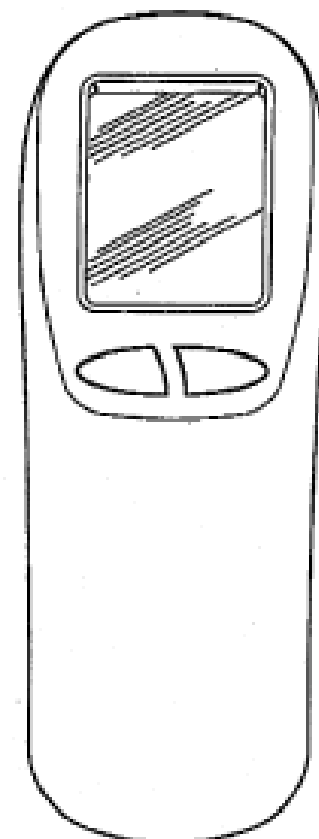
(21) Design Number: **15863/2007**  
(22) Date of Filing Application: **04 January 2007**  
(24) Date from which industrial property rights may have effect: **04 January 2007**  
(54) Product in respect of which the design is registered: **Lighting fixture**  
(51) International Design Classification: **26-03**  
(71) Name(s) and Address(s) of Applicant(s):  
**Thorne Europhane**  
**156 Boulevard Haussmann 75008 Paris France**  
(72) Name(s) of Designer(s): **Olivier Dutheil**  
(45) Registration Date: **15 May 2007**  
(30) Convention priority data:  
(31) Number (32) Date (33) Country  
**000555404#0003 05 Jul 2006 EUROPEAN COMMUNITY**  
(56) Related Art Documents: **Not Applicable**  
(57) Statement of Newness and Distinctiveness: **Newness and distinctiveness is claimed in the features of shape and/or configuration of a lighting fixture as illustrated in the accompanying representations.**



(21) Design Number: **15861/2007**  
(22) Date of Filing Application: **04 January 2007**  
(24) Date from which industrial property rights may have effect: **04 January 2007**  
(54) Product in respect of which the design is registered: **Lighting fixture**  
(51) International Design Classification: **26-03**  
(71) Name(s) and Address(s) of Applicant(s):  
**Thorn Europhane**  
**156 Boulevard Haussmann 75008 Paris France**  
(72) Name(s) of Designer(s): **Olivier Dutheil**  
(45) Registration Date: **15 May 2007**  
(30) Convention priority data:  
(31) Number (32) Date (33) Country  
**000555404#0002 05 Jul 2006 EUROPEAN COMMUNITY**  
(56) Related Art Documents: **Not Applicable**  
(57) Statement of Newness and Distinctiveness: **Newness and distinctiveness is claimed in the features of shape and/or configuration of a lighting fixture as illustrated in the accompanying representations.**



(21) Design Number: **16596/2007**  
(22) Date of Filing Application: **26 February 2007**  
(24) Date from which industrial property rights may have effect: **13 November 2006**  
(54) Product in respect of which the design is registered: **A handset**  
(51) International Design Classification: **14-03A**  
(71) Name(s) and Address(s) of Applicant(s):  
**Maxitrol Company**  
**23555 Telegraph Road Southfield Michigan 48037#2230 United States of America**  
(72) Name(s) of Designer(s): **Bonnie Kern Koskela and Richard Bargert and Mark Geoffrey Masen**  
(45) Registration Date: **15 May 2007**  
(30) Convention priority data:  
(31) Number (32) Date (33) Country  
**29/246828 12 Oct 2006 UNITED STATES OF AMERICA**  
(62) Divisional of: **313134**  
(56) Related Art Documents: **Not Applicable**  
(57) Statement of Newness and Distinctiveness: **Nil**





(21) Design Number: **16590/2007**

(22) Date of Filing Application: **23 February 2007**

(24) Date from which industrial property rights may have effect: **23 February 2007**

(54) Product in respect of which the design is registered: **Document wallet with identification block**

(51) International Design Classification: **19-04**

(71) Name(s) and Address(s) of Applicant(s):

**Acco Australia Pty Ltd**  
**The Lakes Business Park Level 2 8 Lord Street Botany New South**  
**Wales 2019 Australia**

(72) Name(s) of Designer(s): **Allan Boolkin**

(45) Registration Date: **15 May 2007**

(56) Related Art Documents: **Not Applicable**

(57) Statement of Newness and Distinctiveness: **Newness and distinctiveness resides in the pattern and/or ornamentation of the identification block when printed onto or incorporated into the products 1 and 2. The identification block is indicated by an arrow "A" in the representations.**



(21) Design Number: **16591/2007**

(22) Date of Filing Application: **23 February 2007**

(24) Date from which industrial property rights may have effect: **23 February 2007**

(54) Product in respect of which the design is registered: **Document envelope with identification block**

(51) International Design Classification: **19-04**

(71) Name(s) and Address(s) of Applicant(s):

**Acco Australia Pty Ltd**  
**The Lakes Business Park Level 2 8 Lord Street Botany New South**  
**Wales 2019 Australia**

(72) Name(s) of Designer(s): **Allan Boolkin**

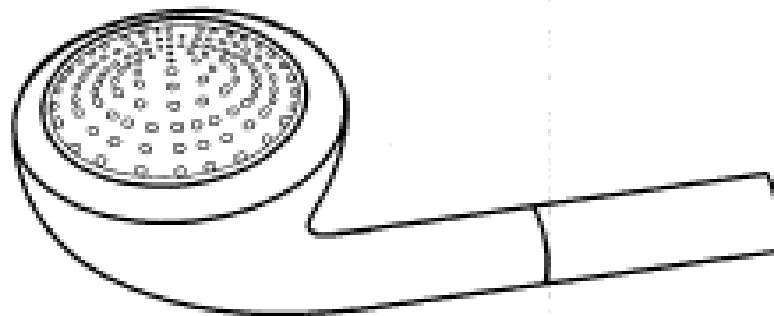
(45) Registration Date: **15 May 2007**

(56) Related Art Documents: **Not Applicable**

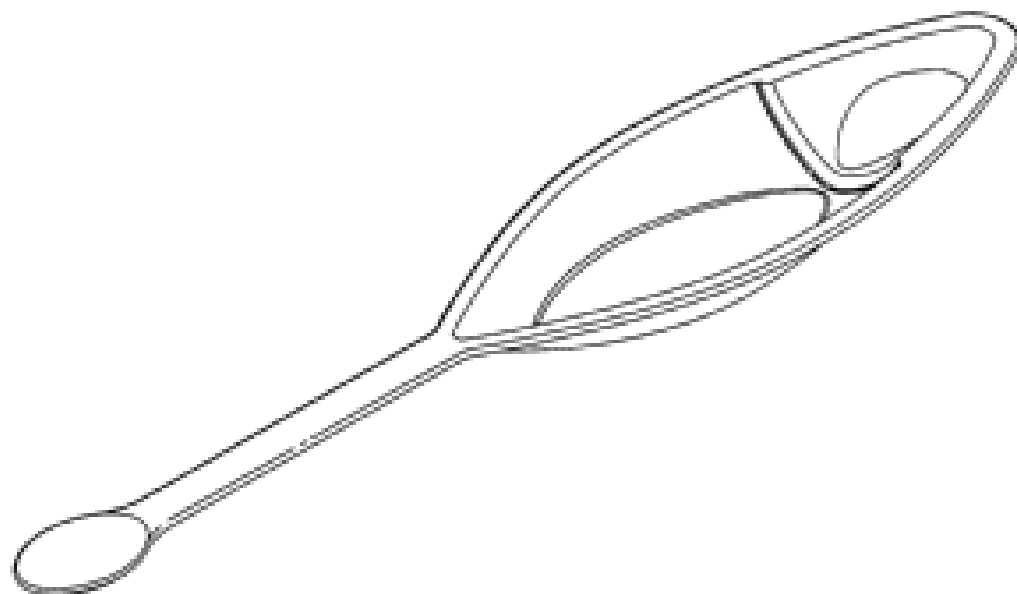
(57) Statement of Newness and Distinctiveness: **Newness and distinctiveness resides in the pattern and/or ornamentation of the identification block when printed onto or incorporated into the products 1 and 2. The identification block is indicated by an arrow "A" in the representations.**



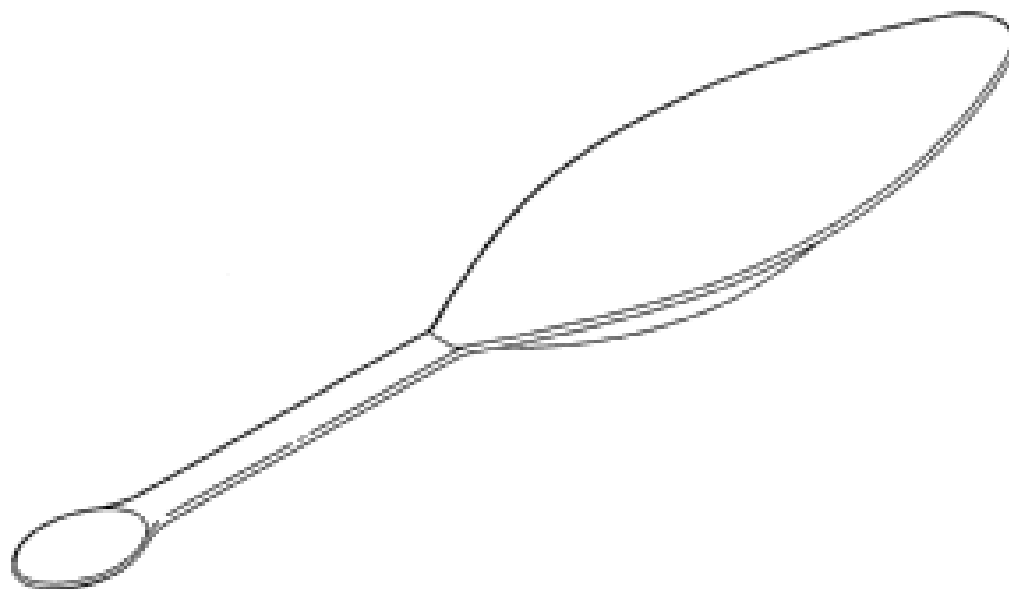
- (21) Design Number: **16587/2007**  
(22) Date of Filing Application: **23 February 2007**  
(24) Date from which industrial property rights may have effect: **23 February 2007**  
(54) Product in respect of which the design is registered: **Ear phone**  
(51) International Design Classification: **14-01**  
(71) Name(s) and Address(s) of Applicant(s):  
**Apple Computer, Inc.**  
**1 Infinite Loop Cupertino California 95014-2084 United States of America**  
(72) Name(s) of Designer(s): **Bertley K. Andre and Daniel J. Coster and Daniele De Iuliis and Richard P. Howarth and Jonathan P. Ive and Duncan Robert Kerr and Shin Nishibori and Matthew Dean Rohrbach and Douglas B. Satzger and Calvin Q. Sid and Christopher J. Stringer and Eugene Antony Whang and Rico Zorkendorfer**  
(45) Registration Date: **15 May 2007**  
(30) Convention priority data:  
(31) Number (32) Date (33) Country  
**29/266004 11 Sep 2006 UNITED STATES OF AMERICA**  
(56) Related Art Documents: **Not Applicable**  
(57) Statement of Newness and Distinctiveness: **Newness and distinctiveness of the design resides in the features of the design depicted in solid lines in the accompanying representations.**



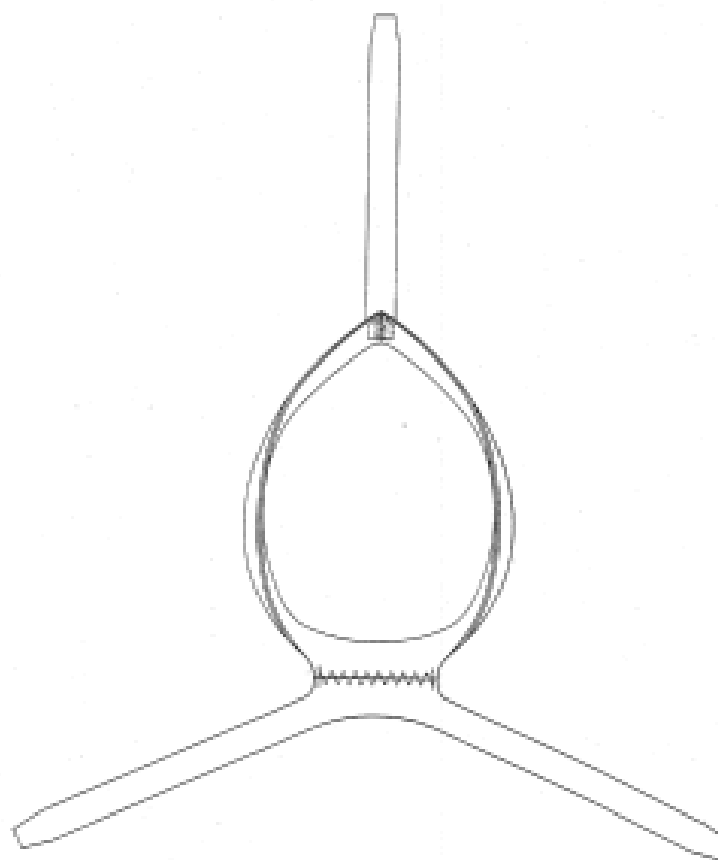
- (21) Design Number: **16585/2007**  
(22) Date of Filing Application: **23 February 2007**  
(24) Date from which industrial property rights may have effect: **23 February 2007**  
(54) Product in respect of which the design is registered: **Utensil**  
(51) International Design Classification: **07-03**  
(71) Name(s) and Address(s) of Applicant(s):  
**Sands Innovations Pty Ltd**  
**Level 3 74 Astor Terrace Brisbane Queensland 4000 Australia**  
(72) Name(s) of Designer(s): **Bradley Donald Teys and Glenn Bevan and Benjamin Chapman and Anton Lee See**  
(45) Registration Date: **15 May 2007**  
(56) Related Art Documents: **Not Applicable**  
(57) Statement of Newness and Distinctiveness: **In assessing the newness and distinctiveness of the visual features of the utensil depicted in the accompanying representations, particular attention is to be paid to the broad, leaf shaped handle portion, and no attention is to be paid to the small, 'spoon bowl' tool portion.**



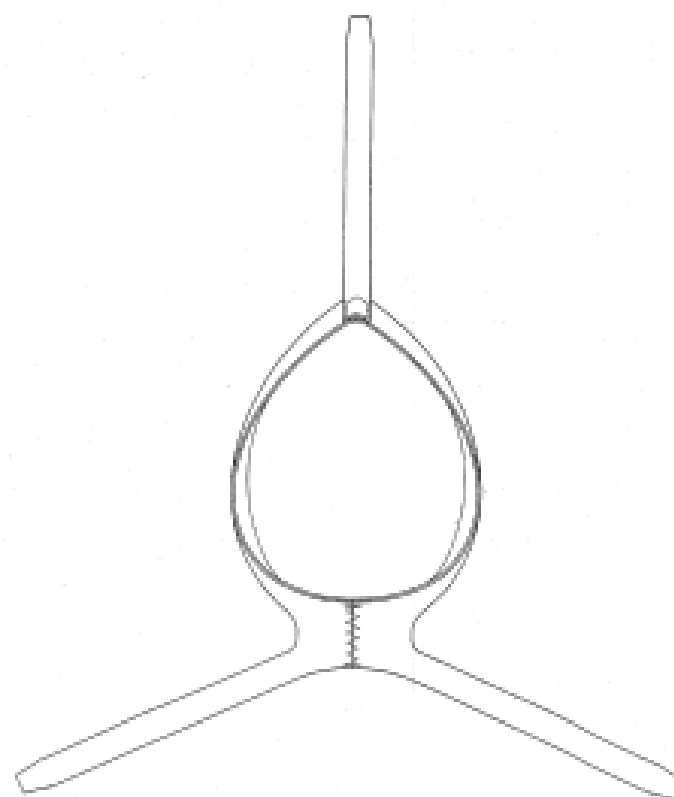
- (21) Design Number: **16586/2007**  
(22) Date of Filing Application: **23 February 2007**  
(24) Date from which industrial property rights may have effect: **23 February 2007**  
(54) Product in respect of which the design is registered: **Utensil**  
(51) International Design Classification: **07-03**  
(71) Name(s) and Address(s) of Applicant(s):  
**Sands Innovations Pty Ltd**  
**Level 3 74 Astor Terrace Brisbane Queensland 4000 Australia**  
(72) Name(s) of Designer(s): **Bradley Donald Teys and Glenn Bevan and Benjamin Chapman and Anton Lee See**  
(45) Registration Date: **15 May 2007**  
(56) Related Art Documents: **Not Applicable**  
(57) Statement of Newness and Distinctiveness: **In assessing newness and distinctiveness of the visual features of the utensil depicted in the accompanying representations, particular attention is to be paid to the broad, leaf shaped handle portion, and no attention is to be paid to the small, 'spoon bowl' tool portion.**



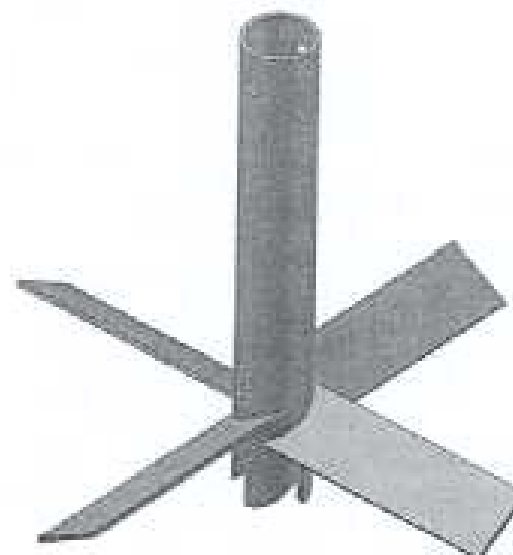
- (21) Design Number: **16582/2007**  
(22) Date of Filing Application: **23 February 2007**  
(24) Date from which industrial property rights may have effect: **23 February 2007**  
(54) Product in respect of which the design is registered: **Headgear for respiratory mask**  
(51) International Design Classification: **02-03, 24-01**  
(71) Name(s) and Address(s) of Applicant(s):  
**ResMed Ltd**  
**1 Elizabeth Macarthur Drive Bella Vista New South Wales 2153 Australia**  
(72) Name(s) of Designer(s): **Fiona Catherine Carroll and Joel Edward Gibson and Errol Savio Alex D'Souza and Bruce Richard Davies**  
(45) Registration Date: **15 May 2007**  
(30) Convention priority data:  
(31) Number      (32) Date      (33) Country  
**29/265,328      30 Aug 2006      UNITED STATES OF AMERICA**  
(56) Related Art Documents: **Not Applicable**  
(57) Statement of Newness and Distinctiveness: **Nil**



- (21) Design Number: **16583/2007**  
(22) Date of Filing Application: **23 February 2007**  
(24) Date from which industrial property rights may have effect: **23 February 2007**  
(54) Product in respect of which the design is registered: **Headgear for respiratory mask**  
(51) International Design Classification: **02-03, 24-01**  
(71) Name(s) and Address(s) of Applicant(s):  
**ResMed Ltd**  
**1 Elizabeth Macarthur Drive Bella Vista New South Wales 2153**  
**Australia**  
(72) Name(s) of Designer(s): **Fiona Catherine Carroll and Joel Edward Gibson and Errol Savio Alex D'Souza and Bruce Richard Davies**  
(45) Registration Date: **15 May 2007**  
(30) Convention priority data:  
(31) Number (32) Date (33) Country  
**29/265,328 30 Aug 2006 UNITED STATES OF AMERICA**  
(56) Related Art Documents: **Not Applicable**  
(57) Statement of Newness and Distinctiveness: **Nil**



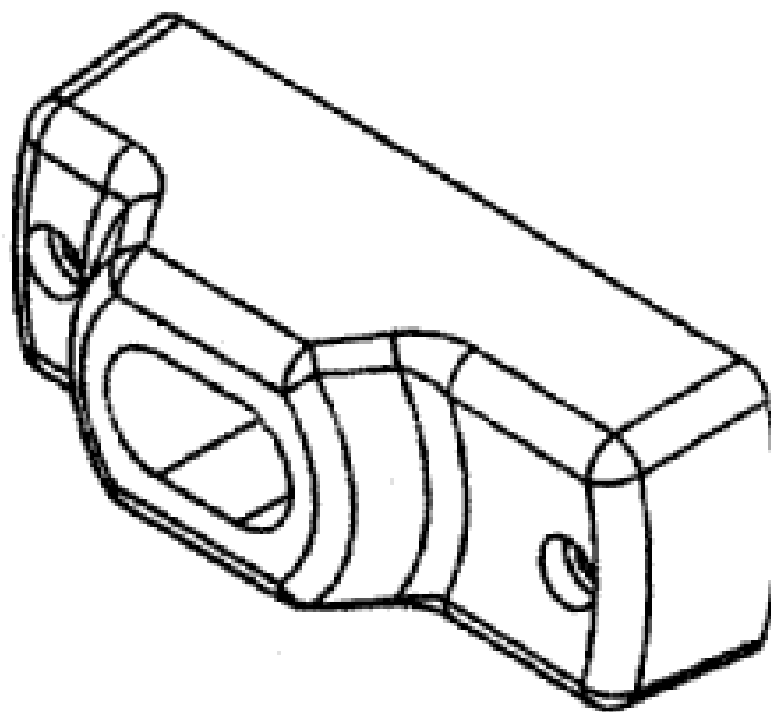
- (21) Design Number: **16543/2007**  
(22) Date of Filing Application: **23 February 2007**  
(24) Date from which industrial property rights may have effect: **23 February 2007**  
(54) Product in respect of which the design is registered: **Post base, sign post base**  
(51) International Design Classification: **25-02A**  
(71) Name(s) and Address(s) of Applicant(s):  
**Andrew Gordon**  
**8 Kullaroo Road Kahibah New South Wales 2290 Australia**  
(72) Name(s) of Designer(s): **Andrew Gordon**  
(45) Registration Date: **15 May 2007**  
(56) Related Art Documents: **Not Applicable**  
(57) Statement of Newness and Distinctiveness: **Nil**



- (21) Design Number: **16542/2007**
- (22) Date of Filing Application: **23 February 2007**
- (24) Date from which industrial property rights may have effect: **23 February 2007**
- (54) Product in respect of which the design is registered: **T-shirt**
- (51) International Design Classification: **02-02NES**
- (71) Name(s) and Address(s) of Applicant(s):  
**Joshua Paul Feros**  
**302 Ferguson Road Norman Park Queensland 4170 Australia**
- (72) Name(s) of Designer(s): **Joshua Paul Feros**
- (45) Registration Date: **15 May 2007**
- (56) Related Art Documents: **Not Applicable**
- (57) Statement of Newness and Distinctiveness: **Microphone, microphone appears hanging around person's neck.**



- (21) Design Number: **16576/2007**
- (22) Date of Filing Application: **22 February 2007**
- (24) Date from which industrial property rights may have effect: **22 February 2007**
- (54) Product in respect of which the design is registered: **Lock housing**
- (51) International Design Classification: **08-07**
- (71) Name(s) and Address(s) of Applicant(s):  
**Michael Phillip Stephens**  
**3 Horden Avenue Ryde New South Wales 2112 Australia**
- (72) Name(s) of Designer(s): **Michael Stephens**
- (45) Registration Date: **15 May 2007**
- (56) Related Art Documents: **Not Applicable**
- (57) Statement of Newness and Distinctiveness: **Nil**



- (21) Design Number: **16575/2007**  
(22) Date of Filing Application: **22 February 2007**  
(24) Date from which industrial property rights may have effect: **22 February 2007**  
(54) Product in respect of which the design is registered: **Thirst extinguisher - box with removable perspex front**  
(51) International Design Classification: **21-01A**  
(71) Name(s) and Address(s) of Applicant(s):  
**Brian Jones**  
**26 Toronto Avenue Cromer New South Wales 2099 Australia**  
(72) Name(s) of Designer(s): **Brian Jones**  
(45) Registration Date: **15 May 2007**  
(56) Related Art Documents: **Not Applicable**  
(57) Statement of Newness and Distinctiveness: **Box opens to access contents, new and distinctive text thirst extinguisher**



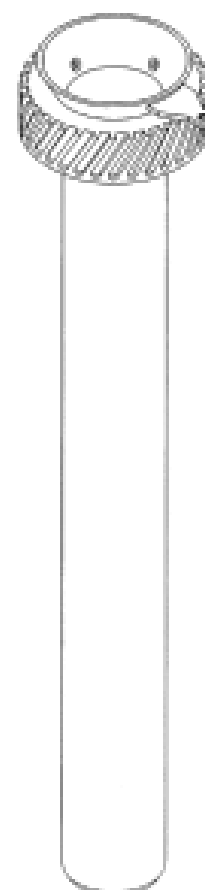
- (21) Design Number: **14841/2006**  
(22) Date of Filing Application: **24 October 2006**  
(24) Date from which industrial property rights may have effect: **24 October 2006**  
(54) Product in respect of which the design is registered: **Turning cyress timber into kindling pushed through a tube by a ram**  
(51) International Design Classification: **08-05NES**  
(71) Name(s) and Address(s) of Applicant(s):  
**Brett Cyril Rostron**  
**60 Sunrise Lane Leyburn Queensland 4365 Australia**  
(72) Name(s) of Designer(s): **Brett Cyril Rostron**  
(45) Registration Date: **15 May 2007**  
(56) Related Art Documents: **Not Applicable**  
(57) Statement of Newness and Distinctiveness: **The pattern of the knife configuration is new and distinctive.**



- (21) Design Number: **14842/2006**  
(22) Date of Filing Application: **24 October 2006**  
(24) Date from which industrial property rights may have effect: **24 October 2006**  
(54) Product in respect of which the design is registered: **An attachment that goes on any small wood splitter available currently for sale**  
(51) International Design Classification: **08-05NES**  
(71) Name(s) and Address(s) of Applicant(s):  
**Brett Cyril Rostron**  
**60 Sunrise Lane Leyburn Queensland 4365 Australia**  
(72) Name(s) of Designer(s): **Brett Cyril Rostron**  
(45) Registration Date: **15 May 2007**  
(56) Related Art Documents: **Not Applicable**  
(57) Statement of Newness and Distinctiveness: **Nil**



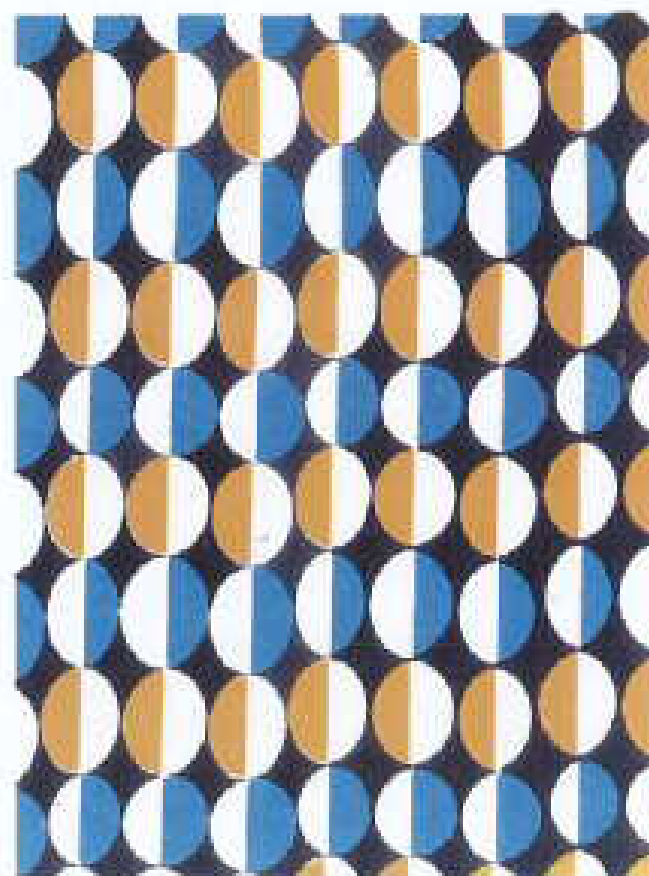
- (21) Design Number: **16226/2007**  
(22) Date of Filing Application: **01 February 2007**  
(24) Date from which industrial property rights may have effect: **01 February 2007**  
(54) Product in respect of which the design is registered: **Silicon rig assembly**  
(51) International Design Classification: **15-99**  
(71) Name(s) and Address(s) of Applicant(s):  
**Australian Nuclear Science and Technology Organisation**  
**New Illawarra Road Lucas Heights New South Wales 2234 Australia**  
(72) Name(s) of Designer(s): **Peter Edward Amos and Michael Deura**  
(45) Registration Date: **15 May 2007**  
(56) Related Art Documents: **Not Applicable**  
(57) Statement of Newness and Distinctiveness: **Newness and distinctiveness is claimed in the features of shape and/or configuration of a silicon rig assembly as illustrated in the accompanying representations.**



- (21) Design Number: **16600/2007**  
(22) Date of Filing Application: **26 February 2007**  
(24) Date from which industrial property rights may have effect: **26 February 2007**  
(54) Product in respect of which the design is registered: **Neck lanyards**  
(51) International Design Classification: **02-05**  
(71) Name(s) and Address(s) of Applicant(s):  
**Discovery Clothing Company Pty Ltd**  
**Unit 26-34 Dunning Avenue Rosebery New South Wales 2018**  
**Australia**  
(72) Name(s) of Designer(s): **Charlie Brown**  
(45) Registration Date: **15 May 2007**  
(56) Related Art Documents: **Not Applicable**  
(57) Statement of Newness and Distinctiveness: **Distinctiveness is claimed in the colour combination (yellow and black) and the use of the iconic optus animals.**



- (21) Design Number: **16601/2007**  
(22) Date of Filing Application: **26 February 2007**  
(24) Date from which industrial property rights may have effect: **26 February 2007**  
(54) Product in respect of which the design is registered: **Clothing accessories and stationary**  
(51) International Design Classification: **05-05B, 19-01, 02-07NES**  
(71) Name(s) and Address(s) of Applicant(s):  
**Discovery Clothing Company Pty Ltd**  
**Unit 26-34 Dunning Avenue Rosebery New South Wales 2018**  
**Australia**  
(72) Name(s) of Designer(s): **Charlie Brown**  
(45) Registration Date: **15 May 2007**  
(56) Related Art Documents: **Not Applicable**  
(57) Statement of Newness and Distinctiveness: **Distinctiveness is claimed in the semi circle illusion and combination of colours (orange, blue, black and white).**





(21) Design Number: **16602/2007**

(22) Date of Filing Application: **26 February 2007**

(24) Date from which industrial property rights may have effect: **26 February 2007**

(54) Product in respect of which the design is registered: **Clothing accessories and stationary**

(51) International Design Classification: **05-05D, 19-01, 02-07NES**

(71) Name(s) and Address(s) of Applicant(s):

**Discovery Clothing Company Pty Ltd  
Unit 26-34 Dunning Avenue Rosebery New South Wales 2018  
Australia**

(72) Name(s) of Designer(s): **Charlie Brown**

(45) Registration Date: **15 May 2007**

(56) Related Art Documents: **Not Applicable**

(57) Statement of Newness and Distinctiveness: **Distinctiveness is claimed in the placement of diamonds in diagonal rows and the colour combination (orange, blue, navy and white).**



(21) Design Number: **16502/2007**

(22) Date of Filing Application: **21 February 2007**

(24) Date from which industrial property rights may have effect: **21 February 2007**

(54) Product in respect of which the design is registered: **Powered carpet cleaning wand**

(51) International Design Classification: **15-05**

(71) Name(s) and Address(s) of Applicant(s):

**Recipro Industries Pty Ltd  
63 Thomas Road Healesville Victoria 3777 Australia**

(72) Name(s) of Designer(s): **Clive John Blakely**

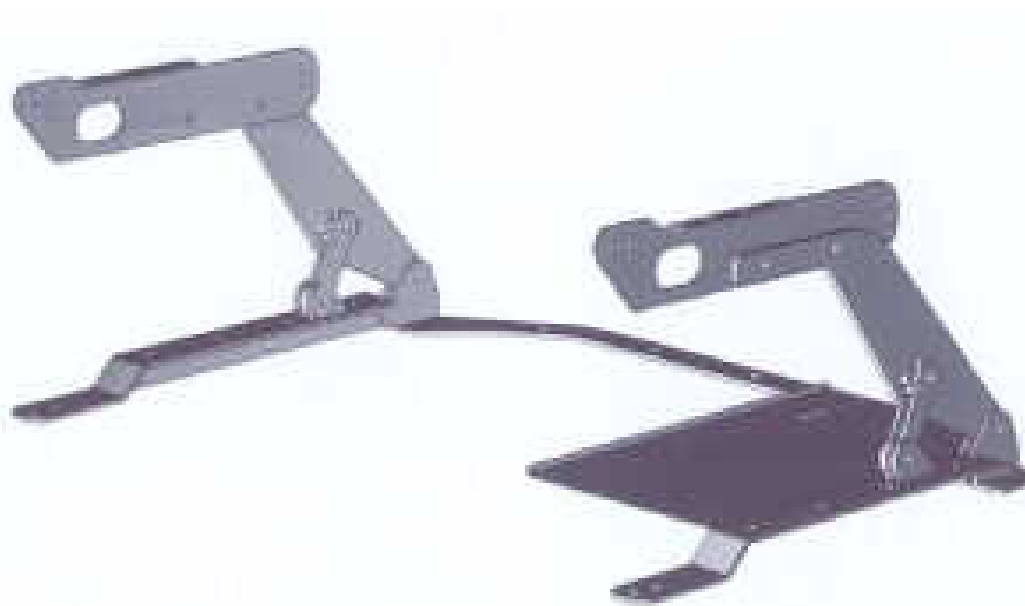
(45) Registration Date: **18 May 2007**

(56) Related Art Documents: **Not Applicable**

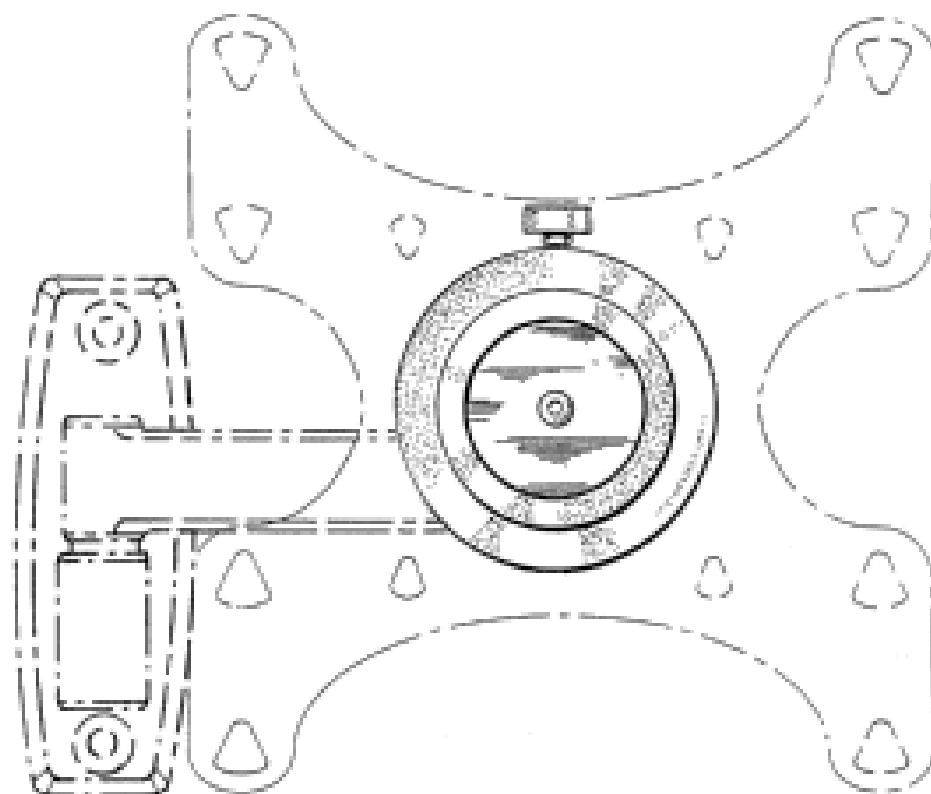
(57) Statement of Newness and Distinctiveness: **The reciprovac power wand has two rear fixed castors and one swivelled castor beneath the frame. Two large rubber wheels are constantly driven when machine is energised, tilting to the rear castors lifts the drive wheels away from the floor. The machine is fitted with a vacuum head and folding handle for easy transport.**



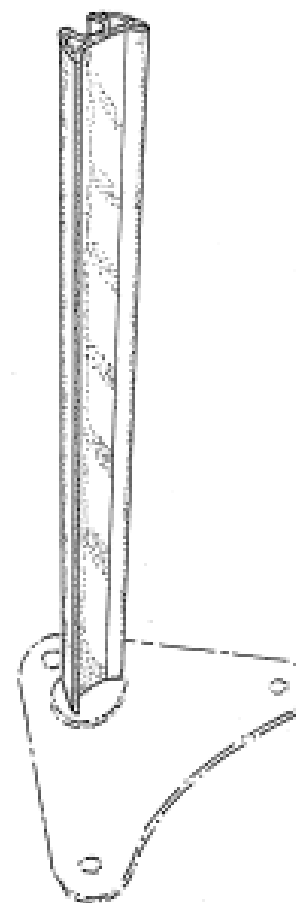
(21) Design Number: **16605/2007**  
(22) Date of Filing Application: **26 February 2007**  
(24) Date from which industrial property rights may have effect: **26 February 2007**  
(54) Product in respect of which the design is registered: **Boot tray support bracket**  
(51) International Design Classification: **12-16NES**  
(71) Name(s) and Address(s) of Applicant(s):  
**Industrial Evolution Designs Pty Ltd**  
**27/159 Arthur Street Homebush West New South Wales 2137 Australia**  
(72) Name(s) of Designer(s): **Brett Franzi**  
(45) Registration Date: **18 May 2007**  
(56) Related Art Documents: **Not Applicable**  
(57) Statement of Newness and Distinctiveness: **Nil**



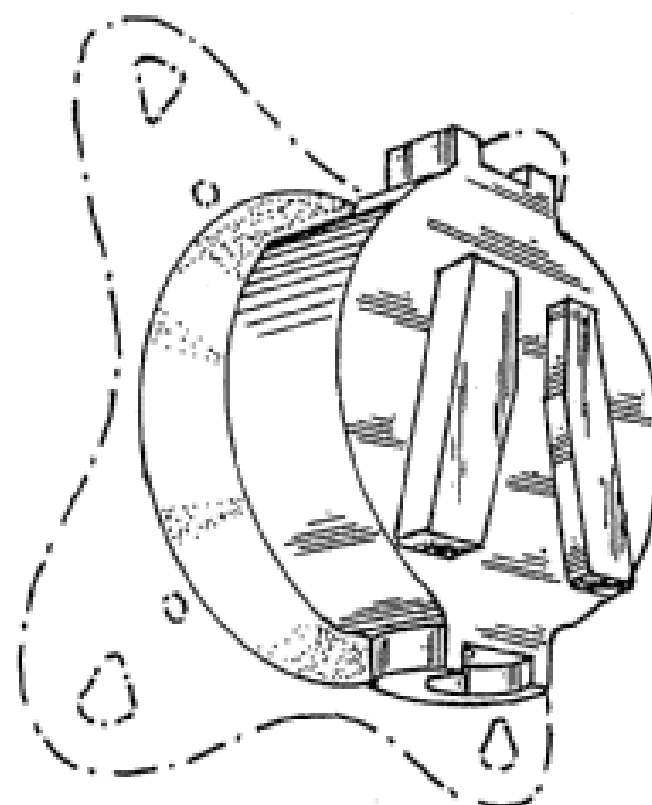
(21) Design Number: **16614/2007**  
(22) Date of Filing Application: **26 February 2007**  
(24) Date from which industrial property rights may have effect: **26 February 2007**  
(54) Product in respect of which the design is registered: **Mounting device for article**  
(51) International Design Classification: **08-08L**  
(71) Name(s) and Address(s) of Applicant(s):  
**CSAV, Inc**  
**8401 Eagle Creek Parkway Savage Minnesota 55378 United States of America**  
(72) Name(s) of Designer(s): **Jim Wohlford and Dominic Grey**  
(45) Registration Date: **18 May 2007**  
(30) Convention priority data:  
(31) Number (32) Date (33) Country  
**29/265,244 28 Aug 2006 UNITED STATES OF AMERICA**  
(56) Related Art Documents: **Not Applicable**  
(57) Statement of Newness and Distinctiveness: **Nil**



(21) Design Number: **16615/2007**  
(22) Date of Filing Application: **26 February 2007**  
(24) Date from which industrial property rights may have effect: **26 February 2007**  
(54) Product in respect of which the design is registered: **Support column for mounting device**  
(51) International Design Classification: **08-08NES**  
(71) Name(s) and Address(s) of Applicant(s):  
**CSAV, Inc**  
**8401 Eagle Creek Parkway Savage Minnesota 55378 United States of America**  
(72) Name(s) of Designer(s): **Jim Wohlford and Dominic Grey**  
(45) Registration Date: **18 May 2007**  
(30) Convention priority data:  
(31) Number (32) Date (33) Country  
**29/265,247 28 Aug 2006 UNITED STATES OF AMERICA**  
(56) Related Art Documents: **Not Applicable**  
(57) Statement of Newness and Distinctiveness: **Nil**



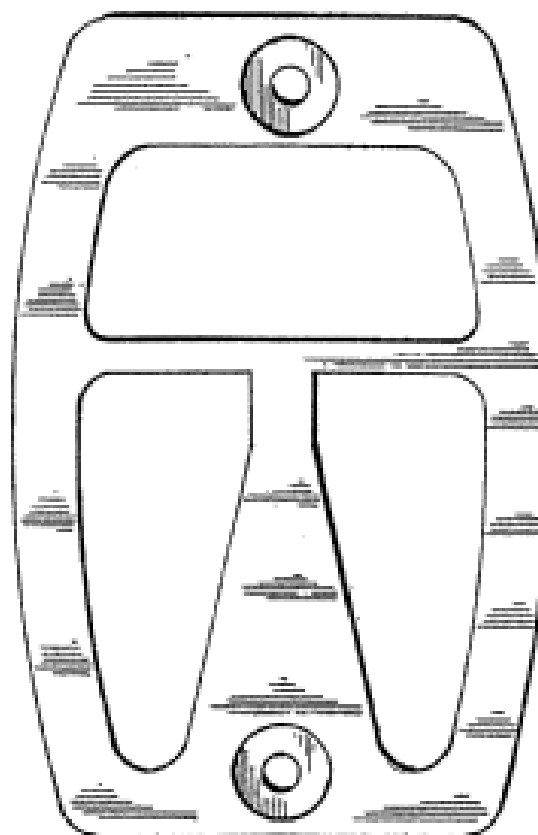
(21) Design Number: **16616/2007**  
(22) Date of Filing Application: **26 February 2007**  
(24) Date from which industrial property rights may have effect: **26 February 2007**  
(54) Product in respect of which the design is registered: **Mounting device for article**  
(51) International Design Classification: **08-08L**  
(71) Name(s) and Address(s) of Applicant(s):  
**CSAV, Inc**  
**8401 Eagle Creek Parkway Savage Minnesota 55378 United States of America**  
(72) Name(s) of Designer(s): **Jim Wohlford and Dominic Grey**  
(45) Registration Date: **18 May 2007**  
(30) Convention priority data:  
(31) Number (32) Date (33) Country  
**29/265,245 28 Aug 2006 UNITED STATES OF AMERICA**  
(56) Related Art Documents: **Not Applicable**  
(57) Statement of Newness and Distinctiveness: **Nil**



(21) Design Number: **16617/2007**  
 (22) Date of Filing Application: **26 February 2007**  
 (24) Date from which industrial property rights may have effect: **26 February 2007**  
 (54) Product in respect of which the design is registered: **Wall interface for mounting device**  
 (51) International Design Classification: **08-08NES**  
 (71) Name(s) and Address(s) of Applicant(s):  
**CSAV, Inc**  
**8401 Eagle Creek Parkway Savage Minnesota 55378 United States of America**  
 (72) Name(s) of Designer(s): **Jim Wohlford and Dominic Grey**  
 (45) Registration Date: **18 May 2007**  
 (30) Convention priority data:  

(31) Number	(32) Date	(33) Country
<b>29/265,246</b>	<b>28 Aug 2006</b>	<b>UNITED STATES OF AMERICA</b>

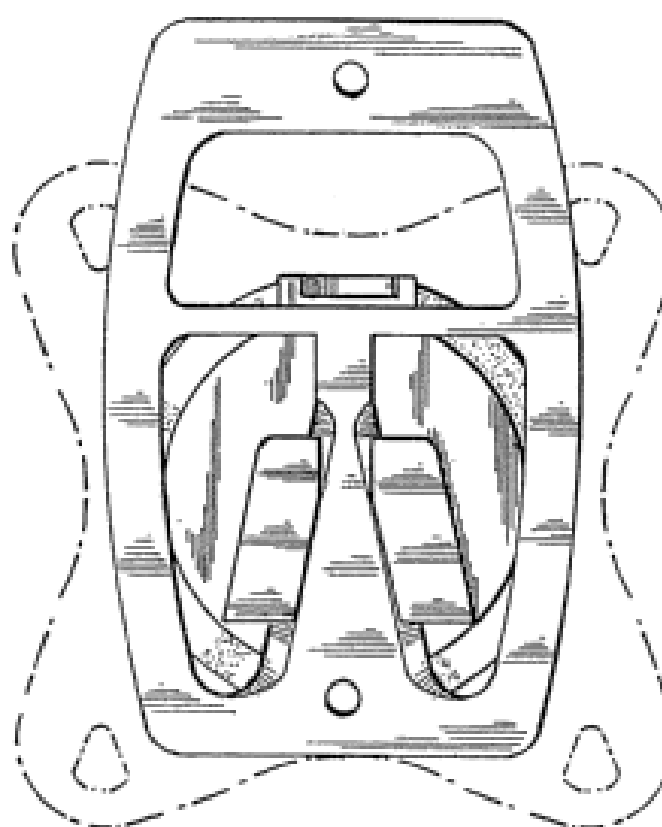
 (56) Related Art Documents: **Not Applicable**  
 (57) Statement of Newness and Distinctiveness: **Nil**



(21) Design Number: **16618/2007**  
 (22) Date of Filing Application: **26 February 2007**  
 (24) Date from which industrial property rights may have effect: **26 February 2007**  
 (54) Product in respect of which the design is registered: **Wall mount for article**  
 (51) International Design Classification: **08-08NES**  
 (71) Name(s) and Address(s) of Applicant(s):  
**CSAV, Inc**  
**8401 Eagle Creek Parkway Savage Minnesota 55378 United States of America**  
 (72) Name(s) of Designer(s): **Jim Wohlford and Dominic Grey**  
 (45) Registration Date: **18 May 2007**  
 (30) Convention priority data:  

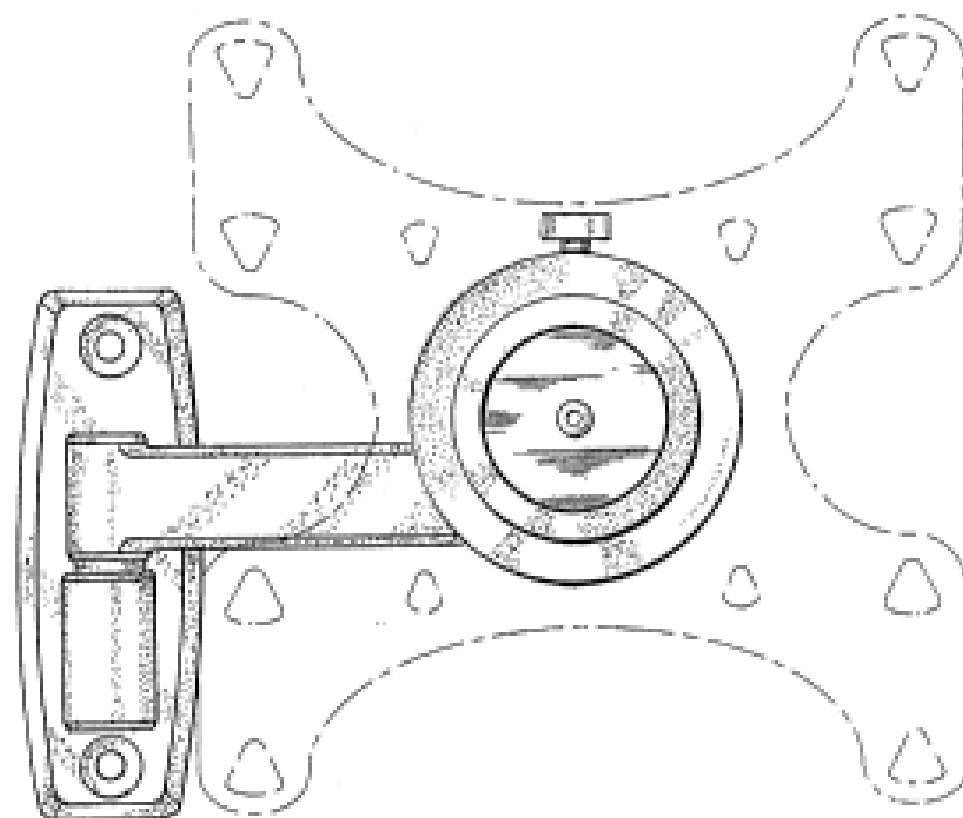
(31) Number	(32) Date	(33) Country
<b>29/265,251</b>	<b>28 Aug 2006</b>	<b>UNITED STATES OF AMERICA</b>

 (56) Related Art Documents: **Not Applicable**  
 (57) Statement of Newness and Distinctiveness: **Nil**



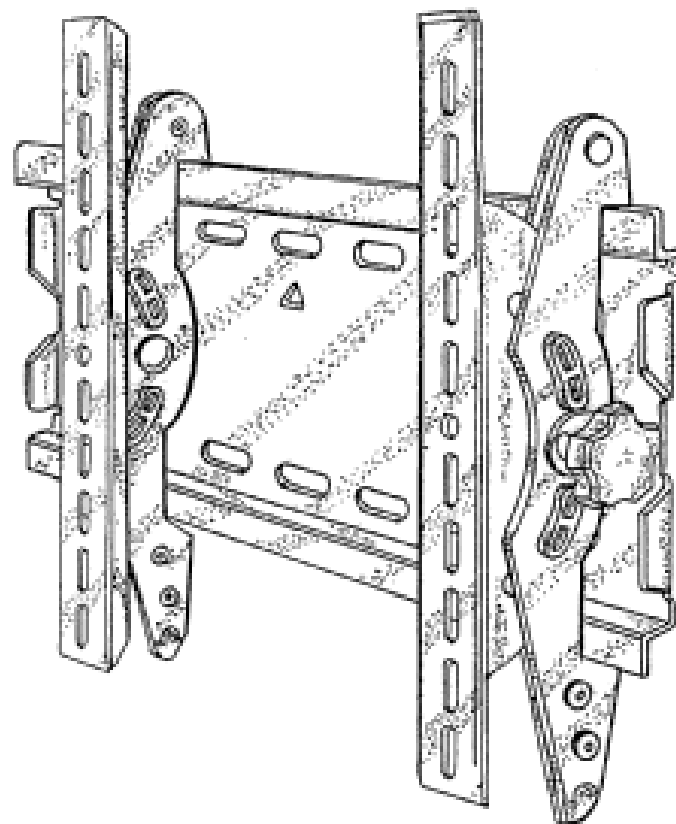
(19) AU

(21) Design Number: **16619/2007**  
 (22) Date of Filing Application: **26 February 2007**  
 (24) Date from which industrial property rights may have effect: **26 February 2007**  
 (54) Product in respect of which the design is registered: **Mounting system for article**  
 (51) International Design Classification: **08-08NES**  
 (71) Name(s) and Address(s) of Applicant(s):  
**CSAV, Inc**  
**8401 Eagle Creek Parkway Savage Minnesota 55378 United States of America**  
 (72) Name(s) of Designer(s): **Jim Wohlford and Dominic Grey**  
 (45) Registration Date: **18 May 2007**  
 (30) Convention priority data:  
 (31) Number (32) Date (33) Country  
**29/265,243 28 Aug 2006 UNITED STATES OF AMERICA**  
 (56) Related Art Documents: **Not Applicable**  
 (57) Statement of Newness and Distinctiveness: **Nil**

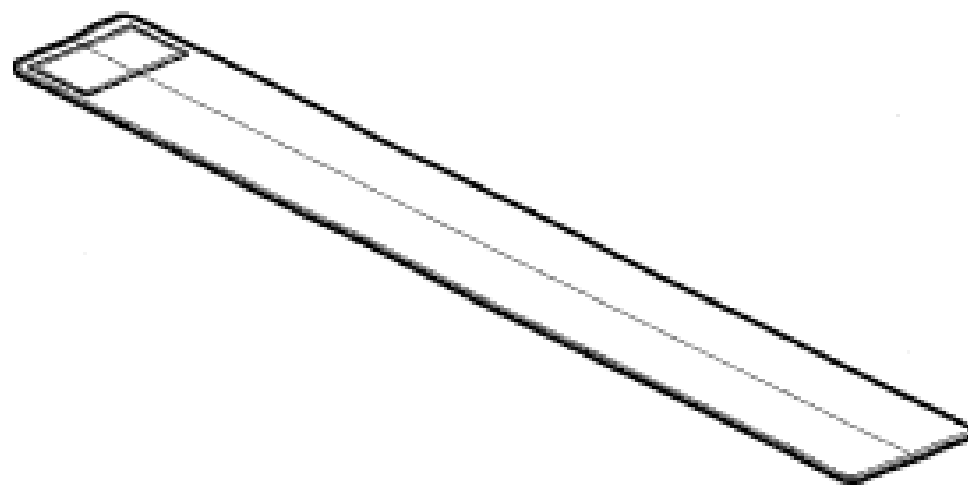


(19) AU

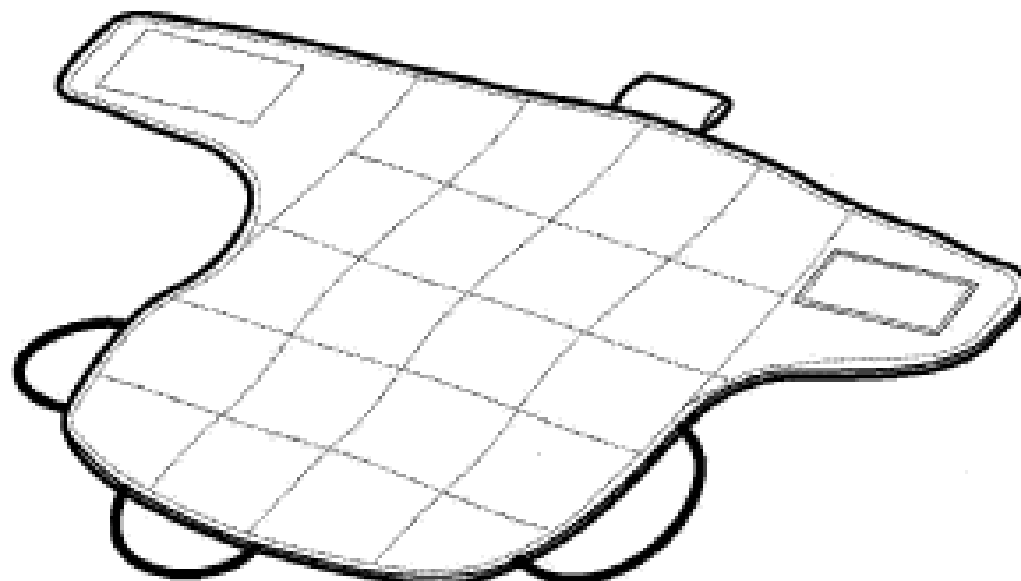
(21) Design Number: **16620/2007**  
 (22) Date of Filing Application: **26 February 2007**  
 (24) Date from which industrial property rights may have effect: **26 February 2007**  
 (54) Product in respect of which the design is registered: **Tilt mounting bracket for electronic display**  
 (51) International Design Classification: **08-08NES**  
 (71) Name(s) and Address(s) of Applicant(s):  
**CSAV, Inc**  
**8401 Eagle Creek Parkway Savage Minnesota 55378 United States of America**  
 (72) Name(s) of Designer(s): **Jim Wohlford and Dominic Grey**  
 (45) Registration Date: **18 May 2007**  
 (30) Convention priority data:  
 (31) Number (32) Date (33) Country  
**29/266,294 18 Sep 2006 UNITED STATES OF AMERICA**  
 (56) Related Art Documents: **Not Applicable**  
 (57) Statement of Newness and Distinctiveness: **Nil**



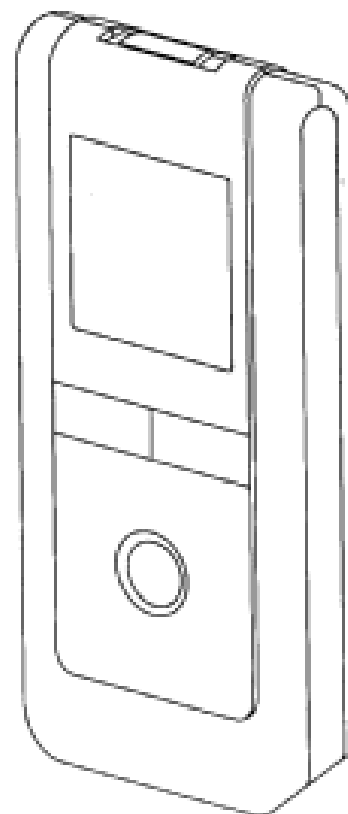
- (21) Design Number: **16621/2007**  
(22) Date of Filing Application: **26 February 2007**  
(24) Date from which industrial property rights may have effect: **26 February 2007**  
(54) Product in respect of which the design is registered: **Cooling band**  
(51) International Design Classification: **02-07NES**  
(71) Name(s) and Address(s) of Applicant(s):  
**Jason Hamilton Hall**  
**58 Manning Street Scarborough Western Australia 6019 Australia**  
(72) Name(s) of Designer(s): **Jason Hamilton Hall**  
(45) Registration Date: **18 May 2007**  
(56) Related Art Documents: **Not Applicable**  
(57) Statement of Newness and Distinctiveness: **Newness and distinctiveness is claimed in the shape and/or configuration of a cooling band as depicted in the attached representations.**



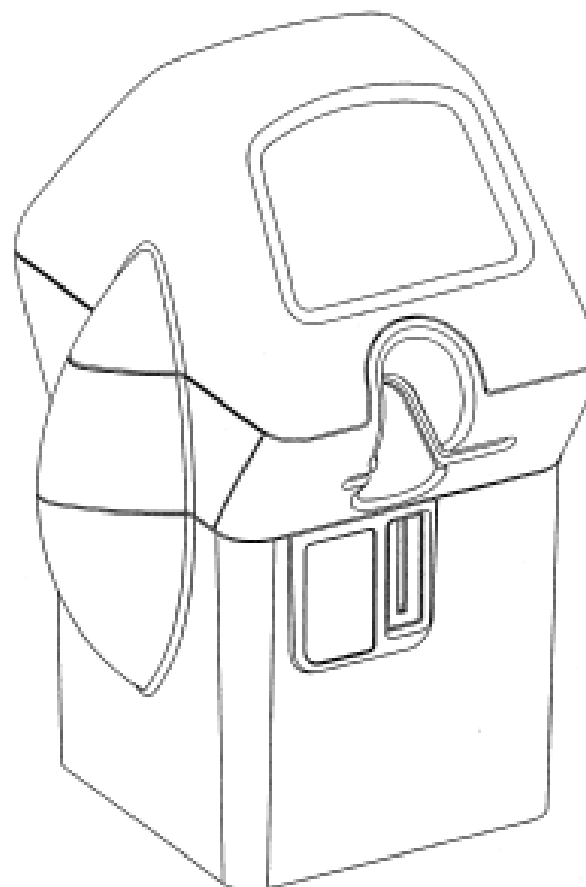
- (21) Design Number: **16622/2007**  
(22) Date of Filing Application: **26 February 2007**  
(24) Date from which industrial property rights may have effect: **26 February 2007**  
(54) Product in respect of which the design is registered: **Cooling glove**  
(51) International Design Classification: **02-06**  
(71) Name(s) and Address(s) of Applicant(s):  
**Jason Hamilton Hall**  
**58 Manning Street Scarborough Western Australia 6019 Australia**  
(72) Name(s) of Designer(s): **Jason Hamilton Hall**  
(45) Registration Date: **18 May 2007**  
(56) Related Art Documents: **Not Applicable**  
(57) Statement of Newness and Distinctiveness: **Newness and distinctiveness is claimed in the shape and/or configuration of a cooling glove as depicted in the attached representations.**



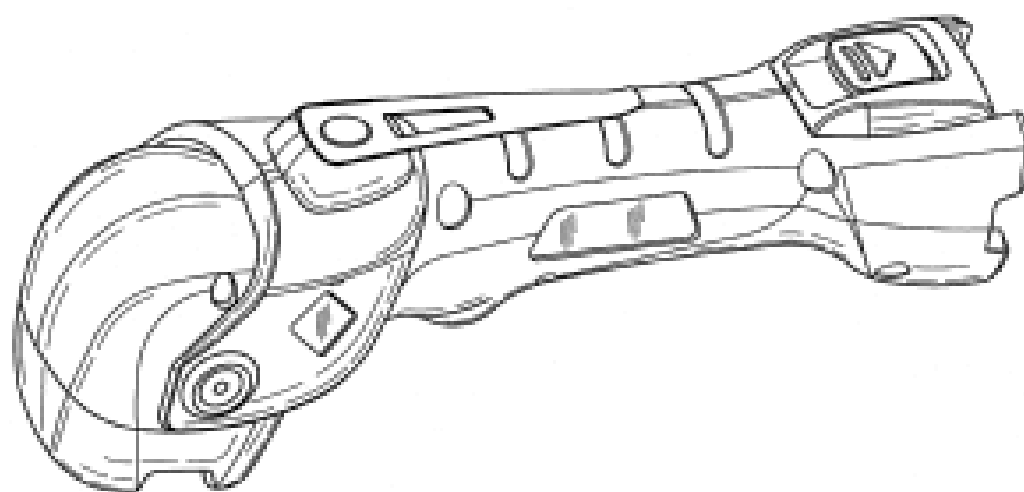
- (21) Design Number: **16623/2007**  
(22) Date of Filing Application: **26 February 2007**  
(24) Date from which industrial property rights may have effect: **26 February 2007**  
(54) Product in respect of which the design is registered: **Digital audio player**  
(51) International Design Classification: **14-01**  
(71) Name(s) and Address(s) of Applicant(s):  
**Kabushiki Kaisha Toshiba**  
**1-1 Shibaura 1-chome Minato-ku Tokyo Japan**  
(72) Name(s) of Designer(s): **Tatsuya Honda**  
(45) Registration Date: **18 May 2007**  
(30) Convention priority data:  
(31) Number      (32) Date      (33) Country  
**2006#035846      27 Dec 2006      JAPAN**  
(56) Related Art Documents: **Not Applicable**  
(57) Statement of Newness and Distinctiveness: **Nil**



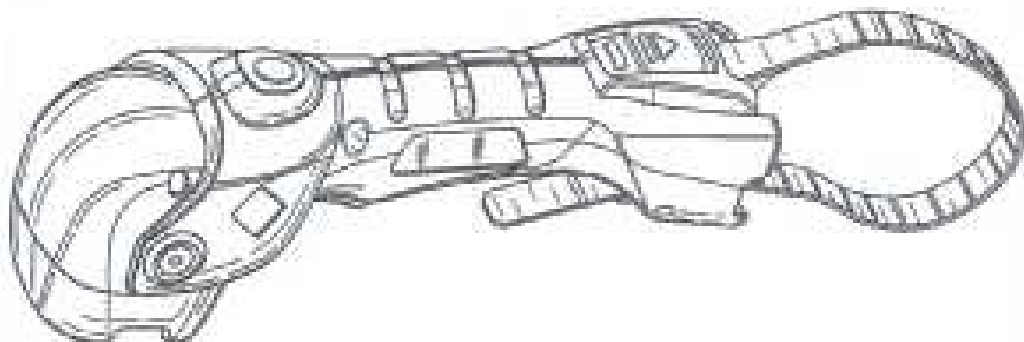
- (21) Design Number: **16628/2007**  
(22) Date of Filing Application: **27 February 2007**  
(24) Date from which industrial property rights may have effect: **27 February 2007**  
(54) Product in respect of which the design is registered: **A parking meter**  
(51) International Design Classification: **10-03**  
(71) Name(s) and Address(s) of Applicant(s):  
**IPS Group Inc.**  
**4555 Campobello Street San Diego California 92130 United States of America**  
(72) Name(s) of Designer(s): **David William King and Murray David Kirby Hunter and Matthew James Hall and David Andrew Jones**  
(45) Registration Date: **18 May 2007**  
(56) Related Art Documents: **Not Applicable**  
(57) Statement of Newness and Distinctiveness: **Newness and distinctiveness is claimed in the features of shape and/or configuration of a parking meter as illustrated in the accompanying representations.**



(21) Design Number: **16629/2007**  
(22) Date of Filing Application: **27 February 2007**  
(24) Date from which industrial property rights may have effect: **27 February 2007**  
(54) Product in respect of which the design is registered: **A flashlight**  
(51) International Design Classification: **26-02**  
(71) Name(s) and Address(s) of Applicant(s):  
**Eveready Battery Company, Inc.**  
**533 Maryville University Drive St Louis Missouri 63164 United States of America**  
(72) Name(s) of Designer(s): **Scott W. Osiecki and Todd B. Abernethy and Robert S. Englert**  
(45) Registration Date: **18 May 2007**  
(30) Convention priority data:  
(31) Number (32) Date (33) Country  
**29/266084 14 Sep 2006 UNITED STATES OF AMERICA**  
(56) Related Art Documents: **Not Applicable**  
(57) Statement of Newness and Distinctiveness: **Nil**

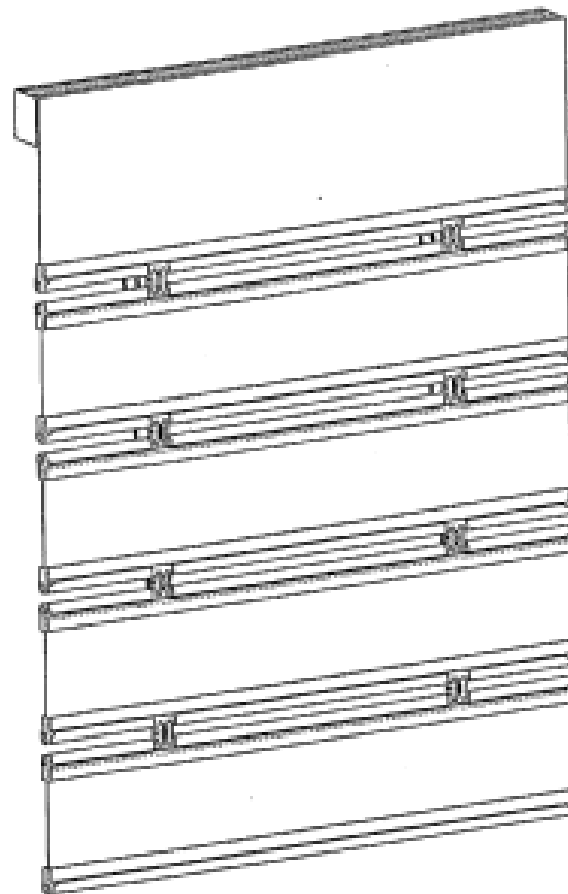


(21) Design Number: **16630/2007**  
(22) Date of Filing Application: **27 February 2007**  
(24) Date from which industrial property rights may have effect: **27 February 2007**  
(54) Product in respect of which the design is registered: **A flashlight**  
(51) International Design Classification: **26-02**  
(71) Name(s) and Address(s) of Applicant(s):  
**Eveready Battery Company, Inc.**  
**533 Maryville University Drive St Louis Missouri 63164 United States of America**  
(72) Name(s) of Designer(s): **Scott W. Osiecki and Todd B. Abernethy and Robert S. Englert**  
(45) Registration Date: **18 May 2007**  
(30) Convention priority data:  
(31) Number (32) Date (33) Country  
**29/266097 14 Sep 2006 UNITED STATES OF AMERICA**  
(56) Related Art Documents: **Not Applicable**  
(57) Statement of Newness and Distinctiveness: **Nil**

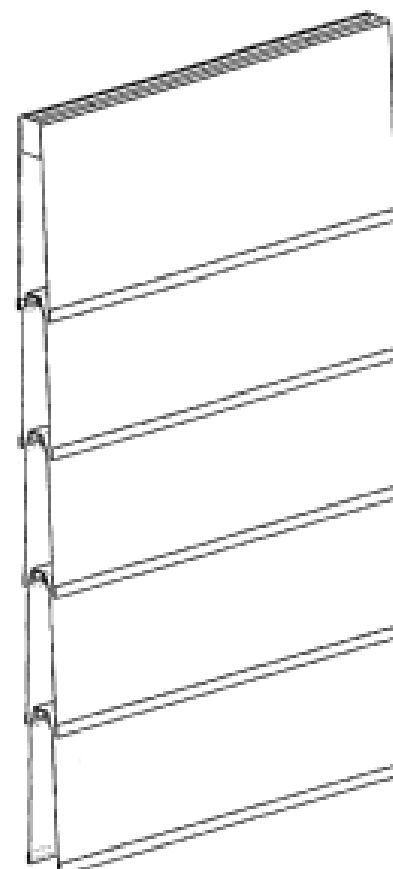




- (21) Design Number: **16631/2007**  
(22) Date of Filing Application: **27 February 2007**  
(24) Date from which industrial property rights may have effect: **27 February 2007**  
(54) Product in respect of which the design is registered: **Folding shade of washi fabric**  
(51) International Design Classification: **25-02H**  
(71) Name(s) and Address(s) of Applicant(s):  
**Hunter Douglas Industries B.V.**  
**Piekstraat 2 NL-3008 AB Rotterdam The Netherlands**  
(72) Name(s) of Designer(s): **Jorg Bohlen**  
(45) Registration Date: **18 May 2007**  
(30) Convention priority data:  
(31) Number      (32) Date      (33) Country  
**000583893#0001 31 Aug 2006 EUROPEAN COMMUNITY**  
(56) Related Art Documents: **Not Applicable**  
(57) Statement of Newness and Distinctiveness: **Nil**



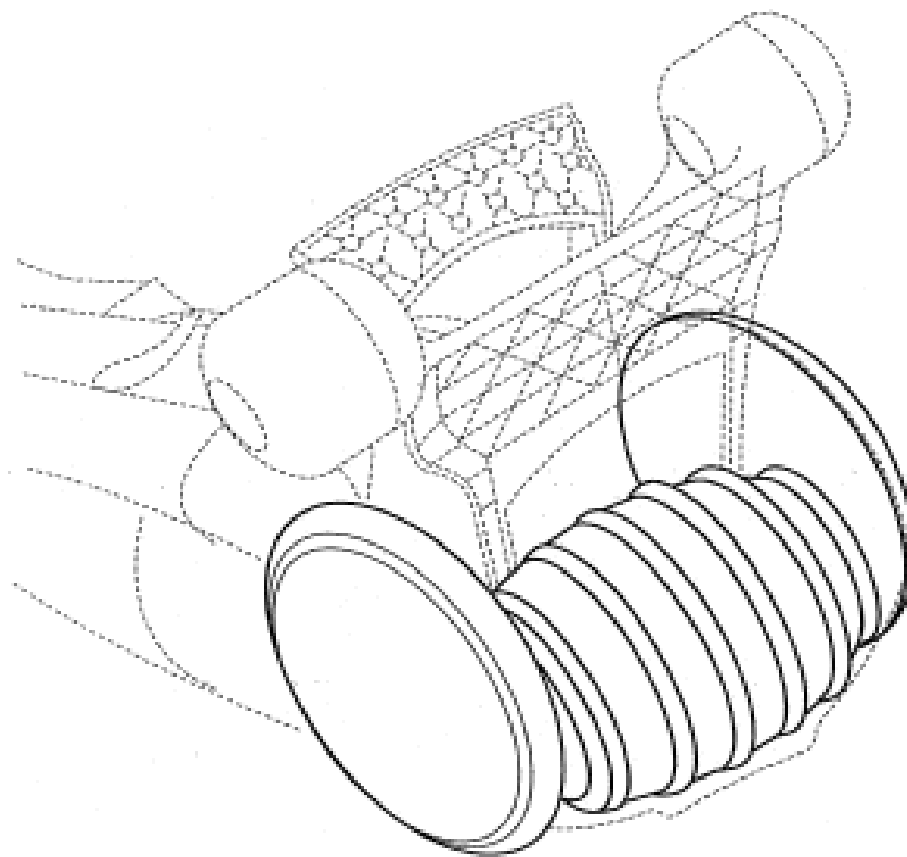
- (21) Design Number: **16632/2007**  
(22) Date of Filing Application: **27 February 2007**  
(24) Date from which industrial property rights may have effect: **27 February 2007**  
(54) Product in respect of which the design is registered: **Roman shade of washi fabric**  
(51) International Design Classification: **25-02H**  
(71) Name(s) and Address(s) of Applicant(s):  
**Hunter Douglas Industries B.V.**  
**Piekstraat 2 NL-3008 AB Rotterdam The Netherlands**  
(72) Name(s) of Designer(s): **Jorg Bohlen**  
(45) Registration Date: **18 May 2007**  
(30) Convention priority data:  
(31) Number      (32) Date      (33) Country  
**000583828#0001 31 Aug 2006 EUROPEAN COMMUNITY**  
(56) Related Art Documents: **Not Applicable**  
(57) Statement of Newness and Distinctiveness: **Nil**



(21) Design Number: **16635/2007**  
 (22) Date of Filing Application: **27 February 2007**  
 (24) Date from which industrial property rights may have effect: **27 February 2007**  
 (54) Product in respect of which the design is registered: **A support assembly for a cleaning appliance**  
 (51) International Design Classification: **15-05**  
 (71) Name(s) and Address(s) of Applicant(s):  
**Dyson Limited**  
**Tetbury Hill Malmesbury Wiltshire SN16 0RP United Kingdom**  
 (72) Name(s) of Designer(s): **Gerard Matthew Shevlin**  
 (45) Registration Date: **18 May 2007**  
 (30) Convention priority data:  

(31) Number	(32) Date	(33) Country
<b>3025866</b>	<b>05 Sep 2006</b>	<b>UNITED KINGDOM</b>

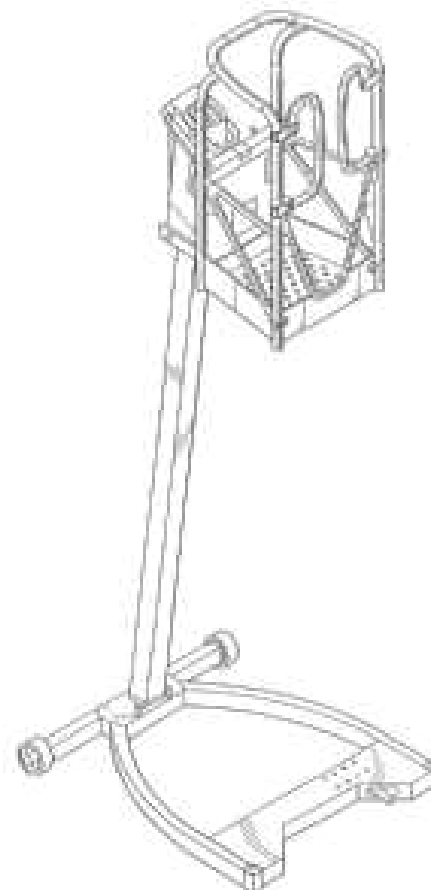
 (56) Related Art Documents: **Not Applicable**  
 (57) Statement of Newness and Distinctiveness: **Newness and distinctiveness resides in the features of shape and/or configuration of a support assembly for a cleaning appliance as illustrated in the accompanying representations. The features shown in broken outline do not form part of the design.**



(21) Design Number: **17217/2007**  
 (22) Date of Filing Application: **29 March 2007**  
 (24) Date from which industrial property rights may have effect: **29 March 2007**  
 (54) Product in respect of which the design is registered: **Free standing mast lift**  
 (51) International Design Classification: **12-05**  
 (71) Name(s) and Address(s) of Applicant(s):  
**JLG Industries Inc**  
**1 JLG Drive McConnellsburg Pennsylvania 17233-9533 United States of America**  
 (72) Name(s) of Designer(s): **Geoffrey George Campbell and Alexander McKechnan Hardie McNeil**  
 (45) Registration Date: **18 May 2007**  
 (30) Convention priority data:  

(31) Number	(32) Date	(33) Country
<b>29/267528</b>	<b>17 Oct 2006</b>	<b>UNITED STATES OF AMERICA</b>

 (56) Related Art Documents: **Not Applicable**  
 (57) Statement of Newness and Distinctiveness: **Newness and distinctiveness reside in the features of the design as shown in the representations.**



(21) Design Number: **17310/2007**

(22) Date of Filing Application: **03 April 2007**

(24) Date from which industrial property rights may have effect: **03 April 2007**

(54) Product in respect of which the design is registered: **Fluid dispenser**

(51) International Design Classification: **09-01D**

(71) Name(s) and Address(s) of Applicant(s):

**Bryan Patrick Casey**

**15 Manmarra Crescent Eight Mile Plains Queensland 4113 Australia**

**Jacqueline Morehu**

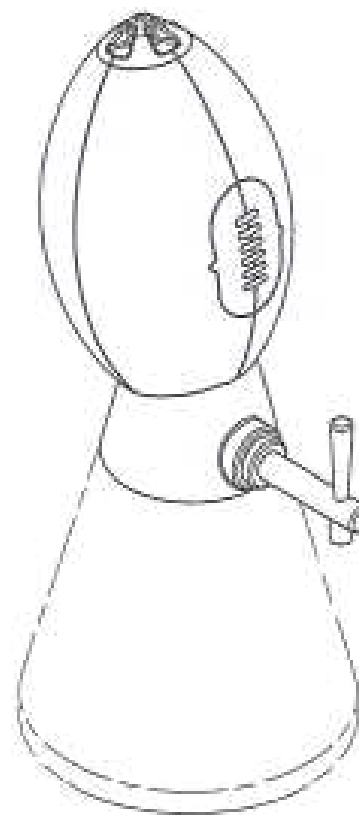
**15 Manmarra Crescent Eight Mile Plains Queensland 4113 Australia**

(72) Name(s) of Designer(s): **Bryan Patrick Casey and Jacqueline Morehu**

(45) Registration Date: **18 May 2007**

(56) Related Art Documents: **Not Applicable**

(57) Statement of Newness and Distinctiveness: **Newness and distinctiveness resides in the shape and configuration of the dispenser shown in the accompanying representations. When determining the scope of the monopoly the base shown in phantom is to be disregarded.**



(21) Design Number: **12604/2006**

(22) Date of Filing Application: **16 June 2006**

(24) Date from which industrial property rights may have effect: **16 June 2006**

(54) Product in respect of which the design is registered: **Beverage container**

(51) International Design Classification: **07-01C**

(71) Name(s) and Address(s) of Applicant(s):

**Carl-Louis Pty Ltd**

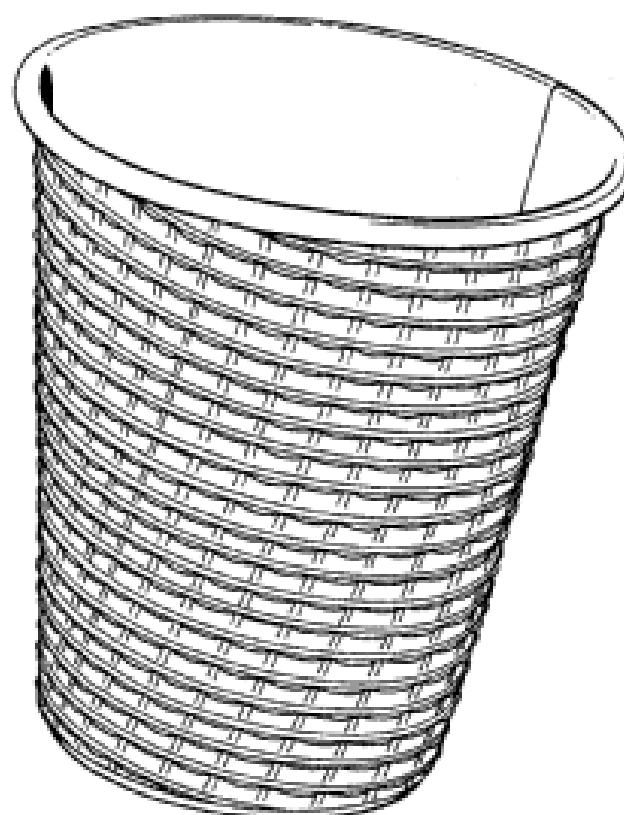
**4 Straits Avenue Granville New South Wales 2142 Australia**

(72) Name(s) of Designer(s): **Carl Karam**

(45) Registration Date: **17 May 2007**

(56) Related Art Documents: **Not Applicable**

(57) Statement of Newness and Distinctiveness: **Nil.**



- (21) Design Number: **16603/2007**  
(22) Date of Filing Application: **26 February 2007**  
(24) Date from which industrial property rights may have effect: **26 February 2007**  
(54) Product in respect of which the design is registered: **Receptacle**  
(51) International Design Classification: **09-01NES**  
(71) Name(s) and Address(s) of Applicant(s):  
**Fermiscan Limited**  
**Level 5 48 Hunter Street Sydney New South Wales 2000 Australia**  
(72) Name(s) of Designer(s): **Oliver Kratzer**  
(45) Registration Date: **17 May 2007**  
(56) Related Art Documents: **Not Applicable**  
(57) Statement of Newness and Distinctiveness: **Newness and distinctiveness is claimed in the visual features of the shape and configuration shown in the representations wherein the article may be of transparent or opaque material or a combination of both. Newness and distinctiveness are not claimed in the component marked 'A'**



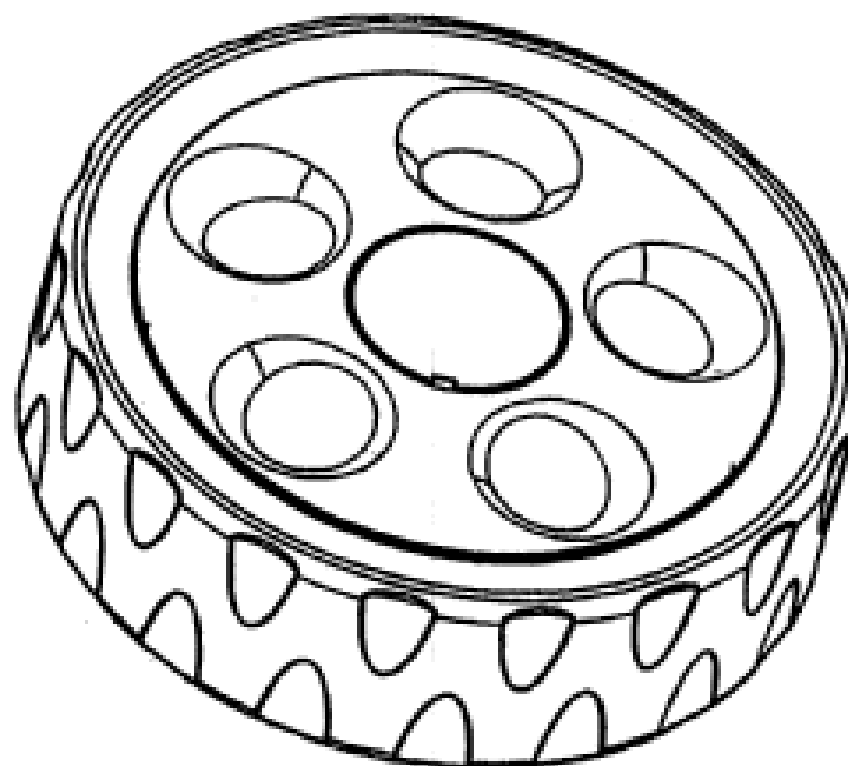
- (21) Design Number: **16464/2007**  
(22) Date of Filing Application: **19 February 2007**  
(24) Date from which industrial property rights may have effect: **19 February 2007**  
(54) Product in respect of which the design is registered: **Resilient wall tie**  
(51) International Design Classification: **08-08A**  
(71) Name(s) and Address(s) of Applicant(s):  
**Matrix Industries Pty Limited**  
**144 Oxley Island Road Oxley Island New South Wales 2430 Australia**  
(72) Name(s) of Designer(s): **Phillip Thornton**  
(45) Registration Date: **17 May 2007**  
(56) Related Art Documents: **Not Applicable**  
(57) Statement of Newness and Distinctiveness: **Monopoly is claimed in the shape and configuration of a wall tie shown in the accompanying representations and in particular the new and distinctive stiffening ribs on the external surface of the "U" connector.**



- (21) Design Number: **17000/2007**  
(22) Date of Filing Application: **22 March 2007**  
(24) Date from which industrial property rights may have effect: **22 March 2007**  
(54) Product in respect of which the design is registered: **watches**  
(51) International Design Classification: **10-02**  
(71) Name(s) and Address(s) of Applicant(s):  
**Mitchell Gordon Foy**  
**2/29 Nana Street Brunswick Heads New South Wales 2483 Australia**  
(72) Name(s) of Designer(s): **Mitchell Gordon Foy**  
(45) Registration Date: **17 May 2007**  
(56) Related Art Documents: **Not Applicable**  
(57) Statement of Newness and Distinctiveness: **The spectrum time interface (STI) is a novel method of displaying localised time without numeration. It's new and distinctive design is an alternative to the traditional watch/clock face. Instead of 3 hands indicating hours, minutes and seconds with hands, the STI system utilises 3 layered areas equating to hours, minutes and seconds and associates them to a sequential spectrum of 60 colours and shapes. The colour shapes fill within the defined areas and change to the next sequential colour as time passes. The colours illustrate a full spectrum each completed cycle, starting with magenta/red at the top (12 noon position). The layer/area representing "hours" is located centrally (on top) with the "minutes and seconds" layers/areas placed underneath. Through preference menue-alarm, stopwatch and countdowns functions can be activated and displayed in the separating gaps between the layers. Each layer can be individually scaled to give added emphasis, as desired. Each shape has a stationary vertical radius, from the center to the top of each layer. The leading radius of each shape, acts as a hand displaying the time by moving in time to the next familiar notational position of a traditional 12/60, clock face.**



- (21) Design Number: **16069/2007**  
(22) Date of Filing Application: **22 January 2007**  
(24) Date from which industrial property rights may have effect: **22 January 2007**  
(54) Product in respect of which the design is registered: **A wheel**  
(51) International Design Classification: **15-03B**  
(71) Name(s) and Address(s) of Applicant(s):  
**Masport Limited**  
**1#37 Mt Wellington Highway Penrose Auckland New Zealand**  
(72) Name(s) of Designer(s): **David McKay**  
(45) Registration Date: **17 May 2007**  
(30) Convention priority data:  
(31) Number      (32) Date      (33) Country  
**407915      24 Jul 2006      NEW ZEALAND**  
(56) Related Art Documents: **Not Applicable**  
(57) Statement of Newness and Distinctiveness: **The novelty claimed for the design resides in the features of shape and/or configuration of the tyre portion and front face portion of the wheel illustrated in the representations.**



- (21) Design Number: **16391/2007**  
(22) Date of Filing Application: **12 February 2007**  
(24) Date from which industrial property rights may have effect: **12 February 2007**  
(54) Product in respect of which the design is registered: **Brass rose for headstones and memorial accessories**  
(51) International Design Classification: **11-04**  
(71) Name(s) and Address(s) of Applicant(s):  
    **Ryan Everitt**  
    **315 Childs Road Mill Park Victoria 3082 Australia**  
    **April Everitt**  
    **315 Childs Road Mill Park Victoria 3082 Australia**  
(72) Name(s) of Designer(s): **Ryan Everitt and April Everitt**  
(45) Registration Date: **17 May 2007**  
(56) Related Art Documents: **Not Applicable**  
(57) Statement of Newness and Distinctiveness: **Brass roses are individually handcrafted and assembled with stainless steel fastener so rose head can be attached to solid surface.**



- (21) Design Number: **16394/2007**  
(22) Date of Filing Application: **12 February 2007**  
(24) Date from which industrial property rights may have effect: **12 February 2007**  
(54) Product in respect of which the design is registered: **Backing leaf/template for personalised message and photo can be attached**  
(51) International Design Classification: **11-04**  
(71) Name(s) and Address(s) of Applicant(s):  
    **Ryan Everitt**  
    **315 Childs Road Mill Park Victoria 3082 Australia**  
    **April Everitt**  
    **315 Childs Road Mill Park Victoria 3082 Australia**  
(72) Name(s) of Designer(s): **Ryan Everitt and April Everitt**  
(45) Registration Date: **17 May 2007**  
(56) Related Art Documents: **Not Applicable**  
(57) Statement of Newness and Distinctiveness: **Backing leaf template is shaped to represent a rose leaf.**



(21) Design Number: **16395/2007**

(22) Date of Filing Application: **12 February 2007**

(24) Date from which industrial property rights may have effect: **12 February 2007**

(54) Product in respect of which the design is registered: **Rose leaf template for photo and messages to be printed on**

(51) International Design Classification: **11-04**

(71) Name(s) and Address(s) of Applicant(s):

**Ryan Everitt**

**315 Childs Road Mill Park Victoria 3082 Australia**

**April Everitt**

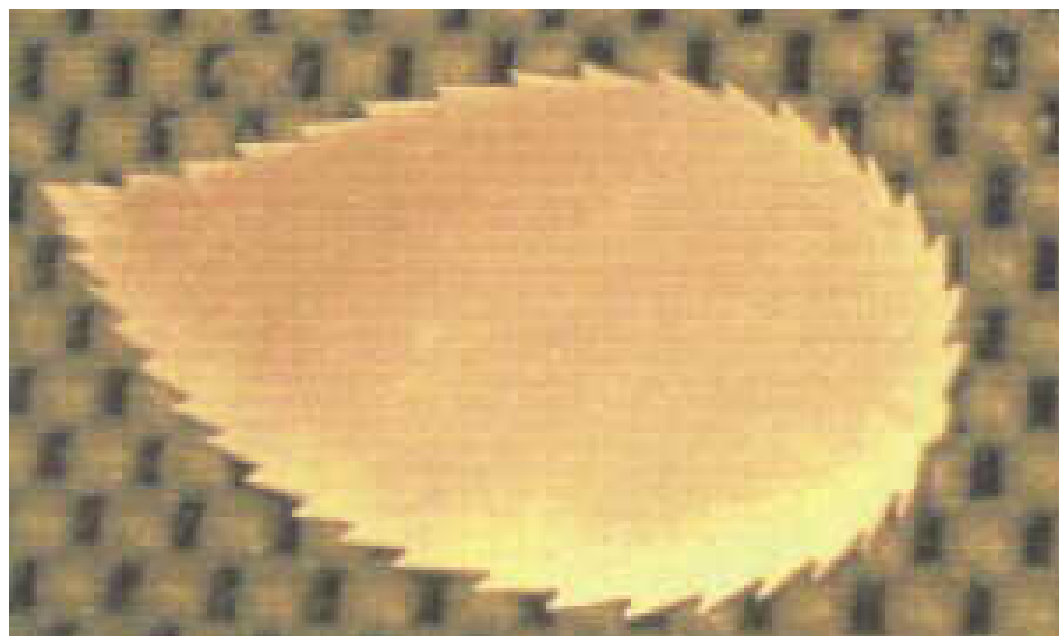
**315 Childs Road Mill Park Victoria 3082 Australia**

(72) Name(s) of Designer(s): **Ryan Everitt and April Everitt**

(45) Registration Date: **17 May 2007**

(56) Related Art Documents: **Not Applicable**

(57) Statement of Newness and Distinctiveness: **Leaves have jagged edges representing rose leaf outline. Leaves are cut from polyester coated aluminium.**



(21) Design Number: **13001/2006**

(22) Date of Filing Application: **14 July 2006**

(24) Date from which industrial property rights may have effect: **14 July 2006**

(54) Product in respect of which the design is registered: **Bedbase, bedside table, dresser and mirror**

(51) International Design Classification: **06-05**

(71) Name(s) and Address(s) of Applicant(s):

**T & A Winter Enterprises Pty Ltd**

**1-7 Kelvin Road Bayswater North Victoria 3153 Australia**

(72) Name(s) of Designer(s): **Steven Trevor Winter and Guy Travis Winter**

(45) Registration Date: **17 May 2007**

(56) Related Art Documents: **Not Applicable**

(57) Statement of Newness and Distinctiveness: **Visual features of the design which are new and distinctive are the features of shape and configuration of the set of bedroom furniture pieces including a bed base, bedside table, a dresser and a mirror as illustrated in the representations. In determining the scope of protection in relation to the bedbase (including bedhead and footer of bedhead) shown in Figs. 3 to 8, the items shown in the pictures other than the bedbase are to be disregarded. In determining the scope of protection in relation to the mirror (including the frame) shown in Figs. 9 to 12, the items shown in the pictures other than the mirror are to be disregarded.**



- (21) Design Number: **12784/2006**  
(22) Date of Filing Application: **29 June 2006**  
(24) Date from which industrial property rights may have effect: **29 June 2006**  
(54) Product in respect of which the design is registered: **Bedbase, bedside table and dresser**  
(51) International Design Classification: **06-02, 06-05, 06-06B, 06-03NES**  
(71) Name(s) and Address(s) of Applicant(s):  
**T & A Winter Enterprises Pty Ltd**  
**1-7 Kelvin Road Bayswater North Victoria 3153 Australia**  
(72) Name(s) of Designer(s): **Steven Trevor Winter and Guy Travis Winter**  
(45) Registration Date: **17 May 2007**  
(56) Related Art Documents: **Not Applicable**  
(57) Statement of Newness and Distinctiveness: **Visual features of the design which are new and distinctive are the features of shape and configuration of the set of bedroom furniture pieces including a bed base, bedside table and a dresser as illustrated in the representations.**

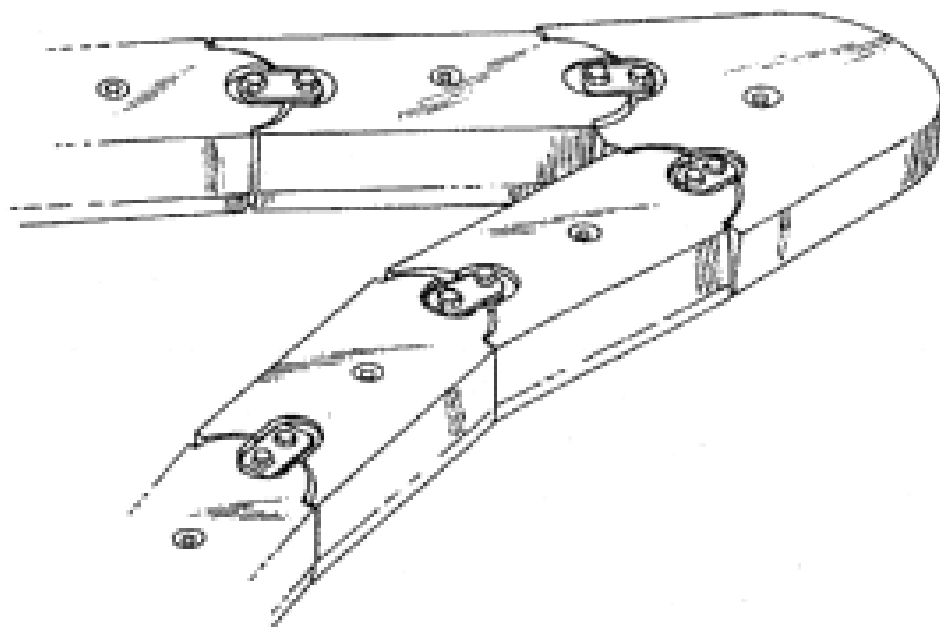


- (21) Design Number: **16427/2007**  
(22) Date of Filing Application: **15 February 2007**  
(24) Date from which industrial property rights may have effect: **15 February 2007**  
(54) Product in respect of which the design is registered: **Puzzle wooden 3-dimensional frog**  
(51) International Design Classification: **21-01M**  
(71) Name(s) and Address(s) of Applicant(s):  
**Cawsey Menck Pty Ltd**  
**2 Rothwell Avenue Concord West New South Wales 2138 Australia**  
(72) Name(s) of Designer(s): **Richard Owen Menck**  
(45) Registration Date: **17 May 2007**  
(56) Related Art Documents: **Not Applicable**  
(57) Statement of Newness and Distinctiveness: **Monopoly is claimed for the individual 3-dimensional design/drawing as illustrated in the attached sheets.**

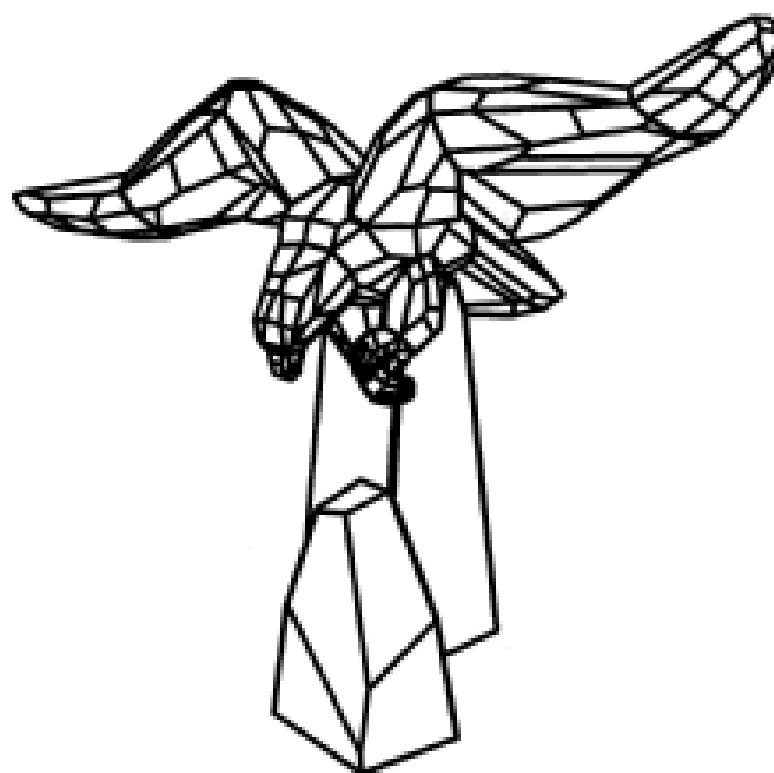




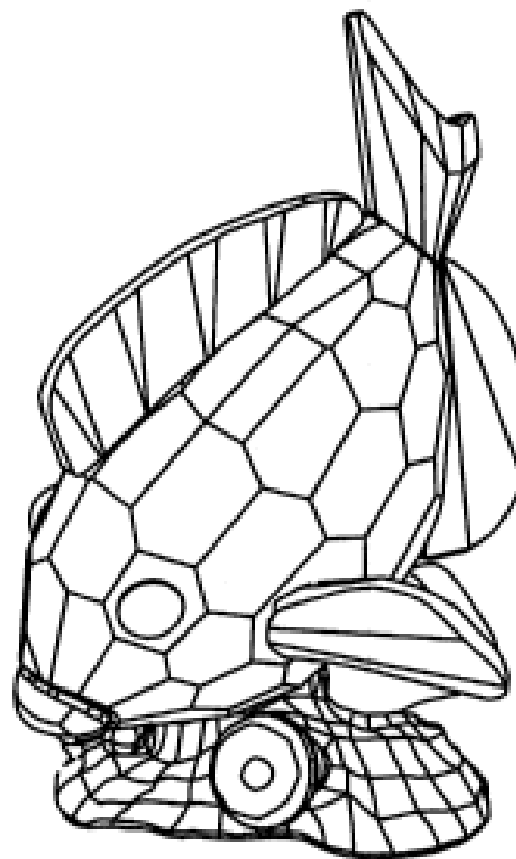
- (21) Design Number: **13953/2006**  
(22) Date of Filing Application: **31 August 2006**  
(24) Date from which industrial property rights may have effect: **31 August 2006**  
(54) Product in respect of which the design is registered: **Rectangular kerb block and triangular kerb block**  
(51) International Design Classification: **25-01E**  
(71) Name(s) and Address(s) of Applicant(s):  
**CM Concrete Products Pty Ltd**  
**4 Quarry Road Stapleton Queensland 4207 Australia**  
(72) Name(s) of Designer(s): **Phillip Anthony Thomas**  
(45) Registration Date: **17 May 2007**  
(56) Related Art Documents: **Not Applicable**  
(57) Statement of Newness and Distinctiveness: **Monopoly is claimed in the features in shape and configuration of the kerb blocks as illustrated in the accompanying representations. The kerb blocks have a commonality of design including male and female mating portions, rebate sections for positioning of connector plates and substantially flat upper surface. The kerb blocks are used together to form extended kerb sections for roadway kerbs, road dividers and traffic islands.**



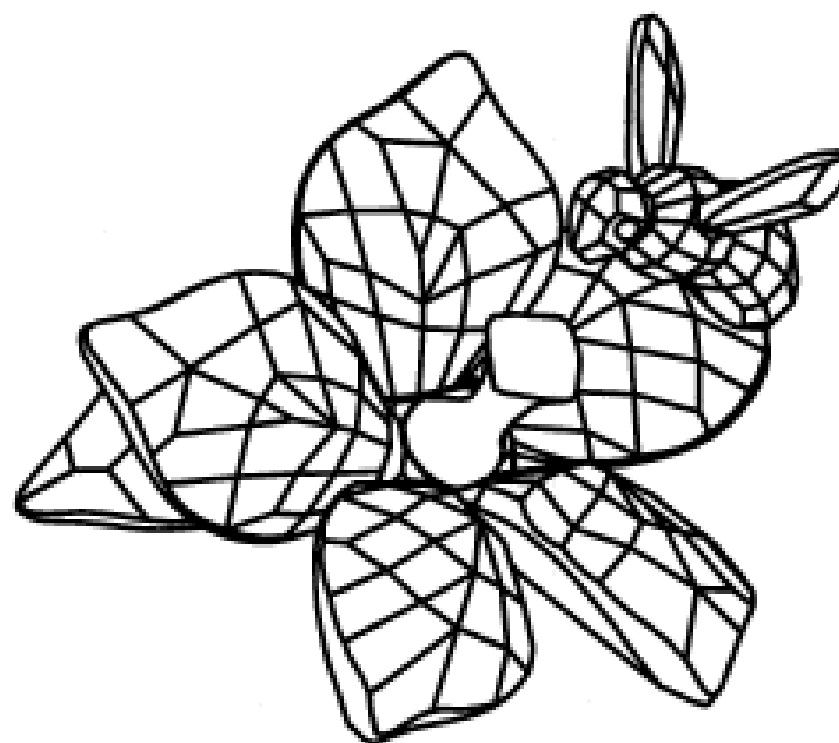
- (21) Design Number: **16653/2007**  
(22) Date of Filing Application: **27 February 2007**  
(24) Date from which industrial property rights may have effect: **27 February 2007**  
(54) Product in respect of which the design is registered: **Ornamental object**  
(51) International Design Classification: **11-02E**  
(71) Name(s) and Address(s) of Applicant(s):  
**Swarovski Aktiengesellschaft**  
**Droschistrasse 15 FL-9495 Triesen Liechtenstein**  
(72) Name(s) of Designer(s): **Mario Dilitz**  
(45) Registration Date: **17 May 2007**  
(30) Convention priority data:  
(31) Number (32) Date (33) Country  
**602057#0001 10 Oct 2006 EUROPEAN COMMUNITY**  
(56) Related Art Documents: **Not Applicable**  
(57) Statement of Newness and Distinctiveness: **Nil**



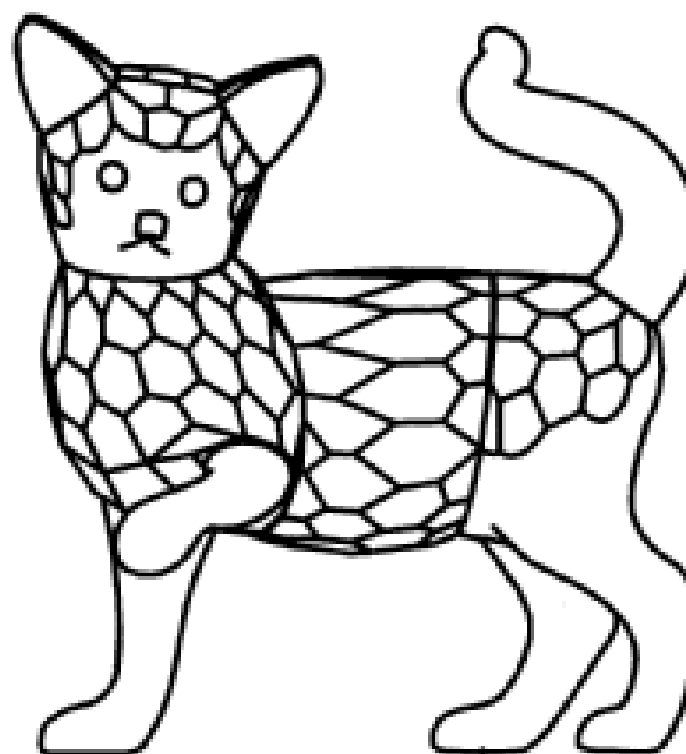
(21) Design Number: **16652/2007**  
(22) Date of Filing Application: **27 February 2007**  
(24) Date from which industrial property rights may have effect: **27 February 2007**  
(54) Product in respect of which the design is registered: **Ornamental object**  
(51) International Design Classification: **11-02E**  
(71) Name(s) and Address(s) of Applicant(s):  
**Swarovski Aktiengesellschaft**  
**Droschistrasse 15 FL-9495 Triesen Liechtenstein**  
(72) Name(s) of Designer(s): **Edith Mair**  
(45) Registration Date: **17 May 2007**  
(30) Convention priority data:  
(31) Number (32) Date (33) Country  
**602057#0002 10 Oct 2006 EUROPEAN COMMUNITY**  
(56) Related Art Documents: **Not Applicable**  
(57) Statement of Newness and Distinctiveness: **Nil**



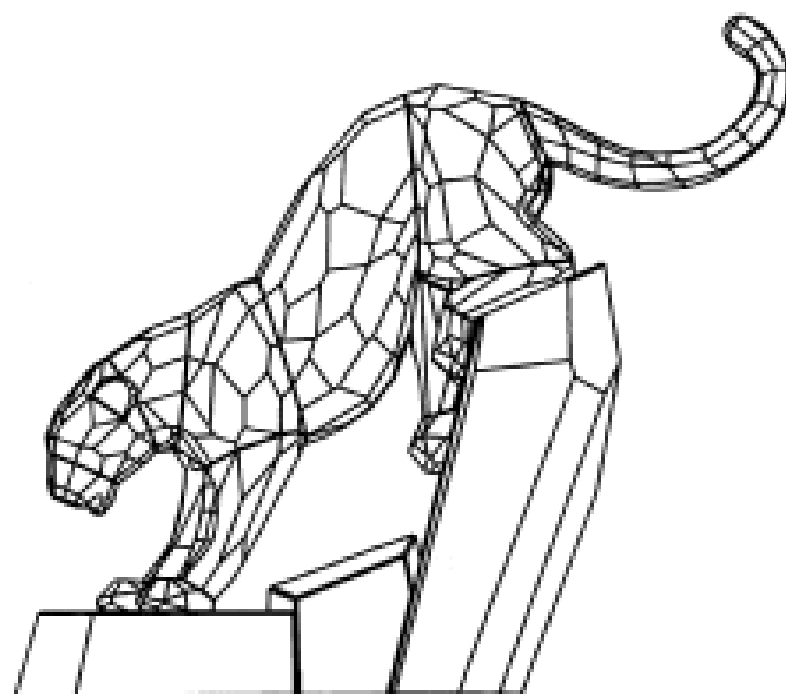
(21) Design Number: **16651/2007**  
(22) Date of Filing Application: **27 February 2007**  
(24) Date from which industrial property rights may have effect: **27 February 2007**  
(54) Product in respect of which the design is registered: **Ornamental object**  
(51) International Design Classification: **11-02E**  
(71) Name(s) and Address(s) of Applicant(s):  
**Swarovski Aktiengesellschaft**  
**Droschistrasse 15 FL-9495 Triesen Liechtenstein**  
(72) Name(s) of Designer(s): **Anton Hirzinger**  
(45) Registration Date: **17 May 2007**  
(30) Convention priority data:  
(31) Number (32) Date (33) Country  
**602057#0003 10 Oct 2006 EUROPEAN COMMUNITY**  
(56) Related Art Documents: **Not Applicable**  
(57) Statement of Newness and Distinctiveness: **Nil**



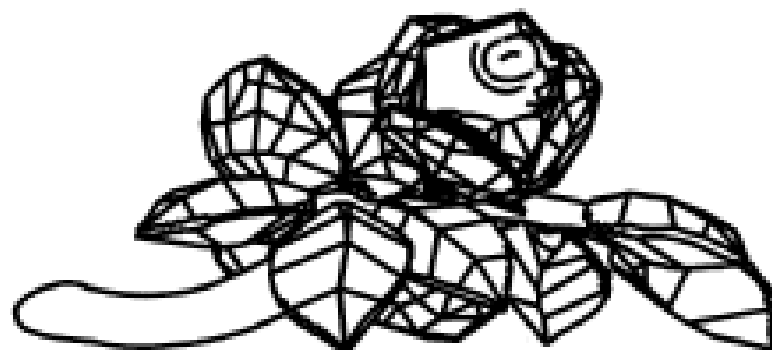
(21) Design Number: **16650/2007**  
(22) Date of Filing Application: **27 February 2007**  
(24) Date from which industrial property rights may have effect: **27 February 2007**  
(54) Product in respect of which the design is registered: **Ornamental object**  
(51) International Design Classification: **11-02E**  
(71) Name(s) and Address(s) of Applicant(s):  
**Swarovski Aktiengesellschaft**  
**Droschistrasse 15 FL-9495 Triesen Liechtenstein**  
(72) Name(s) of Designer(s): **Edith Mair**  
(45) Registration Date: **17 May 2007**  
(30) Convention priority data:  
(31) Number (32) Date (33) Country  
**602057#0004 10 Oct 2006 EUROPEAN COMMUNITY**  
(56) Related Art Documents: **Not Applicable**  
(57) Statement of Newness and Distinctiveness: **Nil**



(21) Design Number: **16649/2007**  
(22) Date of Filing Application: **27 February 2007**  
(24) Date from which industrial property rights may have effect: **27 February 2007**  
(54) Product in respect of which the design is registered: **Ornamental object**  
(51) International Design Classification: **11-02E**  
(71) Name(s) and Address(s) of Applicant(s):  
**Swarovski Aktiengesellschaft**  
**Droschistrasse 15 FL-9495 Triesen Liechtenstein**  
(72) Name(s) of Designer(s): **Heinz Tabertshofer**  
(45) Registration Date: **17 May 2007**  
(30) Convention priority data:  
(31) Number (32) Date (33) Country  
**602057#0005 10 Oct 2006 EUROPEAN COMMUNITY**  
(56) Related Art Documents: **Not Applicable**  
(57) Statement of Newness and Distinctiveness: **Nil**



(21) Design Number: **16648/2007**  
(22) Date of Filing Application: **27 February 2007**  
(24) Date from which industrial property rights may have effect: **27 February 2007**  
(54) Product in respect of which the design is registered: **Ornamental object**  
(51) International Design Classification: **11-02NES**  
(71) Name(s) and Address(s) of Applicant(s):  
**Swarovski Aktiengesellschaft**  
**Droschistrasse 15 FL-9495 Triesen Liechtenstein**  
(72) Name(s) of Designer(s): **Elisabeth Adamer**  
(45) Registration Date: **17 May 2007**  
(30) Convention priority data:  
(31) Number (32) Date (33) Country  
**602057#0006 10 Oct 2006 EUROPEAN COMMUNITY**  
(56) Related Art Documents: **Not Applicable**  
(57) Statement of Newness and Distinctiveness: **Nil**



(21) Design Number: **16647/2007**  
(22) Date of Filing Application: **27 February 2007**  
(24) Date from which industrial property rights may have effect: **27 February 2007**  
(54) Product in respect of which the design is registered: **Ornamental object**  
(51) International Design Classification: **11-02NES**  
(71) Name(s) and Address(s) of Applicant(s):  
**Swarovski Aktiengesellschaft**  
**Droschistrasse 15 FL-9495 Triesen Liechtenstein**  
(72) Name(s) of Designer(s): **Elisabeth Adamer**  
(45) Registration Date: **17 May 2007**  
(30) Convention priority data:  
(31) Number (32) Date (33) Country  
**602057#0007 10 Oct 2006 EUROPEAN COMMUNITY**  
(56) Related Art Documents: **Not Applicable**  
(57) Statement of Newness and Distinctiveness: **Nil**



(21) Design Number: **16646/2007**  
(22) Date of Filing Application: **27 February 2007**  
(24) Date from which industrial property rights may have effect: **27 February 2007**  
(54) Product in respect of which the design is registered: **Ornamental object**  
(51) International Design Classification: **11-02E**  
(71) Name(s) and Address(s) of Applicant(s):

**Swarovski Aktiengesellschaft**  
**Droschistrasse 15 FL-9495 Triesen Liechtenstein**

(72) Name(s) of Designer(s): **Heinz Tabertshofer**

(45) Registration Date: **17 May 2007**

(30) Convention priority data:

(31) Number	(32) Date	(33) Country
<b>602057#0008</b>	<b>10 Oct 2006</b>	<b>EUROPEAN COMMUNITY</b>

(56) Related Art Documents: **Not Applicable**

(57) Statement of Newness and Distinctiveness: **Nil**



(21) Design Number: **16645/2007**  
(22) Date of Filing Application: **27 February 2007**  
(24) Date from which industrial property rights may have effect: **27 February 2007**  
(54) Product in respect of which the design is registered: **Ornamental object**  
(51) International Design Classification: **11-02E**  
(71) Name(s) and Address(s) of Applicant(s):

**Swarovski Aktiengesellschaft**  
**Droschistrasse 15 FL-9495 Triesen Liechtenstein**

(72) Name(s) of Designer(s): **Edith Mair**

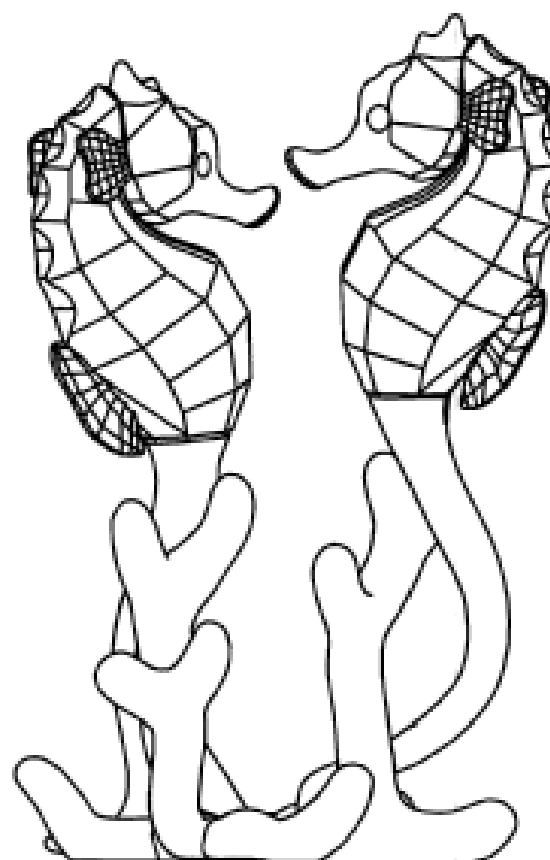
(45) Registration Date: **17 May 2007**

(30) Convention priority data:

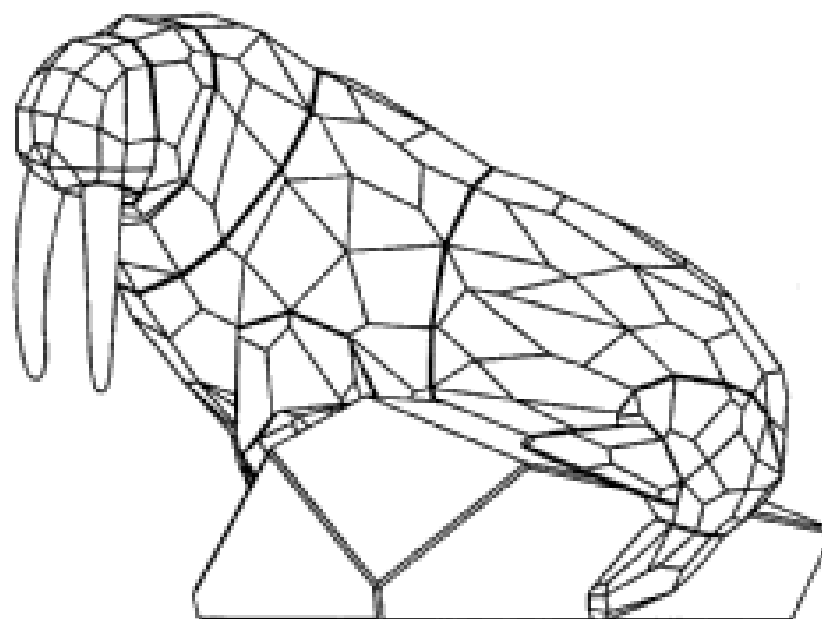
(31) Number	(32) Date	(33) Country
<b>602057#0009</b>	<b>10 Oct 2006</b>	<b>EUROPEAN COMMUNITY</b>

(56) Related Art Documents: **Not Applicable**

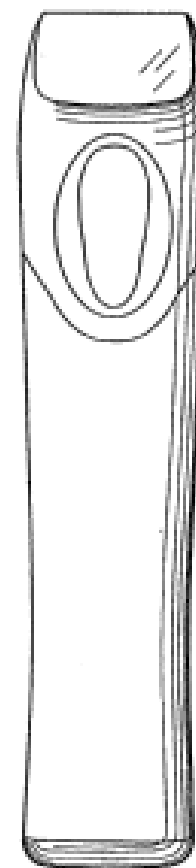
(57) Statement of Newness and Distinctiveness: **Nil**



(21) Design Number: **16644/2007**  
(22) Date of Filing Application: **27 February 2007**  
(24) Date from which industrial property rights may have effect: **27 February 2007**  
(54) Product in respect of which the design is registered: **Ornamental object**  
(51) International Design Classification: **11-02E**  
(71) Name(s) and Address(s) of Applicant(s):  
**Swarovski Aktiengesellschaft**  
**Droschistrasse 15 FL-9495 Triesen Liechtenstein**  
(72) Name(s) of Designer(s): **Mario Dilitz**  
(45) Registration Date: **17 May 2007**  
(30) Convention priority data:  
(31) Number (32) Date (33) Country  
**602057#0010 10 Oct 2006 EUROPEAN COMMUNITY**  
(56) Related Art Documents: **Not Applicable**  
(57) Statement of Newness and Distinctiveness: **Nil**



(21) Design Number: **16192/2007**  
(22) Date of Filing Application: **30 January 2007**  
(24) Date from which industrial property rights may have effect: **30 January 2007**  
(54) Product in respect of which the design is registered: **Hair trimmer**  
(51) International Design Classification: **28-03A**  
(71) Name(s) and Address(s) of Applicant(s):  
**Wahl Clipper Corporation**  
**2900 North Locust Street Sterling Illinois 61081 United States of America**  
(72) Name(s) of Designer(s): **Jason M. Long**  
(45) Registration Date: **22 May 2007**  
(30) Convention priority data:  
(31) Number (32) Date (33) Country  
**29/263874 31 Jul 2006 UNITED STATES OF AMERICA**  
(56) Related Art Documents: **Not Applicable**  
(57) Statement of Newness and Distinctiveness: **Newness and distinctiveness reside in the features of the design shown in solid lines in the representations excluding those features shown in broken lines.**



(21) Design Number: **15860/2007**

(22) Date of Filing Application: **05 January 2007**

(24) Date from which industrial property rights may have effect: **05 January 2007**

(54) Product in respect of which the design is registered: **Sex toy**

(51) International Design Classification: **21-99**

(71) Name(s) and Address(s) of Applicant(s):

**LRC Products Limited**  
**35 New Bridge Street London EC4V 6BW United Kingdom**

(72) Name(s) of Designer(s): **Nicholas Charles Talbot and Ketan Mistry**

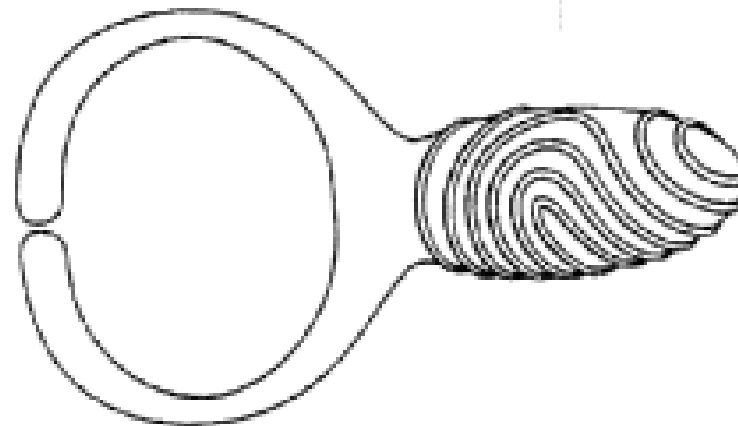
(45) Registration Date: **22 May 2007**

(30) Convention priority data:

(31) Number	(32) Date	(33) Country
<b>000560461</b>	<b>07 Jul 2006</b>	<b>EUROPEAN COMMUNITY</b>

(56) Related Art Documents: **Not Applicable**

(57) Statement of Newness and Distinctiveness: **The shape and configuration of the sex toy shown in the representations is new and distinctive.**



(21) Design Number: **16018/2007**

(22) Date of Filing Application: **18 January 2007**

(24) Date from which industrial property rights may have effect: **18 January 2007**

(54) Product in respect of which the design is registered: **Casing for lawn mower**

(51) International Design Classification: **15-03B**

(71) Name(s) and Address(s) of Applicant(s):

**Fujian Sanli Engine Co., Ltd**  
**Wuli Industrial Park Jinjiang Fujian Province 362263 People's Republic of China**

**Jin Shan Chen**  
**Wuli Industrial Park Jinjiang Fujian Province 362263 People's Republic of China**

(72) Name(s) of Designer(s): **Jin Shan Chen**

(45) Registration Date: **22 May 2007**

(56) Related Art Documents: **Not Applicable**

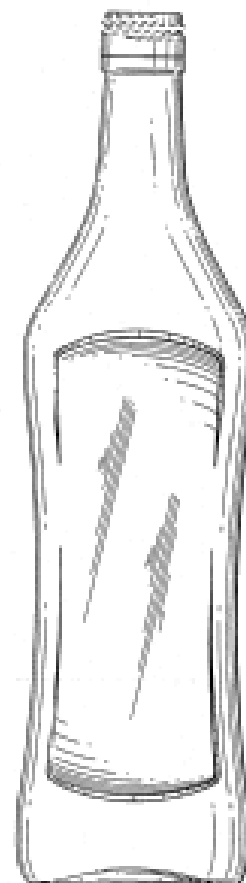
(57) Statement of Newness and Distinctiveness: **Nil**



(21) Design Number: **16425/2007**  
(22) Date of Filing Application: **14 February 2007**  
(24) Date from which industrial property rights may have effect: **14 February 2007**  
(54) Product in respect of which the design is registered: **VE Manifold extension**  
(51) International Design Classification: **12-16N**  
(71) Name(s) and Address(s) of Applicant(s):  
**Martin Donnon**  
**15 Windarra Avenue Burnside South Australia 5066 Australia**  
(72) Name(s) of Designer(s): **Martin Donnon**  
(45) Registration Date: **22 May 2007**  
(56) Related Art Documents: **Not Applicable**  
(57) Statement of Newness and Distinctiveness: **Turbocharger manifold extensions for 2007 onwards holden commodore.**

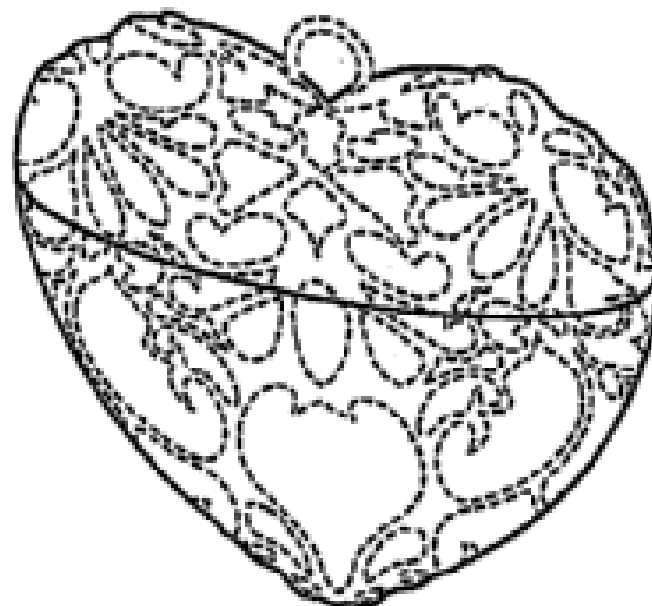


(21) Design Number: **15286/2006**  
(22) Date of Filing Application: **16 November 2006**  
(24) Date from which industrial property rights may have effect: **16 November 2006**  
(54) Product in respect of which the design is registered: **A bottle**  
(51) International Design Classification: **09-01K**  
(71) Name(s) and Address(s) of Applicant(s):  
**Bacardi & Company Limited**  
**Aeulestrasse 5 Vaduz 9490 Liechtenstein**  
(72) Name(s) of Designer(s): **Maurizio di Robilant and Giuliano Dell'Orto**  
(45) Registration Date: **22 May 2007**  
(30) Convention priority data:  
(31) Number      (32) Date      (33) Country  
**308**              **17 May 2006**      **LIECHTENSTEIN**  
(56) Related Art Documents: **Not Applicable**  
(57) Statement of Newness and Distinctiveness: **Nil**

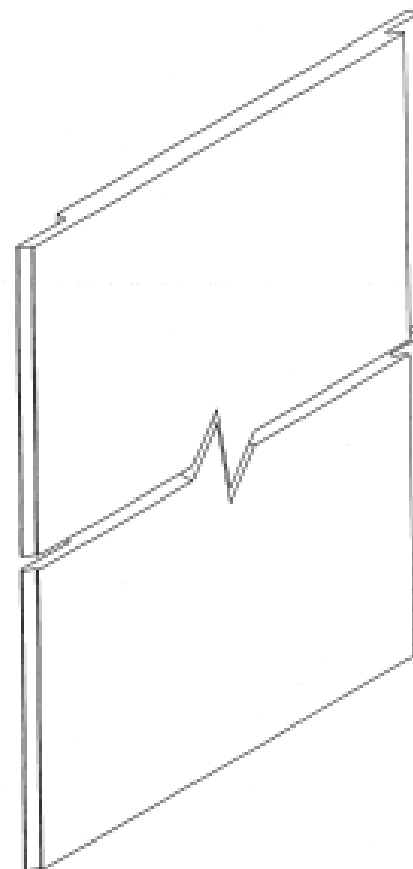




(21) Design Number: **15921/2006**  
(22) Date of Filing Application: **22 December 2006**  
(24) Date from which industrial property rights may have effect: **22 December 2006**  
(54) Product in respect of which the design is registered: **A container**  
(51) International Design Classification: **09-03C**  
(71) Name(s) and Address(s) of Applicant(s):  
**John M. Shanahan**  
**8502 East Chapman Suite 616 Orange California 92869 United States of America**  
(72) Name(s) of Designer(s): **John M. Shanahan**  
(45) Registration Date: **22 May 2007**  
(30) Convention priority data:  
(31) Number (32) Date (33) Country  
**29/261914 22 Jun 2006 UNITED STATES OF AMERICA**  
(56) Related Art Documents: **Not Applicable**  
(57) Statement of Newness and Distinctiveness: **Newness and distinctiveness is claimed in the visual features shown in solid lines in the representations.**



(21) Design Number: **16798/2007**  
(22) Date of Filing Application: **08 March 2007**  
(24) Date from which industrial property rights may have effect: **08 March 2007**  
(54) Product in respect of which the design is registered: **Building element**  
(51) International Design Classification: **25-01D**  
(71) Name(s) and Address(s) of Applicant(s):  
**James Hardie International Finance B.V.**  
**Atrium 8th Floor Strawinskylaan 3077 1077 ZX Amsterdam The Netherlands**  
(72) Name(s) of Designer(s): **James Gleeson**  
(45) Registration Date: **22 May 2007**  
(56) Related Art Documents: **Not Applicable**  
(57) Statement of Newness and Distinctiveness: **Newness and distinctiveness reside in one or more visual features of the longitudinal edges of a building element of constant cross-section and indefinite length, as illustrated in the accompanying representations.**



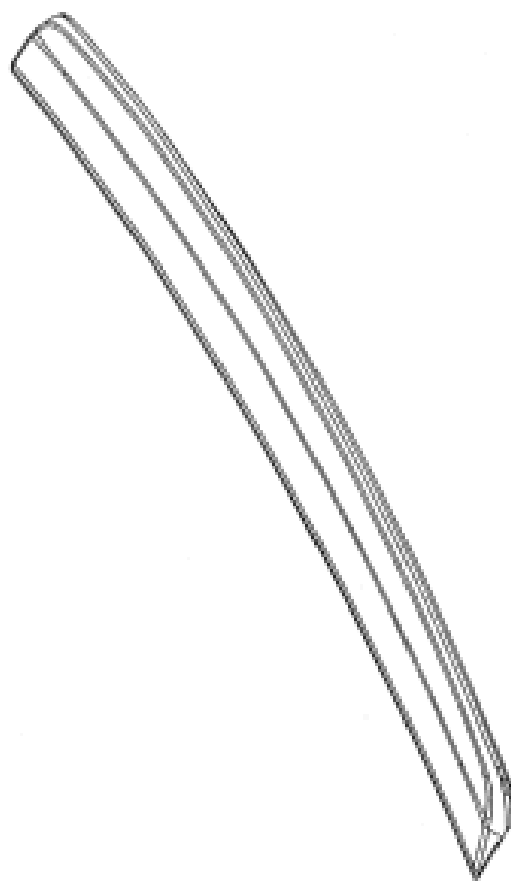
- (21) Design Number: **14074/2006**  
(22) Date of Filing Application: **12 September 2006**  
(24) Date from which industrial property rights may have effect: **12 September 2006**  
(54) Product in respect of which the design is registered: **Coupling**  
(51) International Design Classification: **08-08B**  
(71) Name(s) and Address(s) of Applicant(s):  
**Bacoz Pty Ltd**  
**11 Coolac Street Cheltenham Victoria 3192 Australia**  
(72) Name(s) of Designer(s): **Brian Arthur Cook**  
(45) Registration Date: **22 May 2007**  
(56) Related Art Documents: **Not Applicable**  
(57) Statement of Newness and Distinctiveness: **Nil**



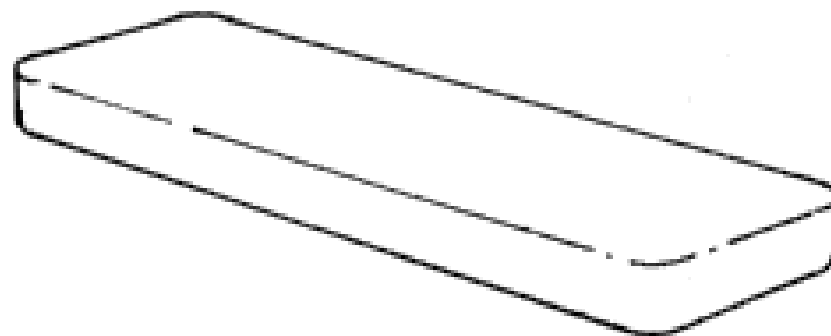
- (21) Design Number: **15930/2006**  
(22) Date of Filing Application: **28 December 2006**  
(24) Date from which industrial property rights may have effect: **28 December 2006**  
(54) Product in respect of which the design is registered: **Plastic bag sealer**  
(51) International Design Classification: **09-05, 09-02NES**  
(71) Name(s) and Address(s) of Applicant(s):  
**World Champ Industrial Limited**  
**RM 1705 New Treasure Centre 10 Ng Fong Street Shanpokong**  
**Kowloon Hong Kong**  
(72) Name(s) of Designer(s): **Han Rong Li**  
(45) Registration Date: **22 May 2007**  
(56) Related Art Documents: **Not Applicable**  
(57) Statement of Newness and Distinctiveness: **Newness and distinctiveness is claimed in the features of shape and/or configuration of a plastic bag sealer as shown in the accompanying representations.**



- (21) Design Number: **16401/2007**  
(22) Date of Filing Application: **12 February 2007**  
(24) Date from which industrial property rights may have effect: **12 February 2007**  
(54) Product in respect of which the design is registered: **Vehicle spoiler**  
(51) International Design Classification: **12-16B**  
(71) Name(s) and Address(s) of Applicant(s):  
**GM Global Technology Operations, Inc**  
**300 Renaissance Center Detroit MI 48265-3000 United States of America**  
(72) Name(s) of Designer(s): **Peter Hughes**  
(45) Registration Date: **22 May 2007**  
(56) Related Art Documents: **Not Applicable**  
(57) Statement of Newness and Distinctiveness: **Newness and distinctiveness is claimed in the shape and/or configuration of a vehicle spoiler as shown in the accompanying representations.**



- (21) Design Number: **16120/2007**  
(22) Date of Filing Application: **24 January 2007**  
(24) Date from which industrial property rights may have effect: **24 January 2007**  
(54) Product in respect of which the design is registered: **For use during the installation of glass. It provides different heights for packing and levelling. Suits out of**  
(51) International Design Classification: **25-02H**  
(71) Name(s) and Address(s) of Applicant(s):  
**Acacia Glass Design Pty Ltd**  
**52 Abbotsford Parade Abbotsford New South Wales 2046 Australia**  
(72) Name(s) of Designer(s): **Matthew Butcher**  
(45) Registration Date: **22 May 2007**  
(56) Related Art Documents: **Not Applicable**  
(57) Statement of Newness and Distinctiveness: **The width of the packer is only 12mm, so it aligns with standard glass panels for installation. Also, being clear or milky in colour, it is not clearly visible through the glass like other packers.**



- (21) Design Number: **16076/2007**  
(22) Date of Filing Application: **19 January 2007**  
(24) Date from which industrial property rights may have effect: **19 January 2007**  
(54) Product in respect of which the design is registered: **Sock**  
(51) International Design Classification: **02-04C**  
(71) Name(s) and Address(s) of Applicant(s):

**ALEX 2000 S.R.L.**  
**Via Prampolini 7 20052 Monza MI Italy**

- (72) Name(s) of Designer(s): **Giuseppe Schilliro and Santo Schilliro**

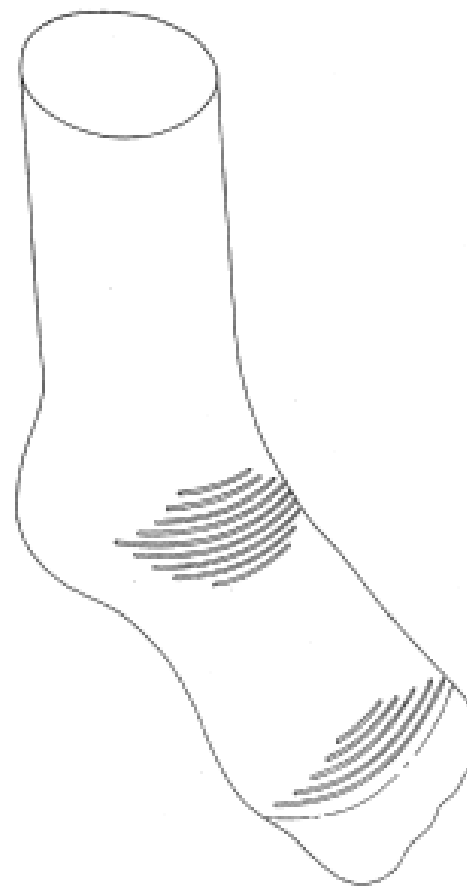
- (45) Registration Date: **22 May 2007**

- (30) Convention priority data:

(31) Number	(32) Date	(33) Country
<b>000564067#0001</b>	<b>21 Jul 2006</b>	<b>EUROPEAN COMMUNITY</b>

- (56) Related Art Documents: **Not Applicable**

- (57) Statement of Newness and Distinctiveness: **Newness and distinctiveness is claimed in the features of shape and/or configuration of the following parts of a sock as illustrated in the accompanying representations: the regions of loose woven fabric at the upper and lower toe portions, the region of loose woven fabric at the upper body portion; and the region of loose woven fabric at the instep.**



- (21) Design Number: **12878/2006**  
(22) Date of Filing Application: **06 July 2006**  
(24) Date from which industrial property rights may have effect: **06 July 2006**  
(54) Product in respect of which the design is registered: **Computer**  
(51) International Design Classification: **14-02**  
(71) Name(s) and Address(s) of Applicant(s):

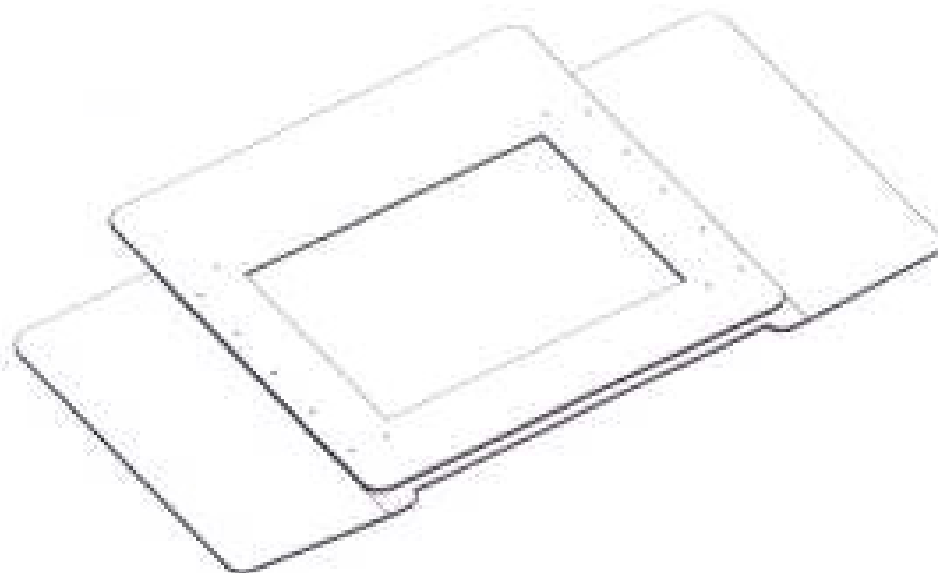
**David Common**  
**1 Eden Place Bossley Park New South Wales 2176 Australia**

- (72) Name(s) of Designer(s): **David Common**

- (45) Registration Date: **22 May 2007**

- (56) Related Art Documents: **Not Applicable**

- (57) Statement of Newness and Distinctiveness: **Nil**



(21) Design Number: **11231/2006**

(22) Date of Filing Application: **22 March 2006**

(24) Date from which industrial property rights may have effect: **22 March 2006**

(54) Product in respect of which the design is registered: **A tub cabinet**

(51) International Design Classification: **07-05B**

(71) Name(s) and Address(s) of Applicant(s):

**Aquatica NZ Limited  
9 Saunders Place Avondale New Zealand**

(72) Name(s) of Designer(s): **Carmel Jones**

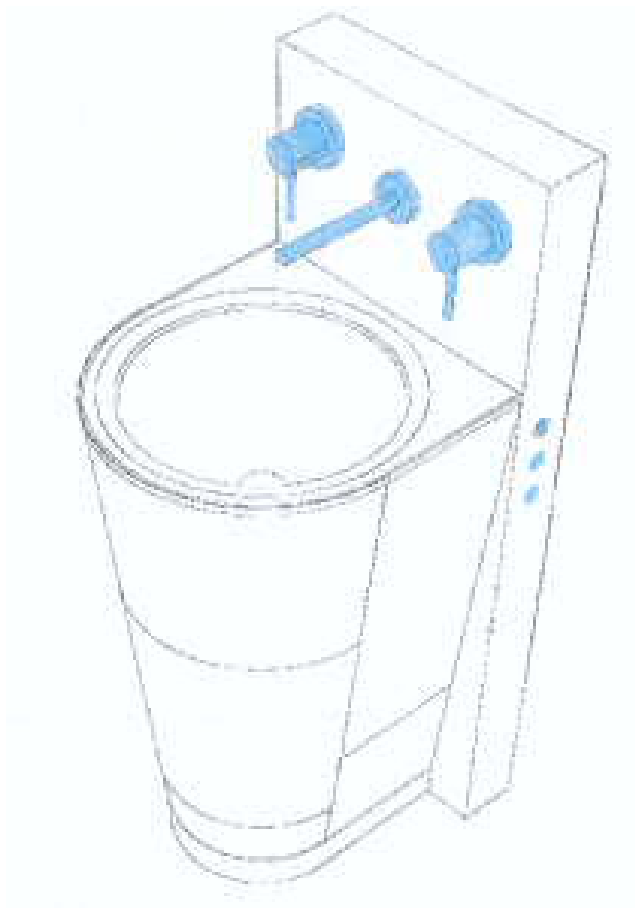
(45) Registration Date: **22 May 2007**

(30) Convention priority data:

(31) Number	(32) Date	(33) Country
<b>406341</b>	<b>29 Jun 2005</b>	<b>NEW ZEALAND</b>

(56) Related Art Documents: **Not Applicable**

(57) Statement of Newness and Distinctiveness: **Newness and distinctiveness is claimed in the features of shape and configuration of the tub cabinet as shown in the accompanying representations, excluding the blue washed portions.**



(21) Design Number: **15927/2006**

(22) Date of Filing Application: **22 December 2006**

(24) Date from which industrial property rights may have effect: **22 December 2006**

(54) Product in respect of which the design is registered: **Advertising display unit**

(51) International Design Classification: **20-02C**

(71) Name(s) and Address(s) of Applicant(s):

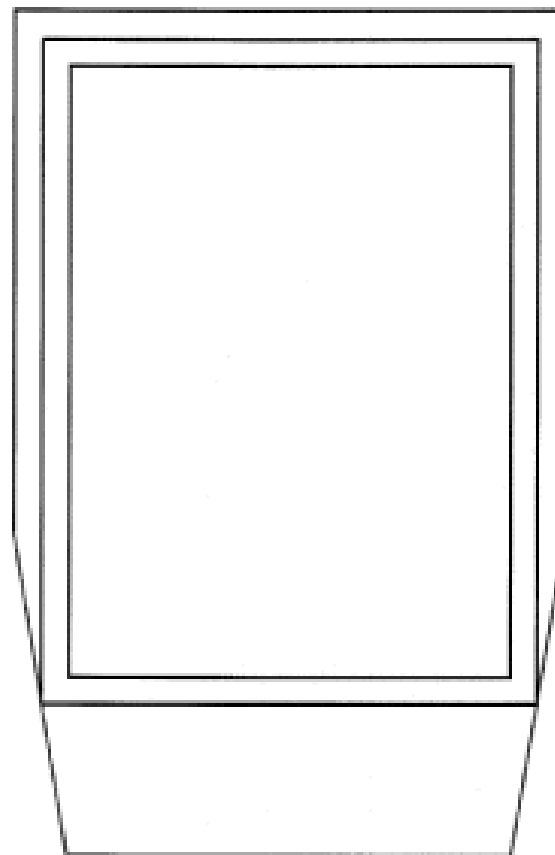
**Eye Corp Pty Ltd  
Level 5 35 Saunders Street Pyrmont New South Wales 2009 Australia**

(72) Name(s) of Designer(s): **Stephen Rubie and Edwin Lin**

(45) Registration Date: **22 May 2007**

(56) Related Art Documents: **Not Applicable**

(57) Statement of Newness and Distinctiveness: **Nil**



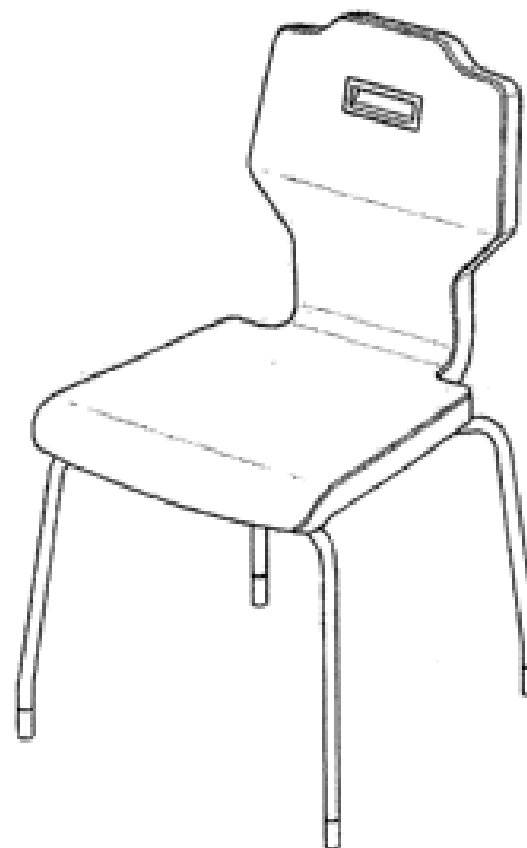
- (21) Design Number: **14998/2006**  
(22) Date of Filing Application: **30 October 2006**  
(24) Date from which industrial property rights may have effect: **30 October 2006**  
(54) Product in respect of which the design is registered: **A lady's garment**  
(51) International Design Classification: **02-02C**  
(71) Name(s) and Address(s) of Applicant(s):  
**Review Australia Pty Ltd**  
**25-31 Rokeby Street Collingwood Victoria 3066 Australia**  
(72) Name(s) of Designer(s): **Jayne Ellis**  
(45) Registration Date: **22 May 2007**  
(56) Related Art Documents: **Not Applicable**  
(57) Statement of Newness and Distinctiveness: **Nil**



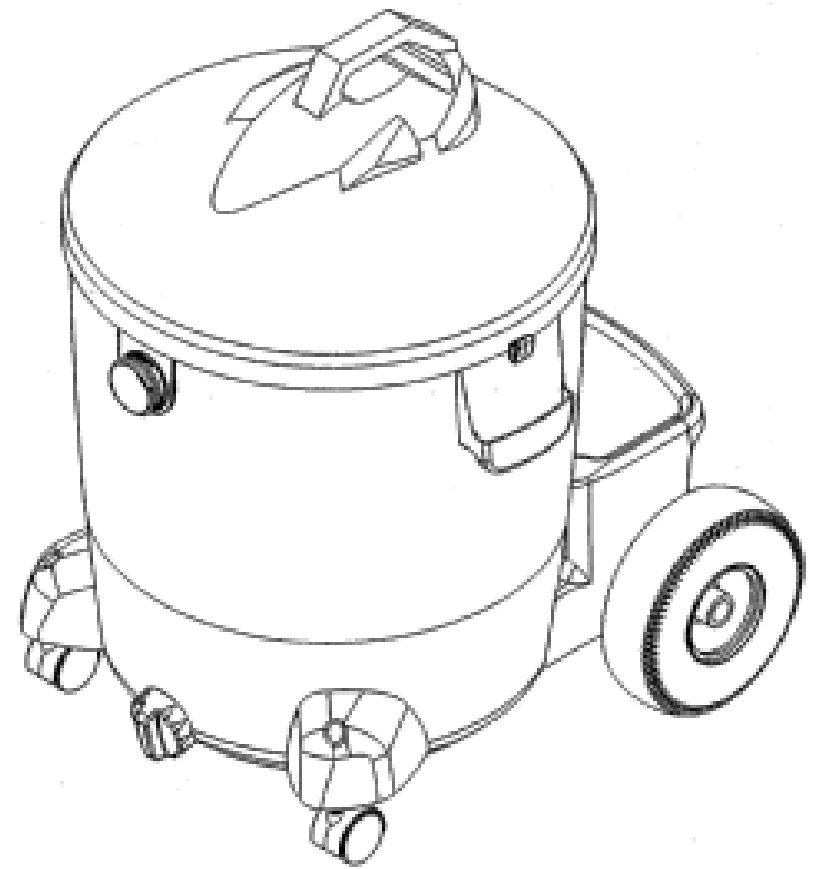
- (21) Design Number: **16927/2007**  
(22) Date of Filing Application: **16 March 2007**  
(24) Date from which industrial property rights may have effect: **16 March 2007**  
(54) Product in respect of which the design is registered: **A chair**  
(51) International Design Classification: **06-01F**  
(71) Name(s) and Address(s) of Applicant(s):  
**Ergonomiprodukter i Bodafors AB**  
**Box 294 571 23 Nassjo Sweden**  
(72) Name(s) of Designer(s): **Marten Rittfeldt and Oskar Ponnert**  
(45) Registration Date: **22 May 2007**  
(30) Convention priority data:  

(31) Number	(32) Date	(33) Country
<b>000627161</b>	<b>24 Nov 2006</b>	<b>EUROPEAN COMMUNITY</b>

  
(56) Related Art Documents: **Not Applicable**  
(57) Statement of Newness and Distinctiveness: **Newness and distinctiveness is claimed in the features of shape and/or configuration of the following parts of a chair as illustrated in the accompanying representations: the seat and the back rest which have the same thickness and square edges; the corners of the back rest are removed; the oblong design detail in the back rest; and the seat front edge which is angled downwards.**



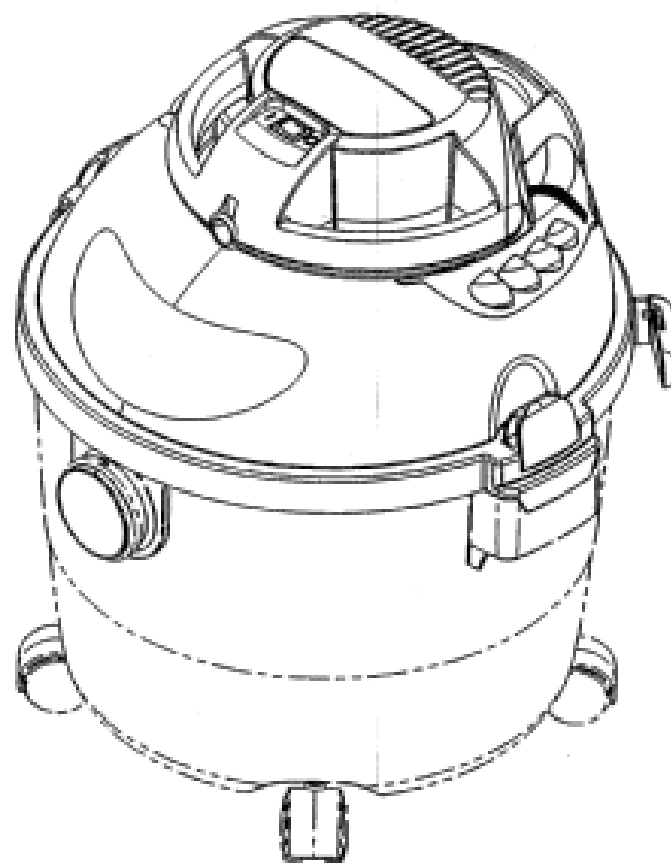
(21) Design Number: **16679/2007**  
(22) Date of Filing Application: **28 February 2007**  
(24) Date from which industrial property rights may have effect: **28 February 2007**  
(54) Product in respect of which the design is registered: **Mulching vacuum**  
(51) International Design Classification: **15-03NES**  
(71) Name(s) and Address(s) of Applicant(s):  
**Shop-Vac Corporation**  
**2323 Reach Road Williamsport PA 17701 United States of America**  
(72) Name(s) of Designer(s): **Robert L. Crevling Jr and Jason S. Gottschall**  
(45) Registration Date: **22 May 2007**  
(30) Convention priority data:  
(31) Number (32) Date (33) Country  
**29/266553 22 Sep 2006 UNITED STATES OF AMERICA**  
(56) Related Art Documents: **Not Applicable**  
(57) Statement of Newness and Distinctiveness: **Nil**



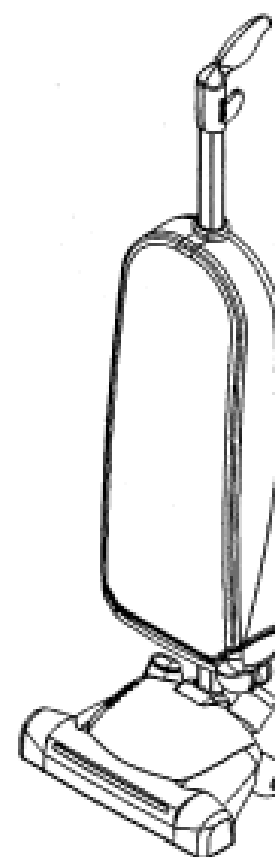
(21) Design Number: **17430/2007**  
(22) Date of Filing Application: **16 April 2007**  
(24) Date from which industrial property rights may have effect: **16 April 2007**  
(54) Product in respect of which the design is registered: **Stabletable- a device that stops chairs and tables from wobbling**  
(51) International Design Classification: **08-08NES**  
(71) Name(s) and Address(s) of Applicant(s):  
**Andrew Gordon**  
**10 Claremont Place Hawley Road Camberley Surrey GU179EN United Kingdom**  
(72) Name(s) of Designer(s): **Andrew Gordon**  
(45) Registration Date: **22 May 2007**  
(56) Related Art Documents: **Not Applicable**  
(57) Statement of Newness and Distinctiveness: **Nil**



(21) Design Number: **16676/2007**  
(22) Date of Filing Application: **28 February 2007**  
(24) Date from which industrial property rights may have effect: **28 February 2007**  
(54) Product in respect of which the design is registered: **Vacuum cleaner**  
(51) International Design Classification: **15-05**  
(71) Name(s) and Address(s) of Applicant(s):  
**Shop-Vac Corporation**  
**2323 Reach Road Williamsport PA 17701 United States of America**  
(72) Name(s) of Designer(s): **John Griffin**  
(45) Registration Date: **22 May 2007**  
(30) Convention priority data:  
(31) Number (32) Date (33) Country  
**29/266514 22 Sep 2006 UNITED STATES OF AMERICA**  
(56) Related Art Documents: **Not Applicable**  
(57) Statement of Newness and Distinctiveness: **Nil**

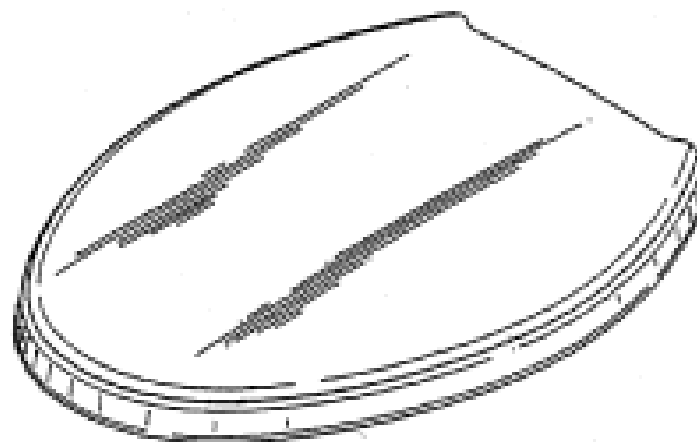


(21) Design Number: **16678/2007**  
(22) Date of Filing Application: **28 February 2007**  
(24) Date from which industrial property rights may have effect: **28 February 2007**  
(54) Product in respect of which the design is registered: **Vacuum cleaner**  
(51) International Design Classification: **15-05**  
(71) Name(s) and Address(s) of Applicant(s):  
**Shop-Vac Corporation**  
**2323 Reach Road Williamsport PA 17701 United States of America**  
(72) Name(s) of Designer(s): **John Griffin**  
(45) Registration Date: **22 May 2007**  
(30) Convention priority data:  
(31) Number (32) Date (33) Country  
**29/266504 22 Sep 2006 UNITED STATES OF AMERICA**  
(56) Related Art Documents: **Not Applicable**  
(57) Statement of Newness and Distinctiveness: **Nil**

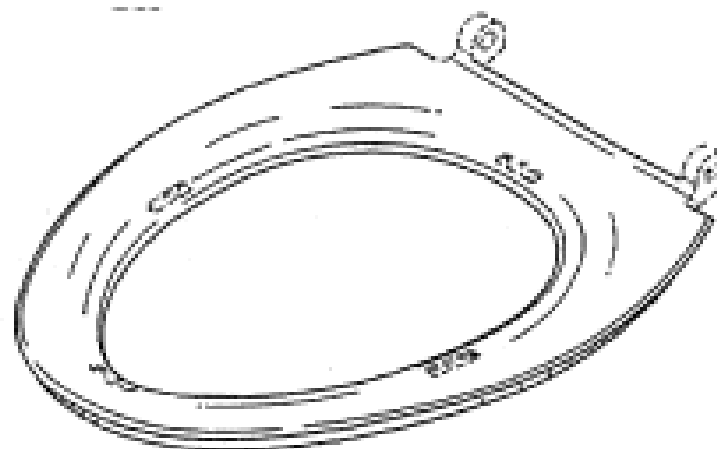




(21) Design Number: **16675/2007**  
(22) Date of Filing Application: **28 February 2007**  
(24) Date from which industrial property rights may have effect: **28 February 2007**  
(54) Product in respect of which the design is registered: **Toilet seat cover**  
(51) International Design Classification: **23-02C**  
(71) Name(s) and Address(s) of Applicant(s):  
**Kohler Co.**  
**444 Highland Drive Kohler WI 53044 United States of America**  
(72) Name(s) of Designer(s): **Brian M. Kaule**  
(45) Registration Date: **22 May 2007**  
(30) Convention priority data:  
(31) Number (32) Date (33) Country  
**29/248752 31 Aug 2006 UNITED STATES OF AMERICA**  
(56) Related Art Documents: **Not Applicable**  
(57) Statement of Newness and Distinctiveness: **When determining whether the design 1 is substantially similar in overall impression to another design, no regard is to be had to those features shown in dotted outline in the accompanying drawings.**



(21) Design Number: **16674/2007**  
(22) Date of Filing Application: **28 February 2007**  
(24) Date from which industrial property rights may have effect: **28 February 2007**  
(54) Product in respect of which the design is registered: **Toilet seat and cover**  
(51) International Design Classification: **23-02C**  
(71) Name(s) and Address(s) of Applicant(s):  
**Kohler Co.**  
**444 Highland Drive Kohler WI 53044 United States of America**  
(72) Name(s) of Designer(s): **Brian M. Kaule**  
(45) Registration Date: **22 May 2007**  
(30) Convention priority data:  
(31) Number (32) Date (33) Country  
**29/248752 31 Aug 2006 UNITED STATES OF AMERICA**  
(56) Related Art Documents: **Not Applicable**  
(57) Statement of Newness and Distinctiveness: **When determining whether the design 1 is substantially similar in overall impression to another design, no regard is to be had to those features shown in dotted outline in the accompanying drawings.**



(21) Design Number: **16670/2007**

(22) Date of Filing Application: **28 February 2007**

(24) Date from which industrial property rights may have effect: **28 February 2007**

(54) Product in respect of which the design is registered: **Single frame folding clothes line**

(51) International Design Classification: **07-05D**

(71) Name(s) and Address(s) of Applicant(s):

**Hills Industries Limited**

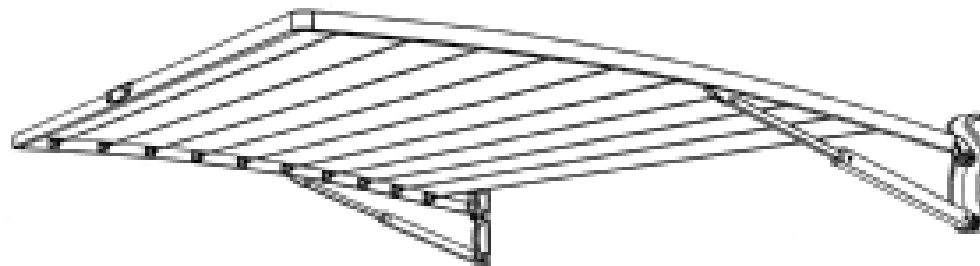
**944-956 South Road Edwardstown South Australia 5039 Australia**

(72) Name(s) of Designer(s): **Timothy Hooper**

(45) Registration Date: **22 May 2007**

(56) Related Art Documents: **Not Applicable**

(57) Statement of Newness and Distinctiveness: **Nil**



(21) Design Number: **16669/2007**

(22) Date of Filing Application: **28 February 2007**

(24) Date from which industrial property rights may have effect: **28 February 2007**

(54) Product in respect of which the design is registered: **Compact single frame folding clothes line**

(51) International Design Classification: **07-05D**

(71) Name(s) and Address(s) of Applicant(s):

**Hills Industries Limited**

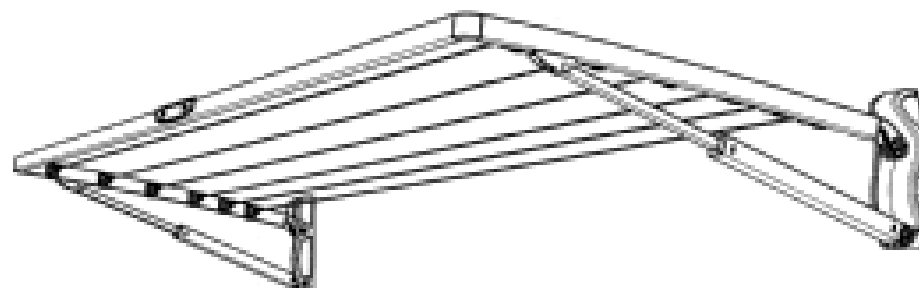
**944-956 South Road Edwardstown South Australia 5039 Australia**

(72) Name(s) of Designer(s): **Timothy Hooper**

(45) Registration Date: **22 May 2007**

(56) Related Art Documents: **Not Applicable**

(57) Statement of Newness and Distinctiveness: **Nil**



- (21) Design Number: **16668/2007**  
(22) Date of Filing Application: **28 February 2007**  
(24) Date from which industrial property rights may have effect: **28 February 2007**  
(54) Product in respect of which the design is registered: **A toilet roll holder and grab rail**  
(51) International Design Classification: **23-02A**  
(71) Name(s) and Address(s) of Applicant(s):  
**Spectro Enterprises Pty Ltd**  
**19 Lockyer Drive Bray Park Queensland 4500 Australia**  
(72) Name(s) of Designer(s): **Warren A. Ewing**  
(45) Registration Date: **22 May 2007**  
(56) Related Art Documents: **Not Applicable**  
(57) Statement of Newness and Distinctiveness: **The newness and distinctiveness resides in the shape and configuration of the toilet roll holder and grab rail.**



- (21) Design Number: **16667/2007**  
(22) Date of Filing Application: **28 February 2007**  
(24) Date from which industrial property rights may have effect: **28 February 2007**  
(54) Product in respect of which the design is registered: **Motor vehicle cargo carrier**  
(51) International Design Classification: **12-16K**  
(71) Name(s) and Address(s) of Applicant(s):  
**Robert F. Schlegel**  
**5 Booral Street Buderim Queensland 4556 Australia**  
(72) Name(s) of Designer(s): **Robert F. Schlegel**  
(45) Registration Date: **22 May 2007**  
(56) Related Art Documents: **Not Applicable**  
(57) Statement of Newness and Distinctiveness: **Nil**



(21) Design Number: **16664/2007**

(22) Date of Filing Application: **28 February 2007**

(24) Date from which industrial property rights may have effect: **28 February 2007**

(54) Product in respect of which the design is registered: **Rack for sporting equipment**

(51) International Design Classification: **06-04NES**

(71) Name(s) and Address(s) of Applicant(s):

**Timothy Mitchell**

**39 Hawthorn Grove Marcus Beach Queensland 4573 Australia**

(72) Name(s) of Designer(s): **Timothy Gray Mitchell**

(45) Registration Date: **22 May 2007**

(56) Related Art Documents: **Not Applicable**

(57) Statement of Newness and Distinctiveness: **One fixing point to wall.**



(21) Design Number: **16658/2007**

(22) Date of Filing Application: **28 February 2007**

(24) Date from which industrial property rights may have effect: **28 February 2007**

(54) Product in respect of which the design is registered: **Clothes rack for display of clothes in retail premises**

(51) International Design Classification: **20-02E**

(71) Name(s) and Address(s) of Applicant(s):

**Ken Olver**

**18 Newham Grove Ormond Victoria 3204 Australia**

(72) Name(s) of Designer(s): **Ken Olver**

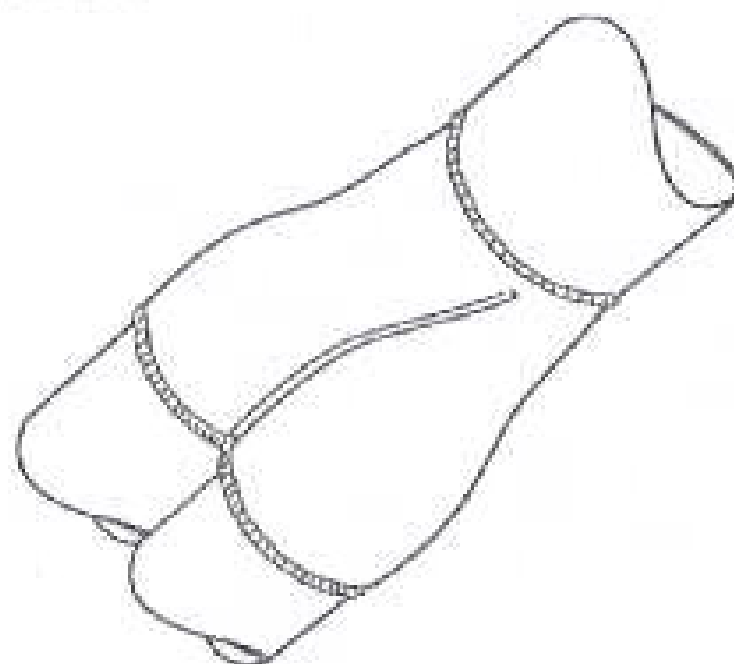
(45) Registration Date: **22 May 2007**

(56) Related Art Documents: **Not Applicable**

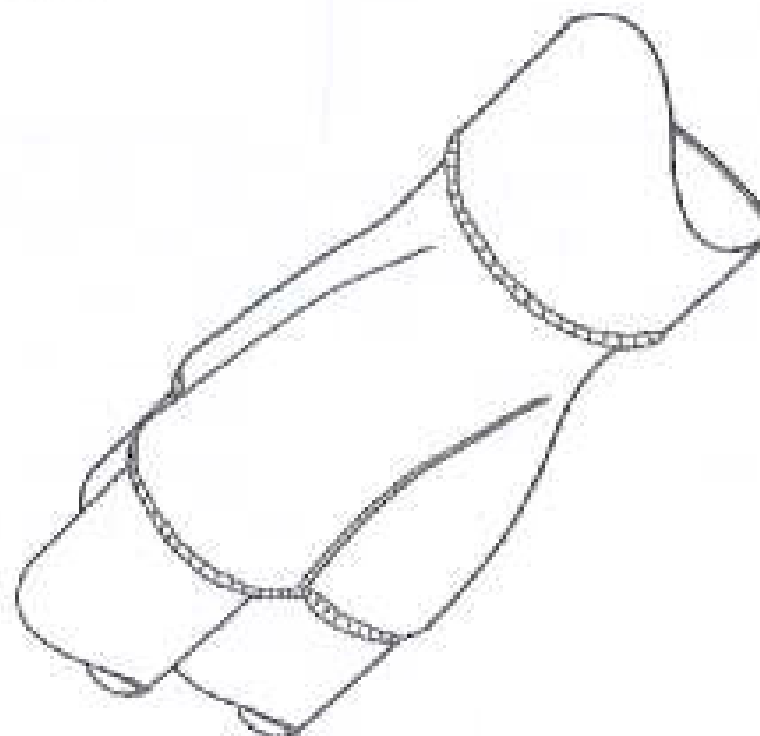
(57) Statement of Newness and Distinctiveness: **Nil**



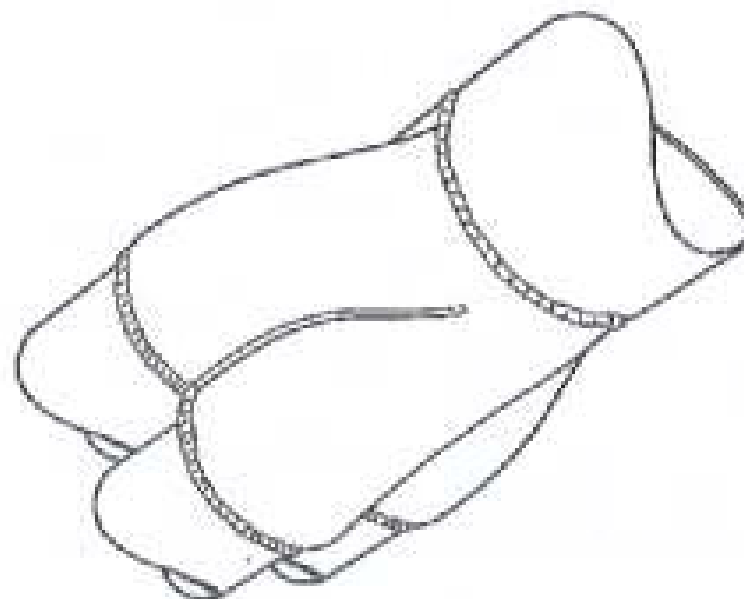
- (21) Design Number: **16657/2007**
- (22) Date of Filing Application: **28 February 2007**
- (24) Date from which industrial property rights may have effect: **28 February 2007**
- (54) Product in respect of which the design is registered: **A collector cone for an exhaust manifold (2 into 1)**
- (51) International Design Classification: **12-16N**
- (71) Name(s) and Address(s) of Applicant(s):  
**Pacemaker Headers Pty Ltd**  
**6 Reese Avenue Richmond South Australia 5033 Australia**
- (72) Name(s) of Designer(s): **Michael Richter**
- (45) Registration Date: **22 May 2007**
- (56) Related Art Documents: **Not Applicable**
- (57) Statement of Newness and Distinctiveness: **Nil**



- (21) Design Number: **16656/2007**
- (22) Date of Filing Application: **28 February 2007**
- (24) Date from which industrial property rights may have effect: **28 February 2007**
- (54) Product in respect of which the design is registered: **A collector cone for an exhaust manifold (3 into 1)**
- (51) International Design Classification: **12-16N**
- (71) Name(s) and Address(s) of Applicant(s):  
**Pacemaker Headers Pty Ltd**  
**6 Reese Avenue Richmond South Australia 5033 Australia**
- (72) Name(s) of Designer(s): **Michael Richter**
- (45) Registration Date: **22 May 2007**
- (56) Related Art Documents: **Not Applicable**
- (57) Statement of Newness and Distinctiveness: **Nil**



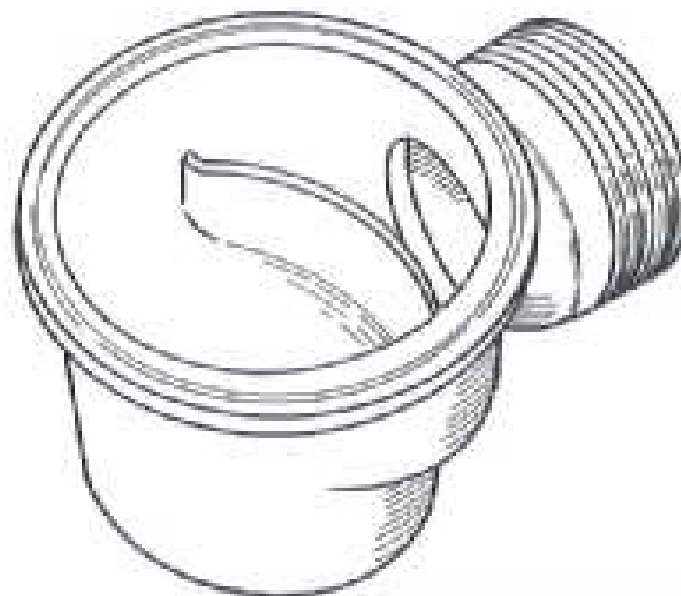
- (21) Design Number: **16655/2007**  
(22) Date of Filing Application: **28 February 2007**  
(24) Date from which industrial property rights may have effect: **28 February 2007**  
(54) Product in respect of which the design is registered: **A collector cone for an exhaust manifold (4 into 1)**  
(51) International Design Classification: **12-16N**  
(71) Name(s) and Address(s) of Applicant(s):  
**Pacemaker Headers Pty Ltd**  
**6 Reese Avenue Richmond South Australia 5033 Australia**  
(72) Name(s) of Designer(s): **Michael Richter**  
(45) Registration Date: **22 May 2007**  
(56) Related Art Documents: **Not Applicable**  
(57) Statement of Newness and Distinctiveness: **Nil**



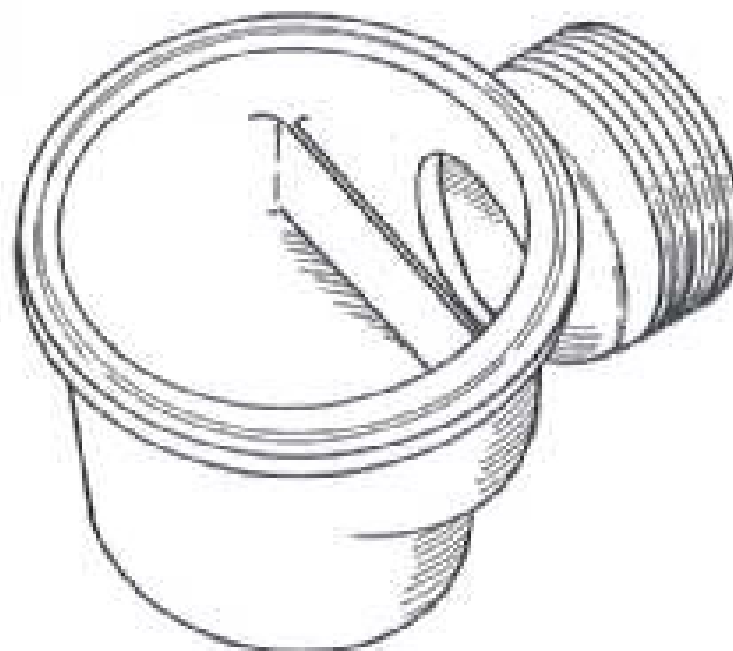
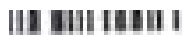
- (21) Design Number: **16654/2007**  
(22) Date of Filing Application: **28 February 2007**  
(24) Date from which industrial property rights may have effect: **28 February 2007**  
(54) Product in respect of which the design is registered: **Dual frame folding clothes line**  
(51) International Design Classification: **07-05D**  
(71) Name(s) and Address(s) of Applicant(s):  
**Hills Industries Limited**  
**944-956 South Road Edwardstown South Australia 5039 Australia**  
(72) Name(s) of Designer(s): **Timothy Hooper**  
(45) Registration Date: **22 May 2007**  
(56) Related Art Documents: **Not Applicable**  
(57) Statement of Newness and Distinctiveness: **Nil**



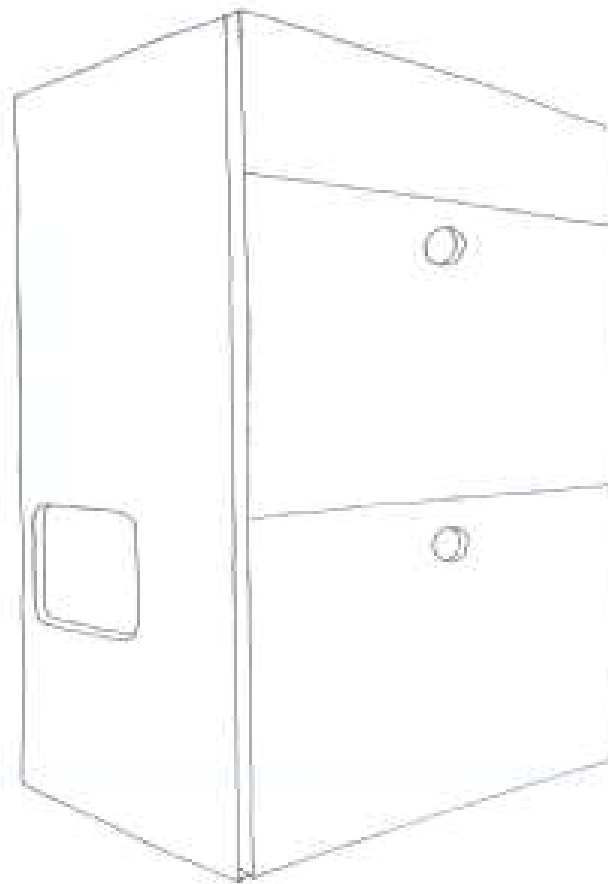
- (21) Design Number: **16638/2007**
- (22) Date of Filing Application: **28 February 2007**
- (24) Date from which industrial property rights may have effect: **28 February 2007**
- (54) Product in respect of which the design is registered: **A container for a water trap**
- (51) International Design Classification: **23-01NES**
- (71) Name(s) and Address(s) of Applicant(s):  
**Plastec Australia Pty Ltd**  
**2 Enterprise Street Caloundra Queensland 4551 Australia**
- (72) Name(s) of Designer(s): **Brian Whitehead**
- (45) Registration Date: **22 May 2007**
- (56) Related Art Documents: **Not Applicable**
- (57) Statement of Newness and Distinctiveness: **The newness and distinctiveness resides in the shape and configuration of the container for a water trap as shown in the accompanying representations. When considering the newness and distinctiveness the shape and configuration of the attachment formation on the outlet conduit is to be disregarded.**



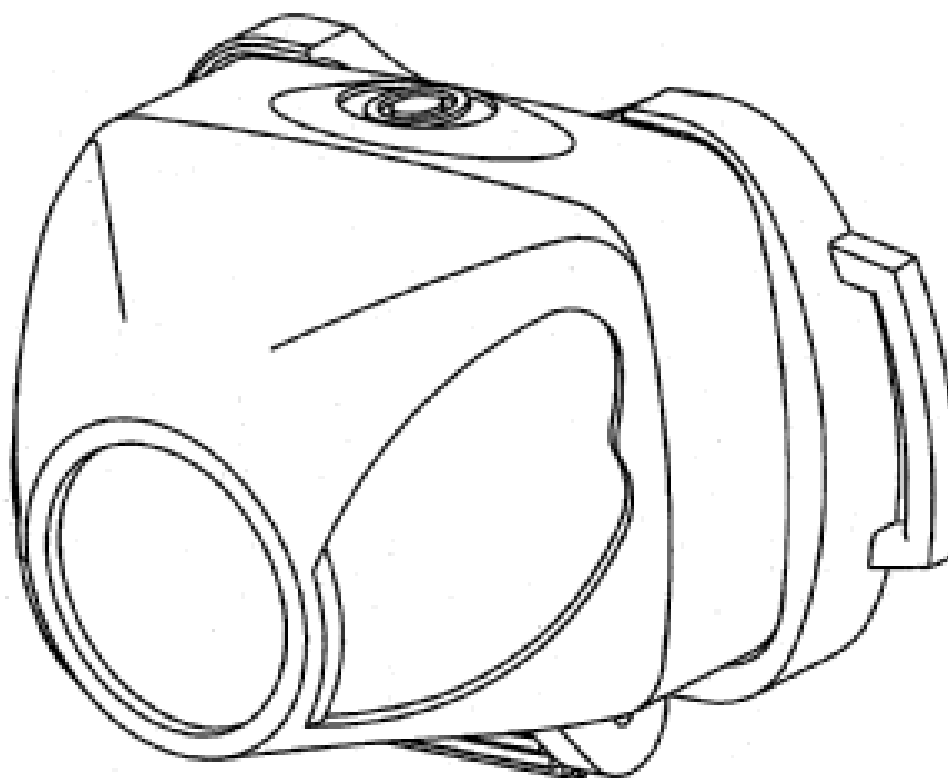
- (21) Design Number: **16637/2007**
- (22) Date of Filing Application: **28 February 2007**
- (24) Date from which industrial property rights may have effect: **28 February 2007**
- (54) Product in respect of which the design is registered: **A container for a water trap**
- (51) International Design Classification: **23-01NES**
- (71) Name(s) and Address(s) of Applicant(s):  
**Plastec Australia Pty Ltd**  
**2 Enterprise Street Caloundra Queensland 4551 Australia**
- (72) Name(s) of Designer(s): **Brian Whitehead**
- (45) Registration Date: **22 May 2007**
- (56) Related Art Documents: **Not Applicable**
- (57) Statement of Newness and Distinctiveness: **The newness and distinctiveness resides in the shape and configuration of the container for a water trap as shown in the accompanying representations. When considering the newness and distinctiveness the shape and configuration of the attachment formation on the outlet conduit is to be disregarded.**



- (21) Design Number: **16236/2007**  
(22) Date of Filing Application: **05 February 2007**  
(24) Date from which industrial property rights may have effect: **05 February 2007**  
(54) Product in respect of which the design is registered: **Domestic pet, cat self contained sleeping, eating and 'litter' area**  
(51) International Design Classification: **30-02**  
(71) Name(s) and Address(s) of Applicant(s):  
**Chris Lapsley**  
**144 Salisbury Road Camperdown New South Wales 2050 Australia**  
(72) Name(s) of Designer(s): **Oscar Prieckaerts and Chris Lapsley and Kirk Knutson**  
(45) Registration Date: **22 May 2007**  
(56) Related Art Documents: **Not Applicable**  
(57) Statement of Newness and Distinctiveness: **Self contained unit, containing sleeping, eating and litter area with internal access for the cat and draw access for pet owner.**



- (21) Design Number: **12205/2006**  
(22) Date of Filing Application: **19 May 2006**  
(24) Date from which industrial property rights may have effect: **19 May 2006**  
(54) Product in respect of which the design is registered: **Lighting device**  
(51) International Design Classification: **26-02, 26-05NES**  
(71) Name(s) and Address(s) of Applicant(s):  
**Eveready Battery Company, Inc.**  
**533 Maryville University Drive St Louis Missouri 63164 United States of America**  
(72) Name(s) of Designer(s): **David Alessio**  
(45) Registration Date: **23 May 2007**  
(56) Related Art Documents: **Not Applicable**  
(57) Statement of Newness and Distinctiveness: **Nil.**

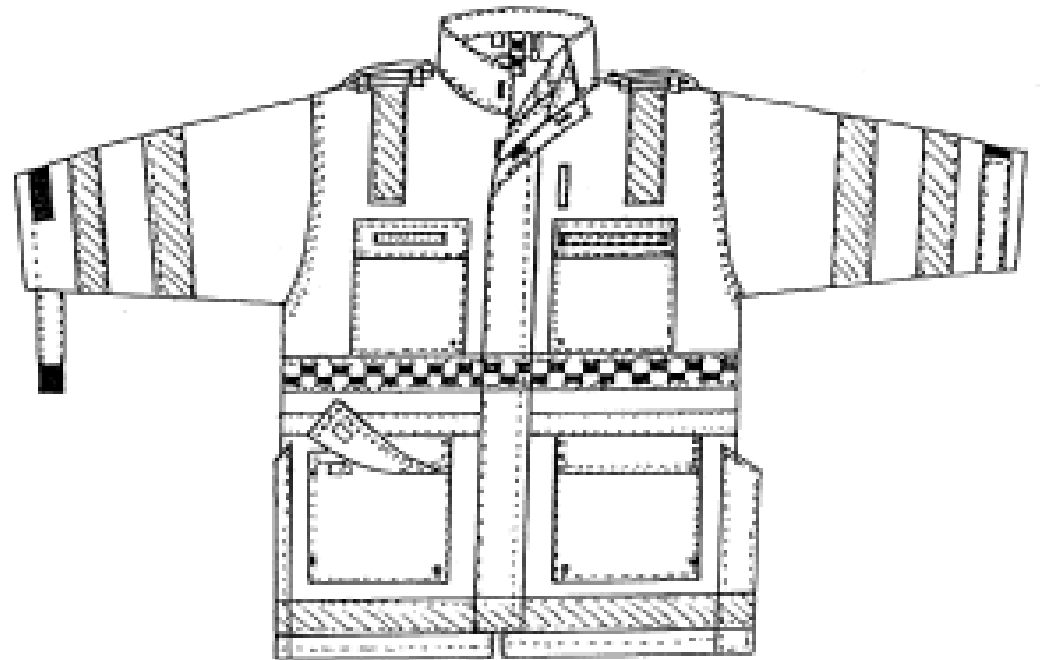




- (21) Design Number: **13911/2006**  
(22) Date of Filing Application: **30 August 2006**  
(24) Date from which industrial property rights may have effect: **30 August 2006**  
(54) Product in respect of which the design is registered: **Jackets**  
(51) International Design Classification: **02-02NES**  
(71) Name(s) and Address(s) of Applicant(s):

**Textile House Pty Ltd**  
**30 Barrett Street Kensington Victoria 3031 Australia**

- (72) Name(s) of Designer(s): **Kruno Janjic**  
(45) Registration Date: **23 May 2007**  
(56) Related Art Documents: **Not Applicable**  
(57) Statement of Newness and Distinctiveness: **Nil**



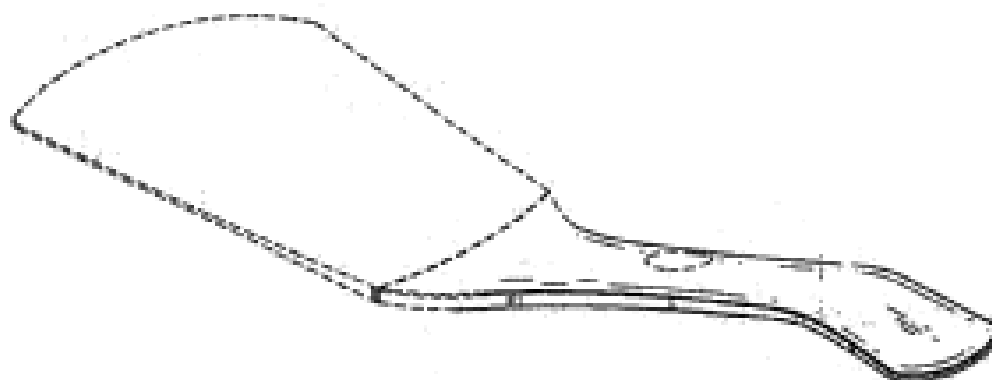
- (21) Design Number: **15905/2007**  
(22) Date of Filing Application: **10 January 2007**  
(24) Date from which industrial property rights may have effect: **10 January 2007**  
(54) Product in respect of which the design is registered: **Support U Pillow**  
(51) International Design Classification: **06-09**  
(71) Name(s) and Address(s) of Applicant(s):

**Sheree Faye Harris**  
**"Camellia Cottage" 116 Dalrymple Drive Leda Western Australia 6170**  
**Australia**

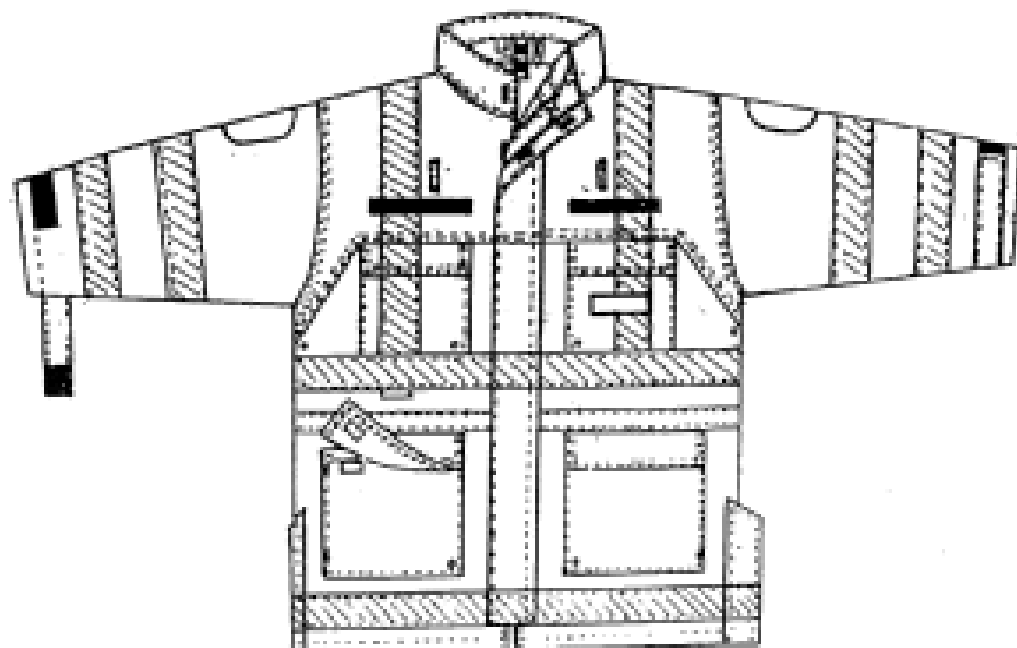
- (72) Name(s) of Designer(s): **Sheree Faye Harris**  
(45) Registration Date: **23 May 2007**  
(56) Related Art Documents: **Not Applicable**  
(57) Statement of Newness and Distinctiveness: **There is a distinctive square box pleat (3 folds) folded at 2 ends holding securely in place 2 ties. It is long (approx 109#112cm) and cylinder (approx 35#40cm round). It is firmly stuffed with hobby fill not too hard, not too soft, but mouldable and flexible. The ties are about 3#5cm wide and rectangular in length (approx 45#55cm). Fabric new quality flannellete or cotton. Ties make it very adjustable to size.**



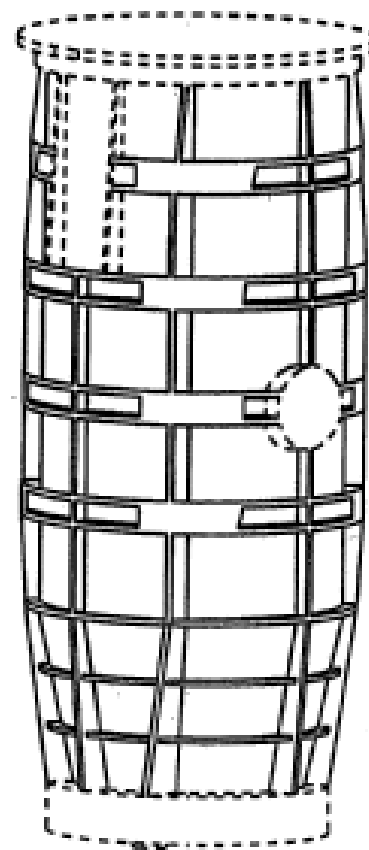
- (21) Design Number: **16126/2007**  
(22) Date of Filing Application: **24 January 2007**  
(24) Date from which industrial property rights may have effect: **24 January 2007**  
(54) Product in respect of which the design is registered: **A handle for a kitchen tool**  
(51) International Design Classification: **07-02R**  
(71) Name(s) and Address(s) of Applicant(s):  
**Chef'n Corporation**  
**1520 4th Avenue 3rd Floor Seattle Washington 98101 United States of America**  
(72) Name(s) of Designer(s): **Jason O. Germany**  
(45) Registration Date: **23 May 2007**  
(30) Convention priority data:  
(31) Number (32) Date (33) Country  
**60820336 25 Jul 2006 UNITED STATES OF AMERICA**  
(56) Related Art Documents: **Not Applicable**  
(57) Statement of Newness and Distinctiveness: **Newness and distinctiveness is claimed in the visual features shown in solid lines in the representations.**



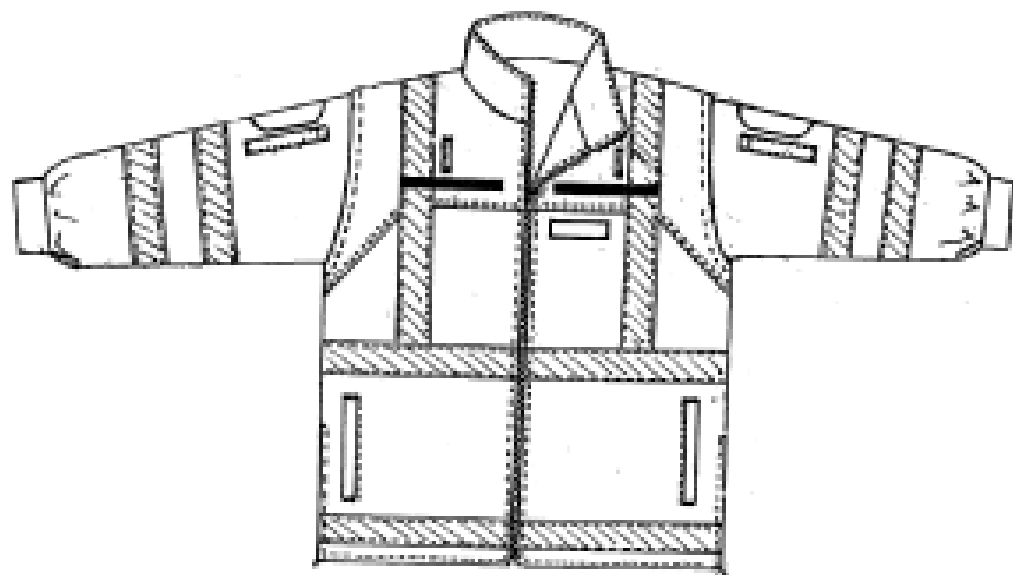
- (21) Design Number: **16624/2007**  
(22) Date of Filing Application: **30 August 2006**  
(24) Date from which industrial property rights may have effect: **30 August 2006**  
(54) Product in respect of which the design is registered: **Jackets**  
(51) International Design Classification: **02-02NES**  
(71) Name(s) and Address(s) of Applicant(s):  
**Textile House Pty Ltd**  
**30 Barrett Street Kensington Victoria 3031 Australia**  
(72) Name(s) of Designer(s): **Kruno Janjic**  
(45) Registration Date: **23 May 2007**  
(56) Related Art Documents: **Not Applicable**  
(57) Statement of Newness and Distinctiveness: **Nil**



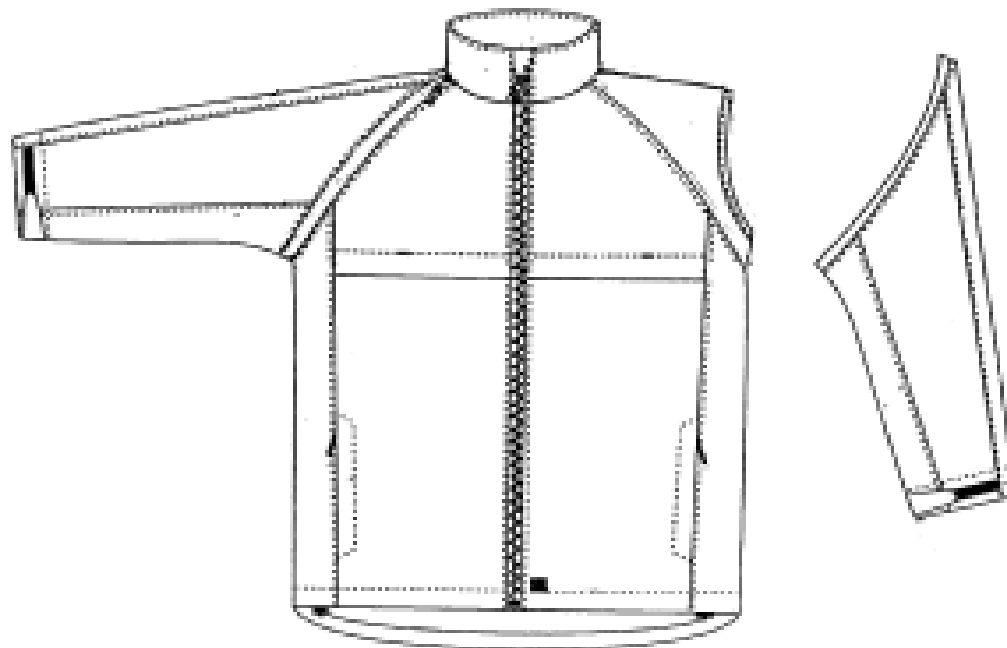
- (21) Design Number: **16457/2007**  
(22) Date of Filing Application: **16 February 2007**  
(24) Date from which industrial property rights may have effect: **16 February 2007**  
(54) Product in respect of which the design is registered: **Sewage tank**  
(51) International Design Classification: **23-02NES**  
(71) Name(s) and Address(s) of Applicant(s):  
**Environment One Corporation**  
**2773 Balltown Road Niskayuna New York 12309 United States of America**  
(72) Name(s) of Designer(s): **Paul J. Daley and Clark A. Henry and Graeme Hisgrove and Adrian Massey**  
(45) Registration Date: **23 May 2007**  
(30) Convention priority data:  
(31) Number (32) Date (33) Country  
**29/249183 26 Sep 2006 UNITED STATES OF AMERICA**  
(56) Related Art Documents: **Not Applicable**  
(57) Statement of Newness and Distinctiveness: **Newness and distinctiveness is claimed in the features of shape and/or configuration of a sewage tank as illustrated in continuous lines in the accompanying representations.**



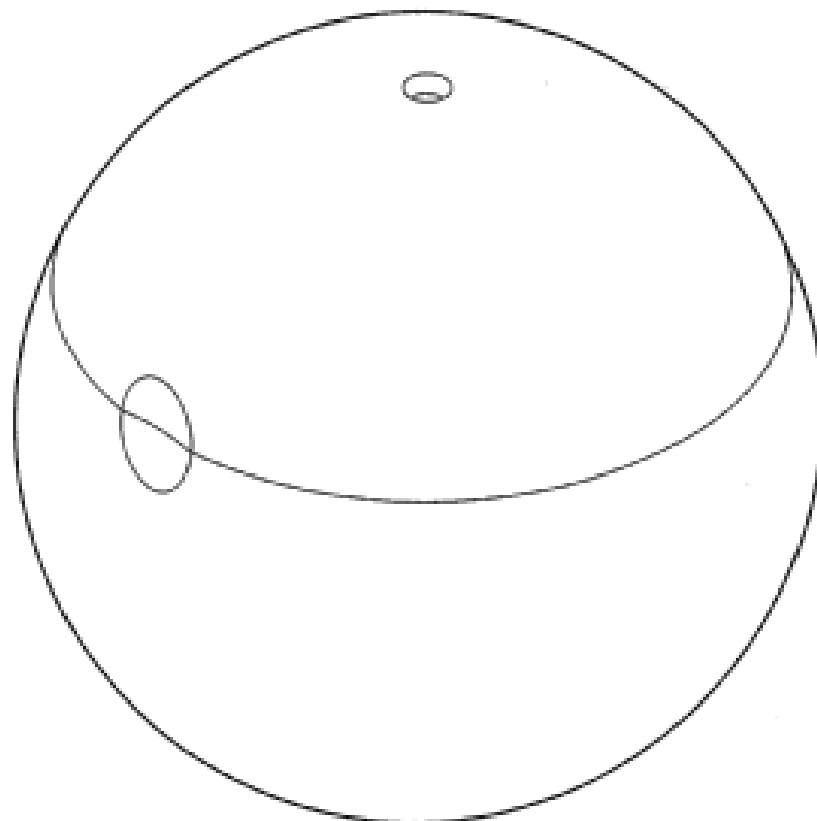
- (21) Design Number: **16625/2007**  
(22) Date of Filing Application: **30 August 2006**  
(24) Date from which industrial property rights may have effect: **30 August 2006**  
(54) Product in respect of which the design is registered: **Jackets**  
(51) International Design Classification: **02-02NES**  
(71) Name(s) and Address(s) of Applicant(s):  
**Textile House Pty Ltd**  
**30 Barrett Street Kensington Victoria 3031 Australia**  
(72) Name(s) of Designer(s): **Kruno Janjic**  
(45) Registration Date: **23 May 2007**  
(56) Related Art Documents: **Not Applicable**  
(57) Statement of Newness and Distinctiveness: **Nil**



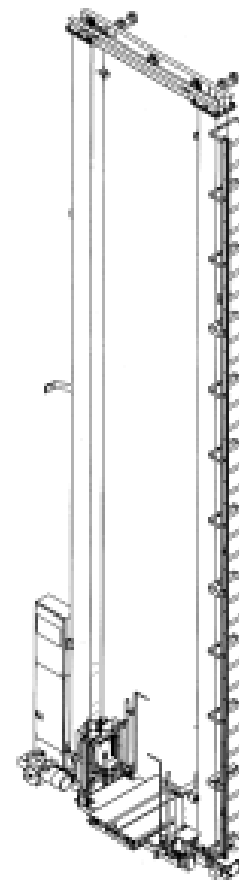
(21) Design Number: **16626/2007**  
(22) Date of Filing Application: **30 August 2006**  
(24) Date from which industrial property rights may have effect: **30 August 2006**  
(54) Product in respect of which the design is registered: **Jackets**  
(51) International Design Classification: **02-02NES**  
(71) Name(s) and Address(s) of Applicant(s):  
**Textile House Pty Ltd**  
**30 Barrett Street Kensington Victoria 3031 Australia**  
(72) Name(s) of Designer(s): **Kruno Janjic**  
(45) Registration Date: **23 May 2007**  
(56) Related Art Documents: **Not Applicable**  
(57) Statement of Newness and Distinctiveness: **Nil**



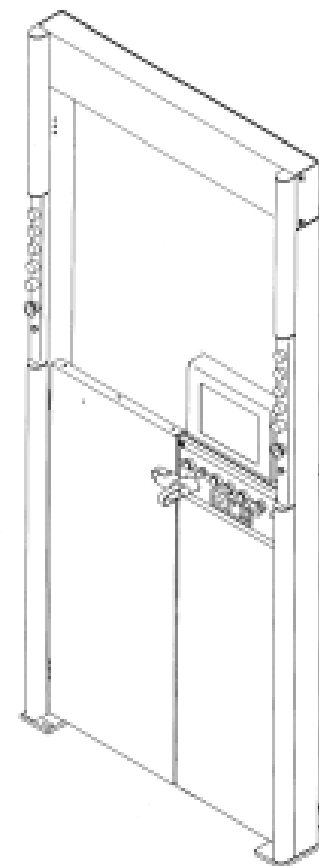
(21) Design Number: **16691/2007**  
(22) Date of Filing Application: **28 February 2007**  
(24) Date from which industrial property rights may have effect: **28 February 2007**  
(54) Product in respect of which the design is registered: **Packaging/container**  
(51) International Design Classification: **09-03L**  
(71) Name(s) and Address(s) of Applicant(s):  
**Cadbury Schweppes PLC**  
**25 Berkeley Square London W1J 6HB United Kingdom**  
(72) Name(s) of Designer(s): **Hiba Kilany**  
(45) Registration Date: **23 May 2007**  
(30) Convention priority data:  
(31) Number      (32) Date      (33) Country  
**000597950      29 Sep 2006      EUROPEAN COMMUNITY**  
(56) Related Art Documents: **Not Applicable**  
(57) Statement of Newness and Distinctiveness: **Nil**



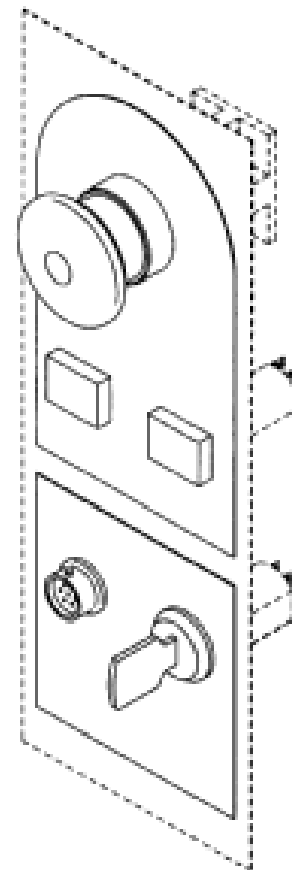
- (21) Design Number: **16692/2007**  
(22) Date of Filing Application: **28 February 2007**  
(24) Date from which industrial property rights may have effect: **28 February 2007**  
(54) Product in respect of which the design is registered: **A crane for an automated warehousing system**  
(51) International Design Classification: **12-05**  
(71) Name(s) and Address(s) of Applicant(s):  
**Kabushiki Kaisha Toyota Jidoshokki**  
**2-1 Toyoda-Cho Kariya-Shi Aichi-Ken Japan**  
(72) Name(s) of Designer(s): **Daisuke Iguchi and Mitsuyuki Sakurai**  
(45) Registration Date: **23 May 2007**  
(30) Convention priority data:  
(31) Number      (32) Date      (33) Country  
**2006#023494      01 Sep 2006      JAPAN**  
(56) Related Art Documents: **Not Applicable**  
(57) Statement of Newness and Distinctiveness: **The shape and configuration of the crane for an automated warehousing system shown in the representations is new and distinctive.**



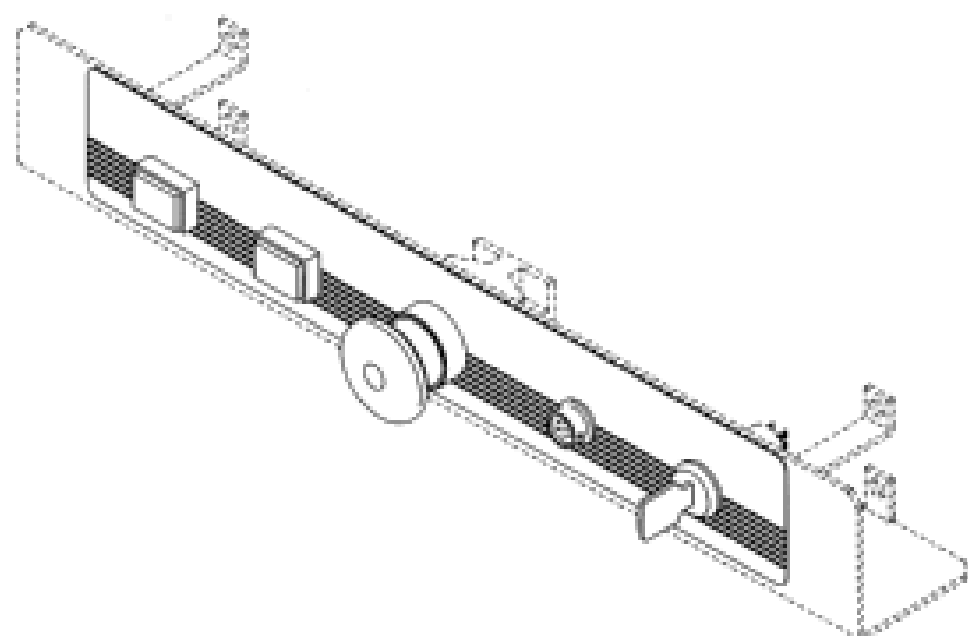
- (21) Design Number: **16693/2007**  
(22) Date of Filing Application: **28 February 2007**  
(24) Date from which industrial property rights may have effect: **28 February 2007**  
(54) Product in respect of which the design is registered: **A gate with control and management function for an automated warehousing system**  
(51) International Design Classification: **25-02C**  
(71) Name(s) and Address(s) of Applicant(s):  
**Kabushiki Kaisha Toyota Jidoshokki**  
**2-1 Toyoda-Cho Kariya-Shi Aichi-Ken Japan**  
(72) Name(s) of Designer(s): **Naoto Kato and Hiroshi Ito**  
(45) Registration Date: **23 May 2007**  
(30) Convention priority data:  
(31) Number      (32) Date      (33) Country  
**2006#023490      01 Sep 2006      JAPAN**  
(56) Related Art Documents: **Not Applicable**  
(57) Statement of Newness and Distinctiveness: **The shape and configuration of the gate with control and management function for an automated warehousing system shown in the representations is new and distinctive.**



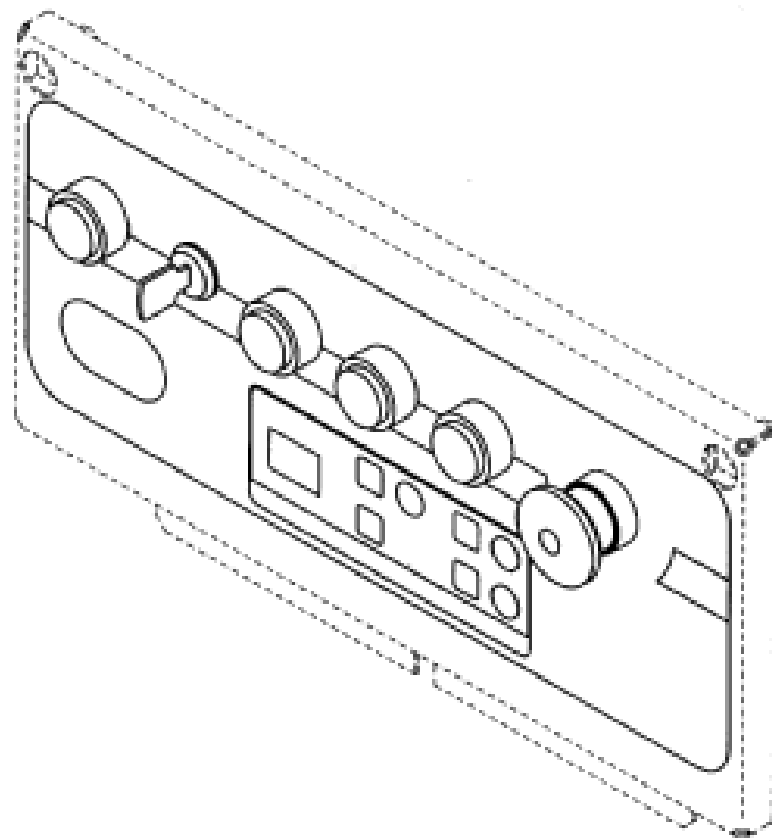
- (21) Design Number: **16694/2007**  
(22) Date of Filing Application: **28 February 2007**  
(24) Date from which industrial property rights may have effect: **28 February 2007**  
(54) Product in respect of which the design is registered: **Operation panel for a crane of an automated warehousing system**  
(51) International Design Classification: **14-03NES**  
(71) Name(s) and Address(s) of Applicant(s):  
**Kabushiki Kaisha Toyota Jidoshokki**  
**2-1 Toyoda-Cho Kariya-Shi Aichi-Ken Japan**  
(72) Name(s) of Designer(s): **Naoto Kato and Hiroshi Ito**  
(45) Registration Date: **23 May 2007**  
(30) Convention priority data:  
(31) Number      (32) Date      (33) Country  
**2006#023496      01 Sep 2006      JAPAN**  
(56) Related Art Documents: **Not Applicable**  
(57) Statement of Newness and Distinctiveness: **The shape and configuration of the operation panel for a crane of an automated warehousing system shown in the representations is new and distinctive. Features shown in broken lines are to be disregarded when assessing the newness and distinctiveness of the design.**



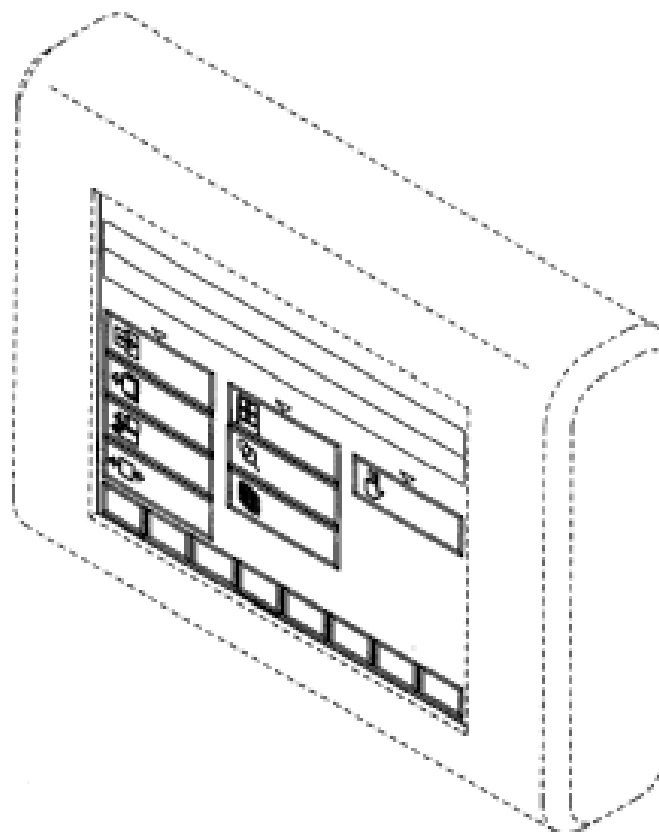
- (21) Design Number: **16695/2007**  
(22) Date of Filing Application: **28 February 2007**  
(24) Date from which industrial property rights may have effect: **28 February 2007**  
(54) Product in respect of which the design is registered: **Operation panel for a crane of an automated warehousing system**  
(51) International Design Classification: **14-03NES**  
(71) Name(s) and Address(s) of Applicant(s):  
**Kabushiki Kaisha Toyota Jidoshokki**  
**2-1 Toyoda-Cho Kariya-Shi Aichi-Ken Japan**  
(72) Name(s) of Designer(s): **Naoto Kato and Hiroshi Ito**  
(45) Registration Date: **23 May 2007**  
(30) Convention priority data:  
(31) Number      (32) Date      (33) Country  
**2006#023495      01 Sep 2006      JAPAN**  
(56) Related Art Documents: **Not Applicable**  
(57) Statement of Newness and Distinctiveness: **The shape and configuration of the operation panel for a crane of an automated warehousing system shown in the representations is new and distinctive. Features shown in broken lines are to be disregarded when assessing the newness and distinctiveness of the design.**



- (21) Design Number: **16696/2007**  
(22) Date of Filing Application: **28 February 2007**  
(24) Date from which industrial property rights may have effect: **28 February 2007**  
(54) Product in respect of which the design is registered: **An operation panel for an automated warehousing system**  
(51) International Design Classification: **14-03NES**  
(71) Name(s) and Address(s) of Applicant(s):  
**Kabushiki Kaisha Toyota Jidoshokki**  
**2-1 Toyoda-Cho Kariya-Shi Aichi-Ken Japan**  
(72) Name(s) of Designer(s): **Naoto Kato and Hiroshi Ito**  
(45) Registration Date: **23 May 2007**  
(30) Convention priority data:  
(31) Number      (32) Date      (33) Country  
**2006#023493      01 Sep 2006      JAPAN**  
(56) Related Art Documents: **Not Applicable**  
(57) Statement of Newness and Distinctiveness: **The shape and configuration of the operational panel for an automated warehousing system shown in the representations is new and distinctive. Features shown in broken lines are to be disregarded when assessing the newness and distinctiveness of the design.**



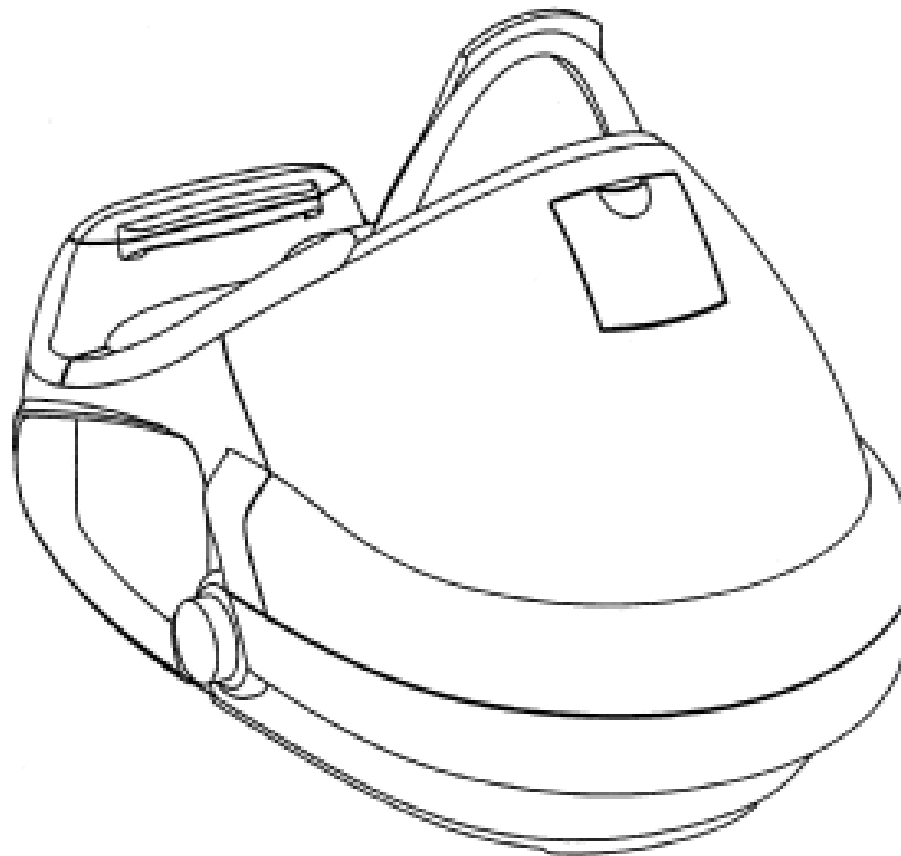
- (21) Design Number: **16697/2007**  
(22) Date of Filing Application: **28 February 2007**  
(24) Date from which industrial property rights may have effect: **28 February 2007**  
(54) Product in respect of which the design is registered: **Control device with management function for an automated warehousing system**  
(51) International Design Classification: **14-03NES**  
(71) Name(s) and Address(s) of Applicant(s):  
**Kabushiki Kaisha Toyota Jidoshokki**  
**2-1 Toyoda-Cho Kariya-Shi Aichi-Ken Japan**  
(72) Name(s) of Designer(s): **Hiroki Mori and Kazuhiro Morita**  
(45) Registration Date: **23 May 2007**  
(30) Convention priority data:  
(31) Number      (32) Date      (33) Country  
**2006#023491      01 Sep 2006      JAPAN**  
(56) Related Art Documents: **Not Applicable**  
(57) Statement of Newness and Distinctiveness: **The shape and configuration of the control device with management function for an automated warehousing system shown in the representations is new and distinctive. Features shown in broken lines are to be disregarded when assessing the newness and distinctiveness of the design.**



(21) Design Number: **16698/2007**  
(22) Date of Filing Application: **28 February 2007**  
(24) Date from which industrial property rights may have effect: **28 February 2007**  
(54) Product in respect of which the design is registered: **Pen**  
(51) International Design Classification: **19-06**  
(71) Name(s) and Address(s) of Applicant(s):  
**Mitsubishi Pencil Co., Ltd**  
**23-37 5 Chome Higashi-Ohi Shinagawa-Ku Tokyo Japan**  
(72) Name(s) of Designer(s): **Kazuhiko Takanashi**  
(45) Registration Date: **23 May 2007**  
(30) Convention priority data:  
(31) Number      (32) Date      (33) Country  
**2006#023711      05 Sep 2006      JAPAN**  
(56) Related Art Documents: **Not Applicable**  
(57) Statement of Newness and Distinctiveness: **The shape and configuration of those parts of the design shown by means of solid lines in the representations are new and distinctive.**

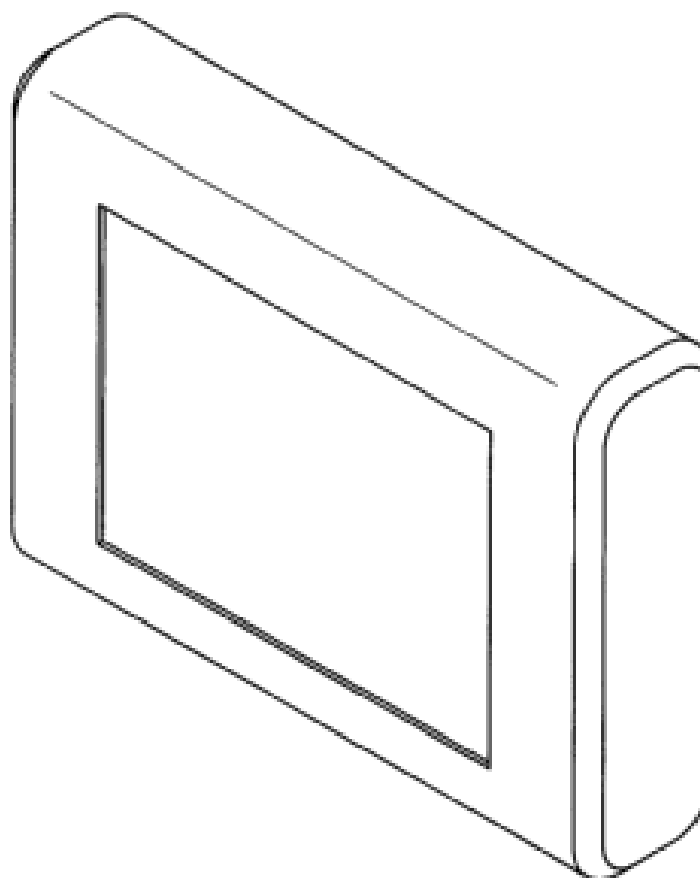


(21) Design Number: **16699/2007**  
(22) Date of Filing Application: **28 February 2007**  
(24) Date from which industrial property rights may have effect: **28 February 2007**  
(54) Product in respect of which the design is registered: **Steam generating base for laundry iron**  
(51) International Design Classification: **07-05A**  
(71) Name(s) and Address(s) of Applicant(s):  
**Calor**  
**Place Ambroise Courtois Lyon 69008 France**  
(72) Name(s) of Designer(s): **Dick Powell**  
(45) Registration Date: **23 May 2007**  
(30) Convention priority data:  
(31) Number      (32) Date      (33) Country  
**06 4404      27 Sep 2006      FRANCE**  
(56) Related Art Documents: **Not Applicable**  
(57) Statement of Newness and Distinctiveness: **Nil**

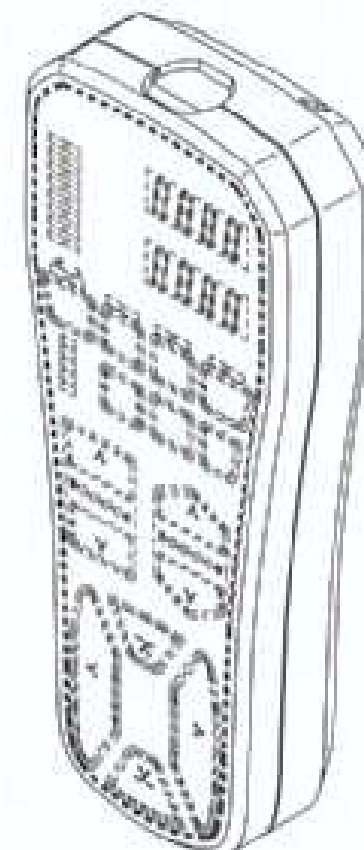




- (21) Design Number: **16700/2007**  
(22) Date of Filing Application: **28 February 2007**  
(24) Date from which industrial property rights may have effect: **28 February 2007**  
(54) Product in respect of which the design is registered: **A control device with management function for an automated warehousing system**  
(51) International Design Classification: **14-02**  
(71) Name(s) and Address(s) of Applicant(s):  
**Kabushiki Kaisha Toyota Jidoshokki**  
**2-1 Toyoda-Cho Kariya-Shi Aichi-Ken Japan**  
(72) Name(s) of Designer(s): **Naoto Kato**  
(45) Registration Date: **23 May 2007**  
(30) Convention priority data:  
(31) Number      (32) Date      (33) Country  
**2006#023488      01 Sep 2006      JAPAN**  
(56) Related Art Documents: **Not Applicable**  
(57) Statement of Newness and Distinctiveness: **The shape and configuration of the control device with management function for an automated warehousing system shown in the representations is new and distinctive.**



- (21) Design Number: **16701/2007**  
(22) Date of Filing Application: **28 February 2007**  
(24) Date from which industrial property rights may have effect: **28 February 2007**  
(54) Product in respect of which the design is registered: **A remote controller of a crane for an automated warehousing system**  
(51) International Design Classification: **14-03NES**  
(71) Name(s) and Address(s) of Applicant(s):  
**Kabushiki Kaisha Toyota Jidoshokki**  
**2-1 Toyoda-Cho Kariya-Shi Aichi-Ken Japan**  
(72) Name(s) of Designer(s): **Naoto Kato**  
(45) Registration Date: **23 May 2007**  
(30) Convention priority data:  
(31) Number      (32) Date      (33) Country  
**2006#023490      01 Sep 2006      JAPAN**  
(56) Related Art Documents: **Not Applicable**  
(57) Statement of Newness and Distinctiveness: **The shape and configuration of the remote controller of a crane for an automated warehousing system shown in the representations is new and distinctive. Features shown in broken lines are to be disregarded when assessing the newness and distinctiveness of the design.**



- (21) Design Number: **17705/2007**  
(22) Date of Filing Application: **30 August 2006**  
(24) Date from which industrial property rights may have effect: **30 August 2006**  
(54) Product in respect of which the design is registered: **Jackets**  
(51) International Design Classification: **02-02NES**  
(71) Name(s) and Address(s) of Applicant(s):  
**Textile House Pty Ltd**  
**30 Barrett Street Kensington Victoria 3031 Australia**  
(72) Name(s) of Designer(s): **Kruno Janjic**  
(45) Registration Date: **23 May 2007**  
(56) Related Art Documents: **Not Applicable**  
(57) Statement of Newness and Distinctiveness: **Nil**

