



Australian Government

IP Australia

AUSTRALIAN OFFICIAL JOURNAL

OF

DESIGNS

Did you know a searchable version of this journal is now available online?

It's FREE and EASY to SEARCH.

Find it at

<http://pericles.ipaustralia.gov.au/ols/epublish/content/olsEpublications.jsp>
or using the "Online Journals" link on the IP Australia home page.

This Page Left Intentionally Blank

Contents

General Information & Notices

**Proceedings Under the Designs Act 1906 preserved as a result of the provisions of Chapter 12
Part 2 of the Designs Act 2003**

Application for Extension of Period of Registration	9184
Extension of Period of Registration of Designs	9184
Names Registered - Alterations and Amendments	9184
Registrations Ceased	9184
Subsequent Owners Registered	9184

Proceedings Under the Designs Act 2003

Applications Lapsed	9193
Applications Lodged	9189
Certificate of Examination	9196
Corrigenda	9195
Extension of Time Granted Under Section 137	9194
Names Registered - Alterations and Amendments	9194
Publication and Registration Proceedings	
Designs Registered 314218 to 314442.....	9197

This Page Left Intentionally Blank

For information on the following please see our website www.ipaustralia.gov.au or contact our Customer Service Network on 1300651010

[Editorial enquiries](#)

[Contact information](#)

[Freedom of Information ACT](#)

[Professional Standards Board](#)

[Sales](#)

[Requests for Information under Section 194 \(c\)](#)

[Country Codes](#)

[Trade Mark and Designs Hearing Sessions](#)

[INID \(Internationally agreed Numbers for the Identification of Data\)](#)

“INID” NUMBERS in use on Australian Design Documents

“INID” is an acronym for “Internationally agreed Numbers for the Identification of Data”.

(10) Data concerning the registration/renewal

- (11) Serial number of the registration and/or number of the design document
- (12) Plain language designation of the kind of published document
- (19) Identification, using the two-letter code according to WIPO Standard ST.3, of the authority publishing or registering the industrial design

(20) Data concerning the application

- (21) Serial number of the application
- (22) Date of filing of the application
- (24) Date from which the industrial design right has effect

(30) Data relating to priority under the Paris Convention

- (31) Serial number assigned to the priority application
- (32) Date of filing of the priority application
- (33) Two-letter code, according to WIPO Standard ST.3, identifying the authority with which the priority application was made

(40) Date(s) of making information available to the public

- (45) Date of publication of the registered industrial design by printing or similar process, or making it available to the public by any other means

(50) Miscellaneous Information

- (51) International Classification for Industrial Designs (class and subclass of the Locarno Classification)
- (54) Designation of article(s) or product(s) covered by the industrial design or title of the industrial design
- (55) Reproduction of the industrial design (e.g., drawing, photograph) and explanations relating to the reproduction
- (56) List of prior art documents, if separate from descriptive text
- (57) Description of characteristic features of the industrial design including indication of colours

(60) References to other legally related application(s) and registration(s)

- (62) Serial number(s) and, if available, filing date(s) of application(s), registration(s) or document(s) related by division
- (66) Serial number(s) of the application, or the registration, of the design(s) which is (are) a variant(s) of the present one

(70) Identification of parties concerned with the application or registration

- (71) Name(s) and address(es) of the applicant(s)
- (72) Name(s) of the creator(s) if known to be such
- (74) Name(s) and address(es) of the representative(s)

This Page Left Intentionally Blank

This Page Left Intentionally Blank

Proceedings under the Designs Act 1906 preserved as a result of the provisions of Chapter 12 Part 2 of the Designs Act 2003.

This Page Left Intentionally Blank

Applications Lapsed

There were no Applications Lapsed under this section

Application for Extension of Period of Registration

Applications under Section 27A(2) for extension of registration of the following designs have been lodged. In the event that a design is shown to be not new or original, the Registrar may refuse to extend the period of registration. Sub-section 27A(4) allows any person to lodge at the Designs Office material relevant to the question whether the design is not new or original. That material must be lodged within 11 months of the date when the registration of the design was made. Further details of the conditions and procedures for the lodgement of material are contained in Form 8 provided under the Designs Regulation 24.

Registration Number	Registered Owner	Registration Date
158573	KIERON DOWD and RODNEY DARRYL HUNWICK	30/05/2006
158574	KIERON DOWD and RODNEY DARRYL HUNWICK	30/05/2006

Extension of Period of Registration of Designs

1st Period (Section 27A(8))

158573 158574

2nd Period (Section 27A(12))

144239	144240	144952
144953	144954	144955
145636	145805	145961
145963	146084	146089
146100	146101	146163
146164	146207	146298
146303	146399	146406
146407	146511	146618
146620	146772	146959
146960	147097	147161
147238	147280	147558
147559	147560	147561
147562	147563	147577
147598	147599	147600
147601	147602	147721
147780	147955	148278
148279	149348	149510
149511	149812	150256
150257	150296	150409
150510	150871	150891

3rd Period (Section 27A(13))

128400	128668	128819
128931	128932	128933
128946	128947	128948
128950	129036	129052
129053	129066	129131
129251	129299	129334
129386	129387	129395
129650	129660	129739
129913	130068	130357

130363	130560	130755
130786	131158	131376
131656	132893	133011
133159	133254	134219
135160	136606	

Registrations Ceased

Note: Some of the following Registrations may have been previously advertised as ceased. In this instance, the previous advertisement still prevails.

112972	112995	112996
112997	113012	113052
113053	113055	113056
113057	113058	113460
113740	114552	114896
115698	115851	116025
117964	123218	127145
127146	127147	127186
127188	127238	127281
127338	127794	127795
127846	127886	129149
129409	129487	129513
130783	142530	142798
144213	144253	144271
144272	144273	144275
144375	144377	144384
144385	144386	144387
144388	144389	144393
144401	144419	144496
144500	144501	144502
144508	144611	144669
145181	145558	145717
145778	146062	146184
146185	146445	146558
146559	146637	147658
148049	148226	

Subsequent Owners Registered

(The name in parentheses is that of the subsequent owner)

156389	(Semaj Holdings B.V.) International Paper Company
136871	(Bradken Operations Pty Limited) Wundowie Foundry Pty Ltd
156335	(Coote Industrial Limited) Westline Asset Pty Ltd

Names Registered - Alterations and Amendments

(The name in parentheses is the new name of the proprietor)

147780	(Mott's LLP) Mystic Brands Inc.
152801	(Mott's LLP) Mystic Brands Inc.

This Page Left Intentionally Blank

Proceedings under the Designs Act 2003.

This Page Left Intentionally Blank

Applications Lodged

Lodgement information is in the following order: **Applicant's Name**; International Classification, Name of Product, Lodgement Date and **Design Number**. If the applicant claims an earlier priority date under an International Convention, the Convention Country and the associated filing date are shown in parentheses before the Lodgement Date. Divisional information will also appear in parentheses before the Lodgement Date.

icableholder.com Pty Limited; 08-99, Cable holder, 30 May 2007	18139/2007	Applica Consumer Products, Inc.; 07-06D, Motorized jar opener, (US, 01 Dec 2006) 23 May 2007	18064/2007
iLinko Ltd.; 06-01K, Rocking chair, (EM, 24 Nov 2006) 23 May 2007	18077/2007	Argyle, Rebecca Caroline; 02-02NES, Shirt, 29 May 2007	18121/2007
Acqua Mineral San Benedetto S.p.A.; 09-01K, Bottle, (BG, 17 Nov 2006) 17 May 2007	17979/2007	Azuma Design Pty Limited; 08-06, A door handle, 22 May 2007	18060/2007
Acqua Mineral San Benedetto S.p.A.; 09-01K, Bottle, (BG, 17 Nov 2006) 17 May 2007	17980/2007	Babawine Pty Ltd; 07-01C, A cup, 28 May 2007	18116/2007
Acqua Mineral San Benedetto S.p.A.; 09-01K, Bottle, (BG, 17 Nov 2006) 17 May 2007	17981/2007	Bang & Olufsen A/S; 14-01, MP3 player, (DK, 24 Nov 2006) 22 May 2007	18040/2007
Acqua Mineral San Benedetto S.p.A.; 09-01K, Bottle, (BG, 17 Nov 2006) 17 May 2007	17982/2007	Barber, Allan William; 12-06NES, Seapen boat hull protector, 30 May 2007	18137/2007
Acqua Mineral San Benedetto S.p.A.; 09-01K, Bottle, (BG, 17 Nov 2006) 17 May 2007	17983/2007	Barber, Allan William; 12-06NES, Seapen boat hull protector, 30 May 2007	18135/2007
Acqua Mineral San Benedetto S.p.A.; 09-01K, Bottle, (BG, 17 Nov 2006) 17 May 2007	17984/2007	Bell, Kenneth; 23-01F, Water fence, 22 May 2007	18100/2007
Acqua Mineral San Benedetto S.p.A.; 09-01K, Bottle, (BG, 17 Nov 2006) 17 May 2007	17985/2007	Bonza Doors Pty Ltd; Bryant Enterprises Pty Ltd; Nacara Pty Ltd; 08-08H, Shutter blade, 18 May 2007	17997/2007
Alto Packaging Limited; 09-03M, A lidded container, (NZ, 23 Apr 2007) 25 May 2007	18080/2007	Bonza Doors Pty Ltd; Bryant Enterprises Pty Ltd; Nacara Pty Ltd; 08-08H, End cap for shutter blade, 18 May 2007	17996/2007
Anchor Wall Systems, Inc.; 25-01A, Retaining wall block, (US, 14 Dec 2006) 30 May 2007	18156/2007	Bonza Doors Pty Ltd; Bryant Enterprises Pty Ltd; Nacara Pty Ltd; 08-08NES, Fixing means for end cap for shutter blade, 18 May 2007	17995/2007
Anchor Wall Systems, Inc.; 25-01A, Retaining wall block, (US, 14 Dec 2006) 30 May 2007	18157/2007	Bright, Katie-Lee; 02-02NES, A garment, 21 May 2007	18023/2007
Anchor Wall Systems, Inc.; 25-01A, Retaining wall block, (US, 14 Dec 2006) 30 May 2007	18158/2007	Bright, Katie-Lee; 02-02NES, A garment, 21 May 2007	18022/2007
Anchor Wall Systems, Inc.; 25-01A, Retaining wall block, (US, 14 Dec 2006) 30 May 2007	18159/2007	Brohier, Peter; 02-05, Handkechef, 25 May 2007	18096/2007
Anchor Wall Systems, Inc.; 25-01A, Retaining wall block, (US, 14 Dec 2006) 30 May 2007	18160/2007	Bryant Enterprises Pty Ltd; Nacara Pty Ltd; Bonza Doors Pty Ltd; 08-08H, Shutter blade, 18 May 2007	17997/2007
Anchor Wall Systems, Inc.; 25-01A, Retaining wall block, (US, 14 Dec 2006) 30 May 2007	18161/2007	Bryant Enterprises Pty Ltd; Nacara Pty Ltd; Bonza Doors Pty Ltd; 08-08H, End cap for shutter blade, 18 May 2007	17996/2007
Applica Consumer Products, Inc.; 07-06D, Motorized jar opener, (US, 01 Dec 2006) 23 May 2007	18063/2007	Bryant Enterprises Pty Ltd; Nacara Pty Ltd; Bonza Doors Pty Ltd; 08-08NES, Fixing means for end cap for shutter blade, 18 May 2007	17995/2007
		Buenemann, Anton Brandt; 08-08L, Adjustable bracket, 24 May 2007	18088/2007
		Buggymate Pty Ltd; 21-02C, Mat, 25 May 2007	18105/2007

Capral Aluminium Limited; 25-01K, Mullion, 30 May 2007	18147/2007	Fair, Jason Alexander; 22-05, Beach bite fishing stand, 23 May 2007	18101/2007
Capral Aluminium Limited; 25-01K, Mullion, 30 May 2007	18155/2007	Fang, Kenneth; 08-07, Band, 22 May 2007	18061/2007
Capral Aluminium Limited; 25-01K, Mullion, 30 May 2007	18148/2007	Firth, Gregory John; Firth, Daniel George; 23-04, Baffle, 21 May 2007	18021/2007
Capral Aluminium Limited; 25-01K, Transom, 30 May 2007	18149/2007	Firth, Daniel George; Firth, Gregory John; 23-04, Baffle, 21 May 2007	18021/2007
Capral Aluminium Limited; 25-01K, Transom, 30 May 2007	18150/2007	Flecknoe, Angelique Trading as Karabell; 19-04, Scrapbooking album and storage, 25 May 2007	18083/2007
Capral Aluminium Limited; 25-01K, Sill, 30 May 2007	18151/2007	Fuji Kogyo Co., Ltd.; 22-05, Reel seat for a fishing rod, (JP, 29 Nov 2006) 29 May 2007	18134/2007
Capral Aluminium Limited; 25-01K, Transom, 30 May 2007	18152/2007	Fuji Kogyo Co., Ltd.; 22-05, Reel seat for a fishing rod, (JP, 01 Dec 2006) 30 May 2007	18144/2007
Capral Aluminium Limited; 25-01K, Sill, 30 May 2007	18153/2007	Galea, Daniel; 12-16A, Alloy wheel, 23 May 2007	18066/2007
Capral Aluminium Limited; 25-01K, Mullion, 30 May 2007	18154/2007	Gold, Suzie; 02-02C, Stickers, clothing, homewears, 13 Oct 2005	14535/2005
Carl Freudenberg KG; 04-01, Wringer for cleaning implement, 28 May 2007	18119/2007	Hertling, Peter; 23-01F, Water tank/modular tank/rain water tank, 24 May 2007	18072/2007
Casala Meubelen Nederland B.V.; 99-00, A chair, (BX, 11 Feb 2005) 19 Jan 2006	10449/2006	Hill & Smith Holdings Plc; 25-02NES, Safety barriers, (EM, 21 Nov 2006) 21 May 2007	18020/2007
Castanarez, Gregory Viana; 25-02A, Ornamental column, 21 May 2007	18026/2007	Horvath, Graham; 23-01H, Garden tap, 25 May 2007	18098/2007
Castanarez, Gregory Viana; 09-03NES, Conical container, 21 May 2007	18027/2007	Industrial Galvanizers Corporation Pty Ltd; 25-02NES, A roadside safety barrier, 31 May 2007	18165/2007
Castanarez, Gregory Viana; 11-01A, Ring, 21 May 2007	18028/2007	Innovative Environmental Solutions Pty Ltd; 23-01K, Valve, 29 May 2007	18133/2007
Castanarez, Gregory Viana; 11-02NES, Tetrahedral ornament, 21 May 2007	18029/2007	Integrated Pool Products (Pty) Ltd; 15-05, A swimming pool cleaner, (ZA, 28 Nov 2006) 28 May 2007	18120/2007
Cipla Limited; 09-05, Capsule chamber, (IN, 27 Nov 2006) 25 May 2007	18104/2007	IPH International Pty Ltd; 25-01NES, Variable angle joiner section, 22 May 2007	18038/2007
Circuits4life.com, (Peter & Heidi Manning); 19-04, Fitness mini training cards that attach to your hip, 28 May 2007	18107/2007	IPH International Pty Ltd; 25-01NES, Variable angle joiner section, 22 May 2007	18039/2007
Colgate-Palmolive Company; 09-01B, Container, (US, 15 Sep 2006) 15 Mar 2007	18163/2007	ITW Australia Pty Ltd; 08-07, A cylinder assembly, 24 May 2007	18084/2007
Commercial Seating Systems Pty Limited; 06-06G, A bellows for a chair, 01 Jun 2007	18166/2007	ITW Australia Pty Ltd; 08-07, A thumb turn assembly, 24 May 2007	18085/2007
Cox, Stephen Alfred; 25-04, Mini mobile scaffold, 28 May 2007	18108/2007	ITW Australia Pty Ltd; 25-01B, Ferrule chair, 24 May 2007	18086/2007
Culloty, Michael; 26-05B, Lighting, 21 May 2007	17993/2007	Jiann Lih Optical Co. Ltd; 16-06, Goggles, 17 May 2007	17956/2007
Curley, Naomi Michelle as trustee for the Majestic Eagle Trust; 09-03M, Container, 25 May 2007	18097/2007	Kohler Co.; 23-01H, Spout, (US, 22 Nov 2006) 22 May 2007	18041/2007
Dogg Pty Ltd; 12-11, Fork welded assembly - third leg, 24 May 2007	18071/2007		
Dogg Pty Ltd; 12-11, Dogg stunt bike, 24 May 2007	18070/2007		
Emergency Transport Technology Pty Ltd.; 14-01, Siren cone, 28 May 2007	18118/2007		

Kohler Co.; 23-01A, Plumbing fitting, (US, 22 Nov 2006) 22 May 2007	18042/2007	Nokia Corporation; 14-03E, Handset, (FI, 28 Nov 2006) 28 May 2007	18124/2007
Kohler Co.; 23-01H, Spout, (US, 22 Nov 2006) 22 May 2007	18043/2007	Nokia Corporation; 14-03E, Handset, (FI, 28 Nov 2006) 28 May 2007	18125/2007
Kohler Co.; 23-02B, Shower head, (US, 22 Nov 2006) 22 May 2007	18044/2007	Nokia Corporation; 14-03E, Handset, (US, 28 Nov 2006) 28 May 2007	18126/2007
Kohler Co.; 08-06, Handle, (US, 22 Nov 2006) 22 May 2007	18045/2007	Nokia Corporation; 14-03E, Handset, (FI, 28 Nov 2006) 28 May 2007	18127/2007
Kohler Co.; 23-01A, Plumbing fitting, (US, 22 Nov 2006) 22 May 2007	18046/2007	Nokia Corporation; 14-03E, Handset, (FI, 28 Nov 2006) 28 May 2007	18128/2007
Kohler Co.; 08-06, Handle, (US, 22 Nov 2006) 22 May 2007	18047/2007	Nokia Corporation; 14-03E, Handset, (US, 28 Nov 2006) 28 May 2007	18129/2007
Kohler Co.; 23-01H, Spout, (US, 22 Nov 2006) 22 May 2007	18048/2007	Nokia Corporation; 14-03E, Handset, (US, 28 Nov 2006) 28 May 2007	18130/2007
Kohler Co.; 23-01H, Spout, (US, 22 Nov 2006) 22 May 2007	18049/2007	Nokia Corporation; 14-03E, Handset, (FI, 28 Nov 2006) 28 May 2007	18131/2007
Kohler Co.; 23-01B, Plumbing fitting, (US, 22 Nov 2006) 22 May 2007	18050/2007	Nokia Corporation; 14-03E, Handset, (FI, 28 Nov 2006) 28 May 2007	18132/2007
Licciardi di Stefano, Carmelo Joseph; 13-03B, A connector, 28 May 2007	18113/2007	Norton, Mathew; 08-06, Floor grinder handle and bracket design for a 280mm angle grinder, 29 May 2007	18117/2007
Licciardi di Stefano, Carmelo Joseph; 13-03B, A connector, 28 May 2007	18114/2007	NEC Corporation; 14-03NES, Wireless communication terminal, (JP, 01 Dec 2006) 24 May 2007	18089/2007
Lifetime Products, Inc.; 12-10, A frame of a trailer, (US, 11 Dec 2006) 18 May 2007	17994/2007	NEC Corporation; 14-03NES, Wireless communication terminal, (JP, 01 Dec 2006) 24 May 2007	18090/2007
Ludowici Australia Pty Ltd; 25-02C, Vibratory screen panel, 23 May 2007	18074/2007	NEC Corporation; 14-03NES, Wireless communication terminal, (JP, 01 Dec 2006) 24 May 2007	18091/2007
Mace Engineering Group Pty Ltd; 15-01, Manifold insulator, 25 May 2007	18106/2007	NEC Corporation; 14-03NES, Wireless communication terminal, (JP, 01 Dec 2006) 24 May 2007	18092/2007
Miller, William H.; 08-99, Ground probe jetrod, 24 May 2007	18069/2007	O Book Pty Ltd, The; 19-04, Book and printed materials, 28 May 2007	18136/2007
Mount, Christopher John; 20-03NES, Business cards, 17 May 2007	18033/2007	Osiris Furniture and Joinery Pty Ltd; 01-99, Chair/Stool, 10 Aug 2006	13504/2006
Nacara Pty Ltd; Bryant Enterprises Pty Ltd; Bonza Doors Pty Ltd; 08-08H, Shutter blade, 18 May 2007	17997/2007	Otsuka Pharmaceutical Factory, Inc.; 09-05, Infusion solution bag, (CN, 22 Nov 2006) 22 May 2007	18051/2007
Nacara Pty Ltd; Bryant Enterprises Pty Ltd; Bonza Doors Pty Ltd; 08-08H, End cap for shutter blade, 18 May 2007	17996/2007	Otsuka Pharmaceutical Factory, Inc.; 09-05, Infusion solution bag, (CN, 22 Nov 2006) 22 May 2007	18052/2007
Nacara Pty Ltd; Bryant Enterprises Pty Ltd; Bonza Doors Pty Ltd; 08-08NES, Fixing means for end cap for shutter blade, 18 May 2007	17995/2007	Otsuka Pharmaceutical Factory, Inc.; 09-05, Infusion solution bag, (CN, 22 Nov 2006) 22 May 2007	18053/2007
Nokia Corporation; 14-03E, Handset, (FI, 28 Nov 2006) 28 May 2007	18122/2007	Otsuka Pharmaceutical Factory, Inc.; 09-05, Infusion solution bag, (CN, 22 Nov 2006) 22 May 2007	18054/2007
Nokia Corporation; 14-03E, Handset, (FI, 28 Nov 2006) 28 May 2007	18123/2007		

Out Standing ApS; 07-02E, Outdoor kitchen, (EM, 22 Nov 2006) 22 May 2007	18055/2007	Review Australia Pty Ltd; 02-02NES, Ladies garments, 24 May 2007	18087/2007
Out Standing ApS; 07-02E, Outdoor kitchen, (EM, 22 Nov 2006) 22 May 2007	18056/2007	Rin-soon Park; 08-03, Cutting blade, (KR, 23 Nov 2006) 21 May 2007	18004/2007
Out Standing ApS; 07-02E, Outdoor kitchen, (EM, 22 Nov 2006) 22 May 2007	18057/2007	Rinnai New Zealand Limited; 99-00, A heater, (NZ, 16 Nov 2006) 05 Feb 2007	16279/2007
Out Standing ApS; 07-02E, Outdoor kitchen, (EM, 22 Nov 2006) 22 May 2007	18058/2007	Robinhood Limited; 23-04, Rangehoods, (NZ, 19 Jan 2007) 21 Feb 2007	18036/2007
Out Standing ApS; 07-02E, Outdoor kitchen, (EM, 22 Nov 2006) 22 May 2007	18059/2007	Robinhood Limited; 23-04, Rangehoods, (NZ, 19 Jan 2007) 21 Feb 2007	18037/2007
Ozcape Campers Pty Ltd; 12-10, 12-08, Slide-on camper, motorhome (class 12-10). Motor cars, motorhomes (class 12-08), 31 May 2007	18141/2007	RV IP Pty. Ltd.; 12-10, Caravan and motor homes, 29 May 2007	18112/2007
Pappas, Arthur; 02-04B, Roofing shoe, 24 May 2007	18082/2007	S.C. Johnson & Son, Inc.; 28-03NES, Stain treatment applicator, (US, 29 Nov 2006) 18 May 2007	17999/2007
Perpetual Water Pty Ltd; 23-01NES, Sump, 31 May 2007	18164/2007	S.C. Johnson & Son, Inc.; 28-03NES, Applicator refill, (US, 29 Nov 2006) 18 May 2007	18000/2007
Phillips, James; 07-06A, Holder for beverage containers, 21 May 2007	18008/2007	Schneider Electric New Zealand Holdings Limited; 13-03D, An electrical socket, 18 May 2007	18034/2007
Pi-Design AG; 07-01C, Double wall drinking glasses, (DK, 20 Nov 2006) 18 May 2007	18001/2007	Scott, Stephen John; 12-16K, Vehicle roof top cargo racks, 25 May 2007	18081/2007
Pi-Design AG; 07-01F, Drinking vessel, (CH, 15 Aug 2006) 30 Jan 2007	18093/2007	Silbert, Barry David; 02-02C, Sub class 02-02 B tradespersons clothing. Sub class 02-02 C slacks pants jeans shorts skirts, 21 May 2007	18109/2007
Pi-Design AG; 07-01F, Drinking vessel, (CH, 15 Aug 2006) 30 Jan 2007	18094/2007	Silbert, Barry David; 02-02C, Sub class 02-02 C slacks pants jeans shorts skirts, 21 May 2007	18110/2007
Pi-Design AG; 07-01F, Drinking vessel, (CH, 15 Aug 2006) 30 Jan 2007	18095/2007	Silbert, Barry David; 02-02C, Sub class 02-02 B tradespersons clothing, sub class 02-02 C slacks pants jeans shorts skirts, 21 May 2007	18111/2007
Pi-Design AG; 07-01C, Double wall drinking glasses, (DK, 20 Nov 2006) 18 May 2007	18002/2007	Sportsgirl; 02-02NES, Garments, 23 May 2007	18062/2007
Planet Cake Pty Ltd; 07-02P, 11-05, A figurine of a child to decorate a cake, 05 Feb 2007	18099/2007	Steel-Line Garage Doors Australia Pty Ltd; 08-09, Corner connector, 30 May 2007	18162/2007
Priestley, Marcia; 03-01NES, Round bag, 09 May 2007	18068/2007	Stewart, Jennifer Marie; 21-01B, A doll, 28 May 2007	18115/2007
Priestley, Marcia; 03-01NES, Small square bag, 09 May 2007	18067/2007	Strik, Tanya; 25-03, Blank for cardboard cubbyhouse, 30 May 2007	18142/2007
Product People Pty Ltd, The; 06-01C, 'TBS' stadium seating model 1100, 30 May 2007	18140/2007	Strik, Tanya; 25-03, Blank for cardboard cubbyhouse, 30 May 2007	18143/2007
Product Works Limited; 07-04, Peeler, (HK, 29 Nov 2006) 23 May 2007	18065/2007	The Decor Corporation Pty Ltd; 15-07, Ice cube tray, 21 May 2007	18009/2007
Rapunzel Professional Pty Ltd; 28-03D, Hair extension tool, 30 May 2007	18145/2007	The Decor Corporation Pty Ltd; 09-01K, Sports bottle with cap, 21 May 2007	18010/2007
Rapunzel Professional Pty Ltd; 28-03B, Hairdresser trolley, 30 May 2007	18146/2007	The Decor Corporation Pty Ltd; 09-07C, Cap for sports bottle, 21 May 2007	18011/2007

Trixell SAS; 14-99, Radiography cassette docking station, (EM, 29 Nov 2006) 18 May 2007	17998/2007	Z & S Star Enterprises Pty Ltd; 06-13NES, Chairs, 21 May 2007	18030/2007
Ventrassist Pty Ltd; 24-04, Patient medical binder, 30 May 2007	18138/2007	Zespri Group Limited; 09-03F, Tray for packing foods, (EM, 01 Dec 2006) 23 May 2007	18078/2007
Victa Lawncare Pty Ltd; 15-01, An air intake for an engine, 21 May 2007	18024/2007	Zespri Group Limited; 07-03, Spoon, (EM, 01 Dec 2006) 23 May 2007	18079/2007
Victa Lawncare Pty Ltd; 15-01, An engine, 21 May 2007	18025/2007	001 Corporation; 09-01G, Bottle, (US, 18 Dec 2006) 23 May 2007	18075/2007
Viscount Plastics (NZ) Limited; 09-03K, Produce crate, (NZ, 28 Nov 2006) 21 May 2007	18031/2007	001 Corporation; 09-01G, Bottle, (US, 18 Dec 2006) 23 May 2007	18076/2007
Viscount Plastics (NZ) Limited; 09-03F, Poultry crate, (NZ, 28 Nov 2006) 21 May 2007	18032/2007	3M Innovative Properties Company; 05-06NES, Retroreflective article, (US, 02 Aug 2006) 02 Feb 2007	17861/2007
Wenn, Colleen; 08-08NES, Improved poster clip, 21 May 2007	18006/2007		
Wolf Appliance Company, Inc.; 07-02C, Ovens, handles, (US, 22 Nov 2006) 21 May 2007	18007/2007		

Applications Lapsed

15376 / 2006 (02-04NES)	15494 / 2006 (25-02A)
15889 / 2007 (02-04NES)	16031 / 2007 (15-09)
16953 / 2007 (08-05NES)	17756 / 2007 (09-01K)

Extensions of time granted under Section 137

Applications lodged under section 137 for extension of time have been granted.

15698/2005 **Perusahaan Otomobil Nasional SDN. BHD.**

15699/2005 **Perusahaan Otomobil Nasional SDN. BHD.**

15700/2005 **Perusahaan Otomobil Nasional SDN. BHD.**

15701/2005 **Perusahaan Otomobil Nasional SDN. BHD.**

15702/2005 **Perusahaan Otomobil Nasional SDN. BHD.**

15703/2005 **Perusahaan Otomobil Nasional SDN. BHD.**

15704/2005 **Perusahaan Otomobil Nasional SDN. BHD.**

15705/2005 **Perusahaan Otomobil Nasional SDN. BHD.**

15706/2005 **Perusahaan Otomobil Nasional SDN. BHD.**

15707/2005 **Perusahaan Otomobil Nasional SDN. BHD.**

15708/2005 **Perusahaan Otomobil Nasional SDN. BHD.**

15709/2005 **Perusahaan Otomobil Nasional SDN. BHD.**

15639/2006 **Duncan Ward - Satelight Design Pty Ltd**

313044 **Mars, Incorporated**

313043 **Mars, Incorporated**

17756/2007 **Vin Singlz Limited**

Names Registered - Alterations and Amendments

(The name in parentheses is that of the subsequent applicant)

307148 (**Mott's LLP**) Mott's Inc.

307147 (**Mott's LLP**) Mott's Inc.

307146 (**Mott's LLP**) Mott's Inc.

307145 (**Mott's LLP**) Mott's Inc.

Corrigenda

Number 309659

In Vol 20 , No 20 , page 6516 under the heading **Australian Registered Design;** (72) Name(s) of Designer(s) should read: Stephen John Cummings and Vincent Kai Hong Ho.

Number 309656

In Vol 20 , No 20 , page 6514 under the heading **Australian Registered Design;** (72) Name(s) of Designer(s) should read: Stephen John Cummings and Vincent Kai Hong Ho.

Number 309657

In Vol 20 , No 20 , page 6515 under the heading **Australian Registered Design;** (72) Name(s) of Designer(s) should read: Stephen John Cummings and Vincent Kai Hong Ho.

Certificate(s) of Examination

Examination of the following Design Registration(s) has been completed. Infringement proceedings may now be commenced.

301237	13-03C	05/06/2007
304468	21-03	01/06/2007
304469	21-03	01/06/2007
304470	21-03	01/06/2007
304472	21-03	01/06/2007
304473	21-03	01/06/2007
304474	21-03	01/06/2007
304475	21-03	01/06/2007
304476	21-03	01/06/2007
307230	19-06	30/05/2007
307538	09-03M	31/05/2007
307717	09-01A	31/05/2007
308126	28-03A	27/05/2007
308485	19-06	30/05/2007
308502	13-02	31/05/2007
308511	14-03E	05/06/2007
308826	19-02	25/05/2007
308829	19-06	30/05/2007
309295	07-05C	03/06/2007
309692	09-01A	04/06/2007
309864	28-03NES	30/05/2007
310219	15-02	27/05/2007
310227	06-09	25/05/2007
310329	14-03E	05/06/2007
310393	27-99	27/05/2007
310470	14-02	05/06/2007
310478	28-03A	28/05/2007
310554	07-02C	27/05/2007
310708	06-01L	31/05/2007
310711	11-01C	30/05/2007
310941	21-03	25/05/2007
310984	28-03A	30/05/2007
311025	25-01K	05/06/2007
311076	09-02C	30/05/2007
311077	09-02NES	30/05/2007
311082	09-02C	30/05/2007
311299	25-01K	05/06/2007
311436	25-01K	05/06/2007
311904	25-01K	05/06/2007
312527	07-01D	30/05/2007
312528	07-01D	30/05/2007
313045	20-03C	28/05/2007
313283	08-05NES	05/06/2007
313342	09-02C	30/05/2007
314033	04-01	04/06/2007
314034	04-01	04/06/2007

Publication and Registration Proceedings

Designs Registered

This section provides a concordance between design number and registration number of Designs covered in this journal. It also shows the main class and registration date.

This section covers Registration numbers 314218 to 314442 .

The registration number shown below should be used in all future correspondence.

Design Number	Registration Number	International Classification Code (IDC)	Registration Date	Design Number	Registration Number	International Classification Code (IDC)	Registration Date
15014/2005	314218	10-06	28/05/2007	16580/2007	314360	07-05D	04/06/2007
11973/2006	314294	12-08	01/06/2007	16581/2007	314231	12-10	28/05/2007
12060/2006	314276	21-01H	31/05/2007	16599/2007	314361	12-16L	04/06/2007
12879/2006	314277	22-02	31/05/2007	16604/2007	314362	28-02	04/06/2007
13762/2006	314219	25-03	28/05/2007	16636/2007	314295	09-01B	01/06/2007
13915/2006	314265	25-03	29/05/2007	16641/2007	314363	25-02B	04/06/2007
13954/2006	314317	06-06F	31/05/2007	16642/2007	314379	13-03D	05/06/2007
14071/2006	314244	07-99A	29/05/2007	16659/2007	314322	12-16NES	31/05/2007
14125/2006	314220	03-01NES	28/05/2007	16660/2007	314387	25-02NES	05/06/2007
14126/2006	314221	02-07NES	28/05/2007	16661/2007	314388	25-02NES	05/06/2007
14127/2006	314222	20-02D	28/05/2007	16662/2007	314389	25-02NES	05/06/2007
15111/2006	314223	24-04	28/05/2007	16663/2007	314390	25-02NES	05/06/2007
15949/2006	314245	06-01E	29/05/2007	16680/2007	314232	02-02NES	28/05/2007
15955/2006	314280	06-01E	31/05/2007	16681/2007	314233	28-03A	28/05/2007
15956/2006	314281	06-01E	31/05/2007	16685/2007	314234	21-01K	28/05/2007
15957/2006	314282	06-01E	31/05/2007	16686/2007	314235	21-01L	28/05/2007
15877/2007	314224	01-06	28/05/2007	16688/2007	314236	09-01K	28/05/2007
15878/2007	314225	01-06	28/05/2007	16702/2007	314237	14-02	28/05/2007
15879/2007	314226	01-06	28/05/2007	16703/2007	314238	25-02NES	28/05/2007
15890/2007	314391	24-04	05/06/2007	16704/2007	314239	15-01	28/05/2007
15891/2007	314392	24-04	05/06/2007	16706/2007	314240	25-01G	28/05/2007
15894/2007	314227	06-01H	28/05/2007	16707/2007	314241	25-01G	28/05/2007
15895/2007	314228	14-02	28/05/2007	16708/2007	314242	25-01G	28/05/2007
15909/2007	314278	09-03M	31/05/2007	16709/2007	314243	25-01G	28/05/2007
15922/2007	314401	14-03NES	05/06/2007	16710/2007	314268	23-04	29/05/2007
15923/2007	314229	14-01	28/05/2007	16711/2007	314284	08-06	31/05/2007
15924/2007	314402	14-01	05/06/2007	16712/2007	314285	25-03	31/05/2007
15950/2007	314279	09-03NES	31/05/2007	16713/2007	314286	25-03	31/05/2007
15987/2007	314318	07-06D	31/05/2007	16714/2007	314287	25-03	31/05/2007
16065/2007	314266	15-03B	29/05/2007	16715/2007	314288	25-03	31/05/2007
16070/2007	314267	15-03B	29/05/2007	16716/2007	314269	23-01H	29/05/2007
16071/2007	314230	14-01	28/05/2007	16717/2007	314270	02-07NES	29/05/2007
16131/2007	314403	06-01L	05/06/2007	16721/2007	314271	12-02	29/05/2007
16150/2007	314319	09-07A	31/05/2007	16723/2007	314289	06-01NES	31/05/2007
16243/2007	314393	08-07	05/06/2007	16724/2007	314290	06-01NES	31/05/2007
16244/2007	314394	08-07	05/06/2007	16725/2007	314291	26-02	31/05/2007
16245/2007	314395	08-07	05/06/2007	16726/2007	314292	26-02	31/05/2007
16246/2007	314396	08-07	05/06/2007	16727/2007	314264	26-02	29/05/2007
16247/2007	314397	08-07	05/06/2007	16728/2007	314272	06-13NES	29/05/2007
16248/2007	314398	08-07	05/06/2007	16729/2007	314273	07-02NES	29/05/2007
16249/2007	314399	08-07	05/06/2007	16730/2007	314428	15-03B	06/06/2007
16250/2007	314400	08-07	05/06/2007	16732/2007	314323	23-02NES	31/05/2007
16255/2007	314320	12-15B	31/05/2007	16733/2007	314274	25-01NES	29/05/2007
16313/2007	314246	07-02P	29/05/2007	16735/2007	314296	08-08NES	01/06/2007
16314/2007	314247	07-02P	29/05/2007	16736/2007	314297	08-08NES	01/06/2007
16315/2007	314248	07-02P	29/05/2007	16737/2007	314298	08-08NES	01/06/2007
16316/2007	314249	07-02P	29/05/2007	16738/2007	314299	08-08NES	01/06/2007
16358/2007	314422	03-01NES	06/06/2007	16739/2007	314300	08-08NES	01/06/2007
16359/2007	314283	12-16B	31/05/2007	16740/2007	314301	08-08NES	01/06/2007
16406/2007	314357	02-02NES	04/06/2007	16741/2007	314275	03-03	29/05/2007
16407/2007	314358	02-02NES	04/06/2007	16744/2007	314302	19-04	01/06/2007
16517/2007	314321	07-01D	31/05/2007	16745/2007	314303	19-04	01/06/2007
16579/2007	314359	23-01H	04/06/2007	16746/2007	314304	19-04	01/06/2007

Publication and Registration Proceedings - Designs Registered cont'd

Design Number	Registration Number	International Classification Code (IDC)	Registration Date	Design Number	Registration Number	International Classification Code (IDC)	Registration Date
16747/2007	314305	19-04	01/06/2007	16845/2007	314423	07-01F	06/06/2007
16748/2007	314306	09-01K	01/06/2007	16846/2007	314424	09-03NES	06/06/2007
16749/2007	314307	21-02C	01/06/2007	16847/2007	314425	09-03NES	06/06/2007
16750/2007	314308	21-02C	01/06/2007	16848/2007	314426	09-03NES	06/06/2007
16751/2007	314364	14-04	04/06/2007	16849/2007	314427	26-01	06/06/2007
16752/2007	314309	08-01	01/06/2007	16851/2007	314417	14-02	05/06/2007
16753/2007	314310	08-01	01/06/2007	16852/2007	314418	14-03E	05/06/2007
16754/2007	314311	08-01	01/06/2007	16853/2007	314419	14-03E	05/06/2007
16759/2007	314312	25-02K	01/06/2007	16855/2007	314420	12-08	05/06/2007
16760/2007	314313	12-16K	01/06/2007	16858/2007	314429	07-06A	06/06/2007
16761/2007	314314	12-16K	01/06/2007	16863/2007	314421	21-01N	05/06/2007
16762/2007	314315	04-01	01/06/2007	16872/2007	314430	15-05	06/06/2007
16763/2007	314316	09-03M	01/06/2007	16873/2007	314431	24-02	06/06/2007
16764/2007	314365	07-05A	04/06/2007	16877/2007	314432	09-03NES	06/06/2007
16766/2007	314366	23-01F	04/06/2007	16878/2007	314433	09-03NES	06/06/2007
16767/2007	314367	23-01F	04/06/2007	16880/2007	314434	02-04A	06/06/2007
16768/2007	314324	08-03	31/05/2007	16881/2007	314435	02-04A	06/06/2007
16769/2007	314325	08-03	31/05/2007	16882/2007	314436	02-04A	06/06/2007
16770/2007	314326	21-02C	31/05/2007	16883/2007	314437	02-04A	06/06/2007
16771/2007	314327	24-99	31/05/2007	16884/2007	314438	02-04A	06/06/2007
16772/2007	314328	24-02	31/05/2007	16885/2007	314439	02-04A	06/06/2007
16773/2007	314329	21-03	31/05/2007	16886/2007	314440	02-04A	06/06/2007
16774/2007	314330	07-01G	31/05/2007	16887/2007	314441	02-04A	06/06/2007
16775/2007	314331	13-03D	31/05/2007	16888/2007	314442	02-04A	06/06/2007
16776/2007	314332	08-99	31/05/2007	16893/2007	314293	03-03	31/05/2007
16777/2007	314333	08-05K	31/05/2007	16981/2007	314341	06-01E	01/06/2007
16779/2007	314334	28-03NES	31/05/2007	17032/2007	314342	15-05	01/06/2007
16780/2007	314335	09-01K	31/05/2007	17033/2007	314343	24-04	01/06/2007
16781/2007	314336	06-01NES	31/05/2007	17034/2007	314344	07-02L	01/06/2007
16782/2007	314337	06-01NES	31/05/2007	17044/2007	314345	04-01	01/06/2007
16783/2007	314338	06-01NES	31/05/2007	17045/2007	314346	06-04NES	01/06/2007
16784/2007	314339	09-03NES	31/05/2007	17046/2007	314347	23-01F	01/06/2007
16785/2007	314368	03-01D	04/06/2007	17047/2007	314348	23-01F	01/06/2007
16786/2007	314369	08-08NES	04/06/2007	17048/2007	314349	23-01F	01/06/2007
16787/2007	314370	08-08NES	04/06/2007	17049/2007	314350	23-01F	01/06/2007
16788/2007	314371	08-08NES	04/06/2007	17050/2007	314351	12-16B	01/06/2007
16791/2007	314372	09-01G	04/06/2007	17051/2007	314352	12-16B	01/06/2007
16792/2007	314373	09-01G	04/06/2007	17052/2007	314353	12-16B	01/06/2007
16794/2007	314374	03-01B	04/06/2007	17053/2007	314354	12-16B	01/06/2007
16796/2007	314375	14-01	04/06/2007	17168/2007	314355	24-02	01/06/2007
16797/2007	314376	25-01D	04/06/2007	17714/2007	314356	14-02	01/06/2007
16799/2007	314383	25-01D	05/06/2007	17716/2007	314340	07-01D	31/05/2007
16800/2007	314384	13-01	05/06/2007	17807/2007	314250	09-07B	29/05/2007
16801/2007	314385	09-03NES	05/06/2007	17808/2007	314251	09-07B	29/05/2007
16802/2007	314386	09-03NES	05/06/2007	17809/2007	314252	09-07B	29/05/2007
16822/2007	314404	07-06C	05/06/2007	17810/2007	314253	09-07B	29/05/2007
16831/2007	314405	12-02	05/06/2007	17811/2007	314254	09-07B	29/05/2007
16832/2007	314406	12-10	05/06/2007	17812/2007	314255	09-07B	29/05/2007
16834/2007	314407	25-02H	05/06/2007	17813/2007	314256	09-07B	29/05/2007
16835/2007	314408	13-03E	05/06/2007	17814/2007	314257	09-07B	29/05/2007
16836/2007	314409	13-03E	05/06/2007	17815/2007	314258	09-07B	29/05/2007
16838/2007	314410	08-08A	05/06/2007	17816/2007	314259	09-07B	29/05/2007
16839/2007	314411	08-08A	05/06/2007	17817/2007	314260	09-07B	29/05/2007
16840/2007	314412	08-08A	05/06/2007	17818/2007	314261	09-07B	29/05/2007
16841/2007	314413	08-08A	05/06/2007	17819/2007	314262	09-07B	29/05/2007
16842/2007	314414	08-08A	05/06/2007	17826/2007	314377	25-02B	04/06/2007
16843/2007	314415	08-08A	05/06/2007	17827/2007	314378	25-02B	04/06/2007
16844/2007	314416	08-08A	05/06/2007	17828/2007	314380	13-03D	05/06/2007

Publication and Registration Proceedings - Designs Registered cont'd

Design Number	Registration Number	International Classification Code (IDC)	Registration Date	Design Number	Registration Number	International Classification Code (IDC)	Registration Date
17829/2007	314381	13-03D	05/06/2007	18099/2007	314263	07-02P	29/05/2007
17830/2007	314382	13-03D	05/06/2007				

Publication and Registration Proceedings
Class Listing of Designs Published or Registered

The following section shows an International Classification Code listing of the Registered or Published Designs covered in this supplement.

Classification	Registration Number	Design Number	Classification	Registration Number	Design Number
01-06	314224	15877/2007	07-05 D	314360	16580/2007
01-06	314225	15878/2007	07-06 A	314429	16858/2007
01-06	314226	15879/2007	07-06 C	314404	16822/2007
02-02 NES	314232	16680/2007	07-06 D	314318	15987/2007
02-02 NES	314357	16406/2007	07-99 A	314244	14071/2006
02-02 NES	314358	16407/2007	08-01	314309	16752/2007
02-04 A	314434	16880/2007	08-01	314310	16753/2007
02-04 A	314435	16881/2007	08-01	314311	16754/2007
02-04 A	314436	16882/2007	08-03	314324	16768/2007
02-04 A	314437	16883/2007	08-03	314325	16769/2007
02-04 A	314438	16884/2007	08-05 K	314333	16777/2007
02-04 A	314439	16885/2007	08-06	314284	16711/2007
02-04 A	314440	16886/2007	08-07	314393	16243/2007
02-04 A	314441	16887/2007	08-07	314394	16244/2007
02-04 A	314442	16888/2007	08-07	314395	16245/2007
02-07 NES	314221	14126/2006	08-07	314396	16246/2007
02-07 NES	314270	16717/2007	08-07	314397	16247/2007
03-01 B	314374	16794/2007	08-07	314398	16248/2007
03-01 D	314368	16785/2007	08-07	314399	16249/2007
03-01 NES	314220	14125/2006	08-07	314400	16250/2007
03-01 NES	314422	16358/2007	08-08 A	314410	16838/2007
03-03	314275	16741/2007	08-08 A	314411	16839/2007
03-03	314293	16893/2007	08-08 A	314412	16840/2007
04-01	314315	16762/2007	08-08 A	314413	16841/2007
04-01	314345	17044/2007	08-08 A	314414	16842/2007
06-01 E	314245	15949/2006	08-08 A	314415	16843/2007
06-01 E	314280	15955/2006	08-08 A	314416	16844/2007
06-01 E	314281	15956/2006	08-08 NES	314296	16735/2007
06-01 E	314282	15957/2006	08-08 NES	314297	16736/2007
06-01 E	314341	16981/2007	08-08 NES	314298	16737/2007
06-01 H	314227	15894/2007	08-08 NES	314299	16738/2007
06-01 L	314403	16131/2007	08-08 NES	314300	16739/2007
06-01 NES	314289	16723/2007	08-08 NES	314301	16740/2007
06-01 NES	314290	16724/2007	08-08 NES	314369	16786/2007
06-01 NES	314336	16781/2007	08-08 NES	314370	16787/2007
06-01 NES	314337	16782/2007	08-08 NES	314371	16788/2007
06-01 NES	314338	16783/2007	08-99	314332	16776/2007
06-03 B	314403	16131/2007	09-01 B	314295	16636/2007
06-04 B	314403	16131/2007	09-01 G	314372	16791/2007
06-04 NES	314346	17045/2007	09-01 G	314373	16792/2007
06-04 NES	314403	16131/2007	09-01 K	314236	16688/2007
06-06 F	314317	13954/2006	09-01 K	314306	16748/2007
06-11	314218	15014/2005	09-01 K	314335	16780/2007
06-13 NES	314272	16728/2007	09-03 M	314278	15909/2007
07-01 D	314321	16517/2007	09-03 M	314316	16763/2007
07-01 D	314340	17716/2007	09-03 NES	314279	15950/2007
07-01 F	314423	16845/2007	09-03 NES	314339	16784/2007
07-01 G	314330	16774/2007	09-03 NES	314385	16801/2007
07-02 L	314344	17034/2007	09-03 NES	314386	16802/2007
07-02 NES	314273	16729/2007	09-03 NES	314424	16846/2007
07-02 P	314246	16313/2007	09-03 NES	314425	16847/2007
07-02 P	314247	16314/2007	09-03 NES	314426	16848/2007
07-02 P	314248	16315/2007	09-03 NES	314432	16877/2007
07-02 P	314249	16316/2007	09-03 NES	314433	16878/2007
07-02 P	314263	18099/2007	09-07 A	314319	16150/2007
07-05 A	314365	16764/2007	09-07 B	314250	17807/2007

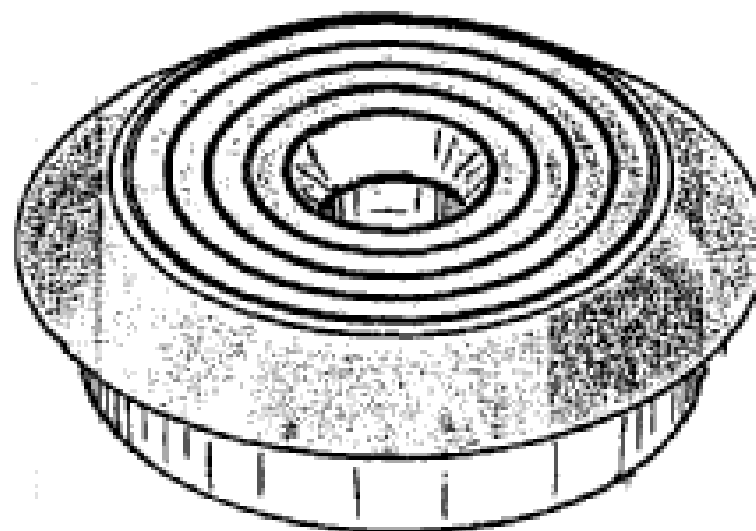
Registration Proceedings - Class Listing of Designs Published or Registered cont'd

Classification	Registration Number	Design Number	Classification	Registration Number	Design Number
09-07 B	314251	17808/2007	15-03 B	314428	16730/2007
09-07 B	314252	17809/2007	15-05	314342	17032/2007
09-07 B	314253	17810/2007	15-05	314430	16872/2007
09-07 B	314254	17811/2007	19-04	314302	16744/2007
09-07 B	314255	17812/2007	19-04	314303	16745/2007
09-07 B	314256	17813/2007	19-04	314304	16746/2007
09-07 B	314257	17814/2007	19-04	314305	16747/2007
09-07 B	314258	17815/2007	20-02 D	314222	14127/2006
09-07 B	314259	17816/2007	21-01 H	314276	12060/2006
09-07 B	314260	17817/2007	21-01 H	314277	12879/2006
09-07 B	314261	17818/2007	21-01 K	314234	16685/2007
09-07 B	314262	17819/2007	21-01 L	314235	16686/2007
10-06	314218	15014/2005	21-01 N	314421	16863/2007
11-05	314246	16313/2007	21-02 C	314307	16749/2007
11-05	314247	16314/2007	21-02 C	314308	16750/2007
11-05	314248	16315/2007	21-02 C	314326	16770/2007
11-05	314249	16316/2007	21-03	314329	16773/2007
11-05	314263	18099/2007	22-02	314276	12060/2006
12-02	314271	16721/2007	22-02	314277	12879/2006
12-02	314405	16831/2007	23-01 F	314347	17046/2007
12-08	314294	11973/2006	23-01 F	314348	17047/2007
12-08	314420	16855/2007	23-01 F	314349	17048/2007
12-10	314231	16581/2007	23-01 F	314350	17049/2007
12-10	314406	16832/2007	23-01 F	314366	16766/2007
12-12	314293	16893/2007	23-01 F	314367	16767/2007
12-15 B	314320	16255/2007	23-01 H	314269	16716/2007
12-16 B	314283	16359/2007	23-01 H	314359	16579/2007
12-16 B	314351	17050/2007	23-02 NES	314323	16732/2007
12-16 B	314352	17051/2007	23-04	314268	16710/2007
12-16 B	314353	17052/2007	24-02	314328	16772/2007
12-16 B	314354	17053/2007	24-02	314355	17168/2007
12-16 K	314313	16760/2007	24-02	314431	16873/2007
12-16 K	314314	16761/2007	24-04	314223	15111/2006
12-16 L	314361	16599/2007	24-04	314343	17033/2007
12-16 NES	314294	11973/2006	24-04	314391	15890/2007
12-16 NES	314322	16659/2007	24-04	314392	15891/2007
13-01	314384	16800/2007	24-99	314327	16771/2007
13-03 D	314331	16775/2007	25-01 D	314376	16797/2007
13-03 D	314379	16642/2007	25-01 D	314383	16799/2007
13-03 D	314380	17828/2007	25-01 G	314240	16706/2007
13-03 D	314381	17829/2007	25-01 G	314241	16707/2007
13-03 D	314382	17830/2007	25-01 G	314242	16708/2007
13-03 E	314408	16835/2007	25-01 G	314243	16709/2007
13-03 E	314409	16836/2007	25-01 NES	314274	16733/2007
14-01	314229	15923/2007	25-02 B	314363	16641/2007
14-01	314230	16071/2007	25-02 B	314377	17826/2007
14-01	314375	16796/2007	25-02 B	314378	17827/2007
14-01	314402	15924/2007	25-02 H	314407	16834/2007
14-02	314228	15895/2007	25-02 K	314312	16759/2007
14-02	314237	16702/2007	25-02 NES	314238	16703/2007
14-02	314356	17714/2007	25-02 NES	314387	16660/2007
14-02	314417	16851/2007	25-02 NES	314388	16661/2007
14-03 E	314418	16852/2007	25-02 NES	314389	16662/2007
14-03 E	314419	16853/2007	25-02 NES	314390	16663/2007
14-03 NES	314401	15922/2007	25-03	314219	13762/2006
14-04	314364	16751/2007	25-03	314265	13915/2006
15-01	314239	16704/2007	25-03	314285	16712/2007
15-03 B	314266	16065/2007	25-03	314286	16713/2007
15-03 B	314267	16070/2007	25-03	314287	16714/2007

Registration Proceedings - Class Listing of Designs Published or Registered cont'd

Classification	Registration Number	Design Number	Classification	Registration Number	Design Number
25-03	314288	16715/2007	28-02	314362	16604/2007
26-01	314427	16849/2007	28-03 A	314233	16681/2007
26-02	314264	16727/2007	28-03 NES	314334	16779/2007
26-02	314291	16725/2007			
26-02	314292	16726/2007			

(21) Design Number: **15014/2005**
(22) Date of Filing Application: **11 November 2005**
(24) Date from which industrial property rights may have effect: **11 November 2005**
(54) Product in respect of which the design is registered: **Tactile indicator for installing into carpet**
(51) International Design Classification: **10-06, 06-11**
(71) Name(s) and Address(s) of Applicant(s):
Phillip Graham Calow
17 Catalano Road Canning Vale Western Australia Australia 6155
(72) Name(s) of Designer(s): **Phillip Graham Calow and Alistair John Calow**
(45) Registration Date: **28 May 2007**
(56) Related Art Documents: **Not Applicable**
(57) Statement of Newness and Distinctiveness: **The ring below the standard design tactile indicator button which acts as a stabilising ring in soft resilient floor covering as shown "B".**



(21) Design Number: **13762/2006**
(22) Date of Filing Application: **23 August 2006**
(24) Date from which industrial property rights may have effect: **23 August 2006**
(54) Product in respect of which the design is registered: **Entertainment complex**
(51) International Design Classification: **25-03**
(71) Name(s) and Address(s) of Applicant(s):
Marty Dunn
194 Oxford Street Bondi Junction New South Wales 2022 Australia
(72) Name(s) of Designer(s): **Marty Heath Dunn**
(45) Registration Date: **28 May 2007**
(56) Related Art Documents: **Not Applicable**
(57) Statement of Newness and Distinctiveness: **Nil**



- (21) Design Number: **14125/2006**
(22) Date of Filing Application: **14 September 2006**
(24) Date from which industrial property rights may have effect: **14 September 2006**
(54) Product in respect of which the design is registered: **Shoe accessory container**
(51) International Design Classification: **03-01NES**
(71) Name(s) and Address(s) of Applicant(s):
SHOO STICKS Pty Limited
20/22 Wylde Street Potts Point NEW SOUTH WALES 2011
(72) Name(s) of Designer(s): **Louise McBride**
(45) Registration Date: **28 May 2007**
(56) Related Art Documents: **Not Applicable**
(57) Statement of Newness and Distinctiveness: **Nil**



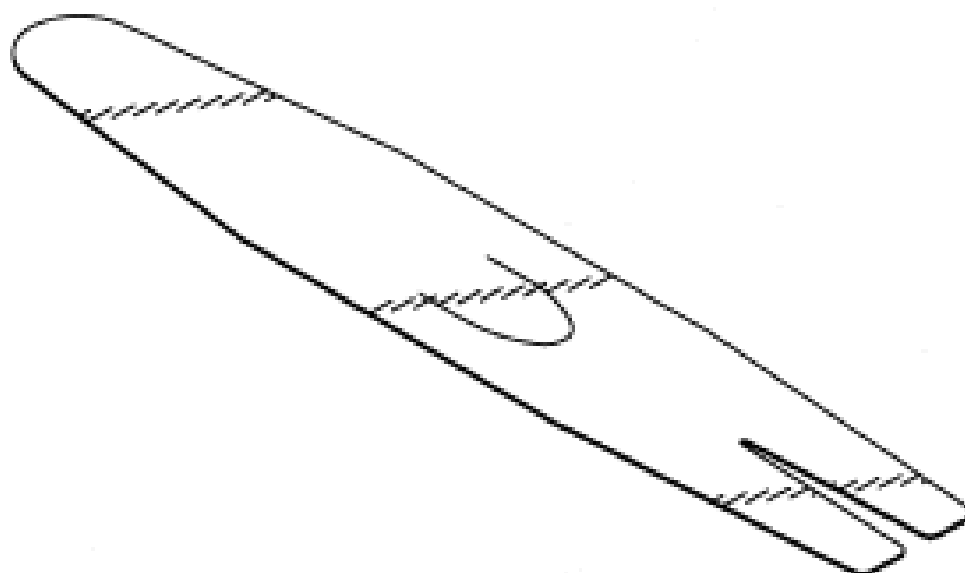
- (21) Design Number: **14126/2006**
(22) Date of Filing Application: **14 September 2006**
(24) Date from which industrial property rights may have effect: **14 September 2006**
(54) Product in respect of which the design is registered: **Shoe accessory strip**
(51) International Design Classification: **02-07NES**
(71) Name(s) and Address(s) of Applicant(s):
SHOO STICKS Pty Limited
20/22 Wylde Street Potts Point NEW SOUTH WALES 2011
(72) Name(s) of Designer(s): **Louise McBride**
(45) Registration Date: **28 May 2007**
(56) Related Art Documents: **Not Applicable**
(57) Statement of Newness and Distinctiveness: **Nil**



- (21) Design Number: **14127/2006**
(22) Date of Filing Application: **14 September 2006**
(24) Date from which industrial property rights may have effect: **14 September 2006**
(54) Product in respect of which the design is registered: **Point of sale dispenser**
(51) International Design Classification: **20-02D**
(71) Name(s) and Address(s) of Applicant(s):
SHOO STICKS Pty Limited
20/22 Wylde Street Potts Point NEW SOUTH WALES 2011
(72) Name(s) of Designer(s): **Louise McBride**
(45) Registration Date: **28 May 2007**
(56) Related Art Documents: **Not Applicable**
(57) Statement of Newness and Distinctiveness: **Nil**



- (21) Design Number: **15111/2006**
(22) Date of Filing Application: **07 November 2006**
(24) Date from which industrial property rights may have effect: **07 November 2006**
(54) Product in respect of which the design is registered: **Appendage wrap**
(51) International Design Classification: **24-04**
(71) Name(s) and Address(s) of Applicant(s):
3M Innovative Properties Company
3M Center Saint Paul Minnesota 55133-3427 United States of America
(72) Name(s) of Designer(s): **Jeffrey Lyn Wieringa and Maria Therese Mann and Michael Andrew Amante**
(45) Registration Date: **28 May 2007**
(30) Convention priority data:
(31) Number (32) Date (33) Country
29/246776 09 May 2006 UNITED STATES OF AMERICA
(56) Related Art Documents: **Not Applicable**
(57) Statement of Newness and Distinctiveness: **Newness and distinctiveness is claimed in the visual features shown in solid lines in the representations.**



(21) Design Number: **15877/2007**
(22) Date of Filing Application: **08 January 2007**
(24) Date from which industrial property rights may have effect: **08 January 2007**
(54) Product in respect of which the design is registered: **Pet biscuit**
(51) International Design Classification: **01-06**
(71) Name(s) and Address(s) of Applicant(s):
S&M NuTec, LLC
1 Design Drive North Kansas City Missouri 64116 United States of America
(72) Name(s) of Designer(s): **Tricia Berlau**
(45) Registration Date: **28 May 2007**
(30) Convention priority data:
(31) Number (32) Date (33) Country
560388#0001 06 Jul 2006 EUROPEAN COMMUNITY
(56) Related Art Documents: **Not Applicable**
(57) Statement of Newness and Distinctiveness: **Nil**



(21) Design Number: **15878/2007**
(22) Date of Filing Application: **08 January 2007**
(24) Date from which industrial property rights may have effect: **08 January 2007**
(54) Product in respect of which the design is registered: **Pet biscuit**
(51) International Design Classification: **01-06**
(71) Name(s) and Address(s) of Applicant(s):
S&M NuTec, LLC
1 Design Drive North Kansas City Missouri 64116 United States of America
(72) Name(s) of Designer(s): **Tricia Berlau**
(45) Registration Date: **28 May 2007**
(30) Convention priority data:
(31) Number (32) Date (33) Country
560388#0003 06 Jul 2006 EUROPEAN COMMUNITY
(56) Related Art Documents: **Not Applicable**
(57) Statement of Newness and Distinctiveness: **Nil**



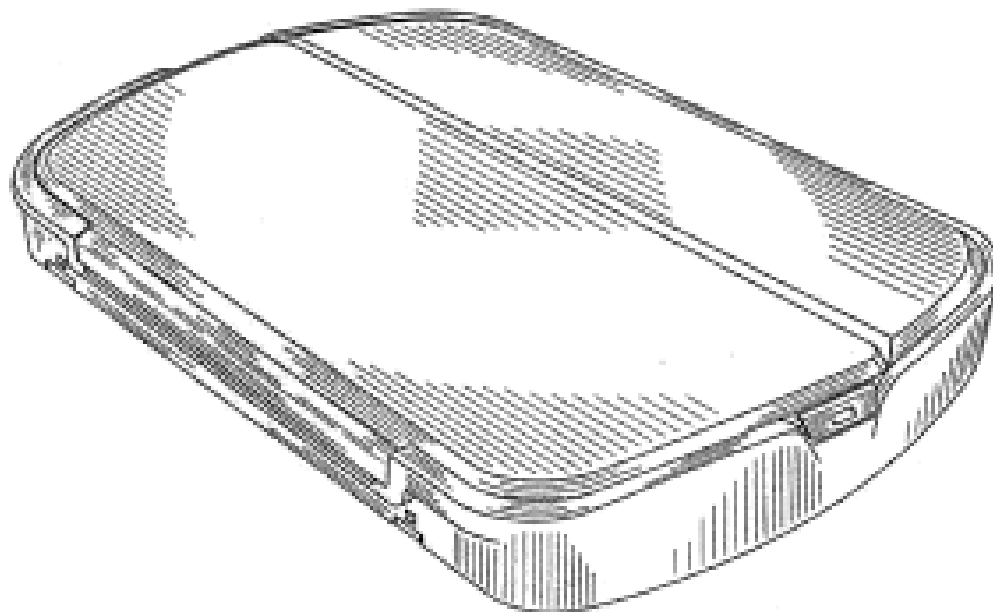
(21) Design Number: **15879/2007**
(22) Date of Filing Application: **08 January 2007**
(24) Date from which industrial property rights may have effect: **08 January 2007**
(54) Product in respect of which the design is registered: **Pet biscuit**
(51) International Design Classification: **01-06**
(71) Name(s) and Address(s) of Applicant(s):
S&M NuTec, LLC
1 Design Drive North Kansas City Missouri 64116 United States of America
(72) Name(s) of Designer(s): **Tricia Berlau**
(45) Registration Date: **28 May 2007**
(30) Convention priority data:
(31) Number (32) Date (33) Country
560388#0004 06 Jul 2006 EUROPEAN COMMUNITY
(56) Related Art Documents: **Not Applicable**
(57) Statement of Newness and Distinctiveness: **Nil**



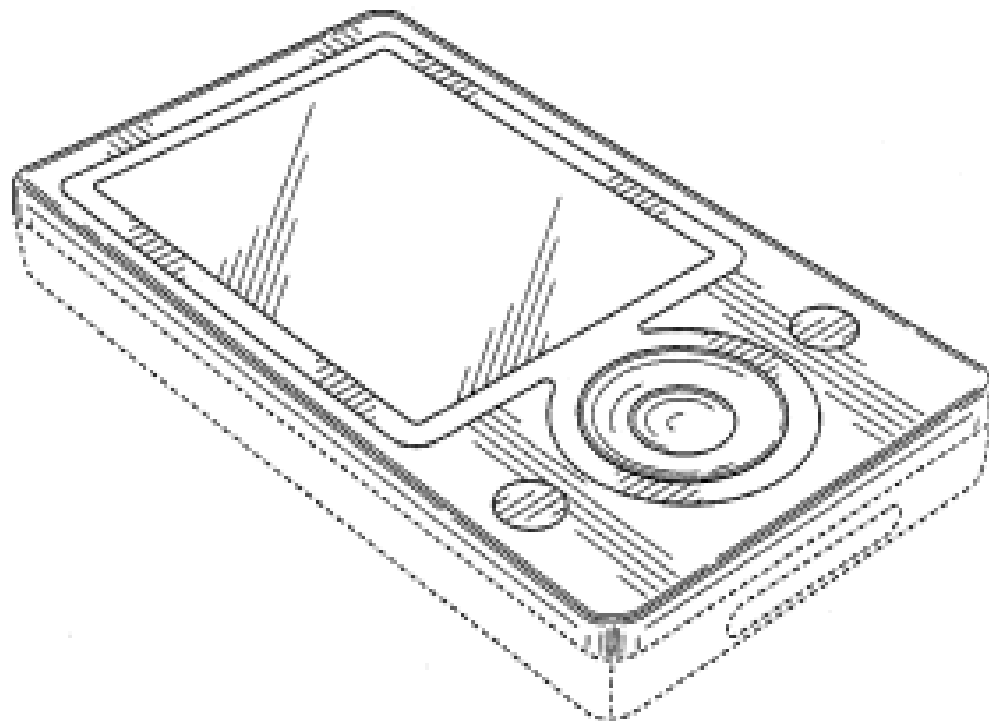
(21) Design Number: **15894/2007**
(22) Date of Filing Application: **09 January 2007**
(24) Date from which industrial property rights may have effect: **09 January 2007**
(54) Product in respect of which the design is registered: **Swinging chair with shade**
(51) International Design Classification: **06-01H**
(71) Name(s) and Address(s) of Applicant(s):
Orient Sino (Guangzhou) Industrial Corp. Ltd
3rd Floor yu-hui-yuan 200 he-hui-jie St Tian-He-Bei RD, Guangzhou
510610 Peoples Republic of China
(72) Name(s) of Designer(s): **Li Junda**
(45) Registration Date: **28 May 2007**
(56) Related Art Documents: **Not Applicable**
(57) Statement of Newness and Distinctiveness: **Newness and distinctiveness reside in the features of the design as shown in the representations.**



(21) Design Number: **15895/2007**
(22) Date of Filing Application: **09 January 2007**
(24) Date from which industrial property rights may have effect: **09 January 2007**
(54) Product in respect of which the design is registered: **Mountable control panel**
(51) International Design Classification: **14-02**
(71) Name(s) and Address(s) of Applicant(s):
Tyco Safety Products Canada Ltd.
3301 Langstaff Road Concord Ontario L4K 4L2 Canada
(72) Name(s) of Designer(s): **Florin Popa**
(45) Registration Date: **28 May 2007**
(30) Convention priority data:
(31) Number (32) Date (33) Country
29/263067 13 Jul 2006 UNITED STATES OF AMERICA
(56) Related Art Documents: **Not Applicable**
(57) Statement of Newness and Distinctiveness: **Newness and distinctiveness is claimed in the features of the rounded corners and edges, high gloss and smooth finishes, and convex profile of the mountable control panel as illustrated in the accompanying representations.**



(21) Design Number: **15923/2007**
(22) Date of Filing Application: **11 January 2007**
(24) Date from which industrial property rights may have effect: **11 January 2007**
(54) Product in respect of which the design is registered: **Portion of a Media Player**
(51) International Design Classification: **14-01**
(71) Name(s) and Address(s) of Applicant(s):
Microsoft Corporation
One Microsoft Way Redmond Washington 98052 United States of America
(72) Name(s) of Designer(s): **Steven T. Kaneko**
(45) Registration Date: **28 May 2007**
(30) Convention priority data:
(31) Number (32) Date (33) Country
29/247965 21 Jul 2006 UNITED STATES OF AMERICA
(56) Related Art Documents: **Not Applicable**
(57) Statement of Newness and Distinctiveness: **Newness and distinctiveness reside in one or more visual features of a portion of a media player as illustrated in the accompanying representations. The features shown in broken outline are illustrative only and do not form part of the design.**



(21) Design Number: **16071/2007**

(22) Date of Filing Application: **19 January 2007**

(24) Date from which industrial property rights may have effect: **19 January 2007**

(54) Product in respect of which the design is registered: **CCTV camera, AVISTA-100 smart camera**

(51) International Design Classification: **14-01**

(71) Name(s) and Address(s) of Applicant(s):

DigiSensory Technologies Pty Ltd
Suite 54 Level 3 89#97 Jones Street Ultimo New South Wales 2007
Australia

(72) Name(s) of Designer(s): **Lei Herbert Xia and Khashi Heidari**

(45) Registration Date: **28 May 2007**

(56) Related Art Documents: **Not Applicable**

(57) Statement of Newness and Distinctiveness: **Rounded shapes with lens down angle, balance edge in front and at the back of the camera**



(21) Design Number: **16581/2007**

(22) Date of Filing Application: **23 February 2007**

(24) Date from which industrial property rights may have effect: **23 February 2007**

(54) Product in respect of which the design is registered: **Cartopper boat loading and transport systems**

(51) International Design Classification: **12-10**

(71) Name(s) and Address(s) of Applicant(s):

Stephen John Scott
679 West Plane Creek Road Sarina Queensland 4737 Australia

(72) Name(s) of Designer(s): **Stephen John Scott**

(45) Registration Date: **28 May 2007**

(56) Related Art Documents: **Not Applicable**

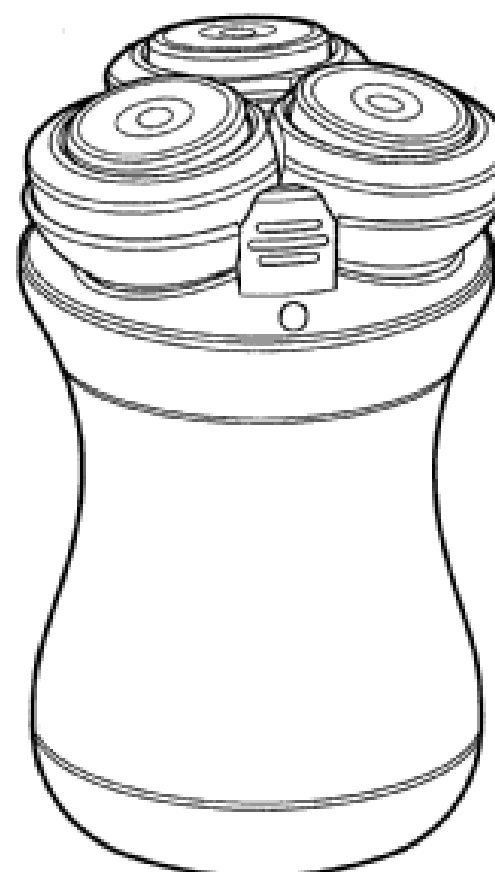
(57) Statement of Newness and Distinctiveness: **BoatHoist trailer is of aluminium construction with a slip-on winch arm. Bolt together design allows the trailer to be dis-assembled for transport.**



- (21) Design Number: **16680/2007**
(22) Date of Filing Application: **28 February 2007**
(24) Date from which industrial property rights may have effect: **28 February 2007**
(54) Product in respect of which the design is registered: **A garment**
(51) International Design Classification: **02-02NES**
(71) Name(s) and Address(s) of Applicant(s):
Freelance Corporate Promotions
10/288-302 Lawrence Street Alexandria New South Wales 2015
(72) Name(s) of Designer(s): **Ross MacDougall**
(45) Registration Date: **28 May 2007**
(56) Related Art Documents: **Not Applicable**
(57) Statement of Newness and Distinctiveness: **Newness and distinctiveness is claimed in the features of shape and/or configuration of a garment as illustrated in the accompanying representations.**

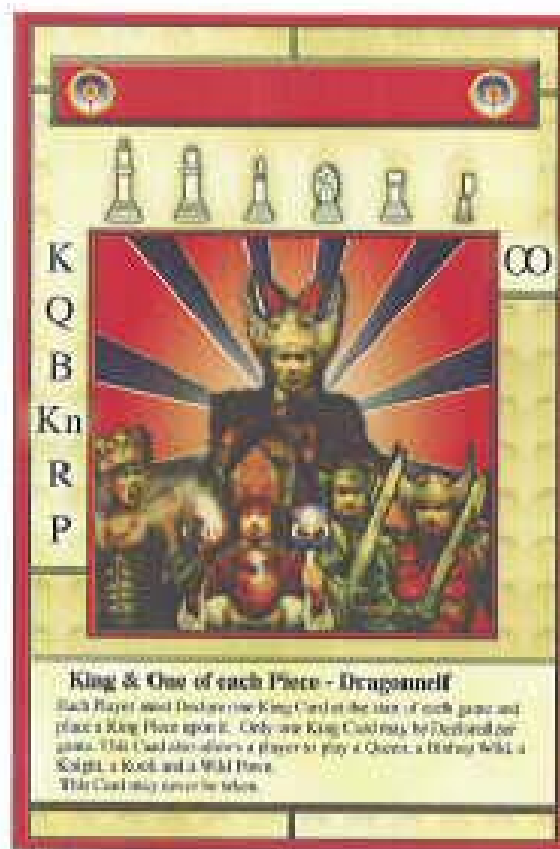


- (21) Design Number: **16681/2007**
(22) Date of Filing Application: **28 February 2007**
(24) Date from which industrial property rights may have effect: **28 February 2007**
(54) Product in respect of which the design is registered: **Three head brush shaver**
(51) International Design Classification: **28-03A**
(71) Name(s) and Address(s) of Applicant(s):
Koninklijke Philips Electronics N.V.
Groenewoudseweg 1 5621 BA Eindhoven The Netherlands
(72) Name(s) of Designer(s): **Scott Dale McLachlan**
(45) Registration Date: **28 May 2007**
(30) Convention priority data:
(31) Number (32) Date (33) Country
000582085#0001 31 Aug 2006 EUROPEAN COMMUNITY
(56) Related Art Documents: **Not Applicable**
(57) Statement of Newness and Distinctiveness: **Newness and distinctiveness reside in the features of the design as shown in the representations.**



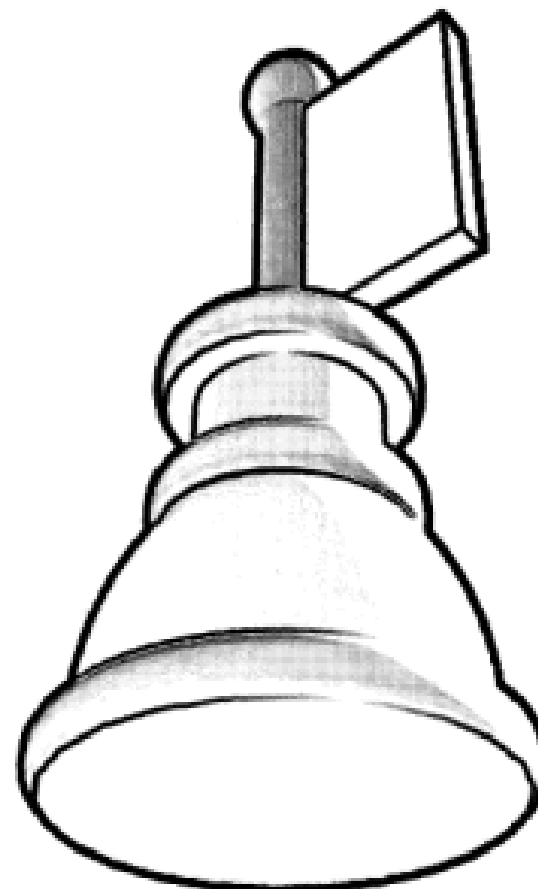
(19) AU

- (21) Design Number: **16685/2007**
- (22) Date of Filing Application: **01 March 2007**
- (24) Date from which industrial property rights may have effect: **01 March 2007**
- (54) Product in respect of which the design is registered: **Playing card**
- (51) International Design Classification: **21-01K**
- (71) Name(s) and Address(s) of Applicant(s):
Thomas Philip Wickham James
12 Hayward Street Myaree Western Australia 6154 Australia
- (72) Name(s) of Designer(s): **Thomas Philip Wickham James**
- (45) Registration Date: **28 May 2007**
- (56) Related Art Documents: **Not Applicable**
- (57) Statement of Newness and Distinctiveness: **Nil**



(19) AU

- (21) Design Number: **16686/2007**
- (22) Date of Filing Application: **01 March 2007**
- (24) Date from which industrial property rights may have effect: **01 March 2007**
- (54) Product in respect of which the design is registered: **Game board piece**
- (51) International Design Classification: **21-01L**
- (71) Name(s) and Address(s) of Applicant(s):
Thomas Philip Wickham James
12 Hayward Street Myaree Western Australia 6154 Australia
- (72) Name(s) of Designer(s): **Thomas Philip Wickham James**
- (45) Registration Date: **28 May 2007**
- (56) Related Art Documents: **Not Applicable**
- (57) Statement of Newness and Distinctiveness: **Nil**



- (21) Design Number: **16688/2007**
- (22) Date of Filing Application: **28 February 2007**
- (24) Date from which industrial property rights may have effect: **28 February 2007**
- (54) Product in respect of which the design is registered: **Bottle**
- (51) International Design Classification: **09-01K**
- (71) Name(s) and Address(s) of Applicant(s):

The Coca-Cola Company
One Coca-Cola Plaza NW Atlanta Georgia 30313 United States of America

- (72) Name(s) of Designer(s): **Malcolm Kinmont**

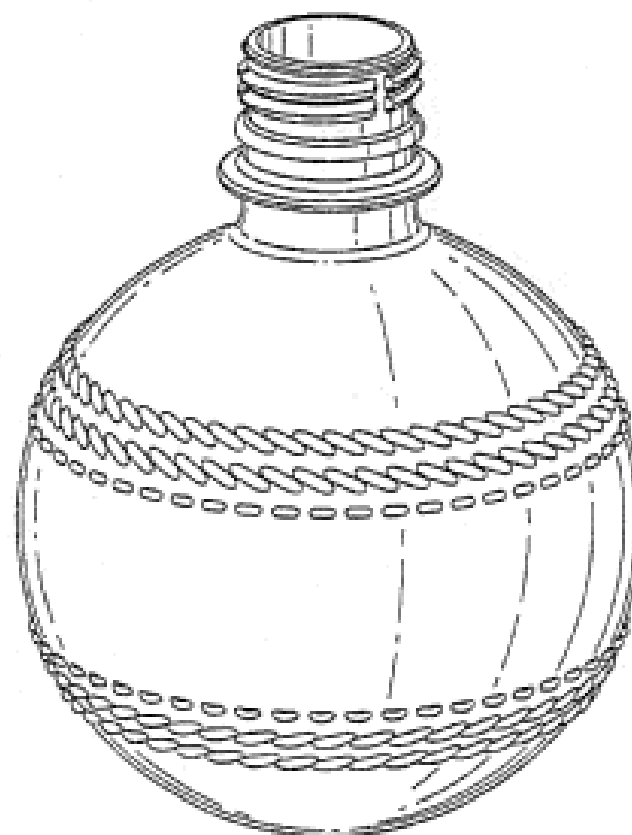
- (45) Registration Date: **28 May 2007**

- (30) Convention priority data:

(31) Number	(32) Date	(33) Country
3025975	19 Sep 2006	UNITED KINGDOM

- (56) Related Art Documents: **Not Applicable**

- (57) Statement of Newness and Distinctiveness: **Those features of the bottle depicted in the representations that are new and distinctive are the shape and/or configuration.**



- (21) Design Number: **16702/2007**
- (22) Date of Filing Application: **28 February 2007**
- (24) Date from which industrial property rights may have effect: **28 February 2007**
- (54) Product in respect of which the design is registered: **A control device for an automated warehousing system**
- (51) International Design Classification: **14-02**
- (71) Name(s) and Address(s) of Applicant(s):

Kabushiki Kaisha Toyota Jidoshokki
2-1 Toyoda-Cho Kariya-Shi Aichi-Ken Japan

- (72) Name(s) of Designer(s): **Daisuke Iguchi and Naoto Kato**

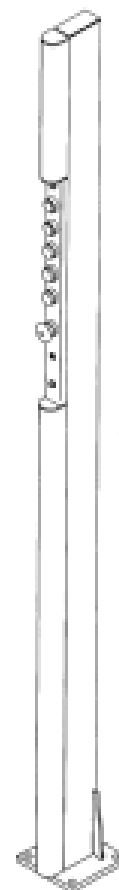
- (45) Registration Date: **28 May 2007**

- (30) Convention priority data:

(31) Number	(32) Date	(33) Country
2006#023489	01 Sep 2006	JAPAN

- (56) Related Art Documents: **Not Applicable**

- (57) Statement of Newness and Distinctiveness: **The shape and configuration of the control device for an automated warehousing system shown in the representations is new and distinctive.**



(21) Design Number: **16703/2007**

(22) Date of Filing Application: **01 March 2007**

(24) Date from which industrial property rights may have effect: **01 March 2007**

(54) Product in respect of which the design is registered: **Surface mounted plate; part of a complete unit which is riveted to a roof of a building with an eyebolt for a user**

(51) International Design Classification: **25-02NES**

(71) Name(s) and Address(s) of Applicant(s):

SafetyLink Pty Ltd
16 Moola Street Hawks Nest New South Wales 2324 Australia

(72) Name(s) of Designer(s): **Arvo Poldmaa and Daniel Poldmaa**

(45) Registration Date: **28 May 2007**

(56) Related Art Documents: **Not Applicable**

(57) Statement of Newness and Distinctiveness: **The moulded shape of the plate. The location of the drilling holes.**



(21) Design Number: **16704/2007**

(22) Date of Filing Application: **01 March 2007**

(24) Date from which industrial property rights may have effect: **01 March 2007**

(54) Product in respect of which the design is registered: **Race port blow-off valve**

(51) International Design Classification: **15-01**

(71) Name(s) and Address(s) of Applicant(s):

Turbosmart Pty Ltd
32 Milton Street North Ashfield New South Wales 2131 Australia

(72) Name(s) of Designer(s): **Nic Cooper**

(45) Registration Date: **28 May 2007**

(56) Related Art Documents: **Not Applicable**

(57) Statement of Newness and Distinctiveness: **Six-point cap. Dual-shaped exhaust ports. Quick-release-vee-band clamp.**



(21) Design Number: **16706/2007**

(22) Date of Filing Application: **01 March 2007**

(24) Date from which industrial property rights may have effect: **01 March 2007**

(54) Product in respect of which the design is registered: **An external corner moulding**

(51) International Design Classification: **25-01G**

(71) Name(s) and Address(s) of Applicant(s):

Costarid Pty Ltd

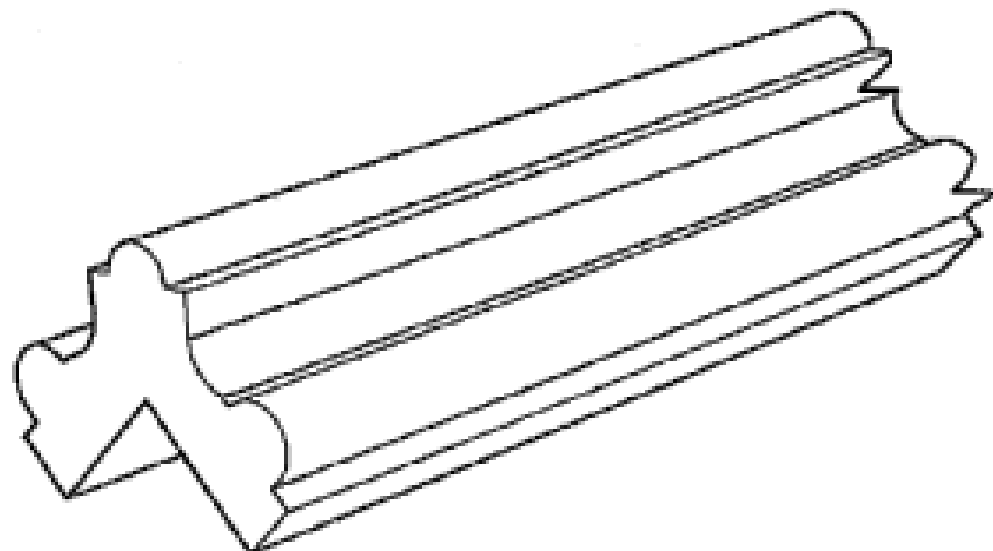
25 Sydenham Road Norwood South Australia 5067 Australia

(72) Name(s) of Designer(s): **Dimitri Costaridis**

(45) Registration Date: **28 May 2007**

(56) Related Art Documents: **Not Applicable**

(57) Statement of Newness and Distinctiveness: **Nil**



(21) Design Number: **16707/2007**

(22) Date of Filing Application: **01 March 2007**

(24) Date from which industrial property rights may have effect: **01 March 2007**

(54) Product in respect of which the design is registered: **An external corner moulding**

(51) International Design Classification: **25-01G**

(71) Name(s) and Address(s) of Applicant(s):

Costarid Pty Ltd

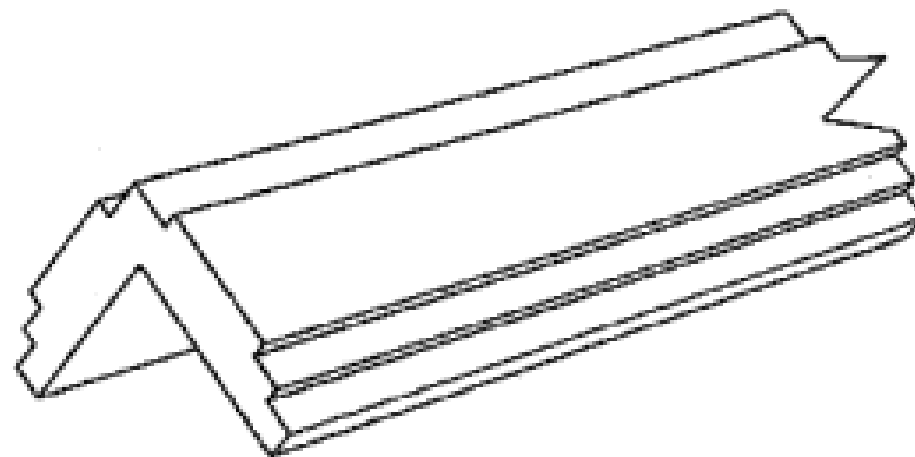
25 Sydenham Road Norwood South Australia 5067 Australia

(72) Name(s) of Designer(s): **Dimitri Costaridis**

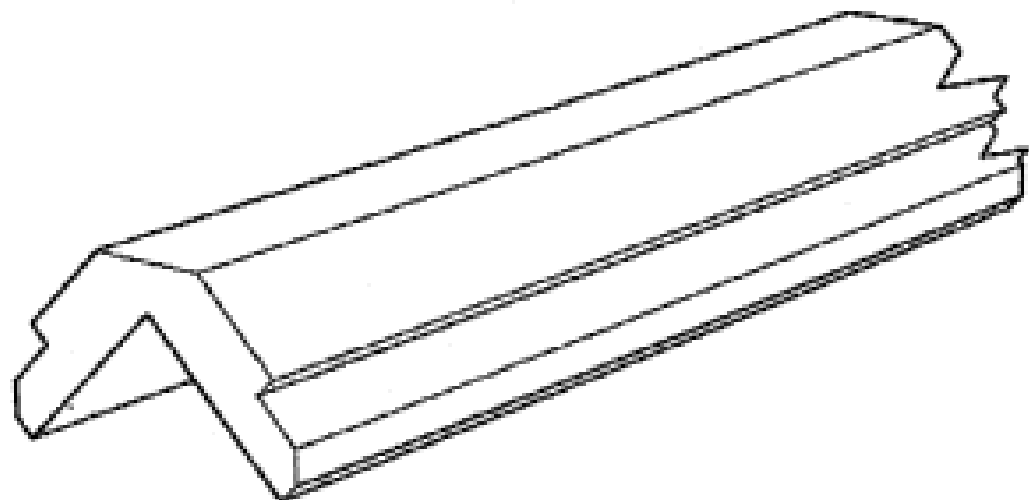
(45) Registration Date: **28 May 2007**

(56) Related Art Documents: **Not Applicable**

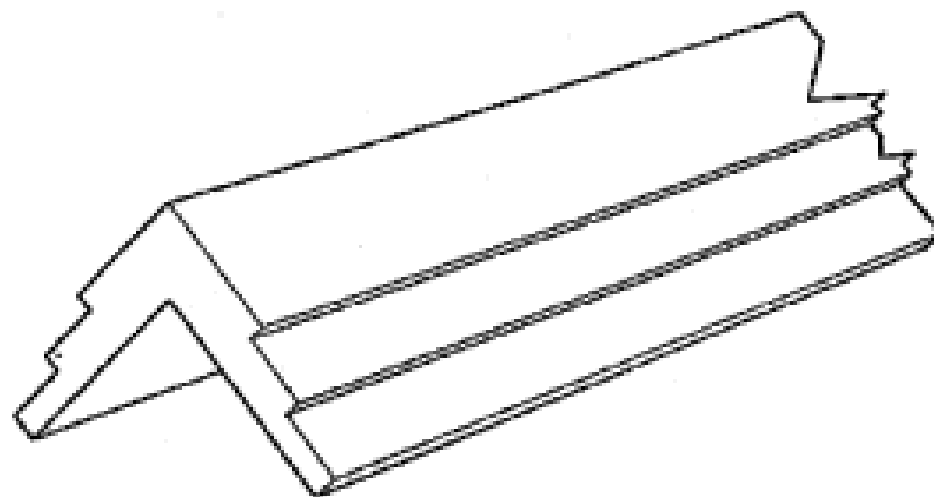
(57) Statement of Newness and Distinctiveness: **Nil**



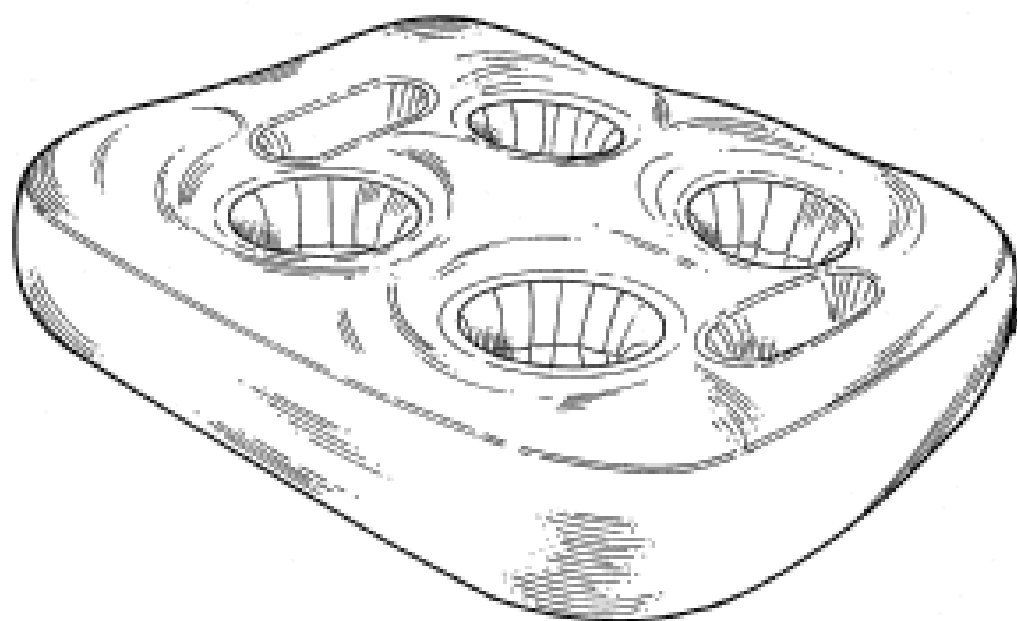
(21) Design Number: **16708/2007**
(22) Date of Filing Application: **01 March 2007**
(24) Date from which industrial property rights may have effect: **01 March 2007**
(54) Product in respect of which the design is registered: **An external corner moulding**
(51) International Design Classification: **25-01G**
(71) Name(s) and Address(s) of Applicant(s):
Costarid Pty Ltd
25 Sydenham Road Norwood South Australia 5067 Australia
(72) Name(s) of Designer(s): **Dimitri Costaridis**
(45) Registration Date: **28 May 2007**
(56) Related Art Documents: **Not Applicable**
(57) Statement of Newness and Distinctiveness: **Nil**



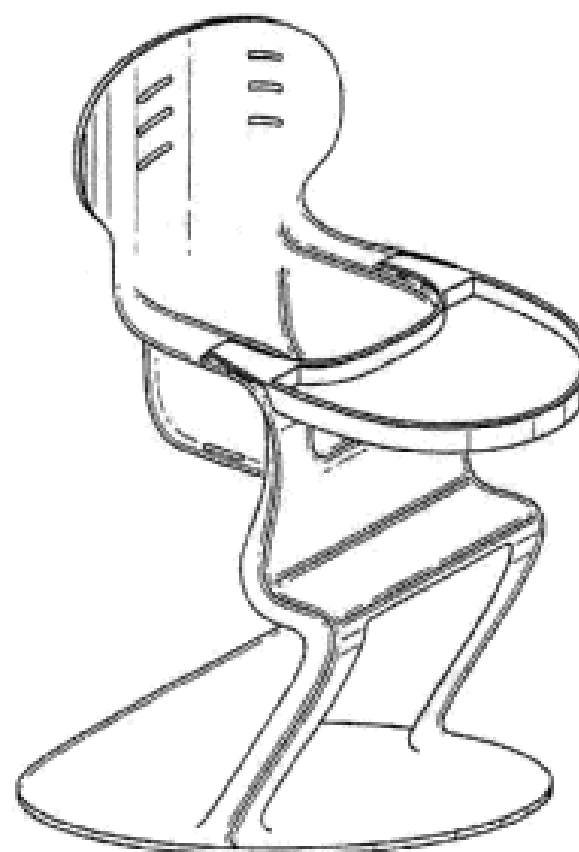
(21) Design Number: **16709/2007**
(22) Date of Filing Application: **01 March 2007**
(24) Date from which industrial property rights may have effect: **01 March 2007**
(54) Product in respect of which the design is registered: **An external corner moulding**
(51) International Design Classification: **25-01G**
(71) Name(s) and Address(s) of Applicant(s):
Costarid Pty Ltd
25 Sydenham Road Norwood South Australia 5067 Australia
(72) Name(s) of Designer(s): **Dimitri Costaridis**
(45) Registration Date: **28 May 2007**
(56) Related Art Documents: **Not Applicable**
(57) Statement of Newness and Distinctiveness: **Nil**



- (21) Design Number: **14071/2006**
(22) Date of Filing Application: **11 September 2006**
(24) Date from which industrial property rights may have effect: **11 September 2006**
(54) Product in respect of which the design is registered: **An inflatable tray**
(51) International Design Classification: **07-99A**
(71) Name(s) and Address(s) of Applicant(s):
The Beer Bum Corporation Pty Ltd
7/111 James Street New Farm Queensland 4005 Australia
(72) Name(s) of Designer(s): **Nicholas Michael James**
(45) Registration Date: **29 May 2007**
(56) Related Art Documents: **Not Applicable**
(57) Statement of Newness and Distinctiveness: **Newness and distinctiveness resides in the shape and configuration of an inflatable tray as depicted in the representations. Patterns and ornamentation are to be disregarded.**



- (21) Design Number: **15949/2006**
(22) Date of Filing Application: **29 December 2006**
(24) Date from which industrial property rights may have effect: **29 December 2006**
(54) Product in respect of which the design is registered: **Baby seat and tray**
(51) International Design Classification: **06-01E**
(71) Name(s) and Address(s) of Applicant(s):
Simon Firullo
25A Langley Avenue Surbiton Surrey KT6 6QP United Kingdom
(72) Name(s) of Designer(s): **Simon Firullo**
(45) Registration Date: **29 May 2007**
(30) Convention priority data:
(31) Number (32) Date (33) Country
000552542-0002 29 Jun 2006 EUROPEAN COMMUNITY
(56) Related Art Documents: **Not Applicable**
(57) Statement of Newness and Distinctiveness: **Newness and distinctiveness resides in the features of shape and/or configuration of a baby seat and tray as illustrated in the accompanying drawings.**



(21) Design Number: **16313/2007**

(22) Date of Filing Application: **05 February 2007**

(24) Date from which industrial property rights may have effect: **05 February 2007**

(54) Product in respect of which the design is registered: **Funky baby is created as a cake topper to be placed on top of a cake as a decoration**

(51) International Design Classification: **07-02P, 11-05**

(71) Name(s) and Address(s) of Applicant(s):

Planet Cake Pty Limited

106 Beattie Street Balmain New South Wales 2041 Australia

(72) Name(s) of Designer(s): **Paris Cutler and Margaret Carter**

(45) Registration Date: **29 May 2007**

(56) Related Art Documents: **Not Applicable**

(57) Statement of Newness and Distinctiveness: **Round head with no nose, painted smile and eyes. Sitting down with 3 fingers and one thumb, ears like little cones. Hair like quiff as boy or girl.**



(21) Design Number: **16314/2007**

(22) Date of Filing Application: **05 February 2007**

(24) Date from which industrial property rights may have effect: **05 February 2007**

(54) Product in respect of which the design is registered: **Funky couple is made as a cake topper to decorate a cake, usually a wedding cake.**

(51) International Design Classification: **07-02P, 11-05**

(71) Name(s) and Address(s) of Applicant(s):

Planet Cake Pty Limited

106 Beattie Street Balmain New South Wales 2041 Australia

(72) Name(s) of Designer(s): **Paris Cutler and Margaret Carter**

(45) Registration Date: **29 May 2007**

(56) Related Art Documents: **Not Applicable**

(57) Statement of Newness and Distinctiveness: **Man and woman figurines with round heads and painted expression and eyes. The figurines have no noses and three fingers and one thumb. - Cartoon figurines.**



- (21) Design Number: **16315/2007**
(22) Date of Filing Application: **05 February 2007**
(24) Date from which industrial property rights may have effect: **05 February 2007**
(54) Product in respect of which the design is registered: **Dancing funky couple is made as a cake topper to decorate a cake**
(51) International Design Classification: **07-02P, 11-05**
(71) Name(s) and Address(s) of Applicant(s):
Planet Cake Pty Limited
106 Beattie Street Balmain New South Wales 2041 Australia
(72) Name(s) of Designer(s): **Paris Cutler**
(45) Registration Date: **29 May 2007**
(56) Related Art Documents: **Not Applicable**
(57) Statement of Newness and Distinctiveness: **Man and woman figurines with round heads and painted expressions and eyes. The figurines have no noses and are in a dancing pose each figurine is on one leg.**



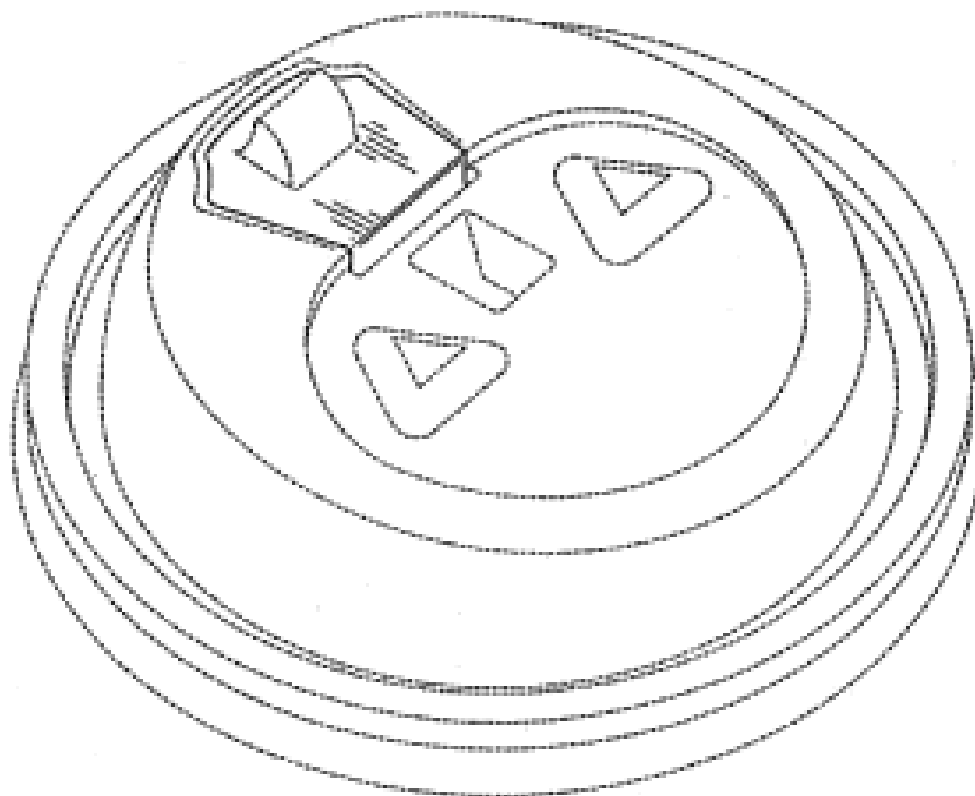
- (21) Design Number: **16316/2007**
(22) Date of Filing Application: **05 February 2007**
(24) Date from which industrial property rights may have effect: **05 February 2007**
(54) Product in respect of which the design is registered: **A figurine of a child to decorate a cake**
(51) International Design Classification: **07-02P, 11-05**
(71) Name(s) and Address(s) of Applicant(s):
Planet Cake Pty Limited
106 Beattie Street Balmain New South Wales 2041 Australia
(72) Name(s) of Designer(s): **Paris Cutler and Margaret Carter**
(45) Registration Date: **29 May 2007**
(56) Related Art Documents: **Not Applicable**
(57) Statement of Newness and Distinctiveness: **Round head with no nose, painted smile and eyes. Standing or sitting. 3 fingers and thumb, ears like little cones. Figurines as boy or girl.**



(19) AU

- (21) Design Number: **17807/2007**
- (22) Date of Filing Application: **08 May 2007**
- (24) Date from which industrial property rights may have effect: **08 May 2007**
- (54) Product in respect of which the design is registered: **Disposable cup lid**
- (51) International Design Classification: **09-07B**
- (71) Name(s) and Address(s) of Applicant(s):
Prairie Packaging, Inc
7200 S Mason Avenue Bedford Park IL 60638 United States of America
- (72) Name(s) of Designer(s): **Robert W. Hollis and Weston S. Koennecke and John R. Geer III**
- (45) Registration Date: **29 May 2007**
- (30) Convention priority data:

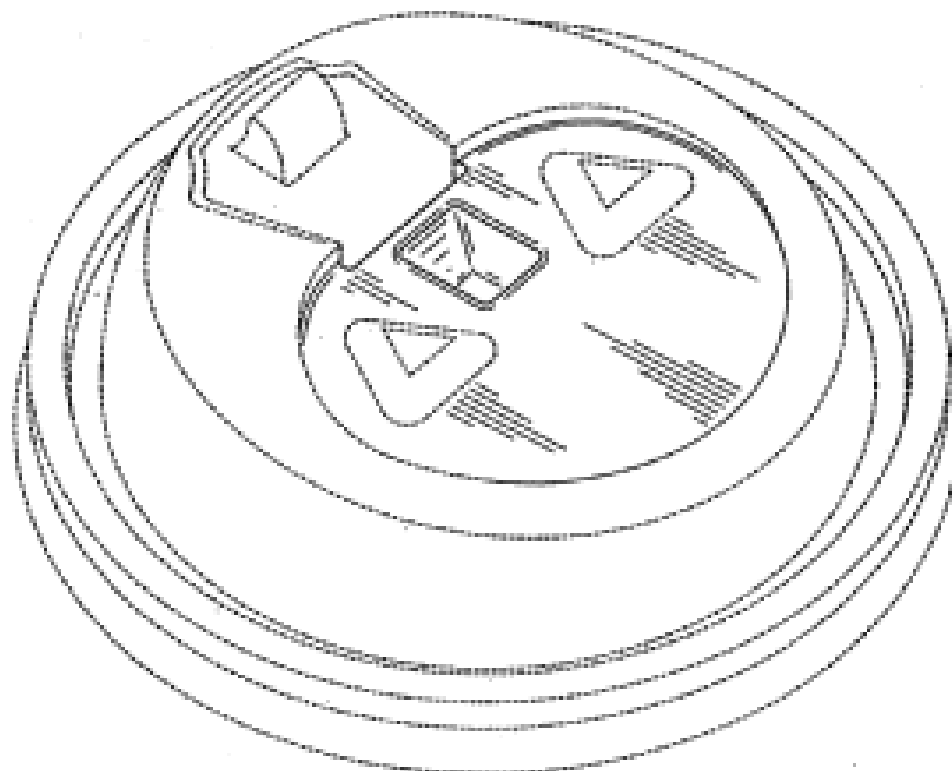
(31) Number	(32) Date	(33) Country
29/250,410	13 Nov 2006	UNITED STATES OF AMERICA
- (56) Related Art Documents: **Not Applicable**
- (57) Statement of Newness and Distinctiveness: **In considering the extent of the monopoly sought, those features shown in phantom are to be disregarded and are provided for environmental purposes only.**



(19) AU

- (21) Design Number: **17808/2007**
- (22) Date of Filing Application: **08 May 2007**
- (24) Date from which industrial property rights may have effect: **08 May 2007**
- (54) Product in respect of which the design is registered: **Disposable cup lid**
- (51) International Design Classification: **09-07B**
- (71) Name(s) and Address(s) of Applicant(s):
Prairie Packaging, Inc
7200 S Mason Avenue Bedford Park IL 60638 United States of America
- (72) Name(s) of Designer(s): **Robert W. Hollis and Weston S. Koennecke and John R. Geer III**
- (45) Registration Date: **29 May 2007**
- (30) Convention priority data:

(31) Number	(32) Date	(33) Country
29/250,410	13 Nov 2006	UNITED STATES OF AMERICA
- (56) Related Art Documents: **Not Applicable**
- (57) Statement of Newness and Distinctiveness: **In considering the extent of the monopoly sought, those features shown in phantom are to be disregarded and are provided for environmental purposes only.**



(19) AU

- (21) Design Number: **17809/2007**
- (22) Date of Filing Application: **08 May 2007**
- (24) Date from which industrial property rights may have effect: **08 May 2007**
- (54) Product in respect of which the design is registered: **Disposable cup lid**
- (51) International Design Classification: **09-07B**
- (71) Name(s) and Address(s) of Applicant(s):

Prairie Packaging, Inc
7200 S Mason Avenue Bedford Park IL 60638 United States of America

- (72) Name(s) of Designer(s): **Robert W. Hollis and Weston S. Koennecke and John R. Geer III**

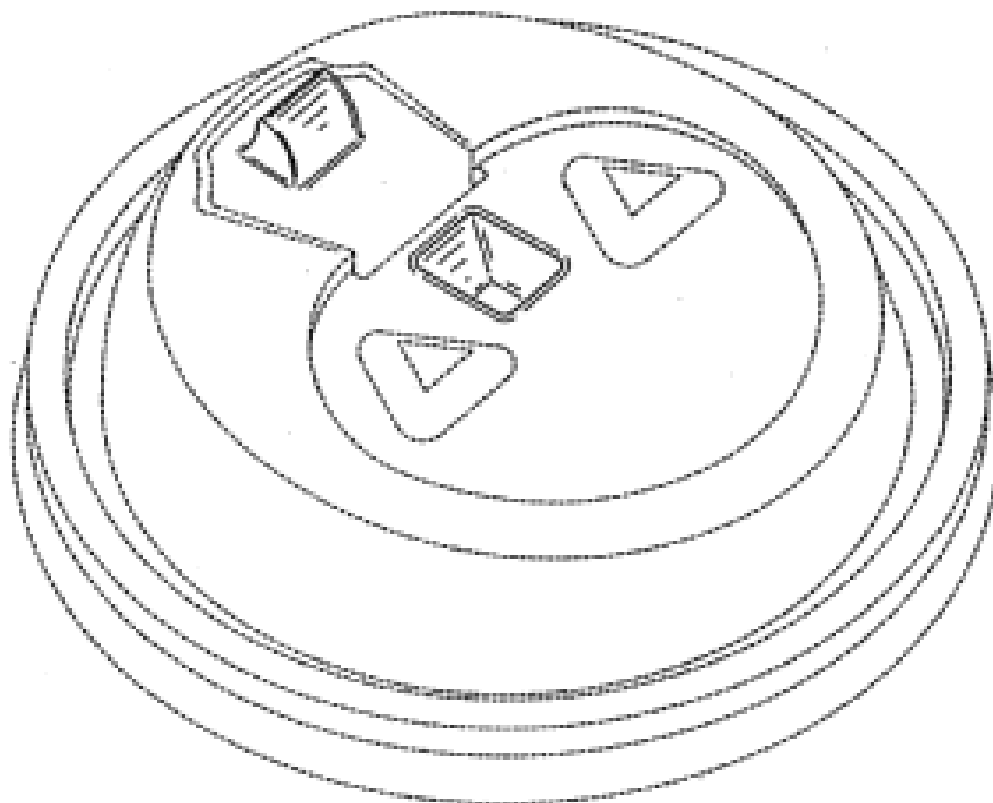
(45) Registration Date: **29 May 2007**

(30) Convention priority data:

(31) Number	(32) Date	(33) Country
29/250,410	13 Nov 2006	UNITED STATES OF AMERICA

(56) Related Art Documents: **Not Applicable**

(57) Statement of Newness and Distinctiveness: **In considering the extent of the monopoly sought, those features shown in phantom are to be disregarded and are provided for environmental purposes only.**



(19) AU

- (21) Design Number: **17810/2007**
- (22) Date of Filing Application: **08 May 2007**
- (24) Date from which industrial property rights may have effect: **08 May 2007**
- (54) Product in respect of which the design is registered: **Disposable cup lid**
- (51) International Design Classification: **09-07B**
- (71) Name(s) and Address(s) of Applicant(s):

Prairie Packaging, Inc
7200 S Mason Avenue Bedford Park IL 60638 United States of America

- (72) Name(s) of Designer(s): **Robert W. Hollis and Weston S. Koennecke and John R. Geer III**

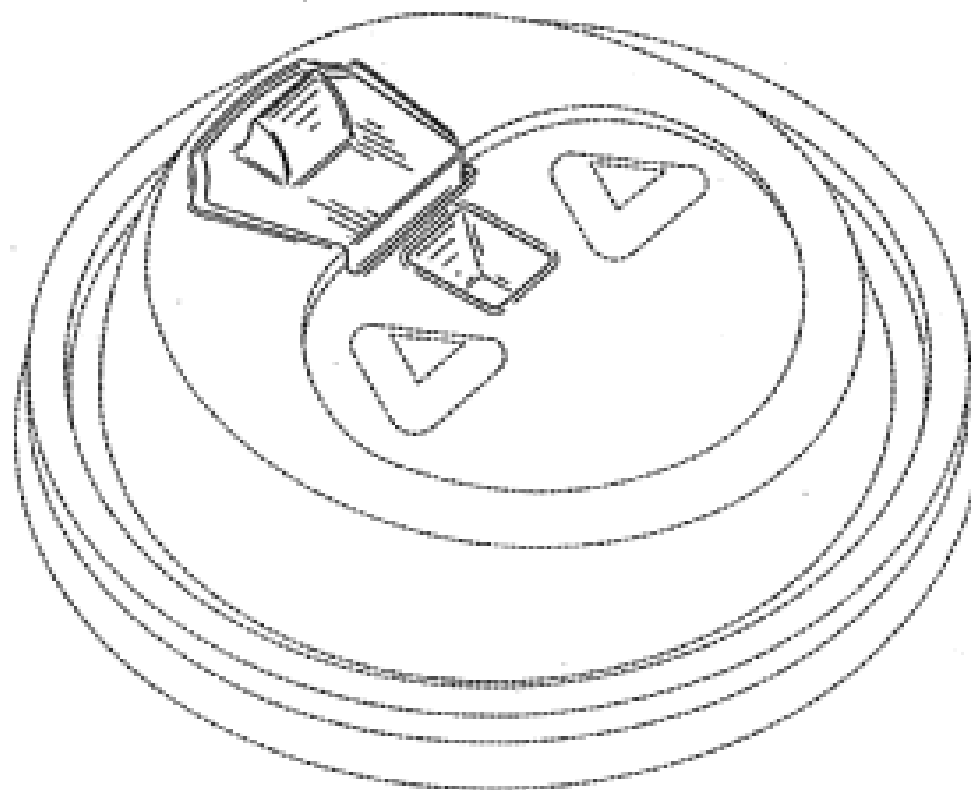
(45) Registration Date: **29 May 2007**

(30) Convention priority data:

(31) Number	(32) Date	(33) Country
29/250,410	13 Nov 2006	UNITED STATES OF AMERICA

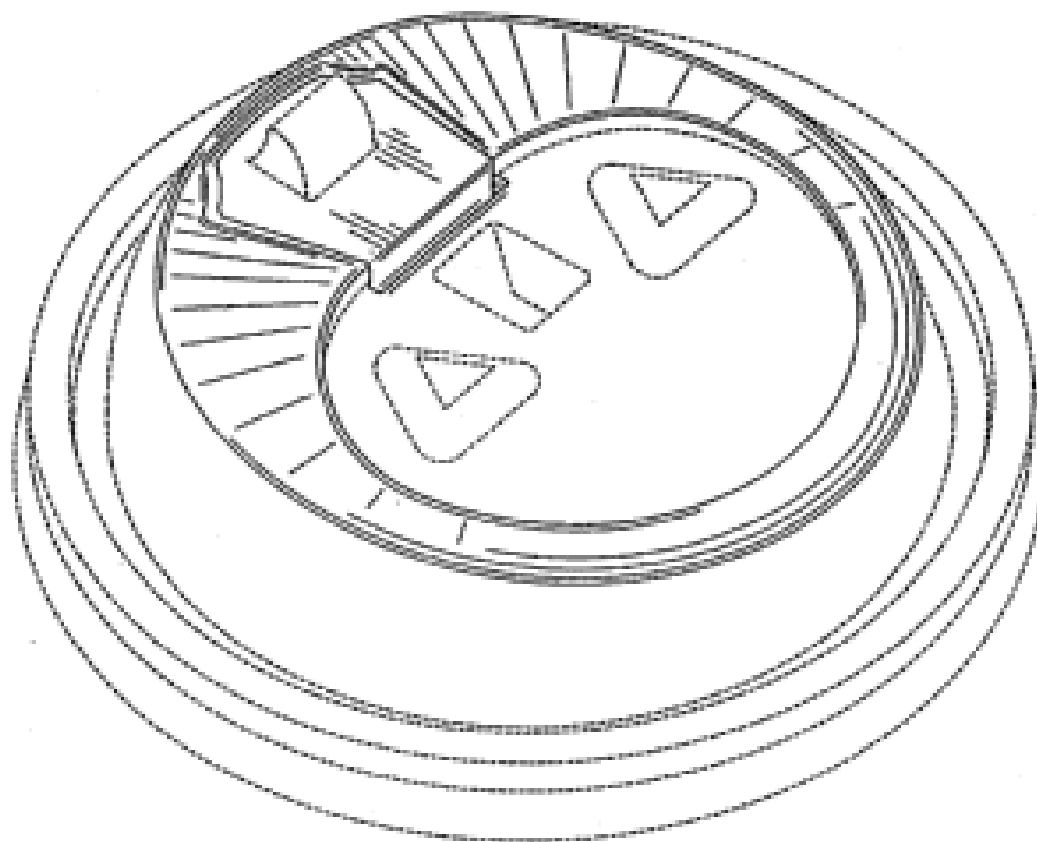
(56) Related Art Documents: **Not Applicable**

(57) Statement of Newness and Distinctiveness: **In considering the extent of the monopoly sought, those features shown in phantom are to be disregarded and are provided for environmental purposes only.**



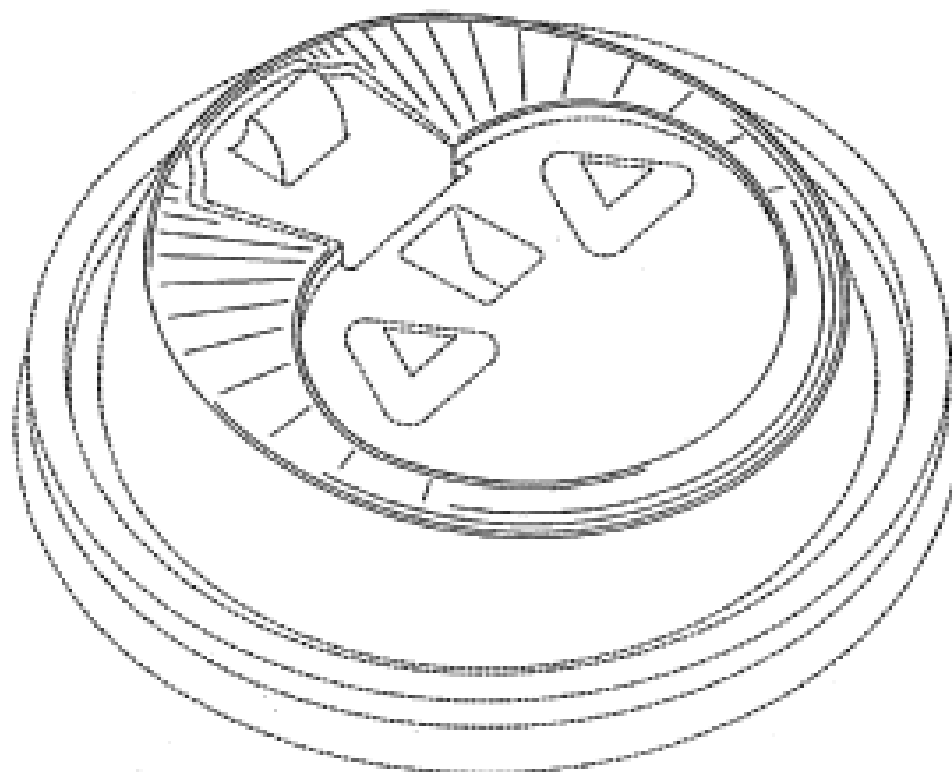
(19) AU

- (21) Design Number: **17811/2007**
(22) Date of Filing Application: **08 May 2007**
(24) Date from which industrial property rights may have effect: **08 May 2007**
(54) Product in respect of which the design is registered: **Disposable cup lid**
(51) International Design Classification: **09-07B**
(71) Name(s) and Address(s) of Applicant(s):
Prairie Packaging, Inc
7200 S Mason Avenue Bedford Park IL 60638 United States of America
(72) Name(s) of Designer(s): **Robert W. Hollis and Weston S. Koennecke and John R. Geer III**
(45) Registration Date: **29 May 2007**
(30) Convention priority data:
(31) Number (32) Date (33) Country
29/250,410 13 Nov 2006 UNITED STATES OF AMERICA
(56) Related Art Documents: **Not Applicable**
(57) Statement of Newness and Distinctiveness: **In considering the extent of the monopoly sought, those features shown in phantom are to be disregarded and are provided for environmental purposes only.**



(19) AU

- (21) Design Number: **17812/2007**
(22) Date of Filing Application: **08 May 2007**
(24) Date from which industrial property rights may have effect: **08 May 2007**
(54) Product in respect of which the design is registered: **Disposable cup lid**
(51) International Design Classification: **09-07B**
(71) Name(s) and Address(s) of Applicant(s):
Prairie Packaging, Inc
7200 S Mason Avenue Bedford Park IL 60638 United States of America
(72) Name(s) of Designer(s): **Robert W. Hollis and Weston S. Koennecke and John R. Geer III**
(45) Registration Date: **29 May 2007**
(56) Related Art Documents: **Not Applicable**
(57) Statement of Newness and Distinctiveness: **In considering the extent of the monopoly sought, those features shown in phantom are to be disregarded and are provided for environmental purposes only.**



(19) AU

- (21) Design Number: **17813/2007**
- (22) Date of Filing Application: **08 May 2007**
- (24) Date from which industrial property rights may have effect: **08 May 2007**
- (54) Product in respect of which the design is registered: **Disposable cup lid**
- (51) International Design Classification: **09-07B**
- (71) Name(s) and Address(s) of Applicant(s):

Prairie Packaging, Inc
7200 S Mason Avenue Bedford Park IL 60638 United States of America

- (72) Name(s) of Designer(s): **Robert W. Hollis and Weston S. Koennecke and John R. Geer III**

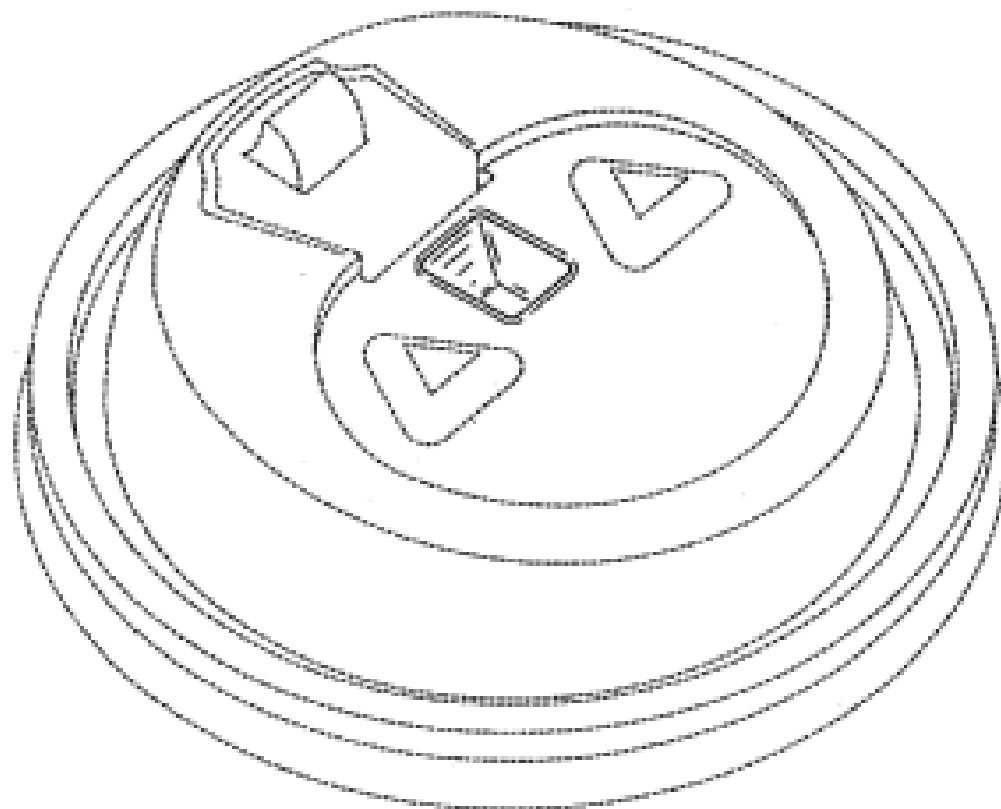
(45) Registration Date: **29 May 2007**

(30) Convention priority data:

(31) Number	(32) Date	(33) Country
29/250,410	13 Nov 2006	UNITED STATES OF AMERICA

(56) Related Art Documents: **Not Applicable**

(57) Statement of Newness and Distinctiveness: **In considering the extent of the monopoly sought, those features shown in phantom are to be disregarded and are provided for environmental purposes only.**



(19) AU

- (21) Design Number: **17814/2007**
- (22) Date of Filing Application: **08 May 2007**
- (24) Date from which industrial property rights may have effect: **08 May 2007**
- (54) Product in respect of which the design is registered: **Disposable cup lid**
- (51) International Design Classification: **09-07B**
- (71) Name(s) and Address(s) of Applicant(s):

Prairie Packaging, Inc
7200 S Mason Avenue Bedford Park IL 60638 United States of America

- (72) Name(s) of Designer(s): **Robert W. Hollis and Weston S. Koennecke and John R. Geer III**

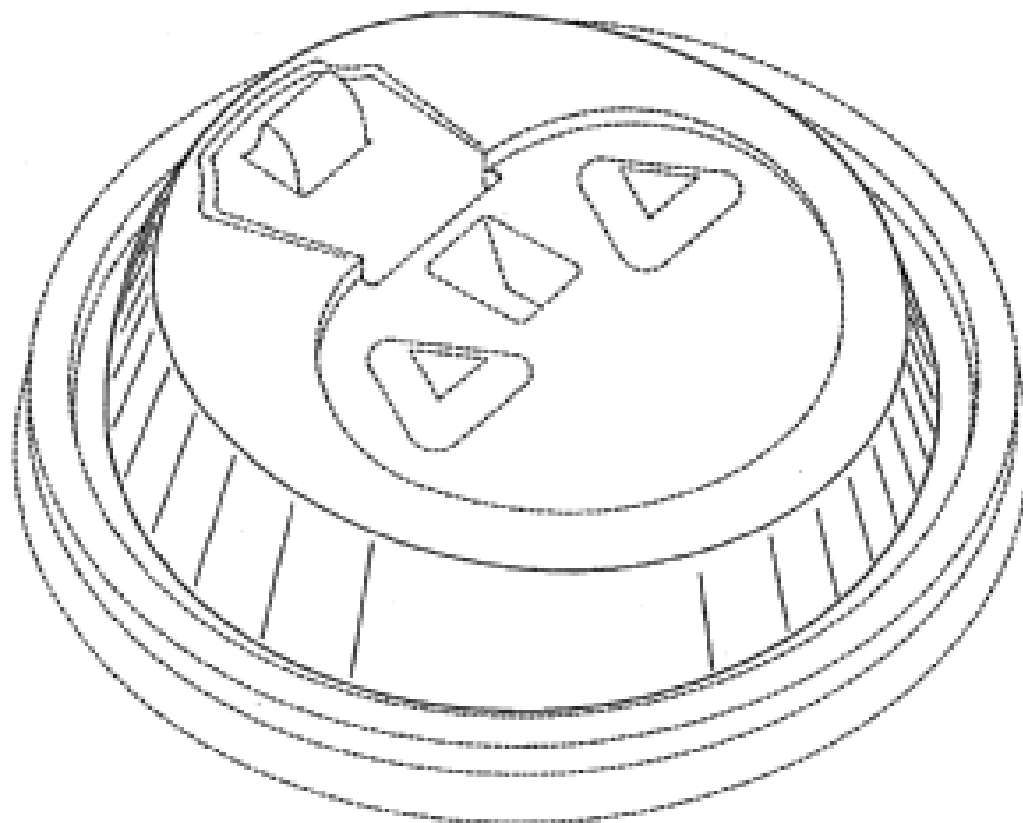
(45) Registration Date: **29 May 2007**

(30) Convention priority data:

(31) Number	(32) Date	(33) Country
29/250,410	13 Nov 2006	UNITED STATES OF AMERICA

(56) Related Art Documents: **Not Applicable**

(57) Statement of Newness and Distinctiveness: **In considering the extent of the monopoly sought, those features shown in phantom are to be disregarded and are provided for environmental purposes only.**



- (21) Design Number: **17815/2007**
- (22) Date of Filing Application: **08 May 2007**
- (24) Date from which industrial property rights may have effect: **08 May 2007**
- (54) Product in respect of which the design is registered: **Disposable cup lid**
- (51) International Design Classification: **09-07B**
- (71) Name(s) and Address(s) of Applicant(s):

Prairie Packaging, Inc
7200 S Mason Avenue Bedford Park IL 60638 United States of America

- (72) Name(s) of Designer(s): **Robert W. Hollis and Weston S. Koennecke and John R. Geer III**

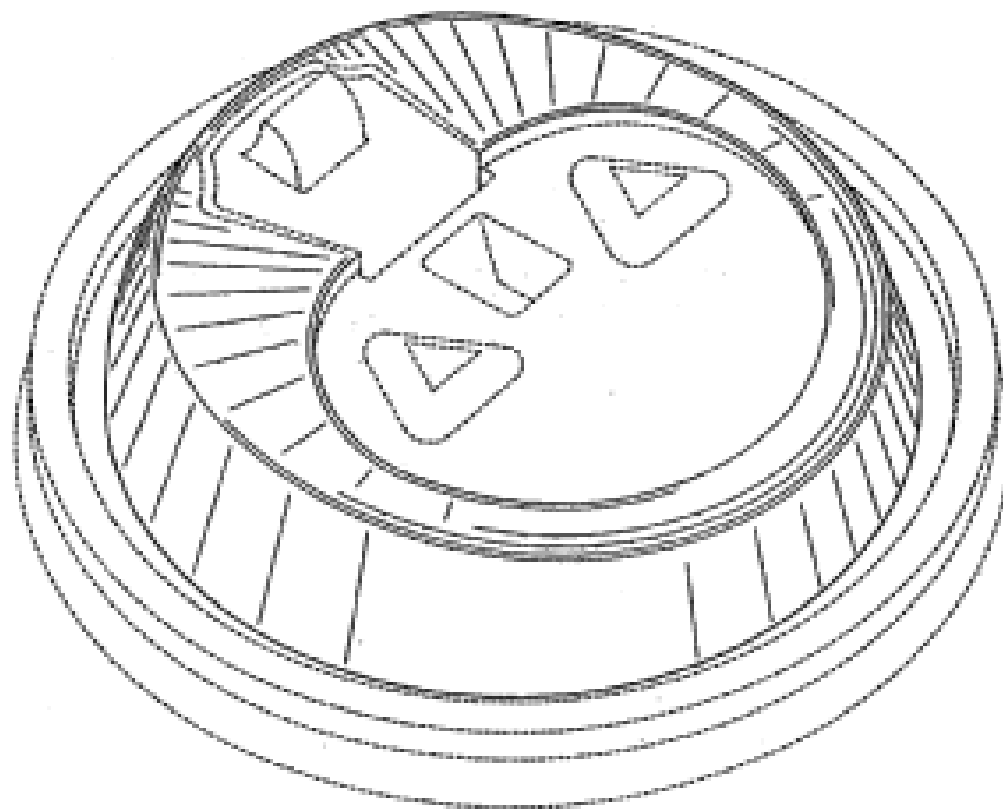
- (45) Registration Date: **29 May 2007**

- (30) Convention priority data:

(31) Number	(32) Date	(33) Country
29/250,410	13 Nov 2006	UNITED STATES OF AMERICA

- (56) Related Art Documents: **Not Applicable**

- (57) Statement of Newness and Distinctiveness: **In considering the extent of the monopoly sought, those features shown in phantom are to be disregarded and are provided for environmental purposes only.**



- (21) Design Number: **17816/2007**
- (22) Date of Filing Application: **08 May 2007**
- (24) Date from which industrial property rights may have effect: **08 May 2007**
- (54) Product in respect of which the design is registered: **Disposable cup lid**
- (51) International Design Classification: **09-07B**
- (71) Name(s) and Address(s) of Applicant(s):

Prairie Packaging, Inc
7200 S Mason Avenue Bedford Park IL 60638 United States of America

- (72) Name(s) of Designer(s): **Robert W. Hollis and Weston S. Koennecke and John R. Geer III**

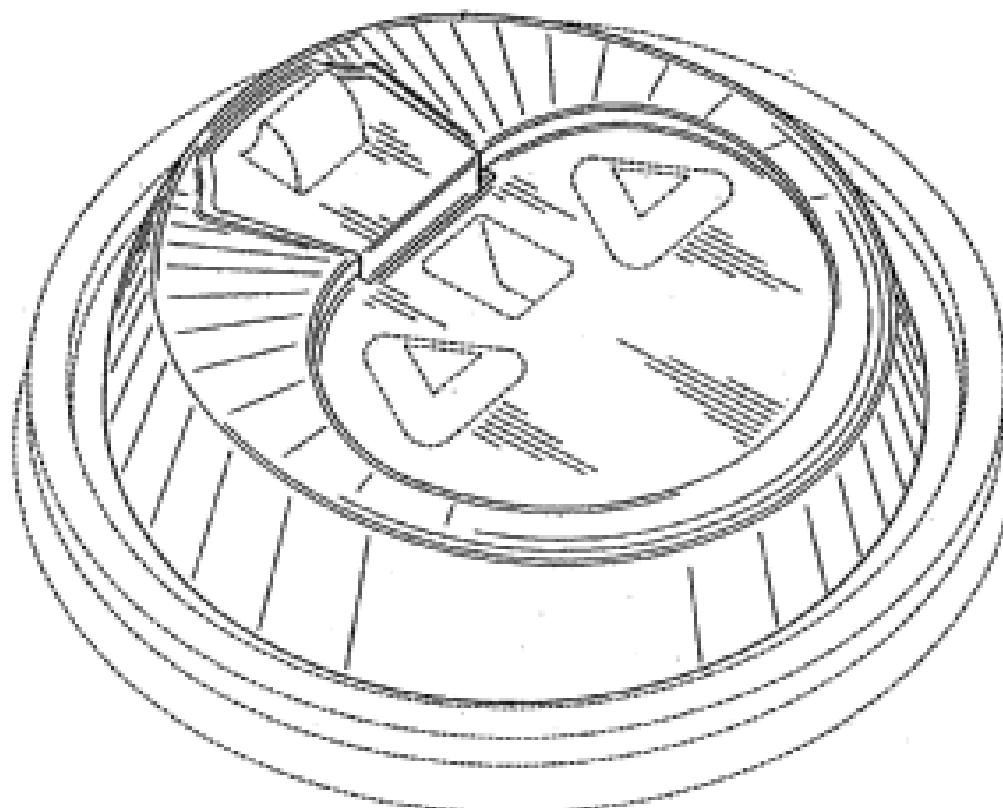
- (45) Registration Date: **29 May 2007**

- (30) Convention priority data:

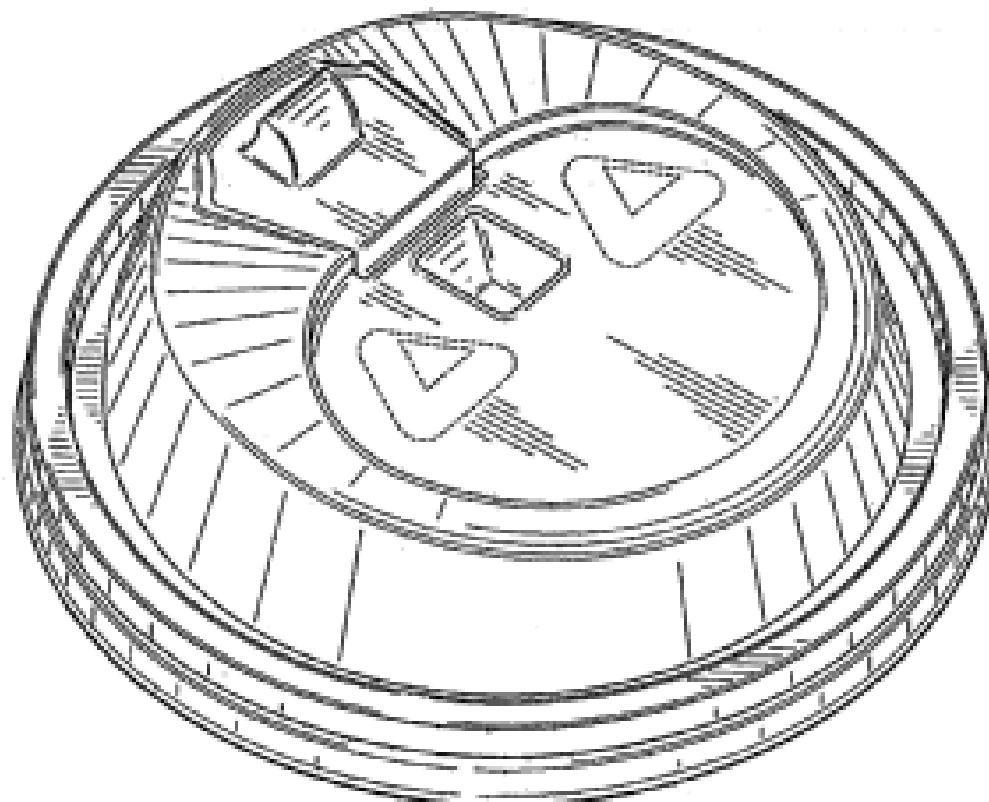
(31) Number	(32) Date	(33) Country
29/250,410	13 Nov 2006	UNITED STATES OF AMERICA

- (56) Related Art Documents: **Not Applicable**

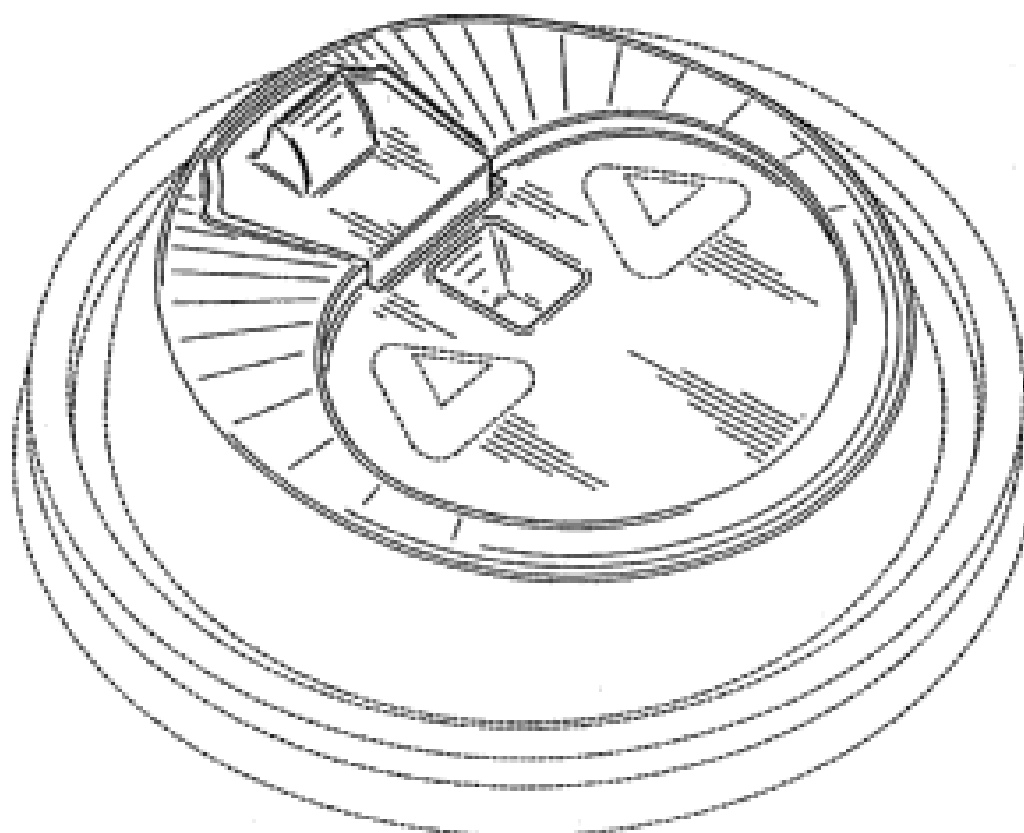
- (57) Statement of Newness and Distinctiveness: **In considering the extent of the monopoly sought, those features shown in phantom are to be disregarded and are provided for environmental purposes only.**



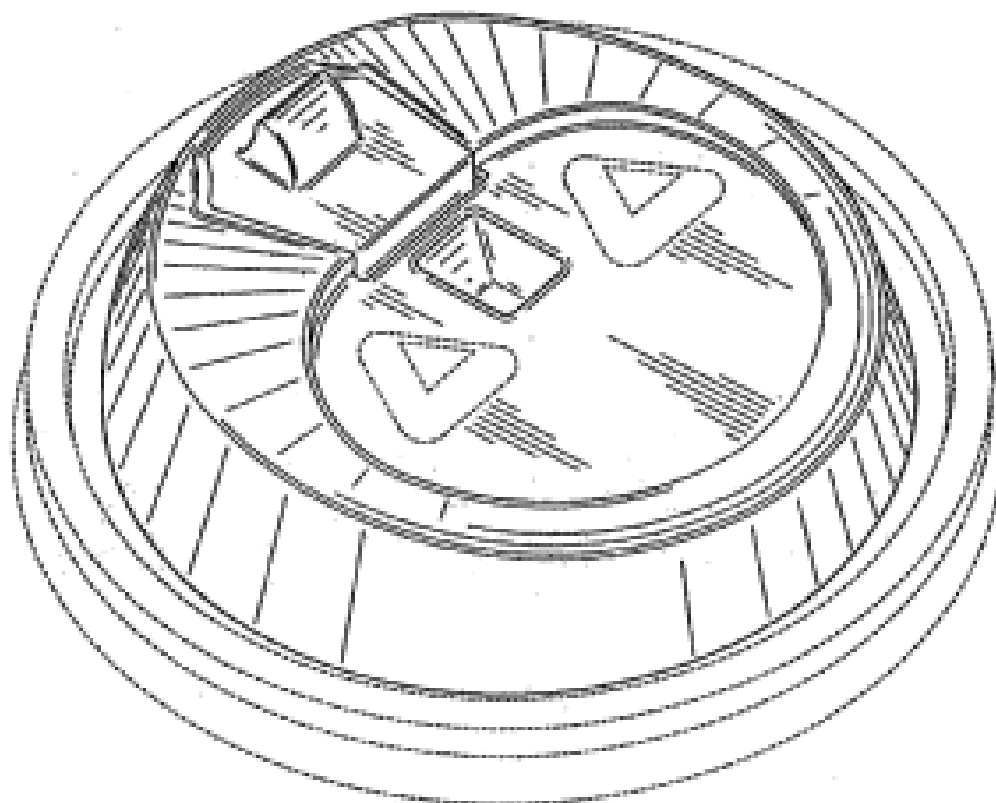
(21) Design Number: **17817/2007**
 (22) Date of Filing Application: **08 May 2007**
 (24) Date from which industrial property rights may have effect: **08 May 2007**
 (54) Product in respect of which the design is registered: **Disposable cup lid**
 (51) International Design Classification: **09-07B**
 (71) Name(s) and Address(s) of Applicant(s):
Prairie Packaging, Inc
7200 S Mason Avenue Bedford Park IL 60638 United States of America
 (72) Name(s) of Designer(s): **Robert W. Hollis and Weston S. Koennecke and John R. Geer III**
 (45) Registration Date: **29 May 2007**
 (30) Convention priority data:
 (31) Number (32) Date (33) Country
29/250,410 13 Nov 2006 UNITED STATES OF AMERICA
 (56) Related Art Documents: **Not Applicable**
 (57) Statement of Newness and Distinctiveness: **In considering the extent of the monopoly sought, those features shown in phantom are to be disregarded and are provided for environmental purposes only.**



(21) Design Number: **17818/2007**
 (22) Date of Filing Application: **08 May 2007**
 (24) Date from which industrial property rights may have effect: **08 May 2007**
 (54) Product in respect of which the design is registered: **Disposable cup lid**
 (51) International Design Classification: **09-07B**
 (71) Name(s) and Address(s) of Applicant(s):
Prairie Packaging, Inc
7200 S Mason Avenue Bedford Park IL 60638 United States of America
 (72) Name(s) of Designer(s): **Robert W. Hollis and Weston S. Koennecke and John R. Geer III**
 (45) Registration Date: **29 May 2007**
 (30) Convention priority data:
 (31) Number (32) Date (33) Country
29/250,410 13 Nov 2006 UNITED STATES OF AMERICA
 (56) Related Art Documents: **Not Applicable**
 (57) Statement of Newness and Distinctiveness: **In considering the extent of the monopoly sought, those features shown in phantom are to be disregarded and are provided for environmental purposes only.**



- (21) Design Number: **17819/2007**
(22) Date of Filing Application: **08 May 2007**
(24) Date from which industrial property rights may have effect: **08 May 2007**
(54) Product in respect of which the design is registered: **Disposable cup lid**
(51) International Design Classification: **09-07B**
(71) Name(s) and Address(s) of Applicant(s):
Prairie Packaging, Inc
7200 S Mason Avenue Bedford Park IL 60638 United States of America
(72) Name(s) of Designer(s): **Robert W. Hollis and Weston S. Koennecke and John R. Geer III**
(45) Registration Date: **29 May 2007**
(30) Convention priority data:
(31) Number (32) Date (33) Country
29/250,410 13 Nov 2006 UNITED STATES OF AMERICA
(56) Related Art Documents: **Not Applicable**
(57) Statement of Newness and Distinctiveness: **In considering the extent of the monopoly sought, those features shown in phantom are to be disregarded and are provided for environmental purposes only.**



- (21) Design Number: **18099/2007**
(22) Date of Filing Application: **05 February 2007**
(24) Date from which industrial property rights may have effect: **05 February 2007**
(54) Product in respect of which the design is registered: **A figurine of a child to decorate a cake**
(51) International Design Classification: **07-02P, 11-05**
(71) Name(s) and Address(s) of Applicant(s):
Planet Cake Pty Ltd
106 Beattie Street Balmain New South Wales 2041
(72) Name(s) of Designer(s): **Paris Cutler and Margaret Carter**
(45) Registration Date: **29 May 2007**
(56) Related Art Documents: **Not Applicable**
(57) Statement of Newness and Distinctiveness: **Round head and no nose, painted smile and eyes. Standing or sitting. 3 fingers and thumb. Ears like little cones. Figurines as boy or girl.**



(21) Design Number: **16727/2007**

(22) Date of Filing Application: **02 March 2007**

(24) Date from which industrial property rights may have effect: **02 March 2007**

(54) Product in respect of which the design is registered: **A lighting device**

(51) International Design Classification: **26-02**

(71) Name(s) and Address(s) of Applicant(s):

Eveready Battery Company, Inc.
533 Maryville University Drive St Louis Missouri 63164 United States of America

(72) Name(s) of Designer(s): **John R. Brown and Peter McMillan and Michael S. Squires**

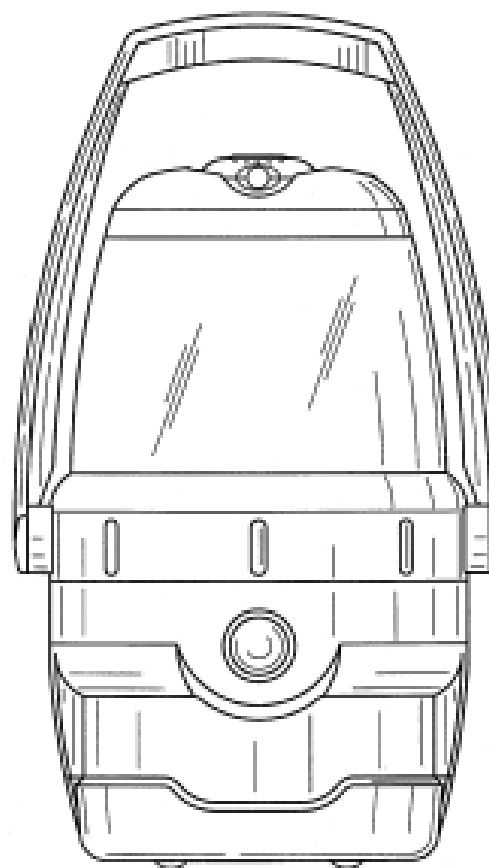
(45) Registration Date: **29 May 2007**

(30) Convention priority data:

(31) Number	(32) Date	(33) Country
29/266722	27 Sep 2006	UNITED STATES OF AMERICA

(56) Related Art Documents: **Not Applicable**

(57) Statement of Newness and Distinctiveness: **Nil**



(21) Design Number: **13915/2006**

(22) Date of Filing Application: **30 August 2006**

(24) Date from which industrial property rights may have effect: **30 August 2006**

(54) Product in respect of which the design is registered: **A garden tool locker - design features A & B**

(51) International Design Classification: **25-03**

(71) Name(s) and Address(s) of Applicant(s):

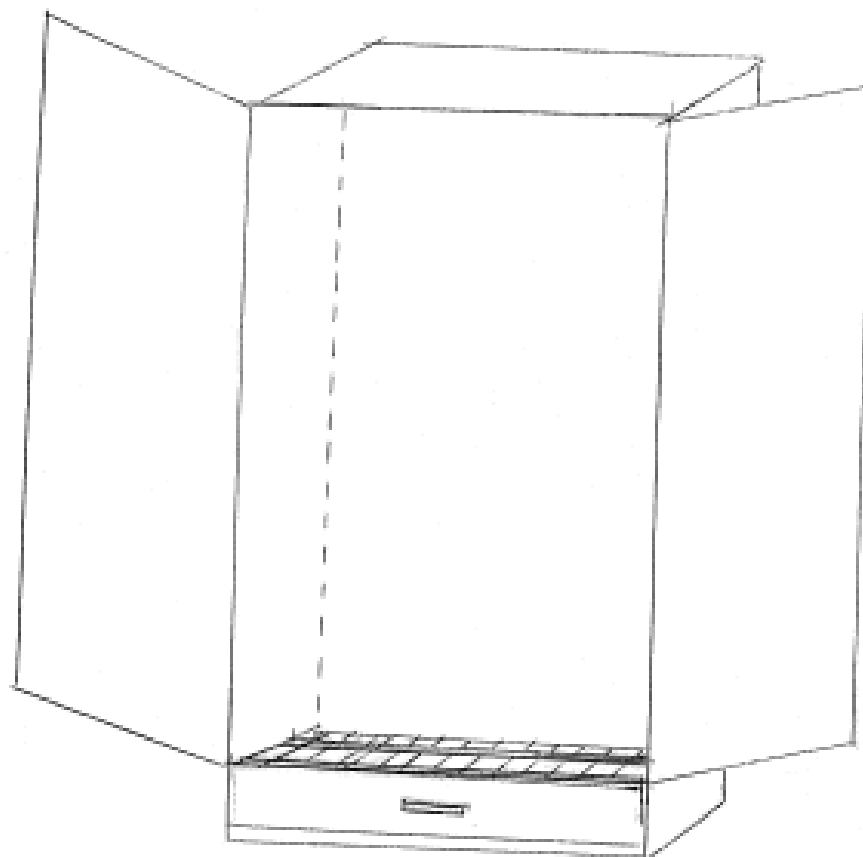
Peter M. Wales
94 Alphadale Road Alphadale New South Wales 2480 Australia

(72) Name(s) of Designer(s): **Peter M. Wales**

(45) Registration Date: **29 May 2007**

(56) Related Art Documents: **Not Applicable**

(57) Statement of Newness and Distinctiveness: **At the bottom of the garden tool storage locker is a fixed grill tool rest. Soil/residue on tools falls through the fixed grill into the tray, which is removable, by sliding out, enabling easy cleaning.**



- (21) Design Number: **16065/2007**
(22) Date of Filing Application: **19 January 2007**
(24) Date from which industrial property rights may have effect: **19 January 2007**
(54) Product in respect of which the design is registered: **A lawn mower**
(51) International Design Classification: **15-03B**
(71) Name(s) and Address(s) of Applicant(s):

Masport Limited
1#37 Mt Wellington Highway Penrose Auckland New Zealand

(72) Name(s) of Designer(s): **David McKay**

(45) Registration Date: **29 May 2007**

(30) Convention priority data:

(31) Number	(32) Date	(33) Country
407917	24 Jul 2006	NEW ZEALAND

(56) Related Art Documents: **Not Applicable**

(57) Statement of Newness and Distinctiveness: **The novelty claimed for the design resides in the features of shape and/or configuration all as shown in the representations and in the features of shape and/or configuration, independently, of the deck and wheels of the lawn mower shown in the representations.**



- (21) Design Number: **16070/2007**
(22) Date of Filing Application: **19 January 2007**
(24) Date from which industrial property rights may have effect: **19 January 2007**
(54) Product in respect of which the design is registered: **A lawn mower**
(51) International Design Classification: **15-03B**
(71) Name(s) and Address(s) of Applicant(s):

Masport Limited
1#37 Mt Wellington Highway Penrose Auckland New Zealand

(72) Name(s) of Designer(s): **David McKay**

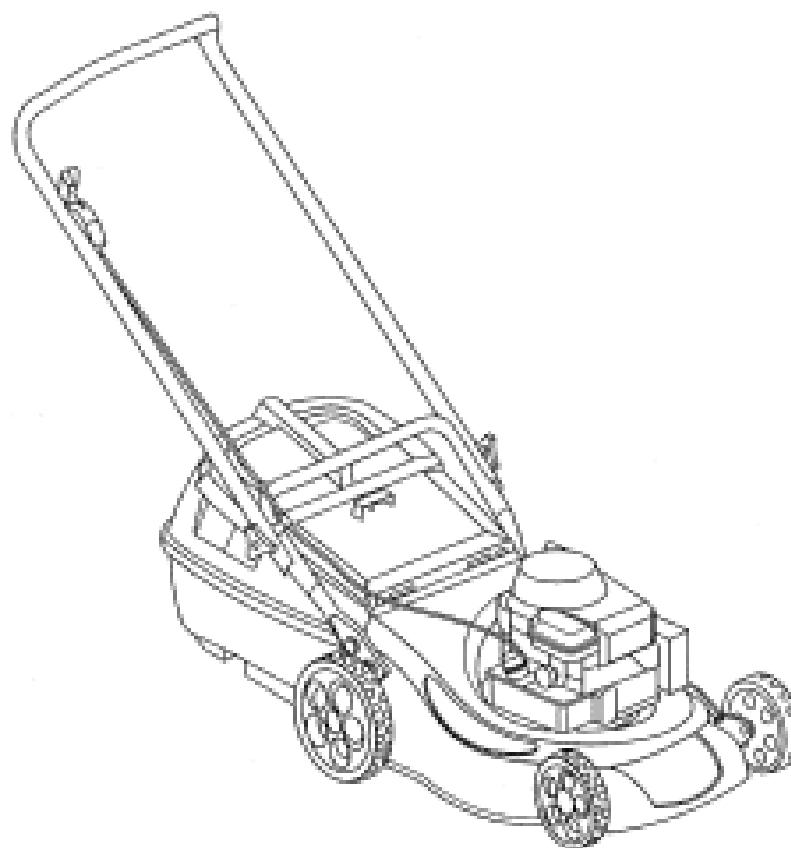
(45) Registration Date: **29 May 2007**

(30) Convention priority data:

(31) Number	(32) Date	(33) Country
407916	24 Jul 2006	NEW ZEALAND

(56) Related Art Documents: **Not Applicable**

(57) Statement of Newness and Distinctiveness: **The novelty claimed for the design resides in the features of shape and/or configuration all as shown in the representations and in the features of shape and/or configuration, independently, of the deck and wheels of the lawn mower shown in the representations.**



(21) Design Number: **16710/2007**

(22) Date of Filing Application: **01 March 2007**

(24) Date from which industrial property rights may have effect: **01 March 2007**

(54) Product in respect of which the design is registered: **Fan**

(51) International Design Classification: **23-04**

(71) Name(s) and Address(s) of Applicant(s):

Fantech Pty Ltd

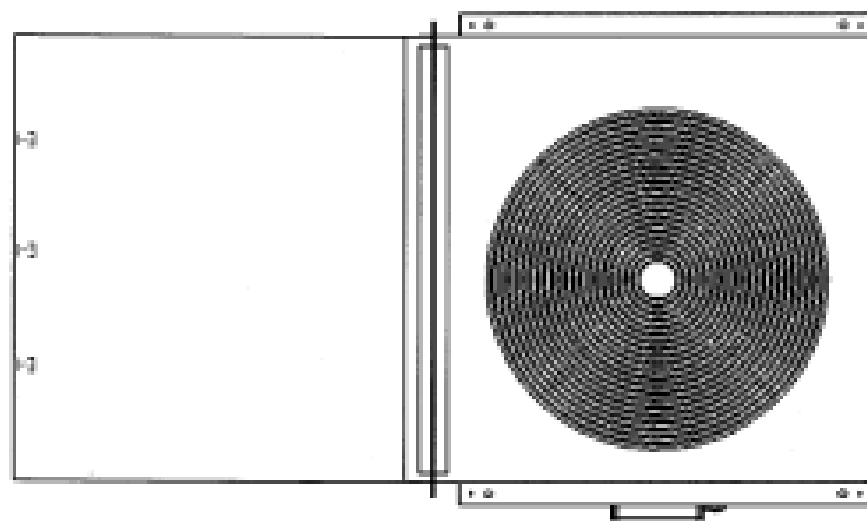
13-19 Dunlop Road Mulgrave Victoria 3170 Australia

(72) Name(s) of Designer(s): **Kerry Domicich and Ben Lowerson**

(45) Registration Date: **29 May 2007**

(56) Related Art Documents: **Not Applicable**

(57) Statement of Newness and Distinctiveness: **Newness and distinctiveness is claimed in the features of shape and/or configuration of a fan as illustrated in the accompanying representations.**



(21) Design Number: **16716/2007**

(22) Date of Filing Application: **01 March 2007**

(24) Date from which industrial property rights may have effect: **01 March 2007**

(54) Product in respect of which the design is registered: **A button and spout assembly**

(51) International Design Classification: **23-01H**

(71) Name(s) and Address(s) of Applicant(s):

Caroma Industries Limited

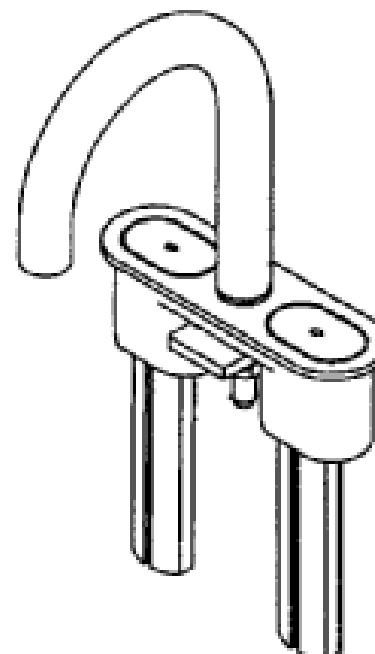
10 Market Street Brisbane Queensland 4000 Australia

(72) Name(s) of Designer(s): **Vincent Kai Hong Ho**

(45) Registration Date: **29 May 2007**

(56) Related Art Documents: **Not Applicable**

(57) Statement of Newness and Distinctiveness: **Newness and distinctiveness is claimed in the features of the upper surfaces of the buttons and the spout of a button and spout assembly as illustrated in the accompanying representations.**



(21) Design Number: **16717/2007**

(22) Date of Filing Application: **01 March 2007**

(24) Date from which industrial property rights may have effect: **01 March 2007**

(54) Product in respect of which the design is registered: **Lace retaining cuff**

(51) International Design Classification: **02-07NES**

(71) Name(s) and Address(s) of Applicant(s):

Lisa Annette Louden

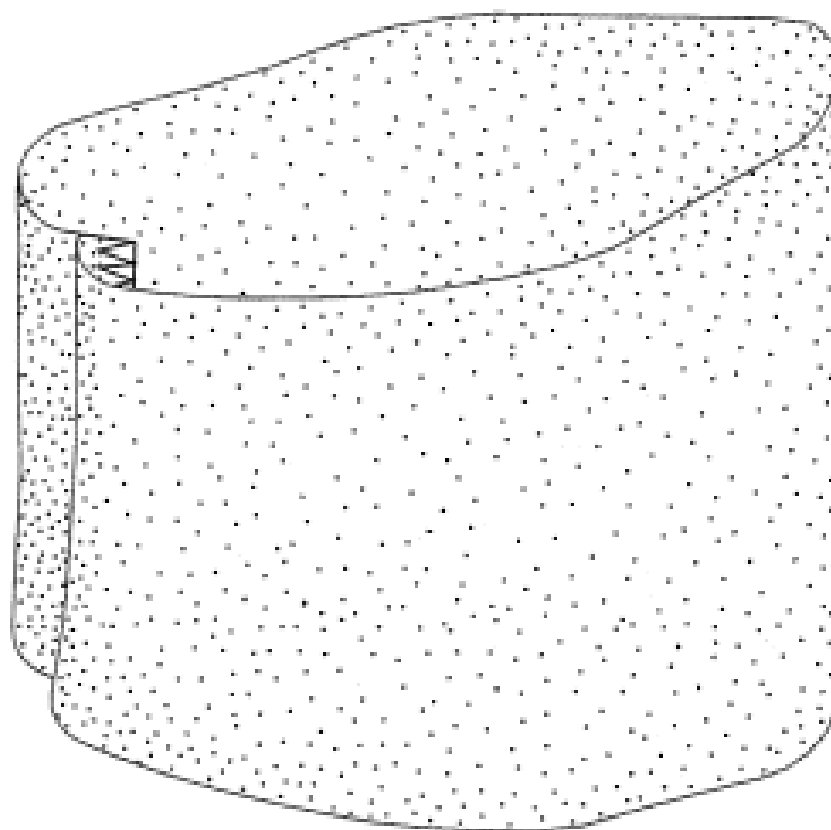
52 Memorial Avenue Blackwall New South Wales 2257 Australia

(72) Name(s) of Designer(s): **Lisa Annette Louden**

(45) Registration Date: **29 May 2007**

(56) Related Art Documents: **Not Applicable**

(57) Statement of Newness and Distinctiveness: **Newness and distinctiveness is claimed in the visual features shown in solid lines in the representations.**



(21) Design Number: **16721/2007**

(22) Date of Filing Application: **01 March 2007**

(24) Date from which industrial property rights may have effect: **01 March 2007**

(54) Product in respect of which the design is registered: **A golf cart**

(51) International Design Classification: **12-02**

(71) Name(s) and Address(s) of Applicant(s):

Suzhou Eagle Electric Vehicle Manufacturing Co., Ltd.

No.699 Tongyuan Road Suzhou Industry Park Suzhou 215006

People's Republic of China

(72) Name(s) of Designer(s): **Xinyong Tuo**

(45) Registration Date: **29 May 2007**

(30) Convention priority data:

(31) Number

(32) Date

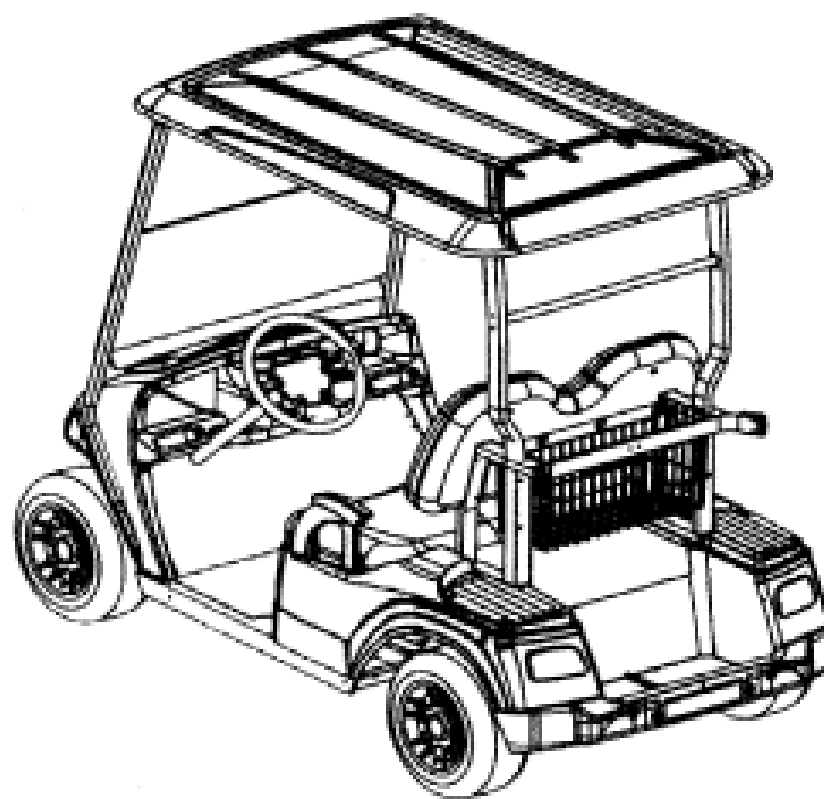
(33) Country

200630310675.2 19 Dec 2006

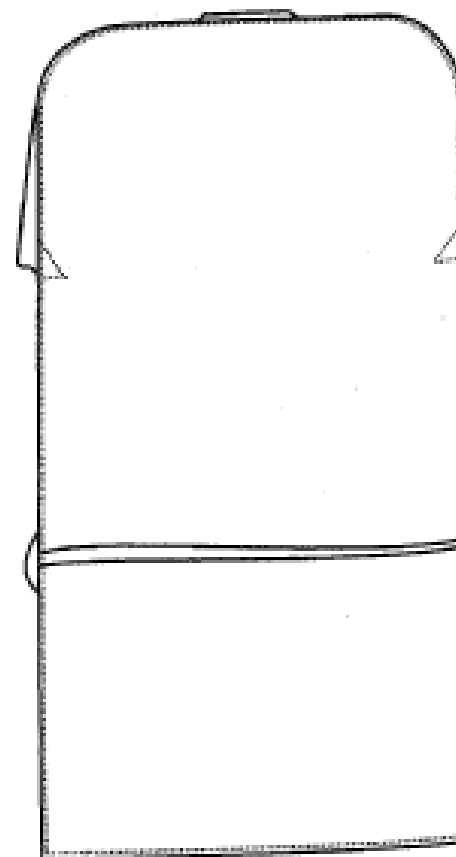
CHINA

(56) Related Art Documents: **Not Applicable**

(57) Statement of Newness and Distinctiveness: **Nil**



- (21) Design Number: **16728/2007**
(22) Date of Filing Application: **02 March 2007**
(24) Date from which industrial property rights may have effect: **02 March 2007**
(54) Product in respect of which the design is registered: **Reusable seat cover**
(51) International Design Classification: **06-13NES**
(71) Name(s) and Address(s) of Applicant(s):
Smartbag Pty Limited
12 Kiora Crescent Yennora New South Wales 2161 Australia
(72) Name(s) of Designer(s): **Sean Downs and Chris Ballenden**
(45) Registration Date: **29 May 2007**
(56) Related Art Documents: **Not Applicable**
(57) Statement of Newness and Distinctiveness: **Nil**



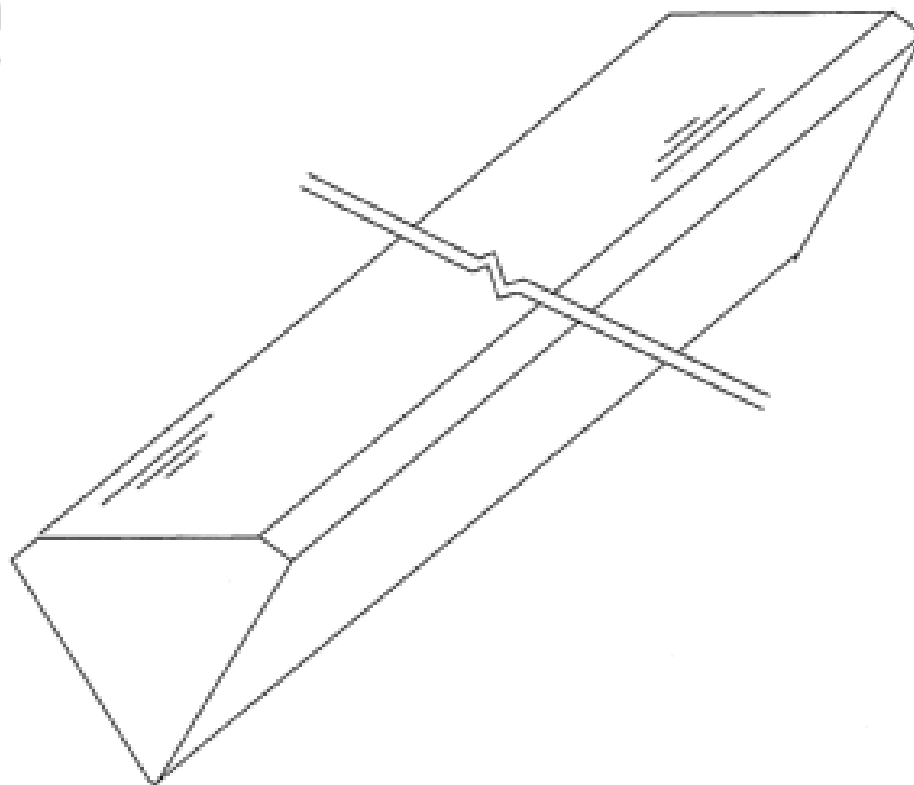
- (21) Design Number: **16729/2007**
(22) Date of Filing Application: **02 March 2007**
(24) Date from which industrial property rights may have effect: **02 March 2007**
(54) Product in respect of which the design is registered: **Milk frother**
(51) International Design Classification: **07-02NES**
(71) Name(s) and Address(s) of Applicant(s):
Pi-Design AG
Kantonsstrasse 100 Postfach 463 CH-6234 Triengen Switzerland
(72) Name(s) of Designer(s): **Jorgen Bodum**
(45) Registration Date: **29 May 2007**
(30) Convention priority data:

(31) Number	(32) Date	(33) Country
DA 2006	07 Sep 2006	DENMARK
00244		

(56) Related Art Documents: **Not Applicable**
(57) Statement of Newness and Distinctiveness: **Nil**

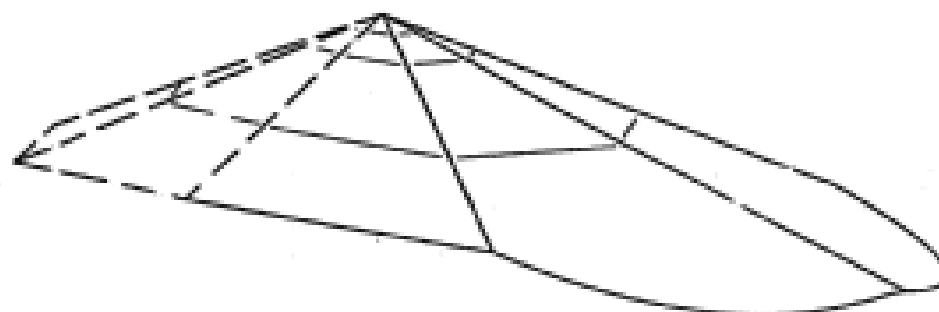


- (21) Design Number: **16733/2007**
- (22) Date of Filing Application: **02 March 2007**
- (24) Date from which industrial property rights may have effect: **02 March 2007**
- (54) Product in respect of which the design is registered: **Elongate grating member**
- (51) International Design Classification: **25-01NES**
- (71) Name(s) and Address(s) of Applicant(s):
**Krebar Pty Ltd Trading as Paige Stainless Fabrications
27 Cessna Drive Caboolture Queensland 4510 Australia**
- (72) Name(s) of Designer(s): **Kevin Finn**
- (45) Registration Date: **29 May 2007**
- (56) Related Art Documents: **Not Applicable**
- (57) Statement of Newness and Distinctiveness: **Nil**



- (21) Design Number: **16741/2007**
- (22) Date of Filing Application: **01 March 2007**
- (24) Date from which industrial property rights may have effect: **01 March 2007**
- (54) Product in respect of which the design is registered: **Asymmetrical canopy**
- (51) International Design Classification: **03-03**
- (71) Name(s) and Address(s) of Applicant(s):
**D'Firo Design, Inc.
5 La Mesa Lane Walnut Creek CA 94598 United States of America**
- (72) Name(s) of Designer(s): **David G. Lenahan**
- (45) Registration Date: **29 May 2007**
- (30) Convention priority data:

(31) Number	(32) Date	(33) Country
29/265,627	05 Sep 2006	UNITED STATES OF AMERICA
- (56) Related Art Documents: **Not Applicable**
- (57) Statement of Newness and Distinctiveness: **Newness and distinctiveness is claimed in the shape and/or configuration of an asymmetrical canopy as illustrated by the unbroken lines in the accompanying representation/s. The broken lines shown are for illustrative purposes only and form no part of the claimed design.**



(21) Design Number: **12060/2006**
(22) Date of Filing Application: **02 May 2006**
(24) Date from which industrial property rights may have effect: **02 May 2006**
(54) Product in respect of which the design is registered: **A three blade boomerang**
(51) International Design Classification: **21-01H, 22-02**
(71) Name(s) and Address(s) of Applicant(s):
Wicked Vision Limited
The 1927 Building 2 Michael Road London SW6 2AD United Kingdom
(72) Name(s) of Designer(s): **David Strang**
(45) Registration Date: **31 May 2007**
(30) Convention priority data:
(31) Number (32) Date (33) Country
3011665 15 Mar 2003 UNITED KINGDOM
(56) Related Art Documents: **Not Applicable**
(57) Statement of Newness and Distinctiveness: **Nil**



(21) Design Number: **12879/2006**
(22) Date of Filing Application: **02 May 2006**
(24) Date from which industrial property rights may have effect: **02 May 2006**
(54) Product in respect of which the design is registered: **Indoor many happy returns three blade boomerang**
(51) International Design Classification: **22-02, 21-01H**
(71) Name(s) and Address(s) of Applicant(s):
Wicked Vision Limited
The 1927 Building 2 Michael Road London SW6 2AD United Kingdom
(72) Name(s) of Designer(s): **David Strang**
(45) Registration Date: **31 May 2007**
(30) Convention priority data:
(31) Number (32) Date (33) Country
3011665 15 Mar 2006 UNITED KINGDOM
(56) Related Art Documents: **Not Applicable**
(57) Statement of Newness and Distinctiveness: **Nil**



(21) Design Number: **15909/2007**

(22) Date of Filing Application: **10 January 2007**

(24) Date from which industrial property rights may have effect: **10 January 2007**

(54) Product in respect of which the design is registered: **Bandage container**

(51) International Design Classification: **09-03M**

(71) Name(s) and Address(s) of Applicant(s):

3M Innovative Properties Company
3M Center Saint Paul Minnesota 55133-3427 United States of America

(72) Name(s) of Designer(s): **Phillip Donald Shook and Jim F. Warner**

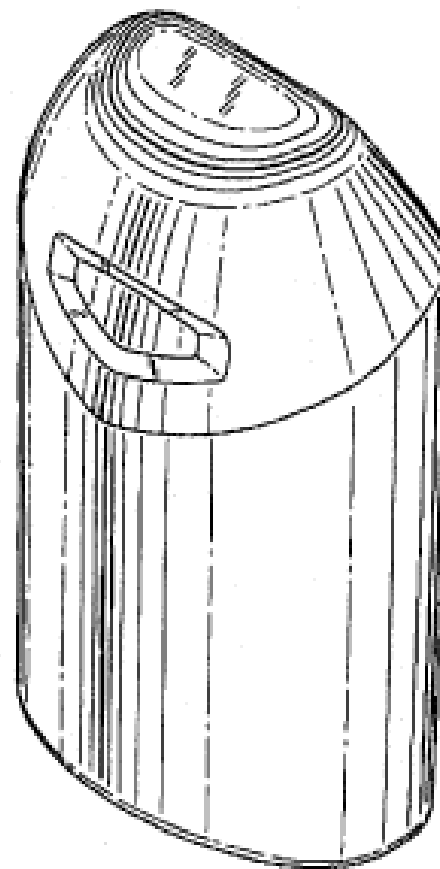
(45) Registration Date: **31 May 2007**

(30) Convention priority data:

(31) Number	(32) Date	(33) Country
29/247742	10 Jul 2006	UNITED STATES OF AMERICA

(56) Related Art Documents: **Not Applicable**

(57) Statement of Newness and Distinctiveness: **Newness and distinctiveness is claimed in the visual features shown in solid lines in the representations.**



(21) Design Number: **15950/2007**

(22) Date of Filing Application: **11 January 2007**

(24) Date from which industrial property rights may have effect: **11 January 2007**

(54) Product in respect of which the design is registered: **Tub**

(51) International Design Classification: **09-03NES**

(71) Name(s) and Address(s) of Applicant(s):

Tecpak Industries Limited
759 Kaikorai Valley Road Dunedin New Zealand

(72) Name(s) of Designer(s): **Jamie Robert Hodgins and Bruce Elliot Turner**

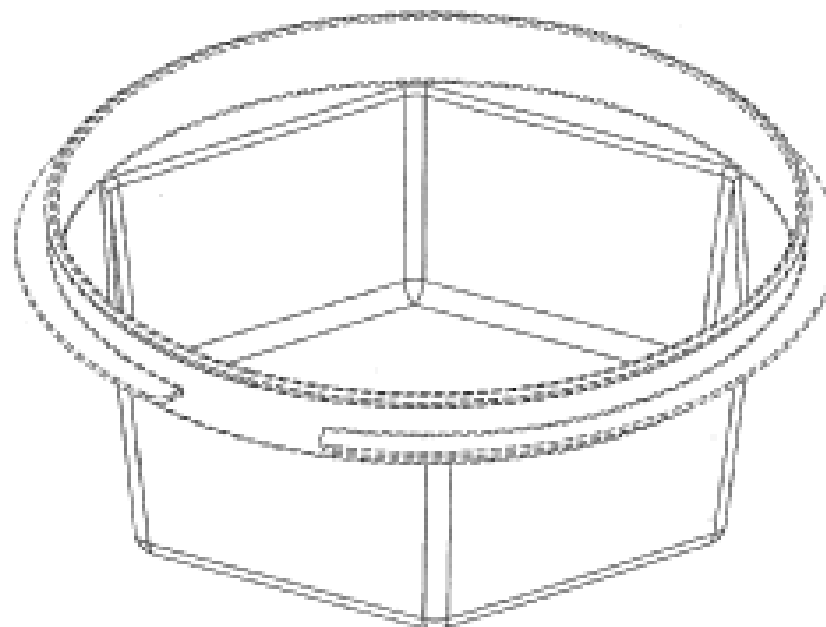
(45) Registration Date: **31 May 2007**

(30) Convention priority data:

(31) Number	(32) Date	(33) Country
407862	17 Jul 2006	NEW ZEALAND

(56) Related Art Documents: **Not Applicable**

(57) Statement of Newness and Distinctiveness: **Nil**



- (21) Design Number: **15955/2006**
(22) Date of Filing Application: **29 December 2006**
(24) Date from which industrial property rights may have effect: **29 December 2006**
(54) Product in respect of which the design is registered: **Baby seat**
(51) International Design Classification: **06-01E**
(71) Name(s) and Address(s) of Applicant(s):

Simon Firullo
25A Langley Avenue Surbiton Surrey KT6 6QP United Kingdom

(72) Name(s) of Designer(s): **Simon Firullo**

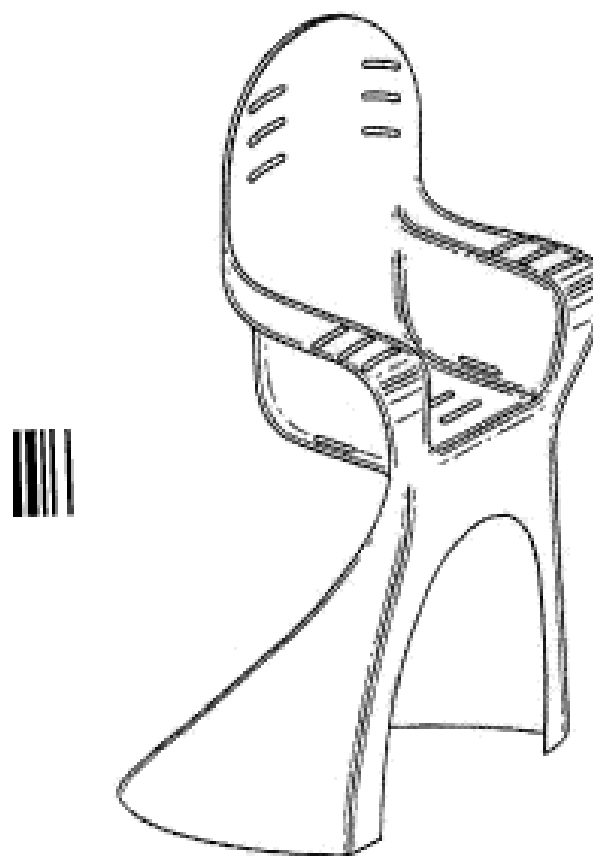
(45) Registration Date: **31 May 2007**

(30) Convention priority data:

(31) Number	(32) Date	(33) Country
000552542-0001	29 Jun 2006	EUROPEAN COMMUNITY

(56) Related Art Documents: **Not Applicable**

(57) Statement of Newness and Distinctiveness: **Newness and distinctiveness resides in the features of shape and/or configuration of a baby seat as illustrated in the accompanying drawings.**



- (21) Design Number: **15956/2006**
(22) Date of Filing Application: **29 December 2006**
(24) Date from which industrial property rights may have effect: **29 December 2006**
(54) Product in respect of which the design is registered: **Baby seat and tray**
(51) International Design Classification: **06-01E**
(71) Name(s) and Address(s) of Applicant(s):

Simon Firullo
25A Langley Avenue Surbiton Surrey KT6 6QP United Kingdom

(72) Name(s) of Designer(s): **Simon Firullo**

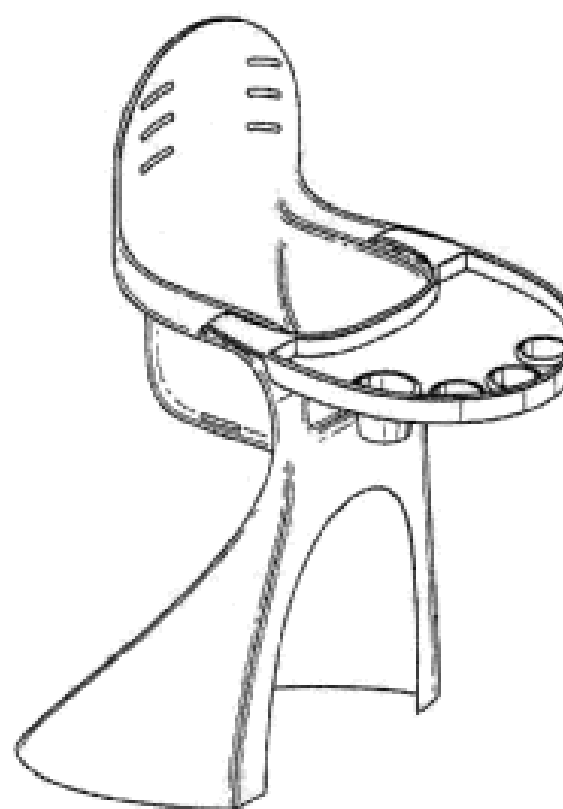
(45) Registration Date: **31 May 2007**

(30) Convention priority data:

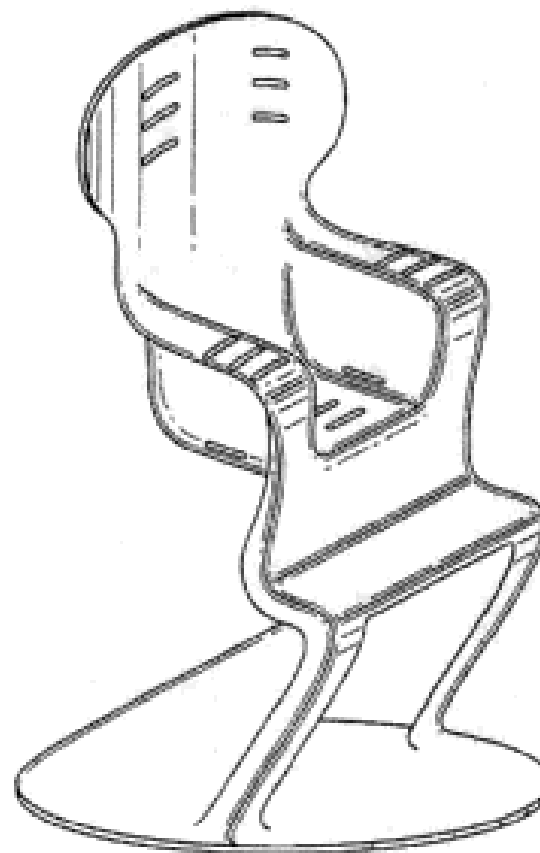
(31) Number	(32) Date	(33) Country
000552542-0001	29 Jun 2006	EUROPEAN COMMUNITY

(56) Related Art Documents: **Not Applicable**

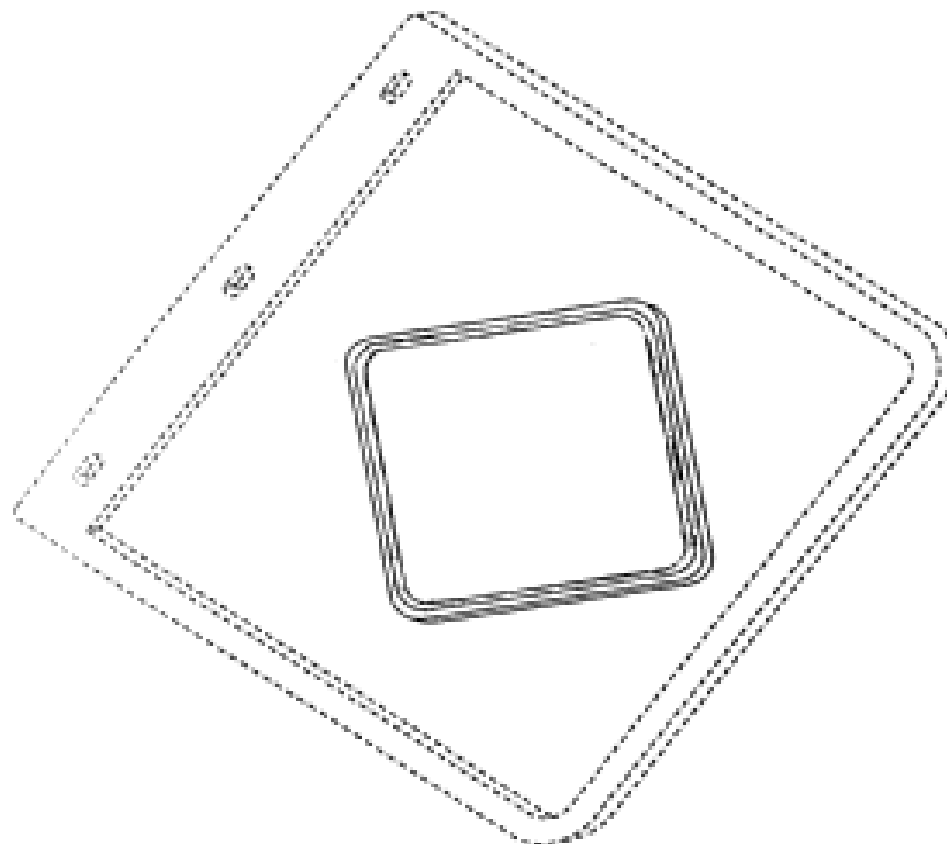
(57) Statement of Newness and Distinctiveness: **Newness and distinctiveness resides in the features of shape and/or configuration of a baby seat and tray as illustrated in the accompanying drawings.**



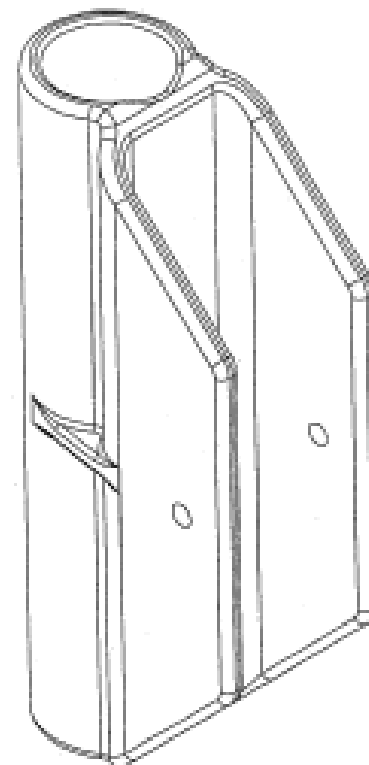
- (21) Design Number: **15957/2006**
(22) Date of Filing Application: **29 December 2006**
(24) Date from which industrial property rights may have effect: **29 December 2006**
(54) Product in respect of which the design is registered: **Baby seat**
(51) International Design Classification: **06-01E**
(71) Name(s) and Address(s) of Applicant(s):
Simon Firullo
25A Langley Avenue Surbiton Surrey KT6 6QP United Kingdom
(72) Name(s) of Designer(s): **Simon Firullo**
(45) Registration Date: **31 May 2007**
(30) Convention priority data:
(31) Number (32) Date (33) Country
000552542-0002 29 Jun 2006 EUROPEAN COMMUNITY
(56) Related Art Documents: **Not Applicable**
(57) Statement of Newness and Distinctiveness: **Newness and distinctiveness resides in the features of shape and/or configuration of a baby seat as illustrated in the accompanying drawings.**



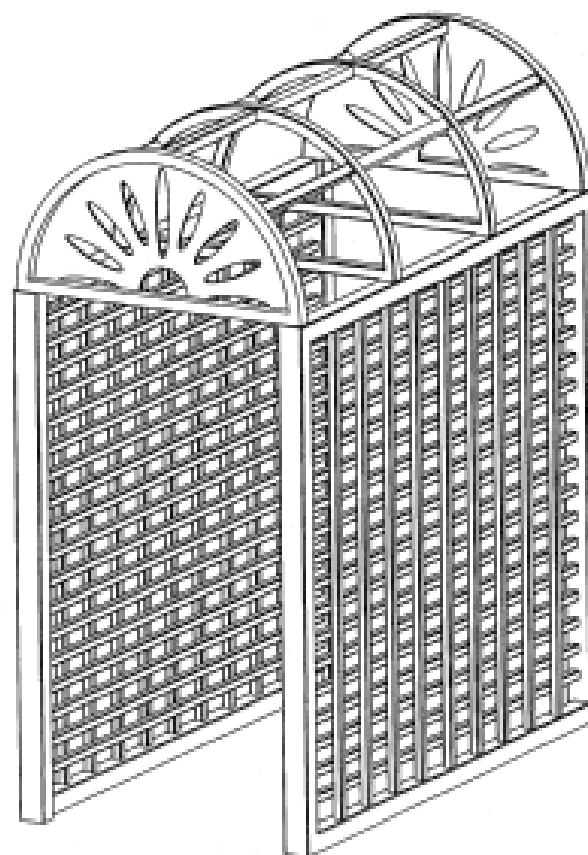
- (21) Design Number: **16359/2007**
(22) Date of Filing Application: **09 February 2007**
(24) Date from which industrial property rights may have effect: **09 February 2007**
(54) Product in respect of which the design is registered: **A mud flap**
(51) International Design Classification: **12-16B**
(71) Name(s) and Address(s) of Applicant(s):
Transcom Industries Pty Limited
Unit 14/5 Salisbury Road Castle Hill New South Wales 2154 Australia
(72) Name(s) of Designer(s): **Stephen Clarence Langham**
(45) Registration Date: **31 May 2007**
(56) Related Art Documents: **Not Applicable**
(57) Statement of Newness and Distinctiveness: **Newness and distinctiveness is claimed in respect of the pattern and/or ornamentation of the product illustrated in in the accompanying representations and in considering the newness and distinctiveness the shape and/or configuration of the mud flap illustrated in phantom is to be disregarded.**



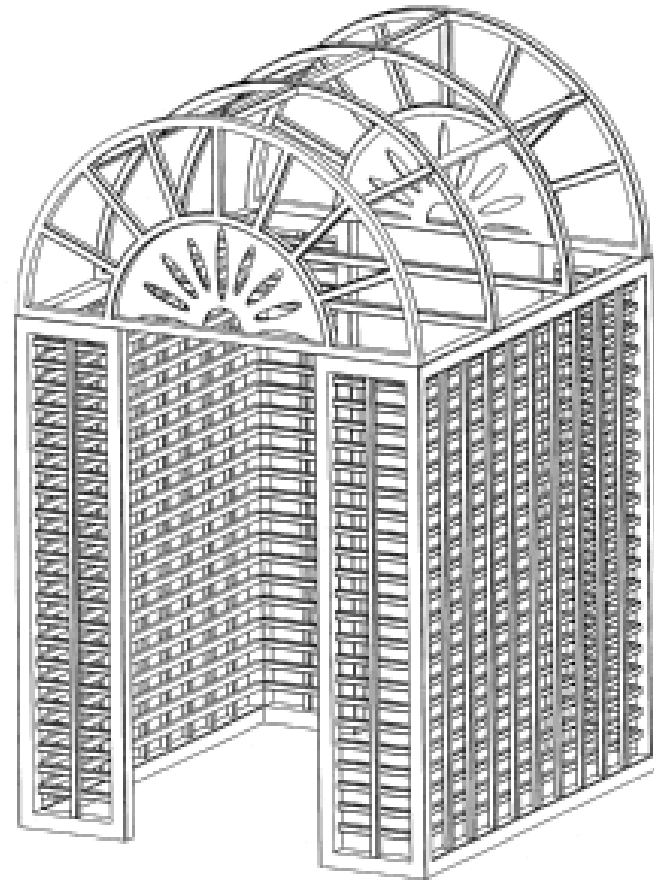
- (21) Design Number: **16711/2007**
(22) Date of Filing Application: **02 March 2007**
(24) Date from which industrial property rights may have effect: **02 March 2007**
(54) Product in respect of which the design is registered: **Articulated pivoting post hinge**
(51) International Design Classification: **08-06**
(71) Name(s) and Address(s) of Applicant(s):
Sarah Louise Huett
PO Box 175 Rosewood Queensland 4340 Australia
(72) Name(s) of Designer(s): **Sarah Louise Huett**
(45) Registration Date: **31 May 2007**
(56) Related Art Documents: **Not Applicable**
(57) Statement of Newness and Distinctiveness: **Nil**



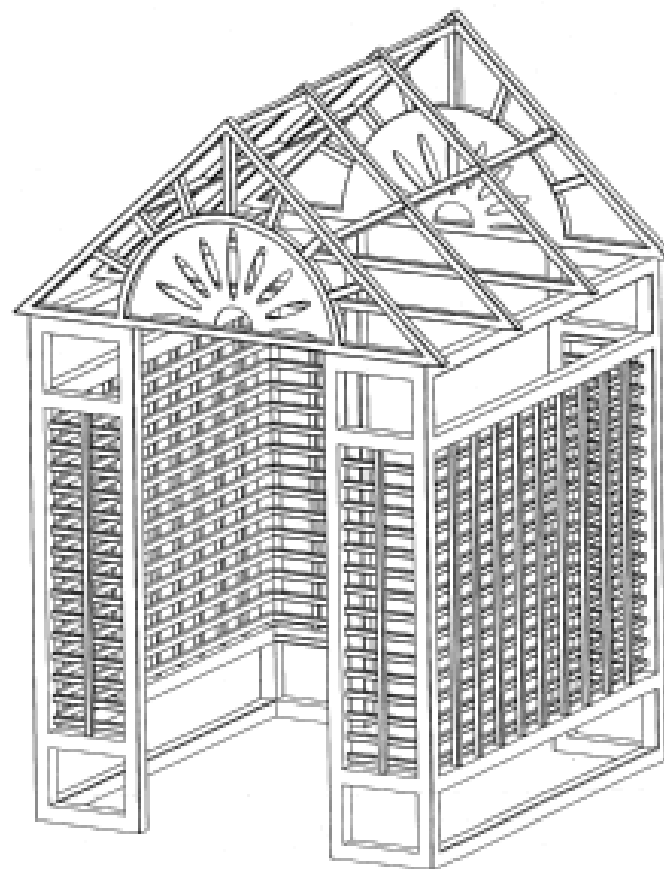
- (21) Design Number: **16712/2007**
(22) Date of Filing Application: **02 March 2007**
(24) Date from which industrial property rights may have effect: **02 March 2007**
(54) Product in respect of which the design is registered: **Rising sun, garden tunnel rounded v1 arbour**
(51) International Design Classification: **25-03**
(71) Name(s) and Address(s) of Applicant(s):
Ken Smalley
9#11 Perth Street Karalee Queensland 4306 Australia
(72) Name(s) of Designer(s): **Ken Smalley**
(45) Registration Date: **31 May 2007**
(56) Related Art Documents: **Not Applicable**
(57) Statement of Newness and Distinctiveness: **Nil**



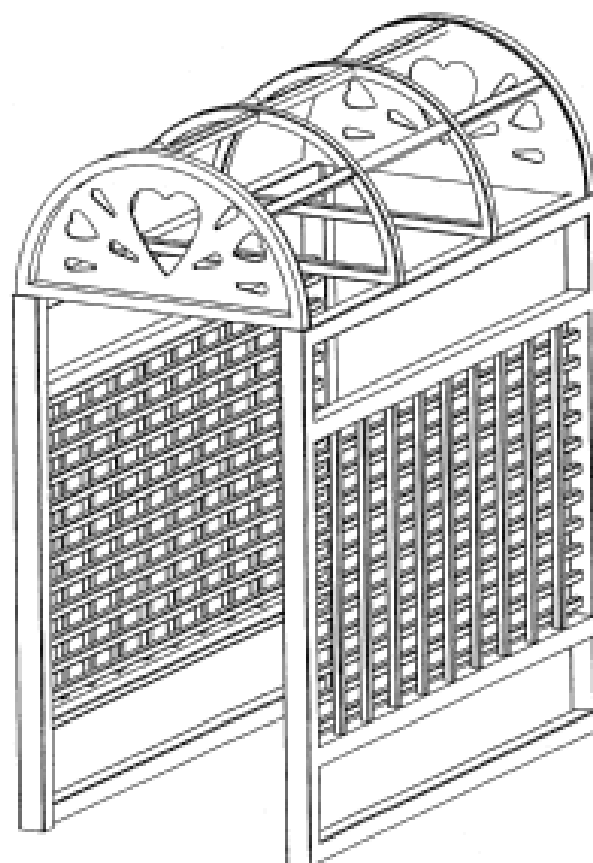
- (21) Design Number: **16713/2007**
- (22) Date of Filing Application: **02 March 2007**
- (24) Date from which industrial property rights may have effect: **02 March 2007**
- (54) Product in respect of which the design is registered: **Rising sun, garden tunnel rounded v2 arbour**
- (51) International Design Classification: **25-03**
- (71) Name(s) and Address(s) of Applicant(s):
Ken Smalley
9#11 Perth Street Karalee Queensland 4306 Australia
- (72) Name(s) of Designer(s): **Ken Smalley**
- (45) Registration Date: **31 May 2007**
- (56) Related Art Documents: **Not Applicable**
- (57) Statement of Newness and Distinctiveness: **Nil**



- (21) Design Number: **16714/2007**
- (22) Date of Filing Application: **02 March 2007**
- (24) Date from which industrial property rights may have effect: **02 March 2007**
- (54) Product in respect of which the design is registered: **Rising sun, garden tunnel pitched arbour**
- (51) International Design Classification: **25-03**
- (71) Name(s) and Address(s) of Applicant(s):
Ken Smalley
9#11 Perth Street Karalee Queensland 4306 Australia
- (72) Name(s) of Designer(s): **Ken Smalley**
- (45) Registration Date: **31 May 2007**
- (56) Related Art Documents: **Not Applicable**
- (57) Statement of Newness and Distinctiveness: **Nil**



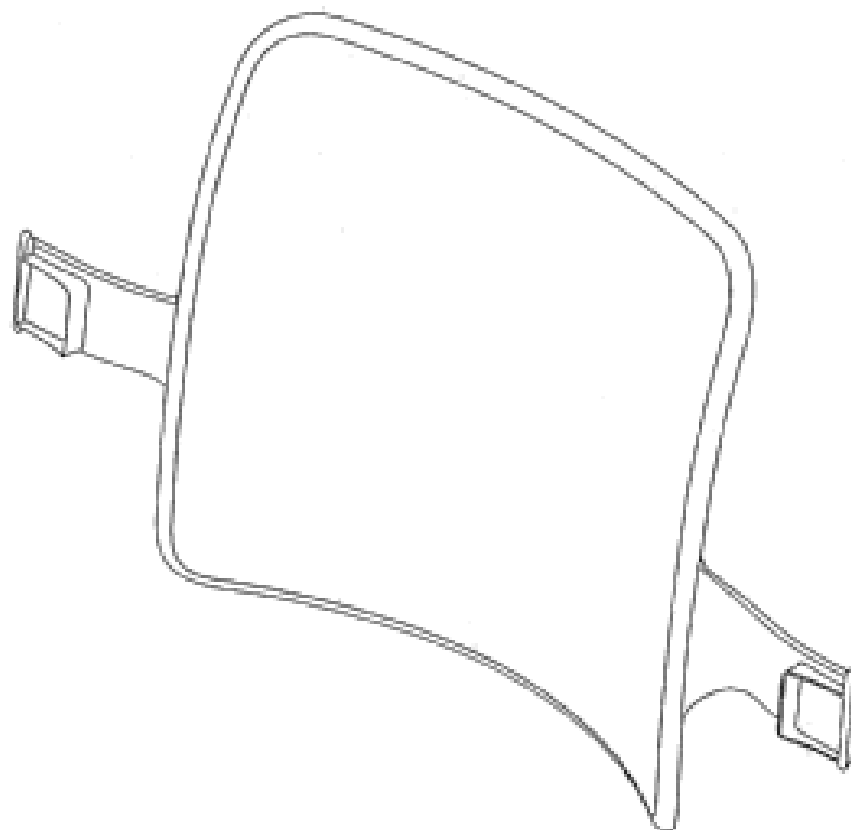
- (21) Design Number: **16715/2007**
(22) Date of Filing Application: **02 March 2007**
(24) Date from which industrial property rights may have effect: **02 March 2007**
(54) Product in respect of which the design is registered: **Heart pattern, garden tunnel rounded arbour**
(51) International Design Classification: **25-03**
(71) Name(s) and Address(s) of Applicant(s):
Ken Smalley
9#11 Perth Street Karalee Queensland 4306 Australia
(72) Name(s) of Designer(s): **Ken Smalley**
(45) Registration Date: **31 May 2007**
(56) Related Art Documents: **Not Applicable**
(57) Statement of Newness and Distinctiveness: **Nil**



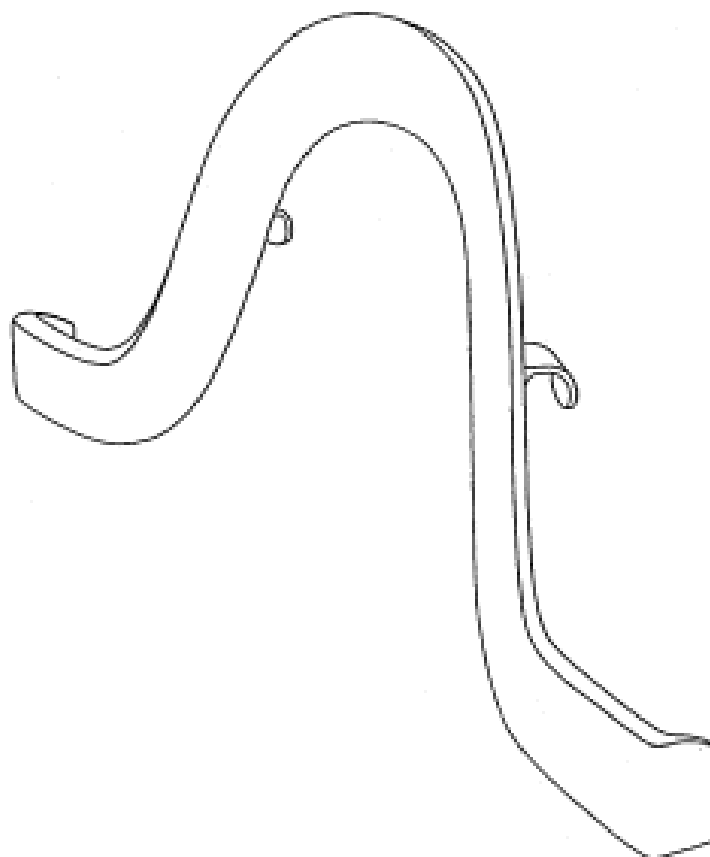
- (21) Design Number: **16723/2007**
(22) Date of Filing Application: **02 March 2007**
(24) Date from which industrial property rights may have effect: **02 March 2007**
(54) Product in respect of which the design is registered: **Backrest for a chair**
(51) International Design Classification: **06-01NES**
(71) Name(s) and Address(s) of Applicant(s):
Peter Opsvik AS
Pilestredet 27H N-0164 Oslo Norway
(72) Name(s) of Designer(s): **Peter Opsvik**
(45) Registration Date: **31 May 2007**
(30) Convention priority data:

(31) Number	(32) Date	(33) Country
20060454	04 Sep 2006	NORWAY

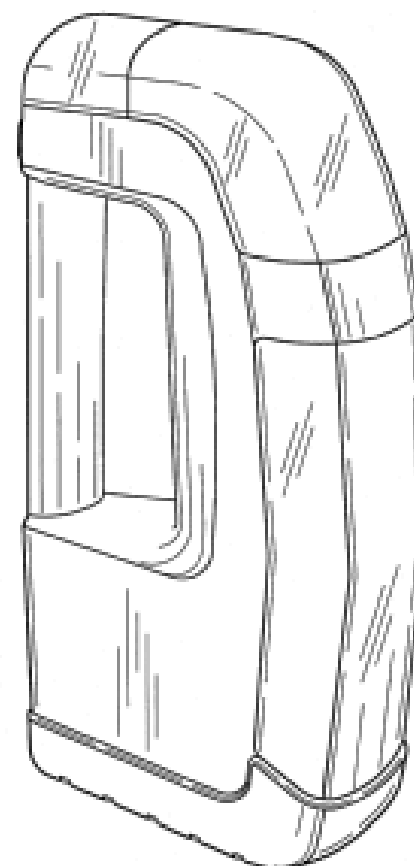
(56) Related Art Documents: **Not Applicable**
(57) Statement of Newness and Distinctiveness: **Newness and distinctiveness resides in the features of shape and/or configuration of a backrest for a chair as illustrated in the accompanying representations.**



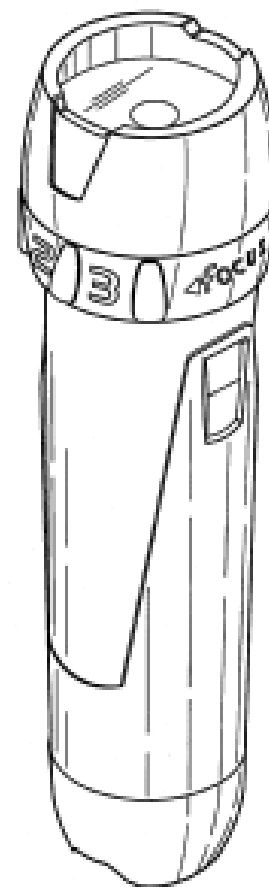
(21) Design Number: **16724/2007**
(22) Date of Filing Application: **02 March 2007**
(24) Date from which industrial property rights may have effect: **02 March 2007**
(54) Product in respect of which the design is registered: **Backrest for a chair**
(51) International Design Classification: **06-01NES**
(71) Name(s) and Address(s) of Applicant(s):
Peter Opsvik AS
Pilestredet 27H N-0164 Oslo Norway
(72) Name(s) of Designer(s): **Peter Opsvik**
(45) Registration Date: **31 May 2007**
(30) Convention priority data:
(31) Number (32) Date (33) Country
20060454 04 Sep 2006 NORWAY
(56) Related Art Documents: **Not Applicable**
(57) Statement of Newness and Distinctiveness: **Newness and distinctiveness resides in the features of shape and/or configuration of a backrest for a chair as illustrated in the accompanying representations.**



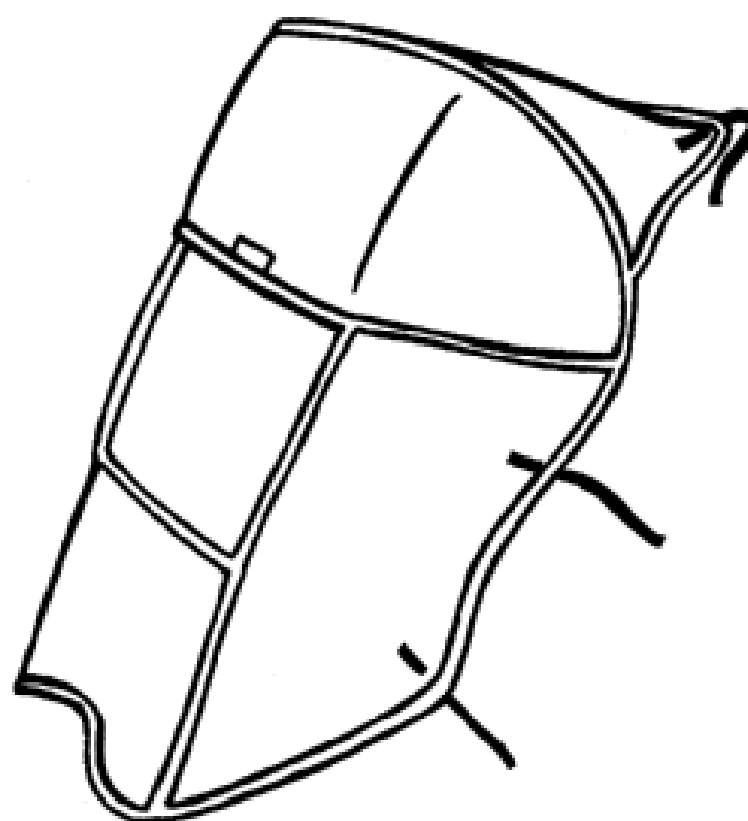
(21) Design Number: **16725/2007**
(22) Date of Filing Application: **02 March 2007**
(24) Date from which industrial property rights may have effect: **02 March 2007**
(54) Product in respect of which the design is registered: **A lighting device**
(51) International Design Classification: **26-02**
(71) Name(s) and Address(s) of Applicant(s):
Eveready Battery Company, Inc.
533 Maryville University Drive St Louis Missouri 63164 United States of America
(72) Name(s) of Designer(s): **John R. Brown and Jose Romagnoli and Angelo Kotsis**
(45) Registration Date: **31 May 2007**
(30) Convention priority data:
(31) Number (32) Date (33) Country
29/266711 27 Sep 2006 UNITED STATES OF AMERICA
(56) Related Art Documents: **Not Applicable**
(57) Statement of Newness and Distinctiveness: **Nil**



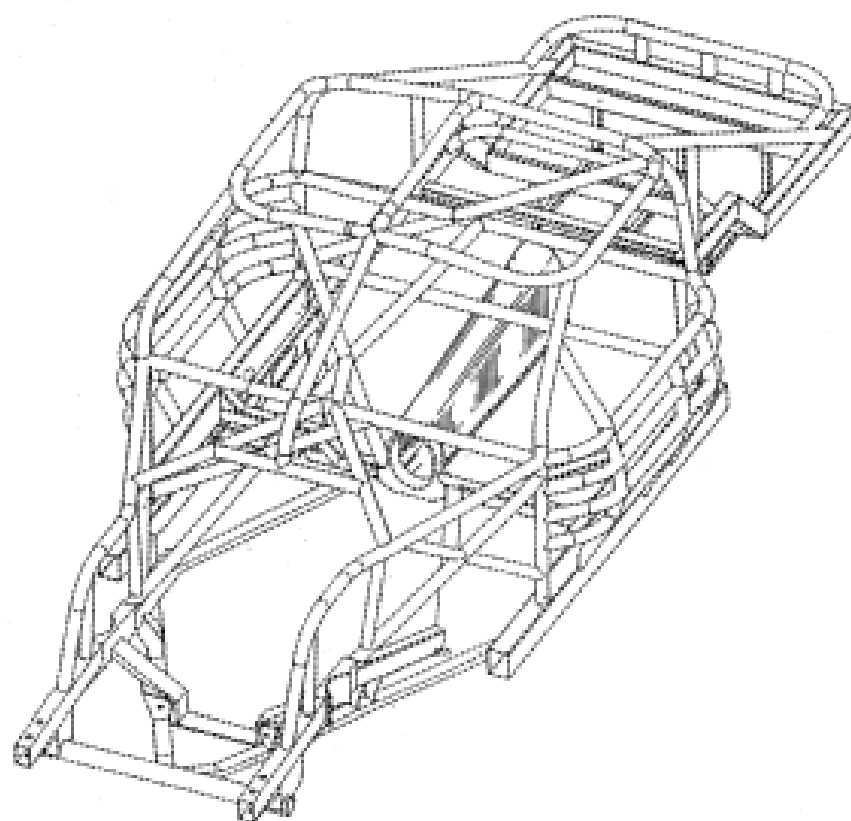
- (21) Design Number: **16726/2007**
(22) Date of Filing Application: **02 March 2007**
(24) Date from which industrial property rights may have effect: **02 March 2007**
(54) Product in respect of which the design is registered: **A flashlight**
(51) International Design Classification: **26-02**
(71) Name(s) and Address(s) of Applicant(s):
Eveready Battery Company, Inc.
533 Maryville University Drive St Louis Missouri 63164 United States of America
(72) Name(s) of Designer(s): **Scott W. Osiecki and Peter C. Castellucci and Todd B. Abernethy**
(45) Registration Date: **31 May 2007**
(30) Convention priority data:
(31) Number (32) Date (33) Country
29/266720 27 Sep 2006 UNITED STATES OF AMERICA
(56) Related Art Documents: **Not Applicable**
(57) Statement of Newness and Distinctiveness: **Nil**



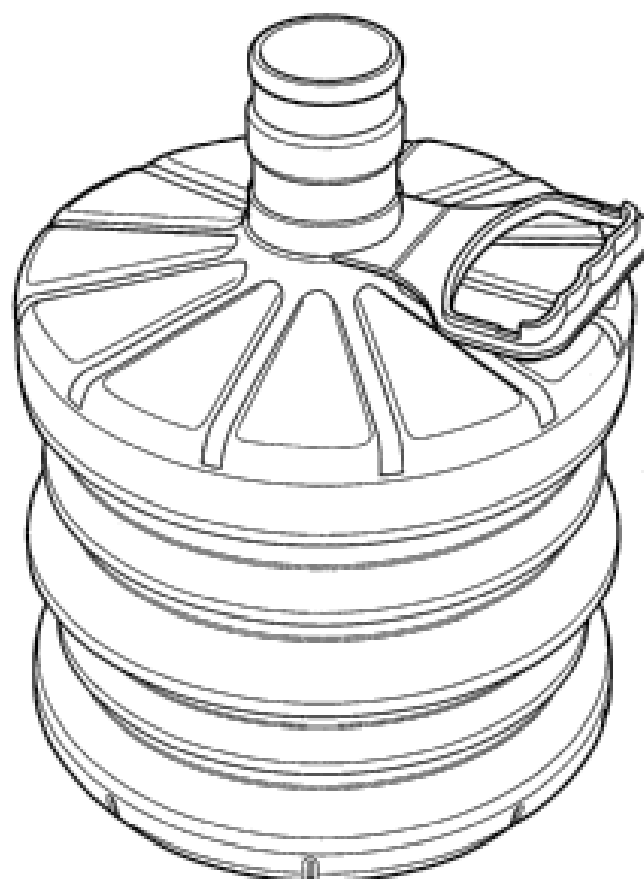
- (21) Design Number: **16893/2007**
(22) Date of Filing Application: **01 March 2007**
(24) Date from which industrial property rights may have effect: **01 March 2007**
(54) Product in respect of which the design is registered: **A stroller shade**
(51) International Design Classification: **03-03, 12-12**
(71) Name(s) and Address(s) of Applicant(s):
Samtara Holdings Limited
Kumeu Professional Centre Cnr Access Rd & Shamrock Drive Kumeu 0810 New Zealand
(72) Name(s) of Designer(s): **Louise Anne Dawson and Eileen Marie Hoey-Slocombe**
(45) Registration Date: **31 May 2007**
(30) Convention priority data:
(31) Number (32) Date (33) Country
4001699 20 Feb 2007 UNITED KINGDOM
(56) Related Art Documents: **Not Applicable**
(57) Statement of Newness and Distinctiveness: **Novelty resides in the features of shape and configuration of the shade. The shade has a front flap which can move between open and closed positions.**



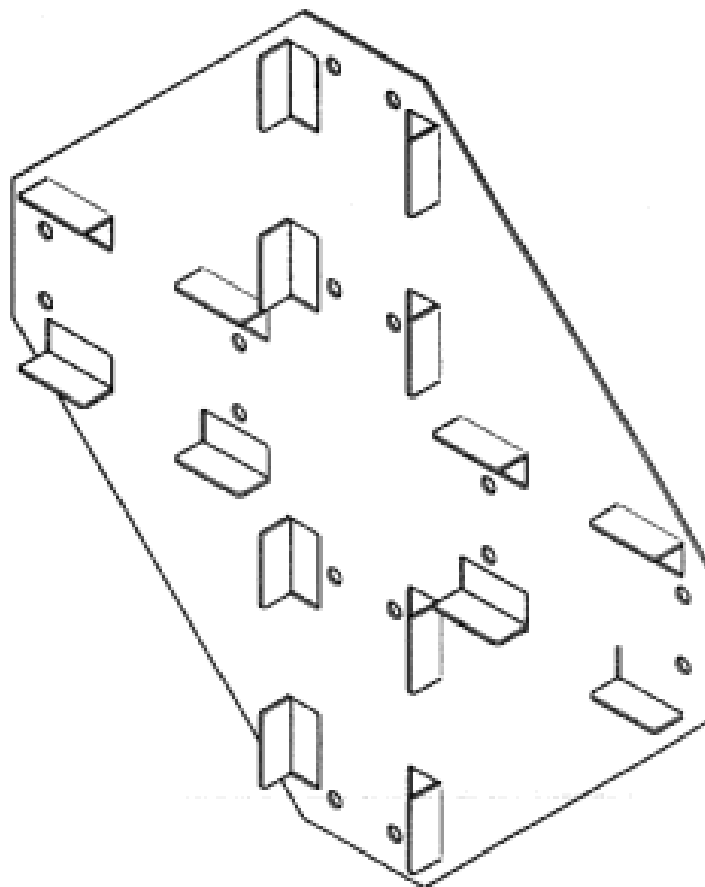
- (21) Design Number: **11973/2006**
(22) Date of Filing Application: **05 May 2006**
(24) Date from which industrial property rights may have effect: **05 May 2006**
(54) Product in respect of which the design is registered: **Tapered drive shaft housing**
(51) International Design Classification: **12-08, 12-16NES**
(71) Name(s) and Address(s) of Applicant(s):
National Association for Stock Car Auto Racing, Inc.
1801 West International Speedway Boulevard Daytona Beach FL
32114 United States of America
(72) Name(s) of Designer(s): **Gary Alan Nelson and Michael Dean Horton and Donald E. Krueger**
(45) Registration Date: **01 June 2007**
(56) Related Art Documents: **Not Applicable**
(57) Statement of Newness and Distinctiveness: **The newness and distinctiveness of the design resides in the features of shape and/or configuration of the tapered drive shaft housing shown in unbroken lines in the accompanying representations.**



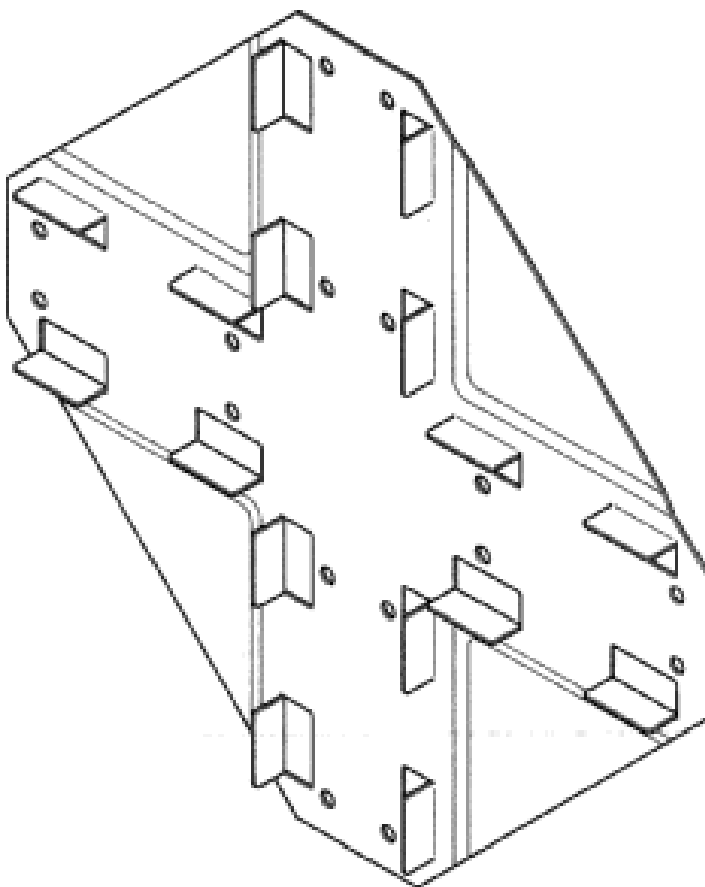
- (21) Design Number: **16636/2007**
(22) Date of Filing Application: **27 February 2007**
(24) Date from which industrial property rights may have effect: **27 February 2007**
(54) Product in respect of which the design is registered: **A liquid storage container**
(51) International Design Classification: **09-01B**
(71) Name(s) and Address(s) of Applicant(s):
Aquaport Pty Ltd
5 John Street Flinders Park South Australia 5025 Australia
(72) Name(s) of Designer(s): **Domenic Mercuri**
(45) Registration Date: **01 June 2007**
(56) Related Art Documents: **Not Applicable**
(57) Statement of Newness and Distinctiveness: **Newness and distinctiveness resides in the features of shape and configuration of a liquid storage container as shown in the accompanying representations.**



- (21) Design Number: **16735/2007**
(22) Date of Filing Application: **02 March 2007**
(24) Date from which industrial property rights may have effect: **02 March 2007**
(54) Product in respect of which the design is registered: **Metal frame support and/or re-enforcement bracket**
(51) International Design Classification: **08-08NES**
(71) Name(s) and Address(s) of Applicant(s):
Lance Malcolm Vater
Unit 7 538 Portrush Road St Georges South Australia 5064 Australia
(72) Name(s) of Designer(s): **Lance Malcolm Vater**
(45) Registration Date: **01 June 2007**
(56) Related Art Documents: **Not Applicable**
(57) Statement of Newness and Distinctiveness: **Nil**



- (21) Design Number: **16736/2007**
(22) Date of Filing Application: **02 March 2007**
(24) Date from which industrial property rights may have effect: **02 March 2007**
(54) Product in respect of which the design is registered: **Metal frame support and/or re-enforcement bracket**
(51) International Design Classification: **08-08NES**
(71) Name(s) and Address(s) of Applicant(s):
Lance Malcolm Vater
Unit 7 538 Portrush Road St Georges South Australia 5064 Australia
(72) Name(s) of Designer(s): **Lance Malcolm Vater**
(45) Registration Date: **01 June 2007**
(56) Related Art Documents: **Not Applicable**
(57) Statement of Newness and Distinctiveness: **Nil**



(21) Design Number: **16737/2007**

(22) Date of Filing Application: **02 March 2007**

(24) Date from which industrial property rights may have effect: **02 March 2007**

(54) Product in respect of which the design is registered: **Metal frame corner support and/or re-enforcement bracket**

(51) International Design Classification: **08-08NES**

(71) Name(s) and Address(s) of Applicant(s):

Lance Malcolm Vater

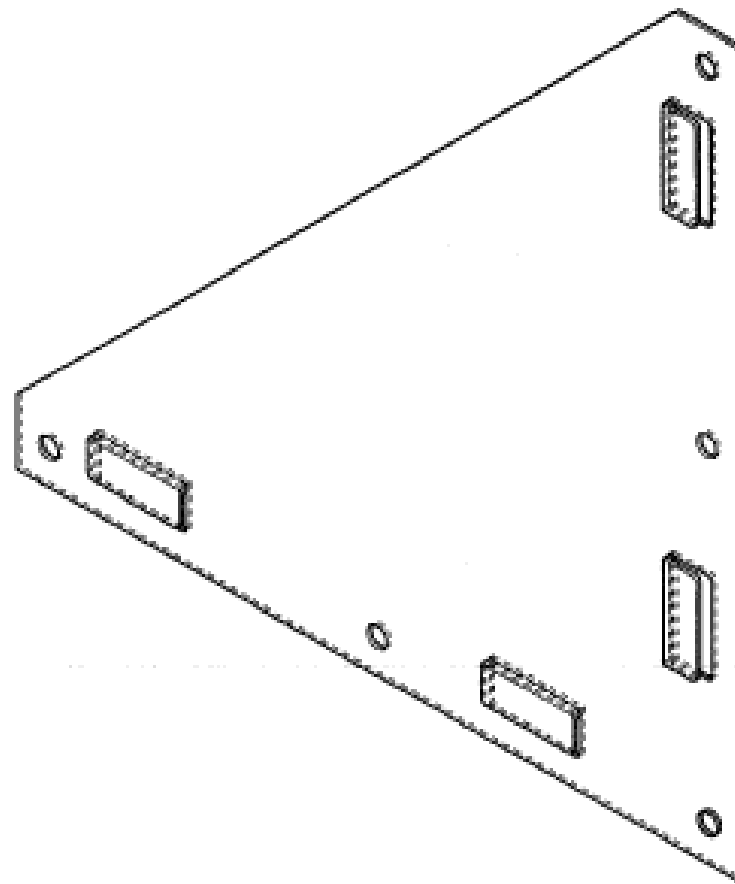
Unit 7 538 Portrush Road St Georges South Australia 5064 Australia

(72) Name(s) of Designer(s): **Lance Malcolm Vater**

(45) Registration Date: **01 June 2007**

(56) Related Art Documents: **Not Applicable**

(57) Statement of Newness and Distinctiveness: **Nil**



(21) Design Number: **16738/2007**

(22) Date of Filing Application: **02 March 2007**

(24) Date from which industrial property rights may have effect: **02 March 2007**

(54) Product in respect of which the design is registered: **Metal frame corner support and/or re-enforcement bracket**

(51) International Design Classification: **08-08NES**

(71) Name(s) and Address(s) of Applicant(s):

Lance Malcolm Vater

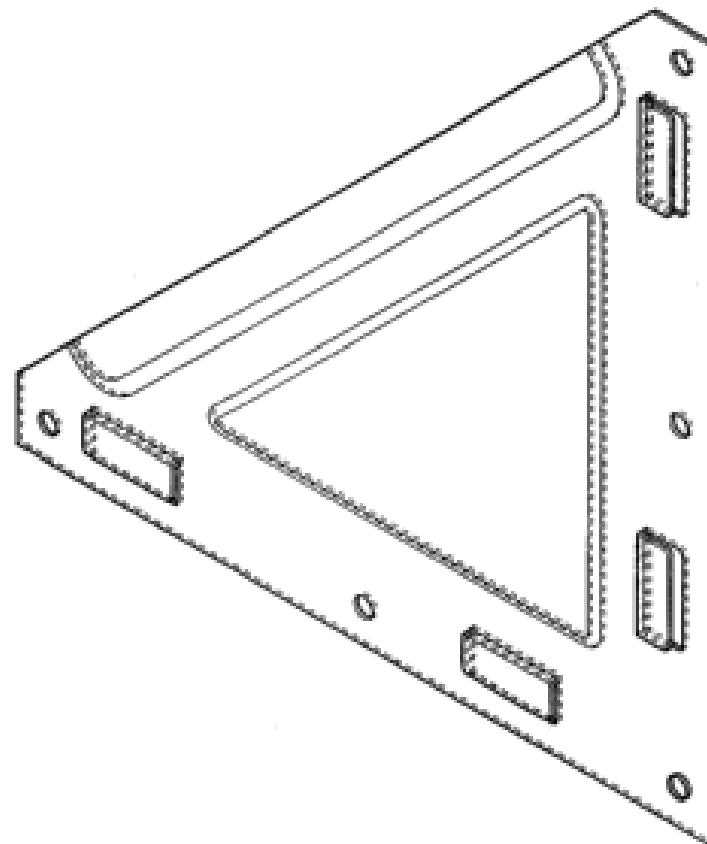
Unit 7 538 Portrush Road St Georges South Australia 5064 Australia

(72) Name(s) of Designer(s): **Lance Malcolm Vater**

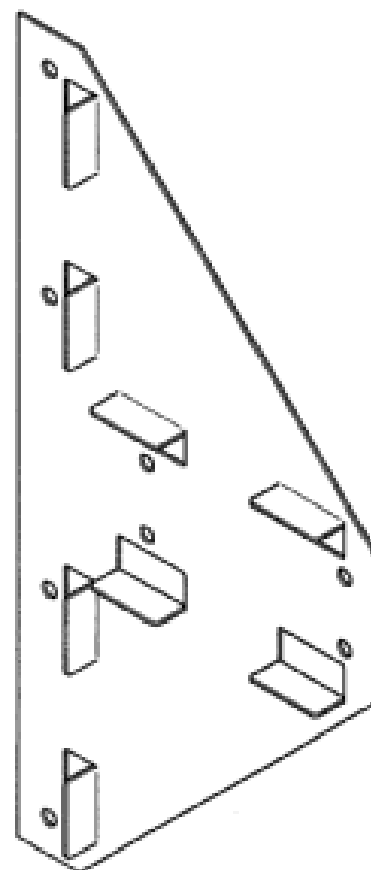
(45) Registration Date: **01 June 2007**

(56) Related Art Documents: **Not Applicable**

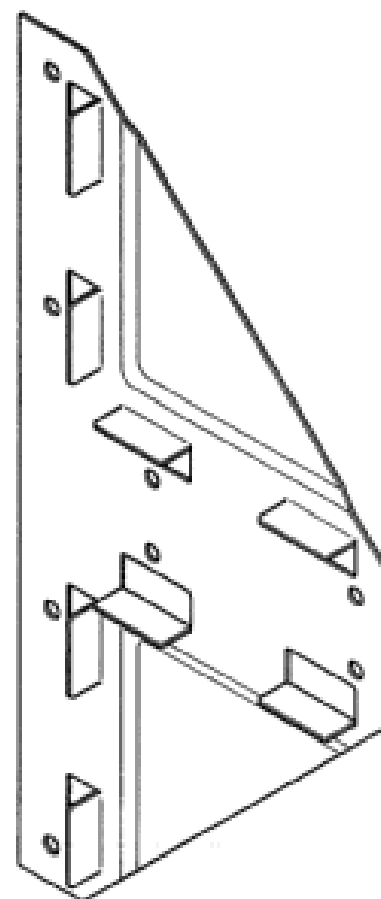
(57) Statement of Newness and Distinctiveness: **Nil**



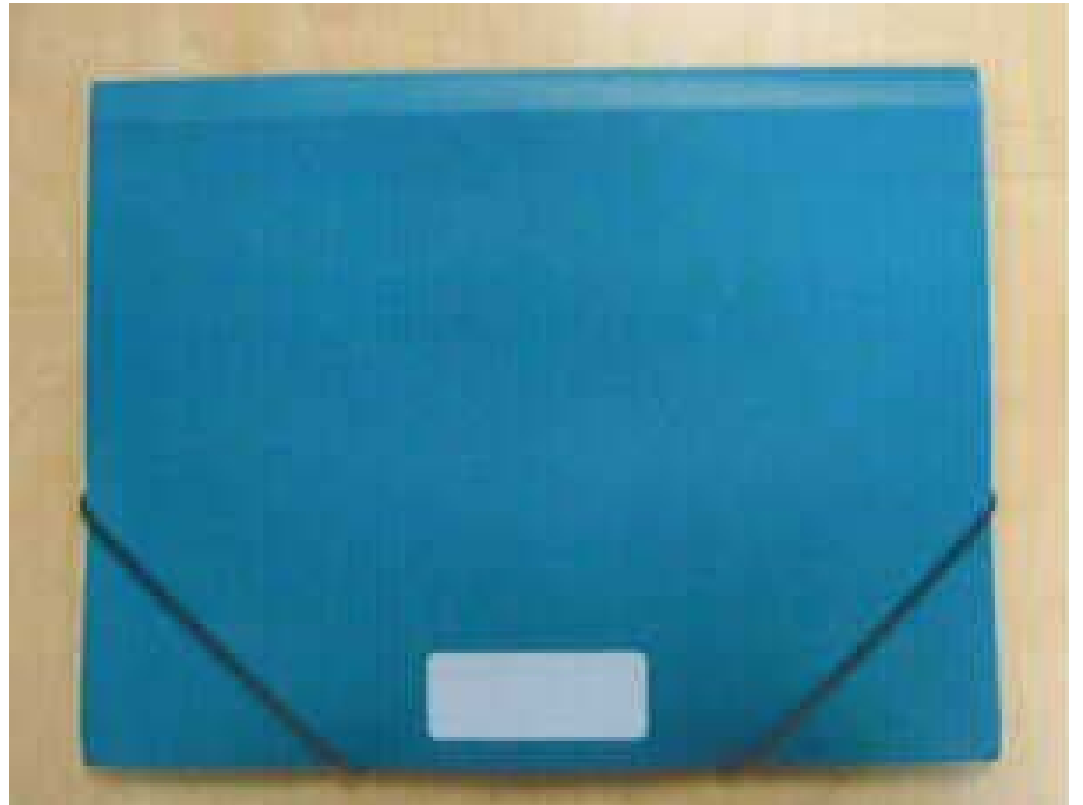
- (21) Design Number: **16739/2007**
- (22) Date of Filing Application: **02 March 2007**
- (24) Date from which industrial property rights may have effect: **02 March 2007**
- (54) Product in respect of which the design is registered: **Metal frame support and/or re-enforcement bracket**
- (51) International Design Classification: **08-08NES**
- (71) Name(s) and Address(s) of Applicant(s):
Lance Malcolm Vater
Unit 7 538 Portrush Road St Georges South Australia 5064 Australia
- (72) Name(s) of Designer(s): **Lance Malcolm Vater**
- (45) Registration Date: **01 June 2007**
- (56) Related Art Documents: **Not Applicable**
- (57) Statement of Newness and Distinctiveness: **Nil**



- (21) Design Number: **16740/2007**
- (22) Date of Filing Application: **02 March 2007**
- (24) Date from which industrial property rights may have effect: **02 March 2007**
- (54) Product in respect of which the design is registered: **Metal frame support and/or re-enforcement bracket**
- (51) International Design Classification: **08-08NES**
- (71) Name(s) and Address(s) of Applicant(s):
Lance Malcolm Vater
Unit 7 538 Portrush Road St Georges South Australia 5064 Australia
- (72) Name(s) of Designer(s): **Lance Malcolm Vater**
- (45) Registration Date: **01 June 2007**
- (56) Related Art Documents: **Not Applicable**
- (57) Statement of Newness and Distinctiveness: **Nil**



- (21) Design Number: **16744/2007**
(22) Date of Filing Application: **05 March 2007**
(24) Date from which industrial property rights may have effect: **05 March 2007**
(54) Product in respect of which the design is registered: **Document file with identification block**
(51) International Design Classification: **19-04**
(71) Name(s) and Address(s) of Applicant(s):
Acco Australia Pty Ltd
The Lakes Business Park Level 2 8 Lord Street Botany New South Wales 2019 Australia
(72) Name(s) of Designer(s): **Allan Bookin**
(45) Registration Date: **01 June 2007**
(56) Related Art Documents: **Not Applicable**
(57) Statement of Newness and Distinctiveness: **Newness and distinctiveness resides in the pattern and/or ornamentation of the identification block when printed onto or incorporated into the product 1. The identification block is indicated by an arrow "A" in the representations.**



- (21) Design Number: **16745/2007**
(22) Date of Filing Application: **05 March 2007**
(24) Date from which industrial property rights may have effect: **05 March 2007**
(54) Product in respect of which the design is registered: **Document wallet with identification block**
(51) International Design Classification: **19-04**
(71) Name(s) and Address(s) of Applicant(s):
Acco Australia Pty Ltd
The Lakes Business Park Level 2 8 Lord Street Botany New South Wales 2019 Australia
(72) Name(s) of Designer(s): **Allan Bookin**
(45) Registration Date: **01 June 2007**
(56) Related Art Documents: **Not Applicable**
(57) Statement of Newness and Distinctiveness: **Newness and distinctiveness resides in the pattern and/or ornamentation of the identification block when printed onto or incorporated into the product 1. The identification block is indicated by an arrow "A" in the representations.**



- (21) Design Number: **16746/2007**
(22) Date of Filing Application: **05 March 2007**
(24) Date from which industrial property rights may have effect: **05 March 2007**
(54) Product in respect of which the design is registered: **Display book with cover identification block**
(51) International Design Classification: **19-04**
(71) Name(s) and Address(s) of Applicant(s):
Acco Australia Pty Ltd
The Lakes Business Park Level 2 8 Lord Street Botany New South Wales 2019 Australia
(72) Name(s) of Designer(s): **Allan Bookin**
(45) Registration Date: **01 June 2007**
(56) Related Art Documents: **Not Applicable**
(57) Statement of Newness and Distinctiveness: **Newness and distinctiveness resides in the pattern and/or ornamentation of the identification block when printed onto or incorporated into the product 1. The identification block is indicated by an arrow "A" in the representations.**



- (21) Design Number: **16747/2007**
(22) Date of Filing Application: **05 March 2007**
(24) Date from which industrial property rights may have effect: **05 March 2007**
(54) Product in respect of which the design is registered: **Display book with spine identification block**
(51) International Design Classification: **19-04**
(71) Name(s) and Address(s) of Applicant(s):
Acco Australia Pty Ltd
The Lakes Business Park Level 2 8 Lord Street Botany New South Wales 2019 Australia
(72) Name(s) of Designer(s): **Allan Bookin**
(45) Registration Date: **01 June 2007**
(56) Related Art Documents: **Not Applicable**
(57) Statement of Newness and Distinctiveness: **Newness and distinctiveness resides in the pattern and/or ornamentation of the identification block when printed onto or incorporated into the product 1. The identification block is indicated by an arrow "A" in the representations.**



(19) AU

- (21) Design Number: **16748/2007**
- (22) Date of Filing Application: **05 March 2007**
- (24) Date from which industrial property rights may have effect: **05 March 2007**
- (54) Product in respect of which the design is registered: **Bottle**
- (51) International Design Classification: **09-01K**
- (71) Name(s) and Address(s) of Applicant(s):

Nestle Waters
20 Rue Rouget de Lisle 92130 Issy-les-Moulineaux France

(72) Name(s) of Designer(s): **Marc Laupie**

(45) Registration Date: **01 June 2007**

(30) Convention priority data:

(31) Number	(32) Date	(33) Country
133441	20 Nov 2006	SWITZERLAND

(56) Related Art Documents: **Not Applicable**

(57) Statement of Newness and Distinctiveness: **Newness and distinctiveness of the design reside in the shape and configuration of the bottle shown in the accompanying representations. When considering the scope of the monopoly claimed, those features shown in the broken line are illustrative only and should not be considered as forming part of the design.**



(19) AU

- (21) Design Number: **16749/2007**
- (22) Date of Filing Application: **05 March 2007**
- (24) Date from which industrial property rights may have effect: **05 March 2007**
- (54) Product in respect of which the design is registered: **Golf grip**
- (51) International Design Classification: **21-02C**
- (71) Name(s) and Address(s) of Applicant(s):

Eaton Corporation
Eaton Center 1111 Superior Ave Cleveland Ohio 44114#2584 United States of America

(72) Name(s) of Designer(s): **Julie Hoyt Savasky**

(45) Registration Date: **01 June 2007**

(30) Convention priority data:

(31) Number	(32) Date	(33) Country
29/265657	06 Sep 2006	UNITED STATES OF AMERICA

(56) Related Art Documents: **Not Applicable**

(57) Statement of Newness and Distinctiveness: **Newness and distinctiveness reside in the features of the design as shown in the representations.**



(21) Design Number: **16750/2007**
 (22) Date of Filing Application: **05 March 2007**
 (24) Date from which industrial property rights may have effect: **05 March 2007**
 (54) Product in respect of which the design is registered: **Golf grip**
 (51) International Design Classification: **21-02C**
 (71) Name(s) and Address(s) of Applicant(s):

Eaton Corporation
Eaton Center 1111 Superior Ave Cleveland Ohio 44114#2584 United States of America

(72) Name(s) of Designer(s): **Julie Hoyt Savasky**

(45) Registration Date: **01 June 2007**

(30) Convention priority data:

(31) Number	(32) Date	(33) Country
29/265644	06 Sep 2006	UNITED STATES OF AMERICA

(56) Related Art Documents: **Not Applicable**

(57) Statement of Newness and Distinctiveness: **Newness and distinctiveness reside in the features of the design as shown in the representations.**



(21) Design Number: **16752/2007**
 (22) Date of Filing Application: **05 March 2007**
 (24) Date from which industrial property rights may have effect: **05 March 2007**
 (54) Product in respect of which the design is registered: **Cordless drill**
 (51) International Design Classification: **08-01**
 (71) Name(s) and Address(s) of Applicant(s):

Black & Decker, Inc.
Drummond Plaza Office Park 1423 Kirkwood Highway Newark Delaware 19805 United States of America

(72) Name(s) of Designer(s): **Thomas W. Murray and Christopher J. Murray and Adam M. O'Hern**

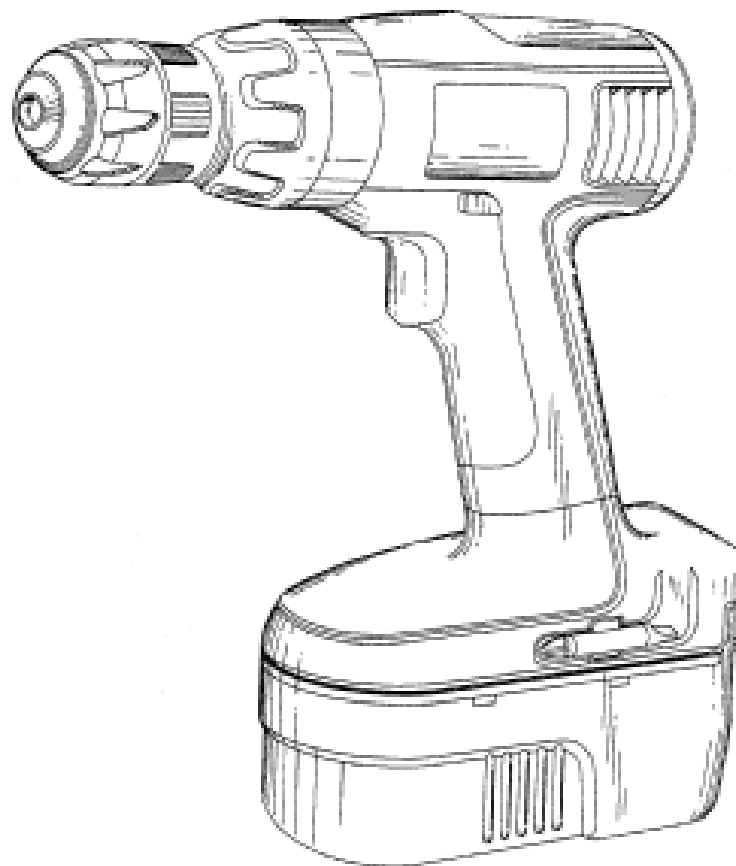
(45) Registration Date: **01 June 2007**

(30) Convention priority data:

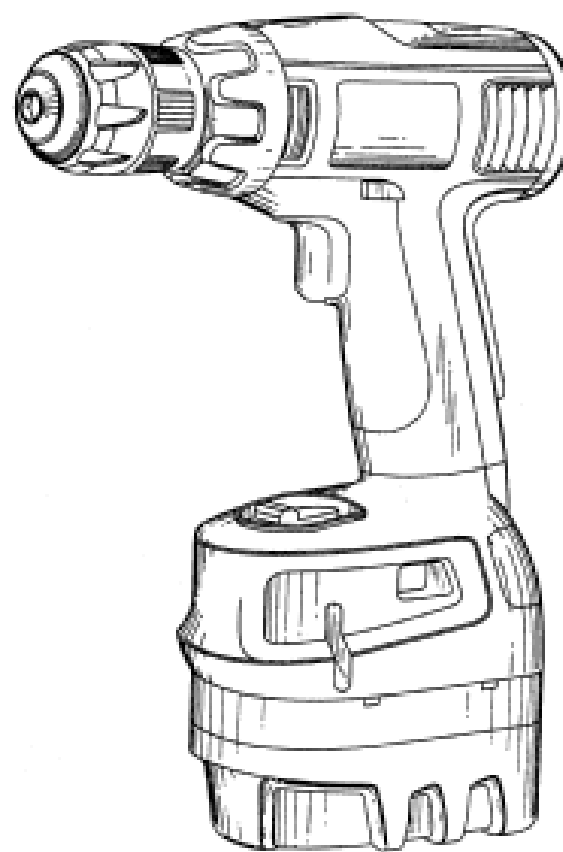
(31) Number	(32) Date	(33) Country
29/265661	06 Sep 2006	UNITED STATES OF AMERICA

(56) Related Art Documents: **Not Applicable**

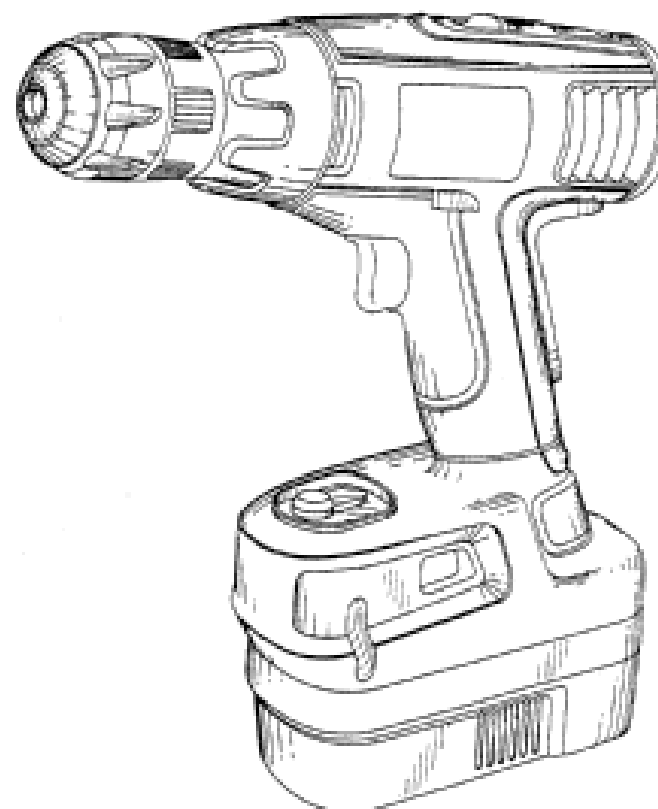
(57) Statement of Newness and Distinctiveness: **Nil**



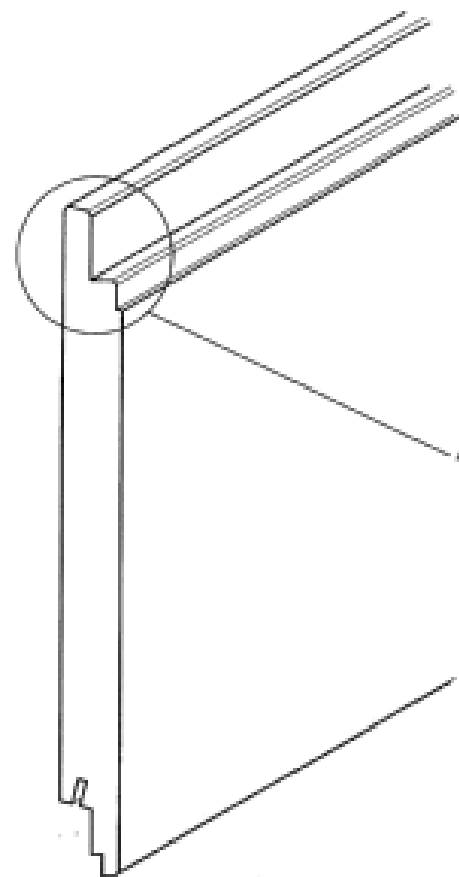
(21) Design Number: **16753/2007**
 (22) Date of Filing Application: **05 March 2007**
 (24) Date from which industrial property rights may have effect: **05 March 2007**
 (54) Product in respect of which the design is registered: **Drill with integral laser**
 (51) International Design Classification: **08-01**
 (71) Name(s) and Address(s) of Applicant(s):
Black & Decker, Inc.
Drummond Plaza Office Park 1423 Kirkwood Highway Newark
Delaware 19805 United States of America
 (72) Name(s) of Designer(s): **Thomas W. Murray**
 (45) Registration Date: **01 June 2007**
 (30) Convention priority data:
 (31) Number (32) Date (33) Country
29/265655 06 Sep 2006 UNITED STATES OF AMERICA
 (56) Related Art Documents: **Not Applicable**
 (57) Statement of Newness and Distinctiveness: **Nil**



(21) Design Number: **16754/2007**
 (22) Date of Filing Application: **05 March 2007**
 (24) Date from which industrial property rights may have effect: **05 March 2007**
 (54) Product in respect of which the design is registered: **Drill with integral laser**
 (51) International Design Classification: **08-01**
 (71) Name(s) and Address(s) of Applicant(s):
Black & Decker, Inc.
Drummond Plaza Office Park 1423 Kirkwood Highway Newark
Delaware 19711 United States of America
 (72) Name(s) of Designer(s): **Thomas W. Murray**
 (45) Registration Date: **01 June 2007**
 (30) Convention priority data:
 (31) Number (32) Date (33) Country
29265654 06 Sep 2006 UNITED STATES OF AMERICA
 (56) Related Art Documents: **Not Applicable**
 (57) Statement of Newness and Distinctiveness: **Nil**



- (21) Design Number: **16759/2007**
(22) Date of Filing Application: **06 March 2007**
(24) Date from which industrial property rights may have effect: **06 March 2007**
(54) Product in respect of which the design is registered: **Louvre blade of indefinite length**
(51) International Design Classification: **25-02K**
(71) Name(s) and Address(s) of Applicant(s):
Breezway Australia (Holdings) Pty Ltd
35 Cambridge Street Coorparoo Queensland 4151 Australia
(72) Name(s) of Designer(s): **Edward Coppo**
(45) Registration Date: **01 June 2007**
(56) Related Art Documents: **Not Applicable**
(57) Statement of Newness and Distinctiveness: **Newness and distinctiveness is claimed in the features of shape and configuration of the double rebate portion of the louvre blade as marked with reference letter "A" in the accompanying representations. In interpreting the scope of the monopoly, the bevelled corner portions in the portion marked "A" and the shape and configuration of the louvre blade apart from the portion marked "A", are to be disregarded.**



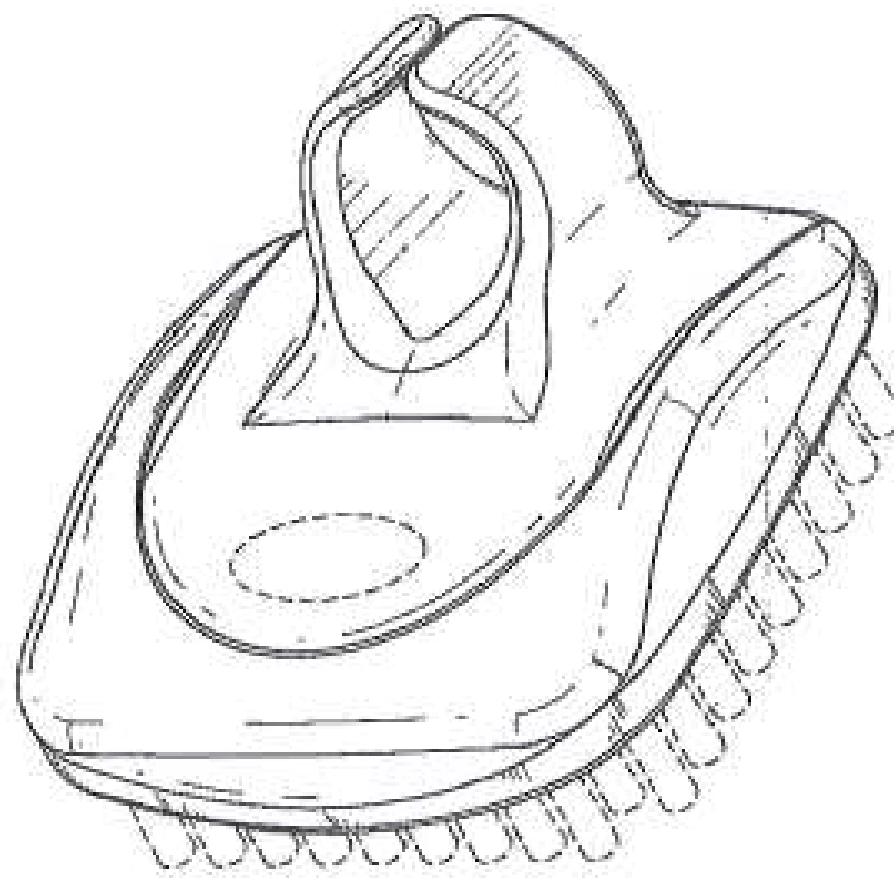
- (21) Design Number: **16760/2007**
(22) Date of Filing Application: **06 March 2007**
(24) Date from which industrial property rights may have effect: **06 March 2007**
(54) Product in respect of which the design is registered: **Roof boxes**
(51) International Design Classification: **12-16K**
(71) Name(s) and Address(s) of Applicant(s):
Thule Sweden AB
Borggatan 2 Hillerstorp 33033 Sweden
(72) Name(s) of Designer(s): **Frank Gruner**
(45) Registration Date: **01 June 2007**
(30) Convention priority data:
(31) Number (32) Date (33) Country
000 585 997 08 Sep 2006 EUROPEAN COMMUNITY
(56) Related Art Documents: **Not Applicable**
(57) Statement of Newness and Distinctiveness: **Nil**



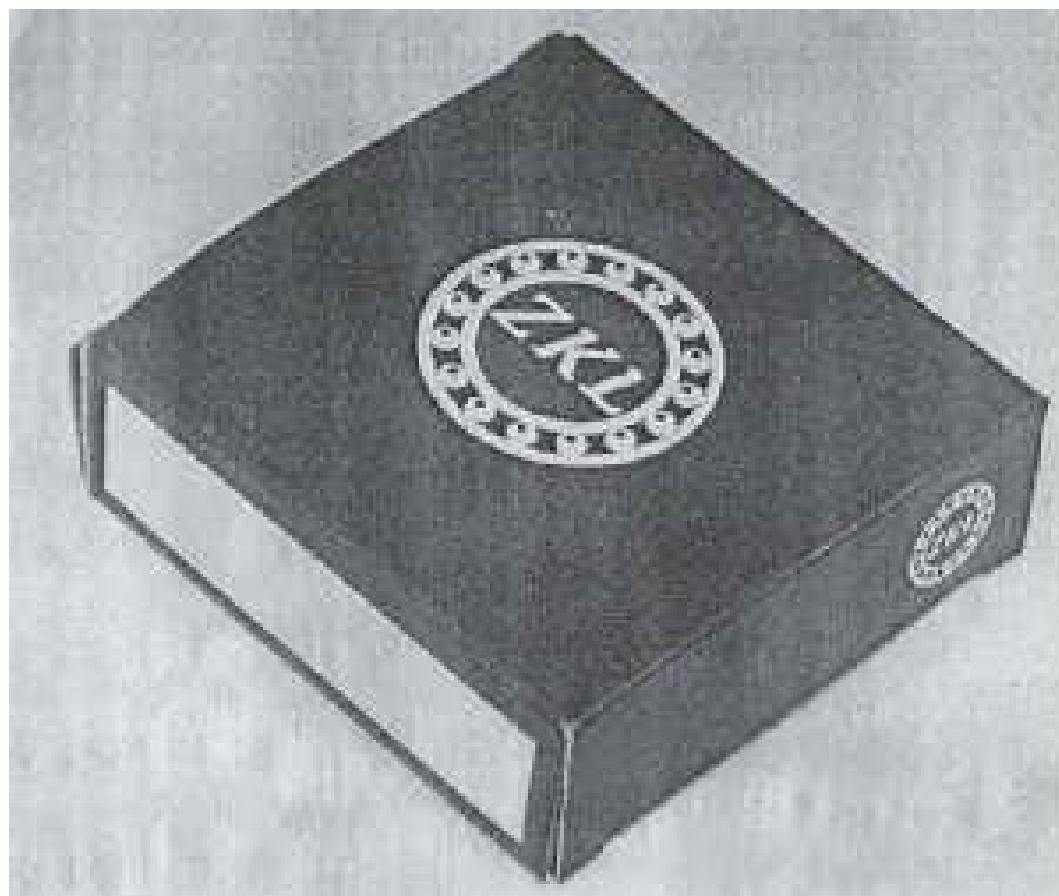
(21) Design Number: **16761/2007**
(22) Date of Filing Application: **06 March 2007**
(24) Date from which industrial property rights may have effect: **06 March 2007**
(54) Product in respect of which the design is registered: **Roof boxes**
(51) International Design Classification: **12-16K**
(71) Name(s) and Address(s) of Applicant(s):
Thule Sweden AB
Borggatan 2 Hillerstorp 33033 Sweden
(72) Name(s) of Designer(s): **Frank Gruner**
(45) Registration Date: **01 June 2007**
(30) Convention priority data:
(31) Number (32) Date (33) Country
000 585 997 08 Sep 2006 EUROPEAN COMMUNITY
(56) Related Art Documents: **Not Applicable**
(57) Statement of Newness and Distinctiveness: **Nil**



(21) Design Number: **16762/2007**
(22) Date of Filing Application: **06 March 2007**
(24) Date from which industrial property rights may have effect: **06 March 2007**
(54) Product in respect of which the design is registered: **A brush**
(51) International Design Classification: **04-01**
(71) Name(s) and Address(s) of Applicant(s):
Chef'n Corporation
1520 4th Avenue 3rd Floor Seattle Washington 98101 United States of America
(72) Name(s) of Designer(s): **Jason O. Germany**
(45) Registration Date: **01 June 2007**
(30) Convention priority data:
(31) Number (32) Date (33) Country
29248930 11 Sep 2006 UNITED STATES OF AMERICA
(56) Related Art Documents: **Not Applicable**
(57) Statement of Newness and Distinctiveness: **Newness and distinctiveness is claimed in the visual features shown in solid lines in the representations.**



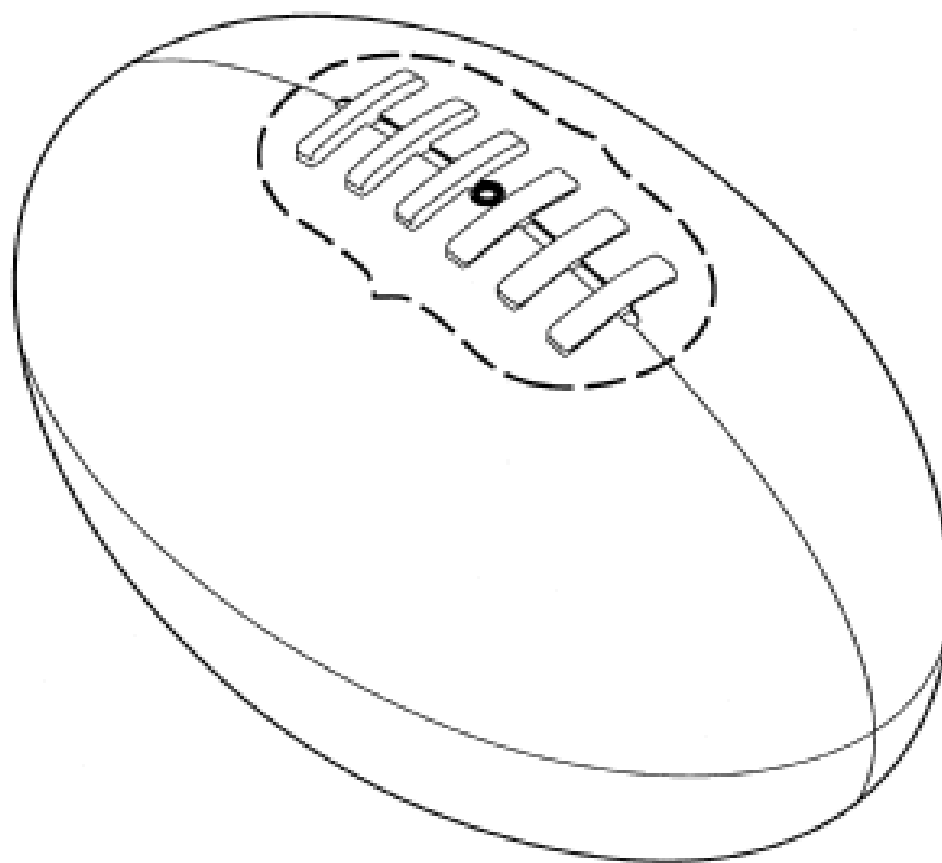
- (21) Design Number: **16763/2007**
(22) Date of Filing Application: **07 March 2007**
(24) Date from which industrial property rights may have effect: **07 March 2007**
(54) Product in respect of which the design is registered: **Box**
(51) International Design Classification: **09-03M**
(71) Name(s) and Address(s) of Applicant(s):
ZKL, a.s.
Jedovnicka 8/2346 628 00 Brno#Lisen Czech Republic
(72) Name(s) of Designer(s): **Vladimir Ing Vansa**
(45) Registration Date: **01 June 2007**
(30) Convention priority data:
(31) Number (32) Date (33) Country
PVZ#2006#36851 08 Sep 2006 CZECH REPUBLIC
(56) Related Art Documents: **Not Applicable**
(57) Statement of Newness and Distinctiveness: **Nil**



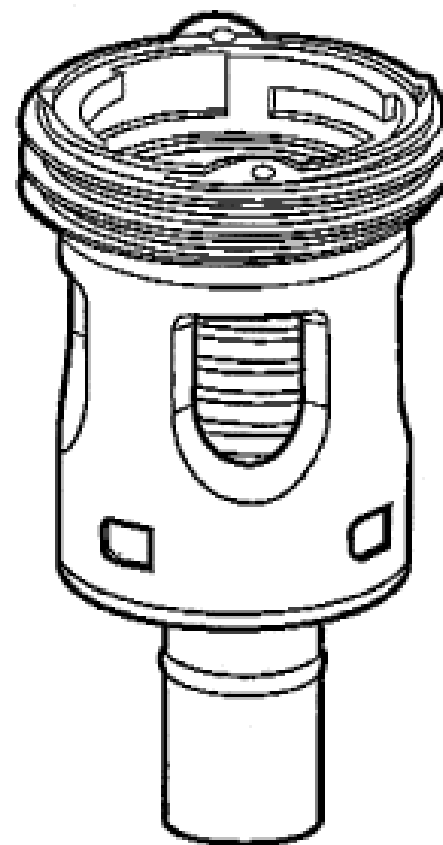
- (21) Design Number: **13954/2006**
(22) Date of Filing Application: **31 August 2006**
(24) Date from which industrial property rights may have effect: **31 August 2006**
(54) Product in respect of which the design is registered: **Bedhead and support feet thereof**
(51) International Design Classification: **06-06F**
(71) Name(s) and Address(s) of Applicant(s):
T & A Winter Enterprises Pty Ltd
1-7 Kelvin Road Bayswater North Victoria 3153 Australia
(72) Name(s) of Designer(s): **Steven Trevor Winter and Guy Travis Winter**
(45) Registration Date: **31 May 2007**
(56) Related Art Documents: **Not Applicable**
(57) Statement of Newness and Distinctiveness: **Visual features of the design which are new and distinctive are the features of shape and configuration of the bedhead and support feet thereof as illustrated in the representations of Figs. 1-5 shown on sheets 1/3-3/3. In determining the scope of protection in relation to the bedhead, the shape and configuration of the 90 degree angles of the corners and edges of the side table/drawers, the backboard and the support feet shown in Figs. 1-5 are to be disregarded. In further determining the scope of protection in relation to the bedhead, the shape and configuration of the handles of the side drawers shown in Figs. 1-5 are to be disregarded.**



- (21) Design Number: **15987/2007**
(22) Date of Filing Application: **15 January 2007**
(24) Date from which industrial property rights may have effect: **15 January 2007**
(54) Product in respect of which the design is registered: **Novelty bottle opener**
(51) International Design Classification: **07-06D**
(71) Name(s) and Address(s) of Applicant(s):
Custom (Int.) Pty Ltd
2 Burgay Court Osbourne Park Western Australia 6017 Australia
(72) Name(s) of Designer(s): **Guinnevere Bell**
(45) Registration Date: **31 May 2007**
(56) Related Art Documents: **Not Applicable**
(57) Statement of Newness and Distinctiveness: **Nil**



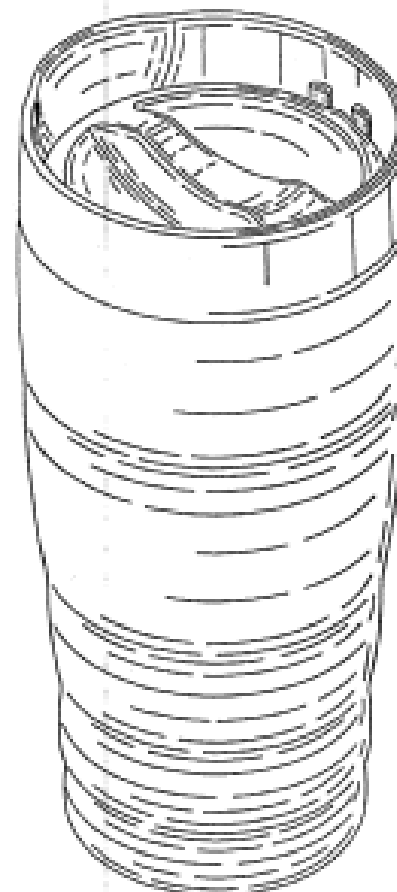
- (21) Design Number: **16150/2007**
(22) Date of Filing Application: **29 January 2007**
(24) Date from which industrial property rights may have effect: **29 January 2007**
(54) Product in respect of which the design is registered: **Closure incorporating a valve**
(51) International Design Classification: **09-07A**
(71) Name(s) and Address(s) of Applicant(s):
Schutz DSL (Australia) Pty Ltd
152 Cockburn Road South Fremantle Western Australia 6162 Australia
(72) Name(s) of Designer(s): **Edward Khoury and Robert Culley**
(45) Registration Date: **31 May 2007**
(56) Related Art Documents: **Not Applicable**
(57) Statement of Newness and Distinctiveness: **Each feature of the valve considered separately or in combination with any other feature or features.**



- (21) Design Number: **16255/2007**
(22) Date of Filing Application: **02 February 2007**
(24) Date from which industrial property rights may have effect: **02 February 2007**
(54) Product in respect of which the design is registered: **Tire**
(51) International Design Classification: **12-15B**
(71) Name(s) and Address(s) of Applicant(s):
Sumitomo Rubber Industries, Ltd.
6-9 Wakinohama-cho 3-chome Chuo-ku Kobe-shi Hyogo Japan
(72) Name(s) of Designer(s): **Yoshitaka Iwai**
(45) Registration Date: **31 May 2007**
(30) Convention priority data:
(31) Number (32) Date (33) Country
2006#032055 22 Nov 2006 JAPAN
(56) Related Art Documents: **Not Applicable**
(57) Statement of Newness and Distinctiveness: **Those features of the tire depicted in the representations that are new and distinctive are the shape, configuration and pattern of the tread.**



- (21) Design Number: **16517/2007**
(22) Date of Filing Application: **20 February 2007**
(24) Date from which industrial property rights may have effect: **20 February 2007**
(54) Product in respect of which the design is registered: **Mug**
(51) International Design Classification: **07-01D**
(71) Name(s) and Address(s) of Applicant(s):
Dart Industries Inc
14901 S. Orange Blossom Trail Orlando Florida 32837 United States of America
(72) Name(s) of Designer(s): **Hanno Kortleven**
(45) Registration Date: **31 May 2007**
(30) Convention priority data:
(31) Number (32) Date (33) Country
29/265,827 08 Sep 2006 UNITED STATES OF AMERICA
(56) Related Art Documents: **Not Applicable**
(57) Statement of Newness and Distinctiveness: **Those features of the mug depicted in the representations that are new and distinctive are the shape and/or configuration.**



(21) Design Number: **16659/2007**

(22) Date of Filing Application: **27 February 2007**

(24) Date from which industrial property rights may have effect: **27 February 2007**

(54) Product in respect of which the design is registered: **A fuse carrier number plate**

(51) International Design Classification: **12-16NES**

(71) Name(s) and Address(s) of Applicant(s):

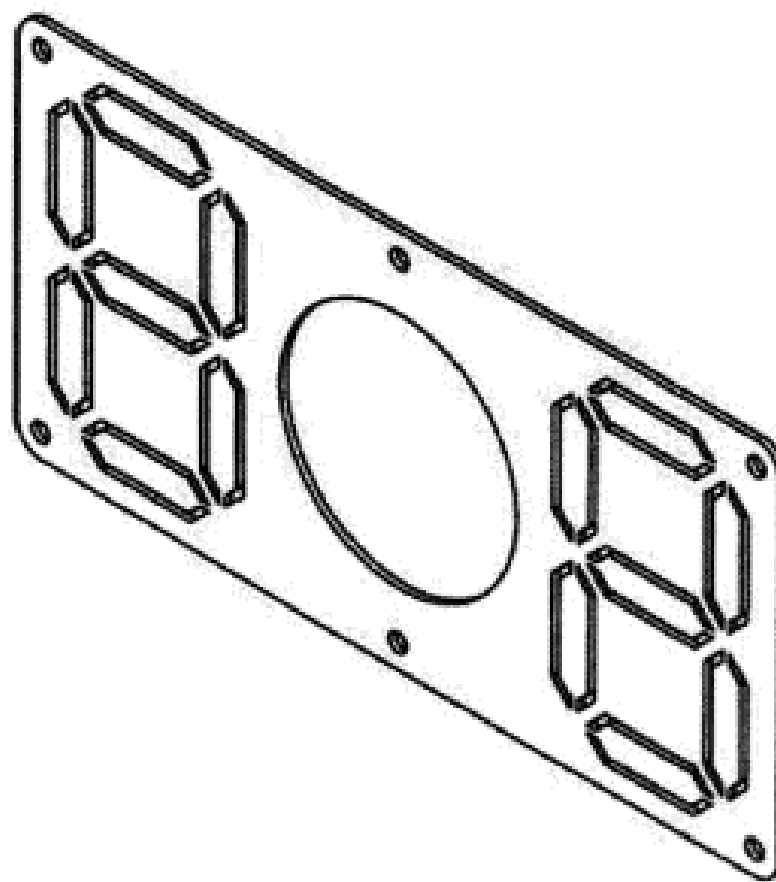
**Sicame Australia Pty Ltd
19 Computer Road Yatala Queensland 4207 Australia**

(72) Name(s) of Designer(s): **Patrick Pearl**

(45) Registration Date: **31 May 2007**

(56) Related Art Documents: **Not Applicable**

(57) Statement of Newness and Distinctiveness: **The particular visual feature of the fuse carrier number plate that is to be regarded as new and distinctive is: the figure-eights each formed of seven detachable segments.**



(21) Design Number: **16732/2007**

(22) Date of Filing Application: **02 March 2007**

(24) Date from which industrial property rights may have effect: **02 March 2007**

(54) Product in respect of which the design is registered: **Arrestor or grease trap**

(51) International Design Classification: **23-02NES**

(71) Name(s) and Address(s) of Applicant(s):

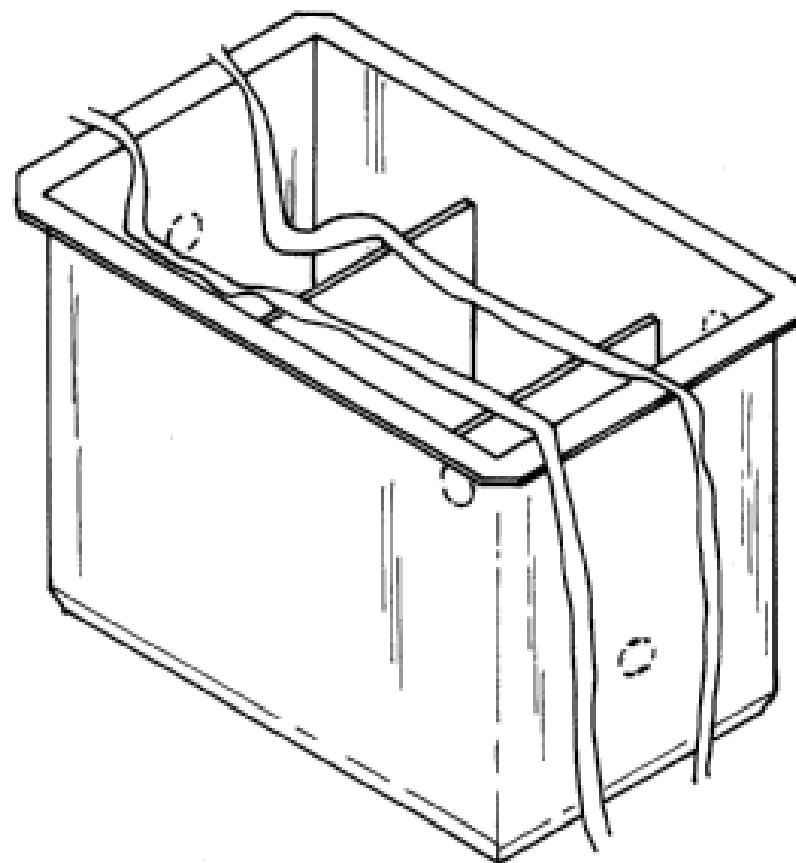
**Barry Colin Cawthorne
8 Hillview Parade Ashmore Queensland 4214 Australia**

(72) Name(s) of Designer(s): **Barry Colin Cawthorne**

(45) Registration Date: **31 May 2007**

(56) Related Art Documents: **Not Applicable**

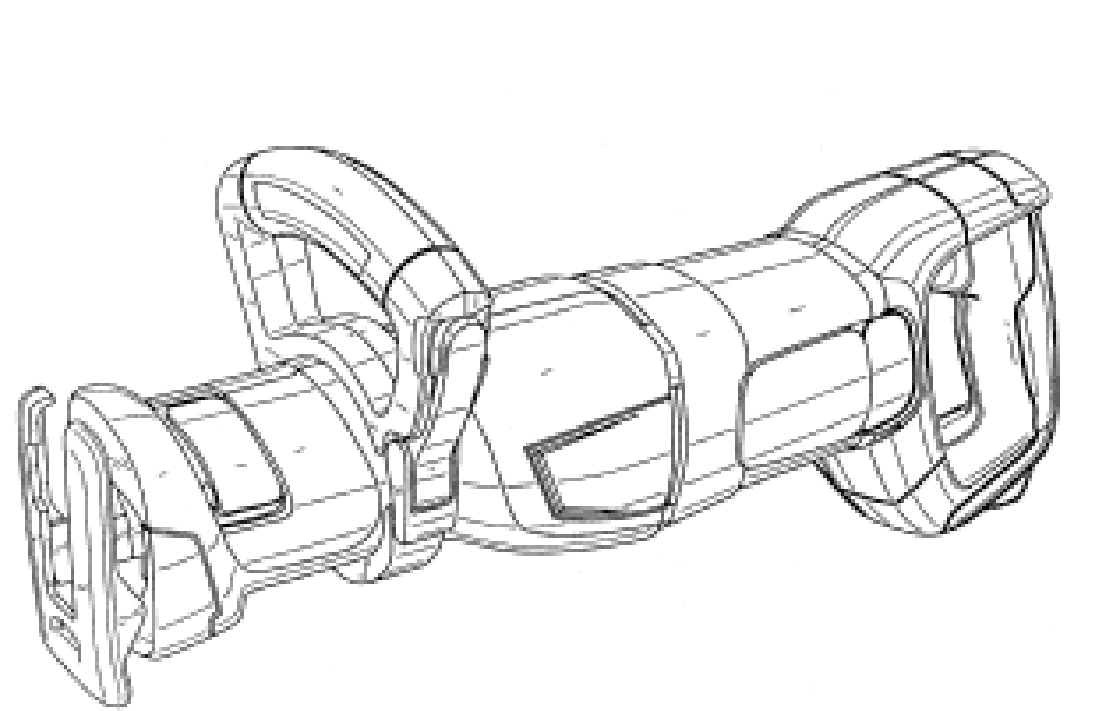
(57) Statement of Newness and Distinctiveness: **The newness and distinctiveness of the design resides in the features of shape and/or configuration of the arrestor or grease trap of indefinite width, as shown in unbroken lines in the accompanying representations.**



(21) Design Number: **16768/2007**
(22) Date of Filing Application: **07 March 2007**
(24) Date from which industrial property rights may have effect: **07 March 2007**
(54) Product in respect of which the design is registered: **A reciprocating saw**
(51) International Design Classification: **08-03**
(71) Name(s) and Address(s) of Applicant(s):
Black & Decker, Inc.
1207 Drummond Plaza Newark Delaware 19711 United States of America
(72) Name(s) of Designer(s): **Jason McRoberts and Terry L. Turner and Jason Busschaert and Ruth Mitchener and Vincent P. Cooper**
(45) Registration Date: **31 May 2007**
(30) Convention priority data:
(31) Number (32) Date (33) Country
29266150 15 Sep 2006 UNITED STATES OF AMERICA
(56) Related Art Documents: **Not Applicable**
(57) Statement of Newness and Distinctiveness: **Nil**



(21) Design Number: **16769/2007**
(22) Date of Filing Application: **07 March 2007**
(24) Date from which industrial property rights may have effect: **07 March 2007**
(54) Product in respect of which the design is registered: **A reciprocating saw**
(51) International Design Classification: **08-03**
(71) Name(s) and Address(s) of Applicant(s):
Black & Decker, Inc.
1207 Drummond Plaza Newark Delaware 19711 United States of America
(72) Name(s) of Designer(s): **Jason McRoberts and Terry L. Turner and Jason Busschaert and Ruth Mitchener and Vincent P. Cooper**
(45) Registration Date: **31 May 2007**
(30) Convention priority data:
(31) Number (32) Date (33) Country
29266153 15 Sep 2006 UNITED STATES OF AMERICA
(56) Related Art Documents: **Not Applicable**
(57) Statement of Newness and Distinctiveness: **Nil**



- (21) Design Number: **16770/2007**
- (22) Date of Filing Application: **07 March 2007**
- (24) Date from which industrial property rights may have effect: **07 March 2007**
- (54) Product in respect of which the design is registered: **Golf grip**
- (51) International Design Classification: **21-02C**
- (71) Name(s) and Address(s) of Applicant(s):

Eaton Corporation
Eaton Center 1111 Superior Ave Cleveland Ohio 44114#2584 United States of America

- (72) Name(s) of Designer(s): **Charles Walter Devaney**

- (45) Registration Date: **31 May 2007**

- (30) Convention priority data:

(31) Number	(32) Date	(33) Country
29/266341	19 Sep 2006	UNITED STATES OF AMERICA

- (56) Related Art Documents: **Not Applicable**

- (57) Statement of Newness and Distinctiveness: **Newness and distinctiveness reside in the features of the design as shown in the representations.**



- (21) Design Number: **16771/2007**
- (22) Date of Filing Application: **07 March 2007**
- (24) Date from which industrial property rights may have effect: **07 March 2007**
- (54) Product in respect of which the design is registered: **Volatile actives venting face plate**
- (51) International Design Classification: **24-99**
- (71) Name(s) and Address(s) of Applicant(s):

S.C. Johnson & Son, Inc.
1525 Howe Street Racine Wisconsin 53403-2236 United States of America

- (72) Name(s) of Designer(s): **Nathan Westphal**

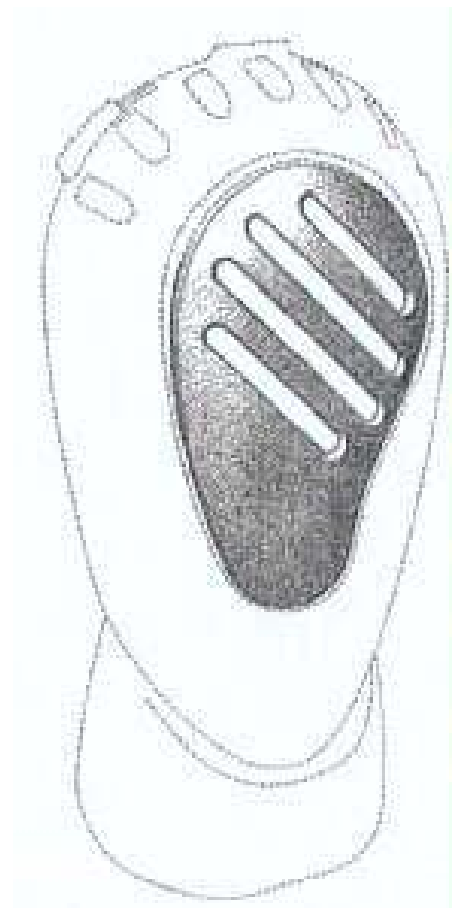
- (45) Registration Date: **31 May 2007**

- (30) Convention priority data:

(31) Number	(32) Date	(33) Country
29/248856	08 Sep 2006	UNITED STATES OF AMERICA

- (56) Related Art Documents: **Not Applicable**

- (57) Statement of Newness and Distinctiveness: **Newness and distinctiveness is claimed in those features of shape and/or configuration of a volatile actives venting face plate as illustrated in continuous lines in the accompanying representations.**



(21) Design Number: **16772/2007**

(22) Date of Filing Application: **07 March 2007**

(24) Date from which industrial property rights may have effect: **07 March 2007**

(54) Product in respect of which the design is registered: **Surgical cutting tool**

(51) International Design Classification: **24-02**

(71) Name(s) and Address(s) of Applicant(s):

**Kai R&D Center Co., Ltd.
1110 Oyana Seki-shi Gifu-ken 501-3992 Japan**

(72) Name(s) of Designer(s): **Masahiro Endo**

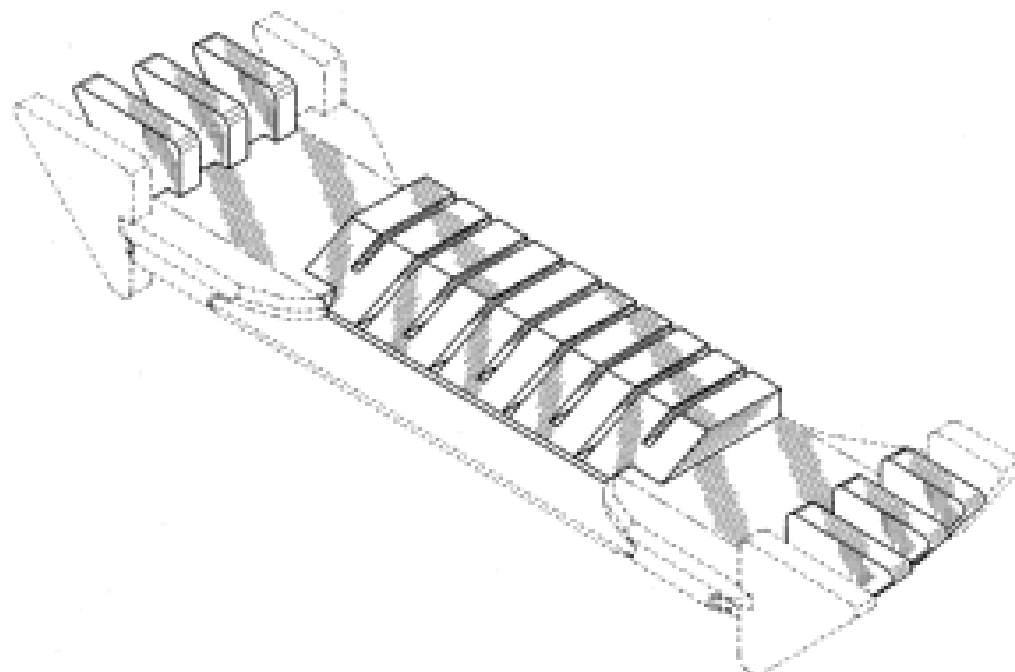
(45) Registration Date: **31 May 2007**

(30) Convention priority data:

(31) Number	(32) Date	(33) Country
2006-024141	08 Sep 2006	JAPAN

(56) Related Art Documents: **Not Applicable**

(57) Statement of Newness and Distinctiveness: **Newness and distinctiveness is claimed in the visual features of shape and configuration as illustrated in solid lines in the representations. In considering the extent of monopoly, the features shown in broken lines should be disregarded. Also, in considering the extent of monopoly, it should be noted that the dot-dashed lines denote the boundary of the claimed monopoly, and form no part of the claimed design.**



(21) Design Number: **16773/2007**

(22) Date of Filing Application: **07 March 2007**

(24) Date from which industrial property rights may have effect: **07 March 2007**

(54) Product in respect of which the design is registered: **Play equipment assembly**

(51) International Design Classification: **21-03**

(71) Name(s) and Address(s) of Applicant(s):

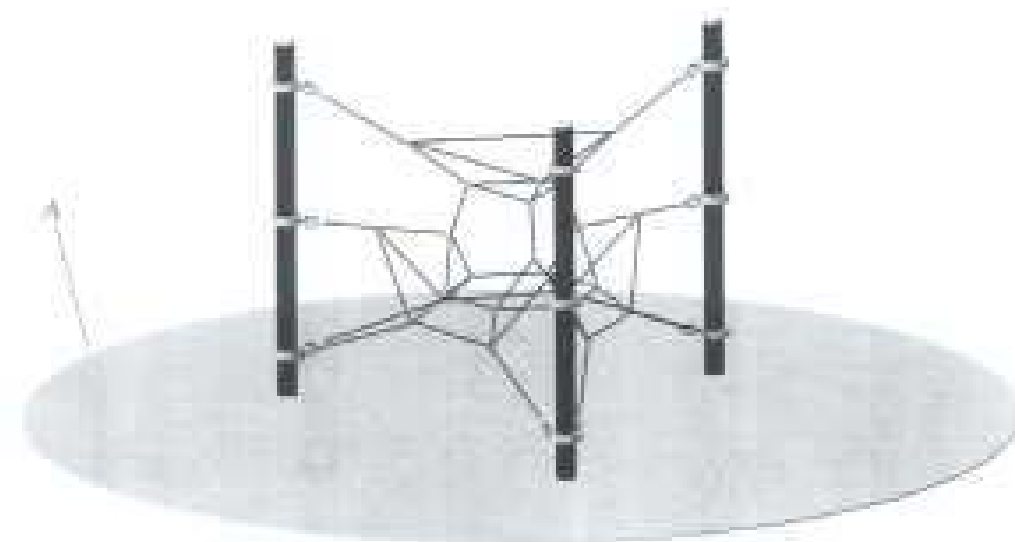
**Kaebel Leisure Pty Ltd
2/16 Glenwood Drive Thornton New South Wales 2322 Australia**

(72) Name(s) of Designer(s): **Andrew Richard Hoddle**

(45) Registration Date: **31 May 2007**

(56) Related Art Documents: **Not Applicable**

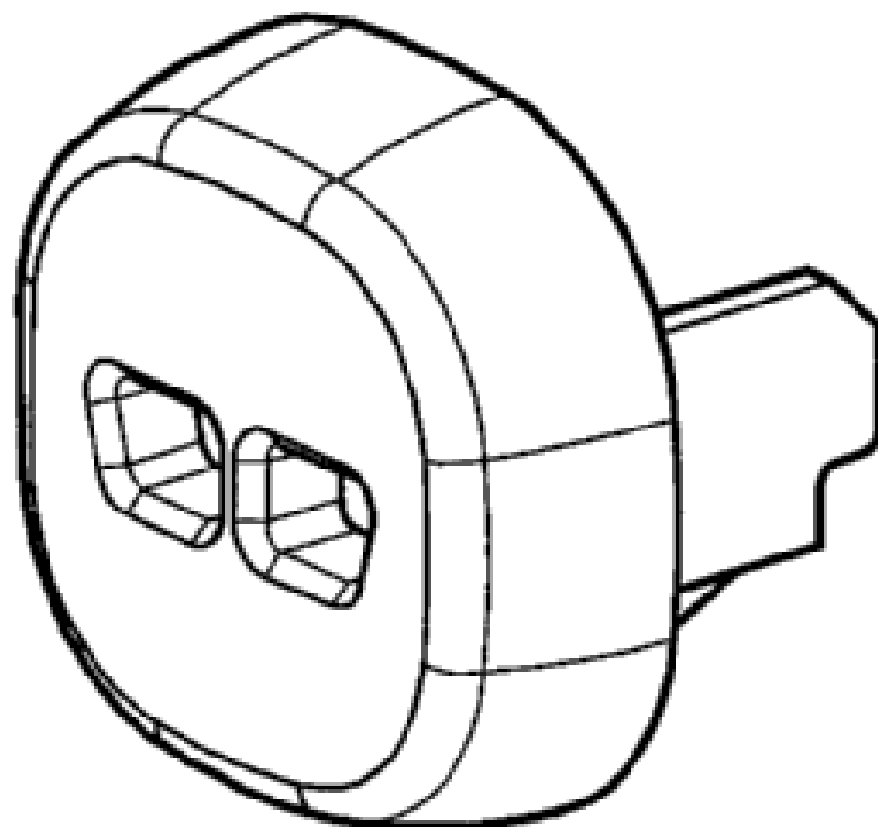
(57) Statement of Newness and Distinctiveness: **Newness and distinctiveness is claimed in the visual features shown in the representations. The large base circle or dais marked A in Figures 1 and 2 is included only for clarity to convey the location of the ground relative to the play equipment assembly and does not form part of the assembly or monopoly sought.**



(21) Design Number: **16774/2007**
(22) Date of Filing Application: **07 March 2007**
(24) Date from which industrial property rights may have effect: **07 March 2007**
(54) Product in respect of which the design is registered: **Teapot**
(51) International Design Classification: **07-01G**
(71) Name(s) and Address(s) of Applicant(s):
Pi-Design AG
Kantonstrasse 100 Postfach 463 CH-6234 Triengen Switzerland
(72) Name(s) of Designer(s): **Jorgen Bodum**
(45) Registration Date: **31 May 2007**
(30) Convention priority data:
(31) Number (32) Date (33) Country
DA 2006 20 Sep 2006 DENMARK
00250
(56) Related Art Documents: **Not Applicable**
(57) Statement of Newness and Distinctiveness: **Nil**



(21) Design Number: **16775/2007**
(22) Date of Filing Application: **07 March 2007**
(24) Date from which industrial property rights may have effect: **07 March 2007**
(54) Product in respect of which the design is registered: **Socket plug**
(51) International Design Classification: **13-03D**
(71) Name(s) and Address(s) of Applicant(s):
Clipsal Australia Pty Ltd
12 Park Terrace Bowden South Australia 5007 Australia
(72) Name(s) of Designer(s): **Shoji Sinclair**
(45) Registration Date: **31 May 2007**
(56) Related Art Documents: **Not Applicable**
(57) Statement of Newness and Distinctiveness: **Newness and distinctiveness resides in the shape and configuration of a socket plug as shown in the accompanying representations.**



(21) Design Number: **16776/2007**

(22) Date of Filing Application: **07 March 2007**

(24) Date from which industrial property rights may have effect: **07 March 2007**

(54) Product in respect of which the design is registered: **Socket plug tool**

(51) International Design Classification: **08-99**

(71) Name(s) and Address(s) of Applicant(s):

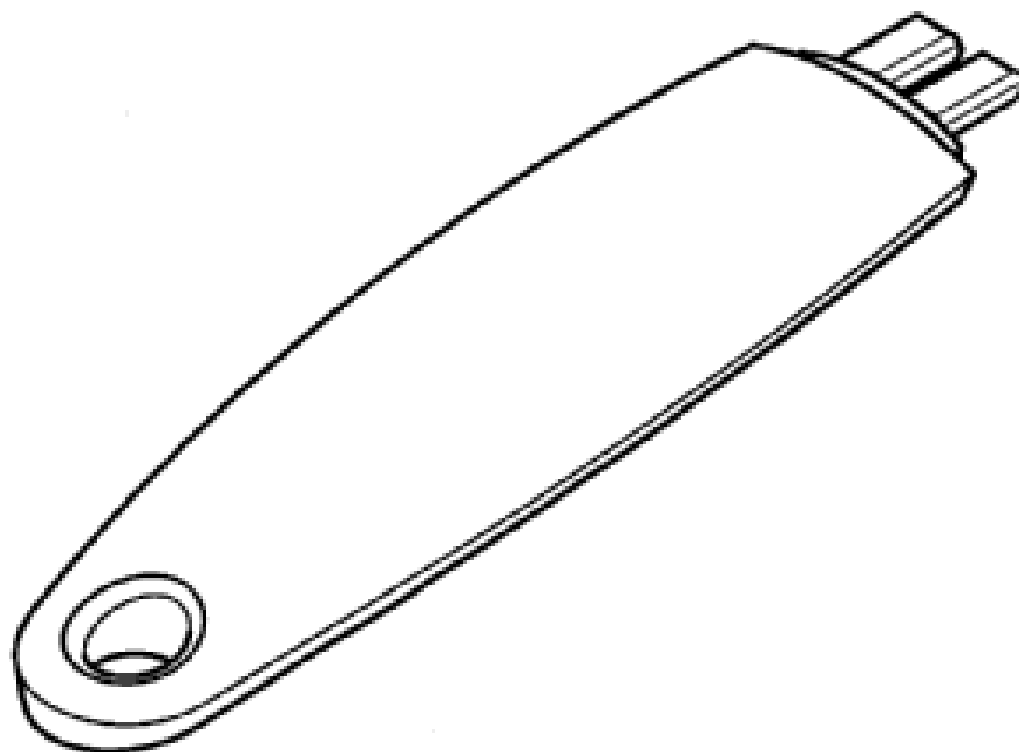
Clipsal Australia Pty Ltd
12 Park Terrace Bowden South Australia 5007 Australia

(72) Name(s) of Designer(s): **Shoji Sinclair**

(45) Registration Date: **31 May 2007**

(56) Related Art Documents: **Not Applicable**

(57) Statement of Newness and Distinctiveness: **Newness and distinctiveness resides in the shape and configuration of a socket plug tool as shown in the accompanying representations.**



(21) Design Number: **16777/2007**

(22) Date of Filing Application: **07 March 2007**

(24) Date from which industrial property rights may have effect: **07 March 2007**

(54) Product in respect of which the design is registered: **Trowel blade**

(51) International Design Classification: **08-05K**

(71) Name(s) and Address(s) of Applicant(s):

J & M Technology Pty Ltd
Unit 24, 45 Alt Street Ashfield New South Wales 2131 Australia

(72) Name(s) of Designer(s): **Kai Yuan Huang**

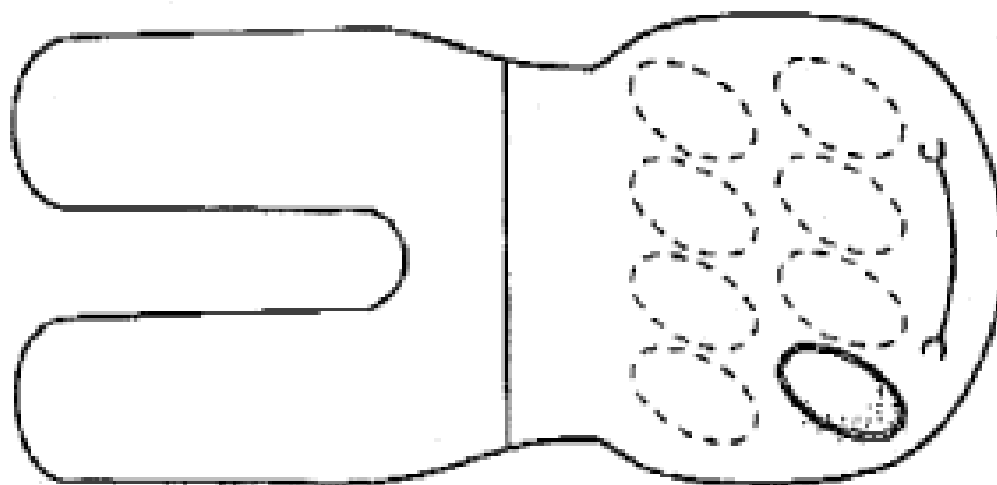
(45) Registration Date: **31 May 2007**

(56) Related Art Documents: **Not Applicable**

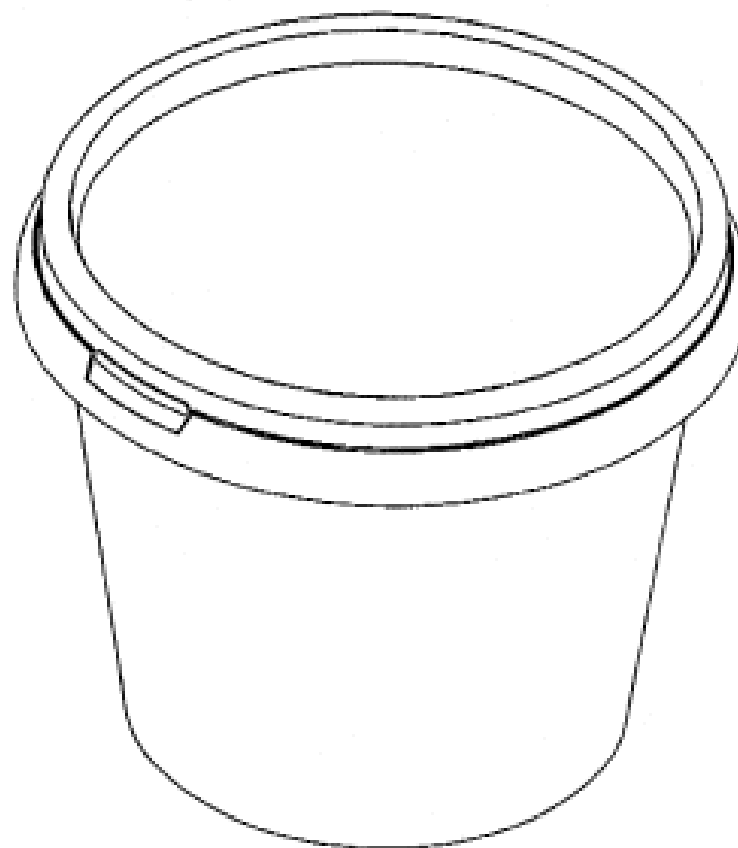
(57) Statement of Newness and Distinctiveness: **In considering the extent of the monopoly sought for the design, the elongate recess marked a, the square recesses marked b, and the biasing means marked c (refer front view) are to be disregarded.**



- (21) Design Number: **16779/2007**
(22) Date of Filing Application: **08 March 2007**
(24) Date from which industrial property rights may have effect: **08 March 2007**
(54) Product in respect of which the design is registered: **Therapeutic device**
(51) International Design Classification: **28-03NES**
(71) Name(s) and Address(s) of Applicant(s):
The Procter & Gamble Company
One Procter & Gamble Plaza Cincinnati Ohio 45202 United States of America
(72) Name(s) of Designer(s): **Elaine Mary Freeland and Kyle William Harris and Rick Pack and Angela M. Reed and Donald Stephen Bretl**
(45) Registration Date: **31 May 2007**
(30) Convention priority data:
(31) Number (32) Date (33) Country
60/843,119 08 Sep 2006 UNITED STATES OF AMERICA
(56) Related Art Documents: **Not Applicable**
(57) Statement of Newness and Distinctiveness: **Newness and distinctiveness reside in the features of shape and/or configuration of the therapeutic device, as shown in the representations. The solid oval-shaped structure can be repeated in any number and location within the claimed design.**



- (21) Design Number: **16780/2007**
(22) Date of Filing Application: **07 March 2007**
(24) Date from which industrial property rights may have effect: **07 March 2007**
(54) Product in respect of which the design is registered: **Tamper evident container**
(51) International Design Classification: **09-01K**
(71) Name(s) and Address(s) of Applicant(s):
Bonson Industrial Co. Limited
43-47 Lansford Crescent Avondale Auckland New Zealand
(72) Name(s) of Designer(s): **David Tsui and Andrew Charles Simpson**
(45) Registration Date: **31 May 2007**
(30) Convention priority data:
(31) Number (32) Date (33) Country
408086 08 Sep 2006 NEW ZEALAND
(56) Related Art Documents: **Not Applicable**
(57) Statement of Newness and Distinctiveness: **Newness and distinctiveness is claimed in the features of shape and configuration as shown in the representations.**



- (21) Design Number: **16781/2007**
(22) Date of Filing Application: **08 March 2007**
(24) Date from which industrial property rights may have effect: **08 March 2007**
(54) Product in respect of which the design is registered: **Chair back outer moulding**
(51) International Design Classification: **06-01NES**
(71) Name(s) and Address(s) of Applicant(s):
Eccosit Industries Pty Ltd
16 Lilian Fowler Place Marrickville New South Wales 2204 Australia
(72) Name(s) of Designer(s): **Peter Wagner**
(45) Registration Date: **31 May 2007**
(56) Related Art Documents: **Not Applicable**
(57) Statement of Newness and Distinctiveness: **Visual features of the design which are new and distinctive are the features of shape and configuration of a chair back outer moulding as illustrated in the representations. The projections formed on the rear face of the moulding are to be disregarded.**



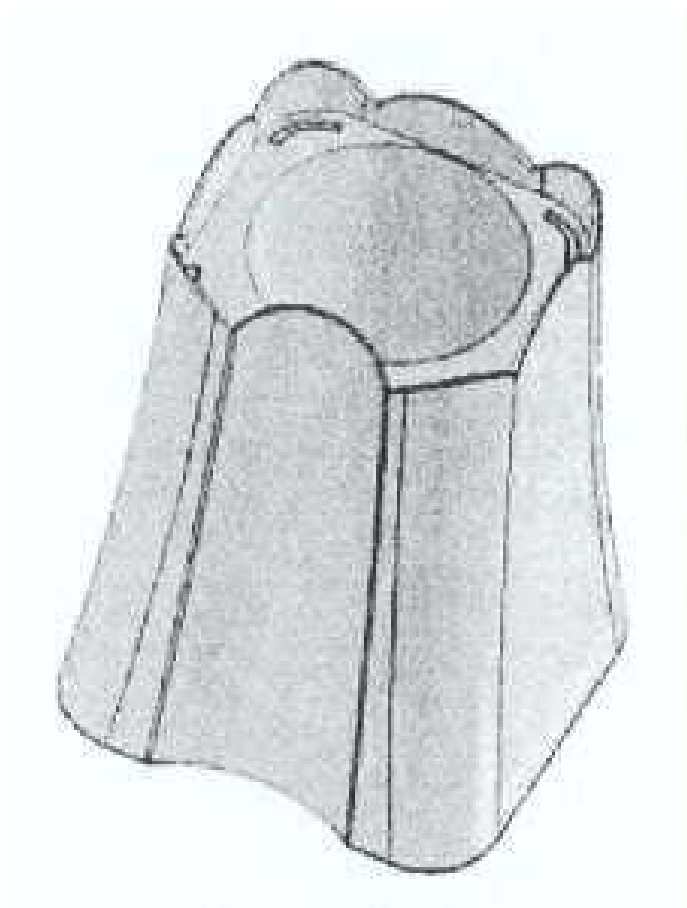
- (21) Design Number: **16782/2007**
(22) Date of Filing Application: **08 March 2007**
(24) Date from which industrial property rights may have effect: **08 March 2007**
(54) Product in respect of which the design is registered: **Chair back outer moulding**
(51) International Design Classification: **06-01NES**
(71) Name(s) and Address(s) of Applicant(s):
Eccosit Industries Pty Ltd
16 Lilian Fowler Place Marrickville New South Wales 2204 Australia
(72) Name(s) of Designer(s): **Peter Wagner**
(45) Registration Date: **31 May 2007**
(56) Related Art Documents: **Not Applicable**
(57) Statement of Newness and Distinctiveness: **Visual features of the design which are new and distinctive are the features of shape and configuration of a chair back outer moulding as illustrated in the representations. The projections formed on the rear face of the moulding are to be disregarded.**



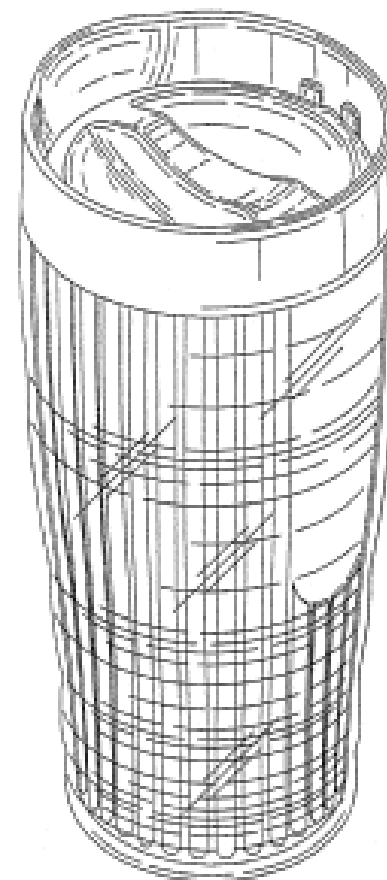
- (21) Design Number: **16783/2007**
(22) Date of Filing Application: **08 March 2007**
(24) Date from which industrial property rights may have effect: **08 March 2007**
(54) Product in respect of which the design is registered: **Chair back outer moulding**
(51) International Design Classification: **06-01NES**
(71) Name(s) and Address(s) of Applicant(s):
Eccosit Industries Pty Ltd
16 Lilian Fowler Place Marrickville New South Wales 2204 Australia
(72) Name(s) of Designer(s): **Peter Wagner**
(45) Registration Date: **31 May 2007**
(56) Related Art Documents: **Not Applicable**
(57) Statement of Newness and Distinctiveness: **Visual features of the design which are new and distinctive are the features of shape and configuration of a chair back outer moulding as illustrated in the representations. The projections formed on the rear face of the moulding are to be disregarded.**



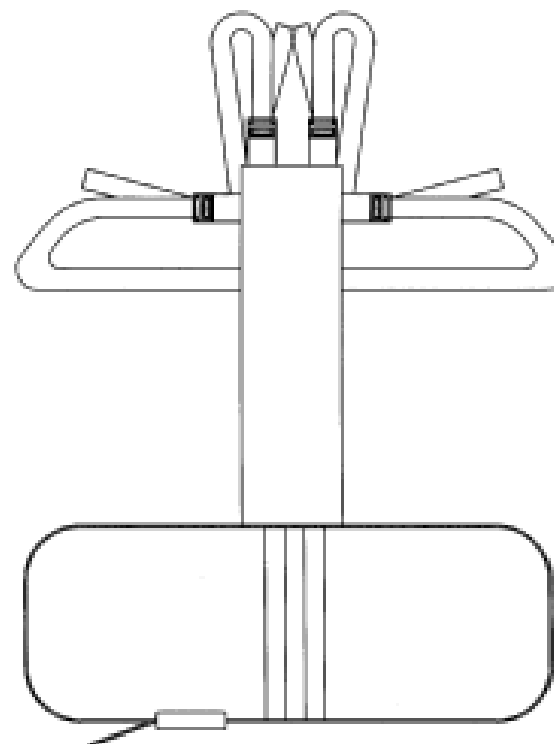
- (21) Design Number: **16784/2007**
(22) Date of Filing Application: **07 March 2007**
(24) Date from which industrial property rights may have effect: **07 March 2007**
(54) Product in respect of which the design is registered: **Container**
(51) International Design Classification: **09-03NES**
(71) Name(s) and Address(s) of Applicant(s):
Rotho BabyDesign GMBH
Albtalstr. 46 St Blasien 79837 Germany
(72) Name(s) of Designer(s): **Peter Gorgen**
(45) Registration Date: **31 May 2007**
(30) Convention priority data:
(31) Number (32) Date (33) Country
000585633-0001 07 Sep 2006 EUROPEAN COMMUNITY
(56) Related Art Documents: **Not Applicable**
(57) Statement of Newness and Distinctiveness: **Nil**



(21) Design Number: **17716/2007**
 (22) Date of Filing Application: **20 February 2007**
 (24) Date from which industrial property rights may have effect: **20 February 2007**
 (54) Product in respect of which the design is registered: **Mug**
 (51) International Design Classification: **07-01D**
 (71) Name(s) and Address(s) of Applicant(s):
Dart Industries Inc.
14901 S. Orange Blossom Trail Orlando Florida 32837 United States of America
 (72) Name(s) of Designer(s): **Hanno Kortleven**
 (45) Registration Date: **31 May 2007**
 (30) Convention priority data:
 (31) Number (32) Date (33) Country
29/265,827 08 Sep 2006 UNITED STATES OF AMERICA
 (56) Related Art Documents: **Not Applicable**
 (57) Statement of Newness and Distinctiveness: **Those features of the mug depicted in the representations that are new and distinctive are the shape and/or configuration.**



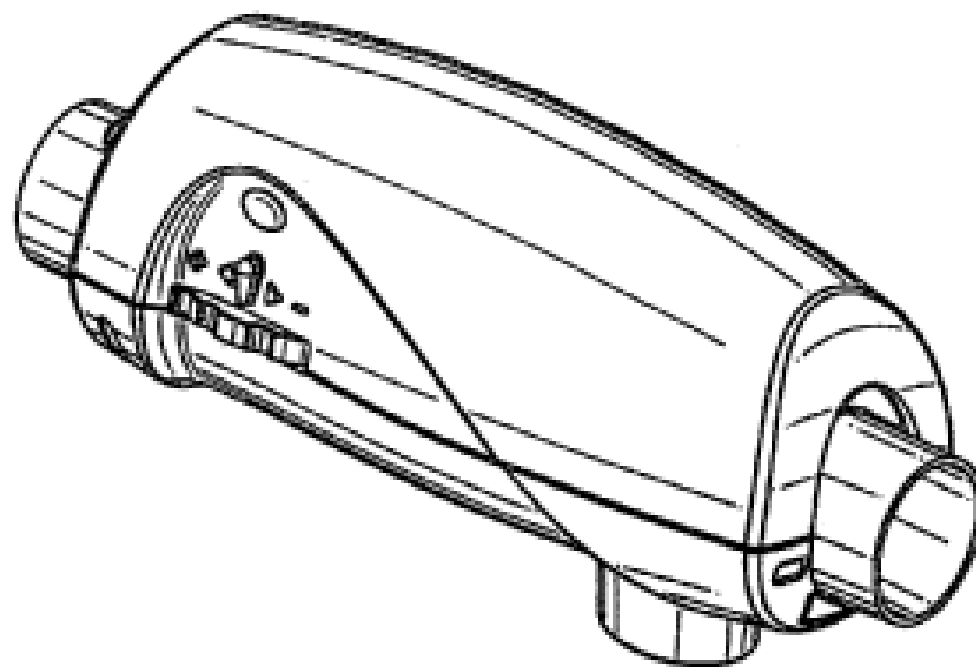
(21) Design Number: **16981/2007**
 (22) Date of Filing Application: **20 March 2007**
 (24) Date from which industrial property rights may have effect: **20 March 2007**
 (54) Product in respect of which the design is registered: **Portable baby highchair**
 (51) International Design Classification: **06-01E**
 (71) Name(s) and Address(s) of Applicant(s):
Jacqueline Barker
136A Birkenhead Avenue Birkenhead North Shore City 0626 New Zealand
 (72) Name(s) of Designer(s): **Jacqueline Barker**
 (45) Registration Date: **01 June 2007**
 (30) Convention priority data:
 (31) Number (32) Date (33) Country
408582 23 Jan 2007 NEW ZEALAND
 (56) Related Art Documents: **Not Applicable**
 (57) Statement of Newness and Distinctiveness: **Nil**



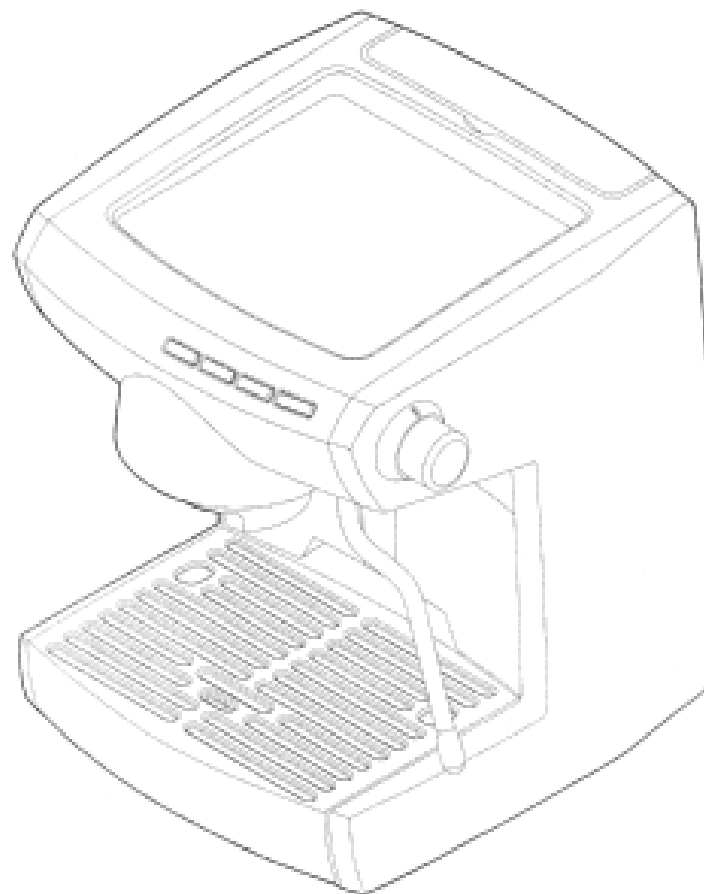
(21) Design Number: **17032/2007**
(22) Date of Filing Application: **22 March 2007**
(24) Date from which industrial property rights may have effect: **22 March 2007**
(54) Product in respect of which the design is registered: **Vacuum cleaner**
(51) International Design Classification: **15-05**
(71) Name(s) and Address(s) of Applicant(s):
Shop-Vac Corporation
2323 Reach Road Williamsport PA 17701 United States of America
(72) Name(s) of Designer(s): **Li H. Liu and John Griffin and Robert Lent Crevling Jr**
(45) Registration Date: **01 June 2007**
(30) Convention priority data:
(31) Number (32) Date (33) Country
29/266505 22 Sep 2006 UNITED STATES OF AMERICA
(56) Related Art Documents: **Not Applicable**
(57) Statement of Newness and Distinctiveness: **Nil**



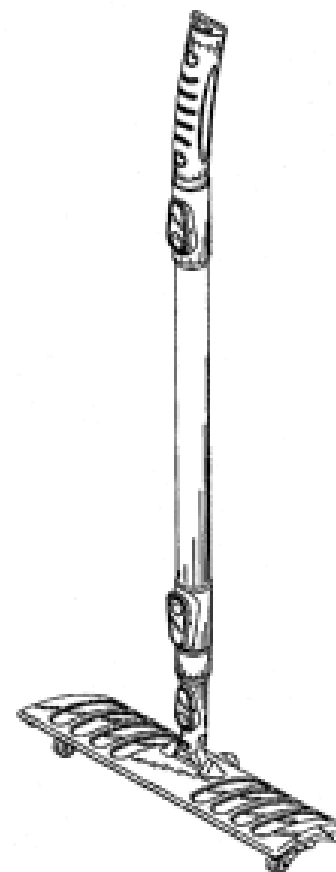
(21) Design Number: **17033/2007**
(22) Date of Filing Application: **22 March 2007**
(24) Date from which industrial property rights may have effect: **22 March 2007**
(54) Product in respect of which the design is registered: **Respiratory therapy device**
(51) International Design Classification: **24-04**
(71) Name(s) and Address(s) of Applicant(s):
Smiths Medical ASD, Inc.
PO Box 724 10 Bowman Drive Keene New Hampshire 03431-0724
United States of America
(72) Name(s) of Designer(s): **Fredrick M. Richards and Robert R. Cianfrocco and Deborah A. Laun**
(45) Registration Date: **01 June 2007**
(30) Convention priority data:
(31) Number (32) Date (33) Country
29/249357 03 Oct 2006 UNITED STATES OF AMERICA
(56) Related Art Documents: **Not Applicable**
(57) Statement of Newness and Distinctiveness: **Newness and distinctiveness is claimed in the features of shape and/or configuration of a respiratory therapy device as illustrated in the accompanying representations.**



- (21) Design Number: **17034/2007**
(22) Date of Filing Application: **22 March 2007**
(24) Date from which industrial property rights may have effect: **22 March 2007**
(54) Product in respect of which the design is registered: **Espresso machine**
(51) International Design Classification: **07-02L**
(71) Name(s) and Address(s) of Applicant(s):
Sunbeam Corporation Limited
Unit 5 & 6 13 Lord Street Botany New South Wales 2019 Australia
(72) Name(s) of Designer(s): **Nick O'Loughlin**
(45) Registration Date: **01 June 2007**
(56) Related Art Documents: **Not Applicable**
(57) Statement of Newness and Distinctiveness: **Newness and distinctiveness in the design as applied to an espresso machine resides in the shape and/or configuration thereof as illustrated in the accompanying drawings.**



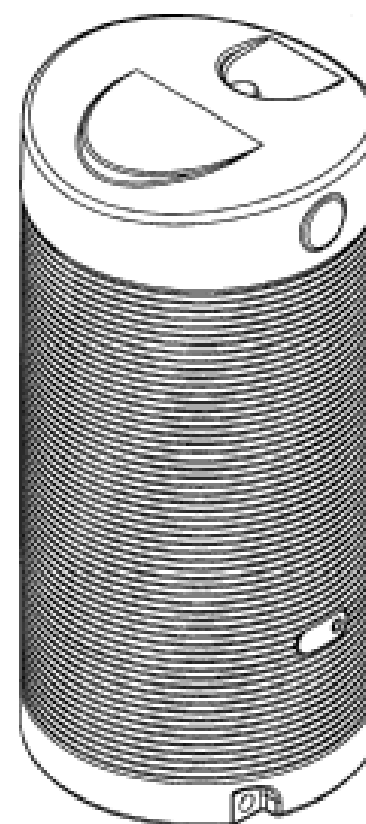
- (21) Design Number: **17044/2007**
(22) Date of Filing Application: **23 March 2007**
(24) Date from which industrial property rights may have effect: **23 March 2007**
(54) Product in respect of which the design is registered: **Magnetic sweeper**
(51) International Design Classification: **04-01**
(71) Name(s) and Address(s) of Applicant(s):
Steelworks Hardware L.L.C.
211 Waukegan Road Suite 300 Northfield Illinois 60093 United States of America
(72) Name(s) of Designer(s): **Pei-Ying Lin and Chanwa Nguy**
(45) Registration Date: **01 June 2007**
(30) Convention priority data:
(31) Number (32) Date (33) Country
29/249,154 25 Sep 2006 UNITED STATES OF AMERICA
(56) Related Art Documents: **Not Applicable**
(57) Statement of Newness and Distinctiveness: **Nil**



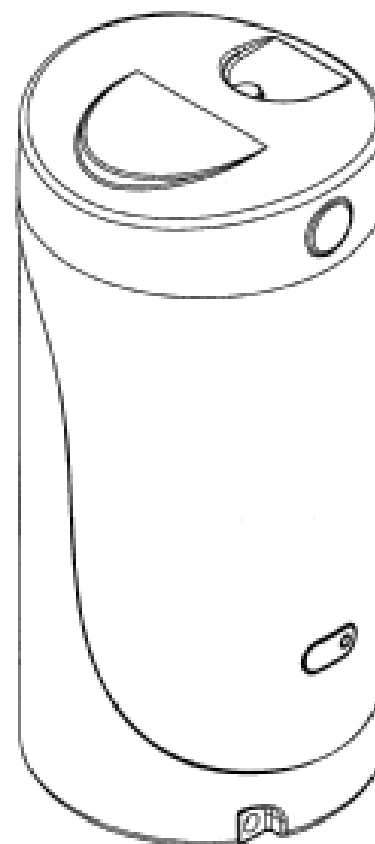
(21) Design Number: **17045/2007**
(22) Date of Filing Application: **23 March 2007**
(24) Date from which industrial property rights may have effect: **23 March 2007**
(54) Product in respect of which the design is registered: **Adjustable shelving**
(51) International Design Classification: **06-04NES**
(71) Name(s) and Address(s) of Applicant(s):
Adapt-It Shelves Limited
81 Stottholm Road Green Bay Auckland New Zealand
(72) Name(s) of Designer(s): **Dask Industries Limited**
(45) Registration Date: **01 June 2007**
(30) Convention priority data:
(31) Number (32) Date (33) Country
408429 04 Dec 2006 NEW ZEALAND
(56) Related Art Documents: **Not Applicable**
(57) Statement of Newness and Distinctiveness: **Nil**



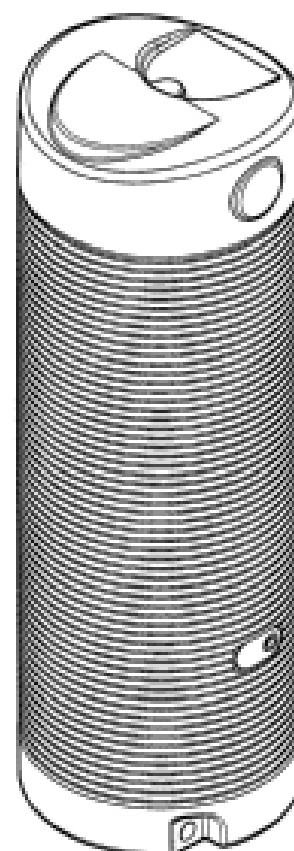
(21) Design Number: **17046/2007**
(22) Date of Filing Application: **23 March 2007**
(24) Date from which industrial property rights may have effect: **23 March 2007**
(54) Product in respect of which the design is registered: **Tank**
(51) International Design Classification: **23-01F**
(71) Name(s) and Address(s) of Applicant(s):
Team Poly Pty Ltd
36 Waddikee Road Lonsdale South Australia 5160 Australia
(72) Name(s) of Designer(s): **Timothy John Hemer**
(45) Registration Date: **01 June 2007**
(56) Related Art Documents: **Not Applicable**
(57) Statement of Newness and Distinctiveness: **Newness and distinctiveness is claimed in the features of shape and/or configuration of a tank as illustrated in the accompanying representations.**



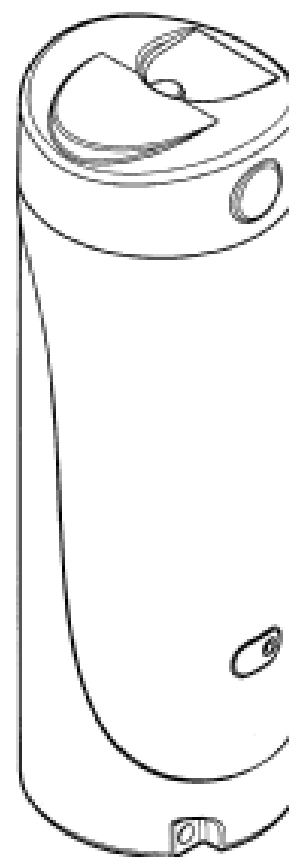
- (21) Design Number: **17047/2007**
- (22) Date of Filing Application: **23 March 2007**
- (24) Date from which industrial property rights may have effect: **23 March 2007**
- (54) Product in respect of which the design is registered: **Tank**
- (51) International Design Classification: **23-01F**
- (71) Name(s) and Address(s) of Applicant(s):
Team Poly Pty Ltd
36 Waddikee Road Lonsdale South Australia 5160 Australia
- (72) Name(s) of Designer(s): **Timothy John Hemer**
- (45) Registration Date: **01 June 2007**
- (56) Related Art Documents: **Not Applicable**
- (57) Statement of Newness and Distinctiveness: **Newness and distinctiveness is claimed in the features of shape and/or configuration of a tank as illustrated in the accompanying representations.**



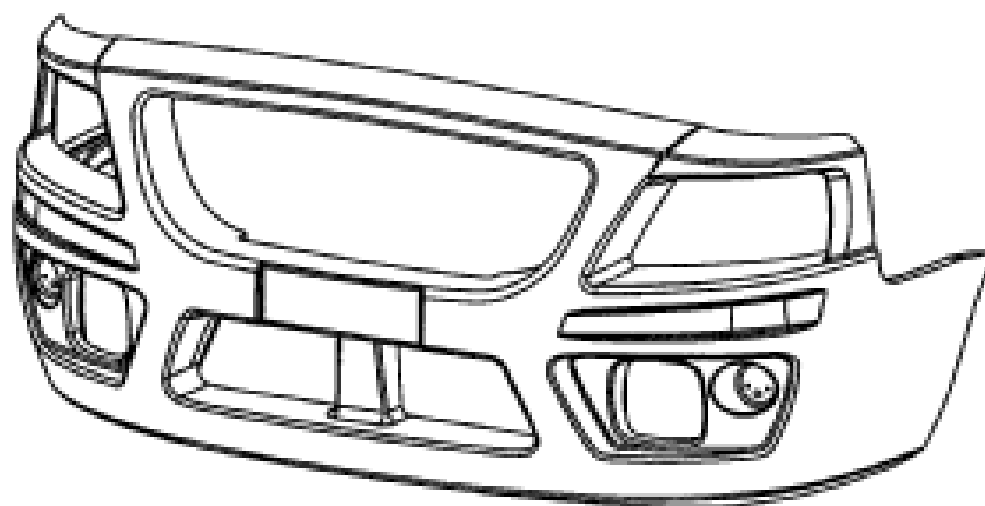
- (21) Design Number: **17048/2007**
- (22) Date of Filing Application: **23 March 2007**
- (24) Date from which industrial property rights may have effect: **23 March 2007**
- (54) Product in respect of which the design is registered: **Tank**
- (51) International Design Classification: **23-01F**
- (71) Name(s) and Address(s) of Applicant(s):
Team Poly Pty Ltd
36 Waddikee Road Lonsdale South Australia 5160 Australia
- (72) Name(s) of Designer(s): **Timothy John Hemer**
- (45) Registration Date: **01 June 2007**
- (56) Related Art Documents: **Not Applicable**
- (57) Statement of Newness and Distinctiveness: **Newness and distinctiveness is claimed in the features of shape and/or configuration of a tank as illustrated in the accompanying representations.**



- (21) Design Number: **17049/2007**
- (22) Date of Filing Application: **23 March 2007**
- (24) Date from which industrial property rights may have effect: **23 March 2007**
- (54) Product in respect of which the design is registered: **Tank**
- (51) International Design Classification: **23-01F**
- (71) Name(s) and Address(s) of Applicant(s):
Team Poly Pty Ltd
36 Waddikee Road Lonsdale South Australia 5160 Australia
- (72) Name(s) of Designer(s): **Timothy John Hemer**
- (45) Registration Date: **01 June 2007**
- (56) Related Art Documents: **Not Applicable**
- (57) Statement of Newness and Distinctiveness: **Newness and distinctiveness is claimed in the features of shape and/or configuration of a tank as illustrated in the accompanying representations.**



- (21) Design Number: **17050/2007**
- (22) Date of Filing Application: **23 March 2007**
- (24) Date from which industrial property rights may have effect: **23 March 2007**
- (54) Product in respect of which the design is registered: **Front bumper for a vehicle**
- (51) International Design Classification: **12-16B**
- (71) Name(s) and Address(s) of Applicant(s):
Team Poly Pty Ltd
36 Waddikee Road Lonsdale South Australia 5160 Australia
- (72) Name(s) of Designer(s): **Joshua Luke Wundersitz**
- (45) Registration Date: **01 June 2007**
- (56) Related Art Documents: **Not Applicable**
- (57) Statement of Newness and Distinctiveness: **Newness and distinctiveness is claimed in the features of shape and/or configuration of a front bumper for a vehicle as illustrated in the accompanying representations.**



(21) Design Number: **17051/2007**

(22) Date of Filing Application: **23 March 2007**

(24) Date from which industrial property rights may have effect: **23 March 2007**

(54) Product in respect of which the design is registered: **Front bumper for a vehicle**

(51) International Design Classification: **12-16B**

(71) Name(s) and Address(s) of Applicant(s):

Team Poly Pty Ltd

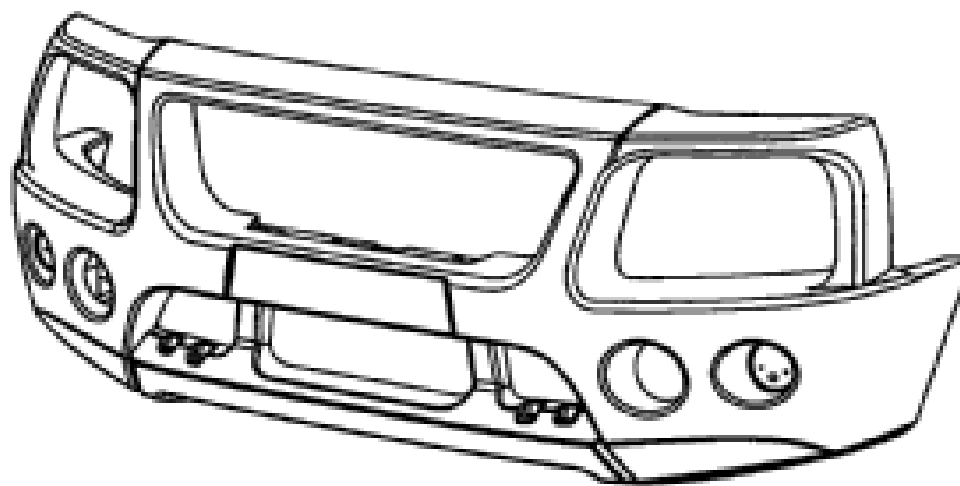
36 Waddikee Road Lonsdale South Australia 5160 Australia

(72) Name(s) of Designer(s): **Timothy John Hemer**

(45) Registration Date: **01 June 2007**

(56) Related Art Documents: **Not Applicable**

(57) Statement of Newness and Distinctiveness: **Newness and distinctiveness is claimed in the features of shape and/or configuration of a front bumper for a vehicle as illustrated in the accompanying representations.**



(21) Design Number: **17052/2007**

(22) Date of Filing Application: **23 March 2007**

(24) Date from which industrial property rights may have effect: **23 March 2007**

(54) Product in respect of which the design is registered: **Front bumper for a vehicle**

(51) International Design Classification: **12-16B**

(71) Name(s) and Address(s) of Applicant(s):

Team Poly Pty Ltd

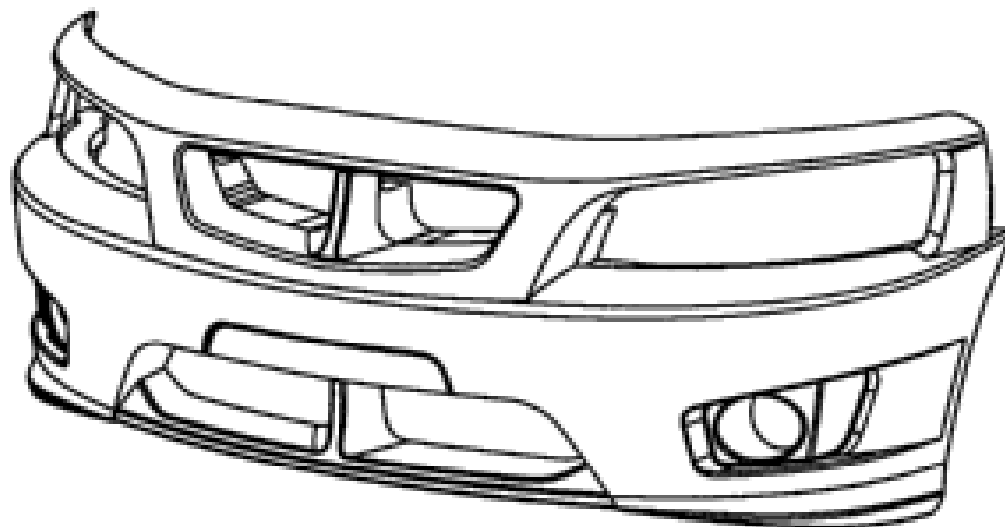
36 Waddikee Road Lonsdale South Australia 5160 Australia

(72) Name(s) of Designer(s): **Timothy John Hemer**

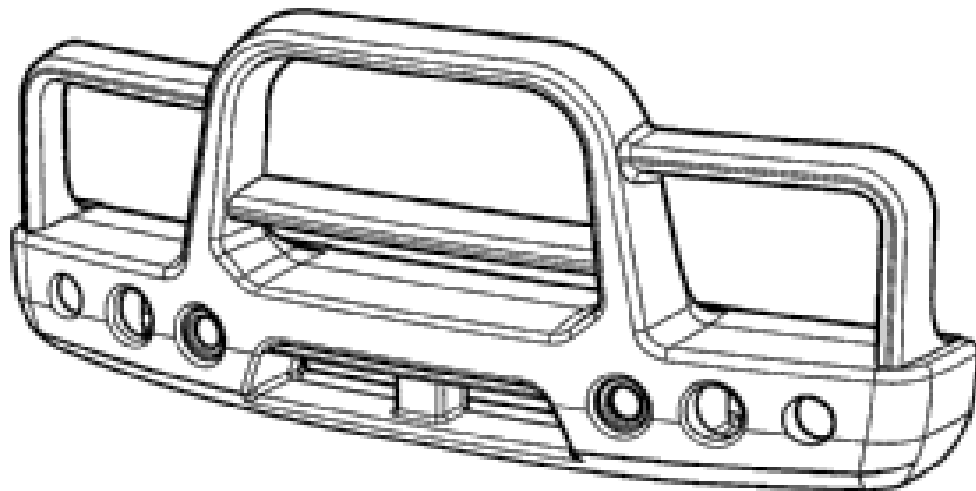
(45) Registration Date: **01 June 2007**

(56) Related Art Documents: **Not Applicable**

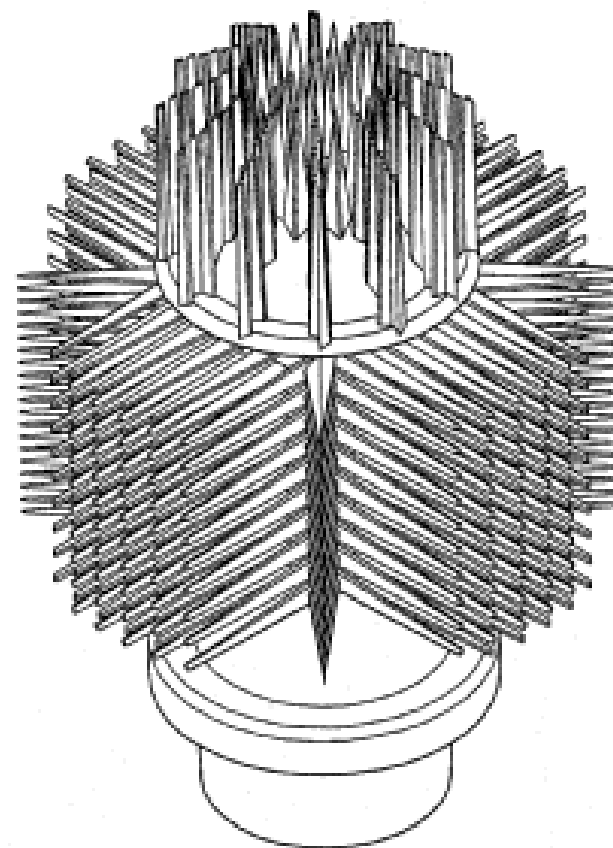
(57) Statement of Newness and Distinctiveness: **Newness and distinctiveness is claimed in the features of shape and/or configuration of a front bumper for a vehicle as illustrated in the accompanying representations.**



- (21) Design Number: **17053/2007**
(22) Date of Filing Application: **23 March 2007**
(24) Date from which industrial property rights may have effect: **23 March 2007**
(54) Product in respect of which the design is registered: **Front bumper for a vehicle**
(51) International Design Classification: **12-16B**
(71) Name(s) and Address(s) of Applicant(s):
Team Poly Pty Ltd
36 Waddikee Road Lonsdale South Australia 5160 Australia
(72) Name(s) of Designer(s): **Joshua Luke Wundersitz**
(45) Registration Date: **01 June 2007**
(56) Related Art Documents: **Not Applicable**
(57) Statement of Newness and Distinctiveness: **Newness and distinctiveness is claimed in the features of shape and/or configuration of a front bumper for a vehicle as illustrated in the accompanying representations.**



- (21) Design Number: **17168/2007**
(22) Date of Filing Application: **22 March 2007**
(24) Date from which industrial property rights may have effect: **22 March 2007**
(54) Product in respect of which the design is registered: **Mouth sampler**
(51) International Design Classification: **24-02**
(71) Name(s) and Address(s) of Applicant(s):
Rovers Medical Devices B.V.
Lekstraat 10 5347 KV Oss The Netherlands
(72) Name(s) of Designer(s): **Meindert Durk Zwart**
(45) Registration Date: **01 June 2007**
(30) Convention priority data:
(31) Number (32) Date (33) Country
000609763#0001 25 Oct 2006 EUROPEAN COMMUNITY
(56) Related Art Documents: **Not Applicable**
(57) Statement of Newness and Distinctiveness: **Nil**



(21) Design Number: **17714/2007**

(22) Date of Filing Application: **04 May 2007**

(24) Date from which industrial property rights may have effect: **04 May 2007**

(54) Product in respect of which the design is registered: **USB hub**

(51) International Design Classification: **14-02**

(71) Name(s) and Address(s) of Applicant(s):

Belkin Corporation
501 West Walnut Street Compton California 90220 United States of America

(72) Name(s) of Designer(s): **Kenneth Mori**

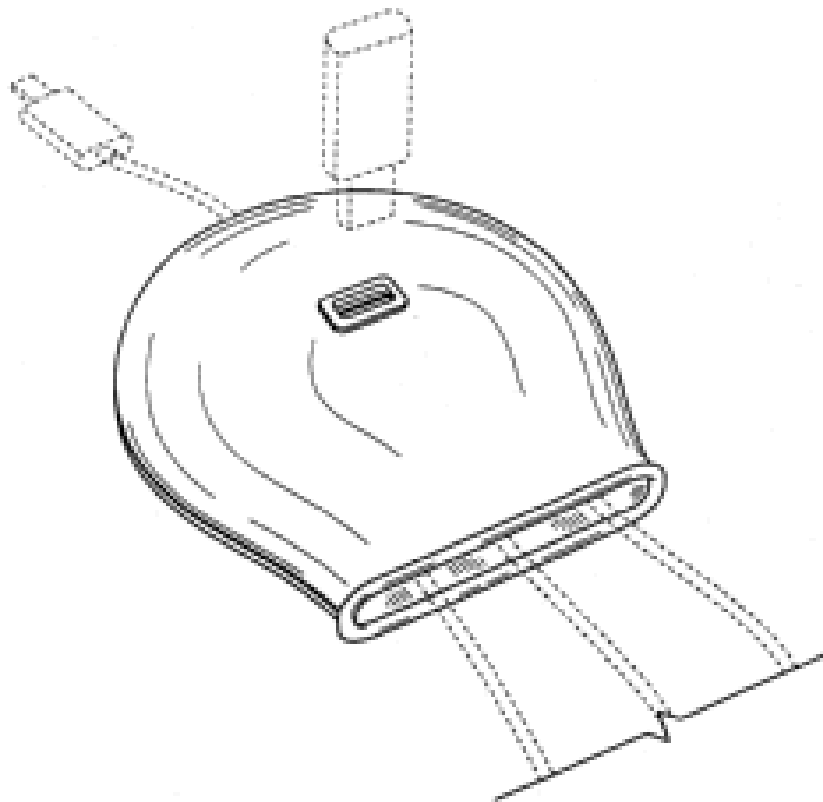
(45) Registration Date: **01 June 2007**

(30) Convention priority data:

(31) Number	(32) Date	(33) Country
29/250,843	01 Dec 2006	UNITED STATES OF AMERICA

(56) Related Art Documents: **Not Applicable**

(57) Statement of Newness and Distinctiveness: **Those features of the USB hub depicted in the representations that are new and distinctive are the shape and/or configuration. The features shown in broken line are not part of the design and are to be disregarded when considering the overall impression of the design.**



(21) Design Number: **16406/2007**

(22) Date of Filing Application: **13 February 2007**

(24) Date from which industrial property rights may have effect: **13 February 2007**

(54) Product in respect of which the design is registered: **Ladies business shirt**

(51) International Design Classification: **02-02NES**

(71) Name(s) and Address(s) of Applicant(s):

Mr Rose Pty Ltd
53 Whaling Road North Sydney New South Wales 2060 Australia

(72) Name(s) of Designer(s): **Sophie Toohey**

(45) Registration Date: **04 June 2007**

(56) Related Art Documents: **Not Applicable**

(57) Statement of Newness and Distinctiveness: **Combination of elongated button panel, french cuffs and high, curved pointed collar.**



- (21) Design Number: **16407/2007**
(22) Date of Filing Application: **13 February 2007**
(24) Date from which industrial property rights may have effect: **13 February 2007**
(54) Product in respect of which the design is registered: **Ladies tuxedo-style business shirt**
(51) International Design Classification: **02-02NES**
(71) Name(s) and Address(s) of Applicant(s):
Mr Rose Pty Ltd
53 Whaling Road North Sydney New South Wales 2060 Australia
(72) Name(s) of Designer(s): **Sophie Toohey**
(45) Registration Date: **04 June 2007**
(56) Related Art Documents: **Not Applicable**
(57) Statement of Newness and Distinctiveness: **Combination of elongated button panel, two-tone buttons, french cuffs and pin-tucked bib.**



- (21) Design Number: **16579/2007**
(22) Date of Filing Application: **22 February 2007**
(24) Date from which industrial property rights may have effect: **22 February 2007**
(54) Product in respect of which the design is registered: **Floor mounted mixer for bath filling etc**
(51) International Design Classification: **23-01H**
(71) Name(s) and Address(s) of Applicant(s):
Vola A/S
Lunavej 2 8700 Horsens Denmark
(72) Name(s) of Designer(s): **Mogens Kristensen and Torben Madsen**
(45) Registration Date: **04 June 2007**
(30) Convention priority data:

(31) Number	(32) Date	(33) Country
000666193	08 Feb 2007	DENMARK

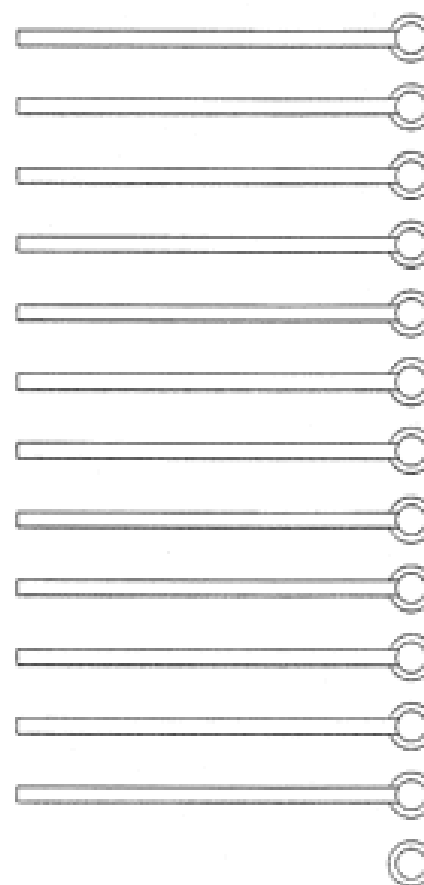
(56) Related Art Documents: **Not Applicable**
(57) Statement of Newness and Distinctiveness: **Nil**



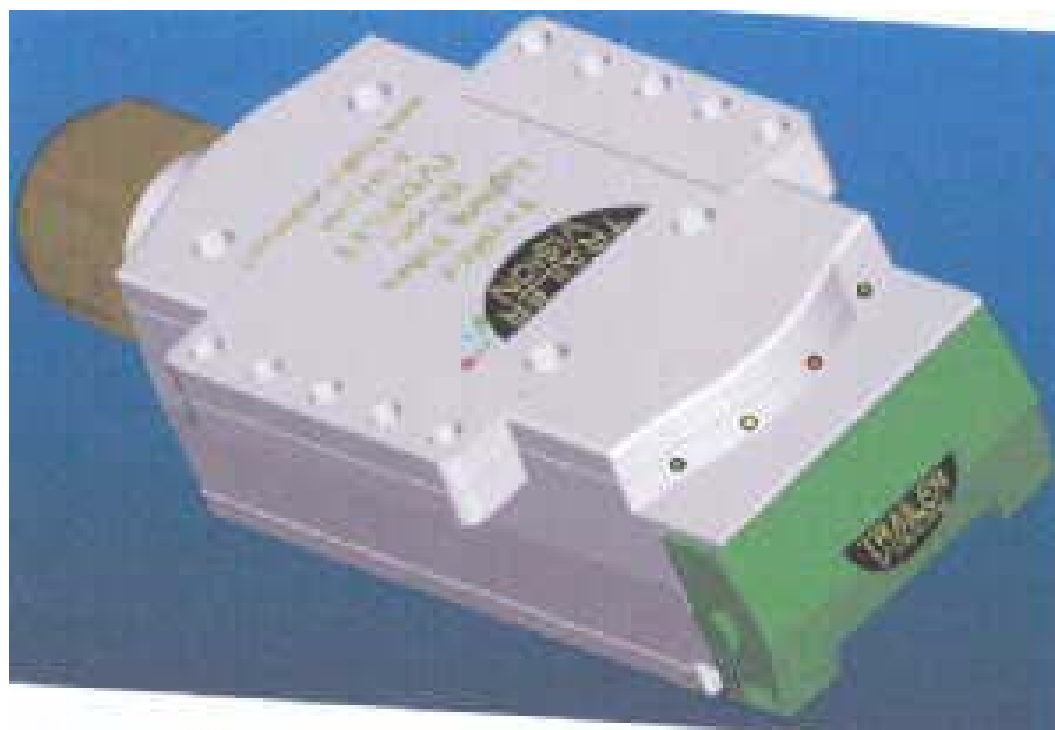
(21) Design Number: **16580/2007**
 (22) Date of Filing Application: **22 February 2007**
 (24) Date from which industrial property rights may have effect: **22 February 2007**
 (54) Product in respect of which the design is registered: **Heated towel rail**
 (51) International Design Classification: **07-05D**
 (71) Name(s) and Address(s) of Applicant(s):
Vola A/S
Lunavej 2 8700 Horsens Denmark
 (72) Name(s) of Designer(s): **Morgens Kristensen and Torben Madsen**
 (45) Registration Date: **04 June 2007**
 (30) Convention priority data:

(31) Number	(32) Date	(33) Country
000666193	08 Feb 2007	DENMARK

 (56) Related Art Documents: **Not Applicable**
 (57) Statement of Newness and Distinctiveness: **Nil**



(21) Design Number: **16599/2007**
 (22) Date of Filing Application: **26 February 2007**
 (24) Date from which industrial property rights may have effect: **26 February 2007**
 (54) Product in respect of which the design is registered: **Universal trailer socket**
 (51) International Design Classification: **12-16L**
 (71) Name(s) and Address(s) of Applicant(s):
Dennis Ronald Gravolin
271 River Street Maclean New South Wales 2463 Australia
Sandra Lorraine Gravolin
271 River Street Maclean New South Wales 2463 Australia
 (72) Name(s) of Designer(s): **Dennis Ronald Gravolin and Sandra Lorraine Gravolin**
 (45) Registration Date: **04 June 2007**
 (56) Related Art Documents: **Not Applicable**
 (57) Statement of Newness and Distinctiveness: **Identify particular visual features of the design as new and distinctive. A special contour shape of the main body assembly which includes the following. 2 large 5 hole mounting brackets moulded in main body assembly. Front of dust cover slightly curved shape with extended curved grips. Inside of dust cover insert for round magnet. Contour curved front with four different coloured LED lights. One LED light above connector assembly. Adjustable cable gland grips assembly at rear of socket. Removable top cover outside with 5 hole brackets with special contour shape features front and rear including 4 recessed holes for mounting screws and 4 rubber seal push in inserts. Underneath top cover inside, recessed contour shape for rubber seal insert, and 4 recessed holes for rubber O rings inserts, large printed wiring diagram razed. Removable bottom cover outside with special contour shape including 4 recessed holes for mounting screws and 4 rubber seals push in inserts. Underneath bottom cover inside recessed contour shape for rubber seal insert, and 4 recessed holes for rubber O rings inserts, large printed wiring diagram razed. Main cab assembly inside top view, special contour shape dustproof lip, large imbedded insert to cater for electrical modules, 2 terminal position near cable gland entry, contour recessed indentation in front of terminal connectors to house reed switch, extra long insulation separators between terminals for wiring connection. Inside of main cab assembly bottom view, special contour shape dustproof lip, large imbedded insert to cater for electrical modules, extra long insulation**



(12) AUSTRALIAN REGISTERED DESIGN
(19) AU

(11) AU-S- 314362

(21) Design Number: **16604/2007**

(22) Date of Filing Application: **23 February 2007**

(24) Date from which industrial property rights may have effect: **23 February 2007**

(54) Product in respect of which the design is registered: **Nail polish bottle and applicator**

(51) International Design Classification: **28-02**

(71) Name(s) and Address(s) of Applicant(s):

Keeley Smith

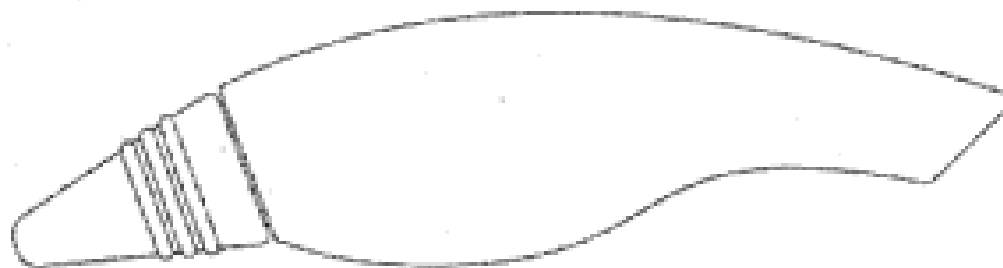
12 Albany Close Runcorn Queensland 4113 Australia

(72) Name(s) of Designer(s): **Keeley Smith**

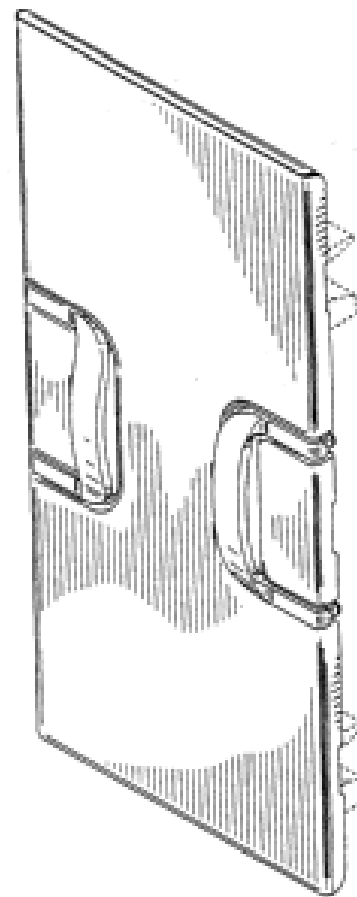
(45) Registration Date: **04 June 2007**

(56) Related Art Documents: **Not Applicable**

(57) Statement of Newness and Distinctiveness: **Nail polish brush is joined to nail polish reservoir. Bottle is ergonomically designed for a persons hand.**



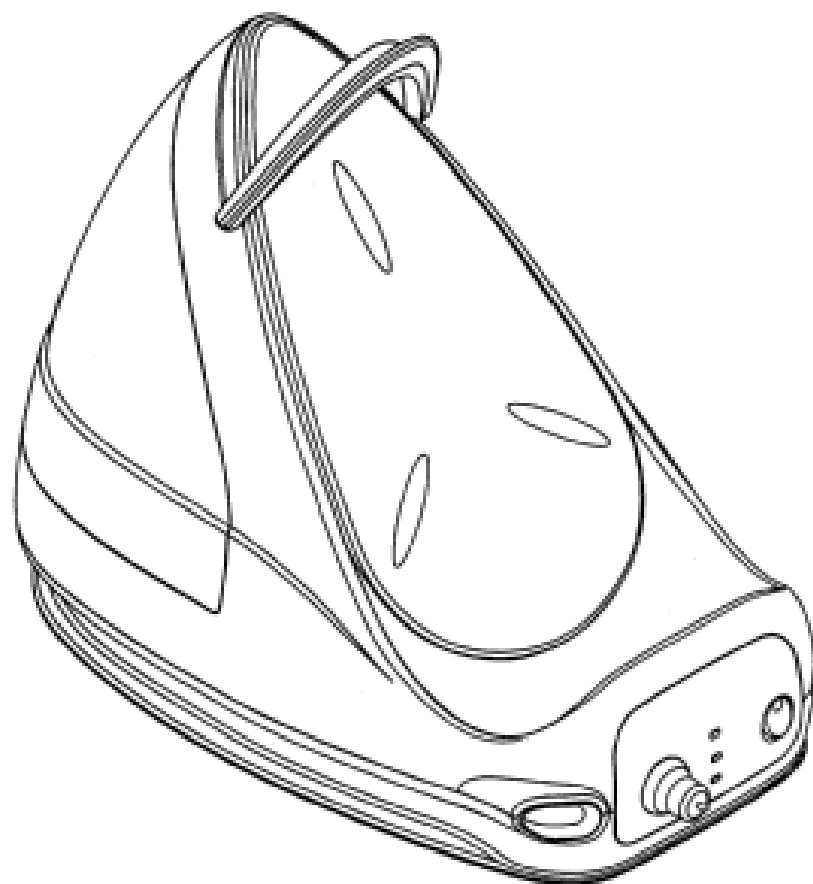
(21) Design Number: **16641/2007**
(22) Date of Filing Application: **27 February 2007**
(24) Date from which industrial property rights may have effect: **27 February 2007**
(54) Product in respect of which the design is registered: **Door for communications cabinet or rack**
(51) International Design Classification: **25-02B**
(71) Name(s) and Address(s) of Applicant(s):
CommScope Solutions Properties, LLC
1285 Southern Way Sparks NV 89431 United States of America
(72) Name(s) of Designer(s): **Scott Keith and Golam Mabud Choudhury**
(45) Registration Date: **04 June 2007**
(30) Convention priority data:
(31) Number (32) Date (33) Country
29/265,224 28 Aug 2006 UNITED STATES OF AMERICA
(56) Related Art Documents: **Not Applicable**
(57) Statement of Newness and Distinctiveness: **Nil**



(21) Design Number: **16751/2007**
(22) Date of Filing Application: **05 March 2007**
(24) Date from which industrial property rights may have effect: **05 March 2007**
(54) Product in respect of which the design is registered: **Display of an electronic device**
(51) International Design Classification: **14-04**
(71) Name(s) and Address(s) of Applicant(s):
Palmerston Limited
2nd Floor Sixty Circular Road Douglas Isle of Man
(72) Name(s) of Designer(s): **Anthony Lawrence**
(45) Registration Date: **04 June 2007**
(56) Related Art Documents: **Not Applicable**
(57) Statement of Newness and Distinctiveness: **Nil**



- (21) Design Number: **16764/2007**
(22) Date of Filing Application: **07 March 2007**
(24) Date from which industrial property rights may have effect: **07 March 2007**
(54) Product in respect of which the design is registered: **Steam generating base for laundry iron**
(51) International Design Classification: **07-05A**
(71) Name(s) and Address(s) of Applicant(s):
Calor
Place Ambroise Courtois Lyon 69008 France
(72) Name(s) of Designer(s): **Fabrice Renault**
(45) Registration Date: **04 June 2007**
(30) Convention priority data:
(31) Number (32) Date (33) Country
06/4403 27 Sep 2006 FRANCE
(56) Related Art Documents: **Not Applicable**
(57) Statement of Newness and Distinctiveness: **Nil**



- (21) Design Number: **16766/2007**
(22) Date of Filing Application: **07 March 2007**
(24) Date from which industrial property rights may have effect: **07 March 2007**
(54) Product in respect of which the design is registered: **Elongate tank**
(51) International Design Classification: **23-01F**
(71) Name(s) and Address(s) of Applicant(s):
Stratco (Australia) Pty Limited
125 Cavan Road Gepps Cross South Australia 5094 Australia
(72) Name(s) of Designer(s): **Kris Hennessy and Frank Iglio**
(45) Registration Date: **04 June 2007**
(56) Related Art Documents: **Not Applicable**
(57) Statement of Newness and Distinctiveness: **Newness and distinctiveness is claimed in the shape and/or configuration of an elongate tank as shown in the representations.**



(21) Design Number: **16767/2007**

(22) Date of Filing Application: **07 March 2007**

(24) Date from which industrial property rights may have effect: **07 March 2007**

(54) Product in respect of which the design is registered: **Round tank**

(51) International Design Classification: **23-01F**

(71) Name(s) and Address(s) of Applicant(s):

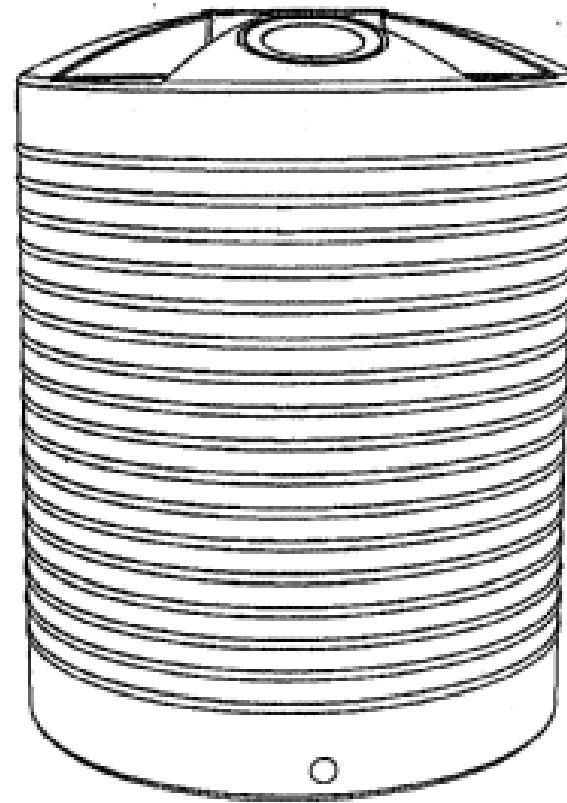
Stratco (Australia) Pty Limited
125 Cavan Road Gepps Cross South Australia 5094 Australia

(72) Name(s) of Designer(s): **Kris Hennessy and Frank Iglio**

(45) Registration Date: **04 June 2007**

(56) Related Art Documents: **Not Applicable**

(57) Statement of Newness and Distinctiveness: **Newness and distinctiveness is claimed in the shape and/or configuration of a round tank as shown in the representations.**



(21) Design Number: **16785/2007**

(22) Date of Filing Application: **08 March 2007**

(24) Date from which industrial property rights may have effect: **08 March 2007**

(54) Product in respect of which the design is registered: **Bag**

(51) International Design Classification: **03-01D**

(71) Name(s) and Address(s) of Applicant(s):

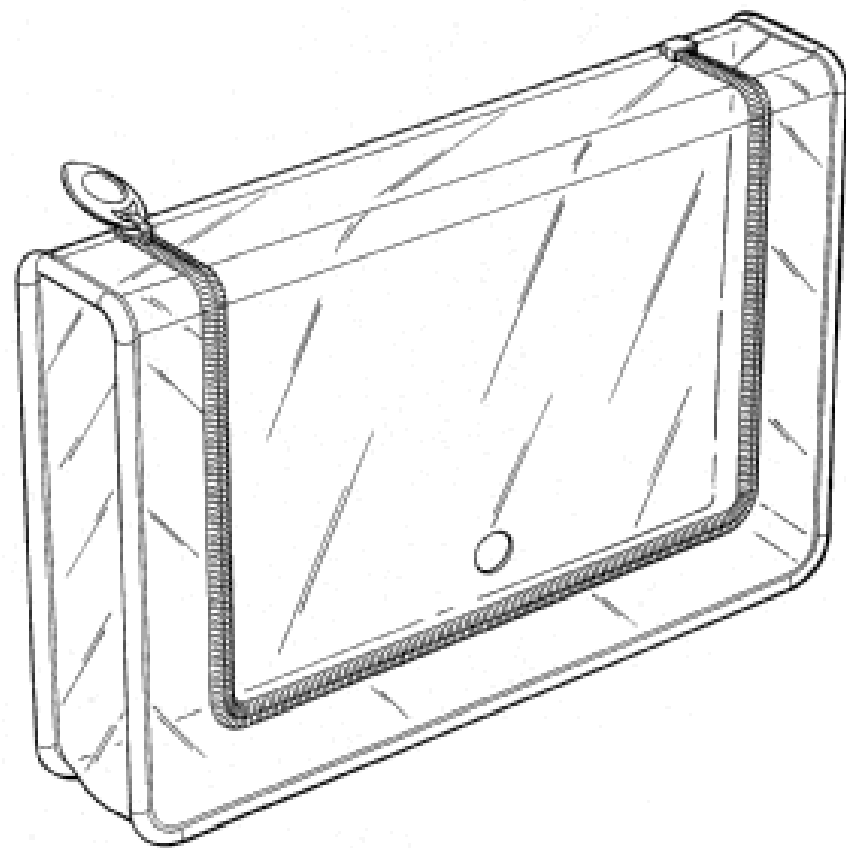
Ozbags Pty Ltd
4 Bowden Street Woollahra New South Wales 2025 Australia

(72) Name(s) of Designer(s): **Mark Armstrong and Heather Vousden**

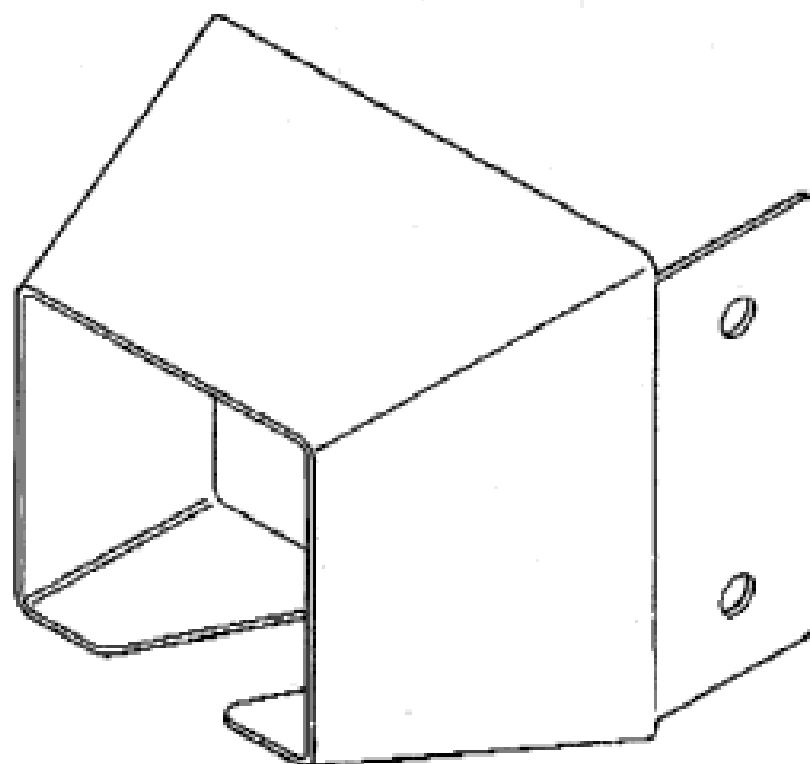
(45) Registration Date: **04 June 2007**

(56) Related Art Documents: **Not Applicable**

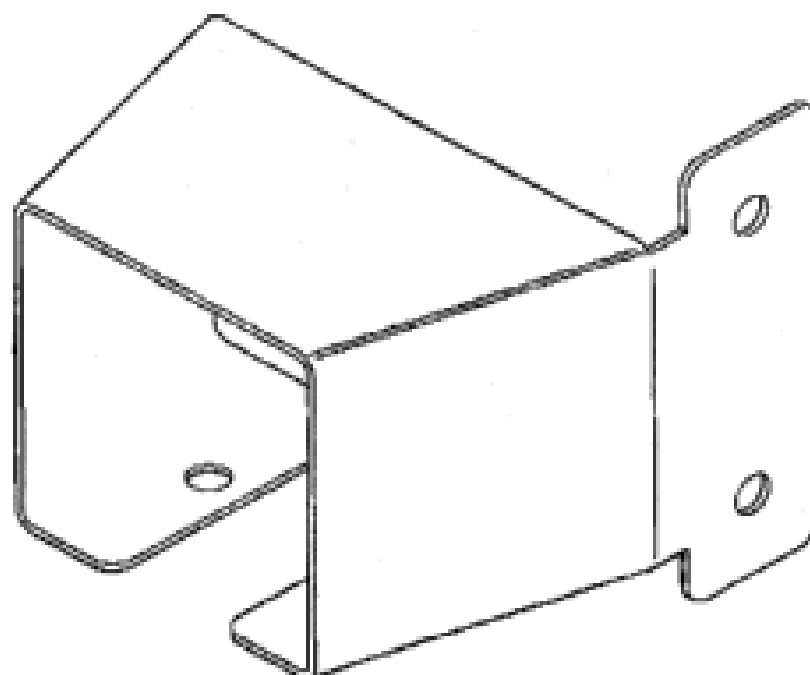
(57) Statement of Newness and Distinctiveness: **Newness and distinctiveness is claimed in the features of shape and/or configuration of a bag, including a complying airplane toiletry bag, as illustrated in the accompanying representations.**



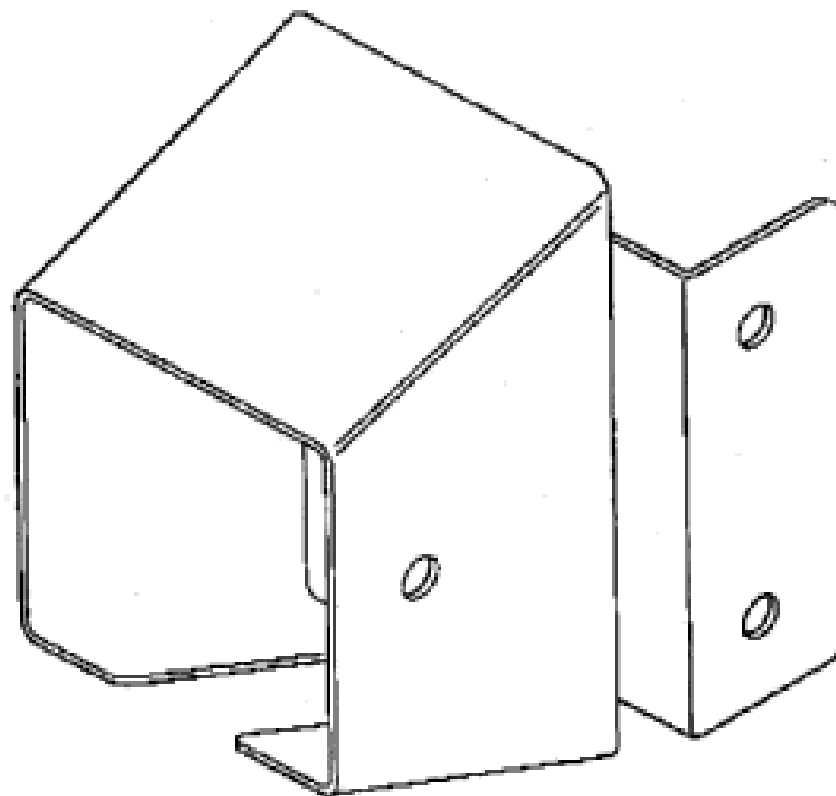
(21) Design Number: **16786/2007**
(22) Date of Filing Application: **08 March 2007**
(24) Date from which industrial property rights may have effect: **08 March 2007**
(54) Product in respect of which the design is registered: **Support bracket**
(51) International Design Classification: **08-08NES**
(71) Name(s) and Address(s) of Applicant(s):
Lance Malcolm Vater
Unit 7 538 Portrush Road St Georges South Australia 5064 Australia
(72) Name(s) of Designer(s): **Lance Malcolm Vater**
(45) Registration Date: **04 June 2007**
(56) Related Art Documents: **Not Applicable**
(57) Statement of Newness and Distinctiveness: **Nil**



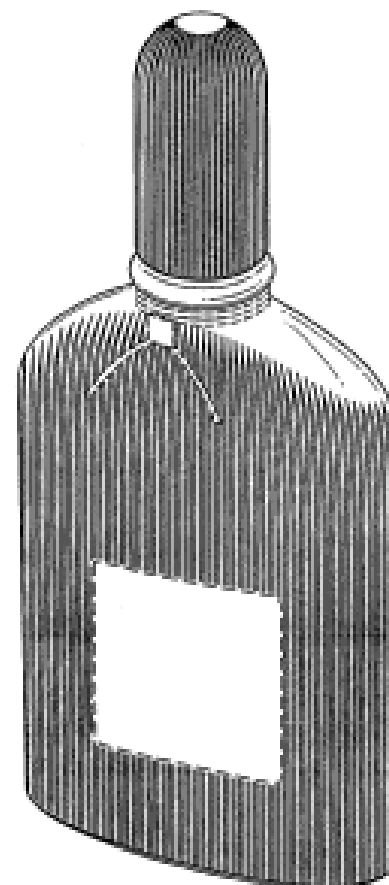
(21) Design Number: **16787/2007**
(22) Date of Filing Application: **08 March 2007**
(24) Date from which industrial property rights may have effect: **08 March 2007**
(54) Product in respect of which the design is registered: **Support bracket**
(51) International Design Classification: **08-08NES**
(71) Name(s) and Address(s) of Applicant(s):
Lance Malcolm Vater
Unit 7 538 Portrush Road St Georges South Australia 5064 Australia
(72) Name(s) of Designer(s): **Lance Malcolm Vater**
(45) Registration Date: **04 June 2007**
(56) Related Art Documents: **Not Applicable**
(57) Statement of Newness and Distinctiveness: **Nil**



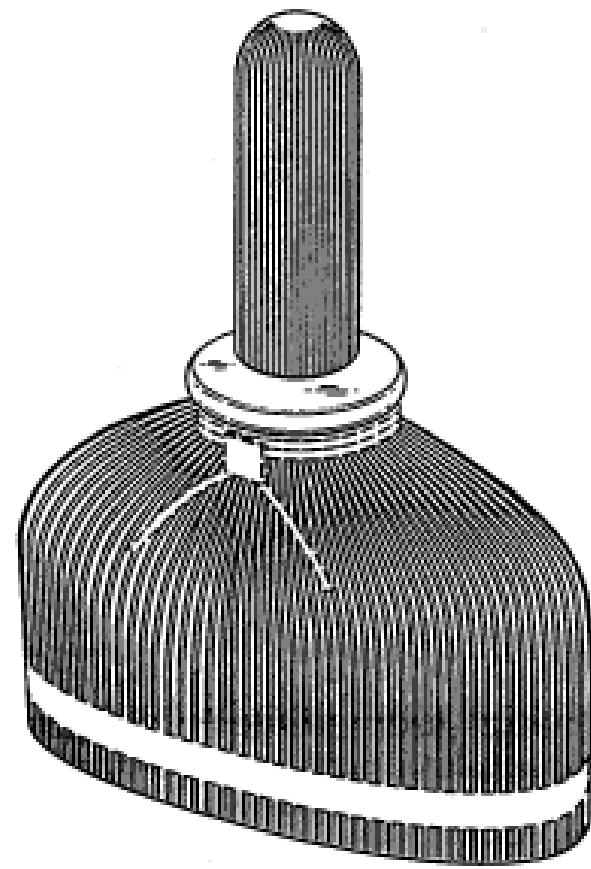
(21) Design Number: **16788/2007**
(22) Date of Filing Application: **08 March 2007**
(24) Date from which industrial property rights may have effect: **08 March 2007**
(54) Product in respect of which the design is registered: **Support bracket**
(51) International Design Classification: **08-08NES**
(71) Name(s) and Address(s) of Applicant(s):
Lance Malcolm Vater
Unit 7 538 Portrush Road St Georges South Australia 5064 Australia
(72) Name(s) of Designer(s): **Lance Malcolm Vater**
(45) Registration Date: **04 June 2007**
(56) Related Art Documents: **Not Applicable**
(57) Statement of Newness and Distinctiveness: **Nil**



(21) Design Number: **16791/2007**
(22) Date of Filing Application: **08 March 2007**
(24) Date from which industrial property rights may have effect: **08 March 2007**
(54) Product in respect of which the design is registered: **Bottle**
(51) International Design Classification: **09-01G**
(71) Name(s) and Address(s) of Applicant(s):
001 Corporation
2906 Thousand Oaks Austin Texas 78746 United States of America
(72) Name(s) of Designer(s): **Peter P. Poopat and Douglas Lloyd**
(45) Registration Date: **04 June 2007**
(30) Convention priority data:
(31) Number (32) Date (33) Country
29/249,225 27 Sep 2006 UNITED STATES OF AMERICA
(56) Related Art Documents: **Not Applicable**
(57) Statement of Newness and Distinctiveness: **Those features of the bottle depicted in the representations that are new and distinctive are the shape and/or configuration. The features shown in broken lines are to be disregarded when considering the overall impression of the design.**



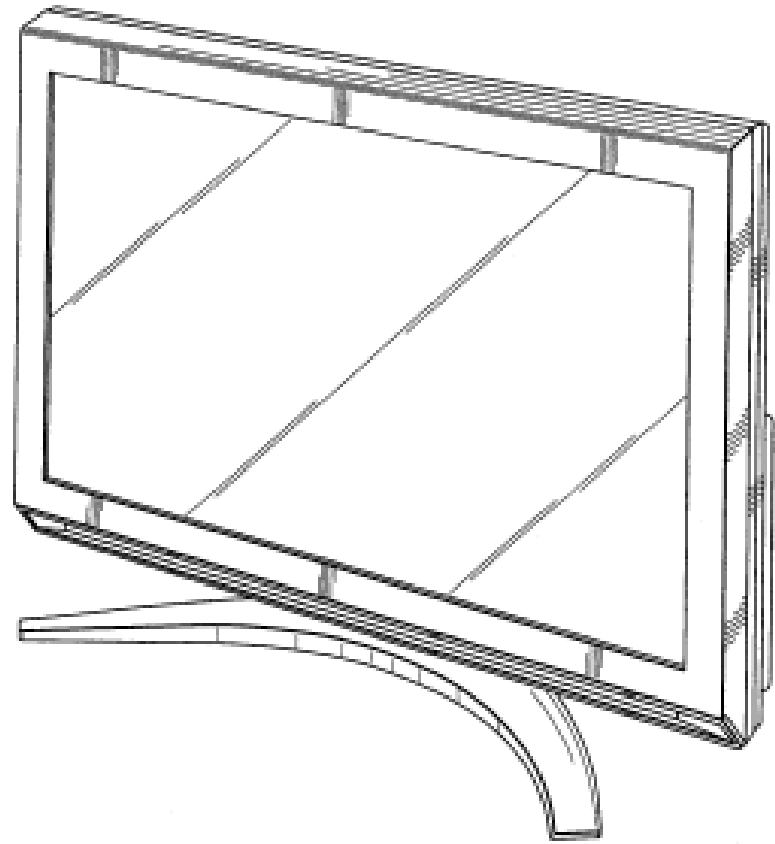
- (21) Design Number: **16792/2007**
(22) Date of Filing Application: **08 March 2007**
(24) Date from which industrial property rights may have effect: **08 March 2007**
(54) Product in respect of which the design is registered: **Bottle**
(51) International Design Classification: **09-01G**
(71) Name(s) and Address(s) of Applicant(s):
001 Corporation
2906 Thousand Oaks Austin Texas 78746 United States of America
(72) Name(s) of Designer(s): **Lara Modjeski**
(45) Registration Date: **04 June 2007**
(30) Convention priority data:
(31) Number (32) Date (33) Country
29/249,221 27 Sep 2006 UNITED STATES OF AMERICA
(56) Related Art Documents: **Not Applicable**
(57) Statement of Newness and Distinctiveness: **Those features of the bottle depicted in the representations that are new and distinctive are the shape and/or configuration. The features shown in broken lines are to be disregarded when considering the overall impression of the design.**



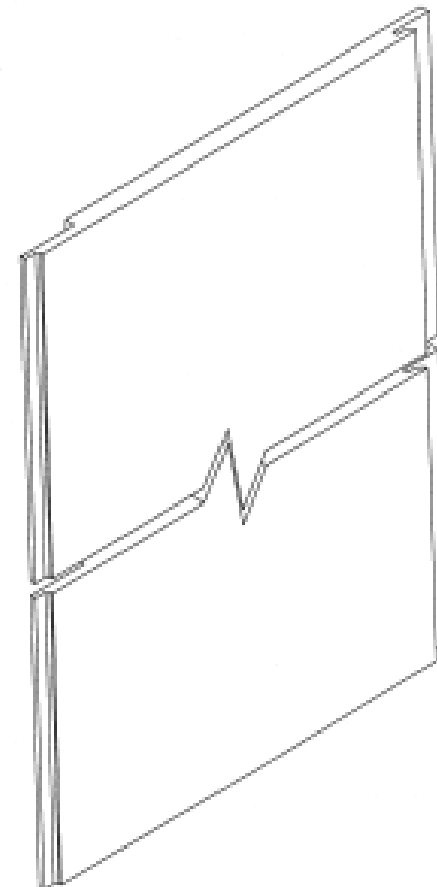
- (21) Design Number: **16794/2007**
(22) Date of Filing Application: **08 March 2007**
(24) Date from which industrial property rights may have effect: **08 March 2007**
(54) Product in respect of which the design is registered: **Pouch**
(51) International Design Classification: **03-01B**
(71) Name(s) and Address(s) of Applicant(s):
Cashmere Blazer Pty Ltd
6 Chelmsford Street Kensington Victoria 3031 Australia
(72) Name(s) of Designer(s): **Stuart Neil Crumpler**
(45) Registration Date: **04 June 2007**
(56) Related Art Documents: **Not Applicable**
(57) Statement of Newness and Distinctiveness: **Nil**



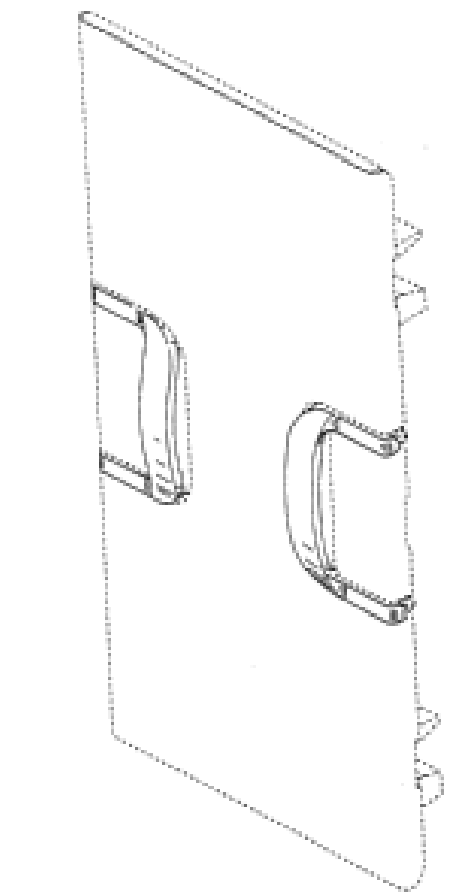
- (21) Design Number: **16796/2007**
(22) Date of Filing Application: **08 March 2007**
(24) Date from which industrial property rights may have effect: **08 March 2007**
(54) Product in respect of which the design is registered: **A television receiver**
(51) International Design Classification: **14-01**
(71) Name(s) and Address(s) of Applicant(s):
Kabushiki Kaisha Toshiba also Trading as Toshiba Corporation
1-1 Shibaura 1-chome Minato-ku Tokyo Japan
(72) Name(s) of Designer(s): **Takashi Asanuma and Masazumi Shiraki**
(45) Registration Date: **04 June 2007**
(30) Convention priority data:
(31) Number (32) Date (33) Country
2006-035988 27 Dec 2006 JAPAN
(56) Related Art Documents: **Not Applicable**
(57) Statement of Newness and Distinctiveness: **Newness and distinctiveness is claimed in the shape and/or configuration of an "a television receiver" as illustrated in the representations.**



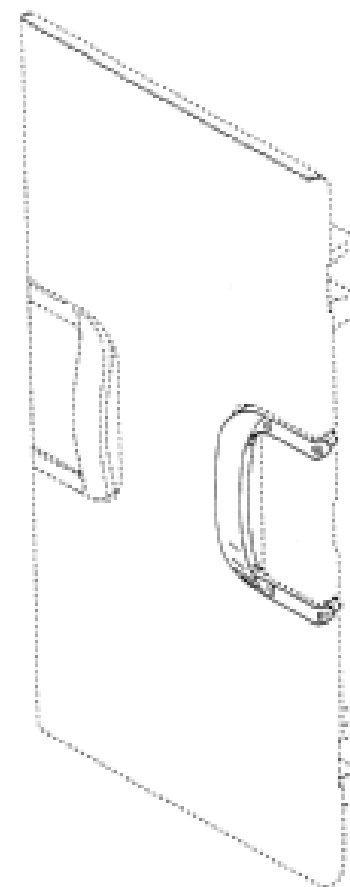
- (21) Design Number: **16797/2007**
(22) Date of Filing Application: **08 March 2007**
(24) Date from which industrial property rights may have effect: **08 March 2007**
(54) Product in respect of which the design is registered: **Building element**
(51) International Design Classification: **25-01D**
(71) Name(s) and Address(s) of Applicant(s):
James Hardie International Finance B.V.
Atrium 8th Floor Strawinskylaan 3077 1077 ZX Amsterdam The Netherlands
(72) Name(s) of Designer(s): **James Gleeson**
(45) Registration Date: **04 June 2007**
(56) Related Art Documents: **Not Applicable**
(57) Statement of Newness and Distinctiveness: **Newness and distinctiveness reside in one or more visual features of the longitudinal edges of a building element of constant cross-section and indefinite length, as illustrated in the accompanying representations.**



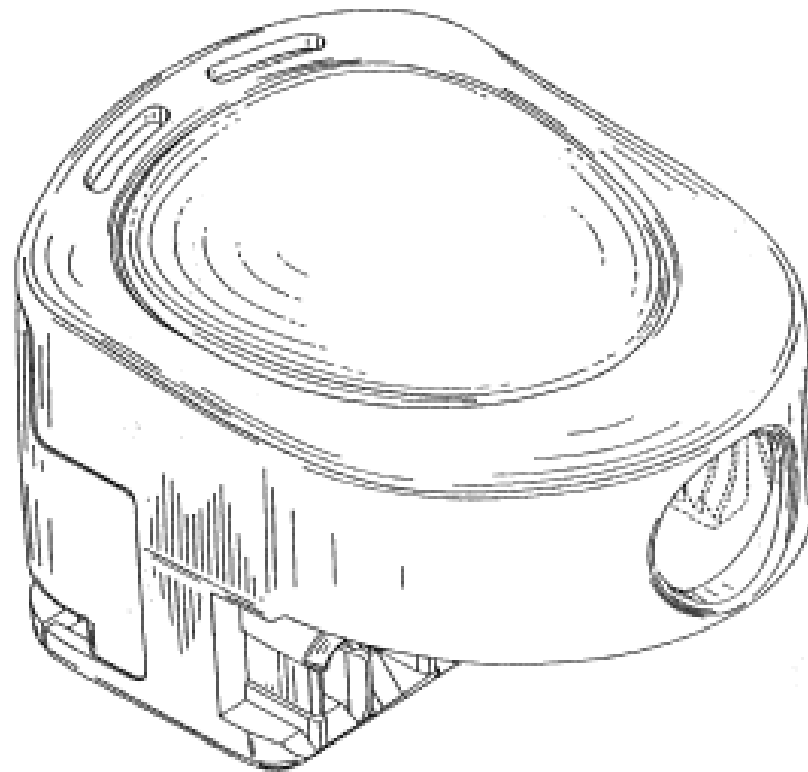
(21) Design Number: **17826/2007**
(22) Date of Filing Application: **27 February 2007**
(24) Date from which industrial property rights may have effect: **27 February 2007**
(54) Product in respect of which the design is registered: **Door for communications cabinet or rack**
(51) International Design Classification: **25-02B**
(71) Name(s) and Address(s) of Applicant(s):
CommScope Solutions Properties, LLC
1285 Southern Way Sparks NV 89431 United States of America
(72) Name(s) of Designer(s): **Scott Keith and Golam Mabud Choudhury**
(45) Registration Date: **04 June 2007**
(30) Convention priority data:
(31) Number (32) Date (33) Country
29/265,224 28 Aug 2006 UNITED STATES OF AMERICA
(56) Related Art Documents: **Not Applicable**
(57) Statement of Newness and Distinctiveness: **Nil**



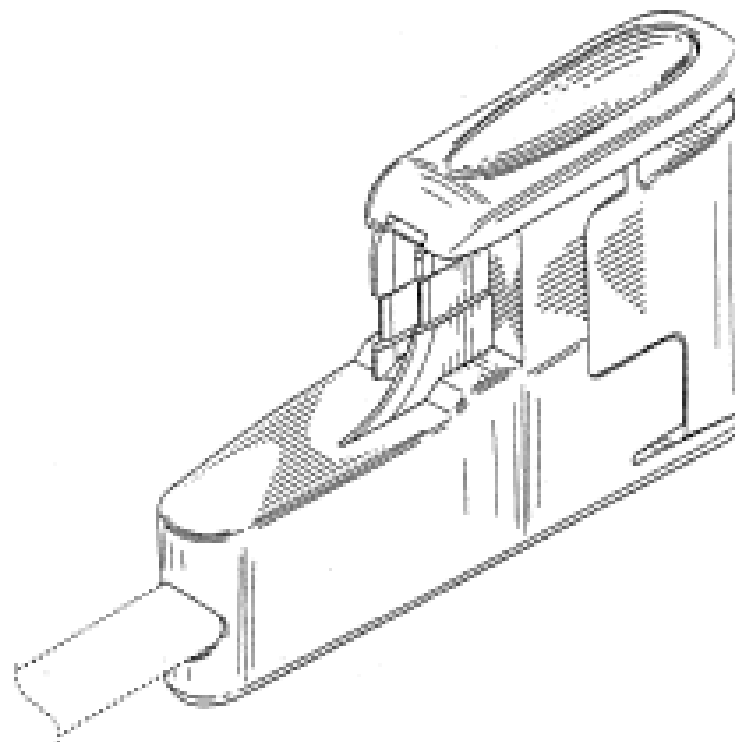
(21) Design Number: **17827/2007**
(22) Date of Filing Application: **27 February 2007**
(24) Date from which industrial property rights may have effect: **27 February 2007**
(54) Product in respect of which the design is registered: **Door for communications cabinet or rack**
(51) International Design Classification: **25-02B**
(71) Name(s) and Address(s) of Applicant(s):
CommScope Solutions Properties, LLC
1285 Southern Way Sparks NV 89431 United States of America
(72) Name(s) of Designer(s): **Scott Keith and Golam Mabud Choudhury**
(45) Registration Date: **04 June 2007**
(30) Convention priority data:
(31) Number (32) Date (33) Country
29/265,224 28 Aug 2006 UNITED STATES OF AMERICA
(56) Related Art Documents: **Not Applicable**
(57) Statement of Newness and Distinctiveness: **Nil**



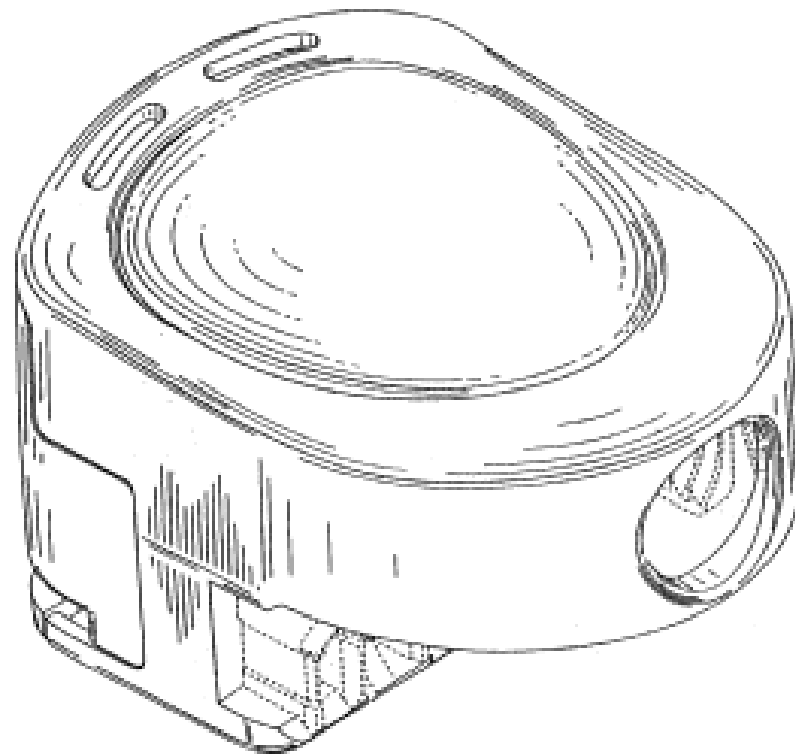
(21) Design Number: **16642/2007**
(22) Date of Filing Application: **27 February 2007**
(24) Date from which industrial property rights may have effect: **27 February 2007**
(54) Product in respect of which the design is registered: **Communications plug**
(51) International Design Classification: **13-03D**
(71) Name(s) and Address(s) of Applicant(s):
CommScope Solutions Properties, LLC
1285 Southern Way Sparks NV 89431 United States of America
(72) Name(s) of Designer(s): **Scott Keith and Golam Mabud Choudhury**
(45) Registration Date: **05 June 2007**
(30) Convention priority data:
(31) Number (32) Date (33) Country
29/265,235 28 Aug 2006 UNITED STATES OF AMERICA
(56) Related Art Documents: **Not Applicable**
(57) Statement of Newness and Distinctiveness: **Nil**



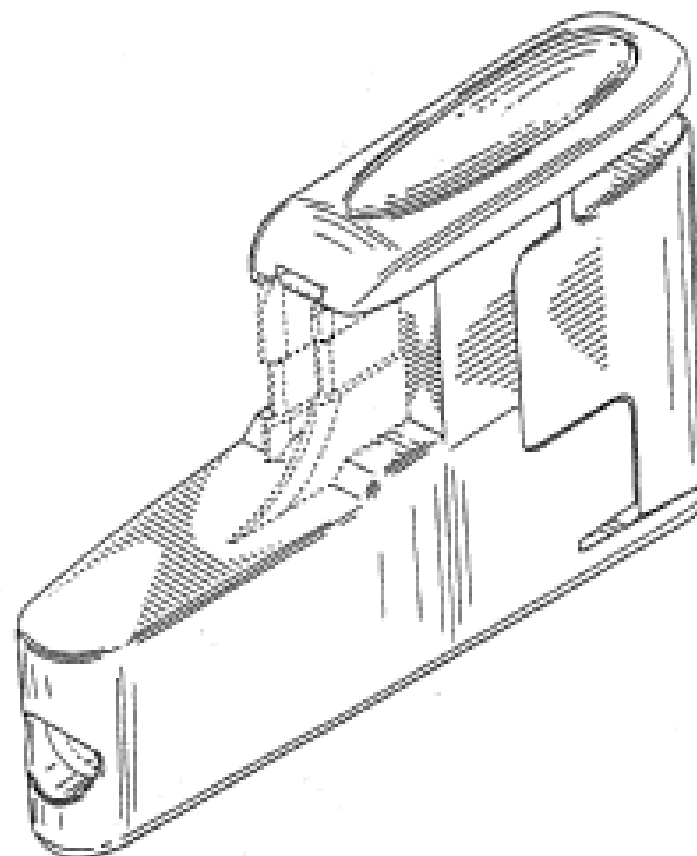
(21) Design Number: **17828/2007**
(22) Date of Filing Application: **27 February 2007**
(24) Date from which industrial property rights may have effect: **27 February 2007**
(54) Product in respect of which the design is registered: **Communications plug**
(51) International Design Classification: **13-03D**
(71) Name(s) and Address(s) of Applicant(s):
CommScope Solutions Properties, LLC
1285 Southern Way Sparks NV 89431 United States of America
(72) Name(s) of Designer(s): **Scott Keith and Golam Mabud Choudhury**
(45) Registration Date: **05 June 2007**
(30) Convention priority data:
(31) Number (32) Date (33) Country
29/265,235 28 Aug 2006 UNITED STATES OF AMERICA
(56) Related Art Documents: **Not Applicable**
(57) Statement of Newness and Distinctiveness: **Nil**



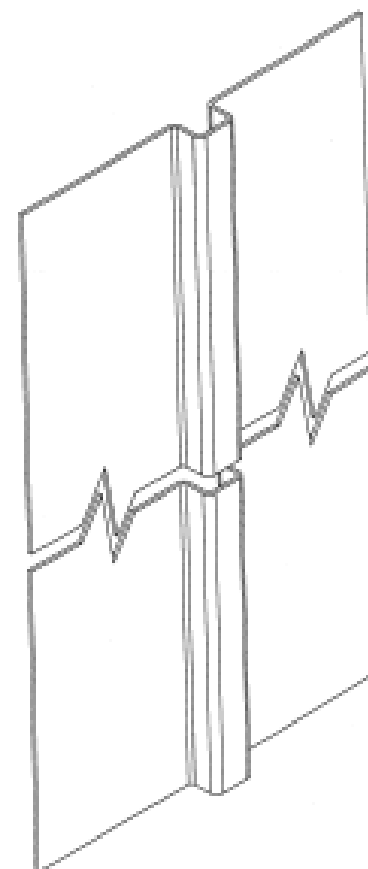
(21) Design Number: **17829/2007**
(22) Date of Filing Application: **27 February 2007**
(24) Date from which industrial property rights may have effect: **27 February 2007**
(54) Product in respect of which the design is registered: **Communications plug**
(51) International Design Classification: **13-03D**
(71) Name(s) and Address(s) of Applicant(s):
CommScope Solutions Properties, LLC
1285 Southern Way Sparks NV 89431 United States of America
(72) Name(s) of Designer(s): **Scott Keith and Golam Mabud Choudhury**
(45) Registration Date: **05 June 2007**
(30) Convention priority data:
(31) Number (32) Date (33) Country
29/265,235 28 Aug 2006 UNITED STATES OF AMERICA
(56) Related Art Documents: **Not Applicable**
(57) Statement of Newness and Distinctiveness: **Nil**



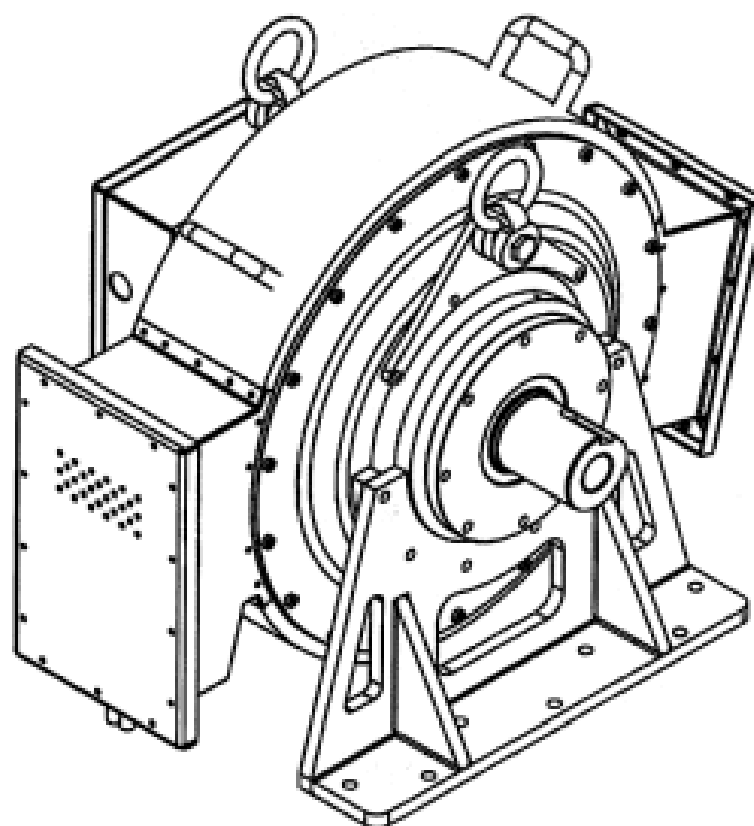
(21) Design Number: **17830/2007**
(22) Date of Filing Application: **27 February 2007**
(24) Date from which industrial property rights may have effect: **27 February 2007**
(54) Product in respect of which the design is registered: **Communications plug**
(51) International Design Classification: **13-03D**
(71) Name(s) and Address(s) of Applicant(s):
CommScope Solutions Properties, LLC
1285 Southern Way Sparks NV 89431 United States of America
(72) Name(s) of Designer(s): **Scott Keith and Golam Mabud Choudhury**
(45) Registration Date: **05 June 2007**
(30) Convention priority data:
(31) Number (32) Date (33) Country
29/265,235 28 Aug 2006 UNITED STATES OF AMERICA
(56) Related Art Documents: **Not Applicable**
(57) Statement of Newness and Distinctiveness: **Nil**



- (21) Design Number: **16799/2007**
(22) Date of Filing Application: **08 March 2007**
(24) Date from which industrial property rights may have effect: **08 March 2007**
(54) Product in respect of which the design is registered: **Building element**
(51) International Design Classification: **25-01D**
(71) Name(s) and Address(s) of Applicant(s):
James Hardie International Finance B.V.
Atrium 8th Floor Strawinskylaan 3077 1077 ZX Amsterdam The Netherlands
(72) Name(s) of Designer(s): **Lindsay Gordon Hill**
(45) Registration Date: **05 June 2007**
(56) Related Art Documents: **Not Applicable**
(57) Statement of Newness and Distinctiveness: **Newness and distinctiveness reside in one or more visual features of a building element of constant cross-section and indefinite length, as illustrated in the accompanying representations.**



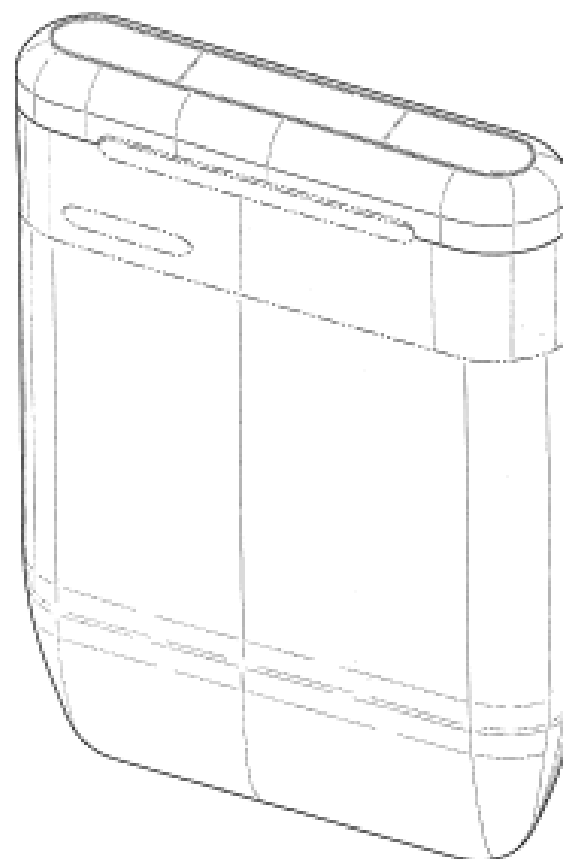
- (21) Design Number: **16800/2007**
(22) Date of Filing Application: **08 March 2007**
(24) Date from which industrial property rights may have effect: **08 March 2007**
(54) Product in respect of which the design is registered: **Generator and/or motor assembly**
(51) International Design Classification: **13-01**
(71) Name(s) and Address(s) of Applicant(s):
Axial Vector Engine Corporation
One World Trade Centre 121 S.W Salmon Street Suite 1100 Portland Oregon 97204 United States of America
(72) Name(s) of Designer(s): **Peter D. Witt and David C. Reuter and Oyvin Haugan and Ananta K. Gopalan**
(45) Registration Date: **05 June 2007**
(30) Convention priority data:
(31) Number (32) Date (33) Country
29/265779 08 Sep 2006 UNITED STATES OF AMERICA
(56) Related Art Documents: **Not Applicable**
(57) Statement of Newness and Distinctiveness: **Newness and distinctiveness resides in the features of shape and/or configuration of a generator and/or motor assembly as illustrated in the accompanying representations.**



- (21) Design Number: **16801/2007**
(22) Date of Filing Application: **08 March 2007**
(24) Date from which industrial property rights may have effect: **08 March 2007**
(54) Product in respect of which the design is registered: **Container**
(51) International Design Classification: **09-03NES**
(71) Name(s) and Address(s) of Applicant(s):
Johnson & Johnson Consumer Companies, Inc.
Grandview Road Skillman New Jersey 08558 United States of America
(72) Name(s) of Designer(s): **Erin Melcher Beam and Stephen Wahl and Hans-Christoph Haenlein and Christine McElhaney and Shilajeet Banerjee and Opher Yom Tov and Anthony Pigliacampo**
(45) Registration Date: **05 June 2007**
(30) Convention priority data:
(31) Number (32) Date (33) Country
29/265775 08 Sep 2006 UNITED STATES OF AMERICA
(56) Related Art Documents: **Not Applicable**
(57) Statement of Newness and Distinctiveness: **Newness and distinctiveness reside in the shape and configuration of the container as illustrated in the accompanying drawings.**



- (21) Design Number: **16802/2007**
(22) Date of Filing Application: **08 March 2007**
(24) Date from which industrial property rights may have effect: **08 March 2007**
(54) Product in respect of which the design is registered: **Container**
(51) International Design Classification: **09-03NES**
(71) Name(s) and Address(s) of Applicant(s):
Johnson & Johnson Consumer Companies, Inc.
Grandview Road Skillman New Jersey 08558 United States of America
(72) Name(s) of Designer(s): **Erin Melcher Beam and Stephen Wahl and Hans-Christoph Haenlein and Christine McElhaney and Shilajeet Banerjee and Opher Yom Tov and Anthony Pigliacampo**
(45) Registration Date: **05 June 2007**
(30) Convention priority data:
(31) Number (32) Date (33) Country
29/265775 08 Sep 2006 UNITED STATES OF AMERICA
(56) Related Art Documents: **Not Applicable**
(57) Statement of Newness and Distinctiveness: **Newness and distinctiveness reside in the shape and configuration and/or pattern and ornamentation of the container shown in the container shown in the accompanying drawings. Those features shown in the broken line do not form part of the design and should not be considered when determining the scope of the monopoly claimed.**



(21) Design Number: **16660/2007**

(22) Date of Filing Application: **28 February 2007**

(24) Date from which industrial property rights may have effect: **28 February 2007**

(54) Product in respect of which the design is registered: **Toilet and shower partitioning**

(51) International Design Classification: **25-02NES**

(71) Name(s) and Address(s) of Applicant(s):

**Agabow Pty Ltd Trading as Central Tablelands Commercial Industries
3 Watt Drive Bathurst New South Wales 2795 Australia**

(72) Name(s) of Designer(s): **Eisse Woldhuis**

(45) Registration Date: **05 June 2007**

(56) Related Art Documents: **Not Applicable**

(57) Statement of Newness and Distinctiveness: **Nil**



(21) Design Number: **16661/2007**

(22) Date of Filing Application: **28 February 2007**

(24) Date from which industrial property rights may have effect: **28 February 2007**

(54) Product in respect of which the design is registered: **Toilet and shower partitioning**

(51) International Design Classification: **25-02NES**

(71) Name(s) and Address(s) of Applicant(s):

**Agabow Pty Ltd Trading as Central Tablelands Commercial Industries
3 Watt Drive Bathurst New South Wales 2795 Australia**

(72) Name(s) of Designer(s): **Eisse Woldhuis**

(45) Registration Date: **05 June 2007**

(56) Related Art Documents: **Not Applicable**

(57) Statement of Newness and Distinctiveness: **Nil**



(21) Design Number: **16662/2007**

(22) Date of Filing Application: **28 February 2007**

(24) Date from which industrial property rights may have effect: **28 February 2007**

(54) Product in respect of which the design is registered: **To fit into headrail - for use on toilet and shower partitioning**

(51) International Design Classification: **25-02NES**

(71) Name(s) and Address(s) of Applicant(s):

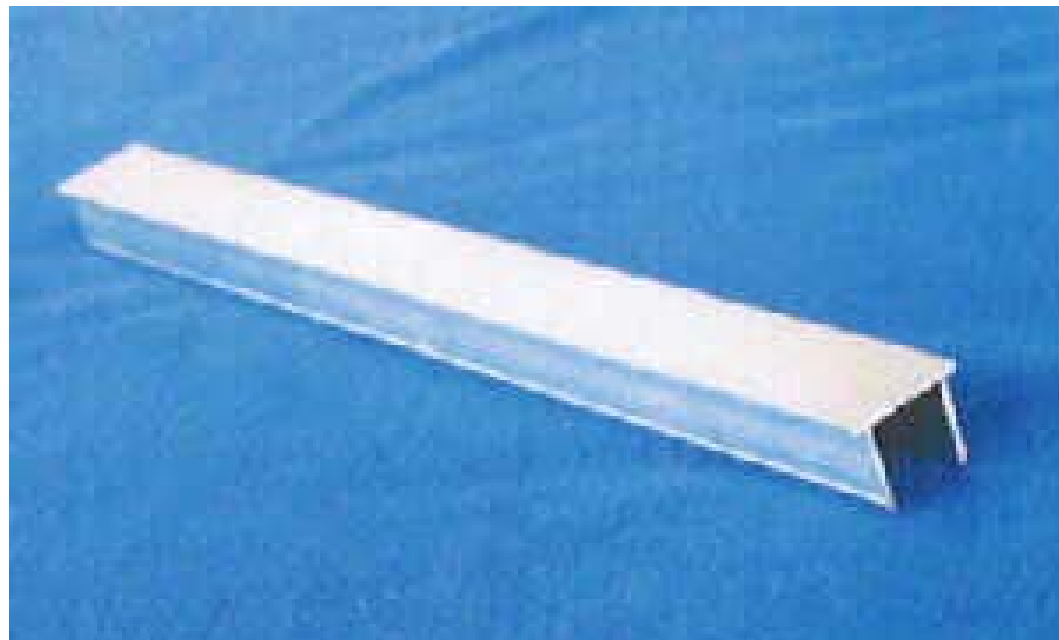
**Agabow Pty Ltd Trading as Central Tablelands Commercial Industries
3 Watt Drive Bathurst New South Wales 2795 Australia**

(72) Name(s) of Designer(s): **Eisse Woldhuis**

(45) Registration Date: **05 June 2007**

(56) Related Art Documents: **Not Applicable**

(57) Statement of Newness and Distinctiveness: **Nil**



(21) Design Number: **16663/2007**

(22) Date of Filing Application: **28 February 2007**

(24) Date from which industrial property rights may have effect: **28 February 2007**

(54) Product in respect of which the design is registered: **To fit into headrail - for use on toilet and shower partitioning**

(51) International Design Classification: **25-02NES**

(71) Name(s) and Address(s) of Applicant(s):

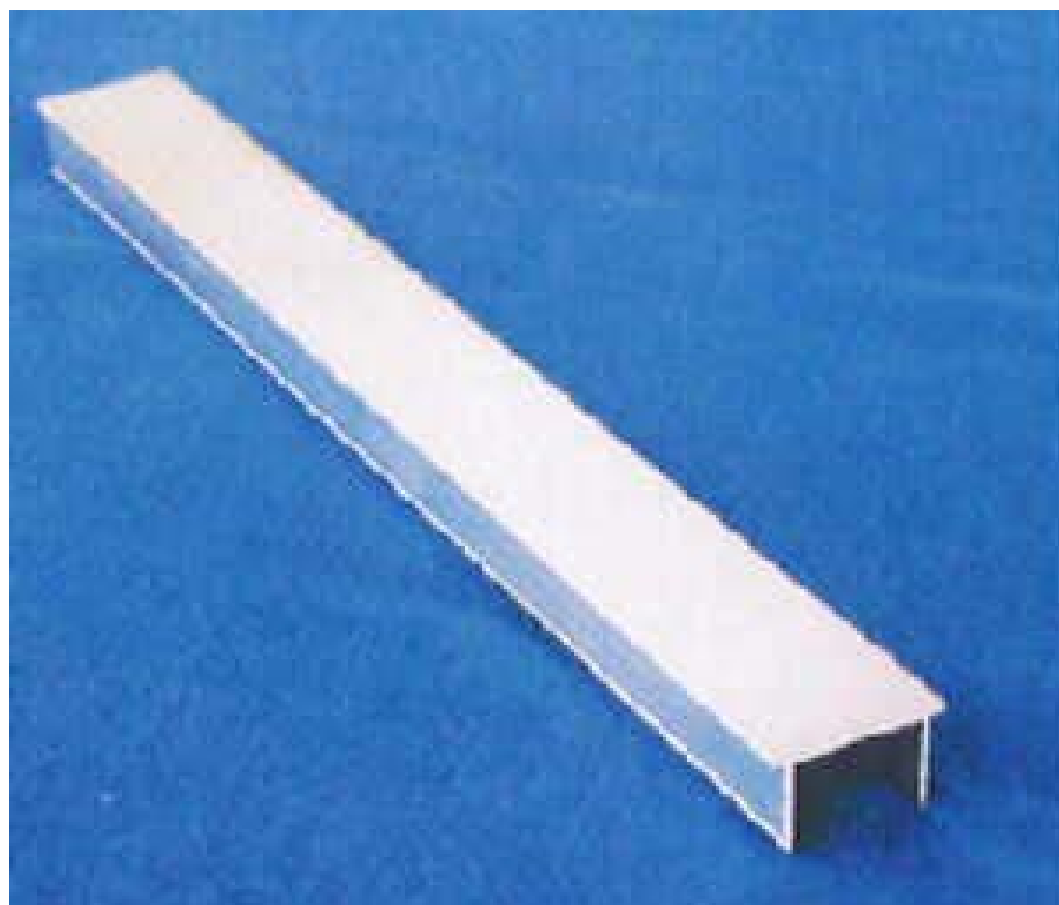
**Agabow Pty Ltd Trading as Central Tablelands Commercial Industries
3 Watt Drive Bathurst New South Wales 2795 Australia**

(72) Name(s) of Designer(s): **Eisse Woldhuis**

(45) Registration Date: **05 June 2007**

(56) Related Art Documents: **Not Applicable**

(57) Statement of Newness and Distinctiveness: **Nil**



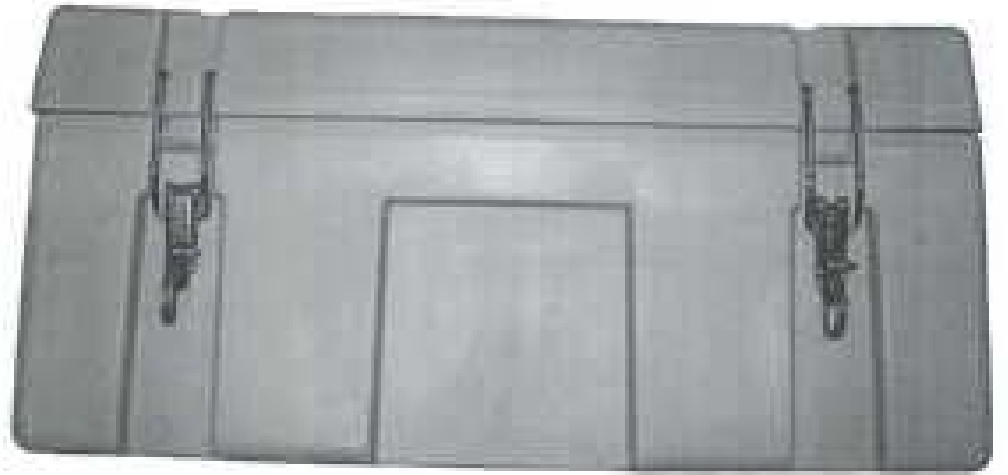
- (21) Design Number: **15890/2007**
(22) Date of Filing Application: **09 January 2007**
(24) Date from which industrial property rights may have effect: **09 January 2007**
(54) Product in respect of which the design is registered: **Wound dressing**
(51) International Design Classification: **24-04**
(71) Name(s) and Address(s) of Applicant(s):
Ethicon, Inc.
US Route 22 Somerville New Jersey 08876 United States of America
(72) Name(s) of Designer(s): **Deborah Addison and Tracey Jane Rennison**
(45) Registration Date: **05 June 2007**
(30) Convention priority data:
(31) Number (32) Date (33) Country
000566757 14 Jul 2006 EUROPEAN COMMUNITY
(56) Related Art Documents: **Not Applicable**
(57) Statement of Newness and Distinctiveness: **The newness and distinctiveness of the design resides in the contrasting textual appearance of the two surfaces of the dressing. The dressing is of indefinite planar shape.**



- (21) Design Number: **15891/2007**
(22) Date of Filing Application: **09 January 2007**
(24) Date from which industrial property rights may have effect: **09 January 2007**
(54) Product in respect of which the design is registered: **Wound dressing**
(51) International Design Classification: **24-04**
(71) Name(s) and Address(s) of Applicant(s):
Ethicon, Inc.
US Route 22 Somerville New Jersey 08876 United States of America
(72) Name(s) of Designer(s): **Deborah Addison and Tracey Jane Rennison**
(45) Registration Date: **05 June 2007**
(30) Convention priority data:
(31) Number (32) Date (33) Country
000566757 14 Jul 2006 EUROPEAN COMMUNITY
(56) Related Art Documents: **Not Applicable**
(57) Statement of Newness and Distinctiveness: **The newness and distinctiveness of the design resides in the contrasting textual appearance of the two surfaces of the dressing. The dressing is of indefinite planar shape.**



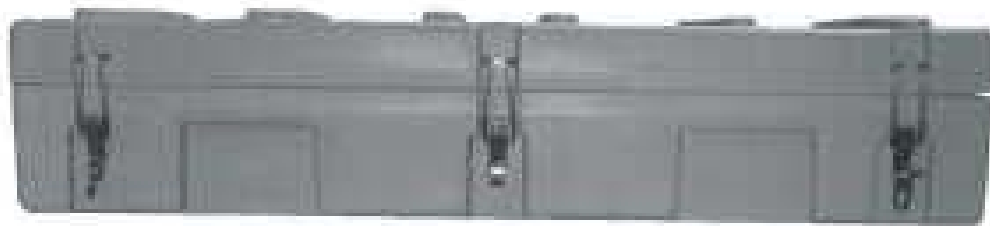
- (21) Design Number: **16243/2007**
(22) Date of Filing Application: **02 February 2007**
(24) Date from which industrial property rights may have effect: **02 February 2007**
(54) Product in respect of which the design is registered: **Sealing system for a container**
(51) International Design Classification: **08-07**
(71) Name(s) and Address(s) of Applicant(s):
Trimcast Pty Ltd
62 Jersey Road Bayswater Victoria 3153 Australia
(72) Name(s) of Designer(s): **Alan Gibson**
(45) Registration Date: **05 June 2007**
(56) Related Art Documents: **Not Applicable**
(57) Statement of Newness and Distinctiveness: **Newness and distinctiveness resides in the sealing system for the containers as shown in the representations including the cross sectional view of the seal.**



- (21) Design Number: **16244/2007**
(22) Date of Filing Application: **02 February 2007**
(24) Date from which industrial property rights may have effect: **02 February 2007**
(54) Product in respect of which the design is registered: **Sealing system for a container**
(51) International Design Classification: **08-07**
(71) Name(s) and Address(s) of Applicant(s):
Trimcast Pty Ltd
62 Jersey Road Bayswater Victoria 3153 Australia
(72) Name(s) of Designer(s): **Alan Gibson**
(45) Registration Date: **05 June 2007**
(56) Related Art Documents: **Not Applicable**
(57) Statement of Newness and Distinctiveness: **Newness and distinctiveness resides in the sealing system for the containers as shown in the representations including the cross sectional view of the seal.**



- (21) Design Number: **16245/2007**
(22) Date of Filing Application: **02 February 2007**
(24) Date from which industrial property rights may have effect: **02 February 2007**
(54) Product in respect of which the design is registered: **Sealing system for a container**
(51) International Design Classification: **08-07**
(71) Name(s) and Address(s) of Applicant(s):
Trimcast Pty Ltd
62 Jersey Road Bayswater Victoria 3153 Australia
(72) Name(s) of Designer(s): **Alan Gibson**
(45) Registration Date: **05 June 2007**
(56) Related Art Documents: **Not Applicable**
(57) Statement of Newness and Distinctiveness: **Newness and distinctiveness resides in the sealing system for the containers as shown in the representations including the cross sectional view of the seal.**



- (21) Design Number: **16246/2007**
(22) Date of Filing Application: **02 February 2007**
(24) Date from which industrial property rights may have effect: **02 February 2007**
(54) Product in respect of which the design is registered: **Sealing system for a container**
(51) International Design Classification: **08-07**
(71) Name(s) and Address(s) of Applicant(s):
Trimcast Pty Ltd
62 Jersey Road Bayswater Victoria 3153 Australia
(72) Name(s) of Designer(s): **Alan Gibson**
(45) Registration Date: **05 June 2007**
(56) Related Art Documents: **Not Applicable**
(57) Statement of Newness and Distinctiveness: **Newness and distinctiveness resides in the sealing system for the containers as shown in the representations including the cross sectional view of the seal.**



- (21) Design Number: **16247/2007**
(22) Date of Filing Application: **02 February 2007**
(24) Date from which industrial property rights may have effect: **02 February 2007**
(54) Product in respect of which the design is registered: **Sealing system for a container**
(51) International Design Classification: **08-07**
(71) Name(s) and Address(s) of Applicant(s):
Trimcast Pty Ltd
62 Jersey Road Bayswater Victoria 3153 Australia
(72) Name(s) of Designer(s): **Alan Gibson**
(45) Registration Date: **05 June 2007**
(56) Related Art Documents: **Not Applicable**
(57) Statement of Newness and Distinctiveness: **Newness and distinctiveness resides in the sealing system for the containers as shown in the representations including the cross sectional view of the seal.**



- (21) Design Number: **16248/2007**
(22) Date of Filing Application: **02 February 2007**
(24) Date from which industrial property rights may have effect: **02 February 2007**
(54) Product in respect of which the design is registered: **Sealing system for a container**
(51) International Design Classification: **08-07**
(71) Name(s) and Address(s) of Applicant(s):
Trimcast Pty Ltd
62 Jersey Road Bayswater Victoria 3153 Australia
(72) Name(s) of Designer(s): **Alan Gibson**
(45) Registration Date: **05 June 2007**
(56) Related Art Documents: **Not Applicable**
(57) Statement of Newness and Distinctiveness: **Newness and distinctiveness resides in the sealing system for the containers as shown in the representations including the cross sectional view of the seal.**



- (21) Design Number: **16249/2007**
(22) Date of Filing Application: **02 February 2007**
(24) Date from which industrial property rights may have effect: **02 February 2007**
(54) Product in respect of which the design is registered: **Sealing system for a container**
(51) International Design Classification: **08-07**
(71) Name(s) and Address(s) of Applicant(s):
Trimcast Pty Ltd
62 Jersey Road Bayswater Victoria 3153 Australia
(72) Name(s) of Designer(s): **Alan Gibson**
(45) Registration Date: **05 June 2007**
(56) Related Art Documents: **Not Applicable**
(57) Statement of Newness and Distinctiveness: **Newness and distinctiveness resides in the sealing system for the containers as shown in the representations including the cross sectional view of the seal.**



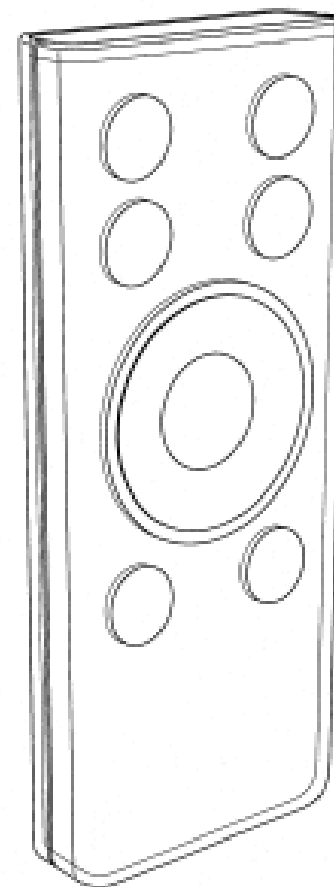
- (21) Design Number: **16250/2007**
(22) Date of Filing Application: **02 February 2007**
(24) Date from which industrial property rights may have effect: **02 February 2007**
(54) Product in respect of which the design is registered: **Sealing system for a container**
(51) International Design Classification: **08-07**
(71) Name(s) and Address(s) of Applicant(s):
Trimcast Pty Ltd
62 Jersey Road Bayswater Victoria 3153 Australia
(72) Name(s) of Designer(s): **Alan Gibson**
(45) Registration Date: **05 June 2007**
(56) Related Art Documents: **Not Applicable**
(57) Statement of Newness and Distinctiveness: **Newness and distinctiveness resides in the sealing system for the containers as shown in the representations including the cross sectional view of the seal.**



(21) Design Number: **15922/2007**
 (22) Date of Filing Application: **11 January 2007**
 (24) Date from which industrial property rights may have effect: **11 January 2007**
 (54) Product in respect of which the design is registered: **Remote controller**
 (51) International Design Classification: **14-03NES**
 (71) Name(s) and Address(s) of Applicant(s):
Microsoft Corporation
One Microsoft Way Redmond Washington 98052 United States of America
 (72) Name(s) of Designer(s): **John Ikeda**
 (45) Registration Date: **05 June 2007**
 (30) Convention priority data:

(31) Number	(32) Date	(33) Country
29/248132	28 Jul 2006	UNITED STATES OF AMERICA

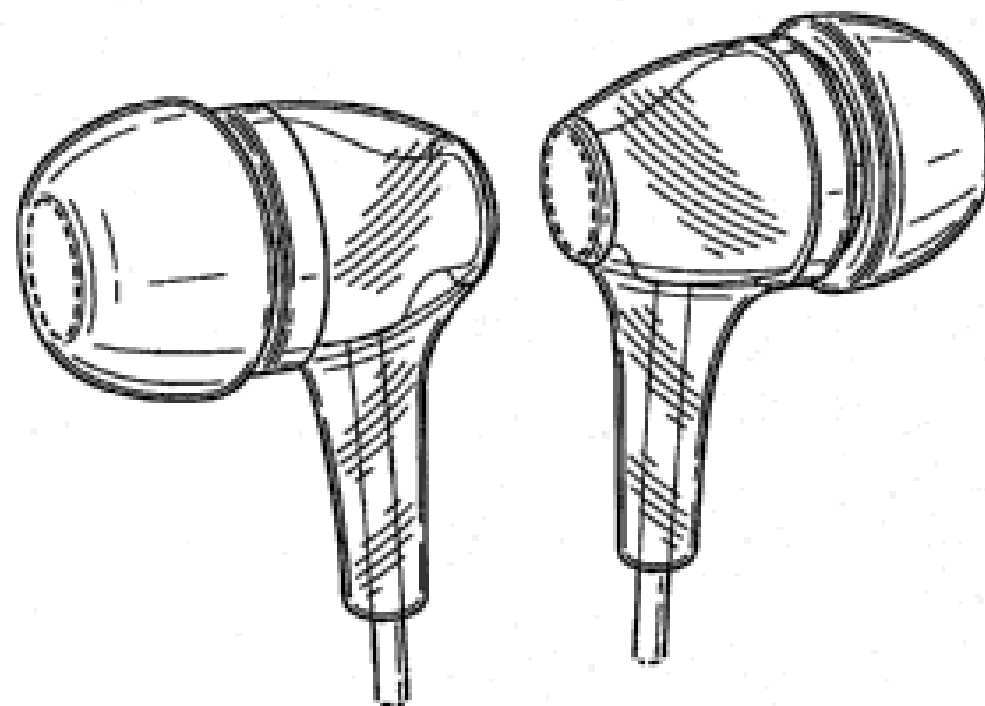
 (56) Related Art Documents: **Not Applicable**
 (57) Statement of Newness and Distinctiveness: **Newness and distinctiveness reside in one or more visual features of a remote controller as illustrated in the accompanying representations. The features shown in broken outline are illustrative only and do not form part of the design.**



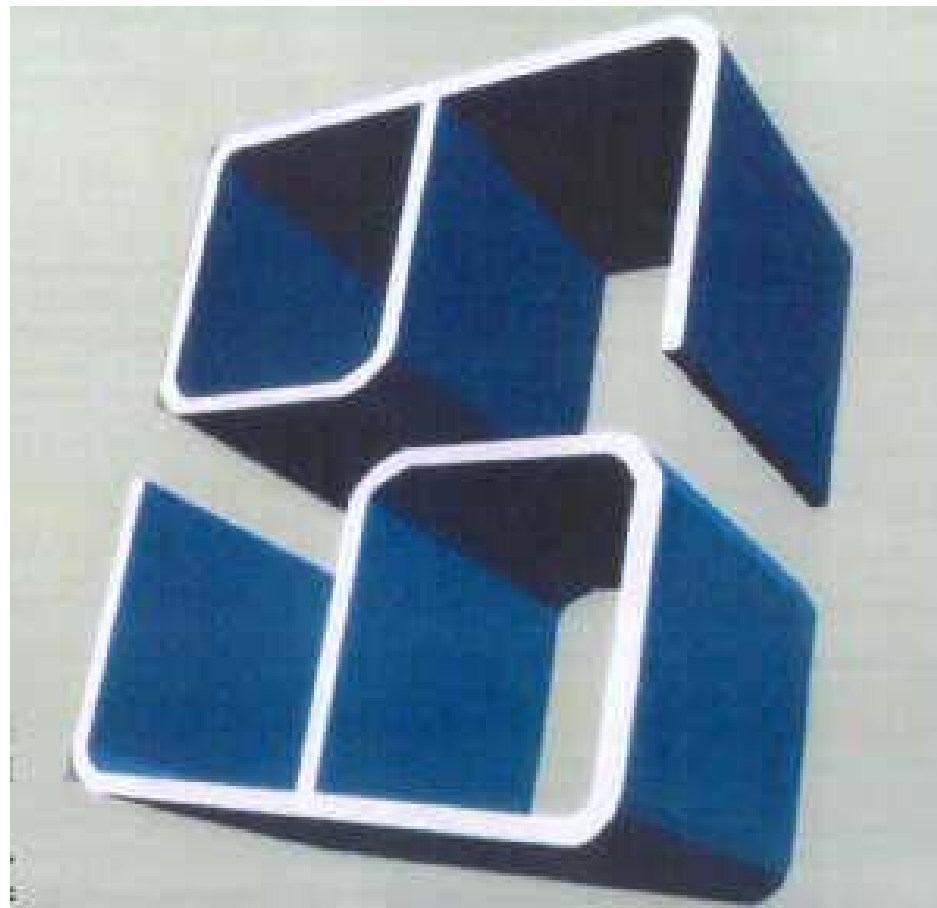
(21) Design Number: **15924/2007**
 (22) Date of Filing Application: **11 January 2007**
 (24) Date from which industrial property rights may have effect: **11 January 2007**
 (54) Product in respect of which the design is registered: **Ear phones**
 (51) International Design Classification: **14-01**
 (71) Name(s) and Address(s) of Applicant(s):
Microsoft Corporation
One Microsoft Way Redmond Washington 98052 United States of America
 (72) Name(s) of Designer(s): **Carl J. Ledbetter**
 (45) Registration Date: **05 June 2007**
 (30) Convention priority data:

(31) Number	(32) Date	(33) Country
29/248488	17 Aug 2006	UNITED STATES OF AMERICA

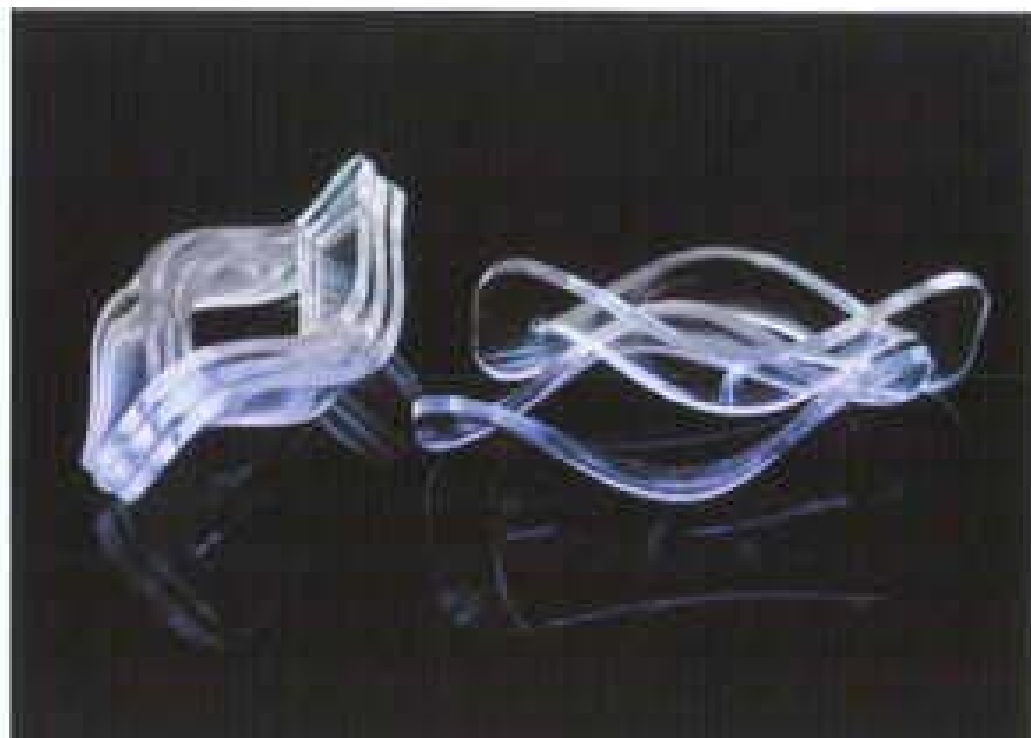
 (56) Related Art Documents: **Not Applicable**
 (57) Statement of Newness and Distinctiveness: **Newness and distinctiveness reside in one or more visual features of ear phones as illustrated in the accompanying representations. The features shown in broken outline are illustrative only and do not form part of the design.**



- (21) Design Number: **16131/2007**
(22) Date of Filing Application: **25 January 2007**
(24) Date from which industrial property rights may have effect: **25 January 2007**
(54) Product in respect of which the design is registered: **ottomans; tables; tables (bedside); stools (furniture); seats (furniture); shelves (furniture); shelving; book ends;**
(51) International Design Classification: **06-01L, 06-03B, 06-04B, 06-04NES**
(71) Name(s) and Address(s) of Applicant(s):
Angela Catherine McRae Griffiths
10 Eurella Avenue Sandy Bay Tasmania 7000 Australia
(72) Name(s) of Designer(s): **Angela Catherine McRae Griffiths**
(45) Registration Date: **05 June 2007**
(56) Related Art Documents: **Not Applicable**
(57) Statement of Newness and Distinctiveness: **Nil**



- (21) Design Number: **16822/2007**
(22) Date of Filing Application: **12 March 2007**
(24) Date from which industrial property rights may have effect: **12 March 2007**
(54) Product in respect of which the design is registered: **Napkin ring/table holder - for tea spoon/knife**
(51) International Design Classification: **07-06C**
(71) Name(s) and Address(s) of Applicant(s):
Cindy-Lee Davies
GPO Box 2437 Melbourne Victoria 3001 Australia
(72) Name(s) of Designer(s): **Cindy-Lee Davies**
(45) Registration Date: **05 June 2007**
(56) Related Art Documents: **Not Applicable**
(57) Statement of Newness and Distinctiveness: **Newness in form for napkin ring - made from acrylic in various colours including silver stainless/aluminium cast - Unique application and multifunctional design.**



(21) Design Number: **16831/2007**

(22) Date of Filing Application: **12 March 2007**

(24) Date from which industrial property rights may have effect: **12 March 2007**

(54) Product in respect of which the design is registered: **A golf cart**

(51) International Design Classification: **12-02**

(71) Name(s) and Address(s) of Applicant(s):

**Your Shadow Technologies Pty Ltd
30 Mary Street Beaumaris Victoria 3193 Australia**

(72) Name(s) of Designer(s): **David Charles Ball and Hubert Novak and John Herbert**

(45) Registration Date: **05 June 2007**

(56) Related Art Documents: **Not Applicable**

(57) Statement of Newness and Distinctiveness: **Monopoly is claimed in the features of shape and configuration of a golf cart as illustrated in the accompanying representations. In considering the extent of monopoly protection, the colour of the golf cart is to be disregarded.**



(21) Design Number: **16832/2007**

(22) Date of Filing Application: **12 March 2007**

(24) Date from which industrial property rights may have effect: **12 March 2007**

(54) Product in respect of which the design is registered: **(Luggage) trailers**

(51) International Design Classification: **12-10**

(71) Name(s) and Address(s) of Applicant(s):

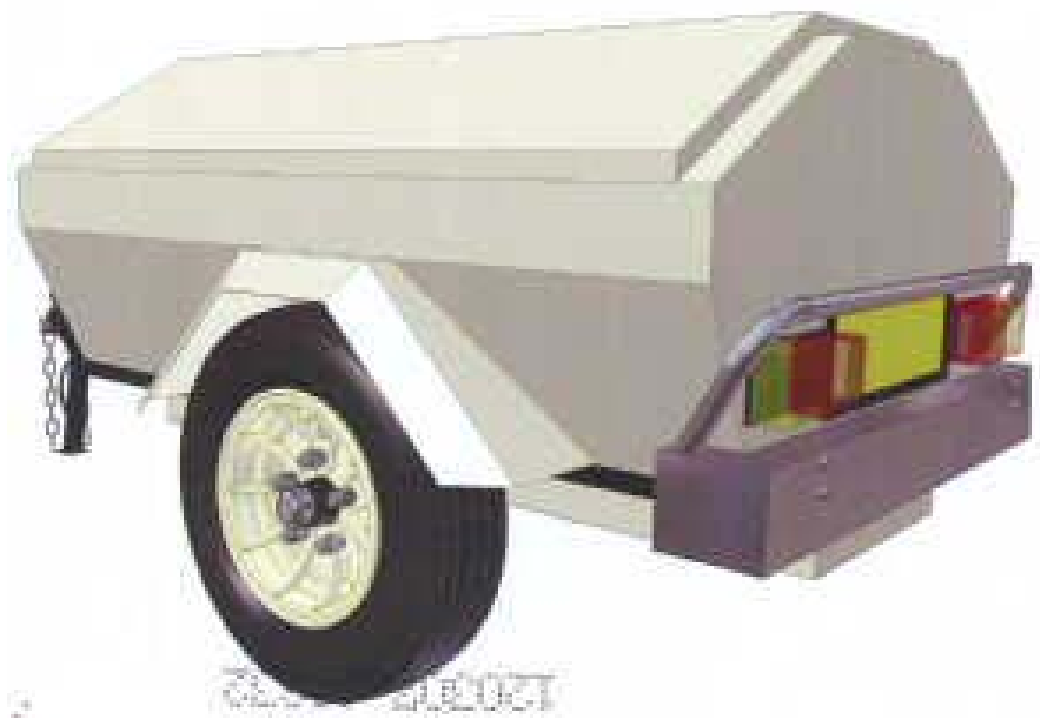
**Geoff Shaw
37 Finch Crescent Coffs Harbour New South Wales 2450 Australia**

(72) Name(s) of Designer(s): **Geoff Shaw**

(45) Registration Date: **05 June 2007**

(56) Related Art Documents: **Not Applicable**

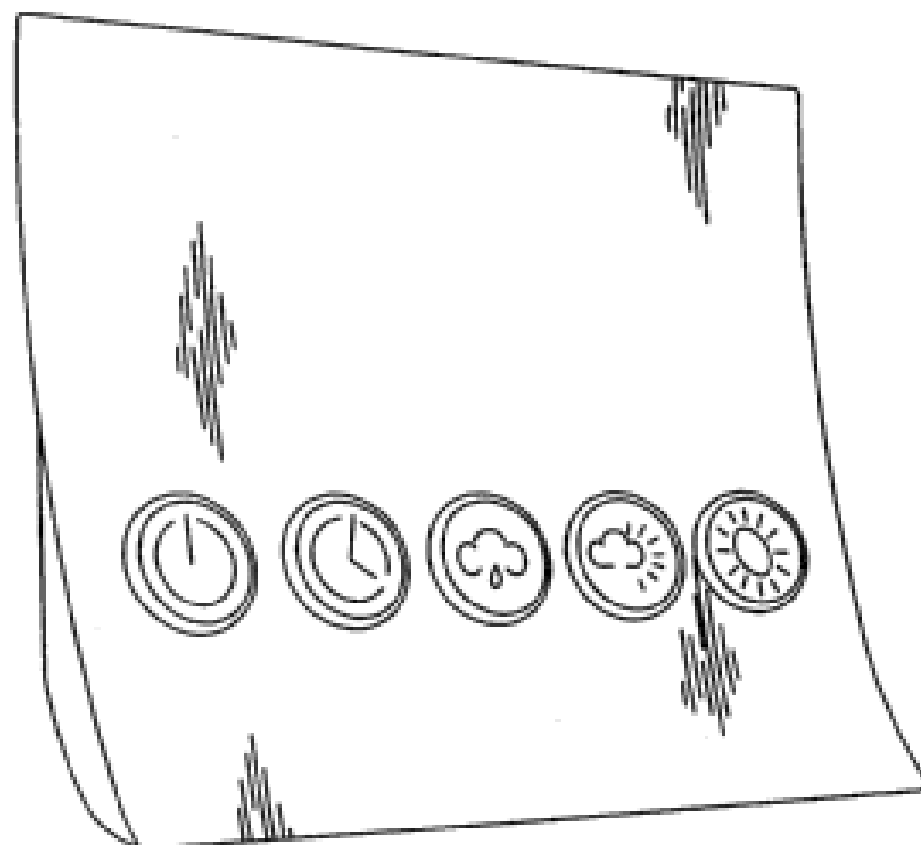
(57) Statement of Newness and Distinctiveness: **The monopoly resides in the features of shape and configuration of the luggage trailer as illustrated in the accompanying representations. The wheels, chassis and other embellishments do not form part of the design. No monopoly is claimed in any individual piece per se. They are included in some views to demonstrate the 'basement', the portion of the body that protrudes past the chassis to give it greater depth and increased storage area.**



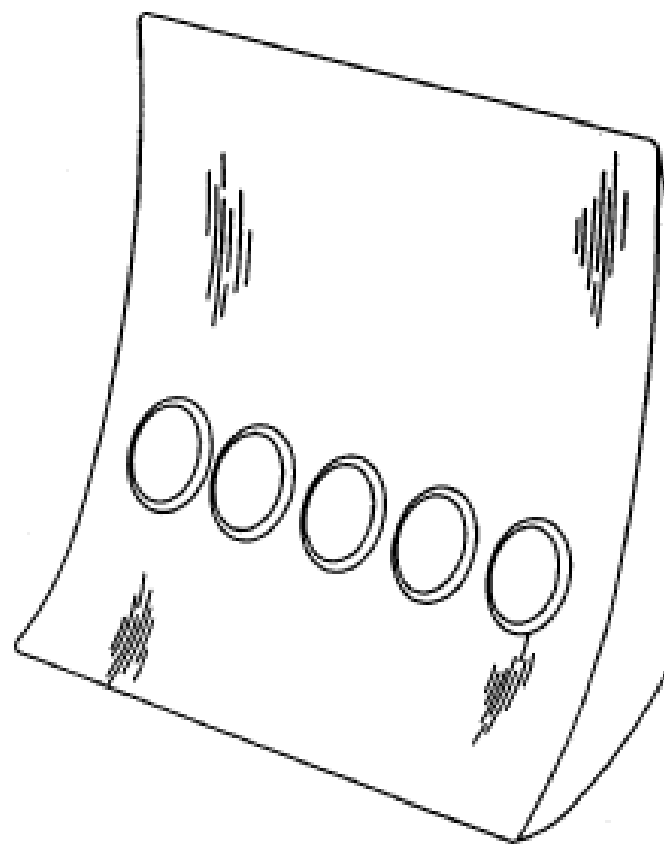
(21) Design Number: **16834/2007**
(22) Date of Filing Application: **12 March 2007**
(24) Date from which industrial property rights may have effect: **12 March 2007**
(54) Product in respect of which the design is registered: **Privacy screens**
(51) International Design Classification: **25-02H**
(71) Name(s) and Address(s) of Applicant(s):
Aliquantum Pty Ltd
129 The Boulevard Floreat Western Australia 6014 Australia
(72) Name(s) of Designer(s): **Russell Collier**
(45) Registration Date: **05 June 2007**
(56) Related Art Documents: **Not Applicable**
(57) Statement of Newness and Distinctiveness: **Monopoly is claimed in the features of shape or configuration of a privacy screen as illustrated in the accompanying representations.**



(21) Design Number: **16835/2007**
(22) Date of Filing Application: **09 March 2007**
(24) Date from which industrial property rights may have effect: **09 March 2007**
(54) Product in respect of which the design is registered: **Light switch panel**
(51) International Design Classification: **13-03E**
(71) Name(s) and Address(s) of Applicant(s):
Thorn Lighting Ltd.
Merrington Lane Industrial Estate Spennymore Durham DL16 7UR
United Kingdom
(72) Name(s) of Designer(s): **Matthew Harrison**
(45) Registration Date: **05 June 2007**
(30) Convention priority data:
(31) Number (32) Date (33) Country
000592563#0001 21 Sep 2006 EUROPEAN COMMUNITY
(56) Related Art Documents: **Not Applicable**
(57) Statement of Newness and Distinctiveness: **Newness and distinctiveness is claimed in the features of pattern and ornamentation of the switches of a light panel as illustrated in the accompanying representations.**



- (21) Design Number: **16836/2007**
(22) Date of Filing Application: **09 March 2007**
(24) Date from which industrial property rights may have effect: **09 March 2007**
(54) Product in respect of which the design is registered: **Light switch panel**
(51) International Design Classification: **13-03E**
(71) Name(s) and Address(s) of Applicant(s):
Thorn Lighting Ltd.
Merrington Lane Industrial Estate Spennymore Durham DL16 7UR
United Kingdom
(72) Name(s) of Designer(s): **Matthew Harrison**
(45) Registration Date: **05 June 2007**
(30) Convention priority data:
(31) Number (32) Date (33) Country
000592563#0001 21 Sep 2006 EUROPEAN COMMUNITY
(56) Related Art Documents: **Not Applicable**
(57) Statement of Newness and Distinctiveness: **Newness and distinctiveness is claimed in the features of shape and/or configuration of a light switch panel as illustrated in the accompanying representations.**



- (21) Design Number: **16838/2007**
(22) Date of Filing Application: **12 March 2007**
(24) Date from which industrial property rights may have effect: **12 March 2007**
(54) Product in respect of which the design is registered: **Door wedge**
(51) International Design Classification: **08-08A**
(71) Name(s) and Address(s) of Applicant(s):
The Wilner Group Pty Ltd
52 Farnley Street Mount Lawley Western Australia 6050 Australia
(72) Name(s) of Designer(s): **Todd Wilner**
(45) Registration Date: **05 June 2007**
(56) Related Art Documents: **Not Applicable**
(57) Statement of Newness and Distinctiveness: **Newness and distinctiveness is claimed in the features of the door wedge depicted in the attached representations. In considering the scope of the design the shape and configuration of hollow portion (A) on the door wedge between the sidewalls is to be disregarded. In considering the scope of the design the text 'adoored' is to be disregarded.**



(21) Design Number: **16839/2007**

(22) Date of Filing Application: **12 March 2007**

(24) Date from which industrial property rights may have effect: **12 March 2007**

(54) Product in respect of which the design is registered: **Door wedge**

(51) International Design Classification: **08-08A**

(71) Name(s) and Address(s) of Applicant(s):

The Wilner Group Pty Ltd

52 Farnley Street Mount Lawley Western Australia 6050 Australia

(72) Name(s) of Designer(s): **Todd Wilner**

(45) Registration Date: **05 June 2007**

(56) Related Art Documents: **Not Applicable**

(57) Statement of Newness and Distinctiveness: **Newness and distinctiveness is claimed in the features of the door wedge depicted in the attached representations. In considering the scope of the design the shape and configuration of hollow portion (A) on the door wedge between the sidewalls is to be disregarded. In considering the scope of the design the text 'adoored' is to be disregarded.**



(21) Design Number: **16840/2007**

(22) Date of Filing Application: **12 March 2007**

(24) Date from which industrial property rights may have effect: **12 March 2007**

(54) Product in respect of which the design is registered: **Door wedge**

(51) International Design Classification: **08-08A**

(71) Name(s) and Address(s) of Applicant(s):

The Wilner Group Pty Ltd

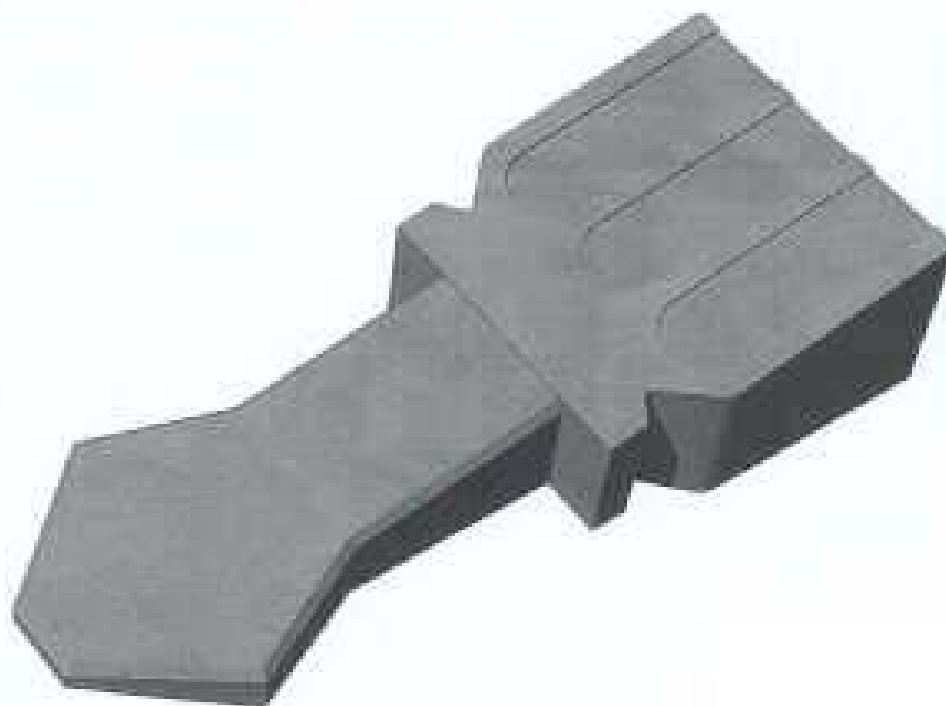
52 Farnley Street Mount Lawley Western Australia 6050 Australia

(72) Name(s) of Designer(s): **Todd Wilner**

(45) Registration Date: **05 June 2007**

(56) Related Art Documents: **Not Applicable**

(57) Statement of Newness and Distinctiveness: **Newness and distinctiveness is claimed in the features of the door wedge depicted in the attached representations. In considering the scope of the design the shape and configuration of hollow portion (A) on the door wedge between the sidewalls is to be disregarded. In considering the scope of the design the text 'adoored' is to be disregarded.**



(21) Design Number: **16841/2007**

(22) Date of Filing Application: **12 March 2007**

(24) Date from which industrial property rights may have effect: **12 March 2007**

(54) Product in respect of which the design is registered: **Door wedge**

(51) International Design Classification: **08-08A**

(71) Name(s) and Address(s) of Applicant(s):

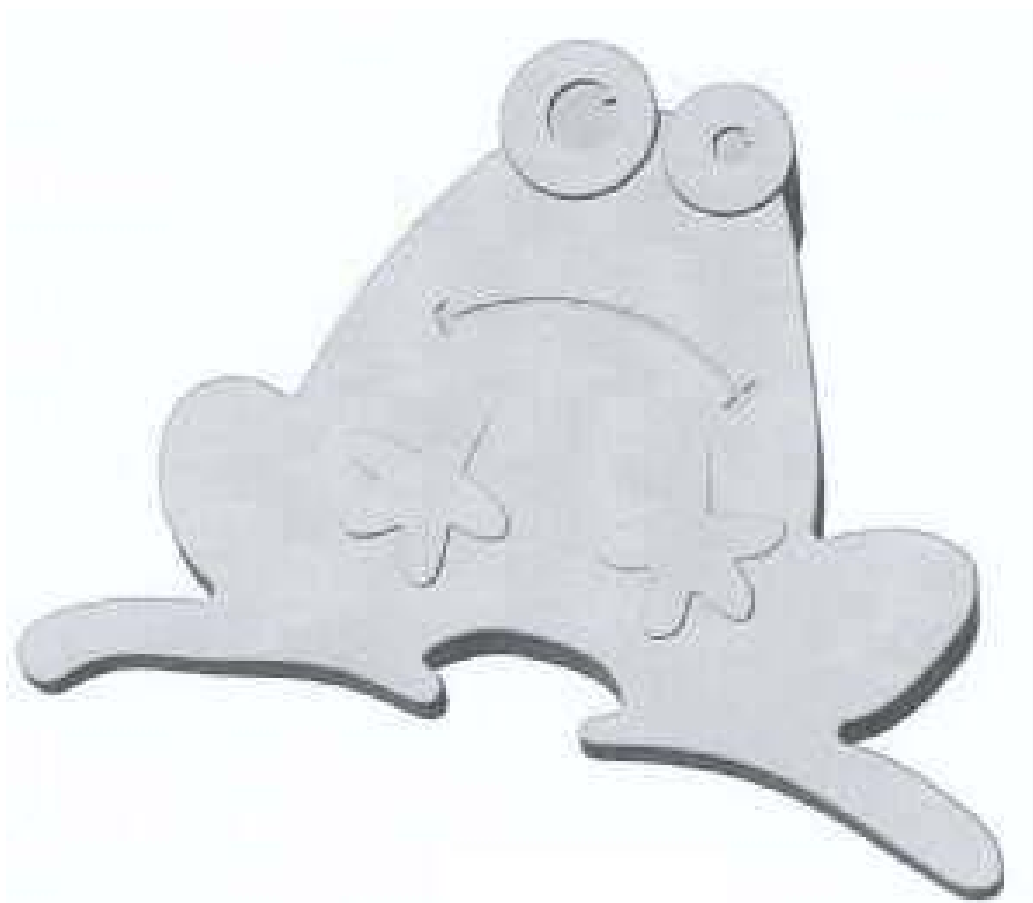
**The Wilner Group Pty Ltd
52 Farnley Street Mount Lawley Western Australia 6050 Australia**

(72) Name(s) of Designer(s): **Todd Wilner**

(45) Registration Date: **05 June 2007**

(56) Related Art Documents: **Not Applicable**

(57) Statement of Newness and Distinctiveness: **Newness and distinctiveness is claimed in the features of the door wedge depicted in the attached representations. In considering the scope of the design the shape and configuration of hollow portion (A) on the door wedge between the sidewalls is to be disregarded. Also, in considering the scope of the design the text "adoored" is to be disregarded.**



(21) Design Number: **16842/2007**

(22) Date of Filing Application: **12 March 2007**

(24) Date from which industrial property rights may have effect: **12 March 2007**

(54) Product in respect of which the design is registered: **Door wedge**

(51) International Design Classification: **08-08A**

(71) Name(s) and Address(s) of Applicant(s):

**The Wilner Group Pty Ltd
52 Farnley Street Mount Lawley Western Australia 6050 Australia**

(72) Name(s) of Designer(s): **Todd Wilner**

(45) Registration Date: **05 June 2007**

(56) Related Art Documents: **Not Applicable**

(57) Statement of Newness and Distinctiveness: **Newness and distinctiveness is claimed in the features of the door wedge depicted in the attached representations. In considering the scope of the design the shape and configuration of hollow portion (A) on the door wedge between the sidewalls is to be disregarded. Also in considering the scope of the design the text "adoored" and "ouch!!!" is to be disregarded.**



(21) Design Number: 16843/2007

(22) Date of Filing Application: 12 March 2007

(24) Date from which industrial property rights may have effect: 12 March 2007

(54) Product in respect of which the design is registered: Door wedge

(51) International Design Classification: 08-08A

(71) Name(s) and Address(s) of Applicant(s):

The Wilner Group Pty Ltd

52 Farnley Street Mount Lawley Western Australia 6050 Australia

(72) Name(s) of Designer(s): Todd Wilner

(45) Registration Date: 05 June 2007

(56) Related Art Documents: Not Applicable

(57) Statement of Newness and Distinctiveness: **Newness and distinctiveness is claimed in the features of the door wedge depicted in the attached representations. In considering the scope of the design the shape and configuration of hollow portion (A) on the door wedge between the sidewalls is to be disregarded. Also in considering the scope of the design the text "adoored" and "...for cover" is to be disregarded.**



(21) Design Number: 16844/2007

(22) Date of Filing Application: 12 March 2007

(24) Date from which industrial property rights may have effect: 12 March 2007

(54) Product in respect of which the design is registered: Door wedge

(51) International Design Classification: 08-08A

(71) Name(s) and Address(s) of Applicant(s):

The Wilner Group Pty Ltd

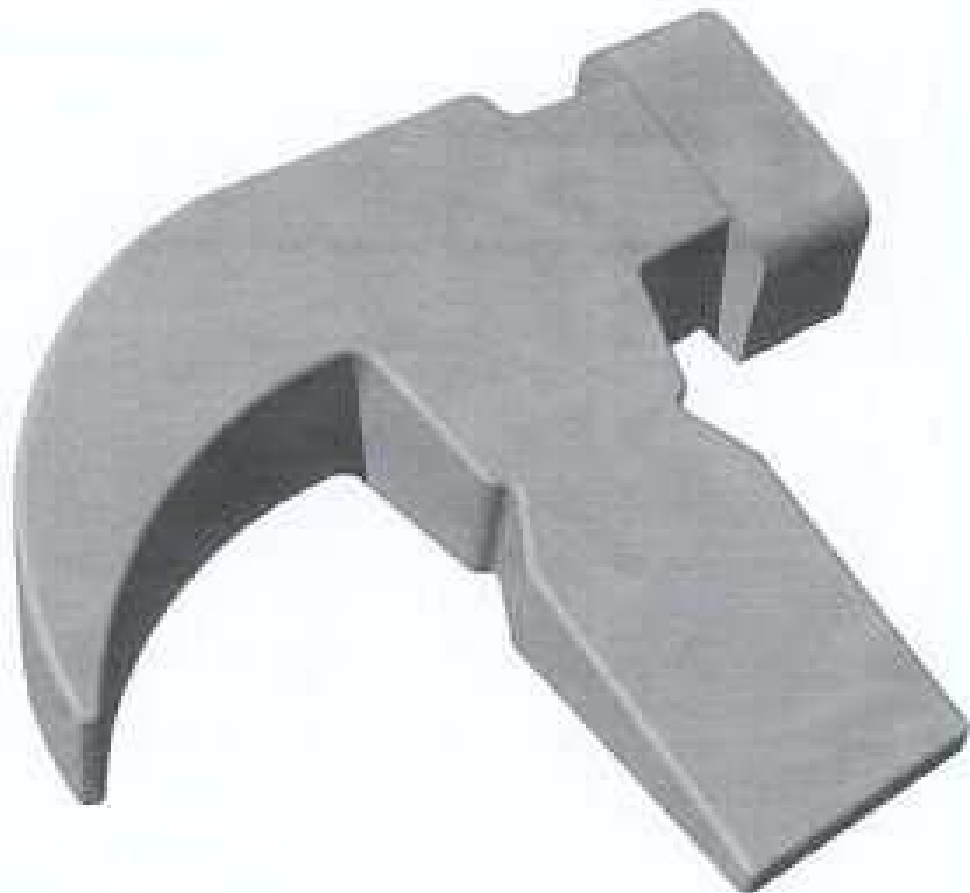
52 Farnley Street Mount Lawley Western Australia 6050 Australia

(72) Name(s) of Designer(s): Todd Wilner

(45) Registration Date: 05 June 2007

(56) Related Art Documents: Not Applicable

(57) Statement of Newness and Distinctiveness: **Newness and distinctiveness is claimed in the features of the door wedge depicted in the attached representations. In considering the scope of the design the shape and configuration of hollow portion (A) on the door wedge between the sidewalls is to be disregarded. Also in considering the scope of the design the text 'adoored' is to be disregarded.**



(21) Design Number: **16851/2007**
(22) Date of Filing Application: **09 March 2007**
(24) Date from which industrial property rights may have effect: **09 March 2007**
(54) Product in respect of which the design is registered: **Internet device**
(51) International Design Classification: **14-02**
(71) Name(s) and Address(s) of Applicant(s):

Nokia Corporation
Keilalahdentie 4 FIN-02150 Espoo Finland

(72) Name(s) of Designer(s): **Chee Yee Wong**

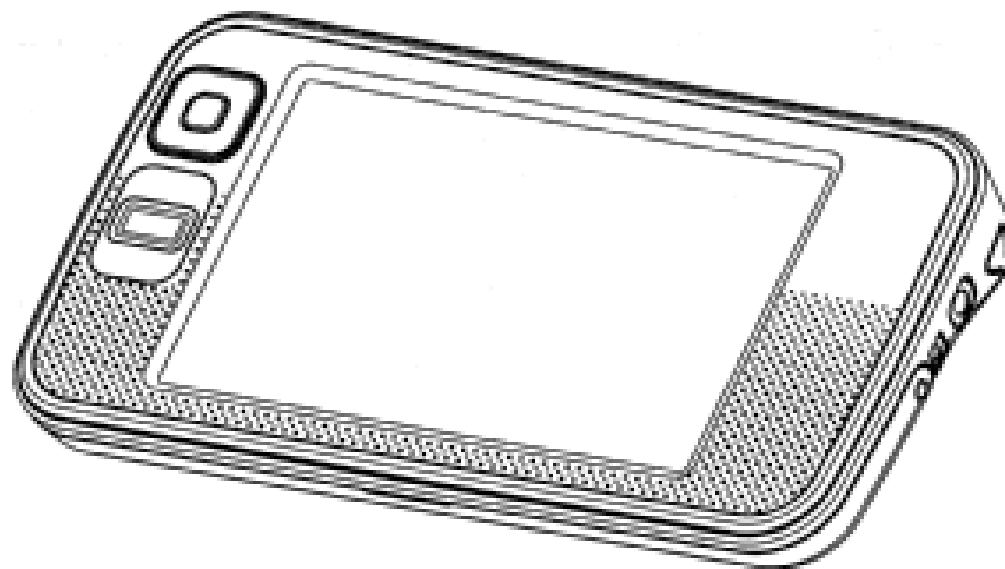
(45) Registration Date: **05 June 2007**

(30) Convention priority data:

(31) Number	(32) Date	(33) Country
M20060199	31 Oct 2006	FINLAND

(56) Related Art Documents: **Not Applicable**

(57) Statement of Newness and Distinctiveness: **Nil**



(21) Design Number: **16852/2007**
(22) Date of Filing Application: **09 March 2007**
(24) Date from which industrial property rights may have effect: **09 March 2007**
(54) Product in respect of which the design is registered: **Handset**
(51) International Design Classification: **14-03E**
(71) Name(s) and Address(s) of Applicant(s):

Nokia Corporation
Keilalahdentie 4 FIN-02150 Espoo Finland

(72) Name(s) of Designer(s): **Aaron Moss and Mikko Aarras and Anthony Dalby and Daniel Gratiot**

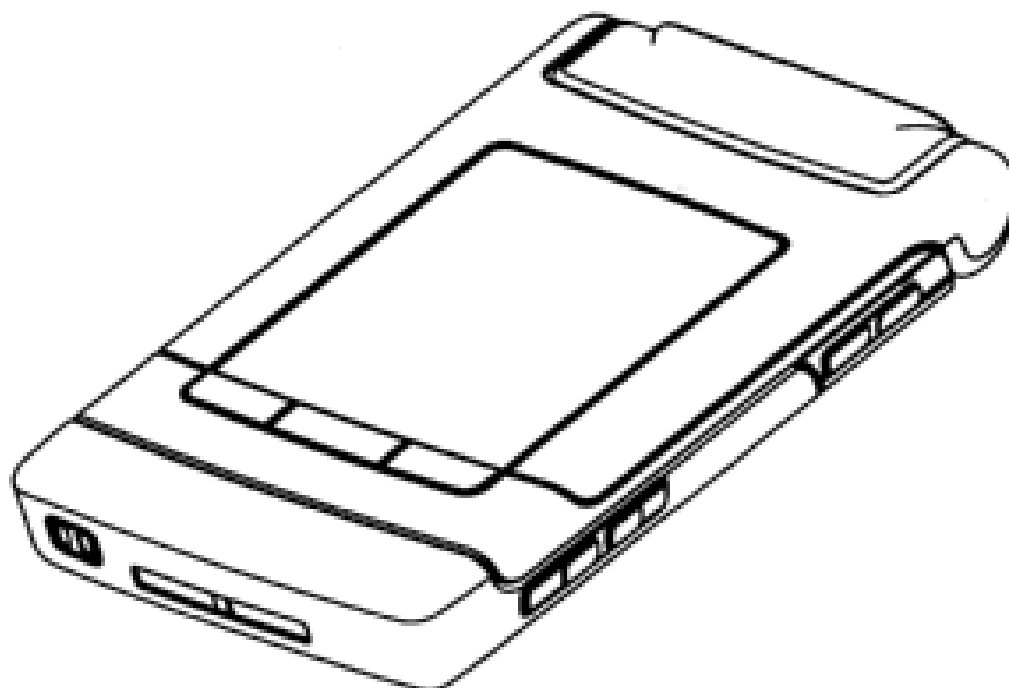
(45) Registration Date: **05 June 2007**

(30) Convention priority data:

(31) Number	(32) Date	(33) Country
M20060196	26 Oct 2006	FINLAND

(56) Related Art Documents: **Not Applicable**

(57) Statement of Newness and Distinctiveness: **Nil**



(21) Design Number: **16853/2007**
(22) Date of Filing Application: **09 March 2007**
(24) Date from which industrial property rights may have effect: **09 March 2007**
(54) Product in respect of which the design is registered: **Handset**
(51) International Design Classification: **14-03E**
(71) Name(s) and Address(s) of Applicant(s):
Nokia Corporation
Keilalahdentie 4 FIN-02150 Espoo Finland
(72) Name(s) of Designer(s): **Anna Klemettila and Hanna Vuolteenaho and**
Jonne Harju
(45) Registration Date: **05 June 2007**
(30) Convention priority data:
(31) Number (32) Date (33) Country
M20060171 12 Sep 2006 FINLAND
(56) Related Art Documents: **Not Applicable**
(57) Statement of Newness and Distinctiveness: **Nil**



(21) Design Number: **16855/2007**
(22) Date of Filing Application: **09 March 2007**
(24) Date from which industrial property rights may have effect: **09 March 2007**
(54) Product in respect of which the design is registered: **Multi-utility mini-bus**
(51) International Design Classification: **12-08**
(71) Name(s) and Address(s) of Applicant(s):
Chongqing Sokon Automobile Industry (Group) Co., Ltd.
Shangqiao Industrial Estate Shapingba District Chongqing 400037
China
(72) Name(s) of Designer(s): **Xinghai Zhang and Zili Peng**
(45) Registration Date: **05 June 2007**
(30) Convention priority data:
(31) Number (32) Date (33) Country
200630012366.7 11 Sep 2006 CHINA
(56) Related Art Documents: **Not Applicable**
(57) Statement of Newness and Distinctiveness: **Nil**



- (21) Design Number: **16863/2007**
(22) Date of Filing Application: **13 March 2007**
(24) Date from which industrial property rights may have effect: **13 March 2007**
(54) Product in respect of which the design is registered: **Foldable driving simulator frame**
(51) International Design Classification: **21-01N**
(71) Name(s) and Address(s) of Applicant(s):
Cyberkart Pty Limited
15 Whaddon Avenue Dee Why New South Wales 2099 Australia
(72) Name(s) of Designer(s): **Garry Weir**
(45) Registration Date: **05 June 2007**
(56) Related Art Documents: **Not Applicable**
(57) Statement of Newness and Distinctiveness: **When considering the visual features of the design, the depressions in the table marked A, B and C, the foot pedal plate marked D, the base plate marked E, the meshed parts marked F and G, the name plate marked H, the side attachment plate marked I and the knurled fasteners marked J are to be disregarded (please refer to pages 10/14 and 13/14 and folded view from right-hand side folded front view in this regard). Attention is directed to the shape and configuration of the frame and the table.**



- (21) Design Number: **16358/2007**
(22) Date of Filing Application: **08 February 2007**
(24) Date from which industrial property rights may have effect: **08 February 2007**
(54) Product in respect of which the design is registered: **Wine case**
(51) International Design Classification: **03-01NES**
(71) Name(s) and Address(s) of Applicant(s):
Best Buy Design Limited
8 Somerset Road Kowloon Hong Kong
(72) Name(s) of Designer(s): **Fanny Man Kin Yeung**
(45) Registration Date: **06 June 2007**
(30) Convention priority data:
(31) Number (32) Date (33) Country
0603279.9 12 Dec 2006 HONG KONG
(56) Related Art Documents: **Not Applicable**
(57) Statement of Newness and Distinctiveness: **Nil**



- (21) Design Number: **16845/2007**
(22) Date of Filing Application: **12 March 2007**
(24) Date from which industrial property rights may have effect: **12 March 2007**
(54) Product in respect of which the design is registered: **Flask**
(51) International Design Classification: **07-01F**
(71) Name(s) and Address(s) of Applicant(s):

SAVERGLASS
Place de La Gare 60960 Feuquieres France

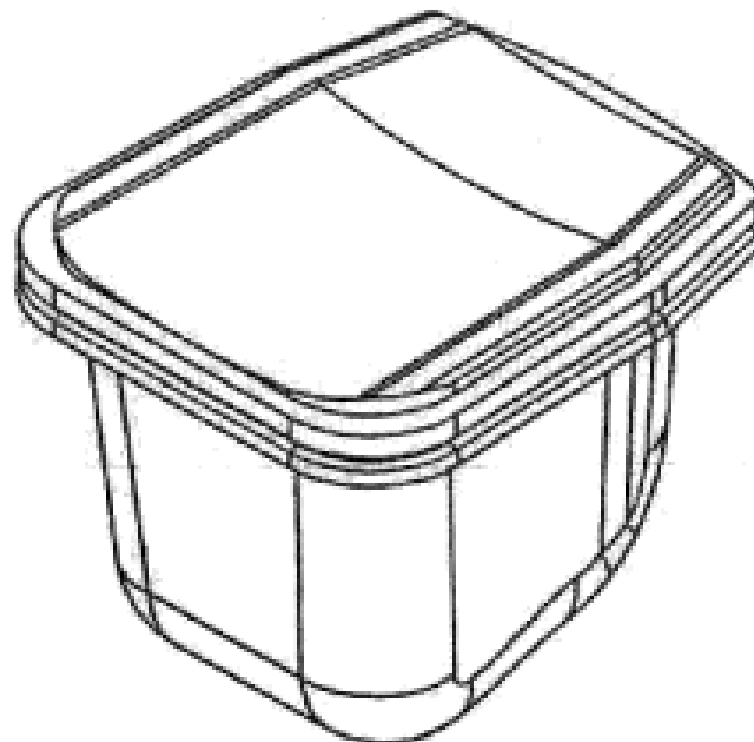
- (72) Name(s) of Designer(s): **Didier Rica**
(45) Registration Date: **06 June 2007**
(56) Related Art Documents: **Not Applicable**
(57) Statement of Newness and Distinctiveness: **Newness and distinctiveness reside in the features of the design as shown in the representations, particularly in the appearance of the thickset conical silhouette, square section and horizontal shoulder, in the appearance of the faces, the faces alternating between a face having a very rounded shoulder and a sharper radiused base, and a face having sharper shoulder and very rounded base, and in the appearance of the thick glass base.**



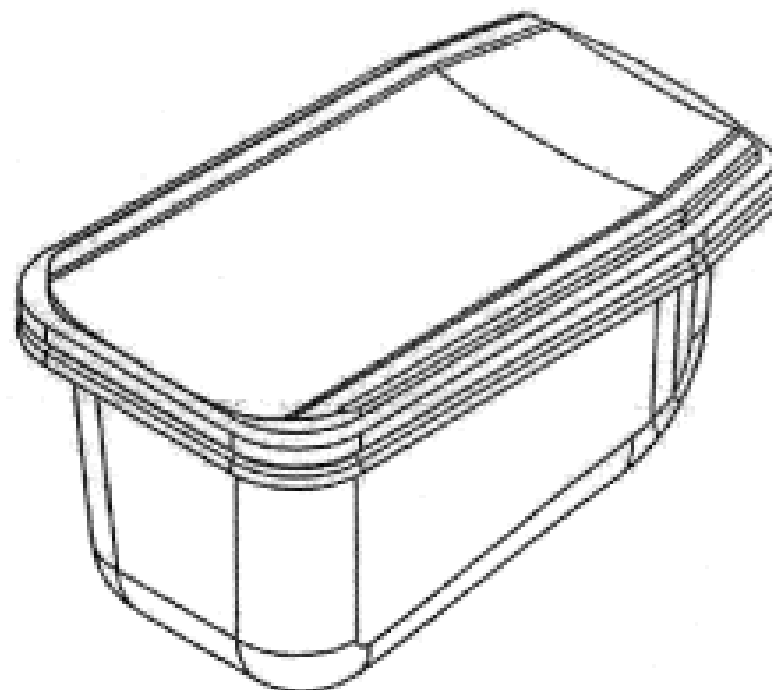
- (21) Design Number: **16846/2007**
(22) Date of Filing Application: **12 March 2007**
(24) Date from which industrial property rights may have effect: **12 March 2007**
(54) Product in respect of which the design is registered: **Packaging**
(51) International Design Classification: **09-03NES**
(71) Name(s) and Address(s) of Applicant(s):

N.V. Nutricia
Eerste Stationsstraat 186 2712 HM Zoetermeer The Netherlands

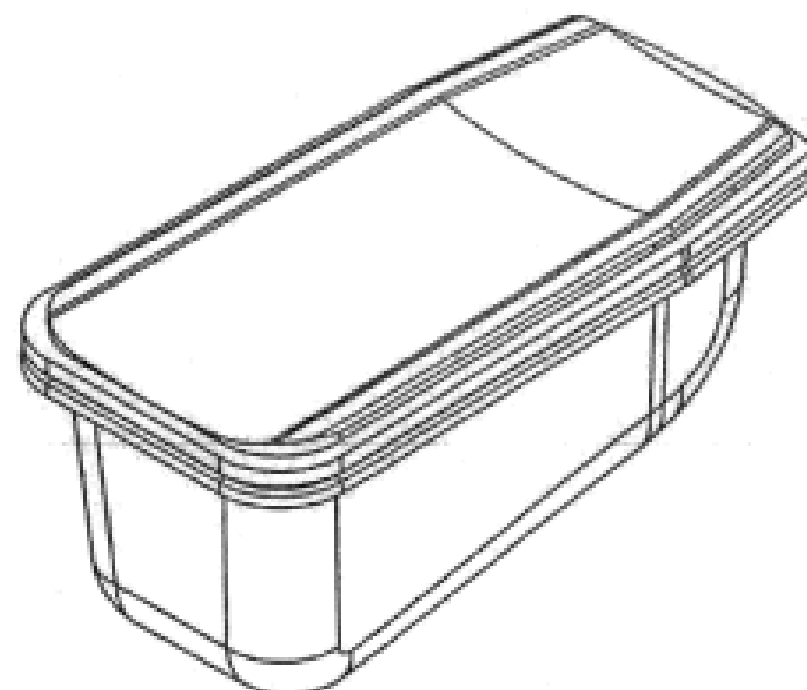
- (72) Name(s) of Designer(s): **Alexander Josephus Maricus Van Puijenbroek**
(45) Registration Date: **06 June 2007**
(30) Convention priority data:
(31) Number (32) Date (33) Country
000642814#0003 22 Dec 2006 EUROPEAN COMMUNITY
(56) Related Art Documents: **Not Applicable**
(57) Statement of Newness and Distinctiveness: **Newness and distinctiveness resides in the shape and configuration of packaging as illustrated in the accompanying representations.**



- (21) Design Number: **16847/2007**
(22) Date of Filing Application: **12 March 2007**
(24) Date from which industrial property rights may have effect: **12 March 2007**
(54) Product in respect of which the design is registered: **Packaging**
(51) International Design Classification: **09-03NES**
(71) Name(s) and Address(s) of Applicant(s):
N.V. Nutricia
Eerste Stationsstraat 186 2712 HM Zoetermeer The Netherlands
(72) Name(s) of Designer(s): **Alexander Josephus Maricus Van Puijenbroek**
(45) Registration Date: **06 June 2007**
(30) Convention priority data:
(31) Number (32) Date (33) Country
000642814#0002 22 Dec 2006 EUROPEAN COMMUNITY
(56) Related Art Documents: **Not Applicable**
(57) Statement of Newness and Distinctiveness: **Newness and distinctiveness resides in the shape and/or configuration of packaging as illustrated in the accompanying representations.**



- (21) Design Number: **16848/2007**
(22) Date of Filing Application: **12 March 2007**
(24) Date from which industrial property rights may have effect: **12 March 2007**
(54) Product in respect of which the design is registered: **Packaging**
(51) International Design Classification: **09-03NES**
(71) Name(s) and Address(s) of Applicant(s):
N.V. Nutricia
Eerste Stationsstraat 186 2712 HM Zoetermeer The Netherlands
(72) Name(s) of Designer(s): **Alexander Josephus Maricus Van Puijenbroek**
(45) Registration Date: **06 June 2007**
(30) Convention priority data:
(31) Number (32) Date (33) Country
000642814#0001 22 Dec 2006 EUROPEAN COMMUNITY
(56) Related Art Documents: **Not Applicable**
(57) Statement of Newness and Distinctiveness: **Newness and distinctiveness resides in the shape and/or configuration of packaging as illustrated in the accompanying representations.**



(21) Design Number: **16849/2007**

(22) Date of Filing Application: **12 March 2007**

(24) Date from which industrial property rights may have effect: **12 March 2007**

(54) Product in respect of which the design is registered: **Candle holder**

(51) International Design Classification: **26-01**

(71) Name(s) and Address(s) of Applicant(s):

S.C. Johnson & Son, Inc.
1525 Howe Street Racine Wisconsin 53403-2236 United States of America

(72) Name(s) of Designer(s): **Chris A. Kubicek and Paul E. Furner and Nicholas W. Binetti**

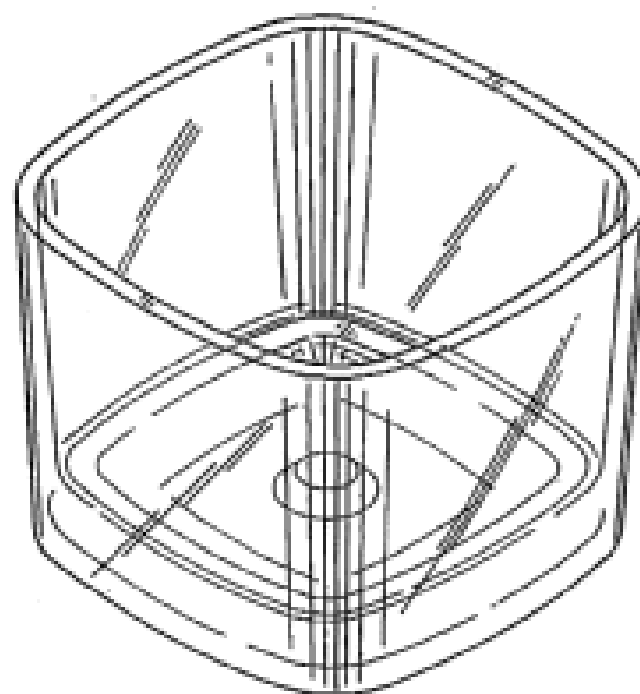
(45) Registration Date: **06 June 2007**

(30) Convention priority data:

(31) Number	(32) Date	(33) Country
29/248986	14 Sep 2006	UNITED STATES OF AMERICA

(56) Related Art Documents: **Not Applicable**

(57) Statement of Newness and Distinctiveness: **Newness and distinctiveness is claimed in those features of shape and/or configuration of a candle holder as illustrated in continuous lines in the accompanying representations.**



(21) Design Number: **16730/2007**

(22) Date of Filing Application: **02 March 2007**

(24) Date from which industrial property rights may have effect: **02 March 2007**

(54) Product in respect of which the design is registered: **Mid-sized mulcher**

(51) International Design Classification: **15-03B**

(71) Name(s) and Address(s) of Applicant(s):

Nabil Makari
90 Sherwood Street Revesby New South Wales 2212 Australia

(72) Name(s) of Designer(s): **Nabil Makari**

(45) Registration Date: **06 June 2007**

(56) Related Art Documents: **Not Applicable**

(57) Statement of Newness and Distinctiveness: **Nil**



(21) Design Number: **16858/2007**

(22) Date of Filing Application: **13 March 2007**

(24) Date from which industrial property rights may have effect: **13 March 2007**

(54) Product in respect of which the design is registered: **Bottler carrier**

(51) International Design Classification: **07-06A**

(71) Name(s) and Address(s) of Applicant(s):

Peter Sullivan

77 Banks Road Linthwaite Huddersfield Yorkshire HD75LP England

(72) Name(s) of Designer(s): **Peter Sullivan**

(45) Registration Date: **06 June 2007**

(30) Convention priority data:

(31) Number
4000000

(32) Date
02 Oct 2006

(33) Country
UNITED KINGDOM

(56) Related Art Documents: **Not Applicable**

(57) Statement of Newness and Distinctiveness: **The bottle carrier consists of holes in a sheet which is folded in such a way that the return edge provides support for the bottles with the short handle fixed central to the surrounding holes.**



(21) Design Number: **16872/2007**

(22) Date of Filing Application: **13 March 2007**

(24) Date from which industrial property rights may have effect: **13 March 2007**

(54) Product in respect of which the design is registered: **Vacuum cleaner**

(51) International Design Classification: **15-05**

(71) Name(s) and Address(s) of Applicant(s):

Shop-Vac Corporation

2323 Reach Road Williamsport PA 17701 United States of America

(72) Name(s) of Designer(s): **Robert Lent Crevling Jr. and Craig A. Seasholtz and John Griffin**

(45) Registration Date: **06 June 2007**

(30) Convention priority data:

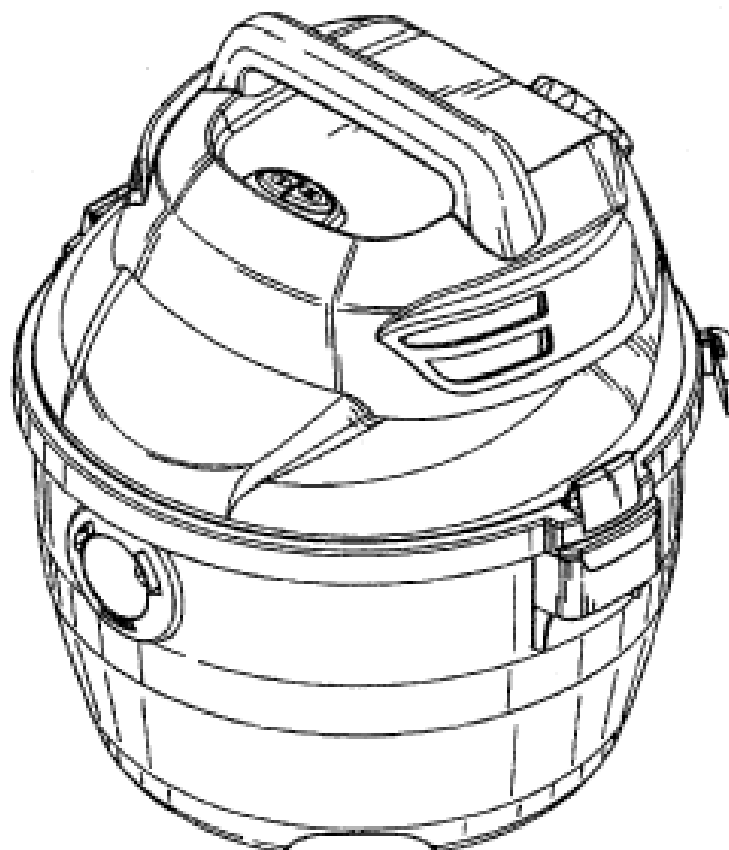
(31) Number
29/266501

(32) Date
22 Sep 2006

(33) Country
UNITED STATES OF AMERICA

(56) Related Art Documents: **Not Applicable**

(57) Statement of Newness and Distinctiveness: **Nil**



(21) Design Number: **16873/2007**
(22) Date of Filing Application: **13 March 2007**
(24) Date from which industrial property rights may have effect: **13 March 2007**
(54) Product in respect of which the design is registered: **Needling device**
(51) International Design Classification: **24-02**
(71) Name(s) and Address(s) of Applicant(s):

Terumo Kabushiki Kaisha
44-1 2-chome Hatagaya Shibuya-ku Tokyo Japan

(72) Name(s) of Designer(s): **Hideki Katsura**

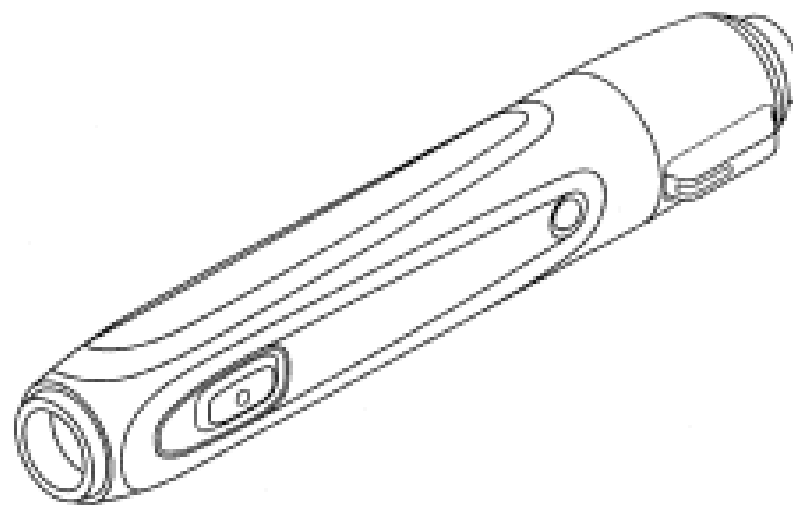
(45) Registration Date: **06 June 2007**

(30) Convention priority data:

(31) Number	(32) Date	(33) Country
2006#028386	19 Oct 2006	JAPAN

(56) Related Art Documents: **Not Applicable**

(57) Statement of Newness and Distinctiveness: **Nil**



(21) Design Number: **16877/2007**
(22) Date of Filing Application: **13 March 2007**
(24) Date from which industrial property rights may have effect: **13 March 2007**
(54) Product in respect of which the design is registered: **Container**
(51) International Design Classification: **09-03NES**
(71) Name(s) and Address(s) of Applicant(s):

Alcan Technology & Management Ltd.
Badische Bahnhofstrasse 16 CH-8212 Neuhausen am Rheinfall
Switzerland

(72) Name(s) of Designer(s): **Jan J. Middelbrink**

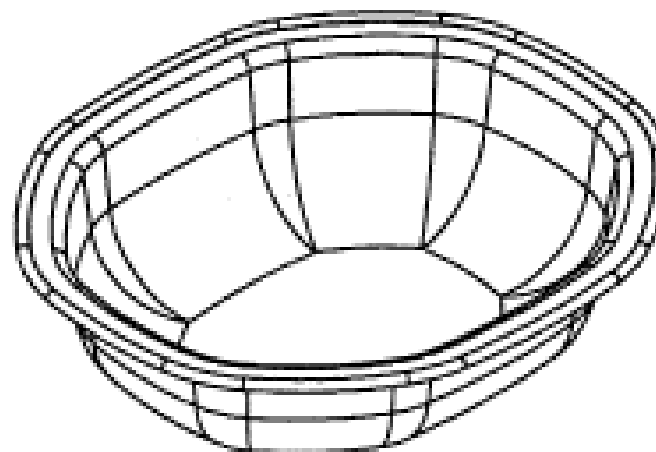
(45) Registration Date: **06 June 2007**

(30) Convention priority data:

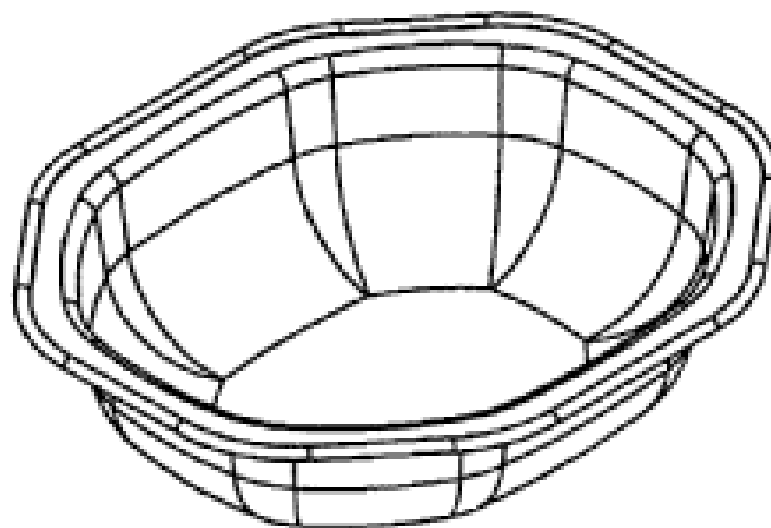
(31) Number	(32) Date	(33) Country
000628672#0001	28 Nov 2006	EUROPEAN COMMUNITY

(56) Related Art Documents: **Not Applicable**

(57) Statement of Newness and Distinctiveness: **Those features of the container depicted in the representations that are new and distinctive are the shape and/or configuration.**



- (21) Design Number: **16878/2007**
(22) Date of Filing Application: **13 March 2007**
(24) Date from which industrial property rights may have effect: **13 March 2007**
(54) Product in respect of which the design is registered: **Container**
(51) International Design Classification: **09-03NES**
(71) Name(s) and Address(s) of Applicant(s):
Alcan Technology & Management Ltd.
Badische Bahnhofstrasse 16 CH-8212 Neuhausen am Rheinfall
Switzerland
(72) Name(s) of Designer(s): **Jan J. Middelbrink**
(45) Registration Date: **06 June 2007**
(30) Convention priority data:
(31) Number (32) Date (33) Country
000628672#0002 28 Nov 2006 EUROPEAN COMMUNITY
(56) Related Art Documents: **Not Applicable**
(57) Statement of Newness and Distinctiveness: **Those features of the container depicted in the representations that are new and distinctive are the shape and/or configuration.**



- (21) Design Number: **16880/2007**
(22) Date of Filing Application: **13 March 2007**
(24) Date from which industrial property rights may have effect: **13 March 2007**
(54) Product in respect of which the design is registered: **Footwear insert**
(51) International Design Classification: **02-04A**
(71) Name(s) and Address(s) of Applicant(s):
Lothar Jahrling
Steinweg 58 35440 Linden Germany
(72) Name(s) of Designer(s): **Lothar Jahrling**
(45) Registration Date: **06 June 2007**
(30) Convention priority data:
(31) Number (32) Date (33) Country
000589676#0001 18 Sep 2006 EUROPEAN COMMUNITY
(56) Related Art Documents: **Not Applicable**
(57) Statement of Newness and Distinctiveness: **Nil**



(21) Design Number: **16881/2007**
(22) Date of Filing Application: **13 March 2007**
(24) Date from which industrial property rights may have effect: **13 March 2007**
(54) Product in respect of which the design is registered: **Footwear insert**
(51) International Design Classification: **02-04A**
(71) Name(s) and Address(s) of Applicant(s):
Lothar Jahrling
Steinweg 58 35440 Linden Germany
(72) Name(s) of Designer(s): **Lothar Jahrling**
(45) Registration Date: **06 June 2007**
(30) Convention priority data:
(31) Number (32) Date (33) Country
000589676#0002 18 Sep 2006 EUROPEAN COMMUNITY
(56) Related Art Documents: **Not Applicable**
(57) Statement of Newness and Distinctiveness: **Nil**



(21) Design Number: **16882/2007**
(22) Date of Filing Application: **13 March 2007**
(24) Date from which industrial property rights may have effect: **13 March 2007**
(54) Product in respect of which the design is registered: **Footwear insert**
(51) International Design Classification: **02-04A**
(71) Name(s) and Address(s) of Applicant(s):
Lothar Jahrling
Steinweg 58 35440 Linden Germany
(72) Name(s) of Designer(s): **Lothar Jahrling**
(45) Registration Date: **06 June 2007**
(30) Convention priority data:
(31) Number (32) Date (33) Country
000589676#0003 18 Sep 2006 EUROPEAN COMMUNITY
(56) Related Art Documents: **Not Applicable**
(57) Statement of Newness and Distinctiveness: **Nil**



(21) Design Number: **16883/2007**
(22) Date of Filing Application: **13 March 2007**
(24) Date from which industrial property rights may have effect: **13 March 2007**
(54) Product in respect of which the design is registered: **Footwear insert**
(51) International Design Classification: **02-04A**
(71) Name(s) and Address(s) of Applicant(s):
Lothar Jahrling
Steinweg 58 35440 Linden Germany
(72) Name(s) of Designer(s): **Lothar Jahrling**
(45) Registration Date: **06 June 2007**
(30) Convention priority data:
(31) Number (32) Date (33) Country
000589676#0004 18 Sep 2006 EUROPEAN COMMUNITY
(56) Related Art Documents: **Not Applicable**
(57) Statement of Newness and Distinctiveness: **Nil**



(21) Design Number: **16884/2007**
(22) Date of Filing Application: **13 March 2007**
(24) Date from which industrial property rights may have effect: **13 March 2007**
(54) Product in respect of which the design is registered: **Footwear insert**
(51) International Design Classification: **02-04A**
(71) Name(s) and Address(s) of Applicant(s):
Lothar Jahrling
Steinweg 58 35440 Linden Germany
(72) Name(s) of Designer(s): **Lothar Jahrling**
(45) Registration Date: **06 June 2007**
(30) Convention priority data:
(31) Number (32) Date (33) Country
000589676#0005 18 Sep 2006 EUROPEAN COMMUNITY
(56) Related Art Documents: **Not Applicable**
(57) Statement of Newness and Distinctiveness: **Nil**



(21) Design Number: **16885/2007**
(22) Date of Filing Application: **13 March 2007**
(24) Date from which industrial property rights may have effect: **13 March 2007**
(54) Product in respect of which the design is registered: **Footwear insert**
(51) International Design Classification: **02-04A**
(71) Name(s) and Address(s) of Applicant(s):
Lothar Jahrling
Steinweg 58 35440 Linden Germany
(72) Name(s) of Designer(s): **Lothar Jahrling**
(45) Registration Date: **06 June 2007**
(30) Convention priority data:
(31) Number (32) Date (33) Country
000589676#0006 18 Sep 2006 EUROPEAN COMMUNITY
(56) Related Art Documents: **Not Applicable**
(57) Statement of Newness and Distinctiveness: **Nil**



(21) Design Number: **16886/2007**
(22) Date of Filing Application: **13 March 2007**
(24) Date from which industrial property rights may have effect: **13 March 2007**
(54) Product in respect of which the design is registered: **Footwear insert**
(51) International Design Classification: **02-04A**
(71) Name(s) and Address(s) of Applicant(s):
Lothar Jahrling
Steinweg 58 35440 Linden Germany
(72) Name(s) of Designer(s): **Lothar Jahrling**
(45) Registration Date: **06 June 2007**
(30) Convention priority data:
(31) Number (32) Date (33) Country
000589676#0007 18 Sep 2006 EUROPEAN COMMUNITY
(56) Related Art Documents: **Not Applicable**
(57) Statement of Newness and Distinctiveness: **Nil**



(21) Design Number: **16887/2007**
(22) Date of Filing Application: **13 March 2007**
(24) Date from which industrial property rights may have effect: **13 March 2007**
(54) Product in respect of which the design is registered: **Footwear insert**
(51) International Design Classification: **02-04A**
(71) Name(s) and Address(s) of Applicant(s):
Lothar Jahrling
Steinweg 58 35440 Linden Germany
(72) Name(s) of Designer(s): **Lothar Jahrling**
(45) Registration Date: **06 June 2007**
(30) Convention priority data:
(31) Number (32) Date (33) Country
000589679#0008 18 Sep 2006 EUROPEAN COMMUNITY
(56) Related Art Documents: **Not Applicable**
(57) Statement of Newness and Distinctiveness: **Nil**



(21) Design Number: **16888/2007**
(22) Date of Filing Application: **13 March 2007**
(24) Date from which industrial property rights may have effect: **13 March 2007**
(54) Product in respect of which the design is registered: **Footwear insert**
(51) International Design Classification: **02-04A**
(71) Name(s) and Address(s) of Applicant(s):
Lothar Jahrling
Steinweg 58 35440 Linden Germany
(72) Name(s) of Designer(s): **Lothar Jahrling**
(45) Registration Date: **06 June 2007**
(30) Convention priority data:
(31) Number (32) Date (33) Country
000589679#0009 18 Sep 2006 EUROPEAN COMMUNITY
(56) Related Art Documents: **Not Applicable**
(57) Statement of Newness and Distinctiveness: **Nil**

