



Australian Government

IP Australia

AUSTRALIAN OFFICIAL JOURNAL

OF

DESIGNS

Did you know a searchable version of this journal is now available online?
It's FREE and EASY to SEARCH.

Find it at

<http://pericles.ipaustralia.gov.au/ols/epublish/content/olsEpublications.jsp>
or using the "Online Journals" link on the IP Australia home page.

This Page Left Intentionally Blank

Contents

General Information & Notices

**Proceedings Under the Designs Act 1906 preserved as a result of the provisions of Chapter 12
Part 2 of the Designs Act 2003**

Extension of Period of Registration of Designs	9318
Extensions of Time Granted	9318
Names Registered - Alterations and Amendments	9318
Registrations Ceased	9318
Subsequent Owners Registered	9318

Proceedings Under the Designs Act 2003

Applications Lapsed	9325
Applications Lodged	9323
Certificate of Examination	9327
Extension of Time Granted Under Section 137	9326
Publication and Registration Proceedings	
Designs Registered 314443 to 314742.....	9328
Registrations Ceased	9326
Subsequent Owners Registered	9326

This Page Left Intentionally Blank

For information on the following please see our website www.ipaustralia.gov.au or contact our Customer Service Network on 1300651010

[Editorial enquiries](#)

[Contact information](#)

[Freedom of Information ACT](#)

[Professional Standards Board](#)

[Sales](#)

[Requests for Information under Section 194 \(c\)](#)

[Country Codes](#)

[Trade Mark and Designs Hearing Sessions](#)

[INID \(Internationally agreed Numbers for the Identification of Data\)](#)

“INID” NUMBERS in use on Australian Design Documents

“INID” is an acronym for “Internationally agreed Numbers for the Identification of Data”.

(10) Data concerning the registration/renewal

- (11) Serial number of the registration and/or number of the design document
- (12) Plain language designation of the kind of published document
- (19) Identification, using the two-letter code according to WIPO Standard ST.3, of the authority publishing or registering the industrial design

(20) Data concerning the application

- (21) Serial number of the application
- (22) Date of filing of the application
- (24) Date from which the industrial design right has effect

(30) Data relating to priority under the Paris Convention

- (31) Serial number assigned to the priority application
- (32) Date of filing of the priority application
- (33) Two-letter code, according to WIPO Standard ST.3, identifying the authority with which the priority application was made

(40) Date(s) of making information available to the public

- (45) Date of publication of the registered industrial design by printing or similar process, or making it available to the public by any other means

(50) Miscellaneous Information

- (51) International Classification for Industrial Designs (class and subclass of the Locarno Classification)
- (54) Designation of article(s) or product(s) covered by the industrial design or title of the industrial design
- (55) Reproduction of the industrial design (e.g., drawing, photograph) and explanations relating to the reproduction
- (56) List of prior art documents, if separate from descriptive text
- (57) Description of characteristic features of the industrial design including indication of colours

(60) References to other legally related application(s) and registration(s)

- (62) Serial number(s) and, if available, filing date(s) of application(s), registration(s) or document(s) related by division
- (66) Serial number(s) of the application, or the registration, of the design(s) which is (are) a variant(s) of the present one

(70) Identification of parties concerned with the application or registration

- (71) Name(s) and address(es) of the applicant(s)
- (72) Name(s) of the creator(s) if known to be such
- (74) Name(s) and address(es) of the representative(s)

This Page Left Intentionally Blank

Official Notice**Designs Act 2003
Amendments to Registered Designs at Examination**

The following amendments have been made to details previously published in the Australian Official Journal of Designs during the Examination process:

Registration Number	Amendment type	New details
310711	Classification	11-01B, 11-01C
314033	Classification	04-01, 15-05

Contact: IP Australia
Phone: 1300 651 010
Fax: +61 2 6283 7999
E-Mail: assist@ipaaustralia.gov.au
Web: www.ipaustralia.gov.au

This Page Left Intentionally Blank

**Proceedings under the Designs Act 1906 preserved as a
result of the provisions of Chapter 12 Part 2 of the Designs
Act 2003.**

This Page Left Intentionally Blank

Applications Lapsed

There were no Applications Lapsed under this section

Extension of Period of Registration of Designs

1st Period (Section 27A(8))

155819

2nd Period (Section 27A(12))

143733	145345	145695
145959	145964	145965
145993	145995	146093
146153	146154	146162
146295	146341	146521
147025	147095	147098
147099	147166	147167
147365	147469	147582
147664	147766	148029
149114	149835	149916
149918	149938	150640
150893	151031	151032
151136		

3rd Period (Section 27A(13))

128380	128436	128822
128855	128856	129054
129102	129177	129178
129323	129389	129494
129496	129506	129572
129573	129574	129615
129759	130273	130274
130275	130401	130645
131450	132135	132668
133104	133108	134524

Registrations Ceased

Note: Some of the following Registrations may have been previously advertised as ceased. In this instance, the previous advertisement still prevails.

112056	112057	113022
113023	113069	113070
113071	113114	113151
113156	113189	113293
113454	113500	113584
113748	113816	113904
115770	116712	116751
125635	126047	127255
127358	127438	127439
127440	127552	127553
127554	127588	127796
127930	127979	128848
129747	129748	131061
131420	131421	131836
133098	133099	135539
142919	142975	143120
143188	143191	144511
144531	144554	144555
144599	144633	144674

144675	144678	144810
144862	144930	145185
145300	145375	145376
145407	145430	145933
145947	146874	148044
148045	148404	148405
148406	148488	149282
149326	149475	149928
153485	158571	

Extensions of time granted

Applications lodged for extension of time have been granted.

143733 **Kevin Graeme Driscoll** An Extension of time to extend a registration has been granted to 04/06/2007

Subsequent Owners Registered

(The name in parentheses is that of the subsequent owner)

118708	(Signature Bears Australia Pty. Ltd.) Garry Chapman
152339	(Goodman Fielder Consumer Foods Pty Ltd) Demetriou Nominees Pty Ltd Trading as The Copperpot Pate;RJK Holdings Pty Ltd Trading as The Copperpot Pate

Names Registered - Alterations and Amendments

(The name in parentheses is the new name of the proprietor)

120003	(Flsmidth Abon Pty Ltd) Abon Engineering Pty Ltd
120004	(Flsmidth Abon Pty Ltd) Abon Engineering Pty Ltd
144823	(Flsmidth Abon Pty Ltd) Abon Engineering Pty Ltd

This Page Left Intentionally Blank

Proceedings under the Designs Act 2003.

This Page Left Intentionally Blank

Applications Lodged

Lodgement information is in the following order: **Applicant's Name**; International Classification, Name of Product, Lodgement Date and **Design Number**. If the applicant claims an earlier priority date under an International Convention, the Convention Country and the associated filing date are shown in parentheses before the Lodgement Date. Divisional information will also appear in parentheses before the Lodgement Date.

Agrios, Kyra Trading as Zesti Woodfired Ovens; Yianni, Theophanos Trading as Zesti Woodfired Ovens; Yianni, Athana Trading as Zesti Woodfired Ovens; Agrios, Chris Trading as Zesti Woodfired Ovens; 07-02A, , 22 May 2007	18035/2007	C. & J. Clark America, Inc.; 02-04A, Wedge member for footbed system, (US, 01 Dec 2006) 31 May 2007	18170/2007
Agrios, Chris Trading as Zesti Woodfired Ovens; Yianni, Theophanos Trading as Zesti Woodfired Ovens; Yianni, Athana Trading as Zesti Woodfired Ovens; Agrios, Kyra Trading as Zesti Woodfired Ovens; 07-02A, , 22 May 2007	18035/2007	C.E. Niehoff & Co.; 13-01, Electrical alternator, (US, 01 Dec 2006) 31 May 2007	18167/2007
Agrios, Chris Trading as Zesti Woodfired Ovens; Yianni, Theophanos Trading as Zesti Woodfired Ovens; Yianni, Athana Trading as Zesti Woodfired Ovens; Agrios, Kyra Trading as Zesti Woodfired Ovens; 07-02A, , 22 May 2007	18035/2007	C.E. Niehoff & Co.; 13-01, Electrical alternator, (US, 01 Dec 2006) 31 May 2007	18168/2007
Air View Media Pty Ltd; Hokwang Industries Co., Ltd; 28-03NES, Hand dryer, 31 May 2007	18197/2007	Carl-Louis Pty Ltd; 09-07A, 09-07B, Beverage container closure, 15 May 2007	18103/2007
Apple Inc.; 08-08NES, Stand, (US, 05 Jan 2007) 31 May 2007	18212/2007	Fact Radio Limited; 14-01, Digital audio player and casing, (EM, 13 Dec 2006) 13 Jun 2007	18349/2007
Apple Inc.; 08-08NES, Stand, (US, 05 Jan 2007) 31 May 2007	18213/2007	Fay, Thomas; 07-02C, Pizza oven doors, 31 May 2007	18180/2007
Apple Inc.; 14-03A, Ear piece, (US, 05 Jan 2007) 31 May 2007	18214/2007	First Quality Tissue LLC; 19-01, A Paper product, (US, 14 Aug 2006) 12 Feb 2007	18341/2007
Apple Inc.; 14-02, Electronic device, (US, 05 Jan 2007) 31 May 2007	18215/2007	First Quality Tissue LLC; 19-01, A Paper product, (US, 14 Aug 2006) 12 Feb 2007	18342/2007
Apple Inc.; 14-02, Electronic device, (US, 05 Jan 2007) 31 May 2007	18216/2007	Glaxo Group Limited; 09-07B, Lid, (GB, 01 Dec 2006) 31 May 2007	18206/2007
Apple Inc.; 14-02, Electronic device, (US, 05 Jan 2007) 31 May 2007	18217/2007	Glaxo Group Limited; 09-01C, Jar, (GB, 01 Dec 2006) 31 May 2007	18207/2007
Apple Inc.; 14-02, Electronic device, (US, 05 Jan 2007) 31 May 2007	18218/2007	GM Global Technology Operations, Inc.; 12-16B, Vehicle fascia, 31 May 2007	18219/2007
Arki Tsorakidis, Astra Furniture P/L; 06-04D, Solid timber buffet, 13 Jun 2007	18352/2007	GM Global Technology Operations, Inc.; 12-16E, Left-side and right-side vehicle lamp lenses, 31 May 2007	18220/2007
Arki Tsorakidis, Astra Furniture P/L; 06-04D, Solid timber low line entertainment, 13 Jun 2007	18353/2007	Hager B & R Pty Ltd; 13-03D, Double power point, 17 May 2007	17986/2007
Arki Tsorakidis, Astra Furniture P/L; 06-03A, Dining table, 13 Jun 2007	18351/2007	Hokwang Industries Co., Ltd; Air View Media Pty Ltd; 28-03NES, Hand dryer, 31 May 2007	18197/2007
Borger, Vicki M.; 25-03, Relocatable building/villa/home, 21 May 2007	18073/2007	Industrial Galvanizers Corporation Pty Ltd; 08-08L, A bracket, 31 May 2007	18171/2007
Bradken Resources Pty Limited; 15-04, Dragline bucket, 31 May 2007	18198/2007	Leatherman Tool Group, Inc.; 08-05NES, Portion of a handle piece for a folding multipurpose hand tool, (US, 10 Jan 2007) 31 May 2007	18174/2007
C. & J. Clark America, Inc.; 02-04A, Insole for footbed system, (US, 01 Dec 2006) 31 May 2007	18169/2007	Leatherman Tool Group, Inc.; 08-08NES, Portion of a carabiner, (US, 10 Jan 2007) 31 May 2007	18175/2007
		Leatherman Tool Group, Inc.; 08-05NES, Folding multipurpose hand tool, (US, 10 Jan 2007) 31 May 2007	18176/2007
		Leatherman Tool Group, Inc.; 08-05NES, Folding multipurpose hand tool with carabiner, (US, 10 Jan 2007) 31 May 2007	18177/2007

Leatherman Tool Group, Inc.; 08-05NES, Retainer and housing for accessory for folding multipurpose hand tool, (US, 10 Jan 2007) 31 May 2007	18178/2007	Lutron Electronics Co., Inc.; 13-03NES, Lighting control keypad, (US, 07 Dec 2006) 31 May 2007	18188/2007
Leatherman Tool Group, Inc.; 08-05NES, Folding hand tool with visible pliers, (US, 10 Jan 2007) 31 May 2007	18179/2007	Lutron Electronics Co., Inc.; 13-03NES, Lighting control keypad, (US, 07 Dec 2006) 31 May 2007	18189/2007
Lutron Electronics Co., Inc.; 13-03NES, Lighting control keypad, (US, 07 Dec 2006) 31 May 2007	18181/2007	Lutron Electronics Co., Inc.; 13-03NES, Lighting control keypad, (US, 07 Dec 2006) 31 May 2007	18190/2007
Lutron Electronics Co., Inc.; 13-03NES, Lighting control keypad, (US, 07 Dec 2006) 31 May 2007	18201/2007	Lutron Electronics Co., Inc.; 13-03NES, Lighting control keypad, (US, 07 Dec 2006) 31 May 2007	18191/2007
Lutron Electronics Co., Inc.; 13-03NES, Lighting control keypad, (US, 07 Dec 2006) 31 May 2007	18202/2007	Lutron Electronics Co., Inc.; 13-03NES, Lighting control keypad, (US, 07 Dec 2006) 31 May 2007	18192/2007
Lutron Electronics Co., Inc.; 13-03NES, Lighting control keypad, (US, 07 Dec 2006) 31 May 2007	18203/2007	LG Electronics Inc.; 14-03E, Cellular phone, (KR, 19 Jan 2007) 31 May 2007	18172/2007
Lutron Electronics Co., Inc.; 13-03NES, Lighting control keypad, (US, 07 Dec 2006) 31 May 2007	18204/2007	Master Lock Company LLC; 08-07, Lock, (US, 12 Dec 2006) 31 May 2007	18208/2007
Lutron Electronics Co., Inc.; 13-03NES, Lighting control keypad, (US, 07 Dec 2006) 31 May 2007	18199/2007	Master Lock Company LLC; 08-07, Lock, (US, 12 Dec 2006) 31 May 2007	18209/2007
Lutron Electronics Co., Inc.; 13-03NES, Lighting control keypad, (US, 07 Dec 2006) 31 May 2007	18200/2007	Master Lock Company LLC; 08-07, Hasp, (US, 12 Dec 2006) 31 May 2007	18210/2007
Lutron Electronics Co., Inc.; 13-03NES, Lighting control keypad, (US, 07 Dec 2006) 31 May 2007	18193/2007	Master Lock Company LLC; 08-07, Hasp, (US, 12 Dec 2006) 31 May 2007	18211/2007
Lutron Electronics Co., Inc.; 13-03NES, Lighting control keypad, (US, 07 Dec 2006) 31 May 2007	18194/2007	Revolabs, Inc.; 14-01, Wireless table top microphone, (US, 01 Dec 2006) 01 Jun 2007	18230/2007
Lutron Electronics Co., Inc.; 13-03NES, Lighting control keypad, (US, 07 Dec 2006) 31 May 2007	18195/2007	Rin-soon Park; 08-99, Abrasive segment, (KR, 23 Feb 2007) 21 May 2007	18003/2007
Lutron Electronics Co., Inc.; 13-03NES, Lighting control keypad, (US, 07 Dec 2006) 31 May 2007	18196/2007	Rin-soon Park; 08-99, Abrasive segment, (KR, 23 Nov 2006) 21 May 2007	18005/2007
Lutron Electronics Co., Inc.; 13-03NES, Lighting control keypad, (US, 07 Dec 2006) 31 May 2007	18182/2007	Snaptech Pty Ltd; 25-01E, Double cap, 21 May 2007	18012/2007
Lutron Electronics Co., Inc.; 13-03NES, Lighting control keypad, (US, 07 Dec 2006) 31 May 2007	18183/2007	Snaptech Pty Ltd; 25-01E, End cap, 21 May 2007	18013/2007
Lutron Electronics Co., Inc.; 13-03NES, Lighting control keypad, (US, 07 Dec 2006) 31 May 2007	18184/2007	Snaptech Pty Ltd; 25-01E, Single cap - three way 't', 21 May 2007	18014/2007
Lutron Electronics Co., Inc.; 13-03NES, Lighting control keypad, (US, 07 Dec 2006) 31 May 2007	18185/2007	Snaptech Pty Ltd; 25-01E, Single cap - three way, 21 May 2007	18015/2007
Lutron Electronics Co., Inc.; 13-03NES, Lighting control keypad, (US, 07 Dec 2006) 31 May 2007	18186/2007	Snaptech Pty Ltd; 25-01E, Single cap - two way, 21 May 2007	18016/2007
Lutron Electronics Co., Inc.; 13-03NES, Lighting control keypad, (US, 07 Dec 2006) 31 May 2007	18187/2007	Snaptech Pty Ltd; 25-01E, Post rail, 21 May 2007	18017/2007
Lutron Electronics Co., Inc.; 13-03NES, Lighting control keypad, (US, 07 Dec 2006) 31 May 2007	18188/2007	Snaptech Pty Ltd; 25-01E, Solid post rail, 21 May 2007	18018/2007
Lutron Electronics Co., Inc.; 13-03NES, Lighting control keypad, (US, 07 Dec 2006) 31 May 2007	18189/2007	Snaptech Pty Ltd; 25-01E, Double post rail, 21 May 2007	18019/2007
Lutron Electronics Co., Inc.; 13-03NES, Lighting control keypad, (US, 07 Dec 2006) 31 May 2007	18190/2007	Sportsgirl Pty Ltd; 02-02C, Garments, 31 May 2007	18205/2007
Lutron Electronics Co., Inc.; 13-03NES, Lighting control keypad, (US, 07 Dec 2006) 31 May 2007	18191/2007	Total Storage Systems Pty Ltd; 09-08, Protection of pallet racking, 07 Jun 2007	18295/2007

Trenchard, Douglas; 18173/2007
 09-05, A water or liquid storage bag containing
 a filling spout formed from the material of the
 bag, 01 Jun 2007

**Yianni, Theophanos Trading as Zesti
 Woodfired Ovens; Yianni, Athana Trading as
 Zesti Woodfired Ovens; Agrios, Kyra
 Trading as Zesti Woodfired Ovens; Agrios,
 Chris Trading as Zesti Woodfired Ovens;** 18035/2007
 07-02A, , 22 May 2007

**Yianni, Athana Trading as Zesti Woodfired
 Ovens; Yianni, Theophanos Trading as Zesti
 Woodfired Ovens; Agrios, Kyra Trading as
 Zesti Woodfired Ovens; Agrios, Chris
 Trading as Zesti Woodfired Ovens;** 18035/2007
 07-02A, , 22 May 2007

Applications Lapsed

15623 / 2006 (02-02B)	15666 / 2006 (02-02C)
16232 / 2007 (23-01G)	17165 / 2007 (06-02)
17261 / 2007 (25-01B)	

Registrations Ceased

303321	303325	305221
305342	306026	306155
306156		

Extensions of time granted under Section 137

Applications lodged under section 137 for extension of time have been granted.

305532 **Elopak Systems A.G.**

305533 **Elopak Systems A.G.**

13250/2006 **Colin R. Warren**

15096/2006 **Christopher Kelly**

15098/2006 **Christopher Kelly**

15099/2006 **Christopher Kelly**

Subsequent Owners Registered

(The name in parentheses is that of the subsequent owner)

306471 **(Coates Hire Operations Pty Limited)** Booths Corp
(Australia) Pty Ltd

306493 **(Coates Hire Operations Pty Limited)** Booths Corp
(Australia) Pty Ltd

Certificate(s) of Examination

Examination of the following Design Registration(s) has been completed. Infringement proceedings may now be commenced.

303092	24-04	19/06/2007
304467	21-03	14/06/2007
304471	21-03	14/06/2007
304591	21-03	14/06/2007
304608	21-03	15/06/2007
304609	21-03	15/06/2007
304610	21-03	15/06/2007
304611	21-03	15/06/2007
304667	21-03	15/06/2007
304736	21-03	15/06/2007
304737	21-03	15/06/2007
308659	02-04NES	18/06/2007
308688	10-04	10/06/2007
309107	12-05	18/06/2007
309442	02-01NES	19/06/2007
309751	25-01C	12/06/2007
309885	12-05	18/06/2007
310291	09-01G	12/06/2007
310469	22-05	12/06/2007
310835	03-01NES	14/06/2007
310934	16-05	18/06/2007
310935	14-01	18/06/2007
310936	14-01	18/06/2007
310937	16-01	18/06/2007
311024	25-02K	12/06/2007
311167	13-03C	12/06/2007
311602	12-16H	20/06/2007
311662	08-03	10/06/2007
312766	06-05	12/06/2007
314091	21-03	20/06/2007

Publication and Registration Proceedings

Designs Registered

This section provides a concordance between design number and registration number of Designs covered in this journal. It also shows the main class and registration date.

This section covers Registration numbers 314443 to 314742 .

The registration number shown below should be used in all future correspondence.

Design Number	Registration Number	International Classification Code (IDC)	Registration Date	Design Number	Registration Number	International Classification Code (IDC)	Registration Date
14228/2006	314673	15-01	15/06/2007	16812/2007	314454	19-04	07/06/2007
14314/2006	314674	02-02C	15/06/2007	16813/2007	314455	19-04	07/06/2007
14646/2006	314592	28-02	13/06/2007	16814/2007	314456	19-04	07/06/2007
14753/2006	314443	19-04	07/06/2007	16815/2007	314457	19-04	07/06/2007
14781/2006	314444	19-04	07/06/2007	16816/2007	314458	19-04	07/06/2007
14782/2006	314445	19-04	07/06/2007	16817/2007	314459	19-04	07/06/2007
15639/2006	314640	26-05A	14/06/2007	16818/2007	314460	19-04	07/06/2007
15965/2007	314547	12-16NES	13/06/2007	16819/2007	314461	19-04	07/06/2007
15966/2007	314548	12-16NES	13/06/2007	16820/2007	314462	19-04	07/06/2007
16035/2007	314572	11-01C	14/06/2007	16821/2007	314463	19-04	07/06/2007
16037/2007	314573	15-05	14/06/2007	16827/2007	314647	06-07	14/06/2007
16086/2007	314574	09-01G	14/06/2007	16828/2007	314648	06-07	14/06/2007
16138/2007	314593	10-02	13/06/2007	16829/2007	314649	07-06B	14/06/2007
16148/2007	314488	21-01NES	08/06/2007	16830/2007	314650	06-07	14/06/2007
16161/2007	314508	14-01	12/06/2007	16850/2007	314698	13-03NES	18/06/2007
16162/2007	314509	14-01	12/06/2007	16854/2007	314601	26-03	13/06/2007
16165/2007	314575	07-01F	14/06/2007	16857/2007	314699	03-03	18/06/2007
16196/2007	314641	17-02	14/06/2007	16859/2007	314472	03-99	08/06/2007
16262/2007	314696	05-06NES	18/06/2007	16860/2007	314473	24-01	08/06/2007
16263/2007	314642	05-06NES	14/06/2007	16889/2007	314468	31-00	08/06/2007
16264/2007	314643	05-06NES	14/06/2007	16890/2007	314469	08-08NES	08/06/2007
16265/2007	314675	05-06NES	15/06/2007	16891/2007	314470	08-08NES	08/06/2007
16266/2007	314644	05-06NES	14/06/2007	16892/2007	314471	12-16NES	08/06/2007
16267/2007	314645	05-06NES	14/06/2007	16894/2007	314474	21-01F	08/06/2007
16268/2007	314646	05-06NES	14/06/2007	16895/2007	314475	20-02E	08/06/2007
16308/2007	314523	08-03	13/06/2007	16896/2007	314476	20-02E	08/06/2007
16335/2007	314676	30-04	15/06/2007	16897/2007	314477	20-02E	08/06/2007
16354/2007	314594	12-08	13/06/2007	16898/2007	314478	20-02E	08/06/2007
16355/2007	314595	12-08	13/06/2007	16899/2007	314479	20-02E	08/06/2007
16408/2007	314596	21-01NES	13/06/2007	16900/2007	314480	08-06	08/06/2007
16483/2007	314717	23-01NES	19/06/2007	16901/2007	314481	13-03E	08/06/2007
16499/2007	314464	15-01	08/06/2007	16902/2007	314482	13-03E	08/06/2007
16500/2007	314465	15-01	08/06/2007	16903/2007	314483	07-01C	08/06/2007
16509/2007	314579	23-04	14/06/2007	16904/2007	314602	06-06G	13/06/2007
16526/2007	314718	07-01D	19/06/2007	16905/2007	314484	09-03M	08/06/2007
16558/2007	314719	14-03NES	19/06/2007	16906/2007	314485	09-07NES	08/06/2007
16588/2007	314598	09-01H	13/06/2007	16907/2007	314486	09-03L	08/06/2007
16589/2007	314720	14-02	19/06/2007	16908/2007	314487	08-08NES	08/06/2007
16612/2007	314597	02-01B	13/06/2007	16909/2007	314467	08-01	08/06/2007
16633/2007	314721	15-05	19/06/2007	16910/2007	314618	07-01B	14/06/2007
16643/2007	314722	14-01	19/06/2007	16912/2007	314585	06-09	14/06/2007
16689/2007	314489	14-01	08/06/2007	16913/2007	314524	08-08NES	13/06/2007
16690/2007	314466	09-02B	08/06/2007	16914/2007	314525	23-01A	13/06/2007
16742/2007	314510	28-03NES	12/06/2007	16917/2007	314526	23-03NES	13/06/2007
16778/2007	314600	02-01B	13/06/2007	16918/2007	314527	23-03NES	13/06/2007
16804/2007	314446	19-04	07/06/2007	16919/2007	314528	06-01F	13/06/2007
16805/2007	314447	19-04	07/06/2007	16920/2007	314529	06-06G	13/06/2007
16806/2007	314448	19-04	07/06/2007	16921/2007	314530	06-01F	13/06/2007
16807/2007	314449	19-04	07/06/2007	16922/2007	314531	06-01F	13/06/2007
16808/2007	314450	19-04	07/06/2007	16923/2007	314532	06-01F	13/06/2007
16809/2007	314451	19-04	07/06/2007	16924/2007	314533	06-01F	13/06/2007
16810/2007	314452	19-04	07/06/2007	16925/2007	314534	06-01F	13/06/2007
16811/2007	314453	19-04	07/06/2007	16926/2007	314535	19-06	13/06/2007

Publication and Registration Proceedings - Designs Registered cont'd

Design Number	Registration Number	International Classification Code (IDC)	Registration Date	Design Number	Registration Number	International Classification Code (IDC)	Registration Date
16934/2007	314536	12-16C	13/06/2007	17020/2007	314568	09-03H	13/06/2007
16935/2007	314537	09-01NES	13/06/2007	17021/2007	314569	09-03H	13/06/2007
16936/2007	314538	13-02	13/06/2007	17022/2007	314570	09-03H	13/06/2007
16937/2007	314539	13-02	13/06/2007	17023/2007	314505	25-01D	08/06/2007
16939/2007	314540	08-05H	13/06/2007	17024/2007	314506	25-01D	08/06/2007
16940/2007	314541	28-03D	13/06/2007	17025/2007	314507	25-01D	08/06/2007
16941/2007	314542	28-03D	13/06/2007	17027/2007	314586	04-01	14/06/2007
16942/2007	314543	28-03D	13/06/2007	17028/2007	314587	07-04	14/06/2007
16943/2007	314544	26-03	13/06/2007	17029/2007	314588	04-01	14/06/2007
16944/2007	314545	26-03	13/06/2007	17030/2007	314589	07-05NES	14/06/2007
16945/2007	314651	09-01B	14/06/2007	17031/2007	314590	07-05E	14/06/2007
16946/2007	314546	21-01N	13/06/2007	17037/2007	314620	07-06C	14/06/2007
16957/2007	314490	25-01G	08/06/2007	17038/2007	314621	07-02F	14/06/2007
16958/2007	314491	03-01A	08/06/2007	17039/2007	314622	02-02NES	14/06/2007
16959/2007	314492	23-01H	08/06/2007	17040/2007	314724	23-02C	19/06/2007
16960/2007	314493	23-01H	08/06/2007	17041/2007	314725	23-02C	19/06/2007
16961/2007	314494	23-01H	08/06/2007	17042/2007	314726	23-02C	19/06/2007
16962/2007	314495	16-06	08/06/2007	17043/2007	314727	23-02C	19/06/2007
16963/2007	314496	16-06	08/06/2007	17055/2007	314623	19-04	14/06/2007
16965/2007	314497	09-05	08/06/2007	17056/2007	314624	19-04	14/06/2007
16966/2007	314498	09-04	08/06/2007	17057/2007	314625	12-16B	14/06/2007
16967/2007	314499	09-04	08/06/2007	17058/2007	314626	10-04	14/06/2007
16968/2007	314511	12-02	12/06/2007	17059/2007	314627	10-04	14/06/2007
16969/2007	314512	12-02	12/06/2007	17060/2007	314628	07-06NES	14/06/2007
16970/2007	314513	14-02	12/06/2007	17061/2007	314629	27-99	14/06/2007
16971/2007	314514	21-03	12/06/2007	17062/2007	314652	05-06NES	14/06/2007
16972/2007	314515	21-03	12/06/2007	17063/2007	314653	05-06NES	14/06/2007
16973/2007	314619	21-02NES	14/06/2007	17064/2007	314654	05-06NES	14/06/2007
16974/2007	314516	08-08NES	12/06/2007	17065/2007	314655	07-02L	14/06/2007
16978/2007	314517	12-16L	12/06/2007	17066/2007	314603	14-02	13/06/2007
16979/2007	314500	06-07	08/06/2007	17067/2007	314604	14-02	13/06/2007
16980/2007	314501	21-01L	08/06/2007	17068/2007	314605	14-02	13/06/2007
16982/2007	314518	11-01NES	12/06/2007	17069/2007	314630	14-02	14/06/2007
16984/2007	314723	25-02H	19/06/2007	17070/2007	314631	14-02	14/06/2007
16986/2007	314519	26-05B	12/06/2007	17071/2007	314632	14-02	14/06/2007
16991/2007	314502	07-05E	08/06/2007	17072/2007	314633	14-02	14/06/2007
16992/2007	314503	07-05E	08/06/2007	17073/2007	314634	07-02NES	14/06/2007
16993/2007	314504	12-15C	08/06/2007	17074/2007	314635	08-07	14/06/2007
16994/2007	314549	02-02B	13/06/2007	17075/2007	314636	08-07	14/06/2007
16995/2007	314520	14-03NES	12/06/2007	17076/2007	314637	02-04B	14/06/2007
16996/2007	314521	14-01	12/06/2007	17080/2007	314638	08-06	14/06/2007
16997/2007	314522	14-01	12/06/2007	17081/2007	314639	12-08	14/06/2007
17001/2007	314550	08-06	13/06/2007	17082/2007	314656	12-08	14/06/2007
17002/2007	314551	06-06D	13/06/2007	17083/2007	314657	12-08	14/06/2007
17004/2007	314552	08-08D	13/06/2007	17103/2007	314658	12-16B	14/06/2007
17005/2007	314553	12-02	13/06/2007	17105/2007	314571	02-04NES	13/06/2007
17007/2007	314554	08-05K	13/06/2007	17107/2007	314659	03-03	14/06/2007
17008/2007	314555	04-99	13/06/2007	17112/2007	314660	12-11	14/06/2007
17009/2007	314558	04-99	13/06/2007	17114/2007	314700	10-04	18/06/2007
17010/2007	314559	02-04B	13/06/2007	17115/2007	314701	10-04	18/06/2007
17011/2007	314560	23-01H	13/06/2007	17116/2007	314702	10-04	18/06/2007
17012/2007	314561	07-05D	13/06/2007	17117/2007	314703	10-04	18/06/2007
17013/2007	314562	23-02B	13/06/2007	17118/2007	314704	10-04	18/06/2007
17014/2007	314563	23-01H	13/06/2007	17119/2007	314705	10-04	18/06/2007
17015/2007	314564	14-03A	13/06/2007	17120/2007	314706	10-04	18/06/2007
17016/2007	314565	15-01	13/06/2007	17121/2007	314661	01-01	14/06/2007
17017/2007	314566	14-03NES	13/06/2007	17122/2007	314662	01-01	14/06/2007
17019/2007	314567	03-01B	13/06/2007	17123/2007	314677	09-01K	15/06/2007

Publication and Registration Proceedings - Designs Registered cont'd

Design Number	Registration Number	International Classification Code (IDC)	Registration Date	Design Number	Registration Number	International Classification Code (IDC)	Registration Date
17124/2007	314678	09-01K	15/06/2007	17238/2007	314736	12-08	19/06/2007
17125/2007	314679	12-16A	15/06/2007	17239/2007	314737	12-08	19/06/2007
17126/2007	314680	12-16A	15/06/2007	17240/2007	314738	12-16B	19/06/2007
17127/2007	314681	12-16A	15/06/2007	17241/2007	314739	12-08	19/06/2007
17128/2007	314682	07-99NES	15/06/2007	17242/2007	314740	12-16B	19/06/2007
17129/2007	314683	07-04	15/06/2007	17243/2007	314741	26-06	19/06/2007
17130/2007	314684	07-04	15/06/2007	17244/2007	314742	26-06	19/06/2007
17132/2007	314663	17-03	14/06/2007	17262/2007	314716	22-03	18/06/2007
17137/2007	314685	28-03NES	15/06/2007	17385/2007	314556	04-99	13/06/2007
17139/2007	314686	23-03NES	15/06/2007	17386/2007	314557	04-99	13/06/2007
17140/2007	314687	26-05A	15/06/2007	17823/2007	314582	03-01NES	14/06/2007
17141/2007	314688	26-05A	15/06/2007	17843/2007	314591	02-04A	14/06/2007
17142/2007	314689	26-05A	15/06/2007	17857/2007	314599	09-01H	13/06/2007
17162/2007	314690	06-02	15/06/2007	17861/2007	314697	05-06NES	18/06/2007
17164/2007	314691	25-01K	15/06/2007	17882/2007	314606	24-01	13/06/2007
17169/2007	314692	19-06	15/06/2007	17883/2007	314607	24-01	13/06/2007
17170/2007	314693	23-02A	15/06/2007	17884/2007	314608	24-01	13/06/2007
17171/2007	314694	23-02A	15/06/2007	17885/2007	314609	24-01	13/06/2007
17172/2007	314695	23-02A	15/06/2007	18036/2007	314580	23-04	14/06/2007
17173/2007	314665	23-02A	14/06/2007	18037/2007	314581	23-04	14/06/2007
17174/2007	314666	23-02A	14/06/2007	18067/2007	314583	03-01NES	14/06/2007
17175/2007	314667	23-01A	14/06/2007	18068/2007	314584	03-01NES	14/06/2007
17177/2007	314668	06-02	14/06/2007	18093/2007	314576	07-01F	14/06/2007
17178/2007	314669	06-02	14/06/2007	18094/2007	314577	07-01F	14/06/2007
17207/2007	314707	06-01NES	18/06/2007	18095/2007	314578	07-01F	14/06/2007
17208/2007	314708	21-03	18/06/2007	18163/2007	314664	09-01B	14/06/2007
17209/2007	314709	07-99A	18/06/2007	18174/2007	314610	08-05NES	13/06/2007
17211/2007	314710	26-05B	18/06/2007	18175/2007	314611	08-08NES	13/06/2007
17212/2007	314711	26-05B	18/06/2007	18176/2007	314612	08-05NES	13/06/2007
17214/2007	314712	09-01K	18/06/2007	18177/2007	314613	08-05NES	13/06/2007
17215/2007	314713	09-01K	18/06/2007	18178/2007	314614	08-05NES	13/06/2007
17218/2007	314714	05-05A	18/06/2007	18179/2007	314615	08-05NES	13/06/2007
17219/2007	314715	05-05A	18/06/2007	18230/2007	314616	14-01	13/06/2007
17230/2007	314728	23-02A	19/06/2007	18295/2007	314617	09-08	13/06/2007
17231/2007	314729	13-03E	19/06/2007	18351/2007	314670	06-03A	14/06/2007
17232/2007	314730	13-03E	19/06/2007	18352/2007	314671	06-04D	14/06/2007
17233/2007	314731	08-08NES	19/06/2007	18353/2007	314672	06-04D	14/06/2007
17234/2007	314732	22-05	19/06/2007				
17235/2007	314733	09-01K	19/06/2007				
17236/2007	314734	09-01B	19/06/2007				
17237/2007	314735	09-01K	19/06/2007				

Publication and Registration Proceedings
Class Listing of Designs Published or Registered

The following section shows an International Classification Code listing of the Registered or Published Designs covered in this supplement.

Classification	Registration Number	Design Number	Classification	Registration Number	Design Number
01-01	314661	17121/2007	06-07	314500	16979/2007
01-01	314662	17122/2007	06-07	314647	16827/2007
02-01 B	314597	16612/2007	06-07	314648	16828/2007
02-01 B	314600	16778/2007	06-07	314649	16829/2007
02-02 B	314549	16994/2007	06-07	314650	16830/2007
02-02 C	314674	14314/2006	06-09	314585	16912/2007
02-02 NES	314622	17039/2007	07-01 B	314618	16910/2007
02-04 A	314591	17843/2007	07-01 C	314483	16903/2007
02-04 B	314559	17010/2007	07-01 D	314718	16526/2007
02-04 B	314637	17076/2007	07-01 F	314575	16165/2007
02-04 NES	314571	17105/2007	07-01 F	314576	18093/2007
03-01 A	314491	16958/2007	07-01 F	314577	18094/2007
03-01 B	314567	17019/2007	07-01 F	314578	18095/2007
03-01 NES	314582	17823/2007	07-02 F	314621	17038/2007
03-01 NES	314583	18067/2007	07-02 L	314655	17065/2007
03-01 NES	314584	18068/2007	07-02 NES	314634	17073/2007
03-03	314659	17107/2007	07-04	314587	17028/2007
03-03	314699	16857/2007	07-04	314683	17129/2007
03-99	314472	16859/2007	07-04	314684	17130/2007
04-01	314586	17027/2007	07-05 D	314561	17012/2007
04-01	314588	17029/2007	07-05 E	314502	16991/2007
04-99	314555	17008/2007	07-05 E	314503	16992/2007
04-99	314556	17385/2007	07-05 E	314590	17031/2007
04-99	314557	17386/2007	07-05 NES	314589	17030/2007
04-99	314558	17009/2007	07-06 B	314647	16827/2007
05-05 A	314714	17218/2007	07-06 B	314648	16828/2007
05-05 A	314715	17219/2007	07-06 B	314649	16829/2007
05-05 NES	314649	16829/2007	07-06 B	314650	16830/2007
05-05 NES	314650	16830/2007	07-06 C	314620	17037/2007
05-06 NES	314642	16263/2007	07-06 NES	314628	17060/2007
05-06 NES	314643	16264/2007	07-99 A	314709	17209/2007
05-06 NES	314644	16266/2007	07-99 NES	314682	17128/2007
05-06 NES	314645	16267/2007	08-01	314467	16909/2007
05-06 NES	314646	16268/2007	08-03	314523	16308/2007
05-06 NES	314652	17062/2007	08-05 H	314540	16939/2007
05-06 NES	314653	17063/2007	08-05 K	314554	17007/2007
05-06 NES	314654	17064/2007	08-05 NES	314610	18174/2007
05-06 NES	314675	16265/2007	08-05 NES	314612	18176/2007
05-06 NES	314696	16262/2007	08-05 NES	314613	18177/2007
05-06 NES	314697	17861/2007	08-05 NES	314614	18178/2007
06-01 F	314528	16919/2007	08-05 NES	314615	18179/2007
06-01 F	314530	16921/2007	08-06	314480	16900/2007
06-01 F	314531	16922/2007	08-06	314550	17001/2007
06-01 F	314532	16923/2007	08-06	314638	17080/2007
06-01 F	314533	16924/2007	08-07	314635	17074/2007
06-01 F	314534	16925/2007	08-07	314636	17075/2007
06-01 NES	314707	17207/2007	08-08 D	314552	17004/2007
06-02	314668	17177/2007	08-08 NES	314469	16890/2007
06-02	314669	17178/2007	08-08 NES	314470	16891/2007
06-02	314690	17162/2007	08-08 NES	314487	16908/2007
06-03 A	314670	18351/2007	08-08 NES	314516	16974/2007
06-04 D	314671	18352/2007	08-08 NES	314524	16913/2007
06-04 D	314672	18353/2007	08-08 NES	314611	18175/2007
06-06 D	314551	17002/2007	08-08 NES	314731	17233/2007
06-06 G	314529	16920/2007	09-01 B	314651	16945/2007
06-06 G	314602	16904/2007	09-01 B	314664	18163/2007

Registration Proceedings - Class Listing of Designs Published or Registered cont'd

Classification	Registration Number	Design Number	Classification	Registration Number	Design Number
09-01 B	314734	17236/2007	12-16 NES	314471	16892/2007
09-01 G	314574	16086/2007	12-16 NES	314547	15965/2007
09-01 H	314598	16588/2007	12-16 NES	314548	15966/2007
09-01 H	314599	17857/2007	13-02	314538	16936/2007
09-01 K	314677	17123/2007	13-02	314539	16937/2007
09-01 K	314678	17124/2007	13-03 E	314481	16901/2007
09-01 K	314712	17214/2007	13-03 E	314482	16902/2007
09-01 K	314713	17215/2007	13-03 E	314729	17231/2007
09-01 K	314733	17235/2007	13-03 E	314730	17232/2007
09-01 K	314735	17237/2007	13-03 NES	314698	16850/2007
09-01 NES	314537	16935/2007	14-01	314489	16689/2007
09-02 B	314466	16690/2007	14-01	314508	16161/2007
09-03 H	314568	17020/2007	14-01	314509	16162/2007
09-03 H	314569	17021/2007	14-01	314521	16996/2007
09-03 H	314570	17022/2007	14-01	314522	16997/2007
09-03 L	314486	16907/2007	14-01	314616	18230/2007
09-03 M	314484	16905/2007	14-01	314722	16643/2007
09-04	314498	16966/2007	14-02	314513	16970/2007
09-04	314499	16967/2007	14-02	314603	17066/2007
09-05	314497	16965/2007	14-02	314604	17067/2007
09-07 NES	314485	16906/2007	14-02	314605	17068/2007
09-08	314617	18295/2007	14-02	314630	17069/2007
10-02	314593	16138/2007	14-02	314631	17070/2007
10-04	314626	17058/2007	14-02	314632	17071/2007
10-04	314627	17059/2007	14-02	314633	17072/2007
10-04	314700	17114/2007	14-02	314720	16589/2007
10-04	314701	17115/2007	14-02	314729	17231/2007
10-04	314702	17116/2007	14-02	314730	17232/2007
10-04	314703	17117/2007	14-03 A	314564	17015/2007
10-04	314704	17118/2007	14-03 NES	314520	16995/2007
10-04	314705	17119/2007	14-03 NES	314566	17017/2007
10-04	314706	17120/2007	14-03 NES	314719	16558/2007
11-01 C	314572	16035/2007	15-01	314464	16499/2007
11-01 NES	314518	16982/2007	15-01	314465	16500/2007
11-01 NES	314647	16827/2007	15-01	314565	17016/2007
11-01 NES	314648	16828/2007	15-01	314673	14228/2006
12-02	314511	16968/2007	15-05	314573	16037/2007
12-02	314512	16969/2007	15-05	314721	16633/2007
12-02	314553	17005/2007	16-06	314495	16962/2007
12-08	314594	16354/2007	16-06	314496	16963/2007
12-08	314595	16355/2007	17-02	314641	16196/2007
12-08	314639	17081/2007	17-03	314663	17132/2007
12-08	314656	17082/2007	19-04	314443	14753/2006
12-08	314657	17083/2007	19-04	314444	14781/2006
12-08	314736	17238/2007	19-04	314445	14782/2006
12-08	314737	17239/2007	19-04	314446	16804/2007
12-08	314739	17241/2007	19-04	314447	16805/2007
12-11	314660	17112/2007	19-04	314448	16806/2007
12-12	314659	17107/2007	19-04	314449	16807/2007
12-15 C	314504	16993/2007	19-04	314450	16808/2007
12-16 A	314679	17125/2007	19-04	314451	16809/2007
12-16 A	314680	17126/2007	19-04	314452	16810/2007
12-16 A	314681	17127/2007	19-04	314453	16811/2007
12-16 B	314625	17057/2007	19-04	314454	16812/2007
12-16 B	314658	17103/2007	19-04	314455	16813/2007
12-16 B	314738	17240/2007	19-04	314456	16814/2007
12-16 B	314740	17242/2007	19-04	314457	16815/2007
12-16 C	314536	16934/2007	19-04	314458	16816/2007
12-16 L	314517	16978/2007	19-04	314459	16817/2007

Registration Proceedings - Class Listing of Designs Published or Registered cont'd

Classification	Registration Number	Design Number	Classification	Registration Number	Design Number
19-04	314460	16818/2007	23-03 NES	314686	17139/2007
19-04	314461	16819/2007	23-04	314579	16509/2007
19-04	314462	16820/2007	23-04	314580	18036/2007
19-04	314463	16821/2007	23-04	314581	18037/2007
19-04	314623	17055/2007	24-01	314473	16860/2007
19-04	314624	17056/2007	24-01	314606	17882/2007
19-06	314535	16926/2007	24-01	314607	17883/2007
19-06	314692	17169/2007	24-01	314608	17884/2007
20-02 E	314475	16895/2007	24-01	314609	17885/2007
20-02 E	314476	16896/2007	24-01	314700	17114/2007
20-02 E	314477	16897/2007	24-01	314701	17115/2007
20-02 E	314478	16898/2007	24-01	314702	17116/2007
20-02 E	314479	16899/2007	24-01	314703	17117/2007
21-01 C	314594	16354/2007	24-01	314704	17118/2007
21-01 C	314595	16355/2007	24-01	314705	17119/2007
21-01 F	314474	16894/2007	24-01	314706	17120/2007
21-01 L	314501	16980/2007	24-02	314473	16860/2007
21-01 N	314546	16946/2007	25-01 D	314505	17023/2007
21-01 NES	314488	16148/2007	25-01 D	314506	17024/2007
21-01 NES	314596	16408/2007	25-01 D	314507	17025/2007
21-02 NES	314619	16973/2007	25-01 G	314490	16957/2007
21-03	314514	16971/2007	25-01 K	314691	17164/2007
21-03	314515	16972/2007	25-02 H	314723	16984/2007
21-03	314708	17208/2007	26-03	314544	16943/2007
22-03	314716	17262/2007	26-03	314545	16944/2007
22-05	314732	17234/2007	26-03	314601	16854/2007
23-01 A	314525	16914/2007	26-05 A	314640	15639/2006
23-01 A	314667	17175/2007	26-05 A	314687	17140/2007
23-01 H	314492	16959/2007	26-05 A	314688	17141/2007
23-01 H	314493	16960/2007	26-05 A	314689	17142/2007
23-01 H	314494	16961/2007	26-05 B	314519	16986/2007
23-01 H	314560	17011/2007	26-05 B	314710	17211/2007
23-01 H	314563	17014/2007	26-05 B	314711	17212/2007
23-01 NES	314717	16483/2007	26-06	314741	17243/2007
23-02 A	314665	17173/2007	26-06	314742	17244/2007
23-02 A	314666	17174/2007	27-99	314629	17061/2007
23-02 A	314693	17170/2007	28-02	314592	14646/2006
23-02 A	314694	17171/2007	28-03 D	314541	16940/2007
23-02 A	314695	17172/2007	28-03 D	314542	16941/2007
23-02 A	314728	17230/2007	28-03 D	314543	16942/2007
23-02 B	314562	17013/2007	28-03 NES	314510	16742/2007
23-02 C	314724	17040/2007	28-03 NES	314685	17137/2007
23-02 C	314725	17041/2007	30-04	314676	16335/2007
23-02 C	314726	17042/2007	31-00	314468	16889/2007
23-02 C	314727	17043/2007			
23-03 NES	314526	16917/2007			
23-03 NES	314527	16918/2007			

(21) Design Number: **14753/2006**

(22) Date of Filing Application: **20 October 2006**

(24) Date from which industrial property rights may have effect: **20 October 2006**

(54) Product in respect of which the design is registered: **Books and printed matter**

(51) International Design Classification: **19-04**

(71) Name(s) and Address(s) of Applicant(s):

**The O Book Pty Ltd
62 Araluen Drive Killcare New South Wales 2257 Australia**

(72) Name(s) of Designer(s): **Michael Owen Davis**

(45) Registration Date: **07 June 2007**

(56) Related Art Documents: **Not Applicable**

(57) Statement of Newness and Distinctiveness: **DES01. The shape and configuration as depicted in all instances is both new and distinct in that the book forms a perfect circle, or as near to a perfect circle as is possible, both when open and when closed. Research conducted in the marketplace shows this does not currently exist. Protection is required of any book or publication that forms a perfect, or near perfect, circle, regardless of the joining method and regardless of where that join appears. For example, it may appear to the left of the circle, to the right of the circle, to the center of the circle, to the top or bottom of the circle. The joining method may be a fold or series of folds, an eyelet, a screw, a spring, a spiral, spines, strings but is not limited to these methods. The design will be applied to all types of printed materials, regardless of content, including but not limited to books, magazines, brochures, flyers, newspapers, cards, CD inserts, posters, packaging, advertising signs. The design also incorporates the circular orientation of any printed writing, or text type, that it may, or may not, include, as part of its design.**



(21) Design Number: **14781/2006**

(22) Date of Filing Application: **20 October 2006**

(24) Date from which industrial property rights may have effect: **20 October 2006**

(54) Product in respect of which the design is registered: **Books and printed matter**

(51) International Design Classification: **19-04**

(71) Name(s) and Address(s) of Applicant(s):

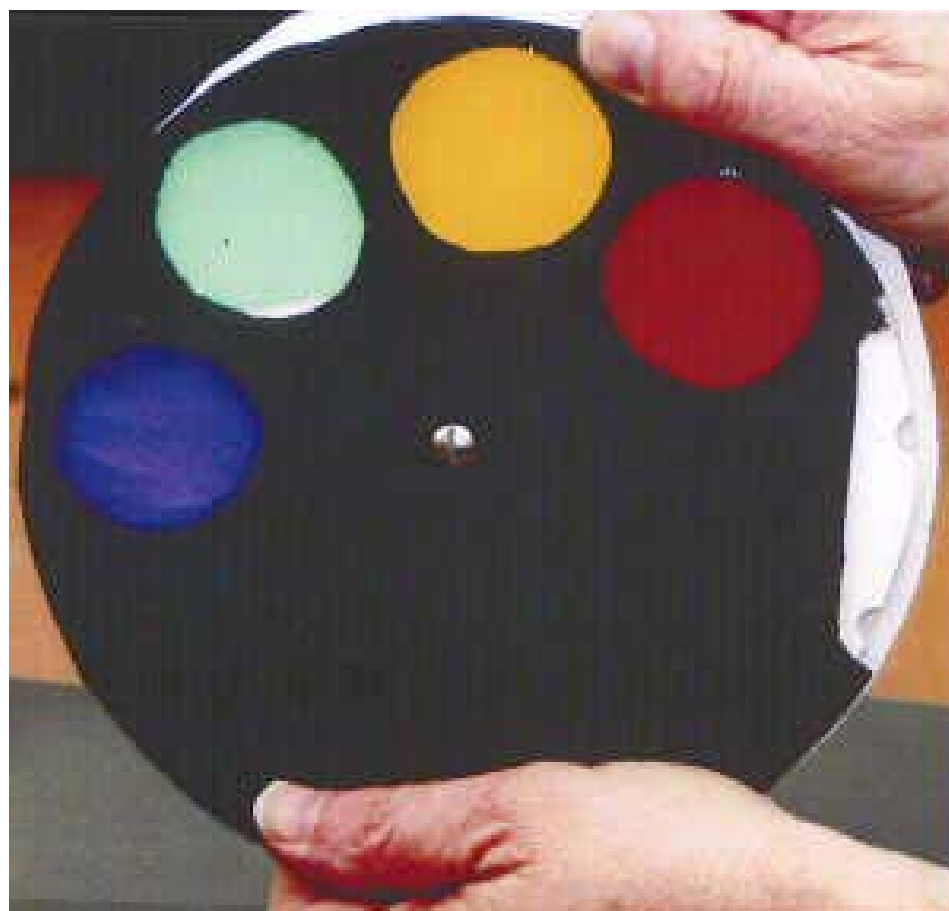
**The O Book Pty Ltd
62 Araluen Drive Killcare New South Wales 2257 Australia**

(72) Name(s) of Designer(s): **Michael Owen Davis**

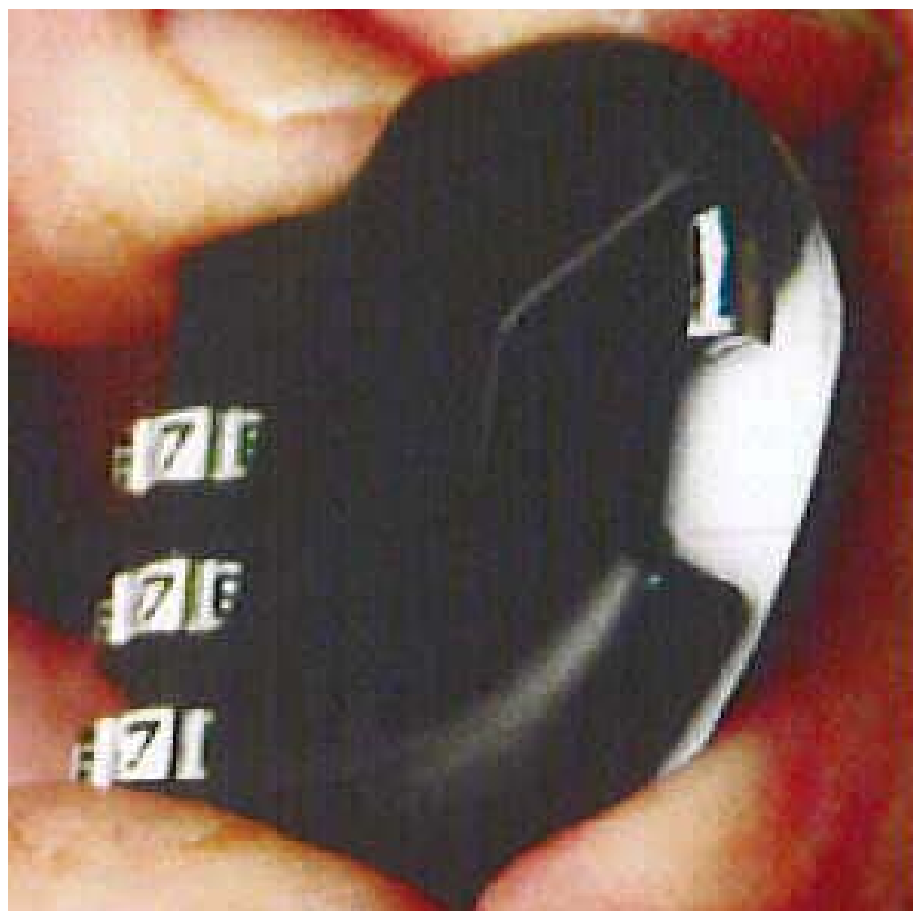
(45) Registration Date: **07 June 2007**

(56) Related Art Documents: **AU-S-NIL()**

(57) Statement of Newness and Distinctiveness: **DES02. Also seen in accompanying pictures is the same circular book design with "windows" or what appears to be holes in the covers or pages. This is also a new and distinct component of the author's design. The design will sometimes show as little as one "window", rising to many windows, so is not limited to only one "window". Due to the number of possible combinations of the number of "windows", the size of these "windows", and the positioning of them, it is impossible to depict all of them. Such combinations are also able to be manually altered, disassembled, reassembled by the user of the book.**



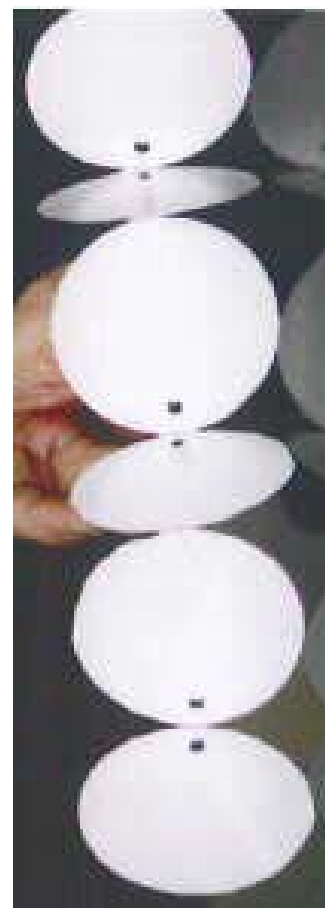
- (21) Design Number: **14782/2006**
(22) Date of Filing Application: **20 October 2006**
(24) Date from which industrial property rights may have effect: **20 October 2006**
(54) Product in respect of which the design is registered: **Books and printed matter**
(51) International Design Classification: **19-04**
(71) Name(s) and Address(s) of Applicant(s):
The O Book Pty Ltd
62 Araluen Drive Killcare New South Wales 2257 Australia
(72) Name(s) of Designer(s): **Michael Owen Davis**
(45) Registration Date: **07 June 2007**
(56) Related Art Documents: **Not Applicable**
(57) Statement of Newness and Distinctiveness: **DES03. In some instances the author's design may include attached devices either on the inside or outside of the publication, such as the spinner/arrow seen, or an apparatus to make a sound, visual or moving effect, or as a combination lock, on opening or using the book. The design, however, is not limited to these devices.**



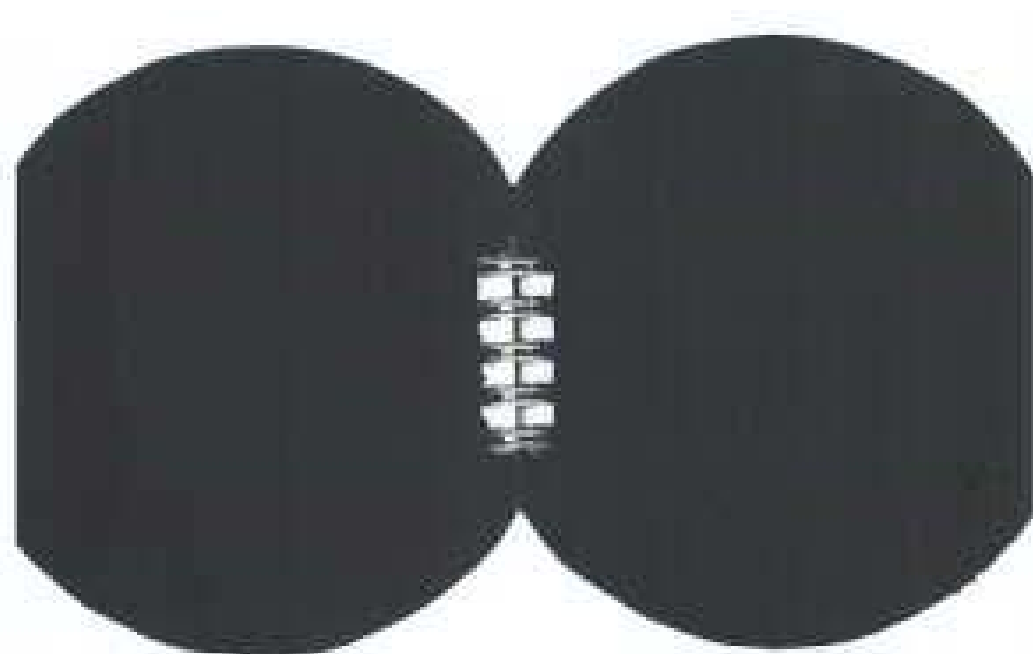
- (21) Design Number: **16804/2007**
(22) Date of Filing Application: **20 October 2006**
(24) Date from which industrial property rights may have effect: **20 October 2006**
(54) Product in respect of which the design is registered: **Books and printed matter**
(51) International Design Classification: **19-04**
(71) Name(s) and Address(s) of Applicant(s):
The O Book Pty Ltd
62 Araluen Drive Killcare New South Wales 2257 Australia
(72) Name(s) of Designer(s): **Michael Owen Davis**
(45) Registration Date: **07 June 2007**
(56) Related Art Documents: **Not Applicable**
(57) Statement of Newness and Distinctiveness: **DES01. The shape and configuration as depicted in all instances is both new and distinct in that the book forms a perfect circle, or as near to a perfect circle as is possible, both when open and when closed. Research conducted in the marketplace shows this does not currently exist. Protection is required of any book or publication that forms a perfect, or near perfect, circle, regardless of the joining method and regardless of where that join appears. For example, it may appear to the left of the circle, to the right of the circle, to the center of the circle, to the top or bottom of the circle. The joining method may be a fold or series of folds, an eyelet, a screw, a spring, a spiral, spines, strings but is not limited to these methods. The design will be applied to all types of printed materials, regardless of content, including but not limited to books, magazines, brochures, flyers, newspapers, cards, CD inserts, posters, packaging, advertising signs. The design also incorporates the circular orientation of any printed writing, or text type, that it may, or may not, include, as part of its design.**



- (21) Design Number: **16805/2007**
(22) Date of Filing Application: **20 October 2006**
(24) Date from which industrial property rights may have effect: **20 October 2006**
(54) Product in respect of which the design is registered: **Books and printed matter**
(51) International Design Classification: **19-04**
(71) Name(s) and Address(s) of Applicant(s):
The O Book Pty Ltd
62 Araluen Drive Killcare New South Wales 2257 Australia
(72) Name(s) of Designer(s): **Michael Owen Davis**
(45) Registration Date: **07 June 2007**
(56) Related Art Documents: **Not Applicable**
(57) Statement of Newness and Distinctiveness: **DES01. The shape and configuration as depicted in all instances is both new and distinct in that the book forms a perfect circle, or as near to a perfect circle as is possible, both when open and when closed. Research conducted in the marketplace shows this does not currently exist. Protection is required of any book or publication that forms a perfect, or near perfect, circle, regardless of the joining method and regardless of where that join appears. For example, it may appear to the left of the circle, to the right of the circle, to the center of the circle, to the top or bottom of the circle. The joining method may be a fold or series of folds, an eyelet, a screw, a spring, a spiral, spines, strings but is not limited to these methods. The design will be applied to all types of printed materials, regardless of content, including but not limited to books, magazines, brochures, flyers, newspapers, cards, CD inserts, posters, packaging, advertising signs. The design also incorporates the circular orientation of any printed writing, or text type, that it may, or may not, include, as part of its design.**



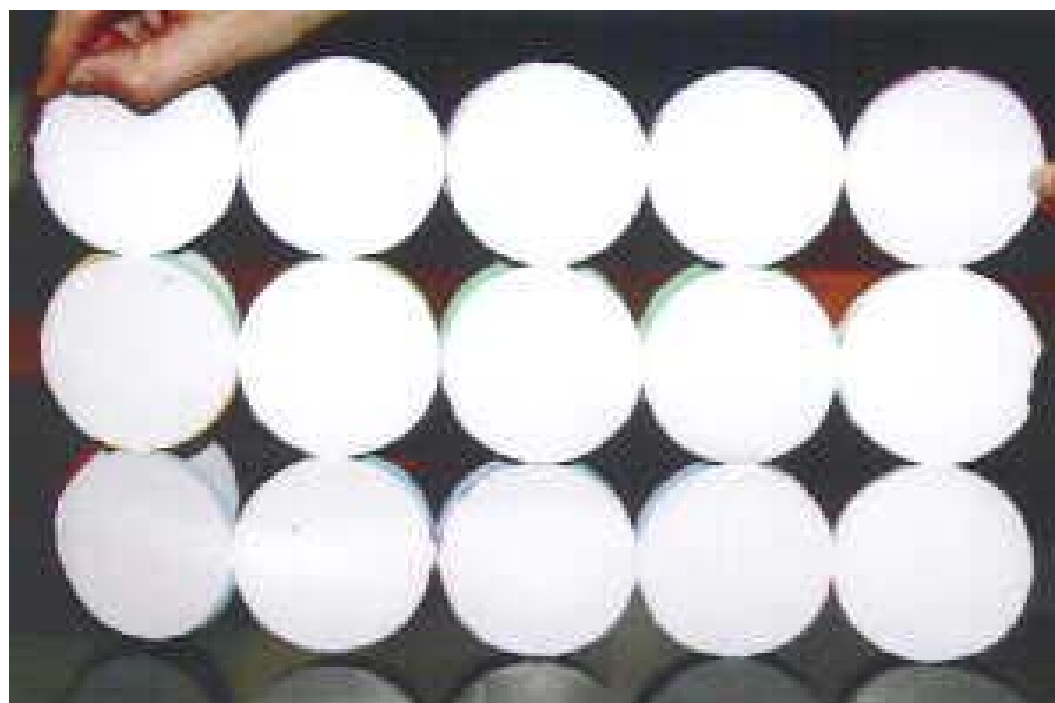
- (21) Design Number: **16806/2007**
(22) Date of Filing Application: **20 October 2006**
(24) Date from which industrial property rights may have effect: **20 October 2006**
(54) Product in respect of which the design is registered: **Books and printed matter**
(51) International Design Classification: **19-04**
(71) Name(s) and Address(s) of Applicant(s):
The O Book Pty Ltd
62 Araluen Drive Killcare New South Wales 2257 Australia
(72) Name(s) of Designer(s): **Michael Owen Davis**
(45) Registration Date: **07 June 2007**
(56) Related Art Documents: **Not Applicable**
(57) Statement of Newness and Distinctiveness: **DES01. The shape and configuration as depicted in all instances is both new and distinct in that the book forms a perfect circle, or as near to a perfect circle as is possible, both when open and when closed. Research conducted in the marketplace shows this does not currently exist. Protection is required of any book or publication that forms a perfect, or near perfect, circle, regardless of the joining method and regardless of where that join appears. For example, it may appear to the left of the circle, to the right of the circle, to the center of the circle, to the top or bottom of the circle. The joining method may be a fold or series of folds, an eyelet, a screw, a spring, a spiral, spines, strings but is not limited to these methods. The design will be applied to all types of printed materials, regardless of content, including but not limited to books, magazines, brochures, flyers, newspapers, cards, CD inserts, posters, packaging, advertising signs. The design also incorporates the circular orientation of any printed writing, or text type, that it may, or may not, include, as part of its design.**



- (21) Design Number: **16807/2007**
(22) Date of Filing Application: **20 October 2006**
(24) Date from which industrial property rights may have effect: **20 October 2006**
(54) Product in respect of which the design is registered: **Books and printed matter**
(51) International Design Classification: **19-04**
(71) Name(s) and Address(s) of Applicant(s):
The O Book Pty Ltd
62 Araluen Drive Killcare New South Wales 2257 Australia
(72) Name(s) of Designer(s): **Michael Owen Davis**
(45) Registration Date: **07 June 2007**
(56) Related Art Documents: **Not Applicable**
(57) Statement of Newness and Distinctiveness: **DES01. The shape and configuration as depicted in all instances is both new and distinct in that the book forms a perfect circle, or as near to a perfect circle as is possible, both when open and when closed. Research conducted in the marketplace shows this does not currently exist. Protection is required of any book or publication that forms a perfect, or near perfect, circle, regardless of the joining method and regardless of where that join appears. For example, it may appear to the left of the circle, to the right of the circle, to the center of the circle, to the top or bottom of the circle. The joining method may be a fold or series of folds, an eyelet, a screw, a spring, a spiral, spines, strings but is not limited to these methods. The design will be applied to all types of printed materials, regardless of content, including but not limited to books, magazines, brochures, flyers, newspapers, cards, CD inserts, posters, packaging, advertising signs. The design also incorporates the circular orientation of any printed writing, or text type, that it may, or may not, include, as part of its design.**



- (21) Design Number: **16808/2007**
(22) Date of Filing Application: **20 October 2006**
(24) Date from which industrial property rights may have effect: **20 October 2006**
(54) Product in respect of which the design is registered: **Books and printed matter**
(51) International Design Classification: **19-04**
(71) Name(s) and Address(s) of Applicant(s):
The O Book Pty Ltd
62 Araluen Drive Killcare New South Wales 2257 Australia
(72) Name(s) of Designer(s): **Michael Owen Davis**
(45) Registration Date: **07 June 2007**
(56) Related Art Documents: **Not Applicable**
(57) Statement of Newness and Distinctiveness: **DES02. Also seen in accompanying pictures is the same circular book design with "windows" or what appear to be holes in the covers or pages. This is also a new and distinct component of the author's design. The design will sometimes show as little as one "window", rising to many windows, so is not limited to only one "window". Due to the number of possible combinations of the number of "windows", the size of these "windows", and the positioning of them, it is impossible to depict all of them. Such combinations are also able to be manually altered, Disassembled, reassembled by the user of the book.**



(21) Design Number: **16809/2007**

(22) Date of Filing Application: **20 October 2006**

(24) Date from which industrial property rights may have effect: **20 October 2006**

(54) Product in respect of which the design is registered: **Books and printed matter**

(51) International Design Classification: **19-04**

(71) Name(s) and Address(s) of Applicant(s):

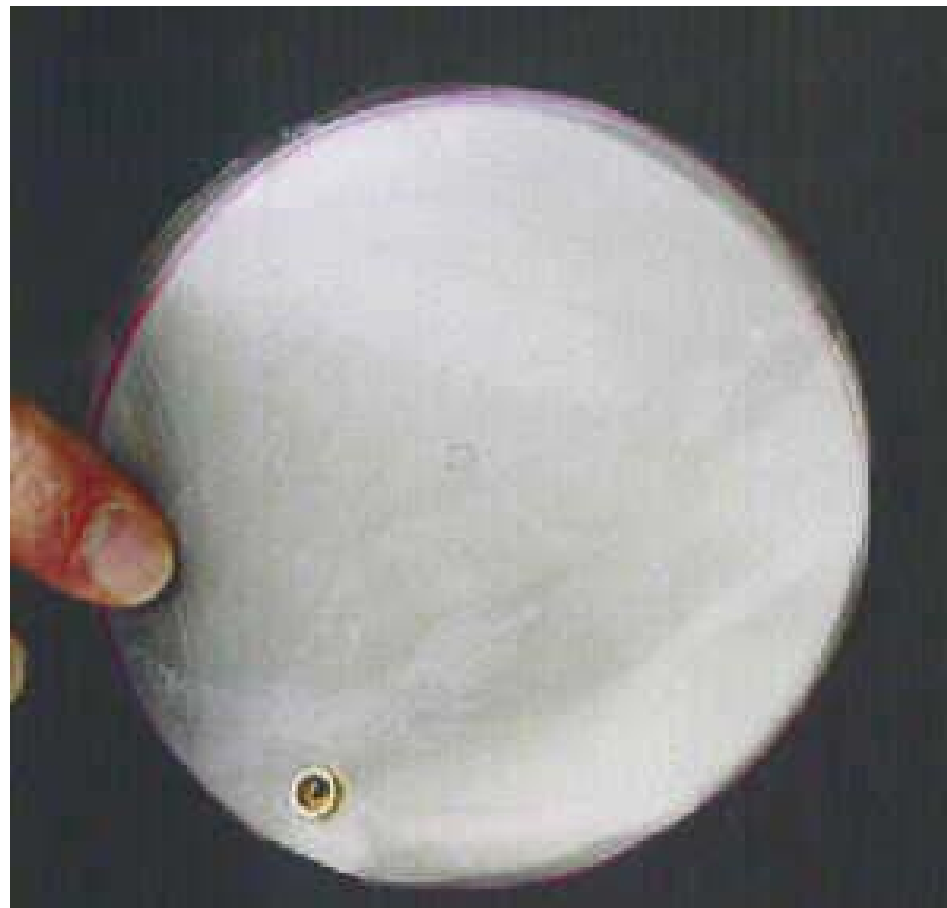
**The O Book Pty Ltd
62 Araluen Drive Killcare New South Wales 2257 Australia**

(72) Name(s) of Designer(s): **Michael Owen Davis**

(45) Registration Date: **07 June 2007**

(56) Related Art Documents: **Not Applicable**

(57) Statement of Newness and Distinctiveness: **DES01. The shape and configuration as depicted in all instances is both new and distinct in that the book forms a perfect circle, or as near to a perfect circle as is possible, both when open and when closed. Research conducted in the marketplace shows this does not currently exist. Protection is required of any book or publication that forms a perfect, or near perfect, circle, regardless of the joining method and regardless of where that join appears. For example, it may appear to the left of the circle, to the right of the circle, to the center of the circle, to the top or bottom of the circle. The joining method may be a fold or series of folds, an eyelet, a screw, a spring, a spiral, spines, strings but is not limited to these methods. The design will be applied to all types of printed materials, regardless of content, including but not limited to books, magazines, brochures, flyers, newspapers, cards, CD inserts, posters, packaging, advertising signs. The design also incorporates the circular orientation of any printed writing, or text type, that it may, or may not, include, as part of its design.**



(21) Design Number: **16810/2007**

(22) Date of Filing Application: **20 October 2006**

(24) Date from which industrial property rights may have effect: **20 October 2006**

(54) Product in respect of which the design is registered: **Books and printed matter**

(51) International Design Classification: **19-04**

(71) Name(s) and Address(s) of Applicant(s):

**The O Book Pty Ltd
62 Araluen Drive Killcare New South Wales 2257 Australia**

(72) Name(s) of Designer(s): **Michael Owen Davis**

(45) Registration Date: **07 June 2007**

(56) Related Art Documents: **Not Applicable**

(57) Statement of Newness and Distinctiveness: **DES01. The shape and configuration as depicted in all instances is both new and distinct in that the book forms a perfect circle, or as near to a perfect circle as is possible, both when open and when closed. Research conducted in the marketplace shows this does not currently exist. Protection is required of any book or publication that forms a perfect, or near perfect, circle, regardless of the joining method and regardless of where that join appears. For example, it may appear to the left of the circle, to the right of the circle, to the center of the circle, to the top or bottom of the circle. The joining method may be a fold or series of folds, an eyelet, a screw, a spring, a spiral, spines, strings but is not limited to these methods. The design will be applied to all types of printed materials, regardless of content, including but not limited to books, magazines, brochures, flyers, newspapers, cards, CD inserts, posters, packaging, advertising signs. The design also incorporates the circular orientation of any printed writing, or text type, that it may, or may not, include, as part of its design.**



(21) Design Number: **16811/2007**

(22) Date of Filing Application: **20 October 2006**

(24) Date from which industrial property rights may have effect: **20 October 2006**

(54) Product in respect of which the design is registered: **Books and printed matter**

(51) International Design Classification: **19-04**

(71) Name(s) and Address(s) of Applicant(s):

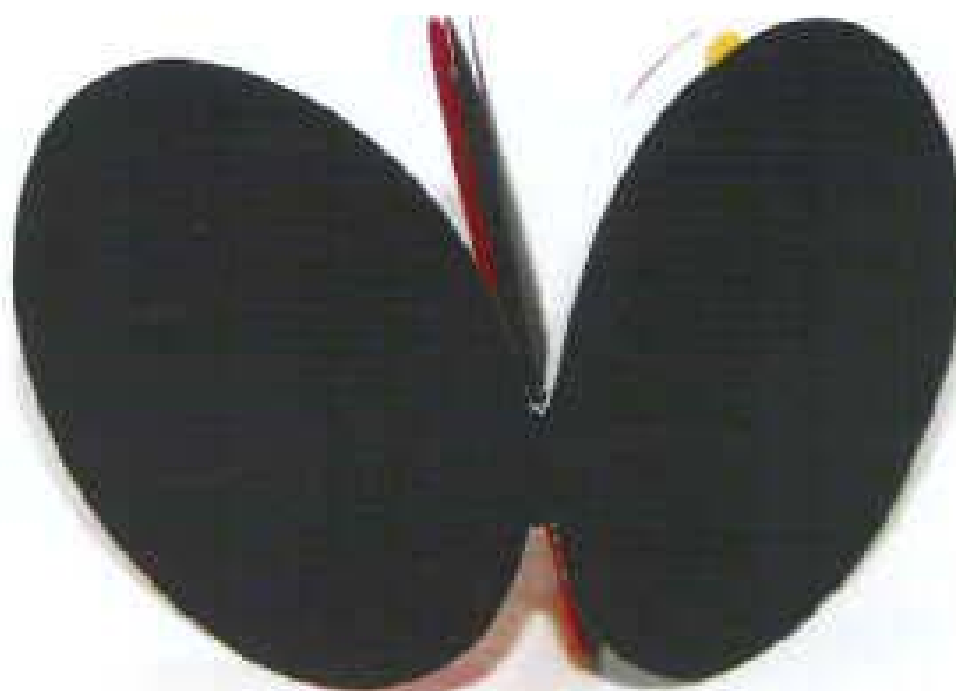
**The O Book Pty Ltd
62 Araluen Drive Killcare New South Wales 2257 Australia**

(72) Name(s) of Designer(s): **Michael Owen Davis**

(45) Registration Date: **07 June 2007**

(56) Related Art Documents: **Not Applicable**

(57) Statement of Newness and Distinctiveness: **DES01. The shape and configuration as depicted in all instances is both new and distinct in that the book forms a perfect circle, or as near to a perfect circle as is possible, both when open and when closed. Research conducted in the marketplace shows this does not currently exist. Protection is required of any book or publication that forms a perfect, or near perfect, circle, regardless of the joining method and regardless of where that join appears. For example, it may appear to the left of the circle, to the right of the circle, to the center of the circle, to the top or bottom of the circle. The joining method may be a fold or series of folds, an eyelet, a screw, a spring, a spiral, spines, strings but is not limited to these methods. The design will be applied to all types of printed materials, regardless of content, including but not limited to books, magazines, brochures, flyers, newspapers, cards, CD inserts, posters, packaging, advertising signs. The design also incorporates the circular orientation of any printed writing, or text type, that it may, or may not, include, as part of its design.**



(21) Design Number: **16812/2007**

(22) Date of Filing Application: **20 October 2006**

(24) Date from which industrial property rights may have effect: **20 October 2006**

(54) Product in respect of which the design is registered: **Books and printed matter**

(51) International Design Classification: **19-04**

(71) Name(s) and Address(s) of Applicant(s):

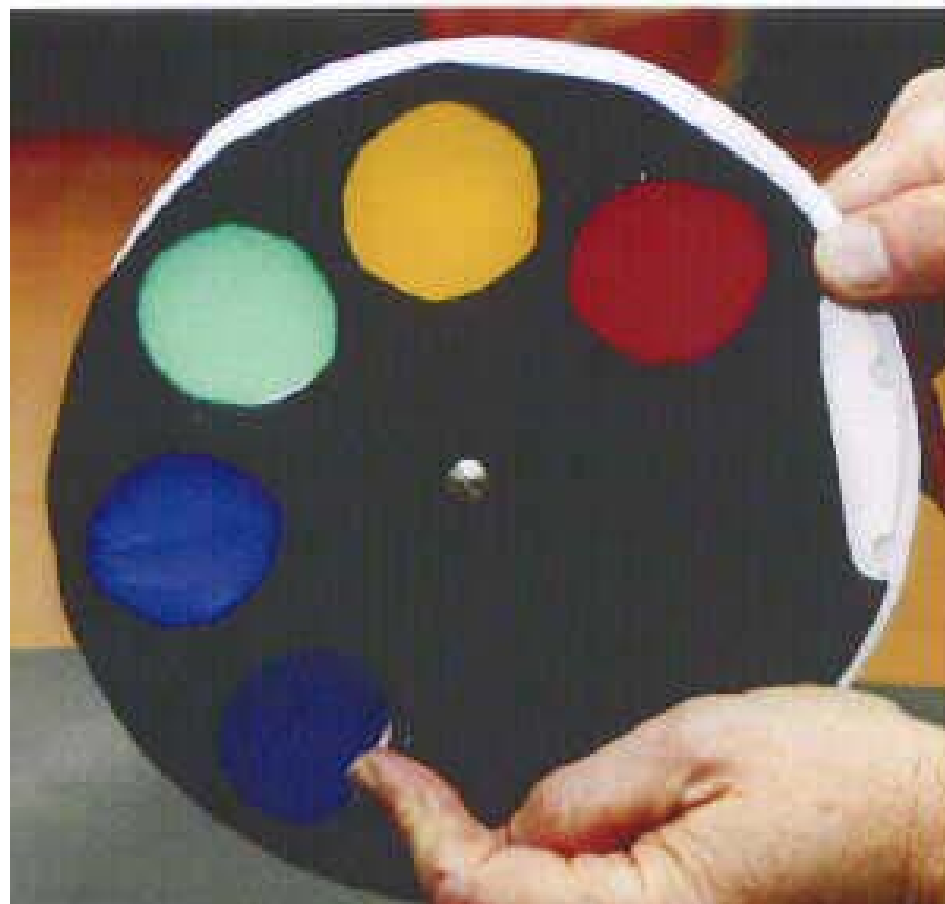
**The O Book Pty Ltd
62 Araluen Drive Killcare New South Wales 2257 Australia**

(72) Name(s) of Designer(s): **Michael Owen Davis**

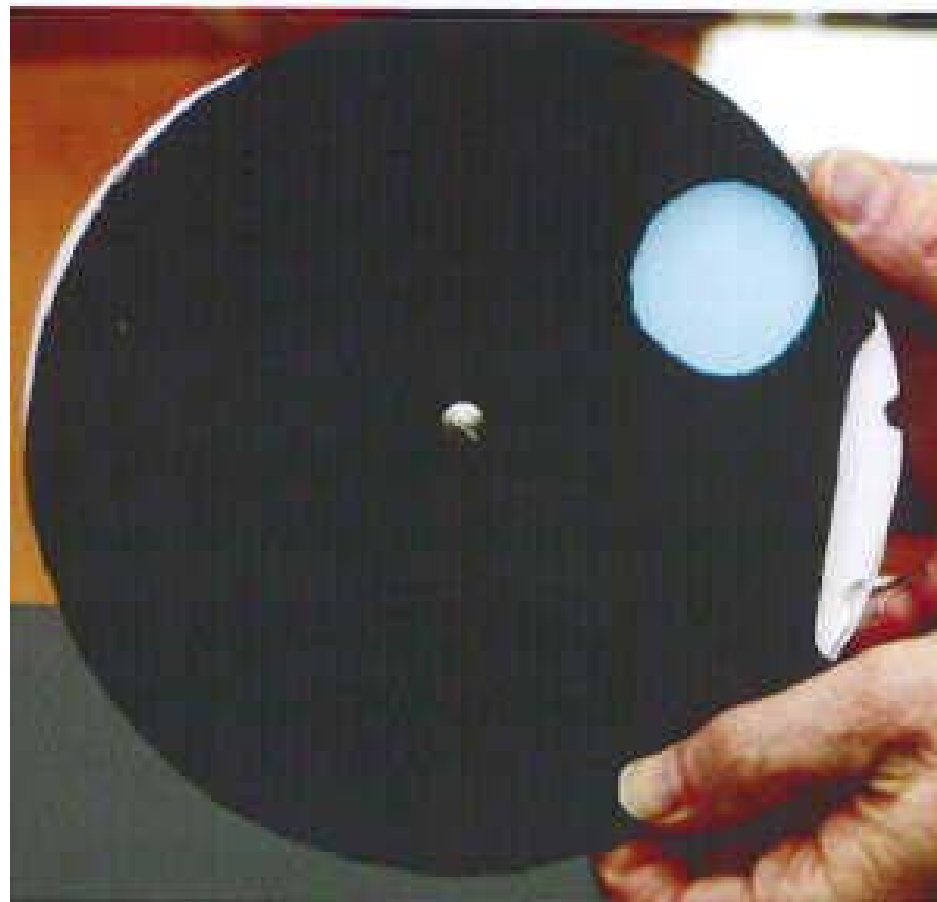
(45) Registration Date: **07 June 2007**

(56) Related Art Documents: **Not Applicable**

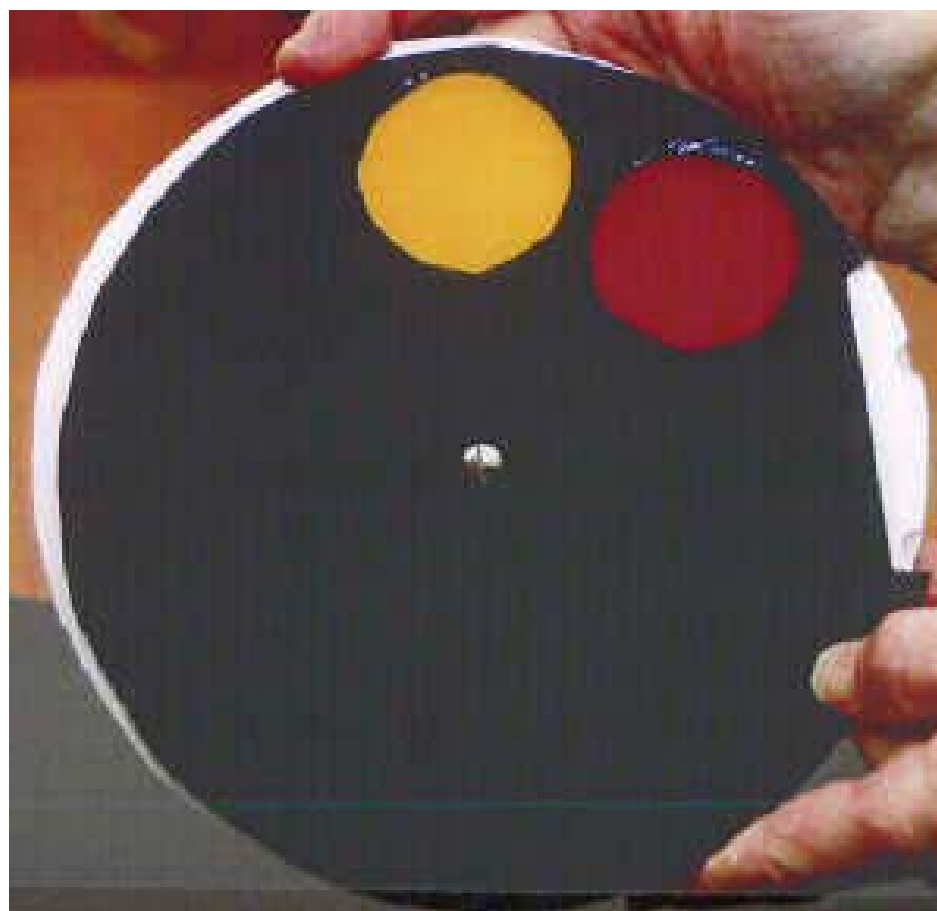
(57) Statement of Newness and Distinctiveness: **DES02. Also seen in accompanying pictures is the same circular book design with "windows" or what appears to be holes in the covers or pages. This is also a new and distinct component of the author's design. The design will sometimes show as little as one "window", rising to many windows, so is not limited to only one "window". Due to the number of possible combinations of the number of "windows", the size of these "windows", and the positioning of them, it is impossible to depict all of them. Such combinations are also able to be manually altered, disassembled, reassembled by the user of the book.**



- (21) Design Number: **16813/2007**
(22) Date of Filing Application: **20 October 2006**
(24) Date from which industrial property rights may have effect: **20 October 2006**
(54) Product in respect of which the design is registered: **Books and printed matter**
(51) International Design Classification: **19-04**
(71) Name(s) and Address(s) of Applicant(s):
The O Book Pty Ltd
62 Araluen Drive Killcare New South Wales 2257 Australia
(72) Name(s) of Designer(s): **Michael Owen Davis**
(45) Registration Date: **07 June 2007**
(56) Related Art Documents: **Not Applicable**
(57) Statement of Newness and Distinctiveness: **DES02. Also seen in accompanying pictures is the same circular book design with "windows" or what appears to be holes in the covers or pages. This is also a new and distinct component of the author's design. The design will sometimes show as little as one "window", rising to many windows, so is not limited to only one "window". Due to the number of possible combinations of the number of "windows", the size of these "windows", and the positioning of them, it is impossible to depict all of them. Such combinations are also able to be manually altered, disassembled, reassembled by the user of the book.**



- (21) Design Number: **16814/2007**
(22) Date of Filing Application: **20 October 2006**
(24) Date from which industrial property rights may have effect: **20 October 2006**
(54) Product in respect of which the design is registered: **Books and printed matter**
(51) International Design Classification: **19-04**
(71) Name(s) and Address(s) of Applicant(s):
The O Book Pty Ltd
62 Araluen Drive Killcare New South Wales 2257 Australia
(72) Name(s) of Designer(s): **Michael Owen Davis**
(45) Registration Date: **07 June 2007**
(56) Related Art Documents: **Not Applicable**
(57) Statement of Newness and Distinctiveness: **DES02. Also seen in accompanying pictures is the same circular book design with "windows" or what appears to be holes in the covers or pages. This is also a new and distinct component of the author's design. The design will sometimes show as little as one "window", rising to many windows, so is not limited to only one "window". Due to the number of possible combinations of the number of "windows", the size of these "windows", and the positioning of them, it is impossible to depict all of them. Such combinations are also able to be manually altered, disassembled, reassembled by the user of the book.**



(21) Design Number: **16815/2007**

(22) Date of Filing Application: **20 October 2006**

(24) Date from which industrial property rights may have effect: **20 October 2006**

(54) Product in respect of which the design is registered: **Books and printed matter**

(51) International Design Classification: **19-04**

(71) Name(s) and Address(s) of Applicant(s):

The O Book Pty Ltd

62 Araluen Drive Killcare New South Wales 2257 Australia

(72) Name(s) of Designer(s): **Michael Owen Davis**

(45) Registration Date: **07 June 2007**

(56) Related Art Documents: **Not Applicable**

(57) Statement of Newness and Distinctiveness: **DES03. In some instances the author's design may include attached devices either on the inside or outside of the publication, such as the spinner/arrow seen, or an apparatus to make a sound, visual or moving effect, or as a combination lock, on opening or using the book. The design, however, is not limited to these devices.**



(21) Design Number: **16816/2007**

(22) Date of Filing Application: **20 October 2006**

(24) Date from which industrial property rights may have effect: **20 October 2006**

(54) Product in respect of which the design is registered: **Books and printed matter**

(51) International Design Classification: **19-04**

(71) Name(s) and Address(s) of Applicant(s):

The O Book Pty Ltd

62 Araluen Drive Killcare New South Wales 2257 Australia

(72) Name(s) of Designer(s): **Michael Owen Davis**

(45) Registration Date: **07 June 2007**

(56) Related Art Documents: **Not Applicable**

(57) Statement of Newness and Distinctiveness: **DES03. In some instances the author's design may include attached devices either on the inside or outside of the publication, such as the spinner/arrow seen, or an apparatus to make a sound, visual or moving effect, or as a combination lock, on opening or using the book. The design, however, is not limited to these devices.**



(21) Design Number: **16817/2007**

(22) Date of Filing Application: **20 October 2006**

(24) Date from which industrial property rights may have effect: **20 October 2006**

(54) Product in respect of which the design is registered: **Books and printed matter**

(51) International Design Classification: **19-04**

(71) Name(s) and Address(s) of Applicant(s):

The O Book Pty Ltd

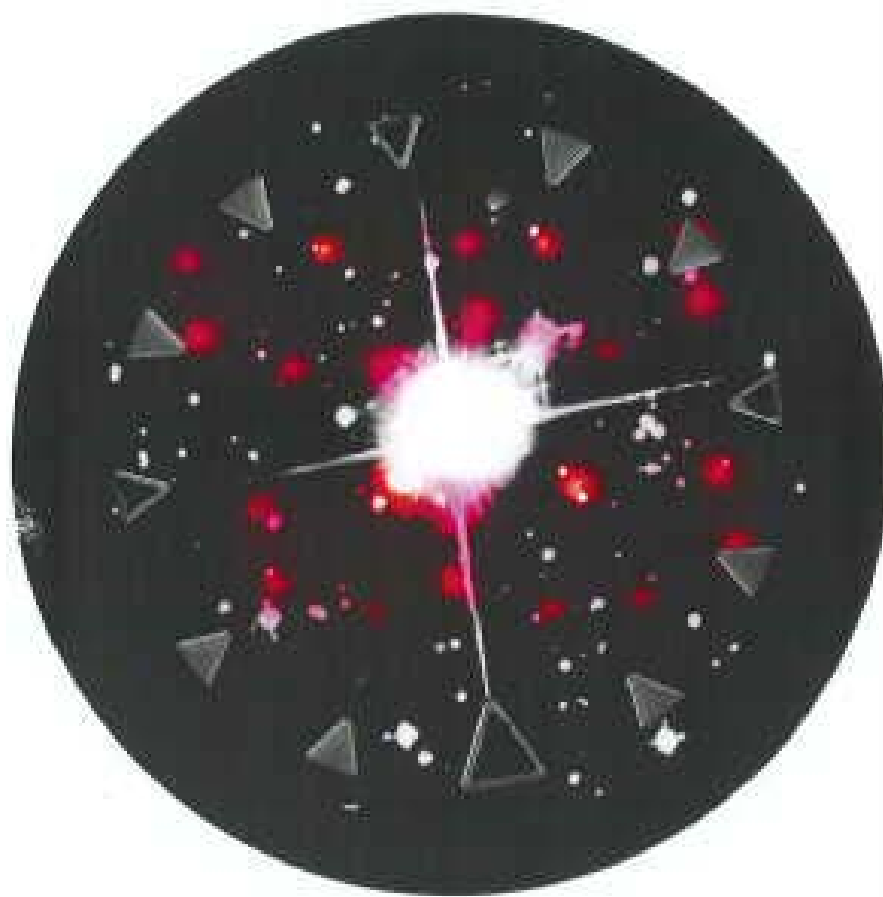
62 Araluen Drive Killcare New South Wales 2257 Australia

(72) Name(s) of Designer(s): **Michael Owen Davis**

(45) Registration Date: **07 June 2007**

(56) Related Art Documents: **Not Applicable**

(57) Statement of Newness and Distinctiveness: **DES03. In some instances the author's design may include attached devices either on the inside or outside of the publication, such as the spinner/arrow seen, or an apparatus to make a sound, visual or moving effect, or as a combination lock, on opening or using the book. The design, however, is not limited to these devices.**



(21) Design Number: **16818/2007**

(22) Date of Filing Application: **20 October 2006**

(24) Date from which industrial property rights may have effect: **20 October 2006**

(54) Product in respect of which the design is registered: **Books and printed matter**

(51) International Design Classification: **19-04**

(71) Name(s) and Address(s) of Applicant(s):

The O Book Pty Ltd

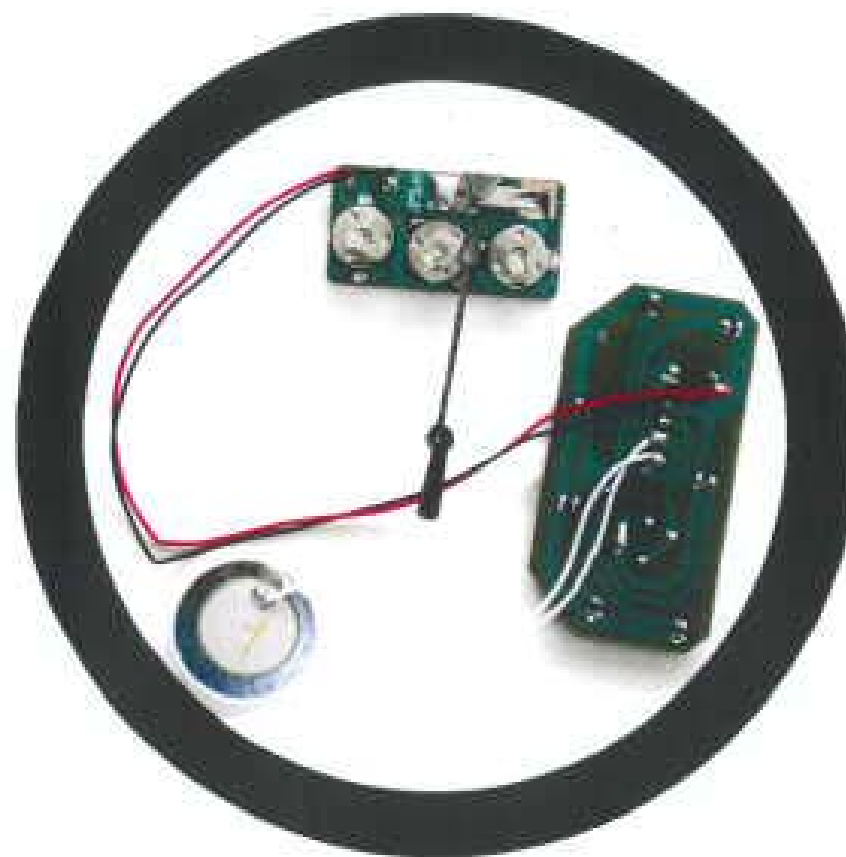
62 Araluen Drive Killcare New South Wales 2257 Australia

(72) Name(s) of Designer(s): **Michael Owen Davis**

(45) Registration Date: **07 June 2007**

(56) Related Art Documents: **Not Applicable**

(57) Statement of Newness and Distinctiveness: **DES03. In some instances the author's design may include attached devices either on the inside or outside of the publication, such as the spinner/arrow seen, or an apparatus to make a sound, visual or moving effect, or as a combination lock, on opening or using the book. The design, however, is not limited to these devices.**



(21) Design Number: **16819/2007**

(22) Date of Filing Application: **20 October 2006**

(24) Date from which industrial property rights may have effect: **20 October 2006**

(54) Product in respect of which the design is registered: **Books and printed matter**

(51) International Design Classification: **19-04**

(71) Name(s) and Address(s) of Applicant(s):

**The O Book Pty Ltd
62 Araluen Drive Killcare New South Wales 2257 Australia**

(72) Name(s) of Designer(s): **Michael Owen Davis**

(45) Registration Date: **07 June 2007**

(56) Related Art Documents: **Not Applicable**

(57) Statement of Newness and Distinctiveness: **DES03. In some instances the author's design may include attached devices either on the inside or outside of the publication, such as the spinner/arrow seen, or an apparatus to make a sound, visual or moving effect, or as a combination lock, on opening or using the book. The design, however, is not limited to these devices.**



(21) Design Number: **16820/2007**

(22) Date of Filing Application: **20 October 2006**

(24) Date from which industrial property rights may have effect: **20 October 2006**

(54) Product in respect of which the design is registered: **Books and printed matter**

(51) International Design Classification: **19-04**

(71) Name(s) and Address(s) of Applicant(s):

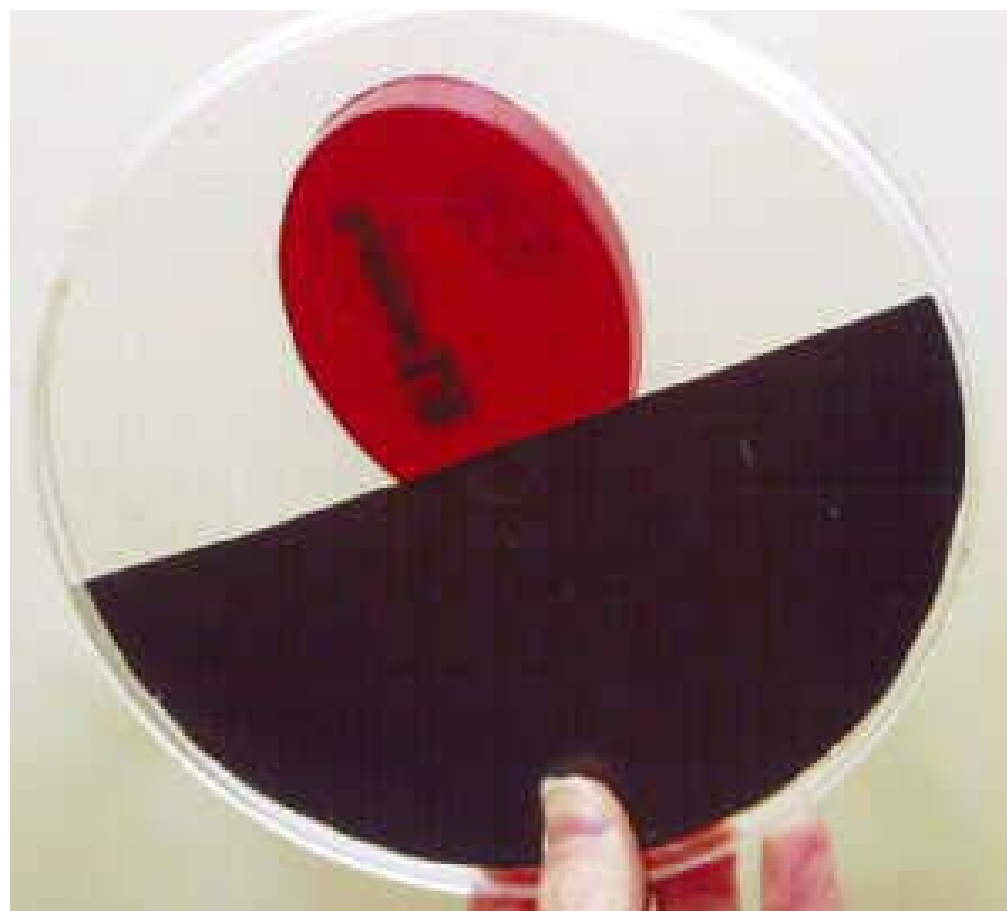
**The O Book Pty Ltd
62 Araluen Drive Killcare New South Wales 2257 Australia**

(72) Name(s) of Designer(s): **Michael Owen Davis**

(45) Registration Date: **07 June 2007**

(56) Related Art Documents: **Not Applicable**

(57) Statement of Newness and Distinctiveness: **DES03. In some instances the author's design may include attached devices either on the inside or outside of the publication, such as the spinner/arrow seen, or an apparatus to make a sound, visual or moving effect, or as a combination lock, on opening or using the book. The design, however, is not limited to these devices.**



(21) Design Number: **16821/2007**

(22) Date of Filing Application: **20 October 2006**

(24) Date from which industrial property rights may have effect: **20 October 2006**

(54) Product in respect of which the design is registered: **Books and printed matter**

(51) International Design Classification: **19-04**

(71) Name(s) and Address(s) of Applicant(s):

**The O Book Pty Ltd
62 Araluen Drive Killcare New South Wales 2257 Australia**

(72) Name(s) of Designer(s): **Michael Owen Davis**

(45) Registration Date: **07 June 2007**

(56) Related Art Documents: **Not Applicable**

(57) Statement of Newness and Distinctiveness: **DES03. In some instances the author's design may include attached devices either on the inside or outside of the publication, such as the spinner/arrow seen, or an apparatus to make a sound, visual or moving effect, or as a combination lock, on opening or using the book. The design, however, is not limited to these devices.**



(21) Design Number: **16499/2007**

(22) Date of Filing Application: **20 February 2007**

(24) Date from which industrial property rights may have effect: **20 February 2007**

(54) Product in respect of which the design is registered: **Automobile exhaust extension**

(51) International Design Classification: **15-01**

(71) Name(s) and Address(s) of Applicant(s):

**Daniel Woodbury
13 Windsor Street Richmond NSW Australia 2753**

(72) Name(s) of Designer(s): **Daniel Woodbury**

(45) Registration Date: **08 June 2007**

(56) Related Art Documents: **Not Applicable**

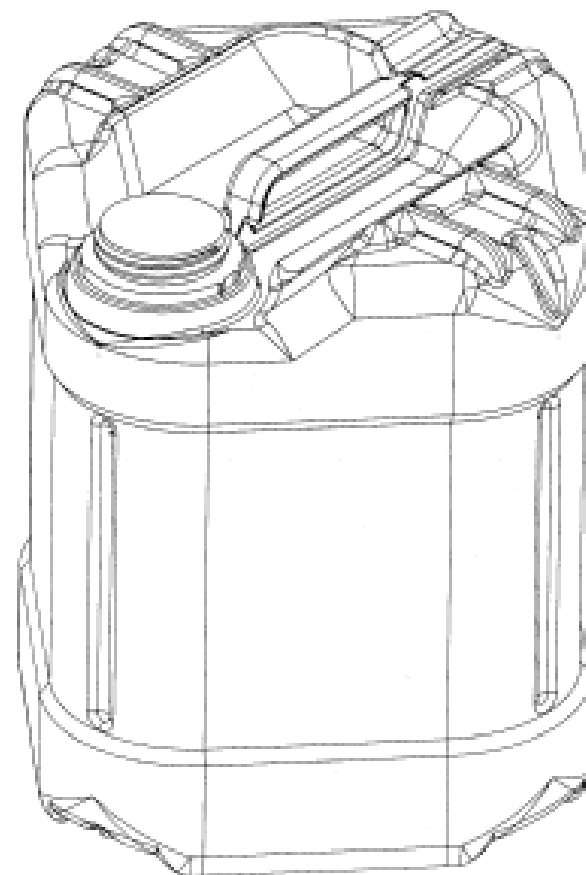
(57) Statement of Newness and Distinctiveness: **The inner cone is new and distinctive in the way it tapers to fit inside the rolled edge also the way it is attached internally.**



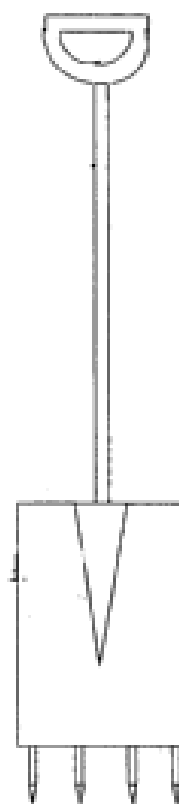
- (21) Design Number: **16500/2007**
(22) Date of Filing Application: **20 February 2007**
(24) Date from which industrial property rights may have effect: **20 February 2007**
(54) Product in respect of which the design is registered: **Automobile exhaust extension**
(51) International Design Classification: **15-01**
(71) Name(s) and Address(s) of Applicant(s):
Daniel Woodbury
13 Windsor Street Richmond NSW Australia 2753
(72) Name(s) of Designer(s): **Daniel Woodbury**
(45) Registration Date: **08 June 2007**
(56) Related Art Documents: **Not Applicable**
(57) Statement of Newness and Distinctiveness: **The exhaust extension is stepped and has a partial rolled edge.**



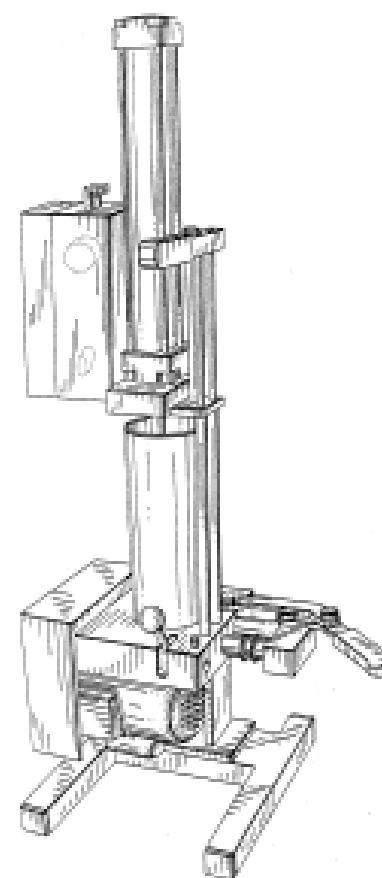
- (21) Design Number: **16690/2007**
(22) Date of Filing Application: **28 February 2007**
(24) Date from which industrial property rights may have effect: **28 February 2007**
(54) Product in respect of which the design is registered: **A container**
(51) International Design Classification: **09-02B**
(71) Name(s) and Address(s) of Applicant(s):
Visy Industrial Packaging Holdings Pty Ltd
Level 17 644 Chapel Street South Yarra Victoria 3141 Australia
(72) Name(s) of Designer(s): **Peter Smitran**
(45) Registration Date: **08 June 2007**
(56) Related Art Documents: **Not Applicable**
(57) Statement of Newness and Distinctiveness: **The newness and distinctiveness of the design resides in the shape or configuration of the top and bottom of the container as shown in the accompanying representations.**



(21) Design Number: **16909/2007**
(22) Date of Filing Application: **14 March 2007**
(24) Date from which industrial property rights may have effect: **14 March 2007**
(54) Product in respect of which the design is registered: **Spade fork**
(51) International Design Classification: **08-01**
(71) Name(s) and Address(s) of Applicant(s):
Michael Morrison
18 Grand Panorama Circuit Launching Place Victoria 3139 Australia
(72) Name(s) of Designer(s): **Michael Joseph Morrison**
(45) Registration Date: **08 June 2007**
(56) Related Art Documents: **Not Applicable**
(57) Statement of Newness and Distinctiveness: **Nil**



(21) Design Number: **16889/2007**
(22) Date of Filing Application: **13 March 2007**
(24) Date from which industrial property rights may have effect: **13 March 2007**
(54) Product in respect of which the design is registered: **Mixers, industrial**
(51) International Design Classification: **31-00**
(71) Name(s) and Address(s) of Applicant(s):
Vosschemie GmbH
Esinger Steinweg 50 D-25436 Uetersen Germany
(72) Name(s) of Designer(s): **Klaus-W. Voss**
(45) Registration Date: **08 June 2007**
(30) Convention priority data:
(31) Number (32) Date (33) Country
000591219#0001 19 Sep 2006 EUROPEAN COMMUNITY
(56) Related Art Documents: **Not Applicable**
(57) Statement of Newness and Distinctiveness: **Nil**



(21) Design Number: **16890/2007**

(22) Date of Filing Application: **13 March 2007**

(24) Date from which industrial property rights may have effect: **13 March 2007**

(54) Product in respect of which the design is registered: **Display mounting strip**

(51) International Design Classification: **08-08NES**

(71) Name(s) and Address(s) of Applicant(s):

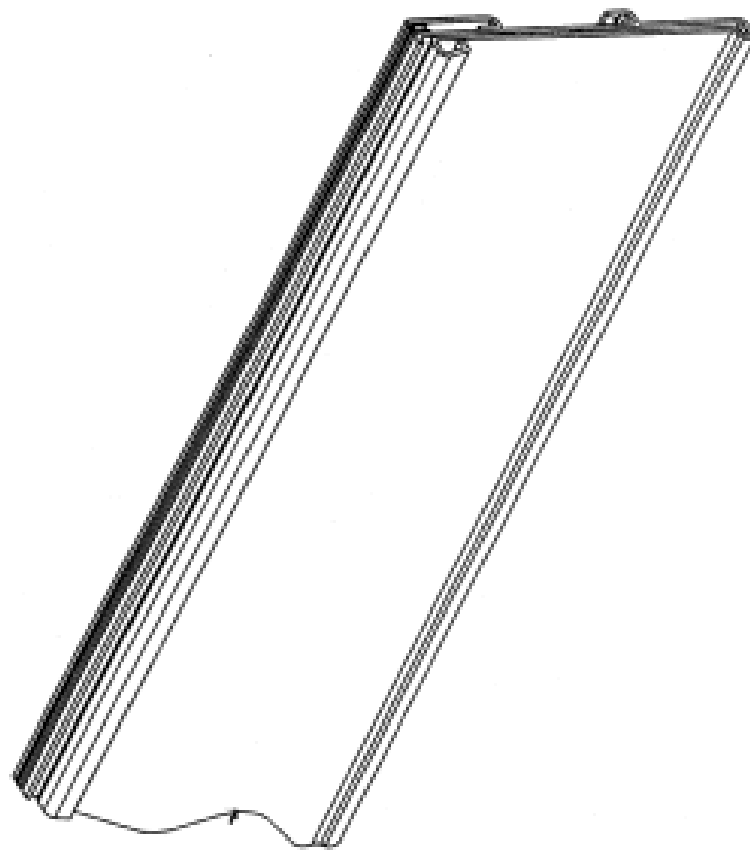
**Australian Plastic Profiles Pty Ltd
12 Cawarra Road Caringbah New South Wales 2229 Australia**

(72) Name(s) of Designer(s): **Miro Getaldic**

(45) Registration Date: **08 June 2007**

(56) Related Art Documents: **Not Applicable**

(57) Statement of Newness and Distinctiveness: **Newness and distinctiveness is claimed in the visual appearance of a display mounting strip. The strip is indefinite length as depicted by the waved line A.**



(21) Design Number: **16891/2007**

(22) Date of Filing Application: **13 March 2007**

(24) Date from which industrial property rights may have effect: **13 March 2007**

(54) Product in respect of which the design is registered: **Display mounting strip**

(51) International Design Classification: **08-08NES**

(71) Name(s) and Address(s) of Applicant(s):

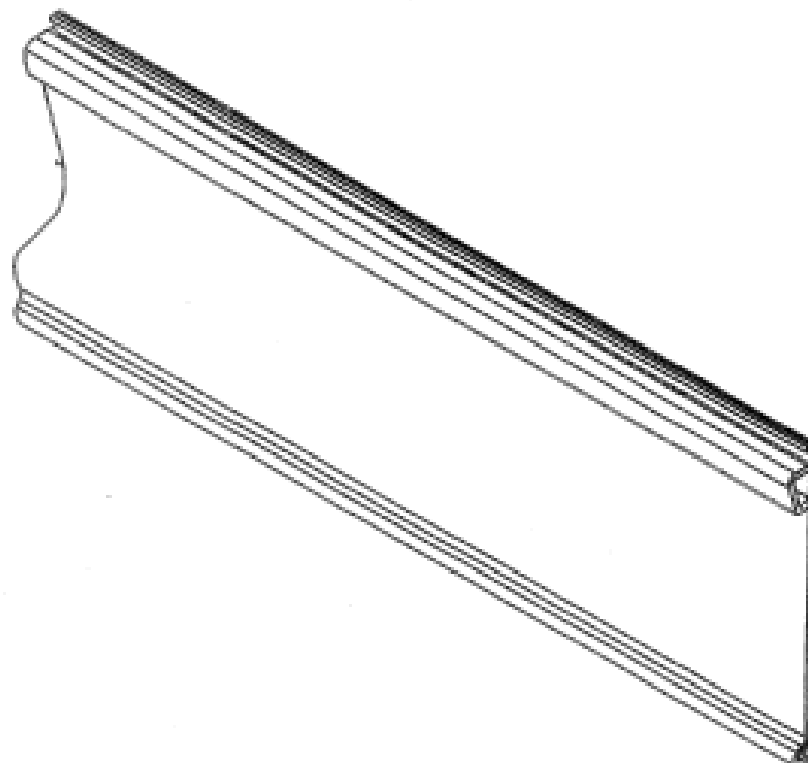
**Australian Plastic Profiles Pty Ltd
12 Cawarra Road Caringbah New South Wales 2229 Australia**

(72) Name(s) of Designer(s): **Miro Getaldic**

(45) Registration Date: **08 June 2007**

(56) Related Art Documents: **Not Applicable**

(57) Statement of Newness and Distinctiveness: **Newness and distinctiveness is claimed in the visual appearance of that part of the display mounting strip within square B as shown in figure 1 which part extends the length of the strip. The strip is of indefinite length as depicted by the waved line A.**



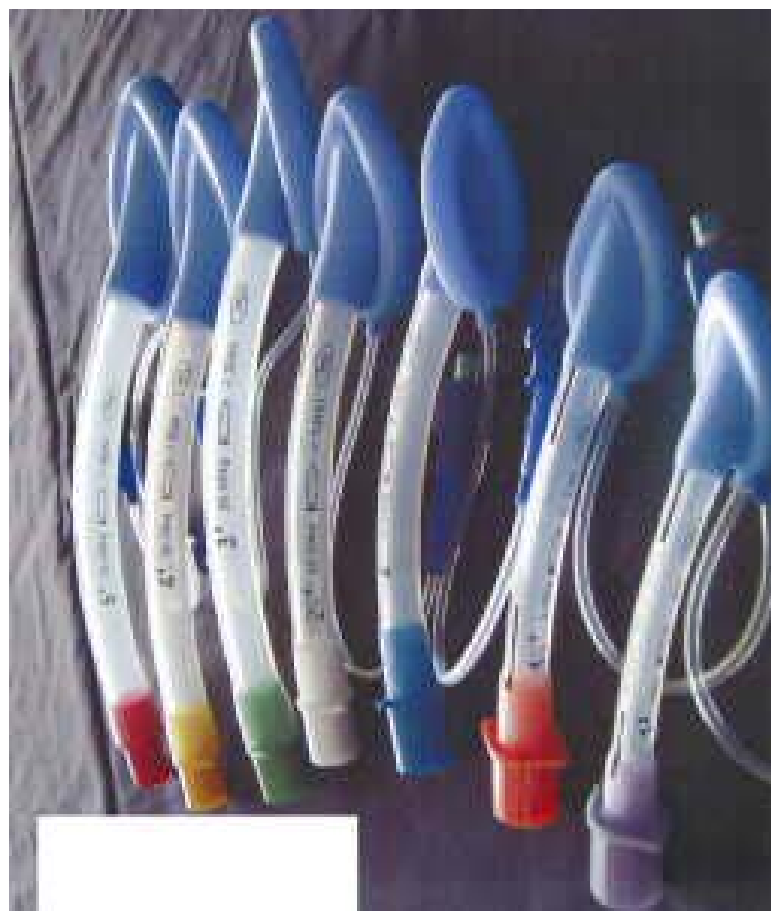
- (21) Design Number: **16892/2007**
- (22) Date of Filing Application: **13 March 2007**
- (24) Date from which industrial property rights may have effect: **13 March 2007**
- (54) Product in respect of which the design is registered: **Combined operators seat and console for operation of machinery**
- (51) International Design Classification: **12-16NES**
- (71) Name(s) and Address(s) of Applicant(s):
Vomac Pty Ltd
4 Pinta Street Wallerawang New South Wales 2845 Australia
- (72) Name(s) of Designer(s): **John Ryan and Damien Moore**
- (45) Registration Date: **08 June 2007**
- (56) Related Art Documents: **Not Applicable**
- (57) Statement of Newness and Distinctiveness: **The seat and console are new and distinctive in regard to the operation which allows the operator to turn and face his direction of intended travel. This is particularly new in relation to the operation of shuttle cars and loaders in underground mining. This design may be applicable to a whole range of machinery besides mining.**



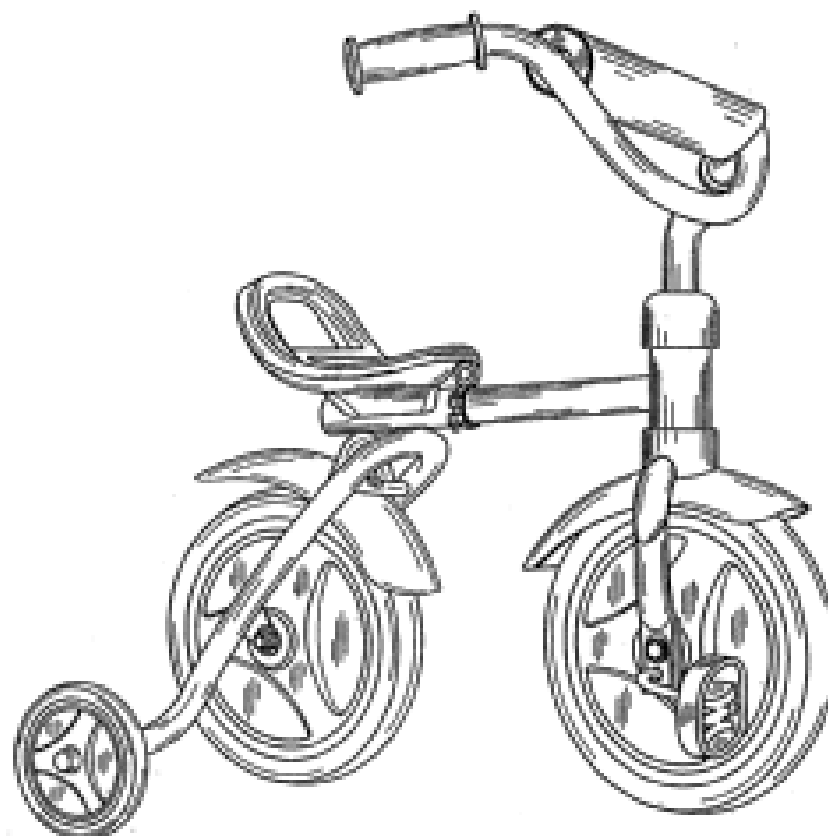
- (21) Design Number: **16859/2007**
- (22) Date of Filing Application: **14 March 2007**
- (24) Date from which industrial property rights may have effect: **14 March 2007**
- (54) Product in respect of which the design is registered: **Baby carrier**
- (51) International Design Classification: **03-99**
- (71) Name(s) and Address(s) of Applicant(s):
Karen Fraser
PO Box 7062 Wilberforce New South Wales 2756 Australia
- (72) Name(s) of Designer(s): **Karen Fraser**
- (45) Registration Date: **08 June 2007**
- (56) Related Art Documents: **Not Applicable**
- (57) Statement of Newness and Distinctiveness: **Nil**



(21) Design Number: **16860/2007**
(22) Date of Filing Application: **14 March 2007**
(24) Date from which industrial property rights may have effect: **14 March 2007**
(54) Product in respect of which the design is registered: **Proact pro-breathe single use silicone laryngeal mask**
(51) International Design Classification: **24-01, 24-02**
(71) Name(s) and Address(s) of Applicant(s):
Proact Medical Systems (Australia) Pty Ltd
33 Merrigal Road Port Macquarie New South Wales 2444 Australia
(72) Name(s) of Designer(s): **Clive Manners**
(45) Registration Date: **08 June 2007**
(56) Related Art Documents: **Not Applicable**
(57) Statement of Newness and Distinctiveness: **Colour coding of tubing connectors for identification of size.**



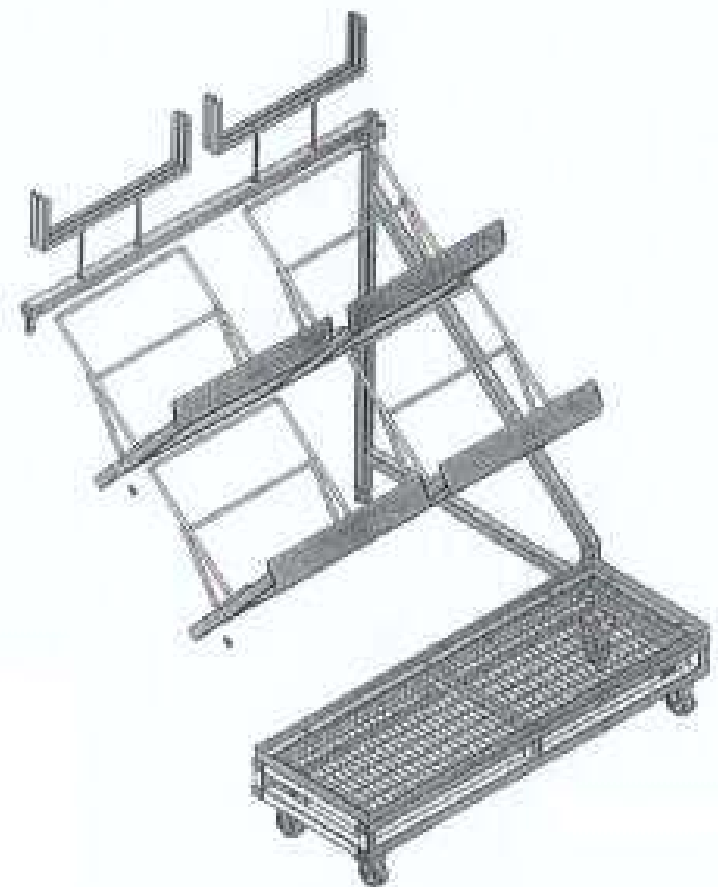
(21) Design Number: **16894/2007**
(22) Date of Filing Application: **14 March 2007**
(24) Date from which industrial property rights may have effect: **14 March 2007**
(54) Product in respect of which the design is registered: **Telescoping bicycle**
(51) International Design Classification: **21-01F**
(71) Name(s) and Address(s) of Applicant(s):
Radio Flyer, Inc.
6515 West Grand Avenue Chicago Illinois 60707 United States of America
(72) Name(s) of Designer(s): **Timothy Seckel and Earle Cramer and Edward Eaton and Eduardo Mendoza Jr.**
(45) Registration Date: **08 June 2007**
(30) Convention priority data:
(31) Number (32) Date (33) Country
29/266891 29 Sep 2006 UNITED STATES OF AMERICA
(56) Related Art Documents: **Not Applicable**
(57) Statement of Newness and Distinctiveness: **Newness and distinctiveness is claimed in the features of shape and/or configuration of a telescoping bicycle as illustrated in the accompanying representations.**



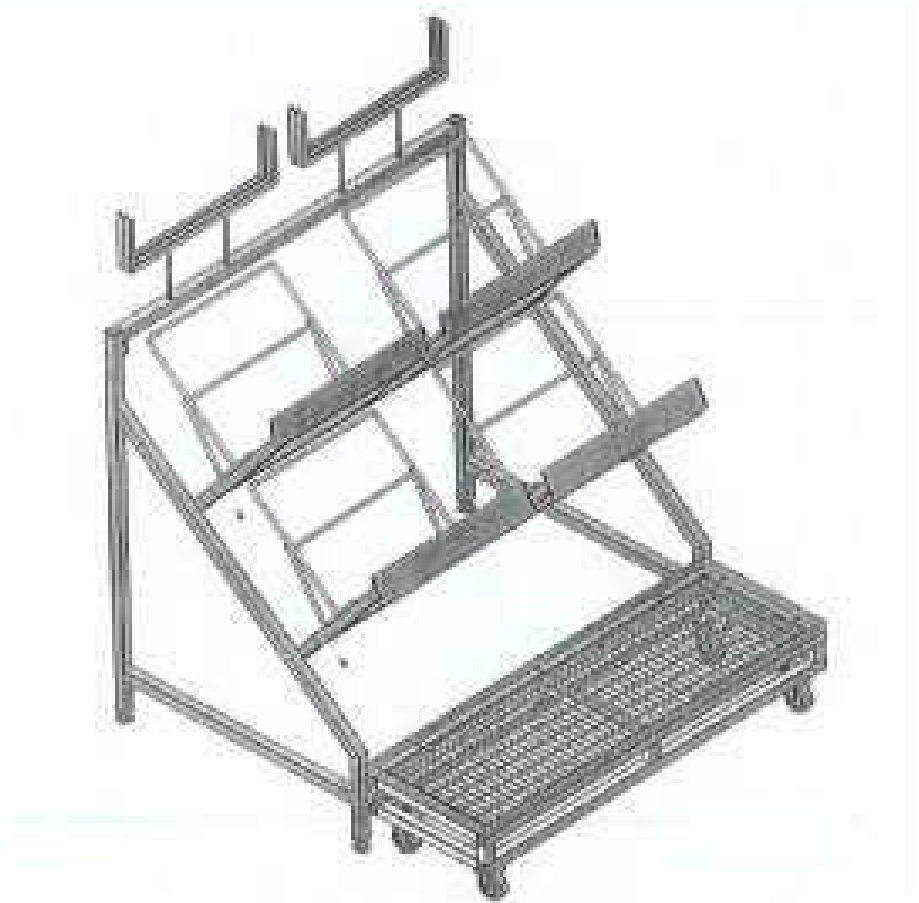
- (21) Design Number: **16895/2007**
(22) Date of Filing Application: **14 March 2007**
(24) Date from which industrial property rights may have effect: **14 March 2007**
(54) Product in respect of which the design is registered: **Produce display structure**
(51) International Design Classification: **20-02E**
(71) Name(s) and Address(s) of Applicant(s):
Woolworths Limited
1 Woolworths Way Bella Vista New South Wales 2153 Australia
(72) Name(s) of Designer(s): **Gary Raynor and Greg Wilson and Guy Arad and Naum Onikul and Michael Batycki and Stephen Bate and Damian Johnston and John Fowler and Simon Cai and Dragan Music and Tom Deronja**
(45) Registration Date: **08 June 2007**
(56) Related Art Documents: **Not Applicable**
(57) Statement of Newness and Distinctiveness: **Newness and distinctiveness is claimed in the features of shape and/or configuration of a produce display structure as illustrated in the accompanying representations.**



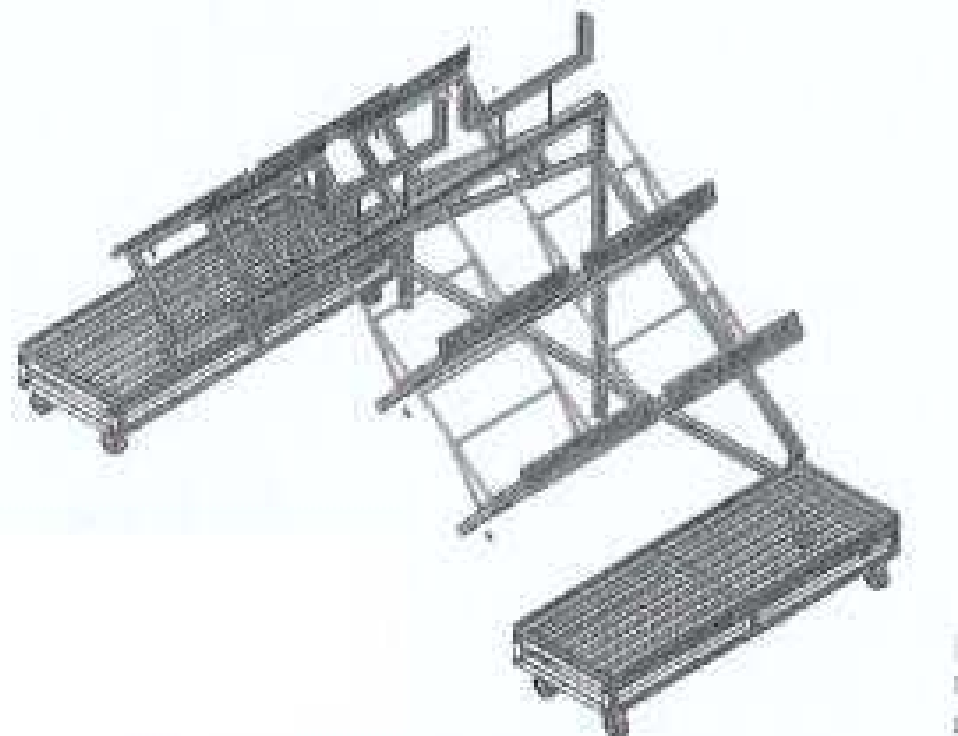
- (21) Design Number: **16896/2007**
(22) Date of Filing Application: **14 March 2007**
(24) Date from which industrial property rights may have effect: **14 March 2007**
(54) Product in respect of which the design is registered: **Produce display structure**
(51) International Design Classification: **20-02E**
(71) Name(s) and Address(s) of Applicant(s):
Woolworths Limited
1 Woolworths Way Bella Vista New South Wales 2153 Australia
(72) Name(s) of Designer(s): **Gary Raynor and Greg Wilson and Guy Arad and Naum Onikul and Michael Batycki and Stephen Bate and Damian Johnston and John Fowler and Simon Cai and Dragan Music and Tom Deronja**
(45) Registration Date: **08 June 2007**
(56) Related Art Documents: **Not Applicable**
(57) Statement of Newness and Distinctiveness: **Newness and distinctiveness is claimed in the features of shape and/or configuration of a produce display structure as illustrated in the accompanying representations.**



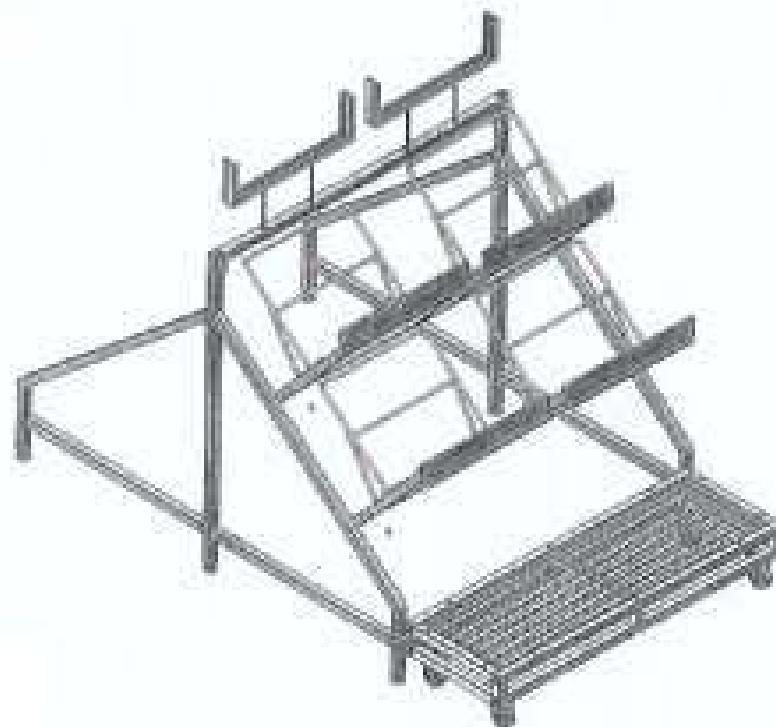
- (21) Design Number: **16897/2007**
(22) Date of Filing Application: **14 March 2007**
(24) Date from which industrial property rights may have effect: **14 March 2007**
(54) Product in respect of which the design is registered: **Produce display structure**
(51) International Design Classification: **20-02E**
(71) Name(s) and Address(s) of Applicant(s):
Woolworths Limited
1 Woolworths Way Bella Vista New South Wales 2153 Australia
(72) Name(s) of Designer(s): **Gary Raynor and Greg Wilson and Guy Arad and Naum Onikul and Michael Batycki and Stephen Bate and Damian Johnston and John Fowler and Simon Cai and Dragan Music and Tom Deronja**
(45) Registration Date: **08 June 2007**
(56) Related Art Documents: **Not Applicable**
(57) Statement of Newness and Distinctiveness: **Newness and distinctiveness is claimed in the features of shape and/or configuration of a produce display structure as illustrated in the accompanying representations.**



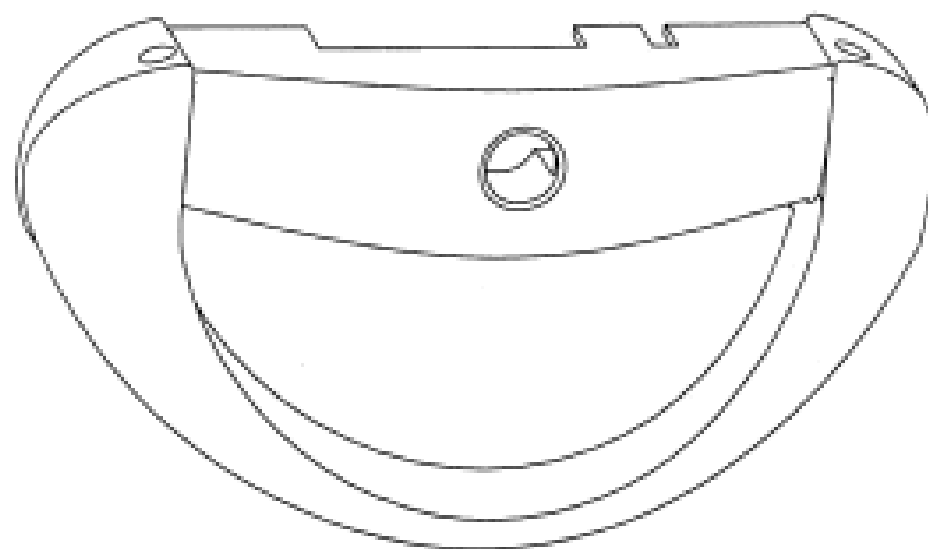
- (21) Design Number: **16898/2007**
(22) Date of Filing Application: **14 March 2007**
(24) Date from which industrial property rights may have effect: **14 March 2007**
(54) Product in respect of which the design is registered: **Produce display structure**
(51) International Design Classification: **20-02E**
(71) Name(s) and Address(s) of Applicant(s):
Woolworths Limited
1 Woolworths Way Bella Vista New South Wales 2153 Australia
(72) Name(s) of Designer(s): **Gary Raynor and Greg Wilson and Guy Arad and Naum Onikul and Michael Batycki and Stephen Bate and Damian Johnston and John Fowler and Simon Cai and Dragan Music and Tom Deronja**
(45) Registration Date: **08 June 2007**
(56) Related Art Documents: **Not Applicable**
(57) Statement of Newness and Distinctiveness: **Newness and distinctiveness is claimed in the features of shape and/or configuration of a produce display structure as illustrated in the accompanying representations.**



- (21) Design Number: **16899/2007**
(22) Date of Filing Application: **14 March 2007**
(24) Date from which industrial property rights may have effect: **14 March 2007**
(54) Product in respect of which the design is registered: **Produce display structure**
(51) International Design Classification: **20-02E**
(71) Name(s) and Address(s) of Applicant(s):
Woolworths Limited
1 Woolworths Way Bella Vista New South Wales 2153 Australia
(72) Name(s) of Designer(s): **Gary Raynor and Greg Wilson and Guy Arad and Naum Onikul and Michael Batycki and Stephen Bate and Damian Johnston and John Fowler and Simon Cai and Dragan Music and Tom Deronja**
(45) Registration Date: **08 June 2007**
(56) Related Art Documents: **Not Applicable**
(57) Statement of Newness and Distinctiveness: **Newness and distinctiveness is claimed in the features of shape and/or configuration of a produce display structure as illustrated in the accompanying representations.**



- (21) Design Number: **16900/2007**
(22) Date of Filing Application: **14 March 2007**
(24) Date from which industrial property rights may have effect: **14 March 2007**
(54) Product in respect of which the design is registered: **A handle**
(51) International Design Classification: **08-06**
(71) Name(s) and Address(s) of Applicant(s):
Azuma Design Pty Limited
160-162 Newton Road Wetherill Park New South Wales 2164 Australia
(72) Name(s) of Designer(s): **Michael Brian Alchin**
(45) Registration Date: **08 June 2007**
(56) Related Art Documents: **Not Applicable**
(57) Statement of Newness and Distinctiveness: **Newness and distinctiveness is claimed in the features of shape and/or configuration of a handle as illustrated in the accompanying representations.**



(21) Design Number: **16901/2007**

(22) Date of Filing Application: **14 March 2007**

(24) Date from which industrial property rights may have effect: **14 March 2007**

(54) Product in respect of which the design is registered: **Electrical connector**

(51) International Design Classification: **13-03E**

(71) Name(s) and Address(s) of Applicant(s):

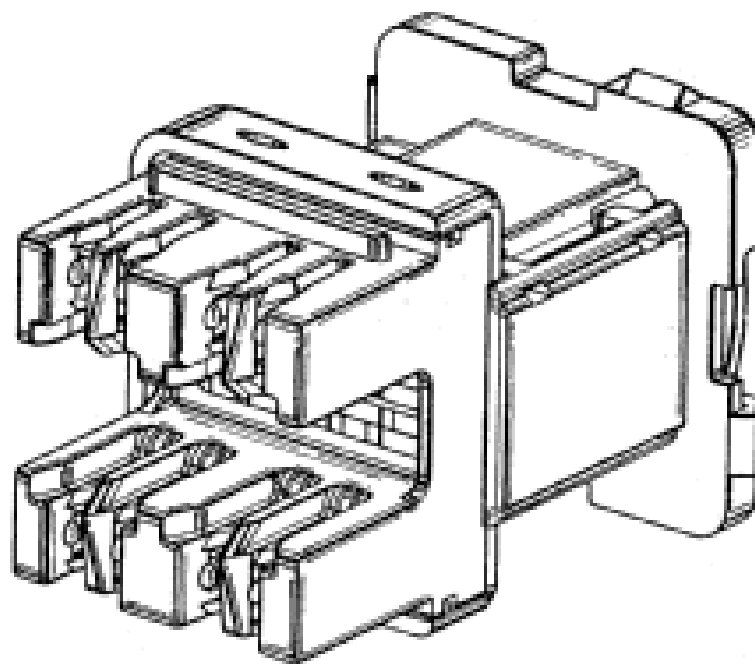
**ADC Communications (Australia) Pty Limited
2 Hereford Street Berkeley Vale New South Wales 2261 Australia**

(72) Name(s) of Designer(s): **Brent Allwood**

(45) Registration Date: **08 June 2007**

(56) Related Art Documents: **Not Applicable**

(57) Statement of Newness and Distinctiveness: **The features of shape and configuration of the electrical connector shown in the accompanying representations are considered to be new and distinctive.**



(21) Design Number: **16902/2007**

(22) Date of Filing Application: **14 March 2007**

(24) Date from which industrial property rights may have effect: **14 March 2007**

(54) Product in respect of which the design is registered: **Dust cover for an electrical connector**

(51) International Design Classification: **13-03E**

(71) Name(s) and Address(s) of Applicant(s):

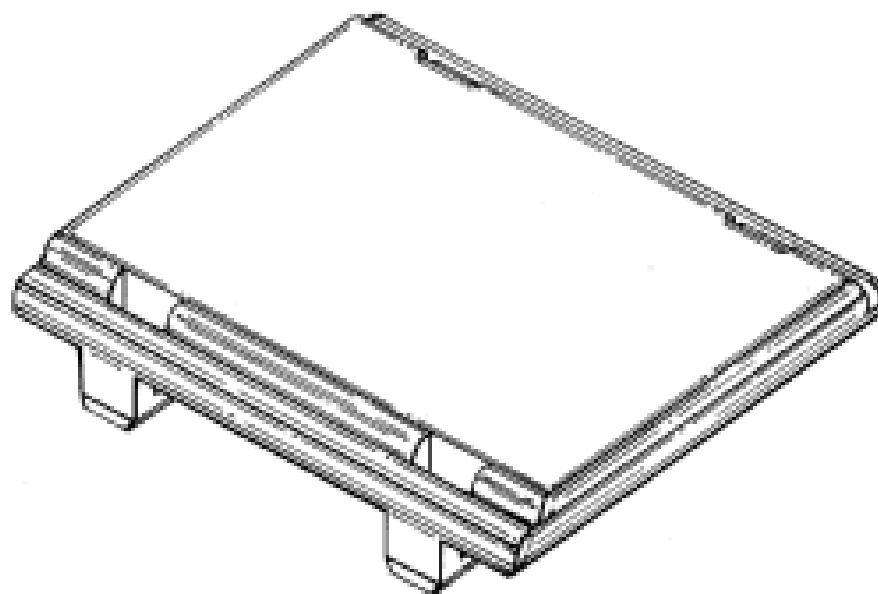
**ADC Communications (Australia) Pty Limited
2 Hereford Street Berkeley Vale New South Wales 2261 Australia**

(72) Name(s) of Designer(s): **Brent Allwood**

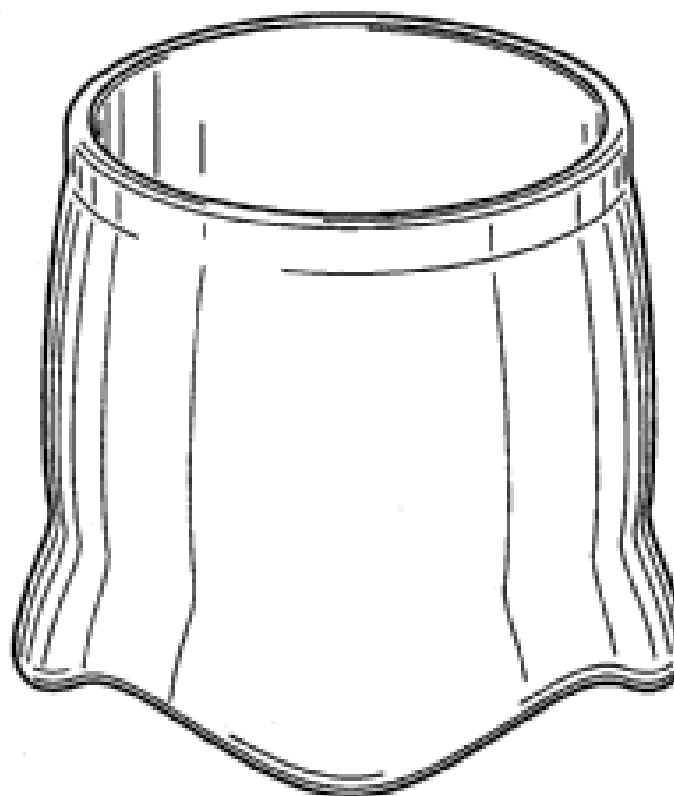
(45) Registration Date: **08 June 2007**

(56) Related Art Documents: **Not Applicable**

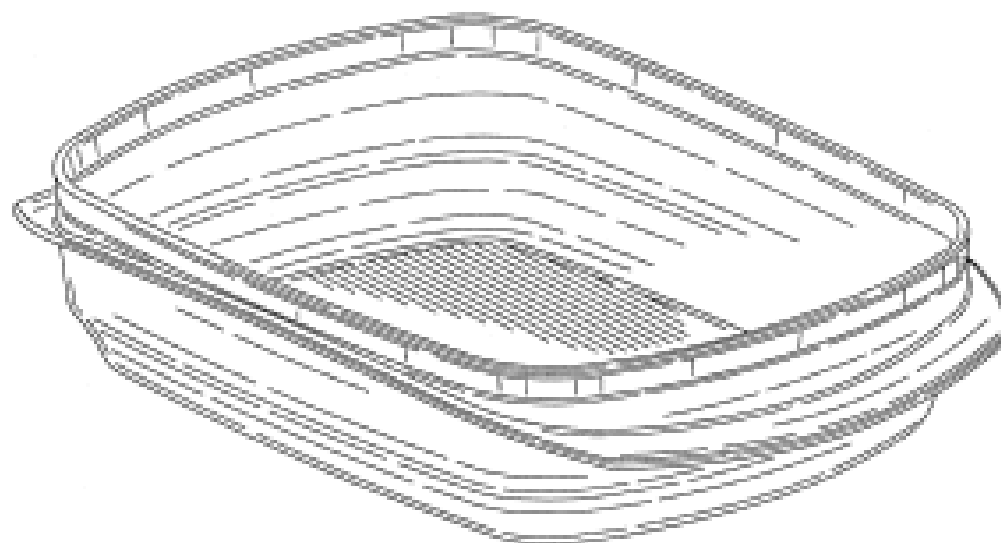
(57) Statement of Newness and Distinctiveness: **The features of shape and configuration of the dust cover for an electrical connector shown in the accompanying representations are considered to be new and distinctive.**



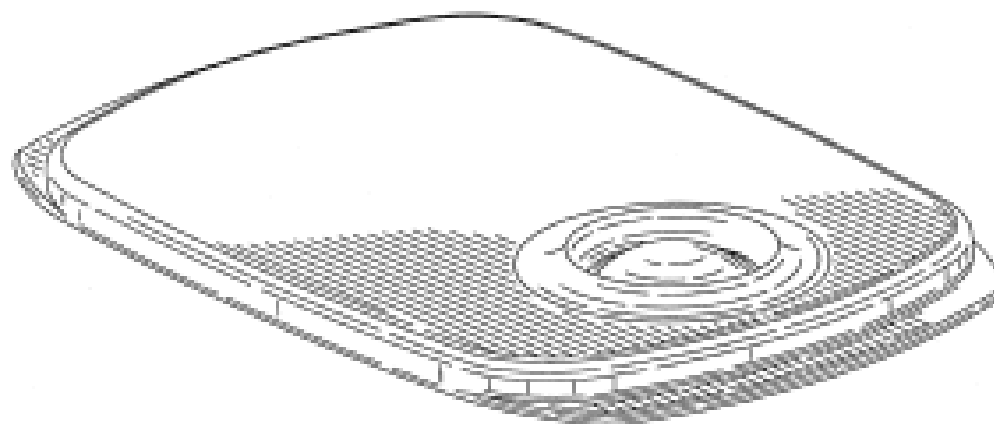
(21) Design Number: **16903/2007**
(22) Date of Filing Application: **14 March 2007**
(24) Date from which industrial property rights may have effect: **14 March 2007**
(54) Product in respect of which the design is registered: **Vessel**
(51) International Design Classification: **07-01C**
(71) Name(s) and Address(s) of Applicant(s):
The Coca-Cola Company
One Coca-Cola Plaza NW Atlanta Georgia 30313 United States of America
(72) Name(s) of Designer(s): **Alfredo Haberli**
(45) Registration Date: **08 June 2007**
(30) Convention priority data:
(31) Number (32) Date (33) Country
29/266,886 28 Sep 2006 UNITED STATES OF AMERICA
(56) Related Art Documents: **Not Applicable**
(57) Statement of Newness and Distinctiveness: **Those features of the vessel depicted in the representations that are new and distinctive are the shape and/or configuration.**



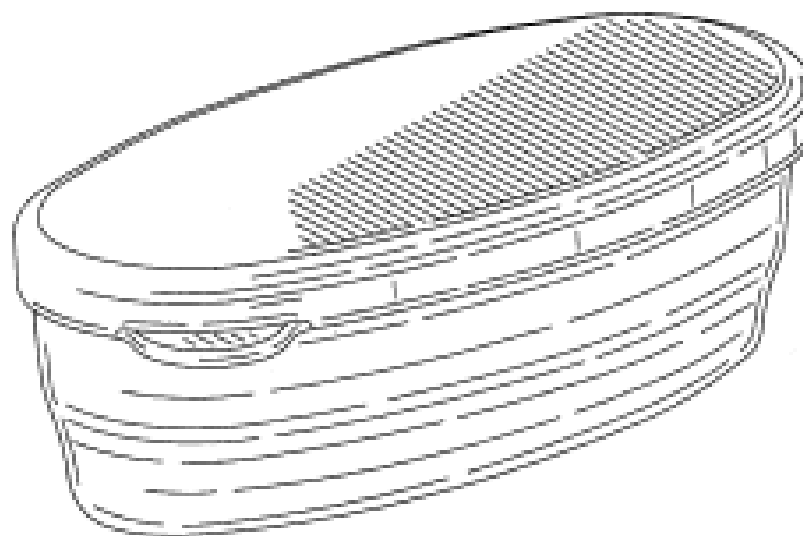
(21) Design Number: **16905/2007**
(22) Date of Filing Application: **14 March 2007**
(24) Date from which industrial property rights may have effect: **14 March 2007**
(54) Product in respect of which the design is registered: **Container**
(51) International Design Classification: **09-03M**
(71) Name(s) and Address(s) of Applicant(s):
Dart Industries Inc
14901 S. Orange Blossom Trail Orlando Florida 32837 United States of America
(72) Name(s) of Designer(s): **Hanno Kortleven**
(45) Registration Date: **08 June 2007**
(30) Convention priority data:
(31) Number (32) Date (33) Country
29/267,131 05 Oct 2006 UNITED STATES OF AMERICA
(56) Related Art Documents: **Not Applicable**
(57) Statement of Newness and Distinctiveness: **Those features of the container depicted in the representations that are new and distinctive are the shape and/or configuration.**



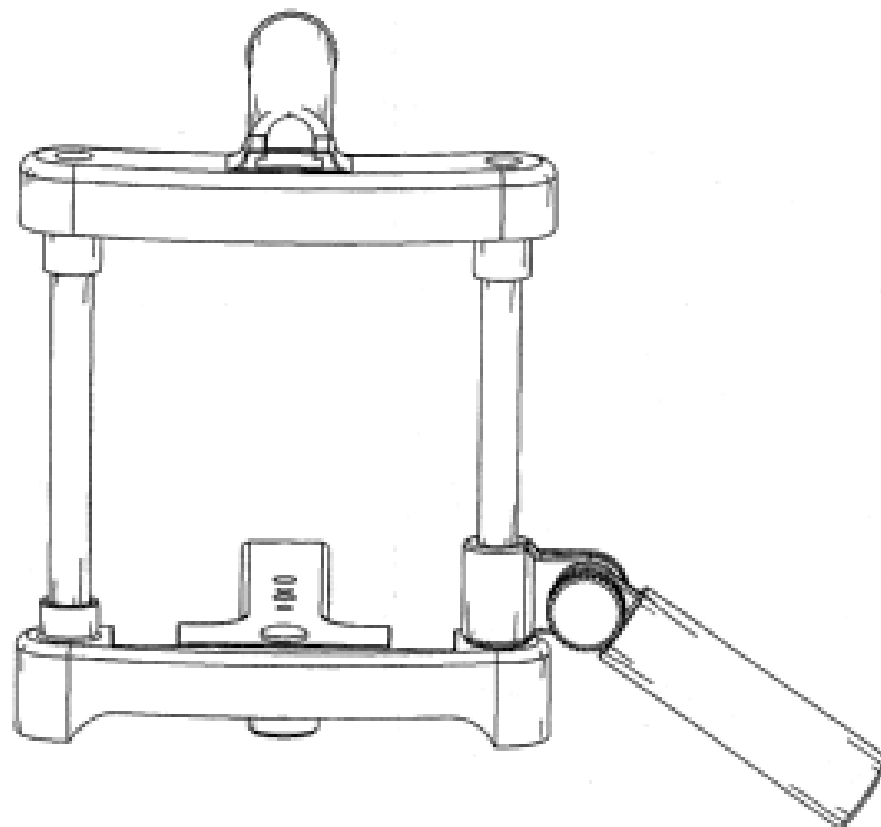
- (21) Design Number: **16906/2007**
(22) Date of Filing Application: **14 March 2007**
(24) Date from which industrial property rights may have effect: **14 March 2007**
(54) Product in respect of which the design is registered: **Cover**
(51) International Design Classification: **09-07NES**
(71) Name(s) and Address(s) of Applicant(s):
Dart Industries Inc
14901 S. Orange Blossom Trail Orlando Florida 32837 United States of America
(72) Name(s) of Designer(s): **Hanno Kortleven**
(45) Registration Date: **08 June 2007**
(30) Convention priority data:
(31) Number (32) Date (33) Country
29/267,128 05 Oct 2006 UNITED STATES OF AMERICA
(56) Related Art Documents: **Not Applicable**
(57) Statement of Newness and Distinctiveness: **Those features of the cover depicted in the representations that are new and distinctive are the shape and/or configuration.**



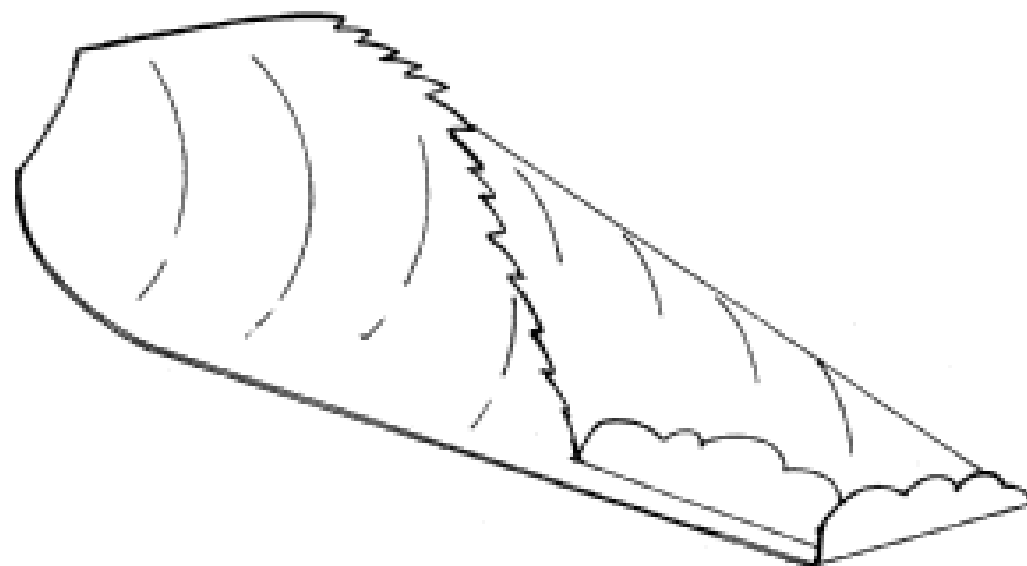
- (21) Design Number: **16907/2007**
(22) Date of Filing Application: **14 March 2007**
(24) Date from which industrial property rights may have effect: **14 March 2007**
(54) Product in respect of which the design is registered: **Covered container**
(51) International Design Classification: **09-03L**
(71) Name(s) and Address(s) of Applicant(s):
Dart Industries Inc
14901 S. Orange Blossom Trail Orlando Florida 32837 United States of America
(72) Name(s) of Designer(s): **Hanno Kortleven**
(45) Registration Date: **08 June 2007**
(30) Convention priority data:
(31) Number (32) Date (33) Country
29/267,130 05 Oct 2006 UNITED STATES OF AMERICA
(56) Related Art Documents: **Not Applicable**
(57) Statement of Newness and Distinctiveness: **Those features of the covered container depicted in the representations that are new and distinctive are the shape and/or configuration.**



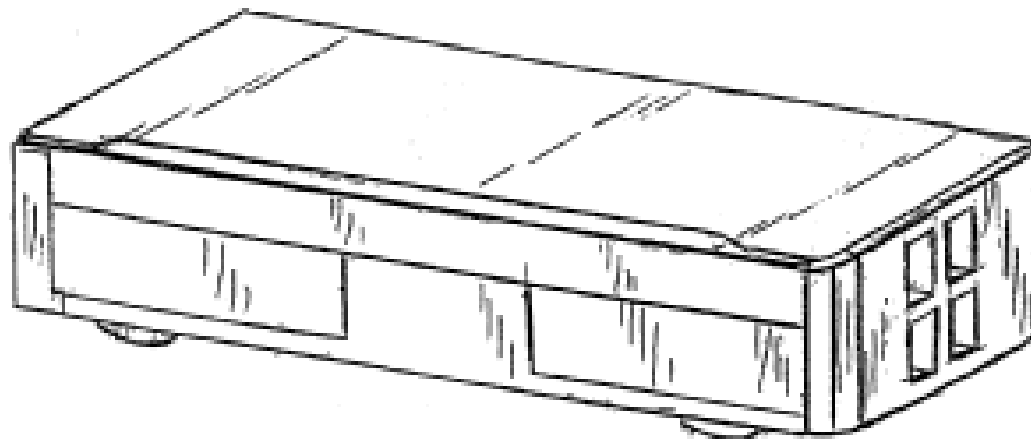
- (21) Design Number: **16908/2007**
(22) Date of Filing Application: **14 March 2007**
(24) Date from which industrial property rights may have effect: **14 March 2007**
(54) Product in respect of which the design is registered: **Camera mount**
(51) International Design Classification: **08-08NES**
(71) Name(s) and Address(s) of Applicant(s):
Ulisse Foddis
Illertalstr. 1 D-89281 Altenstadt Germany
(72) Name(s) of Designer(s): **Ulisse Foddis**
(45) Registration Date: **08 June 2007**
(30) Convention priority data:
(31) Number (32) Date (33) Country
000589064-0001 15 Sep 2006 GERMANY
(56) Related Art Documents: **Not Applicable**
(57) Statement of Newness and Distinctiveness: **Newness and distinctiveness resides in the shape and configuration of the camera mount shown in the accompanying drawings.**



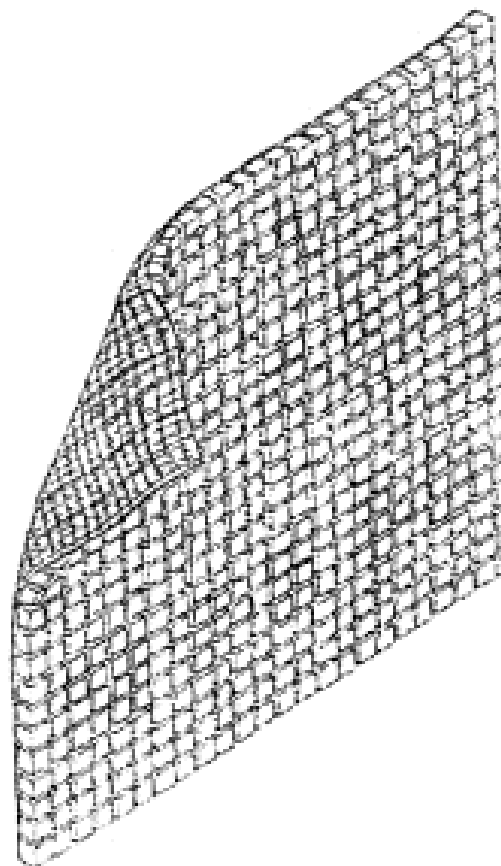
- (21) Design Number: **16148/2007**
(22) Date of Filing Application: **29 January 2007**
(24) Date from which industrial property rights may have effect: **29 January 2007**
(54) Product in respect of which the design is registered: **Model of a wave and blank therefor**
(51) International Design Classification: **21-01NES**
(71) Name(s) and Address(s) of Applicant(s):
Scott Joseph Allen
PO Box 820 Byron Bay New South Wales 2481 Australia
(72) Name(s) of Designer(s): **Scott Joseph Allen**
(45) Registration Date: **08 June 2007**
(56) Related Art Documents: **Not Applicable**
(57) Statement of Newness and Distinctiveness: **Newness and distinctiveness are claimed in the shape and configuration of a model of a wave and blank therefor as illustrated in the accompanying representations.**



- (21) Design Number: **16689/2007**
(22) Date of Filing Application: **28 February 2007**
(24) Date from which industrial property rights may have effect: **28 February 2007**
(54) Product in respect of which the design is registered: **Multimedia controller**
(51) International Design Classification: **14-01**
(71) Name(s) and Address(s) of Applicant(s):
RacePointMedia LLC
32 Wianno Avenue Osterville Massachusetts 02655 United States of America
(72) Name(s) of Designer(s): **Robert P. Madonna and Peter H. Corsini and Erin Napolitano and Daniel W. Ashcraft and John von Buelow and Wendee Lee and Deanna Griffith and Kit Mok**
(45) Registration Date: **08 June 2007**
(30) Convention priority data:
(31) Number (32) Date (33) Country
29/265,746 07 Sep 2006 UNITED STATES OF AMERICA
(56) Related Art Documents: **Not Applicable**
(57) Statement of Newness and Distinctiveness: **Those features of the multimedia controller depicted in the representations that are new and distinctive are the shape and/or configuration.**



- (21) Design Number: **16957/2007**
(22) Date of Filing Application: **19 March 2007**
(24) Date from which industrial property rights may have effect: **19 March 2007**
(54) Product in respect of which the design is registered: **Covering or cladding elements**
(51) International Design Classification: **25-01G**
(71) Name(s) and Address(s) of Applicant(s):
BRIX S.r.l.
Piazza Fabbrica Rubbiani 18 I#41049 Sassuolo Modena Italy
(72) Name(s) of Designer(s): **Claudio Silvestrin**
(45) Registration Date: **08 June 2007**
(30) Convention priority data:
(31) Number (32) Date (33) Country
000592613 22 Sep 2006 EUROPEAN COMMUNITY
(56) Related Art Documents: **Not Applicable**
(57) Statement of Newness and Distinctiveness: **Those features of the covering or cladding elements depicted in the representations that are new and distinctive are the shape and/or configuration.**



(21) Design Number: **16958/2007**

(22) Date of Filing Application: **19 March 2007**

(24) Date from which industrial property rights may have effect: **07 December 2006**

(54) Product in respect of which the design is registered: **A slider bag**

(51) International Design Classification: **03-01A**

(71) Name(s) and Address(s) of Applicant(s):

Pactiv Corporation
1900 West Field Court Lake Forest Illinois 60045 United States of America

(72) Name(s) of Designer(s): **James S. Blythe**

(45) Registration Date: **08 June 2007**

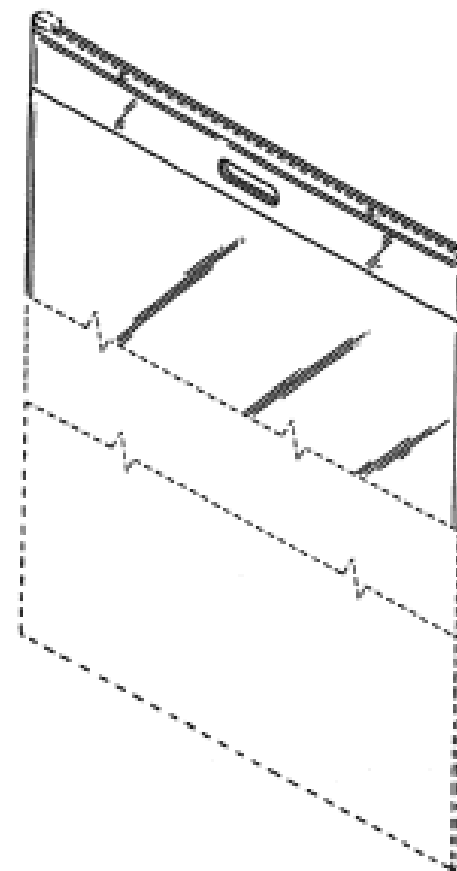
(30) Convention priority data:

(31) Number	(32) Date	(33) Country
29261163	07 Jun 2006	UNITED STATES OF AMERICA

(62) Divisional of: **313666**

(56) Related Art Documents: **Not Applicable**

(57) Statement of Newness and Distinctiveness: **Newness and distinctiveness is claimed in the visual features shown in solid lines in the representations.**



(21) Design Number: **16959/2007**

(22) Date of Filing Application: **19 March 2007**

(24) Date from which industrial property rights may have effect: **19 March 2007**

(54) Product in respect of which the design is registered: **An operating lever for a mixer tap**

(51) International Design Classification: **23-01H**

(71) Name(s) and Address(s) of Applicant(s):

Hansa Metallwerke AG
Sigmaringer Str. 107 D-70567 Stuttgart Germany

(72) Name(s) of Designer(s): **Michael Lammel**

(45) Registration Date: **08 June 2007**

(30) Convention priority data:

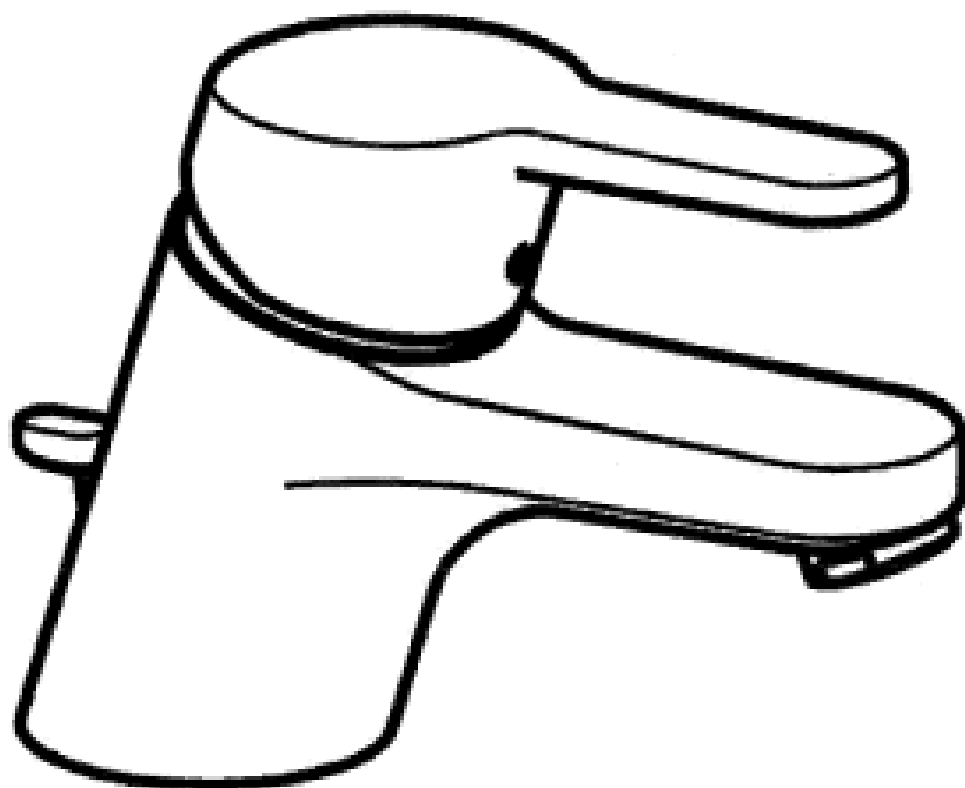
(31) Number	(32) Date	(33) Country
000595822	26 Sep 2006	EUROPEAN COMMUNITY

(56) Related Art Documents: **Not Applicable**

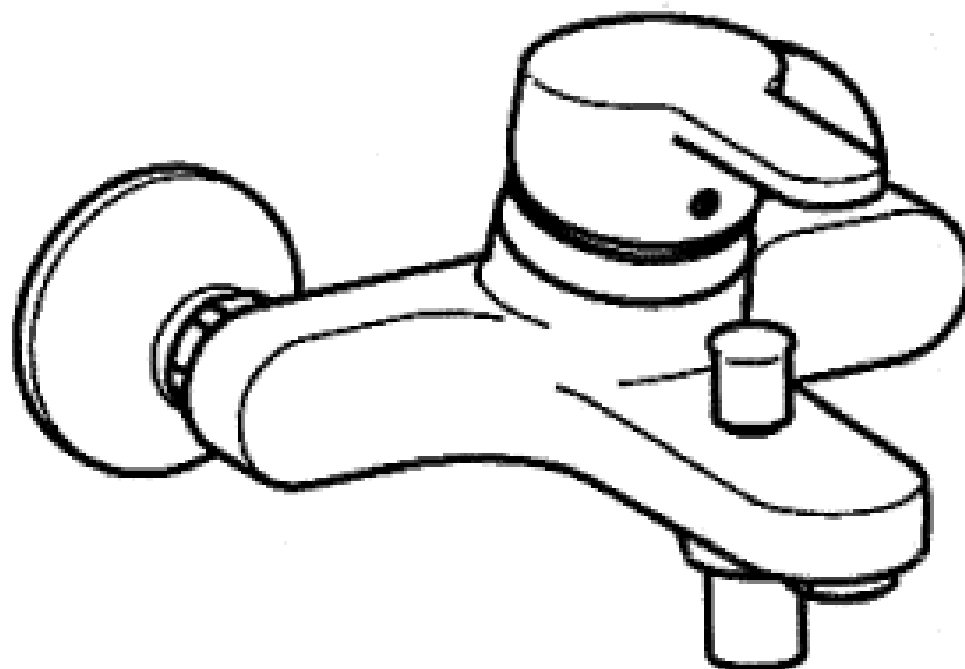
(57) Statement of Newness and Distinctiveness: **Nil**



(21) Design Number: **16960/2007**
(22) Date of Filing Application: **19 March 2007**
(24) Date from which industrial property rights may have effect: **19 March 2007**
(54) Product in respect of which the design is registered: **A mixer tap**
(51) International Design Classification: **23-01H**
(71) Name(s) and Address(s) of Applicant(s):
Hansa Metallwerke AG
Sigmaringer Str. 107 D-70567 Stuttgart Germany
(72) Name(s) of Designer(s): **Michael Lammel**
(45) Registration Date: **08 June 2007**
(30) Convention priority data:
(31) Number (32) Date (33) Country
000595822 26 Sep 2006 EUROPEAN COMMUNITY
(56) Related Art Documents: **Not Applicable**
(57) Statement of Newness and Distinctiveness: **Nil**



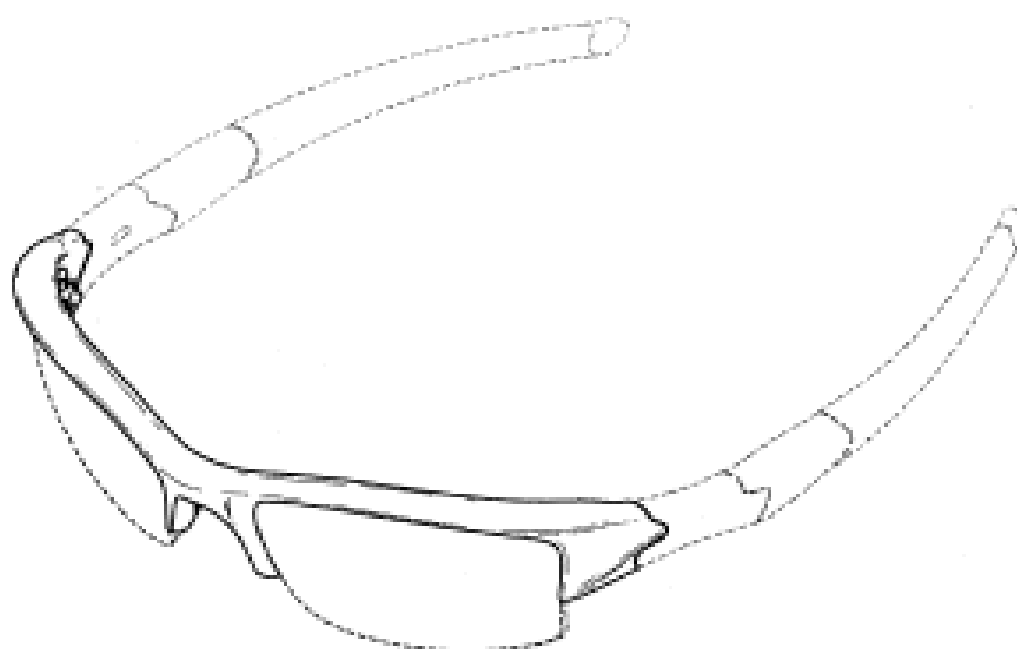
(21) Design Number: **16961/2007**
(22) Date of Filing Application: **19 March 2007**
(24) Date from which industrial property rights may have effect: **19 March 2007**
(54) Product in respect of which the design is registered: **A mixer tap**
(51) International Design Classification: **23-01H**
(71) Name(s) and Address(s) of Applicant(s):
Hansa Metallwerke AG
Sigmaringer Str. 107 D-70567 Stuttgart Germany
(72) Name(s) of Designer(s): **Michael Lammel**
(45) Registration Date: **08 June 2007**
(30) Convention priority data:
(31) Number (32) Date (33) Country
000595822 26 Sep 2006 EUROPEAN COMMUNITY
(56) Related Art Documents: **Not Applicable**
(57) Statement of Newness and Distinctiveness: **Nil**



(21) Design Number: **16962/2007**
 (22) Date of Filing Application: **19 March 2007**
 (24) Date from which industrial property rights may have effect: **19 March 2007**
 (54) Product in respect of which the design is registered: **Eyeglass frame**
 (51) International Design Classification: **16-06**
 (71) Name(s) and Address(s) of Applicant(s):
Oakley, Inc.
One Icon Foothill Ranch California 92610 United States of America
 (72) Name(s) of Designer(s): **James H. Jannard and Lek Thixton and Colin Baden and Peter Yee**
 (45) Registration Date: **08 June 2007**
 (30) Convention priority data:

(31) Number	(32) Date	(33) Country
29266786	27 Sep 2006	UNITED STATES OF AMERICA

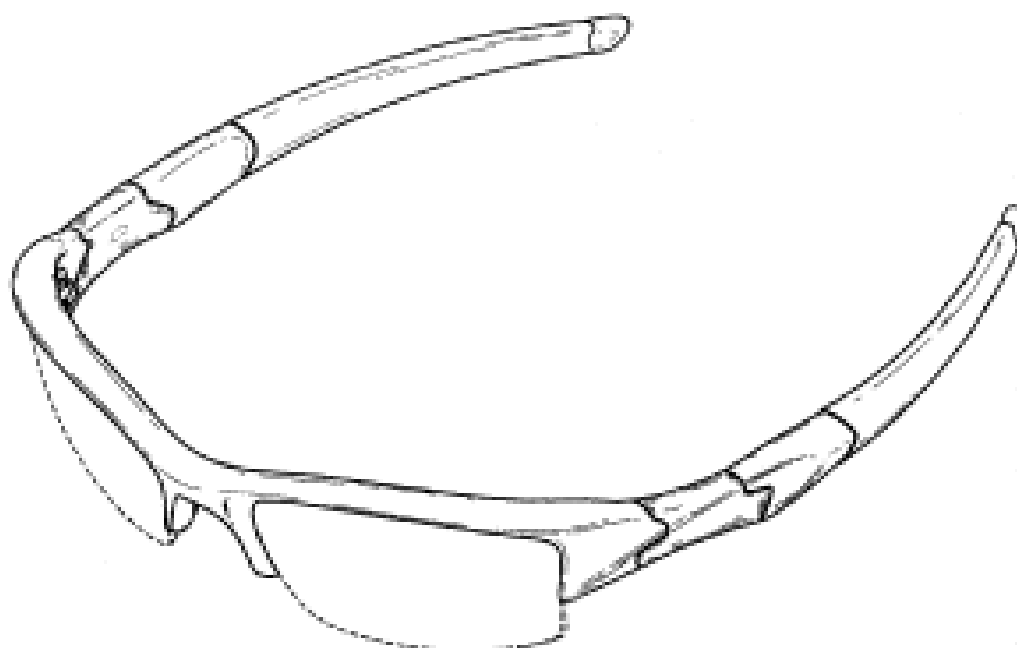
 (56) Related Art Documents: **Not Applicable**
 (57) Statement of Newness and Distinctiveness: **Newness and distinctiveness is claimed in the visual features shown in solid lines in the representations.**



(21) Design Number: **16963/2007**
 (22) Date of Filing Application: **19 March 2007**
 (24) Date from which industrial property rights may have effect: **19 March 2007**
 (54) Product in respect of which the design is registered: **Eyeglass components comprising frame and earstems**
 (51) International Design Classification: **16-06**
 (71) Name(s) and Address(s) of Applicant(s):
Oakley, Inc.
One Icon Foothill Ranch California 92610 United States of America
 (72) Name(s) of Designer(s): **James H. Jannard and Lek Thixton and Colin Baden and Peter Yee**
 (45) Registration Date: **08 June 2007**
 (30) Convention priority data:

(31) Number	(32) Date	(33) Country
29266786	27 Sep 2006	UNITED STATES OF AMERICA

 (56) Related Art Documents: **Not Applicable**
 (57) Statement of Newness and Distinctiveness: **Newness and distinctiveness is claimed in the visual features shown in solid lines in the representations.**



(21) Design Number: **16965/2007**

(22) Date of Filing Application: **19 March 2007**

(24) Date from which industrial property rights may have effect: **19 March 2007**

(54) Product in respect of which the design is registered: **Bag for laundry**

(51) International Design Classification: **09-05**

(71) Name(s) and Address(s) of Applicant(s):

Peter Reisenhel

Benzstrasse 3 Puchheim 82178 Germany

(72) Name(s) of Designer(s): **Katja Horst**

(45) Registration Date: **08 June 2007**

(56) Related Art Documents: **Not Applicable**

(57) Statement of Newness and Distinctiveness: **Newness and distinctiveness resides in the visual features of shape and/or configuration of a bag for laundry as illustrated in the accompanying representations.**



(21) Design Number: **16966/2007**

(22) Date of Filing Application: **19 March 2007**

(24) Date from which industrial property rights may have effect: **19 March 2007**

(54) Product in respect of which the design is registered: **Basket**

(51) International Design Classification: **09-04**

(71) Name(s) and Address(s) of Applicant(s):

Peter Reisenhel

Benzstrasse 3 Puchheim 82178 Germany

(72) Name(s) of Designer(s): **Katja Horst**

(45) Registration Date: **08 June 2007**

(56) Related Art Documents: **Not Applicable**

(57) Statement of Newness and Distinctiveness: **Newness and distinctiveness resides in the visual features of shape and/or configuration of a basket as illustrated in the accompanying representations. The shape and/or configuration of the label with the word 'reisenhel' does not form part of the design and is to be disregarded when considering the newness and distinctiveness of the design.**



(21) Design Number: **16967/2007**

(22) Date of Filing Application: **19 March 2007**

(24) Date from which industrial property rights may have effect: **19 March 2007**

(54) Product in respect of which the design is registered: **Basket**

(51) International Design Classification: **09-04**

(71) Name(s) and Address(s) of Applicant(s):

Peter Reisenhel

Benzstrasse 3 Puchheim 82178 Germany

(72) Name(s) of Designer(s): **Katja Horst**

(45) Registration Date: **08 June 2007**

(56) Related Art Documents: **Not Applicable**

(57) Statement of Newness and Distinctiveness: **Newness and distinctiveness resides in the visual features of shape and/or configuration of a basket as illustrated in the accompanying representations. The shape and/or configuration of the label with the word 'reisenhel' does not form part of the design and is to be disregarded when considering the newness and distinctiveness of the design.**



(21) Design Number: **16979/2007**

(22) Date of Filing Application: **20 March 2007**

(24) Date from which industrial property rights may have effect: **20 March 2007**

(54) Product in respect of which the design is registered: **Frame**

(51) International Design Classification: **06-07**

(71) Name(s) and Address(s) of Applicant(s):

Arton Giftware Pty Ltd

388 Barkly Street Brunswick Victoria 3056 Australia

(72) Name(s) of Designer(s): **Jake Feng**

(45) Registration Date: **08 June 2007**

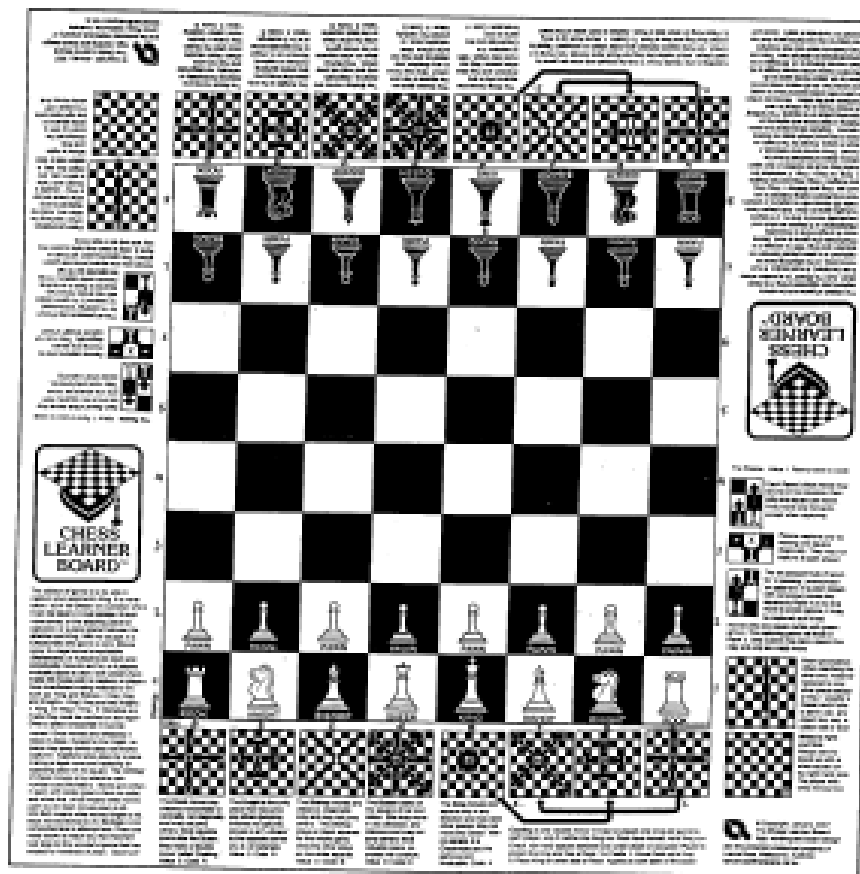
(56) Related Art Documents: **Not Applicable**

(57) Statement of Newness and Distinctiveness: **Newness and distinctiveness is claimed in the shape and configuration of the decorative features on the front of the frame.**



(19) AU

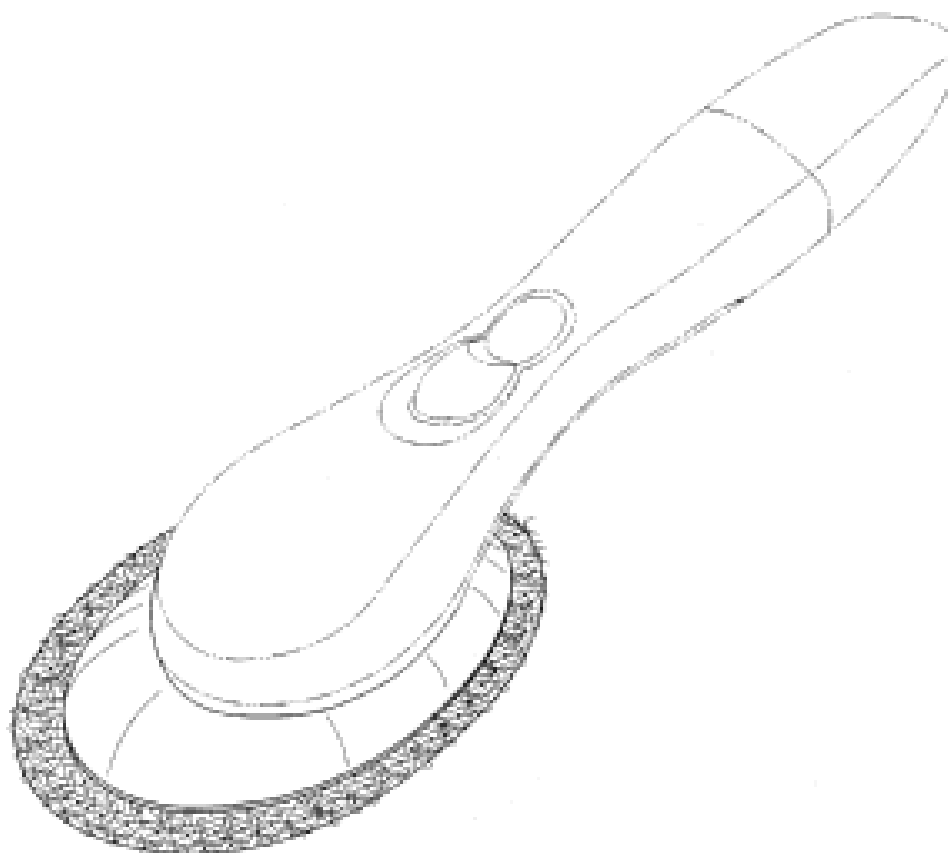
- (21) Design Number: **16980/2007**
- (22) Date of Filing Application: **20 March 2007**
- (24) Date from which industrial property rights may have effect: **20 March 2007**
- (54) Product in respect of which the design is registered: **Chess learner board**
- (51) International Design Classification: **21-01L**
- (71) Name(s) and Address(s) of Applicant(s):
Lance John Ross
701 Toorak Road Kooyong Victoria 3144 Australia
- (72) Name(s) of Designer(s): **Lance John Ross**
- (45) Registration Date: **08 June 2007**
- (56) Related Art Documents: **Not Applicable**
- (57) Statement of Newness and Distinctiveness: **Previously chess boards showed only dark and light squares and instructions and rules were in separate books; whereas this board has all the rules printed on the board for easy reference.**



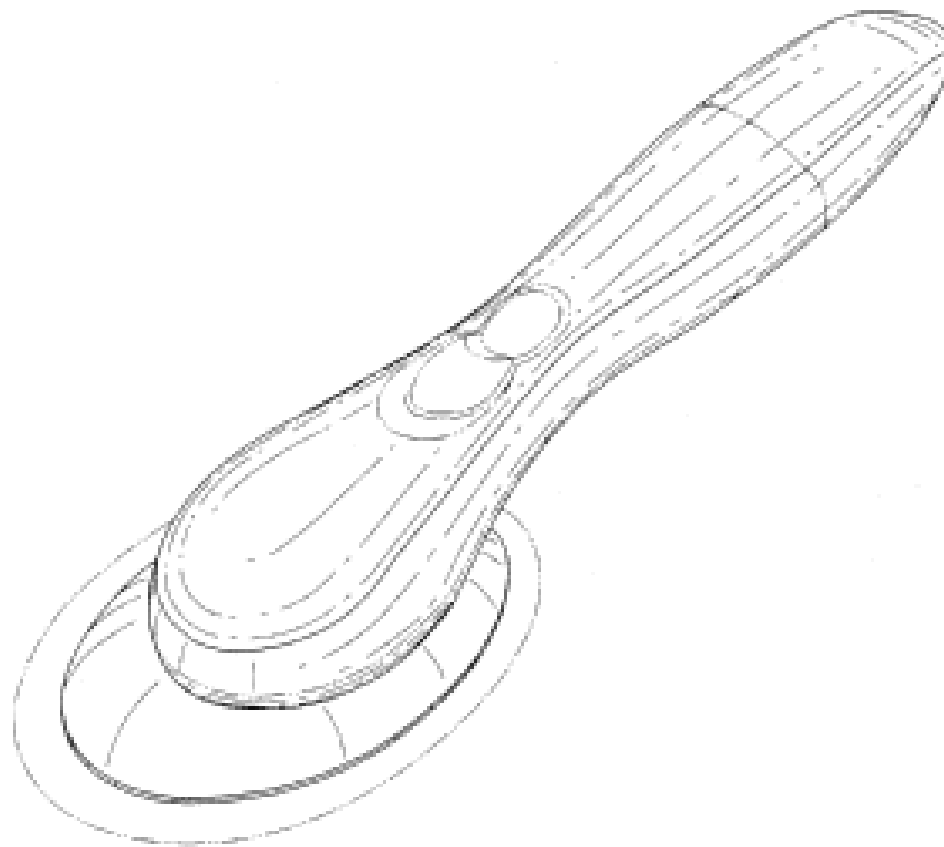
(19) AU

- (21) Design Number: **16991/2007**
- (22) Date of Filing Application: **20 March 2007**
- (24) Date from which industrial property rights may have effect: **20 March 2007**
- (54) Product in respect of which the design is registered: **Cleansing implement**
- (51) International Design Classification: **07-05E**
- (71) Name(s) and Address(s) of Applicant(s):
Unilever N.V.
Weena 455 NL-3013 AL Rotterdam The Netherlands
- (72) Name(s) of Designer(s): **Carolyn Marie McNeeley and Patrick William Brown**
- (45) Registration Date: **08 June 2007**
- (30) Convention priority data:

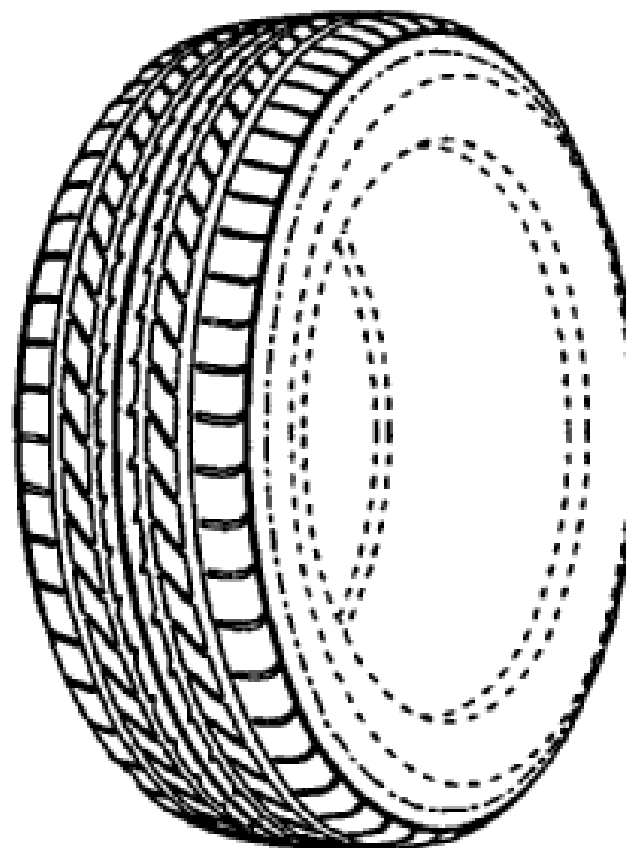
(31) Number	(32) Date	(33) Country
29/249517	10 Oct 2006	UNITED STATES OF AMERICA
- (56) Related Art Documents: **Not Applicable**
- (57) Statement of Newness and Distinctiveness: **Newness and distinctiveness is claimed in the visual features shown in solid lines in the representations.**



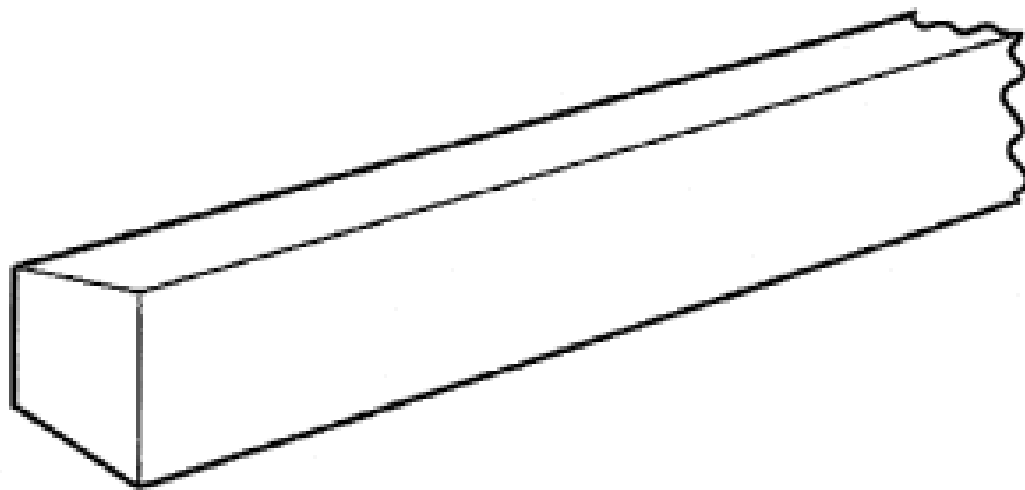
- (21) Design Number: **16992/2007**
(22) Date of Filing Application: **20 March 2007**
(24) Date from which industrial property rights may have effect: **20 March 2007**
(54) Product in respect of which the design is registered: **Cleansing implement**
(51) International Design Classification: **07-05E**
(71) Name(s) and Address(s) of Applicant(s):
Unilever PLC
Unilever House Blackfriars London EC4P 4BQ United Kingdom
(72) Name(s) of Designer(s): **Carolyn Marie McNeeley and Patrick William Brown**
(45) Registration Date: **08 June 2007**
(30) Convention priority data:
(31) Number (32) Date (33) Country
29/249514 10 Oct 2006 UNITED STATES OF AMERICA
(56) Related Art Documents: **Not Applicable**
(57) Statement of Newness and Distinctiveness: **Newness and distinctiveness is claimed in the visual features shown in solid lines in the representations.**



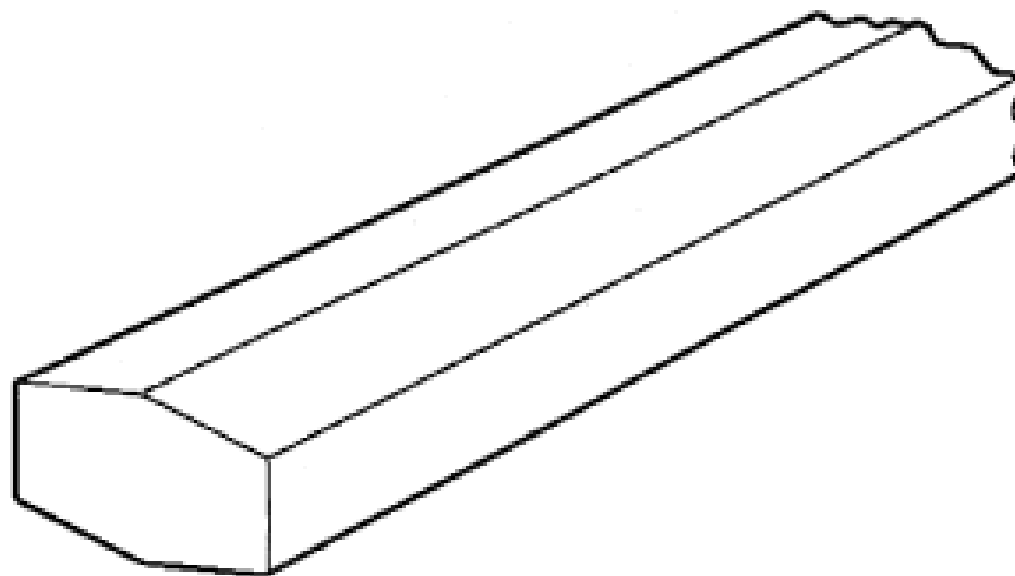
- (21) Design Number: **16993/2007**
(22) Date of Filing Application: **20 March 2007**
(24) Date from which industrial property rights may have effect: **20 March 2007**
(54) Product in respect of which the design is registered: **Automobile tyre**
(51) International Design Classification: **12-15C**
(71) Name(s) and Address(s) of Applicant(s):
The Yokohama Rubber Co., Ltd.
36#11 Shimbashi 5#chome Minato-ku Tokyo Japan
(72) Name(s) of Designer(s): **Yoshifumi Koishikawa**
(45) Registration Date: **08 June 2007**
(30) Convention priority data:
(31) Number (32) Date (33) Country
2006#025173 21 Sep 2006 JAPAN
(56) Related Art Documents: **Not Applicable**
(57) Statement of Newness and Distinctiveness: **Newness and distinctiveness reside in the features of the design shown in solid lines in the representations excluding those features shown in broken lines.**



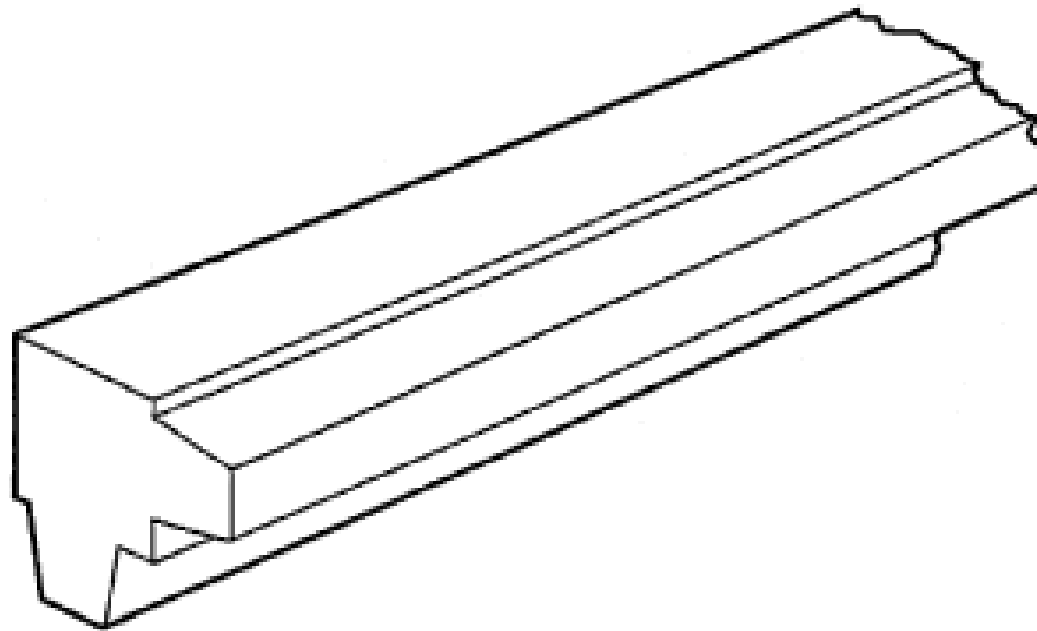
- (21) Design Number: **17023/2007**
(22) Date of Filing Application: **19 March 2007**
(24) Date from which industrial property rights may have effect: **19 March 2007**
(54) Product in respect of which the design is registered: **Panel side edge connector**
(51) International Design Classification: **25-01D**
(71) Name(s) and Address(s) of Applicant(s):
Starclan Pty Ltd
1/21 Stirling Highway Nedlands Western Australia 6009 Australia
(72) Name(s) of Designer(s): **Hugh Alexander Mackay**
(45) Registration Date: **08 June 2007**
(56) Related Art Documents: **Not Applicable**
(57) Statement of Newness and Distinctiveness: **Newness and distinctiveness is claimed in the features of shape and/or configuration of a panel side edge connector of indefinite length as illustrated in the accompanying drawings.**



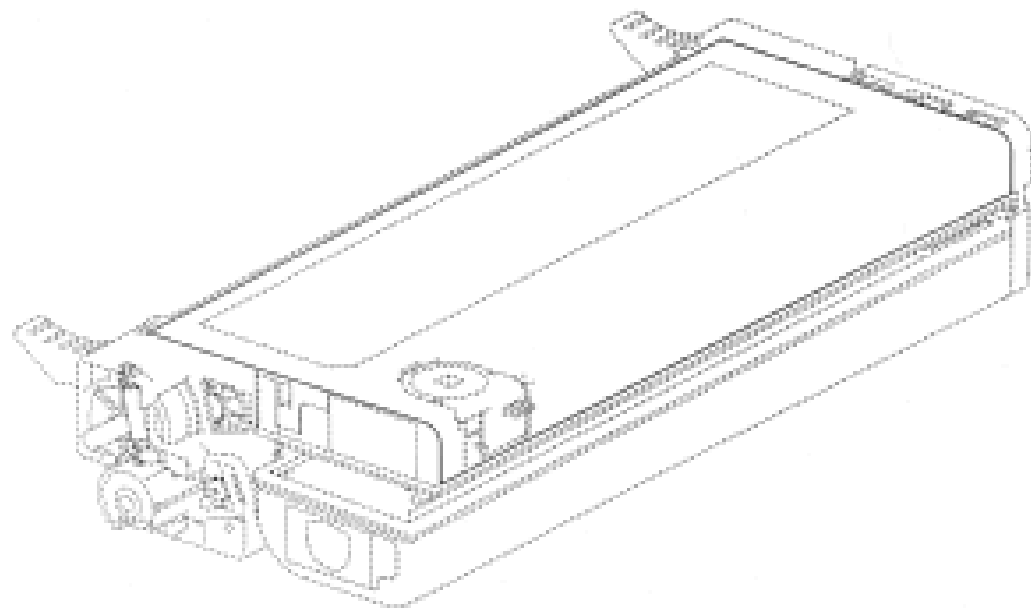
- (21) Design Number: **17024/2007**
(22) Date of Filing Application: **19 March 2007**
(24) Date from which industrial property rights may have effect: **19 March 2007**
(54) Product in respect of which the design is registered: **Panel side edge connector**
(51) International Design Classification: **25-01D**
(71) Name(s) and Address(s) of Applicant(s):
Starclan Pty Ltd
1/21 Stirling Highway Nedlands Western Australia 6009 Australia
(72) Name(s) of Designer(s): **Hugh Alexander Mackay**
(45) Registration Date: **08 June 2007**
(56) Related Art Documents: **Not Applicable**
(57) Statement of Newness and Distinctiveness: **Newness and distinctiveness is claimed in the features of shape and/or configuration of a panel side edge connector of indefinite length as illustrated in the accompanying drawings.**



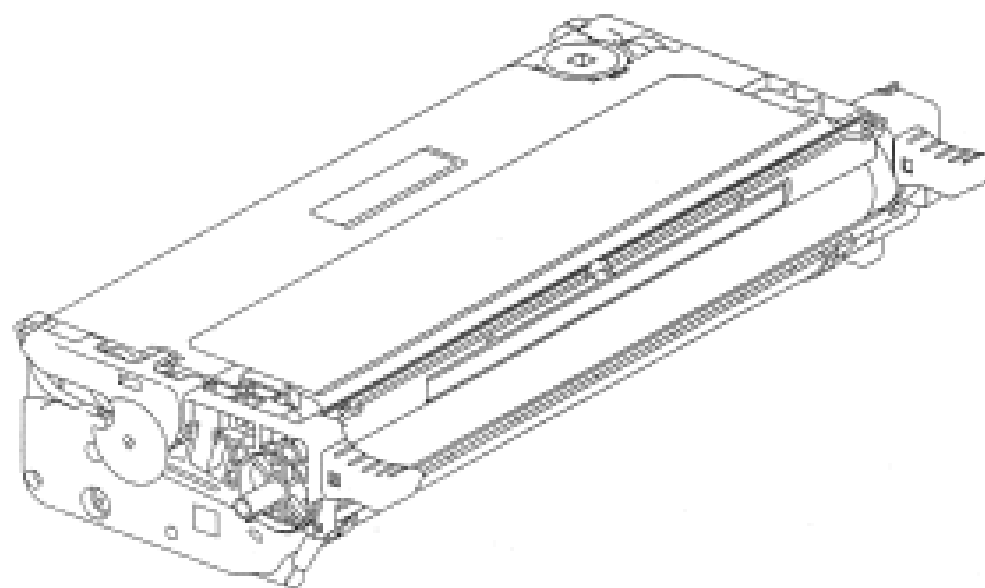
- (21) Design Number: **17025/2007**
(22) Date of Filing Application: **19 March 2007**
(24) Date from which industrial property rights may have effect: **19 March 2007**
(54) Product in respect of which the design is registered: **Panel side edge connector**
(51) International Design Classification: **25-01D**
(71) Name(s) and Address(s) of Applicant(s):
Starclan Pty Ltd
1/21 Stirling Highway Nedlands Western Australia 6009 Australia
(72) Name(s) of Designer(s): **Hugh Alexander Mackay**
(45) Registration Date: **08 June 2007**
(56) Related Art Documents: **Not Applicable**
(57) Statement of Newness and Distinctiveness: **Newness and distinctiveness is claimed in the features of shape and/or configuration of a panel side edge connector of indefinite length as illustrated in the accompanying drawings.**



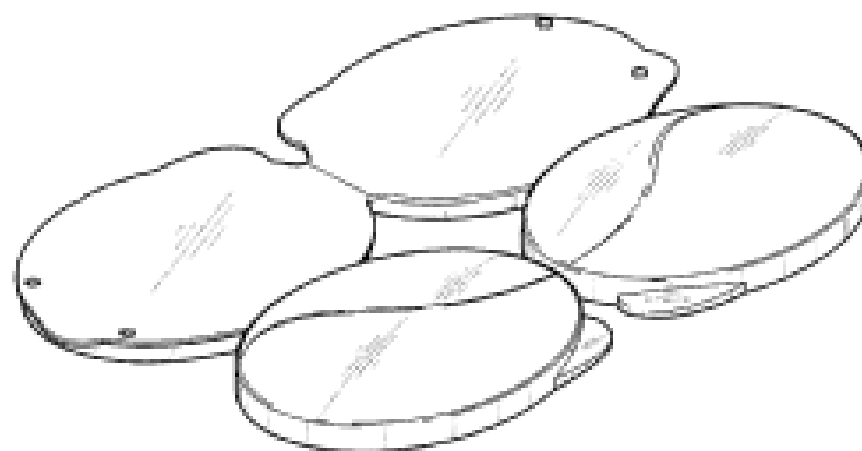
- (21) Design Number: **16161/2007**
(22) Date of Filing Application: **29 January 2007**
(24) Date from which industrial property rights may have effect: **29 January 2007**
(54) Product in respect of which the design is registered: **Image forming apparatus**
(51) International Design Classification: **14-01**
(71) Name(s) and Address(s) of Applicant(s):
Fuji Xerox Co., Ltd.
17#22 Akasaka 2-chome Minato-ku Tokyo Japan
(72) Name(s) of Designer(s): **Katsumi Harumoto**
(45) Registration Date: **12 June 2007**
(30) Convention priority data:
(31) Number (32) Date (33) Country
2006#019953 28 Jul 2006 JAPAN
(56) Related Art Documents: **Not Applicable**
(57) Statement of Newness and Distinctiveness: **Newness and distinctiveness is claimed in the features of shape and/or configuration of an image forming apparatus as illustrated in the accompanying representations.**



- (21) Design Number: **16162/2007**
(22) Date of Filing Application: **29 January 2007**
(24) Date from which industrial property rights may have effect: **29 January 2007**
(54) Product in respect of which the design is registered: **Image forming apparatus**
(51) International Design Classification: **14-01**
(71) Name(s) and Address(s) of Applicant(s):
Fuji Xerox Co., Ltd.
17#22 Akasaka 2-chome Minato-ku Tokyo Japan
(72) Name(s) of Designer(s): **Katsumi Harumoto and Masato Serizawa and Keisuke Shinoda and Shigemasa Nakaya and Jun Kakizawa**
(45) Registration Date: **12 June 2007**
(30) Convention priority data:
(31) Number (32) Date (33) Country
2006#019952 28 Jul 2006 JAPAN
(56) Related Art Documents: **Not Applicable**
(57) Statement of Newness and Distinctiveness: **Newness and distinctiveness is claimed in the features of shape and/or configuration of an image forming apparatus as illustrated in the accompanying representations.**



- (21) Design Number: **16742/2007**
(22) Date of Filing Application: **02 March 2007**
(24) Date from which industrial property rights may have effect: **02 March 2007**
(54) Product in respect of which the design is registered: **Packaging for a cosmetic product**
(51) International Design Classification: **28-03NES**
(71) Name(s) and Address(s) of Applicant(s):
I-Slices Innovations (Pty) Ltd
208 Rosie's Place Glen Austin Midrand Gauteng 1685 South Africa
(72) Name(s) of Designer(s): **Kerryne Krause-Neufeldt**
(45) Registration Date: **12 June 2007**
(30) Convention priority data:
(31) Number (32) Date (33) Country
F2007/00319 03 Sep 2006 SOUTH AFRICA
(56) Related Art Documents: **Not Applicable**
(57) Statement of Newness and Distinctiveness: **The features of the design for which protection are claimed include the shape and the configuration of packaging for a cosmetic product substantially as illustrated in the accompanying representations. The packaging comprises two conjoined containers, each with a base and a hinged lid. The containers are conjoined by a hinge which allows the container to be hinged from an open position with respect to each other with their lids facing upwards to a position in which they are contiguous with each other, back-to-back.**



(21) Design Number: **16968/2007**

(22) Date of Filing Application: **19 March 2007**

(24) Date from which industrial property rights may have effect: **19 March 2007**

(54) Product in respect of which the design is registered: **Trolley**

(51) International Design Classification: **12-02**

(71) Name(s) and Address(s) of Applicant(s):

Peter Reisenhel

Benzstrasse 3 Puchheim 82178 Germany

(72) Name(s) of Designer(s): **Katja Horst**

(45) Registration Date: **12 June 2007**

(56) Related Art Documents: **Not Applicable**

(57) Statement of Newness and Distinctiveness: **Newness and distinctiveness resides in the visual features of shape and/or configuration of a trolley as illustrated in the accompanying representations.**



(21) Design Number: **16969/2007**

(22) Date of Filing Application: **19 March 2007**

(24) Date from which industrial property rights may have effect: **19 March 2007**

(54) Product in respect of which the design is registered: **Trolley**

(51) International Design Classification: **12-02**

(71) Name(s) and Address(s) of Applicant(s):

Peter Reisenhel

Benzstrasse 3 Puchheim 82178 Germany

(72) Name(s) of Designer(s): **Katja Horst**

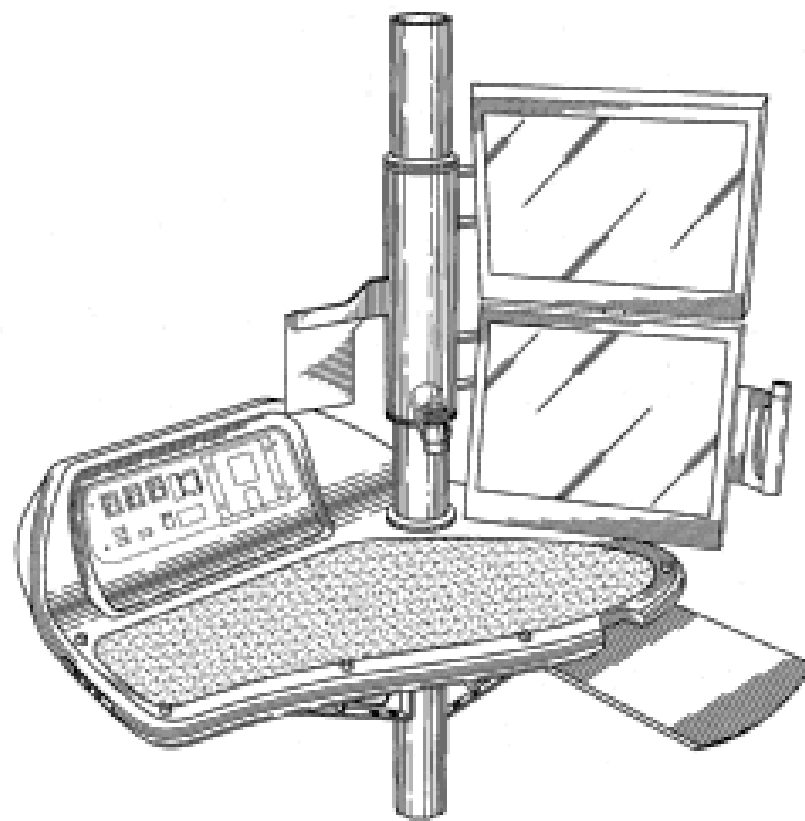
(45) Registration Date: **12 June 2007**

(56) Related Art Documents: **Not Applicable**

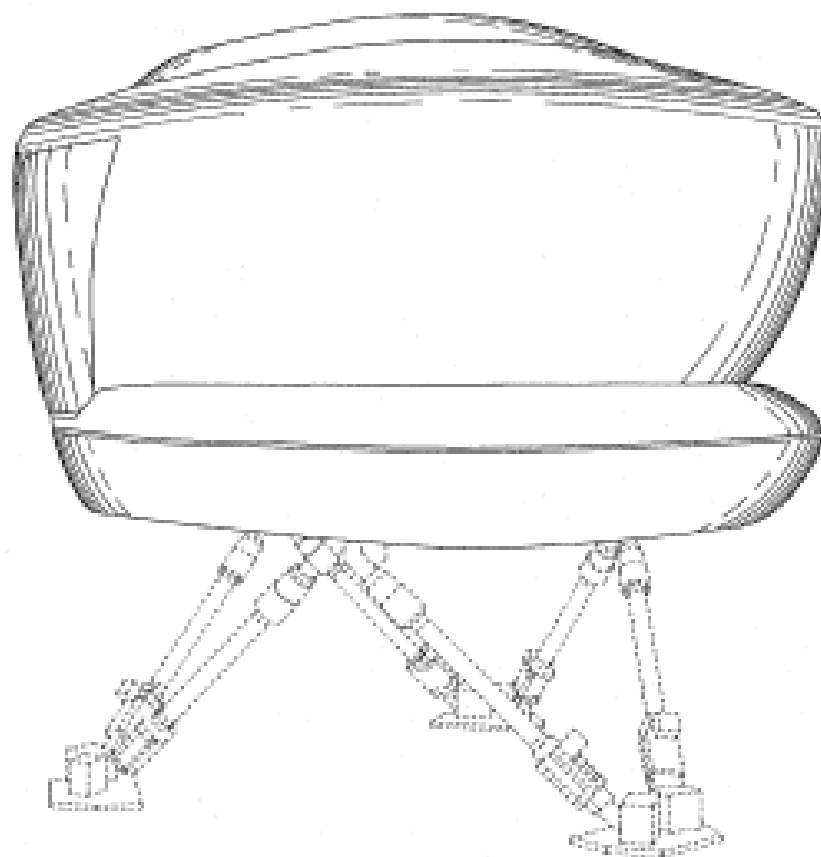
(57) Statement of Newness and Distinctiveness: **Newness and distinctiveness resides in the visual features of shape and/or configuration of a trolley as illustrated in the accompanying representations.**



- (21) Design Number: **16970/2007**
- (22) Date of Filing Application: **19 March 2007**
- (24) Date from which industrial property rights may have effect: **19 March 2007**
- (54) Product in respect of which the design is registered: **Operator station**
- (51) International Design Classification: **14-02**
- (71) Name(s) and Address(s) of Applicant(s):
CAE Inc
8585 Cote-de-Lisse Saint-Laurent Quebec H4T 1G6 Canada
- (72) Name(s) of Designer(s): **Mark Soodeen and Giuseppe Mallaci**
- (45) Registration Date: **12 June 2007**
- (30) Convention priority data:
(31) Number (32) Date (33) Country
29/277646 05 Mar 2007 UNITED STATES OF AMERICA
- (56) Related Art Documents: **Not Applicable**
- (57) Statement of Newness and Distinctiveness: **Newness and distinctiveness is claimed in the visual features of the operator station as shown by the solid lines in the representations.**



- (21) Design Number: **16971/2007**
- (22) Date of Filing Application: **19 March 2007**
- (24) Date from which industrial property rights may have effect: **19 March 2007**
- (54) Product in respect of which the design is registered: **Simulator enclosure**
- (51) International Design Classification: **21-03**
- (71) Name(s) and Address(s) of Applicant(s):
CAE Inc
8585 Cote-de-Lisse Saint-Laurent Quebec H4T 1G6 Canada
- (72) Name(s) of Designer(s): **Mark Soodeen and Giuseppe Mallaci**
- (45) Registration Date: **12 June 2007**
- (30) Convention priority data:
(31) Number (32) Date (33) Country
29/277648 05 Mar 2007 UNITED STATES OF AMERICA
- (56) Related Art Documents: **Not Applicable**
- (57) Statement of Newness and Distinctiveness: **Newness and distinctiveness is claimed in the visual features of the simulator enclosure as shown by the solid lines in the representations.**



(21) Design Number: **16972/2007**

(22) Date of Filing Application: **19 March 2007**

(24) Date from which industrial property rights may have effect: **19 March 2007**

(54) Product in respect of which the design is registered: **Simulator enclosure**

(51) International Design Classification: **21-03**

(71) Name(s) and Address(s) of Applicant(s):

CAE Inc

8585 Cote-de-Lisse Saint-Laurent Quebec H4T 1G6 Canada

(72) Name(s) of Designer(s): **Mark Soodeen and Giuseppe Mallaci**

(45) Registration Date: **12 June 2007**

(30) Convention priority data:

(31) Number

(32) Date

(33) Country

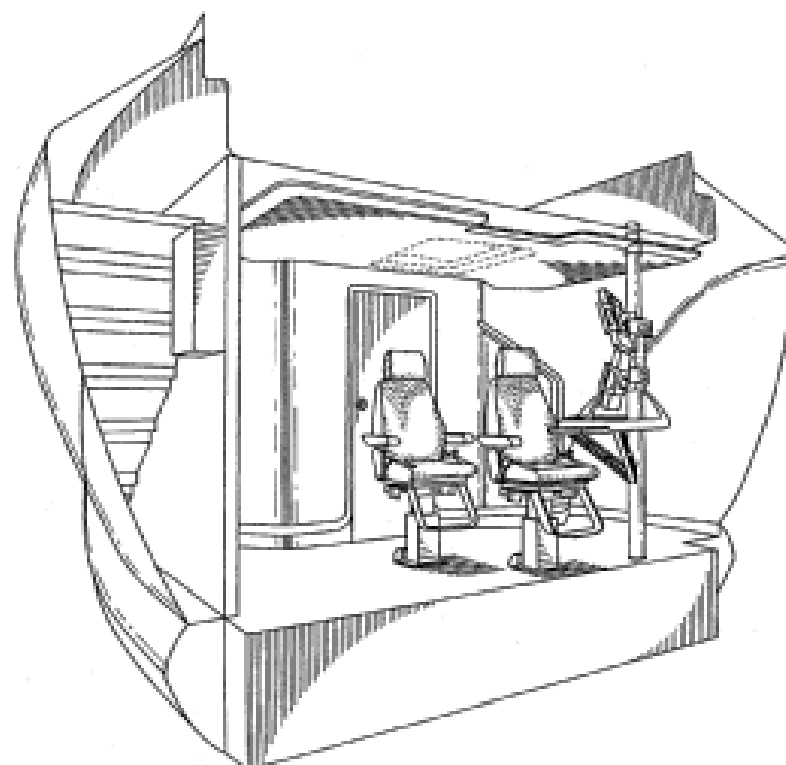
29/277645

05 Mar 2007

UNITED STATES OF AMERICA

(56) Related Art Documents: **Not Applicable**

(57) Statement of Newness and Distinctiveness: **Newness and distinctiveness is claimed in the visual features of the simulator enclosure as shown by the solid lines in the representations.**



(21) Design Number: **16974/2007**

(22) Date of Filing Application: **19 March 2007**

(24) Date from which industrial property rights may have effect: **19 March 2007**

(54) Product in respect of which the design is registered: **Fuse panel mounting blocks for electricity supply pillar boxes**

(51) International Design Classification: **08-08NES**

(71) Name(s) and Address(s) of Applicant(s):

Kulak Pty Ltd

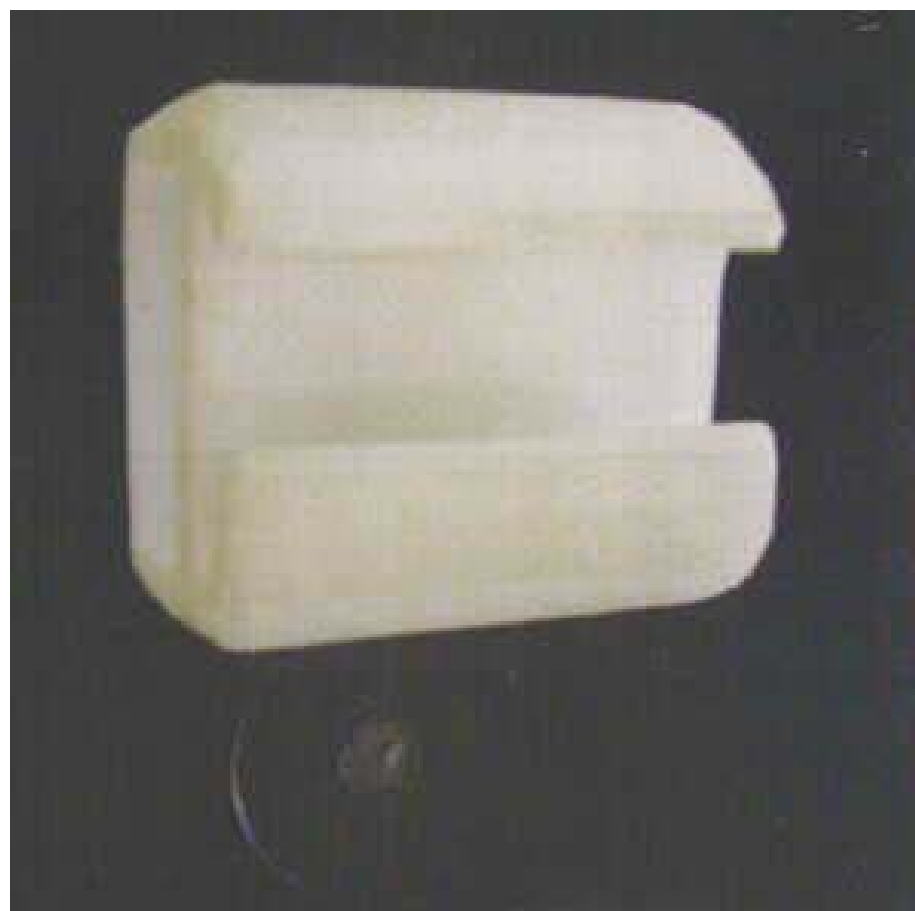
27 Staple Street Seventeen Mile Rocks Queensland 4073 Australia

(72) Name(s) of Designer(s): **Leonard William Foss**

(45) Registration Date: **12 June 2007**

(56) Related Art Documents: **Not Applicable**

(57) Statement of Newness and Distinctiveness: **The newness and distinctiveness of the design resides in the shape and configuration of fuse panel mounting blocks for electricity supply pillar boxes as illustrated in the accompanying representations.**



(21) Design Number: **16978/2007**

(22) Date of Filing Application: **19 March 2007**

(24) Date from which industrial property rights may have effect: **19 March 2007**

(54) Product in respect of which the design is registered: **A removable trailer wheel**

(51) International Design Classification: **12-16L**

(71) Name(s) and Address(s) of Applicant(s):

Gavin Ager

34 Boronia Road Banjup Western Australia 6164 Australia

(72) Name(s) of Designer(s): **Gavin Ronald Ager**

(45) Registration Date: **12 June 2007**

(56) Related Art Documents: **Not Applicable**

(57) Statement of Newness and Distinctiveness: **A removable trailer wheel in that the solid stub axle is attached to a tubular section or member in that the tubular section slides "over" the end of the axle member.**



(21) Design Number: **16982/2007**

(22) Date of Filing Application: **20 March 2007**

(24) Date from which industrial property rights may have effect: **20 March 2007**

(54) Product in respect of which the design is registered: **Design for the production of lapel pins and all associated promotional materials**

(51) International Design Classification: **11-01NES**

(71) Name(s) and Address(s) of Applicant(s):

Alzheimer's Australia SA Inc.

27 Conyngham Street Glenside South Australia 5065 Australia

(72) Name(s) of Designer(s): **Julie MacPherson**

(45) Registration Date: **12 June 2007**

(56) Related Art Documents: **Not Applicable**

(57) Statement of Newness and Distinctiveness: **Nil**



(21) Design Number: **16986/2007**

(22) Date of Filing Application: **21 March 2007**

(24) Date from which industrial property rights may have effect: **21 March 2007**

(54) Product in respect of which the design is registered: **The product is a floor lamp using led lighting and a moulded biodegradable material for construction.**

(51) International Design Classification: **26-05B**

(71) Name(s) and Address(s) of Applicant(s):

Simon Duff

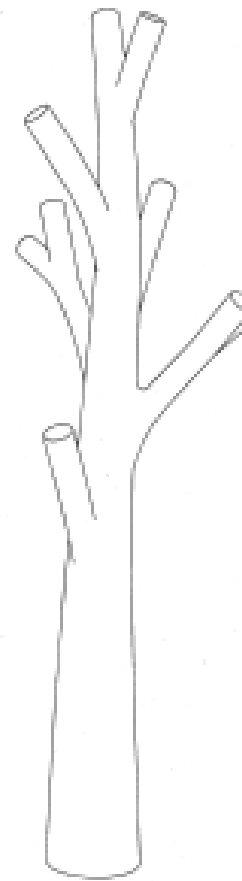
PO Box 216 Berowra New South Wales 2081 Australia

(72) Name(s) of Designer(s): **Simon Duff**

(45) Registration Date: **12 June 2007**

(56) Related Art Documents: **Not Applicable**

(57) Statement of Newness and Distinctiveness: **Nil**



(21) Design Number: **16995/2007**

(22) Date of Filing Application: **20 March 2007**

(24) Date from which industrial property rights may have effect: **20 March 2007**

(54) Product in respect of which the design is registered: **A breathing apparatus communication assembly**

(51) International Design Classification: **14-03NES**

(71) Name(s) and Address(s) of Applicant(s):

Innotech Pty Ltd

6 McKechnie Drive Eight Mile Plains Queensland 4113 Australia

(72) Name(s) of Designer(s): **Angus John Forsythe Chapman**

(45) Registration Date: **12 June 2007**

(56) Related Art Documents: **Not Applicable**

(57) Statement of Newness and Distinctiveness: **The particular visual features of the breathing apparatus communication assembly that are to be regarded as new and distinctive are: the overall shape and configuration of the assembly without regard to the three clips on the cable or the length of the cable.**



(21) Design Number: **16996/2007**
(22) Date of Filing Application: **20 March 2007**
(24) Date from which industrial property rights may have effect: **20 March 2007**
(54) Product in respect of which the design is registered: **A microphone assembly**
(51) International Design Classification: **14-01**
(71) Name(s) and Address(s) of Applicant(s):
Innotech Pty Ltd
6 McKechnie Drive Eight Mile Plains Queensland 4113 Australia
(72) Name(s) of Designer(s): **Angus John Forsythe Chapman**
(45) Registration Date: **12 June 2007**
(56) Related Art Documents: **Not Applicable**
(57) Statement of Newness and Distinctiveness: **Nil**



(21) Design Number: **16997/2007**
(22) Date of Filing Application: **20 March 2007**
(24) Date from which industrial property rights may have effect: **20 March 2007**
(54) Product in respect of which the design is registered: **A loudspeaker assembly**
(51) International Design Classification: **14-01**
(71) Name(s) and Address(s) of Applicant(s):
Innotech Pty Ltd
6 McKechnie Drive Eight Mile Plains Queensland 4113 Australia
(72) Name(s) of Designer(s): **Angus John Forsythe Chapman**
(45) Registration Date: **12 June 2007**
(56) Related Art Documents: **Not Applicable**
(57) Statement of Newness and Distinctiveness: **Nil**



(21) Design Number: **16308/2007**
(22) Date of Filing Application: **06 February 2007**
(24) Date from which industrial property rights may have effect: **06 February 2007**
(54) Product in respect of which the design is registered: **Firewood splitting machine**

(51) International Design Classification: **08-03**

(71) Name(s) and Address(s) of Applicant(s):

David Burder
Burders Lane Whitlands Victoria 3733 Australia

(72) Name(s) of Designer(s): **David Burder**

(45) Registration Date: **13 June 2007**

(56) Related Art Documents: **Not Applicable**

(57) Statement of Newness and Distinctiveness: **All smaller domestic and semi commercial hydraulic wood splitters have a hydraulic ram that provides the force to split the blocks. Typically and in our investigation the rod end of the ram is connected directly to the wedge section and via a slide pushes against the block, thus splitting it. Using this configuration, the machine can be used in a horizontal position which is awkward to operate (see Pic. 1.) There is no table to support the wood which lays on its side, so the operator must hold it in position whilst it is being split. Once it has been split it falls to the ground where it must be picked up again to be either re split or stacked. To do this the operator has to walk around the end of the machine to retrieve the fallen blocks. Also, these machines are typically built low to the ground so the operator is always working in a bent over stance. It can also be used in the vertical position (see Pic. 2) where the operation is carried out at ground level and the operator must work with a bent over double stance or work kneeling on the ground. Other machines are built with a working table which gives a good operating height (see Pic. 3), but with the ram connected directly to the blade makes the unit very high and top heavy. The 'new and distinctive' point of difference with my new "Aussie Chopper Wood Splitter" is that it has been designed to be compact, whilst most importantly retaining an 800mm high working table for the operator to sit the wood on. This means the operator does much less bending and lifting and can operate the machine with a straight back. Once the wood is split it does not fall to the ground. This means less stress and fatigue and fewer OH&S issues. The hydraulic ram is connected to the splitter blade via a solid steel backbone section which slides between the vertical frame members. (see Pic. 4). This arrangement keeps the overall height of the machine to a minimum (1600mm). This makes the machine better balanced and also saves on materials and manufacturing costs. It also enables it to be packed into a smaller package (1200 x 600 x 600) for economical freighting.**



(21) Design Number: **16913/2007**
(22) Date of Filing Application: **15 March 2007**
(24) Date from which industrial property rights may have effect: **15 March 2007**
(54) Product in respect of which the design is registered: **An oyster basket attachment assembly**

(51) International Design Classification: **08-08NES**

(71) Name(s) and Address(s) of Applicant(s):

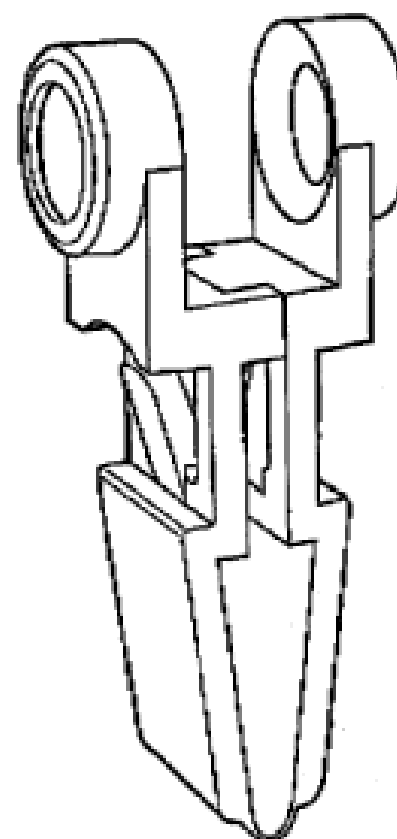
Seapa Pty Ltd
16 Byre Avenue Somerton Park South Australia 5044 Australia

(72) Name(s) of Designer(s): **Gary Thompson**

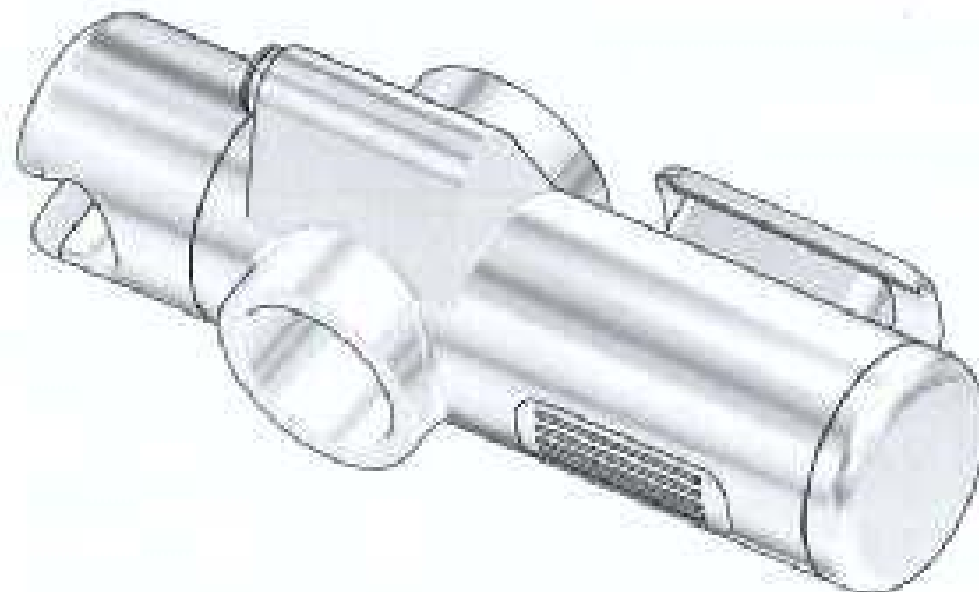
(45) Registration Date: **13 June 2007**

(56) Related Art Documents: **Not Applicable**

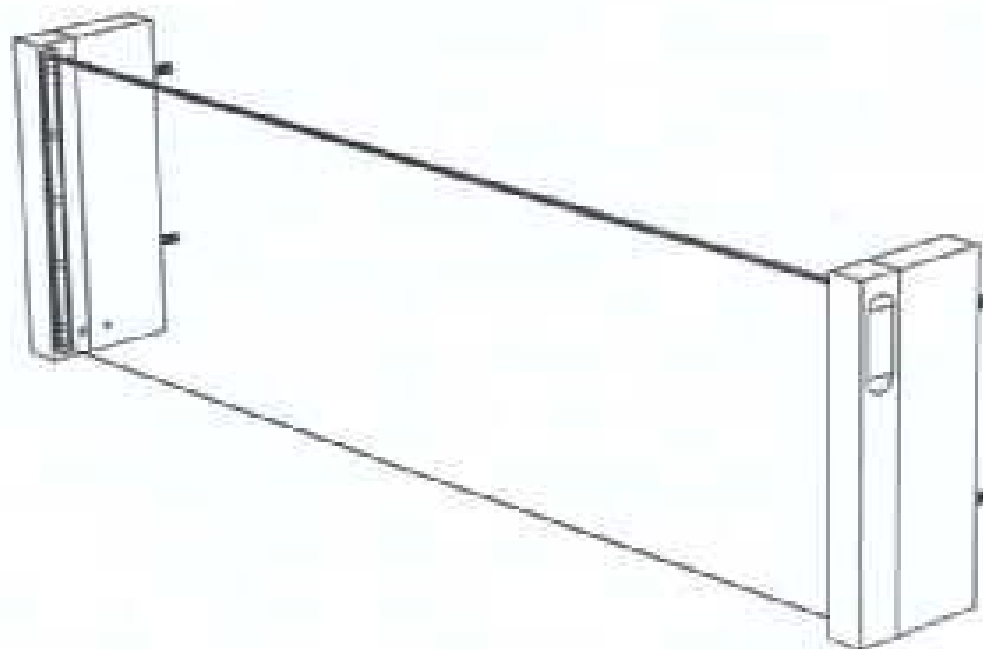
(57) Statement of Newness and Distinctiveness: **Nil**



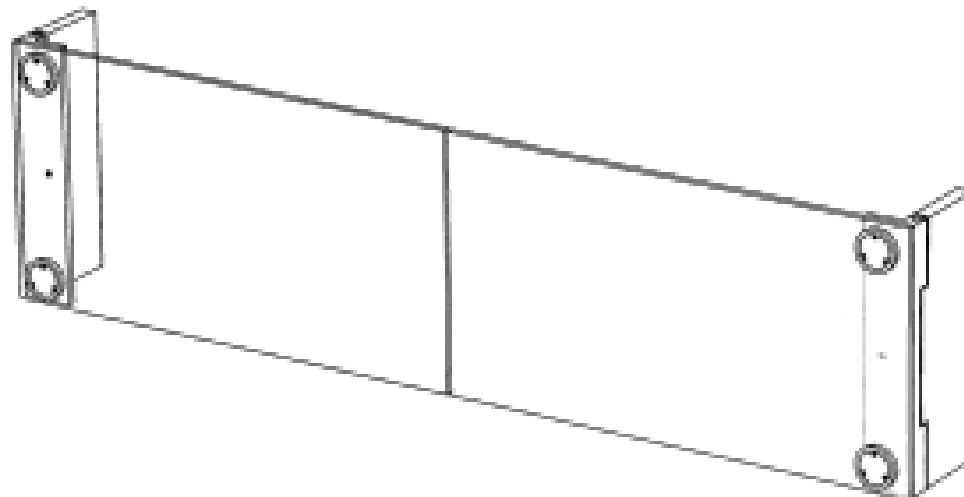
- (21) Design Number: **16914/2007**
(22) Date of Filing Application: **15 March 2007**
(24) Date from which industrial property rights may have effect: **15 March 2007**
(54) Product in respect of which the design is registered: **Hand-shower holder for hand-rail**
(51) International Design Classification: **23-01A**
(71) Name(s) and Address(s) of Applicant(s):
Ramtaps Pty Ltd
556 Curtin Avenue East Eagle Farm Queensland 4009 Australia
(72) Name(s) of Designer(s): **Gary Stevens**
(45) Registration Date: **13 June 2007**
(56) Related Art Documents: **Not Applicable**
(57) Statement of Newness and Distinctiveness: **Monopoly is claimed in the features of shape and/or configuration of the hand-shower holder as illustrated in the accompanying representations.**



- (21) Design Number: **16917/2007**
(22) Date of Filing Application: **15 March 2007**
(24) Date from which industrial property rights may have effect: **15 March 2007**
(54) Product in respect of which the design is registered: **Draft guard for a fireplace**
(51) International Design Classification: **23-03NES**
(71) Name(s) and Address(s) of Applicant(s):
ESmart Group Pty Ltd
9/5 Vuko Place Warriewood New South Wales 2102 Australia
(72) Name(s) of Designer(s): **Stephane Thomas**
(45) Registration Date: **13 June 2007**
(56) Related Art Documents: **Not Applicable**
(57) Statement of Newness and Distinctiveness: **Individual toughened glass panels with metal sides. The windscreen is assembled by screw onto the fireplace. The windscreen panel folds down.**



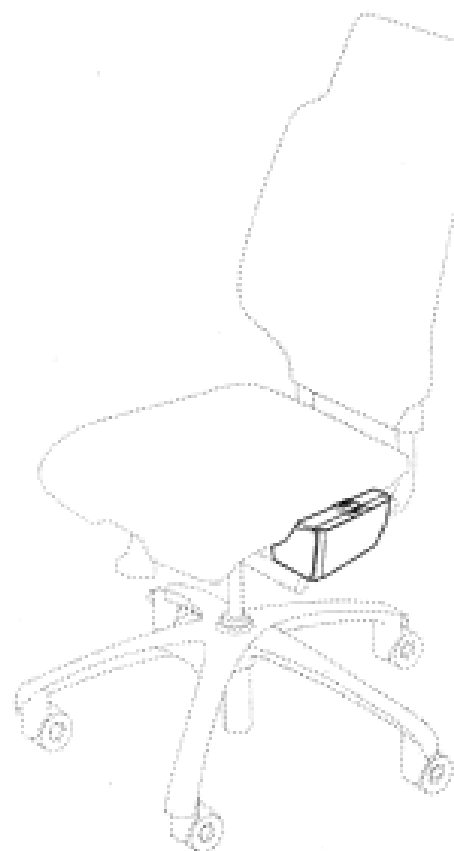
- (21) Design Number: **16918/2007**
(22) Date of Filing Application: **15 March 2007**
(24) Date from which industrial property rights may have effect: **15 March 2007**
(54) Product in respect of which the design is registered: **Draft guard for a fireplace**
(51) International Design Classification: **23-03NES**
(71) Name(s) and Address(s) of Applicant(s):
ESmart Group Pty Ltd
9/5 Vuko Place Warriewood New South Wales 2102 Australia
(72) Name(s) of Designer(s): **Stephane Thomas**
(45) Registration Date: **13 June 2007**
(56) Related Art Documents: **Not Applicable**
(57) Statement of Newness and Distinctiveness: **2 individual toughened glass panels (LH+RHS) with metal sides. Glass has magnet incorporated in so the panels stay closed. The windscreen is assembled by screws onto the fireplace. The windscreen panels open outwards.**



- (21) Design Number: **16919/2007**
(22) Date of Filing Application: **16 March 2007**
(24) Date from which industrial property rights may have effect: **16 March 2007**
(54) Product in respect of which the design is registered: **A chair**
(51) International Design Classification: **06-01F**
(71) Name(s) and Address(s) of Applicant(s):
Ergonomiprodukter i Bodafors AB
Box 294 571 23 Nassjo Sweden
(72) Name(s) of Designer(s): **Marten Rittfeldt and Oskar Ponnert**
(45) Registration Date: **13 June 2007**
(30) Convention priority data:

(31) Number	(32) Date	(33) Country
000627161	24 Nov 2006	EUROPEAN COMMUNITY

(56) Related Art Documents: **Not Applicable**
(57) Statement of Newness and Distinctiveness: **Newness and distinctiveness is claimed in the features of shape and/or configuration of the following parts of a chair as illustrated in continuous lines in the accompanying representations: the chair accessories box having a base surface in the form of an asymmetric quadrangle; the base surface of the box being larger than the top surface; one side of the box is planar near the base and curved near the top; the top surface is provided with stripes; and the lid of the box is arranged on the side facing away from the chair.**



(21) Design Number: **16920/2007**

(22) Date of Filing Application: **16 March 2007**

(24) Date from which industrial property rights may have effect: **16 March 2007**

(54) Product in respect of which the design is registered: **Hardcase for a chair**

(51) International Design Classification: **06-06G**

(71) Name(s) and Address(s) of Applicant(s):

**Ergonomiprodukter i Bodafors AB
Box 294 571 23 Nassjo Sweden**

(72) Name(s) of Designer(s): **Marten Rittfeldt and Oskar Ponnert**

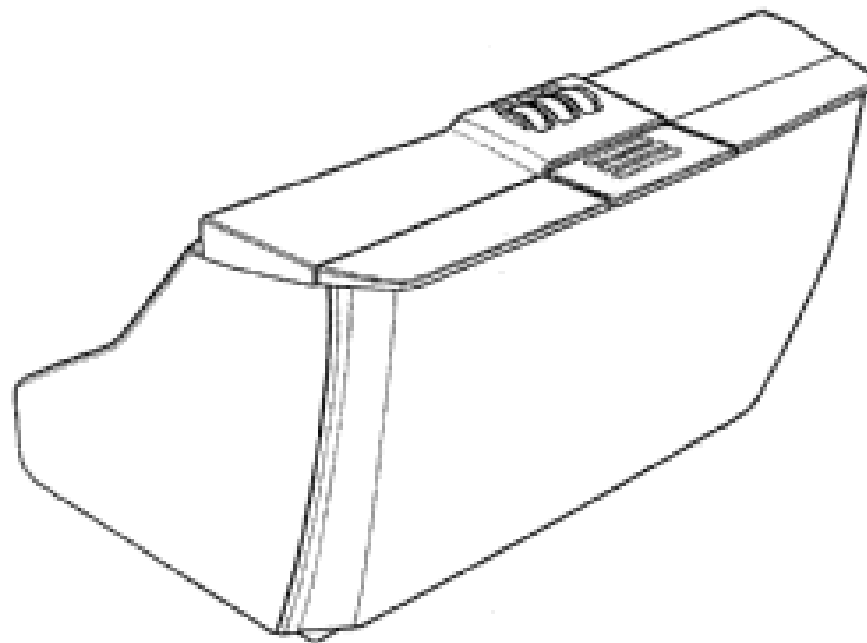
(45) Registration Date: **13 June 2007**

(30) Convention priority data:

(31) Number	(32) Date	(33) Country
000627161	24 Nov 2006	EUROPEAN COMMUNITY

(56) Related Art Documents: **Not Applicable**

(57) Statement of Newness and Distinctiveness: **Newness and distinctiveness is claimed in the features of shape and/or configuration of the following parts of a hardcase for a chair as illustrated in the accompanying representations: the hardcase forming a box having a base surface in the form of an asymmetric quadrangle; the base surface of the box being larger than the top surface; one side of the box is planar near the base and curved near the top; and the top surface is provided with stripes.**



(21) Design Number: **16921/2007**

(22) Date of Filing Application: **16 March 2007**

(24) Date from which industrial property rights may have effect: **16 March 2007**

(54) Product in respect of which the design is registered: **A chair**

(51) International Design Classification: **06-01F**

(71) Name(s) and Address(s) of Applicant(s):

**Ergonomiprodukter i Bodafors AB
Box 294 571 23 Nassjo Sweden**

(72) Name(s) of Designer(s): **Marten Rittfeldt and Oskar Ponnert**

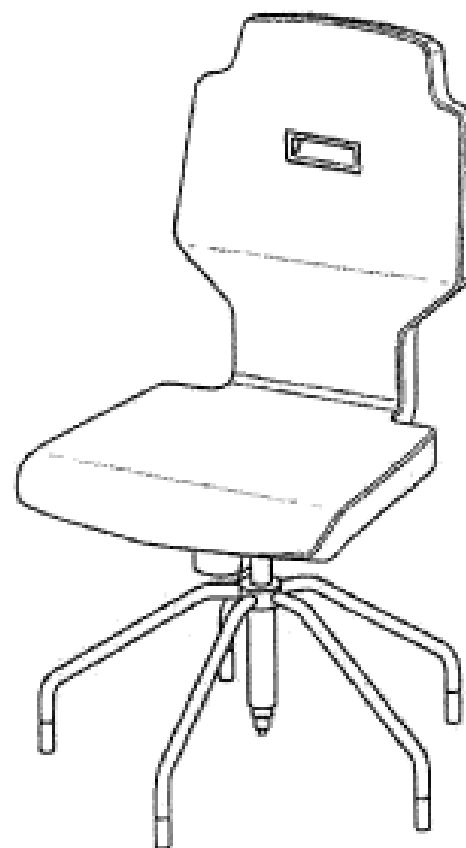
(45) Registration Date: **13 June 2007**

(30) Convention priority data:

(31) Number	(32) Date	(33) Country
000627161	24 Nov 2006	EUROPEAN COMMUNITY

(56) Related Art Documents: **Not Applicable**

(57) Statement of Newness and Distinctiveness: **Newness and distinctiveness is claimed in the features of shape and/or configuration of the following parts of a chair as illustrated in the accompanying representations; the seat and the back rest which have the same thickness and square edges; the corners of the back rest are removed; the oblong design detail in the back rest; and the seat front edge which is angled downwards.**



(21) Design Number: **16922/2007**

(22) Date of Filing Application: **16 March 2007**

(24) Date from which industrial property rights may have effect: **16 March 2007**

(54) Product in respect of which the design is registered: **A chair**

(51) International Design Classification: **06-01F**

(71) Name(s) and Address(s) of Applicant(s):

**Ergonomiprodukter i Bodafors AB
Box 294 571 23 Nassjo Sweden**

(72) Name(s) of Designer(s): **Marten Rittfeldt and Oskar Ponnert**

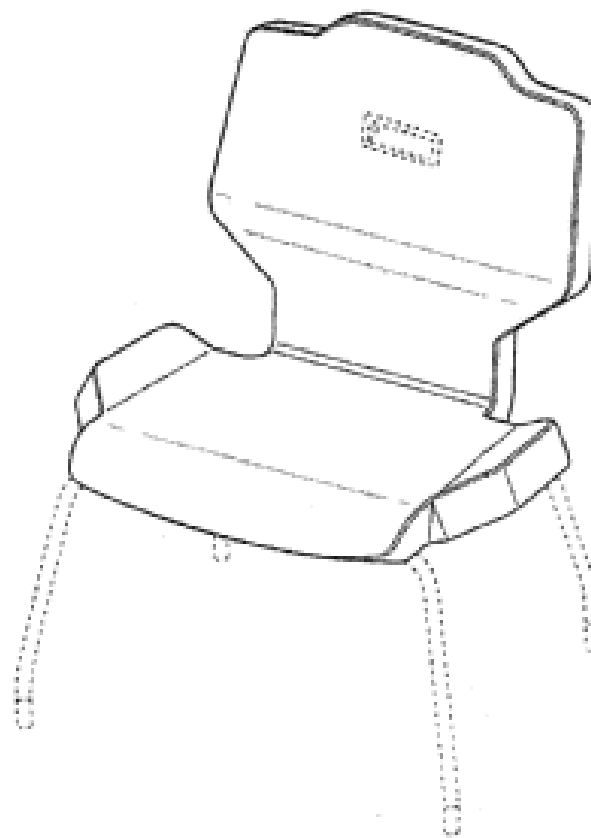
(45) Registration Date: **13 June 2007**

(30) Convention priority data:

(31) Number	(32) Date	(33) Country
000627161	24 Nov 2006	EUROPEAN COMMUNITY

(56) Related Art Documents: **Not Applicable**

(57) Statement of Newness and Distinctiveness: **Newness and distinctiveness is claimed in the features of shape and/or configuration of the following parts of a chair as illustrated in continuous lines in the accompanying representations: the seat and the back rest which have the same thickness and square edges; the corners of the seat and the back rest are removed; and the seat sides which are angled upwards and the seat front edge which is angled downwards.**



(21) Design Number: **16923/2007**

(22) Date of Filing Application: **16 March 2007**

(24) Date from which industrial property rights may have effect: **16 March 2007**

(54) Product in respect of which the design is registered: **A chair**

(51) International Design Classification: **06-01F**

(71) Name(s) and Address(s) of Applicant(s):

**Ergonomiprodukter i Bodafors AB
Box 294 571 23 Nassjo Sweden**

(72) Name(s) of Designer(s): **Marten Rittfeldt and Oskar Ponnert**

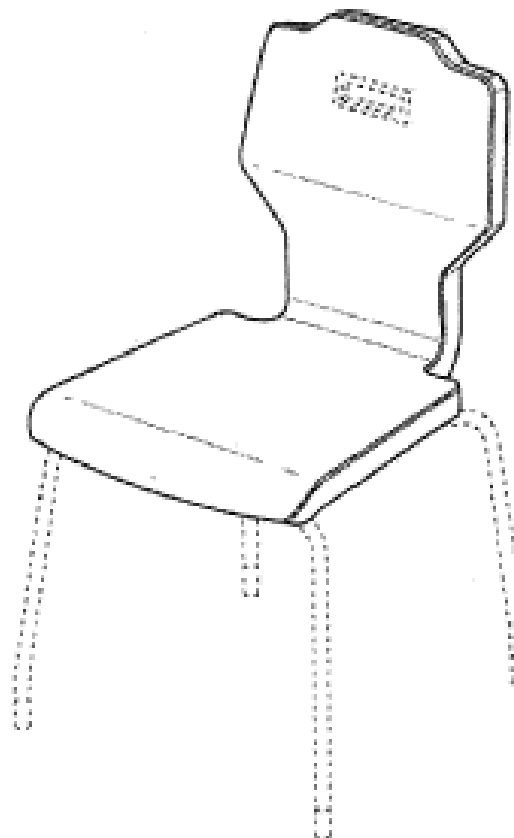
(45) Registration Date: **13 June 2007**

(30) Convention priority data:

(31) Number	(32) Date	(33) Country
000627161	24 Nov 2006	EUROPEAN COMMUNITY

(56) Related Art Documents: **Not Applicable**

(57) Statement of Newness and Distinctiveness: **Newness and distinctiveness is claimed in the features of shape and/or configuration of the following parts of a chair as illustrated in continuous lines in the accompanying representations: the seat and the back rest which have the same thickness and square edges; the corners of the back rest are removed; and the seat front edge which is angled downwards.**



(21) Design Number: **16924/2007**

(22) Date of Filing Application: **16 March 2007**

(24) Date from which industrial property rights may have effect: **16 March 2007**

(54) Product in respect of which the design is registered: **A chair**

(51) International Design Classification: **06-01F**

(71) Name(s) and Address(s) of Applicant(s):

**Ergonomiprodukter i Bodafors AB
Box 294 571 23 Nassjo Sweden**

(72) Name(s) of Designer(s): **Marten Rittfeldt and Oskar Ponnert**

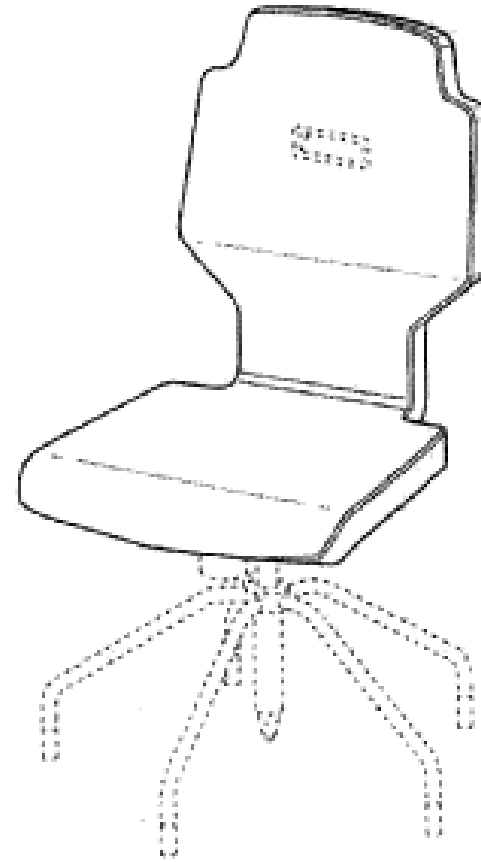
(45) Registration Date: **13 June 2007**

(30) Convention priority data:

(31) Number	(32) Date	(33) Country
000627161	24 Nov 2006	EUROPEAN COMMUNITY

(56) Related Art Documents: **Not Applicable**

(57) Statement of Newness and Distinctiveness: **Newness and distinctiveness is claimed in the features of shape and/or configuration of the following parts of a chair as illustrated in continuous lines in the accompanying representations: the seat and the back rest which have the same thickness and square edges: the corners of the back rest are removed; and the seat front edge which is angled downwards.**



(21) Design Number: **16925/2007**

(22) Date of Filing Application: **16 March 2007**

(24) Date from which industrial property rights may have effect: **16 March 2007**

(54) Product in respect of which the design is registered: **A chair**

(51) International Design Classification: **06-01F**

(71) Name(s) and Address(s) of Applicant(s):

**Ergonomiprodukter i Bodafors AB
Box 294 571 23 Nassjo Sweden**

(72) Name(s) of Designer(s): **Marten Rittfeldt and Oskar Ponnert**

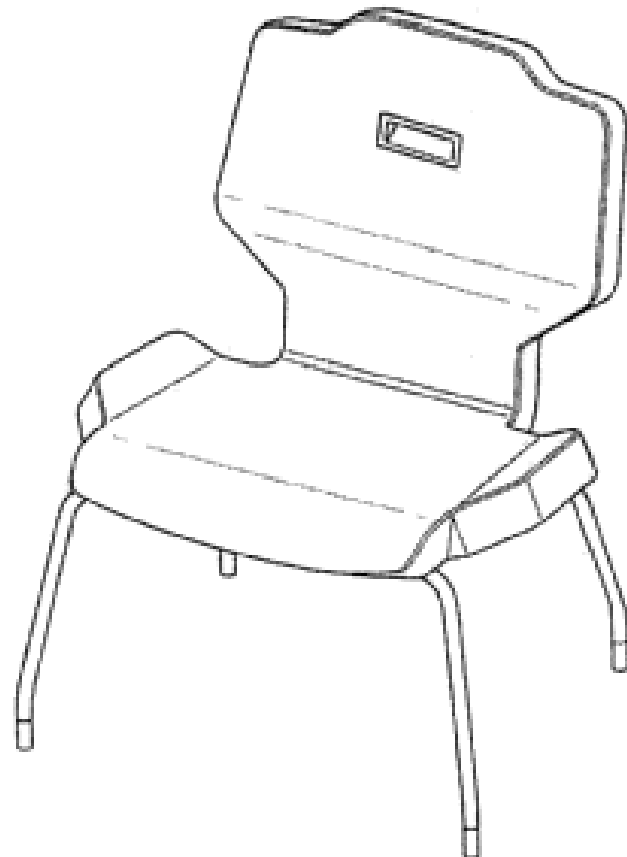
(45) Registration Date: **13 June 2007**

(30) Convention priority data:

(31) Number	(32) Date	(33) Country
000627161	24 Nov 2006	EUROPEAN COMMUNITY

(56) Related Art Documents: **Not Applicable**

(57) Statement of Newness and Distinctiveness: **Newness and distinctiveness is claimed in the features of shape and/or configuration of the following parts of a chair as illustrated in the accompanying representations: the seat and the back rest which have the same thickness and square edges; the corners of the seat and the back rest are removed; the oblong design detail in the back rest; and the seat sides which are angled upwards and the seat front edge which is angled downwards.**



(21) Design Number: **16926/2007**

(22) Date of Filing Application: **16 March 2007**

(24) Date from which industrial property rights may have effect: **16 March 2007**

(54) Product in respect of which the design is registered: **A stencil**

(51) International Design Classification: **19-06**

(71) Name(s) and Address(s) of Applicant(s):

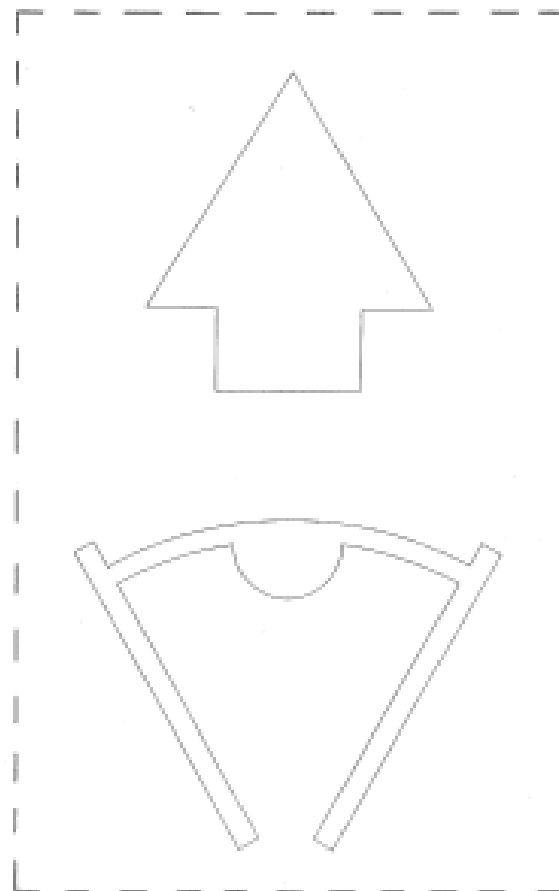
Borys Pluznyk
Level 8 67 Castlereagh Street Sydney New South Wales 2000
Australia

(72) Name(s) of Designer(s): **Borys Pluznyk**

(45) Registration Date: **13 June 2007**

(56) Related Art Documents: **Not Applicable**

(57) Statement of Newness and Distinctiveness: **Newness and distinctiveness is claimed in the features of shape and/or configuration of a stencil as illustrated in continuous lines in the accompanying representations.**



(21) Design Number: **16934/2007**

(22) Date of Filing Application: **16 March 2007**

(24) Date from which industrial property rights may have effect: **16 March 2007**

(54) Product in respect of which the design is registered: **Front bumper for a vehicle**

(51) International Design Classification: **12-16C**

(71) Name(s) and Address(s) of Applicant(s):

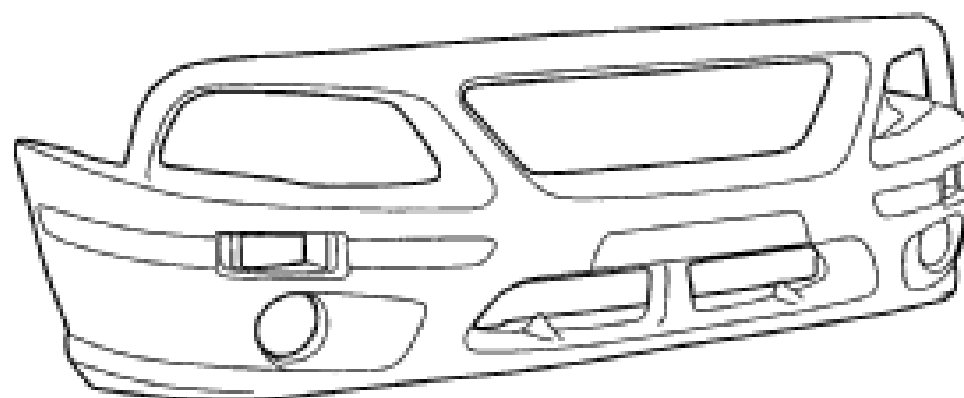
Team Poly Pty Ltd
36 Waddikee Road Lonsdale South Australia 5160 Australia

(72) Name(s) of Designer(s): **Timothy John Hemer**

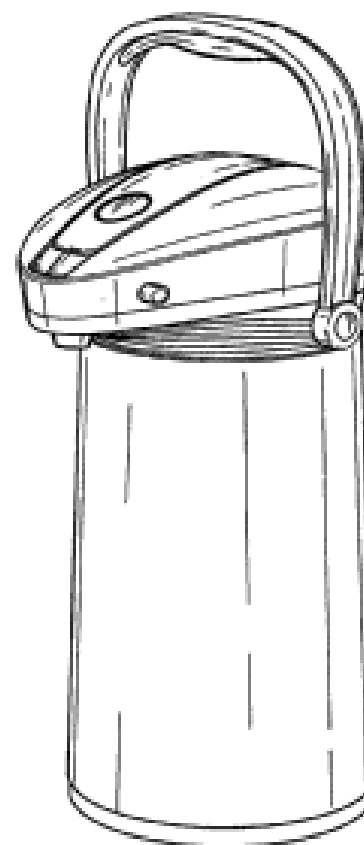
(45) Registration Date: **13 June 2007**

(56) Related Art Documents: **Not Applicable**

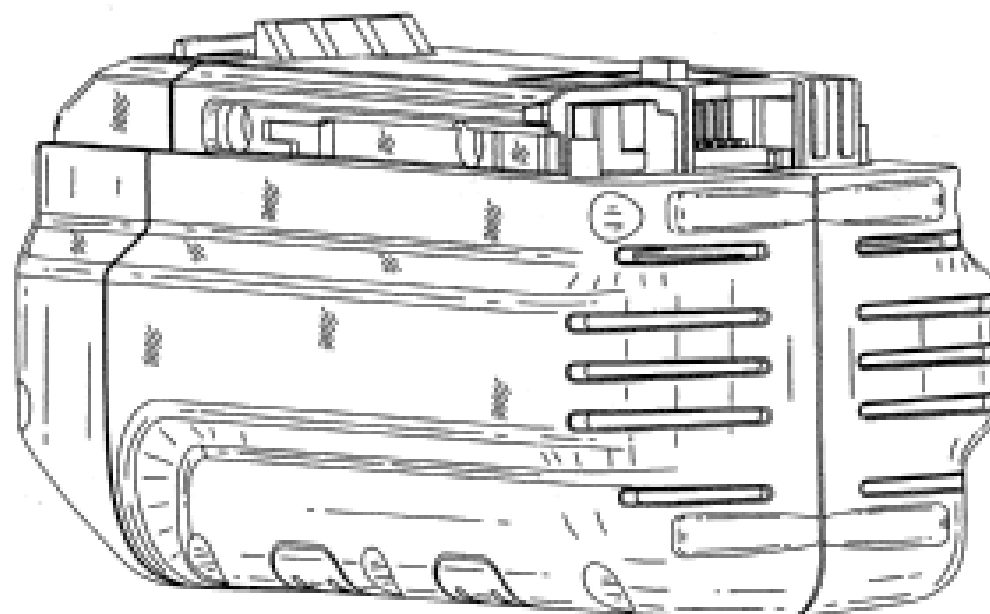
(57) Statement of Newness and Distinctiveness: **Newness and distinctiveness is claimed in the features of shape and/or configuration of a front bumper for a vehicle as illustrated in the accompanying representations.**



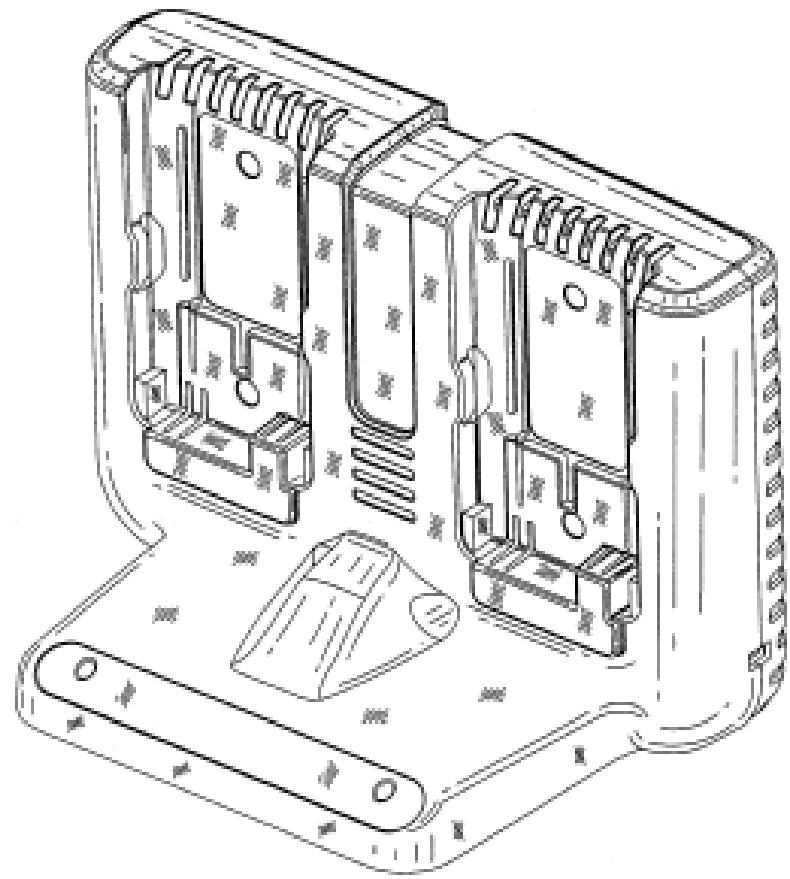
(21) Design Number: **16935/2007**
(22) Date of Filing Application: **15 March 2007**
(24) Date from which industrial property rights may have effect: **15 March 2007**
(54) Product in respect of which the design is registered: **Air pot**
(51) International Design Classification: **09-01NES**
(71) Name(s) and Address(s) of Applicant(s):
Pacific Market International, LLC
2401 Elliott Avenue Fourth Floor Seattle WA 98121 United States of America
(72) Name(s) of Designer(s): **Carol Schreitmueller and Christopher Alviar and Josh Kornfeld**
(45) Registration Date: **13 June 2007**
(30) Convention priority data:
(31) Number (32) Date (33) Country
29/249,204 26 Sep 2006 UNITED STATES OF AMERICA
(56) Related Art Documents: **Not Applicable**
(57) Statement of Newness and Distinctiveness: **Nil**



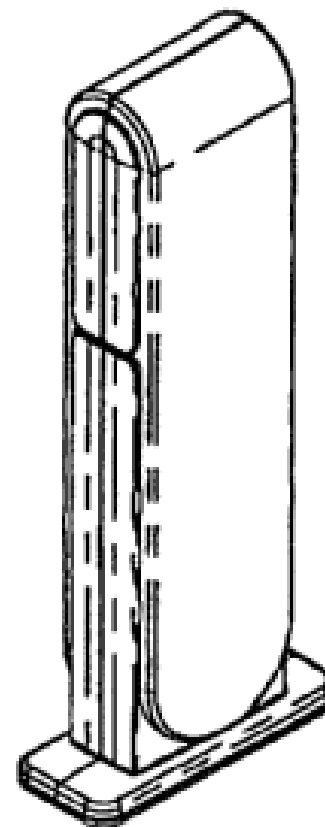
(21) Design Number: **16936/2007**
(22) Date of Filing Application: **15 March 2007**
(24) Date from which industrial property rights may have effect: **15 March 2007**
(54) Product in respect of which the design is registered: **A battery pack**
(51) International Design Classification: **13-02**
(71) Name(s) and Address(s) of Applicant(s):
Black & Decker Inc.
1207 Drummond Plaza Newark Delaware 19711 United States of America
(72) Name(s) of Designer(s): **Stephen Houghton**
(45) Registration Date: **13 June 2007**
(30) Convention priority data:
(31) Number (32) Date (33) Country
000589502 18 Sep 2006 EUROPEAN COMMUNITY
(56) Related Art Documents: **Not Applicable**
(57) Statement of Newness and Distinctiveness: **Nil**



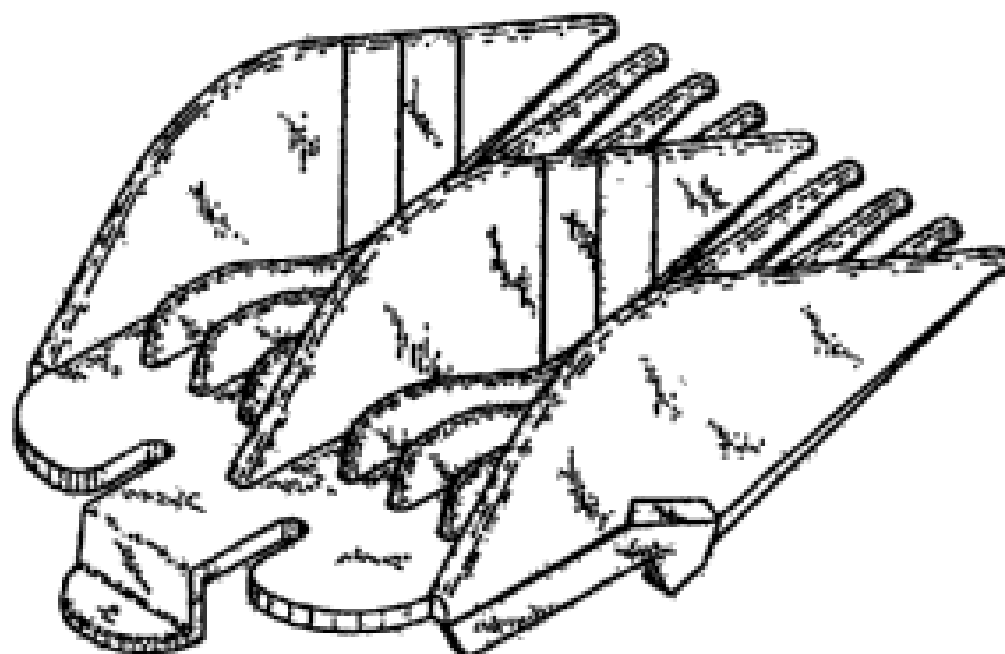
- (21) Design Number: **16937/2007**
- (22) Date of Filing Application: **15 March 2007**
- (24) Date from which industrial property rights may have effect: **15 March 2007**
- (54) Product in respect of which the design is registered: **A charging unit for battery packs**
- (51) International Design Classification: **13-02**
- (71) Name(s) and Address(s) of Applicant(s):
Black & Decker Inc.
1207 Drummond Plaza Newark Delaware 19711 United States of America
- (72) Name(s) of Designer(s): **Stephen Houghton**
- (45) Registration Date: **13 June 2007**
- (30) Convention priority data:
 - (31) Number (32) Date (33) Country
 - 000589304 18 Sep 2006 EUROPEAN COMMUNITY**
- (56) Related Art Documents: **Not Applicable**
- (57) Statement of Newness and Distinctiveness: **Nil**



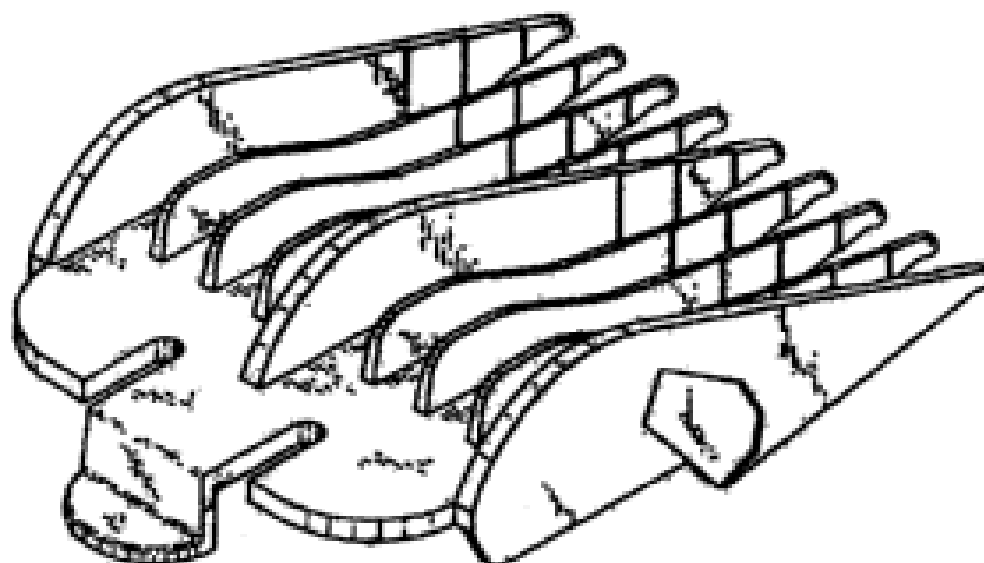
- (21) Design Number: **16939/2007**
- (22) Date of Filing Application: **16 March 2007**
- (24) Date from which industrial property rights may have effect: **16 March 2007**
- (54) Product in respect of which the design is registered: **Knife sharpener housing**
- (51) International Design Classification: **08-05H**
- (71) Name(s) and Address(s) of Applicant(s):
McPherson's Limited
5 Dunlop Road Mulgrave Victoria 3170 Australia
- (72) Name(s) of Designer(s): **Clive Steven Solari**
- (45) Registration Date: **13 June 2007**
- (56) Related Art Documents: **Not Applicable**
- (57) Statement of Newness and Distinctiveness: **Those features of the knife sharpener housing depicted in the representations that are new and distinctive are the shape and/or configuration.**



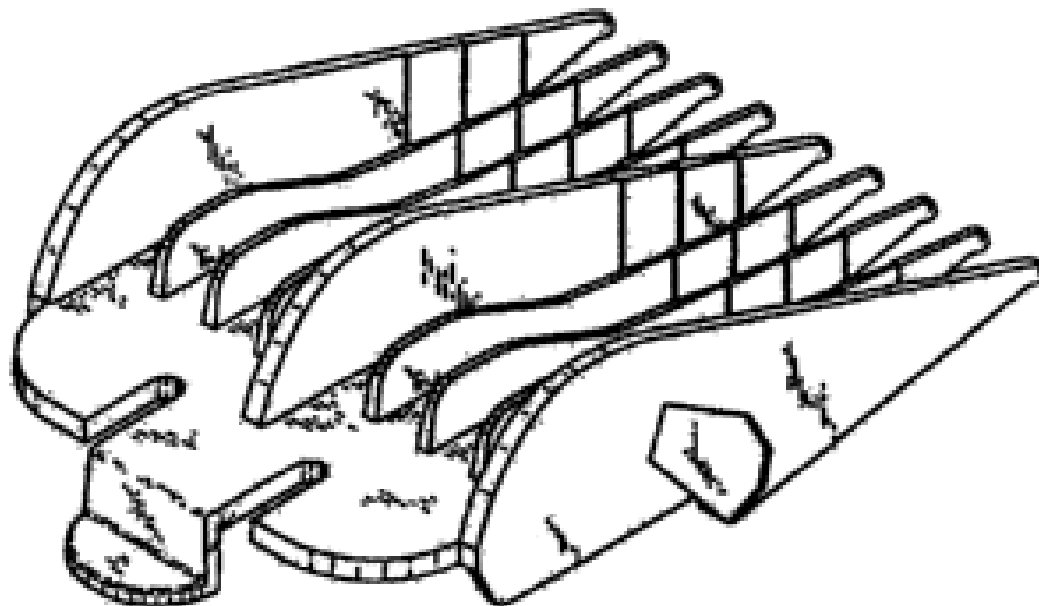
(21) Design Number: **16940/2007**
 (22) Date of Filing Application: **16 March 2007**
 (24) Date from which industrial property rights may have effect: **16 March 2007**
 (54) Product in respect of which the design is registered: **Comb attachment**
 (51) International Design Classification: **28-03D**
 (71) Name(s) and Address(s) of Applicant(s):
Wahl Clipper Corporation
2900 North Locust Street Sterling Illinois 61081 United States of America
 (72) Name(s) of Designer(s): **Scott A. Melton and Keith W. Dirks and Michael Eddinger and Brian W. Smith and Edward Brill and Bengie T. Phillips and Robert N. Buck Jr**
 (45) Registration Date: **13 June 2007**
 (30) Convention priority data:
 (31) Number (32) Date (33) Country
29/266,264 18 Sep 2006 UNITED STATES OF AMERICA
 (56) Related Art Documents: **Not Applicable**
 (57) Statement of Newness and Distinctiveness: **Nil**



(21) Design Number: **16941/2007**
 (22) Date of Filing Application: **16 March 2007**
 (24) Date from which industrial property rights may have effect: **16 March 2007**
 (54) Product in respect of which the design is registered: **Attachment comb**
 (51) International Design Classification: **28-03D**
 (71) Name(s) and Address(s) of Applicant(s):
Wahl Clipper Corporation
2900 North Locust Street Sterling Illinois 61081 United States of America
 (72) Name(s) of Designer(s): **Scott A. Melton and Keith W. Dirks and Michael Eddinger and Brian W. Smith and Edward Brill and Bengie T. Phillips and Robert N. Buck Jr**
 (45) Registration Date: **13 June 2007**
 (30) Convention priority data:
 (31) Number (32) Date (33) Country
29/266,264 18 Sep 2006 UNITED STATES OF AMERICA
 (56) Related Art Documents: **Not Applicable**
 (57) Statement of Newness and Distinctiveness: **Nil**



(21) Design Number: **16942/2007**
(22) Date of Filing Application: **16 March 2007**
(24) Date from which industrial property rights may have effect: **16 March 2007**
(54) Product in respect of which the design is registered: **Comb attachment**
(51) International Design Classification: **28-03D**
(71) Name(s) and Address(s) of Applicant(s):
Wahl Clipper Corporation
2900 North Locust Street Sterling Illinois 61081 United States of America
(72) Name(s) of Designer(s): **Scott A. Melton and Keith W. Dirks and Michael Eddinger and Brian W. Smith and Edward Brill and Bengie T. Phillips and Robert N. Buck Jr**
(45) Registration Date: **13 June 2007**
(30) Convention priority data:
(31) Number (32) Date (33) Country
29/266,264 18 Sep 2006 UNITED STATES OF AMERICA
(56) Related Art Documents: **Not Applicable**
(57) Statement of Newness and Distinctiveness: **Nil**



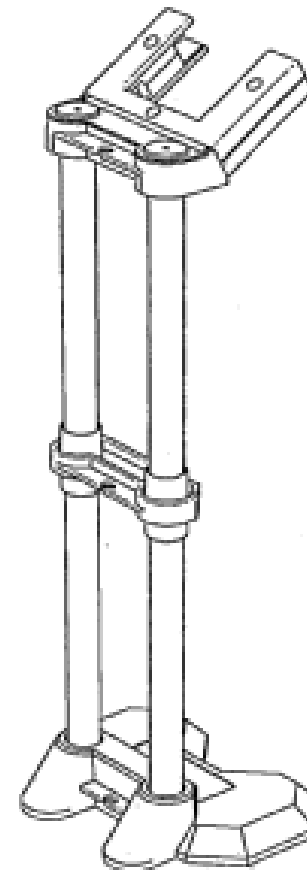
(21) Design Number: **16943/2007**
(22) Date of Filing Application: **16 March 2007**
(24) Date from which industrial property rights may have effect: **16 March 2007**
(54) Product in respect of which the design is registered: **Searchlight**
(51) International Design Classification: **26-03**
(71) Name(s) and Address(s) of Applicant(s):
Hella Fahrzeugteile Austria GmbH
Fabriksgasse 2 A#7503 Grosspetersdorf Austria
(72) Name(s) of Designer(s): **Bernhard Zettl**
(45) Registration Date: **13 June 2007**
(30) Convention priority data:
(31) Number (32) Date (33) Country
000590567 19 Sep 2006 EUROPEAN COMMUNITY
(56) Related Art Documents: **Not Applicable**
(57) Statement of Newness and Distinctiveness: **Nil**



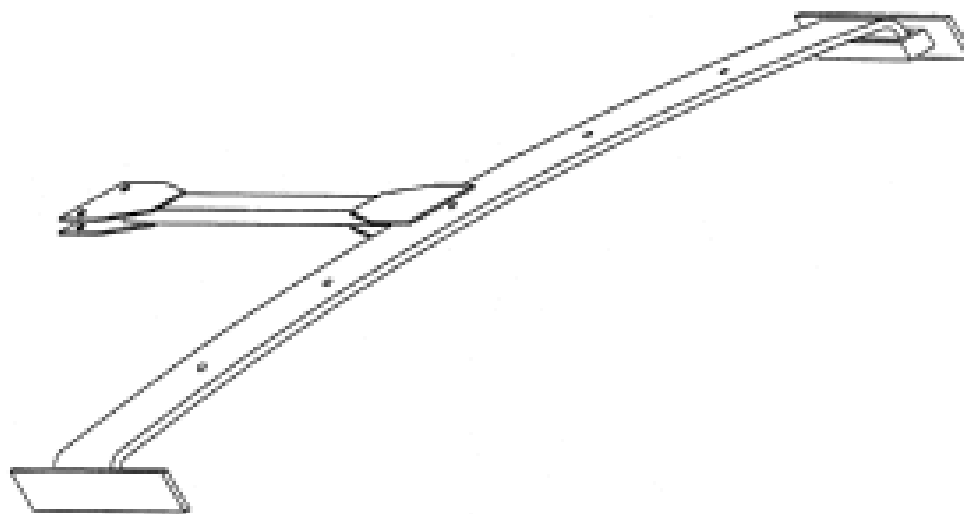
(21) Design Number: **16944/2007**
(22) Date of Filing Application: **16 March 2007**
(24) Date from which industrial property rights may have effect: **16 March 2007**
(54) Product in respect of which the design is registered: **Searchlight**
(51) International Design Classification: **26-03**
(71) Name(s) and Address(s) of Applicant(s):
Hella Fahrzeugteile Austria GmbH
Fabriksgasse 2 A#7503 Grosspetersdorf Austria
(72) Name(s) of Designer(s): **Bernhard Zettl**
(45) Registration Date: **13 June 2007**
(30) Convention priority data:
(31) Number (32) Date (33) Country
000590567 19 Sep 2006 EUROPEAN COMMUNITY
(56) Related Art Documents: **Not Applicable**
(57) Statement of Newness and Distinctiveness: **Nil**



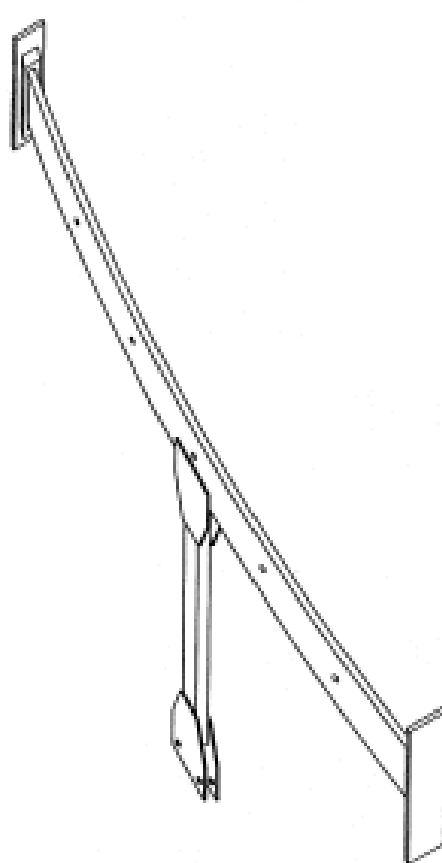
(21) Design Number: **16946/2007**
(22) Date of Filing Application: **15 March 2007**
(24) Date from which industrial property rights may have effect: **15 March 2007**
(54) Product in respect of which the design is registered: **Stand for an electronic device**
(51) International Design Classification: **21-01N**
(71) Name(s) and Address(s) of Applicant(s):
Sony Computer Entertainment Inc.
2-6-21 Minami-Aoyama Minato-ku Tokyo 107-0062 Japan
(72) Name(s) of Designer(s): **Taihei Muraoka**
(45) Registration Date: **13 June 2007**
(30) Convention priority data:
(31) Number (32) Date (33) Country
2006#033381 04 Dec 2006 JAPAN
(56) Related Art Documents: **Not Applicable**
(57) Statement of Newness and Distinctiveness: **Newness and distinctiveness resides in the features of shape and/or configuration of a stand for an electronic device as illustrated in the accompanying representations.**



(21) Design Number: **15965/2007**
(22) Date of Filing Application: **12 January 2007**
(24) Date from which industrial property rights may have effect: **12 January 2007**
(54) Product in respect of which the design is registered: **Seatbelt attachment system**
(51) International Design Classification: **12-16NES**
(71) Name(s) and Address(s) of Applicant(s):
Van Extras Ltd
9#11 Fairfax Avenue Penrose Auckland New Zealand
(72) Name(s) of Designer(s): **Kelvin Stanners**
(45) Registration Date: **13 June 2007**
(56) Related Art Documents: **Not Applicable**
(57) Statement of Newness and Distinctiveness: **Nil**



(21) Design Number: **15966/2007**
(22) Date of Filing Application: **12 January 2007**
(24) Date from which industrial property rights may have effect: **12 January 2007**
(54) Product in respect of which the design is registered: **Seatbelt attachment system**
(51) International Design Classification: **12-16NES**
(71) Name(s) and Address(s) of Applicant(s):
Van Extras Ltd
9#11 Fairfax Avenue Penrose Auckland New Zealand
(72) Name(s) of Designer(s): **Kelvin Stanners**
(45) Registration Date: **13 June 2007**
(56) Related Art Documents: **Not Applicable**
(57) Statement of Newness and Distinctiveness: **Nil**



(21) Design Number: **16994/2007**

(22) Date of Filing Application: **21 March 2007**

(24) Date from which industrial property rights may have effect: **21 March 2007**

(54) Product in respect of which the design is registered: **Coverall**

(51) International Design Classification: **02-02B**

(71) Name(s) and Address(s) of Applicant(s):

Dailys Limited

**Dailys House Poole Hall Ind. Estate Overpool Ellesmere Port Cheshire
CH 66 1st United Kingdom**

(72) Name(s) of Designer(s): **David Sallon**

(45) Registration Date: **13 June 2007**

(56) Related Art Documents: **Not Applicable**

(57) Statement of Newness and Distinctiveness: **The particular visual features of the design which are new and distinctive are the shape or configuration.**



(21) Design Number: **17001/2007**

(22) Date of Filing Application: **21 March 2007**

(24) Date from which industrial property rights may have effect: **21 March 2007**

(54) Product in respect of which the design is registered: **A hinge**

(51) International Design Classification: **08-06**

(71) Name(s) and Address(s) of Applicant(s):

Azuma Design Pty Limited

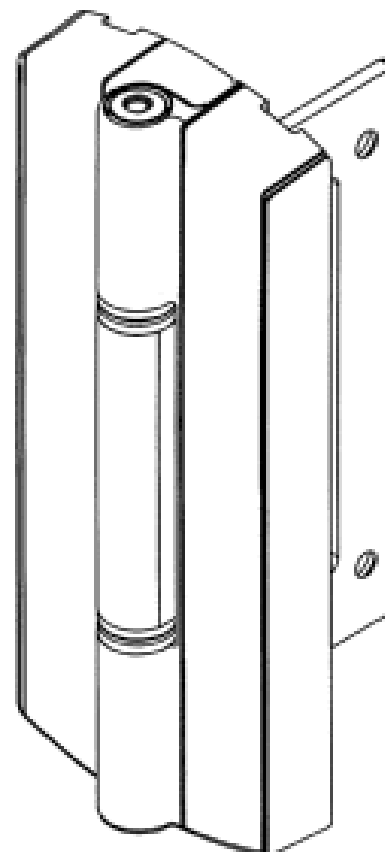
160-162 Newton Road Wetherill Park New South Wales 2164 Australia

(72) Name(s) of Designer(s): **Michael Brian Alchin**

(45) Registration Date: **13 June 2007**

(56) Related Art Documents: **Not Applicable**

(57) Statement of Newness and Distinctiveness: **Newness and distinctiveness is claimed in the features of shape and/or configuration of a hinge as illustrated in the accompanying representations.**



(21) Design Number: 17002/2007

(22) Date of Filing Application: 21 March 2007

(24) Date from which industrial property rights may have effect: 21 March 2007

(54) Product in respect of which the design is registered: **Drawer**

(51) International Design Classification: **06-06D**

(71) Name(s) and Address(s) of Applicant(s):

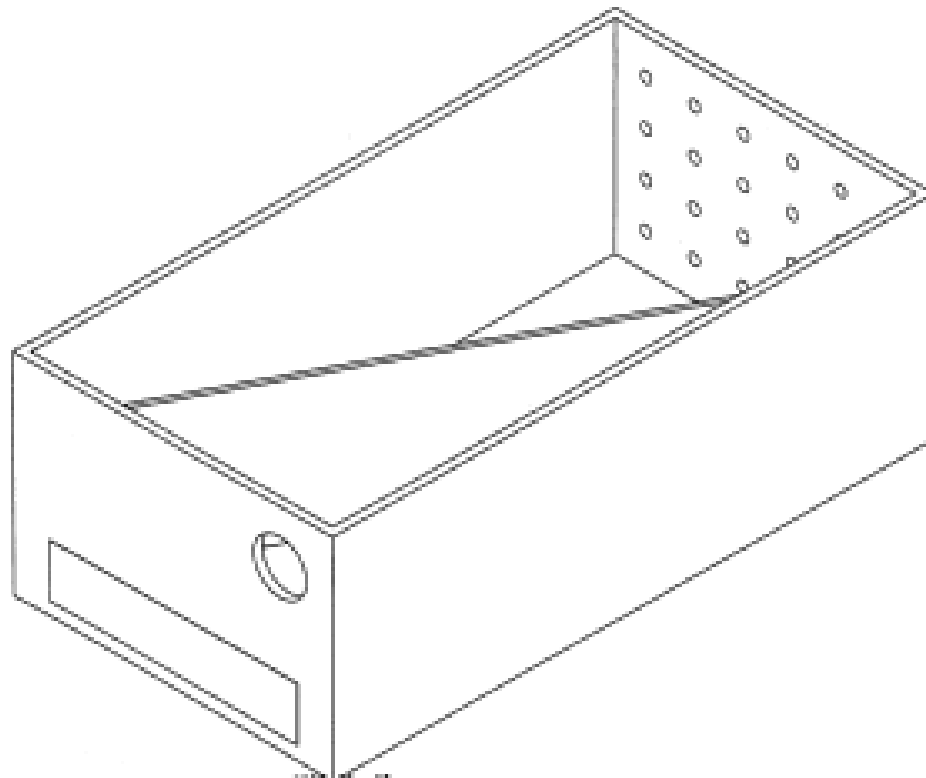
Southland-CNG Securities Pty Ltd
Suite 201 Level 2 BMA House 135 Macquarie Street Sydney New
South Wales 2000 Australia

(72) Name(s) of Designer(s): **Catherine Mary Wong**

(45) Registration Date: 13 June 2007

(56) Related Art Documents: **Not Applicable**

(57) Statement of Newness and Distinctiveness: **Newness and distinctiveness reside in the features of the design as shown in the representations. The drawer and sleeve shown in the representations may be conjoined in side by side relation with an identical drawer and sleeve, and pairs of such conjoined sleeves may be superposed in combinations of 4, 6, 8 or more drawers and sleeves.**



(21) Design Number: 17004/2007

(22) Date of Filing Application: 21 March 2007

(24) Date from which industrial property rights may have effect: 21 March 2007

(54) Product in respect of which the design is registered: **Brick wall clamp**

(51) International Design Classification: **08-08D**

(71) Name(s) and Address(s) of Applicant(s):

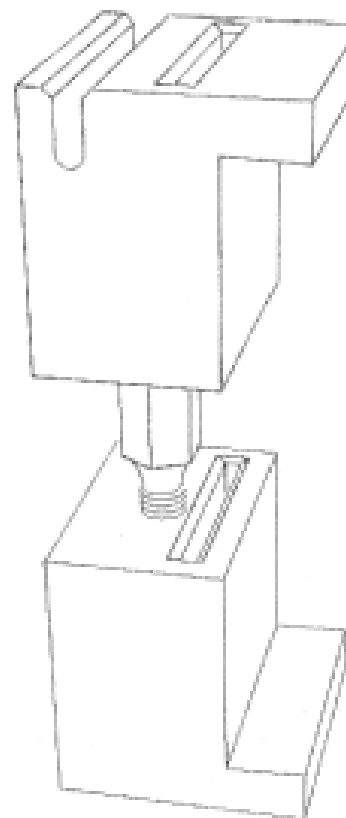
Gregory Joseph Carty
1/19 Combine Street Coffs Harbour New South Wales 2450 Australia

(72) Name(s) of Designer(s): **Gregory Joseph Carty**

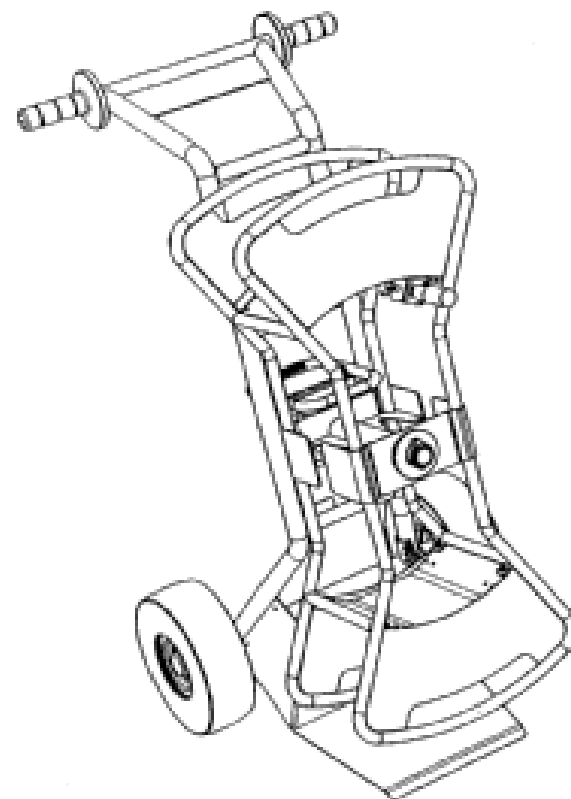
(45) Registration Date: 13 June 2007

(56) Related Art Documents: **Not Applicable**

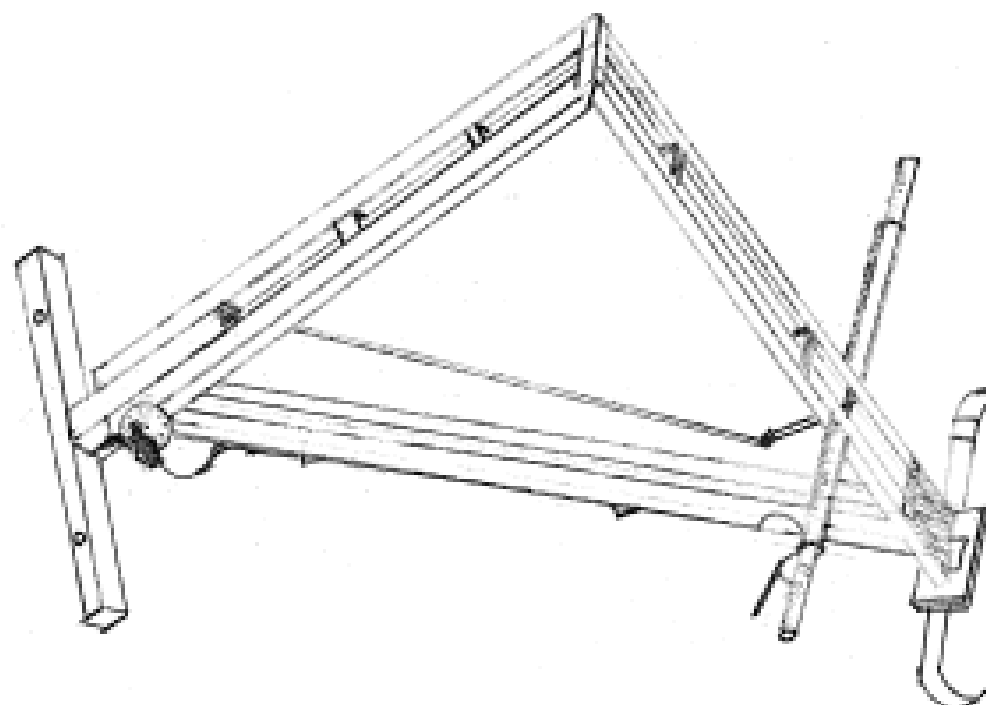
(57) Statement of Newness and Distinctiveness: **Nil**



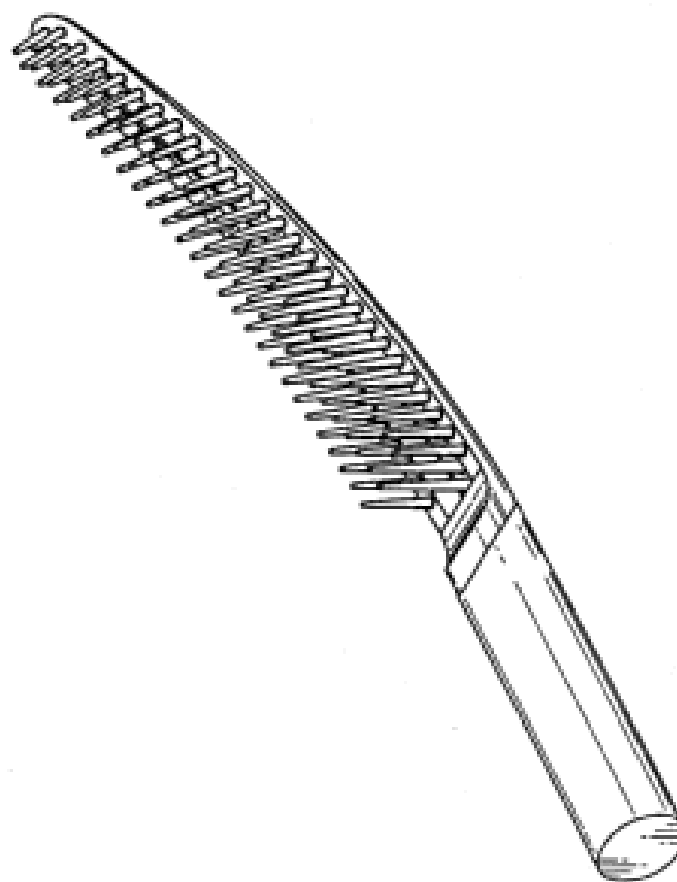
(21) Design Number: **17005/2007**
(22) Date of Filing Application: **21 March 2007**
(24) Date from which industrial property rights may have effect: **21 March 2007**
(54) Product in respect of which the design is registered: **Cart**
(51) International Design Classification: **12-02**
(71) Name(s) and Address(s) of Applicant(s):
Livin Fernand Georges Dethier
Leemkuilstraat 144 3570 Alken Belgium
(72) Name(s) of Designer(s): **Livin Fernand Georges Dethier**
(45) Registration Date: **13 June 2007**
(30) Convention priority data:
(31) Number (32) Date (33) Country
82108-00 21 Sep 2006 BENELUX
(56) Related Art Documents: **Not Applicable**
(57) Statement of Newness and Distinctiveness: **Nil**



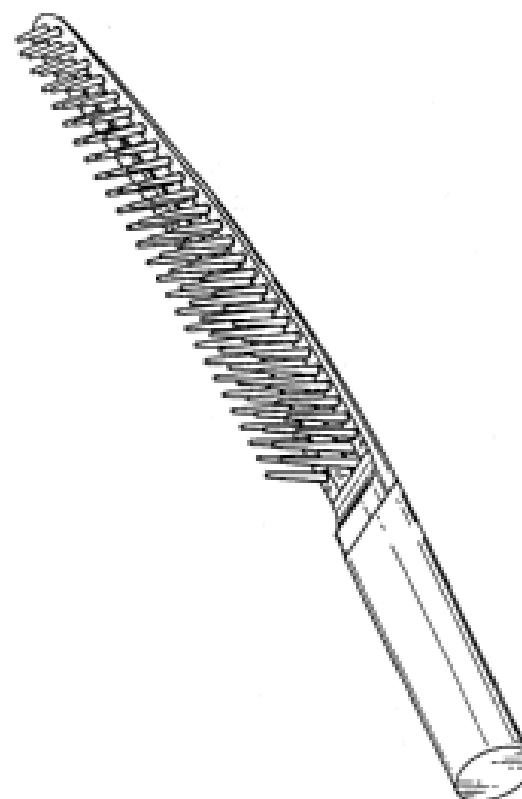
(21) Design Number: **17007/2007**
(22) Date of Filing Application: **22 March 2007**
(24) Date from which industrial property rights may have effect: **22 March 2007**
(54) Product in respect of which the design is registered: **Industrial tools**
(51) International Design Classification: **08-05K**
(71) Name(s) and Address(s) of Applicant(s):
Colin David Mortimer
280 Power Road Endeavour Hills Victoria 3802 Australia
(72) Name(s) of Designer(s): **Colin Mortimer**
(45) Registration Date: **13 June 2007**
(56) Related Art Documents: **Not Applicable**
(57) Statement of Newness and Distinctiveness: **A tool that attaches to screeding tools so leveling of various ground surfaces, maybe done without operator needing to bend.**



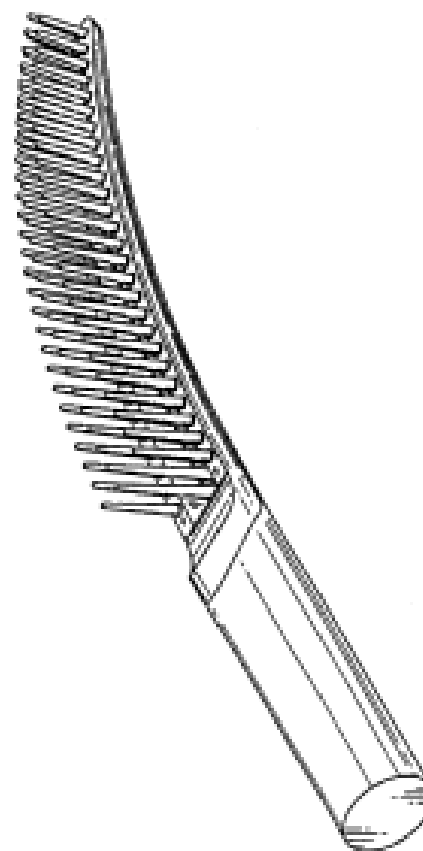
- (21) Design Number: **17008/2007**
(22) Date of Filing Application: **21 March 2007**
(24) Date from which industrial property rights may have effect: **21 March 2007**
(54) Product in respect of which the design is registered: **Applicator head**
(51) International Design Classification: **04-99**
(71) Name(s) and Address(s) of Applicant(s):
ELC Management LLC
767 Fifth Avenue New York New York 10153 United States of America
(72) Name(s) of Designer(s): **Herve F. Bouix and Charles P. Neuner and William Bickford**
(45) Registration Date: **13 June 2007**
(30) Convention priority data:
(31) Number (32) Date (33) Country
29/249,859 24 Oct 2006 UNITED STATES OF AMERICA
(56) Related Art Documents: **Not Applicable**
(57) Statement of Newness and Distinctiveness: **Those features of the applicator heads/applicators depicted in the representations that are new and distinctive are the shape and/or configuration. The features shown in broken lines may or may not form part of the overall impression of the design.**



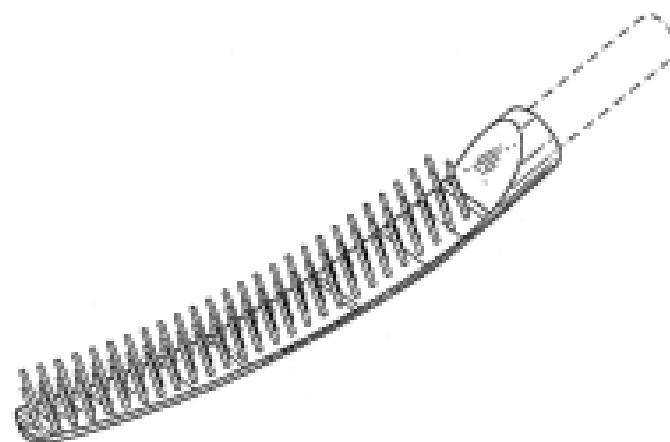
- (21) Design Number: **17385/2007**
(22) Date of Filing Application: **21 March 2007**
(24) Date from which industrial property rights may have effect: **21 March 2007**
(54) Product in respect of which the design is registered: **Applicator head**
(51) International Design Classification: **04-99**
(71) Name(s) and Address(s) of Applicant(s):
ELC Management LLC
767 Fifth Avenue New York New York 10153 United States of America
(72) Name(s) of Designer(s): **Herve F. Bouix and Charles P. Neuner and William Bickford**
(45) Registration Date: **13 June 2007**
(30) Convention priority data:
(31) Number (32) Date (33) Country
29/249,859 24 Oct 2006 UNITED STATES OF AMERICA
(56) Related Art Documents: **Not Applicable**
(57) Statement of Newness and Distinctiveness: **Those features of the applicator head depicted in the representations that are new and distinctive are the shape and/or configuration.**



- (21) Design Number: **17386/2007**
(22) Date of Filing Application: **21 March 2007**
(24) Date from which industrial property rights may have effect: **21 March 2007**
(54) Product in respect of which the design is registered: **Applicator head**
(51) International Design Classification: **04-99**
(71) Name(s) and Address(s) of Applicant(s):
ELC Management LLC
767 Fifth Avenue New York New York 10153 United States of America
(72) Name(s) of Designer(s): **Herve F. Bouix and Charles P. Neuner and William Bickford**
(45) Registration Date: **13 June 2007**
(30) Convention priority data:
(31) Number (32) Date (33) Country
29/249,859 24 Oct 2006 UNITED STATES OF AMERICA
(56) Related Art Documents: **Not Applicable**
(57) Statement of Newness and Distinctiveness: **Those features of the applicator head depicted in the representations that are new and distinctive are the shape and/or configuration.**



- (21) Design Number: **17009/2007**
(22) Date of Filing Application: **21 March 2007**
(24) Date from which industrial property rights may have effect: **21 March 2007**
(54) Product in respect of which the design is registered: **Applicator head**
(51) International Design Classification: **04-99**
(71) Name(s) and Address(s) of Applicant(s):
ELC Management LLC
767 Fifth Avenue New York New York 10153 United States of America
(72) Name(s) of Designer(s): **Herve F. Bouix and William Bickford and Charles P. Neuner**
(45) Registration Date: **13 June 2007**
(30) Convention priority data:
(31) Number (32) Date (33) Country
29/249,156 25 Sep 2006 UNITED STATES OF AMERICA
(56) Related Art Documents: **Not Applicable**
(57) Statement of Newness and Distinctiveness: **Those features of the applicator head depicted in the representations that are new and distinctive are the shape and/or configuration. The features shown in broken lines are not part of the design and are to be disregarded when considering the overall impression of the design.**



(21) Design Number: **17010/2007**

(22) Date of Filing Application: **21 March 2007**

(24) Date from which industrial property rights may have effect: **21 March 2007**

(54) Product in respect of which the design is registered: **Sole unit**

(51) International Design Classification: **02-04B**

(71) Name(s) and Address(s) of Applicant(s):

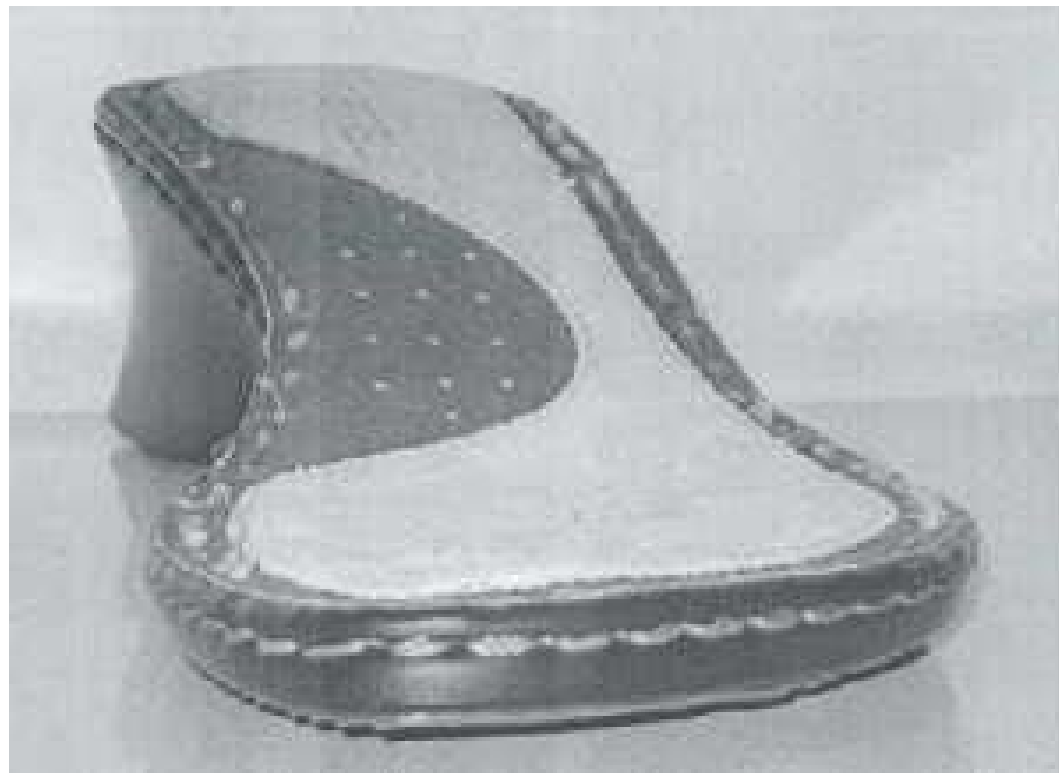
**Cadet Shoes Pty Ltd
Level 1 425 Smith Street Fitzroy Victoria 3065 Australia**

(72) Name(s) of Designer(s): **Robert McKinlay**

(45) Registration Date: **13 June 2007**

(56) Related Art Documents: **Not Applicable**

(57) Statement of Newness and Distinctiveness: **The appearance of the shoe sole unit below but not including the upper surface. The trade mark ZENSU appearing on the representations forms no part of the design.**



(21) Design Number: **17011/2007**

(22) Date of Filing Application: **21 March 2007**

(24) Date from which industrial property rights may have effect: **21 March 2007**

(54) Product in respect of which the design is registered: **Basin mixer**

(51) International Design Classification: **23-01H**

(71) Name(s) and Address(s) of Applicant(s):

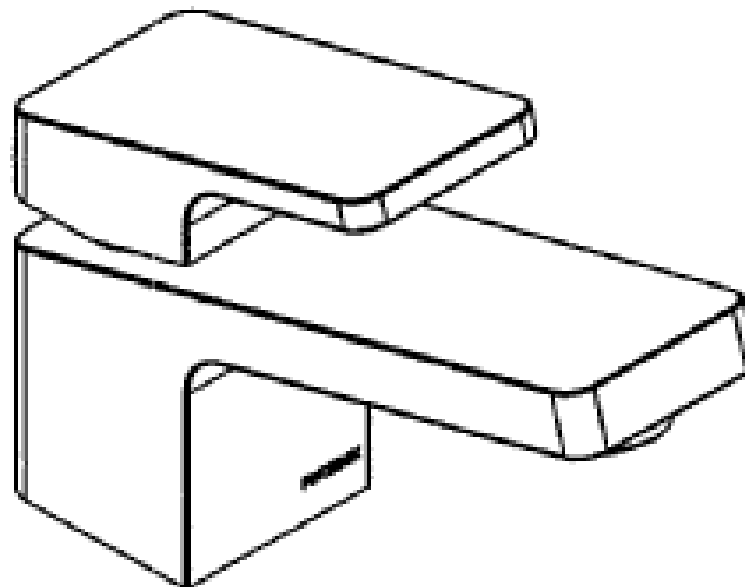
**Phoenix Industries Pty Ltd
7 Ashburn Place Blackburn Victoria 3130 Australia**

(72) Name(s) of Designer(s): **John Hoogendoorn**

(45) Registration Date: **13 June 2007**

(56) Related Art Documents: **Not Applicable**

(57) Statement of Newness and Distinctiveness: **Nil**



(21) Design Number: **17012/2007**

(22) Date of Filing Application: **21 March 2007**

(24) Date from which industrial property rights may have effect: **21 March 2007**

(54) Product in respect of which the design is registered: **Towel rail**

(51) International Design Classification: **07-05D**

(71) Name(s) and Address(s) of Applicant(s):

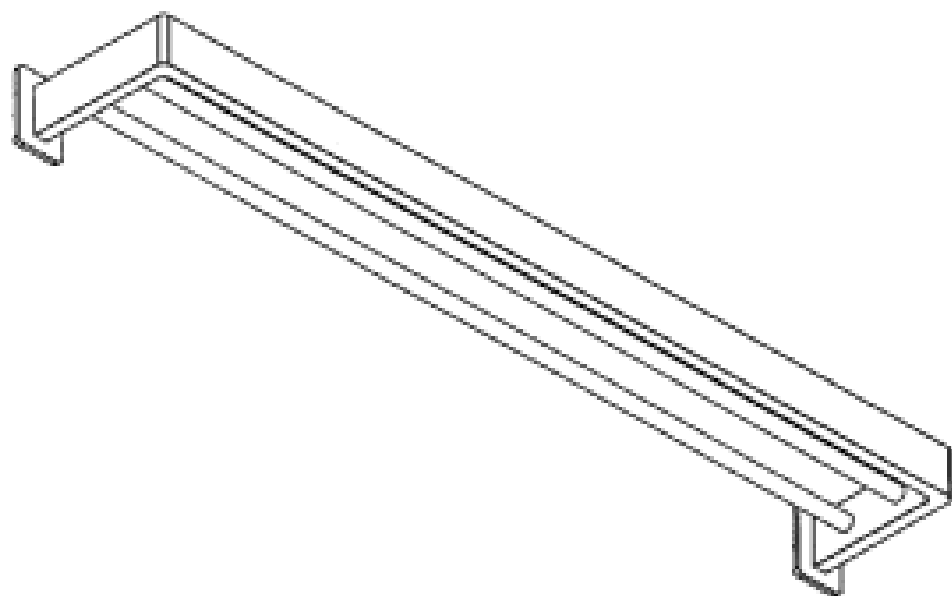
**Phoenix Industries Pty Ltd
7 Ashburn Place Blackburn Victoria 3130 Australia**

(72) Name(s) of Designer(s): **John Hoogendoorn**

(45) Registration Date: **13 June 2007**

(56) Related Art Documents: **Not Applicable**

(57) Statement of Newness and Distinctiveness: **Nil**



(21) Design Number: **17013/2007**

(22) Date of Filing Application: **21 March 2007**

(24) Date from which industrial property rights may have effect: **21 March 2007**

(54) Product in respect of which the design is registered: **Shower arm and head**

(51) International Design Classification: **23-02B**

(71) Name(s) and Address(s) of Applicant(s):

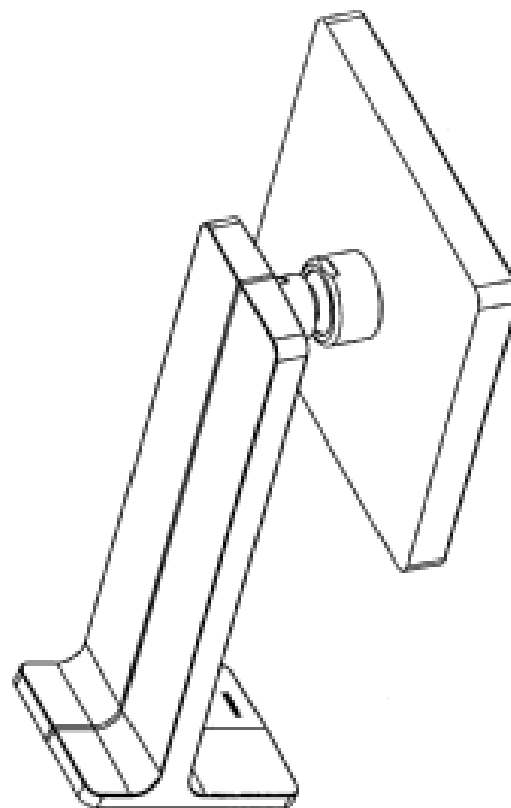
**Phoenix Industries Pty Ltd
7 Ashburn Place Blackburn Victoria 3130 Australia**

(72) Name(s) of Designer(s): **John Hoogendoorn**

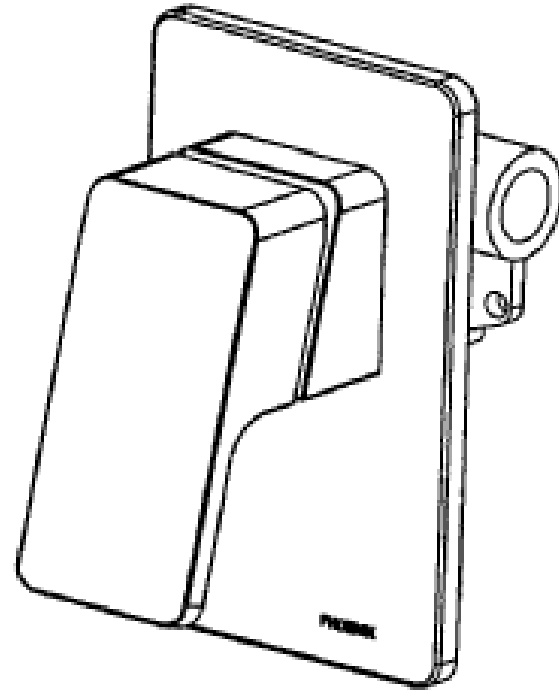
(45) Registration Date: **13 June 2007**

(56) Related Art Documents: **Not Applicable**

(57) Statement of Newness and Distinctiveness: **Nil**



(21) Design Number: **17014/2007**
(22) Date of Filing Application: **21 March 2007**
(24) Date from which industrial property rights may have effect: **21 March 2007**
(54) Product in respect of which the design is registered: **Mixer handle**
(51) International Design Classification: **23-01H**
(71) Name(s) and Address(s) of Applicant(s):
Phoenix Industries Pty Ltd
7 Ashburn Place Blackburn Victoria 3130 Australia
(72) Name(s) of Designer(s): **John Hoogendoorn**
(45) Registration Date: **13 June 2007**
(56) Related Art Documents: **Not Applicable**
(57) Statement of Newness and Distinctiveness: **Nil**



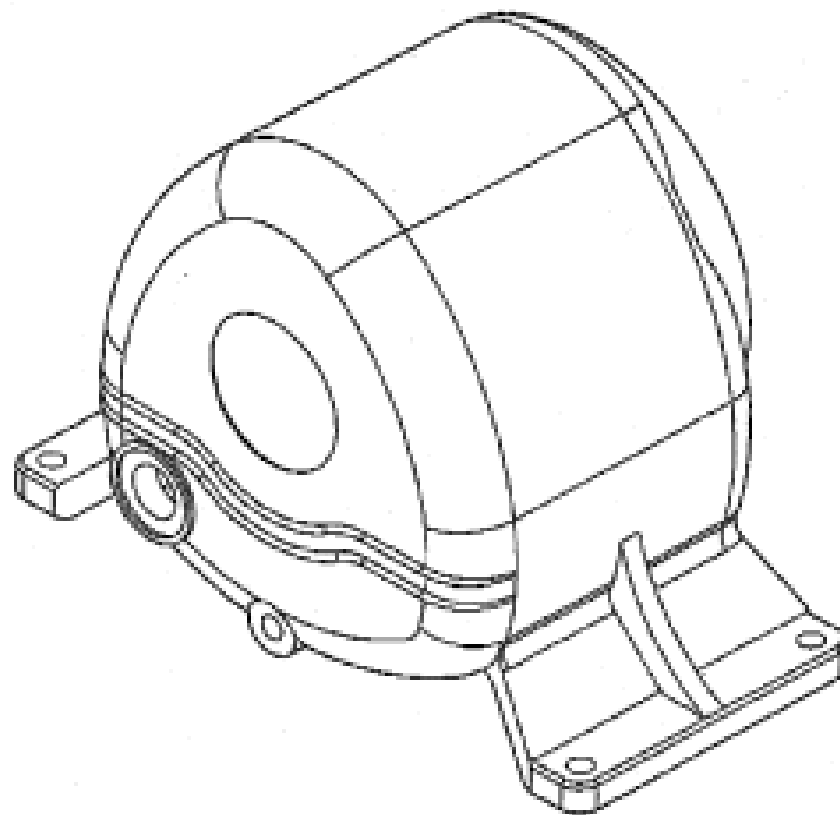
(21) Design Number: **17015/2007**
(22) Date of Filing Application: **21 March 2007**
(24) Date from which industrial property rights may have effect: **21 March 2007**
(54) Product in respect of which the design is registered: **Headset**
(51) International Design Classification: **14-03A**
(71) Name(s) and Address(s) of Applicant(s):
Nokia Corporation
Keilalahdentie 4 FIN-02150 Espoo Finland
(72) Name(s) of Designer(s): **Heli Sade and Sami Lehtovaara and Silas Grant**
(45) Registration Date: **13 June 2007**
(30) Convention priority data:

(31) Number	(32) Date	(33) Country
M20060177	22 Sep 2006	FINLAND

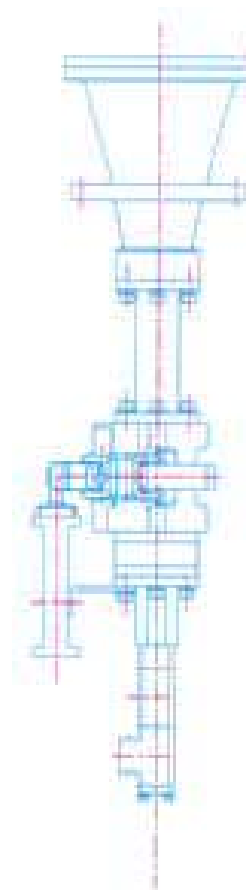
(56) Related Art Documents: **Not Applicable**
(57) Statement of Newness and Distinctiveness: **Nil**



- (21) Design Number: **17016/2007**
(22) Date of Filing Application: **22 March 2007**
(24) Date from which industrial property rights may have effect: **22 March 2007**
(54) Product in respect of which the design is registered: **An air compressed crank case**
(51) International Design Classification: **15-01**
(71) Name(s) and Address(s) of Applicant(s):
I-Min Hsiao
No. 427 Sec.2 Doou-chung Road Tien-chung Chang-hwa Taiwan
R.O.C.
(72) Name(s) of Designer(s): **I-Min Hsiao**
(45) Registration Date: **13 June 2007**
(56) Related Art Documents: **Not Applicable**
(57) Statement of Newness and Distinctiveness: **Nil**



- (21) Design Number: **17017/2007**
(22) Date of Filing Application: **22 March 2007**
(24) Date from which industrial property rights may have effect: **22 March 2007**
(54) Product in respect of which the design is registered: **A compact dual-polarised Ka-band feed system for satellite &/or terrestrial communications**
(51) International Design Classification: **14-03NES**
(71) Name(s) and Address(s) of Applicant(s):
Commonwealth Scientific and Industrial Research Organisation
Limestone Avenue Campbell ACT 2612 Australia
(72) Name(s) of Designer(s): **Kieran J. Greene and A. Ross Forsyth and**
Andrew J. Parfitt and Christophe J.M. Granet and Stephen J. Barker
(45) Registration Date: **13 June 2007**
(56) Related Art Documents: **Not Applicable**
(57) Statement of Newness and Distinctiveness: **A compact coaxial Ka-band feed system comprised of integral machined sections forming the feed network.**



(21) Design Number: **17019/2007**

(22) Date of Filing Application: **22 March 2007**

(24) Date from which industrial property rights may have effect: **22 March 2007**

(54) Product in respect of which the design is registered: **A handbag**

(51) International Design Classification: **03-01B**

(71) Name(s) and Address(s) of Applicant(s):

Guccio Gucci S.p.A.

Via Tornabuoni 73/R I-50123 Firenze Italy

(72) Name(s) of Designer(s): **Frida Giannini**

(45) Registration Date: **13 June 2007**

(30) Convention priority data:

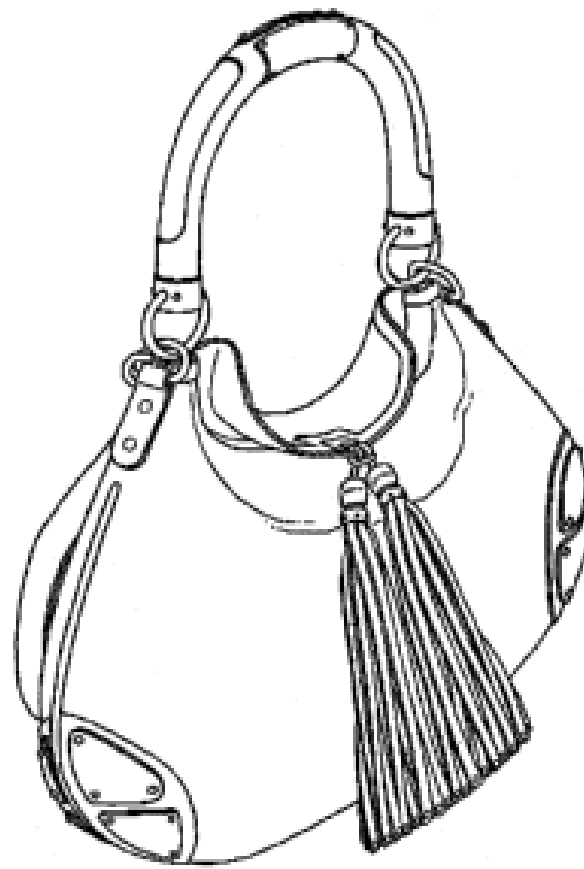
(31) Number
000682570

(32) Date
05 Mar 2007

(33) Country
EUROPEAN COMMUNITY

(56) Related Art Documents: **Not Applicable**

(57) Statement of Newness and Distinctiveness: **Newness and distinctiveness of the design reside in the features of shape and/or configuration of the handbag depicted in the accompanying representations.**



(21) Design Number: **17020/2007**

(22) Date of Filing Application: **22 March 2007**

(24) Date from which industrial property rights may have effect: **22 March 2007**

(54) Product in respect of which the design is registered: **Packaging inserts**

(51) International Design Classification: **09-03H**

(71) Name(s) and Address(s) of Applicant(s):

Form Cut PTY LTD

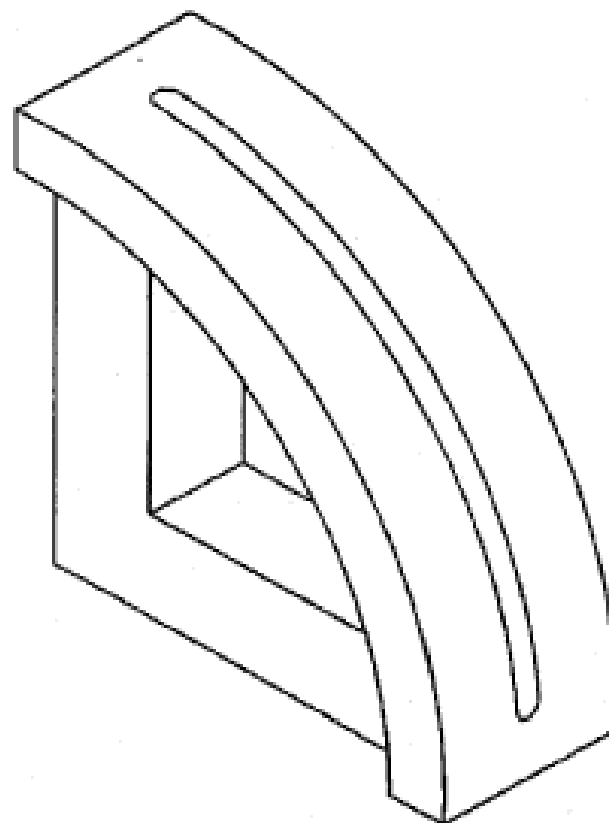
7 Scarborough Way Lonsdale South Australia 5160 Australia

(72) Name(s) of Designer(s): **Karl Joseph Falzon**

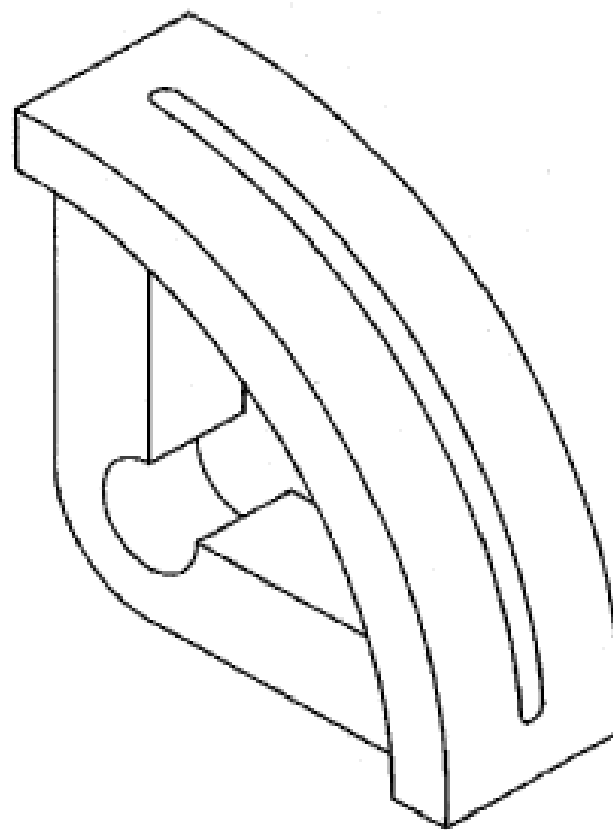
(45) Registration Date: **13 June 2007**

(56) Related Art Documents: **Not Applicable**

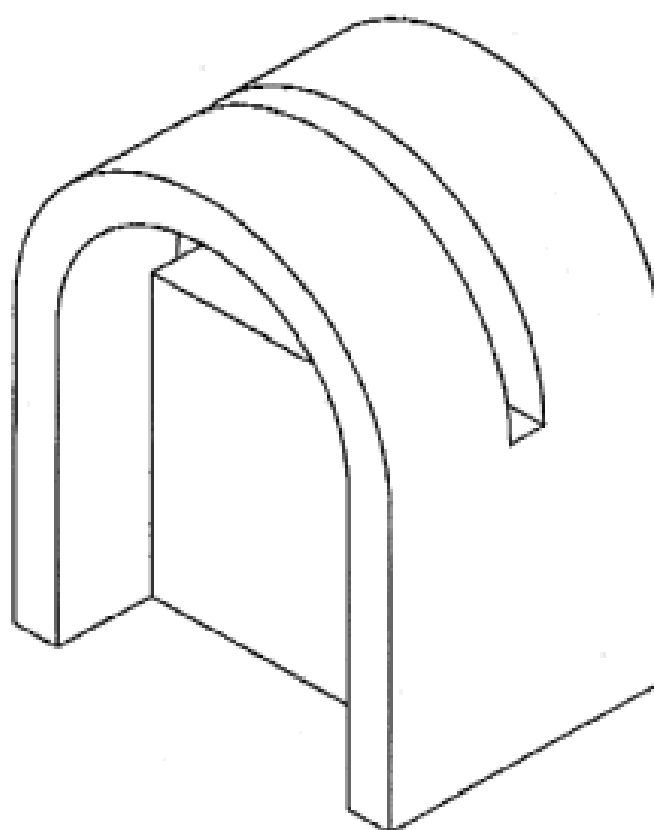
(57) Statement of Newness and Distinctiveness: **Fully recyclable poly ethylene foam pieces bonded without glue. Opening expands and flexes around the item being packed.**



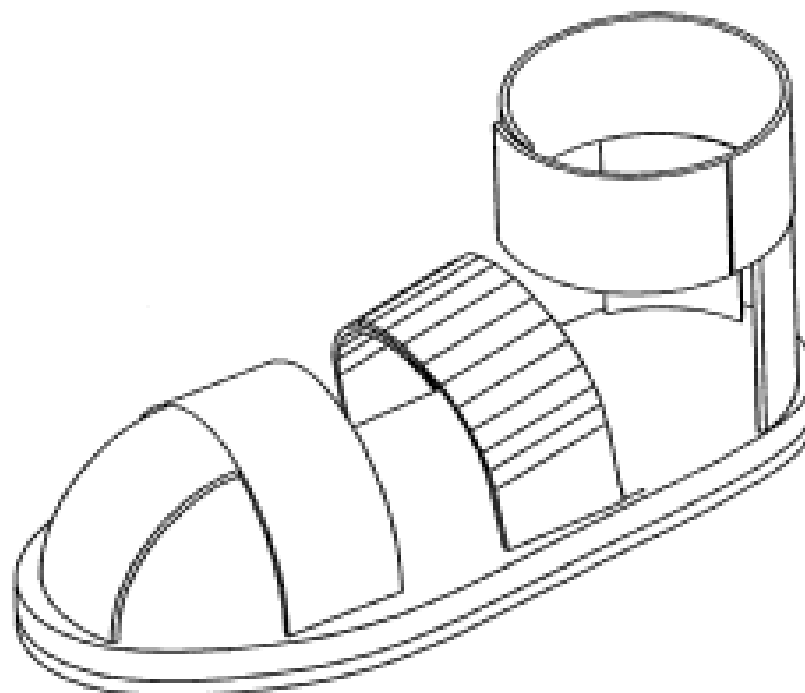
- (21) Design Number: **17021/2007**
(22) Date of Filing Application: **22 March 2007**
(24) Date from which industrial property rights may have effect: **22 March 2007**
(54) Product in respect of which the design is registered: **Packaging inserts**
(51) International Design Classification: **09-03H**
(71) Name(s) and Address(s) of Applicant(s):
Form Cut PTY LTD
7 Scarborough Way Lonsdale South Australia 5160 Australia
(72) Name(s) of Designer(s): **Karl Joseph Falzon**
(45) Registration Date: **13 June 2007**
(56) Related Art Documents: **Not Applicable**
(57) Statement of Newness and Distinctiveness: **Fully recyclable poly ethylene pieces bonded without glue. Opening expands and flexes around the item being packed.**



- (21) Design Number: **17022/2007**
(22) Date of Filing Application: **22 March 2007**
(24) Date from which industrial property rights may have effect: **22 March 2007**
(54) Product in respect of which the design is registered: **Pakaging inserts**
(51) International Design Classification: **09-03H**
(71) Name(s) and Address(s) of Applicant(s):
Form Cut PTY LTD
7 Scarborough Way Lonsdale South Australia 5160 Australia
(72) Name(s) of Designer(s): **Karl Joseph Falzon**
(45) Registration Date: **13 June 2007**
(56) Related Art Documents: **Not Applicable**
(57) Statement of Newness and Distinctiveness: **Fully recyclable poly ethylene pieces bonded without glue. Opening expands and flexes around the item being packed.**



- (21) Design Number: **17105/2007**
(22) Date of Filing Application: **21 March 2007**
(24) Date from which industrial property rights may have effect: **21 March 2007**
(54) Product in respect of which the design is registered: **An overshoe**
(51) International Design Classification: **02-04NES**
(71) Name(s) and Address(s) of Applicant(s):
Philip Dorian Bishop
3 Daveney Way West Pennant Hills New South Wales 2125 Australia
(72) Name(s) of Designer(s): **Philip Dorian Bishop**
(45) Registration Date: **13 June 2007**
(56) Related Art Documents: **Not Applicable**
(57) Statement of Newness and Distinctiveness: **Newness and distinctiveness is claimed in the shape and/or configuration of an overshoe as illustrated by the unbroken lines in the accompanying representation/s.**



- (21) Design Number: **16035/2007**
(22) Date of Filing Application: **18 January 2007**
(24) Date from which industrial property rights may have effect: **18 January 2007**
(54) Product in respect of which the design is registered: **Mobile phone wrist or arm band**
(51) International Design Classification: **11-01C**
(71) Name(s) and Address(s) of Applicant(s):
John Devers
1 Langwith Avenue Boronia Victoria 3155 Australia
(72) Name(s) of Designer(s): **John Devers**
(45) Registration Date: **14 June 2007**
(56) Related Art Documents: **Not Applicable**
(57) Statement of Newness and Distinctiveness: **Nil**



(21) Design Number: **16037/2007**

(22) Date of Filing Application: **18 January 2007**

(24) Date from which industrial property rights may have effect: **18 January 2007**

(54) Product in respect of which the design is registered: **Vacuum cleaner**

(51) International Design Classification: **15-05**

(71) Name(s) and Address(s) of Applicant(s):

Celaya Emparanza Y Galdos Internacional S.A
C/Artapadura n 11, 01013 Alava Vitoria Spain

(72) Name(s) of Designer(s): **Luis Moreno Jordana**

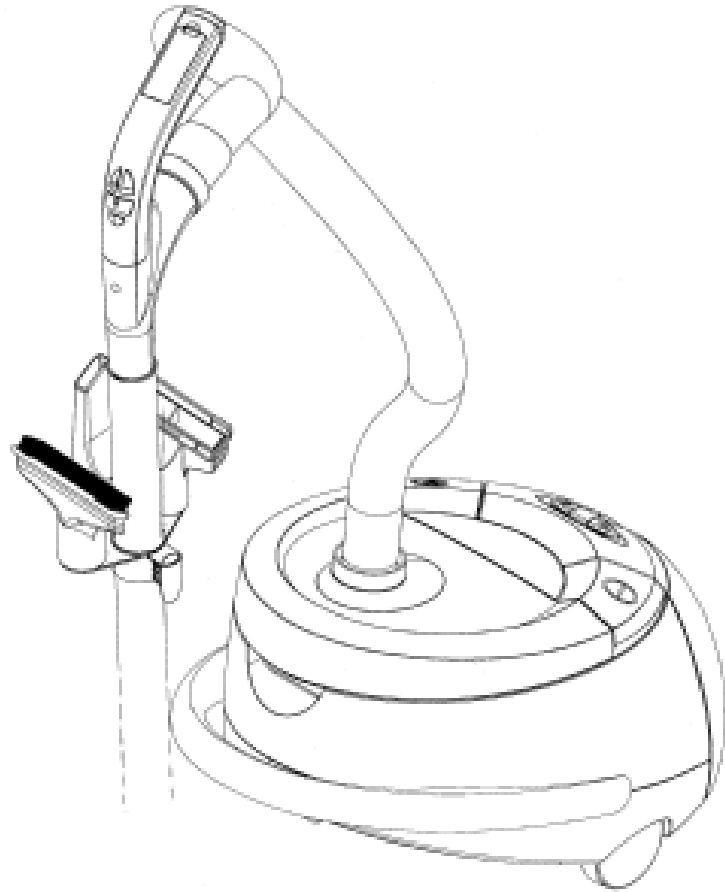
(45) Registration Date: **14 June 2007**

(30) Convention priority data:

(31) Number	(32) Date	(33) Country
567748-0001	28 Jul 2006	EUROPEAN COMMUNITY

(56) Related Art Documents: **Not Applicable**

(57) Statement of Newness and Distinctiveness: **Those features of the vacuum cleaner depicted in the representations that are new and distinctive are the shape and/or configuration. The hose may be of any length.**



(21) Design Number: **16086/2007**

(22) Date of Filing Application: **19 January 2007**

(24) Date from which industrial property rights may have effect: **19 January 2007**

(54) Product in respect of which the design is registered: **Perfume bottle**

(51) International Design Classification: **09-01G**

(71) Name(s) and Address(s) of Applicant(s):

Unique Garden Empreendimentos Hoteleiros Industria E Participacoes Ltda
Estrada Laramara 3500 Zip Code 07600#000 Vila Corumba Mairipora Spain

(72) Name(s) of Designer(s): **Tomie Ohtake**

(45) Registration Date: **14 June 2007**

(30) Convention priority data:

(31) Number	(32) Date	(33) Country
DI6602868#0	24 Jul 2006	BRAZIL

(56) Related Art Documents: **Not Applicable**

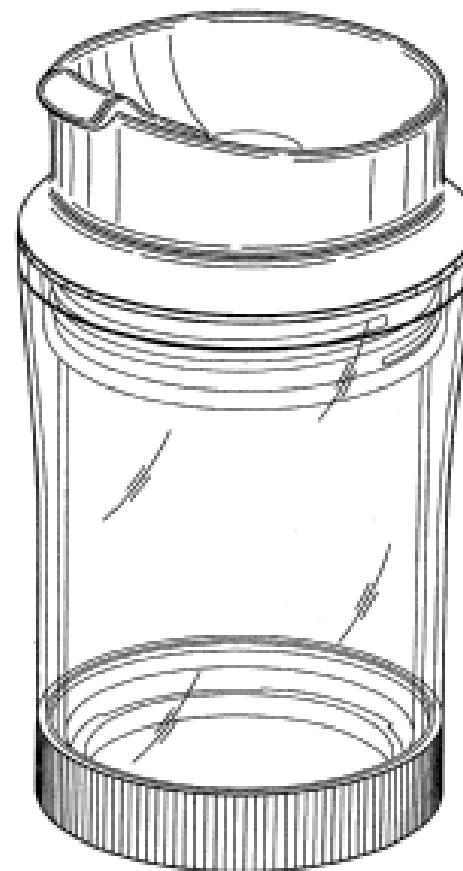
(57) Statement of Newness and Distinctiveness: **The visual features of the bottle depicted in the representations that are new and distinctive are the shape and/or configuration of the bottle, and the marbling pattern applied to the rear side of the bottle. The features of shape and configuration of the stand supporting the bottle are not part of the design and are to be disregarded when considering the overall impression of the design.**



- (21) Design Number: **16165/2007**
- (22) Date of Filing Application: **30 January 2007**
- (24) Date from which industrial property rights may have effect: **30 January 2007**
- (54) Product in respect of which the design is registered: **Drinking vessel**
- (51) International Design Classification: **07-01F**
- (71) Name(s) and Address(s) of Applicant(s):

Pi-Design AG
Kantonsstrasse 100 CH-6234 Triengen Switzerland

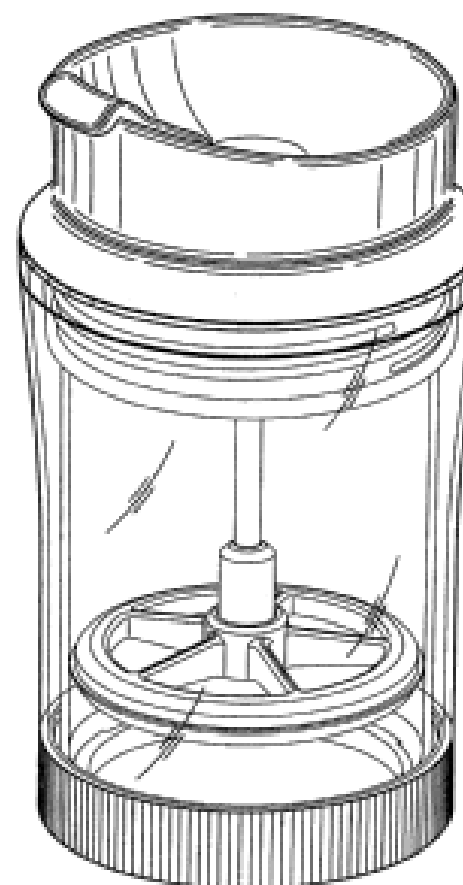
- (72) Name(s) of Designer(s): **Jorgen Bodum**
 - (45) Registration Date: **14 June 2007**
 - (30) Convention priority data:
- | | | |
|---------------|--------------------|--------------------|
| (31) Number | (32) Date | (33) Country |
| 133055 | 15 Aug 2006 | SWITZERLAND |
- (56) Related Art Documents: **Not Applicable**
 - (57) Statement of Newness and Distinctiveness: **Nil**



- (21) Design Number: **18093/2007**
- (22) Date of Filing Application: **30 January 2007**
- (24) Date from which industrial property rights may have effect: **30 January 2007**
- (54) Product in respect of which the design is registered: **Drinking vessel**
- (51) International Design Classification: **07-01F**
- (71) Name(s) and Address(s) of Applicant(s):

Pi-Design AG
Kantonsstrasse 100 CH-6234 Triengen Switzerland

- (72) Name(s) of Designer(s): **Jorgen Bodum**
 - (45) Registration Date: **14 June 2007**
 - (30) Convention priority data:
- | | | |
|---------------|--------------------|--------------------|
| (31) Number | (32) Date | (33) Country |
| 133055 | 15 Aug 2006 | SWITZERLAND |
- (56) Related Art Documents: **Not Applicable**
 - (57) Statement of Newness and Distinctiveness: **Nil**



- (21) Design Number: **18094/2007**
- (22) Date of Filing Application: **30 January 2007**
- (24) Date from which industrial property rights may have effect: **30 January 2007**
- (54) Product in respect of which the design is registered: **Drinking vessel**
- (51) International Design Classification: **07-01F**
- (71) Name(s) and Address(s) of Applicant(s):

Pi-Design AG
Kantonsstrasse 100 CH-6234 Triengen Switzerland

(72) Name(s) of Designer(s): **Jorgen Bodum**

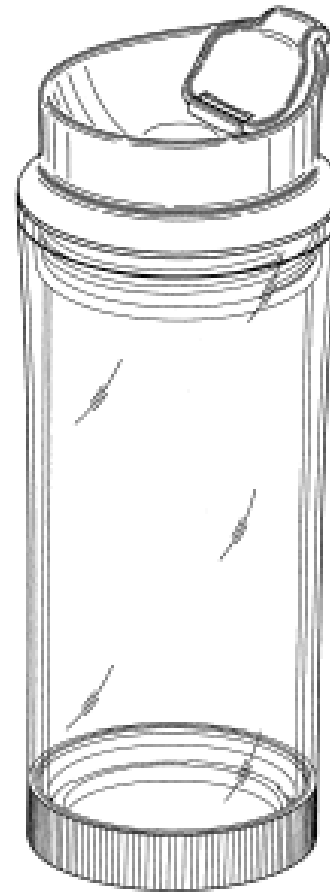
(45) Registration Date: **14 June 2007**

(30) Convention priority data:

(31) Number	(32) Date	(33) Country
133055	15 Aug 2006	SWITZERLAND

(56) Related Art Documents: **Not Applicable**

(57) Statement of Newness and Distinctiveness: **Nil**



- (21) Design Number: **18095/2007**
- (22) Date of Filing Application: **30 January 2007**
- (24) Date from which industrial property rights may have effect: **30 January 2007**
- (54) Product in respect of which the design is registered: **Drinking vessel**
- (51) International Design Classification: **07-01F**
- (71) Name(s) and Address(s) of Applicant(s):

Pi-Design AG
Kantonsstrasse 100 CH-6234 Triengen Switzerland

(72) Name(s) of Designer(s): **Jorgen Bodum**

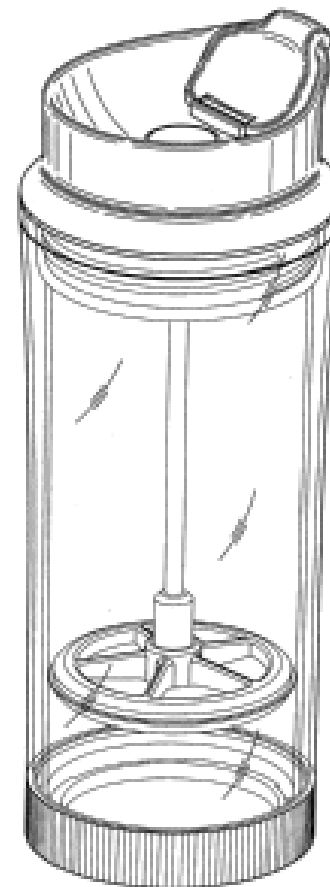
(45) Registration Date: **14 June 2007**

(30) Convention priority data:

(31) Number	(32) Date	(33) Country
133055	15 Aug 2006	SWITZERLAND

(56) Related Art Documents: **Not Applicable**

(57) Statement of Newness and Distinctiveness: **Nil**



(21) Design Number: **16509/2007**
(22) Date of Filing Application: **21 February 2007**
(24) Date from which industrial property rights may have effect: **21 February 2007**
(54) Product in respect of which the design is registered: **Rangehoods**
(51) International Design Classification: **23-04**
(71) Name(s) and Address(s) of Applicant(s):

Robinhood Limited
Level 17 Customhouse Quay Wellington New Zealand

(72) Name(s) of Designer(s): **Henri Spaile**

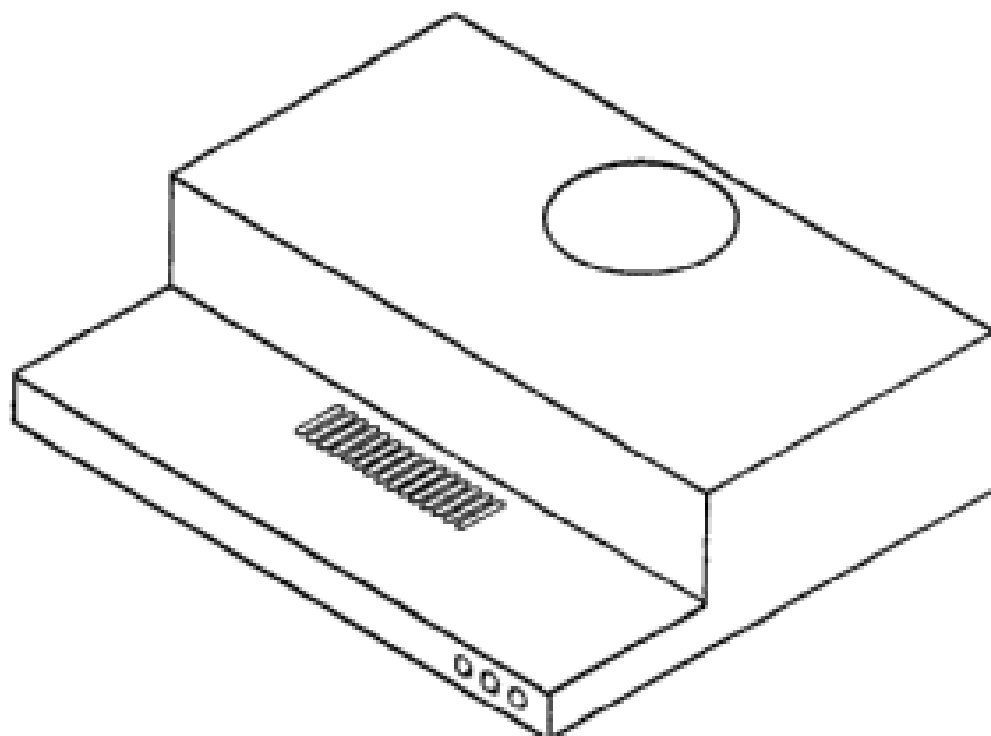
(45) Registration Date: **14 June 2007**

(30) Convention priority data:

(31) Number	(32) Date	(33) Country
408585	19 Jan 2007	NEW ZEALAND

(56) Related Art Documents: **Not Applicable**

(57) Statement of Newness and Distinctiveness: **Nil**



(21) Design Number: **18036/2007**
(22) Date of Filing Application: **21 February 2007**
(24) Date from which industrial property rights may have effect: **21 February 2007**
(54) Product in respect of which the design is registered: **Rangehoods**
(51) International Design Classification: **23-04**
(71) Name(s) and Address(s) of Applicant(s):

Robinhood Limited
Level 17 Customhouse Quay Wellington New Zealand

(72) Name(s) of Designer(s): **Henri Spaile**

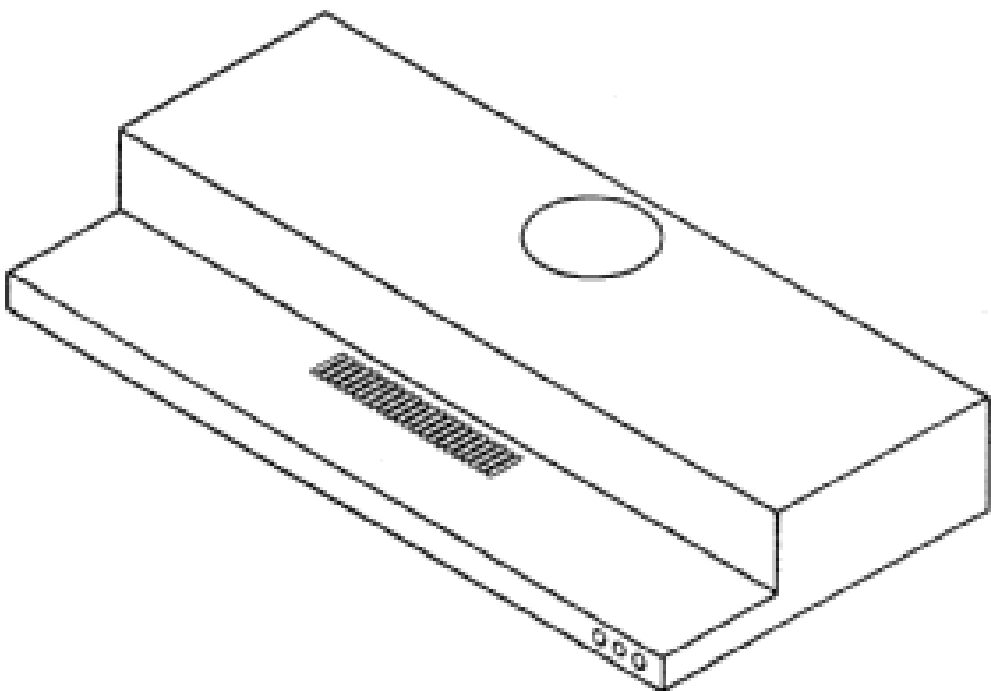
(45) Registration Date: **14 June 2007**

(30) Convention priority data:

(31) Number	(32) Date	(33) Country
408585	19 Jan 2007	NEW ZEALAND

(56) Related Art Documents: **Not Applicable**

(57) Statement of Newness and Distinctiveness: **Nil**



(21) Design Number: **18037/2007**
(22) Date of Filing Application: **21 February 2007**
(24) Date from which industrial property rights may have effect: **21 February 2007**
(54) Product in respect of which the design is registered: **Rangehoods**
(51) International Design Classification: **23-04**
(71) Name(s) and Address(s) of Applicant(s):

Robinhood Limited
Level 17 Customhouse Quay Wellington New Zealand

(72) Name(s) of Designer(s): **Henri Spaile**

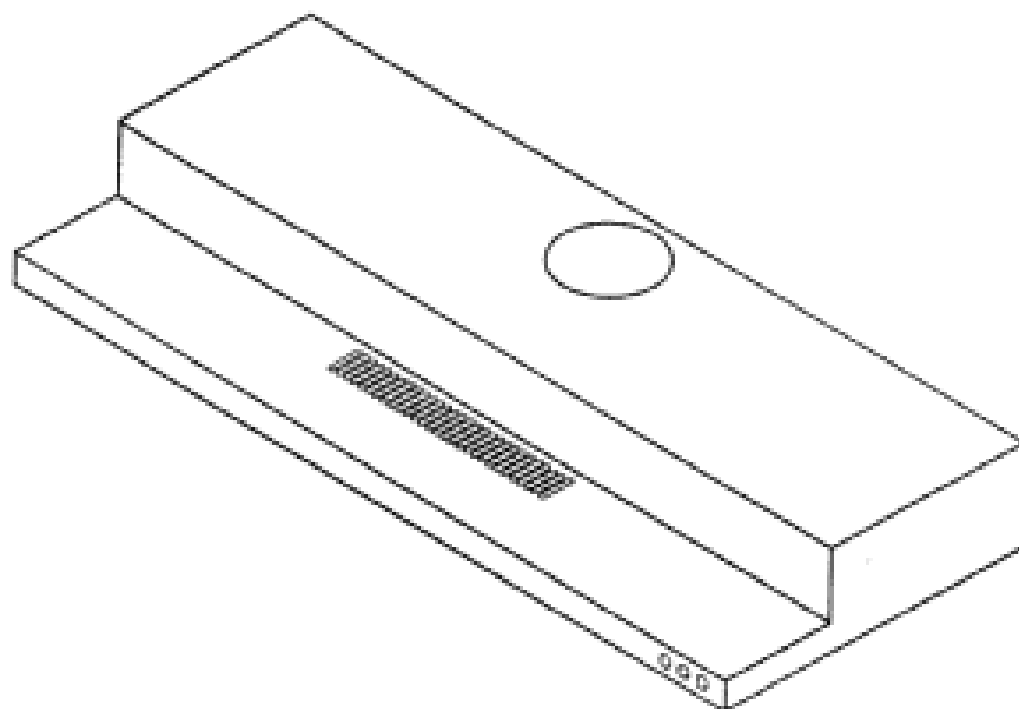
(45) Registration Date: **14 June 2007**

(30) Convention priority data:

(31) Number	(32) Date	(33) Country
408585	19 Jan 2007	NEW ZEALAND

(56) Related Art Documents: **Not Applicable**

(57) Statement of Newness and Distinctiveness: **Nil**



(21) Design Number: **17823/2007**
(22) Date of Filing Application: **09 May 2007**
(24) Date from which industrial property rights may have effect: **09 May 2007**
(54) Product in respect of which the design is registered: **Large square bag**
(51) International Design Classification: **03-01NES**
(71) Name(s) and Address(s) of Applicant(s):

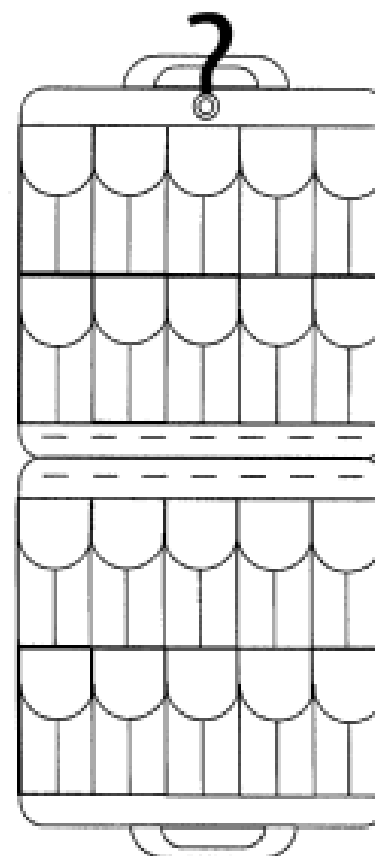
Marcia Priestley
92 Waranga Drive Kialla Victoria 3631 Australia

(72) Name(s) of Designer(s): **Marcia Priestley**

(45) Registration Date: **14 June 2007**

(56) Related Art Documents: **Not Applicable**

(57) Statement of Newness and Distinctiveness: **The travel shoe bag is a square, rectangle or a circular suitcase or large bag that when sitting upright has a handle at the top of the bag. It opens from one end with a zip that runs right around to the other end to open the bag fully (to almost look like a flat sheet) to reveal inside pockets or pouches large enough to hold shoes. This bag or case also contains a concealed hook which is easily accessible by opening a zipper, to hang the bag in an upright position. This hook is concealed on the inside or outside of the bag or case. Inside the pouches or pockets can vary in size to cater for family members sizes, consisting anywhere from six to twenty four pockets or pouches in one bag. This case can also hold a shoe cleaner and shoe horn depending on the tastes and needs. Each case may be covered with different printed fabrics, vinyle, leather or printed plastics, weatherproof materials, to cater for different tastes and needs and may have external pockets or pouches or compartments. The travel shoebag may at a later date have seperate compartments to hold other accessories and it may also be transportable by wheels (like other modern suitcases) depending on the size.**

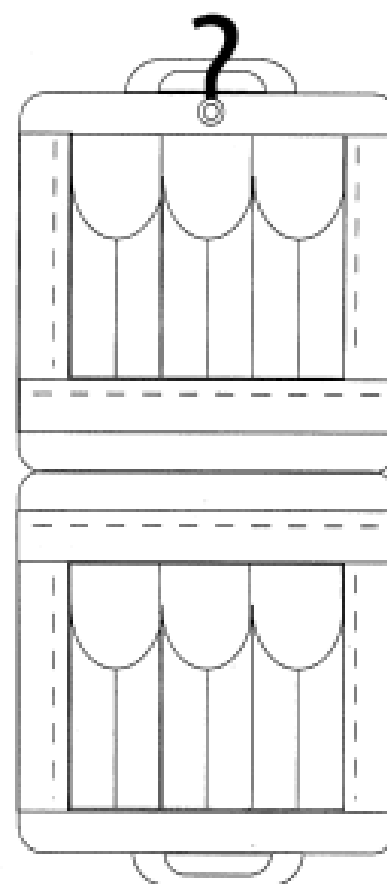


- (21) Design Number: **18067/2007**
- (22) Date of Filing Application: **09 May 2007**
- (24) Date from which industrial property rights may have effect: **09 May 2007**
- (54) Product in respect of which the design is registered: **Small square bag**
- (51) International Design Classification: **03-01NES**
- (71) Name(s) and Address(s) of Applicant(s):

Marcia Priestley
92 Waranga Drive Kialla Victoria 3631 Australia

- (72) Name(s) of Designer(s): **Marcia Priestley**
- (45) Registration Date: **14 June 2007**
- (56) Related Art Documents: **Not Applicable**

(57) Statement of Newness and Distinctiveness: **The travel shoe bag is a square, rectangle or a circular suitcase or large bag that when sitting upright has a handle at the top of the bag. It opens from one end with a zip that runs right around to the other end to open the bag fully (to almost look like a flat sheet) to reveal inside pockets or pouches large enough to hold shoes. This bag or case also contains a concealed hook which is easily accessible by opening a zipper, to hang the bag in an upright position. This hook is concealed on the inside or outside of the bag or case. Inside the pouches or pockets can vary in size to cater for family members sizes, consisting anywhere from six to twenty four pockets or pouches in one bag. This case can also hold a shoe cleaner and shoe horn depending on the tastes and needs. Each case may be covered with different printed fabrics, vinyle, leather or printed plastics, weatherproof materials, to cater for different tastes and needs and may have external pockets or pouches or compartments. The travel shoebag may at a later date have seperate compartments to hold other accessories and it may also be transportable by wheels (like other modern suitcases) depending on the size.**

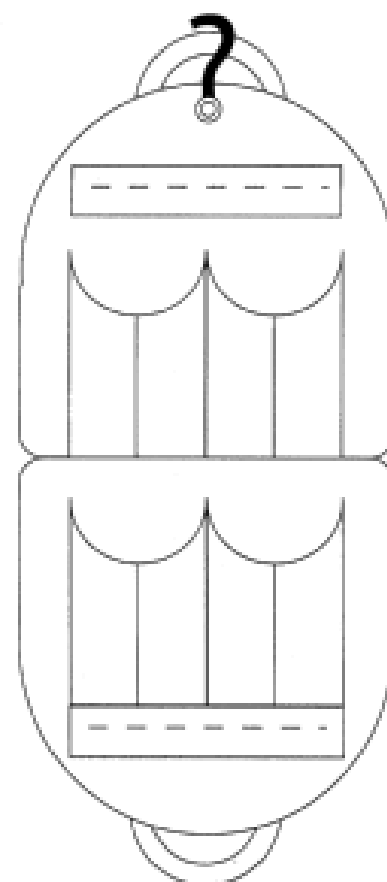


- (21) Design Number: **18068/2007**
- (22) Date of Filing Application: **09 May 2007**
- (24) Date from which industrial property rights may have effect: **09 May 2007**
- (54) Product in respect of which the design is registered: **Round bag**
- (51) International Design Classification: **03-01NES**
- (71) Name(s) and Address(s) of Applicant(s):

Marcia Priestley
92 Waranga Drive Kialla Victoria 3631 Australia

- (72) Name(s) of Designer(s): **Marcia Priestley**
- (45) Registration Date: **14 June 2007**
- (56) Related Art Documents: **Not Applicable**

(57) Statement of Newness and Distinctiveness: **The travel shoe bag is a square, rectangle or a circular suitcase or large bag that when sitting upright has a handle at the top of the bag. It opens from one end with a zip that runs right around to the other end to open the bag fully (to almost look like a flat sheet) to reveal inside pockets or pouches large enough to hold shoes. This bag or case also contains a concealed hook which is easily accessible by opening a zipper, to hang the bag in an upright position. This hook is concealed on the inside or outside of the bag or case. Inside the pouches or pockets can vary in size to cater for family members sizes, consisting anywhere from six to twenty four pockets or pouches in one bag. This case can also hold a shoe cleaner and shoe horn depending on the tastes and needs. Each case may be covered with different printed fabrics, vinyle, leather or printed plastics, weatherproof materials, to cater for different tastes and needs and may have external pockets or pouches or compartments. The travel shoebag may at a later date have seperate compartments to hold other accessories and it may also be transportable by wheels (like other modern suitcases) depending on the size.**



(21) Design Number: **16912/2007**

(22) Date of Filing Application: **15 March 2007**

(24) Date from which industrial property rights may have effect: **15 March 2007**

(54) Product in respect of which the design is registered: **A pair of complementary mattresses or seat cushions, for a campervan, caravan or motorhome**

(51) International Design Classification: **06-09**

(71) Name(s) and Address(s) of Applicant(s):

Trakka Pty Limited

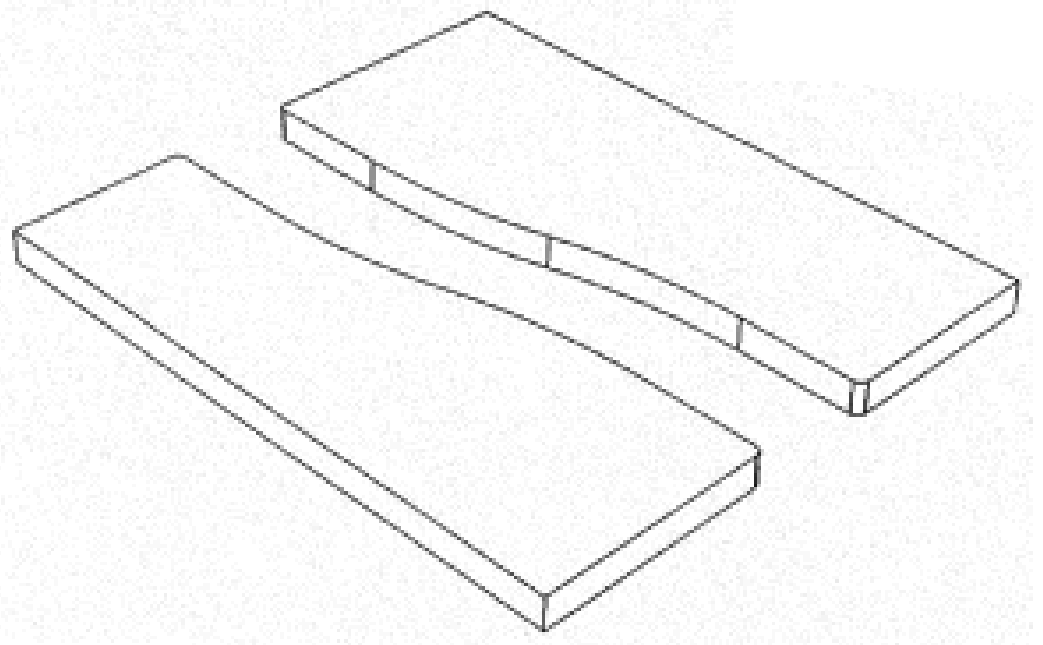
9#11 Beaumont Road Mt Kuring-gai New South Wales 2080 Australia

(72) Name(s) of Designer(s): **David Berry**

(45) Registration Date: **14 June 2007**

(56) Related Art Documents: **Not Applicable**

(57) Statement of Newness and Distinctiveness: **Newness and distinctiveness is claimed in the shape and/or configuration of a "pair of complementary seat cushions or mattresses, for a campervan, caravan or motorhome" as illustrated in the representations. No newness or distinctiveness is claimed for any small indents around the periphery of each cushion or mattress, (as shown, for example, in dotted lines marked "A", in the last representation).**



(21) Design Number: **17027/2007**

(22) Date of Filing Application: **22 March 2007**

(24) Date from which industrial property rights may have effect: **22 March 2007**

(54) Product in respect of which the design is registered: **Dish brush**

(51) International Design Classification: **04-01**

(71) Name(s) and Address(s) of Applicant(s):

The Decor Corporation Pty Ltd

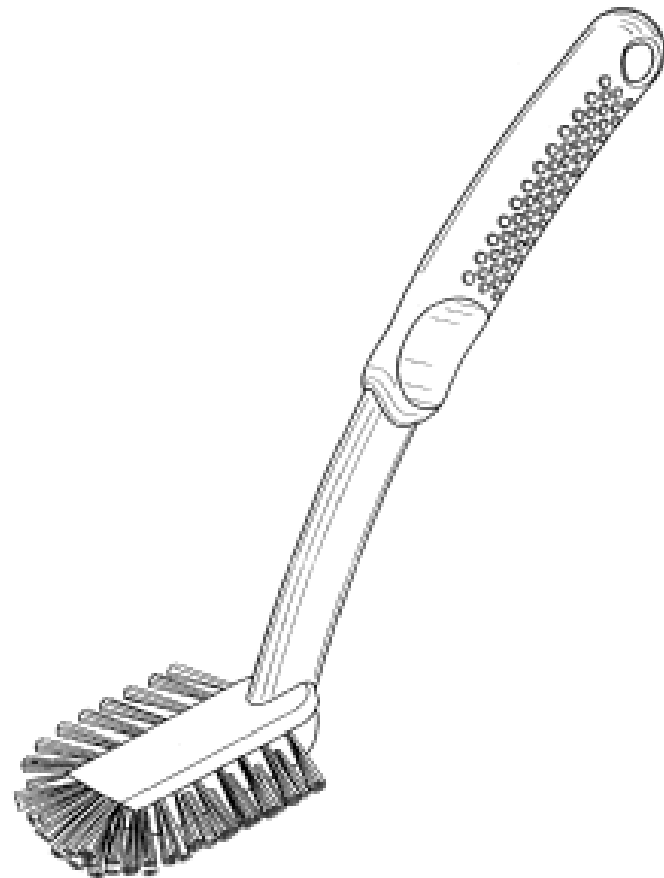
1314 Ferntree Gully Road Scoresby Victoria 3179 Australia

(72) Name(s) of Designer(s): **Anthony Henry Wolfenden**

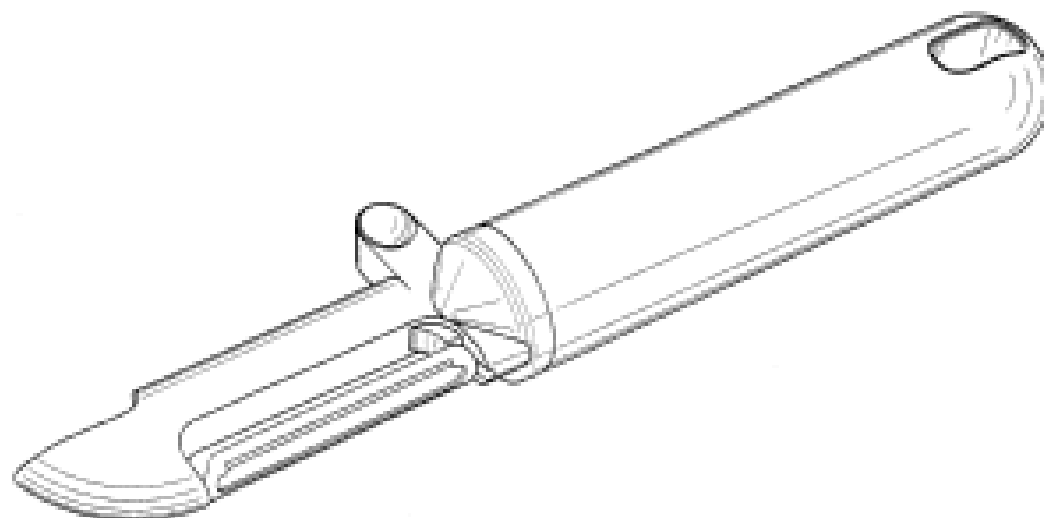
(45) Registration Date: **14 June 2007**

(56) Related Art Documents: **Not Applicable**

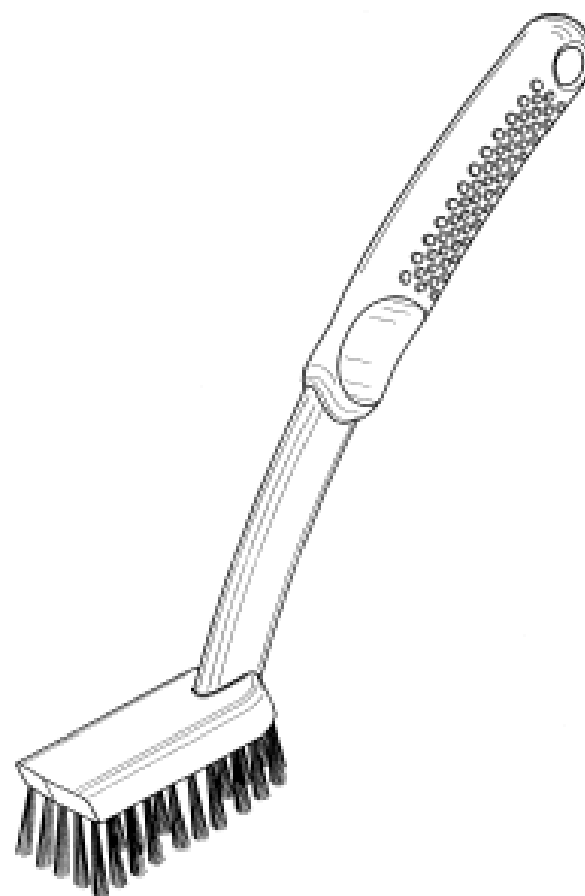
(57) Statement of Newness and Distinctiveness: **Nil**



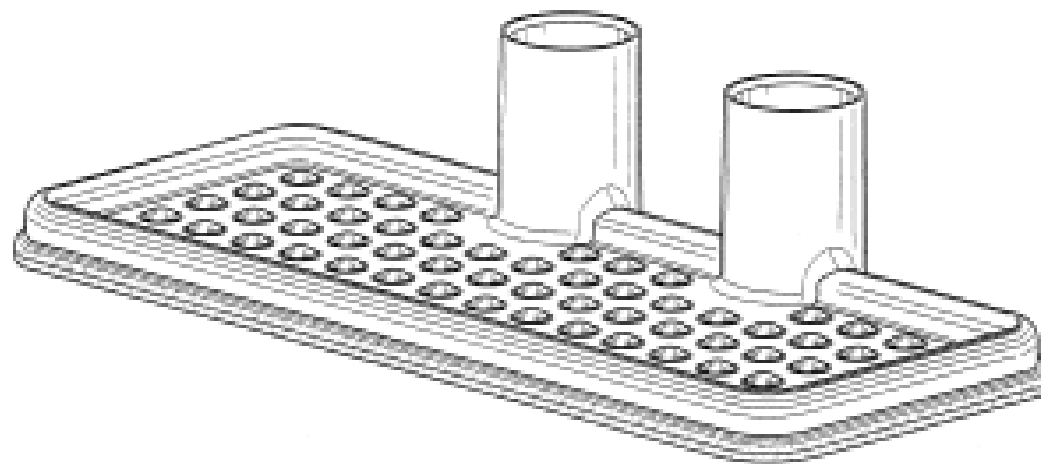
- (21) Design Number: **17028/2007**
(22) Date of Filing Application: **22 March 2007**
(24) Date from which industrial property rights may have effect: **22 March 2007**
(54) Product in respect of which the design is registered: **Vegetable peeler**
(51) International Design Classification: **07-04**
(71) Name(s) and Address(s) of Applicant(s):
The Decor Corporation Pty Ltd
1314 Ferntree Gully Road Scoresby Victoria 3179 Australia
(72) Name(s) of Designer(s): **Anthony Henry Wolfenden**
(45) Registration Date: **14 June 2007**
(56) Related Art Documents: **Not Applicable**
(57) Statement of Newness and Distinctiveness: **Nil**



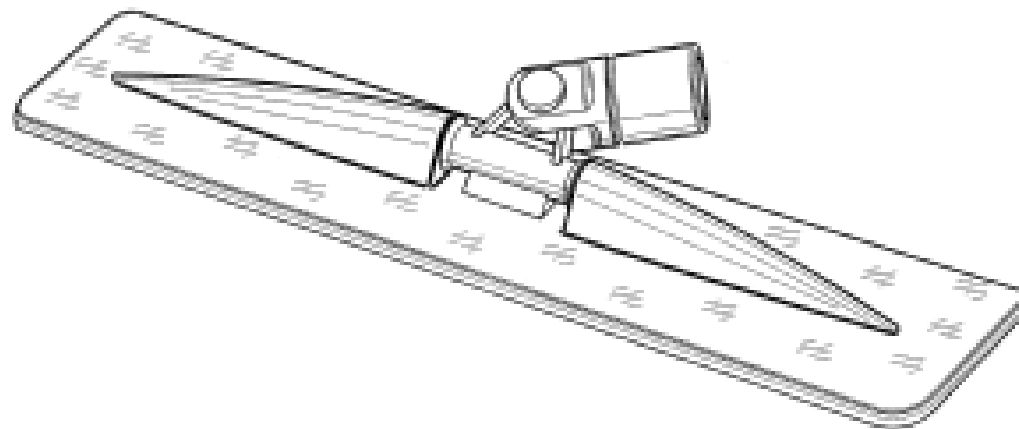
- (21) Design Number: **17029/2007**
(22) Date of Filing Application: **22 March 2007**
(24) Date from which industrial property rights may have effect: **22 March 2007**
(54) Product in respect of which the design is registered: **Dish brush**
(51) International Design Classification: **04-01**
(71) Name(s) and Address(s) of Applicant(s):
The Decor Corporation Pty Ltd
1314 Ferntree Gully Road Scoresby Victoria 3179 Australia
(72) Name(s) of Designer(s): **Anthony Henry Wolfenden**
(45) Registration Date: **14 June 2007**
(56) Related Art Documents: **Not Applicable**
(57) Statement of Newness and Distinctiveness: **Nil**



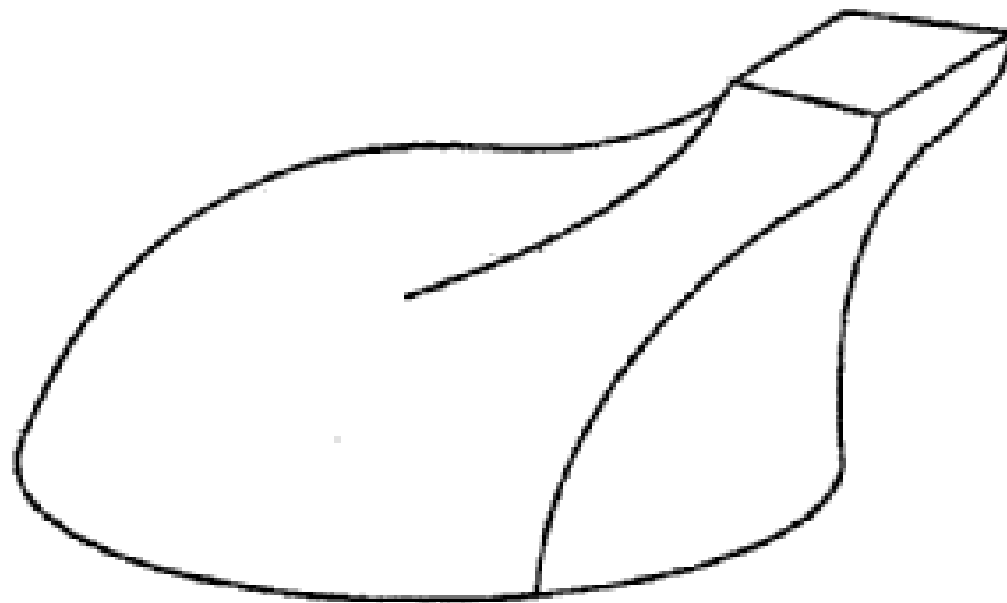
- (21) Design Number: **17030/2007**
- (22) Date of Filing Application: **22 March 2007**
- (24) Date from which industrial property rights may have effect: **22 March 2007**
- (54) Product in respect of which the design is registered: **Dish brush holder**
- (51) International Design Classification: **07-05NES**
- (71) Name(s) and Address(s) of Applicant(s):
The Decor Corporation Pty Ltd
1314 Ferntree Gully Road Scoresby Victoria 3179 Australia
- (72) Name(s) of Designer(s): **Anthony Henry Wolfenden**
- (45) Registration Date: **14 June 2007**
- (56) Related Art Documents: **Not Applicable**
- (57) Statement of Newness and Distinctiveness: **Nil**



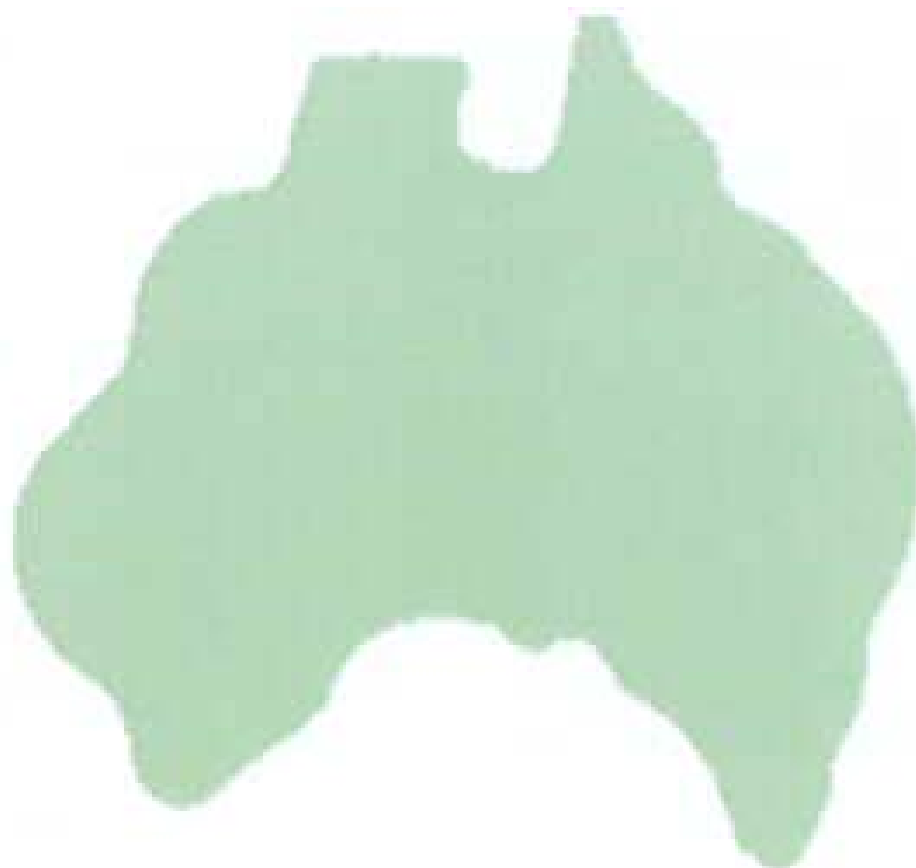
- (21) Design Number: **17031/2007**
- (22) Date of Filing Application: **22 March 2007**
- (24) Date from which industrial property rights may have effect: **22 March 2007**
- (54) Product in respect of which the design is registered: **Mop head body**
- (51) International Design Classification: **07-05E**
- (71) Name(s) and Address(s) of Applicant(s):
The Decor Corporation Pty Ltd
1314 Ferntree Gully Road Scoresby Victoria 3179 Australia
- (72) Name(s) of Designer(s): **Anthony Henry Wolfenden**
- (45) Registration Date: **14 June 2007**
- (56) Related Art Documents: **Not Applicable**
- (57) Statement of Newness and Distinctiveness: **Nil**



- (21) Design Number: **17843/2007**
- (22) Date of Filing Application: **09 May 2007**
- (24) Date from which industrial property rights may have effect: **09 May 2007**
- (54) Product in respect of which the design is registered: **Cleat for a shoe**
- (51) International Design Classification: **02-04A**
- (71) Name(s) and Address(s) of Applicant(s):
Puma Aktiengesellschaft Rudolf Dassler Sport
Wurzburger Strasse 13 91074 Herzogenaurach Germany
- (72) Name(s) of Designer(s): **Peter Schmid**
- (45) Registration Date: **14 June 2007**
- (56) Related Art Documents: **Not Applicable**
- (57) Statement of Newness and Distinctiveness: **Nil**



- (21) Design Number: **14646/2006**
- (22) Date of Filing Application: **13 October 2006**
- (24) Date from which industrial property rights may have effect: **13 October 2006**
- (54) Product in respect of which the design is registered: **Soap**
- (51) International Design Classification: **28-02**
- (71) Name(s) and Address(s) of Applicant(s):
Andrew Kromer
38 Seymour Way Kellyville New South Wales 2155 Australia
- (72) Name(s) of Designer(s): **Andrew Kromer**
- (45) Registration Date: **13 June 2007**
- (56) Related Art Documents: **Not Applicable**
- (57) Statement of Newness and Distinctiveness: **Shape of Australian continent.**



(19) AU

(21) Design Number: 16138/2007

(22) Date of Filing Application: 25 January 2007

(24) Date from which industrial property rights may have effect: 25 January 2007

(54) Product in respect of which the design is registered: A shoe watch

(51) International Design Classification: 10-02

(71) Name(s) and Address(s) of Applicant(s):

Lawrence Kates
1111 Bayside Drive Corona Del Mar California 92625 United States of America

(72) Name(s) of Designer(s): Lawrence Kates

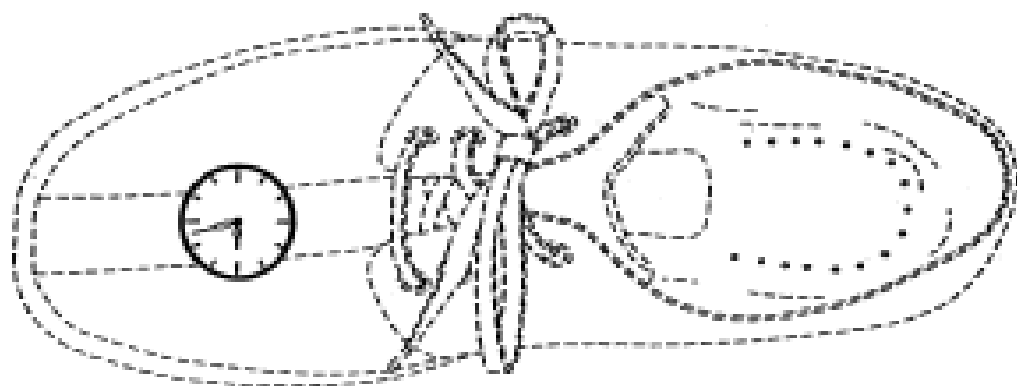
(45) Registration Date: 13 June 2007

(30) Convention priority data:

(31) Number	(32) Date	(33) Country
29263834	28 Jul 2006	UNITED STATES OF AMERICA

(56) Related Art Documents: Not Applicable

(57) Statement of Newness and Distinctiveness: Newness and distinctiveness is claimed in the visual features of the shoe watch as shown in solid lines in the representations and in its configuration on the shoe.



(19) AU

(21) Design Number: 16354/2007

(22) Date of Filing Application: 07 February 2007

(24) Date from which industrial property rights may have effect: 07 February 2007

(54) Product in respect of which the design is registered: A motor vehicle and model motor vehicle

(51) International Design Classification: 12-08, 21-01C

(71) Name(s) and Address(s) of Applicant(s):

GM Global Technology Operations, Inc
300 Renaissance Center Detroit MI 48265-3000 United States of America

(72) Name(s) of Designer(s): Peter Hughes

(45) Registration Date: 13 June 2007

(56) Related Art Documents: Not Applicable

(57) Statement of Newness and Distinctiveness: Newness and distinctiveness is claimed in the pattern or ornamentation of a motor vehicle and model motor vehicle as shown in the representations.



- (21) Design Number: **16355/2007**
(22) Date of Filing Application: **07 February 2007**
(24) Date from which industrial property rights may have effect: **07 February 2007**
(54) Product in respect of which the design is registered: **A motor vehicle and model motor vehicle**
(51) International Design Classification: **12-08, 21-01C**
(71) Name(s) and Address(s) of Applicant(s):
GM Global Technology Operations, Inc
300 Renaissance Center Detroit MI 48265-3000 United States of America
(72) Name(s) of Designer(s): **Peter Hughes**
(45) Registration Date: **13 June 2007**
(56) Related Art Documents: **Not Applicable**
(57) Statement of Newness and Distinctiveness: **Newness and distinctiveness is claimed in the pattern or ornamentation of a motor vehicle and model motor vehicle as shown in the representations.**

MOTOR VEHICLE



MODEL MOTOR VEHICLE



- (21) Design Number: **16408/2007**
(22) Date of Filing Application: **14 February 2007**
(24) Date from which industrial property rights may have effect: **14 February 2007**
(54) Product in respect of which the design is registered: **A bead, pellet or sand filled ball with a soft outer shell and an electronic centre piece**
(51) International Design Classification: **21-01NES**
(71) Name(s) and Address(s) of Applicant(s):
Wicked Vision Limited
The 1927 Building 2 Michael Road London SW6 2AD United Kingdom
(72) Name(s) of Designer(s): **David Strang**
(45) Registration Date: **13 June 2007**
(56) Related Art Documents: **Not Applicable**
(57) Statement of Newness and Distinctiveness: **Nil**

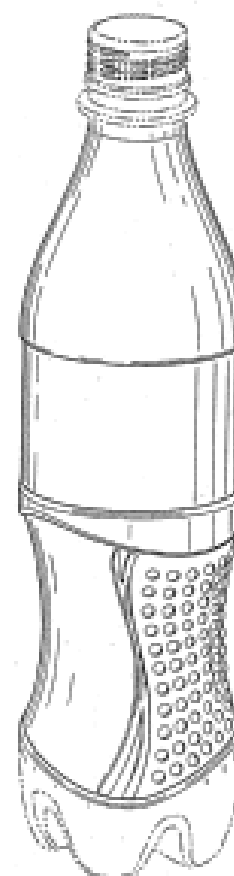


- (21) Design Number: **16612/2007**
- (22) Date of Filing Application: **26 February 2007**
- (24) Date from which industrial property rights may have effect: **26 February 2007**
- (54) Product in respect of which the design is registered: **Fleece, triangle shaped, nappy with built in three layer liner. Pre folded**
- (51) International Design Classification: **02-01B**
- (71) Name(s) and Address(s) of Applicant(s):
Alana Doyle
PO Box 7321 East Brisbane Queensland 4169 Australia
- (72) Name(s) of Designer(s): **Alana Doyle**
- (45) Registration Date: **13 June 2007**
- (56) Related Art Documents: **Not Applicable**
- (57) Statement of Newness and Distinctiveness: **Nappy has a "built in liner" made of fleece. Triangular in shape but squares at the bottom. This is then folded up into the nappy and another liner is put on the inside of the nappy. This provides extra protection for baby boys! Made of 100% fleece.**

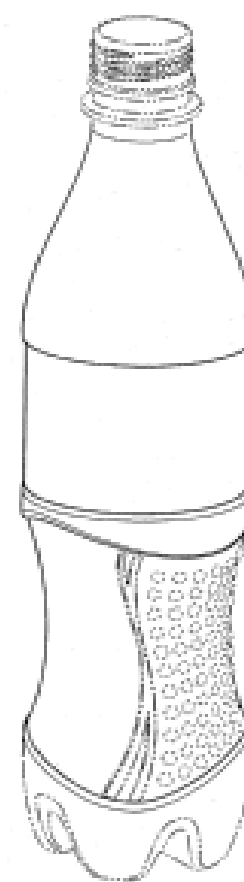


- (21) Design Number: **16588/2007**
- (22) Date of Filing Application: **23 February 2007**
- (24) Date from which industrial property rights may have effect: **23 February 2007**
- (54) Product in respect of which the design is registered: **Bottle**
- (51) International Design Classification: **09-01H**
- (71) Name(s) and Address(s) of Applicant(s):
The Coca-Cola Company
One Coca-Cola Plaza NW Atlanta Georgia 30313 United States of America
- (72) Name(s) of Designer(s): **Malcolm Kinmont and Yves Behar**
- (45) Registration Date: **13 June 2007**
- (30) Convention priority data:

(31) Number	(32) Date	(33) Country
29/248,666	28 Aug 2006	UNITED STATES OF AMERICA
- (56) Related Art Documents: **Not Applicable**
- (57) Statement of Newness and Distinctiveness: **Those features of the bottle depicted in the representations that are new and distinctive are the shape and/or configuration. The features shown in broken lines are not part of the design and are to be disregarded when considering the overall impression of the design.**



- (21) Design Number: **17857/2007**
(22) Date of Filing Application: **23 February 2007**
(24) Date from which industrial property rights may have effect: **23 February 2007**
(54) Product in respect of which the design is registered: **Bottle**
(51) International Design Classification: **09-01H**
(71) Name(s) and Address(s) of Applicant(s):
The Coca-Cola Company
One Coca-Cola Plaza NW Atlanta Georgia 30313 United States of America
(72) Name(s) of Designer(s): **Malcolm Kinmont and Yves Behar**
(45) Registration Date: **13 June 2007**
(30) Convention priority data:
(31) Number (32) Date (33) Country
29/248,666 28 Aug 2006 UNITED STATES OF AMERICA
(56) Related Art Documents: **Not Applicable**
(57) Statement of Newness and Distinctiveness: **Those features of the bottle depicted in the representations that are new and distinctive are the shape and/or configuration. The features shown in broken lines are not part of the design and are to be disregarded when considering the overall impression of the design.**



- (21) Design Number: **16778/2007**
(22) Date of Filing Application: **08 March 2007**
(24) Date from which industrial property rights may have effect: **08 March 2007**
(54) Product in respect of which the design is registered: **Nappy**
(51) International Design Classification: **02-01B**
(71) Name(s) and Address(s) of Applicant(s):
Alana Doyle
PO Box 7321 East Brisbane Queensland 4169 Australia
(72) Name(s) of Designer(s): **Alana Doyle**
(45) Registration Date: **13 June 2007**
(56) Related Art Documents: **Not Applicable**
(57) Statement of Newness and Distinctiveness: **The fold of the nappy is unique. The liner is folded into the nappy. Extra liner attached. Pre folded nappy. All sewn together. The liner fold is the unique part. Cloth nappy. Triangle shape.**



(21) Design Number: **16854/2007**
(22) Date of Filing Application: **09 March 2007**
(24) Date from which industrial property rights may have effect: **09 March 2007**
(54) Product in respect of which the design is registered: **Exterior light**
(51) International Design Classification: **26-03**
(71) Name(s) and Address(s) of Applicant(s):

Schreder
Rue de Lusambo 67 Brussels B-1190 Belgium

(72) Name(s) of Designer(s): **Michel Tortel**

(45) Registration Date: **13 June 2007**

(30) Convention priority data:

(31) Number	(32) Date	(33) Country
06#90974	11 Sep 2006	COLOMBIA

(56) Related Art Documents: **Not Applicable**

(57) Statement of Newness and Distinctiveness: **Nil**



(21) Design Number: **16904/2007**
(22) Date of Filing Application: **14 March 2007**
(24) Date from which industrial property rights may have effect: **14 March 2007**
(54) Product in respect of which the design is registered: **Armrest**
(51) International Design Classification: **06-06G**
(71) Name(s) and Address(s) of Applicant(s):

Dauphin Entwicklungs-und Beteiligungs GmbH
Industriestrasse 11 DE-91217 Hersbruck Germany

(72) Name(s) of Designer(s): **Elke Dauphin**

(45) Registration Date: **13 June 2007**

(30) Convention priority data:

(31) Number	(32) Date	(33) Country
000589494	15 Sep 2006	EUROPEAN COMMUNITY

(56) Related Art Documents: **Not Applicable**

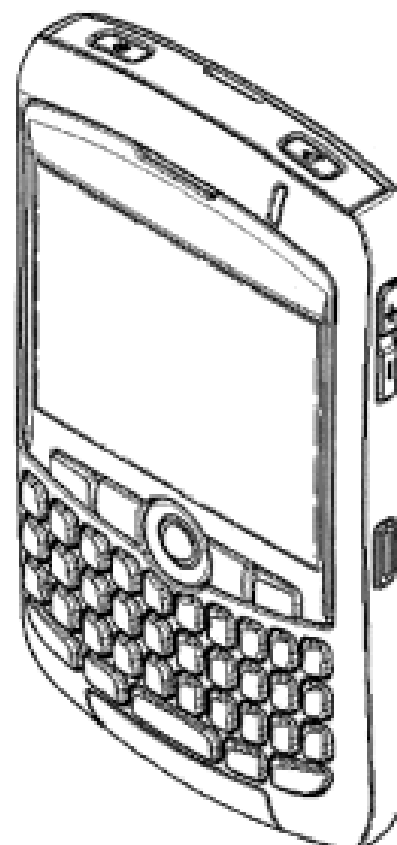
(57) Statement of Newness and Distinctiveness: **Those features of the armrest depicted in the representations that are new and distinctive are the shape and/or configuration.**



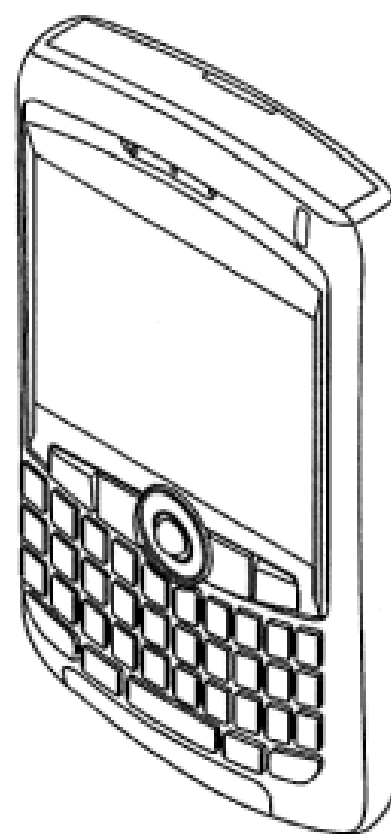
- (21) Design Number: **17066/2007**
(22) Date of Filing Application: **26 March 2007**
(24) Date from which industrial property rights may have effect: **26 March 2007**
(54) Product in respect of which the design is registered: **Handheld electronic device**
(51) International Design Classification: **14-02**
(71) Name(s) and Address(s) of Applicant(s):
Research In Motion Limited
295 Phillip Street Waterloo Ontario N2L 3W8 Canada
(72) Name(s) of Designer(s): **Roman P. Rak and Jason T. Griffin and Kwok Ching Leung**
(45) Registration Date: **13 June 2007**
(30) Convention priority data:
(31) Number (32) Date (33) Country
29/249167 25 Sep 2006 UNITED STATES OF AMERICA
(56) Related Art Documents: **Not Applicable**
(57) Statement of Newness and Distinctiveness: **Newness and distinctiveness is claimed in the features of shape and/or configuration and pattern and/or ornamentation of a handheld electronic device as illustrated in the accompanying representations.**



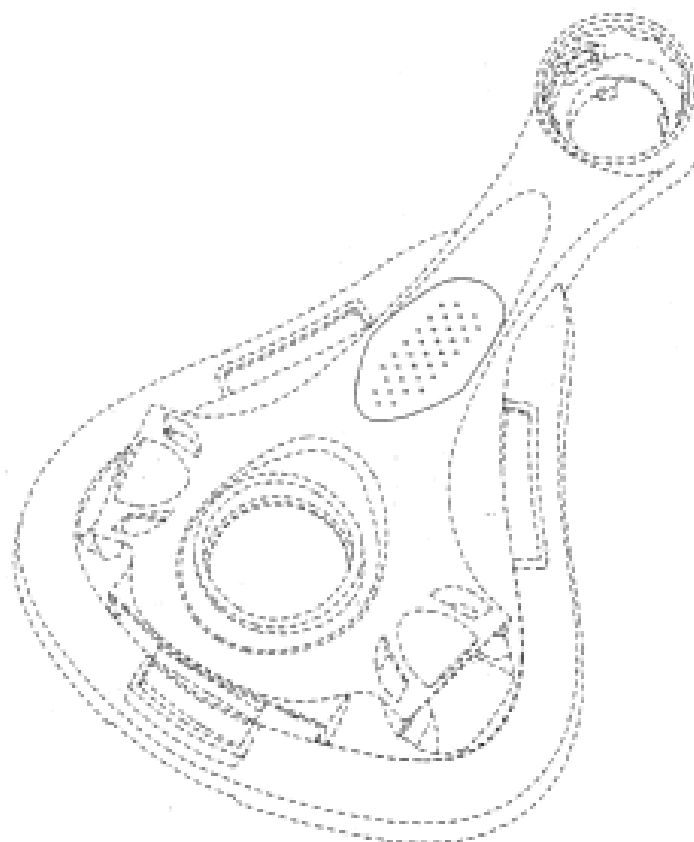
- (21) Design Number: **17067/2007**
(22) Date of Filing Application: **26 March 2007**
(24) Date from which industrial property rights may have effect: **26 March 2007**
(54) Product in respect of which the design is registered: **Handheld electronic device**
(51) International Design Classification: **14-02**
(71) Name(s) and Address(s) of Applicant(s):
Research In Motion Limited
295 Phillip Street Waterloo Ontario N2L 3W8 Canada
(72) Name(s) of Designer(s): **Roman P. Rak and Jason T. Griffin and Kwok Ching Leung**
(45) Registration Date: **13 June 2007**
(30) Convention priority data:
(31) Number (32) Date (33) Country
29/249167 25 Sep 2006 UNITED STATES OF AMERICA
(56) Related Art Documents: **Not Applicable**
(57) Statement of Newness and Distinctiveness: **Newness and distinctiveness is claimed in the features of shape and/or configuration of a handheld electronic device as illustrated in the accompanying representations.**



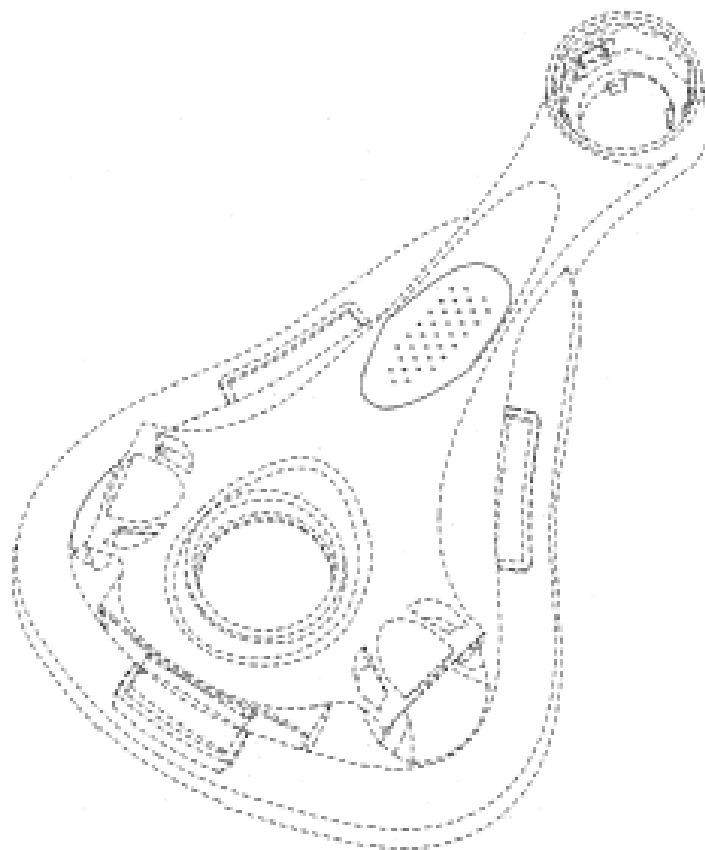
- (21) Design Number: **17068/2007**
(22) Date of Filing Application: **26 March 2007**
(24) Date from which industrial property rights may have effect: **26 March 2007**
(54) Product in respect of which the design is registered: **Handheld electronic device**
(51) International Design Classification: **14-02**
(71) Name(s) and Address(s) of Applicant(s):
Research In Motion Limited
295 Phillip Street Waterloo Ontario N2L 3W8 Canada
(72) Name(s) of Designer(s): **Roman P. Rak and Jason T. Griffin and Kwok Ching Leung**
(45) Registration Date: **13 June 2007**
(30) Convention priority data:
(31) Number (32) Date (33) Country
29/249167 25 Sep 2006 UNITED STATES OF AMERICA
(56) Related Art Documents: **Not Applicable**
(57) Statement of Newness and Distinctiveness: **Newness and distinctiveness is claimed in the features of shape and/or configuration of a handheld electronic device as illustrated in the accompanying representations.**



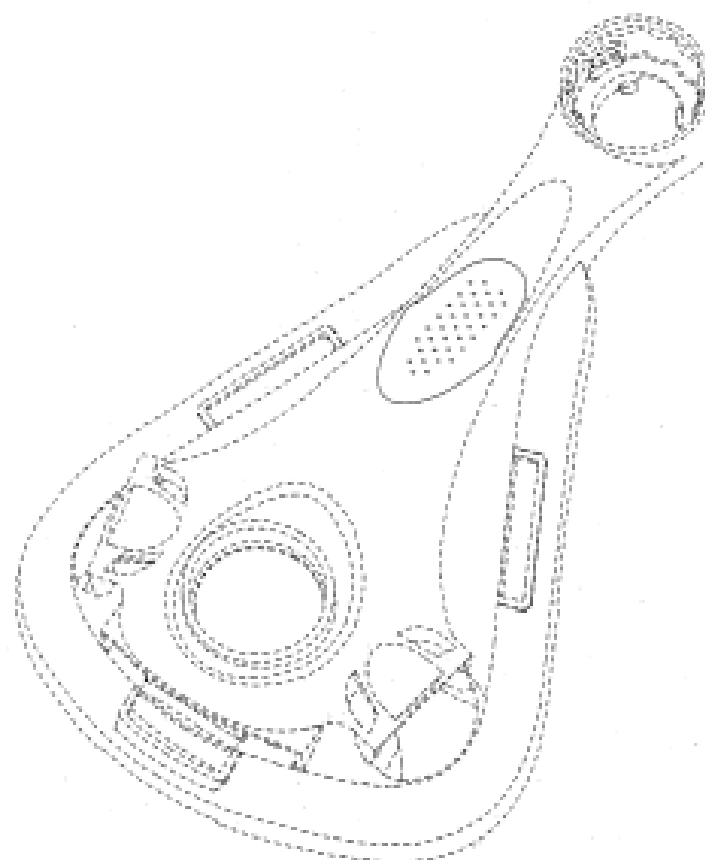
- (21) Design Number: **17882/2007**
(22) Date of Filing Application: **11 May 2007**
(24) Date from which industrial property rights may have effect: **11 May 2007**
(54) Product in respect of which the design is registered: **Vent for respiratory mask**
(51) International Design Classification: **24-01**
(71) Name(s) and Address(s) of Applicant(s):
ResMed Ltd
1 Elizabeth Macarthur Drive Bella Vista New South Wales 2153 Australia
(72) Name(s) of Designer(s): **Lee James Veliss and Philip Thomas Stallard and Scott Alexander Howard and Melanie Lucia Cariola**
(45) Registration Date: **13 June 2007**
(30) Convention priority data:
(31) Number (32) Date (33) Country
29/268,731 13 Nov 2006 UNITED STATES OF AMERICA
(56) Related Art Documents: **Not Applicable**
(57) Statement of Newness and Distinctiveness: **Newness and distinctiveness is claimed in those parts of the design shown in unbroken lines.**



- (21) Design Number: **17883/2007**
(22) Date of Filing Application: **11 May 2007**
(24) Date from which industrial property rights may have effect: **11 May 2007**
(54) Product in respect of which the design is registered: **Vent for respiratory mask**
(51) International Design Classification: **24-01**
(71) Name(s) and Address(s) of Applicant(s):
ResMed Ltd
1 Elizabeth Macarthur Drive Bella Vista New South Wales 2153
Australia
(72) Name(s) of Designer(s): **Lee James Veliss and Philip Thomas Stallard and**
Scott Alexander Howard and Melanie Lucia Cariola
(45) Registration Date: **13 June 2007**
(30) Convention priority data:
(31) Number (32) Date (33) Country
29/268,731 13 Nov 2006 UNITED STATES OF AMERICA
(56) Related Art Documents: **Not Applicable**
(57) Statement of Newness and Distinctiveness: **Newness and distinctiveness is**
claimed in those parts of the design shown in unbroken lines.

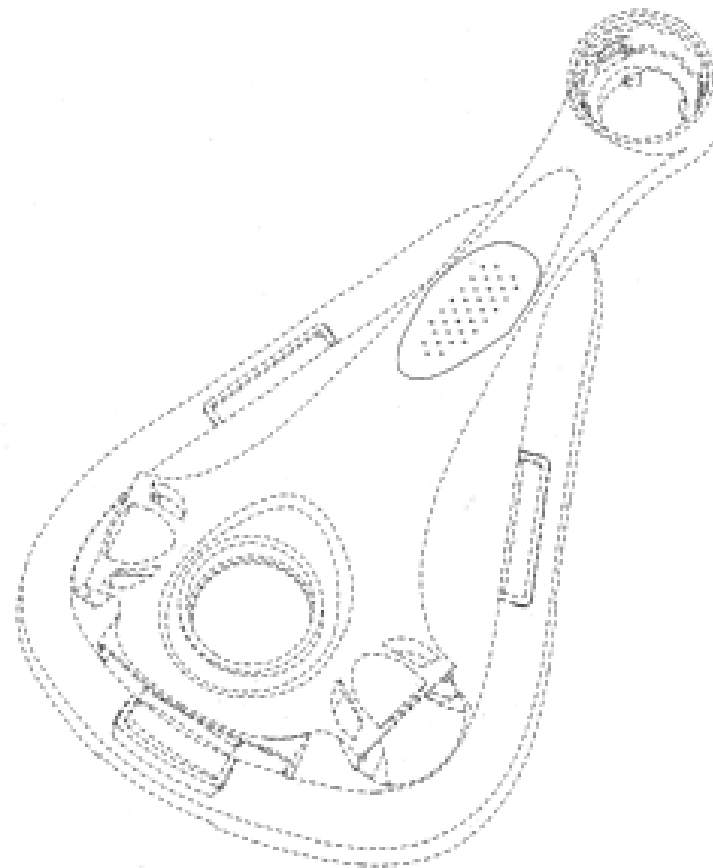


- (21) Design Number: **17884/2007**
(22) Date of Filing Application: **11 May 2007**
(24) Date from which industrial property rights may have effect: **11 May 2007**
(54) Product in respect of which the design is registered: **Vent for respiratory mask**
(51) International Design Classification: **24-01**
(71) Name(s) and Address(s) of Applicant(s):
ResMed Ltd
1 Elizabeth Macarthur Drive Bella Vista New South Wales 2153
Australia
(72) Name(s) of Designer(s): **Lee James Veliss and Philip Thomas Stallard and**
Scott Alexander Howard and Melanie Lucia Cariola
(45) Registration Date: **13 June 2007**
(30) Convention priority data:
(31) Number (32) Date (33) Country
29/268,731 13 Nov 2006 UNITED STATES OF AMERICA
(56) Related Art Documents: **Not Applicable**
(57) Statement of Newness and Distinctiveness: **Newness and distinctiveness is**
claimed in those parts of the design shown in unbroken lines.



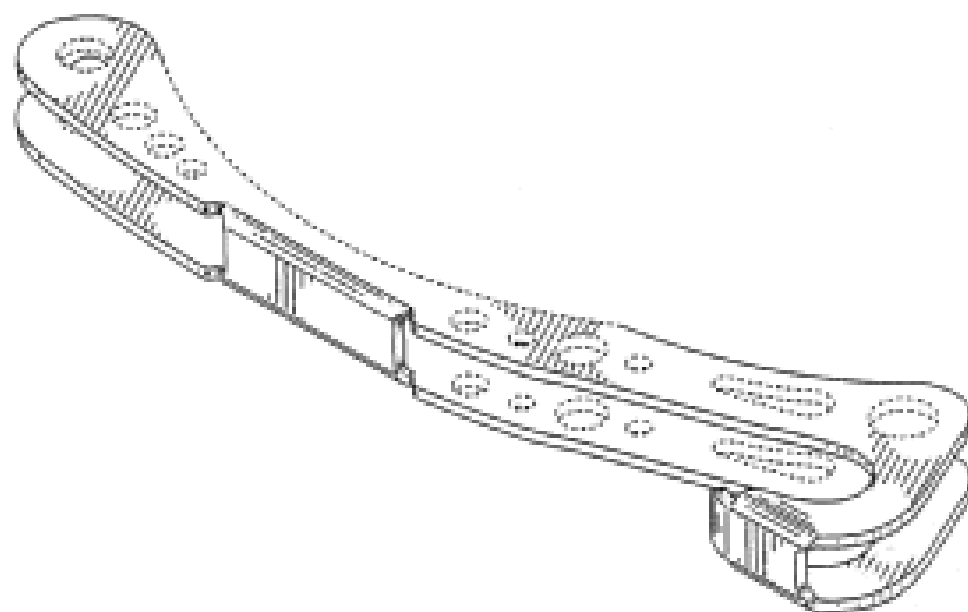
- (21) Design Number: **17885/2007**
- (22) Date of Filing Application: **11 May 2007**
- (24) Date from which industrial property rights may have effect: **11 May 2007**
- (54) Product in respect of which the design is registered: **Vent for respiratory mask**
- (51) International Design Classification: **24-01**
- (71) Name(s) and Address(s) of Applicant(s):
ResMed Ltd
1 Elizabeth Macarthur Drive Bella Vista New South Wales 2153
Australia
- (72) Name(s) of Designer(s): **Lee James Veliss and Philip Thomas Stallard and Scott Alexander Howard and Melanie Lucia Cariola**
- (45) Registration Date: **13 June 2007**
- (30) Convention priority data:

(31) Number	(32) Date	(33) Country
29/268,731	13 Nov 2006	UNITED STATES OF AMERICA
- (56) Related Art Documents: **Not Applicable**
- (57) Statement of Newness and Distinctiveness: **Newness and distinctiveness is claimed in those parts of the design shown in unbroken lines.**



- (21) Design Number: **18174/2007**
- (22) Date of Filing Application: **31 May 2007**
- (24) Date from which industrial property rights may have effect: **31 May 2007**
- (54) Product in respect of which the design is registered: **Portion of a handle piece for a folding multipurpose hand tool**
- (51) International Design Classification: **08-05NES**
- (71) Name(s) and Address(s) of Applicant(s):
Leatherman Tool Group, Inc.
12106 NE Ainsworth Circle Portland OR 97220 United States of America
- (72) Name(s) of Designer(s): **John Nenadic**
- (45) Registration Date: **13 June 2007**
- (30) Convention priority data:

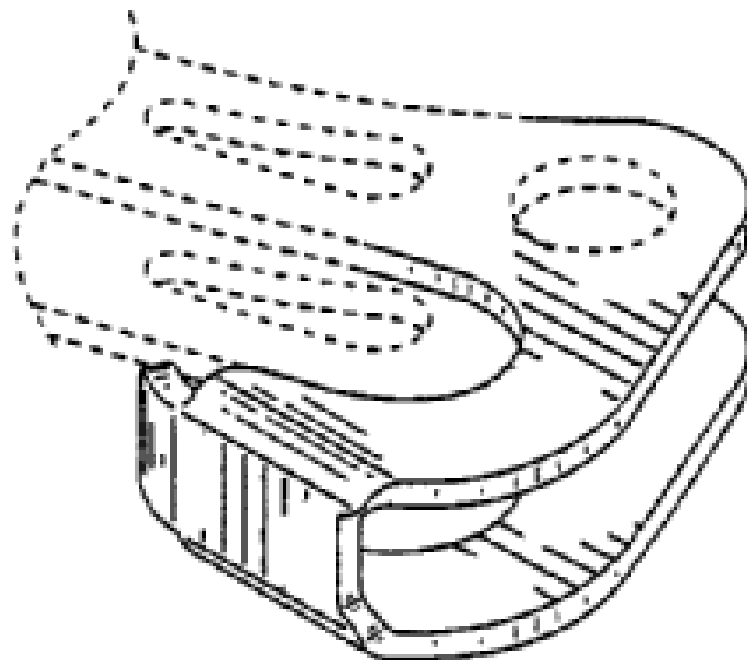
(31) Number	(32) Date	(33) Country
29/275,949	10 Jan 2007	UNITED STATES OF AMERICA
- (56) Related Art Documents: **Not Applicable**
- (57) Statement of Newness and Distinctiveness: **The newness and distinctiveness of the design resides in the features of shape and/or configuration of the handle piece shown in unbroken lines in the accompanying representations.**



(19) AU

- (21) Design Number: **18175/2007**
- (22) Date of Filing Application: **31 May 2007**
- (24) Date from which industrial property rights may have effect: **31 May 2007**
- (54) Product in respect of which the design is registered: **Portion of a carabiner**
- (51) International Design Classification: **08-08NES**
- (71) Name(s) and Address(s) of Applicant(s):
Leatherman Tool Group, Inc.
12106 NE Ainsworth Circle Portland OR 97220 United States of America
- (72) Name(s) of Designer(s): **John Nenadic**
- (45) Registration Date: **13 June 2007**
- (30) Convention priority data:

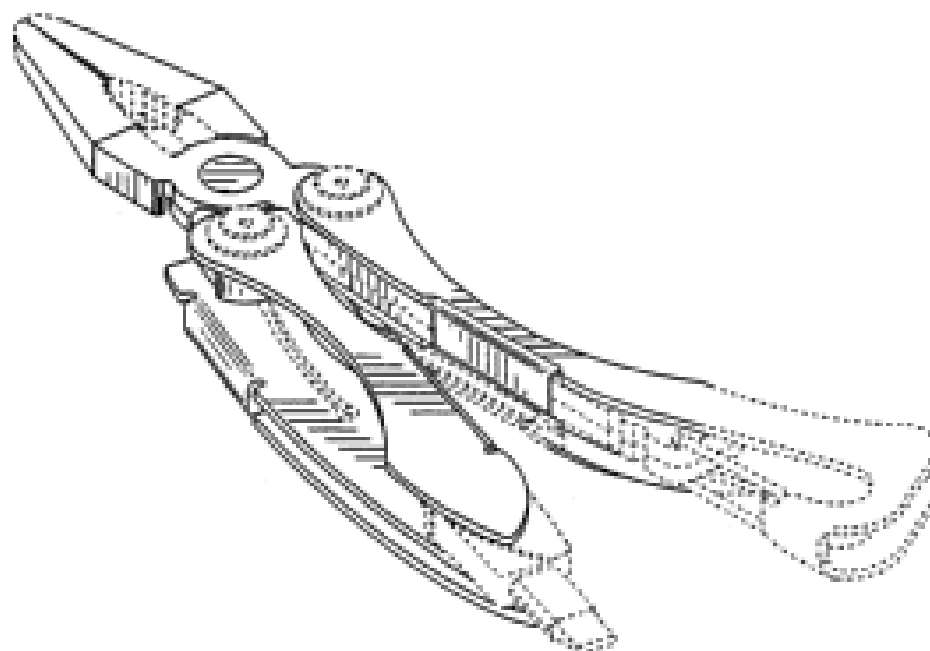
(31) Number	(32) Date	(33) Country
29/275,946	10 Jan 2007	UNITED STATES OF AMERICA
- (56) Related Art Documents: **Not Applicable**
- (57) Statement of Newness and Distinctiveness: **The newness and distinctiveness of the design resides in the features of shape and/or configuration of the carabiner shown in unbroken lines in the accompanying representations.**



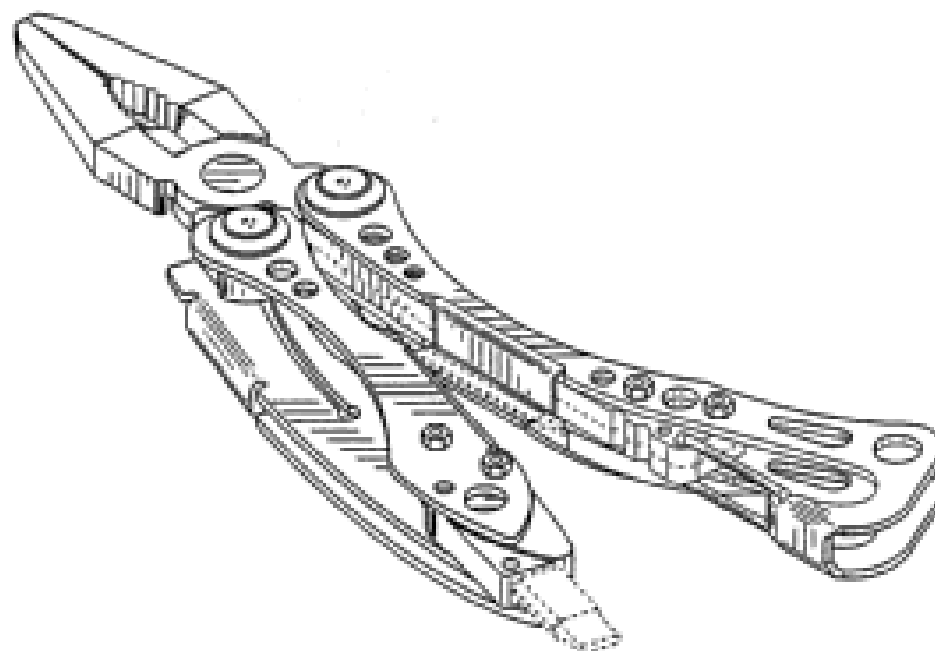
(19) AU

- (21) Design Number: **18176/2007**
- (22) Date of Filing Application: **31 May 2007**
- (24) Date from which industrial property rights may have effect: **31 May 2007**
- (54) Product in respect of which the design is registered: **Folding multipurpose hand tool**
- (51) International Design Classification: **08-05NES**
- (71) Name(s) and Address(s) of Applicant(s):
Leatherman Tool Group, Inc.
12106 NE Ainsworth Circle Portland OR 97220 United States of America
- (72) Name(s) of Designer(s): **Glenn Klecker and John Nenadic**
- (45) Registration Date: **13 June 2007**
- (30) Convention priority data:

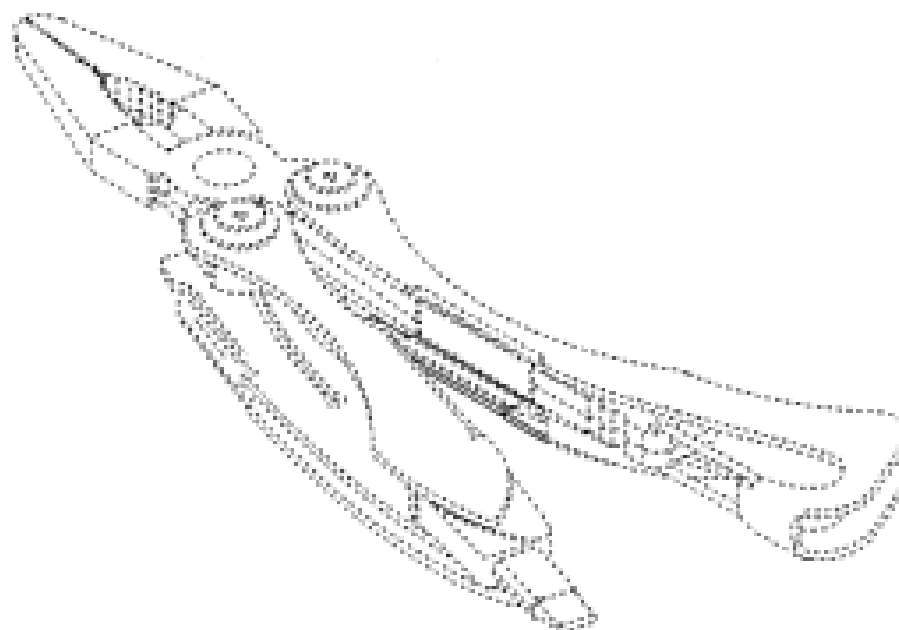
(31) Number	(32) Date	(33) Country
29/275,956	10 Jan 2007	UNITED STATES OF AMERICA
- (56) Related Art Documents: **Not Applicable**
- (57) Statement of Newness and Distinctiveness: **The newness and distinctiveness of the design resides in the features of shape and/or configuration of the hand tool shown in unbroken lines in the accompanying representations.**



- (21) Design Number: **18177/2007**
(22) Date of Filing Application: **31 May 2007**
(24) Date from which industrial property rights may have effect: **31 May 2007**
(54) Product in respect of which the design is registered: **Folding multipurpose hand tool with carabiner**
(51) International Design Classification: **08-05NES**
(71) Name(s) and Address(s) of Applicant(s):
Leatherman Tool Group, Inc.
12106 NE Ainsworth Circle Portland OR 97220 United States of America
(72) Name(s) of Designer(s): **Glenn Klecker and John Nenadic**
(45) Registration Date: **13 June 2007**
(30) Convention priority data:
(31) Number (32) Date (33) Country
29/275,958 10 Jan 2007 UNITED STATES OF AMERICA
(56) Related Art Documents: **Not Applicable**
(57) Statement of Newness and Distinctiveness: **The newness and distinctiveness of the design resides in the features of shape and/or configuration of the hand tool with carabiner shown in unbroken lines in the accompanying representations.**

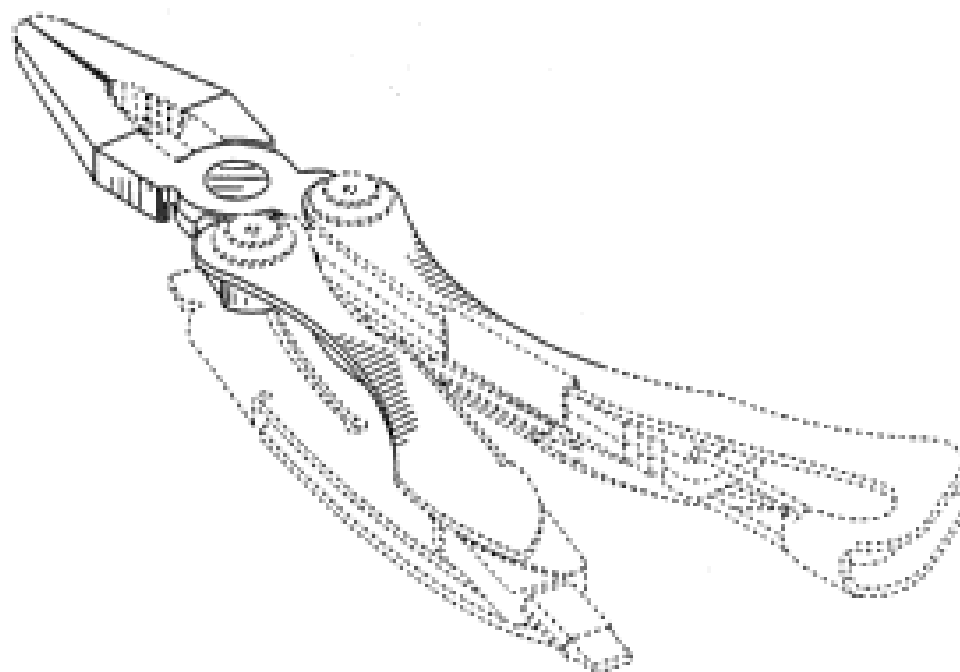


- (21) Design Number: **18178/2007**
(22) Date of Filing Application: **31 May 2007**
(24) Date from which industrial property rights may have effect: **31 May 2007**
(54) Product in respect of which the design is registered: **Retainer and housing for accessory for folding multipurpose hand tool**
(51) International Design Classification: **08-05NES**
(71) Name(s) and Address(s) of Applicant(s):
Leatherman Tool Group, Inc.
12106 NE Ainsworth Circle Portland OR 97220 United States of America
(72) Name(s) of Designer(s): **John Nenadic**
(45) Registration Date: **13 June 2007**
(30) Convention priority data:
(31) Number (32) Date (33) Country
29/275,948 10 Jan 2007 UNITED STATES OF AMERICA
(56) Related Art Documents: **Not Applicable**
(57) Statement of Newness and Distinctiveness: **The newness and distinctiveness of the design resides in the features of shape and/or configuration of the accessory for folding multipurpose hand tool shown in unbroken lines in the accompanying representations.**



(19) AU

- (21) Design Number: **18179/2007**
(22) Date of Filing Application: **31 May 2007**
(24) Date from which industrial property rights may have effect: **31 May 2007**
(54) Product in respect of which the design is registered: **Folding hand tool with visible pliers**
(51) International Design Classification: **08-05NES**
(71) Name(s) and Address(s) of Applicant(s):
Leatherman Tool Group, Inc.
12106 NE Ainsworth Circle Portland OR 97220 United States of America
(72) Name(s) of Designer(s): **Glenn Klecker and John Nenadic**
(45) Registration Date: **13 June 2007**
(30) Convention priority data:
(31) Number (32) Date (33) Country
29/275,954 10 Jan 2007 UNITED STATES OF AMERICA
(56) Related Art Documents: **Not Applicable**
(57) Statement of Newness and Distinctiveness: **The newness and distinctiveness of the design resides in the features of shape and/or configuration of the folding hand tool shown in unbroken lines in the accompanying representations.**

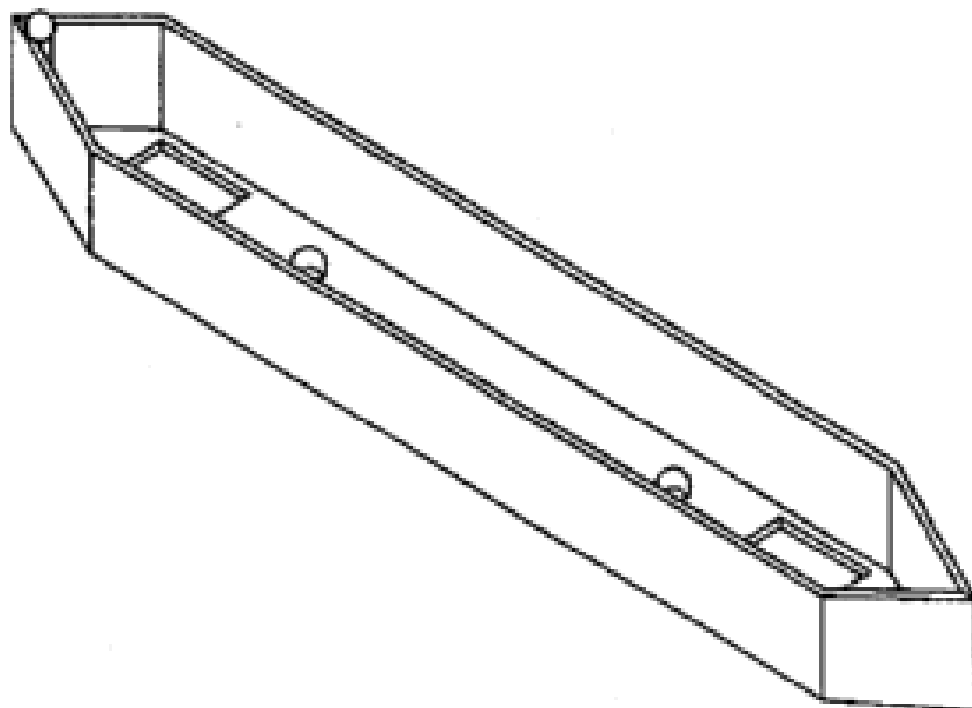


(19) AU

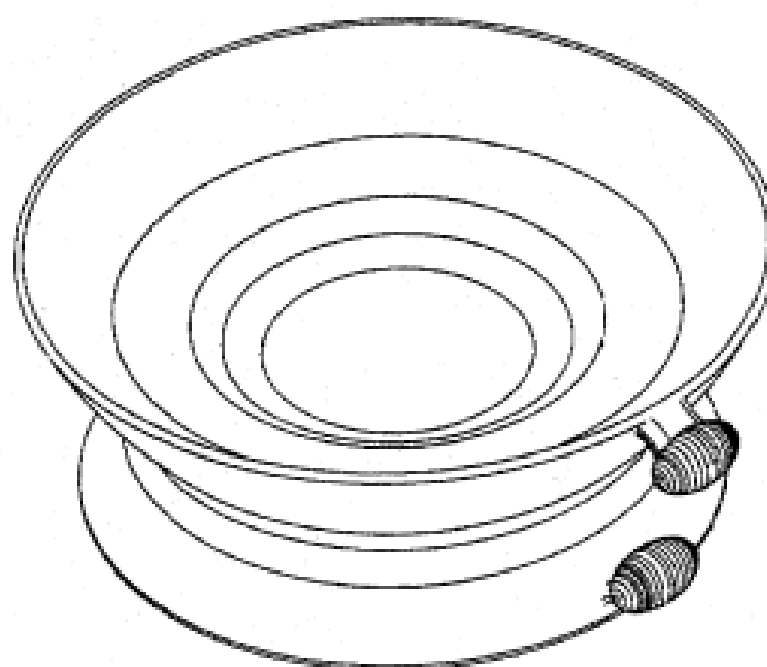
- (21) Design Number: **18230/2007**
(22) Date of Filing Application: **01 June 2007**
(24) Date from which industrial property rights may have effect: **01 June 2007**
(54) Product in respect of which the design is registered: **Wireless table top microphone**
(51) International Design Classification: **14-01**
(71) Name(s) and Address(s) of Applicant(s):
Revolabs, Inc.
63 Great Road Maynard MA 01754 United States of America
(72) Name(s) of Designer(s): **Martin Reed Bodley and Jean-Pierre Carney**
(45) Registration Date: **13 June 2007**
(30) Convention priority data:
(31) Number (32) Date (33) Country
29/250,808 01 Dec 2006 UNITED STATES OF AMERICA
(56) Related Art Documents: **Not Applicable**
(57) Statement of Newness and Distinctiveness: **Nil**



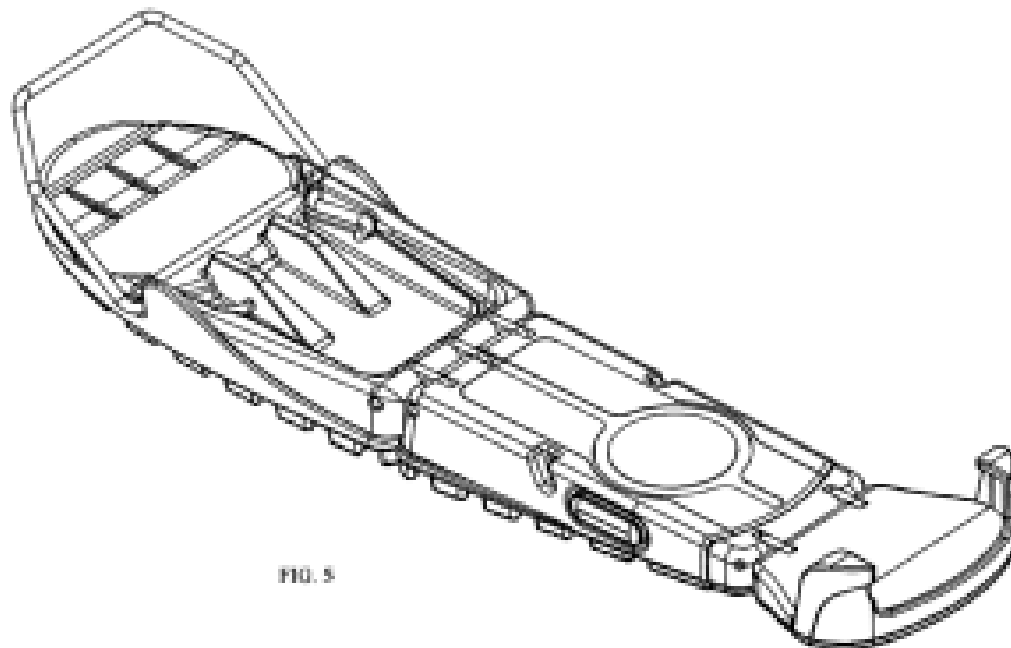
- (21) Design Number: **18295/2007**
- (22) Date of Filing Application: **07 June 2007**
- (24) Date from which industrial property rights may have effect: **07 June 2007**
- (54) Product in respect of which the design is registered: **Protection of pallet racking**
- (51) International Design Classification: **09-08**
- (71) Name(s) and Address(s) of Applicant(s):
Total Storage Systems Pty Ltd
58 Buchanan Road Banyo Queensland 4014 Australia
- (72) Name(s) of Designer(s): **Kim Fitt**
- (45) Registration Date: **13 June 2007**
- (56) Related Art Documents: **Not Applicable**
- (57) Statement of Newness and Distinctiveness: **This design is to protect the entire base of the pallet racking frame from damage due to contact from forklifts and pallets.**



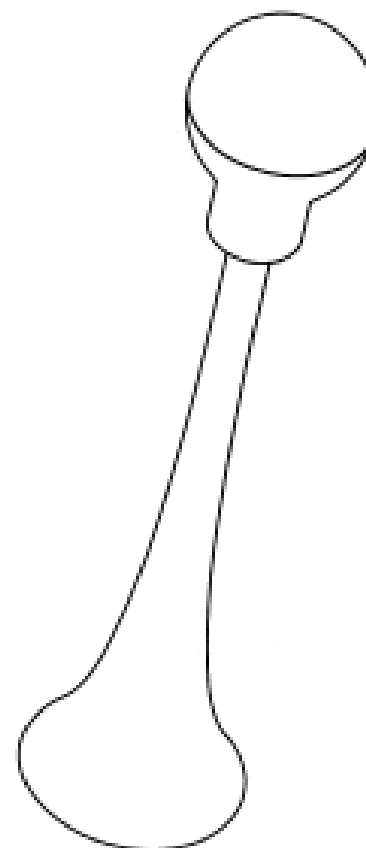
- (21) Design Number: **16910/2007**
- (22) Date of Filing Application: **14 March 2007**
- (24) Date from which industrial property rights may have effect: **14 March 2007**
- (54) Product in respect of which the design is registered: **Sticky bowl**
- (51) International Design Classification: **07-01B**
- (71) Name(s) and Address(s) of Applicant(s):
Mauro Felici
19 Kennedy Avenue Chelsea Heights Victoria 3196 Australia
- (72) Name(s) of Designer(s): **Mauro Felici**
- (45) Registration Date: **14 June 2007**
- (56) Related Art Documents: **Not Applicable**
- (57) Statement of Newness and Distinctiveness: **Levers attached to each side of the 'Sticky Bowl'.**



- (21) Design Number: **16973/2007**
(22) Date of Filing Application: **19 March 2007**
(24) Date from which industrial property rights may have effect: **19 March 2007**
(54) Product in respect of which the design is registered: **Ski boot attachment**
(51) International Design Classification: **21-02NES**
(71) Name(s) and Address(s) of Applicant(s):
David R. Sellers
3305 County Road 96 Ward Colorado 80481 United States of America
(72) Name(s) of Designer(s): **David R. Sellers and Ravi K. Sawhney and Kurt Botsai and Robb Englin and Lance G. Hussey and Toshi Aya**
(45) Registration Date: **14 June 2007**
(30) Convention priority data:
(31) Number (32) Date (33) Country
29/266,545 22 Sep 2006 UNITED STATES OF AMERICA
(56) Related Art Documents: **Not Applicable**
(57) Statement of Newness and Distinctiveness: **The new and distinctive features of shape and configuration of a ski boot attachment as shown in solid lines in the accompanying drawings. In considering the newness and distinctiveness of the design, no regard is to be had to the visual features depicted by the broken lines.**



- (21) Design Number: **17037/2007**
(22) Date of Filing Application: **26 March 2007**
(24) Date from which industrial property rights may have effect: **26 March 2007**
(54) Product in respect of which the design is registered: **A salt or pepper mill**
(51) International Design Classification: **07-06C**
(71) Name(s) and Address(s) of Applicant(s):
Shane Inder
2-30 Atkin Avenue Mission Bay Auckland New Zealand
(72) Name(s) of Designer(s): **Shane Inder**
(45) Registration Date: **14 June 2007**
(56) Related Art Documents: **Not Applicable**
(57) Statement of Newness and Distinctiveness: **The design is to be applied to a salt or pepper mill and the novelty of the design resides in the features of shape and/or configuration as shown in the representations.**



(21) Design Number: **17038/2007**

(22) Date of Filing Application: **26 March 2007**

(24) Date from which industrial property rights may have effect: **26 March 2007**

(54) Product in respect of which the design is registered: **A domestic toaster**

(51) International Design Classification: **07-02F**

(71) Name(s) and Address(s) of Applicant(s):

Shane Inder

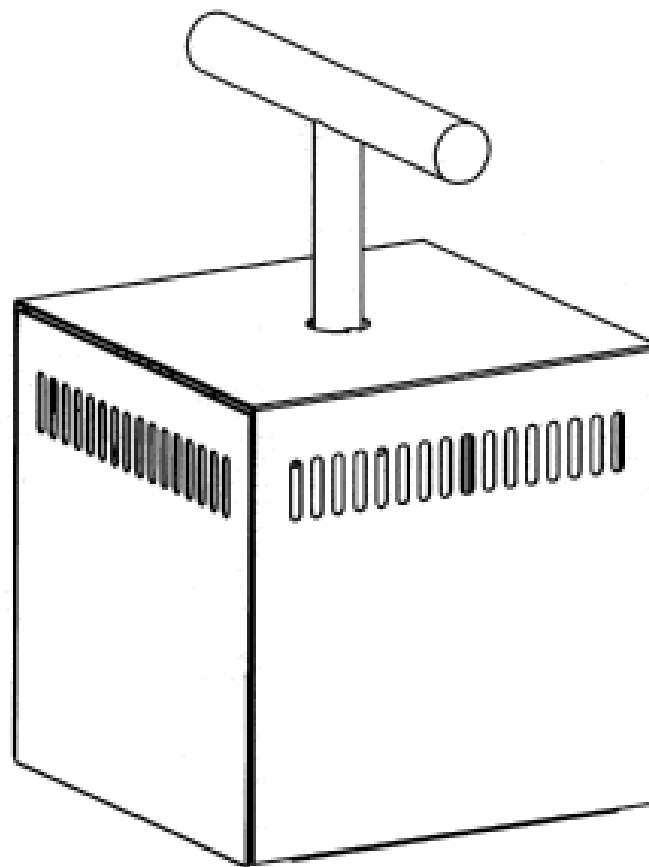
2-30 Atkin Avenue Mission Bay Auckland New Zealand

(72) Name(s) of Designer(s): **Shane Inder**

(45) Registration Date: **14 June 2007**

(56) Related Art Documents: **Not Applicable**

(57) Statement of Newness and Distinctiveness: **The design is to be applied to a domestic toaster and the novelty of the design resides in the features of shape and/or configuration as shown in the representation.**



(21) Design Number: **17039/2007**

(22) Date of Filing Application: **26 March 2007**

(24) Date from which industrial property rights may have effect: **26 March 2007**

(54) Product in respect of which the design is registered: **T-shirts**

(51) International Design Classification: **02-02NES**

(71) Name(s) and Address(s) of Applicant(s):

John Ronald Pain

C/-12-18 Strong Avenue Thomastown Victoria 3074 Australia

(72) Name(s) of Designer(s): **John Ronald Pain**

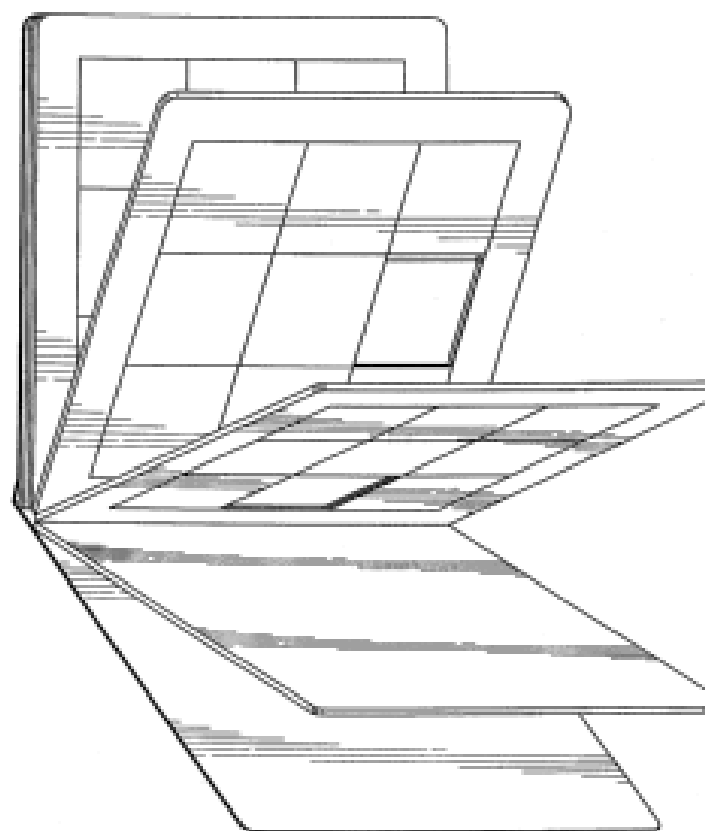
(45) Registration Date: **14 June 2007**

(56) Related Art Documents: **Not Applicable**

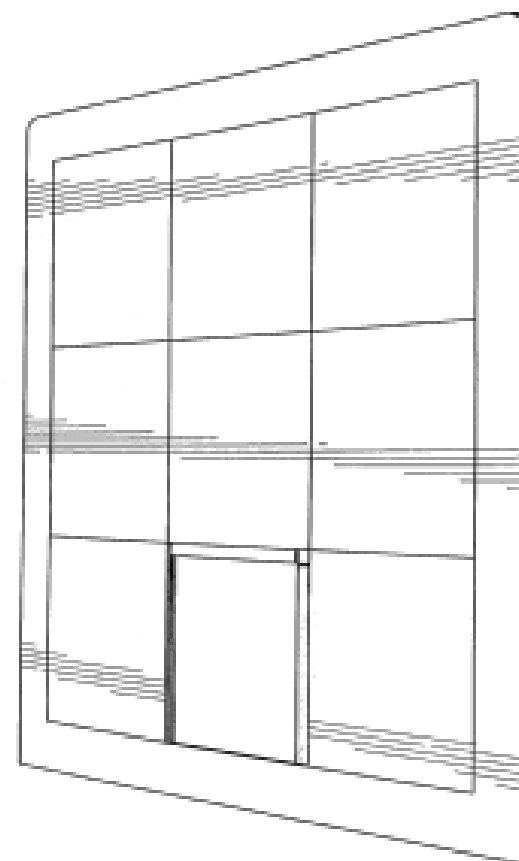
(57) Statement of Newness and Distinctiveness: **Nil**



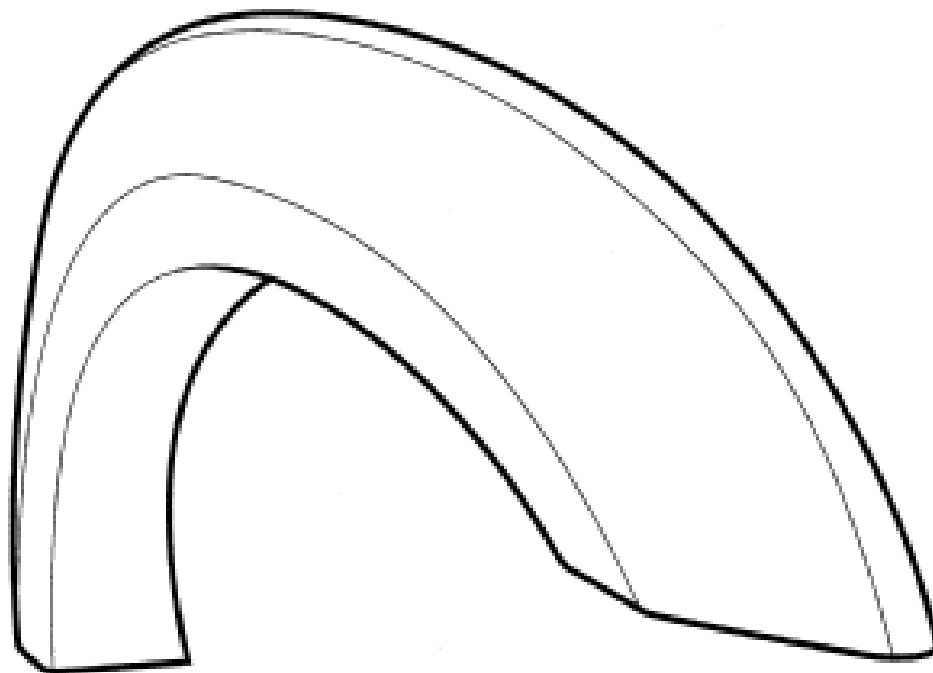
(21) Design Number: **17055/2007**
(22) Date of Filing Application: **23 March 2007**
(24) Date from which industrial property rights may have effect: **23 March 2007**
(54) Product in respect of which the design is registered: **A book**
(51) International Design Classification: **19-04**
(71) Name(s) and Address(s) of Applicant(s):
Scholastic Inc.
555 Broadway New York New York 10012#3999 United States of America
(72) Name(s) of Designer(s): **Claire Tagg**
(45) Registration Date: **14 June 2007**
(30) Convention priority data:
(31) Number (32) Date (33) Country
000597224#0001 25 Sep 2006 EUROPEAN COMMUNITY
(56) Related Art Documents: **Not Applicable**
(57) Statement of Newness and Distinctiveness: **Newness and distinctiveness reside in the features of the design as shown in the representations.**



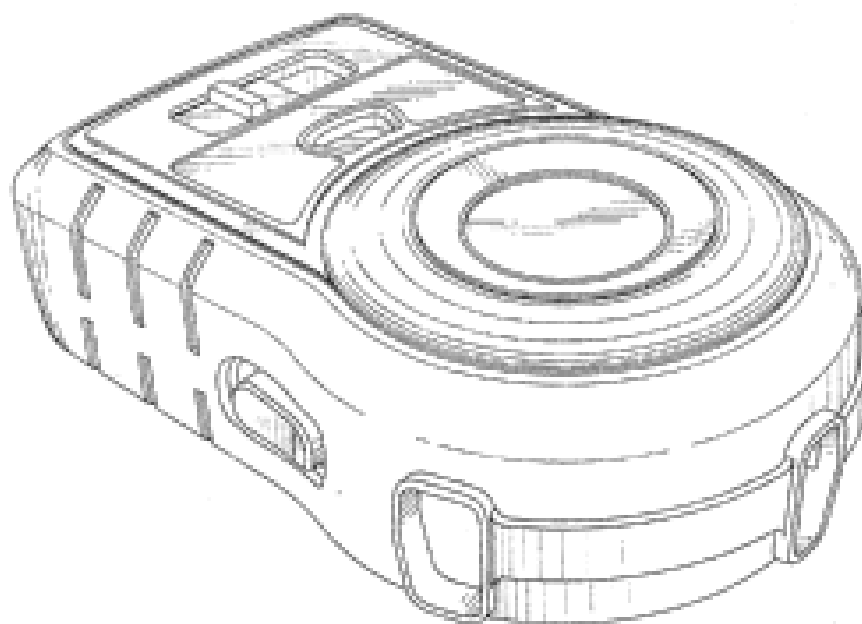
(21) Design Number: **17056/2007**
(22) Date of Filing Application: **23 March 2007**
(24) Date from which industrial property rights may have effect: **23 March 2007**
(54) Product in respect of which the design is registered: **A page for a book**
(51) International Design Classification: **19-04**
(71) Name(s) and Address(s) of Applicant(s):
Scholastic Inc.
555 Broadway New York New York 10012#3999 United States of America
(72) Name(s) of Designer(s): **Claire Tagg**
(45) Registration Date: **14 June 2007**
(30) Convention priority data:
(31) Number (32) Date (33) Country
000597224#0002 25 Sep 2006 EUROPEAN COMMUNITY
(56) Related Art Documents: **Not Applicable**
(57) Statement of Newness and Distinctiveness: **Newness and distinctiveness reside in the features of the design as shown in the representations.**



(21) Design Number: **17057/2007**
(22) Date of Filing Application: **23 March 2007**
(24) Date from which industrial property rights may have effect: **23 March 2007**
(54) Product in respect of which the design is registered: **Automobile wheelarch flare**
(51) International Design Classification: **12-16B**
(71) Name(s) and Address(s) of Applicant(s):
Alan Brian Kendall
Unit 16 429 The Boulevard Kirrawee New South Wales 2232 Australia
(72) Name(s) of Designer(s): **John Learson**
(45) Registration Date: **14 June 2007**
(56) Related Art Documents: **Not Applicable**
(57) Statement of Newness and Distinctiveness: **Newness and distinctiveness reside in the features of the design as shown in the representations.**



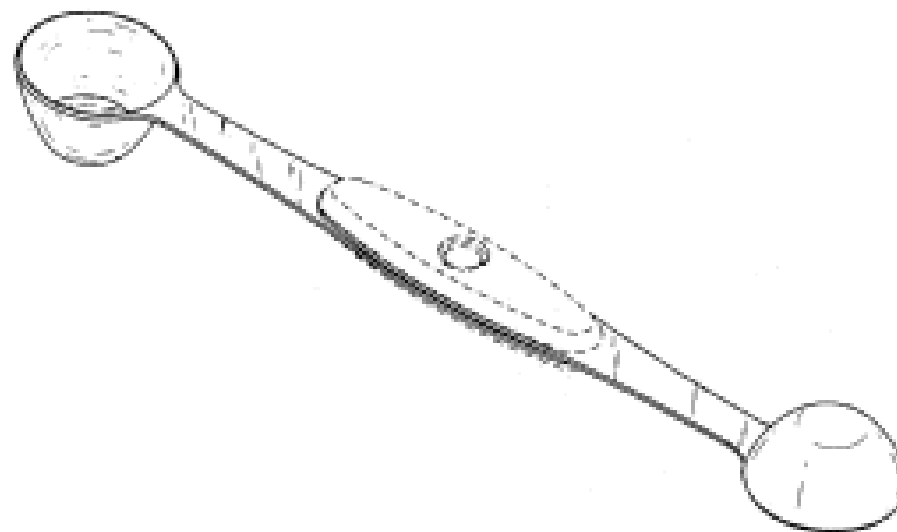
(21) Design Number: **17058/2007**
(22) Date of Filing Application: **23 March 2007**
(24) Date from which industrial property rights may have effect: **23 March 2007**
(54) Product in respect of which the design is registered: **Light line generating device**
(51) International Design Classification: **10-04**
(71) Name(s) and Address(s) of Applicant(s):
Black & Decker Inc.
1207 Drummond Plaza Newark Delaware 19711 United States of America
(72) Name(s) of Designer(s): **Gregory Scott Snider**
(45) Registration Date: **14 June 2007**
(30) Convention priority data:
(31) Number (32) Date (33) Country
29/249232 27 Sep 2006 UNITED STATES OF AMERICA
(56) Related Art Documents: **Not Applicable**
(57) Statement of Newness and Distinctiveness: **Nil**



(21) Design Number: **17059/2007**
(22) Date of Filing Application: **23 March 2007**
(24) Date from which industrial property rights may have effect: **23 March 2007**
(54) Product in respect of which the design is registered: **Electronic tape measure**
(51) International Design Classification: **10-04**
(71) Name(s) and Address(s) of Applicant(s):
E-Measurement Solutions Limited
Technium CAST Parc Menai Bangor LL57 4HJ United Kingdom
(72) Name(s) of Designer(s): **Rosalind Ann Davies**
(45) Registration Date: **14 June 2007**
(30) Convention priority data:
(31) Number (32) Date (33) Country
000598602 28 Sep 2006 EUROPEAN COMMUNITY
(56) Related Art Documents: **Not Applicable**
(57) Statement of Newness and Distinctiveness: **Nil**



(21) Design Number: **17060/2007**
(22) Date of Filing Application: **23 March 2007**
(24) Date from which industrial property rights may have effect: **23 March 2007**
(54) Product in respect of which the design is registered: **A scoop**
(51) International Design Classification: **07-06NES**
(71) Name(s) and Address(s) of Applicant(s):
Chef'n Corporation
1520 4th Avenue 3rd Floor Seattle Washington 98101 United States of America
(72) Name(s) of Designer(s): **Joshua R. Stewart**
(45) Registration Date: **14 June 2007**
(30) Convention priority data:
(31) Number (32) Date (33) Country
29249312 29 Sep 2006 UNITED STATES OF AMERICA
(56) Related Art Documents: **Not Applicable**
(57) Statement of Newness and Distinctiveness: **Newness and distinctiveness is claimed in the visual features shown in solid lines in the representations.**

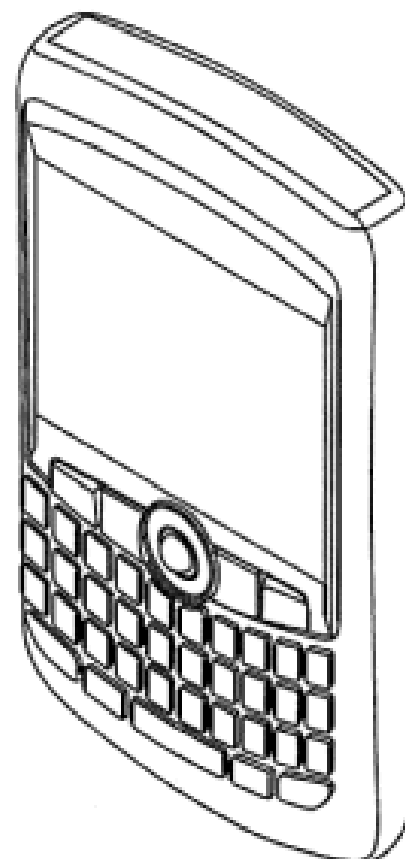


- (21) Design Number: **17061/2007**
- (22) Date of Filing Application: **26 March 2007**
- (24) Date from which industrial property rights may have effect: **26 March 2007**
- (54) Product in respect of which the design is registered: **Bong buddy**
- (51) International Design Classification: **27-99**
- (71) Name(s) and Address(s) of Applicant(s):
Aaron Graham
43 Cawte Street Murray Bridge South Australia 5253 Australia
- (72) Name(s) of Designer(s): **Aaron Graham**
- (45) Registration Date: **14 June 2007**
- (56) Related Art Documents: **Not Applicable**
- (57) Statement of Newness and Distinctiveness: **Alloy or brass stump that sits out the end of bong stem**

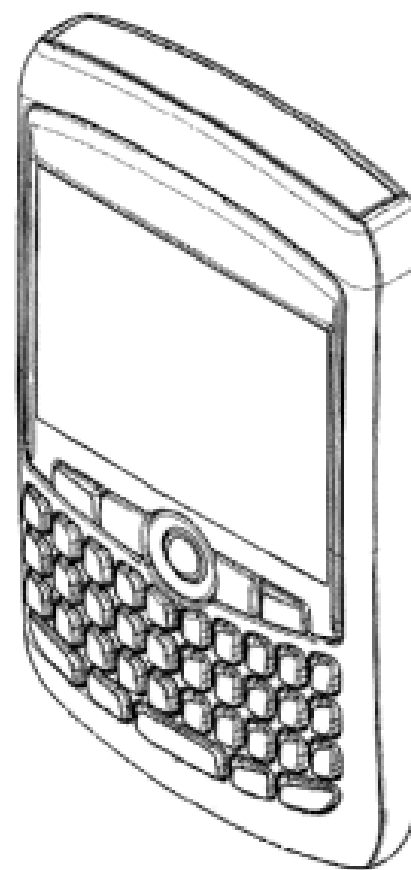


- (21) Design Number: **17069/2007**
- (22) Date of Filing Application: **26 March 2007**
- (24) Date from which industrial property rights may have effect: **26 March 2007**
- (54) Product in respect of which the design is registered: **Handheld electronic device**
- (51) International Design Classification: **14-02**
- (71) Name(s) and Address(s) of Applicant(s):
Research In Motion Limited
295 Phillip Street Waterloo Ontario N2L 3W8 Canada
- (72) Name(s) of Designer(s): **Roman P. Rak and Jason T. Griffin and Kwok Ching Leung**
- (45) Registration Date: **14 June 2007**
- (30) Convention priority data:

(31) Number	(32) Date	(33) Country
29/249210	26 Sep 2006	UNITED STATES OF AMERICA
- (56) Related Art Documents: **Not Applicable**
- (57) Statement of Newness and Distinctiveness: **Newness and distinctiveness is claimed in the features of shape and/or configuration of a handheld electronic device as illustrated in the accompanying representations.**



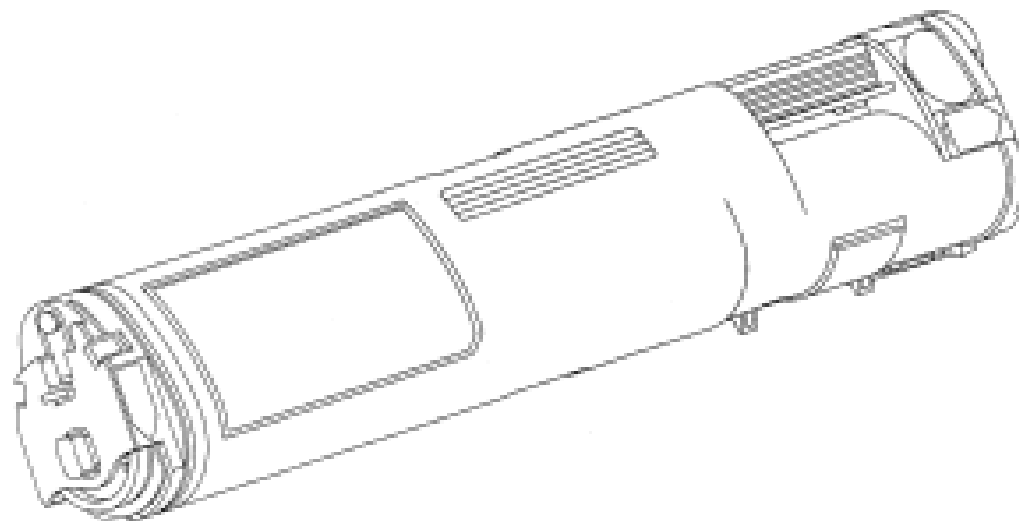
- (21) Design Number: **17070/2007**
(22) Date of Filing Application: **26 March 2007**
(24) Date from which industrial property rights may have effect: **26 March 2007**
(54) Product in respect of which the design is registered: **Handheld electronic device**
(51) International Design Classification: **14-02**
(71) Name(s) and Address(s) of Applicant(s):
Research In Motion Limited
295 Phillip Street Waterloo Ontario N2L 3W8 Canada
(72) Name(s) of Designer(s): **Roman P. Rak and Jason T. Griffin and Kwok Ching Leung**
(45) Registration Date: **14 June 2007**
(30) Convention priority data:
(31) Number (32) Date (33) Country
29/249210 26 Sep 2006 UNITED STATES OF AMERICA
(56) Related Art Documents: **Not Applicable**
(57) Statement of Newness and Distinctiveness: **Newness and distinctiveness is claimed in the features of shape and/or configuration of a handheld electronic device as illustrated in the accompanying representations.**



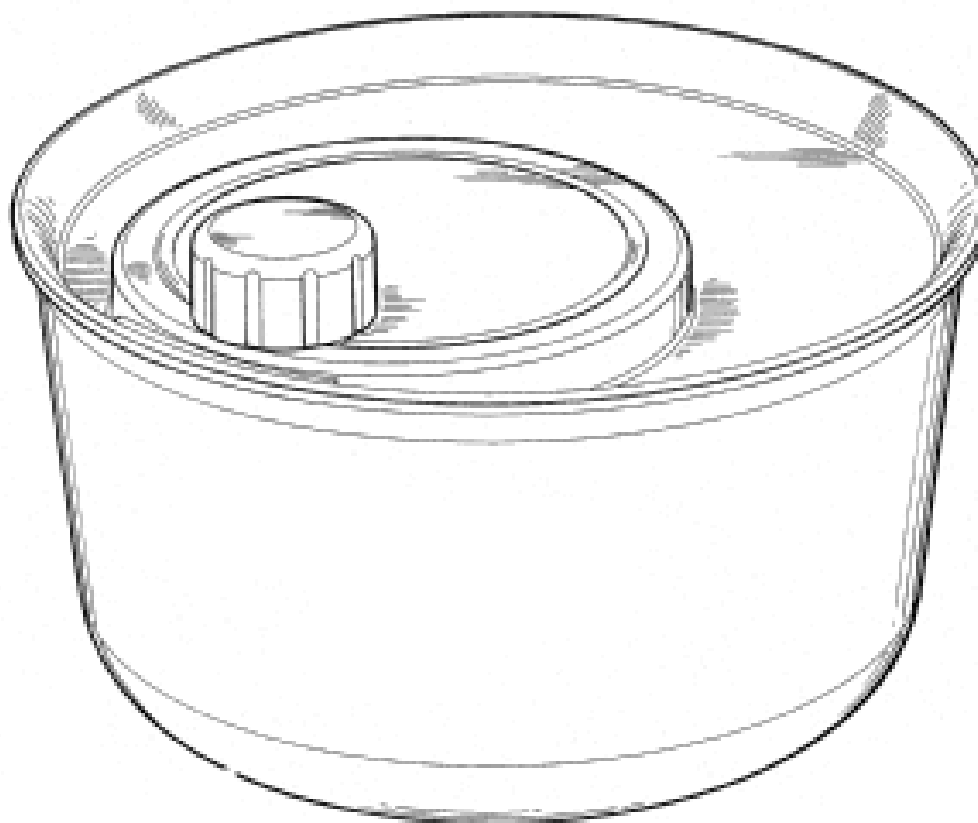
- (21) Design Number: **17071/2007**
(22) Date of Filing Application: **26 March 2007**
(24) Date from which industrial property rights may have effect: **26 March 2007**
(54) Product in respect of which the design is registered: **Handheld electronic device**
(51) International Design Classification: **14-02**
(71) Name(s) and Address(s) of Applicant(s):
Research In Motion Limited
295 Phillip Street Waterloo Ontario N2L 3W8 Canada
(72) Name(s) of Designer(s): **Roman P. Rak and Jason T. Griffin and Kwok Ching Leung**
(45) Registration Date: **14 June 2007**
(30) Convention priority data:
(31) Number (32) Date (33) Country
29/249210 26 Sep 2006 UNITED STATES OF AMERICA
(56) Related Art Documents: **Not Applicable**
(57) Statement of Newness and Distinctiveness: **Newness and distinctiveness is claimed in the features of shape and/or configuration and pattern and/or ornamentation of a handheld electronic device as illustrated in the accompanying representations.**



- (21) Design Number: **17072/2007**
(22) Date of Filing Application: **26 March 2007**
(24) Date from which industrial property rights may have effect: **26 March 2007**
(54) Product in respect of which the design is registered: **Toner cartridge**
(51) International Design Classification: **14-02**
(71) Name(s) and Address(s) of Applicant(s):
Fuji Xerox Co., Ltd.
17#22 Akasaka 2-chome Minato-ku Tokyo Japan
(72) Name(s) of Designer(s): **Kotaro Noguchi**
(45) Registration Date: **14 June 2007**
(30) Convention priority data:
(31) Number (32) Date (33) Country
2006#026040 28 Sep 2006 JAPAN
(56) Related Art Documents: **Not Applicable**
(57) Statement of Newness and Distinctiveness: **Newness and distinctiveness is claimed in the features of shape and/or configuration of a toner cartridge as illustrated in the accompanying representations.**



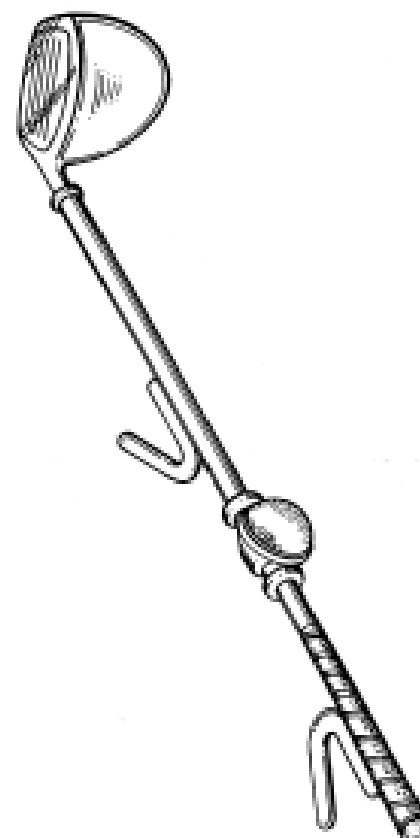
- (21) Design Number: **17073/2007**
(22) Date of Filing Application: **26 March 2007**
(24) Date from which industrial property rights may have effect: **26 March 2007**
(54) Product in respect of which the design is registered: **Salad spinner**
(51) International Design Classification: **07-02NES**
(71) Name(s) and Address(s) of Applicant(s):
The Decor Corporation Pty Ltd
1314 Ferntree Gully Road Scoresby Victoria 3179 Australia
(72) Name(s) of Designer(s): **Arthur Richard Carlson**
(45) Registration Date: **14 June 2007**
(56) Related Art Documents: **Not Applicable**
(57) Statement of Newness and Distinctiveness: **Nil**



- (21) Design Number: **17074/2007**
- (22) Date of Filing Application: **26 March 2007**
- (24) Date from which industrial property rights may have effect: **26 March 2007**
- (54) Product in respect of which the design is registered: **Steering wheel lock**
- (51) International Design Classification: **08-07**
- (71) Name(s) and Address(s) of Applicant(s):

Sixty6 Investments Ltd.
Mill Mall Road Town Tortola British Virgin Islands

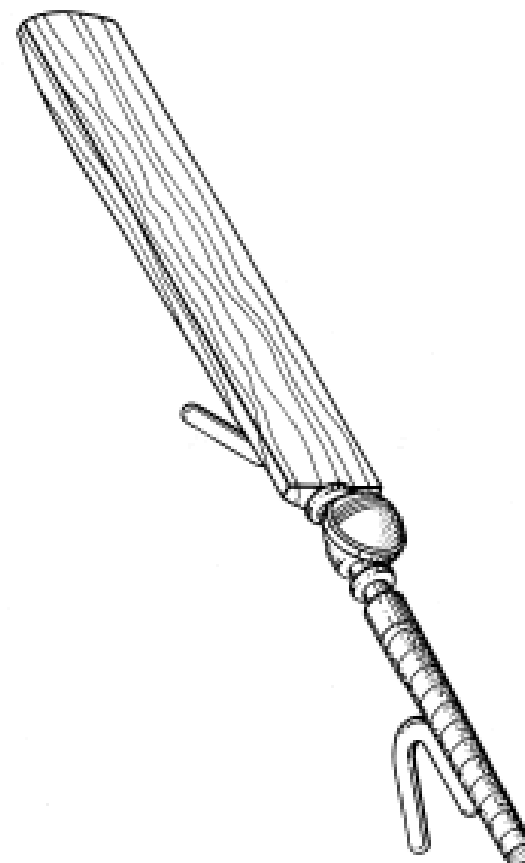
- (72) Name(s) of Designer(s): **Thomas Garfield Phillips and Julie Patricia Esther Phillips and Brian Thomas Phillips**
 - (45) Registration Date: **14 June 2007**
 - (30) Convention priority data:
- | | | |
|----------------|--------------------|---------------|
| (31) Number | (32) Date | (33) Country |
| 117,782 | 29 Sep 2006 | CANADA |
- (56) Related Art Documents: **Not Applicable**
 - (57) Statement of Newness and Distinctiveness: **Nil**



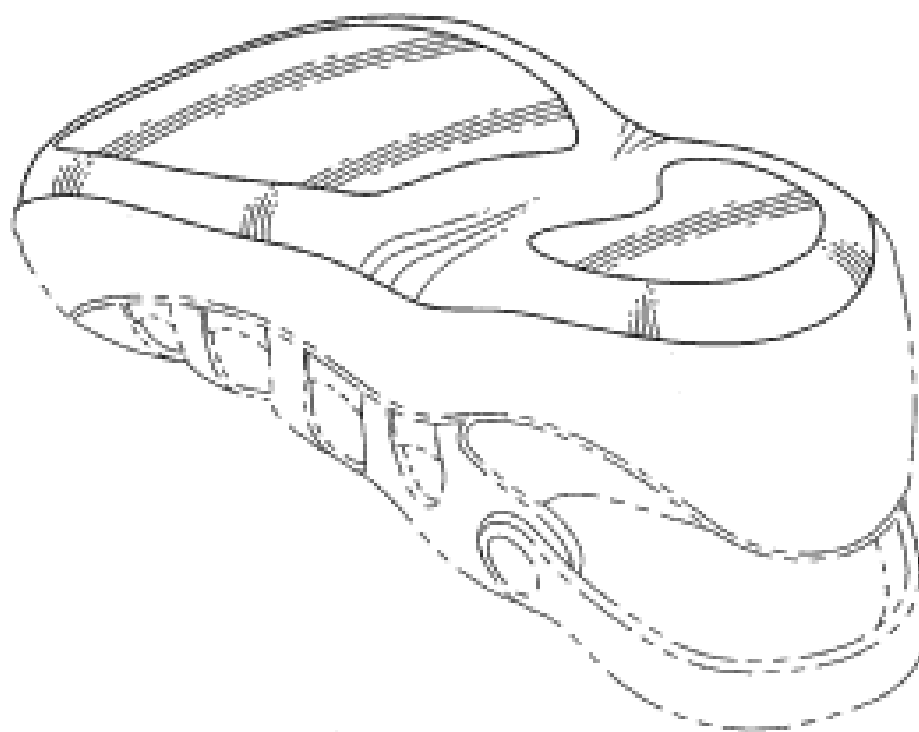
- (21) Design Number: **17075/2007**
- (22) Date of Filing Application: **26 March 2007**
- (24) Date from which industrial property rights may have effect: **26 March 2007**
- (54) Product in respect of which the design is registered: **Steering wheel lock**
- (51) International Design Classification: **08-07**
- (71) Name(s) and Address(s) of Applicant(s):

Sixty6 Investments Ltd.
Mill Mall Road Town Tortola British Virgin Islands

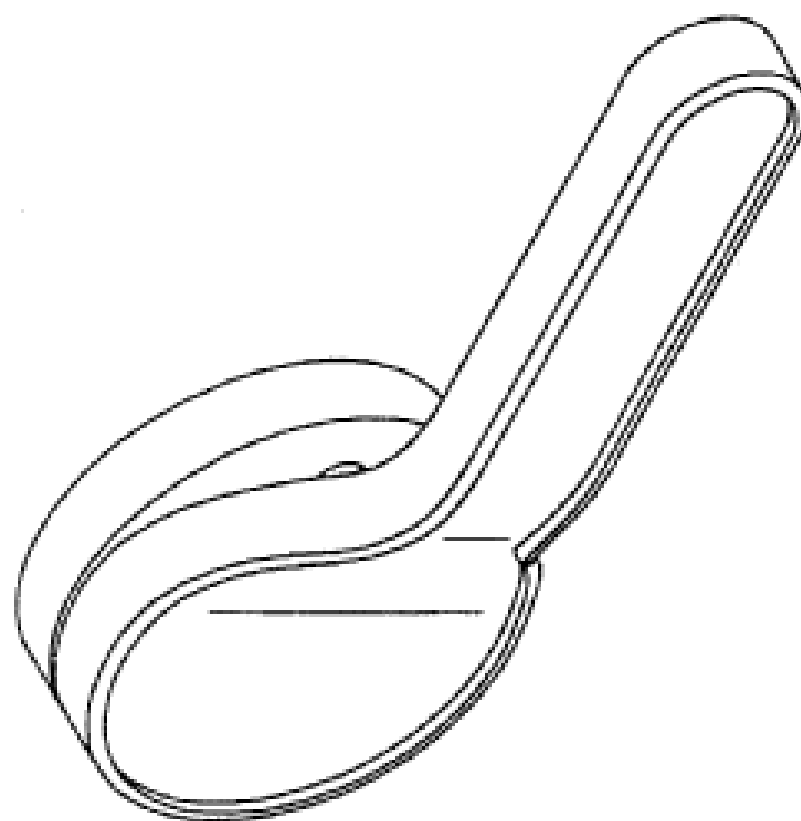
- (72) Name(s) of Designer(s): **Thomas Garfield Phillips and Julie Patricia Esther Phillips and Brian Thomas Phillips**
 - (45) Registration Date: **14 June 2007**
 - (30) Convention priority data:
- | | | |
|----------------|--------------------|---------------|
| (31) Number | (32) Date | (33) Country |
| 117,780 | 29 Sep 2006 | CANADA |
- (56) Related Art Documents: **Not Applicable**
 - (57) Statement of Newness and Distinctiveness: **Nil**



- (21) Design Number: **17076/2007**
(22) Date of Filing Application: **27 March 2007**
(24) Date from which industrial property rights may have effect: **27 March 2007**
(54) Product in respect of which the design is registered: **Shoe sole**
(51) International Design Classification: **02-04B**
(71) Name(s) and Address(s) of Applicant(s):
Lifestyle Products Inc.
Palm Court 28 Pine Road Belleville St. Michael Barbados
(72) Name(s) of Designer(s): **Joyce Grootte**
(45) Registration Date: **14 June 2007**
(30) Convention priority data:
(31) Number (32) Date (33) Country
29/249,218 27 Sep 2006 UNITED STATES OF AMERICA
(56) Related Art Documents: **Not Applicable**
(57) Statement of Newness and Distinctiveness: **The newness and distinctiveness of the design resides in the features of shape and/or configuration shown in the accompanying representations.**



- (21) Design Number: **17080/2007**
(22) Date of Filing Application: **26 March 2007**
(24) Date from which industrial property rights may have effect: **26 March 2007**
(54) Product in respect of which the design is registered: **Handle**
(51) International Design Classification: **08-06**
(71) Name(s) and Address(s) of Applicant(s):
Assa Abloy Australia Pty Limited
50 Edward Street Oakleigh Victoria 3166 Australia
(72) Name(s) of Designer(s): **Craig Anthony Caspersz**
(45) Registration Date: **14 June 2007**
(56) Related Art Documents: **Not Applicable**
(57) Statement of Newness and Distinctiveness: **Those features of the handle depicted in the representations that are new and distinctive are the shape and/or configuration. The features shown in broken lines are not part of the design and are to be disregarded when considering the overall impression of the design.**



- (21) Design Number: **17081/2007**
(22) Date of Filing Application: **26 March 2007**
(24) Date from which industrial property rights may have effect: **26 March 2007**
(54) Product in respect of which the design is registered: **Automobile**
(51) International Design Classification: **12-08**
(71) Name(s) and Address(s) of Applicant(s):
Toyota Jidosha Kabushiki Kaisha
1 Toyota-cho Toyota-shi Aichi-ken 471-8571 Japan
(72) Name(s) of Designer(s): **Koichi Suga and Masaki Okue and Hirofumi Hokao**
(45) Registration Date: **14 June 2007**
(30) Convention priority data:
(31) Number (32) Date (33) Country
2006#025861 27 Sep 2006 JAPAN
(56) Related Art Documents: **Not Applicable**
(57) Statement of Newness and Distinctiveness: **Those features of the automobile depicted in the representations that are new and distinctive are the shape and/or configuration.**



- (21) Design Number: **15639/2006**
(22) Date of Filing Application: **07 December 2006**
(24) Date from which industrial property rights may have effect: **07 December 2006**
(54) Product in respect of which the design is registered: **T Square task light**
(51) International Design Classification: **26-05A**
(71) Name(s) and Address(s) of Applicant(s):
Duncan Ward
28 Hall Street Newport Victoria 3015 Australia
Satelight Design Pty Ltd
28 Hall Street Newport Victoria 3015 Australia
(72) Name(s) of Designer(s): **Duncan Ward**
(45) Registration Date: **14 June 2007**
(56) Related Art Documents: **Not Applicable**
(57) Statement of Newness and Distinctiveness: **The distinctive feature of this design is the angle of the vertical stem.**

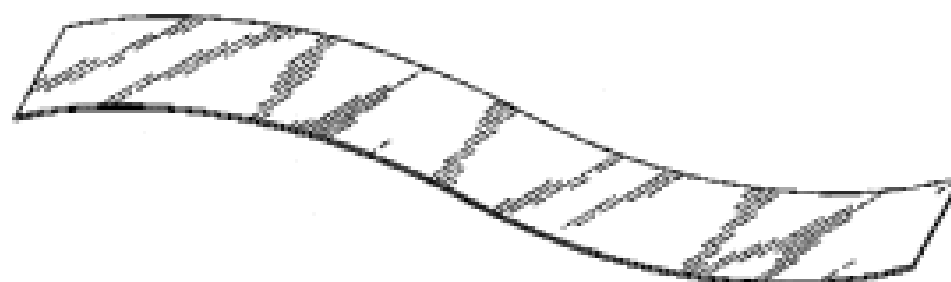


- (21) Design Number: **16196/2007**
- (22) Date of Filing Application: **31 January 2007**
- (24) Date from which industrial property rights may have effect: **31 January 2007**
- (54) Product in respect of which the design is registered: **Variable pitch sliding windpipe**
- (51) International Design Classification: **17-02**
- (71) Name(s) and Address(s) of Applicant(s):
Kenneth George McKelvie
PO Box 204 Bowraville New South Wales 2449 Australia
- (72) Name(s) of Designer(s): **Kenneth George McKelvie**
- (45) Registration Date: **14 June 2007**
- (56) Related Art Documents: **Not Applicable**
- (57) Statement of Newness and Distinctiveness: **Capable of producing musical base tones and harmonics over a range of frequencies depending upon the length and diameter of the pipes. The open end caps can be modified to suit all type of wind instruments with an open end, such as a wind pipe organ, clarinet, saxophone. The pipes can be made from a range of materials and compounds depending upon the precision required. Precision calibration will significantly extend the frequency range and versatility of the parent instrument. The design presented can be played like a slide trombone or didgeridoo as the end cap, in this case, is designed for mouth use to produce tones and harmonics for all notes in the range of A-F inclusive.**

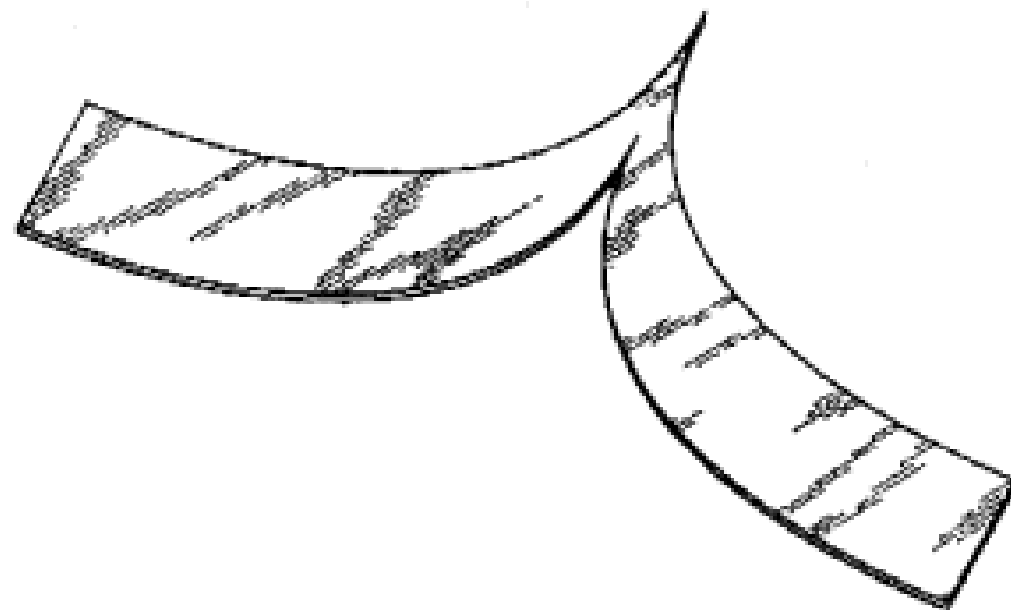


- (21) Design Number: **16263/2007**
- (22) Date of Filing Application: **02 February 2007**
- (24) Date from which industrial property rights may have effect: **02 February 2007**
- (54) Product in respect of which the design is registered: **Retroreflective article**
- (51) International Design Classification: **05-06NES**
- (71) Name(s) and Address(s) of Applicant(s):
3M Innovative Properties Company
3M Center Saint Paul Minnesota 55133-3427 United States of America
- (72) Name(s) of Designer(s): **John L. Vandenberg**
- (45) Registration Date: **14 June 2007**
- (30) Convention priority data:

(31) Number	(32) Date	(33) Country
29/248186	02 Aug 2006	UNITED STATES OF AMERICA
- (56) Related Art Documents: **Not Applicable**
- (57) Statement of Newness and Distinctiveness: **Newness and distinctiveness is claimed in the visual features of the retroreflective article shown in solid lines in the representations. The retroreflective article can be applied to a variety of surfaces and materials that are desired to have a retroreflective appearance. The retroreflective article has a retroreflective top surface. The term "retroreflective article" refers to a article that reflects substantial quantities of incident light - which light otherwise would be reflected elsewhere - back towards the light source. In considering the scope of monopoly, it should be noted that the shading shown in Figs. 1 and 2 is provided only to illustrate that the top surface is retroreflective. It is not indicative of texture or other surface artefacts. The shading shown in Fig. 3 is provided only to illustrate a flat surface.**

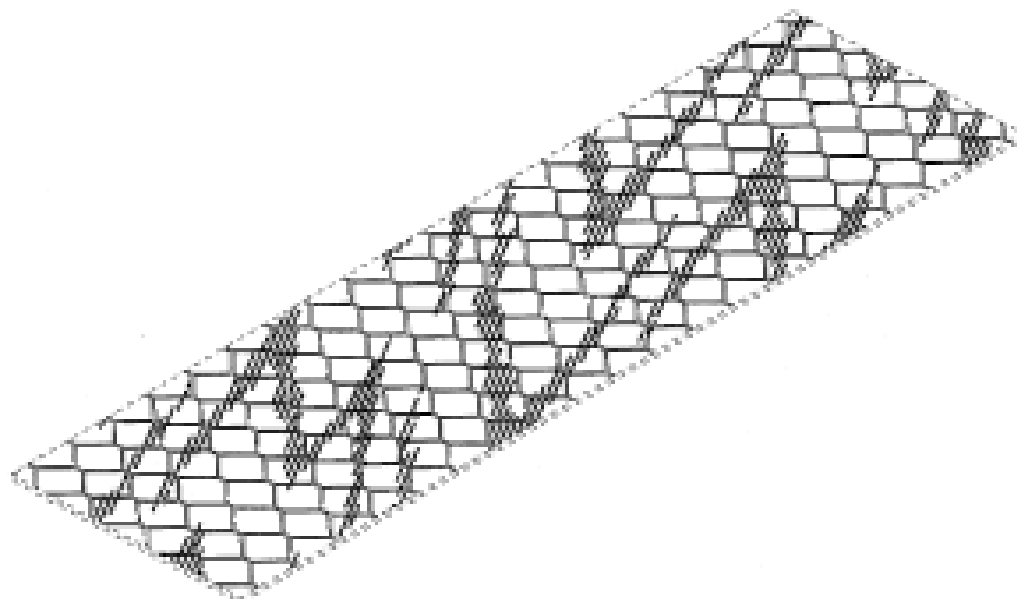


(21) Design Number: **16264/2007**
 (22) Date of Filing Application: **02 February 2007**
 (24) Date from which industrial property rights may have effect: **02 February 2007**
 (54) Product in respect of which the design is registered: **Retroreflective article**
 (51) International Design Classification: **05-06NES**
 (71) Name(s) and Address(s) of Applicant(s):
3M Innovative Properties Company
3M Center Saint Paul Minnesota 55133-3427 United States of America
 (72) Name(s) of Designer(s): **Casey L. Carlson**
 (45) Registration Date: **14 June 2007**
 (30) Convention priority data:
 (31) Number (32) Date (33) Country
29/248194 02 Aug 2006 UNITED STATES OF AMERICA



(56) Related Art Documents: **Not Applicable**
 (57) Statement of Newness and Distinctiveness: **Newness and distinctiveness is claimed in the visual features of the retroreflective article shown in solid lines in the representations. The retroreflective article can be applied to a variety of surfaces and materials that are desired to have a retroreflective appearance. The retroreflective article has a retroreflective top surface. The term "retroreflective article" refers to an article that reflects substantial quantities of incident light - which light otherwise would be reflected elsewhere - back towards the light source. In considering the scope of monopoly, it should be noted that the shading shown in Figs. 1 and 2 is provided only to illustrate that the top surface is retroreflective. It is not indicative of texture or other surface artefacts. The shading shown in Fig. 3 is provided only to illustrate a flat surface.**

(21) Design Number: **16266/2007**
 (22) Date of Filing Application: **02 February 2007**
 (24) Date from which industrial property rights may have effect: **02 February 2007**
 (54) Product in respect of which the design is registered: **Segmented retroreflective article**
 (51) International Design Classification: **05-06NES**
 (71) Name(s) and Address(s) of Applicant(s):
3M Innovative Properties Company
3M Center Saint Paul Minnesota 55133-3427 United States of America
 (72) Name(s) of Designer(s): **Joseph D. Otte and Casey L. Carlson and Timothy J. Ronnande and Loretta L. Lucas and Cory D. Erickson and Ann E. Weaver and Howard R. Tolliver**
 (45) Registration Date: **14 June 2007**
 (30) Convention priority data:
 (31) Number (32) Date (33) Country
29/248189 02 Aug 2006 UNITED STATES OF AMERICA



(56) Related Art Documents: **Not Applicable**
 (57) Statement of Newness and Distinctiveness: **Newness and distinctiveness is claimed in the visual features of the retroreflective article shown in solid lines in the representations. The segmented retroreflective article can be applied to a variety of surfaces and materials that are desired to have a retroreflective appearance. The segmented retroreflective article has a retroreflective top surface. The term "retroreflective article" refers to an article that reflects substantial quantities of incident light - which light otherwise would be reflected elsewhere - back towards the light source. In considering the scope of monopoly, it should be noted that in the drawings, the broken lines form no part of the claimed design and indicate that the segmented retroreflective article has an indeterminate shape and size, particularly, an indeterminate length, width, and thickness. The shading shown in Figs. 1 and 2 is provided only to illustrate that the top surface is retroreflective. It is not indicative of texture or other surface artefacts.**

(21) Design Number: **16267/2007**
 (22) Date of Filing Application: **02 February 2007**
 (24) Date from which industrial property rights may have effect: **02 February 2007**
 (54) Product in respect of which the design is registered: **Retroreflective article**
 (51) International Design Classification: **05-06NES**
 (71) Name(s) and Address(s) of Applicant(s):

3M Innovative Properties Company
3M Center Saint Paul Minnesota 55133-3427 United States of America

(72) Name(s) of Designer(s): **Casey L. Carlson**

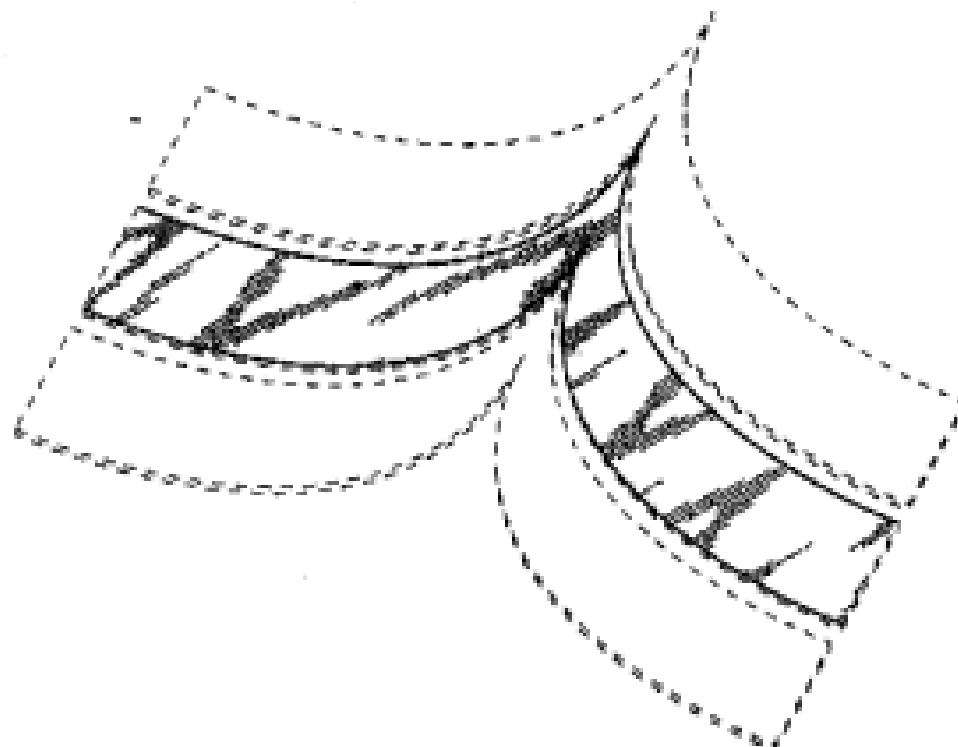
(45) Registration Date: **14 June 2007**

(30) Convention priority data:

(31) Number	(32) Date	(33) Country
29/248195	02 Aug 2006	UNITED STATES OF AMERICA

(56) Related Art Documents: **Not Applicable**

(57) Statement of Newness and Distinctiveness: **Newness and distinctiveness is claimed in the visual features of the retroreflective article shown in solid lines in the representations. The retroreflective article can be applied to a variety of surfaces and materials that are desired to have a retroreflective appearance. The retroreflective article has a retroreflective top surface. The term "retroreflective article" refers to an article that reflects substantial quantities of incident light - which light otherwise would be reflected elsewhere - back towards the light source. In considering the scope of monopoly, it should be noted that in the drawings, the broken lines form no part of the claimed design and indicate that the retroreflective article can be one of a plurality of retroreflective articles, and that the retroreflective article has an indeterminate length and thickness. The shading shown in Figs. 1 and 2 is provided only to illustrate that the top surface is retroreflective. It is not indicative of texture or other surface artefacts.**



(21) Design Number: **16268/2007**
 (22) Date of Filing Application: **02 February 2007**
 (24) Date from which industrial property rights may have effect: **02 February 2007**
 (54) Product in respect of which the design is registered: **Retroreflective article**
 (51) International Design Classification: **05-06NES**
 (71) Name(s) and Address(s) of Applicant(s):

3M Innovative Properties Company
3M Center PO Box 33427 Saint Paul Minnesota 55133-3427 United States of America

(72) Name(s) of Designer(s): **Joseph D. Otte**

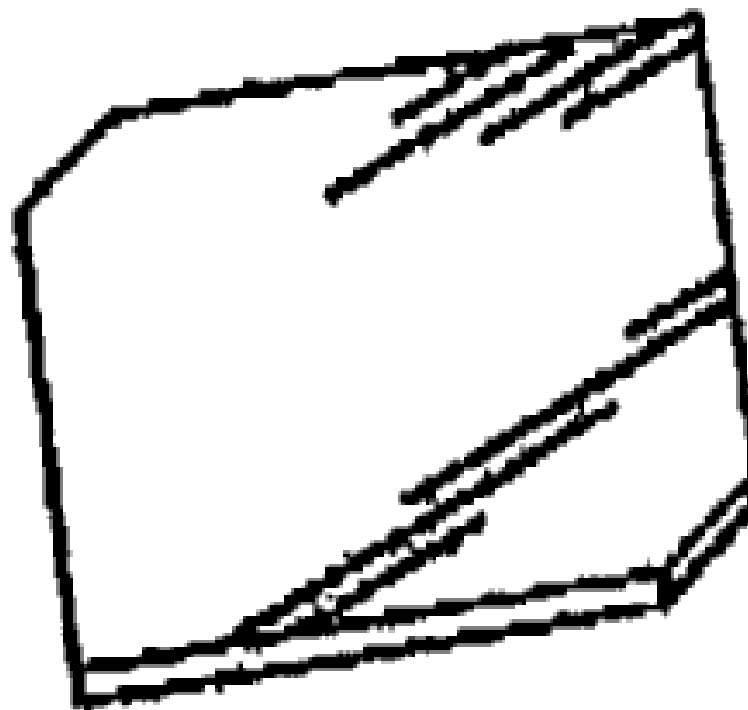
(45) Registration Date: **14 June 2007**

(30) Convention priority data:

(31) Number	(32) Date	(33) Country
29/248188	02 Aug 2006	UNITED STATES OF AMERICA

(56) Related Art Documents: **Not Applicable**

(57) Statement of Newness and Distinctiveness: **Newness and distinctiveness is claimed in the visual features of the retroreflective article shown in solid lines in the representations. The retroreflective article can be applied to a variety of surfaces and materials that are desired to have a retroreflective appearance. The retroreflective article has a retroreflective top surface. The term "retroreflective article" refers to an article that reflects substantial quantities of incident light - which light otherwise would be reflected elsewhere - back towards the light source. In considering the scope of monopoly, it should be noted that the shading shown in Figs. 1 and 2 is provided only to illustrate that the top surface is retroreflective. It is not indicative of texture or other surface artefacts. The shading shown in Fig. 3 is provided only to illustrate a flat surface.**



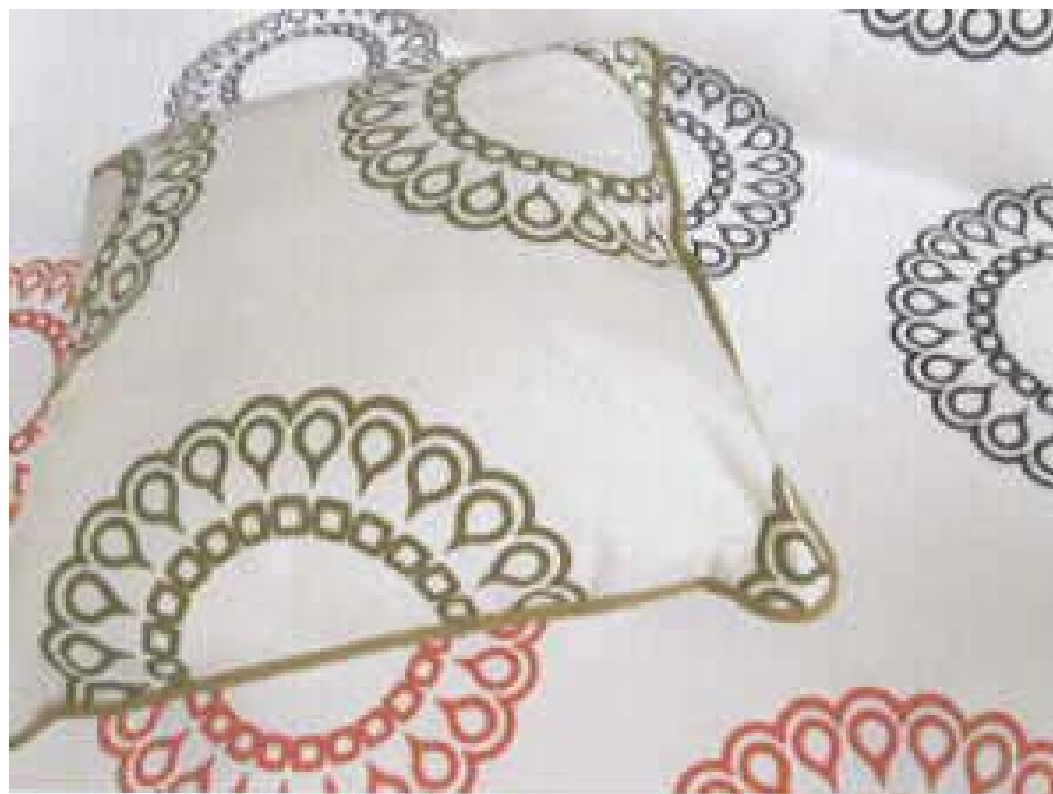
- (21) Design Number: **16827/2007**
(22) Date of Filing Application: **12 March 2007**
(24) Date from which industrial property rights may have effect: **12 March 2007**
(54) Product in respect of which the design is registered: **Rosie pattern flat placemat and wall hanging mirror, brooch**
(51) International Design Classification: **06-07, 07-06B, 11-01NES**
(71) Name(s) and Address(s) of Applicant(s):
Cindy-Lee Davies
GPO Box 2437 Melbourne Victoria 3001 Australia
(72) Name(s) of Designer(s): **Cindy-Lee Davies**
(45) Registration Date: **14 June 2007**
(56) Related Art Documents: **Not Applicable**
(57) Statement of Newness and Distinctiveness: **Laser cut acrylic patterns in various sizes and colours of acrylic with uses for table placemat or mirror on the wall. Uniqueness in design and pattern of cut outs. Uniqueness and newness of laser cutting decorative motifs into mirror acrylic.**



- (21) Design Number: **16828/2007**
(22) Date of Filing Application: **12 March 2007**
(24) Date from which industrial property rights may have effect: **12 March 2007**
(54) Product in respect of which the design is registered: **Lovey placemat and wall motif (mirrored), brooch**
(51) International Design Classification: **06-07, 07-06B, 11-01NES**
(71) Name(s) and Address(s) of Applicant(s):
Cindy-Lee Davies
GPO Box 2437 Melbourne Victoria 3001 Australia
(72) Name(s) of Designer(s): **Cindy-Lee Davies**
(45) Registration Date: **14 June 2007**
(56) Related Art Documents: **Not Applicable**
(57) Statement of Newness and Distinctiveness: **Uniqueness in design and newness in process, laser cut mirror acrylic motifs suitable for table or wall application. Available in various sizes 100mm to 1000mm. Various colours and mirror acrylic.**



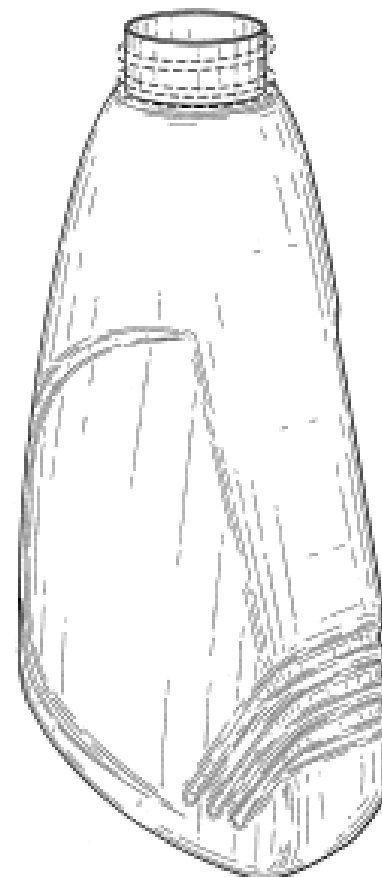
- (21) Design Number: **16829/2007**
(22) Date of Filing Application: **12 March 2007**
(24) Date from which industrial property rights may have effect: **12 March 2007**
(54) Product in respect of which the design is registered: **Tia pattern for table use and wall application, mirror and fabric.**
(51) International Design Classification: **07-06B, 06-07, 05-05NES**
(71) Name(s) and Address(s) of Applicant(s):
Cindy-Lee Davies
GPO Box 2437 Melbourne Victoria 3001 Australia
(72) Name(s) of Designer(s): **Cindy-Lee Davies**
(45) Registration Date: **14 June 2007**
(56) Related Art Documents: **Not Applicable**
(57) Statement of Newness and Distinctiveness: **Uniqueness in design and application. Newness in process of laser cutting acrylic motifs for table application and wall mirrors. Various sizes 100mm - 1000mm. Small size also used in brooch and coasters application. Various colours and mirror acrylic**



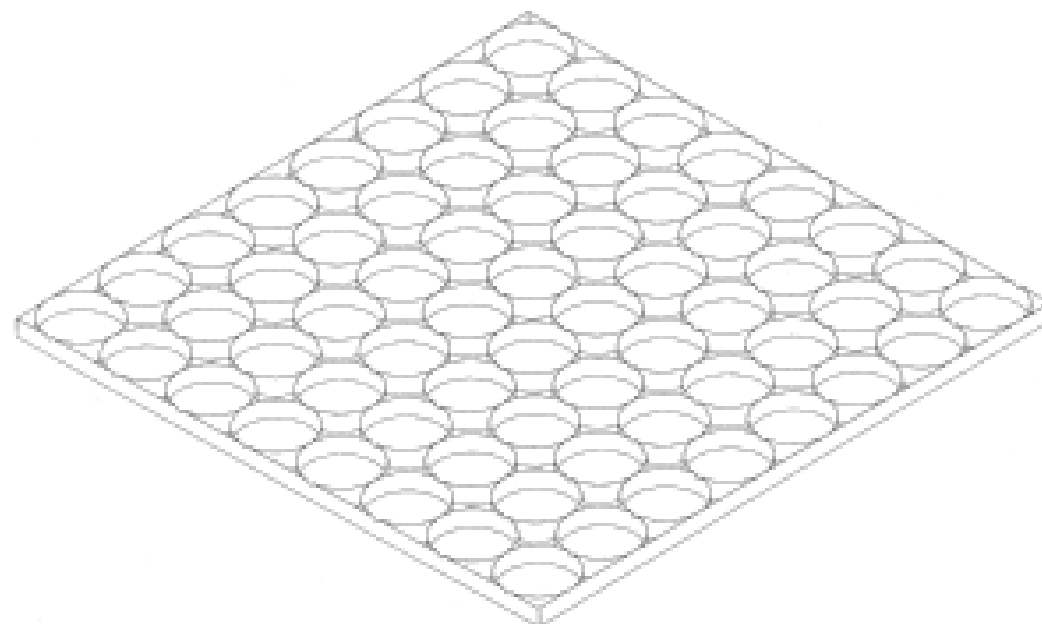
- (21) Design Number: **16830/2007**
(22) Date of Filing Application: **12 March 2007**
(24) Date from which industrial property rights may have effect: **12 March 2007**
(54) Product in respect of which the design is registered: **Sophia pattern - Applied to table placemat, coaster and wall mirror in various sizes, fabric**
(51) International Design Classification: **06-07, 07-06B, 05-05NES**
(71) Name(s) and Address(s) of Applicant(s):
Cindy-Lee Davies
GPO Box 2437 Melbourne Victoria 3001 Australia
(72) Name(s) of Designer(s): **Cindy-Lee Davies**
(45) Registration Date: **14 June 2007**
(56) Related Art Documents: **Not Applicable**
(57) Statement of Newness and Distinctiveness: **Uniqueness in design and application for use as table ornamentation wall mirrors and placemat. Newness in using mirror and laser cutting design into the material. Various sizes 100mm - 1000mm in various sizes and colours of acrylic and mirror acrylic.**



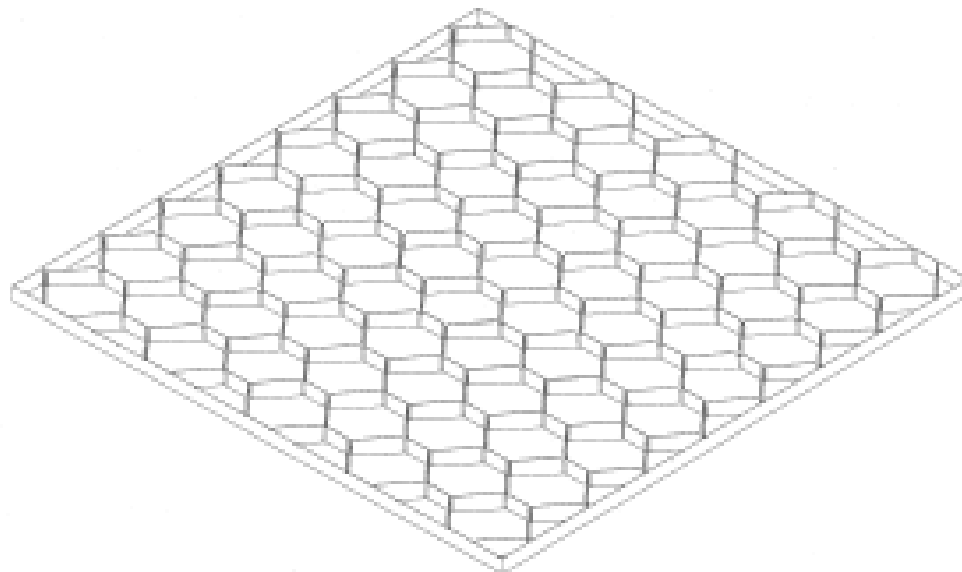
(21) Design Number: **16945/2007**
(22) Date of Filing Application: **15 March 2007**
(24) Date from which industrial property rights may have effect: **15 March 2007**
(54) Product in respect of which the design is registered: **Container**
(51) International Design Classification: **09-01B**
(71) Name(s) and Address(s) of Applicant(s):
Colgate-Palmolive Company
300 Park Avenue New York New York 10022 United States of America
(72) Name(s) of Designer(s): **Jeffery Mayers and Bruce Cummings**
(45) Registration Date: **14 June 2007**
(30) Convention priority data:
(31) Number (32) Date (33) Country
29/249021 15 Sep 2006 UNITED STATES OF AMERICA
(56) Related Art Documents: **Not Applicable**
(57) Statement of Newness and Distinctiveness: **Newness and distinctiveness reside in the features of the design as shown in the representations.**



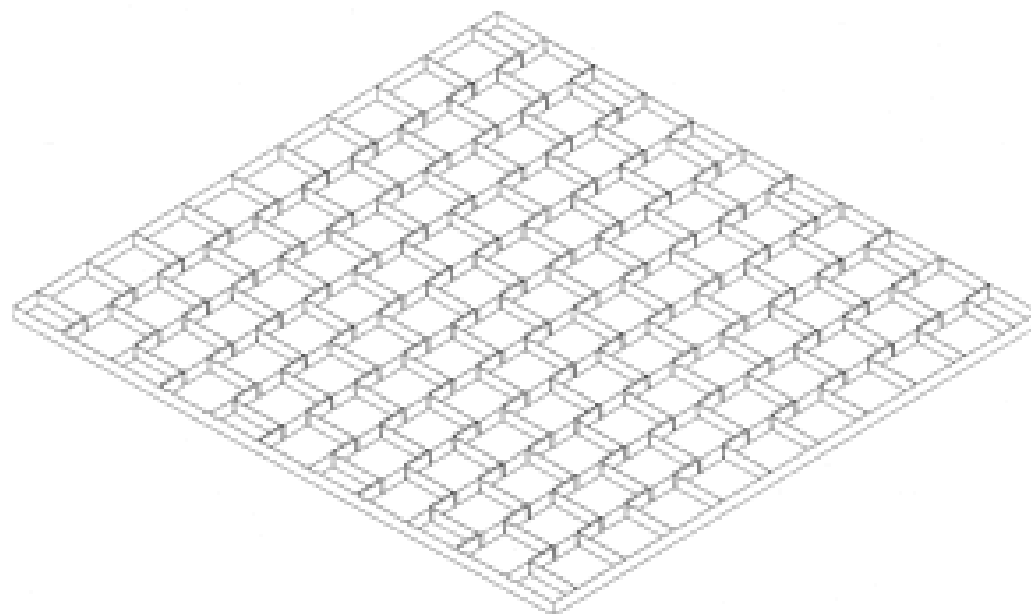
(21) Design Number: **17062/2007**
(22) Date of Filing Application: **27 March 2007**
(24) Date from which industrial property rights may have effect: **27 March 2007**
(54) Product in respect of which the design is registered: **Erosion control mat - circular pattern**
(51) International Design Classification: **05-06NES**
(71) Name(s) and Address(s) of Applicant(s):
Ross Walmsley Excavations Pty Ltd
20 Mellum Circuit Pacific Pines Queensland 4211 Australia
(72) Name(s) of Designer(s): **Ross Walmsley**
(45) Registration Date: **14 June 2007**
(56) Related Art Documents: **Not Applicable**
(57) Statement of Newness and Distinctiveness: **Nil**



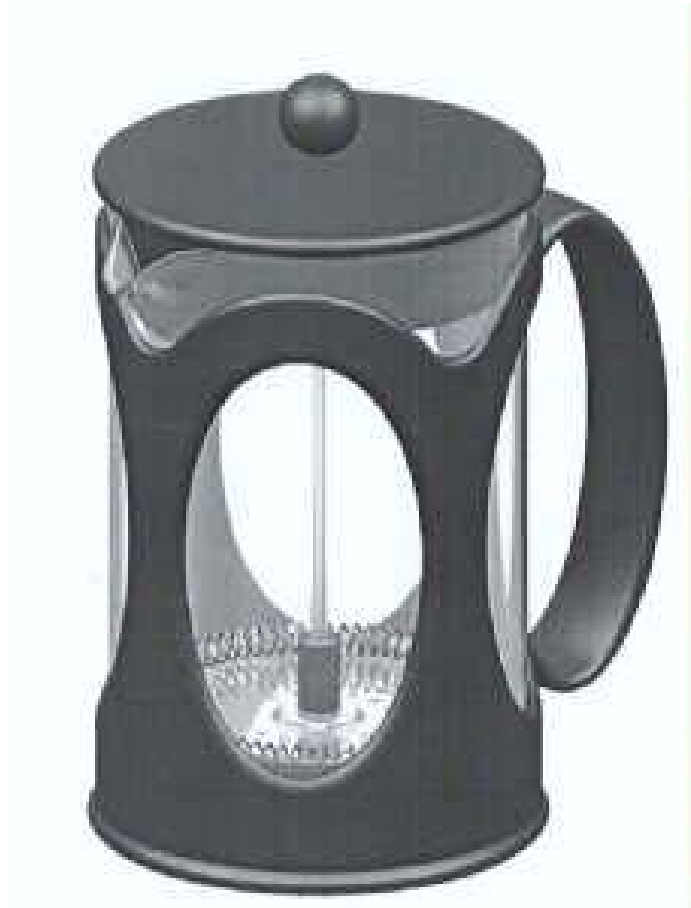
- (21) Design Number: **17063/2007**
(22) Date of Filing Application: **27 March 2007**
(24) Date from which industrial property rights may have effect: **27 March 2007**
(54) Product in respect of which the design is registered: **Erosion control mat - hexagon pattern**
(51) International Design Classification: **05-06NES**
(71) Name(s) and Address(s) of Applicant(s):
Ross Walmsley Excavations Pty Ltd
20 Mellum Circuit Pacific Pines Queensland 4211 Australia
(72) Name(s) of Designer(s): **Ross Walmsley**
(45) Registration Date: **14 June 2007**
(56) Related Art Documents: **Not Applicable**
(57) Statement of Newness and Distinctiveness: **Nil**



- (21) Design Number: **17064/2007**
(22) Date of Filing Application: **27 March 2007**
(24) Date from which industrial property rights may have effect: **27 March 2007**
(54) Product in respect of which the design is registered: **Erosion control mat - square pattern**
(51) International Design Classification: **05-06NES**
(71) Name(s) and Address(s) of Applicant(s):
Ross Walmsley Excavations Pty Ltd
20 Mellum Circuit Pacific Pines Queensland 4211 Australia
(72) Name(s) of Designer(s): **Ross Walmsley**
(45) Registration Date: **14 June 2007**
(56) Related Art Documents: **Not Applicable**
(57) Statement of Newness and Distinctiveness: **Nil**



(21) Design Number: **17065/2007**
(22) Date of Filing Application: **27 March 2007**
(24) Date from which industrial property rights may have effect: **27 March 2007**
(54) Product in respect of which the design is registered: **New kenya coffee plunger**
(51) International Design Classification: **07-02L**
(71) Name(s) and Address(s) of Applicant(s):
Pi-Design AG
Kantonsstrasse 100 Postfach 463 CH-6234 Triengen Switzerland
(72) Name(s) of Designer(s): **Jorgen Bodum**
(45) Registration Date: **14 June 2007**
(30) Convention priority data:
(31) Number (32) Date (33) Country
DA 2006 06 Oct 2006 DENMARK
00270
(56) Related Art Documents: **Not Applicable**
(57) Statement of Newness and Distinctiveness: **Nil**



(21) Design Number: **17082/2007**
(22) Date of Filing Application: **26 March 2007**
(24) Date from which industrial property rights may have effect: **26 March 2007**
(54) Product in respect of which the design is registered: **Automobile**
(51) International Design Classification: **12-08**
(71) Name(s) and Address(s) of Applicant(s):
Toyota Jidosha Kabushiki Kaisha
1 Toyota-cho Toyota-shi Aichi-ken 471-8571 Japan
(72) Name(s) of Designer(s): **Koichi Suga and Masaki Okue and Hirofumi Hokao**
(45) Registration Date: **14 June 2007**
(30) Convention priority data:
(31) Number (32) Date (33) Country
2006#025862 27 Sep 2006 JAPAN
(56) Related Art Documents: **Not Applicable**
(57) Statement of Newness and Distinctiveness: **Those features of the automobile depicted in the representations that are new and distinctive are the shape and/or configuration.**



- (21) Design Number: **17083/2007**
(22) Date of Filing Application: **26 March 2007**
(24) Date from which industrial property rights may have effect: **26 March 2007**
(54) Product in respect of which the design is registered: **Automobile**
(51) International Design Classification: **12-08**
(71) Name(s) and Address(s) of Applicant(s):
Toyota Jidosha Kabushiki Kaisha
1 Toyota-cho Toyota-shi Aichi-ken 471-8571 Japan
(72) Name(s) of Designer(s): **Koichi Suga and Samuel Guinefoleau**
(45) Registration Date: **14 June 2007**
(30) Convention priority data:
(31) Number (32) Date (33) Country
2006#025863 27 Sep 2006 JAPAN
(56) Related Art Documents: **Not Applicable**
(57) Statement of Newness and Distinctiveness: **Those features of the automobile depicted in the representations that are new and distinctive are the shape and/or configuration.**



- (21) Design Number: **17103/2007**
(22) Date of Filing Application: **26 March 2007**
(24) Date from which industrial property rights may have effect: **26 March 2007**
(54) Product in respect of which the design is registered: **Grille for automobile**
(51) International Design Classification: **12-16B**
(71) Name(s) and Address(s) of Applicant(s):
Toyota Jidosha Kabushiki Kaisha
1 Toyota-cho Toyota-shi Aichi-ken 471-8571 Japan
(72) Name(s) of Designer(s): **Yoshiharu Nakajima and Hirofumi Hokao**
(45) Registration Date: **14 June 2007**
(30) Convention priority data:
(31) Number (32) Date (33) Country
2006#025902 27 Sep 2006 JAPAN
(56) Related Art Documents: **Not Applicable**
(57) Statement of Newness and Distinctiveness: **Those features of the grille for automobile depicted in the representations that are new and distinctive are the shape and/or configuration. The features shown in the rear view are to be disregarded when considering the overall impression of the design.**



(21) Design Number: **17107/2007**

(22) Date of Filing Application: **27 March 2007**

(24) Date from which industrial property rights may have effect: **27 March 2007**

(54) Product in respect of which the design is registered: **A stroller shade**

(51) International Design Classification: **03-03, 12-12**

(71) Name(s) and Address(s) of Applicant(s):

Samtara Holdings Limited
Kumeu Professional Centre Cnr Access Rd & Shamrock Drive Kumeu
0810 New Zealand

(72) Name(s) of Designer(s): **Louise Anne Dawson and Eileen Marie Hoey-Slocombe**

(45) Registration Date: **14 June 2007**

(56) Related Art Documents: **Not Applicable**

(57) Statement of Newness and Distinctiveness: **Novelty and distinctiveness resides in the shape and configuration of the stroller shade as shown in the representations. The stroller shown in the perspective view is not part of the design, but the stroller shade is.**



(21) Design Number: **17112/2007**

(22) Date of Filing Application: **27 March 2007**

(24) Date from which industrial property rights may have effect: **27 March 2007**

(54) Product in respect of which the design is registered: **Panel for a bicycle stand**

(51) International Design Classification: **12-11**

(71) Name(s) and Address(s) of Applicant(s):

Cyclepods Limited
139 Watling Street Gillingham Kent ME7 4BL United Kingdom

(72) Name(s) of Designer(s): **James John Steward**

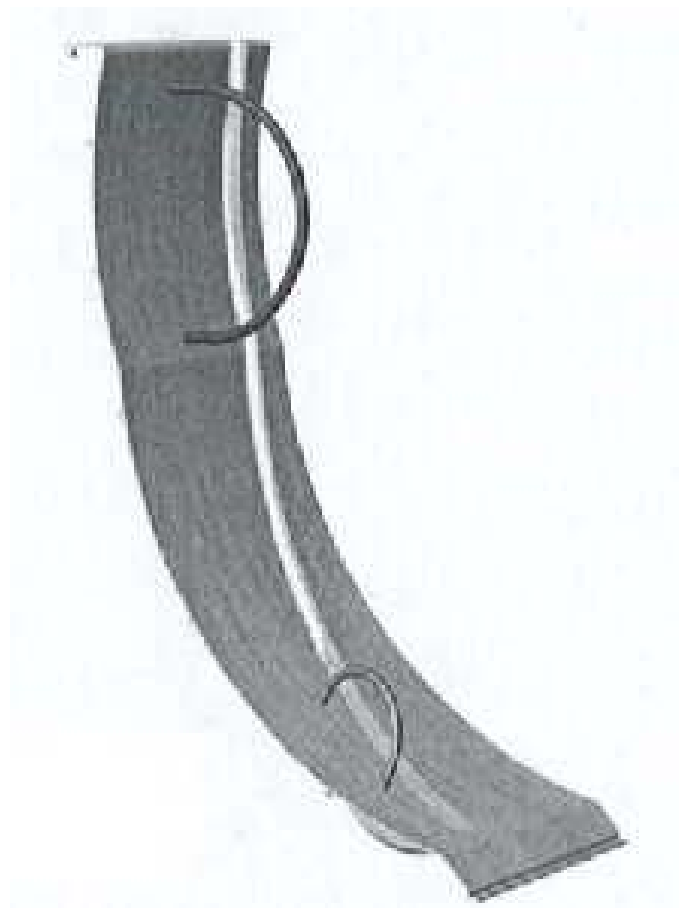
(45) Registration Date: **14 June 2007**

(30) Convention priority data:

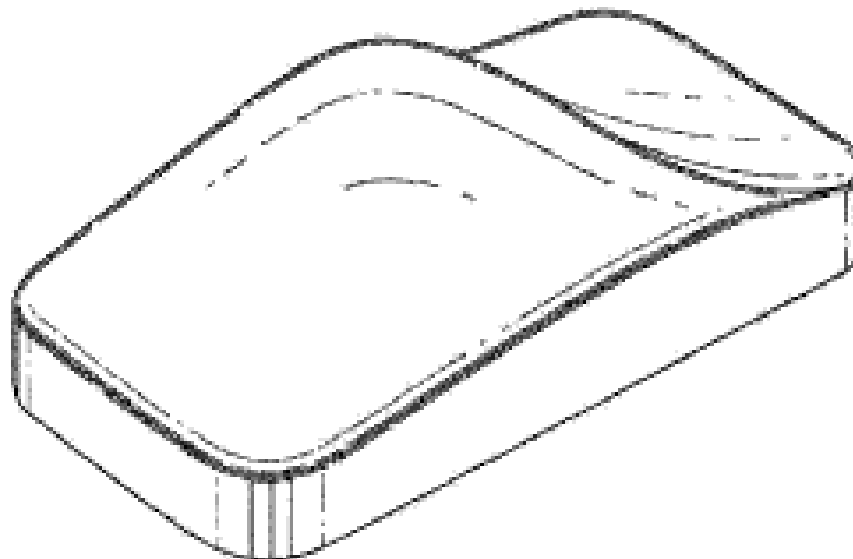
(31) Number	(32) Date	(33) Country
3026064	27 Sep 2006	UNITED KINGDOM

(56) Related Art Documents: **Not Applicable**

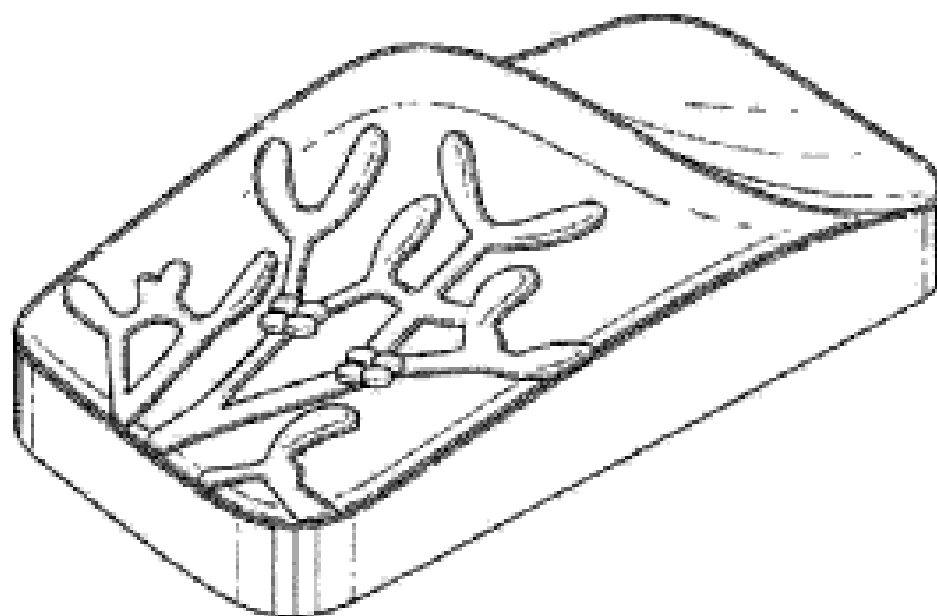
(57) Statement of Newness and Distinctiveness: **Newness and distinctiveness resides in the visual features of shape and/or configuration of a panel for a bicycle stand as illustrated in the accompanying representations.**



(21) Design Number: **17121/2007**
(22) Date of Filing Application: **27 March 2007**
(24) Date from which industrial property rights may have effect: **27 March 2007**
(54) Product in respect of which the design is registered: **Chocolate confectionery**
(51) International Design Classification: **01-01**
(71) Name(s) and Address(s) of Applicant(s):
Mars, Incorporated
6885 Elm Street McLean Virginia 22101#3883 United States of America
(72) Name(s) of Designer(s): **Sue Wilson and Joseph Craffey and John Cowan-Hughes**
(45) Registration Date: **14 June 2007**
(30) Convention priority data:
(31) Number (32) Date (33) Country
000595442#0002 27 Sep 2006 EUROPEAN COMMUNITY
(56) Related Art Documents: **Not Applicable**
(57) Statement of Newness and Distinctiveness: **Monopoly is claimed in the shape, pattern, ornamentation and configuration of the features of the article as depicted in the accompanying representations.**



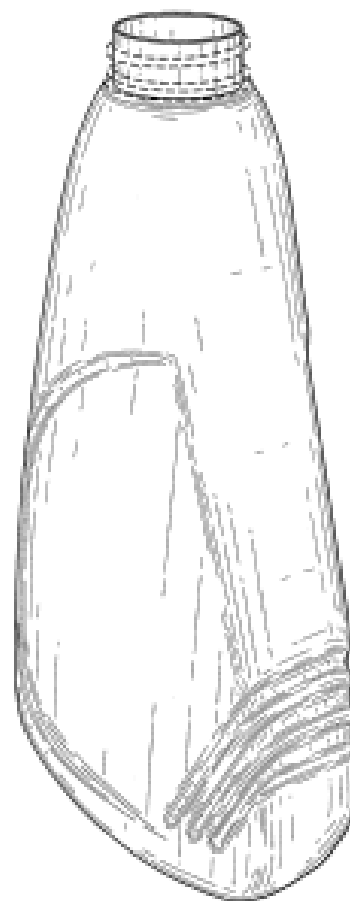
(21) Design Number: **17122/2007**
(22) Date of Filing Application: **27 March 2007**
(24) Date from which industrial property rights may have effect: **27 March 2007**
(54) Product in respect of which the design is registered: **Chocolate confectionery**
(51) International Design Classification: **01-01**
(71) Name(s) and Address(s) of Applicant(s):
Mars, Incorporated
6885 Elm Street McLean Virginia 22101#3883 United States of America
(72) Name(s) of Designer(s): **Sue Wilson and Joseph Craffey and John Cowan-Hughes**
(45) Registration Date: **14 June 2007**
(30) Convention priority data:
(31) Number (32) Date (33) Country
000595442#0001 27 Sep 2006 EUROPEAN COMMUNITY
(56) Related Art Documents: **Not Applicable**
(57) Statement of Newness and Distinctiveness: **Monopoly is claimed in the shape, pattern, ornamentation and configuration of the features of the article as depicted in the accompanying representations.**



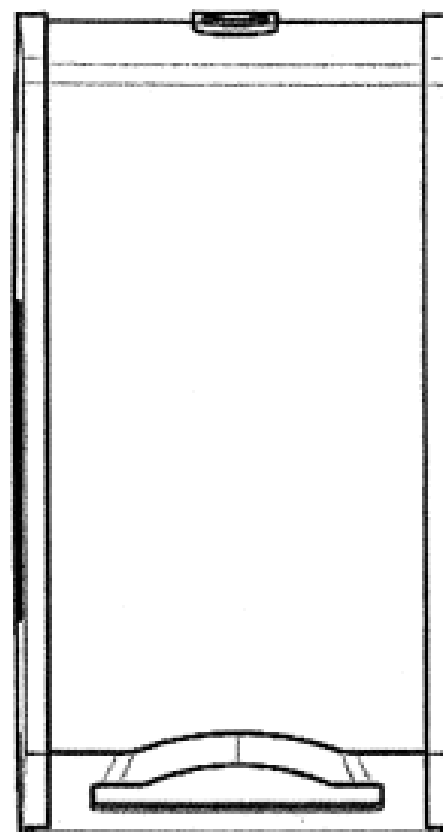
- (21) Design Number: **17132/2007**
(22) Date of Filing Application: **28 March 2007**
(24) Date from which industrial property rights may have effect: **28 March 2007**
(54) Product in respect of which the design is registered: **Electric guitar**
(51) International Design Classification: **17-03**
(71) Name(s) and Address(s) of Applicant(s):
Martyn Ward
90 Philip Drive Teddington Queensland 4650 Australia
(72) Name(s) of Designer(s): **Martyn Ward**
(45) Registration Date: **14 June 2007**
(56) Related Art Documents: **Not Applicable**
(57) Statement of Newness and Distinctiveness: **The new and distinctive features of the tremelo system is the shape of the lever.**



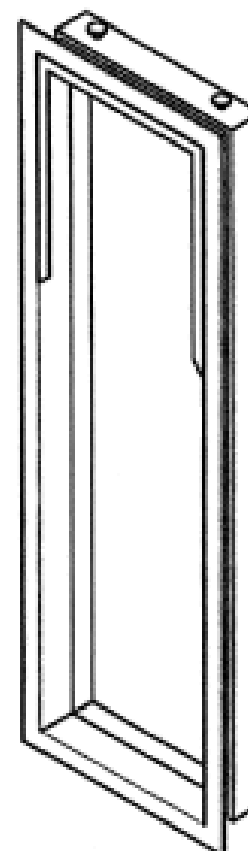
- (21) Design Number: **18163/2007**
(22) Date of Filing Application: **15 March 2007**
(24) Date from which industrial property rights may have effect: **15 March 2007**
(54) Product in respect of which the design is registered: **Container**
(51) International Design Classification: **09-01B**
(71) Name(s) and Address(s) of Applicant(s):
Colgate-Palmolive Company
300 Park Avenue New York New York 10022 United States of America
(72) Name(s) of Designer(s): **Jeffrey Mayers and Bruce Cummings**
(45) Registration Date: **14 June 2007**
(30) Convention priority data:
(31) Number (32) Date (33) Country
29/249021 15 Sep 2006 UNITED STATES OF AMERICA
(56) Related Art Documents: **Not Applicable**
(57) Statement of Newness and Distinctiveness: **Newness and distinctiveness reside in the features of the design as shown in the representations.**



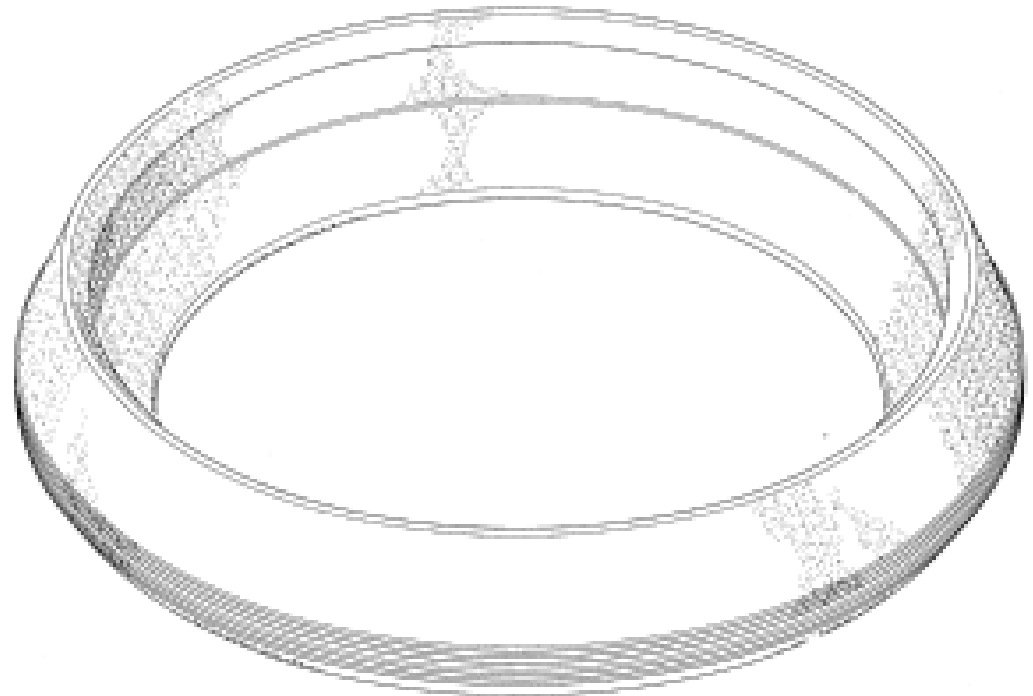
(21) Design Number: **17173/2007**
(22) Date of Filing Application: **29 March 2007**
(24) Date from which industrial property rights may have effect: **29 March 2007**
(54) Product in respect of which the design is registered: **Bulk dispenser**
(51) International Design Classification: **23-02A**
(71) Name(s) and Address(s) of Applicant(s):
SCA Hygiene Products AB
S-405 03 Goteborg Sweden
(72) Name(s) of Designer(s): **Kent Zeiron and Dejan Tomic**
(45) Registration Date: **14 June 2007**
(30) Convention priority data:
(31) Number (32) Date (33) Country
000598701-0004 03 Oct 2006 EUROPEAN COMMUNITY
(56) Related Art Documents: **Not Applicable**
(57) Statement of Newness and Distinctiveness: **Nil**



(21) Design Number: **17174/2007**
(22) Date of Filing Application: **29 March 2007**
(24) Date from which industrial property rights may have effect: **29 March 2007**
(54) Product in respect of which the design is registered: **Recessed unit**
(51) International Design Classification: **23-02A**
(71) Name(s) and Address(s) of Applicant(s):
SCA Hygiene Products AB
S-405 03 Goteborg Sweden
(72) Name(s) of Designer(s): **Kent Zeiron and Dejan Tomic**
(45) Registration Date: **14 June 2007**
(30) Convention priority data:
(31) Number (32) Date (33) Country
000598701-0005 03 Oct 2006 EUROPEAN COMMUNITY
(56) Related Art Documents: **Not Applicable**
(57) Statement of Newness and Distinctiveness: **Nil**



- (21) Design Number: **17175/2007**
(22) Date of Filing Application: **29 March 2007**
(24) Date from which industrial property rights may have effect: **29 March 2007**
(54) Product in respect of which the design is registered: **Pipe gasket**
(51) International Design Classification: **23-01A**
(71) Name(s) and Address(s) of Applicant(s):
S & B Technical products, Inc.
1300 East Berry Street Fort Worth Texas 76102-4186 United States of America
(72) Name(s) of Designer(s): **Gerardo Darce**
(45) Registration Date: **14 June 2007**
(30) Convention priority data:
(31) Number (32) Date (33) Country
29/267,227 06 Oct 2006 UNITED STATES OF AMERICA
(56) Related Art Documents: **Not Applicable**
(57) Statement of Newness and Distinctiveness: **Newness and distinctiveness are claimed in the features of shape and/or configuration of a pipe gasket, as illustrated in the accompanying representations.**



- (21) Design Number: **17177/2007**
(22) Date of Filing Application: **29 March 2007**
(24) Date from which industrial property rights may have effect: **29 March 2007**
(54) Product in respect of which the design is registered: **Cot**
(51) International Design Classification: **06-02**
(71) Name(s) and Address(s) of Applicant(s):
Boori International Pty Ltd
27-37 Vallance Street St Marys New South Wales 2760 Australia
(72) Name(s) of Designer(s): **Justin Chui**
(45) Registration Date: **14 June 2007**
(56) Related Art Documents: **Not Applicable**
(57) Statement of Newness and Distinctiveness: **Those features of the cot depicted in the representations that are new and distinctive are the shape and/or configuration.**



(21) Design Number: **17178/2007**

(22) Date of Filing Application: **29 March 2007**

(24) Date from which industrial property rights may have effect: **29 March 2007**

(54) Product in respect of which the design is registered: **Cot**

(51) International Design Classification: **06-02**

(71) Name(s) and Address(s) of Applicant(s):

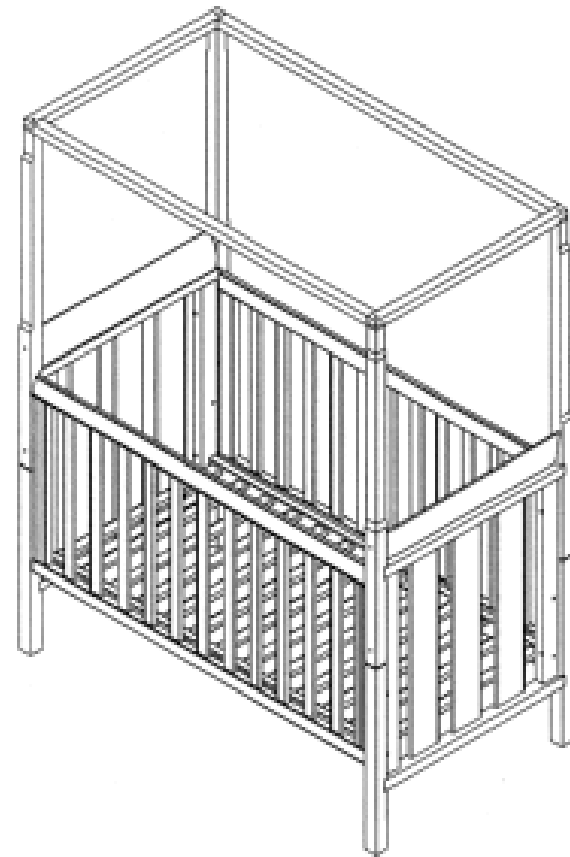
Boori International Pty Ltd
27-37 Vallance Street St Marys New South Wales 2760 Australia

(72) Name(s) of Designer(s): **Justin Chui**

(45) Registration Date: **14 June 2007**

(56) Related Art Documents: **Not Applicable**

(57) Statement of Newness and Distinctiveness: **Those features of the cot depicted in the representations that are new and distinctive are the shape and/or configuration.**



(21) Design Number: **18351/2007**

(22) Date of Filing Application: **13 June 2007**

(24) Date from which industrial property rights may have effect: **13 June 2007**

(54) Product in respect of which the design is registered: **Dining table**

(51) International Design Classification: **06-03A**

(71) Name(s) and Address(s) of Applicant(s):

Arki Tsorakidis, Astra Furniture P/L
PO Box 367 Somerton Victoria 3062 Australia

(72) Name(s) of Designer(s): **Arki Tsorakidis**

(45) Registration Date: **14 June 2007**

(56) Related Art Documents: **Not Applicable**

(57) Statement of Newness and Distinctiveness: **Solid timber dining table with appearance of floating top.**



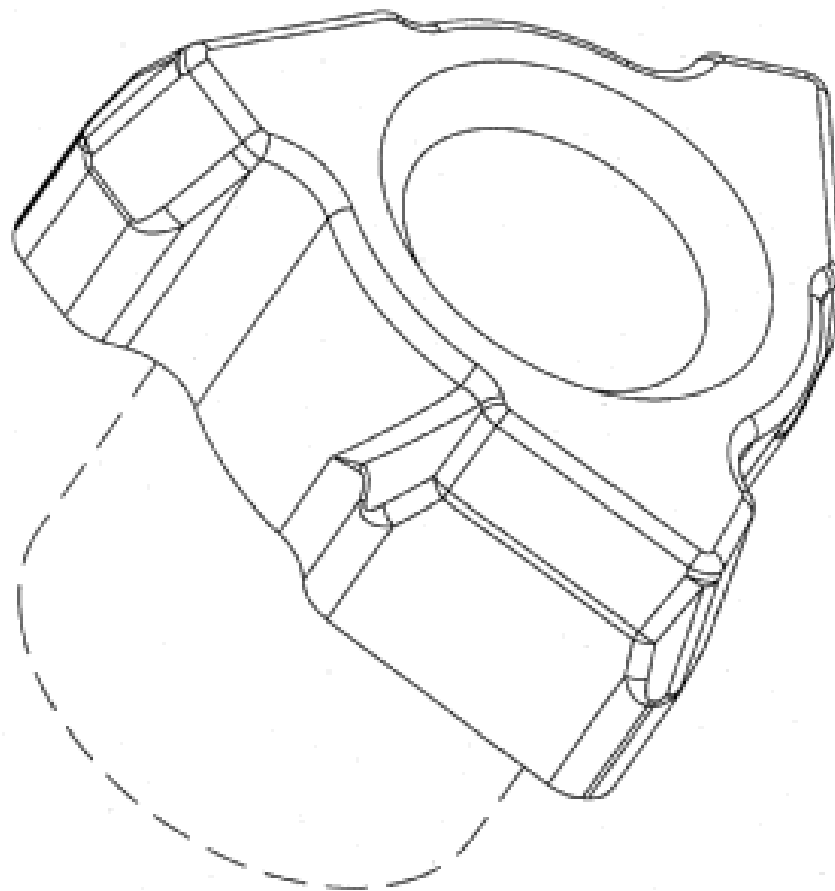
- (21) Design Number: **18352/2007**
(22) Date of Filing Application: **13 June 2007**
(24) Date from which industrial property rights may have effect: **13 June 2007**
(54) Product in respect of which the design is registered: **Solid timber buffet**
(51) International Design Classification: **06-04D**
(71) Name(s) and Address(s) of Applicant(s):
Arki Tsorakidis, Astra Furniture P/L
PO Box 367 Somerton Victoria 3062 Australia
(72) Name(s) of Designer(s): **Arki Tsorakidis**
(45) Registration Date: **14 June 2007**
(56) Related Art Documents: **Not Applicable**
(57) Statement of Newness and Distinctiveness: **Nil**



- (21) Design Number: **18353/2007**
(22) Date of Filing Application: **13 June 2007**
(24) Date from which industrial property rights may have effect: **13 June 2007**
(54) Product in respect of which the design is registered: **Solid timber low line entertainment**
(51) International Design Classification: **06-04D**
(71) Name(s) and Address(s) of Applicant(s):
Arki Tsorakidis, Astra Furniture P/L
PO Box 367 Somerton Victoria 3062 Australia
(72) Name(s) of Designer(s): **Arki Tsorakidis**
(45) Registration Date: **14 June 2007**
(56) Related Art Documents: **Not Applicable**
(57) Statement of Newness and Distinctiveness: **Nil**



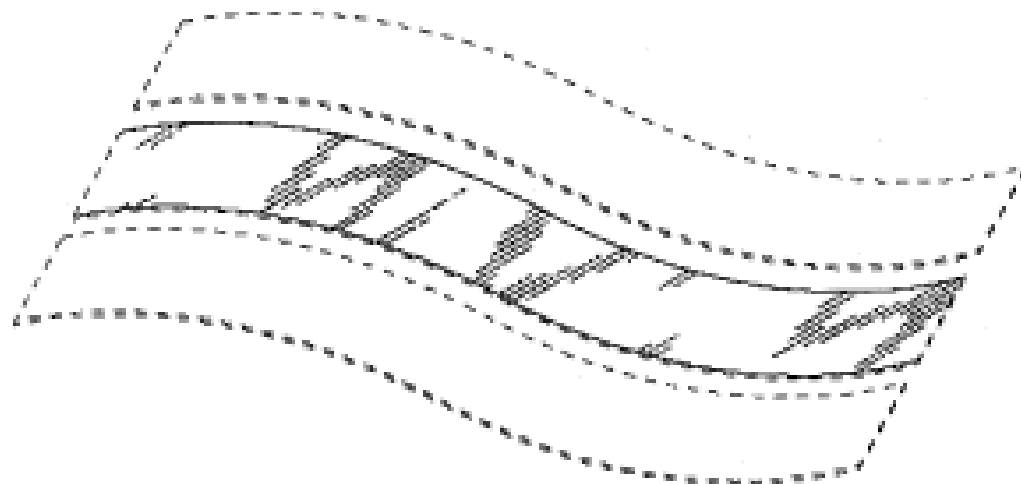
- (21) Design Number: **14228/2006**
(22) Date of Filing Application: **22 September 2006**
(24) Date from which industrial property rights may have effect: **22 September 2006**
(54) Product in respect of which the design is registered: **Driving mechanism**
(51) International Design Classification: **15-01**
(71) Name(s) and Address(s) of Applicant(s):
GCC Management Ltd
Room,404, Fook Hong Industrial Building 19 Sheung Yuet Road
Kowloon Bay, Hong Kong
(72) Name(s) of Designer(s): **Samuel Tusi Wai Keung**
(45) Registration Date: **15 June 2007**
(56) Related Art Documents: **Not Applicable**
(57) Statement of Newness and Distinctiveness: **Nil**



- (21) Design Number: **14314/2006**
(22) Date of Filing Application: **27 September 2006**
(24) Date from which industrial property rights may have effect: **27 September 2006**
(54) Product in respect of which the design is registered: **Clothing**
(51) International Design Classification: **02-02C**
(71) Name(s) and Address(s) of Applicant(s):
Mink Pink Fashion Group Pty Ltd
Room 605 Level 6 67-76 Kippax Street Surry Hills New South Wales
2010 Australia
(72) Name(s) of Designer(s): **Rachel Evans**
(45) Registration Date: **15 June 2007**
(56) Related Art Documents: **Not Applicable**
(57) Statement of Newness and Distinctiveness: **Nil**

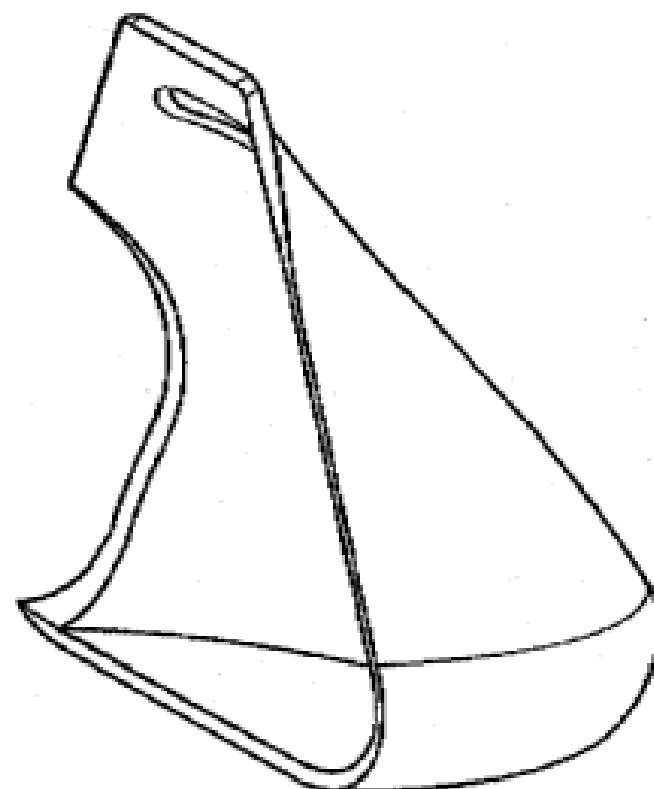


(21) Design Number: **16265/2007**
 (22) Date of Filing Application: **02 February 2007**
 (24) Date from which industrial property rights may have effect: **02 February 2007**
 (54) Product in respect of which the design is registered: **Retroreflective article**
 (51) International Design Classification: **05-06NES**
 (71) Name(s) and Address(s) of Applicant(s):
3M Innovative Properties Company
3M Center Saint Paul Minnesota 55133-3427 United States of America
 (72) Name(s) of Designer(s): **John L. Vandenberg**
 (45) Registration Date: **15 June 2007**
 (30) Convention priority data:
 (31) Number (32) Date (33) Country
29/248187 02 Aug 2006 UNITED STATES OF AMERICA

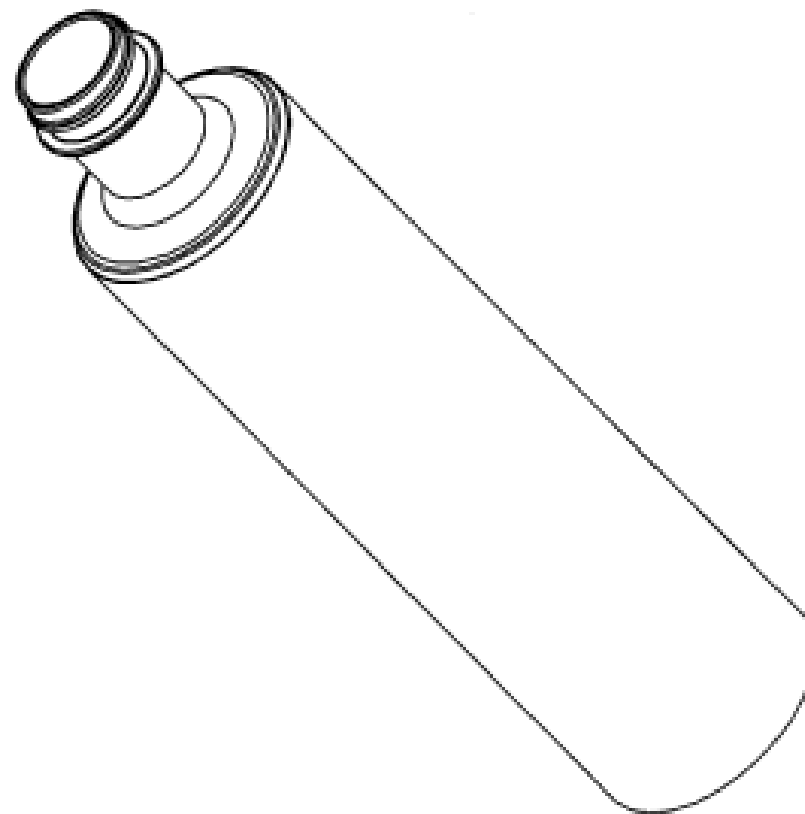


(56) Related Art Documents: **Not Applicable**
 (57) Statement of Newness and Distinctiveness: **Newness and distinctiveness is claimed in the visual features of the retroreflective article shown in solid lines in the representations. The retroreflective article can be applied to a variety of surfaces and materials that are desired to have a retroreflective appearance. The retroreflective article has a retroreflective top surface. The term "retroreflective article" refers to an article that reflects substantial quantities of incident light - which light otherwise would be reflected elsewhere - back towards the light source. In considering the extent of monopoly, it should be noted that in the drawings, the broken lines form no part of the claimed design and indicate that the retroreflective article can be one of a plurality of retroreflective articles, and that the retroreflective article has an indeterminate length and thickness. The shading shown in Figs. 1 and 2 is provided only to illustrate that the top surface is retroreflective. It is not indicative of texture or other surface artefacts.**

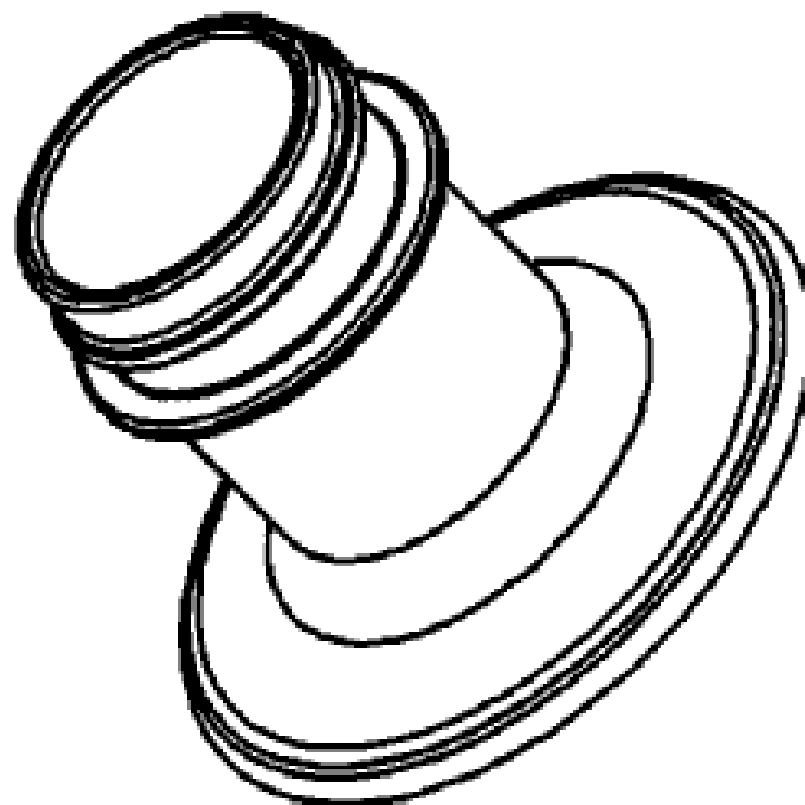
(21) Design Number: **16335/2007**
 (22) Date of Filing Application: **07 February 2007**
 (24) Date from which industrial property rights may have effect: **07 February 2007**
 (54) Product in respect of which the design is registered: **Stirrups**
 (51) International Design Classification: **30-04**
 (71) Name(s) and Address(s) of Applicant(s):
Allan Charles Waldron
60 Pipiwai Road Kamo Whangarei New Zealand
Daxen James Callagher
Kauika Road Whangarei New Zealand
 (72) Name(s) of Designer(s): **Allan Charles Waldron and Daxen James Callagher**
 (45) Registration Date: **15 June 2007**
 (30) Convention priority data:
 (31) Number (32) Date (33) Country
407981 07 Aug 2006 NEW ZEALAND
 (56) Related Art Documents: **Not Applicable**
 (57) Statement of Newness and Distinctiveness: **Nil**



- (21) Design Number: **17123/2007**
(22) Date of Filing Application: **27 March 2007**
(24) Date from which industrial property rights may have effect: **27 March 2007**
(54) Product in respect of which the design is registered: **Container**
(51) International Design Classification: **09-01K**
(71) Name(s) and Address(s) of Applicant(s):
AISAPACK Holding S.A.
Rue de la Praise CH#1896 Vouvry Switzerland
(72) Name(s) of Designer(s): **Lothar Reihle**
(45) Registration Date: **15 June 2007**
(30) Convention priority data:
(31) Number (32) Date (33) Country
2007#00170 22 Feb 2007 SWITZERLAND
(56) Related Art Documents: **Not Applicable**
(57) Statement of Newness and Distinctiveness: **Newness and distinctiveness is claimed in the features of shape and/or configuration of a container as illustrated in the accompanying representations.**



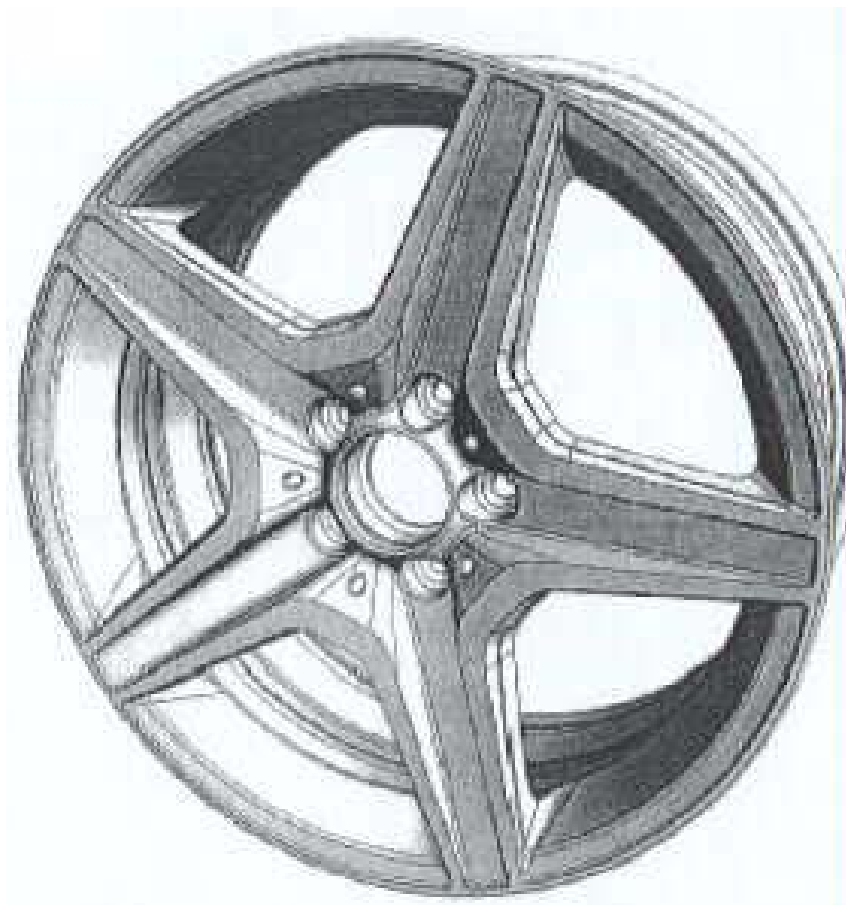
- (21) Design Number: **17124/2007**
(22) Date of Filing Application: **27 March 2007**
(24) Date from which industrial property rights may have effect: **27 March 2007**
(54) Product in respect of which the design is registered: **Container top**
(51) International Design Classification: **09-01K**
(71) Name(s) and Address(s) of Applicant(s):
AISAPACK Holding S.A.
Rue de la Praise CH#1896 Vouvry Switzerland
(72) Name(s) of Designer(s): **Lothar Reihle**
(45) Registration Date: **15 June 2007**
(30) Convention priority data:
(31) Number (32) Date (33) Country
2007#00170 22 Feb 2007 SWITZERLAND
(56) Related Art Documents: **Not Applicable**
(57) Statement of Newness and Distinctiveness: **Newness and distinctiveness is claimed in the features of shape and/or configuration of a container top as illustrated in the accompanying representations.**



- (21) Design Number: **17125/2007**
(22) Date of Filing Application: **27 March 2007**
(24) Date from which industrial property rights may have effect: **27 March 2007**
(54) Product in respect of which the design is registered: **A vehicle wheel**
(51) International Design Classification: **12-16A**
(71) Name(s) and Address(s) of Applicant(s):
DaimlerChrysler AG
Epplestrasse 225 D-70567 Stuttgart Germany
(72) Name(s) of Designer(s): **Claus Hieke**
(45) Registration Date: **15 June 2007**
(30) Convention priority data:
(31) Number (32) Date (33) Country
000613419#0005 30 Oct 2006 EUROPEAN COMMUNITY
(56) Related Art Documents: **Not Applicable**
(57) Statement of Newness and Distinctiveness: **Newness and distinctiveness is claimed in the features of shape and/or configuration of a vehicle wheel as illustrated in the accompanying representations.**



- (21) Design Number: **17126/2007**
(22) Date of Filing Application: **27 March 2007**
(24) Date from which industrial property rights may have effect: **27 March 2007**
(54) Product in respect of which the design is registered: **A vehicle wheel**
(51) International Design Classification: **12-16A**
(71) Name(s) and Address(s) of Applicant(s):
DaimlerChrysler AG
Epplestrasse 225 D-70567 Stuttgart Germany
(72) Name(s) of Designer(s): **Claus Hieke**
(45) Registration Date: **15 June 2007**
(30) Convention priority data:
(31) Number (32) Date (33) Country
000613419#0001 30 Oct 2006 EUROPEAN COMMUNITY
(56) Related Art Documents: **Not Applicable**
(57) Statement of Newness and Distinctiveness: **Newness and distinctiveness is claimed in the features of shape and/or configuration of a vehicle wheel as illustrated in the accompanying representations.**



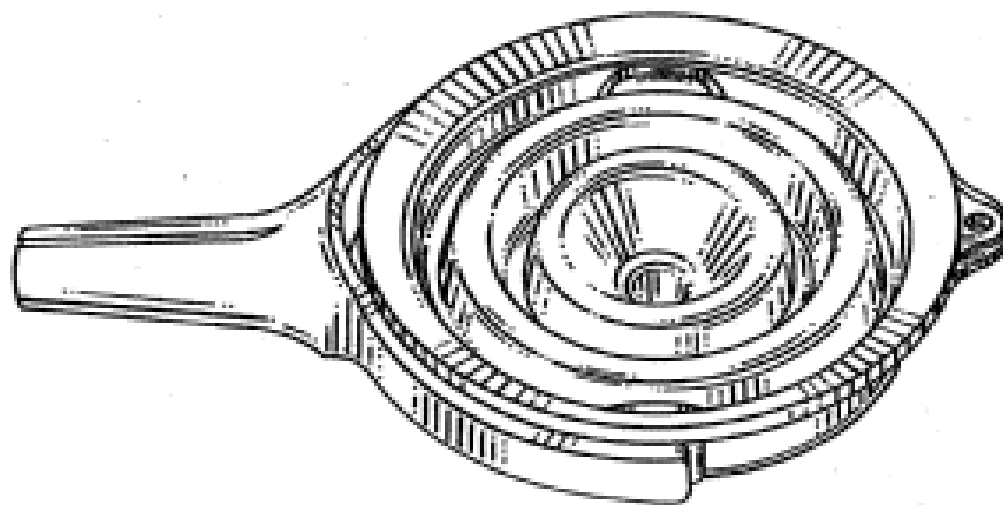
(19) AU

(21) Design Number: **17127/2007**
 (22) Date of Filing Application: **27 March 2007**
 (24) Date from which industrial property rights may have effect: **27 March 2007**
 (54) Product in respect of which the design is registered: **A vehicle wheel**
 (51) International Design Classification: **12-16A**
 (71) Name(s) and Address(s) of Applicant(s):
DaimlerChrysler AG
Epplestrasse 225 D-70567 Stuttgart Germany
 (72) Name(s) of Designer(s): **Claus Hieke**
 (45) Registration Date: **15 June 2007**
 (30) Convention priority data:
 (31) Number (32) Date (33) Country
000613419#0003 30 Oct 2006 EUROPEAN COMMUNITY
 (56) Related Art Documents: **Not Applicable**
 (57) Statement of Newness and Distinctiveness: **Newness and distinctiveness is claimed in the features of shape and/or configuration of a vehicle wheel as illustrated in the accompanying representations.**



(19) AU

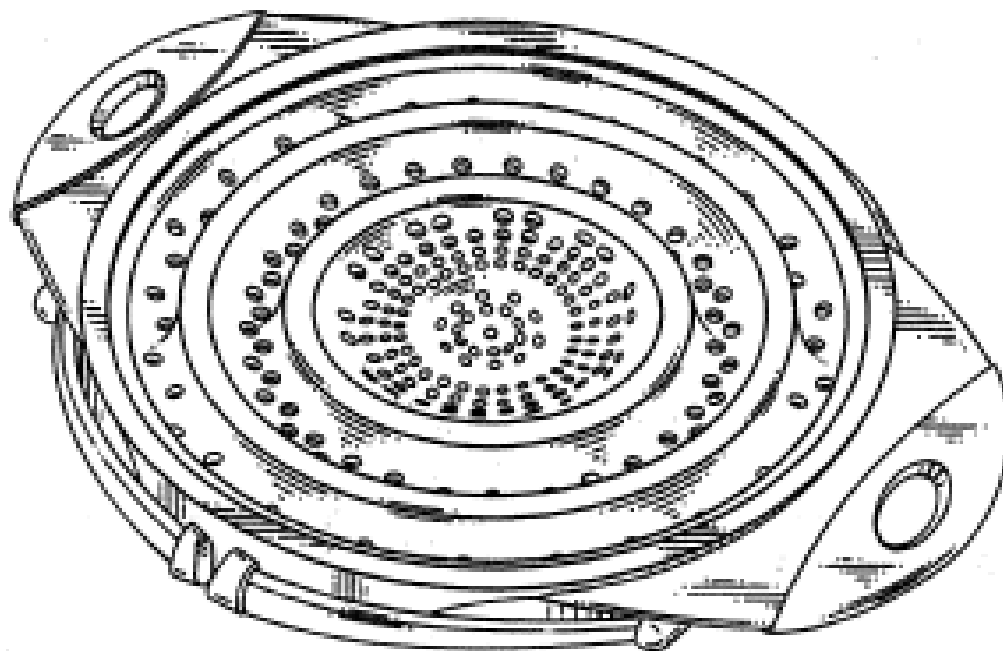
(21) Design Number: **17128/2007**
 (22) Date of Filing Application: **27 March 2007**
 (24) Date from which industrial property rights may have effect: **27 March 2007**
 (54) Product in respect of which the design is registered: **Collapsible funnel**
 (51) International Design Classification: **07-99NES**
 (71) Name(s) and Address(s) of Applicant(s):
Clever Edge, Inc.
111 Main Street Collinsville Connecticut 06019 United States of America
 (72) Name(s) of Designer(s): **Timothy C. Repp**
 (45) Registration Date: **15 June 2007**
 (30) Convention priority data:
 (31) Number (32) Date (33) Country
29/276475 26 Jan 2007 UNITED STATES OF AMERICA
 (56) Related Art Documents: **Not Applicable**
 (57) Statement of Newness and Distinctiveness: **Newness and distinctiveness reside in the features of the design as shown in the representations.**



(19) AU

- (21) Design Number: **17129/2007**
- (22) Date of Filing Application: **27 March 2007**
- (24) Date from which industrial property rights may have effect: **27 March 2007**
- (54) Product in respect of which the design is registered: **Collapsible colander with stand-up leg**
- (51) International Design Classification: **07-04**
- (71) Name(s) and Address(s) of Applicant(s):
Clever Edge, Inc.
111 Main Street Collinsville Connecticut 06019 United States of America
- (72) Name(s) of Designer(s): **Timothy C. Repp**
- (45) Registration Date: **15 June 2007**
- (30) Convention priority data:

(31) Number	(32) Date	(33) Country
29/276477	26 Jan 2007	UNITED STATES OF AMERICA
- (56) Related Art Documents: **Not Applicable**
- (57) Statement of Newness and Distinctiveness: **Newness and distinctiveness reside in the features of the design as shown in the representations.**



(19) AU

- (21) Design Number: **17130/2007**
- (22) Date of Filing Application: **27 March 2007**
- (24) Date from which industrial property rights may have effect: **27 March 2007**
- (54) Product in respect of which the design is registered: **Over-the-sink cutting board with collapsible strainer**
- (51) International Design Classification: **07-04**
- (71) Name(s) and Address(s) of Applicant(s):
Ellis N. Shamon
2833 Park Bridge Court Dallas Texas 75219 United States of America
- (72) Name(s) of Designer(s): **Ellis N. Shamon**
- (45) Registration Date: **15 June 2007**
- (30) Convention priority data:

(31) Number	(32) Date	(33) Country
29/277326	21 Feb 2007	UNITED STATES OF AMERICA
- (56) Related Art Documents: **Not Applicable**
- (57) Statement of Newness and Distinctiveness: **Newness and distinctiveness reside in the features of the design as shown in the representations.**

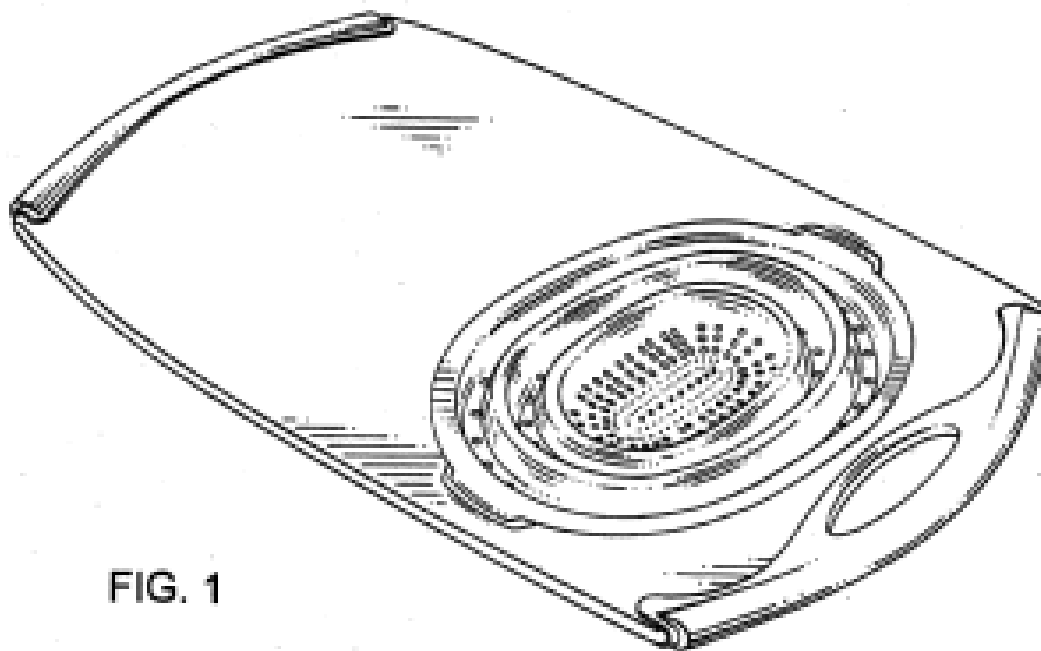


FIG. 1

- (21) Design Number: **17137/2007**
(22) Date of Filing Application: **28 March 2007**
(24) Date from which industrial property rights may have effect: **28 March 2007**
(54) Product in respect of which the design is registered: **Epilator**
(51) International Design Classification: **28-03NES**
(71) Name(s) and Address(s) of Applicant(s):

Braun GmbH
Frankfurter Str. 145 61476 Kronberg Germany

- (72) Name(s) of Designer(s): **Bjorn Kling**

- (45) Registration Date: **15 June 2007**

- (30) Convention priority data:

(31) Number	(32) Date	(33) Country
40606345.1	15 Dec 2006	GERMANY

- (56) Related Art Documents: **Not Applicable**

- (57) Statement of Newness and Distinctiveness: **Newness and distinctiveness is claimed in the visual features of shape, configuration, pattern and/or ornamentation of the product. In considering the extent of monopoly, the writing which is printed/embossed on the product should be disregarded.**



- (21) Design Number: **17139/2007**
(22) Date of Filing Application: **28 March 2007**
(24) Date from which industrial property rights may have effect: **28 March 2007**
(54) Product in respect of which the design is registered: **Kiln**
(51) International Design Classification: **23-03NES**
(71) Name(s) and Address(s) of Applicant(s):

Sacmi Forni S.P.A.
Via Marconi 3 40122 Bologna Italy

- (72) Name(s) of Designer(s): **Giuseppe Pifferi**

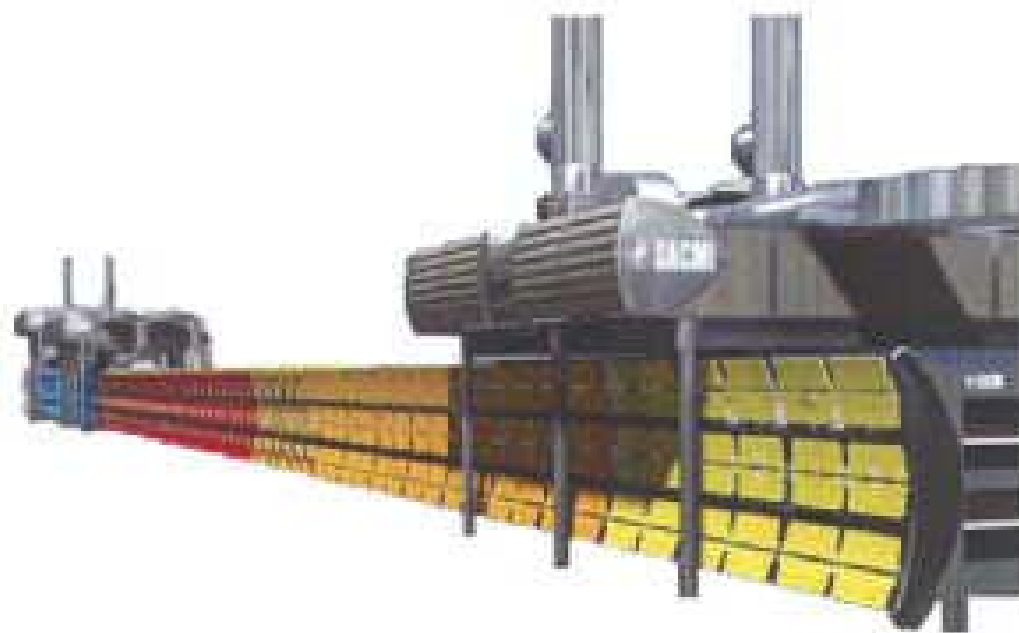
- (45) Registration Date: **15 June 2007**

- (30) Convention priority data:

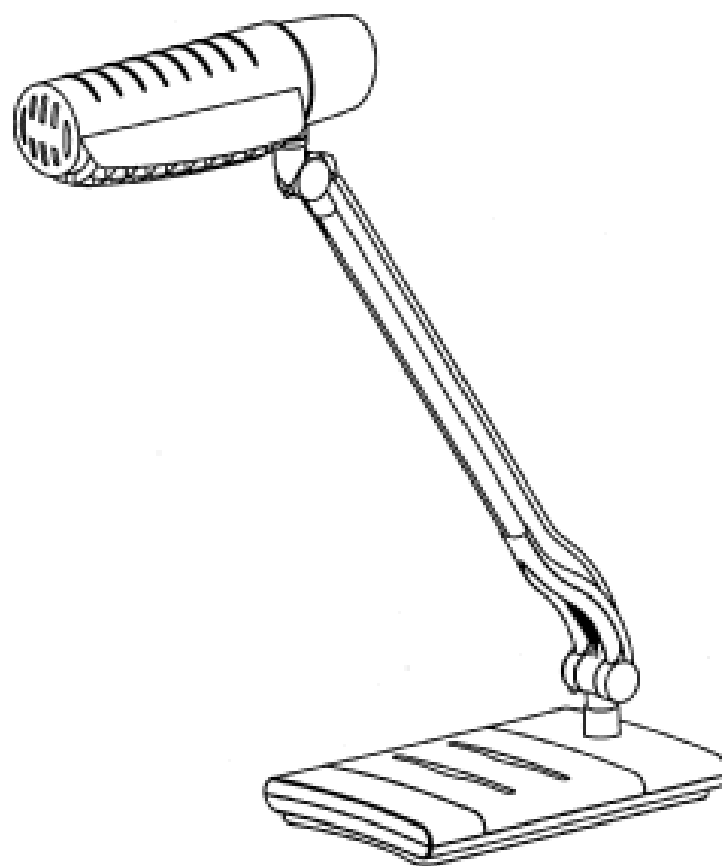
(31) Number	(32) Date	(33) Country
MO2006O000011	28 Sep 2006	ITALY

- (56) Related Art Documents: **Not Applicable**

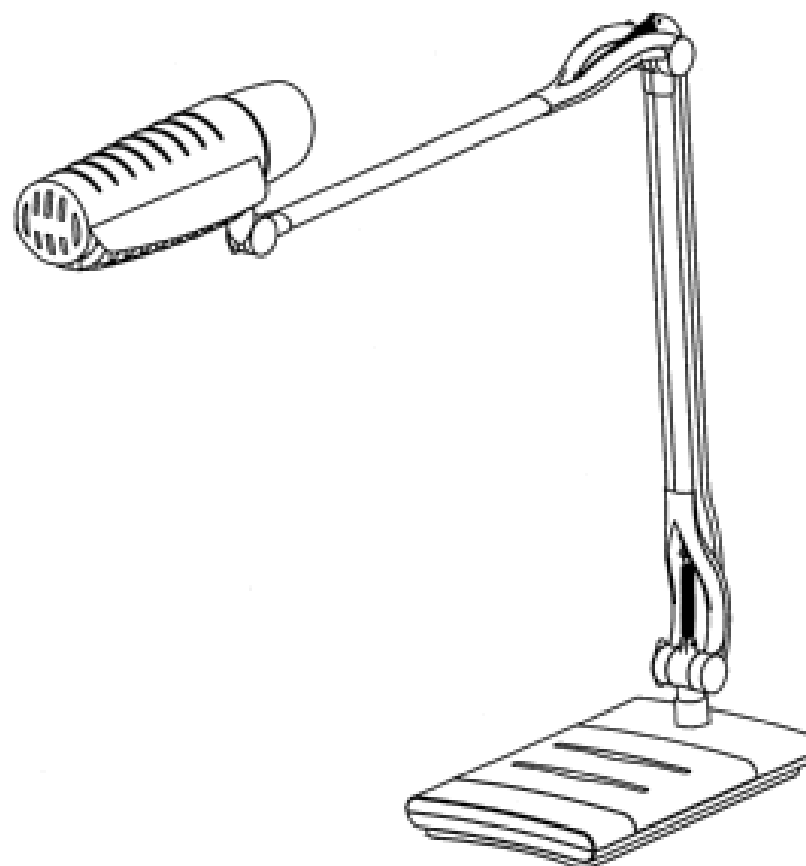
- (57) Statement of Newness and Distinctiveness: **Newness and distinctiveness reside in the features of the design as shown in the representations.**



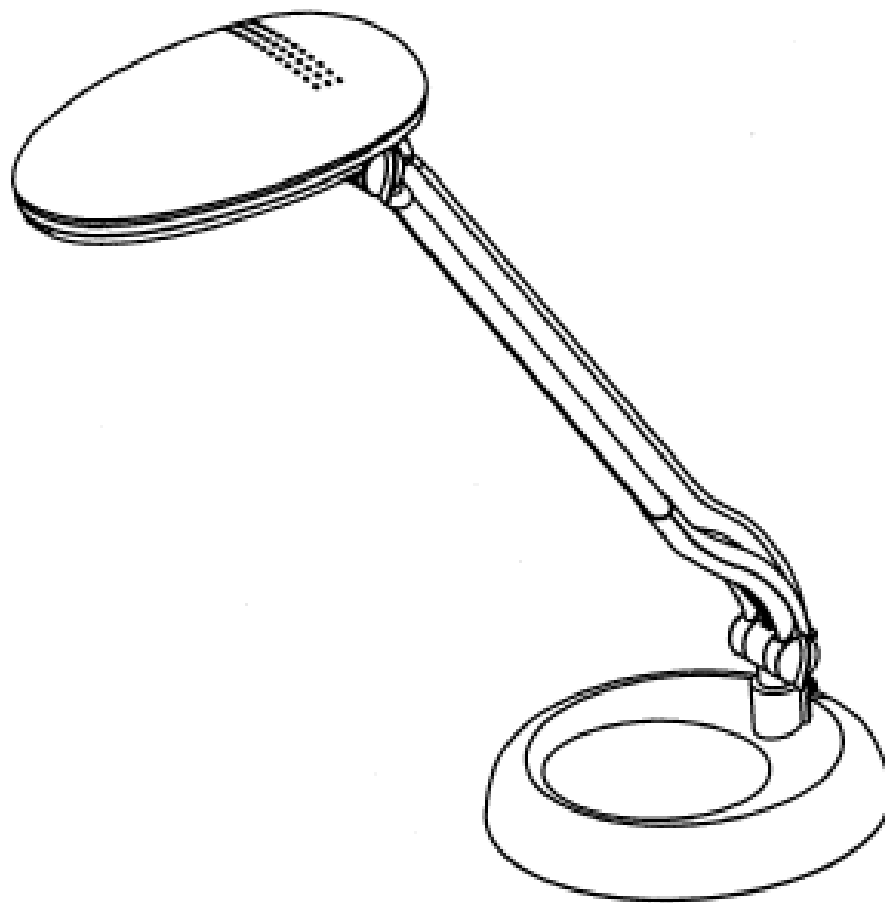
(21) Design Number: **17140/2007**
(22) Date of Filing Application: **28 March 2007**
(24) Date from which industrial property rights may have effect: **28 March 2007**
(54) Product in respect of which the design is registered: **Desk lamp**
(51) International Design Classification: **26-05A**
(71) Name(s) and Address(s) of Applicant(s):
Koninklijke Philips Electronics N.V.
Groenewoudseweg 1 5621 BA Eindhoven The Netherlands
(72) Name(s) of Designer(s): **Helen Qi**
(45) Registration Date: **15 June 2007**
(30) Convention priority data:
(31) Number (32) Date (33) Country
000602495#0001 11 Oct 2006 EUROPEAN COMMUNITY
(56) Related Art Documents: **Not Applicable**
(57) Statement of Newness and Distinctiveness: **Newness and distinctiveness reside in the features of the design as shown in the representations.**



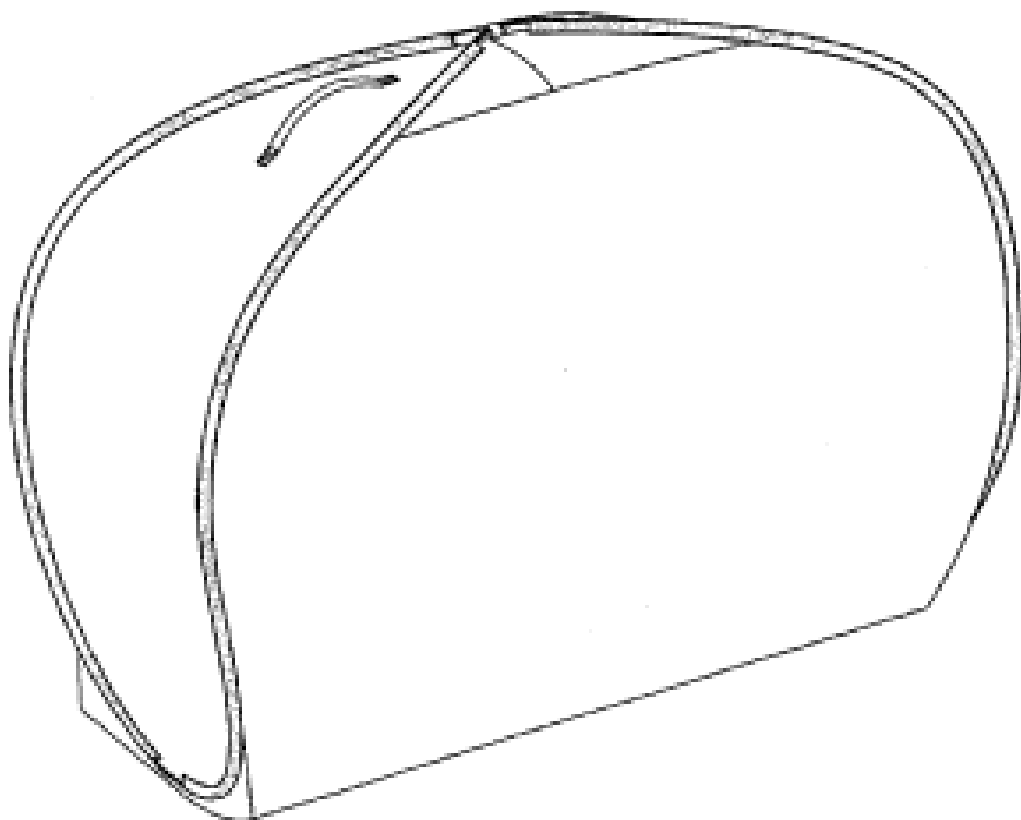
(21) Design Number: **17141/2007**
(22) Date of Filing Application: **28 March 2007**
(24) Date from which industrial property rights may have effect: **28 March 2007**
(54) Product in respect of which the design is registered: **Desk lamp**
(51) International Design Classification: **26-05A**
(71) Name(s) and Address(s) of Applicant(s):
Koninklijke Philips Electronics N.V.
Groenewoudseweg 1 NL-5621 BA Eindhoven The Netherlands
(72) Name(s) of Designer(s): **Helen Qi**
(45) Registration Date: **15 June 2007**
(30) Convention priority data:
(31) Number (32) Date (33) Country
000602495#0002 11 Oct 2006 EUROPEAN COMMUNITY
(56) Related Art Documents: **Not Applicable**
(57) Statement of Newness and Distinctiveness: **Newness and distinctiveness reside in the features of the design as shown in the representations.**



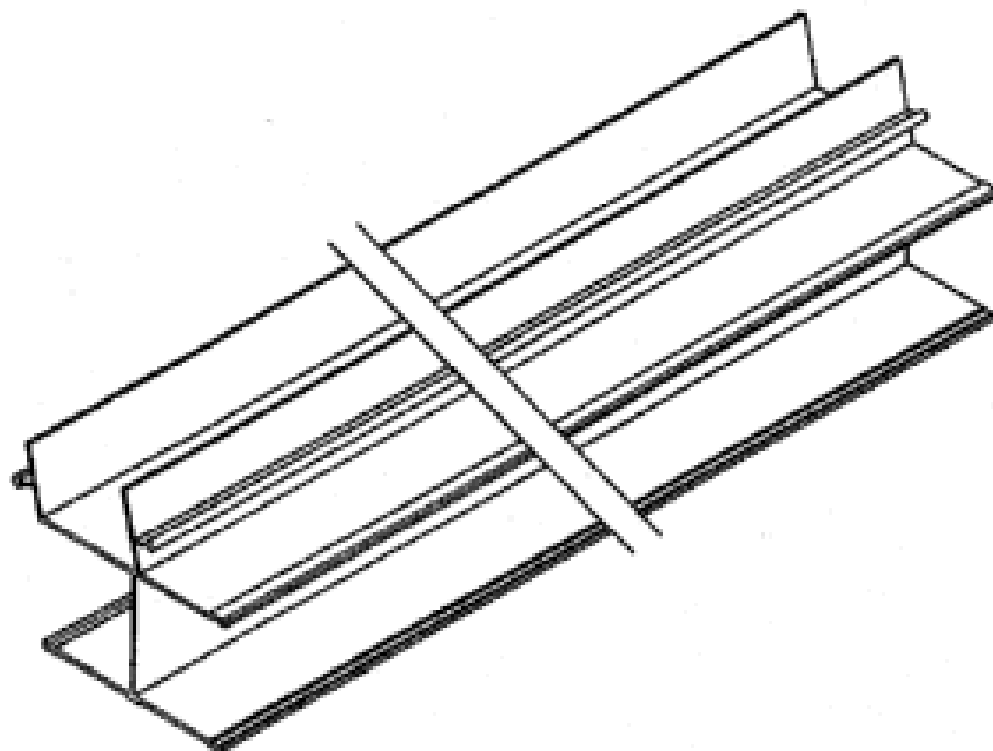
- (21) Design Number: **17142/2007**
(22) Date of Filing Application: **28 March 2007**
(24) Date from which industrial property rights may have effect: **28 March 2007**
(54) Product in respect of which the design is registered: **Desk lamp**
(51) International Design Classification: **26-05A**
(71) Name(s) and Address(s) of Applicant(s):
Koninklijke Philips Electronics N.V.
Groenewoudseweg 1 5621 BA Eindhoven The Netherlands
(72) Name(s) of Designer(s): **Helen Qi**
(45) Registration Date: **15 June 2007**
(30) Convention priority data:
(31) Number (32) Date (33) Country
000602495#0003 11 Oct 2006 EUROPEAN COMMUNITY
(56) Related Art Documents: **Not Applicable**
(57) Statement of Newness and Distinctiveness: **Newness and distinctiveness reside in the features of the design as shown in the representations.**



- (21) Design Number: **17162/2007**
(22) Date of Filing Application: **28 March 2007**
(24) Date from which industrial property rights may have effect: **28 March 2007**
(54) Product in respect of which the design is registered: **Barbecue cover**
(51) International Design Classification: **06-02**
(71) Name(s) and Address(s) of Applicant(s):
Smash Enterprises Pty Ltd
11 Redland Drive Mitcham Victoria 3132 Australia
(72) Name(s) of Designer(s): **Stefan Kursidim**
(45) Registration Date: **15 June 2007**
(56) Related Art Documents: **Not Applicable**
(57) Statement of Newness and Distinctiveness: **The newness and distinctiveness of the article resides in the shape and configuration of the barbecue cover as shown in the accompanying drawing.**



- (21) Design Number: **17164/2007**
(22) Date of Filing Application: **29 March 2007**
(24) Date from which industrial property rights may have effect: **29 March 2007**
(54) Product in respect of which the design is registered: **An extrusion**
(51) International Design Classification: **25-01K**
(71) Name(s) and Address(s) of Applicant(s):
Welby Albert Edward Watson as trustee of The Sue Watson Trust
5/115 Great South Road Otahuhu Auckland New Zealand
Susanne Watson as trustee of The Sue Watson Trust
5/115 Great South Road Otahuhu Auckland New Zealand
(72) Name(s) of Designer(s): **Welby Albert Edward Watson**
(45) Registration Date: **15 June 2007**
(30) Convention priority data:
(31) Number (32) Date (33) Country
408393 21 Nov 2006 NEW ZEALAND
(56) Related Art Documents: **Not Applicable**
(57) Statement of Newness and Distinctiveness: **Newness and distinctiveness is claimed in the features of shape and configuration as shown in the representations.**



- (21) Design Number: **17169/2007**
(22) Date of Filing Application: **29 March 2007**
(24) Date from which industrial property rights may have effect: **29 March 2007**
(54) Product in respect of which the design is registered: **Writing, drawing and painting implement**
(51) International Design Classification: **19-06**
(71) Name(s) and Address(s) of Applicant(s):
J S Staedtler GmbH & Co KG
Moosaeckerstr 3 90427 Nuremberg Germany
(72) Name(s) of Designer(s): **Christian Leibeck**
(45) Registration Date: **15 June 2007**
(30) Convention priority data:
(31) Number (32) Date (33) Country
000602230-0001 10 Oct 2006 EUROPEAN COMMUNITY
(56) Related Art Documents: **Not Applicable**
(57) Statement of Newness and Distinctiveness: **Nil**



(21) Design Number: **17170/2007**

(22) Date of Filing Application: **29 March 2007**

(24) Date from which industrial property rights may have effect: **29 March 2007**

(54) Product in respect of which the design is registered: **Soap dispenser**

(51) International Design Classification: **23-02A**

(71) Name(s) and Address(s) of Applicant(s):

**SCA Hygiene Products AB
S-405 03 Goteborg Sweden**

(72) Name(s) of Designer(s): **Kent Zeiron and Dejan Tomic**

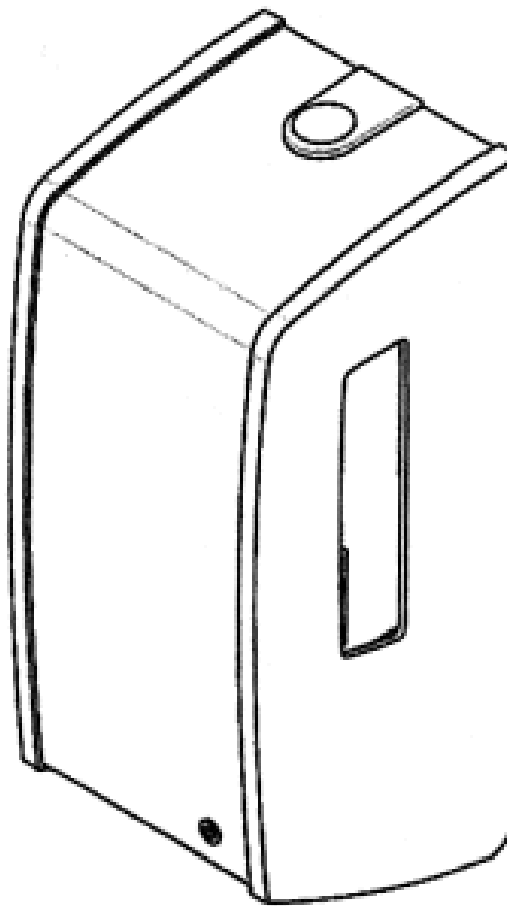
(45) Registration Date: **15 June 2007**

(30) Convention priority data:

(31) Number	(32) Date	(33) Country
000598701-0001	03 Oct 2006	EUROPEAN COMMUNITY

(56) Related Art Documents: **Not Applicable**

(57) Statement of Newness and Distinctiveness: **Nil**



(21) Design Number: **17171/2007**

(22) Date of Filing Application: **29 March 2007**

(24) Date from which industrial property rights may have effect: **29 March 2007**

(54) Product in respect of which the design is registered: **Sensormatic us dispenser**

(51) International Design Classification: **23-02A**

(71) Name(s) and Address(s) of Applicant(s):

**SCA Hygiene Products AB
S-405 03 Goteborg Sweden**

(72) Name(s) of Designer(s): **Kent Zeiron and Dejan Tomic**

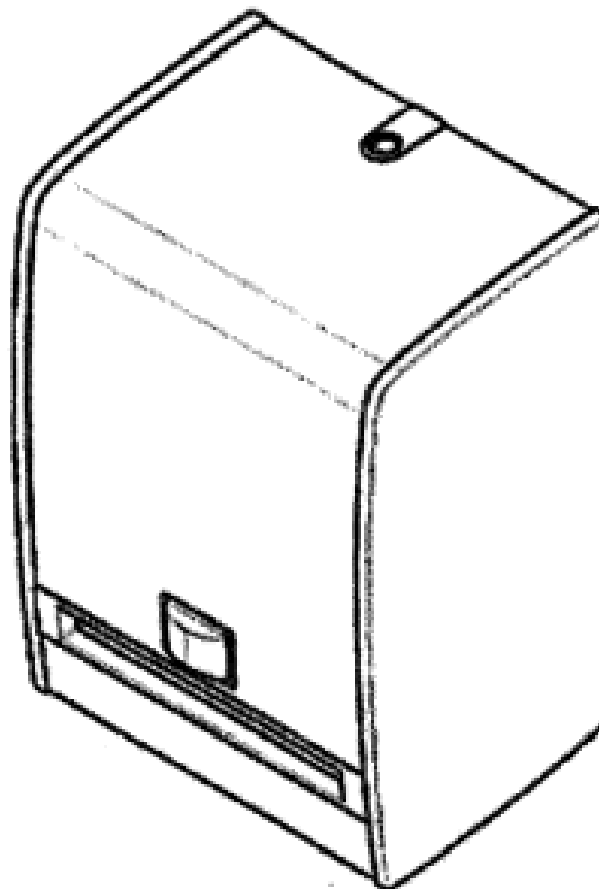
(45) Registration Date: **15 June 2007**

(30) Convention priority data:

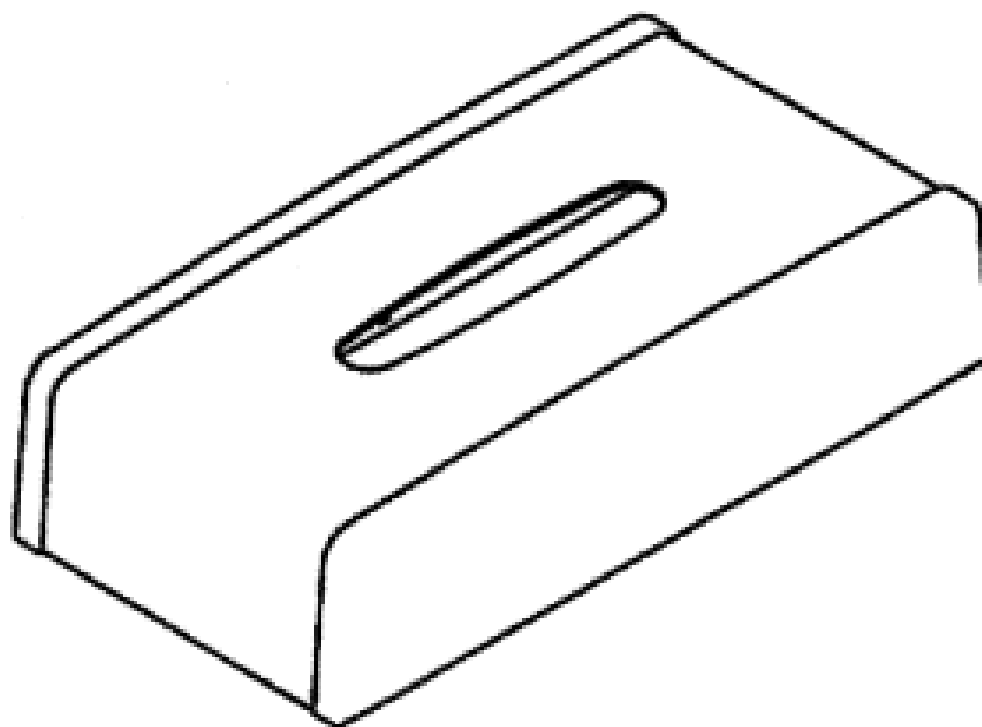
(31) Number	(32) Date	(33) Country
000598701-0002	03 Oct 2006	EUROPEAN COMMUNITY

(56) Related Art Documents: **Not Applicable**

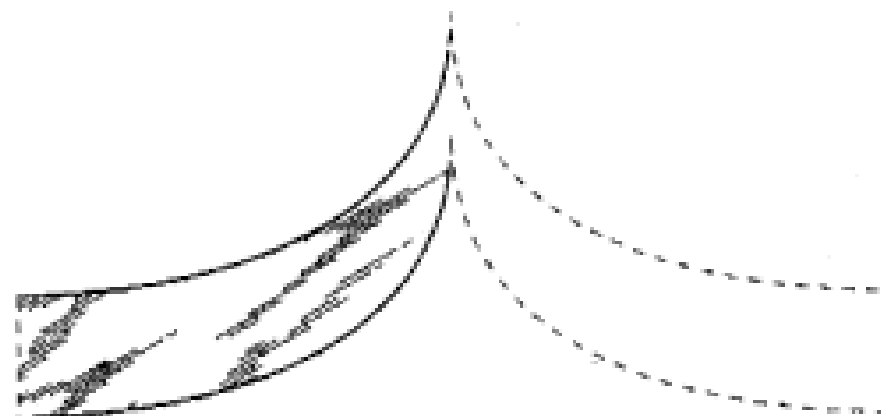
(57) Statement of Newness and Distinctiveness: **Nil**



- (21) Design Number: **17172/2007**
(22) Date of Filing Application: **29 March 2007**
(24) Date from which industrial property rights may have effect: **29 March 2007**
(54) Product in respect of which the design is registered: **Facial dispenser**
(51) International Design Classification: **23-02A**
(71) Name(s) and Address(s) of Applicant(s):
SCA Hygiene Products AB
S-405 03 Goteborg Sweden
(72) Name(s) of Designer(s): **Kent Zeiron and Dejan Tomic**
(45) Registration Date: **15 June 2007**
(30) Convention priority data:
(31) Number (32) Date (33) Country
000598701-0003 03 Oct 2006 EUROPEAN COMMUNITY
(56) Related Art Documents: **Not Applicable**
(57) Statement of Newness and Distinctiveness: **Nil**



- (21) Design Number: **16262/2007**
(22) Date of Filing Application: **02 February 2007**
(24) Date from which industrial property rights may have effect: **02 February 2007**
(54) Product in respect of which the design is registered: **Retroreflective article**
(51) International Design Classification: **05-06NES**
(71) Name(s) and Address(s) of Applicant(s):
3M Innovative Properties Company
3M Center Saint Paul Minnesota 55133-3427 United States of America
(72) Name(s) of Designer(s): **Casey L. Carlson**
(45) Registration Date: **18 June 2007**
(30) Convention priority data:
(31) Number (32) Date (33) Country
29/248190 02 Aug 2006 UNITED STATES OF AMERICA
(56) Related Art Documents: **Not Applicable**
(57) Statement of Newness and Distinctiveness: **Newness and distinctiveness is claimed in the visual features of the retroreflective article shown in solid lines in the representations. In considering the scope of monopoly, it should be noted that in the drawings, the broken lines form no part of the claimed design and indicate that the retroreflective article has an indeterminate length and thickness. The shading shown in Figs. 1 and 2 and Figs. 8 and 9 is provided only to illustrate that the top surface is retroreflective. It is not indicative of texture or other surface artifacts.**



(21) Design Number: **17861/2007**

(22) Date of Filing Application: **02 February 2007**

(24) Date from which industrial property rights may have effect: **02 February 2007**

(54) Product in respect of which the design is registered: **Retroreflective article**

(51) International Design Classification: **05-06NES**

(71) Name(s) and Address(s) of Applicant(s):

**3M Innovative Properties Company
3M Center Saint Paul Minnesota 55133-3427 United States of America**

(72) Name(s) of Designer(s): **Casey L. Carlson**

(45) Registration Date: **18 June 2007**

(30) Convention priority data:

(31) Number	(32) Date	(33) Country
29/248190	02 Aug 2006	UNITED STATES OF AMERICA

(56) Related Art Documents: **Not Applicable**

(57) Statement of Newness and Distinctiveness: **Newness and distinctiveness is claimed in the visual features of the retroreflective article shown in solid lines in the representations. In considering the scope of monopoly, it should be noted that in the drawings, the broken lines form no part of the claimed design and indicate that the retroreflective article has an indeterminate length and thickness. The shading shown in figs. 1 and 2 and figs. 8 and 9 is provided only to illustrate that the top surface is retroreflective. It is not indicative of texture or other surface artifacts.**



(21) Design Number: **16850/2007**

(22) Date of Filing Application: **12 March 2007**

(24) Date from which industrial property rights may have effect: **12 March 2007**

(54) Product in respect of which the design is registered: **Connector male element thereof and female element thereof**

(51) International Design Classification: **13-03NES**

(71) Name(s) and Address(s) of Applicant(s):

**Imetec S.p.A
Via Piemonte 5/11 I#24052 Azzano San Paolo Bergamo Italy**

(72) Name(s) of Designer(s): **Dario Tanfoglio**

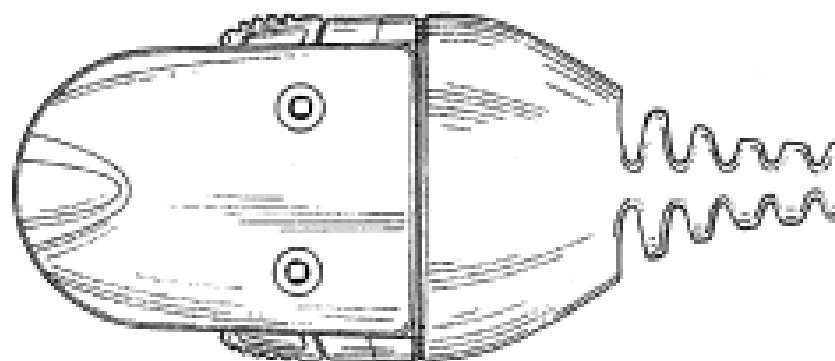
(45) Registration Date: **18 June 2007**

(30) Convention priority data:

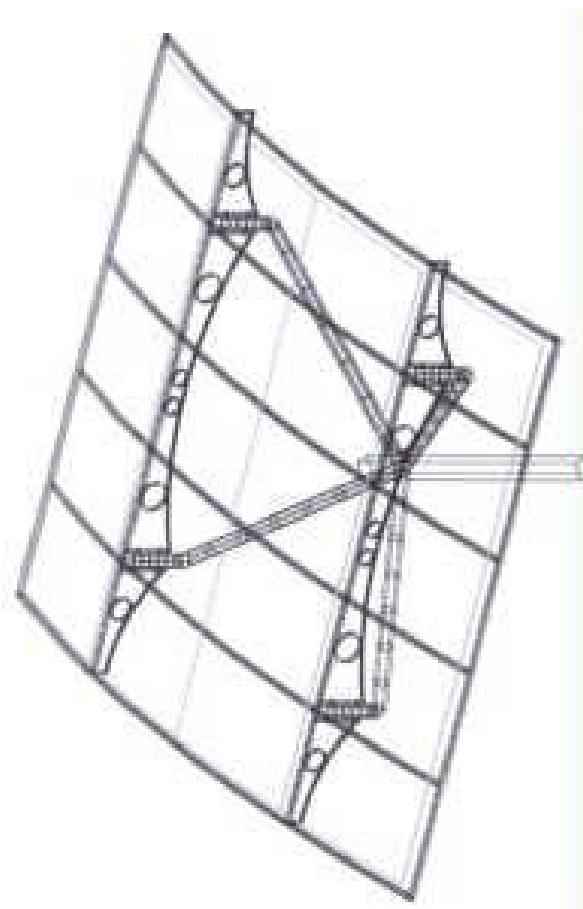
(31) Number	(32) Date	(33) Country
677547	26 Feb 2007	EUROPEAN COMMUNITY

(56) Related Art Documents: **Not Applicable**

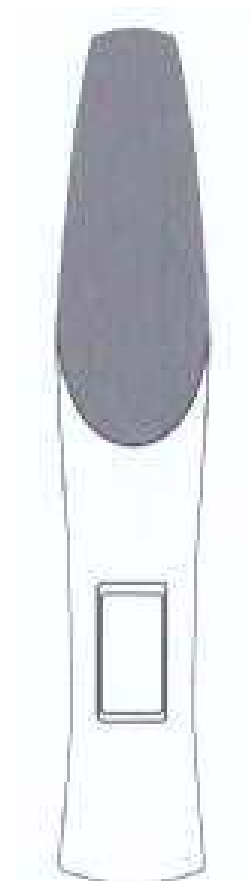
(57) Statement of Newness and Distinctiveness: **Newness and distinctiveness is claimed in the visual features of shape and configuration of the male and female elements of the connector, separately and in combination.**



- (21) Design Number: **16857/2007**
(22) Date of Filing Application: **13 March 2007**
(24) Date from which industrial property rights may have effect: **13 March 2007**
(54) Product in respect of which the design is registered: **Umbrellas - outside shade structures**
(51) International Design Classification: **03-03**
(71) Name(s) and Address(s) of Applicant(s):
Vogue Pergolas Pty Ltd
99 Tralee Street Hume ACT 2620 Australia
(72) Name(s) of Designer(s): **Andrea Stodulka**
(45) Registration Date: **18 June 2007**
(56) Related Art Documents: **Not Applicable**
(57) Statement of Newness and Distinctiveness: **Unique upward trusses, trusses using a y section.**



- (21) Design Number: **17114/2007**
(22) Date of Filing Application: **27 March 2007**
(24) Date from which industrial property rights may have effect: **27 March 2007**
(54) Product in respect of which the design is registered: **Body fluid assay device**
(51) International Design Classification: **10-04, 24-01**
(71) Name(s) and Address(s) of Applicant(s):
Inverness Medical Switzerland GmbH
Bahnhofstrasse 28 CH-6300 Zug Switzerland
(72) Name(s) of Designer(s): **Paul Laverack**
(45) Registration Date: **18 June 2007**
(30) Convention priority data:
(31) Number (32) Date (33) Country
3026067 27 Sep 2006 UNITED KINGDOM
(56) Related Art Documents: **Not Applicable**
(57) Statement of Newness and Distinctiveness: **Those features of the body fluid assay device depicted in the representations that are new and distinctive are the shape and/or configuration. Colour or shading are not part of the design and are to be disregarded when considering the overall impression of the design.**



(21) Design Number: **17115/2007**
(22) Date of Filing Application: **27 March 2007**
(24) Date from which industrial property rights may have effect: **27 March 2007**
(54) Product in respect of which the design is registered: **Body fluid assay device**
(51) International Design Classification: **10-04, 24-01**
(71) Name(s) and Address(s) of Applicant(s):
Inverness Medical Switzerland GmbH
Bahnhofstrasse 28 CH-6300 Zug Switzerland
(72) Name(s) of Designer(s): **Paul Laverack**
(45) Registration Date: **18 June 2007**
(30) Convention priority data:
(31) Number (32) Date (33) Country
3026067 27 Sep 2006 UNITED KINGDOM
(56) Related Art Documents: **Not Applicable**
(57) Statement of Newness and Distinctiveness: **Those features of the body fluid assay device depicted in the representations that are new and distinctive are the shape and/or configuration. Colour or shading are not part of the design and are to be disregarded when considering the overall impression of the design.**



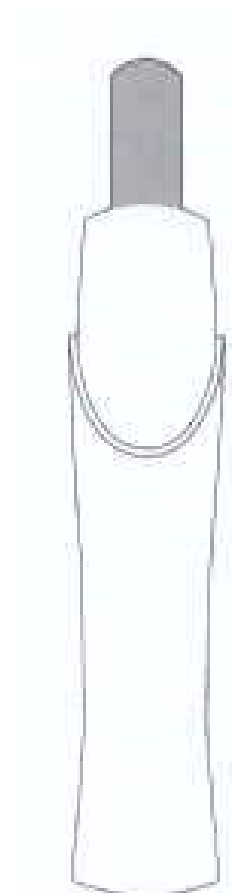
(21) Design Number: **17116/2007**
(22) Date of Filing Application: **27 March 2007**
(24) Date from which industrial property rights may have effect: **27 March 2007**
(54) Product in respect of which the design is registered: **Body fluid assay device**
(51) International Design Classification: **10-04, 24-01**
(71) Name(s) and Address(s) of Applicant(s):
Inverness Medical Switzerland GmbH
Bahnhofstrasse 28 CH-6300 Zug Switzerland
(72) Name(s) of Designer(s): **Paul Laverack**
(45) Registration Date: **18 June 2007**
(30) Convention priority data:
(31) Number (32) Date (33) Country
3026067 27 Sep 2006 UNITED KINGDOM
(56) Related Art Documents: **Not Applicable**
(57) Statement of Newness and Distinctiveness: **Those features of the body fluid assay device depicted in the representations that are new and distinctive are the shape and/or configuration. Colour or shading are not part of the design and are to be disregarded when considering the overall impression of the design.**



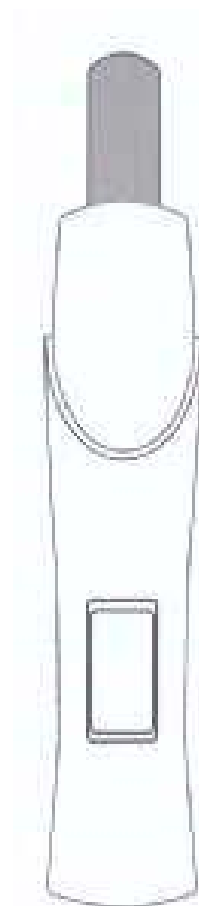
(21) Design Number: **17117/2007**
(22) Date of Filing Application: **27 March 2007**
(24) Date from which industrial property rights may have effect: **27 March 2007**
(54) Product in respect of which the design is registered: **Body fluid assay device**
(51) International Design Classification: **10-04, 24-01**
(71) Name(s) and Address(s) of Applicant(s):
Inverness Medical Switzerland GmbH
Bahnhofstrasse 28 CH-6300 Zug Switzerland
(72) Name(s) of Designer(s): **Paul Laverack**
(45) Registration Date: **18 June 2007**
(30) Convention priority data:
(31) Number (32) Date (33) Country
3026067 27 Sep 2006 UNITED KINGDOM
(56) Related Art Documents: **Not Applicable**
(57) Statement of Newness and Distinctiveness: **Those features of the body fluid assay device depicted in the representations that are new and distinctive are the shape and/or configuration. Colour or shading are not part of the design and are to be disregarded when considering the overall impression of the design.**



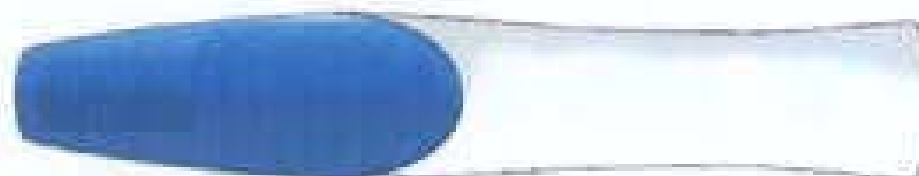
(21) Design Number: **17118/2007**
(22) Date of Filing Application: **27 March 2007**
(24) Date from which industrial property rights may have effect: **27 March 2007**
(54) Product in respect of which the design is registered: **Body fluid assay device**
(51) International Design Classification: **10-04, 24-01**
(71) Name(s) and Address(s) of Applicant(s):
Inverness Medical Switzerland GmbH
Bahnhofstrasse 28 CH-6300 Zug Switzerland
(72) Name(s) of Designer(s): **Paul Laverack**
(45) Registration Date: **18 June 2007**
(30) Convention priority data:
(31) Number (32) Date (33) Country
3026067 27 Sep 2006 UNITED KINGDOM
(56) Related Art Documents: **Not Applicable**
(57) Statement of Newness and Distinctiveness: **Those features of the body fluid assay device depicted in the representations that are new and distinctive are the shape and/or configuration. Colour or shading are not part of the design and are to be disregarded when considering the overall impression of the design.**



(21) Design Number: **17119/2007**
(22) Date of Filing Application: **27 March 2007**
(24) Date from which industrial property rights may have effect: **27 March 2007**
(54) Product in respect of which the design is registered: **Body fluid assay device**
(51) International Design Classification: **10-04, 24-01**
(71) Name(s) and Address(s) of Applicant(s):
Inverness Medical Switzerland GmbH
Bahnhofstrasse 28 CH-6300 Zug Switzerland
(72) Name(s) of Designer(s): **Paul Laverack**
(45) Registration Date: **18 June 2007**
(30) Convention priority data:
(31) Number (32) Date (33) Country
3026067 27 Sep 2006 UNITED KINGDOM
(56) Related Art Documents: **Not Applicable**
(57) Statement of Newness and Distinctiveness: **Those features of the body fluid assay device depicted in the representations that are new and distinctive are the shape and/or configuration. Colour or shading are not part of the design and are to be disregarded when considering the overall impression of the design.**



(21) Design Number: **17120/2007**
(22) Date of Filing Application: **27 March 2007**
(24) Date from which industrial property rights may have effect: **27 March 2007**
(54) Product in respect of which the design is registered: **Body fluid assay device**
(51) International Design Classification: **10-04, 24-01**
(71) Name(s) and Address(s) of Applicant(s):
Inverness Medical Switzerland GmbH
Bahnhofstrasse 28 CH-6300 Zug Switzerland
(72) Name(s) of Designer(s): **Paul Laverack**
(45) Registration Date: **18 June 2007**
(30) Convention priority data:
(31) Number (32) Date (33) Country
3026067 27 Sep 2006 UNITED KINGDOM
(56) Related Art Documents: **Not Applicable**
(57) Statement of Newness and Distinctiveness: **Those features of the coloured body fluid assay device depicted in the representations that are new and distinctive are the shape and/or configuration wherein the translucent or opaque cap is of Pantone Reflex Blue C and the body is opaque.**



(21) Design Number: **17207/2007**

(22) Date of Filing Application: **30 March 2007**

(24) Date from which industrial property rights may have effect: **30 March 2007**

(54) Product in respect of which the design is registered: **Portable toddler seat**

(51) International Design Classification: **06-01NES**

(71) Name(s) and Address(s) of Applicant(s):

Kym Shuttleworth

PO Box 4683 Loganholme DC Queensland 4129 Australia

(72) Name(s) of Designer(s): **Kym Shuttleworth**

(45) Registration Date: **18 June 2007**

(56) Related Art Documents: **Not Applicable**

(57) Statement of Newness and Distinctiveness: **Portable Toddlers Seat. A portable toddlers seat designed to fit any kitchen, dining, cafe or restaurant chair. This seat was designed for children that can sit unassisted. The child is held securely and comfortably in the harness by means of ski clips at the back of and underneath the chair. These can both be adjusted to suit the individual chair. The tummy strap is padded for extra comfort and again can be adjusted at the strap to suit the individual child. It can also be adjusted at the front to accommodate from the small to the larger child being that the front of the tummy strap can be raised for a larger child and folded down and held in place by velcro for the smaller child, this keeps the front of the strap at a comfortable level no matter the size of the child. A second strap fits underneath the chair to secure the seat to the chair and also is adjustable.**



(21) Design Number: **17208/2007**

(22) Date of Filing Application: **29 March 2007**

(24) Date from which industrial property rights may have effect: **29 March 2007**

(54) Product in respect of which the design is registered: **Playground equipment**

(51) International Design Classification: **21-03**

(71) Name(s) and Address(s) of Applicant(s):

Megatoy Play Systems Pty Ltd

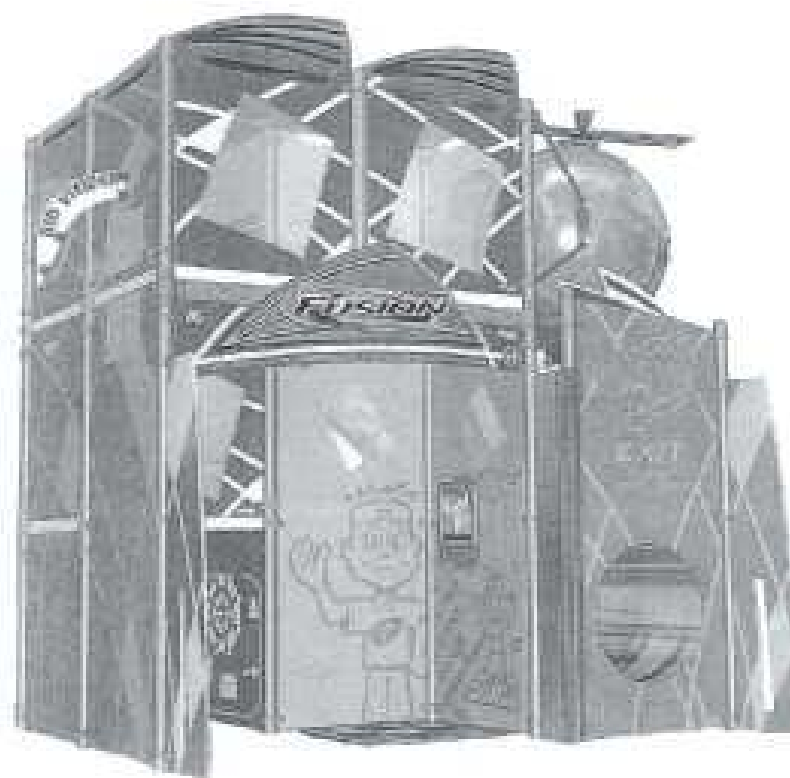
26 Production Street Bundaberg Queensland 4670 Australia

(72) Name(s) of Designer(s): **Anthony Paul Rowland**

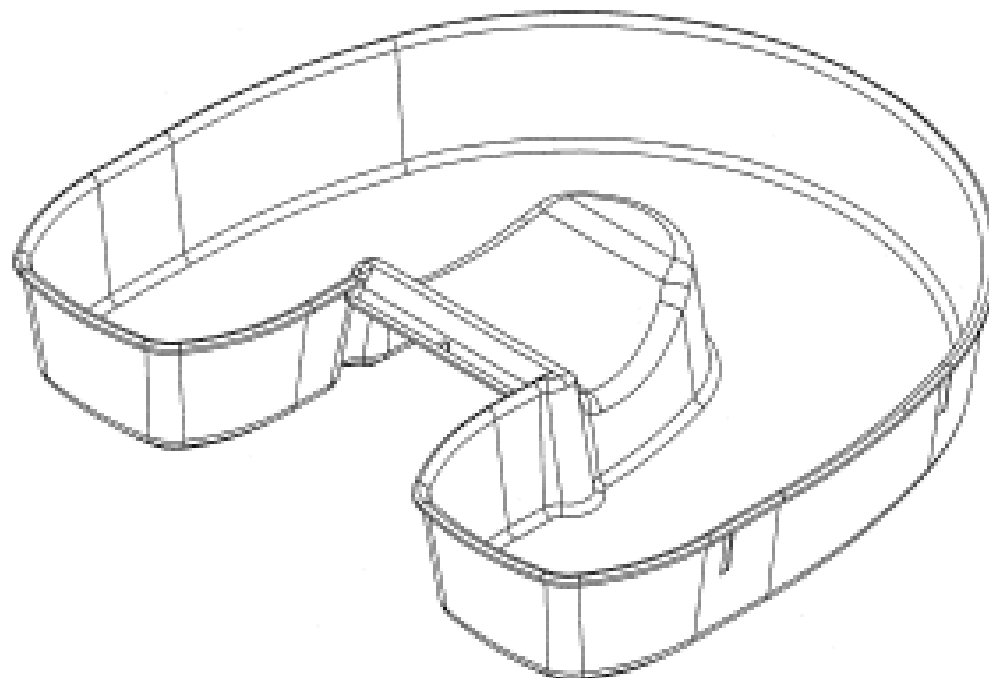
(45) Registration Date: **18 June 2007**

(56) Related Art Documents: **Not Applicable**

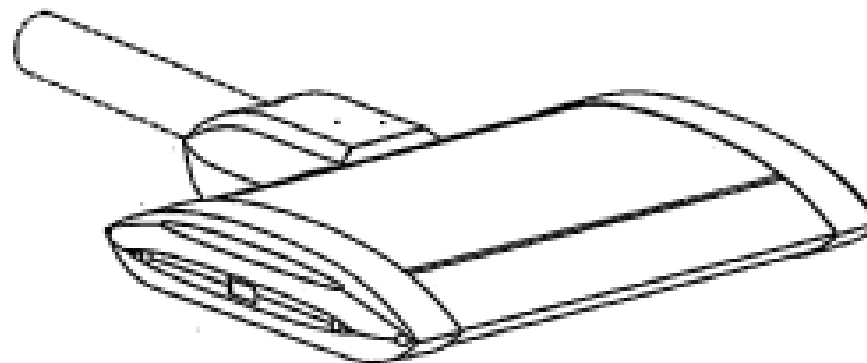
(57) Statement of Newness and Distinctiveness: **The newness and distinctiveness of the design resides in the shape and configuration of the playground equipment shown in the representations.**



- (21) Design Number: **17209/2007**
(22) Date of Filing Application: **30 March 2007**
(24) Date from which industrial property rights may have effect: **30 March 2007**
(54) Product in respect of which the design is registered: **Tray for serving of beverages and foodstuffs**
(51) International Design Classification: **07-99A**
(71) Name(s) and Address(s) of Applicant(s):
Rohan J. MacArthur-Onslow
Unit 1 4 Greycliffe Avenue Vaucluse New South Wales 2030 Australia
(72) Name(s) of Designer(s): **Rohan J. MacArthur-Onslow**
(45) Registration Date: **18 June 2007**
(56) Related Art Documents: **Not Applicable**
(57) Statement of Newness and Distinctiveness: **A serving tray that is "U-shaped" when viewed from above.**



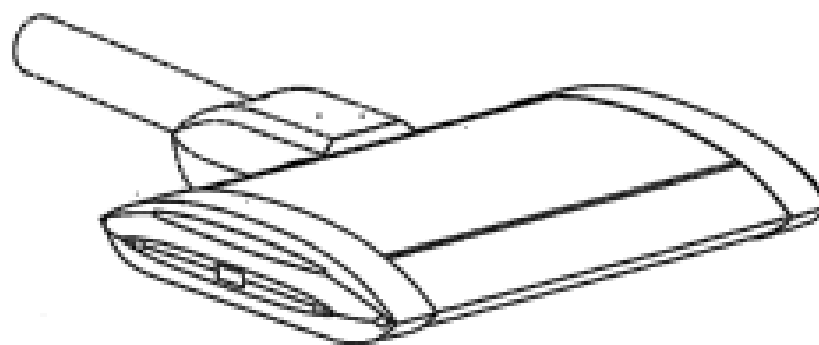
- (21) Design Number: **17211/2007**
(22) Date of Filing Application: **29 March 2007**
(24) Date from which industrial property rights may have effect: **29 March 2007**
(54) Product in respect of which the design is registered: **Pole-mount LED floodlight**
(51) International Design Classification: **26-05B**
(71) Name(s) and Address(s) of Applicant(s):
Ruud Lighting, Inc.
9201 Washington Avenue Racine Wisconsin 53406 United States of America
(72) Name(s) of Designer(s): **Alan J. Ruud and Kurt S. Wilcox and Steven R. Walczak**
(45) Registration Date: **18 June 2007**
(30) Convention priority data:
(31) Number (32) Date (33) Country
29/266885 29 Sep 2006 UNITED STATES OF AMERICA
(56) Related Art Documents: **Not Applicable**
(57) Statement of Newness and Distinctiveness: **Newness and distinctiveness is claimed in the features of shape and/or configuration of a pole-mount LED floodlight as illustrated in continuous lines in the accompanying representations.**



(19) AU

- (21) Design Number: **17212/2007**
- (22) Date of Filing Application: **29 March 2007**
- (24) Date from which industrial property rights may have effect: **29 March 2007**
- (54) Product in respect of which the design is registered: **LED floodlight**
- (51) International Design Classification: **26-05B**
- (71) Name(s) and Address(s) of Applicant(s):
Ruud Lighting, Inc.
9201 Washington Avenue Racine Wisconsin 53406 United States of America
- (72) Name(s) of Designer(s): **Alan J. Ruud and Kurt S. Wilcox and Steven R. Walczak and Robert D. Giese**
- (45) Registration Date: **18 June 2007**
- (30) Convention priority data:

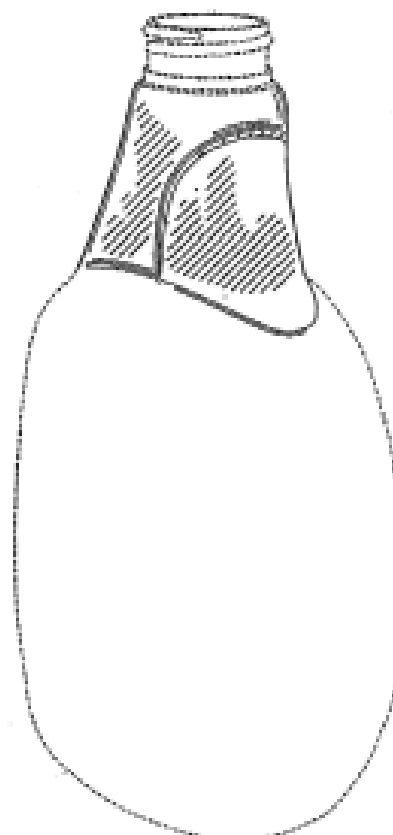
(31) Number	(32) Date	(33) Country
29/266884	29 Sep 2006	UNITED STATES OF AMERICA
- (56) Related Art Documents: **Not Applicable**
- (57) Statement of Newness and Distinctiveness: **Newness and distinctiveness is claimed in the features of shape and/or configuration of an LED floodlight as illustrated in continuous lines in the accompanying representations.**



(19) AU

- (21) Design Number: **17214/2007**
- (22) Date of Filing Application: **29 March 2007**
- (24) Date from which industrial property rights may have effect: **29 March 2007**
- (54) Product in respect of which the design is registered: **A bottle**
- (51) International Design Classification: **09-01K**
- (71) Name(s) and Address(s) of Applicant(s):
S.C. Johnson & Son, Inc.
1525 Howe Street Racine Wisconsin 53403-2236 United States of America
- (72) Name(s) of Designer(s): **Rodney L. Prater and Simon M. Conway and Brent W. Lindberg and Cathal Fahy**
- (45) Registration Date: **18 June 2007**
- (30) Convention priority data:

(31) Number	(32) Date	(33) Country
29/249287	29 Sep 2006	UNITED STATES OF AMERICA
- (56) Related Art Documents: **Not Applicable**
- (57) Statement of Newness and Distinctiveness: **Newness and distinctiveness is claimed in those features of shape and/or configuration of a neck portion of a bottle as illustrated in continuous lines in the accompanying representations.**



(21) Design Number: **17215/2007**

(22) Date of Filing Application: **29 March 2007**

(24) Date from which industrial property rights may have effect: **29 March 2007**

(54) Product in respect of which the design is registered: **Bottle**

(51) International Design Classification: **09-01K**

(71) Name(s) and Address(s) of Applicant(s):

S.C. Johnson & Son, Inc.
1525 Howe Street Racine Wisconsin 53403-2236 United States of America

(72) Name(s) of Designer(s): **Rodney L. Prater and Simon M. Conway and Brent W. Lindberg and Cathal Fahy**

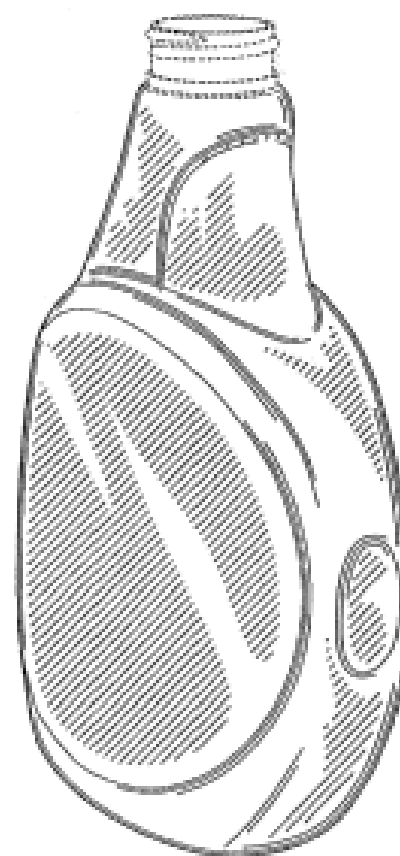
(45) Registration Date: **18 June 2007**

(30) Convention priority data:

(31) Number	(32) Date	(33) Country
29/249288	29 Sep 2006	UNITED STATES OF AMERICA

(56) Related Art Documents: **Not Applicable**

(57) Statement of Newness and Distinctiveness: **Newness and distinctiveness is claimed in those features of shape and/or configuration of a bottle as illustrated in continuous lines in the accompanying representations.**



(21) Design Number: **17218/2007**

(22) Date of Filing Application: **30 March 2007**

(24) Date from which industrial property rights may have effect: **30 March 2007**

(54) Product in respect of which the design is registered: **Textile**

(51) International Design Classification: **05-05A**

(71) Name(s) and Address(s) of Applicant(s):

Kenneth Stephen Done
17 Thurlow Street Redfern New South Wales 2016 Australia

(72) Name(s) of Designer(s): **Kenneth Stephen Done**

(45) Registration Date: **18 June 2007**

(56) Related Art Documents: **Not Applicable**

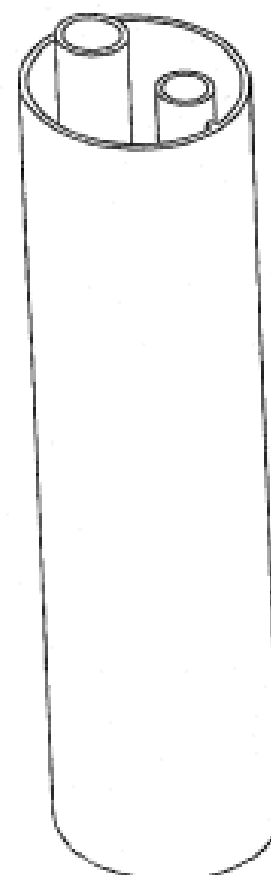
(57) Statement of Newness and Distinctiveness: **Nil**



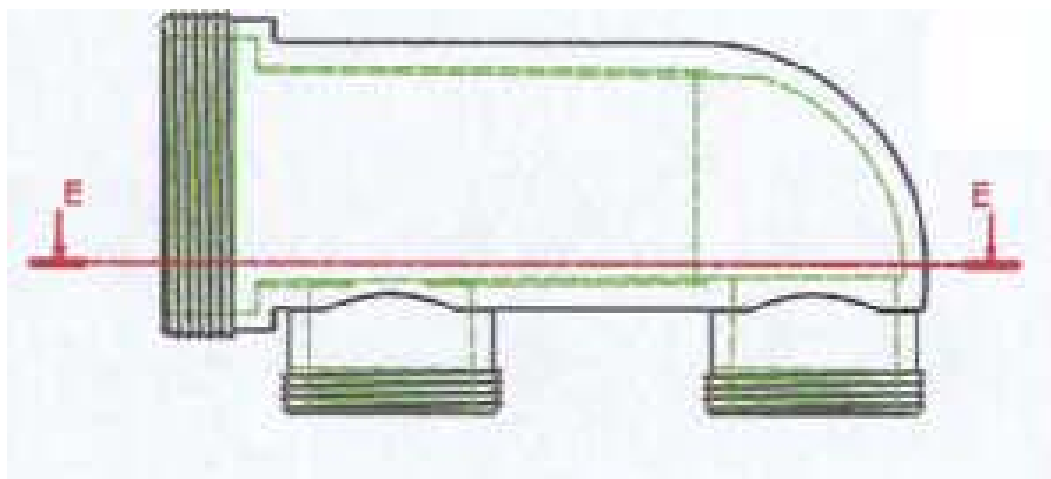
(21) Design Number: **17219/2007**
(22) Date of Filing Application: **30 March 2007**
(24) Date from which industrial property rights may have effect: **30 March 2007**
(54) Product in respect of which the design is registered: **Textile**
(51) International Design Classification: **05-05A**
(71) Name(s) and Address(s) of Applicant(s):
Kenneth Stephen Done
17 Thurlow Street Redfern New South Wales 2016 Australia
(72) Name(s) of Designer(s): **Kenneth Stephen Done**
(45) Registration Date: **18 June 2007**
(56) Related Art Documents: **Not Applicable**
(57) Statement of Newness and Distinctiveness: **Nil**



(21) Design Number: **17262/2007**
(22) Date of Filing Application: **29 March 2007**
(24) Date from which industrial property rights may have effect: **29 March 2007**
(54) Product in respect of which the design is registered: **Booster shell**
(51) International Design Classification: **22-03**
(71) Name(s) and Address(s) of Applicant(s):
African Explosives Limited
C/- First Floor AECI Place 24 The Woodlands Woodlands Dr
Woodmead Sandton Republic of South Africa
(72) Name(s) of Designer(s): **Solomon Gabaiphiwe Kgongoane**
(45) Registration Date: **18 June 2007**
(56) Related Art Documents: **Not Applicable**
(57) Statement of Newness and Distinctiveness: **Nil**



- (21) Design Number: **16483/2007**
- (22) Date of Filing Application: **19 February 2007**
- (24) Date from which industrial property rights may have effect: **19 February 2007**
- (54) Product in respect of which the design is registered: **Swimming pool and water treatment and recycling electrolyzers**
- (51) International Design Classification: **23-01NES**
- (71) Name(s) and Address(s) of Applicant(s):
Li Ying
91 Ryhill Road Sunnybank Hills Queensland 4109 Australia
- (72) Name(s) of Designer(s): **Li Ying and William Smith**
- (45) Registration Date: **19 June 2007**
- (56) Related Art Documents: **Not Applicable**
- (57) Statement of Newness and Distinctiveness: **The design incorporates moulded in fins between the trailing edge of the electrode and discharge port. These are integral to the cell housing i.e. one piece. The end cap incorporates grooves to locate the leading edge of the electrodes. These two features prevent current leakage and boost electrical efficiency.**



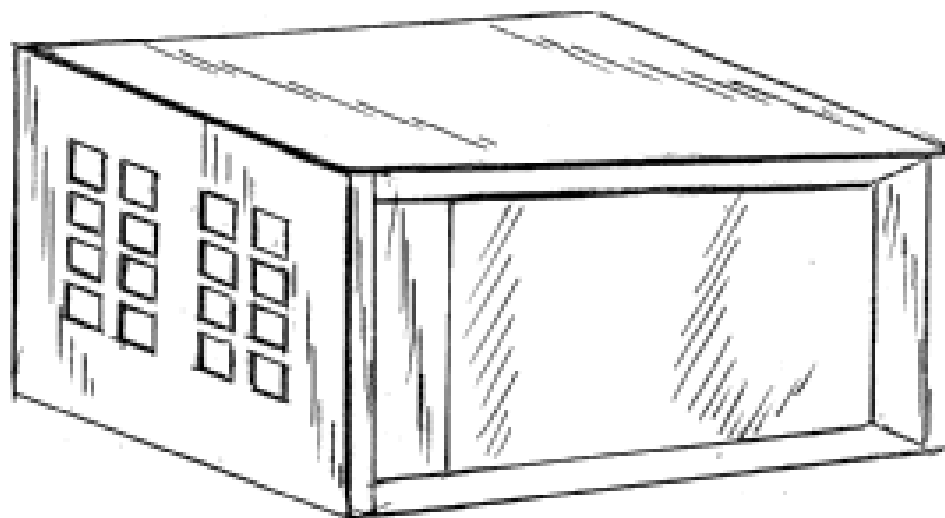
- (21) Design Number: **16526/2007**
- (22) Date of Filing Application: **21 February 2007**
- (24) Date from which industrial property rights may have effect: **21 February 2007**
- (54) Product in respect of which the design is registered: **A mug**
- (51) International Design Classification: **07-01D**
- (71) Name(s) and Address(s) of Applicant(s):
Chef'n Corporation
1520 4th Avenue 3rd Floor Seattle Washington 98101 United States of America
- (72) Name(s) of Designer(s): **Jason O. Germany**
- (45) Registration Date: **19 June 2007**
- (30) Convention priority data:

(31) Number	(32) Date	(33) Country
29248577	22 Aug 2006	UNITED STATES OF AMERICA
- (56) Related Art Documents: **Not Applicable**
- (57) Statement of Newness and Distinctiveness: **Newness and distinctiveness is claimed in the visual features shown in solid lines in the representations.**



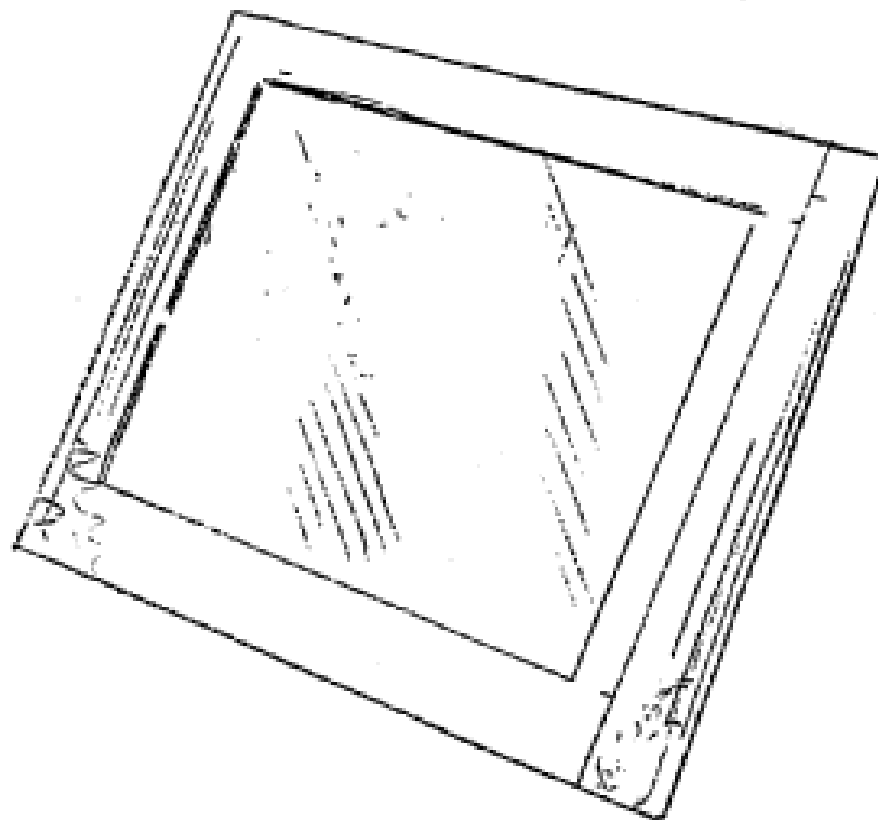
- (21) Design Number: **16558/2007**
- (22) Date of Filing Application: **22 February 2007**
- (24) Date from which industrial property rights may have effect: **22 February 2007**
- (54) Product in respect of which the design is registered: **Multimedia controller**
- (51) International Design Classification: **14-03NES**
- (71) Name(s) and Address(s) of Applicant(s):
RacePointMedia LLC
32 Wianno Avenue Osterville Massachusetts 02655 United States of America
- (72) Name(s) of Designer(s): **Robert P. Madonna and Peter H. Corsini and Erin Napolitano and Daniel W. Ashcraft and John von Buelow and Wendee Lee and Deanna Griffith and Kit Mok**
- (45) Registration Date: **19 June 2007**
- (30) Convention priority data:

(31) Number	(32) Date	(33) Country
29/248,613	23 Aug 2006	UNITED STATES OF AMERICA
- (56) Related Art Documents: **Not Applicable**
- (57) Statement of Newness and Distinctiveness: **Those features of the multimedia controller depicted in the representations that are new and distinctive are the shape and/or configuration.**



- (21) Design Number: **16589/2007**
- (22) Date of Filing Application: **23 February 2007**
- (24) Date from which industrial property rights may have effect: **23 February 2007**
- (54) Product in respect of which the design is registered: **Touch Screen**
- (51) International Design Classification: **14-02**
- (71) Name(s) and Address(s) of Applicant(s):
RacePointMedia LLC
32 Wianno Avenue Osterville Massachusetts 02655 United States of America
- (72) Name(s) of Designer(s): **Robert P. Madonna and Peter H. Corsini and Erin Napolitano and Daniel W. Ashcraft and John von Buelow and Wendee Lee and Deanna Griffith and Kit Mok**
- (45) Registration Date: **19 June 2007**
- (30) Convention priority data:

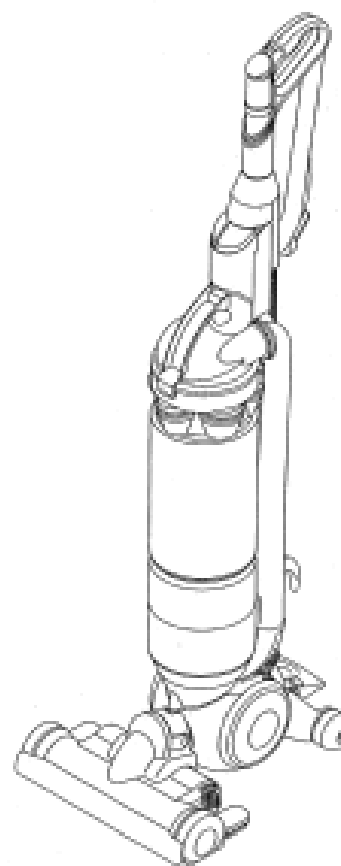
(31) Number	(32) Date	(33) Country
29/248,607	23 Aug 2006	UNITED STATES OF AMERICA
- (56) Related Art Documents: **Not Applicable**
- (57) Statement of Newness and Distinctiveness: **Those features of the touch screen depicted in the representations that are new and distinctive are the shape and/or configuration.**



(19) AU

- (21) Design Number: **16633/2007**
- (22) Date of Filing Application: **27 February 2007**
- (24) Date from which industrial property rights may have effect: **27 February 2007**
- (54) Product in respect of which the design is registered: **A cleaning appliance**
- (51) International Design Classification: **15-05**
- (71) Name(s) and Address(s) of Applicant(s):
Dyson Limited
Tetbury Hill Malmesbury Wiltshire SN16 0RP United Kingdom
- (72) Name(s) of Designer(s): **James Dyson and Robert Paul Upton and Peter David Gammack and Stuart Lloyd Genn and Gerard Matthew Shevlin**
- (45) Registration Date: **19 June 2007**
- (30) Convention priority data:

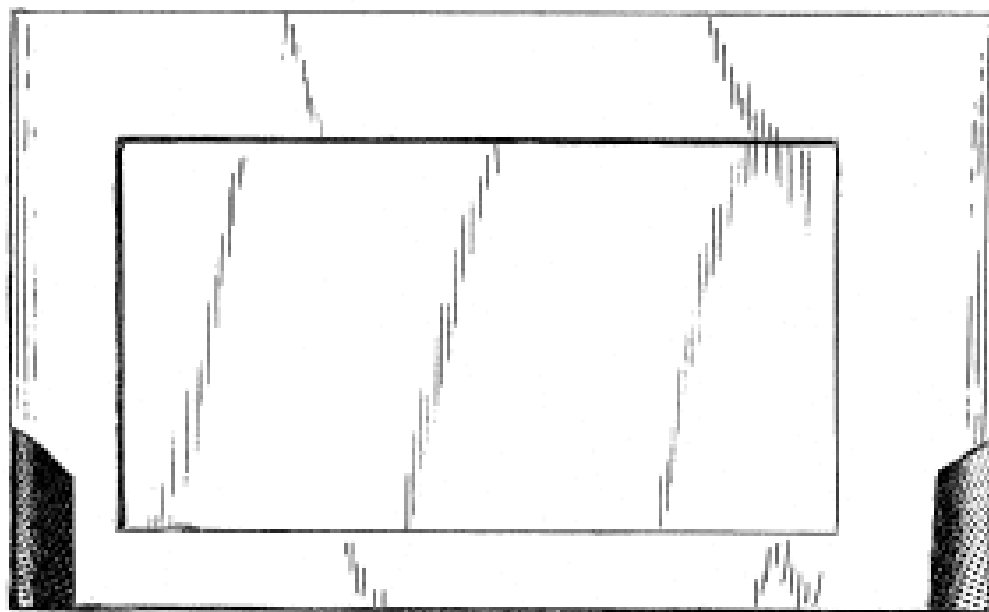
(31) Number	(32) Date	(33) Country
3025864	05 Sep 2006	UNITED KINGDOM
- (56) Related Art Documents: **Not Applicable**
- (57) Statement of Newness and Distinctiveness: **Newness and distinctiveness resides in the features of shape and/or configuration of a cleaning appliance as illustrated in the accompanying representations.**



(19) AU

- (21) Design Number: **16643/2007**
- (22) Date of Filing Application: **27 February 2007**
- (24) Date from which industrial property rights may have effect: **27 February 2007**
- (54) Product in respect of which the design is registered: **Touch screen control**
- (51) International Design Classification: **14-01**
- (71) Name(s) and Address(s) of Applicant(s):
RacePointMedia LLC
32 Wianno Avenue Osterville Massachusetts 02655 United States of America
- (72) Name(s) of Designer(s): **Robert P. Madonna and Peter H. Corsini and Erin Napolitano and Daniel W. Ashcraft and John von Buelow and Wendee Lee and Deanna Griffith and Kit Mok**
- (45) Registration Date: **19 June 2007**
- (30) Convention priority data:

(31) Number	(32) Date	(33) Country
29/265,745	07 Sep 2006	UNITED STATES OF AMERICA
- (56) Related Art Documents: **Not Applicable**
- (57) Statement of Newness and Distinctiveness: **Those features of the touch screen control depicted in the representations that are new and distinctive are the shape and/or configuration.**



(21) Design Number: **16984/2007**

(22) Date of Filing Application: **21 March 2007**

(24) Date from which industrial property rights may have effect: **21 March 2007**

(54) Product in respect of which the design is registered: **Residential windows**

(51) International Design Classification: **25-02H**

(71) Name(s) and Address(s) of Applicant(s):

Cled Richardson

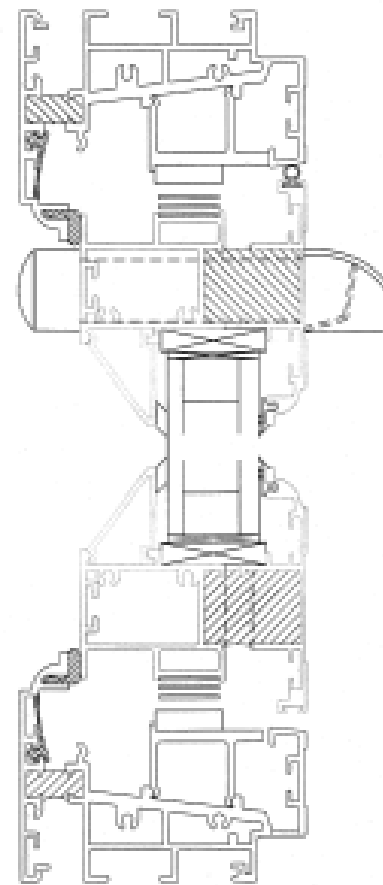
15 Inverloch Drive Point Cook Victoria 3030 Australia

(72) Name(s) of Designer(s): **Cled Richardson**

(45) Registration Date: **19 June 2007**

(56) Related Art Documents: **Not Applicable**

(57) Statement of Newness and Distinctiveness: **This new window profiles have incorporated the most energy efficient design because it has a large wind chamber and you can fit 24mm thick double glazing and the most high security locking system.**



(21) Design Number: **17040/2007**

(22) Date of Filing Application: **23 March 2007**

(24) Date from which industrial property rights may have effect: **23 March 2007**

(54) Product in respect of which the design is registered: **Toilet pan**

(51) International Design Classification: **23-02C**

(71) Name(s) and Address(s) of Applicant(s):

Gemini Industries Pty Ltd

3/97 Banksia Street Botany New South Wales 2019 Australia

(72) Name(s) of Designer(s): **James Arthur Longley**

(45) Registration Date: **19 June 2007**

(56) Related Art Documents: **Not Applicable**

(57) Statement of Newness and Distinctiveness: **Nil**



(21) Design Number: **17041/2007**
(22) Date of Filing Application: **23 March 2007**
(24) Date from which industrial property rights may have effect: **23 March 2007**
(54) Product in respect of which the design is registered: **Toilet pan**
(51) International Design Classification: **23-02C**
(71) Name(s) and Address(s) of Applicant(s):
Gemini Industries Pty Ltd
3/97 Banksia Street Botany New South Wales 2019 Australia
(72) Name(s) of Designer(s): **James Arthur Longley**
(45) Registration Date: **19 June 2007**
(56) Related Art Documents: **Not Applicable**
(57) Statement of Newness and Distinctiveness: **Nil**



(21) Design Number: **17042/2007**
(22) Date of Filing Application: **23 March 2007**
(24) Date from which industrial property rights may have effect: **23 March 2007**
(54) Product in respect of which the design is registered: **Toilet pan**
(51) International Design Classification: **23-02C**
(71) Name(s) and Address(s) of Applicant(s):
Gemini Industries Pty Ltd
3/97 Banksia Street Botany New South Wales 2019 Australia
(72) Name(s) of Designer(s): **James Arthur Longley**
(45) Registration Date: **19 June 2007**
(56) Related Art Documents: **Not Applicable**
(57) Statement of Newness and Distinctiveness: **Nil**



(21) Design Number: **17043/2007**

(22) Date of Filing Application: **23 March 2007**

(24) Date from which industrial property rights may have effect: **23 March 2007**

(54) Product in respect of which the design is registered: **Toilet pan**

(51) International Design Classification: **23-02C**

(71) Name(s) and Address(s) of Applicant(s):

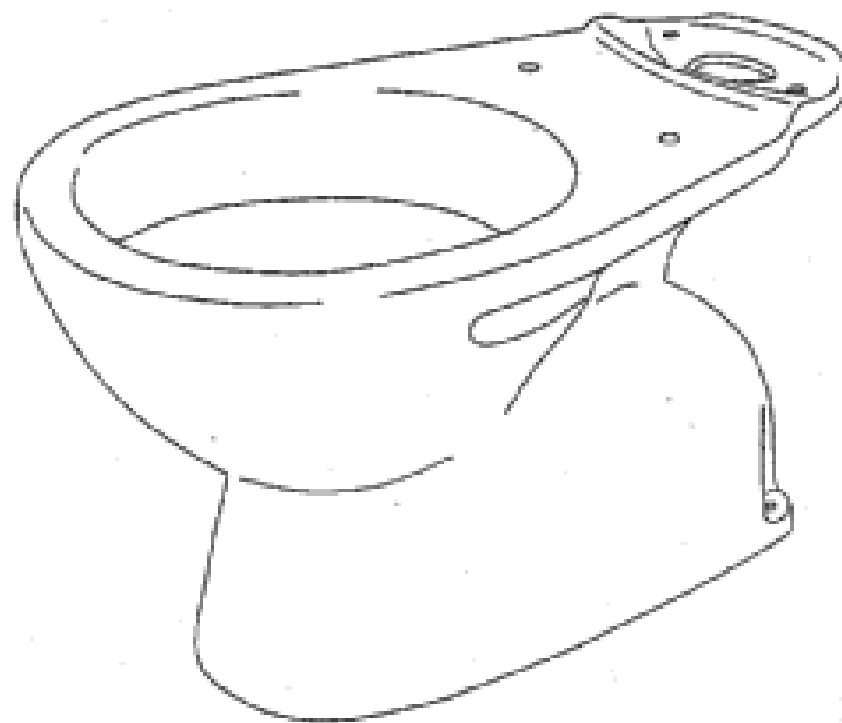
**Gemini Industries Pty Ltd
3/97 Banksia Street Botany New South Wales 2019 Australia**

(72) Name(s) of Designer(s): **James Arthur Longley**

(45) Registration Date: **19 June 2007**

(56) Related Art Documents: **Not Applicable**

(57) Statement of Newness and Distinctiveness: **Nil**



(21) Design Number: **17230/2007**

(22) Date of Filing Application: **30 March 2007**

(24) Date from which industrial property rights may have effect: **30 March 2007**

(54) Product in respect of which the design is registered: **Paper roll dispenser**

(51) International Design Classification: **23-02A**

(71) Name(s) and Address(s) of Applicant(s):

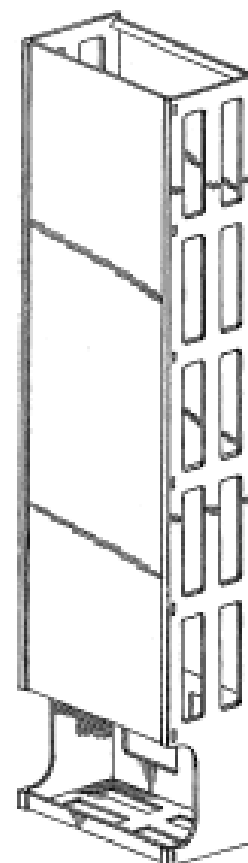
**Marla Wolfson
7 Rolling Drive Brookvale New York 11545 United States of America**

(72) Name(s) of Designer(s): **Marla Wolfson**

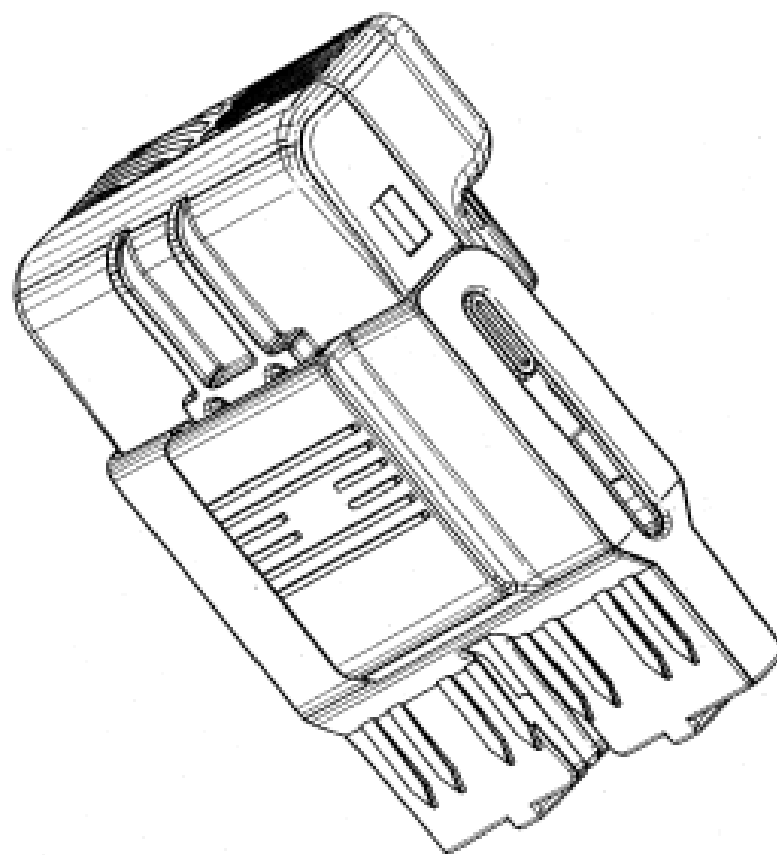
(45) Registration Date: **19 June 2007**

(56) Related Art Documents: **Not Applicable**

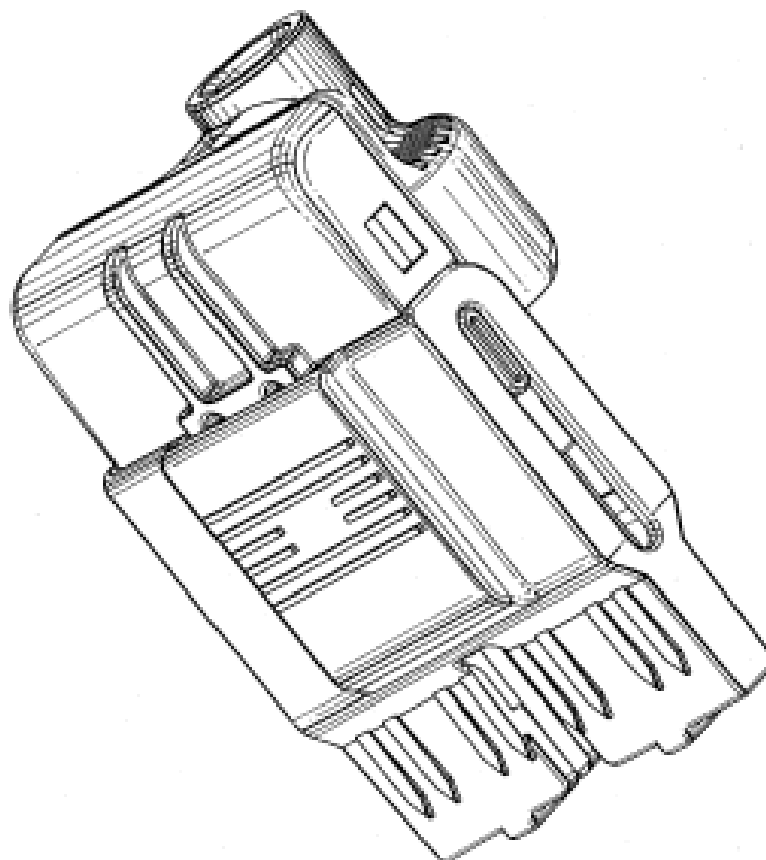
(57) Statement of Newness and Distinctiveness: **The newness and distinctiveness of the design resides in the shape and configuration of a paper roll dispenser as illustrated in the accompanying representations.**



- (21) Design Number: **17231/2007**
- (22) Date of Filing Application: **30 March 2007**
- (24) Date from which industrial property rights may have effect: **30 March 2007**
- (54) Product in respect of which the design is registered: **Patch plug**
- (51) International Design Classification: **13-03E, 14-02**
- (71) Name(s) and Address(s) of Applicant(s):
ADC Communications (Australia) Pty Limited
2 Hereford Street Berkeley Vale New South Wales 2261 Australia
- (72) Name(s) of Designer(s): **Scott Lee**
- (45) Registration Date: **19 June 2007**
- (56) Related Art Documents: **Not Applicable**
- (57) Statement of Newness and Distinctiveness: **The features of shape and configuration of the patch plug shown in the accompanying representations are considered to be new and distinctive.**



- (21) Design Number: **17232/2007**
- (22) Date of Filing Application: **30 March 2007**
- (24) Date from which industrial property rights may have effect: **30 March 2007**
- (54) Product in respect of which the design is registered: **Patch plug**
- (51) International Design Classification: **13-03E, 14-02**
- (71) Name(s) and Address(s) of Applicant(s):
ADC Communications (Australia) Pty Limited
2 Hereford Street Berkeley Vale New South Wales 2261 Australia
- (72) Name(s) of Designer(s): **Scott Lee**
- (45) Registration Date: **19 June 2007**
- (56) Related Art Documents: **Not Applicable**
- (57) Statement of Newness and Distinctiveness: **The features of shape and configuration of the patch plug shown in the accompanying representations are considered to be new and distinctive.**



(21) Design Number: **17233/2007**

(22) Date of Filing Application: **30 March 2007**

(24) Date from which industrial property rights may have effect: **30 March 2007**

(54) Product in respect of which the design is registered: **Conduit joining apparatus**

(51) International Design Classification: **08-08NES**

(71) Name(s) and Address(s) of Applicant(s):

Sun Chan

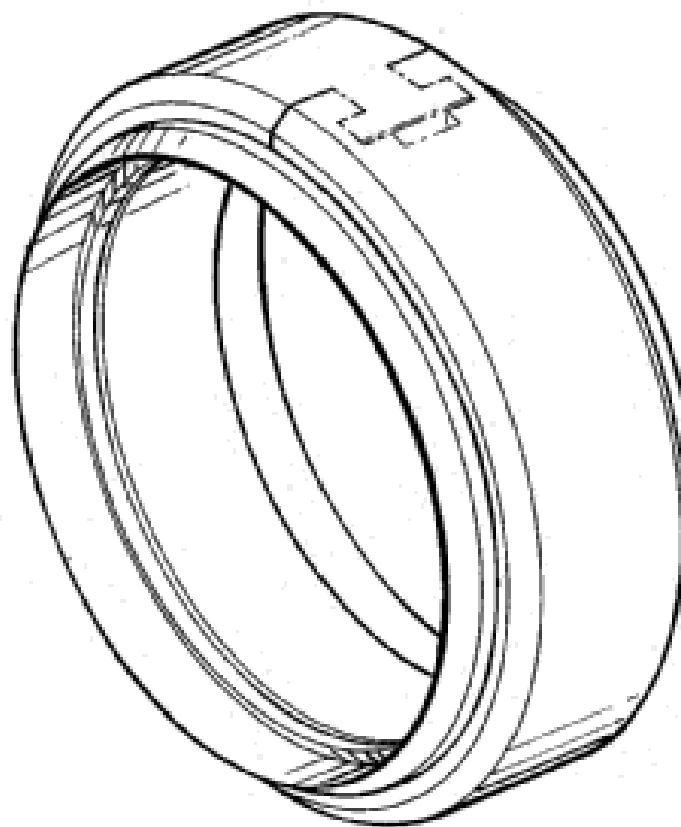
5 Koala Avenue Ingleburn New South Wales 2562 Australia

(72) Name(s) of Designer(s): **Sun Chan**

(45) Registration Date: **19 June 2007**

(56) Related Art Documents: **Not Applicable**

(57) Statement of Newness and Distinctiveness: **Newness and distinctiveness reside in the features of the design as shown in the representations.**



(21) Design Number: **17234/2007**

(22) Date of Filing Application: **30 March 2007**

(24) Date from which industrial property rights may have effect: **30 March 2007**

(54) Product in respect of which the design is registered: **Fishing lure**

(51) International Design Classification: **22-05**

(71) Name(s) and Address(s) of Applicant(s):

Robbie Meade

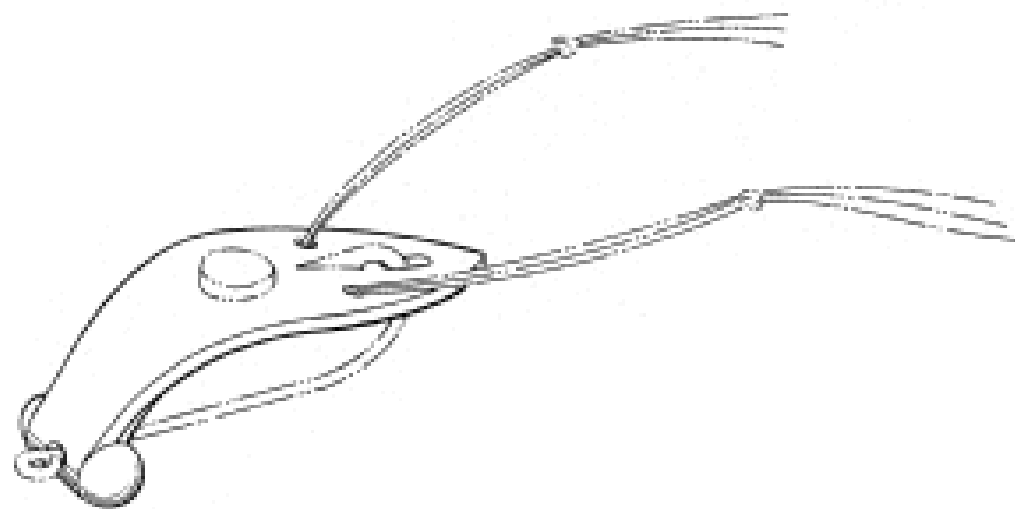
7 Ware Street Bannockburn Victoria 3331 Australia

(72) Name(s) of Designer(s): **Robbie Meade**

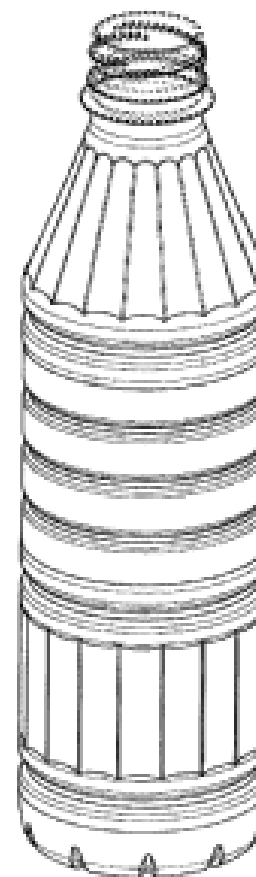
(45) Registration Date: **19 June 2007**

(56) Related Art Documents: **Not Applicable**

(57) Statement of Newness and Distinctiveness: **Newness and distinctiveness resides in the features of shape and/or configuration of a fishing lure as shown in solid lines in the accompanying representations.**



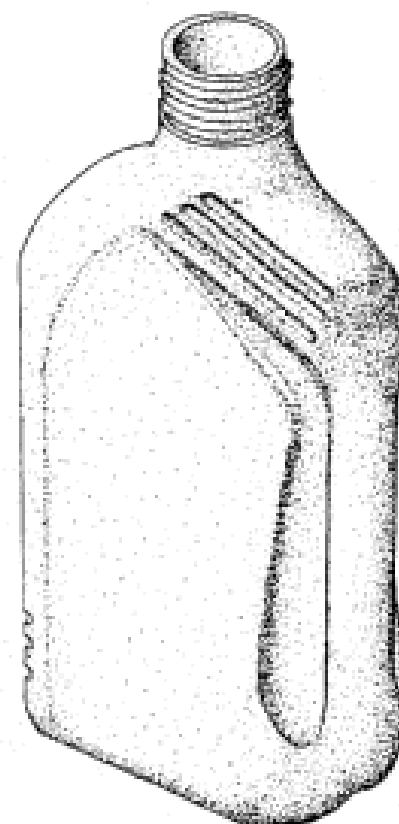
- (21) Design Number: **17235/2007**
(22) Date of Filing Application: **30 March 2007**
(24) Date from which industrial property rights may have effect: **30 March 2007**
(54) Product in respect of which the design is registered: **Bottle**
(51) International Design Classification: **09-01K**
(71) Name(s) and Address(s) of Applicant(s):
Hamidiye Kaynak Sulari Sanayi Turizm Ve Ticaret Anonim Sirketi
Istanbul Cad No:5 Kemberburgaz Istanbul Turkey
(72) Name(s) of Designer(s): **Mehmet Ali Ozer**
(45) Registration Date: **19 June 2007**
(56) Related Art Documents: **Not Applicable**
(57) Statement of Newness and Distinctiveness: **Nil**



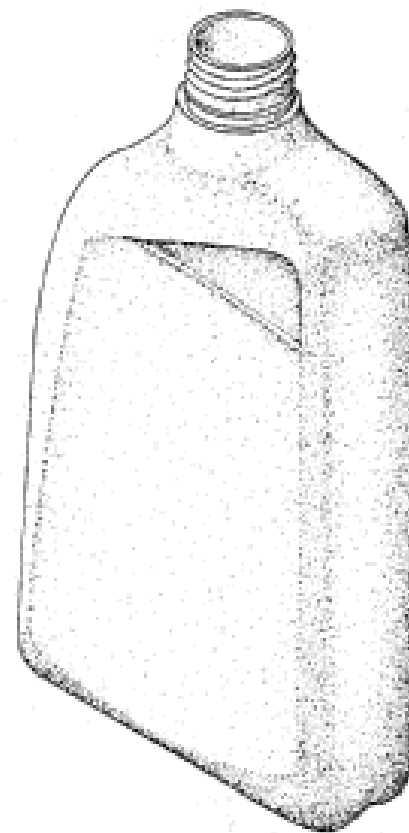
- (21) Design Number: **17236/2007**
(22) Date of Filing Application: **30 March 2007**
(24) Date from which industrial property rights may have effect: **30 March 2007**
(54) Product in respect of which the design is registered: **Container for lubricants**
(51) International Design Classification: **09-01B**
(71) Name(s) and Address(s) of Applicant(s):
Shell Brands International AG
Baarermatte 6340 Baar Switzerland
(72) Name(s) of Designer(s): **Guy Anthony Williams and Timothy Peter James**
(45) Registration Date: **19 June 2007**
(30) Convention priority data:

(31) Number	(32) Date	(33) Country
4001108	12 Jan 2007	UNITED KINGDOM

(56) Related Art Documents: **Not Applicable**
(57) Statement of Newness and Distinctiveness: **Nil**



(21) Design Number: **17237/2007**
(22) Date of Filing Application: **30 March 2007**
(24) Date from which industrial property rights may have effect: **30 March 2007**
(54) Product in respect of which the design is registered: **Container for lubricants**
(51) International Design Classification: **09-01K**
(71) Name(s) and Address(s) of Applicant(s):
Shell Brands International AG
Baareratte 6340 Baar Switzerland
(72) Name(s) of Designer(s): **Guy Anthony Williams and Timothy Peter James**
(45) Registration Date: **19 June 2007**
(30) Convention priority data:
(31) Number (32) Date (33) Country
4001109 12 Jan 2007 UNITED KINGDOM
(56) Related Art Documents: **Not Applicable**
(57) Statement of Newness and Distinctiveness: **Nil**



(21) Design Number: **17238/2007**
(22) Date of Filing Application: **30 March 2007**
(24) Date from which industrial property rights may have effect: **30 March 2007**
(54) Product in respect of which the design is registered: **Automobile**
(51) International Design Classification: **12-08**
(71) Name(s) and Address(s) of Applicant(s):
Toyota Jidosha Kabushiki Kaisha
1 Toyota-cho Toyota-shi Aichi-ken 471-8571 Japan
(72) Name(s) of Designer(s): **Takanori Ito and Kuniaki Toyooka and Katsumi Nakashima and Kazumi Kowaki and Minoru Ogawa and Takeo Sowa and Shigetoshi Kozai**
(45) Registration Date: **19 June 2007**
(56) Related Art Documents: **Not Applicable**
(57) Statement of Newness and Distinctiveness: **Newness and distinctiveness is claimed in the visual features of shape and/or configuration of the automobile shown in the accompanying representations.**



(21) Design Number: **17239/2007**

(22) Date of Filing Application: **30 March 2007**

(24) Date from which industrial property rights may have effect: **30 March 2007**

(54) Product in respect of which the design is registered: **Automobile**

(51) International Design Classification: **12-08**

(71) Name(s) and Address(s) of Applicant(s):

Toyota Jidosha Kabushiki Kaisha
1 Toyota-cho Toyota-shi Aichi-ken 471-8571 Japan

(72) Name(s) of Designer(s): **Hiroyuki Tada and Kengo Matsumoto and Shinichi Hiranaka and Takanori Ito and Kuniaki Toyooka and Hiroyuki Kawagishi and Shinya Fukuda**

(45) Registration Date: **19 June 2007**

(56) Related Art Documents: **Not Applicable**

(57) Statement of Newness and Distinctiveness: **Newness and distinctiveness is claimed in the visual features of shape and/or configuration of the automobile shown in the accompanying representations.**



(21) Design Number: **17240/2007**

(22) Date of Filing Application: **30 March 2007**

(24) Date from which industrial property rights may have effect: **30 March 2007**

(54) Product in respect of which the design is registered: **Step for an automobile**

(51) International Design Classification: **12-16B**

(71) Name(s) and Address(s) of Applicant(s):

Toyota Jidosha Kabushiki Kaisha
1 Toyota-cho Toyota-shi Aichi-ken 471-8571 Japan

(72) Name(s) of Designer(s): **Takafumi Ito and Shinya Fukuda**

(45) Registration Date: **19 June 2007**

(56) Related Art Documents: **Not Applicable**

(57) Statement of Newness and Distinctiveness: **Newness and distinctiveness is claimed in the visual features of shape and/or configuration of the step for an automobile shown in the accompanying representations.**



- (21) Design Number: **17241/2007**
(22) Date of Filing Application: **30 March 2007**
(24) Date from which industrial property rights may have effect: **30 March 2007**
(54) Product in respect of which the design is registered: **Automobile**
(51) International Design Classification: **12-08**
(71) Name(s) and Address(s) of Applicant(s):
Toyota Jidosha Kabushiki Kaisha
1 Toyota-cho Toyota-shi Aichi-ken 471-8571 Japan
(72) Name(s) of Designer(s): **Hiroyuki Tada and Kengo Matsumoto and Shinichi Hiranaka and Kuniaki Toyooka and Hiroyuki Kawagishi and Shinya Fukuda**
(45) Registration Date: **19 June 2007**
(56) Related Art Documents: **Not Applicable**
(57) Statement of Newness and Distinctiveness: **Newness and distinctiveness is claimed in the visual features of shape and/or configuration of the automobile shown in the accompanying representations.**



- (21) Design Number: **17242/2007**
(22) Date of Filing Application: **30 March 2007**
(24) Date from which industrial property rights may have effect: **30 March 2007**
(54) Product in respect of which the design is registered: **Front grille for an automobile**
(51) International Design Classification: **12-16B**
(71) Name(s) and Address(s) of Applicant(s):
Toyota Jidosha Kabushiki Kaisha
1 Toyota-cho Toyota-shi Aichi-ken 471-8571 Japan
(72) Name(s) of Designer(s): **Kengo Matsumoto and Kuniaki Toyooka and Hiroya Kitazumi and Hiroyuki Kawagishi**
(45) Registration Date: **19 June 2007**
(56) Related Art Documents: **Not Applicable**
(57) Statement of Newness and Distinctiveness: **Newness and distinctiveness is claimed in the visual features of shape and/or configuration of the front grille for an automobile shown in the accompanying representations.**



- (21) Design Number: **17243/2007**
(22) Date of Filing Application: **30 March 2007**
(24) Date from which industrial property rights may have effect: **30 March 2007**
(54) Product in respect of which the design is registered: **Rear combination lamp for an automobile**
(51) International Design Classification: **26-06**
(71) Name(s) and Address(s) of Applicant(s):
Toyota Jidosha Kabushiki Kaisha
1 Toyota-cho Toyota-shi Aichi 471 Japan
(72) Name(s) of Designer(s): **Shigetoshi Kozai and Katsumi Nakashima and Takeo Sowa and Kazumi Kowaki**
(45) Registration Date: **19 June 2007**
(56) Related Art Documents: **Not Applicable**
(57) Statement of Newness and Distinctiveness: **Newness and distinctiveness is claimed in the visual features of shape and/or configuration of the rear combination lamp for an automobile shown in the accompanying representations.**



- (21) Design Number: **17244/2007**
(22) Date of Filing Application: **30 March 2007**
(24) Date from which industrial property rights may have effect: **30 March 2007**
(54) Product in respect of which the design is registered: **Front combination lamp for an automobile**
(51) International Design Classification: **26-06**
(71) Name(s) and Address(s) of Applicant(s):
Toyota Jidosha Kabushiki Kaisha
1 Toyota-cho Toyota-shi Aichi 471 Japan
(72) Name(s) of Designer(s): **Takeo Sowa and Kazumi Kowaki**
(45) Registration Date: **19 June 2007**
(56) Related Art Documents: **Not Applicable**
(57) Statement of Newness and Distinctiveness: **Newness and distinctiveness is claimed in the visual features of shape and/or configuration of the front combination lamp for an automobile shown in the accompanying representations.**

