



Australian Government

IP Australia

AUSTRALIAN OFFICIAL JOURNAL

OF

DESIGNS

Did you know a searchable version of this journal is now available online?

It's FREE and EASY to SEARCH.

Find it at

<http://pericles.ipaustralia.gov.au/ols/epublish/content/olsEpublications.jsp>
or using the "Online Journals" link on the IP Australia home page.

This Page Left Intentionally Blank

Contents

General Information & Notices

Proceedings Under the Designs Act 1906 preserved as a result of the provisions of Chapter 12 Part 2 of the Designs Act 2003

Extension of Period of Registration of Designs	9486
Extensions of Time Granted	9486
Mortgages Registered	9487
Names Registered - Alterations and Amendments	9487
Registrations Ceased	9486
Subsequent Owners Registered	9486

Proceedings Under the Designs Act 2003

Applications Lapsed	9501
Applications Lodged	9491
Applications Withdrawn	9501
Certificate of Examination	9505
Corrigenda	9504
Extension of Period of Registration of Design	9502
Extension of Time Granted Under Section 137	9502
Names Registered - Alterations and Amendments	9503
Publication and Registration Proceedings	
Designs Registered 314743 to 314980.....	9506
Registrations Ceased	9502
Subsequent Owners Registered	9502

This Page Left Intentionally Blank

For information on the following please see our website www.ipaustralia.gov.au or contact our Customer Service Network on 1300651010

[Editorial enquiries](#)

[Contact information](#)

[Freedom of Information ACT](#)

[Professional Standards Board](#)

[Sales](#)

[Requests for Information under Section 194 \(c\)](#)

[Country Codes](#)

[Trade Mark and Designs Hearing Sessions](#)

[INID \(Internationally agreed Numbers for the Identification of Data\)](#)

“INID” NUMBERS in use on Australian Design Documents

“INID” is an acronym for “Internationally agreed Numbers for the Identification of Data”.

(10) Data concerning the registration/renewal

- (11) Serial number of the registration and/or number of the design document
- (12) Plain language designation of the kind of published document
- (19) Identification, using the two-letter code according to WIPO Standard ST.3, of the authority publishing or registering the industrial design

(20) Data concerning the application

- (21) Serial number of the application
- (22) Date of filing of the application
- (24) Date from which the industrial design right has effect

(30) Data relating to priority under the Paris Convention

- (31) Serial number assigned to the priority application
- (32) Date of filing of the priority application
- (33) Two-letter code, according to WIPO Standard ST.3, identifying the authority with which the priority application was made

(40) Date(s) of making information available to the public

- (45) Date of publication of the registered industrial design by printing or similar process, or making it available to the public by any other means

(50) Miscellaneous Information

- (51) International Classification for Industrial Designs (class and subclass of the Locarno Classification)
- (54) Designation of article(s) or product(s) covered by the industrial design or title of the industrial design
- (55) Reproduction of the industrial design (e.g., drawing, photograph) and explanations relating to the reproduction
- (56) List of prior art documents, if separate from descriptive text
- (57) Description of characteristic features of the industrial design including indication of colours

(60) References to other legally related application(s) and registration(s)

- (62) Serial number(s) and, if available, filing date(s) of application(s), registration(s) or document(s) related by division
- (66) Serial number(s) of the application, or the registration, of the design(s) which is (are) a variant(s) of the present one

(70) Identification of parties concerned with the application or registration

- (71) Name(s) and address(es) of the applicant(s)
- (72) Name(s) of the creator(s) if known to be such
- (74) Name(s) and address(es) of the representative(s)

This Page Left Intentionally Blank

Official Notice**Designs Act 2003
Amendments to Registered Designs at Examination**

The following amendments have been made to details previously published in the Australian Official Journal of Designs during the Examination process:

Registration Numbers	Amendment type	New details
301237	Classification	25-02Z
310291	Classification	09-01G, 09-01Z
311662	Classification	08-01, 08-03
313283	Classification	04-01, 15-05
313849	Classification	07-05Z, 15-05
314034	Classification	04-01,15-05

Contact: IP Australia
Phone: 1300 651 010
Fax: +61 2 6283 7999
E-Mail: assist@ipaustralia.gov.au
Web: www.ipaustralia.gov.au

This Page Left Intentionally Blank

**Proceedings under the Designs Act 1906 preserved as a
result of the provisions of Chapter 12 Part 2 of the Designs
Act 2003.**

This Page Left Intentionally Blank

Applications Lapsed

There were no Applications Lapsed under this section

Extension of Period of Registration of Designs

2nd Period (Section 27A(12))

142688	144389	144567
145042	145277	145384
145385	145386	145716
146026	146103	146105
146149	146167	146203
146204	146220	146221
146241	146260	146299
146355	146360	146361
146362	146402	146459
146509	146510	146516
146517	146522	146568
146573	146628	146632
146636	146646	146715
146773	146774	146933
146966	146967	147035
147170	147370	147734
147735	147844	147845
147846	147847	147848
148088	148296	148577
148599	148604	149550
149551	149575	149576
149577	149578	149579
149668	149710	149711
149712	150236	150237
150404	150426	150427
150428	150429	150430
150431	150432	150433
150434	150435	150436
150437	150438	150439
150440	150445	150560
150570	150630	150937
151199	151234	151272
151273	151469	151892
153767	156023	

3rd Period (Section 27A(13))

127847	127963	129180
129399	129454	129543
129576	129726	129861
130098	130154	130265
130266	130268	130283
131169	132134	132319
132598	133357	133501
133788		

Registrations Ceased

Note: Some of the following Registrations may have been previously advertised as ceased. In this instance, the previous advertisement still prevails.

111575	112511	113230
113231	113232	113233

113268	113269	113273
113274	113275	113276
113277	113278	113279
113280	113281	113282
113283	113284	113285
113286	113287	113288
113289	113370	113429
113436	113439	113505
113507	113509	113635
113645	113744	113863
113864	113999	114410
114818	115463	116047
116202	116243	116441
116442	116443	116866
117748	117749	117750
117754	119545	126227
127244	127323	127361
127383	127472	127474
127485	127488	127650
127981	127982	128408
128919	129611	129850
129851	129950	129961
131096	131150	131751
132655	132770	142900
143036	143795	143831
144452	144536	144537
144538	144559	144562
144566	144571	144572
144573	144574	144583
144585	144586	144587
144588	144589	144590
144634	144635	144636
144683	144684	144685
144694	144783	144784
144785	144811	145188
145244	145408	145488
145934	146187	146734
147155	147533	148611
148666	148667	149651
150021	150689	150690
150691	151735	157319

Extensions of time granted

Applications lodged for extension of time have been granted.

142688 **Holden Ltd** An Extension of time to extend a registration has been granted to 18/04/2007

145716 **John Howard Styles** An Extension of time to extend a registration has been granted to 20/06/2007

144389 **Slide-A-Way Systems Pty Ltd** An Extension of time to extend a registration has been granted to 20/06/2007

Subsequent Owners Registered

(The name in parentheses is that of the subsequent owner)

130909	(Grandlodge Pty Ltd)	Thebe International Pty Ltd
--------	-------------------------------	-----------------------------

Subsequent Owners Registered

		149083	A mortgage has been granted to ABN AMRO BANK N.V. (London Branch)
141335	(Grandlodge Pty Ltd) Thebe International Pty Ltd	149084	A mortgage has been granted to ABN AMRO BANK N.V. (London Branch)
138160	(Desmond John Brady Trading as Coolstar;Matthew John Brady Trading as Coolstar) Laurence Colville Pagden		
148325	(Charles Roger Carroll) RJC Limited		
140850	(Brian Raymond Turner;Mary Lois Turner;Hayden William Turner;Sally Maree Turner) Albury Industrial Supplies Pty Ltd		
152668	(Aperio Group (New Zealand) Limited) FPSInternational (New Zealand) Limited		
156144	(Aperio Group (New Zealand) Limited) FPSInternational (New Zealand) Limited		
153321	(Aperio Group (New Zealand) Limited) FPSInternational (New Zealand) Limited		
153166	(Aperio Group (New Zealand) Limited) FPSInternational (New Zealand) Limited		
143080	(Grant Kentish) Loula Kentish		
123017	(Illinois Tool Works Inc.) ITW Construction Products Australia Pty Ltd		
124661	(Illinois Tool Works Inc.) ITW Construction Products Australia Pty Ltd		
124996	(Illinois Tool Works Inc.) ITW Construction Products Australia Pty Ltd		
125120	(Illinois Tool Works Inc.) ITW Construction Products Australia Pty Ltd		
125305	(Illinois Tool Works Inc.) ITW Construction Products Australia Pty Ltd		
128187	(Illinois Tool Works Inc.) ITW Construction Products Australia Pty Ltd		
128188	(Illinois Tool Works Inc.) ITW Construction Products Australia Pty Ltd		
150940	(Aluminium Industries of Australia Pty Ltd) Maliform Pty Ltd		
155080	(Aluminium Industries of Australia Pty Ltd) Maliform Pty Ltd		
148149	(Aluminium Industries of Australia Pty Ltd) Maliform Pty Ltd		

Names Registered - Alterations and Amendments

(The name in parentheses is the new name of the proprietor)

133278	(Pfizer Health AB) Pharmacia & Upjohn A.B.
137131	(Pfizer Health AB) Pharmacia & Upjohn A.B.
128571	(Pfizer Health AB) Pharmacia A.B.
128572	(Pfizer Health AB) Pharmacia A.B.
131344	(Pfizer Health AB) Pharmacia A.B.
131345	(Pfizer Health AB) Pharmacia A.B.
131346	(Pfizer Health AB) Pharmacia A.B.
148325	(RJC Limited) Alert Trading Limited
153060	(Halsall International Limited) David Halsall International Limited

Mortgages Registered

151372	A mortgage has been granted to ABN AMRO BANK N.V. (London Branch)
--------	--

This Page Left Intentionally Blank

Proceedings under the Designs Act 2003.

This Page Left Intentionally Blank

Applications Lodged

Lodgement information is in the following order: **Applicant's Name**; International Classification, Name of Product, Lodgement Date and **Design Number**. If the applicant claims an earlier priority date under an International Convention, the Convention Country and the associated filing date are shown in parentheses before the Lodgement Date. Divisional information will also appear in parentheses before the Lodgement Date.

Accessories Unleashed; 05-05C, Wallets, handbags, umbrellas, eye glass cases, coin purse, overnight bag, back pack, photo holder, 15 Jun 2007	18414/2007	Archer, Robin Lee; 23-01F, Water tanks. Panels that store water (PSW), 04 Jun 2007	18281/2007
Advanced Fitness Concepts; 21-02F, Fold up wheel away home gym, with storage compartment, 02 Jul 2007	18652/2007	Astrodome Hire Pty Ltd; 08-09, Table connector plate, 07 Jun 2007	18318/2007
Aktiebolaget Electrolux; 15-05, Vacuum cleaner, (SE, 07 Jun 2007) 25 Jun 2007	18576/2007	Australian Wine Racks Pty Ltd; 06-04NES, Top tray for a wine rack, 04 Jun 2007	18287/2007
Aktiebolaget Electrolux; 15-05, Vacuum cleaner, (SE, 07 Jun 2007) 25 Jun 2007	18577/2007	ACP Japan Co., Ltd.; Nakamura, Shoichi; 10-01, Clock, 18 Jun 2007	18451/2007
Aluminium Specialities Group Pty Ltd; 25-01K, An extrusion, 18 Jun 2007	18470/2007	Beachfoot; 06-13C, , 29 Jun 2007	18649/2007
Aluminium Specialities Group Pty Ltd; 25-01K, An extrusion, 18 Jun 2007	18471/2007	Beatlock Pty Limited; 23-01F, Water tank, 13 Jun 2007	18391/2007
Aluminium Specialities Group Pty Ltd; 25-01K, An extrusion, 18 Jun 2007	18472/2007	Beatlock Pty Limited; 23-01F, Water tank, 13 Jun 2007	18392/2007
Aluminium Specialities Group Pty Ltd; 25-01K, An extrusion, 18 Jun 2007	18473/2007	Beatlock Pty Limited; 23-01NES, Pump box, 13 Jun 2007	18393/2007
Aluminium Specialities Group Pty Ltd; 25-01K, An extrusion, 18 Jun 2007	18474/2007	Belkin International, Inc.; 15-99, Grommet hub, (US, 05 Jan 2007) 29 Jun 2007	18647/2007
Aluminium Specialities Group Pty Ltd; 25-01K, An extrusion, 18 Jun 2007	18475/2007	Belkin International, Inc.; 15-99, Grommet hub, (US, 05 Jan 2007) 29 Jun 2007	18648/2007
Aluminium Specialities Group Pty Ltd; 25-01K, An extrusion, 18 Jun 2007	18476/2007	Bermad CS Ltd.; 23-01K, Pressure filter valve, (IL, 26 Feb 2007) 29 Jun 2007	18642/2007
Ancor Limited; 09-03M, A carton and blank therefor, 06 Jun 2007	18313/2007	Bermad CS Ltd.; 23-01K, Manifold valve, (IL, 26 Feb 2007) 29 Jun 2007	18643/2007
Andrew L. Tighe - Scotlec Electrical Services; 08-08NES, The electragon, 01 Jun 2007	18253/2007	Bermad CS Ltd.; 23-01K, Filter valve, (IL, 12 Feb 2007) 29 Jun 2007	18644/2007
Antunes, Michael; 06-01F, Office chair back rest, 01 Jun 2007	18274/2007	Berman, Ronald H.; 09-05, Cylinder pouch, (US, 11 Jan 2007) 15 Jun 2007	18431/2007
Apple Inc.; 14-02, Electronic device, (US, 05 Jan 2007) 29 Jun 2007	18629/2007	Berman, Ronald H.; 09-05, Triangular spoutless pouch, (US, 10 Jan 2007) 15 Jun 2007	18430/2007
Apple Inc.; 14-02, Electronic device, (US, 05 Jan 2007) 29 Jun 2007	18630/2007	Berman, Ronald H.; 09-05, Mini gable pouch with small spout, (US, 12 Jan 2007) 12 Jun 2007	18348/2007
Apple Inc.; 14-02, Electronic device, (US, 05 Jan 2007) 29 Jun 2007	18631/2007	Best Picture Show Company Pty Ltd, The; 21-01D, Toy treehouse, 29 Jun 2007	18627/2007
Apple Inc.; 14-02, Electronic device, (US, 05 Jan 2007) 29 Jun 2007	18632/2007	Best Picture Show Company Pty Ltd, The; 21-01D, Treehouse, 29 Jun 2007	18626/2007
Arcelik Anonim Sirketi; 15-05, Dishwasher, 25 Jun 2007	18584/2007	Binder Investments Ltd.; 19-01, A rectangular movie post card, 12 Jun 2007	18340/2007
		Black & Decker, Inc.; 10-04, Laser level, (US, 18 Jan 2007) 26 Jun 2007	18592/2007

Black & Decker, Inc.; 08-04, Screwdriver, (EM, 21 Dec 2006) 15 Jun 2007	18447/2007	Callaway Golf Company; 21-02C, Putter head, (US, 19 Dec 2006) 19 Jun 2007	18490/2007
Black & Decker, Inc.; 10-04, Light line generating device, (US, 21 Dec 2006) 19 Jun 2007	18498/2007	Callaway Golf Company; 21-02C, Wedge type golf club head, (US, 22 Jan 2007) 19 Jun 2007	18491/2007
Black & Decker, Inc.; 10-04, Light line generating device, (US, 21 Dec 2006) 19 Jun 2007	18499/2007	Carl-Louis Pty Ltd; 07-01C, Beverage container, 15 May 2007	18102/2007
Bognalbal, Teresa Jayne; 09-04, Basket, 25 Jun 2007	18574/2007	Caroma Industries Limited; 07-05B, A laundry tub cabinet, 27 Jun 2007	18594/2007
Boyer, Campbell; 19-04, Foliocase, 22 Jun 2007	18553/2007	Cashmere Blazer Pty Ltd; 03-01A, Bag, 05 Jun 2007	18293/2007
Boyer, Campbell; 19-02, Stacking monitor stand, 22 Jun 2007	18554/2007	Cashmere Blazer Pty Ltd; 03-01A, Bag, 05 Jun 2007	18292/2007
Braun GmbH; 28-03NES, Oral care display, (DE, 08 Dec 2006) 08 Jun 2007	18335/2007	Chef'n Corporation; 07-01D, A mug, (US, 22 Aug 2006) (Divisional of 16526/2007) 06 Jun 2007	18305/2007
Bridgestone Corporation; 12-15D, Motorcycle tyre, (JP, 29 Dec 2006) 21 Jun 2007	18548/2007	Chep Australia Limited; 09-04, A crate, 27 Jun 2007	18600/2007
Bridgestone Corporation; 12-15D, Motorcycle tyre, (JP, 29 Dec 2006) 21 Jun 2007	18549/2007	Chiang, Herman; 16-06, Swimming goggles, 04 Jun 2007	18288/2007
Bridgestone Corporation; 12-15A, Motorcycle tyre, (JP, 07 Dec 2006) 07 Jun 2007	18314/2007	Cipla Limited; 09-01K, Dispenser, (IN, 07 Dec 2006) 01 Jun 2007	18268/2007
Bridgestone Corporation; 12-15A, Motorcycle tyre, (JP, 07 Dec 2006) 07 Jun 2007	18315/2007	Cliff Electronics (Aust) Pty Ltd; Ultrafonic Pty Ltd; 14-99, Diffuser, 15 Jun 2007	18413/2007
Bridgestone Corporation; 12-15A, Motorcycle tyre, (JP, 07 Dec 2006) 07 Jun 2007	18316/2007	Clipsal Australia Pty Limited; 13-03B, A straight plug, an angled plug, a connector, (NZ, 13 Mar 2007) 29 Jun 2007	18625/2007
Brizio, Adriana; 07-02L, Coffee machine, (EM, 20 Dec 2006) 18 Jun 2007	18463/2007	Clipsal Australia Pty Ltd; 23-04, Fan grille, 21 Jun 2007	18542/2007
Brizio, Adriana; 07-02L, Coffee machine, (EM, 20 Dec 2006) 18 Jun 2007	18464/2007	Clipsal Australia Pty Ltd; 23-04, Fan grille, 21 Jun 2007	18543/2007
Brophy, John Christopher; 30-04, A saddle tree, 27 Jun 2007	18597/2007	Clipsal Australia Pty Ltd; 23-04, Fan grille, 21 Jun 2007	18541/2007
Buggymate Pty Ltd.; 21-02C, Chipping basket, 15 Jun 2007	18429/2007	Concordia Development S.r.l.; 15-09, Bottle preform, (EM, 29 Dec 2006) 20 Jun 2007	18516/2007
Building Solutions Pty Ltd; 25-01K, Extrusion, 01 Jun 2007	18260/2007	Conrod Motor Sport Pty Limited; 12-16NES, A vehicle cold air induction box, 01 Jun 2007	18269/2007
Building Solutions Pty Ltd; 25-01K, Extrusion, 01 Jun 2007	18261/2007	Creative Technology Ltd; 14-01, Media player, (SG, 28 Dec 2006) 27 Jun 2007	18596/2007
Building Solutions Pty Ltd; 25-01K, Extrusion, 01 Jun 2007	18262/2007	Creative Technology Ltd; 14-01, Camera, (US, 30 Jan 2007) 12 Jun 2007	18346/2007
Burstin, Paul Peretz Perry; 24-01, Osteotome, 21 Jun 2007	18547/2007	Crocs, Inc.; 02-04NES, Footwear, (US, 04 Dec 2006) 04 Jun 2007	18286/2007
Cable Accessories (Australia) Pty. Ltd.; 09-07NES, Electrical connection box cover, 08 Jun 2007	18324/2007	Crocs, Inc.; 02-04NES, Footwear, (US, 15 Dec 2006) 15 Jun 2007	18441/2007
Cadbury Enterprises Pte Limited; 09-01B, Bottle, 29 Jun 2007	18645/2007	Crocs, Inc.; 02-04NES, Footwear, (US, 15 Dec 2006) 15 Jun 2007	18442/2007

Cum Suis BNT B.V.; 24-02, Needle holder, (EM, 10 Apr 2007) 22 Jun 2007	18563/2007	Dr. Ing.h.c. F Porsche Aktiengesellschaft; 12-08, Motor vehicle, (DE, 27 Dec 2006) 27 Jun 2007	18606/2007
Curtin, Robert John Clifford; 11-02E, Statue of a dog, 13 Jun 2007	18375/2007	Dr. Ing.h.c. F Porsche Aktiengesellschaft; 12-16H, Side rear-view mirror, (DE, 27 Dec 2006) 27 Jun 2007	18607/2007
CDA Products (International) Pty Ltd; 08-06, Handle component, 13 Jun 2007	18380/2007	Dr. Ing.h.c. F Porsche Aktiengesellschaft; 12-16N, Exhaust and pipe, (DE, 22 Dec 2006) 22 Jun 2007	18569/2007
CDA Products (International) Pty Ltd; 08-06, Handle component, 13 Jun 2007	18381/2007	Dr. Ing.h.c. F Porsche Aktiengesellschaft; 12-16N, Exhaust and pipe, (DE, 22 Dec 2006) 22 Jun 2007	18570/2007
CDA Products (International) Pty Ltd; 08-06, Handle component, 13 Jun 2007	18382/2007	Dr. Ing.h.c. F Porsche Aktiengesellschaft; 12-16N, Exhaust and pipe, (DE, 22 Dec 2006) 22 Jun 2007	18571/2007
CDA Products (International) Pty Ltd; 08-06, Handle component, 13 Jun 2007	18383/2007	Dunncliffe, Robert; 02-02NES, Clothing, 18 Jun 2007	18452/2007
CDA Products (International) Pty Ltd; 08-06, Handle component, 13 Jun 2007	18384/2007	Dyson Limited; 15-05, A hose guide for a cleaning appliance, (GB, 22 Dec 2006) 06 Jun 2007	18298/2007
CDA Products (International) Pty Ltd; 08-08H, Louvre clip, 13 Jun 2007	18385/2007	Dyson Limited; 15-05, A head for a cleaning appliance, (GB, 22 Dec 2006) 06 Jun 2007	18299/2007
Dart Industries Inc; 07-06D, Corkscrew, (US, 25 Jan 2007) 05 Jun 2007	18291/2007	Dyson Limited; 15-05, A wand for a cleaning appliance, (GB, 22 Dec 2006) 06 Jun 2007	18300/2007
Designed Blinds Australia Pty Ltd; 08-08H, Roller blind winding mechanism, 29 Jun 2007	18633/2007	DJ Reedsters Australia (David Reed); 11-03, 20-03NES, Stainless steel, 316 grade, steak tags, 31 May 2007	18234/2007
Designed Blinds Australia Pty Ltd; 08-08H, Roller blind winding mechanism, 29 Jun 2007	18634/2007	E Motion Pty Ltd; 12-02, Motorised rubbish bin mover, 01 Jun 2007	18228/2007
Designed Blinds Australia Pty Ltd; 08-08H, Roller blind winding mechanism, 29 Jun 2007	18635/2007	E Motion Pty Ltd.; 12-02, Motorised trolley and chair mover, 01 Jun 2007	18229/2007
Designed Blinds Australia Pty Ltd; 08-08H, Roller blind winding mechanism, 29 Jun 2007	18636/2007	Electrolux Home Products Inc; 07-02C, Portion of a burner assembly, (US, 22 Dec 2006) 22 Jun 2007	18567/2007
Designed Blinds Australia Pty Ltd; 08-08H, Roller blind bracket, 29 Jun 2007	18637/2007	Electrolux Home Products Inc; 07-02C, Portion of a burner assembly, (US, 22 Dec 2006) 21 Jun 2007	18535/2007
Designed Blinds Australia Pty Ltd; 08-08H, Roller blind bracket, 29 Jun 2007	18638/2007	Electrolux Home Products Inc; 07-02C, Portion of a burner assembly, (US, 22 Dec 2006) 21 Jun 2007	18536/2007
Designed Blinds Australia Pty Ltd; 08-08H, Roller blind end plate, 29 Jun 2007	18639/2007	Electrolux Home Products Inc; 07-02C, Portion of a burner assembly, (US, 22 Dec 2006) 21 Jun 2007	18537/2007
Designed Blinds Australia Pty Ltd; 08-08H, Overlap roller blind, 29 Jun 2007	18640/2007	Emanuel Ungaro Italia S.r.l.; 28-03NES, A perfume bottle, (EM, 26 Dec 2006) 04 Jun 2007	18282/2007
Designed Blinds Australia Pty Ltd; 08-08H, Overlap roller blind, 29 Jun 2007	18641/2007	Emecorp Pty Ltd; 13-03B, A connector, 28 Jun 2007	18618/2007
Digga Australia Pty Ltd; 08-08B, Clevis, 13 Jun 2007	18386/2007	Emro Products Pty Ltd; 08-08NES, Stair hand rail bracket, 31 May 2007	18231/2007
Divon, Avner; Zimet, Nachman; 12-07, Helicopter, (CA, 06 Dec 2006) 06 Jun 2007	18302/2007		
Dr. Ing.h.c. F Porsche Aktiengesellschaft; 12-16NES, Ornamental scuff plate, (DE, 27 Dec 2006) 27 Jun 2007	18603/2007		
Dr. Ing.h.c. F Porsche Aktiengesellschaft; 12-16NES, Ornamental scuff plate, (DE, 27 Dec 2006) 27 Jun 2007	18604/2007		
Dr. Ing.h.c. F Porsche Aktiengesellschaft; 12-08, Motor vehicle, (DE, 27 Dec 2006) 27 Jun 2007	18605/2007		

Emro Products Pty Ltd; 08-08NES, Stair hand rail bracket, 31 May 2007	18232/2007	Gravolin, Sandra Lorraine; Gravolin, Dennis Ronald; 12-16L, Universal trailer lighting circuit tester, 18 Jun 2007	18450/2007
Emro Products Pty Ltd; 08-08NES, Stair hand rail brackets, 31 May 2007	18233/2007	Gro-Guard Australia Pty Ltd; 08-08O, Plant guard, 18 Jun 2007	18453/2007
Emu Storage Solutions Pty Ltd; 06-04NES, Goods storage unit, 04 Jun 2007	18273/2007	GM Global Technology Operations, Inc; 12-16B, Vehicle tailgate, 31 May 2007	18221/2007
Eveready Battery Company, Inc.; 26-02, A flashlight, (US, 04 Jan 2007) 28 Jun 2007	18621/2007	GM Global Technology Operations, Inc; 12-16B, Left-side and right-side vehicle hood scoop grille inserts, 18 Jun 2007	18454/2007
Ewing Industries Pty Ltd; 23-01H, Tap, 14 Jun 2007	18421/2007	GM Global Technology Operations, Inc; 12-16F, Left-side and right-side vehicle side-marker lenses, 18 Jun 2007	18455/2007
Felici, Mauro; 07-01B, Baby sticky bowl, 04 Jun 2007	18289/2007	GM Global Technology Operations, Inc; 12-16B, Left-side and right-side vehicle hood scoops, 18 Jun 2007	18456/2007
Fieldquip; 15-03B, Slashers, grading blades (tractor 3 point linkage mounted implements), 21 Jun 2007	18508/2007	GM Global Technology Operations, Inc; 12-16B, Left-side and right-side vehicle grille inserts, 18 Jun 2007	18457/2007
Firth, Philip Malcolm; Firth, Elizabeth May; 08-08L, Bracket component, 26 Jun 2007	18591/2007	GM Global Technology Operations, Inc; 12-16B, Left-side and right-side vehicle radiator grilles, 18 Jun 2007	18458/2007
Firth, Elizabeth May; Firth, Philip Malcolm; 08-08L, Bracket component, 26 Jun 2007	18591/2007	GM Global Technology Operations, Inc; 12-16B, Vehicle fascia, 18 Jun 2007	18459/2007
Fox 40 International Inc.; 21-01NES, Multi-chambered whistle, (US, 26 Jan 2007) 25 Jun 2007	18581/2007	GM Global Technology Operations, Inc; 12-16NES, Vehicle licence plate mount, 18 Jun 2007	18460/2007
Fusion Global Print Group Pty Ltd; 21-01D, A model stadium and blanks for assembly thereof, 27 Jun 2007	18608/2007	GM Global Technology Operations, Inc; 12-16B, Vehicle hood, 18 Jun 2007	18461/2007
Fusion Global Print Group Pty Ltd; 19-01, Card with press-out figure, 27 Jun 2007	18609/2007	GM Global Technology Operations, Inc; 12-16B, Left-side and right-side vehicle grille surrounds, 18 Jun 2007	18462/2007
Fusion Global Print Group Pty Ltd; 19-01, Card with press-out figure, 27 Jun 2007	18610/2007	GM Global Technology Operations, Inc; 12-16B, Vehicle sailplane centre section, 31 May 2007	18222/2007
Fusion Global Print Group Pty Ltd; 19-01, Card with press-out figure, 27 Jun 2007	18611/2007	GM Global Technology Operations, Inc; 12-16B, Left-side and right-side vehicle sailplane side mounts, 31 May 2007	18223/2007
Fusion Global Print Group Pty Ltd; 19-01, Card with press-out figure, 27 Jun 2007	18612/2007	GM Global Technology Operations, Inc; 12-16B, Vehicle tonneau cover, 31 May 2007	18224/2007
Fusion Global Print Group Pty Ltd; 19-01, Card with press-out figure, 27 Jun 2007	18613/2007	GM Global Technology Operations, Inc; 12-16B, Left-side and right-side vehicle side skirts, 31 May 2007	18225/2007
Fusion Global Print Group Pty Ltd; 19-01, Sheet of press-out figures, 27 Jun 2007	18614/2007	Haimerl, Ewald; 02-04NES, Footwear, (DE, 11 Dec 2006) 12 Jun 2007	18347/2007
G & J Koutsoukos Holdings Pty Ltd; 25-01K, Section of indefinite length, 27 Jun 2007	18617/2007	Hall, Russell James Ogilvie; 25-03, Windmill towers, 18 Jun 2007	18439/2007
Gale, Edward George; 23-01K, A water valve, 25 Jun 2007	18582/2007	Hansa Metallwerke AG; 23-01H, A mixing tap, (EM, 15 Dec 2006) 01 Jun 2007	18257/2007
Gravolin, Dennis Ronald; Gravolin, Sandra Lorraine; 12-16L, LED trailer socket, 18 Jun 2007	18449/2007	Hansa Metallwerke AG; 23-01H, A mixing tap, (EM, 15 Dec 2006) 01 Jun 2007	18258/2007
Gravolin, Sandra Lorraine; Gravolin, Dennis Ronald; 12-16L, LED trailer socket, 18 Jun 2007	18449/2007	Hansa Metallwerke AG; 23-01H, A mixing tap, (EM, 15 Dec 2006) 01 Jun 2007	18259/2007
Gravolin, Dennis Ronald; Gravolin, Sandra Lorraine; 12-16L, Universal trailer lighting circuit tester, 18 Jun 2007	18450/2007		

Hansa Metallwerke AG; 23-01H, A mixing tap, (EM, 15 Dec 2006) 01 Jun 2007	18256/2007	Innovative Office Products, Inc; 08-08NES, Boom extension arm, (US, 15 Sep 2006) 07 Mar 2007	18673/2007
Hatpack Limited; 02-03, Safety helmet, (EM, 08 Jan 2007) 02 Jul 2007	18651/2007	Innovative Office Products, Inc; 08-08NES, Boom extension arm, (US, 15 Sep 2006) 07 Mar 2007	18674/2007
Hay, Donna; 09-03L, Canister, 28 Jun 2007	18593/2007	Intellectual Property Development Corporation Pty Ltd; 07-05E, Cleaning cloth, 13 Jun 2007	18359/2007
Hills Industries Limited; 08-08L, A mounting bracket, 28 Jun 2007	18622/2007	ICL Company Limited; 12-16NES, Air deflector for a cabin of motor vehicle, (JP, 23 May 2007) 15 Jun 2007	18428/2007
Hills Industries Limited; 08-08NES, A mounting bracket, 08 Jun 2007	18333/2007	ICL Company Limited; 12-16NES, Air deflector for a cabin of a motor vehicle, (JP, 23 May 2007) 15 Jun 2007	18427/2007
Hollingworth, Stuart; 08-07, A vertical dome hook fastener, 21 Jun 2007	18532/2007	IPS Group Inc.; 10-03, Parking meter, 18 Jun 2007	18481/2007
Hollingworth, Stuart; 08-07, A horizontal dome hook fastener, 21 Jun 2007	18533/2007	IPS Group Inc.; 10-03, Parking meter, 18 Jun 2007	18482/2007
Honda Motor Co., Ltd.; 26-06, A rear combination lamp for an automobile, (JP, 21 Dec 2006) 19 Jun 2007	18496/2007	IPS Group Inc.; 10-03, Parking meter, 18 Jun 2007	18483/2007
Honda Motor Co., Ltd.; 26-06, A front combination lamp for an automobile, (JP, 21 Dec 2006) 19 Jun 2007	18497/2007	Jantzen, Kahn; 22-05, Mechanical fishing rod, 22 Jun 2007	18562/2007
Honda Motor Co., Ltd.; 12-08, An automobile, (JP, 22 Dec 2006) 19 Jun 2007	18492/2007	Jaram Products Pty; 25-01K, Red dirt aero bar, 07 Jun 2007	18322/2007
Honda Motor Co., Ltd.; 26-06, A front combination lamp for an automobile, (JP, 21 Dec 2006) 19 Jun 2007	18493/2007	Jarvis, Stephen; 99-00, Inlet cover plate, (NZ, 19 Dec 2006) 19 Jun 2007	18487/2007
Honda Motor Co., Ltd.; 12-08, An automobile, (JP, 22 Dec 2006) 19 Jun 2007	18494/2007	Jets Swimwear Pty Ltd.; 02-02A, Moulded halter triangle with wide under bust band and tie back, 14 Jun 2007	18396/2007
Honda Motor Co., Ltd.; 26-06, A rear combination lamp for an automobile, (JP, 21 Dec 2006) 19 Jun 2007	18495/2007	Jets Swimwear Pty Ltd.; 02-01B, Enhancing cross over empire seamless moulded singlet with bagged out wide set straps and fine knotted detail, 14 Jun 2007	18397/2007
Honda Motor Co., Ltd.; 26-06, Rear combination lamp of automobiles, (JP, 20 Dec 2006) 15 Jun 2007	18445/2007	Jets Swimwear Pty Ltd.; 02-01B, Bagged out gathered banded halter singlet with infinity moulded shelf bra, 14 Jun 2007	18398/2007
Honda Motor Co., Ltd.; 12-08, Automobile, (JP, 22 Dec 2006) 15 Jun 2007	18446/2007	Jets Swimwear Pty Ltd.; 02-02NES, Bagged out twist front halter singlet with tie back and boning, 14 Jun 2007	18399/2007
Horsfall, Anthony; 06-09, Bath support, 18 Jun 2007	18448/2007	Jets Swimwear Pty Ltd.; 02-02A, Bagged out wide band halter boy leg one piece with infinity moulded shelf bra, 14 Jun 2007	18400/2007
Huhtamaki Ronsberg, Zweigniederlassung der Huhtamaki Deutschland GmbH & Co., KG; 09-01K, Foil packaging, 20 Jun 2007	18513/2007	Jets Swimwear Pty Ltd.; 02-02A, Gathered micro mini sweetheart empire bandeau one piece with cups and detachable strap, 14 Jun 2007	18401/2007
I.C. Pals Pty Ltd; 09-01B, Consumables container, 20 Jun 2007	18517/2007	Jets Swimwear Pty Ltd.; 02-02A, Bagged out sliding triangle with wide looped neck tie, 14 Jun 2007	18402/2007
Illinois Tool Works Inc.; 25-01B, An anchor, (NZ, 22 Dec 2006) 19 Jun 2007	18500/2007	Jets Swimwear Pty Ltd.; 02-02A, Bikini pant with wide looped detail, 14 Jun 2007	18403/2007
Innovative Office Products, Inc; 08-08NES, Boom extension arm, (US, 15 Sep 2006) 07 Mar 2007	18672/2007		

Jets Swimwear Pty Ltd.; 02-02NES, Gathered empire bandeau singlet with cups and removable wide neck tie, 14 Jun 2007	18404/2007	Ke, Zhi Jun; 06-10, Louvre system, 14 Jun 2007	18356/2007
Jets Swimwear Pty Ltd.; 02-01A, Bagged out twist knot gathered C/D underwire with adjustable straps, 14 Jun 2007	18405/2007	Ke, Zhi Jun; 06-10, Louvre system, 14 Jun 2007	18357/2007
Jets Swimwear Pty Ltd.; 02-01A, C/D underwire with adjustable straps, contrast tab front, panels and contrast piping, 14 Jun 2007	18406/2007	Ke, Zhi Jun; 06-10, Louvre system, 14 Jun 2007	18358/2007
Jets Swimwear Pty Ltd.; 02-02A, Bagged out gathered halter one piece with asymmetrical panels removable cups and pleating details, 14 Jun 2007	18407/2007	Keating, Geoffrey Francis; 06-03B, Set of tables/display units (card suit type), 08 Jun 2007	18354/2007
Jets Swimwear Pty Ltd.; 02-02A, Inifinity moulded cup one piece with bagged out neckline and fixed straps, 14 Jun 2007	18408/2007	Keogh, Peter Anthony; 08-08L, Cable retaining bracket, 18 Jun 2007	18323/2007
Jets Swimwear Pty Ltd.; 02-02A, 50's moulded cup one piece with bagged out wide set straps and fine knotted detail, 14 Jun 2007	18409/2007	Kimyee Furniture SDN BHD; 19-08, This design will apply to kids furniture like bed, toy box, chest drawer, bed side table, bookcase, and cabinet, 29 Jun 2007	18484/2007
Jets Swimwear Pty Ltd.; 02-02A, Wide band tie back halter with removable cups and tab front detail, 14 Jun 2007	18410/2007	King, Marcus; 06-01C, Garden bench, 04 Jun 2007	18653/2007
Jets Swimwear Pty Ltd.; 02-02NES, Banded empire halter singlet with removable cups and tab front detail, 14 Jun 2007	18411/2007	Knight, James R. C.; 02-07A, Belt, 05 Jun 2007	18284/2007
Jets Swimwear Pty Ltd.; 02-02A, Bagged out tank one piece with shelf bra gold chain belt and strap detail, 14 Jun 2007	18412/2007	Koehn, Ekkehard; 25-02NES, Component of sunshade, 27 Jun 2007	18272/2007
Jobson, Beverley Maria; Jobson, Douglas William; 23-01A, Water tank maximiser, 04 Jun 2007	18283/2007	Koehn, Ekkehard; 25-01K, Extrusion, 27 Jun 2007	18598/2007
Jobson, Douglas William; Jobson, Beverley Maria; 23-01A, Water tank maximiser, 04 Jun 2007	18283/2007	Krebar Pty Ltd, Trading as Paige Stainless Fabrications; 23-01NES, Drainage channel member of indefinite length, 01 Jun 2007	18599/2007
John Wall, Inc.; 08-08K, Post bracket and attaching buckle, (US, 22 Dec 2006) 22 Jun 2007	18568/2007	Kuhne, Mandy Aileen; 19-04, A "barrier book" to be used for education and language therapy, 29 Jun 2007	18266/2007
K. Hartwall Oy Ab; 12-02, Dolly, (EM, 28 Dec 2006) 28 Jun 2007	18619/2007	Laird, Jeffrey Kenneth; 12-10, Utility/cargo trailer, 21 Jun 2007	18623/2007
Kabushiki Kaisha Toshiba; 14-01, Television set, (JP, 27 Apr 2007) 27 Jun 2007	18615/2007	Lego A/S; 09-03M, Container, (US, 28 Dec 2006) 20 Jun 2007	18511/2007
Kabushiki Kaisha Toshiba; 16-02, Liquid crystal projector, (JP, 18 May 2007) 27 Jun 2007	18616/2007	Livingstone International Pty Ltd; 02-03, , 20 Jun 2007	18514/2007
Kapman AB; 08-06, Handsaw handle, (SE, 11 Dec 2006) 08 Jun 2007	18327/2007	LG Electronics Inc.; 14-01, Television receiver, (KR, 18 Dec 2006) 13 Jun 2007	18505/2007
Kapman AB; 08-03, Handsaw blade, (SE, 11 Dec 2006) 08 Jun 2007	18328/2007	LRC Products Limited; 28-99, Vibrator unit, (EM, 05 Jan 2007) 21 Jun 2007	18360/2007
Ke, Zhi Jun; 06-10, Louvre system, 14 Jun 2007	18355/2007	LX2 Pty Ltd.; 08-08NES, Tie down bracket for 'c' track, 11 Jun 2007	18552/2007
		LX2 Pty Ltd.; 08-08B, Sign security washer, 11 Jun 2007	18325/2007
		M.D.I. International Pty Ltd; 02-03, A cap, 29 Jun 2007	18326/2007
		MacLean, Colin Robert; 12-10, A caravan body, 20 Jun 2007	18628/2007
		MacLean, Colin Robert; 12-10, A caravan body, 20 Jun 2007	18519/2007
			18520/2007

MacLean, Colin Robert; 12-10, A caravan body, 20 Jun 2007	18521/2007	McPhedran, James; Mitchell, David; 19-01, Foam postcards and greeting cards, 04 Jun 2007	18279/2007
MacLean, Colin Robert; 12-10, A caravan body, 20 Jun 2007	18522/2007	McPhedran, James; Mitchell, David; 19-01, Foam postcards and greeting cards, 04 Jun 2007	18278/2007
MacLean, Colin Robert; 12-10, A caravan body, 20 Jun 2007	18523/2007	McPhedran, James; Mitchell, David; 19-01, Foam postcards and greeting cards, 04 Jun 2007	18280/2007
MacLean, Colin Robert; 12-10, A caravan body, 20 Jun 2007	18524/2007	McPhedran, James; Mitchell, David; 19-01, Foam postcards and greeting cards, 04 Jun 2007	18275/2007
MacLean, Colin Robert; 12-10, A caravan body, 20 Jun 2007	18525/2007	McPhedran, James; Mitchell, David; 19-01, Foam postcards and greeting cards, 04 Jun 2007	18277/2007
MacLean, Colin Robert; 12-10, A caravan body, 20 Jun 2007	18526/2007	McPhedran, James; Mitchell, David; 19-01, Foam postcards and greeting cards, 04 Jun 2007	18276/2007
MacLean, Colin Robert; 12-10, A vehicle body, 20 Jun 2007	18527/2007	McPhedran, James; Mitchell, David; 19-01, Foam postcards and greeting cards, 04 Jun 2007	18589/2007
MacLean, Colin Robert; 12-10, A vehicle body, 20 Jun 2007	18528/2007	Medela Holding AG; 24-02, Handheld breastpump, 26 Jun 2007	18590/2007
MacLean, Colin Robert; 12-10, A vehicle body, 20 Jun 2007	18529/2007	Medela Holding AG; 24-02, Handheld breastpump, 26 Jun 2007	18588/2007
MacLean, Colin Robert; 12-10, A vehicle body, 20 Jun 2007	18530/2007	Medela Holding AG; 24-02, Handheld breastpump, 26 Jun 2007	18432/2007
Madinoz Pty Limited; 08-06, Pull handle, 08 Jun 2007	18319/2007	Melnor Incorporation; 23-01E, Electronic timer, (US, 16 Jan 2007) 15 Jun 2007	18433/2007
Madinoz Pty Limited; 07-05D, Towel rail, 08 Jun 2007	18320/2007	Melnor Incorporation; 23-01E, Electronic timer, (US, 16 Jan 2007) 15 Jun 2007	18434/2007
Maevsky, Kevin Boris; 07-05E, A dustpan with broom, 14 Jun 2007	18417/2007	Militaire Nominees Pty Ltd; 23-02B, Ceramic tub, 06 Jun 2007	18294/2007
Magnor Pty Limited; 04-01, A vacuum head, 13 Jun 2007	18350/2007	Mitchell, David; McPhedran, James; 19-01, Foam postcards and greeting cards, 04 Jun 2007	18276/2007
Mars, Incorporated; 09-03M, Packaging, (EM, 17 Jan 2007) 21 Jun 2007	18540/2007	Mitchell, David; McPhedran, James; 19-01, Foam postcards and greeting cards, 04 Jun 2007	18275/2007
Master Lock Company LLC; 08-07, Lock, (US, 18 Dec 2006) 06 Jun 2007	18306/2007	Mitchell, David; McPhedran, James; 19-01, Foam postcards and greeting cards, 04 Jun 2007	18280/2007
Master Lock Company LLC; 08-07, Lock, (US, 18 Dec 2006) 06 Jun 2007	18307/2007	Mitchell, David; McPhedran, James; 19-01, Foam postcards and greeting cards, 04 Jun 2007	18278/2007
Master Lock Company LLC; 08-07, Lock, (US, 18 Dec 2006) 06 Jun 2007	18308/2007	Mitchell, David; McPhedran, James; 19-01, Foam postcards and greeting cards, 04 Jun 2007	18279/2007
Master Lock Company LLC; 08-07, Lock, (US, 18 Dec 2006) 06 Jun 2007	18309/2007	Mondiale Technologies Limited; 23-01E, Flow controller, (NZ, 22 Dec 2006) 14 Jun 2007	18415/2007
McDonald, Kenneth Malcolm; 12-06B, X-sail - series 1.2.3, 29 Jun 2007	18624/2007	Mullan, Alphonsus; 12-16NES, A shifter, 25 Jun 2007	18561/2007
McKay, Marcel Hannan; 23-01G, Conical shaped industrial filter with rotating cleaning brush, 15 Jun 2007	18438/2007		
McNeil-PPC, Inc.; 09-07C, Cap with container, (US, 18 Dec 2006) 18 Jun 2007	18477/2007		
McNeil-PPC, Inc.; 09-07C, Cap, (US, 18 Dec 2006) 18 Jun 2007	18478/2007		
McNeil-PPC, Inc.; 09-07C, Cap, (US, 18 Dec 2006) 18 Jun 2007	18479/2007		
McNeil-PPC, Inc.; 09-07C, Cap, (US, 18 Dec 2006) 18 Jun 2007	18480/2007		

Munro, Josette; Sheppard, Heather; 14-99, Laptop computer stand, 13 Jun 2007	18387/2007	Perth Institute of Contemporary Arts; 20-03NES, 19-08, All signage, publications, stationery, merchandise, 29 Jun 2007	18504/2007
Muscat, Jason John; 06-01C, Furniture, seating, 14 Jun 2007	18416/2007	Petosan AS; 28-03NES, Electric tooth brush, (NO, 13 Dec 2006) 13 Jun 2007	18388/2007
MBP Australia Pty Ltd; 23-01A, An annular seal, 07 Jun 2007	18317/2007	Petosan AS; 28-03NES, Electric tooth brush, (NO, 13 Dec 2006) 13 Jun 2007	18389/2007
Nakamura, Shoichi; ACP Japan Co., Ltd.; 10-01, Clock, 18 Jun 2007	18451/2007	Pharos Life Corporation; 24-04, Head for therapy device, (CA, 21 Dec 2006) 20 Jun 2007	18518/2007
Nasir, Muhammed Aslam; 24-02, Medical device, (EM, 21 Dec 2006) 20 Jun 2007	18507/2007	Plastec Australia Pty Ltd; 23-01A, Offset pipe connector, 01 Jun 2007	18267/2007
National Engineering Group Pty. Ltd.; 09-09, Waste receptacle, bollard, 14 Jun 2007	18435/2007	Polycom, Inc.; 14-03E, Speakerphone, (US, 17 Apr 2007) 22 Jun 2007	18566/2007
National Engineering Group Pty. Ltd.; 09-09, Waste receptacle, 14 Jun 2007	18436/2007	Pourounidis, Harry; Stone, Curtis; 07-01B, "Wow" icecream bowl, 01 Jun 2007	18252/2007
Nike International, Ltd.; 21-02A, Ball, (US, 11 May 2007) 14 Jun 2007	18419/2007	Pourounidis, Harry; Stone, Curtis; 07-01C, "Wow" cocktail glass, 01 Jun 2007	18251/2007
Nike International, Ltd.; 21-02A, Ball, (US, 11 May 2007) 14 Jun 2007	18420/2007	Pourounidis, Harry; Stone, Curtis; 07-04, "Show time" tamper, 01 Jun 2007	18248/2007
Nokia Corporation; 09-03M, Box, (US, 01 Dec 2006) 01 Jun 2007	18255/2007	Pourounidis, Harry; Stone, Curtis; 07-04, "Flipper" cutting board, 01 Jun 2007	18241/2007
Nottage & Roy Pty Limited; 06-03D, A games table, 18 Jun 2007	18469/2007	Pourounidis, Harry; Stone, Curtis; 07-04, "Bump and grind" mortar, 01 Jun 2007	18249/2007
NEC Infrontia Corporation; 14-03E, Mobile telephone, (JP, 05 Dec 2006) 05 Jun 2007	18290/2007	Pourounidis, Harry; Stone, Curtis; 07-02P, Silicone "wafer baker", 01 Jun 2007	18246/2007
O & S Holdings (Vic) Pty Ltd; 02-04B, Footwear sole, 25 Jun 2007	18578/2007	Pourounidis, Harry; Stone, Curtis; 07-04, "Chef scoop", 01 Jun 2007	18240/2007
O & S Holdings (Vic) Pty Ltd; 02-04B, Footwear sole, 25 Jun 2007	18579/2007	Pourounidis, Harry; Stone, Curtis; 07-04, "Show time" presentation rings, 01 Jun 2007	18247/2007
Ormsby, Stephen; 21-03, Backing card for a flexible face mask/sticker(s), 01 Jun 2007	18270/2007	Pourounidis, Harry; Stone, Curtis; 07-02P, "Wow" soufflee mould, 01 Jun 2007	18244/2007
Ormsby, Stephen; 21-03, Backing card for a flexible face mask/sticker(s), 01 Jun 2007	18271/2007	Pourounidis, Harry; Stone, Curtis; 07-04, "Workbench" board, 01 Jun 2007	18239/2007
OSIM International Ltd; 21-02F, Exercise apparatus, 08 Jun 2007	18336/2007	Pourounidis, Harry; Stone, Curtis; 07-02P, "Wow" brulee mould, 01 Jun 2007	18245/2007
Palmer, Michael Anthony; 12-07, Helicopter, 22 Jun 2007	18545/2007	Pourounidis, Harry; Stone, Curtis; 07-04, "Bump and grind" pestle, 01 Jun 2007	18250/2007
Palmer, Michael Anthony; 12-07, Helicopter, 22 Jun 2007	18546/2007	Pourounidis, Harry; Stone, Curtis; 07-04, "Juicy" carving board, 01 Jun 2007	18242/2007
Parkinson, Sam; 21-02C, Golf putter head, 14 Jun 2007	18425/2007	Pourounidis, Harry; Stone, Curtis; 07-06NES, "Swoon" spoon rest, 01 Jun 2007	18238/2007
Parten, Keith; 21-02D, Wake ski, (US, 28 Dec 2006) 27 Jun 2007	18601/2007	Pourounidis, Harry; Stone, Curtis; 07-06B, "Magnetic" attraction silicone trivet, 01 Jun 2007	18243/2007
Pentel Kabushiki Kaisha; 19-06, Cap for a writing instrument, (JP, 09 Jan 2007) 20 Jun 2007	18515/2007	Powersource Promotions Pty Ltd; 07-07B, Car wash bucket, 29 Jun 2007	18646/2007
PepsiCo, Inc.; 09-03L, Canister, 22 Jun 2007	18564/2007	Preference Manufacturing (Aust) Pty Ltd; 08-08H, Louvre gallery, 15 Jun 2007	18437/2007
PepsiCo, Inc.; 09-03L, Canister, 22 Jun 2007	18565/2007	Press Metal Aluminium (Australia) Pty Ltd; 25-01K, Stile extrusion, 20 Jun 2007	18512/2007

Prestex Pty Ltd, trading as Polyworld; 23-01B, Downpipe diverter, 07 Jun 2007	18296/2007	Safelite Cape (Proprietary) Limited; 09-01K, Container, (ZA, 06 Mar 2007) 13 Jun 2007	18361/2007
Priestley, Marcia; 03-01NES, Bag, luggage, 25 Jun 2007	18556/2007	Samsung Electronics Co, Ltd; 14-03E, Portable phone, (KR, 12 Jan 2007) 25 Jun 2007	18583/2007
Prodrome Designs Pty Ltd; 25-01K, A wall panel joiner, 08 Jun 2007	18330/2007	Sanpellegrino S.p.A.; 09-01H, Bottle, (EM, 07 Feb 2007) 21 Jun 2007	18539/2007
Prodrome Designs Pty Ltd; 25-01K, A wall panel joiner, 08 Jun 2007	18331/2007	Schmid & Wezel GmbH & Co.; 22-02, Bolt shooting apparatus for slaughtering animals (e.g. cattle), (EM, 14 Dec 2006) 04 Jun 2007	18285/2007
Prodrome Designs Pty Ltd; 25-01K, A wall panel joiner, 08 Jun 2007	18332/2007	Sell, Gavin A.; 13-03E, Extension leads and all power tools, 15 Jun 2007	18426/2007
Provo Craft and Novelty, Inc.; 02-07D, Long knitting loom, (US, 28 Dec 2006) 25 Jun 2007	18575/2007	Sheppard, Heather; Munro, Josette; 14-99, Laptop computer stand, 13 Jun 2007	18387/2007
Qube 4 Solutions Pty Ltd; 99-00, Qube framework, qube method, qube software, 20 Jun 2007	18506/2007	Silver Cross Holdings Limited; 29-02, Harness buckle, (EM, 14 May 2007) 28 Jun 2007	18620/2007
RacePointMedia LLC; 14-03NES, Remote control, (US, 23 Aug 2006) 20 Jun 2007	18531/2007	Sinochem Ningbo Ltd; 07-02NES, Fire bowl, (CN, 13 Dec 2006) 13 Jun 2007	18395/2007
Racing Victoria Limited; 21-02NES, Marker, 12 Jun 2007	18345/2007	Sportsgirl Pty Ltd; 05-05NES, Fabric print designs, 18 Jun 2007	18440/2007
Rado Uhren AG (Rado Watch Co Ltd) (Montres Rado SA); 10-02, Wrist watch, (WO, 26 Mar 2007) 06 Jun 2007	18310/2007	Sportsgirl Pty Ltd.; 05-05NES, Fabric designs, 12 Jun 2007	18344/2007
Raven Products Pty. Ltd.; 08-09, Door seal gasket, 18 Jun 2007	18485/2007	Stone, Curtis; Pourounidis, Harry; 07-04, "Bump and grind" pestle, 01 Jun 2007	18250/2007
Raven Products Pty. Ltd.; 08-09, Utility pole end connector, 18 Jun 2007	18486/2007	Stone, Curtis; Pourounidis, Harry; 07-01B, "Wow" icecream bowl, 01 Jun 2007	18252/2007
Republic Tobacco L.P.; 27-99, Hand held apparatus for injecting tobacco into paper tubes, (US, 02 Feb 2007) 13 Jun 2007	18394/2007	Stone, Curtis; Pourounidis, Harry; 07-01C, "Wow" cocktail glass, 01 Jun 2007	18251/2007
ResMed Ltd; 14-01, Voice coil, 31 May 2007	18226/2007	Stone, Curtis; Pourounidis, Harry; 07-04, "Show time" tamper, 01 Jun 2007	18248/2007
ResMed Ltd; 14-01, Voice coil, 31 May 2007	18227/2007	Stone, Curtis; Pourounidis, Harry; 07-04, "Bump and grind" mortar, 01 Jun 2007	18249/2007
Rockbrook Holdings Limited; 02-04A, Orthotic devices, 22 Jun 2007	18557/2007	Stone, Curtis; Pourounidis, Harry; 07-04, "Flipper" cutting board, 01 Jun 2007	18241/2007
Rockbrook Holdings Limited; 02-04A, Orthotic devices, 22 Jun 2007	18558/2007	Stone, Curtis; Pourounidis, Harry; 07-04, "Show time" presentation rings, 01 Jun 2007	18247/2007
Rockbrook Holdings Limited; 02-04A, Orthotic devices, 22 Jun 2007	18559/2007	Stone, Curtis; Pourounidis, Harry; 07-04, "Chef scoop", 01 Jun 2007	18240/2007
Rockbrook Holdings Limited; 02-04A, Orthotic devices, 22 Jun 2007	18560/2007	Stone, Curtis; Pourounidis, Harry; 07-02P, Silicone "wafer baker", 01 Jun 2007	18246/2007
Rockline Industries, Inc.; 05-06NES, Embossed wipe, (US, 05 Apr 2007) 06 Jun 2007	18301/2007	Stone, Curtis; Pourounidis, Harry; 07-06B, "Magnetic" attraction silicone trivet, 01 Jun 2007	18243/2007
Rojewski, Tracey; Rowe, Donna; 06-13B, Sheet, bed sheet, cot sheet, mattress sheet, 29 Jun 2007	18650/2007	Stone, Curtis; Pourounidis, Harry; 07-06NES, "Swoon" spoon rest, 01 Jun 2007	18238/2007
Rowe, Donna; Rojewski, Tracey; 06-13B, Sheet, bed sheet, cot sheet, mattress sheet, 29 Jun 2007	18650/2007	Stone, Curtis; Pourounidis, Harry; 07-04, "Juicy" carving board, 01 Jun 2007	18242/2007
S.C. Johnson & Son, Inc.; 28-03NES, Volatile dispenser, (US, 14 Dec 2006) 13 Jun 2007	18390/2007	Stone, Curtis; Pourounidis, Harry; 07-02P, "Wow" brulee mould, 01 Jun 2007	18245/2007

Stone, Curtis; Pourounidis, Harry; 07-04, "Workbench" board, 01 Jun 2007	18239/2007	Tru-Test Pty. Ltd; 30-99, A shearing comb, 31 May 2007	18237/2007
Stone, Curtis; Pourounidis, Harry; 07-02P, "Wow" soufflee mould, 01 Jun 2007	18244/2007	Tube Plastics Limited; 21-03, Child's see-saw, (EM, 21 Dec 2006) 06 Jun 2007	18303/2007
Styles, John Howard; 08-09, The pivot set is an item of door hardware comprising two parts. A bottom pivot and a top pivot, 20 Jun 2007	18488/2007	Tube Plastics Limited; 06-01NES, Seat for a child's toy, (EM, 21 Dec 2006) 06 Jun 2007	18304/2007
Sun, Shanqing; 07-04, Food blender, 21 Jun 2007	18544/2007	Tubetool Supplies; 08-03, Cutter, 07 Jun 2007	18297/2007
SGB Services Ltd.; 25-04, A scaffold member having a fixed cross section and being of indefinite length, (EM, 20 Apr 2007) 19 Jun 2007	18489/2007	Tug Inc Limited; 03-01A, Multi-purpose bag on wheels. Trolley bag, (EM, 18 Nov 2006) 31 May 2007	18235/2007
T.G. Management ApS; 07-99A, Tray, 27 Jun 2007	18602/2007	Tug Inc Limited; 03-01A, Suitcase - luggage bag, 31 May 2007	18236/2007
Technological Resources Pty. Limited; 24-02, A lance, (US, 15 Dec 2006) 13 Jun 2007	18374/2007	Turnour, Edward Charles; 25-02C, "Barbarian" security fence, 26 Jun 2007	18585/2007
Tecumseh Products Company; 15-01, Engine shroud, (US, 15 Dec 2006) 15 Jun 2007	18443/2007	Turnour, Edward Charles; 25-02C, "Barbarian" security fence, 26 Jun 2007	18586/2007
Tecumseh Products Company; 15-01, Engine shroud, (US, 15 Dec 2006) 15 Jun 2007	18444/2007	Ultrafonic Pty Ltd; Cliff Electronics (Aust) Pty Ltd; 14-99, Diffuser, 15 Jun 2007	18413/2007
Textron Inc.; 12-02, Golf car, (US, 08 Dec 2006) 08 Jun 2007	18334/2007	Unilever PLC; 09-01K, Container, (US, 23 Jan 2007) 27 Jun 2007	18595/2007
Thane Direct Company; 21-02F, Elliptical stationary exercise device, (US, 16 Apr 2007) 26 Jun 2007	18587/2007	Unistraw Patent Holdings Limited; 07-06NES, Drinking straw, 12 Jun 2007	18339/2007
The Coca-Cola Company; 09-01K, Bottle, (JP, 11 Jan 2007) 25 Jun 2007	18580/2007	Unistraw Patent Holdings Limited; 07-06NES, Drinking straw, 12 Jun 2007	18337/2007
The Decor Corporation Pty Ltd; 07-05E, Window squeegee, 06 Jun 2007	18311/2007	USG Interiors, Inc.; 25-02E, Suspended ceiling grid tee, (US, 29 Dec 2006) 21 Jun 2007	18550/2007
The Decor Corporation Pty Ltd; 07-05E, Window cleaner, 06 Jun 2007	18312/2007	USG Interiors, Inc.; 08-08L, Acoustical mounting bracket for attaching ceiling suspension to floor joists, (US, 21 Dec 2006) 21 Jun 2007	18551/2007
The Gates Corporation; 15-01, Isolator, (US, 16 Jan 2007) 19 Jun 2007	18503/2007	Vehicle Components Pty Ltd; 12-16NES, A bushing for a coil spring, 01 Jun 2007	18263/2007
Thomas, Rebecca Wilson; 02-03, Cycling hat, 15 Jun 2007	18424/2007	Vehicle Components Pty Ltd; 12-16NES, Frame assembly for a trailer, 01 Jun 2007	18264/2007
Top Gun Pty Ltd; 26-02, Torch, 14 Jun 2007	18376/2007	Vehicle Components Pty Ltd; 12-16NES, A bushing for a coil spring, 01 Jun 2007	18265/2007
Top Gun Pty Ltd; 26-02, Torch base, 14 Jun 2007	18377/2007	Ventrassist Pty Ltd; 24-01, Medical device, 08 Jun 2007	18321/2007
Top Gun Pty Ltd; 26-02, 13-02, Torch charger, 14 Jun 2007	18378/2007	Villeroy & Boch AG; 07-01C, Drinking cup, (EM, 02 Mar 2007) 19 Jun 2007	18501/2007
Top Gun Pty Ltd; 26-02, 13-02, Battery, 14 Jun 2007	18379/2007	Villeroy & Boch AG; 07-01F, Jug, (EM, 02 Mar 2007) 19 Jun 2007	18502/2007
Toshiba Tec Kabushiki Kaisha; 14-02, Printer for a point of sales terminal, (JP, 27 Dec 2006) 22 Jun 2007	18572/2007	Villeroy & Boch AG; 07-01G, Pot, (EM, 13 Dec 2006) 13 Jun 2007	18368/2007
Toshiba Tec Kabushiki Kaisha; 18-01, Cash register for a point of sales terminal, (JP, 22 Jan 2007) 22 Jun 2007	18573/2007	Villeroy & Boch AG; 07-01D, Cup, (EM, 13 Dec 2006) 13 Jun 2007	18369/2007
Transplant Systems Pty Limited; 09-03F, Seedling tray, 01 Jun 2007	18254/2007		

Villeroy & Boch AG; 07-01D, Saucer, (EM, 13 Dec 2006) 13 Jun 2007	18370/2007	Woodward, Neil Andrew; 06-04NES, Racking system, 12 Jun 2007	18338/2007
Villeroy & Boch AG; 07-01D, Tea-cup, (EM, 13 Dec 2006) 13 Jun 2007	18371/2007	Yarra Ridge Pty Ltd; 08-07, Adjustable connecting rod for a multipoint lock, 08 Jun 2007	18329/2007
Villeroy & Boch AG; 07-01D, Cup, (EM, 13 Dec 2006) 13 Jun 2007	18372/2007	Ying, Er; 12-11, Frames for cycles or motorcycles, (CN, 20 Mar 2007) 18 Jun 2007	18465/2007
Villeroy & Boch AG; 07-01D, Saucer, (EM, 13 Dec 2006) 13 Jun 2007	18373/2007	Ying, Er; 12-11, Motorcycle component, (CN, 08 Feb 2007) 18 Jun 2007	18466/2007
Villeroy & Boch AG; 07-01A, Plate, (EM, 13 Dec 2006) 13 Jun 2007	18362/2007	Ying, Er; 12-11, Frames for cycles or motorcycles, (CN, 08 Feb 2007) 18 Jun 2007	18467/2007
Villeroy & Boch AG; 07-01A, Plate, (EM, 13 Dec 2006) 13 Jun 2007	18363/2007	Ying, Er; 12-11, Frames for cycles or motorcycles, (CN, 08 Feb 2007) 18 Jun 2007	18468/2007
Villeroy & Boch AG; 07-01F, Sauce-boat, (EM, 13 Dec 2006) 13 Jun 2007	18364/2007	Your Brides Guide Pty Ltd; 19-04, Design for brides guide, 15 Jun 2007	18423/2007
Villeroy & Boch AG.; 07-01G, Sugar bowl, (EM, 13 Dec 2006) 13 Jun 2007	18365/2007	Zimet, Nachman; Divon, Avner; 12-07, Helicopter, (CA, 06 Dec 2006) 06 Jun 2007	18302/2007
Villeroy & Boch AG.; 07-01B, Bowl, (EM, 13 Dec 2006) 13 Jun 2007	18366/2007	Zork Pty Ltd; 09-07C, A bottle closure, 20 Jun 2007	18534/2007
Villeroy & Boch AG.; 07-01B, Bowl, (EM, 13 Dec 2006) 13 Jun 2007	18367/2007		
Ware, Michael James; 23-01F, Tank, 14 Jun 2007	18418/2007		

Applications Withdrawn

14953 / 2006 (09-01B) 18555 / 2007

Applications Lapsed

14597 / 2006 (02-02C)	14598 / 2006 (02-02C)
14599 / 2006 (02-02C)	14600 / 2006 (02-02C)
14601 / 2006 (02-02C)	14602 / 2006 (02-02C)
14603 / 2006 (02-02C)	14604 / 2006 (02-02C)
14605 / 2006 (02-02C)	14606 / 2006 (02-02C)
14607 / 2006 (02-02C)	14608 / 2006 (02-02C)
14609 / 2006 (02-02C)	14610 / 2006 (02-02C)
14611 / 2006 (02-02C)	14612 / 2006 (02-02C)
14613 / 2006 (02-02C)	15770 / 2006 (02-01B)
15803 / 2006 (02-02C)	15806 / 2006 (02-02C)
16529 / 2007 (21-03)	

Extension of Period of Registration of Designs

314238

Registrations Ceased

306774

Extensions of time granted under Section 137

Applications lodged under section 137 for extension of time have been granted.

306737 **Anartelle Pty Ltd**

306972 **Anartelle Pty Ltd**

304756 **Anartelle Pty Ltd**

305342 **Ferrari S.p.A.**

15698/2005 **Perusahaan Otomobil Nasional SDN. BHD.**

15699/2005 **Perusahaan Otomobil Nasional SDN. BHD.**

15700/2005 **Perusahaan Otomobil Nasional SDN. BHD.**

15701/2005 **Perusahaan Otomobil Nasional SDN. BHD.**

15702/2005 **Perusahaan Otomobil Nasional SDN. BHD.**

15703/2005 **Perusahaan Otomobil Nasional SDN. BHD.**

15704/2005 **Perusahaan Otomobil Nasional SDN. BHD.**

15705/2005 **Perusahaan Otomobil Nasional SDN. BHD.**

15706/2005 **Perusahaan Otomobil Nasional SDN. BHD.**

15707/2005 **Perusahaan Otomobil Nasional SDN. BHD.**

15708/2005 **Perusahaan Otomobil Nasional SDN. BHD.**

15709/2005 **Perusahaan Otomobil Nasional SDN. BHD.**

15494/2006 **Wilfred Quinsey**

16232/2007 **Prima Plastics and Tooling Pty. Ltd.**

Subsequent Owners Registered

(The name in parentheses is that of the subsequent owner)

302644 (**Multiknit (Proprietary) Limited**) Proknit (Proprietary) Limited

313328 (**Ty Gerard Hermans as trustee for Sheba Unit Trust**) Ty Gerard Hermans

306472 (**Coates Hire Operations Pty Limited**) Booths Corp (Australia) Pty Ltd

306473 (**Coates Hire Operations Pty Limited**) Booths Corp (Australia) Pty Ltd

306474 (**Coates Hire Operations Pty Limited**) Booths Corp (Australia) Pty Ltd

306475 (**Coates Hire Operations Pty Limited**) Booths Corp (Australia) Pty Ltd

306476 (**Coates Hire Operations Pty Limited**) Booths Corp (Australia) Pty Ltd

306477 (**Coates Hire Operations Pty Limited**) Booths Corp (Australia) Pty Ltd

306478 (**Coates Hire Operations Pty Limited**) Booths Corp (Australia) Pty Ltd

306479 (**Coates Hire Operations Pty Limited**) Booths Corp (Australia) Pty Ltd

306480	(Coates Hire Operations Pty Limited) Booths Corp (Australia) Pty Ltd		Pty Ltd
306481	(Coates Hire Operations Pty Limited) Booths Corp (Australia) Pty Ltd	306509	(Playcorp Group of Companies Pty Ltd) Thebe International Pty Ltd
306482	(Coates Hire Operations Pty Limited) Booths Corp (Australia) Pty Ltd	308146	(Playcorp Group of Companies Pty Ltd) Housewares International Ltd
306483	(Coates Hire Operations Pty Limited) Booths Corp (Australia) Pty Ltd	310969	(Playcorp Group of Companies Pty Ltd) Housewares International Ltd
306484	(Coates Hire Operations Pty Limited) Booths Corp (Australia) Pty Ltd	311096	(Playcorp Group of Companies Pty Ltd) Housewares International Limited
306485	(Coates Hire Operations Pty Limited) Booths Corp (Australia) Pty Ltd	311097	(Playcorp Group of Companies Pty Ltd) Housewares International Limited
306486	(Coates Hire Operations Pty Limited) Booths Corp (Australia) Pty Ltd	311098	(Playcorp Group of Companies Pty Ltd) Housewares International Limited
306487	(Coates Hire Operations Pty Limited) Booths Corp (Australia) Pty Ltd	311099	(Playcorp Group of Companies Pty Ltd) Housewares International Limited
306488	(Coates Hire Operations Pty Limited) Booths Corp (Australia) Pty Ltd	311100	(Playcorp Group of Companies Pty Ltd) Housewares International Limited
306489	(Coates Hire Operations Pty Limited) Booths Corp (Australia) Pty Ltd	311101	(Playcorp Group of Companies Pty Ltd) Housewares International Limited
306490	(Coates Hire Operations Pty Limited) Booths Corp (Australia) Pty Ltd	311102	(Playcorp Group of Companies Pty Ltd) Housewares International Limited
306491	(Coates Hire Operations Pty Limited) Booths Corp (Australia) Pty Ltd	311103	(Playcorp Group of Companies Pty Ltd) Housewares International Limited
306492	(Coates Hire Operations Pty Limited) Booths Corp (Australia) Pty Ltd	311104	(Playcorp Group of Companies Pty Ltd) Housewares International Limited
306494	(Coates Hire Operations Pty Limited) Booths Corp (Australia) Pty Ltd	309052	(Aluminium Industries of Australia Pty Ltd) Maliform Pty Ltd
306495	(Coates Hire Operations Pty Limited) Booths Corp (Australia) Pty Ltd	314044	(Aluminium Industries of Australia Pty Ltd) Maliform Pty Ltd
306496	(Coates Hire Operations Pty Limited) Booths Corp (Australia) Pty Ltd		
306497	(Coates Hire Operations Pty Limited) Booths Corp (Australia) Pty Ltd		
306498	(Coates Hire Operations Pty Limited) Booths Corp (Australia) Pty Ltd		
306499	(Coates Hire Operations Pty Limited) Booths Corp (Australia) Pty Ltd		
306500	(Coates Hire Operations Pty Limited) Booths Corp (Australia) Pty Ltd		
306501	(Coates Hire Operations Pty Limited) Booths Corp (Australia) Pty Ltd		
306502	(Coates Hire Operations Pty Limited) Booths Corp (Australia) Pty Ltd		
306503	(Coates Hire Operations Pty Limited) Booths Corp (Australia) Pty Ltd		
306504	(Coates Hire Operations Pty Limited) Booths Corp (Australia) Pty Ltd		
304382	(Aperio Group (New Zealand) Limited) FPSInternational (New Zealand) Limited		
314041	(Aluminium Industries of Australia Pty Ltd) Maliform Pty Ltd		
314045	(Aluminium Industries of Australia Pty Ltd) Maliform Pty Ltd		
314043	(Aluminium Industries of Australia Pty Ltd) Maliform Pty Ltd		
314042	(Aluminium Industries of Australia Pty Ltd) Maliform Pty Ltd		
310719	(Aluminium Industries of Australia Pty Ltd) Maliform		

Names Registered - Alterations and Amendments

(The name in parentheses is that of the subsequent applicant)

306148	(CKI Utilities Development Limited;HEI Utilities Development Limited;CKI/HEI Utilities Distribution Limited;CKI Utilities Holdings Pty Limited;HEI Utilities Holdings Pty Limited) CKI Utilities Development Limited;HEI Utilities Development Limited;HEI Utilities Holdings Limited;CKI Utilities Holdings Limited;CKI/HEI Utilities Distribution Limited
306148	(CKI Utilities Development Limited;HEI Utilities Development Limited;CKI Utilities Holdings Pty Limited;HEI Utilities Holdings Pty Limited;CKI/HEI Utilities Distribution Pty Limited) CKI Utilities Development Limited;HEI Utilities Development Limited;CKI/HEI Utilities Distribution Limited;CKI Utilities Holdings Pty Limited;HEI Utilities Holdings Pty Limited

Corrigenda

Number 314555

In Vol 21 , No 13 , page 9390 under the heading **Australian Registered Design**; (57) Statement of Newness and Distinctiveness should read: Those features of the applicator head depicted in the representations that are new and distinctive are the shape and/or configuration..

Number 313191

In Vol 21 , No 6 , page 8554 under the heading **Australian Registered Design**; (51) International Design Classification should read: 01-01, 09-05.

Certificate(s) of Examination

Examination of the following Design Registration(s) has been completed. Infringement proceedings may now be commenced.

302285	25-01K	28/06/2007
304585	21-03	03/07/2007
304586	21-03	03/07/2007
304587	21-03	03/07/2007
304588	21-03	03/07/2007
304589	21-03	03/07/2007
304590	21-03	03/07/2007
304607	21-03	03/07/2007
305651	14-03A	28/06/2007
307526	07-02B	29/06/2007
308342	09-01NES	22/06/2007
309331	09-03K	29/06/2007
309438	12-15A	21/06/2007
309439	12-15A	21/06/2007
310390	08-08B	01/07/2007
310642	10-04	28/06/2007
310829	26-03	25/06/2007
310830	26-03	25/06/2007
310833	08-07	25/06/2007
310943	28-03A	01/07/2007
310950	08-07	28/06/2007
311029	15-03NES	01/07/2007
311221	06-06G	28/06/2007
311226	06-01G	28/06/2007
311227	06-01G	28/06/2007
311238	06-01G	28/06/2007
311416	04-02	29/06/2007
311417	04-02	29/06/2007
311418	04-02	29/06/2007
311449	24-01	25/06/2007
311450	13-02	25/06/2007
311463	25-02NES	02/07/2007
311464	25-01D	02/07/2007
311465	14-03NES	25/06/2007
311466	21-04	25/06/2007
311504	25-02C	02/07/2007
311512	24-01	25/06/2007
311566	06-07	27/06/2007
311676	29-02	04/07/2007
311677	29-02	04/07/2007
311767	07-05C	03/07/2007
312141	25-01F	02/07/2007
313368	05-05B	28/06/2007
313379	25-01A	02/07/2007
313849	07-05NES	21/06/2007
314137	15-05	28/06/2007

Publication and Registration Proceedings

Designs Registered

This section provides a concordance between design number and registration number of Designs covered in this journal. It also shows the main class and registration date.

This section covers Registration numbers 314743 to 314980 .

The registration number shown below should be used in all future correspondence.

Design Number	Registration Number	International Classification Code (IDC)	Registration Date	Design Number	Registration Number	International Classification Code (IDC)	Registration Date
11240/2006	314793	03-01A	26/06/2007	17185/2007	314902	12-16E	29/06/2007
13250/2006	314743	03-01C	22/06/2007	17186/2007	314903	12-16B	29/06/2007
14797/2006	314933	19-08	02/07/2007	17187/2007	314904	12-16E	29/06/2007
15255/2006	314842	09-03L	02/07/2007	17188/2007	314905	12-16B	29/06/2007
15256/2006	314843	09-03L	02/07/2007	17189/2007	314906	12-16B	29/06/2007
15257/2006	314844	09-03L	02/07/2007	17190/2007	314907	12-16B	29/06/2007
15504/2006	314934	12-16B	02/07/2007	17191/2007	314908	12-16B	29/06/2007
15505/2006	314935	26-06	02/07/2007	17192/2007	314909	12-16B	29/06/2007
15506/2006	314868	12-16B	29/06/2007	17193/2007	314910	12-16B	29/06/2007
15837/2006	314794	25-02NES	26/06/2007	17194/2007	314911	12-16B	29/06/2007
15841/2006	314959	25-01E	03/07/2007	17195/2007	314912	12-16B	29/06/2007
15842/2006	314960	25-01E	03/07/2007	17196/2007	314913	12-16B	29/06/2007
16333/2007	314795	25-03	26/06/2007	17197/2007	314914	12-16B	29/06/2007
16402/2007	314796	19-01	26/06/2007	17198/2007	314915	12-16B	29/06/2007
16463/2007	314923	02-04A	29/06/2007	17199/2007	314916	12-16B	29/06/2007
16481/2007	314840	28-03NES	27/06/2007	17200/2007	314917	12-16B	29/06/2007
16482/2007	314841	28-03NES	27/06/2007	17201/2007	314918	12-16B	29/06/2007
16519/2007	314797	12-10	26/06/2007	17202/2007	314919	12-16B	29/06/2007
16520/2007	314798	06-10	26/06/2007	17203/2007	314920	12-16B	29/06/2007
16554/2007	314799	25-02NES	26/06/2007	17204/2007	314921	12-16B	29/06/2007
16557/2007	314936	14-03NES	02/07/2007	17205/2007	314922	12-16B	29/06/2007
16559/2007	314961	14-03NES	03/07/2007	17206/2007	314899	12-16B	29/06/2007
16577/2007	314845	28-03NES	02/07/2007	17210/2007	314972	26-05C	03/07/2007
16578/2007	314846	28-03NES	02/07/2007	17224/2007	314744	06-10	22/06/2007
16584/2007	314963	12-16NES	03/07/2007	17225/2007	314745	06-10	22/06/2007
16634/2007	314970	15-05	03/07/2007	17226/2007	314746	06-10	22/06/2007
16665/2007	314800	14-03A	26/06/2007	17227/2007	314747	15-02	22/06/2007
16666/2007	314801	14-03A	26/06/2007	17245/2007	314748	26-06	22/06/2007
16731/2007	314964	23-02NES	03/07/2007	17246/2007	314749	26-06	22/06/2007
16755/2007	314802	14-02	26/06/2007	17247/2007	314750	12-16B	22/06/2007
16756/2007	314803	14-02	26/06/2007	17248/2007	314751	12-16B	22/06/2007
16793/2007	314965	14-04	03/07/2007	17249/2007	314752	12-16B	22/06/2007
16861/2007	314847	02-03	02/07/2007	17250/2007	314753	12-16B	22/06/2007
16862/2007	314848	02-03	02/07/2007	17251/2007	314754	12-16B	22/06/2007
16987/2007	314869	21-03	29/06/2007	17254/2007	314755	15-07	22/06/2007
16988/2007	314870	21-03	29/06/2007	17255/2007	314756	15-07	22/06/2007
16989/2007	314871	21-03	29/06/2007	17256/2007	314757	15-07	22/06/2007
16990/2007	314872	21-02F	29/06/2007	17257/2007	314758	15-07	22/06/2007
17003/2007	314804	25-01D	26/06/2007	17258/2007	314759	21-02C	22/06/2007
17078/2007	314873	04-02	29/06/2007	17265/2007	314760	19-06	22/06/2007
17079/2007	314874	04-02	29/06/2007	17266/2007	314761	25-01K	22/06/2007
17086/2007	314875	12-16B	29/06/2007	17267/2007	314762	07-05E	22/06/2007
17093/2007	314876	12-16B	29/06/2007	17268/2007	314763	08-05NES	22/06/2007
17099/2007	314877	12-08	29/06/2007	17269/2007	314806	11-05	26/06/2007
17100/2007	314878	12-08	29/06/2007	17270/2007	314764	24-01	22/06/2007
17106/2007	314805	02-07A	26/06/2007	17271/2007	314771	06-13B	27/06/2007
17108/2007	314849	28-03NES	02/07/2007	17272/2007	314772	06-13B	27/06/2007
17179/2007	314879	12-16F	29/06/2007	17273/2007	314807	06-06E	26/06/2007
17180/2007	314880	12-16B	29/06/2007	17274/2007	314808	06-06E	26/06/2007
17181/2007	314881	12-16B	29/06/2007	17275/2007	314809	06-03C	26/06/2007
17182/2007	314882	12-16B	29/06/2007	17276/2007	314810	06-03C	26/06/2007
17183/2007	314900	12-16B	29/06/2007	17277/2007	314811	06-03C	26/06/2007
17184/2007	314901	12-16N	29/06/2007	17278/2007	314812	06-03C	26/06/2007

Publication and Registration Proceedings - Designs Registered cont'd

Design Number	Registration Number	International Classification Code (IDC)	Registration Date	Design Number	Registration Number	International Classification Code (IDC)	Registration Date
17279/2007	314813	06-06E	26/06/2007	17353/2007	314860	06-01F	02/07/2007
17280/2007	314814	06-06E	26/06/2007	17354/2007	314861	23-01K	02/07/2007
17281/2007	314815	06-06E	26/06/2007	17355/2007	314862	23-01K	02/07/2007
17282/2007	314816	06-03C	26/06/2007	17356/2007	314863	23-01K	02/07/2007
17283/2007	314817	06-03C	26/06/2007	17357/2007	314864	12-16B	02/07/2007
17284/2007	314818	06-03C	26/06/2007	17358/2007	314865	12-16B	02/07/2007
17285/2007	314819	06-03C	26/06/2007	17359/2007	314866	12-16B	02/07/2007
17286/2007	314820	06-03C	26/06/2007	17360/2007	314867	08-03	02/07/2007
17287/2007	314821	06-03C	26/06/2007	17362/2007	314883	25-01K	29/06/2007
17288/2007	314773	14-03E	27/06/2007	17363/2007	314884	02-02B	29/06/2007
17292/2007	314774	14-02	27/06/2007	17364/2007	314885	02-02B	29/06/2007
17293/2007	314775	14-02	27/06/2007	17367/2007	314886	26-05B	29/06/2007
17294/2007	314776	26-06	27/06/2007	17369/2007	314887	13-03D	29/06/2007
17296/2007	314777	24-02	27/06/2007	17370/2007	314924	09-03NES	29/06/2007
17297/2007	314778	24-02	27/06/2007	17376/2007	314925	26-05B	29/06/2007
17298/2007	314779	23-02B	27/06/2007	17377/2007	314926	02-04NES	29/06/2007
17299/2007	314780	26-99	27/06/2007	17378/2007	314927	02-04NES	29/06/2007
17300/2007	314781	06-03B	27/06/2007	17379/2007	314928	02-04NES	29/06/2007
17301/2007	314782	06-03A	27/06/2007	17380/2007	314929	08-05F	29/06/2007
17302/2007	314783	06-03A	27/06/2007	17381/2007	314930	07-01B	29/06/2007
17303/2007	314784	09-07A	27/06/2007	17383/2007	314888	15-05	29/06/2007
17304/2007	314785	09-01A	27/06/2007	17384/2007	314889	15-05	29/06/2007
17305/2007	314786	08-05G	27/06/2007	17387/2007	314939	25-01A	02/07/2007
17306/2007	314787	26-02	27/06/2007	17388/2007	314940	25-01A	02/07/2007
17307/2007	314788	13-02	27/06/2007	17389/2007	314941	25-01A	02/07/2007
17308/2007	314937	21-02NES	02/07/2007	17390/2007	314942	09-01K	02/07/2007
17313/2007	314825	08-05K	27/06/2007	17391/2007	314890	25-01K	29/06/2007
17314/2007	314826	08-05K	27/06/2007	17392/2007	314891	25-01K	29/06/2007
17315/2007	314827	09-01K	27/06/2007	17393/2007	314892	25-01K	29/06/2007
17316/2007	314789	07-02E	27/06/2007	17394/2007	314893	25-01K	29/06/2007
17317/2007	314790	07-02E	27/06/2007	17399/2007	314931	23-01G	29/06/2007
17318/2007	314828	06-01NES	27/06/2007	17400/2007	314943	25-02B	02/07/2007
17319/2007	314829	06-01H	27/06/2007	17401/2007	314944	08-09	02/07/2007
17320/2007	314830	06-01NES	27/06/2007	17403/2007	314945	24-01	02/07/2007
17321/2007	314791	23-04	27/06/2007	17404/2007	314946	07-02NES	02/07/2007
17322/2007	314792	25-01K	27/06/2007	17405/2007	314947	07-02NES	02/07/2007
17324/2007	314831	12-16P	27/06/2007	17406/2007	314948	24-02	02/07/2007
17325/2007	314832	21-02F	27/06/2007	17407/2007	314949	25-01E	02/07/2007
17326/2007	314833	01-01	27/06/2007	17408/2007	314950	08-08K	02/07/2007
17328/2007	314850	25-02C	02/07/2007	17409/2007	314951	06-01F	02/07/2007
17329/2007	314851	25-02C	02/07/2007	17410/2007	314952	02-03	02/07/2007
17330/2007	314852	25-02C	02/07/2007	17411/2007	314953	12-16NES	02/07/2007
17331/2007	314966	12-16L	03/07/2007	17412/2007	314954	12-12	02/07/2007
17332/2007	314967	12-16L	03/07/2007	17416/2007	314977	06-01NES	03/07/2007
17333/2007	314968	12-16L	03/07/2007	17417/2007	314955	25-02NES	02/07/2007
17340/2007	314834	07-01A	27/06/2007	17418/2007	314956	09-03M	02/07/2007
17341/2007	314835	07-01A	27/06/2007	17419/2007	314932	07-02E	29/06/2007
17342/2007	314836	07-01D	27/06/2007	17420/2007	314971	25-01E	03/07/2007
17343/2007	314837	07-01D	27/06/2007	17421/2007	314957	23-02C	02/07/2007
17344/2007	314838	07-01B	27/06/2007	17422/2007	314958	08-06	02/07/2007
17345/2007	314839	21-01F	27/06/2007	17425/2007	314973	25-01B	03/07/2007
17346/2007	314853	08-01	02/07/2007	17426/2007	314974	20-02NES	03/07/2007
17347/2007	314854	08-01	02/07/2007	17428/2007	314975	09-08	03/07/2007
17348/2007	314855	08-01	02/07/2007	17429/2007	314979	25-04	03/07/2007
17349/2007	314856	01-01	02/07/2007	17431/2007	314976	12-06A	03/07/2007
17350/2007	314857	01-01	02/07/2007	17434/2007	314978	30-01	03/07/2007
17351/2007	314858	06-03B	02/07/2007	17624/2007	314938	31-00	02/07/2007
17352/2007	314859	06-01F	02/07/2007	17709/2007	314980	23-01A	03/07/2007

Publication and Registration Proceedings - Designs Registered cont'd

Design Number	Registration Number	International Classification Code (IDC)	Registration Date	Design Number	Registration Number	International Classification Code (IDC)	Registration Date
17820/2007	314765	25-02B	22/06/2007	18083/2007	314969	19-04	03/07/2007
17821/2007	314766	25-02E	22/06/2007	18341/2007	314823	19-01	26/06/2007
17822/2007	314767	25-02E	22/06/2007	18342/2007	314824	19-01	26/06/2007
17832/2007	314894	24-01	29/06/2007	18349/2007	314770	14-01	22/06/2007
17833/2007	314895	24-01	29/06/2007	18451/2007	314896	10-01	29/06/2007
17903/2007	314768	06-10	22/06/2007	18531/2007	314962	14-03NES	03/07/2007
17962/2007	314822	19-02	26/06/2007	18556/2007	314897	03-01NES	29/06/2007
18073/2007	314769	25-03	22/06/2007	18561/2007	314898	12-16NES	29/06/2007

Publication and Registration Proceedings
Class Listing of Designs Published or Registered

The following section shows an International Classification Code listing of the Registered or Published Designs covered in this supplement.

Classification	Registration Number	Design Number	Classification	Registration Number	Design Number
01-01	314833	17326/2007	07-01 D	314836	17342/2007
01-01	314856	17349/2007	07-01 D	314837	17343/2007
01-01	314857	17350/2007	07-02 E	314789	17316/2007
02-02 B	314884	17363/2007	07-02 E	314790	17317/2007
02-02 B	314885	17364/2007	07-02 E	314932	17419/2007
02-03	314847	16861/2007	07-02 NES	314946	17404/2007
02-03	314848	16862/2007	07-02 NES	314947	17405/2007
02-03	314952	17410/2007	07-05 E	314762	17267/2007
02-04 A	314923	16463/2007	08-01	314853	17346/2007
02-04 NES	314926	17377/2007	08-01	314854	17347/2007
02-04 NES	314927	17378/2007	08-01	314855	17348/2007
02-04 NES	314928	17379/2007	08-03	314867	17360/2007
02-07 A	314805	17106/2007	08-05 F	314929	17380/2007
03-01 A	314793	11240/2006	08-05 G	314786	17305/2007
03-01 C	314743	13250/2006	08-05 K	314825	17313/2007
03-01 NES	314897	18556/2007	08-05 K	314826	17314/2007
04-02	314873	17078/2007	08-05 NES	314763	17268/2007
04-02	314874	17079/2007	08-06	314958	17422/2007
06-01 F	314859	17352/2007	08-08 K	314950	17408/2007
06-01 F	314860	17353/2007	08-09	314944	17401/2007
06-01 F	314951	17409/2007	09-01 A	314785	17304/2007
06-01 H	314829	17319/2007	09-01 K	314827	17315/2007
06-01 NES	314828	17318/2007	09-01 K	314942	17390/2007
06-01 NES	314830	17320/2007	09-03 L	314842	15255/2006
06-01 NES	314977	17416/2007	09-03 L	314843	15256/2006
06-03 A	314782	17301/2007	09-03 L	314844	15257/2006
06-03 A	314783	17302/2007	09-03 M	314956	17418/2007
06-03 B	314781	17300/2007	09-03 NES	314924	17370/2007
06-03 B	314858	17351/2007	09-07 A	314784	17303/2007
06-03 C	314809	17275/2007	09-08	314975	17428/2007
06-03 C	314810	17276/2007	10-01	314896	18451/2007
06-03 C	314811	17277/2007	11-05	314806	17269/2007
06-03 C	314812	17278/2007	12-06 A	314976	17431/2007
06-03 C	314816	17282/2007	12-08	314877	17099/2007
06-03 C	314817	17283/2007	12-08	314878	17100/2007
06-03 C	314818	17284/2007	12-10	314797	16519/2007
06-03 C	314819	17285/2007	12-12	314954	17412/2007
06-03 C	314820	17286/2007	12-16 B	314750	17247/2007
06-03 C	314821	17287/2007	12-16 B	314751	17248/2007
06-06 E	314807	17273/2007	12-16 B	314752	17249/2007
06-06 E	314808	17274/2007	12-16 B	314753	17250/2007
06-06 E	314813	17279/2007	12-16 B	314754	17251/2007
06-06 E	314814	17280/2007	12-16 B	314864	17357/2007
06-06 E	314815	17281/2007	12-16 B	314865	17358/2007
06-10	314744	17224/2007	12-16 B	314866	17359/2007
06-10	314745	17225/2007	12-16 B	314868	15506/2006
06-10	314746	17226/2007	12-16 B	314875	17086/2007
06-10	314768	17903/2007	12-16 B	314876	17093/2007
06-10	314798	16520/2007	12-16 B	314880	17180/2007
06-13 B	314771	17271/2007	12-16 B	314881	17181/2007
06-13 B	314772	17272/2007	12-16 B	314882	17182/2007
06-13 C	314793	11240/2006	12-16 B	314899	17206/2007
07-01 A	314834	17340/2007	12-16 B	314900	17183/2007
07-01 A	314835	17341/2007	12-16 B	314903	17186/2007
07-01 B	314838	17344/2007	12-16 B	314905	17188/2007
07-01 B	314930	17381/2007	12-16 B	314906	17189/2007

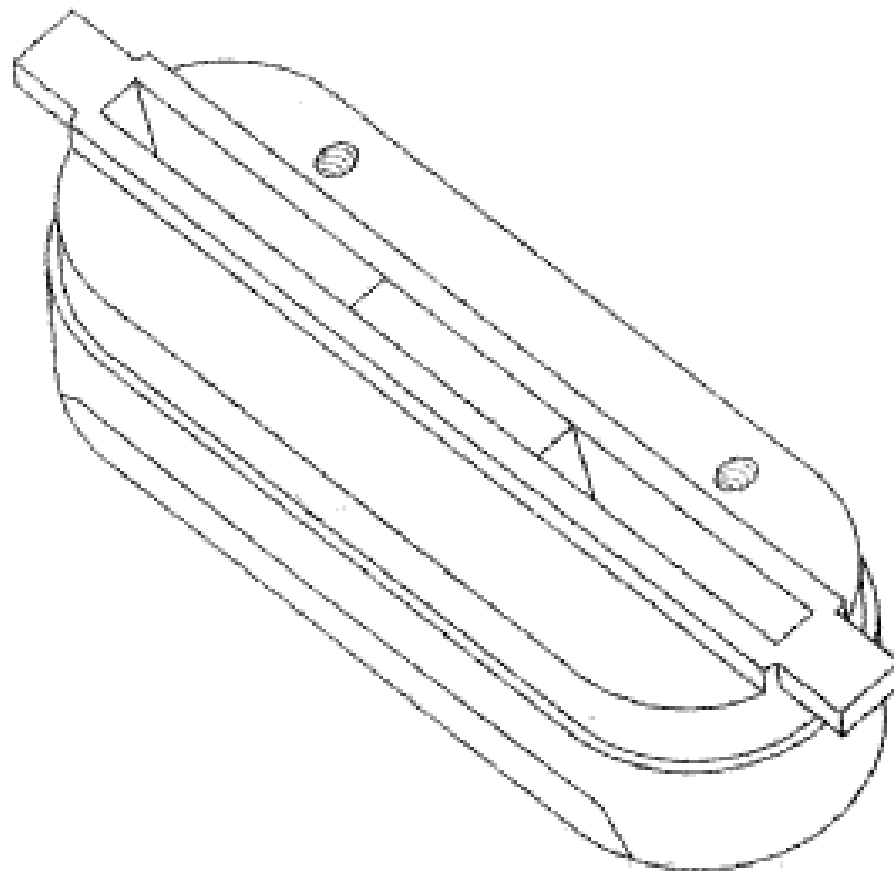
Registration Proceedings - Class Listing of Designs Published or Registered cont'd

Classification	Registration Number	Design Number	Classification	Registration Number	Design Number
12-16 B	314907	17190/2007	21-02 C	314759	17258/2007
12-16 B	314908	17191/2007	21-02 D	314743	13250/2006
12-16 B	314909	17192/2007	21-02 F	314832	17325/2007
12-16 B	314910	17193/2007	21-02 F	314872	16990/2007
12-16 B	314911	17194/2007	21-02 NES	314937	17308/2007
12-16 B	314912	17195/2007	21-03	314869	16987/2007
12-16 B	314913	17196/2007	21-03	314870	16988/2007
12-16 B	314914	17197/2007	21-03	314871	16989/2007
12-16 B	314915	17198/2007	23-01 A	314980	17709/2007
12-16 B	314916	17199/2007	23-01 G	314931	17399/2007
12-16 B	314917	17200/2007	23-01 K	314861	17354/2007
12-16 B	314918	17201/2007	23-01 K	314862	17355/2007
12-16 B	314919	17202/2007	23-01 K	314863	17356/2007
12-16 B	314920	17203/2007	23-01 K	314980	17709/2007
12-16 B	314921	17204/2007	23-02 B	314779	17298/2007
12-16 B	314922	17205/2007	23-02 C	314957	17421/2007
12-16 B	314934	15504/2006	23-02 NES	314964	16731/2007
12-16 E	314902	17185/2007	23-04	314791	17321/2007
12-16 E	314904	17187/2007	24-01	314764	17270/2007
12-16 F	314879	17179/2007	24-01	314894	17832/2007
12-16 L	314966	17331/2007	24-01	314895	17833/2007
12-16 L	314967	17332/2007	24-01	314924	17370/2007
12-16 L	314968	17333/2007	24-01	314945	17403/2007
12-16 N	314901	17184/2007	24-02	314777	17296/2007
12-16 NES	314898	18561/2007	24-02	314778	17297/2007
12-16 NES	314953	17411/2007	24-02	314948	17406/2007
12-16 NES	314963	16584/2007	25-01 A	314939	17387/2007
12-16 P	314831	17324/2007	25-01 A	314940	17388/2007
13-02	314788	17307/2007	25-01 A	314941	17389/2007
13-03 D	314887	17369/2007	25-01 B	314973	17425/2007
14-01	314770	18349/2007	25-01 D	314804	17003/2007
14-02	314774	17292/2007	25-01 E	314949	17407/2007
14-02	314775	17293/2007	25-01 E	314959	15841/2006
14-02	314802	16755/2007	25-01 E	314960	15842/2006
14-02	314803	16756/2007	25-01 E	314971	17420/2007
14-03 A	314800	16665/2007	25-01 K	314761	17266/2007
14-03 A	314801	16666/2007	25-01 K	314792	17322/2007
14-03 E	314773	17288/2007	25-01 K	314883	17362/2007
14-03 NES	314936	16557/2007	25-01 K	314890	17391/2007
14-03 NES	314961	16559/2007	25-01 K	314891	17392/2007
14-03 NES	314962	18531/2007	25-01 K	314892	17393/2007
14-04	314965	16793/2007	25-01 K	314893	17394/2007
15-02	314747	17227/2007	25-02 B	314765	17820/2007
15-05	314888	17383/2007	25-02 B	314943	17400/2007
15-05	314889	17384/2007	25-02 C	314850	17328/2007
15-05	314970	16634/2007	25-02 C	314851	17329/2007
15-07	314755	17254/2007	25-02 C	314852	17330/2007
15-07	314756	17255/2007	25-02 E	314766	17821/2007
15-07	314757	17256/2007	25-02 E	314767	17822/2007
15-07	314758	17257/2007	25-02 NES	314794	15837/2006
19-01	314796	16402/2007	25-02 NES	314799	16554/2007
19-01	314823	18341/2007	25-02 NES	314955	17417/2007
19-01	314824	18342/2007	25-03	314769	18073/2007
19-02	314822	17962/2007	25-03	314795	16333/2007
19-04	314969	18083/2007	25-04	314979	17429/2007
19-06	314760	17265/2007	26-02	314787	17306/2007
19-08	314933	14797/2006	26-05 B	314886	17367/2007
20-02 NES	314974	17426/2007	26-05 B	314925	17376/2007
21-01 F	314839	17345/2007	26-05 C	314972	17210/2007

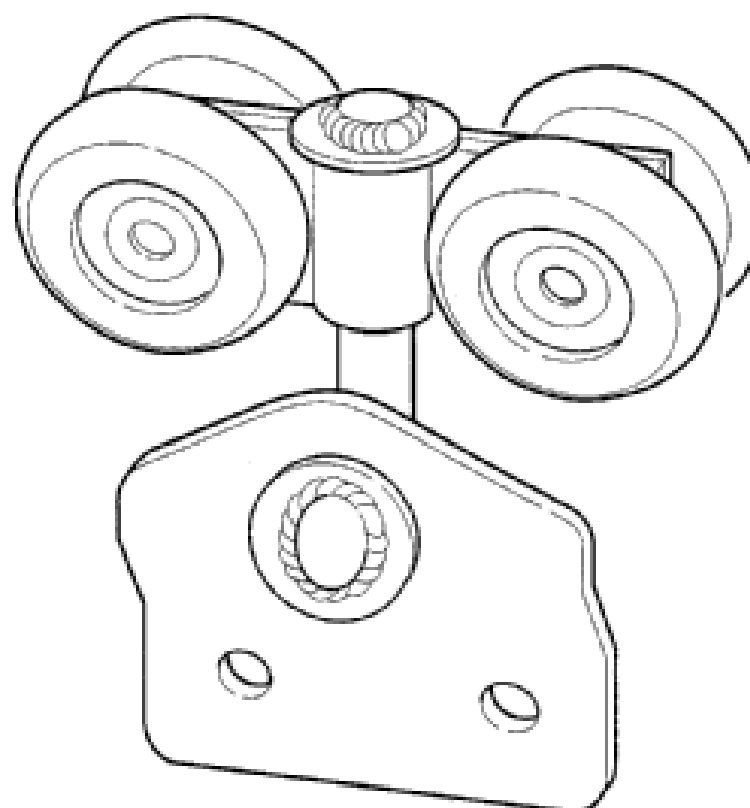
Registration Proceedings - Class Listing of Designs Published or Registered cont'd

Classification	Registration Number	Design Number	Classification	Registration Number	Design Number
26-06	314748	17245/2007	28-03 NES	314845	16577/2007
26-06	314749	17246/2007	28-03 NES	314846	16578/2007
26-06	314776	17294/2007	28-03 NES	314849	17108/2007
26-06	314935	15505/2006	30-01	314978	17434/2007
26-99	314780	17299/2007	31-00	314938	17624/2007
28-03 NES	314840	16481/2007			
28-03 NES	314841	16482/2007			

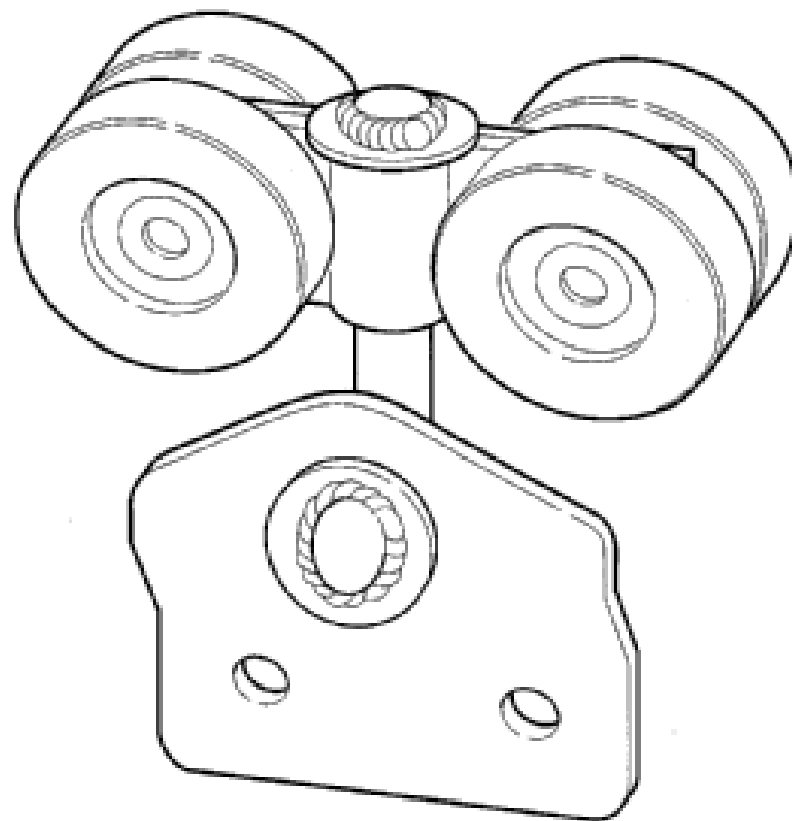
- (21) Design Number: **13250/2006**
(22) Date of Filing Application: **27 July 2006**
(24) Date from which industrial property rights may have effect: **27 July 2006**
(54) Product in respect of which the design is registered: **Motivation lines finbox**
(51) International Design Classification: **03-01C, 21-02D**
(71) Name(s) and Address(s) of Applicant(s):
Colin R. Warren
1/120 Industrial Road Oak Flats New South Wales 2529 Australia
Sherry L. Warren
1/120 Industrial Road Oak Flats New South Wales 2529 Australia
(72) Name(s) of Designer(s): **Colin Richard Warren**
(45) Registration Date: **22 June 2007**
(56) Related Art Documents: **Not Applicable**
(57) Statement of Newness and Distinctiveness: **Please see attached representations. The shape and configuration is both new and distinct.**



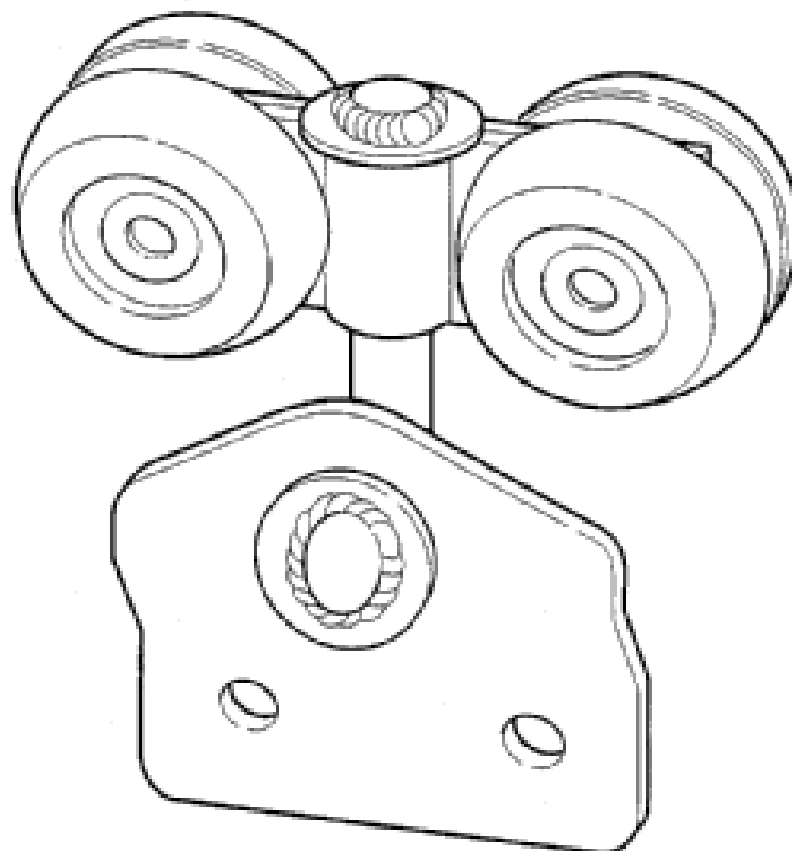
- (21) Design Number: **17224/2007**
(22) Date of Filing Application: **02 April 2007**
(24) Date from which industrial property rights may have effect: **02 April 2007**
(54) Product in respect of which the design is registered: **Truck side curtain roller swivel**
(51) International Design Classification: **06-10**
(71) Name(s) and Address(s) of Applicant(s):
Polyweld Pty Ltd
259 Rex Road Campbellfield Victoria 3061 Australia
(72) Name(s) of Designer(s): **Stuart Donaldson**
(45) Registration Date: **22 June 2007**
(56) Related Art Documents: **Not Applicable**
(57) Statement of Newness and Distinctiveness: **A plate is hung on a hook shaped pin. The hook shaped pin is free to spin inside a cylinder. The cylinder and plate are restrained on the hook shaped pin by a stop at each end. The cylinder has two wings, each has an axle and two wheels.**



- (21) Design Number: **17225/2007**
(22) Date of Filing Application: **02 April 2007**
(24) Date from which industrial property rights may have effect: **02 April 2007**
(54) Product in respect of which the design is registered: **Truck side curtain roller swivel**
(51) International Design Classification: **06-10**
(71) Name(s) and Address(s) of Applicant(s):
Polyweld Pty Ltd
259 Rex Road Campbellfield Victoria 3061 Australia
(72) Name(s) of Designer(s): **Stuart Donaldson**
(45) Registration Date: **22 June 2007**
(56) Related Art Documents: **Not Applicable**
(57) Statement of Newness and Distinctiveness: **A plate is hung on a hook shaped pin. The hook shaped pin is free to spin inside a cylinder. The cylinder and plate are restrained on the hook shaped pin by a stop at each end. The cylinder has two wings, each has an axle and two wheels.**



- (21) Design Number: **17226/2007**
(22) Date of Filing Application: **02 April 2007**
(24) Date from which industrial property rights may have effect: **02 April 2007**
(54) Product in respect of which the design is registered: **Truck side curtain roller swivel**
(51) International Design Classification: **06-10**
(71) Name(s) and Address(s) of Applicant(s):
Polyweld Pty Ltd
259 Rex Road Campbellfield Victoria 3061 Australia
(72) Name(s) of Designer(s): **Stuart Donaldson**
(45) Registration Date: **22 June 2007**
(56) Related Art Documents: **Not Applicable**
(57) Statement of Newness and Distinctiveness: **A plate is hung on a hook shaped pin. The hook shaped pin is free to spin inside a cylinder. The cylinder and plate are restrained on the hook shaped pin by a stop at each end. The cylinder has two wings, each has an axle and two wheels.**



(21) Design Number: **17227/2007**

(22) Date of Filing Application: **02 April 2007**

(24) Date from which industrial property rights may have effect: **02 April 2007**

(54) Product in respect of which the design is registered: **One bilge water pump with universal hose fitting attached and 4 'suction-cup' feet**

(51) International Design Classification: **15-02**

(71) Name(s) and Address(s) of Applicant(s):

Natasha Ubrihien

1/10 Spray Street Elwood Victoria 3184 Australia

(72) Name(s) of Designer(s): **Natasha Ubrihien**

(45) Registration Date: **22 June 2007**

(56) Related Art Documents: **Not Applicable**

(57) Statement of Newness and Distinctiveness: **The new features are the universal, hose fitting and 4 rubber 'suction-cup' feet.**



(21) Design Number: **17245/2007**

(22) Date of Filing Application: **30 March 2007**

(24) Date from which industrial property rights may have effect: **30 March 2007**

(54) Product in respect of which the design is registered: **Rear combination lamp for an automobile**

(51) International Design Classification: **26-06**

(71) Name(s) and Address(s) of Applicant(s):

Toyota Jidosha Kabushiki Kaisha

1 Toyota-cho Toyota-shi Aichi-ken 471-8571 Japan

(72) Name(s) of Designer(s): **Shinichi Hiranaka and Hiroya Kitazumi and Shinya Fukuda and Nobuya Yoshikata**

(45) Registration Date: **22 June 2007**

(56) Related Art Documents: **Not Applicable**

(57) Statement of Newness and Distinctiveness: **Newness and distinctiveness is claimed in the visual features of shape and/or configuration of the rear combination lamp for an automobile shown in the accompanying representations.**



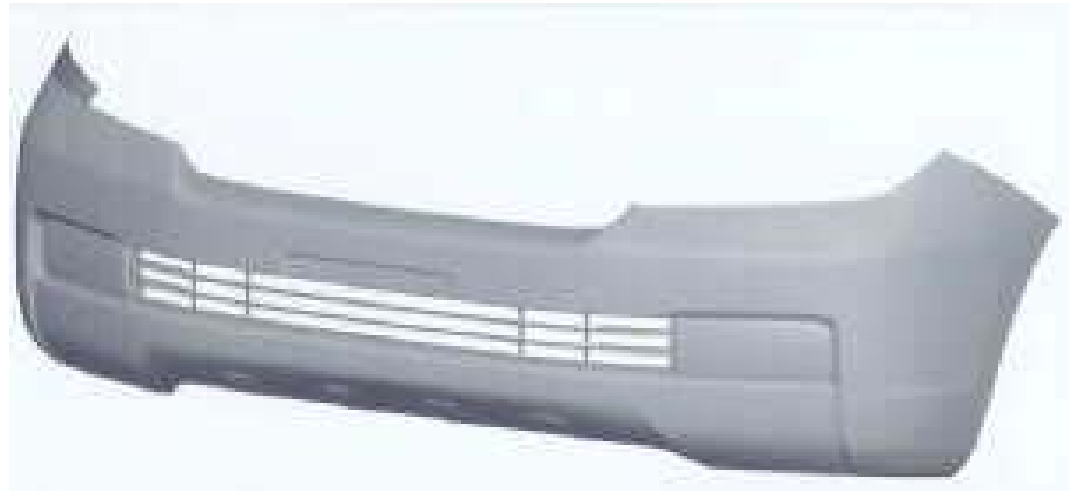
- (21) Design Number: **17246/2007**
(22) Date of Filing Application: **30 March 2007**
(24) Date from which industrial property rights may have effect: **30 March 2007**
(54) Product in respect of which the design is registered: **Front combination lamp for an automobile**
(51) International Design Classification: **26-06**
(71) Name(s) and Address(s) of Applicant(s):
Toyota Jidosha Kabushiki Kaisha
1 Toyota-cho Toyota-shi Aichi-ken 471-8571 Japan
(72) Name(s) of Designer(s): **Hiroyuki Kawagishi and Shinya Fukuda**
(45) Registration Date: **22 June 2007**
(56) Related Art Documents: **Not Applicable**
(57) Statement of Newness and Distinctiveness: **Newness and distinctiveness is claimed in the visual features of shape and/or configuration of the front combination lamp for an automobile shown in the accompanying representations.**



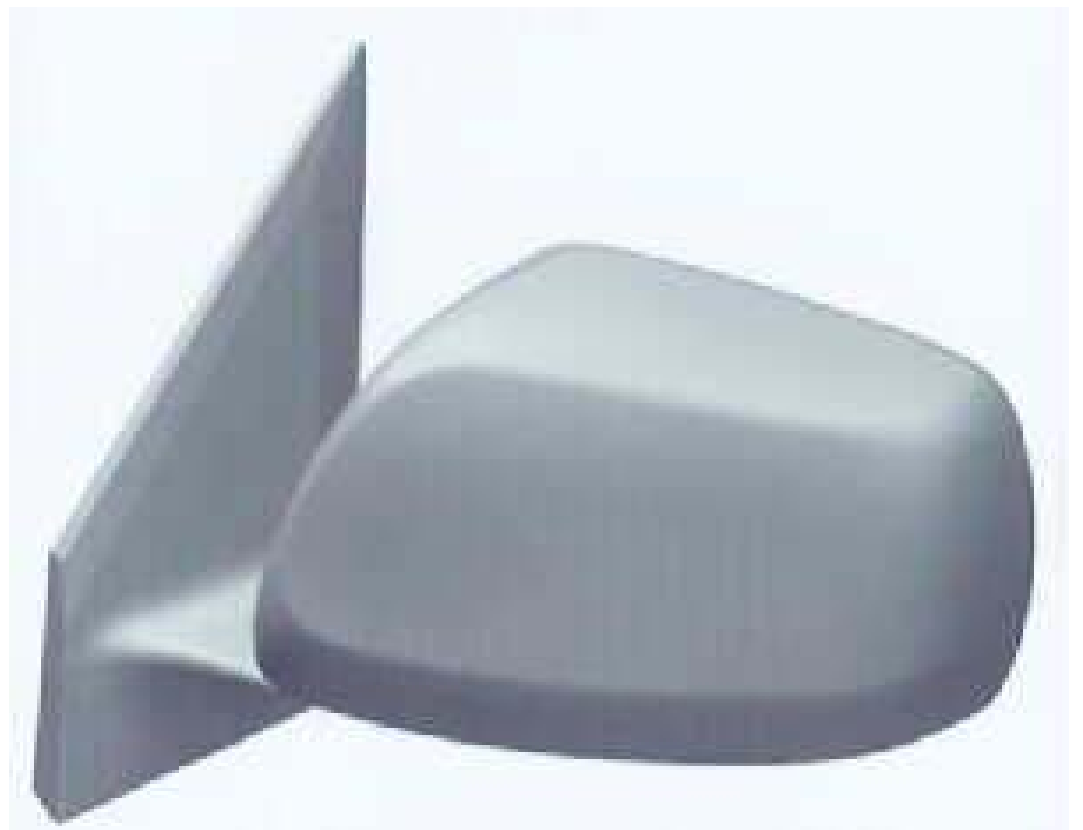
- (21) Design Number: **17247/2007**
(22) Date of Filing Application: **30 March 2007**
(24) Date from which industrial property rights may have effect: **30 March 2007**
(54) Product in respect of which the design is registered: **Front grille for an automobile**
(51) International Design Classification: **12-16B**
(71) Name(s) and Address(s) of Applicant(s):
Toyota Jidosha Kabushiki Kaisha
1 Toyota-cho Toyota-shi Aichi-ken 471-8571 Japan
(72) Name(s) of Designer(s): **Takanori Ito and Minoru Ogawa and Takeo Sowa and Kazumi Kowaki**
(45) Registration Date: **22 June 2007**
(56) Related Art Documents: **Not Applicable**
(57) Statement of Newness and Distinctiveness: **Newness and distinctiveness is claimed in the visual features of shape and/or configuration of the front grille for an automobile shown in the accompanying representations.**



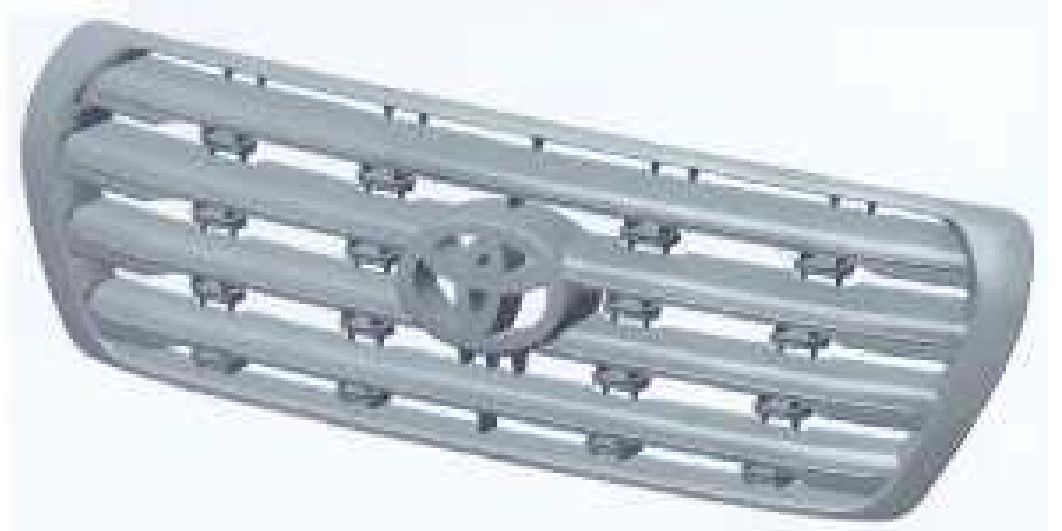
- (21) Design Number: **17248/2007**
(22) Date of Filing Application: **30 March 2007**
(24) Date from which industrial property rights may have effect: **30 March 2007**
(54) Product in respect of which the design is registered: **Front bumper for an automobile**
(51) International Design Classification: **12-16B**
(71) Name(s) and Address(s) of Applicant(s):
Toyota Jidosha Kabushiki Kaisha
1 Toyota-cho Toyota-shi Aichi-ken 471-8571 Japan
(72) Name(s) of Designer(s): **Takeo Sowa and Minoru Ogawa and Kazumi Kowaki**
(45) Registration Date: **22 June 2007**
(56) Related Art Documents: **Not Applicable**
(57) Statement of Newness and Distinctiveness: **Newness and distinctiveness is claimed in the visual features of shape and/or configuration of the front bumper for an automobile shown in the accompanying representations.**



- (21) Design Number: **17249/2007**
(22) Date of Filing Application: **30 March 2007**
(24) Date from which industrial property rights may have effect: **30 March 2007**
(54) Product in respect of which the design is registered: **Outer mirror for an automobile**
(51) International Design Classification: **12-16B**
(71) Name(s) and Address(s) of Applicant(s):
Toyota Jidosha Kabushiki Kaisha
1 Toyota-cho Toyota-shi Aichi-ken 471-8571 Japan
(72) Name(s) of Designer(s): **Masafumi Kato and Yoshihiro Shinde**
(45) Registration Date: **22 June 2007**
(56) Related Art Documents: **Not Applicable**
(57) Statement of Newness and Distinctiveness: **Newness and distinctiveness is claimed in the visual features of shape and/or configuration of the outer mirror for an automobile shown in the accompanying representations.**



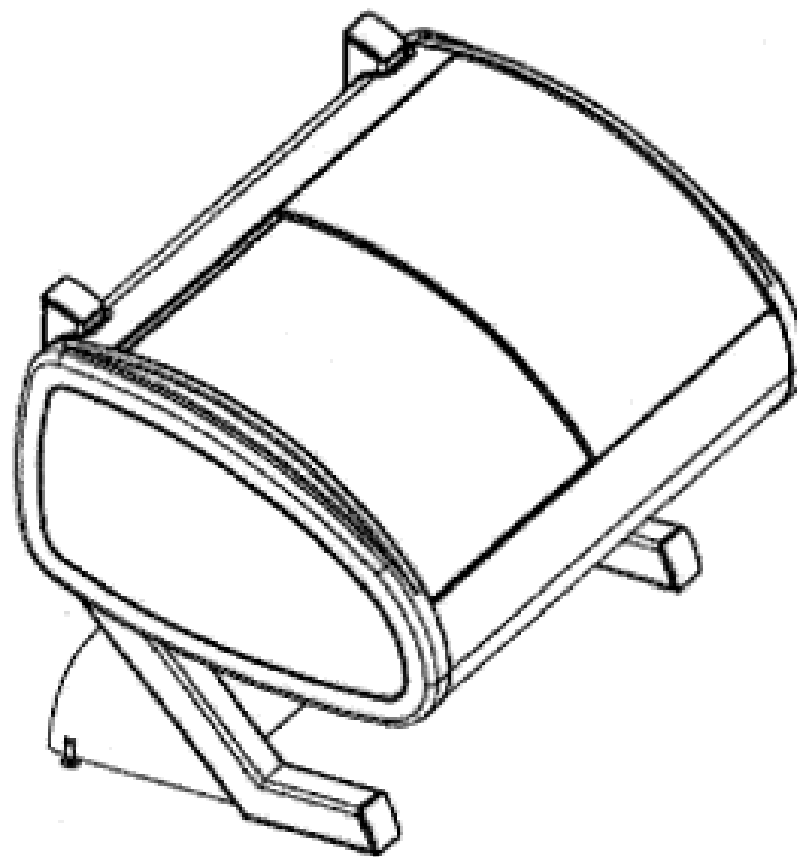
- (21) Design Number: **17250/2007**
(22) Date of Filing Application: **30 March 2007**
(24) Date from which industrial property rights may have effect: **30 March 2007**
(54) Product in respect of which the design is registered: **Front grille for an automobile**
(51) International Design Classification: **12-16B**
(71) Name(s) and Address(s) of Applicant(s):
Toyota Jidosha Kabushiki Kaisha
1 Toyota-cho Toyota-shi Aichi-ken 471-8571 Japan
(72) Name(s) of Designer(s): **Minoru Ogawa and Takeo Sowa and Kazumi Kowaki**
(45) Registration Date: **22 June 2007**
(56) Related Art Documents: **Not Applicable**
(57) Statement of Newness and Distinctiveness: **Newness and distinctiveness is claimed in the visual features of shape and/or configuration of the front grille for an automobile shown in the accompanying representations.**



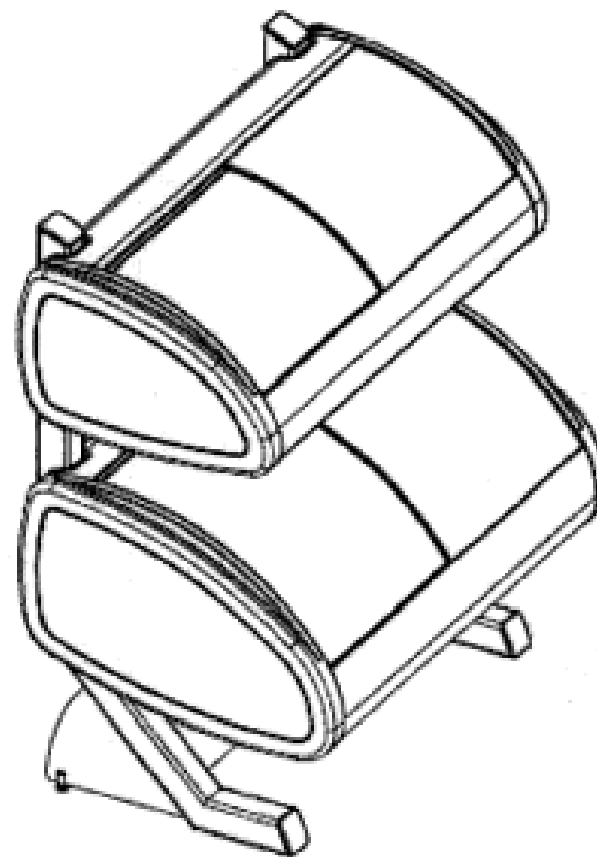
- (21) Design Number: **17251/2007**
(22) Date of Filing Application: **30 March 2007**
(24) Date from which industrial property rights may have effect: **30 March 2007**
(54) Product in respect of which the design is registered: **Front bumper for an automobile**
(51) International Design Classification: **12-16B**
(71) Name(s) and Address(s) of Applicant(s):
Toyota Jidosha Kabushiki Kaisha
1 Toyota-cho Toyota-shi Aichi-ken 471-8571 Japan
(72) Name(s) of Designer(s): **Hiroyuki Tada and Kengo Matsumoto and Shinichi Hiranaka and Kuniaki Toyooka and Hiroyuki Kawagishi**
(45) Registration Date: **22 June 2007**
(56) Related Art Documents: **Not Applicable**
(57) Statement of Newness and Distinctiveness: **Newness and distinctiveness is claimed in the visual features of shape and/or configuration of the front bumper for an automobile shown in the accompanying representations.**



- (21) Design Number: **17254/2007**
(22) Date of Filing Application: **30 March 2007**
(24) Date from which industrial property rights may have effect: **30 March 2007**
(54) Product in respect of which the design is registered: **Freezer**
(51) International Design Classification: **15-07**
(71) Name(s) and Address(s) of Applicant(s):
Societe Des Produits Nestle S.A.
1800 Vevey Switzerland
(72) Name(s) of Designer(s): **Christian Bondorff and Lasse Lykke Espersen**
and Frank Rousselin
(45) Registration Date: **22 June 2007**
(30) Convention priority data:
(31) Number (32) Date (33) Country
133299 09 Oct 2006 SWITZERLAND
(56) Related Art Documents: **Not Applicable**
(57) Statement of Newness and Distinctiveness: **Newness and distinctiveness**
reside in the shape and configuration of a design for a freezer as
displayed in the accompanying representations.



- (21) Design Number: **17255/2007**
(22) Date of Filing Application: **30 March 2007**
(24) Date from which industrial property rights may have effect: **30 March 2007**
(54) Product in respect of which the design is registered: **Freezer**
(51) International Design Classification: **15-07**
(71) Name(s) and Address(s) of Applicant(s):
Societe Des Produits Nestle S.A.
1800 Vevey Switzerland
(72) Name(s) of Designer(s): **Christian Bondorff and Lasse Lykke Espersen**
and Frank Rousselin
(45) Registration Date: **22 June 2007**
(30) Convention priority data:
(31) Number (32) Date (33) Country
133299 09 Oct 2006 SWITZERLAND
(56) Related Art Documents: **Not Applicable**
(57) Statement of Newness and Distinctiveness: **Newness and distinctiveness**
reside in the shape and configuration of the design for a freezer as
shown in the accompanying representations.



(21) Design Number: **17256/2007**

(22) Date of Filing Application: **30 March 2007**

(24) Date from which industrial property rights may have effect: **30 March 2007**

(54) Product in respect of which the design is registered: **Freezer**

(51) International Design Classification: **15-07**

(71) Name(s) and Address(s) of Applicant(s):

**Societe Des Produits Nestle S.A.
1800 Vevey Switzerland**

(72) Name(s) of Designer(s): **Christian Bondorff and Lasse Lykke Espersen
and Frank Rousselin**

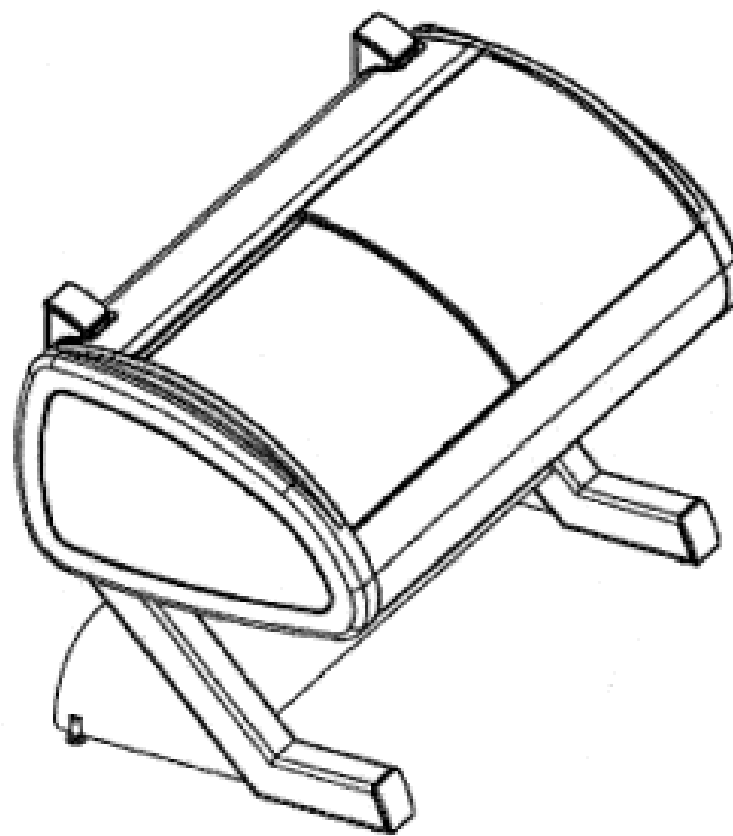
(45) Registration Date: **22 June 2007**

(30) Convention priority data:

(31) Number	(32) Date	(33) Country
133299	09 Oct 2006	SWITZERLAND

(56) Related Art Documents: **Not Applicable**

(57) Statement of Newness and Distinctiveness: **Newness and distinctiveness
reside in the shape and configuration of a design for the freezer as
displayed in the accompanying representations.**



(21) Design Number: **17257/2007**

(22) Date of Filing Application: **30 March 2007**

(24) Date from which industrial property rights may have effect: **30 March 2007**

(54) Product in respect of which the design is registered: **Freezer**

(51) International Design Classification: **15-07**

(71) Name(s) and Address(s) of Applicant(s):

**Societe Des Produits Nestle S.A.
1800 Vevey Switzerland**

(72) Name(s) of Designer(s): **Christian Bondorff and Lasse Lykke Espersen
and Frank Rousselin**

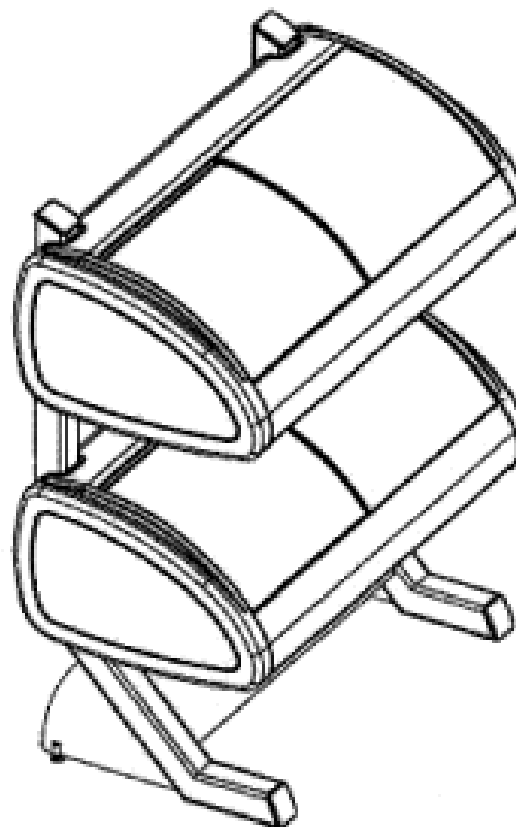
(45) Registration Date: **22 June 2007**

(30) Convention priority data:

(31) Number	(32) Date	(33) Country
133299	09 Oct 2006	SWITZERLAND

(56) Related Art Documents: **Not Applicable**

(57) Statement of Newness and Distinctiveness: **Newness and distinctiveness
reside in the shape and configuration of the design for a freezer as
shown in the accompanying representations.**



(21) Design Number: **17258/2007**

(22) Date of Filing Application: **30 March 2007**

(24) Date from which industrial property rights may have effect: **30 March 2007**

(54) Product in respect of which the design is registered: **Golf grip**

(51) International Design Classification: **21-02C**

(71) Name(s) and Address(s) of Applicant(s):

Eaton Corporation

Eaton Center 1111 Superior Ave Cleveland Ohio 44114#2584 United States of America

(72) Name(s) of Designer(s): **Ching Chi Chen**

(45) Registration Date: **22 June 2007**

(30) Convention priority data:

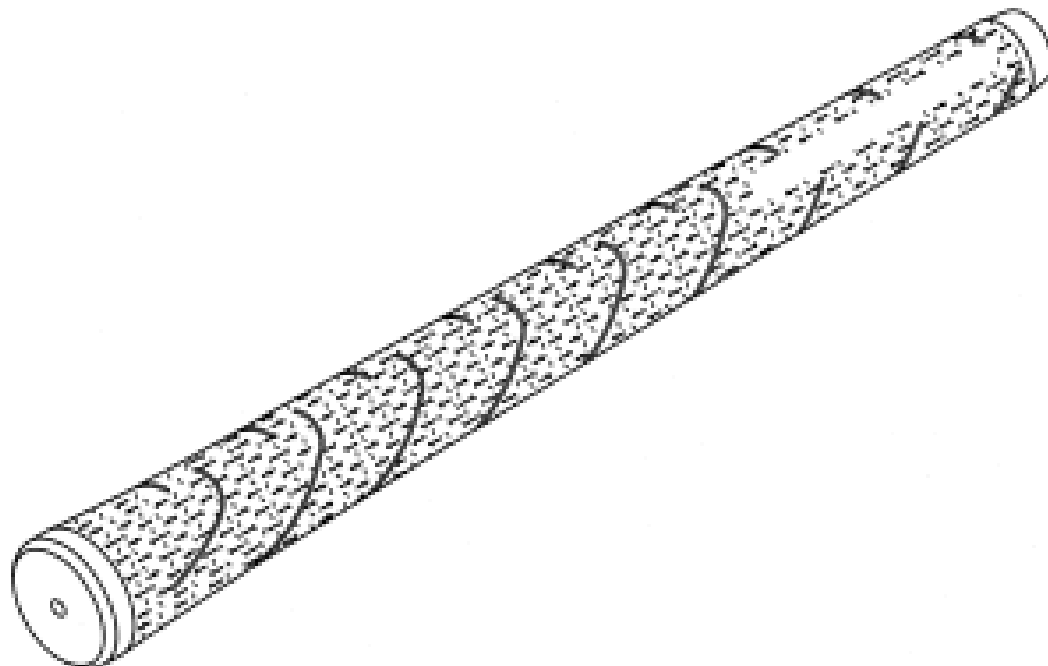
(31) Number
29/266931

(32) Date
02 Oct 2006

(33) Country
UNITED STATES OF AMERICA

(56) Related Art Documents: **Not Applicable**

(57) Statement of Newness and Distinctiveness: **Newness and distinctiveness reside in the features of the design as shown in the representations.**



(21) Design Number: **17265/2007**

(22) Date of Filing Application: **02 April 2007**

(24) Date from which industrial property rights may have effect: **02 April 2007**

(54) Product in respect of which the design is registered: **Marking pen**

(51) International Design Classification: **19-06**

(71) Name(s) and Address(s) of Applicant(s):

Shachihata Inc

No. 69 4-chome Amazuka-cho Nishi-ku Nagoya Aichi 451#0021 Japan

(72) Name(s) of Designer(s): **Masaki Kida and Motohide Imaizumi**

(45) Registration Date: **22 June 2007**

(30) Convention priority data:

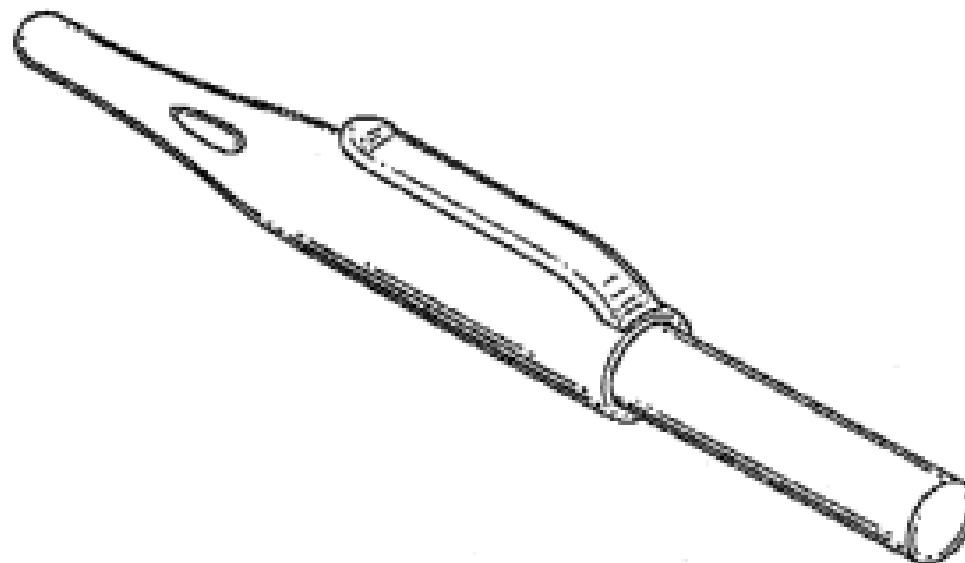
(31) Number
2006#026819

(32) Date
03 Oct 2006

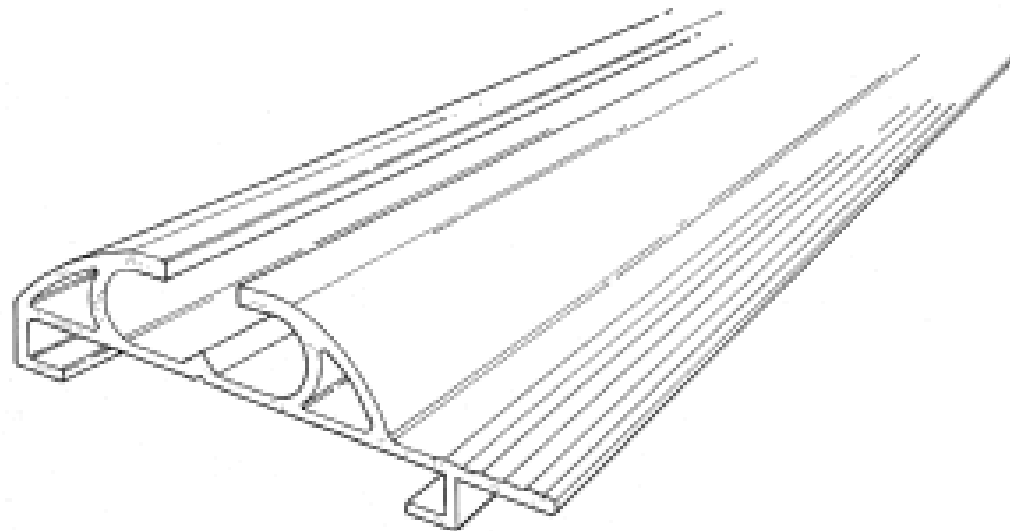
(33) Country
JAPAN

(56) Related Art Documents: **Not Applicable**

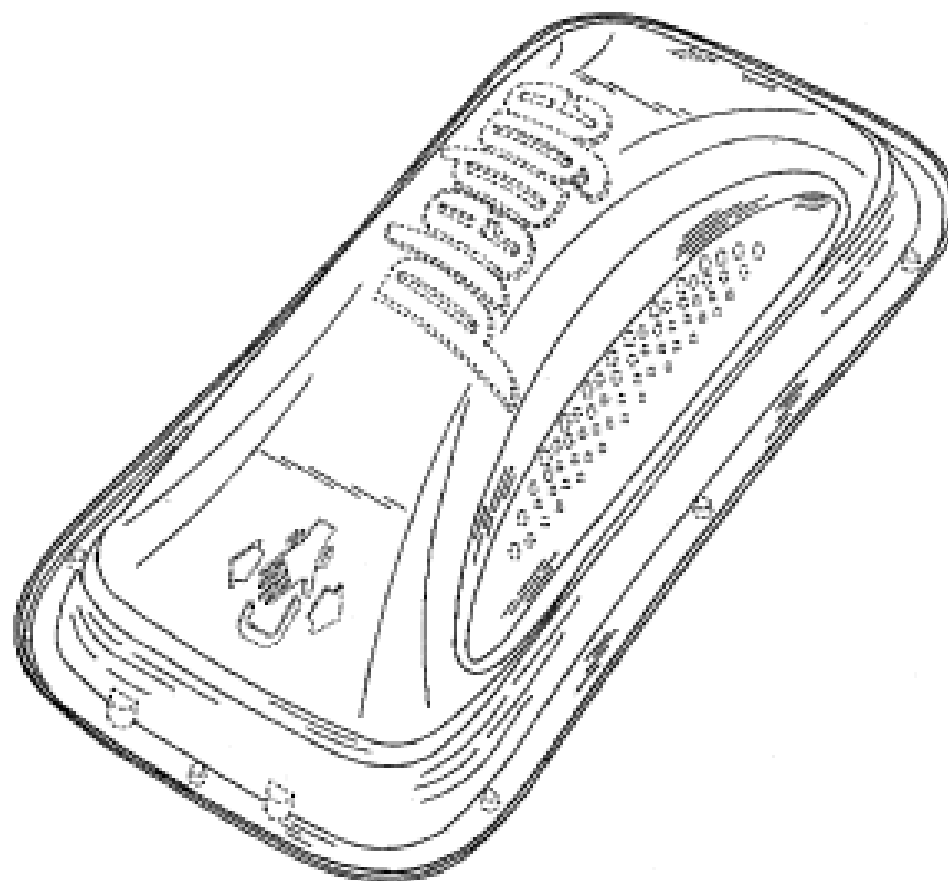
(57) Statement of Newness and Distinctiveness: **Nil**



- (21) Design Number: **17266/2007**
(22) Date of Filing Application: **30 March 2007**
(24) Date from which industrial property rights may have effect: **30 March 2007**
(54) Product in respect of which the design is registered: **Track for holding purpose made inserts for sweeping, raking, and squeegee rubber.**
(51) International Design Classification: **25-01K**
(71) Name(s) and Address(s) of Applicant(s):
LX2 Pty Ltd
87A Hardy Road Ashfield Western Australia 6054 Australia
(72) Name(s) of Designer(s): **James Larmont**
(45) Registration Date: **22 June 2007**
(56) Related Art Documents: **Not Applicable**
(57) Statement of Newness and Distinctiveness: **Extruded track enables one to insert and change various units to suit purpose of sweeping, raking and squeegee. Also handle socket on opposite side.**



- (21) Design Number: **17267/2007**
(22) Date of Filing Application: **02 April 2007**
(24) Date from which industrial property rights may have effect: **02 April 2007**
(54) Product in respect of which the design is registered: **Handheld fabric sweeper**
(51) International Design Classification: **07-05E**
(71) Name(s) and Address(s) of Applicant(s):
S.C. Johnson & Son, Inc.
1525 Howe Street Racine Wisconsin 53403-2236 United States of America
(72) Name(s) of Designer(s): **Jeremy F. Knopow**
(45) Registration Date: **22 June 2007**
(30) Convention priority data:
(31) Number (32) Date (33) Country
29/249335 02 Oct 2006 UNITED STATES OF AMERICA
(56) Related Art Documents: **Not Applicable**
(57) Statement of Newness and Distinctiveness: **Newness and distinctiveness is claimed in the features of shape and/or configuration of a handheld fabric sweeper as illustrated in continuous lines in the accompanying representations.**



(21) Design Number: **17268/2007**

(22) Date of Filing Application: **03 April 2007**

(24) Date from which industrial property rights may have effect: **03 April 2007**

(54) Product in respect of which the design is registered: **Plastic drum spanner**

(51) International Design Classification: **08-05NES**

(71) Name(s) and Address(s) of Applicant(s):

LX2 Pty Ltd

87A Hardy Road Ashfield Western Australia 6054 Australia

(72) Name(s) of Designer(s): **James Larmont**

(45) Registration Date: **22 June 2007**

(56) Related Art Documents: **Not Applicable**

(57) Statement of Newness and Distinctiveness: **Double end plastic moulded spanner to precisely fit plastic drum, caps, jerry can caps, V shape on inner sides of spanner ends for plastic drum taps.**



(21) Design Number: **17270/2007**

(22) Date of Filing Application: **02 April 2007**

(24) Date from which industrial property rights may have effect: **02 April 2007**

(54) Product in respect of which the design is registered: **Imaging station**

(51) International Design Classification: **24-01**

(71) Name(s) and Address(s) of Applicant(s):

Johnson & Johnson Consumer Companies, Inc.

Grandview Road Skillman New Jersey 08558-9418 United States of America

(72) Name(s) of Designer(s): **Masamichi Udagawa and Sigrid Moeslinger**

(45) Registration Date: **22 June 2007**

(30) Convention priority data:

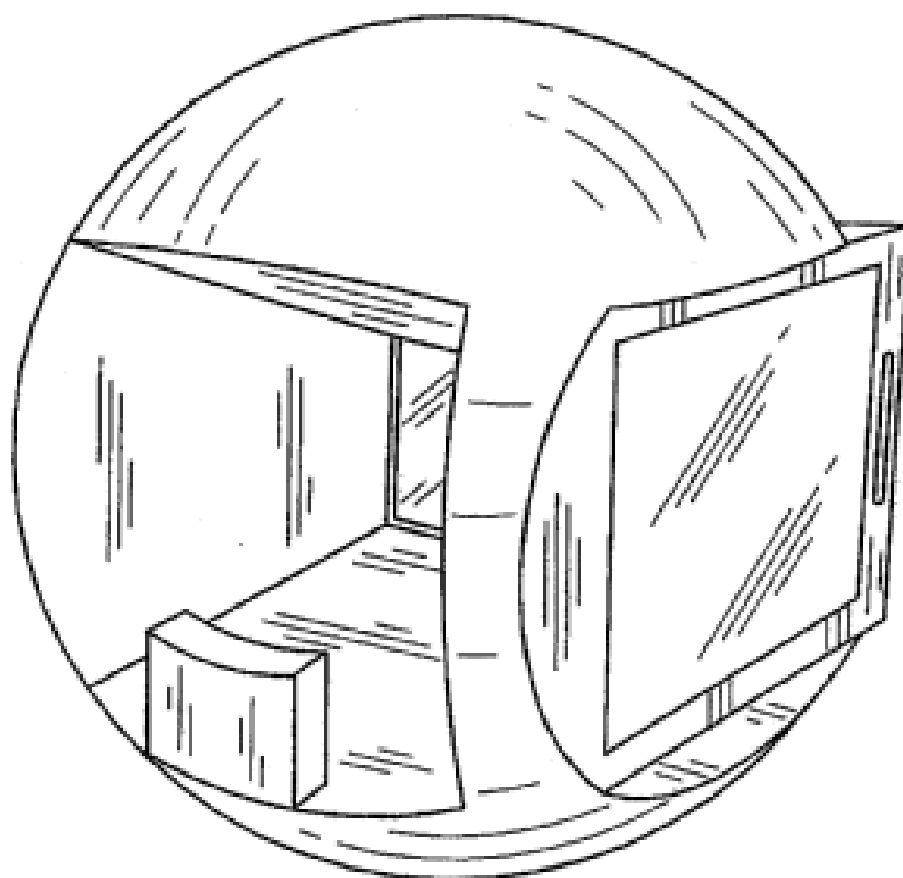
(31) Number
29/266978

(32) Date
02 Oct 2006

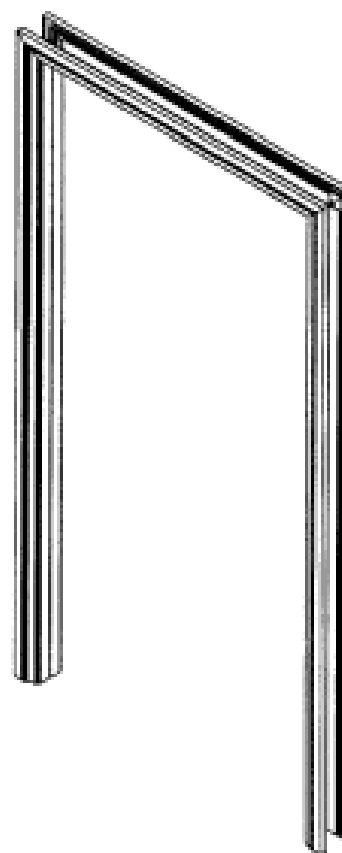
(33) Country
UNITED STATES OF AMERICA

(56) Related Art Documents: **Not Applicable**

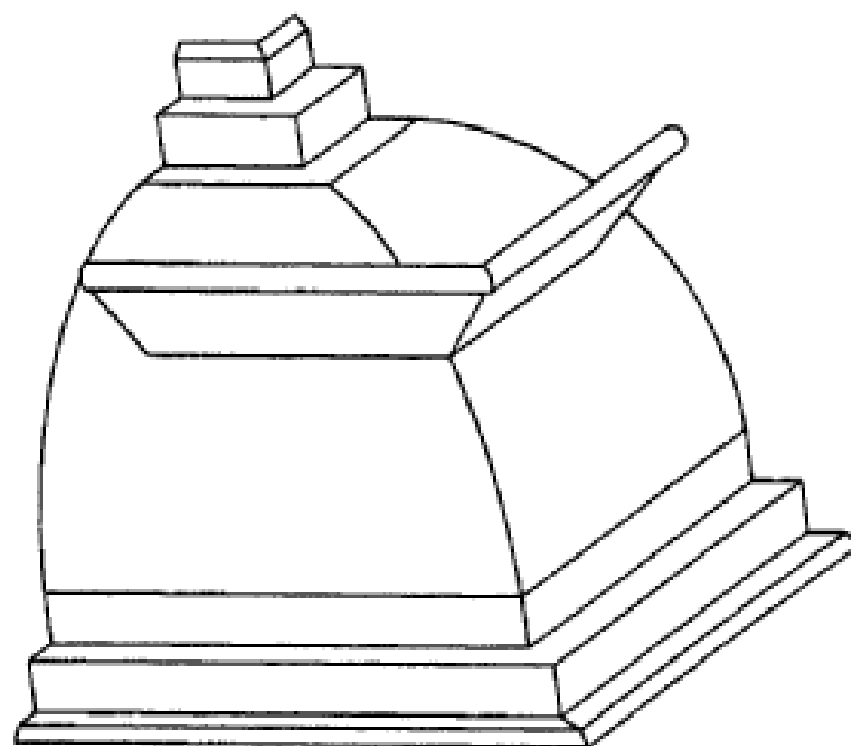
(57) Statement of Newness and Distinctiveness: **Newness and distinctiveness reside in the shape and configuration of the design for a imaging station as shown in the accompanying representations.**



- (21) Design Number: **17820/2007**
(22) Date of Filing Application: **08 May 2007**
(24) Date from which industrial property rights may have effect: **08 May 2007**
(54) Product in respect of which the design is registered: **This product is to suit the snap on skirting**
(51) International Design Classification: **25-02B**
(71) Name(s) and Address(s) of Applicant(s):
Ankapro Products Pty Ltd.
23 Carribean Terrace Para Hills South Australia 5096 Australia
(72) Name(s) of Designer(s): **Andrew Jackson**
(45) Registration Date: **22 June 2007**
(56) Related Art Documents: **Not Applicable**
(57) Statement of Newness and Distinctiveness: **This design relates to Ankapro Products skirting. The skirting clips onto this plastic extruded architrave, designed to replace the visual timbers in a door architrave. The front, flat section is designed to be thin enough to be cut and either parted or reduced to alter the width of the extrusion to suit the doorway. The front, thin section is also designed to be thin enough to allow a striker plate profile section to be cut into it and then the striker plate to be subsequently fitted to the architrave. The entire plastic extruded profile is also designed to accept a great number of different profile from Ankapro Products skirting range. The entire plastic extruded profile is also designed to allow the profile to be attached to the door frame a variety of ways. It can be attached by screws, nails, staples or can have glue spread into the channels designed into the back of the extrusion, or any combination of these methods.**



- (21) Design Number: **17821/2007**
(22) Date of Filing Application: **08 May 2007**
(24) Date from which industrial property rights may have effect: **08 May 2007**
(54) Product in respect of which the design is registered: **This design is to suit the snap on anchor for cornices. This is the internal & external corners.**
(51) International Design Classification: **25-02E**
(71) Name(s) and Address(s) of Applicant(s):
Ankapro Products Pty Ltd.
23 Carribean Terrace Para Hills South Australia 5096 Australia
(72) Name(s) of Designer(s): **Anthony Cavaiuolo and Andrew Jackson**
(45) Registration Date: **22 June 2007**
(56) Related Art Documents: **Not Applicable**
(57) Statement of Newness and Distinctiveness: **This design relates to the Ankapro products cornice product. The corner pieces attach to the same anchor piece that the extruded lengths of cornice attach to. These corners attach over the top of the cornice where it meets in the upper corner of a room maintaining the profile of the cornice. The design intent is to eliminate the need to mitre cornice into internal or external corners by clipping this part over the top of the existing cornice and attaching to the same anchor. This gives a clean corner finish to internal and external corners.**



(21) Design Number: 17822/2007

(22) Date of Filing Application: 08 May 2007

(24) Date from which industrial property rights may have effect: 08 May 2007

(54) Product in respect of which the design is registered: **This design is to suit the snap on anchor for skirting. This is the internal & external corners.**

(51) International Design Classification: 25-02E

(71) Name(s) and Address(s) of Applicant(s):

Ankapro Products Pty Ltd.

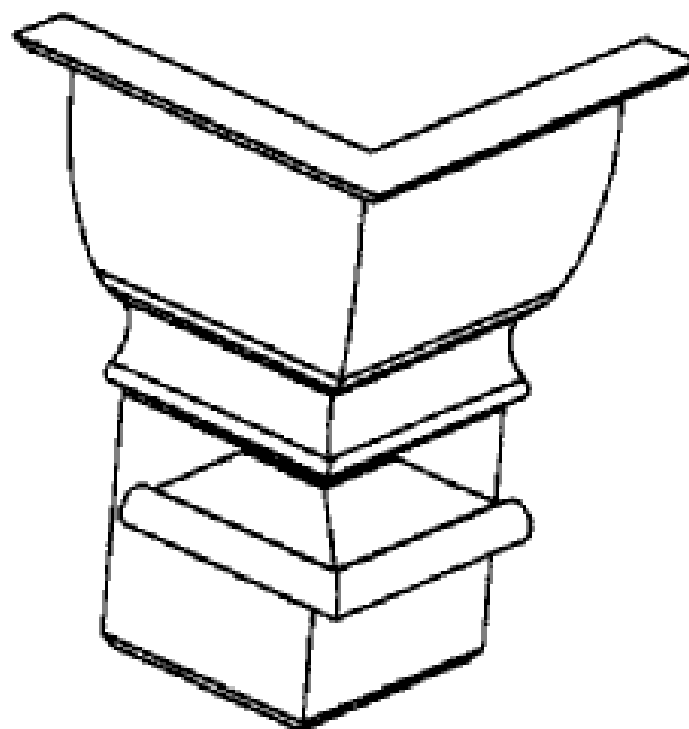
23 Carribean Terrace Para Hills South Australia 5096 Australia

(72) Name(s) of Designer(s): **Anthony Cavaiuolo and Andrew Jackson**

(45) Registration Date: 22 June 2007

(56) Related Art Documents: **Not Applicable**

(57) Statement of Newness and Distinctiveness: **This design relates to the Ankapro Products skirting product. The corner pieces attach to the same anchor piece that the extruded lengths of skirting attach to. These corners attach over the top of the skirting where it meets in the lower corner of a room maintaining the profile of the skirting. The design intent is to eliminate the need to mitre skirting into internal or external corners by clipping this part over the top of the existing skirting and attaching to the same anchor. This gives a clean corner finish to all internal and external corners.**



(21) Design Number: 17903/2007

(22) Date of Filing Application: 14 May 2007

(24) Date from which industrial property rights may have effect: 14 May 2007

(54) Product in respect of which the design is registered: **Door curtain (printed)**

(51) International Design Classification: 06-10

(71) Name(s) and Address(s) of Applicant(s):

Andrew Val Foreman

478 New Street Brighton Victoria 3186 Australia

(72) Name(s) of Designer(s): **Andrew Val Foreman**

(45) Registration Date: 22 June 2007

(56) Related Art Documents: **Not Applicable**

(57) Statement of Newness and Distinctiveness: **The 'door dress ups' printed door curtain is an original design of industrial designer Andrew Foreman. The design is new as it has not been publicly used in Australia or published in a document anywhere in the world before the date of this application. The design is distinctive as is not substantially similar in overall impression to any design in the prior art base. Whilst there are other door curtains on the market, door dress ups is unique in that it has a very different shape to existing door curtains (printed or otherwise). Door dress ups has a total of 4 panels which are separate but attached at the top by the heading section of the curtain. Where existing curtains on the market have all their panels at floor length, door dress ups has 2 longer panels which fall on either side of a door frame and slightly over the door opening with two shorter panels in the middle of the curtain measuring approximately 950mm long. This allows persons to pass under the panels as well as through the panels depending on the person's height. The design was conceived with children's rooms in mind and allows smaller children to have the feeling of entering their own cubby house, through a smaller door than their actual bedroom door. Another distinctive aspect of door dress ups is that the curtain is attached to the door frame via velcro tabs placed along the back of the curtain which adhere to corresponding velcro tabs on the door frame, making installation very easy compared with traditional curtain rods or hooks. Door dress ups will be printed with generic prints and licensed prints (eg: the Wiggles) and the fabric is such that the print can be seen from both sides of the door way, so that children can fall asleep in bed while looking at the prints if the lights are left on outside the room.**



- (21) Design Number: **18073/2007**
- (22) Date of Filing Application: **21 May 2007**
- (24) Date from which industrial property rights may have effect: **21 May 2007**
- (54) Product in respect of which the design is registered: **Relocatable building/villa/home**
- (51) International Design Classification: **25-03**
- (71) Name(s) and Address(s) of Applicant(s):
Vicki M. Borger
PO Box 108 Nambucca Heads New South Wales 2448 Australia
- (72) Name(s) of Designer(s): **Vicki M. Borger**
- (45) Registration Date: **22 June 2007**
- (56) Related Art Documents: **Not Applicable**

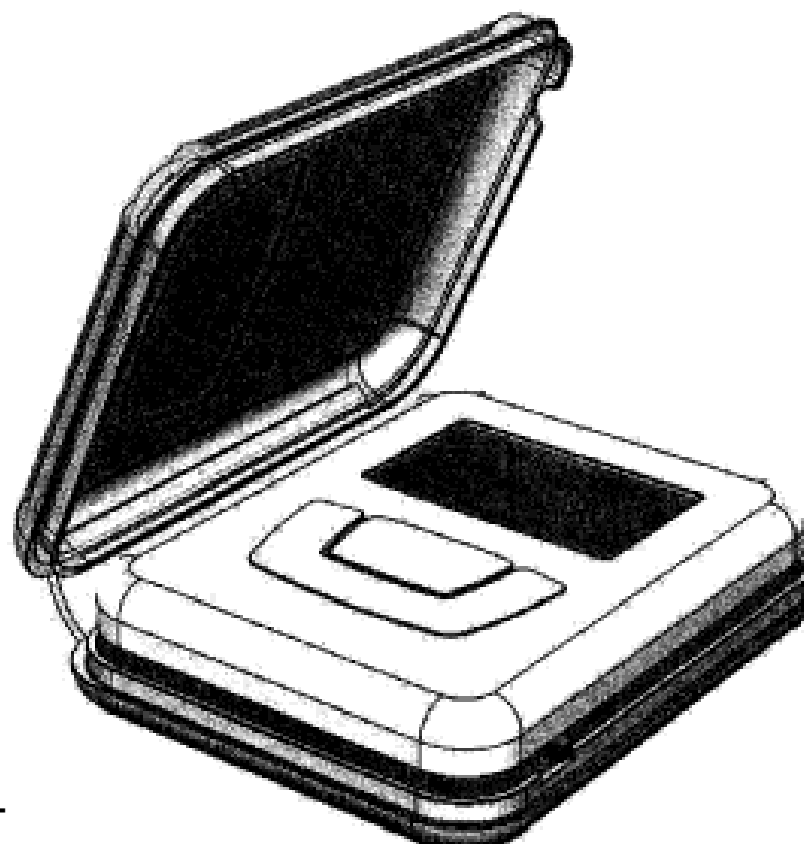


(57) Statement of Newness and Distinctiveness: **Given the width and height restrictions on a transportable building, minimal scope is available to achieve a roofline that is appealing to the eye. Previous designs are 'box-like' with a lid on it, as in cabins and other relocatable homes. A pivotal point within the unit allows it to be split and offset lengthways and also allows the roofline to run crossways. This has not been used before and is a new concept and hence a new and distinctive design has been created. The overall appearance is very distinctive, in particular the roofline achieved on a building this size. The deck was included in the prefabrication to give the roofline a longer expansion, in addition to the offset and thus a more dramatic visual effect was created. The roofline also allows for raked ceilings throughout the entire unit. The offset also allows for two screened-in courtyards at either end for personal space and enjoyment of indoor/outdoor living. Large windows have been strategically placed to provide uninterrupted views from inside and enhance the overall appearance of the outside of the unit. Small windows and blocked off end are only used in areas that required privacy. Cross ventilation is also a big factor achieved in the design. The entrance, walls and doors also strategically place to create visual flow inside the unit from one end to another and give the illusion of space and openness. The unit is height adjustable when place onsite. It can be lowered for ramp access for the elderly and disabled or lifted to protect the unit if placed in flood prone areas used for caravan parks. However, if the unit is kept as low as possible it not only retains privacy in a caravan park setting but also blends in with the environment and nature. The design is specifically designed to fit on a caravan site and taken in the surrounding views. It is designed to go back to back, end to end or mirror reversed and still retains privacy and personal space which is very limited in caravan parks. The design was inspired by the humble caravan and annex. Two long and skinny boxes joined together in the middle. I have taken that concept and enhanced it with a distinctive roofline, off-set the split for visuals effects, added courtyards, used large windows and raked ceilings and had the whole unit prefab in manufacture to avoid "the add look" typically found in caravan parks.**

- (21) Design Number: **18349/2007**
- (22) Date of Filing Application: **13 June 2007**
- (24) Date from which industrial property rights may have effect: **13 June 2007**
- (54) Product in respect of which the design is registered: **Digital audio player and casing**
- (51) International Design Classification: **14-01**
- (71) Name(s) and Address(s) of Applicant(s):
Fact Radio Limited
9 Oval Road North Dagenham Essex RM10 9EX United Kingdom
- (72) Name(s) of Designer(s): **Abby Monginda**
- (45) Registration Date: **22 June 2007**
- (30) Convention priority data:

(31) Number	(32) Date	(33) Country
EP	13 Dec 2006	EUROPEAN COMMUNITY
000637343		

- (56) Related Art Documents: **Not Applicable**
- (57) Statement of Newness and Distinctiveness: **Nil**



(21) Design Number: **17271/2007**

(22) Date of Filing Application: **04 April 2007**

(24) Date from which industrial property rights may have effect: **04 April 2007**

(54) Product in respect of which the design is registered: **Manchester - top sheets; all blankets (cotton; wool; synthetic) for double, queen and king size beds**

(51) International Design Classification: **06-13B**

(71) Name(s) and Address(s) of Applicant(s):

**Jackita Pty Ltd
27 Bligh Street Northbridge New South Wales 2063 Australia**

(72) Name(s) of Designer(s): **Marea K. Salisbury**

(45) Registration Date: **27 June 2007**

(56) Related Art Documents: **Not Applicable**

(57) Statement of Newness and Distinctiveness: **This design is unique in that the top bed sheet and/or blanket, for either a double, queen or king size bedding is split into two equal sections lengthwise, with two overlapping middle sections, to ensure sufficient individual sheet or blanket coverage. One of the other distinctive features is that the two sections are joined towards the bottom of the top sheet and/or blanket and appear as a normal top sheet and/or blanket from this point, as this allows the top sheet and/or blanket to be secured under the base of the mattress as with any other normal top sheet and/or blanket.**



(21) Design Number: **17272/2007**

(22) Date of Filing Application: **04 April 2007**

(24) Date from which industrial property rights may have effect: **04 April 2007**

(54) Product in respect of which the design is registered: **Doona's - all makes, types; fillings eg wool; duck; goose; synthetic for double, queen and king size beds**

(51) International Design Classification: **06-13B**

(71) Name(s) and Address(s) of Applicant(s):

**Jackita Pty Ltd
27 Bligh Street Northbridge New South Wales 2063 Australia**

(72) Name(s) of Designer(s): **Marea K. Salisbury**

(45) Registration Date: **27 June 2007**

(56) Related Art Documents: **Not Applicable**

(57) Statement of Newness and Distinctiveness: **This design is unique in that the doona for either a double, queen or king size bedding is split into two sections, these sections meet neatly to ensure there is no noticeably lump on the bed. One of the other distinctive features is that the two sections are joined towards the bottom of the doona and appear as a normal doona from this point. An added distinctive design point is the allowance of a length of fabric beyond the normal end point of the doona, allowing for the doona to be secured under the base of the mattress as doona's will often manage to 'slip off' the bed during the night. Another distinctive design point that this allows is to accommodate different levels of warmth on either side of the doona, one side may be more heavily weighted for greater warmth, whilst the other side contains a more lightweight filling, hence catering to different body temperature requirements.**



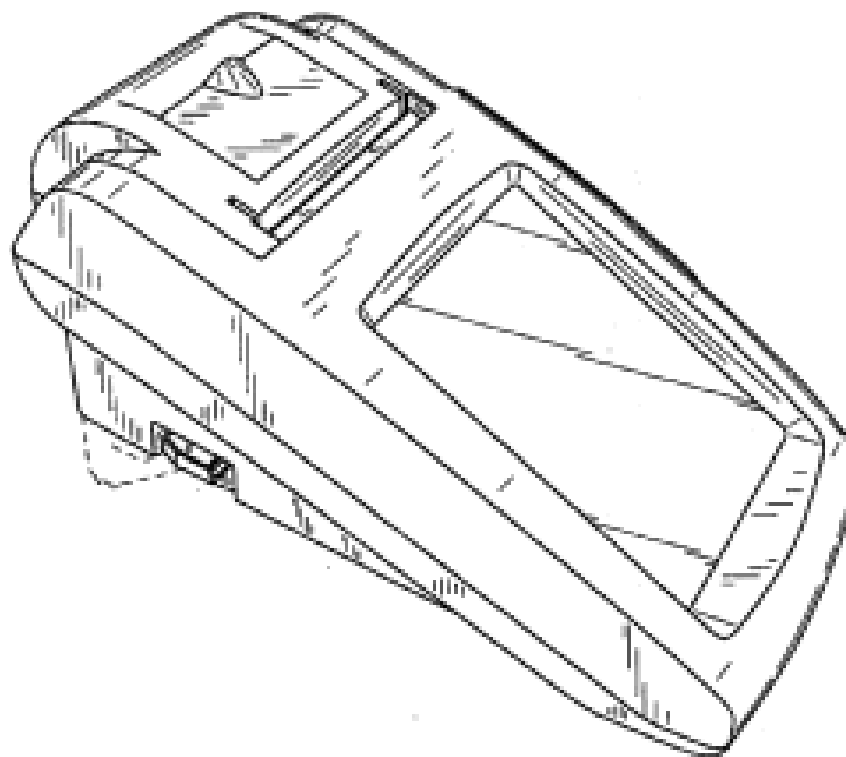
- (21) Design Number: **17288/2007**
(22) Date of Filing Application: **03 April 2007**
(24) Date from which industrial property rights may have effect: **03 April 2007**
(54) Product in respect of which the design is registered: **A handset**
(51) International Design Classification: **14-03E**
(71) Name(s) and Address(s) of Applicant(s):
Nokia Corporation
Keilalahdentie 4 FIN-02150 Espoo Finland
(72) Name(s) of Designer(s): **Pertti Salmi and Graham Hinde and Roger Swales and Roland Bird**
(45) Registration Date: **27 June 2007**
(30) Convention priority data:
(31) Number (32) Date (33) Country
M20060188 09 Oct 2006 FINLAND
(56) Related Art Documents: **Not Applicable**
(57) Statement of Newness and Distinctiveness: **Nil**



- (21) Design Number: **17292/2007**
(22) Date of Filing Application: **03 April 2007**
(24) Date from which industrial property rights may have effect: **03 April 2007**
(54) Product in respect of which the design is registered: **Point of sale device with keypad**
(51) International Design Classification: **14-02**
(71) Name(s) and Address(s) of Applicant(s):
First Data Corporation
6200 South Quebec Street Suite 270 Greenwood Village Colorado
80111 United States of America
(72) Name(s) of Designer(s): **Eric Nelson and James Price and Hugh L. McCormack**
(45) Registration Date: **27 June 2007**
(30) Convention priority data:
(31) Number (32) Date (33) Country
29/249644 16 Oct 2006 UNITED STATES OF AMERICA
(56) Related Art Documents: **Not Applicable**
(57) Statement of Newness and Distinctiveness: **Newness and distinctiveness is claimed in the visual features shown in solid lines in the representations.**



- (21) Design Number: **17293/2007**
(22) Date of Filing Application: **03 April 2007**
(24) Date from which industrial property rights may have effect: **03 April 2007**
(54) Product in respect of which the design is registered: **Point of sale device with display screen**
(51) International Design Classification: **14-02**
(71) Name(s) and Address(s) of Applicant(s):
First Data Corporation
6200 South Quebec Street Suite 270 Greenwood Village Colorado
80111 United States of America
(72) Name(s) of Designer(s): **Eric Nelson and James Price and Hugh L. McCormack**
(45) Registration Date: **27 June 2007**
(30) Convention priority data:
(31) Number (32) Date (33) Country
29/249645 16 Oct 2006 UNITED STATES OF AMERICA
(56) Related Art Documents: **Not Applicable**
(57) Statement of Newness and Distinctiveness: **Newness and distinctiveness is claimed in the visual features shown in solid lines in the representations.**



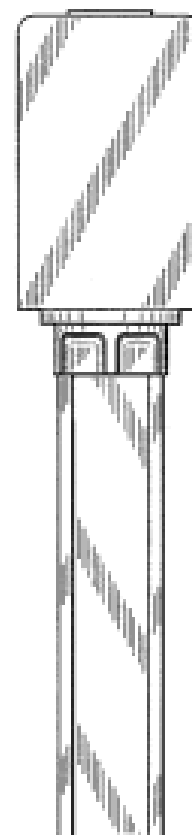
- (21) Design Number: **17294/2007**
(22) Date of Filing Application: **03 April 2007**
(24) Date from which industrial property rights may have effect: **03 April 2007**
(54) Product in respect of which the design is registered: **A rear combination light for an automobile**
(51) International Design Classification: **26-06**
(71) Name(s) and Address(s) of Applicant(s):
Great Wall Motor Company Limited
No. 2266 Chaoyang South Street Baoding Hebei Province 071000
People's Republic of China
(72) Name(s) of Designer(s): **Xiangjun Meng**
(45) Registration Date: **27 June 2007**
(56) Related Art Documents: **Not Applicable**
(57) Statement of Newness and Distinctiveness: **Nil**



(21) Design Number: **17296/2007**
 (22) Date of Filing Application: **03 April 2007**
 (24) Date from which industrial property rights may have effect: **03 April 2007**
 (54) Product in respect of which the design is registered: **Lateral flow assay device**
 (51) International Design Classification: **24-02**
 (71) Name(s) and Address(s) of Applicant(s):
Meridian Bioscience, Inc.
3471 River Hills Drive Cincinnati Ohio 45244 United States of America
 (72) Name(s) of Designer(s): **Kenneth J. Kozak and Jonathan Scott Maher and Jeffrey A. Kraft**
 (45) Registration Date: **27 June 2007**
 (30) Convention priority data:

(31) Number	(32) Date	(33) Country
29/249354	03 Oct 2006	UNITED STATES OF AMERICA

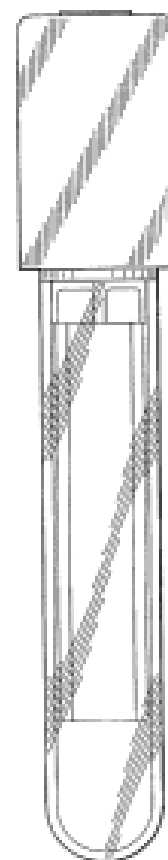
 (56) Related Art Documents: **Not Applicable**
 (57) Statement of Newness and Distinctiveness: **Nil**



(21) Design Number: **17297/2007**
 (22) Date of Filing Application: **03 April 2007**
 (24) Date from which industrial property rights may have effect: **03 April 2007**
 (54) Product in respect of which the design is registered: **Lateral flow assay device**
 (51) International Design Classification: **24-02**
 (71) Name(s) and Address(s) of Applicant(s):
Meridian Bioscience, Inc.
3471 River Hills Drive Cincinnati Ohio 45244 United States of America
 (72) Name(s) of Designer(s): **Kenneth J. Kozak and Jonathan Scott Maher and Jeffrey A. Kraft**
 (45) Registration Date: **27 June 2007**
 (30) Convention priority data:

(31) Number	(32) Date	(33) Country
29/249355	03 Oct 2006	UNITED STATES OF AMERICA

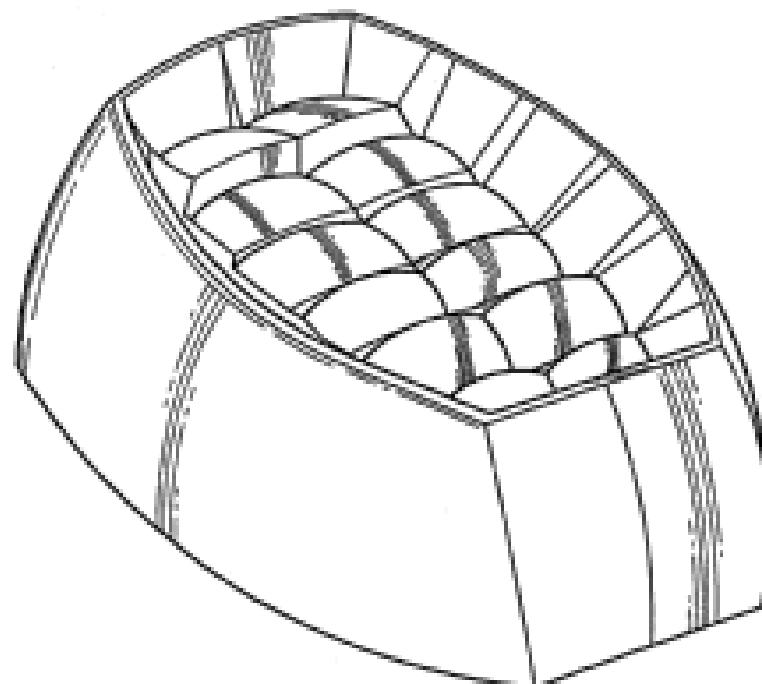
 (56) Related Art Documents: **Not Applicable**
 (57) Statement of Newness and Distinctiveness: **Nil**



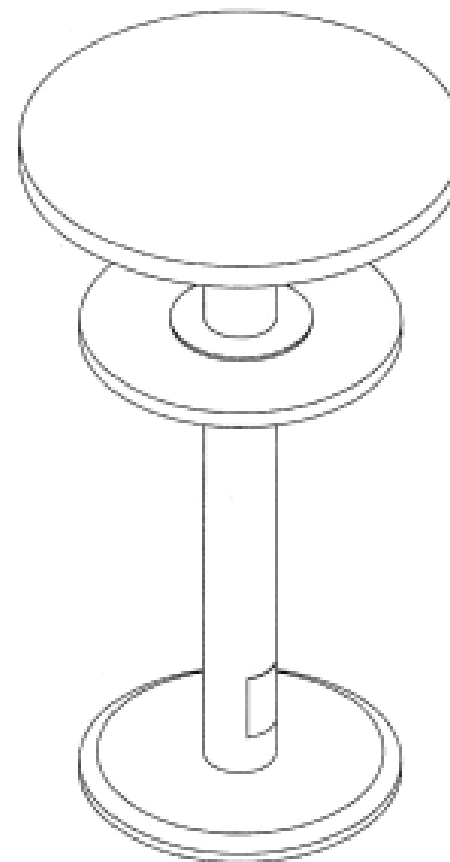
(21) Design Number: **17298/2007**
(22) Date of Filing Application: **03 April 2007**
(24) Date from which industrial property rights may have effect: **03 April 2007**
(54) Product in respect of which the design is registered: **Shower installation**
(51) International Design Classification: **23-02B**
(71) Name(s) and Address(s) of Applicant(s):
Hansgrohe AG
Auestrasse 5-9 D-77761 Schiltach Germany
(72) Name(s) of Designer(s): **Tom Schonherr and Fabian Kollmann**
(45) Registration Date: **27 June 2007**
(30) Convention priority data:
(31) Number (32) Date (33) Country
000604152#0001 11 Oct 2006 EUROPEAN COMMUNITY
(56) Related Art Documents: **Not Applicable**
(57) Statement of Newness and Distinctiveness: **Nil**



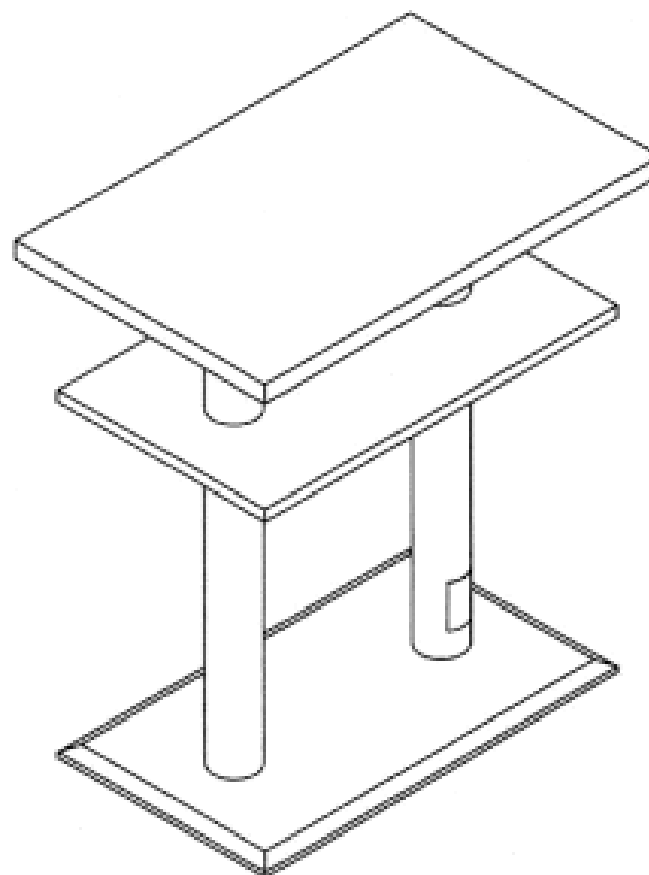
(21) Design Number: **17299/2007**
(22) Date of Filing Application: **03 April 2007**
(24) Date from which industrial property rights may have effect: **03 April 2007**
(54) Product in respect of which the design is registered: **Reflector**
(51) International Design Classification: **26-99**
(71) Name(s) and Address(s) of Applicant(s):
Vizirama 112 (Proprietary) Limited
34 Constitution Road Ultenhage 6229 Eastern Cape Province Republic of South Africa
(72) Name(s) of Designer(s): **Grant Ranger and Robert Gush**
(45) Registration Date: **27 June 2007**
(30) Convention priority data:
(31) Number (32) Date (33) Country
A2006/01496 06 Oct 2006 SOUTH AFRICA
(56) Related Art Documents: **Not Applicable**
(57) Statement of Newness and Distinctiveness: **Those features of the reflector depicted in the representations that are new and distinctive are the shape and/or configuration.**



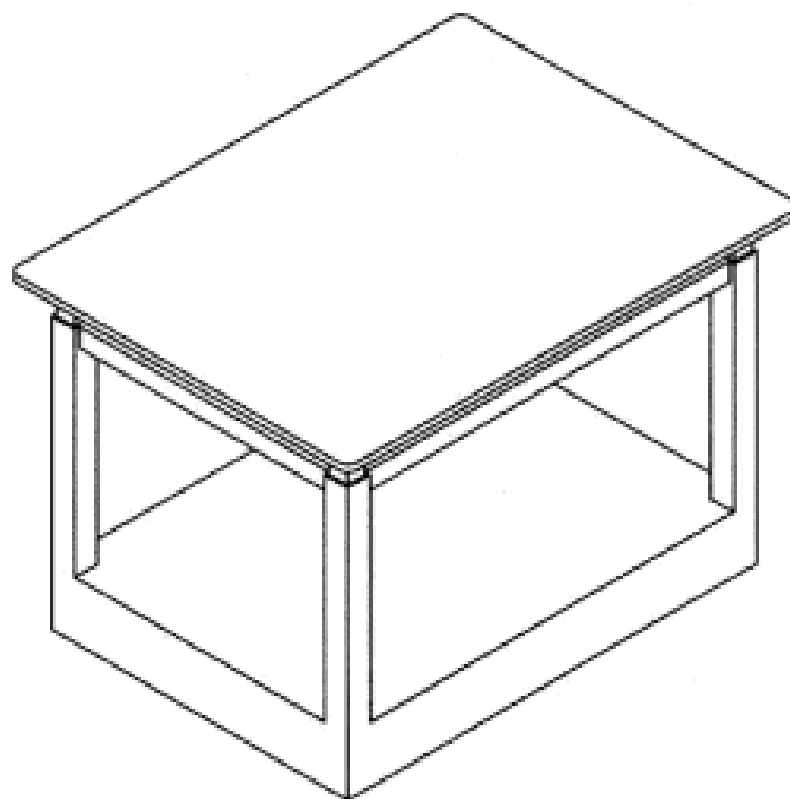
- (21) Design Number: **17300/2007**
(22) Date of Filing Application: **03 April 2007**
(24) Date from which industrial property rights may have effect: **03 April 2007**
(54) Product in respect of which the design is registered: **Table**
(51) International Design Classification: **06-03B**
(71) Name(s) and Address(s) of Applicant(s):
 Harley Leonard Cave
 99 Tennyson Road Tennyson Point New South Wales 2111 Australia
 Ling Shen
 Unit 6 115 Davies Road Padstow New South Wales 2111 Australia
(72) Name(s) of Designer(s): **Harley Leonard Cave and Ling Shen**
(45) Registration Date: **27 June 2007**
(56) Related Art Documents: **Not Applicable**
(57) Statement of Newness and Distinctiveness: **Nil**



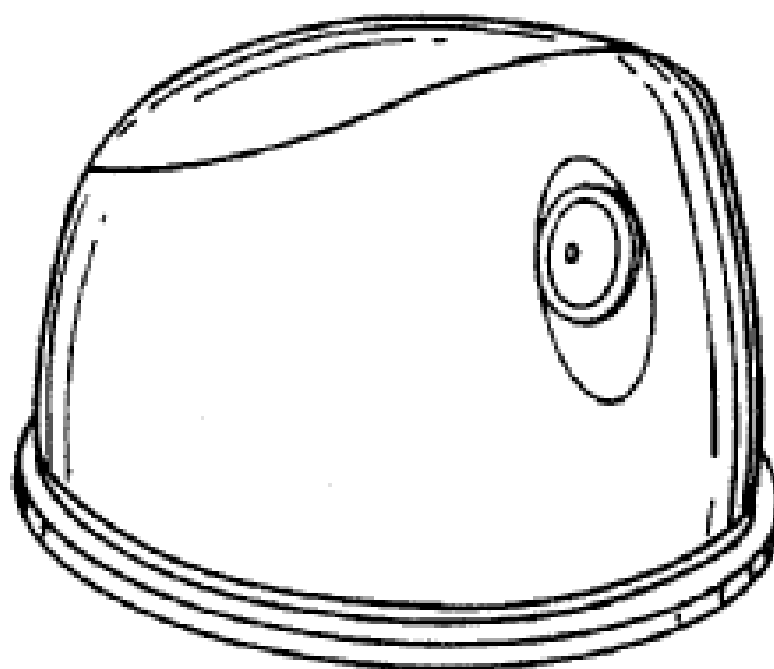
- (21) Design Number: **17301/2007**
(22) Date of Filing Application: **03 April 2007**
(24) Date from which industrial property rights may have effect: **03 April 2007**
(54) Product in respect of which the design is registered: **Table**
(51) International Design Classification: **06-03A**
(71) Name(s) and Address(s) of Applicant(s):
 Harley Leonard Cave
 99 Tennyson Road Tennyson Point New South Wales 2111 Australia
 Ling Shen
 Unit 6 115 Davies Road Padstow New South Wales 2111 Australia
(72) Name(s) of Designer(s): **Harley Leonard Cave and Ling Shen**
(45) Registration Date: **27 June 2007**
(56) Related Art Documents: **Not Applicable**
(57) Statement of Newness and Distinctiveness: **Newness and distinctiveness is claimed in the visual features shown in solid lines in the representations. Diagonal broken lines are present for clarity only in order to show transparent glass and do not form part of the monopoly claimed.**



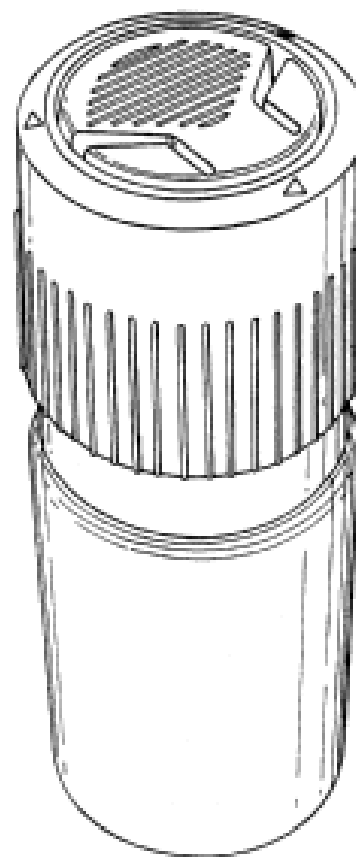
- (21) Design Number: **17302/2007**
(22) Date of Filing Application: **03 April 2007**
(24) Date from which industrial property rights may have effect: **03 April 2007**
(54) Product in respect of which the design is registered: **Table**
(51) International Design Classification: **06-03A**
(71) Name(s) and Address(s) of Applicant(s):
Harley Leonard Cave
99 Tennyson Road Tennyson Point New South Wales 2111 Australia
Ling Shen
Unit 6 115 Davies Road Padstow New South Wales 2111 Australia
(72) Name(s) of Designer(s): **Harley Leonard Cave and Ling Shen**
(45) Registration Date: **27 June 2007**
(56) Related Art Documents: **Not Applicable**
(57) Statement of Newness and Distinctiveness: **Newness and distinctiveness is claimed in the visual features shown in solid lines in the representations. Diagonal broken lines are present for clarity only in order to show transparent glass and do not form part of the monopoly claimed.**



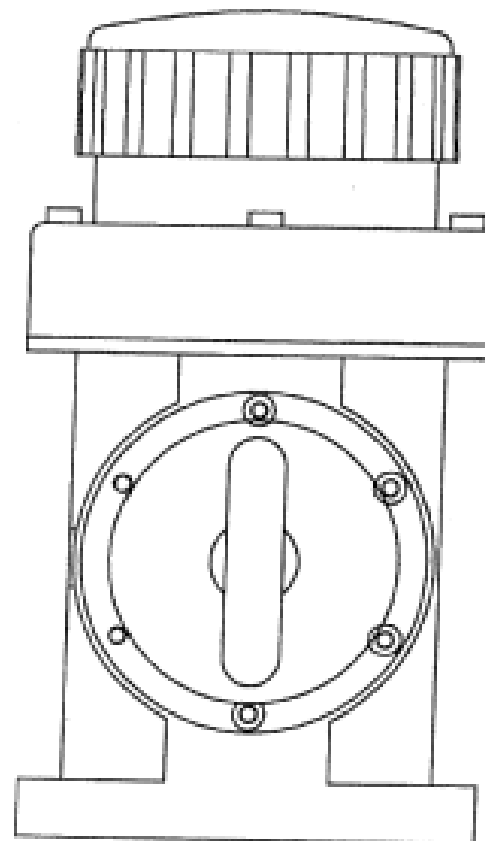
- (21) Design Number: **17303/2007**
(22) Date of Filing Application: **03 April 2007**
(24) Date from which industrial property rights may have effect: **03 April 2007**
(54) Product in respect of which the design is registered: **Actuator**
(51) International Design Classification: **09-07A**
(71) Name(s) and Address(s) of Applicant(s):
Unilever PLC
Unilever House Blackfriars London EC4P 4BQ United Kingdom
(72) Name(s) of Designer(s): **Adrian Barclay Caroen and Michael James Webster**
(45) Registration Date: **27 June 2007**
(30) Convention priority data:
(31) Number (32) Date (33) Country
000607775#0002 20 Oct 2006 EUROPEAN COMMUNITY
(56) Related Art Documents: **Not Applicable**
(57) Statement of Newness and Distinctiveness: **Newness and distinctiveness is claimed in the visual features shown in solid lines in the representations.**



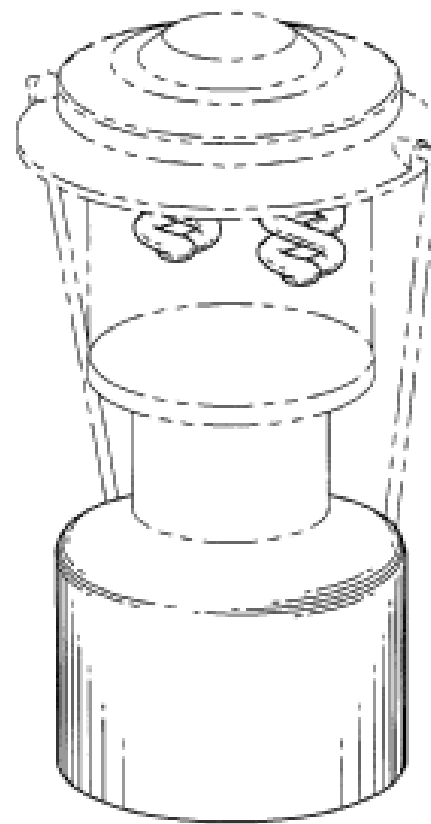
(21) Design Number: **17304/2007**
(22) Date of Filing Application: **03 April 2007**
(24) Date from which industrial property rights may have effect: **03 April 2007**
(54) Product in respect of which the design is registered: **Aerosol**
(51) International Design Classification: **09-01A**
(71) Name(s) and Address(s) of Applicant(s):
Unilever PLC
Unilever House Blackfriars London EC4P 4BQ United Kingdom
(72) Name(s) of Designer(s): **Adrian Barclay Caroen and Edward Paul Backett**
(45) Registration Date: **27 June 2007**
(30) Convention priority data:
(31) Number (32) Date (33) Country
000607775#0001 20 Oct 2006 EUROPEAN COMMUNITY
(56) Related Art Documents: **Not Applicable**
(57) Statement of Newness and Distinctiveness: **Newness and distinctiveness is claimed in the visual features shown in solid lines in the representations.**



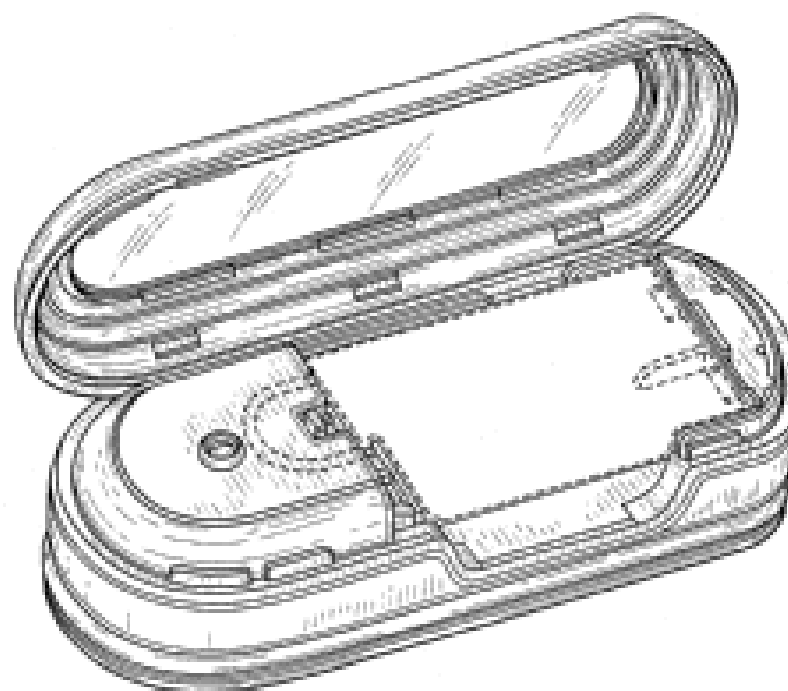
(21) Design Number: **17305/2007**
(22) Date of Filing Application: **03 April 2007**
(24) Date from which industrial property rights may have effect: **03 April 2007**
(54) Product in respect of which the design is registered: **Cartridge luber**
(51) International Design Classification: **08-05G**
(71) Name(s) and Address(s) of Applicant(s):
Natasa Enterprises Ltd.
7388 Wilson Avenue Delta British Columbia V4G 1H3 Canada
(72) Name(s) of Designer(s): **Stephen Orlitzky**
(45) Registration Date: **27 June 2007**
(30) Convention priority data:
(31) Number (32) Date (33) Country
29/267083 03 Oct 2006 UNITED STATES OF AMERICA
(56) Related Art Documents: **Not Applicable**
(57) Statement of Newness and Distinctiveness: **Newness and distinctiveness is claimed in the features of shape and/or configuration of a cartridge luber as illustrated in the accompanying representations.**



(21) Design Number: **17306/2007**
(22) Date of Filing Application: **03 April 2007**
(24) Date from which industrial property rights may have effect: **03 April 2007**
(54) Product in respect of which the design is registered: **Lantern**
(51) International Design Classification: **26-02**
(71) Name(s) and Address(s) of Applicant(s):
The Coleman Company, Inc.
3600 North Hydraulic Wichita KS 67219 United States of America
(72) Name(s) of Designer(s): **Kevin J. Tarter**
(45) Registration Date: **27 June 2007**
(30) Convention priority data:
(31) Number (32) Date (33) Country
29/250,442 14 Nov 2006 UNITED STATES OF AMERICA
(56) Related Art Documents: **Not Applicable**
(57) Statement of Newness and Distinctiveness: **When determining whether the design 1 is substantially similar in overall impression to another design, no regard is to be had to those features shown in dotted outline in the accompanying drawings.**



(21) Design Number: **17307/2007**
(22) Date of Filing Application: **03 April 2007**
(24) Date from which industrial property rights may have effect: **03 April 2007**
(54) Product in respect of which the design is registered: **Battery charger**
(51) International Design Classification: **13-02**
(71) Name(s) and Address(s) of Applicant(s):
Eveready Battery Company, Inc.
533 Maryville University Drive St Louis Missouri 63164 United States of America
(72) Name(s) of Designer(s): **Donwoong Kang and Scott W. Osiecki**
(45) Registration Date: **27 June 2007**
(30) Convention priority data:
(31) Number (32) Date (33) Country
29/250048 31 Oct 2006 UNITED STATES OF AMERICA
(56) Related Art Documents: **Not Applicable**
(57) Statement of Newness and Distinctiveness: **Nil**



(21) Design Number: **17316/2007**

(22) Date of Filing Application: **04 April 2007**

(24) Date from which industrial property rights may have effect: **04 April 2007**

(54) Product in respect of which the design is registered: **Grill**

(51) International Design Classification: **07-02E**

(71) Name(s) and Address(s) of Applicant(s):

**The Design House ApS
Klostergade 2 7100 Vejle Denmark**

(72) Name(s) of Designer(s): **Henrik Pedersen**

(45) Registration Date: **27 June 2007**

(30) Convention priority data:

(31) Number	(32) Date	(33) Country
000602768	11 Oct 2006	EUROPEAN COMMUNITY

(56) Related Art Documents: **Not Applicable**

(57) Statement of Newness and Distinctiveness: **Newness and distinctiveness resides in the shape or configuration of the grill shown in the accompanying representations, and in considering the extent of the monopoly protection, the words appearing on the grill are to be disregarded.**



(21) Design Number: **17317/2007**

(22) Date of Filing Application: **04 April 2007**

(24) Date from which industrial property rights may have effect: **04 April 2007**

(54) Product in respect of which the design is registered: **Grill**

(51) International Design Classification: **07-02E**

(71) Name(s) and Address(s) of Applicant(s):

**The Design House ApS
Klostergade 2 7100 Vejle Denmark**

(72) Name(s) of Designer(s): **Henrik Pedersen**

(45) Registration Date: **27 June 2007**

(30) Convention priority data:

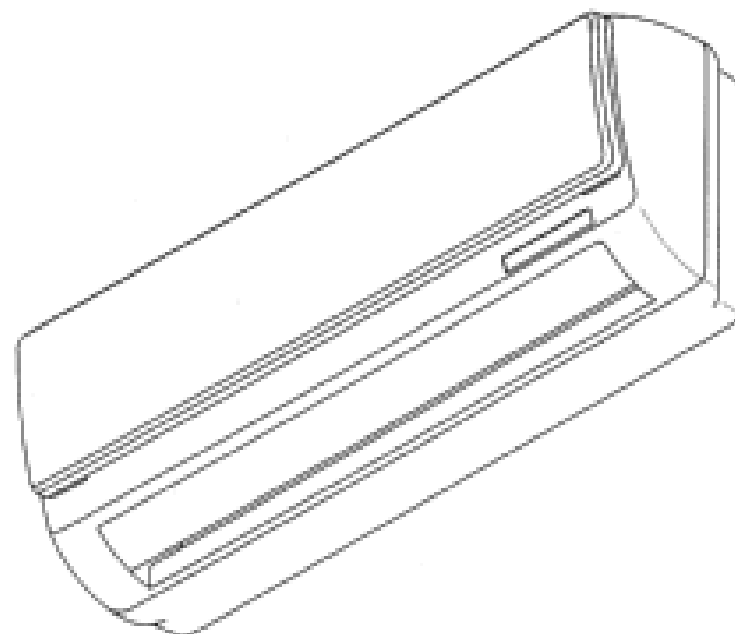
(31) Number	(32) Date	(33) Country
000602768	11 Oct 2006	EUROPEAN COMMUNITY

(56) Related Art Documents: **Not Applicable**

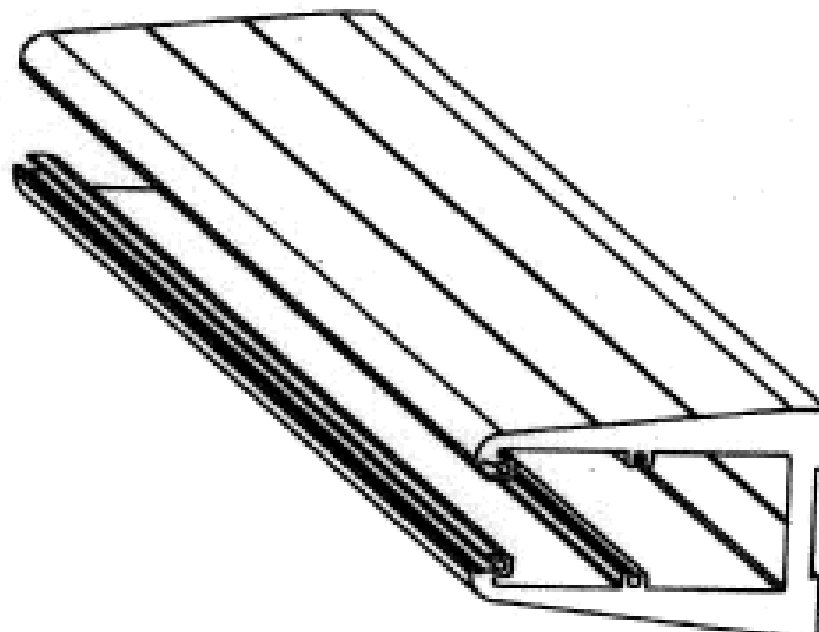
(57) Statement of Newness and Distinctiveness: **Newness and distinctiveness resides in the shape or configuration of the grill shown in the accompanying representations.**



(21) Design Number: **17321/2007**
(22) Date of Filing Application: **04 April 2007**
(24) Date from which industrial property rights may have effect: **04 April 2007**
(54) Product in respect of which the design is registered: **Air-conditioner**
(51) International Design Classification: **23-04**
(71) Name(s) and Address(s) of Applicant(s):
Mitsubishi Electric Corporation
7-3 Marunouchi 2-chome Chiyoda-ku Tokyo 100-8310 Japan
(72) Name(s) of Designer(s): **Masataka Nagahori**
(45) Registration Date: **27 June 2007**
(30) Convention priority data:
(31) Number (32) Date (33) Country
2006-029516 30 Oct 2006 JAPAN
(56) Related Art Documents: **Not Applicable**
(57) Statement of Newness and Distinctiveness: **Nil**



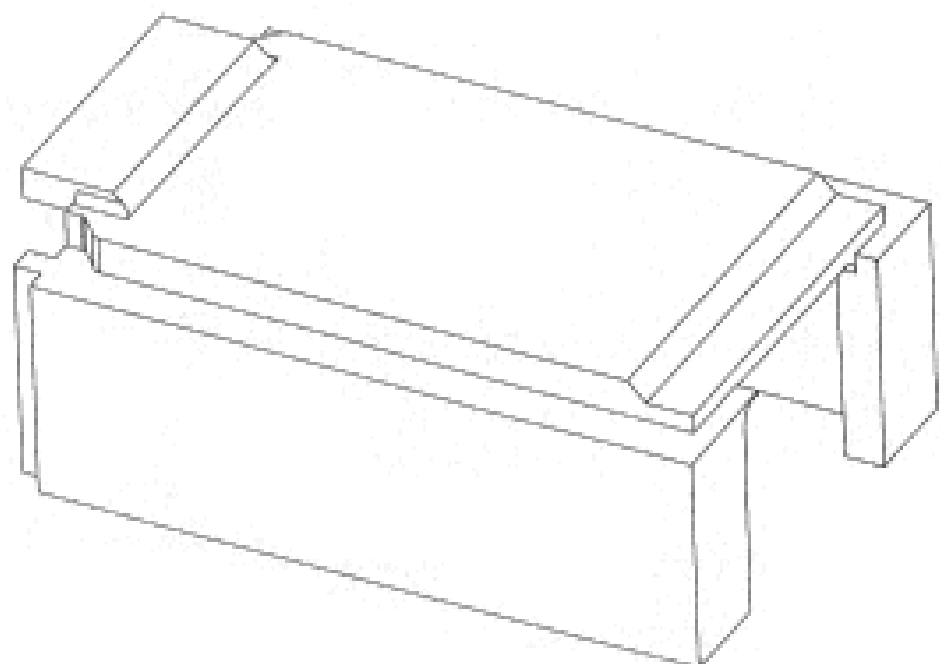
(21) Design Number: **17322/2007**
(22) Date of Filing Application: **04 April 2007**
(24) Date from which industrial property rights may have effect: **04 April 2007**
(54) Product in respect of which the design is registered: **Boltdown glass channel**
(51) International Design Classification: **25-01K**
(71) Name(s) and Address(s) of Applicant(s):
Zhi Jun Ke
340/9 Crofts Avenue Hurstville New South Wales 2220 Australia
(72) Name(s) of Designer(s): **Zhi Jun Ke**
(45) Registration Date: **27 June 2007**
(56) Related Art Documents: **Not Applicable**
(57) Statement of Newness and Distinctiveness: **Nil**



- (21) Design Number: **11240/2006**
(22) Date of Filing Application: **23 March 2006**
(24) Date from which industrial property rights may have effect: **23 March 2006**
(54) Product in respect of which the design is registered: **Back pack and matching towel**
(51) International Design Classification: **03-01A, 06-13C**
(71) Name(s) and Address(s) of Applicant(s):
Bambury Pty Ltd
20 Hines Rd O'Conner WA 6163
(72) Name(s) of Designer(s): **Steven Dance**
(45) Registration Date: **26 June 2007**
(56) Related Art Documents: **Not Applicable**
(57) Statement of Newness and Distinctiveness: **2 piece set for children: each containing a towelling back pack-printed and shaped as a character/animal, with a flap opening and containing a velour printed towel-coordinating with the design on the back pack.**



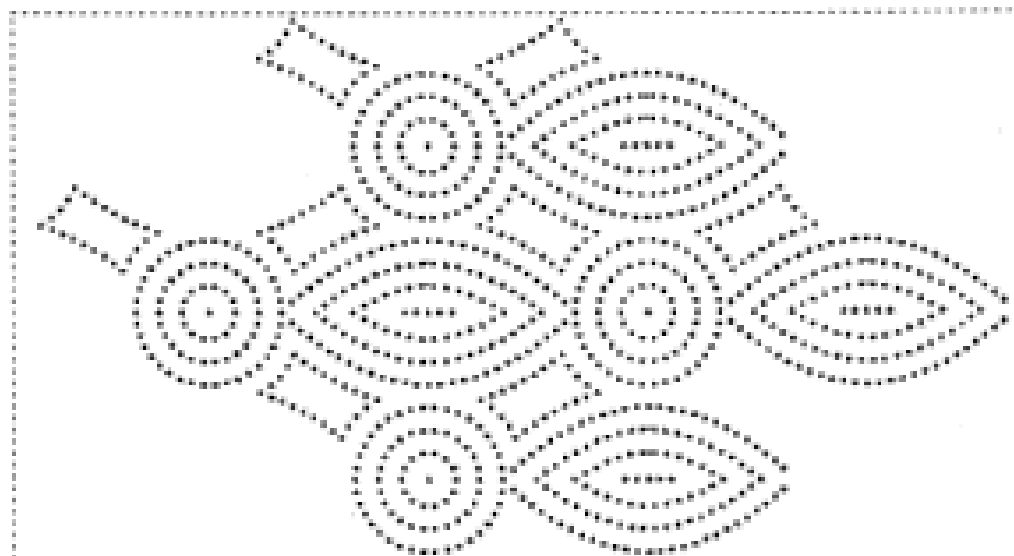
- (21) Design Number: **15837/2006**
(22) Date of Filing Application: **20 December 2006**
(24) Date from which industrial property rights may have effect: **20 December 2006**
(54) Product in respect of which the design is registered: **Corner stake height adaptor**
(51) International Design Classification: **25-02NES**
(71) Name(s) and Address(s) of Applicant(s):
Dias Aluminium Products Pty. Ltd.
201-205 Browns Road Noble Park Victoria 3174 Australia
(72) Name(s) of Designer(s): **David Aiken Paterson**
(45) Registration Date: **26 June 2007**
(56) Related Art Documents: **Not Applicable**
(57) Statement of Newness and Distinctiveness: **Nil**



(21) Design Number: **16333/2007**
 (22) Date of Filing Application: **07 February 2007**
 (24) Date from which industrial property rights may have effect: **07 February 2007**
 (54) Product in respect of which the design is registered: **Demountable pavillion**
 (51) International Design Classification: **25-03**
 (71) Name(s) and Address(s) of Applicant(s):
Tim Brammall
38 Freycine Drive Coles Bay Tasmania 7215 Australia
Archana Brammall
38 Freycine Drive Coles Bay Tasmania 7215 Australia
 (72) Name(s) of Designer(s): **Tim Brammall and Archana Brammall**
 (45) Registration Date: **26 June 2007**
 (56) Related Art Documents: **Not Applicable**
 (57) Statement of Newness and Distinctiveness: **The uniqueness of the design is the roof structure which captures water to be stored in pipes beneath the tent. The sliding doors and tent shape and ensuite structures are fully demountable and nothing penetrates the ground.**



(21) Design Number: **16402/2007**
 (22) Date of Filing Application: **12 February 2007**
 (24) Date from which industrial property rights may have effect: **12 February 2007**
 (54) Product in respect of which the design is registered: **A paper product**
 (51) International Design Classification: **19-01**
 (71) Name(s) and Address(s) of Applicant(s):
First Quality Tissue LLC
80 Cuttermill Road Suite 500 Great Neck NY 11021 Unites States of America
 (72) Name(s) of Designer(s): **Ruggero Mecchi and Andrea Lapenna**
 (45) Registration Date: **26 June 2007**
 (30) Convention priority data:
 (31) Number (32) Date (33) Country
29/264,588 14 Aug 2006 UNITED STATES OF AMERICA
 (56) Related Art Documents: **Not Applicable**
 (57) Statement of Newness and Distinctiveness: **Nil**



(21) Design Number: **16519/2007**

(22) Date of Filing Application: **20 February 2007**

(24) Date from which industrial property rights may have effect: **20 February 2007**

(54) Product in respect of which the design is registered: **Trailer**

(51) International Design Classification: **12-10**

(71) Name(s) and Address(s) of Applicant(s):

Barker Trailers Pty. Ltd.

Clancy's Lane Woodend Victoria 3442 Australia

(72) Name(s) of Designer(s): **Leigh Barker and Ian Brownlee and Scott Barker and Steve Vallance**

(45) Registration Date: **26 June 2007**

(56) Related Art Documents: **Not Applicable**

(57) Statement of Newness and Distinctiveness: **The configuration of a curtain side wall of the product is new and distinctive. The trailer may include alternative shapes and configurations for wheel assemblies, support legs, front wall panel, storage bins underneath the chassis, and bumper assembly. These features and a load within the trailer shown in the representations should not be considered when construing visual features of the design.**



(21) Design Number: **16520/2007**

(22) Date of Filing Application: **20 February 2007**

(24) Date from which industrial property rights may have effect: **20 February 2007**

(54) Product in respect of which the design is registered: **Curtain wall**

(51) International Design Classification: **06-10**

(71) Name(s) and Address(s) of Applicant(s):

Barker Trailers Pty. Ltd.

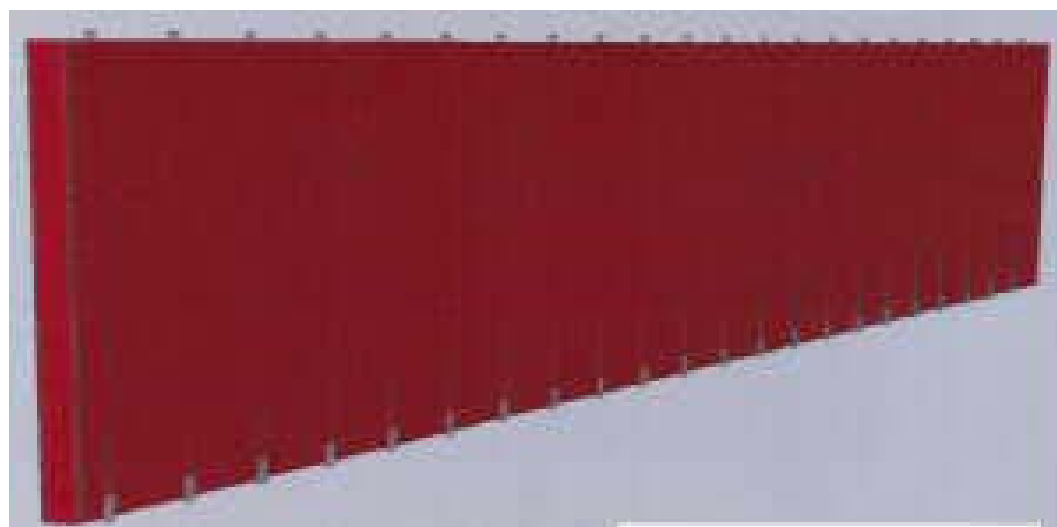
Clancy's Lane Woodend Victoria 3442 Australia

(72) Name(s) of Designer(s): **Leigh Barker and Ian Brownlee and Scott Barker and Steve Vallance**

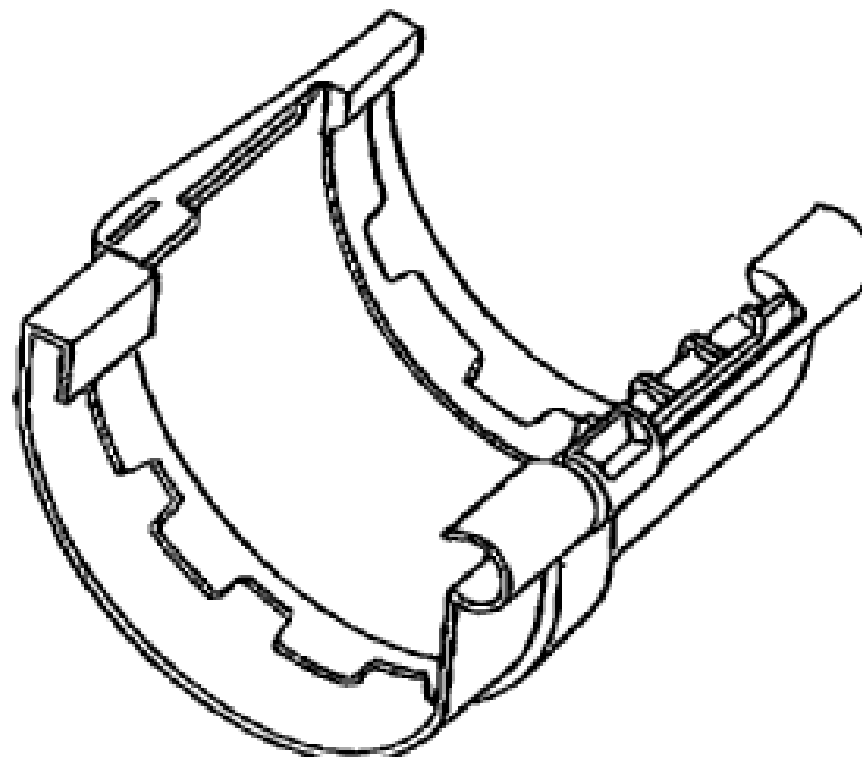
(45) Registration Date: **26 June 2007**

(56) Related Art Documents: **Not Applicable**

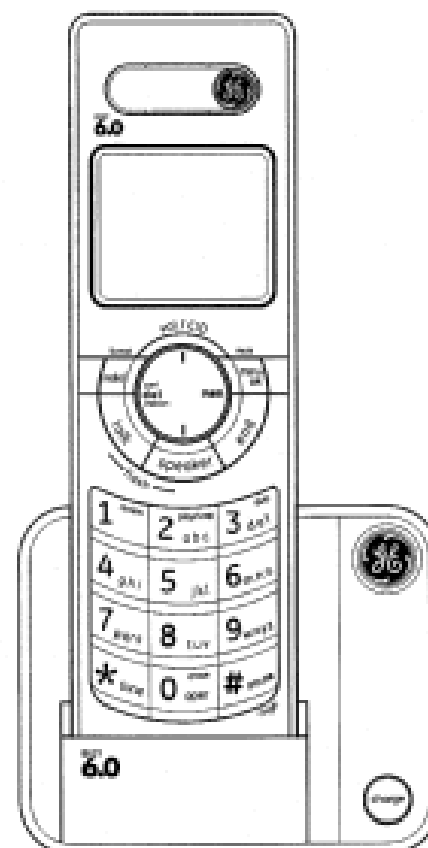
(57) Statement of Newness and Distinctiveness: **The configuration of the product is new and distinctive.**



(21) Design Number: **16554/2007**
 (22) Date of Filing Application: **22 February 2007**
 (24) Date from which industrial property rights may have effect: **22 February 2007**
 (54) Product in respect of which the design is registered: **Two part expansion joint**
 (51) International Design Classification: **25-02NES**
 (71) Name(s) and Address(s) of Applicant(s):
Marley New Zealand Limited
32 Mahia Road Manurewa Auckland New Zealand
 (72) Name(s) of Designer(s): **John McKee and Michael Williams**
 (45) Registration Date: **26 June 2007**
 (30) Convention priority data:
 (31) Number (32) Date (33) Country
408029 22 Aug 2006 NEW ZEALAND
 (56) Related Art Documents: **Not Applicable**
 (57) Statement of Newness and Distinctiveness: **Nil**



(21) Design Number: **16665/2007**
 (22) Date of Filing Application: **28 February 2007**
 (24) Date from which industrial property rights may have effect: **28 February 2007**
 (54) Product in respect of which the design is registered: **Telephone set**
 (51) International Design Classification: **14-03A**
 (71) Name(s) and Address(s) of Applicant(s):
Thomson Asia Limited
3/F Delta House 3 On Yiu Street Siu Lek Yuen Shatin Hong Kong
 (72) Name(s) of Designer(s): **Yau Wah Wong**
 (45) Registration Date: **26 June 2007**
 (30) Convention priority data:
 (31) Number (32) Date (33) Country
0603021.3M001 16 Nov 2006 HONG KONG
 (56) Related Art Documents: **Not Applicable**
 (57) Statement of Newness and Distinctiveness: **Nil**



(21) Design Number: **16666/2007**
 (22) Date of Filing Application: **28 February 2007**
 (24) Date from which industrial property rights may have effect: **28 February 2007**
 (54) Product in respect of which the design is registered: **Telephone set**
 (51) International Design Classification: **14-03A**
 (71) Name(s) and Address(s) of Applicant(s):

Thomson Asia Limited
3/F Delta House 3 On Yiu Street Siu Lek Yuen Shatin Hong Kong

(72) Name(s) of Designer(s): **Yau Wah Wong**

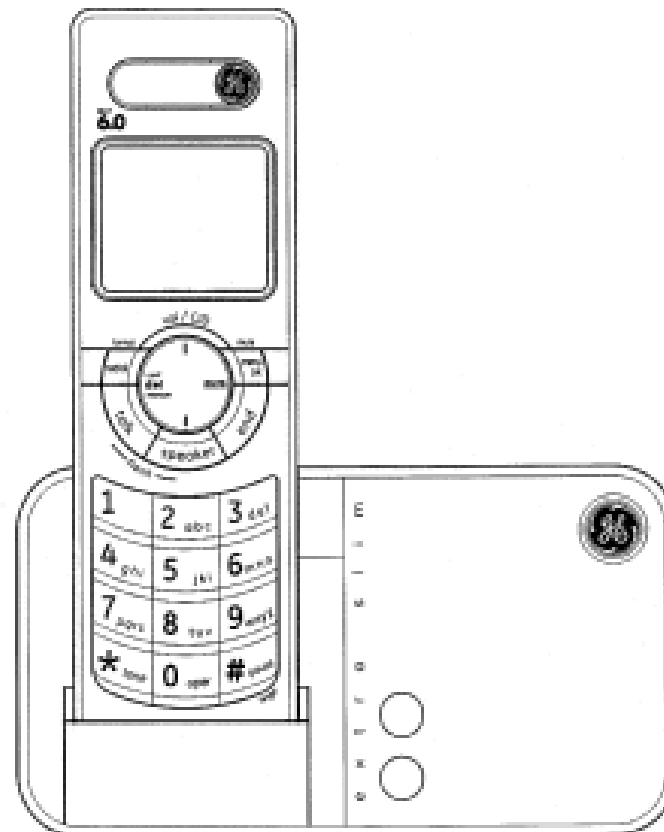
(45) Registration Date: **26 June 2007**

(30) Convention priority data:

(31) Number	(32) Date	(33) Country
0603021.3M001	16 Nov 2006	HONG KONG

(56) Related Art Documents: **Not Applicable**

(57) Statement of Newness and Distinctiveness: **Nil**



(21) Design Number: **16755/2007**
 (22) Date of Filing Application: **05 March 2007**
 (24) Date from which industrial property rights may have effect: **05 March 2007**
 (54) Product in respect of which the design is registered: **Track pad for machinery**
 (51) International Design Classification: **14-02**
 (71) Name(s) and Address(s) of Applicant(s):

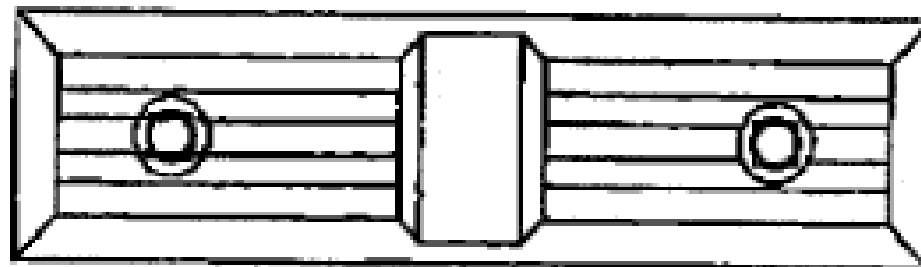
King Dix Pty Limited
133 The Promenade Sans Souci New South Wales 2219 Australia

(72) Name(s) of Designer(s): **Richard Charles Truswell and Ricky Eric John Buckland**

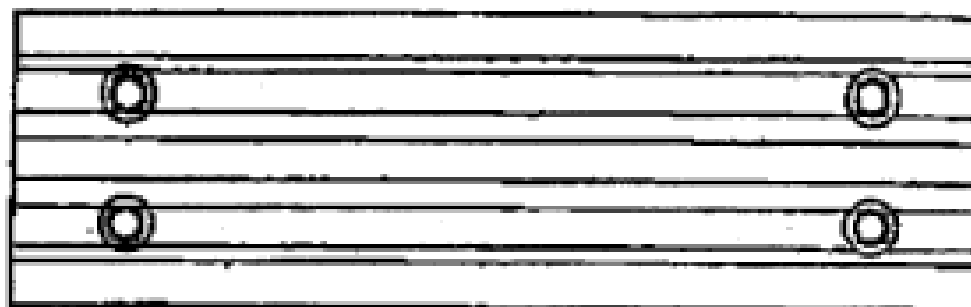
(45) Registration Date: **26 June 2007**

(56) Related Art Documents: **Not Applicable**

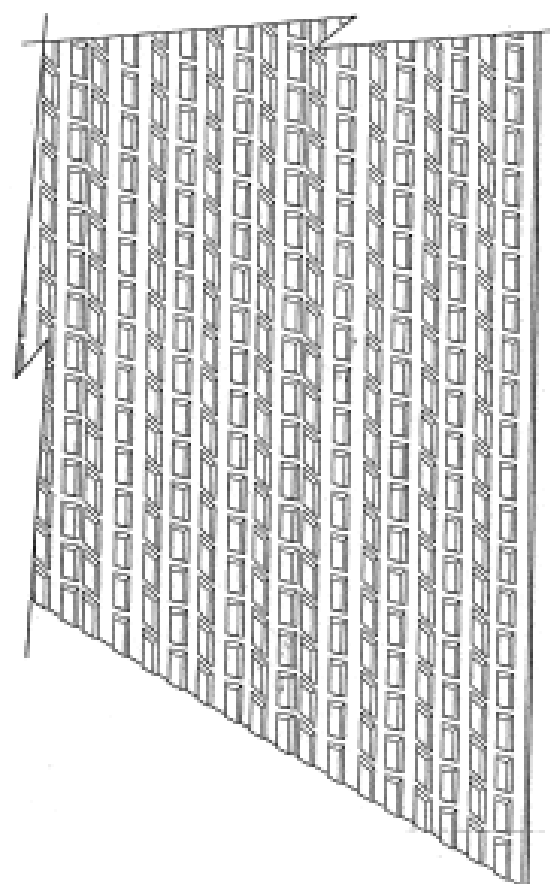
(57) Statement of Newness and Distinctiveness: **Newness and distinctiveness reside in the features of shape and configuration of a track pad for machinery as shown in the accompanying representation. Save that both holes shown in the top and bottom views and the elongate slot marked in phantom in the second bottom view are to be ignored.**



- (21) Design Number: **16756/2007**
(22) Date of Filing Application: **05 March 2007**
(24) Date from which industrial property rights may have effect: **05 March 2007**
(54) Product in respect of which the design is registered: **Track pad for machinery**
(51) International Design Classification: **14-02**
(71) Name(s) and Address(s) of Applicant(s):
King Dix Pty Limited
133 The Promenade Sans Souci New South Wales 2219 Australia
(72) Name(s) of Designer(s): **Richard Charles Truswell and Ricky Eric John Buckland**
(45) Registration Date: **26 June 2007**
(56) Related Art Documents: **Not Applicable**
(57) Statement of Newness and Distinctiveness: **Newness and distinctiveness reside in the features of shape and configuration of a track pad for machinery as shown in the accompanying representation. Save that both holes shown in the top and bottom views and the elongate and circular slots all marked in phantom in the second bottom view are to be ignored.**



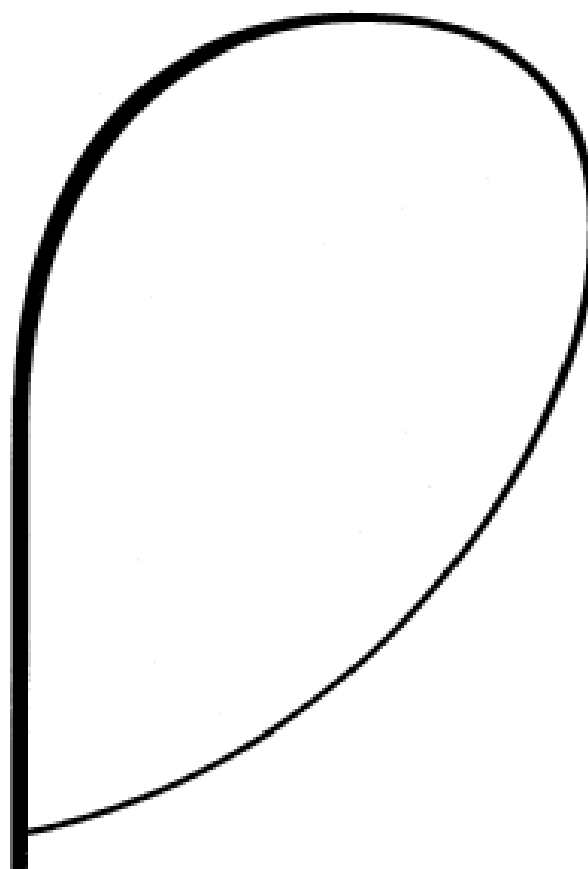
- (21) Design Number: **17003/2007**
(22) Date of Filing Application: **21 March 2007**
(24) Date from which industrial property rights may have effect: **21 March 2007**
(54) Product in respect of which the design is registered: **Building element**
(51) International Design Classification: **25-01D**
(71) Name(s) and Address(s) of Applicant(s):
James Hardie International Finance B.V.
Atrium 8th Floor Strawinskylaan 3077 1077 ZX Amsterdam The Netherlands
(72) Name(s) of Designer(s): **James Gleeson and Roger Pecnik**
(45) Registration Date: **26 June 2007**
(56) Related Art Documents: **Not Applicable**
(57) Statement of Newness and Distinctiveness: **Newness and distinctiveness reside in one or more visual features of a building element of indefinite length and indefinite width, as illustrated in the accompanying representations.**



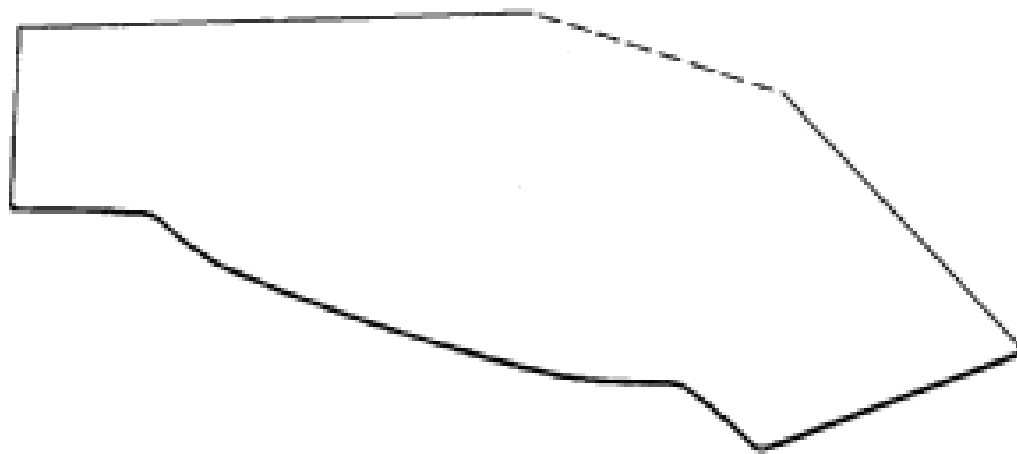
- (21) Design Number: **17106/2007**
(22) Date of Filing Application: **27 March 2007**
(24) Date from which industrial property rights may have effect: **27 March 2007**
(54) Product in respect of which the design is registered: **Belt buckle**
(51) International Design Classification: **02-07A**
(71) Name(s) and Address(s) of Applicant(s):
Elliott Fisher
387 Paynters Creek Road Nambour Queensland 4560 Australia
(72) Name(s) of Designer(s): **Elliott Fisher**
(45) Registration Date: **26 June 2007**
(56) Related Art Documents: **Not Applicable**
(57) Statement of Newness and Distinctiveness: **Newness and distinctiveness is claimed in the feature of shape and configuration of combination of beads as illustrated in the accompanying representations.**



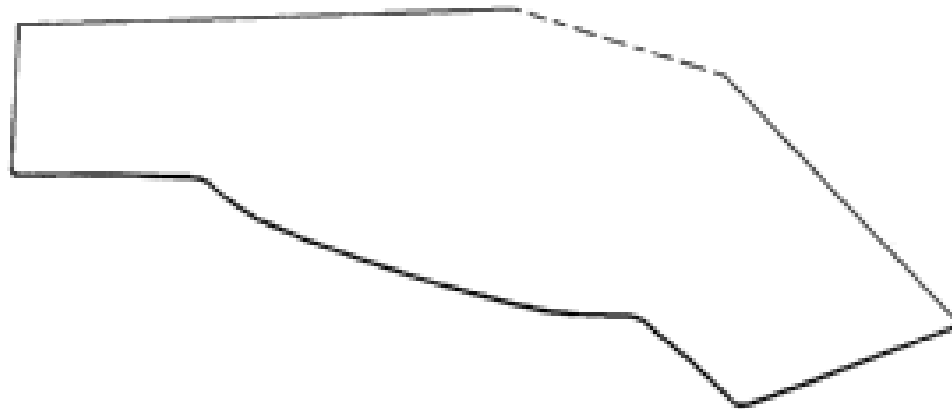
- (21) Design Number: **17269/2007**
(22) Date of Filing Application: **03 April 2007**
(24) Date from which industrial property rights may have effect: **03 April 2007**
(54) Product in respect of which the design is registered: **A banner**
(51) International Design Classification: **11-05**
(71) Name(s) and Address(s) of Applicant(s):
Nexus Development Limited
8 Sar Street Thomdon Wellington 6141 New Zealand
(72) Name(s) of Designer(s): **John Woollett**
(45) Registration Date: **26 June 2007**
(56) Related Art Documents: **Not Applicable**
(57) Statement of Newness and Distinctiveness: **Nil**



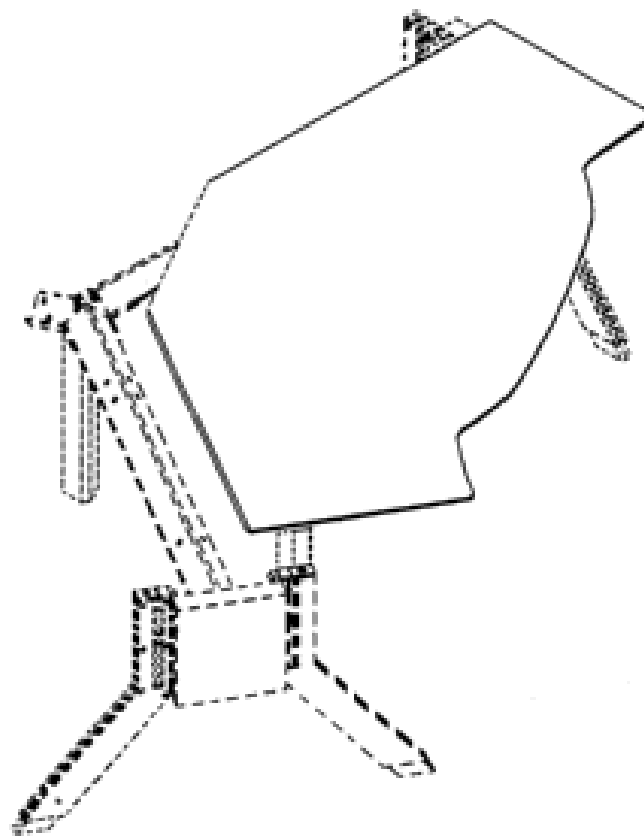
(21) Design Number: **17273/2007**
(22) Date of Filing Application: **03 April 2007**
(24) Date from which industrial property rights may have effect: **03 April 2007**
(54) Product in respect of which the design is registered: **A desktop**
(51) International Design Classification: **06-06E**
(71) Name(s) and Address(s) of Applicant(s):
Formway Furniture Limited
176 Gracefield Road Petone Wellington New Zealand
(72) Name(s) of Designer(s): **Edward John Burak**
(45) Registration Date: **26 June 2007**
(30) Convention priority data:
(31) Number (32) Date (33) Country
29/249,465 06 Oct 2006 UNITED STATES OF AMERICA
(56) Related Art Documents: **Not Applicable**
(57) Statement of Newness and Distinctiveness: **Newness and distinctiveness reside in the features of shape and/or configuration of the desktop, as shown in the representations. Newness and distinctiveness is not claimed in relation to the features shown in phantom lines in the representations.**



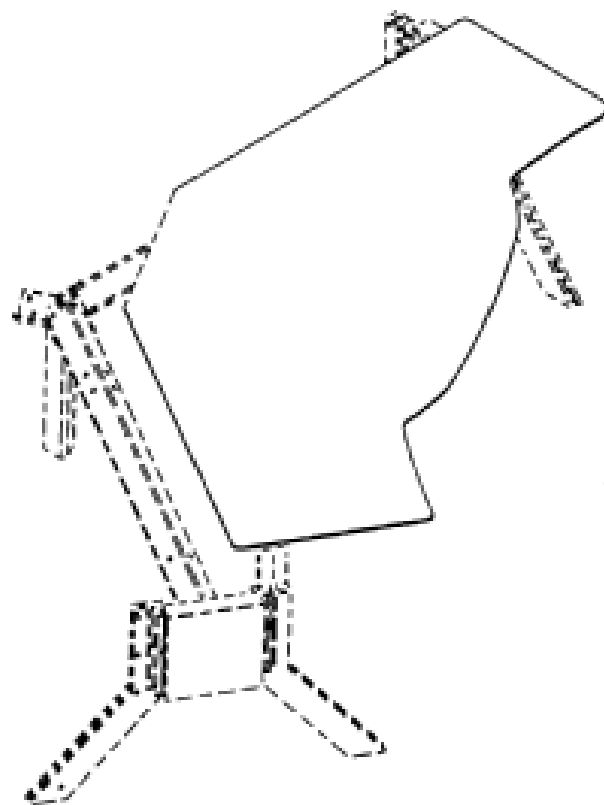
(21) Design Number: **17274/2007**
(22) Date of Filing Application: **03 April 2007**
(24) Date from which industrial property rights may have effect: **03 April 2007**
(54) Product in respect of which the design is registered: **A desktop**
(51) International Design Classification: **06-06E**
(71) Name(s) and Address(s) of Applicant(s):
Formway Furniture Limited
176 Gracefield Road Petone Wellington New Zealand
(72) Name(s) of Designer(s): **Edward John Burak**
(45) Registration Date: **26 June 2007**
(30) Convention priority data:
(31) Number (32) Date (33) Country
29/249,465 06 Oct 2006 UNITED STATES OF AMERICA
(56) Related Art Documents: **Not Applicable**
(57) Statement of Newness and Distinctiveness: **Newness and distinctiveness reside in the features of shape and/or configuration of the desktop, as shown in the representations. Newness and distinctiveness is not claimed in relation to the features shown in phantom lines in the representations.**



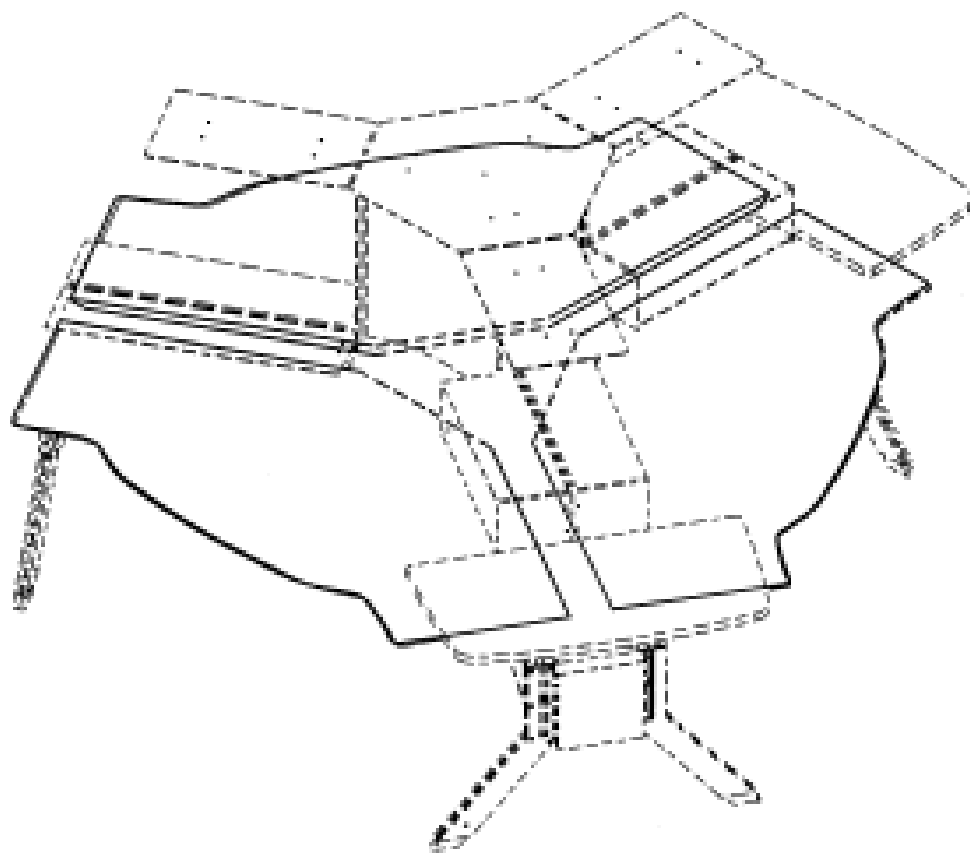
(21) Design Number: **17275/2007**
(22) Date of Filing Application: **03 April 2007**
(24) Date from which industrial property rights may have effect: **03 April 2007**
(54) Product in respect of which the design is registered: **A workstation**
(51) International Design Classification: **06-03C**
(71) Name(s) and Address(s) of Applicant(s):
Formway Furniture Limited
176 Gracefield Road Petone Wellington New Zealand
(72) Name(s) of Designer(s): **Edward John Burak**
(45) Registration Date: **26 June 2007**
(30) Convention priority data:
(31) Number (32) Date (33) Country
29/249,465 06 Oct 2006 UNITED STATES OF AMERICA
(56) Related Art Documents: **Not Applicable**
(57) Statement of Newness and Distinctiveness: **Newness and distinctiveness reside in the features of shape and/or configuration of the workstation, as shown in the representations. Newness and distinctiveness is not claimed in relation to the features shown in phantom lines in the representations including the support structure and phantom part of the desktop.**



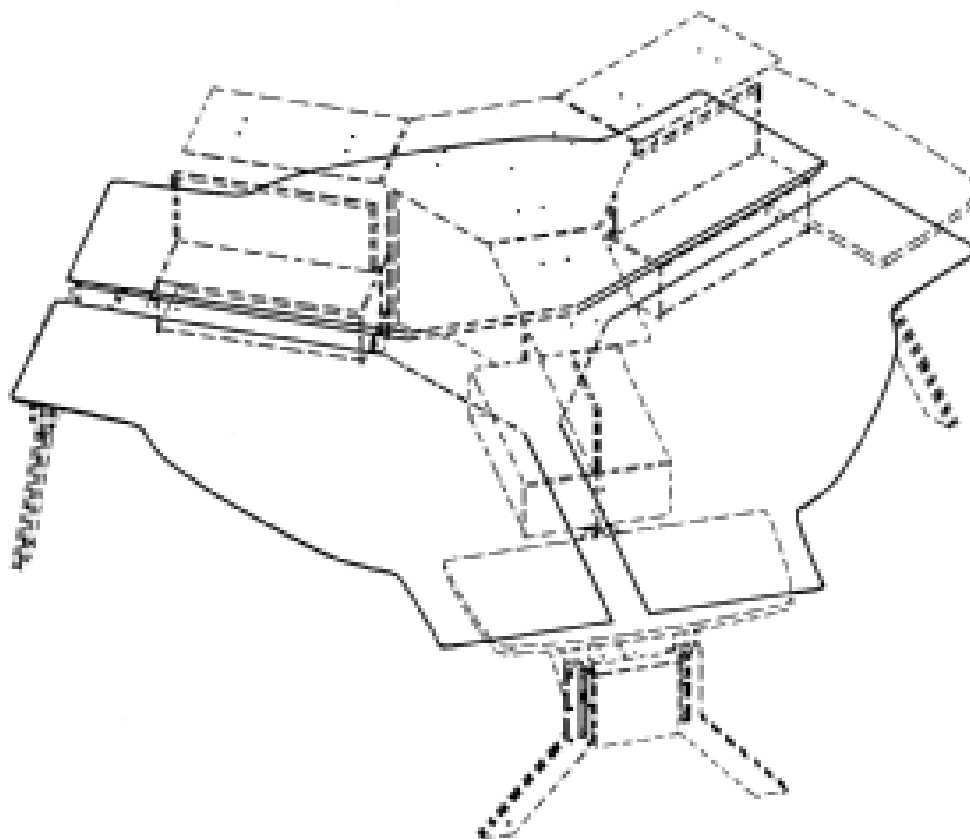
(21) Design Number: **17276/2007**
(22) Date of Filing Application: **03 April 2007**
(24) Date from which industrial property rights may have effect: **03 April 2007**
(54) Product in respect of which the design is registered: **A workstation**
(51) International Design Classification: **06-03C**
(71) Name(s) and Address(s) of Applicant(s):
Formway Furniture Limited
176 Gracefield Road Petone Wellington New Zealand
(72) Name(s) of Designer(s): **Edward John Burak**
(45) Registration Date: **26 June 2007**
(30) Convention priority data:
(31) Number (32) Date (33) Country
29/249,465 06 Oct 2006 UNITED STATES OF AMERICA
(56) Related Art Documents: **Not Applicable**
(57) Statement of Newness and Distinctiveness: **Newness and distinctiveness reside in the features of shape and/or configuration of the workstation, as shown in the representations. Newness and distinctiveness is not claimed in relation to the features shown in phantom lines in the representations including the support structure and phantom part of the desktop.**



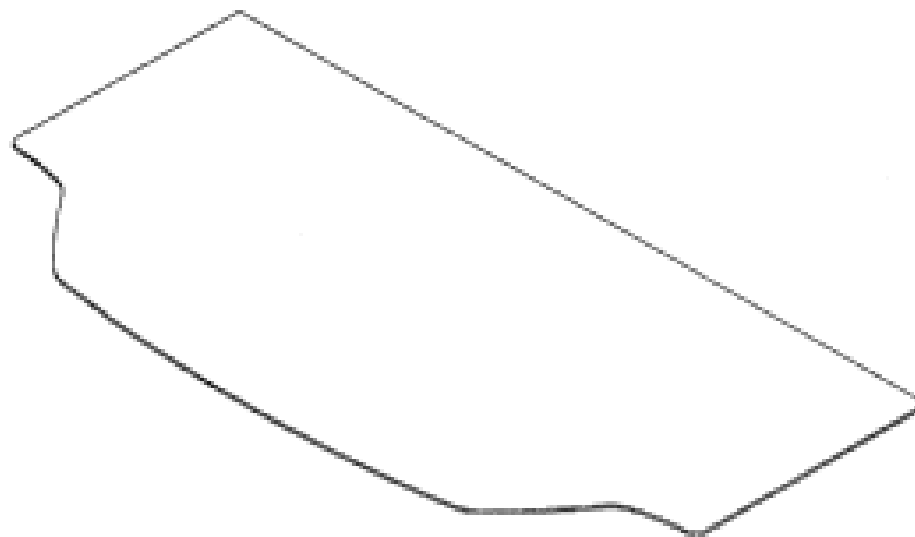
(21) Design Number: **17277/2007**
(22) Date of Filing Application: **03 April 2007**
(24) Date from which industrial property rights may have effect: **03 April 2007**
(54) Product in respect of which the design is registered: **A workstation cluster**
(51) International Design Classification: **06-03C**
(71) Name(s) and Address(s) of Applicant(s):
Formway Furniture Limited
176 Gracefield Road Petone Wellington New Zealand
(72) Name(s) of Designer(s): **Edward John Burak**
(45) Registration Date: **26 June 2007**
(30) Convention priority data:
(31) Number (32) Date (33) Country
29/249,465 06 Oct 2006 UNITED STATES OF AMERICA
(56) Related Art Documents: **Not Applicable**
(57) Statement of Newness and Distinctiveness: **Newness and distinctiveness reside in the features of shape and/or configuration of the workstation cluster, as shown in the representations. Newness and distinctiveness is not claimed in relation to the features shown in phantom lines in the representations including the support structure and phantom part of the desktops.**



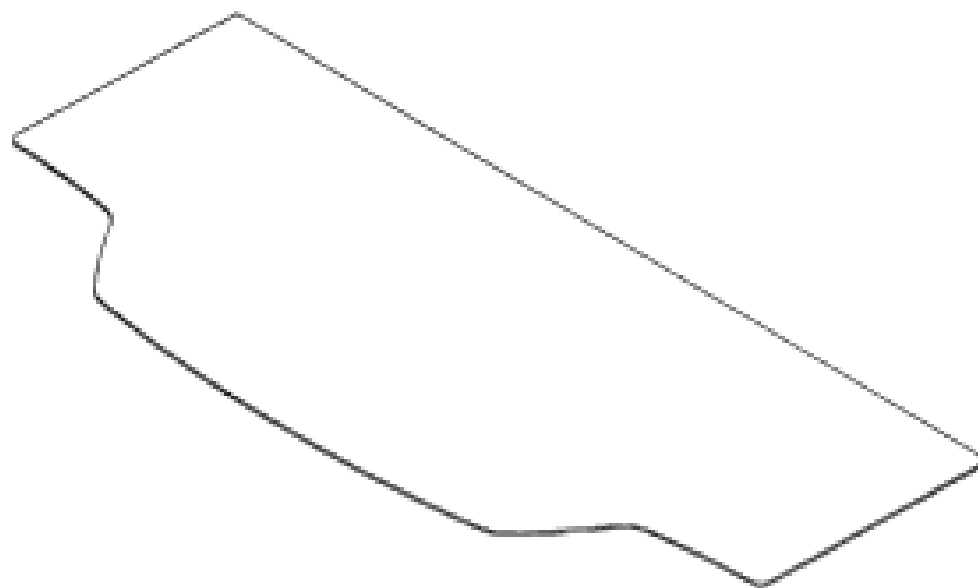
(21) Design Number: **17278/2007**
(22) Date of Filing Application: **03 April 2007**
(24) Date from which industrial property rights may have effect: **03 April 2007**
(54) Product in respect of which the design is registered: **A workstation cluster**
(51) International Design Classification: **06-03C**
(71) Name(s) and Address(s) of Applicant(s):
Formway Furniture Limited
176 Gracefield Road Petone Wellington New Zealand
(72) Name(s) of Designer(s): **Edward John Burak**
(45) Registration Date: **26 June 2007**
(30) Convention priority data:
(31) Number (32) Date (33) Country
29/249,465 06 Oct 2006 UNITED STATES OF AMERICA
(56) Related Art Documents: **Not Applicable**
(57) Statement of Newness and Distinctiveness: **Newness and distinctiveness reside in the features of shape and/or configuration of the workstation cluster, as shown in the representations. Newness and distinctiveness is not claimed in relation to the features shown in phantom lines in the representations including the support structure and phantom part of the desktops.**



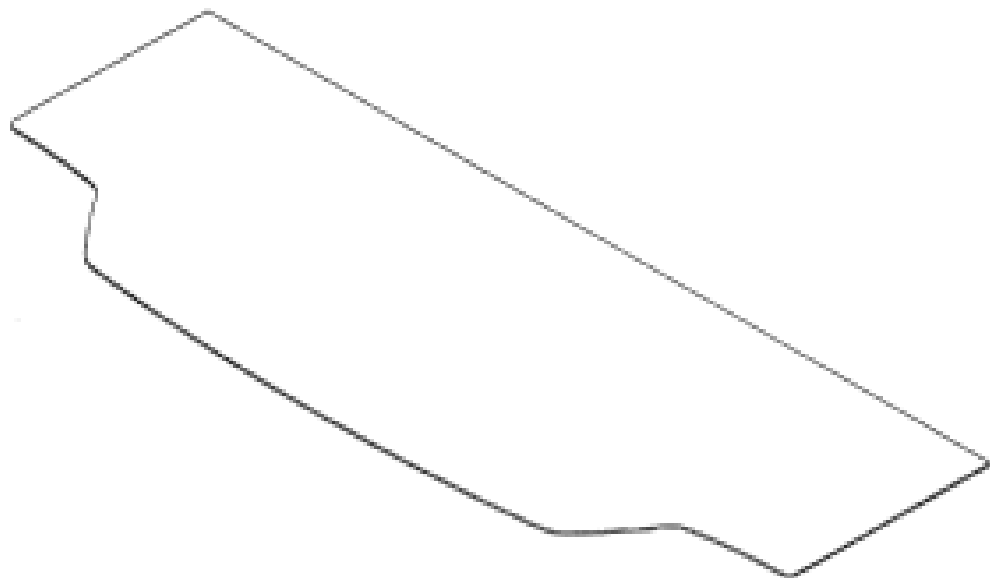
(21) Design Number: **17279/2007**
(22) Date of Filing Application: **03 April 2007**
(24) Date from which industrial property rights may have effect: **03 April 2007**
(54) Product in respect of which the design is registered: **A desktop**
(51) International Design Classification: **06-06E**
(71) Name(s) and Address(s) of Applicant(s):
Formway Furniture Limited
176 Gracefield Road Petone Wellington New Zealand
(72) Name(s) of Designer(s): **Edward John Burak**
(45) Registration Date: **26 June 2007**
(30) Convention priority data:
(31) Number (32) Date (33) Country
29/249,459 06 Oct 2006 UNITED STATES OF AMERICA
(56) Related Art Documents: **Not Applicable**
(57) Statement of Newness and Distinctiveness: **Newness and distinctiveness reside in the features of shape and/or configuration of the desktop, as shown in the representations.**



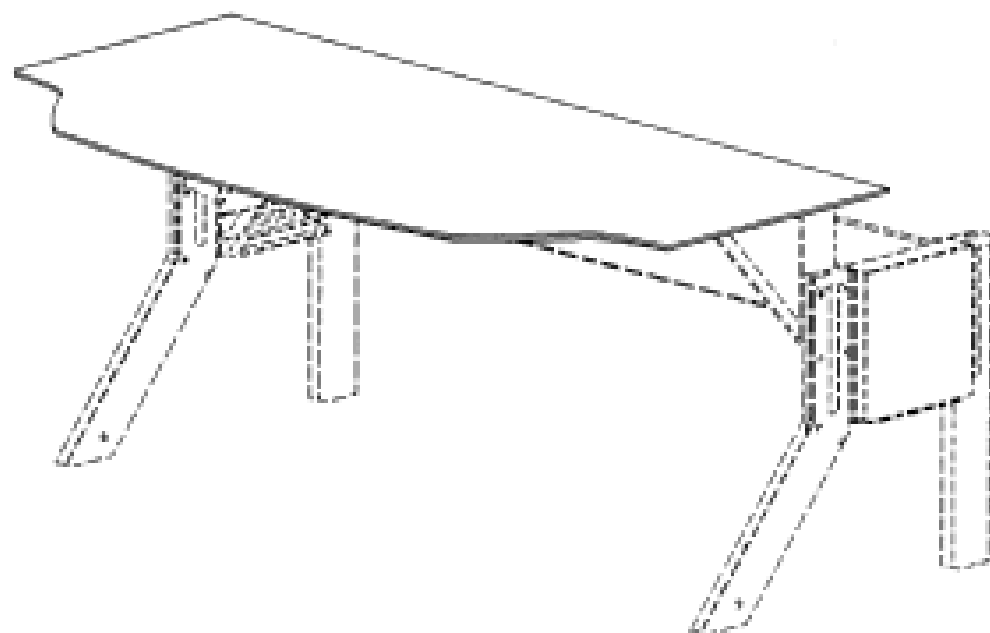
(21) Design Number: **17280/2007**
(22) Date of Filing Application: **03 April 2007**
(24) Date from which industrial property rights may have effect: **03 April 2007**
(54) Product in respect of which the design is registered: **A desktop**
(51) International Design Classification: **06-06E**
(71) Name(s) and Address(s) of Applicant(s):
Formway Furniture Limited
176 Gracefield Road Petone Wellington New Zealand
(72) Name(s) of Designer(s): **Edward John Burak**
(45) Registration Date: **26 June 2007**
(30) Convention priority data:
(31) Number (32) Date (33) Country
29/249,459 06 Oct 2006 UNITED STATES OF AMERICA
(56) Related Art Documents: **Not Applicable**
(57) Statement of Newness and Distinctiveness: **Newness and distinctiveness reside in the features of shape and/or configuration of the desktop, as shown in the representations.**



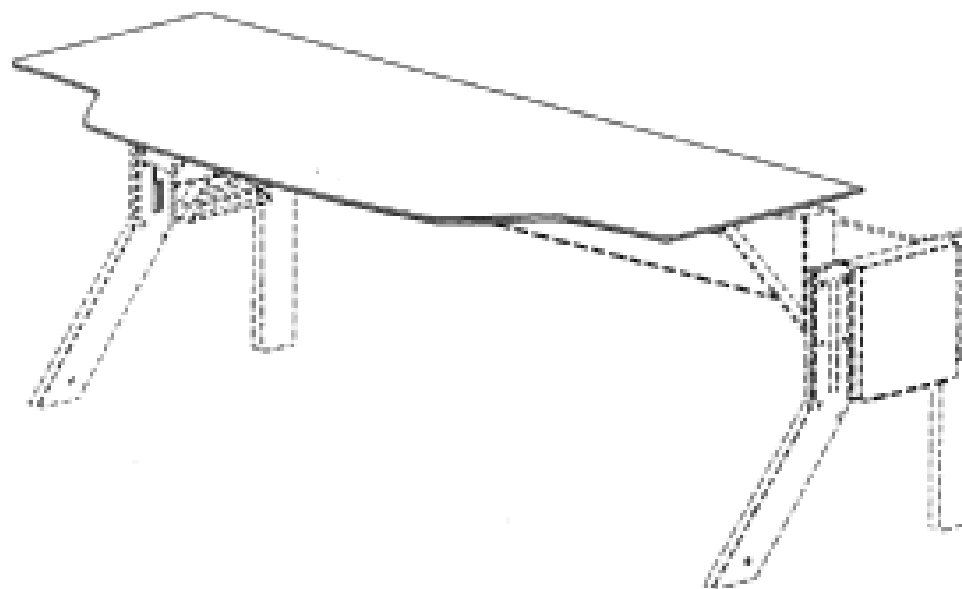
- (21) Design Number: **17281/2007**
(22) Date of Filing Application: **03 April 2007**
(24) Date from which industrial property rights may have effect: **03 April 2007**
(54) Product in respect of which the design is registered: **A desktop**
(51) International Design Classification: **06-06E**
(71) Name(s) and Address(s) of Applicant(s):
Formway Furniture Limited
176 Gracefield Road Petone Wellington New Zealand
(72) Name(s) of Designer(s): **Edward John Burak**
(45) Registration Date: **26 June 2007**
(30) Convention priority data:
(31) Number (32) Date (33) Country
29/249,459 06 Oct 2006 UNITED STATES OF AMERICA
(56) Related Art Documents: **Not Applicable**
(57) Statement of Newness and Distinctiveness: **Newness and distinctiveness reside in the features of shape and/or configuration of the desktop, as shown in the representations.**



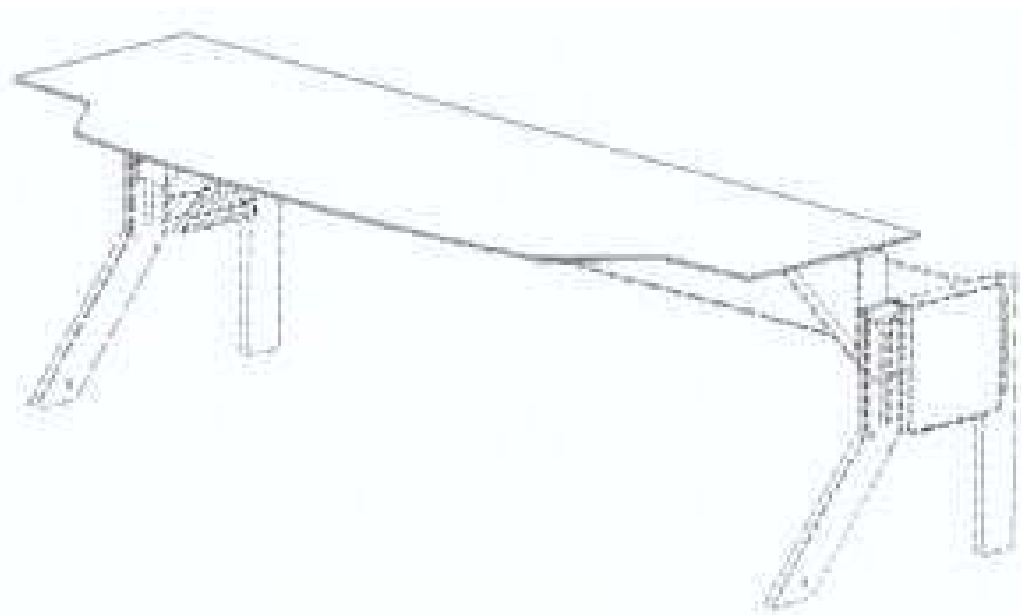
- (21) Design Number: **17282/2007**
(22) Date of Filing Application: **03 April 2007**
(24) Date from which industrial property rights may have effect: **03 April 2007**
(54) Product in respect of which the design is registered: **A workstation**
(51) International Design Classification: **06-03C**
(71) Name(s) and Address(s) of Applicant(s):
Formway Furniture Limited
176 Gracefield Road Petone Wellington New Zealand
(72) Name(s) of Designer(s): **Edward John Burak**
(45) Registration Date: **26 June 2007**
(30) Convention priority data:
(31) Number (32) Date (33) Country
29/249,459 06 Oct 2006 UNITED STATES OF AMERICA
(56) Related Art Documents: **Not Applicable**
(57) Statement of Newness and Distinctiveness: **Newness and distinctiveness reside in the features of shape and/or configuration of the workstation, as shown in the representations. Newness and distinctiveness is not claimed in relation to the features shown in phantom lines in the representations.**



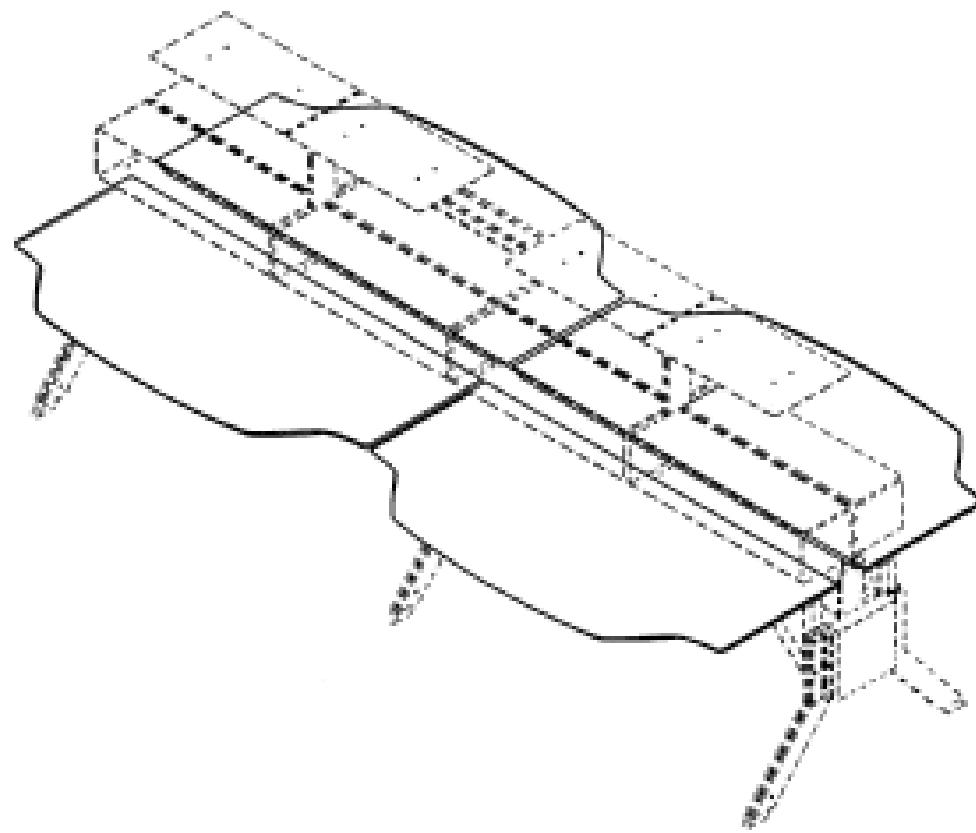
(21) Design Number: **17283/2007**
(22) Date of Filing Application: **03 April 2007**
(24) Date from which industrial property rights may have effect: **03 April 2007**
(54) Product in respect of which the design is registered: **A workstation**
(51) International Design Classification: **06-03C**
(71) Name(s) and Address(s) of Applicant(s):
Formway Furniture Limited
176 Gracefield Road Petone Wellington New Zealand
(72) Name(s) of Designer(s): **Edward John Burak**
(45) Registration Date: **26 June 2007**
(30) Convention priority data:
(31) Number (32) Date (33) Country
29/249,459 06 Oct 2006 UNITED STATES OF AMERICA
(56) Related Art Documents: **Not Applicable**
(57) Statement of Newness and Distinctiveness: **Newness and distinctiveness reside in the features of shape and/or configuration of the workstation, as shown in the representations. Newness and distinctiveness is not claimed in relation to the features shown in phantom lines in the representations.**



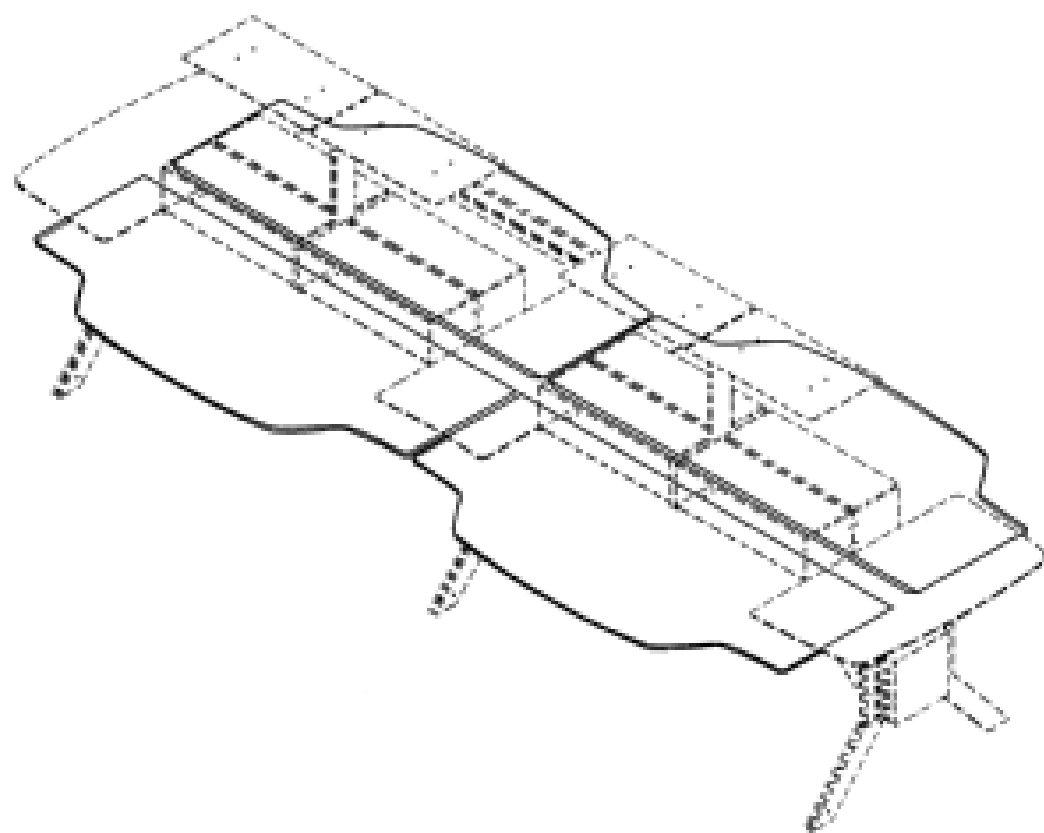
(21) Design Number: **17284/2007**
(22) Date of Filing Application: **03 April 2007**
(24) Date from which industrial property rights may have effect: **03 April 2007**
(54) Product in respect of which the design is registered: **A workstation**
(51) International Design Classification: **06-03C**
(71) Name(s) and Address(s) of Applicant(s):
Formway Furniture Limited
176 Gracefield Road Petone Wellington New Zealand
(72) Name(s) of Designer(s): **Edward John Burak**
(45) Registration Date: **26 June 2007**
(30) Convention priority data:
(31) Number (32) Date (33) Country
29/249,459 06 Oct 2006 UNITED STATES OF AMERICA
(56) Related Art Documents: **Not Applicable**
(57) Statement of Newness and Distinctiveness: **Newness and distinctiveness reside in the features of shape and/or configuration of the workstation, as shown in the representations. Newness and distinctiveness is not claimed in relation to the features shown in phantom lines in the representations.**



(21) Design Number: **17285/2007**
(22) Date of Filing Application: **03 April 2007**
(24) Date from which industrial property rights may have effect: **03 April 2007**
(54) Product in respect of which the design is registered: **A workstation cluster**
(51) International Design Classification: **06-03C**
(71) Name(s) and Address(s) of Applicant(s):
Formway Furniture Limited
176 Gracefield Road Petone Wellington New Zealand
(72) Name(s) of Designer(s): **Edward John Burak**
(45) Registration Date: **26 June 2007**
(30) Convention priority data:
(31) Number (32) Date (33) Country
29/249,459 06 Oct 2006 UNITED STATES OF AMERICA
(56) Related Art Documents: **Not Applicable**
(57) Statement of Newness and Distinctiveness: **Newness and distinctiveness reside in the features of shape and/or configuration of the workstation cluster, as shown in the representations. Newness and distinctiveness is not claimed in relation to the features shown in phantom lines in the representations.**



(21) Design Number: **17286/2007**
(22) Date of Filing Application: **03 April 2007**
(24) Date from which industrial property rights may have effect: **03 April 2007**
(54) Product in respect of which the design is registered: **A workstation cluster**
(51) International Design Classification: **06-03C**
(71) Name(s) and Address(s) of Applicant(s):
Formway Furniture Limited
176 Gracefield Road Petone Wellington New Zealand
(72) Name(s) of Designer(s): **Edward John Burak**
(45) Registration Date: **26 June 2007**
(30) Convention priority data:
(31) Number (32) Date (33) Country
29/249,459 06 Oct 2006 UNITED STATES OF AMERICA
(56) Related Art Documents: **Not Applicable**
(57) Statement of Newness and Distinctiveness: **Newness and distinctiveness reside in the features of shape and/or configuration of the workstation cluster, as shown in the representations. Newness and distinctiveness is not claimed in relation to the features shown in phantom lines in the representations.**



(21) Design Number: **17287/2007**

(22) Date of Filing Application: **03 April 2007**

(24) Date from which industrial property rights may have effect: **03 April 2007**

(54) Product in respect of which the design is registered: **A workstation cluster**

(51) International Design Classification: **06-03C**

(71) Name(s) and Address(s) of Applicant(s):

**Formway Furniture Limited
176 Gracefield Road Petone Wellington New Zealand**

(72) Name(s) of Designer(s): **Edward John Burak**

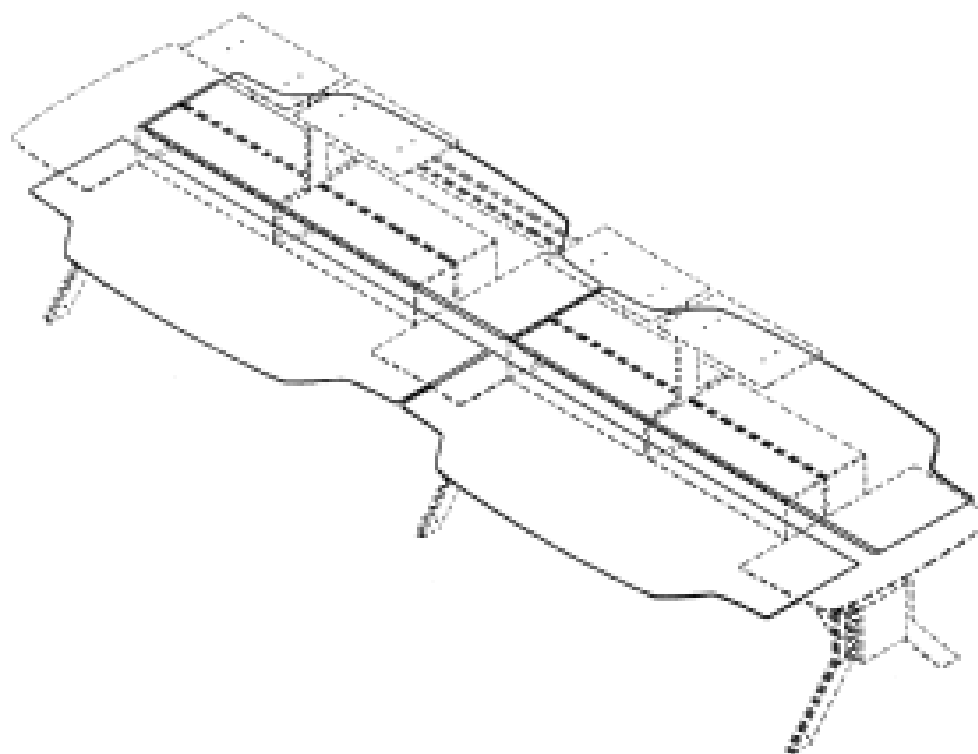
(45) Registration Date: **26 June 2007**

(30) Convention priority data:

(31) Number	(32) Date	(33) Country
29/249,459	06 Oct 2006	UNITED STATES OF AMERICA

(56) Related Art Documents: **Not Applicable**

(57) Statement of Newness and Distinctiveness: **Newness and distinctiveness reside in the features of shape and/or configuration of the workstation cluster, as shown in the representations. Newness and distinctiveness is not claimed in relation to the features shown in phantom lines in the representations.**



(21) Design Number: **17962/2007**

(22) Date of Filing Application: **17 May 2007**

(24) Date from which industrial property rights may have effect: **17 May 2007**

(54) Product in respect of which the design is registered: **Label holder**

(51) International Design Classification: **19-02**

(71) Name(s) and Address(s) of Applicant(s):

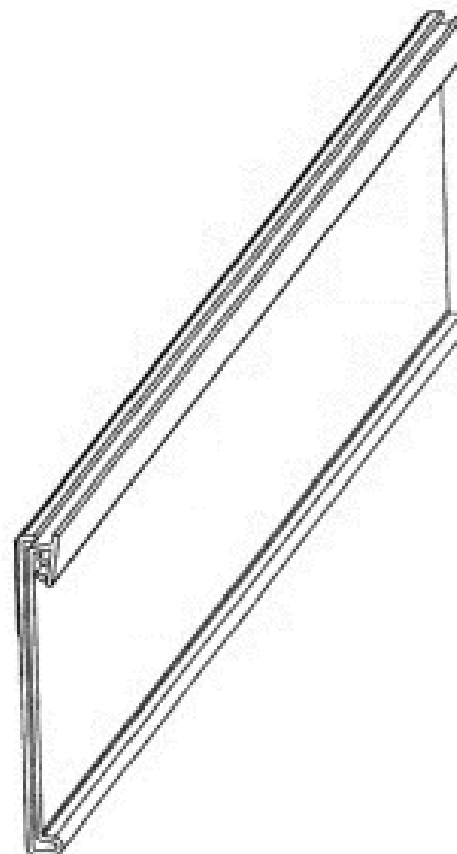
**Bricor Pty Ltd
28/205-213 Port Hacking Road Miranda New South Wales 2228
Australia**

(72) Name(s) of Designer(s): **Michael English**

(45) Registration Date: **26 June 2007**

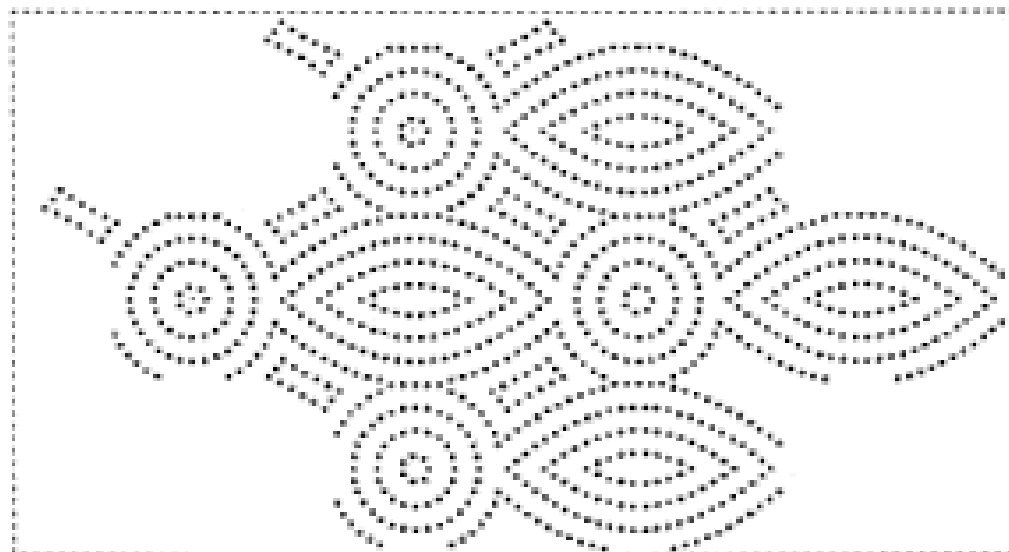
(56) Related Art Documents: **Not Applicable**

(57) Statement of Newness and Distinctiveness: **Newness and distinctiveness is claimed in the shape and/or configuration of a "label holder" as illustrated in the representations. No newness or distinctiveness is claimed in the peel-off adhesive strip, which is identified as "A" in the representations.**



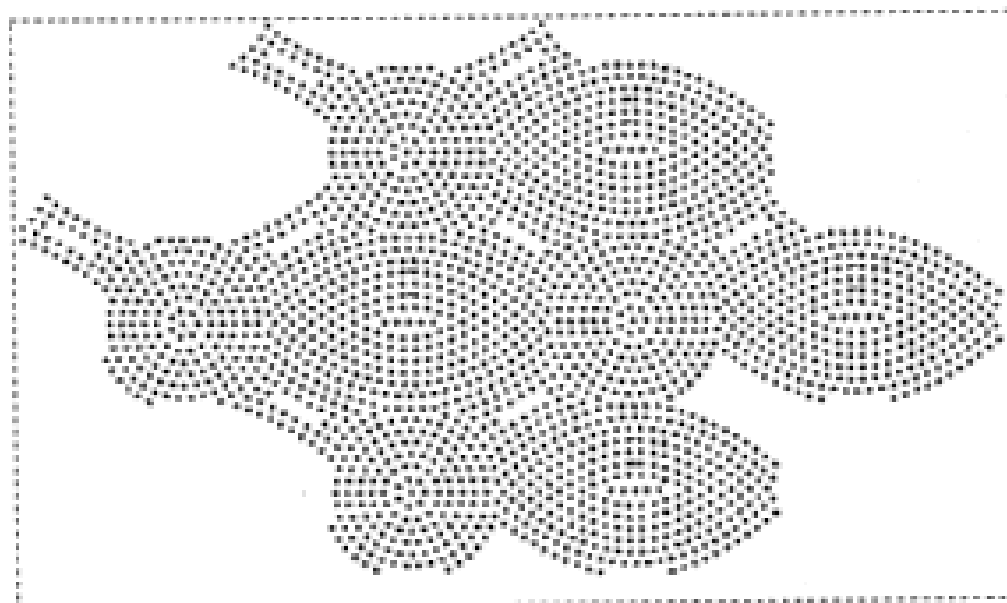
(19) AU

(21) Design Number: **18341/2007**
(22) Date of Filing Application: **12 February 2007**
(24) Date from which industrial property rights may have effect: **12 February 2007**
(54) Product in respect of which the design is registered: **A Paper product**
(51) International Design Classification: **19-01**
(71) Name(s) and Address(s) of Applicant(s):
First Quality Tissue LLC
80 Cuttermill Road Suite 500 Great Neck NY 11021 Unites States of America
(72) Name(s) of Designer(s): **Ruggero Mecchi and Andrea Lapenna**
(45) Registration Date: **26 June 2007**
(30) Convention priority data:
(31) Number (32) Date (33) Country
29/264,588 14 Aug 2006 UNITED STATES OF AMERICA
(56) Related Art Documents: **Not Applicable**
(57) Statement of Newness and Distinctiveness: **Nil**



(19) AU

(21) Design Number: **18342/2007**
(22) Date of Filing Application: **12 February 2007**
(24) Date from which industrial property rights may have effect: **12 February 2007**
(54) Product in respect of which the design is registered: **A Paper product**
(51) International Design Classification: **19-01**
(71) Name(s) and Address(s) of Applicant(s):
First Quality Tissue LLC
80 Cuttermill Road Suite 500 Great Neck NY 11021 Unites States of America
(72) Name(s) of Designer(s): **Ruggero Mecchi and Andrea Lapenna**
(45) Registration Date: **26 June 2007**
(30) Convention priority data:
(31) Number (32) Date (33) Country
29/264,588 14 Aug 2006 UNITED STATES OF AMERICA
(56) Related Art Documents: **Not Applicable**
(57) Statement of Newness and Distinctiveness: **Nil**



(21) Design Number: **17313/2007**

(22) Date of Filing Application: **05 April 2007**

(24) Date from which industrial property rights may have effect: **05 April 2007**

(54) Product in respect of which the design is registered: **Finishing float**

(51) International Design Classification: **08-05K**

(71) Name(s) and Address(s) of Applicant(s):

Graham Charles Swanston
22 Ilumba Avenue Davistown Central Coast New South Wales 2251
Australia

(72) Name(s) of Designer(s): **Graham C. Swanston**

(45) Registration Date: **27 June 2007**

(56) Related Art Documents: **Not Applicable**

(57) Statement of Newness and Distinctiveness: **Finishing Float. Visual features which are distinctive and new include the following: (1) The stabilizing brace which connects the handle to the float base. (2) The indentations which are equi-spaced along the length of the float both sides provide a fastening point for a removeable tool (the subject of a separate application). (3) End plates are attached at each end of the float.**



(21) Design Number: **17314/2007**

(22) Date of Filing Application: **05 April 2007**

(24) Date from which industrial property rights may have effect: **05 April 2007**

(54) Product in respect of which the design is registered: **Float groove tool**

(51) International Design Classification: **08-05K**

(71) Name(s) and Address(s) of Applicant(s):

Graham Charles Swanston
22 Ilumba Avenue Davistown Central Coast New South Wales 2251
Australia

(72) Name(s) of Designer(s): **Graham C. Swanston**

(45) Registration Date: **27 June 2007**

(56) Related Art Documents: **Not Applicable**

(57) Statement of Newness and Distinctiveness: **Nil**



(21) Design Number: **17315/2007**

(22) Date of Filing Application: **05 April 2007**

(24) Date from which industrial property rights may have effect: **05 April 2007**

(54) Product in respect of which the design is registered: **A bottle**

(51) International Design Classification: **09-01K**

(71) Name(s) and Address(s) of Applicant(s):

**Orient Beverage Company Pty Ltd
16 Young Street Blackwood South Australia 5051 Australia**

(72) Name(s) of Designer(s): **Richard Forgan**

(45) Registration Date: **27 June 2007**

(56) Related Art Documents: **Not Applicable**

(57) Statement of Newness and Distinctiveness: **Nil**



(21) Design Number: **17318/2007**

(22) Date of Filing Application: **05 April 2007**

(24) Date from which industrial property rights may have effect: **05 April 2007**

(54) Product in respect of which the design is registered: **Seat**

(51) International Design Classification: **06-01NES**

(71) Name(s) and Address(s) of Applicant(s):

**Tristan Kent Gratton
54 Swan Terrace Windsor Queensland 4030 Australia**

(72) Name(s) of Designer(s): **Tristan Kent Gratton**

(45) Registration Date: **27 June 2007**

(56) Related Art Documents: **Not Applicable**

(57) Statement of Newness and Distinctiveness: **The new features of the design are the shape and configuration of seats.**



(21) Design Number: **17319/2007**

(22) Date of Filing Application: **05 April 2007**

(24) Date from which industrial property rights may have effect: **05 April 2007**

(54) Product in respect of which the design is registered: **Lounge**

(51) International Design Classification: **06-01H**

(71) Name(s) and Address(s) of Applicant(s):

Tristan Kent Gratton

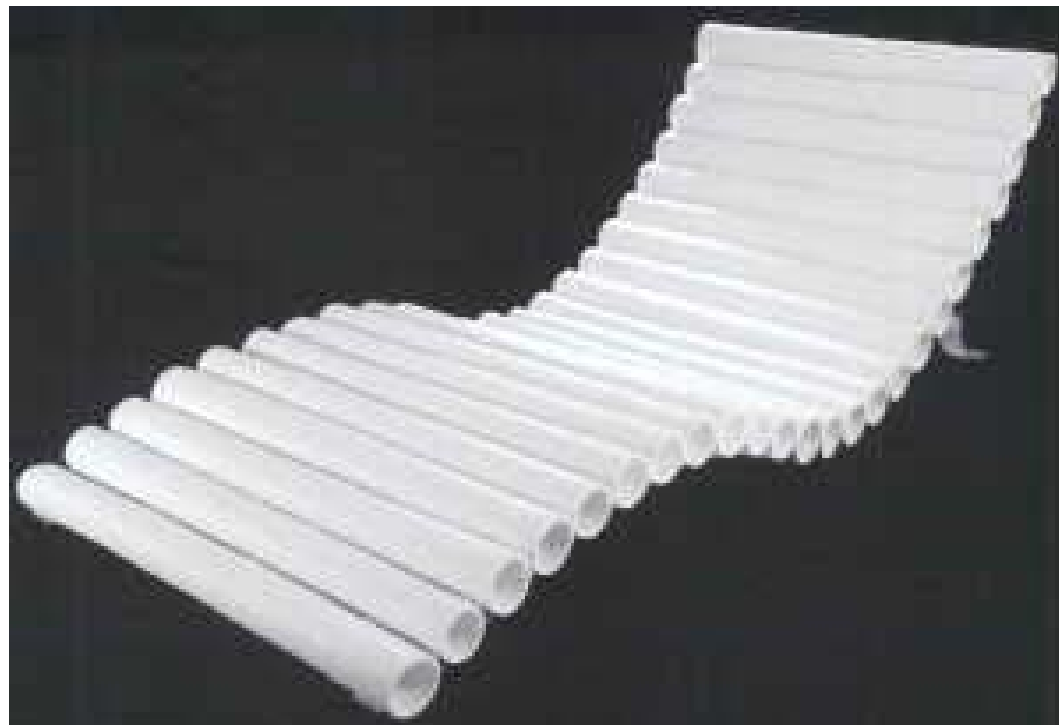
54 Swan Terrace Windsor Queensland 4030 Australia

(72) Name(s) of Designer(s): **Tristan Kent Gratton**

(45) Registration Date: **27 June 2007**

(56) Related Art Documents: **Not Applicable**

(57) Statement of Newness and Distinctiveness: **The new features of this lounge design are the use and configuration of bamboo poles and the shape of the lounge.**



(21) Design Number: **17320/2007**

(22) Date of Filing Application: **05 April 2007**

(24) Date from which industrial property rights may have effect: **05 April 2007**

(54) Product in respect of which the design is registered: **Seat**

(51) International Design Classification: **06-01NES**

(71) Name(s) and Address(s) of Applicant(s):

Tristan Kent Gratton

54 Swan Terrace Windsor Queensland 4030 Australia

(72) Name(s) of Designer(s): **Tristan Kent Gratton**

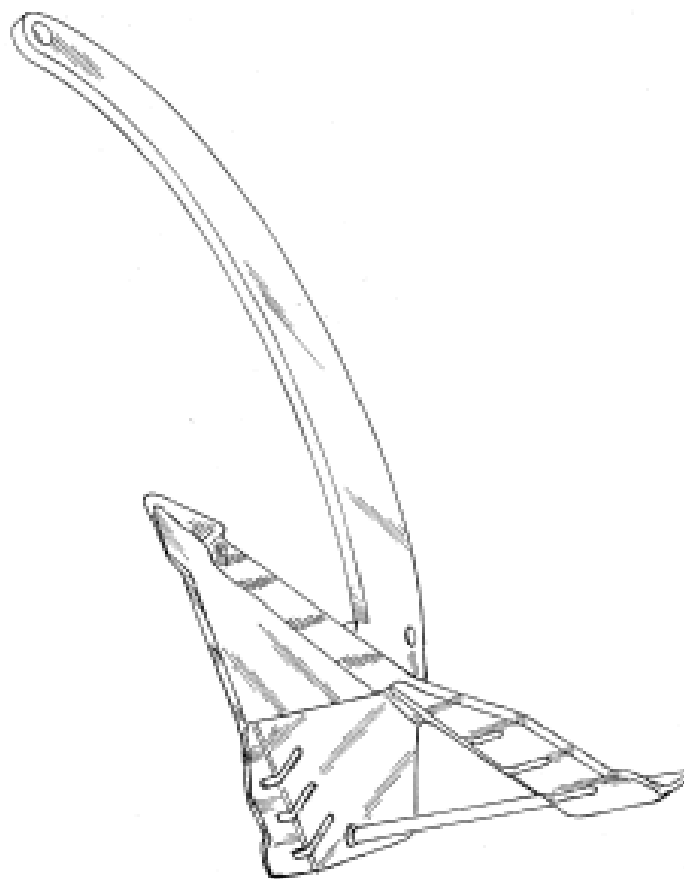
(45) Registration Date: **27 June 2007**

(56) Related Art Documents: **Not Applicable**

(57) Statement of Newness and Distinctiveness: **The new features of the design are the shape of the seat and seat base and configuration of the legs attached to the seat. All components are made from bamboo.**



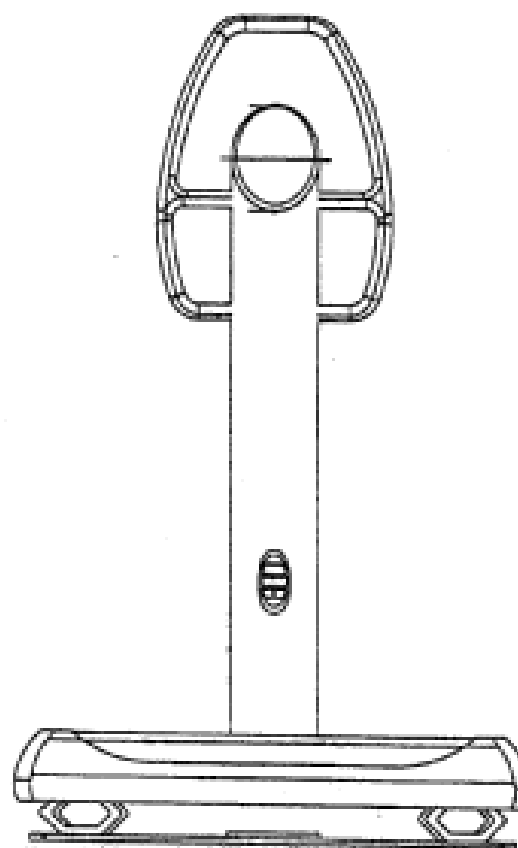
- (21) Design Number: **17324/2007**
(22) Date of Filing Application: **04 April 2007**
(24) Date from which industrial property rights may have effect: **04 April 2007**
(54) Product in respect of which the design is registered: **Anchor**
(51) International Design Classification: **12-16P**
(71) Name(s) and Address(s) of Applicant(s):
Rex William Francis
27 Dunstan Road Avonsleigh Victoria 3782 Australia
(72) Name(s) of Designer(s): **Rex William Francis**
(45) Registration Date: **27 June 2007**
(56) Related Art Documents: **Not Applicable**
(57) Statement of Newness and Distinctiveness: **The design resides in the application of the features of shape and configuration to an ANCHOR as shown in the representations.**



- (21) Design Number: **17325/2007**
(22) Date of Filing Application: **04 April 2007**
(24) Date from which industrial property rights may have effect: **04 April 2007**
(54) Product in respect of which the design is registered: **Exercise apparatus**
(51) International Design Classification: **21-02F**
(71) Name(s) and Address(s) of Applicant(s):
Dirk Meile Marcel Tamminga
Gedempte Schalkburgergracht 59 Haarlem 2021 AJ The Netherlands
(72) Name(s) of Designer(s): **Dirk Meile Marcel Tamminga**
(45) Registration Date: **27 June 2007**
(30) Convention priority data:

(31) Number	(32) Date	(33) Country
82132-00	11 Oct 2006	BENELUX

(56) Related Art Documents: **Not Applicable**
(57) Statement of Newness and Distinctiveness: **Nil**



- (21) Design Number: **17326/2007**
(22) Date of Filing Application: **04 April 2007**
(24) Date from which industrial property rights may have effect: **04 April 2007**
(54) Product in respect of which the design is registered: **Bread product**
(51) International Design Classification: **01-01**
(71) Name(s) and Address(s) of Applicant(s):

Patin Trading 184 (Proprietary) Limited
PKF House 46 Main Road Claremont 7708 South Africa

- (72) Name(s) of Designer(s): **Joel Immermann**

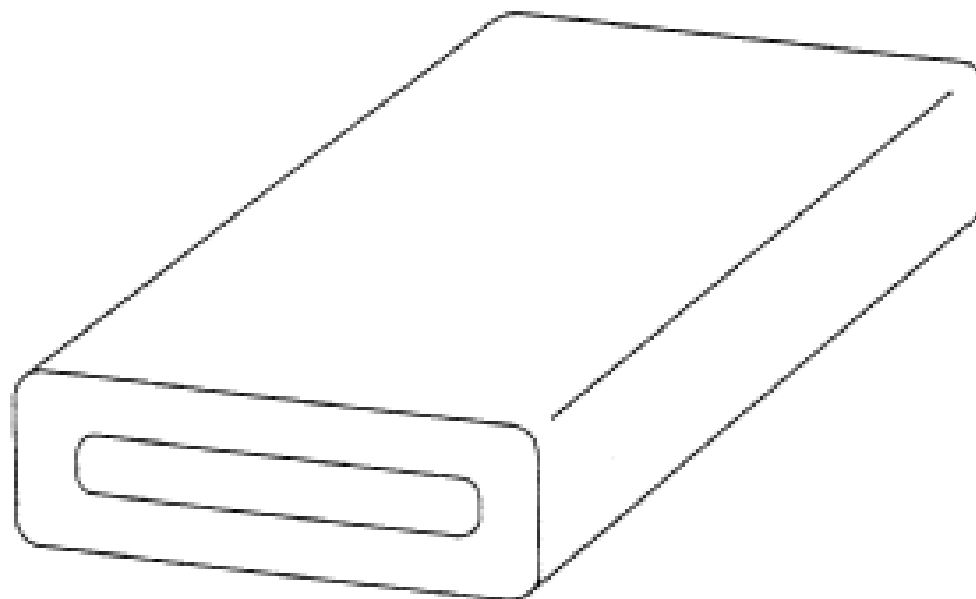
- (45) Registration Date: **27 June 2007**

- (30) Convention priority data:

(31) Number	(32) Date	(33) Country
A2006/01785	17 Nov 2006	SOUTH AFRICA

- (56) Related Art Documents: **Not Applicable**

- (57) Statement of Newness and Distinctiveness: **The newness and distinctiveness of the design resides in the features of shape and/or configuration of the bread product shown in the accompanying representations.**



- (21) Design Number: **17340/2007**
(22) Date of Filing Application: **05 April 2007**
(24) Date from which industrial property rights may have effect: **05 April 2007**
(54) Product in respect of which the design is registered: **Plate**
(51) International Design Classification: **07-01A**
(71) Name(s) and Address(s) of Applicant(s):

Villeroy & Boch AG.
Saaruferstrasse 14-18 D-66693 Mettlach Germany

- (72) Name(s) of Designer(s): **Baldur Schosser**

- (45) Registration Date: **27 June 2007**

- (30) Convention priority data:

(31) Number	(32) Date	(33) Country
40605282.4	09 Oct 2006	GERMANY

- (56) Related Art Documents: **Not Applicable**

- (57) Statement of Newness and Distinctiveness: **The shape and configuration of the product is new and distinctive. The text and logo shown on the under-side of the product is to be disregarded.**



(21) Design Number: **17341/2007**

(22) Date of Filing Application: **05 April 2007**

(24) Date from which industrial property rights may have effect: **05 April 2007**

(54) Product in respect of which the design is registered: **Plate**

(51) International Design Classification: **07-01A**

(71) Name(s) and Address(s) of Applicant(s):

Villeroy & Boch AG.

Saaruferstrasse 14-18 D-66693 Mettlach Germany

(72) Name(s) of Designer(s): **Baldur Schosser**

(45) Registration Date: **27 June 2007**

(30) Convention priority data:

(31) Number

(32) Date

(33) Country

40605282.4

09 Oct 2006

GERMANY

(56) Related Art Documents: **Not Applicable**

(57) Statement of Newness and Distinctiveness: **The shape and configuration of the product is new and distinctive. The text and logo shown on the under-side of the product is to be disregarded.**



(21) Design Number: **17342/2007**

(22) Date of Filing Application: **05 April 2007**

(24) Date from which industrial property rights may have effect: **05 April 2007**

(54) Product in respect of which the design is registered: **Cup**

(51) International Design Classification: **07-01D**

(71) Name(s) and Address(s) of Applicant(s):

Villeroy & Boch AG.

Saaruferstrasse 14-18 D-66693 Mettlach Germany

(72) Name(s) of Designer(s): **Baldur Schosser**

(45) Registration Date: **27 June 2007**

(30) Convention priority data:

(31) Number

(32) Date

(33) Country

40605282.4

09 Oct 2006

GERMANY

(56) Related Art Documents: **Not Applicable**

(57) Statement of Newness and Distinctiveness: **The shape and configuration of the product is new and distinctive. The text and logo shown on the under-side of the product is to be disregarded.**



- (21) Design Number: **17343/2007**
(22) Date of Filing Application: **05 April 2007**
(24) Date from which industrial property rights may have effect: **05 April 2007**
(54) Product in respect of which the design is registered: **Saucer**
(51) International Design Classification: **07-01D**
(71) Name(s) and Address(s) of Applicant(s):
Villeroy & Boch AG.
Saaruferstrasse 14-18 D-66693 Mettlach Germany
(72) Name(s) of Designer(s): **Baldur Schosser**
(45) Registration Date: **27 June 2007**
(30) Convention priority data:
(31) Number (32) Date (33) Country
40605282.4 09 Oct 2006 GERMANY
(56) Related Art Documents: **Not Applicable**
(57) Statement of Newness and Distinctiveness: **The shape and configuration of the product is new and distinctive. The text and logo shown on the under-side of the product is to be disregarded.**



- (21) Design Number: **17344/2007**
(22) Date of Filing Application: **05 April 2007**
(24) Date from which industrial property rights may have effect: **05 April 2007**
(54) Product in respect of which the design is registered: **Bowl**
(51) International Design Classification: **07-01B**
(71) Name(s) and Address(s) of Applicant(s):
Villeroy & Boch AG.
Saaruferstrasse 14-18 D-66693 Mettlach Germany
(72) Name(s) of Designer(s): **Baldur Schosser**
(45) Registration Date: **27 June 2007**
(30) Convention priority data:
(31) Number (32) Date (33) Country
40605282.4 09 Oct 2006 GERMANY
(56) Related Art Documents: **Not Applicable**
(57) Statement of Newness and Distinctiveness: **The shape and configuration of the product is new and distinctive. The text and logo shown on the under-side of the product is to be disregarded.**



(21) Design Number: **17345/2007**

(22) Date of Filing Application: **05 April 2007**

(24) Date from which industrial property rights may have effect: **05 April 2007**

(54) Product in respect of which the design is registered: **A ride-on tricycle**

(51) International Design Classification: **21-01F**

(71) Name(s) and Address(s) of Applicant(s):

TOYMONSTER Intellectual Property LIMITED
Room AB,F1. 31 Jia Li Mansion No.2 Lane, 1228 West Yan an Rd
Chang Ning District Shanghai 200052, China

(72) Name(s) of Designer(s): **Jon Seddon**

(45) Registration Date: **27 June 2007**

(56) Related Art Documents: **Not Applicable**

(57) Statement of Newness and Distinctiveness: **The particular visual features of the design which the applicant hereby identifies as new and distinctiveness are as follows: Shape and configuration of a ride-on tricycle article as illustrated in the accompanying representations.**



(21) Design Number: **16481/2007**

(22) Date of Filing Application: **19 February 2007**

(24) Date from which industrial property rights may have effect: **19 February 2007**

(54) Product in respect of which the design is registered: **Shower foot scrub**

(51) International Design Classification: **28-03NES**

(71) Name(s) and Address(s) of Applicant(s):

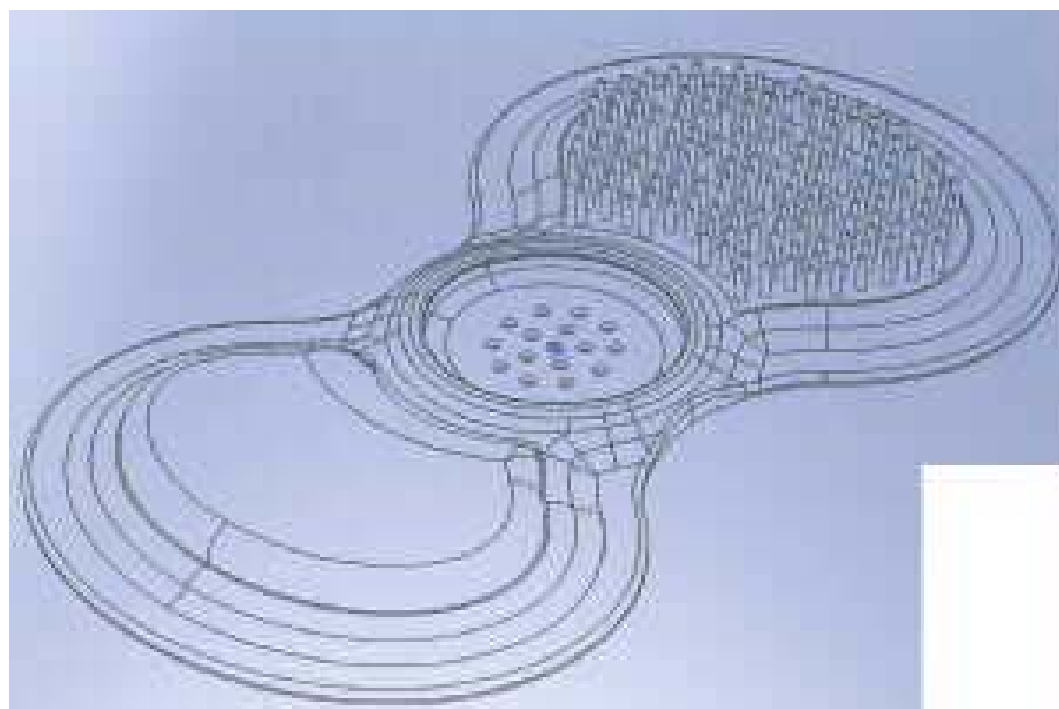
Sheyla Muratovic
5/23#25 Meehan Street Granville New South Wales 2142 Australia

(72) Name(s) of Designer(s): **Sheyla Muratovic**

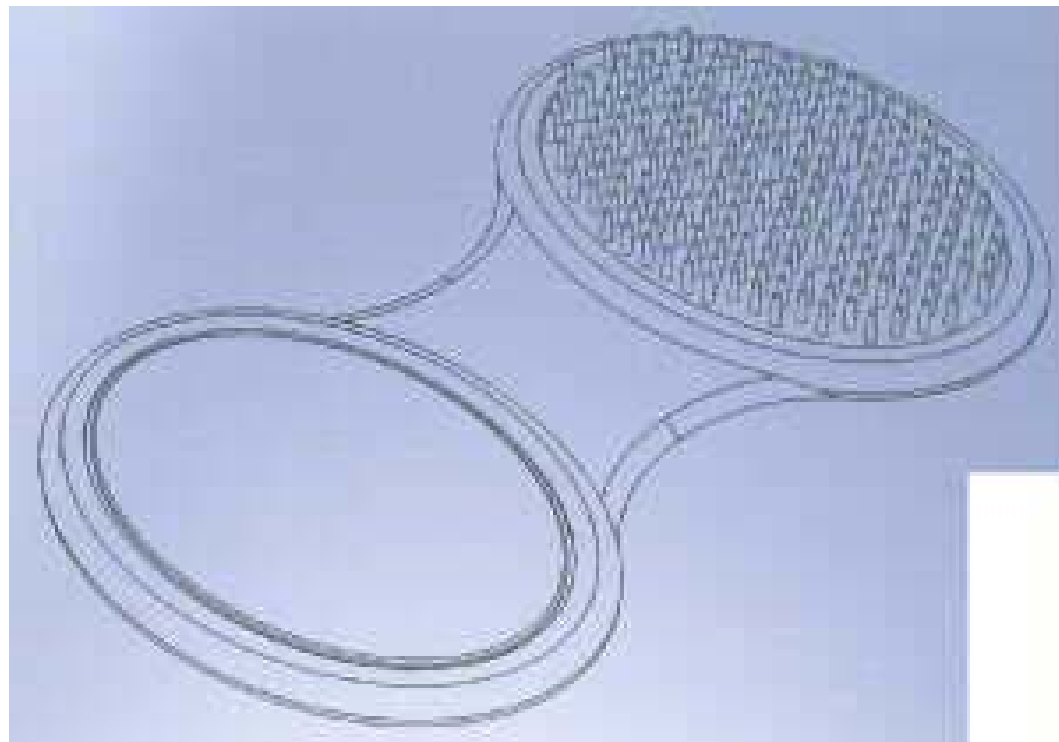
(45) Registration Date: **27 June 2007**

(56) Related Art Documents: **Not Applicable**

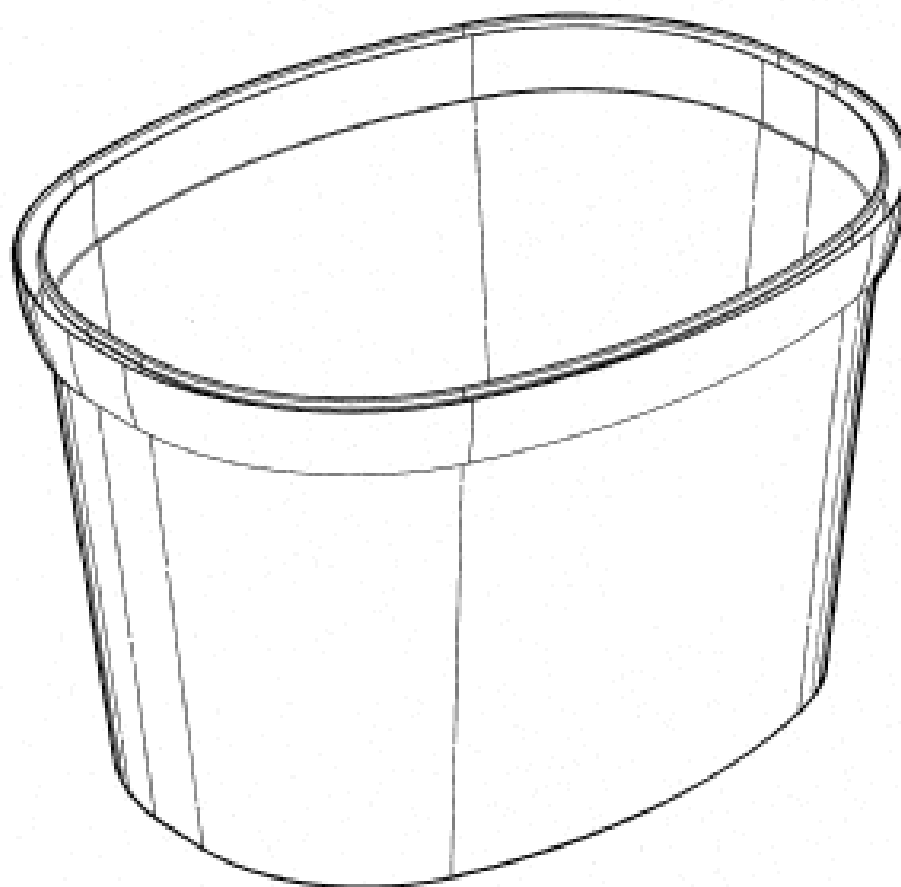
(57) Statement of Newness and Distinctiveness: **Shower foot scrub features a "soap holder" with holes to let water run through. This allows you to wash your feet or soap your feet without any bending at all. The device is slightly curved in the centre where the "soap holder" is designed allowing water to run under.**



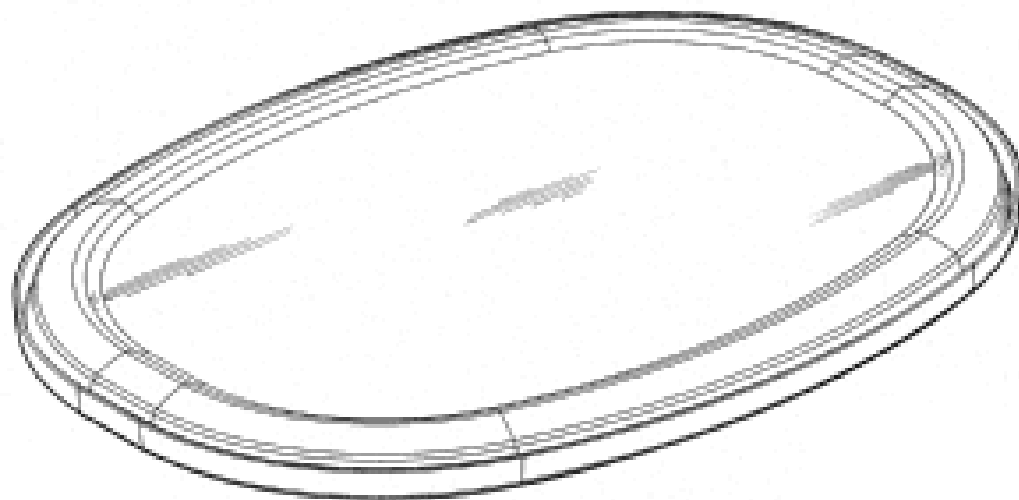
- (21) Design Number: **16482/2007**
(22) Date of Filing Application: **19 February 2007**
(24) Date from which industrial property rights may have effect: **19 February 2007**
(54) Product in respect of which the design is registered: **Shower foot scrub**
(51) International Design Classification: **28-03NES**
(71) Name(s) and Address(s) of Applicant(s):
Sheyla Muratovic
5/23#25 Meehan Street Granville New South Wales 2142 Australia
(72) Name(s) of Designer(s): **Sheyla Muratovic**
(45) Registration Date: **27 June 2007**
(56) Related Art Documents: **Not Applicable**
(57) Statement of Newness and Distinctiveness: **This device features a special design for a 'natural' brush to be inserted/clicked into device as well as natural "pumice stone". It is also designed for normal rubber/flexible PVC brushes/bristles.**



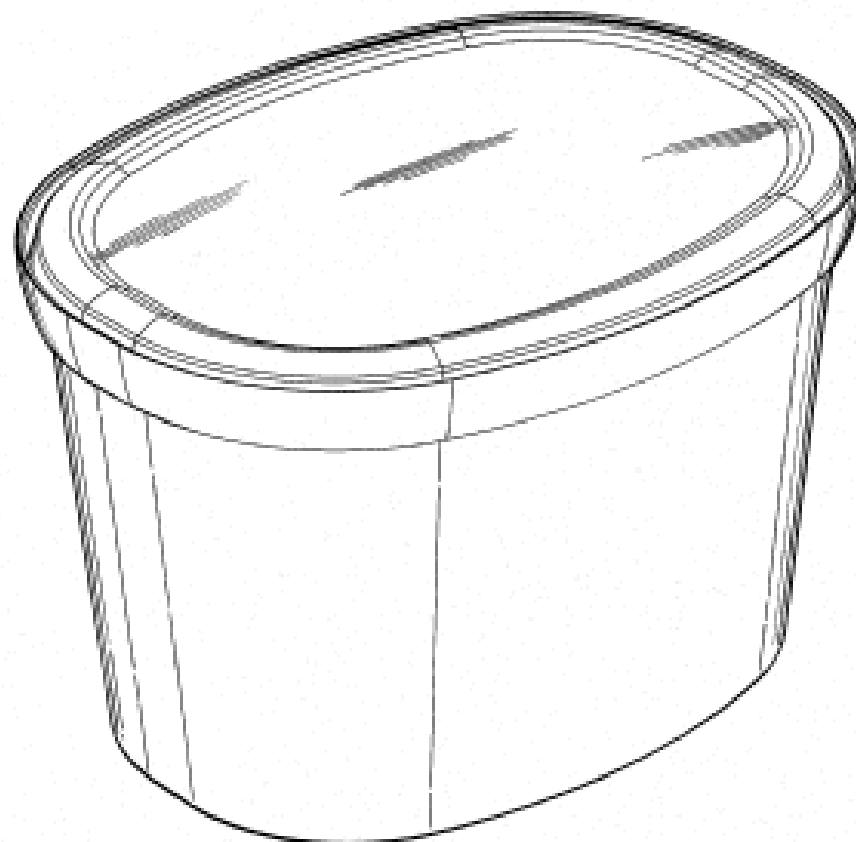
- (21) Design Number: **15255/2006**
(22) Date of Filing Application: **15 November 2006**
(24) Date from which industrial property rights may have effect: **15 November 2006**
(54) Product in respect of which the design is registered: **Container**
(51) International Design Classification: **09-03L**
(71) Name(s) and Address(s) of Applicant(s):
NCI Packaging Pty Ltd
90-92 Chifley Drive Preston Victoria 3072 Australia
(72) Name(s) of Designer(s): **Ron Morley**
(45) Registration Date: **02 July 2007**
(56) Related Art Documents: **Not Applicable**
(57) Statement of Newness and Distinctiveness: **Newness and distinctiveness resides in the visual features of shape and/or configuration of a container as illustrated in the accompanying representations.**



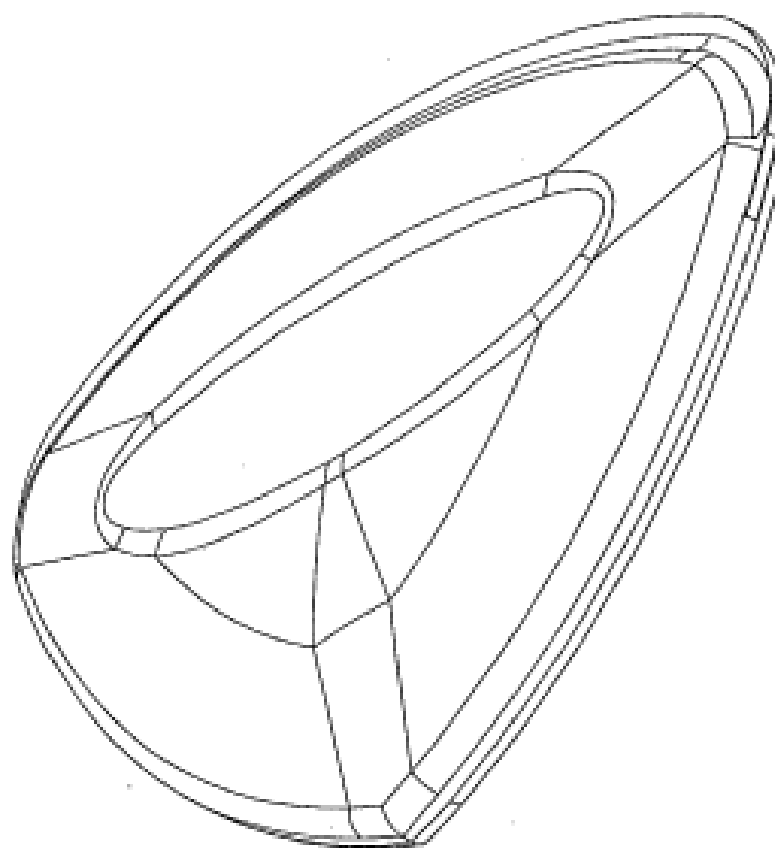
- (21) Design Number: **15256/2006**
(22) Date of Filing Application: **15 November 2006**
(24) Date from which industrial property rights may have effect: **15 November 2006**
(54) Product in respect of which the design is registered: **Container lid**
(51) International Design Classification: **09-03L**
(71) Name(s) and Address(s) of Applicant(s):
NCI Packaging Pty Ltd
90-92 Chifley Drive Preston Victoria 3072 Australia
(72) Name(s) of Designer(s): **Ron Morley**
(45) Registration Date: **02 July 2007**
(56) Related Art Documents: **Not Applicable**
(57) Statement of Newness and Distinctiveness: **Newness and distinctiveness resides in the visual features of shape and/or configuration of a container lid as illustrated in the accompanying representations.**



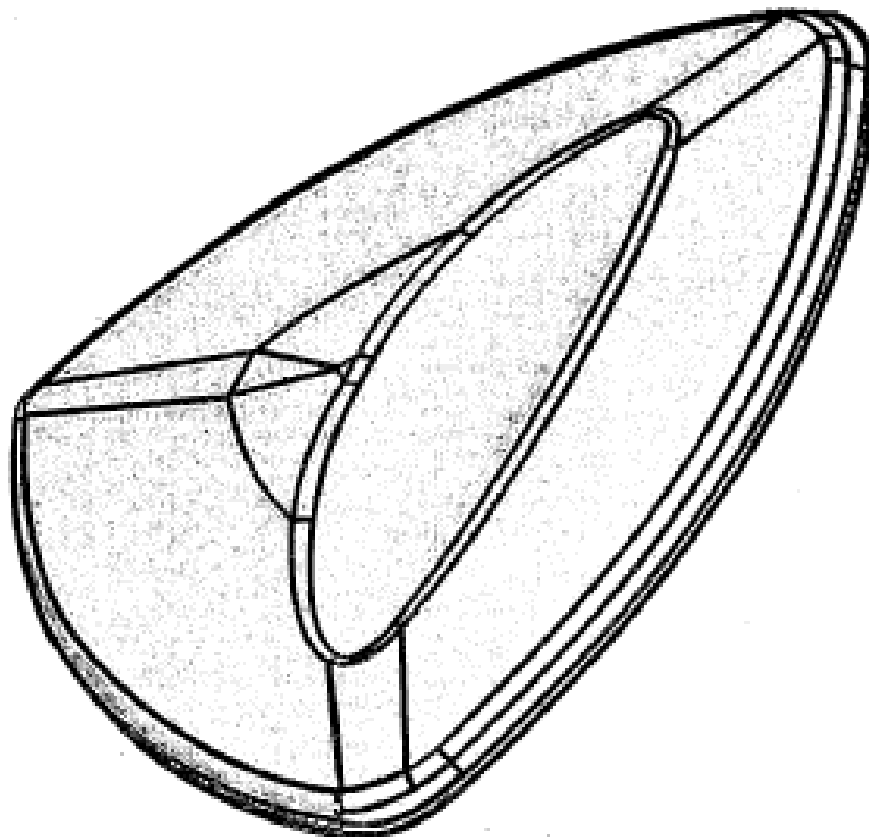
- (21) Design Number: **15257/2006**
(22) Date of Filing Application: **15 November 2006**
(24) Date from which industrial property rights may have effect: **15 November 2006**
(54) Product in respect of which the design is registered: **Container with lid**
(51) International Design Classification: **09-03L**
(71) Name(s) and Address(s) of Applicant(s):
NCI Packaging Pty Ltd
90-92 Chifley Drive Preston Victoria 3072 Australia
(72) Name(s) of Designer(s): **Ron Morley**
(45) Registration Date: **02 July 2007**
(56) Related Art Documents: **Not Applicable**
(57) Statement of Newness and Distinctiveness: **Newness and distinctiveness resides in the visual features of shape and/or configuration of a container with lid as illustrated in the accompanying representations.**



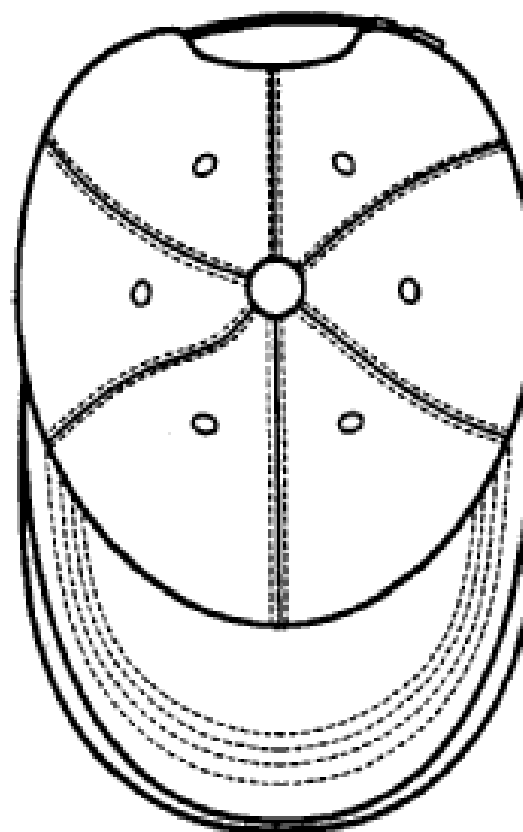
- (21) Design Number: **16577/2007**
(22) Date of Filing Application: **22 February 2007**
(24) Date from which industrial property rights may have effect: **22 February 2007**
(54) Product in respect of which the design is registered: **Skin treatment tool**
(51) International Design Classification: **28-03NES**
(71) Name(s) and Address(s) of Applicant(s):
Roberto Francesco Durso
45 Mikado Way Robina Queensland 4226 Australia
(72) Name(s) of Designer(s): **Roberto Francesco Durso**
(45) Registration Date: **02 July 2007**
(56) Related Art Documents: **Not Applicable**
(57) Statement of Newness and Distinctiveness: **Newness and distinctiveness are claimed in the shape and configuration of a skin treatment tool as illustrated in the accompanying representations.**



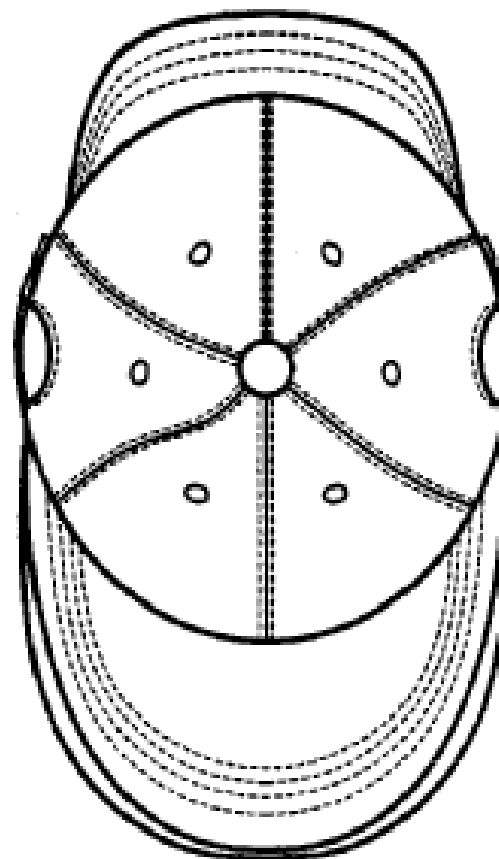
- (21) Design Number: **16578/2007**
(22) Date of Filing Application: **22 February 2007**
(24) Date from which industrial property rights may have effect: **22 February 2007**
(54) Product in respect of which the design is registered: **Skin treatment tool**
(51) International Design Classification: **28-03NES**
(71) Name(s) and Address(s) of Applicant(s):
Roberto Francesco Durso
45 Mikado Way Robina Queensland 4226 Australia
(72) Name(s) of Designer(s): **Roberto Francesco Durso**
(45) Registration Date: **02 July 2007**
(56) Related Art Documents: **Not Applicable**
(57) Statement of Newness and Distinctiveness: **Newness and distinctiveness are claimed in the shape and configuration of a skin treatment tool as illustrated in the accompanying representations.**



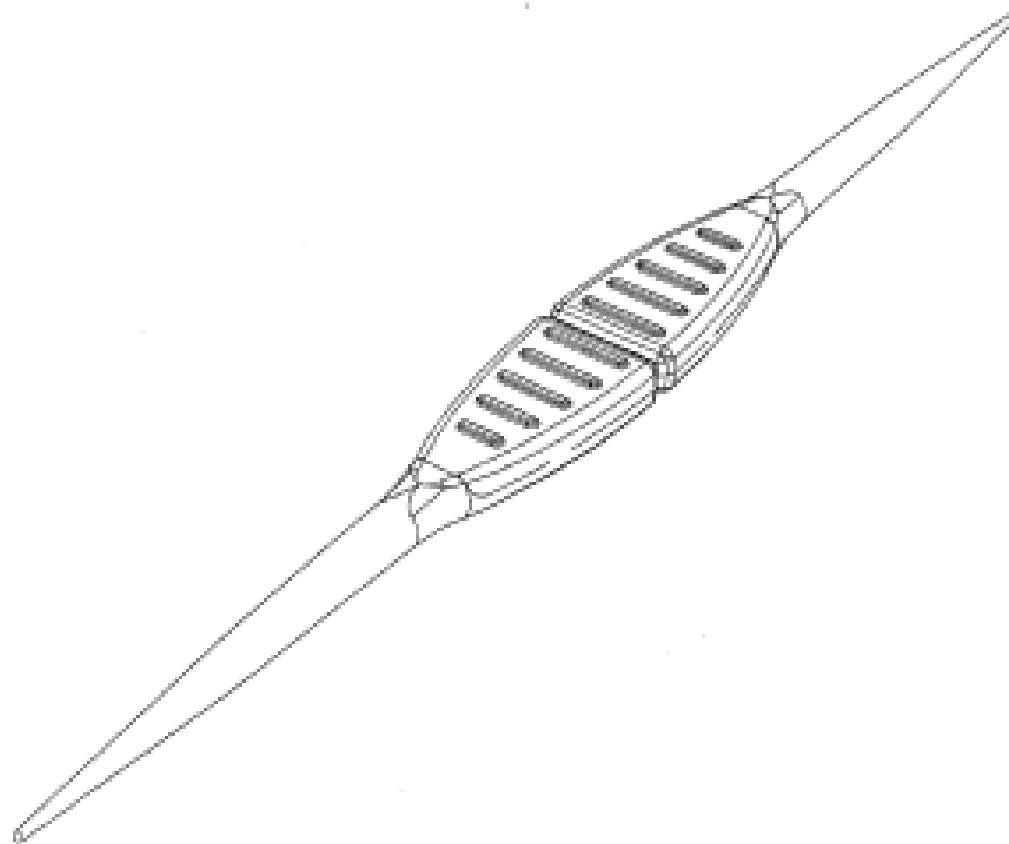
(21) Design Number: **16861/2007**
(22) Date of Filing Application: **13 March 2007**
(24) Date from which industrial property rights may have effect: **13 March 2007**
(54) Product in respect of which the design is registered: **Cap**
(51) International Design Classification: **02-03**
(71) Name(s) and Address(s) of Applicant(s):
Michael Schuessleder
Barbarastrasse 8 45739 Oer-Erkenschwick Germany
Maik Wittkowski
Kiesefeldweg 24b 45739 Oer-Erkenschwick Germany
(72) Name(s) of Designer(s): **Michael Schuessleder and Maik Wittkowski**
(45) Registration Date: **02 July 2007**
(30) Convention priority data:
(31) Number (32) Date (33) Country
000587571#0001 13 Sep 2006 EUROPEAN COMMUNITY
(56) Related Art Documents: **Not Applicable**
(57) Statement of Newness and Distinctiveness: **Nil**



(21) Design Number: **16862/2007**
(22) Date of Filing Application: **13 March 2007**
(24) Date from which industrial property rights may have effect: **13 March 2007**
(54) Product in respect of which the design is registered: **Cap with rear flap**
(51) International Design Classification: **02-03**
(71) Name(s) and Address(s) of Applicant(s):
Michael Schuessleder
Barbarastrasse 8 45739 Oer-Erkenschwick Germany
Maik Wittkowski
Kiesefeldweg 24b 45739 Oer-Erkenschwick Germany
(72) Name(s) of Designer(s): **Michael Schuessleder and Maik Wittkowski**
(45) Registration Date: **02 July 2007**
(30) Convention priority data:
(31) Number (32) Date (33) Country
000587571#0003 13 Sep 2006 EUROPEAN COMMUNITY
(56) Related Art Documents: **Not Applicable**
(57) Statement of Newness and Distinctiveness: **Nil**



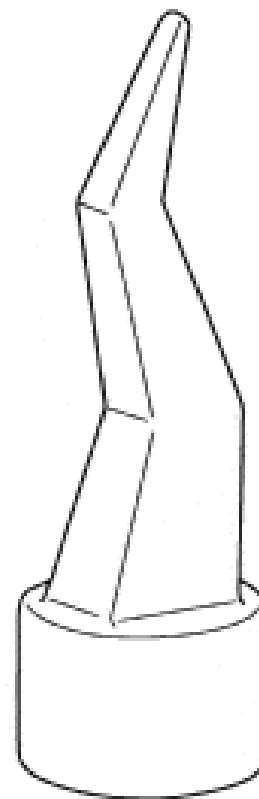
- (21) Design Number: **17108/2007**
(22) Date of Filing Application: **27 March 2007**
(24) Date from which industrial property rights may have effect: **27 March 2007**
(54) Product in respect of which the design is registered: **Oral hygiene device**
(51) International Design Classification: **28-03NES**
(71) Name(s) and Address(s) of Applicant(s):
Peter Anthony Roemuss
Unit 1/5 Kowhai Place Nerang Queensland 4211 Australia
Fanny Estelle Franks
Unit 1/5 Kowhai Place Nerang Queensland 4211 Australia
(72) Name(s) of Designer(s): **Peter Anthony Roemuss**
(45) Registration Date: **02 July 2007**
(56) Related Art Documents: **Not Applicable**
(57) Statement of Newness and Distinctiveness: **Newness and distinctiveness are claimed in the shape and configuration of an oral hygiene device as illustrated in the accompanying representations.**



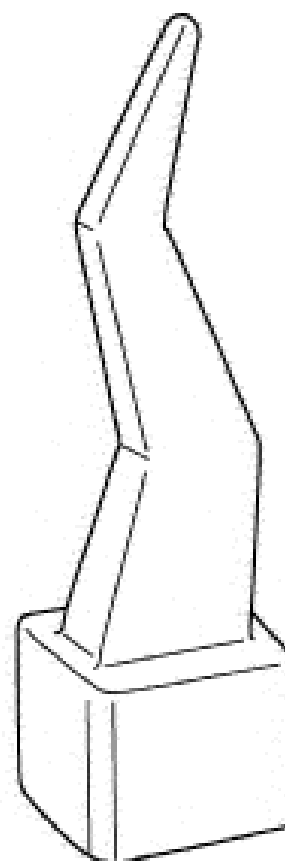
- (21) Design Number: **17328/2007**
(22) Date of Filing Application: **10 April 2007**
(24) Date from which industrial property rights may have effect: **10 April 2007**
(54) Product in respect of which the design is registered: **Decorative fence spear**
(51) International Design Classification: **25-02C**
(71) Name(s) and Address(s) of Applicant(s):
RMD Press Company Pty Ltd
6-10 Market Road Sunshine Victoria 3020 Australia
(72) Name(s) of Designer(s): **Allan Roy Masters**
(45) Registration Date: **02 July 2007**
(56) Related Art Documents: **Not Applicable**
(57) Statement of Newness and Distinctiveness: **Nil**



- (21) Design Number: **17329/2007**
- (22) Date of Filing Application: **10 April 2007**
- (24) Date from which industrial property rights may have effect: **10 April 2007**
- (54) Product in respect of which the design is registered: **Decorative fence spear**
- (51) International Design Classification: **25-02C**
- (71) Name(s) and Address(s) of Applicant(s):
RMD Press Company Pty Ltd
6-10 Market Road Sunshine Victoria 3020 Australia
- (72) Name(s) of Designer(s): **Allan Roy Masters**
- (45) Registration Date: **02 July 2007**
- (56) Related Art Documents: **Not Applicable**
- (57) Statement of Newness and Distinctiveness: **Nil**



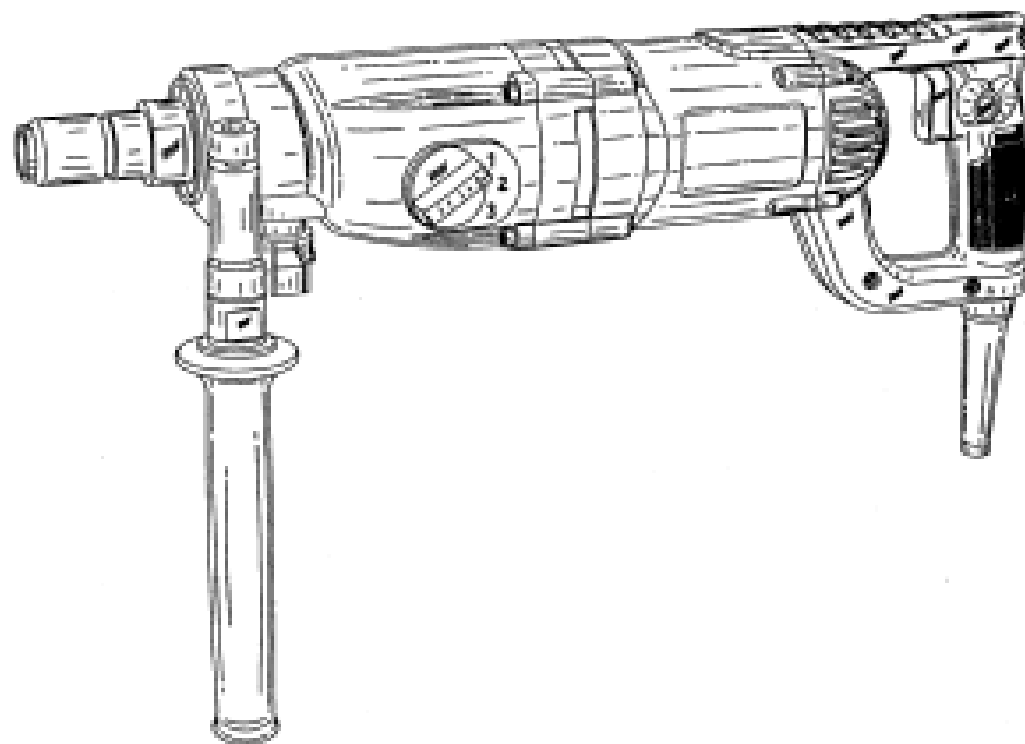
- (21) Design Number: **17330/2007**
- (22) Date of Filing Application: **10 April 2007**
- (24) Date from which industrial property rights may have effect: **10 April 2007**
- (54) Product in respect of which the design is registered: **Decorative fence spear**
- (51) International Design Classification: **25-02C**
- (71) Name(s) and Address(s) of Applicant(s):
RMD Press Company Pty Ltd
6-10 Market Road Sunshine Victoria 3020 Australia
- (72) Name(s) of Designer(s): **Allan Roy Masters**
- (45) Registration Date: **02 July 2007**
- (56) Related Art Documents: **Not Applicable**
- (57) Statement of Newness and Distinctiveness: **Nil**



(19) AU

- (21) Design Number: **17346/2007**
- (22) Date of Filing Application: **05 April 2007**
- (24) Date from which industrial property rights may have effect: **21 December 2006**
- (54) Product in respect of which the design is registered: **Drill**
- (51) International Design Classification: **08-01**
- (71) Name(s) and Address(s) of Applicant(s):
Black & Decker Inc.
1207 Drummond Plaza Newark Delaware 19711 United States of America
- (72) Name(s) of Designer(s): **Stefan Sell**
- (45) Registration Date: **02 July 2007**
- (30) Convention priority data:

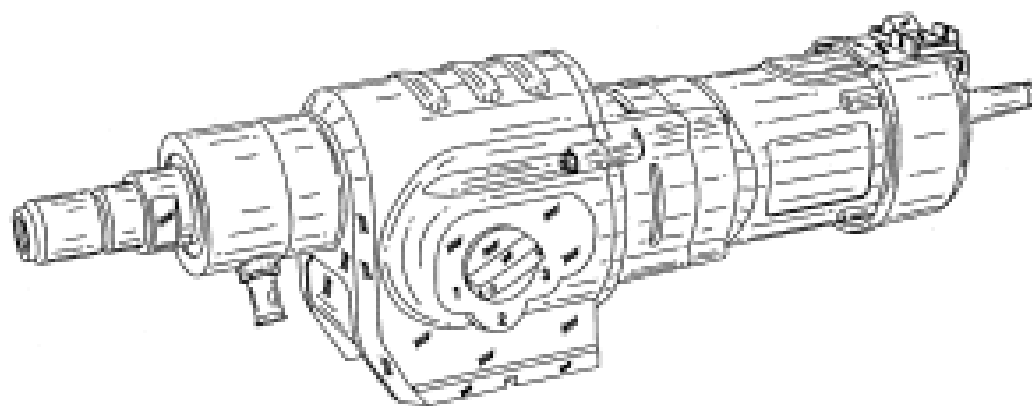
(31) Number	(32) Date	(33) Country
000550280	26 Jun 2006	EUROPEAN COMMUNITY
- (62) Divisional of: **313961**
- (56) Related Art Documents: **Not Applicable**
- (57) Statement of Newness and Distinctiveness: **Nil**



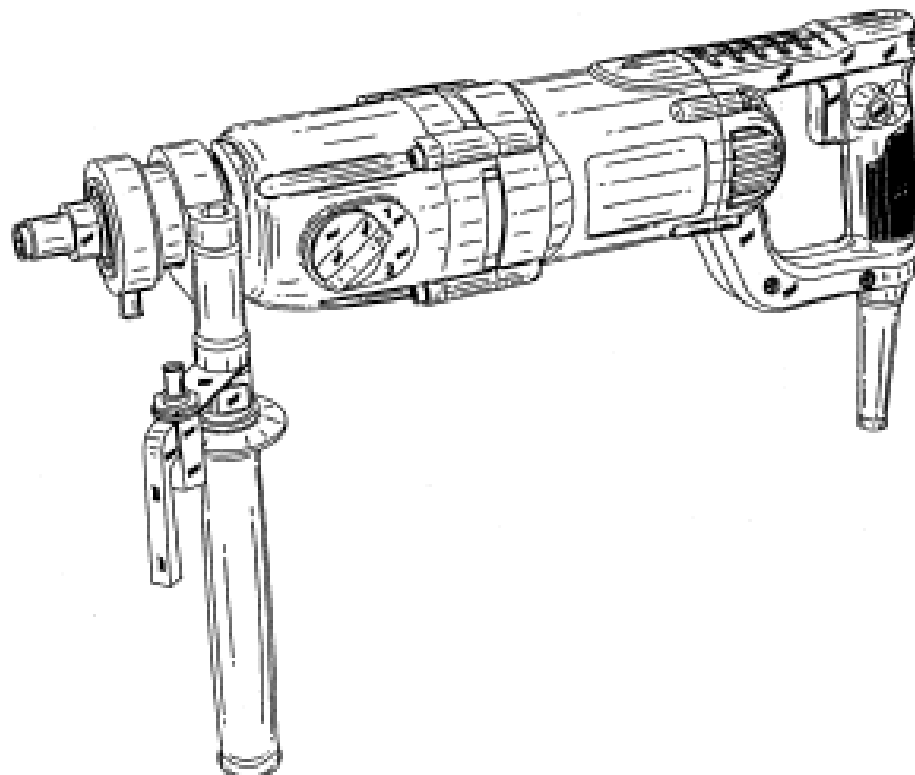
(19) AU

- (21) Design Number: **17347/2007**
- (22) Date of Filing Application: **05 April 2007**
- (24) Date from which industrial property rights may have effect: **21 December 2006**
- (54) Product in respect of which the design is registered: **Drill**
- (51) International Design Classification: **08-01**
- (71) Name(s) and Address(s) of Applicant(s):
Black & Decker Inc.
1207 Drummond Plaza Newark Delaware 19711 United States of America
- (72) Name(s) of Designer(s): **Stefan Sell**
- (45) Registration Date: **02 July 2007**
- (30) Convention priority data:

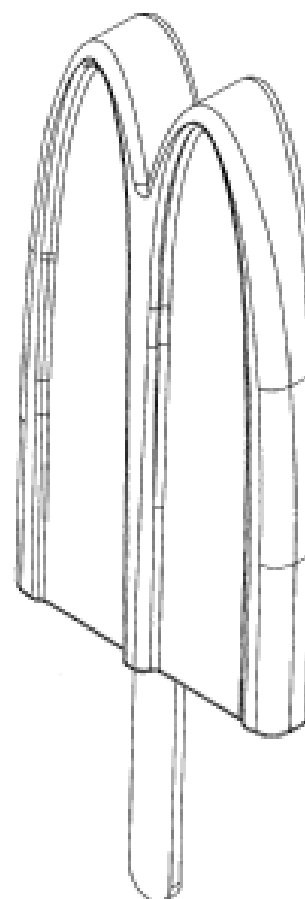
(31) Number	(32) Date	(33) Country
000550280	26 Jun 2006	EUROPEAN COMMUNITY
- (62) Divisional of: **313961**
- (56) Related Art Documents: **Not Applicable**
- (57) Statement of Newness and Distinctiveness: **Nil**



(21) Design Number: **17348/2007**
(22) Date of Filing Application: **05 April 2007**
(24) Date from which industrial property rights may have effect: **21 December 2006**
(54) Product in respect of which the design is registered: **Drill**
(51) International Design Classification: **08-01**
(71) Name(s) and Address(s) of Applicant(s):
Black & Decker Inc.
1207 Drummond Plaza Newark Delaware 19711 United States of America
(72) Name(s) of Designer(s): **Stefan Sell**
(45) Registration Date: **02 July 2007**
(30) Convention priority data:
(31) Number (32) Date (33) Country
000550280 26 Jun 2006 EUROPEAN COMMUNITY
(62) Divisional of: **313961**
(56) Related Art Documents: **Not Applicable**
(57) Statement of Newness and Distinctiveness: **Nil**



(21) Design Number: **17349/2007**
(22) Date of Filing Application: **05 April 2007**
(24) Date from which industrial property rights may have effect: **05 April 2007**
(54) Product in respect of which the design is registered: **A frozen confection**
(51) International Design Classification: **01-01**
(71) Name(s) and Address(s) of Applicant(s):
Outerspace Design Pty Ltd
17 Wangaratta Street Richmond Victoria 3121 Australia
(72) Name(s) of Designer(s): **Michael Grima and Mark Johnson and Blair Triplett**
(45) Registration Date: **02 July 2007**
(56) Related Art Documents: **Not Applicable**
(57) Statement of Newness and Distinctiveness: **Nil**



(21) Design Number: **17350/2007**

(22) Date of Filing Application: **05 April 2007**

(24) Date from which industrial property rights may have effect: **05 April 2007**

(54) Product in respect of which the design is registered: **A frozen confection**

(51) International Design Classification: **01-01**

(71) Name(s) and Address(s) of Applicant(s):

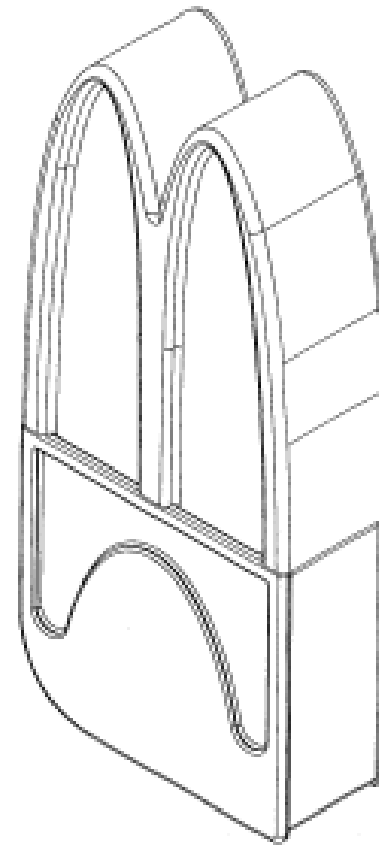
**Outerspace Design Pty Ltd
17 Wangaratta Street Richmond Victoria 3121 Australia**

(72) Name(s) of Designer(s): **Michael Grima and Mark Johnson and Blair Triplett**

(45) Registration Date: **02 July 2007**

(56) Related Art Documents: **Not Applicable**

(57) Statement of Newness and Distinctiveness: **Nil**



(21) Design Number: **17351/2007**

(22) Date of Filing Application: **10 April 2007**

(24) Date from which industrial property rights may have effect: **10 April 2007**

(54) Product in respect of which the design is registered: **Folding table**

(51) International Design Classification: **06-03B**

(71) Name(s) and Address(s) of Applicant(s):

**Sedus Stoll Aktiengesellschaft
Bruckenstrasse 15 79761 Waldshut Germany**

(72) Name(s) of Designer(s): **Tobias Weissenrieder**

(45) Registration Date: **02 July 2007**

(30) Convention priority data:

(31) Number	(32) Date	(33) Country
000607122-0001	19 Oct 2006	EUROPEAN COMMUNITY

(56) Related Art Documents: **Not Applicable**

(57) Statement of Newness and Distinctiveness: **The particular visual features of the design which are new and distinctive are shape or configuration.**



- (21) Design Number: **17352/2007**
(22) Date of Filing Application: **10 April 2007**
(24) Date from which industrial property rights may have effect: **10 April 2007**
(54) Product in respect of which the design is registered: **Perch for sitting - Case 1**
(51) International Design Classification: **06-01F**
(71) Name(s) and Address(s) of Applicant(s):
Sedus Stoll Aktiengesellschaft
Bruckenstrasse 15 79761 Waldshut Germany
(72) Name(s) of Designer(s): **Alexander Benn**
(45) Registration Date: **02 July 2007**
(30) Convention priority data:
(31) Number (32) Date (33) Country
000602370-0001 10 Oct 2006 EUROPEAN COMMUNITY
(56) Related Art Documents: **Not Applicable**
(57) Statement of Newness and Distinctiveness: **The particular visual features of the design which are new and distinctive are shape or configuration.**



- (21) Design Number: **17353/2007**
(22) Date of Filing Application: **10 April 2007**
(24) Date from which industrial property rights may have effect: **10 April 2007**
(54) Product in respect of which the design is registered: **Perch for sitting - Case 2**
(51) International Design Classification: **06-01F**
(71) Name(s) and Address(s) of Applicant(s):
Sedus Stoll Aktiengesellschaft
Bruckenstrasse 15 79761 Waldshut Germany
(72) Name(s) of Designer(s): **Alexander Benn**
(45) Registration Date: **02 July 2007**
(30) Convention priority data:
(31) Number (32) Date (33) Country
000602370-0002 10 Oct 2006 EUROPEAN COMMUNITY
(56) Related Art Documents: **Not Applicable**
(57) Statement of Newness and Distinctiveness: **The particular visual features of the design which are new and distinctive are shape or configuration.**



(21) Design Number: 17354/2007

(22) Date of Filing Application: 05 April 2007

(24) Date from which industrial property rights may have effect: 05 April 2007

(54) Product in respect of which the design is registered: A valve

(51) International Design Classification: 23-01K

(71) Name(s) and Address(s) of Applicant(s):

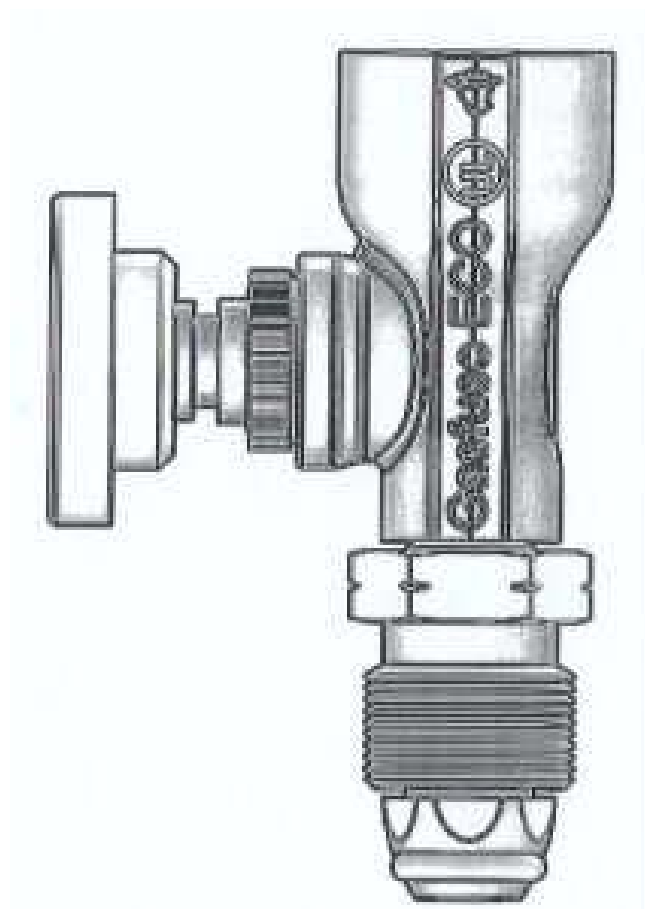
Premier-Fosters (Australia) Pty Limited
Unit 17, 2 Richard Close North Rocks New South Wales 2150 Australia

(72) Name(s) of Designer(s): Geoffrey Frederick Foster

(45) Registration Date: 02 July 2007

(56) Related Art Documents: Not Applicable

(57) Statement of Newness and Distinctiveness: **Newness and distinctiveness is claimed in the features of shape and/or configuration of a valve as illustrated in the accompanying representations.**



(21) Design Number: 17355/2007

(22) Date of Filing Application: 05 April 2007

(24) Date from which industrial property rights may have effect: 05 April 2007

(54) Product in respect of which the design is registered: A valve

(51) International Design Classification: 23-01K

(71) Name(s) and Address(s) of Applicant(s):

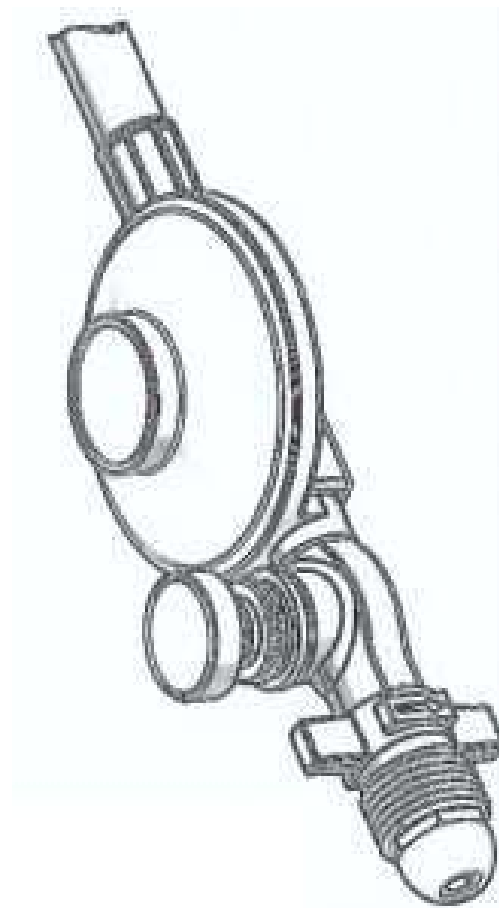
Premier-Fosters (Australia) Pty Limited
Unit 17, 2 Richard Close North Rocks New South Wales 2150 Australia

(72) Name(s) of Designer(s): Geoffrey Frederick Foster

(45) Registration Date: 02 July 2007

(56) Related Art Documents: Not Applicable

(57) Statement of Newness and Distinctiveness: **Newness and distinctiveness is claimed in the features of shape and/or configuration of a valve as illustrated in the accompanying representations.**



(21) Design Number: **17356/2007**

(22) Date of Filing Application: **05 April 2007**

(24) Date from which industrial property rights may have effect: **05 April 2007**

(54) Product in respect of which the design is registered: **A valve**

(51) International Design Classification: **23-01K**

(71) Name(s) and Address(s) of Applicant(s):

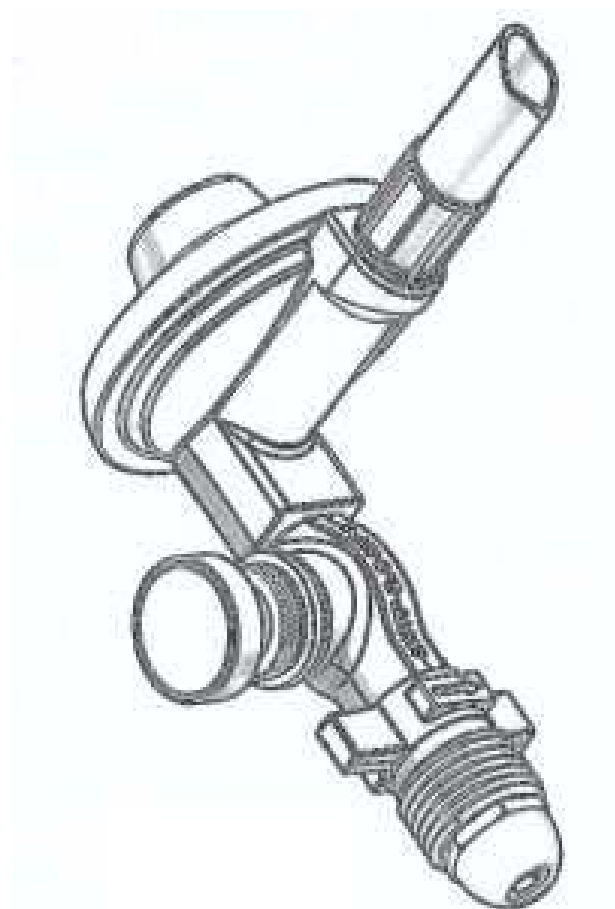
**Premier-Fosters (Australia) Pty Limited
Unit 17, 2 Richard Close North Rocks New South Wales 2150 Australia**

(72) Name(s) of Designer(s): **Geoffrey Frederick Foster**

(45) Registration Date: **02 July 2007**

(56) Related Art Documents: **Not Applicable**

(57) Statement of Newness and Distinctiveness: **Newness and distinctiveness is claimed in the features of shape and/or configuration of a valve as illustrated in the accompanying representations.**



(21) Design Number: **17357/2007**

(22) Date of Filing Application: **05 April 2007**

(24) Date from which industrial property rights may have effect: **05 April 2007**

(54) Product in respect of which the design is registered: **Automobile side skirt**

(51) International Design Classification: **12-16B**

(71) Name(s) and Address(s) of Applicant(s):

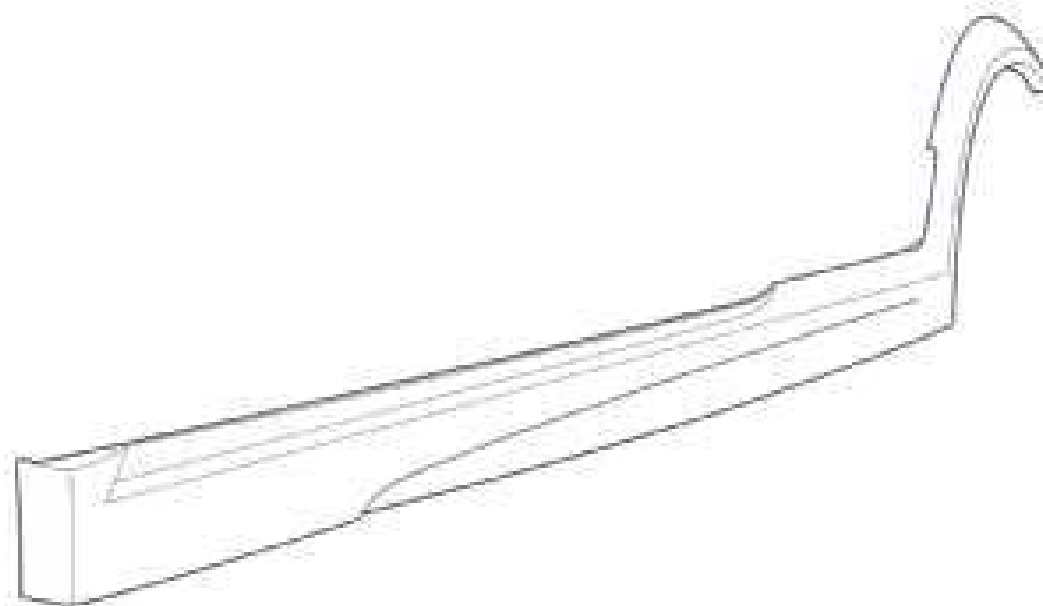
**Alan Brian Kendall
Unit 16 429 The Boulevard Kirrawee New South Wales 2232 Australia**

(72) Name(s) of Designer(s): **John Learson**

(45) Registration Date: **02 July 2007**

(56) Related Art Documents: **Not Applicable**

(57) Statement of Newness and Distinctiveness: **Newness and distinctiveness reside in the features of the design as shown in the representations.**



(21) Design Number: **17358/2007**

(22) Date of Filing Application: **05 April 2007**

(24) Date from which industrial property rights may have effect: **05 April 2007**

(54) Product in respect of which the design is registered: **Automobile front bumper**

(51) International Design Classification: **12-16B**

(71) Name(s) and Address(s) of Applicant(s):

Alan Brian Kendall

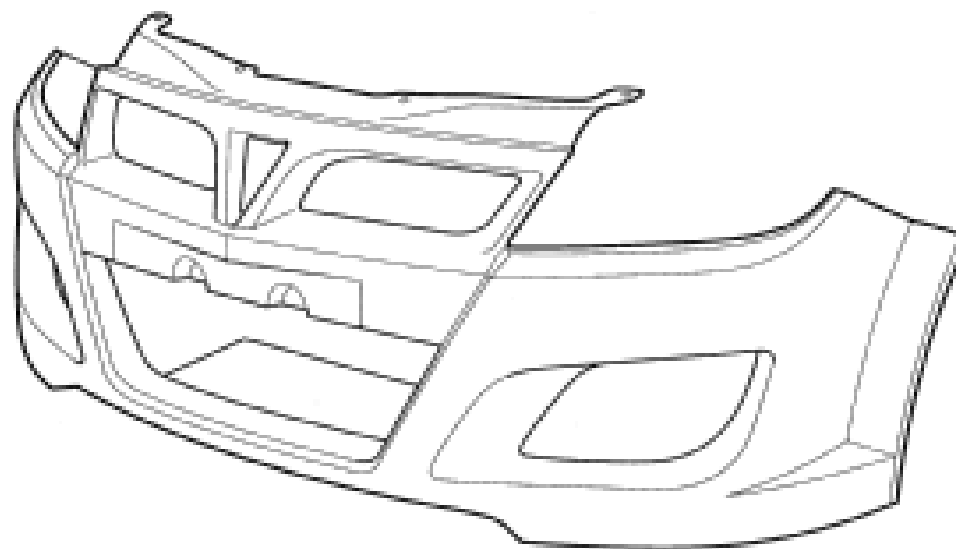
Unit 16 429 The Boulevard Kirrawee New South Wales 2232 Australia

(72) Name(s) of Designer(s): **John Learson**

(45) Registration Date: **02 July 2007**

(56) Related Art Documents: **Not Applicable**

(57) Statement of Newness and Distinctiveness: **Newness and distinctiveness reside in the features of the design as shown in the representations.**



(21) Design Number: **17359/2007**

(22) Date of Filing Application: **05 April 2007**

(24) Date from which industrial property rights may have effect: **05 April 2007**

(54) Product in respect of which the design is registered: **Automobile rear bumper**

(51) International Design Classification: **12-16B**

(71) Name(s) and Address(s) of Applicant(s):

Alan Brian Kendall

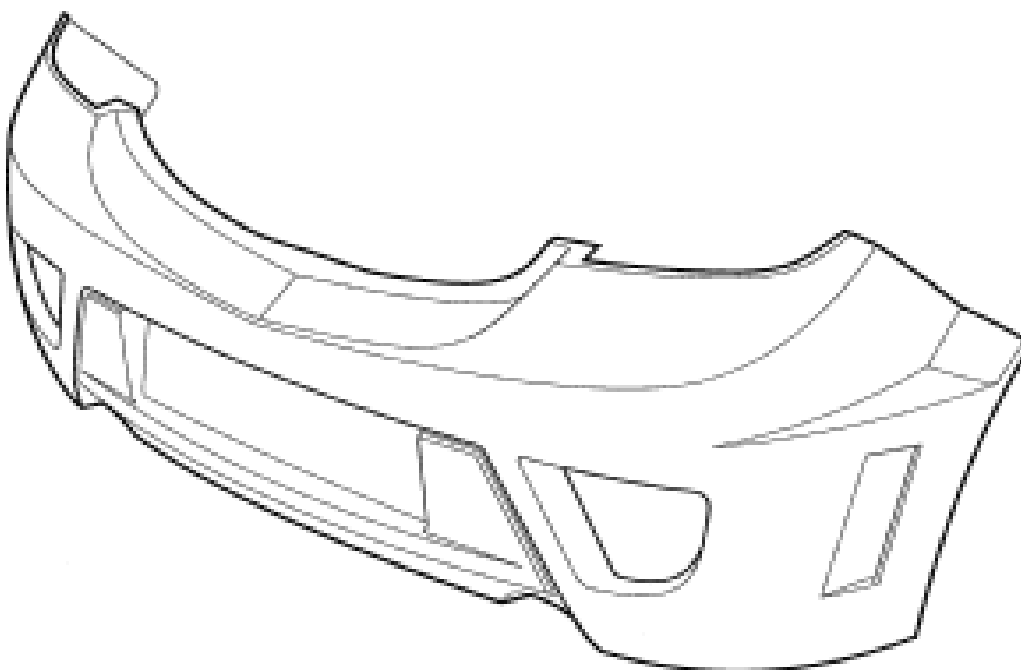
Unit 16 429 The Boulevard Kirrawee New South Wales 2232 Australia

(72) Name(s) of Designer(s): **John Learson**

(45) Registration Date: **02 July 2007**

(56) Related Art Documents: **Not Applicable**

(57) Statement of Newness and Distinctiveness: **Newness and distinctiveness reside in the features of the design as shown in the representations.**



(21) Design Number: **17360/2007**

(22) Date of Filing Application: **05 April 2007**

(24) Date from which industrial property rights may have effect: **05 April 2007**

(54) Product in respect of which the design is registered: **A mitre saw**

(51) International Design Classification: **08-03**

(71) Name(s) and Address(s) of Applicant(s):

GMCA Pty Ltd
45-55 South Centre Road Melbourne Airport Victoria 3045 Australia

(72) Name(s) of Designer(s): **Michael Waldron**

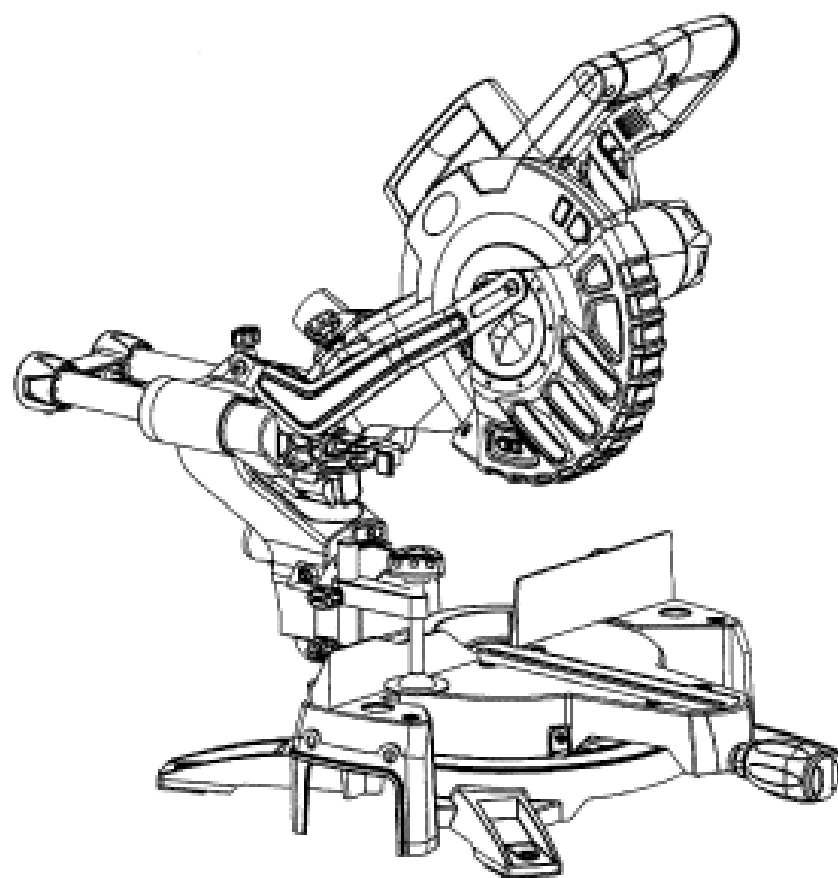
(45) Registration Date: **02 July 2007**

(30) Convention priority data:

(31) Number	(32) Date	(33) Country
4000154	13 Oct 2006	UNITED KINGDOM

(56) Related Art Documents: **Not Applicable**

(57) Statement of Newness and Distinctiveness: **Newness and distinctiveness resides in the features of shape and configuration of a mitre saw as shown in the accompanying representations.**



(21) Design Number: **15506/2006**

(22) Date of Filing Application: **30 November 2006**

(24) Date from which industrial property rights may have effect: **30 November 2006**

(54) Product in respect of which the design is registered: **Front grille for automobile**

(51) International Design Classification: **12-16B**

(71) Name(s) and Address(s) of Applicant(s):

Toyota Jidosha Kabushiki Kaisha
1 Toyota-cho Toyota-shi Aichi-ken 471-8571 Japan

(72) Name(s) of Designer(s): **Kayoko Ichihashi**

(45) Registration Date: **29 June 2007**

(56) Related Art Documents: **Not Applicable**

(57) Statement of Newness and Distinctiveness: **Those features of the grille for automobile depicted in the representations that are new and distinctive are the shape and/or configuration. The rear view is to be disregarded when considering the overall impression of the design.**



- (21) Design Number: **16987/2007**
(22) Date of Filing Application: **21 March 2007**
(24) Date from which industrial property rights may have effect: **21 March 2007**
(54) Product in respect of which the design is registered: **A seesaw**
(51) International Design Classification: **21-03**
(71) Name(s) and Address(s) of Applicant(s):

Denys Lloyd Filleul Trading as Playground Centre
10 St Leonard Street Wanganui 4501 New Zealand

Marcia Ann Filleul Trading as Playground Centre
10 St Leonard Street Wanganui 4501 New Zealand

- (72) Name(s) of Designer(s): **Denys Lloyd Filleul**

- (45) Registration Date: **29 June 2007**

- (30) Convention priority data:

(31) Number	(32) Date	(33) Country
408128	21 Sep 2006	NEW ZEALAND

- (56) Related Art Documents: **Not Applicable**

- (57) Statement of Newness and Distinctiveness: **Newness and distinctiveness is claimed in the feature of shape and configuration of a seesaw as illustrated in the representations accompanying the application.**



- (21) Design Number: **16988/2007**
(22) Date of Filing Application: **21 March 2007**
(24) Date from which industrial property rights may have effect: **21 March 2007**
(54) Product in respect of which the design is registered: **A seesaw**
(51) International Design Classification: **21-03**
(71) Name(s) and Address(s) of Applicant(s):

Denys Lloyd Filleul Trading as Playground Centre
10 St Leonard Street Wanganui 4501 New Zealand

Marcia Ann Filleul Trading as Playground Centre
10 St Leonard Street Wanganui 4501 New Zealand

- (72) Name(s) of Designer(s): **Denys Lloyd Filleul**

- (45) Registration Date: **29 June 2007**

- (30) Convention priority data:

(31) Number	(32) Date	(33) Country
408129	21 Sep 2006	NEW ZEALAND

- (56) Related Art Documents: **Not Applicable**

- (57) Statement of Newness and Distinctiveness: **Newness and distinctiveness is claimed in the feature of shape and configuration of a seesaw as illustrated in the representations accompanying the application.**



(21) Design Number: **16989/2007**

(22) Date of Filing Application: **21 March 2007**

(24) Date from which industrial property rights may have effect: **21 March 2007**

(54) Product in respect of which the design is registered: **A seesaw**

(51) International Design Classification: **21-03**

(71) Name(s) and Address(s) of Applicant(s):

**Denys Lloyd Filleul Trading as Playground Centre
10 St Leonard Street Wanganui 4501 New Zealand**

**Marcia Ann Filleul Trading as Playground Centre
10 St Leonard Street Wanganui 4501 New Zealand**

(72) Name(s) of Designer(s): **Denys Lloyd Filleul**

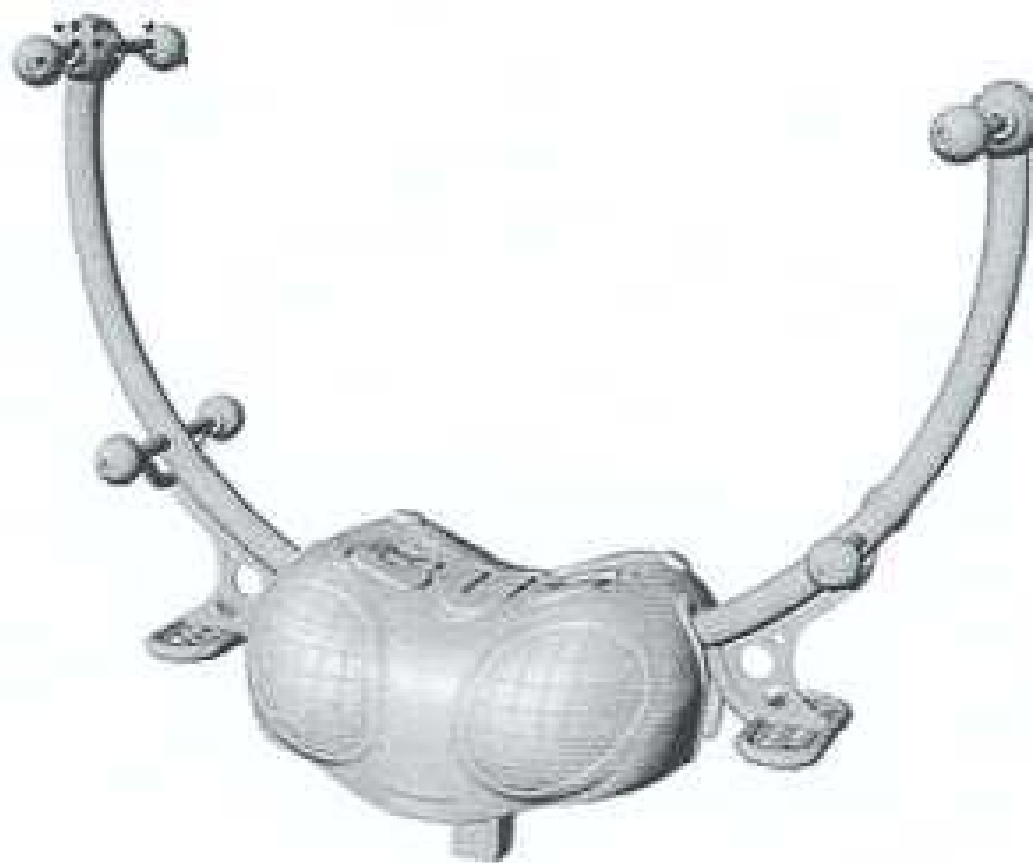
(45) Registration Date: **29 June 2007**

(30) Convention priority data:

(31) Number	(32) Date	(33) Country
408130	21 Sep 2006	NEW ZEALAND

(56) Related Art Documents: **Not Applicable**

(57) Statement of Newness and Distinctiveness: **Newness and distinctiveness is claimed in the feature of shape and configuration of a seesaw as illustrated in the representations accompanying the application.**



(21) Design Number: **16990/2007**

(22) Date of Filing Application: **21 March 2007**

(24) Date from which industrial property rights may have effect: **21 March 2007**

(54) Product in respect of which the design is registered: **An exercise machine**

(51) International Design Classification: **21-02F**

(71) Name(s) and Address(s) of Applicant(s):

**Denys Lloyd Filleul Trading as Playground Centre
10 St Leonard Street Wanganui 4501 New Zealand**

**Marcia Ann Filleul Trading as Playground Centre
10 St Leonard Street Wanganui 4501 New Zealand**

(72) Name(s) of Designer(s): **Denys Lloyd Filleul**

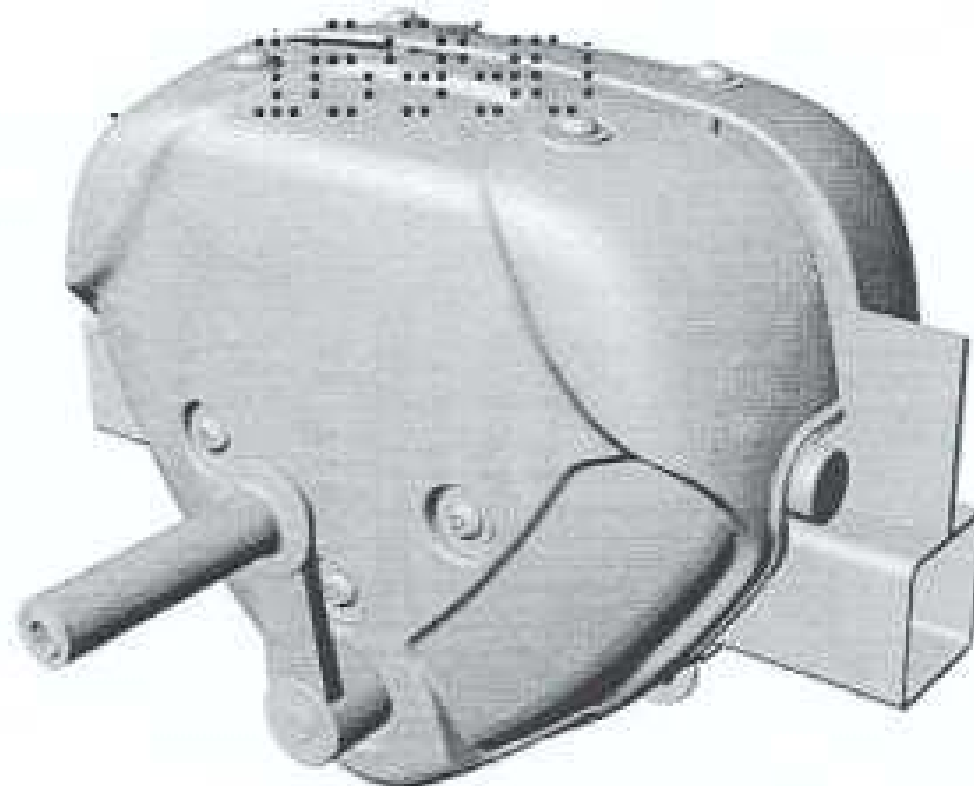
(45) Registration Date: **29 June 2007**

(30) Convention priority data:

(31) Number	(32) Date	(33) Country
408131	21 Sep 2006	NEW ZEALAND

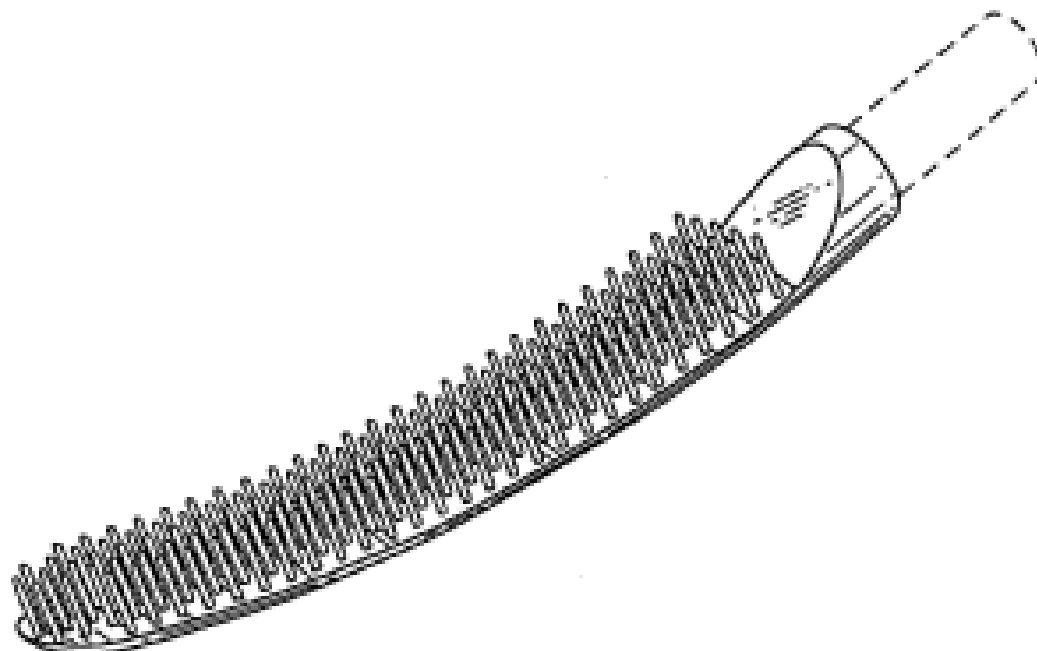
(56) Related Art Documents: **Not Applicable**

(57) Statement of Newness and Distinctiveness: **Newness and distinctiveness is claimed in the feature of shape and configuration of an exercise machine as illustrated in the representations accompanying the application.**



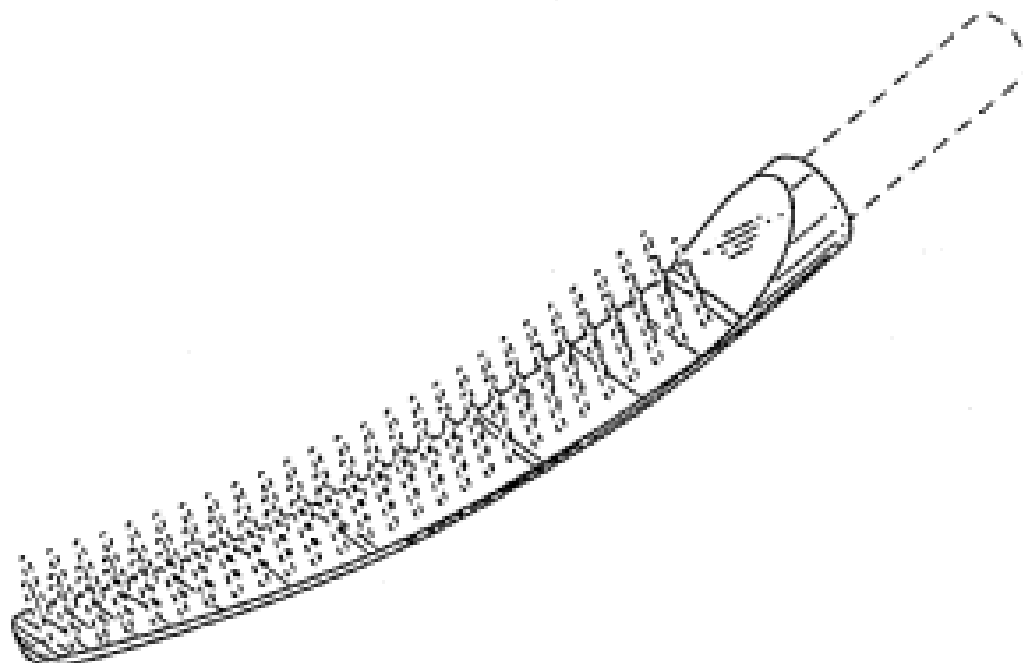
- (21) Design Number: **17078/2007**
- (22) Date of Filing Application: **26 March 2007**
- (24) Date from which industrial property rights may have effect: **26 March 2007**
- (54) Product in respect of which the design is registered: **Applicator head**
- (51) International Design Classification: **04-02**
- (71) Name(s) and Address(s) of Applicant(s):
ELC Management LLC
767 Fifth Avenue New York New York 10153 United States of America
- (72) Name(s) of Designer(s): **Herve F. Bouix and Charles P. Neuner and William Bickford**
- (45) Registration Date: **29 June 2007**
- (30) Convention priority data:

(31) Number	(32) Date	(33) Country
29/249,156	25 Sep 2006	UNITED STATES OF AMERICA
- (56) Related Art Documents: **Not Applicable**
- (57) Statement of Newness and Distinctiveness: **Those features of the applicator head depicted in the representations that are new and distinctive are the shape and/or configuration. The features shown in broken lines are not part of the design and are to be disregarded when considering the overall impression of the design.**



- (21) Design Number: **17079/2007**
- (22) Date of Filing Application: **26 March 2007**
- (24) Date from which industrial property rights may have effect: **26 March 2007**
- (54) Product in respect of which the design is registered: **Applicator head**
- (51) International Design Classification: **04-02**
- (71) Name(s) and Address(s) of Applicant(s):
ELC Management LLC
767 Fifth Avenue New York New York 10153 United States of America
- (72) Name(s) of Designer(s): **Herve F. Bouix and Charles P. Neuner and William Bickford**
- (45) Registration Date: **29 June 2007**
- (30) Convention priority data:

(31) Number	(32) Date	(33) Country
29/249,156	25 Sep 2006	UNITED STATES OF AMERICA
- (56) Related Art Documents: **Not Applicable**
- (57) Statement of Newness and Distinctiveness: **Those features of the applicator head depicted in the representations that are new and distinctive are the shape and/or configuration. The features shown in broken lines are not part of the design and are to be disregarded when considering the overall impression of the design.**



(21) Design Number: **17086/2007**

(22) Date of Filing Application: **26 March 2007**

(24) Date from which industrial property rights may have effect: **26 March 2007**

(54) Product in respect of which the design is registered: **Grille for automobile**

(51) International Design Classification: **12-16B**

(71) Name(s) and Address(s) of Applicant(s):

**Toyota Jidosha Kabushiki Kaisha
1 Toyota-cho Toyota-shi Aichi-ken 471-8571 Japan**

(72) Name(s) of Designer(s): **Masaki Okue**

(45) Registration Date: **29 June 2007**

(30) Convention priority data:

(31) Number	(32) Date	(33) Country
2006#025866	27 Sep 2006	JAPAN

(56) Related Art Documents: **Not Applicable**

(57) Statement of Newness and Distinctiveness: **Those features of the grille for automobile depicted in the representations that are new and distinctive are the shape and/or configuration. The features shown in the rear view are to be disregarded when considering the overall impression of the design.**



(21) Design Number: **17093/2007**

(22) Date of Filing Application: **26 March 2007**

(24) Date from which industrial property rights may have effect: **26 March 2007**

(54) Product in respect of which the design is registered: **Grille for automobile**

(51) International Design Classification: **12-16B**

(71) Name(s) and Address(s) of Applicant(s):

**Toyota Jidosha Kabushiki Kaisha
1 Toyota-cho Toyota-shi Aichi-ken 471-8571 Japan**

(72) Name(s) of Designer(s): **Masao Saito**

(45) Registration Date: **29 June 2007**

(30) Convention priority data:

(31) Number	(32) Date	(33) Country
2006#025888	27 Sep 2006	JAPAN

(56) Related Art Documents: **Not Applicable**

(57) Statement of Newness and Distinctiveness: **Those features of the grille for automobile depicted in the representations that are new and distinctive are the shape and/or configuration. The features shown in the rear view are to be disregarded when considering the overall impression of the design.**



- (21) Design Number: **17099/2007**
(22) Date of Filing Application: **26 March 2007**
(24) Date from which industrial property rights may have effect: **26 March 2007**
(54) Product in respect of which the design is registered: **Automobile**
(51) International Design Classification: **12-08**
(71) Name(s) and Address(s) of Applicant(s):
Toyota Jidosha Kabushiki Kaisha
1 Toyota-cho Toyota-shi Aichi-ken 471-8571 Japan
(72) Name(s) of Designer(s): **Yoshiharu Nakajima**
(45) Registration Date: **29 June 2007**
(30) Convention priority data:
(31) Number (32) Date (33) Country
2006#025898 27 Sep 2006 JAPAN
(56) Related Art Documents: **Not Applicable**
(57) Statement of Newness and Distinctiveness: **Those features of the automobile depicted in the representations that are new and distinctive are the shape and/or configuration.**



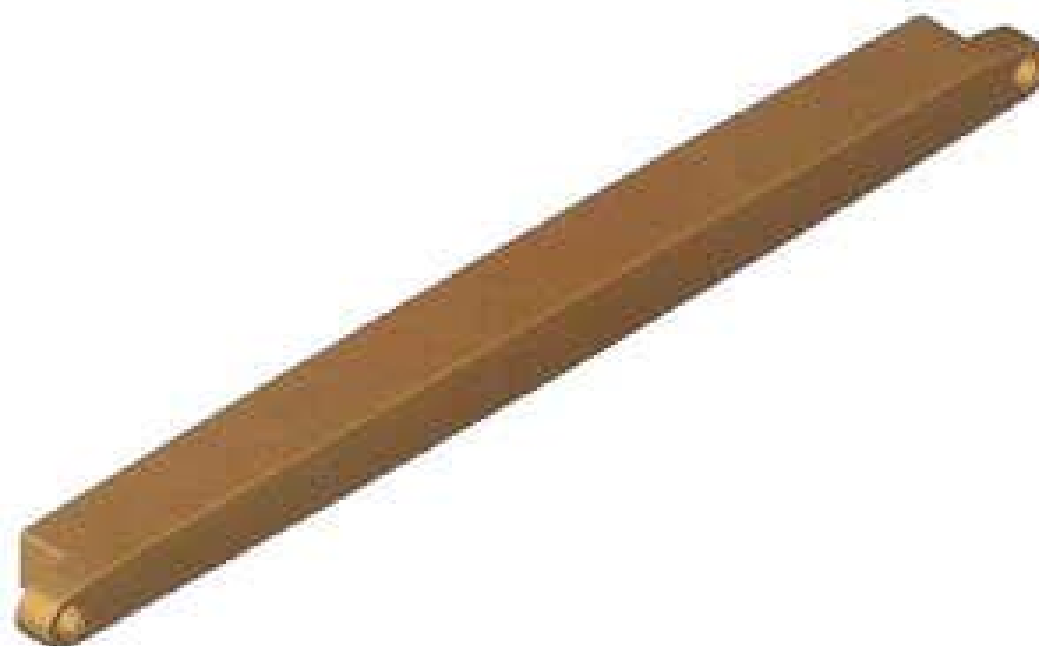
- (21) Design Number: **17100/2007**
(22) Date of Filing Application: **26 March 2007**
(24) Date from which industrial property rights may have effect: **26 March 2007**
(54) Product in respect of which the design is registered: **Automobile**
(51) International Design Classification: **12-08**
(71) Name(s) and Address(s) of Applicant(s):
Toyota Jidosha Kabushiki Kaisha
1 Toyota-cho Toyota-shi Aichi-ken 471-8571 Japan
(72) Name(s) of Designer(s): **Yoshiharu Nakajima**
(45) Registration Date: **29 June 2007**
(30) Convention priority data:
(31) Number (32) Date (33) Country
2006#025899 27 Sep 2006 JAPAN
(56) Related Art Documents: **Not Applicable**
(57) Statement of Newness and Distinctiveness: **Those features of the automobile depicted in the representations that are new and distinctive are the shape and/or configuration.**



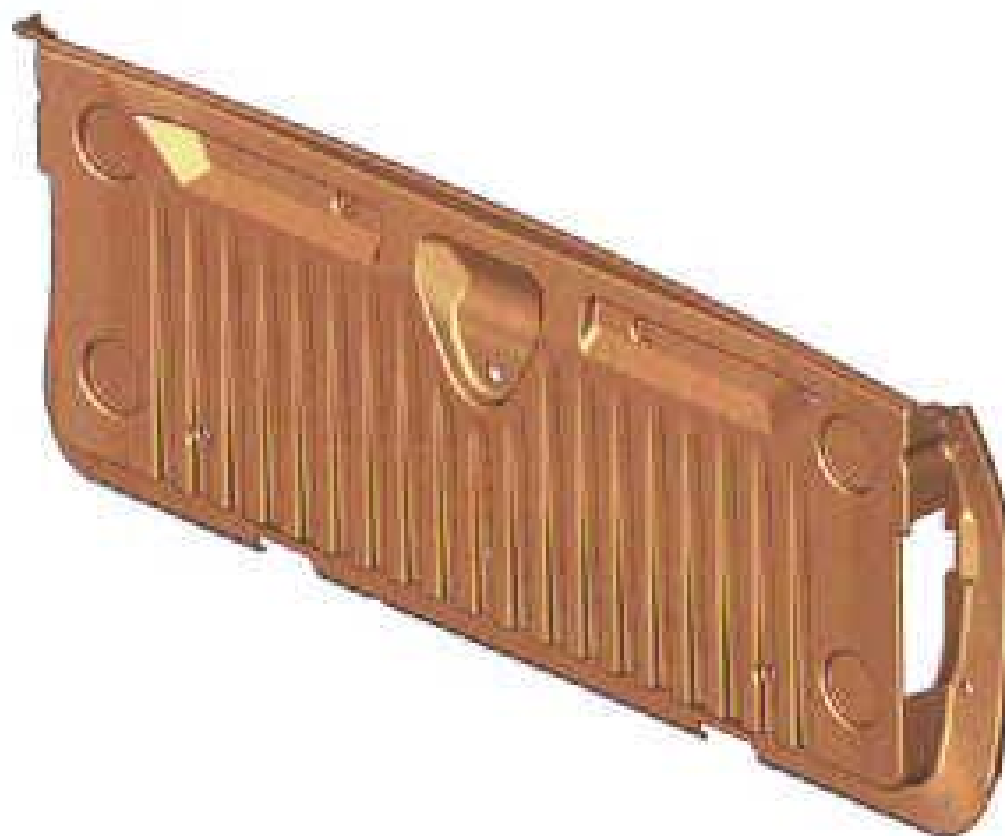
- (21) Design Number: **17179/2007**
(22) Date of Filing Application: **29 March 2007**
(24) Date from which industrial property rights may have effect: **29 March 2007**
(54) Product in respect of which the design is registered: **Left-side and right-side vehicle fixed-glass windows**
(51) International Design Classification: **12-16F**
(71) Name(s) and Address(s) of Applicant(s):
GM Global Technology Operations, Inc
300 Renaissance Center Detroit MI 48265-3000 United States of America
(72) Name(s) of Designer(s): **Warrack Leach**
(45) Registration Date: **29 June 2007**
(56) Related Art Documents: **Not Applicable**
(57) Statement of Newness and Distinctiveness: **Newness and distinctiveness is claimed in the shape and/or configuration of left-side and right-side vehicle fixed-glass windows as shown in the accompanying representations.**



- (21) Design Number: **17180/2007**
(22) Date of Filing Application: **29 March 2007**
(24) Date from which industrial property rights may have effect: **29 March 2007**
(54) Product in respect of which the design is registered: **Vehicle chimsel**
(51) International Design Classification: **12-16B**
(71) Name(s) and Address(s) of Applicant(s):
GM Global Technology Operations, Inc
300 Renaissance Center Detroit MI 48265-3000 United States of America
(72) Name(s) of Designer(s): **Warrack Leach**
(45) Registration Date: **29 June 2007**
(56) Related Art Documents: **Not Applicable**
(57) Statement of Newness and Distinctiveness: **Newness and distinctiveness is claimed in the shape and/or configuration of a vehicle chimsel as shown in the accompanying representations.**



- (21) Design Number: **17181/2007**
(22) Date of Filing Application: **29 March 2007**
(24) Date from which industrial property rights may have effect: **29 March 2007**
(54) Product in respect of which the design is registered: **Vehicle tailgate liner**
(51) International Design Classification: **12-16B**
(71) Name(s) and Address(s) of Applicant(s):
GM Global Technology Operations, Inc
300 Renaissance Center Detroit MI 48265-3000 United States of America
(72) Name(s) of Designer(s): **Warrack Leach**
(45) Registration Date: **29 June 2007**
(56) Related Art Documents: **Not Applicable**
(57) Statement of Newness and Distinctiveness: **Newness and distinctiveness is claimed in the shape and/or configuration of a vehicle tailgate liner as shown in the accompanying representations.**



- (21) Design Number: **17182/2007**
(22) Date of Filing Application: **29 March 2007**
(24) Date from which industrial property rights may have effect: **29 March 2007**
(54) Product in respect of which the design is registered: **Left-side and right-side vehicle lamp housing finish mouldings**
(51) International Design Classification: **12-16B**
(71) Name(s) and Address(s) of Applicant(s):
GM Global Technology Operations, Inc
300 Renaissance Center Detroit MI 48265-3000 United States of America
(72) Name(s) of Designer(s): **Warrack Leach**
(45) Registration Date: **29 June 2007**
(56) Related Art Documents: **Not Applicable**
(57) Statement of Newness and Distinctiveness: **Newness and distinctiveness is claimed in the shape and/or configuration of left-side and right-side vehicle lamp housing finish mouldings as shown in the accompanying representations.**



(21) Design Number: 17362/2007

(22) Date of Filing Application: 11 April 2007

(24) Date from which industrial property rights may have effect: 11 April 2007

(54) Product in respect of which the design is registered: Bolt down glass channel

(51) International Design Classification: 25-01K

(71) Name(s) and Address(s) of Applicant(s):

Zhi Jun Ke

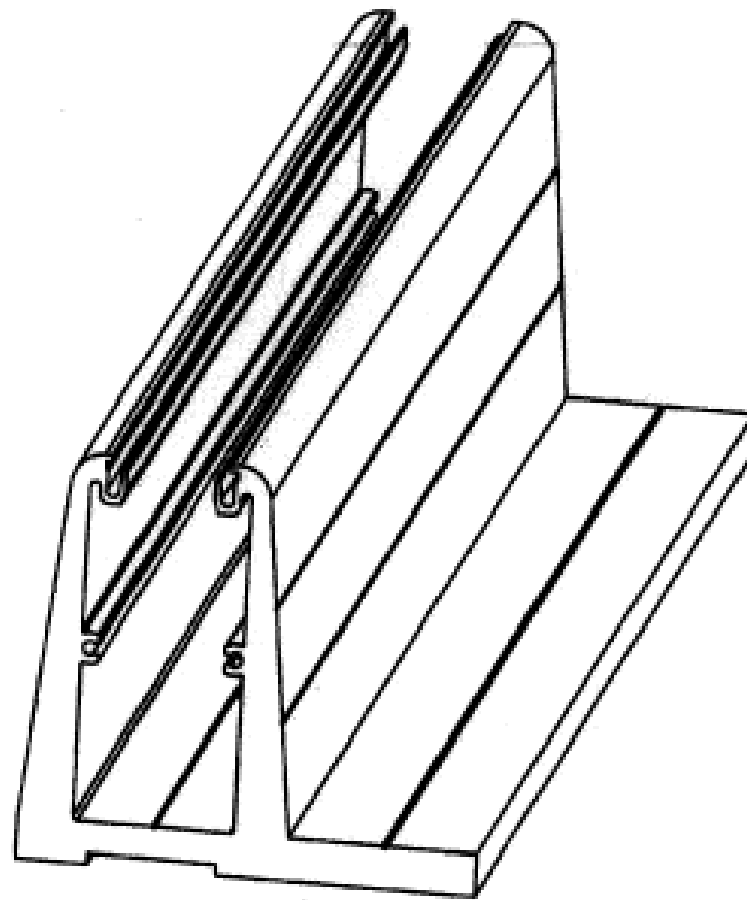
Unit 340/9 Crofts Avenue Hurstville New South Wales 2220 Australia

(72) Name(s) of Designer(s): Zhi Jun Ke

(45) Registration Date: 29 June 2007

(56) Related Art Documents: Not Applicable

(57) Statement of Newness and Distinctiveness: Nil



(21) Design Number: 17363/2007

(22) Date of Filing Application: 11 April 2007

(24) Date from which industrial property rights may have effect: 11 April 2007

(54) Product in respect of which the design is registered: Raincoat/poncho

(51) International Design Classification: 02-02B

(71) Name(s) and Address(s) of Applicant(s):

Little Gems Australia Pty Ltd

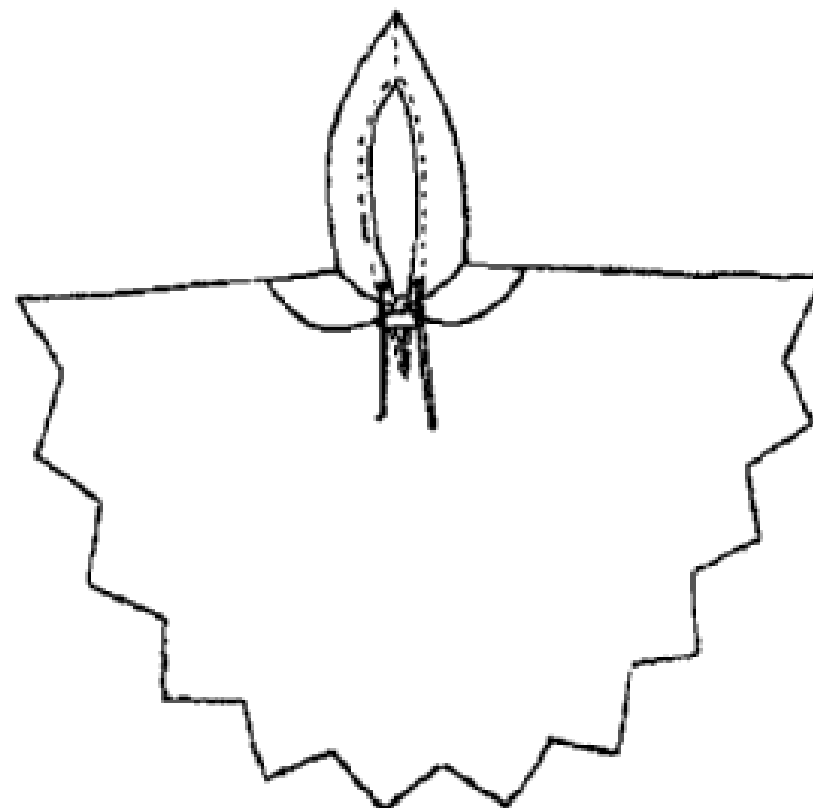
940A Glenhuntly Road Caulfield South Victoria 3162 Australia

(72) Name(s) of Designer(s): Iris Wijaya

(45) Registration Date: 29 June 2007

(56) Related Art Documents: Not Applicable

(57) Statement of Newness and Distinctiveness: Novelty is claimed in the pattern, ornament, shape and configuration of the article shown in the representation.



(21) Design Number: **17364/2007**

(22) Date of Filing Application: **11 April 2007**

(24) Date from which industrial property rights may have effect: **11 April 2007**

(54) Product in respect of which the design is registered: **Raincoat/poncho**

(51) International Design Classification: **02-02B**

(71) Name(s) and Address(s) of Applicant(s):

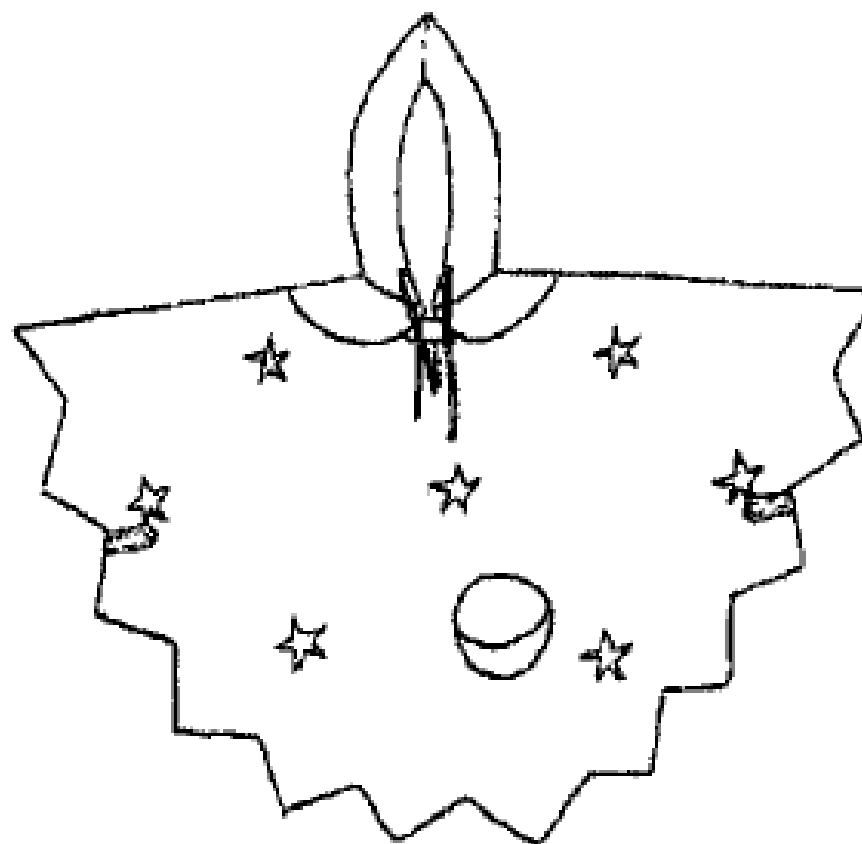
Little Gems Australia Pty Ltd
940A Glenhuntly Road Caulfield South Victoria 3162 Australia

(72) Name(s) of Designer(s): **Iris Wijaya**

(45) Registration Date: **29 June 2007**

(56) Related Art Documents: **Not Applicable**

(57) Statement of Newness and Distinctiveness: **Novelty is claimed in the pattern, ornament, shape and configuration of the article shown in the representation.**



(21) Design Number: **17367/2007**

(22) Date of Filing Application: **11 April 2007**

(24) Date from which industrial property rights may have effect: **11 April 2007**

(54) Product in respect of which the design is registered: **Lamp**

(51) International Design Classification: **26-05B**

(71) Name(s) and Address(s) of Applicant(s):

Tristan Kent Gratton
54 Swan Terrace Windsor Queensland 4030 Australia

(72) Name(s) of Designer(s): **Tristan Kent Gratton**

(45) Registration Date: **29 June 2007**

(56) Related Art Documents: **Not Applicable**

(57) Statement of Newness and Distinctiveness: **Nil**



(21) Design Number: **17369/2007**

(22) Date of Filing Application: **11 April 2007**

(24) Date from which industrial property rights may have effect: **11 April 2007**

(54) Product in respect of which the design is registered: **Power receptacle**

(51) International Design Classification: **13-03D**

(71) Name(s) and Address(s) of Applicant(s):

Formway Furniture Limited
176 Gracefield Road Petone Wellington New Zealand

(72) Name(s) of Designer(s): **Edward John Burak and Thomas David De Groen**

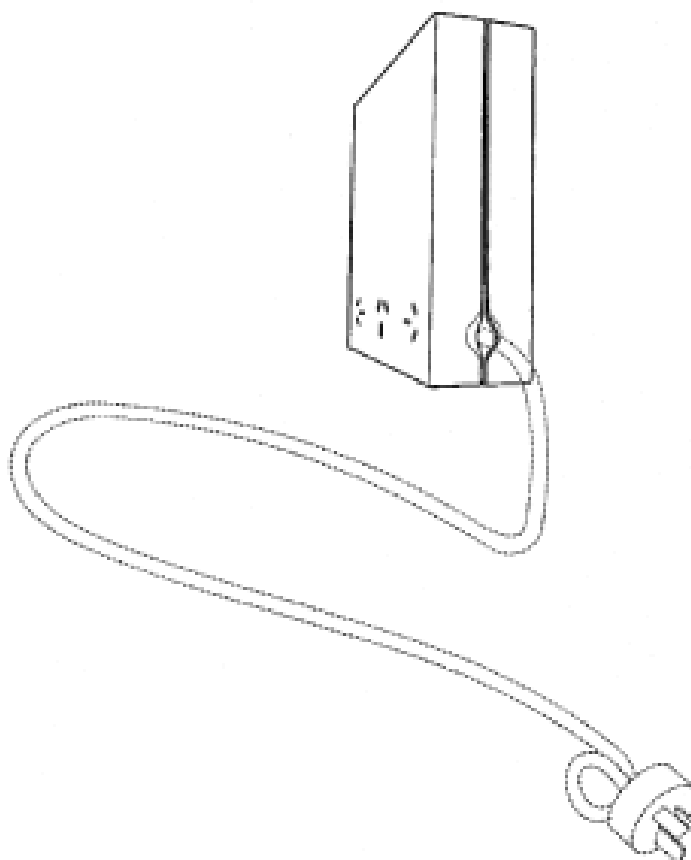
(45) Registration Date: **29 June 2007**

(30) Convention priority data:

(31) Number	(32) Date	(33) Country
29/249,648	16 Oct 2006	UNITED STATES OF AMERICA

(56) Related Art Documents: **Not Applicable**

(57) Statement of Newness and Distinctiveness: **Newness and distinctiveness reside in the features of shape and/or configuration of the power receptacle, as shown in the representations. Newness and distinctiveness are not claimed in relation to the features of shape and/or configuration of the electrical cable and plug shown in phantom lines which form no part of the design. Newness and distinctiveness are not claimed in relation to the particular shape and/or configuration of the slots of the sockets shown in the front view and the perspective view which form no part of the design.**



(21) Design Number: **17383/2007**

(22) Date of Filing Application: **10 April 2007**

(24) Date from which industrial property rights may have effect: **10 April 2007**

(54) Product in respect of which the design is registered: **Vacuum cleaner dust bag**

(51) International Design Classification: **15-05**

(71) Name(s) and Address(s) of Applicant(s):

Aktiebolaget Electrolux
S-105 45 Stockholm Sweden

(72) Name(s) of Designer(s): **Patrik Billskog and Ingrid Hengvoss**

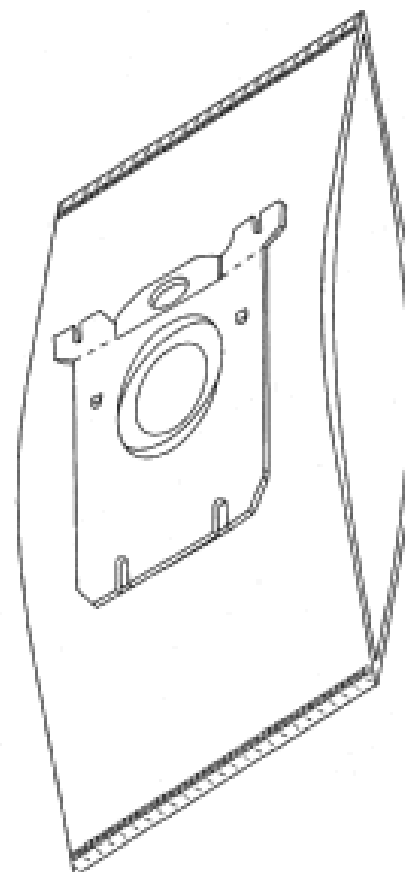
(45) Registration Date: **29 June 2007**

(30) Convention priority data:

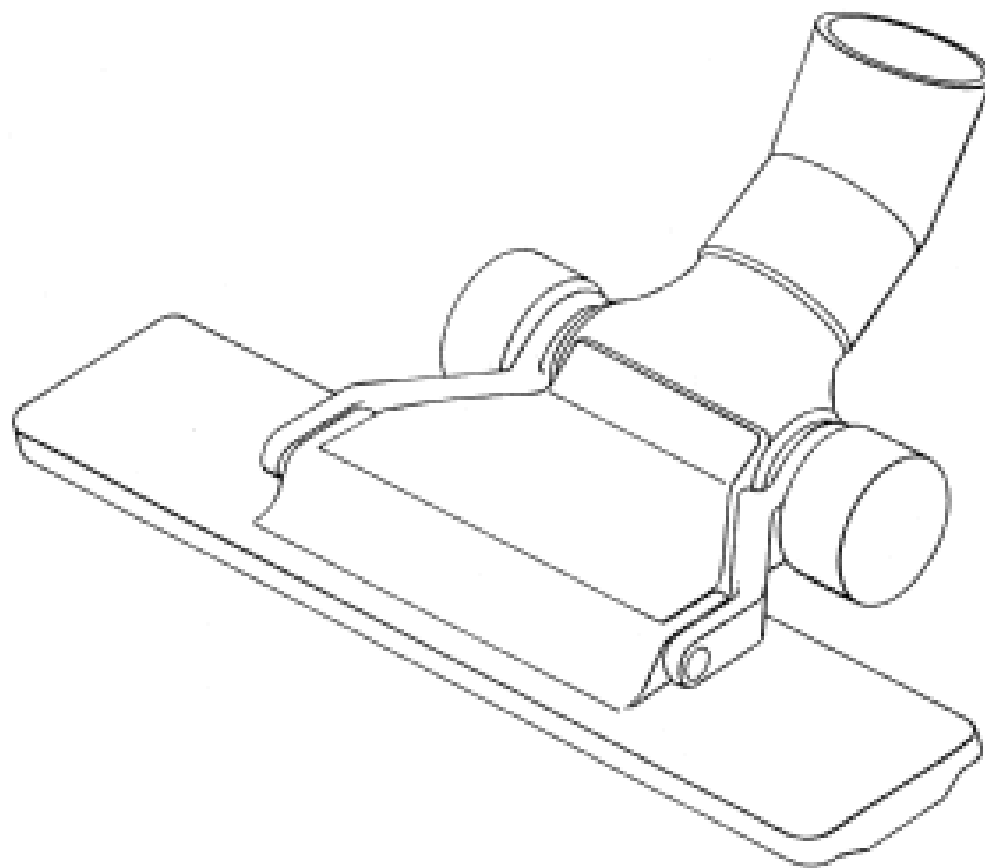
(31) Number	(32) Date	(33) Country
1006/0558	12 Oct 2006	SWEDEN

(56) Related Art Documents: **Not Applicable**

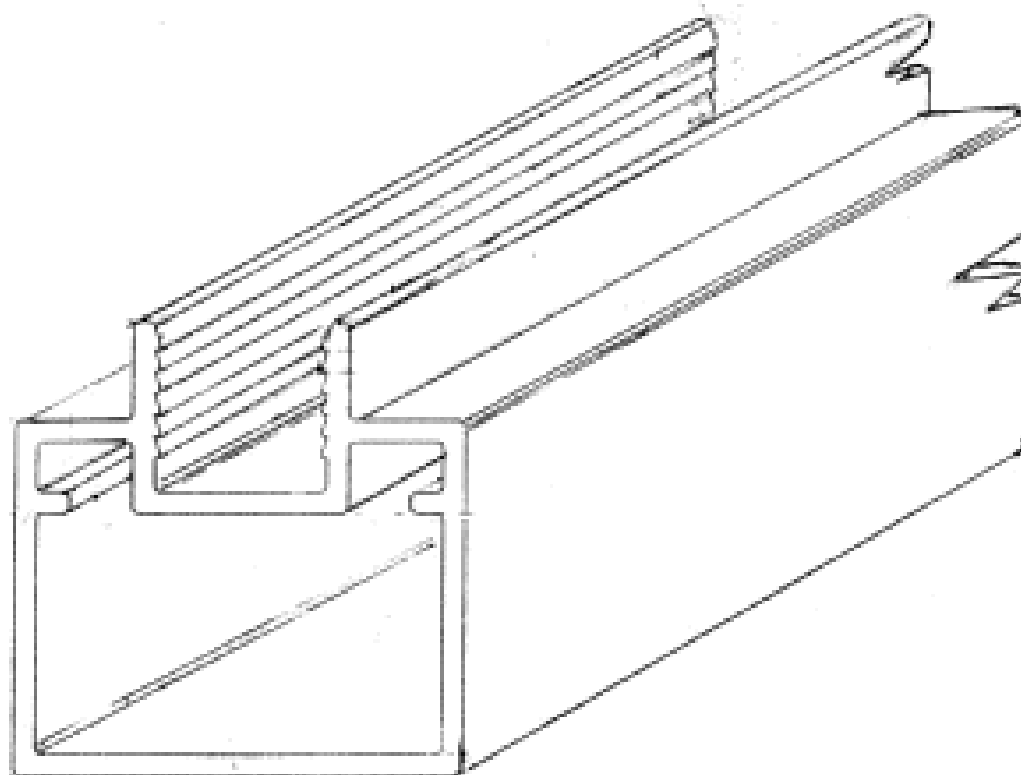
(57) Statement of Newness and Distinctiveness: **Nil**



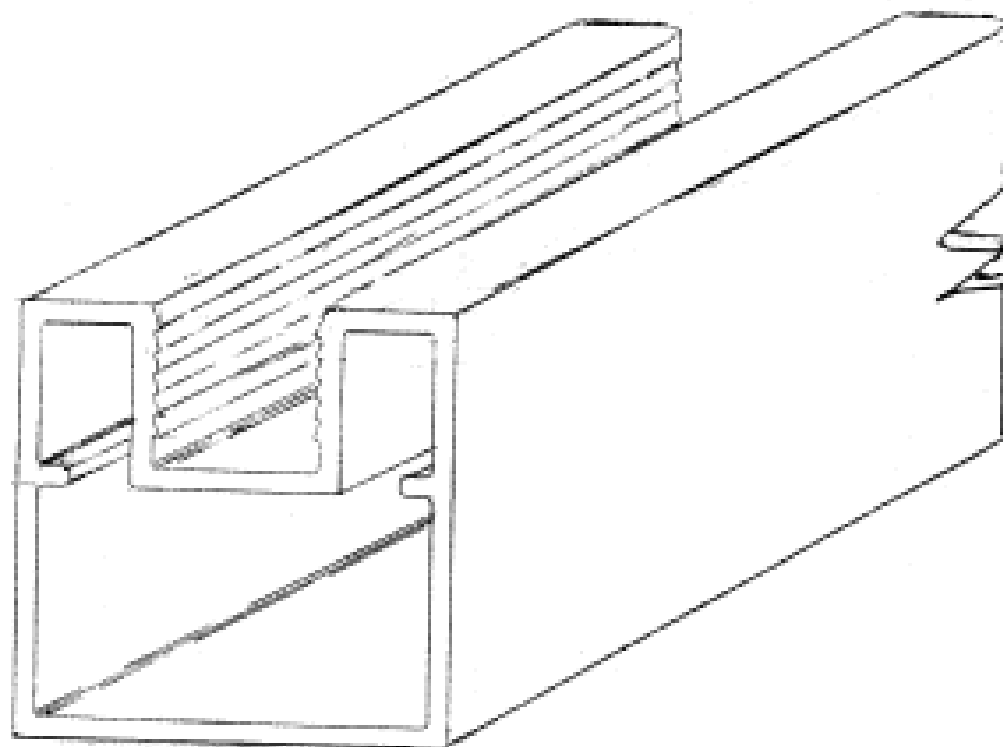
- (21) Design Number: **17384/2007**
(22) Date of Filing Application: **10 April 2007**
(24) Date from which industrial property rights may have effect: **10 April 2007**
(54) Product in respect of which the design is registered: **A tool for a cleaning appliance**
(51) International Design Classification: **15-05**
(71) Name(s) and Address(s) of Applicant(s):
Dyson Limited
Tetbury Hill Malmesbury Wiltshire SN16 0RP United Kingdom
(72) Name(s) of Designer(s): **James Dyson and William Robert James White and Michael James Peace**
(45) Registration Date: **29 June 2007**
(30) Convention priority data:
(31) Number (32) Date (33) Country
4000251 25 Oct 2006 UNITED KINGDOM
(56) Related Art Documents: **Not Applicable**
(57) Statement of Newness and Distinctiveness: **Newness and distinctiveness resides in the features of shape and/or configuration of a tool for a cleaning appliance as illustrated in the accompanying representations.**



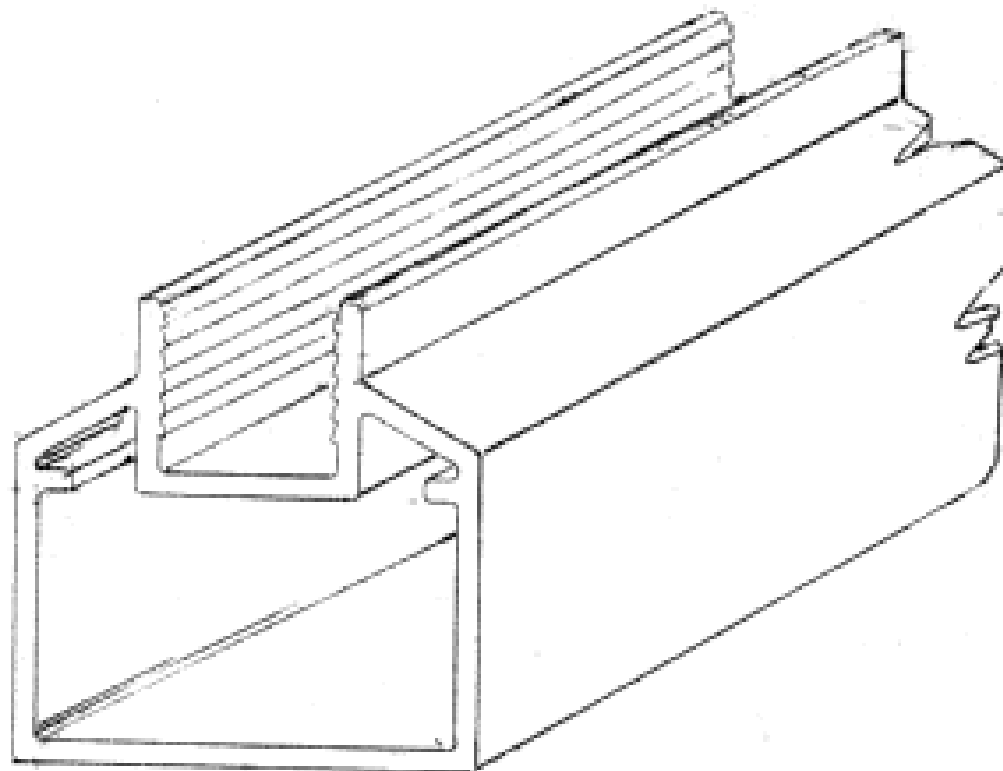
- (21) Design Number: **17391/2007**
(22) Date of Filing Application: **10 April 2007**
(24) Date from which industrial property rights may have effect: **10 April 2007**
(54) Product in respect of which the design is registered: **Shower screen head/sill**
(51) International Design Classification: **25-01K**
(71) Name(s) and Address(s) of Applicant(s):
Dias Aluminium Products Pty. Ltd.
201-205 Browns Road Noble Park Victoria 3174 Australia
(72) Name(s) of Designer(s): **David Aiken Paterson**
(45) Registration Date: **29 June 2007**
(56) Related Art Documents: **Not Applicable**
(57) Statement of Newness and Distinctiveness: **Nil**



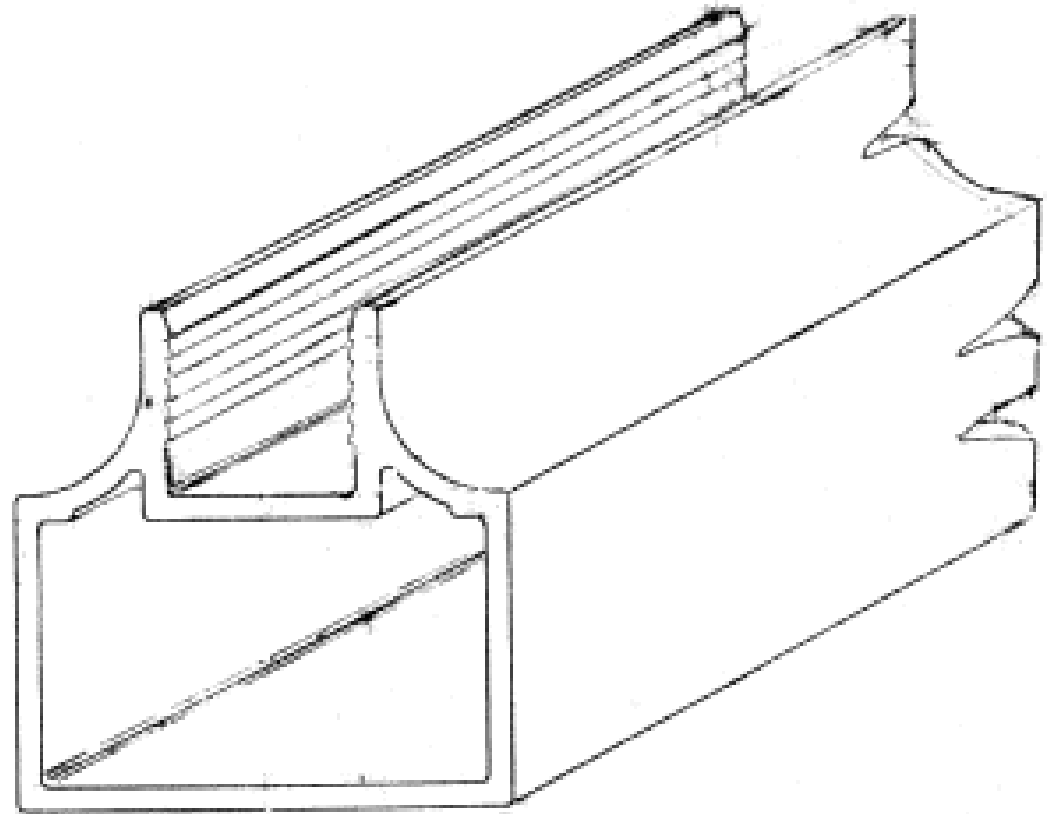
- (21) Design Number: **17392/2007**
- (22) Date of Filing Application: **10 April 2007**
- (24) Date from which industrial property rights may have effect: **10 April 2007**
- (54) Product in respect of which the design is registered: **Shower screen head/sill**
- (51) International Design Classification: **25-01K**
- (71) Name(s) and Address(s) of Applicant(s):
Dias Aluminium Products Pty. Ltd.
201-205 Browns Road Noble Park Victoria 3174 Australia
- (72) Name(s) of Designer(s): **David Aiken Paterson**
- (45) Registration Date: **29 June 2007**
- (56) Related Art Documents: **Not Applicable**
- (57) Statement of Newness and Distinctiveness: **Nil**



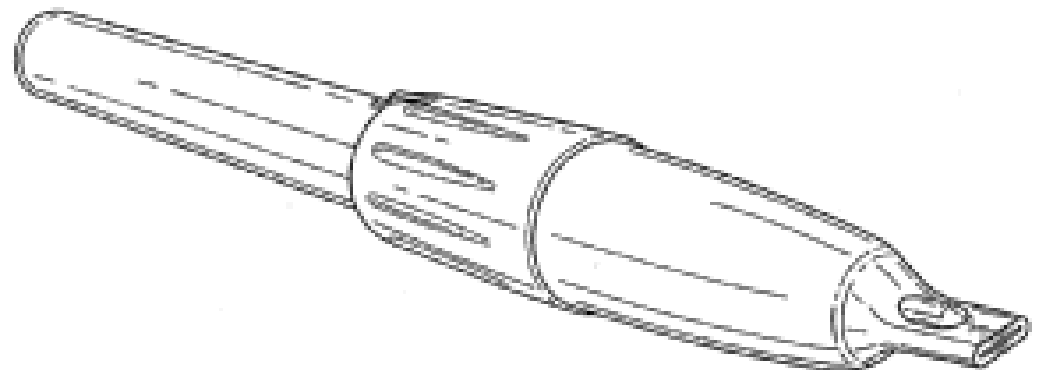
- (21) Design Number: **17393/2007**
- (22) Date of Filing Application: **10 April 2007**
- (24) Date from which industrial property rights may have effect: **10 April 2007**
- (54) Product in respect of which the design is registered: **Shower screen head/sill**
- (51) International Design Classification: **25-01K**
- (71) Name(s) and Address(s) of Applicant(s):
Dias Aluminium Products Pty. Ltd.
201-205 Browns Road Noble Park Victoria 3174 Australia
- (72) Name(s) of Designer(s): **David Aiken Paterson**
- (45) Registration Date: **29 June 2007**
- (56) Related Art Documents: **Not Applicable**
- (57) Statement of Newness and Distinctiveness: **Nil**



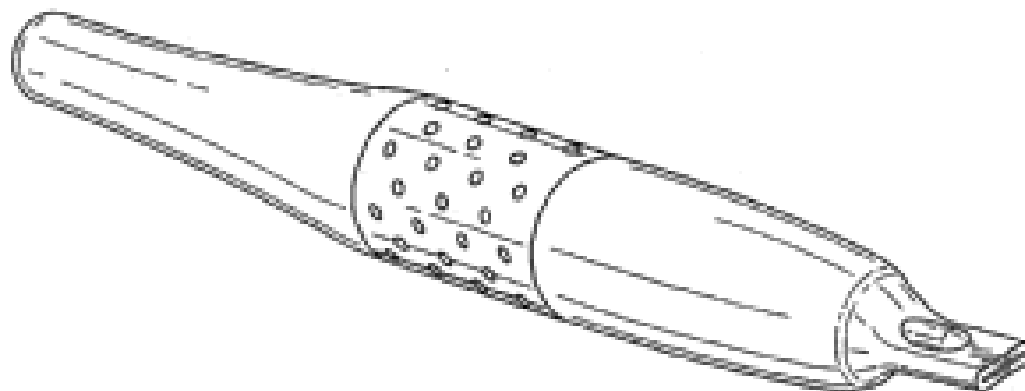
(21) Design Number: **17394/2007**
(22) Date of Filing Application: **10 April 2007**
(24) Date from which industrial property rights may have effect: **10 April 2007**
(54) Product in respect of which the design is registered: **Shower screen head/sill**
(51) International Design Classification: **25-01K**
(71) Name(s) and Address(s) of Applicant(s):
Dias Aluminium Products Pty. Ltd.
201-205 Browns Road Noble Park Victoria 3174 Australia
(72) Name(s) of Designer(s): **David Aiken Paterson**
(45) Registration Date: **29 June 2007**
(56) Related Art Documents: **Not Applicable**
(57) Statement of Newness and Distinctiveness: **Nil**



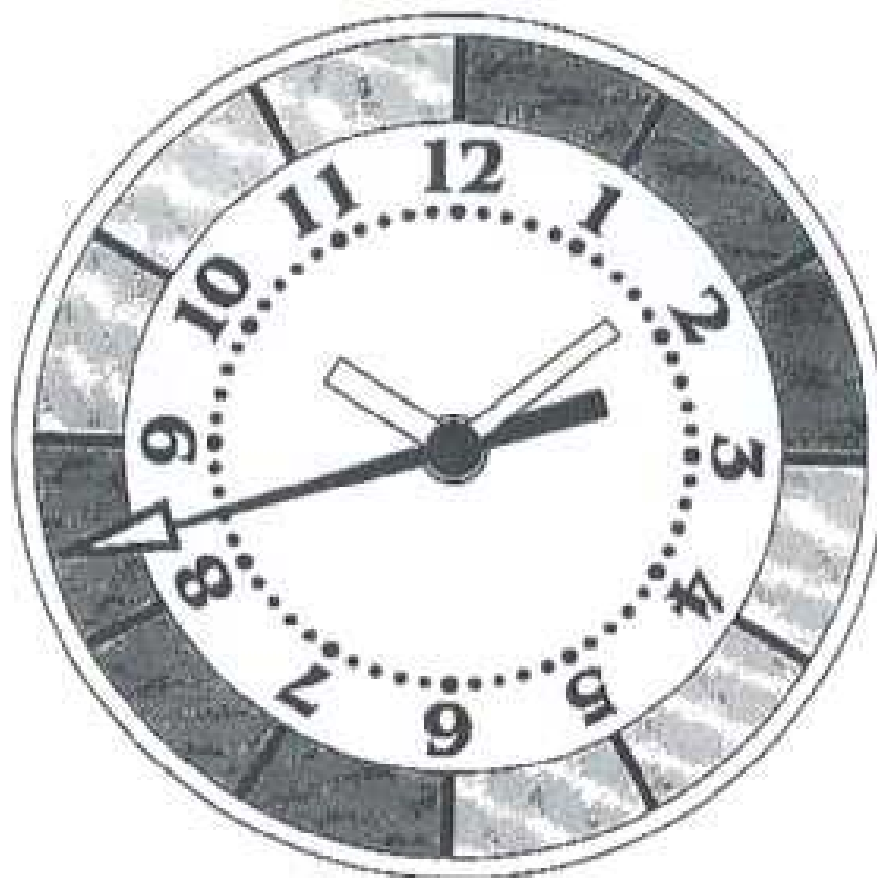
(21) Design Number: **17832/2007**
(22) Date of Filing Application: **09 May 2007**
(24) Date from which industrial property rights may have effect: **09 May 2007**
(54) Product in respect of which the design is registered: **Dispenser**
(51) International Design Classification: **24-01**
(71) Name(s) and Address(s) of Applicant(s):
Closure Medical Corporation
5250 Greens Dairy Road Raleigh North Carolina 27616 United States of America
(72) Name(s) of Designer(s): **Jack Goodman and Gregory Hake and Thomas Schoon and Thomas A. Shepard**
(45) Registration Date: **29 June 2007**
(30) Convention priority data:
(31) Number (32) Date (33) Country
29/250,751 30 Nov 2006 UNITED STATES OF AMERICA
(56) Related Art Documents: **Not Applicable**
(57) Statement of Newness and Distinctiveness: **Nil**



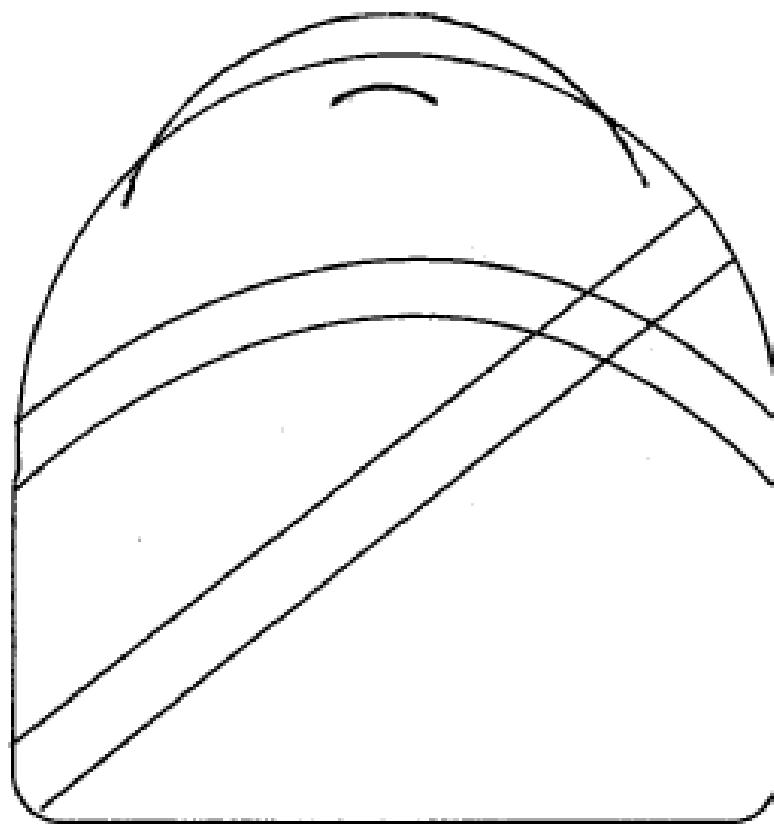
(21) Design Number: **17833/2007**
(22) Date of Filing Application: **09 May 2007**
(24) Date from which industrial property rights may have effect: **09 May 2007**
(54) Product in respect of which the design is registered: **Dispenser**
(51) International Design Classification: **24-01**
(71) Name(s) and Address(s) of Applicant(s):
Closure Medical Corporation
5250 Greens Dairy Road Raleigh North Carolina 27616 United States of America
(72) Name(s) of Designer(s): **Jack Goodman and Gregory Hake and Thomas Schoon and Thomas A. Shepard**
(45) Registration Date: **29 June 2007**
(30) Convention priority data:
(31) Number (32) Date (33) Country
29/250,751 30 Nov 2006 UNITED STATES OF AMERICA
(56) Related Art Documents: **Not Applicable**
(57) Statement of Newness and Distinctiveness: **Nil**



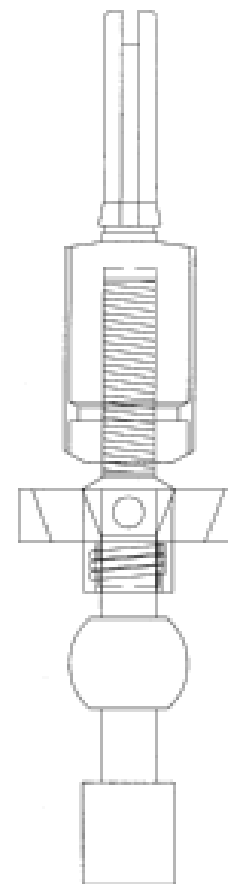
(21) Design Number: **18451/2007**
(22) Date of Filing Application: **18 June 2007**
(24) Date from which industrial property rights may have effect: **18 June 2007**
(54) Product in respect of which the design is registered: **Clock**
(51) International Design Classification: **10-01**
(71) Name(s) and Address(s) of Applicant(s):
ACP Japan Co., Ltd.
27-3 Hongo 2-chome Bunkyo-ku Tokyo 113-0033 Japan
Shoichi Nakamura
1468 Higashijo Chikuhokumura Higashichikuma-gun Nagano
399-7502 Japan
(72) Name(s) of Designer(s): **Shoichi Nakamura**
(45) Registration Date: **29 June 2007**
(56) Related Art Documents: **Not Applicable**
(57) Statement of Newness and Distinctiveness: **Nil**



- (21) Design Number: **18556/2007**
(22) Date of Filing Application: **25 June 2007**
(24) Date from which industrial property rights may have effect: **25 June 2007**
(54) Product in respect of which the design is registered: **Bag, luggage**
(51) International Design Classification: **03-01NES**
(71) Name(s) and Address(s) of Applicant(s):
Marcia Priestley
92 Waranga Drive Kialla Victoria 3631 Australia
(72) Name(s) of Designer(s): **Marcia Priestley**
(45) Registration Date: **29 June 2007**
(56) Related Art Documents: **Not Applicable**
(57) Statement of Newness and Distinctiveness: **Nil**



- (21) Design Number: **18561/2007**
(22) Date of Filing Application: **25 June 2007**
(24) Date from which industrial property rights may have effect: **25 June 2007**
(54) Product in respect of which the design is registered: **A shifter**
(51) International Design Classification: **12-16NES**
(71) Name(s) and Address(s) of Applicant(s):
Alphonsus Mullan
2 Nuspan Court Melton Victoria 3337 Australia
(72) Name(s) of Designer(s): **Alphonsus Mullan**
(45) Registration Date: **29 June 2007**
(56) Related Art Documents: **Not Applicable**
(57) Statement of Newness and Distinctiveness: **Adjustable user height - spring assist for 2nd to 3rd gear change incorporating positive stop studs.**



(21) Design Number: **17206/2007**

(22) Date of Filing Application: **29 March 2007**

(24) Date from which industrial property rights may have effect: **29 March 2007**

(54) Product in respect of which the design is registered: **Left-side and right-side vehicle body side panels**

(51) International Design Classification: **12-16B**

(71) Name(s) and Address(s) of Applicant(s):

**GM Global Technology Operations, Inc
300 Renaissance Center Detroit MI 48265-3000 United States of America**

(72) Name(s) of Designer(s): **Warrack Leach**

(45) Registration Date: **29 June 2007**

(56) Related Art Documents: **Not Applicable**

(57) Statement of Newness and Distinctiveness: **Newness and distinctiveness is claimed in the shape and/or configuration of left-side and right-side vehicle body side panels as shown in the accompanying representations.**



(21) Design Number: **17183/2007**

(22) Date of Filing Application: **29 March 2007**

(24) Date from which industrial property rights may have effect: **29 March 2007**

(54) Product in respect of which the design is registered: **Vehicle fascia**

(51) International Design Classification: **12-16B**

(71) Name(s) and Address(s) of Applicant(s):

**GM Global Technology Operations, Inc
300 Renaissance Center Detroit MI 48265-3000 United States of America**

(72) Name(s) of Designer(s): **Warrack Leach**

(45) Registration Date: **29 June 2007**

(56) Related Art Documents: **Not Applicable**

(57) Statement of Newness and Distinctiveness: **Newness and distinctiveness is claimed in the shape and/or configuration of a vehicle fascia as shown in the accompanying representations.**



- (21) Design Number: **17184/2007**
- (22) Date of Filing Application: **29 March 2007**
- (24) Date from which industrial property rights may have effect: **29 March 2007**
- (54) Product in respect of which the design is registered: **Vehicle exhaust tip**
- (51) International Design Classification: **12-16N**
- (71) Name(s) and Address(s) of Applicant(s):
GM Global Technology Operations, Inc
300 Renaissance Center Detroit MI 48265-3000 United States of America
- (72) Name(s) of Designer(s): **Warrack Leach**
- (45) Registration Date: **29 June 2007**
- (56) Related Art Documents: **Not Applicable**
- (57) Statement of Newness and Distinctiveness: **Newness and distinctiveness is claimed in the shape and/or configuration of a vehicle exhaust tip as shown in the accompanying representations.**



- (21) Design Number: **17185/2007**
- (22) Date of Filing Application: **29 March 2007**
- (24) Date from which industrial property rights may have effect: **29 March 2007**
- (54) Product in respect of which the design is registered: **Left-side and right-side vehicle lamp lenses**
- (51) International Design Classification: **12-16E**
- (71) Name(s) and Address(s) of Applicant(s):
GM Global Technology Operations, Inc
300 Renaissance Center Detroit MI 48265-3000 United States of America
- (72) Name(s) of Designer(s): **Warrack Leach**
- (45) Registration Date: **29 June 2007**
- (56) Related Art Documents: **Not Applicable**
- (57) Statement of Newness and Distinctiveness: **Newness and distinctiveness is claimed in the shape and/or configuration of left-side and right-side vehicle lamp lenses as shown in the accompanying representations.**



- (21) Design Number: **17186/2007**
(22) Date of Filing Application: **29 March 2007**
(24) Date from which industrial property rights may have effect: **29 March 2007**
(54) Product in respect of which the design is registered: **Left-side and right-side vehicle roof panel finish mouldings**
(51) International Design Classification: **12-16B**
(71) Name(s) and Address(s) of Applicant(s):
GM Global Technology Operations, Inc
300 Renaissance Center Detroit MI 48265-3000 United States of America
(72) Name(s) of Designer(s): **Warrack Leach**
(45) Registration Date: **29 June 2007**
(56) Related Art Documents: **Not Applicable**
(57) Statement of Newness and Distinctiveness: **Newness and distinctiveness is claimed in the shape and/or configuration of left-side and right-side vehicle roof panel finish mouldings as shown in the accompanying representations.**



- (21) Design Number: **17187/2007**
(22) Date of Filing Application: **29 March 2007**
(24) Date from which industrial property rights may have effect: **29 March 2007**
(54) Product in respect of which the design is registered: **Left-side and right-side vehicle lamp inner lenses**
(51) International Design Classification: **12-16E**
(71) Name(s) and Address(s) of Applicant(s):
GM Global Technology Operations, Inc
300 Renaissance Center Detroit MI 48265-3000 United States of America
(72) Name(s) of Designer(s): **Warrack Leach**
(45) Registration Date: **29 June 2007**
(56) Related Art Documents: **Not Applicable**
(57) Statement of Newness and Distinctiveness: **Newness and distinctiveness is claimed in the shape and/or configuration of left-side and right-side vehicle lamp inner lenses as shown in the accompanying representations.**



- (21) Design Number: **17188/2007**
(22) Date of Filing Application: **29 March 2007**
(24) Date from which industrial property rights may have effect: **29 March 2007**
(54) Product in respect of which the design is registered: **Vehicle rail corner**
(51) International Design Classification: **12-16B**
(71) Name(s) and Address(s) of Applicant(s):
GM Global Technology Operations, Inc
300 Renaissance Center Detroit MI 48265-3000 United States of America
(72) Name(s) of Designer(s): **Warrack Leach**
(45) Registration Date: **29 June 2007**
(56) Related Art Documents: **Not Applicable**
(57) Statement of Newness and Distinctiveness: **Newness and distinctiveness is claimed in the shape and/or configuration of a vehicle rail corner as shown in the accompanying representations.**



- (21) Design Number: **17189/2007**
(22) Date of Filing Application: **29 March 2007**
(24) Date from which industrial property rights may have effect: **29 March 2007**
(54) Product in respect of which the design is registered: **Vehicle tailgate rail**
(51) International Design Classification: **12-16B**
(71) Name(s) and Address(s) of Applicant(s):
GM Global Technology Operations, Inc
300 Renaissance Center Detroit MI 48265-3000 United States of America
(72) Name(s) of Designer(s): **Warrack Leach**
(45) Registration Date: **29 June 2007**
(56) Related Art Documents: **Not Applicable**
(57) Statement of Newness and Distinctiveness: **Newness and distinctiveness is claimed in the shape and/or configuration of a vehicle tailgate rail as shown in the accompanying representations.**



(21) Design Number: **17190/2007**

(22) Date of Filing Application: **29 March 2007**

(24) Date from which industrial property rights may have effect: **29 March 2007**

(54) Product in respect of which the design is registered: **Left-side and right-side vehicle side rails**

(51) International Design Classification: **12-16B**

(71) Name(s) and Address(s) of Applicant(s):

**GM Global Technology Operations, Inc
300 Renaissance Center Detroit MI 48265-3000 United States of America**

(72) Name(s) of Designer(s): **Warrack Leach**

(45) Registration Date: **29 June 2007**

(56) Related Art Documents: **Not Applicable**

(57) Statement of Newness and Distinctiveness: **Newness and distinctiveness is claimed in the shape and/or configuration of left-side and right-side vehicle side rails as shown in the accompanying representations.**



(21) Design Number: **17191/2007**

(22) Date of Filing Application: **29 March 2007**

(24) Date from which industrial property rights may have effect: **29 March 2007**

(54) Product in respect of which the design is registered: **Vehicle tonneau cover**

(51) International Design Classification: **12-16B**

(71) Name(s) and Address(s) of Applicant(s):

**GM Global Technology Operations, Inc
300 Renaissance Center Detroit MI 48265-3000 United States of America**

(72) Name(s) of Designer(s): **Warrack Leach**

(45) Registration Date: **29 June 2007**

(56) Related Art Documents: **Not Applicable**

(57) Statement of Newness and Distinctiveness: **Newness and distinctiveness is claimed in the shape and/or configuration of a vehicle tonneau cover as shown in the accompanying representations.**



- (21) Design Number: **17192/2007**
(22) Date of Filing Application: **29 March 2007**
(24) Date from which industrial property rights may have effect: **29 March 2007**
(54) Product in respect of which the design is registered: **Vehicle bed liner**
(51) International Design Classification: **12-16B**
(71) Name(s) and Address(s) of Applicant(s):
GM Global Technology Operations, Inc
300 Renaissance Center Detroit MI 48265-3000 United States of America
(72) Name(s) of Designer(s): **Warrack Leach**
(45) Registration Date: **29 June 2007**
(56) Related Art Documents: **Not Applicable**
(57) Statement of Newness and Distinctiveness: **Newness and distinctiveness is claimed in the shape and/or configuration of a vehicle bed liner as shown in the accompanying representations.**



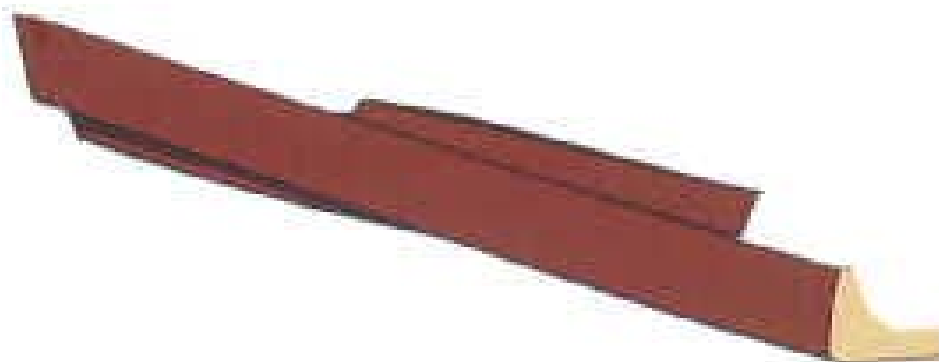
- (21) Design Number: **17193/2007**
(22) Date of Filing Application: **29 March 2007**
(24) Date from which industrial property rights may have effect: **29 March 2007**
(54) Product in respect of which the design is registered: **Vehicle tailgate handle**
(51) International Design Classification: **12-16B**
(71) Name(s) and Address(s) of Applicant(s):
GM Global Technology Operations, Inc
300 Renaissance Center Detroit MI 48265-3000 United States of America
(72) Name(s) of Designer(s): **Warrack Leach**
(45) Registration Date: **29 June 2007**
(56) Related Art Documents: **Not Applicable**
(57) Statement of Newness and Distinctiveness: **Newness and distinctiveness is claimed in the shape and/or configuration of a vehicle tailgate handle as shown in the accompanying representations.**



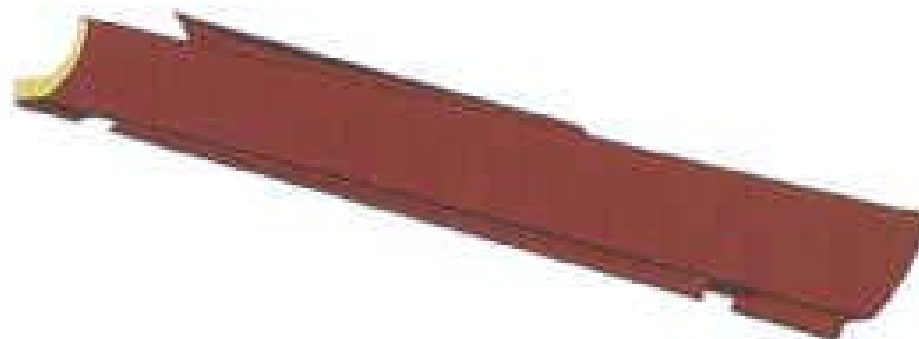
- (21) Design Number: **17194/2007**
(22) Date of Filing Application: **29 March 2007**
(24) Date from which industrial property rights may have effect: **29 March 2007**
(54) Product in respect of which the design is registered: **Left-side and right-side vehicle mudflaps**
(51) International Design Classification: **12-16B**
(71) Name(s) and Address(s) of Applicant(s):
GM Global Technology Operations, Inc
300 Renaissance Center Detroit MI 48265-3000 United States of America
(72) Name(s) of Designer(s): **Warrack Leach**
(45) Registration Date: **29 June 2007**
(56) Related Art Documents: **Not Applicable**
(57) Statement of Newness and Distinctiveness: **Newness and distinctiveness is claimed in the shape and/or configuration of left-side and right-side vehicle mudflaps as shown in the accompanying representations.**



- (21) Design Number: **17195/2007**
(22) Date of Filing Application: **29 March 2007**
(24) Date from which industrial property rights may have effect: **29 March 2007**
(54) Product in respect of which the design is registered: **Left-side and right-side vehicle side skirts**
(51) International Design Classification: **12-16B**
(71) Name(s) and Address(s) of Applicant(s):
GM Global Technology Operations, Inc
300 Renaissance Center Detroit MI 48265-3000 United States of America
(72) Name(s) of Designer(s): **Warrack Leach**
(45) Registration Date: **29 June 2007**
(56) Related Art Documents: **Not Applicable**
(57) Statement of Newness and Distinctiveness: **Newness and distinctiveness is claimed in the shape and/or configuration of left-side and right-side vehicle side skirts as shown in the accompanying representations.**



- (21) Design Number: **17196/2007**
(22) Date of Filing Application: **29 March 2007**
(24) Date from which industrial property rights may have effect: **29 March 2007**
(54) Product in respect of which the design is registered: **Left-side and right-side vehicle side skirts**
(51) International Design Classification: **12-16B**
(71) Name(s) and Address(s) of Applicant(s):
GM Global Technology Operations, Inc
300 Renaissance Center Detroit MI 48265-3000 United States of America
(72) Name(s) of Designer(s): **Warrack Leach**
(45) Registration Date: **29 June 2007**
(56) Related Art Documents: **Not Applicable**
(57) Statement of Newness and Distinctiveness: **Newness and distinctiveness is claimed in the shape and/or configuration of left-side and right-side vehicle side skirts as shown in the accompanying representations.**



- (21) Design Number: **17197/2007**
(22) Date of Filing Application: **29 March 2007**
(24) Date from which industrial property rights may have effect: **29 March 2007**
(54) Product in respect of which the design is registered: **Vehicle fascia**
(51) International Design Classification: **12-16B**
(71) Name(s) and Address(s) of Applicant(s):
GM Global Technology Operations, Inc
300 Renaissance Center Detroit MI 48265-3000 United States of America
(72) Name(s) of Designer(s): **Warrack Leach**
(45) Registration Date: **29 June 2007**
(56) Related Art Documents: **Not Applicable**
(57) Statement of Newness and Distinctiveness: **Newness and distinctiveness is claimed in the shape and/or configuration of a vehicle fascia as shown in the accompanying representations.**



- (21) Design Number: **17198/2007**
(22) Date of Filing Application: **29 March 2007**
(24) Date from which industrial property rights may have effect: **29 March 2007**
(54) Product in respect of which the design is registered: **Vehicle fascia**
(51) International Design Classification: **12-16B**
(71) Name(s) and Address(s) of Applicant(s):
GM Global Technology Operations, Inc
300 Renaissance Center Detroit MI 48265-3000 United States of America
(72) Name(s) of Designer(s): **Warrack Leach**
(45) Registration Date: **29 June 2007**
(56) Related Art Documents: **Not Applicable**
(57) Statement of Newness and Distinctiveness: **Newness and distinctiveness is claimed in the shape and/or configuration of a vehicle fascia as shown in the accompanying representations.**



- (21) Design Number: **17199/2007**
(22) Date of Filing Application: **29 March 2007**
(24) Date from which industrial property rights may have effect: **29 March 2007**
(54) Product in respect of which the design is registered: **Vehicle sailplane centre section**
(51) International Design Classification: **12-16B**
(71) Name(s) and Address(s) of Applicant(s):
GM Global Technology Operations, Inc
300 Renaissance Center Detroit MI 48265-3000 United States of America
(72) Name(s) of Designer(s): **Warrack Leach**
(45) Registration Date: **29 June 2007**
(56) Related Art Documents: **Not Applicable**
(57) Statement of Newness and Distinctiveness: **Newness and distinctiveness is claimed in the shape and/or configuration of a vehicle sailplane centre section as shown in the accompanying representations.**



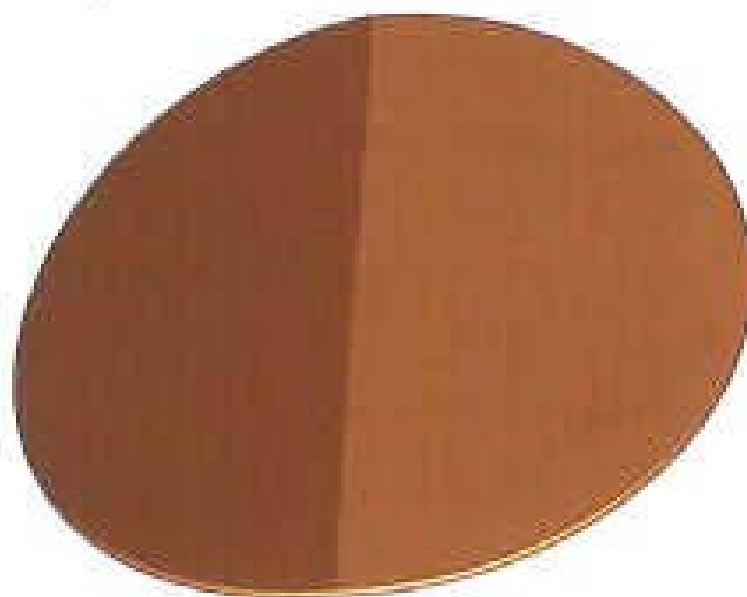
- (21) Design Number: **17200/2007**
(22) Date of Filing Application: **29 March 2007**
(24) Date from which industrial property rights may have effect: **29 March 2007**
(54) Product in respect of which the design is registered: **Vehicle sailplane centre section**
(51) International Design Classification: **12-16B**
(71) Name(s) and Address(s) of Applicant(s):
GM Global Technology Operations, Inc
300 Renaissance Center Detroit MI 48265-3000 United States of America
(72) Name(s) of Designer(s): **Warrack Leach**
(45) Registration Date: **29 June 2007**
(56) Related Art Documents: **Not Applicable**
(57) Statement of Newness and Distinctiveness: **Newness and distinctiveness is claimed in the shape and/or configuration of a vehicle sailplane centre section as shown in the accompanying representations.**



- (21) Design Number: **17201/2007**
(22) Date of Filing Application: **29 March 2007**
(24) Date from which industrial property rights may have effect: **29 March 2007**
(54) Product in respect of which the design is registered: **Left-side and right-side vehicle sailplane side mouldings**
(51) International Design Classification: **12-16B**
(71) Name(s) and Address(s) of Applicant(s):
GM Global Technology Operations, Inc
300 Renaissance Center Detroit MI 48265-3000 United States of America
(72) Name(s) of Designer(s): **Warrack Leach**
(45) Registration Date: **29 June 2007**
(56) Related Art Documents: **Not Applicable**
(57) Statement of Newness and Distinctiveness: **Newness and distinctiveness is claimed in the shape and/or configuration of left-side and right-side vehicle sailplane side mouldings as shown in the accompanying**



- (21) Design Number: **17202/2007**
(22) Date of Filing Application: **29 March 2007**
(24) Date from which industrial property rights may have effect: **29 March 2007**
(54) Product in respect of which the design is registered: **Vehicle fuel door**
(51) International Design Classification: **12-16B**
(71) Name(s) and Address(s) of Applicant(s):
GM Global Technology Operations, Inc
300 Renaissance Center Detroit MI 48265-3000 United States of America
(72) Name(s) of Designer(s): **Warrack Leach**
(45) Registration Date: **29 June 2007**
(56) Related Art Documents: **Not Applicable**
(57) Statement of Newness and Distinctiveness: **Newness and distinctiveness is claimed in the shape and/or configuration of a vehicle fuel door as shown in the accompanying representations.**



- (21) Design Number: **17203/2007**
(22) Date of Filing Application: **29 March 2007**
(24) Date from which industrial property rights may have effect: **29 March 2007**
(54) Product in respect of which the design is registered: **Vehicle roof panel**
(51) International Design Classification: **12-16B**
(71) Name(s) and Address(s) of Applicant(s):
GM Global Technology Operations, Inc
300 Renaissance Center Detroit MI 48265-3000 United States of America
(72) Name(s) of Designer(s): **Warrack Leach**
(45) Registration Date: **29 June 2007**
(56) Related Art Documents: **Not Applicable**
(57) Statement of Newness and Distinctiveness: **Newness and distinctiveness is claimed in the shape and/or configuration of a vehicle roof panel as shown in the accompanying representations.**



- (21) Design Number: **17204/2007**
(22) Date of Filing Application: **29 March 2007**
(24) Date from which industrial property rights may have effect: **29 March 2007**
(54) Product in respect of which the design is registered: **Vehicle window sill panel**
(51) International Design Classification: **12-16B**
(71) Name(s) and Address(s) of Applicant(s):
GM Global Technology Operations, Inc
300 Renaissance Center Detroit MI 48265-3000 United States of America
(72) Name(s) of Designer(s): **Warrack Leach**
(45) Registration Date: **29 June 2007**
(56) Related Art Documents: **Not Applicable**
(57) Statement of Newness and Distinctiveness: **Newness and distinctiveness is claimed in the shape and/or configuration of a vehicle window sill panel as shown in the accompanying representations.**



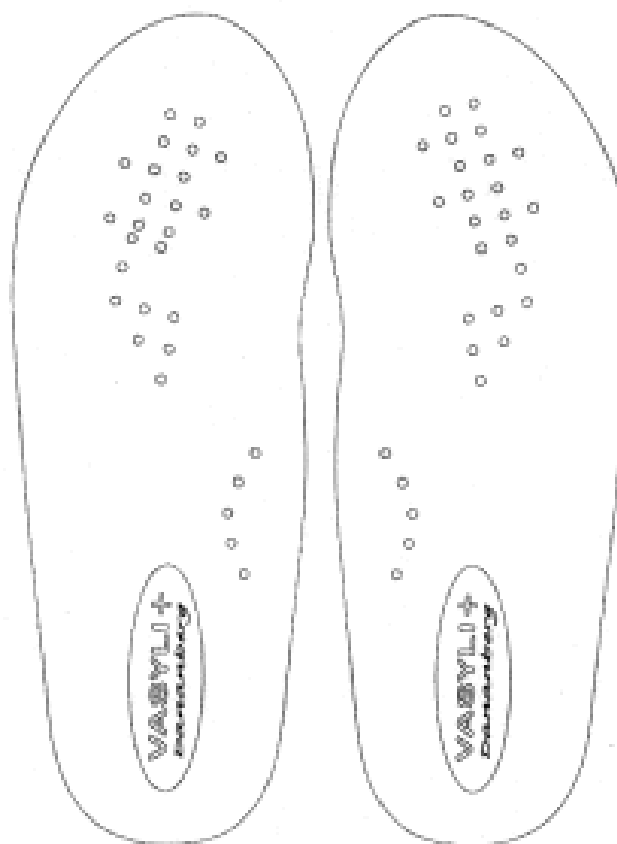
- (21) Design Number: **17205/2007**
(22) Date of Filing Application: **29 March 2007**
(24) Date from which industrial property rights may have effect: **29 March 2007**
(54) Product in respect of which the design is registered: **Vehicle tailgate panel**
(51) International Design Classification: **12-16B**
(71) Name(s) and Address(s) of Applicant(s):
GM Global Technology Operations, Inc
300 Renaissance Center Detroit MI 48265-3000 United States of America
(72) Name(s) of Designer(s): **Warrack Leach**
(45) Registration Date: **29 June 2007**
(56) Related Art Documents: **Not Applicable**
(57) Statement of Newness and Distinctiveness: **Newness and distinctiveness is claimed in the shape and/or configuration of a vehicle tailgate panel as shown in the accompanying representations.**



(19) AU

- (21) Design Number: **16463/2007**
- (22) Date of Filing Application: **19 February 2007**
- (24) Date from which industrial property rights may have effect: **19 February 2007**
- (54) Product in respect of which the design is registered: **Orthotic devices**
- (51) International Design Classification: **02-04A**
- (71) Name(s) and Address(s) of Applicant(s):
Rockbrook Holdings Limited
PO Box N#7776 #211 Nassau N.P. Bahamas
- (72) Name(s) of Designer(s): **David Warwick**
- (45) Registration Date: **29 June 2007**
- (30) Convention priority data:

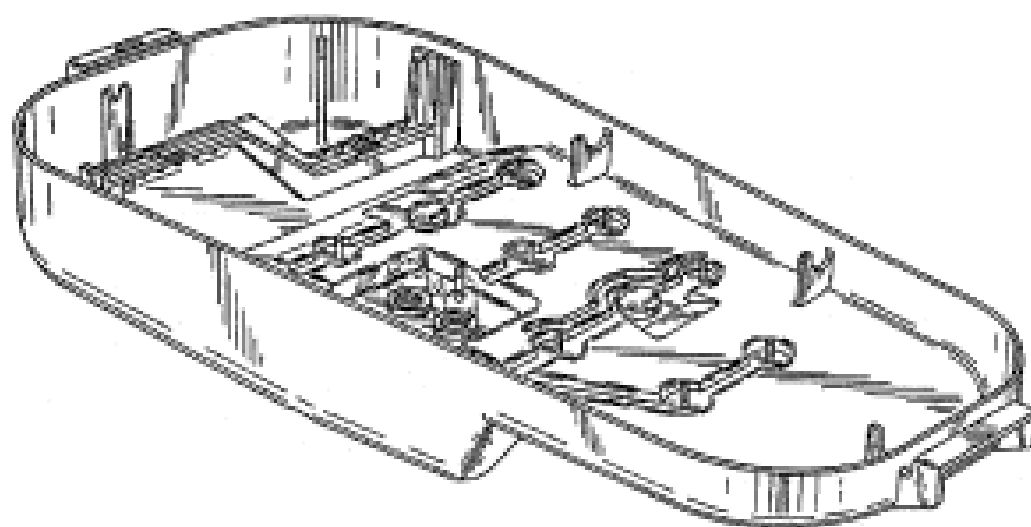
(31) Number	(32) Date	(33) Country
000597281#0001	26 Sep 2006	EUROPEAN COMMUNITY
- (56) Related Art Documents: **Not Applicable**
- (57) Statement of Newness and Distinctiveness: **Nil**



(19) AU

- (21) Design Number: **17370/2007**
- (22) Date of Filing Application: **11 April 2007**
- (24) Date from which industrial property rights may have effect: **11 April 2007**
- (54) Product in respect of which the design is registered: **Container for reprocessing medical devices**
- (51) International Design Classification: **09-03NES, 24-01**
- (71) Name(s) and Address(s) of Applicant(s):
American Sterilizer Company
5960 Heisley Road Mentor Ohio 44060 United States of America
- (72) Name(s) of Designer(s): **Jeffrey R. Horacek**
- (45) Registration Date: **29 June 2007**
- (30) Convention priority data:

(31) Number	(32) Date	(33) Country
29/249,876	25 Oct 2006	UNITED STATES OF AMERICA
- (56) Related Art Documents: **Not Applicable**
- (57) Statement of Newness and Distinctiveness: **In considering the newness or distinctiveness of the design, regard is to be given to the overall shape and/or configuration of a container for reprocessing medical devices as shown in the representations.**



(21) Design Number: **17376/2007**

(22) Date of Filing Application: **11 April 2007**

(24) Date from which industrial property rights may have effect: **11 April 2007**

(54) Product in respect of which the design is registered: **Lamp**

(51) International Design Classification: **26-05B**

(71) Name(s) and Address(s) of Applicant(s):

Tristan Kent Gratton

54 Swan Terrace Windsor Queensland 4030 Australia

(72) Name(s) of Designer(s): **Tristan Kent Gratton**

(45) Registration Date: **29 June 2007**

(56) Related Art Documents: **Not Applicable**

(57) Statement of Newness and Distinctiveness: **The new features of the design are the shape of the lamp and fixture of the lamp frame and shade along with the lamp base.**



(21) Design Number: **17377/2007**

(22) Date of Filing Application: **11 April 2007**

(24) Date from which industrial property rights may have effect: **11 April 2007**

(54) Product in respect of which the design is registered: **Shoe**

(51) International Design Classification: **02-04NES**

(71) Name(s) and Address(s) of Applicant(s):

Lacoste

8 rue de Castiglione 75001 Paris France

(72) Name(s) of Designer(s): **Christophe Lemaire**

(45) Registration Date: **29 June 2007**

(30) Convention priority data:

(31) Number

(32) Date

(33) Country

000690326

16 Mar 2007

EUROPEAN COMMUNITY

(56) Related Art Documents: **Not Applicable**

(57) Statement of Newness and Distinctiveness: **Nil**



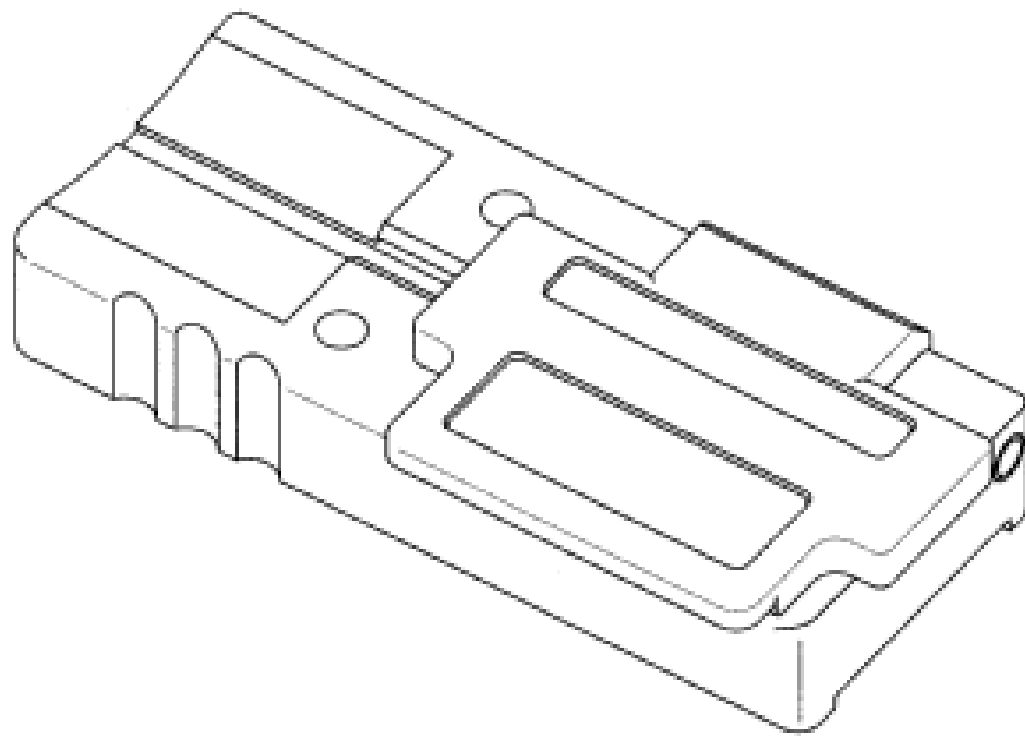
(21) Design Number: **17378/2007**
(22) Date of Filing Application: **11 April 2007**
(24) Date from which industrial property rights may have effect: **11 April 2007**
(54) Product in respect of which the design is registered: **Shoe**
(51) International Design Classification: **02-04NES**
(71) Name(s) and Address(s) of Applicant(s):
Lacoste
8 rue de Castiglione 75001 Paris France
(72) Name(s) of Designer(s): **Christophe Lemaire**
(45) Registration Date: **29 June 2007**
(30) Convention priority data:
(31) Number (32) Date (33) Country
000690326 16 Mar 2007 EUROPEAN COMMUNITY
(56) Related Art Documents: **Not Applicable**
(57) Statement of Newness and Distinctiveness: **Nil**



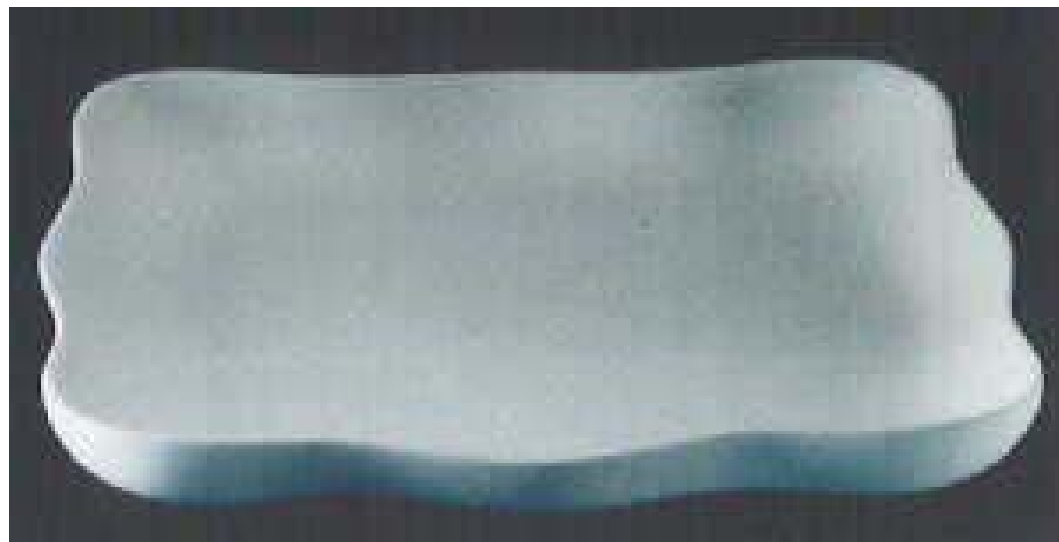
(21) Design Number: **17379/2007**
(22) Date of Filing Application: **11 April 2007**
(24) Date from which industrial property rights may have effect: **11 April 2007**
(54) Product in respect of which the design is registered: **Shoe**
(51) International Design Classification: **02-04NES**
(71) Name(s) and Address(s) of Applicant(s):
Lacoste
8 rue de Castiglione 75001 Paris France
(72) Name(s) of Designer(s): **Christophe Lemaire**
(45) Registration Date: **29 June 2007**
(30) Convention priority data:
(31) Number (32) Date (33) Country
000690326 16 Mar 2007 EUROPEAN COMMUNITY
(56) Related Art Documents: **Not Applicable**
(57) Statement of Newness and Distinctiveness: **Nil**



(21) Design Number: **17380/2007**
(22) Date of Filing Application: **11 April 2007**
(24) Date from which industrial property rights may have effect: **11 April 2007**
(54) Product in respect of which the design is registered: **A fibre holder**
(51) International Design Classification: **08-05F**
(71) Name(s) and Address(s) of Applicant(s):
Sumitomo Electric Industries, Ltd.
5-33 Kitahama 4-chome Chuo-ku Osaka Japan
(72) Name(s) of Designer(s): **Kazunari Hattori and Yutaka Ito**
(45) Registration Date: **29 June 2007**
(30) Convention priority data:
(31) Number (32) Date (33) Country
2006-029988 01 Nov 2006 JAPAN
(56) Related Art Documents: **Not Applicable**
(57) Statement of Newness and Distinctiveness: **Nil**



(21) Design Number: **17381/2007**
(22) Date of Filing Application: **11 April 2007**
(24) Date from which industrial property rights may have effect: **11 April 2007**
(54) Product in respect of which the design is registered: **Bowl**
(51) International Design Classification: **07-01B**
(71) Name(s) and Address(s) of Applicant(s):
Villeroy & Boch AG.
Saaruferstrasse 14-18 D-66693 Mettlach Germany
(72) Name(s) of Designer(s): **Baldur Schosser**
(45) Registration Date: **29 June 2007**
(30) Convention priority data:
(31) Number (32) Date (33) Country
000 611 512 25 Oct 2006 EUROPEAN COMMUNITY
(56) Related Art Documents: **Not Applicable**
(57) Statement of Newness and Distinctiveness: **The shape and configuration of the product is new and distinctive. The text and logo shown on the under-side of the product is to be disregarded.**



(21) Design Number: **17399/2007**

(22) Date of Filing Application: **11 April 2007**

(24) Date from which industrial property rights may have effect: **11 April 2007**

(54) Product in respect of which the design is registered: **Water tank cleanser**

(51) International Design Classification: **23-01G**

(71) Name(s) and Address(s) of Applicant(s):

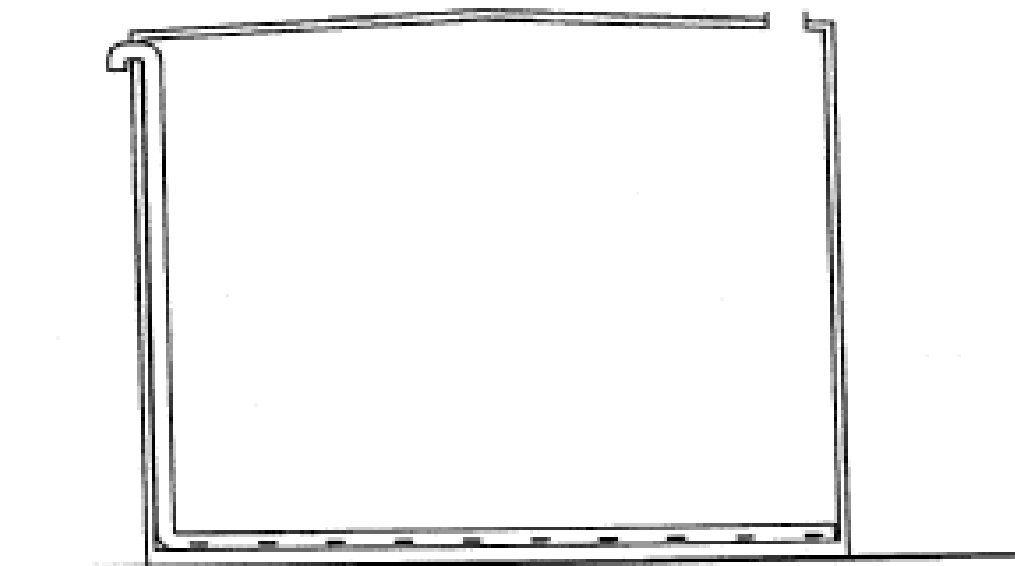
**Total Health & Thermal Imaging Pty Ltd
3/27 English Street Malanda Queensland 4885 Australia**

(72) Name(s) of Designer(s): **Patrick F. Brophy**

(45) Registration Date: **29 June 2007**

(56) Related Art Documents: **Not Applicable**

(57) Statement of Newness and Distinctiveness: **To remove scum and dirt from bottom of water tank: using the tanks overflow system.**



(21) Design Number: **17419/2007**

(22) Date of Filing Application: **11 April 2007**

(24) Date from which industrial property rights may have effect: **11 April 2007**

(54) Product in respect of which the design is registered: **Barbecue**

(51) International Design Classification: **07-02E**

(71) Name(s) and Address(s) of Applicant(s):

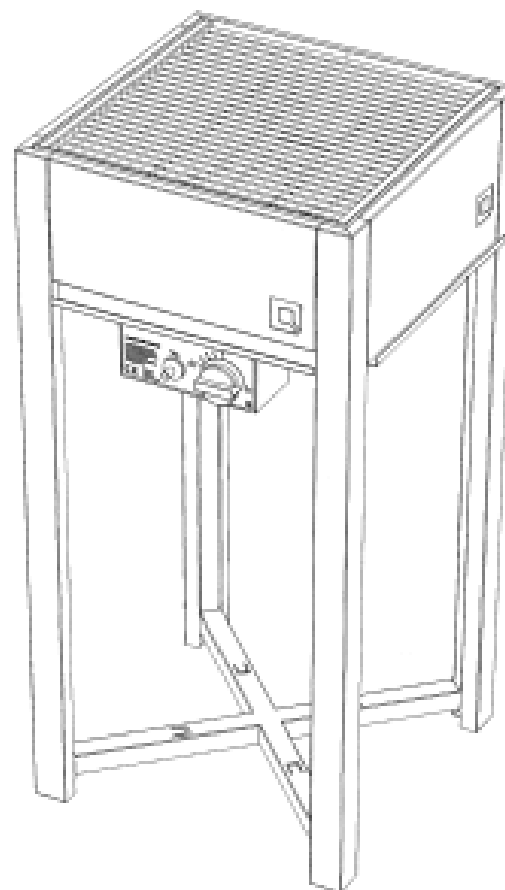
**Jan Willem Marijnissen
Nummer 49 9091 BA Wijns The Netherlands**

(72) Name(s) of Designer(s): **Jan Willem Marijnissen**

(45) Registration Date: **29 June 2007**

(56) Related Art Documents: **Not Applicable**

(57) Statement of Newness and Distinctiveness: **Newness and distinctiveness is claimed in the shape and/or configuration of a barbecue as illustrated by the unbroken lines in the accompanying representation/s.**



(21) Design Number: **14797/2006**

(22) Date of Filing Application: **20 October 2006**

(24) Date from which industrial property rights may have effect: **20 October 2006**

(54) Product in respect of which the design is registered: **Credit, debit, charge and bank cards**

(51) International Design Classification: **19-08**

(71) Name(s) and Address(s) of Applicant(s):

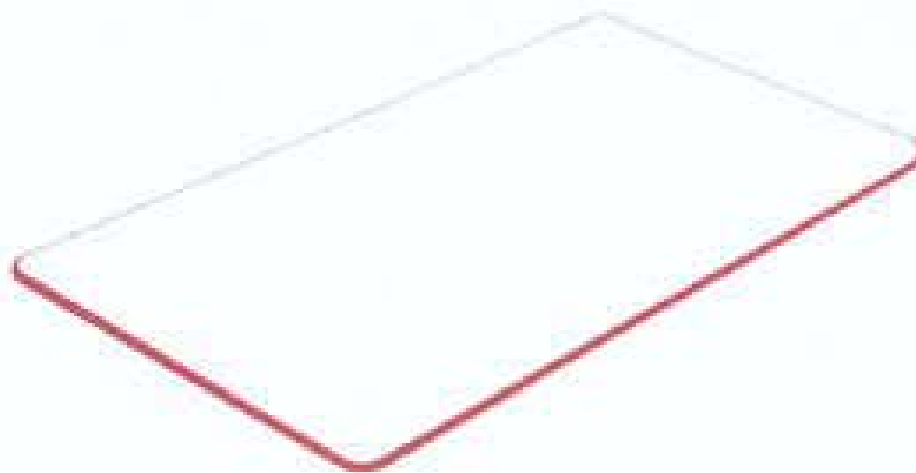
**Westpac Banking Corporation
Level 20 275 Kent Street Sydney New South Wales 2000 Australia**

(72) Name(s) of Designer(s): **Linda Jukic**

(45) Registration Date: **02 July 2007**

(56) Related Art Documents: **Not Applicable**

(57) Statement of Newness and Distinctiveness: **Newness and distinctiveness reside in a credit or similar card of standard dimensions uniquely having a distinctive red edge, while the face and reverse of the card bear the images and text of the issuer of the card. The selective location of the colour red (on a part of the card not previously utilised to convey information or visual messages) is depicted in the attached photograph of a blank card bearing the design (annexure 1) and eight drawings of different views of such a card (annexure 2, drawings 1 to 8).**



(21) Design Number: **15504/2006**

(22) Date of Filing Application: **30 November 2006**

(24) Date from which industrial property rights may have effect: **30 November 2006**

(54) Product in respect of which the design is registered: **Front bumper for automobile**

(51) International Design Classification: **12-16B**

(71) Name(s) and Address(s) of Applicant(s):

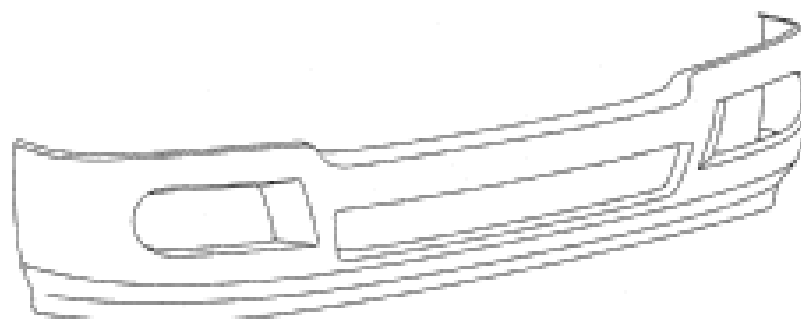
**Toyota Jidosha Kabushiki Kaisha
1 Toyota-cho Toyota-shi Aichi-ken 471-8571 Japan**

(72) Name(s) of Designer(s): **Kayoko Ichihashi**

(45) Registration Date: **02 July 2007**

(56) Related Art Documents: **Not Applicable**

(57) Statement of Newness and Distinctiveness: **Those features of the bumper for automobile depicted in the representations that are new and distinctive are the shape and/or configuration. The rear view is to be disregarded when considering the overall impression of the design.**

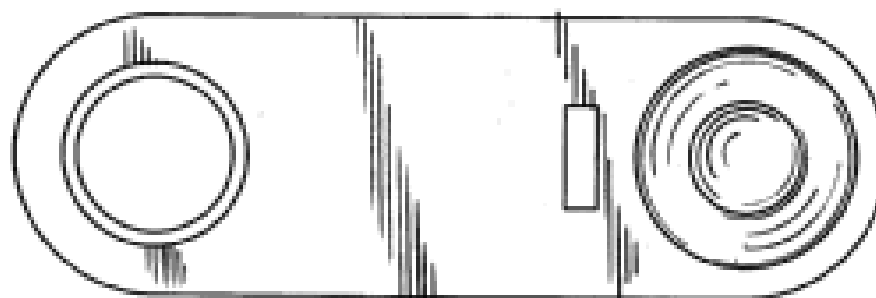


- (21) Design Number: **15505/2006**
- (22) Date of Filing Application: **30 November 2006**
- (24) Date from which industrial property rights may have effect: **30 November 2006**
- (54) Product in respect of which the design is registered: **Front combination lamp for automobile**
- (51) International Design Classification: **26-06**
- (71) Name(s) and Address(s) of Applicant(s):
Toyota Jidosha Kabushiki Kaisha
1 Toyota-cho Toyota-shi Aichi-ken 471-8571 Japan
- (72) Name(s) of Designer(s): **Kayoko Ichihashi and Ryosuke Yokoi**
- (45) Registration Date: **02 July 2007**
- (56) Related Art Documents: **Not Applicable**
- (57) Statement of Newness and Distinctiveness: **Those features of the combination lamp for automobile depicted in the representations that are new and distinctive are the shape and/or configuration. The lamp assembly housing is to be disregarded when considering the overall impression of the design.**

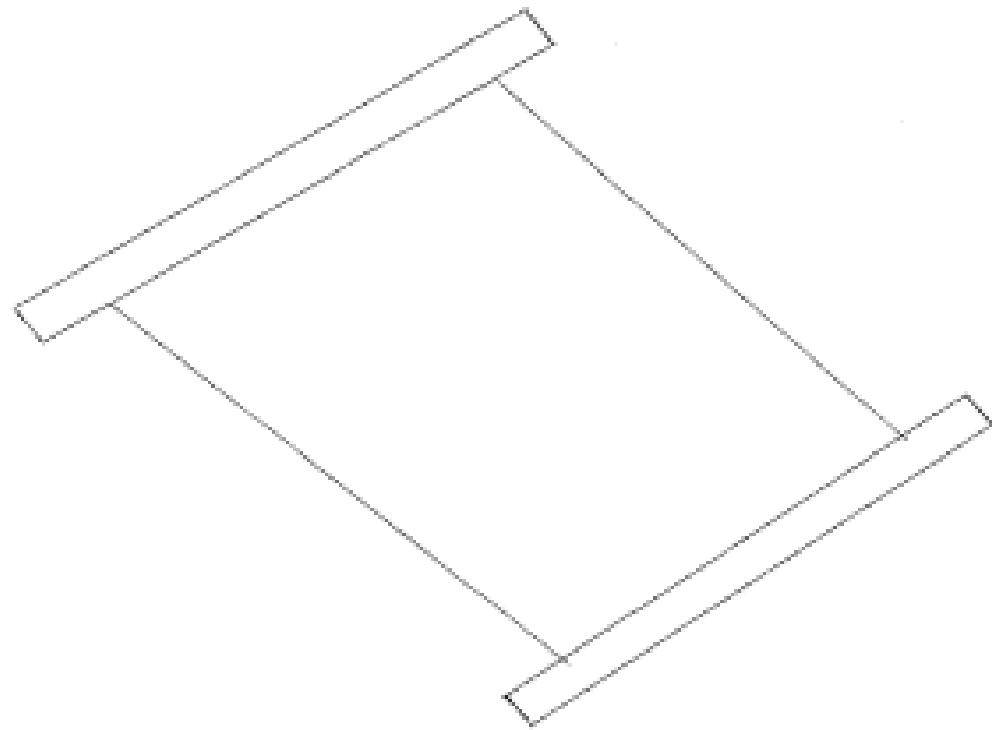


- (21) Design Number: **16557/2007**
- (22) Date of Filing Application: **22 February 2007**
- (24) Date from which industrial property rights may have effect: **22 February 2007**
- (54) Product in respect of which the design is registered: **Remote control**
- (51) International Design Classification: **14-03NES**
- (71) Name(s) and Address(s) of Applicant(s):
RacePointMedia LLC
32 Wianno Avenue Osterville Massachusetts 02655 United States of America
- (72) Name(s) of Designer(s): **Robert P. Madonna and James Carroll and Peter H. Corsini and Daniel W. Ashcraft and John von Buelow and Deanna Griffith and Kit Mok and Erin Napolitano and Wendee Lee**
- (45) Registration Date: **02 July 2007**
- (30) Convention priority data:

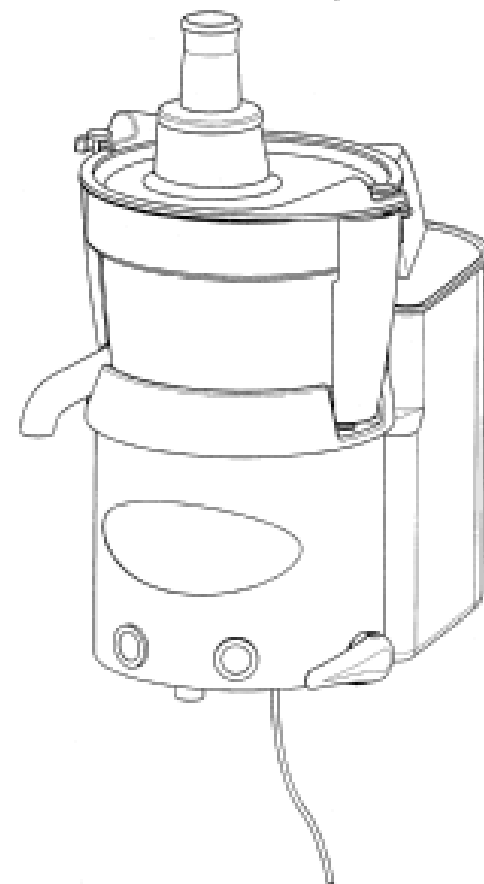
(31) Number	(32) Date	(33) Country
29/248,612	23 Aug 2006	UNITED STATES OF AMERICA
- (56) Related Art Documents: **Not Applicable**
- (57) Statement of Newness and Distinctiveness: **Those features of the remote control depicted in the representations that are new and distinctive are the shape and/or configuration.**



- (21) Design Number: **17308/2007**
(22) Date of Filing Application: **05 April 2007**
(24) Date from which industrial property rights may have effect: **05 April 2007**
(54) Product in respect of which the design is registered: **Flexi gym**
(51) International Design Classification: **21-02NES**
(71) Name(s) and Address(s) of Applicant(s):
John Fajak
17 Deloraine Street Lyons ACT 2606 Australia
(72) Name(s) of Designer(s): **John Fajak**
(45) Registration Date: **02 July 2007**
(56) Related Art Documents: **Not Applicable**
(57) Statement of Newness and Distinctiveness: **Nil**



- (21) Design Number: **17624/2007**
(22) Date of Filing Application: **26 April 2007**
(24) Date from which industrial property rights may have effect: **26 April 2007**
(54) Product in respect of which the design is registered: **Press for fruits or vegetables**
(51) International Design Classification: **31-00**
(71) Name(s) and Address(s) of Applicant(s):
Santos (a French societe par actions simplifiee)
140/150 avenue Roger Salengro Vaulx En Velin 69120 France
(72) Name(s) of Designer(s): **Nicolas Fouquet**
(45) Registration Date: **02 July 2007**
(30) Convention priority data:
(31) Number (32) Date (33) Country
000612064#0001 27 Oct 2006 EUROPEAN COMMUNITY
(56) Related Art Documents: **Not Applicable**
(57) Statement of Newness and Distinctiveness: **The shape and configuration of the design of the press as shown in the accompanying representations is new and distinctive.**



(21) Design Number: **17387/2007**

(22) Date of Filing Application: **12 April 2007**

(24) Date from which industrial property rights may have effect: **12 April 2007**

(54) Product in respect of which the design is registered: **A building block**

(51) International Design Classification: **25-01A**

(71) Name(s) and Address(s) of Applicant(s):

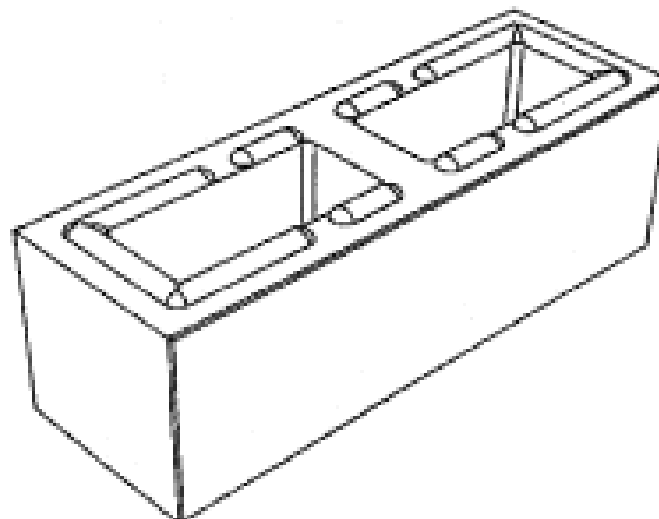
Benex Technologies Pty Ltd
C/-Todd Niven Chartered Acct. 146-148 Lords Place Orange New
South Wales 2800 Australia

(72) Name(s) of Designer(s): **Kerry Robert Bennett**

(45) Registration Date: **02 July 2007**

(56) Related Art Documents: **Not Applicable**

(57) Statement of Newness and Distinctiveness: **Nil**



(21) Design Number: **17388/2007**

(22) Date of Filing Application: **12 April 2007**

(24) Date from which industrial property rights may have effect: **12 April 2007**

(54) Product in respect of which the design is registered: **A building block**

(51) International Design Classification: **25-01A**

(71) Name(s) and Address(s) of Applicant(s):

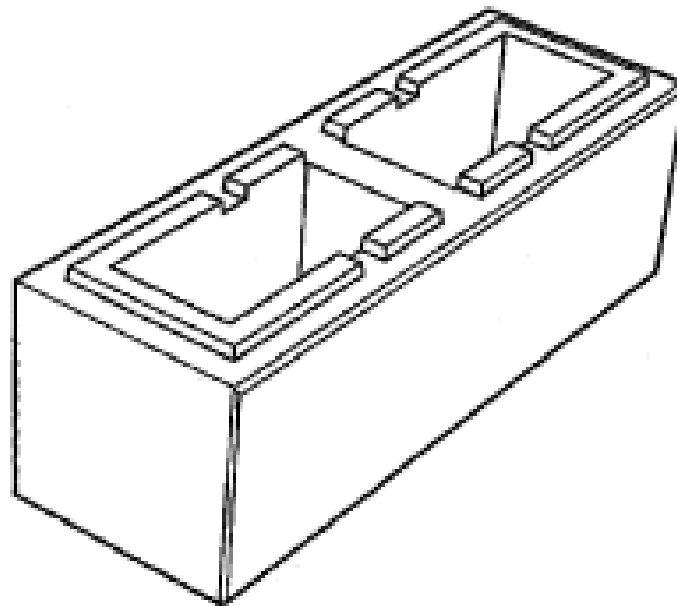
Benex Technologies Pty Ltd
C/-Todd Niven Chartered Acct. 146-148 Lords Place Orange New
South Wales 2800 Australia

(72) Name(s) of Designer(s): **Kerry Robert Bennett**

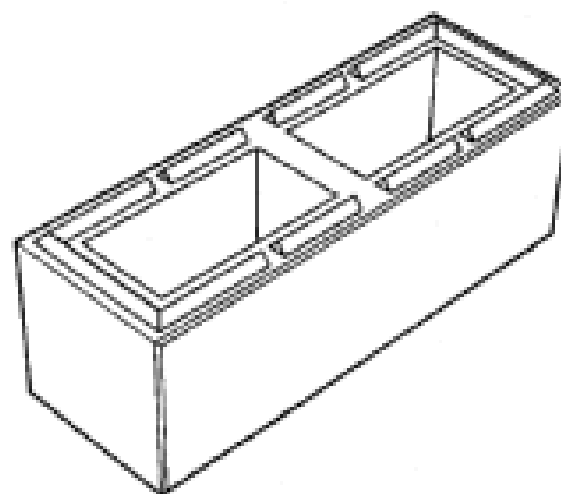
(45) Registration Date: **02 July 2007**

(56) Related Art Documents: **Not Applicable**

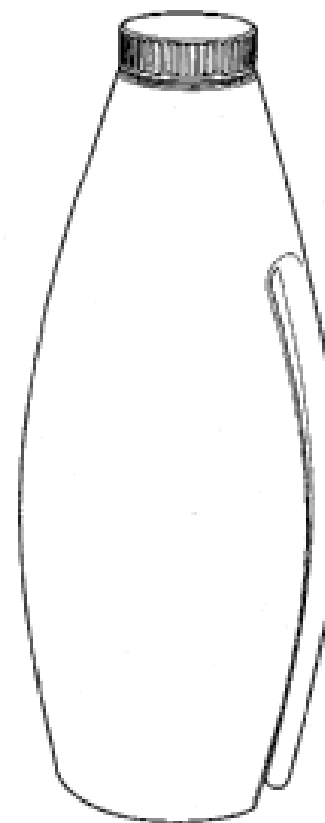
(57) Statement of Newness and Distinctiveness: **Nil**



(21) Design Number: **17389/2007**
(22) Date of Filing Application: **12 April 2007**
(24) Date from which industrial property rights may have effect: **12 April 2007**
(54) Product in respect of which the design is registered: **A building block**
(51) International Design Classification: **25-01A**
(71) Name(s) and Address(s) of Applicant(s):
Benex Technologies Pty Ltd
C/-Todd Niven Chartered Acct. 146-148 Lords Place Orange New
South Wales 2800 Australia
(72) Name(s) of Designer(s): **Kerry Robert Bennett**
(45) Registration Date: **02 July 2007**
(56) Related Art Documents: **Not Applicable**
(57) Statement of Newness and Distinctiveness: **Nil**



(21) Design Number: **17390/2007**
(22) Date of Filing Application: **12 April 2007**
(24) Date from which industrial property rights may have effect: **12 April 2007**
(54) Product in respect of which the design is registered: **A bottle**
(51) International Design Classification: **09-01K**
(71) Name(s) and Address(s) of Applicant(s):
Tip Top Dry Cleaners Pty Ltd
10 Greenhill Road Wayville South Australia 5034 Australia
(72) Name(s) of Designer(s): **George Anthony Nemer**
(45) Registration Date: **02 July 2007**
(56) Related Art Documents: **Not Applicable**
(57) Statement of Newness and Distinctiveness: **Nil**



(21) Design Number: **17400/2007**

(22) Date of Filing Application: **13 April 2007**

(24) Date from which industrial property rights may have effect: **13 April 2007**

(54) Product in respect of which the design is registered: **Security door frame**

(51) International Design Classification: **25-02B**

(71) Name(s) and Address(s) of Applicant(s):

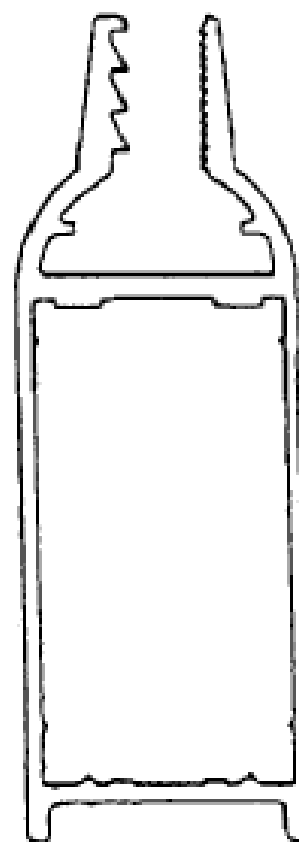
Norma Beatrice Carmen Bond
PO Box 3187 Malaga western Australia 6945 Australia

(72) Name(s) of Designer(s): **Norma Beatrice Carmen Bond**

(45) Registration Date: **02 July 2007**

(56) Related Art Documents: **Not Applicable**

(57) Statement of Newness and Distinctiveness: **The particular visual features of the design which are new and distinctive are the bullnose bridge section which adds overall strength to the security frame, while the teeth lock into the security mesh. The cross member bars add strength to the frame while providing the flexibility to install single or triple lock applications.**



(21) Design Number: **17401/2007**

(22) Date of Filing Application: **13 April 2007**

(24) Date from which industrial property rights may have effect: **13 April 2007**

(54) Product in respect of which the design is registered: **On-face security jam**

(51) International Design Classification: **08-09**

(71) Name(s) and Address(s) of Applicant(s):

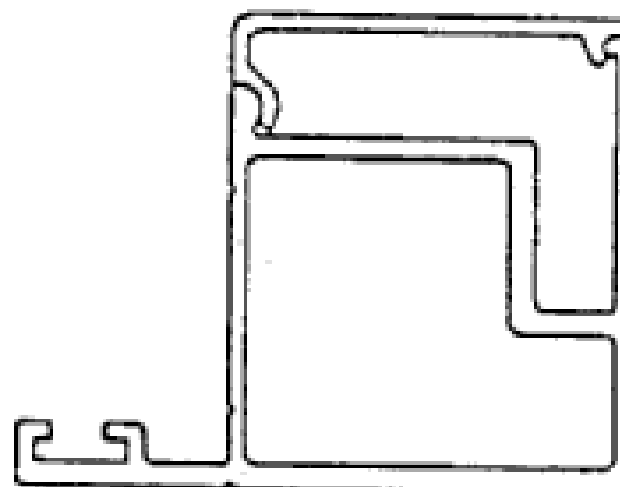
Norma Beatrice Carmen Bond
PO Box 3187 Malaga western Australia 6945 Australia

(72) Name(s) of Designer(s): **Norma Beatrice Carmen Bond**

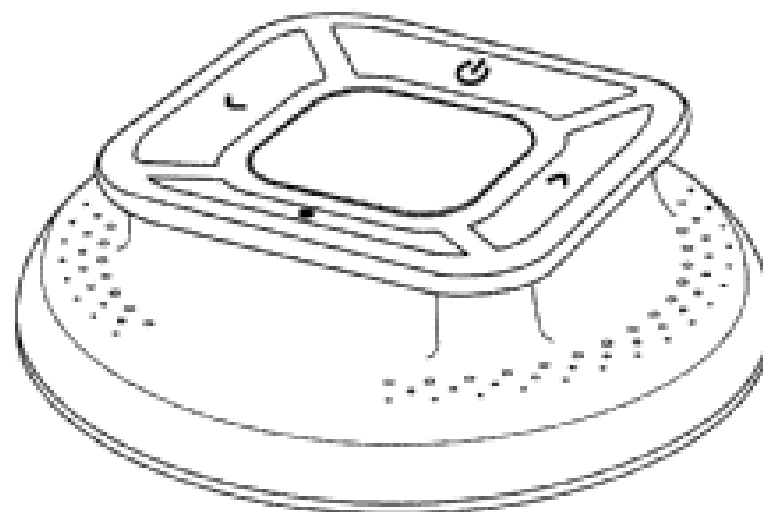
(45) Registration Date: **02 July 2007**

(56) Related Art Documents: **Not Applicable**

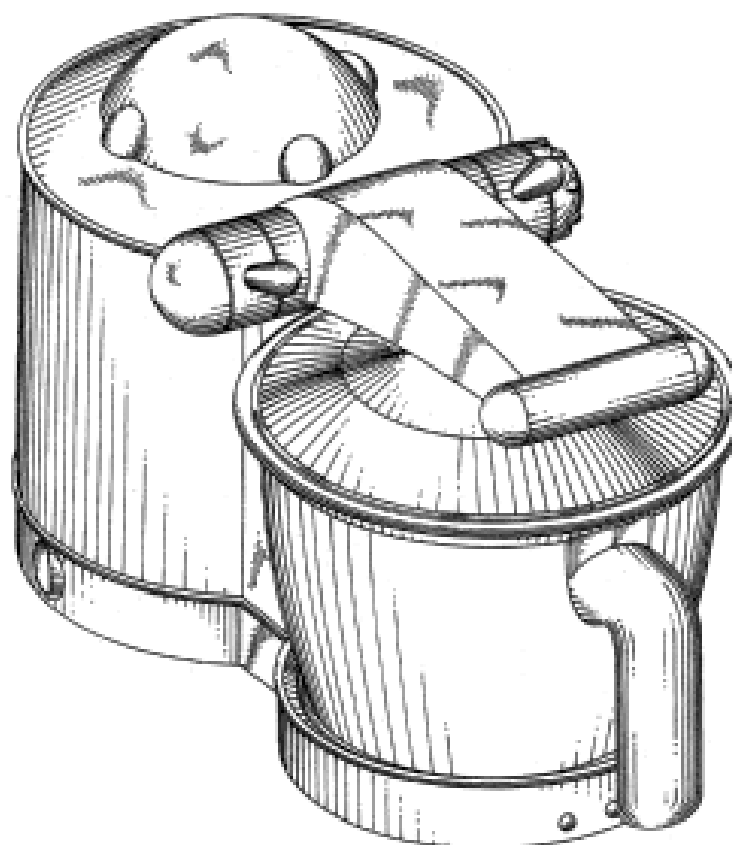
(57) Statement of Newness and Distinctiveness: **The particular visual features of the design which are new and distinctive are the face fixing sub frame allows for unrestricted fixing of a security door, while the angled leg (through mid-section) allows flexibility for the cap section to snap on, thus hiding the fixings and adding to security levels.**



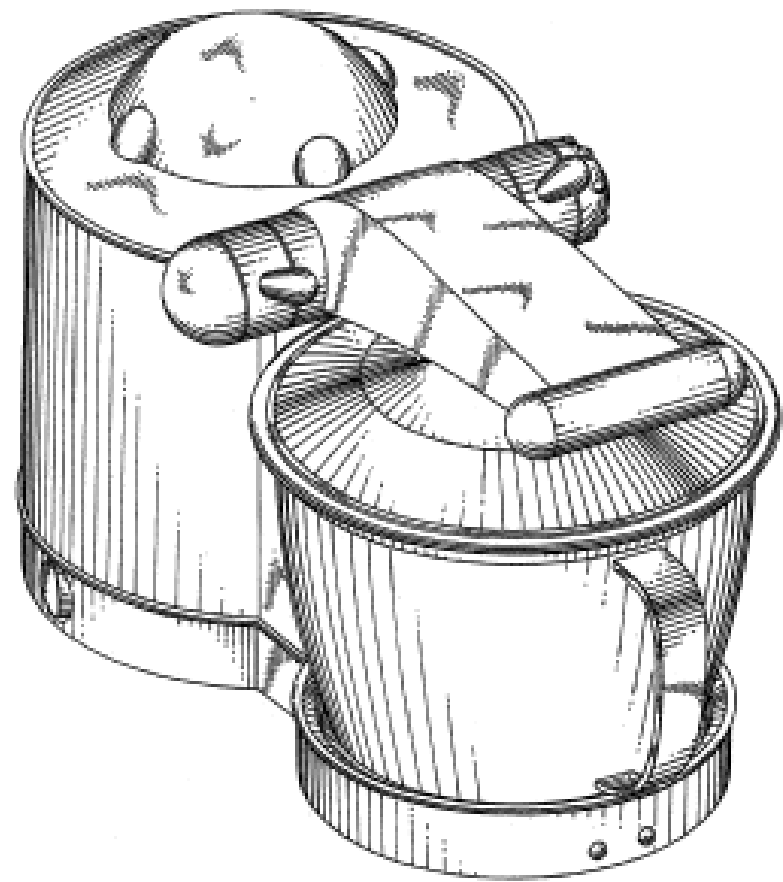
(21) Design Number: **17403/2007**
(22) Date of Filing Application: **12 April 2007**
(24) Date from which industrial property rights may have effect: **12 April 2007**
(54) Product in respect of which the design is registered: **Fetal motor activity detector**
(51) International Design Classification: **24-01**
(71) Name(s) and Address(s) of Applicant(s):
BioPad Ltd.
18 Tozeret Haaretz st. Tel Aviv 67441 Israel
(72) Name(s) of Designer(s): **Michal Rinnot and Lorna Pinchuk**
(45) Registration Date: **02 July 2007**
(30) Convention priority data:
(31) Number (32) Date (33) Country
43213 17 Oct 2006 ISRAEL
(56) Related Art Documents: **Not Applicable**
(57) Statement of Newness and Distinctiveness: **Nil**



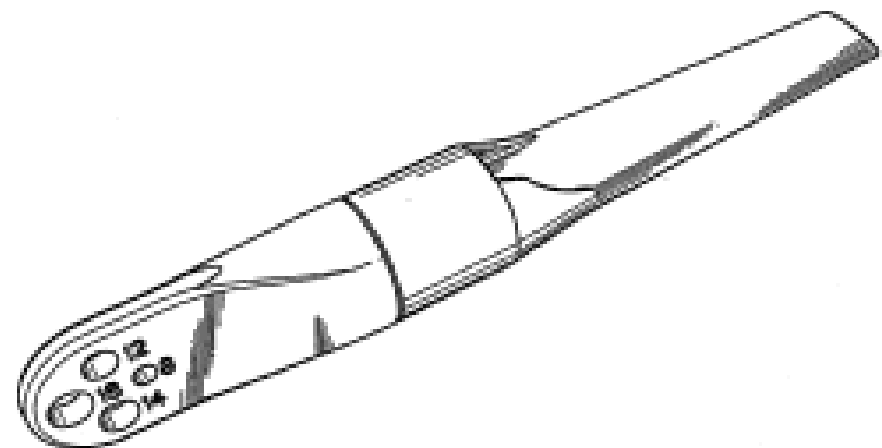
(21) Design Number: **17404/2007**
(22) Date of Filing Application: **12 April 2007**
(24) Date from which industrial property rights may have effect: **12 April 2007**
(54) Product in respect of which the design is registered: **Kitchen appliance for cooking foods**
(51) International Design Classification: **07-02NES**
(71) Name(s) and Address(s) of Applicant(s):
Ariete S.p.A.
Via Toscana 57 A/B I-59100 Prato Italy
(72) Name(s) of Designer(s): **Carlo Rosa**
(45) Registration Date: **02 July 2007**
(30) Convention priority data:
(31) Number (32) Date (33) Country
000606884 19 Oct 2006 EUROPEAN COMMUNITY
(56) Related Art Documents: **Not Applicable**
(57) Statement of Newness and Distinctiveness: **Nil**



- (21) Design Number: **17405/2007**
(22) Date of Filing Application: **12 April 2007**
(24) Date from which industrial property rights may have effect: **12 April 2007**
(54) Product in respect of which the design is registered: **Kitchen appliance for cooking foods**
(51) International Design Classification: **07-02NES**
(71) Name(s) and Address(s) of Applicant(s):
Ariete S.p.A.
Via Toscana 57 A/B I-59100 Prato Italy
(72) Name(s) of Designer(s): **Carlo Rosa**
(45) Registration Date: **02 July 2007**
(30) Convention priority data:
(31) Number (32) Date (33) Country
000606884 19 Oct 2006 EUROPEAN COMMUNITY
(56) Related Art Documents: **Not Applicable**
(57) Statement of Newness and Distinctiveness: **Nil**



- (21) Design Number: **17406/2007**
(22) Date of Filing Application: **12 April 2007**
(24) Date from which industrial property rights may have effect: **12 April 2007**
(54) Product in respect of which the design is registered: **Surgical implement**
(51) International Design Classification: **24-02**
(71) Name(s) and Address(s) of Applicant(s):
Astra Tech A.B.
(72) Name(s) of Designer(s): **Goran Frojd**
(45) Registration Date: **02 July 2007**
(30) Convention priority data:
(31) Number (32) Date (33) Country
0617246/001/03 07 Nov 2006 EUROPEAN COMMUNITY
(56) Related Art Documents: **Not Applicable**
(57) Statement of Newness and Distinctiveness: **Those features of the surgical implement depicted in the representations that are new and distinctive are the shape and/or configuration.**



(21) Design Number: **17407/2007**

(22) Date of Filing Application: **12 April 2007**

(24) Date from which industrial property rights may have effect: **12 April 2007**

(54) Product in respect of which the design is registered: **Ground anchor**

(51) International Design Classification: **25-01E**

(71) Name(s) and Address(s) of Applicant(s):

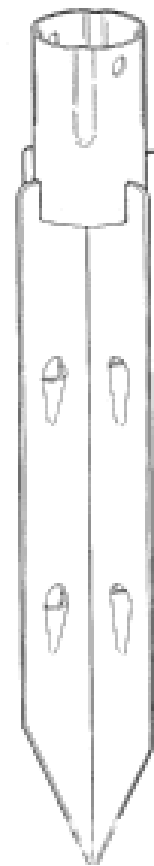
**RMD Press Co Pty Limited
6-10 Market Road Sunshine Victoria 3020 Australia**

(72) Name(s) of Designer(s): **Ian James Buckley and Allan Roy Masters and
Jian Chen Qi**

(45) Registration Date: **02 July 2007**

(56) Related Art Documents: **Not Applicable**

(57) Statement of Newness and Distinctiveness: **Nil**



(21) Design Number: **17408/2007**

(22) Date of Filing Application: **12 April 2007**

(24) Date from which industrial property rights may have effect: **12 April 2007**

(54) Product in respect of which the design is registered: **Wedge**

(51) International Design Classification: **08-08K**

(71) Name(s) and Address(s) of Applicant(s):

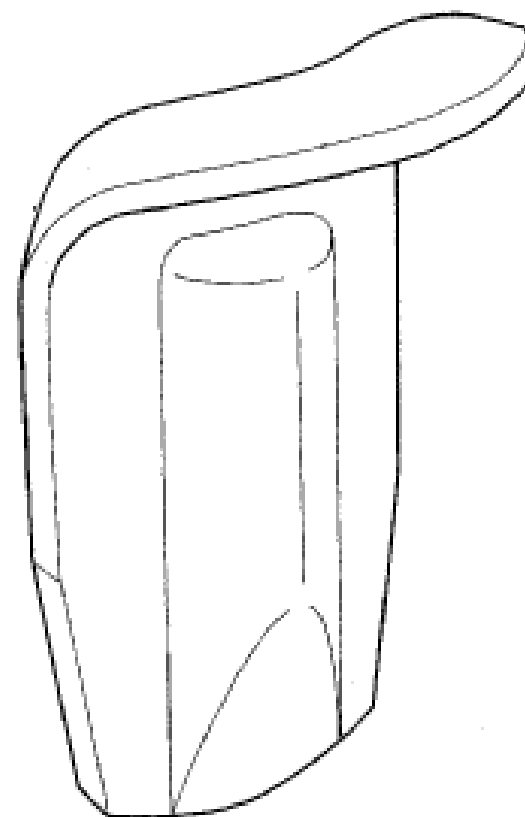
**RMD Press Co Pty Limited
6-10 Market Road Sunshine Victoria 3020 Australia**

(72) Name(s) of Designer(s): **Jian Chen Qi**

(45) Registration Date: **02 July 2007**

(56) Related Art Documents: **Not Applicable**

(57) Statement of Newness and Distinctiveness: **Nil**



(21) Design Number: **17409/2007**

(22) Date of Filing Application: **12 April 2007**

(24) Date from which industrial property rights may have effect: **12 April 2007**

(54) Product in respect of which the design is registered: **Chair**

(51) International Design Classification: **06-01F**

(71) Name(s) and Address(s) of Applicant(s):

**Dauphin Entwicklungs-und Beteiligungs GmbH
Industriestrasse 11 91217 Hersbruck Germany**

(72) Name(s) of Designer(s): **Elke Dauphin**

(45) Registration Date: **02 July 2007**

(30) Convention priority data:

(31) Number	(32) Date	(33) Country
000604665-0001	13 Oct 2006	EUROPEAN COMMUNITY

(56) Related Art Documents: **Not Applicable**

(57) Statement of Newness and Distinctiveness: **Newness and distinctiveness reside in the features of the design as shown in the representations.**



(21) Design Number: **17410/2007**

(22) Date of Filing Application: **12 April 2007**

(24) Date from which industrial property rights may have effect: **12 April 2007**

(54) Product in respect of which the design is registered: **Hat**

(51) International Design Classification: **02-03**

(71) Name(s) and Address(s) of Applicant(s):

**Lifestyle Products Inc.
Palm Court 28 Pine Road Belleville St. Michael Barbados**

(72) Name(s) of Designer(s): **Joyce Groote**

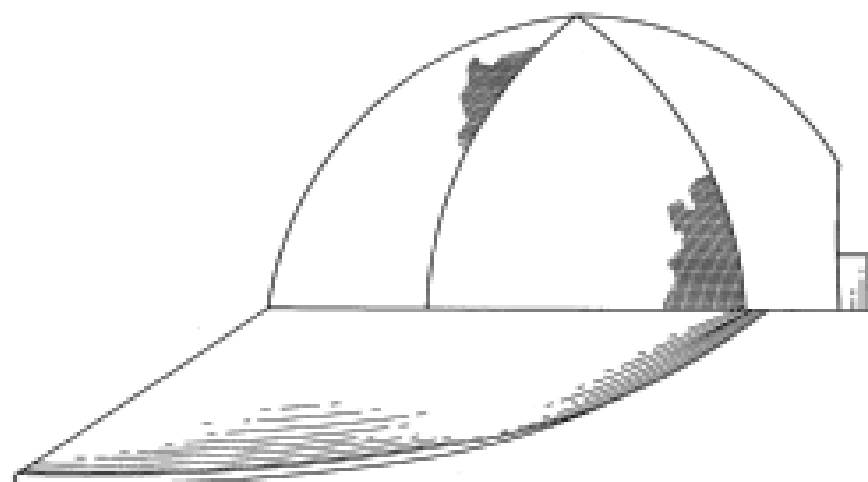
(45) Registration Date: **02 July 2007**

(30) Convention priority data:

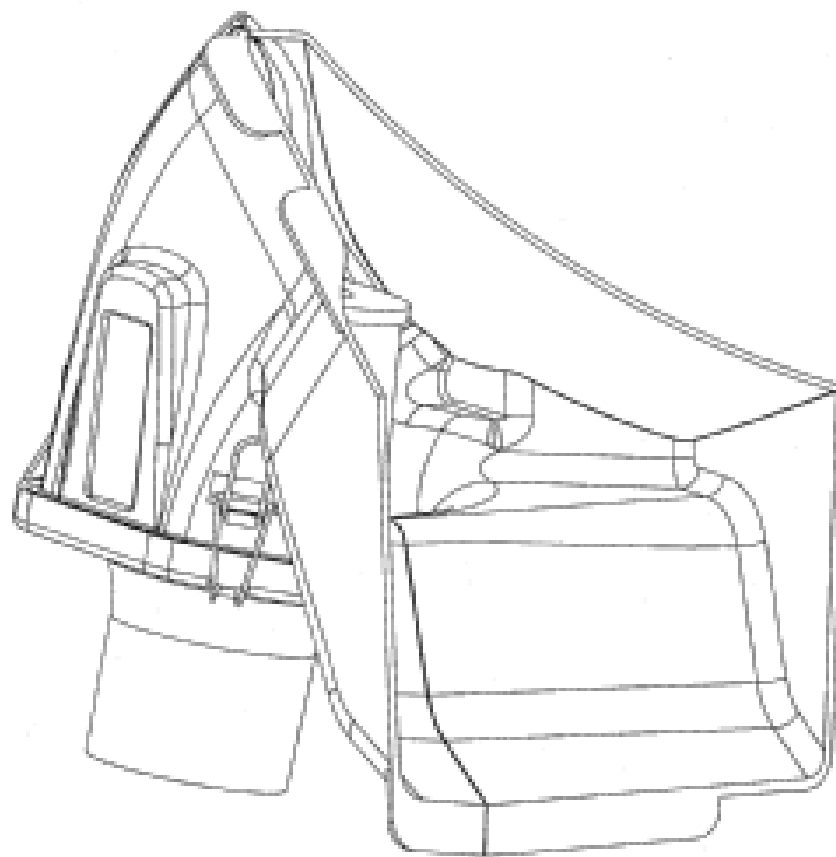
(31) Number	(32) Date	(33) Country
29/267,548	16 Oct 2006	UNITED STATES OF AMERICA

(56) Related Art Documents: **Not Applicable**

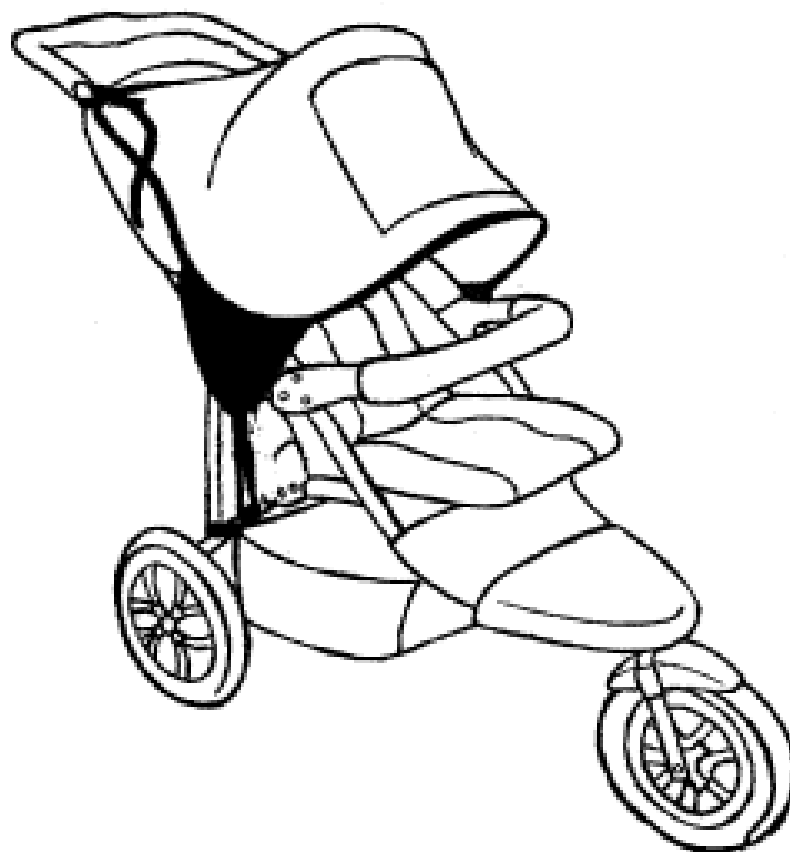
(57) Statement of Newness and Distinctiveness: **The newness and distinctiveness of the design resides in the features of shape and/or configuration shown in the accompanying representations.**



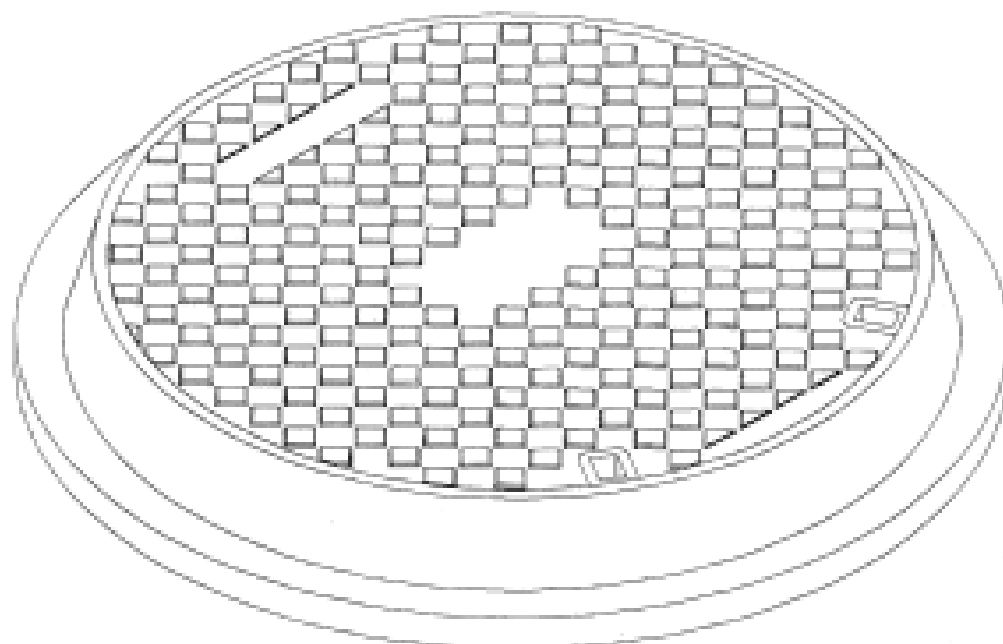
- (21) Design Number: **17411/2007**
(22) Date of Filing Application: **13 April 2007**
(24) Date from which industrial property rights may have effect: **13 April 2007**
(54) Product in respect of which the design is registered: **Holden Ve induction unit**
(51) International Design Classification: **12-16NES**
(71) Name(s) and Address(s) of Applicant(s):
Bellnet Pty Ltd
1/76 Blanck Street Ormeau Queensland 4208 Australia
(72) Name(s) of Designer(s): **Kevin Hoverd**
(45) Registration Date: **02 July 2007**
(56) Related Art Documents: **Not Applicable**
(57) Statement of Newness and Distinctiveness: **Nil**



- (21) Design Number: **17412/2007**
(22) Date of Filing Application: **13 April 2007**
(24) Date from which industrial property rights may have effect: **13 April 2007**
(54) Product in respect of which the design is registered: **A stroller shade**
(51) International Design Classification: **12-12**
(71) Name(s) and Address(s) of Applicant(s):
Samtara Holdings Limited
Kumeu Professional Centre Cnr Access Rd & Shamrock Drive Kumeu
0810 New Zealand
(72) Name(s) of Designer(s): **Louise Anne Dawson and Eileen Marie Hoey-Slocombe**
(45) Registration Date: **02 July 2007**
(56) Related Art Documents: **Not Applicable**
(57) Statement of Newness and Distinctiveness: **Novelty resides in the features or shape and configuration of the stroller shade as shown in the accompanying representations. The stroller shown in the representations is not part of the design.**



- (21) Design Number: **17417/2007**
(22) Date of Filing Application: **13 April 2007**
(24) Date from which industrial property rights may have effect: **13 April 2007**
(54) Product in respect of which the design is registered: **Manhole cover**
(51) International Design Classification: **25-02NES**
(71) Name(s) and Address(s) of Applicant(s):
Havestock Pty Ltd
452 Newman Road Geebung Queensland 4034 Australia
(72) Name(s) of Designer(s): **Simon Arthur Bottomley**
(45) Registration Date: **02 July 2007**
(56) Related Art Documents: **Not Applicable**
(57) Statement of Newness and Distinctiveness: **Nil**



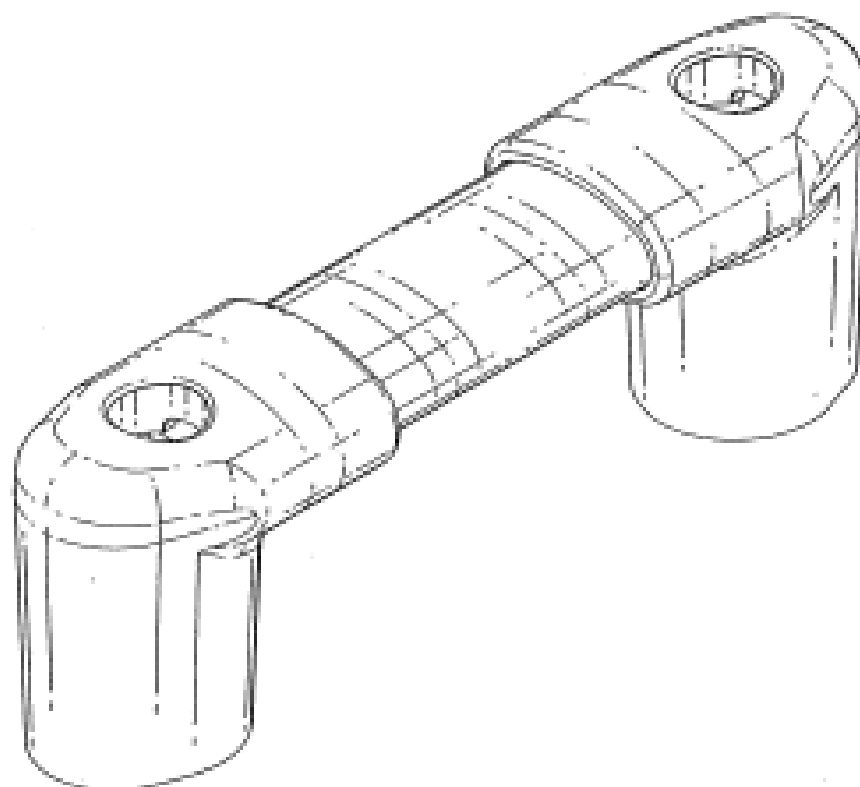
- (21) Design Number: **17418/2007**
(22) Date of Filing Application: **13 April 2007**
(24) Date from which industrial property rights may have effect: **13 April 2007**
(54) Product in respect of which the design is registered: **Box**
(51) International Design Classification: **09-03M**
(71) Name(s) and Address(s) of Applicant(s):
Otsuka Pharmaceutical Co., Ltd.
2-9 Kanda-Tsukasamachi Chiyoda-ku Tokyo 101-8535 Japan
(72) Name(s) of Designer(s): **Minami Moriya**
(45) Registration Date: **02 July 2007**
(30) Convention priority data:
(31) Number (32) Date (33) Country
2006#028036 17 Oct 2006 JAPAN
(56) Related Art Documents: **Not Applicable**
(57) Statement of Newness and Distinctiveness: **Nil**



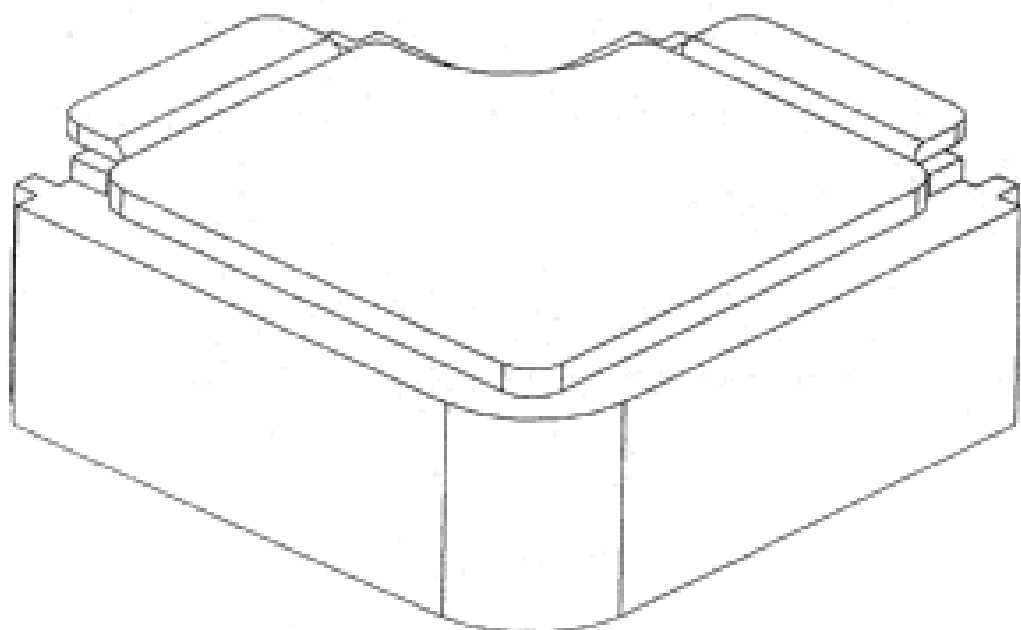
(21) Design Number: **17421/2007**
(22) Date of Filing Application: **13 April 2007**
(24) Date from which industrial property rights may have effect: **13 April 2007**
(54) Product in respect of which the design is registered: **Toilet pan**
(51) International Design Classification: **23-02C**
(71) Name(s) and Address(s) of Applicant(s):
Technicon Industries Pty Ltd
37 Collingwood Street Osborne Park Western Australia 6916 Australia
(72) Name(s) of Designer(s): **Tony Bayot**
(45) Registration Date: **02 July 2007**
(56) Related Art Documents: **Not Applicable**
(57) Statement of Newness and Distinctiveness: **Nil**



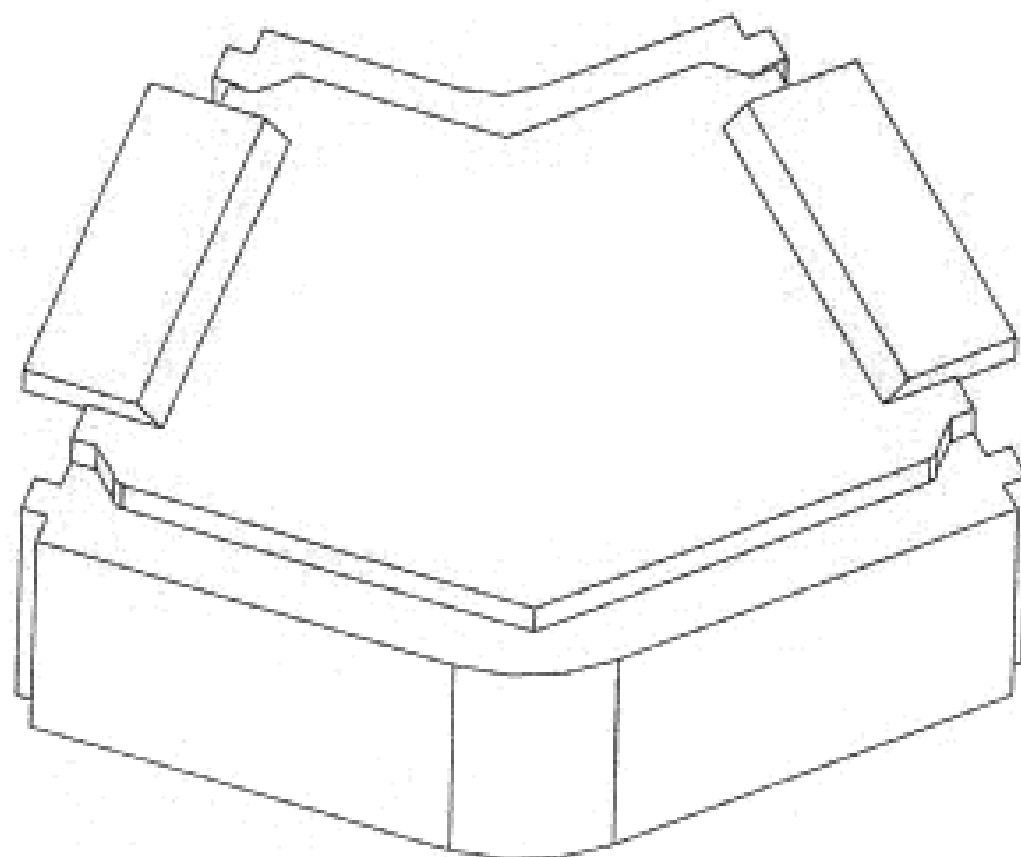
(21) Design Number: **17422/2007**
(22) Date of Filing Application: **13 April 2007**
(24) Date from which industrial property rights may have effect: **13 April 2007**
(54) Product in respect of which the design is registered: **Modular transit assist handle**
(51) International Design Classification: **08-06**
(71) Name(s) and Address(s) of Applicant(s):
Wabtec Corporation
1001 Air Brake Avenue Wilmerding PA 15148 United States of America
(72) Name(s) of Designer(s): **David C. Griffis**
(45) Registration Date: **02 July 2007**
(30) Convention priority data:
(31) Number (32) Date (33) Country
29/267,408 13 Oct 2006 UNITED STATES OF AMERICA
(56) Related Art Documents: **Not Applicable**
(57) Statement of Newness and Distinctiveness: **The shape and configuration of the product is new and distinctive.**



- (21) Design Number: **15841/2006**
(22) Date of Filing Application: **20 December 2006**
(24) Date from which industrial property rights may have effect: **20 December 2006**
(54) Product in respect of which the design is registered: **Corner stake height adaptor**
(51) International Design Classification: **25-01E**
(71) Name(s) and Address(s) of Applicant(s):
Dias Aluminium Products Pty. Ltd.
201-205 Browns Road Noble Park Victoria 3174 Australia
(72) Name(s) of Designer(s): **David Aiken Paterson**
(45) Registration Date: **03 July 2007**
(56) Related Art Documents: **Not Applicable**
(57) Statement of Newness and Distinctiveness: **Nil**

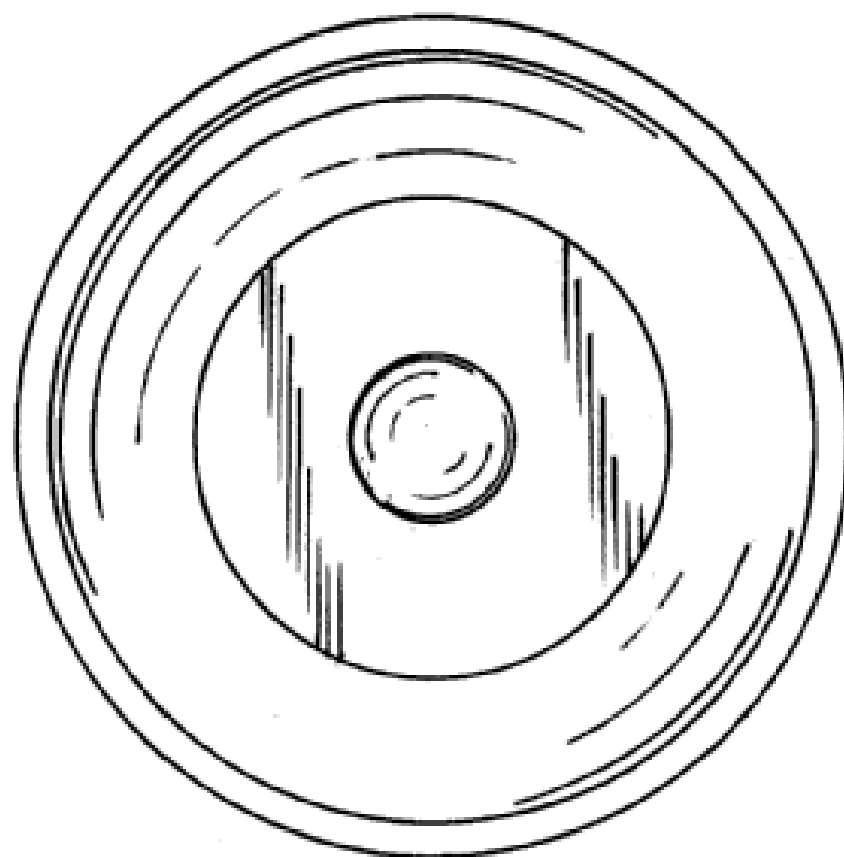


- (21) Design Number: **15842/2006**
(22) Date of Filing Application: **20 December 2006**
(24) Date from which industrial property rights may have effect: **20 December 2006**
(54) Product in respect of which the design is registered: **Corner stake height adaptor**
(51) International Design Classification: **25-01E**
(71) Name(s) and Address(s) of Applicant(s):
Dias Aluminium Products Pty. Ltd.
201-205 Browns Road Noble Park Victoria 3174 Australia
(72) Name(s) of Designer(s): **David Aiken Paterson**
(45) Registration Date: **03 July 2007**
(56) Related Art Documents: **Not Applicable**
(57) Statement of Newness and Distinctiveness: **Nil**



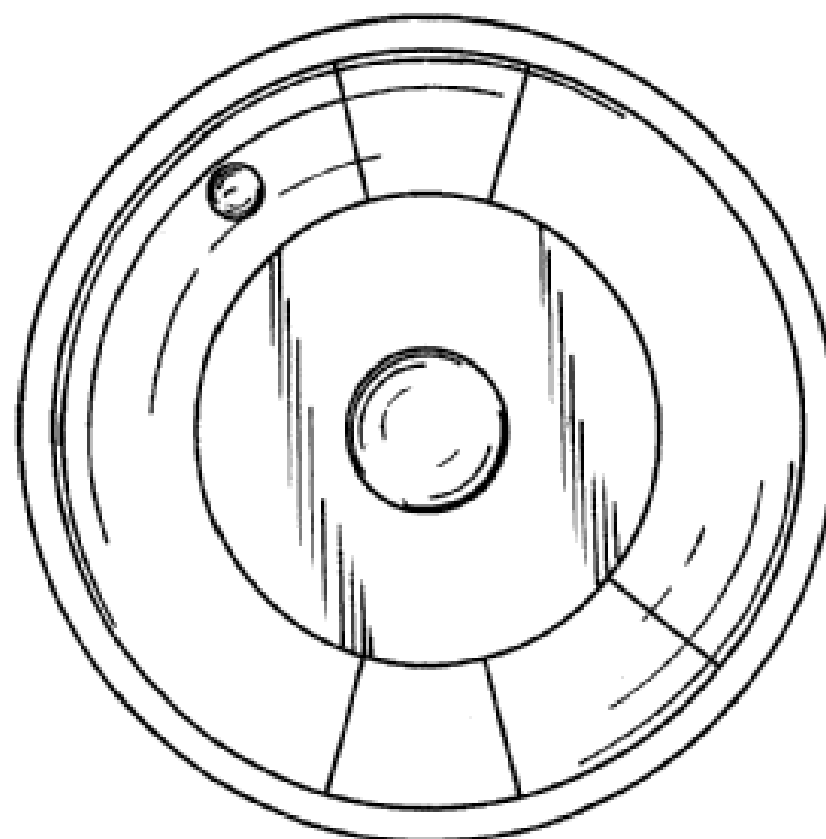
- (21) Design Number: **16559/2007**
- (22) Date of Filing Application: **22 February 2007**
- (24) Date from which industrial property rights may have effect: **22 February 2007**
- (54) Product in respect of which the design is registered: **Remote control**
- (51) International Design Classification: **14-03NES**
- (71) Name(s) and Address(s) of Applicant(s):
RacePointMedia LLC
32 Wianno Avenue Osterville Massachusetts 02655 United States of America
- (72) Name(s) of Designer(s): **Robert P. Madonna and Peter H. Corsini and Daniel W. Ashcraft and John von Buelow and Deanna Griffith and Erin Napolitano and Wendee Lee and Kit Mok**
- (45) Registration Date: **03 July 2007**
- (30) Convention priority data:

(31) Number	(32) Date	(33) Country
29/248,610	23 Aug 2006	UNITED STATES OF AMERICA
- (56) Related Art Documents: **Not Applicable**
- (57) Statement of Newness and Distinctiveness: **Those features of the remote control depicted in the representations that are new and distinctive are the shape and/or configuration.**

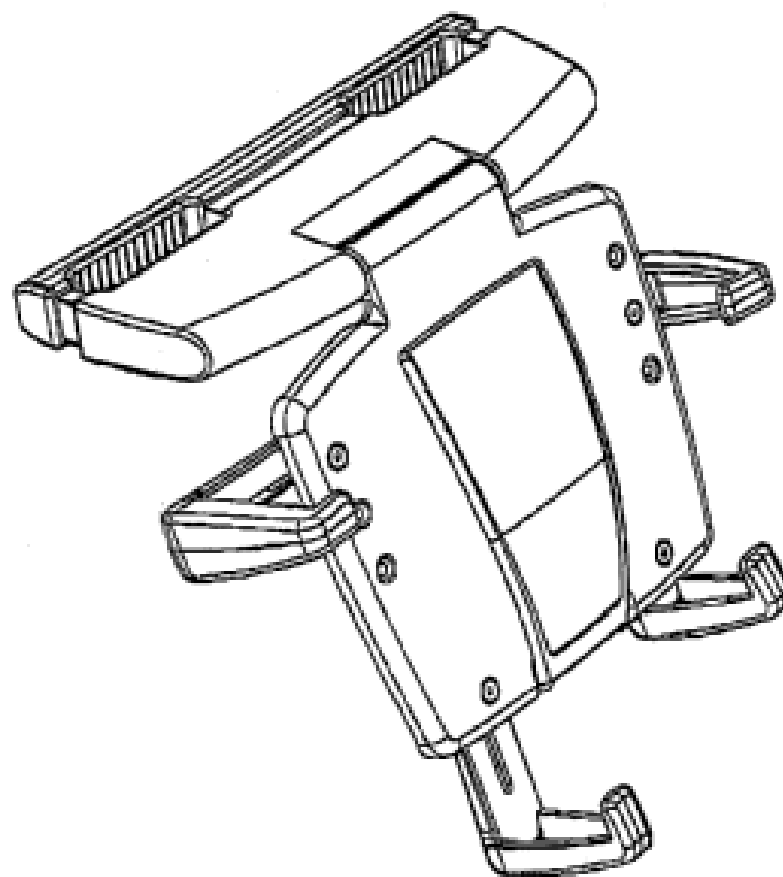


- (21) Design Number: **18531/2007**
- (22) Date of Filing Application: **20 June 2007**
- (24) Date from which industrial property rights may have effect: **20 June 2007**
- (54) Product in respect of which the design is registered: **Remote control**
- (51) International Design Classification: **14-03NES**
- (71) Name(s) and Address(s) of Applicant(s):
RacePointMedia LLC
32 Wianno Avenue Osterville Massachusetts 02655 United States of America
- (72) Name(s) of Designer(s): **Robert P. Madonna and Daniel W. Ashcraft and Deanna Griffith and Wendee Lee and Peter H. Corsini and Erin Napolitano and Kit Mok and John von Buelow**
- (45) Registration Date: **03 July 2007**
- (30) Convention priority data:

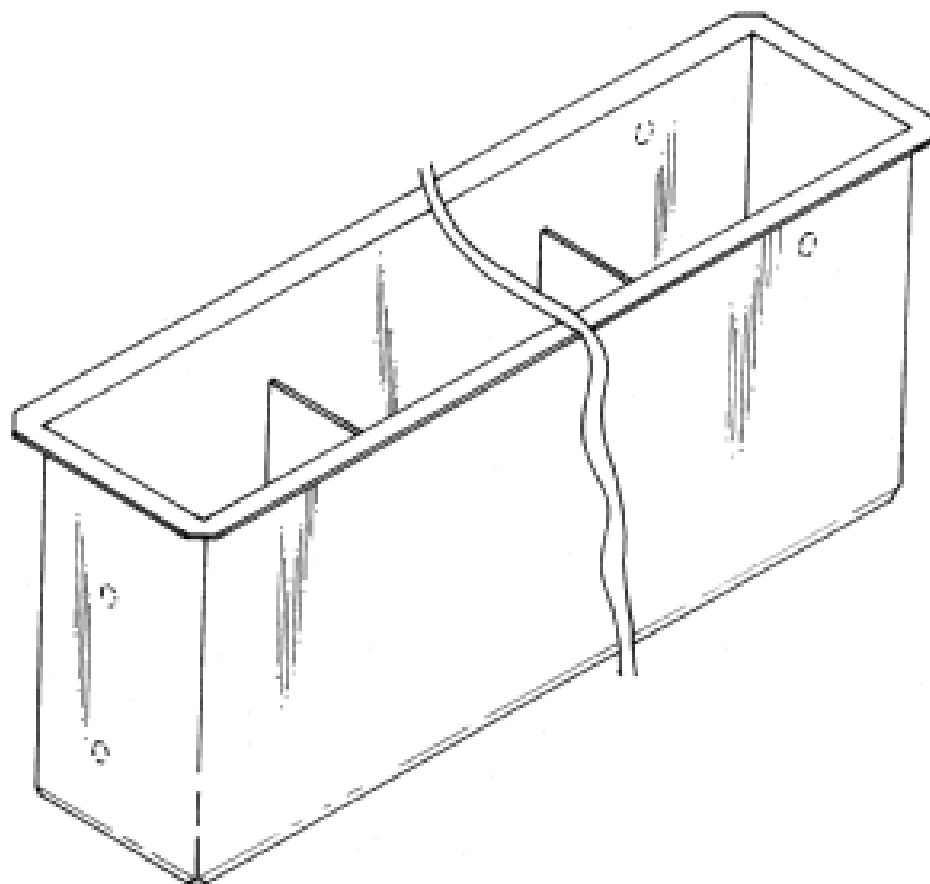
(31) Number	(32) Date	(33) Country
29/248,610	23 Aug 2006	UNITED STATES OF AMERICA
- (56) Related Art Documents: **Not Applicable**
- (57) Statement of Newness and Distinctiveness: **Those features of the remote control depicted in the representations that are new and distinctive are the shape and/or configuration.**



- (21) Design Number: **16584/2007**
(22) Date of Filing Application: **23 February 2007**
(24) Date from which industrial property rights may have effect: **23 February 2007**
(54) Product in respect of which the design is registered: **DVD holders for car seats**
(51) International Design Classification: **12-16NES**
(71) Name(s) and Address(s) of Applicant(s):
Vogel's Holding B.V.
Hondsruglaan 93 5628 DB Eindhoven Netherlands
(72) Name(s) of Designer(s): **Paul Grolle and Stefan Luijben**
(45) Registration Date: **03 July 2007**
(30) Convention priority data:
(31) Number (32) Date (33) Country
000578927#0001 23 Aug 2006 EUROPEAN COMMUNITY
(56) Related Art Documents: **Not Applicable**
(57) Statement of Newness and Distinctiveness: **Each feature of the design considered separately or in combination with any other feature or features.**



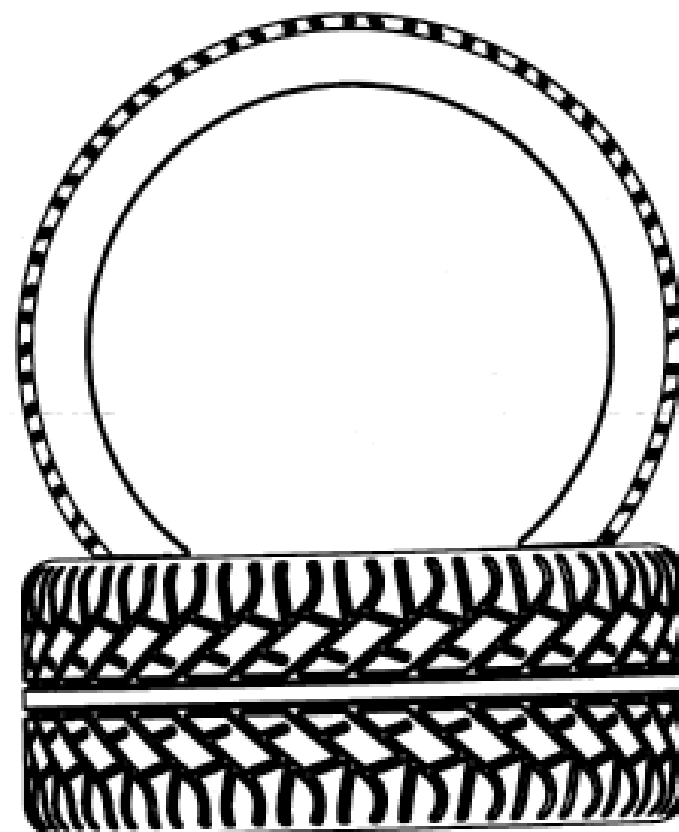
- (21) Design Number: **16731/2007**
(22) Date of Filing Application: **02 March 2007**
(24) Date from which industrial property rights may have effect: **02 March 2007**
(54) Product in respect of which the design is registered: **Arrestor or grease trap**
(51) International Design Classification: **23-02NES**
(71) Name(s) and Address(s) of Applicant(s):
Barry Colin Cawthorne
8 Hillview Parade Ashmore Queensland 4214 Australia
(72) Name(s) of Designer(s): **Barry Colin Cawthorne**
(45) Registration Date: **03 July 2007**
(56) Related Art Documents: **Not Applicable**
(57) Statement of Newness and Distinctiveness: **The newness and distinctiveness of the design resides in the features of shape and/or configuration of the arrestor or grease trap of indefinite length, as shown in unbroken lines in the accompanying representations.**



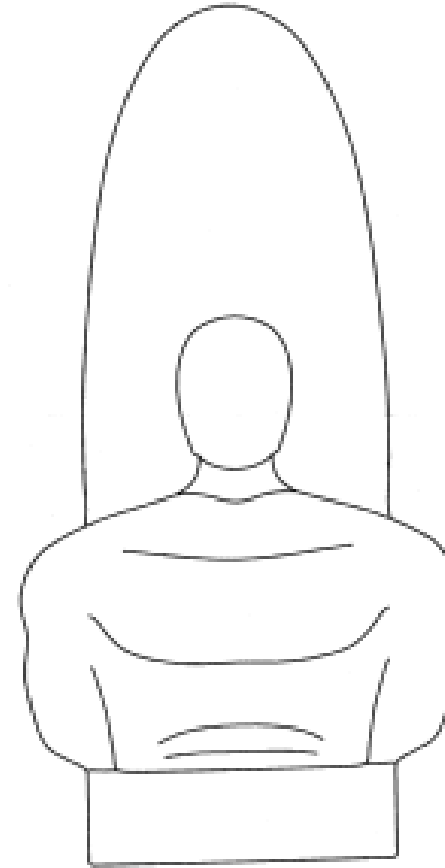
- (21) Design Number: **16793/2007**
(22) Date of Filing Application: **08 March 2007**
(24) Date from which industrial property rights may have effect: **08 March 2007**
(54) Product in respect of which the design is registered: **Display of an electronic device**
(51) International Design Classification: **14-04**
(71) Name(s) and Address(s) of Applicant(s):
Palmerston Limited
2nd Floor Sixty Circular Road Douglas Isle of Man
(72) Name(s) of Designer(s): **Max Rudberg and Henrik Ronnlund**
(45) Registration Date: **03 July 2007**
(56) Related Art Documents: **Not Applicable**
(57) Statement of Newness and Distinctiveness: **Newness and distinctiveness resides in the patent and ornamentation of a display as applied to an electronic device, as shown in the representation.**



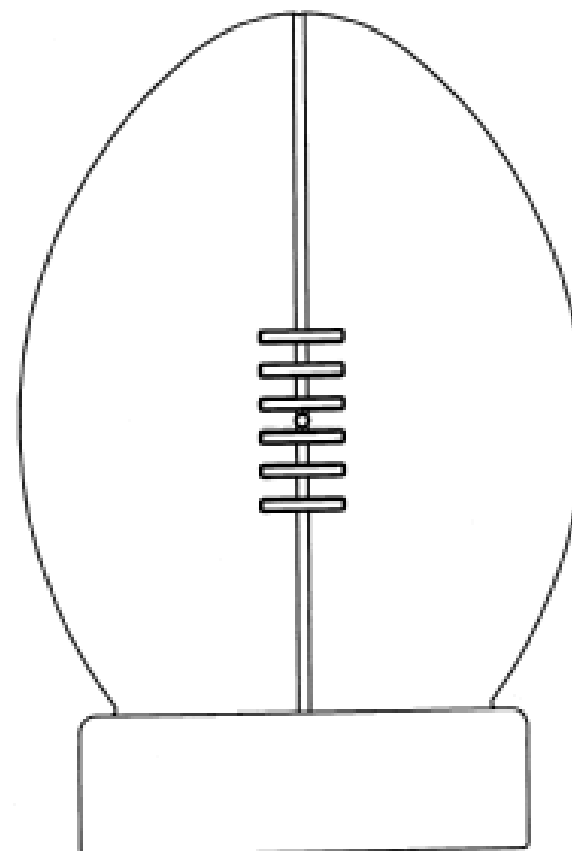
- (21) Design Number: **17331/2007**
(22) Date of Filing Application: **10 April 2007**
(24) Date from which industrial property rights may have effect: **10 April 2007**
(54) Product in respect of which the design is registered: **Tow ball cover for vehicles**
(51) International Design Classification: **12-16L**
(71) Name(s) and Address(s) of Applicant(s):
Phillip Grey
11 Cobb Court Mudgeeraba Queensland 4213 Australia
Grant O'Hara
11 Cobb Court Mudgeeraba Queensland 4213 Australia
(72) Name(s) of Designer(s): **Phillip Grey and Grant O'Hara**
(45) Registration Date: **03 July 2007**
(56) Related Art Documents: **Not Applicable**
(57) Statement of Newness and Distinctiveness: **The statement of monopoly of the design resides in the features of shape and configuration of the tow ball cover as shown in the accompanying representations.**



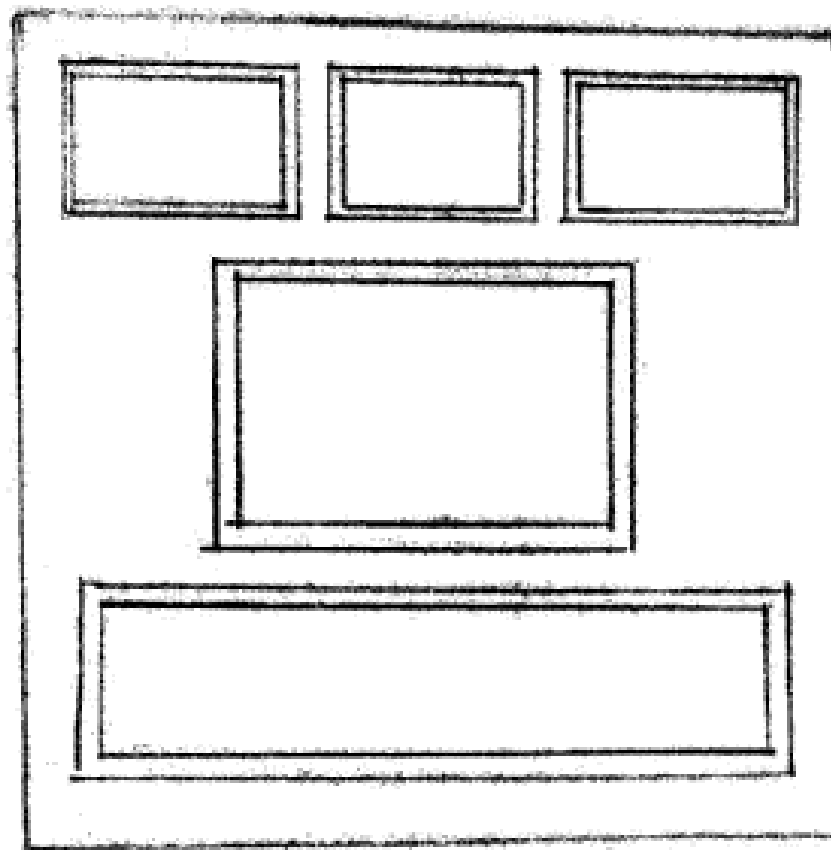
- (21) Design Number: **17332/2007**
(22) Date of Filing Application: **10 April 2007**
(24) Date from which industrial property rights may have effect: **10 April 2007**
(54) Product in respect of which the design is registered: **Tow ball cover for vehicles**
(51) International Design Classification: **12-16L**
(71) Name(s) and Address(s) of Applicant(s):
 Phillip Grey
 11 Cobb Court Mudgeeraba Queensland 4213 Australia
 Grant O'Hara
 11 Cobb Court Mudgeeraba Queensland 4213 Australia
(72) Name(s) of Designer(s): **Phillip Grey and Grant O'Hara**
(45) Registration Date: **03 July 2007**
(56) Related Art Documents: **Not Applicable**
(57) Statement of Newness and Distinctiveness: **The statement of monopoly of the design resides in the features of shape and configuration of the tow ball cover as shown in the accompanying representations.**



- (21) Design Number: **17333/2007**
(22) Date of Filing Application: **10 April 2007**
(24) Date from which industrial property rights may have effect: **10 April 2007**
(54) Product in respect of which the design is registered: **Tow ball cover for vehicles**
(51) International Design Classification: **12-16L**
(71) Name(s) and Address(s) of Applicant(s):
 Phillip Grey
 11 Cobb Court Mudgeeraba Queensland 4213 Australia
 Grant O'Hara
 11 Cobb Court Mudgeeraba Queensland 4213 Australia
(72) Name(s) of Designer(s): **Phillip Grey and Grant O'Hara**
(45) Registration Date: **03 July 2007**
(56) Related Art Documents: **Not Applicable**
(57) Statement of Newness and Distinctiveness: **The statement of monopoly of the design resides in the features of shape and configuration of the tow ball cover as shown in the accompanying representations.**

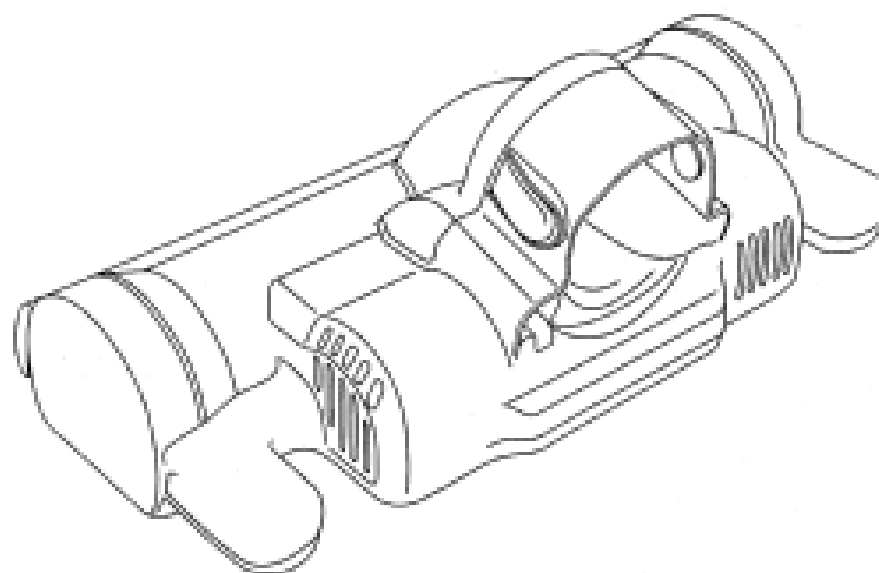


- (21) Design Number: **18083/2007**
- (22) Date of Filing Application: **25 May 2007**
- (24) Date from which industrial property rights may have effect: **25 May 2007**
- (54) Product in respect of which the design is registered: **Scrapbooking album and storage**
- (51) International Design Classification: **19-04**
- (71) Name(s) and Address(s) of Applicant(s):
Angelique Flecknoe Trading as Karabell
61 Wilkinson Crescent Currumbin Waters Queensland 4223 Australia
- (72) Name(s) of Designer(s): **Angelique Flecknoe**
- (45) Registration Date: **03 July 2007**
- (56) Related Art Documents: **Not Applicable**
- (57) Statement of Newness and Distinctiveness: **Front of album will have multiple window picture frames including longer horizontal/vertical frame for individual scrapbook labeling. Inside album is specifically designed for scrapbooking pages including option for versatility where width of album can accommodate as a storage unit for scrapbooking memorabilia (ie: items previously made by individual, etc).**

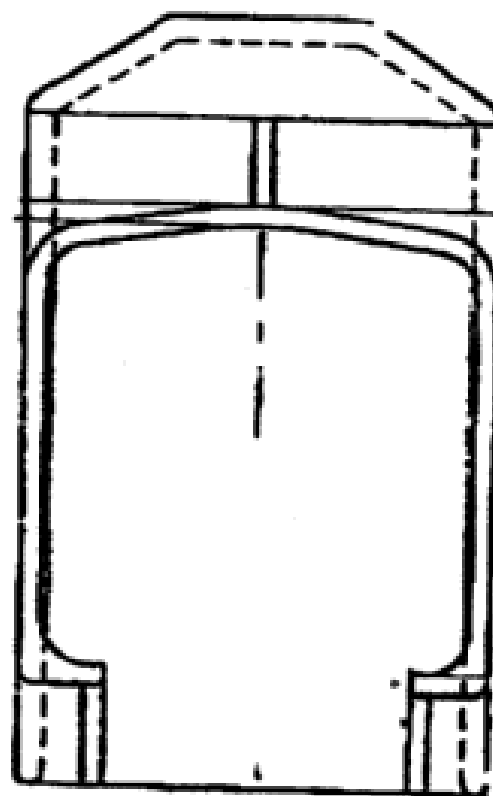


- (21) Design Number: **16634/2007**
- (22) Date of Filing Application: **27 February 2007**
- (24) Date from which industrial property rights may have effect: **27 February 2007**
- (54) Product in respect of which the design is registered: **A head for a cleaning appliance**
- (51) International Design Classification: **15-05**
- (71) Name(s) and Address(s) of Applicant(s):
Dyson Limited
Tetbury Hill Malmesbury Wiltshire SN16 0RP United Kingdom
- (72) Name(s) of Designer(s): **James Dyson and Robert Paul Upton**
- (45) Registration Date: **03 July 2007**
- (30) Convention priority data:

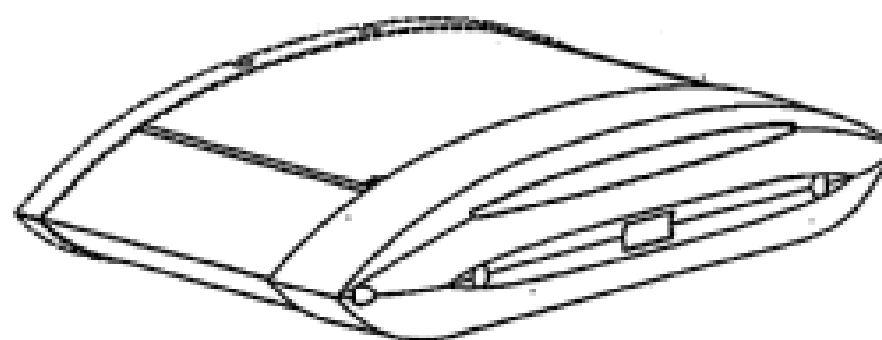
(31) Number	(32) Date	(33) Country
3025865	05 Sep 2006	UNITED KINGDOM
- (56) Related Art Documents: **Not Applicable**
- (57) Statement of Newness and Distinctiveness: **Newness and distinctiveness resides in the features of shape and/or configuration of a head for a cleaning appliance as illustrated in the accompanying representations.**



- (21) Design Number: **17420/2007**
(22) Date of Filing Application: **16 April 2007**
(24) Date from which industrial property rights may have effect: **16 April 2007**
(54) Product in respect of which the design is registered: **Gate supports to go over top and bottom of posts to support top and bottom rails and sheets for gates**
(51) International Design Classification: **25-01E**
(71) Name(s) and Address(s) of Applicant(s):
Wayne Russell Milner
128 Kings Road St Albans Victoria 3021 Australia
(72) Name(s) of Designer(s): **B. Uren**
(45) Registration Date: **03 July 2007**
(56) Related Art Documents: **Not Applicable**
(57) Statement of Newness and Distinctiveness: **With this design there is no welding involved.**



- (21) Design Number: **17210/2007**
(22) Date of Filing Application: **29 March 2007**
(24) Date from which industrial property rights may have effect: **29 March 2007**
(54) Product in respect of which the design is registered: **Wall-mounted LED floodlight**
(51) International Design Classification: **26-05C**
(71) Name(s) and Address(s) of Applicant(s):
Ruud Lighting, Inc.
9201 Washington Avenue Racine Wisconsin 53406 United States of America
(72) Name(s) of Designer(s): **Kurt S. Wilcox and Steven R. Walczak**
(45) Registration Date: **03 July 2007**
(30) Convention priority data:
(31) Number (32) Date (33) Country
29/266883 29 Sep 2006 UNITED STATES OF AMERICA
(56) Related Art Documents: **Not Applicable**
(57) Statement of Newness and Distinctiveness: **Newness an distinctiveness is claimed in the features of shape and/or configuration of a wall-mount LED floodlight as illustrated in continuous lines in the accompanying representations.**



(21) Design Number: **17425/2007**

(22) Date of Filing Application: **13 April 2007**

(24) Date from which industrial property rights may have effect: **13 April 2007**

(54) Product in respect of which the design is registered: **A ferrule chair**

(51) International Design Classification: **25-01B**

(71) Name(s) and Address(s) of Applicant(s):

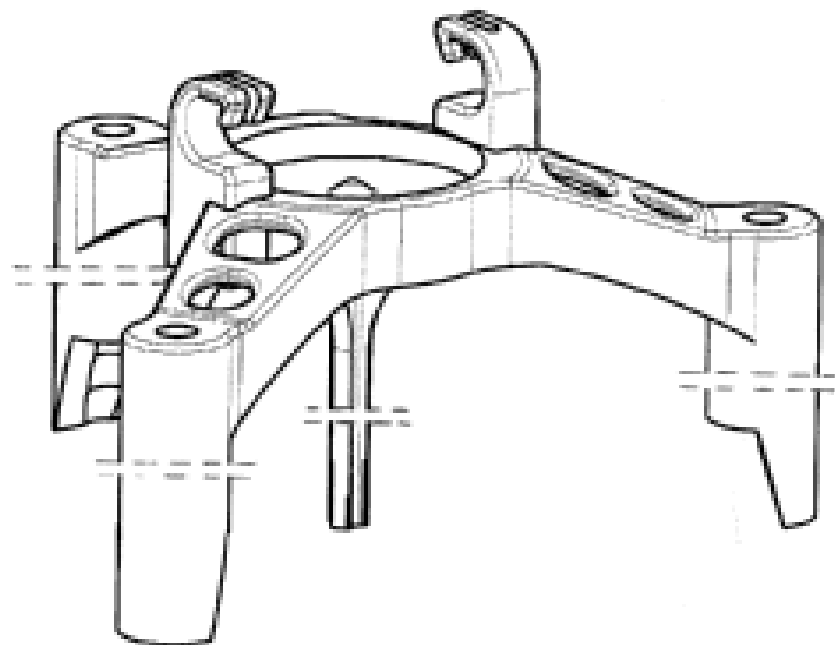
**ITW Construction Products Australia Pty Ltd
3 Chester Street Oakleigh Victoria 3166 Australia**

(72) Name(s) of Designer(s): **Barry William Crone**

(45) Registration Date: **03 July 2007**

(56) Related Art Documents: **Not Applicable**

(57) Statement of Newness and Distinctiveness: **Newness and distinctiveness is claimed in the visual features shown in solid lines in the representations. The product has leg portions of indefinite height.**



(21) Design Number: **17426/2007**

(22) Date of Filing Application: **13 April 2007**

(24) Date from which industrial property rights may have effect: **13 April 2007**

(54) Product in respect of which the design is registered: **A display container**

(51) International Design Classification: **20-02NES**

(71) Name(s) and Address(s) of Applicant(s):

**ITW Australia Pty Ltd
3 Chester Street Oakleigh Victoria 3166 Australia**

(72) Name(s) of Designer(s): **William Spiller and Stephen Werner**

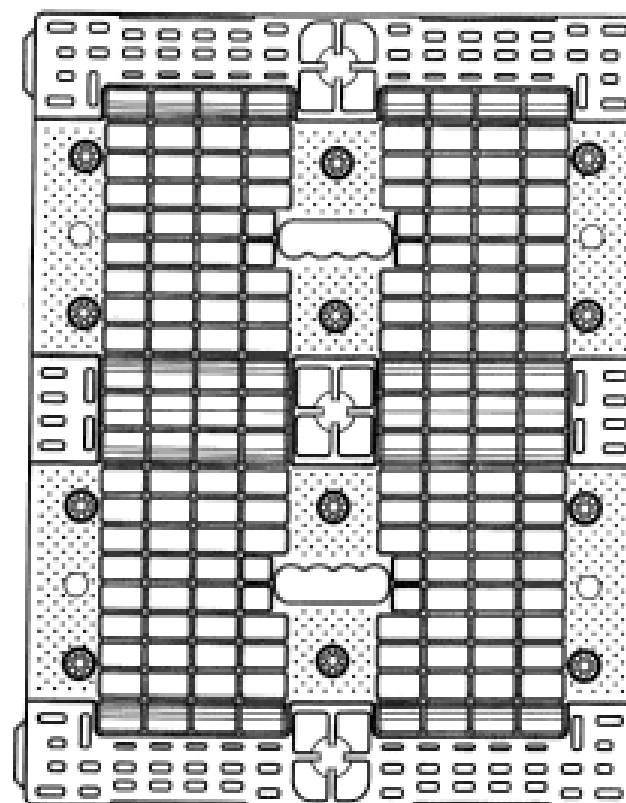
(45) Registration Date: **03 July 2007**

(56) Related Art Documents: **Not Applicable**

(57) Statement of Newness and Distinctiveness: **Nil**



- (21) Design Number: **17428/2007**
(22) Date of Filing Application: **13 April 2007**
(24) Date from which industrial property rights may have effect: **13 April 2007**
(54) Product in respect of which the design is registered: **Pallet**
(51) International Design Classification: **09-08**
(71) Name(s) and Address(s) of Applicant(s):
Poly Industries Pty Ltd
8 Green Street Revesby New South Wales 2212 Australia
(72) Name(s) of Designer(s): **Anthony Poly**
(45) Registration Date: **03 July 2007**
(56) Related Art Documents: **Not Applicable**
(57) Statement of Newness and Distinctiveness: **Newness and distinctiveness reside in the features of the design as shown in the representations.**



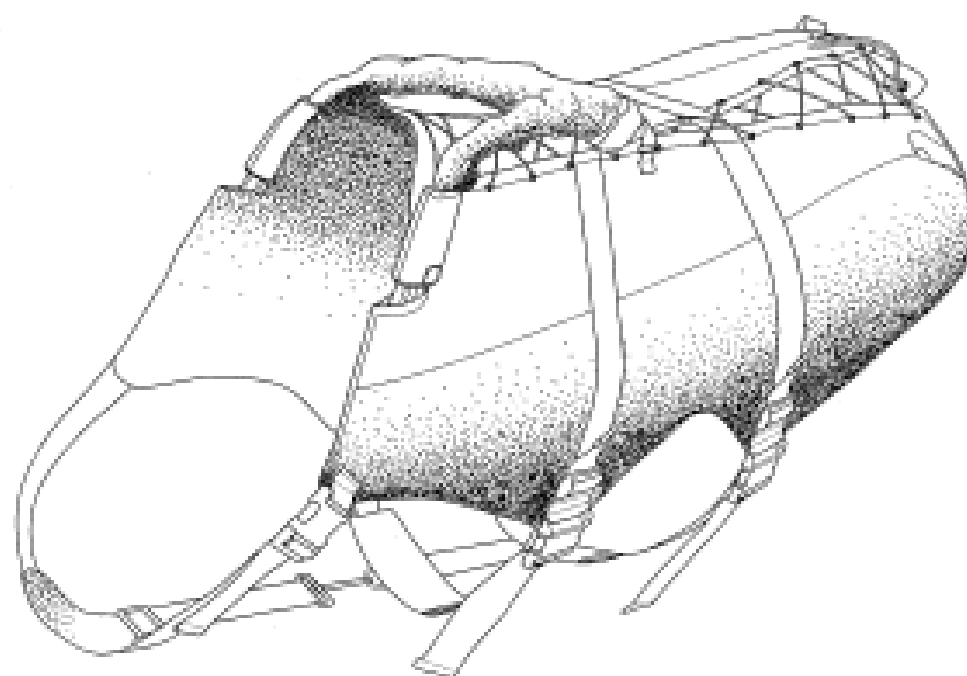
- (21) Design Number: **17431/2007**
(22) Date of Filing Application: **13 April 2007**
(24) Date from which industrial property rights may have effect: **13 April 2007**
(54) Product in respect of which the design is registered: **A boat hull**
(51) International Design Classification: **12-06A**
(71) Name(s) and Address(s) of Applicant(s):
Attack Marine Limited
590 Valley Road RD1 Whakatane 3191 New Zealand
William Perry Roberts
590 Valley Road RD1 Whakatane 3191 New Zealand
(72) Name(s) of Designer(s): **William Perry Roberts**
(45) Registration Date: **03 July 2007**
(56) Related Art Documents: **Not Applicable**
(57) Statement of Newness and Distinctiveness: **Novelty resides in the features of shape and configuration of the boat hull as shown in the accompanying representations.**



- (21) Design Number: **17416/2007**
(22) Date of Filing Application: **16 April 2007**
(24) Date from which industrial property rights may have effect: **16 April 2007**
(54) Product in respect of which the design is registered: **Chair, stool, ottoman, bench seat**
(51) International Design Classification: **06-01NES**
(71) Name(s) and Address(s) of Applicant(s):
Martin Davis
7 Hotham Grove Ripponlea Victoria 3185 Australia
(72) Name(s) of Designer(s): **Martin Davis**
(45) Registration Date: **03 July 2007**
(56) Related Art Documents: **Not Applicable**
(57) Statement of Newness and Distinctiveness: **Chair back is removable allowing for multiple formats (ie. chair, stool, ottoman, bench seat).**



- (21) Design Number: **17434/2007**
(22) Date of Filing Application: **16 April 2007**
(24) Date from which industrial property rights may have effect: **16 April 2007**
(54) Product in respect of which the design is registered: **Equine back wrap**
(51) International Design Classification: **30-01**
(71) Name(s) and Address(s) of Applicant(s):
CoolSystems, Inc.
2201 Dwight Way Berkeley California 94710 United States of America
(72) Name(s) of Designer(s): **Tamarra L. Schirrmacher and Gianluigi Mascolo and Allison Mahan and Dynah Korhummel**
(45) Registration Date: **03 July 2007**
(30) Convention priority data:
(31) Number (32) Date (33) Country
29/267593 16 Oct 2006 UNITED STATES OF AMERICA
(56) Related Art Documents: **Not Applicable**
(57) Statement of Newness and Distinctiveness: **Newness and distinctiveness is claimed in the features of shape and/or configuration of an equine back wrap as illustrated in continuous lines in the accompanying representations.**



- (21) Design Number: **17429/2007**
(22) Date of Filing Application: **16 April 2007**
(24) Date from which industrial property rights may have effect: **16 April 2007**
(54) Product in respect of which the design is registered: **Steel plank with timber surface for lapping on steel planks of scaffold system to fill gaps between scaffold platforms**
(51) International Design Classification: **25-04**
(71) Name(s) and Address(s) of Applicant(s):
Dr. Lida Song
Unit 132/88 Bonar Street Wolli Creek New South Wales 2205 Australia
(72) Name(s) of Designer(s): **Dr. Lida Song**
(45) Registration Date: **03 July 2007**
(56) Related Art Documents: **Not Applicable**
(57) Statement of Newness and Distinctiveness: **Water proof plywood fixed at surface of steel planks with special designed bolts and nuts. Combination of this type of boards can fill gaps between platforms. It save 90% of timber is volume, comparing to traditional timber lap boards. Ramps at both ends made access easy.**



- (21) Design Number: **17709/2007**
(22) Date of Filing Application: **03 May 2007**
(24) Date from which industrial property rights may have effect: **03 May 2007**
(54) Product in respect of which the design is registered: **Stainless steel outlet**
(51) International Design Classification: **23-01A, 23-01K**
(71) Name(s) and Address(s) of Applicant(s):
John David Callaghan
PO Box 179 Lawnton Queensland Australia 4501
(72) Name(s) of Designer(s): **Dave Callaghan**
(45) Registration Date: **03 July 2007**
(56) Related Art Documents: **Not Applicable**
(57) Statement of Newness and Distinctiveness: **Nil**

