



Australian Government

IP Australia

AUSTRALIAN OFFICIAL JOURNAL

OF

DESIGNS

Did you know a searchable version of this journal is now available online?
It's FREE and EASY to SEARCH.

Find it at

<http://pericles.ipaustralia.gov.au/ols/epublish/content/olsEpublications.jsp>
or using the "Online Journals" link on the IP Australia home page.

This Page Left Intentionally Blank

Contents

General Information & Notices

Proceedings Under the Designs Act 1906 preserved as a result of the provisions of Chapter 12 Part 2 of the Designs Act 2003

Application for Extension of Period of Registration	9632
Applications for Extension of Time	9632
Corrigenda	9634
Extension of Period of Registration of Designs	9632
Extensions of Time Granted	9632
Mortgages Registered	9633
Registrations Ceased	9632
Subsequent Owners Registered	9633

Proceedings Under the Designs Act 2003

Applications Lapsed	9643
Applications Lodged	9639
Applications Withdrawn	9643
Certificate of Examination	9646
Corrigenda	9645
Extension of Time Granted Under Section 137	9644
Publication and Registration Proceedings	
Designs Registered 314981 to 315226.....	9647
Registrations Ceased	9644
Revocation of Design Registrations	9644
Subsequent Owners Registered	9644

This Page Left Intentionally Blank

For information on the following please see our website www.ipaustralia.gov.au or contact our Customer Service Network on 1300651010

[Editorial enquiries](#)

[Contact information](#)

[Freedom of Information ACT](#)

[Professional Standards Board](#)

[Sales](#)

[Requests for Information under Section 194 \(c\)](#)

[Country Codes](#)

[Trade Mark and Designs Hearing Sessions](#)

[INID \(Internationally agreed Numbers for the Identification of Data\)](#)

“INID” NUMBERS in use on Australian Design Documents

“INID” is an acronym for “Internationally agreed Numbers for the Identification of Data”.

(10) Data concerning the registration/renewal

- (11) Serial number of the registration and/or number of the design document
- (12) Plain language designation of the kind of published document
- (19) Identification, using the two-letter code according to WIPO Standard ST.3, of the authority publishing or registering the industrial design

(20) Data concerning the application

- (21) Serial number of the application
- (22) Date of filing of the application
- (24) Date from which the industrial design right has effect

(30) Data relating to priority under the Paris Convention

- (31) Serial number assigned to the priority application
- (32) Date of filing of the priority application
- (33) Two-letter code, according to WIPO Standard ST.3, identifying the authority with which the priority application was made

(40) Date(s) of making information available to the public

- (45) Date of publication of the registered industrial design by printing or similar process, or making it available to the public by any other means

(50) Miscellaneous Information

- (51) International Classification for Industrial Designs (class and subclass of the Locarno Classification)
- (54) Designation of article(s) or product(s) covered by the industrial design or title of the industrial design
- (55) Reproduction of the industrial design (e.g., drawing, photograph) and explanations relating to the reproduction
- (56) List of prior art documents, if separate from descriptive text
- (57) Description of characteristic features of the industrial design including indication of colours

(60) References to other legally related application(s) and registration(s)

- (62) Serial number(s) and, if available, filing date(s) of application(s), registration(s) or document(s) related by division
- (66) Serial number(s) of the application, or the registration, of the design(s) which is (are) a variant(s) of the present one

(70) Identification of parties concerned with the application or registration

- (71) Name(s) and address(es) of the applicant(s)
- (72) Name(s) of the creator(s) if known to be such
- (74) Name(s) and address(es) of the representative(s)

This Page Left Intentionally Blank

Official Notice**Designs Act 2003
Amendments to Registered Designs at Examination**

The following amendments have been made to details previously published in the Australian Official Journal of Designs during the Examination process:

Registration Numbers	Amendment type	New details
309331	Classification	09-03K, 09-03M
310642	Classification	10-04, 24-02
310835	Classification	22-05
312141	Classification	25-01A, 25-01F
313379	Classification	25-01A, 25-01F

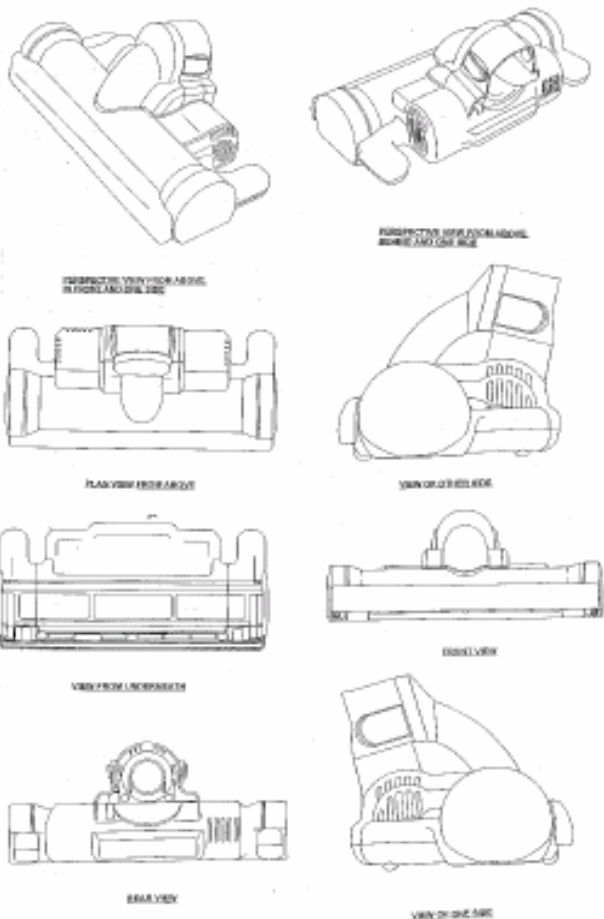
Contact: IP Australia
Phone: 1300 651 010
Fax: +61 2 6283 7999
E-Mail: assist@ipaaustralia.gov.au
Web: www.ipaustralia.gov.au

Official Notice

**Designs Act 2003
Correction of Register**

The following corrections under Regulation 9.05 (1) have been made to details previously published in the Australian Official Journal of Designs:

Registration Number	Amendment type	New details
314970	Representations	Representations as below



Contact: IP Australia
Phone: 1300 651 010
Fax: +61 2 6283 7999
E-Mail: assist@ipaustrialia.gov.au
Web: www.ipaustrialia.gov.au

Proceedings under the Designs Act 1906 preserved as a result of the provisions of Chapter 12 Part 2 of the Designs Act 2003.

This Page Left Intentionally Blank

Applications Lapsed

There were no Applications Lapsed under this section

Application for Extension of Period of Registration

Applications under Section 27A(2) for extension of registration of the following designs have been lodged. In the event that a design is shown to be not new or original, the Registrar may refuse to extend the period of registration. Sub-section 27A(4) allows any person to lodge at the Designs Office material relevant to the question whether the design is not new or original. That material must be lodged within 11 months of the date when the registration of the design was made. Further details of the conditions and procedures for the lodgement of material are contained in Form 8 provided under the Designs Regulation 24.

Registration Number	Registered Owner	Registration Date
158576	CLINICAL DESIGNS LIMITED	22/08/2006

Extension of Period of Registration of Designs

2nd Period (Section 27A(12))

142919	144714	144837
144838	144839	144840
144841	144842	144844
144845	144900	144901
144902	144903	144904
144905	144906	145397
145691	145692	146107
146108	146208	146209
146223	146224	146225
146226	146227	146228
146305	146356	146404
146411	146460	146574
146575	146621	146622
146712	146713	146714
146797	146884	146885
147027	147037	147168
147169	147241	147419
147489	147579	147597
147699	147700	147701
147751	147856	148092
148130	148311	148312
148313	148540	149174
149220	149512	149724
149877	150102	150103
150104	150155	150259
150509	150803	150817
150818	150935	150992
151091	151222	151992
151993	152259	153282
153283	154183	156952
158142		

3rd Period (Section 27A(13))

127703	127911	128139
128731	129478	129580
129581	129582	129583
129636	129637	129659

130038	130053	130619
130920	131107	131142
132094	132129	133522
133603	133604	133605
133606	133607	133712
142761		

Registrations Ceased

Note: Some of the following Registrations may have been previously advertised as ceased. In this instance, the previous advertisement still prevails.

112050	113432	113487
113527	113550	113551
113654	113657	113741
113750	113751	113759
113760	113845	113892
113941	114092	114120
114289	114466	114667
115013	115023	115029
115031	115550	116060
116065	116066	116516
116530	116667	122304
122650	125899	126126
126267	127385	127410
127418	127420	127450
127454	127456	127457
127592	127651	127799
127890	127891	127917
128174	128365	129184
129277	129733	129852
130071	132044	143059
143324	143536	143832
144539	144698	144699
144700	144985	145031
145431	145432	145433
145659	145662	145663
145819	145820	146678
146679	146680	146681
147017	147712	148124
148917		

Applications for Extension of time

Applications for extension of time have been lodged. Objections must be lodged within 1 month from the date of this journal.

141550 **Pacific Hovercraft New Zealand Limited** Extension of time to extend a registration. Address for Service: Pacific Hovercraft NZ Pty Ltd 52 Belfast Road CHRISTCHURCH NEW ZEALAND 8140

Extensions of time granted

Applications lodged for extension of time have been granted.

142919 **Bob Vuksan** An Extension of time to extend a registration

has been granted to 10/07/2007

Subsequent Owners Registered

(The name in parentheses is that of the subsequent owner)

- 143834 **(A & J Australia Pty Ltd)** Gary Johnson trading as G & C Johnson Cleaning Supplies;Christine Johnson trading as G & C Johnson Cleaning Supplies
- 129650 **(Saramar, LLC)** Sara Lee Household and Body Care Nederland B.V.
- 158565 **(Gary Neil Jones)** Australian Solid Tanking Systems Pty Ltd

Mortgages Registered

- 155222 A mortgage has been granted to **Francesca Investments Pty Ltd**
- 158548 A mortgage has been granted to **Francesca Investments Pty Ltd**
- 158549 A mortgage has been granted to **Francesca Investments Pty Ltd**
- 158550 A mortgage has been granted to **Francesca Investments Pty Ltd**
- 158551 A mortgage has been granted to **Francesca Investments Pty Ltd**
- 158565 A mortgage has been granted to **Francesca Investments Pty Ltd**

Corrigenda

Number

In Vol 20 , No 7 , page 4240 under the heading **Australian Registered Design; (57)** Statement of Monopoly should read: Monopoly is claimed in the shape and configuration of the pet jumper/pullover with detachable neck warmer as shown in the representations.

This Page Left Intentionally Blank

Proceedings under the Designs Act 2003.

This Page Left Intentionally Blank

Applications Lodged

Lodgement information is in the following order: **Applicant's Name**; International Classification, Name of Product, Lodgement Date and **Design Number**. If the applicant claims an earlier priority date under an International Convention, the Convention Country and the associated filing date are shown in parentheses before the Lodgement Date. Divisional information will also appear in parentheses before the Lodgement Date.

A & B Hydroponics International Pty Ltd; 11-02B, Rotary growing frame - a frame, 03 Jul 2007	18676/2007	Belkin International, Inc.; 09-03M, Holding device for holding and positioning a portable object, (US, 05 Jan 2007) 04 Jul 2007	18705/2007
Advance Metal Products (Aust) Pty Ltd; 06-04B, Steel office furniture: bookcase, sliding door unit, tambour door unit, lineal file, multimedia file, caddy, 09 Jul 2007	18749/2007	Belkin International, Inc.; 13-03NES, Electrical component with direct current output, (US, 05 Jan 2007) 04 Jul 2007	18702/2007
Advance Metal Products (Aust) Pty Ltd; 06-04B, Steel office furniture: bookcase, sliding door unit, tambour door unit, lineal file, multimedia file, caddy, 09 Jul 2007	18750/2007	Belkin International, Inc.; 14-01, Mixer, (US, 05 Jan 2007) 03 Jul 2007	18683/2007
Advance Metal Products (Aust) Pty Ltd; 06-04B, Steel office furniture: bookcase, sliding door unit, tambour door unit, lineal file, multimedia file, caddy, 09 Jul 2007	18751/2007	Black & Decker, Inc.; 08-03, Cordless saw, (US, 05 Feb 2007) 09 Jul 2007	18764/2007
Advance Metal Products (Aust) Pty Ltd; 06-04B, Steel office furniture: bookcase, sliding door unit, tambour door unit, lineal file, multimedia file, caddy, 09 Jul 2007	18752/2007	Bossong Engineering Company Pty Ltd; 23-01G, Flange for filter segment, 11 Jul 2007	18822/2007
Advance Metal Products (Aust) Pty Ltd; 06-04B, Steel office furniture: bookcase, sliding door unit, tambour door unit, lineal file, multimedia file, caddy, 09 Jul 2007	18753/2007	Bossong Engineering Company Pty Ltd; 23-01G, Flange mounting for filter segment, 11 Jul 2007	18823/2007
Advance Metal Products (Aust) Pty Ltd; 06-04B, Steel office furniture: bookcase, sliding door unit, tambour door unit, lineal file, multimedia file, caddy, 09 Jul 2007	18754/2007	Boyer, Campbell; 06-01G, Lounge and reclining chair, 06 Jul 2007	18719/2007
Arlec Australia Limited; 23-04, Exhaust fan mounting duct, 11 Jul 2007	18791/2007	Boyer, Campbell; 06-04NES, Shelving/storage system, 06 Jul 2007	18720/2007
Austworld Commodities Pty. Ltd.; 23-01A, Tank connector, 05 Jul 2007	18726/2007	Breville Pty Limited; 07-02F, Two slice toaster, 05 Jul 2007	18723/2007
ACPL Rollers & Parts Pty Ltd; 99-00, Coil mate, 11 Jul 2007	18783/2007	Breville Pty Limited; 07-02F, Four slice toaster, 05 Jul 2007	18724/2007
ADC Communications (Australia) Pty Limited; 13-03E, Electrical connector, 10 Jul 2007	18780/2007	Brite LED Tech Pty Ltd; 26-05NES, Lighting assembly, 09 Jul 2007	18776/2007
ADC Communications (Australia) Pty Limited; 13-03E, Electrical connector, 10 Jul 2007	18781/2007	Brite LED Tech Pty Ltd; 26-05NES, Lighting assembly, 09 Jul 2007	18777/2007
Balu Pty Ltd; 25-02A, Post, 06 Jul 2007	18736/2007	Brite LED Tech Pty Ltd; 26-05NES, Lighting assembly, 09 Jul 2007	18778/2007
Balu Pty Ltd; 25-01E, Rail, 06 Jul 2007	18737/2007	Brite LED Tech Pty Ltd; 26-05NES, Lighting assembly, 09 Jul 2007	18775/2007
Belkin International, Inc.; 13-03NES, Electrical component with alternating current output, (US, 05 Jan 2007) 04 Jul 2007	18700/2007	BISSELL Homecare, Inc.; 15-05, Vacuum cleaner canister, (US, 09 Mar 2007) 03 Jul 2007	18692/2007
Belkin International, Inc.; 13-03NES, Electrical charge storage component, (US, 05 Jan 2007) 04 Jul 2007	18703/2007	Chef'n Corporation; 04-01, A scrubbing brush, (US, 08 Feb 2007) 09 Jul 2007	18759/2007
Belkin International, Inc.; 15-99, Grommet hub, (US, 05 Jan 2007) 04 Jul 2007	18704/2007	Chef'n Corporation; 04-01, A scrubbing brush, (US, 02 Feb 2007) 09 Jul 2007	18763/2007
		Chefs Toolbox Pty Ltd, The; 07-02P, Food shaping moulds, 12 Jul 2007	18827/2007
		Chefs Toolbox Pty Ltd, The; 07-02P, Food shaping moulds, 12 Jul 2007	18828/2007
		Chefs Toolbox Pty Ltd, The; 07-02P, Food shaping moulds, 12 Jul 2007	18829/2007

Chefs Toolbox Pty Ltd, The; 07-02P, Food shaping moulds, 12 Jul 2007	18826/2007	Glaxo Group Limited; 24-04, Inhalation device, (GB, 14 Sep 2006) 13 Mar 2007	18799/2007
Cheng, Tony; 23-01F, Water tank, 09 Jul 2007	18756/2007	Glaxo Group Limited; 24-04, Inhalation device, (GB, 14 Sep 2006) 13 Mar 2007	18800/2007
Cordova, John; 23-02NES, Water collection well and septic tank, 09 Jul 2007	18742/2007	GM Global Technology Operations, Inc; 12-16F, Left-side and right-side vehicle windows, 11 Jul 2007	18801/2007
Cryovac Australia Pty Ltd; 09-03M, A container, 04 Jul 2007	18708/2007	GM Global Technology Operations, Inc; 12-16E, Vehicle reflectors, 11 Jul 2007	18802/2007
Cryovac Australia Pty Ltd; 09-03M, A container, 04 Jul 2007	18709/2007	GM Global Technology Operations, Inc; 12-16E, Left-side and right-side vehicle lamp housings, 11 Jul 2007	18803/2007
Cryovac Australia Pty Ltd; 09-03M, A container, 04 Jul 2007	18710/2007	GM Global Technology Operations, Inc; 12-16E, Left-side and right-side vehicle lamp lenses, 11 Jul 2007	18804/2007
Cryovac Australia Pty Ltd; 09-03M, A container, 04 Jul 2007	18711/2007	GM Global Technology Operations, Inc; 12-16E, Left-side and right-side vehicle lamp lenses, 11 Jul 2007	18805/2007
Cryovac Australia Pty Ltd; 09-03M, A container, 04 Jul 2007	18712/2007	GM Global Technology Operations, Inc; 12-16E, Left-side and right-side vehicle lamp lenses, 11 Jul 2007	18806/2007
Del Favero, Simon; 06-01F, Chair, 03 Jul 2007	18677/2007	GM Global Technology Operations, Inc; 12-16B, Vehicle roof panel, 11 Jul 2007	18807/2007
Dunlop, Wesley James; 06-01G, Naja couch, 13 Jul 2007	18825/2007	GM Global Technology Operations, Inc; 12-16B, Vehicle spoiler, 11 Jul 2007	18808/2007
Durance, David; 06-02, Bed, 02 Jul 2007	18668/2007	GM Global Technology Operations, Inc; 12-16E, Vehicle tailgate glass, 11 Jul 2007	18809/2007
Durance, David; 06-06D, , 02 Jul 2007	18669/2007	GM Global Technology Operations, Inc; 12-16B, Vehicle applique, 11 Jul 2007	18810/2007
Emecorp Pty Ltd; 13-03B, A connector, 03 Jul 2007	18684/2007	GM Global Technology Operations, Inc; 12-16B, Vehicle tailgate lower panel, 11 Jul 2007	18811/2007
Equipment Component Holdings Pty Ltd; 15-03NES, Soil compaction wheel, 06 Jul 2007	18716/2007	GM Global Technology Operations, Inc; 12-16B, Vehicle tailgate centre panel, 11 Jul 2007	18812/2007
Equipment Component Holdings Pty Ltd; 08-09, 15-03NES, Locking member, 06 Jul 2007	18717/2007	GM Global Technology Operations, Inc; 12-16B, Vehicle tailgate upper panel, 11 Jul 2007	18813/2007
Equipment Component Holdings Pty Ltd; 15-03B, Compaction wheel connector hub, 06 Jul 2007	18718/2007	GM Global Technology Operations, Inc; 12-16B, Vehicle fascia insert, 11 Jul 2007	18814/2007
Fasco Australia Pty Ltd; 13-03C, Capacitor box, 03 Jul 2007	18693/2007	GM Global Technology Operations, Inc; 12-16B, Vehicle fascia, 11 Jul 2007	18815/2007
Fasco Australia Pty Ltd; 13-03C, Capacitor box, 03 Jul 2007	18694/2007	GM Global Technology Operations, Inc; 12-16B, Vehicle fascia, 11 Jul 2007	18816/2007
Fingo; 06-04NES, Device for holding/storing/organising fishing rods, pool and snooker cues and other rod and tubular products. (typically, wall mounted), 09 Jul 2007	18743/2007	GM Global Technology Operations, Inc; 12-16B, Left-side and right-side vehicle body side panels, 11 Jul 2007	18817/2007
Gianfranco Ferre S.p.A.; 05-05A, An ornamental, multi-layer sheet material, (EM, 11 Jan 2007) 06 Jul 2007	18741/2007	Haddock Holdings Pty. Ltd.; 09-03G, Compost bin, 03 Jul 2007	18678/2007
Glaxo Group Limited; 24-04, Inhalation device, (GB, 28 Sep 2006) 26 Mar 2007	18901/2007	Hancox, LeRoy; 08-08D, Automotive (eg) fuel pumps, 09 Jul 2007	18744/2007
Glaxo Group Limited; 24-04, Inhalation device, (GB, 14 Sep 2006) 13 Mar 2007	18797/2007	Hayes, Chris; 02-99, Cover, 10 Jul 2007	18782/2007
Glaxo Group Limited; 24-04, Inhalation device, (GB, 14 Sep 2006) 13 Mar 2007	18798/2007		

Hi Vis Australia Pty Ltd; 05-05D, Sheet having a plurality of reflective strips, 09 Jul 2007	18768/2007	Mobile Commerce Limited; 14-03E, Mobile phone and their user interface, 11 Jul 2007	18790/2007
Hi Vis Australia Pty Ltd; 05-05D, Sheet having a plurality of reflective strips, 09 Jul 2007	18769/2007	Neata Glass Pty Ltd; 08-09, Extruded aluminium profile for sliding window and sliding door, 09 Jul 2007	18745/2007
Islander Imports Pty Ltd; 06-04B, Article of furniture, 12 Jul 2007	18831/2007	Neata Glass Pty Ltd; 08-09, Extruded aluminium profile for sliding window and sliding door, 09 Jul 2007	18746/2007
Islander Imports Pty Ltd; 06-04B, Article of furniture, 12 Jul 2007	18832/2007	Neoperl GmbH; 23-01B, 23-01NES, 23-01G, Liquid flow aerator/regulator, (EM, 21 Dec 2005) 21 Jun 2006	18343/2007
Islander Imports Pty Ltd; 06-04D, Article of furniture, 12 Jul 2007	18833/2007	Newfrey LLC; 23-01H, A tap, (US, 26 Jan 2007) 09 Jul 2007	18761/2007
Jing-Liang, Zhou; 09-01H, Beverage bottle, 09 Jul 2007	18747/2007	Newfrey LLC; 23-01H, A tap body, (US, 31 Jan 2007) 09 Jul 2007	18762/2007
Juvent, Inc.; 02-04NES, Therapeutic footwear with round cushion, (US, 05 Jan 2007) 02 Jul 2007	18671/2007	Ningbo Ledeshi Electric Equipment Co., Ltd.; 26-05C, Light, 02 Jul 2007	18662/2007
JET4Kids V.o.f.; 06-01E, Children's chair, (EM, 15 Jan 2007) 09 Jul 2007	18766/2007	Ningbo Ledeshi Electric Equipment Co., Ltd.; 26-05C, Light, 02 Jul 2007	18663/2007
Linke, Greg; 08-08G, Hanging device, 05 Jul 2007	18699/2007	Ningbo Ledeshi Electric Equipment Co., Ltd.; 26-05C, Light, 02 Jul 2007	18664/2007
Lodger B.V.; 03-01A, Carrier bag, 09 Jul 2007	18779/2007	Ningbo Ledeshi Electric Equipment Co., Ltd.; 26-05C, Light, 02 Jul 2007	18665/2007
Mace Engineering Group; 12-16NES, VN_VT_Pod enclosure, 02 Jul 2007	18680/2007	Nokia Corporation; 14-03A, Headset, (FI, 05 Jan 2007) 05 Jul 2007	18728/2007
Mace Engineering Group; 12-16NES, Blower pulleys, 02 Jul 2007	18681/2007	Nokia Corporation; 14-03E, Handset, (FI, 19 Jan 2007) 11 Jul 2007	18792/2007
Mace Engineering Group; 12-16NES, Blower bracket, 02 Jul 2007	18682/2007	Nokia Corporation; 14-03E, Handset, (FI, 19 Jan 2007) 11 Jul 2007	18793/2007
Macsim Fastenings Pty Limited; 08-08B, Fastening screw, 28 Jun 2007	18679/2007	Nokia Corporation; 14-03E, Handset, (FI, 19 Jan 2007) 11 Jul 2007	18794/2007
Majdancic, Dejan; 13-03E, Pedal switch, 09 Jul 2007	18773/2007	Nokia Corporation; 14-03NES, Communicator, (FI, 19 Jan 2007) 11 Jul 2007	18795/2007
Majdancic, Dejan; 13-03E, Pedal switch, 09 Jul 2007	18774/2007	Nokia Corporation; 14-03E, Handset, (FI, 19 Jan 2007) 11 Jul 2007	18796/2007
Mass Technology (H.K.) Limited; 26-04, A fluorescent tube, (CN, 08 Jan 2007) 03 Jul 2007	18685/2007	Nokia Corporation; 14-03A, Headset, (FI, 05 Jan 2007) 05 Jul 2007	18729/2007
Mass Technology (H.K.) Limited; 26-04, A fluorescent tube, (CN, 09 Jan 2007) 03 Jul 2007	18686/2007	Nokia Corporation; 14-03A, Headset, (FI, 05 Jan 2007) 05 Jul 2007	18730/2007
Mass Technology (H.K.) Limited; 26-04, A fluorescent tube, (CN, 09 Jan 2007) 03 Jul 2007	18687/2007	NDI Medical, Inc.; 24-02, Surgical tissue stimulator/locator, (US, 09 Jan 2007) 09 Jul 2007	18755/2007
Mass Technology (H.K.) Limited; 26-04, A fluorescent tube, (CN, 09 Jan 2007) 03 Jul 2007	18688/2007	NS Planning Inc.; 19-02, Document holder, (JP, 19 Jan 2007) 03 Jul 2007	18695/2007
McNeil-PPC, Inc.; 09-01NES, Combined bottle and cap, (US, 15 Dec 2006) 06 Jul 2007	18735/2007	NS Planning Inc.; 19-02, Document holder, (JP, 19 Jan 2007) 03 Jul 2007	18696/2007
Medec Australia Pty Ltd; 06-03NES, Massage table frame, 09 Jul 2007	18770/2007	O'Connor, Kevin; 06-01E, Furniture - stools - seats, 09 Jul 2007	18748/2007
Missoni S.p.A.; 09-01K, Bottle, (US, 14 Mar 2007) 06 Jul 2007	18733/2007	Onesteel Wire Pty Limited; 08-02, Fence post driver, 09 Jul 2007	18765/2007

Peak Innovations Inc.; 08-08K, A ground spike, (CA, 10 Nov 2006) 11 Jul 2007	18788/2007	Roy Gripske & Sons Pty Ltd; 08-03, Integrated blade and screen, 06 Jul 2007	18721/2007
Pi-Design AG; 10-04, Kitchen scale, (DK, 25 Jan 2007) 02 Jul 2007	18666/2007	Sahamco Enterprises Pty Ltd; 14-03NES, Megaphone, 05 Jul 2007	18727/2007
Pi-Design AG; 07-02F, Toaster, (DK, 30 Jan 2007) 02 Jul 2007	18667/2007	Sangenic International Limited; 99-00, Logo, (EM, 10 Jan 2007) 09 Jul 2007	18760/2007
Press Metal Aluminium (Australia) Pty Ltd; 25-02A, A post, 12 Jul 2007	18834/2007	Sharp, Peter; 08-03, Hand tool, 04 Jul 2007	18689/2007
Prince, Antony; 24-99, Contact lens container, 05 Jul 2007	18714/2007	Shuttleworth, Kym; 06-13B, Fitted top sheet for beds, 11 Jul 2007	18824/2007
Prodrome Designs Pty Ltd; 25-01K, An extruded metal member, 02 Jul 2007	18660/2007	Siviter, Ging Laforteza; 08-09, Curtain pelmet, 12 Jul 2007	18830/2007
Prodrome Designs Pty Ltd; 25-01K, An extruded metal member, 02 Jul 2007	18661/2007	Smart Openers Pty Ltd; 14-03NES, Remote control hand piece, 05 Jul 2007	18725/2007
Reckitt Benckiser (UK) Limited; 09-01K, Bottle, (EM, 10 Jan 2007) 06 Jul 2007	18739/2007	Sony Ericsson Mobile Communications AB; 14-03E, Mobile phone, (EM, 15 Jan 2007) 04 Jul 2007	18706/2007
Reckitt Benckiser (UK) Limited; 09-01K, Bottle, (EM, 10 Jan 2007) 06 Jul 2007	18740/2007	Sony Ericsson Mobile Communications AB; 14-03E, Mobile phone, (EM, 15 Jan 2007) 04 Jul 2007	18707/2007
Reckitt Benckiser N.V.; 09-01K, Bottle, (EM, 16 Jan 2007) 11 Jul 2007	18821/2007	Specialised Packaging Services Pty Ltd; 09-03E, A box, 04 Jul 2007	18701/2007
Reed, David John; 07-02NES, Stainless steel, 316 grade, steak tags "mr", 11 Jul 2007	18786/2007	Stockbrands Co Pty Ltd; 30-08, Animal ear tag, 10 Jul 2007	18772/2007
Reed, David John; Reed, Jayne Valerie; 07-02NES, Stainless steel, 316 grade, steak tags, 31 May 2007	18858/2007	Sunbeam Corporation Limited; 23-01G, Water dispenser, 10 Jul 2007	18784/2007
Reed, Jayne Valerie; Reed, David John; 07-02NES, Stainless steel, 316 grade, steak tags, 31 May 2007	18858/2007	Superior Steel Group Pty Ltd; 25-02C, "Fast" fence railing, 11 Jul 2007	18789/2007
Reed, David John; Reed, Jayne Valerie; 07-02NES, Stainless steel, 316 grade, steak tags, 31 May 2007	18859/2007	Swatch AG (Swatch SA) (Swatch Ltd); 10-07, Watch case, (WO, 13 Mar 2007) 02 Jul 2007	18670/2007
Reed, Jayne Valerie; Reed, David John; 07-02NES, Stainless steel, 316 grade, steak tags, 31 May 2007	18859/2007	Technical Concepts, LLC; 23-01NES, Nozzle for a foam pump, (US, 30 Jan 2007) 06 Jul 2007	18734/2007
Reed, David John; 07-02NES, Stainless steel, 316 grade, steak tags "mw", 11 Jul 2007	18787/2007	Tecpak Industries Limited; 09-01K, Pottle, 02 Jul 2007	18675/2007
ResMed Ltd; 24-01, Facial mask and components thereof, 22 Jun 2007	18715/2007	Toyota Jidosha Kabushiki Kaisha; 12-16B, Automobile, 02 Jul 2007	18654/2007
Review Australia Pty Ltd; 02-02C, 02-02NES, Ladies garments, 06 Jul 2007	18732/2007	Toyota Jidosha Kabushiki Kaisha; 12-16B, Bumper for an automobile, 02 Jul 2007	18655/2007
Review Australia Pty Ltd; 02-02C, Ladies garments, 31 Jan 2007	18878/2007	Toyota Jidosha Kabushiki Kaisha; 12-16B, Bumper for an automobile, 02 Jul 2007	18656/2007
Review Australia Pty Ltd; 02-02C, Ladies garments, 31 Jan 2007	18879/2007	Toyota Jidosha Kabushiki Kaisha; 12-16B, Grille for an automobile, 02 Jul 2007	18657/2007
Rockport Company, LLC, The; 02-04B, Shoe sole, (US, 03 Jan 2007) 03 Jul 2007	18690/2007	Toyota Jidosha Kabushiki Kaisha; 26-06, Combination lamp for an automobile, 02 Jul 2007	18658/2007
Rockport Company, LLC, The; 02-04B, Shoe sole, (US, 03 Jan 2007) 03 Jul 2007	18691/2007	Toyota Jidosha Kabushiki Kaisha; 26-06, Combination lamp for an automobile, 02 Jul 2007	18659/2007
		TIC Group Pty Ltd; 06-08, Garment hanger, 11 Jul 2007	18820/2007
		TIC Group Pty Ltd; 06-08, Garment hanger hook, 11 Jul 2007	18818/2007

TIC Group Pty Ltd; 06-99, Garment hanger sizing indicator, 11 Jul 2007	18819/2007	White, Chloe Trading as Stainform Industries; White, Joseph Trading as Stainform Industries; 08-08M, 316 stainless steel wall rail bracket type 'M', 04 Jul 2007	18697/2007
Unilever PLC; 09-03NES, Container, (FR, 26 Jan 2007) 09 Jul 2007	18767/2007	White, Joseph Trading as Stainform Industries; White, Chloe Trading as Stainform Industries; 08-08M, 316 stainless steel panel bracket type 'banjo', 04 Jul 2007	18698/2007
UK Gal, Inc.; 03-01NES, Holder for articles, (US, 10 Apr 2007) 06 Jul 2007	18731/2007	White, Chloe Trading as Stainform Industries; White, Joseph Trading as Stainform Industries; 08-08M, 316 stainless steel panel bracket type 'banjo', 04 Jul 2007	18698/2007
Visy R & D Pty Ltd; 09-03L, A container, 09 Jul 2007	18757/2007	White, Chloe Trading as Stainform Industries; White, Joseph Trading as Stainform Industries; 08-08M, 316 stainless steel panel bracket type 'banjo', 04 Jul 2007	18698/2007
Visy R & D Pty Ltd; 07-03, 09-07NES, A lid with attached utensil, 09 Jul 2007	18758/2007	Window Automation Industry Srl; 10-05, Sensor, (EM, 08 Jan 2007) 05 Jul 2007	18722/2007
Vornado Air, LLC; 23-04, Air cleaner, (US, 12 Jan 2007) 10 Jul 2007	18785/2007	WD-40 Company; 09-07A, Actuator for aerosol product, (US, 04 Jan 2007) 04 Jul 2007	18713/2007
Westcoast Gyprock Pty Ltd; 25-01NES, Decking fixing element, 09 Jul 2007	18771/2007	Zagreb Investments Pty Ltd; 07-02E, 06-05, Combined BBQ table setting, 06 Jul 2007	18738/2007
White, Joseph Trading as Stainform Industries; White, Chloe Trading as Stainform Industries; 08-08M, 316 stainless steel wall rail bracket type 'M', 04 Jul 2007	18697/2007		

Applications Withdrawn

18512 / 2007 (25-01K)

Applications Lapsed

15906 / 2007 (02-04NES)
16757 / 2007 (25-02C)
17704 / 2007 (06-03A)

16734 / 2007 (02-02NES)
17658 / 2007 (24-04)

Revocation of Design Registrations

The following Design Registration(s) have been revoked and are taken never to have been registered:

- 312143 25-02NES
- 312163 25-02NES

Registrations Ceased

304391	304393	304394
304397	304398	304710
304898	306234	306512
306513	306514	311642

Extensions of time granted under Section 137

Applications lodged under section 137 for extension of time have been granted.

18735/2007 **McNeil-PPC, Inc.**

18788/2007 **Peak Innovations Inc.**

Subsequent Owners Registered

(The name in parentheses is that of the subsequent owner)

306509	(Sky Chain Trading Limited) Playcorp Group of Companies Pty Ltd
308146	(Sky Chain Trading Limited) Playcorp Group of Companies Pty Ltd
310969	(Sky Chain Trading Limited) Playcorp Group of Companies Pty Ltd
311096	(Sky Chain Trading Limited) Playcorp Group of Companies Pty Ltd
311097	(Sky Chain Trading Limited) Playcorp Group of Companies Pty Ltd
311098	(Sky Chain Trading Limited) Playcorp Group of Companies Pty Ltd
311099	(Sky Chain Trading Limited) Playcorp Group of Companies Pty Ltd
311100	(Sky Chain Trading Limited) Playcorp Group of Companies Pty Ltd
311101	(Sky Chain Trading Limited) Playcorp Group of Companies Pty Ltd
311102	(Sky Chain Trading Limited) Playcorp Group of Companies Pty Ltd
311103	(Sky Chain Trading Limited) Playcorp Group of Companies Pty Ltd
311104	(Sky Chain Trading Limited) Playcorp Group of Companies Pty Ltd

Corrigenda

Number 314099

In Vol 21 , No 11 , page 9122 under the heading **Australian Registered Design**; (71) Name(s) and Address(s) of Applicant(s) should read: Thorn Europhane 156 Boulevard Haussmann 75008 Paris France.

Number 314100

In Vol 21 , No 11 , page 9122 under the heading **Australian Registered Design**; (71) Names(s) and Address(s) of Applicant(s) should read: Thorn Europhane 156 Boulevard Haussmann 75008 Paris France.

Number 314888

In Vol 21 , No 14 , page 9584 under the heading **Australian Registered Design**; (30) Convention priority data should read: (31) Number 2006/0558 (32) Date 12 October 2006 (33) Country Sweden

Certificate(s) of Examination

Examination of the following Design Registration(s) has been completed. Infringement proceedings may now be commenced.

302716	12-16C	06/07/2007
303172	09-03NES	11/07/2007
303173	09-03NES	11/07/2007
303361	13-03NES	11/07/2007
306441	06-06G	17/07/2007
306442	06-06G	17/07/2007
306443	06-06G	17/07/2007
306444	06-01NES	17/07/2007
306692	06-06G	17/07/2007
309943	02-04NES	06/07/2007
310918	19-06	06/07/2007
311237	09-07A	06/07/2007
311459	09-07NES	06/07/2007
311857	03-01NES	06/07/2007
311858	03-01NES	06/07/2007

Publication and Registration Proceedings

Designs Registered

This section provides a concordance between design number and registration number of Designs covered in this journal. It also shows the main class and registration date.

This section covers Registration numbers 314981 to 315226 .

The registration number shown below should be used in all future correspondence.

Design Number	Registration Number	International Classification Code (IDC)	Registration Date	Design Number	Registration Number	International Classification Code (IDC)	Registration Date
12858/2006	315080	13-03NES	10/07/2007	17461/2007	315002	02-04NES	06/07/2007
12859/2006	315081	13-03NES	10/07/2007	17463/2007	315003	06-01F	06/07/2007
12860/2006	315082	13-03NES	10/07/2007	17464/2007	315004	06-01F	06/07/2007
12861/2006	315083	13-03NES	10/07/2007	17465/2007	315005	06-01F	06/07/2007
12862/2006	315084	13-03NES	10/07/2007	17466/2007	315006	06-01F	06/07/2007
12863/2006	315085	13-03NES	10/07/2007	17467/2007	315057	06-01F	10/07/2007
12864/2006	315086	13-03NES	10/07/2007	17468/2007	315058	06-01F	10/07/2007
12865/2006	315087	13-03NES	10/07/2007	17469/2007	315059	21-02C	10/07/2007
12866/2006	315088	13-03NES	10/07/2007	17470/2007	315060	14-01	10/07/2007
12867/2006	315089	13-03NES	10/07/2007	17471/2007	315061	02-04B	10/07/2007
14663/2006	315119	07-01G	11/07/2007	17472/2007	315062	02-04B	10/07/2007
15139/2006	314981	13-03NES	06/07/2007	17473/2007	315063	26-01	10/07/2007
16232/2007	315140	23-01G	13/07/2007	17474/2007	315064	09-05	10/07/2007
16722/2007	315216	19-04	18/07/2007	17477/2007	315065	23-01H	10/07/2007
16765/2007	315141	08-08NES	13/07/2007	17478/2007	315066	23-01H	10/07/2007
16911/2007	315120	14-01	11/07/2007	17479/2007	315067	09-03L	10/07/2007
16954/2007	315053	12-05	10/07/2007	17480/2007	315068	09-07A	10/07/2007
16955/2007	315054	12-05	10/07/2007	17481/2007	315069	03-01D	10/07/2007
16956/2007	315055	12-05	10/07/2007	17482/2007	315070	25-01E	10/07/2007
17176/2007	315038	11-01NES	09/07/2007	17483/2007	315071	21-02C	10/07/2007
17228/2007	315206	08-08NES	17/07/2007	17484/2007	315072	21-02C	10/07/2007
17361/2007	314982	08-06	06/07/2007	17485/2007	315073	21-02C	10/07/2007
17365/2007	315182	19-06	17/07/2007	17486/2007	315074	21-02C	10/07/2007
17366/2007	315183	19-06	17/07/2007	17487/2007	315075	20-02NES	10/07/2007
17371/2007	315093	03-01NES	10/07/2007	17488/2007	315076	20-02NES	10/07/2007
17372/2007	315094	03-01NES	10/07/2007	17489/2007	315077	20-02NES	10/07/2007
17373/2007	315095	03-01NES	10/07/2007	17490/2007	315078	20-02NES	10/07/2007
17374/2007	315096	03-01NES	10/07/2007	17491/2007	315079	23-03A	10/07/2007
17375/2007	315097	03-01NES	10/07/2007	17492/2007	315010	21-02C	09/07/2007
17395/2007	315162	12-16NES	17/07/2007	17493/2007	315011	21-02C	09/07/2007
17396/2007	315163	12-16K	17/07/2007	17494/2007	315012	14-01	09/07/2007
17397/2007	315164	08-08L	17/07/2007	17495/2007	315013	06-13B	09/07/2007
17398/2007	315165	08-08L	17/07/2007	17497/2007	315014	06-01E	09/07/2007
17435/2007	314983	08-08NES	06/07/2007	17500/2007	315015	08-08NES	09/07/2007
17437/2007	314984	23-02C	06/07/2007	17501/2007	315016	08-08NES	09/07/2007
17438/2007	314985	09-09	06/07/2007	17502/2007	315017	12-05	09/07/2007
17440/2007	314986	25-01A	06/07/2007	17503/2007	315018	12-15A	09/07/2007
17441/2007	314987	25-01A	06/07/2007	17504/2007	315019	06-06G	09/07/2007
17442/2007	314988	02-02NES	06/07/2007	17505/2007	315020	06-06G	09/07/2007
17443/2007	314989	08-08H	06/07/2007	17506/2007	315021	06-01F	09/07/2007
17444/2007	314990	08-08H	06/07/2007	17507/2007	315022	06-01F	09/07/2007
17445/2007	314991	08-08H	06/07/2007	17508/2007	315023	06-01F	09/07/2007
17446/2007	314992	08-08H	06/07/2007	17509/2007	315024	06-01F	09/07/2007
17447/2007	314993	08-08H	06/07/2007	17510/2007	315025	06-01F	09/07/2007
17448/2007	314994	08-08H	06/07/2007	17511/2007	315026	06-01F	09/07/2007
17449/2007	314995	08-08H	06/07/2007	17512/2007	315027	06-01F	09/07/2007
17450/2007	314996	08-08H	06/07/2007	17513/2007	315028	06-01F	09/07/2007
17451/2007	314997	08-08H	06/07/2007	17514/2007	315029	06-01F	09/07/2007
17452/2007	314998	08-08H	06/07/2007	17515/2007	315030	08-08NES	09/07/2007
17453/2007	314999	08-08H	06/07/2007	17516/2007	315031	08-08N	09/07/2007
17454/2007	315000	08-08H	06/07/2007	17517/2007	315032	08-08NES	09/07/2007
17455/2007	315001	08-08H	06/07/2007	17518/2007	315033	08-08NES	09/07/2007
17458/2007	315056	03-03	10/07/2007	17519/2007	315034	08-08NES	09/07/2007

Publication and Registration Proceedings - Designs Registered cont'd

Design Number	Registration Number	International Classification Code (IDC)	Registration Date	Design Number	Registration Number	International Classification Code (IDC)	Registration Date
17520/2007	315035	08-08NES	09/07/2007	17662/2007	315139	06-09	11/07/2007
17521/2007	315036	08-08N	09/07/2007	17663/2007	315148	08-03	13/07/2007
17522/2007	315037	08-08N	09/07/2007	17664/2007	315149	16-06	13/07/2007
17523/2007	315039	21-02D	09/07/2007	17665/2007	315150	16-06	13/07/2007
17524/2007	315040	12-16NES	09/07/2007	17666/2007	315151	10-02	13/07/2007
17536/2007	315041	14-02	09/07/2007	17667/2007	315152	10-07	13/07/2007
17537/2007	315042	14-02	09/07/2007	17668/2007	315153	10-07	13/07/2007
17550/2007	315043	23-02C	09/07/2007	17669/2007	315154	10-02	13/07/2007
17565/2007	315044	11-02E	09/07/2007	17670/2007	315155	10-02	13/07/2007
17566/2007	315045	23-02F	09/07/2007	17671/2007	315156	14-03E	13/07/2007
17567/2007	315046	23-02F	09/07/2007	17675/2007	315157	28-04	13/07/2007
17568/2007	315047	23-02F	09/07/2007	17676/2007	315117	16-06	10/07/2007
17569/2007	315048	23-02F	09/07/2007	17688/2007	315158	02-03	13/07/2007
17570/2007	315049	23-02F	09/07/2007	17692/2007	315166	19-01	17/07/2007
17571/2007	315050	23-02F	09/07/2007	17694/2007	315167	02-05	17/07/2007
17572/2007	315051	23-02F	09/07/2007	17696/2007	315159	24-01	13/07/2007
17578/2007	315052	25-99	09/07/2007	17698/2007	315168	07-03	17/07/2007
17579/2007	315098	08-08NES	10/07/2007	17699/2007	315169	07-03	17/07/2007
17581/2007	315099	25-02NES	10/07/2007	17701/2007	315170	06-13NES	17/07/2007
17583/2007	315100	15-05	10/07/2007	17706/2007	315171	24-01	17/07/2007
17586/2007	315101	15-04	10/07/2007	17707/2007	315172	24-01	17/07/2007
17587/2007	315102	23-03F	10/07/2007	17708/2007	315173	23-01G	17/07/2007
17588/2007	315103	04-04	10/07/2007	17711/2007	315174	08-99	17/07/2007
17591/2007	315104	21-02F	10/07/2007	17712/2007	315175	09-01NES	17/07/2007
17592/2007	315105	10-07	10/07/2007	17719/2007	315176	09-03C	17/07/2007
17593/2007	315106	10-07	10/07/2007	17720/2007	315177	09-03C	17/07/2007
17594/2007	315107	10-02	10/07/2007	17721/2007	315178	08-05N	17/07/2007
17595/2007	315108	15-07	10/07/2007	17722/2007	315179	10-04	17/07/2007
17596/2007	315121	08-05P	11/07/2007	17723/2007	315180	07-01C	17/07/2007
17597/2007	315109	07-01NES	10/07/2007	17724/2007	315181	07-01C	17/07/2007
17598/2007	315110	09-01A	10/07/2007	17725/2007	315184	02-04B	17/07/2007
17599/2007	315111	09-01A	10/07/2007	17726/2007	315185	06-01NES	17/07/2007
17608/2007	315112	12-16NES	10/07/2007	17727/2007	315186	06-01G	17/07/2007
17609/2007	315113	14-01	10/07/2007	17728/2007	315187	06-01G	17/07/2007
17610/2007	315114	14-01	10/07/2007	17729/2007	315188	06-01G	17/07/2007
17611/2007	315115	14-01	10/07/2007	17730/2007	315189	06-01G	17/07/2007
17612/2007	315116	21-02D	10/07/2007	17731/2007	315190	06-01G	17/07/2007
17613/2007	315122	09-03NES	11/07/2007	17732/2007	315191	06-03A	17/07/2007
17614/2007	315123	09-03NES	11/07/2007	17733/2007	315192	06-01NES	17/07/2007
17615/2007	315124	08-07	11/07/2007	17734/2007	315193	06-01G	17/07/2007
17618/2007	315125	09-09	11/07/2007	17735/2007	315194	06-01G	17/07/2007
17619/2007	315126	09-09	11/07/2007	17736/2007	315195	06-01G	17/07/2007
17620/2007	315127	25-01NES	11/07/2007	17737/2007	315196	06-01NES	17/07/2007
17621/2007	315128	07-02K	11/07/2007	17738/2007	315197	06-01G	17/07/2007
17622/2007	315129	07-02B	11/07/2007	17739/2007	315198	06-01F	17/07/2007
17625/2007	315130	25-01NES	11/07/2007	17740/2007	315199	06-01F	17/07/2007
17629/2007	315131	25-03	11/07/2007	17741/2007	315200	06-01F	17/07/2007
17632/2007	315007	26-06	09/07/2007	17742/2007	315201	06-03A	17/07/2007
17633/2007	315132	02-02NES	11/07/2007	17743/2007	315202	06-01F	17/07/2007
17639/2007	315133	12-15A	11/07/2007	17744/2007	315203	06-01G	17/07/2007
17640/2007	315134	28-03NES	11/07/2007	17745/2007	315204	08-99	17/07/2007
17653/2007	315135	23-01A	11/07/2007	17747/2007	315205	12-15A	17/07/2007
17654/2007	315136	23-01A	11/07/2007	17748/2007	315207	26-04	17/07/2007
17656/2007	315137	09-03A	11/07/2007	17749/2007	315208	13-03NES	17/07/2007
17657/2007	315138	09-03A	11/07/2007	17750/2007	315209	13-03NES	17/07/2007
17659/2007	315145	25-02NES	13/07/2007	17751/2007	315210	13-03NES	17/07/2007
17660/2007	315146	25-02C	13/07/2007	17757/2007	315211	25-03	17/07/2007
17661/2007	315147	19-06	13/07/2007	17759/2007	315212	02-04NES	17/07/2007

Publication and Registration Proceedings - Designs Registered cont'd

Design Number	Registration Number	International Classification Code (IDC)	Registration Date	Design Number	Registration Number	International Classification Code (IDC)	Registration Date
17760/2007	315213	02-04B	17/07/2007	18064/2007	315091	07-06D	10/07/2007
17761/2007	315214	02-04B	17/07/2007	18097/2007	315092	09-03M	10/07/2007
17762/2007	315215	02-04B	17/07/2007	18646/2007	315009	07-07B	09/07/2007
17763/2007	315217	02-04NES	18/07/2007	18650/2007	315008	06-13B	09/07/2007
17764/2007	315218	02-04B	18/07/2007	18672/2007	315142	08-08NES	13/07/2007
17765/2007	315219	02-04B	18/07/2007	18673/2007	315143	08-08NES	13/07/2007
17766/2007	315220	02-04NES	18/07/2007	18674/2007	315144	08-08NES	13/07/2007
17767/2007	315221	02-04B	18/07/2007	18706/2007	315225	14-03E	18/07/2007
17768/2007	315222	02-04B	18/07/2007	18707/2007	315226	14-03E	18/07/2007
17769/2007	315223	02-04B	18/07/2007	18731/2007	315118	03-01NES	10/07/2007
17770/2007	315224	02-04B	18/07/2007	18739/2007	315160	09-01K	13/07/2007
18063/2007	315090	07-06D	10/07/2007	18740/2007	315161	09-01K	13/07/2007

Publication and Registration Proceedings
Class Listing of Designs Published or Registered

The following section shows an International Classification Code listing of the Registered or Published Designs covered in this supplement.

Classification	Registration Number	Design Number	Classification	Registration Number	Design Number
02-02 NES	314988	17442/2007	06-01 G	315195	17736/2007
02-02 NES	315132	17633/2007	06-01 G	315197	17738/2007
02-03	315158	17688/2007	06-01 G	315203	17744/2007
02-04 B	315061	17471/2007	06-01 NES	315185	17726/2007
02-04 B	315062	17472/2007	06-01 NES	315192	17733/2007
02-04 B	315184	17725/2007	06-01 NES	315196	17737/2007
02-04 B	315213	17760/2007	06-03 A	315191	17732/2007
02-04 B	315214	17761/2007	06-03 A	315201	17742/2007
02-04 B	315215	17762/2007	06-06 G	315019	17504/2007
02-04 B	315218	17764/2007	06-06 G	315020	17505/2007
02-04 B	315219	17765/2007	06-09	315139	17662/2007
02-04 B	315221	17767/2007	06-13 B	315008	18650/2007
02-04 B	315222	17768/2007	06-13 B	315013	17495/2007
02-04 B	315223	17769/2007	06-13 NES	315170	17701/2007
02-04 B	315224	17770/2007	07-01 C	315180	17723/2007
02-04 NES	315002	17461/2007	07-01 C	315181	17724/2007
02-04 NES	315212	17759/2007	07-01 G	315119	14663/2006
02-04 NES	315217	17763/2007	07-01 NES	315109	17597/2007
02-04 NES	315220	17766/2007	07-02 B	315129	17622/2007
02-05	315167	17694/2007	07-02 K	315128	17621/2007
03-01 D	315069	17481/2007	07-03	315168	17698/2007
03-01 NES	315093	17371/2007	07-03	315169	17699/2007
03-01 NES	315094	17372/2007	07-06 D	315090	18063/2007
03-01 NES	315095	17373/2007	07-06 D	315091	18064/2007
03-01 NES	315096	17374/2007	07-07 B	315009	18646/2007
03-01 NES	315097	17375/2007	08-03	315148	17663/2007
03-01 NES	315118	18731/2007	08-05 N	315178	17721/2007
03-03	315056	17458/2007	08-05 P	315121	17596/2007
04-04	315103	17588/2007	08-06	314982	17361/2007
06-01 E	315014	17497/2007	08-07	315124	17615/2007
06-01 F	315003	17463/2007	08-08 H	314989	17443/2007
06-01 F	315004	17464/2007	08-08 H	314990	17444/2007
06-01 F	315005	17465/2007	08-08 H	314991	17445/2007
06-01 F	315006	17466/2007	08-08 H	314992	17446/2007
06-01 F	315021	17506/2007	08-08 H	314993	17447/2007
06-01 F	315022	17507/2007	08-08 H	314994	17448/2007
06-01 F	315023	17508/2007	08-08 H	314995	17449/2007
06-01 F	315024	17509/2007	08-08 H	314996	17450/2007
06-01 F	315025	17510/2007	08-08 H	314997	17451/2007
06-01 F	315026	17511/2007	08-08 H	314998	17452/2007
06-01 F	315027	17512/2007	08-08 H	314999	17453/2007
06-01 F	315028	17513/2007	08-08 H	315000	17454/2007
06-01 F	315029	17514/2007	08-08 H	315001	17455/2007
06-01 F	315057	17467/2007	08-08 L	315164	17397/2007
06-01 F	315058	17468/2007	08-08 L	315165	17398/2007
06-01 F	315198	17739/2007	08-08 N	315031	17516/2007
06-01 F	315199	17740/2007	08-08 N	315036	17521/2007
06-01 F	315200	17741/2007	08-08 N	315037	17522/2007
06-01 F	315202	17743/2007	08-08 NES	314983	17435/2007
06-01 G	315186	17727/2007	08-08 NES	315015	17500/2007
06-01 G	315187	17728/2007	08-08 NES	315016	17501/2007
06-01 G	315188	17729/2007	08-08 NES	315030	17515/2007
06-01 G	315189	17730/2007	08-08 NES	315032	17517/2007
06-01 G	315190	17731/2007	08-08 NES	315033	17518/2007
06-01 G	315193	17734/2007	08-08 NES	315034	17519/2007
06-01 G	315194	17735/2007	08-08 NES	315035	17520/2007

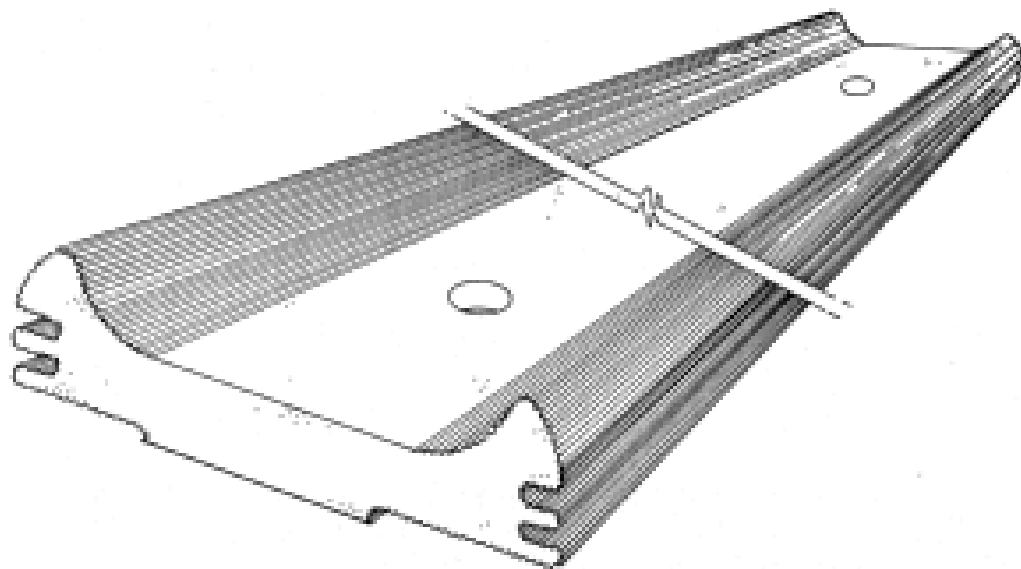
Registration Proceedings - Class Listing of Designs Published or Registered cont'd

Classification	Registration Number	Design Number	Classification	Registration Number	Design Number
08-08 NES	315098	17579/2007	13-03 NES	315208	17749/2007
08-08 NES	315141	16765/2007	13-03 NES	315209	17750/2007
08-08 NES	315142	18672/2007	13-03 NES	315210	17751/2007
08-08 NES	315143	18673/2007	14-01	315012	17494/2007
08-08 NES	315144	18674/2007	14-01	315060	17470/2007
08-08 NES	315206	17228/2007	14-01	315113	17609/2007
08-99	315174	17711/2007	14-01	315114	17610/2007
08-99	315204	17745/2007	14-01	315115	17611/2007
09-01 A	315110	17598/2007	14-01	315120	16911/2007
09-01 A	315111	17599/2007	14-01	315149	17664/2007
09-01 K	315160	18739/2007	14-01	315150	17665/2007
09-01 K	315161	18740/2007	14-02	315041	17536/2007
09-01 NES	315175	17712/2007	14-02	315042	17537/2007
09-03 A	315137	17656/2007	14-03 E	315156	17671/2007
09-03 A	315138	17657/2007	14-03 E	315225	18706/2007
09-03 C	315176	17719/2007	14-03 E	315226	18707/2007
09-03 C	315177	17720/2007	15-04	315101	17586/2007
09-03 L	315067	17479/2007	15-05	315100	17583/2007
09-03 M	315092	18097/2007	15-07	315108	17595/2007
09-03 NES	315122	17613/2007	16-06	315117	17676/2007
09-03 NES	315123	17614/2007	16-06	315149	17664/2007
09-05	315064	17474/2007	16-06	315150	17665/2007
09-07 A	315068	17480/2007	19-01	315166	17692/2007
09-09	314985	17438/2007	19-04	315216	16722/2007
09-09	315125	17618/2007	19-06	315147	17661/2007
09-09	315126	17619/2007	19-06	315182	17365/2007
10-02	315107	17594/2007	19-06	315183	17366/2007
10-02	315151	17666/2007	20-02 NES	315075	17487/2007
10-02	315154	17669/2007	20-02 NES	315076	17488/2007
10-02	315155	17670/2007	20-02 NES	315077	17489/2007
10-04	315179	17722/2007	20-02 NES	315078	17490/2007
10-07	315105	17592/2007	20-03 NES	315040	17524/2007
10-07	315106	17593/2007	21-02 C	315010	17492/2007
10-07	315152	17667/2007	21-02 C	315011	17493/2007
10-07	315153	17668/2007	21-02 C	315059	17469/2007
11-01 NES	315038	17176/2007	21-02 C	315071	17483/2007
11-02 E	315044	17565/2007	21-02 C	315072	17484/2007
12-05	315017	17502/2007	21-02 C	315073	17485/2007
12-05	315053	16954/2007	21-02 C	315074	17486/2007
12-05	315054	16955/2007	21-02 D	315039	17523/2007
12-05	315055	16956/2007	21-02 D	315116	17612/2007
12-15 A	315018	17503/2007	21-02 F	315104	17591/2007
12-15 A	315133	17639/2007	23-01 A	315135	17653/2007
12-15 A	315205	17747/2007	23-01 A	315136	17654/2007
12-16 K	315163	17396/2007	23-01 G	315140	16232/2007
12-16 NES	315040	17524/2007	23-01 G	315173	17708/2007
12-16 NES	315112	17608/2007	23-01 H	315065	17477/2007
12-16 NES	315162	17395/2007	23-01 H	315066	17478/2007
13-03 NES	314981	15139/2006	23-02 C	314984	17437/2007
13-03 NES	315080	12858/2006	23-02 C	315043	17550/2007
13-03 NES	315081	12859/2006	23-02 F	315045	17566/2007
13-03 NES	315082	12860/2006	23-02 F	315046	17567/2007
13-03 NES	315083	12861/2006	23-02 F	315047	17568/2007
13-03 NES	315084	12862/2006	23-02 F	315048	17569/2007
13-03 NES	315085	12863/2006	23-02 F	315049	17570/2007
13-03 NES	315086	12864/2006	23-02 F	315050	17571/2007
13-03 NES	315087	12865/2006	23-02 F	315051	17572/2007
13-03 NES	315088	12866/2006	23-03 A	315079	17491/2007
13-03 NES	315089	12867/2006	23-03 F	315102	17587/2007

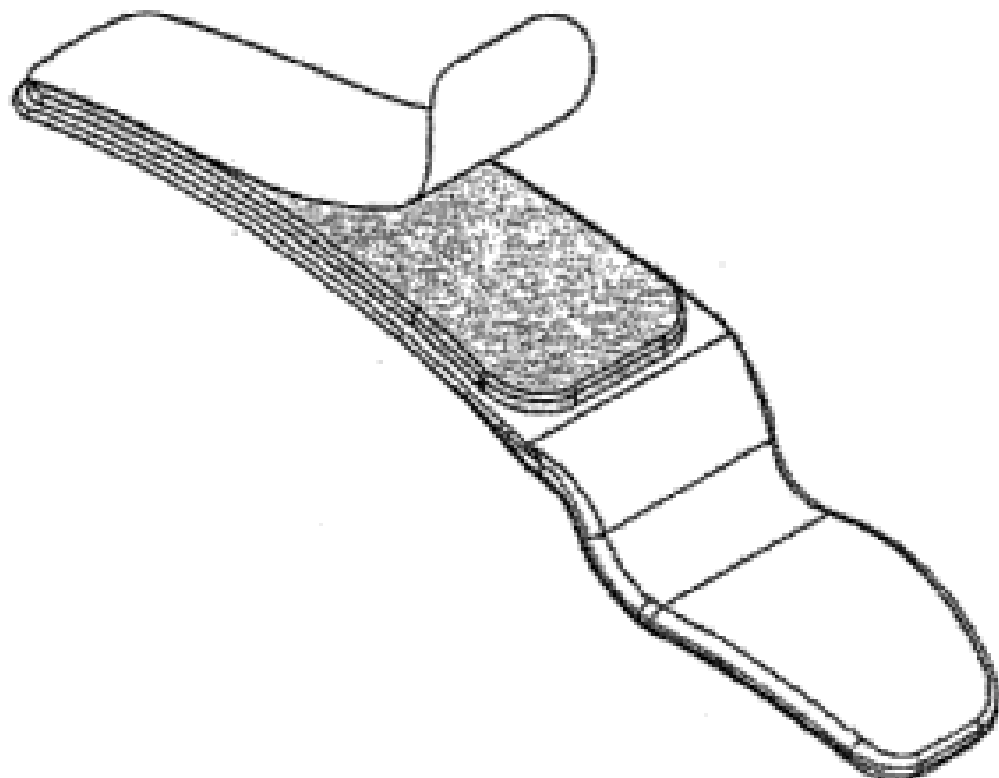
Registration Proceedings - Class Listing of Designs Published or Registered cont'd

Classification	Registration Number	Design Number	Classification	Registration Number	Design Number
24-01	315159	17696/2007	25-02 NES	315145	17659/2007
24-01	315171	17706/2007	25-03	315131	17629/2007
24-01	315172	17707/2007	25-03	315211	17757/2007
25-01 A	314986	17440/2007	25-99	315052	17578/2007
25-01 A	314987	17441/2007	26-01	315063	17473/2007
25-01 E	315070	17482/2007	26-04	315207	17748/2007
25-01 NES	315127	17620/2007	26-06	315007	17632/2007
25-01 NES	315130	17625/2007	28-03 NES	315134	17640/2007
25-02 C	315146	17660/2007	28-04	315157	17675/2007
25-02 NES	315099	17581/2007			

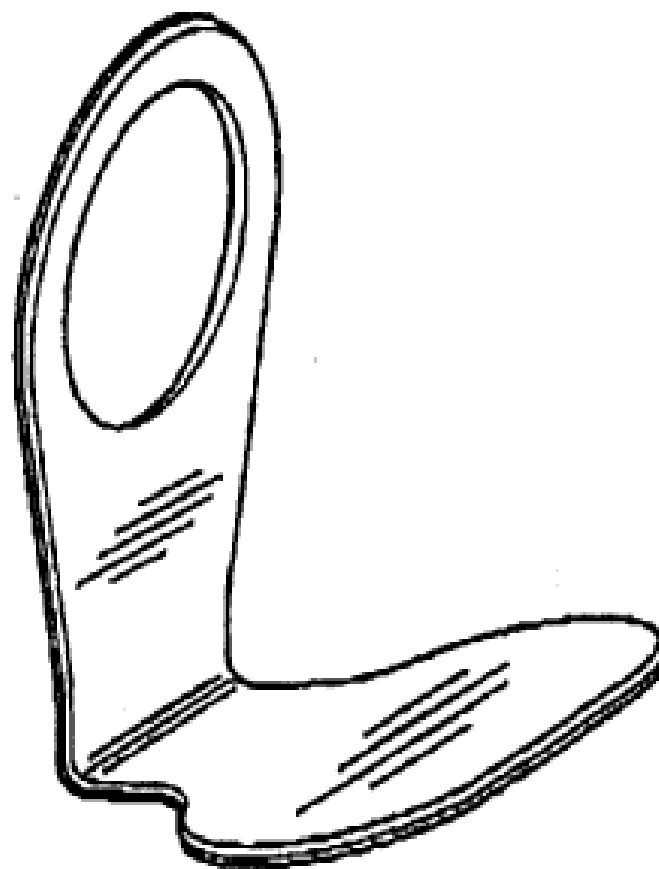
- (21) Design Number: **15139/2006**
(22) Date of Filing Application: **10 November 2006**
(24) Date from which industrial property rights may have effect: **10 November 2006**
(54) Product in respect of which the design is registered: **An extruded electrode**
(51) International Design Classification: **13-03NES**
(71) Name(s) and Address(s) of Applicant(s):
Marina Protection Systems Pty Ltd
117 Duke Street Scarborough Western Australia 6019 Australia
(72) Name(s) of Designer(s): **Brett Alexander Maddern**
(45) Registration Date: **06 July 2007**
(56) Related Art Documents: **Not Applicable**
(57) Statement of Newness and Distinctiveness: **Nil**



- (21) Design Number: **17361/2007**
(22) Date of Filing Application: **11 April 2007**
(24) Date from which industrial property rights may have effect: **11 April 2007**
(54) Product in respect of which the design is registered: **Toilet seat lifter**
(51) International Design Classification: **08-06**
(71) Name(s) and Address(s) of Applicant(s):
Michael Ridaut-Allen
128 Harrier Drive Burleigh Waters Queensland 4220 Australia
(72) Name(s) of Designer(s): **Michael Ridaut-Allen**
(45) Registration Date: **06 July 2007**
(56) Related Art Documents: **Not Applicable**
(57) Statement of Newness and Distinctiveness: **The statement of monopoly resides in the features of shape and configuration of the toilet seat lifter including an adhesive strip to allow attachment to the toilet seat as shown in the accompanying representations.**



(21) Design Number: **17435/2007**
(22) Date of Filing Application: **16 April 2007**
(24) Date from which industrial property rights may have effect: **16 April 2007**
(54) Product in respect of which the design is registered: **Appliance holder**
(51) International Design Classification: **08-08NES**
(71) Name(s) and Address(s) of Applicant(s):
Henry Sanderson
Laan van Liedekerke 29 4835 CC Breda The Netherlands
Philippe Peyridieu
Via Pacini 61 20131 Milano Italy
(72) Name(s) of Designer(s): **Philippe Peyridieu and Henry Sanderson**
(45) Registration Date: **06 July 2007**
(30) Convention priority data:
(31) Number (32) Date (33) Country
29/249650 16 Oct 2006 UNITED STATES OF AMERICA
(56) Related Art Documents: **Not Applicable**
(57) Statement of Newness and Distinctiveness: **Newness and distinctiveness is claimed in the features of shape and/or configuration of an appliance holder as illustrated in the accompanying representations.**



(21) Design Number: **17437/2007**
(22) Date of Filing Application: **16 April 2007**
(24) Date from which industrial property rights may have effect: **16 April 2007**
(54) Product in respect of which the design is registered: **Toilet seat adapter for babies**
(51) International Design Classification: **23-02C**
(71) Name(s) and Address(s) of Applicant(s):
Thermobaby Societe Par Actions Simplifiee
3 Rue Yves Kerguelen ZI de Kerbois 56400 Auray France
(72) Name(s) of Designer(s): **Sophie Desnos-Simon**
(45) Registration Date: **06 July 2007**
(30) Convention priority data:
(31) Number (32) Date (33) Country
000 628 557 29 Nov 2006 EUROPEAN COMMUNITY
(56) Related Art Documents: **Not Applicable**
(57) Statement of Newness and Distinctiveness: **Nil**



(21) Design Number: **17438/2007**

(22) Date of Filing Application: **16 April 2007**

(24) Date from which industrial property rights may have effect: **16 April 2007**

(54) Product in respect of which the design is registered: **Dump bin**

(51) International Design Classification: **09-09**

(71) Name(s) and Address(s) of Applicant(s):

John Joseph Moore

206 Bernhardt Street East Albury New South Wales 2640 Australia

(72) Name(s) of Designer(s): **John Joseph Moore**

(45) Registration Date: **06 July 2007**

(56) Related Art Documents: **Not Applicable**

(57) Statement of Newness and Distinctiveness: **Nil**



(21) Design Number: **17440/2007**

(22) Date of Filing Application: **17 April 2007**

(24) Date from which industrial property rights may have effect: **17 April 2007**

(54) Product in respect of which the design is registered: **Building wall base block**

(51) International Design Classification: **25-01A**

(71) Name(s) and Address(s) of Applicant(s):

Unitex Granular Marble Pty Ltd

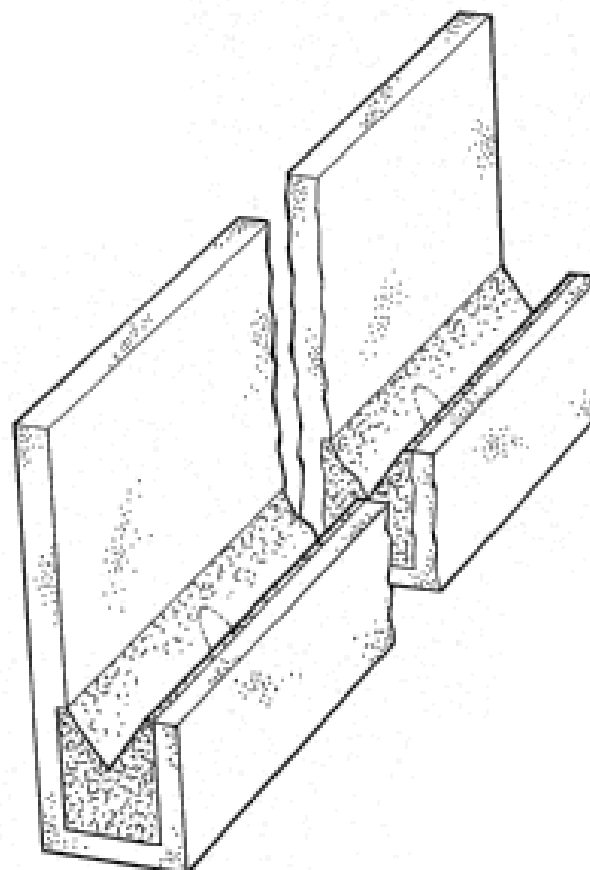
22 Park Drive Dandenong Victoria 3175 Australia

(72) Name(s) of Designer(s): **Antonio Ugo Gubiani**

(45) Registration Date: **06 July 2007**

(56) Related Art Documents: **Not Applicable**

(57) Statement of Newness and Distinctiveness: **The design resides in the shape and configuration of a building wall base block of indefinite length and constant cross-section, as shown in the accompanying representations. The drainage holes shown in broken lines do not constitute part of the design.**



(21) Design Number: **17441/2007**

(22) Date of Filing Application: **17 April 2007**

(24) Date from which industrial property rights may have effect: **17 April 2007**

(54) Product in respect of which the design is registered: **Building wall base block**

(51) International Design Classification: **25-01A**

(71) Name(s) and Address(s) of Applicant(s):

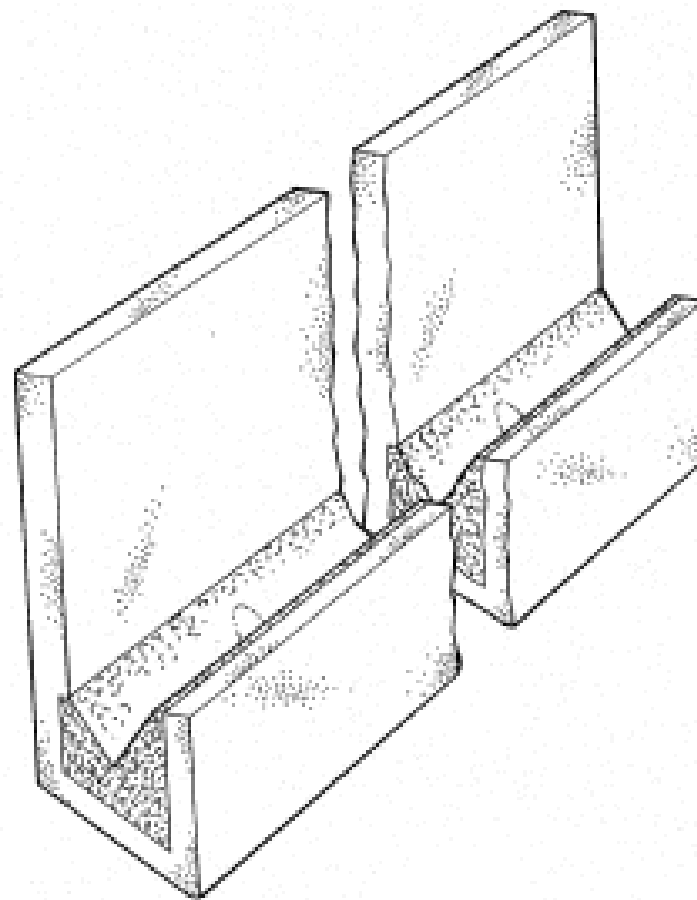
Unitex Granular Marble Pty Ltd
22 Park Drive Dandenong Victoria 3175 Australia

(72) Name(s) of Designer(s): **Antonio Ugo Gubiani**

(45) Registration Date: **06 July 2007**

(56) Related Art Documents: **Not Applicable**

(57) Statement of Newness and Distinctiveness: **The design resides in the shape and configuration of a building block of indefinite length and constant cross-section, as shown in the accompanying representations. The drainage holes shown in broken lines do not constitute part of the design.**



(21) Design Number: **17442/2007**

(22) Date of Filing Application: **17 April 2007**

(24) Date from which industrial property rights may have effect: **17 April 2007**

(54) Product in respect of which the design is registered: **Children's swimming robe**

(51) International Design Classification: **02-02NES**

(71) Name(s) and Address(s) of Applicant(s):

Lisa Waddell
6 Cintra Avenue St Kilda Victoria 3182 Australia

Vivian Kooyman
6 Cintra Avenue St Kilda Victoria 3182 Australia

(72) Name(s) of Designer(s): **Lisa Waddell and Vivian Kooyman**

(45) Registration Date: **06 July 2007**

(56) Related Art Documents: **Not Applicable**

(57) Statement of Newness and Distinctiveness: **Will come in various colours. Feature: toggle buttons and vinyl appliques.**



(21) Design Number: **17443/2007**

(22) Date of Filing Application: **17 April 2007**

(24) Date from which industrial property rights may have effect: **17 April 2007**

(54) Product in respect of which the design is registered: **Motorised blind crown component**

(51) International Design Classification: **08-08H**

(71) Name(s) and Address(s) of Applicant(s):

**Designed Blinds Australia Pty Ltd
1507 Centre Road Clayton Victoria 3168 Australia**

(72) Name(s) of Designer(s): **Kevin Clarke**

(45) Registration Date: **06 July 2007**

(56) Related Art Documents: **Not Applicable**

(57) Statement of Newness and Distinctiveness: **Nil**



(21) Design Number: **17444/2007**

(22) Date of Filing Application: **17 April 2007**

(24) Date from which industrial property rights may have effect: **17 April 2007**

(54) Product in respect of which the design is registered: **Motorised blind crown component**

(51) International Design Classification: **08-08H**

(71) Name(s) and Address(s) of Applicant(s):

**Designed Blinds Australia Pty Ltd
1507 Centre Road Clayton Victoria 3168 Australia**

(72) Name(s) of Designer(s): **Kevin Clarke**

(45) Registration Date: **06 July 2007**

(56) Related Art Documents: **Not Applicable**

(57) Statement of Newness and Distinctiveness: **Nil**



- (21) Design Number: **17445/2007**
(22) Date of Filing Application: **17 April 2007**
(24) Date from which industrial property rights may have effect: **17 April 2007**
(54) Product in respect of which the design is registered: **Motorised blind crown component**
(51) International Design Classification: **08-08H**
(71) Name(s) and Address(s) of Applicant(s):
Designed Blinds Australia Pty Ltd
1507 Centre Road Clayton Victoria 3168 Australia
(72) Name(s) of Designer(s): **Kevin Clarke**
(45) Registration Date: **06 July 2007**
(56) Related Art Documents: **Not Applicable**
(57) Statement of Newness and Distinctiveness: **Nil**



- (21) Design Number: **17446/2007**
(22) Date of Filing Application: **17 April 2007**
(24) Date from which industrial property rights may have effect: **17 April 2007**
(54) Product in respect of which the design is registered: **Motorised blind crown component**
(51) International Design Classification: **08-08H**
(71) Name(s) and Address(s) of Applicant(s):
Designed Blinds Australia Pty Ltd
1507 Centre Road Clayton Victoria 3168 Australia
(72) Name(s) of Designer(s): **Kevin Clarke**
(45) Registration Date: **06 July 2007**
(56) Related Art Documents: **Not Applicable**
(57) Statement of Newness and Distinctiveness: **Nil**



- (21) Design Number: **17447/2007**
(22) Date of Filing Application: **17 April 2007**
(24) Date from which industrial property rights may have effect: **17 April 2007**
(54) Product in respect of which the design is registered: **Motorised blind drive component**
(51) International Design Classification: **08-08H**
(71) Name(s) and Address(s) of Applicant(s):
Designed Blinds Australia Pty Ltd
1507 Centre Road Clayton Victoria 3168 Australia
(72) Name(s) of Designer(s): **Kevin Clarke**
(45) Registration Date: **06 July 2007**
(56) Related Art Documents: **Not Applicable**
(57) Statement of Newness and Distinctiveness: **Nil**



- (21) Design Number: **17448/2007**
(22) Date of Filing Application: **17 April 2007**
(24) Date from which industrial property rights may have effect: **17 April 2007**
(54) Product in respect of which the design is registered: **Motorised blind drive component**
(51) International Design Classification: **08-08H**
(71) Name(s) and Address(s) of Applicant(s):
Designed Blinds Australia Pty Ltd
1507 Centre Road Clayton Victoria 3168 Australia
(72) Name(s) of Designer(s): **Kevin Clarke**
(45) Registration Date: **06 July 2007**
(56) Related Art Documents: **Not Applicable**
(57) Statement of Newness and Distinctiveness: **Nil**



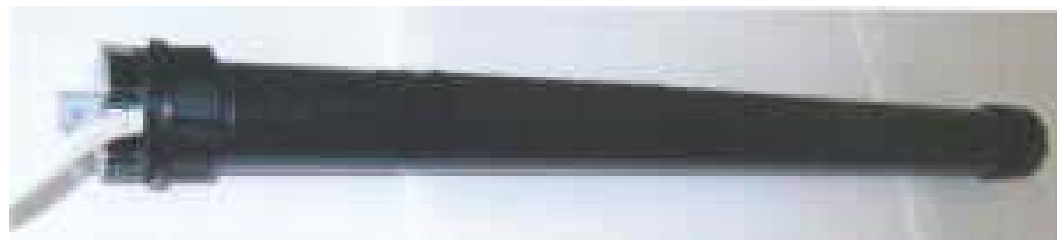
- (21) Design Number: **17449/2007**
(22) Date of Filing Application: **17 April 2007**
(24) Date from which industrial property rights may have effect: **17 April 2007**
(54) Product in respect of which the design is registered: **Motorised blind crown component**
(51) International Design Classification: **08-08H**
(71) Name(s) and Address(s) of Applicant(s):
Designed Blinds Australia Pty Ltd
1507 Centre Road Clayton Victoria 3168 Australia
(72) Name(s) of Designer(s): **Kevin Clarke**
(45) Registration Date: **06 July 2007**
(56) Related Art Documents: **Not Applicable**
(57) Statement of Newness and Distinctiveness: **Nil**



- (21) Design Number: **17450/2007**
(22) Date of Filing Application: **17 April 2007**
(24) Date from which industrial property rights may have effect: **17 April 2007**
(54) Product in respect of which the design is registered: **Motorised blind drive component**
(51) International Design Classification: **08-08H**
(71) Name(s) and Address(s) of Applicant(s):
Designed Blinds Australia Pty Ltd
1507 Centre Road Clayton Victoria 3168 Australia
(72) Name(s) of Designer(s): **Kevin Clarke**
(45) Registration Date: **06 July 2007**
(56) Related Art Documents: **Not Applicable**
(57) Statement of Newness and Distinctiveness: **Nil**



- (21) Design Number: **17451/2007**
(22) Date of Filing Application: **17 April 2007**
(24) Date from which industrial property rights may have effect: **17 April 2007**
(54) Product in respect of which the design is registered: **Motorised blind assembly**
(51) International Design Classification: **08-08H**
(71) Name(s) and Address(s) of Applicant(s):
Designed Blinds Australia Pty Ltd
1507 Centre Road Clayton Victoria 3168 Australia
(72) Name(s) of Designer(s): **Kevin Clarke**
(45) Registration Date: **06 July 2007**
(56) Related Art Documents: **Not Applicable**
(57) Statement of Newness and Distinctiveness: **Nil**



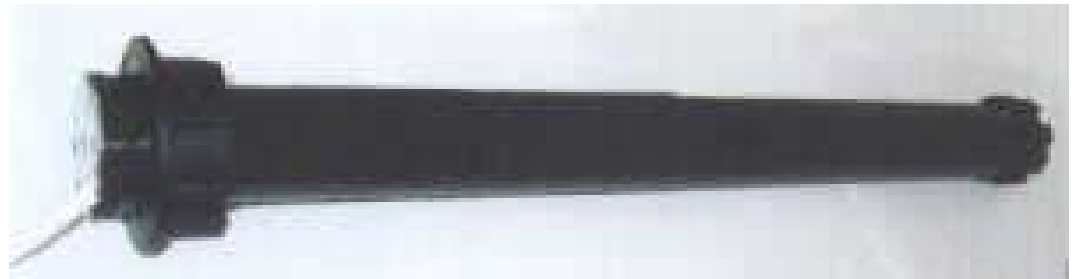
- (21) Design Number: **17452/2007**
(22) Date of Filing Application: **17 April 2007**
(24) Date from which industrial property rights may have effect: **17 April 2007**
(54) Product in respect of which the design is registered: **Motorised blind assembly**
(51) International Design Classification: **08-08H**
(71) Name(s) and Address(s) of Applicant(s):
Designed Blinds Australia Pty Ltd
1507 Centre Road Clayton Victoria 3168 Australia
(72) Name(s) of Designer(s): **Kevin Clarke**
(45) Registration Date: **06 July 2007**
(56) Related Art Documents: **Not Applicable**
(57) Statement of Newness and Distinctiveness: **Nil**



- (21) Design Number: **17453/2007**
(22) Date of Filing Application: **17 April 2007**
(24) Date from which industrial property rights may have effect: **17 April 2007**
(54) Product in respect of which the design is registered: **Motorised blind assembly**
(51) International Design Classification: **08-08H**
(71) Name(s) and Address(s) of Applicant(s):
Designed Blinds Australia Pty Ltd
1507 Centre Road Clayton Victoria 3168 Australia
(72) Name(s) of Designer(s): **Kevin Clarke**
(45) Registration Date: **06 July 2007**
(56) Related Art Documents: **Not Applicable**
(57) Statement of Newness and Distinctiveness: **Nil**



- (21) Design Number: **17454/2007**
(22) Date of Filing Application: **17 April 2007**
(24) Date from which industrial property rights may have effect: **17 April 2007**
(54) Product in respect of which the design is registered: **Motorised blind assembly**
(51) International Design Classification: **08-08H**
(71) Name(s) and Address(s) of Applicant(s):
Designed Blinds Australia Pty Ltd
1507 Centre Road Clayton Victoria 3168 Australia
(72) Name(s) of Designer(s): **Kevin Clarke**
(45) Registration Date: **06 July 2007**
(56) Related Art Documents: **Not Applicable**
(57) Statement of Newness and Distinctiveness: **Nil**



- (21) Design Number: **17455/2007**
(22) Date of Filing Application: **17 April 2007**
(24) Date from which industrial property rights may have effect: **17 April 2007**
(54) Product in respect of which the design is registered: **Motorised blind assembly**
(51) International Design Classification: **08-08H**
(71) Name(s) and Address(s) of Applicant(s):
Designed Blinds Australia Pty Ltd
1507 Centre Road Clayton Victoria 3168 Australia
(72) Name(s) of Designer(s): **Kevin Clarke**
(45) Registration Date: **06 July 2007**
(56) Related Art Documents: **Not Applicable**
(57) Statement of Newness and Distinctiveness: **Nil**



- (21) Design Number: **17461/2007**
(22) Date of Filing Application: **17 April 2007**
(24) Date from which industrial property rights may have effect: **17 April 2007**
(54) Product in respect of which the design is registered: **Shoe**
(51) International Design Classification: **02-04NES**
(71) Name(s) and Address(s) of Applicant(s):
Cadet Shoes Pty Ltd
Level 1 425 Smith Street Fitzroy Victoria 3065 Australia
(72) Name(s) of Designer(s): **Robert McKinlay**
(45) Registration Date: **06 July 2007**
(56) Related Art Documents: **Not Applicable**
(57) Statement of Newness and Distinctiveness: **The appearance of the shoe upper located above but not including the sole unit. The trade mark ZENSU appearing on the upper side surface of the sole unit does not form part of the design.**



(21) Design Number: **17463/2007**

(22) Date of Filing Application: **17 April 2007**

(24) Date from which industrial property rights may have effect: **17 April 2007**

(54) Product in respect of which the design is registered: **A chair**

(51) International Design Classification: **06-01F**

(71) Name(s) and Address(s) of Applicant(s):

Okamura Corporation

7-18 Kitasaiwai 2-chome Nishi-ku Yokohama-shi Kanagawa Japan

(72) Name(s) of Designer(s): **Ryo Igarashi**

(45) Registration Date: **06 July 2007**

(30) Convention priority data:

(31) Number
2006#29043

(32) Date
24 Oct 2006

(33) Country
JAPAN

(56) Related Art Documents: **Not Applicable**

(57) Statement of Newness and Distinctiveness: **Nil**



(21) Design Number: **17464/2007**

(22) Date of Filing Application: **17 April 2007**

(24) Date from which industrial property rights may have effect: **17 April 2007**

(54) Product in respect of which the design is registered: **A chair**

(51) International Design Classification: **06-01F**

(71) Name(s) and Address(s) of Applicant(s):

Okamura Corporation

7-18 Kitasaiwai 2-chome Nishi-ku Yokohama-shi Kanagawa Japan

(72) Name(s) of Designer(s): **Ryo Igarashi**

(45) Registration Date: **06 July 2007**

(30) Convention priority data:

(31) Number
2006#29044

(32) Date
24 Oct 2006

(33) Country
JAPAN

(56) Related Art Documents: **Not Applicable**

(57) Statement of Newness and Distinctiveness: **Nil**



(21) Design Number: **17465/2007**

(22) Date of Filing Application: **17 April 2007**

(24) Date from which industrial property rights may have effect: **17 April 2007**

(54) Product in respect of which the design is registered: **A chair**

(51) International Design Classification: **06-01F**

(71) Name(s) and Address(s) of Applicant(s):

Okamura Corporation

7-18 Kitasaiwai 2-chome Nishi-ku Yokohama-shi Kanagawa Japan

(72) Name(s) of Designer(s): **Ryo Igarashi**

(45) Registration Date: **06 July 2007**

(30) Convention priority data:

(31) Number
2006#29045

(32) Date
24 Oct 2006

(33) Country
JAPAN

(56) Related Art Documents: **Not Applicable**

(57) Statement of Newness and Distinctiveness: **Nil**



(21) Design Number: **17466/2007**

(22) Date of Filing Application: **17 April 2007**

(24) Date from which industrial property rights may have effect: **17 April 2007**

(54) Product in respect of which the design is registered: **A chair**

(51) International Design Classification: **06-01F**

(71) Name(s) and Address(s) of Applicant(s):

Okamura Corporation

7-18 Kitasaiwai 2-chome Nishi-ku Yokohama-shi Kanagawa Japan

(72) Name(s) of Designer(s): **Ryo Igarashi**

(45) Registration Date: **06 July 2007**

(30) Convention priority data:

(31) Number
2006#29049

(32) Date
24 Oct 2006

(33) Country
JAPAN

(56) Related Art Documents: **Not Applicable**

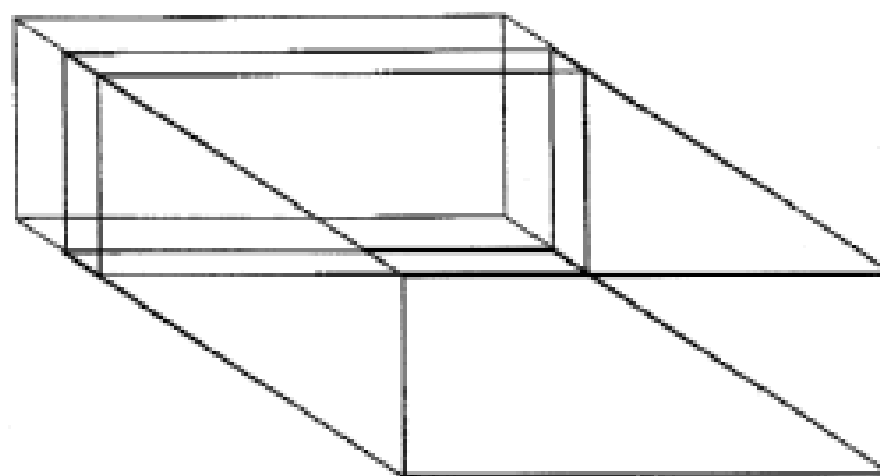
(57) Statement of Newness and Distinctiveness: **Nil**



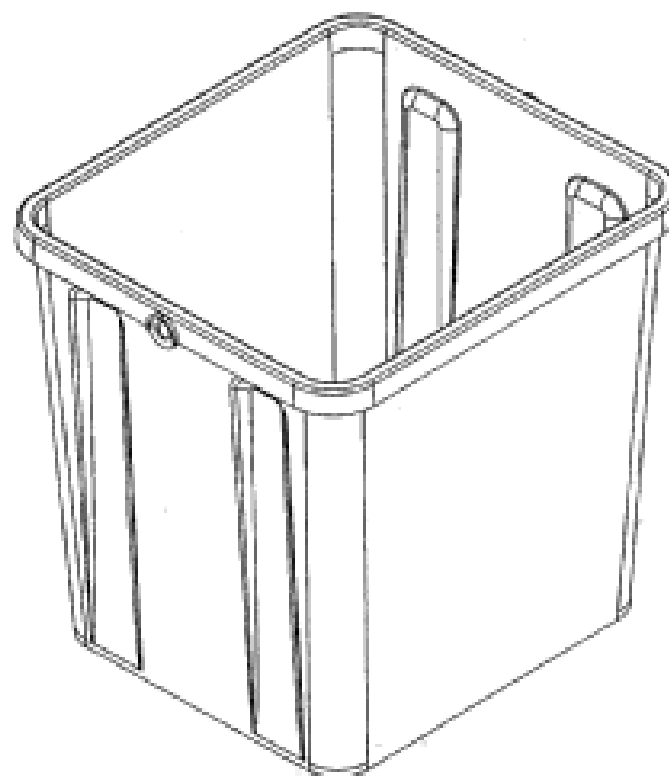
- (21) Design Number: **17632/2007**
(22) Date of Filing Application: **30 April 2007**
(24) Date from which industrial property rights may have effect: **30 April 2007**
(54) Product in respect of which the design is registered: **Independant battery powered magnetic clearance light**
(51) International Design Classification: **26-06**
(71) Name(s) and Address(s) of Applicant(s):
Glenn McQuinn
1 North Street Kingsthorpe Queensland 4400 Australia
(72) Name(s) of Designer(s): **Glenn McQuinn**
(45) Registration Date: **09 July 2007**
(56) Related Art Documents: **Not Applicable**
(57) Statement of Newness and Distinctiveness: **Independantly powered by enclosed battery. Magnetic attachment, with safety tie. Intergrated L.E.D light, with on/off switch.**



- (21) Design Number: **18650/2007**
(22) Date of Filing Application: **29 June 2007**
(24) Date from which industrial property rights may have effect: **29 June 2007**
(54) Product in respect of which the design is registered: **Sheet, bed sheet, cot sheet, mattress sheet**
(51) International Design Classification: **06-13B**
(71) Name(s) and Address(s) of Applicant(s):
Donna Rowe
1 Exeter Place Strathfieldsaye Victoria 3551 Australia
Tracey Rojewski
1 Exeter Place Strathfieldsaye Victoria 3551 Australia
(72) Name(s) of Designer(s): **Donna Rowe and Tracey Rojewski**
(45) Registration Date: **09 July 2007**
(56) Related Art Documents: **Not Applicable**
(57) Statement of Newness and Distinctiveness: **Monopoly is claimed in the shape and/or configuration of a fitted sheet as shown in the attached representations. The sheet is fully enclosed, except for an opening at the top and is fitted with a height allowance. The length of the sheet can be adjusted to the occupants height by tucking the excess under the end of a mattress or similar so that the occupant is secured and cannot become entangled in the sheet.**



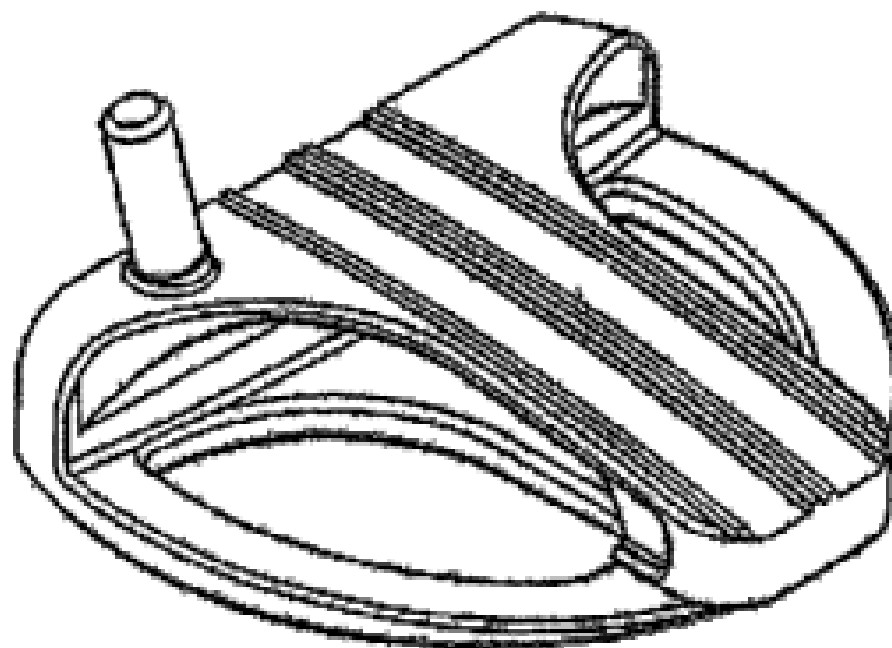
- (21) Design Number: **18646/2007**
(22) Date of Filing Application: **29 June 2007**
(24) Date from which industrial property rights may have effect: **29 June 2007**
(54) Product in respect of which the design is registered: **Car wash bucket**
(51) International Design Classification: **07-07B**
(71) Name(s) and Address(s) of Applicant(s):
Powersource Promotions Pty Ltd
Level 1 176 Bridge Road Richmond Victoria 3121 Australia
(72) Name(s) of Designer(s): **Jason Weiler**
(45) Registration Date: **09 July 2007**
(56) Related Art Documents: **Not Applicable**
(57) Statement of Newness and Distinctiveness: **Each feature of the design considered separately or in combination with any other features but excluding the optional handle and fitted tool.**



- (21) Design Number: **17492/2007**
(22) Date of Filing Application: **18 April 2007**
(24) Date from which industrial property rights may have effect: **18 April 2007**
(54) Product in respect of which the design is registered: **Putter head**
(51) International Design Classification: **21-02C**
(71) Name(s) and Address(s) of Applicant(s):
Callaway Golf Company
2180 Rutherford Road Carlsbad California 92008-7328 United States of America
(72) Name(s) of Designer(s): **Augustin W. Rollinson**
(45) Registration Date: **09 July 2007**
(30) Convention priority data:

(31) Number	(32) Date	(33) Country
29/249753	20 Oct 2006	UNITED STATES OF AMERICA

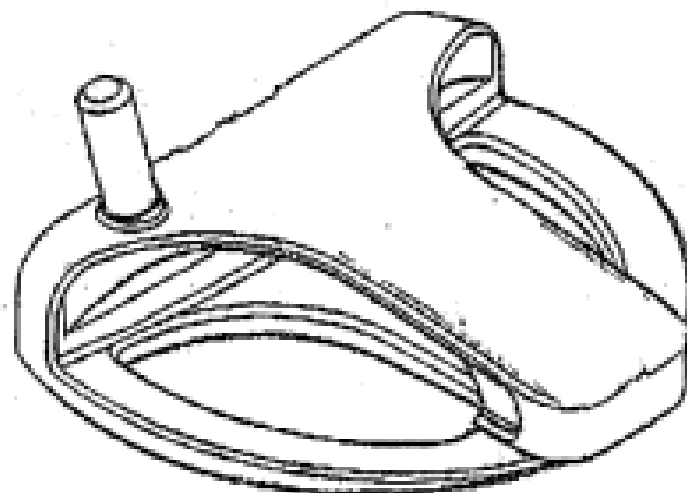
(56) Related Art Documents: **Not Applicable**
(57) Statement of Newness and Distinctiveness: **Newness and distinctiveness is claimed in the features of shape and/or configuration of a putter head as illustrated in the accompanying representations.**



(21) Design Number: **17493/2007**
 (22) Date of Filing Application: **18 April 2007**
 (24) Date from which industrial property rights may have effect: **18 April 2007**
 (54) Product in respect of which the design is registered: **Putter head**
 (51) International Design Classification: **21-02C**
 (71) Name(s) and Address(s) of Applicant(s):
Callaway Golf Company
2180 Rutherford Road Carlsbad California 92008-7328 United States of America
 (72) Name(s) of Designer(s): **Augustin W. Rollinson**
 (45) Registration Date: **09 July 2007**
 (30) Convention priority data:

(31) Number	(32) Date	(33) Country
29/249754	20 Oct 2006	UNITED STATES OF AMERICA

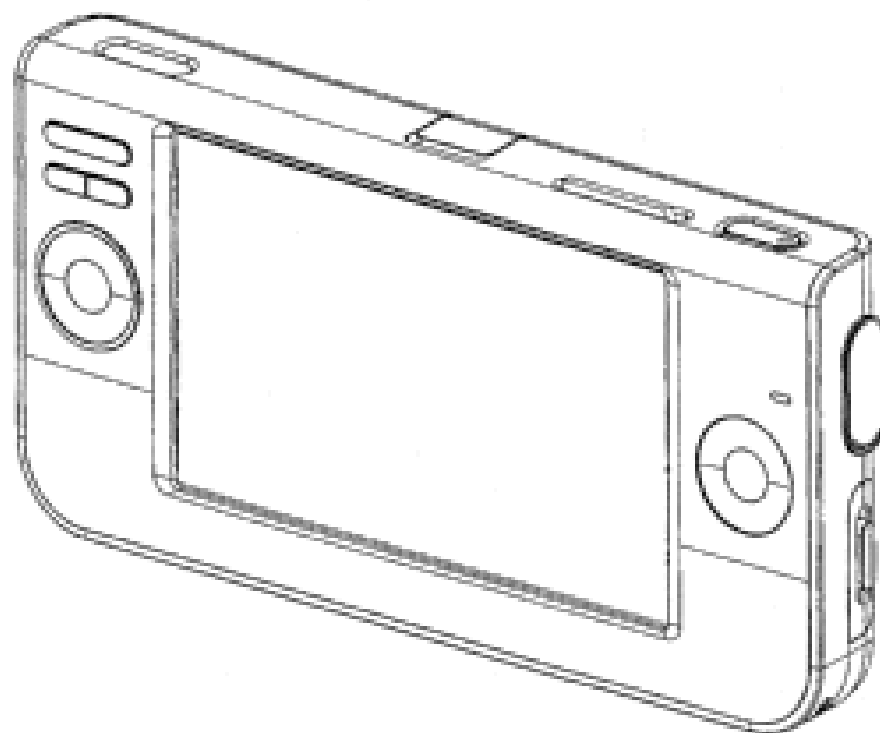
 (56) Related Art Documents: **Not Applicable**
 (57) Statement of Newness and Distinctiveness: **Newness and distinctiveness is claimed in the features of shape and/or configuration of a putter head as illustrated in the accompanying representations.**



(21) Design Number: **17494/2007**
 (22) Date of Filing Application: **18 April 2007**
 (24) Date from which industrial property rights may have effect: **18 April 2007**
 (54) Product in respect of which the design is registered: **Media player**
 (51) International Design Classification: **14-01**
 (71) Name(s) and Address(s) of Applicant(s):
Creative Technology Ltd
31 International Business Park Creative Resource Singapore 609921
 (72) Name(s) of Designer(s): **Kok Chong Anthony Oh and Boon Keat Eddy Toh and Nicholas Stephen Marchand and Ka-Wei Adrian Wong**
 (45) Registration Date: **09 July 2007**
 (30) Convention priority data:

(31) Number	(32) Date	(33) Country
29/275,677	03 Jan 2007	UNITED STATES OF AMERICA

 (56) Related Art Documents: **Not Applicable**
 (57) Statement of Newness and Distinctiveness: **The novelty of the design resides in the shape and configuration of the article as shown in the representations.**



(21) Design Number: **17495/2007**

(22) Date of Filing Application: **20 April 2007**

(24) Date from which industrial property rights may have effect: **20 April 2007**

(54) Product in respect of which the design is registered: **Pram blanket/liner**

(51) International Design Classification: **06-13B**

(71) Name(s) and Address(s) of Applicant(s):

**Thats Comfy Baby Blankets, Ana Wines
119 Fleetwood Drive Narre Warren Victoria 3805 Australia**

(72) Name(s) of Designer(s): **Ana Wines**

(45) Registration Date: **09 July 2007**

(56) Related Art Documents: **Not Applicable**

(57) Statement of Newness and Distinctiveness: **Pram blanket/and pram liner/its unique in its ability to attach and seperate with snaps attaches to matching liner can be used together or seperate. Unique as snaps make it possible to make a blanket that does not have to stay, attached to liner and can be used seperate, and wont fall off while in use in pram. Uniqueness its ability to attach and seperate.**



(21) Design Number: **17497/2007**

(22) Date of Filing Application: **20 April 2007**

(24) Date from which industrial property rights may have effect: **20 April 2007**

(54) Product in respect of which the design is registered: **Furniture - stool**

(51) International Design Classification: **06-01E**

(71) Name(s) and Address(s) of Applicant(s):

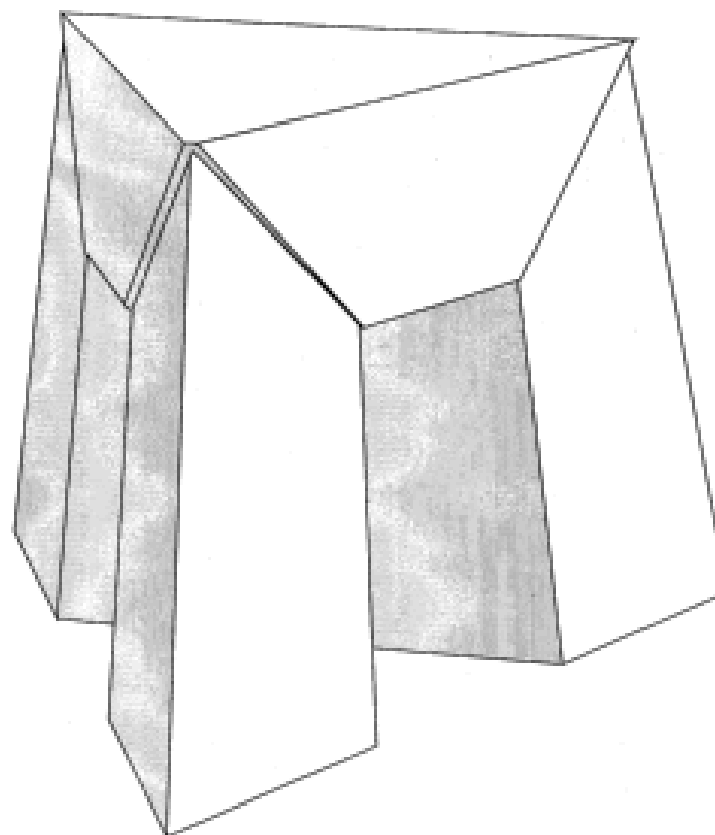
**Anthony Dann
280 Napier Street Fitzroy Victoria 3065 Australia**

(72) Name(s) of Designer(s): **Anthony Dann**

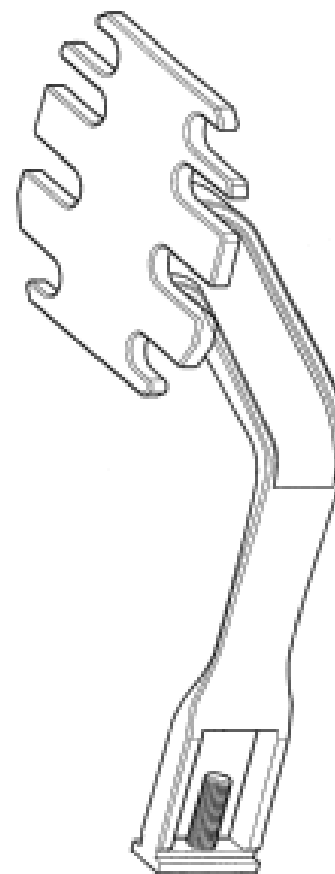
(45) Registration Date: **09 July 2007**

(56) Related Art Documents: **Not Applicable**

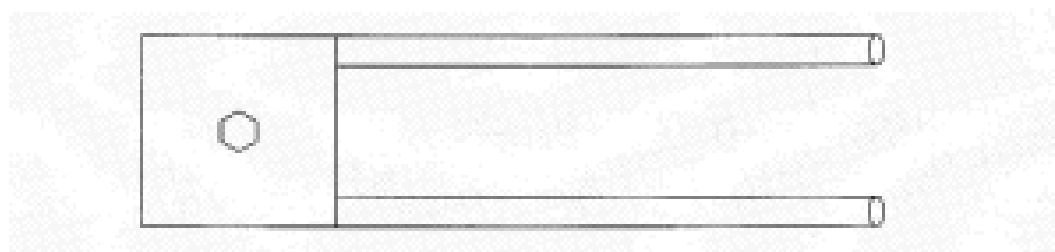
(57) Statement of Newness and Distinctiveness: **Folded corrugated cardboard material used to make a chair (stool).**



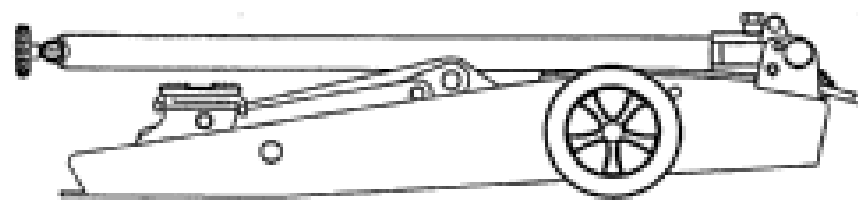
- (21) Design Number: **17500/2007**
- (22) Date of Filing Application: **19 April 2007**
- (24) Date from which industrial property rights may have effect: **19 April 2007**
- (54) Product in respect of which the design is registered: **A bracket**
- (51) International Design Classification: **08-08NES**
- (71) Name(s) and Address(s) of Applicant(s):
Design Display Initiative Pty Ltd
Factory 2 84#90 Lakewood Bvd Braeside Victoria 3195 Australia
- (72) Name(s) of Designer(s): **Justin Smith**
- (45) Registration Date: **09 July 2007**
- (56) Related Art Documents: **Not Applicable**
- (57) Statement of Newness and Distinctiveness: **Newness and distinctiveness resides in the shape and configuration of a bracket as shown in the accompanying representations.**



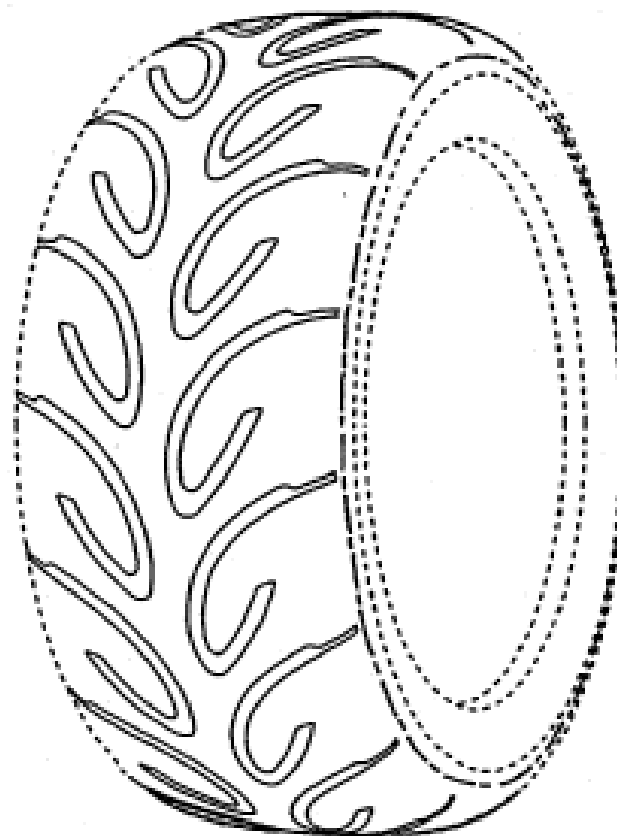
- (21) Design Number: **17501/2007**
- (22) Date of Filing Application: **20 April 2007**
- (24) Date from which industrial property rights may have effect: **20 April 2007**
- (54) Product in respect of which the design is registered: **Hook for hanging/support for shelf**
- (51) International Design Classification: **08-08NES**
- (71) Name(s) and Address(s) of Applicant(s):
Gregory David Linke
2 Churchman Court Gawler East South Australia 5118 Australia
- (72) Name(s) of Designer(s): **Gregory Linke**
- (45) Registration Date: **09 July 2007**
- (56) Related Art Documents: **Not Applicable**
- (57) Statement of Newness and Distinctiveness: **Nil**



- (21) Design Number: **17502/2007**
(22) Date of Filing Application: **19 April 2007**
(24) Date from which industrial property rights may have effect: **19 April 2007**
(54) Product in respect of which the design is registered: **Commercial lifting device**
(51) International Design Classification: **12-05**
(71) Name(s) and Address(s) of Applicant(s):
Harry H. Arzouman
26 Mainsail Drive Corona Del Mar California 92625 United States of America
(72) Name(s) of Designer(s): **Harry H. Arzouman**
(45) Registration Date: **09 July 2007**
(30) Convention priority data:
(31) Number (32) Date (33) Country
29/268142 31 Oct 2006 UNITED STATES OF AMERICA
(56) Related Art Documents: **Not Applicable**
(57) Statement of Newness and Distinctiveness: **Newness and distinctiveness is claimed in the features of shape and/or configuration of a commercial lifting device as illustrated in the accompanying representations.**



- (21) Design Number: **17503/2007**
(22) Date of Filing Application: **19 April 2007**
(24) Date from which industrial property rights may have effect: **19 April 2007**
(54) Product in respect of which the design is registered: **Automobile tyre**
(51) International Design Classification: **12-15A**
(71) Name(s) and Address(s) of Applicant(s):
The Yokohama Rubber Co., Ltd.
36#11 Shimbashi 5#chome Minato-ku Tokyo Japan
(72) Name(s) of Designer(s): **Masakazu Niwa and Kenichirou Endou**
(45) Registration Date: **09 July 2007**
(30) Convention priority data:
(31) Number (32) Date (33) Country
2006#028571 20 Oct 2006 JAPAN
(56) Related Art Documents: **Not Applicable**
(57) Statement of Newness and Distinctiveness: **Newness and distinctiveness reside in the features of the design shown in solid lines in the representations excluding those features shown in broken lines.**



- (21) Design Number: **17504/2007**
(22) Date of Filing Application: **19 April 2007**
(24) Date from which industrial property rights may have effect: **19 April 2007**
(54) Product in respect of which the design is registered: **Chair backrest**
(51) International Design Classification: **06-06G**
(71) Name(s) and Address(s) of Applicant(s):
Dauphin Entwicklungs-und Beteiligungs GmbH
Industriestrasse 11 91217 Hersbruck Germany
(72) Name(s) of Designer(s): **Elke Dauphin**
(45) Registration Date: **09 July 2007**
(30) Convention priority data:
(31) Number (32) Date (33) Country
000608526#0001 23 Oct 2006 EUROPEAN COMMUNITY
(56) Related Art Documents: **Not Applicable**
(57) Statement of Newness and Distinctiveness: **Newness and distinctiveness reside in the features of the design as shown in the representations.**



- (21) Design Number: **17505/2007**
(22) Date of Filing Application: **19 April 2007**
(24) Date from which industrial property rights may have effect: **19 April 2007**
(54) Product in respect of which the design is registered: **Chair backrest**
(51) International Design Classification: **06-06G**
(71) Name(s) and Address(s) of Applicant(s):
Dauphin Entwicklungs-und Beteiligungs GmbH
Industriestrasse 11 91217 Hersbruck Germany
(72) Name(s) of Designer(s): **Elke Dauphin**
(45) Registration Date: **09 July 2007**
(30) Convention priority data:
(31) Number (32) Date (33) Country
000608526#0002 23 Oct 2006 EUROPEAN COMMUNITY
(56) Related Art Documents: **Not Applicable**
(57) Statement of Newness and Distinctiveness: **Newness and distinctiveness reside in the features of the design as shown in the representations.**



(21) Design Number: **17506/2007**

(22) Date of Filing Application: **19 April 2007**

(24) Date from which industrial property rights may have effect: **19 April 2007**

(54) Product in respect of which the design is registered: **Chair**

(51) International Design Classification: **06-01F**

(71) Name(s) and Address(s) of Applicant(s):

**Dauphin Entwicklungs-und Beteiligungs GmbH
Industriestrasse 11 91217 Hersbruck Germany**

(72) Name(s) of Designer(s): **Elke Dauphin**

(45) Registration Date: **09 July 2007**

(30) Convention priority data:

(31) Number	(32) Date	(33) Country
000608526#0003	23 Oct 2006	EUROPEAN COMMUNITY

(56) Related Art Documents: **Not Applicable**

(57) Statement of Newness and Distinctiveness: **Newness and distinctiveness reside in the features of the design as shown in the representations.**



(21) Design Number: **17507/2007**

(22) Date of Filing Application: **19 April 2007**

(24) Date from which industrial property rights may have effect: **19 April 2007**

(54) Product in respect of which the design is registered: **Chair**

(51) International Design Classification: **06-01F**

(71) Name(s) and Address(s) of Applicant(s):

**Dauphin Entwicklungs-und Beteiligungs GmbH
Industriestrasse 11 91217 Hersbruck Germany**

(72) Name(s) of Designer(s): **Elke Dauphin**

(45) Registration Date: **09 July 2007**

(30) Convention priority data:

(31) Number	(32) Date	(33) Country
000608526#0004	23 Oct 2006	EUROPEAN COMMUNITY

(56) Related Art Documents: **Not Applicable**

(57) Statement of Newness and Distinctiveness: **Newness and distinctiveness reside in the features of the design as shown in the representations.**



(21) Design Number: **17508/2007**

(22) Date of Filing Application: **19 April 2007**

(24) Date from which industrial property rights may have effect: **19 April 2007**

(54) Product in respect of which the design is registered: **Chair**

(51) International Design Classification: **06-01F**

(71) Name(s) and Address(s) of Applicant(s):

**Dauphin Entwicklungs-und Beteiligungs GmbH
Industriestrasse 11 91217 Hersbruck Germany**

(72) Name(s) of Designer(s): **Elke Dauphin**

(45) Registration Date: **09 July 2007**

(30) Convention priority data:

(31) Number	(32) Date	(33) Country
40605551.3	23 Oct 2006	GERMANY

(56) Related Art Documents: **Not Applicable**

(57) Statement of Newness and Distinctiveness: **Newness and distinctiveness reside in the features of the design as shown in the representations.**



(21) Design Number: **17509/2007**

(22) Date of Filing Application: **19 April 2007**

(24) Date from which industrial property rights may have effect: **19 April 2007**

(54) Product in respect of which the design is registered: **Chair**

(51) International Design Classification: **06-01F**

(71) Name(s) and Address(s) of Applicant(s):

**Dauphin Entwicklungs-und Beteiligungs GmbH
Industriestrasse 11 91217 Hersbruck Germany**

(72) Name(s) of Designer(s): **Elke Dauphin**

(45) Registration Date: **09 July 2007**

(30) Convention priority data:

(31) Number	(32) Date	(33) Country
40605551.3	23 Oct 2006	GERMANY

(56) Related Art Documents: **Not Applicable**

(57) Statement of Newness and Distinctiveness: **Newness and distinctiveness reside in the features of the design as shown in the representations.**



(21) Design Number: **17510/2007**

(22) Date of Filing Application: **19 April 2007**

(24) Date from which industrial property rights may have effect: **19 April 2007**

(54) Product in respect of which the design is registered: **Chair**

(51) International Design Classification: **06-01F**

(71) Name(s) and Address(s) of Applicant(s):

**Dauphin Entwicklungs-und Beteiligungs GmbH
Industriestrasse 11 91217 Hersbruck Germany**

(72) Name(s) of Designer(s): **Elke Dauphin**

(45) Registration Date: **09 July 2007**

(30) Convention priority data:

(31) Number	(32) Date	(33) Country
40605551.3	23 Oct 2006	GERMANY

(56) Related Art Documents: **Not Applicable**

(57) Statement of Newness and Distinctiveness: **Newness and distinctiveness reside in the features of the design as shown in the representations.**



(21) Design Number: **17511/2007**

(22) Date of Filing Application: **19 April 2007**

(24) Date from which industrial property rights may have effect: **19 April 2007**

(54) Product in respect of which the design is registered: **Chair**

(51) International Design Classification: **06-01F**

(71) Name(s) and Address(s) of Applicant(s):

**Dauphin Entwicklungs-und Beteiligungs GmbH
Industriestrasse 11 91217 Hersbruck Germany**

(72) Name(s) of Designer(s): **Elke Dauphin**

(45) Registration Date: **09 July 2007**

(30) Convention priority data:

(31) Number	(32) Date	(33) Country
40605551.3	23 Oct 2006	GERMANY

(56) Related Art Documents: **Not Applicable**

(57) Statement of Newness and Distinctiveness: **Newness and distinctiveness reside in the features of the design as shown in the representations.**



(21) Design Number: **17512/2007**

(22) Date of Filing Application: **19 April 2007**

(24) Date from which industrial property rights may have effect: **19 April 2007**

(54) Product in respect of which the design is registered: **Chair**

(51) International Design Classification: **06-01F**

(71) Name(s) and Address(s) of Applicant(s):

**Dauphin Entwicklungs-und Beteiligungs GmbH
Industriestrasse 11 91217 Hersbruck Germany**

(72) Name(s) of Designer(s): **Elke Dauphin**

(45) Registration Date: **09 July 2007**

(30) Convention priority data:

(31) Number	(32) Date	(33) Country
40605551.3	23 Oct 2006	GERMANY

(56) Related Art Documents: **Not Applicable**

(57) Statement of Newness and Distinctiveness: **Newness and distinctiveness reside in the features of the design as shown in the representations.**



(21) Design Number: **17513/2007**

(22) Date of Filing Application: **19 April 2007**

(24) Date from which industrial property rights may have effect: **19 April 2007**

(54) Product in respect of which the design is registered: **Chair**

(51) International Design Classification: **06-01F**

(71) Name(s) and Address(s) of Applicant(s):

**Dauphin Entwicklungs-und Beteiligungs GmbH
Industriestrasse 11 91217 Hersbruck Germany**

(72) Name(s) of Designer(s): **Elke Dauphin**

(45) Registration Date: **09 July 2007**

(30) Convention priority data:

(31) Number	(32) Date	(33) Country
40605551.3	23 Oct 2006	GERMANY

(56) Related Art Documents: **Not Applicable**

(57) Statement of Newness and Distinctiveness: **Newness and distinctiveness reside in the features of the design as shown in the representations.**



(21) Design Number: **17514/2007**

(22) Date of Filing Application: **19 April 2007**

(24) Date from which industrial property rights may have effect: **19 April 2007**

(54) Product in respect of which the design is registered: **Chair**

(51) International Design Classification: **06-01F**

(71) Name(s) and Address(s) of Applicant(s):

**Dauphin Entwicklungs-und Beteiligungs GmbH
Industriestrasse 11 91217 Hersbruck Germany**

(72) Name(s) of Designer(s): **Elke Dauphin**

(45) Registration Date: **09 July 2007**

(30) Convention priority data:

(31) Number	(32) Date	(33) Country
40605551.3	23 Oct 2006	GERMANY

(56) Related Art Documents: **Not Applicable**

(57) Statement of Newness and Distinctiveness: **Newness and distinctiveness reside in the features of the design as shown in the representations.**



(21) Design Number: **17515/2007**

(22) Date of Filing Application: **20 April 2007**

(24) Date from which industrial property rights may have effect: **20 April 2007**

(54) Product in respect of which the design is registered: **Hook for hanging/support for shelf**

(51) International Design Classification: **08-08NES**

(71) Name(s) and Address(s) of Applicant(s):

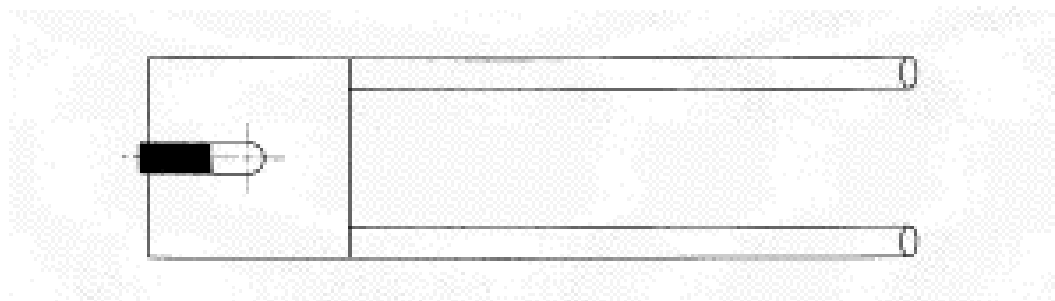
**Gregory David Linke
2 Churchman Court Gawler East South Australia 5118 Australia**

(72) Name(s) of Designer(s): **Gregory Linke**

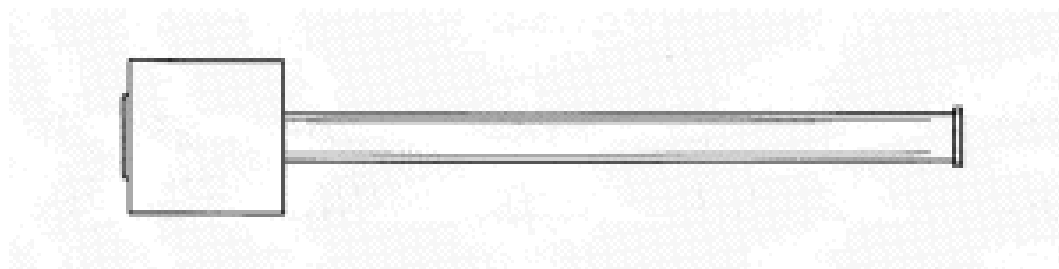
(45) Registration Date: **09 July 2007**

(56) Related Art Documents: **Not Applicable**

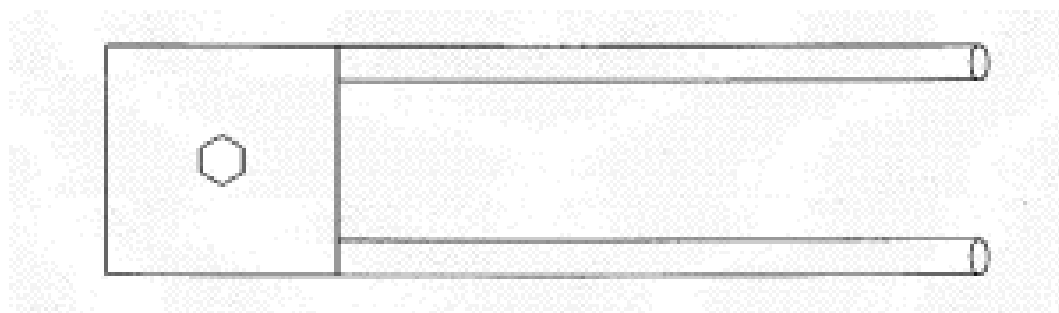
(57) Statement of Newness and Distinctiveness: **Nil**



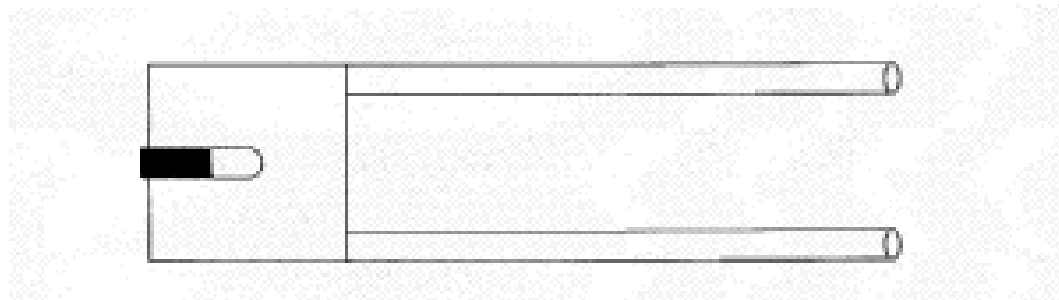
(21) Design Number: **17516/2007**
(22) Date of Filing Application: **20 April 2007**
(24) Date from which industrial property rights may have effect: **20 April 2007**
(54) Product in respect of which the design is registered: **Hook for hanging/support for shelf**
(51) International Design Classification: **08-08N**
(71) Name(s) and Address(s) of Applicant(s):
Gregory David Linke
2 Churchman Court Gawler East South Australia 5118 Australia
(72) Name(s) of Designer(s): **Gregory Linke**
(45) Registration Date: **09 July 2007**
(56) Related Art Documents: **Not Applicable**
(57) Statement of Newness and Distinctiveness: **Nil**



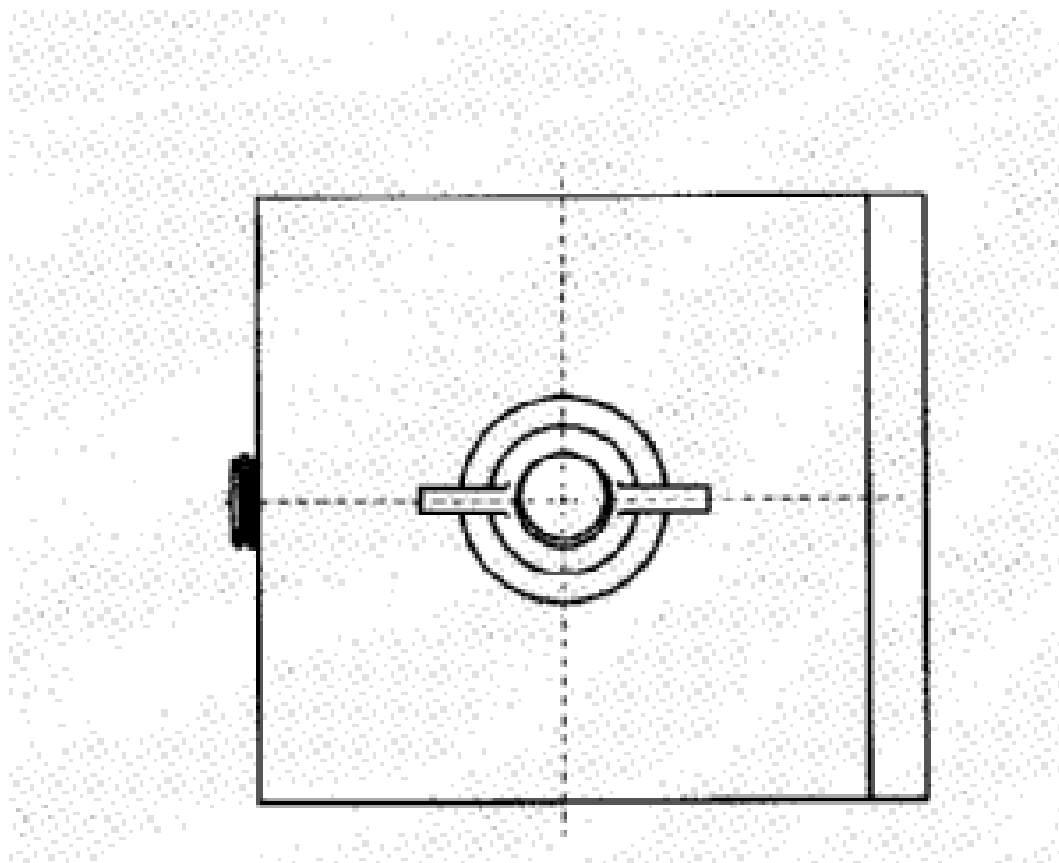
(21) Design Number: **17517/2007**
(22) Date of Filing Application: **20 April 2007**
(24) Date from which industrial property rights may have effect: **20 April 2007**
(54) Product in respect of which the design is registered: **Hook for hanging/support for shelf**
(51) International Design Classification: **08-08NES**
(71) Name(s) and Address(s) of Applicant(s):
Gregory David Linke
2 Churchman Court Gawler East South Australia 5118 Australia
(72) Name(s) of Designer(s): **Gregory Linke**
(45) Registration Date: **09 July 2007**
(56) Related Art Documents: **Not Applicable**
(57) Statement of Newness and Distinctiveness: **Nil**



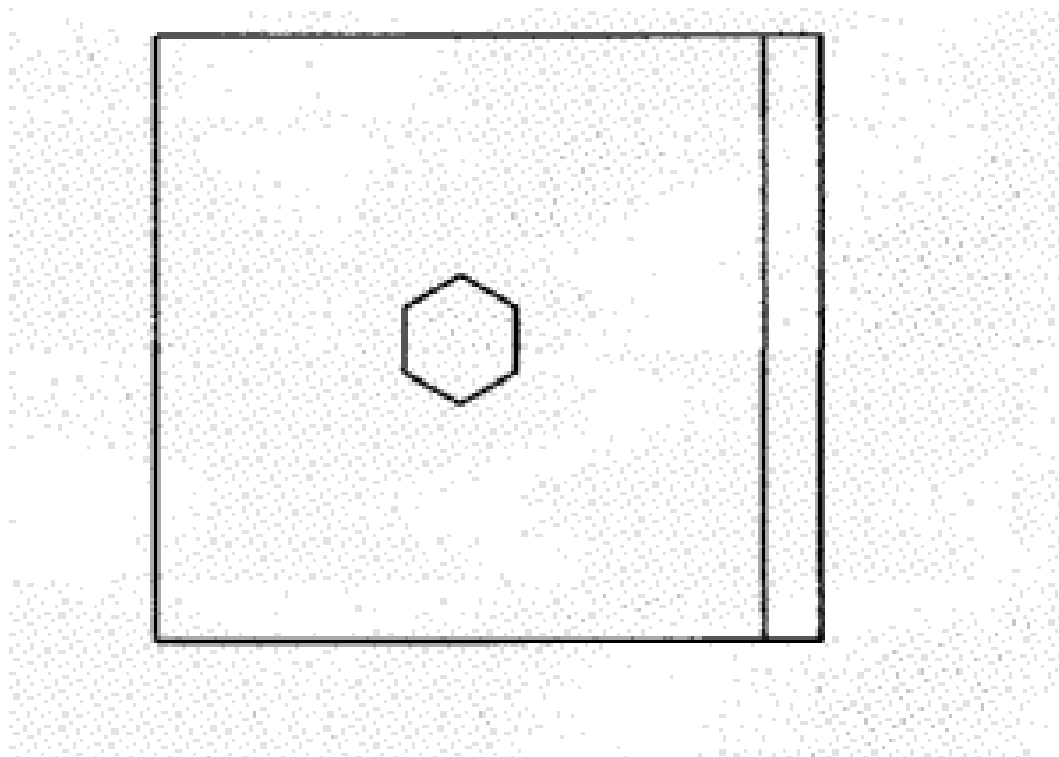
(21) Design Number: **17518/2007**
(22) Date of Filing Application: **20 April 2007**
(24) Date from which industrial property rights may have effect: **20 April 2007**
(54) Product in respect of which the design is registered: **Hook for hanging/support for shelf**
(51) International Design Classification: **08-08NES**
(71) Name(s) and Address(s) of Applicant(s):
Gregory David Linke
2 Churchman Court Gawler East South Australia 5118 Australia
(72) Name(s) of Designer(s): **Gregory Linke**
(45) Registration Date: **09 July 2007**
(56) Related Art Documents: **Not Applicable**
(57) Statement of Newness and Distinctiveness: **Nil**



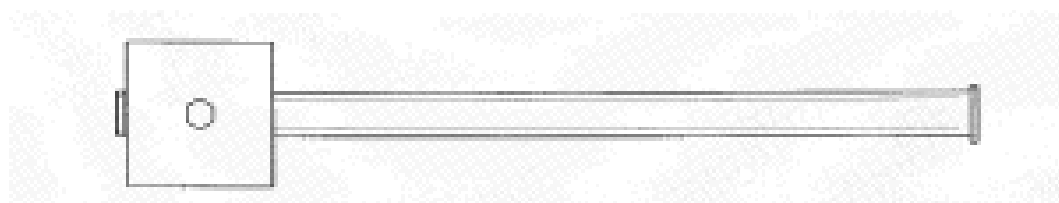
(21) Design Number: **17519/2007**
(22) Date of Filing Application: **20 April 2007**
(24) Date from which industrial property rights may have effect: **20 April 2007**
(54) Product in respect of which the design is registered: **Hook for hanging/support for shelf**
(51) International Design Classification: **08-08NES**
(71) Name(s) and Address(s) of Applicant(s):
Gregory David Linke
2 Churchman Court Gawler East South Australia 5118 Australia
(72) Name(s) of Designer(s): **Gregory Linke**
(45) Registration Date: **09 July 2007**
(56) Related Art Documents: **Not Applicable**
(57) Statement of Newness and Distinctiveness: **Nil**



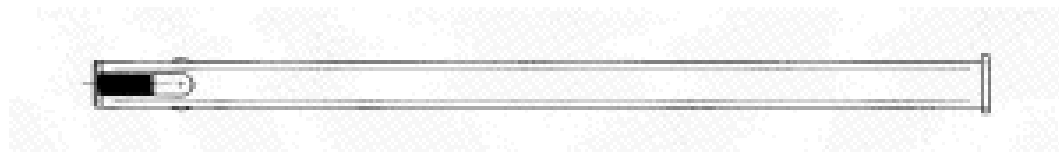
- (21) Design Number: **17520/2007**
(22) Date of Filing Application: **20 April 2007**
(24) Date from which industrial property rights may have effect: **20 April 2007**
(54) Product in respect of which the design is registered: **Hook for hanging/support for shelf**
(51) International Design Classification: **08-08NES**
(71) Name(s) and Address(s) of Applicant(s):
Gregory David Linke
2 Churchman Court Gawler East South Australia 5118 Australia
(72) Name(s) of Designer(s): **Gregory Linke**
(45) Registration Date: **09 July 2007**
(56) Related Art Documents: **Not Applicable**
(57) Statement of Newness and Distinctiveness: **Nil**



- (21) Design Number: **17521/2007**
(22) Date of Filing Application: **20 April 2007**
(24) Date from which industrial property rights may have effect: **20 April 2007**
(54) Product in respect of which the design is registered: **Hook for hanging/support for shelf**
(51) International Design Classification: **08-08N**
(71) Name(s) and Address(s) of Applicant(s):
Gregory David Linke
2 Churchman Court Gawler East South Australia 5118 Australia
(72) Name(s) of Designer(s): **Gregory Linke**
(45) Registration Date: **09 July 2007**
(56) Related Art Documents: **Not Applicable**
(57) Statement of Newness and Distinctiveness: **Nil**



- (21) Design Number: **17522/2007**
(22) Date of Filing Application: **20 April 2007**
(24) Date from which industrial property rights may have effect: **20 April 2007**
(54) Product in respect of which the design is registered: **Hook for hanging/support for shelf**
(51) International Design Classification: **08-08N**
(71) Name(s) and Address(s) of Applicant(s):
Gregory David Linke
2 Churchman Court Gawler East South Australia 5118 Australia
(72) Name(s) of Designer(s): **Gregory Linke**
(45) Registration Date: **09 July 2007**
(56) Related Art Documents: **Not Applicable**
(57) Statement of Newness and Distinctiveness: **Nil**



- (21) Design Number: **17176/2007**
(22) Date of Filing Application: **29 March 2007**
(24) Date from which industrial property rights may have effect: **29 March 2007**
(54) Product in respect of which the design is registered: **Pendant magnifier**
(51) International Design Classification: **11-01NES**
(71) Name(s) and Address(s) of Applicant(s):
William James Widdowson
221 Beaconsfield Parade Middle Park Victoria 3206 Australia
Marcos G. Davidson
7/7 Carlow House 289 Flinders Lane Melbourne Victoria 3000 Australia
(72) Name(s) of Designer(s): **Marcos G. Davidson**
(45) Registration Date: **09 July 2007**
(56) Related Art Documents: **Not Applicable**
(57) Statement of Newness and Distinctiveness: **The shape is formed by the intersection of two equal circles and features a faceted or rounded edge, various colour tints and coatings-inc. mirror.**



(21) Design Number: **17523/2007**

(22) Date of Filing Application: **20 April 2007**

(24) Date from which industrial property rights may have effect: **20 April 2007**

(54) Product in respect of which the design is registered: **Removable fin attachment for watercraft**

(51) International Design Classification: **21-02D**

(71) Name(s) and Address(s) of Applicant(s):

Christopher Beacham

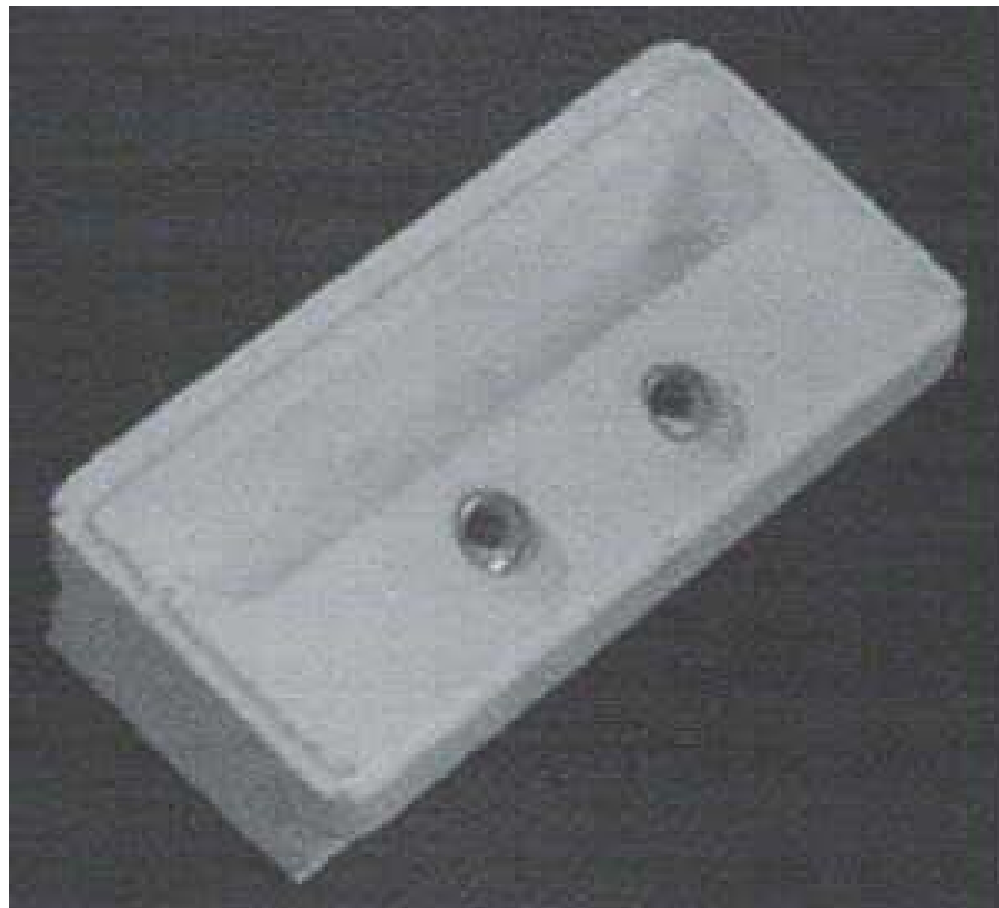
40 Queens Avenue Avalon New South Wales 2107 Australia

(72) Name(s) of Designer(s): **Christopher Beacham**

(45) Registration Date: **09 July 2007**

(56) Related Art Documents: **Not Applicable**

(57) Statement of Newness and Distinctiveness: **The fin box has an offset receptacle slot to centre, and is a rectangular shape that is wider at the top half than the bottom half.**



(21) Design Number: **17524/2007**

(22) Date of Filing Application: **20 April 2007**

(24) Date from which industrial property rights may have effect: **20 April 2007**

(54) Product in respect of which the design is registered: **Decorative novelty device for mounting on vehicles and the like**

(51) International Design Classification: **12-16NES, 20-03NES**

(71) Name(s) and Address(s) of Applicant(s):

Autoflyer Proprietary Limited

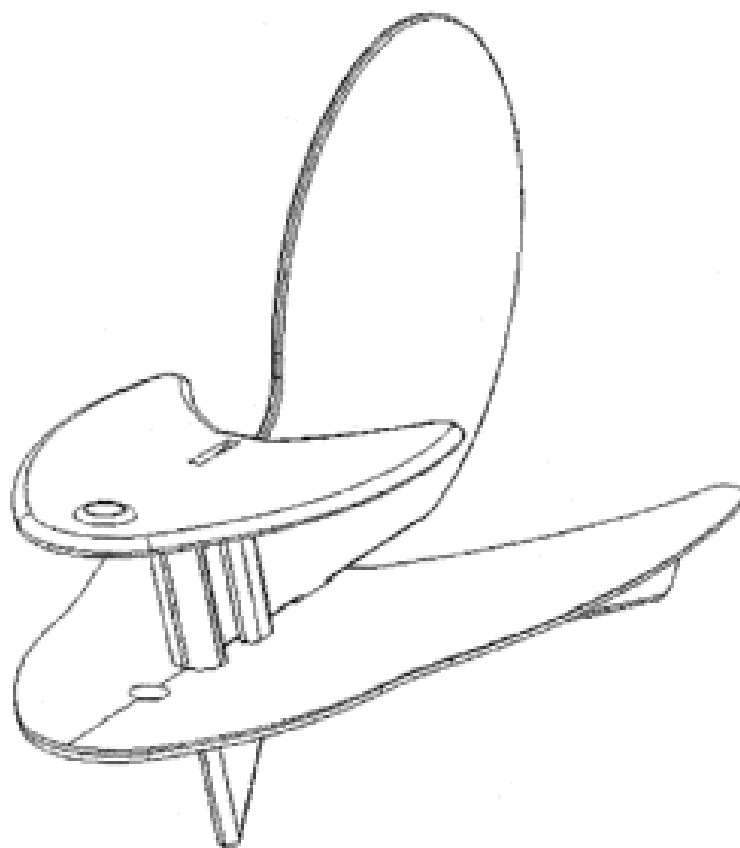
63 McGregor Street East Malvern Victoria 3145 Australia

(72) Name(s) of Designer(s): **Mark Robert Lorbek**

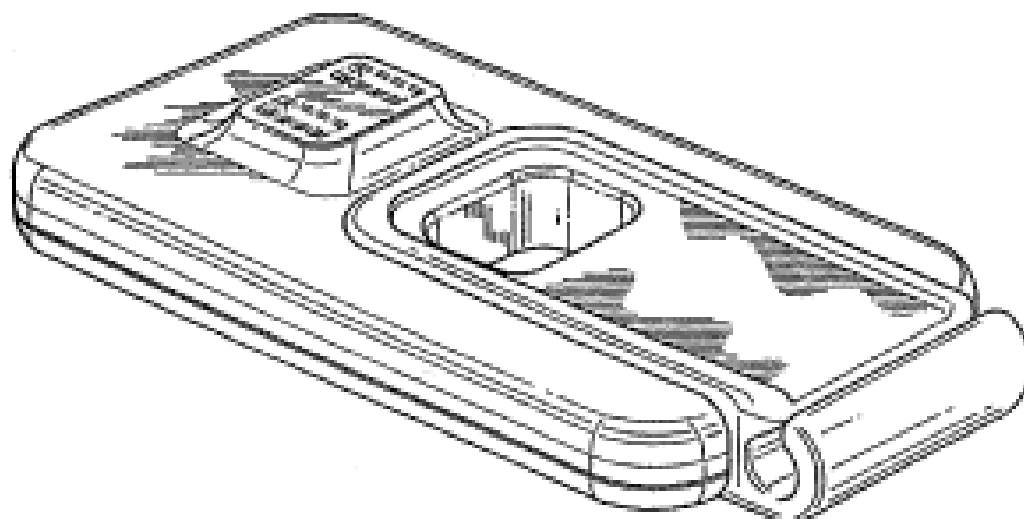
(45) Registration Date: **09 July 2007**

(56) Related Art Documents: **Not Applicable**

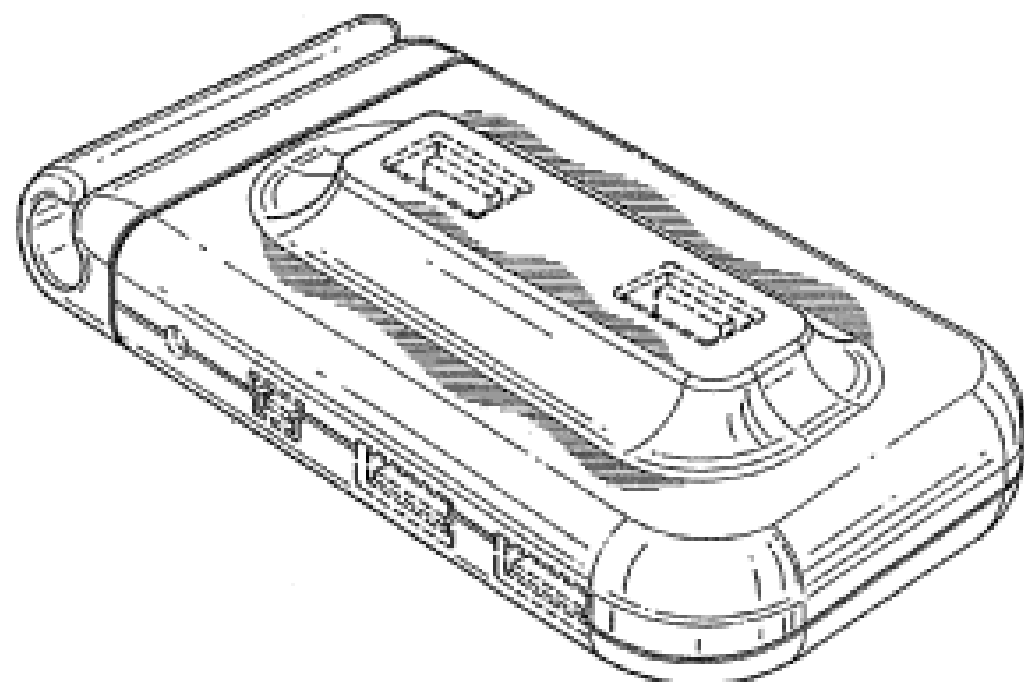
(57) Statement of Newness and Distinctiveness: **Newness and distinctiveness resides in the shape and configuration of the depicted item as a whole.**



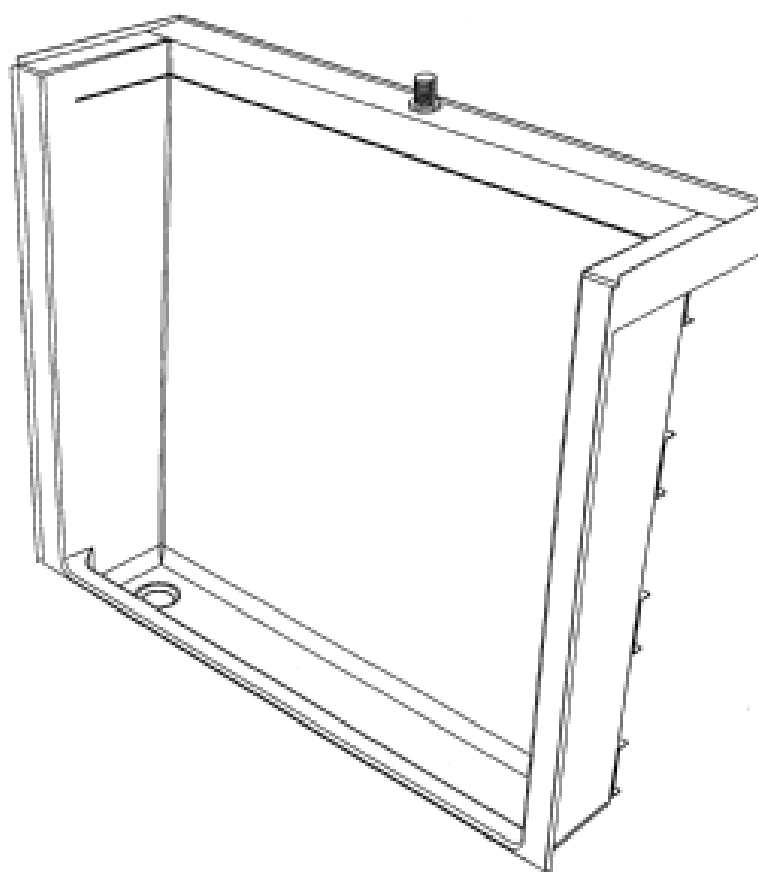
- (21) Design Number: **17536/2007**
(22) Date of Filing Application: **20 April 2007**
(24) Date from which industrial property rights may have effect: **20 April 2007**
(54) Product in respect of which the design is registered: **Cable management device**
(51) International Design Classification: **14-02**
(71) Name(s) and Address(s) of Applicant(s):
Belkin International, Inc.
501 W. Walnut Street Compton California 90220 United States of America
(72) Name(s) of Designer(s): **Kenneth Mori and Yoko Iida and Steven Lane**
(45) Registration Date: **09 July 2007**
(30) Convention priority data:
(31) Number (32) Date (33) Country
29/268022 27 Oct 2006 UNITED STATES OF AMERICA
(56) Related Art Documents: **Not Applicable**
(57) Statement of Newness and Distinctiveness: **Newness and distinctiveness is claimed in the features of shape and/or configuration of a cable management device as illustrated in solid lines in the accompanying representations, in which the features shown in dashed lines are to be disregarded.**



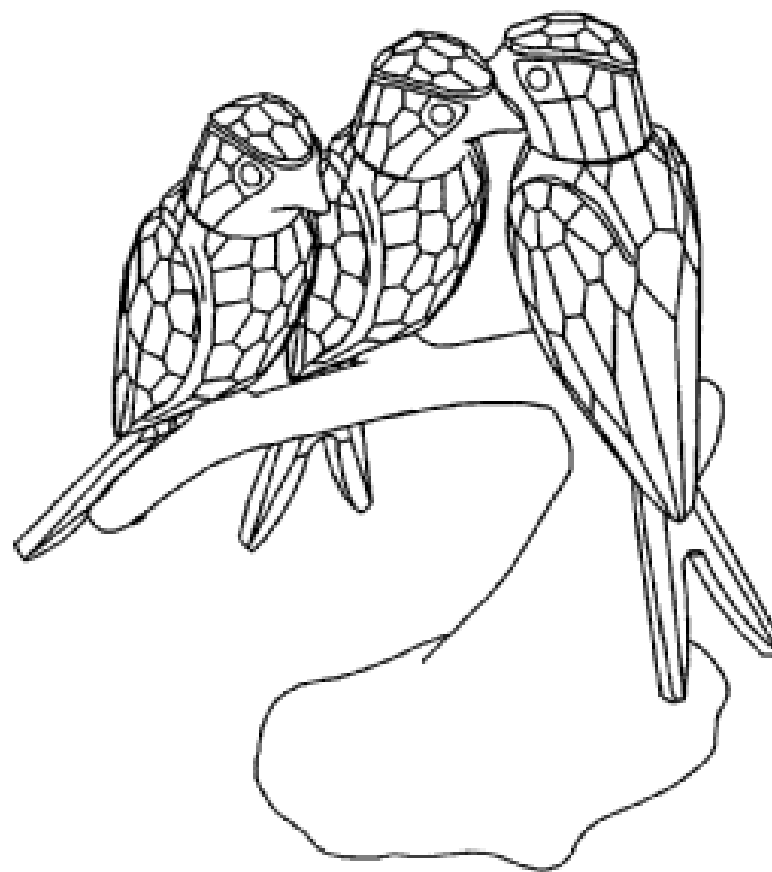
- (21) Design Number: **17537/2007**
(22) Date of Filing Application: **20 April 2007**
(24) Date from which industrial property rights may have effect: **20 April 2007**
(54) Product in respect of which the design is registered: **Cable management device**
(51) International Design Classification: **14-02**
(71) Name(s) and Address(s) of Applicant(s):
Belkin International, Inc.
501 W. Walnut Street Compton California 90220 United States of America
(72) Name(s) of Designer(s): **Kenneth Mori and Yoko Iida and Steven Lane**
(45) Registration Date: **09 July 2007**
(30) Convention priority data:
(31) Number (32) Date (33) Country
29/268035 27 Oct 2006 UNITED STATES OF AMERICA
(56) Related Art Documents: **Not Applicable**
(57) Statement of Newness and Distinctiveness: **Newness and distinctiveness is claimed in the features of shape and/or configuration of a cable management device as illustrated in solid lines in the accompanying representations, the features shown in broken lines are to be disregarded.**



- (21) Design Number: **17550/2007**
(22) Date of Filing Application: **20 April 2007**
(24) Date from which industrial property rights may have effect: **20 April 2007**
(54) Product in respect of which the design is registered: **Urinal**
(51) International Design Classification: **23-02C**
(71) Name(s) and Address(s) of Applicant(s):
Stratco (Australia) Pty Limited
125 Cavan Road Gepps Cross South Australia 5094 Australia
(72) Name(s) of Designer(s): **Colin Schmidt and Michael Black and Graham Arthur**
(45) Registration Date: **09 July 2007**
(56) Related Art Documents: **Not Applicable**
(57) Statement of Newness and Distinctiveness: **The features of the urinal depicted in the representations that are new and distinctive are the shape and/or configuration of the portion of the front face of each of the first side wall, the rear wall and the second side wall of the urinal adjacent to the elongated fluid gap G. Those portions are contained within the dashed lines as marked on the front view of the urinal. The features of the urinal outside of the dashed lines are not part of the design and are to be disregarded when considering the overall impression of the design.**



- (21) Design Number: **17565/2007**
(22) Date of Filing Application: **20 April 2007**
(24) Date from which industrial property rights may have effect: **20 April 2007**
(54) Product in respect of which the design is registered: **Ornament object**
(51) International Design Classification: **11-02E**
(71) Name(s) and Address(s) of Applicant(s):
Swarovski Aktiengesellschaft
Droschistrasse 15 FL-9495 Triesen Liechtenstein
(72) Name(s) of Designer(s): **Anton Hirzinger**
(45) Registration Date: **09 July 2007**
(30) Convention priority data:
(31) Number (32) Date (33) Country
000631361#0003 01 Dec 2006 EUROPEAN COMMUNITY
(56) Related Art Documents: **Not Applicable**
(57) Statement of Newness and Distinctiveness: **Nil**



(21) Design Number: **17566/2007**

(22) Date of Filing Application: **20 April 2007**

(24) Date from which industrial property rights may have effect: **20 April 2007**

(54) Product in respect of which the design is registered: **Sink**

(51) International Design Classification: **23-02F**

(71) Name(s) and Address(s) of Applicant(s):

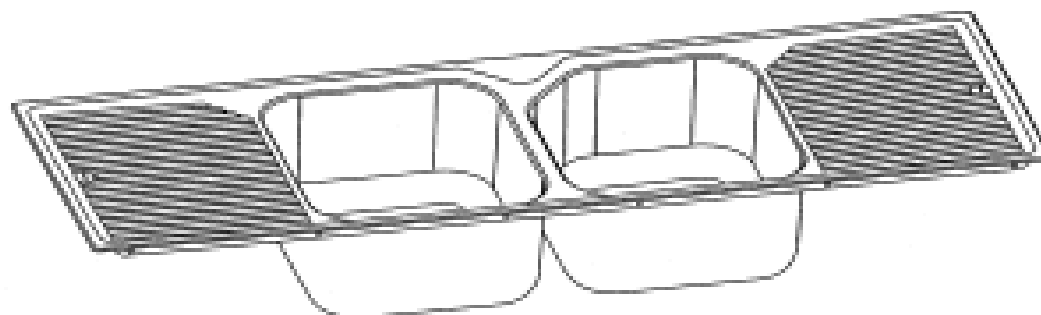
Tasman Sinkware Pty Ltd
51 Naweena Road Regency Park South Australia 5942 Australia

(72) Name(s) of Designer(s): **Robert Cebulski and Bryant Walters**

(45) Registration Date: **09 July 2007**

(56) Related Art Documents: **Not Applicable**

(57) Statement of Newness and Distinctiveness: **The newness and distinctiveness of the article resides in the shape and configuration of the sink as shown in the accompanying drawings. The drain holes shown in dashed outline in the representations does not form part of the design and may be varied from that shown.**



(21) Design Number: **17567/2007**

(22) Date of Filing Application: **20 April 2007**

(24) Date from which industrial property rights may have effect: **20 April 2007**

(54) Product in respect of which the design is registered: **Sink**

(51) International Design Classification: **23-02F**

(71) Name(s) and Address(s) of Applicant(s):

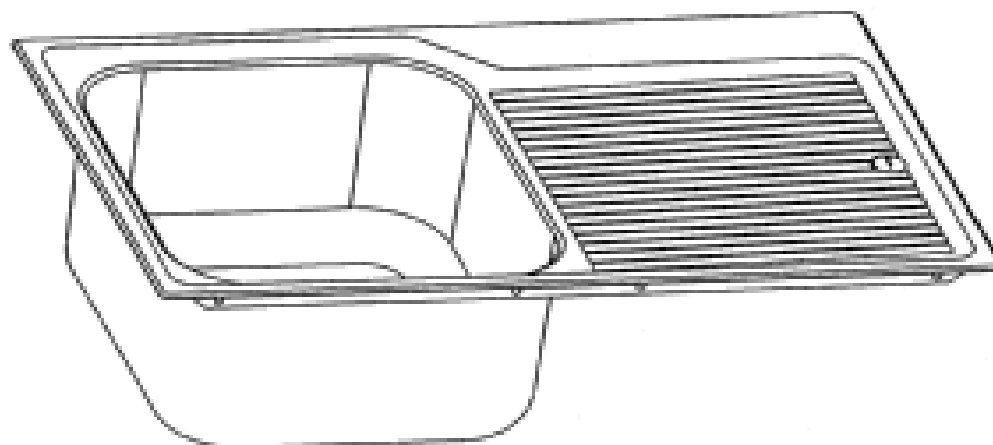
Tasman Sinkware Pty Ltd
51 Naweena Road Regency Park South Australia 5942 Australia

(72) Name(s) of Designer(s): **Robert Cebulski and Bryant Walters**

(45) Registration Date: **09 July 2007**

(56) Related Art Documents: **Not Applicable**

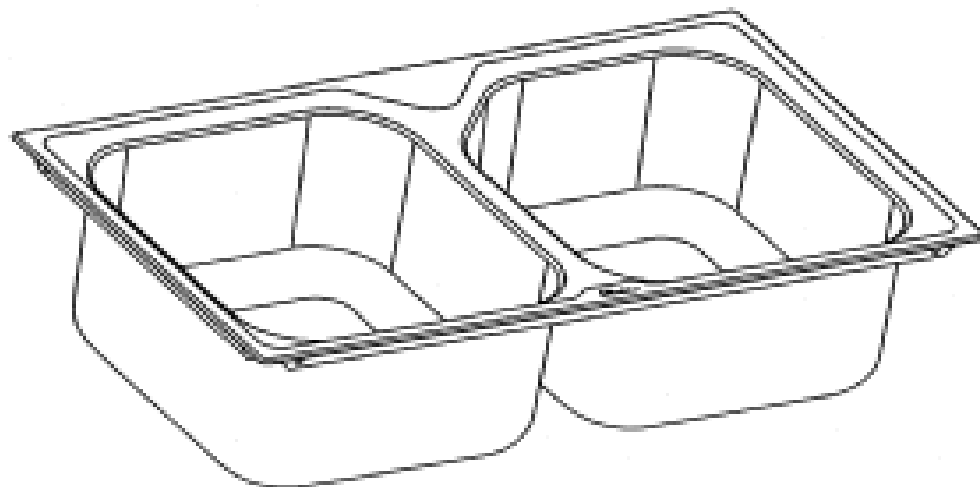
(57) Statement of Newness and Distinctiveness: **The newness and distinctiveness of the article resides in the shape and configuration of the sink as shown in the accompanying drawings. The drain holes shown in dashed outline in the representations does not form part of the design and may be varied from that shown.**



- (21) Design Number: **17568/2007**
(22) Date of Filing Application: **20 April 2007**
(24) Date from which industrial property rights may have effect: **20 April 2007**
(54) Product in respect of which the design is registered: **Sink**
(51) International Design Classification: **23-02F**
(71) Name(s) and Address(s) of Applicant(s):

Tasman Sinkware Pty Ltd
51 Naweena Road Regency Park South Australia 5942 Australia

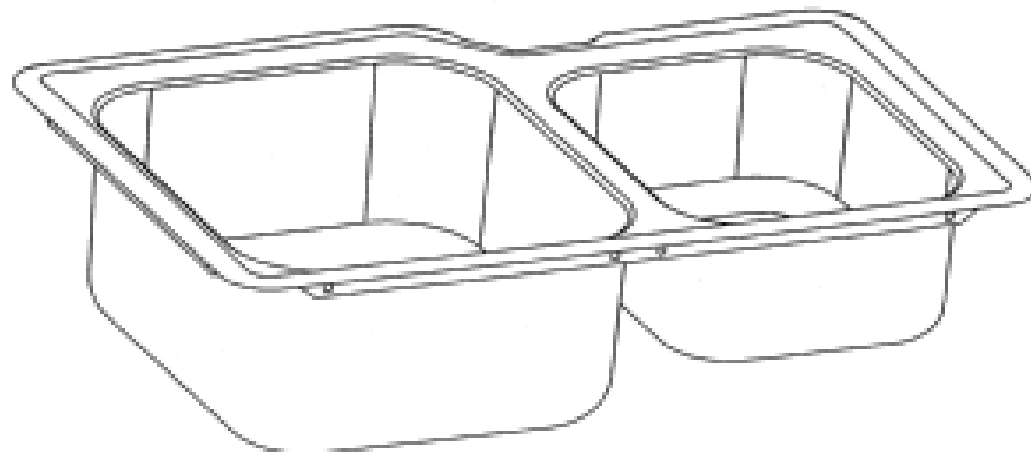
- (72) Name(s) of Designer(s): **Robert Cebulski and Bryant Walters**
(45) Registration Date: **09 July 2007**
(56) Related Art Documents: **Not Applicable**
(57) Statement of Newness and Distinctiveness: **The newness and distinctiveness of the article resides in the shape and configuration of the sink as shown in the accompanying drawings. The drain holes shown in dashed outline in the representations does not form part of the design and may be varied from that shown.**



- (21) Design Number: **17569/2007**
(22) Date of Filing Application: **20 April 2007**
(24) Date from which industrial property rights may have effect: **20 April 2007**
(54) Product in respect of which the design is registered: **Sink**
(51) International Design Classification: **23-02F**
(71) Name(s) and Address(s) of Applicant(s):

Tasman Sinkware Pty Ltd
51 Naweena Road Regency Park South Australia 5942 Australia

- (72) Name(s) of Designer(s): **Robert Cebulski and Bryant Walters**
(45) Registration Date: **09 July 2007**
(56) Related Art Documents: **Not Applicable**
(57) Statement of Newness and Distinctiveness: **The newness and distinctiveness of the article resides in the shape and configuration of the sink as shown in the accompanying drawings. The drain holes shown in dashed outline in the representations does not form part of the design and may be varied from that shown.**



(21) Design Number: **17570/2007**

(22) Date of Filing Application: **20 April 2007**

(24) Date from which industrial property rights may have effect: **20 April 2007**

(54) Product in respect of which the design is registered: **Sink**

(51) International Design Classification: **23-02F**

(71) Name(s) and Address(s) of Applicant(s):

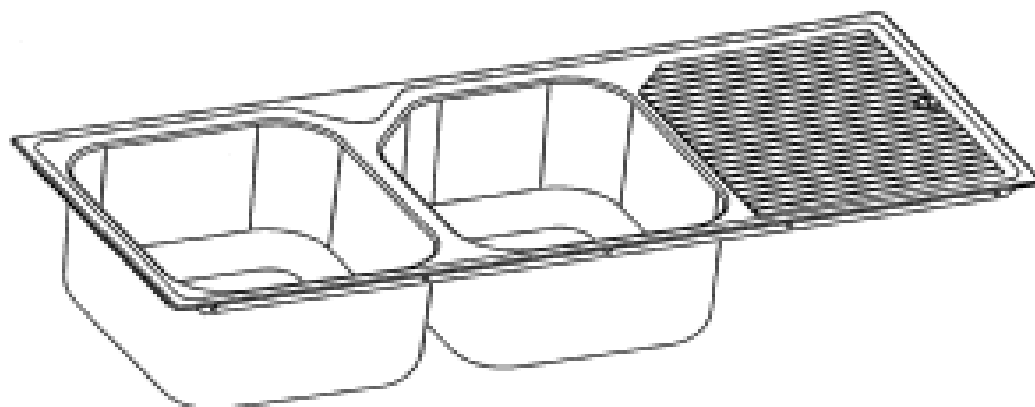
Tasman Sinkware Pty Ltd
51 Naweena Road Regency Park South Australia 5942 Australia

(72) Name(s) of Designer(s): **Robert Cebulski and Bryant Walters**

(45) Registration Date: **09 July 2007**

(56) Related Art Documents: **Not Applicable**

(57) Statement of Newness and Distinctiveness: **The newness and distinctiveness of the article resides in the shape and configuration of the sink as shown in the accompanying drawings. The drain holes shown in dashed outline in the representations does not form part of the design and may be varied from that shown.**



(21) Design Number: **17571/2007**

(22) Date of Filing Application: **20 April 2007**

(24) Date from which industrial property rights may have effect: **20 April 2007**

(54) Product in respect of which the design is registered: **Sink**

(51) International Design Classification: **23-02F**

(71) Name(s) and Address(s) of Applicant(s):

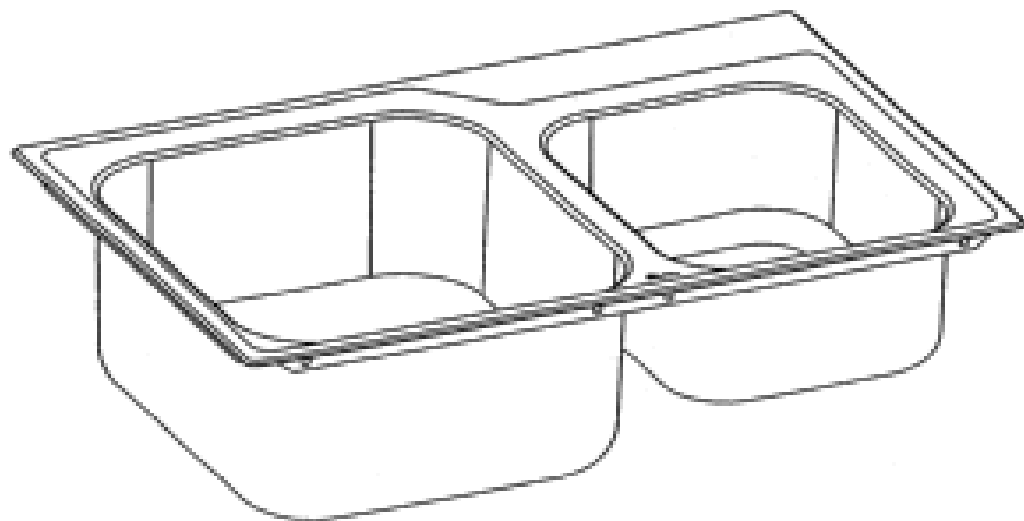
Tasman Sinkware Pty Ltd
51 Naweena Road Regency Park South Australia 5942 Australia

(72) Name(s) of Designer(s): **Robert Cebulski and Bryant Walters**

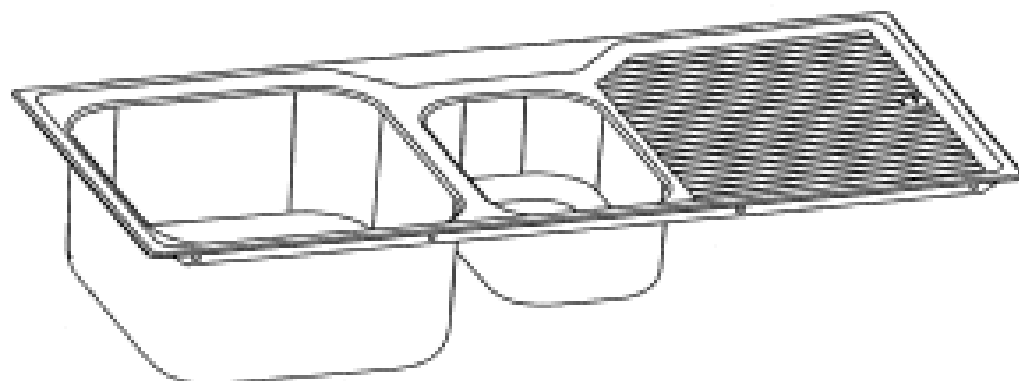
(45) Registration Date: **09 July 2007**

(56) Related Art Documents: **Not Applicable**

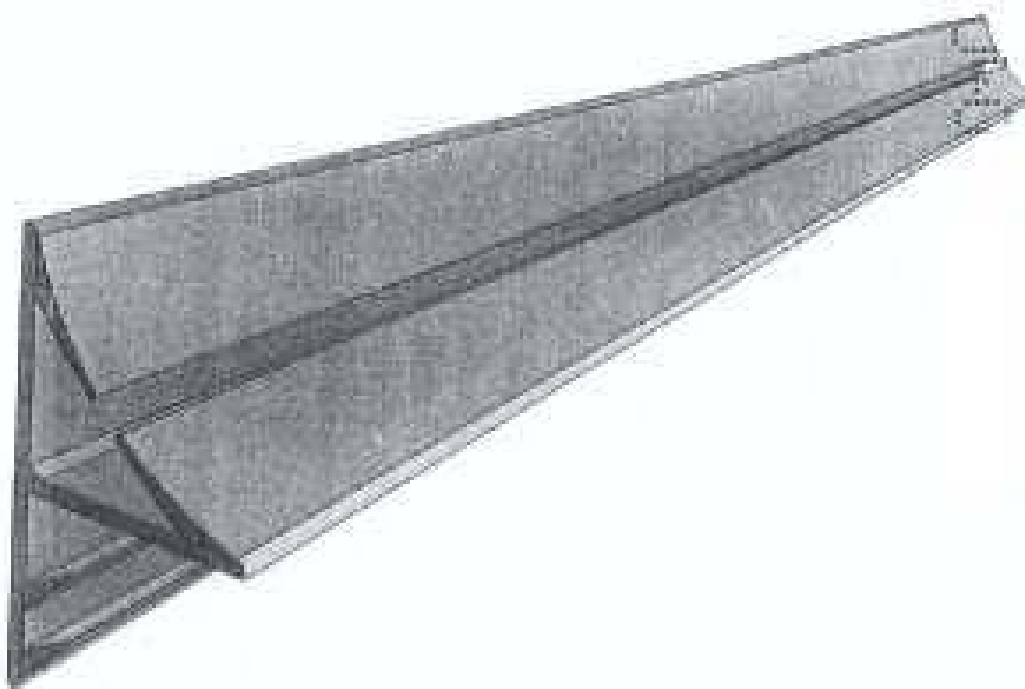
(57) Statement of Newness and Distinctiveness: **The newness and distinctiveness of the article resides in the shape and configuration of the sink as shown in the accompanying drawings. The drain holes shown in dashed outline in the representations does not form part of the design and may be varied from that shown.**



(21) Design Number: **17572/2007**
(22) Date of Filing Application: **20 April 2007**
(24) Date from which industrial property rights may have effect: **20 April 2007**
(54) Product in respect of which the design is registered: **Sink**
(51) International Design Classification: **23-02F**
(71) Name(s) and Address(s) of Applicant(s):
Tasman Sinkware Pty Ltd
51 Naweena Road Regency Park South Australia 5942 Australia
(72) Name(s) of Designer(s): **Robert Cebulski and Bryant Walters**
(45) Registration Date: **09 July 2007**
(56) Related Art Documents: **Not Applicable**
(57) Statement of Newness and Distinctiveness: **The newness and distinctiveness of the article resides in the shape and configuration of the sink as shown in the accompanying drawings. The drain holes shown in dashed outline in the representations does not form part of the design and may be varied from that shown.**



(21) Design Number: **17578/2007**
(22) Date of Filing Application: **20 April 2007**
(24) Date from which industrial property rights may have effect: **20 April 2007**
(54) Product in respect of which the design is registered: **Smoke seal for doors or windows**
(51) International Design Classification: **25-99**
(71) Name(s) and Address(s) of Applicant(s):
Lorient Polyproducts Ltd
Fairfax Road Heathfield Industrial Estate Newton Abbot Devon TQ12 6UD United Kingdom
(72) Name(s) of Designer(s): **Robert McGowan Mann**
(45) Registration Date: **09 July 2007**
(30) Convention priority data:
(31) Number (32) Date (33) Country
702444#0001 30 Mar 2007 EUROPEAN COMMUNITY
(56) Related Art Documents: **Not Applicable**
(57) Statement of Newness and Distinctiveness: **Nil**



(21) Design Number: **16954/2007**

(22) Date of Filing Application: **19 March 2007**

(24) Date from which industrial property rights may have effect: **19 March 2007**

(54) Product in respect of which the design is registered: **Walkie stacker**

(51) International Design Classification: **12-05**

(71) Name(s) and Address(s) of Applicant(s):

Crown Equipment Corporation
40 South Washington Street New Bremen OH 45869 United States of America

(72) Name(s) of Designer(s): **Adam M. Ruppert and Benjamin J. Purrenhage and Roger J. Quinlan Jr. and Robert J. Henshaw and Steven R. Pulskamp and Michael P. Gallagher**

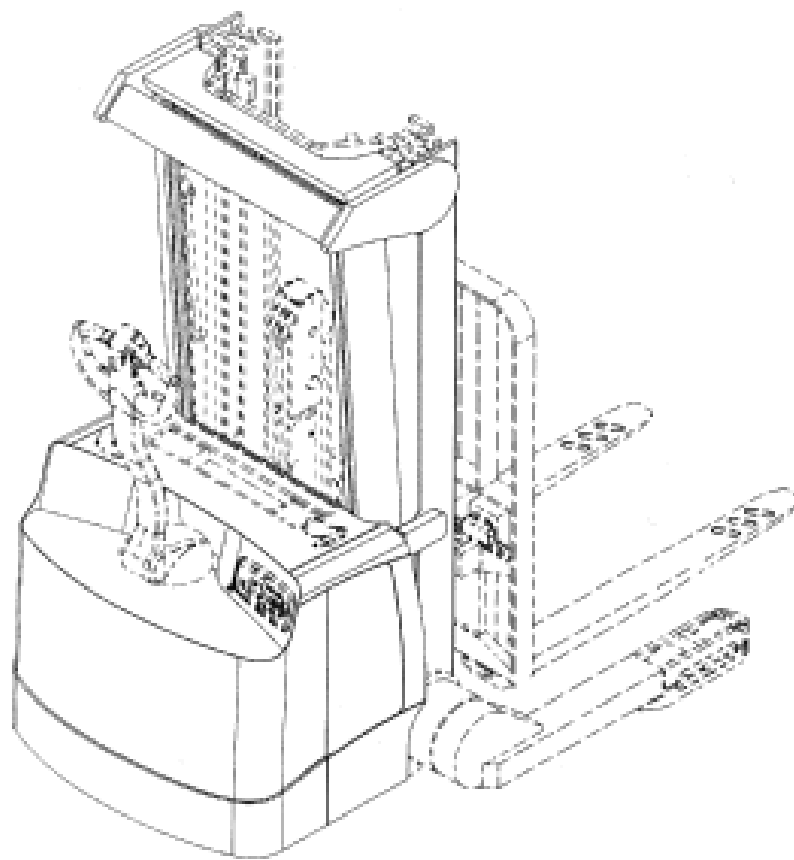
(45) Registration Date: **10 July 2007**

(30) Convention priority data:

(31) Number	(32) Date	(33) Country
29/249,296	29 Sep 2006	UNITED STATES OF AMERICA

(56) Related Art Documents: **Not Applicable**

(57) Statement of Newness and Distinctiveness: **The shape and configuration of the walkie stacker is new and distinctive. In considering the newness and distinctiveness of the design, the features shown in broken lines are to be disregarded.**



(21) Design Number: **16955/2007**

(22) Date of Filing Application: **19 March 2007**

(24) Date from which industrial property rights may have effect: **19 March 2007**

(54) Product in respect of which the design is registered: **Walkie stacker power unit**

(51) International Design Classification: **12-05**

(71) Name(s) and Address(s) of Applicant(s):

Crown Equipment Corporation
40 South Washington Street New Bremen OH 45869 United States of America

(72) Name(s) of Designer(s): **Adam M. Ruppert and Benjamin J. Purrenhage and Roger J. Quinlan Jr.**

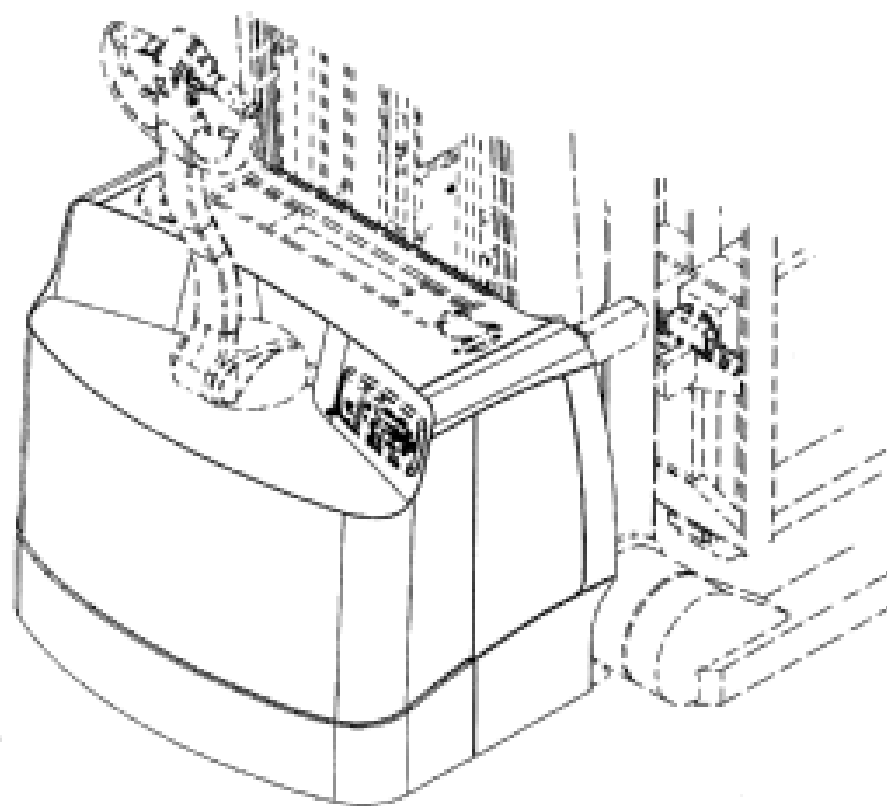
(45) Registration Date: **10 July 2007**

(30) Convention priority data:

(31) Number	(32) Date	(33) Country
29/249,298	29 Sep 2006	UNITED STATES OF AMERICA

(56) Related Art Documents: **Not Applicable**

(57) Statement of Newness and Distinctiveness: **The shape and configuration of the walkie stacker power unit is new and distinctive. In considering the newness and distinctiveness of the design, the features shown in broken lines are to be disregarded.**



(21) Design Number: **16956/2007**

(22) Date of Filing Application: **19 March 2007**

(24) Date from which industrial property rights may have effect: **19 March 2007**

(54) Product in respect of which the design is registered: **Walkie stacker lift truck**

(51) International Design Classification: **12-05**

(71) Name(s) and Address(s) of Applicant(s):

Crown Equipment Corporation
40 South Washington Street New Bremen OH 45869 United States of America

(72) Name(s) of Designer(s): **Adam M. Ruppert and Benjamin J. Purrenhage and Roger J. Quinlan Jr.**

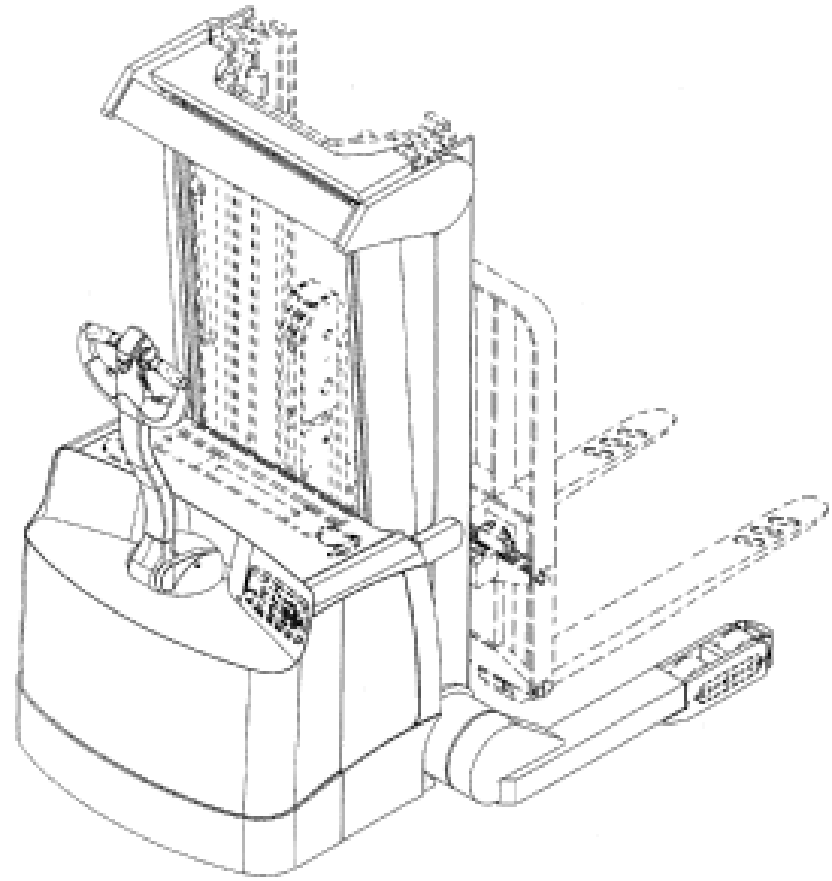
(45) Registration Date: **10 July 2007**

(30) Convention priority data:

(31) Number	(32) Date	(33) Country
29/249,294	29 Sep 2006	UNITED STATES OF AMERICA

(56) Related Art Documents: **Not Applicable**

(57) Statement of Newness and Distinctiveness: **The shape and configuration of the walkie stacker lift truck is new and distinctive. In considering the newness and distinctiveness of the design, the features shown in broken lines are to be disregarded.**



(21) Design Number: **17458/2007**

(22) Date of Filing Application: **18 April 2007**

(24) Date from which industrial property rights may have effect: **18 April 2007**

(54) Product in respect of which the design is registered: **Shadecloth carports or entertainment area**

(51) International Design Classification: **03-03**

(71) Name(s) and Address(s) of Applicant(s):

Portashade
Factory 4D/6 Albert Street Preston Victoria 3072 Australia

(72) Name(s) of Designer(s): **Evert Veenhof**

(45) Registration Date: **10 July 2007**

(56) Related Art Documents: **Not Applicable**

(57) Statement of Newness and Distinctiveness: **This carport is unique in design both visually and structurally. All shade cloth tensions are contained in the roof itself. There are no stresses from these tensions on the supporting legs due to the fact that it has webbing with a 1(one) tonne breaking strain sewn around the border. The carports can be erected as a temporary structure with the integrity of a permanent structure.**



(21) Design Number: **17467/2007**
(22) Date of Filing Application: **17 April 2007**
(24) Date from which industrial property rights may have effect: **17 April 2007**
(54) Product in respect of which the design is registered: **A chair**
(51) International Design Classification: **06-01F**
(71) Name(s) and Address(s) of Applicant(s):
Okamura Corporation
7-18 Kitasaiwai 2-chome Nishi-ku Yokohama-shi Kanagawa Japan
(72) Name(s) of Designer(s): **Ryo Igarashi**
(45) Registration Date: **10 July 2007**
(30) Convention priority data:
(31) Number (32) Date (33) Country
2006#29050 24 Oct 2006 JAPAN
(56) Related Art Documents: **Not Applicable**
(57) Statement of Newness and Distinctiveness: **Nil**



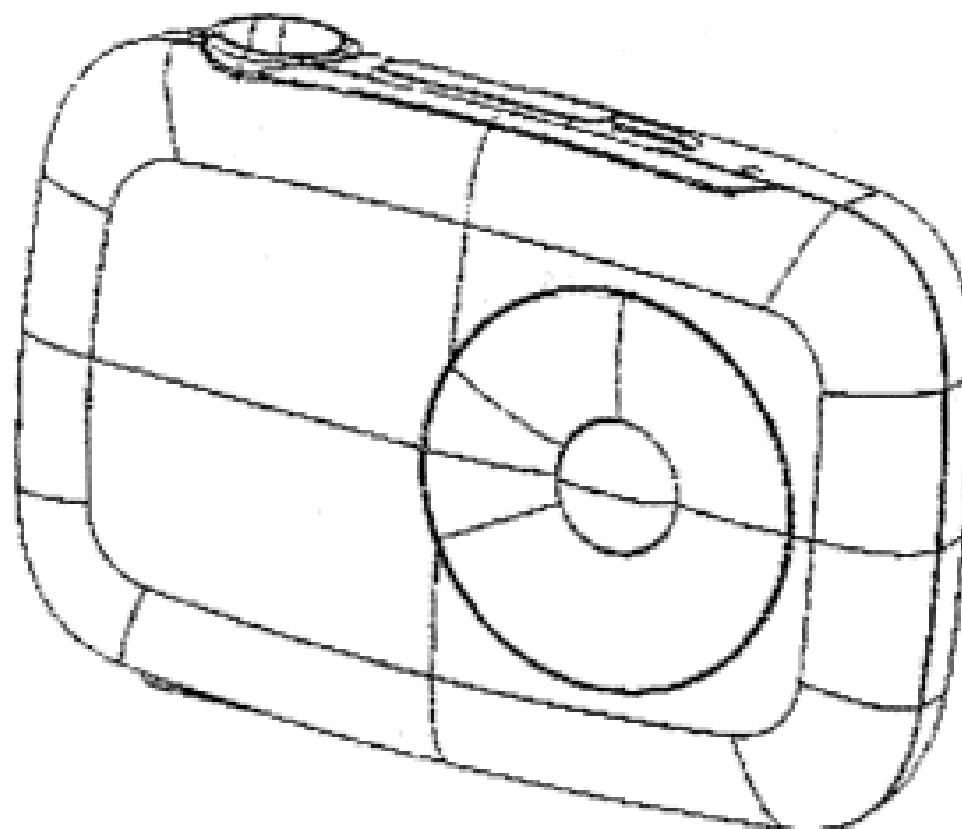
(21) Design Number: **17468/2007**
(22) Date of Filing Application: **17 April 2007**
(24) Date from which industrial property rights may have effect: **17 April 2007**
(54) Product in respect of which the design is registered: **A chair**
(51) International Design Classification: **06-01F**
(71) Name(s) and Address(s) of Applicant(s):
Okamura Corporation
7-18 Kitasaiwai 2-chome Nishi-ku Yokohama-shi Kanagawa Japan
(72) Name(s) of Designer(s): **Ryo Igarashi**
(45) Registration Date: **10 July 2007**
(30) Convention priority data:
(31) Number (32) Date (33) Country
2006#29051 24 Oct 2006 JAPAN
(56) Related Art Documents: **Not Applicable**
(57) Statement of Newness and Distinctiveness: **Nil**



(21) Design Number: **17469/2007**
(22) Date of Filing Application: **17 April 2007**
(24) Date from which industrial property rights may have effect: **17 April 2007**
(54) Product in respect of which the design is registered: **Practice putting device**
(51) International Design Classification: **21-02C**
(71) Name(s) and Address(s) of Applicant(s):
Buggymate Pty Ltd
36 Bay Road Taren Point New South Wales 2229 Australia
(72) Name(s) of Designer(s): **John Dunphy**
(45) Registration Date: **10 July 2007**
(56) Related Art Documents: **Not Applicable**
(57) Statement of Newness and Distinctiveness: **Nil**



(21) Design Number: **17470/2007**
(22) Date of Filing Application: **17 April 2007**
(24) Date from which industrial property rights may have effect: **17 April 2007**
(54) Product in respect of which the design is registered: **Media player**
(51) International Design Classification: **14-01**
(71) Name(s) and Address(s) of Applicant(s):
Creative Technology Ltd
31 International Business Park Creative Resource Singapore 609921
(72) Name(s) of Designer(s): **Mei San Gigi Cho and Kok Chong Anthony Oh and Boon Keat Eddy Toh and Kin Fui Chong**
(45) Registration Date: **10 July 2007**
(30) Convention priority data:
(31) Number (32) Date (33) Country
D2006/1329/F 28 Dec 2006 SINGAPORE
(56) Related Art Documents: **Not Applicable**
(57) Statement of Newness and Distinctiveness: **The novelty of the design resides in the shape and configuration of the article as shown in the representations.**



(19) AU

- (21) Design Number: **17471/2007**
- (22) Date of Filing Application: **17 April 2007**
- (24) Date from which industrial property rights may have effect: **17 April 2007**
- (54) Product in respect of which the design is registered: **Shoe sole**
- (51) International Design Classification: **02-04B**
- (71) Name(s) and Address(s) of Applicant(s):
New Balance Athletic Shoe, Inc
20 Guest Street Brighton Massachusetts 02135 United States of America
- (72) Name(s) of Designer(s): **Matthew Reardon Pauk**
- (45) Registration Date: **10 July 2007**
- (30) Convention priority data:

(31) Number	(32) Date	(33) Country
29/269173	22 Nov 2006	UNITED STATES OF AMERICA
- (56) Related Art Documents: **Not Applicable**
- (57) Statement of Newness and Distinctiveness: **Newness and distinctiveness reside in the features of the shoe sole in solid lines in the representations excluding those features shown in broken lines.**



(19) AU

- (21) Design Number: **17472/2007**
- (22) Date of Filing Application: **17 April 2007**
- (24) Date from which industrial property rights may have effect: **17 April 2007**
- (54) Product in respect of which the design is registered: **Shoe sole**
- (51) International Design Classification: **02-04B**
- (71) Name(s) and Address(s) of Applicant(s):
New Balance Athletic Shoe, Inc
20 Guest Street Brighton Massachusetts 02135 United States of America
- (72) Name(s) of Designer(s): **Matthew Reardon Pauk**
- (45) Registration Date: **10 July 2007**
- (30) Convention priority data:

(31) Number	(32) Date	(33) Country
29/269173	22 Nov 2006	UNITED STATES OF AMERICA
- (56) Related Art Documents: **Not Applicable**
- (57) Statement of Newness and Distinctiveness: **Newness and distinctiveness reside in the features of the shoe sole shown in solid lines in the representations excluding those features shown in broken lines.**



(21) Design Number: 17473/2007

(22) Date of Filing Application: 17 April 2007

(24) Date from which industrial property rights may have effect: 17 April 2007

(54) Product in respect of which the design is registered: Candle holder

(51) International Design Classification: 26-01

(71) Name(s) and Address(s) of Applicant(s):

S.C. Johnson & Son, Inc.
1525 Howe Street Racine Wisconsin 53403-2236 United States of America

(72) Name(s) of Designer(s): Mary Beth Adams and Chris A. Kubicek and Cory J. Nelson and Paul E. Furner

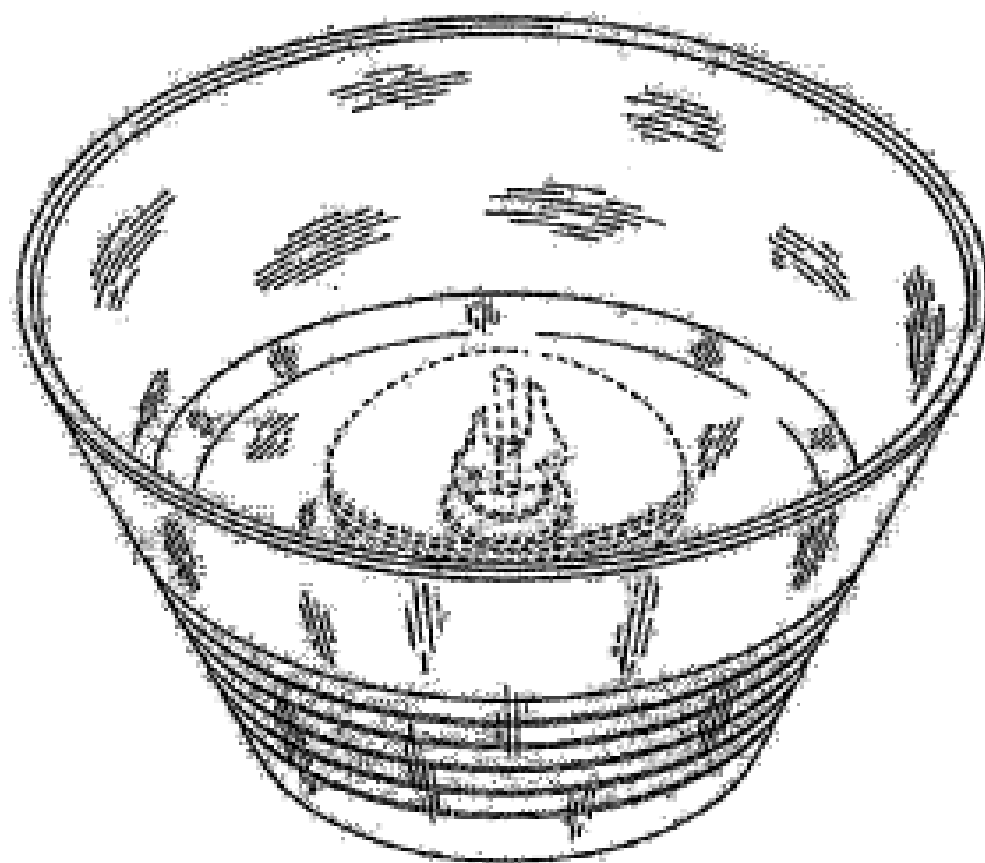
(45) Registration Date: 10 July 2007

(30) Convention priority data:

(31) Number	(32) Date	(33) Country
29/267673	17 Oct 2006	UNITED STATES OF AMERICA

(56) Related Art Documents: Not Applicable

(57) Statement of Newness and Distinctiveness: Newness and distinctiveness is claimed in the features of shape and/or configuration of a candle holder as illustrated in continuous lines in the accompanying representations.



(21) Design Number: 17474/2007

(22) Date of Filing Application: 18 April 2007

(24) Date from which industrial property rights may have effect: 18 April 2007

(54) Product in respect of which the design is registered: Toiletry bags

(51) International Design Classification: 09-05

(71) Name(s) and Address(s) of Applicant(s):

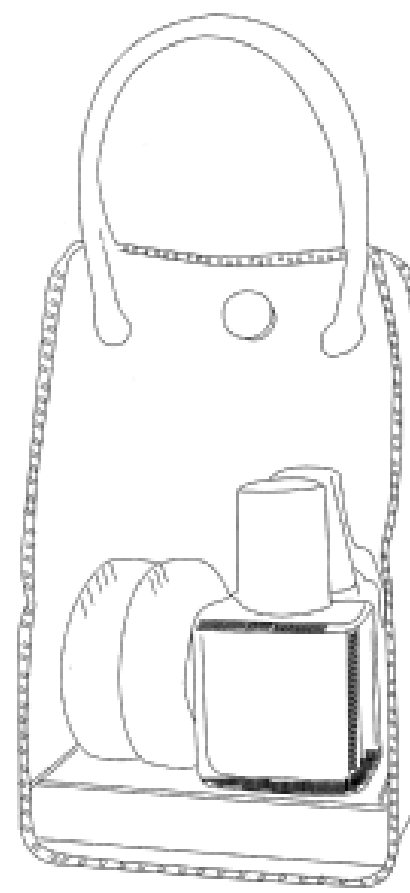
Phone Defense Pty Ltd
237 Simpsons Road Elanora Queensland 4221 Australia

(72) Name(s) of Designer(s): Tony Berrigan

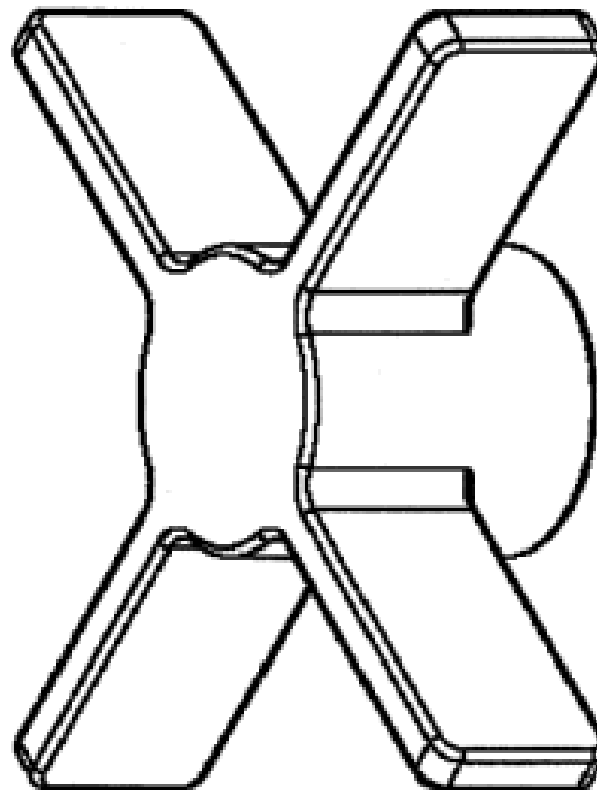
(45) Registration Date: 10 July 2007

(56) Related Art Documents: Not Applicable

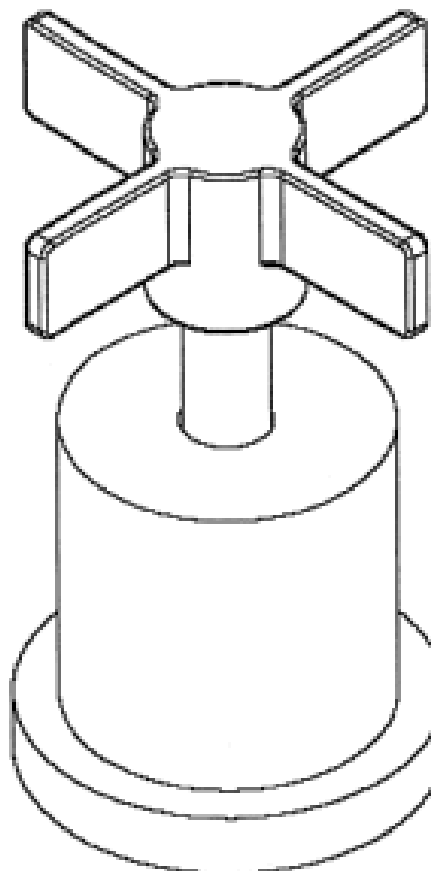
(57) Statement of Newness and Distinctiveness: The particular visual features of the design which are new and distinctive are the shape and configuration comprising the uniquely shaped packaging with central locking device and tubular handles. The perimeter of the bag represented by the cross-hatched line shows the distinctive impression resulting from the manufacturing process. Enclosed are uniquely assembled personal hygiene and toiletry products. The broken lines depicted on the enclosed products represent the bounds, and are for illustrative purposes only.



(21) Design Number: **17477/2007**
(22) Date of Filing Application: **18 April 2007**
(24) Date from which industrial property rights may have effect: **18 April 2007**
(54) Product in respect of which the design is registered: **Tap handle**
(51) International Design Classification: **23-01H**
(71) Name(s) and Address(s) of Applicant(s):
Phoenix Industries Pty Ltd
7 Ashburn Place Blackburn Victoria 3130 Australia
(72) Name(s) of Designer(s): **John Hoogendoorn**
(45) Registration Date: **10 July 2007**
(56) Related Art Documents: **Not Applicable**
(57) Statement of Newness and Distinctiveness: **Nil**



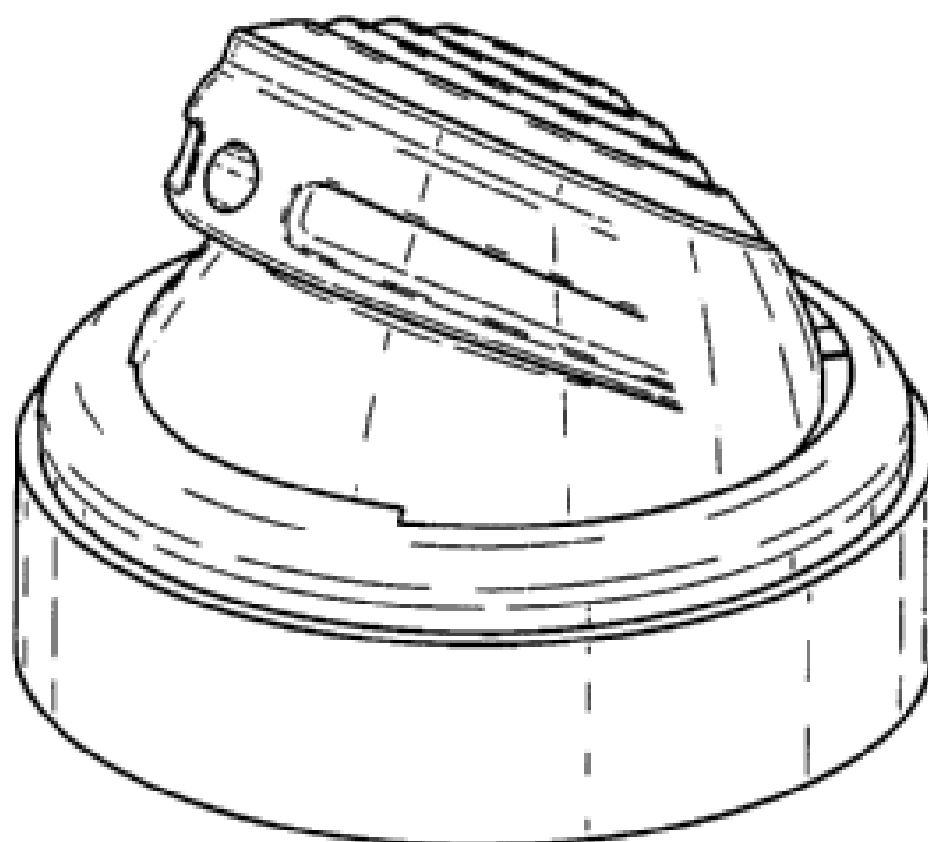
(21) Design Number: **17478/2007**
(22) Date of Filing Application: **18 April 2007**
(24) Date from which industrial property rights may have effect: **18 April 2007**
(54) Product in respect of which the design is registered: **Tap**
(51) International Design Classification: **23-01H**
(71) Name(s) and Address(s) of Applicant(s):
Phoenix Industries Pty Ltd
7 Ashburn Place Blackburn Victoria 3130 Australia
(72) Name(s) of Designer(s): **John Hoogendoorn**
(45) Registration Date: **10 July 2007**
(56) Related Art Documents: **Not Applicable**
(57) Statement of Newness and Distinctiveness: **Nil**



(21) Design Number: **17479/2007**
(22) Date of Filing Application: **18 April 2007**
(24) Date from which industrial property rights may have effect: **18 April 2007**
(54) Product in respect of which the design is registered: **Container with lid**
(51) International Design Classification: **09-03L**
(71) Name(s) and Address(s) of Applicant(s):
Cadbury Adams USA LLC
389 Interpace Parkway Parsippany NJ 07054 United States of America
(72) Name(s) of Designer(s): **James A. Glydon and Simon Gainey and Tom Wells and Rita Dombroski**
(45) Registration Date: **10 July 2007**
(30) Convention priority data:
(31) Number (32) Date (33) Country
29/267,976 26 Oct 2006 UNITED STATES OF AMERICA
(56) Related Art Documents: **Not Applicable**
(57) Statement of Newness and Distinctiveness: **Nil**



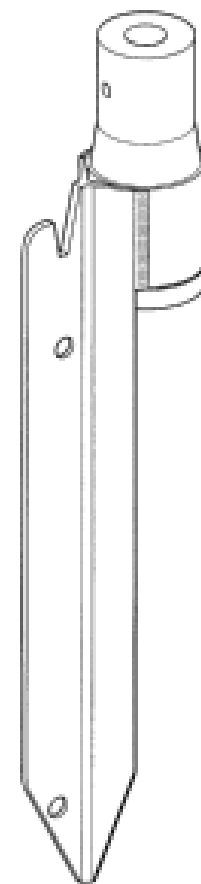
(21) Design Number: **17480/2007**
(22) Date of Filing Application: **18 April 2007**
(24) Date from which industrial property rights may have effect: **18 April 2007**
(54) Product in respect of which the design is registered: **Actuator**
(51) International Design Classification: **09-07A**
(71) Name(s) and Address(s) of Applicant(s):
GlaxoSmithKline Consumer Healthcare GmbH & Co. KG
Bussmatten 1 D-77815 Buehl (Baden) Germany
(72) Name(s) of Designer(s): **Christoph Geiberger**
(45) Registration Date: **10 July 2007**
(30) Convention priority data:
(31) Number (32) Date (33) Country
4000286 20 Oct 2006 UNITED KINGDOM
(56) Related Art Documents: **Not Applicable**
(57) Statement of Newness and Distinctiveness: **Newness and distinctiveness is claimed in the visual features shown in solid lines in the representations.**



- (21) Design Number: **17481/2007**
(22) Date of Filing Application: **18 April 2007**
(24) Date from which industrial property rights may have effect: **18 April 2007**
(54) Product in respect of which the design is registered: **Fly safe liquids pack**
(51) International Design Classification: **03-01D**
(71) Name(s) and Address(s) of Applicant(s):
Access Oss Pty Ltd
5 Helen Street Northcote Victoria 3070 Australia
(72) Name(s) of Designer(s): **Sherryl Smith**
(45) Registration Date: **10 July 2007**
(56) Related Art Documents: **Not Applicable**
(57) Statement of Newness and Distinctiveness: **Nil**



- (21) Design Number: **17482/2007**
(22) Date of Filing Application: **18 April 2007**
(24) Date from which industrial property rights may have effect: **18 April 2007**
(54) Product in respect of which the design is registered: **A road side post base**
(51) International Design Classification: **25-01E**
(71) Name(s) and Address(s) of Applicant(s):
Dura-Post (Aust) Pty Ltd
45#49 St Leonards Road St Leonards Tasmania 7250 Australia
(72) Name(s) of Designer(s): **Ralph Edward Norton and Darran James Randall**
(45) Registration Date: **10 July 2007**
(56) Related Art Documents: **Not Applicable**
(57) Statement of Newness and Distinctiveness: **Newness and distinctiveness resides in the features of shape and configuration of a road side post base as shown in the accompanying representations. In considering the scope of protection, the length of the spigot which projects upwardly from the top of the base is variable.**



(21) Design Number: **17483/2007**

(22) Date of Filing Application: **18 April 2007**

(24) Date from which industrial property rights may have effect: **18 April 2007**

(54) Product in respect of which the design is registered: **Golf practise mat**

(51) International Design Classification: **21-02C**

(71) Name(s) and Address(s) of Applicant(s):

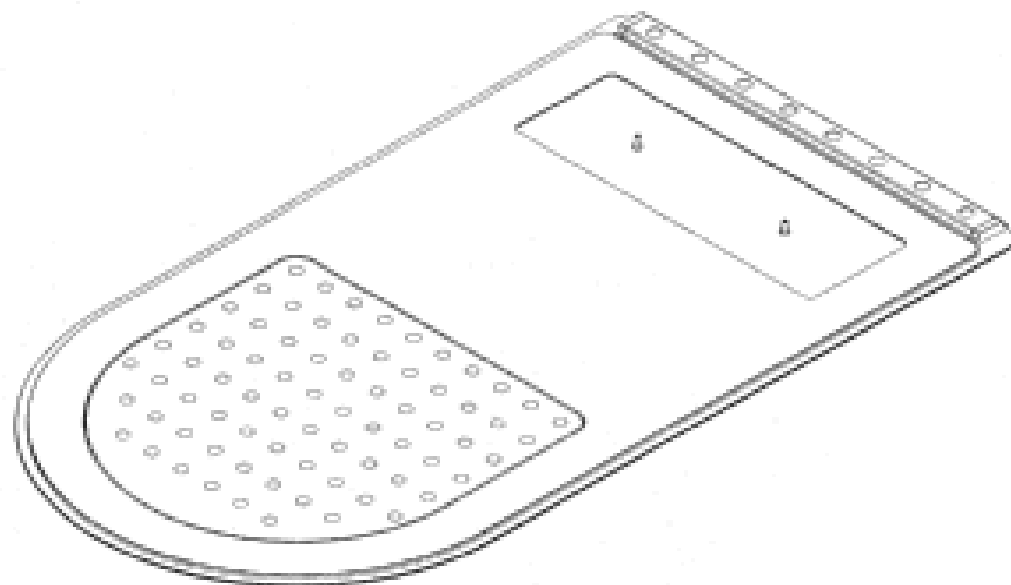
**A and W Pacific Trading Pty Limited
22 Haig Avenue Denistone East New South Wales 2112 Australia**

(72) Name(s) of Designer(s): **William Aloisi**

(45) Registration Date: **10 July 2007**

(56) Related Art Documents: **Not Applicable**

(57) Statement of Newness and Distinctiveness: **Nil**



(21) Design Number: **17484/2007**

(22) Date of Filing Application: **18 April 2007**

(24) Date from which industrial property rights may have effect: **18 April 2007**

(54) Product in respect of which the design is registered: **Golf practise mat**

(51) International Design Classification: **21-02C**

(71) Name(s) and Address(s) of Applicant(s):

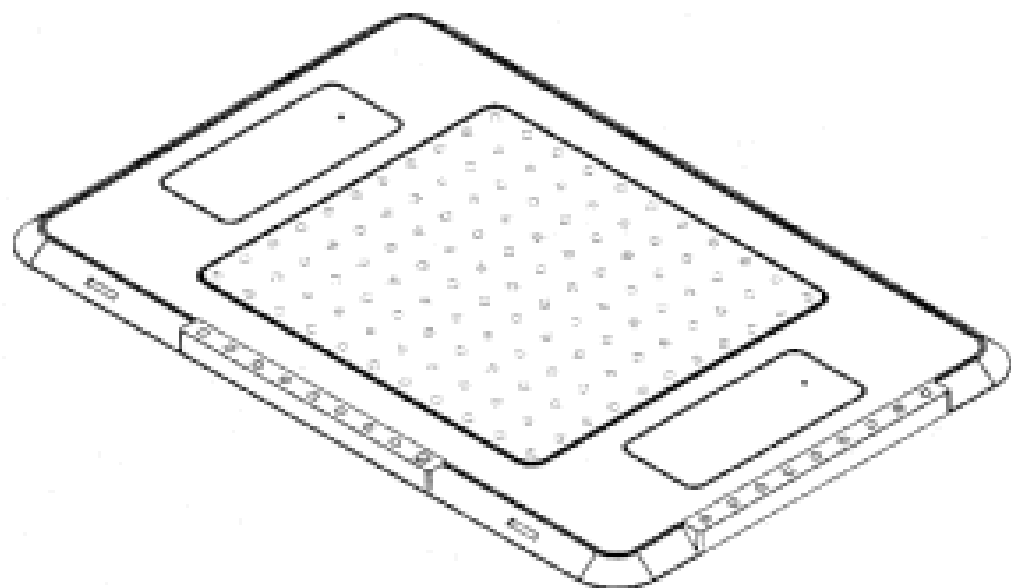
**A and W Pacific Trading Pty Limited
22 Haig Avenue Denistone East New South Wales 2112 Australia**

(72) Name(s) of Designer(s): **William Aloisi**

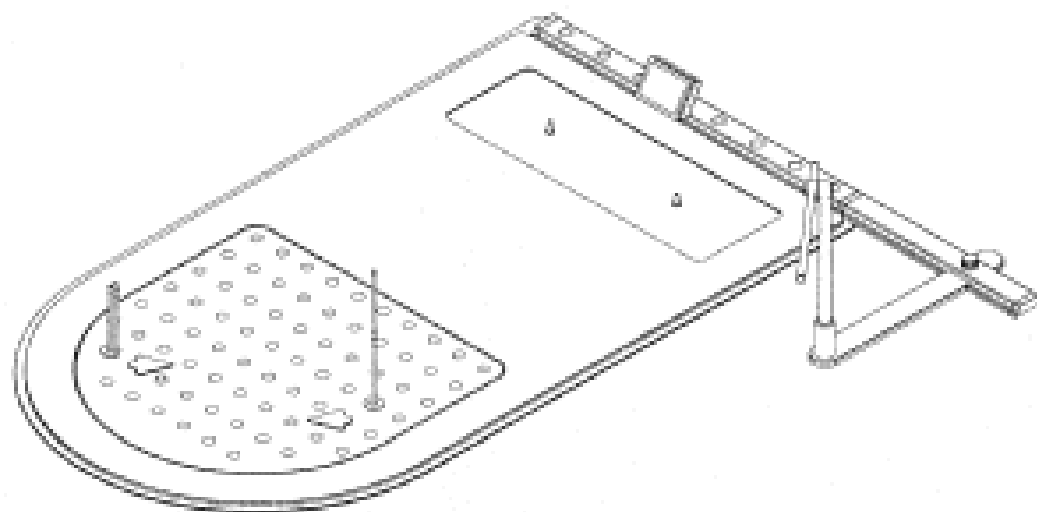
(45) Registration Date: **10 July 2007**

(56) Related Art Documents: **Not Applicable**

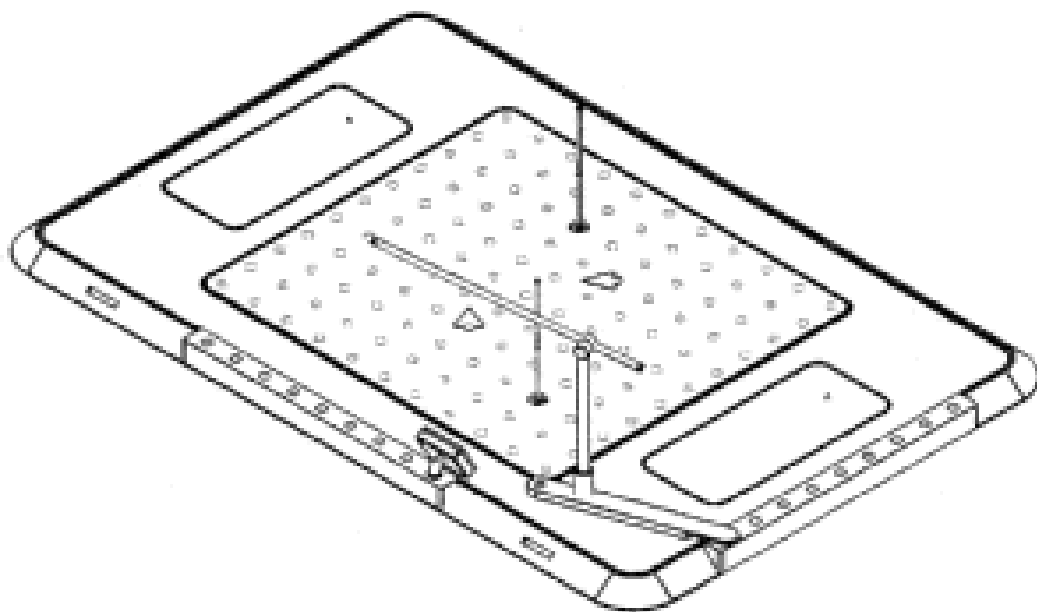
(57) Statement of Newness and Distinctiveness: **Nil**



- (21) Design Number: **17485/2007**
- (22) Date of Filing Application: **18 April 2007**
- (24) Date from which industrial property rights may have effect: **18 April 2007**
- (54) Product in respect of which the design is registered: **Golf practise kit**
- (51) International Design Classification: **21-02C**
- (71) Name(s) and Address(s) of Applicant(s):
A and W Pacific Trading Pty Limited
22 Haig Avenue Denistone East New South Wales 2112 Australia
- (72) Name(s) of Designer(s): **William Aloisi**
- (45) Registration Date: **10 July 2007**
- (56) Related Art Documents: **Not Applicable**
- (57) Statement of Newness and Distinctiveness: **Nil**



- (21) Design Number: **17486/2007**
- (22) Date of Filing Application: **18 April 2007**
- (24) Date from which industrial property rights may have effect: **18 April 2007**
- (54) Product in respect of which the design is registered: **Golf practise kit**
- (51) International Design Classification: **21-02C**
- (71) Name(s) and Address(s) of Applicant(s):
A and W Pacific Trading Pty Limited
22 Haig Avenue Denistone East New South Wales 2112 Australia
- (72) Name(s) of Designer(s): **William Aloisi**
- (45) Registration Date: **10 July 2007**
- (56) Related Art Documents: **Not Applicable**
- (57) Statement of Newness and Distinctiveness: **Nil**



(21) Design Number: **17487/2007**
 (22) Date of Filing Application: **18 April 2007**
 (24) Date from which industrial property rights may have effect: **18 April 2007**
 (54) Product in respect of which the design is registered: **Display board frame**
 (51) International Design Classification: **20-02NES**
 (71) Name(s) and Address(s) of Applicant(s):

ACCO Brands USA LLC
300 Tower Parkway Lincolnshire IL 60069-3640 United States of America

(72) Name(s) of Designer(s): **Martinus Franciscus Loerakker**

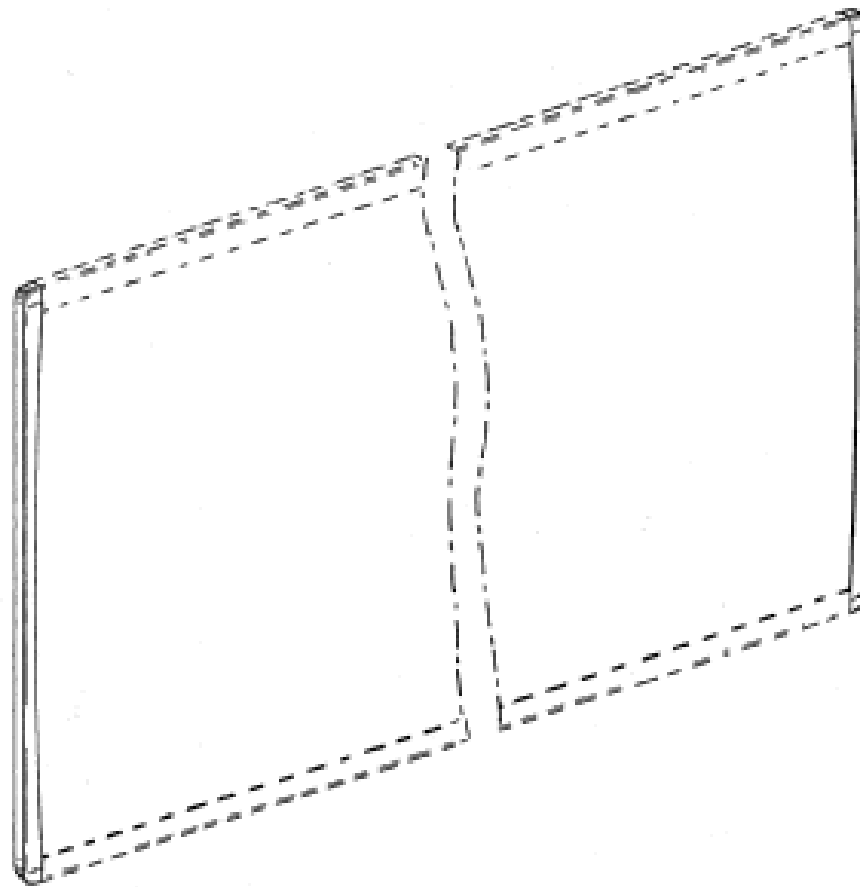
(45) Registration Date: **10 July 2007**

(30) Convention priority data:

(31) Number	(32) Date	(33) Country
29/249734	19 Oct 2006	UNITED STATES OF AMERICA

(56) Related Art Documents: **Not Applicable**

(57) Statement of Newness and Distinctiveness: **When determining whether design 1 is substantially similar in overall impression to another design, no regard is to be had to those features shown in dashed outline in the accompanying drawings. The design is of indefinite length as shown by the dot-dash lines, whereby the cross-sectional shape of the display board frame remains the same throughout its length.**



(21) Design Number: **17488/2007**
 (22) Date of Filing Application: **18 April 2007**
 (24) Date from which industrial property rights may have effect: **18 April 2007**
 (54) Product in respect of which the design is registered: **Display board frame**
 (51) International Design Classification: **20-02NES**
 (71) Name(s) and Address(s) of Applicant(s):

ACCO Brands USA LLC
300 Tower Parkway Lincolnshire IL 60069-3640 United States of America

(72) Name(s) of Designer(s): **Martinus Franciscus Loerakker**

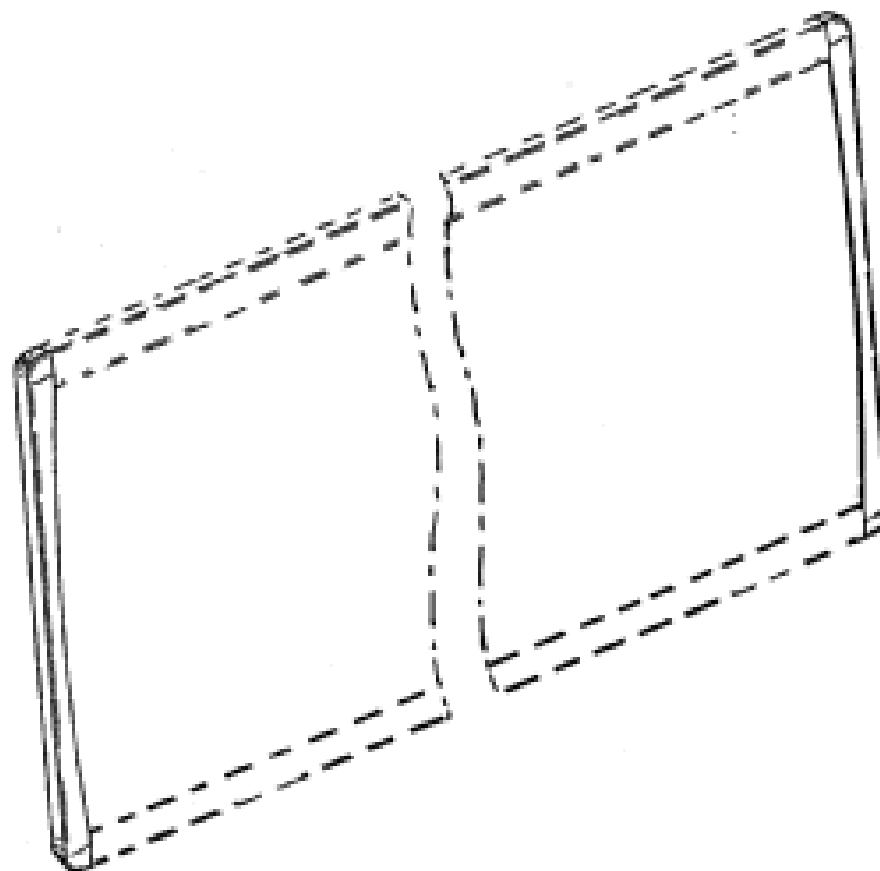
(45) Registration Date: **10 July 2007**

(30) Convention priority data:

(31) Number	(32) Date	(33) Country
29/249734	19 Oct 2006	UNITED STATES OF AMERICA

(56) Related Art Documents: **Not Applicable**

(57) Statement of Newness and Distinctiveness: **When determining whether design 1 is substantially similar in overall impression to another design, no regard is to be had to those features shown in dashed outline in the accompanying drawings. The design is of indefinite length as shown by the dot-dash lines, whereby the cross-sectional shape of the display board frame remains the same throughout its length.**



- (21) Design Number: **17489/2007**
- (22) Date of Filing Application: **18 April 2007**
- (24) Date from which industrial property rights may have effect: **18 April 2007**
- (54) Product in respect of which the design is registered: **Display board frame**
- (51) International Design Classification: **20-02NES**
- (71) Name(s) and Address(s) of Applicant(s):

ACCO Brands USA LLC
300 Tower Parkway Lincolnshire IL 60069-3640 United States of America

(72) Name(s) of Designer(s): **Martinus Franciscus Loerakker**

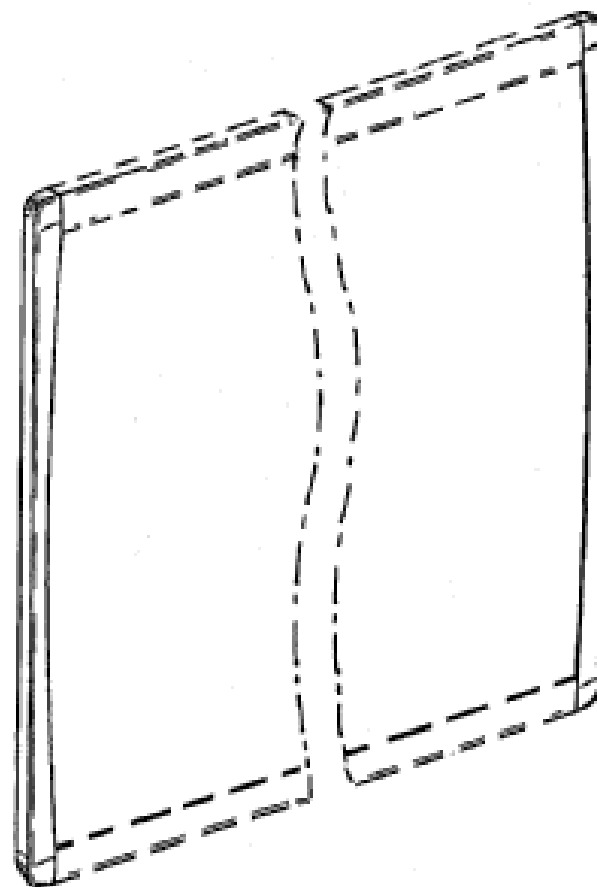
(45) Registration Date: **10 July 2007**

(30) Convention priority data:

(31) Number	(32) Date	(33) Country
29/249734	19 Oct 2006	UNITED STATES OF AMERICA

(56) Related Art Documents: **Not Applicable**

(57) Statement of Newness and Distinctiveness: **When determining whether design 1 is substantially similar in overall impression to another design, no regard is to be had to those features shown in dashed outline in the accompanying drawings. The design is of indefinite length as shown by the dot-dash lines, whereby the cross-sectional shape of the display board frame remains the same throughout its length.**



- (21) Design Number: **17490/2007**
- (22) Date of Filing Application: **18 April 2007**
- (24) Date from which industrial property rights may have effect: **18 April 2007**
- (54) Product in respect of which the design is registered: **Display board frame**
- (51) International Design Classification: **20-02NES**
- (71) Name(s) and Address(s) of Applicant(s):

ACCO Brands USA LLC
300 Tower Parkway Lincolnshire IL 60069-3640 United States of America

(72) Name(s) of Designer(s): **Martinus Franciscus Loerakker**

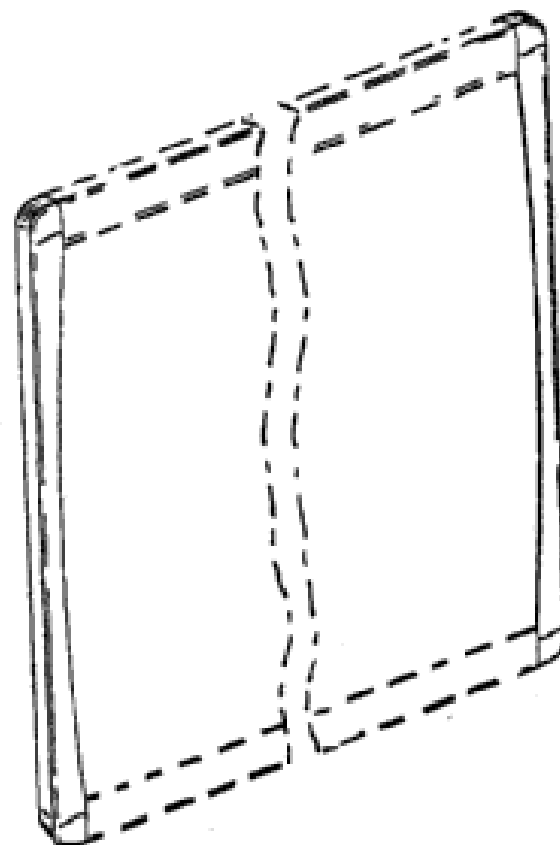
(45) Registration Date: **10 July 2007**

(30) Convention priority data:

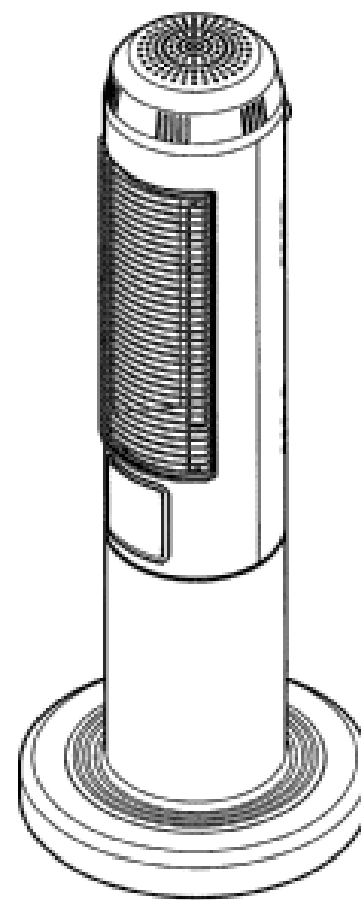
(31) Number	(32) Date	(33) Country
29/249734	19 Oct 2006	UNITED STATES OF AMERICA

(56) Related Art Documents: **Not Applicable**

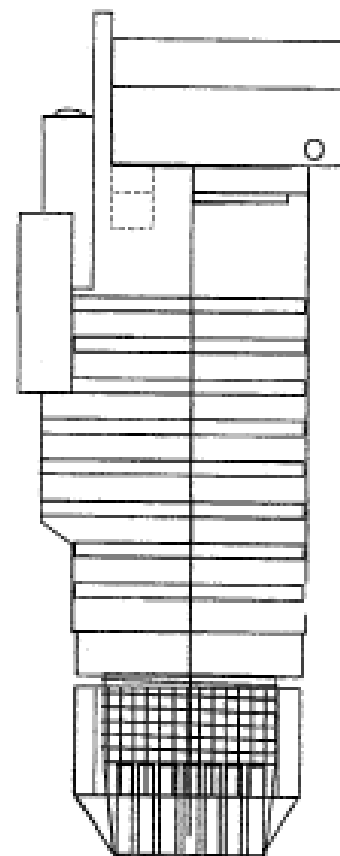
(57) Statement of Newness and Distinctiveness: **When determining whether design 1 is substantially similar in overall impression to another design, no regard is to be had to those features shown in dashed outline in the accompanying drawings. The design is of indefinite length as shown by the dot-dash lines, whereby the cross-sectional shape of the display board frame remains the same throughout its length.**



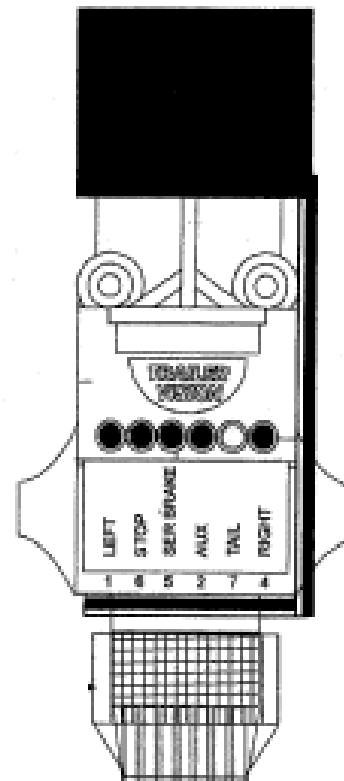
- (21) Design Number: **17491/2007**
(22) Date of Filing Application: **18 April 2007**
(24) Date from which industrial property rights may have effect: **18 April 2007**
(54) Product in respect of which the design is registered: **Heater**
(51) International Design Classification: **23-03A**
(71) Name(s) and Address(s) of Applicant(s):
Koninklijke Philips Electronics N.V.
Groenewoudseweg 1 5621 BA Eindhoven The Netherlands
(72) Name(s) of Designer(s): **Chih Tsung Chen**
(45) Registration Date: **10 July 2007**
(30) Convention priority data:
(31) Number (32) Date (33) Country
000608229 23 Oct 2006 EUROPEAN COMMUNITY
(56) Related Art Documents: **Not Applicable**
(57) Statement of Newness and Distinctiveness: **Newness and distinctiveness reside in the features of the design as shown in the representations.**



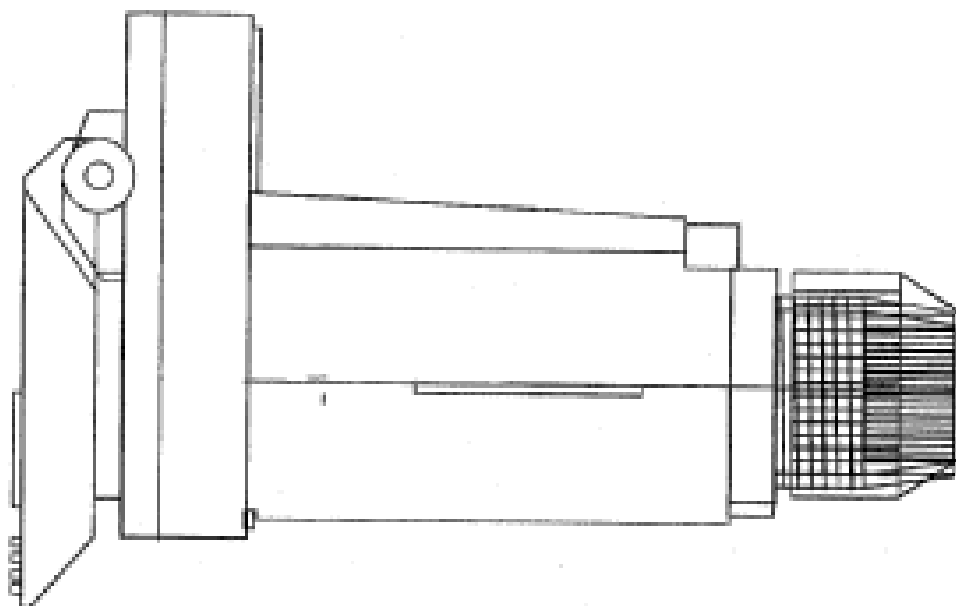
- (21) Design Number: **12858/2006**
(22) Date of Filing Application: **29 June 2006**
(24) Date from which industrial property rights may have effect: **29 June 2006**
(54) Product in respect of which the design is registered: **7 Pin flat socket trailer connector with leds**
(51) International Design Classification: **13-03NES**
(71) Name(s) and Address(s) of Applicant(s):
Dennis Ronald Gravalin
271 River Street Maclean New South Wales 2463 Australia
Laetone Malcom Gravalin
271 River Street Maclean New South Wales 2463 Australia
(72) Name(s) of Designer(s): **Dennis Ronald Gravalin and Laetone Malcom Gravalin**
(45) Registration Date: **10 July 2007**
(56) Related Art Documents: **Not Applicable**
(57) Statement of Newness and Distinctiveness: **Newness, ripple grips on sides of socket, larger mounting brackets, leds facing front on top of socket, reed switch 3 extra terminals, gland nut for fixing & sealing cable. Reflector on cover. Magnet under cover.**



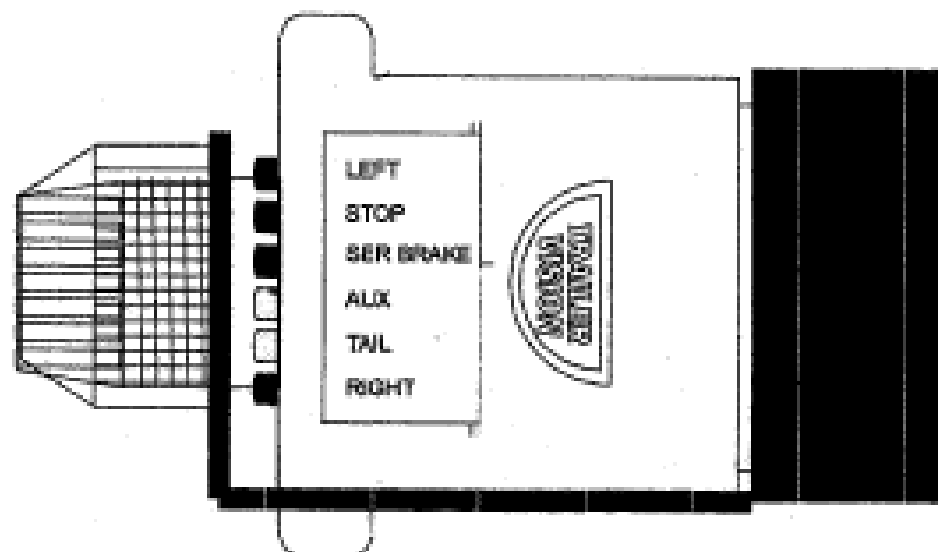
- (21) Design Number: **12859/2006**
- (22) Date of Filing Application: **29 June 2006**
- (24) Date from which industrial property rights may have effect: **29 June 2006**
- (54) Product in respect of which the design is registered: **7 Pin round small plug trailer connector with LEDS**
- (51) International Design Classification: **13-03NES**
- (71) Name(s) and Address(s) of Applicant(s):
Dennis Ronald Gravalin
271 River Street Maclean New South Wales 2463 Australia
Laetone Malcom Gravalin
271 River Street Maclean New South Wales 2463 Australia
- (72) Name(s) of Designer(s): **Dennis Ronald Gravalin and Laetone Malcom Gravalin**
- (45) Registration Date: **10 July 2007**
- (56) Related Art Documents: **Not Applicable**
- (57) Statement of Newness and Distinctiveness: **This new design has larger grips on either side of plug, terminal connector is moulded into upper in side of plug for LED light circuits incorprated LED lights facing upward on top of plug for easy viewing to indicate each active electrical circuits. New design cable grip and gland nut and rubber grips on end of plug for cable gland nut for fixing and sealing conductor cable. Dust cap.**



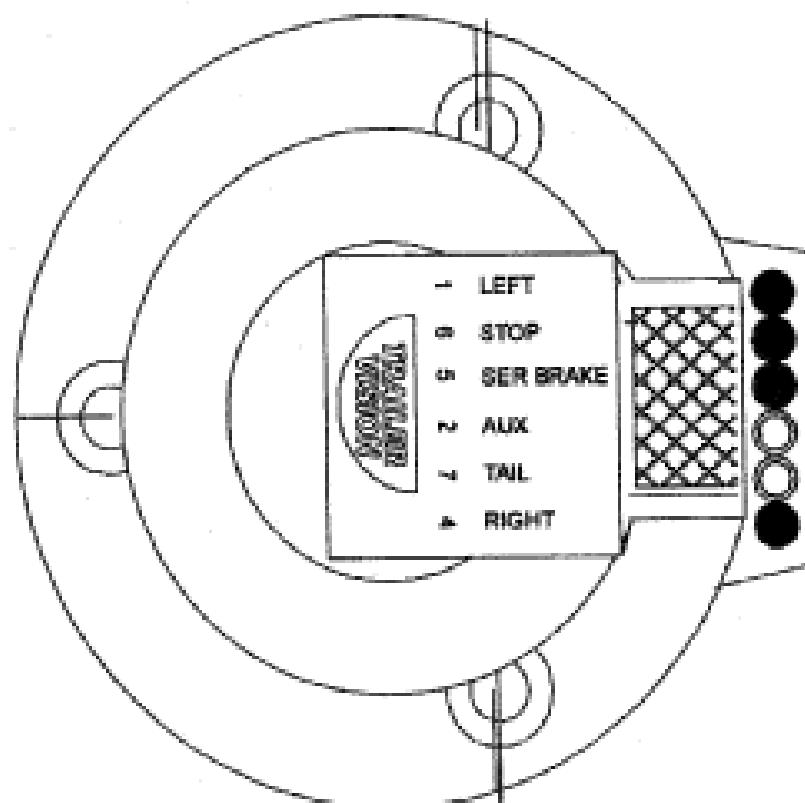
- (21) Design Number: **12860/2006**
- (22) Date of Filing Application: **29 June 2006**
- (24) Date from which industrial property rights may have effect: **29 June 2006**
- (54) Product in respect of which the design is registered: **7 Pin small socket trailer connector with LEDS**
- (51) International Design Classification: **13-03NES**
- (71) Name(s) and Address(s) of Applicant(s):
Dennis Ronald Gravalin
271 River Street Maclean New South Wales 2463 Australia
Laetone Malcom Gravalin
271 River Street Maclean New South Wales 2463 Australia
- (72) Name(s) of Designer(s): **Dennis Ronald Gravalin and Laetone Malcom Gravalin**
- (45) Registration Date: **10 July 2007**
- (56) Related Art Documents: **Not Applicable**
- (57) Statement of Newness and Distinctiveness: **Features, LEDs facing front on top of socket. Connector moulded into plug, removable bottom cover gland nut for fixing and sealing conductor cable, reflector on cover. Magnet under cover.**



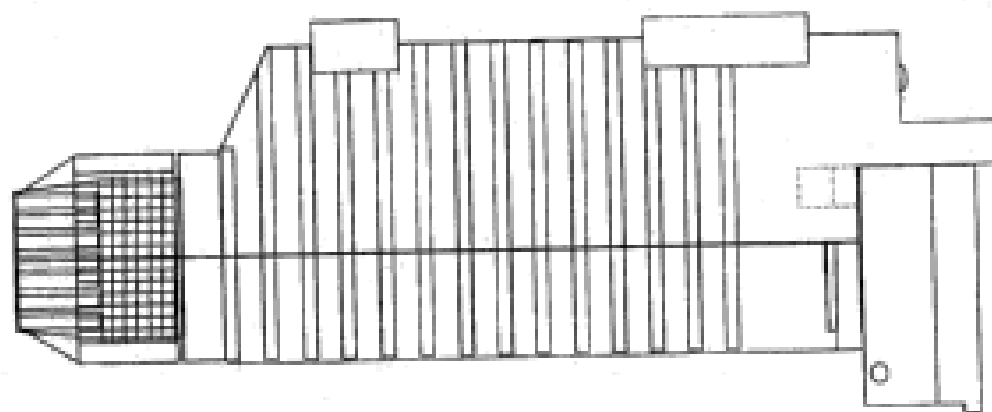
- (21) Design Number: **12861/2006**
- (22) Date of Filing Application: **29 June 2006**
- (24) Date from which industrial property rights may have effect: **29 June 2006**
- (54) Product in respect of which the design is registered: **7 Pin large round plug trailer connector with LEDS**
- (51) International Design Classification: **13-03NES**
- (71) Name(s) and Address(s) of Applicant(s):
Dennis Ronald Gravalin
271 River Street Maclean New South Wales 2463 Australia
Laetone Malcom Gravalin
271 River Street Maclean New South Wales 2463 Australia
- (72) Name(s) of Designer(s): **Dennis Ronald Gravalin and Laetone Malcom Gravalin**
- (45) Registration Date: **10 July 2007**
- (56) Related Art Documents: **Not Applicable**
- (57) Statement of Newness and Distinctiveness: **New features are, led lights rear of plug. Connector moulded into plug for led light circuits. Cable grip and gland nut and rubber for fixing and sealing conductor cable. Dust cover.**



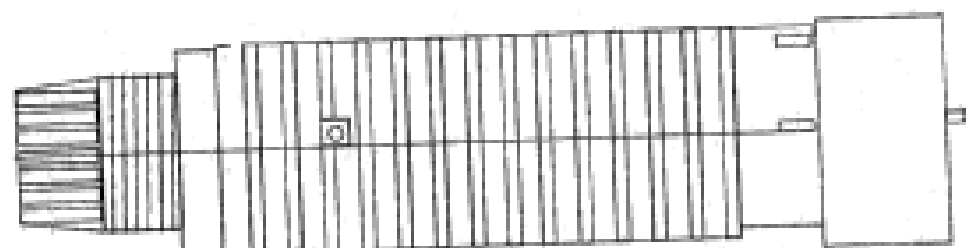
- (21) Design Number: **12862/2006**
- (22) Date of Filing Application: **29 June 2006**
- (24) Date from which industrial property rights may have effect: **29 June 2006**
- (54) Product in respect of which the design is registered: **7 Pin large round socket trailer connector with LEDS**
- (51) International Design Classification: **13-03NES**
- (71) Name(s) and Address(s) of Applicant(s):
Dennis Ronald Gravalin
271 River Street Maclean New South Wales 2463 Australia
Laetone Malcom Gravalin
271 River Street Maclean New South Wales 2463 Australia
- (72) Name(s) of Designer(s): **Dennis Ronald Gravalin and Laetone Malcom Gravalin**
- (45) Registration Date: **10 July 2007**
- (56) Related Art Documents: **Not Applicable**
- (57) Statement of Newness and Distinctiveness: **New features led facing forward mounted on top of socket for easy view to indicate each active circuit. Reflector on front of cover.**



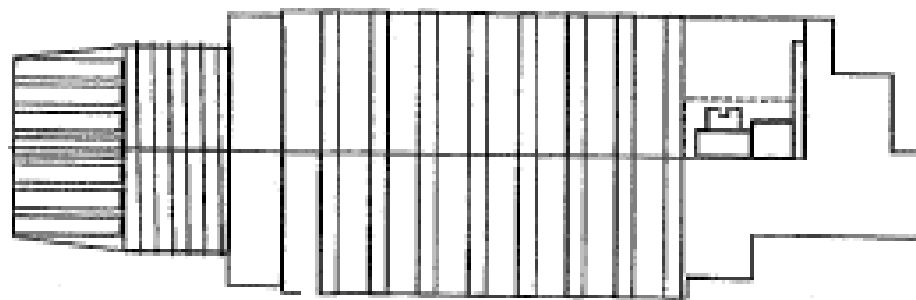
- (21) Design Number: **12863/2006**
(22) Date of Filing Application: **29 June 2006**
(24) Date from which industrial property rights may have effect: **29 June 2006**
(54) Product in respect of which the design is registered: **12 Pin flat socket trailer connector with leds**
(51) International Design Classification: **13-03NES**
(71) Name(s) and Address(s) of Applicant(s):
Dennis Ronald Gravalin
271 River Street Maclean New South Wales 2463 Australia
Laetone Malcom Gravalin
271 River Street Maclean New South Wales 2463 Australia
(72) Name(s) of Designer(s): **Dennis Ronald Gravalin and Laetone Malcom Gravalin**
(45) Registration Date: **10 July 2007**
(56) Related Art Documents: **Not Applicable**
(57) Statement of Newness and Distinctiveness: **Newness, ripple grips on either side of socket, 4 larger mounting brackets, LEDs facing front on top of socket, reed switch 3 extra terminals, gland nut for fixing & sealing conductor cable. Reflector on front of cover. Magnet under cover.**



- (21) Design Number: **12864/2006**
(22) Date of Filing Application: **29 June 2006**
(24) Date from which industrial property rights may have effect: **29 June 2006**
(54) Product in respect of which the design is registered: **12 Pin flat plug trailer connector with LEDs**
(51) International Design Classification: **13-03NES**
(71) Name(s) and Address(s) of Applicant(s):
Dennis Ronald Gravalin
271 River Street Maclean New South Wales 2463 Australia
Laetone Malcom Gravalin
271 River Street Maclean New South Wales 2463 Australia
(72) Name(s) of Designer(s): **Dennis Ronald Gravalin and Laetone Malcom Gravalin**
(45) Registration Date: **10 July 2007**
(56) Related Art Documents: **Not Applicable**
(57) Statement of Newness and Distinctiveness: **New features. Ripple grips on either side of plug. Leds facing upward. Cable grip and gland nut for fixing and sealing conductor cable. New design in terminal pins for connection. Dust cap.**



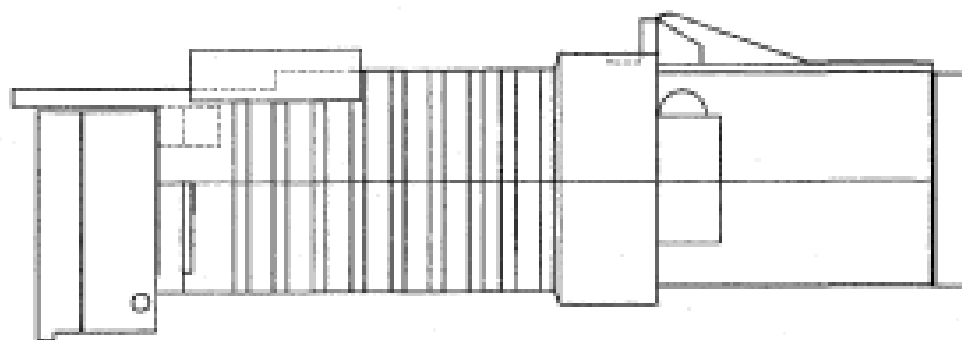
- (21) Design Number: **12865/2006**
(22) Date of Filing Application: **29 June 2006**
(24) Date from which industrial property rights may have effect: **29 June 2006**
(54) Product in respect of which the design is registered: **7 Pin flat plug trailer connector with LEDs**
(51) International Design Classification: **13-03NES**
(71) Name(s) and Address(s) of Applicant(s):
Dennis Ronald Gravolin
271 River Street Maclean New South Wales 2463 Australia
Laetone Malcom Gravolin
271 River Street Maclean New South Wales 2463 Australia
(72) Name(s) of Designer(s): **Dennis Ronald Gravolin and Laetone Malcom Gravolin**
(45) Registration Date: **10 July 2007**
(56) Related Art Documents: **Not Applicable**
(57) Statement of Newness and Distinctiveness: **New features. Ripple grips on either side of plug. Leds facing upward, cable grip and gland nut for fixing and sealing conductor cable.**



- (21) Design Number: **12866/2006**
(22) Date of Filing Application: **29 June 2006**
(24) Date from which industrial property rights may have effect: **29 June 2006**
(54) Product in respect of which the design is registered: **7 Pin flat to 7 pin round small adaptor plug and socket trailer connector with LEDS**
(51) International Design Classification: **13-03NES**
(71) Name(s) and Address(s) of Applicant(s):
Dennis Ronald Gravolin
271 River Street Maclean New South Wales 2463 Australia
Laetone Malcom Gravolin
271 River Street Maclean New South Wales 2463 Australia
(72) Name(s) of Designer(s): **Dennis Ronald Gravolin and Laetone Malcom Gravolin**
(45) Registration Date: **10 July 2007**
(56) Related Art Documents: **Not Applicable**
(57) Statement of Newness and Distinctiveness: **Newness, led light trailer & vehicle adaptor plug, ripple grips on both sides of plug, leds facing upward to indicate each active circuit, easy to read identification for circuits.**

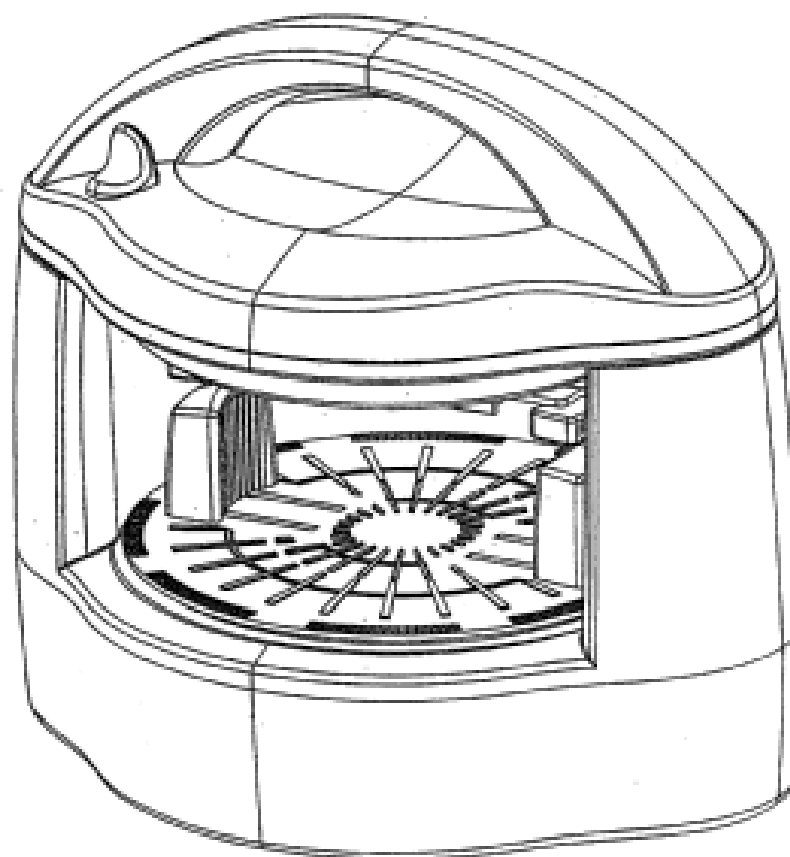


- (21) Design Number: **12867/2006**
- (22) Date of Filing Application: **29 June 2006**
- (24) Date from which industrial property rights may have effect: **29 June 2006**
- (54) Product in respect of which the design is registered: **7 Pin flat socket to 7 pin round small adaptor plug and socket trailer connector with LEDS**
- (51) International Design Classification: **13-03NES**
- (71) Name(s) and Address(s) of Applicant(s):
Dennis Ronald Gravalin
271 River Street Maclean New South Wales 2463 Australia
Laetone Malcom Gravalin
271 River Street Maclean New South Wales 2463 Australia
- (72) Name(s) of Designer(s): **Dennis Ronald Gravalin and Laetone Malcom Gravalin**
- (45) Registration Date: **10 July 2007**
- (56) Related Art Documents: **Not Applicable**
- (57) Statement of Newness and Distinctiveness: **Newness, LED plug & socket adaptor, ripple grips on both side of socket, LEDs facing upward to indicate each active circuit, easy to read identification for circuits. Reflector on cover.**



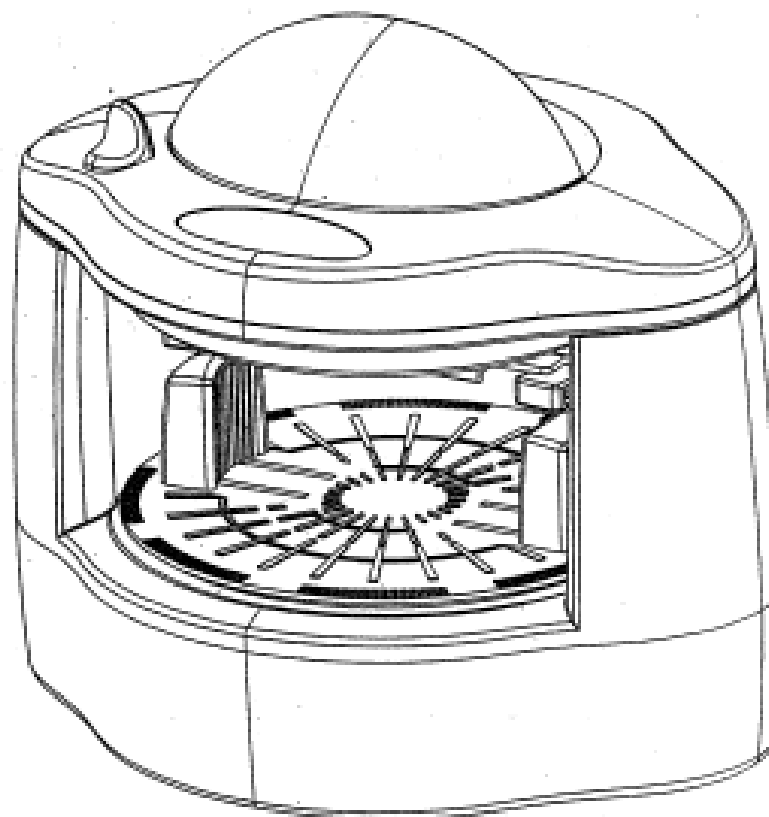
- (21) Design Number: **18063/2007**
- (22) Date of Filing Application: **23 May 2007**
- (24) Date from which industrial property rights may have effect: **23 May 2007**
- (54) Product in respect of which the design is registered: **Motorized jar opener**
- (51) International Design Classification: **07-06D**
- (71) Name(s) and Address(s) of Applicant(s):
Applica Consumer Products, Inc.
3633 Flamingo Road Miramar FL 33027 United States of America
- (72) Name(s) of Designer(s): **David T. Wong and Vincent M.I. Ng and Francisco Javier Barquin Santillan**
- (45) Registration Date: **10 July 2007**
- (30) Convention priority data:

(31) Number	(32) Date	(33) Country
29/250,804	01 Dec 2006	UNITED STATES OF AMERICA
- (56) Related Art Documents: **Not Applicable**
- (57) Statement of Newness and Distinctiveness: **Nil**

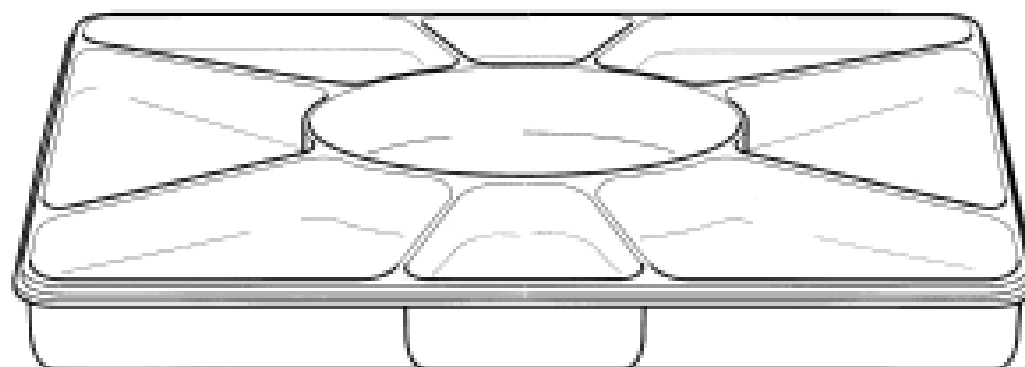


- (21) Design Number: **18064/2007**
- (22) Date of Filing Application: **23 May 2007**
- (24) Date from which industrial property rights may have effect: **23 May 2007**
- (54) Product in respect of which the design is registered: **Motorized jar opener**
- (51) International Design Classification: **07-06D**
- (71) Name(s) and Address(s) of Applicant(s):
Applica Consumer Products, Inc.
3633 Flamingo Road Miramar FL 33027 United States of America
- (72) Name(s) of Designer(s): **David T. Wong and Vincent M.I. Ng and Francisco Javier Barquin Santillan**
- (45) Registration Date: **10 July 2007**
- (30) Convention priority data:

(31) Number	(32) Date	(33) Country
29/250,807	01 Dec 2006	UNITED STATES OF AMERICA
- (56) Related Art Documents: **Not Applicable**
- (57) Statement of Newness and Distinctiveness: **Nil**



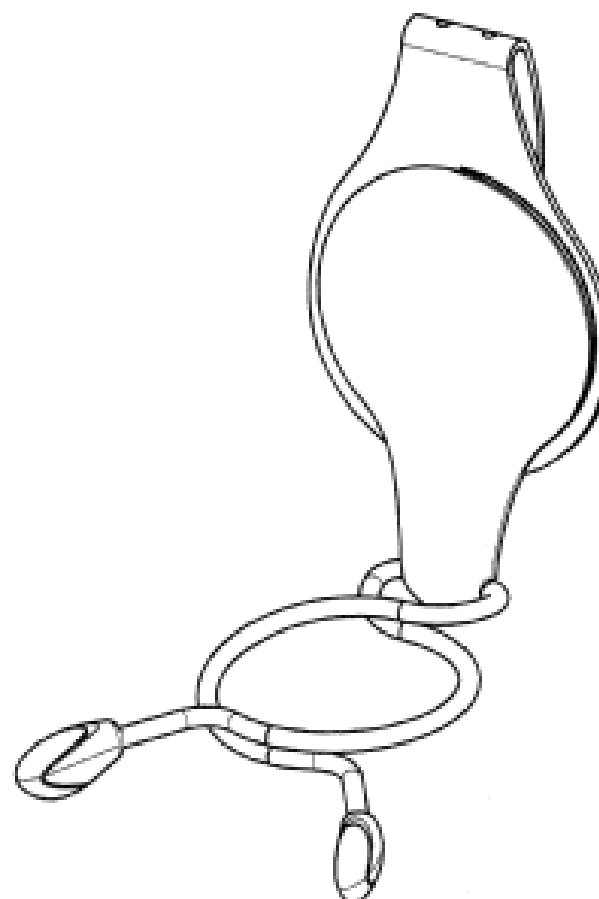
- (21) Design Number: **18097/2007**
- (22) Date of Filing Application: **25 May 2007**
- (24) Date from which industrial property rights may have effect: **25 May 2007**
- (54) Product in respect of which the design is registered: **Container**
- (51) International Design Classification: **09-03M**
- (71) Name(s) and Address(s) of Applicant(s):
Naomi Michelle Curley as trustee for the Majestic Eagle Trust
Unit 3 6 Paddington Court Bibra Lake Western Australia 6163
Australia
- (72) Name(s) of Designer(s): **Naomi Michelle Curley**
- (45) Registration Date: **10 July 2007**
- (56) Related Art Documents: **Not Applicable**
- (57) Statement of Newness and Distinctiveness: **Newness and distinctiveness is claimed in the shape and/or configuration of a container as illustrated in the accompanying representations. In considering the scope of the design, the lid marked A should be disregarded.**



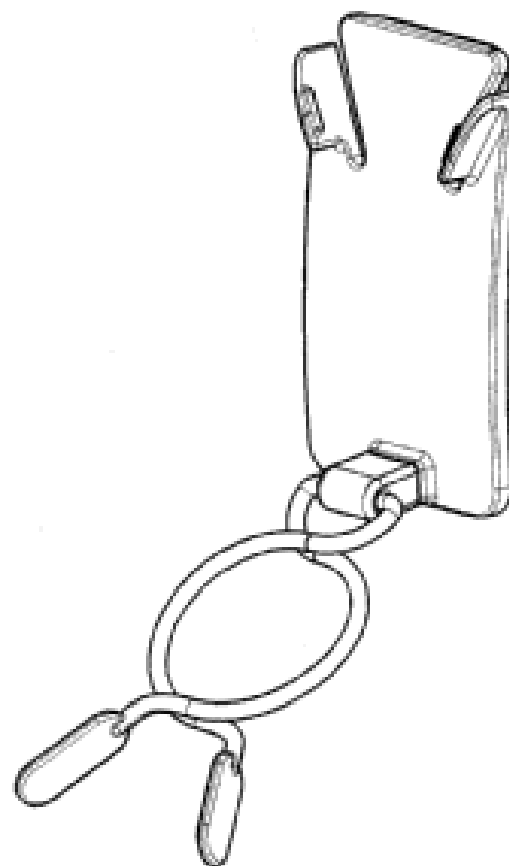
- (21) Design Number: **17371/2007**
(22) Date of Filing Application: **12 April 2007**
(24) Date from which industrial property rights may have effect: **12 April 2007**
(54) Product in respect of which the design is registered: **A device to carry a bottle, container, drinking vessel or the like and in particular, for a bottle holder to be**
(51) International Design Classification: **03-01NES**
(71) Name(s) and Address(s) of Applicant(s):
Kristina Dimoski
125 Homer Street Earlwood NSW 2206
Peter Stojkovski
125 Homer Street Earlwood NSW 2206
(72) Name(s) of Designer(s): **Kristina Dimoski and Peter Stojkovski**
(45) Registration Date: **10 July 2007**
(56) Related Art Documents: **Not Applicable**
(57) Statement of Newness and Distinctiveness: **Large front face panel for logo &/or advertisement. Adjustable ring to hold various size bottles (shape similar to a figure 8). Rear clip attachment at back of the device & a lanyard attachment section at top of the device to secure the device to a user. Circular insert allowing for directional pivoting e.g. Left to right swinging movement.**



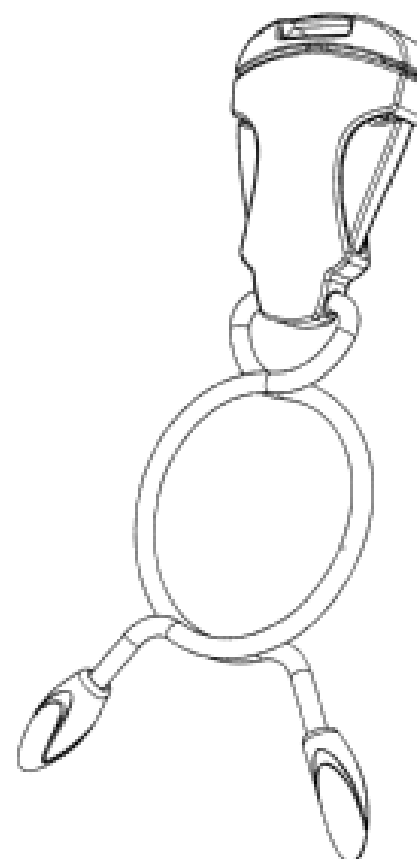
- (21) Design Number: **17372/2007**
(22) Date of Filing Application: **12 April 2007**
(24) Date from which industrial property rights may have effect: **12 April 2007**
(54) Product in respect of which the design is registered: **A device to carry a bottle, container, drinking vessel or the like and in particular, for a bottle holder to be**
(51) International Design Classification: **03-01NES**
(71) Name(s) and Address(s) of Applicant(s):
Kristina Dimoski
125 Homer Street Earlwood NSW 2206
Peter Stojkovski
125 Homer Street Earlwood NSW 2206
(72) Name(s) of Designer(s): **Kristina Dimoski and Peter Stojkovski**
(45) Registration Date: **10 July 2007**
(56) Related Art Documents: **Not Applicable**
(57) Statement of Newness and Distinctiveness: **Circular front face panel for logo &/or advertisement. Two piece lever end fittings that attach to the end of the ring. Adjustable ring to hold various size bottles (shape similar to a figure 8) and ring holder moves freely vertically. Rear clip attachment at back of the device and lanyard attachment section at top to secure the device to a user.**



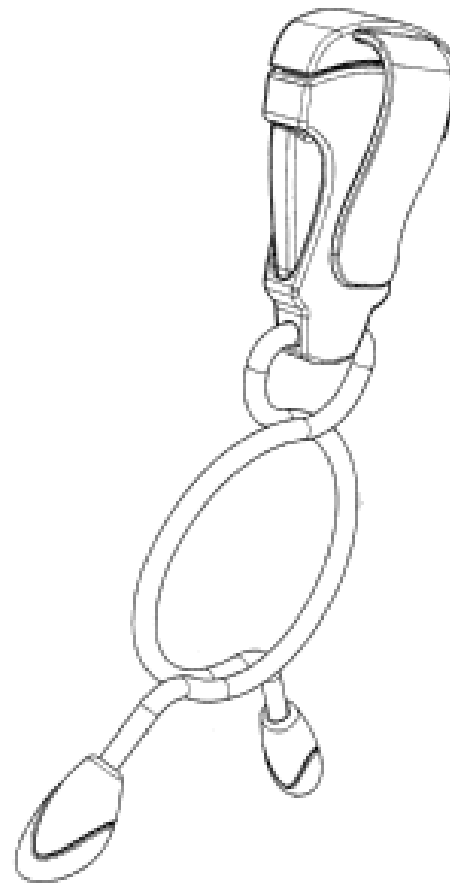
- (21) Design Number: **17373/2007**
(22) Date of Filing Application: **12 April 2007**
(24) Date from which industrial property rights may have effect: **12 April 2007**
(54) Product in respect of which the design is registered: **A device to carry a bottle, container, drinking vessel or the like and in particular, for a bottle holder to be**
(51) International Design Classification: **03-01NES**
(71) Name(s) and Address(s) of Applicant(s):
Kristina Dimoski
125 Homer Street Earlwood NSW 2206
Peter Stojkovski
125 Homer Street Earlwood NSW 2206
(72) Name(s) of Designer(s): **Kristina Dimoski and Peter Stojkovski**
(45) Registration Date: **10 July 2007**
(56) Related Art Documents: **Not Applicable**
(57) Statement of Newness and Distinctiveness: **Large rectangular front face panel for logo &/or advertisement. Locking points at top of device to hold adjustable ring holder up. Pivoting ring attachment hinge to allow 360 degrees rotation and vertical movement of ring. Rear clip attachment at back of the device to secure to a user.**



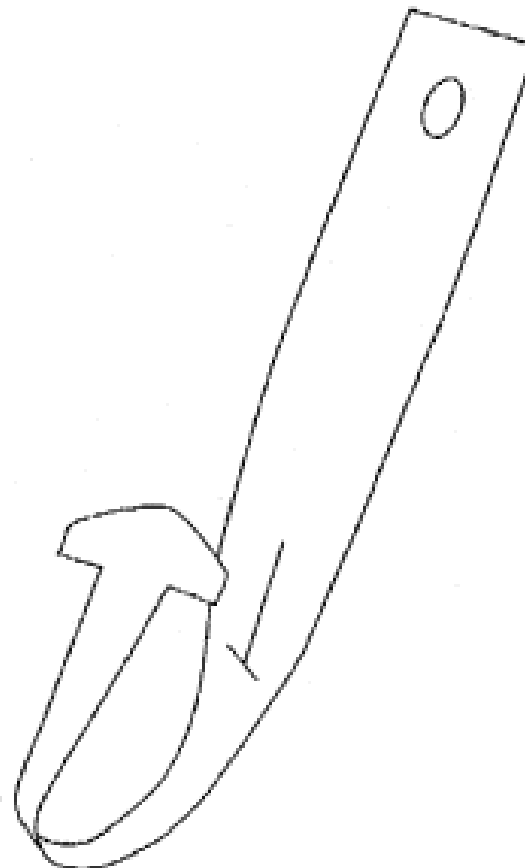
- (21) Design Number: **17374/2007**
(22) Date of Filing Application: **12 April 2007**
(24) Date from which industrial property rights may have effect: **12 April 2007**
(54) Product in respect of which the design is registered: **A device to carry a bottle, container, drinking vessel or the like and in particular, for a bottle holder to be**
(51) International Design Classification: **03-01NES**
(71) Name(s) and Address(s) of Applicant(s):
Kristina Dimoski
125 Homer Street Earlwood NSW 2206
Peter Stojkovski
125 Homer Street Earlwood NSW 2206
(72) Name(s) of Designer(s): **Kristina Dimoski and Peter Stojkovski**
(45) Registration Date: **10 July 2007**
(56) Related Art Documents: **Not Applicable**
(57) Statement of Newness and Distinctiveness: **Front face panel for logo &/or advertisement. Pressing the sides of the device allows for a removable top piece to detach from the bottom section, this top piece has a lanyard attachment section. Two piece lever end fittings attach to the end of the ring. Adjustable ring to hold various size bottles and ring holder moves freely vertically.**



- (21) Design Number: **17375/2007**
(22) Date of Filing Application: **12 April 2007**
(24) Date from which industrial property rights may have effect: **12 April 2007**
(54) Product in respect of which the design is registered: **A device to carry a bottle, container, drinking vessel or the like and in particular, for a bottle holder to be**
(51) International Design Classification: **03-01NES**
(71) Name(s) and Address(s) of Applicant(s):
Kristina Dimoski
125 Homer Street Earlwood NSW 2206
Peter Stojkovski
125 Homer Street Earlwood NSW 2206
(72) Name(s) of Designer(s): **Kristina Dimoski and Peter Stojkovski**
(45) Registration Date: **10 July 2007**
(56) Related Art Documents: **Not Applicable**
(57) Statement of Newness and Distinctiveness: **Front face panel for logo &/or advertisement. Pressing the sides allows for a removable top piece to detach from the bottom section. Two piece lever end fittings attach to the end of the ring. Adjustable ring to hold various size bottles. Ring holder moves freely vertically. Rear clip attachment at back of the device to secure to user.**



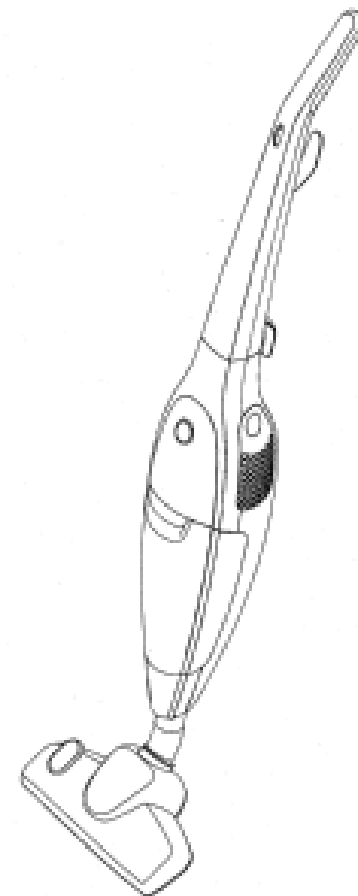
- (21) Design Number: **17579/2007**
(22) Date of Filing Application: **23 April 2007**
(24) Date from which industrial property rights may have effect: **23 April 2007**
(54) Product in respect of which the design is registered: **Locking tag**
(51) International Design Classification: **08-08NES**
(71) Name(s) and Address(s) of Applicant(s):
Robert Douglas Waterson
80 Harris Street Hawthorne Queensland 4171 Australia
(72) Name(s) of Designer(s): **Robert Douglas Waterson**
(45) Registration Date: **10 July 2007**
(56) Related Art Documents: **Not Applicable**
(57) Statement of Newness and Distinctiveness: **Monopoly is claimed in the features in shape and configuration of a locking tag as illustrated in the accompanying representations.**



(21) Design Number: **17581/2007**
(22) Date of Filing Application: **23 April 2007**
(24) Date from which industrial property rights may have effect: **23 April 2007**
(54) Product in respect of which the design is registered: **Cash desk barrier**
(51) International Design Classification: **25-02NES**
(71) Name(s) and Address(s) of Applicant(s):
Wanzl Metallwarenfabrik GmbH
Postfach 11 29 89336 Leipheim Germany
(72) Name(s) of Designer(s): **Kurt Deyerler**
(45) Registration Date: **10 July 2007**
(30) Convention priority data:
(31) Number (32) Date (33) Country
000616164#0001 06 Nov 2006 EUROPEAN COMMUNITY
(56) Related Art Documents: **Not Applicable**
(57) Statement of Newness and Distinctiveness: **Nil**



(21) Design Number: **17583/2007**
(22) Date of Filing Application: **23 April 2007**
(24) Date from which industrial property rights may have effect: **23 April 2007**
(54) Product in respect of which the design is registered: **Vacuum cleaner**
(51) International Design Classification: **15-05**
(71) Name(s) and Address(s) of Applicant(s):
AB Electrolux
Group Intellectual Property S#105 45 Stockholm Sweden
(72) Name(s) of Designer(s): **Oskar Fjellman and Pia Ringholm and Toivo Amnell**
(45) Registration Date: **10 July 2007**
(30) Convention priority data:
(31) Number (32) Date (33) Country
2006/0605 03 Nov 2006 SWEDEN
(56) Related Art Documents: **Not Applicable**
(57) Statement of Newness and Distinctiveness: **Nil**



(21) Design Number: **17586/2007**

(22) Date of Filing Application: **24 April 2007**

(24) Date from which industrial property rights may have effect: **24 April 2007**

(54) Product in respect of which the design is registered: **Hydraulic coupler**

(51) International Design Classification: **15-04**

(71) Name(s) and Address(s) of Applicant(s):

**J B Sales International Limited
22 Stonedone Drive East Tamaki Auckland New Zealand**

(72) Name(s) of Designer(s): **Michael Kevin Scheib**

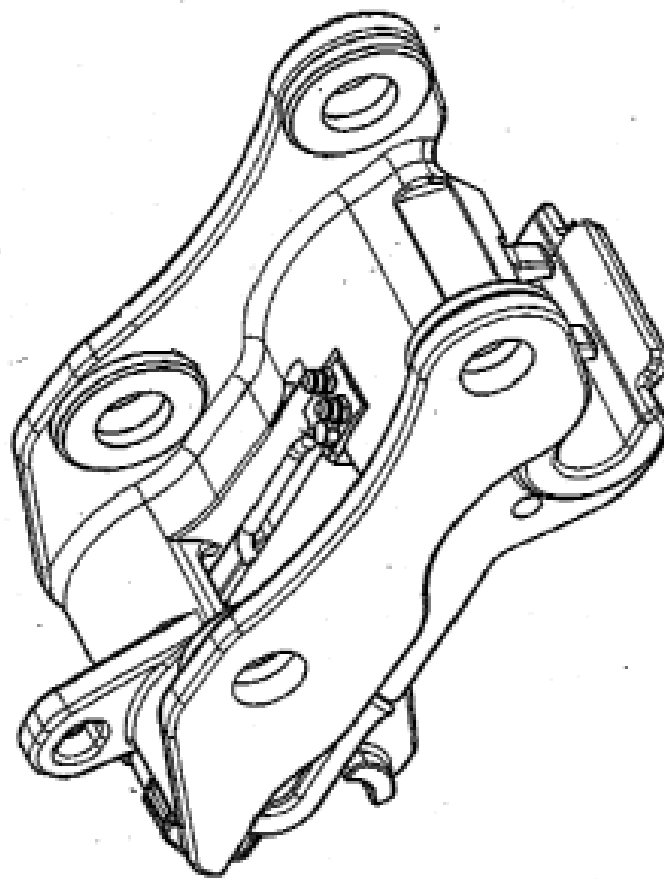
(45) Registration Date: **10 July 2007**

(30) Convention priority data:

(31) Number	(32) Date	(33) Country
408275	26 Oct 2006	NEW ZEALAND

(56) Related Art Documents: **Not Applicable**

(57) Statement of Newness and Distinctiveness: **The novelty claimed for the design resides in the features of shape and/or configuration all as shown in the representations.**



(21) Design Number: **17587/2007**

(22) Date of Filing Application: **24 April 2007**

(24) Date from which industrial property rights may have effect: **24 April 2007**

(54) Product in respect of which the design is registered: **Burner insert for a fireplace**

(51) International Design Classification: **23-03F**

(71) Name(s) and Address(s) of Applicant(s):

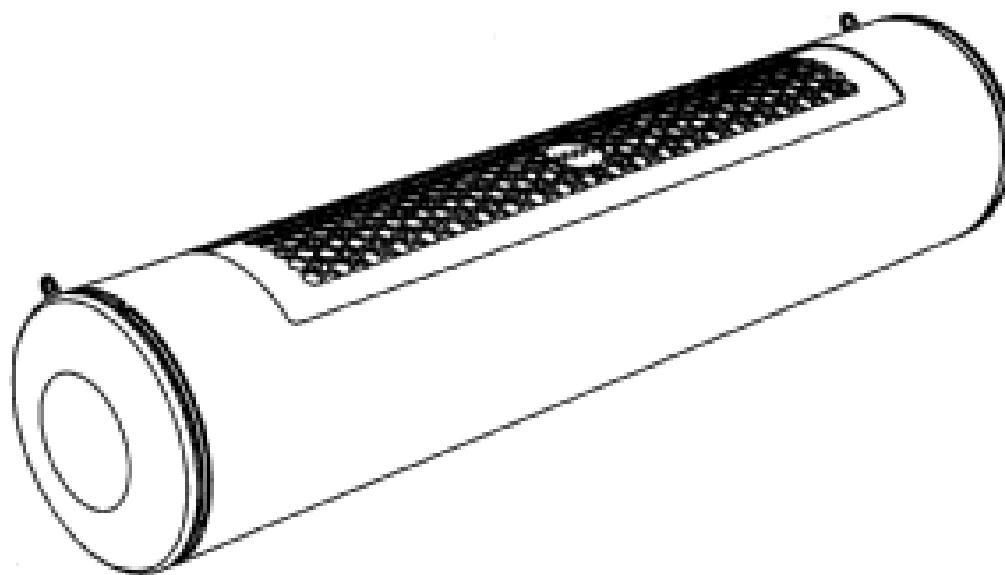
**ESmart Group Pty Ltd
9/5 Vuko Place Warriewood New South Wales 2102 Australia**

(72) Name(s) of Designer(s): **Stephane Thomas**

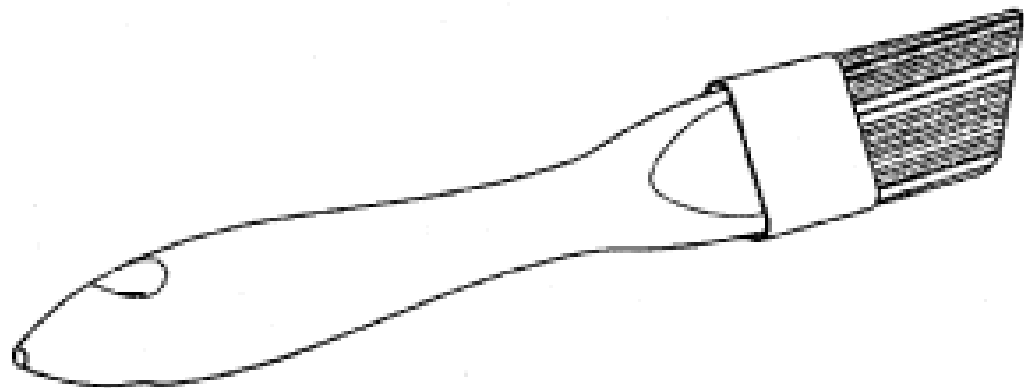
(45) Registration Date: **10 July 2007**

(56) Related Art Documents: **Not Applicable**

(57) Statement of Newness and Distinctiveness: **The tube burner is a cylindrical metal burner designed to house flammable liquids for use within open fires. The design features an interchangeable grill on the top which can feature a variety of patterns (including honeycomb, slots, crosses, an open void etc); flexibility in terms of length and width of cylindrical burner based on a number of tube sizes; can come with or without a stand depending on the setting being created; is designed to be turned on and off using the rotative external cylinder (which rotates around the inner tank cylinder). The cylindrical metal burner also features screw threads or bayonet fittings on each end to accommodate joining multiple burners together. The burner chassis is also divided into 3 chambers (2 storage chambers filled with insulation, metal mesh and the central burning zone) to achieve effective fuel distribution and efficient burning time.**



- (21) Design Number: **17588/2007**
(22) Date of Filing Application: **23 April 2007**
(24) Date from which industrial property rights may have effect: **23 April 2007**
(54) Product in respect of which the design is registered: **A paint brush**
(51) International Design Classification: **04-04**
(71) Name(s) and Address(s) of Applicant(s):
Rokset Industries Pty Ltd
210 Greenhill Road Eastwood South Australia 5063 Australia
(72) Name(s) of Designer(s): **Barry Fidler and Sander Lye**
(45) Registration Date: **10 July 2007**
(56) Related Art Documents: **Not Applicable**
(57) Statement of Newness and Distinctiveness: **Nil**



- (21) Design Number: **17591/2007**
(22) Date of Filing Application: **24 April 2007**
(24) Date from which industrial property rights may have effect: **24 April 2007**
(54) Product in respect of which the design is registered: **Trampoline with enclosure and stabilising ring**
(51) International Design Classification: **21-02F**
(71) Name(s) and Address(s) of Applicant(s):
Madd International Limited
2nd Floor Room 202 Mirror Tower 61 Mody Road Tsim Sha Tsui
Kowloon Hong Kong
(72) Name(s) of Designer(s): **Michael Horne**
(45) Registration Date: **10 July 2007**
(30) Convention priority data:
(31) Number (32) Date (33) Country
0602967.8 13 Nov 2006 HONG KONG
(56) Related Art Documents: **Not Applicable**
(57) Statement of Newness and Distinctiveness: **The novelty of the design resides in the features of shape and configuration applied to the article as shown in the representations.**



(21) Design Number: **17592/2007**
(22) Date of Filing Application: **24 April 2007**
(24) Date from which industrial property rights may have effect: **24 April 2007**
(54) Product in respect of which the design is registered: **Watch case**
(51) International Design Classification: **10-07**
(71) Name(s) and Address(s) of Applicant(s):

Swatch AG (Swatch SA) (Swatch Ltd)
94 rue Jakob Stampfli Bienne Switzerland

(72) Name(s) of Designer(s): **Virginie Carbonatto**

(45) Registration Date: **10 July 2007**

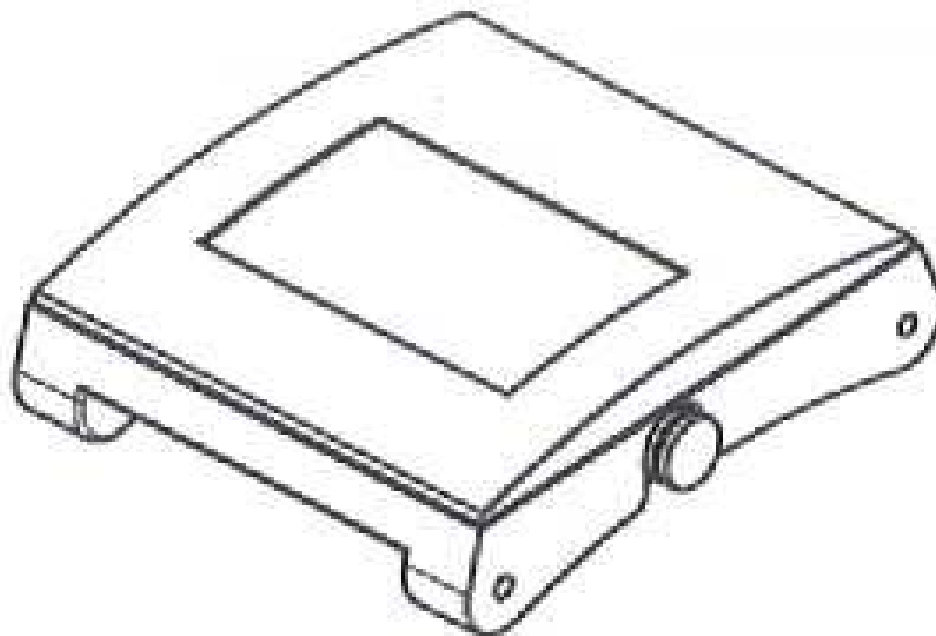
(30) Convention priority data:

(31) Number	(32) Date
DM/068 301	07 Nov 2006

(33) Country
**WORLD INTELLECTUAL
PROPERTY ORGANIZATION
(WIPO)**

(56) Related Art Documents: **Not Applicable**

(57) Statement of Newness and Distinctiveness: **Nil**



(21) Design Number: **17593/2007**
(22) Date of Filing Application: **24 April 2007**
(24) Date from which industrial property rights may have effect: **24 April 2007**
(54) Product in respect of which the design is registered: **Watch case**
(51) International Design Classification: **10-07**
(71) Name(s) and Address(s) of Applicant(s):

Swatch AG (Swatch SA) (Swatch Ltd)
94 rue Jakob Stampfli Bienne Switzerland

(72) Name(s) of Designer(s): **Virginie Carbonatto**

(45) Registration Date: **10 July 2007**

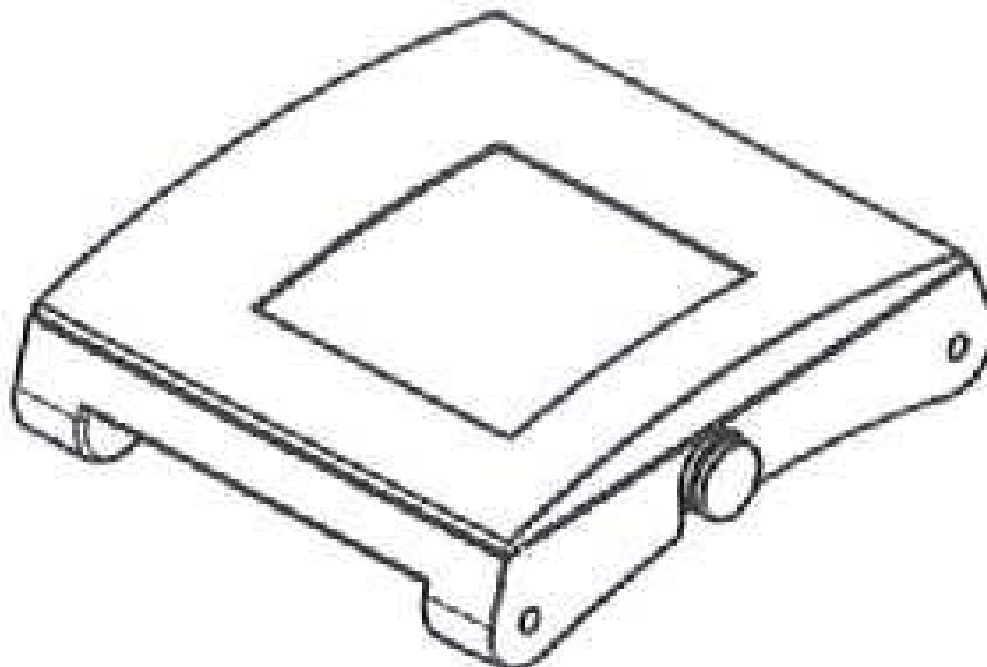
(30) Convention priority data:

(31) Number	(32) Date
DM/068 301	07 Nov 2006

(33) Country
**WORLD INTELLECTUAL
PROPERTY ORGANIZATION
(WIPO)**

(56) Related Art Documents: **Not Applicable**

(57) Statement of Newness and Distinctiveness: **Nil**



(21) Design Number: **17594/2007**
(22) Date of Filing Application: **24 April 2007**
(24) Date from which industrial property rights may have effect: **24 April 2007**

(54) Product in respect of which the design is registered: **Wristwatch**

(51) International Design Classification: **10-02**

(71) Name(s) and Address(s) of Applicant(s):

**Omega SA (Omega AG) (Omega Ltd.)
Jakob-Staempfli-Strasse 96 2502 Biel/Bienne Switzerland**

(72) Name(s) of Designer(s): **Jean-Claude Monachon**

(45) Registration Date: **10 July 2007**

(30) Convention priority data:

(31) Number (32) Date
DM/068 358 31 Oct 2006

(33) Country
**WORLD INTELLECTUAL
PROPERTY ORGANIZATION
(WIPO)**

(56) Related Art Documents: **Not Applicable**

(57) Statement of Newness and Distinctiveness: **Nil**



(21) Design Number: **17595/2007**
(22) Date of Filing Application: **24 April 2007**
(24) Date from which industrial property rights may have effect: **24 April 2007**

(54) Product in respect of which the design is registered: **Refrigerator**

(51) International Design Classification: **15-07**

(71) Name(s) and Address(s) of Applicant(s):

**Hitachi Appliances, Inc.
16-1 Kaigan 1-chome Minato-ku Tokyo Japan**

(72) Name(s) of Designer(s): **Toru Ebihara and Tadashi Owada and Hirobumi Nagumo**

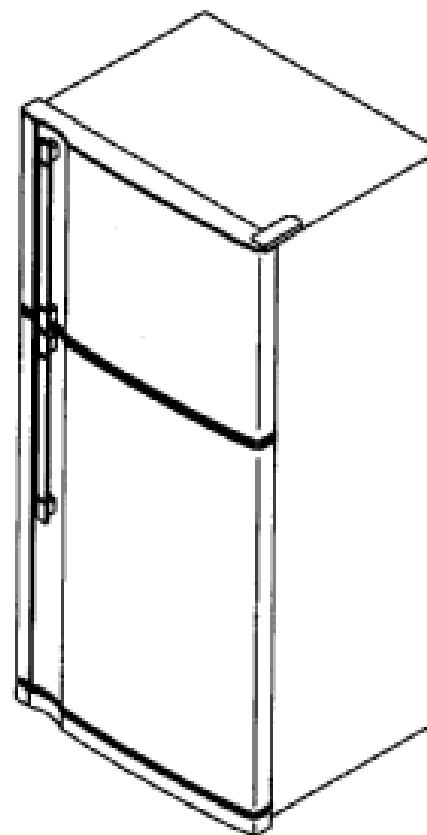
(45) Registration Date: **10 July 2007**

(30) Convention priority data:

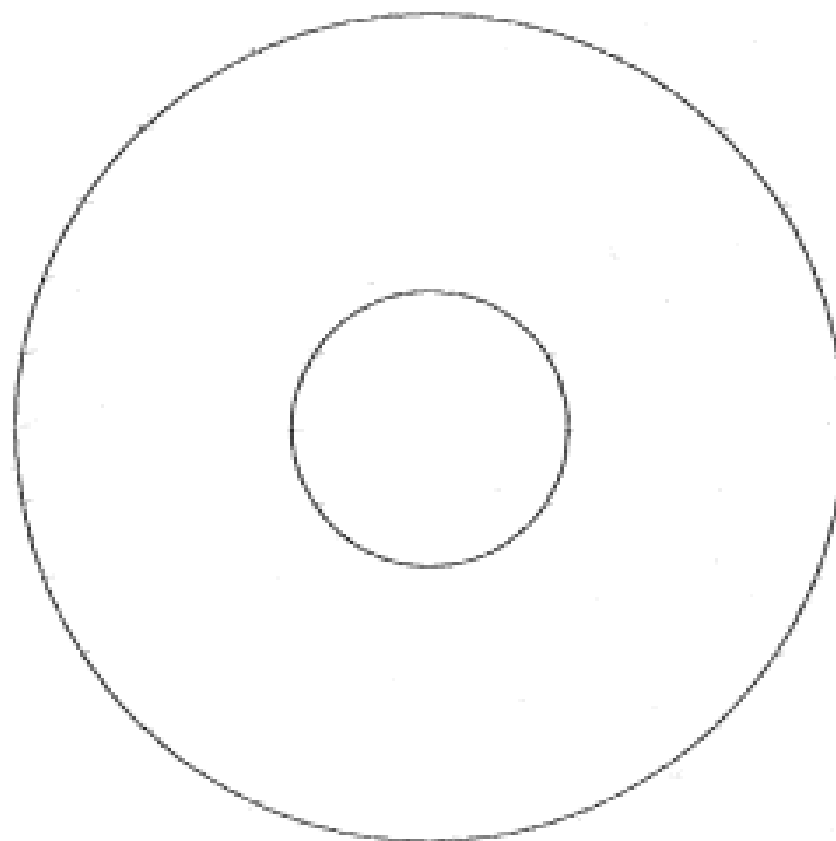
(31) Number (32) Date (33) Country
2007#004406 23 Feb 2007 JAPAN

(56) Related Art Documents: **Not Applicable**

(57) Statement of Newness and Distinctiveness: **Nil**



- (21) Design Number: **17597/2007**
(22) Date of Filing Application: **24 April 2007**
(24) Date from which industrial property rights may have effect: **24 April 2007**
(54) Product in respect of which the design is registered: **Ice-cream drip guard**
(51) International Design Classification: **07-01NES**
(71) Name(s) and Address(s) of Applicant(s):
Davide De Angelis
PO Box 2179 Burwood North New South Wales 2134 Australia
(72) Name(s) of Designer(s): **Davide De Angelis**
(45) Registration Date: **10 July 2007**
(56) Related Art Documents: **Not Applicable**
(57) Statement of Newness and Distinctiveness: **Newness and distinctiveness is claimed in the features of shape and/or configuration of an ice-cream drip guard as illustrated in the accompanying representations.**



- (21) Design Number: **17598/2007**
(22) Date of Filing Application: **24 April 2007**
(24) Date from which industrial property rights may have effect: **24 April 2007**
(54) Product in respect of which the design is registered: **Aerosol**
(51) International Design Classification: **09-01A**
(71) Name(s) and Address(s) of Applicant(s):
Unilever PLC
Unilever House Blackfriars London EC4P 4BQ United Kingdom
(72) Name(s) of Designer(s): **Andrew Cloughton and Diego Iglesias and Daniel Omar Gonzalez and Gunter Walter Kolanus and Javier Eduardo Mateu and Paul Dominic Priestman and Bernd Rudolf Sichert and Martin Gabriel Urtubey**
(45) Registration Date: **10 July 2007**
(56) Related Art Documents: **Not Applicable**
(57) Statement of Newness and Distinctiveness: **Newness and distinctiveness is claimed in the visual features shown in solid lines in the representations.**



- (21) Design Number: **17599/2007**
(22) Date of Filing Application: **24 April 2007**
(24) Date from which industrial property rights may have effect: **24 April 2007**
(54) Product in respect of which the design is registered: **Aerosol**
(51) International Design Classification: **09-01A**
(71) Name(s) and Address(s) of Applicant(s):
Unilever PLC
Unilever House Blackfriars London EC4P 4BQ United Kingdom
(72) Name(s) of Designer(s): **Andrew Claughton and Diego Iglesias and Daniel Omar Gonzalez and Gunter Walter Kolanus and Javier Eduardo Mateu and Paul Dominic Priestman and Bernd Rudolf Sichert and Martin Gabriel Urtubey**
(45) Registration Date: **10 July 2007**
(56) Related Art Documents: **Not Applicable**
(57) Statement of Newness and Distinctiveness: **Newness and distinctiveness is claimed in the visual features shown in solid lines in the representations.**



- (21) Design Number: **17608/2007**
(22) Date of Filing Application: **24 April 2007**
(24) Date from which industrial property rights may have effect: **24 April 2007**
(54) Product in respect of which the design is registered: **Number plate surround**
(51) International Design Classification: **12-16NES**
(71) Name(s) and Address(s) of Applicant(s):
Jazz Print Limited
24 Vestey Drive Mt Wellington Auckland New Zealand
(72) Name(s) of Designer(s): **Junarta Sugiarta**
(45) Registration Date: **10 July 2007**
(30) Convention priority data:

(31) Number	(32) Date	(33) Country
408685	12 Feb 2007	NEW ZEALAND

(56) Related Art Documents: **Not Applicable**
(57) Statement of Newness and Distinctiveness: **The novelty of the design resides in the features of shape and configuration of the article, all as shown in the accompanying representations.**



(21) Design Number: **17609/2007**

(22) Date of Filing Application: **24 April 2007**

(24) Date from which industrial property rights may have effect: **24 April 2007**

(54) Product in respect of which the design is registered: **Display device**

(51) International Design Classification: **14-01**

(71) Name(s) and Address(s) of Applicant(s):

Springboard Retail Networks Inc
Suite 320 207 Queen's Quay West Toronto Ontario M5J 1A7 Canada

(72) Name(s) of Designer(s): **Sylvain Perrier and Jeremy List and Russell Harper and Jason Busschaert and Sarah Dobbin**

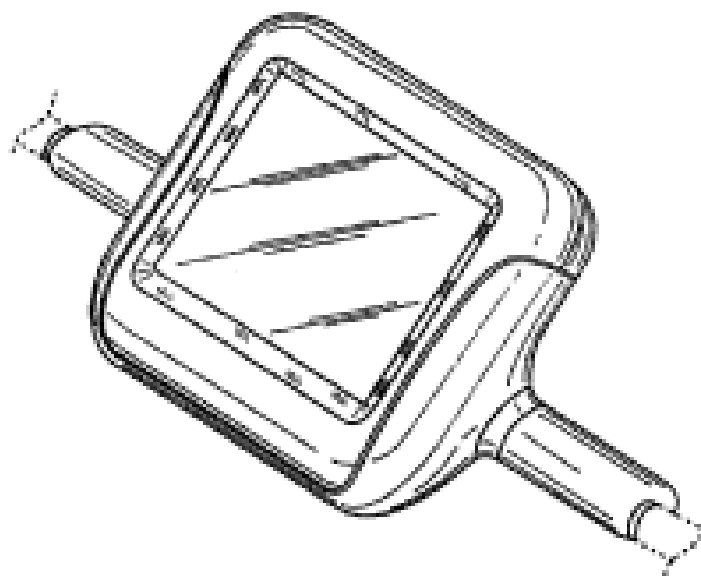
(45) Registration Date: **10 July 2007**

(30) Convention priority data:

(31) Number	(32) Date	(33) Country
118,033	26 Oct 2006	CANADA

(56) Related Art Documents: **Not Applicable**

(57) Statement of Newness and Distinctiveness: **Newness and distinctiveness is claimed in the shape and/or configuration of a "display device" as illustrated in figs 1 to 6 in the representations.**



(21) Design Number: **17610/2007**

(22) Date of Filing Application: **24 April 2007**

(24) Date from which industrial property rights may have effect: **24 April 2007**

(54) Product in respect of which the design is registered: **Display device**

(51) International Design Classification: **14-01**

(71) Name(s) and Address(s) of Applicant(s):

Springboard Retail Networks Inc
Suite 320 207 Queen's Quay West Toronto Ontario M5J 1A7 Canada

(72) Name(s) of Designer(s): **Sylvain Perrier and Jeremy List and Russell Harper and Jason Busschaert and Sarah Dobbin**

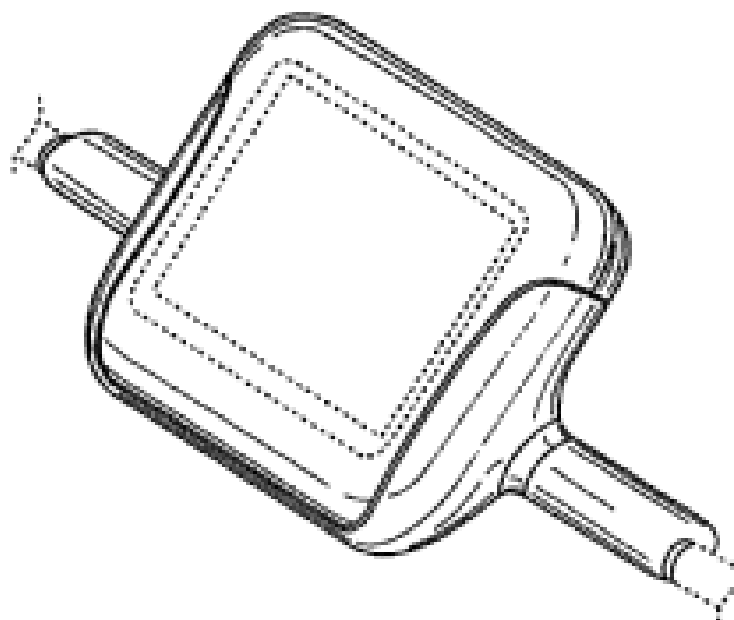
(45) Registration Date: **10 July 2007**

(30) Convention priority data:

(31) Number	(32) Date	(33) Country
118,033	26 Oct 2006	CANADA

(56) Related Art Documents: **Not Applicable**

(57) Statement of Newness and Distinctiveness: **Newness and distinctiveness is claimed in the shape and/or configuration of a "display device" as illustrated in figs 7 to 12 in the representations.**



(21) Design Number: **17611/2007**

(22) Date of Filing Application: **24 April 2007**

(24) Date from which industrial property rights may have effect: **24 April 2007**

(54) Product in respect of which the design is registered: **Display device**

(51) International Design Classification: **14-01**

(71) Name(s) and Address(s) of Applicant(s):

Springboard Retail Networks Inc
Suite 320 207 Queen's Quay West Toronto Ontario M5J 1A7 Canada

(72) Name(s) of Designer(s): **Sylvain Perrier and Jeremy List and Russell Harper and Jason Busschaert and Sarah Dobbin**

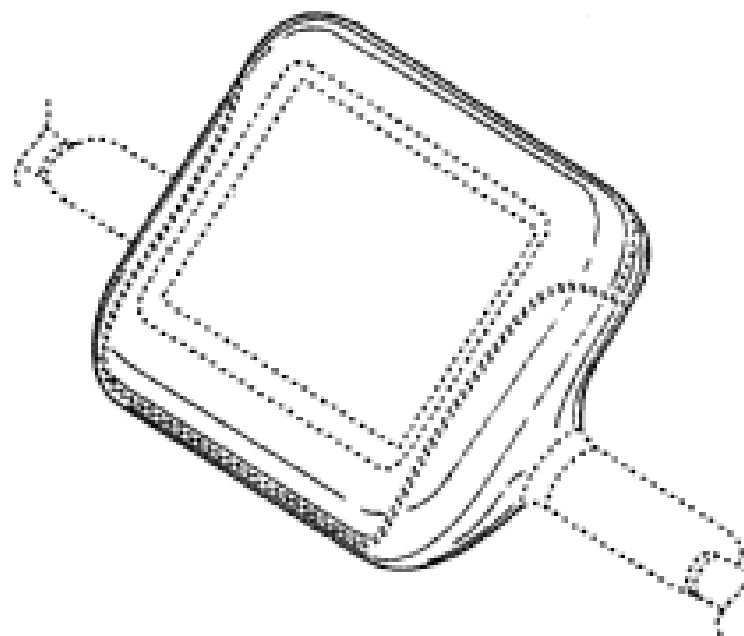
(45) Registration Date: **10 July 2007**

(30) Convention priority data:

(31) Number	(32) Date	(33) Country
118,033	26 Oct 2006	CANADA

(56) Related Art Documents: **Not Applicable**

(57) Statement of Newness and Distinctiveness: **Newness and distinctiveness is claimed in the shape and/or configuration of a "display device" as illustrated in figs 13 to 18 in the representations.**



(21) Design Number: **17612/2007**

(22) Date of Filing Application: **24 April 2007**

(24) Date from which industrial property rights may have effect: **24 April 2007**

(54) Product in respect of which the design is registered: **A float for use in diving or spearfishing**

(51) International Design Classification: **21-02D**

(71) Name(s) and Address(s) of Applicant(s):

Michael Koster
4 Gaudrons Road Sapphire Beach NSW 2450

(72) Name(s) of Designer(s): **Michael Koster**

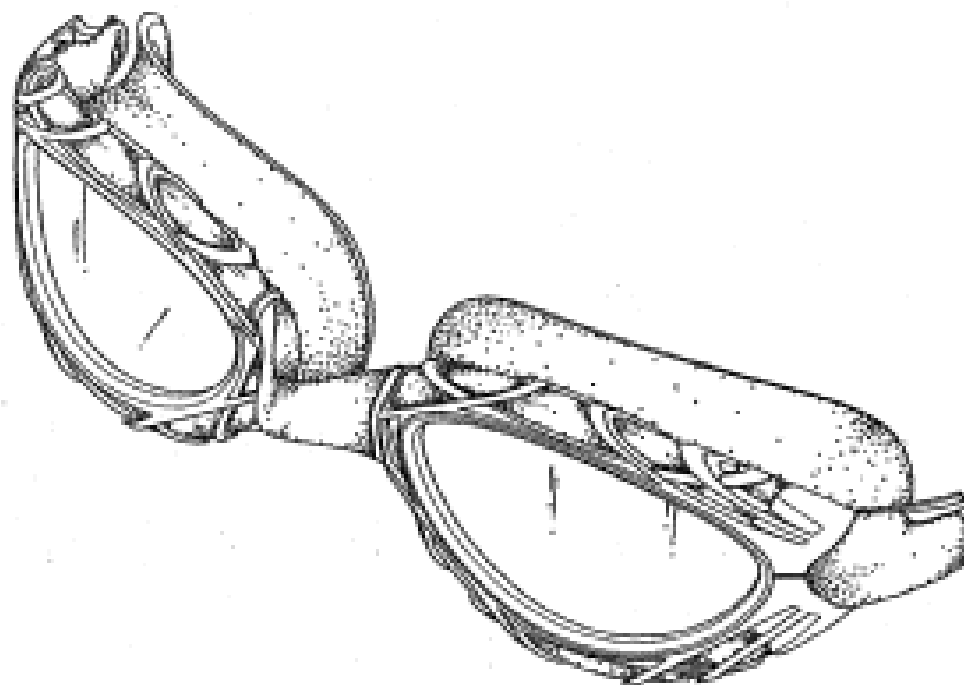
(45) Registration Date: **10 July 2007**

(56) Related Art Documents: **Not Applicable**

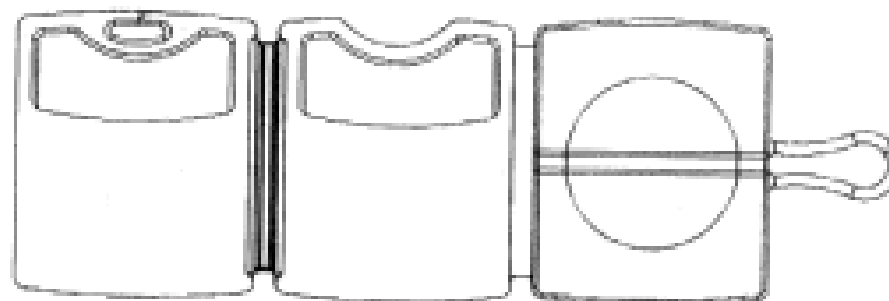
(57) Statement of Newness and Distinctiveness: **When considering the newness and distinctiveness of the design, no regard shall be had to the following features: 1. The black text and other black markings on the float. 2. The flag holder mounted at the top rear of the float. 3. The coloured rope loops provided as the front and rear of the float.**



(21) Design Number: **17676/2007**
(22) Date of Filing Application: **23 April 2007**
(24) Date from which industrial property rights may have effect: **23 April 2007**
(54) Product in respect of which the design is registered: **Swimming goggle**
(51) International Design Classification: **16-06**
(71) Name(s) and Address(s) of Applicant(s):
Herman Chiang
11F-2 No. 634-9 Ching-Ping Rd Chung-Ho City Taipei Hsien Taiwan
(72) Name(s) of Designer(s): **Herman Chiang**
(45) Registration Date: **10 July 2007**
(56) Related Art Documents: **Not Applicable**
(57) Statement of Newness and Distinctiveness: **Nil**



(21) Design Number: **18731/2007**
(22) Date of Filing Application: **06 July 2007**
(24) Date from which industrial property rights may have effect: **06 July 2007**
(54) Product in respect of which the design is registered: **Holder for articles**
(51) International Design Classification: **03-01NES**
(71) Name(s) and Address(s) of Applicant(s):
UK Gal, Inc.
6619 132nd Avenue NE #206 Kirkland WA 98033 United States of America
(72) Name(s) of Designer(s): **Phillip Swan**
(45) Registration Date: **10 July 2007**
(30) Convention priority data:
(31) Number (32) Date (33) Country
29/278,815 10 Apr 2007 UNITED STATES OF AMERICA
(56) Related Art Documents: **Not Applicable**
(57) Statement of Newness and Distinctiveness: **Nil**



(21) Design Number: **14663/2006**

(22) Date of Filing Application: **16 October 2006**

(24) Date from which industrial property rights may have effect: **16 October 2006**

(54) Product in respect of which the design is registered: **Pot**

(51) International Design Classification: **07-01G**

(71) Name(s) and Address(s) of Applicant(s):

**Peking Tung Jen Tang Chinese Medical Hall Singapore
50 Kallang Bahru #06#23 Kallang Basin Industrial Estate Singapore
339334**

(72) Name(s) of Designer(s): **Koh Yong Chang**

(45) Registration Date: **11 July 2007**

(56) Related Art Documents: **Not Applicable**

(57) Statement of Newness and Distinctiveness: **Those features of the pot that are new and distinctive are the shape and/or configuration. The pattern and ornamentation are not part of the design and are to be disregarded when considering the overall impression of the design.**



(21) Design Number: **16911/2007**

(22) Date of Filing Application: **16 March 2007**

(24) Date from which industrial property rights may have effect: **16 March 2007**

(54) Product in respect of which the design is registered: **Radio communications device**

(51) International Design Classification: **14-01**

(71) Name(s) and Address(s) of Applicant(s):

**Peter Crowhurst
8-35 Donald Street Prahran Melbourne Victoria 3181 Australia**

(72) Name(s) of Designer(s): **Adam Matruglio and Blair Hall**

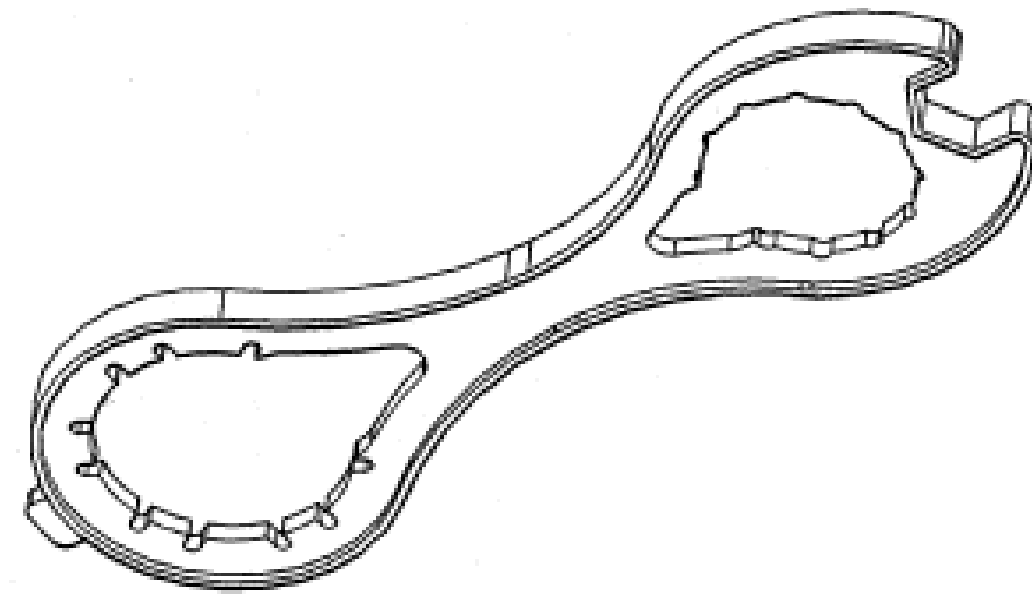
(45) Registration Date: **11 July 2007**

(56) Related Art Documents: **Not Applicable**

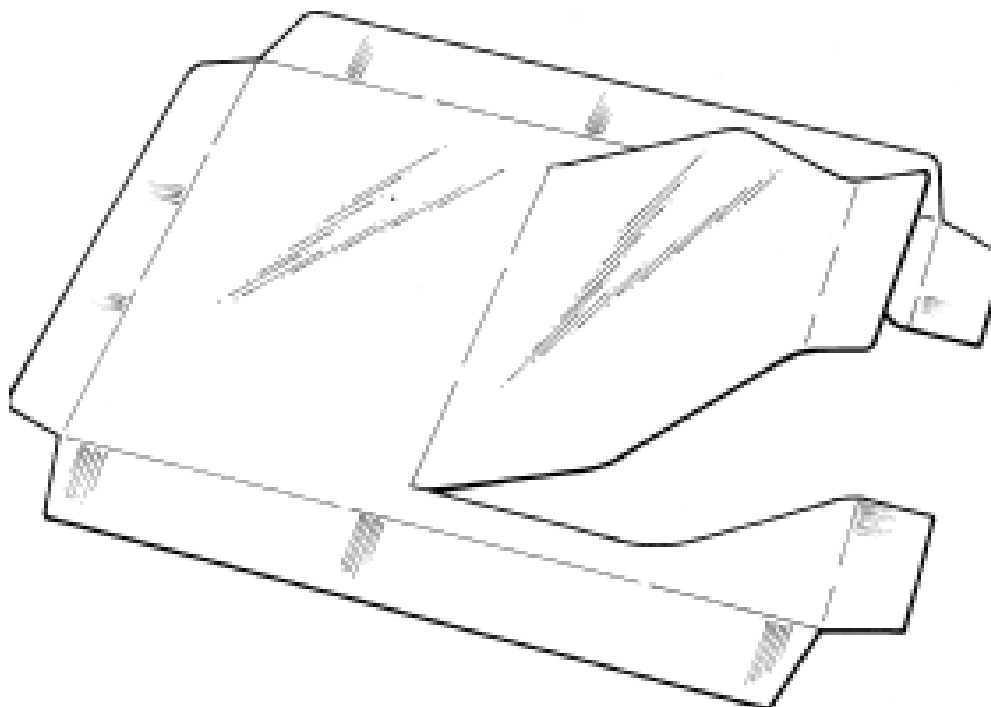
(57) Statement of Newness and Distinctiveness: **Large PTT button seen on the right, enclosed antenna, sealed unit.**



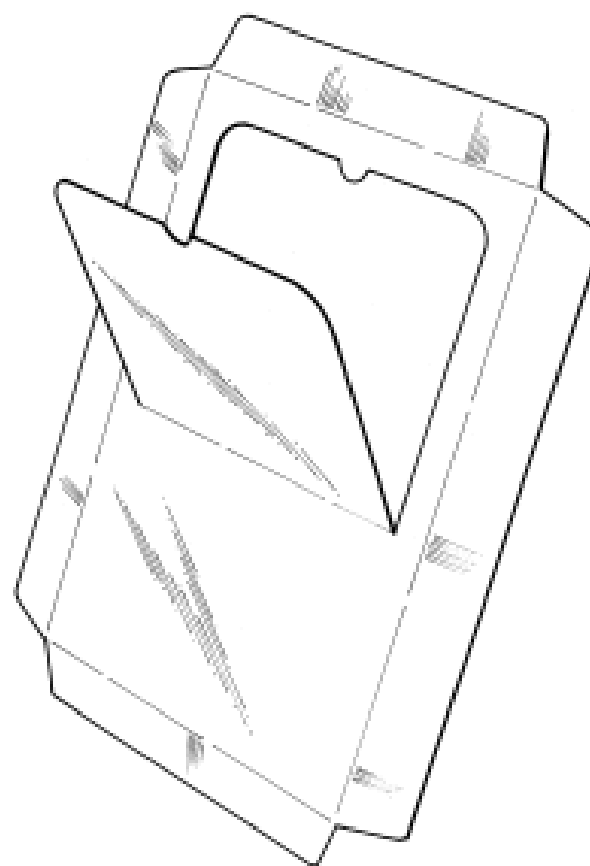
- (21) Design Number: **17596/2007**
(22) Date of Filing Application: **26 April 2007**
(24) Date from which industrial property rights may have effect: **26 April 2007**
(54) Product in respect of which the design is registered: **Spanner**
(51) International Design Classification: **08-05P**
(71) Name(s) and Address(s) of Applicant(s):
LX2 Pty Ltd
87A Hardy Road Ashfield Western Australia 6054 Australia
(72) Name(s) of Designer(s): **James Larmont**
(45) Registration Date: **11 July 2007**
(56) Related Art Documents: **Not Applicable**
(57) Statement of Newness and Distinctiveness: **Open ended spanner added to design no. 17268/2007 for use with plastic drum taps.**



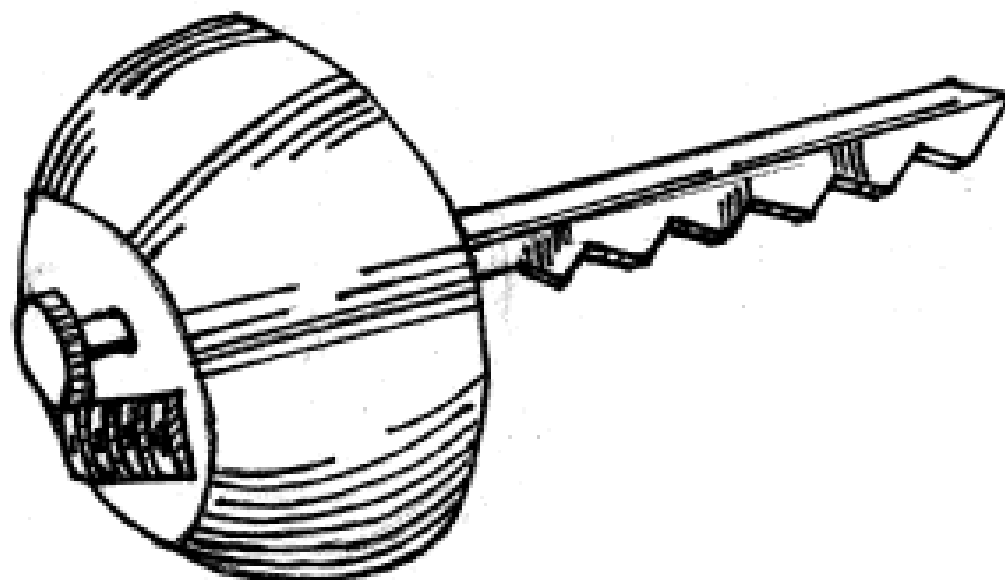
- (21) Design Number: **17613/2007**
(22) Date of Filing Application: **24 April 2007**
(24) Date from which industrial property rights may have effect: **24 April 2007**
(54) Product in respect of which the design is registered: **A box lid blank**
(51) International Design Classification: **09-03NES**
(71) Name(s) and Address(s) of Applicant(s):
Cargill Australia Limited
Level 12 432 St Kilda Road Melbourne Victoria 3004 Australia
(72) Name(s) of Designer(s): **Andrew Negline**
(45) Registration Date: **11 July 2007**
(56) Related Art Documents: **Not Applicable**
(57) Statement of Newness and Distinctiveness: **Nil**



- (21) Design Number: **17614/2007**
(22) Date of Filing Application: **24 April 2007**
(24) Date from which industrial property rights may have effect: **24 April 2007**
(54) Product in respect of which the design is registered: **A box lid blank**
(51) International Design Classification: **09-03NES**
(71) Name(s) and Address(s) of Applicant(s):
Cargill Australia Limited
Level 12 432 St Kilda Road Melbourne Victoria 3004 Australia
(72) Name(s) of Designer(s): **Andrew Negline**
(45) Registration Date: **11 July 2007**
(56) Related Art Documents: **Not Applicable**
(57) Statement of Newness and Distinctiveness: **Nil**



- (21) Design Number: **17615/2007**
(22) Date of Filing Application: **26 April 2007**
(24) Date from which industrial property rights may have effect: **26 April 2007**
(54) Product in respect of which the design is registered: **Keyhole locking device**
(51) International Design Classification: **08-07**
(71) Name(s) and Address(s) of Applicant(s):
Luciano Ruello
39 Monash Road Gladesville New South Wales 2111 Australia
(72) Name(s) of Designer(s): **Luciano Ruello**
(45) Registration Date: **11 July 2007**
(56) Related Art Documents: **Not Applicable**
(57) Statement of Newness and Distinctiveness: **The design incorporates a curved mounting block to resist forcible removal as well as a combination lock to prevent "bump-keying" of said device and subsequent removal from the host keyhole it protects.**



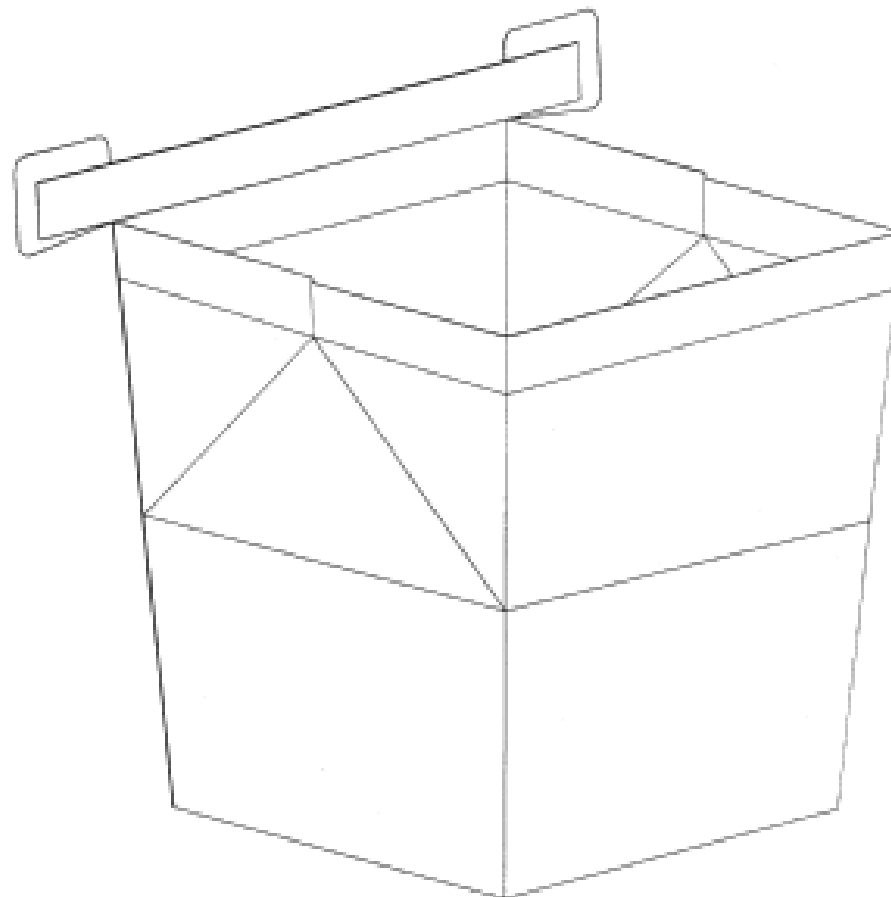
(21) Design Number: **17618/2007**
 (22) Date of Filing Application: **26 April 2007**
 (24) Date from which industrial property rights may have effect: **26 April 2007**
 (54) Product in respect of which the design is registered: **Refuse receptacle**
 (51) International Design Classification: **09-09**
 (71) Name(s) and Address(s) of Applicant(s):

Econix Limited
26 President Buildings President Way Sheffield S4 7UR United Kingdom

(72) Name(s) of Designer(s): **Nicholas Berndt Wood**
 (45) Registration Date: **11 July 2007**

(30) Convention priority data:
 (31) Number (32) Date (33) Country
000613070#0001 27 Oct 2006 EUROPEAN PATENT OFFICE (EP)

(56) Related Art Documents: **Not Applicable**
 (57) Statement of Newness and Distinctiveness: **The shape and configuration of a refuse receptacle as depicted in the accompanying representations.**



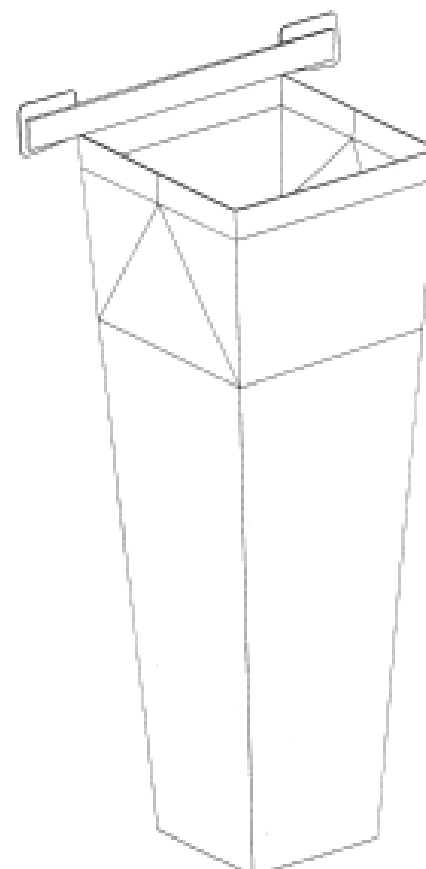
(21) Design Number: **17619/2007**
 (22) Date of Filing Application: **26 April 2007**
 (24) Date from which industrial property rights may have effect: **26 April 2007**
 (54) Product in respect of which the design is registered: **Refuse receptacle**
 (51) International Design Classification: **09-09**
 (71) Name(s) and Address(s) of Applicant(s):

Econix Limited
26 President Buildings President Way Sheffield S4 7UR United Kingdom

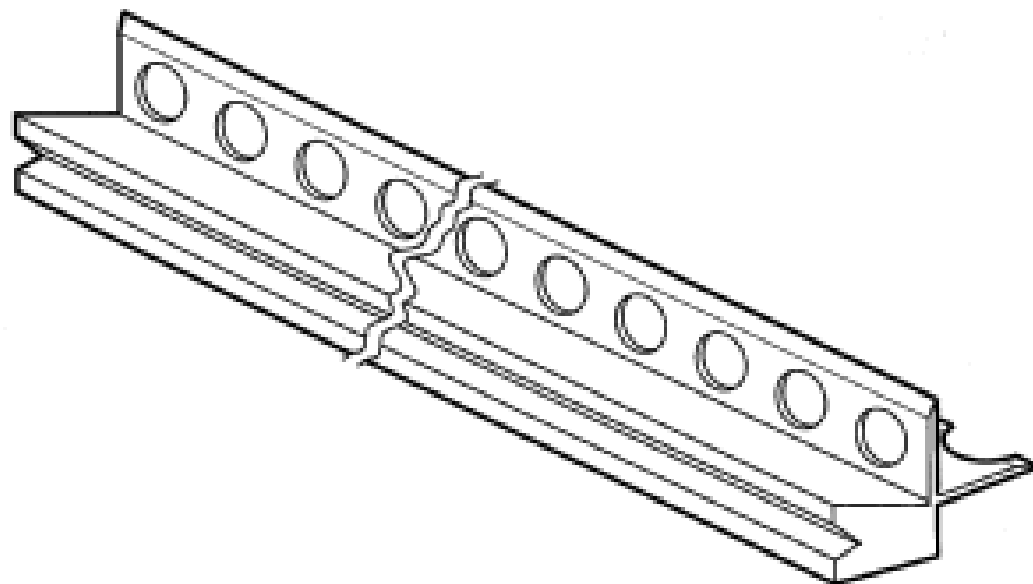
(72) Name(s) of Designer(s): **Nicholas Berndt Wood**
 (45) Registration Date: **11 July 2007**

(30) Convention priority data:
 (31) Number (32) Date (33) Country
000613070#0002 27 Oct 2006 EUROPEAN PATENT OFFICE (EP)

(56) Related Art Documents: **Not Applicable**
 (57) Statement of Newness and Distinctiveness: **The shape and configuration of a refuse receptacle as depicted in the accompanying representations.**



- (21) Design Number: **17620/2007**
(22) Date of Filing Application: **26 April 2007**
(24) Date from which industrial property rights may have effect: **26 April 2007**
(54) Product in respect of which the design is registered: **Bead element of indeterminate length**
(51) International Design Classification: **25-01NES**
(71) Name(s) and Address(s) of Applicant(s):
Watertight Products (Aust) Pty Ltd
Unit 17 10 Vulcan Road Canning Vale Western Australia 6155
Australia
(72) Name(s) of Designer(s): **Stephen Paulle**
(45) Registration Date: **11 July 2007**
(56) Related Art Documents: **Not Applicable**
(57) Statement of Newness and Distinctiveness: **Each feature of the design considered separately or in combination with any other feature or features.**



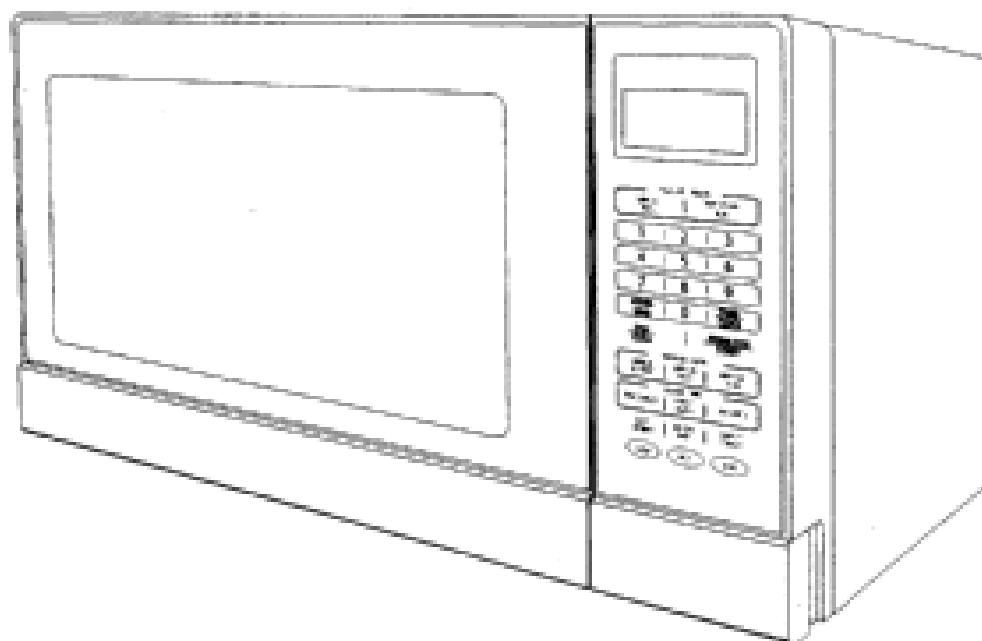
- (21) Design Number: **17621/2007**
(22) Date of Filing Application: **26 April 2007**
(24) Date from which industrial property rights may have effect: **26 April 2007**
(54) Product in respect of which the design is registered: **Teapot**
(51) International Design Classification: **07-02K**
(71) Name(s) and Address(s) of Applicant(s):
Pi-Design AG
Kantonsstrasse 100 Postfach 463 CH-6234 Triengen Switzerland
(72) Name(s) of Designer(s): **Jorgen Bodum**
(45) Registration Date: **11 July 2007**
(30) Convention priority data:

(31) Number	(32) Date	(33) Country
DA 2006	31 Oct 2006	DENMARK
00288		

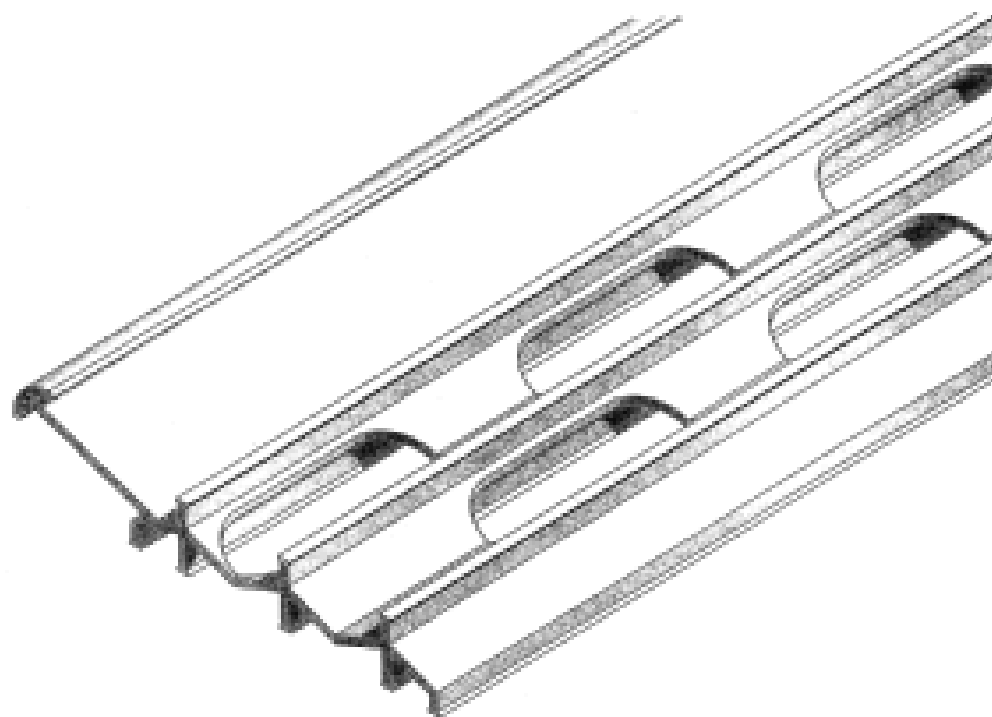
(56) Related Art Documents: **Not Applicable**
(57) Statement of Newness and Distinctiveness: **Nil**



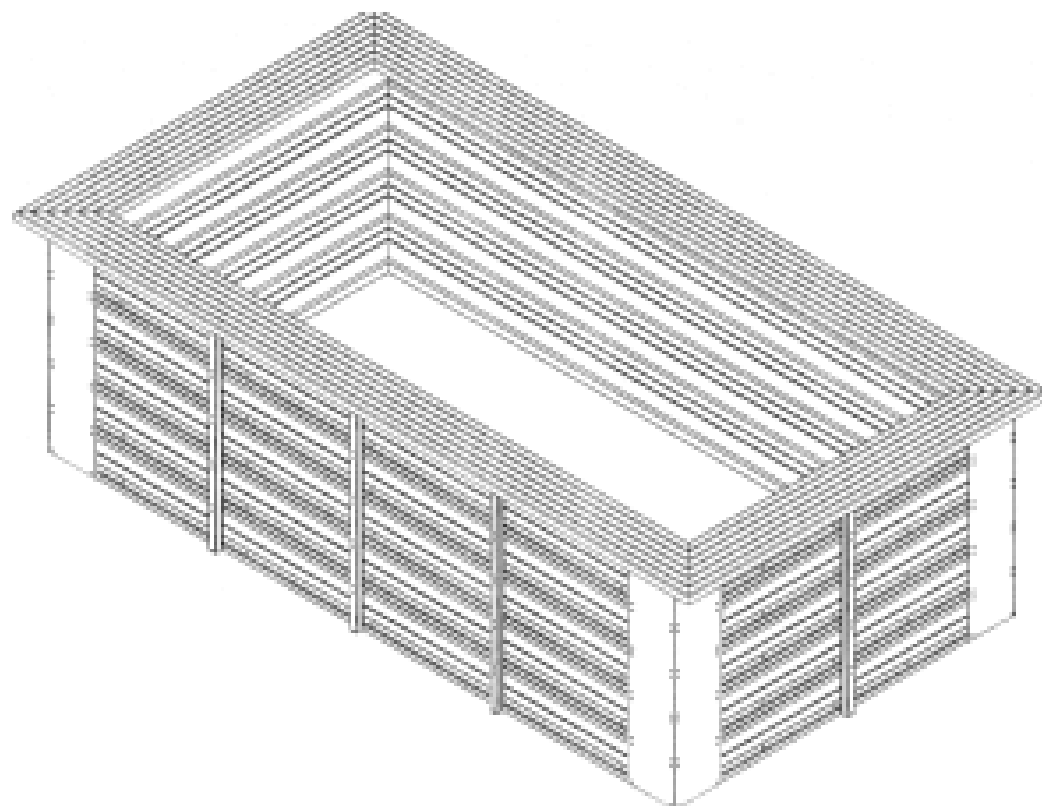
- (21) Design Number: **17622/2007**
(22) Date of Filing Application: **26 April 2007**
(24) Date from which industrial property rights may have effect: **26 April 2007**
(54) Product in respect of which the design is registered: **Microwave oven**
(51) International Design Classification: **07-02B**
(71) Name(s) and Address(s) of Applicant(s):
Sharp Kabushiki Kaisha
22-22 Nagaike-cho Abeno-ku Osaka Japan
(72) Name(s) of Designer(s): **Fumitoshi Sakata**
(45) Registration Date: **11 July 2007**
(30) Convention priority data:
(31) Number (32) Date (33) Country
2006#031351 15 Nov 2006 JAPAN
(56) Related Art Documents: **Not Applicable**
(57) Statement of Newness and Distinctiveness: **Newness and distinctiveness is claimed in the visual features shown in solid lines in the representations.**



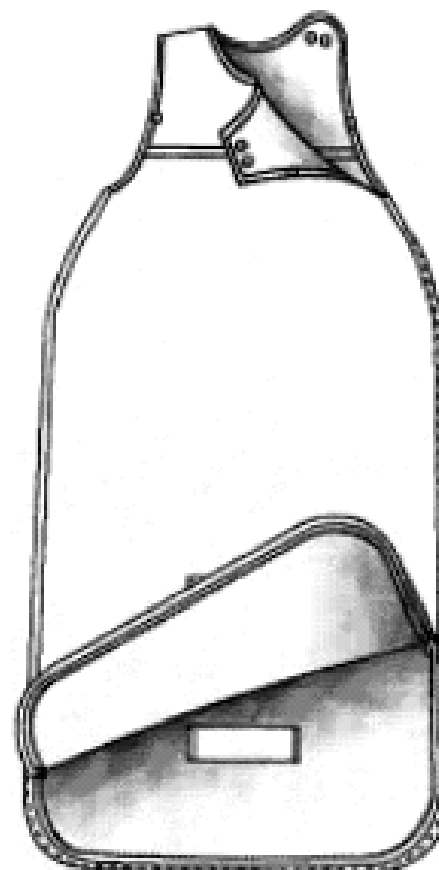
- (21) Design Number: **17625/2007**
(22) Date of Filing Application: **26 April 2007**
(24) Date from which industrial property rights may have effect: **26 April 2007**
(54) Product in respect of which the design is registered: **Bead**
(51) International Design Classification: **25-01NES**
(71) Name(s) and Address(s) of Applicant(s):
Hyung Choon Lee
1/32 North Parade Campsie New South Wales 2194 Australia
(72) Name(s) of Designer(s): **Hyung Choon Lee**
(45) Registration Date: **11 July 2007**
(56) Related Art Documents: **Not Applicable**
(57) Statement of Newness and Distinctiveness: **Newness and distinctiveness resides in the shape and configuration of a bead of constant cross-section and indefinite length as illustrated in the accompanying representations.**



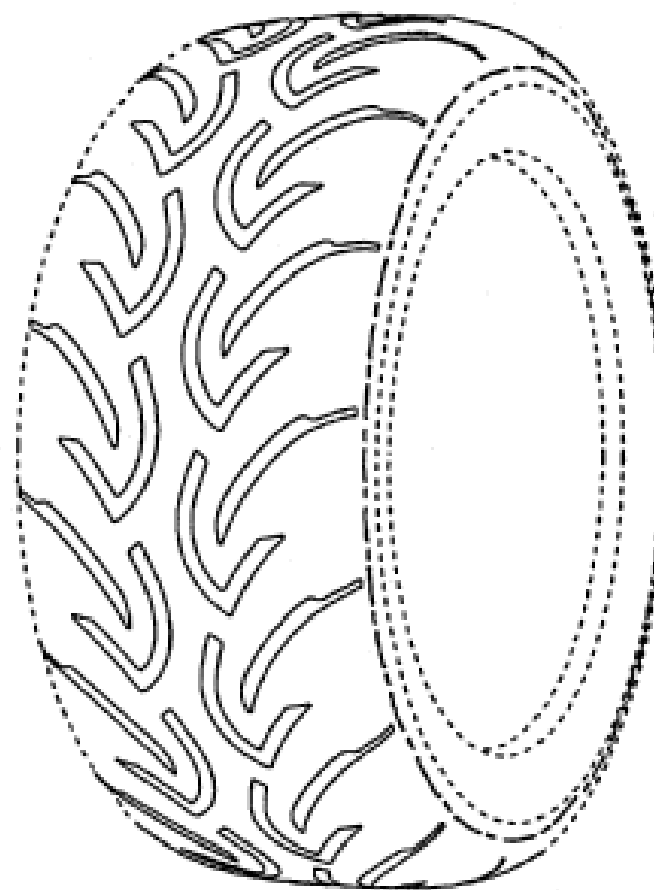
(21) Design Number: **17629/2007**
(22) Date of Filing Application: **26 April 2007**
(24) Date from which industrial property rights may have effect: **26 April 2007**
(54) Product in respect of which the design is registered: **A kitset pool**
(51) International Design Classification: **25-03**
(71) Name(s) and Address(s) of Applicant(s):
Camarillo Projects Limited
63 Waterside Drive Oropi Tauranga New Zealand
(72) Name(s) of Designer(s): **Nicholas Ross Powell**
(45) Registration Date: **11 July 2007**
(30) Convention priority data:
(31) Number (32) Date (33) Country
408551 12 Jan 2007 NEW ZEALAND
(56) Related Art Documents: **Not Applicable**
(57) Statement of Newness and Distinctiveness: **Nil**



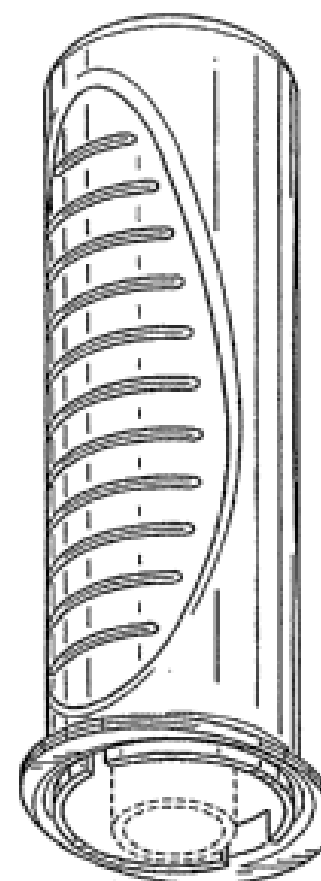
(21) Design Number: **17633/2007**
(22) Date of Filing Application: **30 April 2007**
(24) Date from which industrial property rights may have effect: **30 April 2007**
(54) Product in respect of which the design is registered: **Infant attire**
(51) International Design Classification: **02-02NES**
(71) Name(s) and Address(s) of Applicant(s):
Amelia Bristed Nilsson
155 Jervois Road Herne Bay Auckland
(72) Name(s) of Designer(s): **Amelia Bristed Nilsson**
(45) Registration Date: **11 July 2007**
(56) Related Art Documents: **Not Applicable**
(57) Statement of Newness and Distinctiveness: **Nil**



- (21) Design Number: **17639/2007**
(22) Date of Filing Application: **27 April 2007**
(24) Date from which industrial property rights may have effect: **27 April 2007**
(54) Product in respect of which the design is registered: **Automobile tyre**
(51) International Design Classification: **12-15A**
(71) Name(s) and Address(s) of Applicant(s):
The Yokohama Rubber Co., Ltd.
36-11 Shimbashi 5-chome Minato-ku Tokyo Japan
(72) Name(s) of Designer(s): **Masakazu Niwa and Kenichirou Endou**
(45) Registration Date: **11 July 2007**
(30) Convention priority data:
(31) Number (32) Date (33) Country
2006-029805 31 Oct 2006 JAPAN
(56) Related Art Documents: **Not Applicable**
(57) Statement of Newness and Distinctiveness: **Newness and distinctiveness reside in the features of the design shown in solid lines in the representations excluding those features shown in broken lines.**



- (21) Design Number: **17640/2007**
(22) Date of Filing Application: **27 April 2007**
(24) Date from which industrial property rights may have effect: **27 April 2007**
(54) Product in respect of which the design is registered: **Applicator**
(51) International Design Classification: **28-03NES**
(71) Name(s) and Address(s) of Applicant(s):
S.C. Johnson & Son, Inc.
1525 Howe Street Racine Wisconsin 53403-2236 United States of America
(72) Name(s) of Designer(s): **Steven A. Zach and Doraiswami Jaichandra and Michael E. Klinkhammer and William J. Rice and Shannon L. Bakich**
(45) Registration Date: **11 July 2007**
(30) Convention priority data:
(31) Number (32) Date (33) Country
29/269331 29 Nov 2006 UNITED STATES OF AMERICA
(56) Related Art Documents: **Not Applicable**
(57) Statement of Newness and Distinctiveness: **Newness and distinctiveness is claimed in the features of shape and/or configuration of an applicator as illustrated in continuous lines in the accompanying representations.**



(21) Design Number: **17653/2007**

(22) Date of Filing Application: **27 April 2007**

(24) Date from which industrial property rights may have effect: **27 April 2007**

(54) Product in respect of which the design is registered: **A clamp part for hoses and pipes**

(51) International Design Classification: **23-01A**

(71) Name(s) and Address(s) of Applicant(s):

Aba of Sweden AB

PO Box 100 S-334 00 Anderstorp Sweden

(72) Name(s) of Designer(s): **Marcus Johansson and Sven-Bertil Andersson**

(45) Registration Date: **11 July 2007**

(30) Convention priority data:

(31) Number

(32) Date

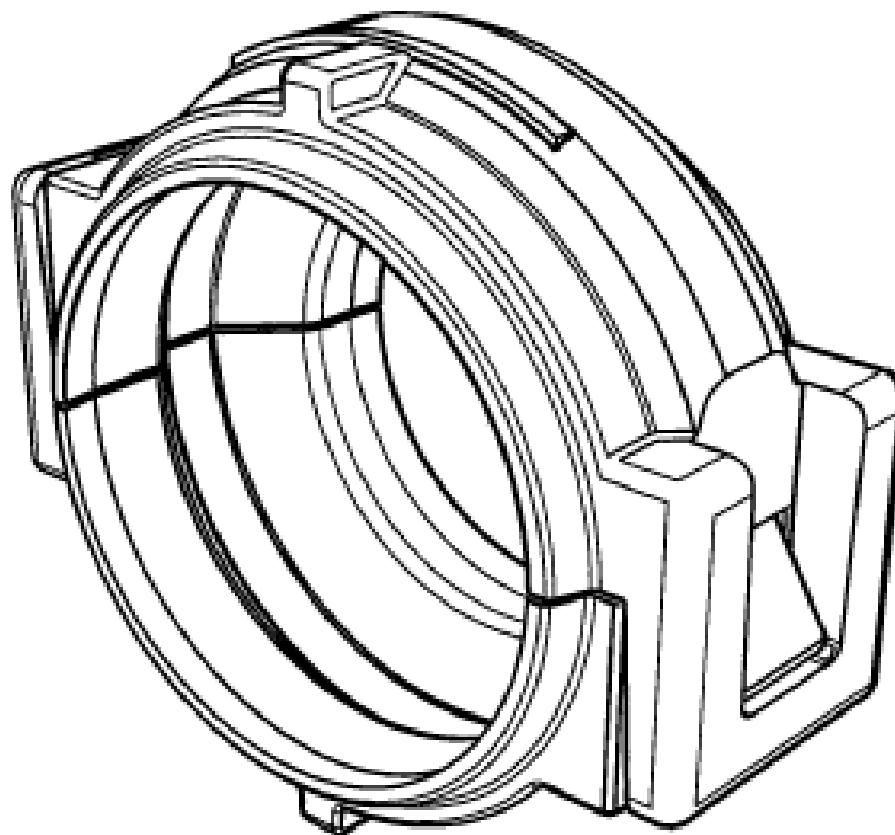
(33) Country

RCD-000614060 31 Oct 2006

EUROPEAN COMMUNITY

(56) Related Art Documents: **Not Applicable**

(57) Statement of Newness and Distinctiveness: **Nil**



(21) Design Number: **17654/2007**

(22) Date of Filing Application: **27 April 2007**

(24) Date from which industrial property rights may have effect: **27 April 2007**

(54) Product in respect of which the design is registered: **Connection component**

(51) International Design Classification: **23-01A**

(71) Name(s) and Address(s) of Applicant(s):

Aba of Sweden AB

PO Box 100 S-334 00 Anderstorp Sweden

(72) Name(s) of Designer(s): **Morgan Ryman**

(45) Registration Date: **11 July 2007**

(30) Convention priority data:

(31) Number

(32) Date

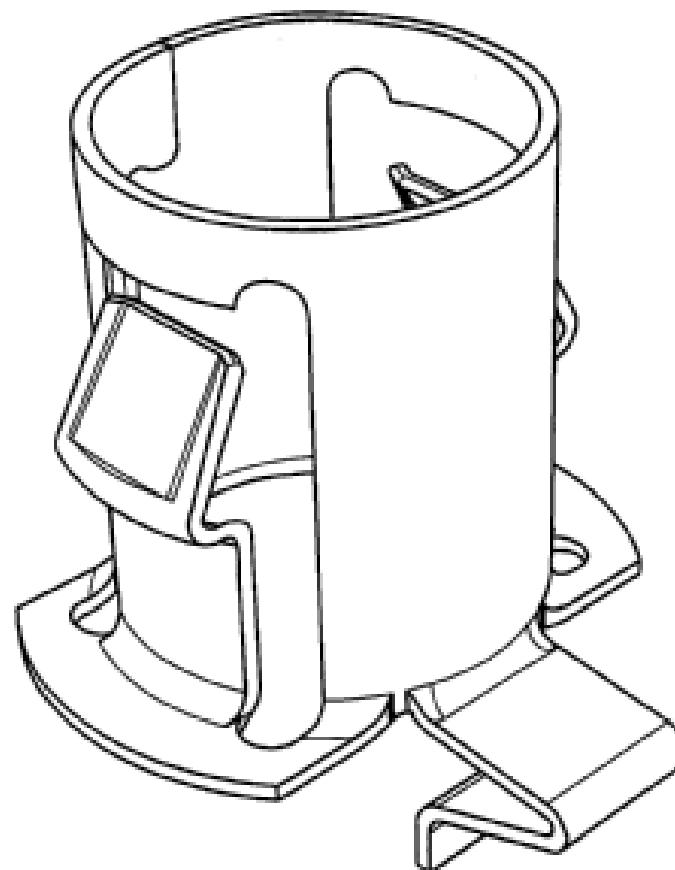
(33) Country

RCD-000614060 31 Oct 2006

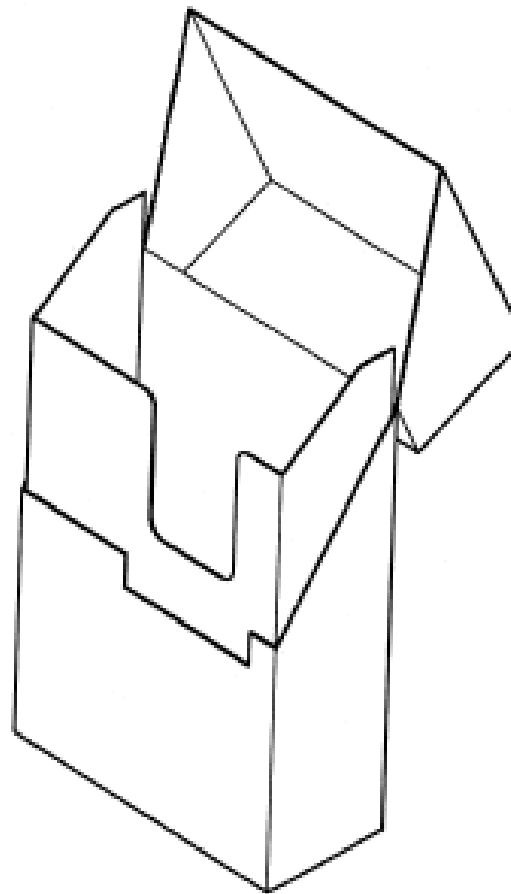
EUROPEAN COMMUNITY

(56) Related Art Documents: **Not Applicable**

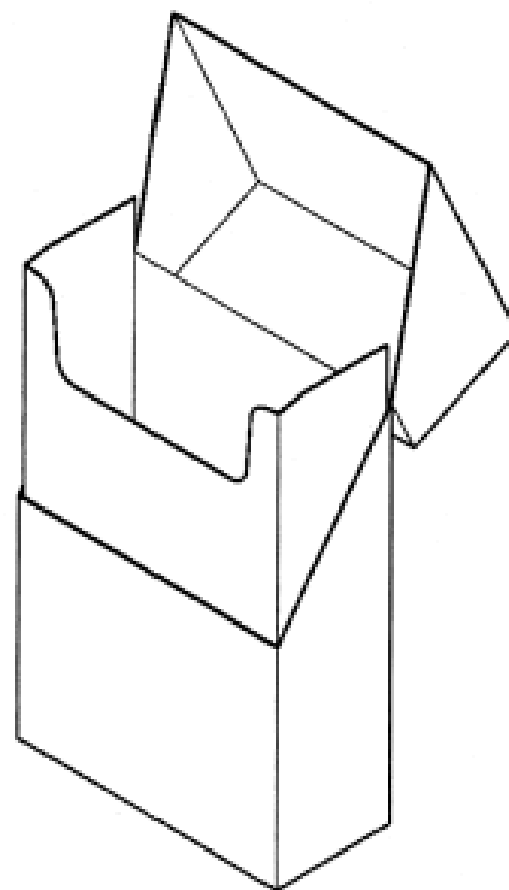
(57) Statement of Newness and Distinctiveness: **Nil**



- (21) Design Number: **17656/2007**
(22) Date of Filing Application: **27 April 2007**
(24) Date from which industrial property rights may have effect: **27 April 2007**
(54) Product in respect of which the design is registered: **Pack, particularly useful for smokable articles**
(51) International Design Classification: **09-03A**
(71) Name(s) and Address(s) of Applicant(s):
Philip Morris Products S.A.
Quai Jeanrenaud 3 CH-2000 Neuchatel Switzerland
(72) Name(s) of Designer(s): **Tony Snyder**
(45) Registration Date: **11 July 2007**
(30) Convention priority data:
(31) Number (32) Date (33) Country
000621636-0002 15 Nov 2006 EUROPEAN COMMUNITY
(56) Related Art Documents: **Not Applicable**
(57) Statement of Newness and Distinctiveness: **Nil**



- (21) Design Number: **17657/2007**
(22) Date of Filing Application: **27 April 2007**
(24) Date from which industrial property rights may have effect: **27 April 2007**
(54) Product in respect of which the design is registered: **Pack, particularly useful for smokable articles**
(51) International Design Classification: **09-03A**
(71) Name(s) and Address(s) of Applicant(s):
Philip Morris Products S.A.
Quai Jeanrenaud 3 CH-2000 Neuchatel Switzerland
(72) Name(s) of Designer(s): **Tony Snyder**
(45) Registration Date: **11 July 2007**
(30) Convention priority data:
(31) Number (32) Date (33) Country
000621636-0001 15 Nov 2006 EUROPEAN COMMUNITY
(56) Related Art Documents: **Not Applicable**
(57) Statement of Newness and Distinctiveness: **Nil**



(21) Design Number: **17662/2007**
(22) Date of Filing Application: **27 April 2007**
(24) Date from which industrial property rights may have effect: **27 April 2007**
(54) Product in respect of which the design is registered: **A pillow**
(51) International Design Classification: **06-09**
(71) Name(s) and Address(s) of Applicant(s):

Bennett Trading Limited
Unit R 86 Bush Road Albany North Shore City New Zealand

(72) Name(s) of Designer(s): **Elaine Bennett**

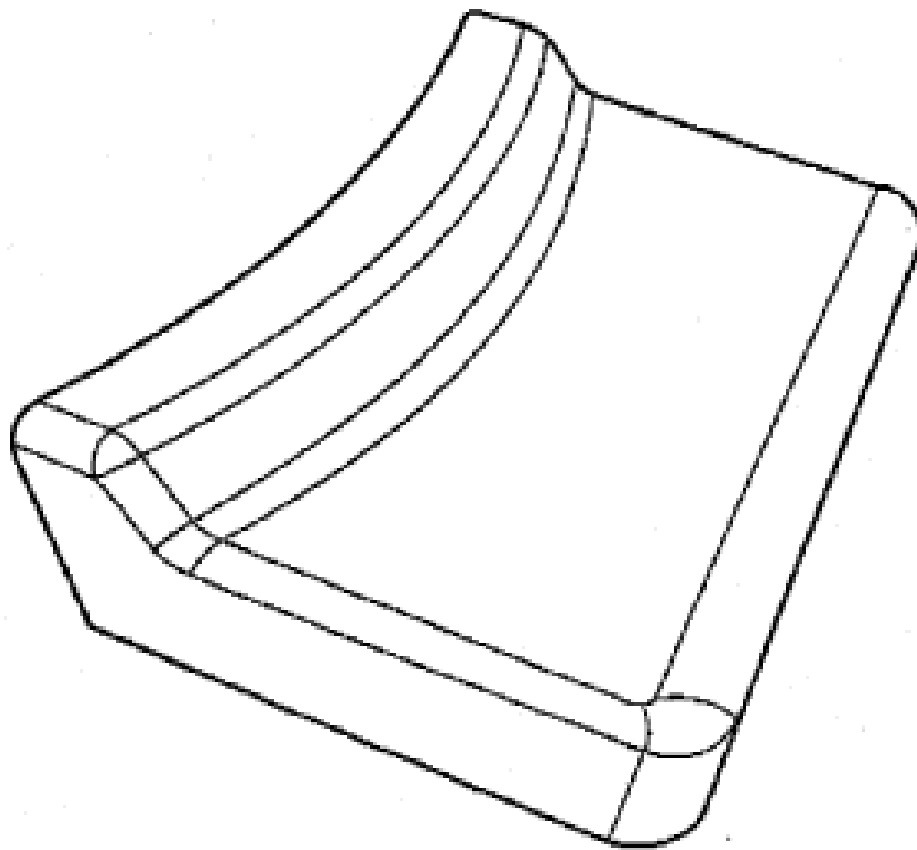
(45) Registration Date: **11 July 2007**

(30) Convention priority data:

(31) Number	(32) Date	(33) Country
408290	27 Oct 2006	NEW ZEALAND

(56) Related Art Documents: **Not Applicable**

(57) Statement of Newness and Distinctiveness: **Nil**



(21) Design Number: **16232/2007**
(22) Date of Filing Application: **02 February 2007**
(24) Date from which industrial property rights may have effect: **02 February 2007**
(54) Product in respect of which the design is registered: **Watering funnel filter**
(51) International Design Classification: **23-01G**
(71) Name(s) and Address(s) of Applicant(s):

Prima Plastics and Tooling Pty. Ltd.
113#115 Northcorp Boulevard Broadmeadows Victoria 3047 Australia

(72) Name(s) of Designer(s): **Michael Raleigh**

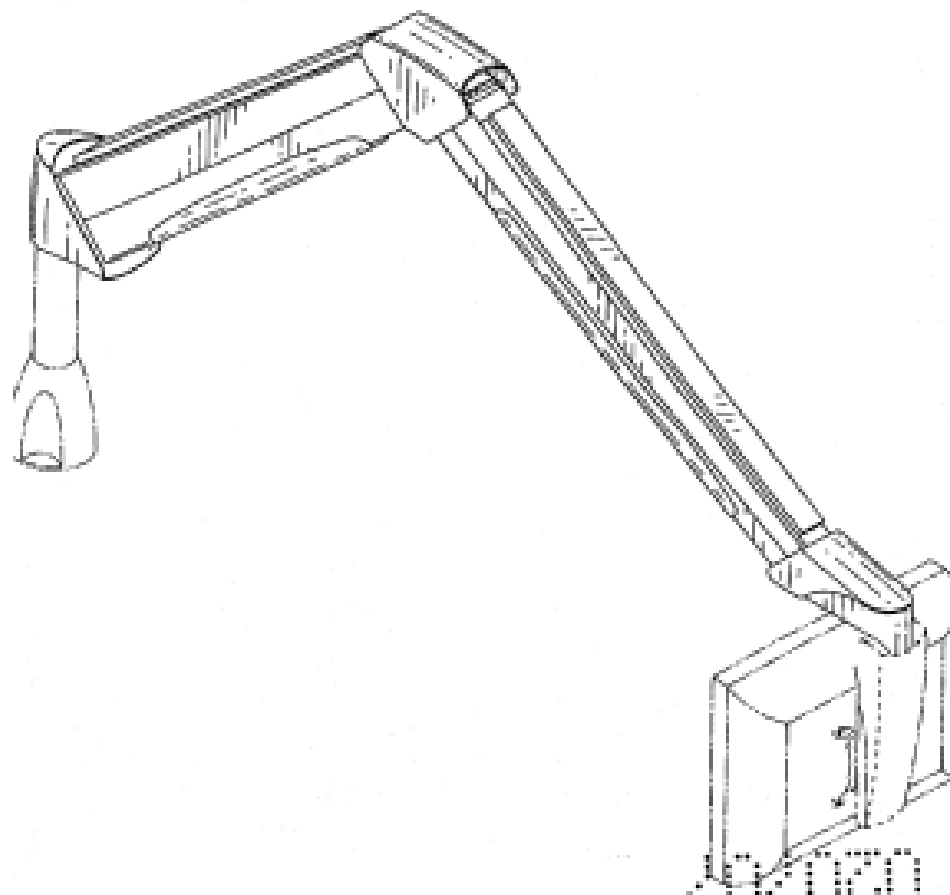
(45) Registration Date: **13 July 2007**

(56) Related Art Documents: **Not Applicable**

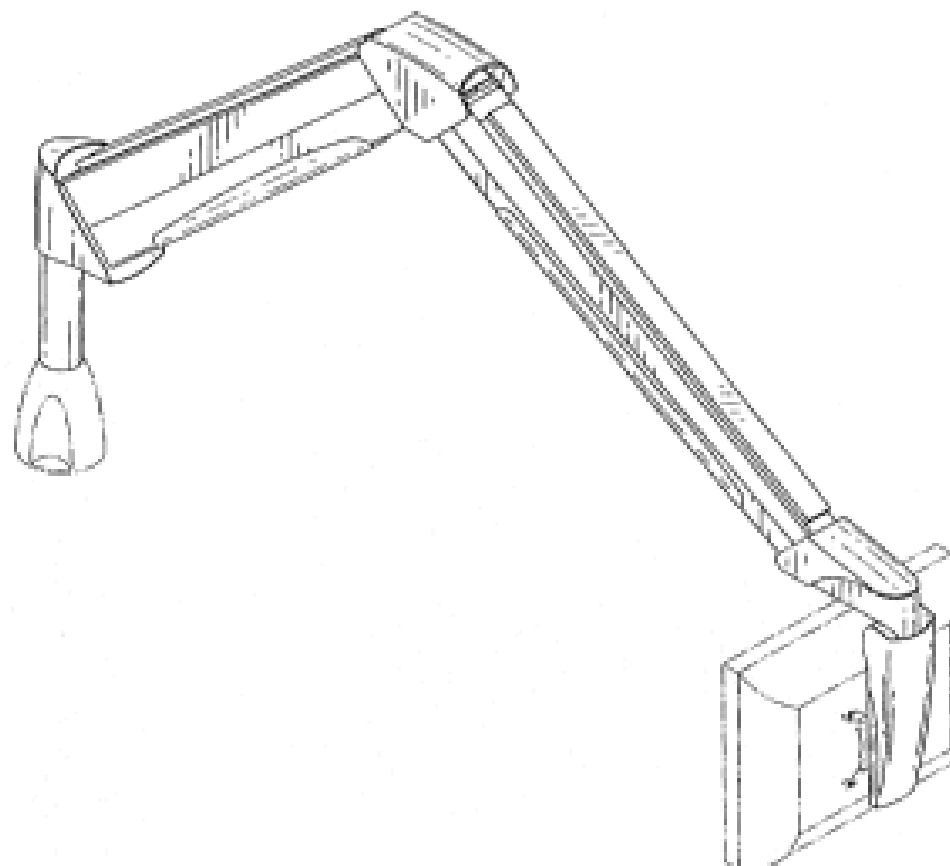
(57) Statement of Newness and Distinctiveness: **This filter makes it possible to use 'grey water' in a small funnel without instant clogging.**



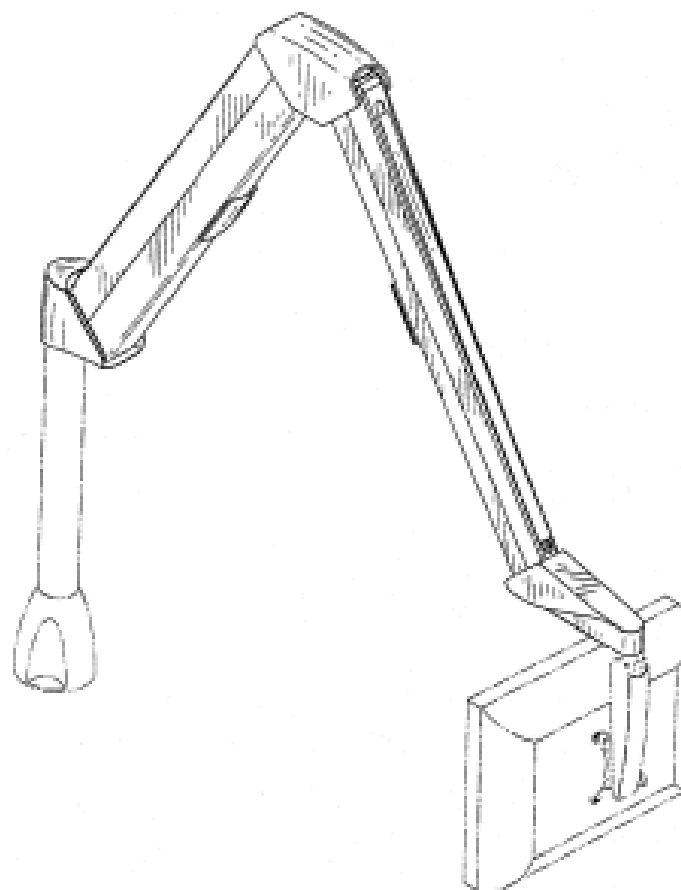
(21) Design Number: **16765/2007**
 (22) Date of Filing Application: **07 March 2007**
 (24) Date from which industrial property rights may have effect: **07 March 2007**
 (54) Product in respect of which the design is registered: **Boom extension arm**
 (51) International Design Classification: **08-08NES**
 (71) Name(s) and Address(s) of Applicant(s):
Innovative Office Products, Inc
100 Kuebler Road Easton Pennsylvania 18040 United States of America
 (72) Name(s) of Designer(s): **Bradley A. Derry and David Vanduzer and Odd N. Oddsen Jr.**
 (45) Registration Date: **13 July 2007**
 (30) Convention priority data:
 (31) Number (32) Date (33) Country
29/266,148 15 Sep 2006 UNITED STATES OF AMERICA
 (56) Related Art Documents: **Not Applicable**
 (57) Statement of Newness and Distinctiveness: **Those features of the boom extension arm depicted in the representations that are new and distinctive are the shape and/or configuration. The features shown in broken lines are to be disregarded when considering the overall impression of the design.**



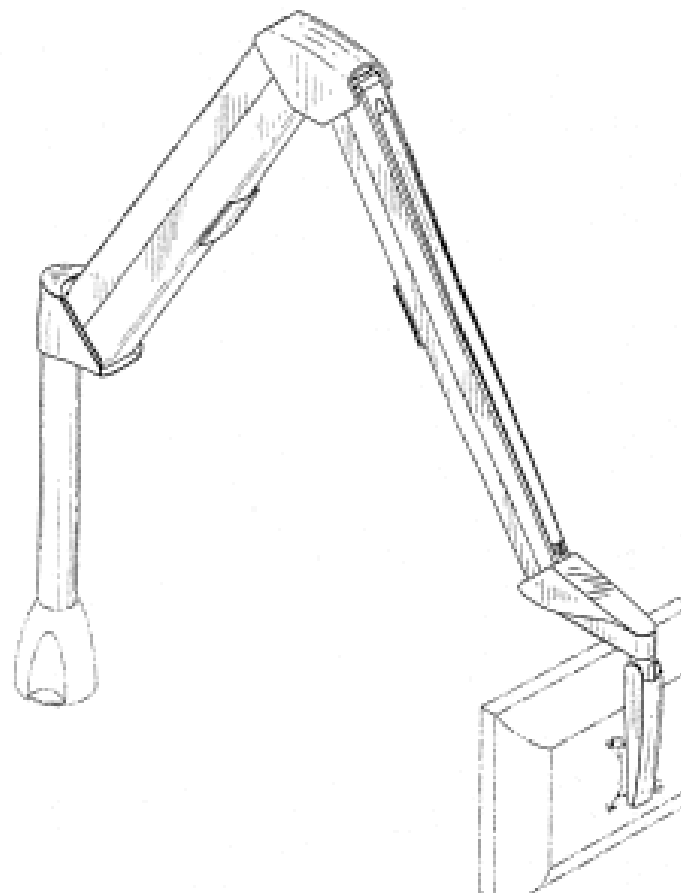
(21) Design Number: **18672/2007**
 (22) Date of Filing Application: **07 March 2007**
 (24) Date from which industrial property rights may have effect: **07 March 2007**
 (54) Product in respect of which the design is registered: **Boom extension arm**
 (51) International Design Classification: **08-08NES**
 (71) Name(s) and Address(s) of Applicant(s):
Innovative Office Products, Inc
100 Kuebler Road Easton Pennsylvania 18040 United States of America
 (72) Name(s) of Designer(s): **Bradley A. Derry and Odd N. Oddsen Jr. and David Vanduzer**
 (45) Registration Date: **13 July 2007**
 (30) Convention priority data:
 (31) Number (32) Date (33) Country
29/266,148 15 Sep 2006 UNITED STATES OF AMERICA
 (56) Related Art Documents: **Not Applicable**
 (57) Statement of Newness and Distinctiveness: **Those features of the boom extension arm depicted in the representations that are new and distinctive are the shape and/or configuration. The features shown in broken lines are to be disregarded when considering the overall impression of the design.**



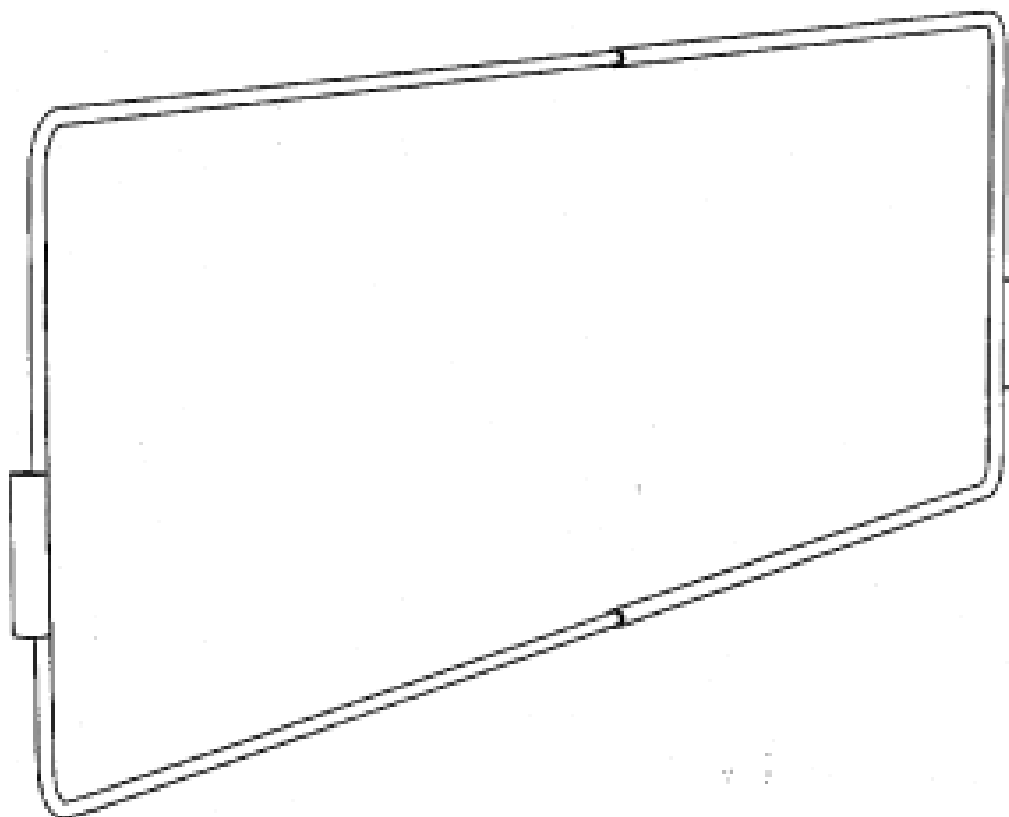
(21) Design Number: **18673/2007**
 (22) Date of Filing Application: **07 March 2007**
 (24) Date from which industrial property rights may have effect: **07 March 2007**
 (54) Product in respect of which the design is registered: **Boom extension arm**
 (51) International Design Classification: **08-08NES**
 (71) Name(s) and Address(s) of Applicant(s):
Innovative Office Products, Inc
100 Kuebler Road Easton Pennsylvania 18040 United States of America
 (72) Name(s) of Designer(s): **Bradley A. Derry and Odd N. Oddsen Jr. and David Vanduzer**
 (45) Registration Date: **13 July 2007**
 (30) Convention priority data:
 (31) Number (32) Date (33) Country
29/266,148 15 Sep 2006 UNITED STATES OF AMERICA
 (56) Related Art Documents: **Not Applicable**
 (57) Statement of Newness and Distinctiveness: **Those features of the boom extension arm depicted in the representations that are new and distinctive are the shape and/or configuration. The features shown in broken lines are to be disregarded when considering the overall impression of the design.**



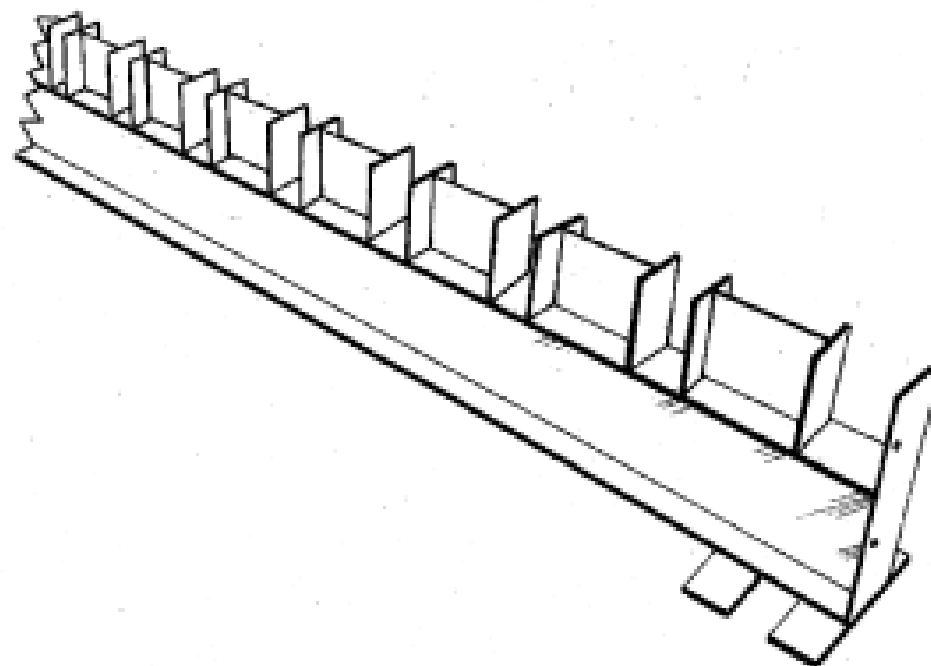
(21) Design Number: **18674/2007**
 (22) Date of Filing Application: **07 March 2007**
 (24) Date from which industrial property rights may have effect: **07 March 2007**
 (54) Product in respect of which the design is registered: **Boom extension arm**
 (51) International Design Classification: **08-08NES**
 (71) Name(s) and Address(s) of Applicant(s):
Innovative Office Products, Inc
100 Kuebler Road Easton Pennsylvania 18040 United States of America
 (72) Name(s) of Designer(s): **Bradley A. Derry and Odd N. Oddsen Jr. and David Vanduzer**
 (45) Registration Date: **13 July 2007**
 (30) Convention priority data:
 (31) Number (32) Date (33) Country
29/266,148 15 Sep 2006 UNITED STATES OF AMERICA
 (56) Related Art Documents: **Not Applicable**
 (57) Statement of Newness and Distinctiveness: **Those features of the boom extension arm depicted in the representations that are new and distinctive are the shape and/or configuration. The features shown in broken lines are to be disregarded when considering the overall impression of the design.**



- (21) Design Number: **17659/2007**
(22) Date of Filing Application: **30 April 2007**
(24) Date from which industrial property rights may have effect: **30 April 2007**
(54) Product in respect of which the design is registered: **A protective barrier frame**
(51) International Design Classification: **25-02NES**
(71) Name(s) and Address(s) of Applicant(s):
J.R. McLeod Pty Ltd
20 Quandong Street Roxby Downs South Australia 5725 Australia
(72) Name(s) of Designer(s): **James McLeod**
(45) Registration Date: **13 July 2007**
(56) Related Art Documents: **Not Applicable**
(57) Statement of Newness and Distinctiveness: **When considering the extent of newness and distinctiveness in the protective barrier frame of the accompanying representations, the support posts and mesh are to be disregarded.**



- (21) Design Number: **17660/2007**
(22) Date of Filing Application: **01 May 2007**
(24) Date from which industrial property rights may have effect: **01 May 2007**
(54) Product in respect of which the design is registered: **Stock grid bridge beam**
(51) International Design Classification: **25-02C**
(71) Name(s) and Address(s) of Applicant(s):
Jack Raymond Buttsworth
722 South Arm Road Urunga New South Wales 2455 Australia
(72) Name(s) of Designer(s): **Jack Raymond Buttsworth**
(45) Registration Date: **13 July 2007**
(56) Related Art Documents: **Not Applicable**
(57) Statement of Newness and Distinctiveness: **My design is a stock grid component that is easy to install without heavy machinery; maintenance of grid is simplified; and can be modified at minimal expense.**



(21) Design Number: **17661/2007**

(22) Date of Filing Application: **30 April 2007**

(24) Date from which industrial property rights may have effect: **30 April 2007**

(54) Product in respect of which the design is registered: **Cap for writing tool**

(51) International Design Classification: **19-06**

(71) Name(s) and Address(s) of Applicant(s):

Shachihata Inc

No. 69 4-chome Amazuka-cho Nishi-ku Nagoya Aichi 451-0021 Japan

(72) Name(s) of Designer(s): **Takeyuki Kamiyama**

(45) Registration Date: **13 July 2007**

(30) Convention priority data:

(31) Number

(32) Date

(33) Country

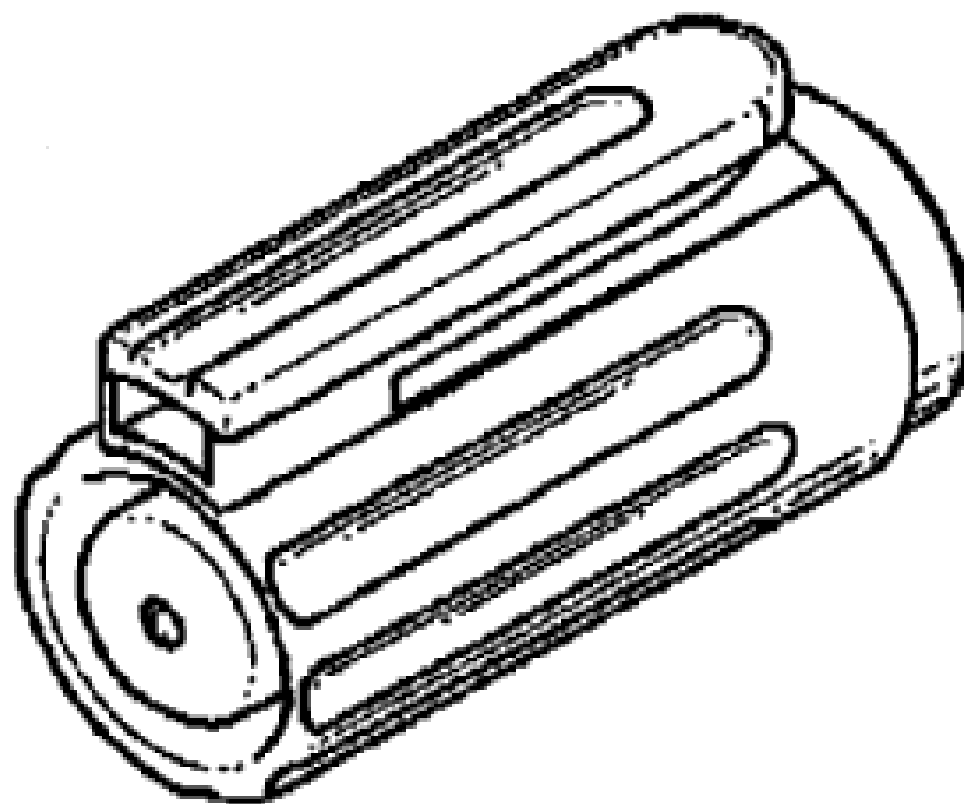
2006-030588

08 Nov 2006

JAPAN

(56) Related Art Documents: **Not Applicable**

(57) Statement of Newness and Distinctiveness: **Nil**



(21) Design Number: **17663/2007**

(22) Date of Filing Application: **30 April 2007**

(24) Date from which industrial property rights may have effect: **30 April 2007**

(54) Product in respect of which the design is registered: **String trimmer**

(51) International Design Classification: **08-03**

(71) Name(s) and Address(s) of Applicant(s):

Black & Decker Inc.

1207 Drummond Plaza Newark Delaware 19711 United States of America

(72) Name(s) of Designer(s): **Stephen Houghton**

(45) Registration Date: **13 July 2007**

(30) Convention priority data:

(31) Number

(32) Date

(33) Country

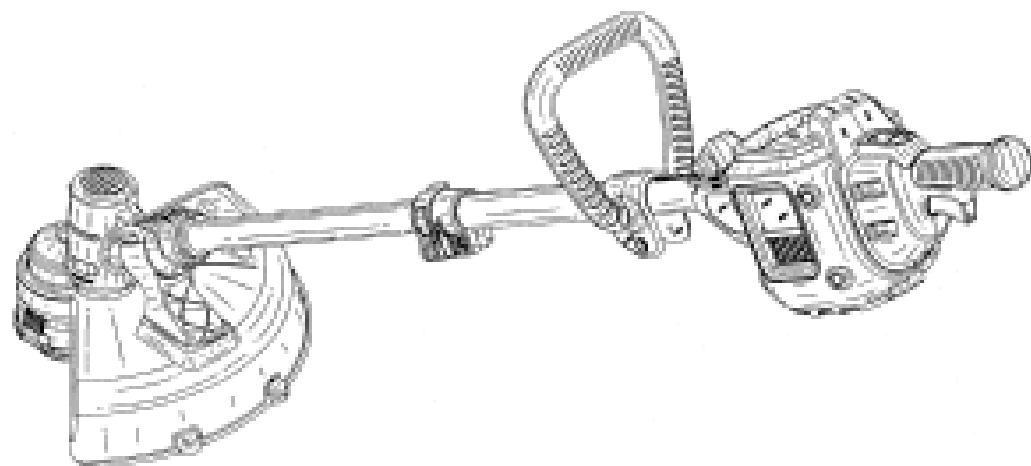
000628524

28 Nov 2006

EUROPEAN COMMUNITY

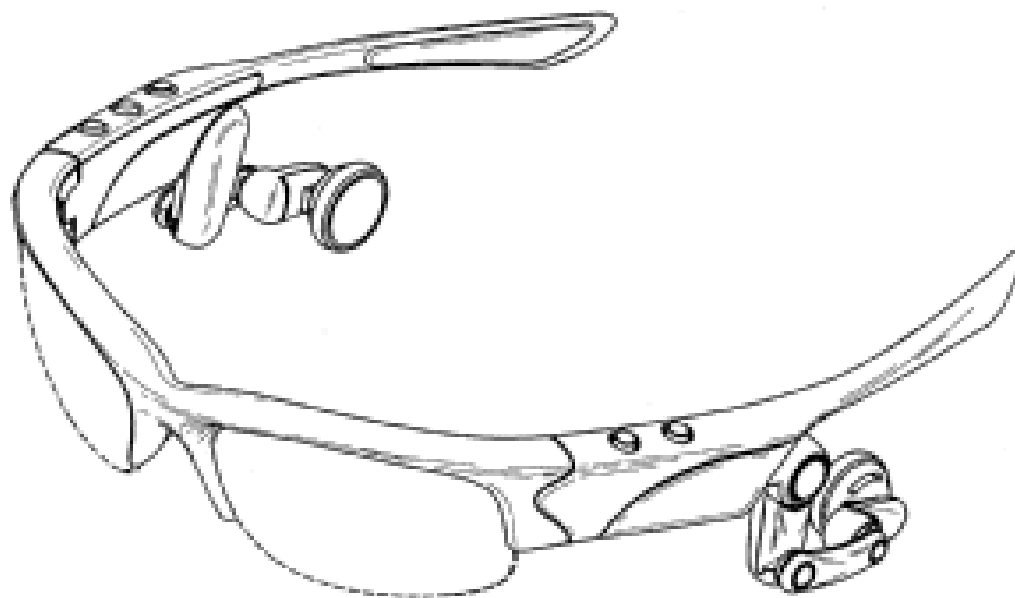
(56) Related Art Documents: **Not Applicable**

(57) Statement of Newness and Distinctiveness: **Nil**



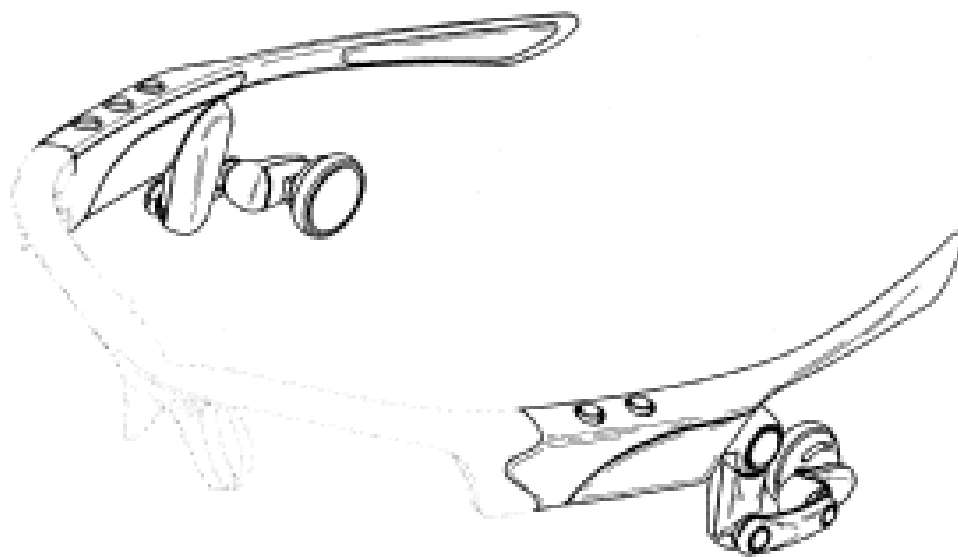
(19) AU

- (21) Design Number: **17664/2007**
(22) Date of Filing Application: **30 April 2007**
(24) Date from which industrial property rights may have effect: **30 April 2007**
(54) Product in respect of which the design is registered: **Eyeglass components comprising a frame with earstems**
(51) International Design Classification: **16-06, 14-01**
(71) Name(s) and Address(s) of Applicant(s):
Oakley, Inc.
One Icon Foothill Ranch California 92610 United States of America
(72) Name(s) of Designer(s): **Colin Baden and Hans Karsten Moritz and Peter Yee and James H. Jannard**
(45) Registration Date: **13 July 2007**
(30) Convention priority data:
(31) Number (32) Date (33) Country
29270169 15 Dec 2006 UNITED STATES OF AMERICA
(56) Related Art Documents: **Not Applicable**
(57) Statement of Newness and Distinctiveness: **Newness and distinctiveness is claimed in the visual features shown in solid lines in the representations.**



(19) AU

- (21) Design Number: **17665/2007**
(22) Date of Filing Application: **30 April 2007**
(24) Date from which industrial property rights may have effect: **30 April 2007**
(54) Product in respect of which the design is registered: **Eyeglass components comprising a pair of earstems**
(51) International Design Classification: **16-06, 14-01**
(71) Name(s) and Address(s) of Applicant(s):
Oakley, Inc.
One Icon Foothill Ranch California 92610 United States of America
(72) Name(s) of Designer(s): **Colin Baden and Peter Yee and Hans Karsten Moritz and James H. Jannard**
(45) Registration Date: **13 July 2007**
(30) Convention priority data:
(31) Number (32) Date (33) Country
29270169 15 Dec 2006 UNITED STATES OF AMERICA
(56) Related Art Documents: **Not Applicable**
(57) Statement of Newness and Distinctiveness: **Newness and distinctiveness is claimed in the visual features shown in solid lines in the representations.**



- (21) Design Number: **17666/2007**
- (22) Date of Filing Application: **30 April 2007**
- (24) Date from which industrial property rights may have effect: **30 April 2007**
- (54) Product in respect of which the design is registered: **Watch**
- (51) International Design Classification: **10-02**
- (71) Name(s) and Address(s) of Applicant(s):

Rolex SA
3 5 7 rue Francois Dussaud 1211 Geneva 26 Switzerland

(72) Name(s) of Designer(s): **Maria Cristina Calvani**

(45) Registration Date: **13 July 2007**

(30) Convention priority data:

(31) Number	(32) Date	(33) Country
133 286	31 Oct 2006	SWITZERLAND

(56) Related Art Documents: **Not Applicable**

(57) Statement of Newness and Distinctiveness: **Newness and distinctiveness is claimed in the features of shape and/or configuration and pattern and/or ornamentation of a watch as shown in the accompanying representations.**



- (21) Design Number: **17667/2007**
- (22) Date of Filing Application: **30 April 2007**
- (24) Date from which industrial property rights may have effect: **30 April 2007**
- (54) Product in respect of which the design is registered: **Watch dial**
- (51) International Design Classification: **10-07**
- (71) Name(s) and Address(s) of Applicant(s):

Rolex SA
3 5 7 rue Francois Dussaud 1211 Geneva 26 Switzerland

(72) Name(s) of Designer(s): **Maria Cristina Calvani**

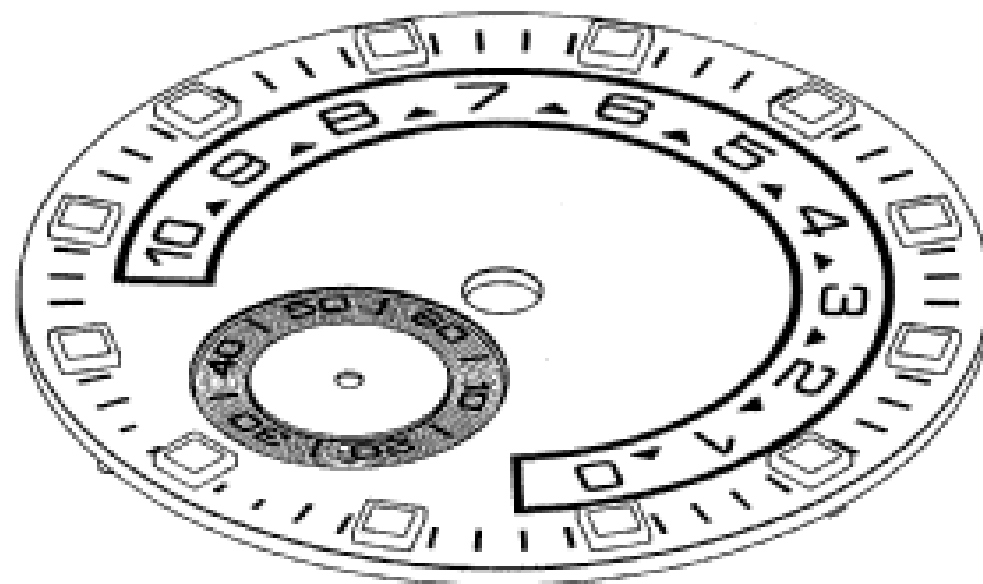
(45) Registration Date: **13 July 2007**

(30) Convention priority data:

(31) Number	(32) Date	(33) Country
133 285	31 Oct 2006	SWITZERLAND

(56) Related Art Documents: **Not Applicable**

(57) Statement of Newness and Distinctiveness: **Newness and distinctiveness is claimed in the following features of shape and/or configuration and pattern and/or ornamentation of a watch dial as shown in the accompanying representations: the 12 squares located on the dial symbolising the hours; the circular band occupying 9/12 of the dial's circumference having the digits 0 to 10 arranged equidistantly relative to each other in an anticlockwise direction; and the triangles disposed between the digits.**



- (21) Design Number: **17668/2007**
- (22) Date of Filing Application: **30 April 2007**
- (24) Date from which industrial property rights may have effect: **30 April 2007**
- (54) Product in respect of which the design is registered: **Bezel for a watch**
- (51) International Design Classification: **10-07**
- (71) Name(s) and Address(s) of Applicant(s):

Rolex SA
3 5 7 rue Francois Dussaud 1211 Geneva 26 Switzerland

(72) Name(s) of Designer(s): **Maria Cristina Calvani**

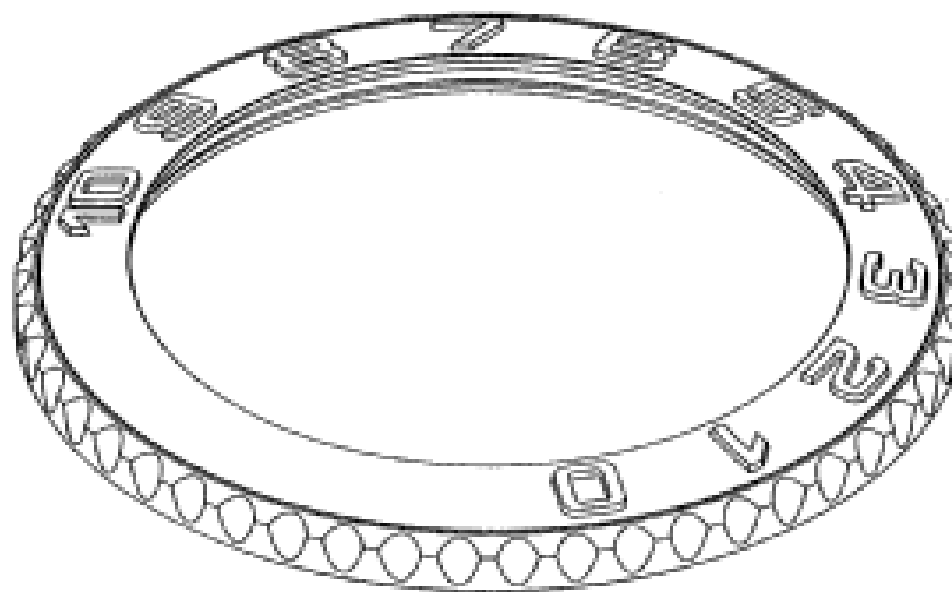
(45) Registration Date: **13 July 2007**

(30) Convention priority data:

(31) Number	(32) Date	(33) Country
133285	31 Oct 2006	SWITZERLAND

(56) Related Art Documents: **Not Applicable**

(57) Statement of Newness and Distinctiveness: **Newness and distinctiveness is claimed in the following features of shape and/or configuration and pattern and/or ornamentation of a bezel for a watch as shown in the accompanying representations: the bezel carries the digits 0 to 10 arranged equidistantly relative to each other around 9/12 of the circumference of the bezel in an anti-clockwise direction.**



- (21) Design Number: **17669/2007**
- (22) Date of Filing Application: **30 April 2007**
- (24) Date from which industrial property rights may have effect: **30 April 2007**
- (54) Product in respect of which the design is registered: **Watch**
- (51) International Design Classification: **10-02**
- (71) Name(s) and Address(s) of Applicant(s):

Rolex SA
3 5 7 rue Francois Dussaud 1211 Geneva 26 Switzerland

(72) Name(s) of Designer(s): **Maria Cristina Calvani**

(45) Registration Date: **13 July 2007**

(30) Convention priority data:

(31) Number	(32) Date	(33) Country
133 285	31 Oct 2006	SWITZERLAND

(56) Related Art Documents: **Not Applicable**

(57) Statement of Newness and Distinctiveness: **Newness and distinctiveness is claimed in the following features of shape and/or configuration and pattern and/or ornamentation of a watch as shown in the accompanying representations: the two lateral push buttons located on the right side of the watch dial, and particularly the circumferentially extending circular grooves located on the cylindrical flanks, and the rounded terminal faces having a slight indentation; the bezel carries the digits 0 to 10 arranged equidistantly relative to each other around 9/12 of the circumference of the bezel in an anti-clockwise direction, the 12 squares located on the dial symbolising the hours; the circular band occupying 9/12 of the dial's circumference having the digits 0 to 10 arranged equidistantly relative to each other in an anticlockwise direction; and the triangles disposed between the digits.**



(21) Design Number: **17670/2007**
 (22) Date of Filing Application: **30 April 2007**
 (24) Date from which industrial property rights may have effect: **30 April 2007**
 (54) Product in respect of which the design is registered: **Watch**
 (51) International Design Classification: **10-02**
 (71) Name(s) and Address(s) of Applicant(s):

Rolex SA
3 5 7 rue Francois Dussaud 1211 Geneva 26 Switzerland

(72) Name(s) of Designer(s): **Maria Cristina Calvani**

(45) Registration Date: **13 July 2007**

(30) Convention priority data:

(31) Number	(32) Date	(33) Country
133 285	31 Oct 2006	SWITZERLAND

(56) Related Art Documents: **Not Applicable**

(57) Statement of Newness and Distinctiveness: **Newness and distinctiveness is claimed in the following features of shape and/or configuration and pattern and/or ornamentation of a watch as shown in the accompanying representations: the two lateral push buttons located on the right side of the watch dial, and particularly the circumferentially extending circular grooves located on the cylindrical flanks, and the rounded terminal faces having a slight indentation; the bezel carries the digits 0 to 10 arranged equidistantly relative to each other around 9/12 of the circumference of the bezel in an anti-clockwise direction, the 12 squares located on the dial symbolising the hours; the circular band occupying 9/12 of the dials circumference having the digits 0 to 10 arranged equidistantly relative to each other in an anticlockwise direction; and the triangles disposed between the digits.**



(21) Design Number: **17671/2007**
 (22) Date of Filing Application: **30 April 2007**
 (24) Date from which industrial property rights may have effect: **30 April 2007**
 (54) Product in respect of which the design is registered: **Celluar phone**
 (51) International Design Classification: **14-03E**
 (71) Name(s) and Address(s) of Applicant(s):

LG Electronics Inc.
20 Yoido-dong Yongdungpo-gu Seoul Republic of Korea

(72) Name(s) of Designer(s): **Kyong Pil Mun and Hyun Seop Kim**

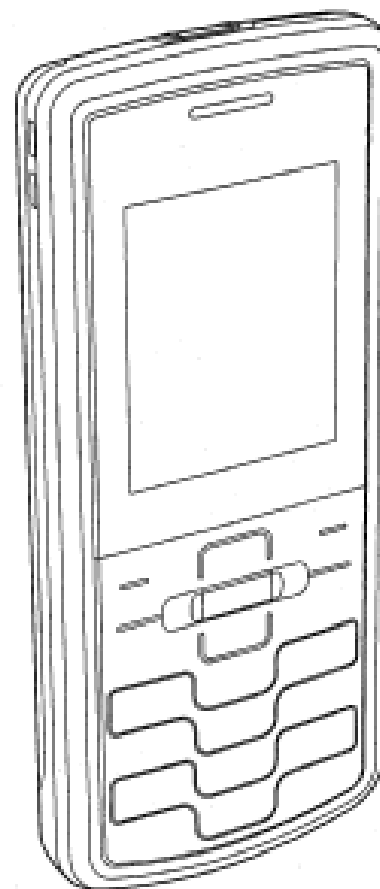
(45) Registration Date: **13 July 2007**

(30) Convention priority data:

(31) Number	(32) Date	(33) Country
30-2006-0045157	13 Nov 2006	REPUBLIC OF KOREA

(56) Related Art Documents: **Not Applicable**

(57) Statement of Newness and Distinctiveness: **Newness and distinctiveness resides in the visual features of shape and/or configuration of a celluar phone as illustrated in the accompanying representations.**



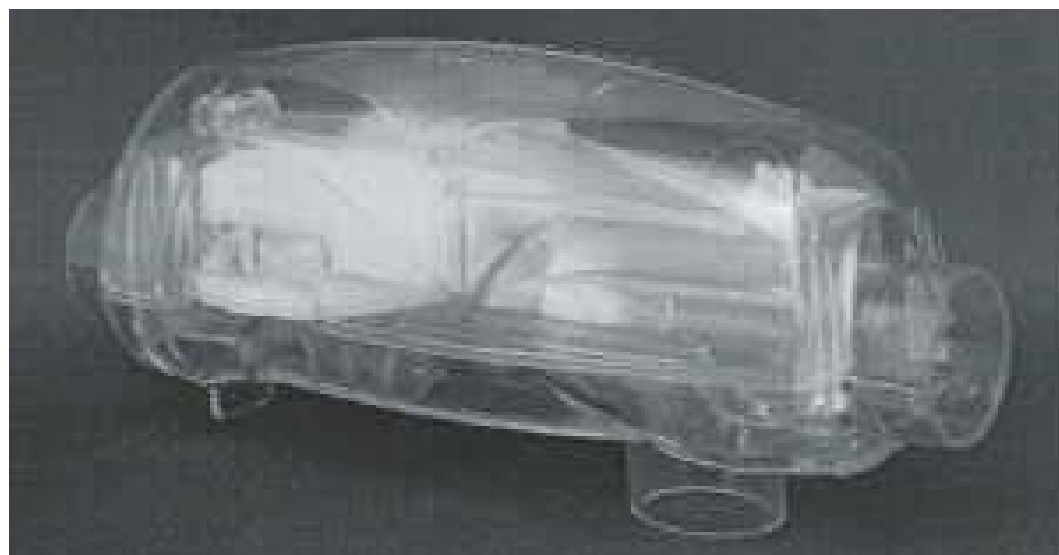
- (21) Design Number: **17675/2007**
(22) Date of Filing Application: **30 April 2007**
(24) Date from which industrial property rights may have effect: **30 April 2007**
(54) Product in respect of which the design is registered: **Hairpiece**
(51) International Design Classification: **28-04**
(71) Name(s) and Address(s) of Applicant(s):
Barbara Valerie Hatten
5/202 Beach Road Black Rock Victoria 3193 Australia
(72) Name(s) of Designer(s): **Barbara Valerie Hatten**
(45) Registration Date: **13 July 2007**
(56) Related Art Documents: **Not Applicable**
(57) Statement of Newness and Distinctiveness: **Nil**



- (21) Design Number: **17688/2007**
(22) Date of Filing Application: **30 April 2007**
(24) Date from which industrial property rights may have effect: **30 April 2007**
(54) Product in respect of which the design is registered: **Sports merchandise**
(51) International Design Classification: **02-03**
(71) Name(s) and Address(s) of Applicant(s):
Joanne Woolley
3/5-7 Prospect Street Erskineville New South Wales 2043 Australia
(72) Name(s) of Designer(s): **Joanne Woolley**
(45) Registration Date: **13 July 2007**
(56) Related Art Documents: **Not Applicable**
(57) Statement of Newness and Distinctiveness: **The design of green and gold kangaroo fury ears is new and distinctive due to the combination of Australia's national colours - green and gold - and the shape and make of the kangaroo ears. In addition to this, applying this design to sports merchandise, specifically aimed at Australia's national sporting teams, with reference to a kangaroo in their teams name, for example - The Socceroo's, The Matilda's and The Kangaroo's etc. The use and design of this sporting merchandise has not been created before and is therefore new and distinctive.**



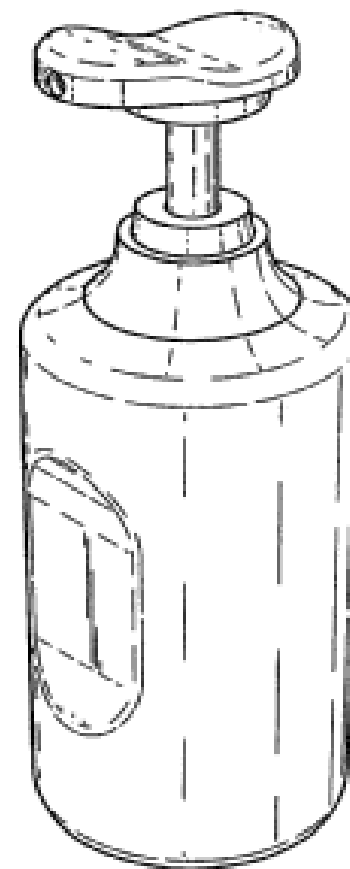
- (21) Design Number: **17696/2007**
(22) Date of Filing Application: **01 May 2007**
(24) Date from which industrial property rights may have effect: **01 May 2007**
(54) Product in respect of which the design is registered: **Respiratory therapy device**
(51) International Design Classification: **24-01**
(71) Name(s) and Address(s) of Applicant(s):
Smiths Medical ASD, Inc.
PO Box 724 10 Bowman Drive Keene New Hampshire 03431-0724
United States of America
(72) Name(s) of Designer(s): **Fredrick M. Richards and Robert R. Cianfrocco and Deborah A. Laun**
(45) Registration Date: **13 July 2007**
(30) Convention priority data:
(31) Number (32) Date (33) Country
29/250148 03 Nov 2006 UNITED STATES OF AMERICA
(56) Related Art Documents: **Not Applicable**
(57) Statement of Newness and Distinctiveness: **Newness and distinctiveness is claimed in the features of shape and/or configuration of a respiratory therapy device as illustrated in the accompanying representations.**



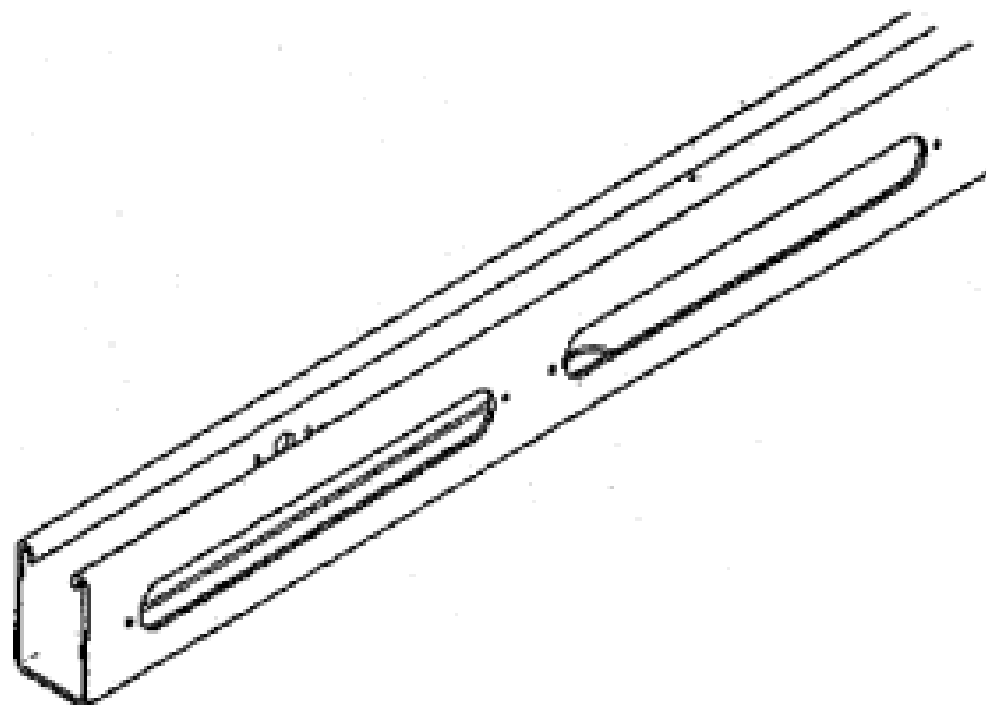
- (21) Design Number: **18739/2007**
(22) Date of Filing Application: **06 July 2007**
(24) Date from which industrial property rights may have effect: **06 July 2007**
(54) Product in respect of which the design is registered: **Bottle**
(51) International Design Classification: **09-01K**
(71) Name(s) and Address(s) of Applicant(s):
Reckitt Benckiser (UK) Limited
103-105 Bath Road Slough Berkshire SL1 3UH United Kingdom
(72) Name(s) of Designer(s): **Neil Hirst and Edward Mitchell and Jason Morenikeji**
(45) Registration Date: **13 July 2007**
(30) Convention priority data:
(31) Number (32) Date (33) Country
000649082-0007 10 Jan 2007 EUROPEAN COMMUNITY
(56) Related Art Documents: **Not Applicable**
(57) Statement of Newness and Distinctiveness: **Newness and distinctiveness reside in the features of the design as shown in the representations.**



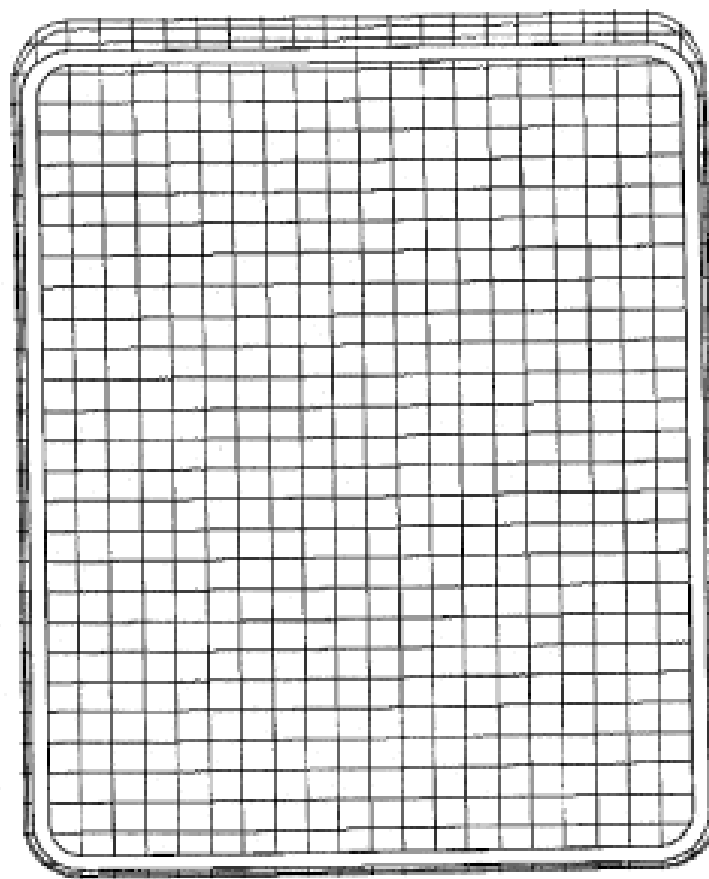
- (21) Design Number: **18740/2007**
(22) Date of Filing Application: **06 July 2007**
(24) Date from which industrial property rights may have effect: **06 July 2007**
(54) Product in respect of which the design is registered: **Bottle**
(51) International Design Classification: **09-01K**
(71) Name(s) and Address(s) of Applicant(s):
Reckitt Benckiser (UK) Limited
103-105 Bath Road Slough Berkshire SL1 3UH United Kingdom
(72) Name(s) of Designer(s): **Neil Hirst and Edward Mitchell and Jason Morenikeji**
(45) Registration Date: **13 July 2007**
(30) Convention priority data:
(31) Number (32) Date (33) Country
000649082-0003 10 Jan 2007 EUROPEAN COMMUNITY
(56) Related Art Documents: **Not Applicable**
(57) Statement of Newness and Distinctiveness: **Newness and distinctiveness reside in the features of the design as shown in the representations.**



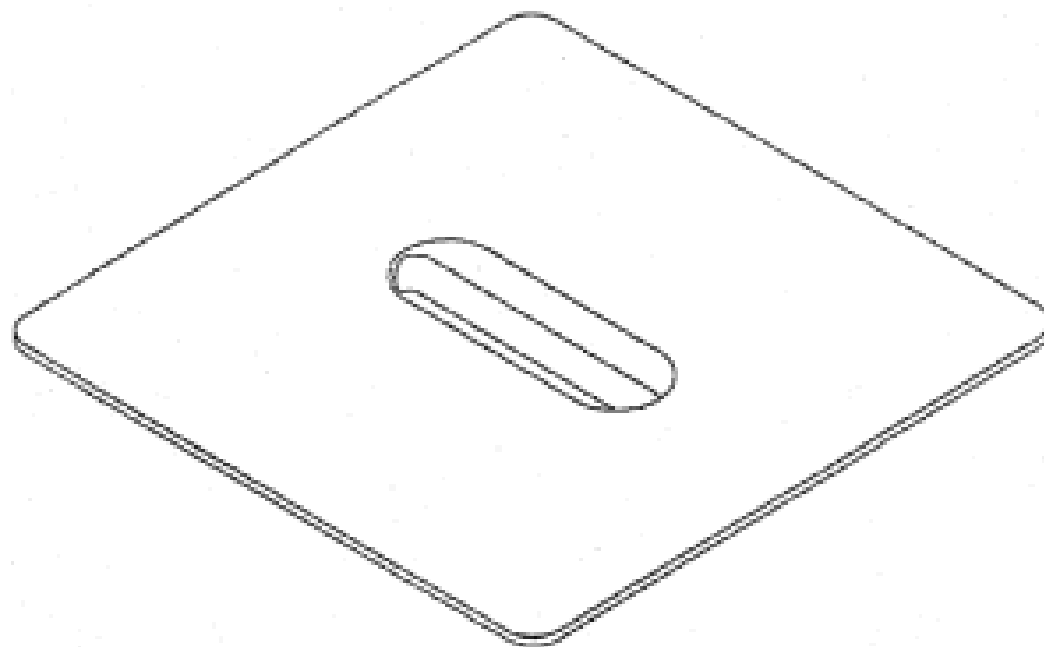
- (21) Design Number: **17395/2007**
(22) Date of Filing Application: **11 April 2007**
(24) Date from which industrial property rights may have effect: **11 April 2007**
(54) Product in respect of which the design is registered: **Trekka mounting bar**
(51) International Design Classification: **12-16NES**
(71) Name(s) and Address(s) of Applicant(s):
Jaram Products Pty
12 Railway Parade Welshpool Western Australia 6106 Australia
(72) Name(s) of Designer(s): **Jonathan Lloyd McEwen**
(45) Registration Date: **17 July 2007**
(56) Related Art Documents: **Not Applicable**
(57) Statement of Newness and Distinctiveness: **Nil**



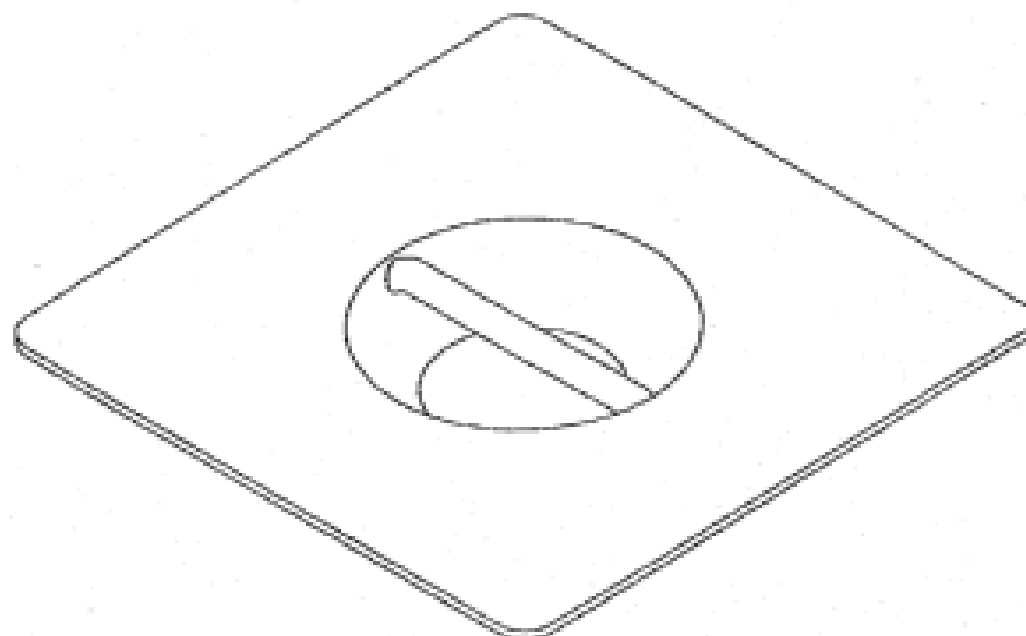
- (21) Design Number: **17396/2007**
- (22) Date of Filing Application: **11 April 2007**
- (24) Date from which industrial property rights may have effect: **11 April 2007**
- (54) Product in respect of which the design is registered: **Trekka luggage basket**
- (51) International Design Classification: **12-16K**
- (71) Name(s) and Address(s) of Applicant(s):
Jaram Products Pty
12 Railway Parade Welshpool Western Australia 6106 Australia
- (72) Name(s) of Designer(s): **Jonathan Lloyd McEwen**
- (45) Registration Date: **17 July 2007**
- (56) Related Art Documents: **Not Applicable**
- (57) Statement of Newness and Distinctiveness: **The sides of the roof rack curve inwards and are rounded to create a sloping and rounded effect.**



- (21) Design Number: **17397/2007**
- (22) Date of Filing Application: **11 April 2007**
- (24) Date from which industrial property rights may have effect: **11 April 2007**
- (54) Product in respect of which the design is registered: **In ground basket (oblong indentation)**
- (51) International Design Classification: **08-08L**
- (71) Name(s) and Address(s) of Applicant(s):
Jaram Products Pty
12 Railway Parade Welshpool Western Australia 6106 Australia
- (72) Name(s) of Designer(s): **Jonathan Lloyd McEwen**
- (45) Registration Date: **17 July 2007**
- (56) Related Art Documents: **Not Applicable**
- (57) Statement of Newness and Distinctiveness: **Nil**



- (21) Design Number: **17398/2007**
- (22) Date of Filing Application: **11 April 2007**
- (24) Date from which industrial property rights may have effect: **11 April 2007**
- (54) Product in respect of which the design is registered: **In ground bracket (circular indentation)**
- (51) International Design Classification: **08-08L**
- (71) Name(s) and Address(s) of Applicant(s):
Jaram Products Pty
12 Railway Parade Welshpool Western Australia 6106 Australia
- (72) Name(s) of Designer(s): **Jonathan Lloyd McEwen**
- (45) Registration Date: **17 July 2007**
- (56) Related Art Documents: **Not Applicable**
- (57) Statement of Newness and Distinctiveness: **Nil**



- (21) Design Number: **17692/2007**
- (22) Date of Filing Application: **02 May 2007**
- (24) Date from which industrial property rights may have effect: **02 May 2007**
- (54) Product in respect of which the design is registered: **My ancestral wheel the genealogy display board**
- (51) International Design Classification: **19-01**
- (71) Name(s) and Address(s) of Applicant(s):
Sven Tor Nord
Unit 2 13/15 Gould Street Frankston Victoria 3199 Australia
- (72) Name(s) of Designer(s): **Sven Tor Nord**
- (45) Registration Date: **17 July 2007**
- (56) Related Art Documents: **Not Applicable**
- (57) Statement of Newness and Distinctiveness: **Nil**



(21) Design Number: **17694/2007**

(22) Date of Filing Application: **02 May 2007**

(24) Date from which industrial property rights may have effect: **02 May 2007**

(54) Product in respect of which the design is registered: **Baby bottle bib**

(51) International Design Classification: **02-05**

(71) Name(s) and Address(s) of Applicant(s):

Nerez Grant

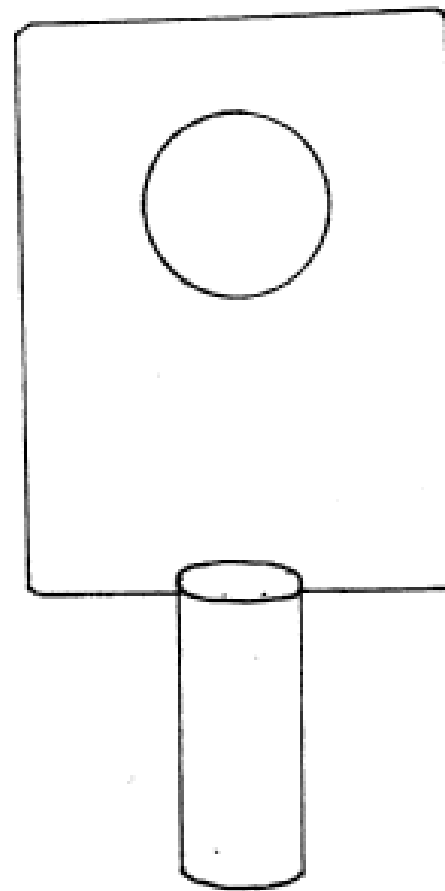
2007 River Road Lower Portland New South Wales 2756 Australia

(72) Name(s) of Designer(s): **Nerez Gwynneth Grant**

(45) Registration Date: **17 July 2007**

(56) Related Art Documents: **Not Applicable**

(57) Statement of Newness and Distinctiveness: **The new features of this design are the shape and configuration of the infant bib to hold a bottle.**



(21) Design Number: **17698/2007**

(22) Date of Filing Application: **03 May 2007**

(24) Date from which industrial property rights may have effect: **03 May 2007**

(54) Product in respect of which the design is registered: **Kitchen knife handle**

(51) International Design Classification: **07-03**

(71) Name(s) and Address(s) of Applicant(s):

Robert Welch Designs Limited

Lower High Street Chipping Campden GL55 6DY England

(72) Name(s) of Designer(s): **Iain Paul de Bretton Gordon**

(45) Registration Date: **17 July 2007**

(30) Convention priority data:

(31) Number

(32) Date

(33) Country

000641386

19 Dec 2006

EUROPEAN COMMUNITY

(56) Related Art Documents: **Not Applicable**

(57) Statement of Newness and Distinctiveness: **A new design of kitchen knife handle. The colour is not claimed as a part of the design and the area indicated in dotted lines does not form a part of the design.**



(21) Design Number: **17699/2007**

(22) Date of Filing Application: **03 May 2007**

(24) Date from which industrial property rights may have effect: **03 May 2007**

(54) Product in respect of which the design is registered: **Kitchen knife handle**

(51) International Design Classification: **07-03**

(71) Name(s) and Address(s) of Applicant(s):

Robert Welch Designs Limited
Lower High Street Chipping Campden GL55 6DY England

(72) Name(s) of Designer(s): **Iain Paul de Bretton Gordon**

(45) Registration Date: **17 July 2007**

(30) Convention priority data:

(31) Number	(32) Date	(33) Country
000641386	19 Dec 2006	EUROPEAN COMMUNITY

(56) Related Art Documents: **Not Applicable**

(57) Statement of Newness and Distinctiveness: **A new design of kitchen knife handle. The colour is not claimed as a part of the design and the area indicated in dotted lines does not form a part of the design.**



(21) Design Number: **17701/2007**

(22) Date of Filing Application: **02 May 2007**

(24) Date from which industrial property rights may have effect: **02 May 2007**

(54) Product in respect of which the design is registered: **Adjustable ironing board cover**

(51) International Design Classification: **06-13NES**

(71) Name(s) and Address(s) of Applicant(s):

Vicky Vidovic
129 Coombe Road Allenby Gardens South Australia 5009 Australia

(72) Name(s) of Designer(s): **Vicky Vidovic**

(45) Registration Date: **17 July 2007**

(56) Related Art Documents: **Not Applicable**

(57) Statement of Newness and Distinctiveness: **Nil**



(21) Design Number: **17706/2007**

(22) Date of Filing Application: **03 May 2007**

(24) Date from which industrial property rights may have effect: **03 May 2007**

(54) Product in respect of which the design is registered: **Inhaler**

(51) International Design Classification: **24-01**

(71) Name(s) and Address(s) of Applicant(s):

**Nanotechnology Victoria Limited
Level 2 Bld 75 (Monash STRIP) Monash University Clayton Victoria
3800 Australia**

(72) Name(s) of Designer(s): **Paul Charlwood and Dan Murphy and Andrew Howley**

(45) Registration Date: **17 July 2007**

(56) Related Art Documents: **Not Applicable**

(57) Statement of Newness and Distinctiveness: **Nil**



(21) Design Number: **17707/2007**

(22) Date of Filing Application: **03 May 2007**

(24) Date from which industrial property rights may have effect: **03 May 2007**

(54) Product in respect of which the design is registered: **Applicator**

(51) International Design Classification: **24-01**

(71) Name(s) and Address(s) of Applicant(s):

**Nanotechnology Victoria Limited
Level 2 Bld 75 (Monash STRIP) Monash University Clayton Victoria
3800 Australia**

(72) Name(s) of Designer(s): **Jarrold David Barker and Shaun Christopher Holthouse**

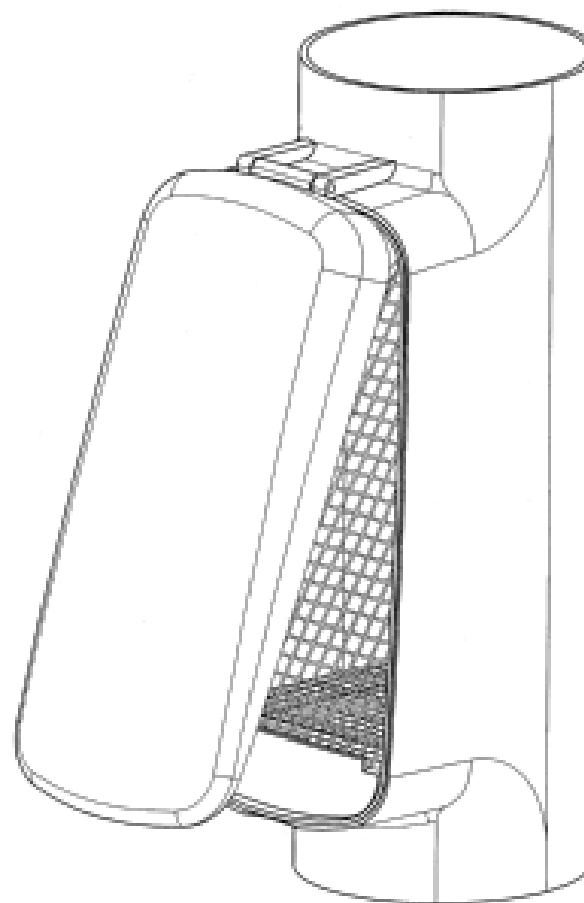
(45) Registration Date: **17 July 2007**

(56) Related Art Documents: **Not Applicable**

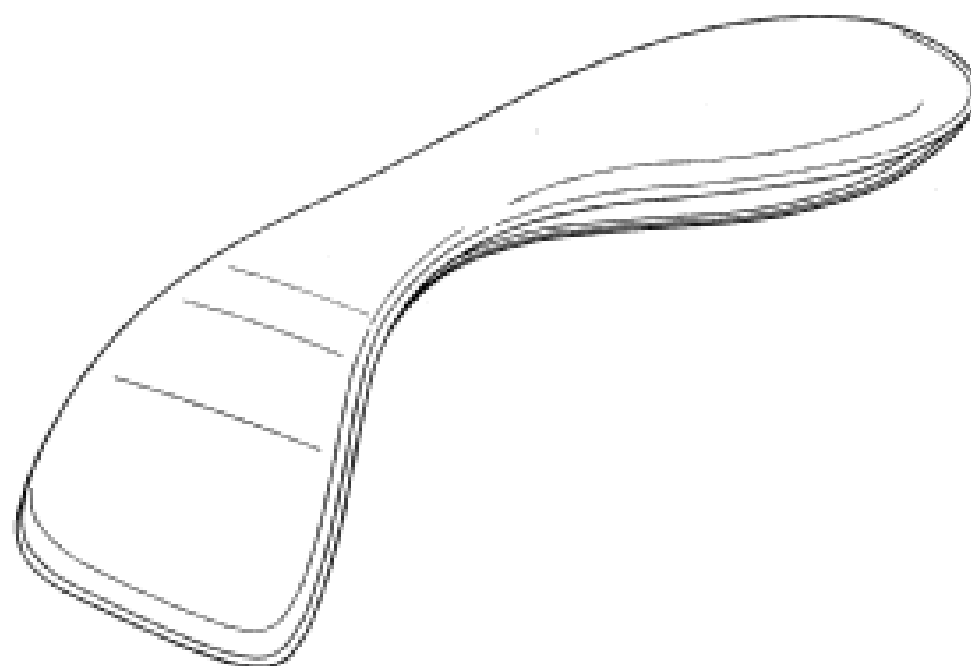
(57) Statement of Newness and Distinctiveness: **Nil**



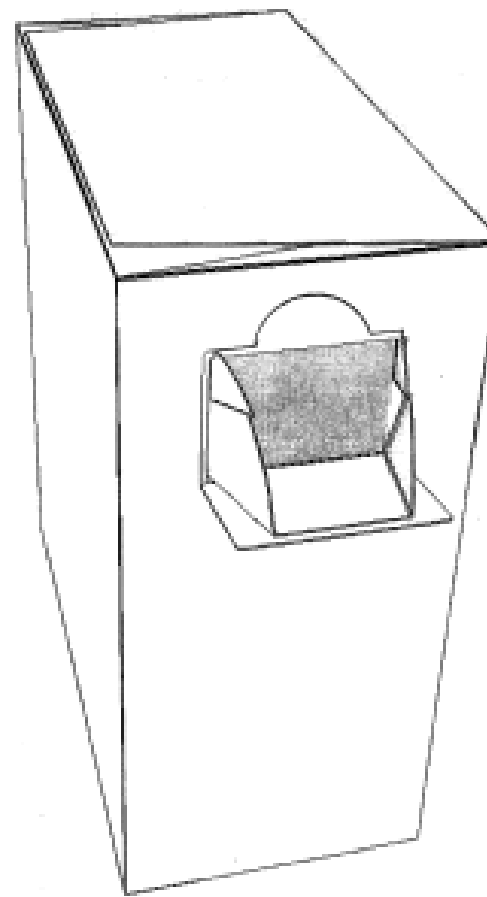
- (21) Design Number: **17708/2007**
- (22) Date of Filing Application: **02 May 2007**
- (24) Date from which industrial property rights may have effect: **02 May 2007**
- (54) Product in respect of which the design is registered: **Water filter**
- (51) International Design Classification: **23-01G**
- (71) Name(s) and Address(s) of Applicant(s):
Silvan H2O Pty Ltd
89 Lewis Road Wantirna South Victoria 3512 Australia
- (72) Name(s) of Designer(s): **Alan Boyles**
- (45) Registration Date: **17 July 2007**
- (56) Related Art Documents: **Not Applicable**
- (57) Statement of Newness and Distinctiveness: **Nil**



- (21) Design Number: **17711/2007**
- (22) Date of Filing Application: **02 May 2007**
- (24) Date from which industrial property rights may have effect: **02 May 2007**
- (54) Product in respect of which the design is registered: **Scraper**
- (51) International Design Classification: **08-99**
- (71) Name(s) and Address(s) of Applicant(s):
LRC Products Limited
35 New Bridge Street London EC4V 6BW United Kingdom
- (72) Name(s) of Designer(s): **Michael Unwin and Tom Walker**
- (45) Registration Date: **17 July 2007**
- (30) Convention priority data:
 - (31) Number (32) Date (33) Country
 - 000627732-0001 17 Nov 2006 EUROPEAN COMMUNITY**
- (56) Related Art Documents: **Not Applicable**
- (57) Statement of Newness and Distinctiveness: **The shape, configuration of the product is new and distinctive.**

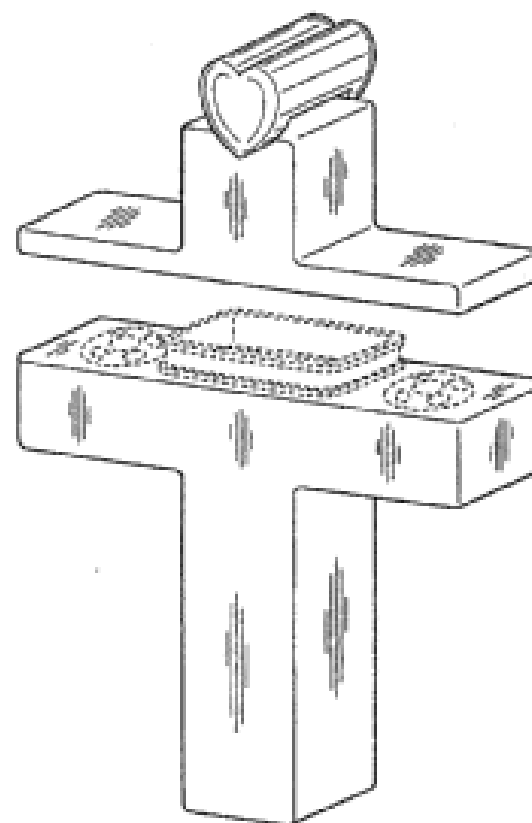


- (21) Design Number: **17712/2007**
- (22) Date of Filing Application: **02 May 2007**
- (24) Date from which industrial property rights may have effect: **02 May 2007**
- (54) Product in respect of which the design is registered: **A carton with spout and blank therefor**
- (51) International Design Classification: **09-01NES**
- (71) Name(s) and Address(s) of Applicant(s):
Amcor Limited
679 Victoria Street Abbotsford Victoria 3067 Australia
- (72) Name(s) of Designer(s): **Kym Artis**
- (45) Registration Date: **17 July 2007**
- (56) Related Art Documents: **Not Applicable**
- (57) Statement of Newness and Distinctiveness: **Nil**

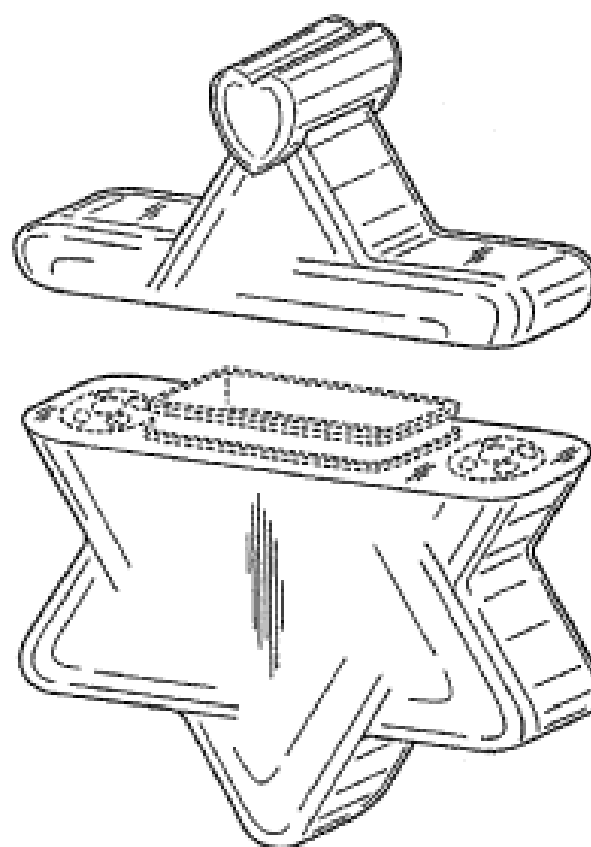


- (21) Design Number: **17719/2007**
- (22) Date of Filing Application: **03 May 2007**
- (24) Date from which industrial property rights may have effect: **03 May 2007**
- (54) Product in respect of which the design is registered: **A container**
- (51) International Design Classification: **09-03C**
- (71) Name(s) and Address(s) of Applicant(s):
John M. Shanahan
C/- C.A. Skigin Esq. 660 Newport Center Drive Suite 700 Newport Beach California 92660 United States of America
- (72) Name(s) of Designer(s): **John M. Shanahan**
- (45) Registration Date: **17 July 2007**
- (30) Convention priority data:

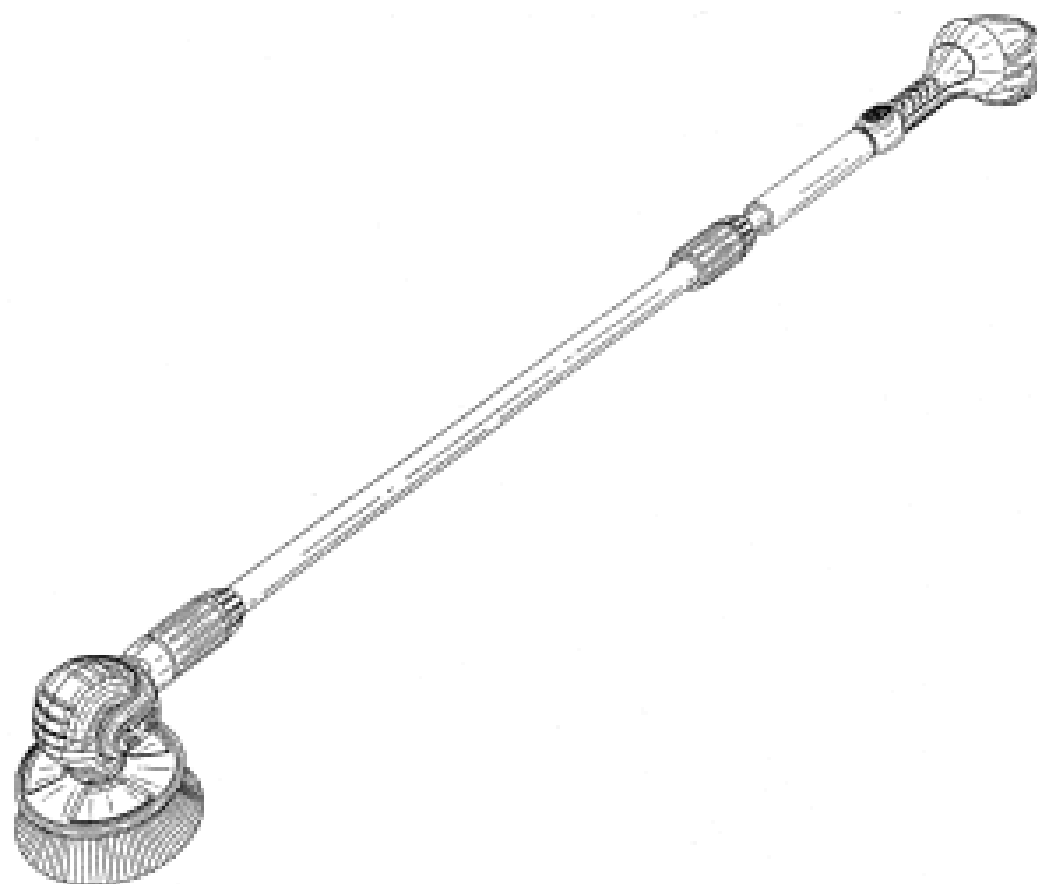
(31) Number	(32) Date	(33) Country
29268453	07 Nov 2006	UNITED STATES OF AMERICA
- (56) Related Art Documents: **Not Applicable**
- (57) Statement of Newness and Distinctiveness: **Newness and distinctiveness is claimed in the visual features shown in solid lines in the representations.**



(21) Design Number: **17720/2007**
 (22) Date of Filing Application: **03 May 2007**
 (24) Date from which industrial property rights may have effect: **03 May 2007**
 (54) Product in respect of which the design is registered: **A container**
 (51) International Design Classification: **09-03C**
 (71) Name(s) and Address(s) of Applicant(s):
John M. Shanahan
C/- C.A. Skigin Esq. 660 Newport Center Drive Suite 700 Newport
Beach California 92660 United States of America
 (72) Name(s) of Designer(s): **John M. Shanahan**
 (45) Registration Date: **17 July 2007**
 (30) Convention priority data:
 (31) Number (32) Date (33) Country
29268455 07 Nov 2006 UNITED STATES OF AMERICA
 (56) Related Art Documents: **Not Applicable**
 (57) Statement of Newness and Distinctiveness: **Newness and distinctiveness is claimed in the visual features shown in solid lines in the representations.**



(21) Design Number: **17721/2007**
 (22) Date of Filing Application: **03 May 2007**
 (24) Date from which industrial property rights may have effect: **03 May 2007**
 (54) Product in respect of which the design is registered: **Pole scrubber**
 (51) International Design Classification: **08-05N**
 (71) Name(s) and Address(s) of Applicant(s):
Black & Decker Inc.
1207 Drummond Plaza Newark Delaware 19711 United States of
America
 (72) Name(s) of Designer(s): **Jason Busschaert**
 (45) Registration Date: **17 July 2007**
 (30) Convention priority data:
 (31) Number (32) Date (33) Country
29268457 07 Nov 2006 UNITED STATES OF AMERICA
 (56) Related Art Documents: **Not Applicable**
 (57) Statement of Newness and Distinctiveness: **Nil**



(21) Design Number: **17722/2007**

(22) Date of Filing Application: **03 May 2007**

(24) Date from which industrial property rights may have effect: **03 May 2007**

(54) Product in respect of which the design is registered: **Voltmeter**

(51) International Design Classification: **10-04**

(71) Name(s) and Address(s) of Applicant(s):

ABB Technology Ltd
Affolternstrasse 44 CH-8050 Zurich Switzerland

(72) Name(s) of Designer(s): **Lars-Olov Ahlgren and Michael Gudmundsson**

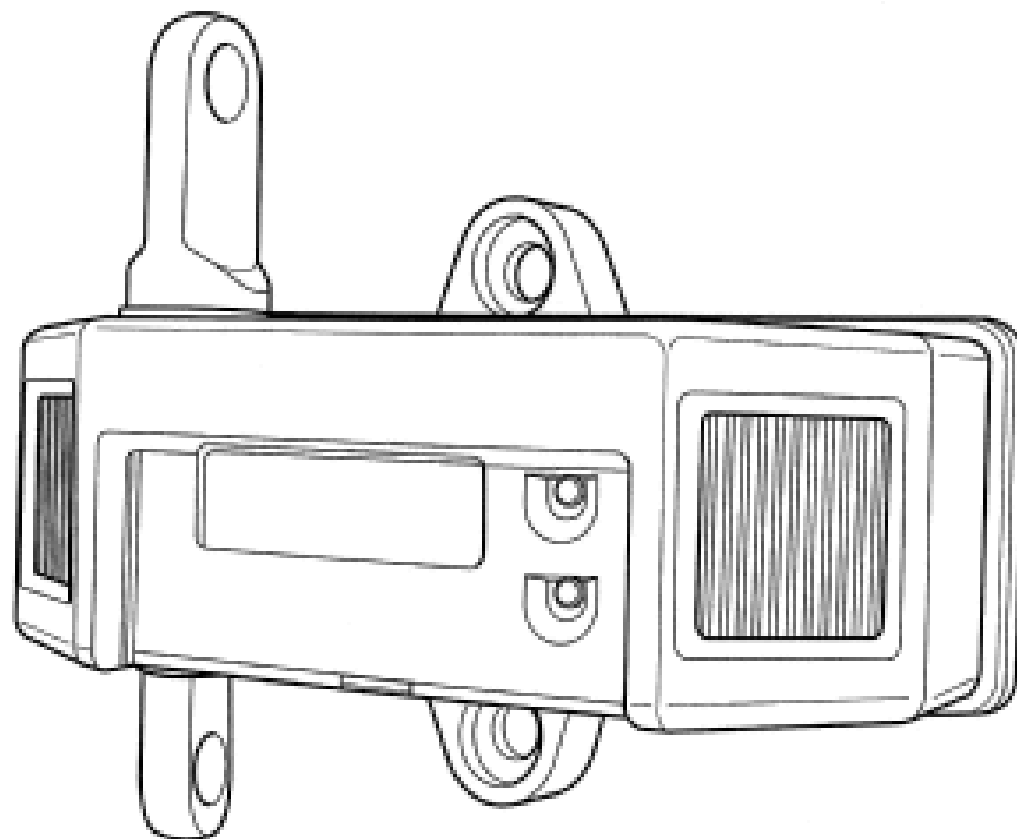
(45) Registration Date: **17 July 2007**

(30) Convention priority data:

(31) Number	(32) Date	(33) Country
000621644-0001	15 Nov 2006	EUROPEAN COMMUNITY

(56) Related Art Documents: **Not Applicable**

(57) Statement of Newness and Distinctiveness: **Nil**



(21) Design Number: **17723/2007**

(22) Date of Filing Application: **03 May 2007**

(24) Date from which industrial property rights may have effect: **03 May 2007**

(54) Product in respect of which the design is registered: **Flute**

(51) International Design Classification: **07-01C**

(71) Name(s) and Address(s) of Applicant(s):

Westside Wholesalers Pty Ltd
Lot 6 Heath Road Kellyville New South Wales 2155 Australia

(72) Name(s) of Designer(s): **Bob Tait**

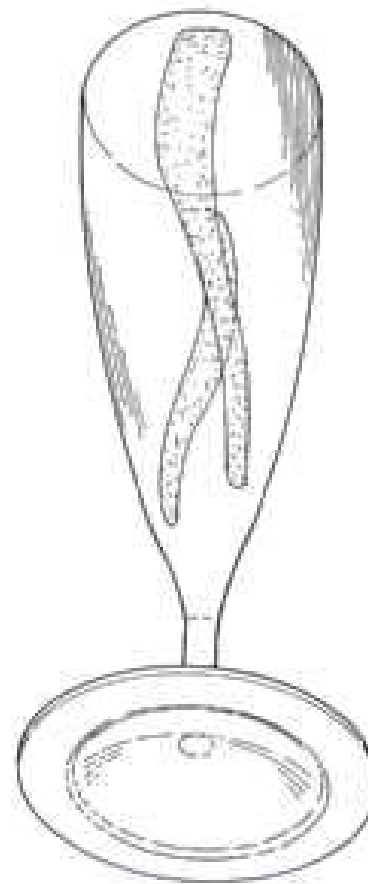
(45) Registration Date: **17 July 2007**

(56) Related Art Documents: **Not Applicable**

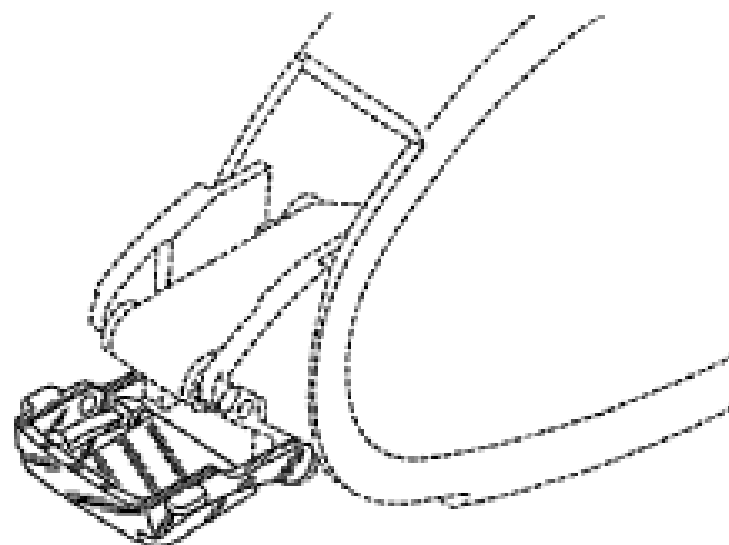
(57) Statement of Newness and Distinctiveness: **Newness and distinctiveness resides in the shape and/or configuration of the flute as illustrated in the drawings.**



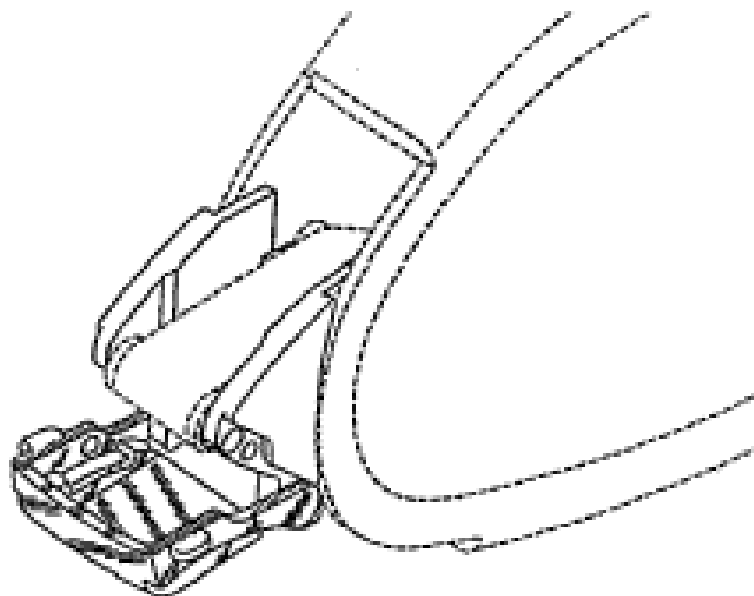
- (21) Design Number: **17724/2007**
(22) Date of Filing Application: **03 May 2007**
(24) Date from which industrial property rights may have effect: **03 May 2007**
(54) Product in respect of which the design is registered: **Flute**
(51) International Design Classification: **07-01C**
(71) Name(s) and Address(s) of Applicant(s):
Westside Wholesalers Pty Ltd
Lot 6 Heath Road Kellyville New South Wales 2155 Australia
(72) Name(s) of Designer(s): **Bob Tait**
(45) Registration Date: **17 July 2007**
(56) Related Art Documents: **Not Applicable**
(57) Statement of Newness and Distinctiveness: **Newness and distinctiveness resides in the shape and configuration and/or pattern and ornamentation of the flute shown in the accompanying illustrations.**



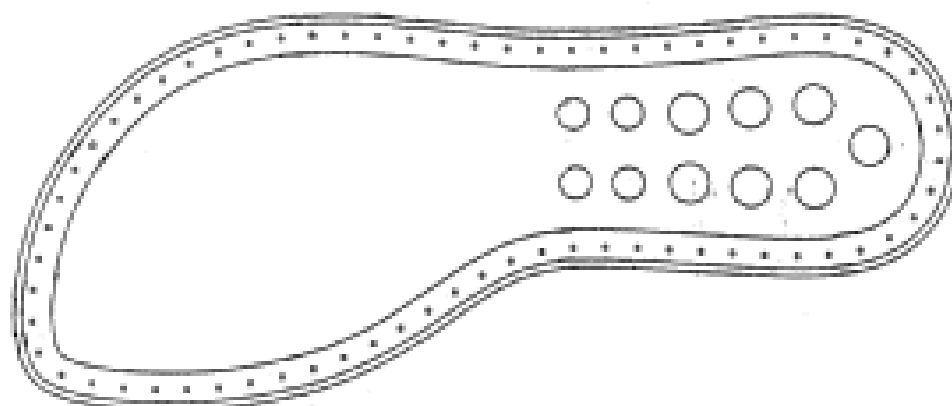
- (21) Design Number: **17365/2007**
(22) Date of Filing Application: **10 April 2007**
(24) Date from which industrial property rights may have effect: **10 April 2007**
(54) Product in respect of which the design is registered: **Cap for coating transfer device**
(51) International Design Classification: **19-06**
(71) Name(s) and Address(s) of Applicant(s):
Tombow Pencil Co., Ltd.
6-10-12 Toshima Kita-ku Tokyo 114-8583 Japan
(72) Name(s) of Designer(s): **Kenji Kobayashi**
(45) Registration Date: **17 July 2007**
(30) Convention priority data:
(31) Number (32) Date (33) Country
2006-028593 20 Oct 2006 JAPAN
(56) Related Art Documents: **Not Applicable**
(57) Statement of Newness and Distinctiveness: **Those features of the cap for coating transfer device depicted in the representations that are new and distinctive are the shape and/or configuration. The features shown in broken lines are to be disregarded when considering the overall impression of the design.**



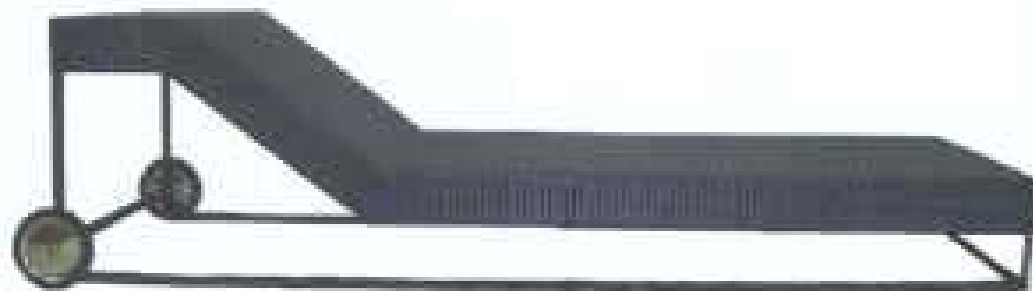
- (21) Design Number: **17366/2007**
(22) Date of Filing Application: **10 April 2007**
(24) Date from which industrial property rights may have effect: **10 April 2007**
(54) Product in respect of which the design is registered: **Applicator head for a coating transfer device**
(51) International Design Classification: **19-06**
(71) Name(s) and Address(s) of Applicant(s):
Tombow Pencil Co., Ltd.
6-10-12 Toshima Kita-ku Tokyo 114-8583 Japan
(72) Name(s) of Designer(s): **Kenji Kobayashi**
(45) Registration Date: **17 July 2007**
(30) Convention priority data:
(31) Number (32) Date (33) Country
2006-028592 20 Oct 2006 JAPAN
(56) Related Art Documents: **Not Applicable**
(57) Statement of Newness and Distinctiveness: **Those features of the applicator head for a coating transfer device depicted in the representations that are new and distinctive are the shape and/or configuration. The features shown in broken lines are to be disregarded when considering the overall impression of the design.**



- (21) Design Number: **17725/2007**
(22) Date of Filing Application: **04 May 2007**
(24) Date from which industrial property rights may have effect: **04 May 2007**
(54) Product in respect of which the design is registered: **Sole unit**
(51) International Design Classification: **02-04B**
(71) Name(s) and Address(s) of Applicant(s):
Cadet Shoes Pty Ltd
Level 1 425 Smith Street Fitzroy Victoria 3065 Australia
(72) Name(s) of Designer(s): **Robert McKinlay**
(45) Registration Date: **17 July 2007**
(56) Related Art Documents: **Not Applicable**
(57) Statement of Newness and Distinctiveness: **Novelty resided in the shape or configuration of the sole unit below the upper surface of same as shown in the "top view".**



- (21) Design Number: **17726/2007**
(22) Date of Filing Application: **03 May 2007**
(24) Date from which industrial property rights may have effect: **03 May 2007**
(54) Product in respect of which the design is registered: **Beach chair**
(51) International Design Classification: **06-01NES**
(71) Name(s) and Address(s) of Applicant(s):
DEDON GmbH
Zeppelinstrasse 22 Luneburg 21337 Germany
(72) Name(s) of Designer(s): **Camila Vega Faba and Henricus Petrus Johannes va Ierssel**
(45) Registration Date: **17 July 2007**
(56) Related Art Documents: **Not Applicable**
(57) Statement of Newness and Distinctiveness: **Nil.**



- (21) Design Number: **17727/2007**
(22) Date of Filing Application: **03 May 2007**
(24) Date from which industrial property rights may have effect: **03 May 2007**
(54) Product in respect of which the design is registered: **Furniture module**
(51) International Design Classification: **06-01G**
(71) Name(s) and Address(s) of Applicant(s):
DEDON GmbH
Zeppelinstrasse 22 Luneburg 21337 Germany
(72) Name(s) of Designer(s): **Camila Vega Faba and Henricus Petrus Johannes va Ierssel**
(45) Registration Date: **17 July 2007**
(56) Related Art Documents: **Not Applicable**
(57) Statement of Newness and Distinctiveness: **Nil**



(21) Design Number: **17728/2007**

(22) Date of Filing Application: **03 May 2007**

(24) Date from which industrial property rights may have effect: **03 May 2007**

(54) Product in respect of which the design is registered: **Furniture module**

(51) International Design Classification: **06-01G**

(71) Name(s) and Address(s) of Applicant(s):

DEDON GmbH

Zeppelinstrasse 22 Luneburg 21337 Germany

(72) Name(s) of Designer(s): **Henricus Petrus Johannes va Ierssel and Camila Vega Faba**

(45) Registration Date: **17 July 2007**

(56) Related Art Documents: **Not Applicable**

(57) Statement of Newness and Distinctiveness: **Nil**



(21) Design Number: **17729/2007**

(22) Date of Filing Application: **03 May 2007**

(24) Date from which industrial property rights may have effect: **03 May 2007**

(54) Product in respect of which the design is registered: **Furniture module**

(51) International Design Classification: **06-01G**

(71) Name(s) and Address(s) of Applicant(s):

DEDON GmbH

Zeppelinstrasse 22 Luneburg 21337 Germany

(72) Name(s) of Designer(s): **Henricus Petrus Johannes va Ierssel and Camila Vega Faba**

(45) Registration Date: **17 July 2007**

(56) Related Art Documents: **Not Applicable**

(57) Statement of Newness and Distinctiveness: **Nil**



(21) Design Number: **17730/2007**

(22) Date of Filing Application: **03 May 2007**

(24) Date from which industrial property rights may have effect: **03 May 2007**

(54) Product in respect of which the design is registered: **Furniture module**

(51) International Design Classification: **06-01G**

(71) Name(s) and Address(s) of Applicant(s):

DEDON GmbH

Zeppelinstrasse 22 Luneburg 21337 Germany

(72) Name(s) of Designer(s): **Henricus Petrus Johannes va Ierssel and Camila Vega Faba**

(45) Registration Date: **17 July 2007**

(56) Related Art Documents: **Not Applicable**

(57) Statement of Newness and Distinctiveness: **Nil**



(21) Design Number: **17731/2007**

(22) Date of Filing Application: **03 May 2007**

(24) Date from which industrial property rights may have effect: **03 May 2007**

(54) Product in respect of which the design is registered: **Furniture module**

(51) International Design Classification: **06-01G**

(71) Name(s) and Address(s) of Applicant(s):

DEDON GmbH

Zeppelinstrasse 22 Luneburg 21337 Germany

(72) Name(s) of Designer(s): **Richard Frinier**

(45) Registration Date: **17 July 2007**

(56) Related Art Documents: **Not Applicable**

(57) Statement of Newness and Distinctiveness: **Nil**



(21) Design Number: **17732/2007**

(22) Date of Filing Application: **03 May 2007**

(24) Date from which industrial property rights may have effect: **03 May 2007**

(54) Product in respect of which the design is registered: **Table**

(51) International Design Classification: **06-03A**

(71) Name(s) and Address(s) of Applicant(s):

DEDON GmbH

Zeppelinstrasse 22 Luneburg 21337 Germany

(72) Name(s) of Designer(s): **Richard Frinier**

(45) Registration Date: **17 July 2007**

(56) Related Art Documents: **Not Applicable**

(57) Statement of Newness and Distinctiveness: **Nil**



(21) Design Number: **17733/2007**

(22) Date of Filing Application: **03 May 2007**

(24) Date from which industrial property rights may have effect: **03 May 2007**

(54) Product in respect of which the design is registered: **Recliner furniture**

(51) International Design Classification: **06-01NES**

(71) Name(s) and Address(s) of Applicant(s):

DEDON GmbH

Zeppelinstrasse 22 Luneburg 21337 Germany

(72) Name(s) of Designer(s): **Richard Frinier**

(45) Registration Date: **17 July 2007**

(56) Related Art Documents: **Not Applicable**

(57) Statement of Newness and Distinctiveness: **Nil**



(21) Design Number: **17734/2007**

(22) Date of Filing Application: **03 May 2007**

(24) Date from which industrial property rights may have effect: **03 May 2007**

(54) Product in respect of which the design is registered: **Lounge chair**

(51) International Design Classification: **06-01G**

(71) Name(s) and Address(s) of Applicant(s):

DEDON GmbH

Zeppelinstrasse 22 Luneburg 21337 Germany

(72) Name(s) of Designer(s): **Henricus Petrus Johannes va Ierssel and Camila Vega Faba**

(45) Registration Date: **17 July 2007**

(56) Related Art Documents: **Not Applicable**

(57) Statement of Newness and Distinctiveness: **Nil**



(21) Design Number: **17735/2007**

(22) Date of Filing Application: **03 May 2007**

(24) Date from which industrial property rights may have effect: **03 May 2007**

(54) Product in respect of which the design is registered: **Lounge chair**

(51) International Design Classification: **06-01G**

(71) Name(s) and Address(s) of Applicant(s):

DEDON GmbH

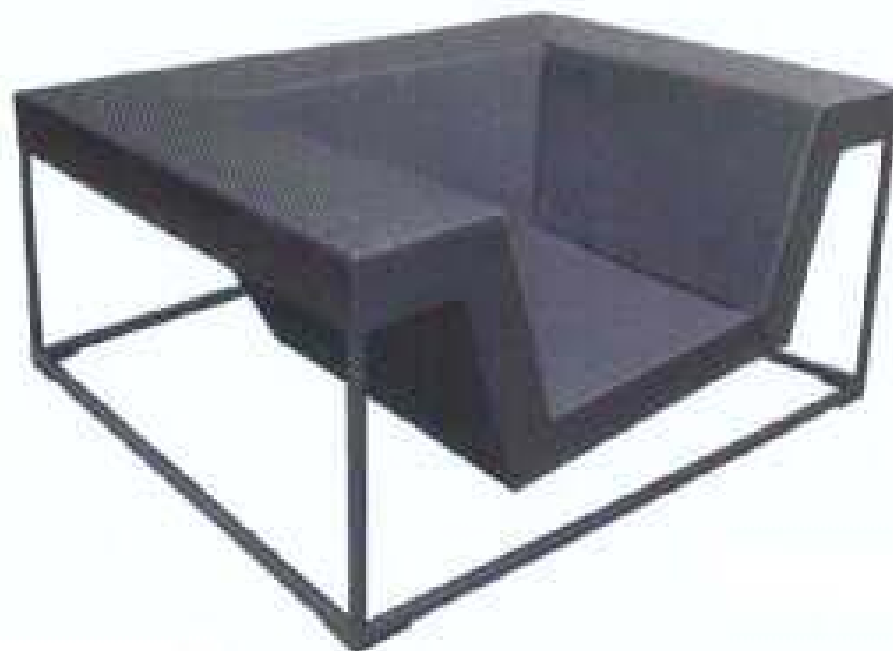
Zeppelinstrasse 22 Luneburg 21337 Germany

(72) Name(s) of Designer(s): **Henricus Petrus Johannes va Ierssel and Camila Vega Faba**

(45) Registration Date: **17 July 2007**

(56) Related Art Documents: **Not Applicable**

(57) Statement of Newness and Distinctiveness: **Nil**



- (21) Design Number: **17736/2007**
(22) Date of Filing Application: **03 May 2007**
(24) Date from which industrial property rights may have effect: **03 May 2007**
(54) Product in respect of which the design is registered: **Furniture module**
(51) International Design Classification: **06-01G**
(71) Name(s) and Address(s) of Applicant(s):
DEDON GmbH
Zeppelinstrasse 22 Luneburg 21337 Germany
(72) Name(s) of Designer(s): **Henricus Petrus Johannes va Ierssel and Camila Vega Faba**
(45) Registration Date: **17 July 2007**
(56) Related Art Documents: **Not Applicable**
(57) Statement of Newness and Distinctiveness: **Nil**



- (21) Design Number: **17737/2007**
(22) Date of Filing Application: **03 May 2007**
(24) Date from which industrial property rights may have effect: **03 May 2007**
(54) Product in respect of which the design is registered: **Beach chair**
(51) International Design Classification: **06-01NES**
(71) Name(s) and Address(s) of Applicant(s):
DEDON GmbH
Zeppelinstrasse 22 Luneburg 21337 Germany
(72) Name(s) of Designer(s): **Richard Frinier**
(45) Registration Date: **17 July 2007**
(56) Related Art Documents: **Not Applicable**
(57) Statement of Newness and Distinctiveness: **Nil**



(21) Design Number: **17738/2007**

(22) Date of Filing Application: **03 May 2007**

(24) Date from which industrial property rights may have effect: **03 May 2007**

(54) Product in respect of which the design is registered: **Furniture module**

(51) International Design Classification: **06-01G**

(71) Name(s) and Address(s) of Applicant(s):

DEDON GmbH

Zeppelinstrasse 22 Luneburg 21337 Germany

(72) Name(s) of Designer(s): **Richard Frinier**

(45) Registration Date: **17 July 2007**

(56) Related Art Documents: **Not Applicable**

(57) Statement of Newness and Distinctiveness: **Nil**



(21) Design Number: **17739/2007**

(22) Date of Filing Application: **03 May 2007**

(24) Date from which industrial property rights may have effect: **03 May 2007**

(54) Product in respect of which the design is registered: **Chair**

(51) International Design Classification: **06-01F**

(71) Name(s) and Address(s) of Applicant(s):

DEDON GmbH

Zeppelinstrasse 22 Luneburg 21337 Germany

(72) Name(s) of Designer(s): **Richard Frinier**

(45) Registration Date: **17 July 2007**

(56) Related Art Documents: **Not Applicable**

(57) Statement of Newness and Distinctiveness: **Nil**



(21) Design Number: **17740/2007**

(22) Date of Filing Application: **03 May 2007**

(24) Date from which industrial property rights may have effect: **03 May 2007**

(54) Product in respect of which the design is registered: **Armchair**

(51) International Design Classification: **06-01F**

(71) Name(s) and Address(s) of Applicant(s):

DEDON GmbH

Zeppelinstrasse 22 Luneburg 21337 Germany

(72) Name(s) of Designer(s): **Richard Frinier**

(45) Registration Date: **17 July 2007**

(56) Related Art Documents: **Not Applicable**

(57) Statement of Newness and Distinctiveness: **Nil**



(21) Design Number: **17741/2007**

(22) Date of Filing Application: **03 May 2007**

(24) Date from which industrial property rights may have effect: **03 May 2007**

(54) Product in respect of which the design is registered: **Armchair**

(51) International Design Classification: **06-01F**

(71) Name(s) and Address(s) of Applicant(s):

DEDON GmbH

Zeppelinstrasse 22 Luneburg 21337 Germany

(72) Name(s) of Designer(s): **Nicolas Thomkins**

(45) Registration Date: **17 July 2007**

(56) Related Art Documents: **Not Applicable**

(57) Statement of Newness and Distinctiveness: **Nil**



- (21) Design Number: **17742/2007**
(22) Date of Filing Application: **03 May 2007**
(24) Date from which industrial property rights may have effect: **03 May 2007**
(54) Product in respect of which the design is registered: **Table**
(51) International Design Classification: **06-03A**
(71) Name(s) and Address(s) of Applicant(s):
DEDON GmbH
Zeppelinstrasse 22 Luneburg 21337 Germany
(72) Name(s) of Designer(s): **Nicolas Thomkins**
(45) Registration Date: **17 July 2007**
(56) Related Art Documents: **Not Applicable**
(57) Statement of Newness and Distinctiveness: **Nil**



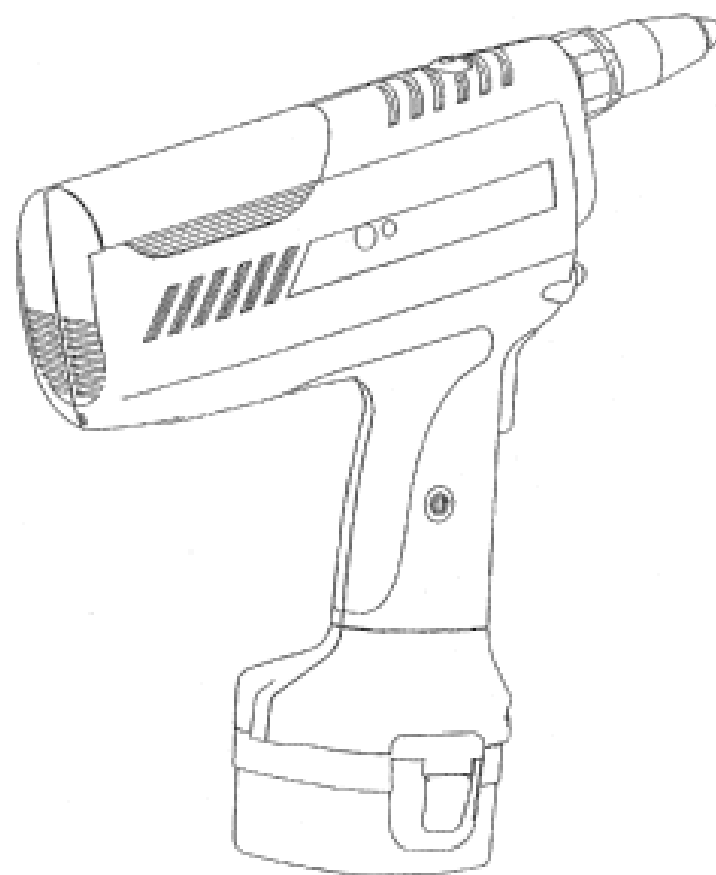
- (21) Design Number: **17743/2007**
(22) Date of Filing Application: **03 May 2007**
(24) Date from which industrial property rights may have effect: **03 May 2007**
(54) Product in respect of which the design is registered: **Lounge chair**
(51) International Design Classification: **06-01F**
(71) Name(s) and Address(s) of Applicant(s):
DEDON GmbH
Zeppelinstrasse 22 Luneburg 21337 Germany
(72) Name(s) of Designer(s): **Nicolas Thomkins**
(45) Registration Date: **17 July 2007**
(56) Related Art Documents: **Not Applicable**
(57) Statement of Newness and Distinctiveness: **Nil**



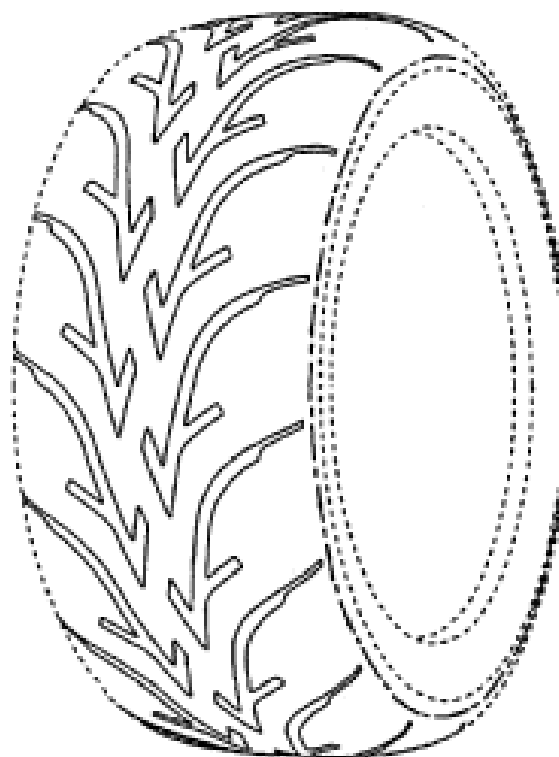
- (21) Design Number: **17744/2007**
(22) Date of Filing Application: **03 May 2007**
(24) Date from which industrial property rights may have effect: **03 May 2007**
(54) Product in respect of which the design is registered: **2-seater furniture**
(51) International Design Classification: **06-01G**
(71) Name(s) and Address(s) of Applicant(s):
DEDON GmbH
Zeppelinstrasse 22 Luneburg 21337 Germany
(72) Name(s) of Designer(s): **Nicolas Thomkins**
(45) Registration Date: **17 July 2007**
(56) Related Art Documents: **Not Applicable**
(57) Statement of Newness and Distinctiveness: **Nil**



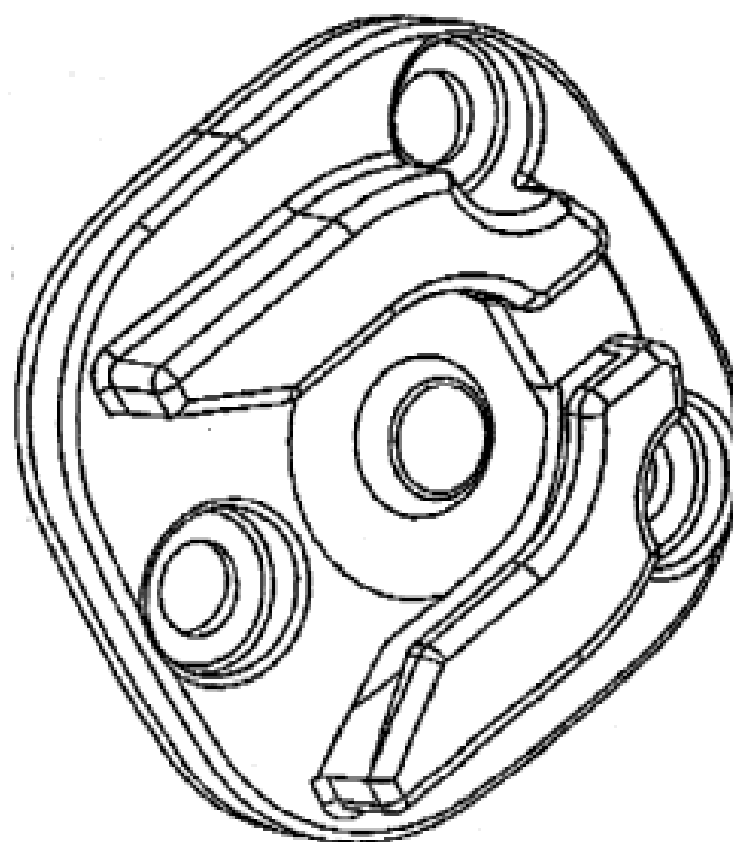
- (21) Design Number: **17745/2007**
(22) Date of Filing Application: **04 May 2007**
(24) Date from which industrial property rights may have effect: **04 May 2007**
(54) Product in respect of which the design is registered: **Battery tool**
(51) International Design Classification: **08-99**
(71) Name(s) and Address(s) of Applicant(s):
Avdel UK Limited
Pacific Hse 2 Switfields Watchmead Industrial Estate Welwyn Gdn
City Hertfordshire AL7 1LY United Kingdom
(72) Name(s) of Designer(s): **Angraj Seewraj and Richard King**
(45) Registration Date: **17 July 2007**
(30) Convention priority data:
(31) Number (32) Date (33) Country
000646401-0001 21 Dec 2006 EUROPEAN COMMUNITY
(56) Related Art Documents: **Not Applicable**
(57) Statement of Newness and Distinctiveness: **Newness and distinctiveness reside in the features of shape and/or configuration of the battery tool, as shown in the representations.**



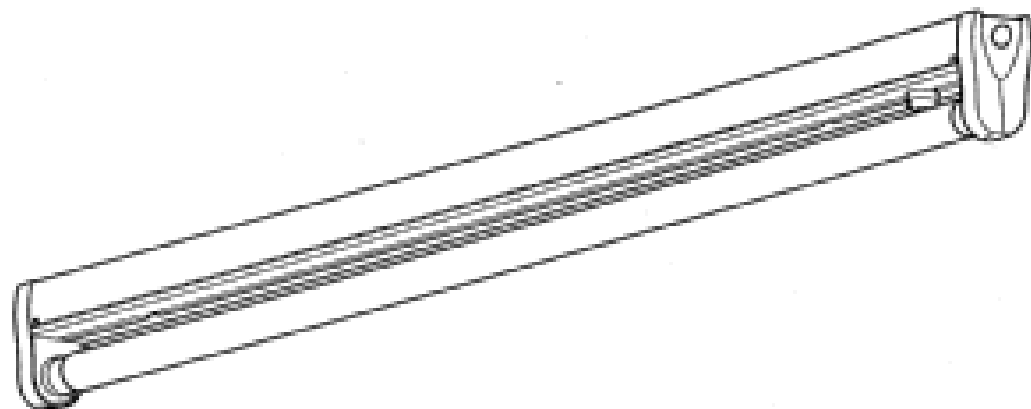
- (21) Design Number: **17747/2007**
(22) Date of Filing Application: **04 May 2007**
(24) Date from which industrial property rights may have effect: **04 May 2007**
(54) Product in respect of which the design is registered: **Automobile tyre**
(51) International Design Classification: **12-15A**
(71) Name(s) and Address(s) of Applicant(s):
The Yokohama Rubber Co., Ltd.
36-11 Shimbashi 5-chome Minato-ku Tokyo Japan
(72) Name(s) of Designer(s): **Masakazu Niwa and Kenichirou Endou**
(45) Registration Date: **17 July 2007**
(30) Convention priority data:
(31) Number (32) Date (33) Country
2006-030626 08 Nov 2006 JAPAN
(56) Related Art Documents: **Not Applicable**
(57) Statement of Newness and Distinctiveness: **Newness and distinctiveness reside in the features of the design shown in solid lines in the representations excluding those features shown in broken lines.**



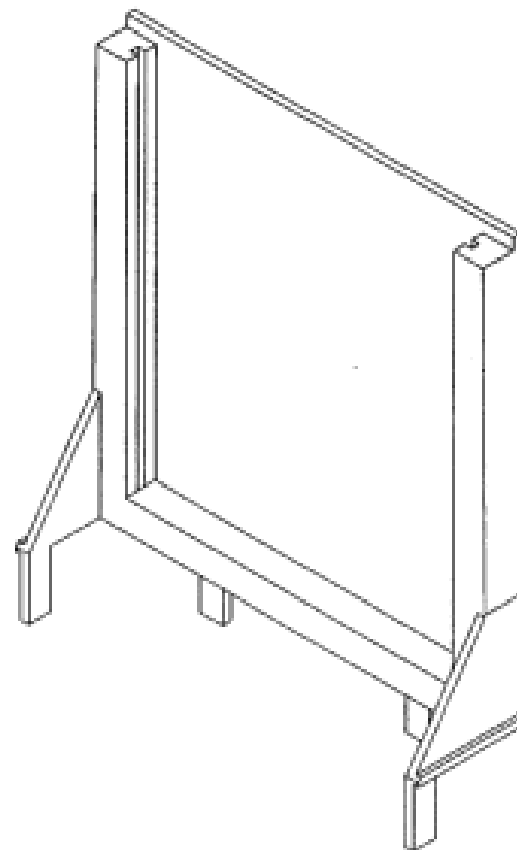
- (21) Design Number: **17228/2007**
(22) Date of Filing Application: **02 April 2007**
(24) Date from which industrial property rights may have effect: **02 April 2007**
(54) Product in respect of which the design is registered: **A support for a rotatable holder and support assembly**
(51) International Design Classification: **08-08NES**
(71) Name(s) and Address(s) of Applicant(s):
Pacific Helmets NZ Limited
315 Heads Road Wanganui New Zealand
(72) Name(s) of Designer(s): **Glen Spink**
(45) Registration Date: **17 July 2007**
(30) Convention priority data:
(31) Number (32) Date (33) Country
408199 05 Oct 2006 NEW ZEALAND
(56) Related Art Documents: **Not Applicable**
(57) Statement of Newness and Distinctiveness: **Nil**



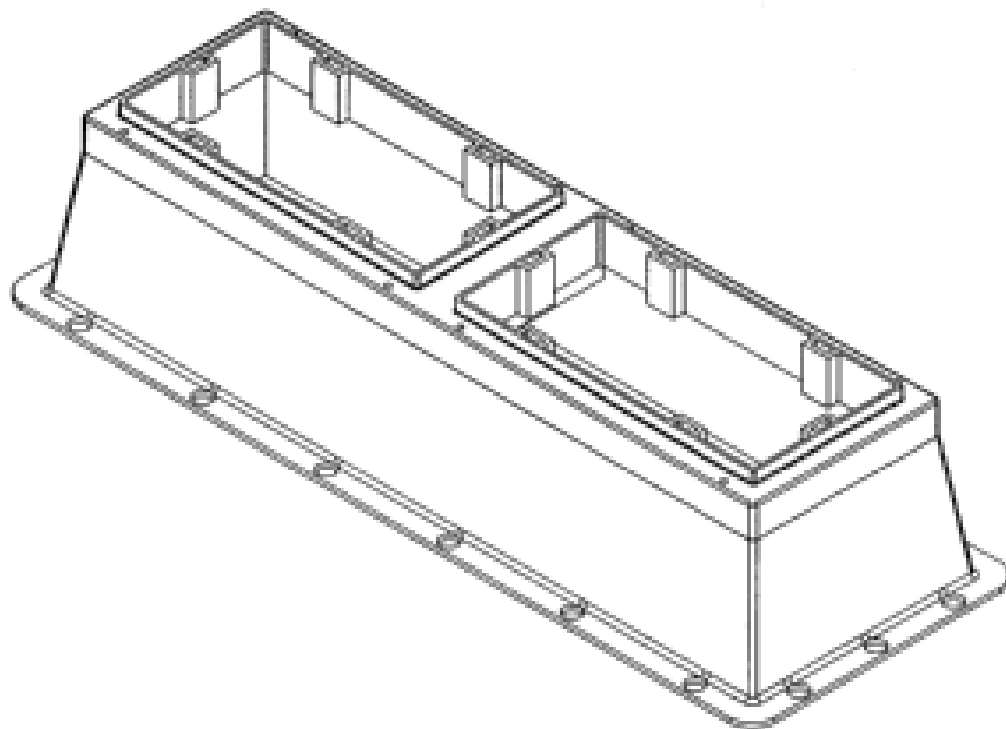
- (21) Design Number: **17748/2007**
(22) Date of Filing Application: **04 May 2007**
(24) Date from which industrial property rights may have effect: **04 May 2007**
(54) Product in respect of which the design is registered: **Batten for fluorescent lamp**
(51) International Design Classification: **26-04**
(71) Name(s) and Address(s) of Applicant(s):
Koninklijke Philips Electronics N.V.
Groenewoudseweg 1 5621 BA Eindhoven The Netherlands
(72) Name(s) of Designer(s): **Tony C.T. Tseng**
(45) Registration Date: **17 July 2007**
(30) Convention priority data:
(31) Number (32) Date (33) Country
000621297 15 Nov 2006 EUROPEAN COMMUNITY
(56) Related Art Documents: **Not Applicable**
(57) Statement of Newness and Distinctiveness: **Newness and distinctiveness reside in the features of the design as shown in the representations.**



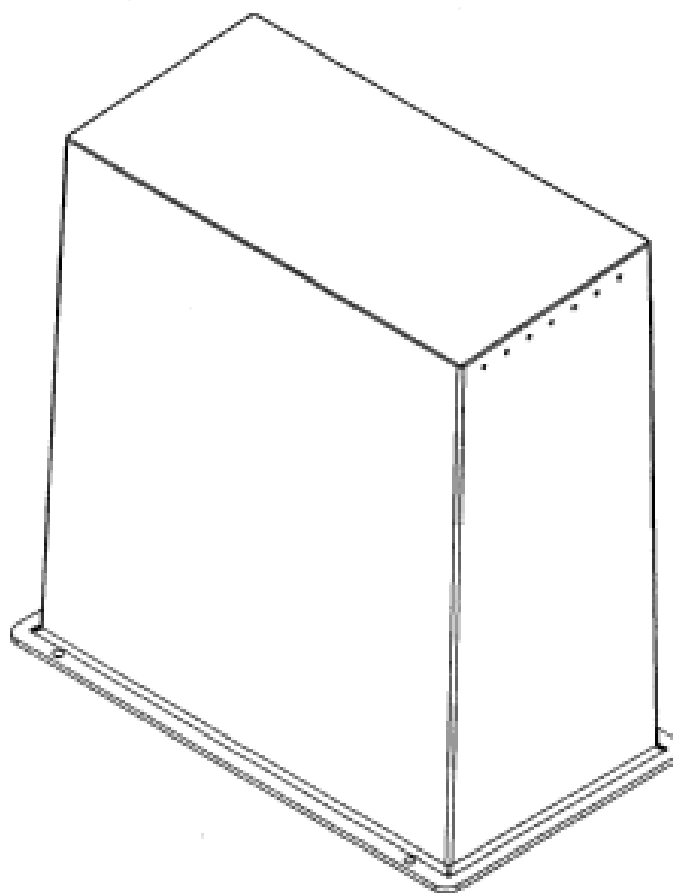
- (21) Design Number: **17749/2007**
(22) Date of Filing Application: **04 May 2007**
(24) Date from which industrial property rights may have effect: **04 May 2007**
(54) Product in respect of which the design is registered: **Supporting panel insert of an electrical connection housing**
(51) International Design Classification: **13-03NES**
(71) Name(s) and Address(s) of Applicant(s):
Cable Accessories (Australia) Pty. Ltd.
26 Derby Street Silverwater New South Wales 2128 Australia
(72) Name(s) of Designer(s): **Laurance Dahdah**
(45) Registration Date: **17 July 2007**
(56) Related Art Documents: **Not Applicable**
(57) Statement of Newness and Distinctiveness: **Newness and distinctiveness is claimed in the features of shape and/or configuration of a supporting panel insert of an electrical connection housing as illustrated in the accompanying representations, and particularly in the shape and/or configuration of the male connector lugs at the lower end of the insert.**



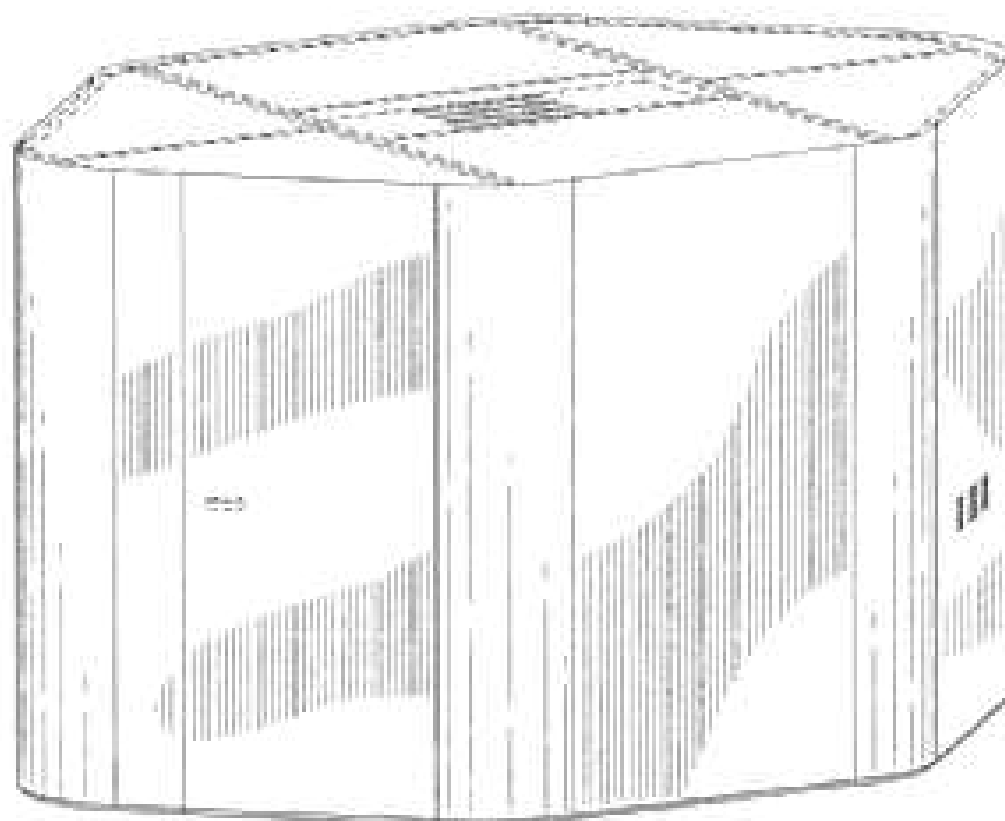
- (21) Design Number: **17750/2007**
(22) Date of Filing Application: **04 May 2007**
(24) Date from which industrial property rights may have effect: **04 May 2007**
(54) Product in respect of which the design is registered: **Electrical connection housing base**
(51) International Design Classification: **13-03NES**
(71) Name(s) and Address(s) of Applicant(s):
Cable Accessories (Australia) Pty. Ltd.
26 Derby Street Silverwater New South Wales 2128 Australia
(72) Name(s) of Designer(s): **Laurance Dahdah**
(45) Registration Date: **17 July 2007**
(56) Related Art Documents: **Not Applicable**
(57) Statement of Newness and Distinctiveness: **Newness and distinctiveness is claimed in the following features of an electrical connection housing base as illustrated in the accompanying representations: a)the tapered shape and/or configuration of the side walls b)the shape and/or configuration of the female connection receptacles located on the inner walls of the upper portion of the base.**



- (21) Design Number: **17751/2007**
(22) Date of Filing Application: **04 May 2007**
(24) Date from which industrial property rights may have effect: **04 May 2007**
(54) Product in respect of which the design is registered: **Electrical connection housing cover**
(51) International Design Classification: **13-03NES**
(71) Name(s) and Address(s) of Applicant(s):
Cable Accessories (Australia) Pty. Ltd.
26 Derby Street Silverwater New South Wales 2128 Australia
(72) Name(s) of Designer(s): **Laurance Dahdah**
(45) Registration Date: **17 July 2007**
(56) Related Art Documents: **Not Applicable**
(57) Statement of Newness and Distinctiveness: **Newness and distinctiveness is claimed in the following features of an electrical connection housing cover as illustrated in the accompanying representations: a)the tapered shape and/or configuration of the side walls b)the inclined shape and/or configuration of the top wall.**



(21) Design Number: **17757/2007**
(22) Date of Filing Application: **07 May 2007**
(24) Date from which industrial property rights may have effect: **07 May 2007**
(54) Product in respect of which the design is registered: **A cabin**
(51) International Design Classification: **25-03**
(71) Name(s) and Address(s) of Applicant(s):
Yelo, LLC
315 West 5th Street New York New York 10019 United States of America
(72) Name(s) of Designer(s): **Nicholas Ronco**
(45) Registration Date: **17 July 2007**
(30) Convention priority data:
(31) Number (32) Date (33) Country
29268373 06 Nov 2006 UNITED STATES OF AMERICA
(56) Related Art Documents: **Not Applicable**
(57) Statement of Newness and Distinctiveness: **Newness and distinctiveness is claimed in the visual features shown in solid lines in the representations.**

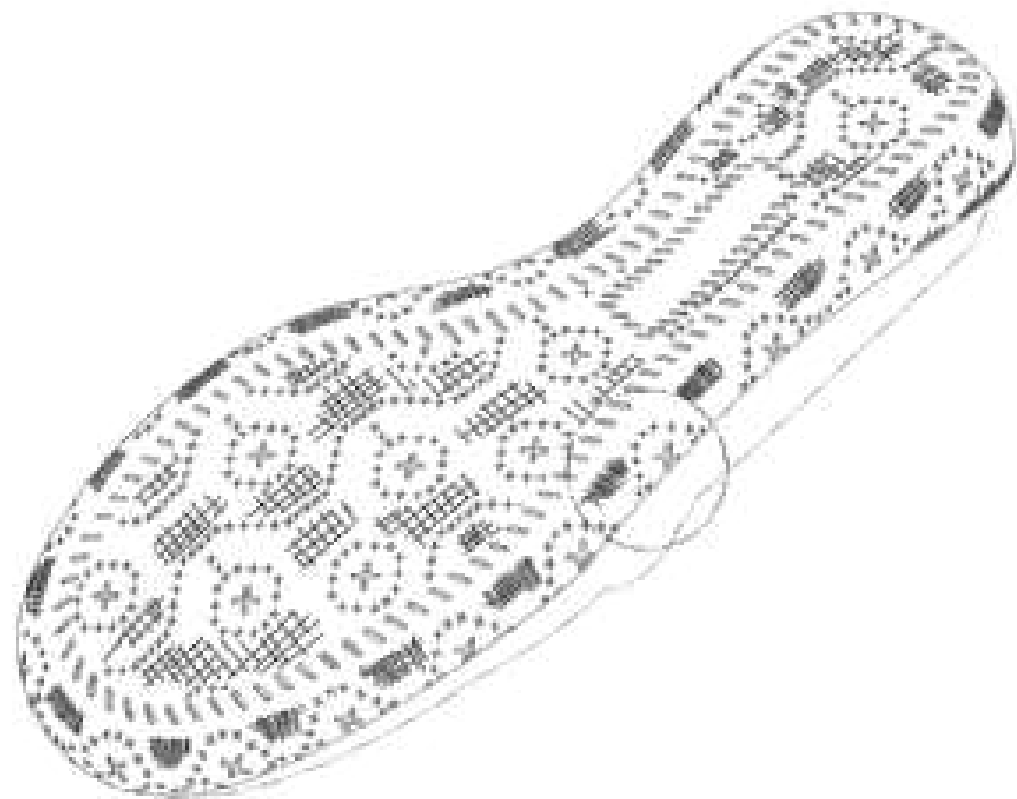


(21) Design Number: **17759/2007**
(22) Date of Filing Application: **07 May 2007**
(24) Date from which industrial property rights may have effect: **07 May 2007**
(54) Product in respect of which the design is registered: **A footwear upper**
(51) International Design Classification: **02-04NES**
(71) Name(s) and Address(s) of Applicant(s):
Wolverine World Wide, Inc.
9341 Courtland Drive NE Rockford Michigan 49351 United States of America
(72) Name(s) of Designer(s): **Manon Belley and Annamaria Furlanetto and Julie St. Louis**
(45) Registration Date: **17 July 2007**
(30) Convention priority data:
(31) Number (32) Date (33) Country
29268582 09 Nov 2006 UNITED STATES OF AMERICA
(56) Related Art Documents: **Not Applicable**
(57) Statement of Newness and Distinctiveness: **Newness and distinctiveness is claimed in the visual features shown in the representations except for those shown in phantom lines.**



- (21) Design Number: **17760/2007**
- (22) Date of Filing Application: **07 May 2007**
- (24) Date from which industrial property rights may have effect: **07 May 2007**
- (54) Product in respect of which the design is registered: **A footwear sole**
- (51) International Design Classification: **02-04B**
- (71) Name(s) and Address(s) of Applicant(s):
Wolverine World Wide, Inc.
9341 Courtland Drive NE Rockford Michigan 49351 United States of America
- (72) Name(s) of Designer(s): **Deborah H. Andersen and Martin W.F. Dean and Grant A. Urie**
- (45) Registration Date: **17 July 2007**
- (30) Convention priority data:

(31) Number	(32) Date	(33) Country
29268686	09 Nov 2006	UNITED STATES OF AMERICA
- (56) Related Art Documents: **Not Applicable**
- (57) Statement of Newness and Distinctiveness: **Newness and distinctiveness is claimed in the visual features shown in the representations except for those shown in phantom lines.**

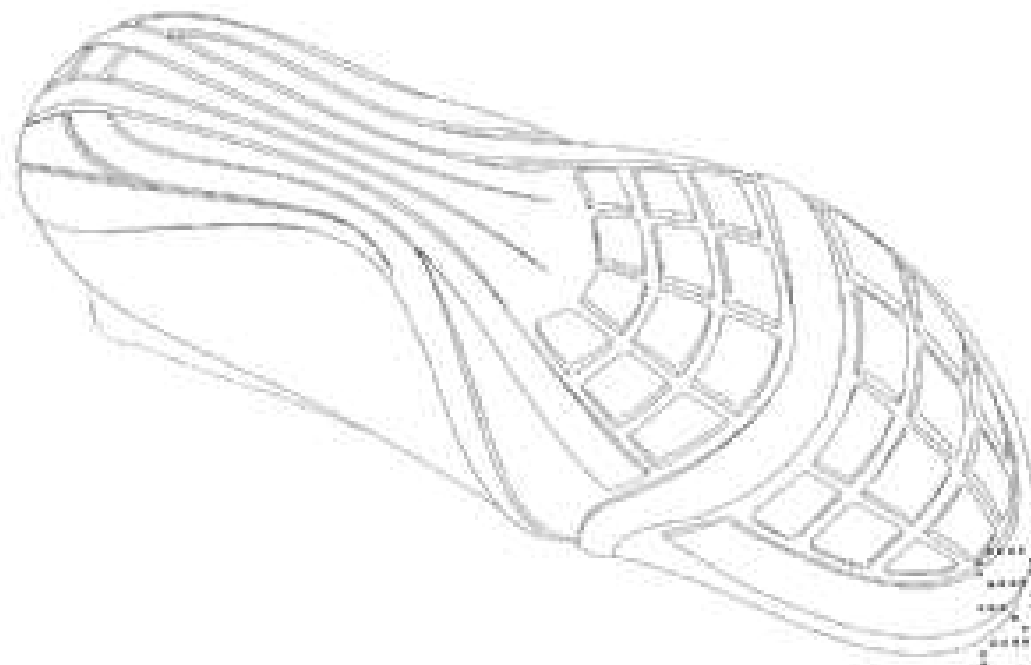


- (21) Design Number: **17761/2007**
- (22) Date of Filing Application: **07 May 2007**
- (24) Date from which industrial property rights may have effect: **07 May 2007**
- (54) Product in respect of which the design is registered: **A footwear sole**
- (51) International Design Classification: **02-04B**
- (71) Name(s) and Address(s) of Applicant(s):
Wolverine World Wide, Inc.
9341 Courtland Drive NE Rockford Michigan 49351 United States of America
- (72) Name(s) of Designer(s): **Deborah H. Andersen and Martin W.F. Dean and Grant A. Urie**
- (45) Registration Date: **17 July 2007**
- (30) Convention priority data:

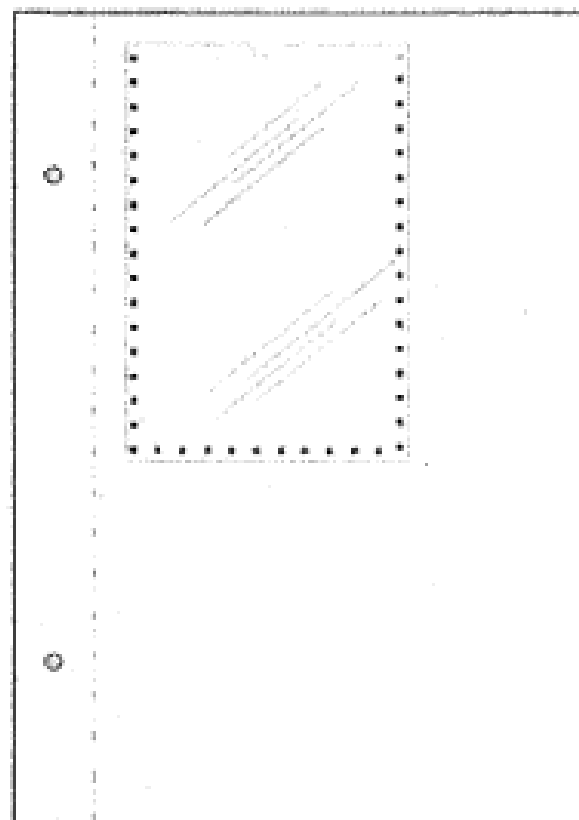
(31) Number	(32) Date	(33) Country
29268661	09 Nov 2006	UNITED STATES OF AMERICA
- (56) Related Art Documents: **Not Applicable**
- (57) Statement of Newness and Distinctiveness: **Newness and distinctiveness is claimed in the visual features shown in the representations except for those shown in phantom lines.**



- (21) Design Number: **17762/2007**
(22) Date of Filing Application: **07 May 2007**
(24) Date from which industrial property rights may have effect: **07 May 2007**
(54) Product in respect of which the design is registered: **A footwear sole**
(51) International Design Classification: **02-04B**
(71) Name(s) and Address(s) of Applicant(s):
Wolverine World Wide, Inc.
9341 Courtland Drive NE Rockford Michigan 49351 United States of America
(72) Name(s) of Designer(s): **Deborah H. Andersen and Federica Elmo and Grant A. Urie**
(45) Registration Date: **17 July 2007**
(30) Convention priority data:
(31) Number (32) Date (33) Country
29268711 09 Nov 2006 UNITED STATES OF AMERICA
(56) Related Art Documents: **Not Applicable**
(57) Statement of Newness and Distinctiveness: **Newness and distinctiveness is claimed in the visual features shown in the representations except for those shown in phantom lines.**



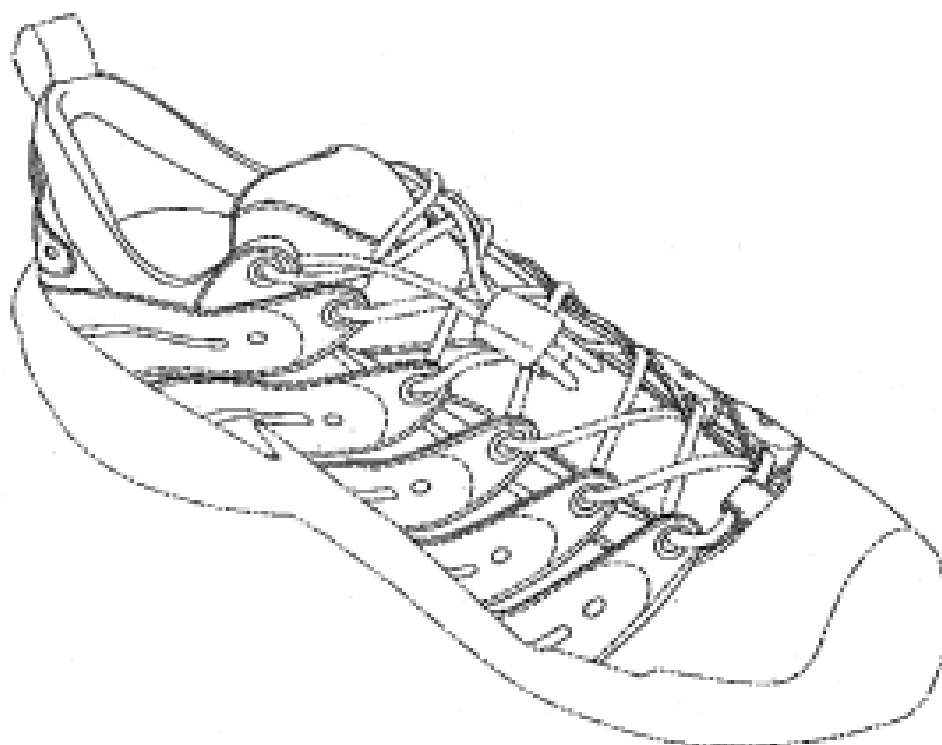
- (21) Design Number: **16722/2007**
(22) Date of Filing Application: **01 March 2007**
(24) Date from which industrial property rights may have effect: **01 March 2007**
(54) Product in respect of which the design is registered: **Photo album**
(51) International Design Classification: **19-04**
(71) Name(s) and Address(s) of Applicant(s):
Liao Caiting
301 Room 2/82 Jinsha Road Shantou City Guangdong 515041 China
(72) Name(s) of Designer(s): **Liao Caiting**
(45) Registration Date: **18 July 2007**
(30) Convention priority data:
(31) Number (32) Date (33) Country
408038 28 Aug 2006 NEW ZEALAND
(56) Related Art Documents: **Not Applicable**
(57) Statement of Newness and Distinctiveness: **A set of loose leaf pages with photo pockets and space for printing and note.**



(21) Design Number: **17763/2007**
 (22) Date of Filing Application: **07 May 2007**
 (24) Date from which industrial property rights may have effect: **07 May 2007**
 (54) Product in respect of which the design is registered: **A footwear upper**
 (51) International Design Classification: **02-04NES**
 (71) Name(s) and Address(s) of Applicant(s):
Wolverine World Wide, Inc.
9341 Courtland Drive NE Rockford Michigan 49351 United States of America
 (72) Name(s) of Designer(s): **Clark A. Matis and Martin W.F. Dean**
 (45) Registration Date: **18 July 2007**
 (30) Convention priority data:

(31) Number	(32) Date	(33) Country
29268691	09 Nov 2006	UNITED STATES OF AMERICA

 (56) Related Art Documents: **Not Applicable**
 (57) Statement of Newness and Distinctiveness: **Newness and distinctiveness is claimed in the visual features shown in the representations except for those shown in phantom lines.**



(21) Design Number: **17764/2007**
 (22) Date of Filing Application: **07 May 2007**
 (24) Date from which industrial property rights may have effect: **07 May 2007**
 (54) Product in respect of which the design is registered: **A footwear sole**
 (51) International Design Classification: **02-04B**
 (71) Name(s) and Address(s) of Applicant(s):
Wolverine World Wide, Inc.
9341 Courtland Drive NE Rockford Michigan 49351 United States of America
 (72) Name(s) of Designer(s): **Karra K. Evans and Grant A. Urie**
 (45) Registration Date: **18 July 2007**
 (30) Convention priority data:

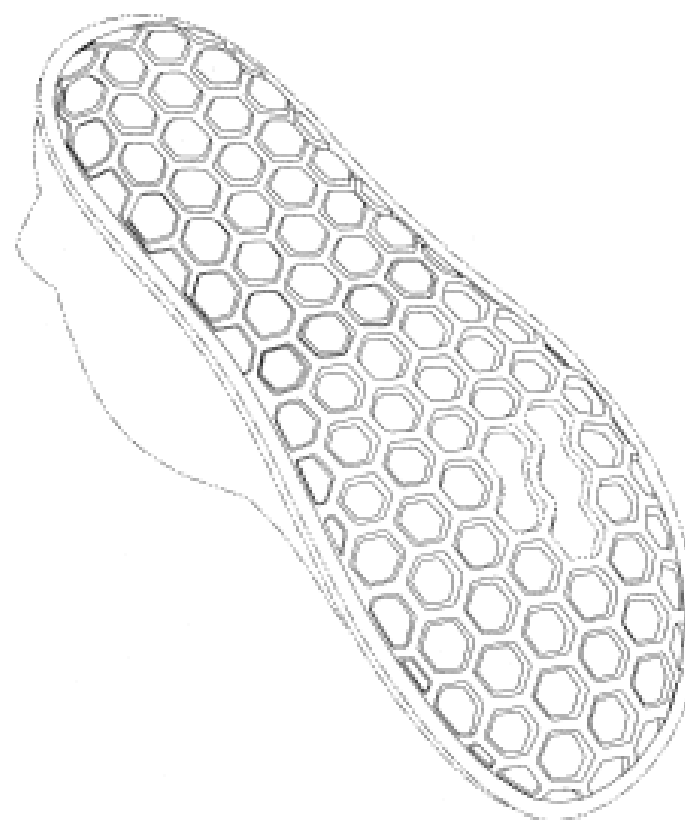
(31) Number	(32) Date	(33) Country
29268697	09 Nov 2006	UNITED STATES OF AMERICA

 (56) Related Art Documents: **Not Applicable**
 (57) Statement of Newness and Distinctiveness: **Newness and distinctiveness is claimed in the visual features shown in the representations except for those shown in phantom lines.**



- (21) Design Number: **17765/2007**
- (22) Date of Filing Application: **07 May 2007**
- (24) Date from which industrial property rights may have effect: **07 May 2007**
- (54) Product in respect of which the design is registered: **A footwear sole**
- (51) International Design Classification: **02-04B**
- (71) Name(s) and Address(s) of Applicant(s):
Wolverine World Wide, Inc.
9341 Courtland Drive NE Rockford Michigan 49351 United States of America
- (72) Name(s) of Designer(s): **Lester F. Horne and Martin W.F. Dean**
- (45) Registration Date: **18 July 2007**
- (30) Convention priority data:

(31) Number	(32) Date	(33) Country
29268662	09 Nov 2006	UNITED STATES OF AMERICA
- (56) Related Art Documents: **Not Applicable**
- (57) Statement of Newness and Distinctiveness: **Newness and distinctiveness is claimed in the visual features shown in the representations except for those shown in phantom lines.**



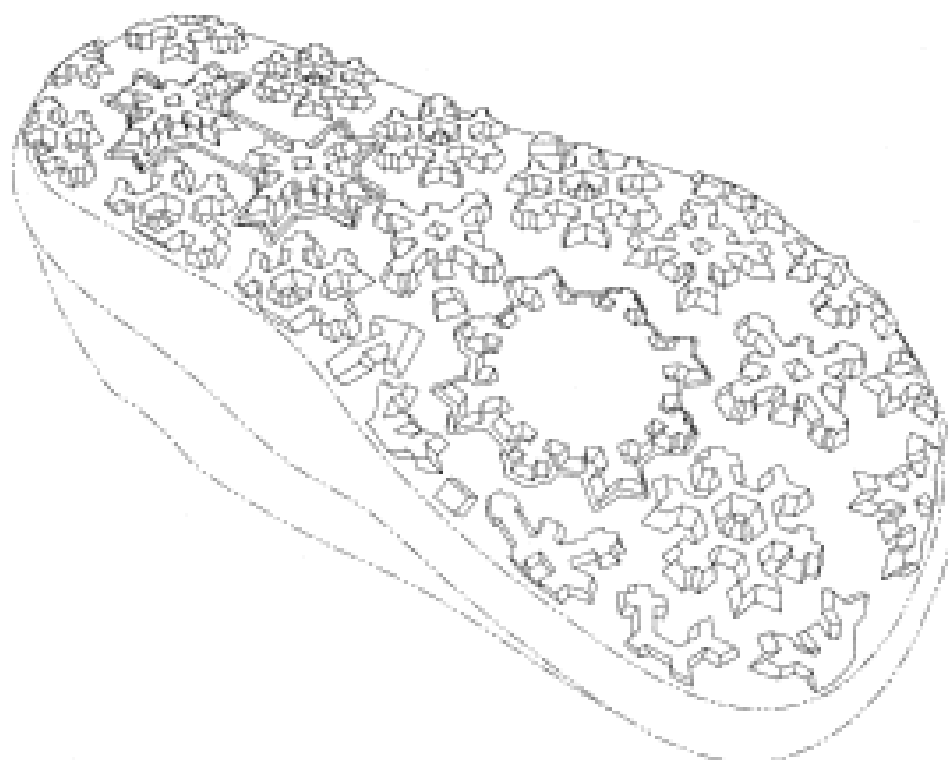
- (21) Design Number: **17766/2007**
- (22) Date of Filing Application: **07 May 2007**
- (24) Date from which industrial property rights may have effect: **07 May 2007**
- (54) Product in respect of which the design is registered: **A footwear upper**
- (51) International Design Classification: **02-04NES**
- (71) Name(s) and Address(s) of Applicant(s):
Wolverine World Wide, Inc.
9341 Courtland Drive NE Rockford Michigan 49351 United States of America
- (72) Name(s) of Designer(s): **Julie St. Louis**
- (45) Registration Date: **18 July 2007**
- (30) Convention priority data:

(31) Number	(32) Date	(33) Country
29268668	09 Nov 2006	UNITED STATES OF AMERICA
- (56) Related Art Documents: **Not Applicable**
- (57) Statement of Newness and Distinctiveness: **Newness and distinctiveness is claimed in the visual features shown in the representations except for those shown in phantom lines.**



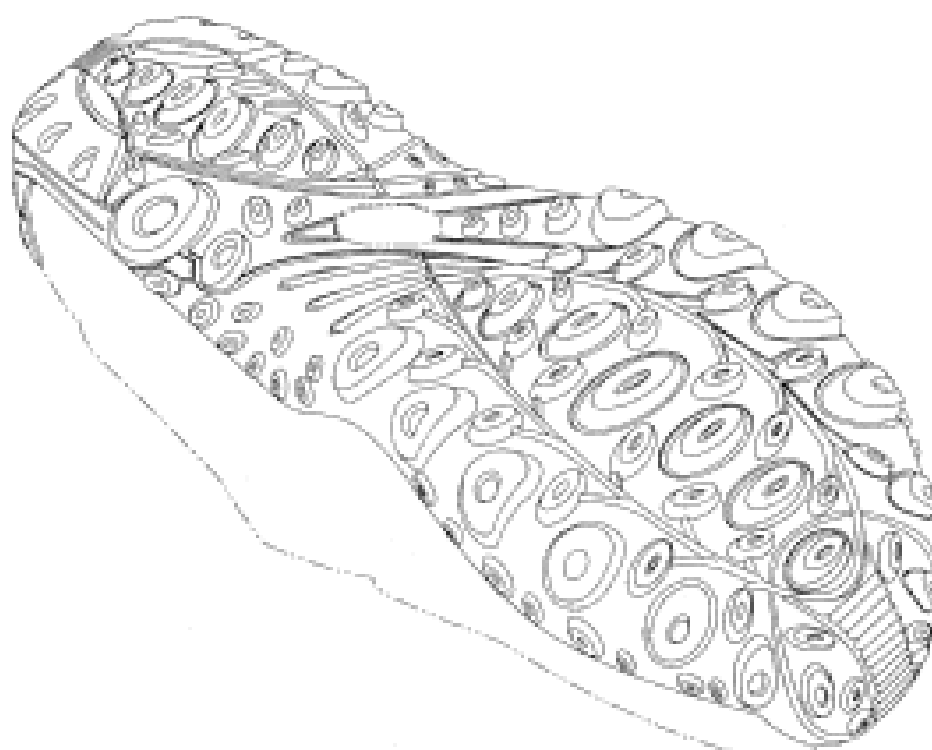
- (21) Design Number: **17767/2007**
- (22) Date of Filing Application: **07 May 2007**
- (24) Date from which industrial property rights may have effect: **07 May 2007**
- (54) Product in respect of which the design is registered: **A footwear sole**
- (51) International Design Classification: **02-04B**
- (71) Name(s) and Address(s) of Applicant(s):
Wolverine World Wide, Inc.
9341 Courtland Drive NE Rockford Michigan 49351 United States of America
- (72) Name(s) of Designer(s): **Mary L. Schoenborn and Grant A. Urie**
- (45) Registration Date: **18 July 2007**
- (30) Convention priority data:

(31) Number	(32) Date	(33) Country
29268590	09 Nov 2006	UNITED STATES OF AMERICA
- (56) Related Art Documents: **Not Applicable**
- (57) Statement of Newness and Distinctiveness: **Newness and distinctiveness is claimed in the features shown in the representations except for those shown in phantom lines.**



- (21) Design Number: **17768/2007**
- (22) Date of Filing Application: **07 May 2007**
- (24) Date from which industrial property rights may have effect: **07 May 2007**
- (54) Product in respect of which the design is registered: **A footwear sole**
- (51) International Design Classification: **02-04B**
- (71) Name(s) and Address(s) of Applicant(s):
Wolverine World Wide, Inc.
9341 Courtland Drive NE Rockford Michigan 49351 United States of America
- (72) Name(s) of Designer(s): **Julie St. Louis**
- (45) Registration Date: **18 July 2007**
- (30) Convention priority data:

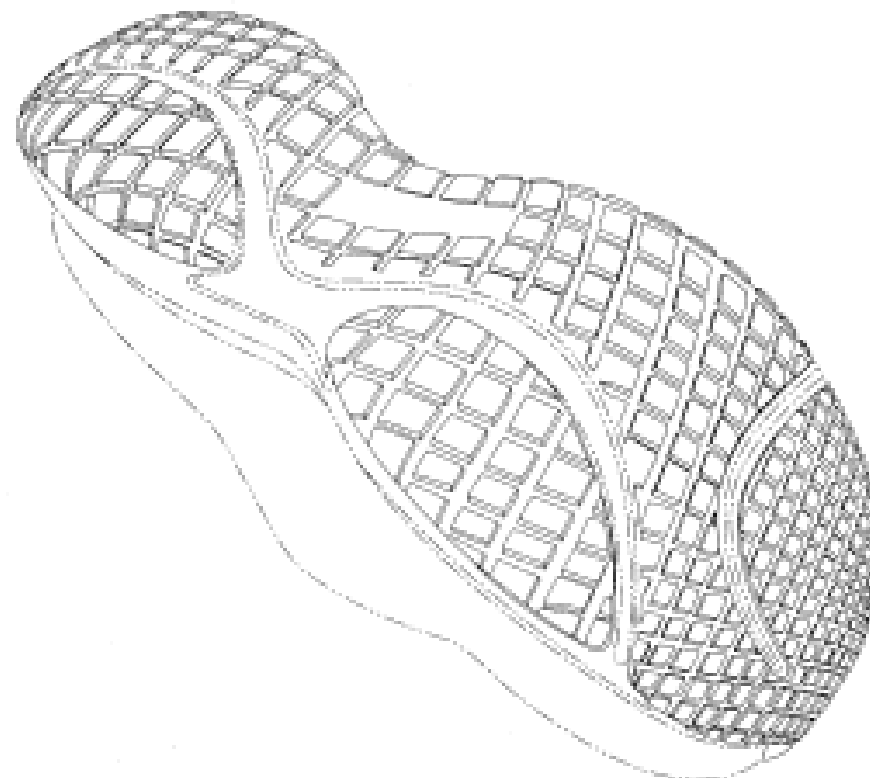
(31) Number	(32) Date	(33) Country
29268605	09 Nov 2006	UNITED STATES OF AMERICA
- (56) Related Art Documents: **Not Applicable**
- (57) Statement of Newness and Distinctiveness: **Newness and distinctiveness is claimed in the features shown in the representations except for those shown in phantom lines.**



(21) Design Number: **17769/2007**
 (22) Date of Filing Application: **07 May 2007**
 (24) Date from which industrial property rights may have effect: **07 May 2007**
 (54) Product in respect of which the design is registered: **A footwear sole**
 (51) International Design Classification: **02-04B**
 (71) Name(s) and Address(s) of Applicant(s):
Wolverine World Wide, Inc.
9341 Courtland Drive NE Rockford Michigan 49351 United States of America
 (72) Name(s) of Designer(s): **Manon Belley**
 (45) Registration Date: **18 July 2007**
 (30) Convention priority data:

(31) Number	(32) Date	(33) Country
29268665	09 Nov 2006	UNITED STATES OF AMERICA

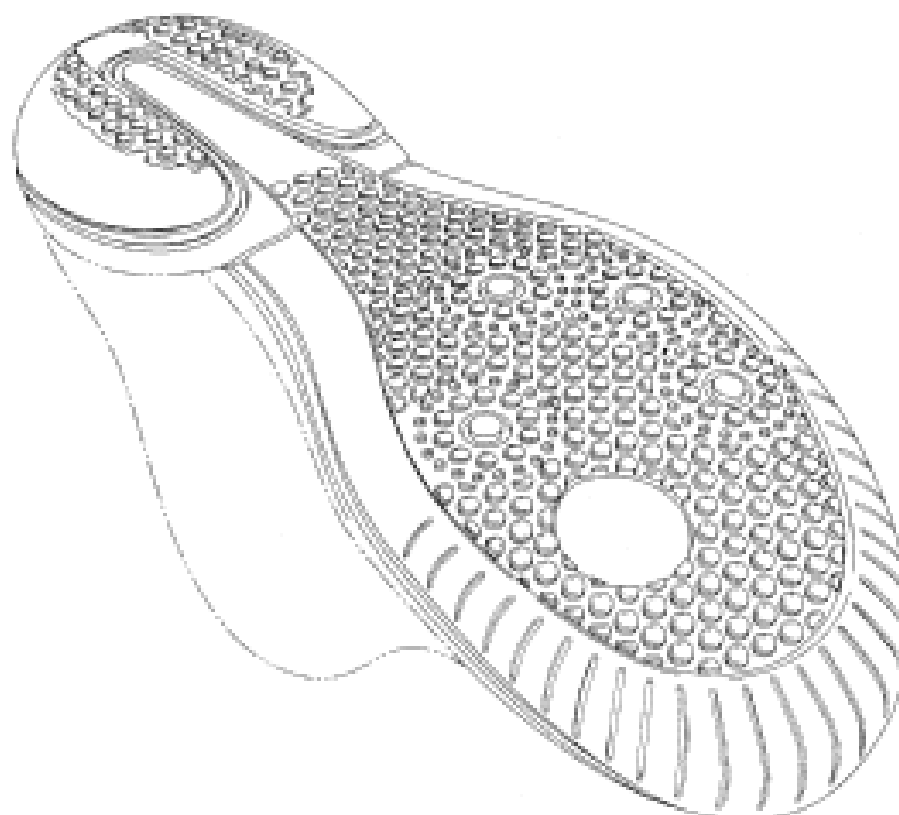
 (56) Related Art Documents: **Not Applicable**
 (57) Statement of Newness and Distinctiveness: **Newness and distinctiveness is claimed in the features shown in the representations except for those shown in phantom lines.**



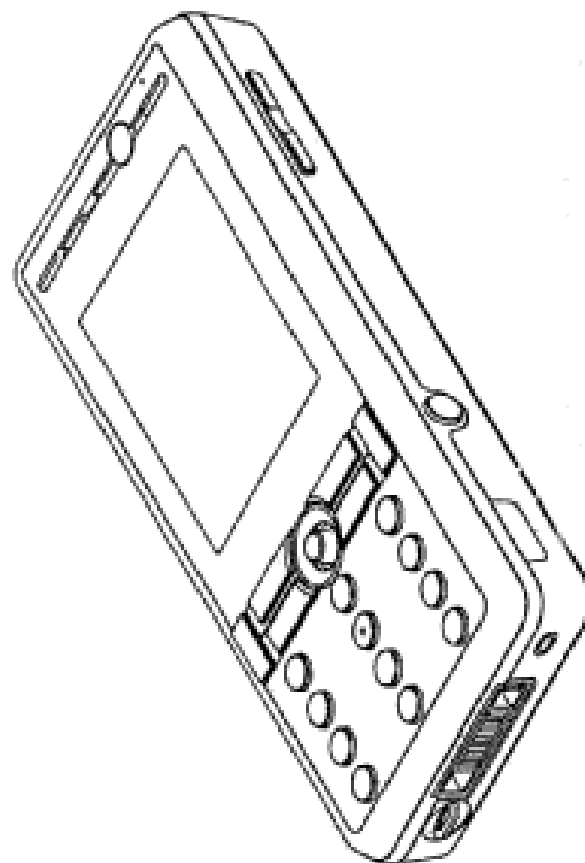
(21) Design Number: **17770/2007**
 (22) Date of Filing Application: **07 May 2007**
 (24) Date from which industrial property rights may have effect: **07 May 2007**
 (54) Product in respect of which the design is registered: **A footwear sole**
 (51) International Design Classification: **02-04B**
 (71) Name(s) and Address(s) of Applicant(s):
Wolverine World Wide, Inc.
9341 Courtland Drive NE Rockford Michigan 49351 United States of America
 (72) Name(s) of Designer(s): **Manon Belley**
 (45) Registration Date: **18 July 2007**
 (30) Convention priority data:

(31) Number	(32) Date	(33) Country
29268678	09 Nov 2006	UNITED STATES OF AMERICA

 (56) Related Art Documents: **Not Applicable**
 (57) Statement of Newness and Distinctiveness: **Newness and distinctiveness is claimed in the features shown in the representations except for those shown in phantom lines.**



(21) Design Number: **18706/2007**
(22) Date of Filing Application: **04 July 2007**
(24) Date from which industrial property rights may have effect: **04 July 2007**
(54) Product in respect of which the design is registered: **Mobile phone**
(51) International Design Classification: **14-03E**
(71) Name(s) and Address(s) of Applicant(s):
Sony Ericsson Mobile Communications AB
Nya Vattentorget SE 221 88 Lund Sweden
(72) Name(s) of Designer(s): **Bilgi Karan**
(45) Registration Date: **18 July 2007**
(30) Convention priority data:
(31) Number (32) Date (33) Country
000651724-1/2 15 Jan 2007 EUROPEAN COMMUNITY
(56) Related Art Documents: **Not Applicable**
(57) Statement of Newness and Distinctiveness: **Nil**



(21) Design Number: **18707/2007**
(22) Date of Filing Application: **04 July 2007**
(24) Date from which industrial property rights may have effect: **04 July 2007**
(54) Product in respect of which the design is registered: **Mobile phone**
(51) International Design Classification: **14-03E**
(71) Name(s) and Address(s) of Applicant(s):
Sony Ericsson Mobile Communications AB
Nya Vattentorget SE 221 88 Lund Sweden
(72) Name(s) of Designer(s): **Bilgi Karan**
(45) Registration Date: **18 July 2007**
(30) Convention priority data:
(31) Number (32) Date (33) Country
000651724-1/2 15 Jan 2007 EUROPEAN COMMUNITY
(56) Related Art Documents: **Not Applicable**
(57) Statement of Newness and Distinctiveness: **Nil**

