



Australian Government

IP Australia

AUSTRALIAN OFFICIAL JOURNAL

OF

DESIGNS

Did you know a searchable version of this journal is now available online?

It's FREE and EASY to SEARCH.

Find it at

<http://pericles.ipaustralia.gov.au/ols/epublish/content/olsEpublications.jsp>
or using the "Online Journals" link on the IP Australia home page.

This Page Left Intentionally Blank

Contents

General Information & Notices

**Proceedings Under the Designs Act 1906 preserved as a result of the provisions of Chapter 12
Part 2 of the Designs Act 2003**

Applications for Extension of Time	9948
Extension of Period of Registration of Designs	9948
Registrations Ceased	9948

Proceedings Under the Designs Act 2003

Applications Lapsed	9956
Applications Lodged	9953
Applications Withdrawn	9956
Certificate of Examination	9960
Corrigenda	9959
Extension of Time Granted Under Section 137	9957
Publication and Registration Proceedings	
Designs Registered 315522 to 315683.....	9961
Registrations Ceased	9957

This Page Left Intentionally Blank

For information on the following please see our website www.ipaustralia.gov.au or contact our Customer Service Network on 1300651010

[Editorial enquiries](#)

[Contact information](#)

[Freedom of Information ACT](#)

[Professional Standards Board](#)

[Sales](#)

[Requests for Information under Section 194 \(c\)](#)

[Country Codes](#)

[Trade Mark and Designs Hearing Sessions](#)

[INID \(Internationally agreed Numbers for the Identification of Data\)](#)

“INID” NUMBERS in use on Australian Design Documents

“INID” is an acronym for “Internationally agreed Numbers for the Identification of Data”.

(10) Data concerning the registration/renewal

- (11) Serial number of the registration and/or number of the design document
- (12) Plain language designation of the kind of published document
- (19) Identification, using the two-letter code according to WIPO Standard ST.3, of the authority publishing or registering the industrial design

(20) Data concerning the application

- (21) Serial number of the application
- (22) Date of filing of the application
- (24) Date from which the industrial design right has effect

(30) Data relating to priority under the Paris Convention

- (31) Serial number assigned to the priority application
- (32) Date of filing of the priority application
- (33) Two-letter code, according to WIPO Standard ST.3, identifying the authority with which the priority application was made

(40) Date(s) of making information available to the public

- (45) Date of publication of the registered industrial design by printing or similar process, or making it available to the public by any other means

(50) Miscellaneous Information

- (51) International Classification for Industrial Designs (class and subclass of the Locarno Classification)
- (54) Designation of article(s) or product(s) covered by the industrial design or title of the industrial design
- (55) Reproduction of the industrial design (e.g., drawing, photograph) and explanations relating to the reproduction
- (56) List of prior art documents, if separate from descriptive text
- (57) Description of characteristic features of the industrial design including indication of colours

(60) References to other legally related application(s) and registration(s)

- (62) Serial number(s) and, if available, filing date(s) of application(s), registration(s) or document(s) related by division
- (66) Serial number(s) of the application, or the registration, of the design(s) which is (are) a variant(s) of the present one

(70) Identification of parties concerned with the application or registration

- (71) Name(s) and address(es) of the applicant(s)
- (72) Name(s) of the creator(s) if known to be such
- (74) Name(s) and address(es) of the representative(s)

This Page Left Intentionally Blank

Official Notice**Designs Act 2003
Amendments to Registered Designs at Examination**

The following amendments have been made to details previously published in the Australian Official Journal of Designs during the Examination process:

Registration Numbers	Amendment type	New details
310916	Classification	08-05L, 15-02
310955	Classification	08-05L, 15-02
310956	Classification	08-05L, 15-02

Contact: IP Australia
Phone: 1300 651 010
Fax: +61 2 6283 7999
E-Mail: assist@ipaaustralia.gov.au
Web: www.ipaustralia.gov.au

This Page Left Intentionally Blank

**Proceedings under the Designs Act 1906 preserved as a
result of the provisions of Chapter 12 Part 2 of the Designs
Act 2003.**

This Page Left Intentionally Blank

Applications Lapsed

There were no Applications Lapsed under this section

Extension of Period of Registration of Designs

2nd Period (Section 27A(12))

146248	146249	146308
146350	146428	146582
146653	146661	146676
146739	146778	146779
146893	146956	146957
147112	147180	147181
147334	147470	147471
147472	147473	147517
147580	147581	147667
147668	147669	147670
147808	147976	147977
147978	148409	149502
149503	149815	150350
151133	153177	154719

3rd Period (Section 27A(13))

128072	128992	128993
129016	129835	130051
130052	130078	130079
130080	130099	130120
130980	131334	131574
131960	133087	134043

Registrations Ceased

Note: Some of the following Registrations may have been previously advertised as ceased. In this instance, the previous advertisement still prevails.

112330	112418	113605
113606	113667	113668
113714	113719	113731
113733	113734	113802
113808	113811	113851
113852	113853	113854
113906	114034	114035
114036	114085	114086
114106	114123	114288
114366	114388	114469
114492	114529	114662
114767	114770	115024
115234	116318	116428
116549	125882	127224
127558	127559	127638
127639	127640	127656
127658	127660	127661
127662	127674	127675
127679	127769	127806
128111	128311	128355
128366	128655	129551
129737	131985	131986
132002	132246	142860
142977	143060	143179

143326	143327	143328
143329	143330	143833
144644	144647	144648
144706	144708	144710
144711	144788	144789
144790	144791	144821
144824	144825	144830
144832	144836	144868
144874	144875	144876
144877	144878	144879
144880	144881	144882
144883	144884	144885
144886	144987	145126
145191	145246	145247
145248	145249	145306
145307	145308	145309
145351	145435	145489
145559	145780	146066
146127	146502	146608
146837	147212	147323
147324	147325	147326
147327	147436	147514
147571	147740	147744
147920	147975	148099
148725	148755	148785
148864	148865	148867
149006	149563	149564
149601	149602	149707
149844	151542	152894
153933	158575	

Applications for Extension of time

Applications for extension of time have been lodged. Objections must be lodged within 1 month from the date of this journal.

126742 **Celebrate Western Australia (Inc.)** Extension of time to extend a registration. Address for Service: Celebrate WA Inc PO Box 7681 Cloisters Square PERTH WA 6850

143016 **Automatic Technology Australia Pty Ltd** Extension of time to extend a registration. Address for Service: Allens Arthur Robinson Patent & Trade Marks Attorneys GPO Box 1776Q MELBOURNE VIC 3001

This Page Left Intentionally Blank

Proceedings under the Designs Act 2003.

This Page Left Intentionally Blank

Applications Lodged

Lodgement information is in the following order: **Applicant's Name**; International Classification, Name of Product, Lodgement Date and **Design Number**. If the applicant claims an earlier priority date under an International Convention, the Convention Country and the associated filing date are shown in parentheses before the Lodgement Date. Divisional information will also appear in parentheses before the Lodgement Date.

Acco Australia Pty Ltd; 06-04NES, File rack, 03 Aug 2007	19197/2007	Curtin, Robert John Clifford; 11-02E, Statue of a dog, 31 Jul 2007	19141/2007
Birchill Limited; 21-02A, Football trainer, (EM, 30 Jan 2006) 30 Jul 2007	19116/2007	Curtin, Robert John Clifford; 11-02E, Statue of a dog, 31 Jul 2007	19142/2007
Bree, Marcus; 21-01D, Model of Qld house made from plywood packaging and literature, 03 Aug 2007	19170/2007	D'Arcy, Ryan; 02-02B, Trademans pocket vest, 03 Aug 2007	19206/2007
BISSELL Homecare, Inc.; 15-05, Cleaning tool, (US, 09 Mar 2007) 30 Jul 2007	19120/2007	Davenport, P.; Matson, R.; 21-01L, This design is to be applied to board games, 06 Aug 2007	19189/2007
BST Oyster Supplies Pty Ltd; 22-05, Components to form a basket used in the aquaculture industry. Typically used for cultivating edible table, oysters. Components comprise a moulded flat mesh with a patterned array of hexagonal apertures and a "H" shape, joiner., 06 Aug 2007	19190/2007	Dennis, Paul; 99-00, Sling protector, 01 Aug 2007	19163/2007
Callaway Golf Company; 21-02C, Golf club head, (US, 31 Jan 2007) 31 Jul 2007	19149/2007	Desai, Reshmaben; 23-01F, Fluid storage and dispersion tank underground external tank panel, 08 Aug 2007	19219/2007
Caroma Industries Limited; 25-02NES, A button assembly, 01 Aug 2007	19153/2007	Desai, Reshmaben; 23-01F, Fluid storage and dispersion tank underground internal tank panel, 08 Aug 2007	19220/2007
Caroma Industries Limited; 25-02NES, A button assembly, 01 Aug 2007	19154/2007	Didier, Ross; 06-01E, Seat, 31 Jul 2007	19125/2007
Caroma Industries Limited; 25-02NES, A button assembly, 01 Aug 2007	19155/2007	Dixon, Richard; 06-09, , 08 Aug 2007	19217/2007
Caroma Industries Limited; 25-02NES, A button assembly, 01 Aug 2007	19156/2007	Dunlea, Terrence John; Dunlea, Debra Ann; 29-02, Casualty handle, 08 Aug 2007	19222/2007
Caroma Industries Limited; 25-02NES, A button assembly, 01 Aug 2007	19157/2007	Dunlea, Debra Ann; Dunlea, Terrence John; 29-02, Casualty handle, 08 Aug 2007	19222/2007
Cashmere Blazer Pty Ltd; 03-01A, Trolley bag, 03 Aug 2007	19193/2007	DYWIDAG-Systems International Pty Limited; 25-02C, Rock face support device mesh element, 27 Jul 2007	19101/2007
Ceramiche Atlas Concorde spa; 25-01F, Tiles, (EM, 01 Feb 2007) 27 Jul 2007	19108/2007	DYWIDAG-Systems International Pty Limited; 25-02C, Rock face support device mesh element, 27 Jul 2007	19102/2007
Ceramiche Atlas Concorde spa; 25-01F, Tiles, (EM, 01 Feb 2007) 27 Jul 2007	19109/2007	DYWIDAG-Systems International Pty Limited; 25-02NES, Rock face support device, 27 Jul 2007	19103/2007
Ceramiche Atlas Concorde spa; 25-01F, Tiles, (EM, 01 Feb 2007) 27 Jul 2007	19107/2007	Easy-Do Products Ltd; 07-05NES, A head of a hand-held cleaning/scouring implement, (GB, 21 Apr 2007) 07 Aug 2007	19211/2007
Chris Grow Engineering Pty Ltd; 15-03B, Mower, 27 Jul 2007	19106/2007	Filer, Monique; Michaels, Dannielle; 03-99, Travel size all-in-one plastic baby change system, 03 Aug 2007	19169/2007
Corlass, Amy Trading as Warm Ties; 24-04, Warm pack, 06 Aug 2007	19208/2007	Fletcher Building Holdings Limited; 25-01G, A cladding sheet of constant cross section, (NZ, 23 Feb 2007) 02 Aug 2007	19168/2007
Corlass, Amy Trading as Warm Ties; 24-04, Warm tie, 06 Aug 2007	19207/2007	Fusion Global Print Group Pty Ltd; 21-01D, A model stadium and blanks for assembly thereof, 02 Aug 2007	19172/2007
Crocs, Inc.; 02-04NES, Footwear, (US, 30 Jan 2007) 30 Jul 2007	19127/2007		
Crocs, Inc.; 02-04NES, Footwear, (US, 30 Jan 2007) 30 Jul 2007	19128/2007		

Gates, Celia Rowena Fairfax; 07-02R, Ergonomically engineered handle & knob for cookware, 31 Jul 2007	19113/2007	Kraft Foods Holdings, Inc.; 09-01K, Bottle, (US, 08 Feb 2007) 31 Jul 2007	19145/2007
Geelong Sales International Ltd; 06-04NES, Shelving Section, 02 Aug 2007	19173/2007	Kraft Foods Holdings, Inc.; 09-01K, Bottle, (US, 08 Feb 2007) 31 Jul 2007	19144/2007
Gifted With Words Limited; 09-03M, A box, (NZ, 10 Oct 2006) 30 Mar 2007	19272/2007	Linke, Greg; 08-08G, Hanging device, 05 Jul 2007	19114/2007
Gifted With Words Limited; 09-03M, A box, (NZ, 10 Oct 2006) 30 Mar 2007	19271/2007	Linke, Greg; 08-08G, Hanging device, 05 Jul 2007	19115/2007
Guerlain Societe Anonyme; 28-03NES, Flask for cosmetics, 31 Jul 2007	19137/2007	Lolitta Clothing; 02-02C, 02-02NES, Ladies clothin garments, 03 Aug 2007	19171/2007
Harvey, Michael; 14-99, Attachment and accessory for carrying, clasping & securing portable electronic devices (clip), 30 Jul 2007	19110/2007	Louver-Lite Limited; 08-08H, Roller blind bottom bar, 27 Jul 2007	19099/2007
Herbert, Annette; 24-04, A heat bag, 31 Jul 2007	19130/2007	Louver-Lite Limited; 08-08H, Roller blind tube, 27 Jul 2007	19100/2007
Honda Motor Co., Ltd.; 12-06A, Water scooter, (JP, 31 Jan 2007) 30 Jul 2007	19117/2007	Maserati S.p.A.; 12-08, 21-01C, Car and toy, (EM, 14 Feb 2007) 03 Aug 2007	19199/2007
Honda Motor Co., Ltd.; 26-06, A rear combination lamp for a motor scooter, (JP, 05 Feb 2007) 01 Aug 2007	19159/2007	Matson, R.; Davenport, P.; 21-01L, This design is to be applied to board games, 06 Aug 2007	19189/2007
Honda Motor Co., Ltd.; 12-16NES, A front top cover for a motor scooter, (JP, 05 Feb 2007) 01 Aug 2007	19160/2007	Max Media Tech Co., LTD; 03-01C, A disc case, 07 Aug 2007	19221/2007
Honda Motor Co., Ltd.; 12-11, A motor scooter, (JP, 05 Feb 2007) 01 Aug 2007	19161/2007	Michaels, Dannielle; Filer, Monique; 03-99, Travel size all-in-one plastic baby change system, 03 Aug 2007	19169/2007
Hunter Douglas Inc.; 14-03NES, Remote control for architectural coverings, (US, 05 Feb 2007) 03 Aug 2007	19196/2007	Microsoft Corporation; 14-01, Media player, (US, 24 May 2007) 02 Aug 2007	19182/2007
J Bloch Pty Ltd; 02-04A, A fore-foot sole pad for a dance slipper, 01 Aug 2007	19152/2007	Microsoft Corporation; 14-01, Media player, (US, 24 May 2007) 02 Aug 2007	19183/2007
J S Staedtler GmbH & Co KG; 19-06, Writing, drawing and painting implement, (EM, 23 Feb 2007) 08 Aug 2007	19262/2007	Microsoft Corporation; 14-01, Portion of a media player having an illuminated window, (US, 24 May 2007) 02 Aug 2007	19184/2007
JohnsonDiversey, Inc.; 08-08L, Modular mounting system for wall hung devices, (US, 01 Feb 2007) 01 Aug 2007	19162/2007	Microsoft Corporation; 14-01, Media player, (US, 24 May 2007) 02 Aug 2007	19185/2007
JohnsonDiversey, Inc.; 09-07A, Dispensing closure, (US, 01 Feb 2007) 01 Aug 2007	19158/2007	Microsoft Corporation; 14-01, Control button for a media player, (US, 24 May 2007) 02 Aug 2007	19186/2007
Jones, Trefor Glyn; 21-01L, Boardgame. "Linehual" and boardgame "delivery" and other boardgame versions, 08 Aug 2007	19227/2007	MiTek New Zealand Limited; Winstone Wallboards Limited; 08-08B, A washer, (NZ, 08 Feb 2007) 30 Jul 2007	19112/2007
Kiersten Jowett of Westridge; 07-02P, Sandwich/cookie/biscuit/bread/crust cutter in the shape of two fitted jigsaw puzzle pieces, 01 Aug 2007	19133/2007	MiTek New Zealand Limited; Winstone Wallboards Limited; 08-08L, A bracket, (NZ, 08 Feb 2007) 30 Jul 2007	19111/2007
Kiersten Jowett of Westridge; 07-02P, The Great Australian Bite is a sandwich/cookie/biscuit/ bread/crust cutter in the shape of Australia, 01 Aug 2007	19132/2007	Newfrey LLC; 23-01H, A tap handle, (US, 23 Feb 2007) 06 Aug 2007	19215/2007
Kraft Foods Holdings, Inc.; 09-01K, Bottle, (US, 08 Feb 2007) 31 Jul 2007	19146/2007	Newfrey LLC; 23-01H, A tap handle, (US, 20 Feb 2007) 06 Aug 2007	19216/2007

Nice SPA; 14-03NES, Remote control, (IT, 06 Feb 2007) 06 Aug 2007	19203/2007	Scottish & Newcastle PLC; 23-01NES, Beer fount, (EM, 11 Apr 2007) 02 Aug 2007	19188/2007
O Book Pty Ltd, The; 19-01, Business cards, birthday cards, thank you cards, invitations, and menus, post cards, playing cards, note, cards, file cards, tickets, dockets, book marks, tax invoices, list/fridge pads, charts, memo, clipboard, maps,, atlases, travel guides, newspapers.....eftpos machines, 06 Aug 2007	19209/2007	Shachihata Inc; 19-02, Stamp, (JP, 06 Feb 2007) 06 Aug 2007	19204/2007
O Book Pty Ltd, The; 15-99, Stereo speakers, surround sound systems including centre speakers, front and rear speakers, amplifier, tape player,, cameras, air conditioner, clocks, toaster, baby monitor, blender/whipper, citrus makers, desktop lamps, digital, scales, electric pans, fan heaters, fax machines...projector, 06 Aug 2007	19210/2007	Smart Openers Pty Ltd; 14-99, Remote control transmitter holding case, 31 Jul 2007	19138/2007
O'Brien, Liam; 06-01F, Indoor-outdoor sling chair, 06 Aug 2007	19191/2007	Smiths Medical ASD, Inc.; 08-08NES, Mounting clip, (US, 08 Jun 2007) 02 Aug 2007	19176/2007
Ohlins Racing AB; 09-03E, Blank cartons, (EM, 29 Jan 2007) 30 Jul 2007	19123/2007	Smiths Medical ASD, Inc.; 24-99, Movable member for a medical fluid reservoir, (US, 08 Jun 2007) 02 Aug 2007	19180/2007
Pacific Worldwide; 01-99, Frozen finger food range, 27 Jul 2007	19129/2007	Smiths Medical ASD, Inc.; 08-08NES, Mounting clip, (US, 08 Jun 2007) 02 Aug 2007	19181/2007
Pattern Technology; 25-01A, Concrete pavers, 06 Aug 2007	19192/2007	Smiths Medical ASD, Inc.; 24-99, Flow-through medical fluid reservoir, (US, 08 Jun 2007) 02 Aug 2007	19177/2007
Pink Chilli Pty Ltd; 30-99, Clamps for animal leads, reins and tethers, 06 Aug 2007	19194/2007	Smiths Medical ASD, Inc.; 24-99, Flow-through medical fluid reservoir, (US, 08 Jun 2007) 02 Aug 2007	19178/2007
Polartechnics Limited; 24-02, Biological sampling device with cap, 03 Aug 2007	19195/2007	Smiths Medical ASD, Inc.; 24-99, Movable member for a medical fluid reservoir, (US, 08 Jun 2007) 02 Aug 2007	19179/2007
PACCAR Inc; 12-16B, Vehicle roof fairing, (US, 06 Feb 2007) 06 Aug 2007	19214/2007	Sonoco Development, Inc.; 09-03NES, Package, (US, 14 Mar 2007) 06 Aug 2007	19205/2007
Rankine, Rowan John; 13-03NES, , 08 Aug 2007	19218/2007	Sony Computer Entertainment Inc.; 14-03NES, Tuner for a television, (JP, 05 Feb 2007) 30 Jul 2007	19118/2007
Review Australia Pty Ltd; 02-02C, Ladies garments, 06 Aug 2007	19201/2007	Sportsgirl Pty Ltd.; 05-05A, Fabric design, 02 Aug 2007	19174/2007
Robert McBride Limited; 28-99, Triple chamber plug-in air freshener diffuser, (EM, 28 Feb 2007) 06 Aug 2007	19200/2007	Starboard Innovations Inc.; 02-03, Cap visor, (CA, 06 Feb 2007) 02 Aug 2007	19166/2007
Rotoquip (Proprietary) Limited; 23-01G, Water tank filter screen, 03 Aug 2007	19198/2007	Stooke Family Trust; 02-02C, Clothing - baby, 31 Jul 2007	19126/2007
RIC Investments, LLC; 23-01A, Liquid oxygen connector, (US, 31 Jan 2007) 30 Jul 2007	19121/2007	T-Force NZ Limited; 23-01A, A coupling, (NZ, 29 May 2007) 27 Jul 2007	19104/2007
RIC Investments, LLC; 23-01A, Liquid oxygen connector, (US, 31 Jan 2007) 30 Jul 2007	19122/2007	T-Force NZ Limited; 23-01A, A coupling, (NZ, 29 May 2007) 27 Jul 2007	19105/2007
Schlegel, Robert F.; 12-16K, Product transports motorcycle-motorscooter inserted into a motor vehicles class 4 towbar receiver, 01 Aug 2007	19134/2007	Textron Inc.; 12-02, Rear body of a golf car, (US, 09 Feb 2007) 06 Aug 2007	19212/2007
Scottish & Newcastle PLC; 23-01NES, Beer fount, (EM, 11 Apr 2007) 02 Aug 2007	19187/2007	Textron Inc.; 12-16C, Front bumper, (US, 09 Feb 2007) 06 Aug 2007	19213/2007
		The Coca-Cola Company; 09-01K, Bottle, (KR, 13 Feb 2007) 30 Jul 2007	19124/2007
		Tim Wilson Yacht Design Pty Ltd; 12-06B, Trailable yacht, 01 Aug 2007	19167/2007
		Towiwat, Dhiti; 23-01F, Tank, 31 Jul 2007	19143/2007

Unilever PLC; 09-01K, Bottle, (GB, 08 Feb 2007) 30 Jul 2007	19119/2007	Xingyuan Group Co Ltd; 12-15B, Tyre, (CN, 19 Jun 2007) 31 Jul 2007	19147/2007
ULTRA Proizvodnja elektronskih naprav d.o.o.; 14-02, Payment device, 31 Jul 2007	19131/2007	Xingyuan Tyre Group Co. Ltd; 12-15B, Tire, (CN, 19 Jun 2007) 31 Jul 2007	19135/2007
Waterson, Christina Mary; 11-02NES, An ornament, 01 Aug 2007	19164/2007	Xingyuan Tyre Group Co. Ltd; 12-15B, Tire, (CN, 19 Jun 2007) 31 Jul 2007	19136/2007
Waterson, Christina Mary; 11-02NES, An ornament, 01 Aug 2007	19165/2007	Xingyuan Tyre Group Co., Ltd; 12-15C, Tire (XB02N), (CN, 19 Jun 2007) 31 Jul 2007	19139/2007
Wenner, Henry; 11-05, A flag, 02 Aug 2007	19175/2007	Xingyuan Tyre Group Co., Ltd; 12-16B, Tire (XBDRS), (CN, 19 Jun 2007) 31 Jul 2007	19140/2007
Winstone Wallboards Limited; MiTek New Zealand Limited; 08-08L, A bracket, (NZ, 08 Feb 2007) 30 Jul 2007	19111/2007	Xingyuan Tyre Group Co., Ltd.; 12-15C, Tyre, (CN, 19 Jun 2007) 31 Jul 2007	19151/2007
Winstone Wallboards Limited; MiTek New Zealand Limited; 08-08B, A washer, (NZ, 08 Feb 2007) 30 Jul 2007	19112/2007	Xingyuan Tyre Group Co., Ltd.; 12-15C, Tyre, (CN, 19 Jun 2007) 31 Jul 2007	19150/2007
Xingyuan Group Co Ltd; 12-15C, Tyre, (CN, 19 Jun 2007) 31 Jul 2007	19148/2007	Zagreb Investments Pty Ltd; 07-02E, Combined BBQ table setting, 03 Aug 2007	19202/2007

Applications Withdrawn

19055 / 2007 (13-03D)	19056 / 2007 (13-03D)
19057 / 2007 (13-03D)	19069 / 2007 (13-03D)
19070 / 2007 (13-03D)	

Applications Lapsed

16209 / 2007 (02-02NES)	16231 / 2007 (21-02F)
16269 / 2007 (02-02NES)	16270 / 2007 (09-05)
17035 / 2007 (23-01NES)	17036 / 2007 (23-01NES)
17091 / 2007 (26-06)	17092 / 2007 (26-06)
18135 / 2007 (12-06NES)	18136 / 2007 (19-04)
18137 / 2007 (12-06NES)	18275 / 2007 (19-01)
18276 / 2007 (19-01)	18277 / 2007 (19-01)
18278 / 2007 (19-01)	18279 / 2007 (19-01)
18280 / 2007 (19-01)	

Registrations Ceased

307476

Extensions of time granted under Section 137

Applications lodged under section 137 for extension of time have been granted.

303769 **DEDON GmbH**

303769 **DEDON GmbH**

15698/2005 **Perusahaan Otomobil Nasional SDN. BHD.**

15699/2005 **Perusahaan Otomobil Nasional SDN. BHD.**

15700/2005 **Perusahaan Otomobil Nasional SDN. BHD.**

15701/2005 **Perusahaan Otomobil Nasional SDN. BHD.**

15702/2005 **Perusahaan Otomobil Nasional SDN. BHD.**

15703/2005 **Perusahaan Otomobil Nasional SDN. BHD.**

15704/2005 **Perusahaan Otomobil Nasional SDN. BHD.**

15705/2005 **Perusahaan Otomobil Nasional SDN. BHD.**

15706/2005 **Perusahaan Otomobil Nasional SDN. BHD.**

15707/2005 **Perusahaan Otomobil Nasional SDN. BHD.**

15708/2005 **Perusahaan Otomobil Nasional SDN. BHD.**

15709/2005 **Perusahaan Otomobil Nasional SDN. BHD.**

16915/2007 **Metlam Australia Pty. Limited**

16916/2007 **Metlam Australia Pty. Limited**

16985/2007 **Craig Sheppard**

17143/2007 **ResMed Ltd**

17144/2007 **ResMed Ltd**

17145/2007 **ResMed Ltd**

17146/2007 **ResMed Ltd**

17147/2007 **ResMed Ltd**

17148/2007 **ResMed Ltd**

17149/2007 **ResMed Ltd**

17150/2007 **ResMed Ltd**

17151/2007 **ResMed Ltd**

17152/2007 **ResMed Ltd**

17153/2007 **ResMed Ltd**

17154/2007 **ResMed Ltd**

17155/2007 **ResMed Ltd**

17156/2007 **ResMed Ltd**

17157/2007 **ResMed Ltd**

17158/2007 **ResMed Ltd**

17159/2007 **ResMed Ltd**

17160/2007 **ResMed Ltd**

17161/2007 ResMed Ltd

Corrigenda

Number 315316

In Vol 21 , No 16 , page 9843 under the heading **Australian Registered Design;** (72) Name(s) of Designer(s) should read: Wendy Yin Sum Ng.

Number 315376

In Vol 21 , No 16 , page 9873 under the heading **Australian Registered Design;** (71) Name(s) and Address(s) of Applicant(s) should read: Troy Porter 7 Lauren Court Birkdale Queensland 4159 Australia.

Certificate(s) of Examination

Examination of the following Design Registration(s) has been completed. Infringement proceedings may now be commenced.

303761	06-01G	02/08/2007
303762	06-01H	02/08/2007
303764	06-03A	02/08/2007
303767	06-03B	02/08/2007
303769	06-01H	02/08/2007
304971	18-01	15/08/2007
307469	16-06	14/08/2007
307470	16-06	14/08/2007
307475	21-01N	13/08/2007
307595	16-06	14/08/2007
310528	23-01F	10/08/2007
310925	08-05L	02/08/2007
310926	08-05L	02/08/2007
310927	08-05L	02/08/2007
310928	08-05L	02/08/2007
311744	23-01F	10/08/2007
312195	06-04B	09/08/2007
312217	23-01F	10/08/2007
312218	23-01F	10/08/2007
312558	09-01D	10/08/2007
312559	09-01D	10/08/2007
312562	09-01D	10/08/2007
312563	09-01D	10/08/2007
313016	02-02C	10/08/2007
313090	09-01K	07/08/2007
313092	06-07	09/08/2007
313660	02-02C	10/08/2007

Publication and Registration Proceedings

Designs Registered

This section provides a concordance between design number and registration number of Designs covered in this journal. It also shows the main class and registration date.

This section covers Registration numbers 315522 to 315683 .

The registration number shown below should be used in all future correspondence.

Design Number	Registration Number	International Classification Code (IDC)	Registration Date	Design Number	Registration Number	International Classification Code (IDC)	Registration Date
12802/2006	315522	23-01NES	03/08/2007	18145/2007	315558	28-03D	02/08/2007
15507/2006	315542	12-08	02/08/2007	18146/2007	315559	28-03B	02/08/2007
15654/2006	315627	02-03	13/08/2007	18147/2007	315560	25-01K	02/08/2007
15943/2007	315567	02-02C	06/08/2007	18148/2007	315561	25-01K	02/08/2007
16019/2007	315543	06-01E	02/08/2007	18149/2007	315562	25-01K	02/08/2007
16210/2007	315523	02-02C	03/08/2007	18150/2007	315563	25-01K	02/08/2007
16928/2007	315570	11-05	06/08/2007	18151/2007	315564	25-01K	02/08/2007
16929/2007	315571	11-05	06/08/2007	18152/2007	315565	25-01K	02/08/2007
16930/2007	315572	11-05	06/08/2007	18153/2007	315566	25-01K	02/08/2007
16931/2007	315573	02-04NES	06/08/2007	18154/2007	315582	25-01K	06/08/2007
16998/2007	315575	29-02	06/08/2007	18155/2007	315634	25-01K	13/08/2007
16999/2007	315576	29-02	06/08/2007	18162/2007	315635	08-99	13/08/2007
17077/2007	315526	24-04	03/08/2007	18164/2007	315585	23-01NES	07/08/2007
17133/2007	315528	23-01H	03/08/2007	18165/2007	315586	25-02NES	07/08/2007
17138/2007	315529	06-09	03/08/2007	18166/2007	315636	15-99	13/08/2007
17166/2007	315577	06-01E	06/08/2007	18167/2007	315587	13-01	07/08/2007
17213/2007	315578	21-02B	06/08/2007	18168/2007	315588	13-01	07/08/2007
17427/2007	315580	21-02C	06/08/2007	18169/2007	315589	02-04A	07/08/2007
17433/2007	315530	08-04	03/08/2007	18170/2007	315590	02-04A	07/08/2007
17526/2007	315531	25-02C	03/08/2007	18171/2007	315591	08-08L	07/08/2007
17584/2007	315532	12-12	03/08/2007	18172/2007	315592	14-03E	07/08/2007
17585/2007	315533	12-12	03/08/2007	18180/2007	315593	07-02C	07/08/2007
17616/2007	315628	07-99C	13/08/2007	18181/2007	315594	13-03NES	07/08/2007
17617/2007	315629	07-99C	13/08/2007	18182/2007	315595	13-03NES	07/08/2007
17691/2007	315534	21-02C	03/08/2007	18183/2007	315596	13-03NES	07/08/2007
17713/2007	315535	15-01	03/08/2007	18184/2007	315597	13-03NES	07/08/2007
17836/2007	315630	09-07A	13/08/2007	18185/2007	315598	13-03NES	07/08/2007
17837/2007	315631	28-99	13/08/2007	18186/2007	315599	13-03NES	07/08/2007
17859/2007	315632	29-01	13/08/2007	18187/2007	315602	13-03NES	10/08/2007
17902/2007	315536	02-01B	03/08/2007	18188/2007	315603	13-03NES	10/08/2007
17949/2007	315581	12-16K	06/08/2007	18189/2007	315604	13-03NES	10/08/2007
18080/2007	315537	09-03M	03/08/2007	18190/2007	315605	13-03NES	10/08/2007
18096/2007	315538	02-05	03/08/2007	18191/2007	315606	13-03NES	10/08/2007
18098/2007	315583	23-01H	07/08/2007	18192/2007	315607	13-03NES	10/08/2007
18105/2007	315544	21-02C	02/08/2007	18193/2007	315608	13-03NES	10/08/2007
18107/2007	315545	19-04	02/08/2007	18194/2007	315609	13-03NES	10/08/2007
18108/2007	315546	25-04	02/08/2007	18195/2007	315610	13-03NES	10/08/2007
18109/2007	315539	02-02C	03/08/2007	18196/2007	315611	13-03NES	10/08/2007
18110/2007	315540	02-02C	03/08/2007	18197/2007	315612	28-03NES	10/08/2007
18111/2007	315541	02-02C	03/08/2007	18198/2007	315613	15-04	10/08/2007
18113/2007	315547	13-03B	02/08/2007	18199/2007	315614	13-03NES	10/08/2007
18114/2007	315548	13-03B	02/08/2007	18200/2007	315615	13-03NES	10/08/2007
18115/2007	315549	21-01B	02/08/2007	18201/2007	315616	13-03NES	10/08/2007
18116/2007	315550	07-01C	02/08/2007	18202/2007	315617	13-03NES	10/08/2007
18117/2007	315633	08-06	13/08/2007	18203/2007	315618	13-03NES	10/08/2007
18121/2007	315551	02-02NES	02/08/2007	18204/2007	315619	13-03NES	10/08/2007
18132/2007	315552	14-03E	02/08/2007	18206/2007	315620	09-07B	10/08/2007
18133/2007	315553	23-01K	02/08/2007	18207/2007	315621	09-01C	10/08/2007
18138/2007	315554	24-04	02/08/2007	18208/2007	315622	08-07	10/08/2007
18139/2007	315555	08-99	02/08/2007	18209/2007	315623	08-07	10/08/2007
18141/2007	315584	12-10	07/08/2007	18210/2007	315624	08-07	10/08/2007
18142/2007	315556	25-03	02/08/2007	18211/2007	315625	08-07	10/08/2007
18143/2007	315557	25-03	02/08/2007	18212/2007	315626	08-08NES	10/08/2007

Publication and Registration Proceedings - Designs Registered cont'd

Design Number	Registration Number	International Classification Code (IDC)	Registration Date	Design Number	Registration Number	International Classification Code (IDC)	Registration Date
18213/2007	315637	08-08NES	13/08/2007	18284/2007	315682	06-01C	14/08/2007
18214/2007	315638	14-01	13/08/2007	18287/2007	315683	06-04NES	14/08/2007
18215/2007	315639	14-02	13/08/2007	18288/2007	315651	16-06	14/08/2007
18216/2007	315640	14-02	13/08/2007	18292/2007	315652	03-01A	14/08/2007
18217/2007	315641	14-02	13/08/2007	18293/2007	315653	03-01A	14/08/2007
18218/2007	315642	14-02	13/08/2007	18298/2007	315654	15-05	14/08/2007
18231/2007	315643	08-08NES	13/08/2007	18299/2007	315655	15-05	14/08/2007
18232/2007	315644	08-08NES	13/08/2007	18300/2007	315656	15-05	14/08/2007
18233/2007	315645	08-08NES	13/08/2007	18301/2007	315657	05-06NES	14/08/2007
18254/2007	315663	09-03F	14/08/2007	18302/2007	315658	12-07	14/08/2007
18256/2007	315664	23-01H	14/08/2007	18303/2007	315659	21-03	14/08/2007
18257/2007	315665	23-01H	14/08/2007	18304/2007	315660	06-01NES	14/08/2007
18258/2007	315666	23-01H	14/08/2007	18306/2007	315661	08-07	14/08/2007
18259/2007	315667	23-01H	14/08/2007	18347/2007	315650	02-04NES	14/08/2007
18260/2007	315668	25-01K	14/08/2007	18856/2007	315568	02-02C	06/08/2007
18261/2007	315669	25-01K	14/08/2007	18857/2007	315569	02-02NES	06/08/2007
18262/2007	315670	25-01K	14/08/2007	18878/2007	315524	02-02C	03/08/2007
18263/2007	315671	12-16NES	14/08/2007	18879/2007	315525	02-02C	03/08/2007
18264/2007	315672	12-16NES	14/08/2007	18901/2007	315527	24-04	03/08/2007
18265/2007	315673	12-16NES	14/08/2007	18977/2007	315600	26-02	07/08/2007
18266/2007	315674	23-01NES	14/08/2007	18984/2007	315646	08-09	13/08/2007
18267/2007	315675	23-01A	14/08/2007	18986/2007	315647	08-09	13/08/2007
18268/2007	315676	09-01K	14/08/2007	18989/2007	315579	21-02A	06/08/2007
18269/2007	315677	12-16NES	14/08/2007	19018/2007	315574	02-04NES	06/08/2007
18270/2007	315678	21-03	14/08/2007	19038/2007	315601	06-13B	07/08/2007
18271/2007	315679	21-03	14/08/2007	19110/2007	315648	14-99	13/08/2007
18273/2007	315680	06-04NES	14/08/2007	19131/2007	315649	14-02	13/08/2007
18282/2007	315681	28-03NES	14/08/2007	19205/2007	315662	09-03NES	14/08/2007

Publication and Registration Proceedings
Class Listing of Designs Published or Registered

The following section shows an International Classification Code listing of the Registered or Published Designs covered in this supplement.

Classification	Registration Number	Design Number	Classification	Registration Number	Design Number
02-01 B	315536	17902/2007	09-07 A	315630	17836/2007
02-02 C	315523	16210/2007	09-07 B	315620	18206/2007
02-02 C	315524	18878/2007	11-05	315570	16928/2007
02-02 C	315525	18879/2007	11-05	315571	16929/2007
02-02 C	315539	18109/2007	11-05	315572	16930/2007
02-02 C	315540	18110/2007	12-07	315658	18302/2007
02-02 C	315541	18111/2007	12-08	315542	15507/2006
02-02 C	315567	15943/2007	12-08	315584	18141/2007
02-02 C	315568	18856/2007	12-10	315584	18141/2007
02-02 NES	315523	16210/2007	12-12	315532	17584/2007
02-02 NES	315551	18121/2007	12-12	315533	17585/2007
02-02 NES	315569	18857/2007	12-16 K	315581	17949/2007
02-03	315627	15654/2006	12-16 NES	315671	18263/2007
02-04 A	315589	18169/2007	12-16 NES	315672	18264/2007
02-04 A	315590	18170/2007	12-16 NES	315673	18265/2007
02-04 NES	315573	16931/2007	12-16 NES	315677	18269/2007
02-04 NES	315574	19018/2007	13-01	315587	18167/2007
02-04 NES	315650	18347/2007	13-01	315588	18168/2007
02-05	315538	18096/2007	13-03 B	315547	18113/2007
03-01 A	315652	18292/2007	13-03 B	315548	18114/2007
03-01 A	315653	18293/2007	13-03 NES	315594	18181/2007
05-06 NES	315657	18301/2007	13-03 NES	315595	18182/2007
06-01 C	315682	18284/2007	13-03 NES	315596	18183/2007
06-01 E	315543	16019/2007	13-03 NES	315597	18184/2007
06-01 E	315577	17166/2007	13-03 NES	315598	18185/2007
06-01 NES	315660	18304/2007	13-03 NES	315599	18186/2007
06-04 NES	315680	18273/2007	13-03 NES	315602	18187/2007
06-04 NES	315683	18287/2007	13-03 NES	315603	18188/2007
06-09	315529	17138/2007	13-03 NES	315604	18189/2007
06-13 B	315601	19038/2007	13-03 NES	315605	18190/2007
07-01 C	315550	18116/2007	13-03 NES	315606	18191/2007
07-02 C	315593	18180/2007	13-03 NES	315607	18192/2007
07-99 C	315628	17616/2007	13-03 NES	315608	18193/2007
07-99 C	315629	17617/2007	13-03 NES	315609	18194/2007
08-04	315530	17433/2007	13-03 NES	315610	18195/2007
08-06	315633	18117/2007	13-03 NES	315611	18196/2007
08-07	315622	18208/2007	13-03 NES	315614	18199/2007
08-07	315623	18209/2007	13-03 NES	315615	18200/2007
08-07	315624	18210/2007	13-03 NES	315616	18201/2007
08-07	315625	18211/2007	13-03 NES	315617	18202/2007
08-07	315661	18306/2007	13-03 NES	315618	18203/2007
08-08 L	315591	18171/2007	13-03 NES	315619	18204/2007
08-08 NES	315626	18212/2007	14-01	315638	18214/2007
08-08 NES	315637	18213/2007	14-02	315639	18215/2007
08-08 NES	315643	18231/2007	14-02	315640	18216/2007
08-08 NES	315644	18232/2007	14-02	315641	18217/2007
08-08 NES	315645	18233/2007	14-02	315642	18218/2007
08-09	315646	18984/2007	14-02	315649	19131/2007
08-09	315647	18986/2007	14-03 E	315552	18132/2007
08-99	315555	18139/2007	14-03 E	315592	18172/2007
08-99	315635	18162/2007	14-99	315648	19110/2007
09-01 C	315621	18207/2007	15-01	315535	17713/2007
09-01 K	315676	18268/2007	15-04	315613	18198/2007
09-03 F	315663	18254/2007	15-05	315654	18298/2007
09-03 M	315537	18080/2007	15-05	315655	18299/2007
09-03 NES	315662	19205/2007	15-05	315656	18300/2007

Registration Proceedings - Class Listing of Designs Published or Registered cont'd

Classification	Registration Number	Design Number	Classification	Registration Number	Design Number
15-99	315636	18166/2007	25-01 K	315560	18147/2007
16-06	315651	18288/2007	25-01 K	315561	18148/2007
19-04	315545	18107/2007	25-01 K	315562	18149/2007
21-01 B	315549	18115/2007	25-01 K	315563	18150/2007
21-02 A	315579	18989/2007	25-01 K	315564	18151/2007
21-02 B	315578	17213/2007	25-01 K	315565	18152/2007
21-02 C	315534	17691/2007	25-01 K	315566	18153/2007
21-02 C	315544	18105/2007	25-01 K	315582	18154/2007
21-02 C	315580	17427/2007	25-01 K	315634	18155/2007
21-03	315659	18303/2007	25-01 K	315668	18260/2007
21-03	315678	18270/2007	25-01 K	315669	18261/2007
21-03	315679	18271/2007	25-01 K	315670	18262/2007
23-01 A	315675	18267/2007	25-02 C	315531	17526/2007
23-01 F	315522	12802/2006	25-02 NES	315586	18165/2007
23-01 H	315528	17133/2007	25-03	315556	18142/2007
23-01 H	315583	18098/2007	25-03	315557	18143/2007
23-01 H	315664	18256/2007	25-04	315546	18108/2007
23-01 H	315665	18257/2007	26-02	315600	18977/2007
23-01 H	315666	18258/2007	28-03 B	315559	18146/2007
23-01 H	315667	18259/2007	28-03 D	315558	18145/2007
23-01 K	315553	18133/2007	28-03 NES	315612	18197/2007
23-01 NES	315522	12802/2006	28-03 NES	315681	18282/2007
23-01 NES	315585	18164/2007	28-99	315631	17837/2007
23-01 NES	315674	18266/2007	29-01	315632	17859/2007
24-04	315526	17077/2007	29-02	315575	16998/2007
24-04	315527	18901/2007	29-02	315576	16999/2007
24-04	315554	18138/2007			

- (21) Design Number: **12802/2006**
(22) Date of Filing Application: **30 June 2006**
(24) Date from which industrial property rights may have effect: **30 June 2006**
(54) Product in respect of which the design is registered: **i) Water dispersion well**
ii) Panel of a water dispersion well
(51) International Design Classification: **23-01NES, 23-01F**
(71) Name(s) and Address(s) of Applicant(s):
Rein Pty Ltd
14B Williamson Road Ingleburn New South Wales 2565 Australia
(72) Name(s) of Designer(s): **Owen Luke and Nigel Natrass**
(45) Registration Date: **03 August 2007**
(56) Related Art Documents: **Not Applicable**
(57) Statement of Newness and Distinctiveness: **Nil.**



- (21) Design Number: **16210/2007**
(22) Date of Filing Application: **01 February 2007**
(24) Date from which industrial property rights may have effect: **01 February 2007**
(54) Product in respect of which the design is registered: **Ladies garments**
(51) International Design Classification: **02-02C, 02-02NES**
(71) Name(s) and Address(s) of Applicant(s):
Review Australia Pty Ltd
25-31 Rokeby Street Collingwood Victoria 3066 Australia
(72) Name(s) of Designer(s): **Jayne Ellis**
(45) Registration Date: **03 August 2007**
(56) Related Art Documents: **Not Applicable**
(57) Statement of Newness and Distinctiveness: **Nil**



- (21) Design Number: **18878/2007**
- (22) Date of Filing Application: **01 February 2007**
- (24) Date from which industrial property rights may have effect: **01 February 2007**
- (54) Product in respect of which the design is registered: **Ladies garments**
- (51) International Design Classification: **02-02C**
- (71) Name(s) and Address(s) of Applicant(s):
Review Australia Pty Ltd
25-31 Rokeby Street Collingwood Victoria 3066 Australia
- (72) Name(s) of Designer(s): **Jayne Ellis**
- (45) Registration Date: **03 August 2007**
- (56) Related Art Documents: **Not Applicable**
- (57) Statement of Newness and Distinctiveness: **Nil**



- (21) Design Number: **18879/2007**
- (22) Date of Filing Application: **01 February 2007**
- (24) Date from which industrial property rights may have effect: **01 February 2007**
- (54) Product in respect of which the design is registered: **Ladies garments**
- (51) International Design Classification: **02-02C**
- (71) Name(s) and Address(s) of Applicant(s):
Review Australia Pty Ltd
25-31 Rokeby Street Collingwood Victoria 3066 Australia
- (72) Name(s) of Designer(s): **Jayne Ellis**
- (45) Registration Date: **03 August 2007**
- (56) Related Art Documents: **Not Applicable**
- (57) Statement of Newness and Distinctiveness: **Nil**



(21) Design Number: **17077/2007**

(22) Date of Filing Application: **26 March 2007**

(24) Date from which industrial property rights may have effect: **26 March 2007**

(54) Product in respect of which the design is registered: **Inhalation device**

(51) International Design Classification: **24-04**

(71) Name(s) and Address(s) of Applicant(s):

Glaxo Group Limited
Glaxo Wellcome House Berkeley Avenue Greenford Middlesex UB6
0NN Great Britain

(72) Name(s) of Designer(s): **Philip William Farr**

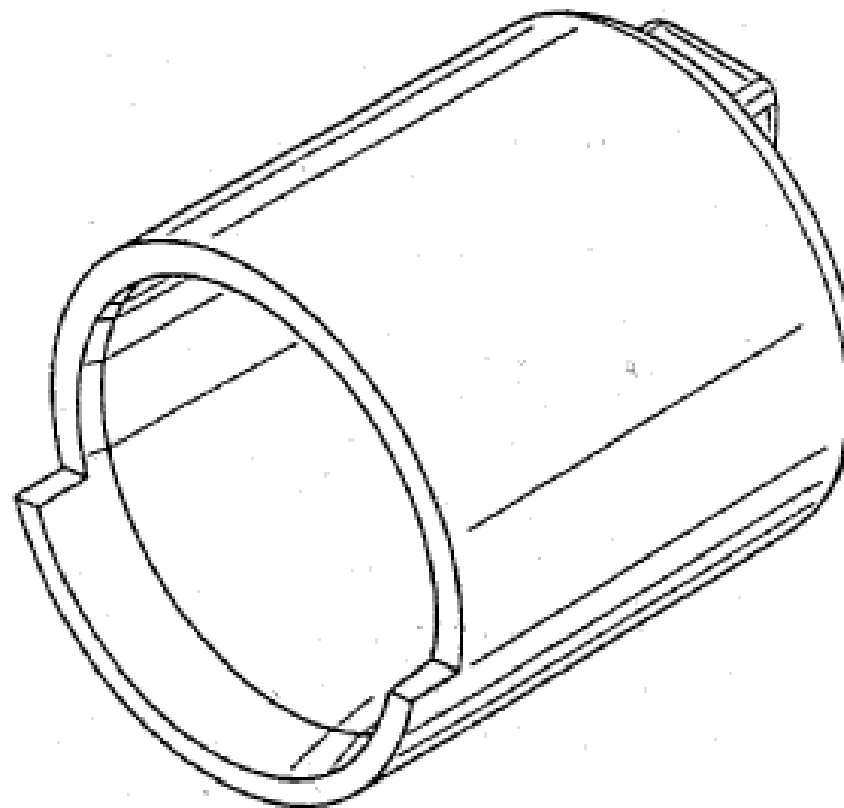
(45) Registration Date: **03 August 2007**

(30) Convention priority data:

(31) Number	(32) Date	(33) Country
3026074	28 Sep 2006	UNITED KINGDOM

(56) Related Art Documents: **Not Applicable**

(57) Statement of Newness and Distinctiveness: **Those features of the inhalation device depicted in the representations that are new and distinctive are the shape and/or configuration.**



(21) Design Number: **18901/2007**

(22) Date of Filing Application: **26 March 2007**

(24) Date from which industrial property rights may have effect: **26 March 2007**

(54) Product in respect of which the design is registered: **Inhalation device**

(51) International Design Classification: **24-04**

(71) Name(s) and Address(s) of Applicant(s):

Glaxo Group Limited
Glaxo Wellcome House Berkeley Avenue Greenford Middlesex UB6
0NN Great Britain

(72) Name(s) of Designer(s): **Philip William Farr**

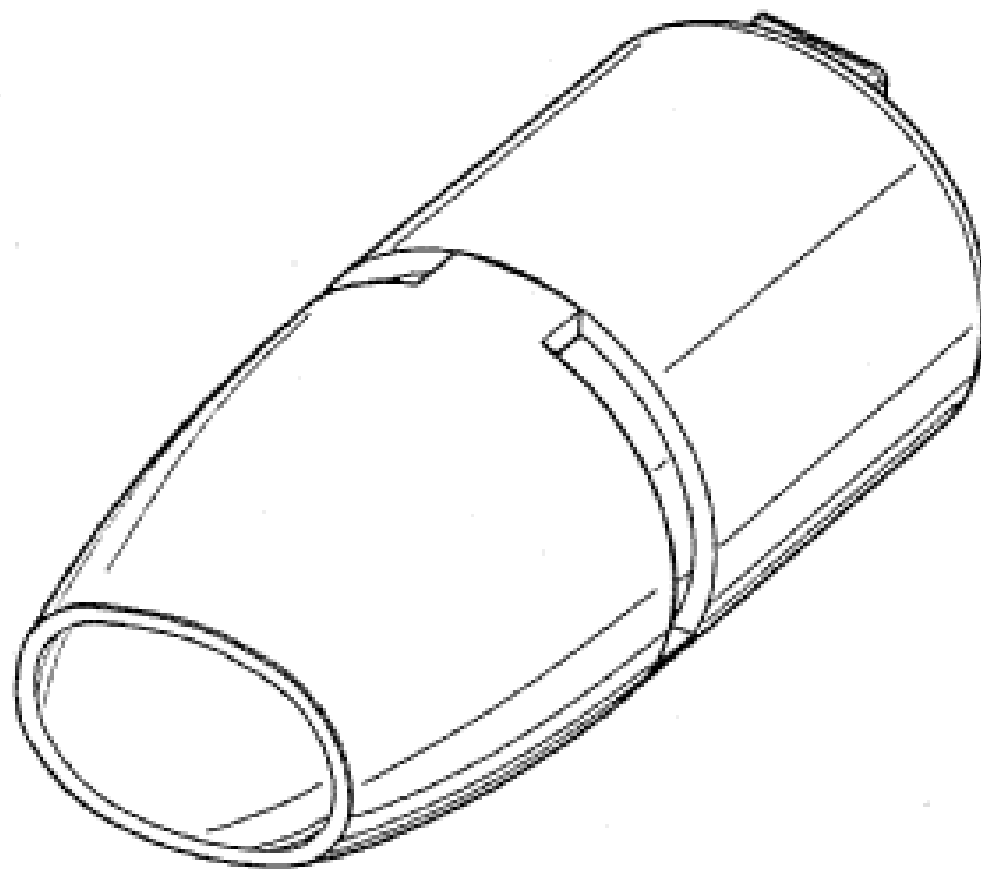
(45) Registration Date: **03 August 2007**

(30) Convention priority data:

(31) Number	(32) Date	(33) Country
3026074	28 Sep 2006	UNITED KINGDOM

(56) Related Art Documents: **Not Applicable**

(57) Statement of Newness and Distinctiveness: **Those features of the inhalation device depicted in the representations that are new and distinctive are the shape and/or configuration. The features shown in broken lines are to be disregarded when considering the overall impression of the design.**



- (21) Design Number: **17133/2007**
- (22) Date of Filing Application: **28 March 2007**
- (24) Date from which industrial property rights may have effect: **28 March 2007**
- (54) Product in respect of which the design is registered: **A tap**
- (51) International Design Classification: **23-01H**
- (71) Name(s) and Address(s) of Applicant(s):

Rheem New Zealand Limited
475 Rosebank Road Avondale Auckland New Zealand

- (72) Name(s) of Designer(s): **Richard Hovey and Jon Fifield**

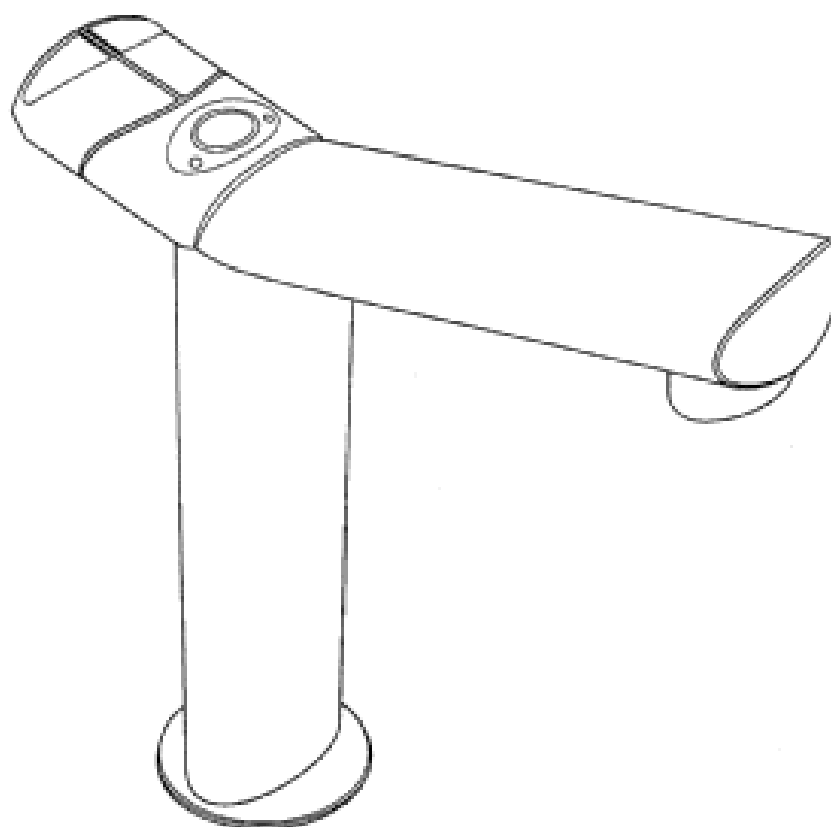
- (45) Registration Date: **03 August 2007**

- (30) Convention priority data:

(31) Number	(32) Date	(33) Country
408159	29 Sep 2006	NEW ZEALAND

- (56) Related Art Documents: **Not Applicable**

- (57) Statement of Newness and Distinctiveness: **The newness and distinctiveness of this design lies in the features of shape and/or configuration all as shown in the representations, and where applicable newness and distinctiveness claimed for the design resides in the features of shape and/or configuration as shown inside the dotted lines of the representations.**



- (21) Design Number: **17138/2007**
- (22) Date of Filing Application: **28 March 2007**
- (24) Date from which industrial property rights may have effect: **28 March 2007**
- (54) Product in respect of which the design is registered: **Pillow**
- (51) International Design Classification: **06-09**
- (71) Name(s) and Address(s) of Applicant(s):

Moira Forrest
28 Hart Street Balmain New South Wales 2041 Australia

- (72) Name(s) of Designer(s): **Moira Forrest**

- (45) Registration Date: **03 August 2007**

- (56) Related Art Documents: **Not Applicable**

- (57) Statement of Newness and Distinctiveness: **I wish to protect the shape of the pillow depicted in the photograph attached.**



(21) Design Number: **17433/2007**

(22) Date of Filing Application: **17 April 2007**

(24) Date from which industrial property rights may have effect: **17 April 2007**

(54) Product in respect of which the design is registered: **Impact collator mounting apparatus**

(51) International Design Classification: **08-04**

(71) Name(s) and Address(s) of Applicant(s):

Mathew Norton

24 Dapper Street Sunnybank Hills Queensland 4109 Australia

(72) Name(s) of Designer(s): **Mathew Norton**

(45) Registration Date: **03 August 2007**

(56) Related Art Documents: **Not Applicable**

(57) Statement of Newness and Distinctiveness: **Please note the distinctiveness of the 2 embodiments of the adaptor apparatus.**



(21) Design Number: **17526/2007**

(22) Date of Filing Application: **23 April 2007**

(24) Date from which industrial property rights may have effect: **23 April 2007**

(54) Product in respect of which the design is registered: **Exterior: Visual screen.fence.windbreak.arbours.ornament Interior: Partition**

(51) International Design Classification: **25-02C**

(71) Name(s) and Address(s) of Applicant(s):

Jason Jones

22 Elizabeth Street Smeaton Victoria 3364 Australia

(72) Name(s) of Designer(s): **Jason Jones**

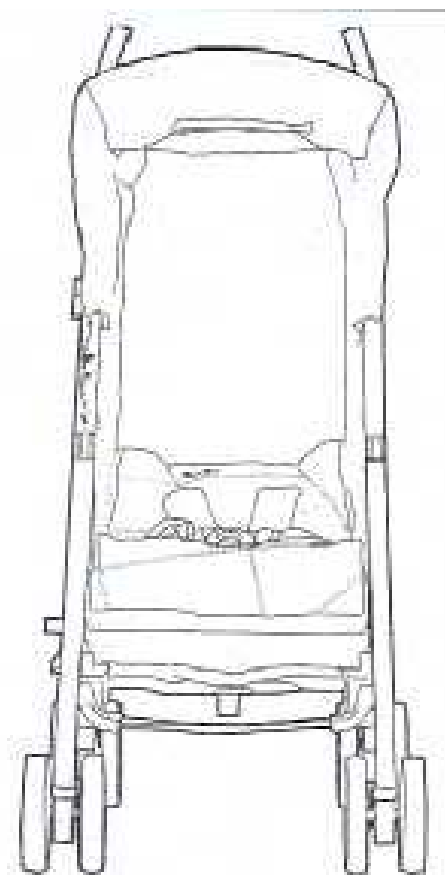
(45) Registration Date: **03 August 2007**

(56) Related Art Documents: **Not Applicable**

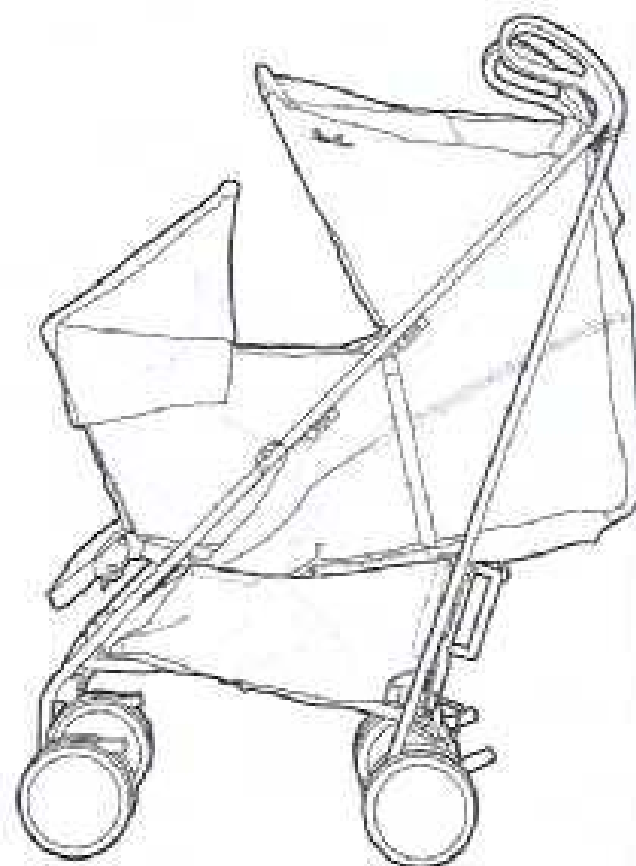
(57) Statement of Newness and Distinctiveness: **A refined system of traditional hurdle construction that emphasises organic form. Built from feral crack willow that infests the states water ways.**



(21) Design Number: **17584/2007**
(22) Date of Filing Application: **23 April 2007**
(24) Date from which industrial property rights may have effect: **23 April 2007**
(54) Product in respect of which the design is registered: **Pushchair**
(51) International Design Classification: **12-12**
(71) Name(s) and Address(s) of Applicant(s):
Silver Cross Holdings Limited
Eastham House Corpse Road Fleetwood FY7 7NY England
(72) Name(s) of Designer(s): **Philip Taylor and Laurence Brown**
(45) Registration Date: **03 August 2007**
(30) Convention priority data:
(31) Number (32) Date (33) Country
000675244#0001 21 Feb 2007 EUROPEAN COMMUNITY
(56) Related Art Documents: **Not Applicable**
(57) Statement of Newness and Distinctiveness: **Nil**



(21) Design Number: **17585/2007**
(22) Date of Filing Application: **23 April 2007**
(24) Date from which industrial property rights may have effect: **23 April 2007**
(54) Product in respect of which the design is registered: **Pushchair**
(51) International Design Classification: **12-12**
(71) Name(s) and Address(s) of Applicant(s):
Silver Cross Holdings Limited
Eastham House Corpse Road Fleetwood FY7 7NY England
(72) Name(s) of Designer(s): **Philip Taylor and Laurence Brown**
(45) Registration Date: **03 August 2007**
(30) Convention priority data:
(31) Number (32) Date (33) Country
000675244#0002 21 Feb 2007 EUROPEAN COMMUNITY
(56) Related Art Documents: **Not Applicable**
(57) Statement of Newness and Distinctiveness: **Nil**



(21) Design Number: **17691/2007**

(22) Date of Filing Application: **02 May 2007**

(24) Date from which industrial property rights may have effect: **02 May 2007**

(54) Product in respect of which the design is registered: **Golf putter aid (ball hole retriever)**

(51) International Design Classification: **21-02C**

(71) Name(s) and Address(s) of Applicant(s):

Jack Mehegan

2/32 Aisbett Avenue Wantirna Victoria 3152 Australia

(72) Name(s) of Designer(s): **Jack Mehegan**

(45) Registration Date: **03 August 2007**

(56) Related Art Documents: **Not Applicable**

(57) Statement of Newness and Distinctiveness: **Nil**



(21) Design Number: **17713/2007**

(22) Date of Filing Application: **03 May 2007**

(24) Date from which industrial property rights may have effect: **03 May 2007**

(54) Product in respect of which the design is registered: **Fpr - fuel pressure regulator**

(51) International Design Classification: **15-01**

(71) Name(s) and Address(s) of Applicant(s):

Turbosmart Pty Ltd

32 Milton Street North Ashfield New South Wales 2131 Australia

(72) Name(s) of Designer(s): **Nic Cooper**

(45) Registration Date: **03 August 2007**

(56) Related Art Documents: **Not Applicable**

(57) Statement of Newness and Distinctiveness: **Dual colour scheme. Conical upper body shape.**



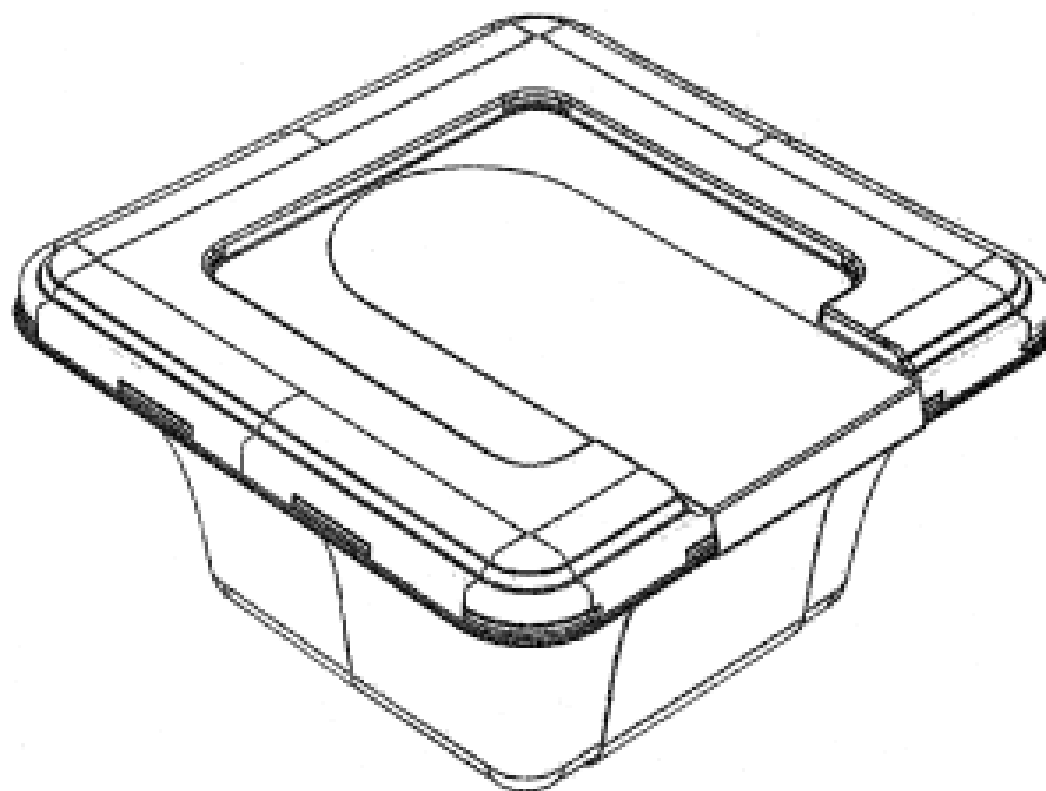
- (21) Design Number: **17902/2007**
(22) Date of Filing Application: **14 May 2007**
(24) Date from which industrial property rights may have effect: **14 May 2007**
(54) Product in respect of which the design is registered: **Terry toweling nappy**
(51) International Design Classification: **02-01B**
(71) Name(s) and Address(s) of Applicant(s):
Jaqueline Lee Plummer
16A Dawes Place Bligh Park NSW 2756
(72) Name(s) of Designer(s): **Jaqueline Plummer**
(45) Registration Date: **03 August 2007**
(56) Related Art Documents: **Not Applicable**
(57) Statement of Newness and Distinctiveness: **The silk ribbon are various colours. The terry toweling nappy are various sizes.**



- (21) Design Number: **18080/2007**
(22) Date of Filing Application: **25 May 2007**
(24) Date from which industrial property rights may have effect: **25 May 2007**
(54) Product in respect of which the design is registered: **A lidded container**
(51) International Design Classification: **09-03M**
(71) Name(s) and Address(s) of Applicant(s):
Alto Packaging Limited
Level 6 57 Symonds Street Grafton Auckland 1010
(72) Name(s) of Designer(s): **Christine Coleman**
(45) Registration Date: **03 August 2007**
(30) Convention priority data:

(31) Number	(32) Date	(33) Country
409032	23 Apr 2007	NEW ZEALAND

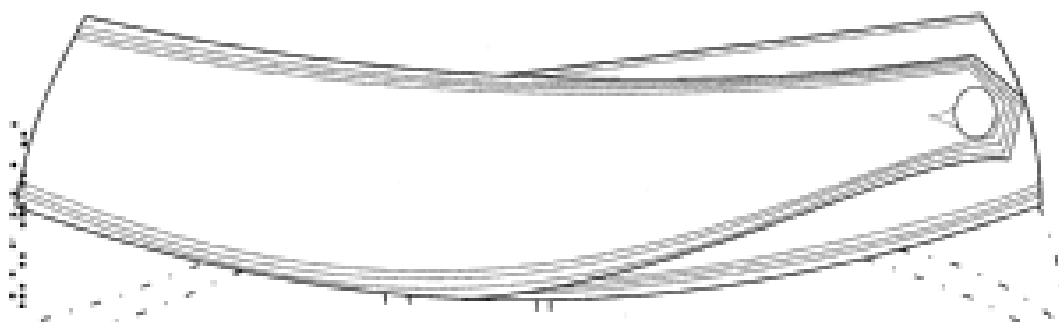
(56) Related Art Documents: **Not Applicable**
(57) Statement of Newness and Distinctiveness: **The features of shape and/or configuration substantially as shown in the representations.**



- (21) Design Number: **18096/2007**
(22) Date of Filing Application: **25 May 2007**
(24) Date from which industrial property rights may have effect: **25 May 2007**
(54) Product in respect of which the design is registered: **Handkechef**
(51) International Design Classification: **02-05**
(71) Name(s) and Address(s) of Applicant(s):
Peter Brohier
143 Kooyong Road North Caulfield Victoria 3161 Australia
(72) Name(s) of Designer(s): **P. Brohier**
(45) Registration Date: **03 August 2007**
(56) Related Art Documents: **Not Applicable**
(57) Statement of Newness and Distinctiveness: **Nil**



- (21) Design Number: **18109/2007**
(22) Date of Filing Application: **21 May 2007**
(24) Date from which industrial property rights may have effect: **21 May 2007**
(54) Product in respect of which the design is registered: **Waist bands**
(51) International Design Classification: **02-02C**
(71) Name(s) and Address(s) of Applicant(s):
Barry David Silbert
C/- Barry Silbert Marketing 88 Parry Street East Perth Western Australia 6004 Australia
(72) Name(s) of Designer(s): **Barry David Silbert**
(45) Registration Date: **03 August 2007**
(56) Related Art Documents: **Not Applicable**
(57) Statement of Newness and Distinctiveness: **Power waistband has [A] distinctive shaped extended waistband extension which has contoured shape to follow and compliment shape of waist. [B] has extended inner waistband, extending from normal central position to extended inner position. [D] has extended depth of waistband from '0' to 9cms. The power waistband has been designed for a specific market. The fabric is cut to a special format which allows the waistband to support the stomach, waist and lumbar back region. The width of the waistband varies as it is designed to fit and support very small to very large body shapes, both male and female. The outer waist band extension is designed to be fixed by studs, buttons, buckles and clasps [an advantage for people with arthritic fingers]. The inner waistband gives support and balance of pressure to the outer extended waistband. Distinction: The sculptured shape of the waistband is distinctive and very fashionable. The 'fixing' trims [studs, buttons, buckles, clasps etc] add fashion to the waistband.**

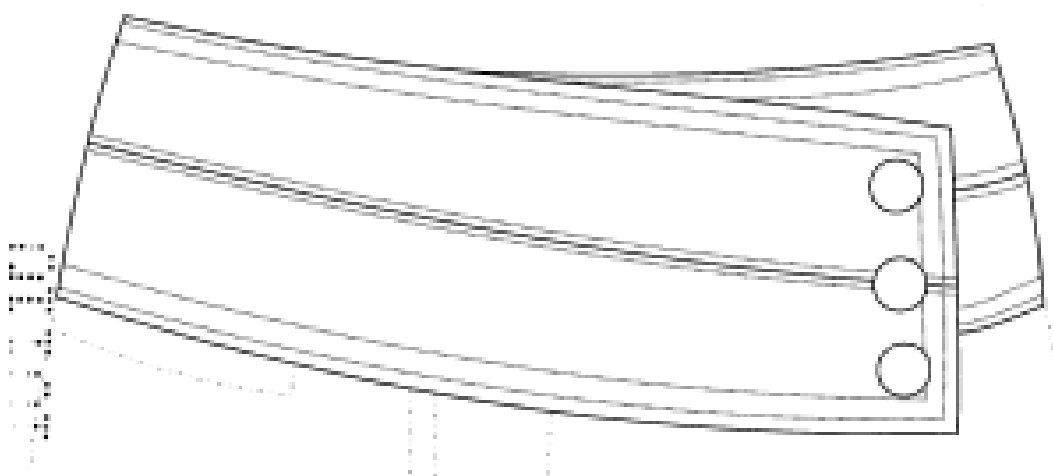


- (21) Design Number: **18110/2007**
- (22) Date of Filing Application: **21 May 2007**
- (24) Date from which industrial property rights may have effect: **21 May 2007**
- (54) Product in respect of which the design is registered: **Waistbands**
- (51) International Design Classification: **02-02C**
- (71) Name(s) and Address(s) of Applicant(s):

Barry David Silbert
C/- Barry Silbert Marketing 88 Parry Street East Perth Western
Australia 6004 Australia

- (72) Name(s) of Designer(s): **Barry David Silbert**
- (45) Registration Date: **03 August 2007**
- (56) Related Art Documents: **Not Applicable**

(57) Statement of Newness and Distinctiveness: **Asymmetric power waistband has [A] distinctive, wide, extended waistband. [B] waistband is shaped in couture. [C] waistband has asymmetric visual appearance featuring offset angled fixing to the front of the waistband. The asymmetric waistband is designed to support the waist, lower back, hips and upper stomach. The width of the band extends lower than a normal waistband. The asymmetric design in the front supports the upper stomach and waistline. The inner waistband gives support and balance of pressure to the extended asymmetrical front of the waistband. Distinction: The off centre and angled waistband in the front is distinctive and very fashionable. The 'fixing' trims [studs, buttons, buckles, clasps etc] add fashion to the waistband giving a distinctive visual identification.**

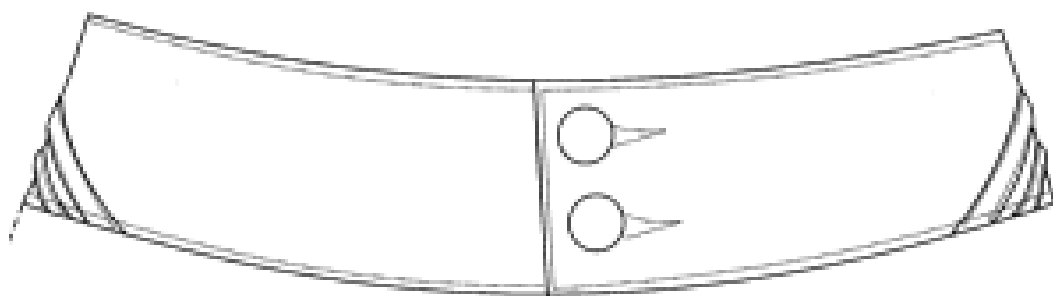


- (21) Design Number: **18111/2007**
- (22) Date of Filing Application: **21 May 2007**
- (24) Date from which industrial property rights may have effect: **21 May 2007**
- (54) Product in respect of which the design is registered: **Waist Bands**
- (51) International Design Classification: **02-02C**
- (71) Name(s) and Address(s) of Applicant(s):

Barry David Silbert
C/- Barry Silbert Marketing 88 Parry Street East Perth Western
Australia 6004 Australia

- (72) Name(s) of Designer(s): **Barry David Silbert**
- (45) Registration Date: **03 August 2007**
- (56) Related Art Documents: **Not Applicable**

(57) Statement of Newness and Distinctiveness: **Lumberloc power waistband has [A] distinctive 'support' panels stitched in sculptured parallel from front/side waist across back, to opposite front/side waist [B] this 'supported' waistband has extended inner waistband. The 'lumberloc waistband' is designed to support the lumbar region of the waist, across and round the hips and forward to the front of the waist. The support straps stitched in sculptured horizontal strips on the waistband add pressure to the body giving great support. Distinction: The parallel straps stitched to the waistband are unique and distinctive. The curving of these straps offers a fashion influence to the waistband without looking cumbersome. The 'fixing trims'[studs, buttons, buckles, clasps etc] add fashion to the waistband giving distinctive visual identification.**



- (21) Design Number: **15507/2006**
(22) Date of Filing Application: **30 November 2006**
(24) Date from which industrial property rights may have effect: **30 November 2006**
(54) Product in respect of which the design is registered: **Bus**
(51) International Design Classification: **12-08**
(71) Name(s) and Address(s) of Applicant(s):
Toyota Jidosha Kabushiki Kaisha
1 Toyota-cho Toyota-shi Aichi-ken 471-8571 Japan
(72) Name(s) of Designer(s): **Kayoko Ichihashi and Ryosuke Yokoi**
(45) Registration Date: **02 August 2007**
(56) Related Art Documents: **Not Applicable**
(57) Statement of Newness and Distinctiveness: **Those features of the bus depicted in the representations that are new and distinctive are the shape and/or configuration. The interior features of the bus together with the reflected features are not part of the design and are to be disregarded when considering the overall impression of the design.**



- (21) Design Number: **16019/2007**
(22) Date of Filing Application: **18 January 2007**
(24) Date from which industrial property rights may have effect: **18 January 2007**
(54) Product in respect of which the design is registered: **Stool**
(51) International Design Classification: **06-01E**
(71) Name(s) and Address(s) of Applicant(s):
Join Pty Ltd
Unit 7/8 Grebe Street Peregrin Beach Queensland 4573 Australia
(72) Name(s) of Designer(s): **Paul Morris**
(45) Registration Date: **02 August 2007**
(56) Related Art Documents: **Not Applicable**
(57) Statement of Newness and Distinctiveness: **Jam jar is rotation any moulded in polyethylene and is a stool designed for 720H tables.**



(21) Design Number: **18105/2007**

(22) Date of Filing Application: **25 May 2007**

(24) Date from which industrial property rights may have effect: **25 May 2007**

(54) Product in respect of which the design is registered: **Mat**

(51) International Design Classification: **21-02C**

(71) Name(s) and Address(s) of Applicant(s):

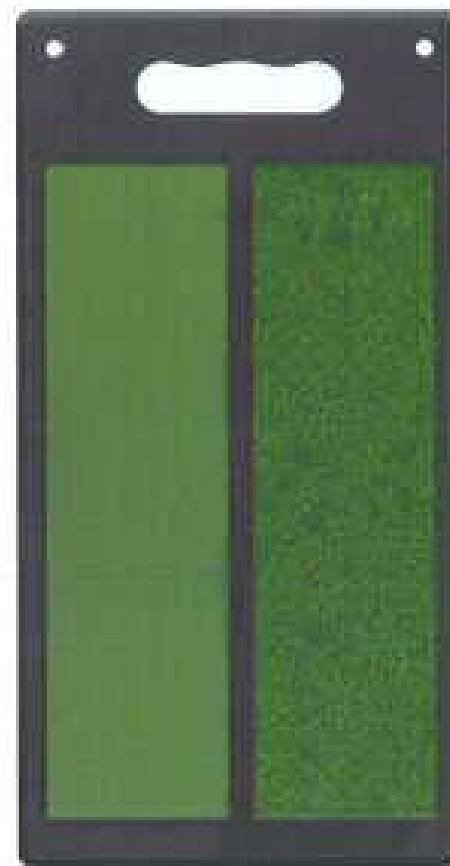
Buggymate Pty Ltd
36 Bay Road Taren Point New South Wales 2229 Australia

(72) Name(s) of Designer(s): **John Dunphy**

(45) Registration Date: **02 August 2007**

(56) Related Art Documents: **Not Applicable**

(57) Statement of Newness and Distinctiveness: **The golf balls shown in the perspective view are provided for illustrative purposes only and form no part of the design or of its newness and distinctiveness.**



(21) Design Number: **18107/2007**

(22) Date of Filing Application: **28 May 2007**

(24) Date from which industrial property rights may have effect: **28 May 2007**

(54) Product in respect of which the design is registered: **Fitness mini training cards that attach to your hip**

(51) International Design Classification: **19-04**

(71) Name(s) and Address(s) of Applicant(s):

Elite Vibe Pty Limited Trading as Circuits4life
41 Prentice Avenue Tamworth New South Wales 2340 Australia

(72) Name(s) of Designer(s): **Peter Manning and Heidi Manning**

(45) Registration Date: **02 August 2007**

(56) Related Art Documents: **Not Applicable**

(57) Statement of Newness and Distinctiveness: **The new visual feature is the retractable clip that hold the exercise cards together and allow them to attached to your hip. The cards are produced on plastic so they are very durable. Can go into the washing machine or get wet. All exercise cards are produce like this (8 in the range).**



(21) Design Number: **18108/2007**

(22) Date of Filing Application: **28 May 2007**

(24) Date from which industrial property rights may have effect: **28 May 2007**

(54) Product in respect of which the design is registered: **Mini mobile scaffold**

(51) International Design Classification: **25-04**

(71) Name(s) and Address(s) of Applicant(s):

Stephen Alfred Cox

36 Beaumont Avenue Wyoming New South Wales 2250 Australia

(72) Name(s) of Designer(s): **Stephen Alfred Cox**

(45) Registration Date: **02 August 2007**

(56) Related Art Documents: **Not Applicable**

(57) Statement of Newness and Distinctiveness: **Monopoly is claimed in the features of moveability of platform, collapsibility and portability of mobile scaffold as shown in accompanying representations. Monopoly is claimed in respect of the width - that is 610mm - of the mobile scaffold. Monopoly is claimed in respect of five different height variations/position of platform of mobile scaffold. Monopoly is also claimed in respect of the outriggers located on the scaffold.**



(21) Design Number: **18113/2007**

(22) Date of Filing Application: **28 May 2007**

(24) Date from which industrial property rights may have effect: **28 May 2007**

(54) Product in respect of which the design is registered: **A connector**

(51) International Design Classification: **13-03B**

(71) Name(s) and Address(s) of Applicant(s):

Carmelo Joseph Licciardi di Stefano

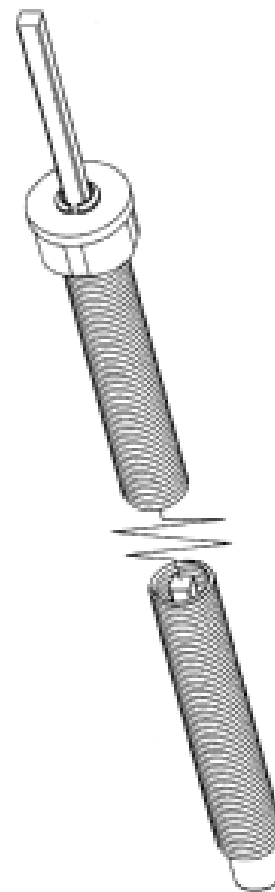
110 Northcorp Boulevard Broadmeadows Victoria 3047 Australia

(72) Name(s) of Designer(s): **Carmelo Joseph Licciardi di Stefano**

(45) Registration Date: **02 August 2007**

(56) Related Art Documents: **Not Applicable**

(57) Statement of Newness and Distinctiveness: **The following visual features of the design are new and distinctive: The new and distinctive features of shape and configuration of a connector as shown in solid lines in the accompanying drawings.**



(21) Design Number: **18114/2007**

(22) Date of Filing Application: **28 May 2007**

(24) Date from which industrial property rights may have effect: **28 May 2007**

(54) Product in respect of which the design is registered: **A connector**

(51) International Design Classification: **13-03B**

(71) Name(s) and Address(s) of Applicant(s):

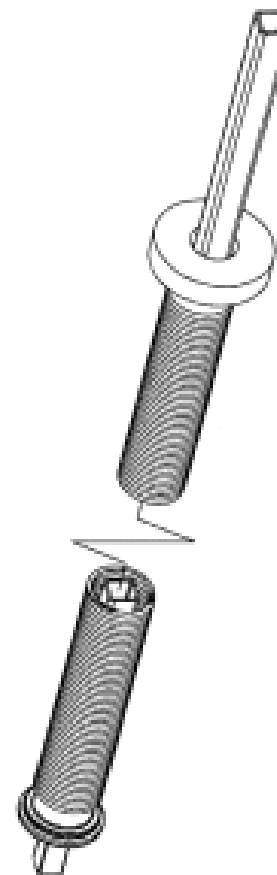
Carmelo Joseph Licciardi di Stefano
110 Northcorp Boulevard Broadmeadows Victoria 3047 Australia

(72) Name(s) of Designer(s): **Carmelo Joseph Licciardi di Stefano**

(45) Registration Date: **02 August 2007**

(56) Related Art Documents: **Not Applicable**

(57) Statement of Newness and Distinctiveness: **The following visual features of the design are new and distinctive: The new and distinctive features of shape and configuration of a connector as shown in solid lines in the accompanying drawings.**



(21) Design Number: **18115/2007**

(22) Date of Filing Application: **28 May 2007**

(24) Date from which industrial property rights may have effect: **28 May 2007**

(54) Product in respect of which the design is registered: **A doll**

(51) International Design Classification: **21-01B**

(71) Name(s) and Address(s) of Applicant(s):

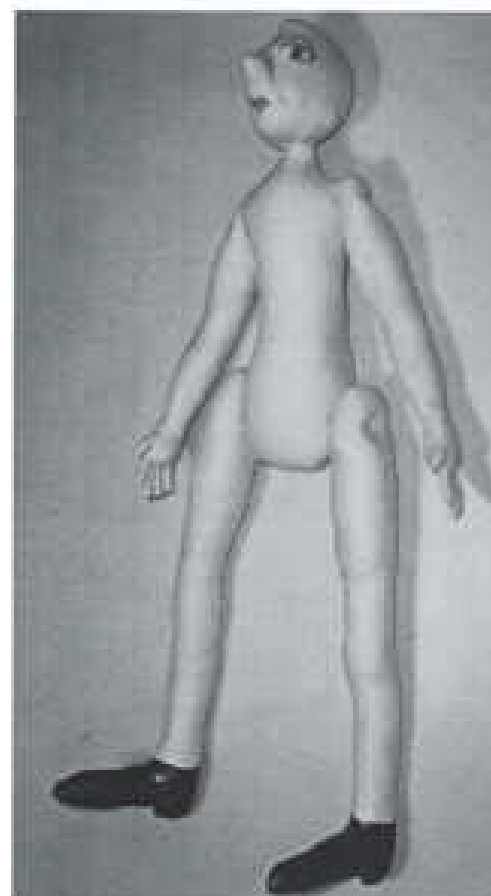
Jennifer Marie Stewart
C/- 15 Patrick Street Aitkenvale Queensland 4814 Australia

(72) Name(s) of Designer(s): **Jennifer Marie Stewart**

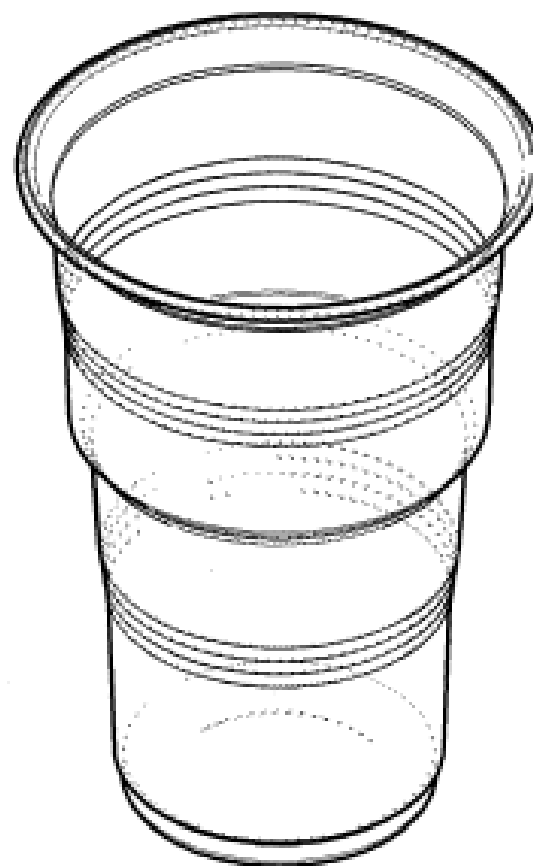
(45) Registration Date: **02 August 2007**

(56) Related Art Documents: **Not Applicable**

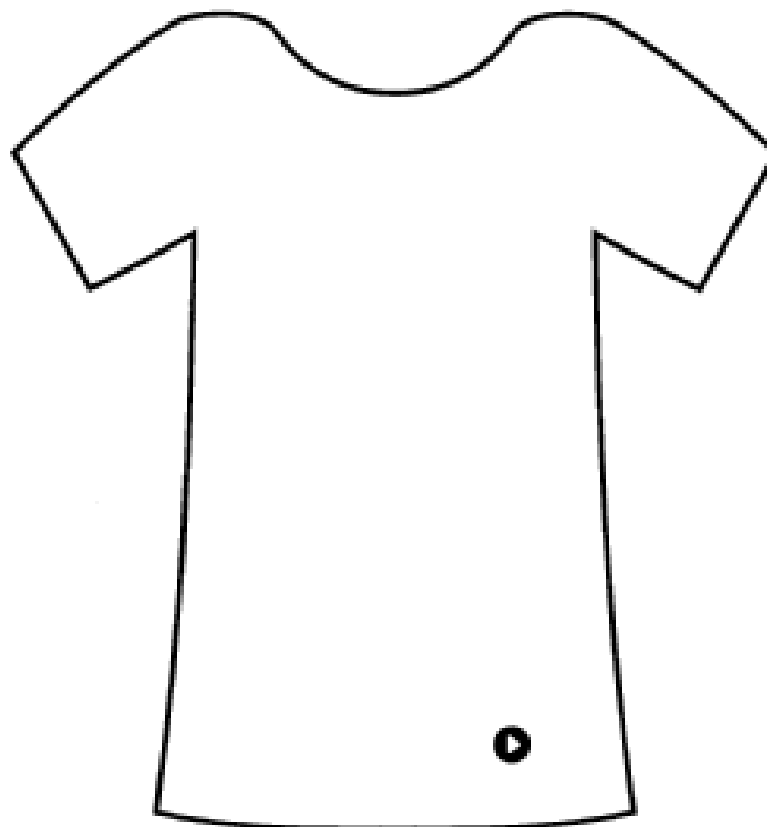
(57) Statement of Newness and Distinctiveness: **The visual features of the doll which are new and distinctive are the features of the head of the doll and the features of the feet of the doll.**



- (21) Design Number: **18116/2007**
(22) Date of Filing Application: **28 May 2007**
(24) Date from which industrial property rights may have effect: **28 May 2007**
(54) Product in respect of which the design is registered: **A cup**
(51) International Design Classification: **07-01C**
(71) Name(s) and Address(s) of Applicant(s):
Babawine Pty Ltd
15-17 Viola Place Eagle Farm Queensland 4009 Australia
(72) Name(s) of Designer(s): **John Roger Christopher Morton**
(45) Registration Date: **02 August 2007**
(56) Related Art Documents: **Not Applicable**
(57) Statement of Newness and Distinctiveness: **Nil**



- (21) Design Number: **18121/2007**
(22) Date of Filing Application: **29 May 2007**
(24) Date from which industrial property rights may have effect: **29 May 2007**
(54) Product in respect of which the design is registered: **Shirt**
(51) International Design Classification: **02-02NES**
(71) Name(s) and Address(s) of Applicant(s):
Rebecca Caroline Argyle
3/48 Cadogan Square London SW1X OJW United Kingdom
(72) Name(s) of Designer(s): **Rebecca Caroline Argyle**
(45) Registration Date: **02 August 2007**
(56) Related Art Documents: **Not Applicable**
(57) Statement of Newness and Distinctiveness: **Newness and distinctiveness is claimed in the features of the pattern and/or ornamentation of the symbol of the triangle in a circle as applied to a shirt, and as illustrated in the accompanying representations.**



- (21) Design Number: **18132/2007**
(22) Date of Filing Application: **28 May 2007**
(24) Date from which industrial property rights may have effect: **28 May 2007**
(54) Product in respect of which the design is registered: **Handset**
(51) International Design Classification: **14-03E**
(71) Name(s) and Address(s) of Applicant(s):
Nokia Corporation
Keilalahdentie 4 FIN-02150 Espoo Finland
(72) Name(s) of Designer(s): **Thomas Christiansen and Anton Fahlgren**
(45) Registration Date: **02 August 2007**
(30) Convention priority data:
(31) Number (32) Date (33) Country
M20060220 28 Nov 2006 FINLAND
(56) Related Art Documents: **Not Applicable**
(57) Statement of Newness and Distinctiveness: **Nil**



- (21) Design Number: **18133/2007**
(22) Date of Filing Application: **29 May 2007**
(24) Date from which industrial property rights may have effect: **29 May 2007**
(54) Product in respect of which the design is registered: **Valve**
(51) International Design Classification: **23-01K**
(71) Name(s) and Address(s) of Applicant(s):
Innovative Environmental Solutions Pty Ltd
20 Haven Road Upper Brookfield Queensland 4063 Australia
(72) Name(s) of Designer(s): **Andrew Willsford and Christopher James Murray**
(45) Registration Date: **02 August 2007**
(56) Related Art Documents: **Not Applicable**
(57) Statement of Newness and Distinctiveness: **Newness and distinctiveness is claimed in the shape and configuration of a diverter valve as shown in the accompanying representations.**



(21) Design Number: **18138/2007**

(22) Date of Filing Application: **30 May 2007**

(24) Date from which industrial property rights may have effect: **30 May 2007**

(54) Product in respect of which the design is registered: **Patient medical binder**

(51) International Design Classification: **24-04**

(71) Name(s) and Address(s) of Applicant(s):

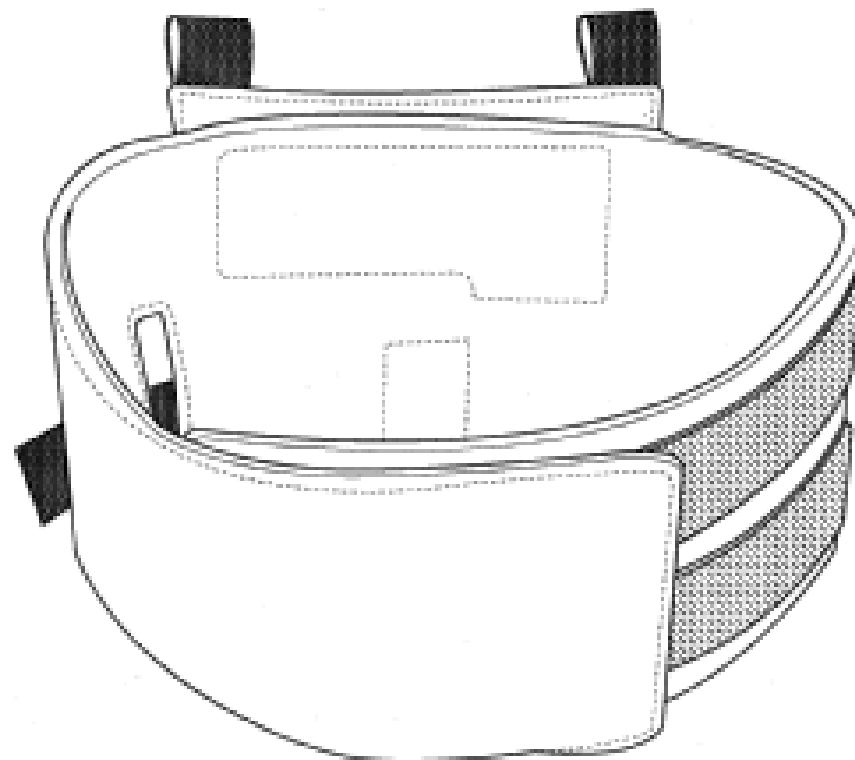
Ventrassist Pty Ltd
126 Greville Street Chatswood New South Wales 2067 Australia

(72) Name(s) of Designer(s): **Anthony Murray Powell**

(45) Registration Date: **02 August 2007**

(56) Related Art Documents: **Not Applicable**

(57) Statement of Newness and Distinctiveness: **Nil**



(21) Design Number: **18139/2007**

(22) Date of Filing Application: **30 May 2007**

(24) Date from which industrial property rights may have effect: **30 May 2007**

(54) Product in respect of which the design is registered: **Cable holder**

(51) International Design Classification: **08-99**

(71) Name(s) and Address(s) of Applicant(s):

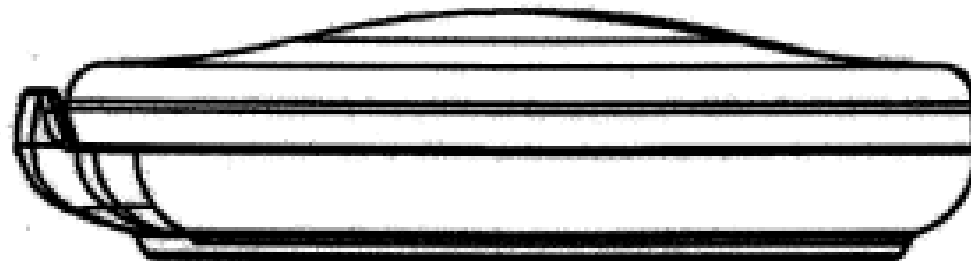
icableholder.com Pty Limited
Unit 26B 4 Chaplin Drive Lane Cove New South Wales 2066 Australia

(72) Name(s) of Designer(s): **Kevin Whitley and Christopher Frank and Steven Proctor and Eugen Meyer**

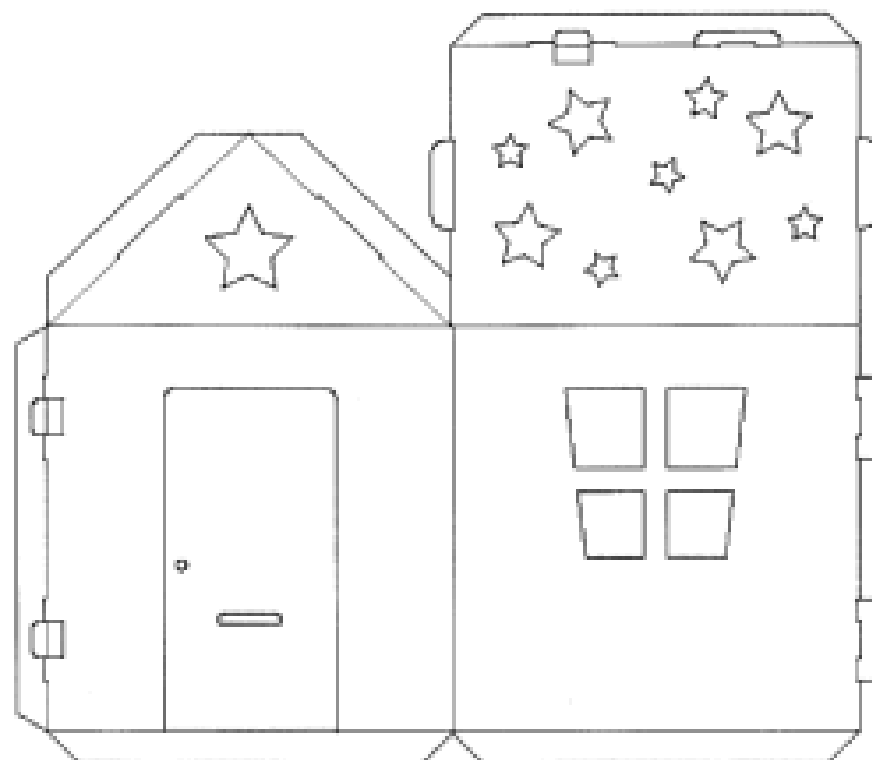
(45) Registration Date: **02 August 2007**

(56) Related Art Documents: **Not Applicable**

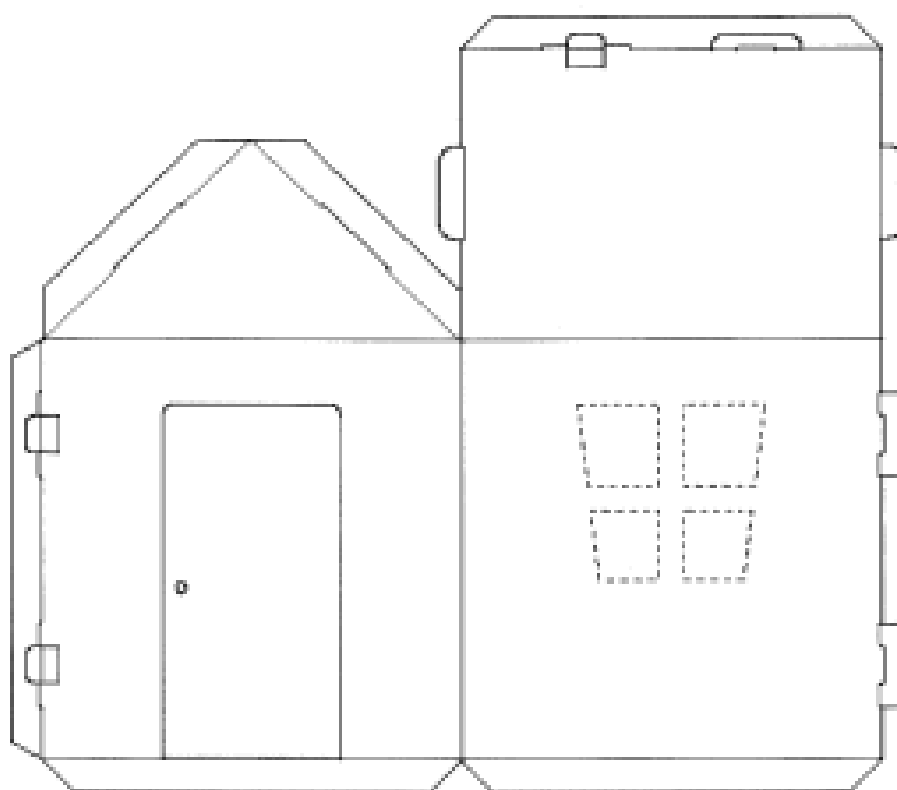
(57) Statement of Newness and Distinctiveness: **Newness and distinctiveness reside in the features of the design as shown in the representations.**



- (21) Design Number: **18142/2007**
(22) Date of Filing Application: **30 May 2007**
(24) Date from which industrial property rights may have effect: **30 May 2007**
(54) Product in respect of which the design is registered: **Blank for cardboard cubbyhouse**
(51) International Design Classification: **25-03**
(71) Name(s) and Address(s) of Applicant(s):
Tanya Strik
90 Tucker Road Bentleigh Victoria 3204 Australia
(72) Name(s) of Designer(s): **Tanya Strik**
(45) Registration Date: **02 August 2007**
(56) Related Art Documents: **Not Applicable**
(57) Statement of Newness and Distinctiveness: **Nil**



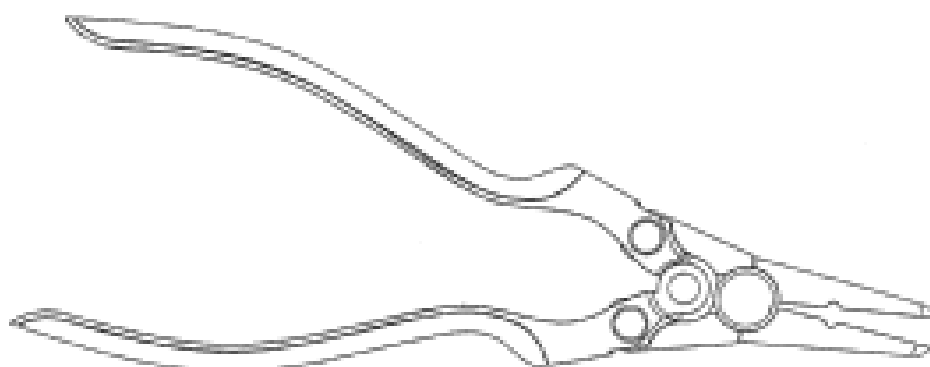
- (21) Design Number: **18143/2007**
(22) Date of Filing Application: **30 May 2007**
(24) Date from which industrial property rights may have effect: **30 May 2007**
(54) Product in respect of which the design is registered: **Blank for cardboard cubbyhouse**
(51) International Design Classification: **25-03**
(71) Name(s) and Address(s) of Applicant(s):
Tanya Strik
90 Tucker Road Bentleigh Victoria 3204 Australia
(72) Name(s) of Designer(s): **Tanya Strik**
(45) Registration Date: **02 August 2007**
(56) Related Art Documents: **Not Applicable**
(57) Statement of Newness and Distinctiveness: **Newness and distinctiveness of the design resides in the features shown in solid lines.**



- (21) Design Number: **18145/2007**
- (22) Date of Filing Application: **30 May 2007**
- (24) Date from which industrial property rights may have effect: **30 May 2007**
- (54) Product in respect of which the design is registered: **Hair extension tool**
- (51) International Design Classification: **28-03D**
- (71) Name(s) and Address(s) of Applicant(s):

Rapunzel Professional Pty Ltd
8/81 Governor Macquarie Drive Chipping Norton New South Wales
2170 Australia

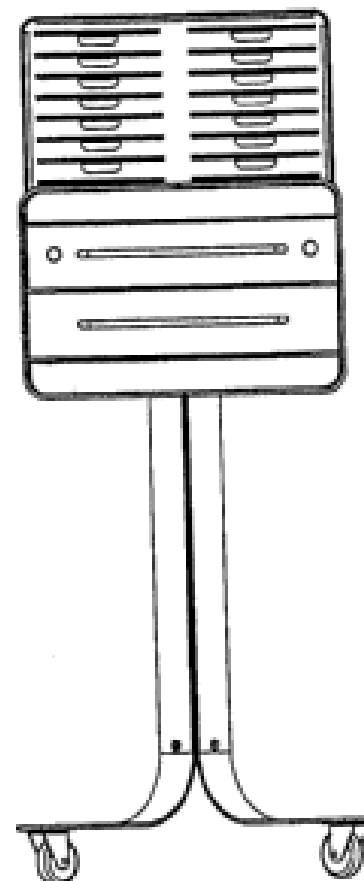
- (72) Name(s) of Designer(s): **Robert Salha and Giovanni Marangoni and Nicholas Bennett**
- (45) Registration Date: **02 August 2007**
- (56) Related Art Documents: **Not Applicable**
- (57) Statement of Newness and Distinctiveness: **Nil**



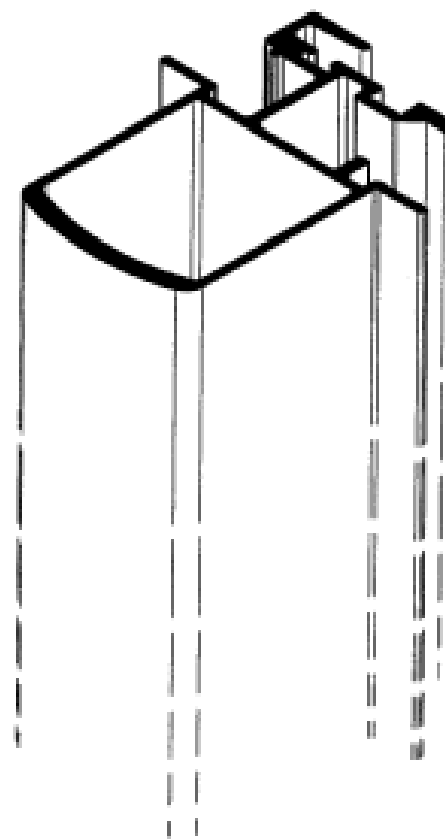
- (21) Design Number: **18146/2007**
- (22) Date of Filing Application: **30 May 2007**
- (24) Date from which industrial property rights may have effect: **30 May 2007**
- (54) Product in respect of which the design is registered: **Hairdresser trolley**
- (51) International Design Classification: **28-03B**
- (71) Name(s) and Address(s) of Applicant(s):

Rapunzel Professional Pty Ltd
8/81 Governor Macquarie Drive Chipping Norton New South Wales
2170 Australia

- (72) Name(s) of Designer(s): **Robert Salha and Giovanni Marangoni and Nicholas Bennett**
- (45) Registration Date: **02 August 2007**
- (56) Related Art Documents: **Not Applicable**
- (57) Statement of Newness and Distinctiveness: **Nil**



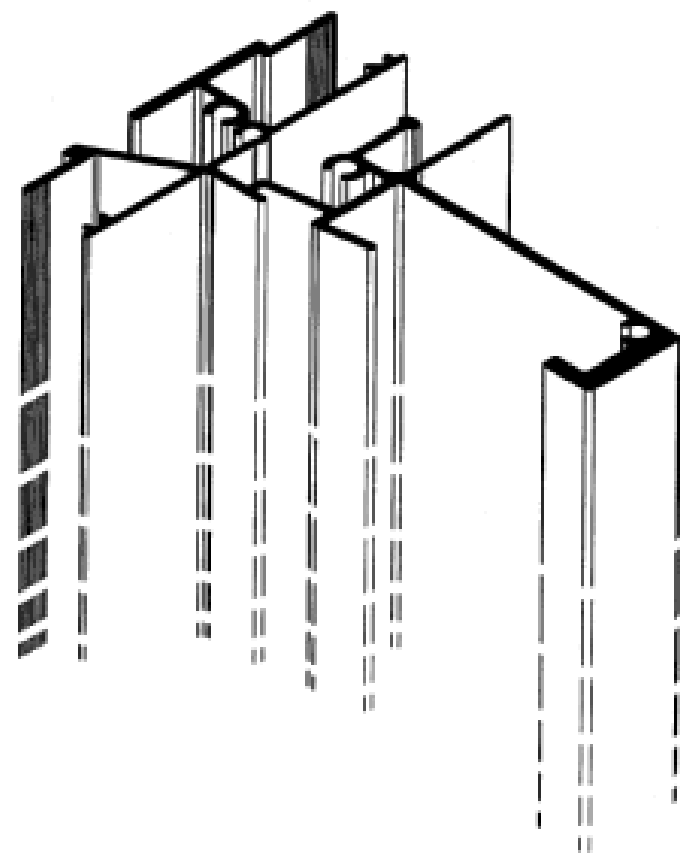
- (21) Design Number: **18147/2007**
- (22) Date of Filing Application: **30 May 2007**
- (24) Date from which industrial property rights may have effect: **30 May 2007**
- (54) Product in respect of which the design is registered: **Mullion**
- (51) International Design Classification: **25-01K**
- (71) Name(s) and Address(s) of Applicant(s):
Capral Aluminium Limited
71 Ashburn Road Bundamba Queensland 4304 Australia
- (72) Name(s) of Designer(s): **Ross Lloyd**
- (45) Registration Date: **02 August 2007**
- (56) Related Art Documents: **Not Applicable**
- (57) Statement of Newness and Distinctiveness: **The mullion is of constant cross section but of any desired length.**



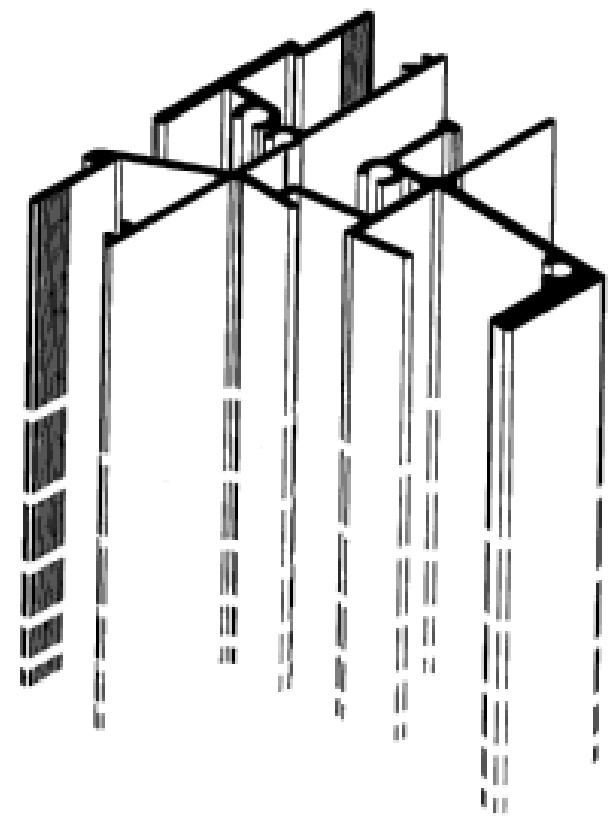
- (21) Design Number: **18148/2007**
- (22) Date of Filing Application: **30 May 2007**
- (24) Date from which industrial property rights may have effect: **30 May 2007**
- (54) Product in respect of which the design is registered: **Mullion**
- (51) International Design Classification: **25-01K**
- (71) Name(s) and Address(s) of Applicant(s):
Capral Aluminium Limited
71 Ashburn Road Bundamba Queensland 4304 Australia
- (72) Name(s) of Designer(s): **Ross Lloyd**
- (45) Registration Date: **02 August 2007**
- (56) Related Art Documents: **Not Applicable**
- (57) Statement of Newness and Distinctiveness: **The mullion is of constant cross section but of any desired length.**



- (21) Design Number: **18149/2007**
- (22) Date of Filing Application: **30 May 2007**
- (24) Date from which industrial property rights may have effect: **30 May 2007**
- (54) Product in respect of which the design is registered: **Transom**
- (51) International Design Classification: **25-01K**
- (71) Name(s) and Address(s) of Applicant(s):
Capral Aluminium Limited
71 Ashburn Road Bundamba Queensland 4304 Australia
- (72) Name(s) of Designer(s): **Ross Lloyd**
- (45) Registration Date: **02 August 2007**
- (56) Related Art Documents: **Not Applicable**
- (57) Statement of Newness and Distinctiveness: **The transom is of constant cross section but of any desired length.**



- (21) Design Number: **18150/2007**
- (22) Date of Filing Application: **30 May 2007**
- (24) Date from which industrial property rights may have effect: **30 May 2007**
- (54) Product in respect of which the design is registered: **Transom**
- (51) International Design Classification: **25-01K**
- (71) Name(s) and Address(s) of Applicant(s):
Capral Aluminium Limited
71 Ashburn Road Bundamba Queensland 4304 Australia
- (72) Name(s) of Designer(s): **Ross Lloyd**
- (45) Registration Date: **02 August 2007**
- (56) Related Art Documents: **Not Applicable**
- (57) Statement of Newness and Distinctiveness: **The transom is of constant cross section but of any desired length.**



(21) Design Number: **18151/2007**

(22) Date of Filing Application: **30 May 2007**

(24) Date from which industrial property rights may have effect: **30 May 2007**

(54) Product in respect of which the design is registered: **Sill**

(51) International Design Classification: **25-01K**

(71) Name(s) and Address(s) of Applicant(s):

Capral Aluminium Limited

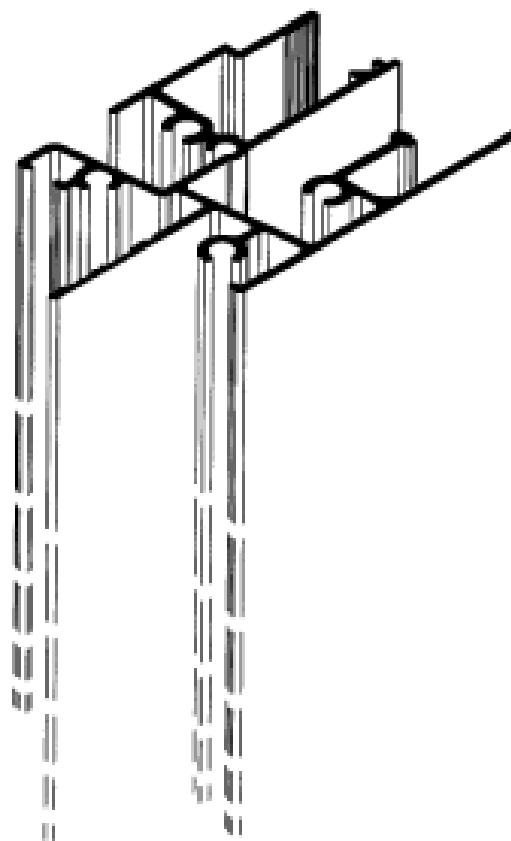
71 Ashburn Road Bundamba Queensland 4304 Australia

(72) Name(s) of Designer(s): **Ross Lloyd**

(45) Registration Date: **02 August 2007**

(56) Related Art Documents: **Not Applicable**

(57) Statement of Newness and Distinctiveness: **The sill is of constant cross section but of any desired length.**



(21) Design Number: **18152/2007**

(22) Date of Filing Application: **30 May 2007**

(24) Date from which industrial property rights may have effect: **30 May 2007**

(54) Product in respect of which the design is registered: **Transom**

(51) International Design Classification: **25-01K**

(71) Name(s) and Address(s) of Applicant(s):

Capral Aluminium Limited

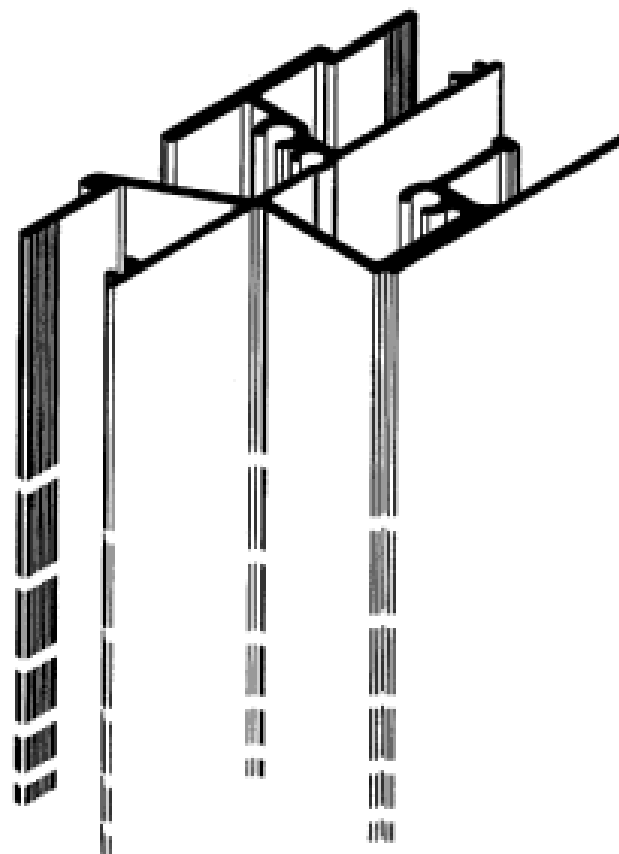
71 Ashburn Road Bundamba Queensland 4304 Australia

(72) Name(s) of Designer(s): **Ross Lloyd**

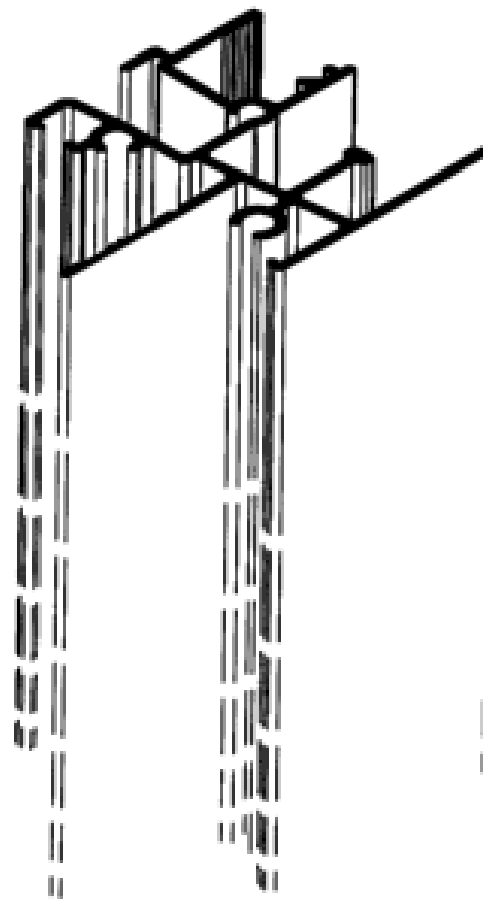
(45) Registration Date: **02 August 2007**

(56) Related Art Documents: **Not Applicable**

(57) Statement of Newness and Distinctiveness: **The transom is of constant cross section but of any desired length.**



- (21) Design Number: **18153/2007**
(22) Date of Filing Application: **30 May 2007**
(24) Date from which industrial property rights may have effect: **30 May 2007**
(54) Product in respect of which the design is registered: **Sill**
(51) International Design Classification: **25-01K**
(71) Name(s) and Address(s) of Applicant(s):
Capral Aluminium Limited
71 Ashburn Road Bundamba Queensland 4304 Australia
(72) Name(s) of Designer(s): **Ross Lloyd**
(45) Registration Date: **02 August 2007**
(56) Related Art Documents: **Not Applicable**
(57) Statement of Newness and Distinctiveness: **The sill is of constant cross section but of any desired length.**



- (21) Design Number: **15943/2007**
(22) Date of Filing Application: **12 January 2007**
(24) Date from which industrial property rights may have effect: **12 January 2007**
(54) Product in respect of which the design is registered: **Ladies garments**
(51) International Design Classification: **02-02C**
(71) Name(s) and Address(s) of Applicant(s):
Review Australia Pty Ltd
25-31 Rokeby Street Collingwood Victoria 3066 Australia
(72) Name(s) of Designer(s): **Jayne Ellis**
(45) Registration Date: **06 August 2007**
(56) Related Art Documents: **Not Applicable**
(57) Statement of Newness and Distinctiveness: **Nil**



- (21) Design Number: **18856/2007**
(22) Date of Filing Application: **12 January 2007**
(24) Date from which industrial property rights may have effect: **12 January 2007**
(54) Product in respect of which the design is registered: **Ladies garments**
(51) International Design Classification: **02-02C**
(71) Name(s) and Address(s) of Applicant(s):
Review Australia Pty Ltd
25-31 Rokeby Street Collingwood Victoria 3066 Australia
(72) Name(s) of Designer(s): **Jayne Ellis**
(45) Registration Date: **06 August 2007**
(56) Related Art Documents: **Not Applicable**
(57) Statement of Newness and Distinctiveness: **Nil**



- (21) Design Number: **18857/2007**
(22) Date of Filing Application: **12 January 2007**
(24) Date from which industrial property rights may have effect: **12 January 2007**
(54) Product in respect of which the design is registered: **Ladies garments**
(51) International Design Classification: **02-02NES**
(71) Name(s) and Address(s) of Applicant(s):
Review Australia Pty Ltd
25-31 Rokeby Street Collingwood Victoria 3066 Australia
(72) Name(s) of Designer(s): **Jayne Ellis**
(45) Registration Date: **06 August 2007**
(56) Related Art Documents: **Not Applicable**
(57) Statement of Newness and Distinctiveness: **Nil**



(21) Design Number: **16928/2007**
(22) Date of Filing Application: **16 March 2007**
(24) Date from which industrial property rights may have effect: **16 March 2007**
(54) Product in respect of which the design is registered: **Flags**
(51) International Design Classification: **11-05**
(71) Name(s) and Address(s) of Applicant(s):
Valk Nominees Pty Limited
Level 19 2 Market Street Sydney New South Wales 2000 Australia
(72) Name(s) of Designer(s): **Hans Hulsbosch**
(45) Registration Date: **06 August 2007**
(56) Related Art Documents: **Not Applicable**
(57) Statement of Newness and Distinctiveness: **Nil**



(21) Design Number: **16929/2007**
(22) Date of Filing Application: **16 March 2007**
(24) Date from which industrial property rights may have effect: **16 March 2007**
(54) Product in respect of which the design is registered: **Flags**
(51) International Design Classification: **11-05**
(71) Name(s) and Address(s) of Applicant(s):
Valk Nominees Pty Limited
Level 19 2 Market Street Sydney New South Wales 2000 Australia
(72) Name(s) of Designer(s): **Hans Hulsbosch**
(45) Registration Date: **06 August 2007**
(56) Related Art Documents: **Not Applicable**
(57) Statement of Newness and Distinctiveness: **Nil**



- (21) Design Number: **16930/2007**
(22) Date of Filing Application: **16 March 2007**
(24) Date from which industrial property rights may have effect: **16 March 2007**
(54) Product in respect of which the design is registered: **Flags**
(51) International Design Classification: **11-05**
(71) Name(s) and Address(s) of Applicant(s):
Valk Nominees Pty Limited
Level 19 2 Market Street Sydney New South Wales 2000 Australia
(72) Name(s) of Designer(s): **Hans Hulsbosch**
(45) Registration Date: **06 August 2007**
(56) Related Art Documents: **Not Applicable**
(57) Statement of Newness and Distinctiveness: **Nil**



- (21) Design Number: **16931/2007**
(22) Date of Filing Application: **16 March 2007**
(24) Date from which industrial property rights may have effect: **16 March 2007**
(54) Product in respect of which the design is registered: **Footwear**
(51) International Design Classification: **02-04NES**
(71) Name(s) and Address(s) of Applicant(s):
Lifestyle Products Inc.
Palm Court 28 Pine Road Belleville St. Michael Barbados
(72) Name(s) of Designer(s): **Joyce Groote**
(45) Registration Date: **06 August 2007**
(30) Convention priority data:

(31) Number	(32) Date	(33) Country
29/249,062	18 Sep 2006	UNITED STATES OF AMERICA

(56) Related Art Documents: **Not Applicable**
(57) Statement of Newness and Distinctiveness: **The newness and distinctiveness of the design resides in the features of shape and/or configuration shown in the accompanying representations.**



- (21) Design Number: **19018/2007**
(22) Date of Filing Application: **16 March 2007**
(24) Date from which industrial property rights may have effect: **16 March 2007**
(54) Product in respect of which the design is registered: **Footwear**
(51) International Design Classification: **02-04NES**
(71) Name(s) and Address(s) of Applicant(s):

Lifestyle Products Inc.
Palm Court 28 Pine Road Belleville St. Michael Barbados

(72) Name(s) of Designer(s): **Joyce Grootte**

(45) Registration Date: **06 August 2007**

(30) Convention priority data:

(31) Number	(32) Date	(33) Country
29/249,062	18 Sep 2006	UNITED STATES OF AMERICA

(56) Related Art Documents: **Not Applicable**

(57) Statement of Newness and Distinctiveness: **The newness and distinctiveness of the design resides in the features of shape and/or configuration shown in the accompanying representations.**



- (21) Design Number: **16998/2007**
(22) Date of Filing Application: **21 March 2007**
(24) Date from which industrial property rights may have effect: **21 March 2007**
(54) Product in respect of which the design is registered: **Seat belt lock cover**
(51) International Design Classification: **29-02**
(71) Name(s) and Address(s) of Applicant(s):

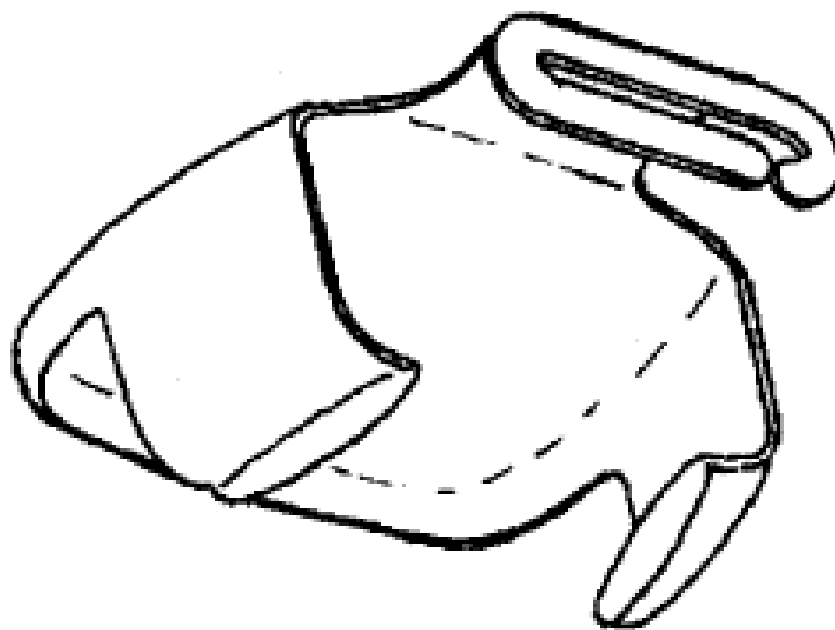
WWM Concepts Pty Ltd
11 Harcourt Avenue East Hills New South Wales 2213 Australia

(72) Name(s) of Designer(s): **Craig Raymond Ward**

(45) Registration Date: **06 August 2007**

(56) Related Art Documents: **Not Applicable**

(57) Statement of Newness and Distinctiveness: **Nil**



(21) Design Number: **16999/2007**

(22) Date of Filing Application: **21 March 2007**

(24) Date from which industrial property rights may have effect: **21 March 2007**

(54) Product in respect of which the design is registered: **Seat belt lock cover**

(51) International Design Classification: **29-02**

(71) Name(s) and Address(s) of Applicant(s):

WWM Concepts Pty Ltd

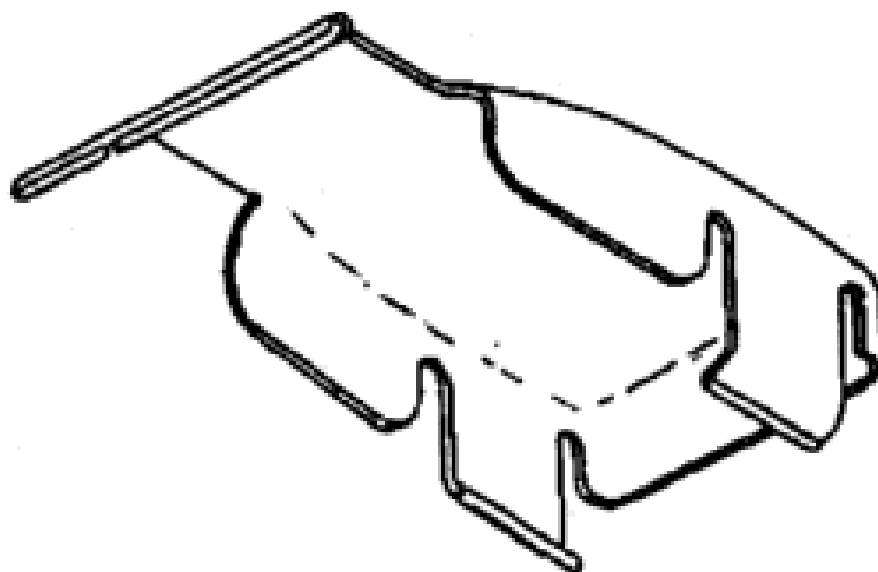
11 Harcourt Avenue East Hills New South Wales 2213 Australia

(72) Name(s) of Designer(s): **Craig Raymond Ward**

(45) Registration Date: **06 August 2007**

(56) Related Art Documents: **Not Applicable**

(57) Statement of Newness and Distinctiveness: **Nil**



(21) Design Number: **17166/2007**

(22) Date of Filing Application: **29 March 2007**

(24) Date from which industrial property rights may have effect: **29 March 2007**

(54) Product in respect of which the design is registered: **The B-ottoman is a soft furnishing cover for a mini-trampoline/bouncer which transforms the exercise**

(51) International Design Classification: **06-01E**

(71) Name(s) and Address(s) of Applicant(s):

Jenita Young

47 Mahogany Drive Marcus Beach Queensland 4573 Australia

(72) Name(s) of Designer(s): **Jenita Young**

(45) Registration Date: **06 August 2007**

(56) Related Art Documents: **Not Applicable**

(57) Statement of Newness and Distinctiveness: **The B-ottoman has two styles of skirt: pleated and straight.**



(21) Design Number: **17213/2007**

(22) Date of Filing Application: **29 March 2007**

(24) Date from which industrial property rights may have effect: **29 March 2007**

(54) Product in respect of which the design is registered: **Grip discs**

(51) International Design Classification: **21-02B**

(71) Name(s) and Address(s) of Applicant(s):

Madd International Limited

**2nd Floor Rm 202 Mirror Tower 61 Mody Rd, Tsim Sha Tsui Kowloon
Hong Kong**

(72) Name(s) of Designer(s): **Michael Horne**

(45) Registration Date: **06 August 2007**

(56) Related Art Documents: **Not Applicable**

(57) Statement of Newness and Distinctiveness: **Newness and distinctiveness of the design resides in the light fittings on the grip discs. No newness and distinctiveness is claimed in the pattern or ornamentation of the gripping surfaces of the grip discs, nor in the rear of the grip discs.**



(21) Design Number: **18989/2007**

(22) Date of Filing Application: **29 March 2007**

(24) Date from which industrial property rights may have effect: **29 March 2007**

(54) Product in respect of which the design is registered: **Ball**

(51) International Design Classification: **21-02A**

(71) Name(s) and Address(s) of Applicant(s):

Madd International Limited

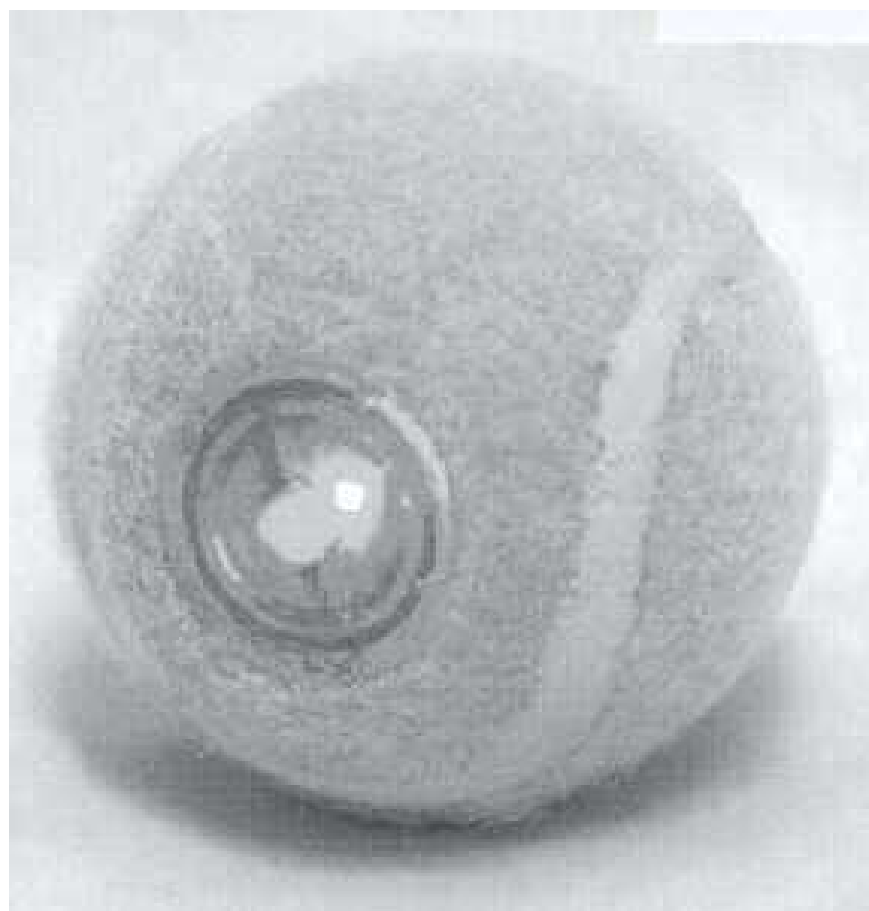
**2nd Floor Rm 202 Mirror Tower 61 Mody Rd, Tsim Sha Tsui Kowloon
Hong Kong**

(72) Name(s) of Designer(s): **Michael Horne**

(45) Registration Date: **06 August 2007**

(56) Related Art Documents: **Not Applicable**

(57) Statement of Newness and Distinctiveness: **Newness and distinctiveness of the design resides in the light fitting on the ball.**



(21) Design Number: **17427/2007**

(22) Date of Filing Application: **13 April 2007**

(24) Date from which industrial property rights may have effect: **13 April 2007**

(54) Product in respect of which the design is registered: **Golf club head**

(51) International Design Classification: **21-02C**

(71) Name(s) and Address(s) of Applicant(s):

Callaway Golf Company
2180 Rutherford Road Carlsbad California 92008-7328 United States of America

(72) Name(s) of Designer(s): **Augustin W. Rollinson and Luke R. Williams and Michael J. Hallack**

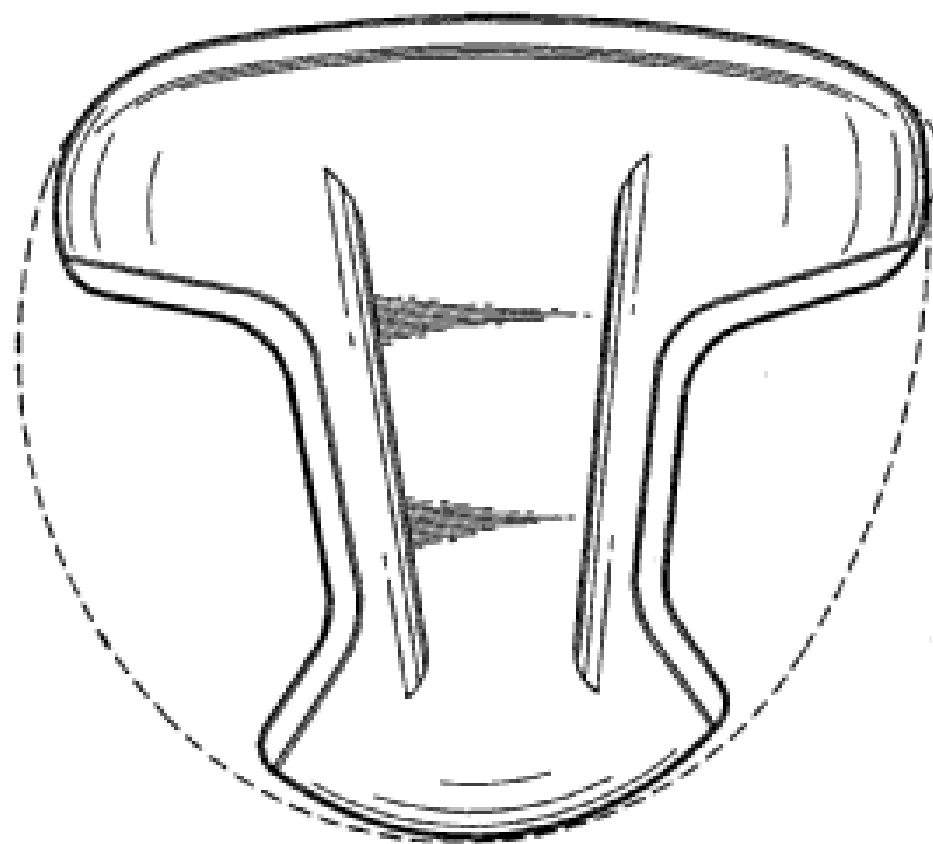
(45) Registration Date: **06 August 2007**

(30) Convention priority data:

(31) Number	(32) Date	(33) Country
29/249654	16 Oct 2006	UNITED STATES OF AMERICA

(56) Related Art Documents: **Not Applicable**

(57) Statement of Newness and Distinctiveness: **Newness and distinctiveness is claimed in those features of shape and/or configuration of the sole of a golf club head as illustrated in continuous lines in the accompanying representations.**



(21) Design Number: **17949/2007**

(22) Date of Filing Application: **16 May 2007**

(24) Date from which industrial property rights may have effect: **16 May 2007**

(54) Product in respect of which the design is registered: **Vehicle rack system**

(51) International Design Classification: **12-16K**

(71) Name(s) and Address(s) of Applicant(s):

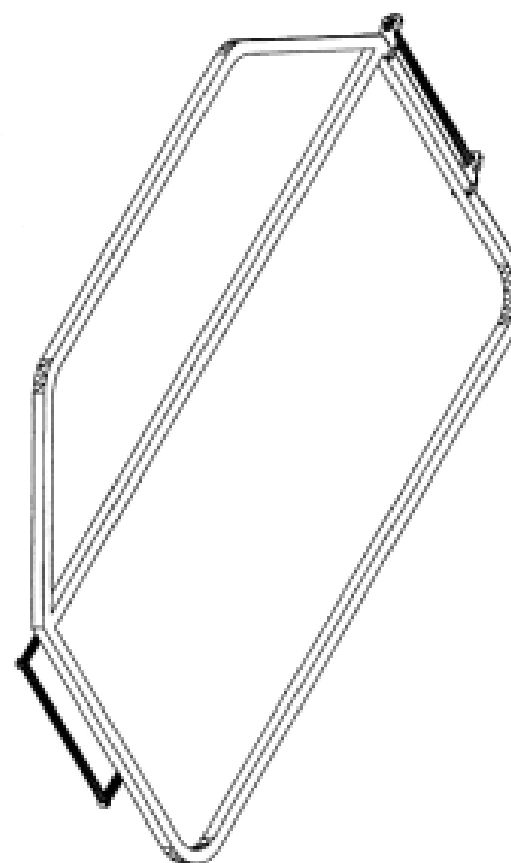
John Vesely
11 Winifred Crescent Glen Iris Victoria 3146 Australia

(72) Name(s) of Designer(s): **John Vesely**

(45) Registration Date: **06 August 2007**

(56) Related Art Documents: **Not Applicable**

(57) Statement of Newness and Distinctiveness: **The following visual features of the design are new and distinctive: The new and distinctive features of shape and configuration of a vehicle rack system as shown in solid lines in the accompanying drawings.**



(21) Design Number: **18154/2007**

(22) Date of Filing Application: **30 May 2007**

(24) Date from which industrial property rights may have effect: **30 May 2007**

(54) Product in respect of which the design is registered: **Mullion**

(51) International Design Classification: **25-01K**

(71) Name(s) and Address(s) of Applicant(s):

Capral Aluminium Limited

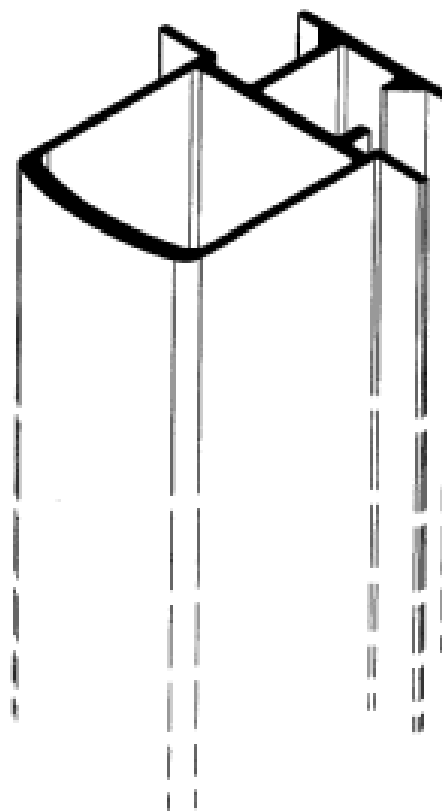
71 Ashburn Road Bundamba Queensland 4304 Australia

(72) Name(s) of Designer(s): **Ross Lloyd**

(45) Registration Date: **06 August 2007**

(56) Related Art Documents: **Not Applicable**

(57) Statement of Newness and Distinctiveness: **The mullion is of constant cross section but of any desired length.**



(21) Design Number: **18098/2007**

(22) Date of Filing Application: **25 May 2007**

(24) Date from which industrial property rights may have effect: **25 May 2007**

(54) Product in respect of which the design is registered: **Garden tap**

(51) International Design Classification: **23-01H**

(71) Name(s) and Address(s) of Applicant(s):

Graham Horvath

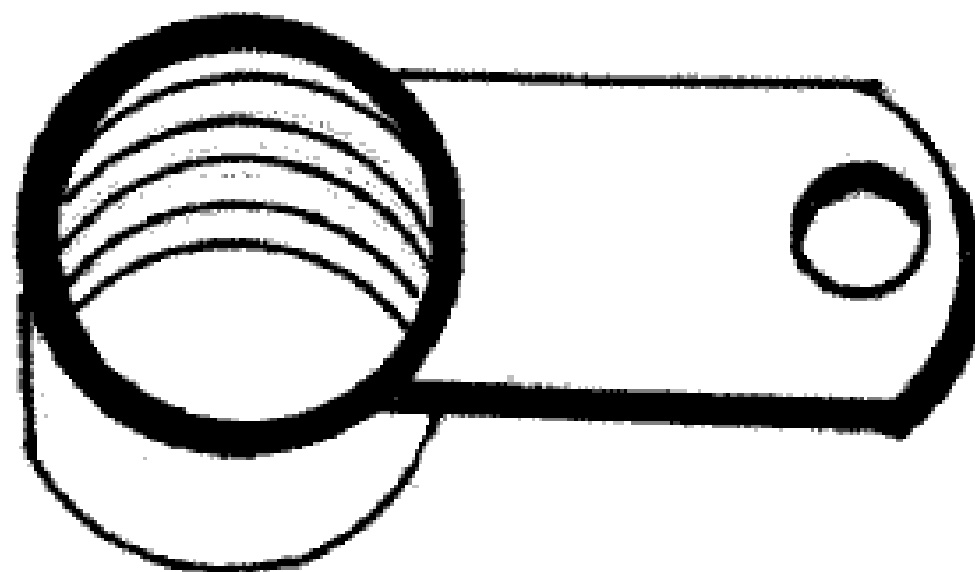
PO Box 588 Kippa Ring Queensland 4021 Australia

(72) Name(s) of Designer(s): **Graham Horvath**

(45) Registration Date: **07 August 2007**

(56) Related Art Documents: **Not Applicable**

(57) Statement of Newness and Distinctiveness: **Nil**



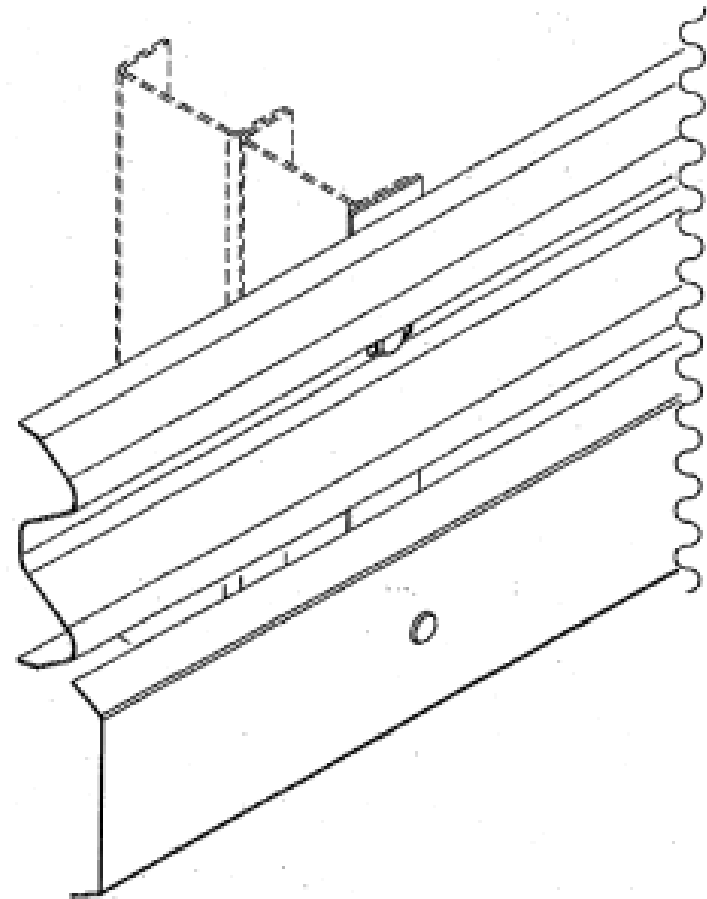
- (21) Design Number: **18141/2007**
(22) Date of Filing Application: **31 May 2007**
(24) Date from which industrial property rights may have effect: **31 May 2007**
(54) Product in respect of which the design is registered: **Slide-on camper, motorhome (class 12-10). Motor cars, motorhomes (class 12-08)**
(51) International Design Classification: **12-10, 12-08**
(71) Name(s) and Address(s) of Applicant(s):
Ozcape Campers Pty Ltd
72-74 Dover Drive West Burleigh Queensland 4219 Australia
(72) Name(s) of Designer(s): **Manfred Lehner**
(45) Registration Date: **07 August 2007**
(56) Related Art Documents: **Not Applicable**
(57) Statement of Newness and Distinctiveness: **The newness and distinctiveness of the design resides in the shape and/or configuration of the fit-out of the interior of the slide-on camper shown in the representations excluding the appliances shown on the photographs. The outer shape of the slide-on camper illustrated is also to be disregarded when considering the scope of monopoly of the design.**



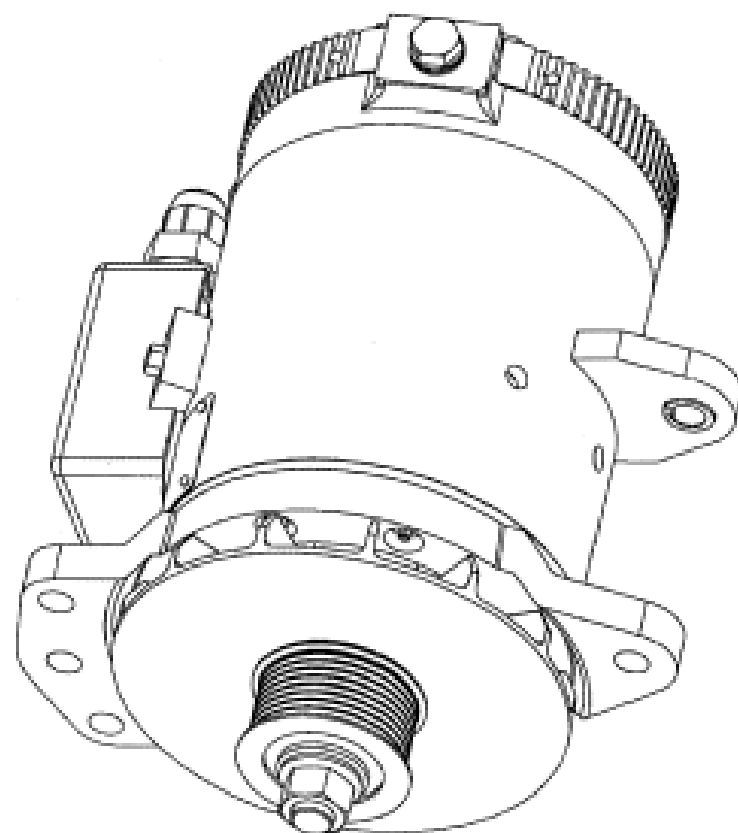
- (21) Design Number: **18164/2007**
(22) Date of Filing Application: **31 May 2007**
(24) Date from which industrial property rights may have effect: **31 May 2007**
(54) Product in respect of which the design is registered: **Sump**
(51) International Design Classification: **23-01NES**
(71) Name(s) and Address(s) of Applicant(s):
Perpetual Water Pty Ltd
Suite 14 Level 1 14-16 Brierly Street Weston Creek ACT 2611 Australia
(72) Name(s) of Designer(s): **Andrew Bell**
(45) Registration Date: **07 August 2007**
(56) Related Art Documents: **Not Applicable**
(57) Statement of Newness and Distinctiveness: **The + shaped lines in the circle in figures 1 and 4 do not form part of the design.**



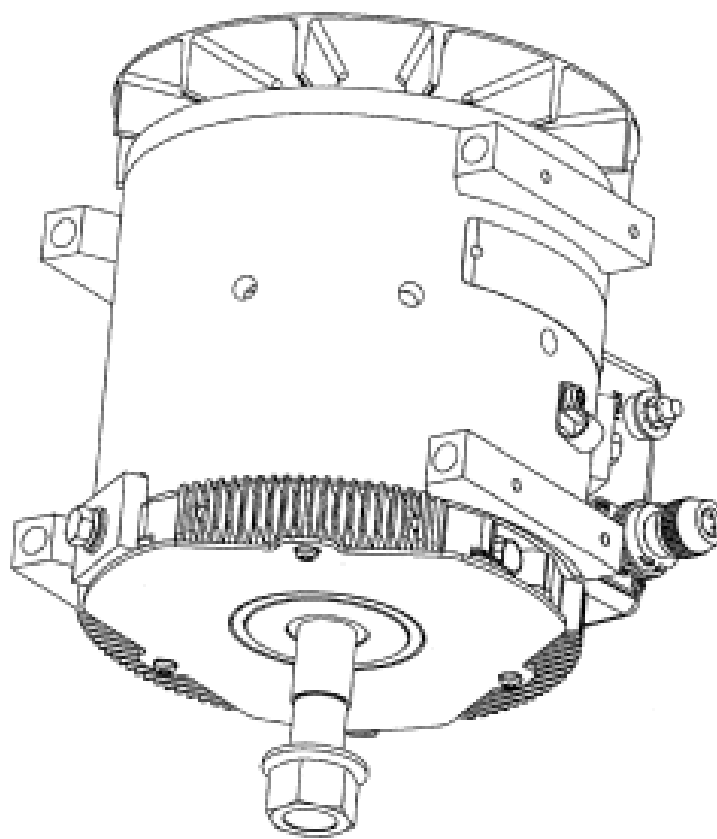
- (21) Design Number: **18165/2007**
(22) Date of Filing Application: **31 May 2007**
(24) Date from which industrial property rights may have effect: **31 May 2007**
(54) Product in respect of which the design is registered: **A roadside safety barrier**
(51) International Design Classification: **25-02NES**
(71) Name(s) and Address(s) of Applicant(s):
Industrial Galvanizers Corporation Pty Ltd
C/- Ingal Civil Products 57-65 Airds Road Minto New South Wales
2566 Australia
(72) Name(s) of Designer(s): **Terrence Colquhoun**
(45) Registration Date: **07 August 2007**
(56) Related Art Documents: **Not Applicable**
(57) Statement of Newness and Distinctiveness: **The newness and distinctiveness resides in a roadside safety barrier having upper and lower rails and a bracket as depicted with the design being repeated along a roadside safety barrier of indefinite length.**



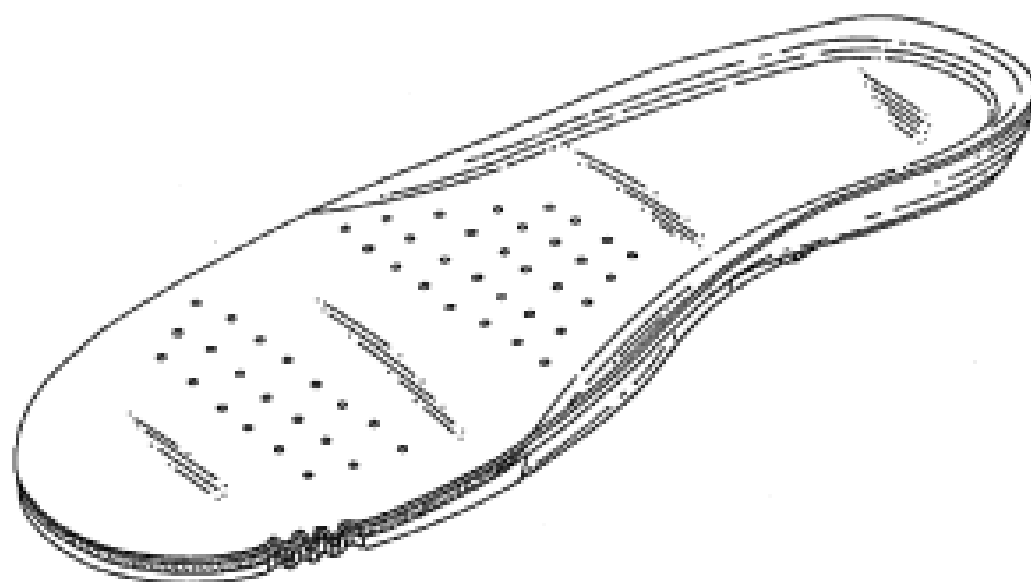
- (21) Design Number: **18167/2007**
(22) Date of Filing Application: **31 May 2007**
(24) Date from which industrial property rights may have effect: **31 May 2007**
(54) Product in respect of which the design is registered: **Electrical alternator**
(51) International Design Classification: **13-01**
(71) Name(s) and Address(s) of Applicant(s):
C.E. Niehoff & Co.
2021 Lee Street Evanston Illinois 60202 United States of America
(72) Name(s) of Designer(s): **Majid Naghshineh**
(45) Registration Date: **07 August 2007**
(30) Convention priority data:
(31) Number (32) Date (33) Country
29/269537 01 Dec 2006 UNITED STATES OF AMERICA
(56) Related Art Documents: **Not Applicable**
(57) Statement of Newness and Distinctiveness: **Newness and distinctiveness is claimed in the features of shape and/or configuration of an electrical alternator as illustrated in the accompanying representations.**



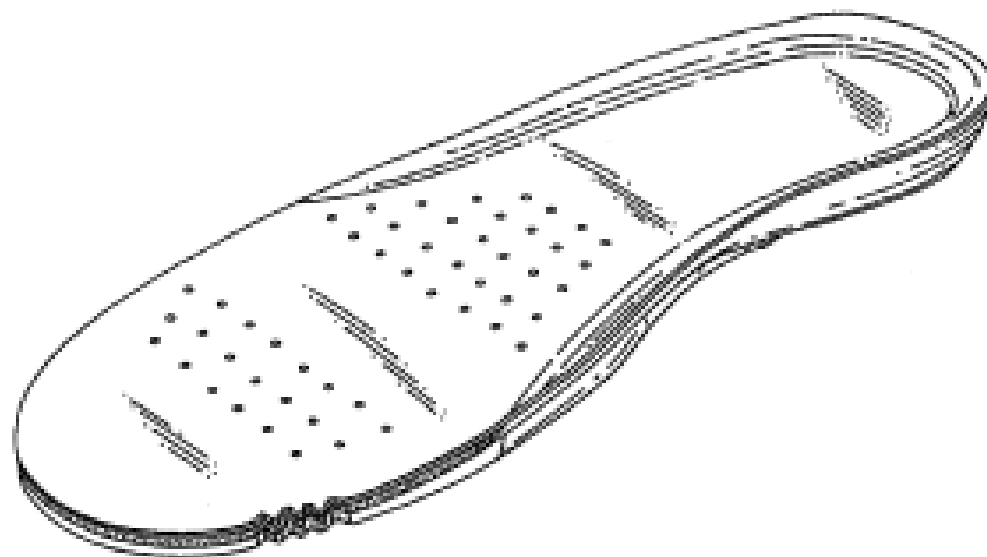
(21) Design Number: **18168/2007**
 (22) Date of Filing Application: **31 May 2007**
 (24) Date from which industrial property rights may have effect: **31 May 2007**
 (54) Product in respect of which the design is registered: **Electrical alternator**
 (51) International Design Classification: **13-01**
 (71) Name(s) and Address(s) of Applicant(s):
C.E. Niehoff & Co.
2021 Lee Street Evanston Illinois 60202 United States of America
 (72) Name(s) of Designer(s): **James Becker and Majid Naghshineh**
 (45) Registration Date: **07 August 2007**
 (30) Convention priority data:
 (31) Number (32) Date (33) Country
29/269542 01 Dec 2006 UNITED STATES OF AMERICA
 (56) Related Art Documents: **Not Applicable**
 (57) Statement of Newness and Distinctiveness: **Newness and distinctiveness is claimed in the features of shape and/or configuration of an electrical alternator as illustrated in the accompanying representations.**



(21) Design Number: **18169/2007**
 (22) Date of Filing Application: **31 May 2007**
 (24) Date from which industrial property rights may have effect: **31 May 2007**
 (54) Product in respect of which the design is registered: **Insole for footbed system**
 (51) International Design Classification: **02-04A**
 (71) Name(s) and Address(s) of Applicant(s):
C. & J. Clark America, Inc.
156 Oak Street Newton Upper Falls Massachusetts 02464 United States of America
 (72) Name(s) of Designer(s): **Richard Bryne and James Walsh and Ronald Richards**
 (45) Registration Date: **07 August 2007**
 (30) Convention priority data:
 (31) Number (32) Date (33) Country
29/250821 01 Dec 2006 UNITED STATES OF AMERICA
 (56) Related Art Documents: **Not Applicable**
 (57) Statement of Newness and Distinctiveness: **Newness and distinctiveness reside in the shape and configuration of the insole for footbed system as depicted. The footbed system includes an upper insole and lower wedge member. In determining the scope of the monopoly, the lower wedge member is not considered part of the design and should be disregarded.**



- (21) Design Number: **18170/2007**
(22) Date of Filing Application: **31 May 2007**
(24) Date from which industrial property rights may have effect: **31 May 2007**
(54) Product in respect of which the design is registered: **Wedge member for footbed system**
(51) International Design Classification: **02-04A**
(71) Name(s) and Address(s) of Applicant(s):
C. & J. Clark America, Inc.
156 Oak Street Newton Upper Falls Massachusetts 02464 United States of America
(72) Name(s) of Designer(s): **Richard Bryne and James Walsh and Ronald Richards**
(45) Registration Date: **07 August 2007**
(30) Convention priority data:
(31) Number (32) Date (33) Country
29/250821 01 Dec 2006 UNITED STATES OF AMERICA
(56) Related Art Documents: **Not Applicable**
(57) Statement of Newness and Distinctiveness: **Newness and distinctiveness reside in the shape and configuration of the wedge member for footbed system as depicted. The footbed system includes an upper insole and lower wedge member. In determining the scope of the monopoly, the upper insole is not considered part of the design and should be disregarded.**

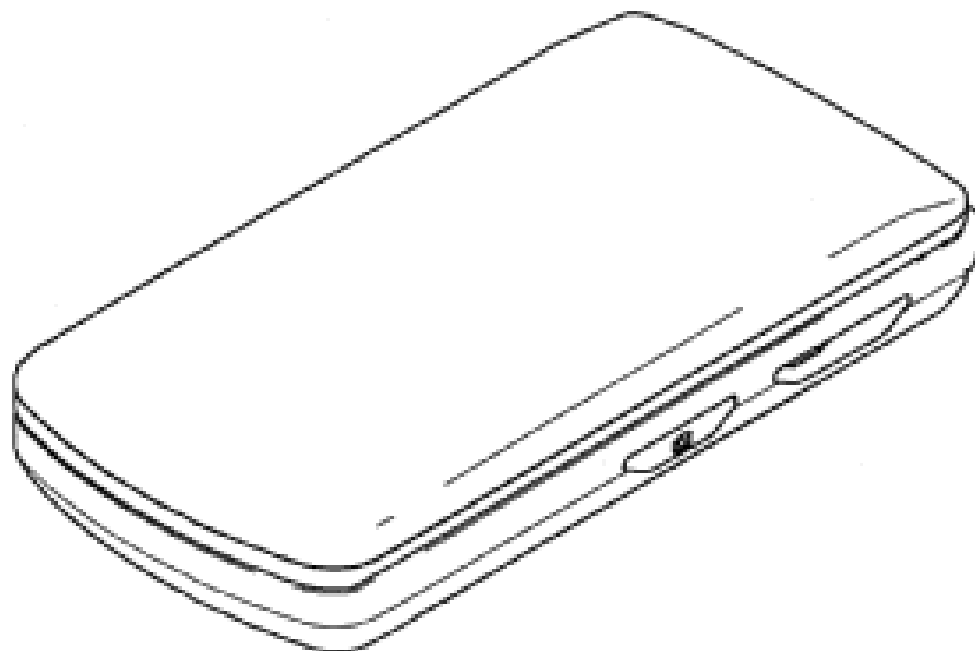


- (21) Design Number: **18171/2007**
(22) Date of Filing Application: **31 May 2007**
(24) Date from which industrial property rights may have effect: **31 May 2007**
(54) Product in respect of which the design is registered: **A bracket**
(51) International Design Classification: **08-08L**
(71) Name(s) and Address(s) of Applicant(s):
Industrial Galvanizers Corporation Pty Ltd
C/- Ingal Civil Products 57-65 Airds Road Minto New South Wales 2566 Australia
(72) Name(s) of Designer(s): **Terrence Colquhoun**
(45) Registration Date: **07 August 2007**
(56) Related Art Documents: **Not Applicable**
(57) Statement of Newness and Distinctiveness: **Nil**

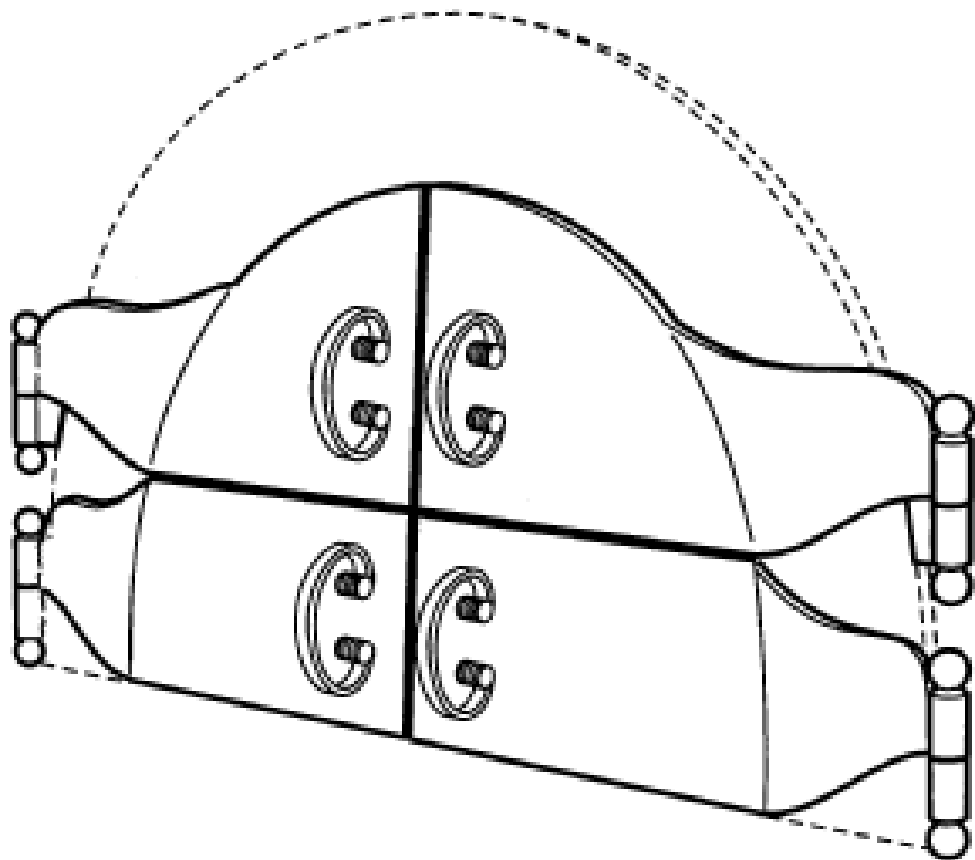


- (21) Design Number: **18172/2007**
- (22) Date of Filing Application: **31 May 2007**
- (24) Date from which industrial property rights may have effect: **31 May 2007**
- (54) Product in respect of which the design is registered: **Cellular phone**
- (51) International Design Classification: **14-03E**
- (71) Name(s) and Address(s) of Applicant(s):
LG Electronics Inc.
20 Yoido-dong Youngdungpo-gu Seoul 150-721 Republic of Korea
- (72) Name(s) of Designer(s): **Min Kyu Choi and Hoon Jai Jung**
- (45) Registration Date: **07 August 2007**
- (30) Convention priority data:

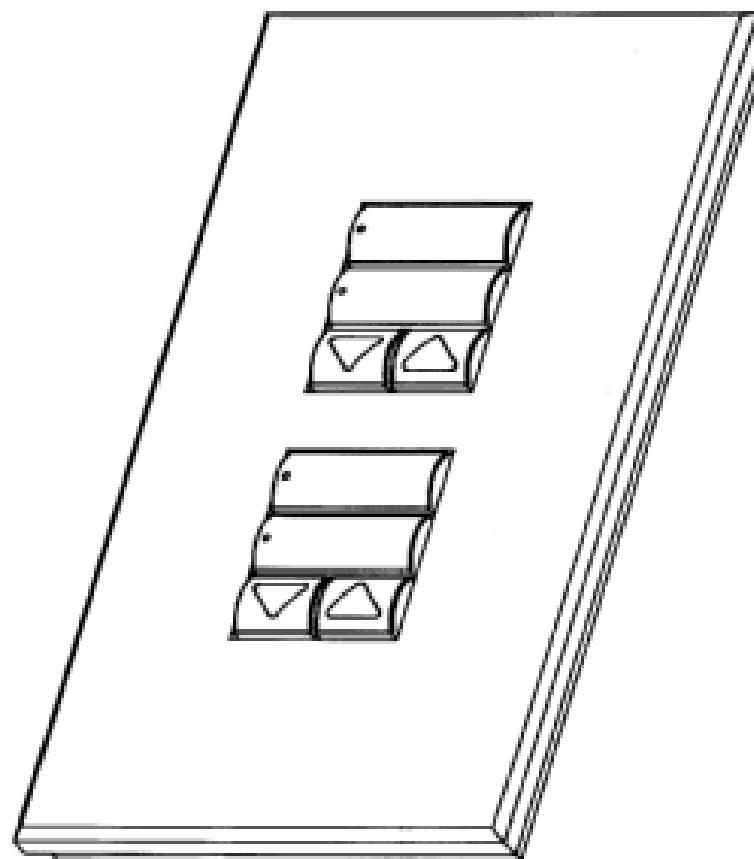
(31) Number	(32) Date	(33) Country
30-2007-0002673	19 Jan 2007	REPUBLIC OF KOREA
- (56) Related Art Documents: **Not Applicable**
- (57) Statement of Newness and Distinctiveness: **Newness and distinctiveness in the design as applied to a cellular phone resides in the shape and/or configuration thereof as is illustrated in the accompanying representations.**



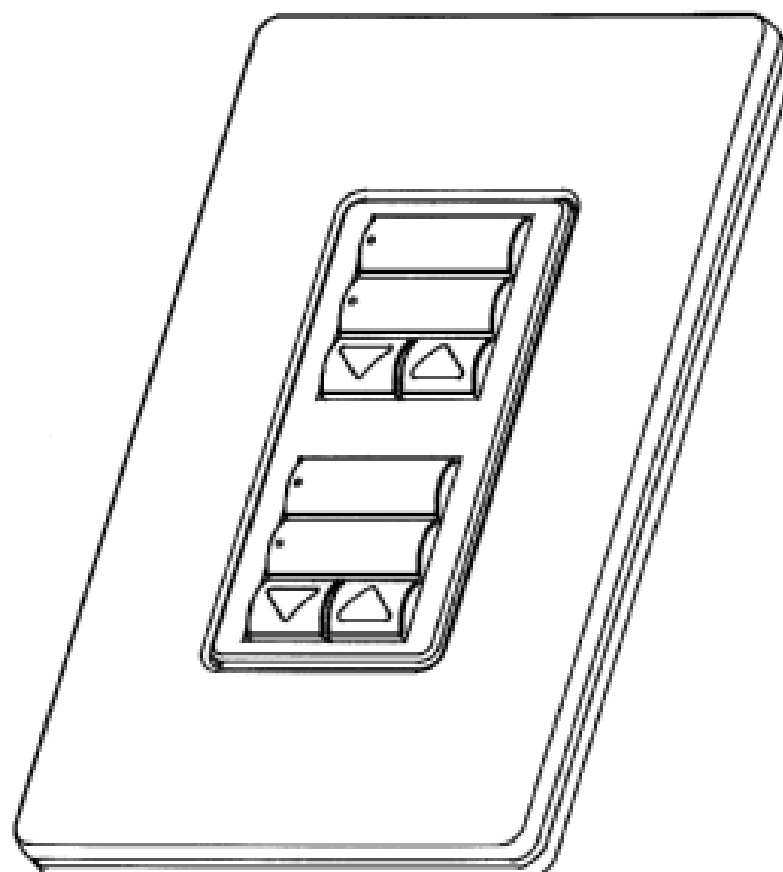
- (21) Design Number: **18180/2007**
- (22) Date of Filing Application: **31 May 2007**
- (24) Date from which industrial property rights may have effect: **31 May 2007**
- (54) Product in respect of which the design is registered: **Pizza oven doors**
- (51) International Design Classification: **07-02C**
- (71) Name(s) and Address(s) of Applicant(s):
Thomas Fay
C/- Terracotta Tile Co. 5 James Street Fremantle Western Australia
6160 Australia
- (72) Name(s) of Designer(s): **Thomas Fay**
- (45) Registration Date: **07 August 2007**
- (56) Related Art Documents: **Not Applicable**
- (57) Statement of Newness and Distinctiveness: **Newness and distinctiveness is claimed in the shape and/or configuration of the pizza oven doors as illustrated in the accompanying representations. In considering the scope of the design, the shape and/or configuration of the door handles should be disregarded. The dotted lines in the representations show an approximate shape of the front of a pizza oven and are to be disregarded in considering the extent of the monopoly.**



(21) Design Number: **18181/2007**
 (22) Date of Filing Application: **31 May 2007**
 (24) Date from which industrial property rights may have effect: **31 May 2007**
 (54) Product in respect of which the design is registered: **Lighting control keypad**
 (51) International Design Classification: **13-03NES**
 (71) Name(s) and Address(s) of Applicant(s):
Lutron Electronics Co., Inc.
7200 Suter Road Coopersburg Pennsylvania 18036-1299 United States of America
 (72) Name(s) of Designer(s): **John Hewson and Elliot G. Jacoby and Justin Mierta**
 (45) Registration Date: **07 August 2007**
 (30) Convention priority data:
 (31) Number (32) Date (33) Country
29/269,717 07 Dec 2006 UNITED STATES OF AMERICA
 (56) Related Art Documents: **Not Applicable**
 (57) Statement of Newness and Distinctiveness: **The following visual features of the design are new and distinctive: the shape and configuration of a lighting control keypad as shown in solid lines in the accompanying drawings. In considering the newness and distinctiveness of the design, no regard is to be had to the visual features depicted by the broken lines.**

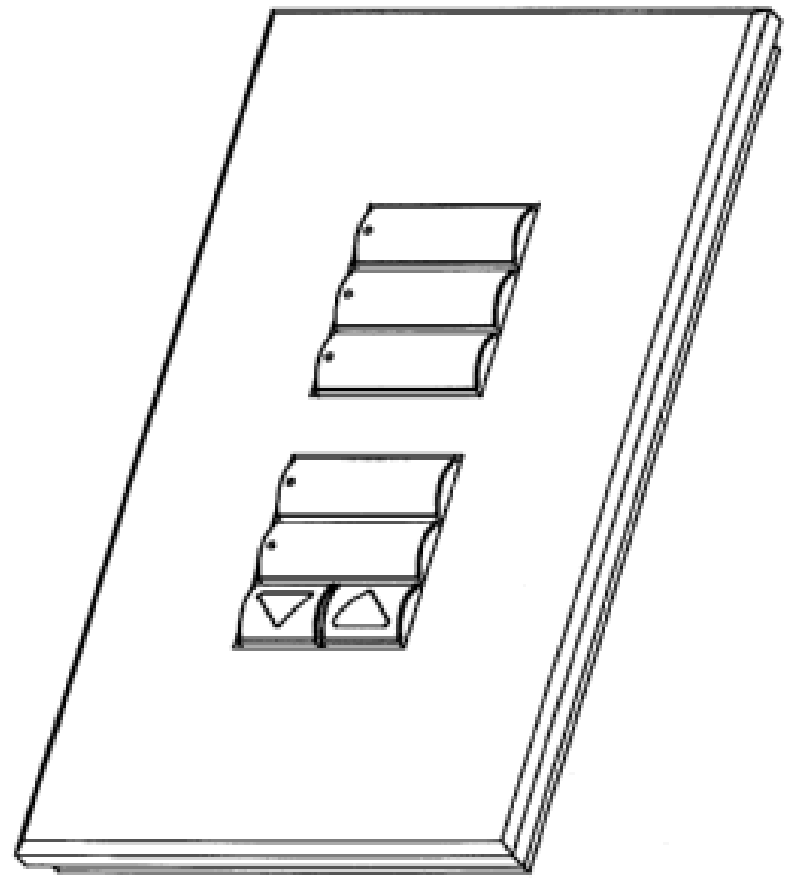


(21) Design Number: **18182/2007**
 (22) Date of Filing Application: **31 May 2007**
 (24) Date from which industrial property rights may have effect: **31 May 2007**
 (54) Product in respect of which the design is registered: **Lighting control keypad**
 (51) International Design Classification: **13-03NES**
 (71) Name(s) and Address(s) of Applicant(s):
Lutron Electronics Co., Inc.
7200 Suter Road Coopersburg Pennsylvania 18036-1299 United States of America
 (72) Name(s) of Designer(s): **John Hewson and Elliot G. Jacoby and Justin Mierta**
 (45) Registration Date: **07 August 2007**
 (30) Convention priority data:
 (31) Number (32) Date (33) Country
29/269,717 07 Dec 2006 UNITED STATES OF AMERICA
 (56) Related Art Documents: **Not Applicable**
 (57) Statement of Newness and Distinctiveness: **The following visual features of the design are new and distinctive: the shape and configuration of a lighting control keypad as shown in solid lines in the accompanying drawings. In considering the newness and distinctiveness of the design, no regard is to be had to the visual features depicted by the broken lines.**



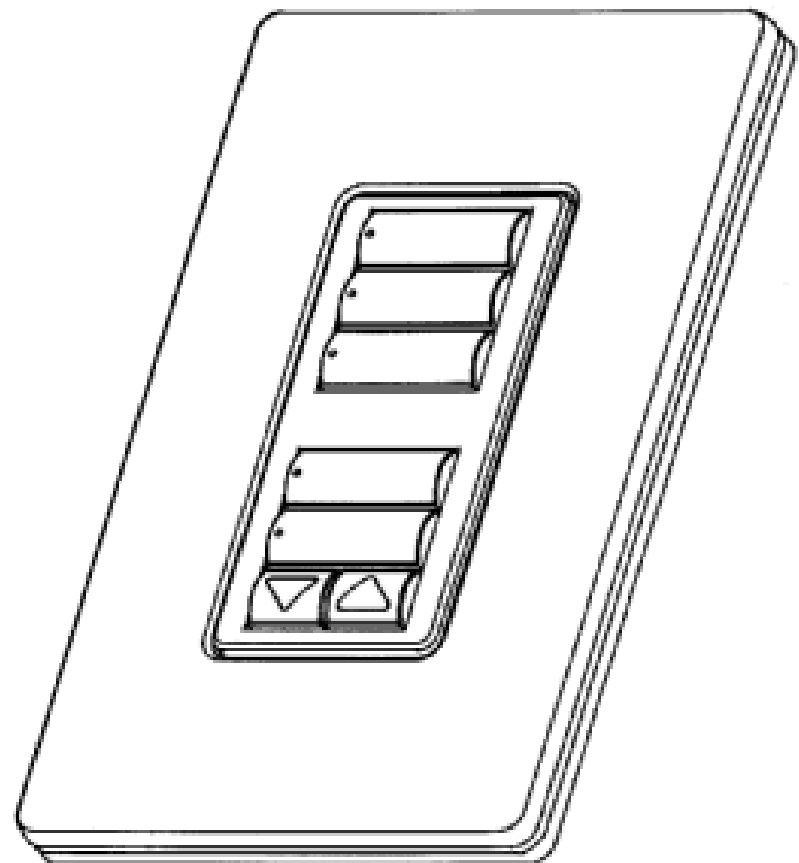
- (21) Design Number: **18183/2007**
- (22) Date of Filing Application: **31 May 2007**
- (24) Date from which industrial property rights may have effect: **31 May 2007**
- (54) Product in respect of which the design is registered: **Lighting control keypad**
- (51) International Design Classification: **13-03NES**
- (71) Name(s) and Address(s) of Applicant(s):
Lutron Electronics Co., Inc.
7200 Suter Road Coopersburg Pennsylvania 18036-1299 United States of America
- (72) Name(s) of Designer(s): **John Hewson and Elliot G. Jacoby and Justin Mierta**
- (45) Registration Date: **07 August 2007**
- (30) Convention priority data:

(31) Number	(32) Date	(33) Country
29/269,717	07 Dec 2006	UNITED STATES OF AMERICA
- (56) Related Art Documents: **Not Applicable**
- (57) Statement of Newness and Distinctiveness: **The following visual features of the design are new and distinctive: the shape and configuration of a lighting control keypad as shown in solid lines in the accompanying drawings. In considering the newness and distinctiveness of the design, no regard is to be had to the visual features depicted by the broken lines.**

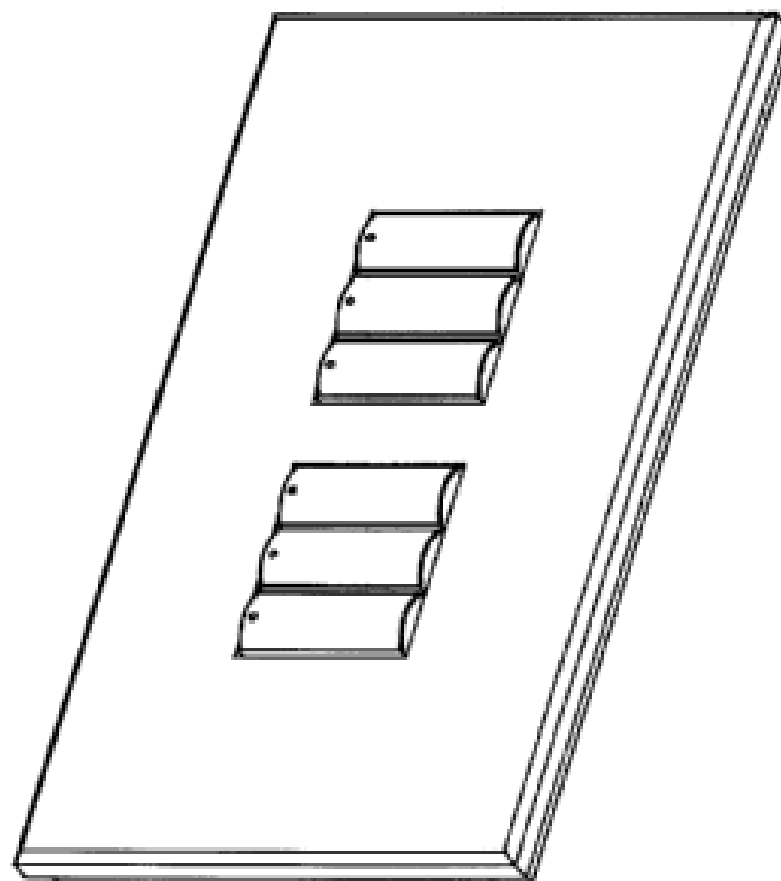


- (21) Design Number: **18184/2007**
- (22) Date of Filing Application: **31 May 2007**
- (24) Date from which industrial property rights may have effect: **31 May 2007**
- (54) Product in respect of which the design is registered: **Lighting control keypad**
- (51) International Design Classification: **13-03NES**
- (71) Name(s) and Address(s) of Applicant(s):
Lutron Electronics Co., Inc.
7200 Suter Road Coopersburg Pennsylvania 18036-1299 United States of America
- (72) Name(s) of Designer(s): **John Hewson and Elliot G. Jacoby and Justin Mierta**
- (45) Registration Date: **07 August 2007**
- (30) Convention priority data:

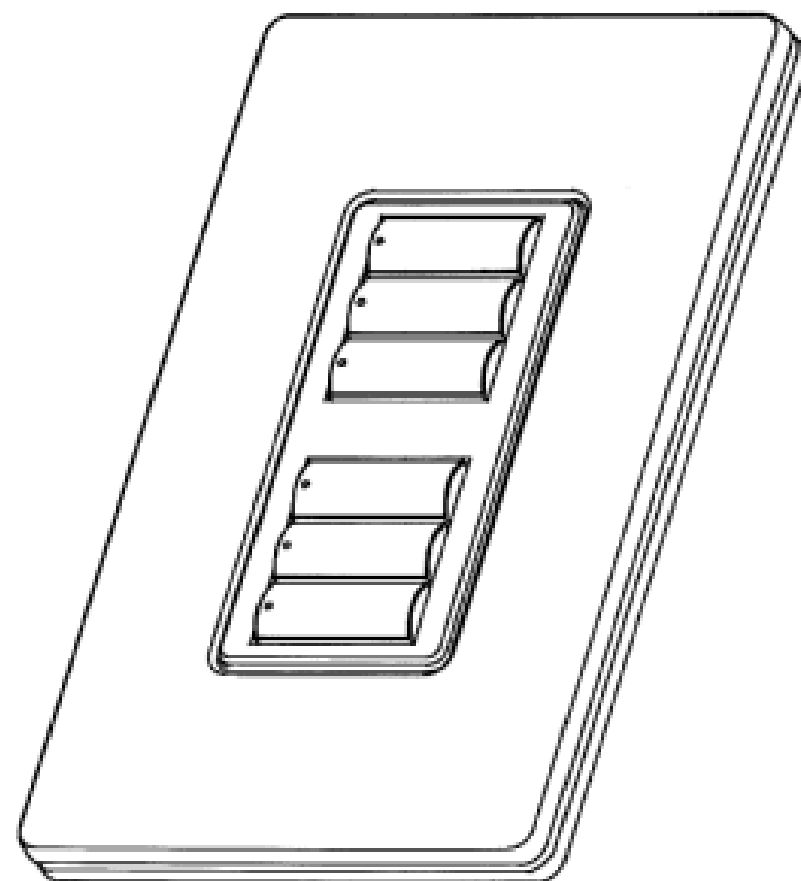
(31) Number	(32) Date	(33) Country
29/269,717	07 Dec 2006	UNITED STATES OF AMERICA
- (56) Related Art Documents: **Not Applicable**
- (57) Statement of Newness and Distinctiveness: **The following visual features of the design are new and distinctive: the shape and configuration of a lighting control keypad as shown in solid lines in the accompanying drawings. In considering the newness and distinctiveness of the design, no regard is to be had to the visual features depicted by the broken lines.**



(21) Design Number: **18185/2007**
 (22) Date of Filing Application: **31 May 2007**
 (24) Date from which industrial property rights may have effect: **31 May 2007**
 (54) Product in respect of which the design is registered: **Lighting control keypad**
 (51) International Design Classification: **13-03NES**
 (71) Name(s) and Address(s) of Applicant(s):
Lutron Electronics Co., Inc.
7200 Suter Road Coopersburg Pennsylvania 18036-1299 United States of America
 (72) Name(s) of Designer(s): **John Hewson and Elliot G. Jacoby and Justin Mierta**
 (45) Registration Date: **07 August 2007**
 (30) Convention priority data:
 (31) Number (32) Date (33) Country
29/269,717 07 Dec 2006 UNITED STATES OF AMERICA
 (56) Related Art Documents: **Not Applicable**
 (57) Statement of Newness and Distinctiveness: **The following visual features of the design are new and distinctive: the shape and configuration of a lighting control keypad as shown in solid lines in the accompanying drawings. In considering the newness and distinctiveness of the design, no regard is to be had to the visual features depicted by the broken lines.**



(21) Design Number: **18186/2007**
 (22) Date of Filing Application: **31 May 2007**
 (24) Date from which industrial property rights may have effect: **31 May 2007**
 (54) Product in respect of which the design is registered: **Lighting control keypad**
 (51) International Design Classification: **13-03NES**
 (71) Name(s) and Address(s) of Applicant(s):
Lutron Electronics Co., Inc.
7200 Suter Road Coopersburg Pennsylvania 18036-1299 United States of America
 (72) Name(s) of Designer(s): **John Hewson and Elliot G. Jacoby and Justin Mierta**
 (45) Registration Date: **07 August 2007**
 (30) Convention priority data:
 (31) Number (32) Date (33) Country
29/269,717 07 Dec 2006 UNITED STATES OF AMERICA
 (56) Related Art Documents: **Not Applicable**
 (57) Statement of Newness and Distinctiveness: **The following visual features of the design are new and distinctive: the shape and configuration of a lighting control keypad as shown in solid lines in the accompanying drawings. In considering the newness and distinctiveness of the design, no regard is to be had to the visual features depicted by the broken lines.**



(21) Design Number: **18977/2007**

(22) Date of Filing Application: **20 July 2007**

(24) Date from which industrial property rights may have effect: **20 July 2007**

(54) Product in respect of which the design is registered: **Electric torch**

(51) International Design Classification: **26-02**

(71) Name(s) and Address(s) of Applicant(s):

Dae-Up Sohn

410-1303 Mokdong Apts. 904 Mok-5dong Yangcheon-gu Seoul

158-754 Republic of Korea

(72) Name(s) of Designer(s): **Dae-Up Sohn**

(45) Registration Date: **07 August 2007**

(30) Convention priority data:

(31) Number

(32) Date

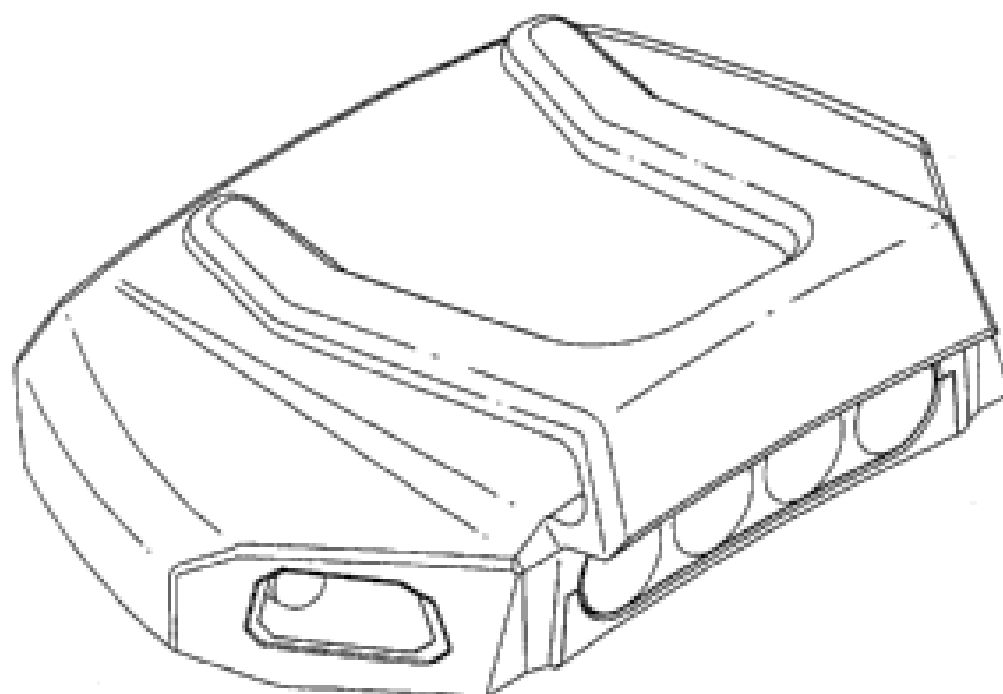
(33) Country

30-2007-0022094 21 May 2007

REPUBLIC OF KOREA

(56) Related Art Documents: **Not Applicable**

(57) Statement of Newness and Distinctiveness: **Newness and distinctiveness is claimed in the shape and/or configuration of an electric torch as illustrated in the accompanying representations.**



(21) Design Number: **19038/2007**

(22) Date of Filing Application: **25 July 2007**

(24) Date from which industrial property rights may have effect: **25 July 2007**

(54) Product in respect of which the design is registered: **"Mother's pouch" Baby all-in-one cot set - including cot fitted sheet, flat sheet, attached blanket**

(51) International Design Classification: **06-13B**

(71) Name(s) and Address(s) of Applicant(s):

Bubba Blue Pty Ltd

5 Phoenix Court Braeside Victoria 3195 Australia

(72) Name(s) of Designer(s): **Jay Cheng**

(45) Registration Date: **07 August 2007**

(56) Related Art Documents: **Not Applicable**

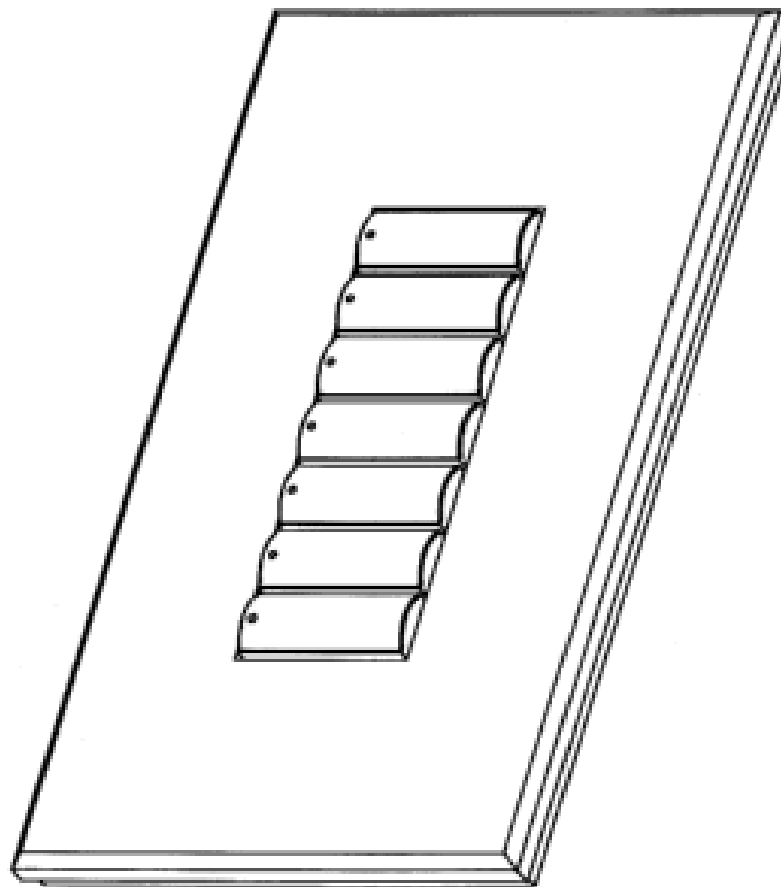
(57) Statement of Newness and Distinctiveness: **"Mother's pouch" Baby all-in-one cot set is the new product in Australia market, which features cot sheets and blanket all attached and positioned for safety sleeping.**



(19) AU

- (21) Design Number: **18187/2007**
- (22) Date of Filing Application: **31 May 2007**
- (24) Date from which industrial property rights may have effect: **31 May 2007**
- (54) Product in respect of which the design is registered: **Lighting control keypad**
- (51) International Design Classification: **13-03NES**
- (71) Name(s) and Address(s) of Applicant(s):
Lutron Electronics Co., Inc.
7200 Suter Road Coopersburg Pennsylvania 18036-1299 United States of America
- (72) Name(s) of Designer(s): **John Hewson and Elliot G. Jacoby**
- (45) Registration Date: **10 August 2007**
- (30) Convention priority data:

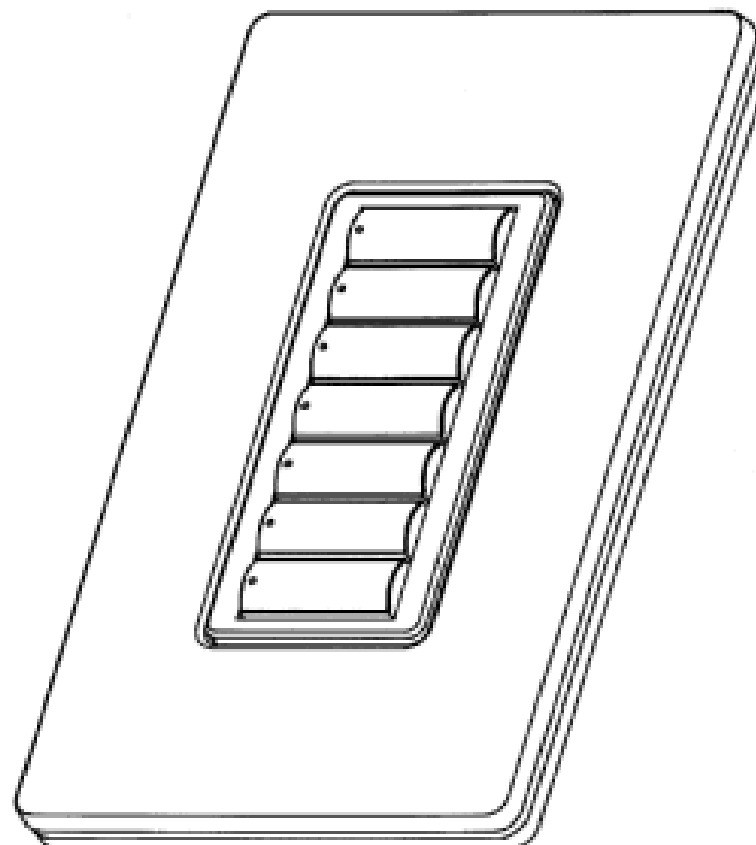
(31) Number	(32) Date	(33) Country
29/269,735	07 Dec 2006	UNITED STATES OF AMERICA
- (56) Related Art Documents: **Not Applicable**
- (57) Statement of Newness and Distinctiveness: **The following visual features of the design are new and distinctive: the shape and configuration of a lighting control keypad as shown in solid lines in the accompanying drawings. In considering the newness and distinctiveness of the design, no regard is to be had to the visual features depicted by the broken lines.**



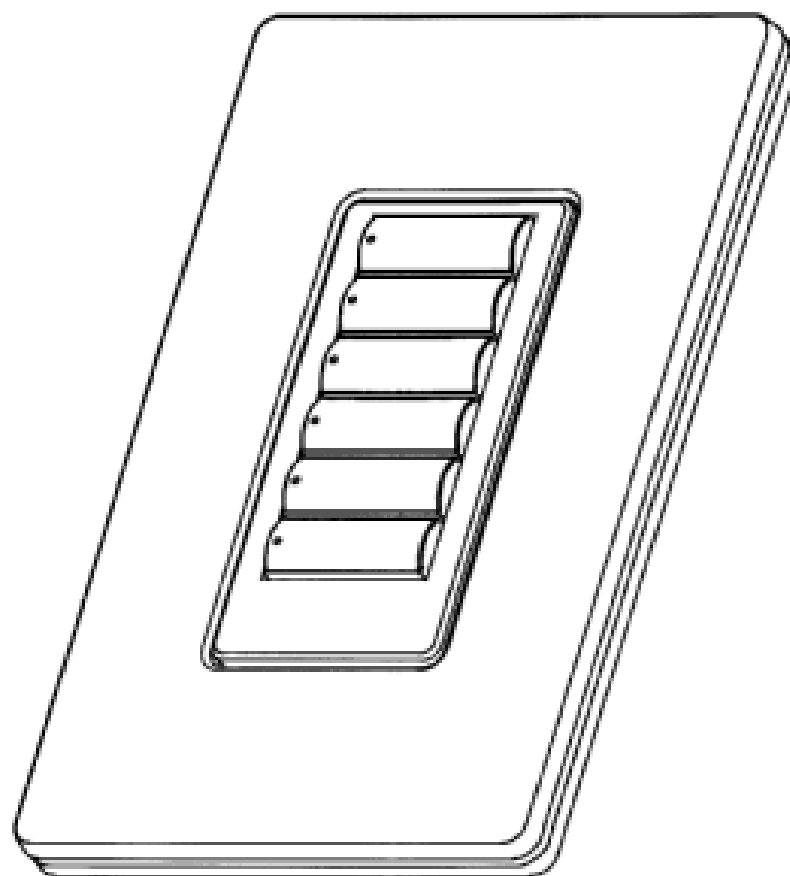
(19) AU

- (21) Design Number: **18188/2007**
- (22) Date of Filing Application: **31 May 2007**
- (24) Date from which industrial property rights may have effect: **31 May 2007**
- (54) Product in respect of which the design is registered: **Lighting control keypad**
- (51) International Design Classification: **13-03NES**
- (71) Name(s) and Address(s) of Applicant(s):
Lutron Electronics Co., Inc.
7200 Suter Road Coopersburg Pennsylvania 18036-1299 United States of America
- (72) Name(s) of Designer(s): **John Hewson and Elliot G. Jacoby**
- (45) Registration Date: **10 August 2007**
- (30) Convention priority data:

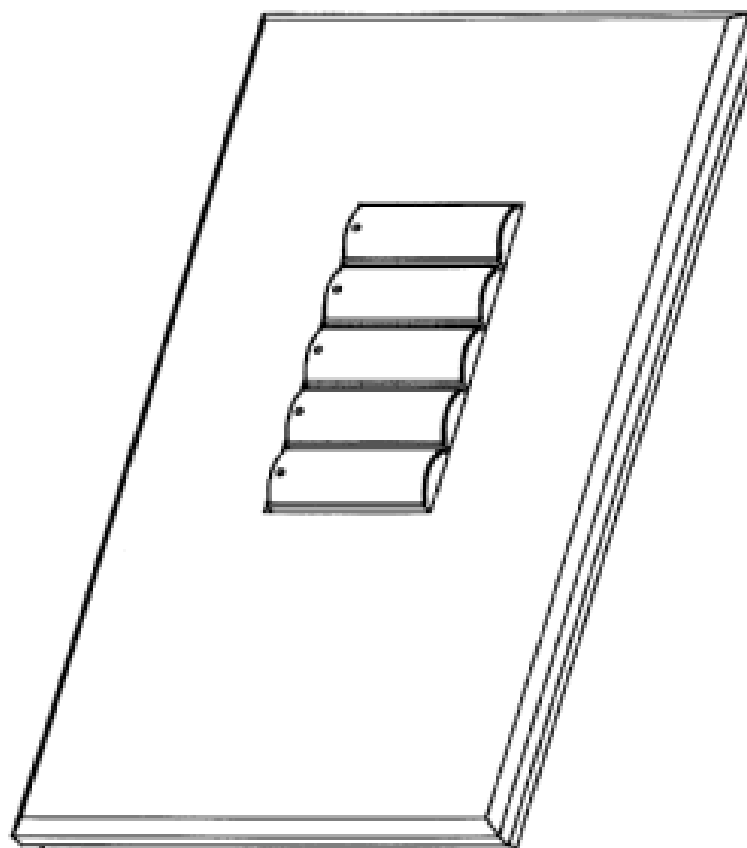
(31) Number	(32) Date	(33) Country
29/269,735	07 Dec 2006	UNITED STATES OF AMERICA
- (56) Related Art Documents: **Not Applicable**
- (57) Statement of Newness and Distinctiveness: **The following visual features of the design are new and distinctive: the new shape and configuration of a lighting control keypad as shown in solid lines in the accompanying drawings. In considering the newness and distinctiveness of the design, no regard is to be had to the visual features depicted by the broken lines.**



(21) Design Number: **18189/2007**
 (22) Date of Filing Application: **31 May 2007**
 (24) Date from which industrial property rights may have effect: **31 May 2007**
 (54) Product in respect of which the design is registered: **Lighting control keypad**
 (51) International Design Classification: **13-03NES**
 (71) Name(s) and Address(s) of Applicant(s):
Lutron Electronics Co., Inc.
7200 Suter Road Coopersburg Pennsylvania 18036-1299 United States of America
 (72) Name(s) of Designer(s): **John Hewson and Elliot G. Jacoby**
 (45) Registration Date: **10 August 2007**
 (30) Convention priority data:
 (31) Number (32) Date (33) Country
29/269,735 07 Dec 2006 UNITED STATES OF AMERICA
 (56) Related Art Documents: **Not Applicable**
 (57) Statement of Newness and Distinctiveness: **The following visual features of the design are new and distinctive: the shape and configuration of a lighting control keypad as shown in solid lines in the accompanying drawings. In considering the newness and distinctiveness of the design, no regard is to be had to the visual features depicted by the broken lines.**



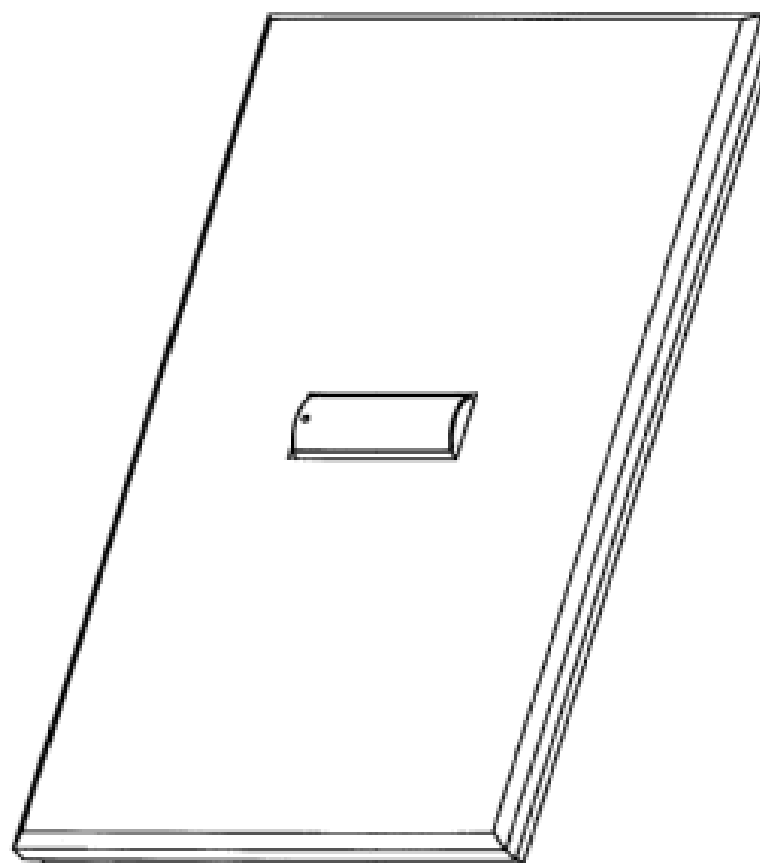
(21) Design Number: **18190/2007**
 (22) Date of Filing Application: **31 May 2007**
 (24) Date from which industrial property rights may have effect: **31 May 2007**
 (54) Product in respect of which the design is registered: **Lighting control keypad**
 (51) International Design Classification: **13-03NES**
 (71) Name(s) and Address(s) of Applicant(s):
Lutron Electronics Co., Inc.
7200 Suter Road Coopersburg Pennsylvania 18036-1299 United States of America
 (72) Name(s) of Designer(s): **John Hewson and Elliot G. Jacoby**
 (45) Registration Date: **10 August 2007**
 (30) Convention priority data:
 (31) Number (32) Date (33) Country
29/269,735 07 Dec 2006 UNITED STATES OF AMERICA
 (56) Related Art Documents: **Not Applicable**
 (57) Statement of Newness and Distinctiveness: **The following visual features of the design are new and distinctive: the shape and configuration of a lighting control keypad as shown in solid lines in the accompanying drawings. In considering the newness and distinctiveness of the design, no regard is to be had to the visual features depicted by the broken lines.**



(21) Design Number: **18191/2007**
 (22) Date of Filing Application: **31 May 2007**
 (24) Date from which industrial property rights may have effect: **31 May 2007**
 (54) Product in respect of which the design is registered: **Lighting control keypad**
 (51) International Design Classification: **13-03NES**
 (71) Name(s) and Address(s) of Applicant(s):
Lutron Electronics Co., Inc.
7200 Suter Road Coopersburg Pennsylvania 18036-1299 United States of America
 (72) Name(s) of Designer(s): **John Hewson and Elliot G. Jacoby**
 (45) Registration Date: **10 August 2007**
 (30) Convention priority data:

(31) Number	(32) Date	(33) Country
29/269,721	07 Dec 2006	UNITED STATES OF AMERICA

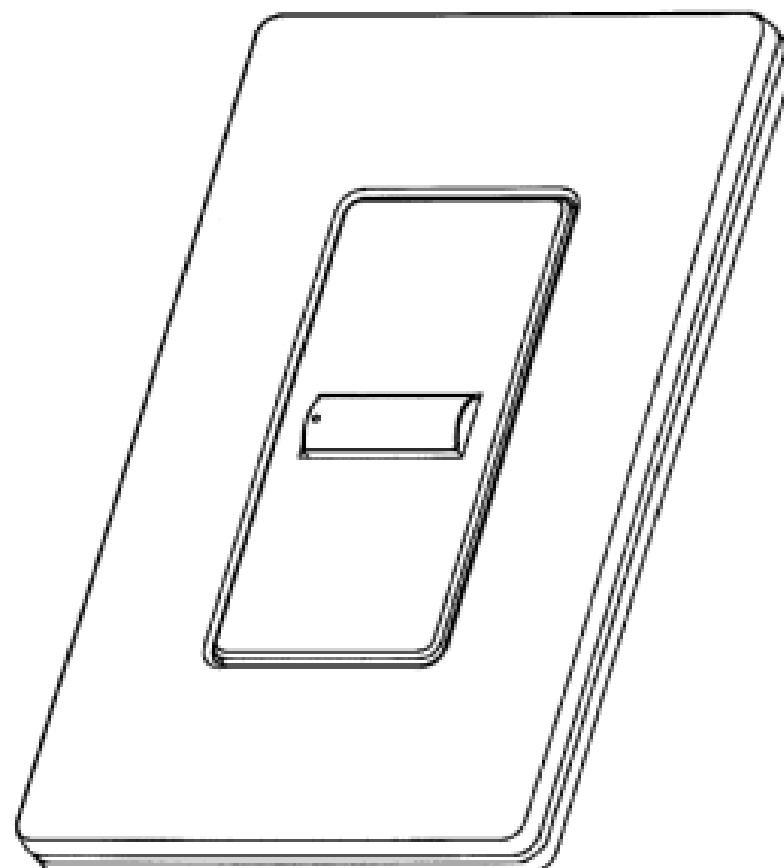
 (56) Related Art Documents: **Not Applicable**
 (57) Statement of Newness and Distinctiveness: **The following visual features of the design are new and distinctive: the shape and configuration of a lighting control keypad as shown in solid lines in the accompanying drawings. In considering the newness and distinctiveness of the design, no regard is to be had to the visual features depicted by the broken lines.**



(21) Design Number: **18192/2007**
 (22) Date of Filing Application: **31 May 2007**
 (24) Date from which industrial property rights may have effect: **31 May 2007**
 (54) Product in respect of which the design is registered: **Lighting control keypad**
 (51) International Design Classification: **13-03NES**
 (71) Name(s) and Address(s) of Applicant(s):
Lutron Electronics Co., Inc.
7200 Suter Road Coopersburg Pennsylvania 18036-1299 United States of America
 (72) Name(s) of Designer(s): **John Hewson and Elliot G. Jacoby**
 (45) Registration Date: **10 August 2007**
 (30) Convention priority data:

(31) Number	(32) Date	(33) Country
29/269,721	07 Dec 2006	UNITED STATES OF AMERICA

 (56) Related Art Documents: **Not Applicable**
 (57) Statement of Newness and Distinctiveness: **The following visual features of the design are new and distinctive: the shape and configuration of a lighting control keypad as shown in solid lines in the accompanying drawings. In considering the newness and distinctiveness of the design, no regard is to be had to the visual features depicted by the broken lines.**



(21) Design Number: **18193/2007**

(22) Date of Filing Application: **31 May 2007**

(24) Date from which industrial property rights may have effect: **31 May 2007**

(54) Product in respect of which the design is registered: **Lighting control keypad**

(51) International Design Classification: **13-03NES**

(71) Name(s) and Address(s) of Applicant(s):

**Lutron Electronics Co., Inc.
7200 Suter Road Coopersburg Pennsylvania 18036-1299 United States
of America**

(72) Name(s) of Designer(s): **John Hewson and Elliot G. Jacoby**

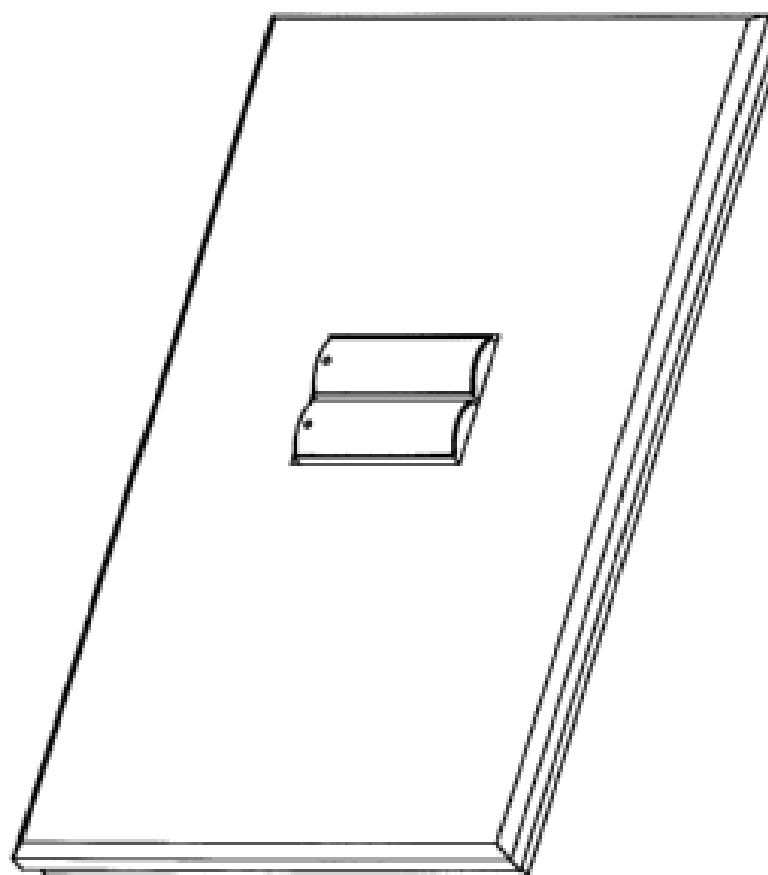
(45) Registration Date: **10 August 2007**

(30) Convention priority data:

(31) Number	(32) Date	(33) Country
29/269,721	07 Dec 2006	UNITED STATES OF AMERICA

(56) Related Art Documents: **Not Applicable**

(57) Statement of Newness and Distinctiveness: **The following visual features of the design are new and distinctive: the shape and configuration of a lighting control keypad as shown in solid lines in the accompanying drawings. In considering the newness and distinctiveness of the design, no regard is to be had to the visual features depicted by the broken lines.**



(21) Design Number: **18194/2007**

(22) Date of Filing Application: **31 May 2007**

(24) Date from which industrial property rights may have effect: **31 May 2007**

(54) Product in respect of which the design is registered: **Lighting control keypad**

(51) International Design Classification: **13-03NES**

(71) Name(s) and Address(s) of Applicant(s):

**Lutron Electronics Co., Inc.
7200 Suter Road Coopersburg Pennsylvania 18036-1299 United States
of America**

(72) Name(s) of Designer(s): **John Hewson and Elliot G. Jacoby**

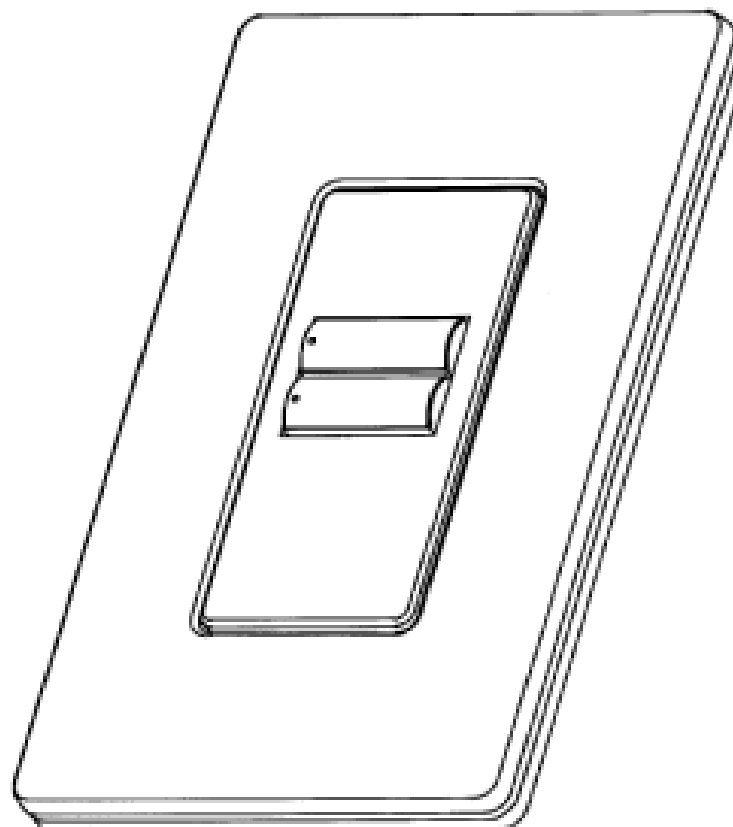
(45) Registration Date: **10 August 2007**

(30) Convention priority data:

(31) Number	(32) Date	(33) Country
29/269,721	07 Dec 2006	UNITED STATES OF AMERICA

(56) Related Art Documents: **Not Applicable**

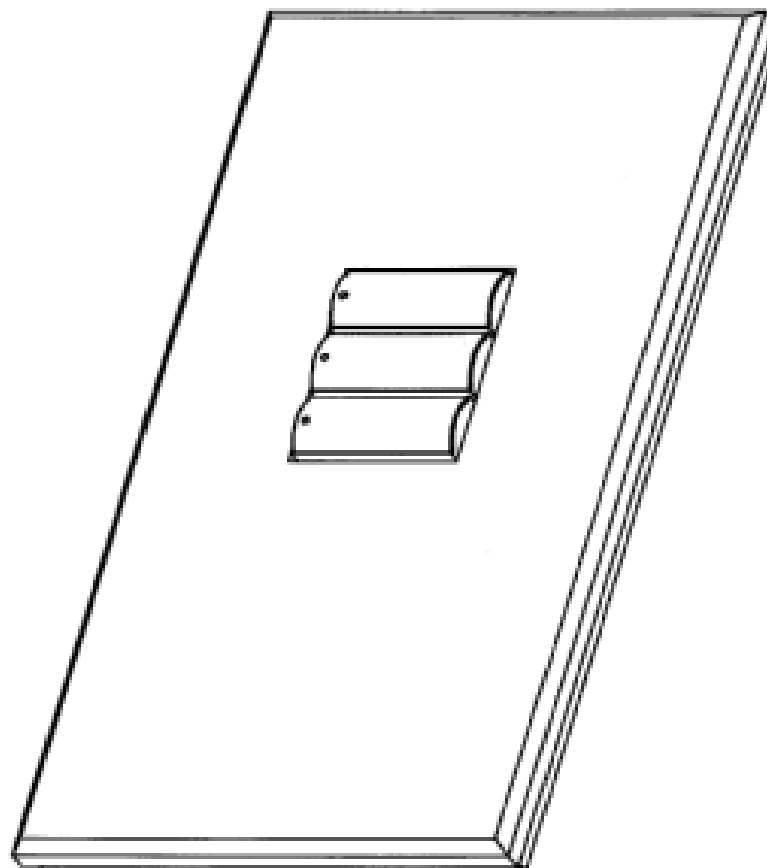
(57) Statement of Newness and Distinctiveness: **The following visual features of the design are new and distinctive: the shape and configuration of a lighting control keypad as shown in solid lines in the accompanying drawings. In considering the newness and distinctiveness of the design, no regard is to be had to the visual features depicted by the broken lines.**



(19) AU

- (21) Design Number: **18195/2007**
- (22) Date of Filing Application: **31 May 2007**
- (24) Date from which industrial property rights may have effect: **31 May 2007**
- (54) Product in respect of which the design is registered: **Lighting control keypad**
- (51) International Design Classification: **13-03NES**
- (71) Name(s) and Address(s) of Applicant(s):
Lutron Electronics Co., Inc.
7200 Suter Road Coopersburg Pennsylvania 18036-1299 United States of America
- (72) Name(s) of Designer(s): **John Hewson and Elliot G. Jacoby**
- (45) Registration Date: **10 August 2007**
- (30) Convention priority data:

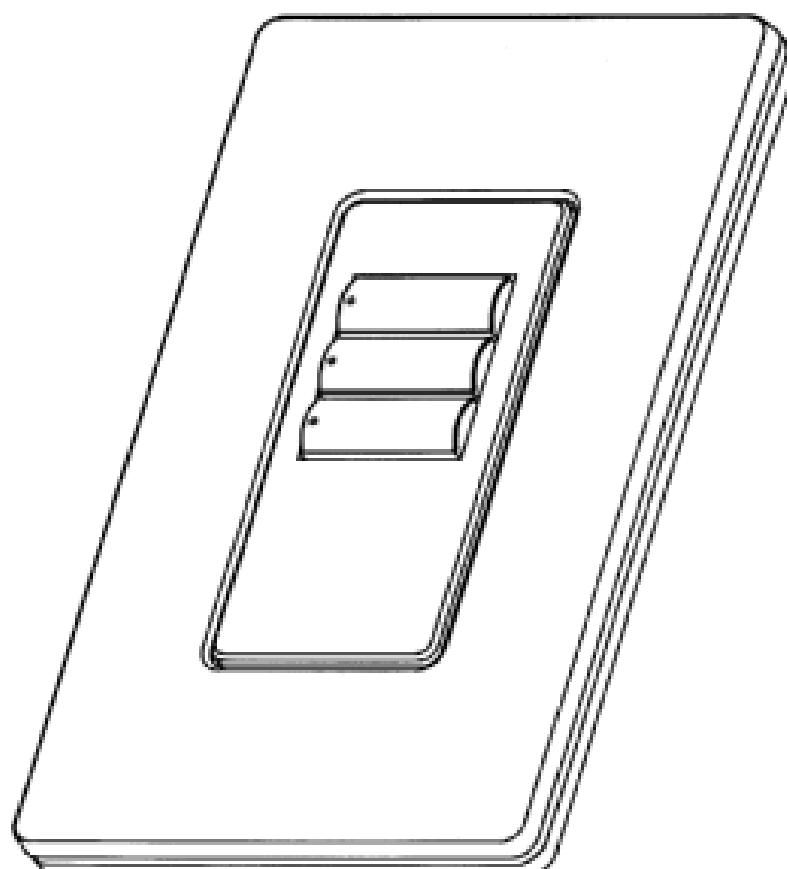
(31) Number	(32) Date	(33) Country
29/269,721	07 Dec 2006	UNITED STATES OF AMERICA
- (56) Related Art Documents: **Not Applicable**
- (57) Statement of Newness and Distinctiveness: **The following visual features of the design are new and distinctive: the shape and configuration of a lighting control keypad as shown in solid lines in the accompanying drawings. In considering the newness and distinctiveness of the design, no regard is to be had to the visual features depicted by the broken lines.**



(19) AU

- (21) Design Number: **18196/2007**
- (22) Date of Filing Application: **31 May 2007**
- (24) Date from which industrial property rights may have effect: **31 May 2007**
- (54) Product in respect of which the design is registered: **Lighting control keypad**
- (51) International Design Classification: **13-03NES**
- (71) Name(s) and Address(s) of Applicant(s):
Lutron Electronics Co., Inc.
7200 Suter Road Coopersburg Pennsylvania 18036-1299 United States of America
- (72) Name(s) of Designer(s): **John Hewson and Elliot G. Jacoby**
- (45) Registration Date: **10 August 2007**
- (30) Convention priority data:

(31) Number	(32) Date	(33) Country
29/269,721	07 Dec 2006	UNITED STATES OF AMERICA
- (56) Related Art Documents: **Not Applicable**
- (57) Statement of Newness and Distinctiveness: **The following visual features of the design are new and distinctive: the shape and configuration of a lighting control keypad as shown in solid lines in the accompanying drawings. In considering the newness and distinctiveness of the design, no regard is to be had to the visual features depicted by the broken lines.**



(21) Design Number: **18197/2007**

(22) Date of Filing Application: **31 May 2007**

(24) Date from which industrial property rights may have effect: **31 May 2007**

(54) Product in respect of which the design is registered: **Hand dryer**

(51) International Design Classification: **28-03NES**

(71) Name(s) and Address(s) of Applicant(s):

Air View Media Pty Ltd
Suite 68 89-97 Jones Street Ultimo New South Wales 2007 Australia

Hokwang Industries Co., Ltd
No. 131 Ting Ping Road Juei-Fang Industries Area Taipei Country
22452 Taiwan

(72) Name(s) of Designer(s): **Chi-Chin Hsu**

(45) Registration Date: **10 August 2007**

(56) Related Art Documents: **Not Applicable**

(57) Statement of Newness and Distinctiveness: **Nil**



(21) Design Number: **18198/2007**

(22) Date of Filing Application: **31 May 2007**

(24) Date from which industrial property rights may have effect: **31 May 2007**

(54) Product in respect of which the design is registered: **Dragline bucket**

(51) International Design Classification: **15-04**

(71) Name(s) and Address(s) of Applicant(s):

Bradken Resources Pty Limited
2 Maud Street Mayfield West New South Wales 2304 Australia

(72) Name(s) of Designer(s): **Jason Lunn and Damian Pezzutti**

(45) Registration Date: **10 August 2007**

(56) Related Art Documents: **Not Applicable**

(57) Statement of Newness and Distinctiveness: **Nil**



(21) Design Number: **18199/2007**
 (22) Date of Filing Application: **31 May 2007**
 (24) Date from which industrial property rights may have effect: **31 May 2007**
 (54) Product in respect of which the design is registered: **Lighting control keypad**
 (51) International Design Classification: **13-03NES**
 (71) Name(s) and Address(s) of Applicant(s):

Lutron Electronics Co., Inc.
7200 Suter Road Coopersburg Pennsylvania 18036-1299 United States of America

(72) Name(s) of Designer(s): **John Hewson and Elliot G. Jacoby**

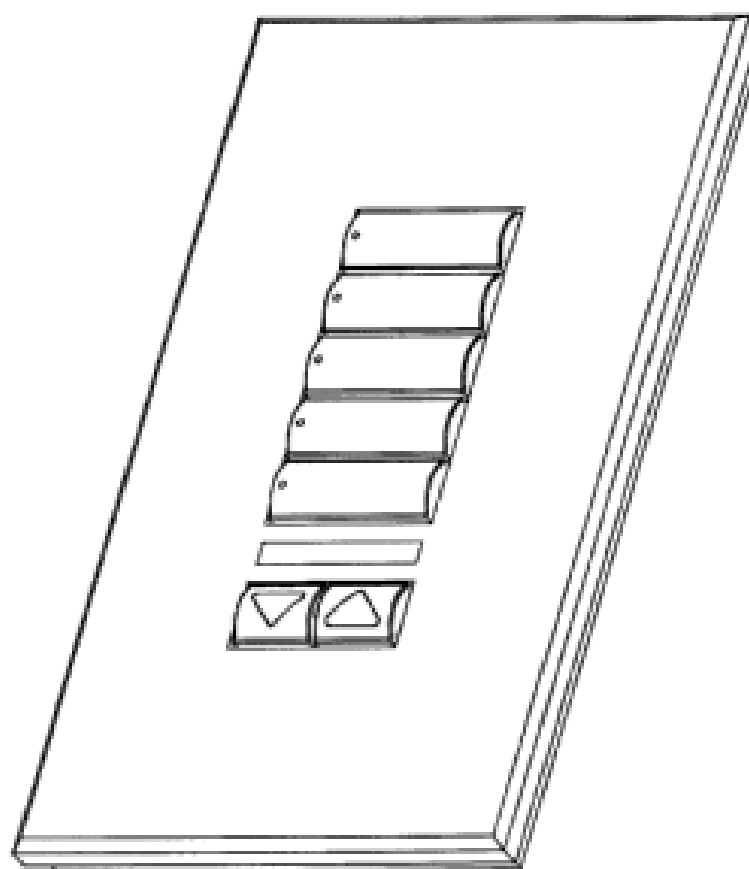
(45) Registration Date: **10 August 2007**

(30) Convention priority data:

(31) Number	(32) Date	(33) Country
29/269,714	07 Dec 2006	UNITED STATES OF AMERICA

(56) Related Art Documents: **Not Applicable**

(57) Statement of Newness and Distinctiveness: **The following visual features of the design are new and distinctive: the shape and configuration of a lighting control keypad as shown in solid lines in the accompanying drawings. In considering the newness and distinctiveness of the design, no regard is to be had to the visual features depicted by the broken lines.**



(21) Design Number: **18200/2007**
 (22) Date of Filing Application: **31 May 2007**
 (24) Date from which industrial property rights may have effect: **31 May 2007**
 (54) Product in respect of which the design is registered: **Lighting control keypad**
 (51) International Design Classification: **13-03NES**
 (71) Name(s) and Address(s) of Applicant(s):

Lutron Electronics Co., Inc.
7200 Suter Road Coopersburg Pennsylvania 18036-1299 United States of America

(72) Name(s) of Designer(s): **John Hewson and Elliot G. Jacoby**

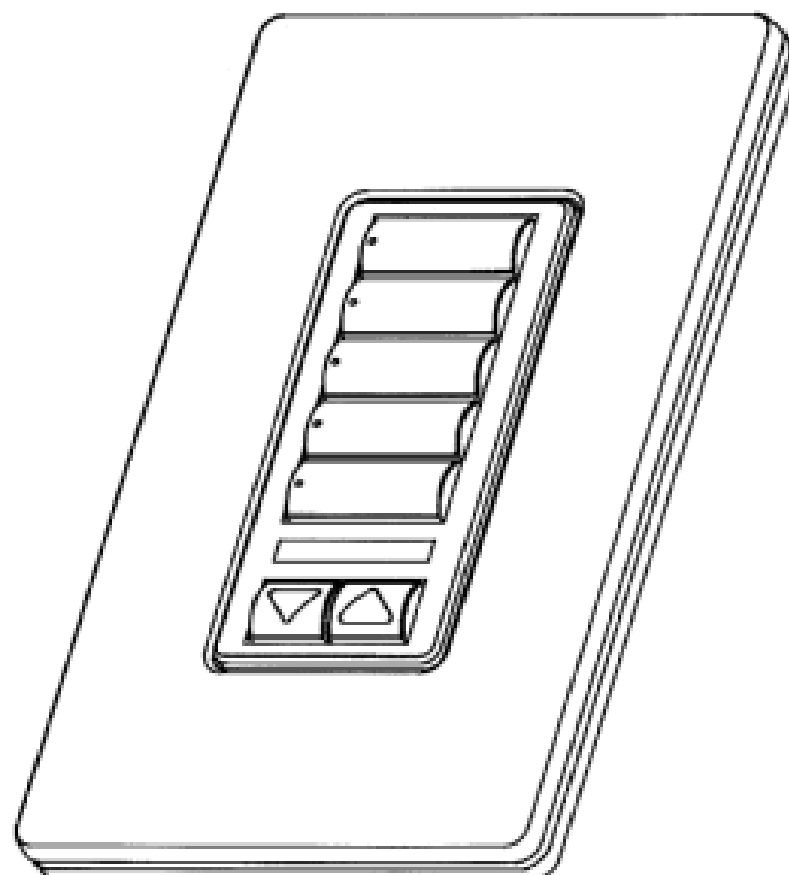
(45) Registration Date: **10 August 2007**

(30) Convention priority data:

(31) Number	(32) Date	(33) Country
29/269,714	07 Dec 2006	UNITED STATES OF AMERICA

(56) Related Art Documents: **Not Applicable**

(57) Statement of Newness and Distinctiveness: **The following visual features of the design are new and distinctive: the shape and configuration of a lighting control keypad as shown in solid lines in the accompanying drawings. In considering the newness and distinctiveness of the design, no regard is to be had to the visual features depicted by the broken lines.**



(19) AU

- (21) Design Number: **18201/2007**
- (22) Date of Filing Application: **31 May 2007**
- (24) Date from which industrial property rights may have effect: **31 May 2007**
- (54) Product in respect of which the design is registered: **Lighting control keypad**
- (51) International Design Classification: **13-03NES**
- (71) Name(s) and Address(s) of Applicant(s):

Lutron Electronics Co., Inc.
7200 Suter Road Coopersburg Pennsylvania 18036-1299 United States of America

(72) Name(s) of Designer(s): **John Hewson and Elliot G. Jacoby**

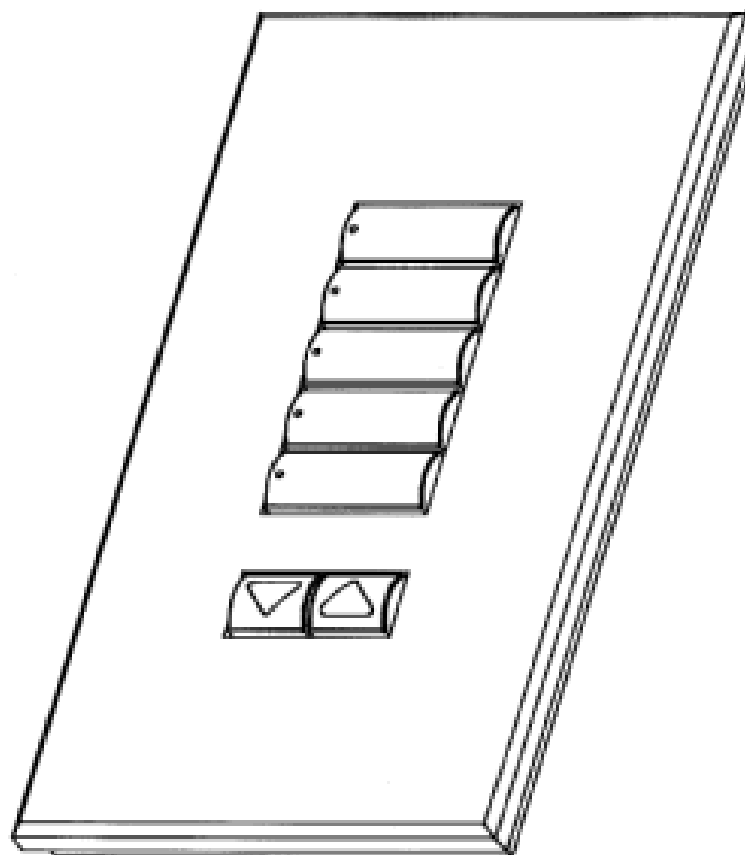
(45) Registration Date: **10 August 2007**

(30) Convention priority data:

(31) Number	(32) Date	(33) Country
29/269,737	07 Dec 2006	UNITED STATES OF AMERICA

(56) Related Art Documents: **Not Applicable**

(57) Statement of Newness and Distinctiveness: **The following visual features of the design are new and distinctive: the shape and configuration of a lighting control keypad as shown in solid lines in the accompanying drawings. In considering the newness and distinctiveness of the design, no regard is to be had to the visual features depicted by the broken lines.**



(19) AU

- (21) Design Number: **18202/2007**
- (22) Date of Filing Application: **31 May 2007**
- (24) Date from which industrial property rights may have effect: **31 May 2007**
- (54) Product in respect of which the design is registered: **Lighting control keypad**
- (51) International Design Classification: **13-03NES**
- (71) Name(s) and Address(s) of Applicant(s):

Lutron Electronics Co., Inc.
7200 Suter Road Coopersburg Pennsylvania 18036-1299 United States of America

(72) Name(s) of Designer(s): **John Hewson and Elliot G. Jacoby**

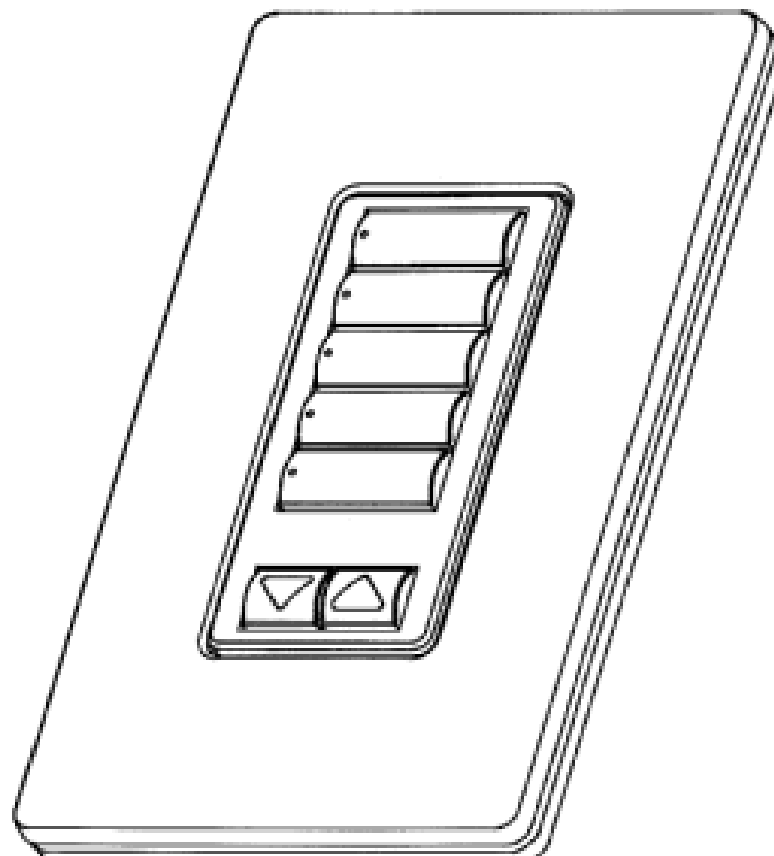
(45) Registration Date: **10 August 2007**

(30) Convention priority data:

(31) Number	(32) Date	(33) Country
29/269,737	07 Dec 2006	UNITED STATES OF AMERICA

(56) Related Art Documents: **Not Applicable**

(57) Statement of Newness and Distinctiveness: **The following visual features of the design are new and distinctive: the shape and configuration of a lighting control keypad as shown in solid lines in the accompanying drawings. In considering the newness and distinctiveness of the design, no regard is to be had to the visual features depicted by the broken lines.**



(21) Design Number: **18203/2007**
 (22) Date of Filing Application: **31 May 2007**
 (24) Date from which industrial property rights may have effect: **31 May 2007**
 (54) Product in respect of which the design is registered: **Lighting control keypad**
 (51) International Design Classification: **13-03NES**
 (71) Name(s) and Address(s) of Applicant(s):

Lutron Electronics Co., Inc.
7200 Suter Road Coopersburg Pennsylvania 18036-1299 United States of America

(72) Name(s) of Designer(s): **John Hewson and Elliot G. Jacoby**

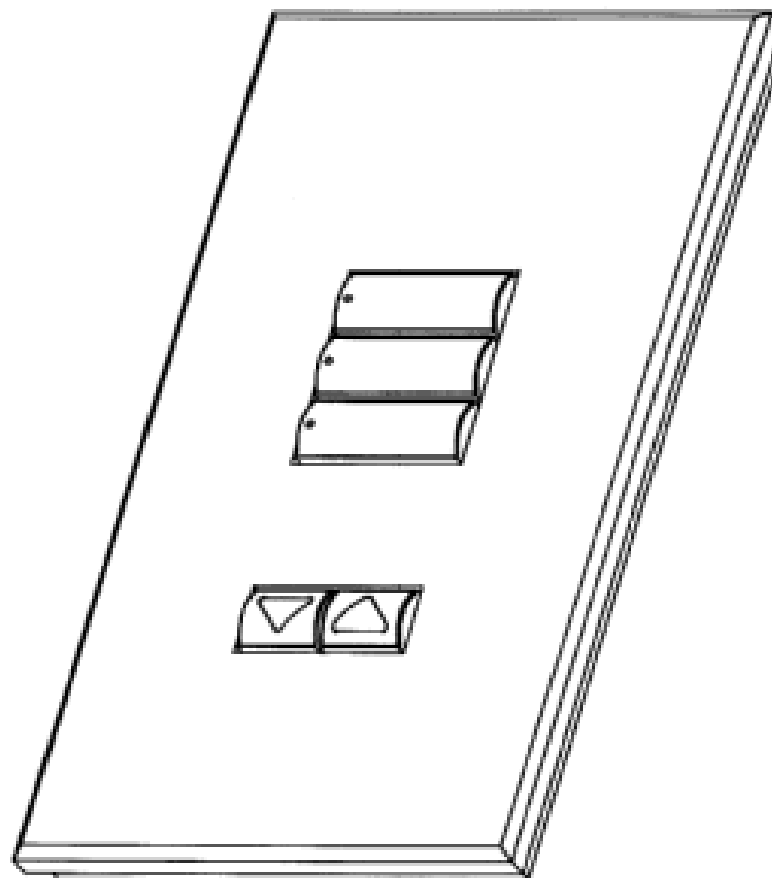
(45) Registration Date: **10 August 2007**

(30) Convention priority data:

(31) Number	(32) Date	(33) Country
29/269,737	07 Dec 2006	UNITED STATES OF AMERICA

(56) Related Art Documents: **Not Applicable**

(57) Statement of Newness and Distinctiveness: **The following visual features of the design are new and distinctive: the shape and configuration of a lighting control keypad as shown in solid lines in the accompanying drawings. In considering the newness and distinctiveness of the design, no regard is to be had to the visual features depicted by the broken lines.**



(21) Design Number: **18204/2007**
 (22) Date of Filing Application: **31 May 2007**
 (24) Date from which industrial property rights may have effect: **31 May 2007**
 (54) Product in respect of which the design is registered: **Lighting control keypad**
 (51) International Design Classification: **13-03NES**
 (71) Name(s) and Address(s) of Applicant(s):

Lutron Electronics Co., Inc.
7200 Suter Road Coopersburg Pennsylvania 18036-1299 United States of America

(72) Name(s) of Designer(s): **John Hewson and Elliot G. Jacoby**

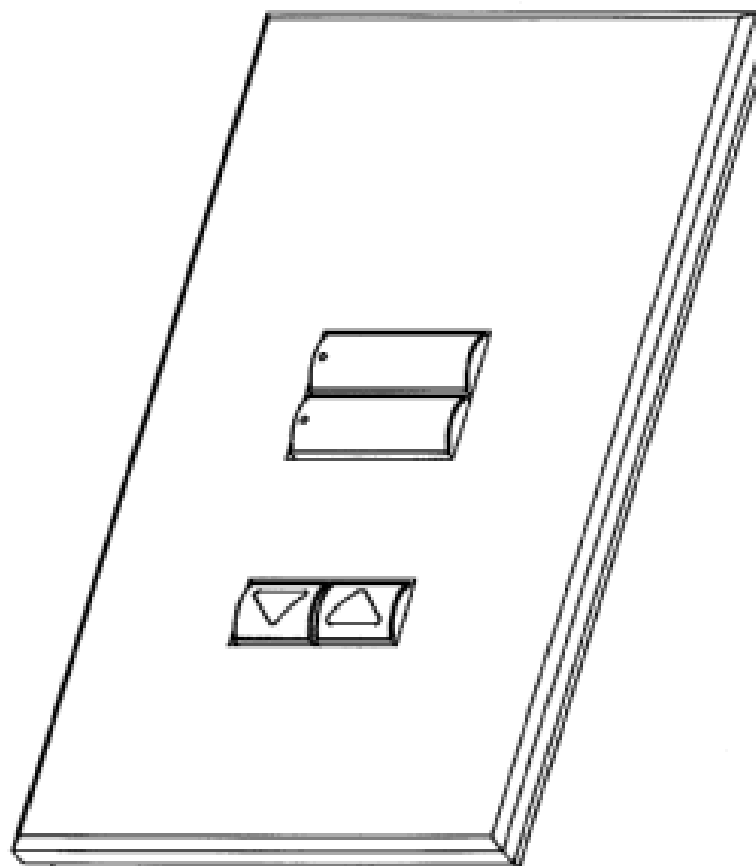
(45) Registration Date: **10 August 2007**

(30) Convention priority data:

(31) Number	(32) Date	(33) Country
29/269,737	07 Dec 2006	UNITED STATES OF AMERICA

(56) Related Art Documents: **Not Applicable**

(57) Statement of Newness and Distinctiveness: **The following visual features of the design are new and distinctive: the shape and configuration of a lighting control keypad as shown in solid lines in the accompanying drawings. In considering the newness and distinctiveness of the design, no regard is to be had to the visual features depicted by the broken lines.**



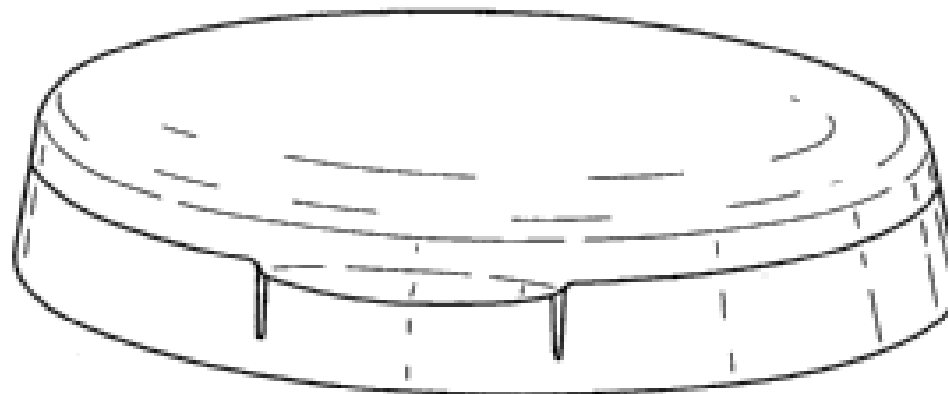
(21) Design Number: **18206/2007**
(22) Date of Filing Application: **31 May 2007**
(24) Date from which industrial property rights may have effect: **31 May 2007**
(54) Product in respect of which the design is registered: **Lid**
(51) International Design Classification: **09-07B**
(71) Name(s) and Address(s) of Applicant(s):

Glaxo Group Limited
Glaxo Wellcome House Berkeley Avenue Greenford Middlesex UB6
0NN United Kingdom

(72) Name(s) of Designer(s): **Christopher James Forecast**
(45) Registration Date: **10 August 2007**

(30) Convention priority data:
(31) Number (32) Date (33) Country
4000732 01 Dec 2006 UNITED KINGDOM

(56) Related Art Documents: **Not Applicable**
(57) Statement of Newness and Distinctiveness: **Nil**



(21) Design Number: **18207/2007**
(22) Date of Filing Application: **31 May 2007**
(24) Date from which industrial property rights may have effect: **31 May 2007**
(54) Product in respect of which the design is registered: **Jar**
(51) International Design Classification: **09-01C**
(71) Name(s) and Address(s) of Applicant(s):

Glaxo Group Limited
Glaxo Wellcome House Berkeley Avenue Greenford Middlesex UB6
0NN United Kingdom

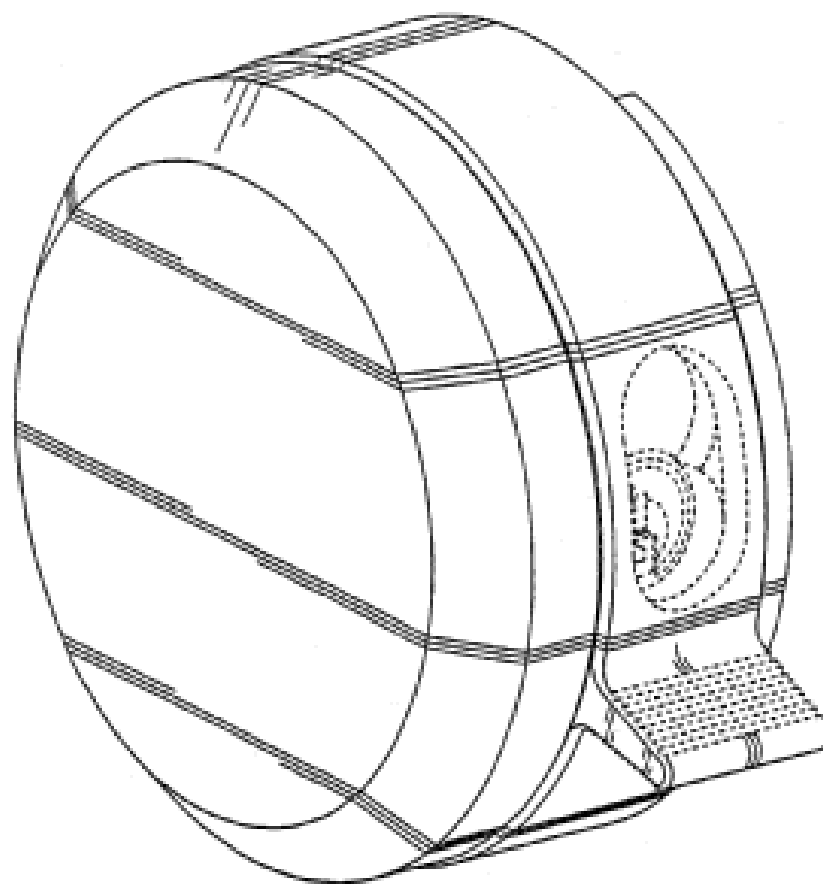
(72) Name(s) of Designer(s): **Christopher James Forecast**
(45) Registration Date: **10 August 2007**

(30) Convention priority data:
(31) Number (32) Date (33) Country
4000733 01 Dec 2006 UNITED KINGDOM

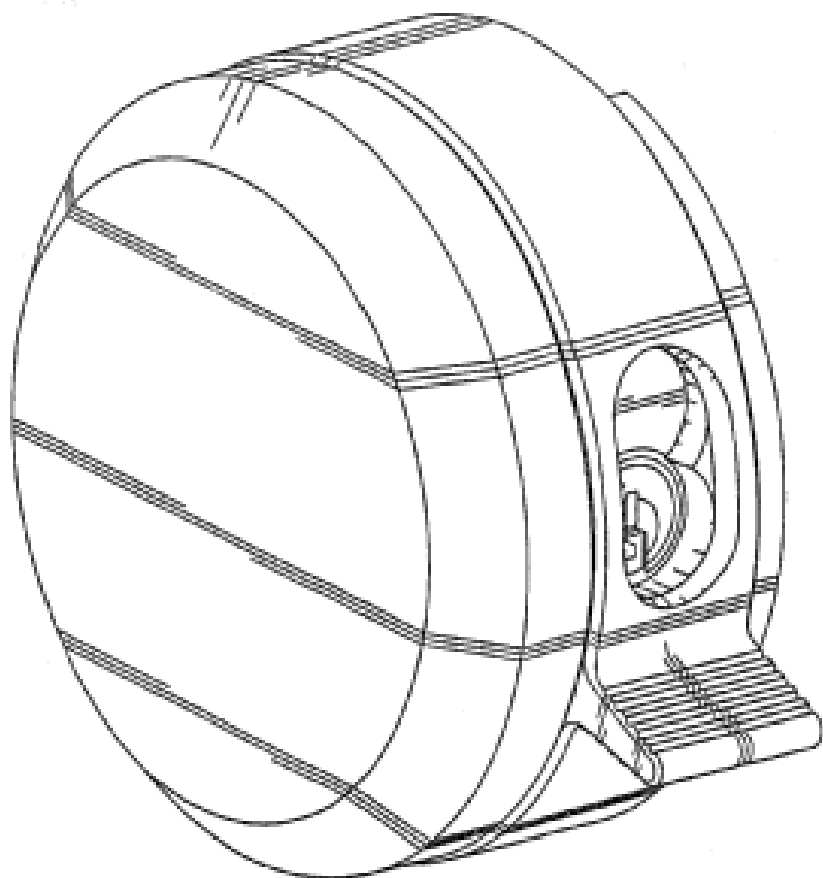
(56) Related Art Documents: **Not Applicable**
(57) Statement of Newness and Distinctiveness: **Nil**



(21) Design Number: **18208/2007**
 (22) Date of Filing Application: **31 May 2007**
 (24) Date from which industrial property rights may have effect: **31 May 2007**
 (54) Product in respect of which the design is registered: **Lock**
 (51) International Design Classification: **08-07**
 (71) Name(s) and Address(s) of Applicant(s):
Master Lock Company LLC
137 W. Forest Hill Avenue PO Box 927 Oak Creek Wisconsin 53154
United States of America
 (72) Name(s) of Designer(s): **Christopher Rohde and John Blomstrom**
 (45) Registration Date: **10 August 2007**
 (30) Convention priority data:
 (31) Number (32) Date (33) Country
29/269,946 12 Dec 2006 UNITED STATES OF AMERICA
 (56) Related Art Documents: **Not Applicable**
 (57) Statement of Newness and Distinctiveness: **Newness and distinctiveness are provided by the shape and/or configuration of the design shown in the representations. The features shown in broken lines in the representations are for illustrative purposes only and should not be considered when construing visual features of the design.**

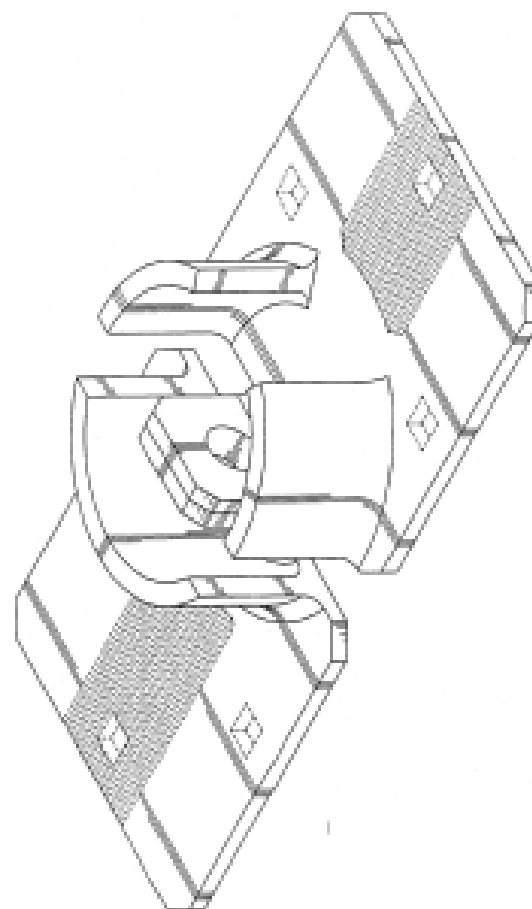


(21) Design Number: **18209/2007**
 (22) Date of Filing Application: **31 May 2007**
 (24) Date from which industrial property rights may have effect: **31 May 2007**
 (54) Product in respect of which the design is registered: **Lock**
 (51) International Design Classification: **08-07**
 (71) Name(s) and Address(s) of Applicant(s):
Master Lock Company LLC
137 W. Forest Hill Avenue PO Box 927 Oak Creek Wisconsin 53154
United States of America
 (72) Name(s) of Designer(s): **Christopher Rohde and John Blomstrom**
 (45) Registration Date: **10 August 2007**
 (30) Convention priority data:
 (31) Number (32) Date (33) Country
29/269,946 12 Dec 2006 UNITED STATES OF AMERICA
 (56) Related Art Documents: **Not Applicable**
 (57) Statement of Newness and Distinctiveness: **Nil**



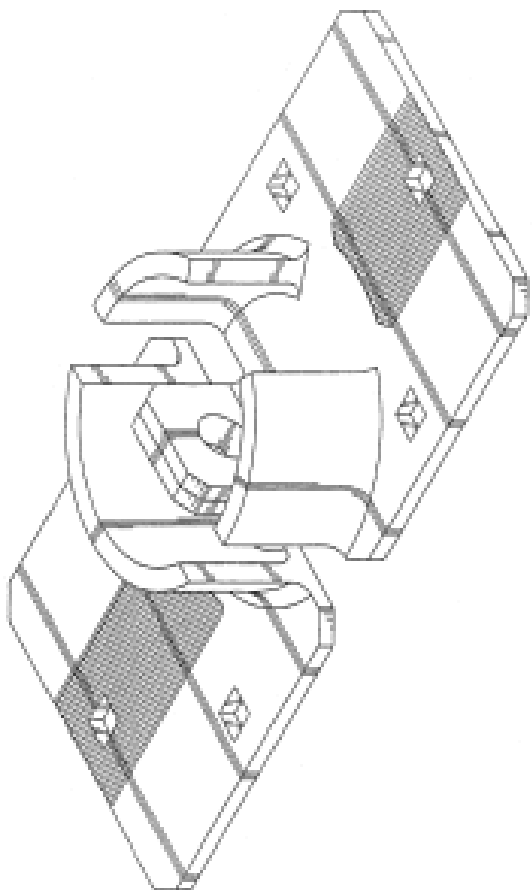
- (21) Design Number: **18210/2007**
- (22) Date of Filing Application: **31 May 2007**
- (24) Date from which industrial property rights may have effect: **31 May 2007**
- (54) Product in respect of which the design is registered: **Hasp**
- (51) International Design Classification: **08-07**
- (71) Name(s) and Address(s) of Applicant(s):
Master Lock Company LLC
137 W. Forest Hill Avenue PO Box 927 Oak Creek Wisconsin 53154
United States of America
- (72) Name(s) of Designer(s): **Christopher Rohde and John Blomstrom**
- (45) Registration Date: **10 August 2007**
- (30) Convention priority data:

(31) Number	(32) Date	(33) Country
29/269,955	12 Dec 2006	UNITED STATES OF AMERICA
- (56) Related Art Documents: **Not Applicable**
- (57) Statement of Newness and Distinctiveness: **Newness and distinctiveness are provided by the shape and/or configuration of the design shown in the representations. The features shown in broken lines in the representations are for illustrative purposes only and should not be considered when construing visual features of the design.**

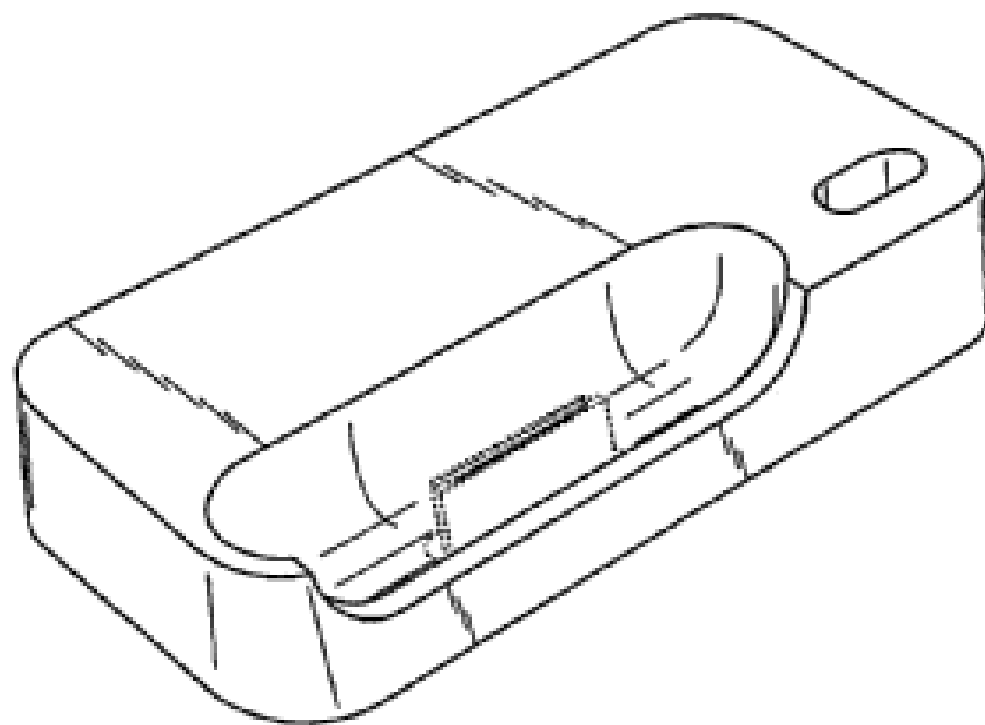


- (21) Design Number: **18211/2007**
- (22) Date of Filing Application: **31 May 2007**
- (24) Date from which industrial property rights may have effect: **31 May 2007**
- (54) Product in respect of which the design is registered: **Hasp**
- (51) International Design Classification: **08-07**
- (71) Name(s) and Address(s) of Applicant(s):
Master Lock Company LLC
137 W. Forest Hill Avenue PO Box 927 Oak Creek Wisconsin 53154
United States of America
- (72) Name(s) of Designer(s): **Christopher Rohde and John Blomstrom**
- (45) Registration Date: **10 August 2007**
- (30) Convention priority data:

(31) Number	(32) Date	(33) Country
29/269,955	12 Dec 2006	UNITED STATES OF AMERICA
- (56) Related Art Documents: **Not Applicable**
- (57) Statement of Newness and Distinctiveness: **Nil**



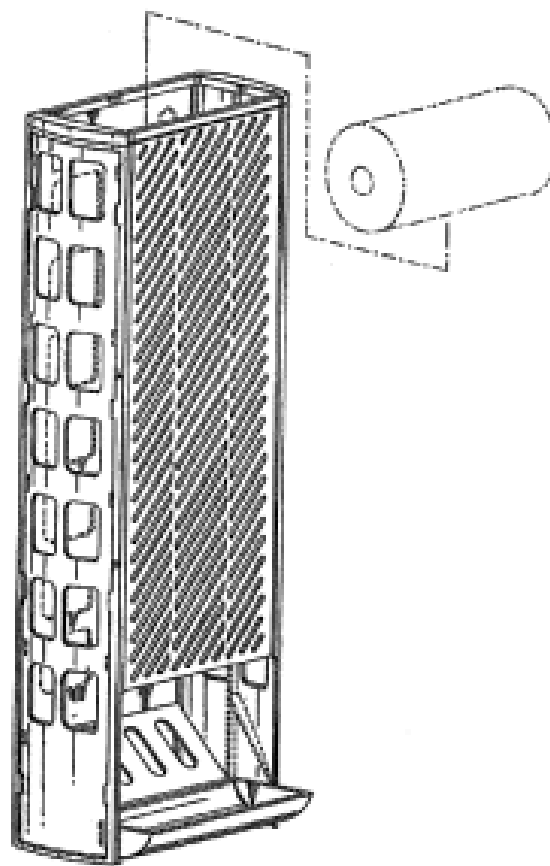
- (21) Design Number: **18212/2007**
(22) Date of Filing Application: **31 May 2007**
(24) Date from which industrial property rights may have effect: **31 May 2007**
(54) Product in respect of which the design is registered: **Stand**
(51) International Design Classification: **08-08NES**
(71) Name(s) and Address(s) of Applicant(s):
Apple Inc.
1 Infinite Loop Cupertino California 95014 United States of America
(72) Name(s) of Designer(s): **Bartley K. Andre and Daniel J. Coster and Daniele De Iuliis and Richard P. Howarth and Jonathan P. Ive and Duncan Robert Kerr and Shin Nishibori and Matthew Dean Rohrbach and Douglas B. Satzger and Calvin Q. Seid and Christopher J. Stringer and Eugene Antony Whang and Rico Zorkendorfer**
(45) Registration Date: **10 August 2007**
(30) Convention priority data:
(31) Number (32) Date (33) Country
29/270883 05 Jan 2007 UNITED STATES OF AMERICA
(56) Related Art Documents: **Not Applicable**
(57) Statement of Newness and Distinctiveness: **Newness and distinctiveness of the design resides in the features of the stand shown in solid lines in the representations.**



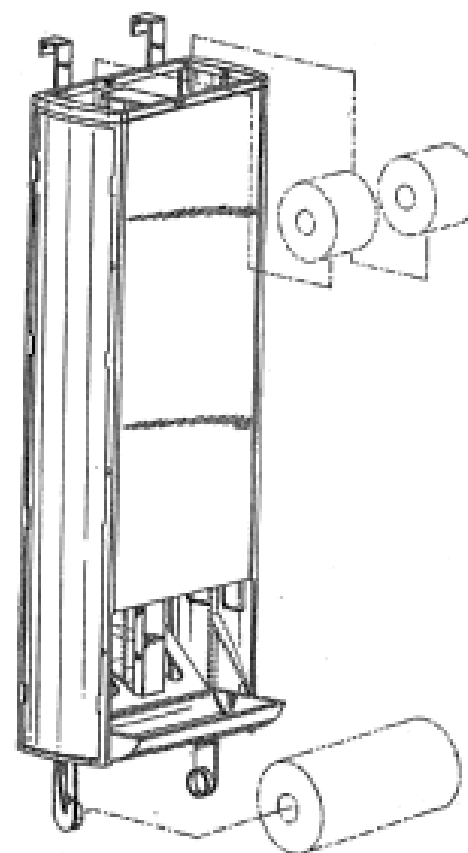
- (21) Design Number: **15654/2006**
(22) Date of Filing Application: **08 December 2006**
(24) Date from which industrial property rights may have effect: **08 December 2006**
(54) Product in respect of which the design is registered: **Hat**
(51) International Design Classification: **02-03**
(71) Name(s) and Address(s) of Applicant(s):
Jason Hamilton Hall
58 Manning Street Scarborough Western Australia 6019 Australia
(72) Name(s) of Designer(s): **Jason Hamilton Hall**
(45) Registration Date: **13 August 2007**
(56) Related Art Documents: **Not Applicable**
(57) Statement of Newness and Distinctiveness: **Newness and distinctiveness is claimed in the shape and/or configuration of a hat as depicted in the attached representations.**



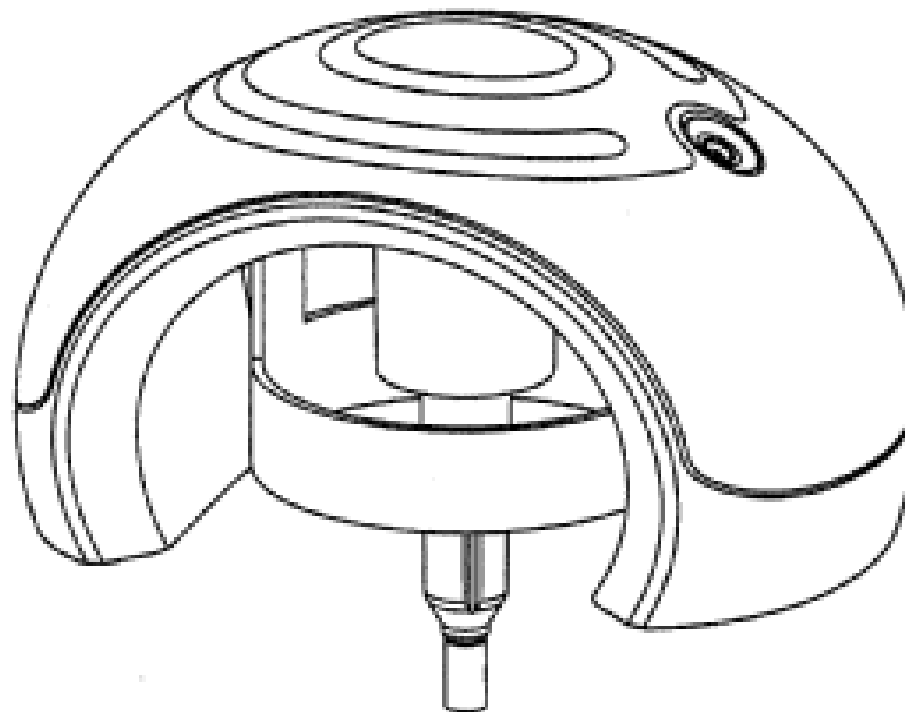
- (21) Design Number: **17616/2007**
- (22) Date of Filing Application: **26 April 2007**
- (24) Date from which industrial property rights may have effect: **26 April 2007**
- (54) Product in respect of which the design is registered: **Paper roll dispenser**
- (51) International Design Classification: **07-99C**
- (71) Name(s) and Address(s) of Applicant(s):
Marla Wolfson
7 Rolling Drive Brookville New York 11545 United States of America
- (72) Name(s) of Designer(s): **Marla Wolfson and Edward Drew and Richard M. Franczak**
- (45) Registration Date: **13 August 2007**
- (30) Convention priority data:
(31) Number (32) Date (33) Country
29/285335 27 Mar 2007 UNITED STATES OF AMERICA
- (56) Related Art Documents: **Not Applicable**
- (57) Statement of Newness and Distinctiveness: **The newness and distinctiveness of the design resides in the shape and configuration of a paper roll dispenser as illustrated in the accompanying representations.**



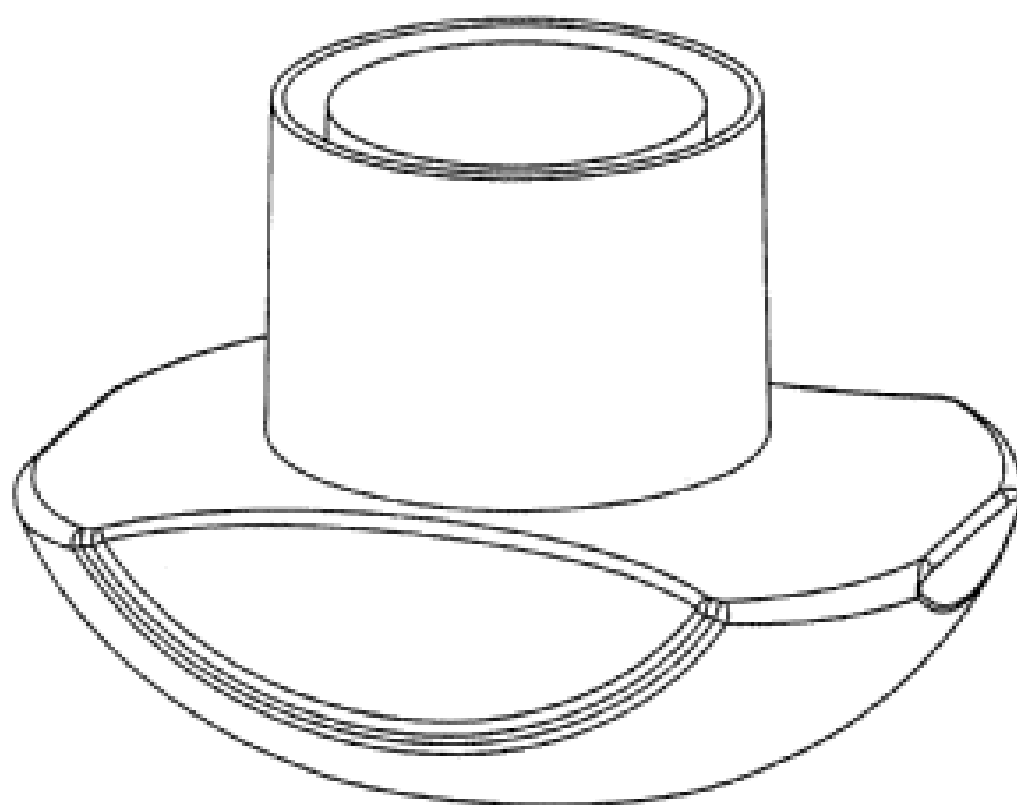
- (21) Design Number: **17617/2007**
- (22) Date of Filing Application: **26 April 2007**
- (24) Date from which industrial property rights may have effect: **26 April 2007**
- (54) Product in respect of which the design is registered: **Paper roll dispenser**
- (51) International Design Classification: **07-99C**
- (71) Name(s) and Address(s) of Applicant(s):
Marla Wolfson
7 Rolling Drive Brookville New York 11545 United States of America
- (72) Name(s) of Designer(s): **Marla Wolfson and Edward Drew and Richard M. Franczak**
- (45) Registration Date: **13 August 2007**
- (30) Convention priority data:
(31) Number (32) Date (33) Country
29/285335 27 Mar 2007 UNITED STATES OF AMERICA
- (56) Related Art Documents: **Not Applicable**
- (57) Statement of Newness and Distinctiveness: **The newness and distinctiveness of the design resides in the shape and configuration of a paper roll dispenser as illustrated in the accompanying representations.**



(21) Design Number: **17836/2007**
(22) Date of Filing Application: **09 May 2007**
(24) Date from which industrial property rights may have effect: **09 May 2007**
(54) Product in respect of which the design is registered: **Air deodorising apparatus**
(51) International Design Classification: **09-07A**
(71) Name(s) and Address(s) of Applicant(s):
Samar, LLC
10 South Riverside Plaza Suite 1800 Chicago Illinois 60606 United States of America
(72) Name(s) of Designer(s): **Bjorn Weggelaar**
(45) Registration Date: **13 August 2007**
(30) Convention priority data:
(31) Number (32) Date (33) Country
673,041-0001 19 Feb 2007 EUROPEAN COMMUNITY
(56) Related Art Documents: **Not Applicable**
(57) Statement of Newness and Distinctiveness: **Nil**



(21) Design Number: **17837/2007**
(22) Date of Filing Application: **09 May 2007**
(24) Date from which industrial property rights may have effect: **09 May 2007**
(54) Product in respect of which the design is registered: **Air deodorising refill**
(51) International Design Classification: **28-99**
(71) Name(s) and Address(s) of Applicant(s):
Samar, LLC
10 South Riverside Plaza Suite 1800 Chicago Illinois 60606 United States of America
(72) Name(s) of Designer(s): **Bjorn Weggelaar**
(45) Registration Date: **13 August 2007**
(30) Convention priority data:
(31) Number (32) Date (33) Country
673,041-0002 19 Feb 2007 EUROPEAN COMMUNITY
(56) Related Art Documents: **Not Applicable**
(57) Statement of Newness and Distinctiveness: **Nil**



(21) Design Number: **17859/2007**

(22) Date of Filing Application: **11 May 2007**

(24) Date from which industrial property rights may have effect: **11 May 2007**

(54) Product in respect of which the design is registered: **Fire extinguisher**

(51) International Design Classification: **29-01**

(71) Name(s) and Address(s) of Applicant(s):

Jonathon Springfield
Suite 602 No. 6 Help Street Chatswood New South Wales 2067
Australia

(72) Name(s) of Designer(s): **Jonathon David Springfield**

(45) Registration Date: **13 August 2007**

(56) Related Art Documents: **Not Applicable**

(57) Statement of Newness and Distinctiveness: **Horizontal cylinders with rotation valve. To operate extinguisher can be operated on any angle not just vertically.**



(21) Design Number: **18117/2007**

(22) Date of Filing Application: **29 May 2007**

(24) Date from which industrial property rights may have effect: **29 May 2007**

(54) Product in respect of which the design is registered: **Floor grinder handle and bracket design for a 280mm angle grinder**

(51) International Design Classification: **08-06**

(71) Name(s) and Address(s) of Applicant(s):

Mathew Norton
24 Dapper Street Sunnybank Hills Queensland 4109 Australia

(72) Name(s) of Designer(s): **Mathew Norton**

(45) Registration Date: **13 August 2007**

(56) Related Art Documents: **Not Applicable**

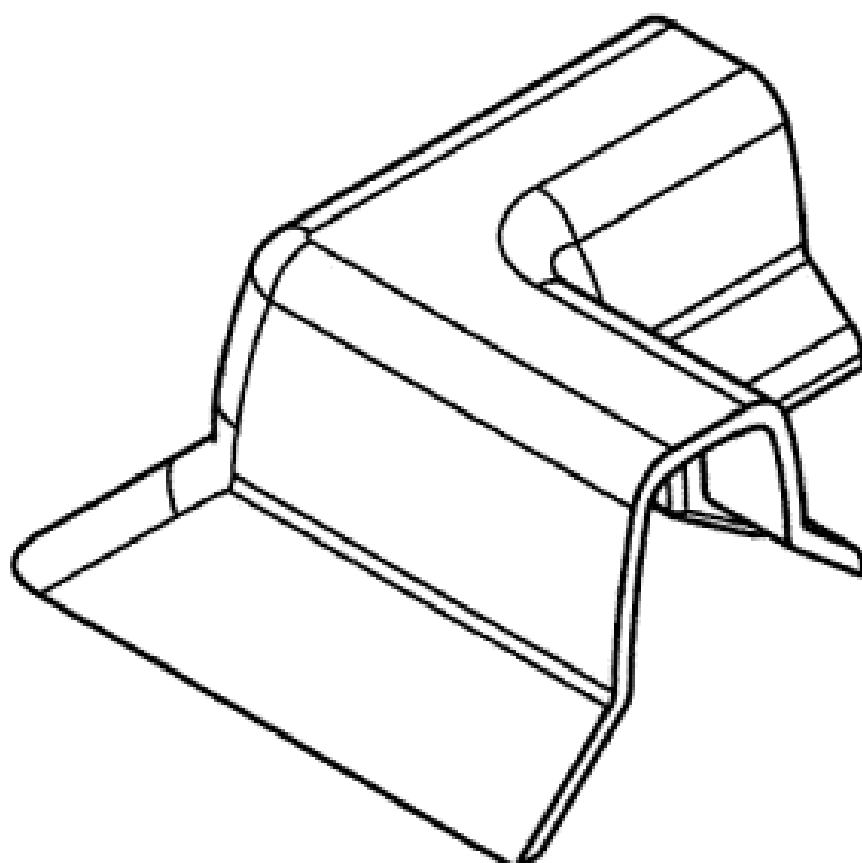
(57) Statement of Newness and Distinctiveness: **Monopoly is claimed in the shape and configuration of the handle and bracket design for a 280mm angle grinder as shown in the representations. No monopoly is claimed in the shape and configuration of the dust guard, weight system and lower portion of the bracket as shown in the representations.**



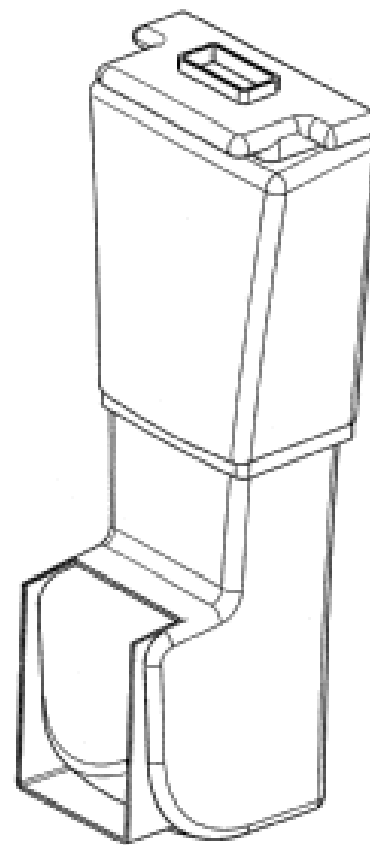
- (21) Design Number: **18155/2007**
- (22) Date of Filing Application: **30 May 2007**
- (24) Date from which industrial property rights may have effect: **30 May 2007**
- (54) Product in respect of which the design is registered: **Mullion**
- (51) International Design Classification: **25-01K**
- (71) Name(s) and Address(s) of Applicant(s):
Capral Aluminium Limited
71 Ashburn Road Bundamba Queensland 4304 Australia
- (72) Name(s) of Designer(s): **Ross Lloyd**
- (45) Registration Date: **13 August 2007**
- (56) Related Art Documents: **Not Applicable**
- (57) Statement of Newness and Distinctiveness: **The mullion is of constant cross section but of any desired length.**



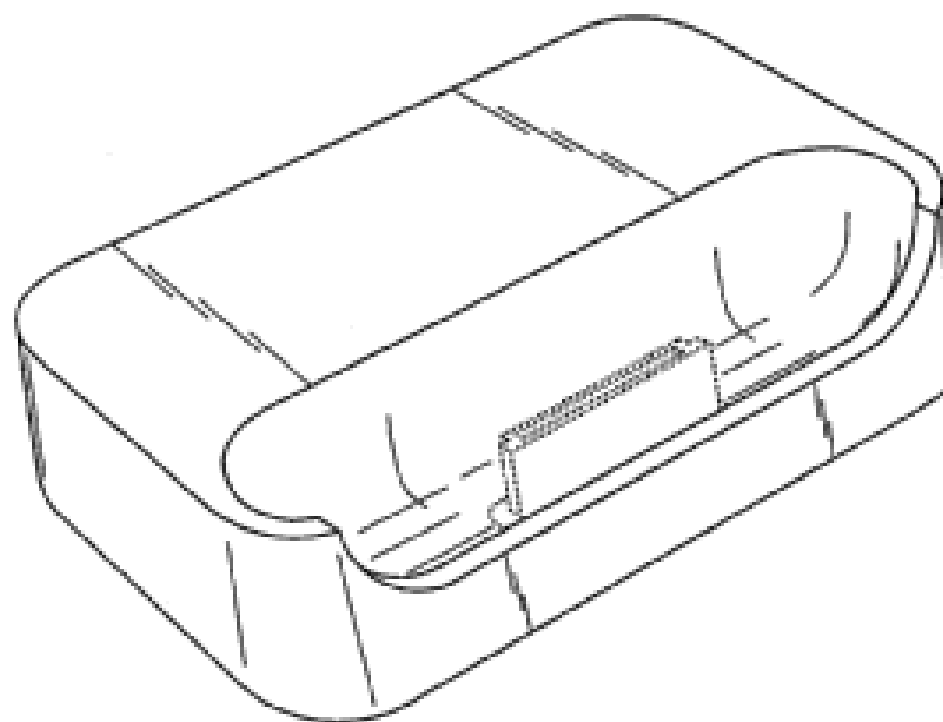
- (21) Design Number: **18162/2007**
- (22) Date of Filing Application: **30 May 2007**
- (24) Date from which industrial property rights may have effect: **30 May 2007**
- (54) Product in respect of which the design is registered: **Corner connector**
- (51) International Design Classification: **08-99**
- (71) Name(s) and Address(s) of Applicant(s):
Steel-Line Garage Doors Australia Pty Ltd
51 Perivale Street Darra Queensland 4076 Australia
- (72) Name(s) of Designer(s): **Brian O'Neill**
- (45) Registration Date: **13 August 2007**
- (56) Related Art Documents: **Not Applicable**
- (57) Statement of Newness and Distinctiveness: **Nil**



- (21) Design Number: **18166/2007**
(22) Date of Filing Application: **01 June 2007**
(24) Date from which industrial property rights may have effect: **01 June 2007**
(54) Product in respect of which the design is registered: **A bellows for a chair**
(51) International Design Classification: **15-99**
(71) Name(s) and Address(s) of Applicant(s):
Commercial Seating Systems Pty Limited
2/No. 1 Dupas Street Smithfield New South Wales 2164 Australia
(72) Name(s) of Designer(s): **Tullio Ena**
(45) Registration Date: **13 August 2007**
(56) Related Art Documents: **Not Applicable**
(57) Statement of Newness and Distinctiveness: **Newness and distinctiveness is claimed in respect of the shape and/or configuration of the product illustrated in the accompanying representations.**

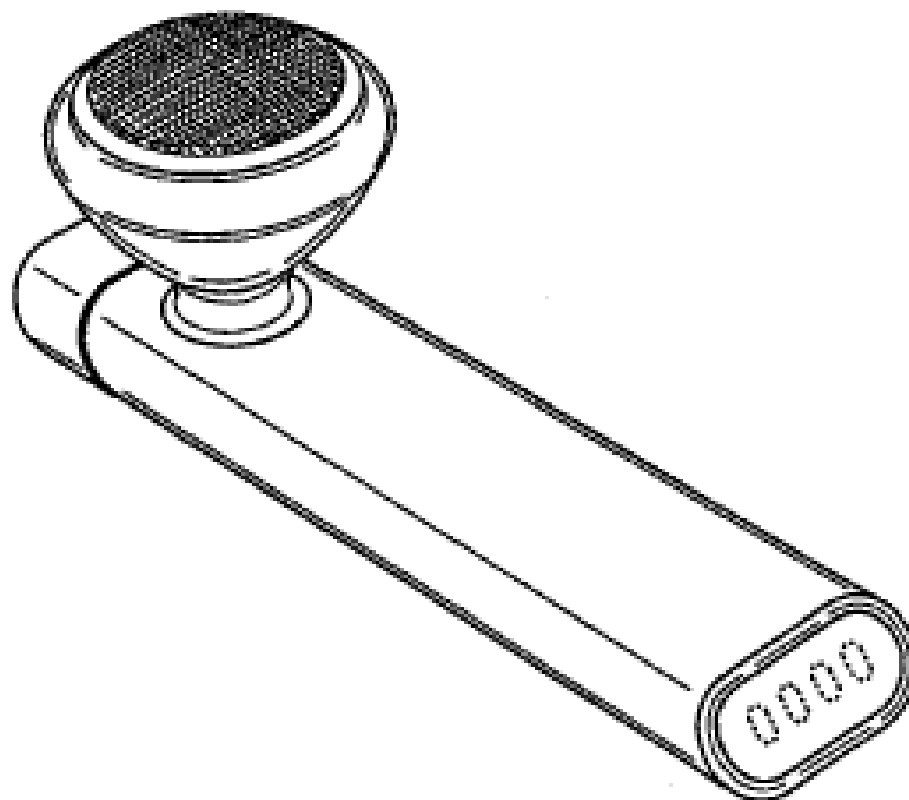


- (21) Design Number: **18213/2007**
(22) Date of Filing Application: **31 May 2007**
(24) Date from which industrial property rights may have effect: **31 May 2007**
(54) Product in respect of which the design is registered: **Stand**
(51) International Design Classification: **08-08NES**
(71) Name(s) and Address(s) of Applicant(s):
Apple Inc.
1 Infinite Loop Cupertino California 95014 United States of America
(72) Name(s) of Designer(s): **Bartley K. Andre and Daniel J. Coster and Daniele De Iullis and Richard P. Howarth and Jonathan P. Ive and Duncan Robert Kerr and Shin Nishibori and Matthew Dean Rohrbach and Douglas B. Satzger and Calvin Q. Seid and Christopher J. Stringer and Eugene Antony Whang and Rico Zorkendorfer**
(45) Registration Date: **13 August 2007**
(30) Convention priority data:
(31) Number (32) Date (33) Country
29/270884 05 Jan 2007 UNITED STATES OF AMERICA
(56) Related Art Documents: **Not Applicable**
(57) Statement of Newness and Distinctiveness: **Newness and distinctiveness of the design resides in the features of the stand shown in solid lines in the representations.**



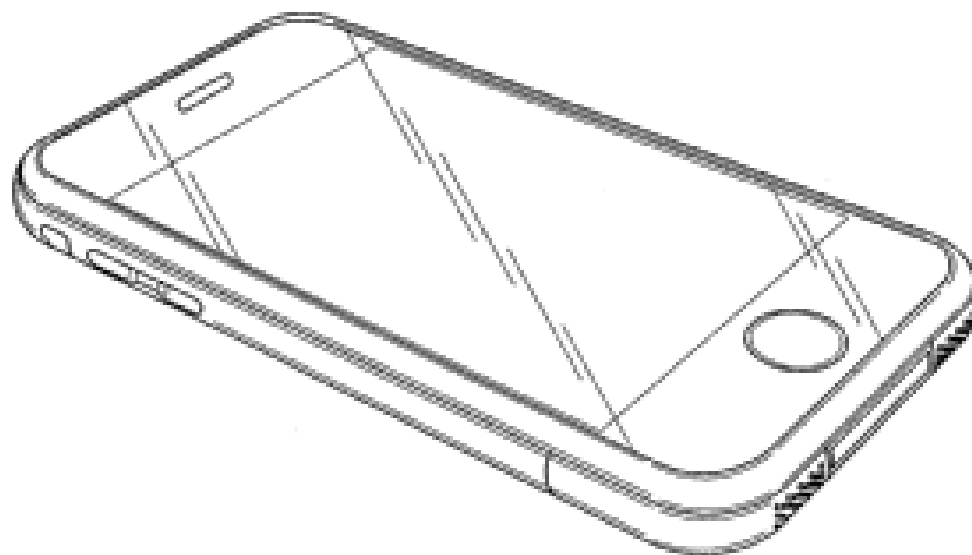
(19) AU

(21) Design Number: **18214/2007**
 (22) Date of Filing Application: **31 May 2007**
 (24) Date from which industrial property rights may have effect: **31 May 2007**
 (54) Product in respect of which the design is registered: **Ear piece**
 (51) International Design Classification: **14-01**
 (71) Name(s) and Address(s) of Applicant(s):
Apple Inc.
1 Infinite Loop Cupertino California 95014 United States of America
 (72) Name(s) of Designer(s): **Bartley K. Andre and Daniel J. Coster and Daniele De Iuliis and Richard P. Howarth and Jonathan P. Ive and Duncan Robert Kerr and Shin Nishibori and Matthew Dean Rohrbach and Peter Russell-Clarke and Douglas B. Satzger and Calvin Q. Seid and Christopher J. Stringer and Eugene Antony Whang and Rico Zorkendorfer**
 (45) Registration Date: **13 August 2007**
 (30) Convention priority data:
 (31) Number (32) Date (33) Country
29/270881 05 Jan 2007 UNITED STATES OF AMERICA
 (56) Related Art Documents: **Not Applicable**
 (57) Statement of Newness and Distinctiveness: **Nil**



(19) AU

(21) Design Number: **18215/2007**
 (22) Date of Filing Application: **31 May 2007**
 (24) Date from which industrial property rights may have effect: **31 May 2007**
 (54) Product in respect of which the design is registered: **Electronic device**
 (51) International Design Classification: **14-02**
 (71) Name(s) and Address(s) of Applicant(s):
Apple Inc.
1 Infinite Loop Cupertino California 95014-2084 United States of America
 (72) Name(s) of Designer(s): **Bartley K. Andre and Daniel J. Coster and Daniele De Iuliis and Richard P. Howarth and Jonathan P. Ive and Steve Jobs and Duncan Robert Kerr and Shin Nishibori and Matthew Dean Rohrbach and Douglas B. Satzger and Calvin Q. Seid and Christopher J. Stringer and Eugene Antony Whang and Rico Zorkendorfer**
 (45) Registration Date: **13 August 2007**
 (30) Convention priority data:
 (31) Number (32) Date (33) Country
29/270887 05 Jan 2007 UNITED STATES OF AMERICA
 (56) Related Art Documents: **Not Applicable**
 (57) Statement of Newness and Distinctiveness: **Nil**



(21) Design Number: **18216/2007**
 (22) Date of Filing Application: **31 May 2007**
 (24) Date from which industrial property rights may have effect: **31 May 2007**
 (54) Product in respect of which the design is registered: **Electronic device**
 (51) International Design Classification: **14-02**
 (71) Name(s) and Address(s) of Applicant(s):

Apple Inc.
1 Infinite Loop Cupertino California 95014-2084 United States of America

(72) Name(s) of Designer(s): **Bartley K. Andre and Daniel J. Coster and Daniele De Iuliis and Richard P. Howarth and Jonathan P. Ive and Steve Jobs and Duncan Robert Kerr and Shin Nishibori and Matthew Dean Rohrbach and Douglas B. Satzger and Calvin Q. Seid and Christopher J. Stringer and Eugene Anthony Whang and Rico Zorkendorfer**

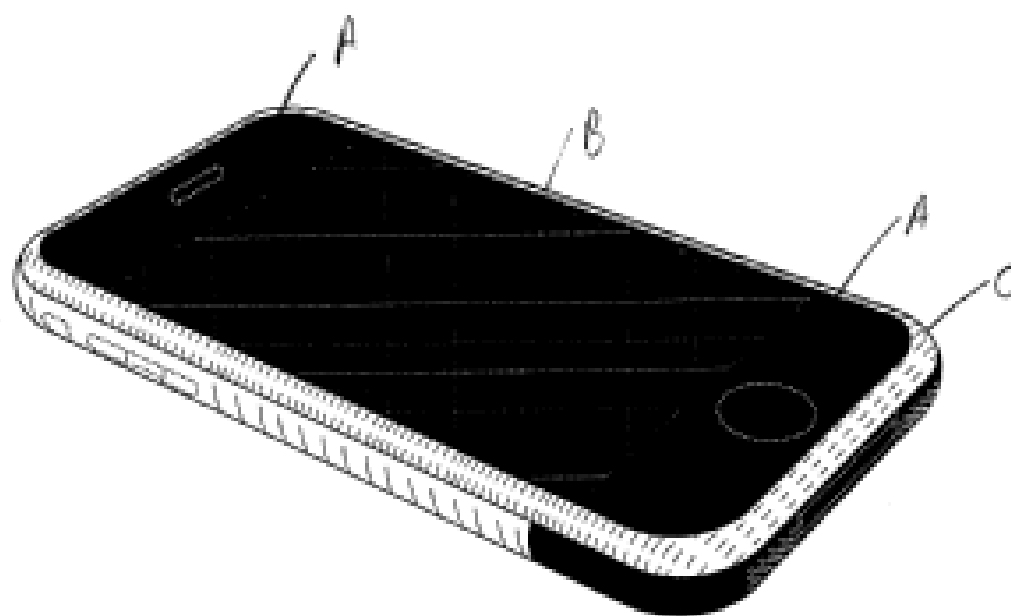
(45) Registration Date: **13 August 2007**

(30) Convention priority data:

(31) Number	(32) Date	(33) Country
29/270888	05 Jan 2007	UNITED STATES OF AMERICA

(56) Related Art Documents: **Not Applicable**

(57) Statement of Newness and Distinctiveness: **Newness and distinctiveness of the present design resides in the electronic device having a colour combination as follows: the front face of the electronic device includes a black interior portion marked "A" with an edge portion marked "C" having a metallic appearance, the back portion of the device has a black portion marked "E" and a second portion marked "D" with a metallic appearance, the screen marked "B" on the front face can be any colour.**



(21) Design Number: **18217/2007**
 (22) Date of Filing Application: **31 May 2007**
 (24) Date from which industrial property rights may have effect: **31 May 2007**
 (54) Product in respect of which the design is registered: **Electronic device**
 (51) International Design Classification: **14-02**
 (71) Name(s) and Address(s) of Applicant(s):

Apple Inc.
1 Infinite Loop Cupertino California 95014-2084 United States of America

(72) Name(s) of Designer(s): **Bartley K. Andre and Daniel J. Coster and Daniele De Iuliis and Richard P. Howarth and Jonathan P. Ive and Steve Jobs and Duncan Robert Kerr and Shin Nishibori and Matthew Dean Rohrbach and Douglas B. Satzger and Calvin Q. Seid and Christopher J. Stringer and Eugene Antony Whang and Rico Zorkendorfer**

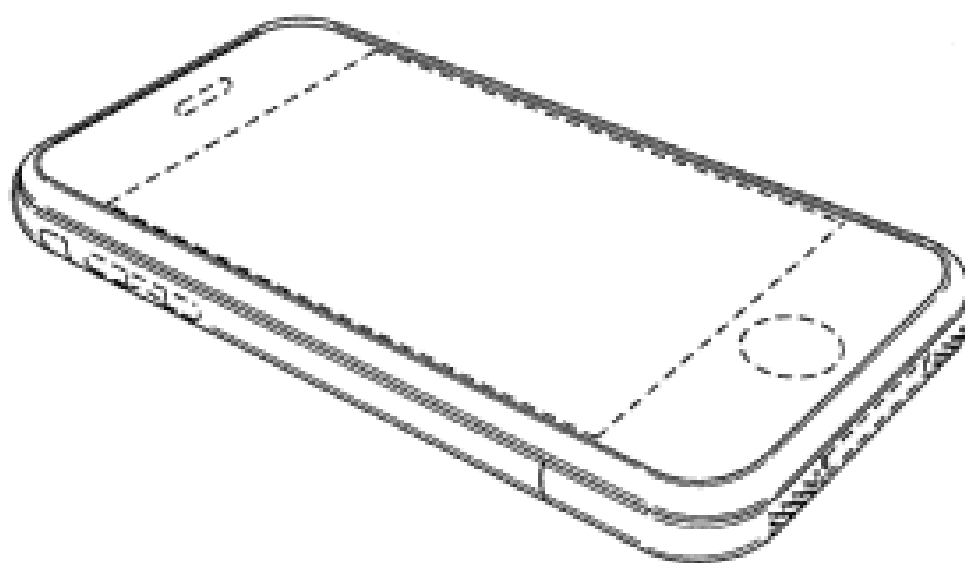
(45) Registration Date: **13 August 2007**

(30) Convention priority data:

(31) Number	(32) Date	(33) Country
29/270880	05 Jan 2007	UNITED STATES OF AMERICA

(56) Related Art Documents: **Not Applicable**

(57) Statement of Newness and Distinctiveness: **Newness and distinctiveness of the design resides in those features of the product illustrated in solid lines in the accompanying representations.**



- (21) Design Number: **18218/2007**
- (22) Date of Filing Application: **31 May 2007**
- (24) Date from which industrial property rights may have effect: **31 May 2007**
- (54) Product in respect of which the design is registered: **Electronic device**
- (51) International Design Classification: **14-02**
- (71) Name(s) and Address(s) of Applicant(s):

Apple Inc.
1 Infinite Loop Cupertino California 95014-2084 United States of America

- (72) Name(s) of Designer(s): **Bartley K. Andre and Daniel J. Coster and Daniele De Iuliis and Richard P. Howarth and Jonathan P. Ive and Steve Jobs and Duncan Robert Kerr and Shin Nishibori and Matthew Dean Rohrbach and Douglas B. Satzger and Calvin Q. Seid and Christopher J. Stringer and Eugene Antony Whang and Rico Zorkendorfer**

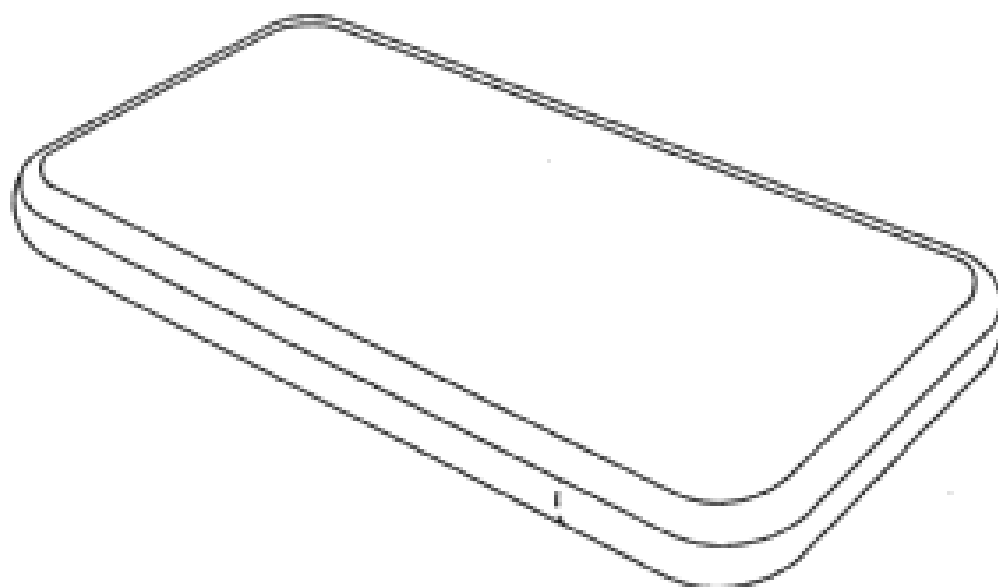
- (45) Registration Date: **13 August 2007**

- (30) Convention priority data:

(31) Number	(32) Date	(33) Country
29/270885	05 Jan 2007	UNITED STATES OF AMERICA

- (56) Related Art Documents: **Not Applicable**

- (57) Statement of Newness and Distinctiveness: **Newness and distinctiveness of the design resides in those features of the product illustrated in solid lines in the accompanying representations.**



- (21) Design Number: **18231/2007**
- (22) Date of Filing Application: **31 May 2007**
- (24) Date from which industrial property rights may have effect: **31 May 2007**
- (54) Product in respect of which the design is registered: **Stair hand rail bracket**
- (51) International Design Classification: **08-08NES**
- (71) Name(s) and Address(s) of Applicant(s):

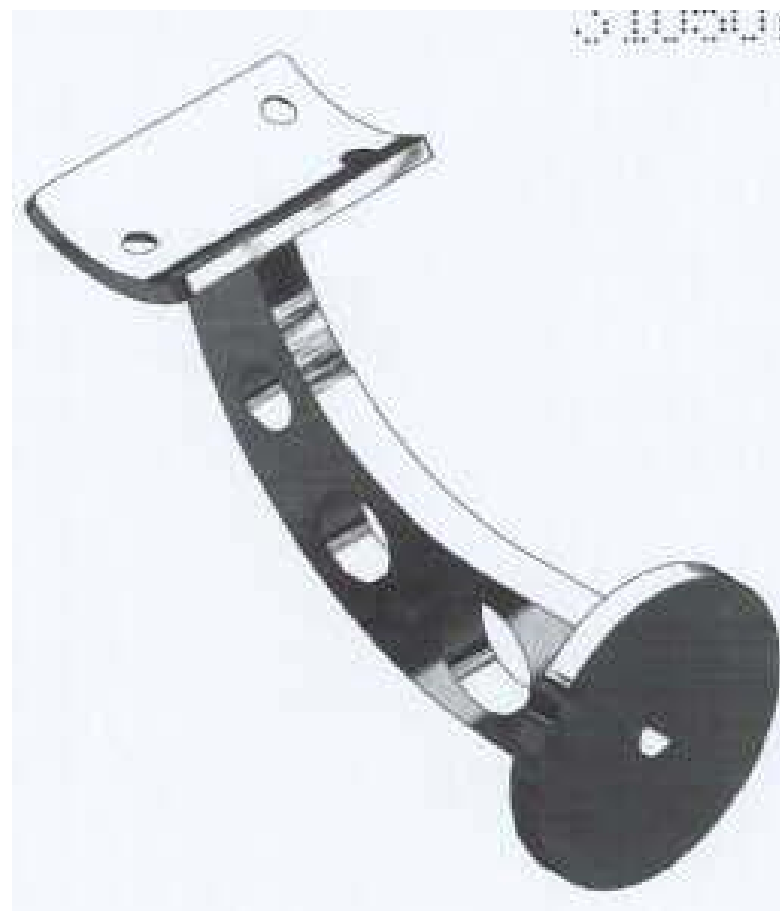
Emro Products Pty Ltd
20 Enterprise Street Caloundra Queensland 4551 Australia

- (72) Name(s) of Designer(s): **Martin Roth and Uwe Wauge**

- (45) Registration Date: **13 August 2007**

- (56) Related Art Documents: **Not Applicable**

- (57) Statement of Newness and Distinctiveness: **Nil**



(21) Design Number: **18232/2007**

(22) Date of Filing Application: **31 May 2007**

(24) Date from which industrial property rights may have effect: **31 May 2007**

(54) Product in respect of which the design is registered: **Stair hand rail bracket**

(51) International Design Classification: **08-08NES**

(71) Name(s) and Address(s) of Applicant(s):

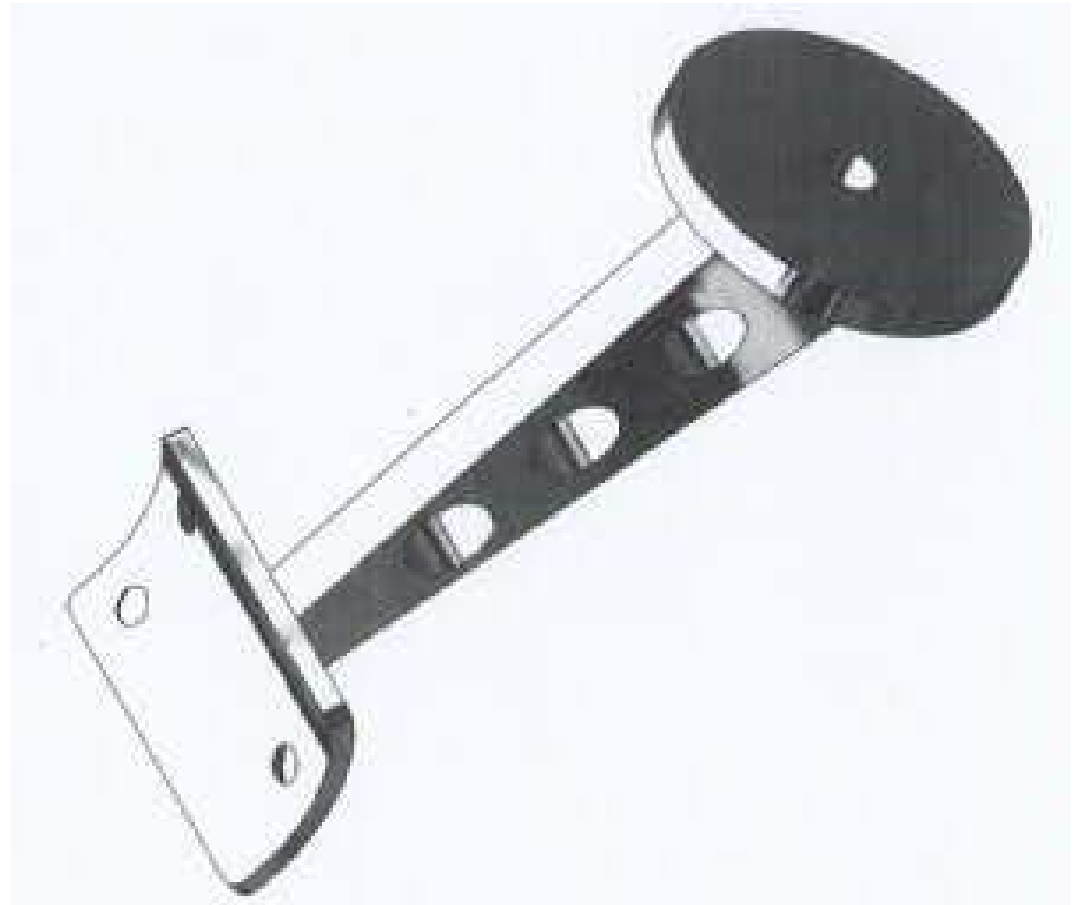
Emro Products Pty Ltd
20 Enterprise Street Caloundra Queensland 4551 Australia

(72) Name(s) of Designer(s): **Martin Roth and Uwe Wauge**

(45) Registration Date: **13 August 2007**

(56) Related Art Documents: **Not Applicable**

(57) Statement of Newness and Distinctiveness: **Nil**



(21) Design Number: **18233/2007**

(22) Date of Filing Application: **31 May 2007**

(24) Date from which industrial property rights may have effect: **31 May 2007**

(54) Product in respect of which the design is registered: **Stair hand rail brackets**

(51) International Design Classification: **08-08NES**

(71) Name(s) and Address(s) of Applicant(s):

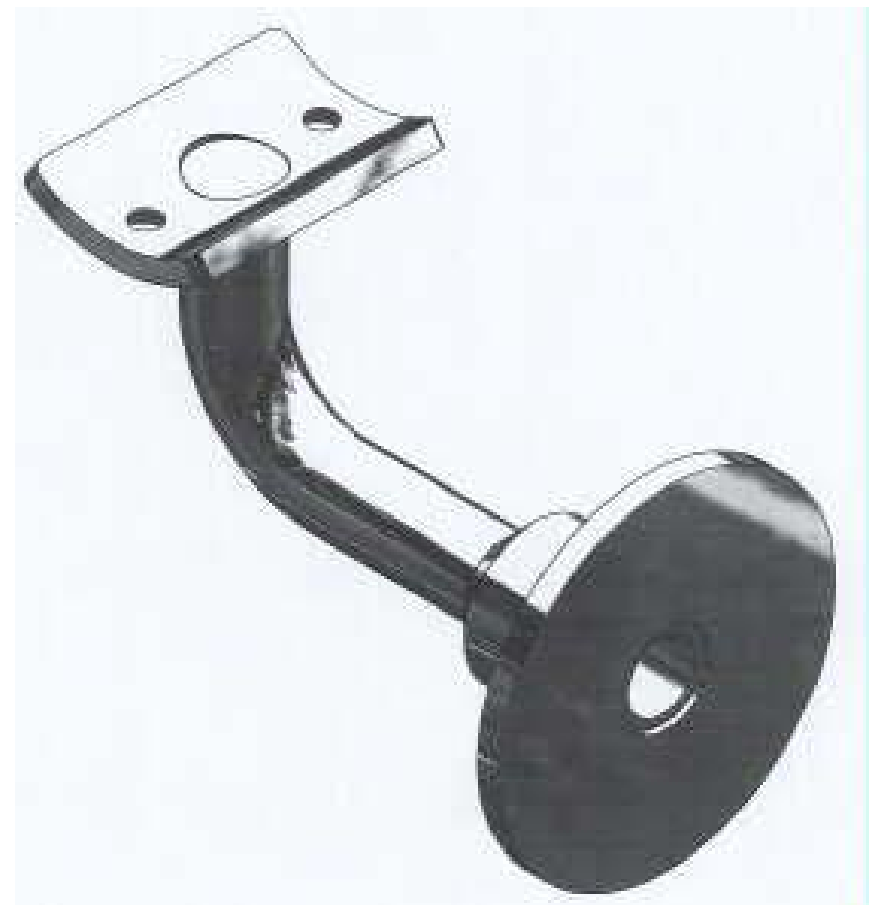
Emro Products Pty Ltd
20 Enterprise Street Caloundra Queensland 4551 Australia

(72) Name(s) of Designer(s): **Martin Roth and Uwe Wauge**

(45) Registration Date: **13 August 2007**

(56) Related Art Documents: **Not Applicable**

(57) Statement of Newness and Distinctiveness: **Nil**



(21) Design Number: **18984/2007**

(22) Date of Filing Application: **20 July 2007**

(24) Date from which industrial property rights may have effect: **20 July 2007**

(54) Product in respect of which the design is registered: **Wardrobe rail**

(51) International Design Classification: **08-09**

(71) Name(s) and Address(s) of Applicant(s):

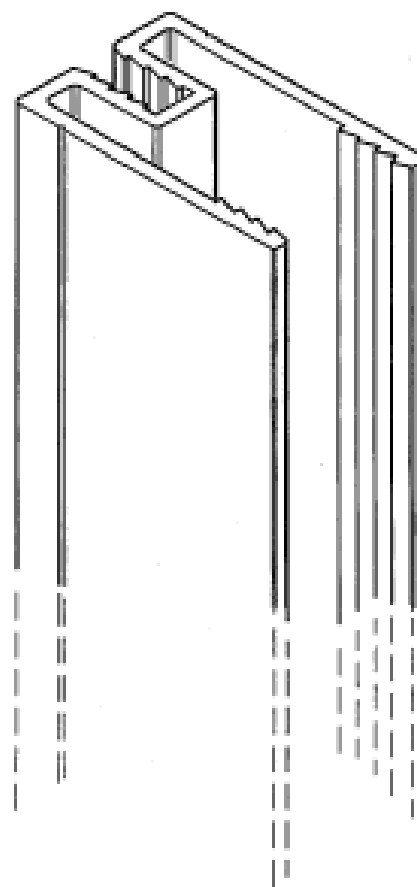
**Press Metal Aluminium (Australia) Pty Ltd
2/22 Eastern Service Stapylton Queensland 4207 Australia**

(72) Name(s) of Designer(s): **Chieh Nam Lew**

(45) Registration Date: **13 August 2007**

(56) Related Art Documents: **Not Applicable**

(57) Statement of Newness and Distinctiveness: **The wardrobe rail has constant cross-section and indefinite length.**



(21) Design Number: **18986/2007**

(22) Date of Filing Application: **20 July 2007**

(24) Date from which industrial property rights may have effect: **20 July 2007**

(54) Product in respect of which the design is registered: **A wardrobe grip stile**

(51) International Design Classification: **08-09**

(71) Name(s) and Address(s) of Applicant(s):

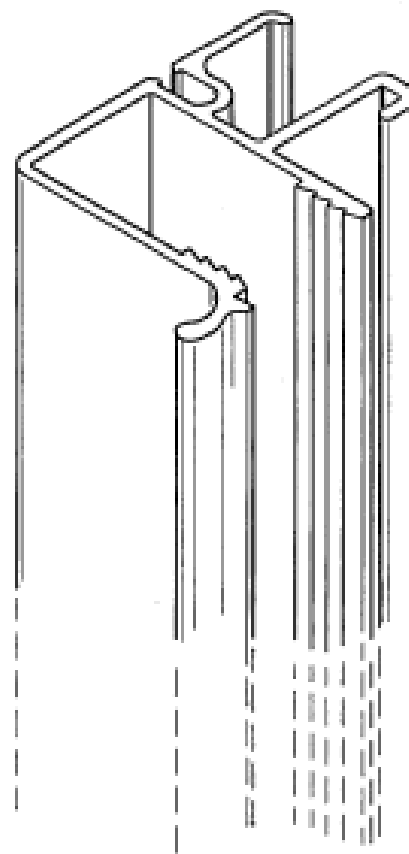
**Press Metal Aluminium (Australia) Pty Ltd
2/22 Eastern Service Stapylton Queensland 4207 Australia**

(72) Name(s) of Designer(s): **Chieh Nam Lew**

(45) Registration Date: **13 August 2007**

(56) Related Art Documents: **Not Applicable**

(57) Statement of Newness and Distinctiveness: **The wardrobe grip stile has constant cross-section and indefinite length.**



(21) Design Number: **19110/2007**

(22) Date of Filing Application: **30 July 2007**

(24) Date from which industrial property rights may have effect: **30 July 2007**

(54) Product in respect of which the design is registered: **Attachment and accessory for carrying, clasping & securing portable electronic devices (clip)**

(51) International Design Classification: **14-99**

(71) Name(s) and Address(s) of Applicant(s):

Michael Harvey

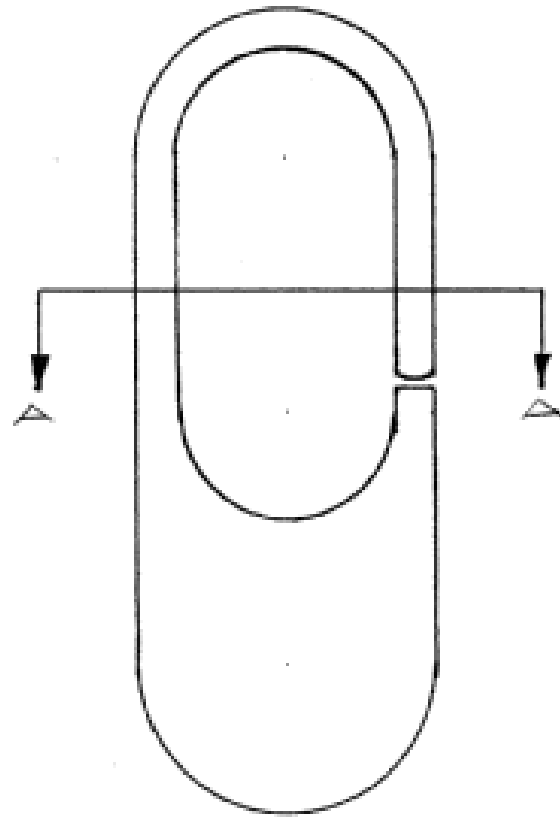
1/9 Frederico Street Highett Victoria 3190 Australia

(72) Name(s) of Designer(s): **Michael Harvey**

(45) Registration Date: **13 August 2007**

(56) Related Art Documents: **Not Applicable**

(57) Statement of Newness and Distinctiveness: **Nil**



(21) Design Number: **19131/2007**

(22) Date of Filing Application: **31 July 2007**

(24) Date from which industrial property rights may have effect: **31 July 2007**

(54) Product in respect of which the design is registered: **Payment device**

(51) International Design Classification: **14-02**

(71) Name(s) and Address(s) of Applicant(s):

ULTRA Proizvodnja elektronskih naprav d.o.o.

Cesta Otona Zupancica 23a Zagorje 1410 Slovenia

(72) Name(s) of Designer(s): **Klemen Erzen and Janez Staric**

(45) Registration Date: **13 August 2007**

(56) Related Art Documents: **Not Applicable**

(57) Statement of Newness and Distinctiveness: **Nil**



(21) Design Number: **18347/2007**

(22) Date of Filing Application: **12 June 2007**

(24) Date from which industrial property rights may have effect: **12 June 2007**

(54) Product in respect of which the design is registered: **Footwear**

(51) International Design Classification: **02-04NES**

(71) Name(s) and Address(s) of Applicant(s):

Ewald Haimerl
Ebrantshauer Strasse 6 84048 Mainburg Germany

(72) Name(s) of Designer(s): **Ewald Haimerl**

(45) Registration Date: **14 August 2007**

(30) Convention priority data:

(31) Number	(32) Date	(33) Country
40606349.4	11 Dec 2006	GERMANY

(56) Related Art Documents: **Not Applicable**

(57) Statement of Newness and Distinctiveness: **Newness and distinctiveness reside in the features of the design as shown in the representations.**



(21) Design Number: **18288/2007**

(22) Date of Filing Application: **04 June 2007**

(24) Date from which industrial property rights may have effect: **04 June 2007**

(54) Product in respect of which the design is registered: **Swimming goggles**

(51) International Design Classification: **16-06**

(71) Name(s) and Address(s) of Applicant(s):

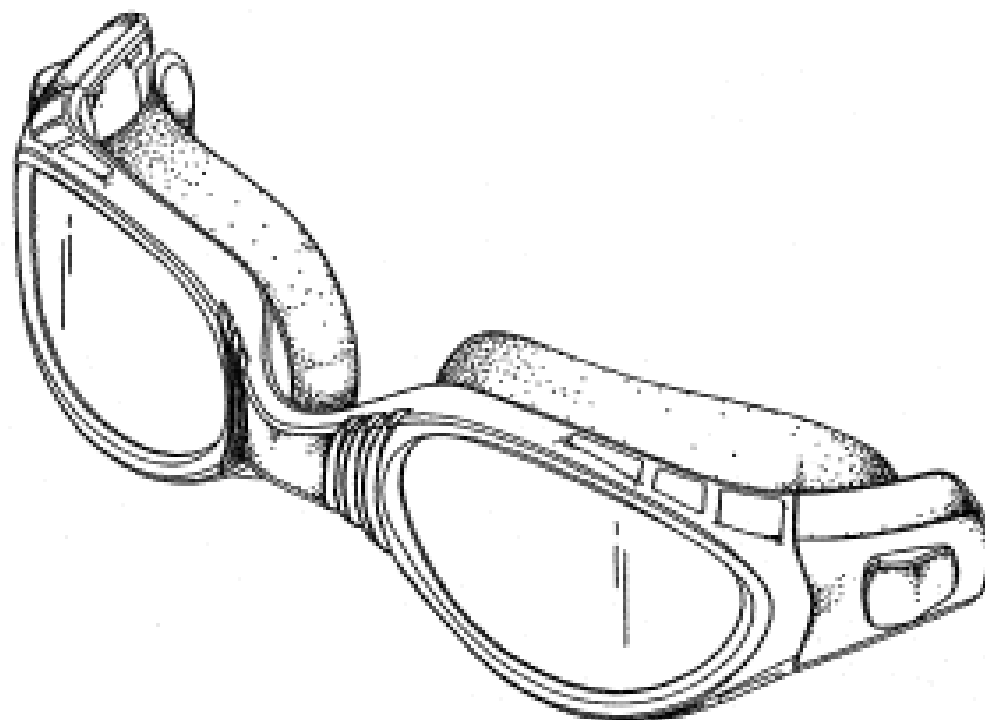
Herman Chiang
11F-2 No. 634-9 Ching-Ping Rd Chung-Ho City Taipei Hsien Taiwan

(72) Name(s) of Designer(s): **Herman Chiang**

(45) Registration Date: **14 August 2007**

(56) Related Art Documents: **Not Applicable**

(57) Statement of Newness and Distinctiveness: **Nil**



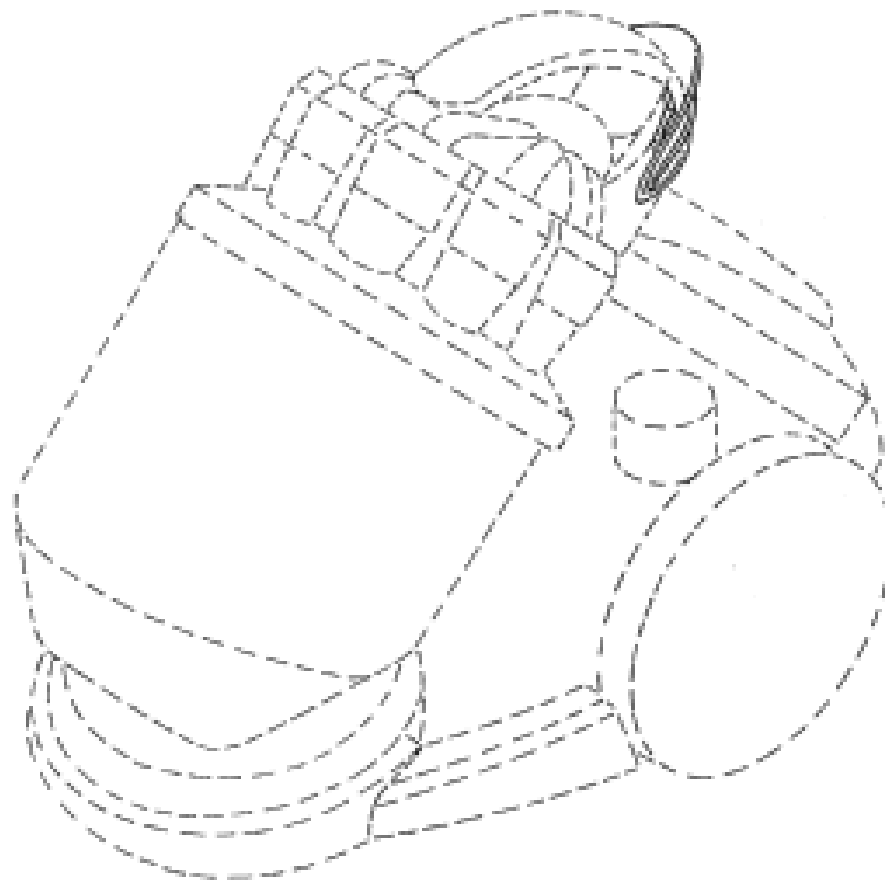
(21) Design Number: **18292/2007**
(22) Date of Filing Application: **05 June 2007**
(24) Date from which industrial property rights may have effect: **05 June 2007**
(54) Product in respect of which the design is registered: **Bag**
(51) International Design Classification: **03-01A**
(71) Name(s) and Address(s) of Applicant(s):
Cashmere Blazer Pty Ltd
6 Chelmsford Street Kensington Victoria 3031 Australia
(72) Name(s) of Designer(s): **Stuart Neil Crumpler**
(45) Registration Date: **14 August 2007**
(56) Related Art Documents: **Not Applicable**
(57) Statement of Newness and Distinctiveness: **Nil**



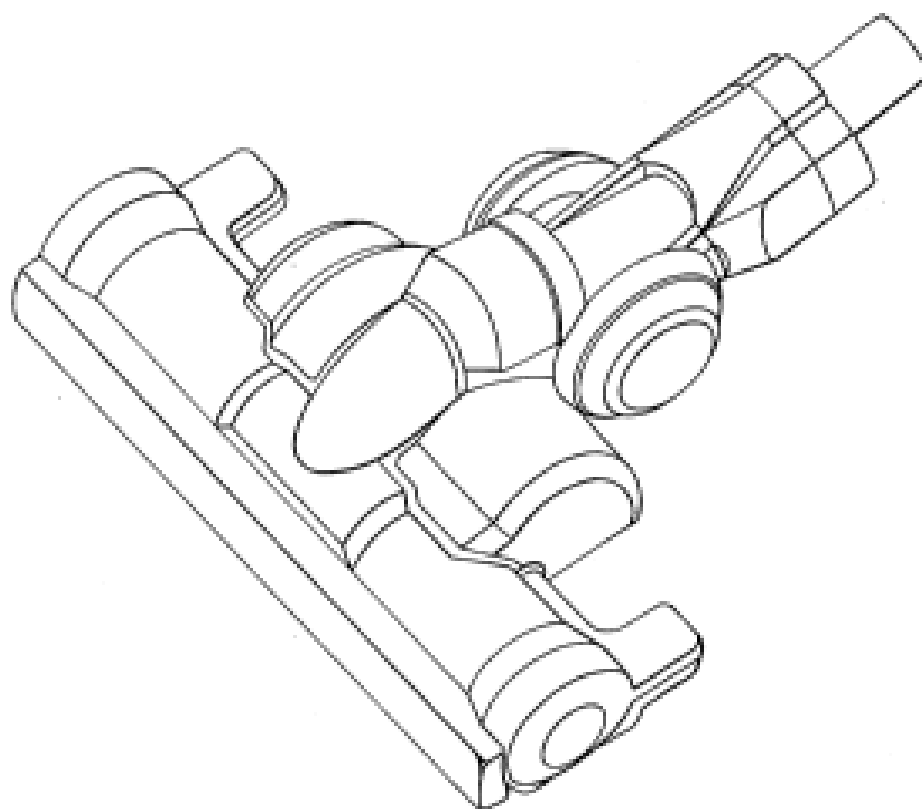
(21) Design Number: **18293/2007**
(22) Date of Filing Application: **05 June 2007**
(24) Date from which industrial property rights may have effect: **05 June 2007**
(54) Product in respect of which the design is registered: **Bag**
(51) International Design Classification: **03-01A**
(71) Name(s) and Address(s) of Applicant(s):
Cashmere Blazer Pty Ltd
6 Chelmsford Street Kensington Victoria 3031 Australia
(72) Name(s) of Designer(s): **Stuart Neil Crumpler**
(45) Registration Date: **14 August 2007**
(56) Related Art Documents: **Not Applicable**
(57) Statement of Newness and Distinctiveness: **Nil**



(21) Design Number: **18298/2007**
(22) Date of Filing Application: **06 June 2007**
(24) Date from which industrial property rights may have effect: **06 June 2007**
(54) Product in respect of which the design is registered: **A hose guide for a cleaning appliance**
(51) International Design Classification: **15-05**
(71) Name(s) and Address(s) of Applicant(s):
Dyson Limited
Tetbury Hill Malmesbury Wiltshire SN16 0RP United Kingdom
(72) Name(s) of Designer(s): **Nicholas Timothy Spence**
(45) Registration Date: **14 August 2007**
(30) Convention priority data:
(31) Number (32) Date (33) Country
4000929 22 Dec 2006 UNITED KINGDOM
(56) Related Art Documents: **Not Applicable**
(57) Statement of Newness and Distinctiveness: **Newness and distinctiveness resides in the features of shape and/or configuration of a hose guide for a cleaning appliance as illustrated in the accompanying representations. The features shown in broken outline are illustrative only and do not form part of the design.**



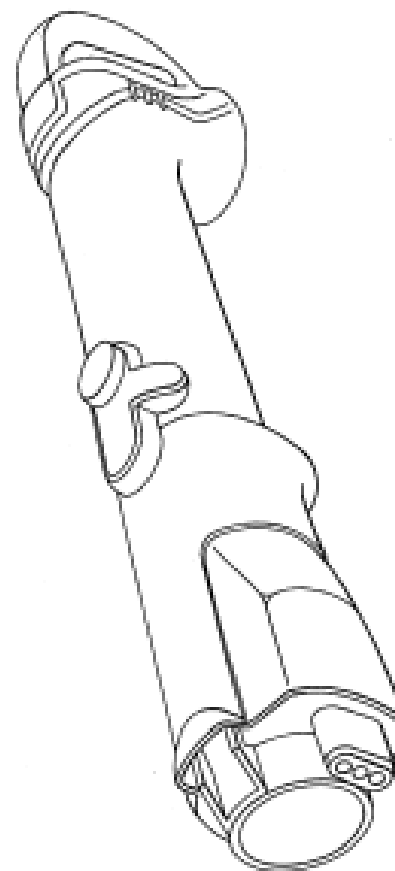
(21) Design Number: **18299/2007**
(22) Date of Filing Application: **06 June 2007**
(24) Date from which industrial property rights may have effect: **06 June 2007**
(54) Product in respect of which the design is registered: **A head for a cleaning appliance**
(51) International Design Classification: **15-05**
(71) Name(s) and Address(s) of Applicant(s):
Dyson Limited
Tetbury Hill Malmesbury Wiltshire SN16 0RP United Kingdom
(72) Name(s) of Designer(s): **Miles Sinclair Quance and Andrew Charles Nixon**
(45) Registration Date: **14 August 2007**
(30) Convention priority data:
(31) Number (32) Date (33) Country
4000931 22 Dec 2006 UNITED KINGDOM
(56) Related Art Documents: **Not Applicable**
(57) Statement of Newness and Distinctiveness: **Newness and distinctiveness resides in the features of shape and/or configuration of a head for a cleaning appliance as illustrated in the accompanying representations.**



(19) AU

- (21) Design Number: **18300/2007**
- (22) Date of Filing Application: **06 June 2007**
- (24) Date from which industrial property rights may have effect: **06 June 2007**
- (54) Product in respect of which the design is registered: **A wand for a cleaning appliance**
- (51) International Design Classification: **15-05**
- (71) Name(s) and Address(s) of Applicant(s):
Dyson Limited
Tetbury Hill Malmesbury Wiltshire SN16 0RP United Kingdom
- (72) Name(s) of Designer(s): **Miles Sinclair Quance and Andrew Charles Nixon**
- (45) Registration Date: **14 August 2007**
- (30) Convention priority data:

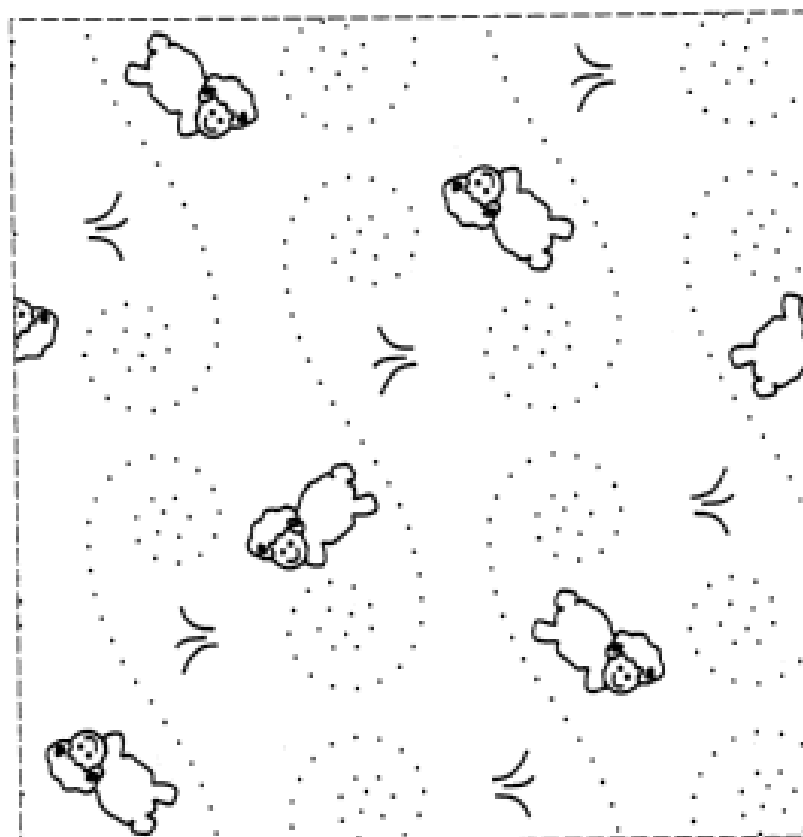
(31) Number	(32) Date	(33) Country
4000930	22 Dec 2006	UNITED KINGDOM
- (56) Related Art Documents: **Not Applicable**
- (57) Statement of Newness and Distinctiveness: **Newness and distinctiveness resides in the features of shape and/or configuration of a wand for a cleaning appliance as illustrated in the accompanying representations.**



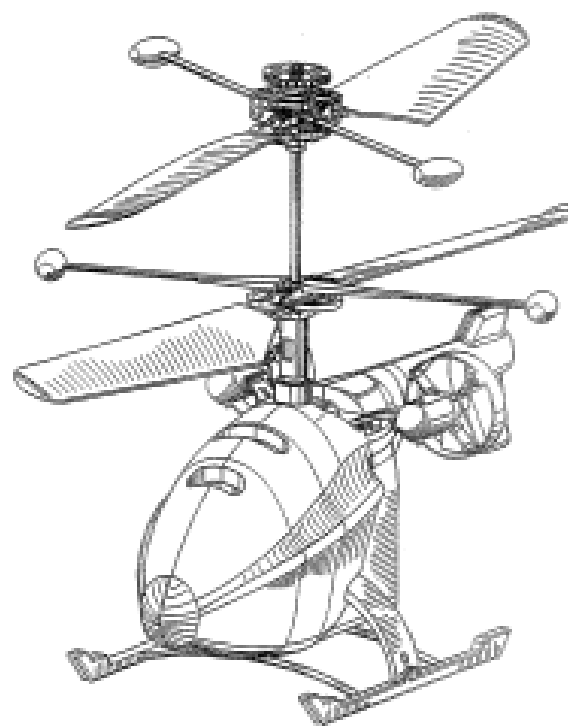
(19) AU

- (21) Design Number: **18301/2007**
- (22) Date of Filing Application: **06 June 2007**
- (24) Date from which industrial property rights may have effect: **06 June 2007**
- (54) Product in respect of which the design is registered: **Embossed wipe**
- (51) International Design Classification: **05-06NES**
- (71) Name(s) and Address(s) of Applicant(s):
Rockline Industries, Inc.
1113 Maryland Avenue Sheboygan WI 53081 United States of America
- (72) Name(s) of Designer(s): **Samuel Paul Johnsrud**
- (45) Registration Date: **14 August 2007**
- (30) Convention priority data:

(31) Number	(32) Date	(33) Country
29/278,669	05 Apr 2007	UNITED STATES OF AMERICA
- (56) Related Art Documents: **Not Applicable**
- (57) Statement of Newness and Distinctiveness: **The newness and distinctiveness of the design resides in the features of pattern and/or ornamentation of an embossed wipe shown in the accompanying representation, wherein said features repeat uniformly throughout the width and length of the wipe.**



- (21) Design Number: **18302/2007**
(22) Date of Filing Application: **06 June 2007**
(24) Date from which industrial property rights may have effect: **06 June 2007**
(54) Product in respect of which the design is registered: **Helicopter**
(51) International Design Classification: **12-07**
(71) Name(s) and Address(s) of Applicant(s):
 Nachman Zimet
 3 Hazor Street Tel Aviv 69016 Israel
 Avner Divon
 5 Gefen Street POB 4660 Rosh-Haayin 48570 Israel
(72) Name(s) of Designer(s): **Nachman Zimet**
(45) Registration Date: **14 August 2007**
(30) Convention priority data:
 (31) Number (32) Date (33) Country
 118559 06 Dec 2006 CANADA
(56) Related Art Documents: **Not Applicable**
(57) Statement of Newness and Distinctiveness: **Newness and distinctiveness resides in the shape and configuration of the helicopter as shown in the accompanying representations.**



- (21) Design Number: **18303/2007**
(22) Date of Filing Application: **06 June 2007**
(24) Date from which industrial property rights may have effect: **06 June 2007**
(54) Product in respect of which the design is registered: **Child's see-saw**
(51) International Design Classification: **21-03**
(71) Name(s) and Address(s) of Applicant(s):
 Tube Plastics Limited
 Severn Road Stourport on Severn Worcestershire DY13 9EX United Kingdom
(72) Name(s) of Designer(s): **Paul May and Miles Mann**
(45) Registration Date: **14 August 2007**
(30) Convention priority data:
 (31) Number (32) Date (33) Country
 000641899 21 Dec 2006 EUROPEAN COMMUNITY
(56) Related Art Documents: **Not Applicable**
(57) Statement of Newness and Distinctiveness: **Nil**



(21) Design Number: **18304/2007**

(22) Date of Filing Application: **06 June 2007**

(24) Date from which industrial property rights may have effect: **06 June 2007**

(54) Product in respect of which the design is registered: **Seat for a child's toy**

(51) International Design Classification: **06-01NES**

(71) Name(s) and Address(s) of Applicant(s):

Tube Plastics Limited
Severn Road Stourport on Severn Worcestershire DY13 9EX United Kingdom

(72) Name(s) of Designer(s): **Paul May and Miles Mann**

(45) Registration Date: **14 August 2007**

(30) Convention priority data:

(31) Number	(32) Date	(33) Country
000641899	21 Dec 2006	EUROPEAN COMMUNITY

(56) Related Art Documents: **Not Applicable**

(57) Statement of Newness and Distinctiveness: **Nil**



(21) Design Number: **18306/2007**

(22) Date of Filing Application: **06 June 2007**

(24) Date from which industrial property rights may have effect: **06 June 2007**

(54) Product in respect of which the design is registered: **Lock**

(51) International Design Classification: **08-07**

(71) Name(s) and Address(s) of Applicant(s):

Master Lock Company LLC
137 W. Forest Hill Avenue PO Box 927 Oak Creek Wisconsin 53154 United States of America

(72) Name(s) of Designer(s): **Christopher Rohde and John Blomstrom**

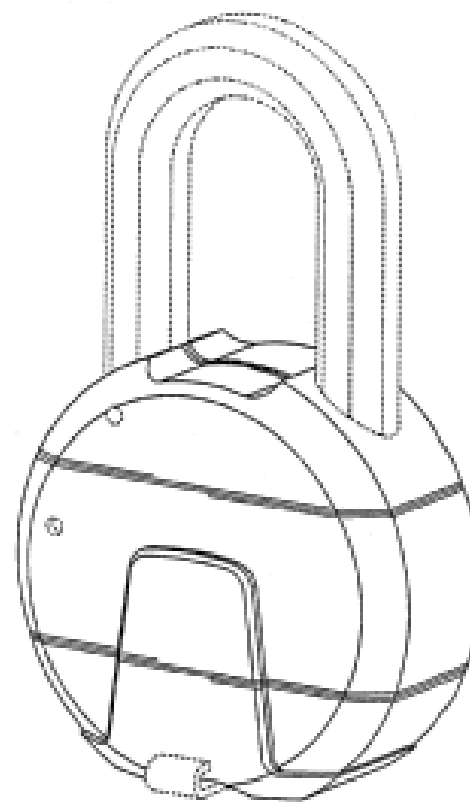
(45) Registration Date: **14 August 2007**

(30) Convention priority data:

(31) Number	(32) Date	(33) Country
29/270,193	18 Dec 2006	UNITED STATES OF AMERICA

(56) Related Art Documents: **Not Applicable**

(57) Statement of Newness and Distinctiveness: **Newness and distinctiveness are provided by the shape and/or configuration of the design shown in the representations. The features shown in broken lines in the representations are for illustrative purposes only and should not be considered when construing visual features of the design.**



(21) Design Number: **19205/2007**

(22) Date of Filing Application: **06 August 2007**

(24) Date from which industrial property rights may have effect: **06 August 2007**

(54) Product in respect of which the design is registered: **Package**

(51) International Design Classification: **09-03NES**

(71) Name(s) and Address(s) of Applicant(s):

Sonoco Development, Inc.

1 North Second Street Hartsville SC 29550 United States of America

(72) Name(s) of Designer(s): **Charles F. Helms Jr. and Clyde Gore and Victor Sisk and Dale Potts**

(45) Registration Date: **14 August 2007**

(30) Convention priority data:

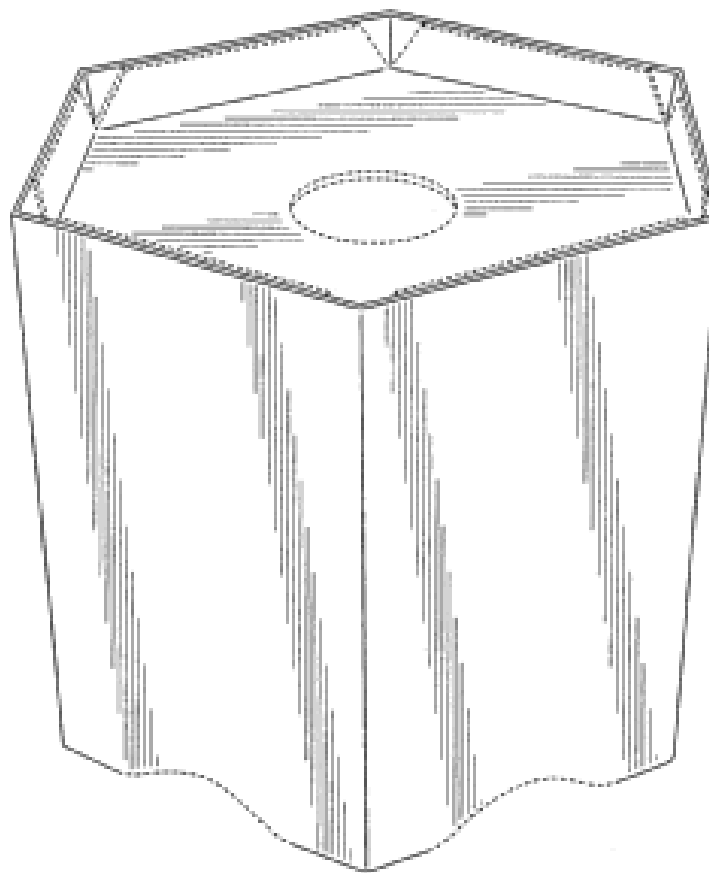
(31) Number
29/277,942

(32) Date
14 Mar 2007

(33) Country
UNITED STATES OF AMERICA

(56) Related Art Documents: **Not Applicable**

(57) Statement of Newness and Distinctiveness: **Nil**



(21) Design Number: **18254/2007**

(22) Date of Filing Application: **01 June 2007**

(24) Date from which industrial property rights may have effect: **01 June 2007**

(54) Product in respect of which the design is registered: **Seedling tray**

(51) International Design Classification: **09-03F**

(71) Name(s) and Address(s) of Applicant(s):

Transplant Systems Pty Limited

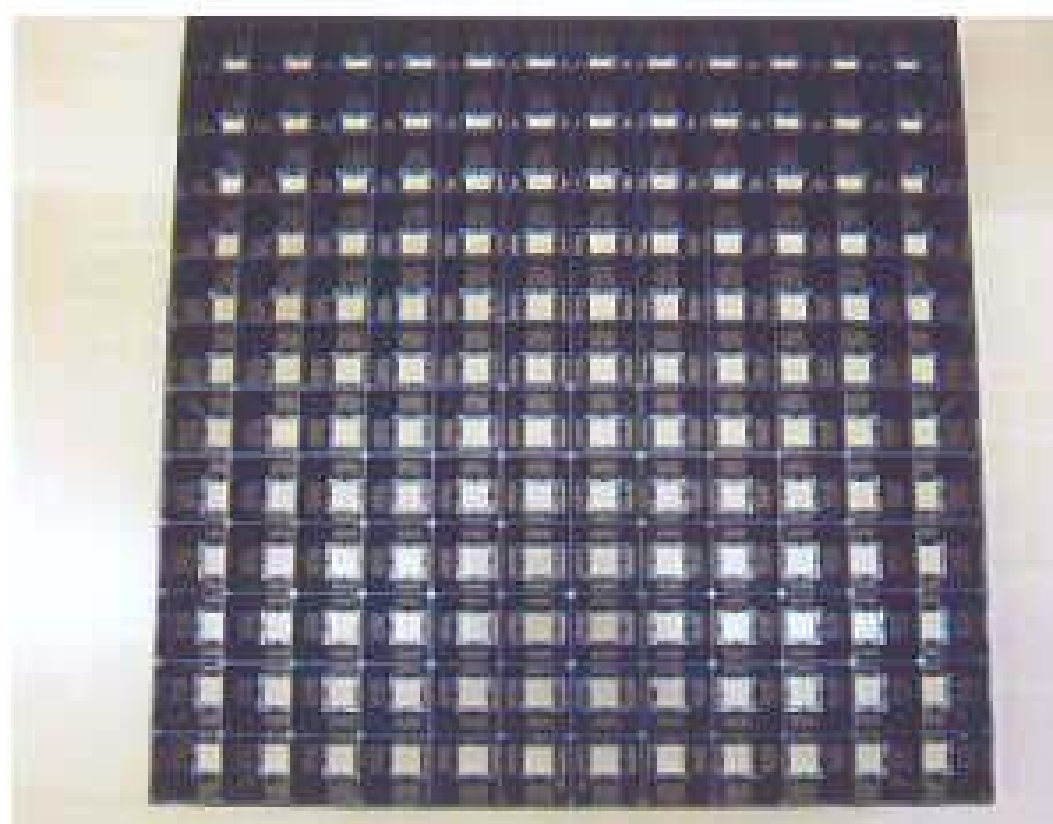
63 Enterprise Avenue Berwick Victoria 3806 Australia

(72) Name(s) of Designer(s): **Alan Rogers**

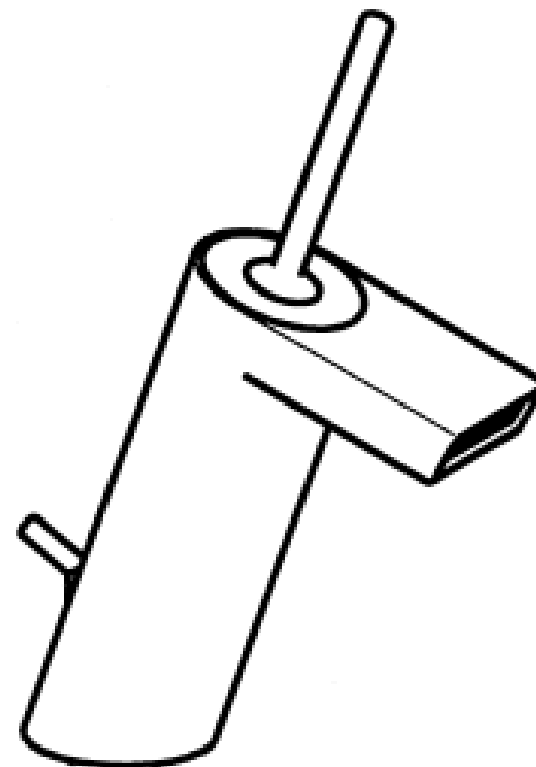
(45) Registration Date: **14 August 2007**

(56) Related Art Documents: **Not Applicable**

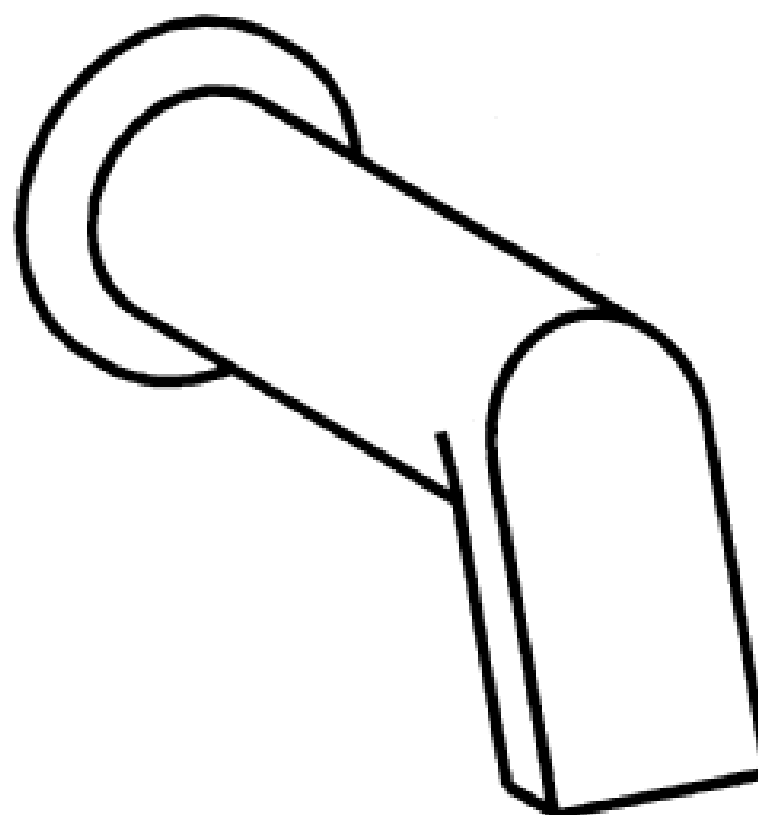
(57) Statement of Newness and Distinctiveness: **Newness and distinctiveness is claimed in the shape and configuration of the upper border around the outer periphery of the tray and in the shape and configuration of the ribs in the base part of the cells of the tray, as shown in the representations.**



(21) Design Number: **18256/2007**
(22) Date of Filing Application: **01 June 2007**
(24) Date from which industrial property rights may have effect: **01 June 2007**
(54) Product in respect of which the design is registered: **A mixing tap**
(51) International Design Classification: **23-01H**
(71) Name(s) and Address(s) of Applicant(s):
Hansa Metallwerke AG
Sigmaringer Str. 107 D-70567 Stuttgart Germany
(72) Name(s) of Designer(s): **Reinhard Zetsche and Bruno Sacco**
(45) Registration Date: **14 August 2007**
(30) Convention priority data:
(31) Number (32) Date (33) Country
000637699 15 Dec 2006 EUROPEAN COMMUNITY
(56) Related Art Documents: **Not Applicable**
(57) Statement of Newness and Distinctiveness: **Nil**



(21) Design Number: **18257/2007**
(22) Date of Filing Application: **01 June 2007**
(24) Date from which industrial property rights may have effect: **01 June 2007**
(54) Product in respect of which the design is registered: **A mixing tap**
(51) International Design Classification: **23-01H**
(71) Name(s) and Address(s) of Applicant(s):
Hansa Metallwerke AG
Sigmaringer Str. 107 D-70567 Stuttgart Germany
(72) Name(s) of Designer(s): **Reinhard Zetsche and Bruno Sacco**
(45) Registration Date: **14 August 2007**
(30) Convention priority data:
(31) Number (32) Date (33) Country
000637699 15 Dec 2006 EUROPEAN COMMUNITY
(56) Related Art Documents: **Not Applicable**
(57) Statement of Newness and Distinctiveness: **Nil**



(21) Design Number: **18258/2007**

(22) Date of Filing Application: **01 June 2007**

(24) Date from which industrial property rights may have effect: **01 June 2007**

(54) Product in respect of which the design is registered: **A mixing tap**

(51) International Design Classification: **23-01H**

(71) Name(s) and Address(s) of Applicant(s):

Hansa Metallwerke AG
Sigmaringer Str. 107 D-70567 Stuttgart Germany

(72) Name(s) of Designer(s): **Reinhard Zetsche and Bruno Sacco**

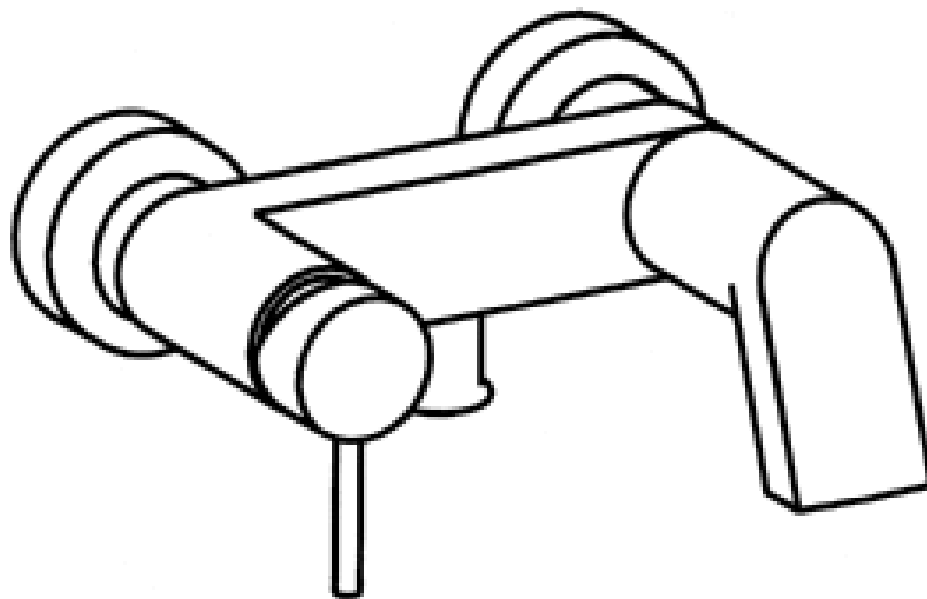
(45) Registration Date: **14 August 2007**

(30) Convention priority data:

(31) Number	(32) Date	(33) Country
000637699	15 Dec 2006	EUROPEAN COMMUNITY

(56) Related Art Documents: **Not Applicable**

(57) Statement of Newness and Distinctiveness: **Nil**



(21) Design Number: **18259/2007**

(22) Date of Filing Application: **01 June 2007**

(24) Date from which industrial property rights may have effect: **01 June 2007**

(54) Product in respect of which the design is registered: **A mixing tap**

(51) International Design Classification: **23-01H**

(71) Name(s) and Address(s) of Applicant(s):

Hansa Metallwerke AG
Sigmaringer Str. 107 D-70567 Stuttgart Germany

(72) Name(s) of Designer(s): **Reinhard Zetsche and Bruno Sacco**

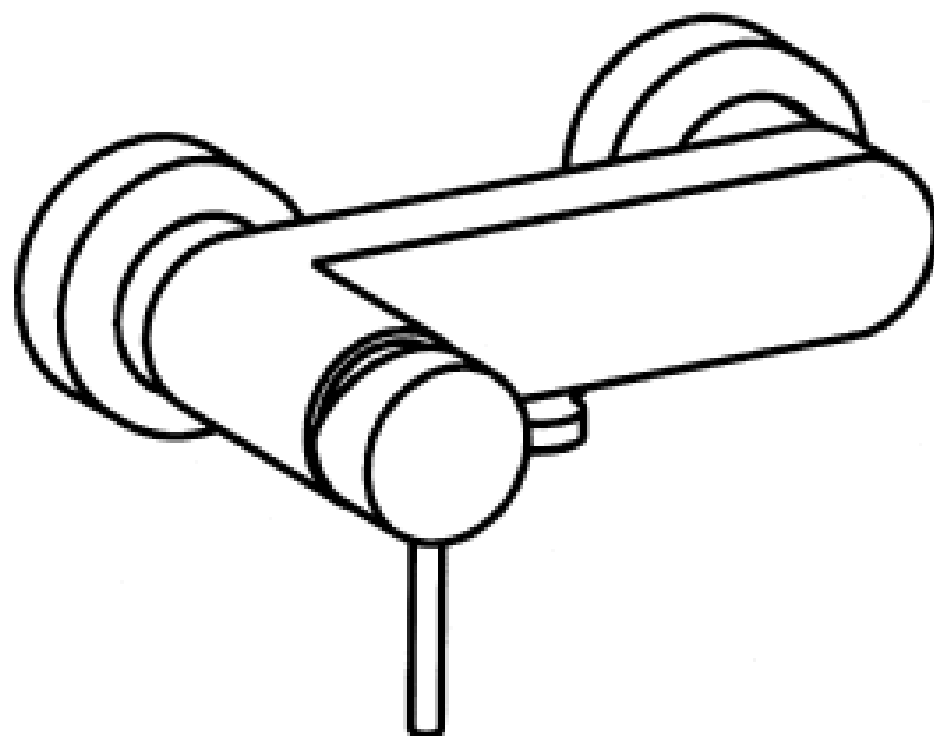
(45) Registration Date: **14 August 2007**

(30) Convention priority data:

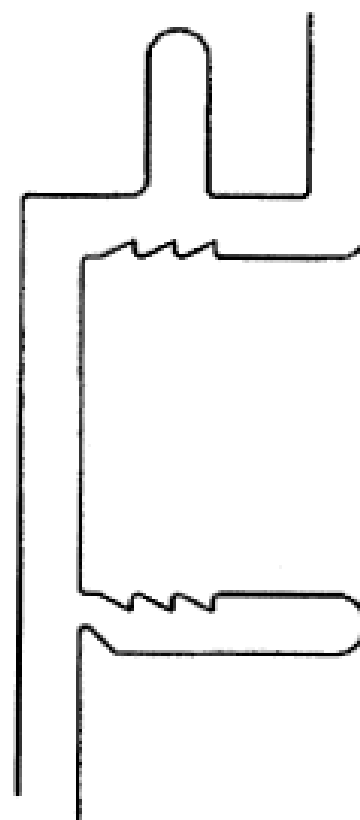
(31) Number	(32) Date	(33) Country
000637699	15 Dec 2006	EUROPEAN COMMUNITY

(56) Related Art Documents: **Not Applicable**

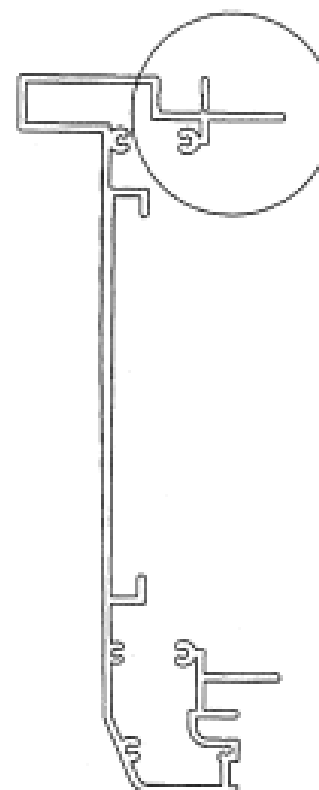
(57) Statement of Newness and Distinctiveness: **Nil**



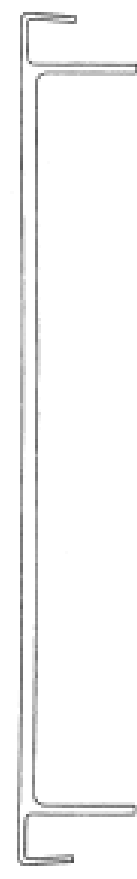
(21) Design Number: **18260/2007**
(22) Date of Filing Application: **01 June 2007**
(24) Date from which industrial property rights may have effect: **01 June 2007**
(54) Product in respect of which the design is registered: **Extrusion**
(51) International Design Classification: **25-01K**
(71) Name(s) and Address(s) of Applicant(s):
Building Solutions Pty Ltd
19 Lower Mill Road Cooroy Queensland 4563 Australia
(72) Name(s) of Designer(s): **Alan Gayne Emblin**
(45) Registration Date: **14 August 2007**
(56) Related Art Documents: **Not Applicable**
(57) Statement of Newness and Distinctiveness: **Nil**



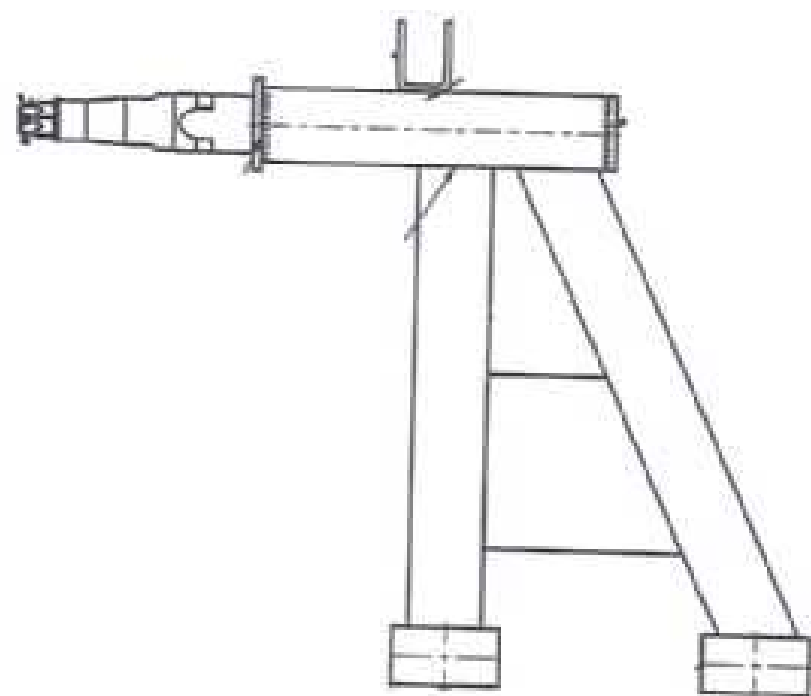
(21) Design Number: **18261/2007**
(22) Date of Filing Application: **01 June 2007**
(24) Date from which industrial property rights may have effect: **01 June 2007**
(54) Product in respect of which the design is registered: **Extrusion**
(51) International Design Classification: **25-01K**
(71) Name(s) and Address(s) of Applicant(s):
Building Solutions Pty Ltd
19 Lower Mill Road Cooroy Queensland 4563 Australia
(72) Name(s) of Designer(s): **Alan Gayne Emblin**
(45) Registration Date: **14 August 2007**
(56) Related Art Documents: **Not Applicable**
(57) Statement of Newness and Distinctiveness: **Nil**



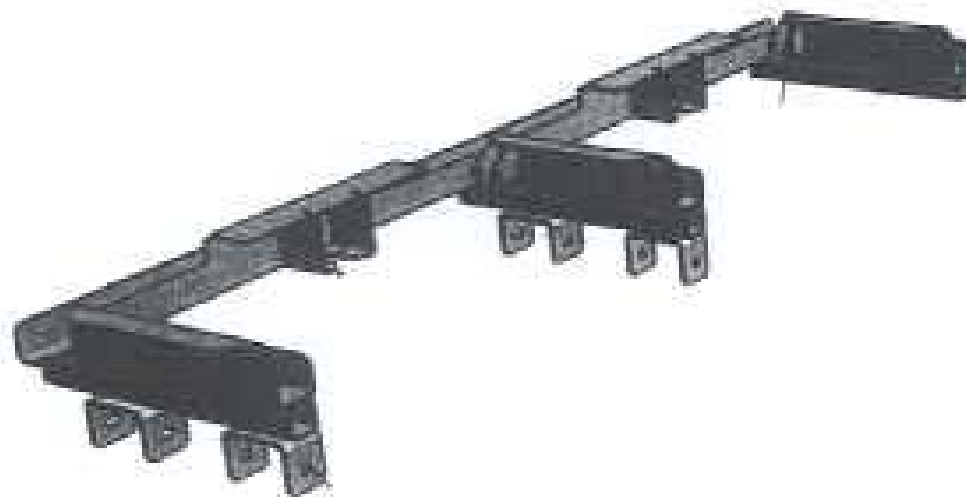
(21) Design Number: **18262/2007**
(22) Date of Filing Application: **01 June 2007**
(24) Date from which industrial property rights may have effect: **01 June 2007**
(54) Product in respect of which the design is registered: **Extrusion**
(51) International Design Classification: **25-01K**
(71) Name(s) and Address(s) of Applicant(s):
Building Solutions Pty Ltd
19 Lower Mill Road Cooroy Queensland 4563 Australia
(72) Name(s) of Designer(s): **Alan Gayne Emblin**
(45) Registration Date: **14 August 2007**
(56) Related Art Documents: **Not Applicable**
(57) Statement of Newness and Distinctiveness: **Nil**



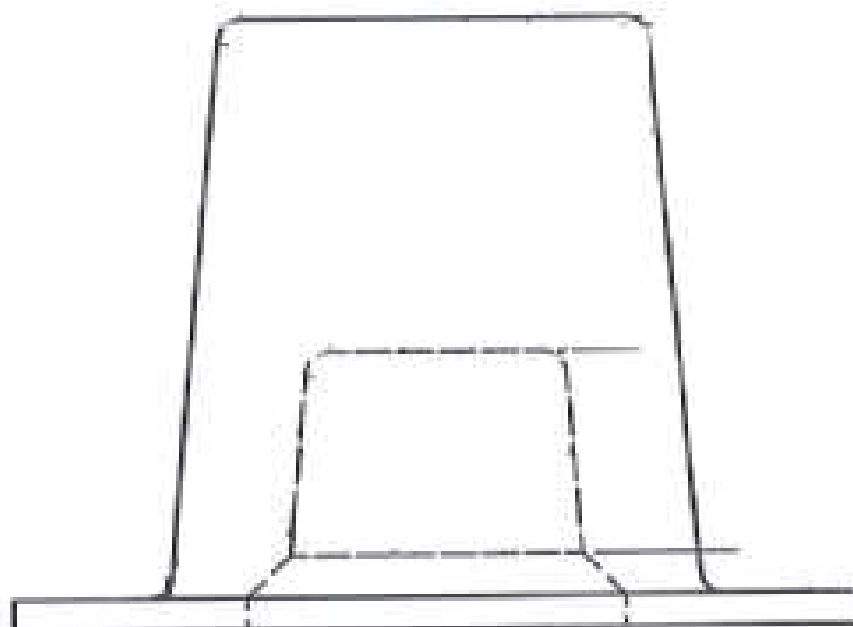
(21) Design Number: **18263/2007**
(22) Date of Filing Application: **01 June 2007**
(24) Date from which industrial property rights may have effect: **01 June 2007**
(54) Product in respect of which the design is registered: **A bushing for a coil spring**
(51) International Design Classification: **12-16NES**
(71) Name(s) and Address(s) of Applicant(s):
Vehicle Components Pty Ltd
1/35 Burdett Street Albion Queensland 4010 Australia
(72) Name(s) of Designer(s): **Chris Goddard**
(45) Registration Date: **14 August 2007**
(56) Related Art Documents: **Not Applicable**
(57) Statement of Newness and Distinctiveness: **Nil**



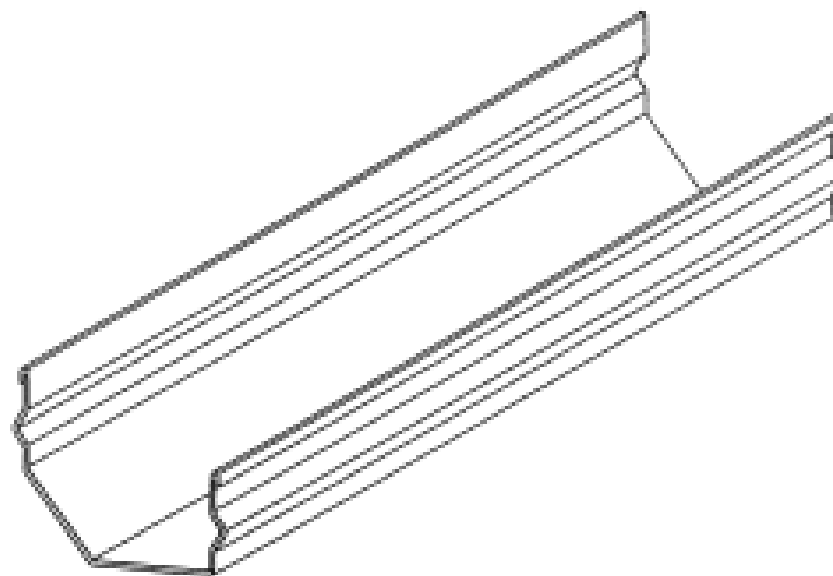
- (21) Design Number: **18264/2007**
(22) Date of Filing Application: **01 June 2007**
(24) Date from which industrial property rights may have effect: **01 June 2007**
(54) Product in respect of which the design is registered: **Frame assembly for a trailer**
(51) International Design Classification: **12-16NES**
(71) Name(s) and Address(s) of Applicant(s):
Vehicle Components Pty Ltd
1/35 Burdett Street Albion Queensland 4010 Australia
(72) Name(s) of Designer(s): **Chris Goddard**
(45) Registration Date: **14 August 2007**
(56) Related Art Documents: **Not Applicable**
(57) Statement of Newness and Distinctiveness: **Nil**



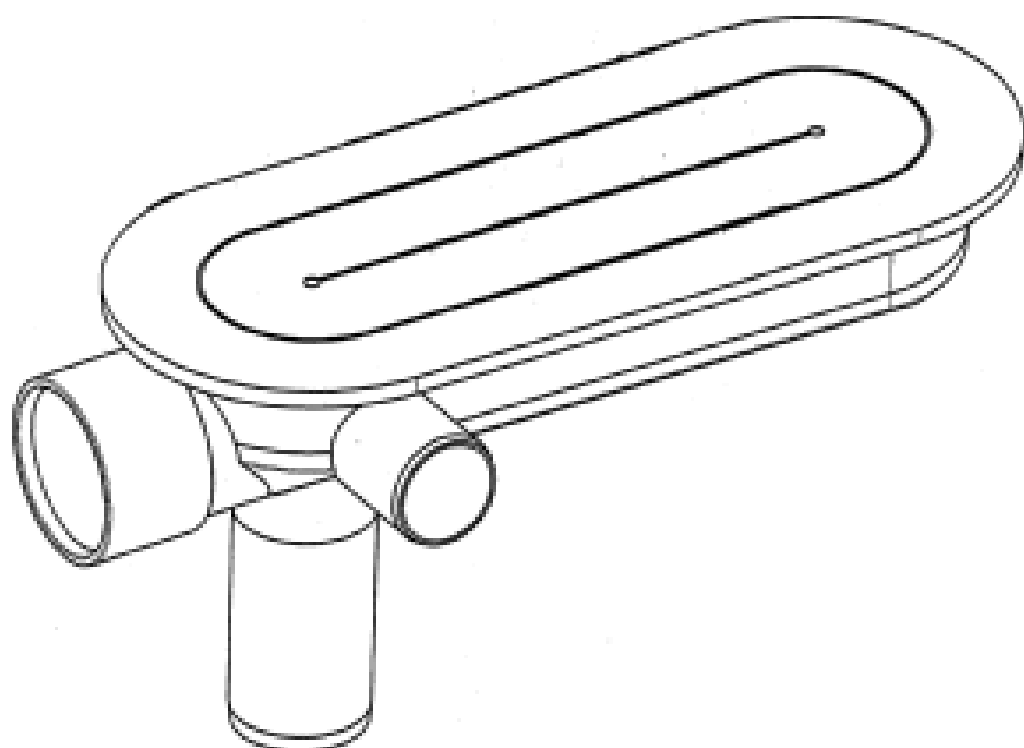
- (21) Design Number: **18265/2007**
(22) Date of Filing Application: **01 June 2007**
(24) Date from which industrial property rights may have effect: **01 June 2007**
(54) Product in respect of which the design is registered: **A bushing for a coil spring**
(51) International Design Classification: **12-16NES**
(71) Name(s) and Address(s) of Applicant(s):
Vehicle Components Pty Ltd
1/35 Burdett Street Albion Queensland 4010 Australia
(72) Name(s) of Designer(s): **Chris Goddard**
(45) Registration Date: **14 August 2007**
(56) Related Art Documents: **Not Applicable**
(57) Statement of Newness and Distinctiveness: **Nil**



- (21) Design Number: **18266/2007**
(22) Date of Filing Application: **01 June 2007**
(24) Date from which industrial property rights may have effect: **01 June 2007**
(54) Product in respect of which the design is registered: **Drainage channel member of indefinite length**
(51) International Design Classification: **23-01NES**
(71) Name(s) and Address(s) of Applicant(s):
**Krebar Pty Ltd Trading as Paige Stainless Fabrications
27 Cessna Drive Caboolture Queensland 4510 Australia**
(72) Name(s) of Designer(s): **Kevin Finn**
(45) Registration Date: **14 August 2007**
(56) Related Art Documents: **Not Applicable**
(57) Statement of Newness and Distinctiveness: **The shape and configuration of the side walls of the drainage channel member are new and distinctive.**



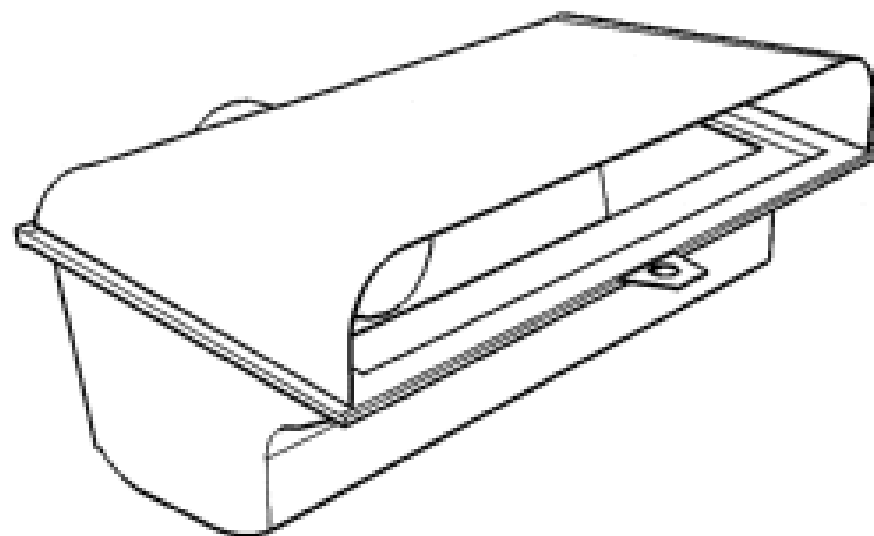
- (21) Design Number: **18267/2007**
(22) Date of Filing Application: **01 June 2007**
(24) Date from which industrial property rights may have effect: **01 June 2007**
(54) Product in respect of which the design is registered: **Offset pipe connector**
(51) International Design Classification: **23-01A**
(71) Name(s) and Address(s) of Applicant(s):
**Plastec Australia Pty Ltd
2 Enterprise Street Caloundra Queensland 4551 Australia**
(72) Name(s) of Designer(s): **Andrew Hobbs and Brian Whitehead**
(45) Registration Date: **14 August 2007**
(56) Related Art Documents: **Not Applicable**
(57) Statement of Newness and Distinctiveness: **The newness and distinctiveness resides in the shape and configuration of the offset pipe connector as shown in the accompanying representations.**



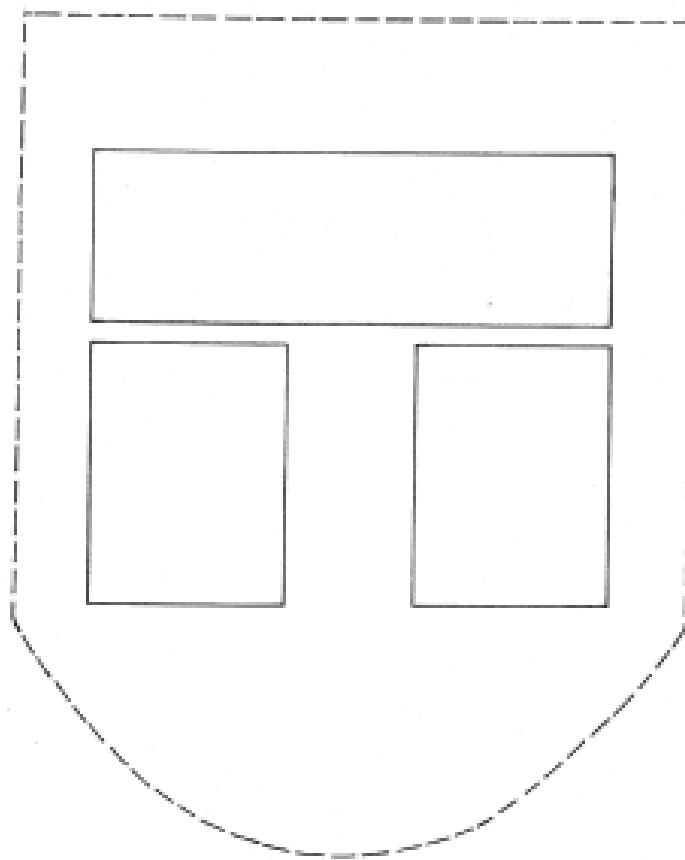
(21) Design Number: **18268/2007**
(22) Date of Filing Application: **01 June 2007**
(24) Date from which industrial property rights may have effect: **01 June 2007**
(54) Product in respect of which the design is registered: **Dispenser**
(51) International Design Classification: **09-01K**
(71) Name(s) and Address(s) of Applicant(s):
Cipla Limited
289 Bellasis Road Mumbai Central Mumbai Maharashtra 400 008 India
(72) Name(s) of Designer(s): **Amar Lulla and Geena Malhotra**
(45) Registration Date: **14 August 2007**
(30) Convention priority data:
(31) Number (32) Date (33) Country
207330 07 Dec 2006 INDIA
(56) Related Art Documents: **Not Applicable**
(57) Statement of Newness and Distinctiveness: **Newness and distinctiveness is claimed in the features of shape and/or configuration of a dispenser and pattern and/or ornamentation of the surface of the dispenser as illustrated in the accompanying representations.**



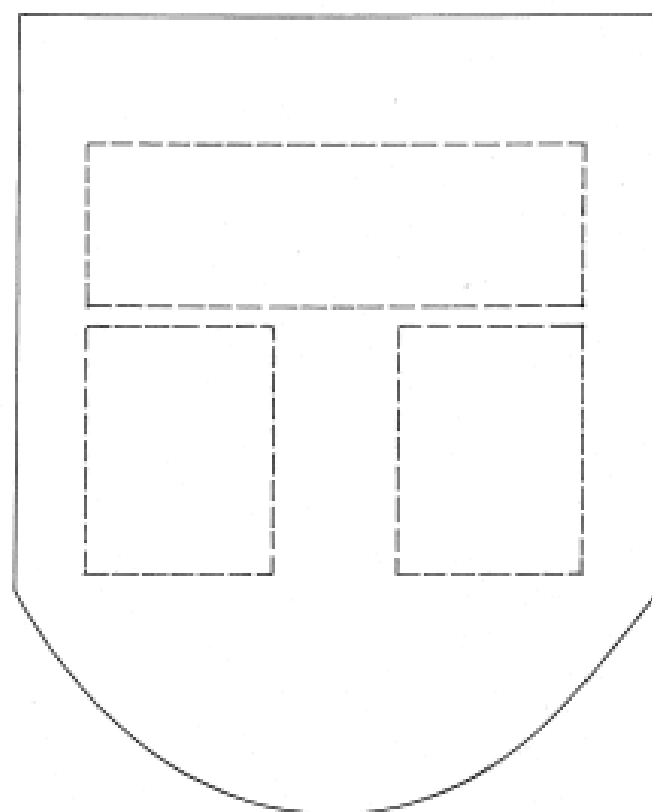
(21) Design Number: **18269/2007**
(22) Date of Filing Application: **01 June 2007**
(24) Date from which industrial property rights may have effect: **01 June 2007**
(54) Product in respect of which the design is registered: **A vehicle cold air induction box**
(51) International Design Classification: **12-16NES**
(71) Name(s) and Address(s) of Applicant(s):
Conrod Motor Sport Pty Limited
115 Stella Street Fairfield West New South Wales 2165 Australia
(72) Name(s) of Designer(s): **Carmine Zoccoli**
(45) Registration Date: **14 August 2007**
(56) Related Art Documents: **Not Applicable**
(57) Statement of Newness and Distinctiveness: **Newness and distinctiveness is claimed in the features of shape and/or configuration of a vehicle cold air induction box as illustrated in the accompanying representations.**



- (21) Design Number: **18270/2007**
(22) Date of Filing Application: **01 June 2007**
(24) Date from which industrial property rights may have effect: **01 June 2007**
(54) Product in respect of which the design is registered: **Backing card for a flexible face mask/sticker(s)**
(51) International Design Classification: **21-03**
(71) Name(s) and Address(s) of Applicant(s):
Stephen Ormsby
2 Gorman Place Cranebrook New South Wales 2749 Australia
(72) Name(s) of Designer(s): **Stephen Ormsby**
(45) Registration Date: **14 August 2007**
(56) Related Art Documents: **Not Applicable**
(57) Statement of Newness and Distinctiveness: **When determining whether the design 1 is substantially similar in overall impression to another design, it is to be noted that the specific size of the card border (shown in dotted outline in the drawing) relative to the sticker regions, is to be disregarded.**



- (21) Design Number: **18271/2007**
(22) Date of Filing Application: **01 June 2007**
(24) Date from which industrial property rights may have effect: **01 June 2007**
(54) Product in respect of which the design is registered: **Backing card for a flexible face mask/sticker(s)**
(51) International Design Classification: **21-03**
(71) Name(s) and Address(s) of Applicant(s):
Stephen Ormsby
2 Gorman Place Cranebrook New South Wales 2749 Australia
(72) Name(s) of Designer(s): **Stephen Ormsby**
(45) Registration Date: **14 August 2007**
(56) Related Art Documents: **Not Applicable**
(57) Statement of Newness and Distinctiveness: **When determining whether the design 1 is substantially similar in overall impression to another design, it is to be noted that the specific size and location of the sticker regions (shown in dotted outline in the drawing) are to be disregarded.**



(21) Design Number: **18273/2007**

(22) Date of Filing Application: **04 June 2007**

(24) Date from which industrial property rights may have effect: **04 June 2007**

(54) Product in respect of which the design is registered: **Goods storage unit**

(51) International Design Classification: **06-04NES**

(71) Name(s) and Address(s) of Applicant(s):

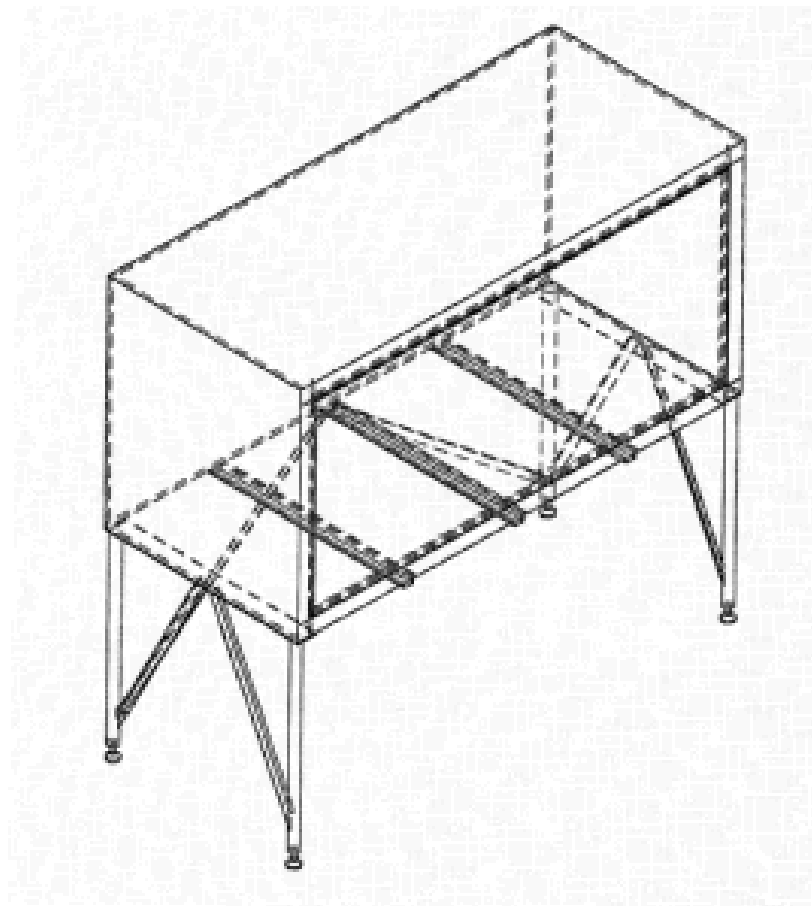
Emu Storage Solutions Pty Ltd
Unit 4 21 Peachtree Road Penrith New South Wales 2750 Australia

(72) Name(s) of Designer(s): **Brett McCracken**

(45) Registration Date: **14 August 2007**

(56) Related Art Documents: **Not Applicable**

(57) Statement of Newness and Distinctiveness: **Nil**



(21) Design Number: **18282/2007**

(22) Date of Filing Application: **04 June 2007**

(24) Date from which industrial property rights may have effect: **04 June 2007**

(54) Product in respect of which the design is registered: **A perfume bottle**

(51) International Design Classification: **28-03NES**

(71) Name(s) and Address(s) of Applicant(s):

Emanuel Ungaro Italia S.r.l.
Via Vittor Pisani 12/a 20124 Milano Italy

(72) Name(s) of Designer(s): **Sylvie de France**

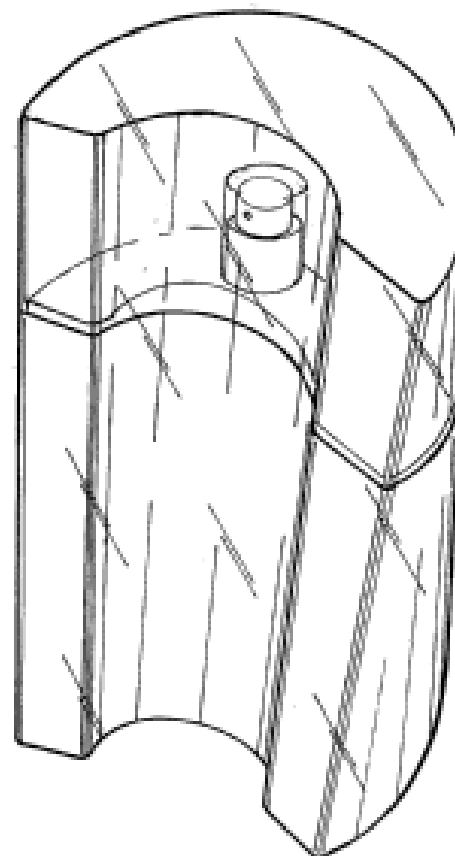
(45) Registration Date: **14 August 2007**

(30) Convention priority data:

(31) Number	(32) Date	(33) Country
000643754	26 Dec 2006	EUROPEAN COMMUNITY

(56) Related Art Documents: **Not Applicable**

(57) Statement of Newness and Distinctiveness: **Newness and distinctiveness is claimed in the features of shape and/or configuration of a perfume bottle as illustrated in the accompanying representations.**



- (21) Design Number: **18284/2007**
- (22) Date of Filing Application: **04 June 2007**
- (24) Date from which industrial property rights may have effect: **04 June 2007**
- (54) Product in respect of which the design is registered: **Garden bench**
- (51) International Design Classification: **06-01C**
- (71) Name(s) and Address(s) of Applicant(s):
Marcus King
PO Box 86 Malmsbury Victoria 3446 Australia
- (72) Name(s) of Designer(s): **Marcus King**
- (45) Registration Date: **14 August 2007**
- (56) Related Art Documents: **Not Applicable**
- (57) Statement of Newness and Distinctiveness: **The new and distinctive shape of this bench has been achieved by using wine barrel materials and their natural shape.**



- (21) Design Number: **18287/2007**
- (22) Date of Filing Application: **04 June 2007**
- (24) Date from which industrial property rights may have effect: **04 June 2007**
- (54) Product in respect of which the design is registered: **Top tray for a wine rack**
- (51) International Design Classification: **06-04NES**
- (71) Name(s) and Address(s) of Applicant(s):
Australian Wine Racks Pty Ltd
41 Anderson Street Thebarton South Australia 5031 Australia
- (72) Name(s) of Designer(s): **Christopher Perrett and Bevan Quinn**
- (45) Registration Date: **14 August 2007**
- (56) Related Art Documents: **Not Applicable**
- (57) Statement of Newness and Distinctiveness: **Nil**

