



Australian Government

IP Australia

AUSTRALIAN OFFICIAL JOURNAL

OF

DESIGNS

Did you know a searchable version of this journal is now available online?

It's FREE and EASY to SEARCH.

Find it at

<http://pericles.ipaustralia.gov.au/ols/epublish/content/olsEpublications.jsp>
or using the "Online Journals" link on the IP Australia home page.

This Page Left Intentionally Blank

Contents

General Information & Notices

**Proceedings Under the Designs Act 1906 preserved as a result of the provisions of Chapter 12
Part 2 of the Designs Act 2003**

Extension of Period of Registration of Designs	10048
Names Registered - Alterations and Amendments	10048
Registrations Ceased	10048

Proceedings Under the Designs Act 2003

Applications Lapsed	10055
Applications Lodged	10053
Certificate of Examination	10058
Corrigenda	10057
Extension of Period of Registration of Design	10056
Extension of Time Granted Under Section 137	10056
Names Registered - Alterations and Amendments	10056
Publication and Registration Proceedings	
Designs Registered 315684 to 315844.....	10059
Registrations Ceased	10056
Subsequent Owners Registered	10056

This Page Left Intentionally Blank

For information on the following please see our website www.ipaustralia.gov.au or contact our Customer Service Network on 1300651010

[Editorial enquiries](#)

[Contact information](#)

[Freedom of Information ACT](#)

[Professional Standards Board](#)

[Sales](#)

[Requests for Information under Section 194 \(c\)](#)

[Country Codes](#)

[Trade Mark and Designs Hearing Sessions](#)

[INID \(Internationally agreed Numbers for the Identification of Data\)](#)

“INID” NUMBERS in use on Australian Design Documents

“INID” is an acronym for “Internationally agreed Numbers for the Identification of Data”.

(10) Data concerning the registration/renewal

- (11) Serial number of the registration and/or number of the design document
- (12) Plain language designation of the kind of published document
- (19) Identification, using the two-letter code according to WIPO Standard ST.3, of the authority publishing or registering the industrial design

(20) Data concerning the application

- (21) Serial number of the application
- (22) Date of filing of the application
- (24) Date from which the industrial design right has effect

(30) Data relating to priority under the Paris Convention

- (31) Serial number assigned to the priority application
- (32) Date of filing of the priority application
- (33) Two-letter code, according to WIPO Standard ST.3, identifying the authority with which the priority application was made

(40) Date(s) of making information available to the public

- (45) Date of publication of the registered industrial design by printing or similar process, or making it available to the public by any other means

(50) Miscellaneous Information

- (51) International Classification for Industrial Designs (class and subclass of the Locarno Classification)
- (54) Designation of article(s) or product(s) covered by the industrial design or title of the industrial design
- (55) Reproduction of the industrial design (e.g., drawing, photograph) and explanations relating to the reproduction
- (56) List of prior art documents, if separate from descriptive text
- (57) Description of characteristic features of the industrial design including indication of colours

(60) References to other legally related application(s) and registration(s)

- (62) Serial number(s) and, if available, filing date(s) of application(s), registration(s) or document(s) related by division
- (66) Serial number(s) of the application, or the registration, of the design(s) which is (are) a variant(s) of the present one

(70) Identification of parties concerned with the application or registration

- (71) Name(s) and address(es) of the applicant(s)
- (72) Name(s) of the creator(s) if known to be such
- (74) Name(s) and address(es) of the representative(s)

This Page Left Intentionally Blank

Official Notice**Business Service Interruption Friday 14th & 21st September 2007**

The IP Australia Canberra office will have all Information Technology computer services interrupted as part of relocating our data centre to the new building.

The interruption will affect IP Australia State Offices ability to electronically receipt all correspondence from customers. Manual receipts will be issued to customers who lodge documents after 4.00pm AEST on these days.

Calls made to our Customer Service Centre on 1300 651 010 will still be answered as normal, however, customers should be aware that IP Australia's Customer Service Centre will not have access to customer information or databases relating to specific applications. Operators will be able to answer general customer enquiries only.

Email systems including assist@ipaaustralia.gov.au will also not be available during these periods.

Customers should further note that all IP Australia computer systems including On-line Services will be unavailable for the following periods.

Item	Start of Business Service interruption	Finish of Business Service interruption
1	AEST 8:00am, Saturday 8 September 2007	AEST 9:00pm, Saturday 8 September 2007
2	AEST 4:00pm, Friday 14 September 2007	AEST midnight, Sunday 16 September 2007
3	AEST 4:00pm, Friday 21 September 2007	AEST midnight, Sunday 23 September 2007

Where possible customers should plan to conduct IP Australia related business outside of these times. Alternatively, applications and other documentation may be faxed to IP Australia on +61 (0) 2 6283 7999. Please note that IP Australia's fax system will have limited capacity during this time and customers should be aware that they need to allow sufficient time to resend their correspondence via fax if the system is busy.

Contact: IP Australia

Phone: 1300 651 010 or +61 2 6283 2999

Fax: +61 2 6283 7999

E-mail: assist@ipaaustralia.gov.au

Web: www.ipaustralia.gov.au

Official Notice**Designs Act 2003
Amendments to Registered Designs at Examination**

The following amendments have been made to details previously published in the Australian Official Journal of Designs during the Examination process:

Registration Numbers	Amendment type	New details
308468	Classification	09-03F

Contact: IP Australia
Phone: 1300 651 010
Fax: +61 2 6283 7999
E-Mail: assist@ipaustralia.gov.au
Web: www.ipaustralia.gov.au

Proceedings under the Designs Act 1906 preserved as a result of the provisions of Chapter 12 Part 2 of the Designs Act 2003.

This Page Left Intentionally Blank

Applications Lapsed

There were no Applications Lapsed under this section

Extension of Period of Registration of Designs

1st Period (Section 27A(8))

158576

2nd Period (Section 27A(12))

145112	145342	145346
145367	145808	145913
145914	146109	146524
146588	146630	146652
146806	146817	146822
146894	146896	146900
147100	147102	147185
147186	147194	147205
147284	147285	147479
147481	147677	148017
148018	148176	148229
148758	148759	148876
149092	149093	149730
149731	149732	149733
149799	149839	149861
149972	149973	149974
149975	149976	149977
149978	149979	149980
149981	149982	149983
150709	150872	151503
151754	151776	

3rd Period (Section 27A(13))

128264	129761	129793
129794	129795	129796
129797	129798	129799
129800	129915	129957
129958	129959	129968
129969	130058	130280
130414	130465	130658
131387	132318	133528
133608	133609	134057
134456	134525	134783
134843	134844	136927
144323	145342	

Registrations Ceased

Note: Some of the following Registrations may have been previously advertised as ceased. In this instance, the previous advertisement still prevails.

113015	113762	113825
113826	113918	113919
113952	114216	114284
114326	114717	114881
115037	115202	116135
116136	116137	116138
116285	116286	116429
116783	117111	118041
127093	127129	127130

127711	127712	127713
127741	127773	127777
127813	127819	127853
127899	127991	128409
128681	128685	128686
128687	128971	130540
130541	130542	130784
143039	143040	143631
143734	144792	144793
144794	144887	144907
144936	144937	144939
144942	144989	144991
144996	145033	145092
145093	145130	145132
145133	145193	145353
145665	145666	145667
145668	145723	145781
145978	146128	146129
146130	146131	146132
146446	146561	146736
146768	146838	146839
146876	146955	147418
147461	147660	148949
148982	149428	149476
149829	150062	

Names Registered - Alterations and Amendments

(The name in parentheses is the new name of the proprietor)

138543	(Kruger Products Limited)	Scott Paper Limited
138544	(Kruger Products Limited)	Scott Paper Limited
116700	(Paint Aids Limited)	Pal Two Limited

This Page Left Intentionally Blank

Proceedings under the Designs Act 2003.

This Page Left Intentionally Blank

Applications Lodged

Lodgement information is in the following order: **Applicant's Name**; International Classification, Name of Product, Lodgement Date and **Design Number**. If the applicant claims an earlier priority date under an International Convention, the Convention Country and the associated filing date are shown in parentheses before the Lodgement Date. Divisional information will also appear in parentheses before the Lodgement Date.

Adnunat Pty Ltd; 25-01B, Ferrule chair, 13 Aug 2007	19312/2007	Grant, Glen Donald; 21-01C, Toy, 15 Aug 2007	19323/2007
Adnunat Pty Ltd; 25-01B, Ferrule chair, 13 Aug 2007	19313/2007	Haigh Australia Pty Ltd; 10-06, Road sign clip for vehicle, 14 Aug 2007	19311/2007
Agwill Pty Ltd; 08-10, Bicycle rack, 10 Aug 2007	19309/2007	Hangzhou China Arts Economic & Trading Corp. Ltd; 06-01E, Bar stool, 09 Aug 2007	19294/2007
Agwill Pty Ltd; 08-10, Bicycle rack, 10 Aug 2007	19310/2007	Huhtamaki Australia Pty Ltd; 09-03F, Egg tray, 09 Aug 2007	19273/2007
Australian Security Fencing Pty Ltd; 25-02C, Security fencing, 09 Aug 2007	19245/2007	IPH International Pty Ltd; 99-00, Joiner, 09 Aug 2007	19295/2007
Bang & Olufsen A/S; 14-01, Mobile/MP3 player, (DK, 09 Feb 2007) 07 Aug 2007	19228/2007	IPH International Pty Ltd; 99-00, Half joiner, 09 Aug 2007	19296/2007
Bang & Olufsen A/S; 14-01, Charger for mobile/MP3 player, (DK, 09 Feb 2007) 07 Aug 2007	19229/2007	Kahn, Stefan R; 19-04, Loose leaf binder for paper pages, 15 Aug 2007	19324/2007
Campbelltown City Council; 23-01NES, Stormwater drainage, 13 Aug 2007	19298/2007	Karasavas, Peter; 21-02NES, Goal posts (soccer, frisbee & other games), 09 Aug 2007	19279/2007
Clipsal Australia Pty Ltd; 13-03D, Electric switch, 30 Jul 2007	19231/2007	Lifesjoy Pty Ltd; 21-02A, Practice ball, 14 Aug 2007	19320/2007
Clipsal Australia Pty Ltd; 13-03D, Electric switch, 30 Jul 2007	19232/2007	Lolitta Clothing; 02-02NES, Ladies clothin garments, 10 Aug 2007	19304/2007
Clipsal Australia Pty Ltd; 13-03D, Electric switch, 30 Jul 2007	19233/2007	LED Technologies Pty Ltd; 26-05NES, Lighting assembly, 10 Aug 2007	19285/2007
Clipsal Australia Pty Ltd; 13-03D, Electric switch module, 30 Jul 2007	19234/2007	LED Technologies Pty Ltd; 26-05NES, Lighting assembly, 10 Aug 2007	19286/2007
Clipsal Australia Pty Ltd; 13-03D, Electric switch module, 30 Jul 2007	19235/2007	LED Technologies Pty Ltd; 26-05NES, Lighting assembly, 10 Aug 2007	19287/2007
Clipsal Australia Pty Ltd; 13-03D, Electric switch unit, 30 Jul 2007	19236/2007	LED Technologies Pty Ltd; 26-05NES, Lighting assembly, 10 Aug 2007	19290/2007
Clipsal Australia Pty Ltd; 13-03D, Electric switch unit, 30 Jul 2007	19237/2007	LG Electronics Inc.; 14-03E, Mobile telephone, (KR, 15 Feb 2007) 10 Aug 2007	19308/2007
Clipsal Australia Pty Ltd; 13-03D, Electric switch unit, 30 Jul 2007	19238/2007	MeadWestvaco Corporation; 09-07A, Dispenser head, (US, 16 Feb 2007) 13 Aug 2007	19319/2007
Clipsal Australia Pty Ltd; 13-03D, Electric switch unit, 30 Jul 2007	19239/2007	Meneghetti S.P.A.; 07-02A, Cooking hob, (EM, 28 Mar 2007) 10 Aug 2007	19305/2007
Cowey, Steven John; 25-02NES, A dock fender slide mounting, 10 Aug 2007	19300/2007	Meneghetti S.P.A.; 07-02A, Cooking hob, (EM, 28 Mar 2007) 10 Aug 2007	19306/2007
Dometic GmbH; 23-02C, Toilet system for recreational vehicle, (EM, 12 Feb 2007) 13 Aug 2007	19318/2007	Michelin Recherche et Technique SA; 12-15C, Tire tread, (US, 16 Feb 2007) 09 Aug 2007	19293/2007
Evergreen Land Limited; 11-01C, A bracelet, (EM, 09 Feb 2007) 08 Aug 2007	19266/2007	Microsoft Corporation; 14-01, Media player, (US, 24 May 2007) 08 Aug 2007	19270/2007
Evergreen Land Limited; 08-08C, Clip, (EM, 09 Feb 2007) 08 Aug 2007	19267/2007		
Fin Control Systems Pty. Limited; 21-02D, Fin plug for surfcraft, 10 Aug 2007	19299/2007		

Millar, Daniel Andrew; 14-03A, Adhesive phone accessory with a metallic-look surface finish, (US, 03 Jul 2007) 09 Aug 2007	19250/2007	Nokia Corporation; 14-04, A display, (FI, 09 Feb 2007) 08 Aug 2007	19261/2007
Millar, Daniel Andrew; 14-03A, Adhesive phone accessory with a metallic-look surface finish, (US, 03 Jul 2007) 09 Aug 2007	19251/2007	NComputing Co., Ltd.; 14-02, Computer network terminal, (KR, 16 Feb 2007) 08 Aug 2007	19253/2007
Millar, Daniel Andrew; 14-03A, Adhesive phone accessory with a metallic-look surface finish, (US, 03 Jul 2007) 09 Aug 2007	19252/2007	NEC Corporation; 14-02, Arithmetic and control unit for a computer, (JP, 11 May 2007) 10 Aug 2007	19289/2007
Modern Trailers Pty Ltd; 12-10, Trailer side panel (left), 07 Aug 2007	19246/2007	Outotec Oyj; 15-99, Collar for a modular rotor, (Divisional of 17947/2007) 09 Aug 2007	19297/2007
Modern Trailers Pty Ltd; 12-10, Trailer side panel (right), 07 Aug 2007	19247/2007	Phoenix Industries Pty Ltd; 23-02A, Toilet roll holder, 08 Aug 2007	19263/2007
Modern Trailers Pty Ltd; 12-10, Trailer side panel (left), 07 Aug 2007	19248/2007	Pi-Design AG; 07-07A, Wine cooler, (DK, 02 Mar 2007) 13 Aug 2007	19317/2007
Modern Trailers Pty Ltd; 12-10, Trailer side panel (right), 07 Aug 2007	19249/2007	Pi-Design AG; 07-01F, Double wall chocolate jug, (DK, 13 Feb 2007) 13 Aug 2007	19321/2007
Mongelard, Jean-Marc; 25-01A, Paver, 10 Aug 2007	19277/2007	Pi-Design AG; 07-01F, Double wall chocolate jug, (DK, 13 Feb 2007) 13 Aug 2007	19322/2007
Mostafa, Ivana; 06-13B, Baby wrap, 13 Aug 2007	19316/2007	Pourounidis, Harry; Stone, Curtis; 07-02P, "Wafer baker" 4 hole heart shape, 01 Jun 2007	19425/2007
Multisteps Pty Ltd; 09-03F, A produce container, 08 Aug 2007	19268/2007	Pourounidis, Harry; Stone, Curtis; 07-02P, "Wafer baker" 4 hole round shape, 01 Jun 2007	19424/2007
Multisteps Pty Ltd; 09-03F, A produce container, 08 Aug 2007	19269/2007	Pourounidis, Harry; Stone, Curtis; 07-02P, "Wafer baker" 4 hole star shape, 01 Jun 2007	19423/2007
Nice SPA; 08-07, Devices of a driving system for gates, (IT, 26 Feb 2007) 10 Aug 2007	19288/2007	Pourounidis, Harry; Stone, Curtis; 07-02P, "Wafer baker" 6 hole round shape, 01 Jun 2007	19426/2007
Nokia Corporation; 14-01, A headset, (FI, 09 Feb 2007) 09 Aug 2007	19291/2007	Procter & Gamble Company, The; 28-03NES, Therapeutic device, (US, 12 Feb 2007) 09 Aug 2007	19244/2007
Nokia Corporation; 13-02, A battery, (FI, 09 Feb 2007) 09 Aug 2007	19292/2007	Procter & Gamble Company, The; 24-99, Therapeutic device, (US, 12 Feb 2007) 09 Aug 2007	19274/2007
Nokia Corporation; 09-03M, Packaging, (FI, 09 Feb 2007) 08 Aug 2007	19254/2007	Prodrome Designs Pty Ltd; 25-01K, A wall frame member, 07 Aug 2007	19223/2007
Nokia Corporation; 14-03A, A headset, (FI, 09 Feb 2007) 08 Aug 2007	19255/2007	Prodrome Designs Pty Ltd; 25-01K, A wall frame member, 07 Aug 2007	19224/2007
Nokia Corporation; 14-03A, A part of a headset, (FI, 09 Feb 2007) 08 Aug 2007	19256/2007	Prodrome Designs Pty Ltd; 25-01K, A wall frame member, 07 Aug 2007	19225/2007
Nokia Corporation; 14-03A, A holder, (FI, 09 Feb 2007) 08 Aug 2007	19257/2007	Prodrome Designs Pty Ltd; 25-01K, A wall frame member, 07 Aug 2007	19226/2007
Nokia Corporation; 14-03A, A part of a headset, (FI, 09 Feb 2007) 08 Aug 2007	19258/2007	Reckitt Benckiser N.V.; 09-03NES, Container, (EM, 21 Feb 2007) 16 Aug 2007	19382/2007
Nokia Corporation; 14-03A, A part of a headset, (FI, 09 Feb 2007) 08 Aug 2007	19259/2007	Reckitt Benckiser N.V.; 09-03NES, Container, (EM, 21 Feb 2007) 16 Aug 2007	19383/2007
Nokia Corporation; 14-03A, A headset, (FI, 09 Feb 2007) 08 Aug 2007	19260/2007	Robert Bosch GmbH; 08-05N, Multi-sander, (EM, 15 May 2007) 07 Aug 2007	19230/2007

S.C. Johnson & Son, Inc.; 22-06, Shield for insect trap, (US, 12 Feb 2007) 10 Aug 2007	19302/2007	Stone, Curtis; Pourounidis, Harry; 07-02P, "Wafer baker" 4 hole star shape, 01 Jun 2007	19423/2007
Sandvik Intellectual Property AB; 08-05P, Spanner, 10 Aug 2007	19303/2007	Stone, Curtis; Pourounidis, Harry; 07-02P, "Wafer baker" 4 hole round shape, 01 Jun 2007	19424/2007
Seda S.P.A.; 09-07B, Cup lid, (EM, 12 Feb 2007) 09 Aug 2007	19281/2007	Stone, Curtis; Pourounidis, Harry; 07-02P, "Wafer baker" 4 hole heart shape, 01 Jun 2007	19425/2007
Seda S.P.A.; 09-07B, Cup lid, (EM, 12 Feb 2007) 09 Aug 2007	19282/2007	Textron Inc.; 12-16B, Rear bumper, (US, 09 Feb 2007) 09 Aug 2007	19280/2007
Seda S.P.A.; 09-07B, Cup lid, (EM, 12 Feb 2007) 09 Aug 2007	19283/2007	Truckmania Pty Ltd; 12-10, Vehicle display trailer, 09 Aug 2007	19278/2007
Seda S.P.A.; 09-07B, Cup lid, (EM, 12 Feb 2007) 09 Aug 2007	19284/2007	Tube Home (M) SDN BHD; 06-02, Bed - SE 2, 10 Aug 2007	19275/2007
Smart Box Systems Pty Ltd; 08-08L, Joiner, 13 Aug 2007	19314/2007	Tube Home (M) SDN BHD; 06-02, Bed - AP, 10 Aug 2007	19276/2007
Smart Box Systems Pty Ltd; 09-03NES, Container, 13 Aug 2007	19315/2007	Unique Product & Design Co., Ltd.; 12-02, Golf cart, 08 Aug 2007	19265/2007
Societe De Technologie Michelin; Michelin Recherche et Technique SA; 12-15C, Tire tread, (US, 16 Feb 2007) 09 Aug 2007	19293/2007	Wilson Plastics Limited; 99-00, A letter box, (NZ, 19 Feb 2007) 08 Aug 2007	19243/2007
Southern Imperial Pty Ltd; 20-02A, A display strip, 08 Aug 2007	19264/2007	World Wide Stationery Manufacturing Co., Ltd.; 08-08NES, 19-02, Compressor bar, (EM, 21 May 2007) 10 Aug 2007	19307/2007
Stone, Curtis; Pourounidis, Harry; 07-02P, "Wafer baker" 6 hole round shape, 01 Jun 2007	19426/2007		

Applications Lapsed

15449 / 2005 (18-03)	15450 / 2005 (18-03)
15451 / 2005 (18-03)	15452 / 2005 (18-03)
15453 / 2005 (18-03)	16388 / 2007 (02-02C)
16389 / 2007 (02-02C)	16390 / 2007 (02-02C)
16437 / 2007 (02-02C)	16497 / 2007 (02-02C)
16530 / 2007 (05-05NES)	16531 / 2007 (05-05B)
16532 / 2007 (05-05NES)	16533 / 2007 (05-05D)
16534 / 2007 (05-05B)	17163 / 2007 (14-04)
18322 / 2007 (25-01K)	18323 / 2007 (06-03B)
18416 / 2007 (06-01C)	

Extension of Period of Registration of Designs

315554

Registrations Ceased

304928 305030 307752

Extensions of time granted under Section 137

Applications lodged under section 137 for extension of time have been granted.

304602 **Onesteel Manufacturing Pty Ltd**

18323/2007 **Geoffrey Francis Keating**

19241/2007 **Jimmy Gue**

19242/2007 **Jimmy Gue**

Subsequent Owners Registered

(The name in parentheses is that of the subsequent owner)

309398 (**Nazzarena Romeo**) Bruno Romeo

Names Registered - Alterations and Amendments

(The name in parentheses is that of the subsequent applicant)

310941 (**Cyberview Technology, Inc.**) Cyberscan Technology, Inc.

Corrigenda

Number 17091/2007

In Vol 21 , No 17 , page 9956 under the heading **Applications Lapsed**; Design No. 17091/2007 should be deleted.

Number 17092/2007

In Vol 21 , No 17 , page 9956 under the heading **Applications Lapsed**; Design No. 17092/2007 should be deleted.

Certificate(s) of Examination

Examination of the following Design Registration(s) has been completed. Infringement proceedings may now be commenced.

302376	25-01K	23/08/2007
302377	25-01K	23/08/2007
302378	25-01K	23/08/2007
307208	25-02B	23/08/2007
308468	09-03F	16/08/2007
309874	16-06	17/08/2007
309888	16-06	17/08/2007
309889	16-06	17/08/2007
309890	16-06	17/08/2007
309892	16-06	17/08/2007
309893	16-06	17/08/2007
310550	23-02A	23/08/2007
310832	19-06	17/08/2007
311020	12-05	23/08/2007
311021	12-05	23/08/2007
311140	22-05	23/08/2007
311141	22-05	23/08/2007
311205	19-08	23/08/2007
311285	28-99	23/08/2007
311286	28-99	23/08/2007
311983	12-10	29/08/2007
312003	12-10	29/08/2007
312542	28-99	23/08/2007
312553	28-99	23/08/2007
312554	22-06	27/08/2007
312583	28-99	23/08/2007
312584	28-99	23/08/2007
312585	28-99	27/08/2007
312711	12-06NES	23/08/2007
312712	12-06NES	23/08/2007
314889	15-05	23/08/2007

Publication and Registration Proceedings

Designs Registered

This section provides a concordance between design number and registration number of Designs covered in this journal. It also shows the main class and registration date.

This section covers Registration numbers 315684 to 315844 .

The registration number shown below should be used in all future correspondence.

Design Number	Registration Number	International Classification Code (IDC)	Registration Date	Design Number	Registration Number	International Classification Code (IDC)	Registration Date
15542/2004	315759	11-05	23/08/2007	18251/2007	315700	07-01C	17/08/2007
10228/2005	315756	11-05	23/08/2007	18252/2007	315701	07-01B	17/08/2007
10454/2005	315757	11-05	23/08/2007	18283/2007	315702	23-01A	17/08/2007
13961/2005	315712	12-16B	21/08/2007	18290/2007	315703	14-03E	17/08/2007
13962/2005	315713	12-16B	21/08/2007	18296/2007	315720	23-01B	21/08/2007
13963/2005	315714	12-16B	21/08/2007	18297/2007	315822	08-03	28/08/2007
14056/2005	315758	28-03A	23/08/2007	18305/2007	315704	07-01D	17/08/2007
10727/2006	315785	12-16L	24/08/2007	18309/2007	315705	08-07	17/08/2007
10728/2006	315786	12-16L	24/08/2007	18310/2007	315706	10-02	17/08/2007
10729/2006	315787	12-16L	24/08/2007	18311/2007	315707	07-05E	17/08/2007
10730/2006	315788	12-16L	24/08/2007	18312/2007	315708	07-05E	17/08/2007
10731/2006	315789	12-16L	24/08/2007	18313/2007	315709	09-03M	17/08/2007
12679/2006	315716	23-01B	21/08/2007	18314/2007	315721	12-15A	21/08/2007
14330/2006	315715	08-08D	21/08/2007	18315/2007	315722	12-15A	21/08/2007
15096/2006	315684	24-99	17/08/2007	18316/2007	315723	12-15A	21/08/2007
15098/2006	315685	24-99	17/08/2007	18317/2007	315724	23-01A	21/08/2007
15099/2006	315686	24-99	17/08/2007	18318/2007	315725	08-09	21/08/2007
16429/2007	315790	23-01F	24/08/2007	18319/2007	315726	08-06	21/08/2007
16677/2007	315687	15-05	17/08/2007	18320/2007	315727	07-05D	21/08/2007
16837/2007	315688	08-01	17/08/2007	18321/2007	315728	24-01	21/08/2007
17084/2007	315803	26-06	28/08/2007	18324/2007	315729	09-07NES	21/08/2007
17085/2007	315804	26-06	28/08/2007	18325/2007	315819	08-08NES	28/08/2007
17087/2007	315805	12-16B	28/08/2007	18326/2007	315820	08-08B	28/08/2007
17088/2007	315806	12-16B	28/08/2007	18327/2007	315730	08-06	21/08/2007
17089/2007	315807	12-08	28/08/2007	18328/2007	315731	08-03	21/08/2007
17095/2007	315808	12-16B	28/08/2007	18330/2007	315732	25-01K	21/08/2007
17096/2007	315809	12-16B	28/08/2007	18331/2007	315733	25-01K	21/08/2007
17097/2007	315810	12-16B	28/08/2007	18332/2007	315760	25-01K	23/08/2007
17098/2007	315811	12-16B	28/08/2007	18333/2007	315761	08-08NES	23/08/2007
17101/2007	315812	26-06	28/08/2007	18336/2007	315762	21-02F	23/08/2007
17102/2007	315813	26-06	28/08/2007	18338/2007	315734	06-04NES	21/08/2007
17295/2007	315718	07-01D	21/08/2007	18343/2007	315717	23-01B	21/08/2007
17424/2007	315719	07-01D	21/08/2007	18345/2007	315735	21-02NES	21/08/2007
17457/2007	315770	25-03	23/08/2007	18346/2007	315736	16-01	21/08/2007
17589/2007	315814	19-08	28/08/2007	18348/2007	315737	09-05	21/08/2007
17590/2007	315815	25-02NES	28/08/2007	18350/2007	315738	04-01	21/08/2007
17655/2007	315771	23-01E	23/08/2007	18360/2007	315739	14-01	21/08/2007
17693/2007	315816	21-02B	28/08/2007	18362/2007	315740	07-01A	21/08/2007
17710/2007	315821	09-07NES	28/08/2007	18363/2007	315741	07-01A	21/08/2007
17790/2007	315817	10-06	28/08/2007	18364/2007	315742	07-01F	21/08/2007
17791/2007	315818	10-06	28/08/2007	18365/2007	315744	07-01B	21/08/2007
17825/2007	315689	14-03NES	17/08/2007	18366/2007	315745	07-01B	21/08/2007
18112/2007	315791	12-10	24/08/2007	18367/2007	315746	07-01B	21/08/2007
18238/2007	315690	07-06NES	17/08/2007	18368/2007	315743	07-01G	21/08/2007
18239/2007	315691	07-04	17/08/2007	18369/2007	315747	07-01D	21/08/2007
18240/2007	315692	07-04	17/08/2007	18370/2007	315748	07-01D	21/08/2007
18241/2007	315693	07-04	17/08/2007	18371/2007	315749	07-01D	21/08/2007
18242/2007	315694	07-04	17/08/2007	18372/2007	315772	07-01D	23/08/2007
18243/2007	315695	07-06B	17/08/2007	18373/2007	315773	07-01D	23/08/2007
18244/2007	315696	07-02P	17/08/2007	18374/2007	315763	24-02	23/08/2007
18245/2007	315697	07-02P	17/08/2007	18375/2007	315764	11-02E	23/08/2007
18249/2007	315698	07-04	17/08/2007	18376/2007	315792	26-02	24/08/2007
18250/2007	315699	07-04	17/08/2007	18377/2007	315793	26-02	24/08/2007

Publication and Registration Proceedings - Designs Registered cont'd

Design Number	Registration Number	International Classification Code (IDC)	Registration Date	Design Number	Registration Number	International Classification Code (IDC)	Registration Date
18378/2007	315794	13-02	24/08/2007	18406/2007	315833	02-01A	28/08/2007
18379/2007	315795	13-02	24/08/2007	18407/2007	315834	02-02A	28/08/2007
18380/2007	315765	08-06	23/08/2007	18408/2007	315835	02-02A	28/08/2007
18381/2007	315766	08-06	23/08/2007	18409/2007	315836	02-02A	28/08/2007
18382/2007	315767	08-06	23/08/2007	18410/2007	315837	02-02A	28/08/2007
18383/2007	315768	08-06	23/08/2007	18411/2007	315838	02-02NES	28/08/2007
18384/2007	315769	08-06	23/08/2007	18412/2007	315839	02-02A	28/08/2007
18385/2007	315774	08-08H	23/08/2007	18413/2007	315796	14-99	24/08/2007
18386/2007	315775	08-08B	23/08/2007	18415/2007	315750	23-01E	21/08/2007
18387/2007	315776	14-99	23/08/2007	18417/2007	315797	07-05E	24/08/2007
18388/2007	315777	28-03NES	23/08/2007	18418/2007	315751	23-01F	21/08/2007
18389/2007	315778	28-03NES	23/08/2007	18419/2007	315752	21-02A	21/08/2007
18390/2007	315779	28-03NES	23/08/2007	18420/2007	315753	21-02A	21/08/2007
18391/2007	315780	23-01F	23/08/2007	18421/2007	315754	23-01H	21/08/2007
18392/2007	315781	23-01F	23/08/2007	18424/2007	315798	02-03	24/08/2007
18393/2007	315782	23-01NES	23/08/2007	18435/2007	315799	09-09	24/08/2007
18394/2007	315783	27-99	23/08/2007	18436/2007	315800	09-09	24/08/2007
18395/2007	315784	07-01B	23/08/2007	18439/2007	315840	25-03	28/08/2007
18396/2007	315823	02-02A	28/08/2007	18448/2007	315841	06-09	28/08/2007
18397/2007	315824	02-01B	28/08/2007	18449/2007	315842	12-16L	28/08/2007
18398/2007	315825	02-01B	28/08/2007	18450/2007	315843	12-16L	28/08/2007
18399/2007	315826	02-02NES	28/08/2007	18452/2007	315844	02-02NES	28/08/2007
18400/2007	315827	02-02A	28/08/2007	18855/2007	315755	02-02NES	21/08/2007
18401/2007	315828	02-02A	28/08/2007	19227/2007	315710	21-01L	17/08/2007
18402/2007	315829	02-02A	28/08/2007	19262/2007	315711	19-06	17/08/2007
18403/2007	315830	02-02A	28/08/2007	19382/2007	315801	09-03NES	24/08/2007
18404/2007	315831	02-02NES	28/08/2007	19383/2007	315802	09-03NES	24/08/2007
18405/2007	315832	02-01A	28/08/2007				

Publication and Registration Proceedings
Class Listing of Designs Published or Registered

The following section shows an International Classification Code listing of the Registered or Published Designs covered in this supplement.

Classification	Registration Number	Design Number	Classification	Registration Number	Design Number
02-01 A	315832	18405/2007	08-03	315731	18328/2007
02-01 A	315833	18406/2007	08-03	315822	18297/2007
02-01 B	315824	18397/2007	08-06	315726	18319/2007
02-01 B	315825	18398/2007	08-06	315730	18327/2007
02-02 A	315823	18396/2007	08-06	315765	18380/2007
02-02 A	315827	18400/2007	08-06	315766	18381/2007
02-02 A	315828	18401/2007	08-06	315767	18382/2007
02-02 A	315829	18402/2007	08-06	315768	18383/2007
02-02 A	315830	18403/2007	08-06	315769	18384/2007
02-02 A	315834	18407/2007	08-07	315705	18309/2007
02-02 A	315835	18408/2007	08-08 B	315775	18386/2007
02-02 A	315836	18409/2007	08-08 B	315820	18326/2007
02-02 A	315837	18410/2007	08-08 D	315715	14330/2006
02-02 A	315839	18412/2007	08-08 H	315774	18385/2007
02-02 NES	315755	18855/2007	08-08 NES	315761	18333/2007
02-02 NES	315826	18399/2007	08-08 NES	315819	18325/2007
02-02 NES	315831	18404/2007	08-09	315725	18318/2007
02-02 NES	315838	18411/2007	09-03 M	315709	18313/2007
02-02 NES	315844	18452/2007	09-03 NES	315801	19382/2007
02-03	315798	18424/2007	09-03 NES	315802	19383/2007
04-01	315738	18350/2007	09-05	315737	18348/2007
06-04 NES	315734	18338/2007	09-07 NES	315729	18324/2007
06-09	315841	18448/2007	09-07 NES	315821	17710/2007
07-01 A	315740	18362/2007	09-09	315799	18435/2007
07-01 A	315741	18363/2007	09-09	315800	18436/2007
07-01 B	315701	18252/2007	10-02	315706	18310/2007
07-01 B	315744	18365/2007	10-06	315817	17790/2007
07-01 B	315745	18366/2007	10-06	315818	17791/2007
07-01 B	315746	18367/2007	11-02 E	315764	18375/2007
07-01 B	315784	18395/2007	11-05	315756	10228/2005
07-01 C	315700	18251/2007	11-05	315757	10454/2005
07-01 D	315704	18305/2007	11-05	315759	15542/2004
07-01 D	315718	17295/2007	12-08	315807	17089/2007
07-01 D	315719	17424/2007	12-10	315791	18112/2007
07-01 D	315747	18369/2007	12-15 A	315721	18314/2007
07-01 D	315748	18370/2007	12-15 A	315722	18315/2007
07-01 D	315749	18371/2007	12-15 A	315723	18316/2007
07-01 D	315772	18372/2007	12-16 B	315712	13961/2005
07-01 D	315773	18373/2007	12-16 B	315713	13962/2005
07-01 F	315742	18364/2007	12-16 B	315714	13963/2005
07-01 G	315743	18368/2007	12-16 B	315805	17087/2007
07-02 P	315696	18244/2007	12-16 B	315806	17088/2007
07-02 P	315697	18245/2007	12-16 B	315808	17095/2007
07-04	315691	18239/2007	12-16 B	315809	17096/2007
07-04	315692	18240/2007	12-16 B	315810	17097/2007
07-04	315693	18241/2007	12-16 B	315811	17098/2007
07-04	315694	18242/2007	12-16 L	315785	10727/2006
07-04	315698	18249/2007	12-16 L	315786	10728/2006
07-04	315699	18250/2007	12-16 L	315787	10729/2006
07-05 D	315727	18320/2007	12-16 L	315788	10730/2006
07-05 E	315707	18311/2007	12-16 L	315789	10731/2006
07-05 E	315708	18312/2007	12-16 L	315842	18449/2007
07-05 E	315797	18417/2007	12-16 L	315843	18450/2007
07-06 B	315695	18243/2007	13-02	315794	18378/2007
07-06 NES	315690	18238/2007	13-02	315795	18379/2007
08-01	315688	16837/2007	14-01	315739	18360/2007

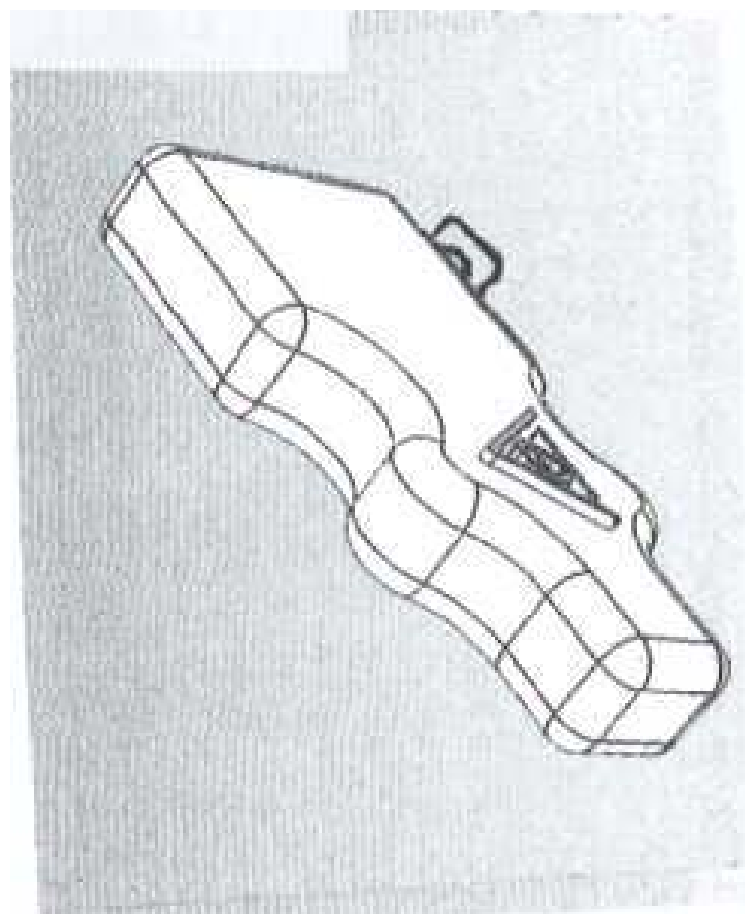
Registration Proceedings - Class Listing of Designs Published or Registered cont'd

Classification	Registration Number	Design Number	Classification	Registration Number	Design Number
14-03 E	315703	18290/2007	23-01 NES	315716	12679/2006
14-03 NES	315689	17825/2007	23-01 NES	315717	18343/2007
14-99	315776	18387/2007	23-01 NES	315782	18393/2007
14-99	315796	18413/2007	24-01	315728	18321/2007
15-05	315687	16677/2007	24-02	315763	18374/2007
16-01	315736	18346/2007	24-99	315684	15096/2006
19-06	315711	19262/2007	24-99	315685	15098/2006
19-08	315814	17589/2007	24-99	315686	15099/2006
21-01 L	315710	19227/2007	25-01 K	315732	18330/2007
21-02 A	315752	18419/2007	25-01 K	315733	18331/2007
21-02 A	315753	18420/2007	25-01 K	315760	18332/2007
21-02 B	315816	17693/2007	25-02 NES	315815	17590/2007
21-02 F	315762	18336/2007	25-03	315770	17457/2007
21-02 NES	315735	18345/2007	25-03	315840	18439/2007
23-01 A	315702	18283/2007	26-02	315792	18376/2007
23-01 A	315724	18317/2007	26-02	315793	18377/2007
23-01 B	315716	12679/2006	26-06	315803	17084/2007
23-01 B	315717	18343/2007	26-06	315804	17085/2007
23-01 B	315720	18296/2007	26-06	315812	17101/2007
23-01 E	315750	18415/2007	26-06	315813	17102/2007
23-01 E	315771	17655/2007	27-03	315799	18435/2007
23-01 F	315751	18418/2007	27-03	315800	18436/2007
23-01 F	315780	18391/2007	27-99	315783	18394/2007
23-01 F	315781	18392/2007	28-03 A	315758	14056/2005
23-01 F	315790	16429/2007	28-03 NES	315777	18388/2007
23-01 G	315716	12679/2006	28-03 NES	315778	18389/2007
23-01 G	315717	18343/2007	28-03 NES	315779	18390/2007
23-01 H	315754	18421/2007			

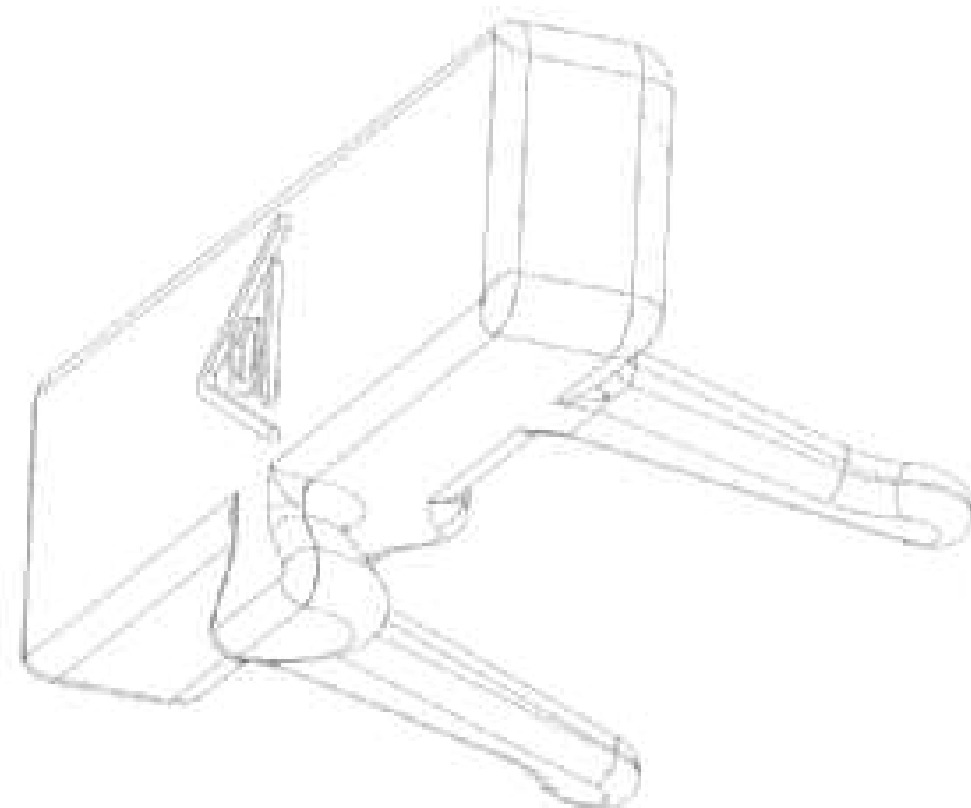
- (21) Design Number: **15096/2006**
(22) Date of Filing Application: **07 November 2006**
(24) Date from which industrial property rights may have effect: **07 November 2006**
(54) Product in respect of which the design is registered: **Airway appliance for snoring and sleep apnoea**
(51) International Design Classification: **24-99**
(71) Name(s) and Address(s) of Applicant(s):
Christopher Kelly
Suite 1 & 2 Level 5 195 Macquarie Street Sydney New South Wales
2000 Australia
(72) Name(s) of Designer(s): **Christopher Kelly and Chris Kelly**
(45) Registration Date: **17 August 2007**
(56) Related Art Documents: **Not Applicable**
(57) Statement of Newness and Distinctiveness: **The new features of this design is the fixing of the position of the jaws combined with the replacing of #2 and #3 to alter the protrusion and height of the lower jaw. This had not been done yet.**



- (21) Design Number: **15098/2006**
(22) Date of Filing Application: **07 November 2006**
(24) Date from which industrial property rights may have effect: **07 November 2006**
(54) Product in respect of which the design is registered: **Airway appliance for snoring and sleep apnoea**
(51) International Design Classification: **24-99**
(71) Name(s) and Address(s) of Applicant(s):
Christopher Kelly
Suite 1 & 2 Level 5 195 Macquarie Street Sydney New South Wales
2000 Australia
(72) Name(s) of Designer(s): **Christopher Kelly**
(45) Registration Date: **17 August 2007**
(56) Related Art Documents: **Not Applicable**
(57) Statement of Newness and Distinctiveness: **The new features of this design is the fixing of position of the jaws with the combination of these components, combined with the replacement of #2 to change the protrusion of the lower jaw.**

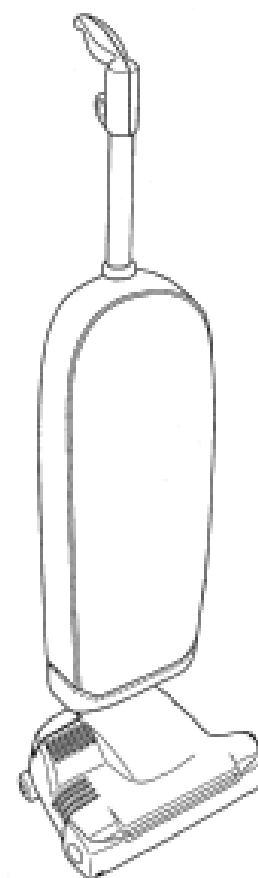


- (21) Design Number: **15099/2006**
- (22) Date of Filing Application: **07 November 2006**
- (24) Date from which industrial property rights may have effect: **07 November 2006**
- (54) Product in respect of which the design is registered: **Airway appliance for snoring and sleep apnoea**
- (51) International Design Classification: **24-99**
- (71) Name(s) and Address(s) of Applicant(s):
Christopher Kelly
Suite 1 & 2 Level 5 195 Macquarie Street Sydney New South Wales
2000 Australia
- (72) Name(s) of Designer(s): **Christopher Kelly**
- (45) Registration Date: **17 August 2007**
- (56) Related Art Documents: **Not Applicable**
- (57) Statement of Newness and Distinctiveness: **The new features of this design is the fixing of position of the combination of these components, combined with the replacement of the vertical #3 to change the bite height of the lower jaw**

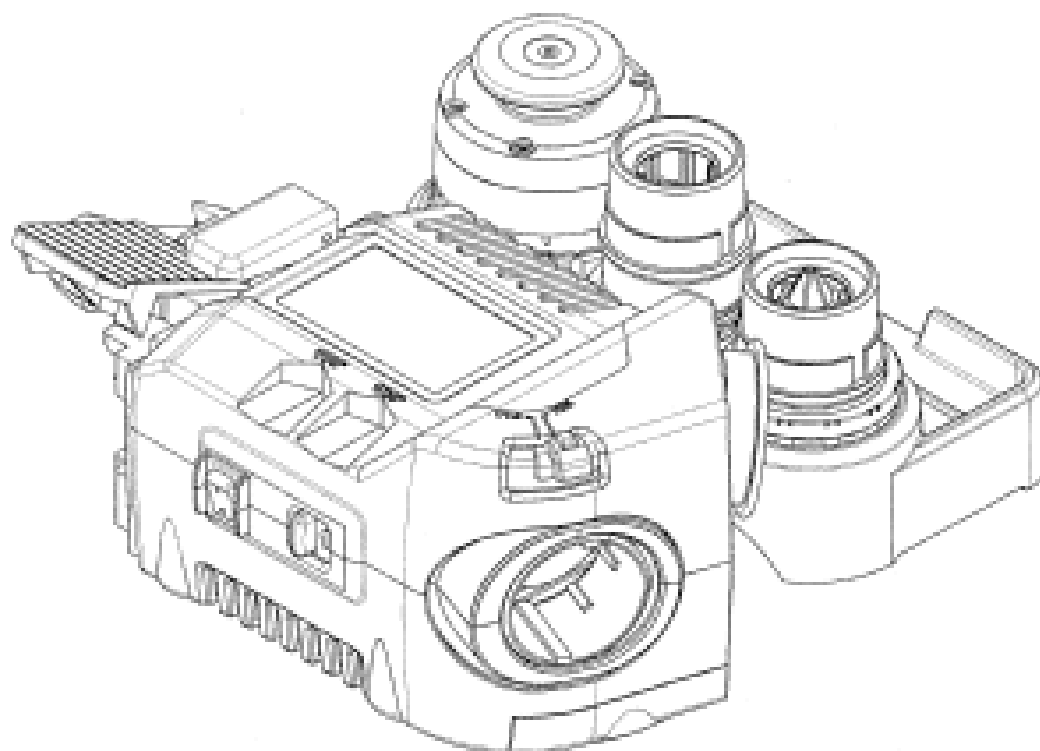


- (21) Design Number: **16677/2007**
- (22) Date of Filing Application: **28 February 2007**
- (24) Date from which industrial property rights may have effect: **28 February 2007**
- (54) Product in respect of which the design is registered: **Vacuum cleaner**
- (51) International Design Classification: **15-05**
- (71) Name(s) and Address(s) of Applicant(s):
Shop-Vac Corporation
2323 Reach Road Williamsport PA 17701 United States of America
- (72) Name(s) of Designer(s): **John Griffin**
- (45) Registration Date: **17 August 2007**
- (30) Convention priority data:

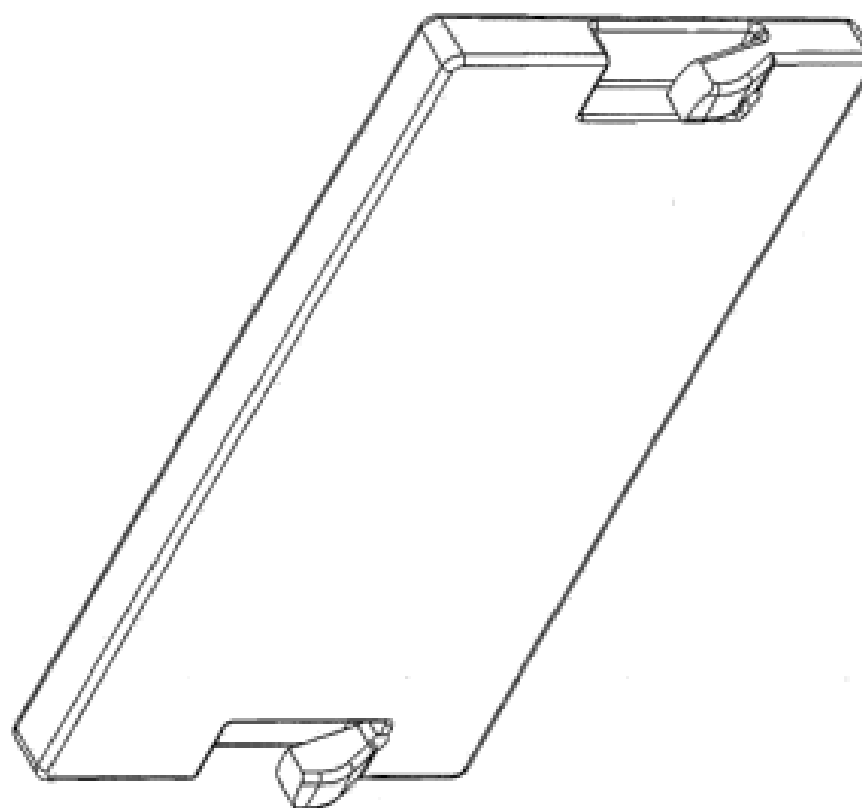
(31) Number	(32) Date	(33) Country
29/266,514	22 Sep 2006	UNITED STATES OF AMERICA
- (56) Related Art Documents: **Not Applicable**
- (57) Statement of Newness and Distinctiveness: **Nil**



- (21) Design Number: **16837/2007**
(22) Date of Filing Application: **09 March 2007**
(24) Date from which industrial property rights may have effect: **09 March 2007**
(54) Product in respect of which the design is registered: **Sharpener for drill bits**
(51) International Design Classification: **08-01**
(71) Name(s) and Address(s) of Applicant(s):
Choon Nang Electrical Appliance Mfy., Ltd
11th Floor Ha Lung Industrial Building 52 Wong Chuk Hang Road
Aberdeen Hong Kong
(72) Name(s) of Designer(s): **Ping Hay Heun**
(45) Registration Date: **17 August 2007**
(30) Convention priority data:
(31) Number (32) Date (33) Country
0602382.6 13 Sep 2006 HONG KONG
(56) Related Art Documents: **Not Applicable**
(57) Statement of Newness and Distinctiveness: **Newness and distinctiveness in the design as applied to a sharpener for drill bits resides in the shape and/or configuration thereof as is illustrated in the accompanying representations.**



- (21) Design Number: **17825/2007**
(22) Date of Filing Application: **09 May 2007**
(24) Date from which industrial property rights may have effect: **09 May 2007**
(54) Product in respect of which the design is registered: **Housing for radio frequency identification tags**
(51) International Design Classification: **14-03NES**
(71) Name(s) and Address(s) of Applicant(s):
K. Hartwall Oy Ab
FIN-01150 Soderkulla Finland
(72) Name(s) of Designer(s): **Paul Sandstrom**
(45) Registration Date: **17 August 2007**
(30) Convention priority data:
(31) Number (32) Date (33) Country
000646500 21 Dec 2006 EUROPEAN COMMUNITY
(56) Related Art Documents: **Not Applicable**
(57) Statement of Newness and Distinctiveness: **Nil**



(21) Design Number: **18238/2007**

(22) Date of Filing Application: **01 June 2007**

(24) Date from which industrial property rights may have effect: **01 June 2007**

(54) Product in respect of which the design is registered: **"Swoon" spoon rest**

(51) International Design Classification: **07-06NES**

(71) Name(s) and Address(s) of Applicant(s):

Harry Pourounidis

C/- Bambis 1-9 Moreland Road East Coburg Victoria 3058 Australia

Curtis Stone

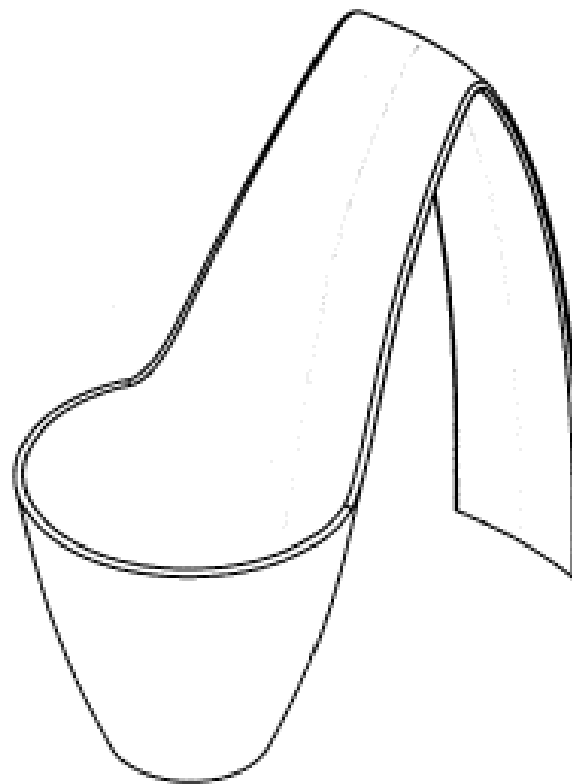
C/- Bambis 1-9 Moreland Road East Coburg Victoria 3058 Australia

(72) Name(s) of Designer(s): **Harry Pourounidis and Curtis Stone and Casey Williams**

(45) Registration Date: **17 August 2007**

(56) Related Art Documents: **Not Applicable**

(57) Statement of Newness and Distinctiveness: **Distinct stainless steel body and handle shape.**



(21) Design Number: **18239/2007**

(22) Date of Filing Application: **01 June 2007**

(24) Date from which industrial property rights may have effect: **01 June 2007**

(54) Product in respect of which the design is registered: **"Workbench" board**

(51) International Design Classification: **07-04**

(71) Name(s) and Address(s) of Applicant(s):

Harry Pourounidis

C/- Bambis 1-9 Moreland Road East Coburg Victoria 3058 Australia

Curtis Stone

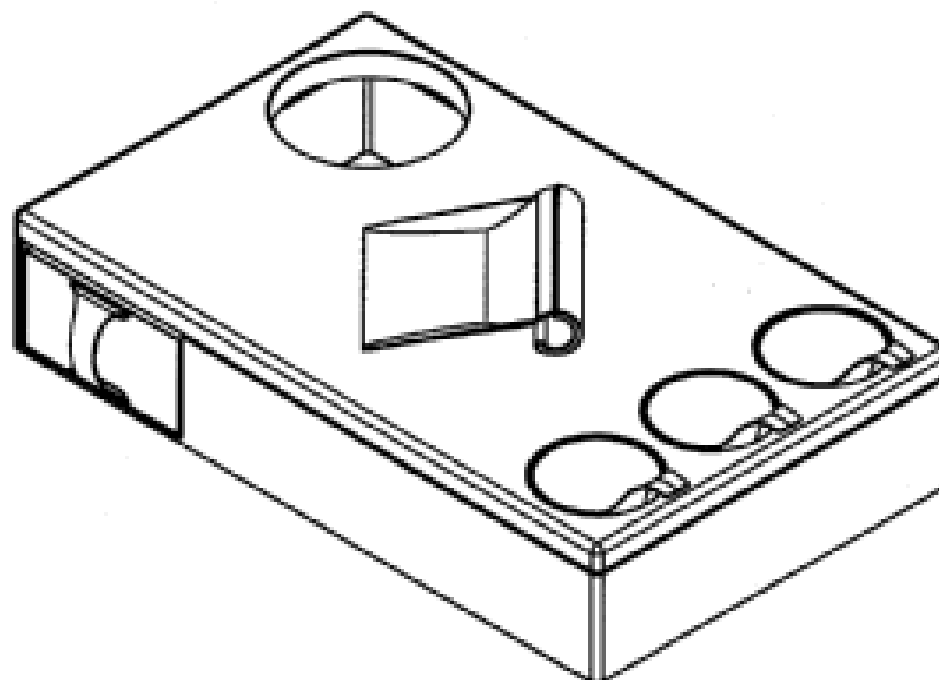
C/- Bambis 1-9 Moreland Road East Coburg Victoria 3058 Australia

(72) Name(s) of Designer(s): **Harry Pourounidis and Curtis Stone and Casey Williams**

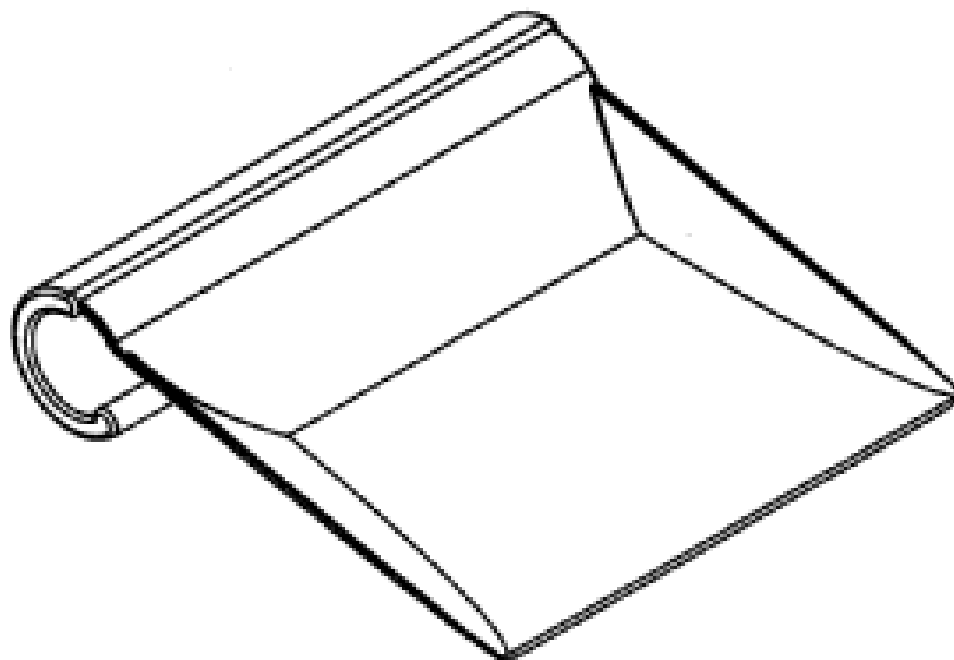
(45) Registration Date: **17 August 2007**

(56) Related Art Documents: **Not Applicable**

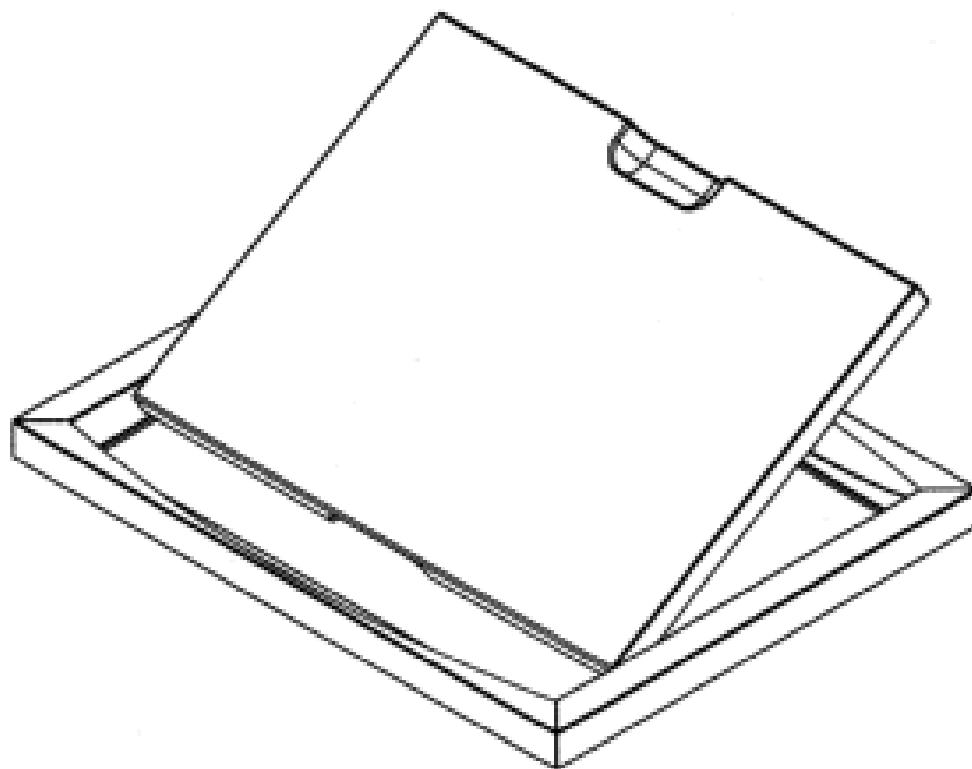
(57) Statement of Newness and Distinctiveness: **Distinct design and function.**



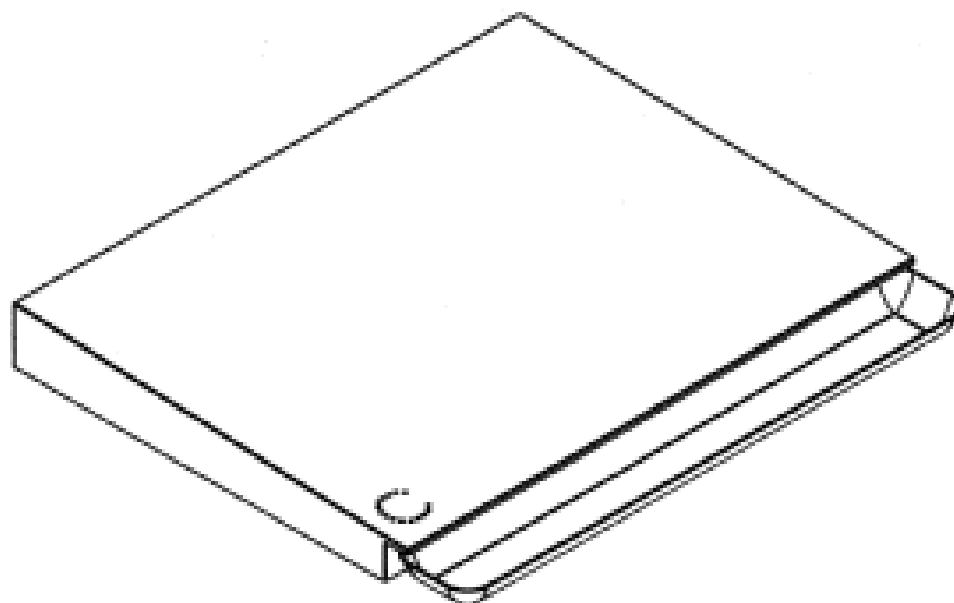
- (21) Design Number: **18240/2007**
(22) Date of Filing Application: **01 June 2007**
(24) Date from which industrial property rights may have effect: **01 June 2007**
(54) Product in respect of which the design is registered: "**Chef scoop**"
(51) International Design Classification: **07-04**
(71) Name(s) and Address(s) of Applicant(s):
Harry Pourounidis
C/- Bambis 1-9 Moreland Road East Coburg Victoria 3058 Australia
Curtis Stone
C/- Bambis 1-9 Moreland Road East Coburg Victoria 3058 Australia
(72) Name(s) of Designer(s): **Harry Pourounidis and Curtis Stone and Casey Williams**
(45) Registration Date: **17 August 2007**
(56) Related Art Documents: **Not Applicable**
(57) Statement of Newness and Distinctiveness: **Distinct shape, stainless steel body with silicone hand grip.**



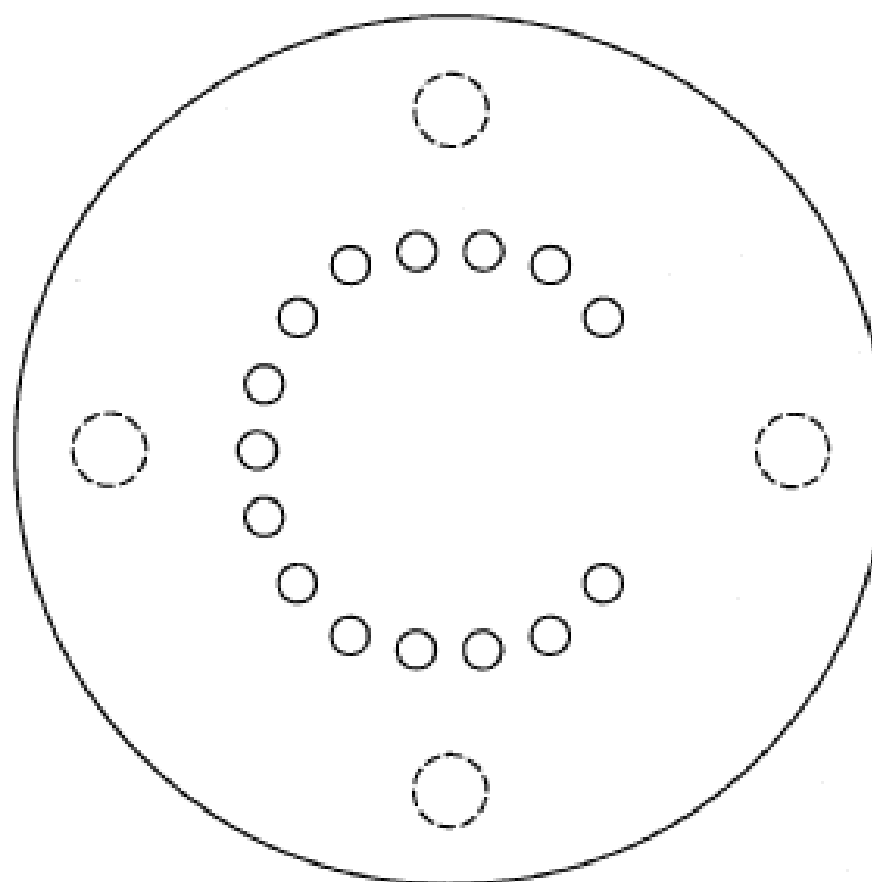
- (21) Design Number: **18241/2007**
(22) Date of Filing Application: **01 June 2007**
(24) Date from which industrial property rights may have effect: **01 June 2007**
(54) Product in respect of which the design is registered: "**Flipper**" cutting board
(51) International Design Classification: **07-04**
(71) Name(s) and Address(s) of Applicant(s):
Harry Pourounidis
C/- Bambis 1-9 Moreland Road East Coburg Victoria 3058 Australia
Curtis Stone
C/- Bambis 1-9 Moreland Road East Coburg Victoria 3058 Australia
(72) Name(s) of Designer(s): **Harry Pourounidis and Curtis Stone and Casey Williams**
(45) Registration Date: **17 August 2007**
(56) Related Art Documents: **Not Applicable**
(57) Statement of Newness and Distinctiveness: **Reversable chopping board in frame.**



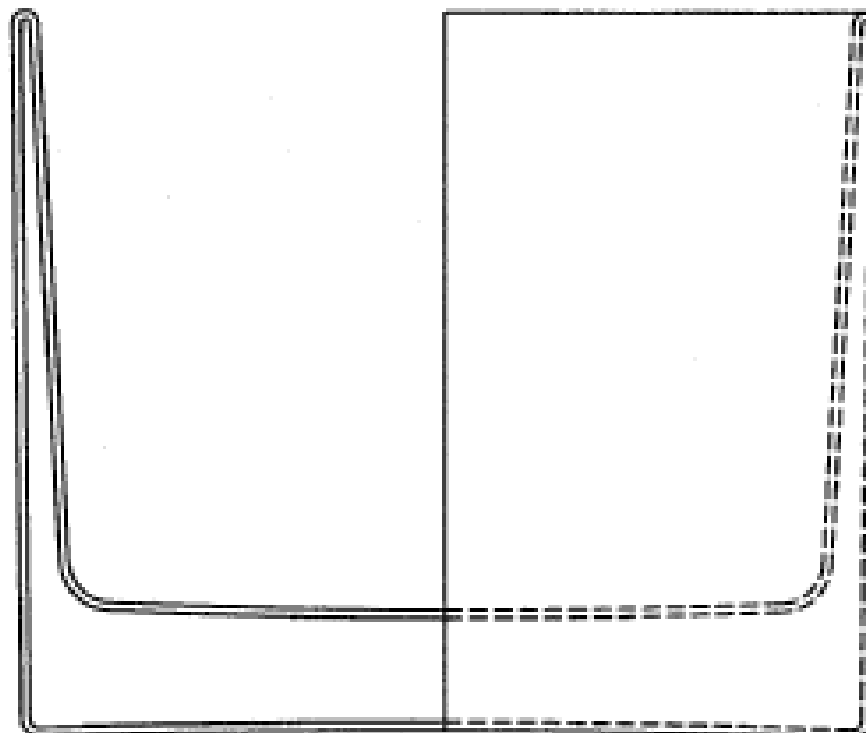
- (21) Design Number: **18242/2007**
- (22) Date of Filing Application: **01 June 2007**
- (24) Date from which industrial property rights may have effect: **01 June 2007**
- (54) Product in respect of which the design is registered: **"Juicy" carving board**
- (51) International Design Classification: **07-04**
- (71) Name(s) and Address(s) of Applicant(s):
 - Harry Pourounidis**
C/- Bambis 1-9 Moreland Road East Coburg Victoria 3058 Australia
 - Curtis Stone**
C/- Bambis 1-9 Moreland Road East Coburg Victoria 3058 Australia
- (72) Name(s) of Designer(s): **Harry Pourounidis and Curtis Stone and Casey Williams**
- (45) Registration Date: **17 August 2007**
- (56) Related Art Documents: **Not Applicable**
- (57) Statement of Newness and Distinctiveness: **Angled board for juice flow into stainless steel dish.**



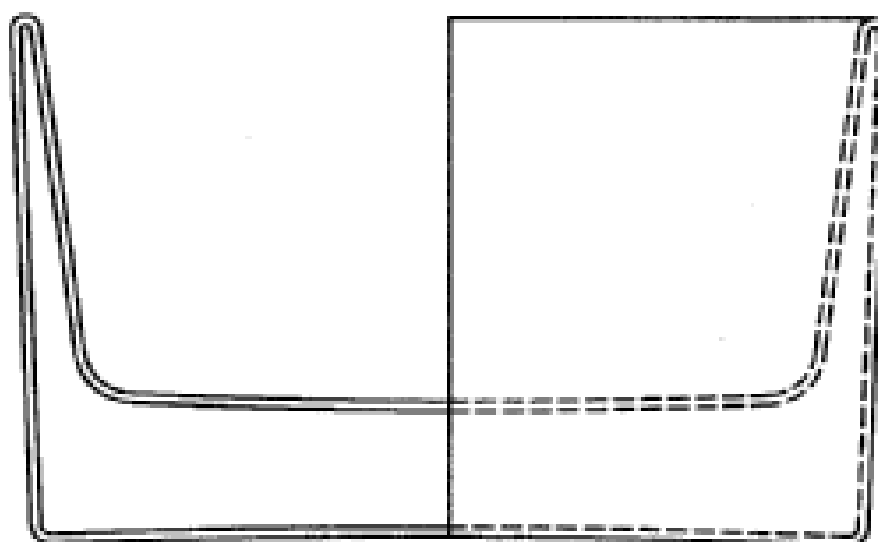
- (21) Design Number: **18243/2007**
- (22) Date of Filing Application: **01 June 2007**
- (24) Date from which industrial property rights may have effect: **01 June 2007**
- (54) Product in respect of which the design is registered: **"Magnetic" attraction silicone trivet**
- (51) International Design Classification: **07-06B**
- (71) Name(s) and Address(s) of Applicant(s):
 - Harry Pourounidis**
C/- Bambis 1-9 Moreland Road East Coburg Victoria 3058 Australia
 - Curtis Stone**
C/- Bambis 1-9 Moreland Road East Coburg Victoria 3058 Australia
- (72) Name(s) of Designer(s): **Harry Pourounidis and Curtis Stone and Casey Williams**
- (45) Registration Date: **17 August 2007**
- (56) Related Art Documents: **Not Applicable**
- (57) Statement of Newness and Distinctiveness: **Hidden magnets in silicone trivet.**



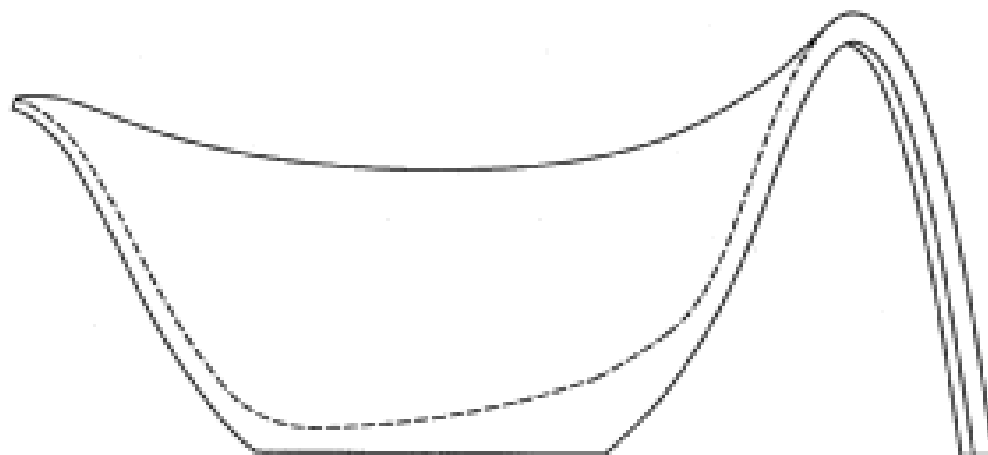
- (21) Design Number: **18244/2007**
(22) Date of Filing Application: **01 June 2007**
(24) Date from which industrial property rights may have effect: **01 June 2007**
(54) Product in respect of which the design is registered: **"Wow" souffle mould**
(51) International Design Classification: **07-02P**
(71) Name(s) and Address(s) of Applicant(s):
 Harry Pourounidis
 C/- Bambis 1-9 Moreland Road East Coburg Victoria 3058 Australia
 Curtis Stone
 C/- Bambis 1-9 Moreland Road East Coburg Victoria 3058 Australia
(72) Name(s) of Designer(s): **Harry Pourounidis and Curtis Stone and Casey Williams**
(45) Registration Date: **17 August 2007**
(56) Related Art Documents: **Not Applicable**
(57) Statement of Newness and Distinctiveness: **Double wall glass shape.**



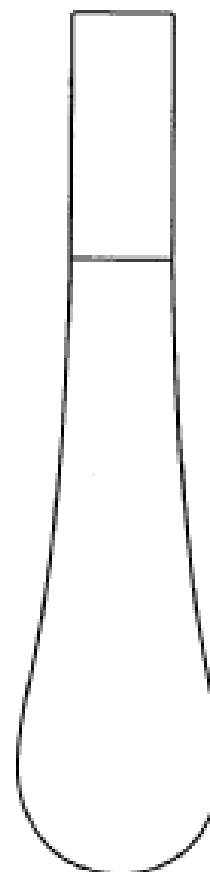
- (21) Design Number: **18245/2007**
(22) Date of Filing Application: **01 June 2007**
(24) Date from which industrial property rights may have effect: **01 June 2007**
(54) Product in respect of which the design is registered: **"Wow" brulee mould**
(51) International Design Classification: **07-02P**
(71) Name(s) and Address(s) of Applicant(s):
 Harry Pourounidis
 C/- Bambis 1-9 Moreland Road East Coburg Victoria 3058 Australia
 Curtis Stone
 C/- Bambis 1-9 Moreland Road East Coburg Victoria 3058 Australia
(72) Name(s) of Designer(s): **Harry Pourounidis and Curtis Stone and Casey Williams**
(45) Registration Date: **17 August 2007**
(56) Related Art Documents: **Not Applicable**
(57) Statement of Newness and Distinctiveness: **Double wall glass shape.**



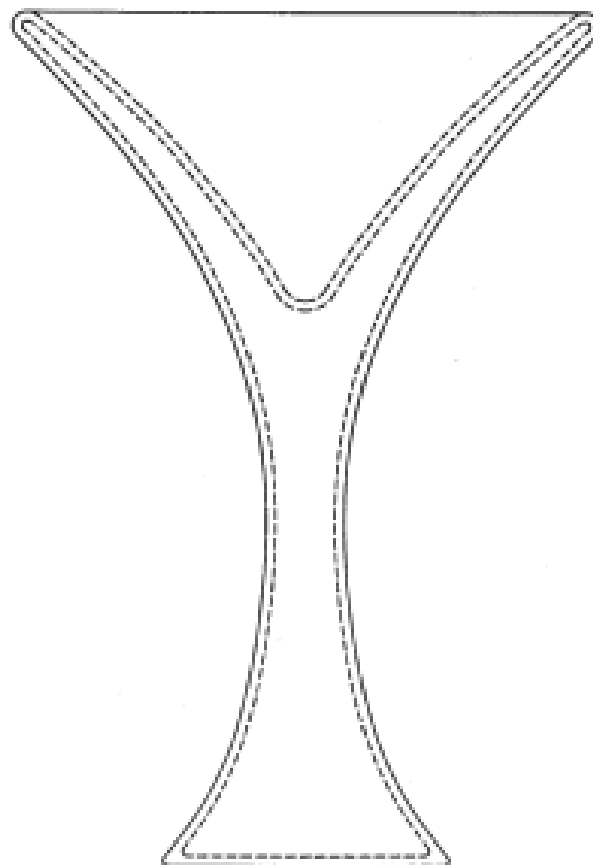
- (21) Design Number: **18249/2007**
(22) Date of Filing Application: **01 June 2007**
(24) Date from which industrial property rights may have effect: **01 June 2007**
(54) Product in respect of which the design is registered: **"Bump and grind" mortar**
(51) International Design Classification: **07-04**
(71) Name(s) and Address(s) of Applicant(s):
Harry Pourounidis
C/- Bambis 1-9 Moreland Road East Coburg Victoria 3058 Australia
Curtis Stone
C/- Bambis 1-9 Moreland Road East Coburg Victoria 3058 Australia
(72) Name(s) of Designer(s): **Harry Pourounidis and Curtis Stone and Casey Williams**
(45) Registration Date: **17 August 2007**
(56) Related Art Documents: **Not Applicable**
(57) Statement of Newness and Distinctiveness: **Distinct boat shape body with pour spout and handle.**



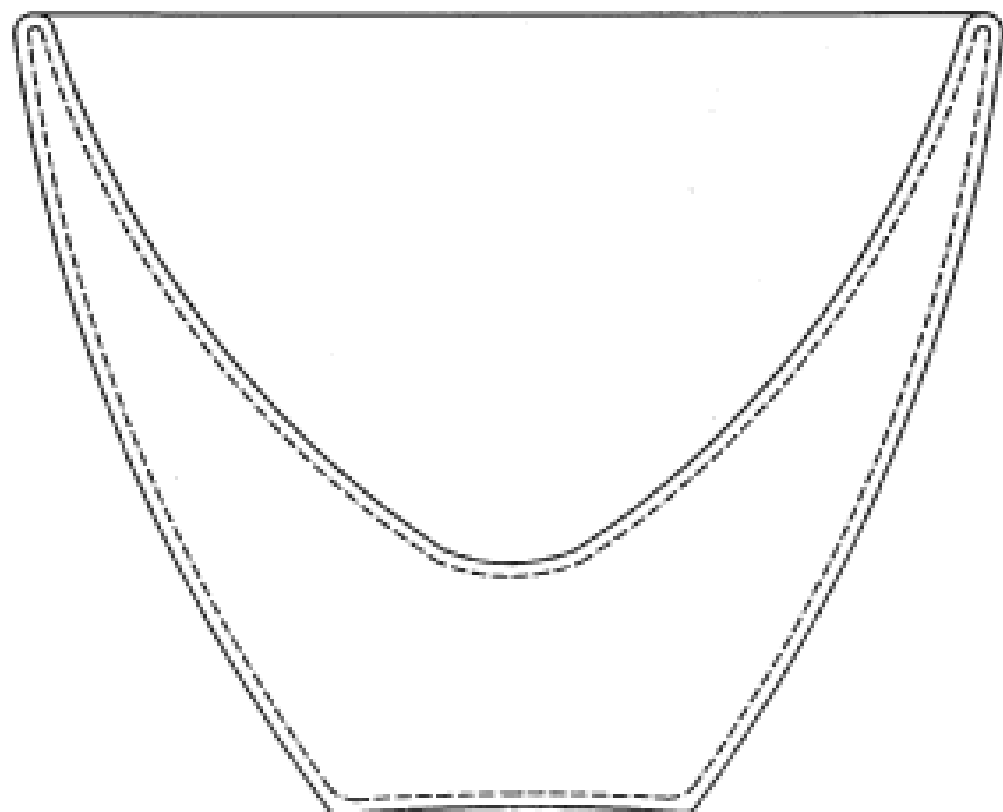
- (21) Design Number: **18250/2007**
(22) Date of Filing Application: **01 June 2007**
(24) Date from which industrial property rights may have effect: **01 June 2007**
(54) Product in respect of which the design is registered: **"Bump and grind" pestle**
(51) International Design Classification: **07-04**
(71) Name(s) and Address(s) of Applicant(s):
Harry Pourounidis
C/- Bambis 1-9 Moreland Road East Coburg Victoria 3058 Australia
Curtis Stone
C/- Bambis 1-9 Moreland Road East Coburg Victoria 3058 Australia
(72) Name(s) of Designer(s): **Harry Pourounidis and Curtis Stone and Casey Williams**
(45) Registration Date: **17 August 2007**
(56) Related Art Documents: **Not Applicable**
(57) Statement of Newness and Distinctiveness: **Double function pestle with silicone basting brush included in handle concealed stainless steel lid.**



- (21) Design Number: **18251/2007**
(22) Date of Filing Application: **01 June 2007**
(24) Date from which industrial property rights may have effect: **01 June 2007**
(54) Product in respect of which the design is registered: **"Wow" cocktail glass**
(51) International Design Classification: **07-01C**
(71) Name(s) and Address(s) of Applicant(s):
Harry Pourounidis
C/- Bambis 1-9 Moreland Road East Coburg Victoria 3058 Australia
Curtis Stone
C/- Bambis 1-9 Moreland Road East Coburg Victoria 3058 Australia
(72) Name(s) of Designer(s): **Harry Pourounidis and Curtis Stone and Casey Williams**
(45) Registration Date: **17 August 2007**
(56) Related Art Documents: **Not Applicable**
(57) Statement of Newness and Distinctiveness: **Double wall glass shape.**



- (21) Design Number: **18252/2007**
(22) Date of Filing Application: **01 June 2007**
(24) Date from which industrial property rights may have effect: **01 June 2007**
(54) Product in respect of which the design is registered: **"Wow" icecream bowl**
(51) International Design Classification: **07-01B**
(71) Name(s) and Address(s) of Applicant(s):
Harry Pourounidis
C/- Bambis 1-9 Moreland Road East Coburg Victoria 3058 Australia
Curtis Stone
C/- Bambis 1-9 Moreland Road East Coburg Victoria 3058 Australia
(72) Name(s) of Designer(s): **Harry Pourounidis and Curtis Stone and Casey Williams**
(45) Registration Date: **17 August 2007**
(56) Related Art Documents: **Not Applicable**
(57) Statement of Newness and Distinctiveness: **Double wall glass shape.**

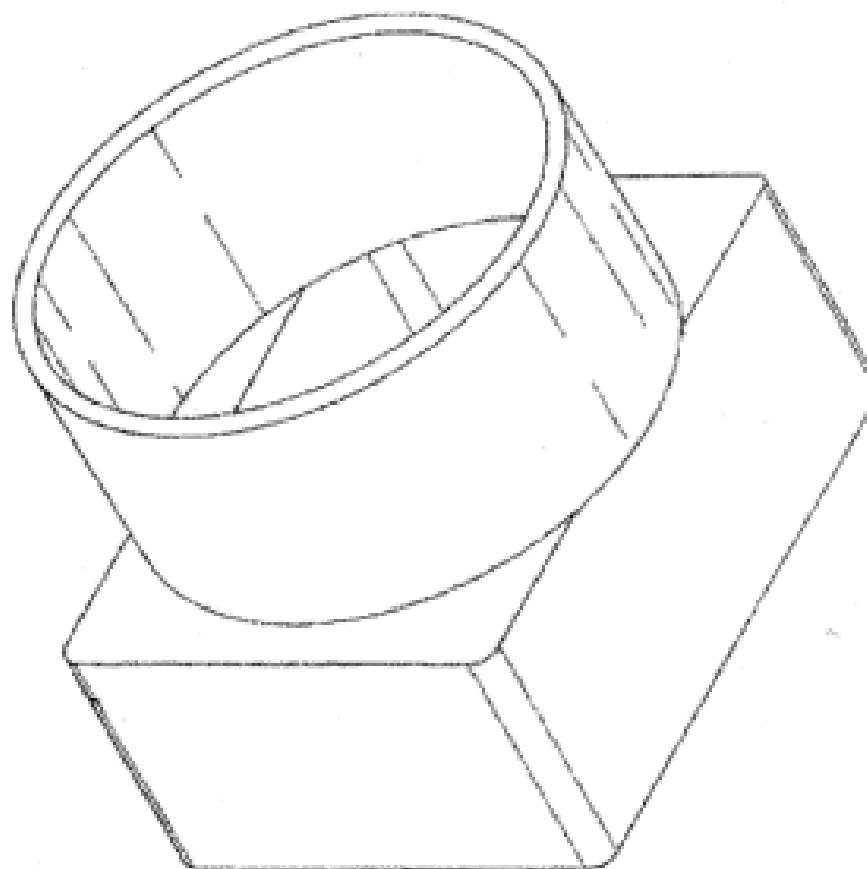


- (21) Design Number: **18283/2007**
(22) Date of Filing Application: **04 June 2007**
(24) Date from which industrial property rights may have effect: **04 June 2007**
(54) Product in respect of which the design is registered: **Water tank maximiser**
(51) International Design Classification: **23-01A**
(71) Name(s) and Address(s) of Applicant(s):

Douglas William Jobson
21 Boat Harbour Close Summerland Point New South Wales 2259
Australia

Beverley Maria Jobson
21 Boat Harbour Close Summerland Point New South Wales 2259
Australia

- (72) Name(s) of Designer(s): **Douglas William Jobson**
(45) Registration Date: **17 August 2007**
(56) Related Art Documents: **Not Applicable**
(57) Statement of Newness and Distinctiveness: **Newness and distinctiveness is claimed in the visual features shown in solid lines in the representations. Broken lines are merely shown for clarity to indicate a cylindrical wall.**



- (21) Design Number: **18290/2007**
(22) Date of Filing Application: **05 June 2007**
(24) Date from which industrial property rights may have effect: **05 June 2007**
(54) Product in respect of which the design is registered: **Mobile telephone**
(51) International Design Classification: **14-03E**
(71) Name(s) and Address(s) of Applicant(s):

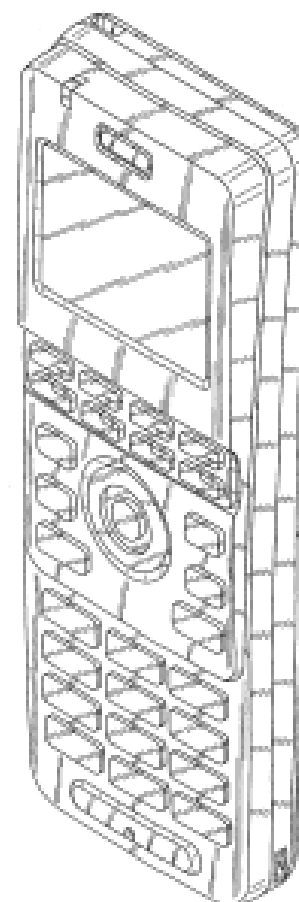
NEC Infrontia Corporation
6-1 Kitamikata 2-chome Takatsu-ku Kawasaki-shi Kanagawa Japan

- (72) Name(s) of Designer(s): **Eiji Hikino and Tsutomu Kagami and Naoki Kato**
(45) Registration Date: **17 August 2007**

- (30) Convention priority data:

(31) Number	(32) Date	(33) Country
2006-33452	05 Dec 2006	JAPAN

- (56) Related Art Documents: **Not Applicable**
(57) Statement of Newness and Distinctiveness: **The shape and configuration of the mobile telephone shown in the representations is new and distinctive.**



(21) Design Number: **18305/2007**

(22) Date of Filing Application: **06 June 2007**

(24) Date from which industrial property rights may have effect: **21 February 2007**

(54) Product in respect of which the design is registered: **A mug**

(51) International Design Classification: **07-01D**

(71) Name(s) and Address(s) of Applicant(s):

Chef'n Corporation
1520 4th Avenue 3rd Floor Seattle Washington 98101 United States of America

(72) Name(s) of Designer(s): **Jason O. Germany**

(45) Registration Date: **17 August 2007**

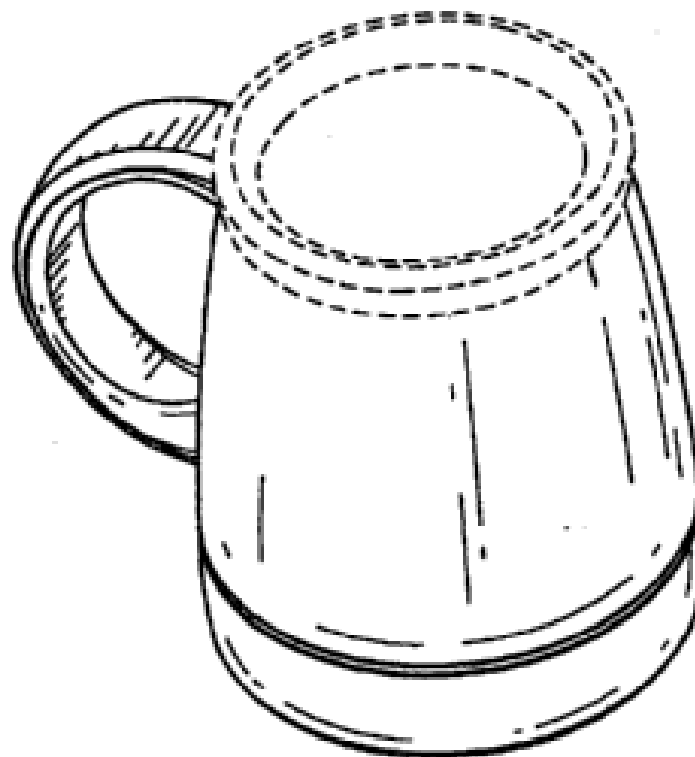
(30) Convention priority data:

(31) Number	(32) Date	(33) Country
29248577	22 Aug 2006	UNITED STATES OF AMERICA

(62) Divisional of: **314718**

(56) Related Art Documents: **Not Applicable**

(57) Statement of Newness and Distinctiveness: **Newness and distinctiveness is claimed in the visual features shown in solid lines in the representations.**



(21) Design Number: **18309/2007**

(22) Date of Filing Application: **06 June 2007**

(24) Date from which industrial property rights may have effect: **06 June 2007**

(54) Product in respect of which the design is registered: **Lock**

(51) International Design Classification: **08-07**

(71) Name(s) and Address(s) of Applicant(s):

Master Lock Company LLC
137 W. Forest Hill Avenue PO Box 927 Oak Creek Wisconsin 53154 United States of America

(72) Name(s) of Designer(s): **Christopher Rohde and John Blomstrom**

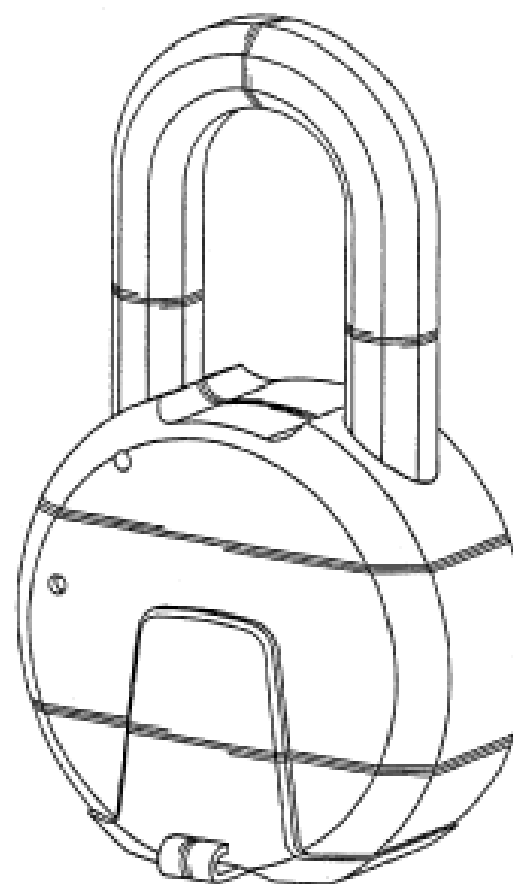
(45) Registration Date: **17 August 2007**

(30) Convention priority data:

(31) Number	(32) Date	(33) Country
29/270,193	18 Dec 2006	UNITED STATES OF AMERICA

(56) Related Art Documents: **Not Applicable**

(57) Statement of Newness and Distinctiveness: **Nil**



(21) Design Number: **18310/2007**

(22) Date of Filing Application: **06 June 2007**

(24) Date from which industrial property rights may have effect: **06 June 2007**

(54) Product in respect of which the design is registered: **Wrist watch**

(51) International Design Classification: **10-02**

(71) Name(s) and Address(s) of Applicant(s):

**Rado Uhren AG (Rado Watch Co Ltd) (Montres Rado SA)
Bielstrasse 43 Lengnau Switzerland**

(72) Name(s) of Designer(s): **Stephan Messmer and Alexander Seiler**

(45) Registration Date: **17 August 2007**

(30) Convention priority data:

(31) Number
DM/068 697

(32) Date
26 Mar 2007

(33) Country
**WORLD INTELLECTUAL
PROPERTY ORGANIZATION
(WIPO)**

(56) Related Art Documents: **Not Applicable**

(57) Statement of Newness and Distinctiveness: **Nil**



(21) Design Number: **18311/2007**

(22) Date of Filing Application: **06 June 2007**

(24) Date from which industrial property rights may have effect: **06 June 2007**

(54) Product in respect of which the design is registered: **Window squeegee**

(51) International Design Classification: **07-05E**

(71) Name(s) and Address(s) of Applicant(s):

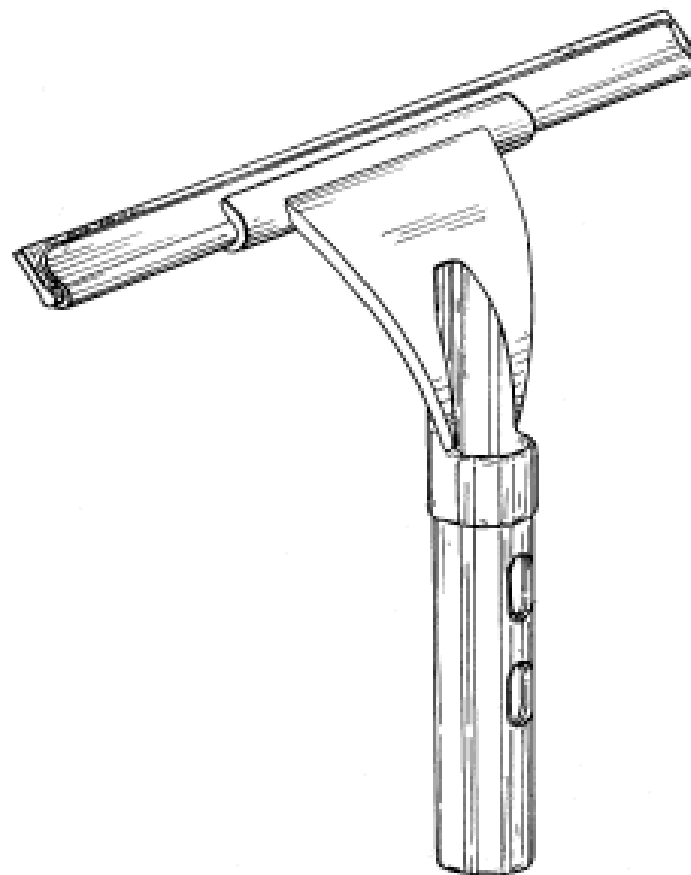
**The Decor Corporation Pty Ltd
1314 Ferntree Gully Road Scoresby Victoria 3179 Australia**

(72) Name(s) of Designer(s): **Tony Wolfenden**

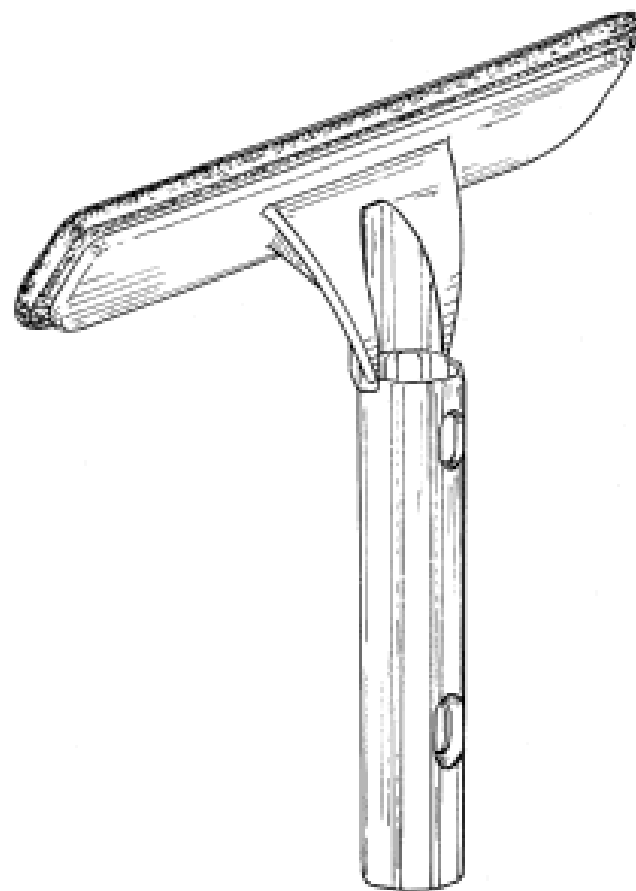
(45) Registration Date: **17 August 2007**

(56) Related Art Documents: **Not Applicable**

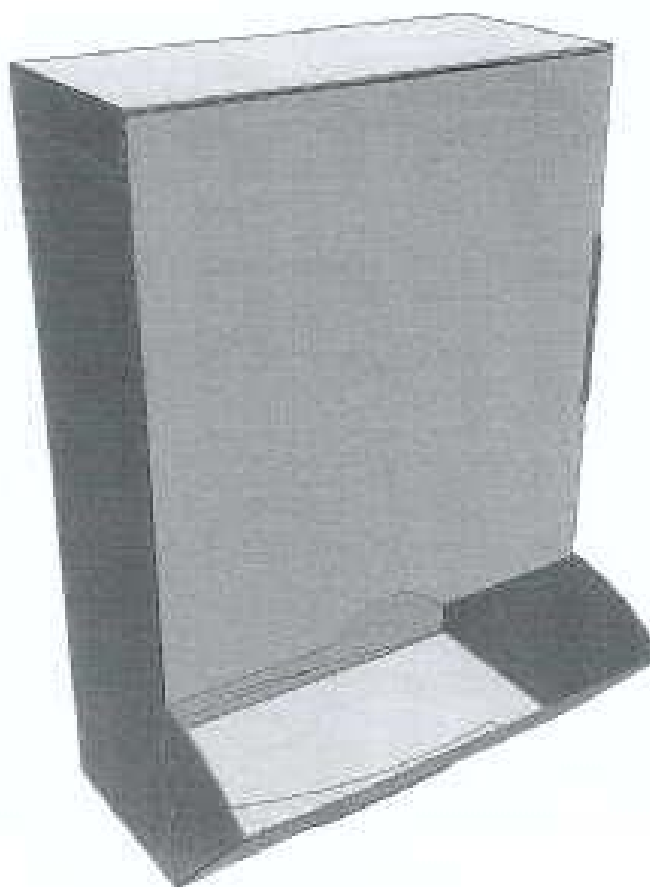
(57) Statement of Newness and Distinctiveness: **Nil**



- (21) Design Number: **18312/2007**
(22) Date of Filing Application: **06 June 2007**
(24) Date from which industrial property rights may have effect: **06 June 2007**
(54) Product in respect of which the design is registered: **Window cleaner**
(51) International Design Classification: **07-05E**
(71) Name(s) and Address(s) of Applicant(s):
The Decor Corporation Pty Ltd
1314 Ferntree Gully Road Scoresby Victoria 3179 Australia
(72) Name(s) of Designer(s): **Tony Wolfenden**
(45) Registration Date: **17 August 2007**
(56) Related Art Documents: **Not Applicable**
(57) Statement of Newness and Distinctiveness: **Nil**



- (21) Design Number: **18313/2007**
(22) Date of Filing Application: **06 June 2007**
(24) Date from which industrial property rights may have effect: **06 June 2007**
(54) Product in respect of which the design is registered: **A carton and blank therefor**
(51) International Design Classification: **09-03M**
(71) Name(s) and Address(s) of Applicant(s):
Ancor Limited
679 Victoria Street Abbotsford Victoria 3067 Australia
(72) Name(s) of Designer(s): **George Wiraszka**
(45) Registration Date: **17 August 2007**
(56) Related Art Documents: **Not Applicable**
(57) Statement of Newness and Distinctiveness: **Newness and distinctiveness resides in the particular shape and configuration of the blank and carton shown in the figures.**



(21) Design Number: **19227/2007**

(22) Date of Filing Application: **08 August 2007**

(24) Date from which industrial property rights may have effect: **08 August 2007**

(54) Product in respect of which the design is registered: **Boardgame. "Linehaul" and boardgame "delivery" and other boardgame versions**

(51) International Design Classification: **21-01L**

(71) Name(s) and Address(s) of Applicant(s):

Trefor Glyn Jones

9 Red Ash Court Merrimac Queensland 4226 Australia

(72) Name(s) of Designer(s): **Trefor Glyn Jones**

(45) Registration Date: **17 August 2007**

(56) Related Art Documents: **Not Applicable**

(57) Statement of Newness and Distinctiveness: **Symbolised to indicate special occurrences or instructions. Use of special cards and, state indicators/colours.**



(21) Design Number: **19262/2007**

(22) Date of Filing Application: **08 August 2007**

(24) Date from which industrial property rights may have effect: **08 August 2007**

(54) Product in respect of which the design is registered: **Writing, drawing and painting implement**

(51) International Design Classification: **19-06**

(71) Name(s) and Address(s) of Applicant(s):

J S Staedtler GmbH & Co KG

Moosaeckerstr 3 90427 Nuremberg Germany

(72) Name(s) of Designer(s): **Christian Leibeck**

(45) Registration Date: **17 August 2007**

(30) Convention priority data:

(31) Number

(32) Date

(33) Country

000676630-0001 23 Feb 2007

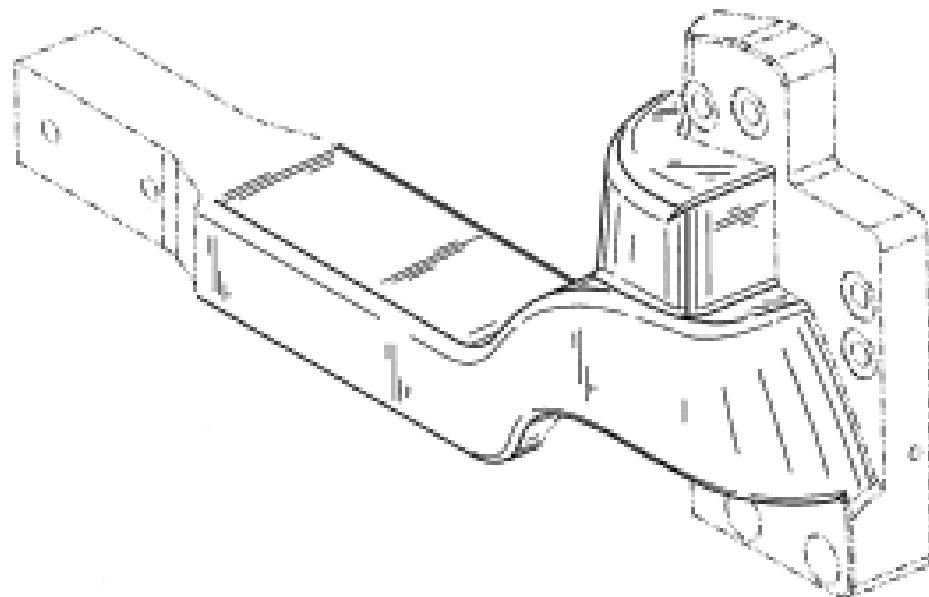
EUROPEAN COMMUNITY

(56) Related Art Documents: **Not Applicable**

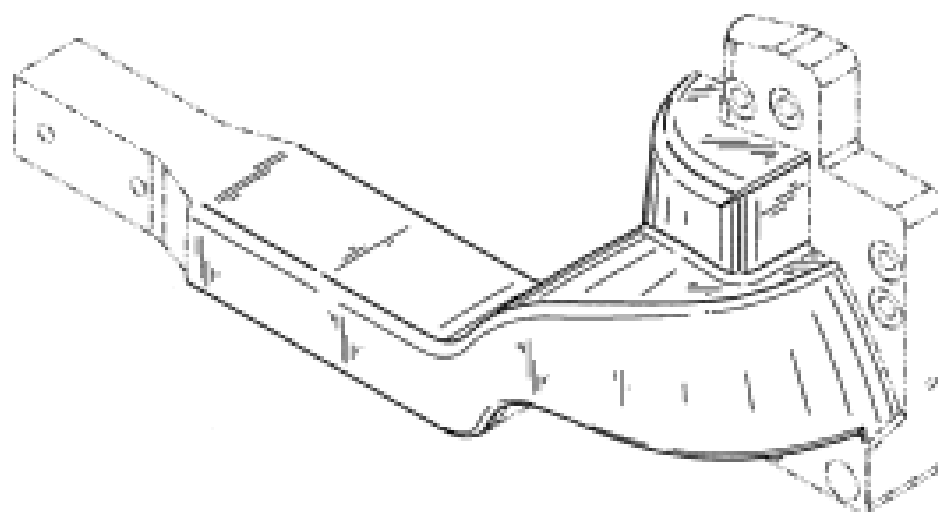
(57) Statement of Newness and Distinctiveness: **Nil**



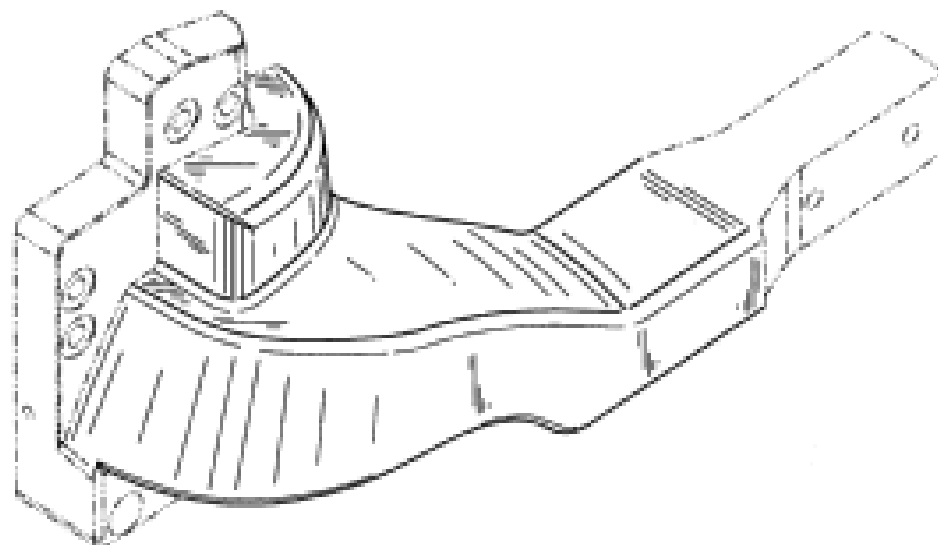
- (21) Design Number: **13961/2005**
(22) Date of Filing Application: **12 September 2005**
(24) Date from which industrial property rights may have effect: **08 March 2004**
(54) Product in respect of which the design is registered: **Base leg for a material handling vehicle**
(51) International Design Classification: **12-16B**
(71) Name(s) and Address(s) of Applicant(s):
The Raymond Corporation
20 South Canal Street Greene NY 13778 United States of America
(72) Name(s) of Designer(s): **H. Scott Ryan and Douglas M. Russell and Thomas W. Confer and Gregory W. Smiley**
(45) Registration Date: **21 August 2007**
(62) Divisional of: **158509**
(56) Related Art Documents: **Not Applicable**
(57) Statement of Newness and Distinctiveness: **The newness and distinctiveness of the design resides in the features of shape and/or configuration shown in unbroken lines in the accompanying representations.**



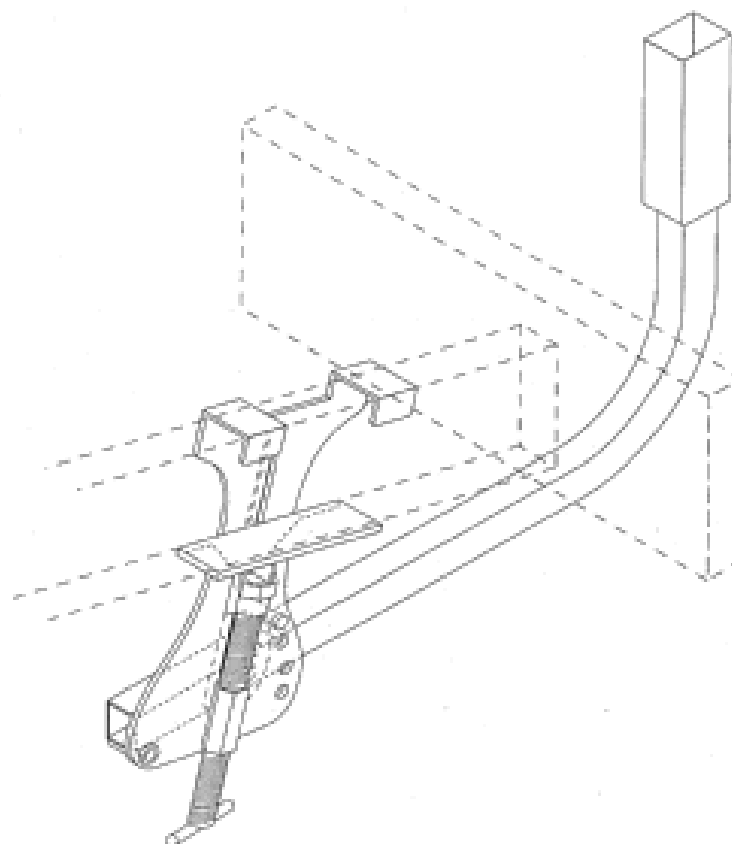
- (21) Design Number: **13962/2005**
(22) Date of Filing Application: **12 September 2005**
(24) Date from which industrial property rights may have effect: **08 March 2004**
(54) Product in respect of which the design is registered: **Base leg for a material handling vehicle**
(51) International Design Classification: **12-16B**
(71) Name(s) and Address(s) of Applicant(s):
The Raymond Corporation
20 South Canal Street Greene NY 13778 United States of America
(72) Name(s) of Designer(s): **H. Scott Ryan and Douglas M. Russell and Thomas W. Confer and Gregory W. Smiley**
(45) Registration Date: **21 August 2007**
(62) Divisional of: **158509**
(56) Related Art Documents: **Not Applicable**
(57) Statement of Newness and Distinctiveness: **The newness and distinctiveness of the design resides in the features of shape and/or configuration shown in unbroken lines in the accompanying representations.**



- (21) Design Number: **13963/2005**
(22) Date of Filing Application: **12 September 2005**
(24) Date from which industrial property rights may have effect: **08 March 2004**
(54) Product in respect of which the design is registered: **Base leg for a material handling vehicle**
(51) International Design Classification: **12-16B**
(71) Name(s) and Address(s) of Applicant(s):
The Raymond Corporation
20 South Canal Street Greene NY 13778 United States of America
(72) Name(s) of Designer(s): **H. Scott Ryan and Douglas M. Russell and Thomas W. Confer and Gregory W. Smiley**
(45) Registration Date: **21 August 2007**
(62) Divisional of: **158509**
(56) Related Art Documents: **Not Applicable**
(57) Statement of Newness and Distinctiveness: **The newness and distinctiveness of the design resides in the features of shape and/or configuration shown in unbroken lines in the accompanying representations.**



- (21) Design Number: **14330/2006**
(22) Date of Filing Application: **28 September 2006**
(24) Date from which industrial property rights may have effect: **28 September 2006**
(54) Product in respect of which the design is registered: **Bracket for a demountable scaffolding system**
(51) International Design Classification: **08-08D**
(71) Name(s) and Address(s) of Applicant(s):
Speedsafe Australia P/L ATF McIntosh Family Trust
19 Phillip Street South Golden Beach New South Wales 2483 Australia
(72) Name(s) of Designer(s): **Peter McIntosh**
(45) Registration Date: **21 August 2007**
(56) Related Art Documents: **Not Applicable**
(57) Statement of Newness and Distinctiveness: **1. The drive system allows the ram to be held in place either on up or down stroke. 2. Locking pins to rear of ram allow easy future maintenance or replacement of ram. 3. The "Y" section of ram combined with perpendicular support give the ram its lateral and longitudinal strength.**



(21) Design Number: **12679/2006**

(22) Date of Filing Application: **21 June 2006**

(24) Date from which industrial property rights may have effect: **21 June 2006**

(54) Product in respect of which the design is registered: **Liquid flow aerator/regulator**

(51) International Design Classification: **23-01B, 23-01NES, 23-01G**

(71) Name(s) and Address(s) of Applicant(s):

Neoperl GmbH

Klosterrunsstrasse 9-11 79379 Mullheim Germany

(72) Name(s) of Designer(s): **Hermann Grether**

(45) Registration Date: **21 August 2007**

(30) Convention priority data:

(31) Number
452594

(32) Date
21 Dec 2005

(33) Country
EUROPEAN COMMUNITY

(56) Related Art Documents: **Not Applicable**

(57) Statement of Newness and Distinctiveness: **Those features of the liquid flow aerator/regulator depicted in the representations that are new and distinctive are the shape and/or configuration, and the combination of tones wherein the lower parts are light and dark grey and wherein the flow regulator located beneath the dome screen is white.**



(21) Design Number: **18343/2007**

(22) Date of Filing Application: **21 June 2006**

(24) Date from which industrial property rights may have effect: **21 June 2006**

(54) Product in respect of which the design is registered: **Liquid flow aerator/regulator**

(51) International Design Classification: **23-01B, 23-01NES, 23-01G**

(71) Name(s) and Address(s) of Applicant(s):

Neoperl GmbH

Klosterrunsstrasse 9-11 79379 Mullheim Germany

(72) Name(s) of Designer(s): **Hermann Grether**

(45) Registration Date: **21 August 2007**

(30) Convention priority data:

(31) Number
452594

(32) Date
21 Dec 2005

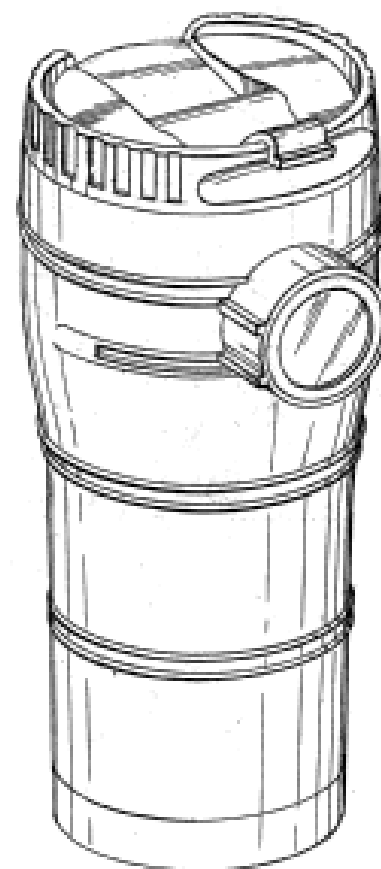
(33) Country
EUROPEAN COMMUNITY

(56) Related Art Documents: **Not Applicable**

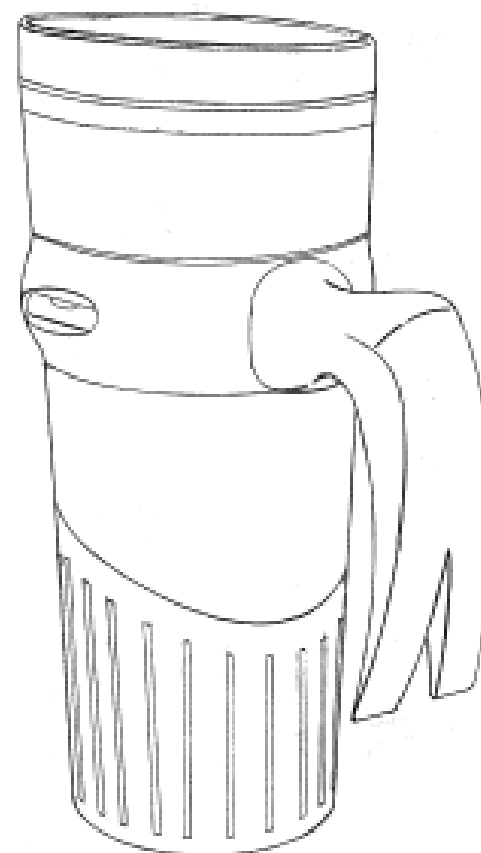
(57) Statement of Newness and Distinctiveness: **Those features of the liquid flow aerator/regulator depicted in the representations that are new and distinctive are the shape and/or configuration and the combination of tones and colour wherein the lower parts are light and dark grey and wherein the flow regulator located beneath the dome screen is orange.**



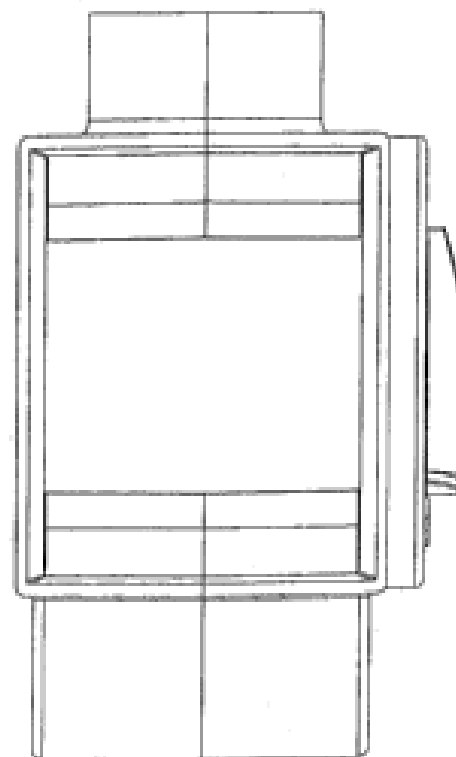
(21) Design Number: **17295/2007**
(22) Date of Filing Application: **03 April 2007**
(24) Date from which industrial property rights may have effect: **03 April 2007**
(54) Product in respect of which the design is registered: **A beverage mug**
(51) International Design Classification: **07-01D**
(71) Name(s) and Address(s) of Applicant(s):
TimeMug LLC
76 Lyon Terrace Bridgeport Connecticut 06604 United States of America
(72) Name(s) of Designer(s): **Brian G. Meehan**
(45) Registration Date: **21 August 2007**
(30) Convention priority data:
(31) Number (32) Date (33) Country
29267350 13 Oct 2006 UNITED STATES OF AMERICA
(56) Related Art Documents: **Not Applicable**
(57) Statement of Newness and Distinctiveness: **Nil**



(21) Design Number: **17424/2007**
(22) Date of Filing Application: **13 April 2007**
(24) Date from which industrial property rights may have effect: **13 April 2007**
(54) Product in respect of which the design is registered: **A beverage mug**
(51) International Design Classification: **07-01D**
(71) Name(s) and Address(s) of Applicant(s):
TimeMug LLC
76 Lyon Terrace Bridgeport Connecticut 06604 United States of America
(72) Name(s) of Designer(s): **Brian G. Meehan**
(45) Registration Date: **21 August 2007**
(30) Convention priority data:
(31) Number (32) Date (33) Country
29267994 27 Oct 2006 UNITED STATES OF AMERICA
(56) Related Art Documents: **Not Applicable**
(57) Statement of Newness and Distinctiveness: **Nil**



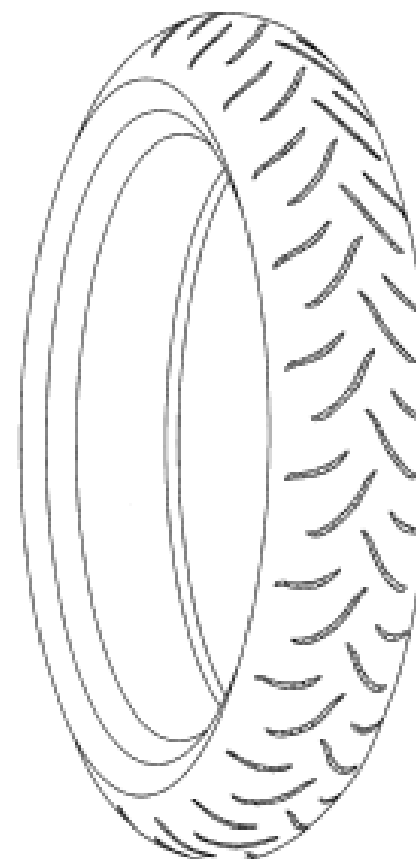
- (21) Design Number: **18296/2007**
(22) Date of Filing Application: **07 June 2007**
(24) Date from which industrial property rights may have effect: **07 June 2007**
(54) Product in respect of which the design is registered: **Downpipe diverter**
(51) International Design Classification: **23-01B**
(71) Name(s) and Address(s) of Applicant(s):
Prestex Pty Ltd trading as Polyworld
Lot 5 Robson Street Clontarf Queensland 4019 Australia
(72) Name(s) of Designer(s): **Daniel Wos**
(45) Registration Date: **21 August 2007**
(56) Related Art Documents: **Not Applicable**
(57) Statement of Newness and Distinctiveness: **Nil**



- (21) Design Number: **18314/2007**
(22) Date of Filing Application: **07 June 2007**
(24) Date from which industrial property rights may have effect: **07 June 2007**
(54) Product in respect of which the design is registered: **Motorcycle tyre**
(51) International Design Classification: **12-15A**
(71) Name(s) and Address(s) of Applicant(s):
Bridgestone Corporation
10-1 Kyobashi 1-chome Chuo-ku Tokyo 104-8340 Japan
(72) Name(s) of Designer(s): **Daita Itoi and Hidemitsu Nakagawa**
(45) Registration Date: **21 August 2007**
(30) Convention priority data:

(31) Number	(32) Date	(33) Country
2006-033788	07 Dec 2006	JAPAN

(56) Related Art Documents: **Not Applicable**
(57) Statement of Newness and Distinctiveness: **The shape and configuration of the motorcycle tyre shown in the representations is new and distinctive. When considering the newness and distinctiveness of the design, features shown in broken lines are to be disregarded.**



- (21) Design Number: **18315/2007**
(22) Date of Filing Application: **07 June 2007**
(24) Date from which industrial property rights may have effect: **07 June 2007**
(54) Product in respect of which the design is registered: **Motorcycle tyre**
(51) International Design Classification: **12-15A**
(71) Name(s) and Address(s) of Applicant(s):

Bridgestone Corporation
10-1 Kyobashi 1-chome Chuo-ku Tokyo 104-8340 Japan

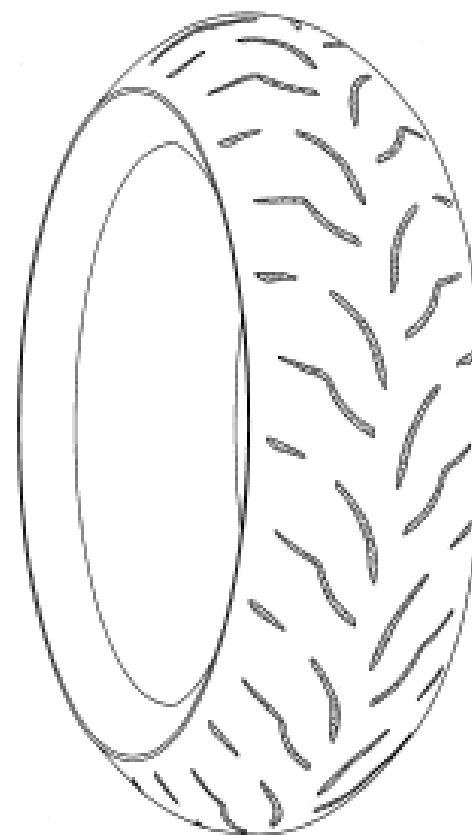
- (72) Name(s) of Designer(s): **Daita Itoi**
(45) Registration Date: **21 August 2007**

(30) Convention priority data:

(31) Number	(32) Date	(33) Country
2006-033789	07 Dec 2006	JAPAN

(56) Related Art Documents: **Not Applicable**

(57) Statement of Newness and Distinctiveness: **The shape and configuration of the motorcycle tyre shown in the representations is new and distinctive. When considering the newness and distinctiveness of the design, features shown in broken lines are to be disregarded.**



- (21) Design Number: **18316/2007**
(22) Date of Filing Application: **07 June 2007**
(24) Date from which industrial property rights may have effect: **07 June 2007**
(54) Product in respect of which the design is registered: **Motorcycle tyre**
(51) International Design Classification: **12-15A**
(71) Name(s) and Address(s) of Applicant(s):

Bridgestone Corporation
10-1 Kyobashi 1-chome Chuo-ku Tokyo 104-8340 Japan

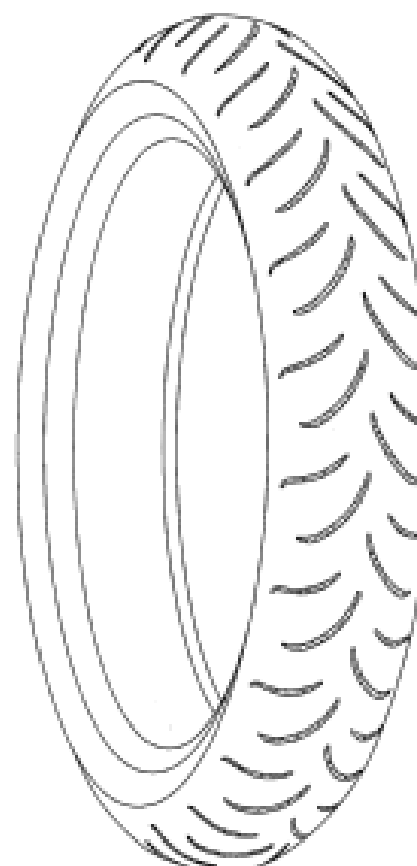
- (72) Name(s) of Designer(s): **Daita Itoi and Hidemitsu Nakagawa**
(45) Registration Date: **21 August 2007**

(30) Convention priority data:

(31) Number	(32) Date	(33) Country
2006-033787	07 Dec 2006	JAPAN

(56) Related Art Documents: **Not Applicable**

(57) Statement of Newness and Distinctiveness: **The shape and configuration of the motorcycle tyre shown in the representations is new and distinctive. When considering the newness and distinctiveness of the design, features shown in broken lines are to be disregarded.**



(21) Design Number: **18317/2007**

(22) Date of Filing Application: **07 June 2007**

(24) Date from which industrial property rights may have effect: **07 June 2007**

(54) Product in respect of which the design is registered: **An annular seal**

(51) International Design Classification: **23-01A**

(71) Name(s) and Address(s) of Applicant(s):

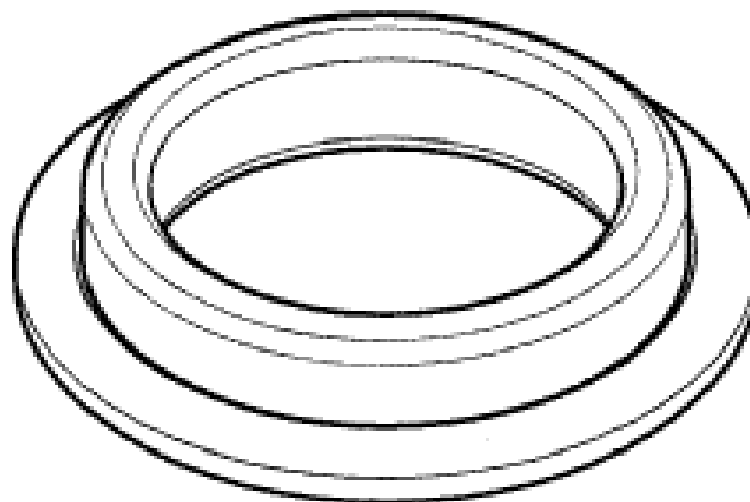
MBP Australia Pty Ltd
177 Thomas Street Murray Bridge South Australia 5253 Australia

(72) Name(s) of Designer(s): **Jeffrey Stephen Boyd**

(45) Registration Date: **21 August 2007**

(56) Related Art Documents: **Not Applicable**

(57) Statement of Newness and Distinctiveness: **Newness and distinctiveness resides in the features of shape and configuration of an annular seal as shown in the accompanying representations.**



(21) Design Number: **18318/2007**

(22) Date of Filing Application: **07 June 2007**

(24) Date from which industrial property rights may have effect: **07 June 2007**

(54) Product in respect of which the design is registered: **Table connector plate**

(51) International Design Classification: **08-09**

(71) Name(s) and Address(s) of Applicant(s):

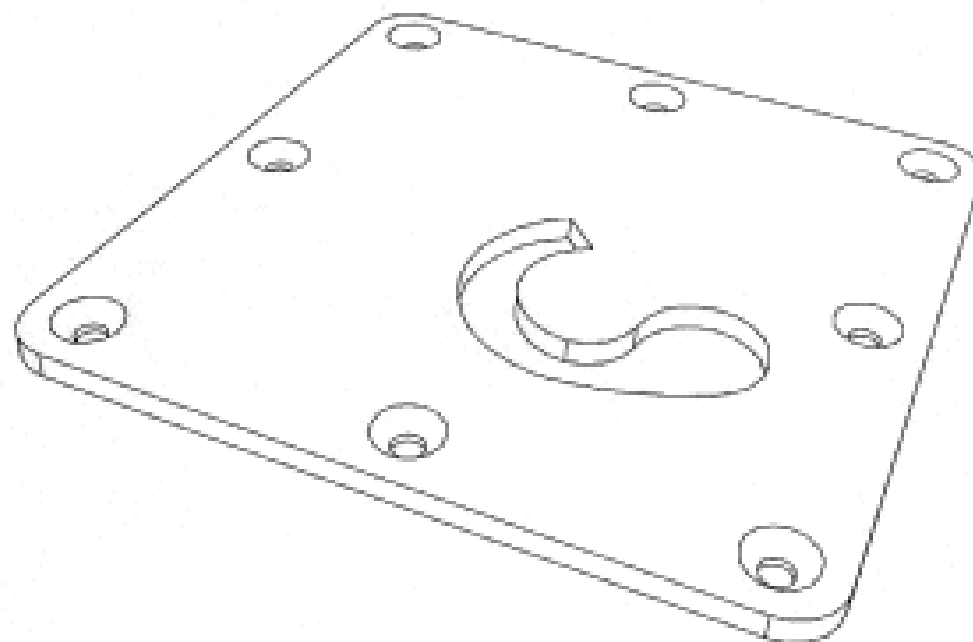
Astrodome Hire Pty Ltd
81-95 Burnley Street Richmond Victoria 3121 Australia

(72) Name(s) of Designer(s): **Stephen Kelly**

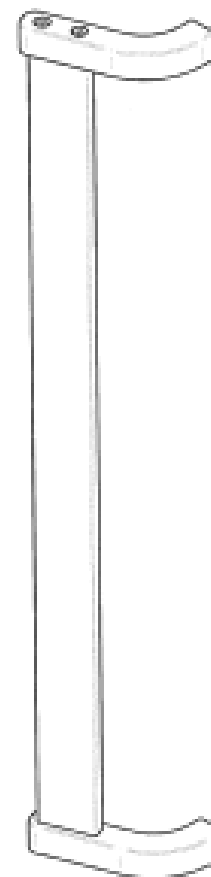
(45) Registration Date: **21 August 2007**

(56) Related Art Documents: **Not Applicable**

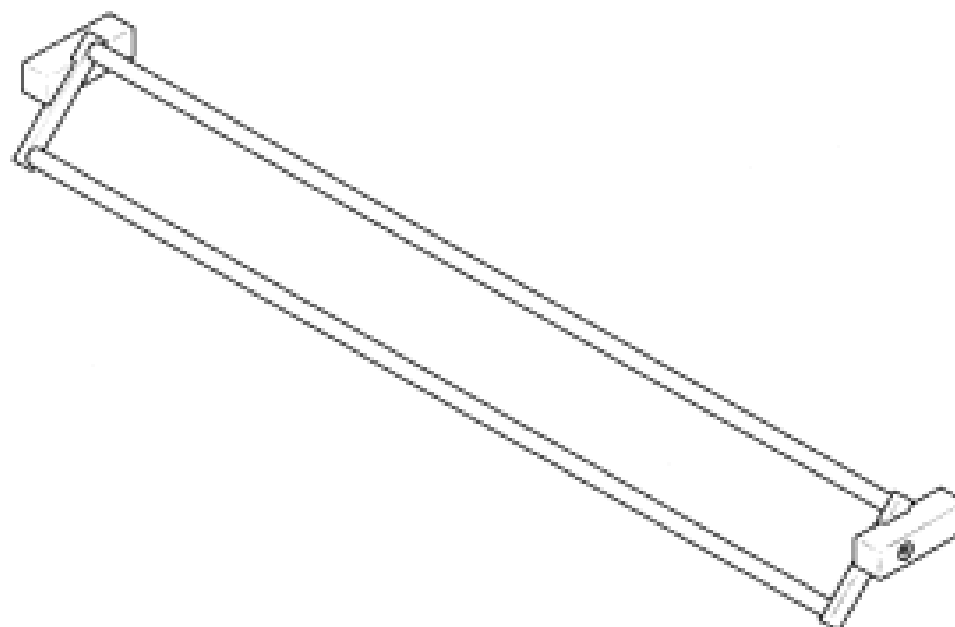
(57) Statement of Newness and Distinctiveness: **Nil**



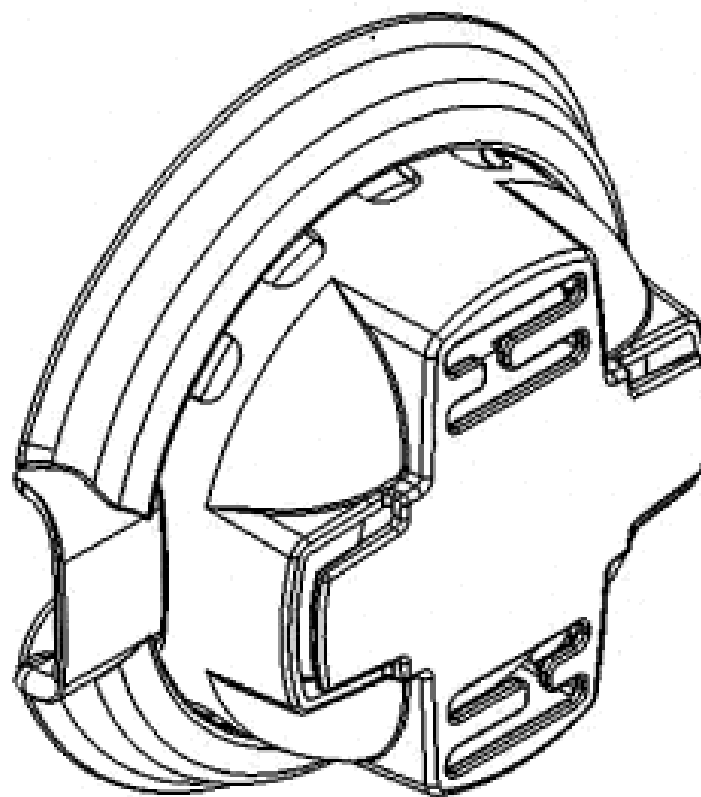
- (21) Design Number: **18319/2007**
(22) Date of Filing Application: **08 June 2007**
(24) Date from which industrial property rights may have effect: **08 June 2007**
(54) Product in respect of which the design is registered: **Pull handle**
(51) International Design Classification: **08-06**
(71) Name(s) and Address(s) of Applicant(s):
Madinoz Pty Limited
21 Orland Road Dee Why New South Wales 2099 Australia
(72) Name(s) of Designer(s): **Cornelis Koopman**
(45) Registration Date: **21 August 2007**
(56) Related Art Documents: **Not Applicable**
(57) Statement of Newness and Distinctiveness: **Monopoly is claimed in the shape and configuration of a towel rail as shown in the representations.**



- (21) Design Number: **18320/2007**
(22) Date of Filing Application: **08 June 2007**
(24) Date from which industrial property rights may have effect: **08 June 2007**
(54) Product in respect of which the design is registered: **Towel rail**
(51) International Design Classification: **07-05D**
(71) Name(s) and Address(s) of Applicant(s):
Madinoz Pty Limited
21 Orland Road Dee Why New South Wales 2099 Australia
(72) Name(s) of Designer(s): **Cornelis Koopman**
(45) Registration Date: **21 August 2007**
(56) Related Art Documents: **Not Applicable**
(57) Statement of Newness and Distinctiveness: **Monopoly is claimed in the shape and configuration of a towel rail as shown in the representations.**



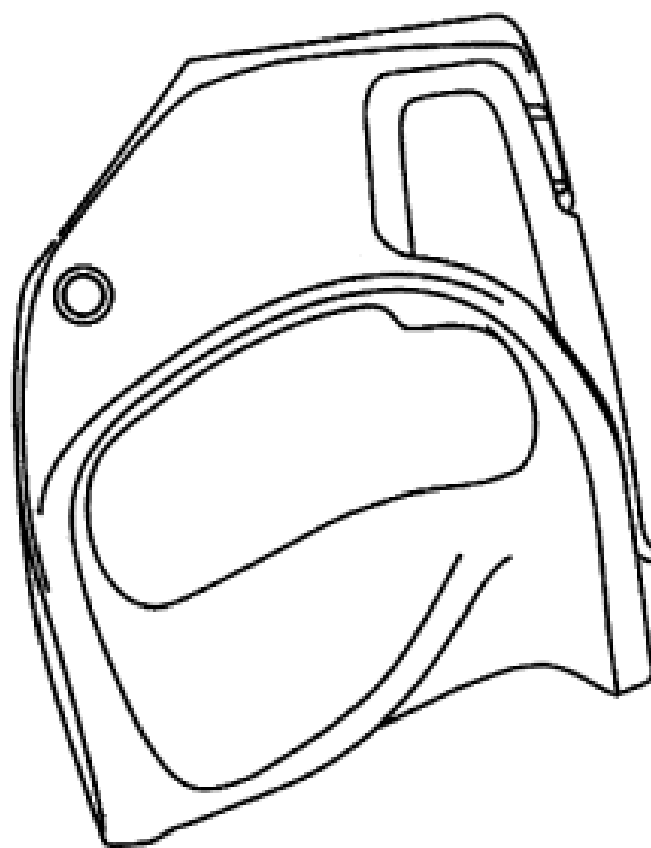
- (21) Design Number: **18321/2007**
(22) Date of Filing Application: **08 June 2007**
(24) Date from which industrial property rights may have effect: **08 June 2007**
(54) Product in respect of which the design is registered: **Medical device**
(51) International Design Classification: **24-01**
(71) Name(s) and Address(s) of Applicant(s):
Ventrassist Pty Ltd
126 Greville Street Chatswood New South Wales 2067 Australia
(72) Name(s) of Designer(s): **Philip James Jenkinson and James George Elcoate Smith and David John Dellagiacomma and Martin Christopher Cook**
(45) Registration Date: **21 August 2007**
(56) Related Art Documents: **Not Applicable**
(57) Statement of Newness and Distinctiveness: **Nil**



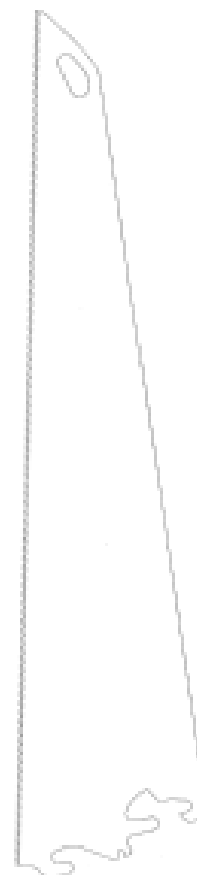
- (21) Design Number: **18324/2007**
(22) Date of Filing Application: **08 June 2007**
(24) Date from which industrial property rights may have effect: **08 June 2007**
(54) Product in respect of which the design is registered: **Electrical connection box cover**
(51) International Design Classification: **09-07NES**
(71) Name(s) and Address(s) of Applicant(s):
Cable Accessories (Australia) Pty. Ltd.
26 Derby Street Silverwater New South Wales 2128 Australia
(72) Name(s) of Designer(s): **Laurance Dahdah**
(45) Registration Date: **21 August 2007**
(56) Related Art Documents: **Not Applicable**
(57) Statement of Newness and Distinctiveness: **Newness and distinctiveness is claimed in the features of shape and/or configuration of the following features of an electrical connection box cover as illustrated in the accompanying representations: a) the lip extending about the periphery of the lower end of the cover b) the recessed corner edges of the cover.**



(21) Design Number: **18327/2007**
(22) Date of Filing Application: **08 June 2007**
(24) Date from which industrial property rights may have effect: **08 June 2007**
(54) Product in respect of which the design is registered: **Handsaw handle**
(51) International Design Classification: **08-06**
(71) Name(s) and Address(s) of Applicant(s):
Kapman AB
C/- SNA Europe Industries AB Sandviken 811 81 Sweden
(72) Name(s) of Designer(s): **Hans Himbert and Marten Andren and Conny Jansson**
(45) Registration Date: **21 August 2007**
(30) Convention priority data:
(31) Number (32) Date (33) Country
09-0698 11 Dec 2006 SWEDEN
(56) Related Art Documents: **Not Applicable**
(57) Statement of Newness and Distinctiveness: **The shape and configuration of the handsaw handle is new and distinctive.**



(21) Design Number: **18328/2007**
(22) Date of Filing Application: **08 June 2007**
(24) Date from which industrial property rights may have effect: **08 June 2007**
(54) Product in respect of which the design is registered: **Handsaw blade**
(51) International Design Classification: **08-03**
(71) Name(s) and Address(s) of Applicant(s):
Kapman AB
C/- SNA Europe Industries AB Sandviken 811 81 Sweden
(72) Name(s) of Designer(s): **Hans Himbert and Marten Andren and Conny Jansson and Emil Clahr**
(45) Registration Date: **21 August 2007**
(30) Convention priority data:
(31) Number (32) Date (33) Country
09-0698 11 Dec 2006 SWEDEN
(56) Related Art Documents: **Not Applicable**
(57) Statement of Newness and Distinctiveness: **The shape and configuration of the handsaw blade is new and distinctive.**



(21) Design Number: **18330/2007**

(22) Date of Filing Application: **08 June 2007**

(24) Date from which industrial property rights may have effect: **08 June 2007**

(54) Product in respect of which the design is registered: **A wall panel joiner**

(51) International Design Classification: **25-01K**

(71) Name(s) and Address(s) of Applicant(s):

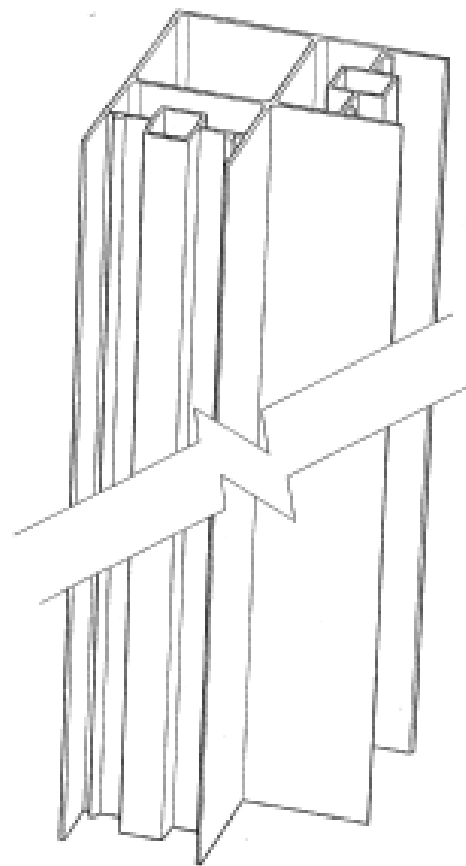
Prodrome Designs Pty Ltd
468 Stuart Highway Winnellie Northern Territory 0820 Australia

(72) Name(s) of Designer(s): **Kelvin Chan**

(45) Registration Date: **21 August 2007**

(56) Related Art Documents: **Not Applicable**

(57) Statement of Newness and Distinctiveness: **Newness and distinctiveness resides in the shape and configuration of a wall panel joiner of indefinite length as shown in the accompanying representations.**



(21) Design Number: **18331/2007**

(22) Date of Filing Application: **08 June 2007**

(24) Date from which industrial property rights may have effect: **08 June 2007**

(54) Product in respect of which the design is registered: **A wall panel joiner**

(51) International Design Classification: **25-01K**

(71) Name(s) and Address(s) of Applicant(s):

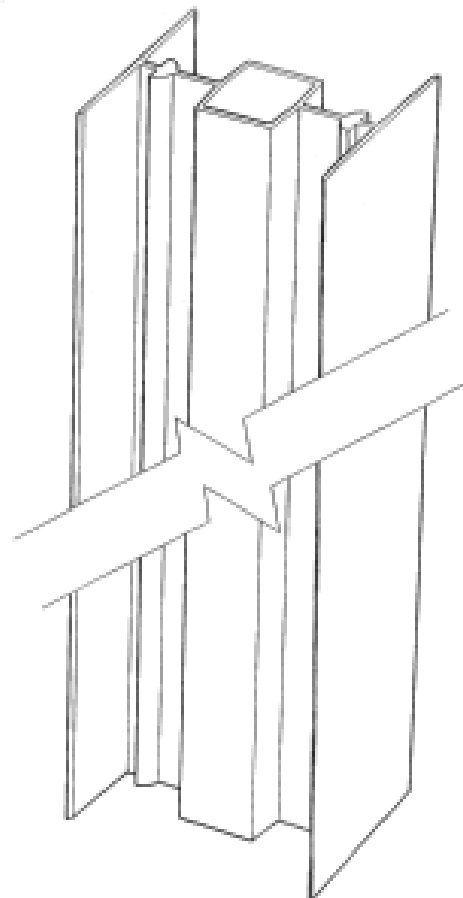
Prodrome Designs Pty Ltd
468 Stuart Highway Winnellie Northern Territory 0820 Australia

(72) Name(s) of Designer(s): **Kelvin Chan**

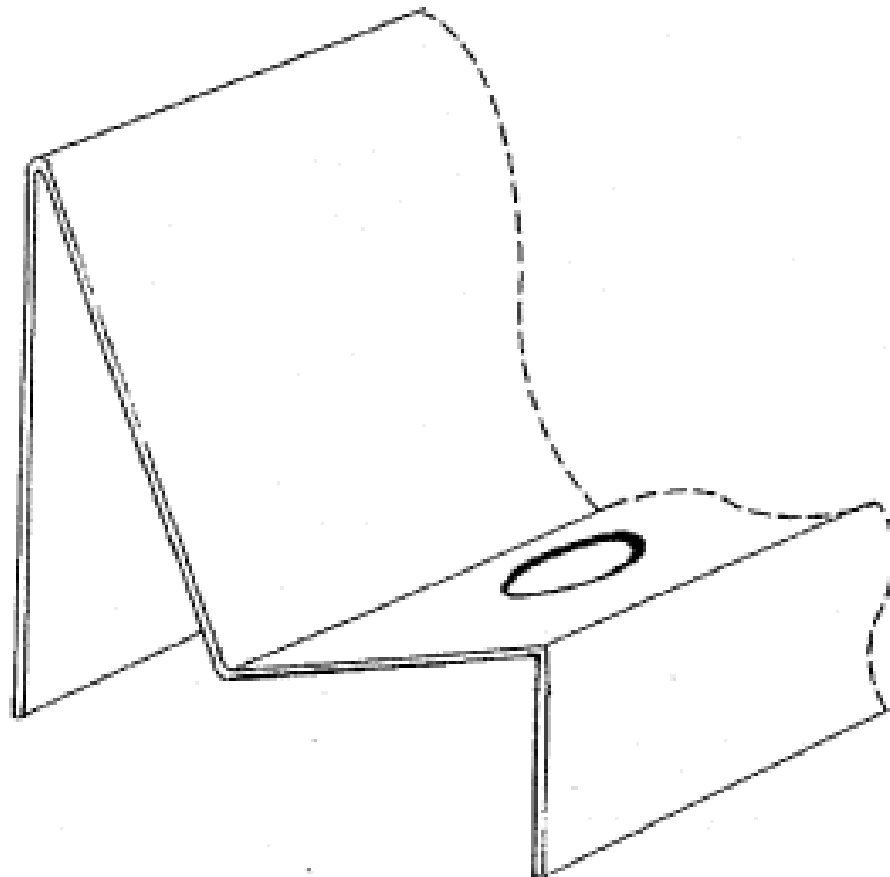
(45) Registration Date: **21 August 2007**

(56) Related Art Documents: **Not Applicable**

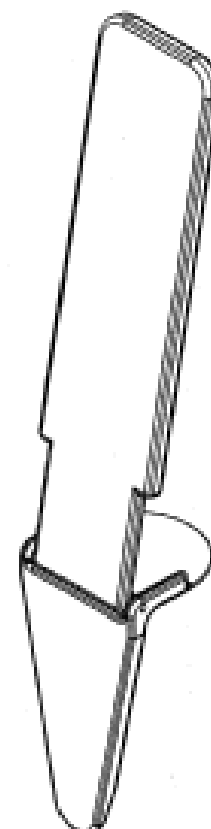
(57) Statement of Newness and Distinctiveness: **Newness and distinctiveness resides in the shape and configuration of a wall panel joiner of indefinite length as shown in the accompanying representations.**



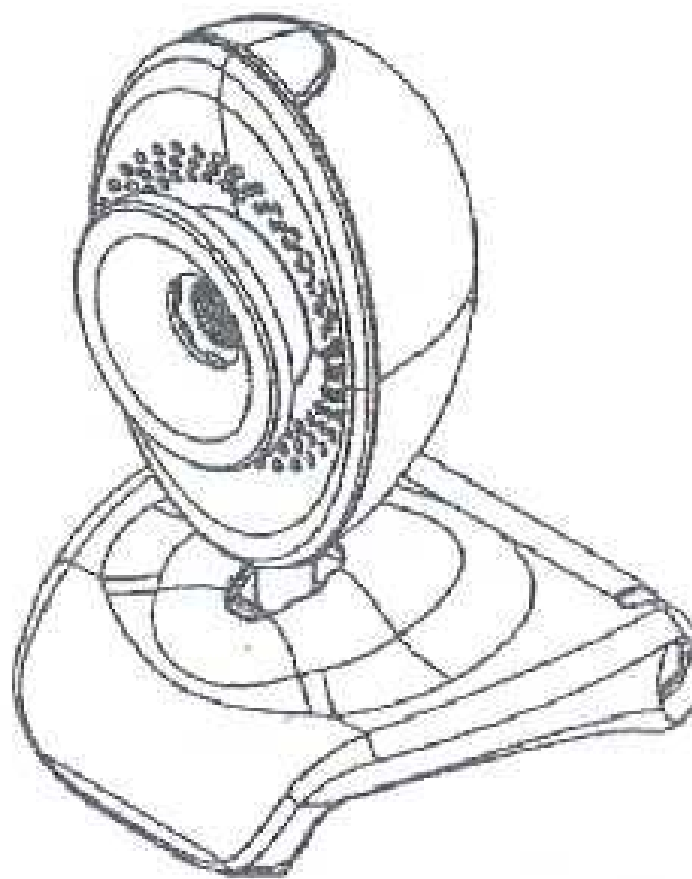
- (21) Design Number: **18338/2007**
(22) Date of Filing Application: **12 June 2007**
(24) Date from which industrial property rights may have effect: **12 June 2007**
(54) Product in respect of which the design is registered: **Racking system**
(51) International Design Classification: **06-04NES**
(71) Name(s) and Address(s) of Applicant(s):
Neil Andrew Woodward
30 Croydon Hills Drive Croydon Hills Victoria 3136 Australia
(72) Name(s) of Designer(s): **Neil Andrew Woodward**
(45) Registration Date: **21 August 2007**
(56) Related Art Documents: **Not Applicable**
(57) Statement of Newness and Distinctiveness: **Newness and distinctiveness is claimed in features of shape and/or configuration of a racking system as illustrated in the accompanying representations. In considering which features are new and distinctive, particular/special regard is to be had to the cross section of the racking system. The racking system is of indefinite length and may be repeatable. Three examples are provided in the representations.**



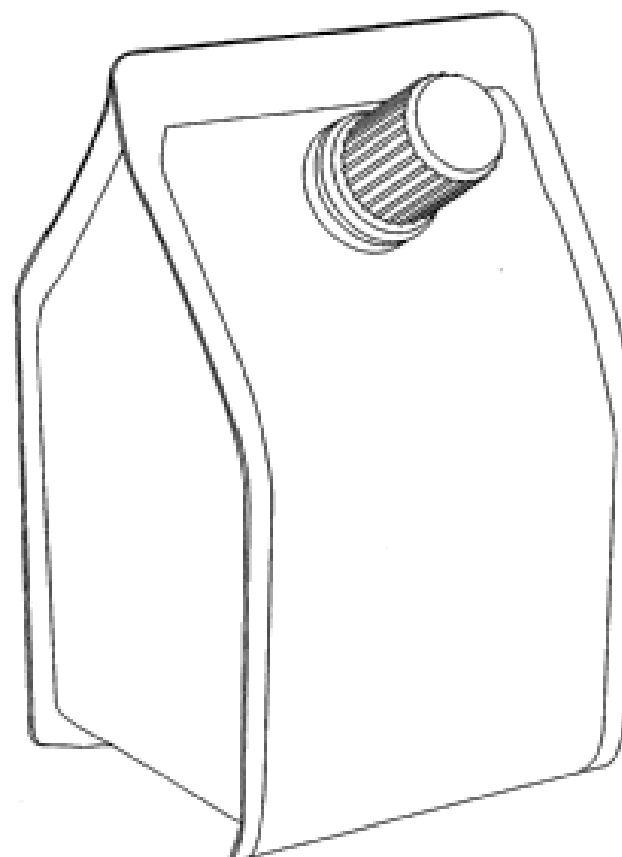
- (21) Design Number: **18345/2007**
(22) Date of Filing Application: **12 June 2007**
(24) Date from which industrial property rights may have effect: **12 June 2007**
(54) Product in respect of which the design is registered: **Marker**
(51) International Design Classification: **21-02NES**
(71) Name(s) and Address(s) of Applicant(s):
Racing Victoria Limited
400 Epsom Road Flemington Victoria 3031 Australia
(72) Name(s) of Designer(s): **David Hawke**
(45) Registration Date: **21 August 2007**
(56) Related Art Documents: **Not Applicable**
(57) Statement of Newness and Distinctiveness: **Those features of the marker depicted in the representations that are new and distinctive are the shape and/or configuration.**



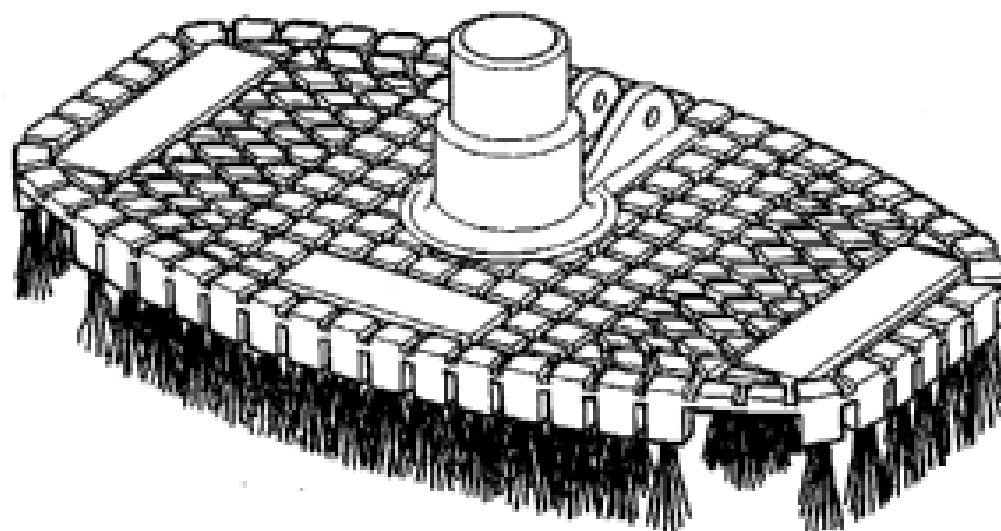
- (21) Design Number: **18346/2007**
(22) Date of Filing Application: **12 June 2007**
(24) Date from which industrial property rights may have effect: **12 June 2007**
(54) Product in respect of which the design is registered: **Camera**
(51) International Design Classification: **16-01**
(71) Name(s) and Address(s) of Applicant(s):
Creative Technology Ltd
31 International Business Park Creative Resource Singapore 609921
(72) Name(s) of Designer(s): **Wei Lit Wilfred Leung and Boon Keat Eddy Toh and Qian Hong**
(45) Registration Date: **21 August 2007**
(30) Convention priority data:
(31) Number (32) Date (33) Country
29/271,954 30 Jan 2007 UNITED STATES OF AMERICA
(56) Related Art Documents: **Not Applicable**
(57) Statement of Newness and Distinctiveness: **The novelty of the design resides in the features of shape and configuration as depicted in the attached representations.**



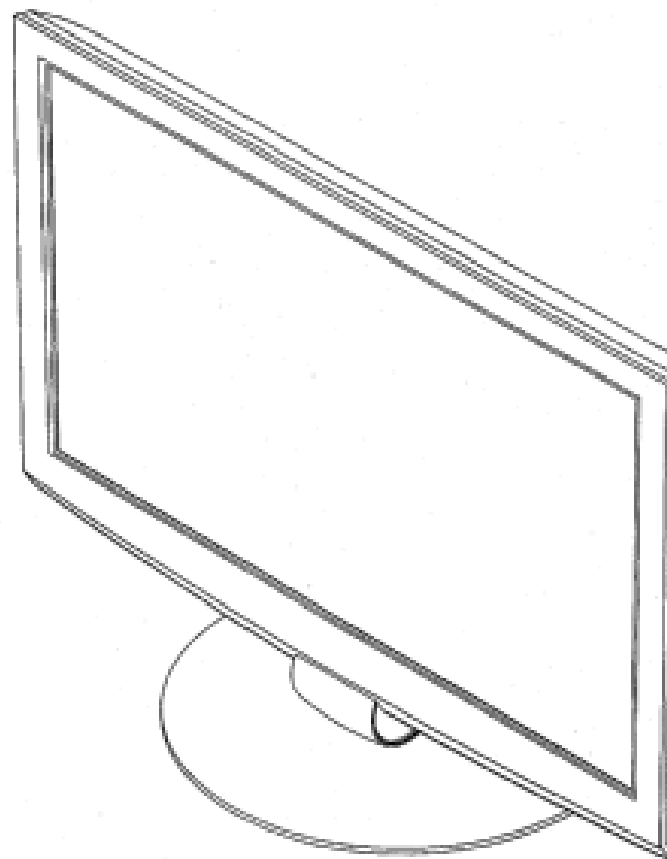
- (21) Design Number: **18348/2007**
(22) Date of Filing Application: **12 June 2007**
(24) Date from which industrial property rights may have effect: **12 June 2007**
(54) Product in respect of which the design is registered: **Mini gable pouch with small spout**
(51) International Design Classification: **09-05**
(71) Name(s) and Address(s) of Applicant(s):
Ronald H. Berman
203 Agronne Ave Bx 211 Long Beach CA 90803 United States of America
(72) Name(s) of Designer(s): **Ronald H. Berman**
(45) Registration Date: **21 August 2007**
(30) Convention priority data:
(31) Number (32) Date (33) Country
29/271234 12 Jan 2007 UNITED STATES OF AMERICA
(56) Related Art Documents: **Not Applicable**
(57) Statement of Newness and Distinctiveness: **Nil**



(21) Design Number: **18350/2007**
(22) Date of Filing Application: **13 June 2007**
(24) Date from which industrial property rights may have effect: **13 June 2007**
(54) Product in respect of which the design is registered: **A vacuum head**
(51) International Design Classification: **04-01**
(71) Name(s) and Address(s) of Applicant(s):
Magnor Pty Limited
C/- LCF Higgins 7 The Parade Norwood South Australia 5067 Australia
(72) Name(s) of Designer(s): **Stephen Bernard Nicholas**
(45) Registration Date: **21 August 2007**
(56) Related Art Documents: **Not Applicable**
(57) Statement of Newness and Distinctiveness: **Nil**



(21) Design Number: **18360/2007**
(22) Date of Filing Application: **13 June 2007**
(24) Date from which industrial property rights may have effect: **13 June 2007**
(54) Product in respect of which the design is registered: **Television receiver**
(51) International Design Classification: **14-01**
(71) Name(s) and Address(s) of Applicant(s):
LG Electronics Inc.
20 Yoido-dong Yongdungpo-gu Seoul Korea
(72) Name(s) of Designer(s): **Hyun Byung Cha**
(45) Registration Date: **21 August 2007**
(30) Convention priority data:
(31) Number (32) Date (33) Country
30-2006-0050322 18 Dec 2006 REPUBLIC OF KOREA
(56) Related Art Documents: **Not Applicable**
(57) Statement of Newness and Distinctiveness: **Newness and distinctiveness resides in the visual features of shape and/or configuration as applied to a television receiver as illustrated in the accompanying representations.**



(21) Design Number: **18362/2007**

(22) Date of Filing Application: **13 June 2007**

(24) Date from which industrial property rights may have effect: **13 June 2007**

(54) Product in respect of which the design is registered: **Plate**

(51) International Design Classification: **07-01A**

(71) Name(s) and Address(s) of Applicant(s):

Villeroy & Boch AG

Saaruferstrasse 14-18 D-66693 Mettlach Germany

(72) Name(s) of Designer(s): **Charlotte Weber**

(45) Registration Date: **21 August 2007**

(30) Convention priority data:

(31) Number

(32) Date

(33) Country

000 637 350

13 Dec 2006

EUROPEAN COMMUNITY

(56) Related Art Documents: **Not Applicable**

(57) Statement of Newness and Distinctiveness: **The shape and configuration of the product is new and distinctive. The text and logo shown on the under-side of the product is to be disregarded.**



(21) Design Number: **18363/2007**

(22) Date of Filing Application: **13 June 2007**

(24) Date from which industrial property rights may have effect: **13 June 2007**

(54) Product in respect of which the design is registered: **Plate**

(51) International Design Classification: **07-01A**

(71) Name(s) and Address(s) of Applicant(s):

Villeroy & Boch AG

Saaruferstrasse 14-18 D-66693 Mettlach Germany

(72) Name(s) of Designer(s): **Charlotte Weber**

(45) Registration Date: **21 August 2007**

(30) Convention priority data:

(31) Number

(32) Date

(33) Country

000 637 350

13 Dec 2006

EUROPEAN COMMUNITY

(56) Related Art Documents: **Not Applicable**

(57) Statement of Newness and Distinctiveness: **The shape and configuration of the product is new and distinctive. The text and logo shown on the under-side of the product is to be disregarded.**



(21) Design Number: **18364/2007**

(22) Date of Filing Application: **13 June 2007**

(24) Date from which industrial property rights may have effect: **13 June 2007**

(54) Product in respect of which the design is registered: **Sauce-boat**

(51) International Design Classification: **07-01F**

(71) Name(s) and Address(s) of Applicant(s):

Villeroy & Boch AG
Saaruferstrasse 14-18 D-66693 Mettlach Germany

(72) Name(s) of Designer(s): **Charlotte Weber**

(45) Registration Date: **21 August 2007**

(30) Convention priority data:

(31) Number	(32) Date	(33) Country
000 637 350	13 Dec 2006	EUROPEAN COMMUNITY

(56) Related Art Documents: **Not Applicable**

(57) Statement of Newness and Distinctiveness: **The shape and configuration of the product is new and distinctive. The text and logo shown on the under-side of the product is to be disregarded.**



(21) Design Number: **18368/2007**

(22) Date of Filing Application: **13 June 2007**

(24) Date from which industrial property rights may have effect: **13 June 2007**

(54) Product in respect of which the design is registered: **Pot**

(51) International Design Classification: **07-01G**

(71) Name(s) and Address(s) of Applicant(s):

Villeroy & Boch AG
Saaruferstrasse 14-18 D-66693 Mettlach Germany

(72) Name(s) of Designer(s): **Charlotte Weber**

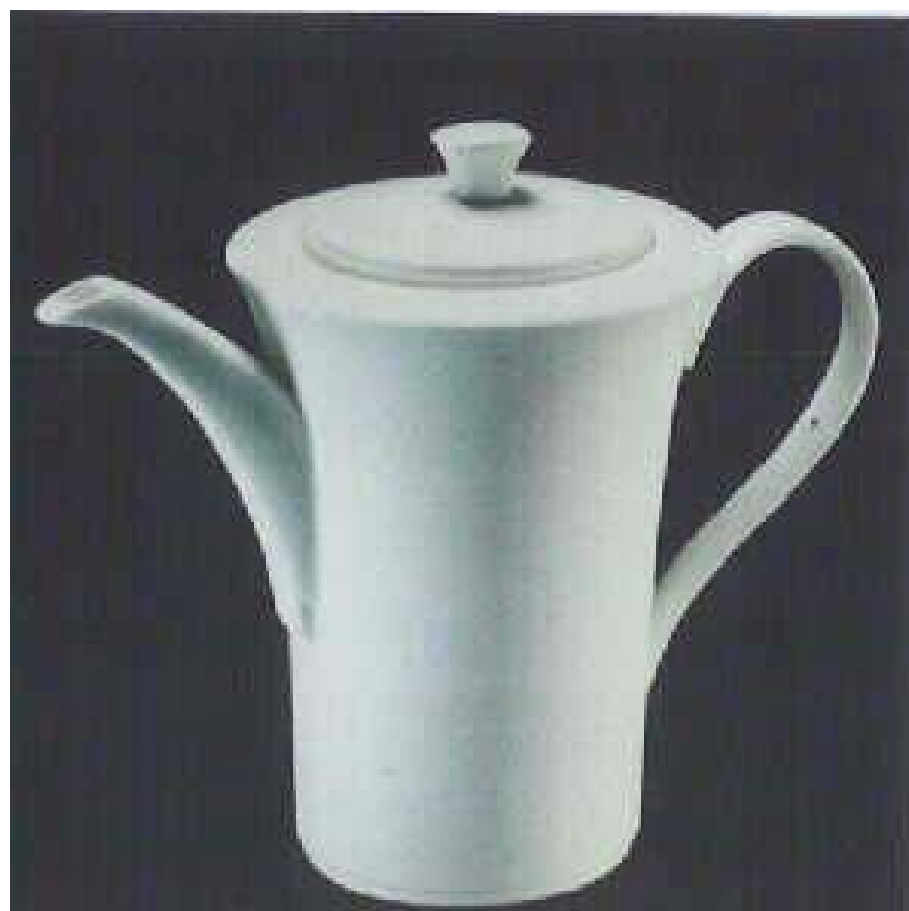
(45) Registration Date: **21 August 2007**

(30) Convention priority data:

(31) Number	(32) Date	(33) Country
000 637 350	13 Dec 2006	EUROPEAN COMMUNITY

(56) Related Art Documents: **Not Applicable**

(57) Statement of Newness and Distinctiveness: **The shape and configuration of the product is new and distinctive. The text and logo shown on the under-side of the product is to be disregarded.**



(21) Design Number: **18365/2007**

(22) Date of Filing Application: **13 June 2007**

(24) Date from which industrial property rights may have effect: **13 June 2007**

(54) Product in respect of which the design is registered: **Sugar bowl**

(51) International Design Classification: **07-01B**

(71) Name(s) and Address(s) of Applicant(s):

Villeroy & Boch AG.

Saaruferstrasse 14-18 D-66693 Mettlach Germany

(72) Name(s) of Designer(s): **Charlotte Weber**

(45) Registration Date: **21 August 2007**

(30) Convention priority data:

(31) Number

(32) Date

(33) Country

000 637 350

13 Dec 2006

EUROPEAN COMMUNITY

(56) Related Art Documents: **Not Applicable**

(57) Statement of Newness and Distinctiveness: **The shape and configuration of the product is new and distinctive. The text and logo shown on the under-side of the product is to be disregarded.**



(21) Design Number: **18366/2007**

(22) Date of Filing Application: **13 June 2007**

(24) Date from which industrial property rights may have effect: **13 June 2007**

(54) Product in respect of which the design is registered: **Bowl**

(51) International Design Classification: **07-01B**

(71) Name(s) and Address(s) of Applicant(s):

Villeroy & Boch AG.

Saaruferstrasse 14-18 D-66693 Mettlach Germany

(72) Name(s) of Designer(s): **Charlotte Weber**

(45) Registration Date: **21 August 2007**

(30) Convention priority data:

(31) Number

(32) Date

(33) Country

000 637 350

13 Dec 2006

EUROPEAN COMMUNITY

(56) Related Art Documents: **Not Applicable**

(57) Statement of Newness and Distinctiveness: **The shape and configuration of the product is new and distinctive. The text and logo shown on the under-side of the product is to be disregarded.**



(21) Design Number: **18367/2007**

(22) Date of Filing Application: **13 June 2007**

(24) Date from which industrial property rights may have effect: **13 June 2007**

(54) Product in respect of which the design is registered: **Bowl**

(51) International Design Classification: **07-01B**

(71) Name(s) and Address(s) of Applicant(s):

Villeroy & Boch AG.

Saaruferstrasse 14-18 D-66693 Mettlach Germany

(72) Name(s) of Designer(s): **Charlotte Weber**

(45) Registration Date: **21 August 2007**

(30) Convention priority data:

(31) Number

(32) Date

(33) Country

000 637 350

13 Dec 2006

EUROPEAN COMMUNITY

(56) Related Art Documents: **Not Applicable**

(57) Statement of Newness and Distinctiveness: **The shape and configuration of the product is new and distinctive. The text and logo shown on the under-side of the product is to be disregarded.**



(21) Design Number: **18369/2007**

(22) Date of Filing Application: **13 June 2007**

(24) Date from which industrial property rights may have effect: **13 June 2007**

(54) Product in respect of which the design is registered: **Cup**

(51) International Design Classification: **07-01D**

(71) Name(s) and Address(s) of Applicant(s):

Villeroy & Boch AG

Saaruferstrasse 14-18 D-66693 Mettlach Germany

(72) Name(s) of Designer(s): **Charlotte Weber**

(45) Registration Date: **21 August 2007**

(30) Convention priority data:

(31) Number

(32) Date

(33) Country

000 637 350

13 Dec 2006

EUROPEAN COMMUNITY

(56) Related Art Documents: **Not Applicable**

(57) Statement of Newness and Distinctiveness: **The shape and configuration of the product is new and distinctive. The text and logo shown on the under-side of the product is to be disregarded.**



(21) Design Number: **18370/2007**

(22) Date of Filing Application: **13 June 2007**

(24) Date from which industrial property rights may have effect: **13 June 2007**

(54) Product in respect of which the design is registered: **Saucer**

(51) International Design Classification: **07-01D**

(71) Name(s) and Address(s) of Applicant(s):

Villeroy & Boch AG
Saaruferstrasse 14-18 D-66693 Mettlach Germany

(72) Name(s) of Designer(s): **Charlotte Weber**

(45) Registration Date: **21 August 2007**

(30) Convention priority data:

(31) Number	(32) Date	(33) Country
000 637 350	13 Dec 2006	EUROPEAN COMMUNITY

(56) Related Art Documents: **Not Applicable**

(57) Statement of Newness and Distinctiveness: **The shape and configuration of the product is new and distinctive. The text and logo shown on the under-side of the product is to be disregarded.**



(21) Design Number: **18371/2007**

(22) Date of Filing Application: **13 June 2007**

(24) Date from which industrial property rights may have effect: **13 June 2007**

(54) Product in respect of which the design is registered: **Tea-cup**

(51) International Design Classification: **07-01D**

(71) Name(s) and Address(s) of Applicant(s):

Villeroy & Boch AG
Saaruferstrasse 14-18 D-66693 Mettlach Germany

(72) Name(s) of Designer(s): **Charlotte Weber**

(45) Registration Date: **21 August 2007**

(30) Convention priority data:

(31) Number	(32) Date	(33) Country
000 637 350	13 Dec 2006	EUROPEAN COMMUNITY

(56) Related Art Documents: **Not Applicable**

(57) Statement of Newness and Distinctiveness: **The shape and configuration of the product is new and distinctive. The text and logo shown on the under-side of the product is to be disregarded.**



(21) Design Number: **18415/2007**

(22) Date of Filing Application: **14 June 2007**

(24) Date from which industrial property rights may have effect: **14 June 2007**

(54) Product in respect of which the design is registered: **Flow controller**

(51) International Design Classification: **23-01E**

(71) Name(s) and Address(s) of Applicant(s):

Mondiale Technologies Limited
C/- Simmonds Stewart Level 12 Forsyth Barr House 45 Johnston
Street Wellington New Zealand 6011

(72) Name(s) of Designer(s): **Raymond John Avery and Murray Edward Fenton**

(45) Registration Date: **21 August 2007**

(30) Convention priority data:

(31) Number	(32) Date	(33) Country
408503	22 Dec 2006	NEW ZEALAND

(56) Related Art Documents: **Not Applicable**

(57) Statement of Newness and Distinctiveness: **Nil**



(21) Design Number: **18418/2007**

(22) Date of Filing Application: **14 June 2007**

(24) Date from which industrial property rights may have effect: **14 June 2007**

(54) Product in respect of which the design is registered: **Tank**

(51) International Design Classification: **23-01F**

(71) Name(s) and Address(s) of Applicant(s):

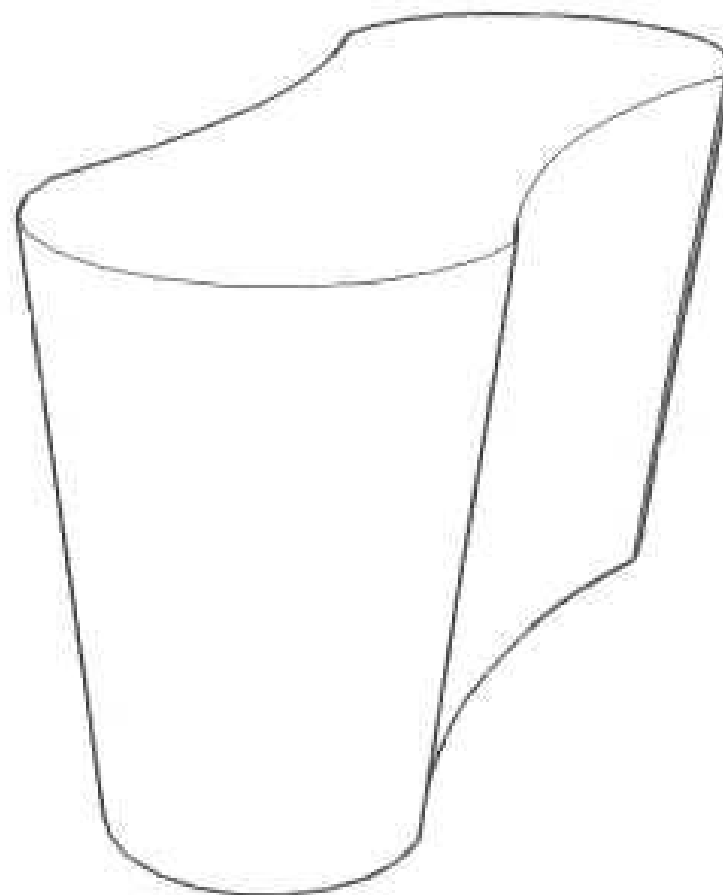
Michael James Ware
3 Taipan Court 1966 Fei Ha Road Fei Ngo Shan Kowloon Hong Kong

(72) Name(s) of Designer(s): **Michael James Ware**

(45) Registration Date: **21 August 2007**

(56) Related Art Documents: **Not Applicable**

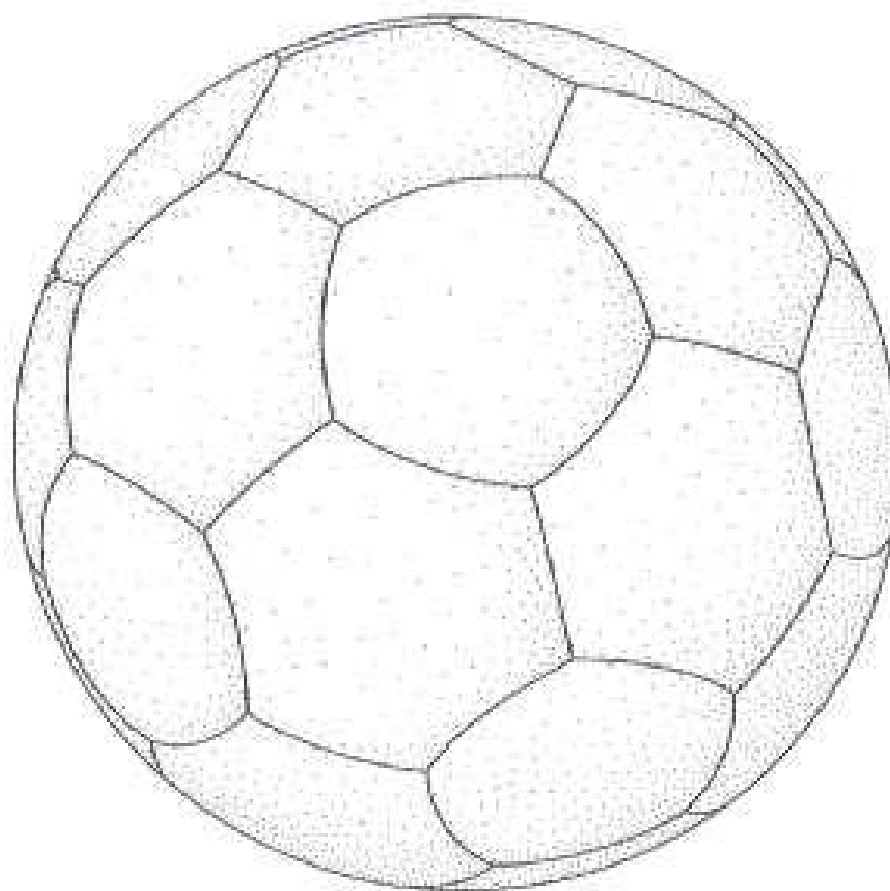
(57) Statement of Newness and Distinctiveness: **Nil**



(21) Design Number: **18419/2007**
 (22) Date of Filing Application: **14 June 2007**
 (24) Date from which industrial property rights may have effect: **14 June 2007**
 (54) Product in respect of which the design is registered: **Ball**
 (51) International Design Classification: **21-02A**
 (71) Name(s) and Address(s) of Applicant(s):
Nike International, Ltd.
One Bowerman Drive Beaverton Oregon 97005-6453 United States of America
 (72) Name(s) of Designer(s): **Richard Avis and Geoffrey C. Raynak**
 (45) Registration Date: **21 August 2007**
 (30) Convention priority data:

(31) Number	(32) Date	(33) Country
29/279956	11 May 2007	UNITED STATES OF AMERICA

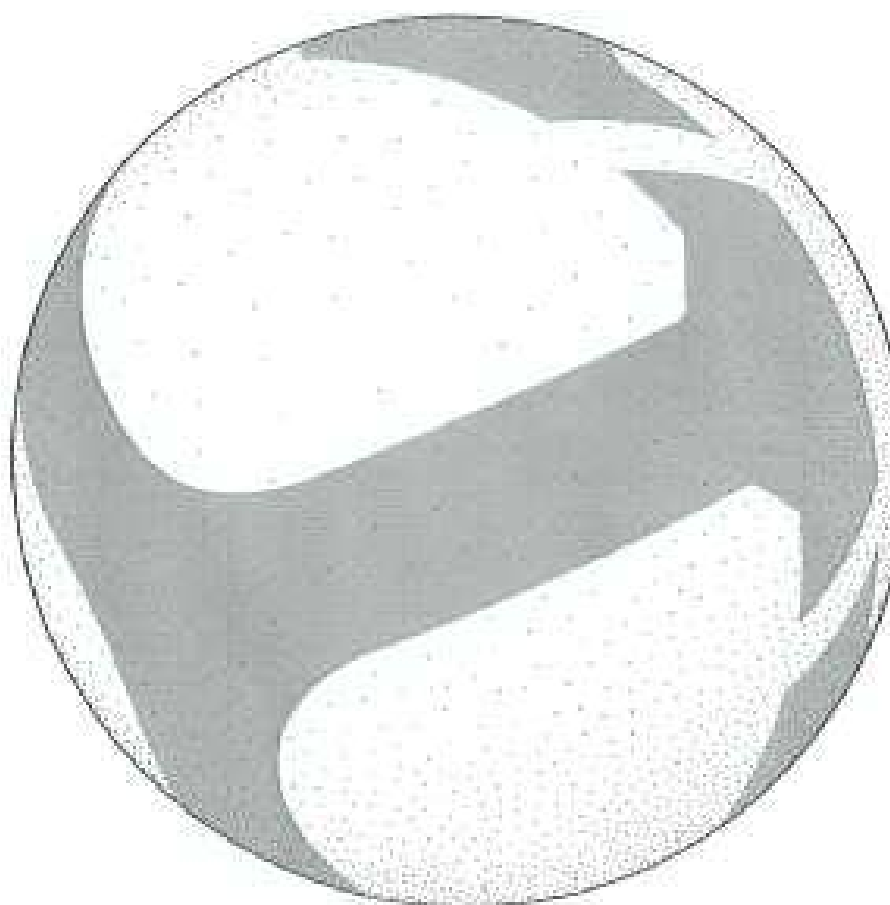
 (56) Related Art Documents: **Not Applicable**
 (57) Statement of Newness and Distinctiveness: **Newness and distinctiveness reside in the shape and configuration and/or the pattern and ornamentation of the ball illustrated in the accompanying representations. The dotted shading is illustrative only and does not form part of the design.**



(21) Design Number: **18420/2007**
 (22) Date of Filing Application: **14 June 2007**
 (24) Date from which industrial property rights may have effect: **14 June 2007**
 (54) Product in respect of which the design is registered: **Ball**
 (51) International Design Classification: **21-02A**
 (71) Name(s) and Address(s) of Applicant(s):
Nike International, Ltd.
One Bowerman Drive Beaverton Oregon 97005-6453 United States of America
 (72) Name(s) of Designer(s): **Todd Smith**
 (45) Registration Date: **21 August 2007**
 (30) Convention priority data:

(31) Number	(32) Date	(33) Country
29/279955	11 May 2007	UNITED STATES OF AMERICA

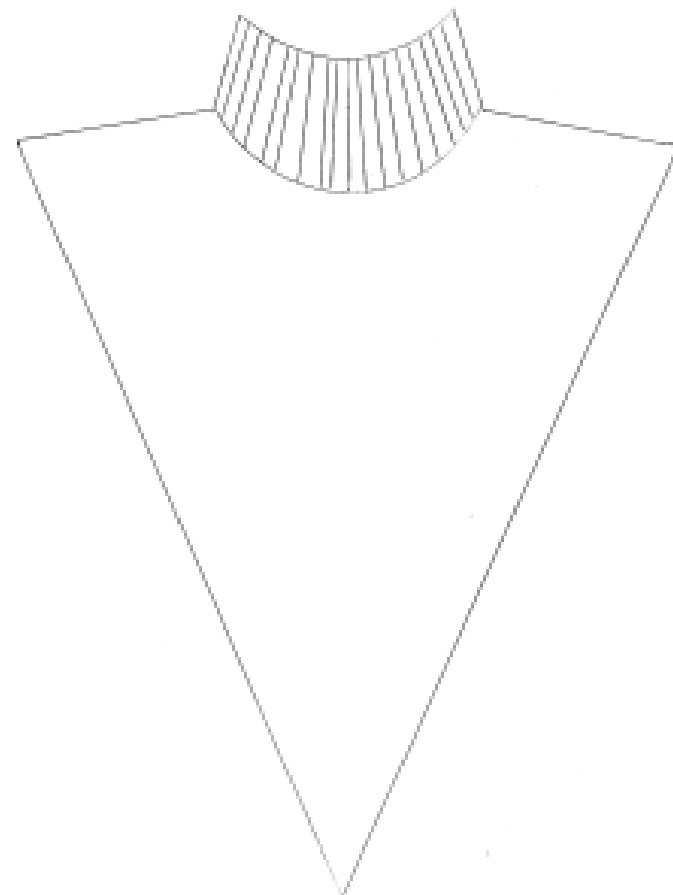
 (56) Related Art Documents: **Not Applicable**
 (57) Statement of Newness and Distinctiveness: **Newness and distinctiveness reside in the pattern and/or ornamentation of the ball illustrated in the accompanying representations. The dotted shading is illustrative only and does not form part of the design. The grayscale surface shading only represents a contrast in appearance with the remaining surface of the ball and does not signify any particular grayscale tone or colour.**



- (21) Design Number: **18421/2007**
(22) Date of Filing Application: **14 June 2007**
(24) Date from which industrial property rights may have effect: **14 June 2007**
(54) Product in respect of which the design is registered: **Tap**
(51) International Design Classification: **23-01H**
(71) Name(s) and Address(s) of Applicant(s):
Ewing Industries Pty Ltd
4/24 Deakin Street Brendale Queensland 4500 Australia
(72) Name(s) of Designer(s): **Warren A. Ewing**
(45) Registration Date: **21 August 2007**
(56) Related Art Documents: **Not Applicable**
(57) Statement of Newness and Distinctiveness: **Newness and distinctiveness are claimed in the shape and configuration of the tap depicted in the accompanying representations. The threaded tube marked "A" is to be disregarded when considering the newness and distinctiveness of the design.**



- (21) Design Number: **18855/2007**
(22) Date of Filing Application: **13 July 2007**
(24) Date from which industrial property rights may have effect: **13 July 2007**
(54) Product in respect of which the design is registered: **Skivvy necked zippered yoke**
(51) International Design Classification: **02-02NES**
(71) Name(s) and Address(s) of Applicant(s):
Rodney Stewart Angus
Mt Crompton Mt Crompton Road Bowen Queensland 4805
Julieann Veronica Angus
Mt Crompton Mt Crompton Road Bowen Queensland 4805
(72) Name(s) of Designer(s): **Julieann Veronica Angus**
(45) Registration Date: **21 August 2007**
(56) Related Art Documents: **Not Applicable**
(57) Statement of Newness and Distinctiveness: **An independent garment which can accompany another article of clothing, for example; a collared shirt or polo shirt in order to provide a sun protective shield.**



(19) AU

(21) Design Number: **10228/2005**

(22) Date of Filing Application: **24 January 2005**

(24) Date from which industrial property rights may have effect: **24 January 2005**

(54) Product in respect of which the design is registered: **Flag**

(51) International Design Classification: **11-05**

(71) Name(s) and Address(s) of Applicant(s):

Robert Vose

5/17 Herbert Street St Kilda Victoria 3182 Australia

(72) Name(s) of Designer(s): **Robert Vose**

(45) Registration Date: **23 August 2007**

(56) Related Art Documents: **Not Applicable**

(57) Statement of Newness and Distinctiveness: **This new flag design is one of a class of green and gold flags that include the Southern Cross, commonwealth star and sun from the aboriginal flag; with all the different elements arranged in a distinctive manner with regard to each other. The flag designs that have previously been submitted to IP Australia are design numbers 200415426, 200415541 and 200415542 respectively. Many of the design considerations that went into these previous designs are also included in this new flag design. There are some novel and distinctive differences in this new flag as outlined below: The commonwealth star has an outer diameter of three tenths of the width of the flag. This is the size of the commonwealth star on our current national flag. It contains part of the commonwealth coat of arms, situated directly below the commonwealth star. The State's emblems in the arm's shield have been replaced with a solid patch of grey colouring. This was done because the commonwealth reserves the use of the arms to itself. I would not be able to register the design if the shield was left as it is in the arms. This modification should allow me to display this design in public without having to secure prior permission from the commonwealth (which would most likely be very reluctant to issue any such permission). Another modification of the coat of arms is that the arm's commonwealth star has been removed. The larger commonwealth star on the flag is placed above the position where the arm's commonwealth star would have been, thus replacing the original star with a larger version. The vertical centre line of the coat of arms is placed, roughly, vertically in line with the centre of the large commonwealth star. The lower bound of the centre of the arms, along the gold ribbon, is roughly 0.1555...of the width of the flag from the lower edge of the flag. This is the same distance as the top of the commonwealth star to the top of the flag. The centre of the top rim of the shield on the arms is, roughly, in line with the centre of the sun and the centre of the star Delta Crucis. The position of the arms was slightly adjusted horizontally so that the lower points of the commonwealth star look to be equally in line with the kangaroo and emu in the arms.**



(19) AU

(21) Design Number: **10454/2005**

(22) Date of Filing Application: **07 February 2005**

(24) Date from which industrial property rights may have effect: **07 February 2005**

(54) Product in respect of which the design is registered: **Flag**

(51) International Design Classification: **11-05**

(71) Name(s) and Address(s) of Applicant(s):

Robert Gerard Vose

PO Box 1569 ST.KILDA SOUTH VIC 3182

(72) Name(s) of Designer(s): **Robert Gerard Vose**

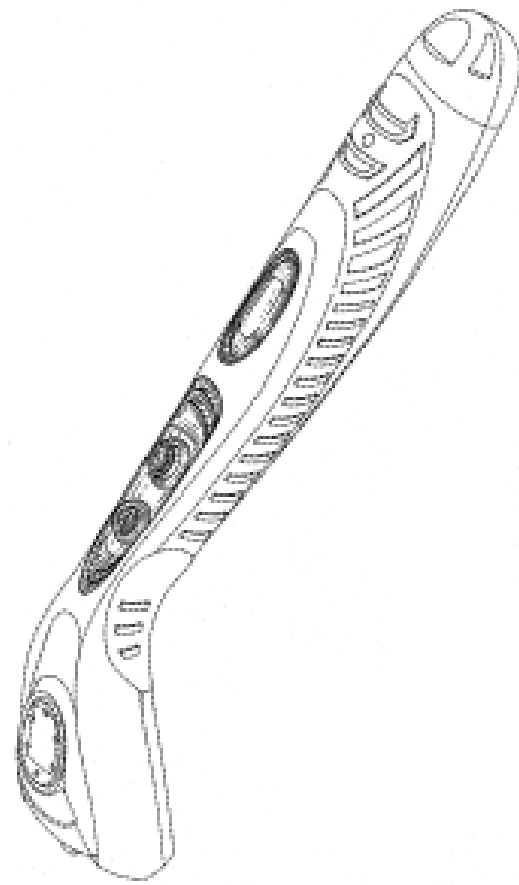
(45) Registration Date: **23 August 2007**

(56) Related Art Documents: **Not Applicable**

(57) Statement of Newness and Distinctiveness: **This design is similar to 10228/2005. It is new and distinctive because of the addition of a blue and gold wreath (stylised) underneath the Commonwealth Stars. This is an important part of the crest on the Coat of Arms (that is noticeably absent from design 10228/2005).**



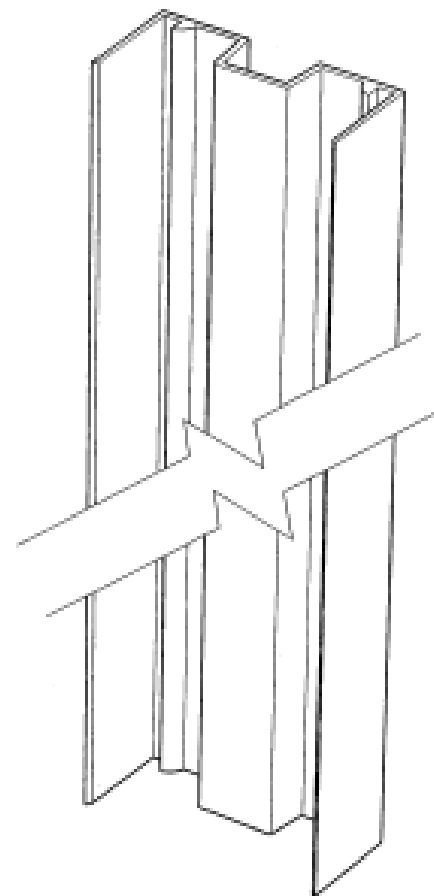
- (21) Design Number: **14056/2005**
(22) Date of Filing Application: **21 September 2005**
(24) Date from which industrial property rights may have effect: **21 September 2005**
(54) Product in respect of which the design is registered: **Razor handle buttons**
(51) International Design Classification: **28-03A**
(71) Name(s) and Address(s) of Applicant(s):
Eveready Battery Company, Inc.
533 Maryville University Drive St Louis Missouri 63141 United States of America
(72) Name(s) of Designer(s): **David Dombrowski and Andrew J. Pennella and Paul R. Dansreau**
(45) Registration Date: **23 August 2007**
(30) Convention priority data:
(31) Number (32) Date (33) Country
29/226991 04 Apr 2005 UNITED STATES OF AMERICA
(56) Related Art Documents: **Not Applicable**
(57) Statement of Newness and Distinctiveness: **Nil**



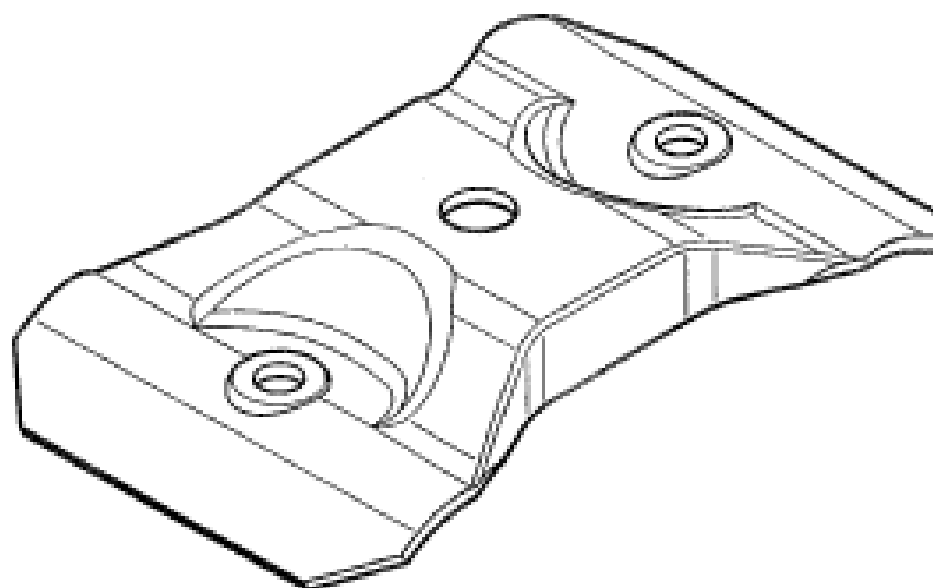
- (21) Design Number: **15542/2004**
(22) Date of Filing Application: **30 November 2004**
(24) Date from which industrial property rights may have effect: **30 November 2004**
(54) Product in respect of which the design is registered: **Australian flag**
(51) International Design Classification: **11-05**
(71) Name(s) and Address(s) of Applicant(s):
Robert Vose
5/17 Herbert Street St Kilda Victoria 3182 Australia
(72) Name(s) of Designer(s): **Robert Vose**
(45) Registration Date: **23 August 2007**
(56) Related Art Documents: **Not Applicable**
(57) Statement of Newness and Distinctiveness: **Combination of Southern Cross, coat of arms and the sun from the aboriginal flag on a green background.**



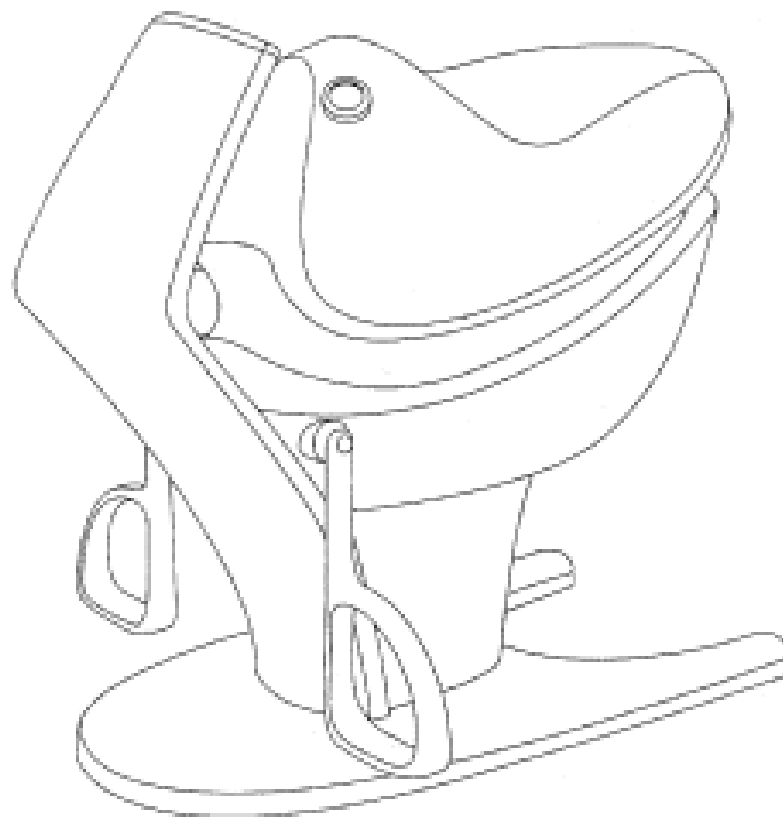
- (21) Design Number: **18332/2007**
(22) Date of Filing Application: **08 June 2007**
(24) Date from which industrial property rights may have effect: **08 June 2007**
(54) Product in respect of which the design is registered: **A wall panel joiner**
(51) International Design Classification: **25-01K**
(71) Name(s) and Address(s) of Applicant(s):
Prodrome Designs Pty Ltd
468 Stuart Highway Winnellie Northern Territory 0820 Australia
(72) Name(s) of Designer(s): **Kelvin Chan**
(45) Registration Date: **23 August 2007**
(56) Related Art Documents: **Not Applicable**
(57) Statement of Newness and Distinctiveness: **Newness and distinctiveness resides in the shape and configuration of a wall panel joiner of indefinite length as shown in the accompanying representations.**



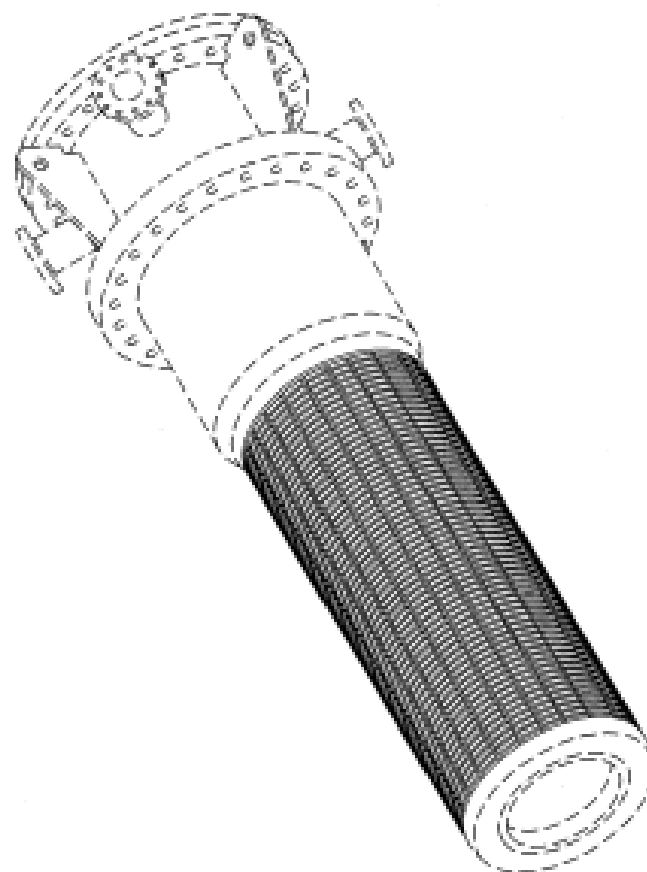
- (21) Design Number: **18333/2007**
(22) Date of Filing Application: **08 June 2007**
(24) Date from which industrial property rights may have effect: **08 June 2007**
(54) Product in respect of which the design is registered: **A mounting bracket**
(51) International Design Classification: **08-08NES**
(71) Name(s) and Address(s) of Applicant(s):
Hills Industries Limited
944-956 South Road Edwardstown South Australia 5039 Australia
(72) Name(s) of Designer(s): **Barry Seymour Griggs**
(45) Registration Date: **23 August 2007**
(56) Related Art Documents: **Not Applicable**
(57) Statement of Newness and Distinctiveness: **Newness and distinctiveness resides in the features of shape and configuration of a mounting bracket as shown in the the accompanying representations.**



- (21) Design Number: **18336/2007**
(22) Date of Filing Application: **08 June 2007**
(24) Date from which industrial property rights may have effect: **08 June 2007**
(54) Product in respect of which the design is registered: **Exercise apparatus**
(51) International Design Classification: **21-02F**
(71) Name(s) and Address(s) of Applicant(s):
OSIM International Ltd
65 Ubi Avenue 1 OSIM Headquarters Singapore 408939
(72) Name(s) of Designer(s): **Elwyn Ng Kwang Ling**
(45) Registration Date: **23 August 2007**
(56) Related Art Documents: **Not Applicable**
(57) Statement of Newness and Distinctiveness: **The novelty of the design resides in the features of shape and configuration of the article as shown in the representations.**



- (21) Design Number: **18374/2007**
(22) Date of Filing Application: **13 June 2007**
(24) Date from which industrial property rights may have effect: **13 June 2007**
(54) Product in respect of which the design is registered: **A lance**
(51) International Design Classification: **24-02**
(71) Name(s) and Address(s) of Applicant(s):
Technological Resources Pty. Limited
120 Collins Street Melbourne Victoria 3000 Australia
(72) Name(s) of Designer(s): **Eric Tierney**
(45) Registration Date: **23 August 2007**
(30) Convention priority data:
(31) Number (32) Date (33) Country
29/270106 15 Dec 2006 UNITED STATES OF AMERICA
(56) Related Art Documents: **Not Applicable**
(57) Statement of Newness and Distinctiveness: **The shape and configuration of the lance shown in the representations is new and distinctive. When considering the newness and distinctiveness of the design, features of the lance shown in broken lines are to be disregarded.**



(21) Design Number: **18375/2007**

(22) Date of Filing Application: **13 June 2007**

(24) Date from which industrial property rights may have effect: **13 June 2007**

(54) Product in respect of which the design is registered: **Statue of a dog**

(51) International Design Classification: **11-02E**

(71) Name(s) and Address(s) of Applicant(s):

Robert John Clifford Curtin

PO Box 369 Collins Street West Melbourne Victoria 8007 Australia

(72) Name(s) of Designer(s): **Robert John Clifford Curtin and Matt Johnsson**

(45) Registration Date: **23 August 2007**



(21) Design Number: **18380/2007**

(22) Date of Filing Application: **13 June 2007**

(24) Date from which industrial property rights may have effect: **13 June 2007**

(54) Product in respect of which the design is registered: **Handle component**

(51) International Design Classification: **08-06**

(71) Name(s) and Address(s) of Applicant(s):

CDA Products (International) Pty Ltd

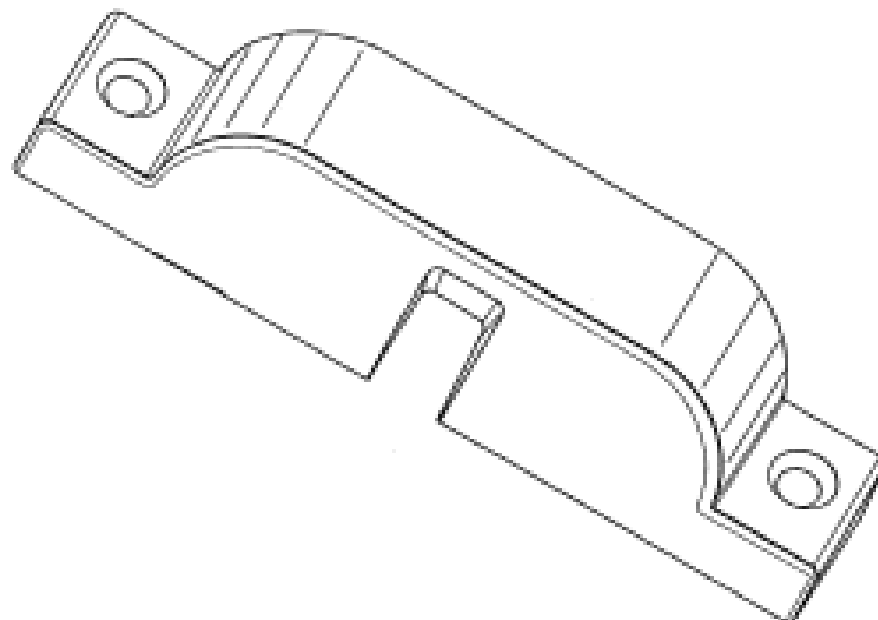
17-19 Monte-Khoury Drive Loganholme Queensland 4129 Australia

(72) Name(s) of Designer(s): **Stephen Petith**

(45) Registration Date: **23 August 2007**

(56) Related Art Documents: **Not Applicable**

(57) Statement of Newness and Distinctiveness: **The statement of newness and distinctiveness of the design resides in the shape and configuration of a handle component as illustrated in the accompanying representations.**



(21) Design Number: **18381/2007**

(22) Date of Filing Application: **13 June 2007**

(24) Date from which industrial property rights may have effect: **13 June 2007**

(54) Product in respect of which the design is registered: **Handle component**

(51) International Design Classification: **08-06**

(71) Name(s) and Address(s) of Applicant(s):

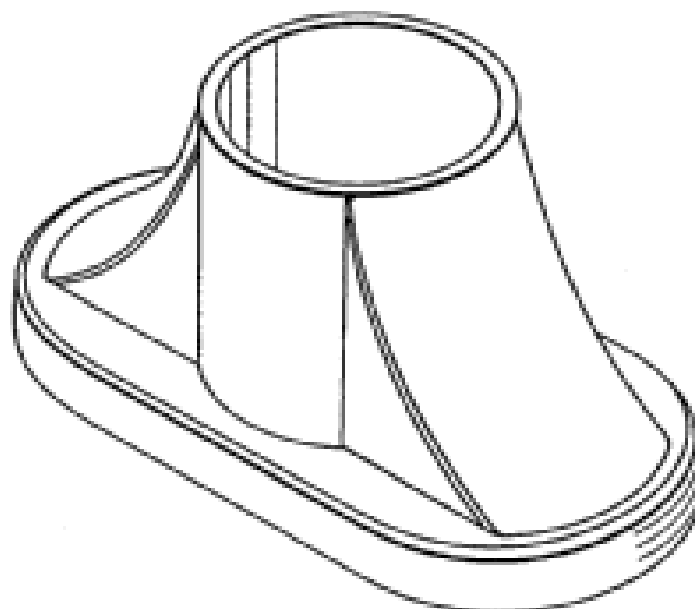
**CDA Products (International) Pty Ltd
17-19 Monte-Khoury Drive Loganholme Queensland 4129 Australia**

(72) Name(s) of Designer(s): **Stephen Petith**

(45) Registration Date: **23 August 2007**

(56) Related Art Documents: **Not Applicable**

(57) Statement of Newness and Distinctiveness: **The statement of newness and distinctiveness of the design resides in the shape and configuration of a handle component as illustrated in the accompanying representations.**



(21) Design Number: **18382/2007**

(22) Date of Filing Application: **13 June 2007**

(24) Date from which industrial property rights may have effect: **13 June 2007**

(54) Product in respect of which the design is registered: **Handle component**

(51) International Design Classification: **08-06**

(71) Name(s) and Address(s) of Applicant(s):

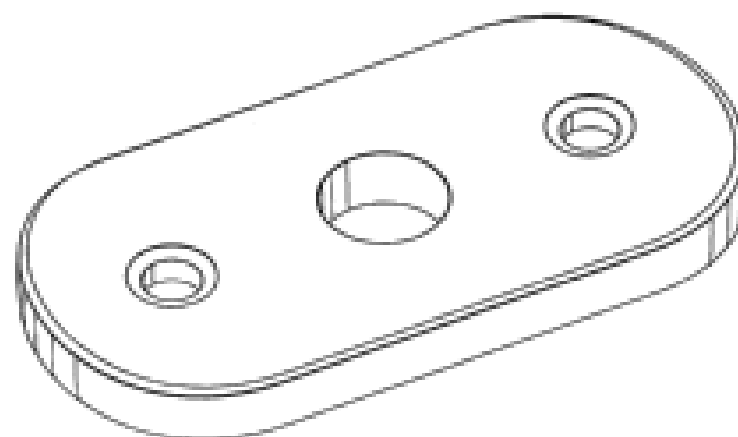
**CDA Products (International) Pty Ltd
17-19 Monte-Khoury Drive Loganholme Queensland 4129 Australia**

(72) Name(s) of Designer(s): **Stephen Petith**

(45) Registration Date: **23 August 2007**

(56) Related Art Documents: **Not Applicable**

(57) Statement of Newness and Distinctiveness: **The statement of newness and distinctiveness of the design resides in the shape and configuration of a handle component as illustrated in the accompanying representations.**



(21) Design Number: **18383/2007**

(22) Date of Filing Application: **13 June 2007**

(24) Date from which industrial property rights may have effect: **13 June 2007**

(54) Product in respect of which the design is registered: **Handle component**

(51) International Design Classification: **08-06**

(71) Name(s) and Address(s) of Applicant(s):

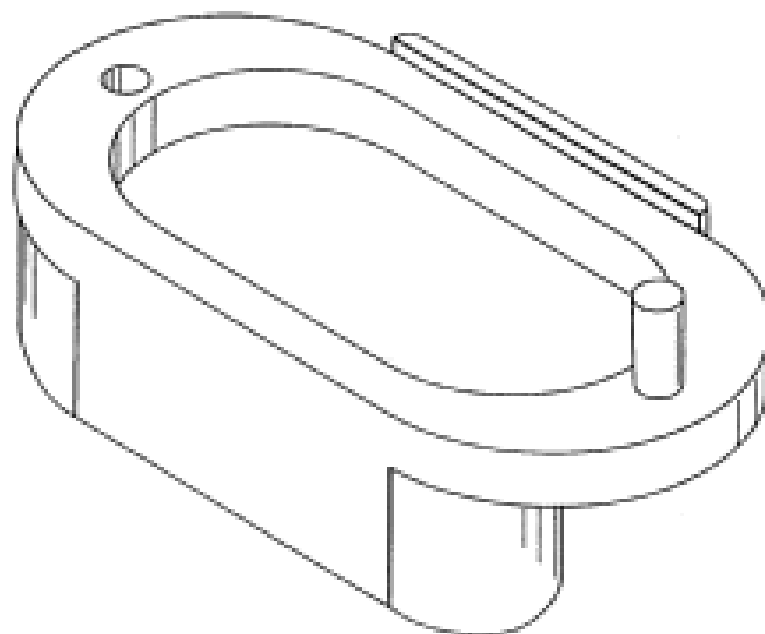
**CDA Products (International) Pty Ltd
17-19 Monte-Khoury Drive Loganholme Queensland 4129 Australia**

(72) Name(s) of Designer(s): **Stephen Petith**

(45) Registration Date: **23 August 2007**

(56) Related Art Documents: **Not Applicable**

(57) Statement of Newness and Distinctiveness: **The statement of newness and distinctiveness of the design resides in the shape and configuration of a handle component as illustrated in the accompanying representations.**



(21) Design Number: **18384/2007**

(22) Date of Filing Application: **13 June 2007**

(24) Date from which industrial property rights may have effect: **13 June 2007**

(54) Product in respect of which the design is registered: **Handle component**

(51) International Design Classification: **08-06**

(71) Name(s) and Address(s) of Applicant(s):

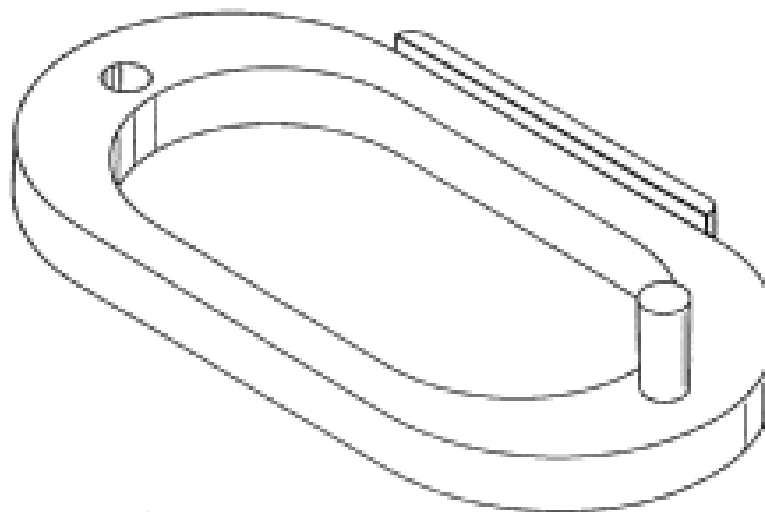
**CDA Products (International) Pty Ltd
17-19 Monte-Khoury Drive Loganholme Queensland 4129 Australia**

(72) Name(s) of Designer(s): **Stephen Petith**

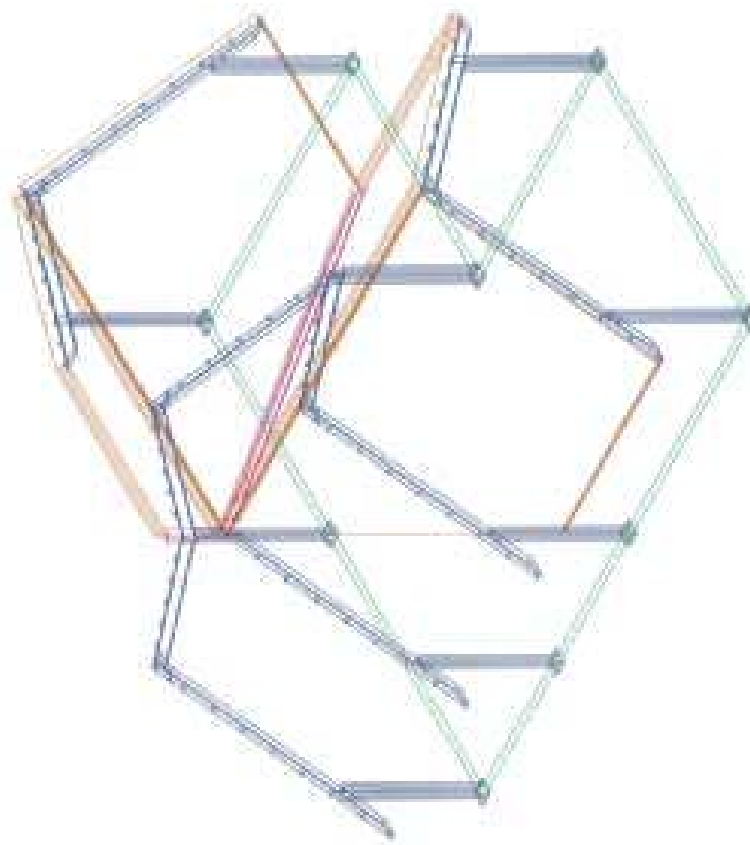
(45) Registration Date: **23 August 2007**

(56) Related Art Documents: **Not Applicable**

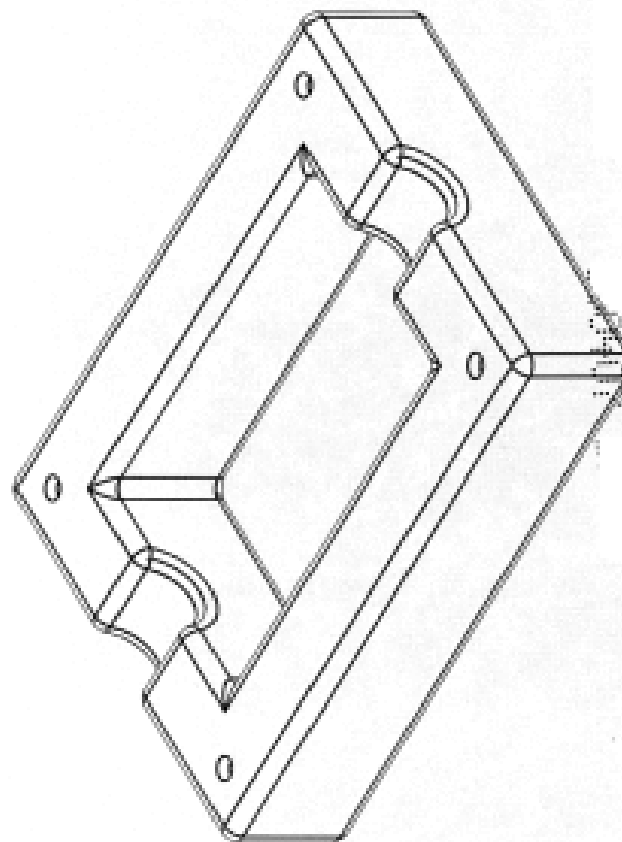
(57) Statement of Newness and Distinctiveness: **The statement of newness and distinctiveness of the design resides in the shape and configuration of a handle component as illustrated in the accompanying representations.**



- (21) Design Number: **17457/2007**
(22) Date of Filing Application: **18 April 2007**
(24) Date from which industrial property rights may have effect: **18 April 2007**
(54) Product in respect of which the design is registered: **Light weight steel and concrete module for construction of low cost housing**
(51) International Design Classification: **25-03**
(71) Name(s) and Address(s) of Applicant(s):
Robert Thomas Ivett
41 The Boulevard Cammeray NSW 2062
(72) Name(s) of Designer(s): **Robert Thomas Ivett**
(45) Registration Date: **23 August 2007**
(56) Related Art Documents: **Not Applicable**



- (21) Design Number: **17655/2007**
(22) Date of Filing Application: **30 April 2007**
(24) Date from which industrial property rights may have effect: **30 April 2007**
(54) Product in respect of which the design is registered: **Valve box support**
(51) International Design Classification: **23-01E**
(71) Name(s) and Address(s) of Applicant(s):
Geoffrey David Blacklock
41 Smyth Road Shenton Park Western Australia 6008 Australia
(72) Name(s) of Designer(s): **Geoffrey David Blacklock**
(45) Registration Date: **23 August 2007**
(56) Related Art Documents: **Not Applicable**
(57) Statement of Newness and Distinctiveness: **Nil**



(21) Design Number: **18372/2007**

(22) Date of Filing Application: **13 June 2007**

(24) Date from which industrial property rights may have effect: **13 June 2007**

(54) Product in respect of which the design is registered: **Cup**

(51) International Design Classification: **07-01D**

(71) Name(s) and Address(s) of Applicant(s):

Villeroy & Boch AG

Saaruferstrasse 14-18 D-66693 Mettlach Germany

(72) Name(s) of Designer(s): **Helmut Frank**

(45) Registration Date: **23 August 2007**

(30) Convention priority data:

(31) Number

(32) Date

(33) Country

000 637 350

13 Dec 2006

EUROPEAN COMMUNITY

(56) Related Art Documents: **Not Applicable**

(57) Statement of Newness and Distinctiveness: **The shape and configuration of the product is new and distinctive. The text and logo shown on the under-side of the product is to be disregarded.**



(21) Design Number: **18373/2007**

(22) Date of Filing Application: **13 June 2007**

(24) Date from which industrial property rights may have effect: **13 June 2007**

(54) Product in respect of which the design is registered: **Saucer**

(51) International Design Classification: **07-01D**

(71) Name(s) and Address(s) of Applicant(s):

Villeroy & Boch AG

Saaruferstrasse 14-18 D-66693 Mettlach Germany

(72) Name(s) of Designer(s): **Helmut Frank**

(45) Registration Date: **23 August 2007**

(30) Convention priority data:

(31) Number

(32) Date

(33) Country

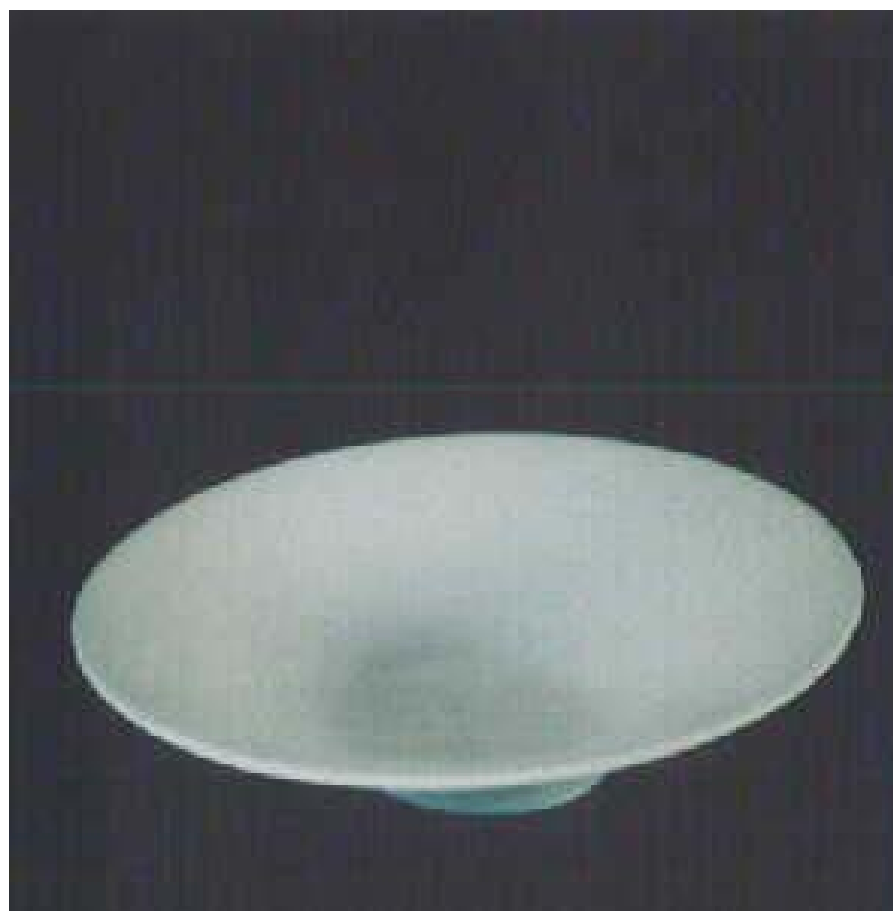
000 637 350

13 Dec 2006

EUROPEAN COMMUNITY

(56) Related Art Documents: **Not Applicable**

(57) Statement of Newness and Distinctiveness: **The shape and configuration of the product is new and distinctive. The text and logo shown on the under-side of the product is to be disregarded.**



(21) Design Number: **18385/2007**

(22) Date of Filing Application: **13 June 2007**

(24) Date from which industrial property rights may have effect: **13 June 2007**

(54) Product in respect of which the design is registered: **Louvre clip**

(51) International Design Classification: **08-08H**

(71) Name(s) and Address(s) of Applicant(s):

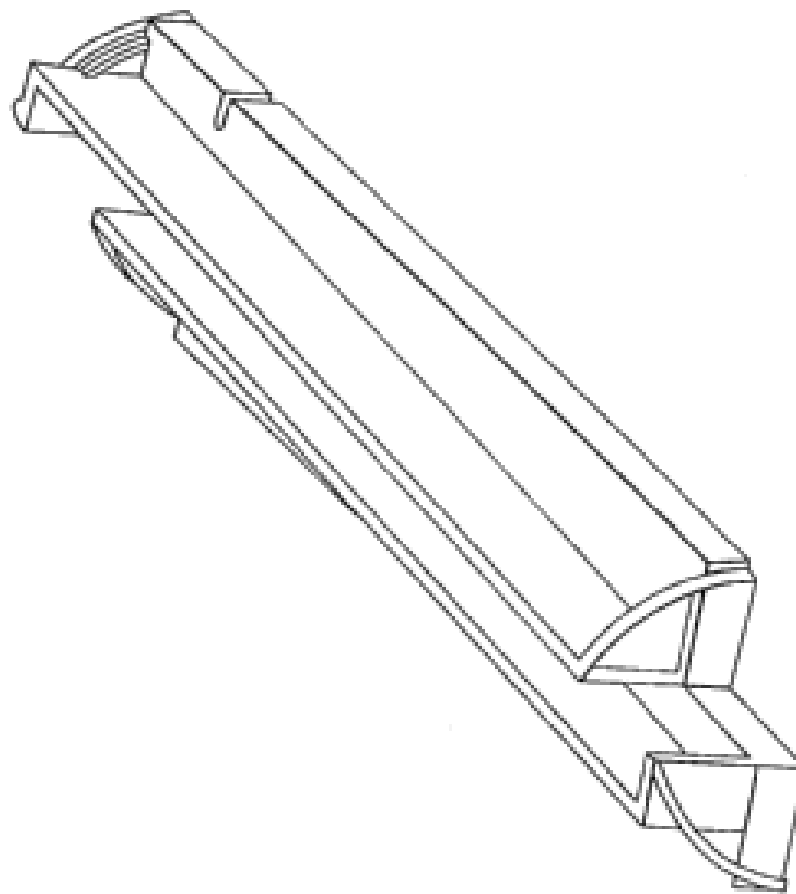
**CDA Products (International) Pty Ltd
17-19 Monte-Khoury Drive Loganholme Queensland 4129 Australia**

(72) Name(s) of Designer(s): **Stephen Petith**

(45) Registration Date: **23 August 2007**

(56) Related Art Documents: **Not Applicable**

(57) Statement of Newness and Distinctiveness: **The statement of newness and distinctiveness of the design resides in the shape and configuration of a louvre clip as illustrated in the accompanying representations.**



(21) Design Number: **18386/2007**

(22) Date of Filing Application: **13 June 2007**

(24) Date from which industrial property rights may have effect: **13 June 2007**

(54) Product in respect of which the design is registered: **Clevis**

(51) International Design Classification: **08-08B**

(71) Name(s) and Address(s) of Applicant(s):

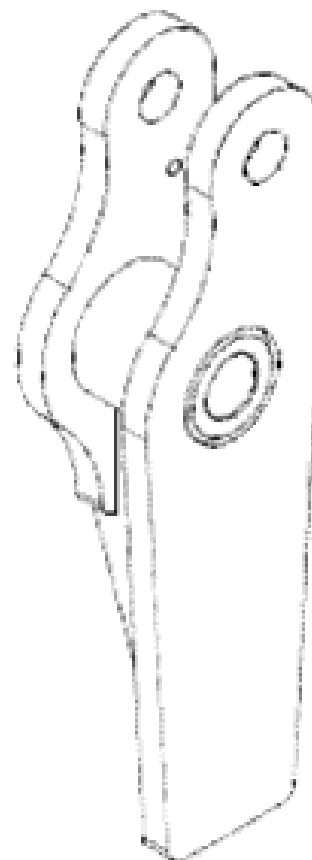
**Digga Australia Pty Ltd
4 Octal Street Yatala Queensland 4207 Australia**

(72) Name(s) of Designer(s): **Buddy Dryden and Patrick Thomas and David Forbes and Dominic Cassar**

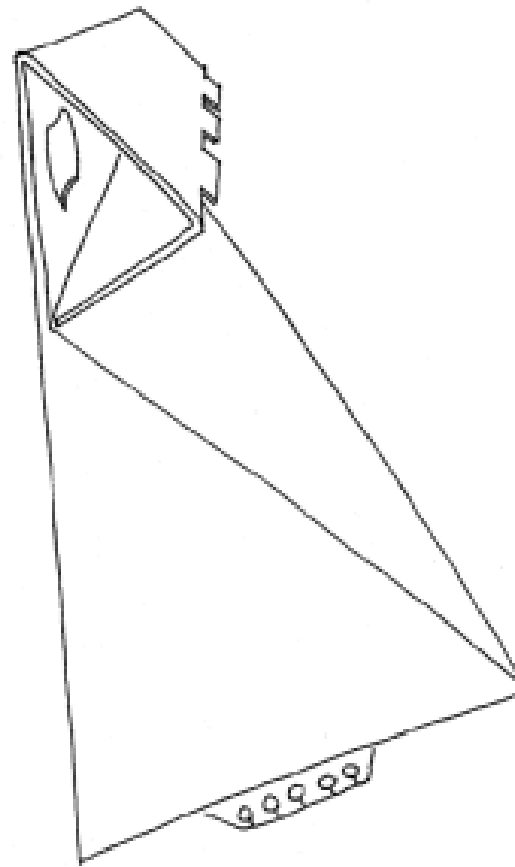
(45) Registration Date: **23 August 2007**

(56) Related Art Documents: **Not Applicable**

(57) Statement of Newness and Distinctiveness: **Nil**

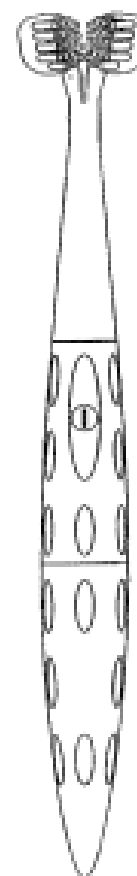


- (21) Design Number: **18387/2007**
- (22) Date of Filing Application: **13 June 2007**
- (24) Date from which industrial property rights may have effect: **13 June 2007**
- (54) Product in respect of which the design is registered: **Laptop computer stand**
- (51) International Design Classification: **14-99**
- (71) Name(s) and Address(s) of Applicant(s):
 - Heather Sheppard**
C/- Paul Sallis Chartered Acct 214-216 Sturt Street Adelaide South Australia 5000 Australia
 - Josette Munro**
C/- Paul Sallis Chartered Acct 214-216 Sturt Street Adelaide South Australia 5000 Australia
- (72) Name(s) of Designer(s): **Heather Sheppard**
- (45) Registration Date: **23 August 2007**
- (56) Related Art Documents: **Not Applicable**
- (57) Statement of Newness and Distinctiveness: **Nil**



- (21) Design Number: **18388/2007**
- (22) Date of Filing Application: **13 June 2007**
- (24) Date from which industrial property rights may have effect: **13 June 2007**
- (54) Product in respect of which the design is registered: **Electric tooth brush**
- (51) International Design Classification: **28-03NES**
- (71) Name(s) and Address(s) of Applicant(s):
 - Petosan AS**
Unnelandsveien 258 Haukeland N-5268 Norway
- (72) Name(s) of Designer(s): **Ole Barman**
- (45) Registration Date: **23 August 2007**
- (30) Convention priority data:

(31) Number	(32) Date	(33) Country
20060687	13 Dec 2006	NORWAY
- (56) Related Art Documents: **Not Applicable**
- (57) Statement of Newness and Distinctiveness: **Newness and distinctiveness resides in the shape and configuration of an electric tooth brush as shown in the accompanying representations.**



(21) Design Number: **18389/2007**
 (22) Date of Filing Application: **13 June 2007**
 (24) Date from which industrial property rights may have effect: **13 June 2007**
 (54) Product in respect of which the design is registered: **Electric tooth brush**
 (51) International Design Classification: **28-03NES**
 (71) Name(s) and Address(s) of Applicant(s):

Petosan AS
Unnelandsveien 258 Haukeland N-5268 Norway

(72) Name(s) of Designer(s): **Ole Barman**

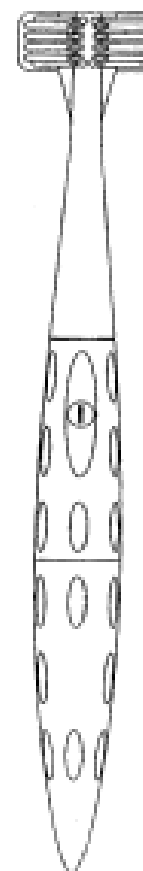
(45) Registration Date: **23 August 2007**

(30) Convention priority data:

(31) Number	(32) Date	(33) Country
20060687	13 Dec 2006	NORWAY

(56) Related Art Documents: **Not Applicable**

(57) Statement of Newness and Distinctiveness: **Newness and distinctiveness resides in the shape and configuration of an electric tooth brush as shown in the accompanying representations.**



(21) Design Number: **18390/2007**
 (22) Date of Filing Application: **13 June 2007**
 (24) Date from which industrial property rights may have effect: **13 June 2007**
 (54) Product in respect of which the design is registered: **Volatile dispenser**
 (51) International Design Classification: **28-03NES**
 (71) Name(s) and Address(s) of Applicant(s):

S.C. Johnson & Son, Inc.
1525 Howe Street Racine Wisconsin 53403-2236 United States of America

(72) Name(s) of Designer(s): **Dan Mattano and Paul E. Furne**

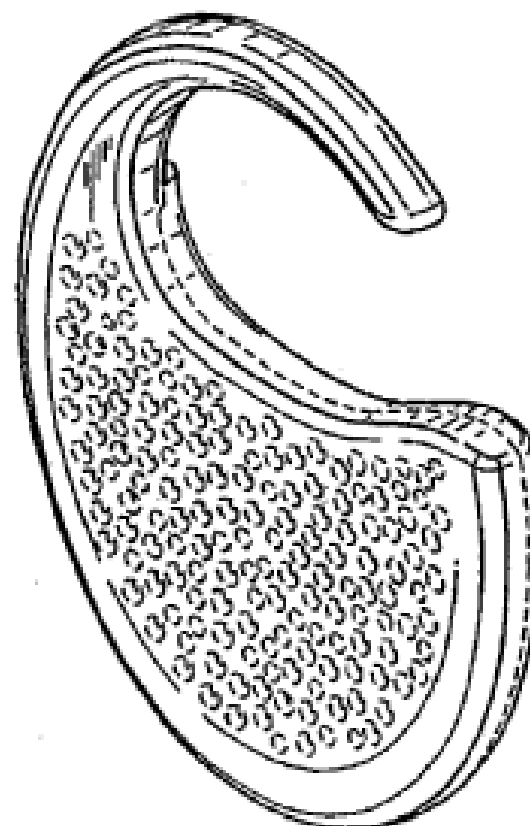
(45) Registration Date: **23 August 2007**

(30) Convention priority data:

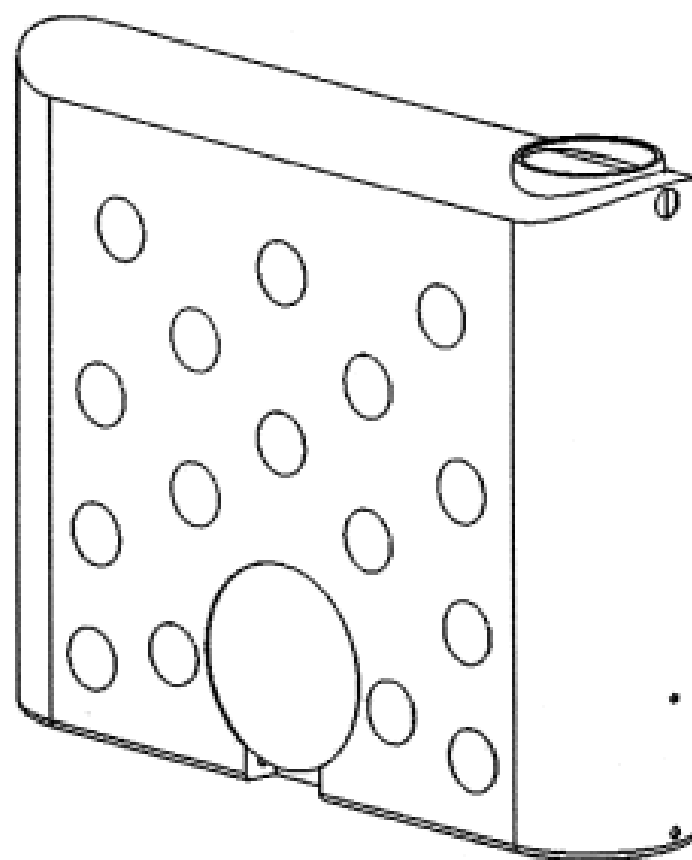
(31) Number	(32) Date	(33) Country
29/275127	14 Dec 2006	UNITED STATES OF AMERICA

(56) Related Art Documents: **Not Applicable**

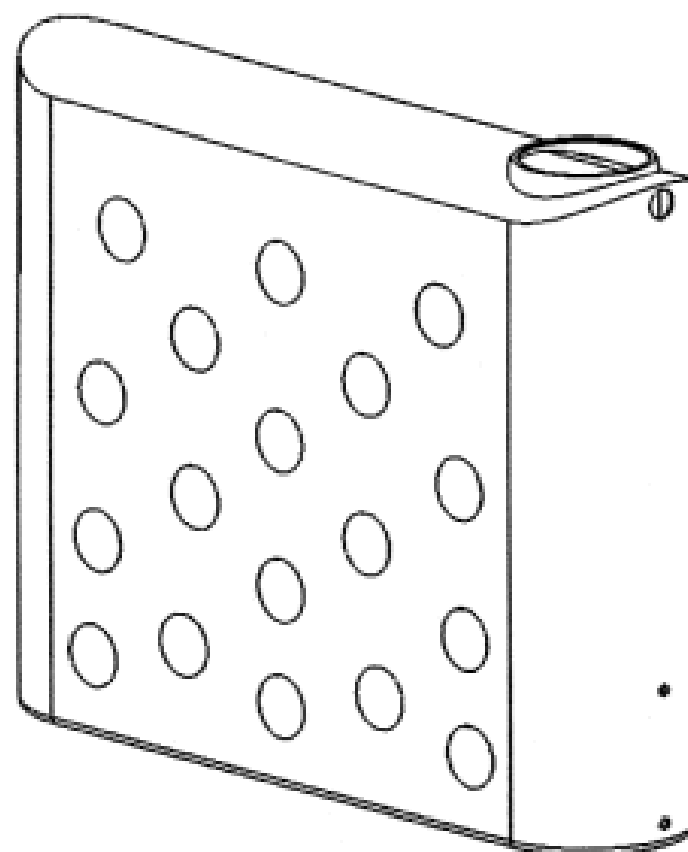
(57) Statement of Newness and Distinctiveness: **Newness and distinctiveness is claimed in those features of shape and/or configuration of a volatile dispenser as illustrated in continuous lines in the accompanying representations.**



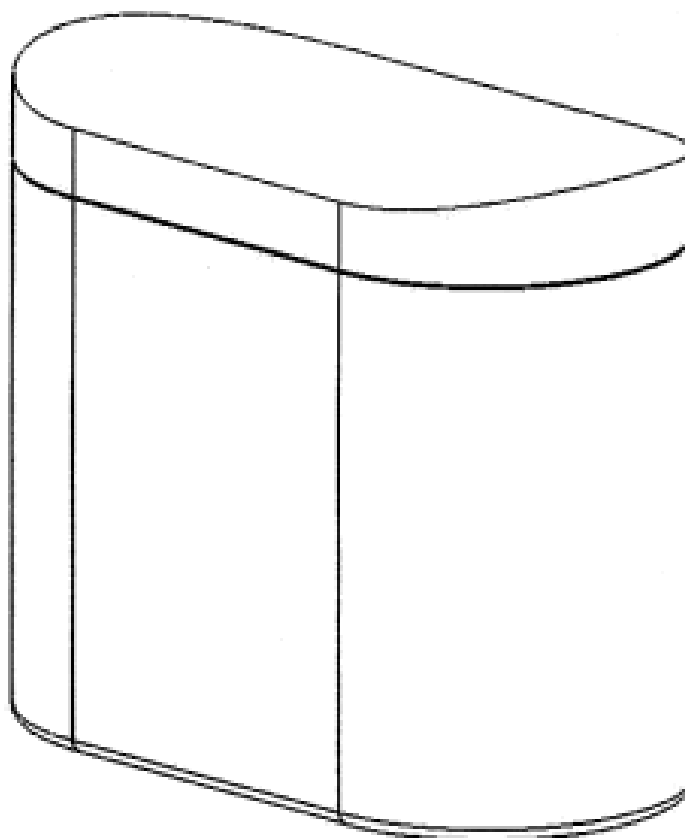
- (21) Design Number: **18391/2007**
- (22) Date of Filing Application: **13 June 2007**
- (24) Date from which industrial property rights may have effect: **13 June 2007**
- (54) Product in respect of which the design is registered: **Water tank**
- (51) International Design Classification: **23-01F**
- (71) Name(s) and Address(s) of Applicant(s):
 - Beatlock Pty Limited**
 - 114 Adderley Street Auburn New South Wales 2144 Australia**
 - ACN 092 356 717 Pty Limited**
 - 114 Adderley Street Auburn New South Wales 2144 Australia**
- (72) Name(s) of Designer(s): **Sebastian Braat**
- (45) Registration Date: **23 August 2007**
- (56) Related Art Documents: **Not Applicable**
- (57) Statement of Newness and Distinctiveness: **The visual features which are new and distinctive are the shape and configuration of the product.**



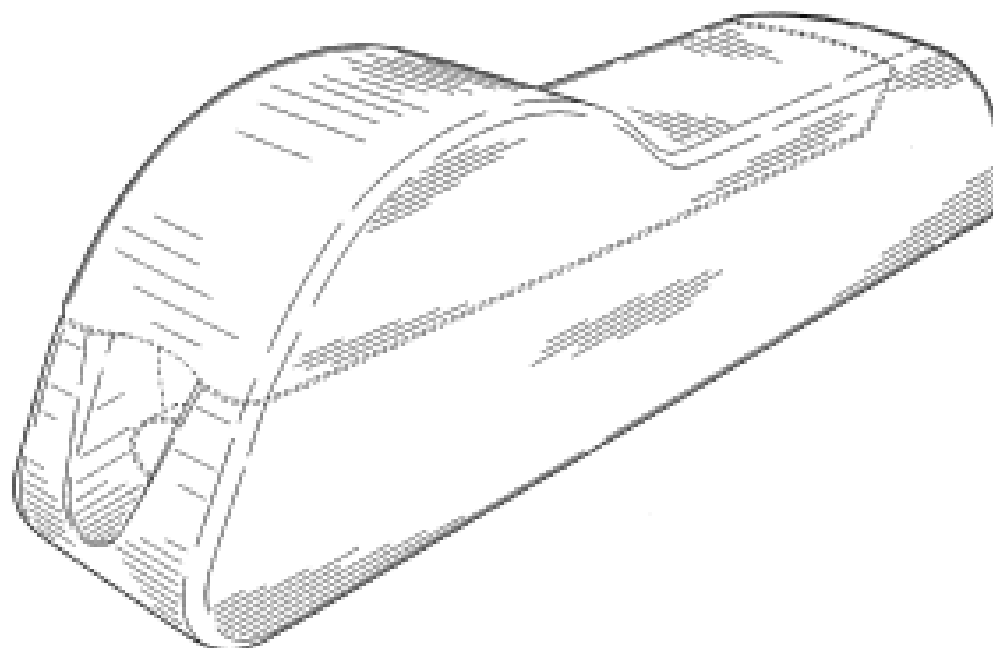
- (21) Design Number: **18392/2007**
- (22) Date of Filing Application: **13 June 2007**
- (24) Date from which industrial property rights may have effect: **13 June 2007**
- (54) Product in respect of which the design is registered: **Water tank**
- (51) International Design Classification: **23-01F**
- (71) Name(s) and Address(s) of Applicant(s):
 - Beatlock Pty Limited**
 - 114 Adderley Street Auburn New South Wales 2144 Australia**
 - ACN 092 356 717 Pty Limited**
 - 114 Adderley Street Auburn New South Wales 2144 Australia**
- (72) Name(s) of Designer(s): **Sebastian Braat**
- (45) Registration Date: **23 August 2007**
- (56) Related Art Documents: **Not Applicable**
- (57) Statement of Newness and Distinctiveness: **The visual features which are new and distinctive are the shape and configuration of the product.**



- (21) Design Number: **18393/2007**
(22) Date of Filing Application: **13 June 2007**
(24) Date from which industrial property rights may have effect: **13 June 2007**
(54) Product in respect of which the design is registered: **Pump box**
(51) International Design Classification: **23-01NES**
(71) Name(s) and Address(s) of Applicant(s):
 Beatlock Pty Limited
 114 Adderley Street Auburn New South Wales 2144 Australia
 ACN 092 356 717 Pty Limited
 114 Adderley Street Auburn New South Wales 2144 Australia
(72) Name(s) of Designer(s): **Sebastian Braat**
(45) Registration Date: **23 August 2007**
(56) Related Art Documents: **Not Applicable**
(57) Statement of Newness and Distinctiveness: **The visual features which are new and distinctive are the shape and configuration of the product.**



- (21) Design Number: **18394/2007**
(22) Date of Filing Application: **13 June 2007**
(24) Date from which industrial property rights may have effect: **13 June 2007**
(54) Product in respect of which the design is registered: **Hand held apparatus for injecting tobacco into paper tubes**
(51) International Design Classification: **27-99**
(71) Name(s) and Address(s) of Applicant(s):
 Republic Tobacco L.P.
 2301 Ravine Way Glenview IL 60025 United States of America
(72) Name(s) of Designer(s): **Mei Lin**
(45) Registration Date: **23 August 2007**
(30) Convention priority data:
 (31) Number (32) Date (33) Country
 29/276715 02 Feb 2007 UNITED STATES OF AMERICA
(56) Related Art Documents: **Not Applicable**
(57) Statement of Newness and Distinctiveness: **When determining whether the design 1 is substantially similar in overall impression to another design, no regard is to be had to those features shown in dotted outline in the accompanying representations.**



- (21) Design Number: **18395/2007**
(22) Date of Filing Application: **13 June 2007**
(24) Date from which industrial property rights may have effect: **13 June 2007**
(54) Product in respect of which the design is registered: **Bowl**
(51) International Design Classification: **07-01B**
(71) Name(s) and Address(s) of Applicant(s):
Sinochem Ningbo Ltd
21 Jiangxia Street Ningbo City Zhejiang Province 315000 People's
Republic of China
(72) Name(s) of Designer(s): **Zhibo Weng**
(45) Registration Date: **23 August 2007**
(30) Convention priority data:
(31) Number (32) Date (33) Country
200630180919.X 13 Dec 2006 CHINA
(56) Related Art Documents: **Not Applicable**
(57) Statement of Newness and Distinctiveness: **Newness and distinctiveness resides in the features of shape and/or configuration and/or pattern and/or ornamentation of a bowl as illustrated in the accompanying representations.**



- (21) Design Number: **10727/2006**
(22) Date of Filing Application: **27 February 2006**
(24) Date from which industrial property rights may have effect: **27 February 2006**
(54) Product in respect of which the design is registered: **Trailer connector**
(51) International Design Classification: **12-16L**
(71) Name(s) and Address(s) of Applicant(s):
Locmac Holdings Pty Ltd as Trustee for Locmac Trust
34 Notar Drive Ormeau Queensland 4207 Australia
(72) Name(s) of Designer(s): **Adam Middleton and Lachlan McGillivray**
(45) Registration Date: **24 August 2007**
(56) Related Art Documents: **Not Applicable**
(57) Statement of Newness and Distinctiveness: **Nil**



- (21) Design Number: **10728/2006**
- (22) Date of Filing Application: **27 February 2006**
- (24) Date from which industrial property rights may have effect: **27 February 2006**
- (54) Product in respect of which the design is registered: **Trailer connector**
- (51) International Design Classification: **12-16L**
- (71) Name(s) and Address(s) of Applicant(s):
Locmac Holdings Pty Ltd as Trustee for Locmac Trust
34 Notar Drive Ormeau Queensland 4207 Australia
- (72) Name(s) of Designer(s): **Adam Middleton and Lachlan McGillivray**
- (45) Registration Date: **24 August 2007**
- (56) Related Art Documents: **Not Applicable**
- (57) Statement of Newness and Distinctiveness: **Nil**



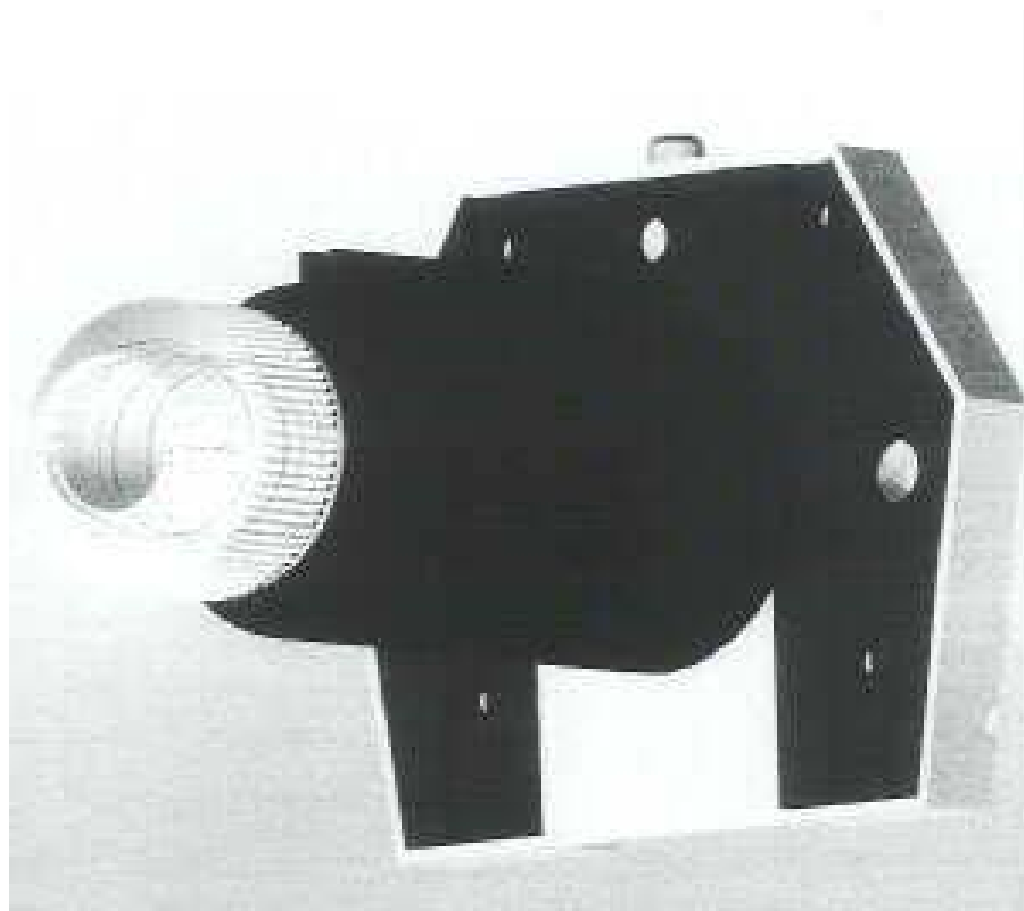
- (21) Design Number: **10729/2006**
- (22) Date of Filing Application: **27 February 2006**
- (24) Date from which industrial property rights may have effect: **27 February 2006**
- (54) Product in respect of which the design is registered: **Trailer connector**
- (51) International Design Classification: **12-16L**
- (71) Name(s) and Address(s) of Applicant(s):
Locmac Holdings Pty Ltd as Trustee for Locmac Trust
34 Notar Drive Ormeau Queensland 4207 Australia
- (72) Name(s) of Designer(s): **Adam Middleton and Lachlan McGillivray**
- (45) Registration Date: **24 August 2007**
- (56) Related Art Documents: **Not Applicable**
- (57) Statement of Newness and Distinctiveness: **Nil**



- (21) Design Number: **10730/2006**
- (22) Date of Filing Application: **27 February 2006**
- (24) Date from which industrial property rights may have effect: **27 February 2006**
- (54) Product in respect of which the design is registered: **Trailer connector**
- (51) International Design Classification: **12-16L**
- (71) Name(s) and Address(s) of Applicant(s):
Locmac Holdings Pty Ltd as Trustee for Locmac Trust
34 Notar Drive Ormeau Queensland 4207 Australia
- (72) Name(s) of Designer(s): **Adam Middleton and Lachlan McGillivray**
- (45) Registration Date: **24 August 2007**
- (56) Related Art Documents: **Not Applicable**
- (57) Statement of Newness and Distinctiveness: **Nil**



- (21) Design Number: **10731/2006**
- (22) Date of Filing Application: **27 February 2006**
- (24) Date from which industrial property rights may have effect: **27 February 2006**
- (54) Product in respect of which the design is registered: **Trailer connector**
- (51) International Design Classification: **12-16L**
- (71) Name(s) and Address(s) of Applicant(s):
Locmac Holdings Pty Ltd as Trustee for Locmac Trust
34 Notar Drive Ormeau Queensland 4207 Australia
- (72) Name(s) of Designer(s): **Adam Middleton and Lachlan McGillivray**
- (45) Registration Date: **24 August 2007**
- (56) Related Art Documents: **Not Applicable**
- (57) Statement of Newness and Distinctiveness: **Nil**



(21) Design Number: **16429/2007**

(22) Date of Filing Application: **15 February 2007**

(24) Date from which industrial property rights may have effect: **15 February 2007**

(54) Product in respect of which the design is registered: **Liquid tank/container (Pelican tank MK2)**

(51) International Design Classification: **23-01F**

(71) Name(s) and Address(s) of Applicant(s):

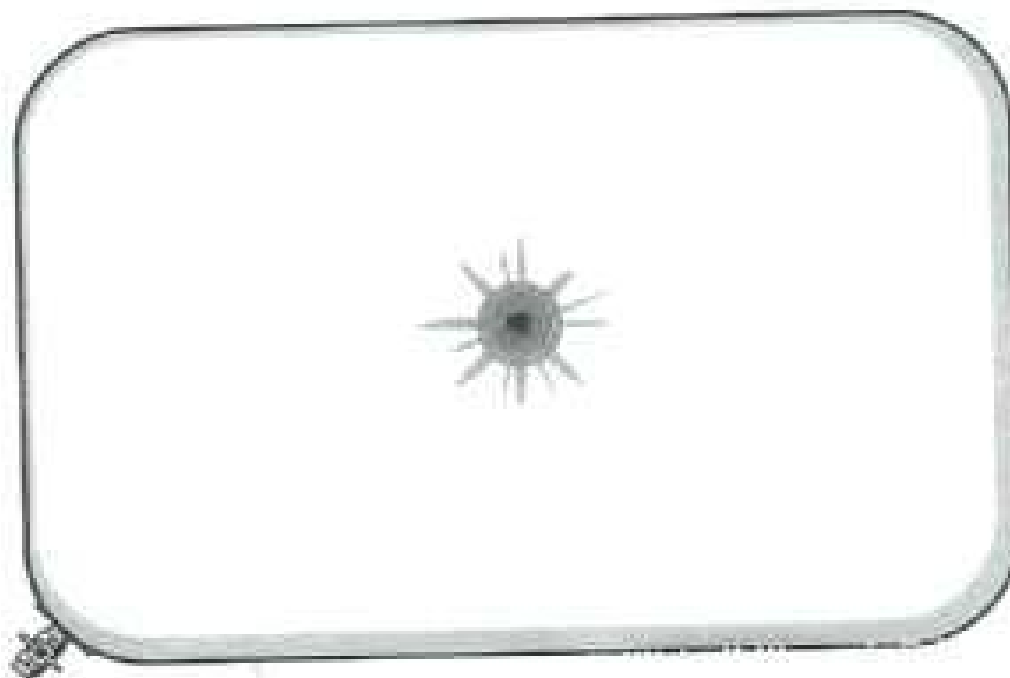
**Alternative Concepts Pty Ltd
63 Glenharrow Heights Road Belgrave Victoria 3160 Australia**

(72) Name(s) of Designer(s): **Allan David Weatherall**

(45) Registration Date: **24 August 2007**

(56) Related Art Documents: **Not Applicable**

(57) Statement of Newness and Distinctiveness: **Monopoly is claimed in the features of shape and configuration of the liquid tanks/containers as illustrated in the accompanying illustrations/representations.**



(21) Design Number: **18112/2007**

(22) Date of Filing Application: **29 May 2007**

(24) Date from which industrial property rights may have effect: **29 May 2007**

(54) Product in respect of which the design is registered: **Caravan**

(51) International Design Classification: **12-10**

(71) Name(s) and Address(s) of Applicant(s):

**RV IP Pty. Ltd.
302-320 Burwood Road Hawthorn Victoria 3122 Australia**

(72) Name(s) of Designer(s): **Wayne Barret**

(45) Registration Date: **24 August 2007**

(56) Related Art Documents: **Not Applicable**

(57) Statement of Newness and Distinctiveness: **Appearance of the shape of the caravan and/or motor home.**



(21) Design Number: **18376/2007**
(22) Date of Filing Application: **14 June 2007**
(24) Date from which industrial property rights may have effect: **14 June 2007**
(54) Product in respect of which the design is registered: **Torch**
(51) International Design Classification: **26-02**
(71) Name(s) and Address(s) of Applicant(s):
Top Gun Pty Ltd
C/- 878 Springvale Road Braeside Victoria 3195 Australia
(72) Name(s) of Designer(s): **George Linardos**
(45) Registration Date: **24 August 2007**
(56) Related Art Documents: **Not Applicable**
(57) Statement of Newness and Distinctiveness: **Nil**



(21) Design Number: **18377/2007**
(22) Date of Filing Application: **14 June 2007**
(24) Date from which industrial property rights may have effect: **14 June 2007**
(54) Product in respect of which the design is registered: **Torch base**
(51) International Design Classification: **26-02**
(71) Name(s) and Address(s) of Applicant(s):
Top Gun Pty Ltd
C/- 878 Springvale Road Braeside Victoria 3195 Australia
(72) Name(s) of Designer(s): **George Linardos**
(45) Registration Date: **24 August 2007**
(56) Related Art Documents: **Not Applicable**
(57) Statement of Newness and Distinctiveness: **Novelty is claimed in base of torch of indefinite length.**



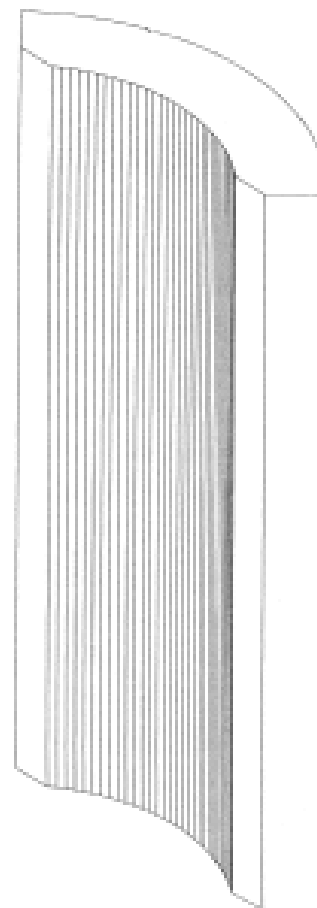
(21) Design Number: **18378/2007**
(22) Date of Filing Application: **14 June 2007**
(24) Date from which industrial property rights may have effect: **14 June 2007**
(54) Product in respect of which the design is registered: **Torch charger**
(51) International Design Classification: **13-02**
(71) Name(s) and Address(s) of Applicant(s):
Top Gun Pty Ltd
C/- 878 Springvale Road Braeside Victoria 3195 Australia
(72) Name(s) of Designer(s): **George Linardos**
(45) Registration Date: **24 August 2007**
(56) Related Art Documents: **Not Applicable**
(57) Statement of Newness and Distinctiveness: **Nil**



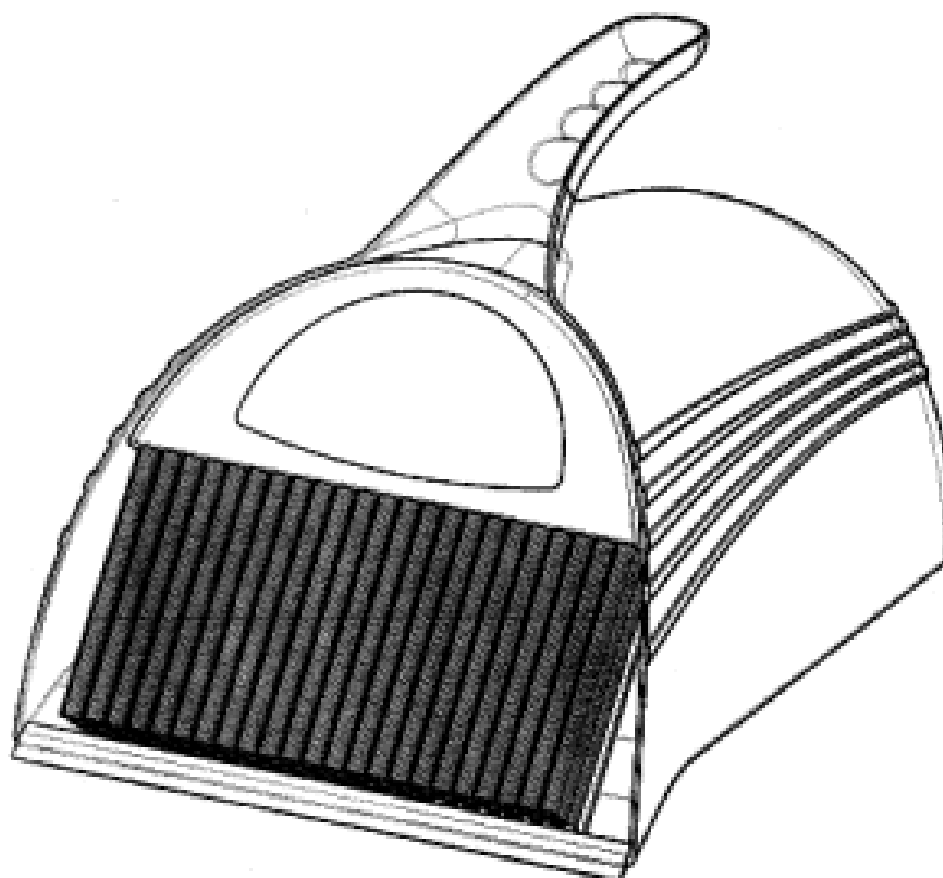
(21) Design Number: **18379/2007**
(22) Date of Filing Application: **14 June 2007**
(24) Date from which industrial property rights may have effect: **14 June 2007**
(54) Product in respect of which the design is registered: **Battery**
(51) International Design Classification: **13-02**
(71) Name(s) and Address(s) of Applicant(s):
Top Gun Pty Ltd
C/- 878 Springvale Road Braeside Victoria 3195 Australia
(72) Name(s) of Designer(s): **George Linardos**
(45) Registration Date: **24 August 2007**
(56) Related Art Documents: **Not Applicable**
(57) Statement of Newness and Distinctiveness: **Nil**



- (21) Design Number: **18413/2007**
(22) Date of Filing Application: **15 June 2007**
(24) Date from which industrial property rights may have effect: **15 June 2007**
(54) Product in respect of which the design is registered: **Diffuser**
(51) International Design Classification: **14-99**
(71) Name(s) and Address(s) of Applicant(s):
Cliff Electronics (Aust) Pty Ltd
7/35 Wickham Street New Market Queensland 4051 Australia
Ultrafonic Pty Ltd
7/35 Wickham Street Newmarket Queensland 4051 Australia
(72) Name(s) of Designer(s): **Andrew Steel and Cameron Cross**
(45) Registration Date: **24 August 2007**
(56) Related Art Documents: **Not Applicable**
(57) Statement of Newness and Distinctiveness: **Monopoly is claimed in the features of shape and configuration of the acoustic component illustrated in the representations.**



- (21) Design Number: **18417/2007**
(22) Date of Filing Application: **14 June 2007**
(24) Date from which industrial property rights may have effect: **14 June 2007**
(54) Product in respect of which the design is registered: **A dustpan with broom**
(51) International Design Classification: **07-05E**
(71) Name(s) and Address(s) of Applicant(s):
Kevin Boris Maevsky
25 Old Berowra Road Hornsby New South Wales 2077 Australia
(72) Name(s) of Designer(s): **Kevin Boris Maevsky and Nick Robinson**
(45) Registration Date: **24 August 2007**
(56) Related Art Documents: **Not Applicable**
(57) Statement of Newness and Distinctiveness: **Newness and distinctiveness is claimed in the features of shape and/or configuration of a dustpan with broom as illustrated in the accompanying representations.**



(21) Design Number: **18424/2007**

(22) Date of Filing Application: **15 June 2007**

(24) Date from which industrial property rights may have effect: **15 June 2007**

(54) Product in respect of which the design is registered: **Cycling hat**

(51) International Design Classification: **02-03**

(71) Name(s) and Address(s) of Applicant(s):

Rebecca Wilson Thomas

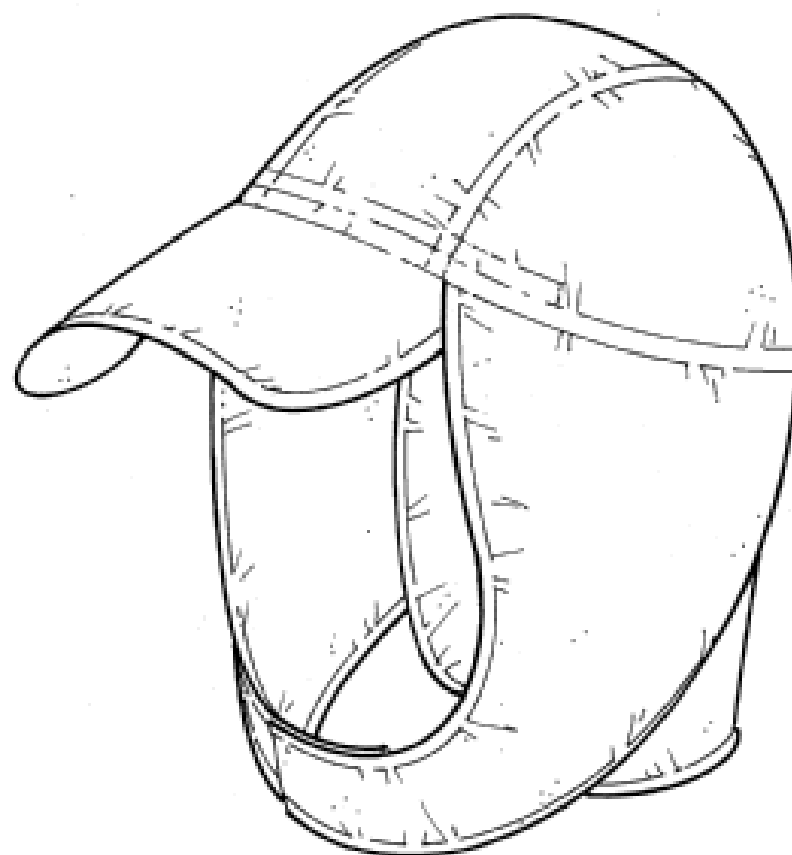
27 Manjiri Drive Glen Forrest Western Australia 6071 Australia

(72) Name(s) of Designer(s): **Rebecca Wilson Thomas**

(45) Registration Date: **24 August 2007**

(56) Related Art Documents: **Not Applicable**

(57) Statement of Newness and Distinctiveness: **The particular visual features of the design which are new and distinctive are shape or configuration.**



(21) Design Number: **18435/2007**

(22) Date of Filing Application: **14 June 2007**

(24) Date from which industrial property rights may have effect: **14 June 2007**

(54) Product in respect of which the design is registered: **Waste receptacle, bollard**

(51) International Design Classification: **09-09, 27-03**

(71) Name(s) and Address(s) of Applicant(s):

National Engineering Group Pty. Ltd.

131 National Boulevard Campbellfield Victoria 3061 Australia

(72) Name(s) of Designer(s): **Helen Lazenkas and Ivan Perija**

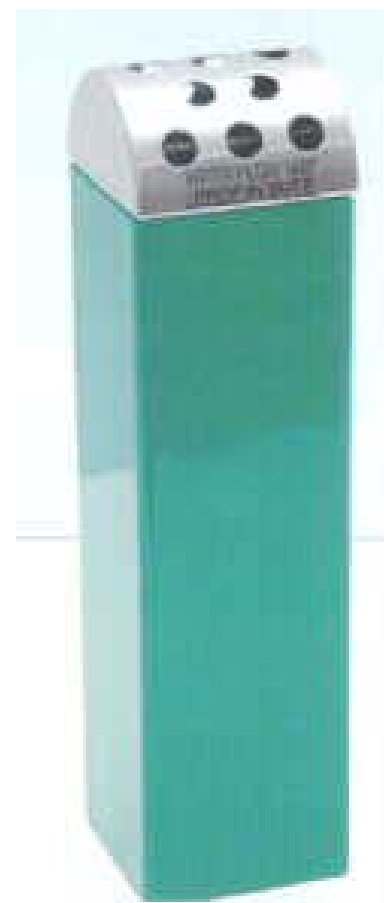
(45) Registration Date: **24 August 2007**

(56) Related Art Documents: **Not Applicable**

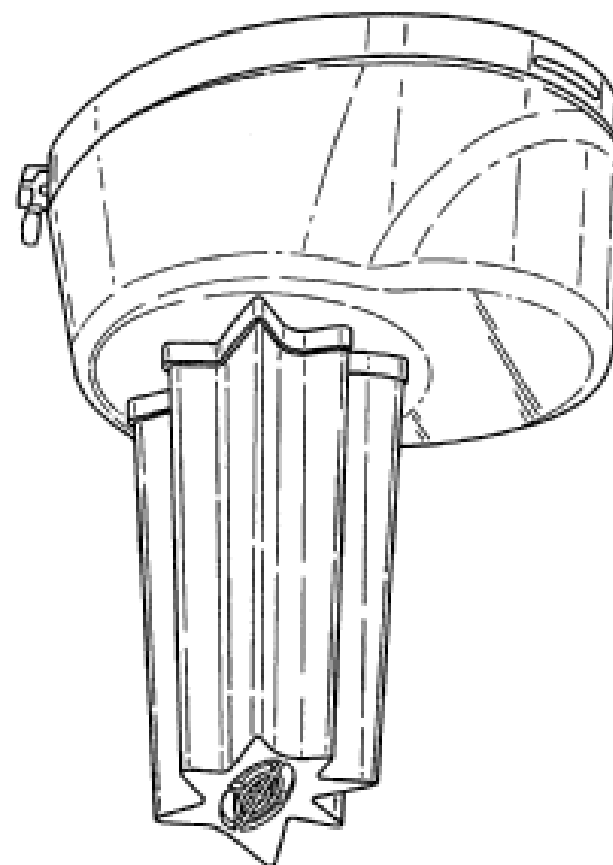
(57) Statement of Newness and Distinctiveness: **Newness and distinctiveness is claimed in the visual features of shape and/or configuration as applied to a waste receptacle or bollard as illustrated in the representations.**



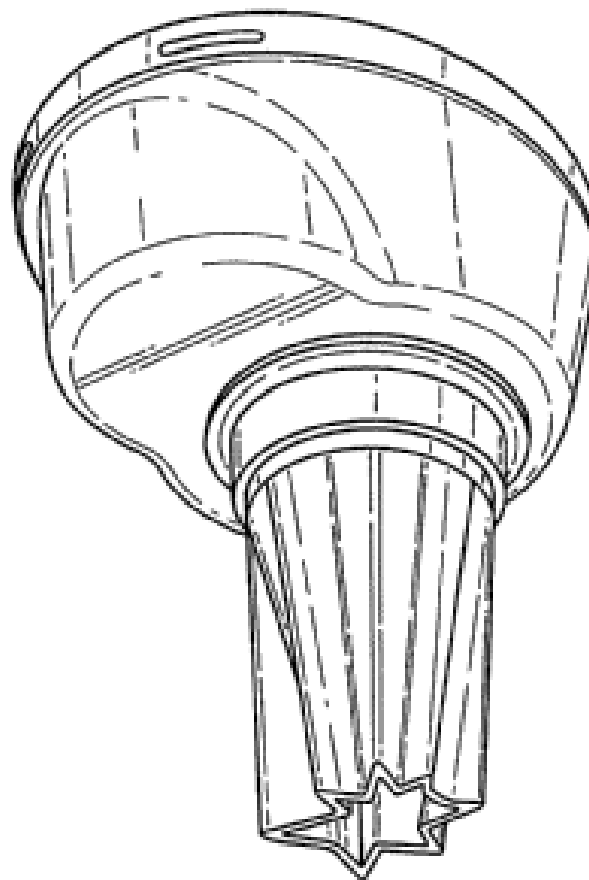
- (21) Design Number: **18436/2007**
(22) Date of Filing Application: **14 June 2007**
(24) Date from which industrial property rights may have effect: **14 June 2007**
(54) Product in respect of which the design is registered: **Waste receptacle**
(51) International Design Classification: **09-09, 27-03**
(71) Name(s) and Address(s) of Applicant(s):
National Engineering Group Pty. Ltd.
131 National Boulevard Campbellfield Victoria 3061 Australia
(72) Name(s) of Designer(s): **Helen Lazenkas and Ivan Perija**
(45) Registration Date: **24 August 2007**
(56) Related Art Documents: **Not Applicable**
(57) Statement of Newness and Distinctiveness: **Newness and distinctiveness is claimed in the visual features of shape and/or configuration as applied to a waste receptacle as illustrated in the representations.**



- (21) Design Number: **19382/2007**
(22) Date of Filing Application: **16 August 2007**
(24) Date from which industrial property rights may have effect: **16 August 2007**
(54) Product in respect of which the design is registered: **Container**
(51) International Design Classification: **09-03NES**
(71) Name(s) and Address(s) of Applicant(s):
Reckitt Benckiser N.V.
Siriusdreef 14 2132 WT Hoofddorp The Netherlands
(72) Name(s) of Designer(s): **John Newton and Andrea Marigo and Liliana Oliva and Alberto Buogo and Stefano Maretto**
(45) Registration Date: **24 August 2007**
(30) Convention priority data:
(31) Number (32) Date (33) Country
000675376 21 Feb 2007 EUROPEAN COMMUNITY
(56) Related Art Documents: **Not Applicable**
(57) Statement of Newness and Distinctiveness: **Newness and distinctiveness reside in the features of the design as shown in the representations.**



- (21) Design Number: **19383/2007**
(22) Date of Filing Application: **16 August 2007**
(24) Date from which industrial property rights may have effect: **16 August 2007**
(54) Product in respect of which the design is registered: **Container**
(51) International Design Classification: **09-03NES**
(71) Name(s) and Address(s) of Applicant(s):
Reckitt Benckiser N.V.
Siriusdreef 14 2132 WT Hoofddorp The Netherlands
(72) Name(s) of Designer(s): **John Newton and Andrea Marigo and Liliana Oliva and Alberto Buogo and Stefano Maretto**
(45) Registration Date: **24 August 2007**
(30) Convention priority data:
(31) Number (32) Date (33) Country
000675368 21 Feb 2007 EUROPEAN COMMUNITY
(56) Related Art Documents: **Not Applicable**
(57) Statement of Newness and Distinctiveness: **Newness and distinctiveness reside in the features of the design as shown in the representations.**



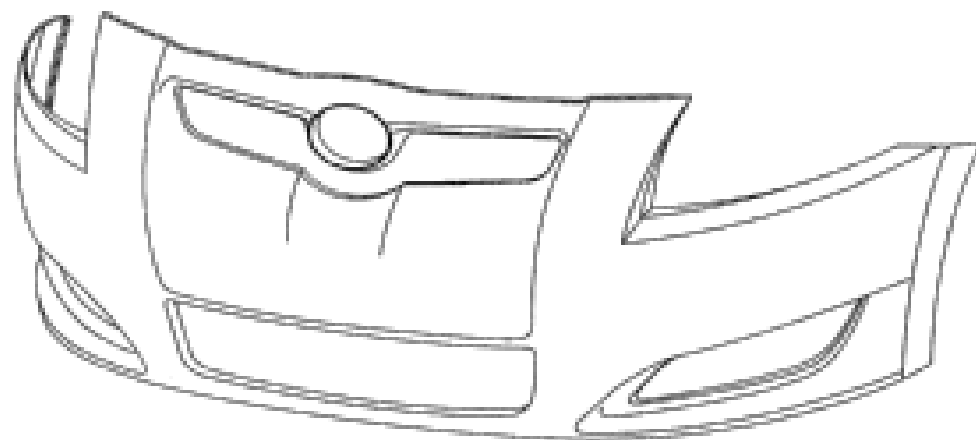
- (21) Design Number: **17084/2007**
(22) Date of Filing Application: **26 March 2007**
(24) Date from which industrial property rights may have effect: **26 March 2007**
(54) Product in respect of which the design is registered: **Front combination lamp for an automobile**
(51) International Design Classification: **26-06**
(71) Name(s) and Address(s) of Applicant(s):
Toyota Jidosha Kabushiki Kaisha
1 Toyota-cho Toyota-shi Aichi-ken 471-8571 Japan
(72) Name(s) of Designer(s): **Masaki Okue**
(45) Registration Date: **28 August 2007**
(30) Convention priority data:
(31) Number (32) Date (33) Country
2006#025864 27 Sep 2006 JAPAN
(56) Related Art Documents: **Not Applicable**
(57) Statement of Newness and Distinctiveness: **Those features of the front combination lamp depicted in the representations that are new and distinctive are the shape and/or configuration. The lamp assembly housing is not part of the design and is to be disregarded when considering the overall impression of the design.**



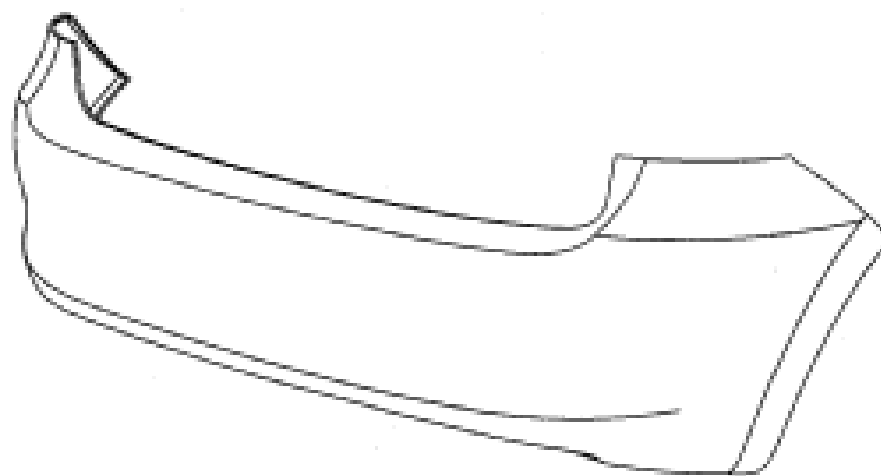
- (21) Design Number: **17085/2007**
(22) Date of Filing Application: **26 March 2007**
(24) Date from which industrial property rights may have effect: **26 March 2007**
(54) Product in respect of which the design is registered: **Rear combination lamp for an automobile**
(51) International Design Classification: **26-06**
(71) Name(s) and Address(s) of Applicant(s):
Toyota Jidosha Kabushiki Kaisha
1 Toyota-cho Toyota-shi Aichi-ken 471-8571 Japan
(72) Name(s) of Designer(s): **Hideyuki Numata and Hirofumi Hokao**
(45) Registration Date: **28 August 2007**
(30) Convention priority data:
(31) Number (32) Date (33) Country
2006#025865 27 Sep 2006 JAPAN
(56) Related Art Documents: **Not Applicable**
(57) Statement of Newness and Distinctiveness: **Those features of the rear combination lamp for an automobile depicted in the representations that are new and distinctive are the shape and/or configuration. The lamp assembly housing may or may not be disregarded when considering the overall impression of the design.**



- (21) Design Number: **17087/2007**
(22) Date of Filing Application: **26 March 2007**
(24) Date from which industrial property rights may have effect: **26 March 2007**
(54) Product in respect of which the design is registered: **Front bumper for an automobile**
(51) International Design Classification: **12-16B**
(71) Name(s) and Address(s) of Applicant(s):
Toyota Jidosha Kabushiki Kaisha
1 Toyota-cho Toyota-shi Aichi-ken 471-8571 Japan
(72) Name(s) of Designer(s): **Koichi Suga and Masaki Okue and Hirofumi Hokao**
(45) Registration Date: **28 August 2007**
(30) Convention priority data:
(31) Number (32) Date (33) Country
2006#025867 27 Sep 2006 JAPAN
(56) Related Art Documents: **Not Applicable**
(57) Statement of Newness and Distinctiveness: **Those features of the front bumper for an automobile that are new and distinctive are the shape and/or configuration. The rear view may or may not be disregarded when considering the overall impression of the design.**



- (21) Design Number: **17088/2007**
(22) Date of Filing Application: **26 March 2007**
(24) Date from which industrial property rights may have effect: **26 March 2007**
(54) Product in respect of which the design is registered: **Rear bumper for an automobile**
(51) International Design Classification: **12-16B**
(71) Name(s) and Address(s) of Applicant(s):
Toyota Jidosha Kabushiki Kaisha
1 Toyota-cho Toyota-shi Aichi-ken 471-8571 Japan
(72) Name(s) of Designer(s): **Koichi Suga and Hirofumi Hokao**
(45) Registration Date: **28 August 2007**
(30) Convention priority data:
(31) Number (32) Date (33) Country
2006#025868 27 Sep 2006 JAPAN
(56) Related Art Documents: **Not Applicable**
(57) Statement of Newness and Distinctiveness: **Those features of the rear bumper for an automobile depicted in the representations that are new and distinctive are the shape and/or configuration. The rear view is to be disregarded when considering the overall impression of the design.**



- (21) Design Number: **17089/2007**
(22) Date of Filing Application: **26 March 2007**
(24) Date from which industrial property rights may have effect: **26 March 2007**
(54) Product in respect of which the design is registered: **Automobile**
(51) International Design Classification: **12-08**
(71) Name(s) and Address(s) of Applicant(s):
Toyota Jidosha Kabushiki Kaisha
1 Toyota-cho Toyota-shi Aichi-ken 471-8571 Japan
(72) Name(s) of Designer(s): **Tatsuya Sonoda and Masaki Okue**
(45) Registration Date: **28 August 2007**
(30) Convention priority data:
(31) Number (32) Date (33) Country
2006#25884 27 Sep 2006 JAPAN
(56) Related Art Documents: **Not Applicable**
(57) Statement of Newness and Distinctiveness: **Those features of the automobile depicted in the representations that are new and distinctive are the shape and/or configuration.**



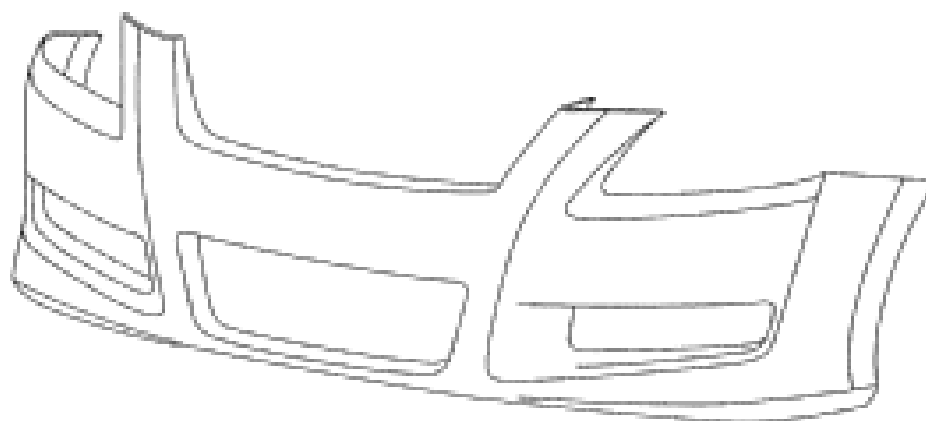
- (21) Design Number: **17095/2007**
(22) Date of Filing Application: **26 March 2007**
(24) Date from which industrial property rights may have effect: **26 March 2007**
(54) Product in respect of which the design is registered: **Front bumper for an automobile**
(51) International Design Classification: **12-16B**
(71) Name(s) and Address(s) of Applicant(s):
Toyota Jidosha Kabushiki Kaisha
1 Toyota-cho Toyota-shi Aichi-ken 471-8571 Japan
(72) Name(s) of Designer(s): **Masaki Okue**
(45) Registration Date: **28 August 2007**
(30) Convention priority data:
(31) Number (32) Date (33) Country
2006#025890 27 Sep 2006 JAPAN
(56) Related Art Documents: **Not Applicable**
(57) Statement of Newness and Distinctiveness: **Those features of the front bumper for an automobile depicted in the representations that are new and distinctive are the shape and/or configuration. The rear view is to be disregarded when considering the overall impression of the design.**



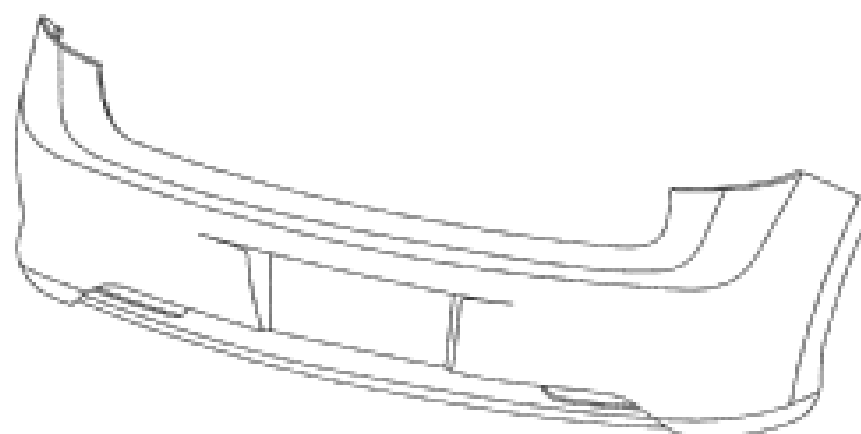
- (21) Design Number: **17096/2007**
(22) Date of Filing Application: **26 March 2007**
(24) Date from which industrial property rights may have effect: **26 March 2007**
(54) Product in respect of which the design is registered: **Rear bumper for an automobile**
(51) International Design Classification: **12-16B**
(71) Name(s) and Address(s) of Applicant(s):
Toyota Jidosha Kabushiki Kaisha
1 Toyota-cho Toyota-shi Aichi-ken 471-8571 Japan
(72) Name(s) of Designer(s): **Masaki Okue**
(45) Registration Date: **28 August 2007**
(30) Convention priority data:
(31) Number (32) Date (33) Country
2006#025891 27 Sep 2006 JAPAN
(56) Related Art Documents: **Not Applicable**
(57) Statement of Newness and Distinctiveness: **Those features of the rear bumper for an automobile depicted in the representations that are new and distinctive are the shape and/or configuration. The rear view is to be disregarded when considering the overall impression of the design.**



- (21) Design Number: **17097/2007**
(22) Date of Filing Application: **26 March 2007**
(24) Date from which industrial property rights may have effect: **26 March 2007**
(54) Product in respect of which the design is registered: **Front bumper for an automobile**
(51) International Design Classification: **12-16B**
(71) Name(s) and Address(s) of Applicant(s):
Toyota Jidosha Kabushiki Kaisha
1 Toyota-cho Toyota-shi Aichi-ken 471-8571 Japan
(72) Name(s) of Designer(s): **Yoshiharu Nakajima and Masaki Okue**
(45) Registration Date: **28 August 2007**
(30) Convention priority data:
(31) Number (32) Date (33) Country
2006#025903 27 Sep 2006 JAPAN
(56) Related Art Documents: **Not Applicable**
(57) Statement of Newness and Distinctiveness: **Those features of the front bumper for an automobile depicted in the representations that are new and distinctive are the shape and/or configuration. The rear view is to be disregarded when considering the overall impression of the design.**



- (21) Design Number: **17098/2007**
(22) Date of Filing Application: **26 March 2007**
(24) Date from which industrial property rights may have effect: **26 March 2007**
(54) Product in respect of which the design is registered: **Rear bumper for an automobile**
(51) International Design Classification: **12-16B**
(71) Name(s) and Address(s) of Applicant(s):
Toyota Jidosha Kabushiki Kaisha
1 Toyota-cho Toyota-shi Aichi-ken 471-8571 Japan
(72) Name(s) of Designer(s): **Yoshiharu Nakajima**
(45) Registration Date: **28 August 2007**
(30) Convention priority data:
(31) Number (32) Date (33) Country
2006#025904 27 Sep 2006 JAPAN
(56) Related Art Documents: **Not Applicable**
(57) Statement of Newness and Distinctiveness: **Those features of the rear bumper for an automobile depicted in the representations that are new and distinctive are the shape and/or configuration. The rear view is to be disregarded when considering the overall impression of the design.**



- (21) Design Number: **17101/2007**
(22) Date of Filing Application: **26 March 2007**
(24) Date from which industrial property rights may have effect: **26 March 2007**
(54) Product in respect of which the design is registered: **Front combination lamp for an automobile**
(51) International Design Classification: **26-06**
(71) Name(s) and Address(s) of Applicant(s):
Toyota Jidosha Kabushiki Kaisha
1 Toyota-cho Toyota-shi Aichi-ken 471-8571 Japan
(72) Name(s) of Designer(s): **Hideyuki Numata and Yoshiharu Nakajima**
(45) Registration Date: **28 August 2007**
(30) Convention priority data:
(31) Number (32) Date (33) Country
2006#025900 27 Sep 2006 JAPAN
(56) Related Art Documents: **Not Applicable**
(57) Statement of Newness and Distinctiveness: **Those features of the front combination lamp for an automobile depicted in the representations that are new and distinctive are the shape and/or configuration. The lamp assembly housing may or may not be disregarded when considering the overall impression of the design.**

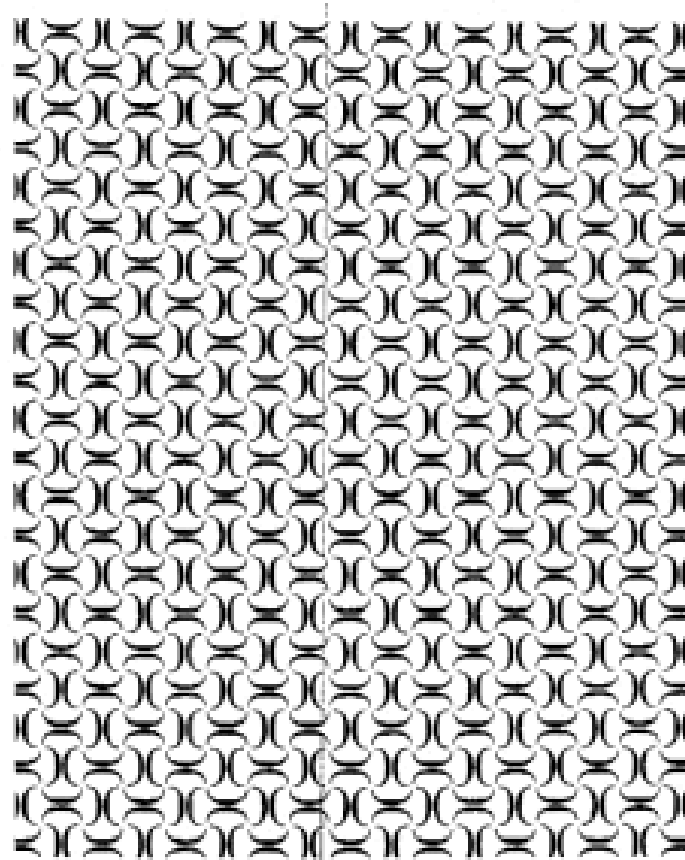


- (21) Design Number: **17102/2007**
(22) Date of Filing Application: **26 March 2007**
(24) Date from which industrial property rights may have effect: **26 March 2007**
(54) Product in respect of which the design is registered: **Rear combination lamp for an automobile**
(51) International Design Classification: **26-06**
(71) Name(s) and Address(s) of Applicant(s):
Toyota Jidosha Kabushiki Kaisha
1 Toyota-cho Toyota-shi Aichi-ken 471-8571 Japan
(72) Name(s) of Designer(s): **Yoshiharu Nakajima and Hirofumi Hokao**
(45) Registration Date: **28 August 2007**
(30) Convention priority data:
(31) Number (32) Date (33) Country
2006#025901 27 Sep 2006 JAPAN
(56) Related Art Documents: **Not Applicable**
(57) Statement of Newness and Distinctiveness: **Those features of the rear combination lamp for an automobile depicted in the representations that are new and distinctive are the shape and/or configuration. The lamp assembly housing may or may not be disregarded when considering the overall impression of the design.**



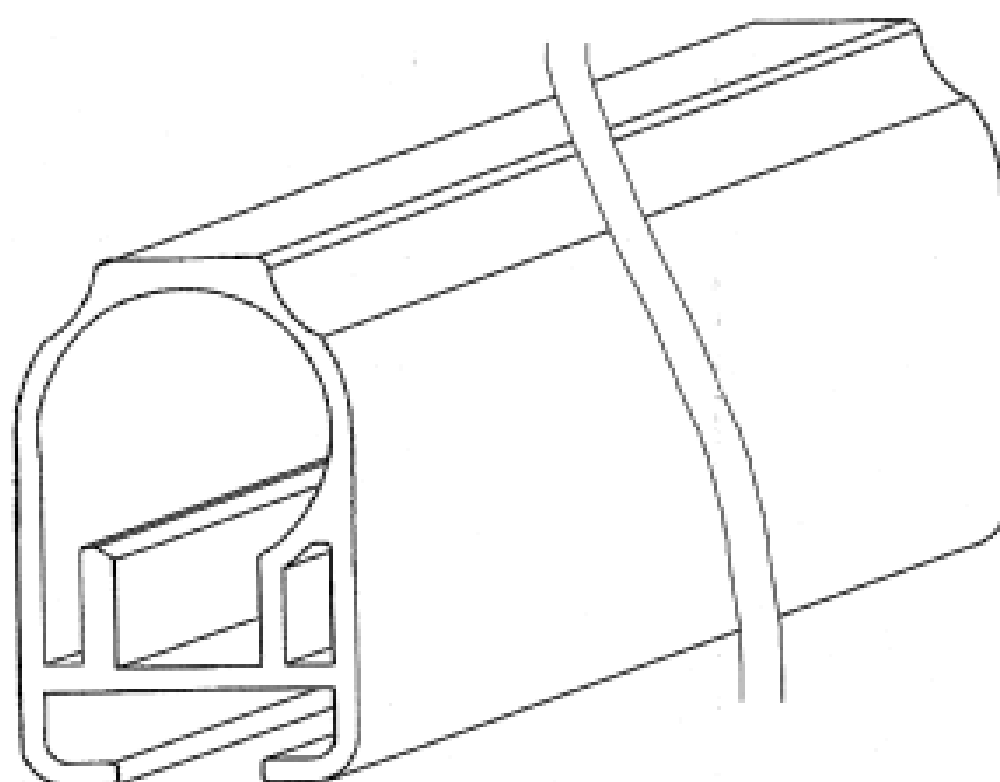
(19) AU

- (21) Design Number: **17589/2007**
(22) Date of Filing Application: **20 April 2007**
(24) Date from which industrial property rights may have effect: **20 April 2007**
(54) Product in respect of which the design is registered: **Printed matter**
(51) International Design Classification: **19-08**
(71) Name(s) and Address(s) of Applicant(s):
Dorchester Hotel Limited
53 Park Lane London W1A 2HJ United Kingdom
(72) Name(s) of Designer(s): **John Rushworth**
(45) Registration Date: **28 August 2007**
(30) Convention priority data:
(31) Number (32) Date (33) Country
000611603#0002 20 Oct 2006 EUROPEAN COMMUNITY
(56) Related Art Documents: **Not Applicable**
(57) Statement of Newness and Distinctiveness: **The pattern or ornamentation of the product is new and distinctive. The dimensions of the product are indefinite.**

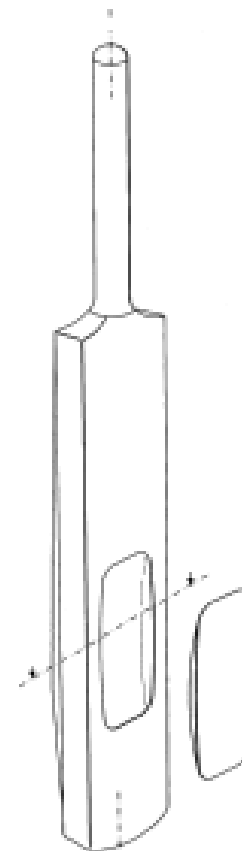


(19) AU

- (21) Design Number: **17590/2007**
(22) Date of Filing Application: **24 April 2007**
(24) Date from which industrial property rights may have effect: **24 April 2007**
(54) Product in respect of which the design is registered: **Shade apparatus**
(51) International Design Classification: **25-02NES**
(71) Name(s) and Address(s) of Applicant(s):
Ekkehard Koehn
Units 1 & 2 13 Hinkler Court Brendale Queensland 4500 Australia
(72) Name(s) of Designer(s): **Ekkehard Koehn**
(45) Registration Date: **28 August 2007**
(56) Related Art Documents: **Not Applicable**
(57) Statement of Newness and Distinctiveness: **Nil**



- (21) Design Number: **17693/2007**
- (22) Date of Filing Application: **02 May 2007**
- (24) Date from which industrial property rights may have effect: **02 May 2007**
- (54) Product in respect of which the design is registered: **Cricket bat**
- (51) International Design Classification: **21-02B**
- (71) Name(s) and Address(s) of Applicant(s):
Mark Weigall
2054 Old Melbourne Road Millbrook Victoria 3352 Australia
- (72) Name(s) of Designer(s): **Mark Weigall**
- (45) Registration Date: **28 August 2007**
- (56) Related Art Documents: **Not Applicable**
- (57) Statement of Newness and Distinctiveness: **The newness and distinctiveness of the design pertains to the design as a whole with specific reference to the location of the insert or "sweet spot".**



- (21) Design Number: **17790/2007**
- (22) Date of Filing Application: **08 May 2007**
- (24) Date from which industrial property rights may have effect: **08 May 2007**
- (54) Product in respect of which the design is registered: **Speed Hump**
- (51) International Design Classification: **10-06**
- (71) Name(s) and Address(s) of Applicant(s):
Peter Frizell
PO Box 40 Armidale New South Wales 2350 Australia
- (72) Name(s) of Designer(s): **Peter Frizell**
- (45) Registration Date: **28 August 2007**
- (56) Related Art Documents: **Not Applicable**
- (57) Statement of Newness and Distinctiveness: **This is a "removeable" - "pivot" speed hump.**



(21) Design Number: **17791/2007**

(22) Date of Filing Application: **08 May 2007**

(24) Date from which industrial property rights may have effect: **08 May 2007**

(54) Product in respect of which the design is registered: **Pivot for Speed Hump**

(51) International Design Classification: **10-06**

(71) Name(s) and Address(s) of Applicant(s):

Peter Frizell

PO Box 40 Armidale New South Wales 2350 Australia

(72) Name(s) of Designer(s): **Peter Frizell**

(45) Registration Date: **28 August 2007**

(56) Related Art Documents: **Not Applicable**

(57) Statement of Newness and Distinctiveness: **This a pivot that rotates a speed hump 90 degrees.**



(21) Design Number: **18325/2007**

(22) Date of Filing Application: **11 June 2007**

(24) Date from which industrial property rights may have effect: **11 June 2007**

(54) Product in respect of which the design is registered: **Tie down bracket for 'c' track**

(51) International Design Classification: **08-08NES**

(71) Name(s) and Address(s) of Applicant(s):

LX2 Pty Ltd.

73 Fautleroy Avenue Ascot Western Australia 6104 Australia

(72) Name(s) of Designer(s): **Jim Larmont**

(45) Registration Date: **28 August 2007**

(56) Related Art Documents: **Not Applicable**

(57) Statement of Newness and Distinctiveness: **This bracket slides into the purpose made aluminium track and can be fixed in place. It is an anchor to tie down loose obstacles on vehicles.**



(21) Design Number: **18326/2007**

(22) Date of Filing Application: **11 June 2007**

(24) Date from which industrial property rights may have effect: **11 June 2007**

(54) Product in respect of which the design is registered: **Sign security washer**

(51) International Design Classification: **08-08B**

(71) Name(s) and Address(s) of Applicant(s):

LX2 Pty Ltd.

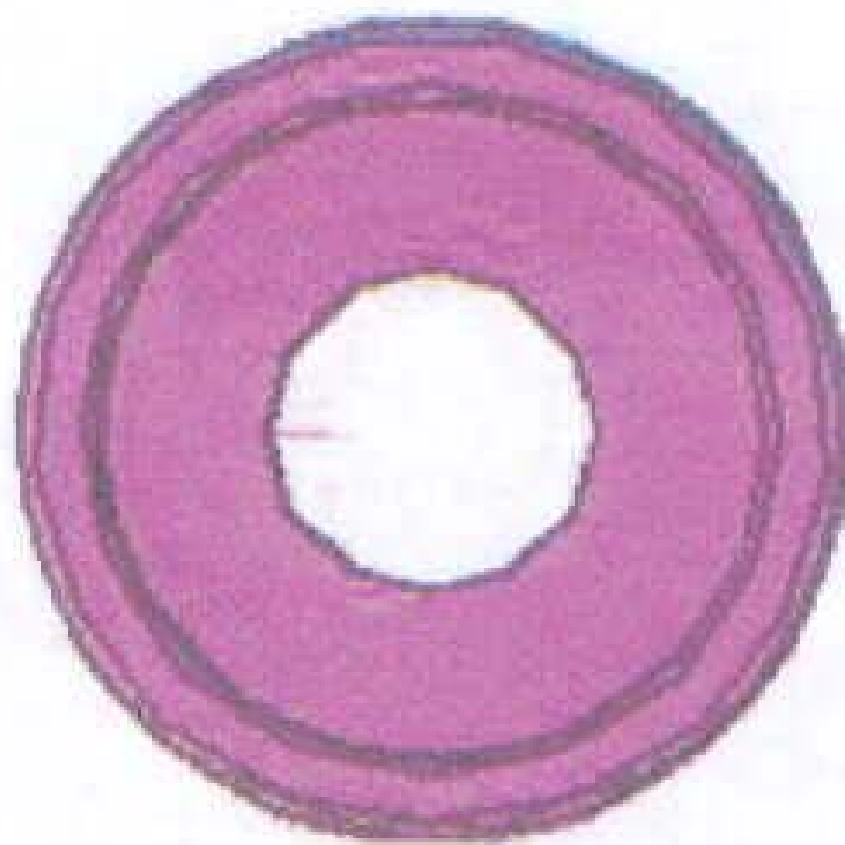
73 Fauntleroy Avenue Ascot Western Australia 6104 Australia

(72) Name(s) of Designer(s): **James Larmont**

(45) Registration Date: **28 August 2007**

(56) Related Art Documents: **Not Applicable**

(57) Statement of Newness and Distinctiveness: **The washer is moulded in plastic. It has a ridge or ring around the bottom and a cup shaped recess to protect the fixing (bolt and nut).**



(21) Design Number: **17710/2007**

(22) Date of Filing Application: **02 May 2007**

(24) Date from which industrial property rights may have effect: **02 May 2007**

(54) Product in respect of which the design is registered: **A cover**

(51) International Design Classification: **09-07NES**

(71) Name(s) and Address(s) of Applicant(s):

Australian Inhibitor Pty Ltd

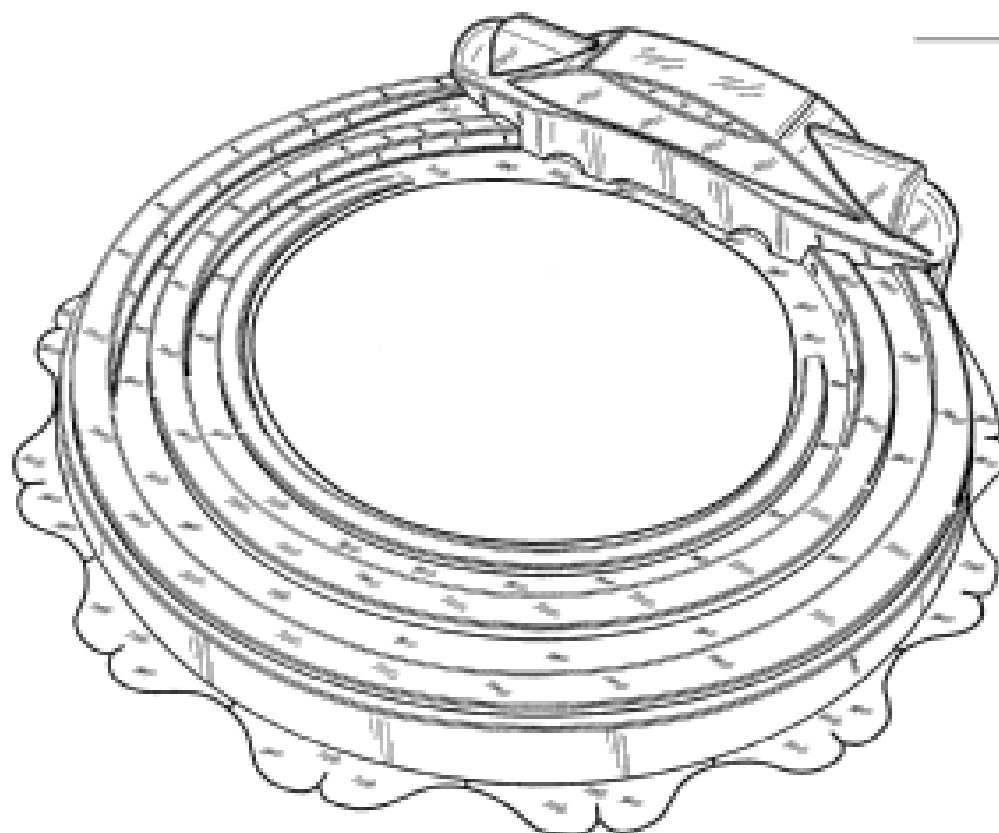
26-44 Monash Drive Lyndhurst Victoria 3975 Australia

(72) Name(s) of Designer(s): **Trevor Foster and Leslie John Amy**

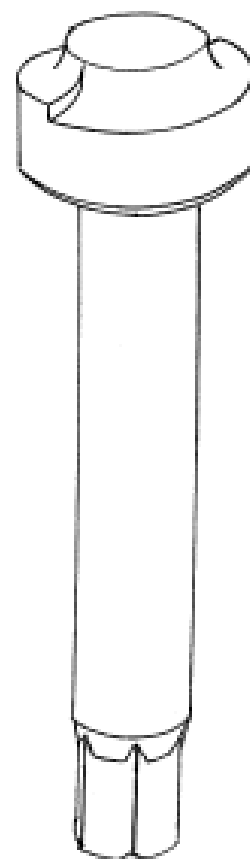
(45) Registration Date: **28 August 2007**

(56) Related Art Documents: **Not Applicable**

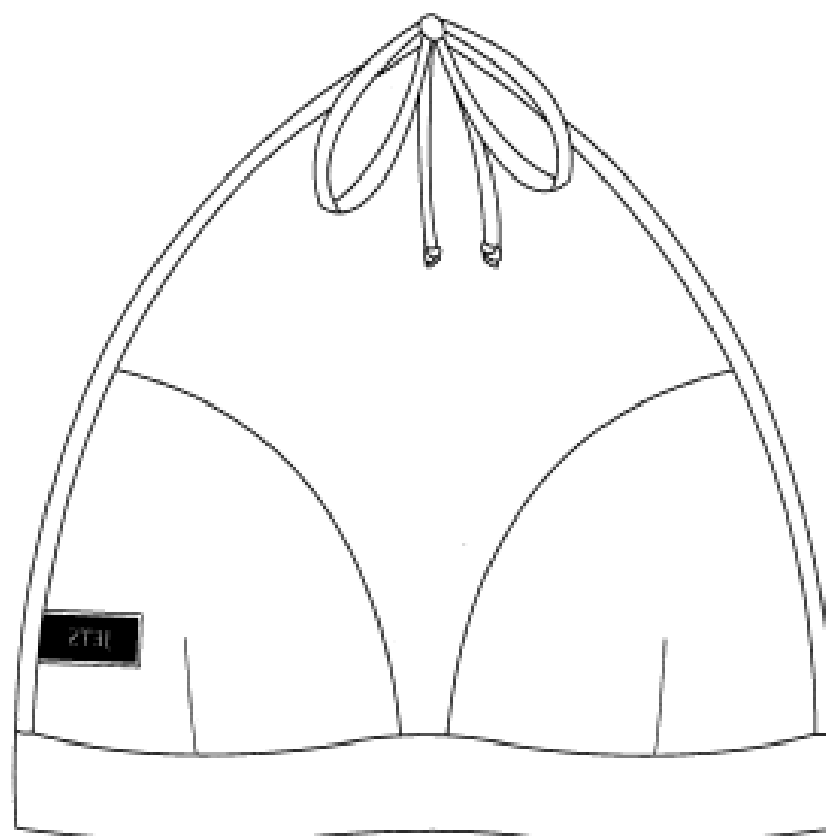
(57) Statement of Newness and Distinctiveness: **The features of shape and configuration of the design of a cover as shown in the accompanying representations are new and distinctive.**



- (21) Design Number: **18297/2007**
(22) Date of Filing Application: **07 June 2007**
(24) Date from which industrial property rights may have effect: **07 June 2007**
(54) Product in respect of which the design is registered: **Cutter**
(51) International Design Classification: **08-03**
(71) Name(s) and Address(s) of Applicant(s):
Brian Ashford
60 Beaumaris Drive Menai New South Wales 2234 Australia
John Bevern
60 Beaumaris Drive Menai New South Wales 2234 Australia
(72) Name(s) of Designer(s): **Brian Ashford and John Bevern**
(45) Registration Date: **28 August 2007**
(56) Related Art Documents: **Not Applicable**
(57) Statement of Newness and Distinctiveness: **The new feature of the design is the integration of a two bladed cutting head with a carrying drive spindle, as a one piece component.**



- (21) Design Number: **18396/2007**
(22) Date of Filing Application: **14 June 2007**
(24) Date from which industrial property rights may have effect: **14 June 2007**
(54) Product in respect of which the design is registered: **Moulded halter triangle with wide under bust band and tie back**
(51) International Design Classification: **02-02A**
(71) Name(s) and Address(s) of Applicant(s):
Jets Swimwear Pty Ltd.
8-18 Bowden Street Alexandria New South Wales 2015 Australia
(72) Name(s) of Designer(s): **Jessika Allen**
(45) Registration Date: **28 August 2007**
(56) Related Art Documents: **Not Applicable**
(57) Statement of Newness and Distinctiveness: **This style has evolved from our best selling bra style J451. This style has been created because of a need for a look with less coverage which will allow a smaller busted customer to fit comfortably. The soft moulded cups provide the wearer with support and create a beautiful decolletage. The thin bind neck tie has rubber for added support and strength. The wide under bust band is reinforced with rubber and acts as a form of support. It is also bagged out; the soft construction ensures it will not cut into the body as well as creating a seamless look. The tie back allows the wearer to adjust the fit if they are smaller across the back.**



(21) Design Number: **18397/2007**

(22) Date of Filing Application: **14 June 2007**

(24) Date from which industrial property rights may have effect: **14 June 2007**

(54) Product in respect of which the design is registered: **Enhancing cross over empire seamless moulded singlet with bagged out wide set straps and fine knotted detail**

(51) International Design Classification: **02-01B**

(71) Name(s) and Address(s) of Applicant(s):

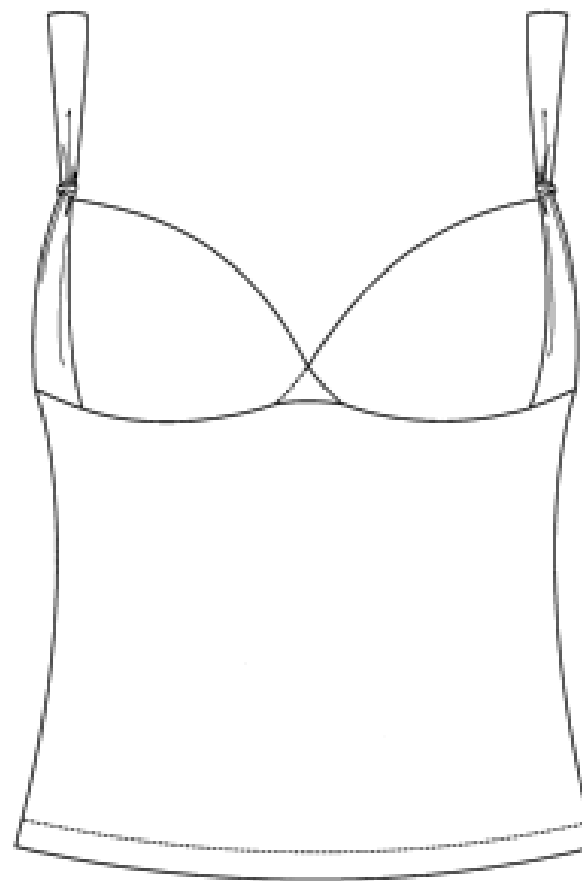
**Jets Swimwear Pty Ltd.
8-18 Bowden Street Alexandria New South Wales 2015 Australia**

(72) Name(s) of Designer(s): **Jessika Allen**

(45) Registration Date: **28 August 2007**

(56) Related Art Documents: **Not Applicable**

(57) Statement of Newness and Distinctiveness: **This style has seamless moulded cups which have been designed with extra foam on the in side of the cup to provide a boost. The cups cross over slightly at the centre front so the wearer does not feel too exposed, the cross over also creates a flattering empire line under the bust which is bagged out and reinforced with rubber increasing support and the push up effect of the cup. The wide 20's inspired straight straps are bagged out and soft against the skin therefore will not cut into the shoulder or underarm. The straps have a fine knot detail at the front which acts to hold the strap in place. The back has a wide rubber across the upper back to give extra support to the cups at the front. The side seams are bar tacked towards the back so you get a smooth silhouette.**



(21) Design Number: **18398/2007**

(22) Date of Filing Application: **14 June 2007**

(24) Date from which industrial property rights may have effect: **14 June 2007**

(54) Product in respect of which the design is registered: **Bagged out gathered banded halter singlet with infinity moulded shelf bra**

(51) International Design Classification: **02-01B**

(71) Name(s) and Address(s) of Applicant(s):

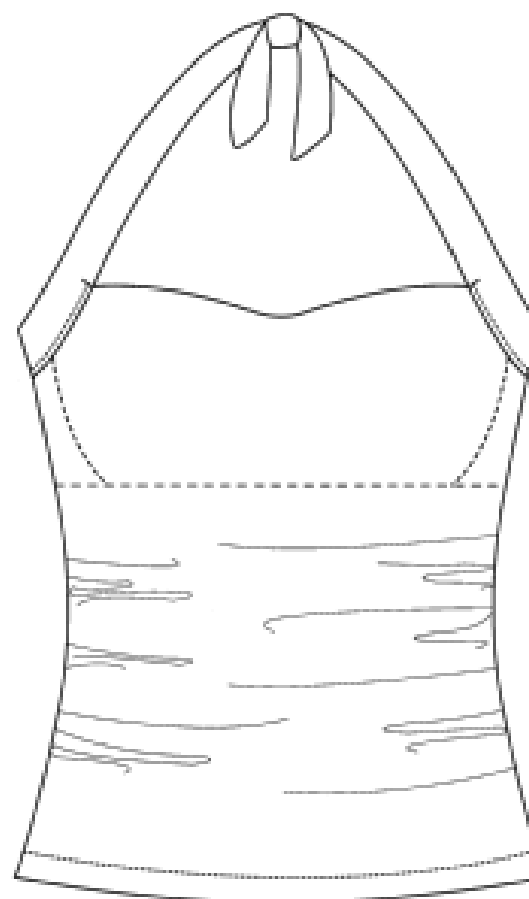
**Jets Swimwear Pty Ltd.
8-18 Bowden Street Alexandria New South Wales 2015 Australia**

(72) Name(s) of Designer(s): **Jessika Allen**

(45) Registration Date: **28 August 2007**

(56) Related Art Documents: **Not Applicable**

(57) Statement of Newness and Distinctiveness: **This singlet has a new soft foam moulded cup which has been designed all in one piece; the aim was to create a seamless silhouette, eliminating the visibility of cup lines. The neckline is a sweetheart shape and is bagged out so there are no seams or stitching showing, it is also reinforced with rubber. The shape of the cup provides a smooth silhouette and holds in the bust, the shelf bra with wide elastic holds the cup in place and provides added support. The wide neck bands are bagged out and the soft construction ensures they will not cut into the neck or underarm. The gathered side seams create ruching for a flattering appearance across the stomach.**



(21) Design Number: **18399/2007**

(22) Date of Filing Application: **14 June 2007**

(24) Date from which industrial property rights may have effect: **14 June 2007**

(54) Product in respect of which the design is registered: **Bagged out twist front halter singlet with tie back and boning**

(51) International Design Classification: **02-02NES**

(71) Name(s) and Address(s) of Applicant(s):

Jets Swimwear Pty Ltd.

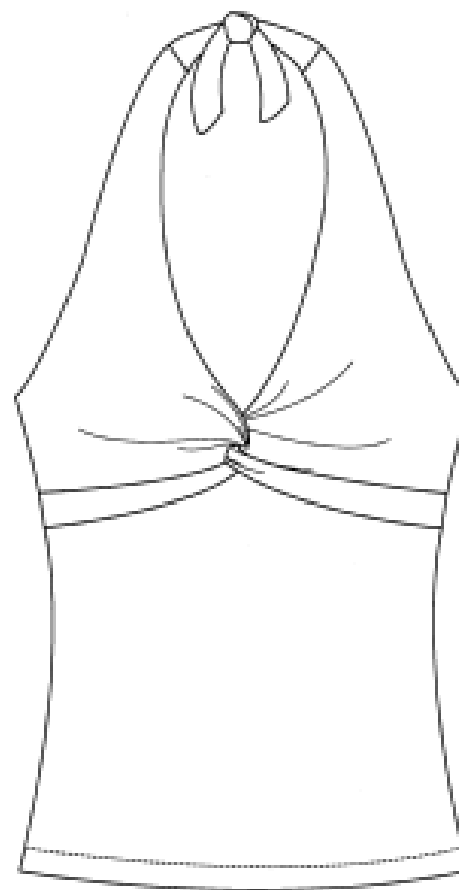
8-18 Bowden Street Alexandria New South Wales 2015 Australia

(72) Name(s) of Designer(s): **Jessika Allen**

(45) Registration Date: **28 August 2007**

(56) Related Art Documents: **Not Applicable**

(57) Statement of Newness and Distinctiveness: **This new singlet style is based off the bagged out twist bra J4213D/DD. There are two layers of fabric enhancing the bust, with bands sitting underneath the bust to give extra support. The garment has a bagged out neckline, when worn there are no seams showing. The twist front act as the support of the garment, the twist creates gathers which can be filled out by many bust sizes. There is also boning in the side seams for extra structure and support. The garment also has a tie back allowing many shapes to be fitted into this style.**



(21) Design Number: **18400/2007**

(22) Date of Filing Application: **14 June 2007**

(24) Date from which industrial property rights may have effect: **14 June 2007**

(54) Product in respect of which the design is registered: **Bagged out wide band halter boy leg one piece with infinity moulded shelf bra**

(51) International Design Classification: **02-02A**

(71) Name(s) and Address(s) of Applicant(s):

Jets Swimwear Pty Ltd.

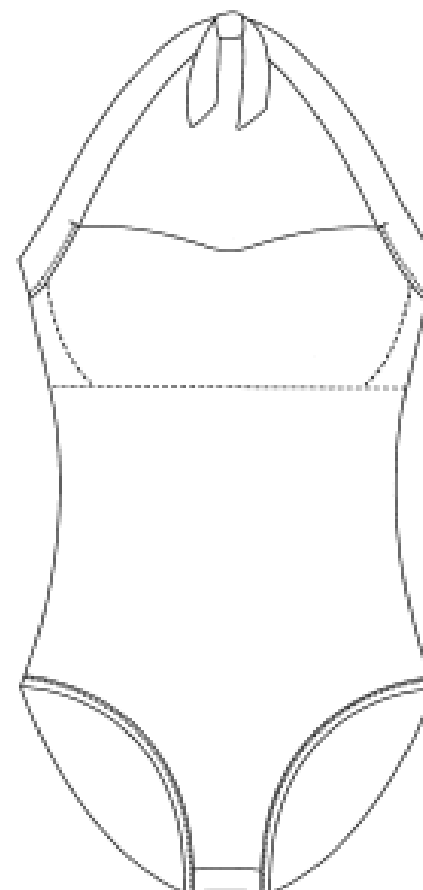
8-18 Bowden Street Alexandria New South Wales 2015 Australia

(72) Name(s) of Designer(s): **Jessika Allen**

(45) Registration Date: **28 August 2007**

(56) Related Art Documents: **Not Applicable**

(57) Statement of Newness and Distinctiveness: **This one piece has a new soft foam moulded cup which has been designed all in one piece; the aim was to create a seamless silhouette, eliminating the visibility of cup lines. The neckline is a sweetheart shape and is bagged out so there are no seams or stitching showing, it is also reinforced with rubber. The shape of the cup provides a smooth silhouette and holds in the bust, the shelf bra with wide elastic holds the cup in place and provides added support. The wide neck bands are bagged out and the soft construction ensures they will not cut into the neck or underarm. The leg line is a boy leg cut with fine binding creating a sleek 20's inspired style.**



(21) Design Number: **18401/2007**

(22) Date of Filing Application: **14 June 2007**

(24) Date from which industrial property rights may have effect: **14 June 2007**

(54) Product in respect of which the design is registered: **Gathered micro mini sweetheart empire bandeau one piece with cups and detachable strap**

(51) International Design Classification: **02-02A**

(71) Name(s) and Address(s) of Applicant(s):

Jets Swimwear Pty Ltd.

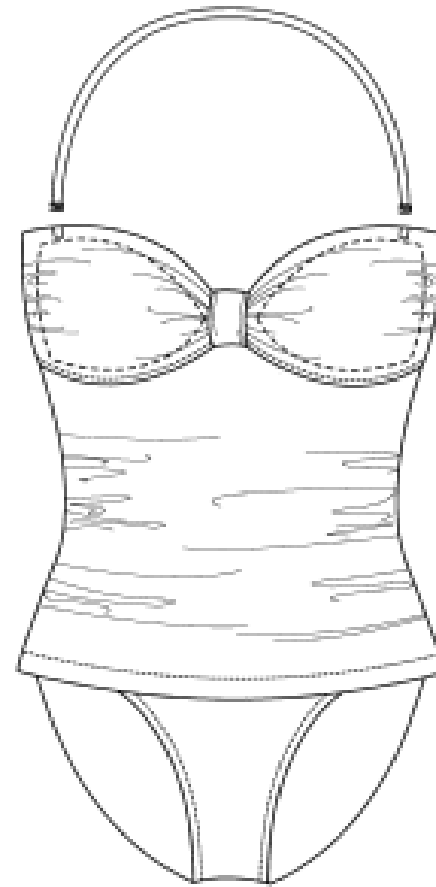
8-18 Bowden Street Alexandria New South Wales 2015 Australia

(72) Name(s) of Designer(s): **Jessika Allen**

(45) Registration Date: **28 August 2007**

(56) Related Art Documents: **Not Applicable**

(57) Statement of Newness and Distinctiveness: **This new empire bandeau one piece appears to be a singlet and pant but in fact is all in one piece. This style has two layers of lycra for the body which are inserted into the under bust seam. The top layer sits like a singlet which can be ruched up or pulled down to form a micro mini skirt. The sweetheart neckline is bagged out with no seams showing. This style features soft foam moulded cups which create an enhanced bust shape. The cups are sewn into the side seam so no seams are showing. This bandeau has ruching at the centre front and side seams. The ruching is created to give the illusion of a sweetheart neckline. The gathering also adds fullness over the bust, with the wide centre front tab holding the cups in place. There is also rubber in the under bust for additional support and a detachable strap.**



(21) Design Number: **18402/2007**

(22) Date of Filing Application: **14 June 2007**

(24) Date from which industrial property rights may have effect: **14 June 2007**

(54) Product in respect of which the design is registered: **Bagged out sliding triangle with wide looped neck tie**

(51) International Design Classification: **02-02A**

(71) Name(s) and Address(s) of Applicant(s):

Jets Swimwear Pty Ltd.

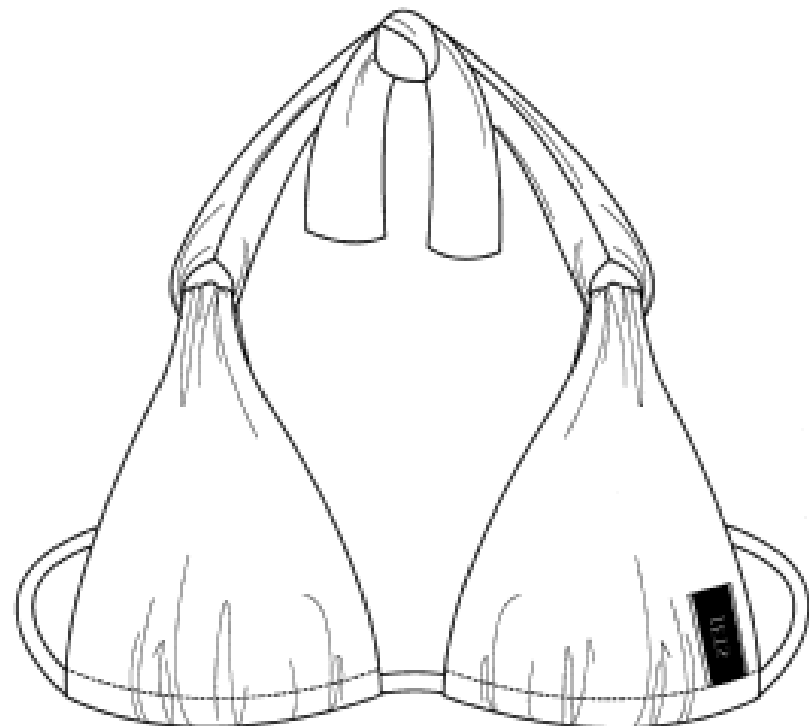
8-18 Bowden Street Alexandria New South Wales 2015 Australia

(72) Name(s) of Designer(s): **Jessika Allen**

(45) Registration Date: **28 August 2007**

(56) Related Art Documents: **Not Applicable**

(57) Statement of Newness and Distinctiveness: **Each side of this triangle is one piece of fabric folded back onto its self and bagged out with rubber for a seamless and smooth appearance. There is a small hole left at the top of the cup where the piece is folded. The wide neck tie is then pulled through the fold of the bra and is bagged out leaving a small hole. This creates a looped chain detail and forms gathers that drape down from the top of the bra. The bagged out wide neck tie has no rubber and is soft against the neck. The sliding under bust allows the wearer to gather in the cup for a smaller bust or expand for a larger bust size.**



(21) Design Number: **18403/2007**

(22) Date of Filing Application: **14 June 2007**

(24) Date from which industrial property rights may have effect: **14 June 2007**

(54) Product in respect of which the design is registered: **Bikini pant with wide looped detail**

(51) International Design Classification: **02-02A**

(71) Name(s) and Address(s) of Applicant(s):

Jets Swimwear Pty Ltd.

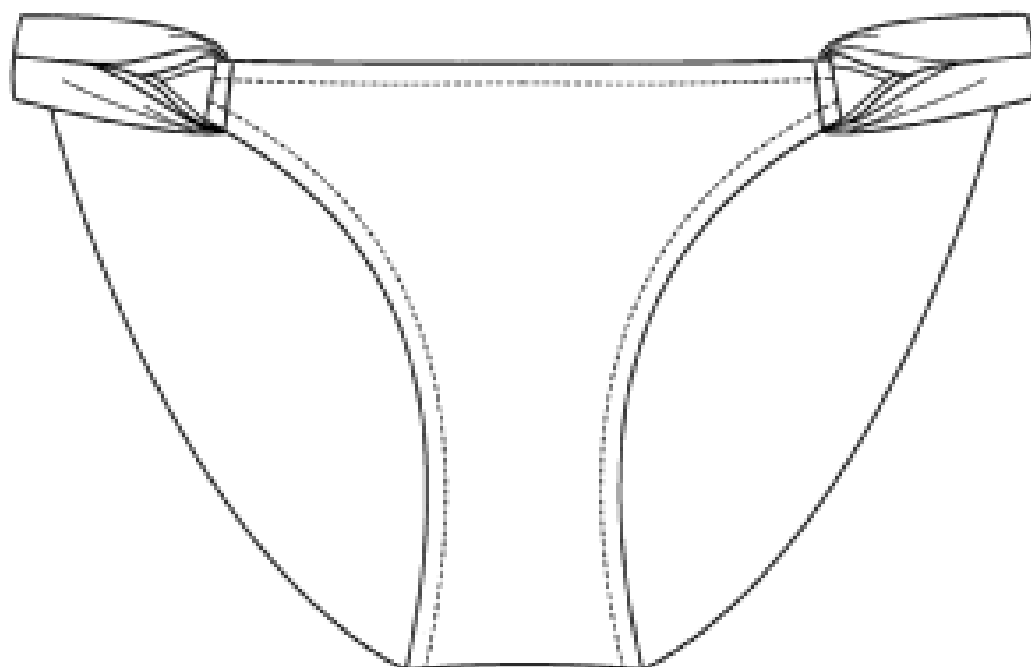
8-18 Bowden Street Alexandria New South Wales 2015 Australia

(72) Name(s) of Designer(s): **Jessika Allen**

(45) Registration Date: **28 August 2007**

(56) Related Art Documents: **Not Applicable**

(57) Statement of Newness and Distinctiveness: **This style has a hipster cut waist line and a skimpy cut derriere. Each side band of this pant is one piece. This piece is then folded in half and stitched down the centre. Following with another two stitch lines either side of the centre. The band is then pulled thru and folded to create a loop. The front pant side seam turns back thru the hole and is stitched to form the wide loop detail.**



(21) Design Number: **18404/2007**

(22) Date of Filing Application: **14 June 2007**

(24) Date from which industrial property rights may have effect: **14 June 2007**

(54) Product in respect of which the design is registered: **Gathered empire bandeau singlet with cups and removable wide neck tie**

(51) International Design Classification: **02-02NES**

(71) Name(s) and Address(s) of Applicant(s):

Jets Swimwear Pty Ltd.

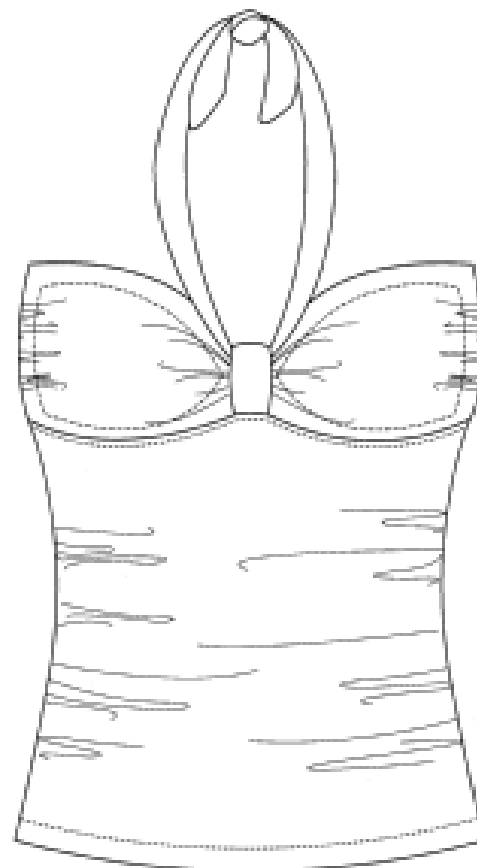
8-18 Bowden Street Alexandria New South Wales 2015 Australia

(72) Name(s) of Designer(s): **Jessika Allen**

(45) Registration Date: **28 August 2007**

(56) Related Art Documents: **Not Applicable**

(57) Statement of Newness and Distinctiveness: **This gathered empire singlet has a bagged out sweetheart neckline with no seams showing. This style features soft foam moulded cups which create an enhanced bust shape. This bandeau has ruching at the centre front and side seams. The ruching is created to give the illusion of a sweetheart neckline. The gathering also adds fullness over the bust, with the wide centre front tab holding the cups in place. There is also rubber in the under bust for additional support. The gathered side seams create ruching for a flattering appearance across the stomach. The wide bagged out tie is looped through the centre front tab and is tied at the neck for added support. This tie can be removed.**



(21) Design Number: **18405/2007**

(22) Date of Filing Application: **14 June 2007**

(24) Date from which industrial property rights may have effect: **14 June 2007**

(54) Product in respect of which the design is registered: **Bagged out twist knot gathered C/D underwire with adjustable straps**

(51) International Design Classification: **02-01A**

(71) Name(s) and Address(s) of Applicant(s):

Jets Swimwear Pty Ltd.

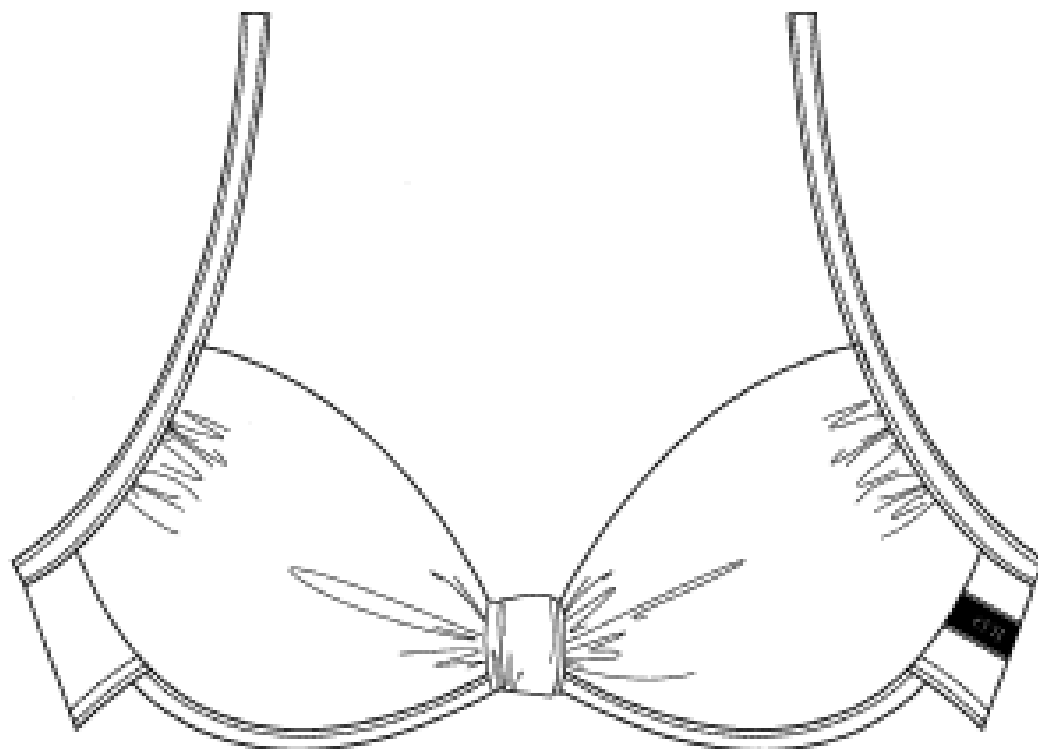
8-18 Bowden Street Alexandria New South Wales 2015 Australia

(72) Name(s) of Designer(s): **Jessika Allen**

(45) Registration Date: **28 August 2007**

(56) Related Art Documents: **Not Applicable**

(57) Statement of Newness and Distinctiveness: **This new bra has a centre front twist knot tab and gathered side seams. The bra has two layers of lycra fabric allowing the top to be extremely comfortable, supportive and feel luxurious against the skin. The bra is bagged out, creating a smooth seamless over bust seam; therefore no stitching will dig into the bust area. The bagged out twist knot tab at the centre front creates gathers; these gathers assist with the fit of the garment as they will expand to create more room allowing more bust sizes to fill out the top. The underwires are hidden in a smooth lycra casing, within this casing there is also two extra layers of fabric which the wire sits within, these are 1/ stabilized tricot and 2/ lawn bias. The top features adjustable straps which enables the wearer to get extra lift in the bust area as well as an adjustable hook which allows the wearer to adjust the fit if they are smaller across the back.**



(21) Design Number: **18406/2007**

(22) Date of Filing Application: **14 June 2007**

(24) Date from which industrial property rights may have effect: **14 June 2007**

(54) Product in respect of which the design is registered: **C/D underwire with adjustable straps, contrast tab front, panels and contrast piping**

(51) International Design Classification: **02-01A**

(71) Name(s) and Address(s) of Applicant(s):

Jets Swimwear Pty Ltd.

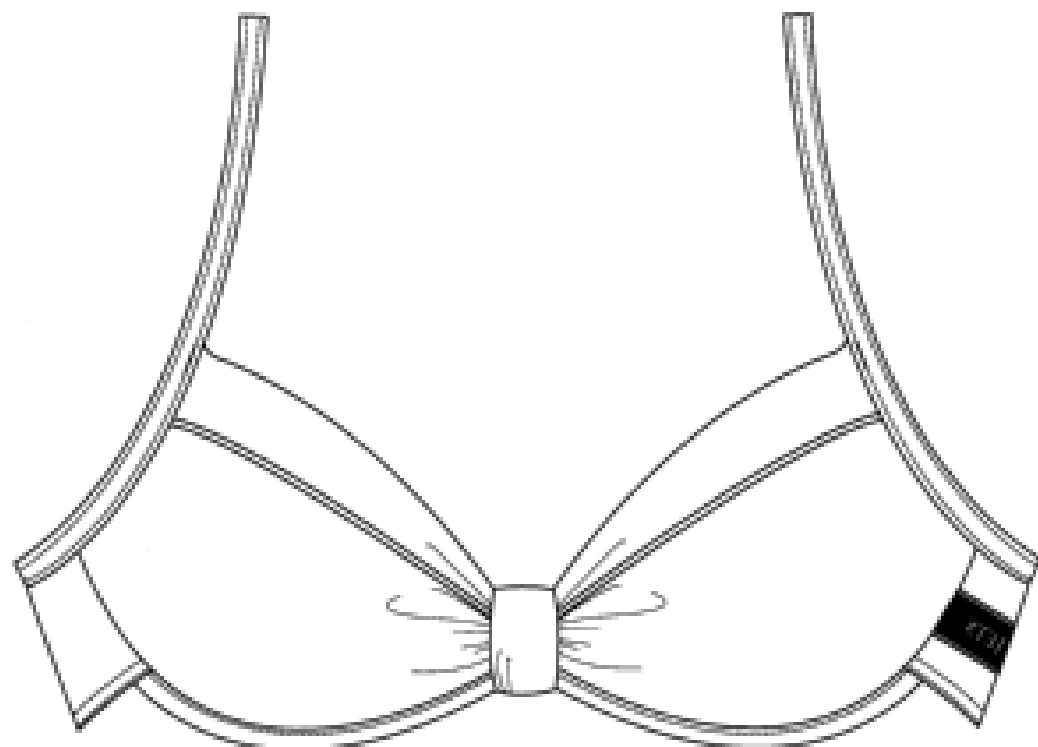
8-18 Bowden Street Alexandria New South Wales 2015 Australia

(72) Name(s) of Designer(s): **Jessika Allen**

(45) Registration Date: **28 August 2007**

(56) Related Art Documents: **Not Applicable**

(57) Statement of Newness and Distinctiveness: **This new bra has a wide centre front tab and a contrast neckline panel which is all in one piece. The contrast panel is on the fold, creating a smooth seamless over bust seam; therefore no stitching will dig into the bust area. There is also a thin contrast piping sewn into the seam of the contrast panel and bra. The bagged tab at the centre front creates small gathers; these gathers assist with the fit of the garment as they will expand to create more room allowing more bust sizes to fill out the top. The under wires are hidden in a smooth lycra casing, within this casing there is also two extra layers of fabric which the wire sits within, these are 1/ stabilized tricot and 2/ lawn bias. The top features adjustable straps which enables the wearer to get extra lift in the bust area as well as an adjustable hook which allows the wearer to adjust the fit if they are smaller across the back.**



(21) Design Number: **18407/2007**

(22) Date of Filing Application: **14 June 2007**

(24) Date from which industrial property rights may have effect: **14 June 2007**

(54) Product in respect of which the design is registered: **Bagged out gathered halter one piece with asymmetrical panels removable cups and pleating details**

(51) International Design Classification: **02-02A**

(71) Name(s) and Address(s) of Applicant(s):

**Jets Swimwear Pty Ltd.
8-18 Bowden Street Alexandria New South Wales 2015 Australia**

(72) Name(s) of Designer(s): **Jessika Allen**

(45) Registration Date: **28 August 2007**

(56) Related Art Documents: **Not Applicable**

(57) Statement of Newness and Distinctiveness: **This new halter one piece combines gathering and pleating to drape mesh fabric over a layer of lycra. The neck edge and side armholes are bagged out with rubber, when worn there are no seams showing. There is a small box pleat at the top of the bra and gathers at the base of the cup, these features act as fitting tools to replace the classic bust dart. The garment has removable cups which can be used if you need a smooth look or to slightly increase the bust. The lower front mesh layers have been cut and sewn as asymmetrical panels, these panels have gathering at the side seams to create a flattering appearance across the stomach.**



(21) Design Number: **18408/2007**

(22) Date of Filing Application: **14 June 2007**

(24) Date from which industrial property rights may have effect: **14 June 2007**

(54) Product in respect of which the design is registered: **Inifnity moulded cup one piece with bagged out neckline and fixed straps**

(51) International Design Classification: **02-02A**

(71) Name(s) and Address(s) of Applicant(s):

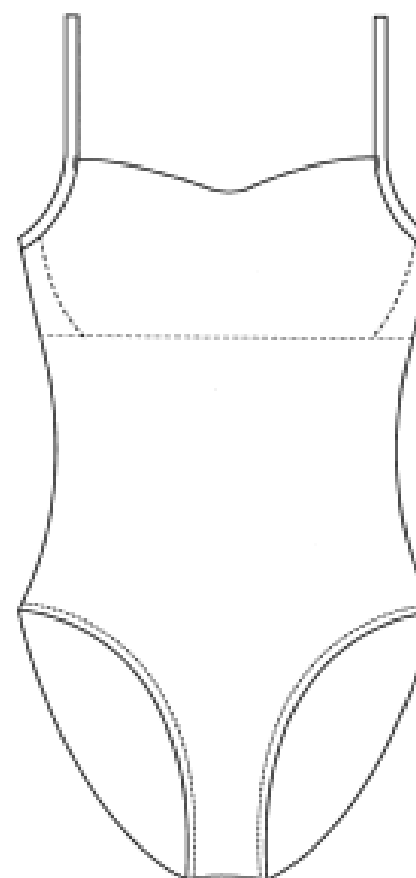
**Jets Swimwear Pty Ltd.
8-18 Bowden Street Alexandria New South Wales 2015 Australia**

(72) Name(s) of Designer(s): **Jessika Allen**

(45) Registration Date: **28 August 2007**

(56) Related Art Documents: **Not Applicable**

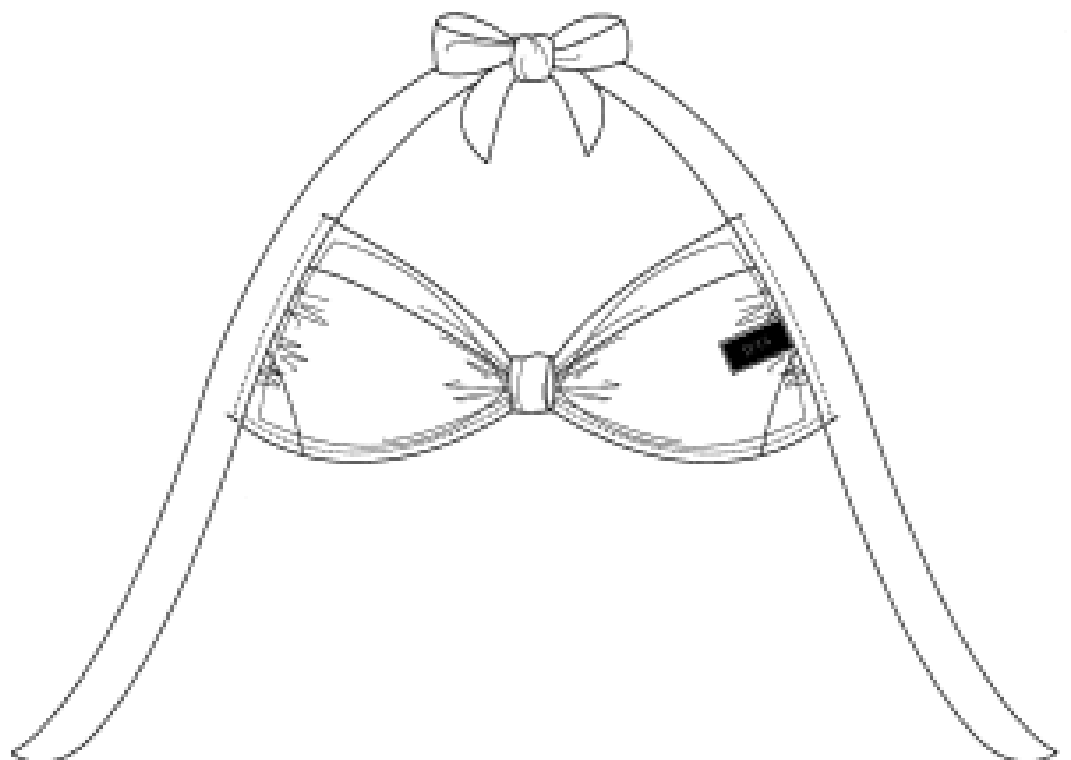
(57) Statement of Newness and Distinctiveness: **This one piece has a new soft foam moulded cup which has been designed all in one piece; the aim was to create a seamless silhouette, eliminating the visibility of cup lines. The neckline is a sweetheart shape and is bagged out so there are no seams or stitching showing, it is also reinforced with rubber. The shape of the cup provides a smooth silhouette and holds in the bust, the shelf bra with wide elastic holds the cup in place and provides added support. This one piece has fixed straight bind straps with rubber for a simple yet sophisticated styling.**



- (21) Design Number: **18409/2007**
(22) Date of Filing Application: **14 June 2007**
(24) Date from which industrial property rights may have effect: **14 June 2007**
(54) Product in respect of which the design is registered: **50's moulded cup one piece with bagged out wide set straps and fine knotted detail**
(51) International Design Classification: **02-02A**
(71) Name(s) and Address(s) of Applicant(s):
Jets Swimwear Pty Ltd.
8-18 Bowden Street Alexandria New South Wales 2015 Australia
(72) Name(s) of Designer(s): **Jessika Allen**
(45) Registration Date: **28 August 2007**
(56) Related Art Documents: **Not Applicable**
(57) Statement of Newness and Distinctiveness: **This style is based off our best selling one piece J1111. This one piece features seamless moulded cups that provide support and a beautiful decolletage. The wide 20's inspired straight straps are bagged out and soft against the skin therefore will not cut into the shoulder or underarm. The straps have a fine knot detail at the front which acts to hold the strap in place. The front has 2 layers of lycra to hold in the tummy and a bagged out leg line as not to cut into the legs or hip. The back has a wide rubber across the upper back to give extra support to the cups at the front. The side seams are stitched towards the back so you get a smooth silhouette.**



- (21) Design Number: **18410/2007**
(22) Date of Filing Application: **14 June 2007**
(24) Date from which industrial property rights may have effect: **14 June 2007**
(54) Product in respect of which the design is registered: **Wide band tie back halter with removable cups and tab front detail**
(51) International Design Classification: **02-02A**
(71) Name(s) and Address(s) of Applicant(s):
Jets Swimwear Pty Ltd.
8-18 Bowden Street Alexandria New South Wales 2015 Australia
(72) Name(s) of Designer(s): **Jessika Allen**
(45) Registration Date: **28 August 2007**
(56) Related Art Documents: **Not Applicable**
(57) Statement of Newness and Distinctiveness: **This bra has a contrast centre front tab and contrast neckline panel which is all in one piece. It also has gathers at the side seams. The contrast panel is bagged out, creating a smooth seamless over bust seam; therefore no stitching will dig into the bust area. The bagged out tab at the centre front holds the bra together to create a lovely shape whilst creating gathers; these gathers assist with the fit of the garment as they will expand to create more room allowing more bust sizes to fill out the top. There is also rubber in the under bust for additional support. The garment has removable cups which can be used if you need a smooth look or to slightly increase the bust. The neck band on this garment is all in one piece; there are no seams. The band construction is unique. From the neck tie the band goes down the back and ties at the under bust all in one piece. When you tie the neck it automatically adjusts the back as its all one piece. If you tie the under bust tie it automatically gives you a lift on the neck.**



(21) Design Number: **18411/2007**

(22) Date of Filing Application: **14 June 2007**

(24) Date from which industrial property rights may have effect: **14 June 2007**

(54) Product in respect of which the design is registered: **Banded empire halter singlet with removable cups and tab front detail**

(51) International Design Classification: **02-02NES**

(71) Name(s) and Address(s) of Applicant(s):

Jets Swimwear Pty Ltd.

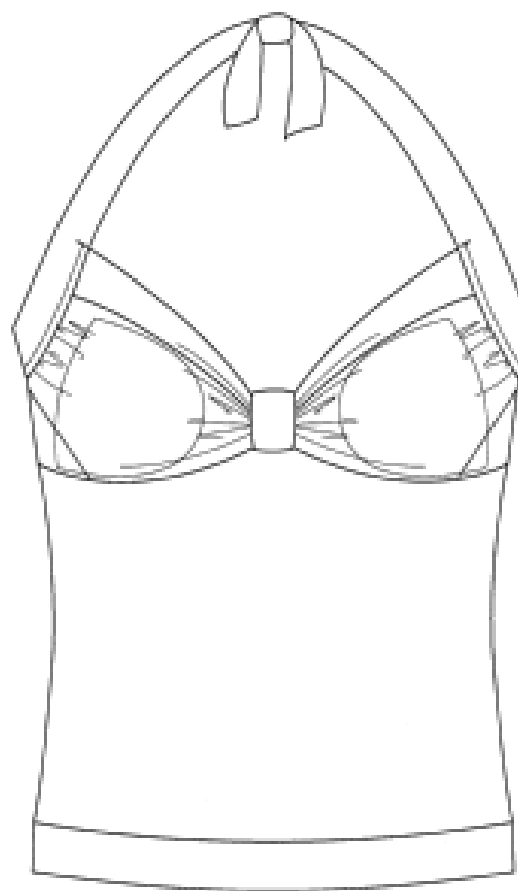
8-18 Bowden Street Alexandria New South Wales 2015 Australia

(72) Name(s) of Designer(s): **Jessika Allen**

(45) Registration Date: **28 August 2007**

(56) Related Art Documents: **Not Applicable**

(57) Statement of Newness and Distinctiveness: **This singlet has a contrast centre front tab and contrast neckline panel which is all in one piece. It also has gathers at the side seams and a contrast boarder at the hem. The contrast panel is folded in half, creating a smooth seamless over bust seam; therefore no stitching will dig into the bust area. The bagged out tab at the centre front forms a lovely shape whilst creating gathers; these gathers assist with the fit of the garment as they will expand to create more room allowing more bust sizes to fill out the top. There is also rubber in the under bust for additional support. The garment has removable cups which can be used if you need a smooth look or to slightly increase the bust. The neck bands are bagged out and the soft construction ensures they will not cut into the neck or underarm. The wide band continues around the body across the back.**



(21) Design Number: **18412/2007**

(22) Date of Filing Application: **14 June 2007**

(24) Date from which industrial property rights may have effect: **14 June 2007**

(54) Product in respect of which the design is registered: **Bagged out tank one piece with shelf bra gold chain belt and strap detail**

(51) International Design Classification: **02-02A**

(71) Name(s) and Address(s) of Applicant(s):

Jets Swimwear Pty Ltd.

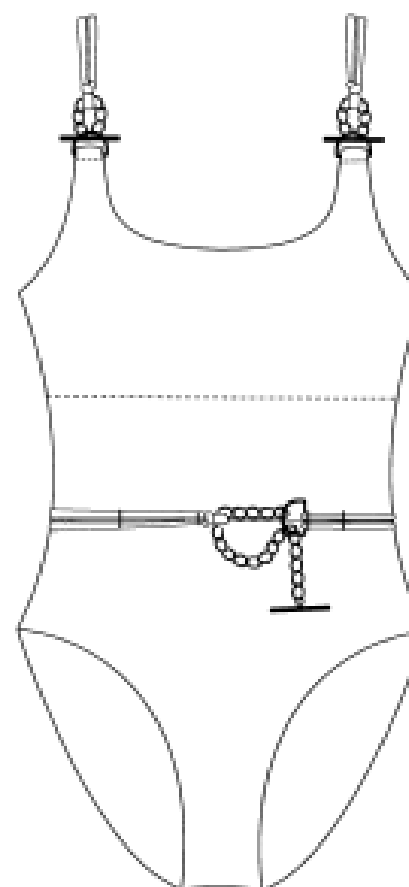
8-18 Bowden Street Alexandria New South Wales 2015 Australia

(72) Name(s) of Designer(s): **Jessika Allen**

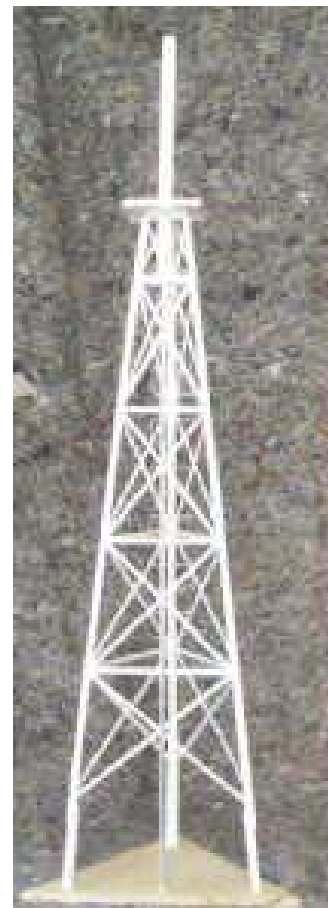
(45) Registration Date: **28 August 2007**

(56) Related Art Documents: **Not Applicable**

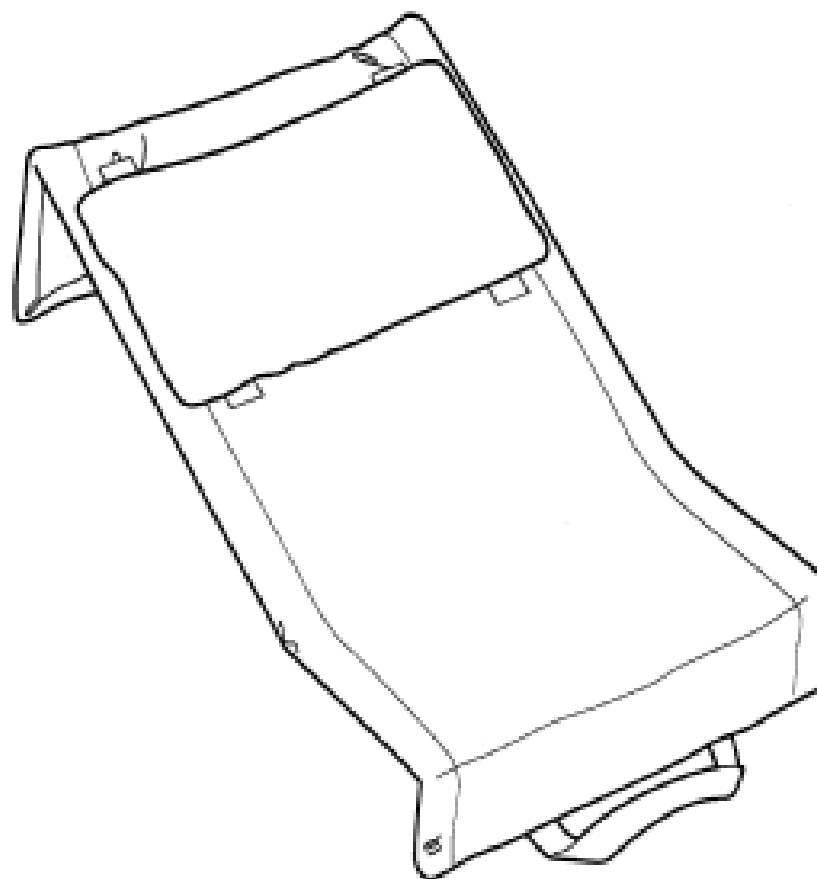
(57) Statement of Newness and Distinctiveness: **This style has evolved from our popular one piece J1015. The garment has a bagged out neckline and armhole, when worn there are no seams showing. The leg line is also bagged out so it will not cut into the legs or hip. It also has a shelf bra for support. A fine rouleau strap has been knotted to a gold chain to create delicate double straps and belt detail.**



- (21) Design Number: **18439/2007**
(22) Date of Filing Application: **18 June 2007**
(24) Date from which industrial property rights may have effect: **18 June 2007**
(54) Product in respect of which the design is registered: **Windmill towers**
(51) International Design Classification: **25-03**
(71) Name(s) and Address(s) of Applicant(s):
Russell James Ogilvie Hall
18 Lucy Street Moorooka Queensland 4105 Australia
(72) Name(s) of Designer(s): **Russell Hall**
(45) Registration Date: **28 August 2007**
(56) Related Art Documents: **Not Applicable**
(57) Statement of Newness and Distinctiveness: **The tilting of the tower to have a vertical face upon which the water pipe is outside the tower.**



- (21) Design Number: **18448/2007**
(22) Date of Filing Application: **18 June 2007**
(24) Date from which industrial property rights may have effect: **18 June 2007**
(54) Product in respect of which the design is registered: **Bath support**
(51) International Design Classification: **06-09**
(71) Name(s) and Address(s) of Applicant(s):
Anthony Horsfall
77 Forbes Street Emu Plains New South Wales 2750 Australia
(72) Name(s) of Designer(s): **Anthony Horsfall**
(45) Registration Date: **28 August 2007**
(56) Related Art Documents: **Not Applicable**
(57) Statement of Newness and Distinctiveness: **Adjustable velcro pillow, storage pouch, hang strap.**



(21) Design Number: **18449/2007**

(22) Date of Filing Application: **18 June 2007**

(24) Date from which industrial property rights may have effect: **18 June 2007**

(54) Product in respect of which the design is registered: **LED trailer socket**

(51) International Design Classification: **12-16L**

(71) Name(s) and Address(s) of Applicant(s):

Dennis Ronald Gravalin

271 River Street Maclean New South Wales 2463 Australia

Sandra Lorraine Gravalin

271 River Street Maclean New South Wales 2463 Australia

(72) Name(s) of Designer(s): **Dennis Ronald Gravalin and Sandra Lorraine Gravalin**

(45) Registration Date: **28 August 2007**

(56) Related Art Documents: **Not Applicable**

(57) Statement of Newness and Distinctiveness: **Identify particular visual features of the design as new and distinctive: A special designed shape of the main body assembly which includes the following: A innovated and creative design distinctive front dust cover which is square in appearance and flat on the front with tapered sides, a raised centered oblong logo plate. On the reverse side, of the dust cover at the bottom is a tapered lip which extends the full length of the cover for opening, and a raised insert which contains a magnet. On the front of the main body assembly which is protected by the dust cover when closed, at the bottom half of the socket facing forward is a removable plastic housing and insert of which both have six holes, these holes are designed for Light Emitting Diodes which are attached to a circuit board assembly including a reed switch and a wiring loom. The plastic housing and insert and circuit board assembly are inserted into a larger insert in the main body of the socket when fully assembled. A distinctive feature of the socket is that the main upper portion of the housing is a one piece mould incorporating moulding to house the circuit board and main terminals configuration at the rear are grips for rubber inserts. A removable bottom cover for easy access to wiring terminals, when assembled the cover slides into specially designed locating groves in the main housing sealing the electrical components inside. The removable bottom cover and main body assembly define a threaded inlet for a cable when clamped together by the hexangular gland nut faster the thread holds the first and second parts together. A new designed feature is the semi circle raised arc on the bottom of the main assembly and removable cover. The top of the main body assembly bears markings for identification.**



(21) Design Number: **18450/2007**

(22) Date of Filing Application: **18 June 2007**

(24) Date from which industrial property rights may have effect: **18 June 2007**

(54) Product in respect of which the design is registered: **Universal trailer lighting circuit tester**

(51) International Design Classification: **12-16L**

(71) Name(s) and Address(s) of Applicant(s):

Dennis Ronald Gravalin

271 River Street Maclean New South Wales 2463 Australia

Sandra Lorraine Gravalin

271 River Street Maclean New South Wales 2463 Australia

(72) Name(s) of Designer(s): **Dennis Ronald Gravalin and Sandra Lorraine Gravalin**

(45) Registration Date: **28 August 2007**

(56) Related Art Documents: **Not Applicable**

(57) Statement of Newness and Distinctiveness: **Identify particular visual features of the design as new and distinctive. A new innovated design that incorporates a main oblong body assembly which includes the following: The new and distinctive designed main body assembly is oblong in shape has a top removable cover incorporating a 5mm LED, a rectangle fuse holder, and five small and one large rectangle switches each switch has a Light Emitting Diode, all of which are recessed into the cover, the housing bears markings to switch and fuse identification. Four recessed holes in top of the cover assembly for clamping screws, rubber covers are inserted into the four recessed holes. On the right hand side of the main body assembly is a twin DC voltage power socket. Unique and new innovative distinctive features are that, both ends of the main body assembly have two removable twin trailer socket combinations that slide into place when being assembled. At the front end socket combination, the dust cover is a flat rectangular shape with tapered sides with embedded marking for identification, when the dust cover is opened it reveals a 7 pin small round socket and a 7 pin large round socket. At the rear of the removable socket are brackets with groves either side that slide in to the main housing assembly. The rear**



end of the trailer socket combination, the dust cover has a special oblong shape slightly curved at the front with embedded marking for identification and extended grips on either side, when the dust cover is opened it reveals a 12 pin oblong connector, at the rear of the removable socket are brackets with grooves either side that slide in to the main housing assembly. When the top cover is screwed down on the main body assembly it clamps the two twin trailer sockets connectors in place forming one solid structure. The trailer lighting circuit tester is unique as it is a four way trailer lighting and circuit tester in one unit, which consist of two double function trailer sockets at either end. The trailer lighting circuit tester is designed to be a portable unit.

(12) AUSTRALIAN REGISTERED DESIGN
(19) AU

(11) AU-S- 315844

-
- (21) Design Number: **18452/2007**
(22) Date of Filing Application: **18 June 2007**
(24) Date from which industrial property rights may have effect: **18 June 2007**
(54) Product in respect of which the design is registered: **Clothing**
(51) International Design Classification: **02-02NES**
(71) Name(s) and Address(s) of Applicant(s):
Robert Dunncliffe
38 Wattle Avenue Royal Park South Australia 5014 Australia
(72) Name(s) of Designer(s): **Robert Dunncliffe**
(45) Registration Date: **28 August 2007**
(56) Related Art Documents: **Not Applicable**
(57) Statement of Newness and Distinctiveness: **Images of alien heads and the wording of alien racing as seen in representations.**

