



**Australian Government**

---

**IP Australia**

**AUSTRALIAN OFFICIAL JOURNAL**

**OF**

**DESIGNS**

Did you know a searchable version of this journal is now available online?  
It's FREE and EASY to SEARCH.

Find it at

<http://pericles.ipaustralia.gov.au/ols/epublish/content/olsEpublications.jsp>  
or using the "Online Journals" link on the IP Australia home page.

This Page Left Intentionally Blank

## Contents

### General Information & Notices

#### Proceedings Under the Designs Act 1906 preserved as a result of the provisions of Chapter 12 Part 2 of the Designs Act 2003

Corrigenda .....	10312
Extension of Period of Registration of Designs .....	10310
Names Registered - Alterations and Amendments .....	10311
Registrations Ceased .....	10310
Subsequent Owners Registered .....	10310

#### Proceedings Under the Designs Act 2003

Applications Lapsed .....	10322
Applications Lodged .....	10317
Applications Withdrawn .....	10322
Certificate of Examination .....	10325
Corrigenda .....	10324
Extension of Time Granted Under Section 137 .....	10323
Names Registered - Alterations and Amendments .....	10323
Publication and Registration Proceedings	
Designs Registered 316127 to 316292.....	10326
Registrations Ceased .....	10323
Subsequent Owners Registered .....	10323

This Page Left Intentionally Blank

For information on the following please see our website [www.ipaustralia.gov.au](http://www.ipaustralia.gov.au) or contact our Customer Service Network on 1300651010

[Editorial enquiries](#)

[Contact information](#)

[Freedom of Information ACT](#)

[Professional Standards Board](#)

[Sales](#)

[Requests for Information under Section 194 \(c\)](#)

[Country Codes](#)

[Trade Mark and Designs Hearing Sessions](#)

[INID \(Internationally agreed Numbers for the Identification of Data\)](#)

## “INID” NUMBERS in use on Australian Design Documents

“INID” is an acronym for “Internationally agreed Numbers for the Identification of Data”.

### (10) Data concerning the registration/renewal

- (11) Serial number of the registration and/or number of the design document
- (12) Plain language designation of the kind of published document
- (19) Identification, using the two-letter code according to WIPO Standard ST.3, of the authority publishing or registering the industrial design

### (20) Data concerning the application

- (21) Serial number of the application
- (22) Date of filing of the application
- (24) Date from which the industrial design right has effect

### (30) Data relating to priority under the Paris Convention

- (31) Serial number assigned to the priority application
- (32) Date of filing of the priority application
- (33) Two-letter code, according to WIPO Standard ST.3, identifying the authority with which the priority application was made

### (40) Date(s) of making information available to the public

- (45) Date of publication of the registered industrial design by printing or similar process, or making it available to the public by any other means

### (50) Miscellaneous Information

- (51) International Classification for Industrial Designs (class and subclass of the Locarno Classification)
- (54) Designation of article(s) or product(s) covered by the industrial design or title of the industrial design
- (55) Reproduction of the industrial design (e.g., drawing, photograph) and explanations relating to the reproduction
- (56) List of prior art documents, if separate from descriptive text
- (57) Description of characteristic features of the industrial design including indication of colours

### (60) References to other legally related application(s) and registration(s)

- (62) Serial number(s) and, if available, filing date(s) of application(s), registration(s) or document(s) related by division
- (66) Serial number(s) of the application, or the registration, of the design(s) which is (are) a variant(s) of the present one

### (70) Identification of parties concerned with the application or registration

- (71) Name(s) and address(es) of the applicant(s)
- (72) Name(s) of the creator(s) if known to be such
- (74) Name(s) and address(es) of the representative(s)

This Page Left Intentionally Blank

Official Notice**Designs Act 2003  
Amendments to Registered Designs at Examination**

The following amendments have been made to details previously published in the Australian Official Journal of Designs during the Examination process:

<b>Registration Numbers</b>	<b>Amendment type</b>	<b>New details</b>
302376	Classification	25-01Z
302377	Classification	25-01Z
302378	Classification	25-01Z
310823	Classification	30-99
312554	Classification	22-06, 28-99
312555	Classification	09-01H, 09-01K
312556	Classification	09-01H, 09-01K
312557	Classification	09-01H, 09-01K
312585	Classification	22-06, 28-99

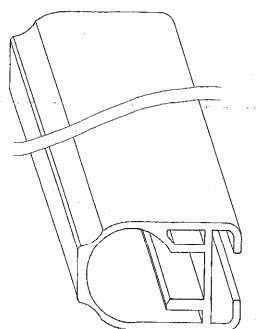
**Contact:** IP Australia  
**Phone:** 1300 651 010  
**Fax:** +61 2 6283 7999  
**E-Mail:** [assist@ipaustralia.gov.au](mailto:assist@ipaustralia.gov.au)  
**Web:** [www.ipaustralia.gov.au](http://www.ipaustralia.gov.au)

Official Notice

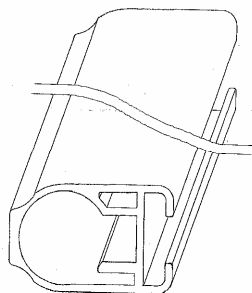
**Designs Act 2003  
Correction of Register**

The following corrections under Regulation 9.05 (1) have been made to details previously published in the Australian Official Journal of Designs:

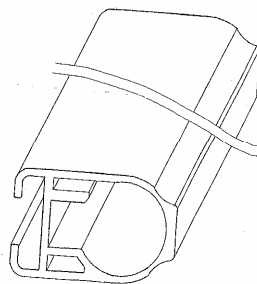
<b>Registration Number</b>	<b>Amendment type</b>	<b>New details</b>
315815	Representations	Representations as below



OBLIQUE VIEW



OBLIQUE VIEW



OBLIQUE VIEW

**Contact:** IP Australia  
**Phone:** 1300 651 010  
**Fax:** +61 2 6283 7999  
**E-Mail:** [assist@ipaustalia.gov.au](mailto:assist@ipaustalia.gov.au)  
**Web:** [www.ipaustralia.gov.au](http://www.ipaustralia.gov.au)



**Official Notice**

**Surrender of Registrations**

**145642, 146003**

A request under Section 49 of the *Designs Act 2003* has been made by the registered owner of Design Registration Nos. 145642 and 146003 to surrender the registrations.

Any interested person may give notice to the Registrar that he or she wishes to be heard in relation to the above offer. This notice must be given within 1 month after 4 October 2007.

Your attention is drawn to Regulation 4.10 and 4.11 of the *Designs Regulations 2004*.

Address for Service: Talbot Oliver Lawyers, Level 8, Wesfarmers House, 40 The Esplanade, Perth, Western Australia 6000, Australia.

**Contact:** IP Australia  
**Phone:** 1300 651 010  
**Fax:** +61 2 6283 7999  
**E-Mail:** [assist@ipaustralia.gov.au](mailto:assist@ipaustralia.gov.au)  
**Web:** [www.ipaustralia.gov.au](http://www.ipaustralia.gov.au)

**Proceedings under the Designs Act 1906 preserved as a  
result of the provisions of Chapter 12 Part 2 of the Designs  
Act 2003.**

This Page Left Intentionally Blank

**Applications Lapsed**

There were no Applications Lapsed under this section

**Extension of Period of Registration of Designs**

previously advertised as ceased. In this instance, the previous advertisement still prevails.

**2nd Period (Section 27A(12))**

145353	146168	146482
146638	146644	146645
146648	146656	146657
146658	146659	146660
146667	146690	146692
146807	146808	146826
146847	146862	146863
146864	146867	146897
146898	146974	146975
146993	147036	147057
147058	147059	147060
147061	147105	147106
147183	147184	147187
147188	147189	147190
147203	147204	147218
147229	147231	147242
147243	147244	147286
147287	147288	147289
147290	147291	147297
147477	147478	147484
147488	147584	147594
147605	147674	148016
148158	148171	148498
148568	148569	148623
148624	149139	149267
149372	149632	149996
150004	150006	150086
150087	150088	150214
150304	150561	150649
150835	150836	150851
150946	151292	151293
151522	151836	151996
151997	152396	154739
155388	155780	157391
157392	157393	157779
157815	157816	157817

**3rd Period (Section 27A(13))**

128825	129214	130121
130122	130126	130127
130128	130129	130270
130311	130597	130648
130649	130793	130794
130805	130936	131506
131511	131576	131577
131578	131605	132435
132436	133232	133554
133839	133964	134005

112977	113000	113935
113937	113996	113997
114042	114050	114052
114063	114069	114090
114165	114259	114262
114361	114412	114491
114494	114572	114573
114666	114674	114897
114899	114916	114917
114937	115042	115217
115508	115650	115729
115896	115897	115919
116076	116534	116571
116668	116737	116748
116787	116809	116876
116908	117057	117130
117131	117132	117133
117134	117135	117136
117137	117183	117391
117393	117435	117436
117493	118353	118748
126518	127363	127368
127580	127663	127906
127956	128017	128184
128197	128367	128741
128903	128972	129109
129110	129451	129828
129856	130703	131840
132434	132437	132626
140405	143189	143190
143420	143538	143539
143540	143673	143798
143996	144137	145041
145043	145046	145047
145048	145099	145108
145109	145146	145147
145148	145149	145150
145198	145263	145264
145274	145275	145409
145441	145569	145669
145670	145671	145902
145903	145904	145906
145937	146017	146018
146019	146020	146071
146133	146194	146288
146326	146327	146328
146704	146705	146877
147804	147821	148149
148169	148610	148621
148866	150274	150294
151132	154130	156476
156476	157778	

**Registrations Ceased**

**Subsequent Owners Registered**

Note: Some of the following Registrations may have been

(The name in parentheses is that of the subsequent owner)

**Subsequent Owners Registered**

- 136015      **( Stella Manoliadis )** Maria Zoumis;Stella Manoliadis
- 147753      **( Safe Swivel Patent Co Pty Ltd )** Robert John Pannekoek
- 148803      **( Safe Swivel Patent Co Pty Ltd )** Robert John Pannekoek

**Names Registered - Alterations and Amendments**

(The name in parentheses is the new name of the proprietor)

- 128297      **( Linpac Allibert Limited )** Linpac Materials Handling Limited
- 150105      **( Mars Australia Pty Ltd )** Effem Foods Pty Limited
- 150107      **( Mars Australia Pty Ltd )** Effem Foods Pty Ltd
- 156785      **( Mars Australia Pty Ltd )** Effem Foods Pty Ltd
- 154437      **( Bailey Enterprises Australia Pty Ltd )** J.P. Welding & Sheetmetal Pty Ltd Trading as Polyshape
- 153591      **( Bailey Enterprises Australia Pty Ltd )** J.P. Welding & Sheetmetal Pty Ltd Trading as Polyshape
- 151622      **( Bailey Enterprises Australia Pty Ltd )** J.P. Welding & Sheetmetal Pty Ltd Trading as Polyshape
- 127124      **( Mars Australia Pty Ltd )** Effem Foods Pty Ltd
- 149909      **( Mars Australia Pty Ltd )** Effem Foods Pty Ltd
- 150710      **( Mars Australia Pty Ltd )** Effem Foods Pty Ltd
- 149714      **( Mars Australia Pty Ltd )** Effem Foods Pty Ltd
- 158191      **( Mars Australia Pty Ltd )** Effem Foods Pty Ltd
- 149713      **( Mars Australia Pty Ltd )** Effem Foods Pty Ltd

**Corrigenda**

Number

In Vol 21 , No 18 , page 10048 under the heading **Registrations Ceased**; Registration No. 145353 should be deleted.

This Page Left Intentionally Blank





**Proceedings under the Designs Act 2003.**

This Page Left Intentionally Blank

**Applications Lodged**

Lodgement information is in the following order: **Applicant's Name**; International Classification, Name of Product, Lodgement Date and **Design Number**. If the applicant claims an earlier priority date under an International Convention, the Convention Country and the associated filing date are shown in parentheses before the Lodgement Date. Divisional information will also appear in parentheses before the Lodgement Date.

<b>Adze Pty Limited;</b> 20-02E, Slant or angled back brochure holder, 20 Sep 2007	<b>19818/2007</b>	<b>Brita GmbH;</b> 23-01G, Water filtration system, (DE, 05 Apr 2007) 21 Sep 2007	<b>19842/2007</b>
<b>Albion Hat &amp; Cap Company Pty Limited;</b> 02-03, A helmet, 17 Sep 2007	<b>19769/2007</b>	<b>Brita GmbH;</b> 23-01G, Water filtration system, (DE, 05 Apr 2007) 21 Sep 2007	<b>19843/2007</b>
<b>Altura Coffee Pty Ltd;</b> 09-05, Coffee bag, 19 Sep 2007	<b>19802/2007</b>	<b>British American Tobacco (Investments) Limited;</b> 09-03A, Cigarette packet, (EP, 16 Mar 2007) 12 Sep 2007	<b>19718/2007</b>
<b>Altura Coffee Pty Ltd;</b> 09-05, Coffee bag, 19 Sep 2007	<b>19803/2007</b>	<b>British American Tobacco (Investments) Limited;</b> 09-03A, Cigarette packet, (EP, 16 Mar 2007) 12 Sep 2007	<b>19719/2007</b>
<b>Applica Consumer Products, Inc.;</b> 23-01G, Water filtration pitcher, (US, 21 May 2007) 19 Sep 2007	<b>19801/2007</b>	<b>Brookstone Purchasing, Inc.;</b> 28-03NES, Vibrational apparatus, 18 Sep 2007	<b>19794/2007</b>
<b>Australian Plastic Profiles Pty Ltd;</b> 08-08NES, Display mounting strip, 18 Sep 2007	<b>19780/2007</b>	<b>Bruck Textiles Pty Limited;</b> 05-05NES, Cloth, 12 Sep 2007	<b>19716/2007</b>
<b>Azoulay, Hanoch Sar-Shalom;</b> 28-03NES, Cosmetic and medical tweezer with light, (CN, 27 Jun 2007) 20 Sep 2007	<b>19806/2007</b>	<b>Bulgari Time (Switzerland) SA;</b> 10-02, Watch, (EM, 19 Mar 2007) 12 Sep 2007	<b>19722/2007</b>
<b>Baby Bjorn AB;</b> 03-99, Baby carrier, (EM, 21 Mar 2007) 12 Sep 2007	<b>19727/2007</b>	<b>Bundesdruckerei GmbH;</b> 14-02, Verifier, 10 Sep 2007	<b>19694/2007</b>
<b>Baby Bjorn AB;</b> 03-99, Baby carrier, (EM, 21 Mar 2007) 12 Sep 2007	<b>19725/2007</b>	<b>BFH Sydcon Pty Limited;</b> 25-02C, Fence pailing having a shrouded attachment hole, 19 Sep 2007	<b>19807/2007</b>
<b>Barry, Richard;</b> 08-08B, Designed to create 'ventilation zones' between lights (e.g. halogen downlights) and insulation material in ceilings in, order to dissipate heat to reduce potential fire risks. Thus, the product is a safety product designed to reduce, fires., 06 Sep 2007	<b>19672/2007</b>	<b>Cadbury Adams USA LLC;</b> 09-03L, Container with lid, (US, 27 Mar 2007) 17 Sep 2007	<b>19773/2007</b>
<b>Barry, Richard;</b> 08-08B, Designed to create 'ventilation zones' between lights (e.g. halogen downlights) and insulation material in ceilings in, order to dissipate heat to reduce potential fire risks. Thus, the product is a safety product designed to reduce, fires., 06 Sep 2007	<b>19673/2007</b>	<b>Cadbury Enterprises Pte Limited;</b> 01-01, Fruit- based snack bar, 06 Sep 2007	<b>19661/2007</b>
<b>Basha, Anthony;</b> 12-16NES, Complete driver L to P's kit, 18 Sep 2007	<b>19767/2007</b>	<b>Cadbury Enterprises Pte Limited;</b> 01-01, Fruit- based snack bar, 06 Sep 2007	<b>19662/2007</b>
<b>Beachfoot International;</b> 06-13C, Beach towel, 24 Sep 2007	<b>19845/2007</b>	<b>Callaway Golf Company;</b> 21-02C, Golf club head, (US, 22 Mar 2007) 14 Sep 2007	<b>19752/2007</b>
<b>Beachfoot International;</b> 06-13C, Beach towel, 24 Sep 2007	<b>19846/2007</b>	<b>Callaway Golf Company;</b> 21-02C, Golf club head, (US, 13 Mar 2007) 12 Sep 2007	<b>19726/2007</b>
<b>Beachfoot International;</b> 06-13C, Beach towel, 24 Sep 2007	<b>19847/2007</b>	<b>Caroma Industries Limited;</b> 23-02C, A cistern, 12 Sep 2007	<b>19721/2007</b>
<b>Brady, William J.;</b> 08-01, Hard rock percussion drill bit with paraboloid pcd inserts, (US, 09 Mar 2007) 06 Sep 2007	<b>19688/2007</b>	<b>Caroma Industries Limited;</b> 23-02C, A toilet suite, 12 Sep 2007	<b>19723/2007</b>
<b>Breen, Michael;</b> 25-03, Shelter, 11 Sep 2007	<b>19696/2007</b>	<b>Carter, Paul;</b> 12-16L, Tow bars, tow pins, tow hitches, 10 Sep 2007	<b>19685/2007</b>
		<b>Churchill, John Clive;</b> 25-03, Bus shelter, 18 Sep 2007	<b>19778/2007</b>
		<b>Colebrook Bosson Saunders Products Limited;</b> 24-01, Monitor support apparatus, (GB, 19 Mar 2007) 18 Sep 2007	<b>19797/2007</b>

<b>Colebrook Bosson Saunders Products Limited;</b> 24-01, Monitor support apparatus, (GB, 19 Mar 2007) 18 Sep 2007	<b>19798/2007</b>	<b>Eveready Battery Company, Inc.;</b> 28-03D, Trimmer, (US, 16 Apr 2007) 18 Sep 2007	<b>19781/2007</b>
<b>Colebrook Bosson Saunders Products Limited;</b> 24-01, Monitor support apparatus, (GB, 19 Mar 2007) 18 Sep 2007	<b>19799/2007</b>	<b>Eveready Battery Company, Inc.;</b> 28-03A, Safety razor handle, (US, 16 Apr 2007) 18 Sep 2007	<b>19782/2007</b>
<b>Colebrook Bosson Saunders Products Limited;</b> 24-01, Monitor support apparatus, (GB, 19 Mar 2007) 18 Sep 2007	<b>19800/2007</b>	<b>Eveready Battery Company, Inc.;</b> 28-03A, Safety razor with trimmer, (US, 13 Apr 2007) 18 Sep 2007	<b>19783/2007</b>
<b>Colebrook Bosson Saunders Products Limited;</b> 24-01, Monitor support apparatus, (GB, 19 Mar 2007) 18 Sep 2007	<b>19796/2007</b>	<b>Eveready Battery Company, Inc.;</b> 28-03A, Safety razor handle with trimmer, (US, 13 Apr 2007) 18 Sep 2007	<b>19784/2007</b>
<b>Coles Supermarkets Australia Pty Ltd;</b> 09-01K, Bottle, 14 Sep 2007	<b>19732/2007</b>	<b>Eveready Battery Company, Inc.;</b> 28-03A, Safety razor handle with trimmer, (US, 16 Apr 2007) 18 Sep 2007	<b>19785/2007</b>
<b>Colgate-Palmolive Company;</b> 09-01K, Container, (US, 22 Mar 2007) 14 Sep 2007	<b>19742/2007</b>	<b>Felk Trailers Pty Ltd;</b> 09-06, Tie downs, 14 Sep 2007	<b>19734/2007</b>
<b>Colgate-Palmolive Company;</b> 09-01K, Container, (US, 22 Mar 2007) 18 Sep 2007	<b>19787/2007</b>	<b>Form-Tek Products Pty Ltd;</b> 06-06NES, Furniture edging component, 12 Sep 2007	<b>19717/2007</b>
<b>Colgate-Palmolive Company;</b> 09-01K, Container, (US, 22 Mar 2007) 18 Sep 2007	<b>19788/2007</b>	<b>Grant Olver Investments trading as Pilgrim Clothing;</b> 02-02C, Jewel neckline taffetta dress, 17 Aug 2007	<b>19365/2007</b>
<b>Colgate-Palmolive Company;</b> 09-01K, Container, (US, 22 Mar 2007) 18 Sep 2007	<b>19789/2007</b>	<b>Grant Olver Investments trading as Pilgrim Clothing;</b> 02-02NES, Gingham trim top, 17 Aug 2007	<b>19366/2007</b>
<b>Colgate-Palmolive Company;</b> 09-01A, Container and pump, (US, 22 Mar 2007) 18 Sep 2007	<b>19790/2007</b>	<b>Grant Olver Investments trading as Pilgrim Clothing;</b> 02-02C, Coral Diamonte dress, 17 Aug 2007	<b>19367/2007</b>
<b>Cooper Brands, Inc.;</b> 10-04, Portion of a tape case, (US, 26 Mar 2007) 17 Sep 2007	<b>19774/2007</b>	<b>Grant Olver Investments trading as Pilgrim Clothing;</b> 02-02C, Leaf print strapless dress, 17 Aug 2007	<b>19368/2007</b>
<b>Cooper Brands, Inc.;</b> 10-04, Portion of a tape case, (US, 26 Mar 2007) 17 Sep 2007	<b>19775/2007</b>	<b>Grant Olver Investments trading as Pilgrim Clothing;</b> 02-02NES, Lace trim shirt, 17 Aug 2007	<b>19369/2007</b>
<b>Cooper Brands, Inc.;</b> 10-04, Portion of a tape case, (US, 26 Mar 2007) 17 Sep 2007	<b>19776/2007</b>	<b>Grant Olver Investments trading as Pilgrim Clothing;</b> 02-02NES, Amity top, 17 Aug 2007	<b>19370/2007</b>
<b>Cooper Brands, Inc.;</b> 10-04, Portion of a tape case, (US, 26 Mar 2007) 17 Sep 2007	<b>19777/2007</b>	<b>Grant Olver Investments trading as Pilgrim Clothing;</b> 02-02C, Strapless dress with bow, 17 Aug 2007	<b>19371/2007</b>
<b>Cosmetico Pty Ltd;</b> 09-01H, Bottle, 12 Sep 2007	<b>19705/2007</b>	<b>Grant Olver Investments trading as Pilgrim Clothing;</b> 02-02C, Black dress with shoulder cardi, 17 Aug 2007	<b>19372/2007</b>
<b>CMC International Group Pty Ltd;</b> 08-05NES, Sleeve for parts stand, 14 Sep 2007	<b>19735/2007</b>	<b>Grant Olver Investments trading as Pilgrim Clothing;</b> 02-02C, Amity dress, 17 Aug 2007	<b>19373/2007</b>
<b>Dodd, Dianne Marie;</b> 06-13NES, A trolley seat cover, 18 Sep 2007	<b>19791/2007</b>	<b>Grant Olver Investments trading as Pilgrim Clothing;</b> 02-02NES, White trim singlet top, 17 Aug 2007	<b>19374/2007</b>
<b>Eaton Corporation;</b> 21-02C, Golf grip, 14 Sep 2007	<b>19740/2007</b>	<b>Grant Olver Investments trading as Pilgrim Clothing;</b> 02-02NES, Balloon singlet top, 17 Aug 2007	<b>19375/2007</b>
<b>Eaton Corporation;</b> 21-02C, Golf grip, 14 Sep 2007	<b>19741/2007</b>	<b>Grant Olver Investments trading as Pilgrim Clothing;</b> 02-02NES, Balloon tshirt top, 17 Aug 2007	<b>19376/2007</b>
<b>Edmonds, Ian Robert;</b> 25-02H, , 11 Sep 2007	<b>19706/2007</b>		

<b>Grant Olver Investments trading as Pilgrim Clothing;</b> 02-02C, Green trim dress, 17 Aug 2007	<b>19377/2007</b>	<b>Kohler France SAS;</b> 23-02F, Sink, (EM, 09 Mar 2007) 10 Sep 2007	<b>19698/2007</b>
<b>Grant Olver Investments trading as Pilgrim Clothing;</b> 02-02C, Khaki pants, 17 Aug 2007	<b>19378/2007</b>	<b>Kohler France SAS;</b> 23-02C, Water closet fixture, (EM, 23 Mar 2007) 21 Sep 2007	<b>19839/2007</b>
<b>Grant Olver Investments trading as Pilgrim Clothing;</b> 02-02C, 70's black trim dress, 17 Aug 2007	<b>19379/2007</b>	<b>Kohler France SAS;</b> 23-02C, Water closet fixture, (EM, 23 Mar 2007) 21 Sep 2007	<b>19840/2007</b>
<b>Grant Olver Investments trading as Pilgrim Clothing;</b> 02-02C, Shirt dress, 17 Aug 2007	<b>19380/2007</b>	<b>Kohler France SAS;</b> 23-02C, Water closet fixture, (EM, 23 Mar 2007) 21 Sep 2007	<b>19841/2007</b>
<b>Gryffin Pty Ltd;</b> 25-02C, A fencing component, 06 Sep 2007	<b>19659/2007</b>	<b>Kohler France SAS;</b> 23-02F, Sink, (EM, 09 Mar 2007) 10 Sep 2007	<b>19699/2007</b>
<b>Gryffin Pty Ltd;</b> 25-02C, A fencing component, 06 Sep 2007	<b>19660/2007</b>	<b>Koutsis, Nicholas; Koutsis, Denita; Williams, Glenn Barrie; Williams, Stacey Joy;</b> 19-01, Tooth fairy card, 10 Sep 2007	<b>19674/2007</b>
<b>Guerlain Societe Anonyme;</b> 09-01G, Container for a cosmetic, (EM, 19 Mar 2007) 18 Sep 2007	<b>19793/2007</b>	<b>Koutsis, Denita; Koutsis, Nicholas; Williams, Glenn Barrie; Williams, Stacey Joy;</b> 19-01, Tooth fairy card, 10 Sep 2007	<b>19674/2007</b>
<b>Hazelwood, Pamela Anne;</b> 28-03NES, An exfoliating device, 21 Sep 2007	<b>19848/2007</b>	<b>Kyocera Mita Corporation;</b> 14-02, 16-03, Toner cartridge, (JP, 15 Mar 2007) 11 Sep 2007	<b>19710/2007</b>
<b>Helen of Troy Limited;</b> 26-05D, Lighting apparatus, (US, 10 Mar 2007) 10 Sep 2007	<b>19697/2007</b>	<b>Leatherman Tool Group, Inc.;</b> 08-06, A tool handle, (US, 09 Mar 2007) 07 Sep 2007	<b>19690/2007</b>
<b>Hsu, Kuei-chih;</b> 23-04, Electric fan, 07 Sep 2007	<b>19695/2007</b>	<b>Leatherman Tool Group, Inc.;</b> 08-03, Multipurpose tool including a pruner, (US, 09 Mar 2007) 07 Sep 2007	<b>19691/2007</b>
<b>Hubbard, Peter Douglas;</b> 12-16K, Roof rack, 14 Sep 2007	<b>19733/2007</b>	<b>Lee, Alan Sian Ghee;</b> 25-01C, 12-05, Stackable pedestal jack, 21 Sep 2007	<b>19835/2007</b>
<b>Hubbard, Peter Douglas;</b> 12-16K, Roof rack, 14 Sep 2007	<b>19737/2007</b>	<b>Lee, Alan Sian Ghee;</b> 25-01C, 12-05, Stackable pedestal jack, 21 Sep 2007	<b>19836/2007</b>
<b>Icon Plastics Pty Ltd;</b> 23-04, Duct connectors, 06 Sep 2007	<b>19666/2007</b>	<b>Lolitta Clothing;</b> 02-01B, 02-02C, 02-02NES, Ladies clothin garments, 14 Sep 2007	<b>19765/2007</b>
<b>Icon Plastics Pty Ltd;</b> 23-04, Duct connectors, 06 Sep 2007	<b>19667/2007</b>	<b>LX2 Pty Ltd.;</b> 08-08G, To support and carry electrical cables or wire, 17 Sep 2007	<b>19763/2007</b>
<b>Icon Plastics Pty Ltd;</b> 23-04, Duct connectors, 06 Sep 2007	<b>19668/2007</b>	<b>M &amp; J Direct Imports Pty Ltd;</b> 03-03, Umbrella parts, 17 Sep 2007	<b>19738/2007</b>
<b>Innovative Office Products, Inc.;</b> 08-08NES, Boom extension arms, (US, 05 Jun 2007) 14 Sep 2007	<b>19766/2007</b>	<b>M &amp; J Direct Imports Pty Ltd;</b> 03-03, Umbrella parts, 17 Sep 2007	<b>19739/2007</b>
<b>Intralux Australia Pty Limited;</b> 08-08L, Flare V2, 22 Aug 2007	<b>19460/2007</b>	<b>Maccon Industries Pty. Ltd.;</b> 25-04, External/internal timber stairs, 06 Sep 2007	<b>19670/2007</b>
<b>Inverness Medical Switzerland GmbH;</b> 24-02, Test device, (CN, 02 Apr 2007) 13 Sep 2007	<b>19711/2007</b>	<b>Maccon Industries Pty. Ltd.;</b> 25-04, External/internal timber stairs, 06 Sep 2007	<b>19671/2007</b>
<b>Jackson Industries Pty Limited;</b> 13-03D, A power board, 12 Sep 2007	<b>19724/2007</b>	<b>Mace Engineering Group;</b> 15-01, Design is applied to the ford boss V8 engine, 20 Sep 2007	<b>19827/2007</b>
<b>James Hardie International Finance B.V.;</b> 25-01D, Building element, 21 Sep 2007	<b>19837/2007</b>	<b>Mace Engineering Group;</b> 15-01, Design is applied to alloytec engine manifold, 20 Sep 2007	<b>19828/2007</b>
<b>James Hardie International Finance B.V.;</b> 25-01D, Building element, 21 Sep 2007	<b>19838/2007</b>		
<b>Juralco Aluminium Building Products Limited;</b> 08-08K, A fence support, (NZ, 14 Mar 2007) 06 Sep 2007	<b>19664/2007</b>		
<b>Keating, Geoffrey Francis;</b> 06-03C, 06-04NES, 06-06A, Tables, sheleves, plant stands, 11 Sep 2007	<b>19704/2007</b>		

<b>Mars, Incorporated;</b> 01-06, Cat treat, (US, 21 Mar 2007) 21 Sep 2007	<b>19844/2007</b>	<b>Otto Bock Healthcare Products GmbH;</b> 24-03, Prosthesis, (DE, 10 Mar 2007) 07 Sep 2007	<b>19683/2007</b>
<b>McCormick &amp; Company, Incorporated;</b> 20-02NES, Gravity fed dispenser, (US, 06 Mar 2007) 06 Sep 2007	<b>19669/2007</b>	<b>Otto Bock Healthcare Products GmbH;</b> 24-03, Prosthesis, (DE, 10 Mar 2007) 07 Sep 2007	<b>19684/2007</b>
<b>Method Products, Inc.;</b> 04-01, Mop, (US, 21 Mar 2007) 18 Sep 2007	<b>19792/2007</b>	<b>Otto Bock Healthcare Products GmbH;</b> 24-03, Prosthesis, (DE, 09 Mar 2007) 07 Sep 2007	<b>19677/2007</b>
<b>Michelin Recherche et Technique S.A.;</b> <b>Societe De Technologie Michelin;</b> 02-04B, Sport shoe sole, (EM, 08 Mar 2007) 06 Sep 2007	<b>19665/2007</b>	<b>Parry, Leon;</b> 23-02NES, Grate with adjustable locating stands, 13 Sep 2007	<b>19712/2007</b>
<b>MTI Products Pty Ltd;</b> 23-01K, Valve support element for blast hole plug, 20 Sep 2007	<b>19822/2007</b>	<b>Pentel Kabushiki Kaisha;</b> 19-06, Cap for a writing instrument, (JP, 09 Apr 2007) 06 Sep 2007	<b>19663/2007</b>
<b>MTI Products Pty Ltd;</b> 09-07A, Valve control for aerosol can, 20 Sep 2007	<b>19823/2007</b>	<b>Performance Design Australia Pty. Ltd.;</b> 15-01, Supercharger mounting and drive, 21 Sep 2007	<b>19821/2007</b>
<b>Nintendo Co., Ltd;</b> 21-01N, A cartridge for an electronic game machine, (JP, 12 Mar 2007) 12 Sep 2007	<b>19714/2007</b>	<b>Petersen, Patricia;</b> 02-02C, Tracksuit pants, 19 Sep 2007	<b>19804/2007</b>
<b>Nokia Corporation of Keilalahdentie 4;</b> 14-03E, Handset, (US, 28 Oct 2006) (Divisional of 18129/2007) 19 Sep 2007	<b>19815/2007</b>	<b>Petersen, Patricia;</b> 02-02C, Tracksuit pants, 19 Sep 2007	<b>19805/2007</b>
<b>Origin Source (Pty) Ltd;</b> 28-01, Capsule storage container, (ZA, 08 Mar 2007) 07 Sep 2007	<b>19675/2007</b>	<b>Physicians Formula Cosmetics, Inc.;</b> 09-03M, Carton with extended printable surface, (US, 20 Jul 2007) 18 Sep 2007	<b>19795/2007</b>
<b>Otto Bock Healthcare Products GmbH;</b> 24-03, Prosthesis, (DE, 09 Mar 2007) 07 Sep 2007	<b>19676/2007</b>	<b>Pi-Design AG;</b> 07-01C, Double wall drinking glass, (DK, 16 Mar 2007) 06 Sep 2007	<b>19689/2007</b>
<b>Otto Bock Healthcare Products GmbH;</b> 24-03, Prosthesis, (DE, 10 Mar 2007) 10 Sep 2007	<b>19700/2007</b>	<b>Quinn, John;</b> 22-05, Fishing rods of most circumference sizes, with or without reels attached, can be stored in the fishing rod rack, 10 Sep 2007	<b>19686/2007</b>
<b>Otto Bock Healthcare Products GmbH;</b> 24-03, Prosthesis, (DE, 10 Mar 2007) 10 Sep 2007	<b>19701/2007</b>	<b>Quinn, John;</b> 22-05, When fishing to hold or support a fishing rod sufficiently high enough above ground level, reducing severity of water, SOilil, sand getting into the attached reel, allowing fisherman to see the impacts on line, without physically, holding rod, 10 Sep 2007	<b>19687/2007</b>
<b>Otto Bock Healthcare Products GmbH;</b> 24-03, Prosthesis, (DE, 10 Mar 2007) 10 Sep 2007	<b>19702/2007</b>	<b>Rain Harvesting Pty Ltd;</b> 23-01A, An attachment device for a tank inlet, 21 Sep 2007	<b>19849/2007</b>
<b>Otto Bock Healthcare Products GmbH;</b> 24-03, Prosthesis, (DE, 10 Mar 2007) 10 Sep 2007	<b>19703/2007</b>	<b>Randall, Martin;</b> 25-01B, Stand for a ferrule chair, 14 Sep 2007	<b>19761/2007</b>
<b>Otto Bock Healthcare Products GmbH;</b> 24-03, Prosthesis, (DE, 09 Mar 2007) 07 Sep 2007	<b>19678/2007</b>	<b>Randall, Martin;</b> 25-01B, Support for ferrule chair, 14 Sep 2007	<b>19762/2007</b>
<b>Otto Bock Healthcare Products GmbH;</b> 24-03, Prostheses, (DE, 10 Mar 2007) 07 Sep 2007	<b>19679/2007</b>	<b>Randall, Martin;</b> 25-01B, Ferrule chair, 14 Sep 2007	<b>19760/2007</b>
<b>Otto Bock Healthcare Products GmbH;</b> 24-03, Prosthesis, (DE, 10 Mar 2007) 07 Sep 2007	<b>19680/2007</b>	<b>Reckitt Benckiser Inc.;</b> 09-05, Blister package, (EP, 23 Mar 2007) 18 Sep 2007	<b>19786/2007</b>
<b>Otto Bock Healthcare Products GmbH;</b> 24-03, Prosthesis, (DE, 10 Mar 2007) 07 Sep 2007	<b>19681/2007</b>	<b>Reckitt Benckiser Inc.;</b> 09-05, Blister package, (EM, 23 Mar 2007) 17 Sep 2007	<b>19768/2007</b>
<b>Otto Bock Healthcare Products GmbH;</b> 24-03, Prosthesis, (DE, 10 Mar 2007) 07 Sep 2007	<b>19682/2007</b>	<b>ReIn Pty Ltd;</b> 23-01F, Rainwater tank, 21 Sep 2007	<b>19825/2007</b>
		<b>Russell, Keith Arthur;</b> 99-00, Voyager cremation coffin, 07 Sep 2007	<b>19658/2007</b>

<b>S.C. Johnson &amp; Son Inc.;</b> 28-99, Refill for volatile dispenser, (US, 13 Jun 2007) 19 Sep 2007	<b>19808/2007</b>	<b>Smiths Medical ASD, Inc.;</b> 24-02, Medical fluid adaptor, (US, 23 Mar 2007) 14 Sep 2007	<b>19755/2007</b>
<b>S.C. Johnson &amp; Son, Inc.;</b> 09-03M, Package with an opening formed therein, (US, 16 Mar 2007) 17 Sep 2007	<b>19770/2007</b>	<b>Smiths Medical ASD, Inc.;</b> 24-02, Medical fluid adaptor, (US, 23 Mar 2007) 14 Sep 2007	<b>19756/2007</b>
<b>S&amp;M NuTec, LLC;</b> 01-06, Pet chew, (EM, 25 Apr 2007) 12 Sep 2007	<b>19720/2007</b>	<b>Smiths Medical ASD, Inc.;</b> 24-02, Medical fluid adaptor, (US, 23 Mar 2007) 14 Sep 2007	<b>19757/2007</b>
<b>Sanderson, Robert John;</b> 25-02NES, Bollard receptacle, 21 Sep 2007	<b>19826/2007</b>	<b>Smiths Medical ASD, Inc.;</b> 24-02, Medical fluid adaptor, (US, 23 Mar 2007) 14 Sep 2007	<b>19758/2007</b>
<b>Schneider Electric New Zealand Holdings Limited;</b> 13-03D, A straight plug, an angled plug, a connector, (NZ, 13 Mar 2007) 13 Sep 2007	<b>19728/2007</b>	<b>Smiths Medical ASD, Inc.;</b> 24-02, Medical fluid adaptor, (US, 23 Mar 2007) 14 Sep 2007	<b>19759/2007</b>
<b>Schreder;</b> 26-03, Outdoor lighting fixture, (EP, 20 Mar 2007) 19 Sep 2007	<b>19814/2007</b>	<b>Societe De Technologie Michelin; Michelin Recherche et Technique S.A.;</b> 02-04B, Sport shoe sole, (EM, 08 Mar 2007) 06 Sep 2007	<b>19665/2007</b>
<b>Sharp Concepts Australia Pty Ltd;</b> 23-01F, Water tanks, rain barrels, 14 Sep 2007	<b>19736/2007</b>	<b>Swaby, Marcia;</b> 11-01A, Jewellery, 21 Aug 2007	<b>19441/2007</b>
<b>Shriro Australia Pty Limited;</b> 07-02E, A barbeque grill plate, 17 Sep 2007	<b>19771/2007</b>	<b>The Coca-Cola Company;</b> 09-07A, Closer, (US, 02 Apr 2007) 19 Sep 2007	<b>19816/2007</b>
<b>Shriro Australia Pty Limited;</b> 23-03F, A gas barbeque burner, 17 Sep 2007	<b>19772/2007</b>	<b>The Coca-Cola Company;</b> 09-07A, Closer, (US, 02 Apr 2007) 19 Sep 2007	<b>19817/2007</b>
<b>Smiths Medical ASD, Inc.;</b> 24-02, Medical fluid adaptor, (US, 23 Mar 2007) 14 Sep 2007	<b>19743/2007</b>	<b>The Coleman Company, Inc.;</b> 26-06, Bike light, (US, 18 Apr 2007) 18 Sep 2007	<b>19779/2007</b>
<b>Smiths Medical ASD, Inc.;</b> 24-02, Medical fluid adaptor, (US, 23 Mar 2007) 14 Sep 2007	<b>19744/2007</b>	<b>The Coleman Company, Inc.;</b> 26-02, 26-06, Headlamp, (US, 19 Mar 2007) 13 Sep 2007	<b>19730/2007</b>
<b>Smiths Medical ASD, Inc.;</b> 24-02, Medical fluid adaptor, (US, 23 Mar 2007) 14 Sep 2007	<b>19745/2007</b>	<b>The Gillette Company;</b> 03-01D, Razor cartridge container, (US, 20 Mar 2007) 10 Sep 2007	<b>19692/2007</b>
<b>Smiths Medical ASD, Inc.;</b> 24-02, Medical fluid adaptor, (US, 23 Mar 2007) 14 Sep 2007	<b>19746/2007</b>	<b>The Gillette Company;</b> 03-01D, Razor cartridge container, (US, 20 Mar 2007) 10 Sep 2007	<b>19693/2007</b>
<b>Smiths Medical ASD, Inc.;</b> 24-02, Medical fluid adaptor, (US, 23 Mar 2007) 14 Sep 2007	<b>19747/2007</b>	<b>The Product People Pty Ltd;</b> 25-03, The polygon grandstand is a demountable grandstand seating system suitable for indoor and outdoor environments, 21 Sep 2007	<b>19824/2007</b>
<b>Smiths Medical ASD, Inc.;</b> 24-02, Medical fluid adaptor, (US, 23 Mar 2007) 14 Sep 2007	<b>19748/2007</b>	<b>Tsai, Yih-Chiou;</b> 08-08B, Nut, 13 Sep 2007	<b>19764/2007</b>
<b>Smiths Medical ASD, Inc.;</b> 24-02, Medical fluid adaptor, (US, 23 Mar 2007) 14 Sep 2007	<b>19749/2007</b>	<b>Uni-Quip Australia Pty Ltd;</b> 23-01L, A gutter outlet, 11 Sep 2007	<b>19707/2007</b>
<b>Smiths Medical ASD, Inc.;</b> 24-02, Medical fluid adaptor, (US, 23 Mar 2007) 14 Sep 2007	<b>19750/2007</b>	<b>Uni-Quip Australia Pty Ltd;</b> 23-01L, A gutter outlet, 11 Sep 2007	<b>19708/2007</b>
<b>Smiths Medical ASD, Inc.;</b> 24-02, Medical fluid adaptor, (US, 23 Mar 2007) 14 Sep 2007	<b>19751/2007</b>	<b>Uni-Quip Australia Pty Ltd;</b> 23-01L, A gutter outlet, 11 Sep 2007	<b>19709/2007</b>
<b>Smiths Medical ASD, Inc.;</b> 24-02, Medical fluid adaptor, (US, 23 Mar 2007) 14 Sep 2007	<b>19753/2007</b>	<b>Vajai, Laszlo;</b> 09-03M, Package for pollen filtering device, (HU, 13 Mar 2007) 13 Sep 2007	<b>19731/2007</b>
<b>Smiths Medical ASD, Inc.;</b> 24-99, Medical sample site, (US, 16 Mar 2007) 14 Sep 2007	<b>19754/2007</b>	<b>Vale Statutory &amp; Mining Services Pty Limited;</b> 08-08NES, Trellis line retainer, 12 Sep 2007	<b>19715/2007</b>
		<b>Vamvakaris, Andrew;</b> 14-02, Wireless computer mouse, 21 Sep 2007	<b>19819/2007</b>



<b>Van De Werff, Roy John; Van De Werff, Debra Ann;</b> 07-99A, Hot dog (sausage) tray, 13 Sep 2007	<b>19713/2007</b>	<b>Zumtobel Lighting GmbH &amp; Co. KG;</b> 26-05D, Lighting fixture, (EM, 21 Mar 2007) 19 Sep 2007	<b>19809/2007</b>
<b>Van De Werff, Debra Ann; Van De Werff, Roy John;</b> 07-99A, Hot dog (sausage) tray, 13 Sep 2007	<b>19713/2007</b>	<b>Zumtobel Lighting GmbH &amp; Co. KG;</b> 26-05C, Lighting fixture, (EM, 21 Mar 2007) 19 Sep 2007	<b>19810/2007</b>
<b>Ventracor Ltd - Gemma Au-Yeung;</b> 09-05, Corer blade package, (US, 24 Jul 2007) 21 Sep 2007	<b>19820/2007</b>	<b>Zumtobel Lighting GmbH &amp; Co. KG;</b> 26-05B, Lighting fixture, (EM, 21 Mar 2007) 19 Sep 2007	<b>19811/2007</b>
<b>Villeroy &amp; Boch AG.;</b> 23-02C, Toilet/water closet, 13 Sep 2007	<b>19729/2007</b>	<b>Zumtobel Lighting GmbH &amp; Co. KG;</b> 26-05B, Lighting fixture, (EM, 21 Mar 2007) 19 Sep 2007	<b>19812/2007</b>
<b>Williams, Glenn Barrie; Koutsis, Nicholas; Koutsis, Denita; Williams, Stacey Joy;</b> 19-01, Tooth fairy card, 10 Sep 2007	<b>19674/2007</b>	<b>Zumtobel Lighting GmbH &amp; Co. KG;</b> 26-05B, Lighting fixture, (EM, 21 Mar 2007) 19 Sep 2007	<b>19813/2007</b>
<b>Williams, Stacey Joy; Koutsis, Nicholas; Koutsis, Denita; Williams, Glenn Barrie;</b> 19-01, Tooth fairy card, 10 Sep 2007	<b>19674/2007</b>		

**Applications Withdrawn**

18554 / 2007 (19-02)                      19449 / 2007

**Applications Lapsed**

15706 / 2005 (12-16NES)	15707 / 2005 (06-01D)
15709 / 2005 (12-16B)	15035 / 2006 (08-05NES)
16795 / 2007 (02-02C)	16823 / 2007 (06-07)
16824 / 2007 (06-07)	16825 / 2007 (06-07)
16826 / 2007 (06-07)	16879 / 2007 (12-10)
17143 / 2007 (24-01)	17144 / 2007 (24-01)
17145 / 2007 (24-01)	17146 / 2007 (24-01)
17147 / 2007 (24-01)	17148 / 2007 (24-01)
17149 / 2007 (24-01)	17150 / 2007 (24-01)
17151 / 2007 (24-01)	17152 / 2007 (24-01)
17153 / 2007 (24-01)	17154 / 2007 (24-01)
17155 / 2007 (24-01)	17156 / 2007 (24-01)
17157 / 2007 (24-01)	17158 / 2007 (24-01)
17159 / 2007 (24-01)	17160 / 2007 (24-01)
17161 / 2007 (24-01)	17525 / 2007 (06-13C)
17623 / 2007 (11-02B)	17634 / 2007 (06-01C)
17635 / 2007 (06-05)	17636 / 2007 (06-01C)
17637 / 2007 (06-05)	17638 / 2007 (06-01C)
17642 / 2007 (25-02C)	17643 / 2007 (25-02C)
17644 / 2007 (25-04)	17645 / 2007 (25-04)
17646 / 2007 (25-04)	17647 / 2007 (25-04)
17648 / 2007 (25-04)	17649 / 2007 (25-04)
17650 / 2007 (25-04)	17651 / 2007 (25-04)
17652 / 2007 (25-04)	17672 / 2007 (06-13B)
17674 / 2007 (06-13NES)	17695 / 2007 (02-01NES)
17831 / 2007 (03-01D)	17847 / 2007 (09-03M)
18653 / 2007 (19-08)	18745 / 2007 (08-09)
18746 / 2007 (08-09)	

**Registrations Ceased**

304170                      308125                      313183

**Extensions of time granted under Section 137**

Applications lodged under section 137 for extension of time have been granted.

308379 **Master Lock Company LLC**

16529/2007 **Toymonster Limited**

18035/2007 **Theophanos Yianni Trading as Zesti Woodfired Ovens**

18135/2007 **Allan William Barber**

18137/2007 **Allan William Barber**

18708/2007 **Cryovac Australia Pty Ltd**

18709/2007 **Cryovac Australia Pty Ltd**

18710/2007 **Cryovac Australia Pty Ltd**

18711/2007 **Cryovac Australia Pty Ltd**

18712/2007 **Cryovac Australia Pty Ltd**

19362/2007 **Sunload GmbH**

**Subsequent Owners Registered**

(The name in parentheses is that of the subsequent owner)

308009                      ( **Teresa Golin** ) Teresa Golin;Josephine Kelsh

305708                      ( **Teresa Golin** ) Teresa Golin;Josephine Kelsh

304755                      ( **NH Auckland Pty Ltd** ) Gadsden Signs Pty Ltd

304754                      ( **NH Auckland Pty Ltd** ) Gadsden Signs Pty Ltd

315770                      ( **Jonathon Ivett** ) Robert Thomas Ivett

312004                      ( **T.G.T.W Pty Limited** ) Guy Jean-Claude Adolphe

312005                      ( **T.G.T.W Pty Limited** ) Guy Jean-Claude Adolphe

**Names Registered - Alterations and Amendments**

(The name in parentheses is that of the subsequent applicant)

301435                      ( **Mars Australia Pty Ltd** ) Effem Foods Pty Ltd

301436                      ( **Mars Australia Pty Ltd** ) Effem Foods Pty Ltd

303159                      ( **Mars Australia Pty Ltd** ) Effem Foods Pty Ltd

314833                      ( **Pocket Bread (Proprietary) Limited** ) Patin Trading 184 (Proprietary) Limited

303062                      ( **Mars Australia Pty Ltd** ) Effem Foods Pty Ltd

305261                      ( **Mars Australia Pty Ltd** ) Effem Foods Pty Ltd

304374                      ( **Mars Australia Pty Ltd** ) Effem Foods Pty Ltd

306804                      ( **Mars Australia Pty Ltd** ) Effem Foods Pty Ltd

**Corrigenda**

Number 312100

In Vol 21 , No 1 , page 7905 under the heading **Australian Registered Design**; (54) Product in respect of which the design is registered should read: Car and toy car.

Number 312100

In Vol 21 , No 1 , page 7905 under the heading **Australian Registered Design**; (72) Name(s) of Designer(s) should read: Manuele Amprimo and Werner Gruber and Jae-Cheul Yu.

**Certificate(s) of Examination**

Examination of the following Design Registration(s) has been completed. Infringement proceedings may now be commenced.

301386	07-01NES	24/09/2007
301387	07-01NES	24/09/2007
301388	07-01NES	24/09/2007
301993	19-06	12/09/2007
304171	28-02	19/09/2007
309185	23-01K	21/09/2007
309186	23-01K	21/09/2007
309187	23-01K	21/09/2007
309207	23-01K	21/09/2007
309208	23-01K	21/09/2007
309209	23-01K	21/09/2007
309210	23-01K	21/09/2007
309211	23-01K	21/09/2007
309212	23-01K	21/09/2007
309213	23-01K	21/09/2007
309214	23-01K	21/09/2007
309651	06-01E	21/09/2007
311002	28-03NES	19/09/2007
311578	26-05NES	20/09/2007
311579	26-05NES	20/09/2007
311580	26-05B	20/09/2007
312151	14-01	17/09/2007
312269	14-01	17/09/2007
312369	14-01	17/09/2007
313094	28-03NES	13/09/2007
313095	28-03NES	13/09/2007
313099	09-01K	19/09/2007
313100	09-01K	19/09/2007

**Publication and Registration Proceedings**

**Designs Registered**

This section provides a concordance between design number and registration number of Designs covered in this journal. It also shows the main class and registration date.

This section covers Registration numbers 316127 to 316292 .

The registration number shown below should be used in all future correspondence.

<b>Design Number</b>	<b>Registration Number</b>	<b>International Classification Code (IDC)</b>	<b>Registration Date</b>	<b>Design Number</b>	<b>Registration Number</b>	<b>International Classification Code (IDC)</b>	<b>Registration Date</b>
10267/2006	316127	25-01A	17/09/2007	18837/2007	316164	25-01E	20/09/2007
15849/2006	316237	24-02	24/09/2007	18838/2007	316165	08-08NES	20/09/2007
15850/2006	316238	24-02	24/09/2007	18841/2007	316166	06-04F	20/09/2007
16362/2007	316239	12-16NES	24/09/2007	18860/2007	316167	25-01K	20/09/2007
16363/2007	316240	12-16NES	24/09/2007	18861/2007	316168	25-01K	20/09/2007
16364/2007	316241	12-16NES	24/09/2007	18862/2007	316169	31-00	20/09/2007
16365/2007	316242	12-16NES	24/09/2007	18865/2007	316170	20-03C	20/09/2007
16507/2007	316214	23-03D	20/09/2007	18866/2007	316171	07-02L	20/09/2007
16508/2007	316215	23-03D	20/09/2007	18867/2007	316172	07-02L	20/09/2007
17414/2007	316216	06-03A	20/09/2007	18868/2007	316173	07-02L	20/09/2007
17704/2007	316162	06-06E	20/09/2007	18869/2007	316174	25-02B	20/09/2007
17947/2007	316217	15-99	20/09/2007	18870/2007	316175	25-02B	20/09/2007
17976/2007	316243	06-01E	24/09/2007	18871/2007	316176	06-06F	20/09/2007
18035/2007	316244	07-02A	24/09/2007	18873/2007	316177	12-16NES	20/09/2007
18082/2007	316163	02-04B	20/09/2007	18875/2007	316178	25-02NES	20/09/2007
18134/2007	316245	22-05	24/09/2007	18876/2007	316179	08-05N	20/09/2007
18144/2007	316246	22-05	24/09/2007	18880/2007	316183	12-16N	18/09/2007
18219/2007	316128	12-16B	17/09/2007	18881/2007	316184	12-16N	18/09/2007
18220/2007	316129	12-16E	17/09/2007	18882/2007	316185	25-02F	18/09/2007
18221/2007	316130	12-16B	17/09/2007	18883/2007	316186	25-02H	18/09/2007
18222/2007	316131	12-16B	17/09/2007	18884/2007	316187	25-02H	18/09/2007
18223/2007	316132	12-16B	17/09/2007	18885/2007	316188	21-02C	18/09/2007
18224/2007	316133	12-16B	17/09/2007	18887/2007	316189	02-01B	18/09/2007
18225/2007	316134	12-16B	17/09/2007	18888/2007	316190	12-16B	18/09/2007
18246/2007	316135	07-02P	17/09/2007	18890/2007	316191	25-02C	18/09/2007
18247/2007	316140	07-04	17/09/2007	18891/2007	316180	25-02A	20/09/2007
18248/2007	316141	07-04	17/09/2007	18892/2007	316192	19-06	18/09/2007
18291/2007	316265	07-06D	25/09/2007	18893/2007	316193	19-06	18/09/2007
18414/2007	316266	05-05C	25/09/2007	18894/2007	316194	19-06	18/09/2007
18422/2007	316142	24-02	17/09/2007	18895/2007	316195	15-05	18/09/2007
18425/2007	316267	21-02C	25/09/2007	18896/2007	316196	15-05	18/09/2007
18676/2007	316150	11-02B	17/09/2007	18897/2007	316197	16-06	18/09/2007
18677/2007	316268	06-01F	25/09/2007	18898/2007	316198	23-01NES	18/09/2007
18678/2007	316269	09-03G	25/09/2007	18899/2007	316199	15-05	18/09/2007
18683/2007	316270	14-01	25/09/2007	18900/2007	316200	08-06	18/09/2007
18685/2007	316151	26-04	17/09/2007	18902/2007	316201	06-01G	18/09/2007
18686/2007	316152	26-04	17/09/2007	18903/2007	316202	06-01G	18/09/2007
18687/2007	316153	26-04	17/09/2007	18904/2007	316203	06-01G	18/09/2007
18688/2007	316154	26-04	17/09/2007	18905/2007	316204	06-01G	18/09/2007
18690/2007	316155	02-04B	17/09/2007	18906/2007	316205	06-01G	18/09/2007
18691/2007	316156	02-04B	17/09/2007	18907/2007	316206	06-01G	18/09/2007
18692/2007	316157	15-05	17/09/2007	18908/2007	316207	06-01G	18/09/2007
18693/2007	316158	13-03C	17/09/2007	18909/2007	316208	06-01G	18/09/2007
18694/2007	316159	13-03C	17/09/2007	18910/2007	316209	06-01G	18/09/2007
18700/2007	316160	13-03NES	17/09/2007	18912/2007	316210	06-01G	18/09/2007
18743/2007	316182	06-04NES	18/09/2007	18913/2007	316211	06-01G	18/09/2007
18784/2007	316143	23-01G	17/09/2007	18914/2007	316212	06-01G	18/09/2007
18785/2007	316144	23-04	17/09/2007	18915/2007	316218	12-16E	20/09/2007
18788/2007	316145	08-08K	17/09/2007	18916/2007	316219	12-16NES	20/09/2007
18789/2007	316146	25-02C	17/09/2007	18917/2007	316220	12-16NES	20/09/2007
18791/2007	316147	23-04	17/09/2007	18918/2007	316221	09-03M	20/09/2007
18792/2007	316148	14-03E	17/09/2007	18919/2007	316222	99-00	20/09/2007
18793/2007	316149	14-03E	17/09/2007	18920/2007	316223	25-01K	20/09/2007

Publication and Registration Proceedings - Designs Registered cont'd

Design Number	Registration Number	International Classification Code (IDC)	Registration Date	Design Number	Registration Number	International Classification Code (IDC)	Registration Date
18921/2007	316224	25-01K	20/09/2007	18979/2007	316274	09-03F	25/09/2007
18922/2007	316225	11-02A	20/09/2007	18980/2007	316275	09-07NES	25/09/2007
18923/2007	316226	13-02	20/09/2007	18981/2007	316276	09-03F	25/09/2007
18924/2007	316227	26-02	20/09/2007	18982/2007	316277	08-08NES	25/09/2007
18936/2007	316228	23-03D	20/09/2007	18983/2007	316278	08-08NES	25/09/2007
18937/2007	316229	21-03	20/09/2007	18985/2007	316279	08-09	25/09/2007
18938/2007	316230	21-03	20/09/2007	18987/2007	316280	09-05	25/09/2007
18940/2007	316231	16-06	20/09/2007	18988/2007	316281	09-05	25/09/2007
18941/2007	316232	16-06	20/09/2007	18992/2007	316282	25-03	25/09/2007
18942/2007	316233	09-01C	20/09/2007	18993/2007	316283	24-03	25/09/2007
18943/2007	316234	09-01A	20/09/2007	18994/2007	316284	24-03	25/09/2007
18944/2007	316235	26-05D	20/09/2007	18995/2007	316285	07-02L	25/09/2007
18945/2007	316236	26-05D	20/09/2007	18998/2007	316286	06-01E	25/09/2007
18946/2007	316247	23-01A	24/09/2007	18999/2007	316287	06-01F	25/09/2007
18947/2007	316248	19-06	24/09/2007	19000/2007	316288	07-05E	25/09/2007
18948/2007	316249	13-03D	24/09/2007	19001/2007	316289	07-05E	25/09/2007
18950/2007	316250	02-07C	24/09/2007	19002/2007	316290	07-05E	25/09/2007
18954/2007	316251	14-02	24/09/2007	19003/2007	316291	07-05E	25/09/2007
18955/2007	316252	14-02	24/09/2007	19004/2007	316292	99-00	25/09/2007
18956/2007	316253	14-02	24/09/2007	19147/2007	316263	12-15C	24/09/2007
18957/2007	316254	14-02	24/09/2007	19148/2007	316264	12-15C	24/09/2007
18958/2007	316255	14-02	24/09/2007	19218/2007	316213	13-03NES	18/09/2007
18962/2007	316256	08-08NES	24/09/2007	19423/2007	316136	07-02P	17/09/2007
18963/2007	316257	02-04NES	24/09/2007	19424/2007	316137	07-02P	17/09/2007
18964/2007	316258	23-02A	24/09/2007	19425/2007	316138	07-02P	17/09/2007
18965/2007	316259	13-01	24/09/2007	19426/2007	316139	07-02P	17/09/2007
18966/2007	316260	13-01	24/09/2007	19615/2007	316181	28-03NES	20/09/2007
18969/2007	316261	11-01A	24/09/2007	19624/2007	316161	08-05NES	17/09/2007
18971/2007	316271	25-01K	25/09/2007				
18972/2007	316272	25-01K	25/09/2007				
18973/2007	316262	25-01K	24/09/2007				
18978/2007	316273	25-02C	25/09/2007				

**Publication and Registration Proceedings**  
**Class Listing of Designs Published or Registered**

The following section shows an International Classification Code listing of the Registered or Published Designs covered in this supplement.

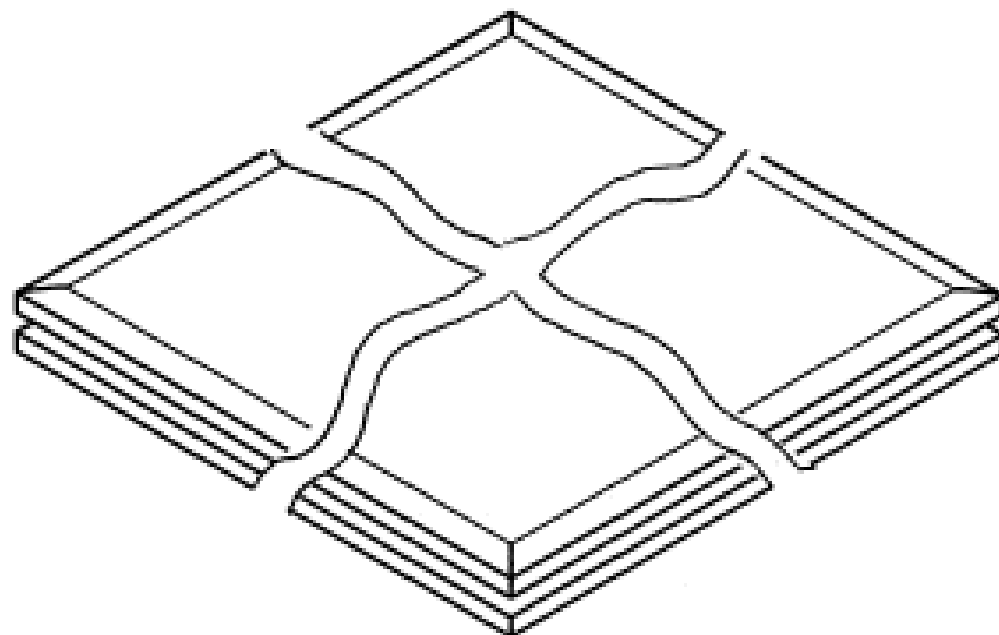
<b>Classification</b>	<b>Registration Number</b>	<b>Design Number</b>	<b>Classification</b>	<b>Registration Number</b>	<b>Design Number</b>
02-01 B	316189	18887/2007	09-03 F	316274	18979/2007
02-04 B	316155	18690/2007	09-03 F	316276	18981/2007
02-04 B	316156	18691/2007	09-03 G	316269	18678/2007
02-04 B	316163	18082/2007	09-03 M	316221	18918/2007
02-04 NES	316257	18963/2007	09-05	316280	18987/2007
02-07 C	316250	18950/2007	09-05	316281	18988/2007
05-05 C	316266	18414/2007	09-07 NES	316275	18980/2007
06-01 E	316243	17976/2007	11-01 A	316261	18969/2007
06-01 E	316286	18998/2007	11-02 A	316225	18922/2007
06-01 F	316268	18677/2007	11-02 B	316150	18676/2007
06-01 F	316287	18999/2007	12-15 C	316263	19147/2007
06-01 G	316201	18902/2007	12-15 C	316264	19148/2007
06-01 G	316202	18903/2007	12-16 B	316128	18219/2007
06-01 G	316203	18904/2007	12-16 B	316130	18221/2007
06-01 G	316204	18905/2007	12-16 B	316131	18222/2007
06-01 G	316205	18906/2007	12-16 B	316132	18223/2007
06-01 G	316206	18907/2007	12-16 B	316133	18224/2007
06-01 G	316207	18908/2007	12-16 B	316134	18225/2007
06-01 G	316208	18909/2007	12-16 B	316190	18888/2007
06-01 G	316209	18910/2007	12-16 E	316129	18220/2007
06-01 G	316210	18912/2007	12-16 E	316218	18915/2007
06-01 G	316211	18913/2007	12-16 N	316183	18880/2007
06-01 G	316212	18914/2007	12-16 N	316184	18881/2007
06-03 A	316216	17414/2007	12-16 NES	316177	18873/2007
06-04 F	316166	18841/2007	12-16 NES	316219	18916/2007
06-04 NES	316182	18743/2007	12-16 NES	316220	18917/2007
06-06 E	316162	17704/2007	12-16 NES	316239	16362/2007
06-06 F	316176	18871/2007	12-16 NES	316240	16363/2007
07-02 A	316244	18035/2007	12-16 NES	316241	16364/2007
07-02 L	316171	18866/2007	12-16 NES	316242	16365/2007
07-02 L	316172	18867/2007	13-01	316259	18965/2007
07-02 L	316173	18868/2007	13-01	316260	18966/2007
07-02 L	316285	18995/2007	13-02	316226	18923/2007
07-02 P	316135	18246/2007	13-03 C	316158	18693/2007
07-02 P	316136	19423/2007	13-03 C	316159	18694/2007
07-02 P	316137	19424/2007	13-03 D	316249	18948/2007
07-02 P	316138	19425/2007	13-03 NES	316160	18700/2007
07-02 P	316139	19426/2007	13-03 NES	316213	19218/2007
07-04	316140	18247/2007	14-01	316270	18683/2007
07-04	316141	18248/2007	14-02	316251	18954/2007
07-05 E	316288	19000/2007	14-02	316252	18955/2007
07-05 E	316289	19001/2007	14-02	316253	18956/2007
07-05 E	316290	19002/2007	14-02	316254	18957/2007
07-05 E	316291	19003/2007	14-02	316255	18958/2007
07-06 D	316265	18291/2007	14-03 E	316148	18792/2007
08-05 N	316179	18876/2007	14-03 E	316149	18793/2007
08-05 NES	316161	19624/2007	15-05	316157	18692/2007
08-06	316200	18900/2007	15-05	316195	18895/2007
08-08 K	316145	18788/2007	15-05	316196	18896/2007
08-08 NES	316165	18838/2007	15-05	316199	18899/2007
08-08 NES	316256	18962/2007	15-99	316217	17947/2007
08-08 NES	316277	18982/2007	16-06	316197	18897/2007
08-08 NES	316278	18983/2007	16-06	316231	18940/2007
08-09	316279	18985/2007	16-06	316232	18941/2007
09-01 A	316234	18943/2007	19-06	316192	18892/2007
09-01 C	316233	18942/2007	19-06	316193	18893/2007

Registration Proceedings - Class Listing of Designs Published or Registered cont'd

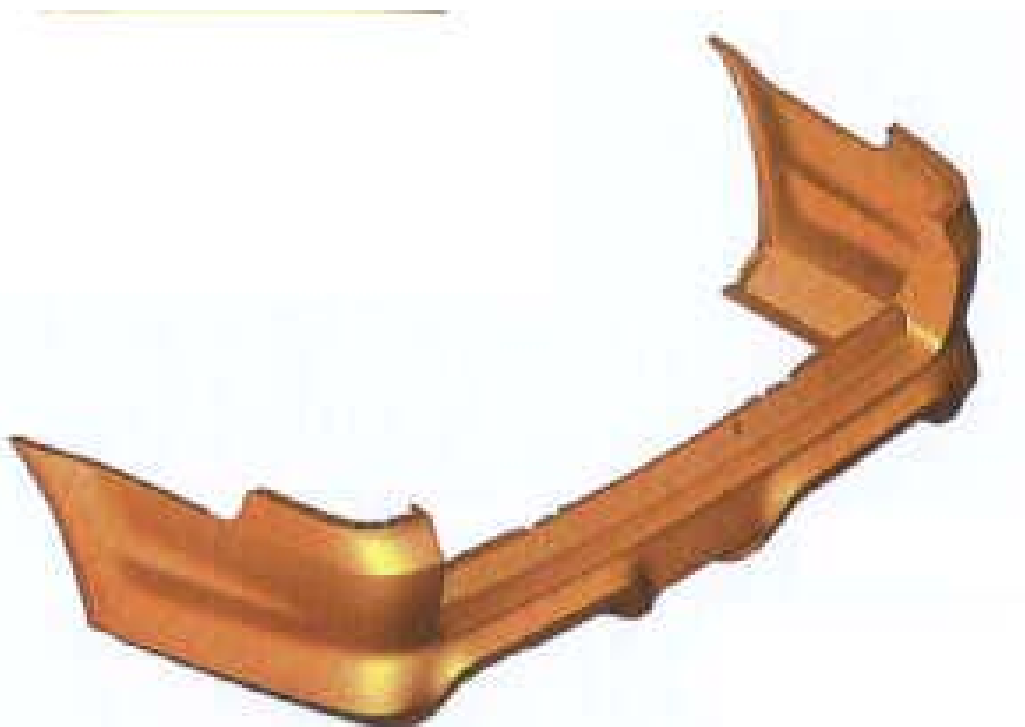
Classification	Registration Number	Design Number	Classification	Registration Number	Design Number
19-06	316194	18894/2007	25-01 K	316223	18920/2007
19-06	316248	18947/2007	25-01 K	316224	18921/2007
20-02 E	316150	18676/2007	25-01 K	316262	18973/2007
20-03 C	316170	18865/2007	25-01 K	316271	18971/2007
21-02 C	316188	18885/2007	25-01 K	316272	18972/2007
21-02 C	316267	18425/2007	25-01 NES	316127	10267/2006
21-03	316229	18937/2007	25-02 A	316180	18891/2007
21-03	316230	18938/2007	25-02 B	316174	18869/2007
22-05	316245	18134/2007	25-02 B	316175	18870/2007
22-05	316246	18144/2007	25-02 C	316146	18789/2007
23-01 A	316247	18946/2007	25-02 C	316191	18890/2007
23-01 G	316143	18784/2007	25-02 C	316273	18978/2007
23-01 NES	316198	18898/2007	25-02 F	316185	18882/2007
23-02 A	316258	18964/2007	25-02 H	316186	18883/2007
23-03 D	316214	16507/2007	25-02 H	316187	18884/2007
23-03 D	316215	16508/2007	25-02 NES	316178	18875/2007
23-03 D	316228	18936/2007	25-03	316282	18992/2007
23-04	316144	18785/2007	26-02	316227	18924/2007
23-04	316147	18791/2007	26-04	316151	18685/2007
24-02	316142	18422/2007	26-04	316152	18686/2007
24-02	316237	15849/2006	26-04	316153	18687/2007
24-02	316238	15850/2006	26-04	316154	18688/2007
24-03	316283	18993/2007	26-05 D	316235	18944/2007
24-03	316284	18994/2007	26-05 D	316236	18945/2007
25-01 A	316127	10267/2006	28-03 NES	316181	19615/2007
25-01 E	316164	18837/2007	31-00	316169	18862/2007
25-01 F	316127	10267/2006	99-00	316222	18919/2007
25-01 K	316167	18860/2007	99-00	316292	19004/2007
25-01 K	316168	18861/2007			



- (21) Design Number: **10267/2006**  
(22) Date of Filing Application: **27 January 2006**  
(24) Date from which industrial property rights may have effect: **27 January 2006**  
(54) Product in respect of which the design is registered: **Surface covering element**  
(51) International Design Classification: **25-01A, 25-01F, 25-01NES**  
(71) Name(s) and Address(s) of Applicant(s):  
**Paul Bradley Deakin**  
**1125 Torbanlea Road Takura Queensland 4655 Australia**  
(72) Name(s) of Designer(s): **Paul Bradley Deakin**  
(45) Registration Date: **17 September 2007**  
(56) Related Art Documents: **Not Applicable**  
(57) Statement of Newness and Distinctiveness: **Monopoly is claimed in the features of shape and configuration of a surface covering element of indefinite length and width as shown in the accompanying representations.**



- (21) Design Number: **18219/2007**  
(22) Date of Filing Application: **31 May 2007**  
(24) Date from which industrial property rights may have effect: **31 May 2007**  
(54) Product in respect of which the design is registered: **Vehicle fascia**  
(51) International Design Classification: **12-16B**  
(71) Name(s) and Address(s) of Applicant(s):  
**GM Global Technology Operations, Inc**  
**300 Renaissance Center Detroit MI 48265-3000 United States of America**  
(72) Name(s) of Designer(s): **Julian Mark Quincey**  
(45) Registration Date: **17 September 2007**  
(56) Related Art Documents: **Not Applicable**  
(57) Statement of Newness and Distinctiveness: **Newness and distinctiveness is claimed in the shape and/or configuration of a vehicle fascia as shown in the accompanying representations.**



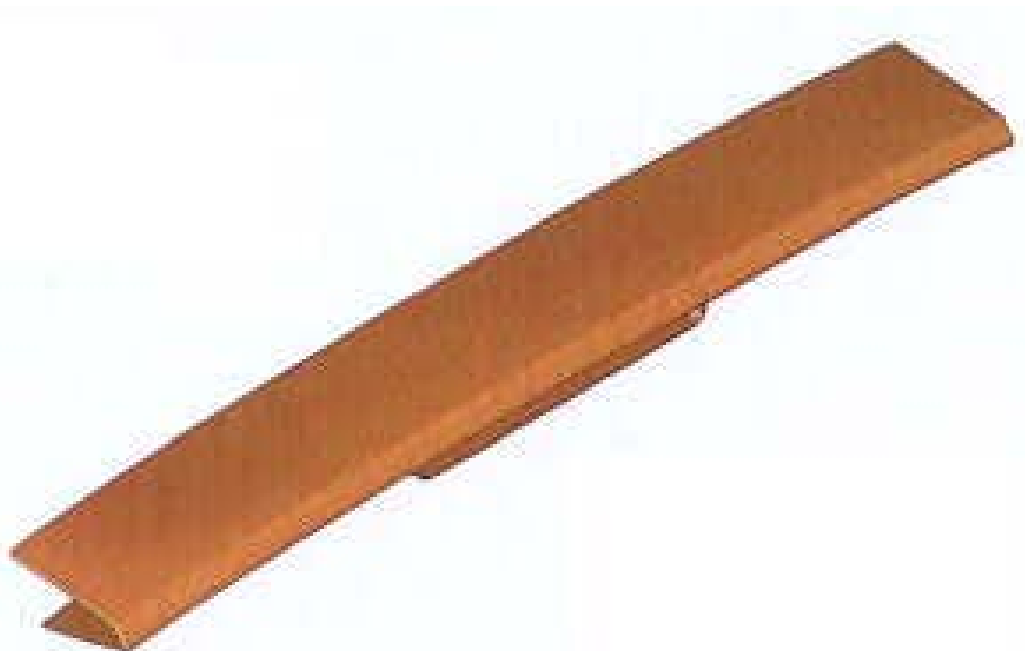
- (21) Design Number: **18220/2007**  
(22) Date of Filing Application: **31 May 2007**  
(24) Date from which industrial property rights may have effect: **31 May 2007**  
(54) Product in respect of which the design is registered: **Left-side and right-side vehicle lamp lenses**  
(51) International Design Classification: **12-16E**  
(71) Name(s) and Address(s) of Applicant(s):  
**GM Global Technology Operations, Inc**  
**300 Renaissance Center Detroit MI 48265-3000 United States of America**  
(72) Name(s) of Designer(s): **Julian Mark Quincey**  
(45) Registration Date: **17 September 2007**  
(56) Related Art Documents: **Not Applicable**  
(57) Statement of Newness and Distinctiveness: **Newness and distinctiveness is claimed in the shape and/or configuration of a left-side and right-side vehicle lamp lenses as shown in the accompanying representations.**



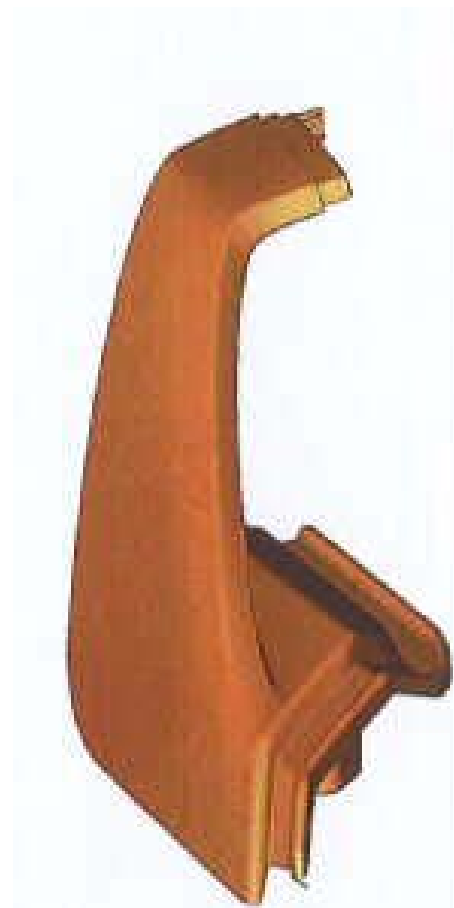
- (21) Design Number: **18221/2007**  
(22) Date of Filing Application: **31 May 2007**  
(24) Date from which industrial property rights may have effect: **31 May 2007**  
(54) Product in respect of which the design is registered: **Vehicle tailgate**  
(51) International Design Classification: **12-16B**  
(71) Name(s) and Address(s) of Applicant(s):  
**GM Global Technology Operations, Inc**  
**300 Renaissance Center Detroit MI 48265-3000 United States of America**  
(72) Name(s) of Designer(s): **Julian Mark Quincey**  
(45) Registration Date: **17 September 2007**  
(56) Related Art Documents: **Not Applicable**  
(57) Statement of Newness and Distinctiveness: **Newness and distinctiveness is claimed in the shape and/or configuration of a vehicle tailgate as shown in the accompanying representations.**



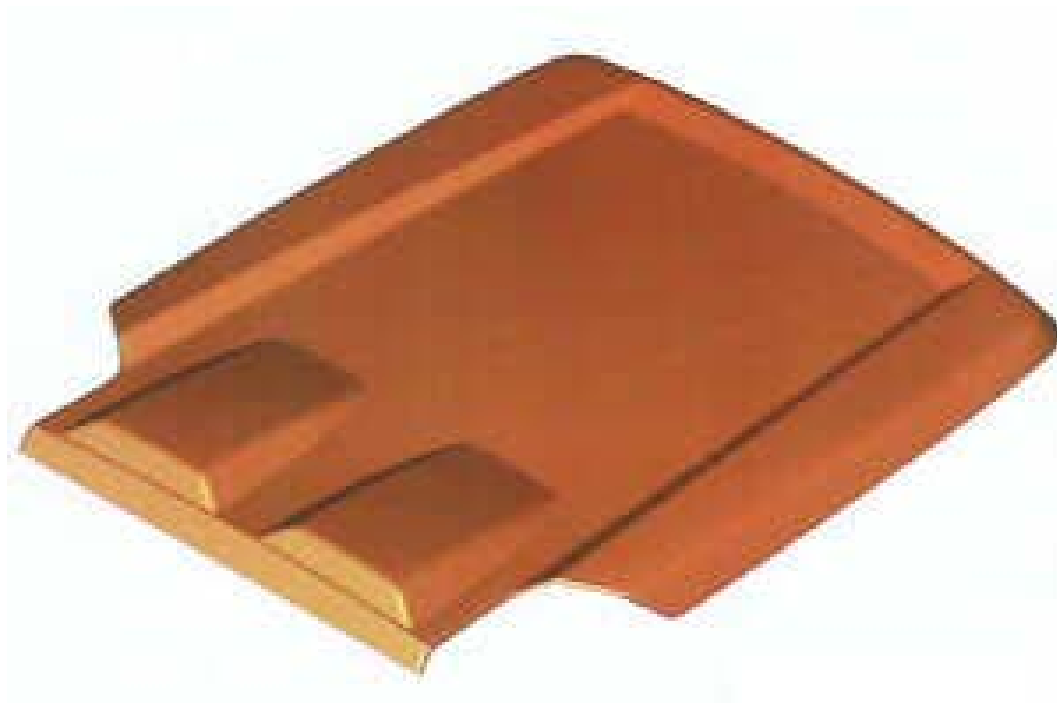
- (21) Design Number: **18222/2007**  
(22) Date of Filing Application: **31 May 2007**  
(24) Date from which industrial property rights may have effect: **31 May 2007**  
(54) Product in respect of which the design is registered: **Vehicle sailplane centre section**  
(51) International Design Classification: **12-16B**  
(71) Name(s) and Address(s) of Applicant(s):  
**GM Global Technology Operations, Inc**  
**300 Renaissance Center Detroit MI 48265-3000 United States of America**  
(72) Name(s) of Designer(s): **Julian Mark Quincey**  
(45) Registration Date: **17 September 2007**  
(56) Related Art Documents: **Not Applicable**  
(57) Statement of Newness and Distinctiveness: **Newness and distinctiveness is claimed in the shape and/or configuration of a vehicle sailplane centre section as shown in the accompanying representations.**



- (21) Design Number: **18223/2007**  
(22) Date of Filing Application: **31 May 2007**  
(24) Date from which industrial property rights may have effect: **31 May 2007**  
(54) Product in respect of which the design is registered: **Left-side and right-side vehicle sailplane side mounts**  
(51) International Design Classification: **12-16B**  
(71) Name(s) and Address(s) of Applicant(s):  
**GM Global Technology Operations, Inc**  
**300 Renaissance Center Detroit MI 48265-3000 United States of America**  
(72) Name(s) of Designer(s): **Julian Mark Quincey**  
(45) Registration Date: **17 September 2007**  
(56) Related Art Documents: **Not Applicable**  
(57) Statement of Newness and Distinctiveness: **Newness and distinctiveness is claimed in the shape and/or configuration of a left-side and right-side vehicle sailplane side mounts as shown in the accompanying representations.**



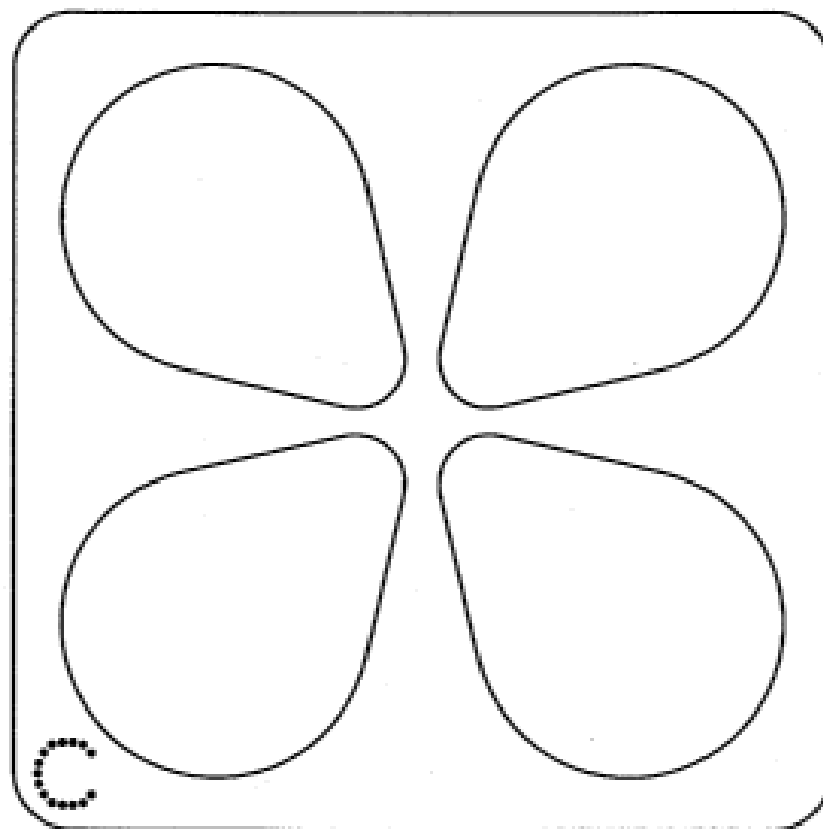
- (21) Design Number: **18224/2007**  
(22) Date of Filing Application: **31 May 2007**  
(24) Date from which industrial property rights may have effect: **31 May 2007**  
(54) Product in respect of which the design is registered: **Vehicle tonneau cover**  
(51) International Design Classification: **12-16B**  
(71) Name(s) and Address(s) of Applicant(s):  
**GM Global Technology Operations, Inc**  
**300 Renaissance Center Detroit MI 48265-3000 United States of America**  
(72) Name(s) of Designer(s): **Julian Mark Quincey**  
(45) Registration Date: **17 September 2007**  
(56) Related Art Documents: **Not Applicable**  
(57) Statement of Newness and Distinctiveness: **Newness and distinctiveness is claimed in the shape and/or configuration of a vehicle tonneau cover as shown in the accompanying representations.**



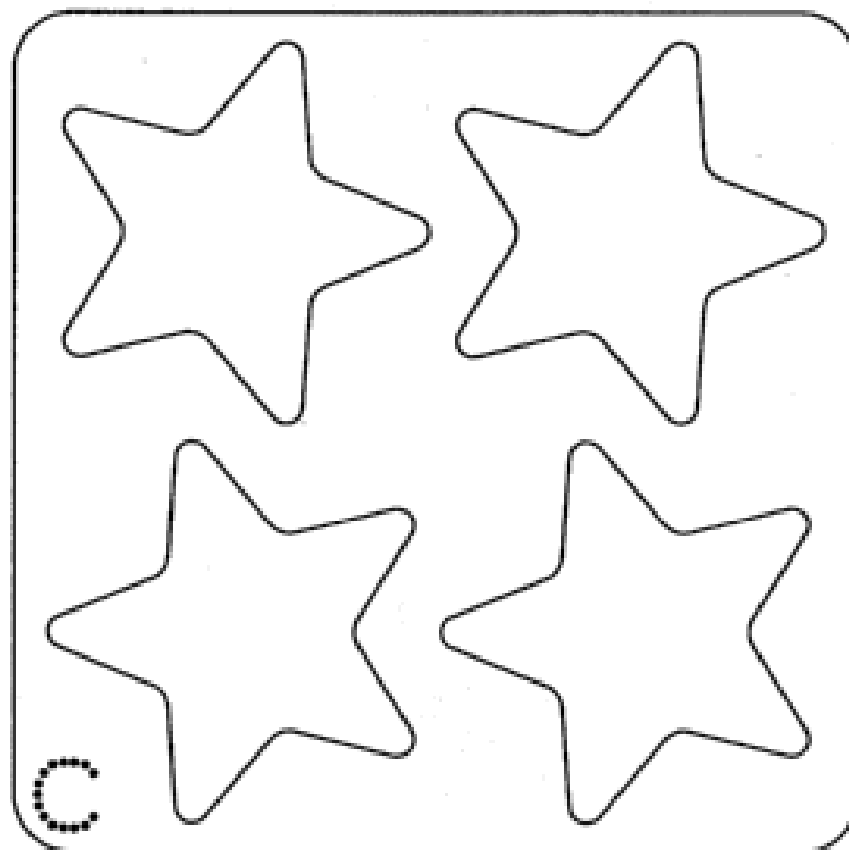
- (21) Design Number: **18225/2007**  
(22) Date of Filing Application: **31 May 2007**  
(24) Date from which industrial property rights may have effect: **31 May 2007**  
(54) Product in respect of which the design is registered: **Left-side and right-side vehicle side skirts**  
(51) International Design Classification: **12-16B**  
(71) Name(s) and Address(s) of Applicant(s):  
**GM Global Technology Operations, Inc**  
**300 Renaissance Center Detroit MI 48265-3000 United States of America**  
(72) Name(s) of Designer(s): **Julian Mark Quincey**  
(45) Registration Date: **17 September 2007**  
(56) Related Art Documents: **Not Applicable**  
(57) Statement of Newness and Distinctiveness: **Newness and distinctiveness is claimed in the shape and/or configuration of a left-side and right-side vehicle side skirts as shown in the accompanying representations.**



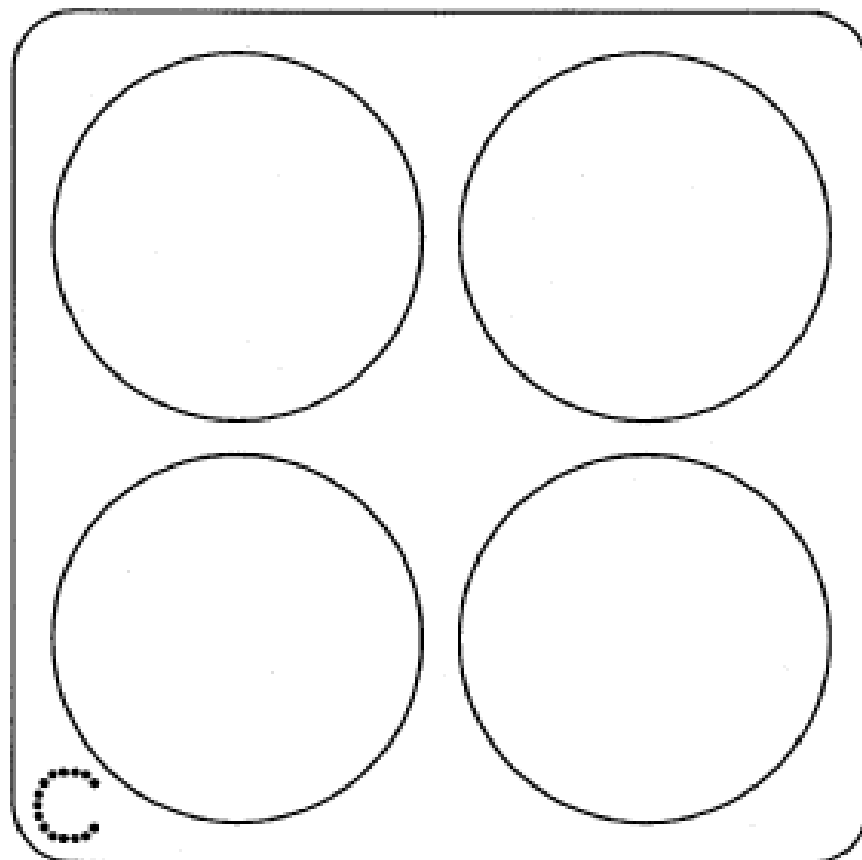
- (21) Design Number: **18246/2007**
- (22) Date of Filing Application: **01 June 2007**
- (24) Date from which industrial property rights may have effect: **01 June 2007**
- (54) Product in respect of which the design is registered: **"Wafer baker" 4 hole tear shape**
- (51) International Design Classification: **07-02P**
- (71) Name(s) and Address(s) of Applicant(s):  
**Harry Pourounidis**  
**C/- Bambis 1-9 Moreland Road East Coburg Victoria 3058 Australia**  
**Curtis Stone**  
**C/- Bambis 1-9 Moreland Road East Coburg Victoria 3058 Australia**
- (72) Name(s) of Designer(s): **Harry Pourounidis and Curtis Stone and Casey Williams**
- (45) Registration Date: **17 September 2007**
- (56) Related Art Documents: **Not Applicable**
- (57) Statement of Newness and Distinctiveness: **Shape and size of designs.**



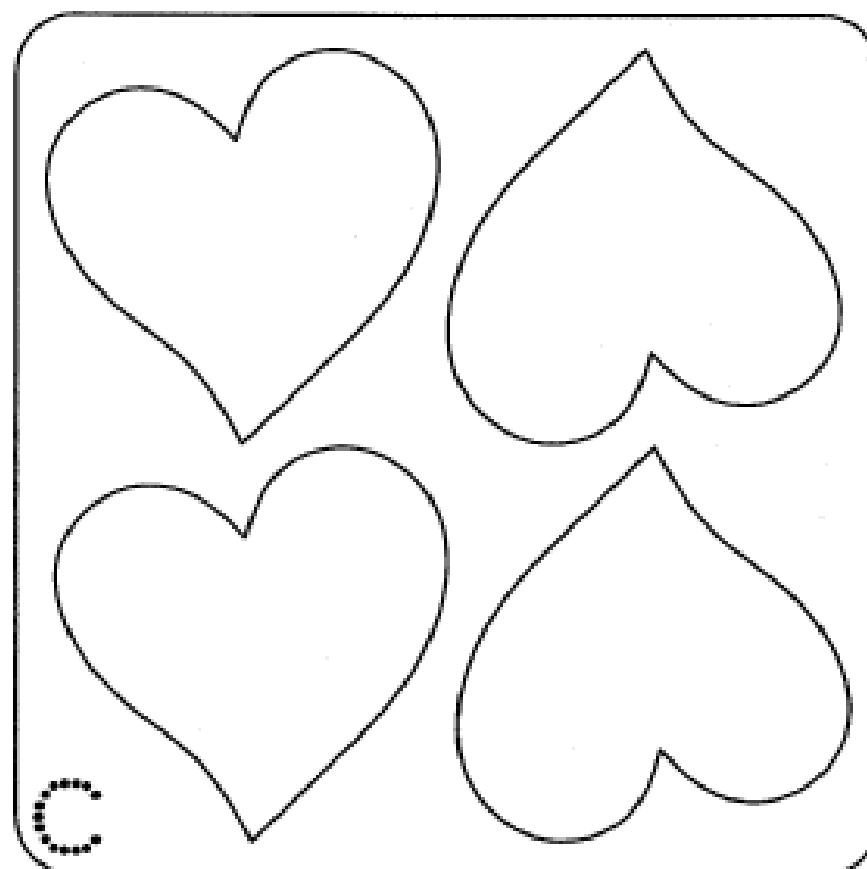
- (21) Design Number: **19423/2007**
- (22) Date of Filing Application: **01 June 2007**
- (24) Date from which industrial property rights may have effect: **01 June 2007**
- (54) Product in respect of which the design is registered: **"Wafer baker" 4 hole star shape**
- (51) International Design Classification: **07-02P**
- (71) Name(s) and Address(s) of Applicant(s):  
**Harry Pourounidis**  
**C/- Bambis 1-9 Moreland Road East Coburg Victoria 3058 Australia**  
**Curtis Stone**  
**C/- Bambis 1-9 Moreland Road East Coburg Victoria 3058 Australia**
- (72) Name(s) of Designer(s): **Harry Pourounidis and Curtis Stone and Casey Williams**
- (45) Registration Date: **17 September 2007**
- (56) Related Art Documents: **Not Applicable**
- (57) Statement of Newness and Distinctiveness: **Shape and size of design.**



- (21) Design Number: **19424/2007**
- (22) Date of Filing Application: **01 June 2007**
- (24) Date from which industrial property rights may have effect: **01 June 2007**
- (54) Product in respect of which the design is registered: **"Wafer baker" 4 hole round shape**
- (51) International Design Classification: **07-02P**
- (71) Name(s) and Address(s) of Applicant(s):  
**Harry Pourounidis**  
**C/- Bambis 1-9 Moreland Road East Coburg Victoria 3058 Australia**  
**Curtis Stone**  
**C/- Bambis 1-9 Moreland Road East Coburg Victoria 3058 Australia**
- (72) Name(s) of Designer(s): **Harry Pourounidis and Curtis Stone and Casey Williams**
- (45) Registration Date: **17 September 2007**
- (56) Related Art Documents: **Not Applicable**
- (57) Statement of Newness and Distinctiveness: **Shape and size of design.**

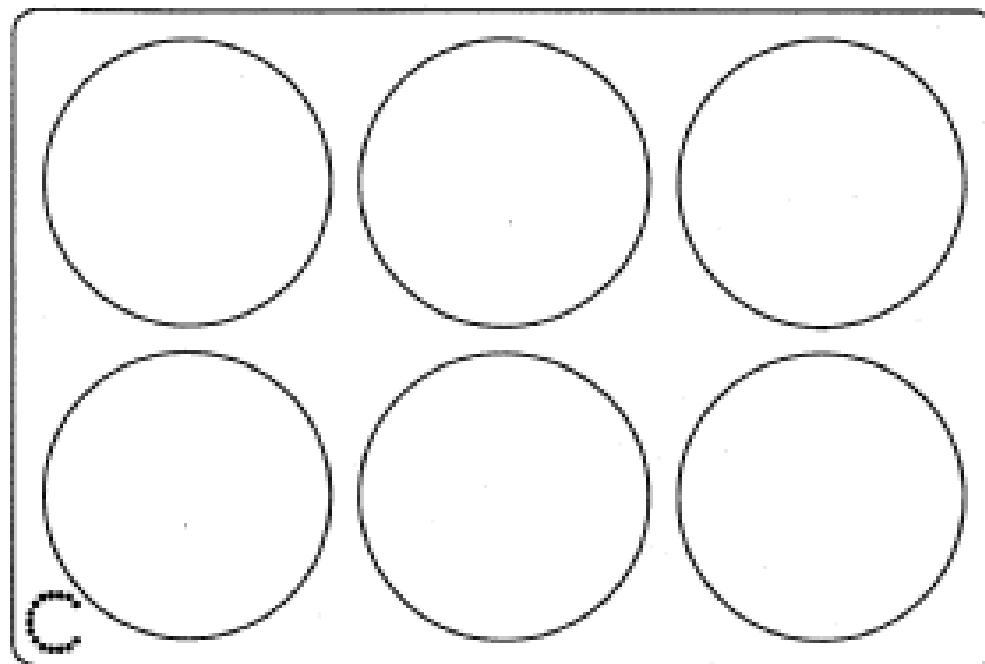


- (21) Design Number: **19425/2007**
- (22) Date of Filing Application: **01 June 2007**
- (24) Date from which industrial property rights may have effect: **01 June 2007**
- (54) Product in respect of which the design is registered: **"Wafer baker" 4 hole heart shape**
- (51) International Design Classification: **07-02P**
- (71) Name(s) and Address(s) of Applicant(s):  
**Harry Pourounidis**  
**C/- Bambis 1-9 Moreland Road East Coburg Victoria 3058 Australia**  
**Curtis Stone**  
**C/- Bambis 1-9 Moreland Road East Coburg Victoria 3058 Australia**
- (72) Name(s) of Designer(s): **Harry Pourounidis and Curtis Stone and Casey Williams**
- (45) Registration Date: **17 September 2007**
- (56) Related Art Documents: **Not Applicable**
- (57) Statement of Newness and Distinctiveness: **Shape and size of design.**



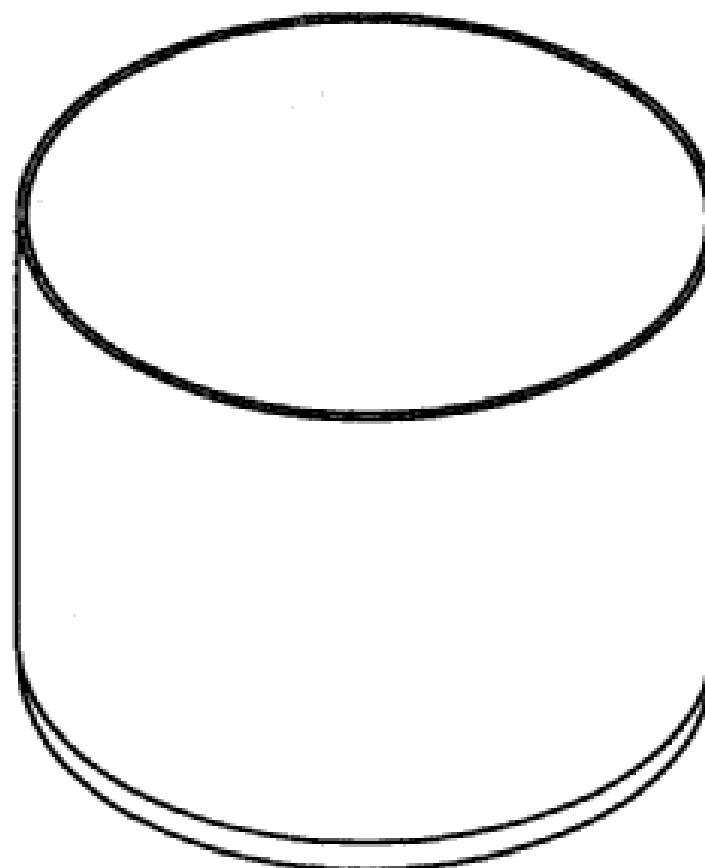
(19) AU

- (21) Design Number: **19426/2007**
- (22) Date of Filing Application: **01 June 2007**
- (24) Date from which industrial property rights may have effect: **01 June 2007**
- (54) Product in respect of which the design is registered: **"Wafer baker" 6 hole round shape**
- (51) International Design Classification: **07-02P**
- (71) Name(s) and Address(s) of Applicant(s):  
**Harry Pourounidis**  
**C/- Bambis 1-9 Moreland Road East Coburg Victoria 3058 Australia**  
**Curtis Stone**  
**C/- Bambis 1-9 Moreland Road East Coburg Victoria 3058 Australia**
- (72) Name(s) of Designer(s): **Harry Pourounidis and Curtis Stone and Casey Williams**
- (45) Registration Date: **17 September 2007**
- (56) Related Art Documents: **Not Applicable**
- (57) Statement of Newness and Distinctiveness: **Shape and size of design.**

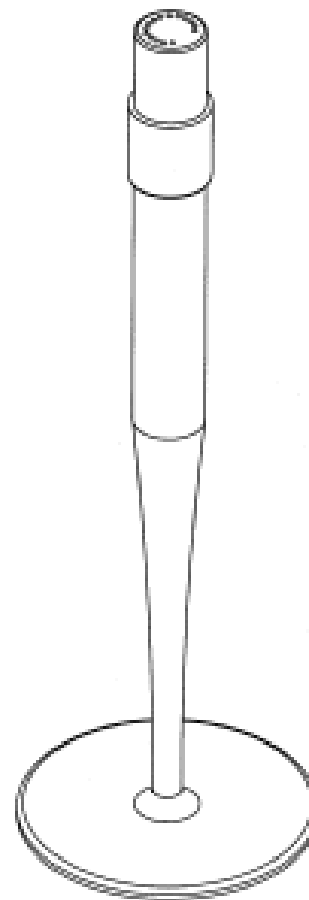


(19) AU

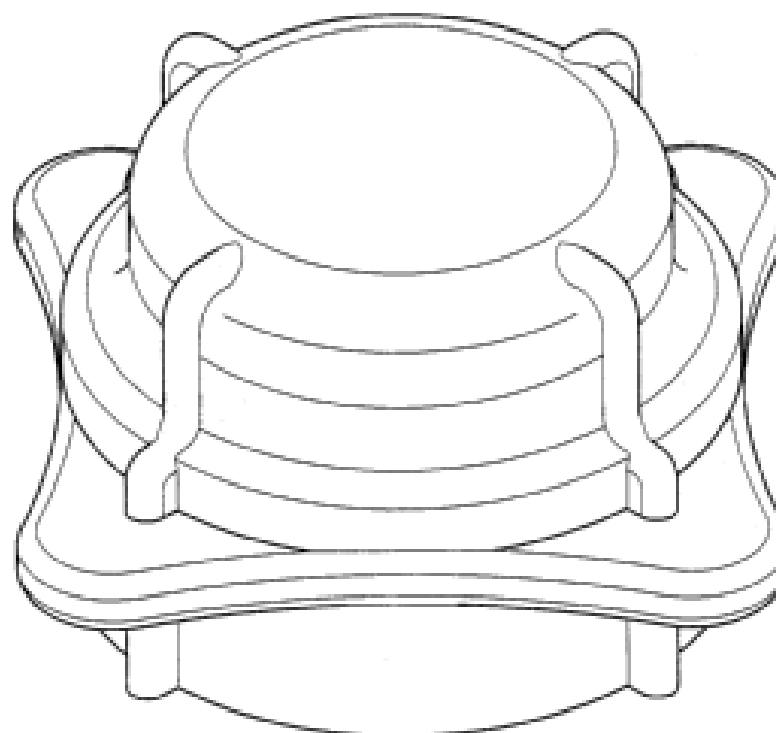
- (21) Design Number: **18247/2007**
- (22) Date of Filing Application: **01 June 2007**
- (24) Date from which industrial property rights may have effect: **01 June 2007**
- (54) Product in respect of which the design is registered: **"Show time" presentation rings**
- (51) International Design Classification: **07-04**
- (71) Name(s) and Address(s) of Applicant(s):  
**Harry Pourounidis**  
**C/- Bambis 1-9 Moreland Road East Coburg Victoria 3058 Australia**  
**Curtis Stone**  
**C/- Bambis 1-9 Moreland Road East Coburg Victoria 3058 Australia**
- (72) Name(s) of Designer(s): **Harry Pourounidis and Curtis Stone and Casey Williams**
- (45) Registration Date: **17 September 2007**
- (56) Related Art Documents: **Not Applicable**
- (57) Statement of Newness and Distinctiveness: **Nil**



- (21) Design Number: **18248/2007**
- (22) Date of Filing Application: **01 June 2007**
- (24) Date from which industrial property rights may have effect: **01 June 2007**
- (54) Product in respect of which the design is registered: **"Show time" tamper**
- (51) International Design Classification: **07-04**
- (71) Name(s) and Address(s) of Applicant(s):
  - Harry Pourounidis**
  - C/- Bambis 1-9 Moreland Road East Coburg Victoria 3058 Australia**
  - Curtis Stone**
  - C/- Bambis 1-9 Moreland Road East Coburg Victoria 3058 Australia**
- (72) Name(s) of Designer(s): **Harry Pourounidis and Curtis Stone and Casey Williams**
- (45) Registration Date: **17 September 2007**
- (56) Related Art Documents: **Not Applicable**
- (57) Statement of Newness and Distinctiveness: **Flat round base with tapered handle.**

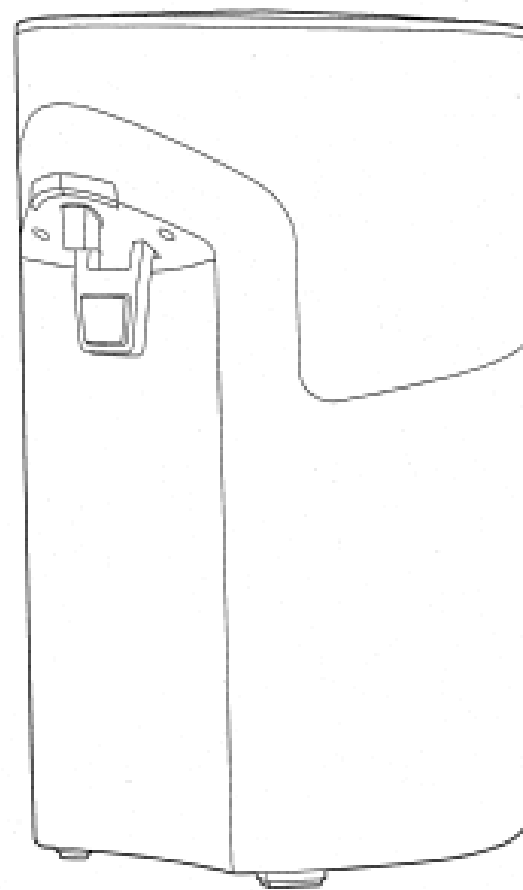


- (21) Design Number: **18422/2007**
- (22) Date of Filing Application: **14 June 2007**
- (24) Date from which industrial property rights may have effect: **14 June 2007**
- (54) Product in respect of which the design is registered: **Universal dialyzer cap**
- (51) International Design Classification: **24-02**
- (71) Name(s) and Address(s) of Applicant(s):
  - Fresenius Medical Care Holdings, Inc.**
  - 920 Winter Street Waltham MA 02451 United states of America**
- (72) Name(s) of Designer(s): **Jeffrey G. Jones**
- (45) Registration Date: **17 September 2007**
- (56) Related Art Documents: **Not Applicable**
- (57) Statement of Newness and Distinctiveness: **Nil**



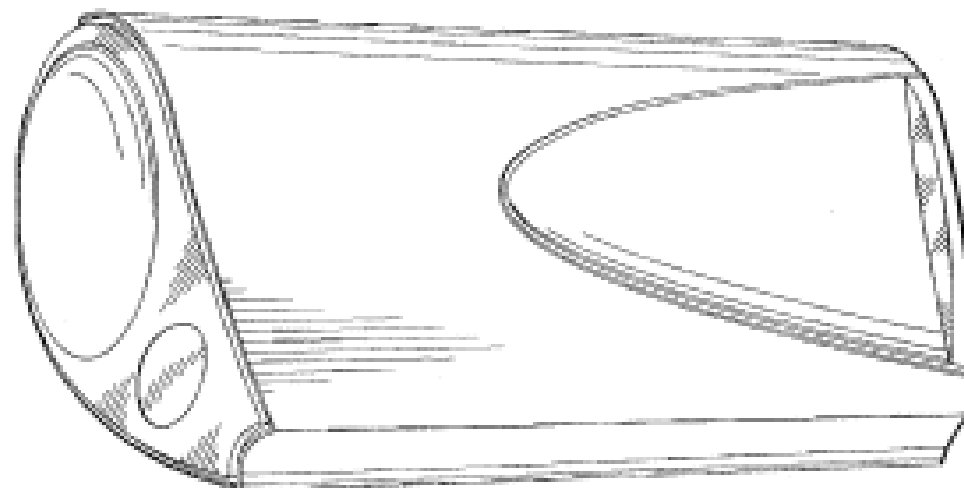


- (21) Design Number: **18784/2007**
- (22) Date of Filing Application: **10 July 2007**
- (24) Date from which industrial property rights may have effect: **10 July 2007**
- (54) Product in respect of which the design is registered: **Water dispenser**
- (51) International Design Classification: **23-01G**
- (71) Name(s) and Address(s) of Applicant(s):  
**Sunbeam Corporation Limited**  
**Units 5-6 13 Lord Street Botany New South Wales 2019 Australia**
- (72) Name(s) of Designer(s): **Tom Wilson**
- (45) Registration Date: **17 September 2007**
- (56) Related Art Documents: **Not Applicable**
- (57) Statement of Newness and Distinctiveness: **Newness and distinctiveness is claimed in the features of shape and/or configuration of a water dispenser as illustrated in the accompanying representations.**



- (21) Design Number: **18785/2007**
- (22) Date of Filing Application: **10 July 2007**
- (24) Date from which industrial property rights may have effect: **10 July 2007**
- (54) Product in respect of which the design is registered: **Air cleaner**
- (51) International Design Classification: **23-04**
- (71) Name(s) and Address(s) of Applicant(s):  
**Vornado Air, LLC**  
**415 East 13th Street Andover Kansas 67002 United States of America**
- (72) Name(s) of Designer(s): **Glen W. Ediger and Matthew L. Rice**
- (45) Registration Date: **17 September 2007**
- (30) Convention priority data:

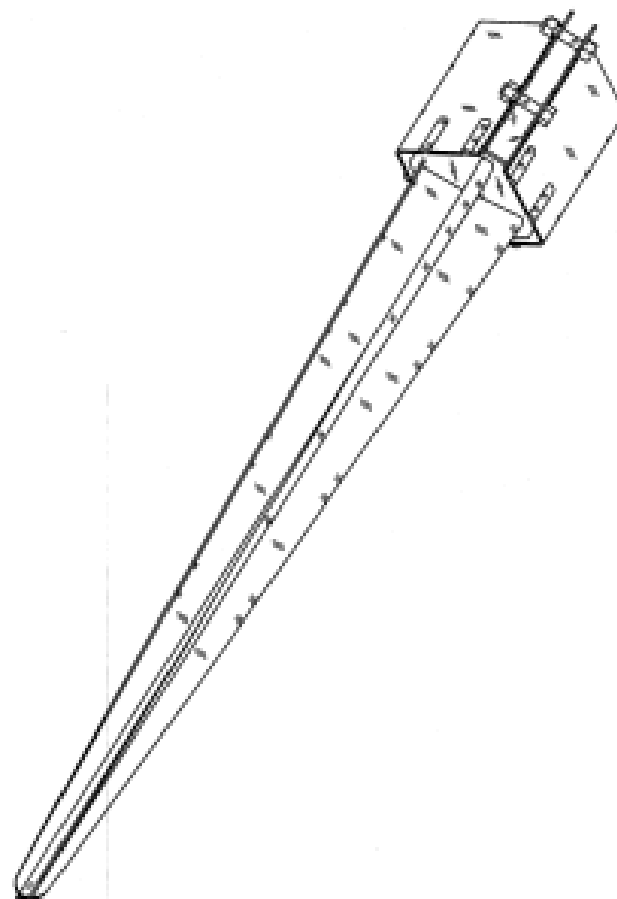
(31) Number	(32) Date	(33) Country
<b>29/271266</b>	<b>12 Jan 2007</b>	<b>UNITED STATES OF AMERICA</b>
- (56) Related Art Documents: **Not Applicable**
- (57) Statement of Newness and Distinctiveness: **Newness and distinctiveness is claimed in the shape and/or configuration of an air cleaner as shown in the accompanying representations.**



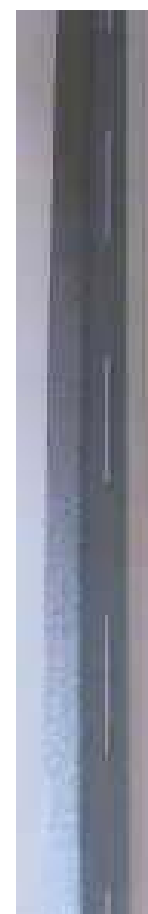
- (21) Design Number: **18788/2007**  
(22) Date of Filing Application: **11 July 2007**  
(24) Date from which industrial property rights may have effect: **11 July 2007**  
(54) Product in respect of which the design is registered: **A ground spike**  
(51) International Design Classification: **08-08K**  
(71) Name(s) and Address(s) of Applicant(s):  
**Peak Innovations Inc.**  
**Attn: IP Legal Dept 203-11782 Hammersmith Way Richmond BC V7A**  
**5E2 Canada**  
(72) Name(s) of Designer(s): **Simon Walker and Jianzhong Zhu**  
(45) Registration Date: **17 September 2007**  
(30) Convention priority data:  

(31) Number	(32) Date	(33) Country
<b>118185</b>	<b>10 Nov 2006</b>	<b>CANADA</b>

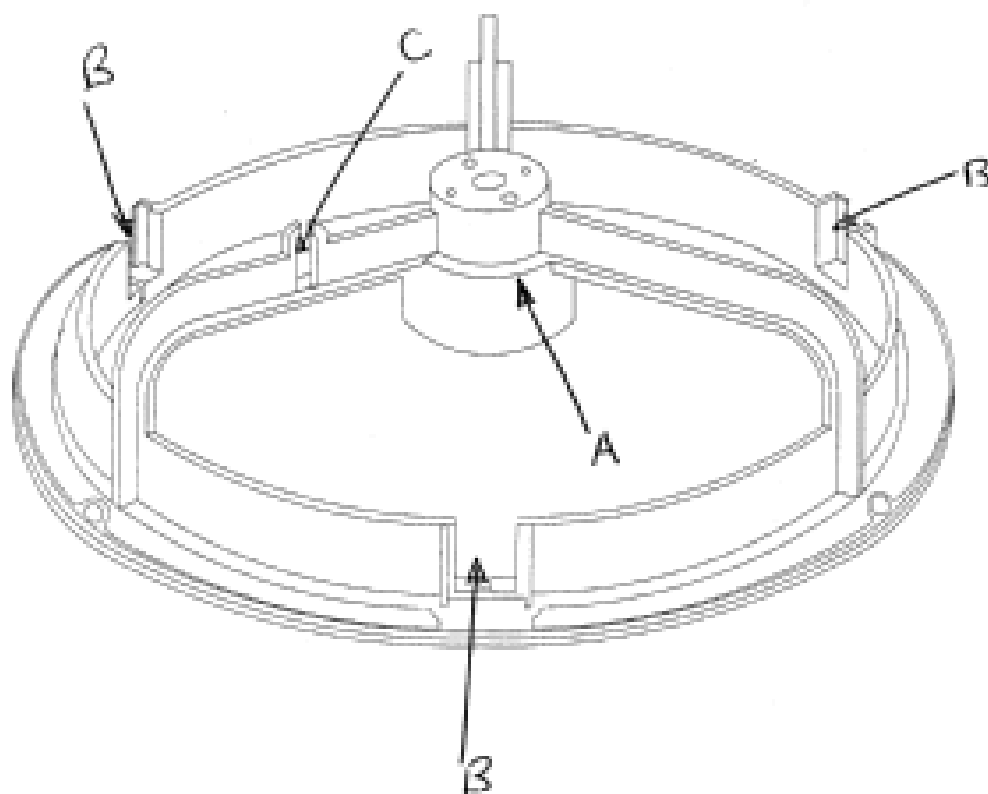
  
(56) Related Art Documents: **Not Applicable**  
(57) Statement of Newness and Distinctiveness: **The design consists of the features of shape, ornament, pattern and configuration of the entire ground spike shown in the drawings.**



- (21) Design Number: **18789/2007**  
(22) Date of Filing Application: **11 July 2007**  
(24) Date from which industrial property rights may have effect: **11 July 2007**  
(54) Product in respect of which the design is registered: **"Fast" fence railing**  
(51) International Design Classification: **25-02C**  
(71) Name(s) and Address(s) of Applicant(s):  
**Superior Steel Group Pty Ltd**  
**54 Godwin Street Bulimba Queensland 4171 Australia**  
(72) Name(s) of Designer(s): **Andrew Turnour**  
(45) Registration Date: **17 September 2007**  
(56) Related Art Documents: **Not Applicable**  
(57) Statement of Newness and Distinctiveness: **Monopoly and novelty reside in the shape and configuration of the metal slotted fence picket holder of indefinite length. The size, shape and location of holes will vary according to picket size.**



- (21) Design Number: **18791/2007**  
(22) Date of Filing Application: **11 July 2007**  
(24) Date from which industrial property rights may have effect: **11 July 2007**  
(54) Product in respect of which the design is registered: **Exhaust fan mounting duct**  
(51) International Design Classification: **23-04**  
(71) Name(s) and Address(s) of Applicant(s):  
**Arlec Australia Limited**  
**Maroondah Highway Mooroolbark Victoria 3138 Australia**  
(72) Name(s) of Designer(s): **Michael Nimmervoll and Monvids Puika**  
(45) Registration Date: **17 September 2007**  
(56) Related Art Documents: **Not Applicable**  
(57) Statement of Newness and Distinctiveness: **Newness and distinctiveness is claimed in the features of shape and configuration of the exhaust fan mounting duct shown in the representations but not including the following features: - the shape of the central tubular housing marked "A"; - the shape and configuration of the mounting slots marked "B"; - the shape and configuration of the cable mounting clip marked "C"; - the shape and configuration of the recess marked "D"; and the shape and configuration of zones marked "E" and beneath the mounting slots "B".**



- (21) Design Number: **18792/2007**  
(22) Date of Filing Application: **11 July 2007**  
(24) Date from which industrial property rights may have effect: **11 July 2007**  
(54) Product in respect of which the design is registered: **Handset**  
(51) International Design Classification: **14-03E**  
(71) Name(s) and Address(s) of Applicant(s):  
**Nokia Corporation**  
**Keilalahdentie 4 FIN-02150 Espoo Finland**  
(72) Name(s) of Designer(s): **Xiaoxi Shi**  
(45) Registration Date: **17 September 2007**  
(30) Convention priority data:  
(31) Number (32) Date (33) Country  
**M20070016 19 Jan 2007 FINLAND**  
(56) Related Art Documents: **Not Applicable**  
(57) Statement of Newness and Distinctiveness: **Nil**



(21) Design Number: **18793/2007**  
(22) Date of Filing Application: **11 July 2007**  
(24) Date from which industrial property rights may have effect: **11 July 2007**  
(54) Product in respect of which the design is registered: **Handset**  
(51) International Design Classification: **14-03E**  
(71) Name(s) and Address(s) of Applicant(s):

**Nokia Corporation**  
**Keilalahdentie 4 FIN-02150 Espoo Finland**

(72) Name(s) of Designer(s): **Chun-Wei Su**

(45) Registration Date: **17 September 2007**

(30) Convention priority data:

(31) Number	(32) Date	(33) Country
<b>M20070014</b>	<b>19 Jan 2007</b>	<b>FINLAND</b>

(56) Related Art Documents: **Not Applicable**

(57) Statement of Newness and Distinctiveness: **Nil**



(21) Design Number: **18676/2007**  
(22) Date of Filing Application: **03 July 2007**  
(24) Date from which industrial property rights may have effect: **03 July 2007**  
(54) Product in respect of which the design is registered: **Rotary growing frame - a frame**

(51) International Design Classification: **11-02B, 20-02E**

(71) Name(s) and Address(s) of Applicant(s):

**A & B Hydroponics International Pty Ltd**  
**1 Cudgen Road Cudgen New South Wales 2487 Australia**

(72) Name(s) of Designer(s): **Joe Agius**

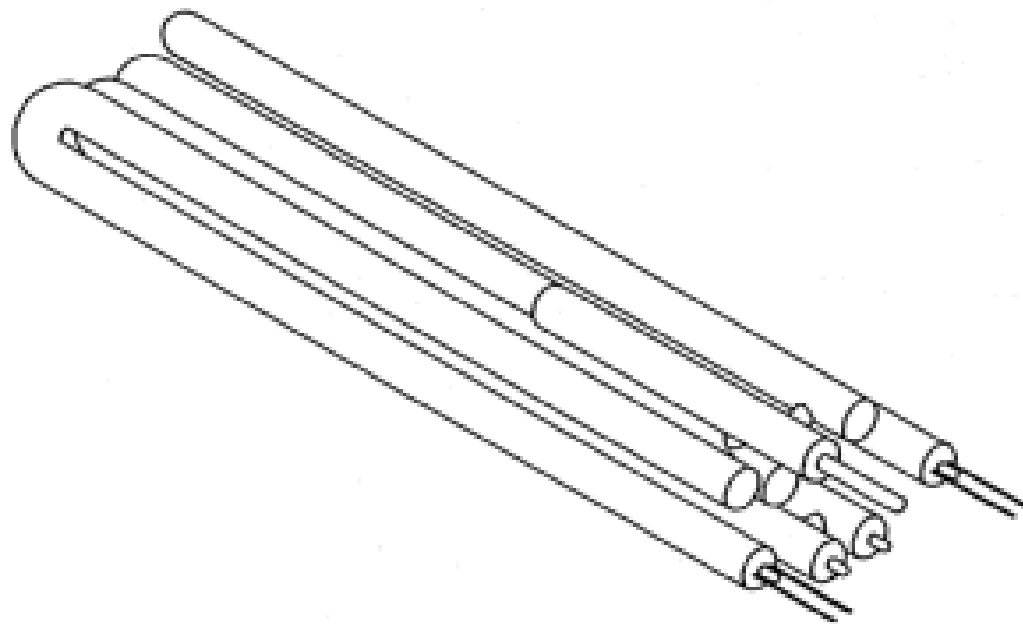
(45) Registration Date: **17 September 2007**

(56) Related Art Documents: **Not Applicable**

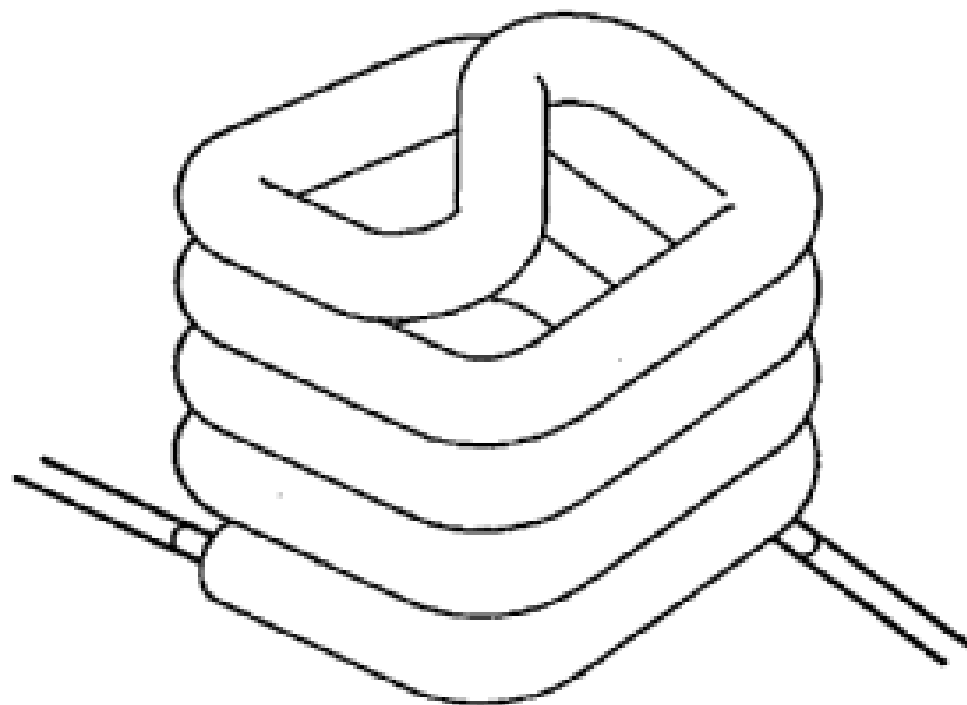
(57) Statement of Newness and Distinctiveness: **In considering the application, please disregard the troughs which are not part of the frame.**



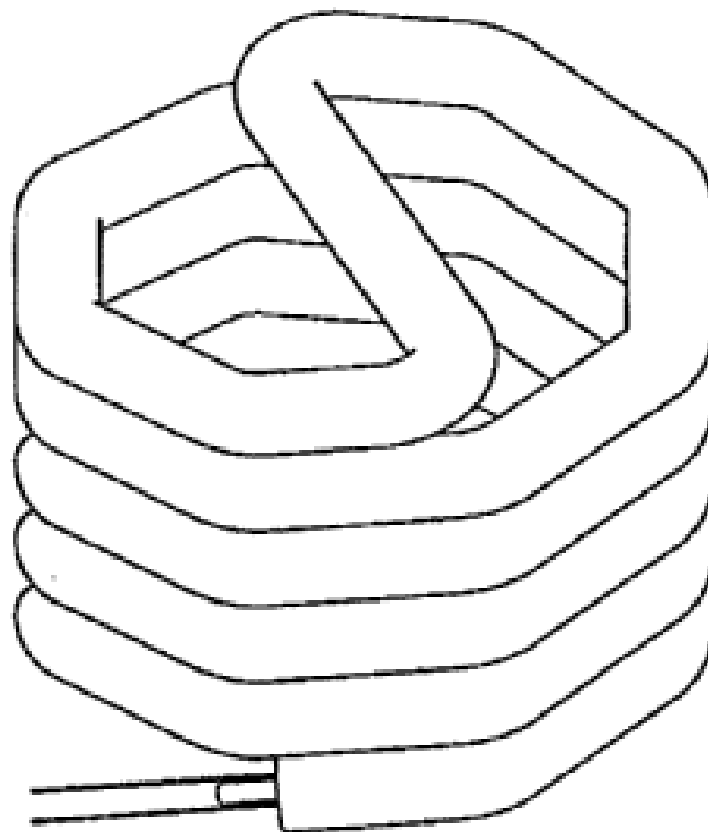
(21) Design Number: **18685/2007**  
(22) Date of Filing Application: **03 July 2007**  
(24) Date from which industrial property rights may have effect: **03 July 2007**  
(54) Product in respect of which the design is registered: **A fluorescent tube**  
(51) International Design Classification: **26-04**  
(71) Name(s) and Address(s) of Applicant(s):  
**Mass Technology (H.K.) Limited**  
**Room 2902-6 Tower 6 The Gateway 9 Canton Road Tsimshatsui**  
**Kowloon Hong Kong**  
(72) Name(s) of Designer(s): **Onn Fah Foo**  
(45) Registration Date: **17 September 2007**  
(30) Convention priority data:  
(31) Number      (32) Date      (33) Country  
**200730000901.1    08 Jan 2007      CHINA**  
(56) Related Art Documents: **Not Applicable**  
(57) Statement of Newness and Distinctiveness: **Nil**



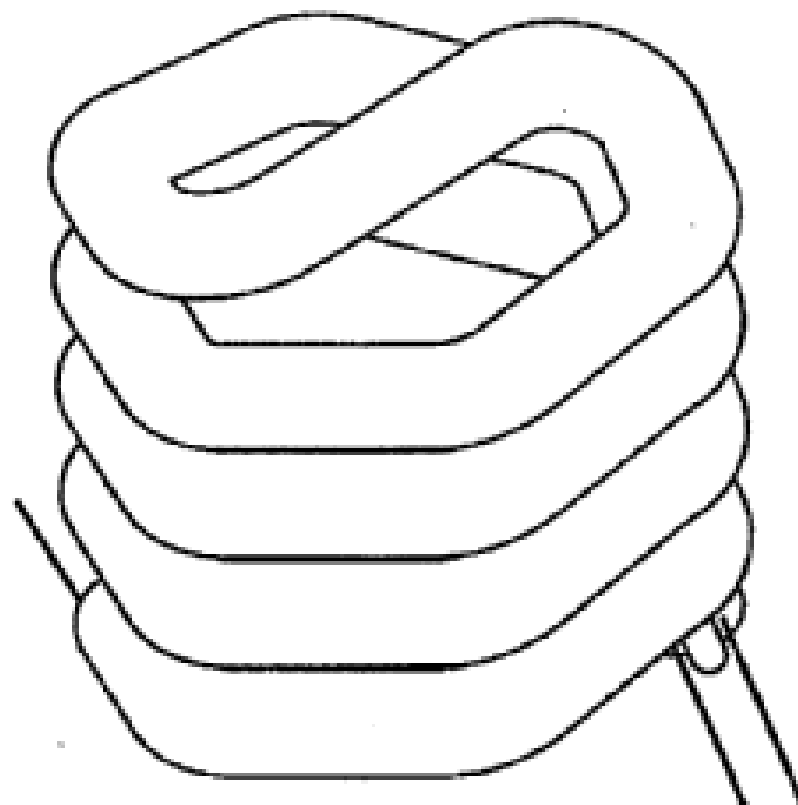
(21) Design Number: **18686/2007**  
(22) Date of Filing Application: **03 July 2007**  
(24) Date from which industrial property rights may have effect: **03 July 2007**  
(54) Product in respect of which the design is registered: **A fluorescent tube**  
(51) International Design Classification: **26-04**  
(71) Name(s) and Address(s) of Applicant(s):  
**Mass Technology (H.K.) Limited**  
**Room 2902-6 Tower 6 The Gateway 9 Canton Road Tsimshatsui**  
**Kowloon Hong Kong**  
(72) Name(s) of Designer(s): **Onn Fah Foo**  
(45) Registration Date: **17 September 2007**  
(30) Convention priority data:  
(31) Number      (32) Date      (33) Country  
**200730001135.0    09 Jan 2007      CHINA**  
(56) Related Art Documents: **Not Applicable**  
(57) Statement of Newness and Distinctiveness: **Nil**



(21) Design Number: **18687/2007**  
(22) Date of Filing Application: **03 July 2007**  
(24) Date from which industrial property rights may have effect: **03 July 2007**  
(54) Product in respect of which the design is registered: **A fluorescent tube**  
(51) International Design Classification: **26-04**  
(71) Name(s) and Address(s) of Applicant(s):  
**Mass Technology (H.K.) Limited**  
**Room 2902-6 Tower 6 The Gateway 9 Canton Road Tsimshatsui**  
**Kowloon Hong Kong**  
(72) Name(s) of Designer(s): **Onn Fah Foo**  
(45) Registration Date: **17 September 2007**  
(30) Convention priority data:  
(31) Number      (32) Date      (33) Country  
**200730001137.X    09 Jan 2007      CHINA**  
(56) Related Art Documents: **Not Applicable**  
(57) Statement of Newness and Distinctiveness: **Nil**



(21) Design Number: **18688/2007**  
(22) Date of Filing Application: **03 July 2007**  
(24) Date from which industrial property rights may have effect: **03 July 2007**  
(54) Product in respect of which the design is registered: **A fluorescent tube**  
(51) International Design Classification: **26-04**  
(71) Name(s) and Address(s) of Applicant(s):  
**Mass Technology (H.K.) Limited**  
**Room 2902-6 Tower 6 The Gateway 9 Canton Road Tsimshatsui**  
**Kowloon Hong Kong**  
(72) Name(s) of Designer(s): **Onn Fah Foo**  
(45) Registration Date: **17 September 2007**  
(30) Convention priority data:  
(31) Number      (32) Date      (33) Country  
**200730001136.5    09 Jan 2007      CHINA**  
(56) Related Art Documents: **Not Applicable**  
(57) Statement of Newness and Distinctiveness: **Nil**



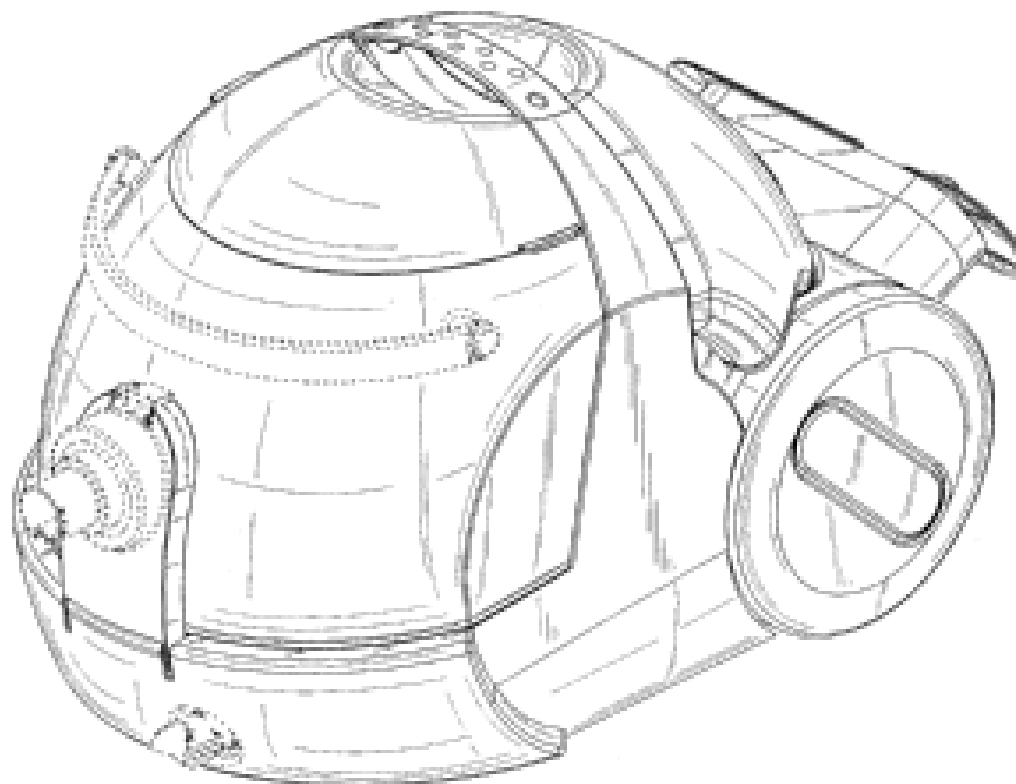
- (21) Design Number: **18690/2007**  
(22) Date of Filing Application: **03 July 2007**  
(24) Date from which industrial property rights may have effect: **03 July 2007**  
(54) Product in respect of which the design is registered: **Shoe sole**  
(51) International Design Classification: **02-04B**  
(71) Name(s) and Address(s) of Applicant(s):  
**The Rockport Company, LLC**  
**1895 J.W. Foster Boulevard Canton Massachusetts 02021 United States of America**  
(72) Name(s) of Designer(s): **Jason C Boie and John Deem and Arthur G Cintron**  
(45) Registration Date: **17 September 2007**  
(30) Convention priority data:  
(31) Number (32) Date (33) Country  
**29/275680 03 Jan 2007 UNITED STATES OF AMERICA**  
(56) Related Art Documents: **Not Applicable**  
(57) Statement of Newness and Distinctiveness: **Newness and distinctiveness is claimed in the area on the shoe sole between the heel and forefoot.**



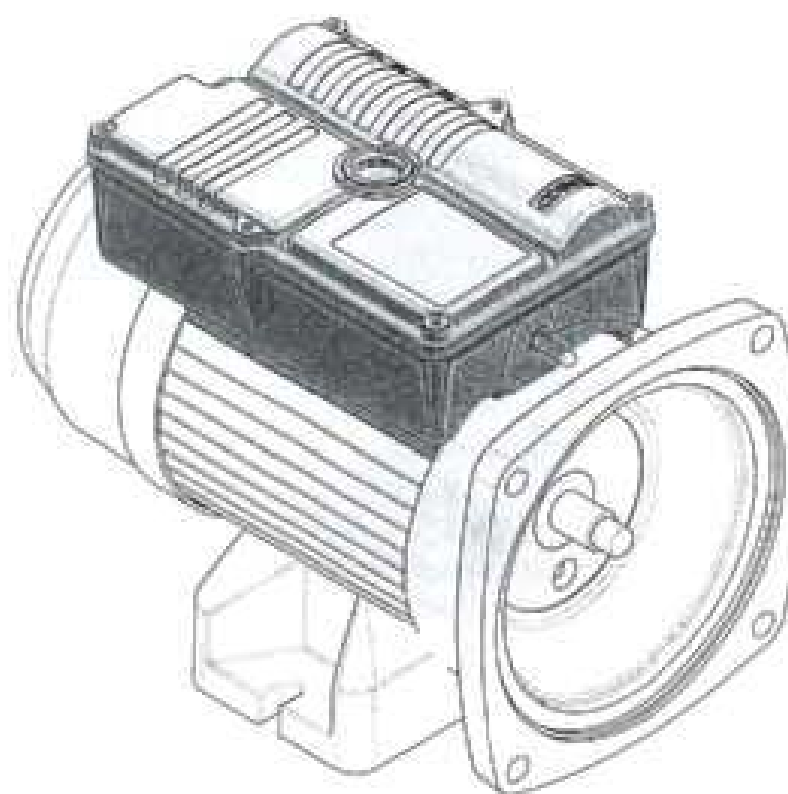
- (21) Design Number: **18691/2007**  
(22) Date of Filing Application: **03 July 2007**  
(24) Date from which industrial property rights may have effect: **03 July 2007**  
(54) Product in respect of which the design is registered: **Shoe sole**  
(51) International Design Classification: **02-04B**  
(71) Name(s) and Address(s) of Applicant(s):  
**The Rockport Company, LLC**  
**1895 J.W. Foster Boulevard Canton Massachusetts 02021 United States of America**  
(72) Name(s) of Designer(s): **Jason C Boie and John Deem and Arthur G Cintron**  
(45) Registration Date: **17 September 2007**  
(30) Convention priority data:  
(31) Number (32) Date (33) Country  
**29/275680 03 Jan 2007 UNITED STATES OF AMERICA**  
(56) Related Art Documents: **Not Applicable**  
(57) Statement of Newness and Distinctiveness: **Newness and distinctiveness is claimed in the area on the shoe sole between the heel and forefoot.**



- (21) Design Number: **18692/2007**  
(22) Date of Filing Application: **03 July 2007**  
(24) Date from which industrial property rights may have effect: **03 July 2007**  
(54) Product in respect of which the design is registered: **Vacuum cleaner canister**  
(51) International Design Classification: **15-05**  
(71) Name(s) and Address(s) of Applicant(s):  
**BISSELL Homecare, Inc.**  
**2345 Walker Avenue N.W. Grand Rapids Michigan 49544 United States of America**  
(72) Name(s) of Designer(s): **Jose Carlito Santiago and Douglas J. Medema**  
(45) Registration Date: **17 September 2007**  
(30) Convention priority data:  
(31) Number (32) Date (33) Country  
**29/277,782 09 Mar 2007 UNITED STATES OF AMERICA**  
(56) Related Art Documents: **Not Applicable**  
(57) Statement of Newness and Distinctiveness: **The shape and configuration of the product is new and distinctive. The features shown in dotted lines form no part of the design and should not be taken into consideration when considering the design as a whole.**



- (21) Design Number: **18693/2007**  
(22) Date of Filing Application: **03 July 2007**  
(24) Date from which industrial property rights may have effect: **03 July 2007**  
(54) Product in respect of which the design is registered: **Capacitor box**  
(51) International Design Classification: **13-03C**  
(71) Name(s) and Address(s) of Applicant(s):  
**Fasco Australia Pty Ltd**  
**1/14 Monterey Road Dandenong South Victoria 3175 Australia**  
(72) Name(s) of Designer(s): **Zbigniew Antoni Balchan**  
(45) Registration Date: **17 September 2007**  
(56) Related Art Documents: **Not Applicable**  
(57) Statement of Newness and Distinctiveness: **Newness and distinctiveness resides in the shape and configuration of a capacitor box as shown in the representations. The motor shown in the representations does not form part of the design.**

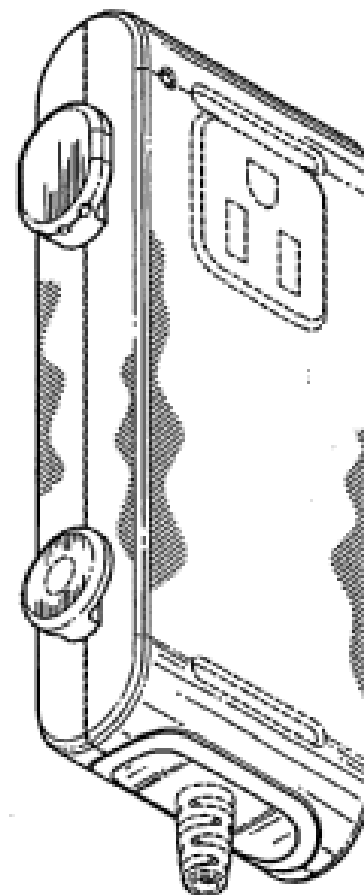




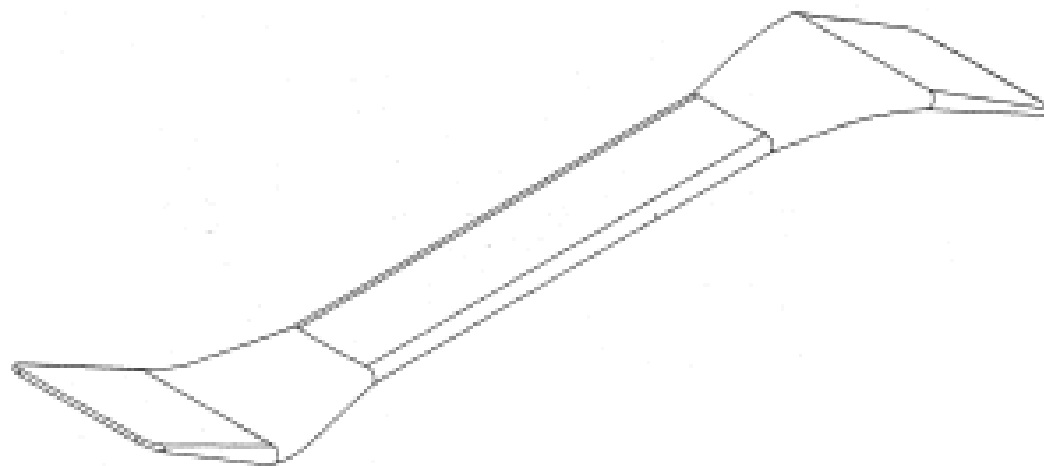
- (21) Design Number: **18694/2007**  
(22) Date of Filing Application: **03 July 2007**  
(24) Date from which industrial property rights may have effect: **03 July 2007**  
(54) Product in respect of which the design is registered: **Capacitor box**  
(51) International Design Classification: **13-03C**  
(71) Name(s) and Address(s) of Applicant(s):  
**Fasco Australia Pty Ltd**  
**1/14 Monterey Road Dandenong South Victoria 3175 Australia**  
(72) Name(s) of Designer(s): **Zbigniew Antoni Balchan**  
(45) Registration Date: **17 September 2007**  
(56) Related Art Documents: **Not Applicable**  
(57) Statement of Newness and Distinctiveness: **Newness and distinctiveness resides in the shape and configuration of a capacitor box as shown in the representations. The motor shown in the representations does not form part of the design.**



- (21) Design Number: **18700/2007**  
(22) Date of Filing Application: **04 July 2007**  
(24) Date from which industrial property rights may have effect: **04 July 2007**  
(54) Product in respect of which the design is registered: **Electrical component with alternating current output**  
(51) International Design Classification: **13-03NES**  
(71) Name(s) and Address(s) of Applicant(s):  
**Belkin International, Inc.**  
**501 W. Walnut Street Compton California 90220 United States of America**  
(72) Name(s) of Designer(s): **Barry Sween and Jie Wan and Vijendra Nalwad**  
(45) Registration Date: **17 September 2007**  
(30) Convention priority data:  
(31) Number (32) Date (33) Country  
**29/270899 05 Jan 2007 UNITED STATES OF AMERICA**  
(56) Related Art Documents: **Not Applicable**  
(57) Statement of Newness and Distinctiveness: **Newness and distinctiveness is claimed in the features of shape and/or configuration of an electrical component with alternating current output as illustrated in solid lines in the accompanying representations.**



- (21) Design Number: **19624/2007**  
(22) Date of Filing Application: **04 September 2007**  
(24) Date from which industrial property rights may have effect: **04 September 2007**  
(54) Product in respect of which the design is registered: **Tool**  
(51) International Design Classification: **08-05NES**  
(71) Name(s) and Address(s) of Applicant(s):  
**Donato (Danny) Arancio**  
**11 Angas Road Magill South Australia 5072 Australia**  
(72) Name(s) of Designer(s): **Donato Arancio**  
(45) Registration Date: **17 September 2007**  
(56) Related Art Documents: **Not Applicable**  
(57) Statement of Newness and Distinctiveness: **Nil**



- (21) Design Number: **17704/2007**  
(22) Date of Filing Application: **03 May 2007**  
(24) Date from which industrial property rights may have effect: **03 May 2007**  
(54) Product in respect of which the design is registered: **The Trapeze leg is a table leg used to create desking systems and table bases**  
(51) International Design Classification: **06-06E**  
(71) Name(s) and Address(s) of Applicant(s):  
**Thinking Ergonomix**  
**6A Childs Road Chipping Norton New South Wales 2170 Australia**  
(72) Name(s) of Designer(s): **Simon Duff**  
(45) Registration Date: **20 September 2007**  
(56) Related Art Documents: **Not Applicable**  
(57) Statement of Newness and Distinctiveness: **The shape of the Trapeze leg is the key distinctive feature of the design. The leg can be used in numerous configurations to suit any size or shape tabletop.**

(21) Design Number: **18082/2007**

(22) Date of Filing Application: **24 May 2007**

(24) Date from which industrial property rights may have effect: **24 May 2007**

(54) Product in respect of which the design is registered: **Roofing shoe**

(51) International Design Classification: **02-04B**

(71) Name(s) and Address(s) of Applicant(s):

**Arthur Pappas**

**C/- 79 Warrimoo Avenue St Ives New South Wales 2075 Australia**

(72) Name(s) of Designer(s): **Arthur Pappas**

(45) Registration Date: **20 September 2007**

(56) Related Art Documents: **Not Applicable**

(57) Statement of Newness and Distinctiveness: **The novelty of the shoe lies in the shape and configuration of the tread on the sole.**

(21) Design Number: **18837/2007**

(22) Date of Filing Application: **12 July 2007**

(24) Date from which industrial property rights may have effect: **12 July 2007**

(54) Product in respect of which the design is registered: **A post cap**

(51) International Design Classification: **25-01E**

(71) Name(s) and Address(s) of Applicant(s):

**Press Metal Aluminium (Australia) Pty Ltd**

**2/22 Eastern Service Stapylton Queensland 4207 Australia**

(72) Name(s) of Designer(s): **Graeme Charles Barton**

(45) Registration Date: **20 September 2007**

(56) Related Art Documents: **Not Applicable**

(57) Statement of Newness and Distinctiveness: **Nil**

(21) Design Number: **18838/2007**

(22) Date of Filing Application: **12 July 2007**

(24) Date from which industrial property rights may have effect: **12 July 2007**

(54) Product in respect of which the design is registered: **A handrail bracket**

(51) International Design Classification: **08-08NES**

(71) Name(s) and Address(s) of Applicant(s):

**Press Metal Aluminium (Australia) Pty Ltd**  
**2/22 Eastern Service Stapylton Queensland 4207 Australia**

(72) Name(s) of Designer(s): **Graeme Charles Barton**

(45) Registration Date: **20 September 2007**

(56) Related Art Documents: **Not Applicable**

(57) Statement of Newness and Distinctiveness: **Nil**

(21) Design Number: **18841/2007**

(22) Date of Filing Application: **12 July 2007**

(24) Date from which industrial property rights may have effect: **12 July 2007**

(54) Product in respect of which the design is registered: **Article of furniture**

(51) International Design Classification: **06-04F**

(71) Name(s) and Address(s) of Applicant(s):

**Islander Imports Pty Ltd**  
**177-181 Newton Road Wetherill Park New South Wales 2164 Australia**

(72) Name(s) of Designer(s): **Jim Godworth**

(45) Registration Date: **20 September 2007**

(56) Related Art Documents: **Not Applicable**

(57) Statement of Newness and Distinctiveness: **Nil**

- (21) Design Number: **18860/2007**  
(22) Date of Filing Application: **12 July 2007**  
(24) Date from which industrial property rights may have effect: **12 July 2007**  
(54) Product in respect of which the design is registered: **A metal section**  
(51) International Design Classification: **25-01K**  
(71) Name(s) and Address(s) of Applicant(s):  
    **Panel D (NZ) Limited**  
    **15 Quayline Close Pelican Waters Queensland 4551 Australia**  
(72) Name(s) of Designer(s): **Stuart Daniels**  
(45) Registration Date: **20 September 2007**  
(56) Related Art Documents: **Not Applicable**  
(57) Statement of Newness and Distinctiveness: **The newness and distinctiveness of the design resides in the shape and configuration of a metal section, of indefinite length and of indefinite width, as shown in the accompanying representations.**

- (21) Design Number: **18861/2007**  
(22) Date of Filing Application: **12 July 2007**  
(24) Date from which industrial property rights may have effect: **12 July 2007**  
(54) Product in respect of which the design is registered: **A metal section**  
(51) International Design Classification: **25-01K**  
(71) Name(s) and Address(s) of Applicant(s):  
    **Panel D (NZ) Limited**  
    **15 Quayline Close Pelican Waters Queensland 4551 Australia**  
(72) Name(s) of Designer(s): **Stuart Daniels**  
(45) Registration Date: **20 September 2007**  
(56) Related Art Documents: **Not Applicable**  
(57) Statement of Newness and Distinctiveness: **The newness and distinctiveness of the design resides in the shape and configuration of a metal section, of indefinite length and of constant cross-section throughout its length, shown in the accompanying representations.**

- (21) Design Number: **18862/2007**  
(22) Date of Filing Application: **12 July 2007**  
(24) Date from which industrial property rights may have effect: **12 July 2007**  
(54) Product in respect of which the design is registered: **Juice extractor**  
(51) International Design Classification: **31-00**  
(71) Name(s) and Address(s) of Applicant(s):  
    **Salton, Inc.**  
    **1955 Field Court Lake Forest IL 60045 United States of America**  
(72) Name(s) of Designer(s): **Guillaume Jean Since**  
(45) Registration Date: **20 September 2007**  
(56) Related Art Documents: **Not Applicable**  
(57) Statement of Newness and Distinctiveness: **Nil**

- (21) Design Number: **18865/2007**  
(22) Date of Filing Application: **12 July 2007**  
(24) Date from which industrial property rights may have effect: **12 July 2007**  
(54) Product in respect of which the design is registered: **A frame for a sign**  
(51) International Design Classification: **20-03C**  
(71) Name(s) and Address(s) of Applicant(s):  
    **Catalyst Engineering Pty Limited**  
    **23 Britton Street Smithfield New South Wales 2164 Australia**  
(72) Name(s) of Designer(s): **Terry Tizdale**  
(45) Registration Date: **20 September 2007**  
(56) Related Art Documents: **Not Applicable**  
(57) Statement of Newness and Distinctiveness: **Newness and distinctiveness is claimed in the features of shape and/or configuration of a frame for a sign as illustrated in the accompanying representations.**

(21) Design Number: **18866/2007**

(22) Date of Filing Application: **12 July 2007**

(24) Date from which industrial property rights may have effect: **12 July 2007**

(54) Product in respect of which the design is registered: **Drink dispenser**

(51) International Design Classification: **07-02L**

(71) Name(s) and Address(s) of Applicant(s):

**Sanyo Electric Co., Ltd.**

**5-5 Keihanondori 2-chome Moriguchi-shi Osaka 570-8677 Japan**

(72) Name(s) of Designer(s): **Katsuhiko Adachi**

(45) Registration Date: **20 September 2007**

(30) Convention priority data:

(31) Number	(32) Date	(33) Country
<b>2007-000705</b>	<b>17 Jan 2007</b>	<b>JAPAN</b>

(56) Related Art Documents: **Not Applicable**

(57) Statement of Newness and Distinctiveness: **Nil**

(21) Design Number: **18867/2007**

(22) Date of Filing Application: **12 July 2007**

(24) Date from which industrial property rights may have effect: **12 July 2007**

(54) Product in respect of which the design is registered: **Drink dispenser**

(51) International Design Classification: **07-02L**

(71) Name(s) and Address(s) of Applicant(s):

**Sanyo Electric Co., Ltd.**

**5-5 Keihanondori 2-chome Moriguchi-shi Osaka 570-8677 Japan**

(72) Name(s) of Designer(s): **Katsuhiko Adachi**

(45) Registration Date: **20 September 2007**

(30) Convention priority data:

(31) Number	(32) Date	(33) Country
<b>2007-000705</b>	<b>17 Jan 2007</b>	<b>JAPAN</b>

(56) Related Art Documents: **Not Applicable**

(57) Statement of Newness and Distinctiveness: **Nil**

(21) Design Number: **18868/2007**

(22) Date of Filing Application: **12 July 2007**

(24) Date from which industrial property rights may have effect: **12 July 2007**

(54) Product in respect of which the design is registered: **Drink dispenser**

(51) International Design Classification: **07-02L**

(71) Name(s) and Address(s) of Applicant(s):

**Sanyo Electric Co., Ltd.**

**5-5 Keihanondori 2-chome Moriguchi-shi Osaka 570-8677 Japan**

(72) Name(s) of Designer(s): **Katsuhiko Adachi**

(45) Registration Date: **20 September 2007**

(30) Convention priority data:

(31) Number	(32) Date	(33) Country
<b>2007-000705</b>	<b>17 Jan 2007</b>	<b>JAPAN</b>

(56) Related Art Documents: **Not Applicable**

(57) Statement of Newness and Distinctiveness: **Nil**

(21) Design Number: **18869/2007**

(22) Date of Filing Application: **12 July 2007**

(24) Date from which industrial property rights may have effect: **12 July 2007**

(54) Product in respect of which the design is registered: **Security screen**

(51) International Design Classification: **25-02B**

(71) Name(s) and Address(s) of Applicant(s):

**Dynamic Closures (Aust) Pty Ltd**

**58 Industrial Park Drive Lilydale Victoria 3140 Australia**

(72) Name(s) of Designer(s): **Rohan Forrester**

(45) Registration Date: **20 September 2007**

(56) Related Art Documents: **Not Applicable**

(57) Statement of Newness and Distinctiveness: **The shape, configuration, shape and configuration, pattern, ornamentation, pattern and ornamentation, of the designs are new and distinctive. The security panel is of indefinite length and constant width throughout its length.**



- (21) Design Number: **18870/2007**  
(22) Date of Filing Application: **12 July 2007**  
(24) Date from which industrial property rights may have effect: **12 July 2007**  
(54) Product in respect of which the design is registered: **Security screen**  
(51) International Design Classification: **25-02B**  
(71) Name(s) and Address(s) of Applicant(s):  
    **Dynamic Closures (Aust) Pty Ltd**  
    **58 Industrial Park Drive Lilydale Victoria 3140 Australia**  
(72) Name(s) of Designer(s): **Rohan Forrester**  
(45) Registration Date: **20 September 2007**  
(56) Related Art Documents: **Not Applicable**  
(57) Statement of Newness and Distinctiveness: **The shape, configuration, shape and configuration, pattern, ornamentation, pattern and ornamentation, of the designs are new and distinctive. The security panel is of indefinite length and constant width throughout its length.**

- (21) Design Number: **18871/2007**  
(22) Date of Filing Application: **12 July 2007**  
(24) Date from which industrial property rights may have effect: **12 July 2007**  
(54) Product in respect of which the design is registered: **Cleat for bed support**  
(51) International Design Classification: **06-06F**  
(71) Name(s) and Address(s) of Applicant(s):  
    **David Fealy**  
    **20 Fleet Street Somerton Victoria 3062 Australia**  
(72) Name(s) of Designer(s): **David Fealy**  
(45) Registration Date: **20 September 2007**  
(56) Related Art Documents: **Not Applicable**  
(57) Statement of Newness and Distinctiveness: **Newness and distinctiveness are claimed in the features of shape and/or configuration of a cleat for bed support, as illustrated in the accompanying representatives.**

- (21) Design Number: **18873/2007**  
(22) Date of Filing Application: **12 July 2007**  
(24) Date from which industrial property rights may have effect: **12 July 2007**  
(54) Product in respect of which the design is registered: **Deodorizing device**  
(51) International Design Classification: **12-16NES**  
(71) Name(s) and Address(s) of Applicant(s):  
**Fiat Auto S.p.A.**  
**Corso Giovanni Agnelli 200 I-10135 Torino Italy**  
(72) Name(s) of Designer(s): **Guido Bianco and Robert Giolito**  
(45) Registration Date: **20 September 2007**  
(30) Convention priority data:  

(31) Number	(32) Date	(33) Country
<b>000655063</b>	<b>19 Jan 2007</b>	<b>EUROPEAN COMMUNITY</b>

  
(56) Related Art Documents: **Not Applicable**  
(57) Statement of Newness and Distinctiveness: **Those features of the deodorizing device depicted in the representatons that are new and distinctive are the shape and/or configuration.**

- (21) Design Number: **18875/2007**  
(22) Date of Filing Application: **12 July 2007**  
(24) Date from which industrial property rights may have effect: **12 July 2007**  
(54) Product in respect of which the design is registered: **Chute**  
(51) International Design Classification: **25-02NES**  
(71) Name(s) and Address(s) of Applicant(s):  
**Dahlsheer Pty Limited**  
**21 Olive Grove Keysborough Victoria 3173 Australia**  
(72) Name(s) of Designer(s): **David Sheridan and Graeme Dahlstrom**  
(45) Registration Date: **20 September 2007**  
(56) Related Art Documents: **Not Applicable**  
(57) Statement of Newness and Distinctiveness: **Newness and distinctiveness resides in the features of shape and/or configuration of a discharge chute as shown in the accompanying representations.**

(21) Design Number: **18876/2007**

(22) Date of Filing Application: **12 July 2007**

(24) Date from which industrial property rights may have effect: **12 July 2007**

(54) Product in respect of which the design is registered: **Scraper power tool**

(51) International Design Classification: **08-05N**

(71) Name(s) and Address(s) of Applicant(s):

**GMCA Pty Ltd**

**45-55 South Centre Road Melbourne Airport Victoria 3045 Australia**

(72) Name(s) of Designer(s): **Michael Waldron**

(45) Registration Date: **20 September 2007**

(56) Related Art Documents: **Not Applicable**

(57) Statement of Newness and Distinctiveness: **Newness and distinctiveness reside in the shape and configuration of a scraper power tool as shown in the accompanying representations.**

(21) Design Number: **18891/2007**

(22) Date of Filing Application: **12 July 2007**

(24) Date from which industrial property rights may have effect: **12 July 2007**

(54) Product in respect of which the design is registered: **A post**

(51) International Design Classification: **25-02A**

(71) Name(s) and Address(s) of Applicant(s):

**Press Metal Aluminium (Australia) Pty Ltd**

**2/22 Eastern Service Stapylton Queensland 4207 Australia**

(72) Name(s) of Designer(s): **Graeme Charles Barton**

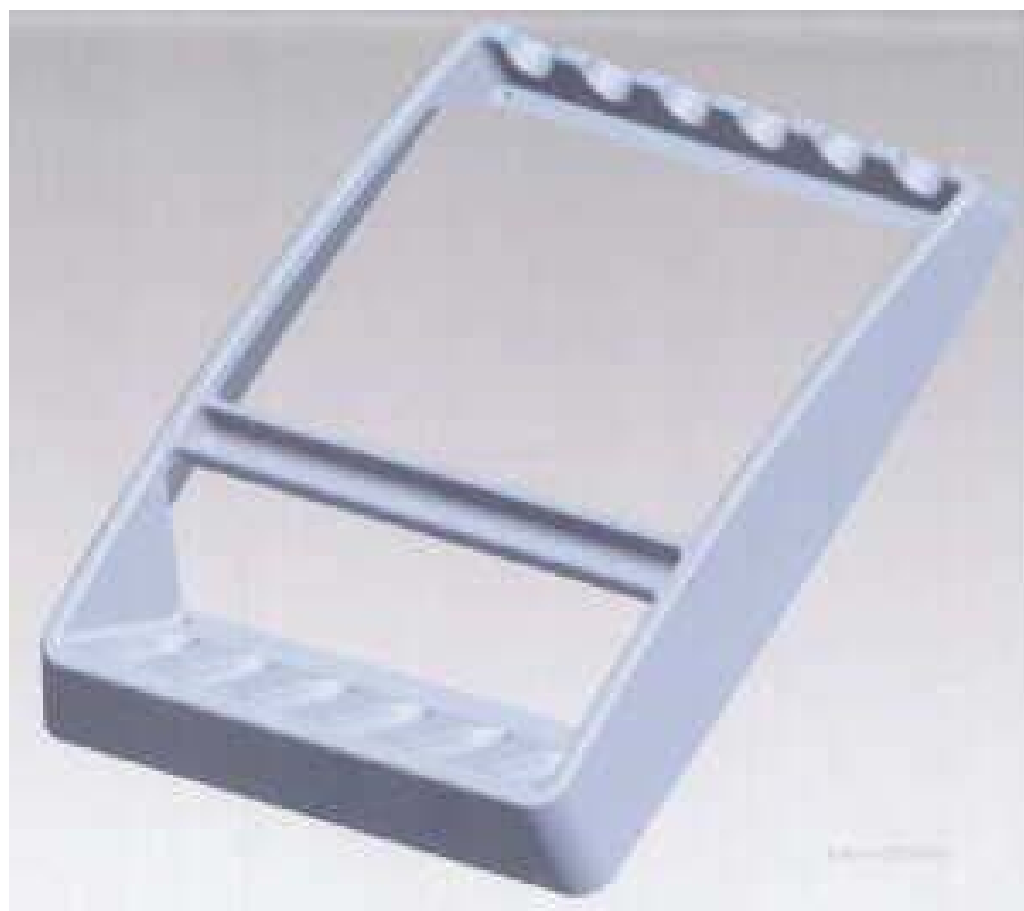
(45) Registration Date: **20 September 2007**

(56) Related Art Documents: **Not Applicable**

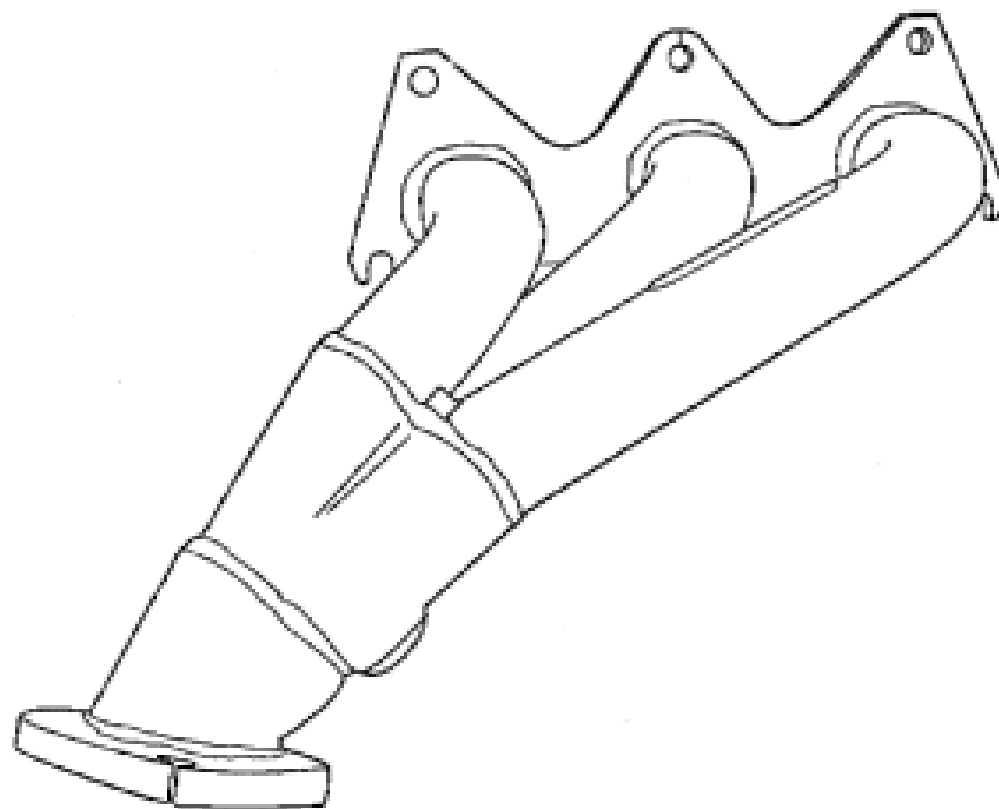
(57) Statement of Newness and Distinctiveness: **The post has constant cross section and indefinite length.**

- (21) Design Number: **19615/2007**  
(22) Date of Filing Application: **24 August 2007**  
(24) Date from which industrial property rights may have effect: **24 August 2007**  
(54) Product in respect of which the design is registered: **Montana bliss cosmetic container**  
(51) International Design Classification: **28-03NES**  
(71) Name(s) and Address(s) of Applicant(s):  
**Montana Bliss Pty Ltd**  
**49 Oakhill Avenue Reservoir Victoria 3073 Australia**  
(72) Name(s) of Designer(s): **Ari Gioskos and Nikki Gioskos**  
(45) Registration Date: **20 September 2007**  
(56) Related Art Documents: **Not Applicable**  
(57) Statement of Newness and Distinctiveness: **See attachment-drawing-MB-LGC-080407-1**

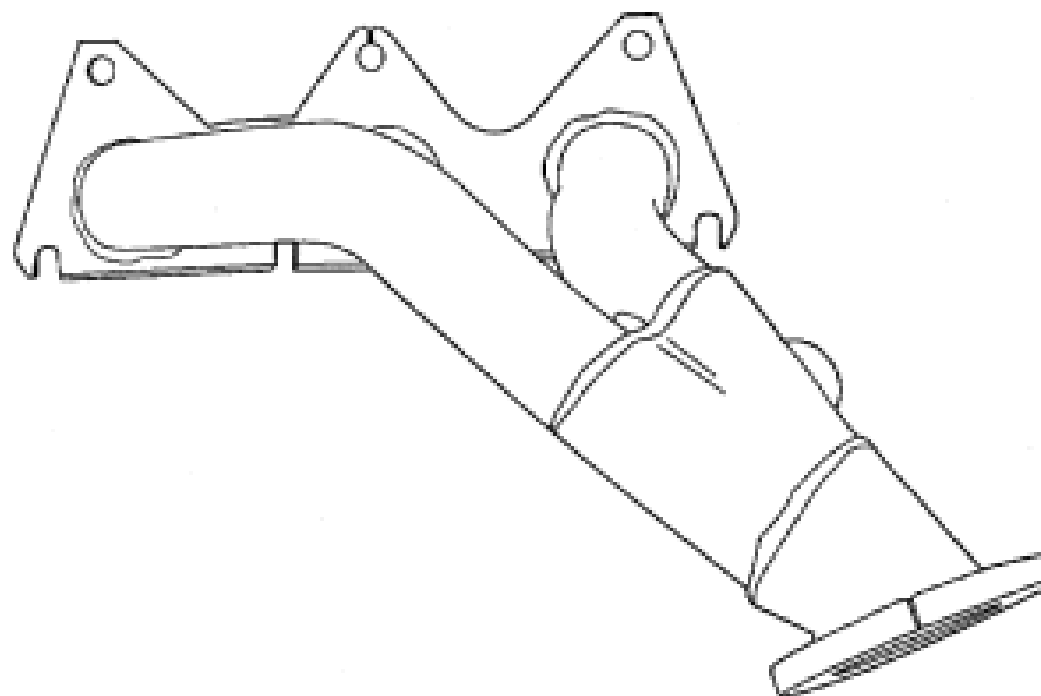
- (21) Design Number: **18743/2007**  
(22) Date of Filing Application: **09 July 2007**  
(24) Date from which industrial property rights may have effect: **09 July 2007**  
(54) Product in respect of which the design is registered: **Device for holding/storing/organising fishing rods, pool and snooker cues and other rod and tubular products. (typically**  
(51) International Design Classification: **06-04NES**  
(71) Name(s) and Address(s) of Applicant(s):  
**Andrew William Whittaker**  
**23 Reddie St Henley Beach SA 5022**  
**Andrew Paul Kumnick**  
**23 Reddie St Henley Beach SA 5022**  
**Giles Cameron McDonald**  
**23 Reddie St Henley Beach SA 5022**  
(72) Name(s) of Designer(s): **Giles McDonald and Andrew Kumnick and Andrew Whittaker**  
(45) Registration Date: **18 September 2007**  
(56) Related Art Documents: **Not Applicable**  
(57) Statement of Newness and Distinctiveness: **Nil**



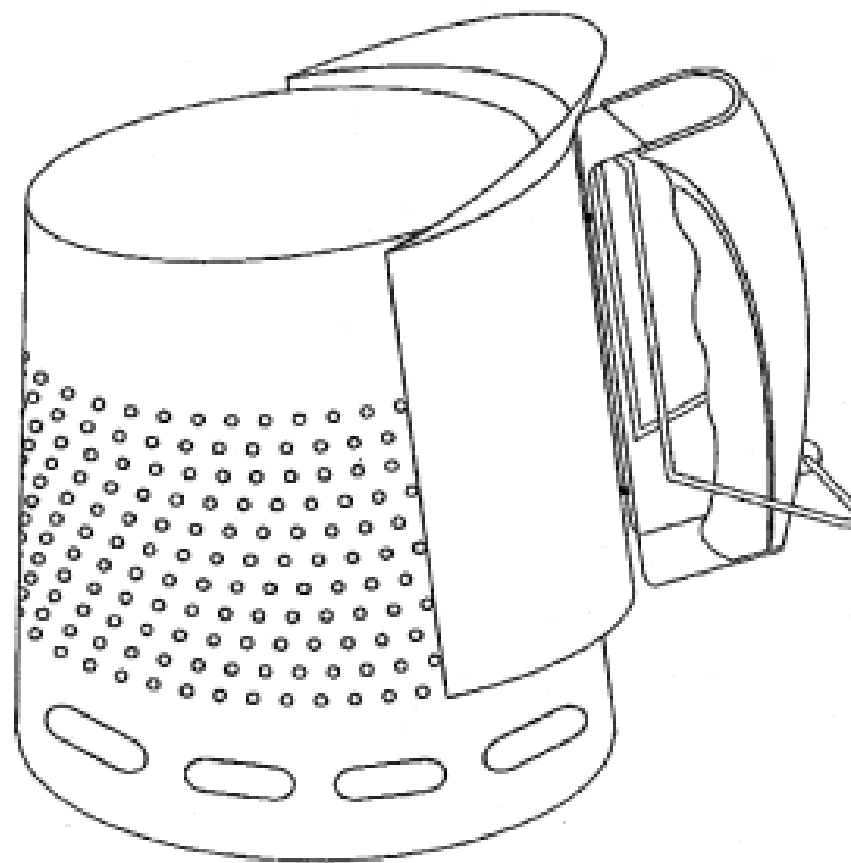
- (21) Design Number: **18880/2007**
- (22) Date of Filing Application: **13 July 2007**
- (24) Date from which industrial property rights may have effect: **13 July 2007**
- (54) Product in respect of which the design is registered: **An exhaust manifold**
- (51) International Design Classification: **12-16N**
- (71) Name(s) and Address(s) of Applicant(s):  
**Pacemaker Headers Pty Ltd**  
**6 Reese Avenue Richmond South Australia 5033 Australia**
- (72) Name(s) of Designer(s): **Michael Richter and Jason Macaitis**
- (45) Registration Date: **18 September 2007**
- (56) Related Art Documents: **Not Applicable**
- (57) Statement of Newness and Distinctiveness: **Nil**



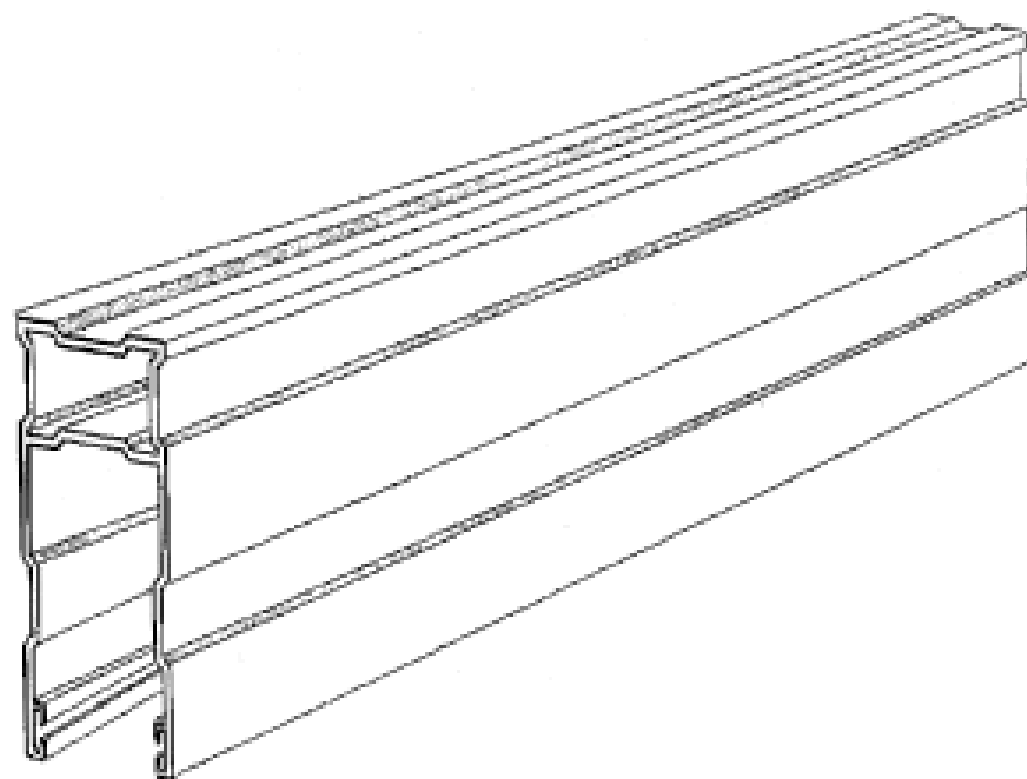
- (21) Design Number: **18881/2007**
- (22) Date of Filing Application: **13 July 2007**
- (24) Date from which industrial property rights may have effect: **13 July 2007**
- (54) Product in respect of which the design is registered: **An exhaust manifold**
- (51) International Design Classification: **12-16N**
- (71) Name(s) and Address(s) of Applicant(s):  
**Pacemaker Headers Pty Ltd**  
**6 Reese Avenue Richmond South Australia 5033 Australia**
- (72) Name(s) of Designer(s): **Michael Richter and Jason Macaitis**
- (45) Registration Date: **18 September 2007**
- (56) Related Art Documents: **Not Applicable**
- (57) Statement of Newness and Distinctiveness: **Nil**



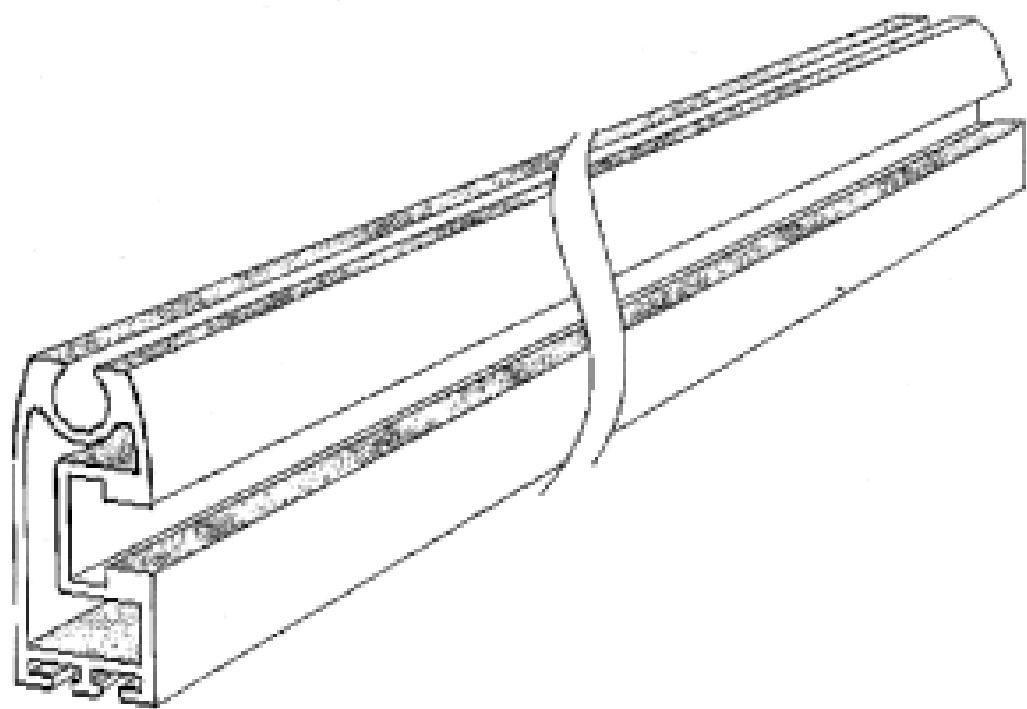
- (21) Design Number: **18882/2007**  
(22) Date of Filing Application: **13 July 2007**  
(24) Date from which industrial property rights may have effect: **13 July 2007**  
(54) Product in respect of which the design is registered: **Chimney charcoal starter**  
(51) International Design Classification: **25-02F**  
(71) Name(s) and Address(s) of Applicant(s):  
**Fritz Schur Consumer Products A/S**  
**Esplanaden 40 DK-1263 Copenhagen K Denmark**  
(72) Name(s) of Designer(s): **Per C. Korsmoe**  
(45) Registration Date: **18 September 2007**  
(56) Related Art Documents: **Not Applicable**  
(57) Statement of Newness and Distinctiveness: **Nil**



- (21) Design Number: **18883/2007**  
(22) Date of Filing Application: **13 July 2007**  
(24) Date from which industrial property rights may have effect: **13 July 2007**  
(54) Product in respect of which the design is registered: **Patio and veranda blinds**  
(51) International Design Classification: **25-02H**  
(71) Name(s) and Address(s) of Applicant(s):  
**Peter Dennis Monkhouse**  
**84 Addison Avenue Athelstone South Australia 5076 Australia**  
(72) Name(s) of Designer(s): **Peter Dennis Monkhouse**  
(45) Registration Date: **18 September 2007**  
(56) Related Art Documents: **Not Applicable**  
(57) Statement of Newness and Distinctiveness: **Distinctive X profile of boxed section to allow fixing on curved surfaces and the long recessed profile on the front and rear face of "C" section adding strength.**



- (21) Design Number: **18884/2007**  
(22) Date of Filing Application: **13 July 2007**  
(24) Date from which industrial property rights may have effect: **13 July 2007**  
(54) Product in respect of which the design is registered: **Patio and veranda blinds**  
(51) International Design Classification: **25-02H**  
(71) Name(s) and Address(s) of Applicant(s):  
**Peter Dennis Monkhouse**  
**84 Addison Avenue Athelstone South Australia 5076 Australia**  
(72) Name(s) of Designer(s): **Peter Dennis Monkhouse**  
(45) Registration Date: **18 September 2007**  
(56) Related Art Documents: **Not Applicable**  
(57) Statement of Newness and Distinctiveness: **Parallel receptacles in close proximity for application of weather strip and reinforced open channel on front face.**



- (21) Design Number: **18885/2007**  
(22) Date of Filing Application: **16 July 2007**  
(24) Date from which industrial property rights may have effect: **16 July 2007**  
(54) Product in respect of which the design is registered: **Golf practice net**  
(51) International Design Classification: **21-02C**  
(71) Name(s) and Address(s) of Applicant(s):  
**John Harold Crossley**  
**197 Kissing Point Road Turramurra New South Wales 2074 Australia**  
(72) Name(s) of Designer(s): **John Harold Crossley**  
(45) Registration Date: **18 September 2007**  
(56) Related Art Documents: **Not Applicable**  
(57) Statement of Newness and Distinctiveness: **In consideration of the newness and distinctiveness of the design regard should be given to the arch shaped front opening, the verticality of the front opening and the small size of the overall net (1 to 1.5 metres wide).**



- (21) Design Number: **18887/2007**  
(22) Date of Filing Application: **16 July 2007**  
(24) Date from which industrial property rights may have effect: **16 July 2007**  
(54) Product in respect of which the design is registered: **Fitted baby nappy**  
(51) International Design Classification: **02-01B**  
(71) Name(s) and Address(s) of Applicant(s):

**Sue McLachlan**  
**PO Box 73 North Maitland New South Wales 2320 Australia**

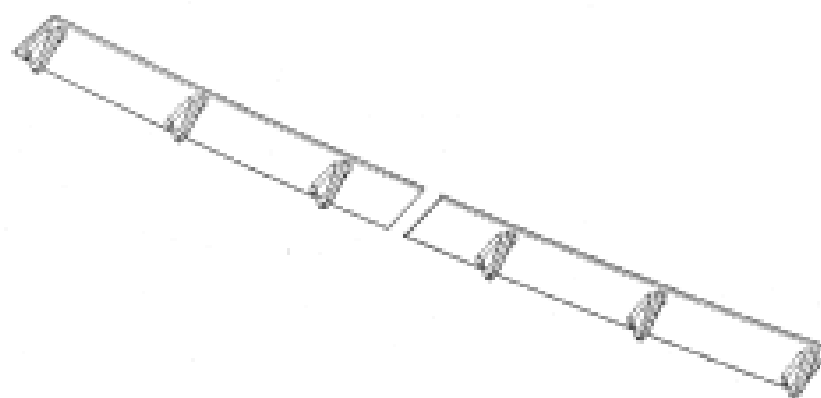
- (72) Name(s) of Designer(s): **Sue McLachlan**  
(45) Registration Date: **18 September 2007**  
(56) Related Art Documents: **Not Applicable**  
(57) Statement of Newness and Distinctiveness: **A trim fitted nappy for babies/toddlers featuring a unique arrangement of snap in boosters, which can allow for the absorbency to be adjusted for boys and girls. Boosters have colour coded snaps for easy assembly. Different fabric combinations allow for further absorbency adjustability.**



- (21) Design Number: **18888/2007**  
(22) Date of Filing Application: **16 July 2007**  
(24) Date from which industrial property rights may have effect: **16 July 2007**  
(54) Product in respect of which the design is registered: **Vortex deflector**  
(51) International Design Classification: **12-16B**  
(71) Name(s) and Address(s) of Applicant(s):

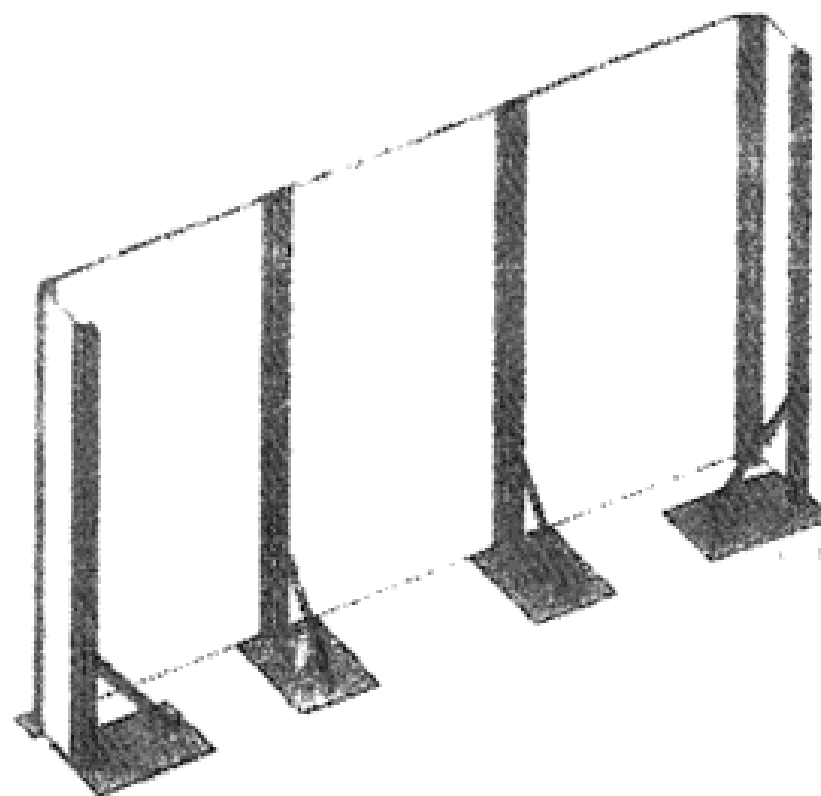
**Bellnet Pty Ltd**  
**1/76 Blanck Street Ormeau Queensland 4208 Australia**

- (72) Name(s) of Designer(s): **Kevin Hoverd**  
(45) Registration Date: **18 September 2007**  
(56) Related Art Documents: **Not Applicable**  
(57) Statement of Newness and Distinctiveness: **Nil**



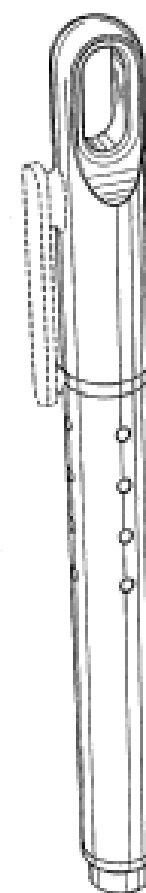


- (21) Design Number: **18890/2007**
- (22) Date of Filing Application: **16 July 2007**
- (24) Date from which industrial property rights may have effect: **16 July 2007**
- (54) Product in respect of which the design is registered: **Modular hoarding system**
- (51) International Design Classification: **25-02C**
- (71) Name(s) and Address(s) of Applicant(s):  
**Hoardings Australia Pty Ltd**  
**PO Box 626 Sumner Park Queensland 4074 Australia**
- (72) Name(s) of Designer(s): **Matthew James Dillman and Anthony Buckley**
- (45) Registration Date: **18 September 2007**
- (56) Related Art Documents: **Not Applicable**



(57) Statement of Newness and Distinctiveness: **The design the subject of this application is a modular hoarding system designed primarily for use in shopping centers, foyers and other indoor environments. The design is "new" and "distinctive" because, unlike conventional hoardings: 1. The design is easily able to be adapted to be fit into any space in its intended environment, including spaces with un-even contours and surfaces. 2. The design is also able to be adapted for use in different contexts, and to suit the specific requirements of its user. For example the design can be adapted to form a temporary change-room facility. 3. The exterior side of the design has a finished and manicured appearance like that of a modern finished wall, giving it the ability to be used in a wide range of applications. Accordingly, the design causes very little aesthetic offence. 4. The design is a completely freestanding system that is able to be assembled in a very short period of time, which reduces the amount of building materials required and maximises space. 5. The design's central basis is an aluminium mullion with a base plate, which operates on the canter lever weight system. The different angles and variations are achieved by using aluminium joining extrusions. The Australian standard force diagram applies to forces exerted on both sides of the hoarding. 6. Extensive research has been conducted on the design and the designers have found no evidence of any similar design. The designers are not aware of any similar design being used in Australia.**

- (21) Design Number: **18892/2007**
- (22) Date of Filing Application: **13 July 2007**
- (24) Date from which industrial property rights may have effect: **13 July 2007**
- (54) Product in respect of which the design is registered: **Marker with cap**
- (51) International Design Classification: **19-06**
- (71) Name(s) and Address(s) of Applicant(s):  
**OMX, Inc.**  
**101 Convention Center Drive Suite 850 Las Vegas Nevada 89109**  
**United States of America**
- (72) Name(s) of Designer(s): **Scott Ternovits and Brian Brigham**
- (45) Registration Date: **18 September 2007**



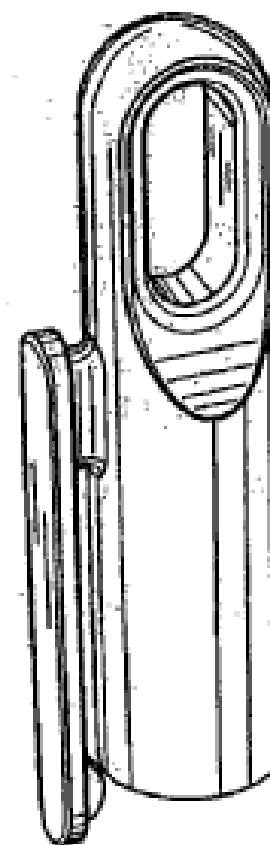
- (30) Convention priority data:
 

(31) Number	(32) Date	(33) Country
<b>29/272921</b>	<b>20 Feb 2007</b>	<b>UNITED STATES OF AMERICA</b>
- (56) Related Art Documents: **Not Applicable**
- (57) Statement of Newness and Distinctiveness: **Newness and distinctiveness is claimed in those features of shape and/or configuration of a marker with cap illustrated in continuous lines in the accompanying representations.**

(19) AU

- (21) Design Number: **18893/2007**
- (22) Date of Filing Application: **13 July 2007**
- (24) Date from which industrial property rights may have effect: **13 July 2007**
- (54) Product in respect of which the design is registered: **Cap for marker**
- (51) International Design Classification: **19-06**
- (71) Name(s) and Address(s) of Applicant(s):  
**OMX, Inc.**  
**101 Convention Center Drive Suite 850 Las Vegas Nevada 89109**  
**United States of America**
- (72) Name(s) of Designer(s): **Scott Ternovits and Brian Brigham**
- (45) Registration Date: **18 September 2007**
- (30) Convention priority data:  

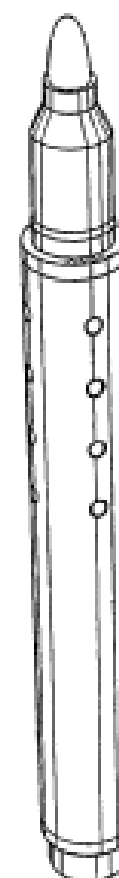
(31) Number	(32) Date	(33) Country
<b>29/272914</b>	<b>20 Feb 2007</b>	<b>UNITED STATES OF AMERICA</b>
- (56) Related Art Documents: **Not Applicable**
- (57) Statement of Newness and Distinctiveness: **Newness and distinctiveness is claimed in the features of shape and/or configuration of a cap for marker as illustrated in the accompanying representations.**



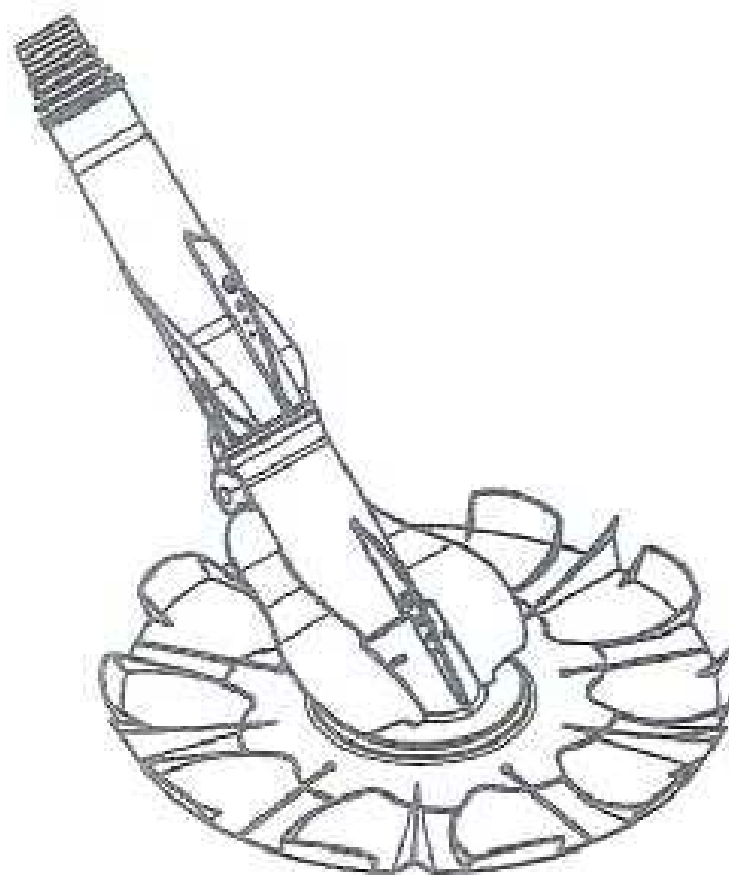
(19) AU

- (21) Design Number: **18894/2007**
- (22) Date of Filing Application: **13 July 2007**
- (24) Date from which industrial property rights may have effect: **13 July 2007**
- (54) Product in respect of which the design is registered: **Marker**
- (51) International Design Classification: **19-06**
- (71) Name(s) and Address(s) of Applicant(s):  
**OMX, Inc.**  
**101 Convention Center Drive Suite 850 Las Vegas Nevada 89109**  
**United States of America**
- (72) Name(s) of Designer(s): **Scott Ternovits and Brian Brigham**
- (45) Registration Date: **18 September 2007**
- (30) Convention priority data:  

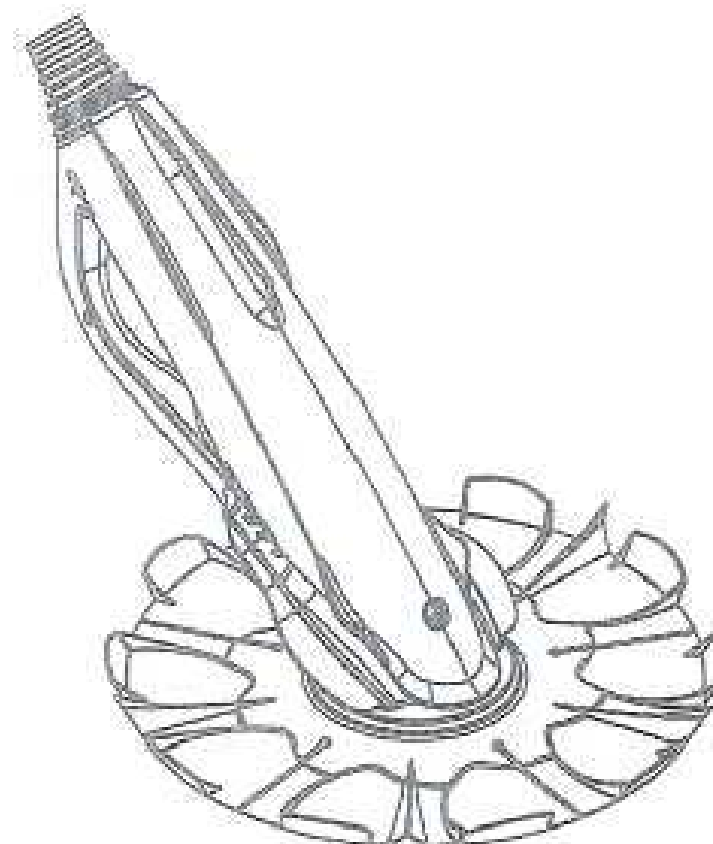
(31) Number	(32) Date	(33) Country
<b>29/272916</b>	<b>20 Feb 2007</b>	<b>UNITED STATES OF AMERICA</b>
- (56) Related Art Documents: **Not Applicable**
- (57) Statement of Newness and Distinctiveness: **Newness and distinctiveness is claimed in those features of shape and/or configuration of a marker illustrated in continuous lines in the accompanying representations.**



- (21) Design Number: **18895/2007**  
(22) Date of Filing Application: **13 July 2007**  
(24) Date from which industrial property rights may have effect: **13 July 2007**  
(54) Product in respect of which the design is registered: **A vacuum cleaner for a swimming pool**  
(51) International Design Classification: **15-05**  
(71) Name(s) and Address(s) of Applicant(s):  
**PONTOON, Simplified Capital Company**  
**150 route de Compiègne 0220 Pommiers France**  
(72) Name(s) of Designer(s): **Jacques-Alexandre Habif and Marc Idoine**  
(45) Registration Date: **18 September 2007**  
(30) Convention priority data:  
(31) Number      (32) Date      (33) Country  
**07 0136      15 Jan 2007      FRANCE**  
(56) Related Art Documents: **Not Applicable**  
(57) Statement of Newness and Distinctiveness: **Newness and distinctiveness resides in the features of shape and/or configuration of a vacuum cleaner for a swimming pool as illustrated in the accompanying representations.**

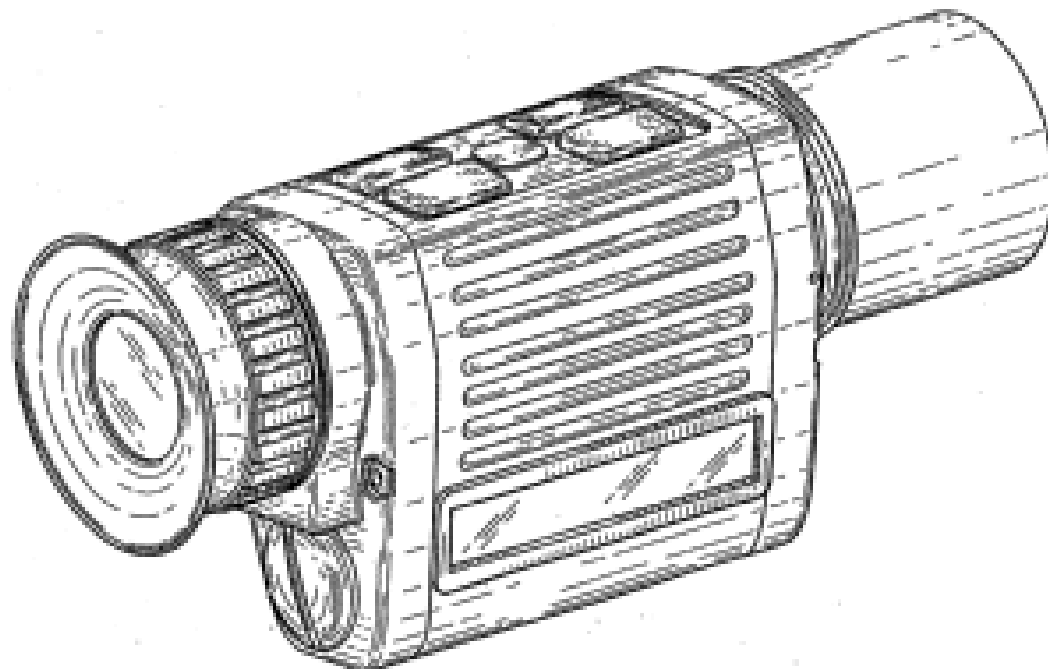


- (21) Design Number: **18896/2007**  
(22) Date of Filing Application: **13 July 2007**  
(24) Date from which industrial property rights may have effect: **13 July 2007**  
(54) Product in respect of which the design is registered: **A vacuum cleaner for a swimming pool**  
(51) International Design Classification: **15-05**  
(71) Name(s) and Address(s) of Applicant(s):  
**PONTOON, Simplified Capital Company**  
**150 route de Compiègne 0220 Pommiers France**  
(72) Name(s) of Designer(s): **Jacques-Alexandre Habif and Marc Idoine**  
(45) Registration Date: **18 September 2007**  
(30) Convention priority data:  
(31) Number      (32) Date      (33) Country  
**07 0136      15 Jan 2007      FRANCE**  
(56) Related Art Documents: **Not Applicable**  
(57) Statement of Newness and Distinctiveness: **Newness and distinctiveness resides in the features of shape and/or configuration of a vacuum cleaner for a swimming pool as illustrated in the accompanying representations.**



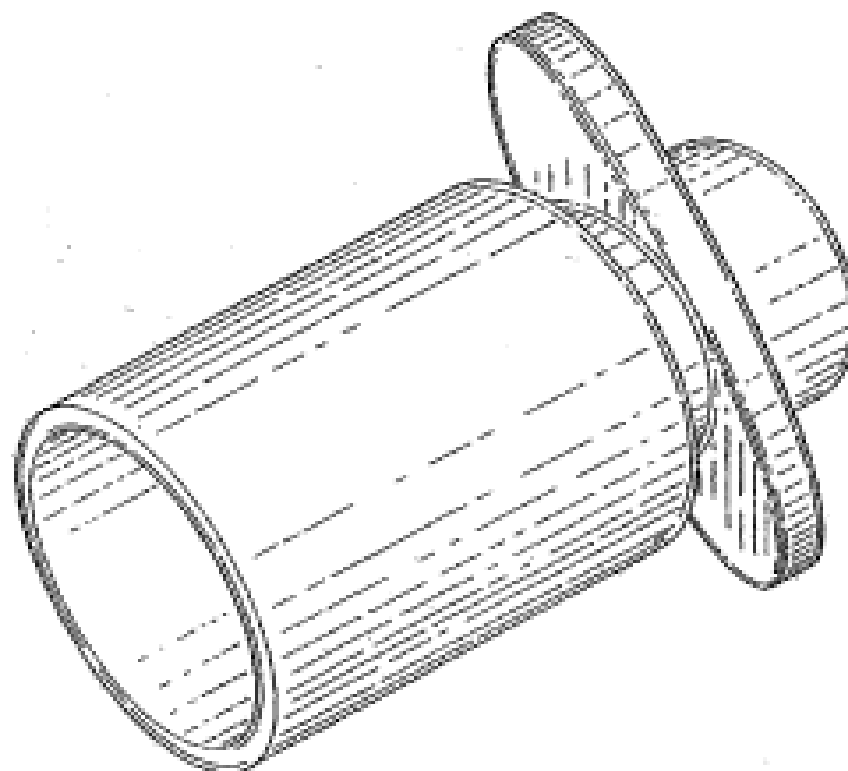
(19) AU

(21) Design Number: **18897/2007**  
(22) Date of Filing Application: **13 July 2007**  
(24) Date from which industrial property rights may have effect: **13 July 2007**  
(54) Product in respect of which the design is registered: **Low-light viewing device**  
(51) International Design Classification: **16-06**  
(71) Name(s) and Address(s) of Applicant(s):  
**Xenonics Holdings, Inc.**  
**2236 Rutherford Road Suite 123 Carlsbad California 92008 United States of America**  
(72) Name(s) of Designer(s): **Gary Palmer**  
(45) Registration Date: **18 September 2007**  
(30) Convention priority data:  
(31) Number (32) Date (33) Country  
**29/271334 16 Jan 2007 UNITED STATES OF AMERICA**  
(56) Related Art Documents: **Not Applicable**  
(57) Statement of Newness and Distinctiveness: **Nil**



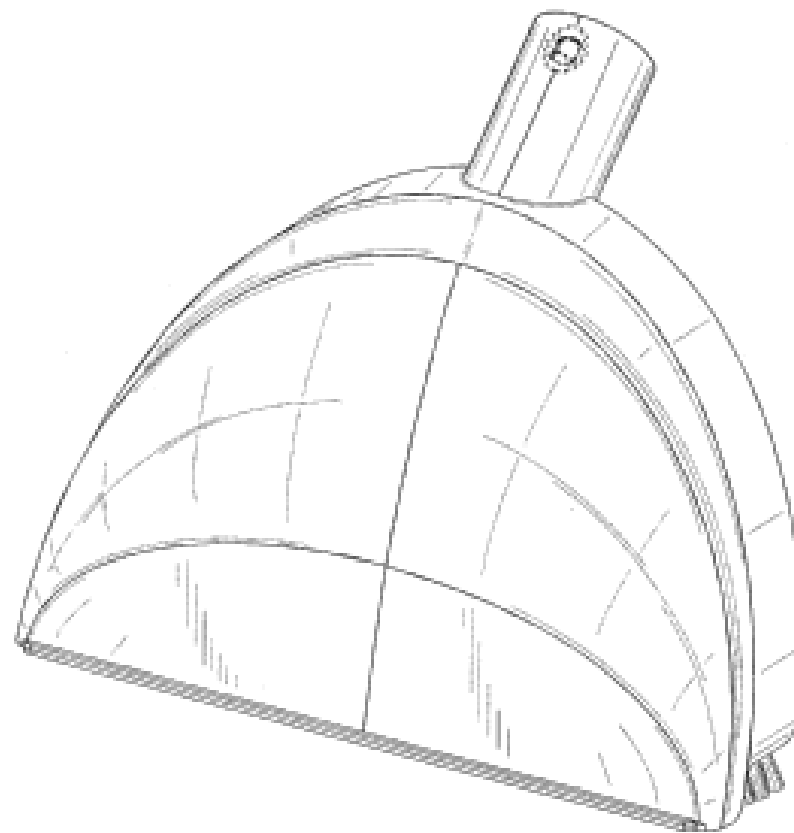
(19) AU

(21) Design Number: **18898/2007**  
(22) Date of Filing Application: **13 July 2007**  
(24) Date from which industrial property rights may have effect: **13 July 2007**  
(54) Product in respect of which the design is registered: **Nozzle for a foam pump**  
(51) International Design Classification: **23-01NES**  
(71) Name(s) and Address(s) of Applicant(s):  
**Technical Concepts, LLC**  
**1301 Allanson Road Mundelein Illinois 60060 United States of America**  
(72) Name(s) of Designer(s): **Fedor Kadiks**  
(45) Registration Date: **18 September 2007**  
(30) Convention priority data:  
(31) Number (32) Date (33) Country  
**29/272049 30 Jan 2007 UNITED STATES OF AMERICA**  
(56) Related Art Documents: **Not Applicable**  
(57) Statement of Newness and Distinctiveness: **Nil**



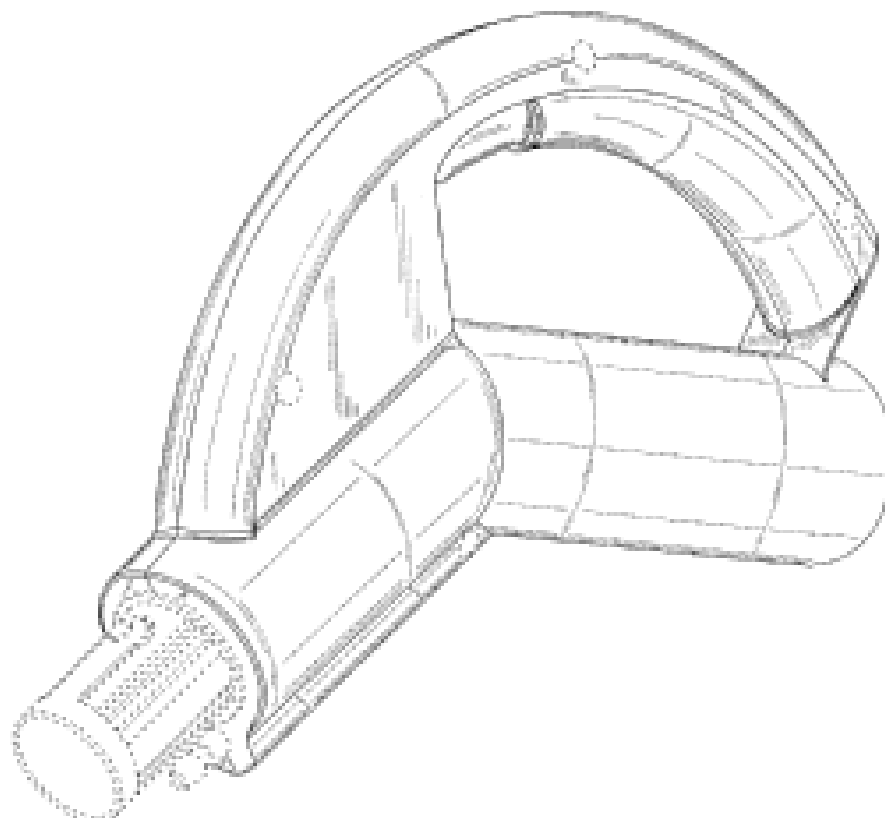
- (21) Design Number: **18899/2007**
- (22) Date of Filing Application: **13 July 2007**
- (24) Date from which industrial property rights may have effect: **13 July 2007**
- (54) Product in respect of which the design is registered: **Cleaning tool**
- (51) International Design Classification: **15-05**
- (71) Name(s) and Address(s) of Applicant(s):  
**BISSELL Homecare, Inc.**  
**2345 Walker Avenue N.W. Grand Rapids Michigan 49544 United States of America**
- (72) Name(s) of Designer(s): **Jose Carlito Santiago**
- (45) Registration Date: **18 September 2007**
- (30) Convention priority data:  

(31) Number	(32) Date	(33) Country
<b>29/277,785</b>	<b>09 Mar 2007</b>	<b>UNITED STATES OF AMERICA</b>
- (56) Related Art Documents: **Not Applicable**
- (57) Statement of Newness and Distinctiveness: **The shape and configuration of the product is new and distinctive. The features shown in dotted lines form no part of the design and should not be taken into consideration when considering the design as a whole.**



- (21) Design Number: **18900/2007**
- (22) Date of Filing Application: **13 July 2007**
- (24) Date from which industrial property rights may have effect: **13 July 2007**
- (54) Product in respect of which the design is registered: **Wand grip for cleaning tool**
- (51) International Design Classification: **08-06**
- (71) Name(s) and Address(s) of Applicant(s):  
**BISSELL Homecare, Inc.**  
**2345 Walker Avenue N.W. Grand Rapids Michigan 49544 United States of America**
- (72) Name(s) of Designer(s): **Douglas J. Medema and Jose Carlito Santiago**
- (45) Registration Date: **18 September 2007**
- (30) Convention priority data:  

(31) Number	(32) Date	(33) Country
<b>29/277,784</b>	<b>09 Mar 2007</b>	<b>UNITED STATES OF AMERICA</b>
- (56) Related Art Documents: **Not Applicable**
- (57) Statement of Newness and Distinctiveness: **The shape and configuration of the product is new and distinctive. The features shown in dotted lines form no part of the design and should not be taken into consideration when considering the design as a whole.**



(21) Design Number: **18902/2007**

(22) Date of Filing Application: **16 July 2007**

(24) Date from which industrial property rights may have effect: **16 July 2007**

(54) Product in respect of which the design is registered: **Sofa**

(51) International Design Classification: **06-01G**

(71) Name(s) and Address(s) of Applicant(s):

**HTL International Holdings Ltd  
11 Gul Circle Singapore 629567 Singapore**

(72) Name(s) of Designer(s): **Hans Reinhard Hopper**

(45) Registration Date: **18 September 2007**

(30) Convention priority data:

(31) Number	(32) Date	(33) Country
<b>D 2007/54/C</b>	<b>15 Jan 2007</b>	<b>SINGAPORE</b>

(56) Related Art Documents: **Not Applicable**

(57) Statement of Newness and Distinctiveness: **Newness and distinctiveness of the design resides in the pattern, shape and configuration of the article as shown in the representations.**



(21) Design Number: **18903/2007**

(22) Date of Filing Application: **16 July 2007**

(24) Date from which industrial property rights may have effect: **16 July 2007**

(54) Product in respect of which the design is registered: **Sofa**

(51) International Design Classification: **06-01G**

(71) Name(s) and Address(s) of Applicant(s):

**HTL International Holdings Ltd  
11 Gul Circle Singapore 629567 Singapore**

(72) Name(s) of Designer(s): **Hans Reinhard Hopper**

(45) Registration Date: **18 September 2007**

(30) Convention priority data:

(31) Number	(32) Date	(33) Country
<b>D 2007/55/Z</b>	<b>15 Jan 2007</b>	<b>SINGAPORE</b>

(56) Related Art Documents: **Not Applicable**

(57) Statement of Newness and Distinctiveness: **The statement of newness and distinctiveness of the design resides in the pattern, shape and configuration of the article as shown in the representations.**



- (21) Design Number: **18904/2007**  
(22) Date of Filing Application: **16 July 2007**  
(24) Date from which industrial property rights may have effect: **16 July 2007**  
(54) Product in respect of which the design is registered: **Sofa**  
(51) International Design Classification: **06-01G**  
(71) Name(s) and Address(s) of Applicant(s):  
**HTL International Holdings Ltd**  
**11 Gul Circle Singapore 629567 Singapore**  
(72) Name(s) of Designer(s): **Hans Reinhard Hopfer**  
(45) Registration Date: **18 September 2007**  
(30) Convention priority data:  
(31) Number (32) Date (33) Country  
**D 2007/56/F 15 Jan 2007 SINGAPORE**  
(56) Related Art Documents: **Not Applicable**  
(57) Statement of Newness and Distinctiveness: **Newness and distinctiveness of the design resides in the pattern, shape and configuration of the article as shown in the representations.**



- (21) Design Number: **18905/2007**  
(22) Date of Filing Application: **16 July 2007**  
(24) Date from which industrial property rights may have effect: **16 July 2007**  
(54) Product in respect of which the design is registered: **Sofa**  
(51) International Design Classification: **06-01G**  
(71) Name(s) and Address(s) of Applicant(s):  
**HTL International Holdings Ltd**  
**11 Gul Circle Singapore 629567 Singapore**  
(72) Name(s) of Designer(s): **Hans Reinhard Hopfer**  
(45) Registration Date: **18 September 2007**  
(30) Convention priority data:  
(31) Number (32) Date (33) Country  
**D 2007/58/I 15 Jan 2007 SINGAPORE**  
(56) Related Art Documents: **Not Applicable**  
(57) Statement of Newness and Distinctiveness: **Newness and distinctiveness of the design resides in the pattern, shape and configuration of the article as shown in the representations.**



(21) Design Number: **18906/2007**

(22) Date of Filing Application: **16 July 2007**

(24) Date from which industrial property rights may have effect: **16 July 2007**

(54) Product in respect of which the design is registered: **Sofa**

(51) International Design Classification: **06-01G**

(71) Name(s) and Address(s) of Applicant(s):

**HTL International Holdings Ltd  
11 Gul Circle Singapore 629567 Singapore**

(72) Name(s) of Designer(s): **Hans Reinhard Hopfer**

(45) Registration Date: **18 September 2007**

(30) Convention priority data:

(31) Number	(32) Date	(33) Country
<b>D 2007/57/B</b>	<b>15 Jan 2007</b>	<b>SINGAPORE</b>

(56) Related Art Documents: **Not Applicable**

(57) Statement of Newness and Distinctiveness: **The newness and distinctiveness of the design resides in the pattern, shape and configuration of the article as shown in the representations.**



(21) Design Number: **18907/2007**

(22) Date of Filing Application: **16 July 2007**

(24) Date from which industrial property rights may have effect: **16 July 2007**

(54) Product in respect of which the design is registered: **Sofa**

(51) International Design Classification: **06-01G**

(71) Name(s) and Address(s) of Applicant(s):

**HTL International Holdings Ltd  
11 Gul Circle Singapore 629567 Singapore**

(72) Name(s) of Designer(s): **Hans Reinhard Hopfer**

(45) Registration Date: **18 September 2007**

(30) Convention priority data:

(31) Number	(32) Date	(33) Country
<b>D 2007/59/E</b>	<b>15 Jan 2007</b>	<b>SINGAPORE</b>

(56) Related Art Documents: **Not Applicable**

(57) Statement of Newness and Distinctiveness: **Newness and distinctiveness of the design resides in the pattern, shape and configuration of the article as shown in the representations.**





- (21) Design Number: **18908/2007**  
(22) Date of Filing Application: **16 July 2007**  
(24) Date from which industrial property rights may have effect: **16 July 2007**  
(54) Product in respect of which the design is registered: **Sofa**  
(51) International Design Classification: **06-01G**  
(71) Name(s) and Address(s) of Applicant(s):  
**HTL International Holdings Ltd**  
**11 Gul Circle Singapore 629567 Singapore**  
(72) Name(s) of Designer(s): **Hans Reinhard Hopfer**  
(45) Registration Date: **18 September 2007**  
(30) Convention priority data:  
(31) Number (32) Date (33) Country  
**D 2007/60/C 15 Jan 2007 SINGAPORE**  
(56) Related Art Documents: **Not Applicable**  
(57) Statement of Newness and Distinctiveness: **Newness and distinctiveness of the design resides in the pattern, shape and configuration of the article as shown in the representations.**



- (21) Design Number: **18909/2007**  
(22) Date of Filing Application: **16 July 2007**  
(24) Date from which industrial property rights may have effect: **16 July 2007**  
(54) Product in respect of which the design is registered: **Sofa**  
(51) International Design Classification: **06-01G**  
(71) Name(s) and Address(s) of Applicant(s):  
**HTL International Holdings Ltd**  
**11 Gul Circle Singapore 629567 Singapore**  
(72) Name(s) of Designer(s): **Hans Reinhard Hopfer**  
(45) Registration Date: **18 September 2007**  
(30) Convention priority data:  
(31) Number (32) Date (33) Country  
**D 2007/61/Z 15 Jan 2007 SINGAPORE**  
(56) Related Art Documents: **Not Applicable**  
(57) Statement of Newness and Distinctiveness: **Newness and distinctiveness of the design resides in the pattern, shape and configuration of the article as shown in the representations.**



- (21) Design Number: **18910/2007**  
(22) Date of Filing Application: **16 July 2007**  
(24) Date from which industrial property rights may have effect: **16 July 2007**  
(54) Product in respect of which the design is registered: **Sofa**  
(51) International Design Classification: **06-01G**  
(71) Name(s) and Address(s) of Applicant(s):  
**HTL International Holdings Ltd**  
**11 Gul Circle Singapore 629567 Singapore**  
(72) Name(s) of Designer(s): **Hans Reinhard Hopfer**  
(45) Registration Date: **18 September 2007**  
(30) Convention priority data:  
(31) Number (32) Date (33) Country  
**D 2007/62/F 15 Jan 2007 SINGAPORE**  
(56) Related Art Documents: **Not Applicable**  
(57) Statement of Newness and Distinctiveness: **The newness and distinctiveness of the design resides in the pattern, shape and configuration of the article as shown in the representations.**



- (21) Design Number: **18912/2007**  
(22) Date of Filing Application: **16 July 2007**  
(24) Date from which industrial property rights may have effect: **16 July 2007**  
(54) Product in respect of which the design is registered: **Sofa**  
(51) International Design Classification: **06-01G**  
(71) Name(s) and Address(s) of Applicant(s):  
**HTL International Holdings Ltd**  
**11 Gul Circle Singapore 629567 Singapore**  
(72) Name(s) of Designer(s): **Hans Reinhard Hopfer**  
(45) Registration Date: **18 September 2007**  
(30) Convention priority data:  
(31) Number (32) Date (33) Country  
**D 2007/53/G 15 Jan 2007 SINGAPORE**  
(56) Related Art Documents: **Not Applicable**  
(57) Statement of Newness and Distinctiveness: **The newness and distinctiveness of the design resides in the pattern, shape and configuration of the article as shown in the representations.**



- (21) Design Number: **18913/2007**  
(22) Date of Filing Application: **16 July 2007**  
(24) Date from which industrial property rights may have effect: **16 July 2007**  
(54) Product in respect of which the design is registered: **Sofa**  
(51) International Design Classification: **06-01G**  
(71) Name(s) and Address(s) of Applicant(s):  
**HTL International Holdings Ltd**  
**11 Gul Circle Singapore 629567 Singapore**  
(72) Name(s) of Designer(s): **Hans Reinhard Hopfer**  
(45) Registration Date: **18 September 2007**  
(30) Convention priority data:  
(31) Number (32) Date (33) Country  
**D 2007/65/E 15 Jan 2007 SINGAPORE**  
(56) Related Art Documents: **Not Applicable**  
(57) Statement of Newness and Distinctiveness: **Newness and distinctiveness of the design resides in the pattern, shape and configuration of the article as shown in the representations.**



- (21) Design Number: **18914/2007**  
(22) Date of Filing Application: **16 July 2007**  
(24) Date from which industrial property rights may have effect: **16 July 2007**  
(54) Product in respect of which the design is registered: **Sofa**  
(51) International Design Classification: **06-01G**  
(71) Name(s) and Address(s) of Applicant(s):  
**HTL International Holdings Ltd**  
**11 Gul Circle Singapore 629567 Singapore**  
(72) Name(s) of Designer(s): **Hans Reinhard Hopfer**  
(45) Registration Date: **18 September 2007**  
(30) Convention priority data:  
(31) Number (32) Date (33) Country  
**D 2007/63/B 15 Jan 2007 SINGAPORE**  
(56) Related Art Documents: **Not Applicable**  
(57) Statement of Newness and Distinctiveness: **The newness and distinctiveness of the design resides in the pattern, shape and configuration of the article as shown in the representations.**



(21) Design Number: **19218/2007**

(22) Date of Filing Application: **08 August 2007**

(24) Date from which industrial property rights may have effect: **08 August 2007**

(54) Product in respect of which the design is registered: **Joining appliances to 240ac extension leads**

(51) International Design Classification: **13-03NES**

(71) Name(s) and Address(s) of Applicant(s):

**Rowan John Rankine**

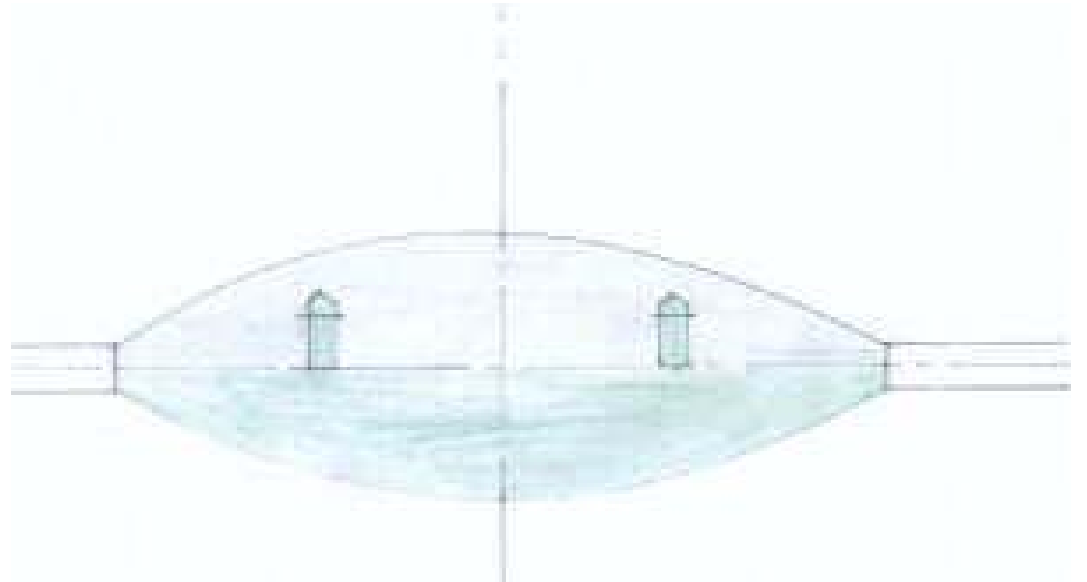
**2/85 Andrew Avenue Pottsville New South Wales 2489 Australia**

(72) Name(s) of Designer(s): **Rowan John Rankine**

(45) Registration Date: **18 September 2007**

(56) Related Art Documents: **Not Applicable**

(57) Statement of Newness and Distinctiveness: **Nil**



(21) Design Number: **16507/2007**

(22) Date of Filing Application: **21 February 2007**

(24) Date from which industrial property rights may have effect: **21 February 2007**

(54) Product in respect of which the design is registered: **Tubular solar collector**

(51) International Design Classification: **23-03D**

(71) Name(s) and Address(s) of Applicant(s):

**Jason Andrew Hopkins**

**73 Copeland Road Heathcote New South Wales 2233 Australia**

(72) Name(s) of Designer(s): **Jason Hopkins**

(45) Registration Date: **20 September 2007**

(56) Related Art Documents: **Not Applicable**

(57) Statement of Newness and Distinctiveness: **The shape of the collector has 4 sides but is not a rectangle**

- (21) Design Number: **16508/2007**  
(22) Date of Filing Application: **21 February 2007**  
(24) Date from which industrial property rights may have effect: **21 February 2007**  
(54) Product in respect of which the design is registered: **Solar energy collector**  
(51) International Design Classification: **23-03D**  
(71) Name(s) and Address(s) of Applicant(s):  
**Jason Andrew Hopkins**  
**73 Copeland Road Heathcote New South Wales 2233 Australia**  
(72) Name(s) of Designer(s): **Jason Hopkins**  
(45) Registration Date: **20 September 2007**  
(56) Related Art Documents: **Not Applicable**  
(57) Statement of Newness and Distinctiveness: **Solar collector patterns**

- (21) Design Number: **17414/2007**  
(22) Date of Filing Application: **16 April 2007**  
(24) Date from which industrial property rights may have effect: **16 April 2007**  
(54) Product in respect of which the design is registered: **Fold table**  
(51) International Design Classification: **06-03A**  
(71) Name(s) and Address(s) of Applicant(s):  
**Anja Grant**  
**Unit 1 No. 27 Grandview Grove Prahran Victoria 3181 Australia**  
(72) Name(s) of Designer(s): **Anja Grant**  
(45) Registration Date: **20 September 2007**  
(56) Related Art Documents: **Not Applicable**  
(57) Statement of Newness and Distinctiveness: **The 'fold' table is an original design involving the folding and welding of a single sheet of stainless steel resulting in a table with a unique form (as depicted in the attached representations).**

(21) Design Number: **17947/2007**

(22) Date of Filing Application: **16 May 2007**

(24) Date from which industrial property rights may have effect: **16 May 2007**

(54) Product in respect of which the design is registered: **Rotor module**

(51) International Design Classification: **15-99**

(71) Name(s) and Address(s) of Applicant(s):

**Outotec Oyj**

**Riihitontuntie 7 E FI-02200 Espoo Finland**

(72) Name(s) of Designer(s): **Antti Rinne**

(45) Registration Date: **20 September 2007**

(30) Convention priority data:

(31) Number

**630249**

(32) Date

**22 Nov 2006**

(33) Country

**EUROPEAN COMMUNITY**

(56) Related Art Documents: **Not Applicable**

(57) Statement of Newness and Distinctiveness: **Newness and distinctiveness reside in the shape and/or configuration of the rotor module illustrated by solid lines in the accompanying representations. The features in broken outline are illustrative only.**

(21) Design Number: **18915/2007**

(22) Date of Filing Application: **16 July 2007**

(24) Date from which industrial property rights may have effect: **16 July 2007**

(54) Product in respect of which the design is registered: **Instrument housing**

(51) International Design Classification: **12-16E**

(71) Name(s) and Address(s) of Applicant(s):

**Fiat Auto S.p.A.**

**Corso Giovanni Agnelli 200 1-10135 Torino Italy**

(72) Name(s) of Designer(s): **Guido Bianco and Roberto Giolito**

(45) Registration Date: **20 September 2007**

(30) Convention priority data:

(31) Number

**000655071**

(32) Date

**19 Jan 2007**

(33) Country

**EUROPEAN COMMUNITY**

(56) Related Art Documents: **Not Applicable**

(57) Statement of Newness and Distinctiveness: **Those features of the instrument housing that are new and distinctive are the shape and/or configuration of the display and surrounds as shown in the perspective and front views.**

(21) Design Number: **18916/2007**

(22) Date of Filing Application: **16 July 2007**

(24) Date from which industrial property rights may have effect: **16 July 2007**

(54) Product in respect of which the design is registered: **Antenna**

(51) International Design Classification: **12-16NES**

(71) Name(s) and Address(s) of Applicant(s):

**Fiat Auto S.p.A.**

**Corso Giovanni Agnelli 200 I-10135 Torino Italy**

(72) Name(s) of Designer(s): **Guido Bianco and Roberto Giolito**

(45) Registration Date: **20 September 2007**

(30) Convention priority data:

(31) Number

(32) Date

(33) Country

**000655048**

**19 Jan 2007**

**EUROPEAN COMMUNITY**

(56) Related Art Documents: **Not Applicable**

(57) Statement of Newness and Distinctiveness: **Those features of the antenna depicted in the representations that are new and distinctive are the shape and/or configuration.**

(21) Design Number: **18917/2007**

(22) Date of Filing Application: **16 July 2007**

(24) Date from which industrial property rights may have effect: **16 July 2007**

(54) Product in respect of which the design is registered: **Note pad**

(51) International Design Classification: **12-16NES**

(71) Name(s) and Address(s) of Applicant(s):

**Fiat Auto S.p.A.**

**Corso Giovanni Agnelli 200 I-10135 Torino Italy**

(72) Name(s) of Designer(s): **Guido Bianco and Roberto Giolito**

(45) Registration Date: **20 September 2007**

(30) Convention priority data:

(31) Number

(32) Date

(33) Country

**000684410**

**07 Mar 2007**

**EUROPEAN COMMUNITY**

(56) Related Art Documents: **Not Applicable**

(57) Statement of Newness and Distinctiveness: **Those features of the note pad depicted in the representations that are new and distinctive are the shape and/or configuration.**

(21) Design Number: **18918/2007**

(22) Date of Filing Application: **16 July 2007**

(24) Date from which industrial property rights may have effect: **16 July 2007**

(54) Product in respect of which the design is registered: **Container**

(51) International Design Classification: **09-03M**

(71) Name(s) and Address(s) of Applicant(s):

**Fiat Auto S.p.A.**

**Corso Giovanni Agnelli 200 I-10135 Torino Italy**

(72) Name(s) of Designer(s): **Guido Bianco and Roberto Giolito**

(45) Registration Date: **20 September 2007**

(30) Convention priority data:

(31) Number

(32) Date

(33) Country

**000655055**

**19 Jan 2007**

**EUROPEAN COMMUNITY**

(56) Related Art Documents: **Not Applicable**

(57) Statement of Newness and Distinctiveness: **Those features of the container depicted in the representations that are new and distinctive are the shape and/or configuration.**

(21) Design Number: **18919/2007**

(22) Date of Filing Application: **16 July 2007**

(24) Date from which industrial property rights may have effect: **16 July 2007**

(54) Product in respect of which the design is registered: **Checkout closure**

(51) International Design Classification: **99-00**

(71) Name(s) and Address(s) of Applicant(s):

**Wanzl Metallwarenfabrik GmbH**

**Bubesheimer Strasse 4 89340 Leipheim Germany**

(72) Name(s) of Designer(s): **Kurt Deyerler**

(45) Registration Date: **20 September 2007**

(30) Convention priority data:

(31) Number

(32) Date

(33) Country

**662143-0001**

**31 Jan 2007**

**EUROPEAN COMMUNITY**

(56) Related Art Documents: **Not Applicable**

(57) Statement of Newness and Distinctiveness: **Nil**



- (21) Design Number: **18920/2007**  
(22) Date of Filing Application: **16 July 2007**  
(24) Date from which industrial property rights may have effect: **16 July 2007**  
(54) Product in respect of which the design is registered: **Door/window mullion extrusion**  
(51) International Design Classification: **25-01K**  
(71) Name(s) and Address(s) of Applicant(s):  
**Capral Aluminium Limited**  
**71 Ashburn Road Bundamba Queensland 4304 Australia**  
(72) Name(s) of Designer(s): **Ross Lloyd**  
(45) Registration Date: **20 September 2007**  
(56) Related Art Documents: **Not Applicable**  
(57) Statement of Newness and Distinctiveness: **Nil**

- (21) Design Number: **18921/2007**  
(22) Date of Filing Application: **16 July 2007**  
(24) Date from which industrial property rights may have effect: **16 July 2007**  
(54) Product in respect of which the design is registered: **Door/window mullion extrusion**  
(51) International Design Classification: **25-01K**  
(71) Name(s) and Address(s) of Applicant(s):  
**Capral Aluminium Limited**  
**71 Ashburn Road Bundamba Queensland 4304 Australia**  
(72) Name(s) of Designer(s): **Ross Lloyd**  
(45) Registration Date: **20 September 2007**  
(56) Related Art Documents: **Not Applicable**  
(57) Statement of Newness and Distinctiveness: **Nil**

(21) Design Number: **18922/2007**

(22) Date of Filing Application: **16 July 2007**

(24) Date from which industrial property rights may have effect: **16 July 2007**

(54) Product in respect of which the design is registered: **Illuminated vase**

(51) International Design Classification: **11-02A**

(71) Name(s) and Address(s) of Applicant(s):

**S.C. Johnson & Son, Inc.**

**1525 Howe Street Racine Wisconsin 53403-2236 United States of America**

(72) Name(s) of Designer(s): **Sarah E. Heathcock and Simon M. Conway**

(45) Registration Date: **20 September 2007**

(30) Convention priority data:

(31) Number

(32) Date

(33) Country

**29/276108**

**16 Jan 2007**

**UNITED STATES OF AMERICA**

(56) Related Art Documents: **Not Applicable**

(57) Statement of Newness and Distinctiveness: **Newness and distinctiveness is claimed in those features of shape and/or configuration of an illuminated vase as illustrated in continuous lines in the accompanying representations.**

(21) Design Number: **18923/2007**

(22) Date of Filing Application: **16 July 2007**

(24) Date from which industrial property rights may have effect: **16 July 2007**

(54) Product in respect of which the design is registered: **External power device**

(51) International Design Classification: **13-02**

(71) Name(s) and Address(s) of Applicant(s):

**Eveready Battery Company, Inc.**

**533 Maryville University Drive St Louis Missouri 63164 United States of America**

(72) Name(s) of Designer(s): **Nir Weinstein and Michael Librus and William J. Moore**

(45) Registration Date: **20 September 2007**

(30) Convention priority data:

(31) Number

(32) Date

(33) Country

**29/271707**

**25 Jan 2007**

**UNITED STATES OF AMERICA**

(56) Related Art Documents: **Not Applicable**

(57) Statement of Newness and Distinctiveness: **Nil**

- (21) Design Number: **18924/2007**  
(22) Date of Filing Application: **16 July 2007**  
(24) Date from which industrial property rights may have effect: **16 July 2007**  
(54) Product in respect of which the design is registered: **A lighting device**  
(51) International Design Classification: **26-02**  
(71) Name(s) and Address(s) of Applicant(s):  
**Eveready Battery Company, Inc.**  
**533 Maryville University Drive St Louis Missouri 63164 United States**  
**of America**  
(72) Name(s) of Designer(s): **David Spartano and Scott W. Osiecki and David J.**  
**Hine and Ronald J. Kingston**  
(45) Registration Date: **20 September 2007**  
(30) Convention priority data:  
(31) Number (32) Date (33) Country  
**29/271618 23 Jan 2007 UNITED STATES OF AMERICA**  
(56) Related Art Documents: **Not Applicable**  
(57) Statement of Newness and Distinctiveness: **Nil**

- (21) Design Number: **18936/2007**  
(22) Date of Filing Application: **17 July 2007**  
(24) Date from which industrial property rights may have effect: **17 July 2007**  
(54) Product in respect of which the design is registered: **Solar collector**  
(51) International Design Classification: **23-03D**  
(71) Name(s) and Address(s) of Applicant(s):  
**SOMFY SAS**  
**50 avenue du Nouveau Monde Cluses 74300 France**  
(72) Name(s) of Designer(s): **Matthieu Bonnaud**  
(45) Registration Date: **20 September 2007**  
(30) Convention priority data:  
(31) Number (32) Date (33) Country  
**000657234 23 Jan 2007 EUROPEAN COMMUNITY**  
(56) Related Art Documents: **Not Applicable**  
(57) Statement of Newness and Distinctiveness: **Nil**

(21) Design Number: **18937/2007**

(22) Date of Filing Application: **17 July 2007**

(24) Date from which industrial property rights may have effect: **17 July 2007**

(54) Product in respect of which the design is registered: **Rotating swing**

(51) International Design Classification: **21-03**

(71) Name(s) and Address(s) of Applicant(s):

**Hags Aneby AB**

**Box 133 SE-578 23 Aneby Sweden**

(72) Name(s) of Designer(s): **Bo Goransson**

(45) Registration Date: **20 September 2007**

(30) Convention priority data:

(31) Number

(32) Date

(33) Country

**000659180**

**26 Jan 2007**

**EUROPEAN COMMUNITY**

(56) Related Art Documents: **Not Applicable**

(57) Statement of Newness and Distinctiveness: **Newness and distinctiveness resides in the shape or configuration of a rotating swing as shown in the accompanying representations. When interpreting the scope of protection, any words appearing on the swing are to be disregarded.**

(21) Design Number: **18938/2007**

(22) Date of Filing Application: **17 July 2007**

(24) Date from which industrial property rights may have effect: **17 July 2007**

(54) Product in respect of which the design is registered: **Swing stand**

(51) International Design Classification: **21-03**

(71) Name(s) and Address(s) of Applicant(s):

**Hags Aneby AB**

**Box 133 SE-578 23 Aneby Sweden**

(72) Name(s) of Designer(s): **Bo Goransson**

(45) Registration Date: **20 September 2007**

(30) Convention priority data:

(31) Number

(32) Date

(33) Country

**000659180**

**26 Jan 2007**

**EUROPEAN COMMUNITY**

(56) Related Art Documents: **Not Applicable**

(57) Statement of Newness and Distinctiveness: **Newness and distinctiveness resides in the shape or configuration of a swing stand as shown in the accompanying representations. When interpreting the scope of protection, the area outlined in phantom, labelled 'swing', is to be disregarded.**

---

(21) Design Number: **18940/2007**  
(22) Date of Filing Application: **17 July 2007**  
(24) Date from which industrial property rights may have effect: **17 July 2007**  
(54) Product in respect of which the design is registered: **Eyeglasses**  
(51) International Design Classification: **16-06**  
(71) Name(s) and Address(s) of Applicant(s):  
    **Silhouette International Schmied AG**  
    **Eilbognerstrasse 24 4021 Linz Austria**  
(72) Name(s) of Designer(s): **Gerhard Fuchs**  
(45) Registration Date: **20 September 2007**  
(30) Convention priority data:  
    (31) Number      (32) Date      (33) Country  
    **000741319-0002 15 Jun 2007 EUROPEAN COMMUNITY**  
(56) Related Art Documents: **Not Applicable**  
(57) Statement of Newness and Distinctiveness: **Nil**

---

(21) Design Number: **18941/2007**  
(22) Date of Filing Application: **17 July 2007**  
(24) Date from which industrial property rights may have effect: **17 July 2007**  
(54) Product in respect of which the design is registered: **Eyeglasses**  
(51) International Design Classification: **16-06**  
(71) Name(s) and Address(s) of Applicant(s):  
    **Silhouette International Schmied AG**  
    **Eilbognerstrasse 24 4021 Linz Austria**  
(72) Name(s) of Designer(s): **Gerhard Fuchs**  
(45) Registration Date: **20 September 2007**  
(30) Convention priority data:  
    (31) Number      (32) Date      (33) Country  
    **000741319-0002 15 Jun 2007 EUROPEAN COMMUNITY**  
(56) Related Art Documents: **Not Applicable**  
(57) Statement of Newness and Distinctiveness: **Nil**

- (21) Design Number: **18942/2007**  
(22) Date of Filing Application: **17 July 2007**  
(24) Date from which industrial property rights may have effect: **17 July 2007**  
(54) Product in respect of which the design is registered: **Jar**  
(51) International Design Classification: **09-01C**  
(71) Name(s) and Address(s) of Applicant(s):  
**Sara Lee/DE N.V.**  
**Vleutensevaart 100 3532 AD Utrecht The Netherlands**  
(72) Name(s) of Designer(s): **Eric Dumortier**  
(45) Registration Date: **20 September 2007**  
(30) Convention priority data:  

(31) Number	(32) Date	(33) Country
<b>000750849</b>	<b>03 Jul 2007</b>	<b>EUROPEAN COMMUNITY</b>

  
(56) Related Art Documents: **Not Applicable**  
(57) Statement of Newness and Distinctiveness: **Newness and distinctiveness is claimed in the features of shape and/or configuration of a jar as illustrated in the accompanying representations.**

- (21) Design Number: **18943/2007**  
(22) Date of Filing Application: **17 July 2007**  
(24) Date from which industrial property rights may have effect: **17 July 2007**  
(54) Product in respect of which the design is registered: **Dispenser**  
(51) International Design Classification: **09-01A**  
(71) Name(s) and Address(s) of Applicant(s):  
**Unilever PLC**  
**Unilever House Blackfriars London EC4P 4BQ United Kingdom**  
(72) Name(s) of Designer(s): **Charles Peter Althoff and Jason Tilk and John William Nottingham and John Richard Nottingham and John Wilford Spirk and Jay Tapper**  
(45) Registration Date: **20 September 2007**  
(30) Convention priority data:  

(31) Number	(32) Date	(33) Country
<b>29/276342</b>	<b>23 Jan 2007</b>	<b>UNITED STATES OF AMERICA</b>

  
(56) Related Art Documents: **Not Applicable**  
(57) Statement of Newness and Distinctiveness: **Newness and distinctiveness is claimed in the visual features shown in solid lines in the representations.**

- (21) Design Number: **18944/2007**  
(22) Date of Filing Application: **17 July 2007**  
(24) Date from which industrial property rights may have effect: **17 July 2007**  
(54) Product in respect of which the design is registered: **A lamp**  
(51) International Design Classification: **26-05D**  
(71) Name(s) and Address(s) of Applicant(s):  
    **Arlec Australia Limited**  
    **Maroondah Highway Mooroolbark Victoria 3138 Australia**  
(72) Name(s) of Designer(s): **John Montagnat and Balu Jega**  
(45) Registration Date: **20 September 2007**  
(56) Related Art Documents: **Not Applicable**  
(57) Statement of Newness and Distinctiveness: **Newness and distinctiveness is claimed in the features of shape and configuration as shown in solid lines in the representations, and not including the connection fitting shown in broken lines in the representations.**

- (21) Design Number: **18945/2007**  
(22) Date of Filing Application: **17 July 2007**  
(24) Date from which industrial property rights may have effect: **17 July 2007**  
(54) Product in respect of which the design is registered: **A lamp**  
(51) International Design Classification: **26-05D**  
(71) Name(s) and Address(s) of Applicant(s):  
    **Arlec Australia Limited**  
    **Maroondah Highway Mooroolbark Victoria 3138 Australia**  
(72) Name(s) of Designer(s): **John Montagnat and Balu Jega**  
(45) Registration Date: **20 September 2007**  
(56) Related Art Documents: **Not Applicable**  
(57) Statement of Newness and Distinctiveness: **Newness and distinctiveness is claimed in the features of shape and configuration as shown in solid lines in the representations, and not including the connection fitting shown in broken lines in the representations.**

(21) Design Number: **15849/2006**

(22) Date of Filing Application: **21 December 2006**

(24) Date from which industrial property rights may have effect: **21 December 2006**

(54) Product in respect of which the design is registered: **Streaking applicator for microbiological cultures**

(51) International Design Classification: **24-02**

(71) Name(s) and Address(s) of Applicant(s):

**Labtech Systems Ltd**

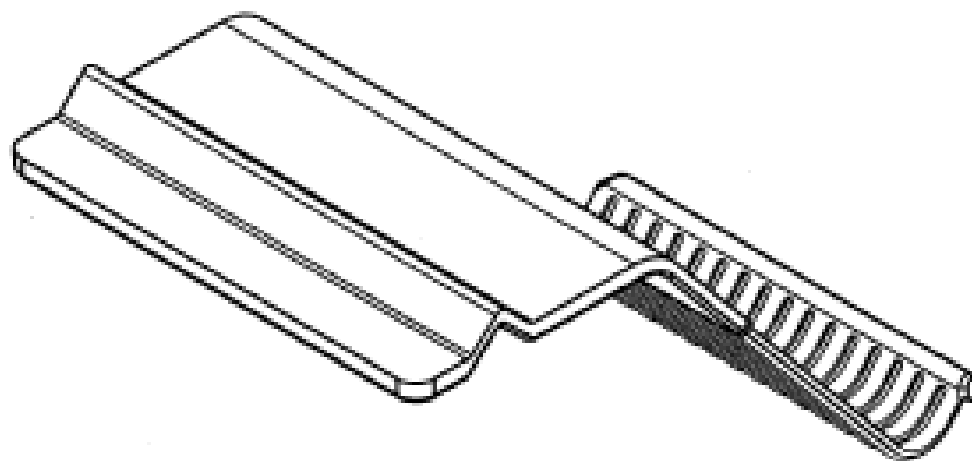
**253 Sturt Street Adelaide South Australia 5000 Australia**

(72) Name(s) of Designer(s): **Colin William Potter and Rajiv Gupta and Stephen Lewis Leckenby and Phillip James Duncan and Ryan Andrew Annear**

(45) Registration Date: **24 September 2007**

(56) Related Art Documents: **Not Applicable**

(57) Statement of Newness and Distinctiveness: **Those features of the streaking applicator for microbiological cultures depicted in the representations that are new and distinctive are the shape and/or configuration.**



(21) Design Number: **15850/2006**

(22) Date of Filing Application: **21 December 2006**

(24) Date from which industrial property rights may have effect: **21 December 2006**

(54) Product in respect of which the design is registered: **Lawning applicator for microbiological cultures**

(51) International Design Classification: **24-02**

(71) Name(s) and Address(s) of Applicant(s):

**Labtech Systems Ltd**

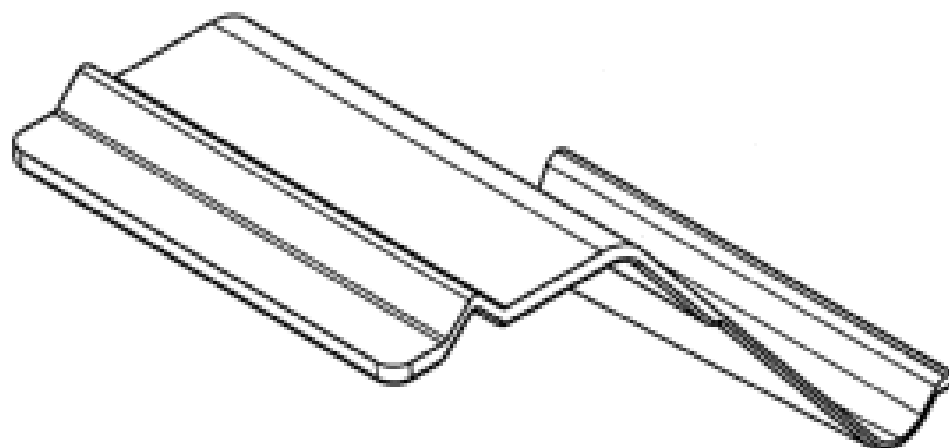
**253 Sturt Street Adelaide South Australia 5000 Australia**

(72) Name(s) of Designer(s): **Colin William Potter and Rajiv Gupta and Stephen Lewis Leckenby and Phillip James Duncan and Ryan Andrew Annear**

(45) Registration Date: **24 September 2007**

(56) Related Art Documents: **Not Applicable**

(57) Statement of Newness and Distinctiveness: **Those features of the lawning applicator for microbiological cultures depicted in the representations that are new and distinctive are the shape and/or configuration.**

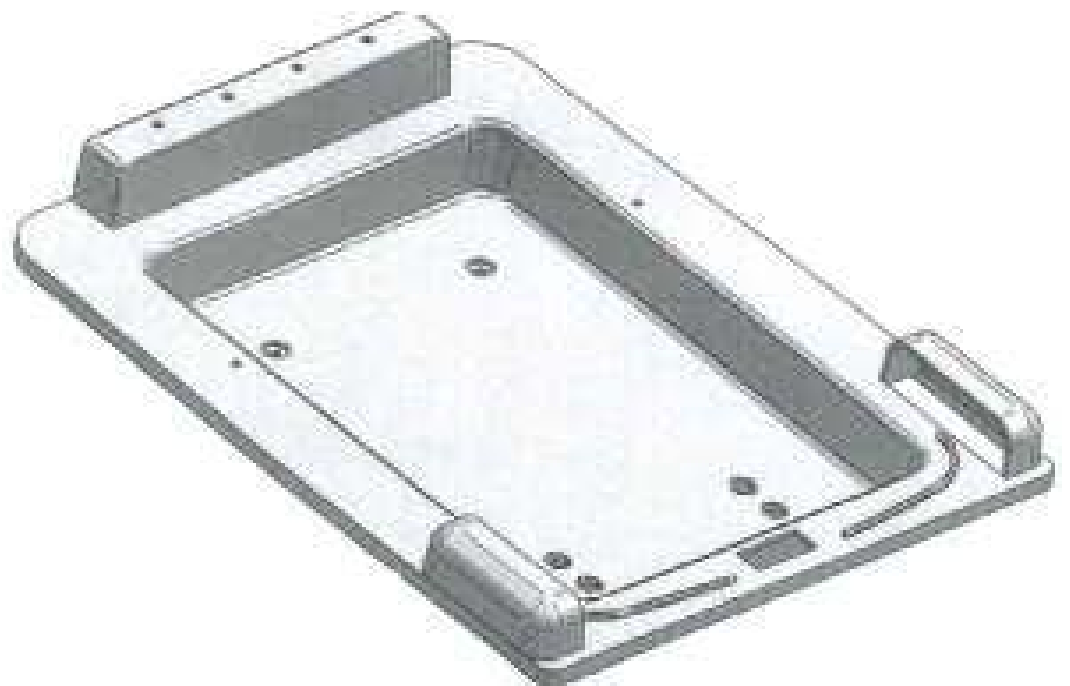




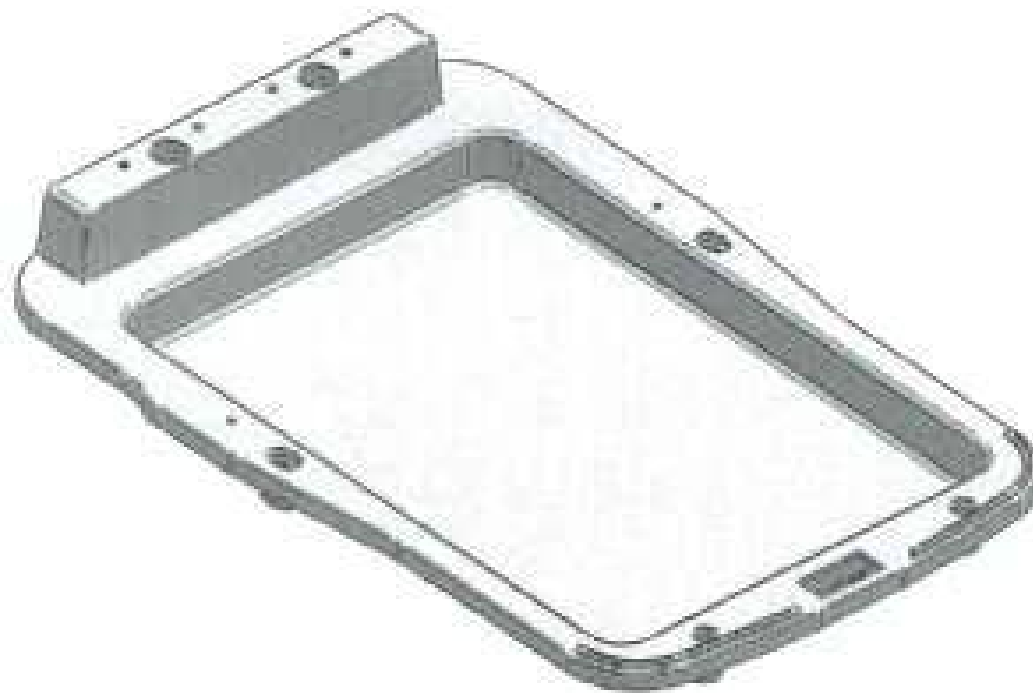
- (21) Design Number: **16362/2007**  
(22) Date of Filing Application: **08 February 2007**  
(24) Date from which industrial property rights may have effect: **08 February 2007**  
(54) Product in respect of which the design is registered: **Vehicle console**  
(51) International Design Classification: **12-16NES**  
(71) Name(s) and Address(s) of Applicant(s):  
**Madison Technologies Pty Ltd**  
**75 Proprietary Street Tingalpa Queensland 4173 Australia**  
(72) Name(s) of Designer(s): **Richard Anderson**  
(45) Registration Date: **24 September 2007**  
(56) Related Art Documents: **Not Applicable**  
(57) Statement of Newness and Distinctiveness: **Nil**



- (21) Design Number: **16363/2007**  
(22) Date of Filing Application: **08 February 2007**  
(24) Date from which industrial property rights may have effect: **08 February 2007**  
(54) Product in respect of which the design is registered: **Document tray and mounting for vehicle console**  
(51) International Design Classification: **12-16NES**  
(71) Name(s) and Address(s) of Applicant(s):  
**Madison Technologies Pty Ltd**  
**75 Proprietary Street Tingalpa Queensland 4173 Australia**  
(72) Name(s) of Designer(s): **Richard Anderson**  
(45) Registration Date: **24 September 2007**  
(56) Related Art Documents: **Not Applicable**  
(57) Statement of Newness and Distinctiveness: **Nil**



- (21) Design Number: **16364/2007**  
(22) Date of Filing Application: **08 February 2007**  
(24) Date from which industrial property rights may have effect: **08 February 2007**  
(54) Product in respect of which the design is registered: **Document tray and mounting for vehicle console**  
(51) International Design Classification: **12-16NES**  
(71) Name(s) and Address(s) of Applicant(s):  
**Madison Technologies Pty Ltd**  
**75 Proprietary Street Tingalpa Queensland 4173 Australia**  
(72) Name(s) of Designer(s): **Richard Anderson**  
(45) Registration Date: **24 September 2007**  
(56) Related Art Documents: **Not Applicable**  
(57) Statement of Newness and Distinctiveness: **Nil**



- (21) Design Number: **16365/2007**  
(22) Date of Filing Application: **08 February 2007**  
(24) Date from which industrial property rights may have effect: **08 February 2007**  
(54) Product in respect of which the design is registered: **Vehicle console**  
(51) International Design Classification: **12-16NES**  
(71) Name(s) and Address(s) of Applicant(s):  
**Madison Technologies Pty Ltd**  
**75 Proprietary Street Tingalpa Queensland 4173 Australia**  
(72) Name(s) of Designer(s): **Richard Anderson**  
(45) Registration Date: **24 September 2007**  
(56) Related Art Documents: **Not Applicable**  
(57) Statement of Newness and Distinctiveness: **Nil**



(21) Design Number: **17976/2007**

(22) Date of Filing Application: **17 May 2007**

(24) Date from which industrial property rights may have effect: **17 May 2007**

(54) Product in respect of which the design is registered: **High chair**

(51) International Design Classification: **06-01E**

(71) Name(s) and Address(s) of Applicant(s):

**iLinko Ltd.**

**15 C Wah Ha Factory Building 8 Shipyard Lane Quarry Bay Hong Kong**

(72) Name(s) of Designer(s): **Jon Lake and Diederik Augustijn**

(45) Registration Date: **24 September 2007**

(30) Convention priority data:

(31) Number	(32) Date	(33) Country
<b>000623012-0004</b>	<b>17 Nov 2006</b>	<b>EUROPEAN COMMUNITY</b>

(56) Related Art Documents: **Not Applicable**

(57) Statement of Newness and Distinctiveness: **Newness and distinctiveness resides in the features of shape and/or configuration of a high chair as illustrated in the accompanying representations.**



(21) Design Number: **18035/2007**

(22) Date of Filing Application: **21 May 2007**

(24) Date from which industrial property rights may have effect: **21 May 2007**

(54) Product in respect of which the design is registered: **Z1100 Woodfired Oven**

(51) International Design Classification: **07-02A**

(71) Name(s) and Address(s) of Applicant(s):

**Theophanos Yianni Trading as Zesti Woodfired Ovens**

**Unit 20 386 Wanneroo Road Westminster Western Australia 6061 Australia**

**Athana Yianni Trading as Zesti Woodfired Ovens**

**Unit 20 386 Wanneroo Road Westminster Western Australia 6061 Australia**

**Kyra Agrios Trading as Zesti Woodfired Ovens**

**Unit 20 386 Wanneroo Road Westminster Western Australia 6061 Australia**

**Chris Agrios Trading as Zesti Woodfired Ovens**

**Unit 20 386 Wanneroo Road Westminster Western Australia 6061 Australia**

(72) Name(s) of Designer(s): **Christos Agrios and Theophanos Yianni**

(45) Registration Date: **24 September 2007**

(56) Related Art Documents: **Not Applicable**

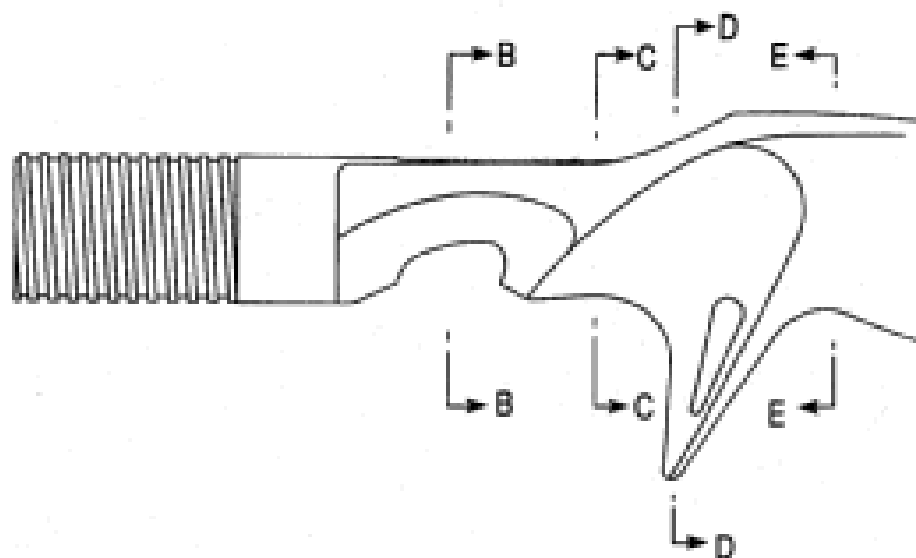
(57) Statement of Newness and Distinctiveness: **Nil**



(19) AU

- (21) Design Number: **18134/2007**
- (22) Date of Filing Application: **29 May 2007**
- (24) Date from which industrial property rights may have effect: **29 May 2007**
- (54) Product in respect of which the design is registered: **Reel seat for a fishing rod**
- (51) International Design Classification: **22-05**
- (71) Name(s) and Address(s) of Applicant(s):  
**Fuji Kogyo Co., Ltd.**  
**No 19-3 Minami-cho Suruga-ku Shizuoka-shi Shizuoka-ken Japan**
- (72) Name(s) of Designer(s): **Kazuhito Omura**
- (45) Registration Date: **24 September 2007**
- (30) Convention priority data:  

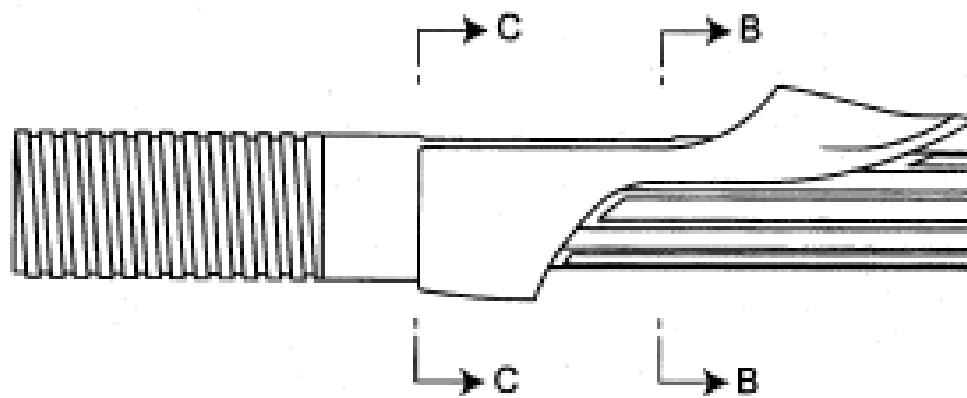
(31) Number	(32) Date	(33) Country
<b>2006-35735</b>	<b>29 Nov 2006</b>	<b>JAPAN</b>
- (56) Related Art Documents: **Not Applicable**
- (57) Statement of Newness and Distinctiveness: **Newness and distinctiveness resides in the visual features of shape and/or configuration of a reel seat for a fishing rod as illustrated in the accompanying representations.**



(19) AU

- (21) Design Number: **18144/2007**
- (22) Date of Filing Application: **30 May 2007**
- (24) Date from which industrial property rights may have effect: **30 May 2007**
- (54) Product in respect of which the design is registered: **Reel seat for a fishing rod**
- (51) International Design Classification: **22-05**
- (71) Name(s) and Address(s) of Applicant(s):  
**Fuji Kogyo Co., Ltd.**  
**No 19-3 Minami-cho Suruga-ku Shizuoka-shi Shizuoka-ken Japan**
- (72) Name(s) of Designer(s): **Kazuhito Omura**
- (45) Registration Date: **24 September 2007**
- (30) Convention priority data:  

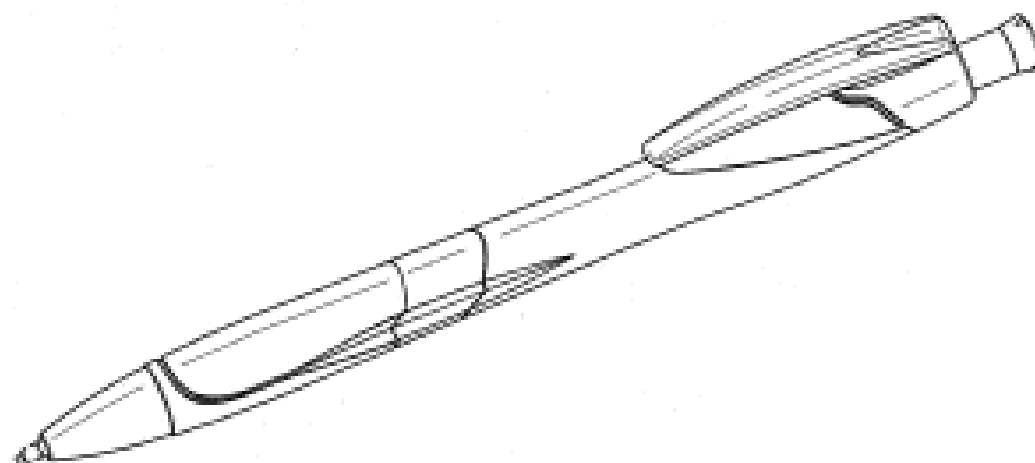
(31) Number	(32) Date	(33) Country
<b>2006-36330</b>	<b>01 Dec 2006</b>	<b>JAPAN</b>
- (56) Related Art Documents: **Not Applicable**
- (57) Statement of Newness and Distinctiveness: **Newness and distinctiveness resides in the visual features of shape and/or configuration of a reel seat for a fishing rod as illustrated in the accompanying representations.**



- (21) Design Number: **18946/2007**  
(22) Date of Filing Application: **17 July 2007**  
(24) Date from which industrial property rights may have effect: **17 July 2007**  
(54) Product in respect of which the design is registered: **Coupling**  
(51) International Design Classification: **23-01A**  
(71) Name(s) and Address(s) of Applicant(s):  
**Saint-Gobain Pam a Societe Anonyme**  
**91 avenue de la Liberation Nancy 54000 France**  
(72) Name(s) of Designer(s): **Joel Francois-Brazier**  
(45) Registration Date: **24 September 2007**  
(30) Convention priority data:  
(31) Number (32) Date (33) Country  
**07/0213 19 Jan 2007 FRANCE**  
(56) Related Art Documents: **Not Applicable**  
(57) Statement of Newness and Distinctiveness: **The shape and configuration of the product is new and distinctive.**



- (21) Design Number: **18947/2007**  
(22) Date of Filing Application: **17 July 2007**  
(24) Date from which industrial property rights may have effect: **17 July 2007**  
(54) Product in respect of which the design is registered: **Writing instrument**  
(51) International Design Classification: **19-06**  
(71) Name(s) and Address(s) of Applicant(s):  
**SOCIETE BIC**  
**14 rue Jeanne d'Asnieres 92 110 Clichy France**  
(72) Name(s) of Designer(s): **Franck Rolion and Franck Vadenne**  
(45) Registration Date: **24 September 2007**  
(30) Convention priority data:  
(31) Number (32) Date (33) Country  
**000670989 15 Feb 2007 EUROPEAN COMMUNITY**  
(56) Related Art Documents: **Not Applicable**  
(57) Statement of Newness and Distinctiveness: **Those features of the writing instrument depicted in the representations that are new and distinctive are the shape and/or configuration.**



(21) Design Number: **18948/2007**

(22) Date of Filing Application: **18 July 2007**

(24) Date from which industrial property rights may have effect: **18 July 2007**

(54) Product in respect of which the design is registered: **Power point bracket**

(51) International Design Classification: **13-03D**

(71) Name(s) and Address(s) of Applicant(s):

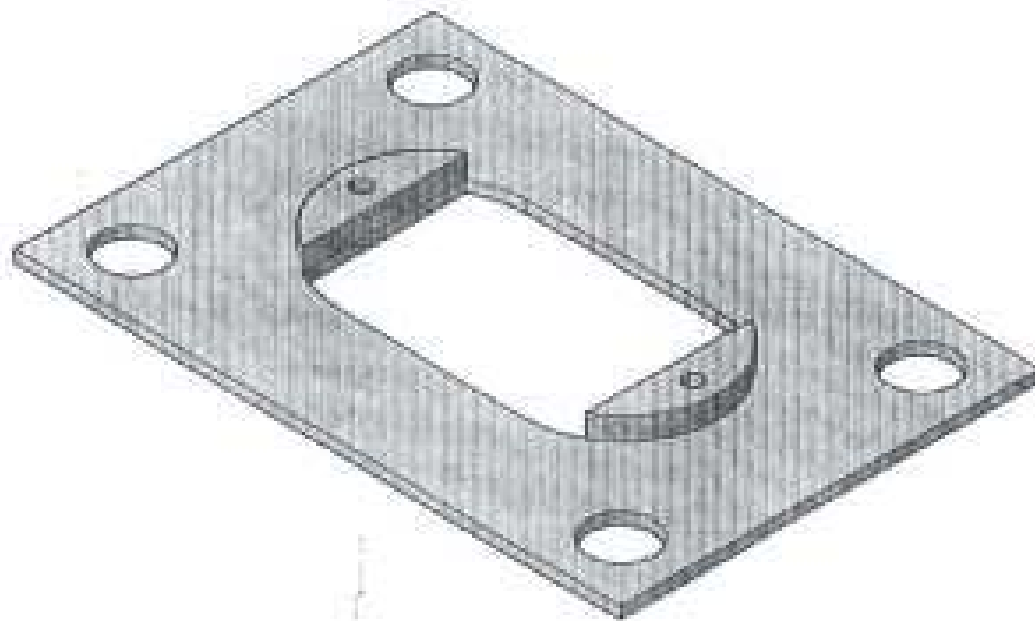
**Ananias Ian Anenoglou**  
**3 Romney Court Mount Waverley Victoria 3149 Australia**

(72) Name(s) of Designer(s): **Ananias Ian Anenoglou**

(45) Registration Date: **24 September 2007**

(56) Related Art Documents: **Not Applicable**

(57) Statement of Newness and Distinctiveness: **Nil**



(21) Design Number: **18950/2007**

(22) Date of Filing Application: **18 July 2007**

(24) Date from which industrial property rights may have effect: **18 July 2007**

(54) Product in respect of which the design is registered: **Cuff link**

(51) International Design Classification: **02-07C**

(71) Name(s) and Address(s) of Applicant(s):

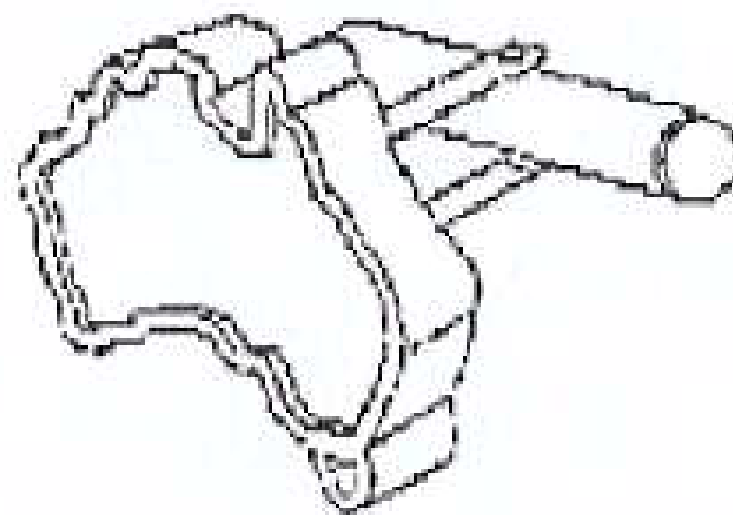
**Mark Andrew Halton**  
**PO Box 7127 Wellington South 6242 New Zealand**

(72) Name(s) of Designer(s): **Mark Andrew Halton**

(45) Registration Date: **24 September 2007**

(56) Related Art Documents: **Not Applicable**

(57) Statement of Newness and Distinctiveness: **The design is to be applied to a set of cuff links and the novelty resides in the features of shape and configuration of the cuff link as shown in the drawn representations.**



(19) AU

- (21) Design Number: **18954/2007**  
(22) Date of Filing Application: **18 July 2007**  
(24) Date from which industrial property rights may have effect: **18 July 2007**  
(54) Product in respect of which the design is registered: **Keyboard**  
(51) International Design Classification: **14-02**  
(71) Name(s) and Address(s) of Applicant(s):  
**Bloomberg, LP**  
**731 Lexington Avenue New York NY 10022 United States of America**  
(72) Name(s) of Designer(s): **Helmars E. Ozolins and Avram Kaufman and Masamichi Udagawa**  
(45) Registration Date: **24 September 2007**  
(30) Convention priority data:  
(31) Number (32) Date (33) Country  
**29/276,203 18 Jan 2007 UNITED STATES OF AMERICA**  
(56) Related Art Documents: **Not Applicable**  
(57) Statement of Newness and Distinctiveness: **Nil**



(19) AU

- (21) Design Number: **18955/2007**  
(22) Date of Filing Application: **18 July 2007**  
(24) Date from which industrial property rights may have effect: **18 July 2007**  
(54) Product in respect of which the design is registered: **Keyboard**  
(51) International Design Classification: **14-02**  
(71) Name(s) and Address(s) of Applicant(s):  
**Bloomberg, LP**  
**731 Lexington Avenue New York NY 10022 United States of America**  
(72) Name(s) of Designer(s): **Helmars E. Ozolins and Avram Kaufman and Masamichi Udagawa**  
(45) Registration Date: **24 September 2007**  
(30) Convention priority data:  
(31) Number (32) Date (33) Country  
**29/276,203 18 Jan 2007 UNITED STATES OF AMERICA**  
(56) Related Art Documents: **Not Applicable**  
(57) Statement of Newness and Distinctiveness: **Nil**



(19) AU

- (21) Design Number: **18956/2007**  
(22) Date of Filing Application: **18 July 2007**  
(24) Date from which industrial property rights may have effect: **18 July 2007**  
(54) Product in respect of which the design is registered: **Keyboard**  
(51) International Design Classification: **14-02**  
(71) Name(s) and Address(s) of Applicant(s):  
**Bloomberg, LP**  
**731 Lexington Avenue New York NY 10022 United States of America**  
(72) Name(s) of Designer(s): **Helmars E. Ozolins and Avram Kaufman and Masamichi Udagawa**  
(45) Registration Date: **24 September 2007**  
(30) Convention priority data:  
(31) Number (32) Date (33) Country  
**29/276,203 18 Jan 2007 UNITED STATES OF AMERICA**  
(56) Related Art Documents: **Not Applicable**  
(57) Statement of Newness and Distinctiveness: **Nil**



(19) AU

- (21) Design Number: **18957/2007**  
(22) Date of Filing Application: **18 July 2007**  
(24) Date from which industrial property rights may have effect: **18 July 2007**  
(54) Product in respect of which the design is registered: **Keyboard**  
(51) International Design Classification: **14-02**  
(71) Name(s) and Address(s) of Applicant(s):  
**Bloomberg, LP**  
**731 Lexington Avenue New York NY 10022 United States of America**  
(72) Name(s) of Designer(s): **Helmars E. Ozolins and Avram Kaufman and Masamichi Udagawa**  
(45) Registration Date: **24 September 2007**  
(30) Convention priority data:  
(31) Number (32) Date (33) Country  
**29/276,203 18 Jan 2007 UNITED STATES OF AMERICA**  
(56) Related Art Documents: **Not Applicable**  
(57) Statement of Newness and Distinctiveness: **Nil**





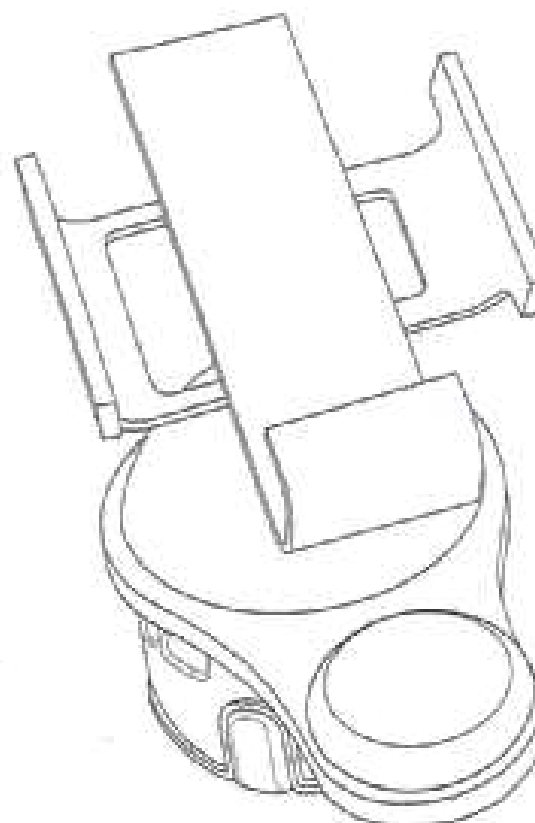
(19) AU

- (21) Design Number: **18958/2007**  
(22) Date of Filing Application: **18 July 2007**  
(24) Date from which industrial property rights may have effect: **18 July 2007**  
(54) Product in respect of which the design is registered: **Keyboard**  
(51) International Design Classification: **14-02**  
(71) Name(s) and Address(s) of Applicant(s):  
**Bloomberg, LP**  
**731 Lexington Avenue New York NY 10022 United States of America**  
(72) Name(s) of Designer(s): **Helmars E. Ozolins and Avram Kaufman and Masamichi Udagawa**  
(45) Registration Date: **24 September 2007**  
(30) Convention priority data:  
(31) Number (32) Date (33) Country  
**29/276,203 18 Jan 2007 UNITED STATES OF AMERICA**  
(56) Related Art Documents: **Not Applicable**  
(57) Statement of Newness and Distinctiveness: **Nil**

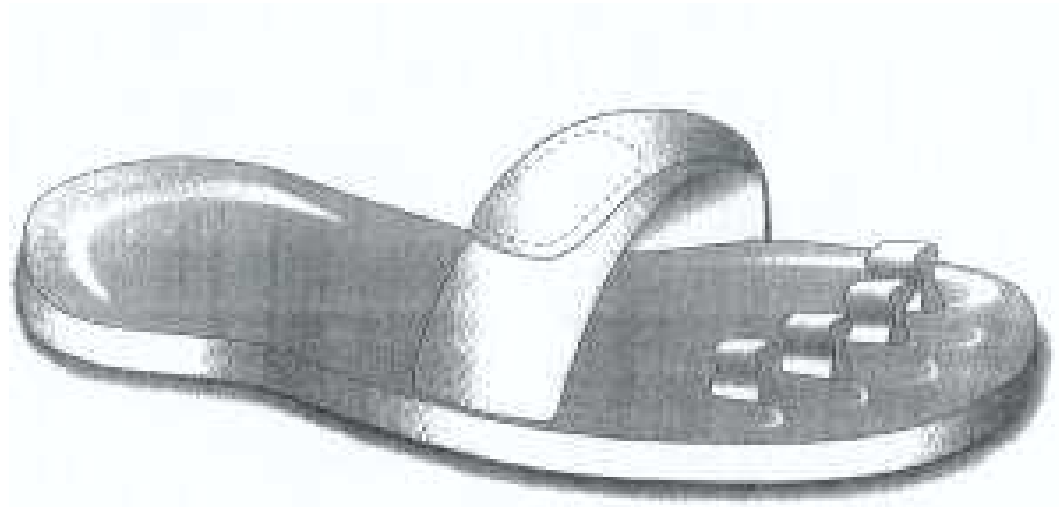


(19) AU

- (21) Design Number: **18962/2007**  
(22) Date of Filing Application: **18 July 2007**  
(24) Date from which industrial property rights may have effect: **18 July 2007**  
(54) Product in respect of which the design is registered: **Holder**  
(51) International Design Classification: **08-08NES**  
(71) Name(s) and Address(s) of Applicant(s):  
**Fiat Auto S.p.A.**  
**Corso Giovanni Agnelli 200 I-10135 Torino Italy**  
(72) Name(s) of Designer(s): **Guido Bianco and Roberto Giolito**  
(45) Registration Date: **24 September 2007**  
(30) Convention priority data:  
(31) Number (32) Date (33) Country  
**000655048 19 Jan 2007 EUROPEAN COMMUNITY**  
(56) Related Art Documents: **Not Applicable**  
(57) Statement of Newness and Distinctiveness: **Those features of the holder depicted in the representations that are new and distinctive are the shape and/or configuration.**

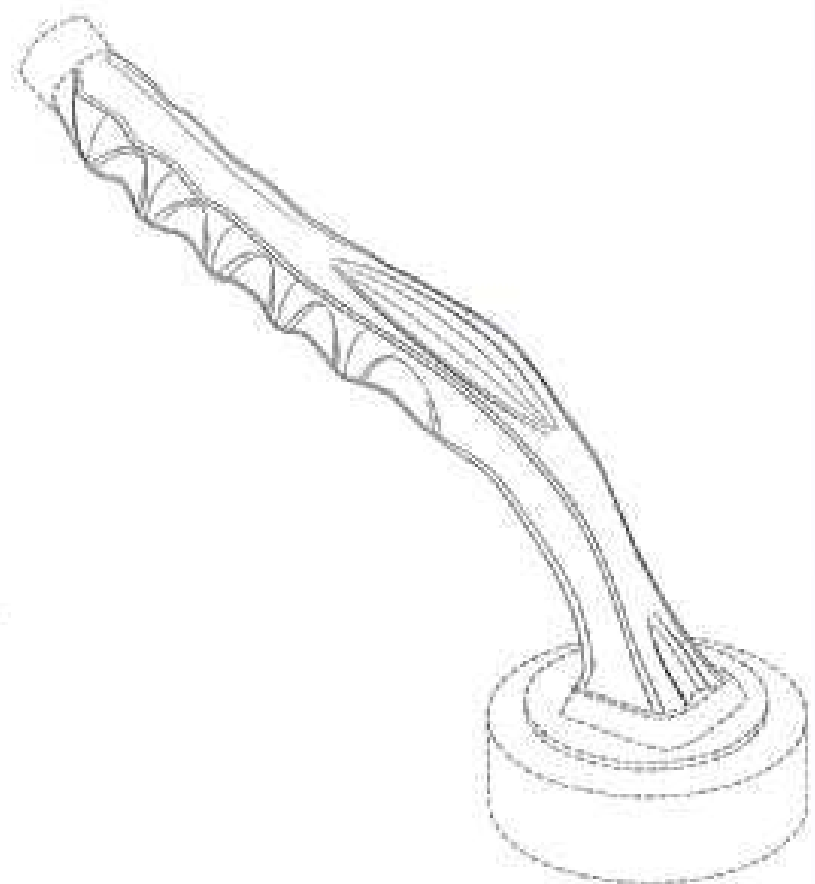


- (21) Design Number: **18963/2007**
- (22) Date of Filing Application: **18 July 2007**
- (24) Date from which industrial property rights may have effect: **18 July 2007**
- (54) Product in respect of which the design is registered: **Pedicure footwear**
- (51) International Design Classification: **02-04NES**
- (71) Name(s) and Address(s) of Applicant(s):  
**Hayek Import & Export Enterprises Pty Ltd**  
**8 Ravenhill Street Kings Langley New South Wales 2147 Australia**
- (72) Name(s) of Designer(s): **Anne Hayek**
- (45) Registration Date: **24 September 2007**
- (56) Related Art Documents: **Not Applicable**
- (57) Statement of Newness and Distinctiveness: **Newness and distinctiveness is claimed in the features of shape and/or configuration of the toe separators and foot strap of the pedicure footwear as illustrated in the accompanying representations.**

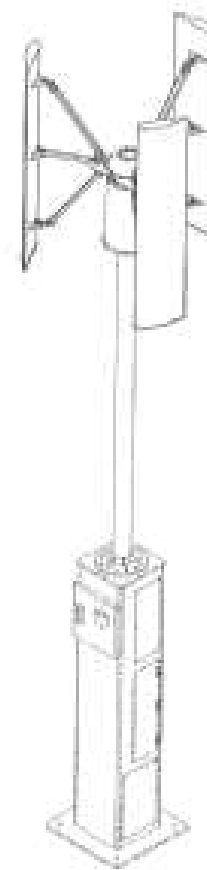


- (21) Design Number: **18964/2007**
- (22) Date of Filing Application: **18 July 2007**
- (24) Date from which industrial property rights may have effect: **18 July 2007**
- (54) Product in respect of which the design is registered: **Portion of a soap dispenser**
- (51) International Design Classification: **23-02A**
- (71) Name(s) and Address(s) of Applicant(s):  
**The Libman Company**  
**220 North Sheldon Arcola Illinois 61910 United States of America**
- (72) Name(s) of Designer(s): **Robert J Libman and Enzo Berti**
- (45) Registration Date: **24 September 2007**
- (30) Convention priority data:

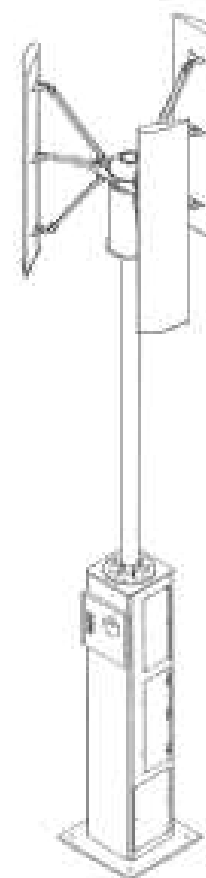
(31) Number	(32) Date	(33) Country
<b>29/276210</b>	<b>18 Jan 2007</b>	<b>UNITED STATES OF AMERICA</b>
- (56) Related Art Documents: **Not Applicable**
- (57) Statement of Newness and Distinctiveness: **Newness and distinctiveness reside in the shape and/or configuration of a portion of a soap dispenser as illustrated in the accompanying representations. The areas shown in broken outline are for illustrative purposes only and do not form part of the design.**



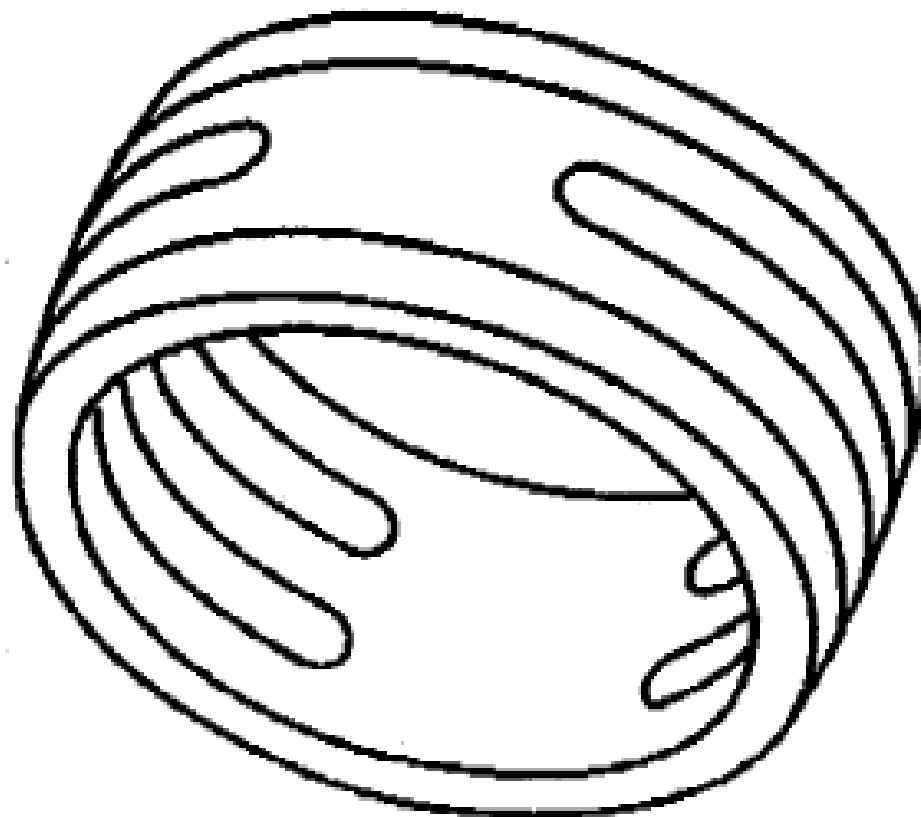
- (21) Design Number: **18965/2007**  
(22) Date of Filing Application: **18 July 2007**  
(24) Date from which industrial property rights may have effect: **18 July 2007**  
(54) Product in respect of which the design is registered: **Wind power generator**  
(51) International Design Classification: **13-01**  
(71) Name(s) and Address(s) of Applicant(s):  
**Shinko Electric Co., Ltd.**  
**Shiba NBF Tower 1-30 Shibadaimon 1-chome Minato-ku Tokyo**  
**105-8564 Japan**  
(72) Name(s) of Designer(s): **Fumio Sayama and Masami Morita and Hiroaki Nishiono and Hiroki Kataoka and Junichi Kurokawa and Tsuyoshi Muraoka**  
(45) Registration Date: **24 September 2007**  
(30) Convention priority data:  
(31) Number (32) Date (33) Country  
**2007-000961 19 Jan 2007 JAPAN**  
(56) Related Art Documents: **Not Applicable**  
(57) Statement of Newness and Distinctiveness: **Newness and distinctiveness reside in the features of the design shown in solid lines in the representations excluding those features shown in broken lines.**



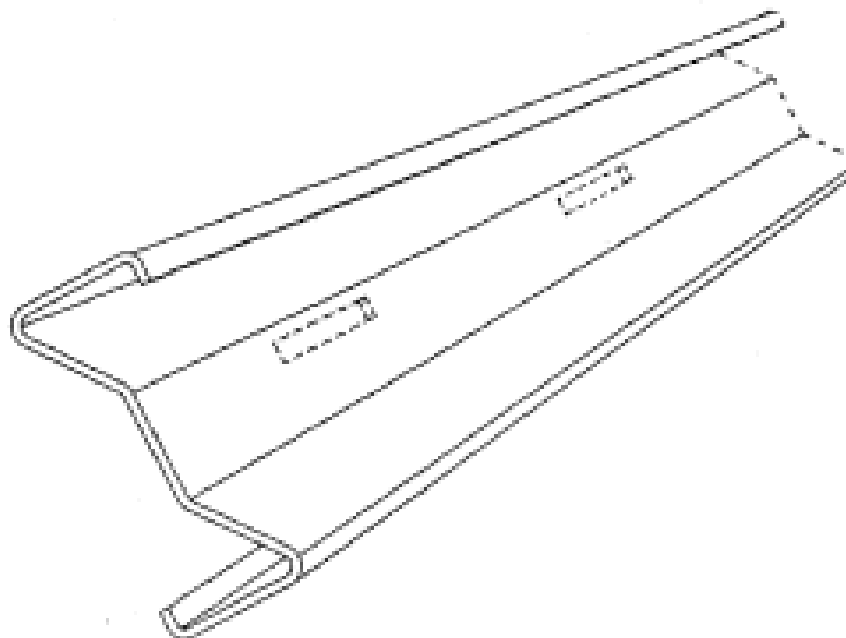
- (21) Design Number: **18966/2007**  
(22) Date of Filing Application: **18 July 2007**  
(24) Date from which industrial property rights may have effect: **18 July 2007**  
(54) Product in respect of which the design is registered: **Wind power generator**  
(51) International Design Classification: **13-01**  
(71) Name(s) and Address(s) of Applicant(s):  
**Shinko Electric Co., Ltd.**  
**Shiba NBF Tower 1-30 Shibadaimon 1-chome Minato-ku Tokyo**  
**105-8564 Japan**  
(72) Name(s) of Designer(s): **Fumio Sayama and Masami Morita and Hiroki Kataoka and Hiroaki Nishiono and Junichi Kurokawa and Tsuyoshi Muraoka**  
(45) Registration Date: **24 September 2007**  
(30) Convention priority data:  
(31) Number (32) Date (33) Country  
**2007-000960 19 Jan 2007 JAPAN**  
(56) Related Art Documents: **Not Applicable**  
(57) Statement of Newness and Distinctiveness: **Newness and distinctiveness reside in the features of the design as shown in the representations.**



- (21) Design Number: **18969/2007**  
(22) Date of Filing Application: **19 July 2007**  
(24) Date from which industrial property rights may have effect: **19 July 2007**  
(54) Product in respect of which the design is registered: **A ring**  
(51) International Design Classification: **11-01A**  
(71) Name(s) and Address(s) of Applicant(s):  
**Peter W Beck Pty Ltd**  
**14 Duncan Court Ottoway Park South Australia 5013 Australia**  
(72) Name(s) of Designer(s): **Karl Saul and Andrew Monks and Kirsty Earle**  
(45) Registration Date: **24 September 2007**  
(56) Related Art Documents: **Not Applicable**  
(57) Statement of Newness and Distinctiveness: **Nil**



- (21) Design Number: **18973/2007**  
(22) Date of Filing Application: **18 July 2007**  
(24) Date from which industrial property rights may have effect: **18 July 2007**  
(54) Product in respect of which the design is registered: **Structural member**  
(51) International Design Classification: **25-01K**  
(71) Name(s) and Address(s) of Applicant(s):  
**Gryffin Pty Ltd**  
**8 Bessemer Road Bayswater Victoria 3153 Australia**  
(72) Name(s) of Designer(s): **John Mythen and Stephen King**  
(45) Registration Date: **24 September 2007**  
(56) Related Art Documents: **Not Applicable**  
(57) Statement of Newness and Distinctiveness: **Newness and distinctiveness is claimed in features of shape and/or configuration of a structural member as illustrated in the accompanying representations. In considering which features are new and distinctive, particular/special regard is to be had to the cross section of the structural member. The structural member is of indefinite length.**



(21) Design Number: **19147/2007**

(22) Date of Filing Application: **31 July 2007**

(24) Date from which industrial property rights may have effect: **31 July 2007**

(54) Product in respect of which the design is registered: **Tyre**

(51) International Design Classification: **12-15C**

(71) Name(s) and Address(s) of Applicant(s):

**Xingyuan Tyre Group Co., Ltd.**  
**Xishui Industrial Zone Guangrao Dongying City Shandong Provice**  
**257336 P.R. China**

(72) Name(s) of Designer(s): **Wenguang Song**

(45) Registration Date: **24 September 2007**

(30) Convention priority data:

(31) Number	(32) Date	(33) Country
<b>200730158990.2</b>	<b>19 Jun 2007</b>	<b>CHINA</b>

(56) Related Art Documents: **Not Applicable**

(57) Statement of Newness and Distinctiveness: **Newness and distinctiveness is claimed in respect of the shape and configuration of the tyre tread illustrated in the accompanying representations.**



(21) Design Number: **19148/2007**

(22) Date of Filing Application: **31 July 2007**

(24) Date from which industrial property rights may have effect: **31 July 2007**

(54) Product in respect of which the design is registered: **Tyre**

(51) International Design Classification: **12-15C**

(71) Name(s) and Address(s) of Applicant(s):

**Xingyuan Tyre Group Co., Ltd.**  
**Xishui Industrial Zone Guangrao Dongying City Shandong Provice**  
**257336 P.R. China**

(72) Name(s) of Designer(s): **Wenguang Song**

(45) Registration Date: **24 September 2007**

(30) Convention priority data:

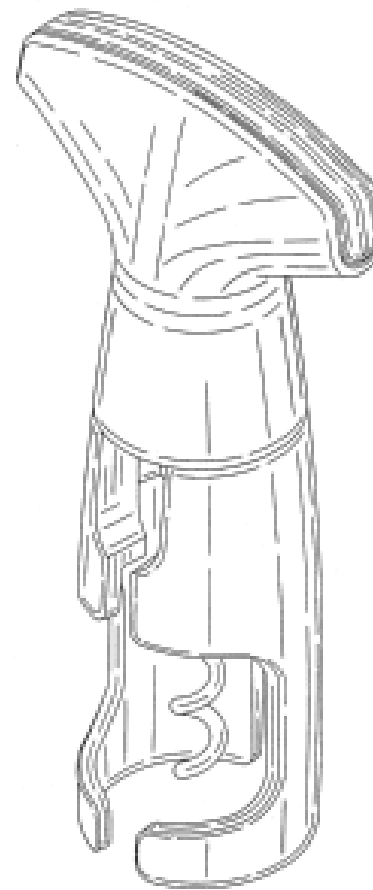
(31) Number	(32) Date	(33) Country
<b>200730158987.0</b>	<b>19 Jun 2007</b>	<b>CHINA</b>

(56) Related Art Documents: **Not Applicable**

(57) Statement of Newness and Distinctiveness: **Newness and distinctiveness is claimed in respect of the shape and/or configuration of the tyre tread illustrated in the accompanying representations.**



(21) Design Number: **18291/2007**  
(22) Date of Filing Application: **05 June 2007**  
(24) Date from which industrial property rights may have effect: **05 June 2007**  
(54) Product in respect of which the design is registered: **Corkscrew**  
(51) International Design Classification: **07-06D**  
(71) Name(s) and Address(s) of Applicant(s):  
**Dart Industries Inc**  
**14901 S. Orange Blossom Trail Orlando Florida 32837 United States of America**  
(72) Name(s) of Designer(s): **Vincent Jalet**  
(45) Registration Date: **25 September 2007**  
(30) Convention priority data:  
(31) Number (32) Date (33) Country  
**29/271,720 25 Jan 2007 UNITED STATES OF AMERICA**  
(56) Related Art Documents: **Not Applicable**  
(57) Statement of Newness and Distinctiveness: **Those features of the corkscrew depicted in the representations that are new and distinctive are the shape and/or configuration.**



(21) Design Number: **18414/2007**  
(22) Date of Filing Application: **15 June 2007**  
(24) Date from which industrial property rights may have effect: **15 June 2007**  
(54) Product in respect of which the design is registered: **Sheet material**  
(51) International Design Classification: **05-05C**  
(71) Name(s) and Address(s) of Applicant(s):  
**Rosemary Ingle**  
**28 Knights Road Galston New south Wales 2159 Australia**  
(72) Name(s) of Designer(s): **Rosemary Ingle**  
(45) Registration Date: **25 September 2007**  
(56) Related Art Documents: **Not Applicable**  
(57) Statement of Newness and Distinctiveness: **Green (PMS 5753) background with different breeds of horses arranged in random pattern and scattered golden horseshoes.**



(21) Design Number: **18425/2007**

(22) Date of Filing Application: **14 June 2007**

(24) Date from which industrial property rights may have effect: **14 June 2007**

(54) Product in respect of which the design is registered: **Golf putter head**

(51) International Design Classification: **21-02C**

(71) Name(s) and Address(s) of Applicant(s):

**Sam Parkinson**

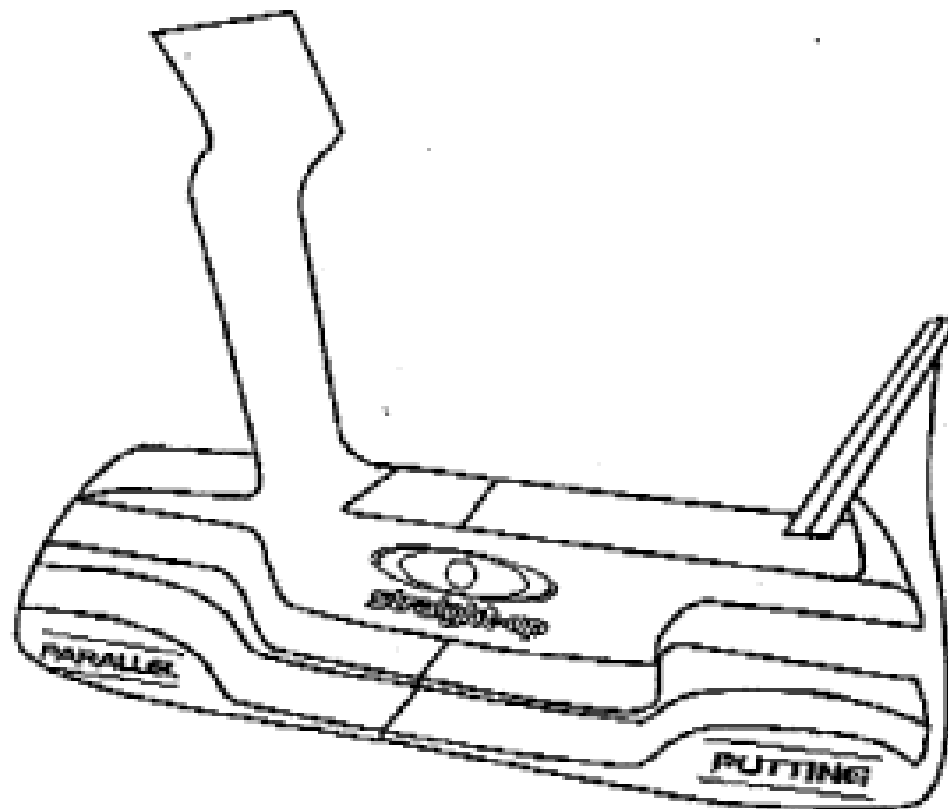
**115 Rundle Street Kent Town South Australia 5067 Australia**

(72) Name(s) of Designer(s): **Sam Parkinson**

(45) Registration Date: **25 September 2007**

(56) Related Art Documents: **Not Applicable**

(57) Statement of Newness and Distinctiveness: **Newness and distinctiveness is claimed in those features of shape and/or configuration of a putter head as illustrated in the accompanying drawings.**



(21) Design Number: **18677/2007**

(22) Date of Filing Application: **03 July 2007**

(24) Date from which industrial property rights may have effect: **03 July 2007**

(54) Product in respect of which the design is registered: **Chair**

(51) International Design Classification: **06-01F**

(71) Name(s) and Address(s) of Applicant(s):

**Simon Del Favero**

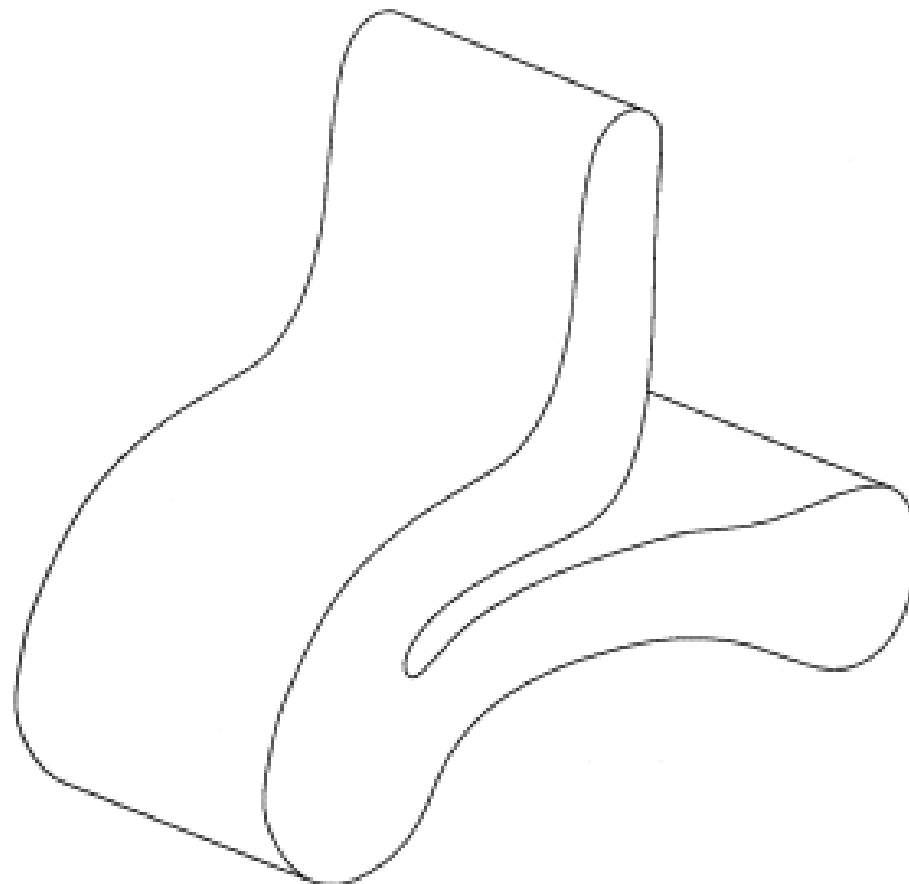
**97 Holden Street Ashfield New South Wales 2131 Australia**

(72) Name(s) of Designer(s): **Simon Del Favero**

(45) Registration Date: **25 September 2007**

(56) Related Art Documents: **Not Applicable**

(57) Statement of Newness and Distinctiveness: **Newness and distinctiveness is claimed in the shape and configuration of a multi-purpose chair as illustrated in the representations accompanying the application.**

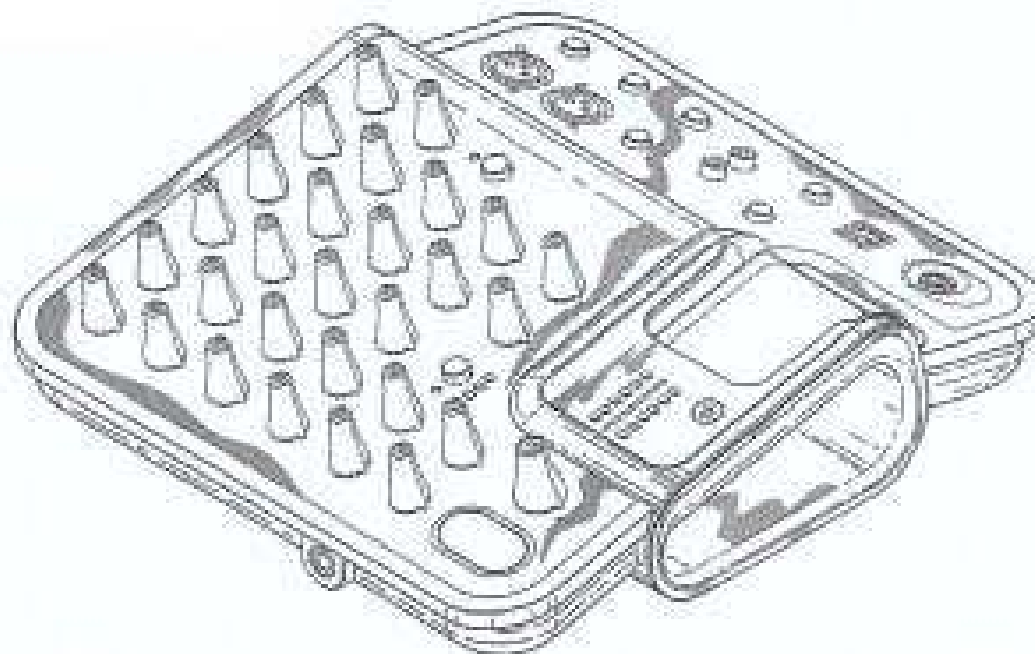


- (21) Design Number: **18678/2007**
- (22) Date of Filing Application: **03 July 2007**
- (24) Date from which industrial property rights may have effect: **03 July 2007**
- (54) Product in respect of which the design is registered: **Compost bin**
- (51) International Design Classification: **09-03G**
- (71) Name(s) and Address(s) of Applicant(s):  
**Haddock Holdings Pty. Ltd.**  
**428 Balcombe Road Beaumaris Victoria 3193 Australia**
- (72) Name(s) of Designer(s): **Nelson Haddock**
- (45) Registration Date: **25 September 2007**
- (56) Related Art Documents: **Not Applicable**
- (57) Statement of Newness and Distinctiveness: **This design is for a compost bin divided into two separate areas, each with a separate lid and emptying door.**



- (21) Design Number: **18683/2007**
- (22) Date of Filing Application: **03 July 2007**
- (24) Date from which industrial property rights may have effect: **03 July 2007**
- (54) Product in respect of which the design is registered: **Mixer**
- (51) International Design Classification: **14-01**
- (71) Name(s) and Address(s) of Applicant(s):  
**Belkin International, Inc.**  
**501 W. Walnut Street Compton California 90220 United States of America**
- (72) Name(s) of Designer(s): **Oliver Duncan Seil and Scott Jackson and Steven Lane and Ernesto Quinteros and Thorben Neu**
- (45) Registration Date: **25 September 2007**
- (30) Convention priority data:

(31) Number	(32) Date	(33) Country
<b>29/270871</b>	<b>05 Jan 2007</b>	<b>UNITED STATES OF AMERICA</b>
- (56) Related Art Documents: **Not Applicable**
- (57) Statement of Newness and Distinctiveness: **Newness and distinctiveness is claimed in the features of shape and/or configuration of a mixer as illustrated in solid lines in the accompanying representations.**





- (21) Design Number: **18971/2007**
- (22) Date of Filing Application: **19 July 2007**
- (24) Date from which industrial property rights may have effect: **19 July 2007**
- (54) Product in respect of which the design is registered: **An extrusion**
- (51) International Design Classification: **25-01K**
- (71) Name(s) and Address(s) of Applicant(s):

**Neville Simmons**  
**7 Waokauri Place Mangere Auckland New Zealand**

**Richard Simmons**  
**7 Waokauri Place Mangere Auckland New Zealand**

**Andrew Simmons**  
**7 Waokauri Place Mangere Auckland New Zealand**

**Jack Graeme Simmons**  
**7 Waokauri Place Mangere Auckland New Zealand**

(72) Name(s) of Designer(s): **Neville Simmons and Richard Simmons and Andrew Simmons and Jack Graeme Simmons**

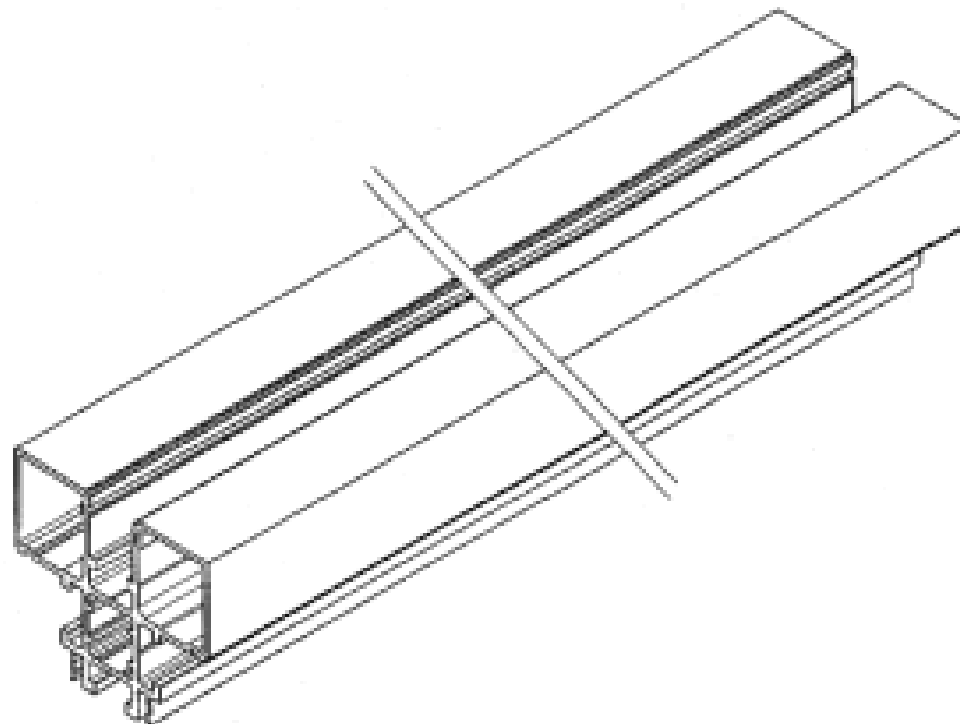
(45) Registration Date: **25 September 2007**

(30) Convention priority data:

(31) Number	(32) Date	(33) Country
<b>408580</b>	<b>19 Jan 2007</b>	<b>NEW ZEALAND</b>

(56) Related Art Documents: **Not Applicable**

(57) Statement of Newness and Distinctiveness: **The novelty claimed for the design resides in the features of shape and/or configuration all as shown in the representations. The extrusion is of constant cross-section and indefinite length.**



- (21) Design Number: **18972/2007**
- (22) Date of Filing Application: **19 July 2007**
- (24) Date from which industrial property rights may have effect: **19 July 2007**
- (54) Product in respect of which the design is registered: **An extrusion**
- (51) International Design Classification: **25-01K**
- (71) Name(s) and Address(s) of Applicant(s):

**Neville Simmons**  
**7 Waokauri Place Mangere Auckland New Zealand**

**Richard Simmons**  
**7 Waokauri Place Mangere Auckland New Zealand**

**Andrew Simmons**  
**7 Waokauri Place Mangere Auckland New Zealand**

**Jack Graeme Simmons**  
**7 Waokauri Place Mangere Auckland New Zealand**

(72) Name(s) of Designer(s): **Neville Simmons and Richard Simmons and Andrew Simmons and Jack Graeme Simmons**

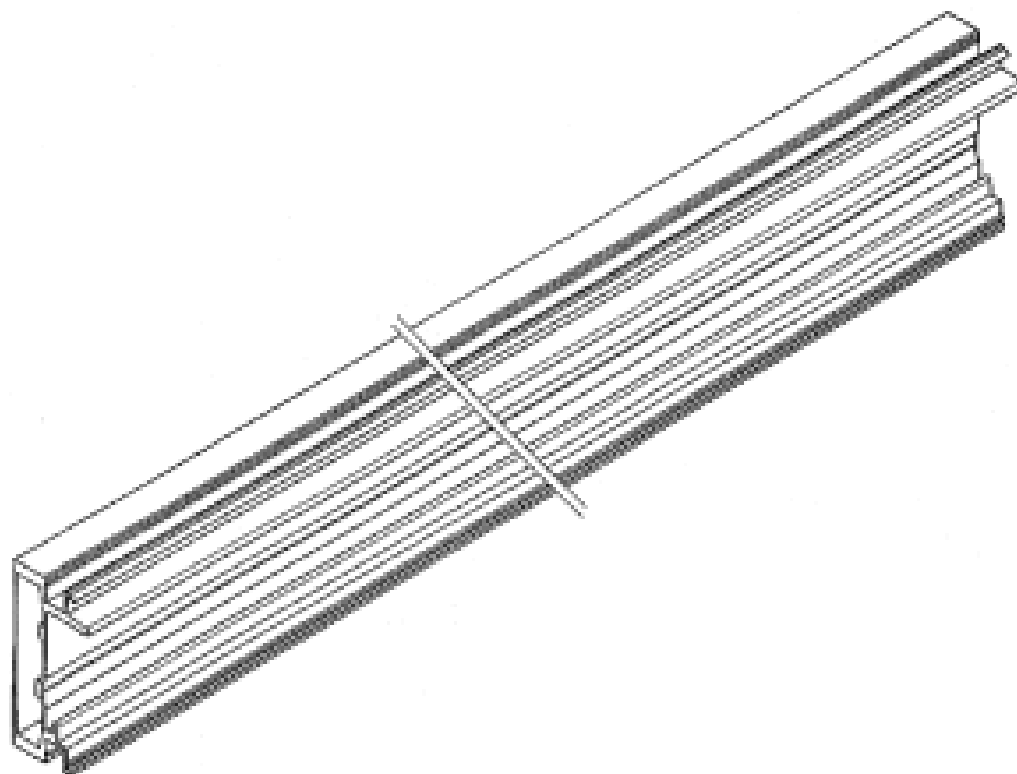
(45) Registration Date: **25 September 2007**

(30) Convention priority data:

(31) Number	(32) Date	(33) Country
<b>408580</b>	<b>19 Jan 2007</b>	<b>NEW ZEALAND</b>

(56) Related Art Documents: **Not Applicable**

(57) Statement of Newness and Distinctiveness: **The novelty claimed for the design resides in the features of shape and/or configuration all as shown in the representations. The extrusion is of constant cross-section and indefinite length.**



(21) Design Number: **18978/2007**

(22) Date of Filing Application: **20 July 2007**

(24) Date from which industrial property rights may have effect: **20 July 2007**

(54) Product in respect of which the design is registered: **Stepgate**

(51) International Design Classification: **25-02C**

(71) Name(s) and Address(s) of Applicant(s):

**Boguslaw Biernat**

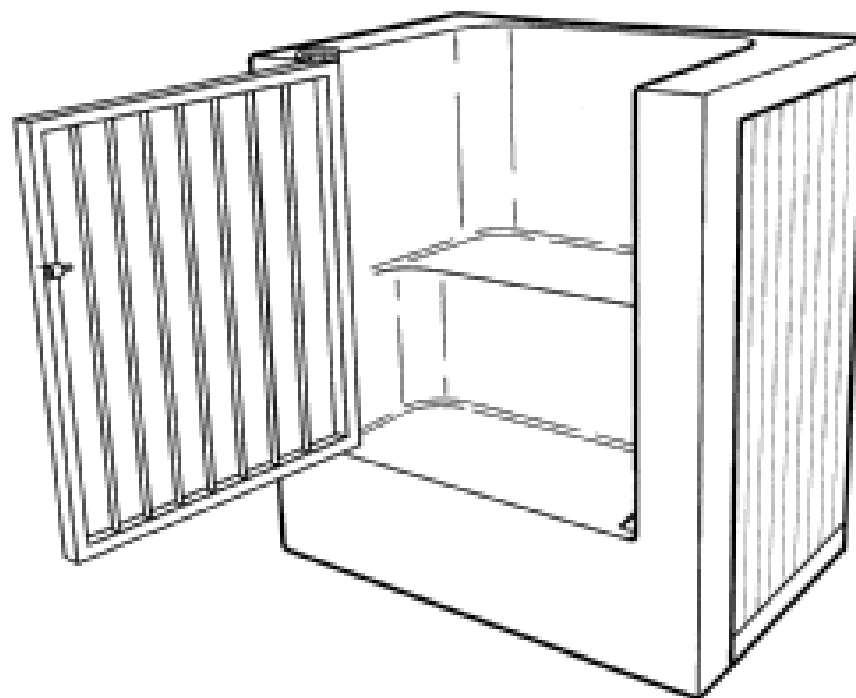
**1763 Albany Highway Kenwick Western Australia 6107 Australia**

(72) Name(s) of Designer(s): **Boguslaw Biernat**

(45) Registration Date: **25 September 2007**

(56) Related Art Documents: **Not Applicable**

(57) Statement of Newness and Distinctiveness: **The particular visual feature that is new and distinctive is the integration of the steps with the gate into one compact unit that complies with the requirements of Australian Standards 1926.1 1993 fencing for swimming pools as illustrated in the accompanying representations.**



(21) Design Number: **18979/2007**

(22) Date of Filing Application: **20 July 2007**

(24) Date from which industrial property rights may have effect: **20 July 2007**

(54) Product in respect of which the design is registered: **A base for or of a roasting and/or retail pack container**

(51) International Design Classification: **09-03F**

(71) Name(s) and Address(s) of Applicant(s):

**Alto Packaging Limited**

**10 Kaimiro Street Hamilton New Zealand**

(72) Name(s) of Designer(s): **Michael Patrick Noonan**

(45) Registration Date: **25 September 2007**

(30) Convention priority data:

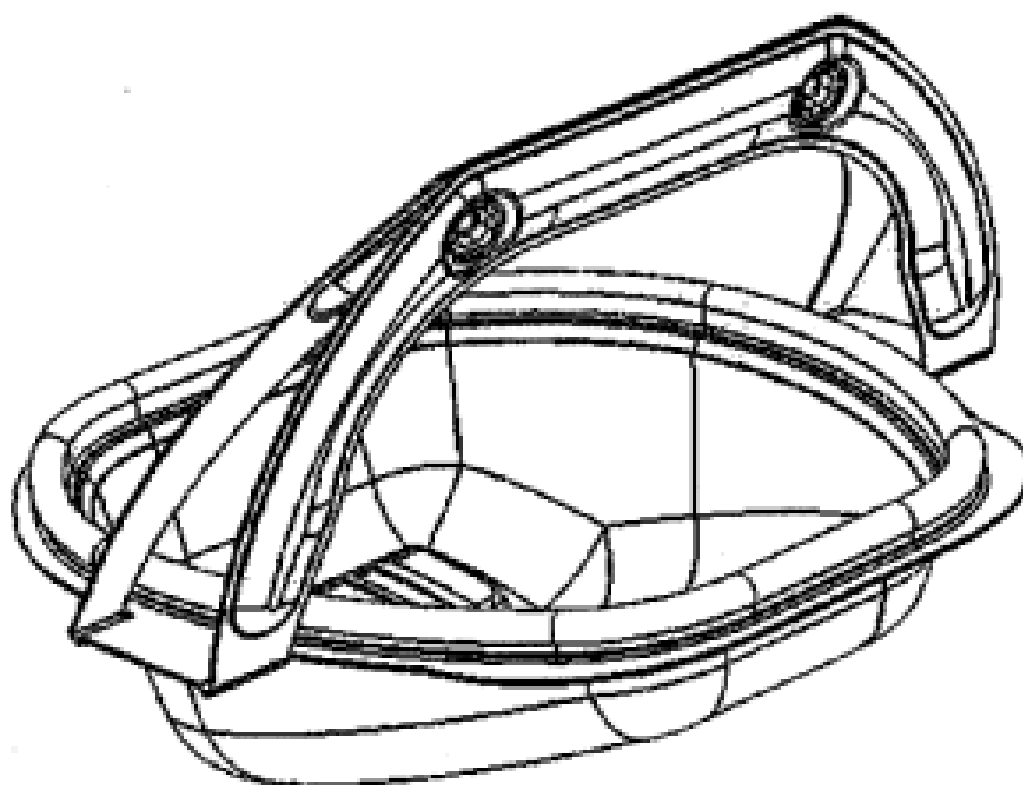
(31) Number  
**408694**

(32) Date  
**13 Feb 2007**

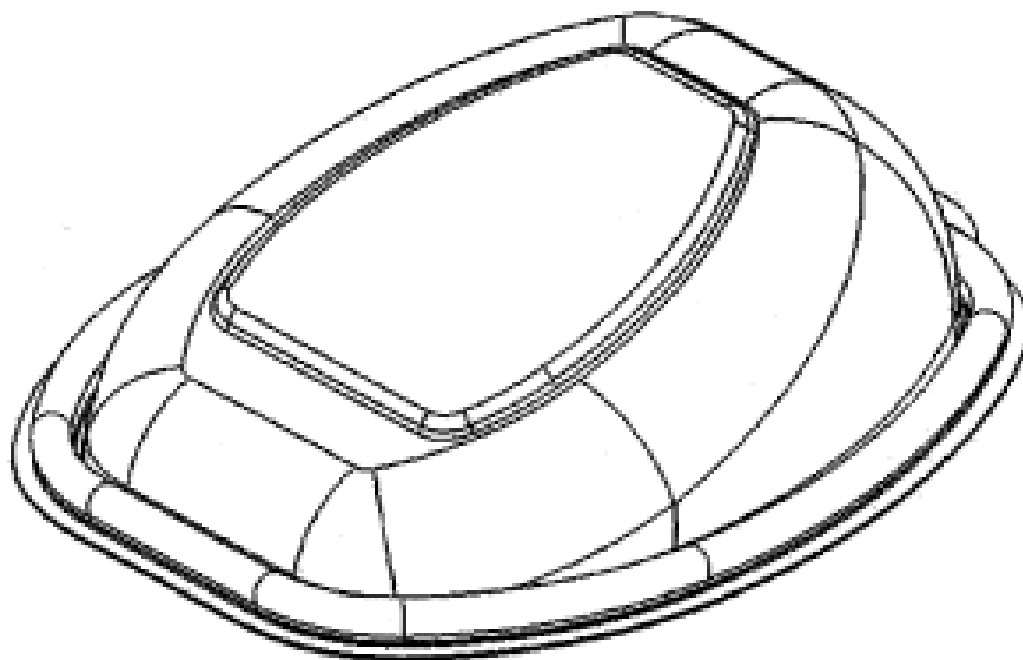
(33) Country  
**NEW ZEALAND**

(56) Related Art Documents: **Not Applicable**

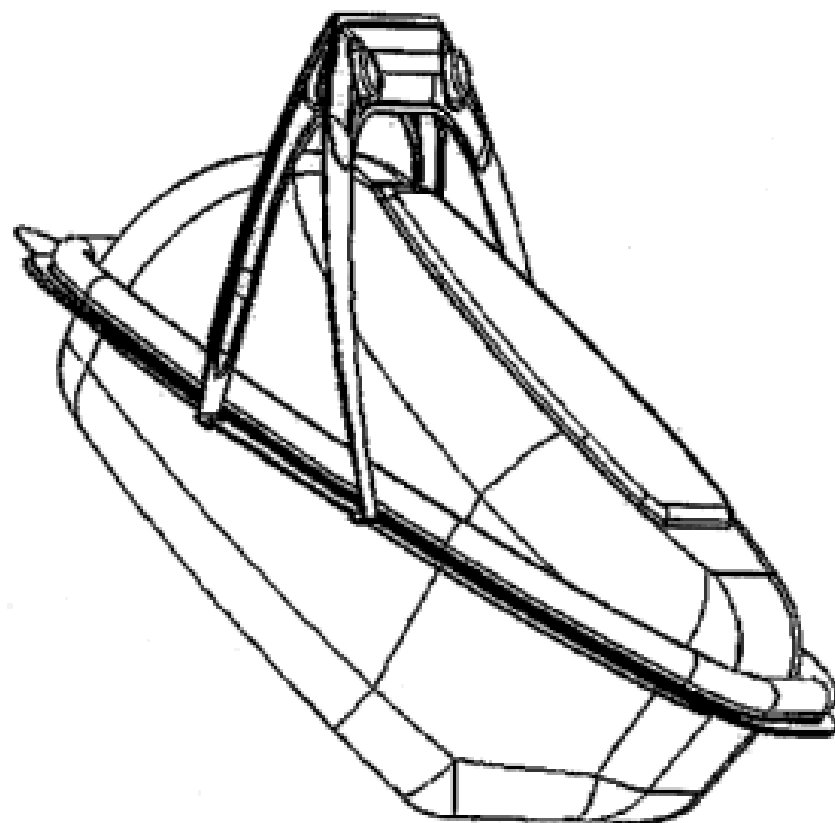
(57) Statement of Newness and Distinctiveness: **Newness and distinctiveness is claimed in the features of shape substantially as shown in the representation.**



- (21) Design Number: **18980/2007**  
(22) Date of Filing Application: **20 July 2007**  
(24) Date from which industrial property rights may have effect: **20 July 2007**  
(54) Product in respect of which the design is registered: **A lid for or of a roasting and/or retail pack container**  
(51) International Design Classification: **09-07NES**  
(71) Name(s) and Address(s) of Applicant(s):  
**Alto Packaging Limited**  
**10 Kaimiro Street Hamilton New Zealand**  
(72) Name(s) of Designer(s): **Michael Patrick Noonan**  
(45) Registration Date: **25 September 2007**  
(30) Convention priority data:  
(31) Number (32) Date (33) Country  
**408693 13 Feb 2007 NEW ZEALAND**  
(56) Related Art Documents: **Not Applicable**  
(57) Statement of Newness and Distinctiveness: **Newness and distinctiveness is claimed in the features of shape and/or configuration substantially as shown in the representation.**



- (21) Design Number: **18981/2007**  
(22) Date of Filing Application: **20 July 2007**  
(24) Date from which industrial property rights may have effect: **20 July 2007**  
(54) Product in respect of which the design is registered: **A roasting and/or retail pack container**  
(51) International Design Classification: **09-03F**  
(71) Name(s) and Address(s) of Applicant(s):  
**Alto Packaging Limited**  
**10 Kaimiro Street Hamilton New Zealand**  
(72) Name(s) of Designer(s): **Michael Patrick Noonan**  
(45) Registration Date: **25 September 2007**  
(30) Convention priority data:  
(31) Number (32) Date (33) Country  
**408695 13 Feb 2007 NEW ZEALAND**  
(56) Related Art Documents: **Not Applicable**  
(57) Statement of Newness and Distinctiveness: **Newness and distinctiveness is claimed in the features of shape and/or configuration substantially as shown in the representation.**



(21) Design Number: **18982/2007**

(22) Date of Filing Application: **20 July 2007**

(24) Date from which industrial property rights may have effect: **20 July 2007**

(54) Product in respect of which the design is registered: **Anti-lift top guide**

(51) International Design Classification: **08-08NES**

(71) Name(s) and Address(s) of Applicant(s):

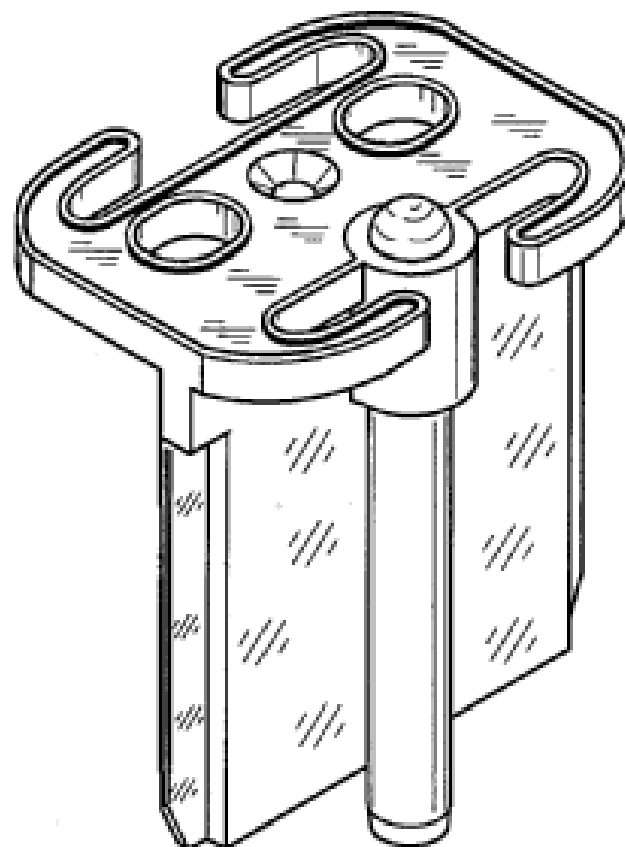
**Press Metal Aluminium (Australia) Pty Ltd**  
**2/22 Eastern Service Stapylton Queensland 4207 Australia**

(72) Name(s) of Designer(s): **Zaiton Binti Kadir and Hairul Anuar Bin Shajari**

(45) Registration Date: **25 September 2007**

(56) Related Art Documents: **Not Applicable**

(57) Statement of Newness and Distinctiveness: **Nil**



(21) Design Number: **18983/2007**

(22) Date of Filing Application: **20 July 2007**

(24) Date from which industrial property rights may have effect: **20 July 2007**

(54) Product in respect of which the design is registered: **Top guide**

(51) International Design Classification: **08-08NES**

(71) Name(s) and Address(s) of Applicant(s):

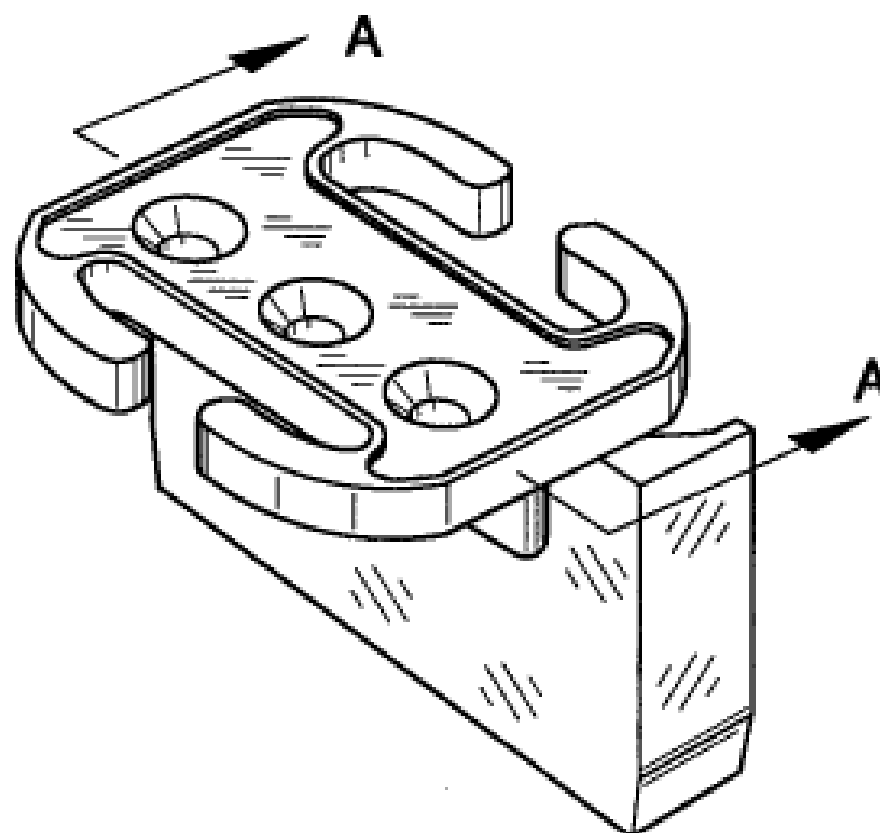
**Press Metal Aluminium (Australia) Pty Ltd**  
**2/22 Eastern Service Stapylton Queensland 4207 Australia**

(72) Name(s) of Designer(s): **Zaiton Binti Kadir and Hairul Anuar Bin Shajari**

(45) Registration Date: **25 September 2007**

(56) Related Art Documents: **Not Applicable**

(57) Statement of Newness and Distinctiveness: **Nil**



(21) Design Number: **18985/2007**

(22) Date of Filing Application: **20 July 2007**

(24) Date from which industrial property rights may have effect: **20 July 2007**

(54) Product in respect of which the design is registered: **Semi-frameless stile**

(51) International Design Classification: **08-09**

(71) Name(s) and Address(s) of Applicant(s):

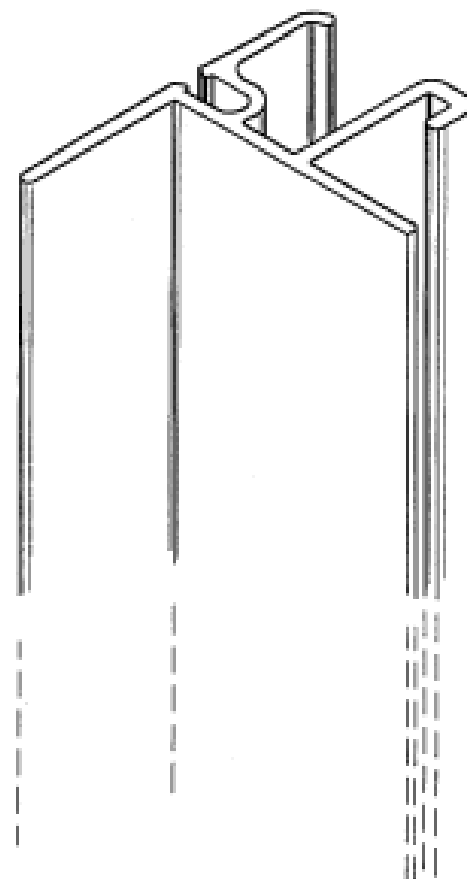
**Press Metal Aluminium (Australia) Pty Ltd  
2/22 Eastern Service Stapylton Queensland 4207 Australia**

(72) Name(s) of Designer(s): **Chieh Nam Lew**

(45) Registration Date: **25 September 2007**

(56) Related Art Documents: **Not Applicable**

(57) Statement of Newness and Distinctiveness: **The semi-frameless stile has constant cross-section and indefinite length.**



(21) Design Number: **18987/2007**

(22) Date of Filing Application: **20 July 2007**

(24) Date from which industrial property rights may have effect: **20 July 2007**

(54) Product in respect of which the design is registered: **Blister pack adhesive sheet**

(51) International Design Classification: **09-05**

(71) Name(s) and Address(s) of Applicant(s):

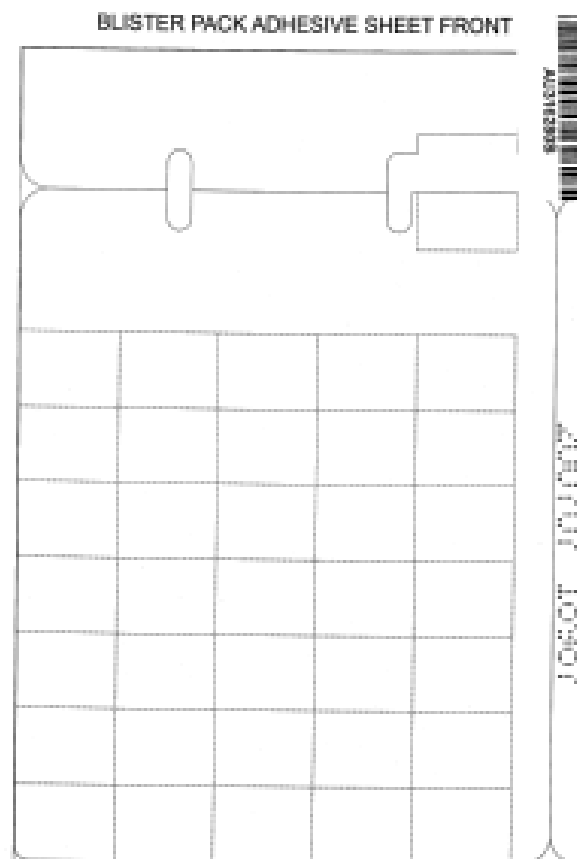
**Julian Daffy  
139 Riversdale Road Hawthorn Victoria 3122 Australia**

(72) Name(s) of Designer(s): **Julian Daffy**

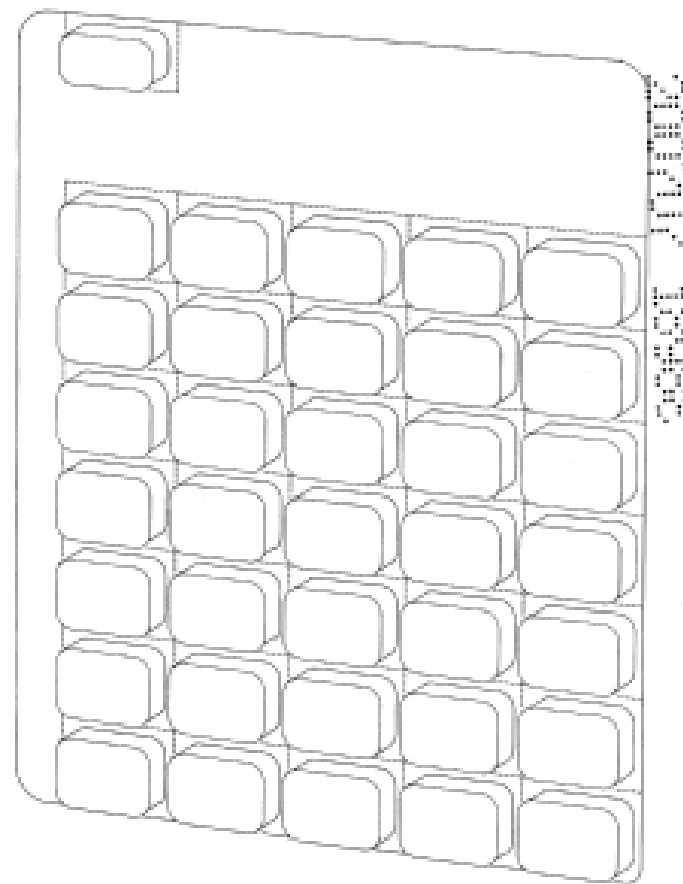
(45) Registration Date: **25 September 2007**

(56) Related Art Documents: **Not Applicable**

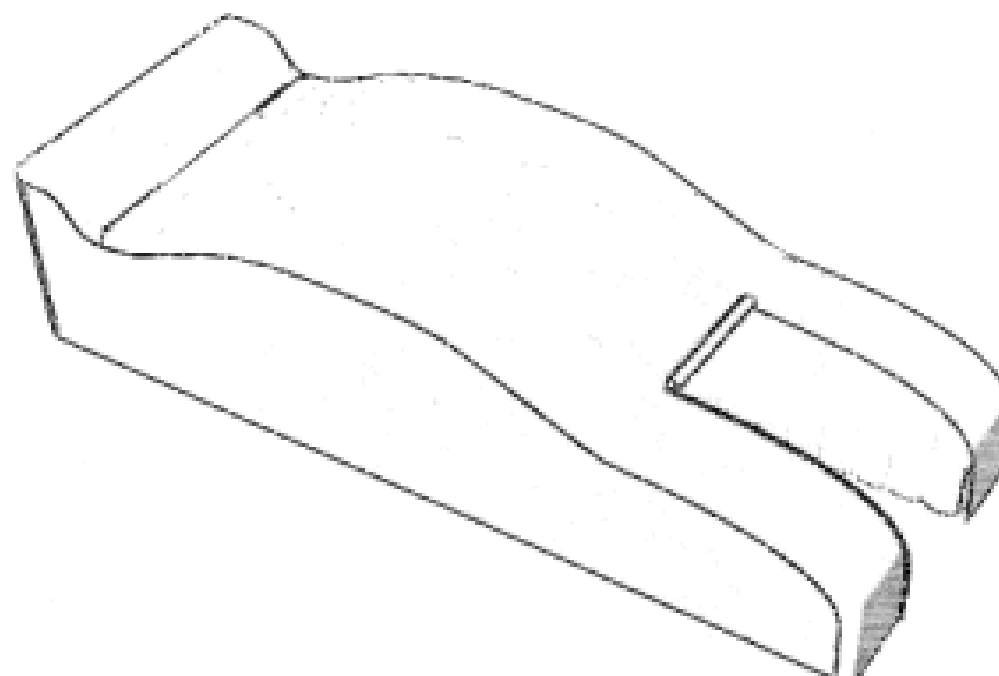
(57) Statement of Newness and Distinctiveness: **Nil**



(21) Design Number: **18988/2007**  
(22) Date of Filing Application: **20 July 2007**  
(24) Date from which industrial property rights may have effect: **20 July 2007**  
(54) Product in respect of which the design is registered: **Blister pack**  
(51) International Design Classification: **09-05**  
(71) Name(s) and Address(s) of Applicant(s):  
**Julian Daffy**  
**139 Riversdale Road Hawthorn Victoria 3122 Australia**  
(72) Name(s) of Designer(s): **Julian Daffy**  
(45) Registration Date: **25 September 2007**  
(56) Related Art Documents: **Not Applicable**  
(57) Statement of Newness and Distinctiveness: **Nil**



(21) Design Number: **18992/2007**  
(22) Date of Filing Application: **20 July 2007**  
(24) Date from which industrial property rights may have effect: **20 July 2007**  
(54) Product in respect of which the design is registered: **Walk in structure**  
(51) International Design Classification: **25-03**  
(71) Name(s) and Address(s) of Applicant(s):  
**Jeffrey Alan Killick**  
**193 Gannons Road South Dolans Bay New South Wales 2229 Australia**  
(72) Name(s) of Designer(s): **Jeffrey Alan Killick**  
(45) Registration Date: **25 September 2007**  
(56) Related Art Documents: **Not Applicable**  
(57) Statement of Newness and Distinctiveness: **Nil**



(21) Design Number: **18993/2007**

(22) Date of Filing Application: **20 July 2007**

(24) Date from which industrial property rights may have effect: **20 July 2007**

(54) Product in respect of which the design is registered: **Mammary prosthesis**

(51) International Design Classification: **24-03**

(71) Name(s) and Address(s) of Applicant(s):

**Gary Pierre Lauryssen**  
**373 Bally James Duff Crescent Randjiesfontein Gauteng 1083 South Africa**

(72) Name(s) of Designer(s): **Gary Pierre Lauryssen**

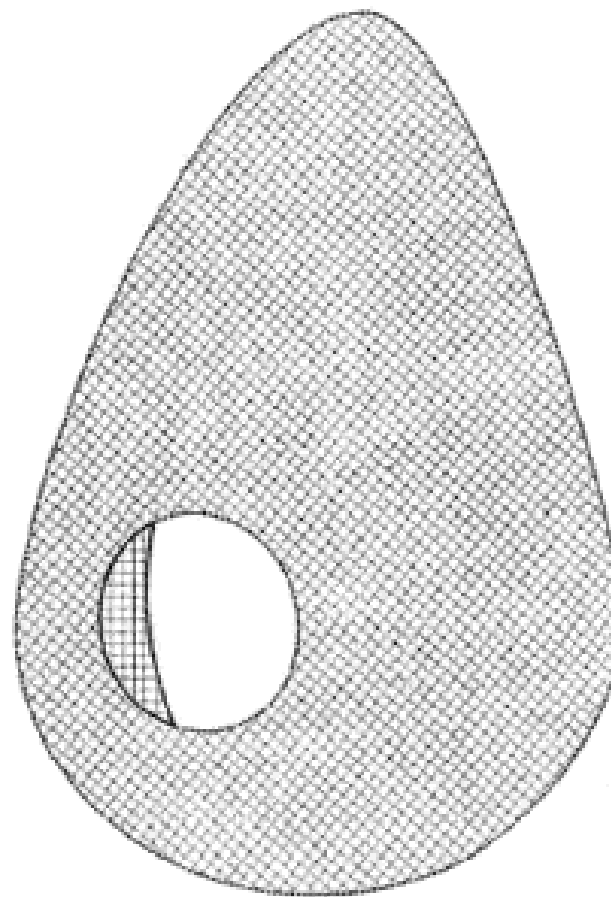
(45) Registration Date: **25 September 2007**

(30) Convention priority data:

(31) Number	(32) Date	(33) Country
<b>F2007/00124</b>	<b>24 Jan 2007</b>	<b>SOUTH AFRICA</b>

(56) Related Art Documents: **Not Applicable**

(57) Statement of Newness and Distinctiveness: **Newness and distinctiveness is claimed in the shape and/or configuration of a mammary prosthesis as shown in the accompanying representations.**



(21) Design Number: **18994/2007**

(22) Date of Filing Application: **20 July 2007**

(24) Date from which industrial property rights may have effect: **20 July 2007**

(54) Product in respect of which the design is registered: **Guide for a mammary prosthesis**

(51) International Design Classification: **24-03**

(71) Name(s) and Address(s) of Applicant(s):

**Gary Pierre Lauryssen**  
**373 Bally James Duff Crescent Randjiesfontein Gauteng 1083 South Africa**

(72) Name(s) of Designer(s): **Gary Pierre Lauryssen**

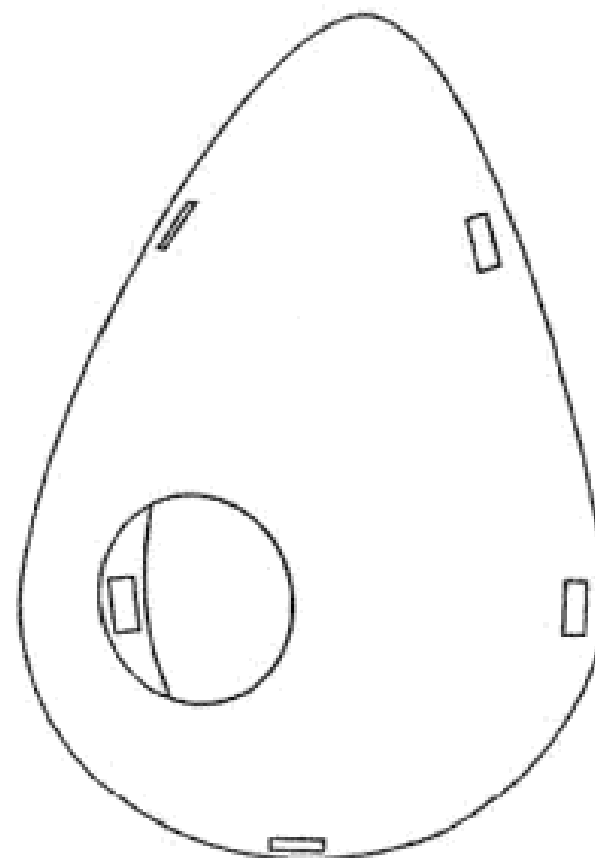
(45) Registration Date: **25 September 2007**

(30) Convention priority data:

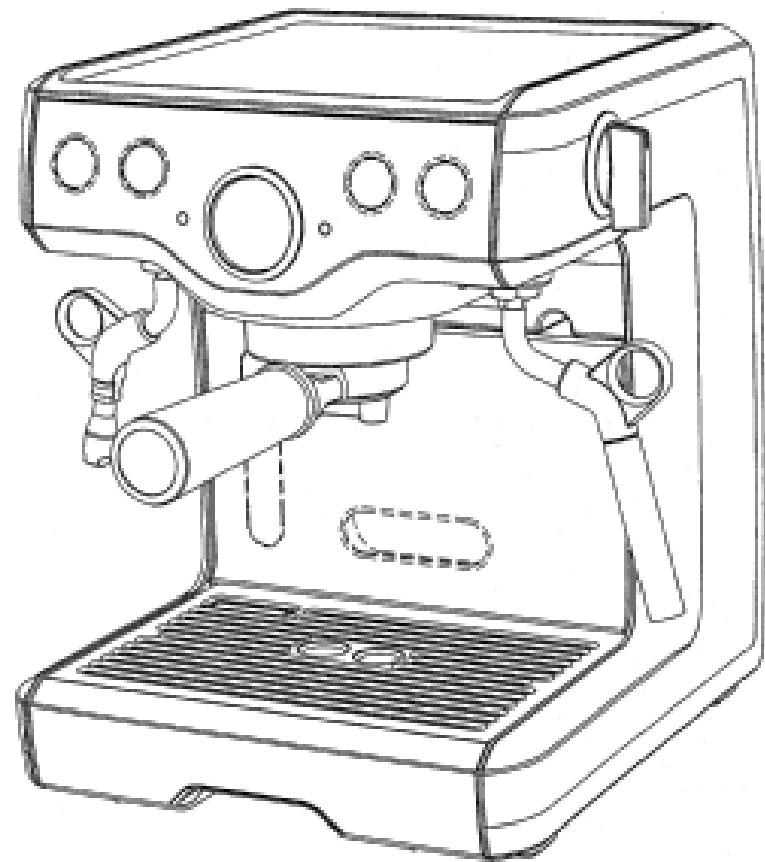
(31) Number	(32) Date	(33) Country
<b>F2007/00157</b>	<b>24 Jan 2007</b>	<b>SOUTH AFRICA</b>

(56) Related Art Documents: **Not Applicable**

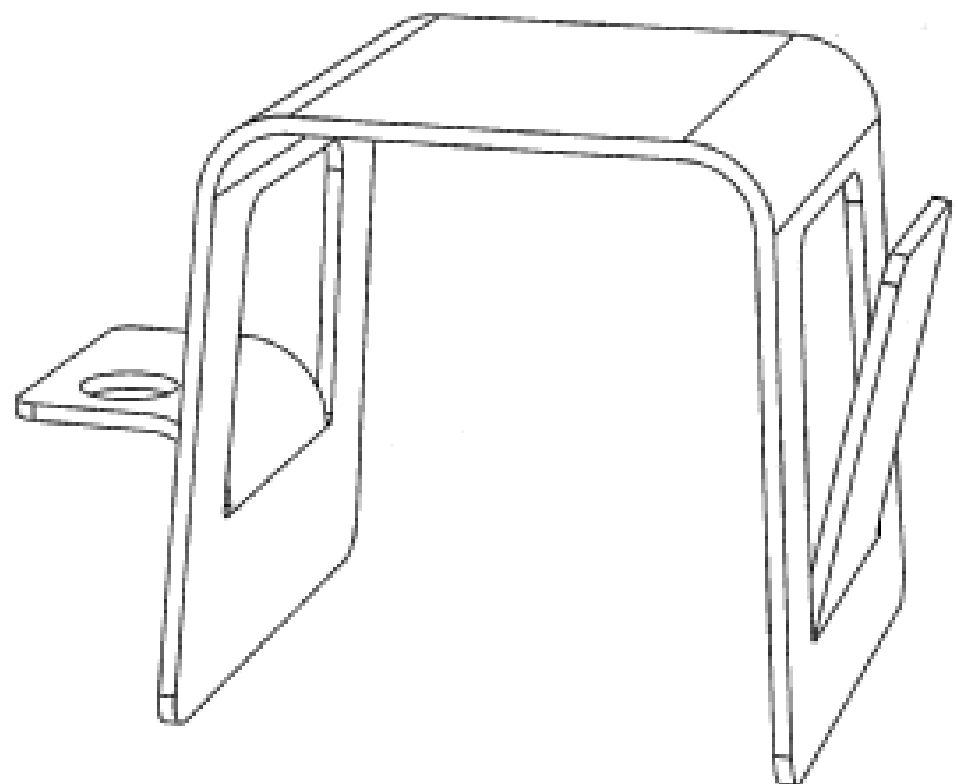
(57) Statement of Newness and Distinctiveness: **Newness and distinctiveness is claimed in the shape and/or configuration of a guide for a mammary prosthesis as shown in the accompanying representations.**



- (21) Design Number: **18995/2007**  
(22) Date of Filing Application: **20 July 2007**  
(24) Date from which industrial property rights may have effect: **20 July 2007**  
(54) Product in respect of which the design is registered: **Coffee maker**  
(51) International Design Classification: **07-02L**  
(71) Name(s) and Address(s) of Applicant(s):  
**Breville Pty Limited**  
**Building 2 Port Air Industrial Estate 1A Hale St Botany New South**  
**Wales 2019 Australia**  
(72) Name(s) of Designer(s): **Robert Grassia**  
(45) Registration Date: **25 September 2007**  
(56) Related Art Documents: **Not Applicable**  
(57) Statement of Newness and Distinctiveness: **Newness is claimed in the features of shape and configuration of the coffee maker as shown in the accompanying representations. The broken lines in the drawings are for illustrative purposes only and form no part of the claimed design.**

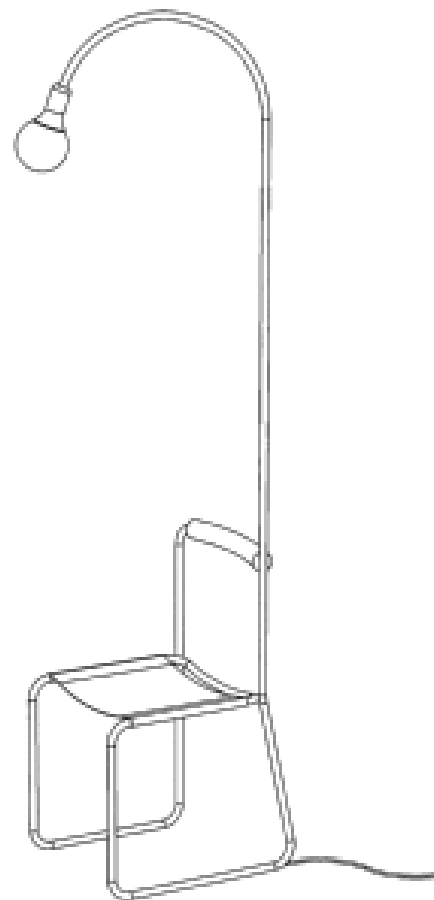


- (21) Design Number: **18998/2007**  
(22) Date of Filing Application: **20 July 2007**  
(24) Date from which industrial property rights may have effect: **20 July 2007**  
(54) Product in respect of which the design is registered: **Chair/stool**  
(51) International Design Classification: **06-01E**  
(71) Name(s) and Address(s) of Applicant(s):  
**Gary Galego**  
**42 Wilson Street Kogarah New South Wales 2217 Australia**  
(72) Name(s) of Designer(s): **Gary Galego**  
(45) Registration Date: **25 September 2007**  
(56) Related Art Documents: **Not Applicable**  
(57) Statement of Newness and Distinctiveness: **A stool which functions as a seat and provides a small shelf to place a coffee cup and a rack to hold a newspaper or magazine.**

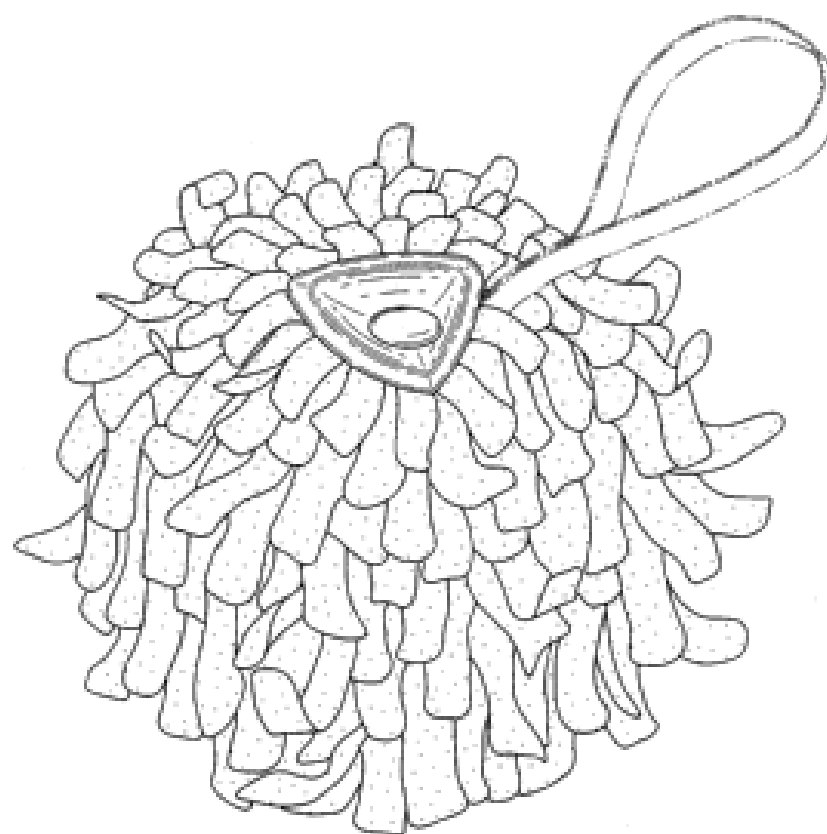




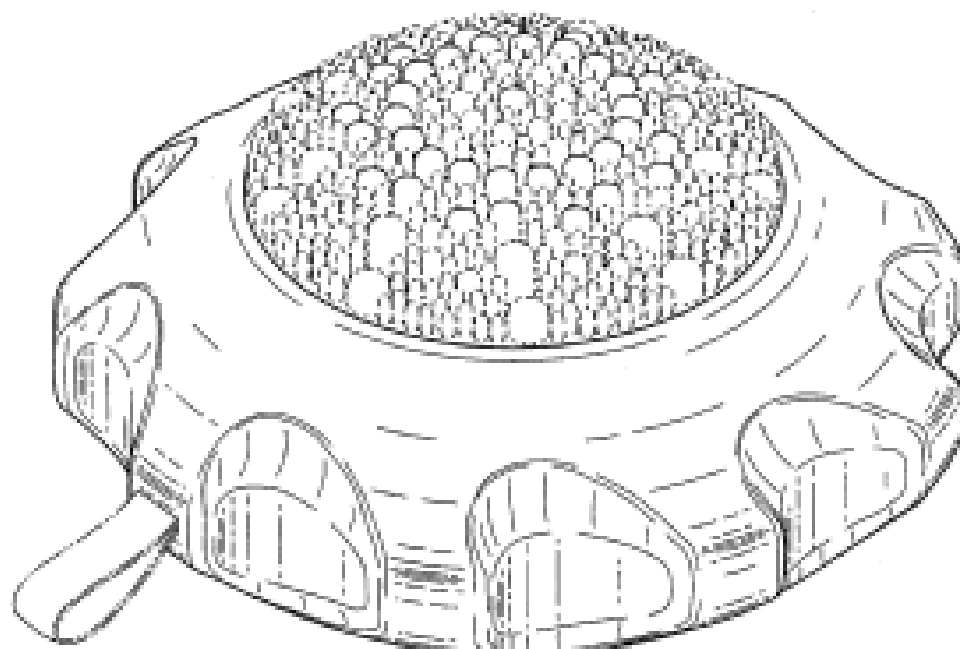
- (21) Design Number: **18999/2007**  
(22) Date of Filing Application: **20 July 2007**  
(24) Date from which industrial property rights may have effect: **20 July 2007**  
(54) Product in respect of which the design is registered: **Chair**  
(51) International Design Classification: **06-01F**  
(71) Name(s) and Address(s) of Applicant(s):  
**Huseyin Sami**  
**42 Wilson Street Kogarah New South Wales 2217 Australia**  
**Gary Galego**  
**42 Wilson Street Kogarah New South Wales 2217 Australia**  
(72) Name(s) of Designer(s): **Huseyin Sami and Gary Galego**  
(45) Registration Date: **25 September 2007**  
(56) Related Art Documents: **Not Applicable**  
(57) Statement of Newness and Distinctiveness: **Static chair with integrated light. Design functions collectively as a seat and source of light.**



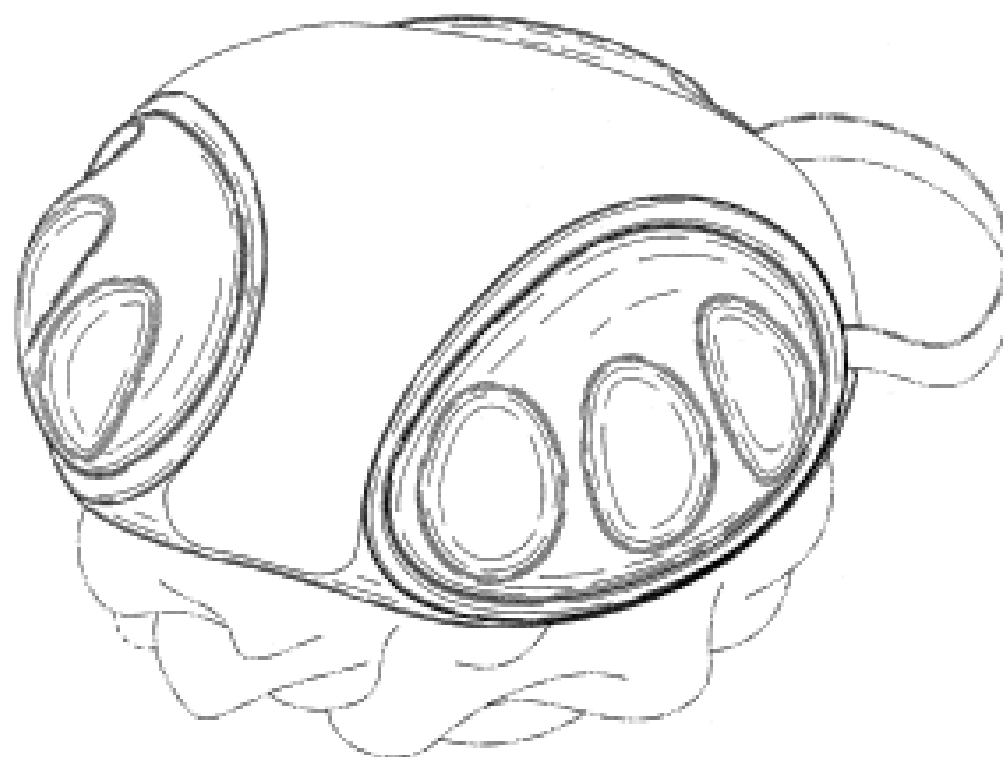
- (21) Design Number: **19000/2007**  
(22) Date of Filing Application: **20 July 2007**  
(24) Date from which industrial property rights may have effect: **20 July 2007**  
(54) Product in respect of which the design is registered: **Cleansing article**  
(51) International Design Classification: **07-05E**  
(71) Name(s) and Address(s) of Applicant(s):  
**Unilever PLC**  
**Unilever House Blackfriars London EC4P 4BQ United Kingdom**  
(72) Name(s) of Designer(s): **Rebecca Jeanne Citron and Stuart Harvey Lee and Vincent Michael Masotta**  
(45) Registration Date: **25 September 2007**  
(30) Convention priority data:  
(31) Number      (32) Date      (33) Country  
**29/272116      01 Feb 2007      UNITED STATES OF AMERICA**  
(56) Related Art Documents: **Not Applicable**  
(57) Statement of Newness and Distinctiveness: **Newness and distinctiveness is claimed in the visual features shown in solid lines in the representations.**



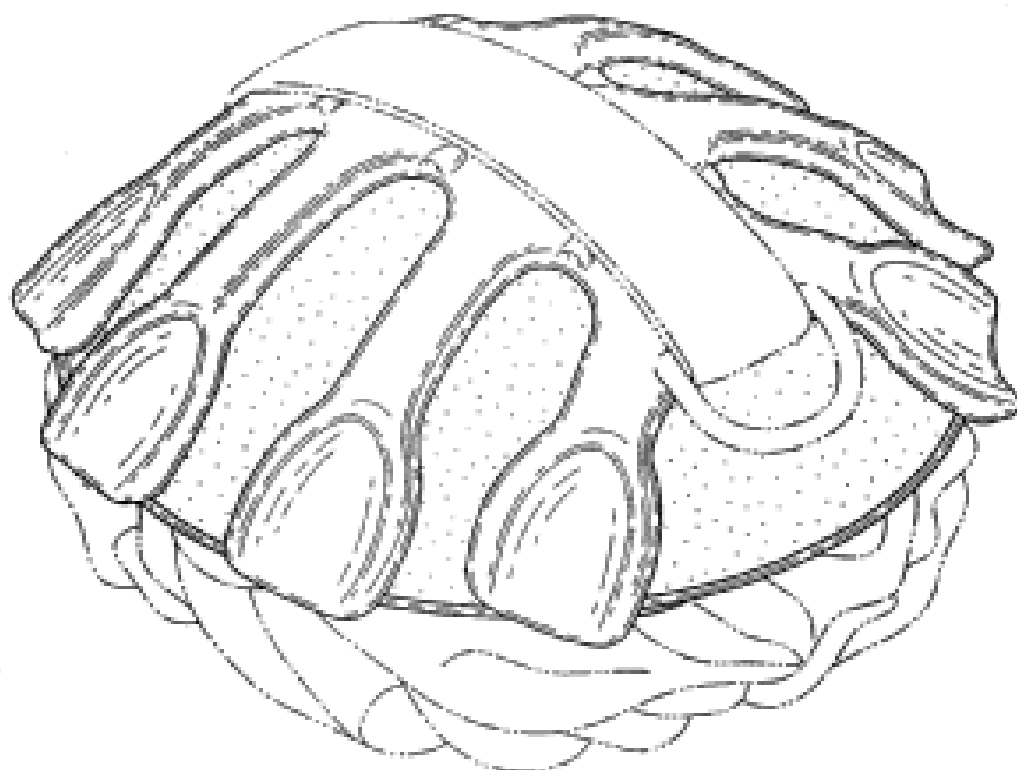
- (21) Design Number: **19001/2007**  
(22) Date of Filing Application: **20 July 2007**  
(24) Date from which industrial property rights may have effect: **20 July 2007**  
(54) Product in respect of which the design is registered: **Cleansing article**  
(51) International Design Classification: **07-05E**  
(71) Name(s) and Address(s) of Applicant(s):  
**Unilever PLC**  
**Unilever House Blackfriars London EC4P 4BQ United Kingdom**  
(72) Name(s) of Designer(s): **Stuart Harvey Lee and Rebecca Jeanne Citron and Vincent Michael Masotta**  
(45) Registration Date: **25 September 2007**  
(30) Convention priority data:  
(31) Number (32) Date (33) Country  
**29/272115 01 Feb 2007 UNITED STATES OF AMERICA**  
(56) Related Art Documents: **Not Applicable**  
(57) Statement of Newness and Distinctiveness: **Newness and distinctiveness is claimed in the visual features shown in solid lines in the representations.**



- (21) Design Number: **19002/2007**  
(22) Date of Filing Application: **20 July 2007**  
(24) Date from which industrial property rights may have effect: **20 July 2007**  
(54) Product in respect of which the design is registered: **Cleansing article**  
(51) International Design Classification: **07-05E**  
(71) Name(s) and Address(s) of Applicant(s):  
**Unilever PLC**  
**Unilever House Blackfriars London EC4P 4BQ United Kingdom**  
(72) Name(s) of Designer(s): **Stuart Harvey Lee and Rebecca Jeanne Citron and Vincent Michael Masotta**  
(45) Registration Date: **25 September 2007**  
(30) Convention priority data:  
(31) Number (32) Date (33) Country  
**29/272118 01 Feb 2007 UNITED STATES OF AMERICA**  
(56) Related Art Documents: **Not Applicable**  
(57) Statement of Newness and Distinctiveness: **Newness and distinctiveness is claimed in the visual features shown in solid lines in the representations.**



- (21) Design Number: **19003/2007**  
(22) Date of Filing Application: **20 July 2007**  
(24) Date from which industrial property rights may have effect: **20 July 2007**  
(54) Product in respect of which the design is registered: **Cleansing article**  
(51) International Design Classification: **07-05E**  
(71) Name(s) and Address(s) of Applicant(s):  
**Unilever PLC**  
**Unilever House Blackfriars London EC4P 4BQ United Kingdom**  
(72) Name(s) of Designer(s): **Jochen Rainer Schaeppers and Lindsay Noelle Krembs and Stuart Harvey Lee and Vincent Michael Masotta**  
(45) Registration Date: **25 September 2007**  
(30) Convention priority data:  
(31) Number (32) Date (33) Country  
**29/272136 01 Feb 2007 UNITED STATES OF AMERICA**  
(56) Related Art Documents: **Not Applicable**  
(57) Statement of Newness and Distinctiveness: **Newness and distinctiveness is claimed in the visual features shown in solid lines in the representations.**



- (21) Design Number: **19004/2007**  
(22) Date of Filing Application: **20 July 2007**  
(24) Date from which industrial property rights may have effect: **20 July 2007**  
(54) Product in respect of which the design is registered: **Tactile ground surface indicator**  
(51) International Design Classification: **99-00**  
(71) Name(s) and Address(s) of Applicant(s):  
**CTA Australia Pty Ltd**  
**Unit 4 7 Commercial Court Tullamarine Victoria 3043 Australia**  
(72) Name(s) of Designer(s): **Daniel DeDomenico**  
(45) Registration Date: **25 September 2007**  
(56) Related Art Documents: **Not Applicable**  
(57) Statement of Newness and Distinctiveness: **Newness and distinctiveness is claimed in the visual features shown in solid lines in the representations. The product consists of two end sections B and an indeterminate number of intermediate sections A therebetween, as shown in figure 2.**

