



Australian Government

IP Australia

AUSTRALIAN OFFICIAL JOURNAL

OF

DESIGNS

Did you know a searchable version of this journal is now available online?
It's FREE and EASY to SEARCH.

Find it at

<http://pericles.ipaustralia.gov.au/ols/epublish/content/olsEpublications.jsp>
or using the "Online Journals" link on the IP Australia home page.

This Page Left Intentionally Blank

Contents

General Information & Notices

Proceedings Under the Designs Act 1906 preserved as a result of the provisions of Chapter 12 Part 2 of the Designs Act 2003

Extension of Period of Registration of Designs	10414
Extensions of Time Granted	10414
Names Registered - Alterations and Amendments	10415
Registrations Ceased	10414
Subsequent Owners Registered	10415

Proceedings Under the Designs Act 2003

Applications Lapsed	10424
Applications Lodged	10419
Applications Withdrawn	10424
Certificate of Examination	10428
Corrigenda	10427
Designs Excluded	10424
Extension of Time Granted Under Section 137	10425
Names Registered - Alterations and Amendments	10425
Publication and Registration Proceedings	
Designs Registered 316162 to 316554.....	10429
Registrations Ceased	10425
Subsequent Owners Registered	10425

This Page Left Intentionally Blank

For information on the following please see our website www.ipaustralia.gov.au or contact our Customer Service Network on 1300651010

[Editorial enquiries](#)

[Contact information](#)

[Freedom of Information ACT](#)

[Professional Standards Board](#)

[Sales](#)

[Requests for Information under Section 194 \(c\)](#)

[Country Codes](#)

[Trade Mark and Designs Hearing Sessions](#)

[INID \(Internationally agreed Numbers for the Identification of Data\)](#)

“INID” NUMBERS in use on Australian Design Documents

“INID” is an acronym for “Internationally agreed Numbers for the Identification of Data”.

(10) Data concerning the registration/renewal

- (11) Serial number of the registration and/or number of the design document
- (12) Plain language designation of the kind of published document
- (19) Identification, using the two-letter code according to WIPO Standard ST.3, of the authority publishing or registering the industrial design

(20) Data concerning the application

- (21) Serial number of the application
- (22) Date of filing of the application
- (24) Date from which the industrial design right has effect

(30) Data relating to priority under the Paris Convention

- (31) Serial number assigned to the priority application
- (32) Date of filing of the priority application
- (33) Two-letter code, according to WIPO Standard ST.3, identifying the authority with which the priority application was made

(40) Date(s) of making information available to the public

- (45) Date of publication of the registered industrial design by printing or similar process, or making it available to the public by any other means

(50) Miscellaneous Information

- (51) International Classification for Industrial Designs (class and subclass of the Locarno Classification)
- (54) Designation of article(s) or product(s) covered by the industrial design or title of the industrial design
- (55) Reproduction of the industrial design (e.g., drawing, photograph) and explanations relating to the reproduction
- (56) List of prior art documents, if separate from descriptive text
- (57) Description of characteristic features of the industrial design including indication of colours

(60) References to other legally related application(s) and registration(s)

- (62) Serial number(s) and, if available, filing date(s) of application(s), registration(s) or document(s) related by division
- (66) Serial number(s) of the application, or the registration, of the design(s) which is (are) a variant(s) of the present one

(70) Identification of parties concerned with the application or registration

- (71) Name(s) and address(es) of the applicant(s)
- (72) Name(s) of the creator(s) if known to be such
- (74) Name(s) and address(es) of the representative(s)

This Page Left Intentionally Blank

Official Notice**Corrigenda
Missing Representations**

The following 43 Design Registrations were advertised without representations in Vol. 21 No. 20 4 October 2007 under the heading Registration Proceedings. The bibliographic information for these designs is now re-advertised in this issue along with the representations:

(11) AU-S 316162	(11) AU-S 316214
(11) AU-S 316163	(11) AU-S 316215
(11) AU-S 316164	(11) AU-S 316216
(11) AU-S 316165	(11) AU-S 316217
(11) AU-S 316166	(11) AU-S 316218
(11) AU-S 316167	(11) AU-S 316219
(11) AU-S 316168	(11) AU-S 316220
(11) AU-S 316169	(11) AU-S 316221
(11) AU-S 316170	(11) AU-S 316222
(11) AU-S 316171	(11) AU-S 316223
(11) AU-S 316172	(11) AU-S 316224
(11) AU-S 316173	(11) AU-S 316225
(11) AU-S 316174	(11) AU-S 316226
(11) AU-S 316175	(11) AU-S 316227
(11) AU-S 316176	(11) AU-S 316228
(11) AU-S 316177	(11) AU-S 316229
(11) AU-S 316178	(11) AU-S 316230
(11) AU-S 316179	(11) AU-S 316231
(11) AU-S 316180	(11) AU-S 316232
(11) AU-S 316181	(11) AU-S 316233
	(11) AU-S 316234
	(11) AU-S 316235
	(11) AU-S 316236

Please note:

The representations were available from 10 October 2007 on the Australian Designs Data Searching (ADDS), and 18 October 2007 in the Designs Online Searchable Journal.

Contact: IP Australia
Phone: 1300 651 010
Fax: +61 2 6283 7999
E-Mail: assist@ipaustalia.gov.au
Web: www.ipaustalia.gov.au

Official Notice**Designs Act 2003
Amendments to Registered Designs at Examination**

The following amendments have been made to details previously published in the Australian Official Journal of Designs during the Examination process:

Registration Numbers	Amendment type	New details
309651	Classification	06-01E, 06-06G

Contact: IP Australia
Phone: 1300 651 010
Fax: +61 2 6283 7999
E-Mail: assist@ipaustralia.gov.au
Web: www.ipaustralia.gov.au

Proceedings under the Designs Act 1906 preserved as a result of the provisions of Chapter 12 Part 2 of the Designs Act 2003.

This Page Left Intentionally Blank

Applications Lapsed

There were no Applications Lapsed under this section

Extension of Period of Registration of Designs

2nd Period (Section 27A(12))

143016	145969	146809
146810	146811	146907
146908	146983	146984
146988	146989	146990
147111	147113	147128
147129	147130	147200
147201	147216	147270
147293	147313	147372
147425	147485	147486
147487	147524	147525
147526	147643	147842
148071	148103	148607
148608	148644	148727
148766	148779	148893
148916	149025	149094
149142	149143	149431
149652	149809	149858
149859	150383	150669
151397	151876	158524

3rd Period (Section 27A(13))

126742	129397	129814
130252	130271	130317
130330	130331	130332
130473	130518	130650
130693	130766	130789
130790	130791	130792
130810	130868	130905
130917	130918	131171
131172	131173	131251
131294	131341	131718
131857	132091	132137
132233	132234	132235
132608	132977	133037
133820	133821	133822
133823	133824	133825
133826	133827	133828
134062	134137	134159
134429	134459	135083
135711	135812	136141
136342		

Registrations Ceased

Note: Some of the following Registrations may have been previously advertised as ceased. In this instance, the previous advertisement still prevails.

113120	113176	114076
114112	114117	114119
114128	114130	114139
114158	114203	114214
114281	114282	114458

114467	114468	114495
114513	114660	114739
114861	114950	114952
114955	115054	115184
115274	115871	115877
115966	115967	115968
115969	115970	115971
115972	116205	116478
116479	116742	117150
117437	118133	118134
118181	126638	126737
126738	126922	126923
126924	127959	127960
127961	128070	128088
128090	128216	128217
128224	128369	128537
128538	128585	128625
128665	128666	128691
128757	128963	129170
129630	129841	130292
130387	131284	131721
131723	131724	131902
132014	132316	133088
133976	133977	133978
134564	143648	143677
143678	143999	144119
144178	144712	145200
145208	145210	145213
145214	145215	145216
145324	145327	145328
145329	145330	145331
145332	145381	145410
145411	145412	145413
145414	145415	145416
145571	145572	145573
145674	145829	145838
145839	145840	145938
145939	145940	145941
145942	145943	145944
145945	145946	146072
146135	146136	146562
146564	146841	147018
147019	147328	147329
147437	147464	147554
147572	147860	147861
147862	148063	148064
148532	148533	148534
148535	148536	148537
148538	148539	148647
149035	149136	149173
149592	149609	149708
150066	150473	154438
155526		

Extensions of time granted

Applications lodged for extension of time have been granted.

126742 **Celebrate Western Australia (Inc.)** An Extension of time to extend a registration has been granted to 01/08/2007

143016 **Automatic Technology Australia Pty Ltd** An Extension of time to extend a registration has been granted to 11/05/2007

Subsequent Owners Registered

(The name in parentheses is that of the subsequent owner)

134782 (**Chiropedic Bedding Pty Ltd**) Noel David Ottley

149410 (**Dias Aluminium Products Pty Ltd**) Design Investments Pty Ltd

Names Registered - Alterations and Amendments

(The name in parentheses is the new name of the proprietor)

151813 (**Steeline Pty Ltd**) The Steeline Group Pty Ltd

134159 (**National Servicemens Association of Australia (Q) Inc. Gold Coast North Branch**) National Servicemens Association of Australia Queensland Incorporated Gold Coast Sub Branch

130789 (**Clipsal Australia Pty Ltd**) Gerard Industries Pty Ltd

130790 (**Clipsal Australia Pty Ltd**) Gerard Industries Pty Ltd

130791 (**Clipsal Australia Pty Ltd**) Gerard Industries Pty Ltd

130792 (**Clipsal Australia Pty Ltd**) Gerard Industries Pty Ltd

149581 (**Famdanz Pty Ltd**) Jandanz Pty Ltd

139943 (**Famdanz Pty Ltd**) Jandanz Pty Ltd

128648 (**Famdanz Pty Ltd**) Jandanz Pty Ltd

117479 (**Famdanz Pty Ltd**) Jandanz Pty Ltd

152183 (**Franschhoek Water (Proprietary) Limited**) Changing Tides 72 (Pty) Ltd

This Page Left Intentionally Blank

Proceedings under the Designs Act 2003.

This Page Left Intentionally Blank

Applications Lodged

Lodgement information is in the following order: **Applicant's Name**; International Classification, Name of Product, Lodgement Date and **Design Number**. If the applicant claims an earlier priority date under an International Convention, the Convention Country and the associated filing date are shown in parentheses before the Lodgement Date. Divisional information will also appear in parentheses before the Lodgement Date.

swizzzProzzz AG; 07-04, Kitchen equipment, (CH, 02 Apr 2007) 02 Oct 2007	20045/2007	Bermad CS Ltd; 23-01G, Hydraulic control valve, 26 Sep 2007	19916/2007
swizzzProzzz AG; 07-04, Kitchen equipment, (CH, 02 Apr 2007) 02 Oct 2007	20044/2007	BlueScope Steel Limited; 13-03D, External adapter plate, 28 Sep 2007	19950/2007
Adare Limited; 09-03M, Container, (EM, 22 Mar 2007) 21 Sep 2007	19857/2007	BlueScope Steel Limited; 23-01H, Overflow body, 28 Sep 2007	19951/2007
Adare Limited; 09-03M, Container, (EM, 22 Mar 2007) 21 Sep 2007	19858/2007	BlueScope Steel Limited; 08-07, External locking ring, 28 Sep 2007	19952/2007
Adare Limited; 09-03M, Container, (EM, 22 Mar 2007) 21 Sep 2007	19859/2007	BlueScope Steel Limited; 08-07, Retaining ring, 28 Sep 2007	19953/2007
Adare Limited; 09-03M, Container, (EM, 22 Mar 2007) 21 Sep 2007	19859/2007	BlueScope Steel Limited; 23-01G, Inlet strainer, 28 Sep 2007	19954/2007
Anchor Foods Pty Ltd; 09-01C, Jars, 27 Sep 2007	19937/2007	BlueScope Steel Limited; 26-05D, Light guard, 28 Sep 2007	19955/2007
Aquarius Rubber (Aust.) Pty Ltd; 25-01NES, Mounting plate, 24 Sep 2007	19885/2007	BlueScope Steel Limited; 13-03D, Internal adaptor plate, 28 Sep 2007	19956/2007
Aura Objects Pty Ltd; 06-03C, Dynamica desk & table system, 02 Oct 2007	20049/2007	BlueScope Steel Limited; 23-01E, Outlet body, 28 Sep 2007	19957/2007
Aura Objects Pty Ltd; 06-03C, Dynamica desk & table system, 02 Oct 2007	20050/2007	Braun GmbH; 28-03NES, Oral care display device having 'cleaning' icon, (DE, 08 Dec 2006) 08 Jun 2007	19986/2007
Aura Objects Pty Ltd; 06-03C, Dynamica desk & table system, 02 Oct 2007	20051/2007	Braun GmbH; 28-03NES, Oral care display device having 'sensitive cleaning' icon, (DE, 08 Dec 2006) 08 Jun 2007	19987/2007
Aura Objects Pty Ltd; 06-03C, Dynamica desk & table system, 02 Oct 2007	20052/2007	Braun GmbH; 28-03NES, Oral care display device having 'massaging the gums' icon, (DE, 08 Dec 2006) 08 Jun 2007	19988/2007
Aura Objects Pty Ltd; 06-06NES, Room screens and office partitions, 02 Oct 2007	20052/2007	Braun GmbH; 28-03NES, Oral care display device having 'too much pressure' icon, (DE, 08 Dec 2006) 08 Jun 2007	19989/2007
AH Martyn Nominees Pty Ltd; Horifoke Pty Ltd; 21-02F, A connector for fitness equipment attachments, 28 Sep 2007	20028/2007	Braun GmbH; 28-03NES, Oral care display device having 'replacement brush to be exchanged soon' icon, (DE, 08 Dec 2006) 08 Jun 2007	19990/2007
AH Martyn Nominees Pty Ltd; Horifoke Pty Ltd; 21-02F, A support for fitness equipment, 28 Sep 2007	20029/2007	Braun GmbH; 28-03NES, Oral care display device having 'circle of quadrants - 30 second intervals' icon, (DE, 08 Dec 2006) 08 Jun 2007	19991/2007
B & W Group Ltd; 14-01, Loudspeaker, (EM, 05 Apr 2007) 27 Sep 2007	19962/2007	Braun GmbH; 28-03NES, Oral care display device having 'polishing' icon, (DE, 08 Dec 2006) 08 Jun 2007	19992/2007
B&R Enclosures Pty Ltd; 08-08NES, Cable entry boss, 20 Sep 2007	19830/2007	Braun GmbH; 28-03NES, Oral care display device having 'smiley face - recommended brushing time of 2 minutes reached' icon, (DE, 08 Dec 2006) 08 Jun 2007	19993/2007
B&R Enclosures Pty Ltd; 08-07, Escutcheon, 20 Sep 2007	19831/2007	Bundesdruckerei GmbH; 14-02, Verifier device, 10 Sep 2007	19994/2007
B&R Enclosures Pty Ltd; 08-07, Door latch, 20 Sep 2007	19832/2007		
B&R Enclosures Pty Ltd; 08-08L, Neutral bar stand-off, 20 Sep 2007	19833/2007		

Cable Quip Pty Ltd; 08-05NES, Crimping and testing machine, 24 Sep 2007	19887/2007	Cipla Limited; 24-04, Cam strip, (IN, 28 Mar 2007) 28 Sep 2007	20009/2007
Camtech Engineering Pty Ltd; 09-07A, Container closure, 27 Sep 2007	19969/2007	Cipla Limited; 24-04, Top cover of the multidose inhaler, (IN, 28 Mar 2007) 28 Sep 2007	20005/2007
Carter, Alexander Walter; 11-05, Australian flag design, 28 Sep 2007	19971/2007	Cipla Limited; 24-04, Roller for cartridge centering mechanism, (IN, 28 Mar 2007) 28 Sep 2007	20006/2007
Caterpillar Paving Products Inc.; 15-04, Work machine, (CN, 30 Mar 2007) 25 Sep 2007	19897/2007	Cipla Limited; 24-04, Roller for spike, (IN, 28 Mar 2007) 28 Sep 2007	20007/2007
Cevik, Zafer; 07-07NES, A laundry bag, 02 Oct 2007	20000/2007	Colgate-Palmolive Company; 09-01K, Container, (US, 02 Apr 2007) 28 Sep 2007	20001/2007
Challenge Implements Holdings Pty Limited; 15-04, Front loader and components, 28 Sep 2007	19995/2007	Colgate-Palmolive Company; 09-01K, Container, (US, 02 Apr 2007) 28 Sep 2007	20002/2007
Chan, Sun; 08-08NES, Conduit joining apparatus, 20 Sep 2007	19834/2007	Colgate-Palmolive Company; 09-01K, Dispenser, (US, 02 Apr 2007) 27 Sep 2007	19960/2007
Chef'n Corporation; 07-01C, A tumbler, (US, 12 Apr 2007) 01 Oct 2007	19997/2007	Colgate-Palmolive Company; 09-01K, Container, (US, 02 Apr 2007) 27 Sep 2007	19961/2007
Cipla Limited; 24-04, Spike of the multidose inhaler, (IN, 28 Mar 2007) 28 Sep 2007	20004/2007	Country Fresh Herbs Pty Ltd; 09-03F, Hydroponic growing channel, 02 Oct 2007	20043/2007
Cipla Limited; 24-04, Rocker of the multidose inhaler, (IN, 28 Mar 2007) 28 Sep 2007	20010/2007	CTECH Closures Pty Ltd; 09-07A, A closure with integral measuring cup, 02 Oct 2007	20030/2007
Cipla Limited; 24-04, Multidose inhaler, (IN, 28 Mar 2007) 28 Sep 2007	20011/2007	Dahlscher Pty Limited; 25-02NES, Chute, 21 Sep 2007	19890/2007
Cipla Limited; 24-04, Mouth piece, (IN, 28 Mar 2007) 28 Sep 2007	20012/2007	Daikin Industries Ltd; 14-03NES, Remote control for air-conditioner, 25 Sep 2007	19896/2007
Cipla Limited; 24-04, Drive gear for dose counter, (IN, 28 Mar 2007) 28 Sep 2007	20013/2007	Daikin Industries Ltd; 23-04, Air-conditioner, 01 Oct 2007	20023/2007
Cipla Limited; 24-04, Dose counter, (IN, 28 Mar 2007) 28 Sep 2007	20014/2007	Daikin Industries Ltd; 23-04, Air-conditioner, 01 Oct 2007	20024/2007
Cipla Limited; 24-04, Base of the multidose inhaler, (IN, 28 Mar 2007) 28 Sep 2007	20015/2007	Daka Research Inc.; 07-06NES, Jar opener, (US, 22 Mar 2007) 19 Sep 2007	19866/2007
Cipla Limited; 24-04, Cartridge for multidose inhaler, (IN, 28 Mar 2007) 28 Sep 2007	20016/2007	De La Rue Cash Systems, Inc.; 19-02, Coin bin, (US, 11 May 2007) 26 Sep 2007	19946/2007
Cipla Limited; 24-04, Dust cap, 28 Sep 2007	20017/2007	Dold Industries Limited; 12-11, Motorcycle rack, 26 Sep 2007	19934/2007
Cipla Limited; 24-04, Knob for multidose inhaler, (IN, 28 Mar 2007) 28 Sep 2007	20018/2007	Dold Industries Limited; 12-11, Motorcycle rack, 26 Sep 2007	19935/2007
Cipla Limited; 24-04, Cartridge centering mechanism of the multidose inhaler, (IN, 28 Mar 2007) 28 Sep 2007	20003/2007	EasyLife Group Limited; 13-03D, Multiplug, (EM, 22 Mar 2007) 21 Sep 2007	19880/2007
Cipla Limited; 24-04, Middle cover of the multidose inhaler, (IN, 28 Mar 2007) 28 Sep 2007	20008/2007	Eflare Corporation Pty Ltd; 10-06, Beacon, (SG, 23 Mar 2007) 24 Sep 2007	19882/2007

Esco Industries Pty Ltd; 13-03D, Electrical/medical service ducting, walls, floor boxes, medical pendants, 24 Sep 2007	19874/2007	Hanes, Charles M.; 21-01H, Dart board, 03 Oct 2007	20058/2007
Everstone International Pty Ltd; 25-01F, Tile formation, 28 Sep 2007	19978/2007	Harrison, Robert; Harrison, Pauline Elizabeth; 09-03NES, Modular container, (NZ, 24 Apr 2007) 25 Sep 2007	19894/2007
Everstone International Pty Ltd; 25-01F, Tile formation, 28 Sep 2007	19979/2007	Harrison, Pauline Elizabeth; Harrison, Robert; 09-03NES, Modular container, (NZ, 24 Apr 2007) 25 Sep 2007	19894/2007
Everstone International Pty Ltd; 25-01F, Tile formation, 28 Sep 2007	19980/2007	Hill, Trevor Sydney Alfred; 08-10, Bicycle rack attachment, 26 Sep 2007	19889/2007
Everstone International Pty Ltd; 25-01F, Tile formation, 28 Sep 2007	19981/2007	Holt, Graham; Holt, Roger; 06-03NES, Balustrade table, 26 Sep 2007	19933/2007
Everstone International Pty Ltd; 25-01F, Tile formation, 28 Sep 2007	19982/2007	Holt, Roger; Holt, Graham; 06-03NES, Balustrade table, 26 Sep 2007	19933/2007
Everstone International Pty Ltd; 25-01F, Tile formation, 28 Sep 2007	19983/2007	Horifoke Pty Ltd; AH Martyn Nominees Pty Ltd; 21-02F, A support for fitness equipment, 28 Sep 2007	20029/2007
Everstone International Pty Ltd; 25-01F, Tile formation, 28 Sep 2007	19984/2007	Horifoke Pty Ltd; AH Martyn Nominees Pty Ltd; 21-02F, A connector for fitness equipment attachments, 28 Sep 2007	20028/2007
Everstone International Pty Ltd; 25-01F, Tile formation, 28 Sep 2007	19985/2007	Hynds Limited; 25-02NES, Cover (circular), 20 Sep 2007	19829/2007
Everstone International Pty Ltd; 25-01F, Tile formation, 28 Sep 2007	19977/2007	HI-Q Electronics Ltd; 09-07C, Cap protection device, (NZ, 26 Mar 2007) 21 Sep 2007	19852/2007
Ewen, Garry; 23-01E, Rainhead, 27 Sep 2007	19958/2007	Imaxeon Pty Ltd; 24-01, A plunger, 21 Sep 2007	19860/2007
Fair, Jason; 22-05, Beach bike fishing stand BBFST1 design 315429, transportable stands intended for temporary placement in sand or soil, substrates, 03 Oct 2007	20047/2007	Imaxeon Pty Ltd; 24-01, A cap member, 21 Sep 2007	19854/2007
Fair, Jason; 22-05, Beach bike fishing stand BBFST1 design 315429, transportable stands intended for temporary placement in sand or soil, substrates, 03 Oct 2007	20048/2007	Innovative Office Products, Inc; 08-08NES, Foldable stand, (US, 25 Apr 2007) 21 Sep 2007	19853/2007
Fantech Pty Ltd; 25-02F, RCG200-150 ritevent ceiling mounted grille, 02 Oct 2007	20031/2007	Innovative Office Products, Inc; 08-08NES, Boom extension arm, (US, 05 Jun 2007) 14 Sep 2007	19970/2007
Fendi Adele S.r.l.; 09-01G, Containers for perfume, (IT, 05 Apr 2007) 01 Oct 2007	19999/2007	Inventio AG; 13-03NES, Operating/display panel, (CH, 11 Apr 2007) 27 Sep 2007	19964/2007
Ferrari Furniture & Cabinetmakers Pty Ltd; 06-04NES, Wine racks, 27 Sep 2007	20026/2007	Inventio AG; 13-03NES, Operating/display panel, (CH, 11 Apr 2007) 27 Sep 2007	19965/2007
Franks, Fanny Estelle; Roemuss, Peter Anthony; 28-03NES, Oral hygiene device, 02 Oct 2007	20027/2007	INSPRI, LLC; 06-09, Sciatica cushion, (US, 04 Apr 2007) 04 Oct 2007	20057/2007
Furitechnics Group Pty Ltd; 07-04, Food chopping device, (US, 05 Apr 2007) 01 Oct 2007	20020/2007	Johnston, David; 14-02, A hand-held input device for a computer, 27 Sep 2007	19947/2007
FG Tribunes B.V.; 25-03, Mobile stand, 28 Sep 2007	19975/2007	Julius Blum GmbH; 06-06E, 06-06G, Fittings for furniture, (EM, 03 May 2007) 24 Sep 2007	19884/2007
Gillette Company, The; 28-03A, Shaving blade unit, (US, 30 Mar 2007) 28 Sep 2007	19974/2007	Julius Blum GmbH; 06-06NES, Fitting for furniture, (EM, 03 May 2007) 26 Sep 2007	19924/2007
Glaxo Group Limited; 09-01B, Bottle, (GB, 03 Apr 2007) 26 Sep 2007	19923/2007		
Gripple Limited; 13-03B, Suspending equipment, (EM, 10 Apr 2007) 01 Oct 2007	20019/2007		

Julius Blum GmbH; 06-06NES, Fitting for furniture, (EM, 03 May 2007) 26 Sep 2007	19925/2007	Procter & Gamble Company, The; 20-02D, Dispensing device, (US, 27 Mar 2007) 27 Sep 2007	19939/2007
JAWS Holdings Limited; 99-00, A cape, 26 Sep 2007	19936/2007	Procter & Gamble Company, The; 20-02D, Dispensing device, (US, 27 Mar 2007) 27 Sep 2007	19940/2007
Kai Wei International Trading Company Ltd; 25-01NES, Plastic slab, 19 Sep 2007	19881/2007	Procter & Gamble Company, The; 20-02D, Dispensing device, (US, 27 Mar 2007) 27 Sep 2007	19941/2007
Kamilakis, Vasilis; 08-08D, Deck and fence clamp, 26 Sep 2007	19926/2007	Procter & Gamble Company, The; 20-02D, Dispensing device, (US, 27 Mar 2007) 27 Sep 2007	19942/2007
Kellogg, James Edward; 15-05, A pool cleaner, 28 Sep 2007	19963/2007	Procter & Gamble Company, The; 20-02D, Dispensing device, (US, 27 Mar 2007) 27 Sep 2007	19943/2007
Kim, Kim Leonard; 25-01K, An extrusion, 24 Sep 2007	19883/2007	Procter & Gamble Company, The; 20-02D, Dispensing device, (US, 27 Mar 2007) 27 Sep 2007	19944/2007
KCI Licensing, Inc.; 99-00, , (US, 02 Apr 2007) 28 Sep 2007	19948/2007	Procter & Gamble Company, The; 20-02D, Dispensing device, (US, 27 Mar 2007) 27 Sep 2007	19945/2007
KCI Licensing, Inc.; 99-00, , (US, 02 Apr 2007) 28 Sep 2007	19949/2007	Procter & Gamble Company, The; 20-02D, Dispensing device, (US, 27 Mar 2007) 27 Sep 2007	19945/2007
Little, Stuart Craig; 99-00, , 24 Sep 2007	19875/2007	Procter & Gamble Company, The; 20-02D, Dispensing device, (US, 27 Mar 2007) 27 Sep 2007	19945/2007
McDougall, Andrew; 21-01NES, A toy, 26 Sep 2007	19927/2007	Rado Uhren AG (Rado Watch Co Ltd) (Montres Rado SA); 10-02, Wristwatch, (WO, 11 Apr 2007) 01 Oct 2007	20021/2007
McDougall, Andrew; 21-01NES, A toy, 26 Sep 2007	19928/2007	Rado Uhren AG (Rado Watch Co Ltd) (Montres Rado SA); 10-02, Wristwatch, (WO, 11 Apr 2007) 01 Oct 2007	20022/2007
Michalis, Joannis; 28-03NES, Applicator, 02 Oct 2007	20046/2007	Rain Harvesting Pty Ltd; 23-01F, An attachment device for a tank inlet, 21 Sep 2007	19850/2007
Mitsubishi Pencil Co., Ltd; 19-06, Pen, (JP, 02 Apr 2007) 25 Sep 2007	19886/2007	Rain Harvesting Pty Ltd; 23-01F, An attachment device for a tank inlet, 21 Sep 2007	19851/2007
Moulos, Con; 08-05L, Paint roller cleaner, 26 Sep 2007	19931/2007	Ramtaps Pty Ltd; 25-02C, Hand-shower slide rail, 24 Sep 2007	19878/2007
Moulos, Con; 08-05L, Paint roller cleaner, 26 Sep 2007	19932/2007	Response Biomedical Corporation; 24-01, A reader housing, (US, 29 Mar 2007) 27 Sep 2007	19966/2007
Nokia Corporation; 14-03E, Handset, (US, 30 Mar 2007) 25 Sep 2007	19891/2007	Response Biomedical Corporation; 24-01, A controller housing, (US, 29 Mar 2007) 27 Sep 2007	19967/2007
Nokia Corporation; 14-03E, Handset, (US, 23 Mar 2007) 21 Sep 2007	19855/2007	Retract-A-Fence Pty Ltd; 25-02C, Retractable fence, 27 Sep 2007	19959/2007
Nokia Corporation; 14-03A, Headset, (FI, 02 Apr 2007) 01 Oct 2007	19996/2007	Review Australia Pty Ltd; 02-01B, 02-02C, 02-02NES, Ladies garments, 21 Sep 2007	19861/2007
Nokia Corporation; 14-03E, Handset, (US, 23 Mar 2007) 21 Sep 2007	19856/2007	Review Australia Pty Ltd; 02-02C, Ladies garments, 01 May 2007	20066/2007
Pazza Pty Ltd; 25-01NES, Cross member wear liner, 03 Oct 2007	20053/2007	Review Australia Pty Ltd; 02-02C, Ladies garments, 01 May 2007	20067/2007
Peak Innovations Inc.; 25-01E, An adjustable post support, (CA, 23 Mar 2007) 24 Sep 2007	19879/2007	Review Australia Pty Ltd; 02-02C, Ladies garments, 01 May 2007	20068/2007
Pipikos, George; 12-02, A trolley, 28 Sep 2007	19976/2007	Review Australia Pty Ltd; 02-02NES, Ladies garments, 04 Apr 2007	20069/2007
Poppet International Pty Ltd; 07-01E, Moulded teat, 01 Oct 2007	19998/2007	Review Australia Pty Ltd; 02-02NES, Ladies garments, 04 Apr 2007	20070/2007
Procter & Gamble Company, The; 20-02D, Dispensing device, (US, 27 Mar 2007) 27 Sep 2007	19938/2007		

Review Australia Pty Ltd; 02-02C, Ladies garments, 04 Apr 2007	20071/2007	SAVERGLASS; 07-01F, Flask, 02 Oct 2007	20042/2007
Roemuss, Peter Anthony; Franks, Fanny Estelle; 28-03NES, Oral hygiene device, 02 Oct 2007	20027/2007	Takano Co., Ltd.; 12-12, Rolling walker, (JP, 27 Mar 2007) 26 Sep 2007	19930/2007
Roger Seller and Myhill Pty Ltd; 23-01H, Basin mixer and tall basin mixer, 25 Sep 2007	19872/2007	Teale Metal Products (2005) Limited; 19-02, Copyholder, 25 Sep 2007	19895/2007
S.C. Johnson & Son, Inc.; 28-99, Refill for volatile dispenser, (US, 13 Jun 2007) 26 Sep 2007	19929/2007	Textron Inc.; 12-02, Golf car, (US, 08 Dec 2006) 08 Jun 2007	19867/2007
Schneider Electric New Zealand Holdings Limited; 10-05, Smoke detector, 04 Oct 2007	20054/2007	Textron Inc.; 12-02, Golf car, (US, 08 Dec 2006) 08 Jun 2007	19868/2007
Sebel Furniture Limited; 06-01F, Chair, 25 Sep 2007	19888/2007	Textron Inc.; 12-02, Golf car, (US, 08 Dec 2006) 08 Jun 2007	19869/2007
Sony Ericsson Mobile Communications AB; 14-01, Headphones, (EM, 11 Apr 2007) 25 Sep 2007	19893/2007	Textron Inc.; 12-02, Golf car, (US, 08 Dec 2006) 08 Jun 2007	19870/2007
Stargames Corporation Pty Limited; 21-03, Gaming machine, 24 Sep 2007	19873/2007	Thomson Asia Limited; 14-03E, Indoor cordless phone with stand, 24 Sep 2007	19871/2007
Stramit Corporation Pty Limited; 25-01G, A construction member, 26 Sep 2007	19876/2007	Tombow Pencil Co., Ltd.; 19-02, Coating film transfer apparatus, (JP, 19 Apr 2007) 25 Sep 2007	19898/2007
Stramit Corporation Pty Limited; 25-01G, A construction member, 26 Sep 2007	19917/2007	Tombow Pencil Co., Ltd.; 19-02, Coating film transfer apparatus, (JP, 19 Apr 2007) 25 Sep 2007	19899/2007
Stramit Corporation Pty Limited; 25-01G, A construction member, 26 Sep 2007	19918/2007	Tombow Pencil Co., Ltd.; 19-02, Coating film transfer apparatus, (JP, 19 Apr 2007) 25 Sep 2007	19900/2007
Stramit Corporation Pty Limited; 25-01G, A construction member, 26 Sep 2007	19919/2007	Toyota Jidosha Kabushiki Kaisha; 12-08, Automobile, 27 Sep 2007	19968/2007
Stramit Corporation Pty Limited; 25-01G, A construction member, 26 Sep 2007	19920/2007	Transnet NZ Ltd; 13-03C, Pillar box, (NZ, 04 Apr 2007) 04 Oct 2007	20055/2007
Stramit Corporation Pty Limited; 25-01G, A construction member, 26 Sep 2007	19921/2007	Transnet NZ Ltd; 13-03C, Pillar box, (NZ, 04 Apr 2007) 04 Oct 2007	20056/2007
Stramit Corporation Pty Limited; 08-08L, A bracket, 26 Sep 2007	19922/2007	Tray-dec NZ Limited; 25-01K, An element of indefinite length used in construction, (NZ, 21 Aug 2007) 28 Sep 2007	19972/2007
Sudell, Tina; 06-03A, Table, 21 Sep 2007	19862/2007	Tray-dec NZ Limited; 25-01K, An element of indefinite length used in construction, (NZ, 21 Aug 2007) 28 Sep 2007	19973/2007
Sudell, Tina; 06-01C, Bench Seat, 21 Sep 2007	19863/2007	Turner, Steven; 09-03F, Pot carry tray adapter, 21 Sep 2007	19864/2007
Syngenta Participations AG; 09-01B, A container, (US, 29 Mar 2007) 25 Sep 2007	19892/2007	Turner, Steven; 09-03F, Pot carry tray, 21 Sep 2007	19865/2007
SAVERGLASS; 09-01G, Bottle, 02 Oct 2007	20034/2007	Victoria Link Limited; 06-01L, A chair, (NZ, 03 Apr 2007) 02 Oct 2007	20032/2007
SAVERGLASS; 07-01F, Flask, 02 Oct 2007	20035/2007	Victoria Link Limited; 06-01F, A chair, (NZ, 16 Apr 2007) 02 Oct 2007	20033/2007
SAVERGLASS; 09-01G, Bottle, 02 Oct 2007	20036/2007	Watts, David Gregory; 03-01B, Wallet/money and card clip, 24 Sep 2007	19877/2007
SAVERGLASS; 09-01H, Bottle, 02 Oct 2007	20037/2007	Zodiac Pool Care Europe SAS; 15-05, A pool cleaner, 25 Sep 2007	19901/2007
SAVERGLASS; 07-01F, Flask, 02 Oct 2007	20038/2007		
SAVERGLASS; 09-01K, Bottle, 02 Oct 2007	20039/2007		
SAVERGLASS; 07-01F, Flask, 02 Oct 2007	20040/2007		
SAVERGLASS; 07-01F, Flask, 02 Oct 2007	20041/2007		

Zodiac Pool Care Europe SAS; 15-05, A tube for a pool cleaner, 25 Sep 2007	19902/2007	Zodiac Pool Care Europe SAS; 15-05, A handle mounting bracket for a pool cleaner, 25 Sep 2007	19909/2007
Zodiac Pool Care Europe SAS; 15-05, A center panel for a pool cleaner, 25 Sep 2007	19903/2007	Zodiac Pool Care Europe SAS; 15-05, A tube for a pool cleaner, 25 Sep 2007	19910/2007
Zodiac Pool Care Europe SAS; 15-05, A wing disc for a pool cleaner, 25 Sep 2007	19904/2007	Zodiac Pool Care Europe SAS; 15-05, A wing disc for a pool cleaner, 25 Sep 2007	19911/2007
Zodiac Pool Care Europe SAS; 15-05, A diaphragm for a pool cleaner, 25 Sep 2007	19905/2007	Zodiac Pool Care Europe SAS; 15-05, A handle for a pool cleaner, 25 Sep 2007	19912/2007
Zodiac Pool Care Europe SAS; 15-05, A cassette for a pool cleaner, 25 Sep 2007	19906/2007	Zodiac Pool Care Europe SAS; 15-05, A handle grip for a pool cleaner, 25 Sep 2007	19913/2007
Zodiac Pool Care Europe SAS; 15-05, A trailing disc for a pool cleaner, 25 Sep 2007	19907/2007	Zodiac Pool Care Europe SAS; 15-05, A leading disc for a pool cleaner, 25 Sep 2007	19914/2007
Zodiac Pool Care Europe SAS; 15-05, A apron for a pool cleaner, 25 Sep 2007	19908/2007	Zodiac Pool Care Europe SAS; 15-05, A flexible hose for a pool cleaner, 25 Sep 2007	19915/2007

Applications Withdrawn

11492 / 2005 (02-02A) 11493 / 2005 (02-02A)

Designs Excluded

18708 / 2007 09-03M 18710 / 2007 09-03M
18712 / 2007 09-03M

Applications Lapsed

10191 / 2006 (09-01K) 16964 / 2007 (02-02NES)
17109 / 2007 (02-02C) 17113 / 2007 (21-02NES)
17309 / 2007 (12-06A) 18030 / 2007 (06-13NES)
18235 / 2007 (03-01A) 18236 / 2007 (03-01A)
18329 / 2007 (08-07) 18340 / 2007 (19-01)
19129 / 2007 (01-99)

Registrations Ceased

307626 307958 307977

Extensions of time granted under Section 137

Applications lodged under section 137 for extension of time have been granted.

308379 **Master Lock Company LLC**

16915/2007 **Metlam Australia Pty. Limited**

16916/2007 **Metlam Australia Pty. Limited**

17143/2007 **ResMed Ltd**

17144/2007 **ResMed Ltd**

17145/2007 **ResMed Ltd**

17146/2007 **ResMed Ltd**

17147/2007 **ResMed Ltd**

17148/2007 **ResMed Ltd**

17149/2007 **ResMed Ltd**

17150/2007 **ResMed Ltd**

17151/2007 **ResMed Ltd**

17152/2007 **ResMed Ltd**

17153/2007 **ResMed Ltd**

17154/2007 **ResMed Ltd**

17155/2007 **ResMed Ltd**

17156/2007 **ResMed Ltd**

17157/2007 **ResMed Ltd**

17158/2007 **ResMed Ltd**

17159/2007 **ResMed Ltd**

17160/2007 **ResMed Ltd**

17161/2007 **ResMed Ltd**

17672/2007 **Careco Australia Pty Ltd**

18745/2007 **Neata Glass Pty Ltd**

18746/2007 **Neata Glass Pty Ltd**

Subsequent Owners Registered

(The name in parentheses is that of the subsequent owner)

308914 (**Pharos Life Corporation**) John Kennedy

308915 (**Pharos Life Corporation**) John Kennedy

310432 (**Enviro Bale Pty Ltd**) Acquista Investments Pty Ltd

301175 (**Madeleine Josephine Travers**) Racash Holdings Pty Ltd

Names Registered - Alterations and Amendments

(The name in parentheses is that of the subsequent

applicant)

302376 (**Steeline Pty Ltd**) The Steeline Group Pty Ltd
302377 (**Steeline Pty Ltd**) The Steeline Group Pty Ltd
302378 (**Steeline Pty Ltd**) The Steeline Group Pty Ltd
306191 (**Famdanz Pty Ltd**) Jandanz Pty Ltd

Corrigenda

Number 17623/2007

In Vol 21 , No 20 , page 10321 under the heading **Applications Lapsed**; Design No. 17623/2007 should be deleted.

Number 18653/2007

In Vol 21 , No 20 , page 10322 under the heading **Applications Lapsed**; Design No. 18653/2007 should be deleted.

Certificate(s) of Examination

Examination of the following Design Registration(s) has been completed. Infringement proceedings may now be commenced.

303062	09-03C	04/10/2007
308457	06-01NES	28/09/2007
309951	30-99	08/10/2007
310731	15-02	27/09/2007
310831	24-01	04/10/2007
310922	09-05	04/10/2007
311088	28-02	02/10/2007
311709	21-03	08/10/2007
311733	28-02	09/10/2007
311751	28-02	09/10/2007
311803	07-02E	10/10/2007
312205	09-03M	10/10/2007
312206	09-03M	10/10/2007
312379	02-04NES	02/10/2007
312714	13-03E	02/10/2007
312715	13-03E	02/10/2007
312716	13-03E	03/10/2007
312717	13-03E	03/10/2007
312718	13-03E	05/10/2007
312719	13-03E	05/10/2007
312720	13-03E	08/10/2007
312721	13-03E	08/10/2007
312722	13-03E	08/10/2007
312723	13-03E	08/10/2007
312724	13-03E	08/10/2007
312725	13-03E	09/10/2007
312726	13-03E	09/10/2007
312727	13-03E	09/10/2007
312728	13-03E	09/10/2007
313388	28-99	08/10/2007
313389	28-99	08/10/2007
313390	28-99	08/10/2007
313391	28-99	08/10/2007
313392	28-99	08/10/2007
313393	28-99	08/10/2007
313394	28-99	08/10/2007
313395	28-99	08/10/2007
315372	09-07A	02/10/2007

Publication and Registration Proceedings

Designs Registered

This section provides a concordance between design number and registration number of Designs covered in this journal. It also shows the main class and registration date.

This section covers Registration numbers 316162 to 316554 .

The registration number shown below should be used in all future correspondence.

Design Number	Registration Number	International Classification Code (IDC)	Registration Date	Design Number	Registration Number	International Classification Code (IDC)	Registration Date
10975/2005	316348	09-03H	03/10/2007	17630/2007	316412	25-02NES	02/10/2007
12033/2005	316293	09-05	27/09/2007	17631/2007	316413	25-02NES	02/10/2007
10648/2006	316294	03-01B	27/09/2007	17687/2007	316421	09-03NES	02/10/2007
10649/2006	316295	03-01B	27/09/2007	17697/2007	316479	22-05	03/10/2007
10650/2006	316296	03-01B	27/09/2007	17704/2007	316162	06-06E	20/09/2007
14597/2006	316388	02-02C	02/10/2007	17793/2007	316370	07-01B	02/10/2007
14598/2006	316389	02-02C	02/10/2007	17794/2007	316371	07-01B	02/10/2007
14599/2006	316390	02-02C	02/10/2007	17795/2007	316372	07-01B	02/10/2007
14600/2006	316391	02-02C	02/10/2007	17855/2007	316480	20-03NES	03/10/2007
14601/2006	316392	02-02C	02/10/2007	17875/2007	316481	24-04	03/10/2007
14602/2006	316393	02-02C	02/10/2007	17929/2007	316458	14-04	03/10/2007
14603/2006	316394	02-02C	02/10/2007	17947/2007	316217	15-99	20/09/2007
14604/2006	316395	02-02C	02/10/2007	18007/2007	316482	07-02C	03/10/2007
14605/2006	316396	02-02C	02/10/2007	18055/2007	316459	07-02E	03/10/2007
14606/2006	316397	02-02C	02/10/2007	18056/2007	316460	07-02E	03/10/2007
14607/2006	316398	02-02C	02/10/2007	18057/2007	316461	07-02E	03/10/2007
14608/2006	316399	02-02C	02/10/2007	18058/2007	316462	07-02E	03/10/2007
14609/2006	316400	02-02C	02/10/2007	18059/2007	316463	07-02E	03/10/2007
14610/2006	316401	02-02C	02/10/2007	18078/2007	316422	09-03F	02/10/2007
14611/2006	316402	02-02C	02/10/2007	18079/2007	316423	07-03	02/10/2007
14612/2006	316403	02-02C	02/10/2007	18082/2007	316163	02-04B	20/09/2007
14613/2006	316404	02-02C	02/10/2007	18120/2007	316356	15-05	28/09/2007
15655/2006	316510	23-04	04/10/2007	18140/2007	316438	06-01C	02/10/2007
16507/2007	316214	23-03D	20/09/2007	18228/2007	316464	12-02	03/10/2007
16508/2007	316215	23-03D	20/09/2007	18229/2007	316465	12-02	03/10/2007
17414/2007	316216	06-03A	20/09/2007	18237/2007	316424	30-99	02/10/2007
17527/2007	316327	11-99	28/09/2007	18285/2007	316466	22-02	03/10/2007
17528/2007	316405	09-01NES	02/10/2007	18454/2007	316373	12-16B	02/10/2007
17529/2007	316537	09-01A	05/10/2007	18455/2007	316374	12-16F	02/10/2007
17530/2007	316406	09-01NES	02/10/2007	18456/2007	316375	12-16B	02/10/2007
17531/2007	316407	09-01NES	02/10/2007	18457/2007	316376	12-16B	02/10/2007
17532/2007	316408	09-01NES	02/10/2007	18458/2007	316377	12-16B	02/10/2007
17533/2007	316409	09-01NES	02/10/2007	18459/2007	316378	12-16B	02/10/2007
17534/2007	316410	09-01NES	02/10/2007	18460/2007	316379	12-16NES	02/10/2007
17535/2007	316411	09-01NES	02/10/2007	18461/2007	316380	12-16B	02/10/2007
17538/2007	316297	13-03NES	27/09/2007	18462/2007	316381	12-16B	02/10/2007
17539/2007	316298	13-03NES	27/09/2007	18488/2007	316483	08-09	03/10/2007
17540/2007	316299	13-03NES	27/09/2007	18505/2007	316382	02-03	02/10/2007
17541/2007	316361	13-03NES	02/10/2007	18514/2007	316300	09-03M	27/09/2007
17542/2007	316362	13-03NES	02/10/2007	18624/2007	316484	12-06B	03/10/2007
17543/2007	316363	13-03NES	02/10/2007	18642/2007	316383	23-01K	02/10/2007
17544/2007	316364	13-03NES	02/10/2007	18644/2007	316384	23-01K	02/10/2007
17545/2007	316365	13-03NES	02/10/2007	18651/2007	316485	02-03	03/10/2007
17546/2007	316366	13-03NES	02/10/2007	18652/2007	316486	21-02F	03/10/2007
17547/2007	316367	13-03NES	02/10/2007	18654/2007	316328	12-08	28/09/2007
17548/2007	316368	13-03NES	02/10/2007	18655/2007	316329	12-16B	28/09/2007
17549/2007	316369	13-03NES	02/10/2007	18656/2007	316330	12-16B	28/09/2007
17573/2007	316416	25-02C	02/10/2007	18657/2007	316331	12-16B	28/09/2007
17574/2007	316417	25-02C	02/10/2007	18658/2007	316332	26-06	28/09/2007
17575/2007	316418	25-02C	02/10/2007	18659/2007	316333	26-06	28/09/2007
17576/2007	316419	25-02C	02/10/2007	18695/2007	316334	19-02	28/09/2007
17577/2007	316420	25-02C	02/10/2007	18696/2007	316335	19-02	28/09/2007
17582/2007	316455	07-04	03/10/2007	18697/2007	316487	08-08M	03/10/2007

Publication and Registration Proceedings - Designs Registered cont'd

Design Number	Registration Number	International Classification Code (IDC)	Registration Date	Design Number	Registration Number	International Classification Code (IDC)	Registration Date
18698/2007	316488	08-08M	03/10/2007	19020/2007	316310	25-01NES	27/09/2007
18702/2007	316357	13-03NES	28/09/2007	19023/2007	316470	12-16NES	03/10/2007
18703/2007	316358	13-03NES	28/09/2007	19024/2007	316311	08-05NES	27/09/2007
18704/2007	316359	14-02	28/09/2007	19025/2007	316312	08-05NES	27/09/2007
18705/2007	316360	09-03M	28/09/2007	19026/2007	316313	08-05NES	27/09/2007
18725/2007	316425	14-03NES	02/10/2007	19027/2007	316314	12-06B	27/09/2007
18728/2007	316301	14-03A	27/09/2007	19028/2007	316315	16-01	27/09/2007
18730/2007	316302	14-03A	27/09/2007	19029/2007	316316	09-03L	27/09/2007
18742/2007	316426	23-02NES	02/10/2007	19032/2007	316317	24-01	27/09/2007
18744/2007	316303	08-08D	27/09/2007	19033/2007	316318	21-03	27/09/2007
18779/2007	316385	03-99	02/10/2007	19034/2007	316336	21-03	28/09/2007
18824/2007	316427	06-13B	02/10/2007	19035/2007	316337	09-03M	28/09/2007
18837/2007	316164	25-01E	20/09/2007	19036/2007	316338	08-08D	28/09/2007
18838/2007	316165	08-08NES	20/09/2007	19037/2007	316472	24-02	03/10/2007
18841/2007	316166	06-04F	20/09/2007	19039/2007	316339	06-13B	28/09/2007
18860/2007	316167	25-01K	20/09/2007	19040/2007	316340	08-08NES	28/09/2007
18861/2007	316168	25-01K	20/09/2007	19045/2007	316341	19-03	28/09/2007
18862/2007	316169	31-00	20/09/2007	19046/2007	316342	06-06E	28/09/2007
18865/2007	316170	20-03C	20/09/2007	19047/2007	316343	06-06E	28/09/2007
18866/2007	316171	07-02L	20/09/2007	19048/2007	316344	21-99	28/09/2007
18867/2007	316172	07-02L	20/09/2007	19049/2007	316345	23-02NES	28/09/2007
18868/2007	316173	07-02L	20/09/2007	19051/2007	316346	14-03E	28/09/2007
18869/2007	316174	25-02B	20/09/2007	19052/2007	316347	14-03E	28/09/2007
18870/2007	316175	25-02B	20/09/2007	19059/2007	316349	13-03NES	28/09/2007
18871/2007	316176	06-06F	20/09/2007	19060/2007	316350	13-03NES	28/09/2007
18872/2007	316467	12-16A	03/10/2007	19062/2007	316351	23-01F	28/09/2007
18873/2007	316177	12-16NES	20/09/2007	19063/2007	316352	09-03NES	28/09/2007
18875/2007	316178	25-02NES	20/09/2007	19065/2007	316353	14-03NES	28/09/2007
18876/2007	316179	08-05N	20/09/2007	19066/2007	316354	24-01	28/09/2007
18889/2007	316414	09-03F	02/10/2007	19067/2007	316355	28-03NES	28/09/2007
18891/2007	316180	25-02A	20/09/2007	19068/2007	316428	28-03NES	02/10/2007
18915/2007	316218	12-16E	20/09/2007	19071/2007	316429	25-02NES	02/10/2007
18916/2007	316219	12-16NES	20/09/2007	19076/2007	316430	08-08NES	02/10/2007
18917/2007	316220	12-16NES	20/09/2007	19081/2007	316471	10-04	03/10/2007
18918/2007	316221	09-03M	20/09/2007	19082/2007	316473	25-01A	03/10/2007
18919/2007	316222	99-00	20/09/2007	19083/2007	316431	14-03E	02/10/2007
18920/2007	316223	25-01K	20/09/2007	19084/2007	316440	09-03M	02/10/2007
18921/2007	316224	25-01K	20/09/2007	19085/2007	316441	09-03M	02/10/2007
18922/2007	316225	11-02A	20/09/2007	19086/2007	316432	11-02E	02/10/2007
18923/2007	316226	13-02	20/09/2007	19087/2007	316433	11-02E	02/10/2007
18924/2007	316227	26-02	20/09/2007	19088/2007	316434	08-05L	02/10/2007
18936/2007	316228	23-03D	20/09/2007	19090/2007	316474	08-02	03/10/2007
18937/2007	316229	21-03	20/09/2007	19091/2007	316475	12-08	03/10/2007
18938/2007	316230	21-03	20/09/2007	19092/2007	316476	12-08	03/10/2007
18939/2007	316439	08-08NES	02/10/2007	19093/2007	316477	12-08	03/10/2007
18940/2007	316231	16-06	20/09/2007	19094/2007	316442	07-06NES	02/10/2007
18941/2007	316232	16-06	20/09/2007	19095/2007	316443	21-03	02/10/2007
18942/2007	316233	09-01C	20/09/2007	19096/2007	316444	23-01H	02/10/2007
18943/2007	316234	09-01A	20/09/2007	19097/2007	316445	23-01H	02/10/2007
18944/2007	316235	26-05D	20/09/2007	19098/2007	316446	12-11	02/10/2007
18945/2007	316236	26-05D	20/09/2007	19099/2007	316447	08-08H	02/10/2007
18976/2007	316511	07-03	04/10/2007	19100/2007	316448	08-08H	02/10/2007
19005/2007	316304	99-00	27/09/2007	19101/2007	316449	25-02C	02/10/2007
19007/2007	316305	26-02	27/09/2007	19102/2007	316450	25-02C	02/10/2007
19008/2007	316306	08-07	27/09/2007	19103/2007	316451	25-02NES	02/10/2007
19009/2007	316307	08-07	27/09/2007	19104/2007	316452	12-16L	02/10/2007
19010/2007	316308	25-01NES	27/09/2007	19105/2007	316453	12-16L	02/10/2007
19019/2007	316309	25-01NES	27/09/2007	19106/2007	316454	15-03B	02/10/2007

Publication and Registration Proceedings - Designs Registered cont'd

Design Number	Registration Number	International Classification Code (IDC)	Registration Date	Design Number	Registration Number	International Classification Code (IDC)	Registration Date
19111/2007	316489	08-08L	03/10/2007	19178/2007	316546	24-99	05/10/2007
19112/2007	316490	08-08B	03/10/2007	19179/2007	316547	24-99	05/10/2007
19116/2007	316491	21-02NES	03/10/2007	19180/2007	316548	24-99	05/10/2007
19118/2007	316415	14-03NES	02/10/2007	19181/2007	316549	08-08NES	05/10/2007
19119/2007	316492	09-01K	03/10/2007	19182/2007	316550	14-01	05/10/2007
19120/2007	316493	15-05	03/10/2007	19183/2007	316551	14-01	05/10/2007
19121/2007	316494	23-01A	03/10/2007	19184/2007	316552	14-01	05/10/2007
19122/2007	316495	23-01A	03/10/2007	19185/2007	316553	14-01	05/10/2007
19124/2007	316496	09-01K	03/10/2007	19186/2007	316554	14-01	05/10/2007
19125/2007	316497	06-01E	03/10/2007	19187/2007	316534	23-01NES	04/10/2007
19127/2007	316498	02-04NES	03/10/2007	19188/2007	316535	23-01NES	04/10/2007
19128/2007	316499	02-04NES	03/10/2007	19231/2007	316501	13-03D	03/10/2007
19130/2007	316500	24-04	03/10/2007	19232/2007	316502	13-03D	03/10/2007
19132/2007	316512	07-02P	04/10/2007	19233/2007	316503	13-03D	03/10/2007
19133/2007	316513	07-02P	04/10/2007	19234/2007	316504	13-03D	03/10/2007
19134/2007	316514	12-16L	04/10/2007	19235/2007	316505	13-03D	03/10/2007
19135/2007	316515	12-15NES	04/10/2007	19236/2007	316506	13-03D	03/10/2007
19136/2007	316516	12-15C	04/10/2007	19237/2007	316507	13-03D	03/10/2007
19137/2007	316517	28-03NES	04/10/2007	19238/2007	316508	13-03D	03/10/2007
19138/2007	316518	14-99	04/10/2007	19239/2007	316509	13-03D	03/10/2007
19141/2007	316519	11-02E	04/10/2007	19284/2007	316319	09-07B	27/09/2007
19142/2007	316520	11-02E	04/10/2007	19381/2007	316478	09-03L	03/10/2007
19143/2007	316521	23-01F	04/10/2007	19420/2007	316386	08-08B	02/10/2007
19144/2007	316522	09-01K	04/10/2007	19421/2007	316387	08-08NES	02/10/2007
19145/2007	316523	09-01K	04/10/2007	19551/2007	316435	23-02NES	02/10/2007
19146/2007	316524	09-01K	04/10/2007	19552/2007	316436	23-02NES	02/10/2007
19150/2007	316525	12-15C	04/10/2007	19553/2007	316437	23-02NES	02/10/2007
19151/2007	316526	12-15C	04/10/2007	19602/2007	316468	12-16A	03/10/2007
19152/2007	316527	02-04A	04/10/2007	19603/2007	316469	12-16NES	03/10/2007
19153/2007	316528	13-03NES	04/10/2007	19613/2007	316456	07-04	03/10/2007
19154/2007	316529	13-03NES	04/10/2007	19614/2007	316457	07-04	03/10/2007
19155/2007	316530	13-03NES	04/10/2007	19615/2007	316181	28-03NES	20/09/2007
19156/2007	316531	13-03NES	04/10/2007	19616/2007	316536	06-13B	04/10/2007
19157/2007	316532	13-03NES	04/10/2007	19768/2007	316320	09-05	27/09/2007
19158/2007	316533	09-07A	04/10/2007	19786/2007	316321	09-05	27/09/2007
19162/2007	316538	08-08L	05/10/2007	19787/2007	316322	09-01K	27/09/2007
19164/2007	316539	11-02NES	05/10/2007	19788/2007	316323	09-01K	27/09/2007
19166/2007	316540	02-03	05/10/2007	19789/2007	316324	09-01K	27/09/2007
19168/2007	316541	25-01G	05/10/2007	19790/2007	316325	09-01A	27/09/2007
19172/2007	316542	21-01D	05/10/2007	19806/2007	316326	28-03NES	27/09/2007
19175/2007	316543	11-05	05/10/2007				
19176/2007	316544	08-08NES	05/10/2007				
19177/2007	316545	24-99	05/10/2007				

Publication and Registration Proceedings
Class Listing of Designs Published or Registered

The following section shows an International Classification Code listing of the Registered or Published Designs covered in this supplement.

Classification	Registration Number	Design Number	Classification	Registration Number	Design Number
02-02 C	316388	14597/2006	07-04	316456	19613/2007
02-02 C	316389	14598/2006	07-04	316457	19614/2007
02-02 C	316390	14599/2006	07-06 NES	316442	19094/2007
02-02 C	316391	14600/2006	08-02	316474	19090/2007
02-02 C	316392	14601/2006	08-05 L	316434	19088/2007
02-02 C	316393	14602/2006	08-05 N	316179	18876/2007
02-02 C	316394	14603/2006	08-05 NES	316311	19024/2007
02-02 C	316395	14604/2006	08-05 NES	316312	19025/2007
02-02 C	316396	14605/2006	08-05 NES	316313	19026/2007
02-02 C	316397	14606/2006	08-07	316306	19008/2007
02-02 C	316398	14607/2006	08-07	316307	19009/2007
02-02 C	316399	14608/2006	08-08 B	316386	19420/2007
02-02 C	316400	14609/2006	08-08 B	316490	19112/2007
02-02 C	316401	14610/2006	08-08 D	316303	18744/2007
02-02 C	316402	14611/2006	08-08 D	316338	19036/2007
02-02 C	316403	14612/2006	08-08 H	316447	19099/2007
02-02 C	316404	14613/2006	08-08 H	316448	19100/2007
02-03	316382	18505/2007	08-08 L	316489	19111/2007
02-03	316485	18651/2007	08-08 L	316538	19162/2007
02-03	316540	19166/2007	08-08 M	316487	18697/2007
02-04 A	316527	19152/2007	08-08 M	316488	18698/2007
02-04 B	316163	18082/2007	08-08 NES	316165	18838/2007
02-04 NES	316498	19127/2007	08-08 NES	316340	19040/2007
02-04 NES	316499	19128/2007	08-08 NES	316387	19421/2007
03-01 B	316294	10648/2006	08-08 NES	316430	19076/2007
03-01 B	316295	10649/2006	08-08 NES	316439	18939/2007
03-01 B	316296	10650/2006	08-08 NES	316544	19176/2007
03-99	316385	18779/2007	08-08 NES	316549	19181/2007
06-01 C	316438	18140/2007	08-09	316483	18488/2007
06-01 E	316497	19125/2007	09-01 A	316234	18943/2007
06-03 A	316216	17414/2007	09-01 A	316325	19790/2007
06-04 F	316166	18841/2007	09-01 A	316537	17529/2007
06-06 E	316162	17704/2007	09-01 C	316233	18942/2007
06-06 E	316342	19046/2007	09-01 K	316322	19787/2007
06-06 E	316343	19047/2007	09-01 K	316323	19788/2007
06-06 F	316176	18871/2007	09-01 K	316324	19789/2007
06-13 B	316339	19039/2007	09-01 K	316492	19119/2007
06-13 B	316427	18824/2007	09-01 K	316496	19124/2007
06-13 B	316536	19616/2007	09-01 K	316522	19144/2007
07-01 B	316370	17793/2007	09-01 K	316523	19145/2007
07-01 B	316371	17794/2007	09-01 K	316524	19146/2007
07-01 B	316372	17795/2007	09-01 NES	316405	17528/2007
07-02 C	316482	18007/2007	09-01 NES	316406	17530/2007
07-02 E	316459	18055/2007	09-01 NES	316407	17531/2007
07-02 E	316460	18056/2007	09-01 NES	316408	17532/2007
07-02 E	316461	18057/2007	09-01 NES	316409	17533/2007
07-02 E	316462	18058/2007	09-01 NES	316410	17534/2007
07-02 E	316463	18059/2007	09-01 NES	316411	17535/2007
07-02 L	316171	18866/2007	09-03 F	316414	18889/2007
07-02 L	316172	18867/2007	09-03 F	316422	18078/2007
07-02 L	316173	18868/2007	09-03 H	316348	10975/2005
07-02 P	316512	19132/2007	09-03 L	316316	19029/2007
07-02 P	316513	19133/2007	09-03 L	316478	19381/2007
07-03	316423	18079/2007	09-03 M	316221	18918/2007
07-03	316511	18976/2007	09-03 M	316300	18514/2007
07-04	316455	17582/2007	09-03 M	316337	19035/2007

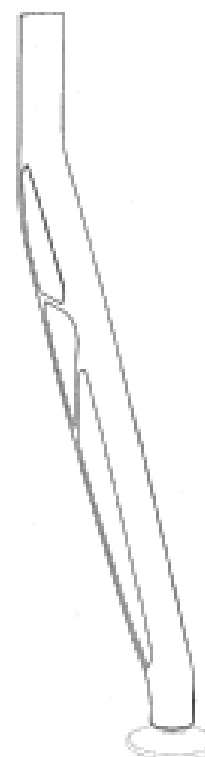
Registration Proceedings - Class Listing of Designs Published or Registered cont'd

Classification	Registration Number	Design Number	Classification	Registration Number	Design Number
09-03 M	316360	18705/2007	13-03 D	316504	19234/2007
09-03 M	316440	19084/2007	13-03 D	316505	19235/2007
09-03 M	316441	19085/2007	13-03 D	316506	19236/2007
09-03 NES	316352	19063/2007	13-03 D	316507	19237/2007
09-03 NES	316421	17687/2007	13-03 D	316508	19238/2007
09-05	316293	12033/2005	13-03 D	316509	19239/2007
09-05	316320	19768/2007	13-03 NES	316297	17538/2007
09-05	316321	19786/2007	13-03 NES	316298	17539/2007
09-07 A	316533	19158/2007	13-03 NES	316299	17540/2007
09-07 B	316319	19284/2007	13-03 NES	316349	19059/2007
10-04	316471	19081/2007	13-03 NES	316350	19060/2007
11-02 A	316225	18922/2007	13-03 NES	316357	18702/2007
11-02 E	316432	19086/2007	13-03 NES	316358	18703/2007
11-02 E	316433	19087/2007	13-03 NES	316361	17541/2007
11-02 E	316519	19141/2007	13-03 NES	316362	17542/2007
11-02 E	316520	19142/2007	13-03 NES	316363	17543/2007
11-02 NES	316539	19164/2007	13-03 NES	316364	17544/2007
11-05	316543	19175/2007	13-03 NES	316365	17545/2007
11-99	316327	17527/2007	13-03 NES	316366	17546/2007
12-02	316464	18228/2007	13-03 NES	316367	17547/2007
12-02	316465	18229/2007	13-03 NES	316368	17548/2007
12-06 B	316314	19027/2007	13-03 NES	316369	17549/2007
12-06 B	316484	18624/2007	13-03 NES	316528	19153/2007
12-08	316328	18654/2007	13-03 NES	316529	19154/2007
12-08	316475	19091/2007	13-03 NES	316530	19155/2007
12-08	316476	19092/2007	13-03 NES	316531	19156/2007
12-08	316477	19093/2007	13-03 NES	316532	19157/2007
12-11	316446	19098/2007	14-01	316550	19182/2007
12-15 C	316516	19136/2007	14-01	316551	19183/2007
12-15 C	316525	19150/2007	14-01	316552	19184/2007
12-15 C	316526	19151/2007	14-01	316553	19185/2007
12-15 NES	316515	19135/2007	14-01	316554	19186/2007
12-16 A	316467	18872/2007	14-02	316359	18704/2007
12-16 A	316468	19602/2007	14-03 A	316301	18728/2007
12-16 B	316329	18655/2007	14-03 A	316302	18730/2007
12-16 B	316330	18656/2007	14-03 E	316346	19051/2007
12-16 B	316331	18657/2007	14-03 E	316347	19052/2007
12-16 B	316373	18454/2007	14-03 E	316431	19083/2007
12-16 B	316375	18456/2007	14-03 NES	316353	19065/2007
12-16 B	316376	18457/2007	14-03 NES	316415	19118/2007
12-16 B	316377	18458/2007	14-03 NES	316425	18725/2007
12-16 B	316378	18459/2007	14-04	316458	17929/2007
12-16 B	316380	18461/2007	14-99	316518	19138/2007
12-16 B	316381	18462/2007	15-03 B	316454	19106/2007
12-16 E	316218	18915/2007	15-05	316356	18120/2007
12-16 F	316374	18455/2007	15-05	316493	19120/2007
12-16 L	316452	19104/2007	15-99	316217	17947/2007
12-16 L	316453	19105/2007	16-01	316315	19028/2007
12-16 L	316514	19134/2007	16-06	316231	18940/2007
12-16 NES	316177	18873/2007	16-06	316232	18941/2007
12-16 NES	316219	18916/2007	19-02	316334	18695/2007
12-16 NES	316220	18917/2007	19-02	316335	18696/2007
12-16 NES	316379	18460/2007	19-02	316360	18705/2007
12-16 NES	316469	19603/2007	19-03	316341	19045/2007
12-16 NES	316470	19023/2007	20-03 C	316170	18865/2007
13-02	316226	18923/2007	20-03 NES	316480	17855/2007
13-03 D	316501	19231/2007	21-01 D	316542	19172/2007
13-03 D	316502	19232/2007	21-02 F	316486	18652/2007
13-03 D	316503	19233/2007	21-02 NES	316491	19116/2007

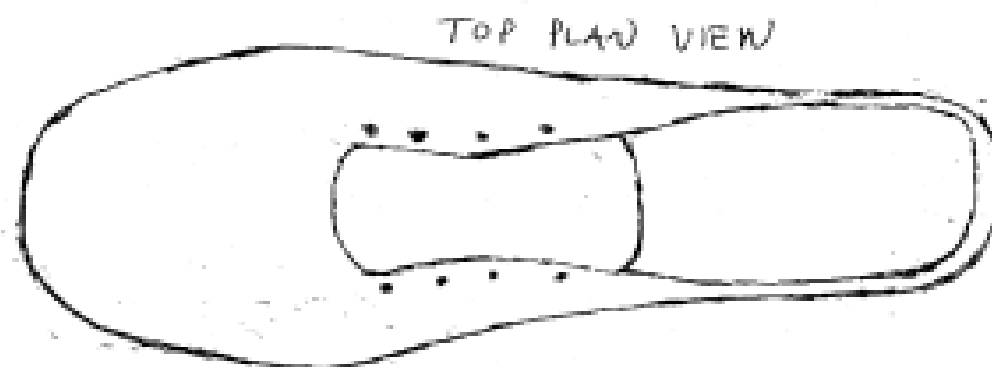
Registration Proceedings - Class Listing of Designs Published or Registered cont'd

Classification	Registration Number	Design Number	Classification	Registration Number	Design Number
21-03	316229	18937/2007	25-01 K	316168	18861/2007
21-03	316230	18938/2007	25-01 K	316223	18920/2007
21-03	316318	19033/2007	25-01 K	316224	18921/2007
21-03	316336	19034/2007	25-01 NES	316308	19010/2007
21-03	316443	19095/2007	25-01 NES	316309	19019/2007
21-04	316470	19023/2007	25-01 NES	316310	19020/2007
21-99	316344	19048/2007	25-02 A	316180	18891/2007
22-02	316466	18285/2007	25-02 B	316174	18869/2007
22-05	316479	17697/2007	25-02 B	316175	18870/2007
23-01 A	316494	19121/2007	25-02 C	316416	17573/2007
23-01 A	316495	19122/2007	25-02 C	316417	17574/2007
23-01 F	316351	19062/2007	25-02 C	316418	17575/2007
23-01 F	316521	19143/2007	25-02 C	316419	17576/2007
23-01 H	316444	19096/2007	25-02 C	316420	17577/2007
23-01 H	316445	19097/2007	25-02 C	316449	19101/2007
23-01 K	316383	18642/2007	25-02 C	316450	19102/2007
23-01 K	316384	18644/2007	25-02 NES	316178	18875/2007
23-01 NES	316534	19187/2007	25-02 NES	316412	17630/2007
23-01 NES	316535	19188/2007	25-02 NES	316413	17631/2007
23-02 NES	316345	19049/2007	25-02 NES	316429	19071/2007
23-02 NES	316426	18742/2007	25-02 NES	316451	19103/2007
23-02 NES	316435	19551/2007	26-02	316227	18924/2007
23-02 NES	316436	19552/2007	26-02	316305	19007/2007
23-02 NES	316437	19553/2007	26-05 A	316480	17855/2007
23-03 D	316214	16507/2007	26-05 D	316235	18944/2007
23-03 D	316215	16508/2007	26-05 D	316236	18945/2007
23-03 D	316228	18936/2007	26-06	316332	18658/2007
23-04	316510	15655/2006	26-06	316333	18659/2007
24-01	316317	19032/2007	28-03 NES	316181	19615/2007
24-01	316354	19066/2007	28-03 NES	316326	19806/2007
24-02	316472	19037/2007	28-03 NES	316355	19067/2007
24-04	316481	17875/2007	28-03 NES	316428	19068/2007
24-04	316500	19130/2007	28-03 NES	316517	19137/2007
24-99	316545	19177/2007	30-99	316424	18237/2007
24-99	316546	19178/2007	31-00	316169	18862/2007
24-99	316547	19179/2007	99-00	316222	18919/2007
24-99	316548	19180/2007	99-00	316304	19005/2007
25-01 A	316473	19082/2007			
25-01 E	316164	18837/2007			
25-01 G	316541	19168/2007			
25-01 K	316167	18860/2007			

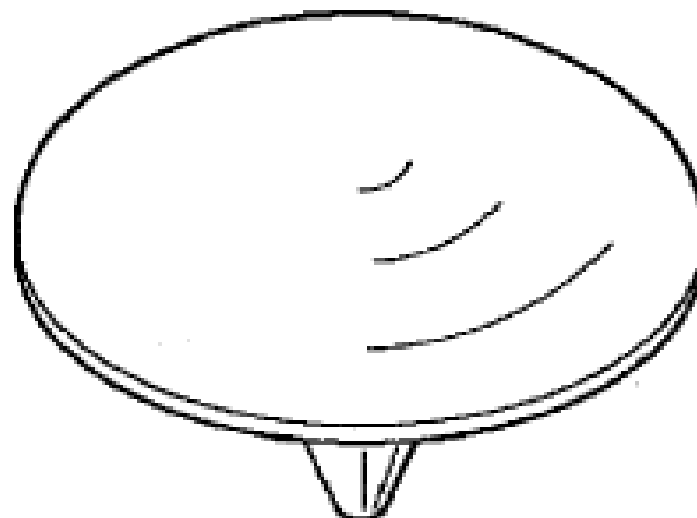
- (21) Design Number: **17704/2007**
(22) Date of Filing Application: **03 May 2007**
(24) Date from which industrial property rights may have effect: **03 May 2007**
(54) Product in respect of which the design is registered: **The Trapeze leg is a table leg used to create desking systems and table bases**
(51) International Design Classification: **06-06E**
(71) Name(s) and Address(s) of Applicant(s):
Thinking Ergonomix
6A Childs Road Chipping Norton New South Wales 2170 Australia
(72) Name(s) of Designer(s): **Simon Duff**
(45) Registration Date: **20 September 2007**
(56) Related Art Documents: **Not Applicable**
(57) Statement of Newness and Distinctiveness: **The shape of the Trapeze leg is the key distinctive feature of the design. The leg can be used in numerous configurations to suit any size or shape tabletop.**



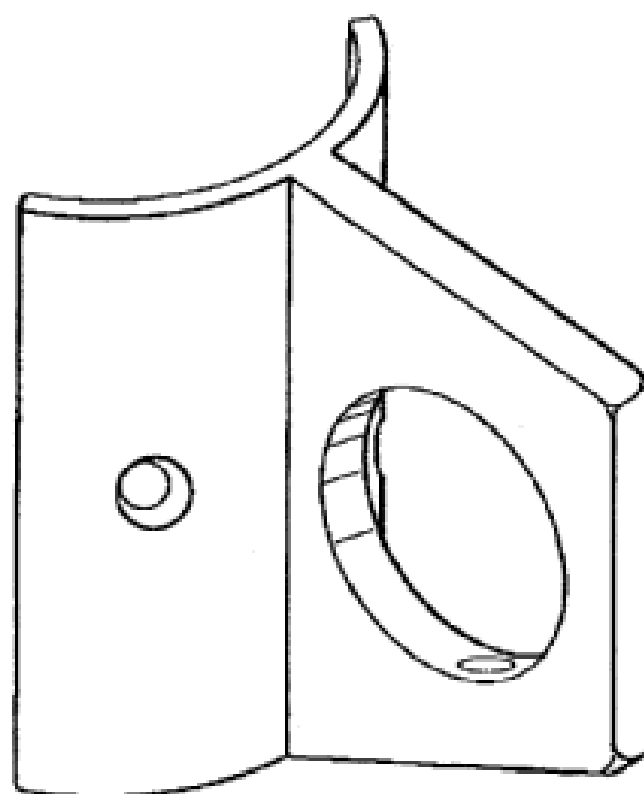
- (21) Design Number: **18082/2007**
(22) Date of Filing Application: **24 May 2007**
(24) Date from which industrial property rights may have effect: **24 May 2007**
(54) Product in respect of which the design is registered: **Roofing shoe**
(51) International Design Classification: **02-04B**
(71) Name(s) and Address(s) of Applicant(s):
Arthur Pappas
C/- 79 Warrimoo Avenue St Ives New South Wales 2075 Australia
(72) Name(s) of Designer(s): **Arthur Pappas**
(45) Registration Date: **20 September 2007**
(56) Related Art Documents: **Not Applicable**
(57) Statement of Newness and Distinctiveness: **The novelty of the shoe lies in the shape and configuration of the tread on the sole.**



(21) Design Number: **18837/2007**
(22) Date of Filing Application: **12 July 2007**
(24) Date from which industrial property rights may have effect: **12 July 2007**
(54) Product in respect of which the design is registered: **A post cap**
(51) International Design Classification: **25-01E**
(71) Name(s) and Address(s) of Applicant(s):
Press Metal Aluminium (Australia) Pty Ltd
2/22 Eastern Service Stapylton Queensland 4207 Australia
(72) Name(s) of Designer(s): **Graeme Charles Barton**
(45) Registration Date: **20 September 2007**
(56) Related Art Documents: **Not Applicable**
(57) Statement of Newness and Distinctiveness: **Nil**



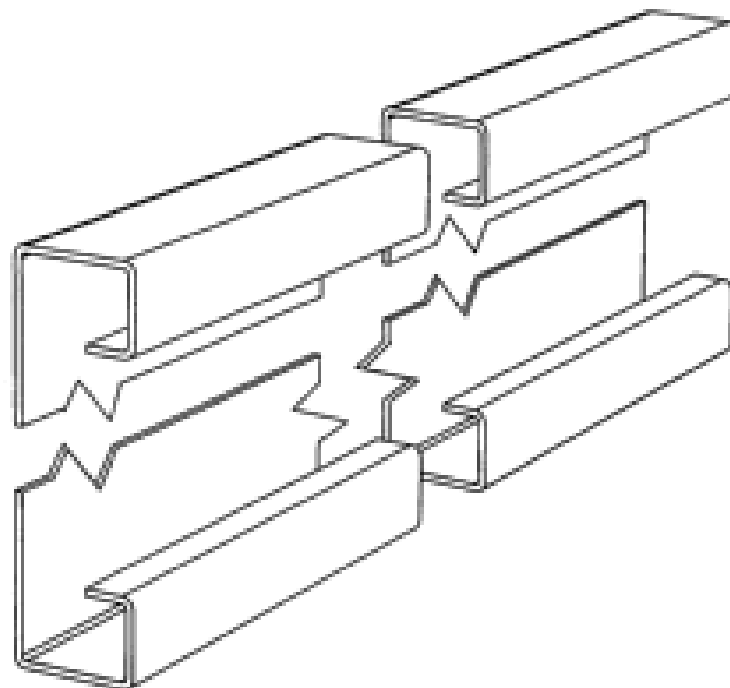
(21) Design Number: **18838/2007**
(22) Date of Filing Application: **12 July 2007**
(24) Date from which industrial property rights may have effect: **12 July 2007**
(54) Product in respect of which the design is registered: **A handrail bracket**
(51) International Design Classification: **08-08NES**
(71) Name(s) and Address(s) of Applicant(s):
Press Metal Aluminium (Australia) Pty Ltd
2/22 Eastern Service Stapylton Queensland 4207 Australia
(72) Name(s) of Designer(s): **Graeme Charles Barton**
(45) Registration Date: **20 September 2007**
(56) Related Art Documents: **Not Applicable**
(57) Statement of Newness and Distinctiveness: **Nil**



- (21) Design Number: **18841/2007**
(22) Date of Filing Application: **12 July 2007**
(24) Date from which industrial property rights may have effect: **12 July 2007**
(54) Product in respect of which the design is registered: **Article of furniture**
(51) International Design Classification: **06-04F**
(71) Name(s) and Address(s) of Applicant(s):
Islander Imports Pty Ltd
177-181 Newton Road Wetherill Park New South Wales 2164 Australia
(72) Name(s) of Designer(s): **Jim Godworth**
(45) Registration Date: **20 September 2007**
(56) Related Art Documents: **Not Applicable**
(57) Statement of Newness and Distinctiveness: **Nil**



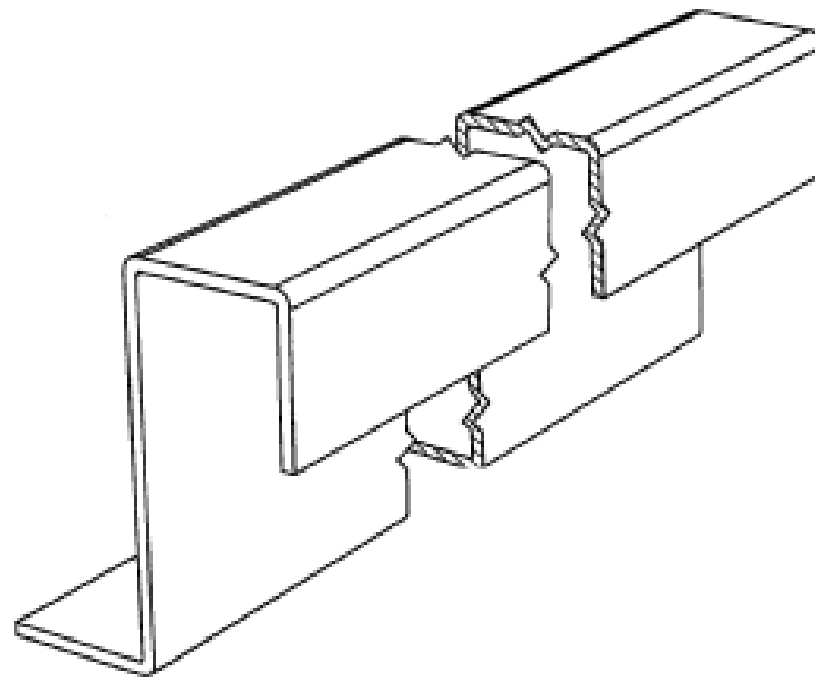
- (21) Design Number: **18860/2007**
(22) Date of Filing Application: **12 July 2007**
(24) Date from which industrial property rights may have effect: **12 July 2007**
(54) Product in respect of which the design is registered: **A metal section**
(51) International Design Classification: **25-01K**
(71) Name(s) and Address(s) of Applicant(s):
Panel D (NZ) Limited
15 Quayline Close Pelican Waters Queensland 4551 Australia
(72) Name(s) of Designer(s): **Stuart Daniels**
(45) Registration Date: **20 September 2007**
(56) Related Art Documents: **Not Applicable**
(57) Statement of Newness and Distinctiveness: **The newness and distinctiveness of the design resides in the shape and configuration of a metal section, of indefinite length and of indefinite width, as shown in the accompanying representations.**



- (21) Design Number: **18861/2007**
- (22) Date of Filing Application: **12 July 2007**
- (24) Date from which industrial property rights may have effect: **12 July 2007**
- (54) Product in respect of which the design is registered: **A metal section**
- (51) International Design Classification: **25-01K**
- (71) Name(s) and Address(s) of Applicant(s):

Panel D (NZ) Limited
15 Quayline Close Pelican Waters Queensland 4551 Australia

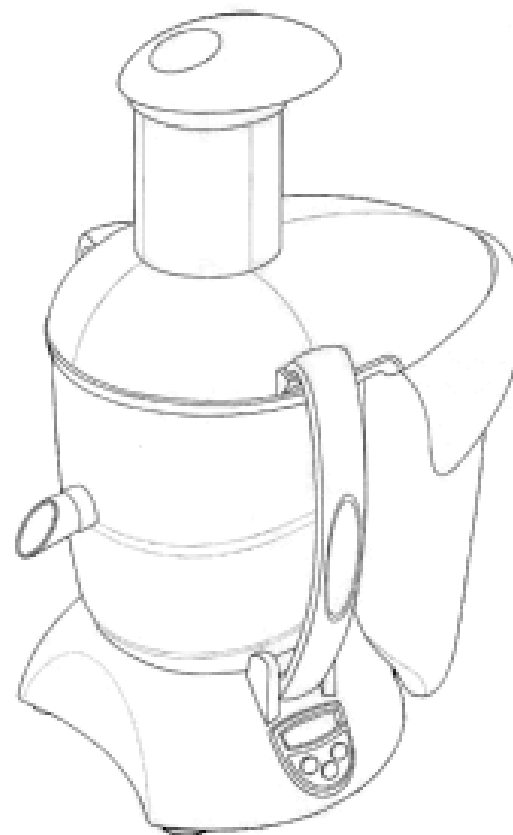
- (72) Name(s) of Designer(s): **Stuart Daniels**
- (45) Registration Date: **20 September 2007**
- (56) Related Art Documents: **Not Applicable**
- (57) Statement of Newness and Distinctiveness: **The newness and distinctiveness of the design resides in the shape and configuration of a metal section, of indefinite length and of constant cross-section throughout its length, shown in the accompanying representations.**



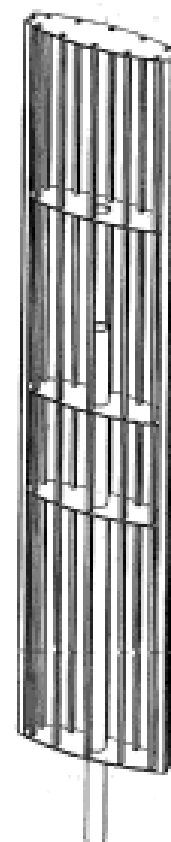
- (21) Design Number: **18862/2007**
- (22) Date of Filing Application: **12 July 2007**
- (24) Date from which industrial property rights may have effect: **12 July 2007**
- (54) Product in respect of which the design is registered: **Juice extractor**
- (51) International Design Classification: **31-00**
- (71) Name(s) and Address(s) of Applicant(s):

Salton, Inc.
1955 Field Court Lake Forest IL 60045 United States of America

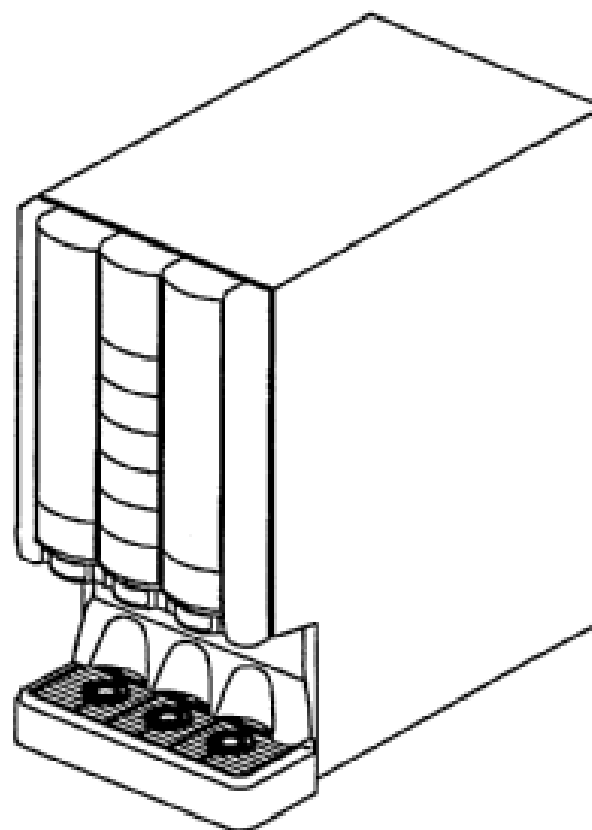
- (72) Name(s) of Designer(s): **Guillaume Jean Since**
- (45) Registration Date: **20 September 2007**
- (56) Related Art Documents: **Not Applicable**
- (57) Statement of Newness and Distinctiveness: **Nil**



- (21) Design Number: **18865/2007**
(22) Date of Filing Application: **12 July 2007**
(24) Date from which industrial property rights may have effect: **12 July 2007**
(54) Product in respect of which the design is registered: **A frame for a sign**
(51) International Design Classification: **20-03C**
(71) Name(s) and Address(s) of Applicant(s):
Catalyst Engineering Pty Limited
23 Britton Street Smithfield New South Wales 2164 Australia
(72) Name(s) of Designer(s): **Terry Tizdale**
(45) Registration Date: **20 September 2007**
(56) Related Art Documents: **Not Applicable**
(57) Statement of Newness and Distinctiveness: **Newness and distinctiveness is claimed in the features of shape and/or configuration of a frame for a sign as illustrated in the accompanying representations.**



- (21) Design Number: **18866/2007**
(22) Date of Filing Application: **12 July 2007**
(24) Date from which industrial property rights may have effect: **12 July 2007**
(54) Product in respect of which the design is registered: **Drink dispenser**
(51) International Design Classification: **07-02L**
(71) Name(s) and Address(s) of Applicant(s):
Sanyo Electric Co., Ltd.
5-5 Keihanhondori 2-chome Moriguchi-shi Osaka 570-8677 Japan
(72) Name(s) of Designer(s): **Katsuhiko Adachi**
(45) Registration Date: **20 September 2007**
(30) Convention priority data:
(31) Number (32) Date (33) Country
2007-000705 17 Jan 2007 JAPAN
(56) Related Art Documents: **Not Applicable**
(57) Statement of Newness and Distinctiveness: **Nil**



(21) Design Number: **18867/2007**

(22) Date of Filing Application: **12 July 2007**

(24) Date from which industrial property rights may have effect: **12 July 2007**

(54) Product in respect of which the design is registered: **Drink dispenser**

(51) International Design Classification: **07-02L**

(71) Name(s) and Address(s) of Applicant(s):

Sanyo Electric Co., Ltd.

5-5 Keihanondori 2-chome Moriguchi-shi Osaka 570-8677 Japan

(72) Name(s) of Designer(s): **Katsuhiko Adachi**

(45) Registration Date: **20 September 2007**

(30) Convention priority data:

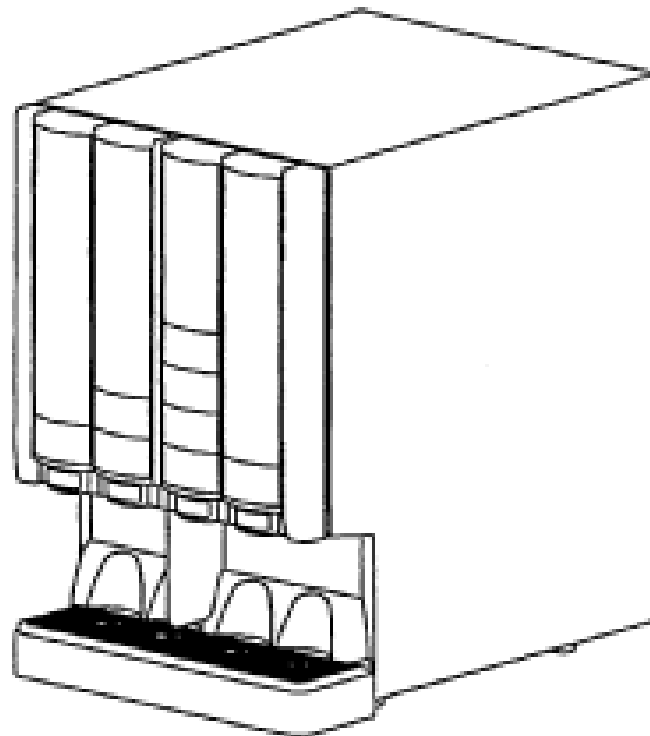
(31) Number
2007-000705

(32) Date
17 Jan 2007

(33) Country
JAPAN

(56) Related Art Documents: **Not Applicable**

(57) Statement of Newness and Distinctiveness: **Nil**



(21) Design Number: **18868/2007**

(22) Date of Filing Application: **12 July 2007**

(24) Date from which industrial property rights may have effect: **12 July 2007**

(54) Product in respect of which the design is registered: **Drink dispenser**

(51) International Design Classification: **07-02L**

(71) Name(s) and Address(s) of Applicant(s):

Sanyo Electric Co., Ltd.

5-5 Keihanondori 2-chome Moriguchi-shi Osaka 570-8677 Japan

(72) Name(s) of Designer(s): **Katsuhiko Adachi**

(45) Registration Date: **20 September 2007**

(30) Convention priority data:

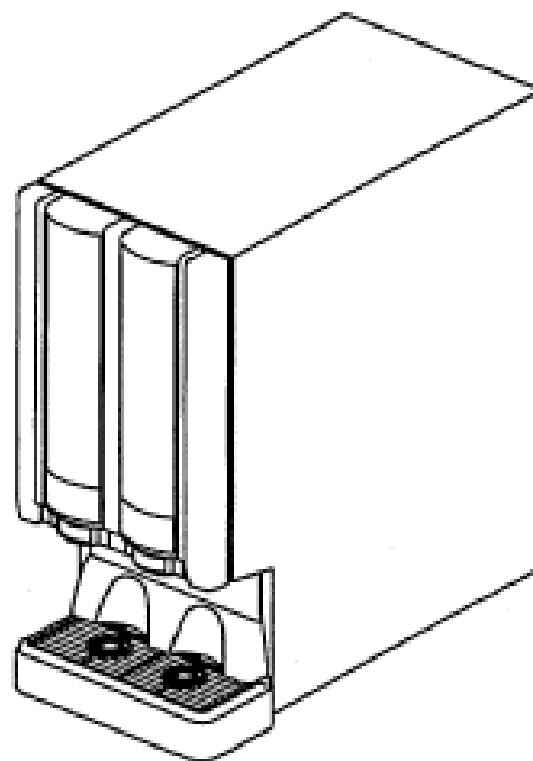
(31) Number
2007-000705

(32) Date
17 Jan 2007

(33) Country
JAPAN

(56) Related Art Documents: **Not Applicable**

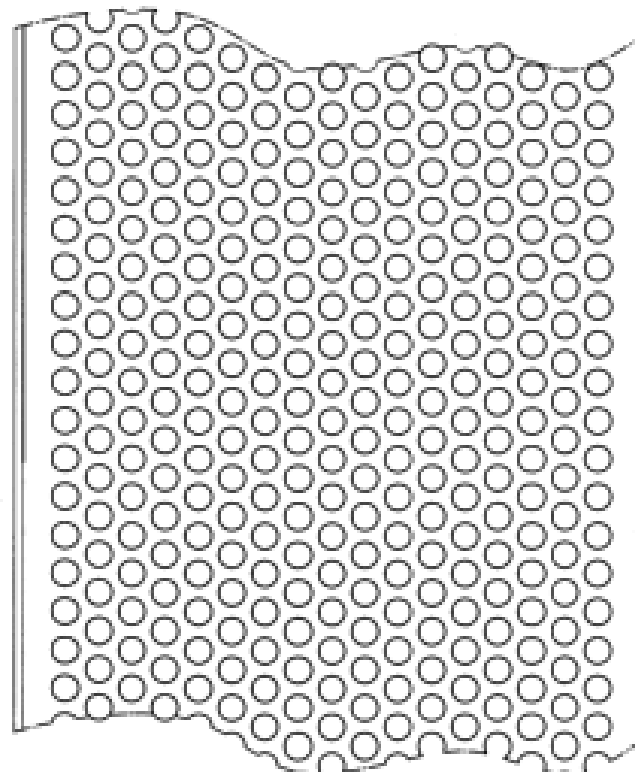
(57) Statement of Newness and Distinctiveness: **Nil**



- (21) Design Number: **18869/2007**
(22) Date of Filing Application: **12 July 2007**
(24) Date from which industrial property rights may have effect: **12 July 2007**
(54) Product in respect of which the design is registered: **Security screen**
(51) International Design Classification: **25-02B**
(71) Name(s) and Address(s) of Applicant(s):

Dynamic Closures (Aust) Pty Ltd
58 Industrial Park Drive Lilydale Victoria 3140 Australia

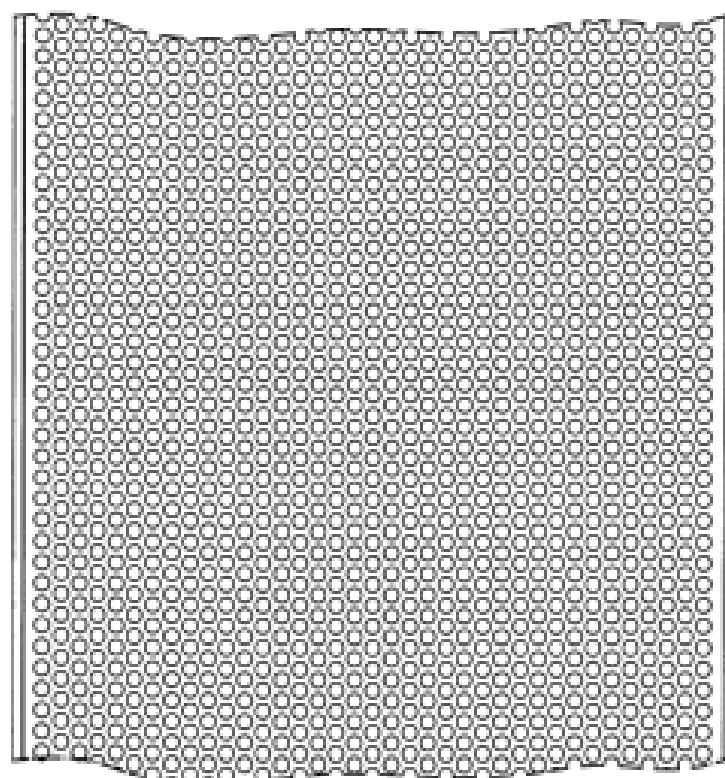
- (72) Name(s) of Designer(s): **Rohan Forrester**
(45) Registration Date: **20 September 2007**
(56) Related Art Documents: **Not Applicable**
(57) Statement of Newness and Distinctiveness: **The shape, configuration, shape and configuration, pattern, ornamentation, pattern and ornamentation, of the designs are new and distinctive. The security panel is of indefinite length and constant width throughout its length.**



- (21) Design Number: **18870/2007**
(22) Date of Filing Application: **12 July 2007**
(24) Date from which industrial property rights may have effect: **12 July 2007**
(54) Product in respect of which the design is registered: **Security screen**
(51) International Design Classification: **25-02B**
(71) Name(s) and Address(s) of Applicant(s):

Dynamic Closures (Aust) Pty Ltd
58 Industrial Park Drive Lilydale Victoria 3140 Australia

- (72) Name(s) of Designer(s): **Rohan Forrester**
(45) Registration Date: **20 September 2007**
(56) Related Art Documents: **Not Applicable**
(57) Statement of Newness and Distinctiveness: **The shape, configuration, shape and configuration, pattern, ornamentation, pattern and ornamentation, of the designs are new and distinctive. The security panel is of indefinite length and constant width throughout its length.**



(21) Design Number: **18871/2007**

(22) Date of Filing Application: **12 July 2007**

(24) Date from which industrial property rights may have effect: **12 July 2007**

(54) Product in respect of which the design is registered: **Cleat for bed support**

(51) International Design Classification: **06-06F**

(71) Name(s) and Address(s) of Applicant(s):

David Fealy

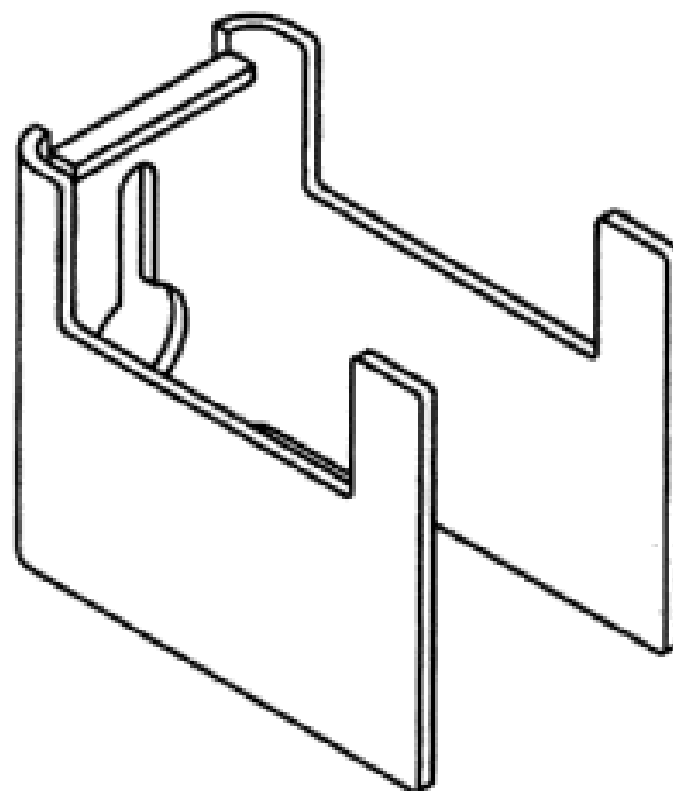
20 Fleet Street Somerton Victoria 3062 Australia

(72) Name(s) of Designer(s): **David Fealy**

(45) Registration Date: **20 September 2007**

(56) Related Art Documents: **Not Applicable**

(57) Statement of Newness and Distinctiveness: **Newness and distinctiveness are claimed in the features of shape and/or configuration of a cleat for bed support, as illustrated in the accompanying representatives.**



(21) Design Number: **18873/2007**

(22) Date of Filing Application: **12 July 2007**

(24) Date from which industrial property rights may have effect: **12 July 2007**

(54) Product in respect of which the design is registered: **Deodorizing device**

(51) International Design Classification: **12-16NES**

(71) Name(s) and Address(s) of Applicant(s):

Fiat Auto S.p.A.

Corso Giovanni Agnelli 200 I-10135 Torino Italy

(72) Name(s) of Designer(s): **Guido Bianco and Robert Giolito**

(45) Registration Date: **20 September 2007**

(30) Convention priority data:

(31) Number

(32) Date

(33) Country

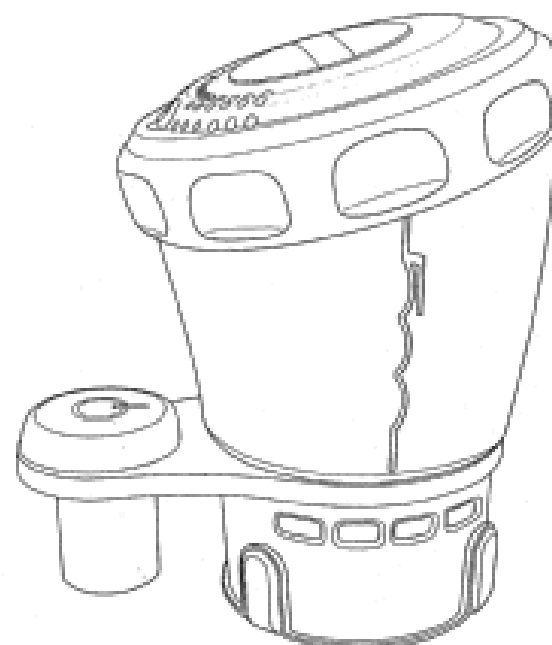
000655063

19 Jan 2007

EUROPEAN COMMUNITY

(56) Related Art Documents: **Not Applicable**

(57) Statement of Newness and Distinctiveness: **Those features of the deodorizing device depicted in the representatons that are new and distinctive are the shape and/or configuration.**



(21) Design Number: **18875/2007**

(22) Date of Filing Application: **12 July 2007**

(24) Date from which industrial property rights may have effect: **12 July 2007**

(54) Product in respect of which the design is registered: **Chute**

(51) International Design Classification: **25-02NES**

(71) Name(s) and Address(s) of Applicant(s):

Dahlshe Pty Limited

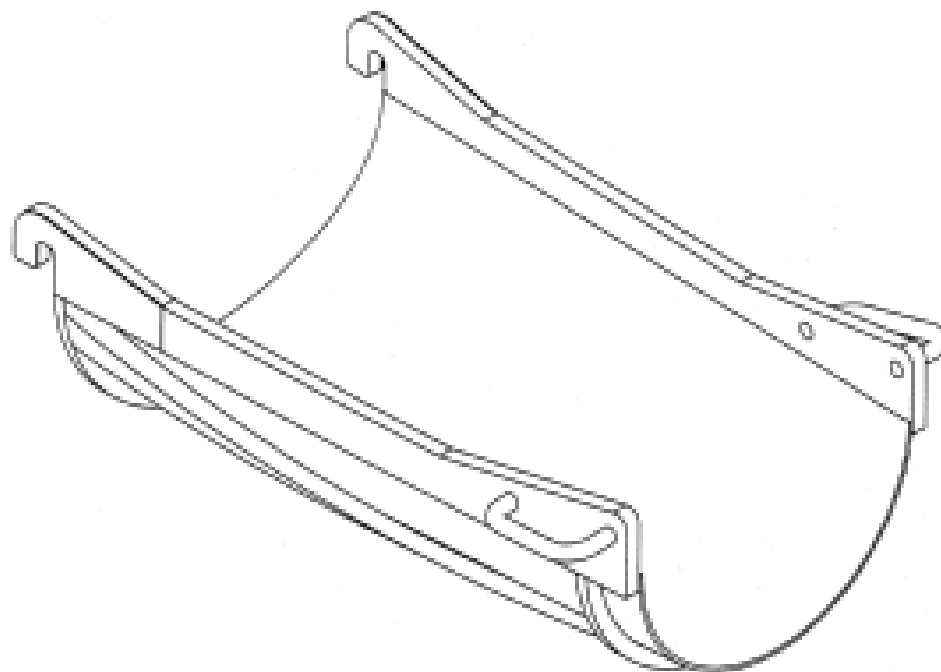
21 Olive Grove Keysborough Victoria 3173 Australia

(72) Name(s) of Designer(s): **David Sheridan and Graeme Dahlstrom**

(45) Registration Date: **20 September 2007**

(56) Related Art Documents: **Not Applicable**

(57) Statement of Newness and Distinctiveness: **Newness and distinctiveness resides in the features of shape and/or configuration of a discharge chute as shown in the accompanying representations.**



(21) Design Number: **18876/2007**

(22) Date of Filing Application: **12 July 2007**

(24) Date from which industrial property rights may have effect: **12 July 2007**

(54) Product in respect of which the design is registered: **Scraper power tool**

(51) International Design Classification: **08-05N**

(71) Name(s) and Address(s) of Applicant(s):

GMCA Pty Ltd

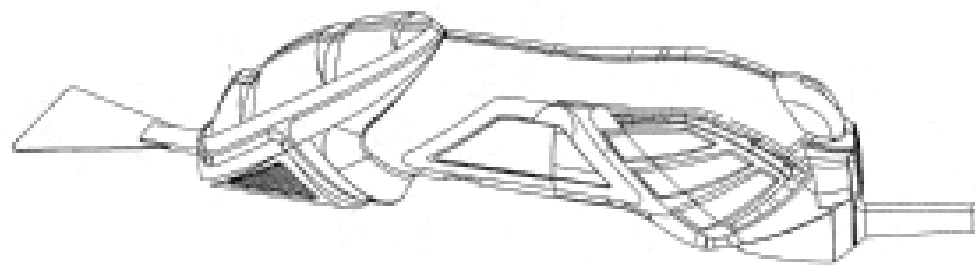
45-55 South Centre Road Melbourne Airport Victoria 3045 Australia

(72) Name(s) of Designer(s): **Michael Waldron**

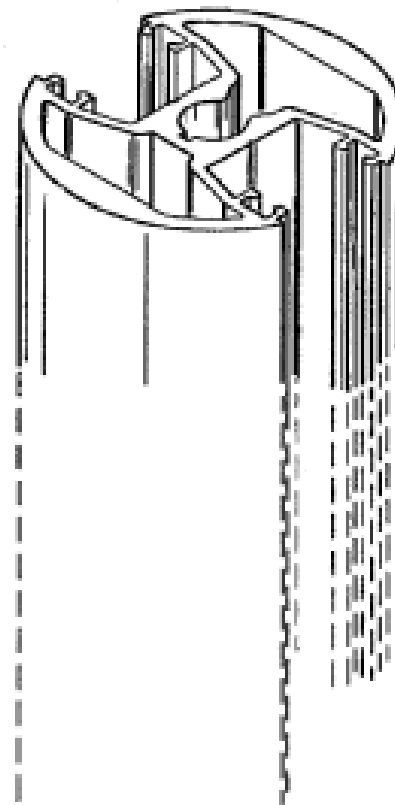
(45) Registration Date: **20 September 2007**

(56) Related Art Documents: **Not Applicable**

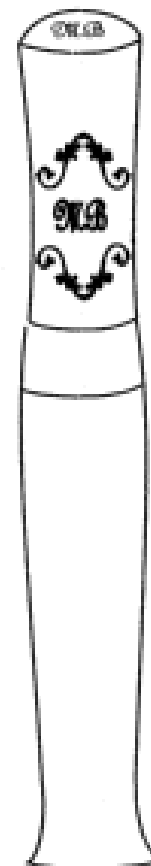
(57) Statement of Newness and Distinctiveness: **Newness and distinctiveness reside in the shape and configuration of a scraper power tool as shown in the accompanying representations.**



- (21) Design Number: **18891/2007**
- (22) Date of Filing Application: **12 July 2007**
- (24) Date from which industrial property rights may have effect: **12 July 2007**
- (54) Product in respect of which the design is registered: **A post**
- (51) International Design Classification: **25-02A**
- (71) Name(s) and Address(s) of Applicant(s):
Press Metal Aluminium (Australia) Pty Ltd
2/22 Eastern Service Stapylton Queensland 4207 Australia
- (72) Name(s) of Designer(s): **Graeme Charles Barton**
- (45) Registration Date: **20 September 2007**
- (56) Related Art Documents: **Not Applicable**
- (57) Statement of Newness and Distinctiveness: **The post has constant cross section and indefinite length.**



- (21) Design Number: **19615/2007**
- (22) Date of Filing Application: **24 August 2007**
- (24) Date from which industrial property rights may have effect: **24 August 2007**
- (54) Product in respect of which the design is registered: **Montana bliss cosmetic container**
- (51) International Design Classification: **28-03NES**
- (71) Name(s) and Address(s) of Applicant(s):
Montana Bliss Pty Ltd
49 Oakhill Avenue Reservoir Victoria 3073 Australia
- (72) Name(s) of Designer(s): **Ari Gioskos and Nikki Gioskos**
- (45) Registration Date: **20 September 2007**
- (56) Related Art Documents: **Not Applicable**
- (57) Statement of Newness and Distinctiveness: **See attachment-drawing-MB-LGC-080407-1**



(21) Design Number: **16507/2007**

(22) Date of Filing Application: **21 February 2007**

(24) Date from which industrial property rights may have effect: **21 February 2007**

(54) Product in respect of which the design is registered: **Tubular solar collector**

(51) International Design Classification: **23-03D**

(71) Name(s) and Address(s) of Applicant(s):

Jason Andrew Hopkins

73 Copeland Road Heathcote New South Wales 2233 Australia

(72) Name(s) of Designer(s): **Jason Hopkins**

(45) Registration Date: **20 September 2007**

(56) Related Art Documents: **Not Applicable**

(57) Statement of Newness and Distinctiveness: **The shape of the collector has 4 sides but is not a rectangle**



(21) Design Number: **16508/2007**

(22) Date of Filing Application: **21 February 2007**

(24) Date from which industrial property rights may have effect: **21 February 2007**

(54) Product in respect of which the design is registered: **Solar energy collector**

(51) International Design Classification: **23-03D**

(71) Name(s) and Address(s) of Applicant(s):

Jason Andrew Hopkins

73 Copeland Road Heathcote New South Wales 2233 Australia

(72) Name(s) of Designer(s): **Jason Hopkins**

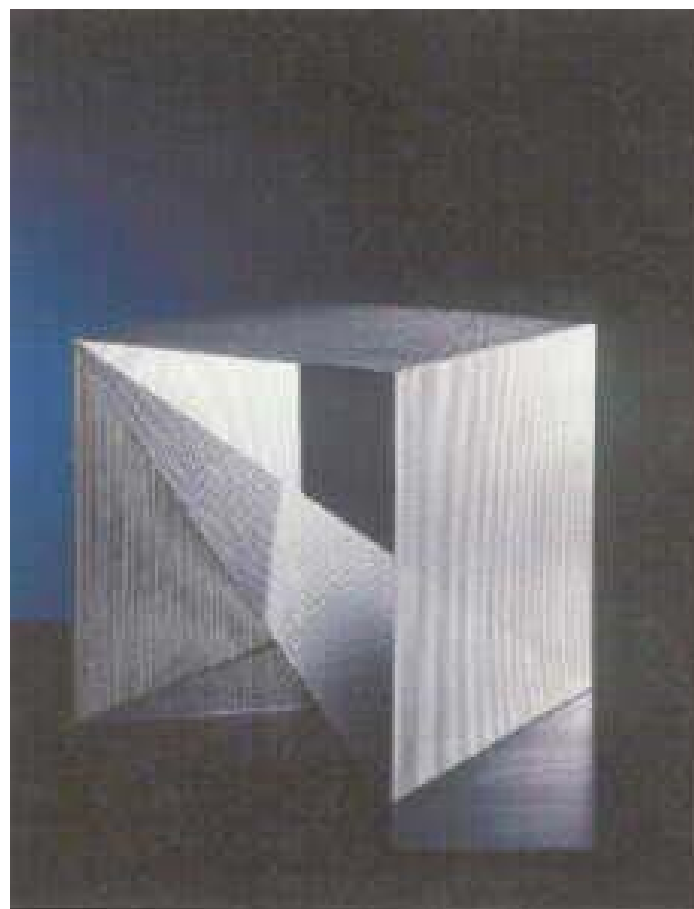
(45) Registration Date: **20 September 2007**

(56) Related Art Documents: **Not Applicable**

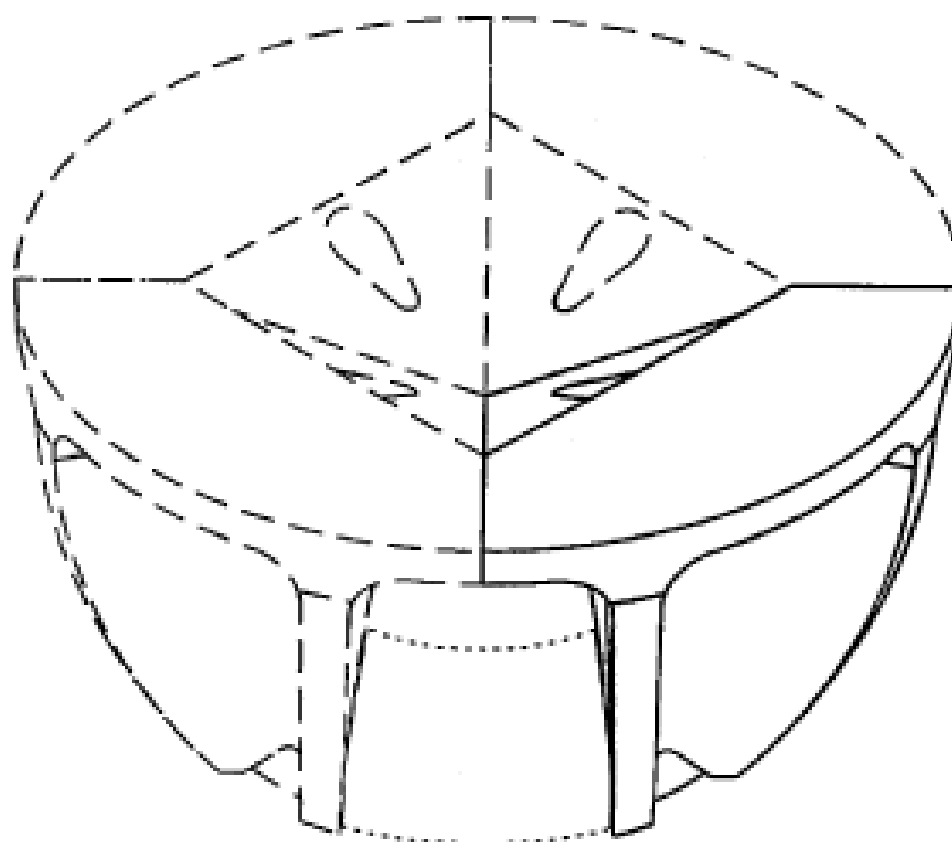
(57) Statement of Newness and Distinctiveness: **Solar collector patterns**



- (21) Design Number: **17414/2007**
(22) Date of Filing Application: **16 April 2007**
(24) Date from which industrial property rights may have effect: **16 April 2007**
(54) Product in respect of which the design is registered: **Fold table**
(51) International Design Classification: **06-03A**
(71) Name(s) and Address(s) of Applicant(s):
Anja Grant
Unit 1 No. 27 Grandview Grove Prahran Victoria 3181 Australia
(72) Name(s) of Designer(s): **Anja Grant**
(45) Registration Date: **20 September 2007**
(56) Related Art Documents: **Not Applicable**
(57) Statement of Newness and Distinctiveness: **The 'fold' table is an original design involving the folding and welding of a single sheet of stainless steel resulting in a table with a unique form (as depicted in the attached representations).**



- (21) Design Number: **17947/2007**
(22) Date of Filing Application: **16 May 2007**
(24) Date from which industrial property rights may have effect: **16 May 2007**
(54) Product in respect of which the design is registered: **Rotor module**
(51) International Design Classification: **15-99**
(71) Name(s) and Address(s) of Applicant(s):
Outotec Oyj
Riihitontuntie 7 E FI-02200 Espoo Finland
(72) Name(s) of Designer(s): **Antti Rinne**
(45) Registration Date: **20 September 2007**
(30) Convention priority data:
(31) Number (32) Date (33) Country
630249 22 Nov 2006 EUROPEAN COMMUNITY
(56) Related Art Documents: **Not Applicable**
(57) Statement of Newness and Distinctiveness: **Newness and distinctiveness reside in the shape and/or configuration of the rotor module illustrated by solid lines in the accompanying representations. The features in broken outline are illustrative only.**



(21) Design Number: **18915/2007**
 (22) Date of Filing Application: **16 July 2007**
 (24) Date from which industrial property rights may have effect: **16 July 2007**
 (54) Product in respect of which the design is registered: **Instrument housing**
 (51) International Design Classification: **12-16E**
 (71) Name(s) and Address(s) of Applicant(s):

Fiat Auto S.p.A.
Corso Giovanni Agnelli 200 I-10135 Torino Italy

(72) Name(s) of Designer(s): **Guido Bianco and Roberto Giolito**

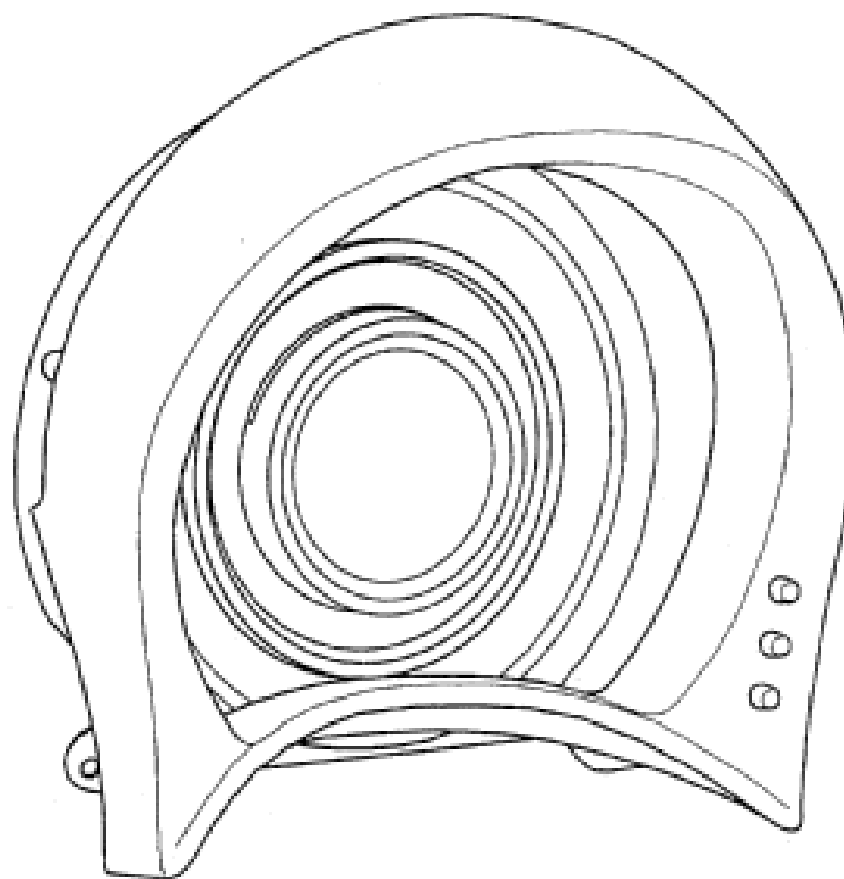
(45) Registration Date: **20 September 2007**

(30) Convention priority data:

(31) Number	(32) Date	(33) Country
000655071	19 Jan 2007	EUROPEAN COMMUNITY

(56) Related Art Documents: **Not Applicable**

(57) Statement of Newness and Distinctiveness: **Those features of the instrument housing that are new and distinctive are the shape and/or configuration of the display and surrounds as shown in the perspective and front views.**



(21) Design Number: **18916/2007**
 (22) Date of Filing Application: **16 July 2007**
 (24) Date from which industrial property rights may have effect: **16 July 2007**
 (54) Product in respect of which the design is registered: **Antenna**
 (51) International Design Classification: **12-16NES**
 (71) Name(s) and Address(s) of Applicant(s):

Fiat Auto S.p.A.
Corso Giovanni Agnelli 200 I-10135 Torino Italy

(72) Name(s) of Designer(s): **Guido Bianco and Roberto Giolito**

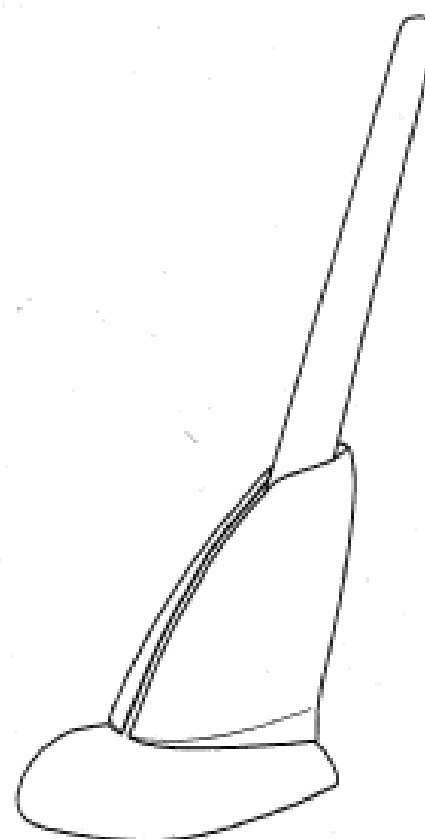
(45) Registration Date: **20 September 2007**

(30) Convention priority data:

(31) Number	(32) Date	(33) Country
000655048	19 Jan 2007	EUROPEAN COMMUNITY

(56) Related Art Documents: **Not Applicable**

(57) Statement of Newness and Distinctiveness: **Those features of the antenna depicted in the representations that are new and distinctive are the shape and/or configuration.**



- (21) Design Number: **18917/2007**
(22) Date of Filing Application: **16 July 2007**
(24) Date from which industrial property rights may have effect: **16 July 2007**
(54) Product in respect of which the design is registered: **Note pad**
(51) International Design Classification: **12-16NES**
(71) Name(s) and Address(s) of Applicant(s):

Fiat Auto S.p.A.
Corso Giovanni Agnelli 200 I-10135 Torino Italy

- (72) Name(s) of Designer(s): **Guido Bianco and Roberto Giolito**

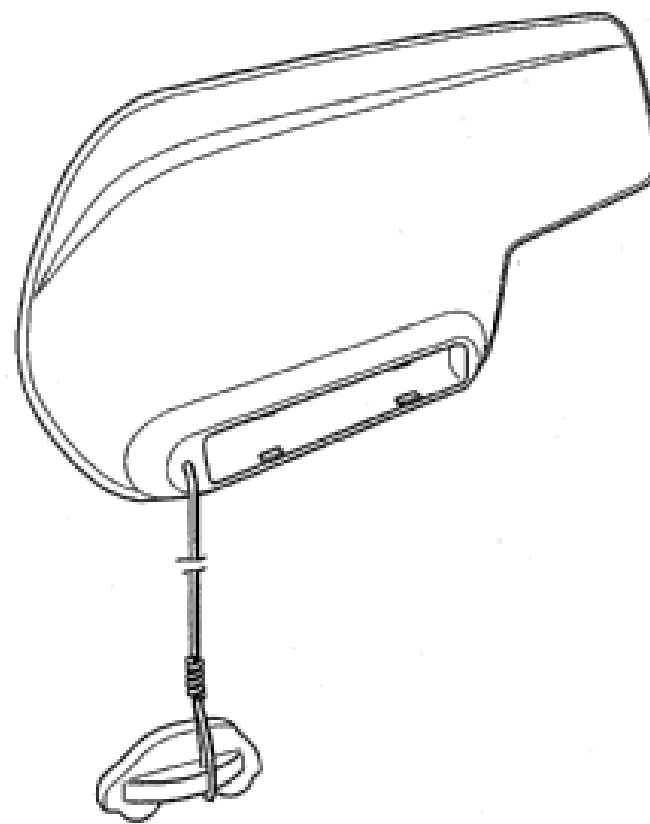
- (45) Registration Date: **20 September 2007**

- (30) Convention priority data:

(31) Number	(32) Date	(33) Country
000684410	07 Mar 2007	EUROPEAN COMMUNITY

- (56) Related Art Documents: **Not Applicable**

- (57) Statement of Newness and Distinctiveness: **Those features of the note pad depicted in the representations that are new and distinctive are the shape and/or configuration.**



- (21) Design Number: **18918/2007**
(22) Date of Filing Application: **16 July 2007**
(24) Date from which industrial property rights may have effect: **16 July 2007**
(54) Product in respect of which the design is registered: **Container**
(51) International Design Classification: **09-03M**
(71) Name(s) and Address(s) of Applicant(s):

Fiat Auto S.p.A.
Corso Giovanni Agnelli 200 I-10135 Torino Italy

- (72) Name(s) of Designer(s): **Guido Bianco and Roberto Giolito**

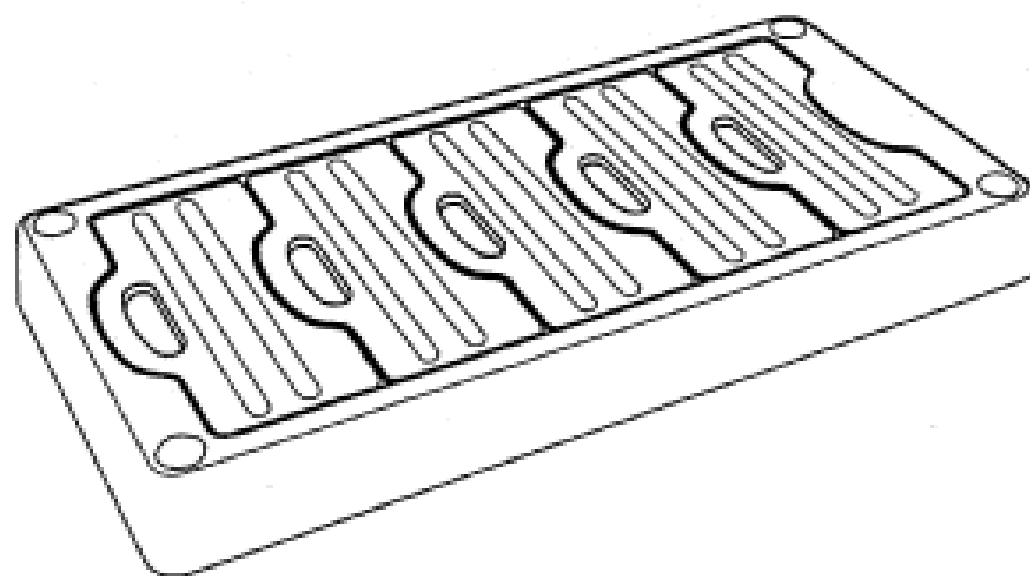
- (45) Registration Date: **20 September 2007**

- (30) Convention priority data:

(31) Number	(32) Date	(33) Country
000655055	19 Jan 2007	EUROPEAN COMMUNITY

- (56) Related Art Documents: **Not Applicable**

- (57) Statement of Newness and Distinctiveness: **Those features of the container depicted in the representations that are new and distinctive are the shape and/or configuration.**



(21) Design Number: **18919/2007**

(22) Date of Filing Application: **16 July 2007**

(24) Date from which industrial property rights may have effect: **16 July 2007**

(54) Product in respect of which the design is registered: **Checkout closure**

(51) International Design Classification: **99-00**

(71) Name(s) and Address(s) of Applicant(s):

**Wanzl Metallwarenfabrik GmbH
Bubesheimer Strasse 4 89340 Leipheim Germany**

(72) Name(s) of Designer(s): **Kurt Deyerler**

(45) Registration Date: **20 September 2007**

(30) Convention priority data:

(31) Number	(32) Date	(33) Country
662143-0001	31 Jan 2007	EUROPEAN COMMUNITY

(56) Related Art Documents: **Not Applicable**

(57) Statement of Newness and Distinctiveness: **Nil**



(21) Design Number: **18920/2007**

(22) Date of Filing Application: **16 July 2007**

(24) Date from which industrial property rights may have effect: **16 July 2007**

(54) Product in respect of which the design is registered: **Door/window mullion extrusion**

(51) International Design Classification: **25-01K**

(71) Name(s) and Address(s) of Applicant(s):

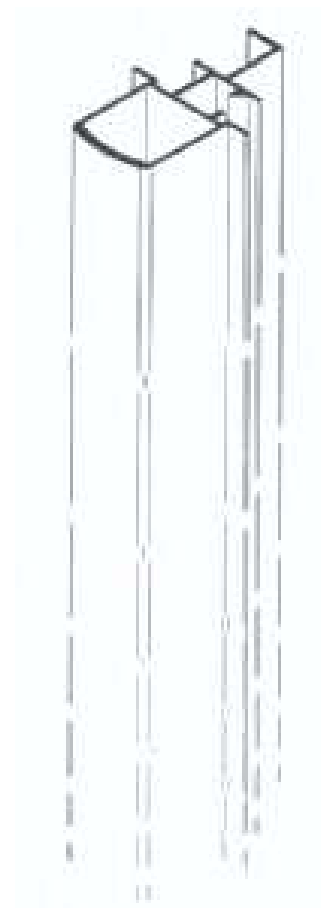
**Capral Aluminium Limited
71 Ashburn Road Bundamba Queensland 4304 Australia**

(72) Name(s) of Designer(s): **Ross Lloyd**

(45) Registration Date: **20 September 2007**

(56) Related Art Documents: **Not Applicable**

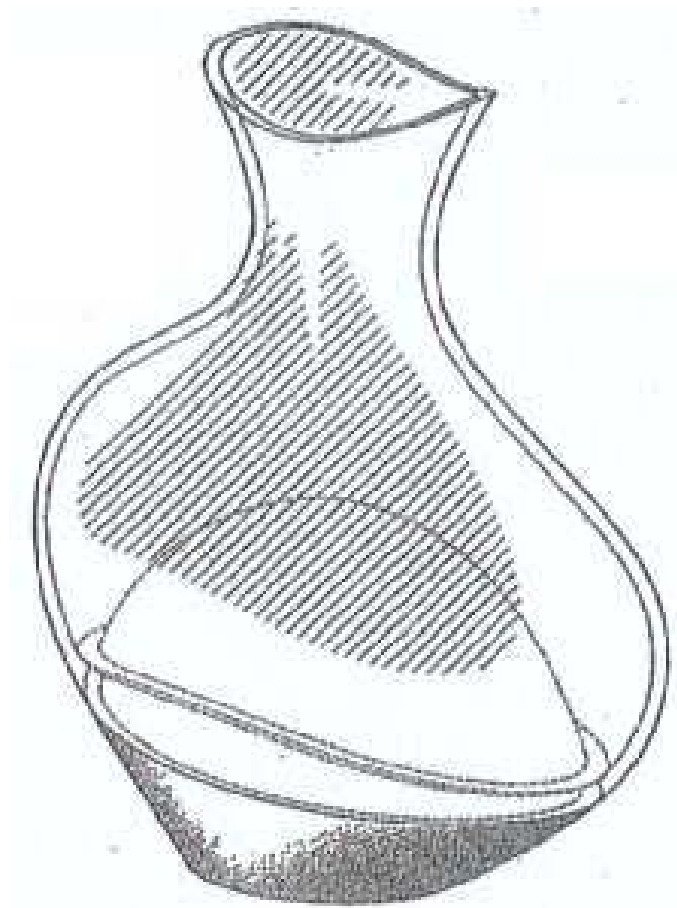
(57) Statement of Newness and Distinctiveness: **Nil**



- (21) Design Number: **18921/2007**
(22) Date of Filing Application: **16 July 2007**
(24) Date from which industrial property rights may have effect: **16 July 2007**
(54) Product in respect of which the design is registered: **Door/window mullion extrusion**
(51) International Design Classification: **25-01K**
(71) Name(s) and Address(s) of Applicant(s):
Capral Aluminium Limited
71 Ashburn Road Bundamba Queensland 4304 Australia
(72) Name(s) of Designer(s): **Ross Lloyd**
(45) Registration Date: **20 September 2007**
(56) Related Art Documents: **Not Applicable**
(57) Statement of Newness and Distinctiveness: **Nil**



- (21) Design Number: **18922/2007**
(22) Date of Filing Application: **16 July 2007**
(24) Date from which industrial property rights may have effect: **16 July 2007**
(54) Product in respect of which the design is registered: **Illuminated vase**
(51) International Design Classification: **11-02A**
(71) Name(s) and Address(s) of Applicant(s):
S.C. Johnson & Son, Inc.
1525 Howe Street Racine Wisconsin 53403-2236 United States of America
(72) Name(s) of Designer(s): **Sarah E. Heathcock and Simon M. Conway**
(45) Registration Date: **20 September 2007**
(30) Convention priority data:
(31) Number (32) Date (33) Country
29/276108 16 Jan 2007 UNITED STATES OF AMERICA
(56) Related Art Documents: **Not Applicable**
(57) Statement of Newness and Distinctiveness: **Newness and distinctiveness is claimed in those features of shape and/or configuration of an illuminated vase as illustrated in continuous lines in the accompanying representations.**



(21) Design Number: **18923/2007**

(22) Date of Filing Application: **16 July 2007**

(24) Date from which industrial property rights may have effect: **16 July 2007**

(54) Product in respect of which the design is registered: **External power device**

(51) International Design Classification: **13-02**

(71) Name(s) and Address(s) of Applicant(s):

Eveready Battery Company, Inc.
533 Maryville University Drive St Louis Missouri 63164 United States of America

(72) Name(s) of Designer(s): **Nir Weinstein and Michael Librus and William J. Moore**

(45) Registration Date: **20 September 2007**

(30) Convention priority data:

(31) Number	(32) Date	(33) Country
29/271707	25 Jan 2007	UNITED STATES OF AMERICA

(56) Related Art Documents: **Not Applicable**

(57) Statement of Newness and Distinctiveness: **Nil**



(21) Design Number: **18924/2007**

(22) Date of Filing Application: **16 July 2007**

(24) Date from which industrial property rights may have effect: **16 July 2007**

(54) Product in respect of which the design is registered: **A lighting device**

(51) International Design Classification: **26-02**

(71) Name(s) and Address(s) of Applicant(s):

Eveready Battery Company, Inc.
533 Maryville University Drive St Louis Missouri 63164 United States of America

(72) Name(s) of Designer(s): **David Spartano and Scott W. Osiecki and David J. Hine and Ronald J. Kingston**

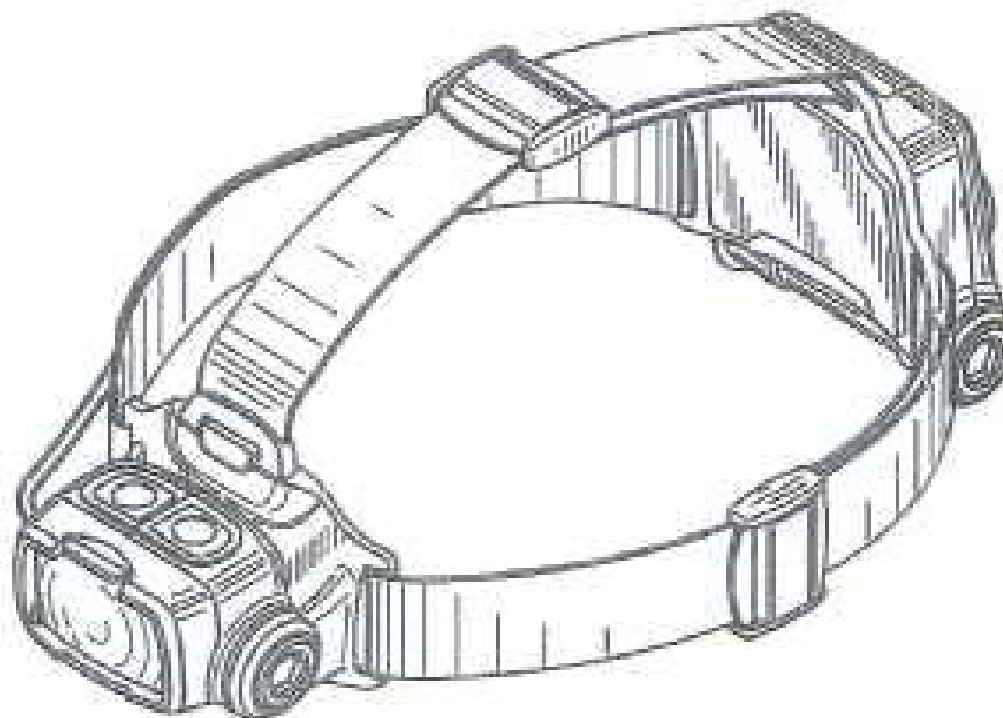
(45) Registration Date: **20 September 2007**

(30) Convention priority data:

(31) Number	(32) Date	(33) Country
29/271618	23 Jan 2007	UNITED STATES OF AMERICA

(56) Related Art Documents: **Not Applicable**

(57) Statement of Newness and Distinctiveness: **Nil**



(21) Design Number: **18936/2007**
(22) Date of Filing Application: **17 July 2007**
(24) Date from which industrial property rights may have effect: **17 July 2007**
(54) Product in respect of which the design is registered: **Solar collector**
(51) International Design Classification: **23-03D**
(71) Name(s) and Address(s) of Applicant(s):

SOMFY SAS
50 avenue du Nouveau Monde Cluses 74300 France

(72) Name(s) of Designer(s): **Matthieu Bonnaud**

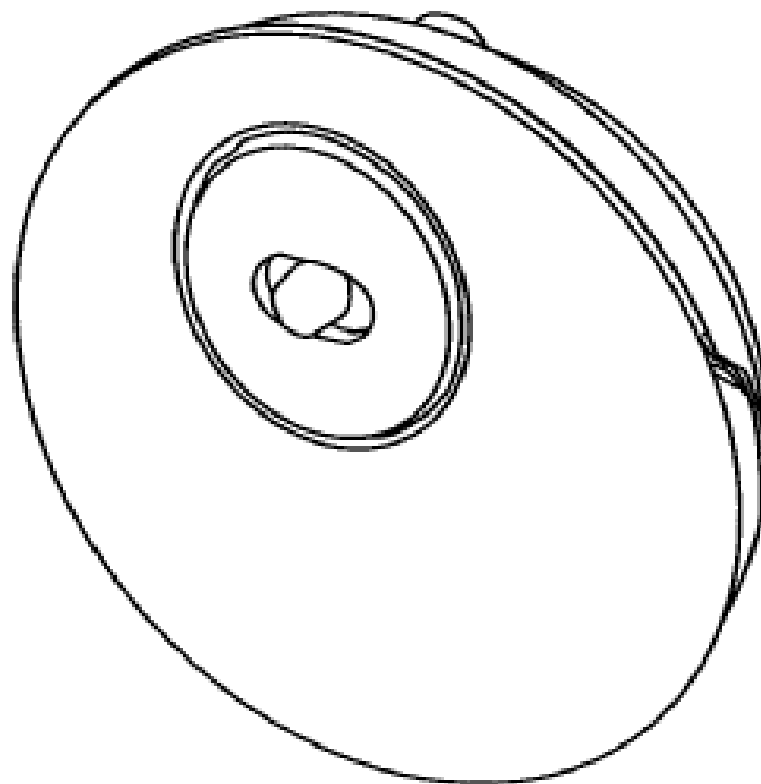
(45) Registration Date: **20 September 2007**

(30) Convention priority data:

(31) Number	(32) Date	(33) Country
000657234	23 Jan 2007	EUROPEAN COMMUNITY

(56) Related Art Documents: **Not Applicable**

(57) Statement of Newness and Distinctiveness: **Nil**



(21) Design Number: **18937/2007**
(22) Date of Filing Application: **17 July 2007**
(24) Date from which industrial property rights may have effect: **17 July 2007**
(54) Product in respect of which the design is registered: **Rotating swing**
(51) International Design Classification: **21-03**
(71) Name(s) and Address(s) of Applicant(s):

Hags Aneby AB
Box 133 SE-578 23 Aneby Sweden

(72) Name(s) of Designer(s): **Bo Goransson**

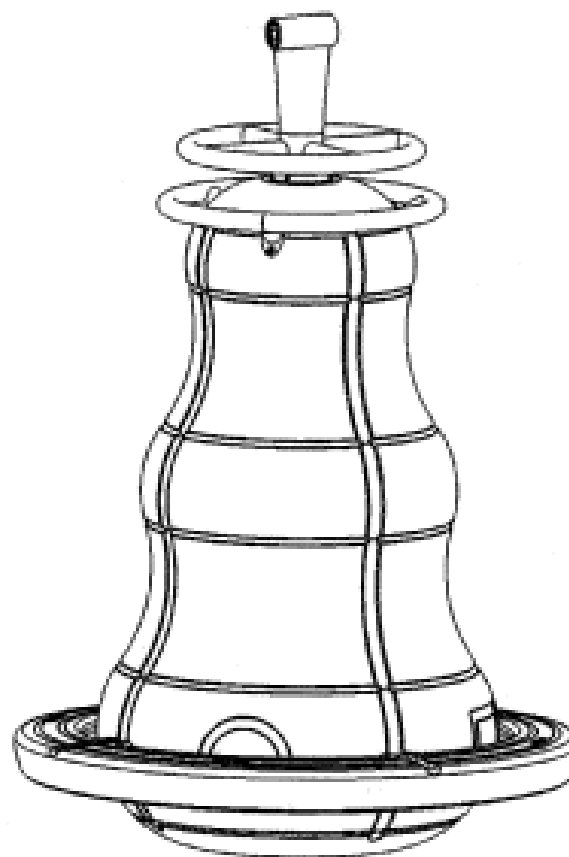
(45) Registration Date: **20 September 2007**

(30) Convention priority data:

(31) Number	(32) Date	(33) Country
000659180	26 Jan 2007	EUROPEAN COMMUNITY

(56) Related Art Documents: **Not Applicable**

(57) Statement of Newness and Distinctiveness: **Newness and distinctiveness resides in the shape or configuration of a rotating swing as shown in the accompanying representations. When interpreting the scope of protection, any words appearing on the swing are to be disregarded.**



(21) Design Number: **18938/2007**

(22) Date of Filing Application: **17 July 2007**

(24) Date from which industrial property rights may have effect: **17 July 2007**

(54) Product in respect of which the design is registered: **Swing stand**

(51) International Design Classification: **21-03**

(71) Name(s) and Address(s) of Applicant(s):

Hags Aneby AB
Box 133 SE-578 23 Aneby Sweden

(72) Name(s) of Designer(s): **Bo Goransson**

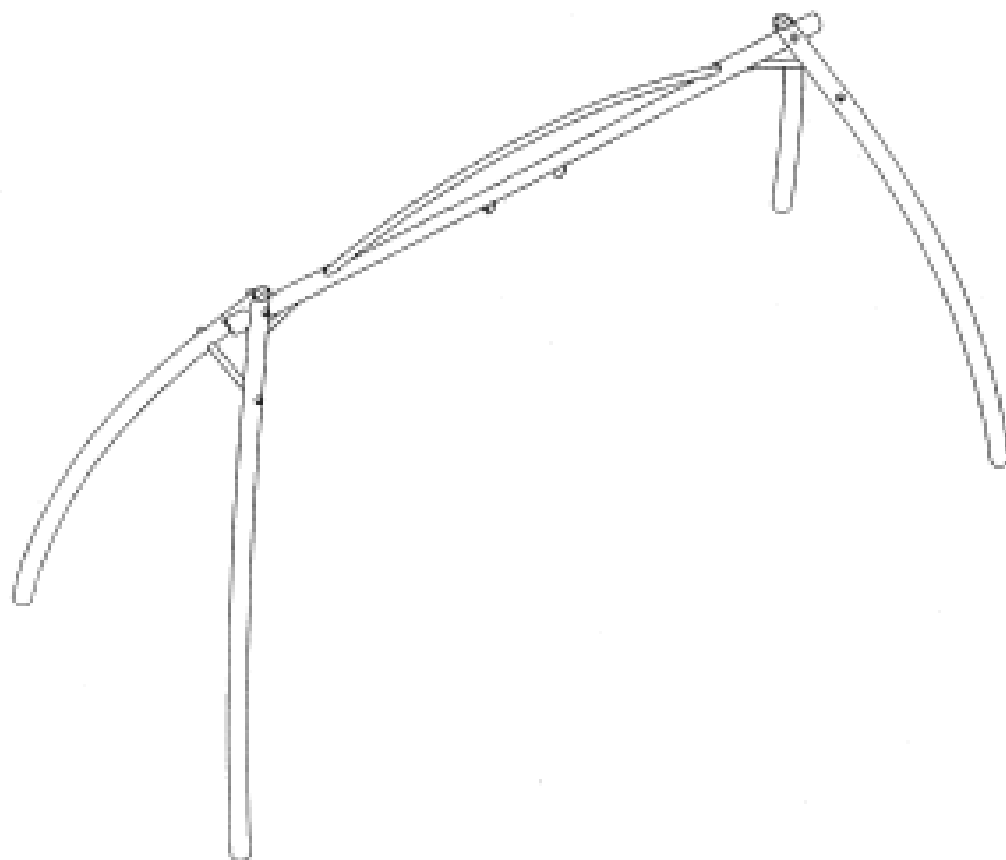
(45) Registration Date: **20 September 2007**

(30) Convention priority data:

(31) Number	(32) Date	(33) Country
000659180	26 Jan 2007	EUROPEAN COMMUNITY

(56) Related Art Documents: **Not Applicable**

(57) Statement of Newness and Distinctiveness: **Newness and distinctiveness resides in the shape or configuration of a swing stand as shown in the accompanying representations. When interpreting the scope of protection, the area outlined in phantom, labelled 'swing', is to be disregarded.**



(21) Design Number: **18940/2007**

(22) Date of Filing Application: **17 July 2007**

(24) Date from which industrial property rights may have effect: **17 July 2007**

(54) Product in respect of which the design is registered: **Eyeglasses**

(51) International Design Classification: **16-06**

(71) Name(s) and Address(s) of Applicant(s):

Silhouette International Schmied AG
Eilbognerstrasse 24 4021 Linz Austria

(72) Name(s) of Designer(s): **Gerhard Fuchs**

(45) Registration Date: **20 September 2007**

(30) Convention priority data:

(31) Number	(32) Date	(33) Country
000741319-0002	15 Jun 2007	EUROPEAN COMMUNITY

(56) Related Art Documents: **Not Applicable**

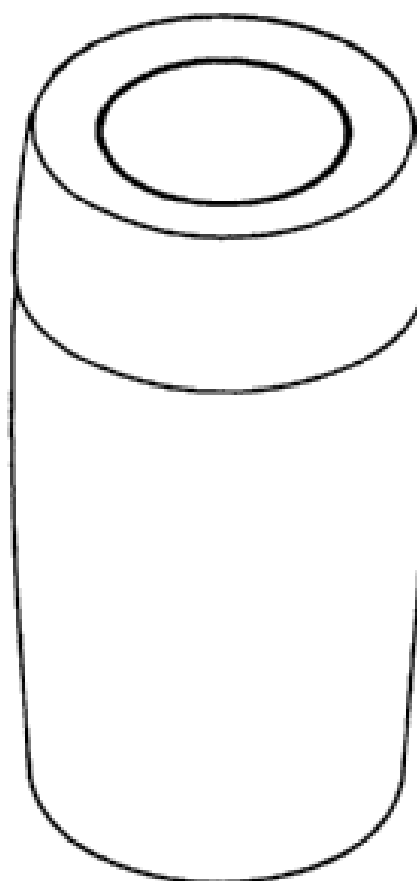
(57) Statement of Newness and Distinctiveness: **Nil**



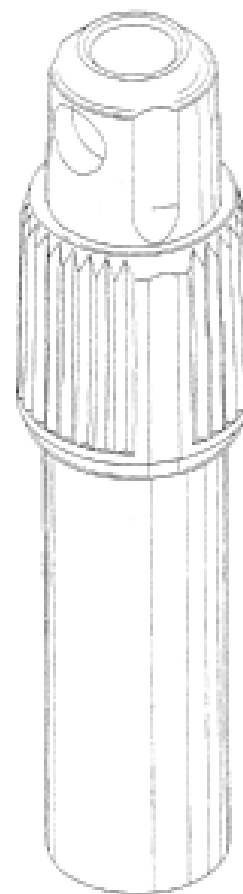
(21) Design Number: **18941/2007**
(22) Date of Filing Application: **17 July 2007**
(24) Date from which industrial property rights may have effect: **17 July 2007**
(54) Product in respect of which the design is registered: **Eyeglasses**
(51) International Design Classification: **16-06**
(71) Name(s) and Address(s) of Applicant(s):
Silhouette International Schmied AG
Eilbognerstrasse 24 4021 Linz Austria
(72) Name(s) of Designer(s): **Gerhard Fuchs**
(45) Registration Date: **20 September 2007**
(30) Convention priority data:
(31) Number (32) Date (33) Country
000741319-0002 15 Jun 2007 EUROPEAN COMMUNITY
(56) Related Art Documents: **Not Applicable**
(57) Statement of Newness and Distinctiveness: **Nil**



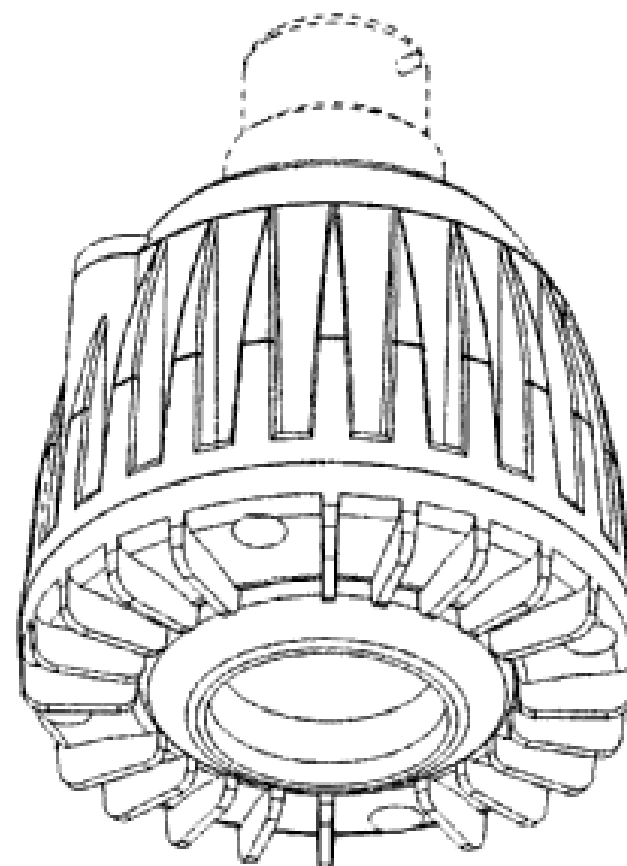
(21) Design Number: **18942/2007**
(22) Date of Filing Application: **17 July 2007**
(24) Date from which industrial property rights may have effect: **17 July 2007**
(54) Product in respect of which the design is registered: **Jar**
(51) International Design Classification: **09-01C**
(71) Name(s) and Address(s) of Applicant(s):
Sara Lee/DE N.V.
Vleutensevaart 100 3532 AD Utrecht The Netherlands
(72) Name(s) of Designer(s): **Eric Dumortier**
(45) Registration Date: **20 September 2007**
(30) Convention priority data:
(31) Number (32) Date (33) Country
000750849 03 Jul 2007 EUROPEAN COMMUNITY
(56) Related Art Documents: **Not Applicable**
(57) Statement of Newness and Distinctiveness: **Newness and distinctiveness is claimed in the features of shape and/or configuration of a jar as illustrated in the accompanying representations.**



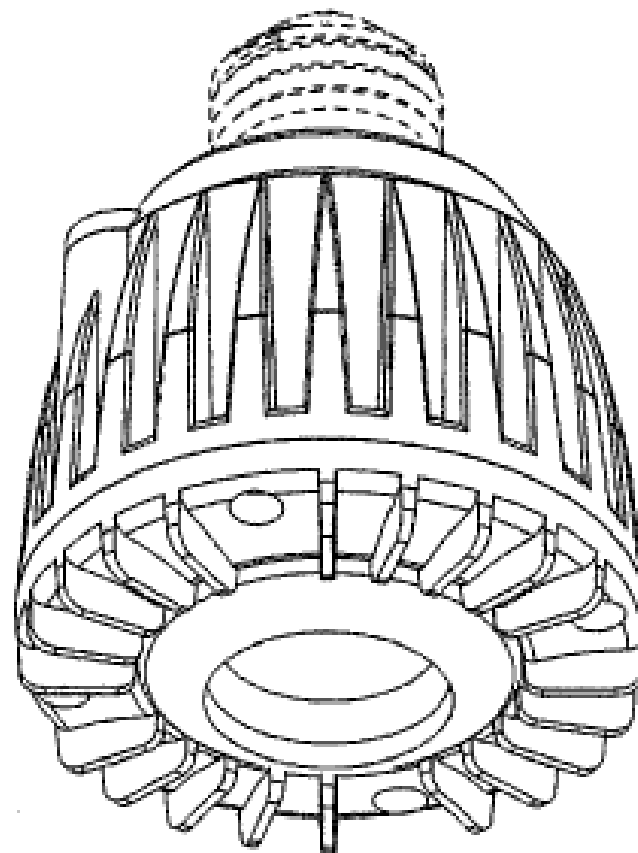
- (21) Design Number: **18943/2007**
(22) Date of Filing Application: **17 July 2007**
(24) Date from which industrial property rights may have effect: **17 July 2007**
(54) Product in respect of which the design is registered: **Dispenser**
(51) International Design Classification: **09-01A**
(71) Name(s) and Address(s) of Applicant(s):
Unilever PLC
Unilever House Blackfriars London EC4P 4BQ United Kingdom
(72) Name(s) of Designer(s): **Charles Peter Althoff and Jason Tilk and John William Nottingham and John Richard Nottingham and John Wilford Spirk and Jay Tapper**
(45) Registration Date: **20 September 2007**
(30) Convention priority data:
(31) Number (32) Date (33) Country
29/276342 23 Jan 2007 UNITED STATES OF AMERICA
(56) Related Art Documents: **Not Applicable**
(57) Statement of Newness and Distinctiveness: **Newness and distinctiveness is claimed in the visual features shown in solid lines in the representations.**



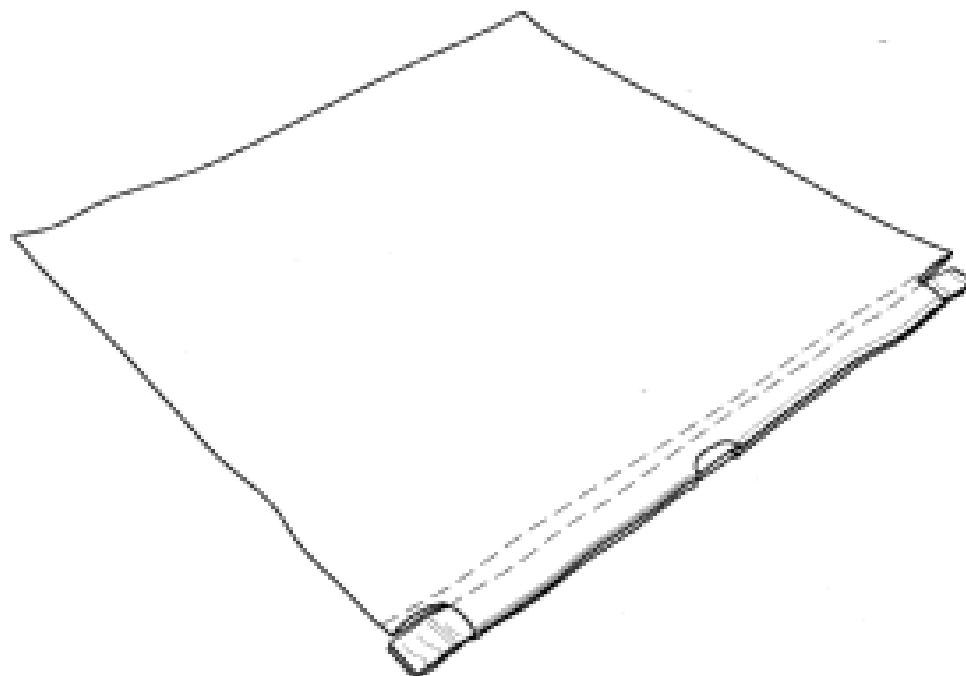
- (21) Design Number: **18944/2007**
(22) Date of Filing Application: **17 July 2007**
(24) Date from which industrial property rights may have effect: **17 July 2007**
(54) Product in respect of which the design is registered: **A lamp**
(51) International Design Classification: **26-05D**
(71) Name(s) and Address(s) of Applicant(s):
Arlec Australia Limited
Maroondah Highway Mooroolbark Victoria 3138 Australia
(72) Name(s) of Designer(s): **John Montagnat and Balu Jega**
(45) Registration Date: **20 September 2007**
(56) Related Art Documents: **Not Applicable**
(57) Statement of Newness and Distinctiveness: **Newness and distinctiveness is claimed in the features of shape and configuration as shown in solid lines in the representations, and not including the connection fitting shown in broken lines in the representations.**



- (21) Design Number: **18945/2007**
(22) Date of Filing Application: **17 July 2007**
(24) Date from which industrial property rights may have effect: **17 July 2007**
(54) Product in respect of which the design is registered: **A lamp**
(51) International Design Classification: **26-05D**
(71) Name(s) and Address(s) of Applicant(s):
Arlec Australia Limited
Maroondah Highway Mooroolbark Victoria 3138 Australia
(72) Name(s) of Designer(s): **John Montagnat and Balu Jega**
(45) Registration Date: **20 September 2007**
(56) Related Art Documents: **Not Applicable**
(57) Statement of Newness and Distinctiveness: **Newness and distinctiveness is claimed in the features of shape and configuration as shown in solid lines in the representations, and not including the connection fitting shown in broken lines in the representations.**



- (21) Design Number: **12033/2005**
(22) Date of Filing Application: **06 May 2005**
(24) Date from which industrial property rights may have effect: **19 February 2004**
(54) Product in respect of which the design is registered: **Plastic bag with draw tape**
(51) International Design Classification: **09-05**
(71) Name(s) and Address(s) of Applicant(s):
International Grocery Manufacturer Pty Ltd
9/51 Queen Street Melbourne Victoria 3000 Australia
(72) Name(s) of Designer(s): **Philip Withers**
(45) Registration Date: **27 September 2007**
(62) Divisional of: **158131**
(56) Related Art Documents: **Not Applicable**
(57) Statement of Newness and Distinctiveness: **Nil**



(21) Design Number: **10648/2006**
 (22) Date of Filing Application: **21 February 2006**
 (24) Date from which industrial property rights may have effect: **21 February 2006**
 (54) Product in respect of which the design is registered: **Hand luggage**
 (51) International Design Classification: **03-01B**
 (71) Name(s) and Address(s) of Applicant(s):
Samsonite Corporation
11200 East 45th Avenue Denver Colorado 80239 United States of America
 (72) Name(s) of Designer(s): **Quentin Mackay**
 (45) Registration Date: **27 September 2007**
 (30) Convention priority data:

(31) Number	(32) Date	(33) Country
29/237,756	06 Sep 2005	UNITED STATES OF AMERICA

 (56) Related Art Documents: **Not Applicable**
 (57) Statement of Newness and Distinctiveness: **The shape and configuration of the pocket having a semicircular access opening of the product is new and distinctive.**



(21) Design Number: **10649/2006**
 (22) Date of Filing Application: **21 February 2006**
 (24) Date from which industrial property rights may have effect: **21 February 2006**
 (54) Product in respect of which the design is registered: **Hand luggage**
 (51) International Design Classification: **03-01B**
 (71) Name(s) and Address(s) of Applicant(s):
Samsonite Corporation
11200 East 45th Avenue Denver Colorado 80239 United States of America
 (72) Name(s) of Designer(s): **Quentin Mackay**
 (45) Registration Date: **27 September 2007**
 (30) Convention priority data:

(31) Number	(32) Date	(33) Country
29/237,756	06 Sep 2005	UNITED STATES OF AMERICA

 (56) Related Art Documents: **Not Applicable**
 (57) Statement of Newness and Distinctiveness: **The shape and configuration of the product is new and distinctive.**



(21) Design Number: **10650/2006**

(22) Date of Filing Application: **21 February 2006**

(24) Date from which industrial property rights may have effect: **21 February 2006**

(54) Product in respect of which the design is registered: **Hand luggage**

(51) International Design Classification: **03-01B**

(71) Name(s) and Address(s) of Applicant(s):

Samsonite Corporation
11200 East 45th Avenue Denver Colorado 80239 United States of America

(72) Name(s) of Designer(s): **Quentin Mackay**

(45) Registration Date: **27 September 2007**

(30) Convention priority data:

(31) Number	(32) Date	(33) Country
29/237,756	06 Sep 2005	UNITED STATES OF AMERICA

(56) Related Art Documents: **Not Applicable**

(57) Statement of Newness and Distinctiveness: **The shape and configuration of the product is new and distinctive.**



(21) Design Number: **17538/2007**

(22) Date of Filing Application: **20 April 2007**

(24) Date from which industrial property rights may have effect: **20 April 2007**

(54) Product in respect of which the design is registered: **Compact starter**

(51) International Design Classification: **13-03NES**

(71) Name(s) and Address(s) of Applicant(s):

Siemens Aktiengesellschaft
Wittelsbacherplatz 2 80333 Munchen Germany

(72) Name(s) of Designer(s): **Thomas Detemple and Josef Graf and Peter Trautwein**

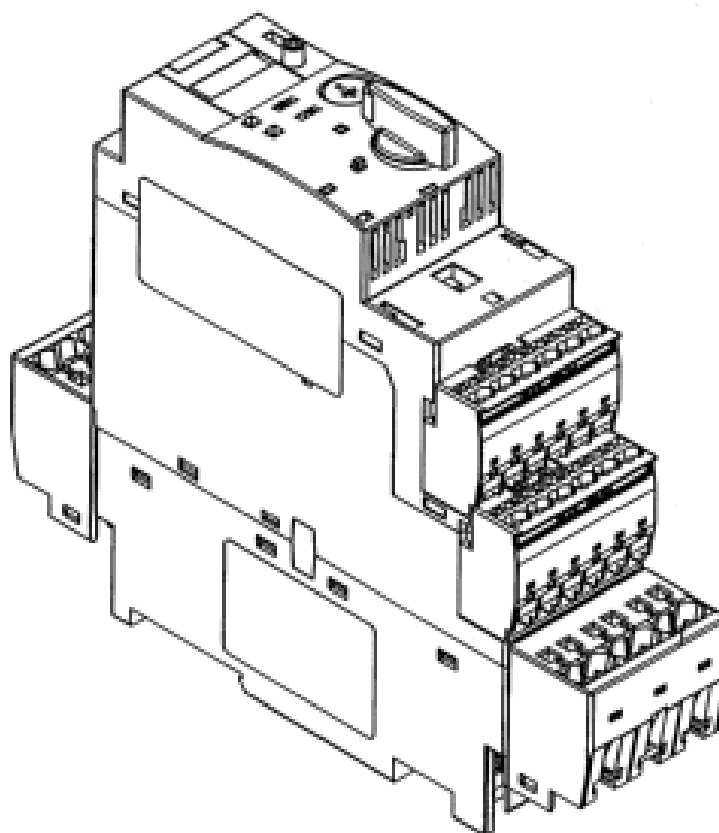
(45) Registration Date: **27 September 2007**

(30) Convention priority data:

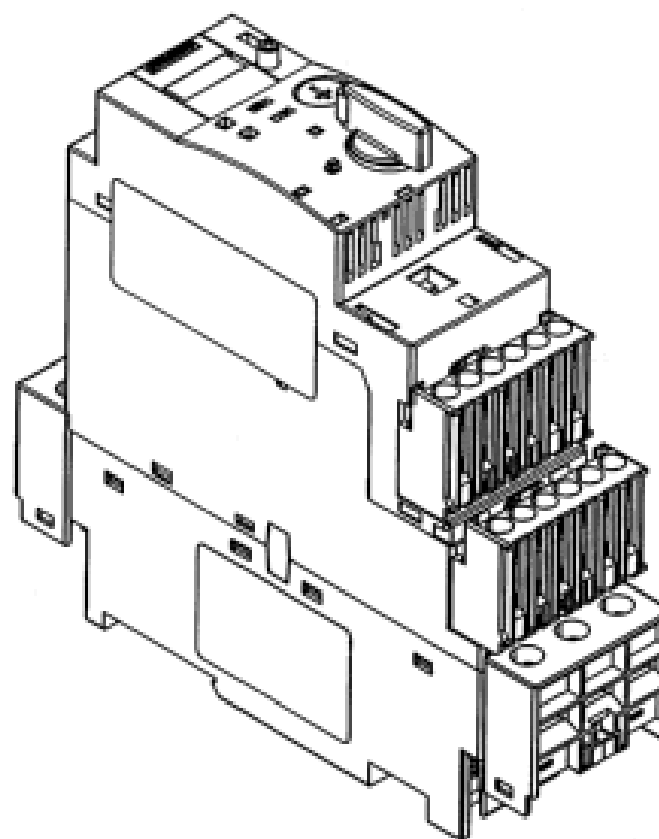
(31) Number	(32) Date	(33) Country
000690037	05 Mar 2007	EUROPEAN COMMUNITY

(56) Related Art Documents: **Not Applicable**

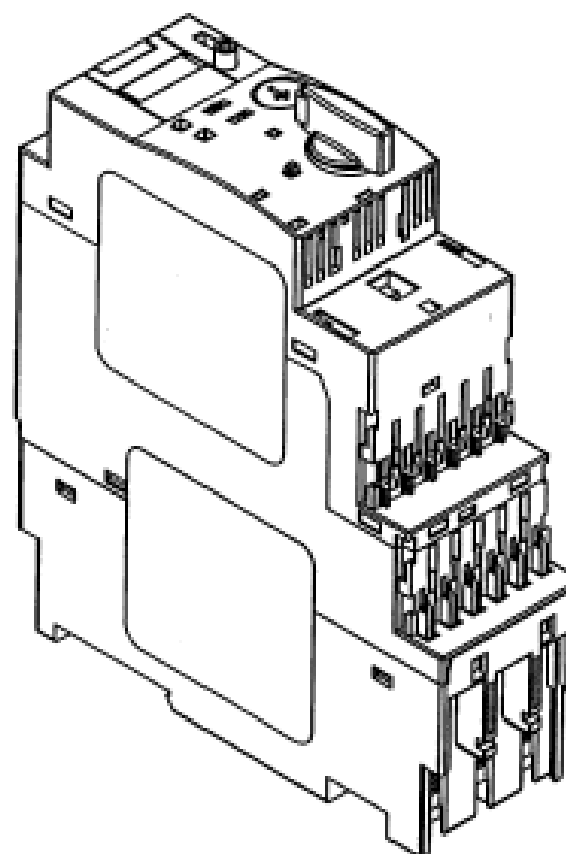
(57) Statement of Newness and Distinctiveness: **Newness and distinctiveness is claimed in the features of shape and/or configuration of a compact starter as illustrated in the accompanying representations.**



- (21) Design Number: **17539/2007**
(22) Date of Filing Application: **20 April 2007**
(24) Date from which industrial property rights may have effect: **20 April 2007**
(54) Product in respect of which the design is registered: **Compact starter**
(51) International Design Classification: **13-03NES**
(71) Name(s) and Address(s) of Applicant(s):
Siemens Aktiengesellschaft
Wittelsbacherplatz 2 80333 Munchen Germany
(72) Name(s) of Designer(s): **Thomas Detemple and Josef Graf and Peter Trautwein**
(45) Registration Date: **27 September 2007**
(30) Convention priority data:
(31) Number (32) Date (33) Country
000690037 05 Mar 2007 EUROPEAN COMMUNITY
(56) Related Art Documents: **Not Applicable**
(57) Statement of Newness and Distinctiveness: **Newness and distinctiveness is claimed in the features of shape and/or configuration of a compact starter as illustrated in the accompanying representations.**



- (21) Design Number: **17540/2007**
(22) Date of Filing Application: **20 April 2007**
(24) Date from which industrial property rights may have effect: **20 April 2007**
(54) Product in respect of which the design is registered: **Compact starter**
(51) International Design Classification: **13-03NES**
(71) Name(s) and Address(s) of Applicant(s):
Siemens Aktiengesellschaft
Wittelsbacherplatz 2 80333 Munchen Germany
(72) Name(s) of Designer(s): **Thomas Detemple and Josef Graf and Peter Trautwein**
(45) Registration Date: **27 September 2007**
(30) Convention priority data:
(31) Number (32) Date (33) Country
000690037 05 Mar 2007 EUROPEAN COMMUNITY
(56) Related Art Documents: **Not Applicable**
(57) Statement of Newness and Distinctiveness: **Newness and distinctiveness is claimed in the features of shape and/or configuration of a compact starter as illustrated in the accompanying representations.**



(21) Design Number: **18514/2007**
(22) Date of Filing Application: **20 June 2007**
(24) Date from which industrial property rights may have effect: **20 June 2007**
(54) Product in respect of which the design is registered: **Container**
(51) International Design Classification: **09-03M**
(71) Name(s) and Address(s) of Applicant(s):
Lego A/S
Aastvej 1 DK-7190 Billund Denmark
(72) Name(s) of Designer(s): **Maria do Rosario Pereira da Costa**
(45) Registration Date: **27 September 2007**
(30) Convention priority data:
(31) Number (32) Date (33) Country
29/270,610 28 Dec 2006 UNITED STATES OF AMERICA
(56) Related Art Documents: **Not Applicable**
(57) Statement of Newness and Distinctiveness: **Nil**



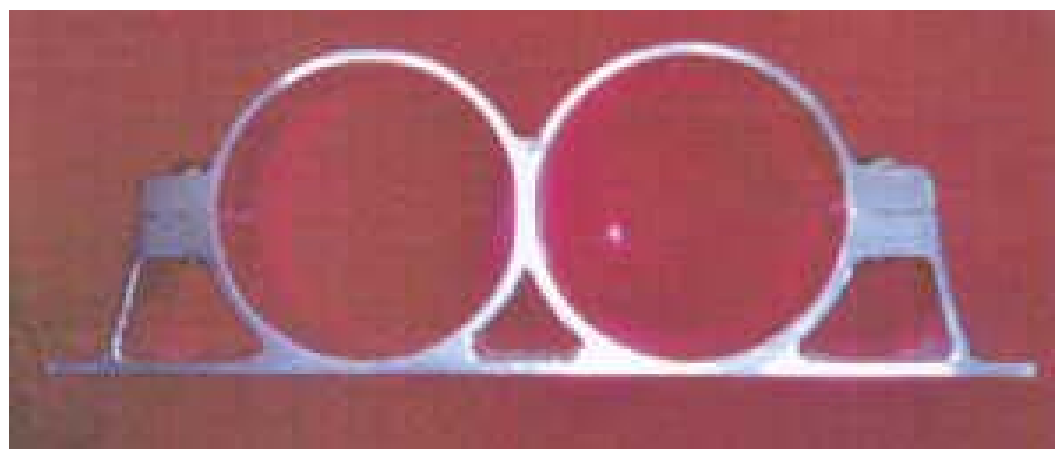
(21) Design Number: **18728/2007**
(22) Date of Filing Application: **05 July 2007**
(24) Date from which industrial property rights may have effect: **05 July 2007**
(54) Product in respect of which the design is registered: **Headset**
(51) International Design Classification: **14-03A**
(71) Name(s) and Address(s) of Applicant(s):
Nokia Corporation
Keilalahdentie 4 FIN-02150 Espoo Finland
(72) Name(s) of Designer(s): **Simon Bradford and Mikael Jaakkola and Sami Lehtovaara**
(45) Registration Date: **27 September 2007**
(30) Convention priority data:
(31) Number (32) Date (33) Country
M20070004 05 Jan 2007 FINLAND
(56) Related Art Documents: **Not Applicable**
(57) Statement of Newness and Distinctiveness: **Nil**



(21) Design Number: **18730/2007**
(22) Date of Filing Application: **05 July 2007**
(24) Date from which industrial property rights may have effect: **05 July 2007**
(54) Product in respect of which the design is registered: **Headset**
(51) International Design Classification: **14-03A**
(71) Name(s) and Address(s) of Applicant(s):
Nokia Corporation
Keilalahdentie 4 FIN-02150 Espoo Finland
(72) Name(s) of Designer(s): **Simon Bradford and Mikael Jaakkola and Sami Lehtovaara**
(45) Registration Date: **27 September 2007**
(30) Convention priority data:
(31) Number (32) Date (33) Country
M20070004 05 Jan 2007 FINLAND
(56) Related Art Documents: **Not Applicable**
(57) Statement of Newness and Distinctiveness: **Nil**



(21) Design Number: **18744/2007**
(22) Date of Filing Application: **09 July 2007**
(24) Date from which industrial property rights may have effect: **09 July 2007**
(54) Product in respect of which the design is registered: **Double Clamp**
(51) International Design Classification: **08-08D**
(71) Name(s) and Address(s) of Applicant(s):
LeRoy Hancox
3 Davis Street Wingfield South Australia 5013 Australia
(72) Name(s) of Designer(s): **LeRoy Hancox**
(45) Registration Date: **27 September 2007**
(56) Related Art Documents: **Not Applicable**
(57) Statement of Newness and Distinctiveness: **Is designed to hold (2) products in the (1) fitting/clamp.**



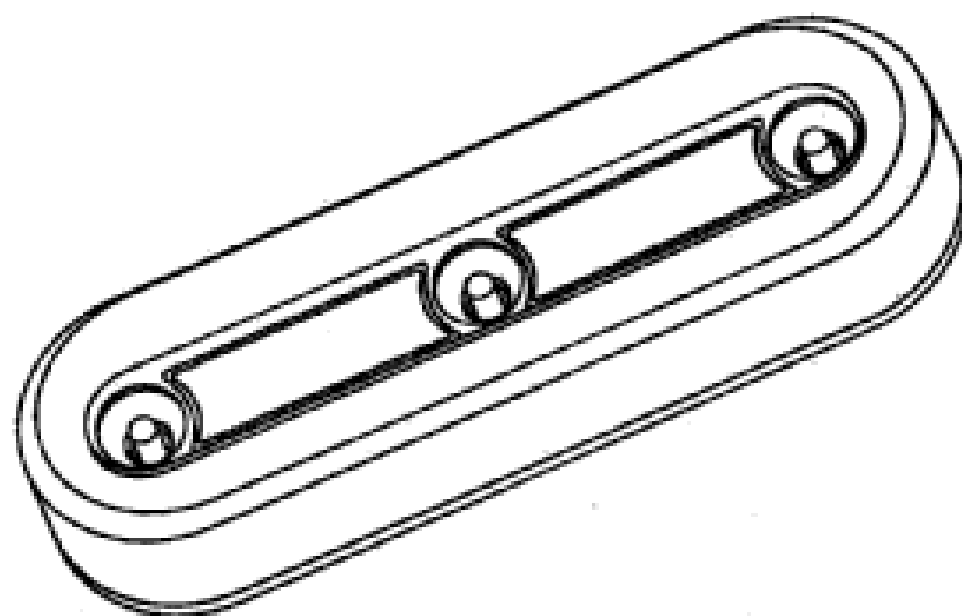
- (21) Design Number: **19005/2007**
(22) Date of Filing Application: **20 July 2007**
(24) Date from which industrial property rights may have effect: **20 July 2007**
(54) Product in respect of which the design is registered: **Tactile ground surface indicator**
(51) International Design Classification: **99-00**
(71) Name(s) and Address(s) of Applicant(s):
CTA Australia Pty Ltd
Unit 4 7 Commercial Court Tullamarine Victoria 3043 Australia
(72) Name(s) of Designer(s): **Daniel DeDomenico**
(45) Registration Date: **27 September 2007**
(56) Related Art Documents: **Not Applicable**
(57) Statement of Newness and Distinctiveness: **Newness and distinctiveness is claimed in the visual features shown in solid lines in the representations.**



- (21) Design Number: **19007/2007**
(22) Date of Filing Application: **20 July 2007**
(24) Date from which industrial property rights may have effect: **20 July 2007**
(54) Product in respect of which the design is registered: **Portable lamp**
(51) International Design Classification: **26-02**
(71) Name(s) and Address(s) of Applicant(s):
Osram GmbH
Hellabrunner Strasse 1 D-81543 Munich Germany
(72) Name(s) of Designer(s): **Miro Aleksjew**
(45) Registration Date: **27 September 2007**
(30) Convention priority data:

(31) Number	(32) Date	(33) Country
40700474.2	26 Jan 2007	GERMANY

(56) Related Art Documents: **Not Applicable**
(57) Statement of Newness and Distinctiveness: **Nil**



- (21) Design Number: **19008/2007**
(22) Date of Filing Application: **20 July 2007**
(24) Date from which industrial property rights may have effect: **20 July 2007**
(54) Product in respect of which the design is registered: **A multi-key and holder combination**
(51) International Design Classification: **08-07**
(71) Name(s) and Address(s) of Applicant(s):
Mine Saygili
2 Main Street Elsternwick Victoria 3185 Australia
(72) Name(s) of Designer(s): **Mine Saygili**
(45) Registration Date: **27 September 2007**
(56) Related Art Documents: **Not Applicable**
(57) Statement of Newness and Distinctiveness: **Newness and distinctiveness resides in the visual features of the multi-key and holder combination shown in the accompanying representations. The trade mark shown in the representations identified as perspective view (open position) and plan view does not form part of the design.**



- (21) Design Number: **19009/2007**
(22) Date of Filing Application: **20 July 2007**
(24) Date from which industrial property rights may have effect: **20 July 2007**
(54) Product in respect of which the design is registered: **A multi-key and combination holder**
(51) International Design Classification: **08-07**
(71) Name(s) and Address(s) of Applicant(s):
Mine Saygili
2 Main Street Elsternwick Victoria 3185 Australia
(72) Name(s) of Designer(s): **Mine Saygili**
(45) Registration Date: **27 September 2007**
(56) Related Art Documents: **Not Applicable**
(57) Statement of Newness and Distinctiveness: **Newness and distinctiveness resides in the visual features of the multi-key and holder combination shown in the accompanying representations. The trade mark shown in the representations identified as perspective view (open position), perspective view and plan view does not form part of the design.**



- (21) Design Number: **19010/2007**
- (22) Date of Filing Application: **20 July 2007**
- (24) Date from which industrial property rights may have effect: **20 July 2007**
- (54) Product in respect of which the design is registered: **Drive rod**
- (51) International Design Classification: **25-01NES**
- (71) Name(s) and Address(s) of Applicant(s):

SAVIO Spa
Via Torina 25 (S.S. n. 25) I-10150 Chiusa San Michele Torino Italy

(72) Name(s) of Designer(s): **Aimone Balbo Di Vinadio**

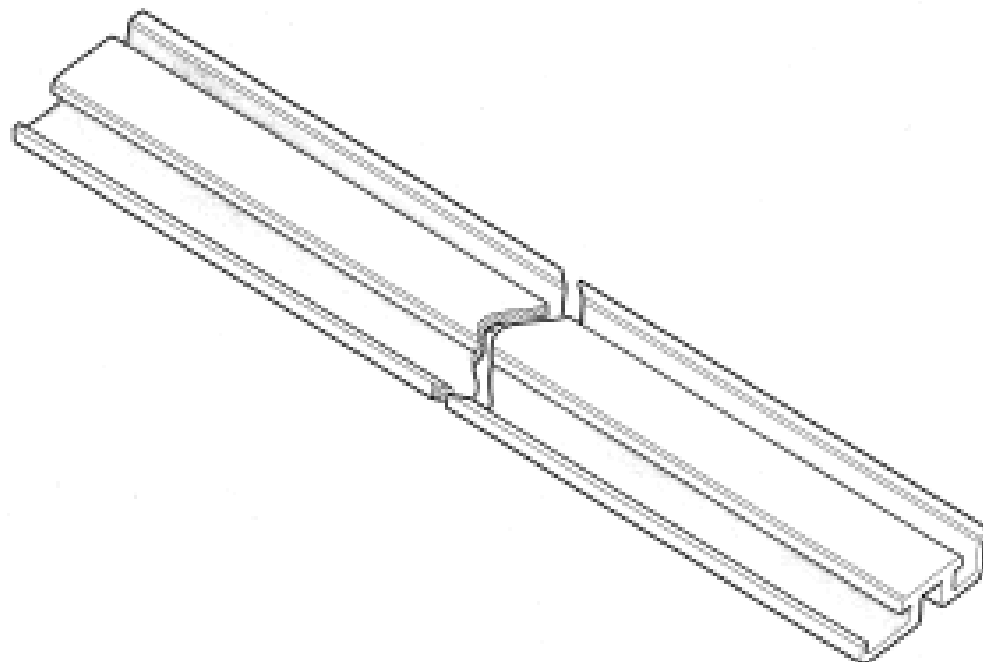
(45) Registration Date: **27 September 2007**

(30) Convention priority data:

(31) Number	(32) Date	(33) Country
660295	29 Jan 2007	EUROPEAN COMMUNITY

(56) Related Art Documents: **Not Applicable**

(57) Statement of Newness and Distinctiveness: **Those features of the drive rod depicted in the representations that are new and distinctive are the shape and/or configuration. The drive rod may be of any length.**



- (21) Design Number: **19019/2007**
- (22) Date of Filing Application: **20 July 2007**
- (24) Date from which industrial property rights may have effect: **20 July 2007**
- (54) Product in respect of which the design is registered: **A metal pan**
- (51) International Design Classification: **25-01NES**
- (71) Name(s) and Address(s) of Applicant(s):

Alan Harry Newman
77 Wintere Road Papatoetoe Auckland New Zealand

(72) Name(s) of Designer(s): **Alan Harry Newman**

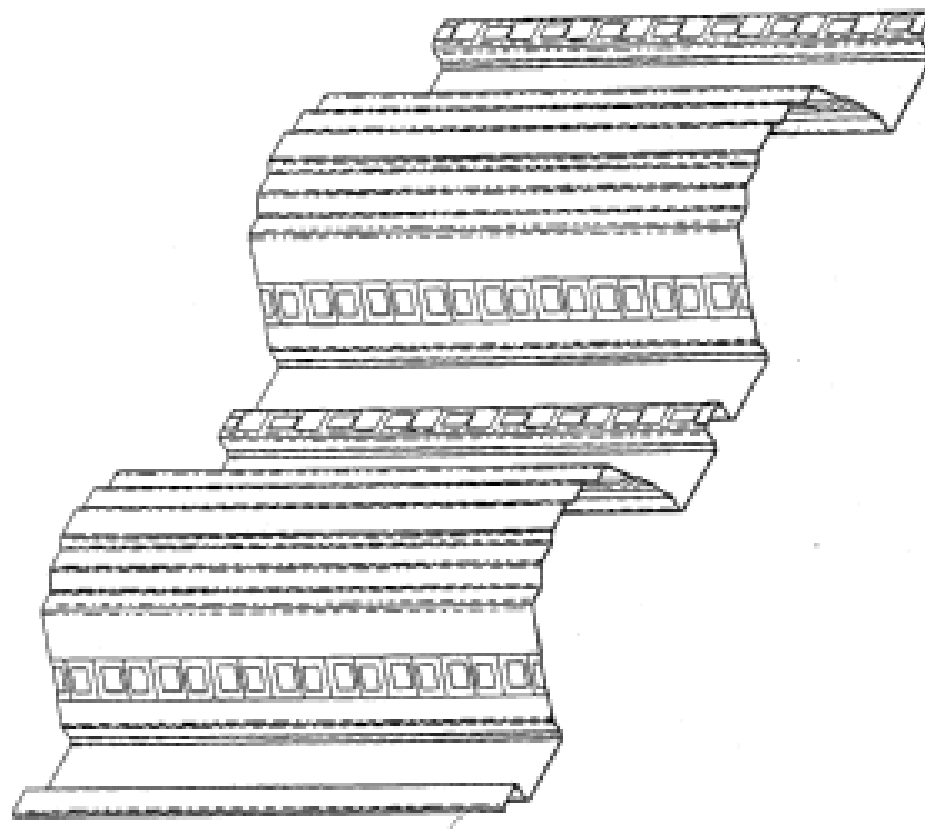
(45) Registration Date: **27 September 2007**

(30) Convention priority data:

(31) Number	(32) Date	(33) Country
409042	30 Apr 2007	NEW ZEALAND

(56) Related Art Documents: **Not Applicable**

(57) Statement of Newness and Distinctiveness: **The newness and distinctiveness of the design resides in the features of shape and/or configuration of a metal pan of indefinite length, as shown in the accompanying representations.**



- (21) Design Number: **19020/2007**
- (22) Date of Filing Application: **20 July 2007**
- (24) Date from which industrial property rights may have effect: **20 July 2007**
- (54) Product in respect of which the design is registered: **A metal pan**
- (51) International Design Classification: **25-01NES**
- (71) Name(s) and Address(s) of Applicant(s):

Alan Harry Newman
77 Wintere Road Papatoetoe Auckland New Zealand

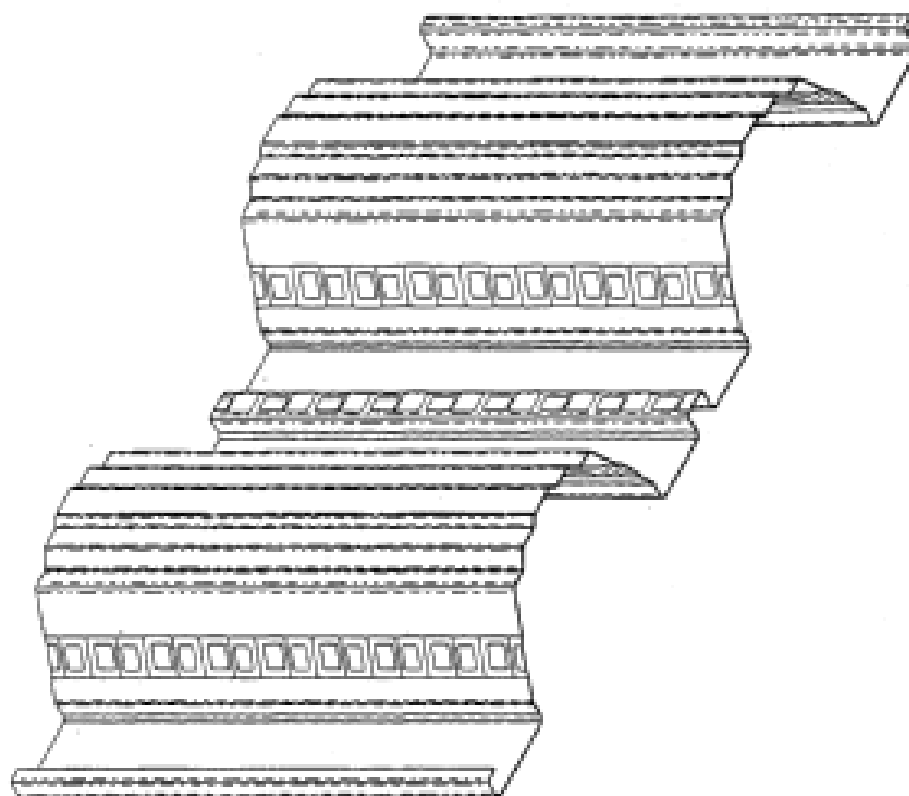
- (72) Name(s) of Designer(s): **Alan Harry Newman**
- (45) Registration Date: **27 September 2007**

(30) Convention priority data:

(31) Number	(32) Date	(33) Country
409043	30 Apr 2007	NEW ZEALAND

(56) Related Art Documents: **Not Applicable**

(57) Statement of Newness and Distinctiveness: **The newness and distinctiveness of the design resides in the features of shape and/or configuration of a metal pan of indefinite length, namely those portions of the two largest ridges above the indentations in the side walls and the indented central key ridge of the metal pan, as shown in the accompanying representations. The shape and/or configuration of the side edges of the metal pan form no part of the design.**



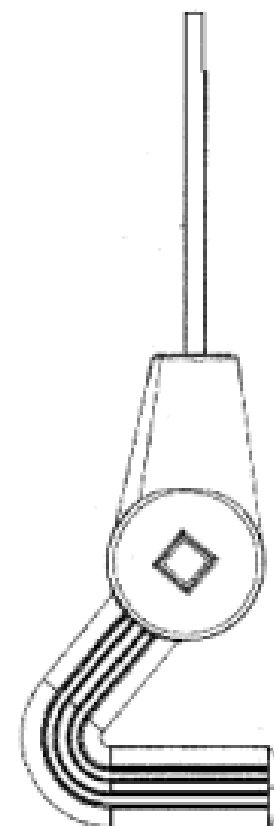
- (21) Design Number: **19024/2007**
- (22) Date of Filing Application: **23 July 2007**
- (24) Date from which industrial property rights may have effect: **23 July 2007**
- (54) Product in respect of which the design is registered: **Insert tool**
- (51) International Design Classification: **08-05NES**
- (71) Name(s) and Address(s) of Applicant(s):

Alcoa Fastening Systems - Australia Pty Ltd
20 Stamford Road Oakleigh Victoria 3166 Australia

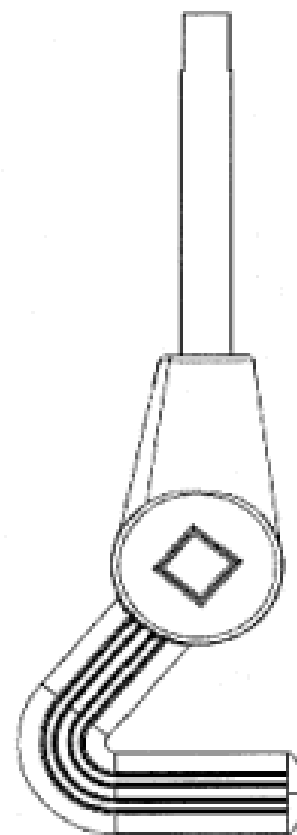
- (72) Name(s) of Designer(s): **Simon Bowen and Peter Venetis**
- (45) Registration Date: **27 September 2007**

(56) Related Art Documents: **Not Applicable**

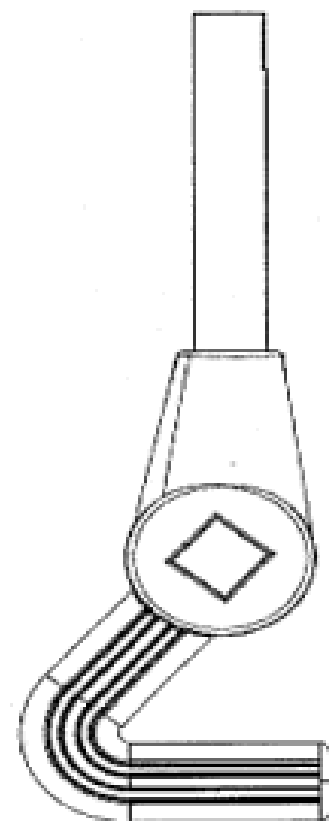
(57) Statement of Newness and Distinctiveness: **Nil**



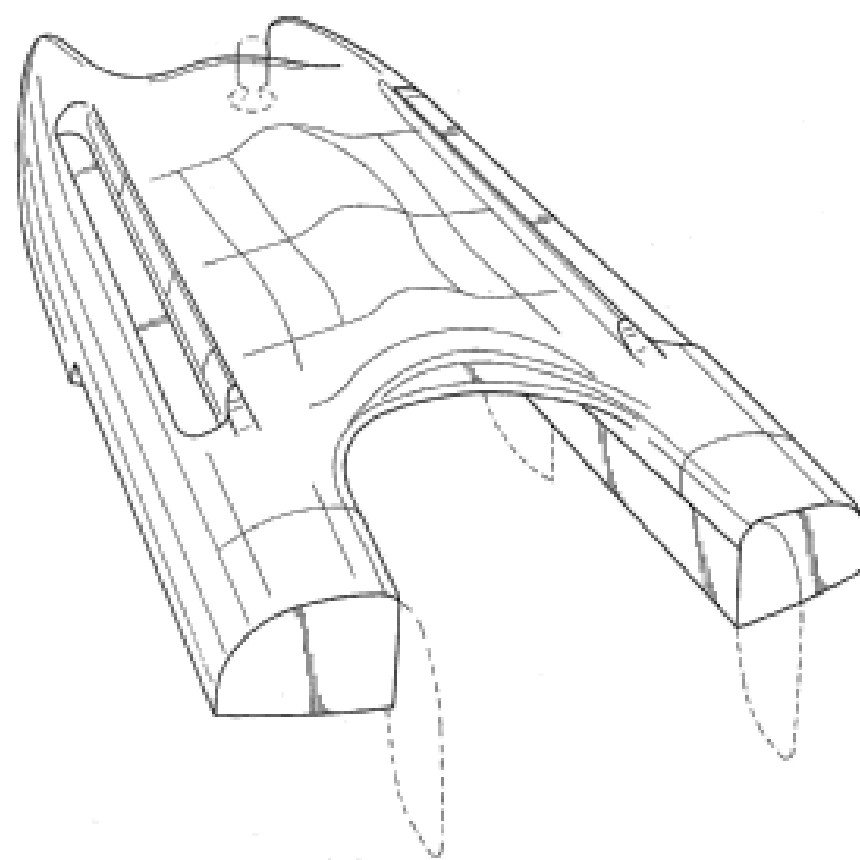
- (21) Design Number: **19025/2007**
- (22) Date of Filing Application: **23 July 2007**
- (24) Date from which industrial property rights may have effect: **23 July 2007**
- (54) Product in respect of which the design is registered: **Insert tool**
- (51) International Design Classification: **08-05NES**
- (71) Name(s) and Address(s) of Applicant(s):
Alcoa Fastening Systems - Australia Pty Ltd
20 Stamford Road Oakleigh Victoria 3166 Australia
- (72) Name(s) of Designer(s): **Simon Bowen and Peter Venetis**
- (45) Registration Date: **27 September 2007**
- (56) Related Art Documents: **Not Applicable**
- (57) Statement of Newness and Distinctiveness: **Nil**



- (21) Design Number: **19026/2007**
- (22) Date of Filing Application: **23 July 2007**
- (24) Date from which industrial property rights may have effect: **23 July 2007**
- (54) Product in respect of which the design is registered: **Insert tool**
- (51) International Design Classification: **08-05NES**
- (71) Name(s) and Address(s) of Applicant(s):
Alcoa Fastening Systems - Australia Pty Ltd
20 Stamford Road Oakleigh Victoria 3166 Australia
- (72) Name(s) of Designer(s): **Simon Bowen and Peter Venetis**
- (45) Registration Date: **27 September 2007**
- (56) Related Art Documents: **Not Applicable**
- (57) Statement of Newness and Distinctiveness: **Nil**



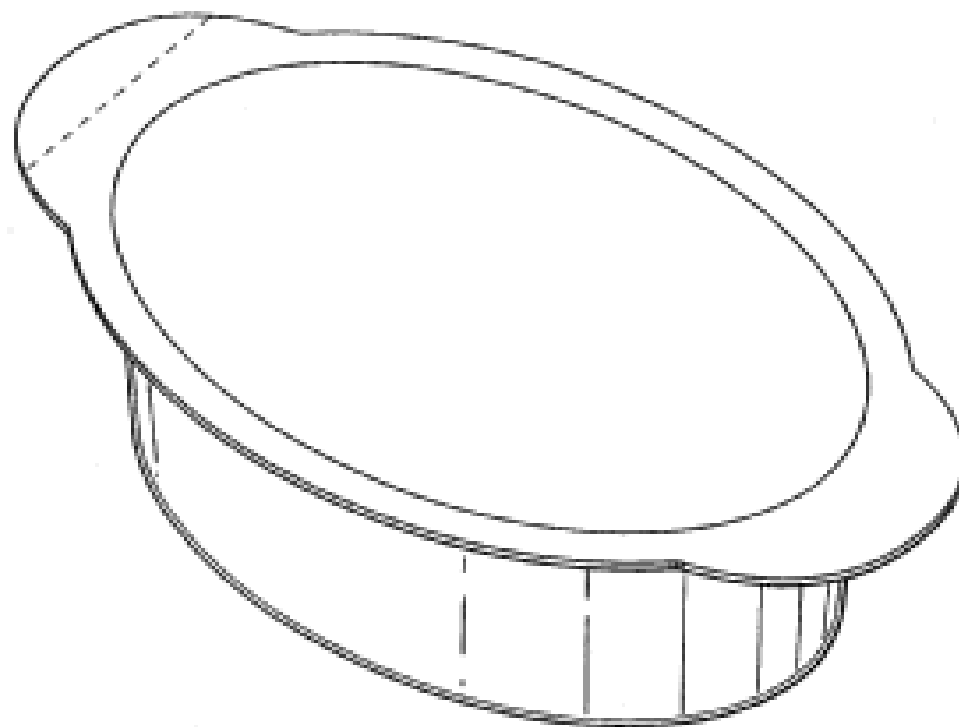
(21) Design Number: **19027/2007**
 (22) Date of Filing Application: **23 July 2007**
 (24) Date from which industrial property rights may have effect: **23 July 2007**
 (54) Product in respect of which the design is registered: **Hull for catamaran type windsurfing vessel**
 (51) International Design Classification: **12-06B**
 (71) Name(s) and Address(s) of Applicant(s):
Alan Horais
7920 Rim Canyon Road Sunland California 91040 United States of America
 (72) Name(s) of Designer(s): **Alan Horais**
 (45) Registration Date: **27 September 2007**
 (30) Convention priority data:
 (31) Number (32) Date (33) Country
29/272138 01 Feb 2007 UNITED STATES OF AMERICA
 (56) Related Art Documents: **Not Applicable**
 (57) Statement of Newness and Distinctiveness: **Newness and distinctiveness is claimed in those features of shape and/or configuration of a hull illustrated in continuous lines in the accompanying representations.**



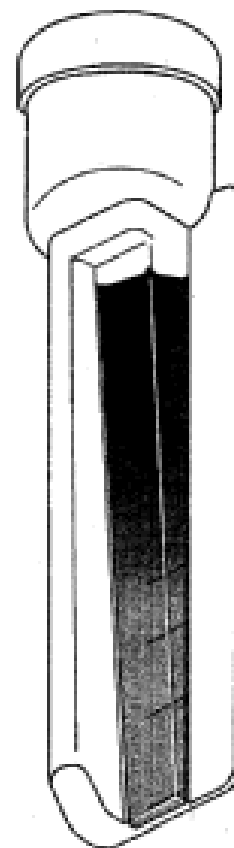
(21) Design Number: **19028/2007**
 (22) Date of Filing Application: **23 July 2007**
 (24) Date from which industrial property rights may have effect: **23 July 2007**
 (54) Product in respect of which the design is registered: **Traffic surveillance camera**
 (51) International Design Classification: **16-01**
 (71) Name(s) and Address(s) of Applicant(s):
Crown UK Limited
24 Old Mill Road Portishead Bristol BS20 7BX United Kingdom
 (72) Name(s) of Designer(s): **Ian Woodbury**
 (45) Registration Date: **27 September 2007**
 (30) Convention priority data:
 (31) Number (32) Date (33) Country
000741640-0002 13 Jun 2007 UNITED KINGDOM
 (56) Related Art Documents: **Not Applicable**
 (57) Statement of Newness and Distinctiveness: **Newness and distinctiveness is claimed in the visual features shown in the representations. The pedestal A is of indefinite length.**



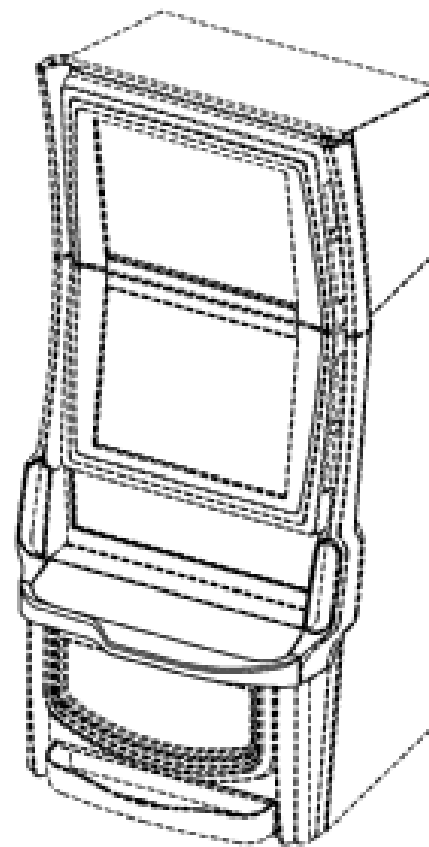
(21) Design Number: **19029/2007**
(22) Date of Filing Application: **23 July 2007**
(24) Date from which industrial property rights may have effect: **23 July 2007**
(54) Product in respect of which the design is registered: **Container**
(51) International Design Classification: **09-03L**
(71) Name(s) and Address(s) of Applicant(s):
Unilever PLC
Unilever House Blackfriars London EC4P 4BQ United Kingdom
(72) Name(s) of Designer(s): **Arnoldus J. Claassen and Luciene Pierin**
(45) Registration Date: **27 September 2007**
(30) Convention priority data:
(31) Number (32) Date (33) Country
4001419 02 Feb 2007 UNITED KINGDOM
(56) Related Art Documents: **Not Applicable**
(57) Statement of Newness and Distinctiveness: **Newness and distinctiveness is claimed in the visual features shown in solid lines in the representations.**



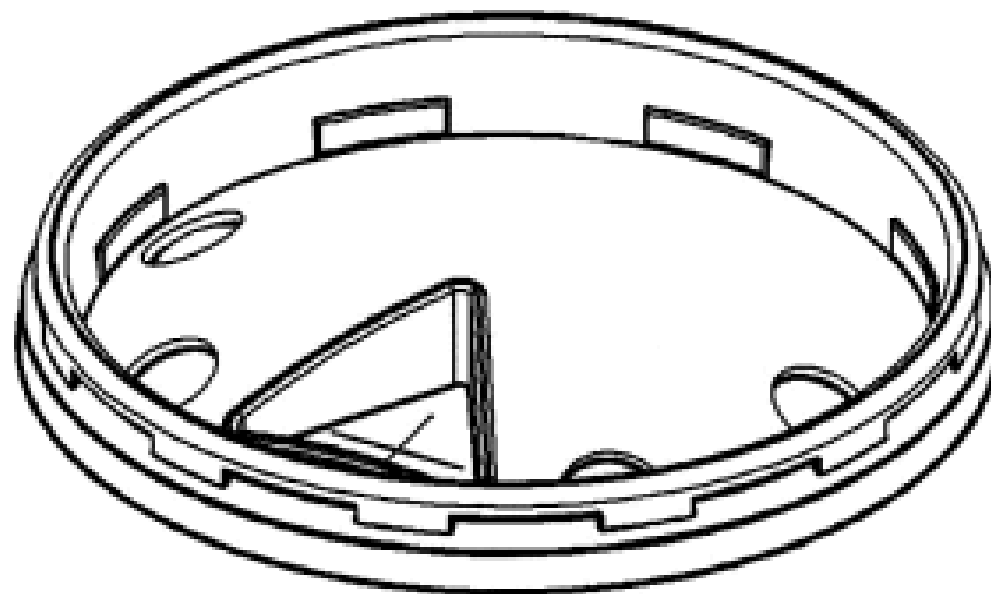
(21) Design Number: **19032/2007**
(22) Date of Filing Application: **23 July 2007**
(24) Date from which industrial property rights may have effect: **23 July 2007**
(54) Product in respect of which the design is registered: **Sample optical test apparatus with medical and wider industrial use**
(51) International Design Classification: **24-01**
(71) Name(s) and Address(s) of Applicant(s):
Sekatech Ltd
1st Floor Lincoln House Heartlands Hospital Bordesley Green East
Birmingham B9 5SS United Kingdom
(72) Name(s) of Designer(s): **Matthew Rooney**
(45) Registration Date: **27 September 2007**
(30) Convention priority data:
(31) Number (32) Date (33) Country
000660840-0001 30 Jan 2007 EUROPEAN COMMUNITY
(56) Related Art Documents: **Not Applicable**
(57) Statement of Newness and Distinctiveness: **Nil**



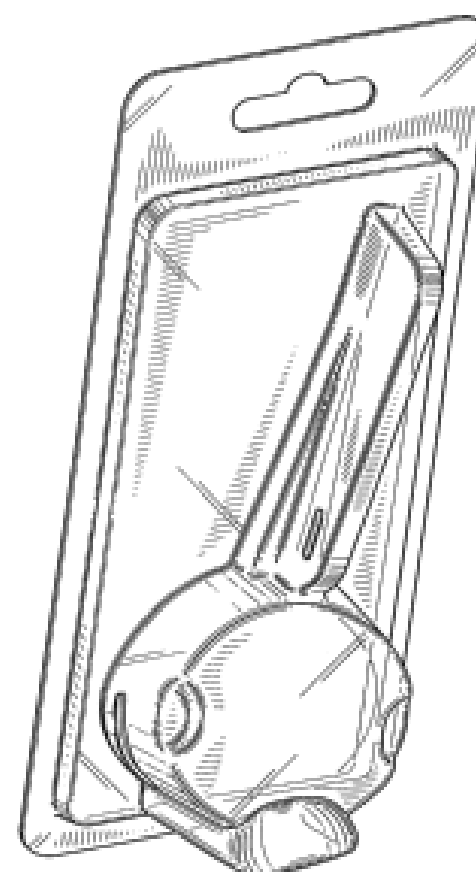
- (21) Design Number: **19033/2007**
(22) Date of Filing Application: **23 July 2007**
(24) Date from which industrial property rights may have effect: **23 July 2007**
(54) Product in respect of which the design is registered: **Operating panel for a slot machine**
(51) International Design Classification: **21-03**
(71) Name(s) and Address(s) of Applicant(s):
Aruze Corporation
1-25 Ariake 3-chome Koto-ku Tokyo 135-0063 Japan
(72) Name(s) of Designer(s): **Koichiro Hashimoto and Yoshihide Endo**
(45) Registration Date: **27 September 2007**
(30) Convention priority data:
(31) Number (32) Date (33) Country
2007-010989 24 Apr 2007 JAPAN
(56) Related Art Documents: **Not Applicable**
(57) Statement of Newness and Distinctiveness: **Newness and distinctiveness resides in the features of an operating panel for a slot machine as illustrated in the accompanying representations. The features shown in broken outline do not form part of the design.**



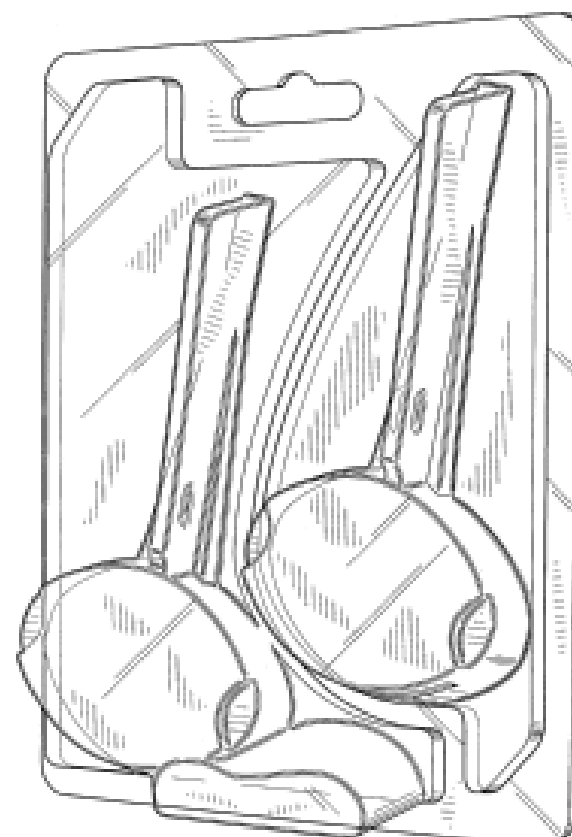
- (21) Design Number: **19284/2007**
(22) Date of Filing Application: **09 August 2007**
(24) Date from which industrial property rights may have effect: **09 August 2007**
(54) Product in respect of which the design is registered: **Cup lid**
(51) International Design Classification: **09-07B**
(71) Name(s) and Address(s) of Applicant(s):
Seda S.P.A
Corso Salvatore D'Amato 84 Arzano Napoli 80022 Italy
(72) Name(s) of Designer(s): **Gianfranco D'Amato**
(45) Registration Date: **27 September 2007**
(30) Convention priority data:
(31) Number (32) Date (33) Country
000668553 12 Feb 2007 EUROPEAN COMMUNITY
(56) Related Art Documents: **Not Applicable**
(57) Statement of Newness and Distinctiveness: **Newness and distinctiveness in the design as applied to a cup lid reside in the shape and configuration thereof as illustrated in the accompanying representations.**



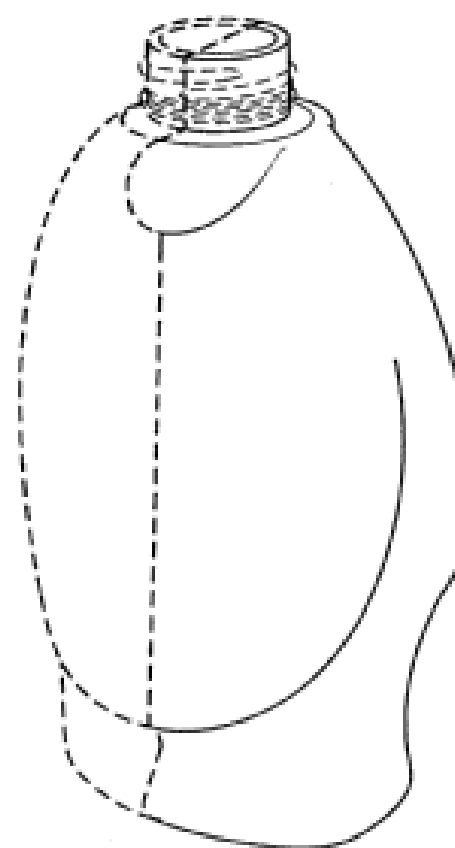
- (21) Design Number: **19768/2007**
- (22) Date of Filing Application: **17 September 2007**
- (24) Date from which industrial property rights may have effect: **17 September 2007**
- (54) Product in respect of which the design is registered: **Blister package**
- (51) International Design Classification: **09-05**
- (71) Name(s) and Address(s) of Applicant(s):
Reckitt Benckiser Inc.
Morris Corporate Center IV 399 Interpace Parkway Parsippany New Jersey 07054 United States of America
- (72) Name(s) of Designer(s): **Christopher Brian King and Pawel Rudzinski and Sebastiao Gularte and Patrick Derouault and Frederic Moreux and Beatriz Borges Neves and Viktoria Vari**
- (45) Registration Date: **27 September 2007**
- (30) Convention priority data:
 - (31) Number (32) Date (33) Country
 - 000694070-0001 23 Mar 2007 EUROPEAN COMMUNITY**
- (56) Related Art Documents: **Not Applicable**
- (57) Statement of Newness and Distinctiveness: **Newness and distinctiveness reside in the features of the design as shown in the representations.**



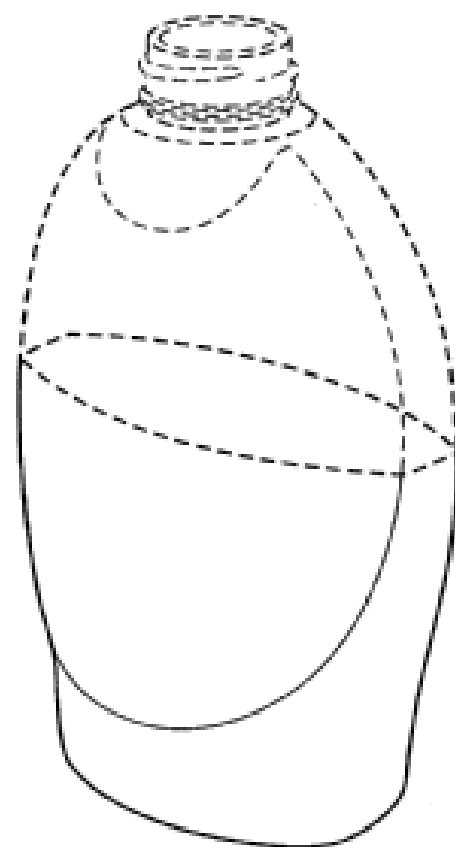
- (21) Design Number: **19786/2007**
- (22) Date of Filing Application: **18 September 2007**
- (24) Date from which industrial property rights may have effect: **18 September 2007**
- (54) Product in respect of which the design is registered: **Blister package**
- (51) International Design Classification: **09-05**
- (71) Name(s) and Address(s) of Applicant(s):
Reckitt Benckiser Inc.
Morris Corporate Center IV 399 Interpace Parkway Parsippany New Jersey 07054 United States of America
- (72) Name(s) of Designer(s): **Christopher Brian King and Pawel Rudzinski and Sebastiao Gularte and Frederic Moreux and Beatriz Borges Neves and Viktoria Vari and Patrick Derouault**
- (45) Registration Date: **27 September 2007**
- (30) Convention priority data:
 - (31) Number (32) Date (33) Country
 - 000694096-0001 23 Mar 2007 EUROPEAN PATENT OFFICE (EP)**
- (56) Related Art Documents: **Not Applicable**
- (57) Statement of Newness and Distinctiveness: **Newness and distinctiveness reside in the features of the design as shown in the representations.**



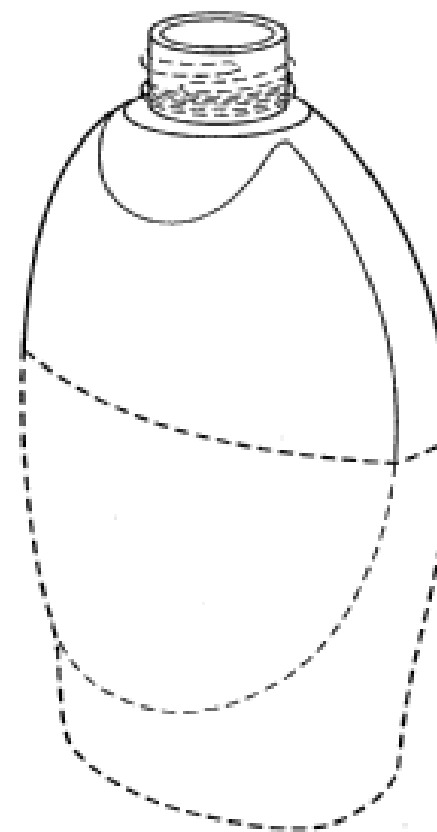
(21) Design Number: **19787/2007**
(22) Date of Filing Application: **18 September 2007**
(24) Date from which industrial property rights may have effect: **18 September 2007**
(54) Product in respect of which the design is registered: **Container**
(51) International Design Classification: **09-01K**
(71) Name(s) and Address(s) of Applicant(s):
Colgate-Palmolive Company
300 Park Avenue New York New York 10022 United States of America
(72) Name(s) of Designer(s): **John C. Crawford and Roland Charriez**
(45) Registration Date: **27 September 2007**
(30) Convention priority data:
(31) Number (32) Date (33) Country
29/278217 22 Mar 2007 UNITED STATES OF AMERICA
(56) Related Art Documents: **Not Applicable**
(57) Statement of Newness and Distinctiveness: **Newness and distinctiveness reside in the features of the design shown in solid lines in the representations excluding those features shown in broken lines.**



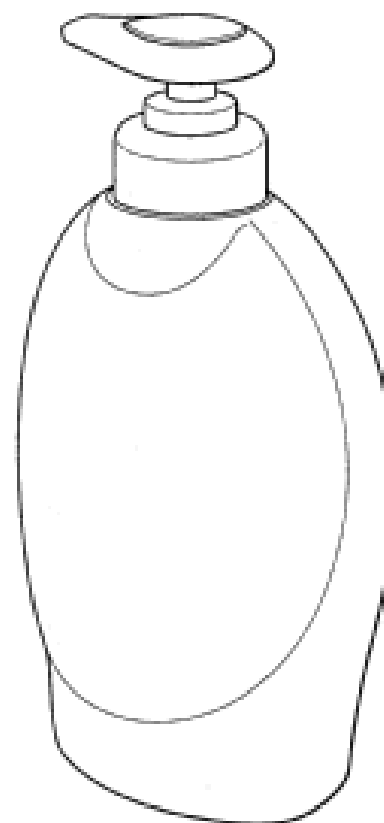
(21) Design Number: **19788/2007**
(22) Date of Filing Application: **18 September 2007**
(24) Date from which industrial property rights may have effect: **18 September 2007**
(54) Product in respect of which the design is registered: **Container**
(51) International Design Classification: **09-01K**
(71) Name(s) and Address(s) of Applicant(s):
Colgate-Palmolive Company
300 Park Avenue New York New York 10022 United States of America
(72) Name(s) of Designer(s): **John C. Crawford and Roland Charriez**
(45) Registration Date: **27 September 2007**
(30) Convention priority data:
(31) Number (32) Date (33) Country
29/278218 22 Mar 2007 UNITED STATES OF AMERICA
(56) Related Art Documents: **Not Applicable**
(57) Statement of Newness and Distinctiveness: **Newness and distinctiveness reside in the features of the design as shown in solid lines in the representations excluding those features shown in broken lines.**



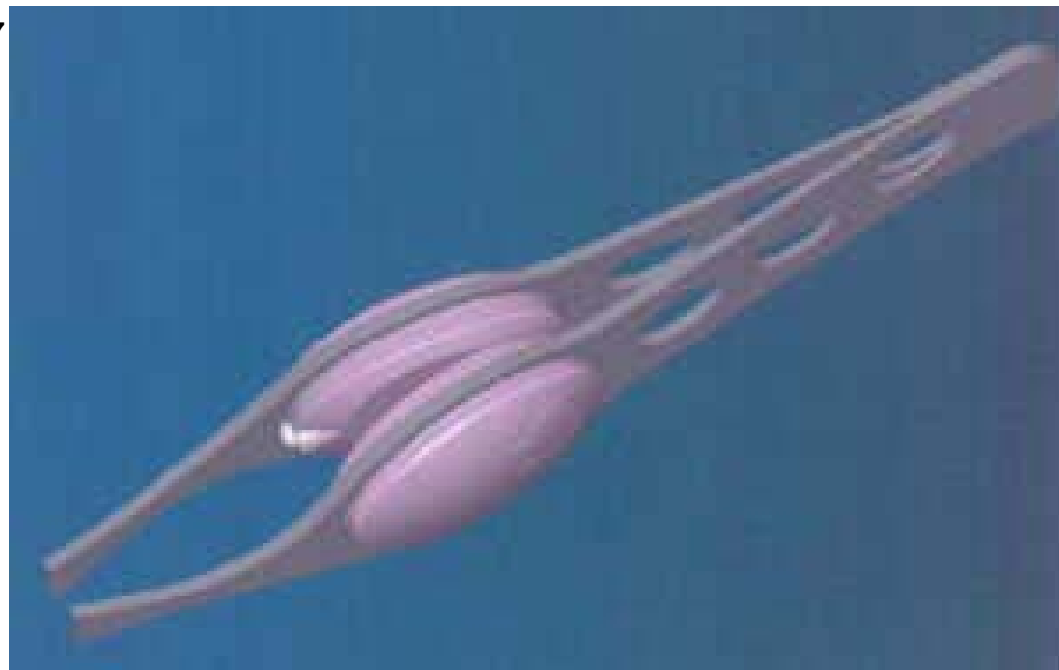
(21) Design Number: **19789/2007**
(22) Date of Filing Application: **18 September 2007**
(24) Date from which industrial property rights may have effect: **18 September 2007**
(54) Product in respect of which the design is registered: **Container**
(51) International Design Classification: **09-01K**
(71) Name(s) and Address(s) of Applicant(s):
Colgate-Palmolive Company
300 Park Avenue New York New York 10022 United States of America
(72) Name(s) of Designer(s): **John C. Crawford and Roland Charriez**
(45) Registration Date: **27 September 2007**
(30) Convention priority data:
(31) Number (32) Date (33) Country
29/278219 22 Mar 2007 UNITED STATES OF AMERICA
(56) Related Art Documents: **Not Applicable**
(57) Statement of Newness and Distinctiveness: **Newness and distinctiveness reside in the features of the design shown in solid lines in the representations excluding those features shown in broken lines.**



(21) Design Number: **19790/2007**
(22) Date of Filing Application: **18 September 2007**
(24) Date from which industrial property rights may have effect: **18 September 2007**
(54) Product in respect of which the design is registered: **Container and pump**
(51) International Design Classification: **09-01A**
(71) Name(s) and Address(s) of Applicant(s):
Colgate-Palmolive Company
300 Park Avenue New York New York 10022 United States of America
(72) Name(s) of Designer(s): **John C. Crawford and Roland Charriez**
(45) Registration Date: **27 September 2007**
(30) Convention priority data:
(31) Number (32) Date (33) Country
29/278215 22 Mar 2007 UNITED STATES OF AMERICA
(56) Related Art Documents: **Not Applicable**
(57) Statement of Newness and Distinctiveness: **Newness and distinctiveness reside in the features of the design shown in solid lines in the representations.**



(21) Design Number: **19806/2007**
(22) Date of Filing Application: **20 September 2007**
(24) Date from which industrial property rights may have effect: **20 September 2007**
(54) Product in respect of which the design is registered: **Cosmetic and medical tweezer with light**
(51) International Design Classification: **28-03NES**
(71) Name(s) and Address(s) of Applicant(s):
Hanoch Sar-Shalom Azoulay
12500 Emelita Street North Hollywood California 91607 United States of America
(72) Name(s) of Designer(s): **Hanoch Sar-Shalom Azoulay**
(45) Registration Date: **27 September 2007**
(30) Convention priority data:
(31) Number (32) Date (33) Country
200720146219.8 27 Jun 2007 CHINA
(56) Related Art Documents: **Not Applicable**
(57) Statement of Newness and Distinctiveness: **Nil**



(21) Design Number: **17527/2007**
(22) Date of Filing Application: **23 April 2007**
(24) Date from which industrial property rights may have effect: **23 April 2007**
(54) Product in respect of which the design is registered: **Crystal wedding bouquet**
(51) International Design Classification: **11-99**
(71) Name(s) and Address(s) of Applicant(s):
Judith Bacon
7/44 Bayswater Street Drummoyne NSW 2047
(72) Name(s) of Designer(s): **Judith Bacon**
(45) Registration Date: **28 September 2007**
(56) Related Art Documents: **Not Applicable**
(57) Statement of Newness and Distinctiveness: **Heart shape crystal bouquet (handmade) consisting of many different size swarovski crystals - beaded by hand.**



- (21) Design Number: **18654/2007**
(22) Date of Filing Application: **02 July 2007**
(24) Date from which industrial property rights may have effect: **02 July 2007**
(54) Product in respect of which the design is registered: **Automobile**
(51) International Design Classification: **12-08**
(71) Name(s) and Address(s) of Applicant(s):
Toyota Jidosha Kabushiki Kaisha
1 Toyota-cho Toyota-shi Aichi-ken 471-8571 Japan
(72) Name(s) of Designer(s): **Saburo Hazumi and Atsushi Hirose and Kenji Tomida**
(45) Registration Date: **28 September 2007**
(56) Related Art Documents: **Not Applicable**
(57) Statement of Newness and Distinctiveness: **The newness and distinctiveness of the design resides in the shape and/or configuration of the automobile shown in the representations.**



- (21) Design Number: **18655/2007**
(22) Date of Filing Application: **02 July 2007**
(24) Date from which industrial property rights may have effect: **02 July 2007**
(54) Product in respect of which the design is registered: **Bumper for an automobile**
(51) International Design Classification: **12-16B**
(71) Name(s) and Address(s) of Applicant(s):
Toyota Jidosha Kabushiki Kaisha
1 Toyota-cho Toyota-shi Aichi-ken 471-8571 Japan
(72) Name(s) of Designer(s): **Saburo Hazumi and Kenji Tomida**
(45) Registration Date: **28 September 2007**
(56) Related Art Documents: **Not Applicable**
(57) Statement of Newness and Distinctiveness: **The newness and distinctiveness of the design resides in the shape and/or configuration of the bumper for an automobile shown in the representations.**



- (21) Design Number: **18656/2007**
(22) Date of Filing Application: **02 July 2007**
(24) Date from which industrial property rights may have effect: **02 July 2007**
(54) Product in respect of which the design is registered: **Bumper for an automobile**
(51) International Design Classification: **12-16B**
(71) Name(s) and Address(s) of Applicant(s):
Toyota Jidosha Kabushiki Kaisha
1 Toyota-cho Toyota-shi Aichi-ken 471-8571 Japan
(72) Name(s) of Designer(s): **Atsushi Hirose**
(45) Registration Date: **28 September 2007**
(56) Related Art Documents: **Not Applicable**
(57) Statement of Newness and Distinctiveness: **The newness and distinctiveness of the design resides in the shape and/or configuration of the bumper for an automobile shown in the representations.**



- (21) Design Number: **18657/2007**
(22) Date of Filing Application: **02 July 2007**
(24) Date from which industrial property rights may have effect: **02 July 2007**
(54) Product in respect of which the design is registered: **Grille for an automobile**
(51) International Design Classification: **12-16B**
(71) Name(s) and Address(s) of Applicant(s):
Toyota Jidosha Kabushiki Kaisha
1 Toyota-cho Toyota-shi Aichi-ken 471-8571 Japan
(72) Name(s) of Designer(s): **Kenji Tomida**
(45) Registration Date: **28 September 2007**
(56) Related Art Documents: **Not Applicable**
(57) Statement of Newness and Distinctiveness: **The newness and distinctiveness of the design resides in the shape and/or configuration of the grille for an automobile shown in the representations.**



- (21) Design Number: **18658/2007**
(22) Date of Filing Application: **02 July 2007**
(24) Date from which industrial property rights may have effect: **02 July 2007**
(54) Product in respect of which the design is registered: **Combination lamp for an automobile**
(51) International Design Classification: **26-06**
(71) Name(s) and Address(s) of Applicant(s):
Toyota Jidosha Kabushiki Kaisha
1 Toyota-cho Toyota-shi Aichi-ken 471-8571 Japan
(72) Name(s) of Designer(s): **Saburo Hazumi**
(45) Registration Date: **28 September 2007**
(56) Related Art Documents: **Not Applicable**
(57) Statement of Newness and Distinctiveness: **The newness and distinctiveness of the design resides in the shape and/or configuration of the combination lamp for an automobile shown in the representations.**



- (21) Design Number: **18659/2007**
(22) Date of Filing Application: **02 July 2007**
(24) Date from which industrial property rights may have effect: **02 July 2007**
(54) Product in respect of which the design is registered: **Combination lamp for an automobile**
(51) International Design Classification: **26-06**
(71) Name(s) and Address(s) of Applicant(s):
Toyota Jidosha Kabushiki Kaisha
1 Toyota-cho Toyota-shi Aichi-ken 471-8571 Japan
(72) Name(s) of Designer(s): **Atsushi Hirose and Nobuaki Mizobe**
(45) Registration Date: **28 September 2007**
(56) Related Art Documents: **Not Applicable**
(57) Statement of Newness and Distinctiveness: **The newness and distinctiveness of the design resides in the shape and/or configuration of the combination lamp for an automobile shown in the representations.**



- (21) Design Number: **18695/2007**
- (22) Date of Filing Application: **03 July 2007**
- (24) Date from which industrial property rights may have effect: **03 July 2007**
- (54) Product in respect of which the design is registered: **Document holder**
- (51) International Design Classification: **19-02**
- (71) Name(s) and Address(s) of Applicant(s):

NS Planning Inc.
170-0005 Sun Building 2-26-7 Minami-Ohtsuka Toshima-Ku Tokyo
Japan

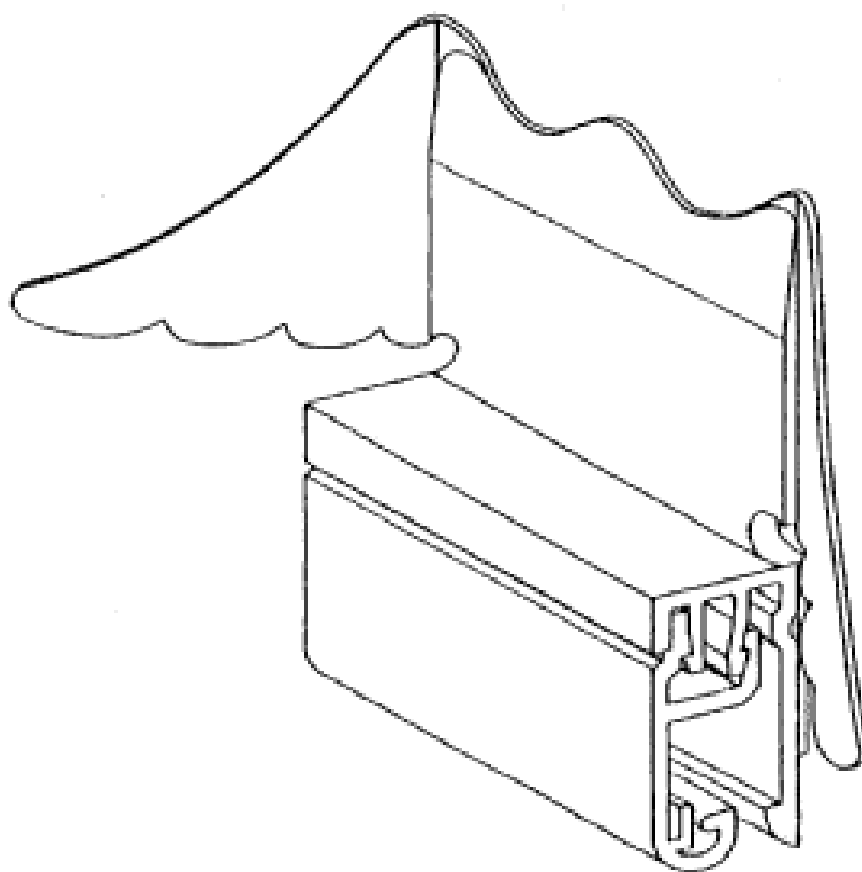
- (72) Name(s) of Designer(s): **Tsukasa Yoshida**
- (45) Registration Date: **28 September 2007**

(30) Convention priority data:

(31) Number	(32) Date	(33) Country
2007-000978	19 Jan 2007	JAPAN

(56) Related Art Documents: **Not Applicable**

(57) Statement of Newness and Distinctiveness: **The features of the design for which novelty is claimed are the shape or configuration of the article as shown in the representations. The piece of paper shown in the perspective view showing the equipment in use (refer design 1 4/4) does not form part of the design and is to be disregarded.**



- (21) Design Number: **18696/2007**
- (22) Date of Filing Application: **03 July 2007**
- (24) Date from which industrial property rights may have effect: **03 July 2007**
- (54) Product in respect of which the design is registered: **Document holder**
- (51) International Design Classification: **19-02**
- (71) Name(s) and Address(s) of Applicant(s):

NS Planning Inc.
170-0005 Sun Building 2-26-7 Minami-Ohtsuka Toshima-Ku Tokyo
Japan

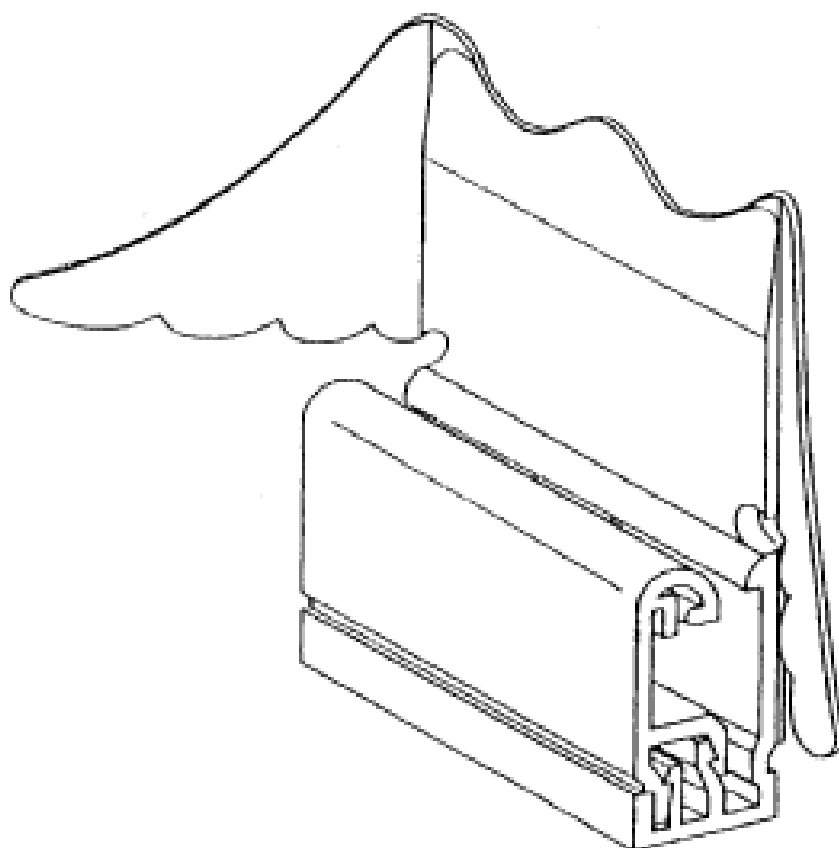
- (72) Name(s) of Designer(s): **Tsukasa Yoshida**
- (45) Registration Date: **28 September 2007**

(30) Convention priority data:

(31) Number	(32) Date	(33) Country
2007-000978	19 Jan 2007	JAPAN

(56) Related Art Documents: **Not Applicable**

(57) Statement of Newness and Distinctiveness: **The features of the design for which novelty is claimed are the shape or configuration of the article as shown in the representations. The piece of paper shown in the perspective view showing the equipment in use (refer design 2 4/4) does not form part of the design and is to be disregarded.**



- (21) Design Number: **19034/2007**
- (22) Date of Filing Application: **23 July 2007**
- (24) Date from which industrial property rights may have effect: **23 July 2007**
- (54) Product in respect of which the design is registered: **Slot machine**
- (51) International Design Classification: **21-03**
- (71) Name(s) and Address(s) of Applicant(s):

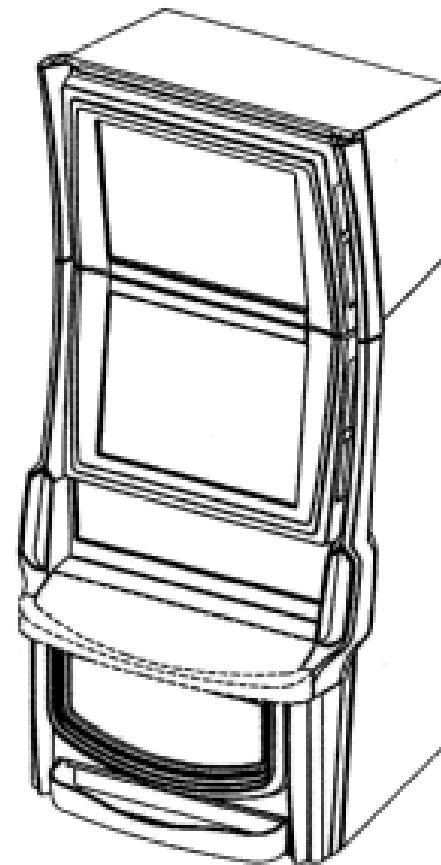
Aruze Corporation
1-25 Ariake 3-chome Koto-ku Tokyo 135-0063 Japan

- (72) Name(s) of Designer(s): **Koichiro Hashimoto and Yoshihide Endo**
- (45) Registration Date: **28 September 2007**

(30) Convention priority data:

(31) Number	(32) Date	(33) Country
2007-010990	24 Apr 2007	JAPAN

- (56) Related Art Documents: **Not Applicable**
- (57) Statement of Newness and Distinctiveness: **Newness and distinctiveness resides in the features of shape and/or configuration of a slot machine as illustrated in the accompanying representations. The features shown in broken outline do not form part of the design.**



- (21) Design Number: **19035/2007**
- (22) Date of Filing Application: **24 July 2007**
- (24) Date from which industrial property rights may have effect: **24 July 2007**
- (54) Product in respect of which the design is registered: **Container**
- (51) International Design Classification: **09-03M**
- (71) Name(s) and Address(s) of Applicant(s):

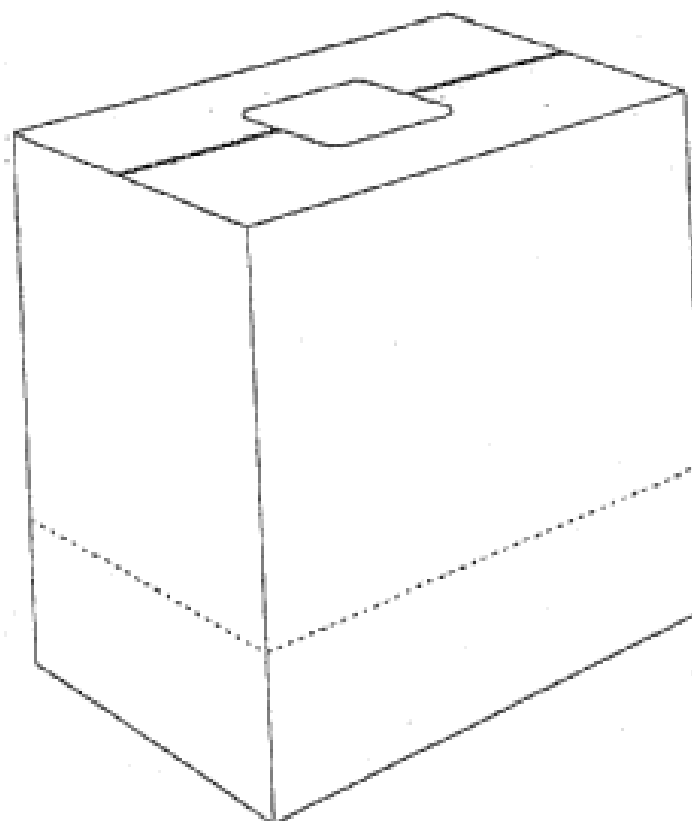
Clifford Packaging Limited
Bradbourne Drive Tilbrook Milton Keynes Buckinghamshire MK7 8AQ
England

- (72) Name(s) of Designer(s): **Michael Parkes**
- (45) Registration Date: **28 September 2007**

(30) Convention priority data:

(31) Number	(32) Date	(33) Country
A2007/00269	28 Feb 2007	SOUTH AFRICA

- (56) Related Art Documents: **Not Applicable**
- (57) Statement of Newness and Distinctiveness: **Nil**



(21) Design Number: **19036/2007**

(22) Date of Filing Application: **24 July 2007**

(24) Date from which industrial property rights may have effect: **24 July 2007**

(54) Product in respect of which the design is registered: **Scaffold ladder clamp**

(51) International Design Classification: **08-08D**

(71) Name(s) and Address(s) of Applicant(s):

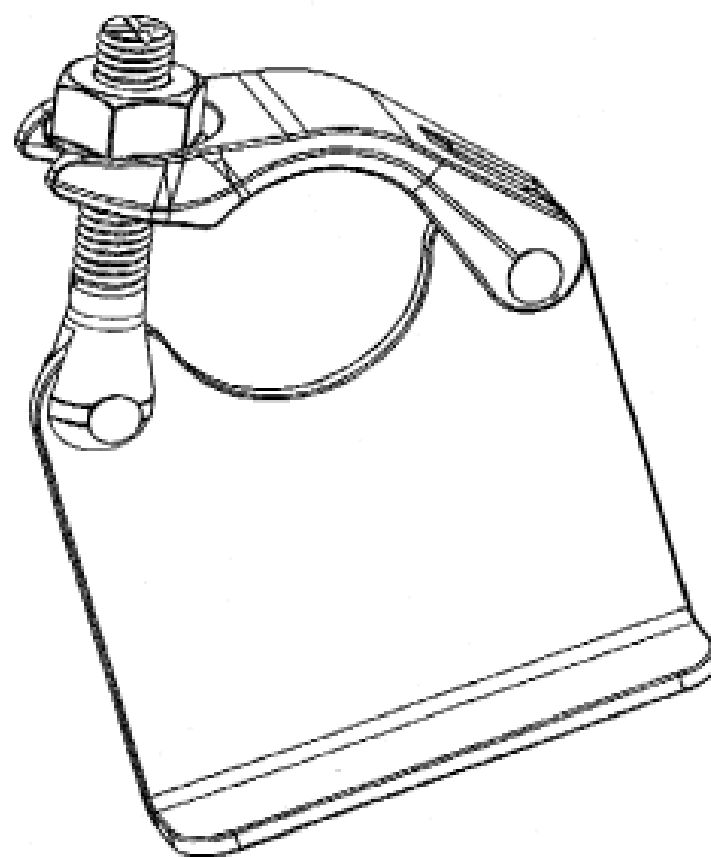
Douglas George Dark
80 Emperor Street Tin Can Bay Queensland 4580 Australia

(72) Name(s) of Designer(s): **Douglas George Dark**

(45) Registration Date: **28 September 2007**

(56) Related Art Documents: **Not Applicable**

(57) Statement of Newness and Distinctiveness: **Monopoly is claimed in the features in shape and configuration of a scaffold ladder clamp as illustrated in the accompanying representations.**



(21) Design Number: **19039/2007**

(22) Date of Filing Application: **24 July 2007**

(24) Date from which industrial property rights may have effect: **24 July 2007**

(54) Product in respect of which the design is registered: **Fitted duvet**

(51) International Design Classification: **06-13B**

(71) Name(s) and Address(s) of Applicant(s):

Joanne Lockyer
14 Bedford Crescent Mudgeeraba Queensland 4213 Australia

(72) Name(s) of Designer(s): **Joanne Lockyer**

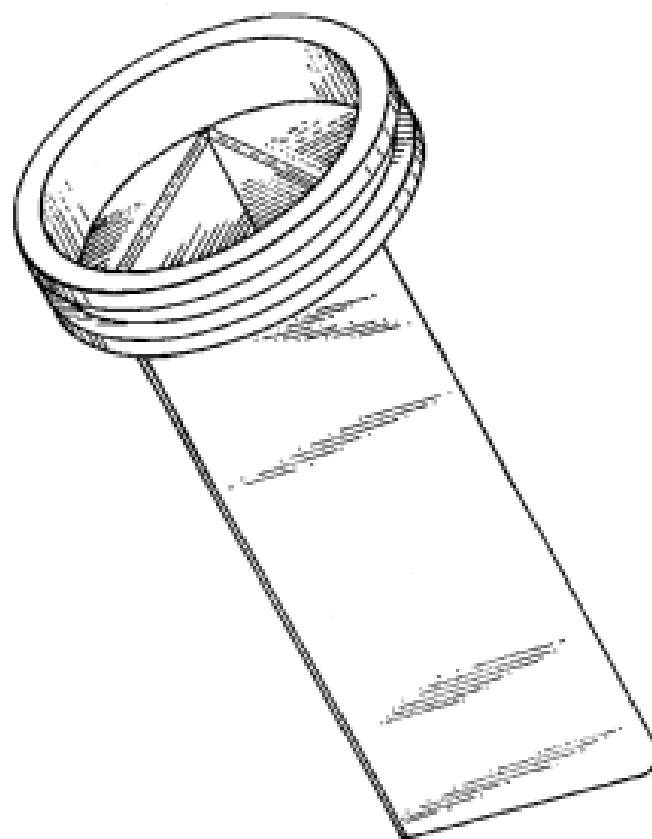
(45) Registration Date: **28 September 2007**

(56) Related Art Documents: **Not Applicable**

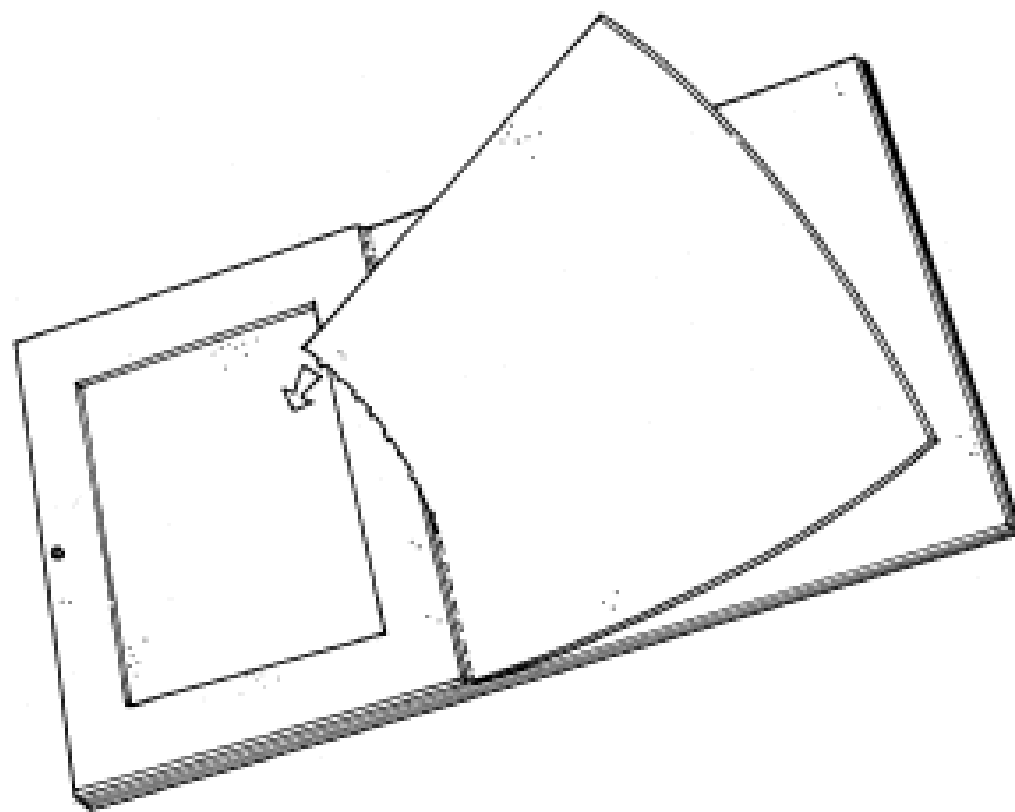
(57) Statement of Newness and Distinctiveness: **Particular features: A duvet cover attached to a bottom sheet which is held on the mattress with an elasticised fitted skirt for either a cot size or a single bed size. The material depicted here is not part of the design.**



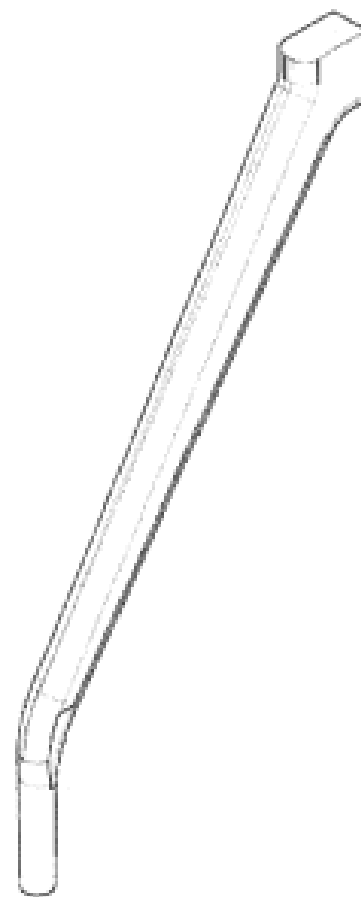
(21) Design Number: **19040/2007**
(22) Date of Filing Application: **23 July 2007**
(24) Date from which industrial property rights may have effect: **23 July 2007**
(54) Product in respect of which the design is registered: **Fence post guide**
(51) International Design Classification: **08-08NES**
(71) Name(s) and Address(s) of Applicant(s):
Onesteel Wire Pty Limited
Level 40 259 George Street Sydney New South Wales 2000 Australia
(72) Name(s) of Designer(s): **Lawrence O'Toole**
(45) Registration Date: **28 September 2007**
(56) Related Art Documents: **Not Applicable**
(57) Statement of Newness and Distinctiveness: **Nil**



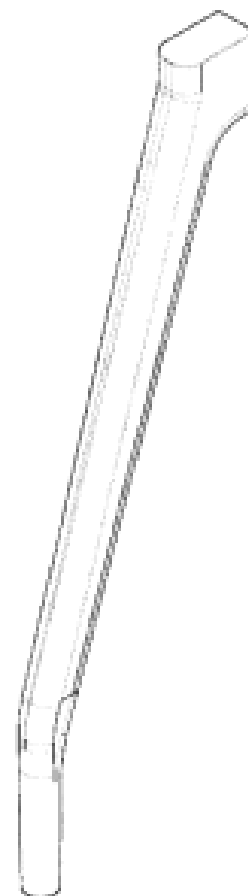
(21) Design Number: **19045/2007**
(22) Date of Filing Application: **25 July 2007**
(24) Date from which industrial property rights may have effect: **25 July 2007**
(54) Product in respect of which the design is registered: **Personal photo calendar**
(51) International Design Classification: **19-03**
(71) Name(s) and Address(s) of Applicant(s):
Your Brides Guide Pty Ltd
PO Box 192 Willetton Western Australia 6955 Australia
(72) Name(s) of Designer(s): **Nikki Watson**
(45) Registration Date: **28 September 2007**
(56) Related Art Documents: **Not Applicable**
(57) Statement of Newness and Distinctiveness: **Nil**



(21) Design Number: **19046/2007**
(22) Date of Filing Application: **24 July 2007**
(24) Date from which industrial property rights may have effect: **24 July 2007**
(54) Product in respect of which the design is registered: **Furniture leg**
(51) International Design Classification: **06-06E**
(71) Name(s) and Address(s) of Applicant(s):
Schiavello (Vic) Pty Ltd
1 Sharps Road Tullamarine Victoria 3043 Australia
(72) Name(s) of Designer(s): **Antonino Schiavello**
(45) Registration Date: **28 September 2007**
(56) Related Art Documents: **Not Applicable**
(57) Statement of Newness and Distinctiveness: **Nil**



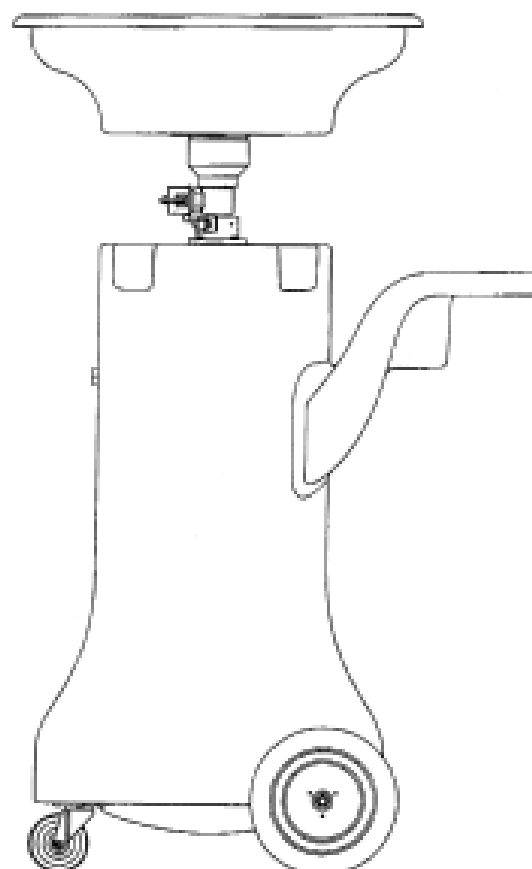
(21) Design Number: **19047/2007**
(22) Date of Filing Application: **24 July 2007**
(24) Date from which industrial property rights may have effect: **24 July 2007**
(54) Product in respect of which the design is registered: **Furniture leg**
(51) International Design Classification: **06-06E**
(71) Name(s) and Address(s) of Applicant(s):
Schiavello (Vic) Pty Ltd
1 Sharps Road Tullamarine Victoria 3043 Australia
(72) Name(s) of Designer(s): **Antonino Schiavello**
(45) Registration Date: **28 September 2007**
(56) Related Art Documents: **Not Applicable**
(57) Statement of Newness and Distinctiveness: **Nil**



- (21) Design Number: **19048/2007**
(22) Date of Filing Application: **24 July 2007**
(24) Date from which industrial property rights may have effect: **24 July 2007**
(54) Product in respect of which the design is registered: **Sex toy**
(51) International Design Classification: **21-99**
(71) Name(s) and Address(s) of Applicant(s):
LRC Products Limited
35 New Bridge Street London EC4V 6BW United Kingdom
(72) Name(s) of Designer(s): **Nicholas Charles Talbot and Ketan Mistry and Mark Critchley and Calvin Lee Evans**
(45) Registration Date: **28 September 2007**
(30) Convention priority data:
(31) Number (32) Date (33) Country
000664099 31 Jan 2007 EUROPEAN COMMUNITY
(56) Related Art Documents: **Not Applicable**
(57) Statement of Newness and Distinctiveness: **The shape and configuration of the product is new and distinctive.**



- (21) Design Number: **19049/2007**
(22) Date of Filing Application: **24 July 2007**
(24) Date from which industrial property rights may have effect: **24 July 2007**
(54) Product in respect of which the design is registered: **Storage tank for waste fluids**
(51) International Design Classification: **23-02NES**
(71) Name(s) and Address(s) of Applicant(s):
Alemite LLC
167 Roweland Drive Johnson City TN 37601 United States of America
(72) Name(s) of Designer(s): **William P. Sumner**
(45) Registration Date: **28 September 2007**
(30) Convention priority data:
(31) Number (32) Date (33) Country
29/271,694 25 Jan 2007 UNITED STATES OF AMERICA
(56) Related Art Documents: **Not Applicable**
(57) Statement of Newness and Distinctiveness: **The shape and configuration of the storage tank for waste fluids is new and distinctive. Broken lines in the representations are included for illustrative purposes and do not form part of the storage tank for waste fluids.**



(21) Design Number: **19051/2007**
(22) Date of Filing Application: **24 July 2007**
(24) Date from which industrial property rights may have effect: **24 July 2007**
(54) Product in respect of which the design is registered: **Handset**
(51) International Design Classification: **14-03E**
(71) Name(s) and Address(s) of Applicant(s):

Nokia Corporation
Keilalahdentie 4 FIN-02150 Espoo Finland

(72) Name(s) of Designer(s): **Mikko Aarras**

(45) Registration Date: **28 September 2007**

(30) Convention priority data:

(31) Number	(32) Date	(33) Country
M20070021	25 Jan 2007	FINLAND

(56) Related Art Documents: **Not Applicable**

(57) Statement of Newness and Distinctiveness: **Nil**



(21) Design Number: **19052/2007**
(22) Date of Filing Application: **24 July 2007**
(24) Date from which industrial property rights may have effect: **24 July 2007**
(54) Product in respect of which the design is registered: **Handset**
(51) International Design Classification: **14-03E**
(71) Name(s) and Address(s) of Applicant(s):

Nokia Corporation
Keilalahdentie 4 FIN-02150 Espoo Finland

(72) Name(s) of Designer(s): **Charlie Bolton and Iain Pottie and Anton Fahlgren and Sean Prior**

(45) Registration Date: **28 September 2007**

(30) Convention priority data:

(31) Number	(32) Date	(33) Country
M20070023	26 Jan 2007	FINLAND

(56) Related Art Documents: **Not Applicable**

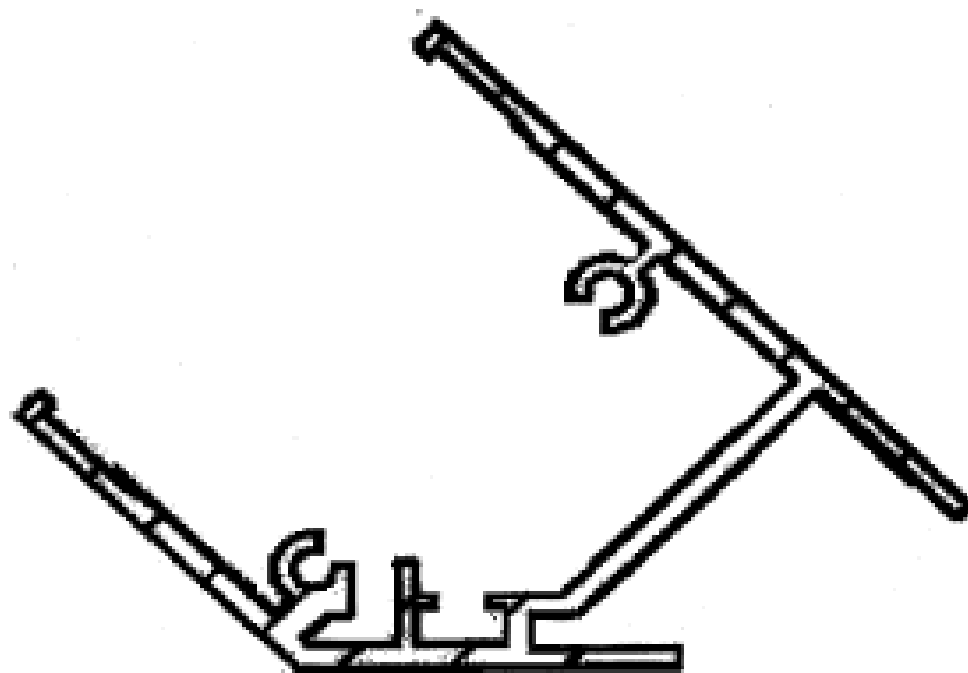
(57) Statement of Newness and Distinctiveness: **Nil**



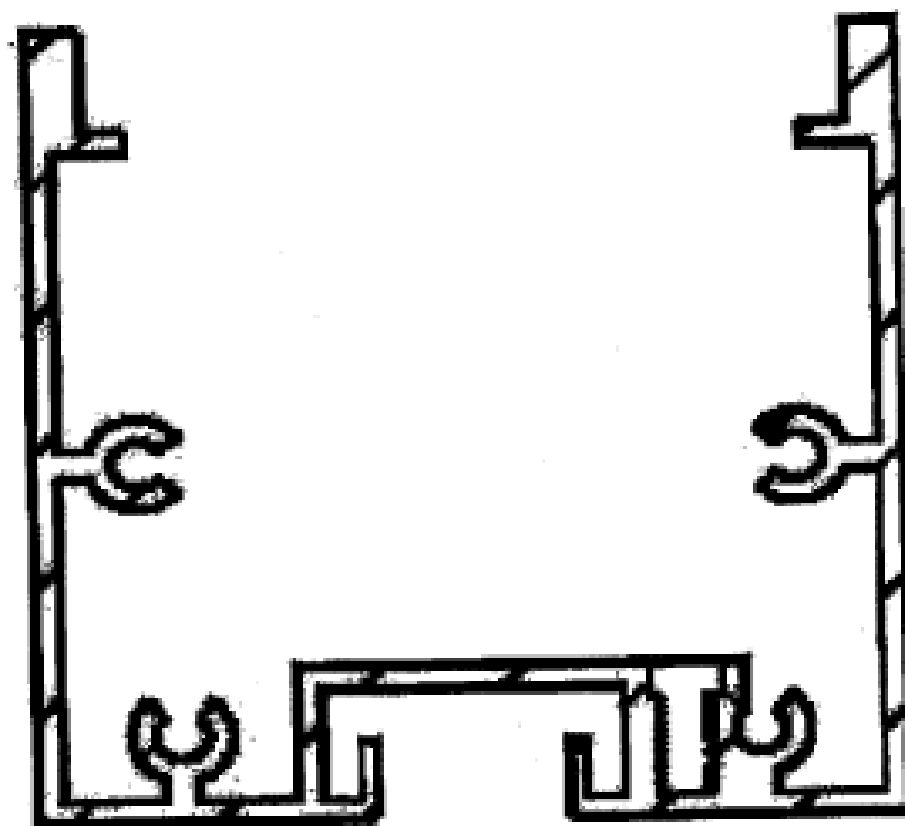
(21) Design Number: **10975/2005**
(22) Date of Filing Application: **14 March 2005**
(24) Date from which industrial property rights may have effect: **14 March 2005**
(54) Product in respect of which the design is registered: **Moulded chocolate lid for packaging box**
(51) International Design Classification: **09-03H**
(71) Name(s) and Address(s) of Applicant(s):
Carole Teakle
'Oakvale' Brahmans Teakle Rd Northampton Western Australia 6535
Australia
(72) Name(s) of Designer(s): **Carole Teakle**
(45) Registration Date: **03 October 2007**
(56) Related Art Documents: **Not Applicable**
(57) Statement of Newness and Distinctiveness: **Nil**



(21) Design Number: **19059/2007**
(22) Date of Filing Application: **25 July 2007**
(24) Date from which industrial property rights may have effect: **25 July 2007**
(54) Product in respect of which the design is registered: **Electrical distribution board housing**
(51) International Design Classification: **13-03NES**
(71) Name(s) and Address(s) of Applicant(s):
CMS Electracom Pty Ltd
3/29 Mitchell Road Brookvale New South Wales 2100 Australia
(72) Name(s) of Designer(s): **Bryan Marshall and Alex Knight**
(45) Registration Date: **28 September 2007**
(56) Related Art Documents: **Not Applicable**
(57) Statement of Newness and Distinctiveness: **Newness and distinctiveness reside in the features of shape and configuration of an electrical distribution board housing extrusion of indefinite length, as shown in the accompanying representations.**



- (21) Design Number: **19060/2007**
(22) Date of Filing Application: **25 July 2007**
(24) Date from which industrial property rights may have effect: **25 July 2007**
(54) Product in respect of which the design is registered: **Electrical distribution board housing**
(51) International Design Classification: **13-03NES**
(71) Name(s) and Address(s) of Applicant(s):
CMS Electracom Pty Ltd
3/29 Mitchell Road Brookvale New South Wales 2100 Australia
(72) Name(s) of Designer(s): **Bryan Marshall and Alex Knight**
(45) Registration Date: **28 September 2007**
(56) Related Art Documents: **Not Applicable**
(57) Statement of Newness and Distinctiveness: **Newness and distinctiveness reside in the features of shape and configuration of an electrical distribution board housing extrusion of indefinite length, as shown in the accompanying representations.**



- (21) Design Number: **19062/2007**
(22) Date of Filing Application: **25 July 2007**
(24) Date from which industrial property rights may have effect: **25 July 2007**
(54) Product in respect of which the design is registered: **A tank**
(51) International Design Classification: **23-01F**
(71) Name(s) and Address(s) of Applicant(s):
Raymond Arthur Fidler
117 Darraghs Road Otumoetai Tauranga New Zealand
(72) Name(s) of Designer(s): **Raymond Arthur Fidler**
(45) Registration Date: **28 September 2007**
(30) Convention priority data:

(31) Number	(32) Date	(33) Country
408958	03 Apr 2007	NEW ZEALAND

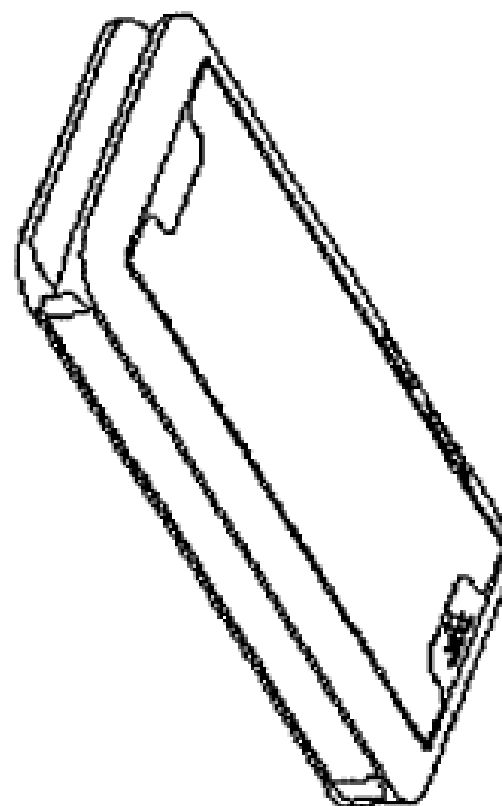
(56) Related Art Documents: **Not Applicable**
(57) Statement of Newness and Distinctiveness: **Nil**



- (21) Design Number: **19063/2007**
(22) Date of Filing Application: **25 July 2007**
(24) Date from which industrial property rights may have effect: **25 July 2007**
(54) Product in respect of which the design is registered: **Pattern on container**
(51) International Design Classification: **09-03NES**
(71) Name(s) and Address(s) of Applicant(s):
Societe des Produits Nestle S.A.
1800 Vevey Switzerland
(72) Name(s) of Designer(s): **Matt Walker**
(45) Registration Date: **28 September 2007**
(56) Related Art Documents: **Not Applicable**
(57) Statement of Newness and Distinctiveness: **Nil**



- (21) Design Number: **19065/2007**
(22) Date of Filing Application: **25 July 2007**
(24) Date from which industrial property rights may have effect: **25 July 2007**
(54) Product in respect of which the design is registered: **Communications equipment**
(51) International Design Classification: **14-03NES**
(71) Name(s) and Address(s) of Applicant(s):
Polymer Vision Ltd.
High Tech Campus 48 5656 AE Eindhoven The Netherlands
(72) Name(s) of Designer(s): **Volker Verschoor**
(45) Registration Date: **28 September 2007**
(30) Convention priority data:
(31) Number (32) Date (33) Country
000659297 26 Jan 2007 EUROPEAN COMMUNITY
(56) Related Art Documents: **Not Applicable**
(57) Statement of Newness and Distinctiveness: **Newness and distinctiveness reside in the features of the design shown in solid lines in the representations excluding those features shown in broken lines.**



- (21) Design Number: **19066/2007**
(22) Date of Filing Application: **25 July 2007**
(24) Date from which industrial property rights may have effect: **25 July 2007**
(54) Product in respect of which the design is registered: **Capsularhexis ring**
(51) International Design Classification: **24-01**
(71) Name(s) and Address(s) of Applicant(s):

Minas Theodore Coroneo
44 Olola Avenue Vaucluse New South Wales 2030 Australia

- (72) Name(s) of Designer(s): **Minas Theodore Coroneo**
(45) Registration Date: **28 September 2007**
(56) Related Art Documents: **Not Applicable**
(57) Statement of Newness and Distinctiveness: **Newness and distinctiveness is claimed in the shape and configuration of the concave engagement region of the capsularhexis ring. Shading is provided merely for clarity and does not form part of the design.**

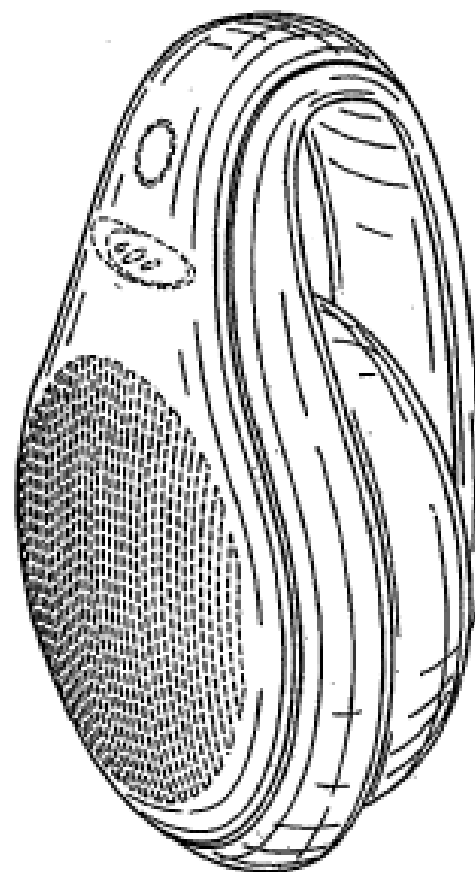


- (21) Design Number: **19067/2007**
(22) Date of Filing Application: **25 July 2007**
(24) Date from which industrial property rights may have effect: **25 July 2007**
(54) Product in respect of which the design is registered: **Volatile dispenser**
(51) International Design Classification: **28-03NES**
(71) Name(s) and Address(s) of Applicant(s):

S.C. Johnson & Son, Inc.
1525 Howe Street Racine Wisconsin 53403-2236 United States of America

- (72) Name(s) of Designer(s): **Paul D. Hatch and Carl A. Cepress and Hyung S. Lee and Tyler D. Duston**
(45) Registration Date: **28 September 2007**
(30) Convention priority data:
- | | | |
|------------------|--------------------|---------------------------------|
| (31) Number | (32) Date | (33) Country |
| 29/276470 | 26 Jan 2007 | UNITED STATES OF AMERICA |

- (56) Related Art Documents: **Not Applicable**
(57) Statement of Newness and Distinctiveness: **Newness and distinctiveness is claimed in those features of shape and/or configuration of a volatile dispenser as illustrated in continuous lines in the accompanying representations.**



(21) Design Number: **18120/2007**

(22) Date of Filing Application: **28 May 2007**

(24) Date from which industrial property rights may have effect: **28 May 2007**

(54) Product in respect of which the design is registered: **A swimming pool cleaner**

(51) International Design Classification: **15-05**

(71) Name(s) and Address(s) of Applicant(s):

Integrated Pool Products (Pty) Ltd
70 Driefontein Muldersdrift District of Krugersdorp Gauteng 1747
South Africa

(72) Name(s) of Designer(s): **Peter Ettiene Dreyer**

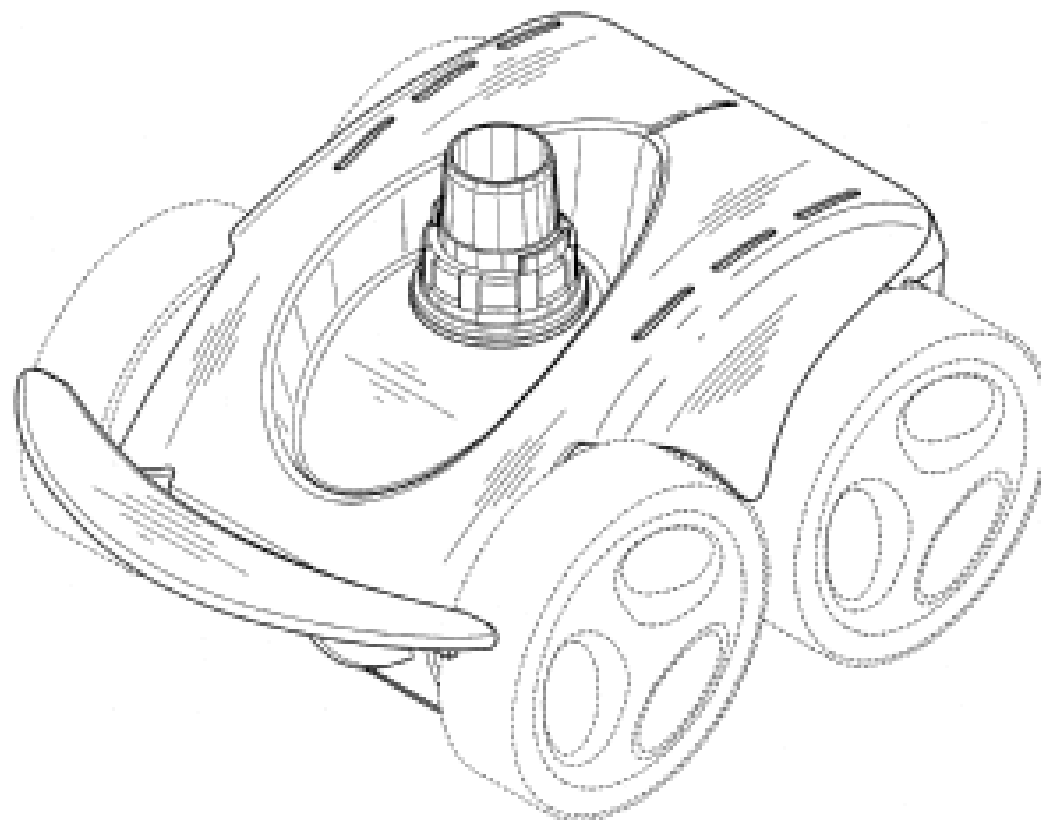
(45) Registration Date: **28 September 2007**

(30) Convention priority data:

(31) Number	(32) Date	(33) Country
2006/01818	28 Nov 2006	SOUTH AFRICA

(56) Related Art Documents: **Not Applicable**

(57) Statement of Newness and Distinctiveness: **Newness and distinctiveness is claimed in the shape and/or configuration of a swimming pool cleaner as shown in solid lines in the representations.**



(21) Design Number: **18702/2007**

(22) Date of Filing Application: **04 July 2007**

(24) Date from which industrial property rights may have effect: **04 July 2007**

(54) Product in respect of which the design is registered: **Electrical component with direct current output**

(51) International Design Classification: **13-03NES**

(71) Name(s) and Address(s) of Applicant(s):

Belkin International, Inc.
501 W. Walnut Street Compton California 90220 United States of
America

(72) Name(s) of Designer(s): **Barry Sween and Jie Wan and Vijendra Nalwad**

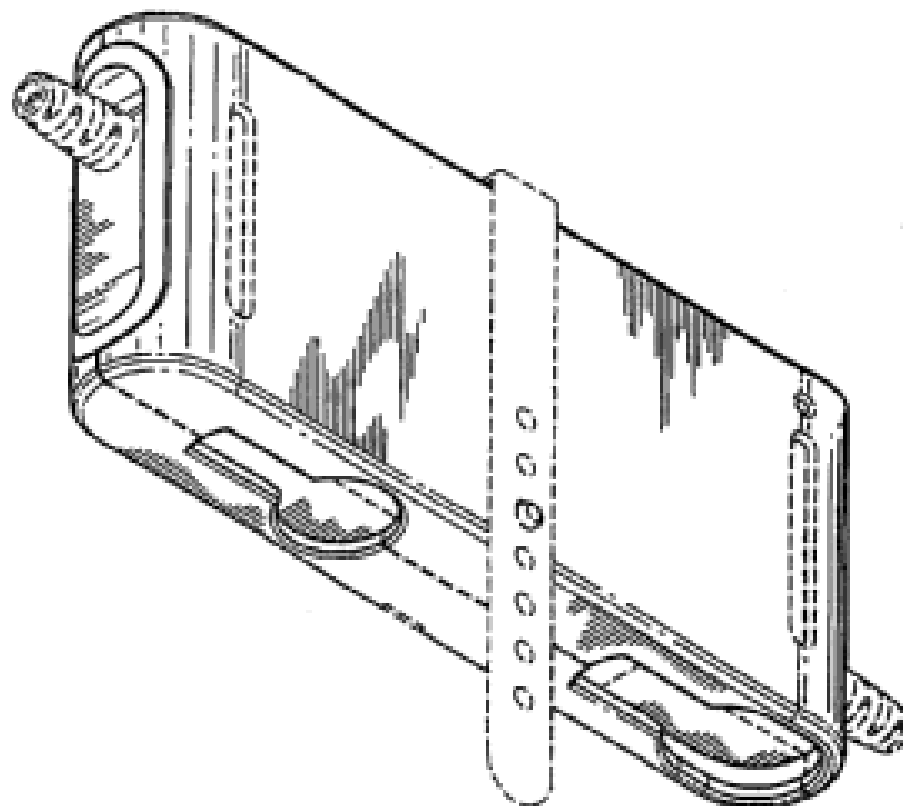
(45) Registration Date: **28 September 2007**

(30) Convention priority data:

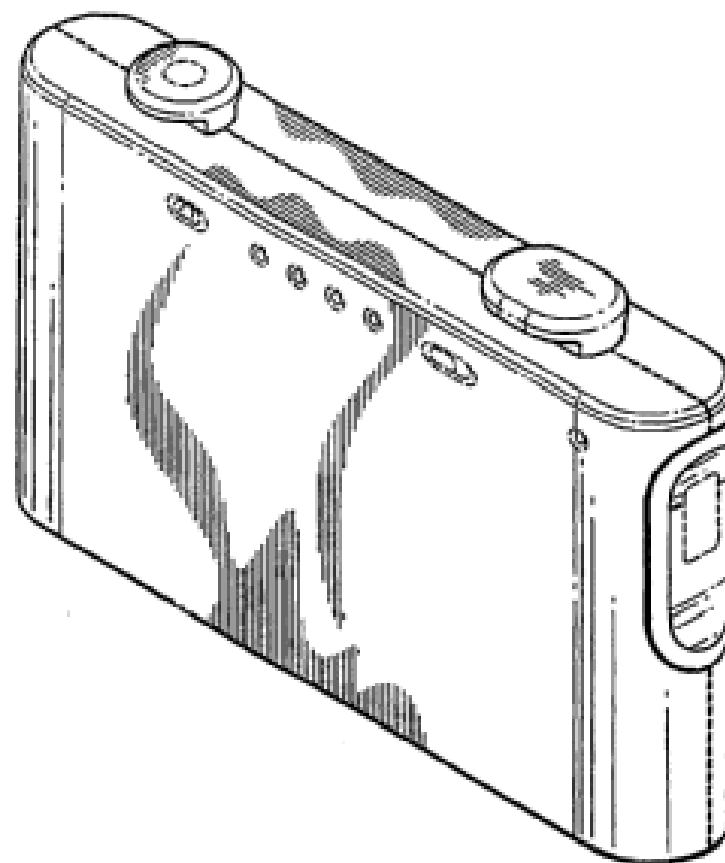
(31) Number	(32) Date	(33) Country
29/270867	05 Jan 2007	UNITED STATES OF AMERICA

(56) Related Art Documents: **Not Applicable**

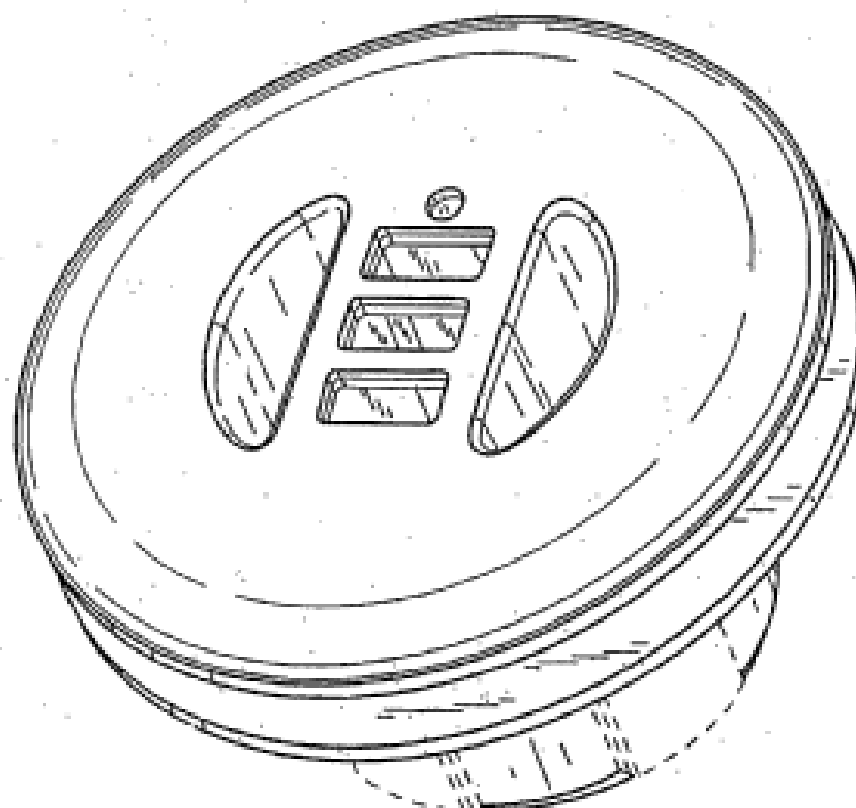
(57) Statement of Newness and Distinctiveness: **Newness and distinctiveness is claimed in the features of shape and/or configuration of an electrical component with direct current output as illustrated in solid lines in the accompanying representations.**



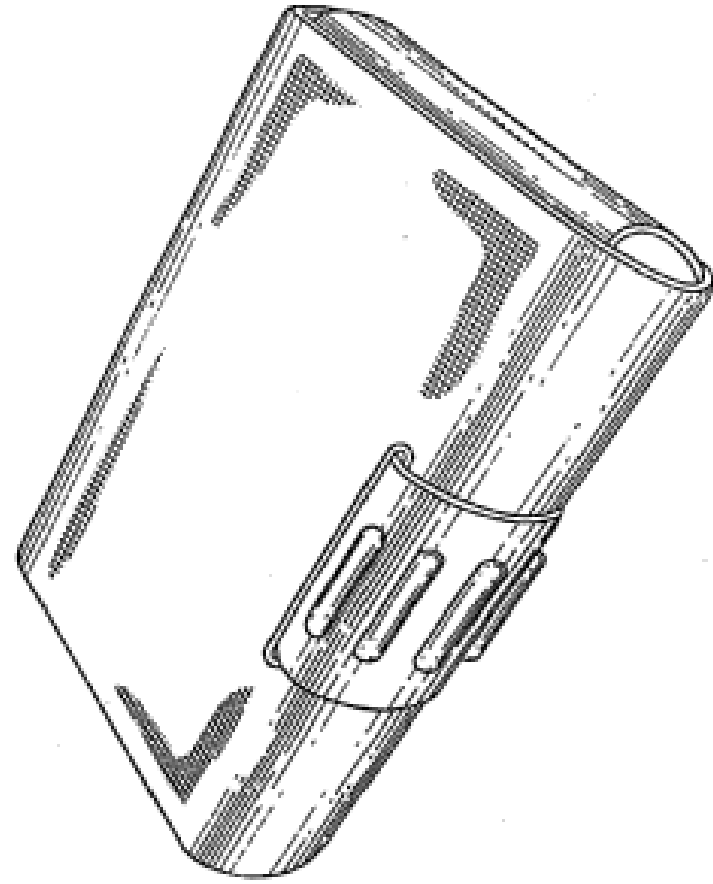
(21) Design Number: **18703/2007**
 (22) Date of Filing Application: **04 July 2007**
 (24) Date from which industrial property rights may have effect: **04 July 2007**
 (54) Product in respect of which the design is registered: **Electrical charge storage component**
 (51) International Design Classification: **13-03NES**
 (71) Name(s) and Address(s) of Applicant(s):
Belkin International, Inc.
501 W. Walnut Street Compton California 90220 United States of America
 (72) Name(s) of Designer(s): **Barry Sween and Jie Wan and Vijendra Nalwad**
 (45) Registration Date: **28 September 2007**
 (30) Convention priority data:
 (31) Number (32) Date (33) Country
29/270868 05 Jan 2007 UNITED STATES OF AMERICA
 (56) Related Art Documents: **Not Applicable**
 (57) Statement of Newness and Distinctiveness: **Newness and distinctiveness is claimed in the features of shape and/or configuration of an electrical charge storage component as illustrated in solid lines in the accompanying representations.**



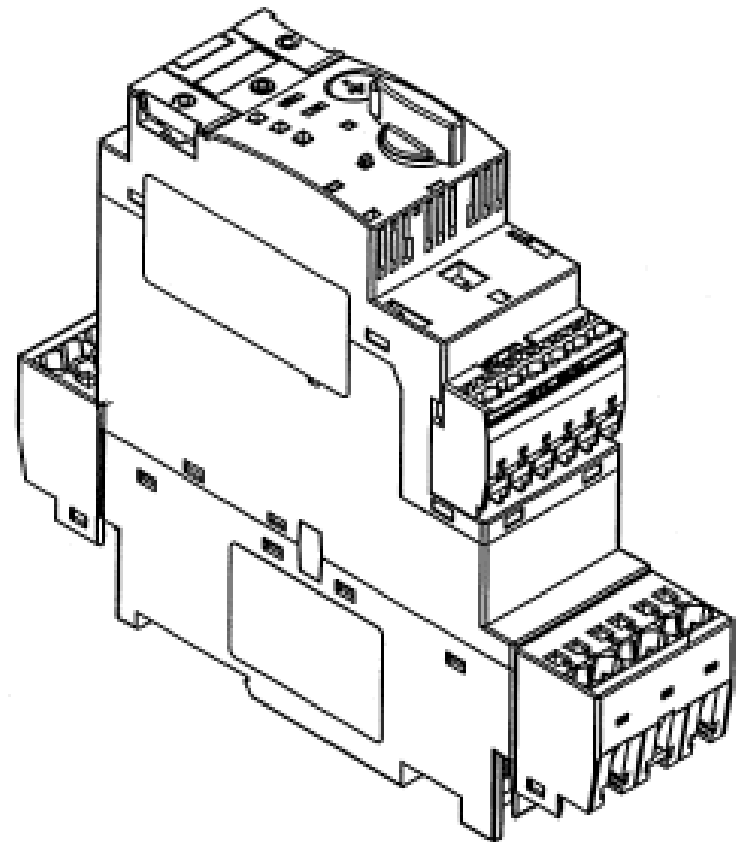
(21) Design Number: **18704/2007**
 (22) Date of Filing Application: **04 July 2007**
 (24) Date from which industrial property rights may have effect: **04 July 2007**
 (54) Product in respect of which the design is registered: **Grommet hub**
 (51) International Design Classification: **14-02**
 (71) Name(s) and Address(s) of Applicant(s):
Belkin International, Inc.
501 W. Walnut Street Compton California 90220 United States of America
 (72) Name(s) of Designer(s): **Joseph Chong and Yoko Iida and Kenneth Mori**
 (45) Registration Date: **28 September 2007**
 (30) Convention priority data:
 (31) Number (32) Date (33) Country
29/270900 05 Jan 2007 UNITED STATES OF AMERICA
 (56) Related Art Documents: **Not Applicable**
 (57) Statement of Newness and Distinctiveness: **Newness and distinctiveness is claimed in the features of shape and/or configuration of a grommet hub as illustrated in solid lines in the accompanying representations.**



- (21) Design Number: **18705/2007**
(22) Date of Filing Application: **04 July 2007**
(24) Date from which industrial property rights may have effect: **04 July 2007**
(54) Product in respect of which the design is registered: **Holding device for holding and positioning a portable object**
(51) International Design Classification: **09-03M, 19-02**
(71) Name(s) and Address(s) of Applicant(s):
Belkin International, Inc.
501 W. Walnut Street Compton California 90220 United States of America
(72) Name(s) of Designer(s): **James Chan and Saharut Sirichai**
(45) Registration Date: **28 September 2007**
(30) Convention priority data:
(31) Number (32) Date (33) Country
29/270898 05 Jan 2007 UNITED STATES OF AMERICA
(56) Related Art Documents: **Not Applicable**
(57) Statement of Newness and Distinctiveness: **Newness and distinctiveness is claimed in the features of shape and/or configuration of a holding device for holding and positioning a portable object as illustrated in solid lines in the accompanying representations.**



- (21) Design Number: **17541/2007**
(22) Date of Filing Application: **20 April 2007**
(24) Date from which industrial property rights may have effect: **20 April 2007**
(54) Product in respect of which the design is registered: **Compact starter**
(51) International Design Classification: **13-03NES**
(71) Name(s) and Address(s) of Applicant(s):
Siemens Aktiengesellschaft
Wittelsbacherplatz 2 80333 Munchen Germany
(72) Name(s) of Designer(s): **Thomas Detemple and Josef Graf and Peter Trautwein**
(45) Registration Date: **02 October 2007**
(30) Convention priority data:
(31) Number (32) Date (33) Country
000690037 05 Mar 2007 EUROPEAN COMMUNITY
(56) Related Art Documents: **Not Applicable**
(57) Statement of Newness and Distinctiveness: **Newness and distinctiveness is claimed in the features of shape and/or configuration of a compact starter as illustrated in the accompanying representations.**



(21) Design Number: **17542/2007**

(22) Date of Filing Application: **20 April 2007**

(24) Date from which industrial property rights may have effect: **20 April 2007**

(54) Product in respect of which the design is registered: **Compact starter**

(51) International Design Classification: **13-03NES**

(71) Name(s) and Address(s) of Applicant(s):

**Siemens Aktiengesellschaft
Wittelsbacherplatz 2 80333 Munchen Germany**

(72) Name(s) of Designer(s): **Thomas Detemple and Josef Graf and Peter Trautwein**

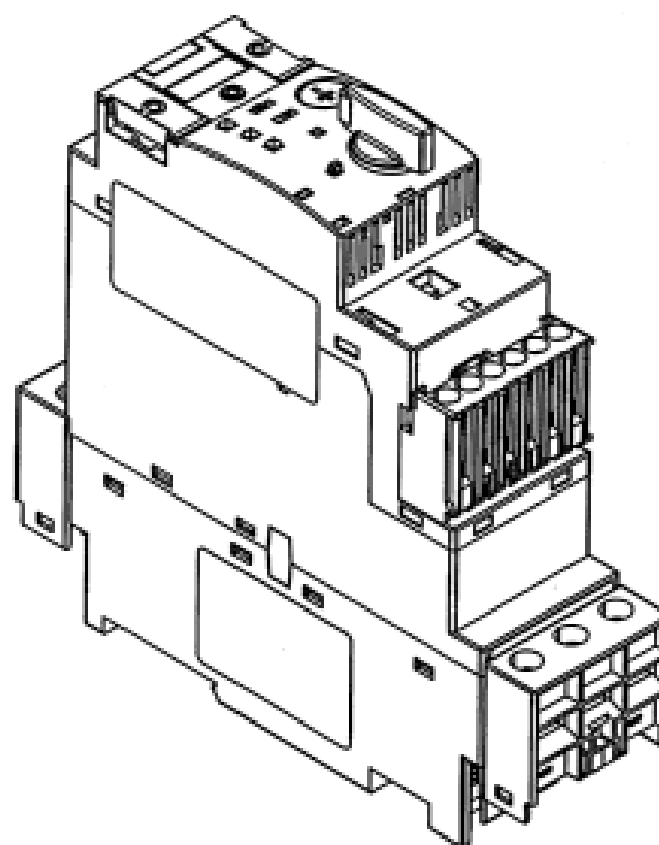
(45) Registration Date: **02 October 2007**

(30) Convention priority data:

(31) Number	(32) Date	(33) Country
000690037	05 Mar 2007	EUROPEAN COMMUNITY

(56) Related Art Documents: **Not Applicable**

(57) Statement of Newness and Distinctiveness: **Newness and distinctiveness is claimed in the features of shape and/or configuration of a compact starter as illustrated in the accompanying representations.**



(21) Design Number: **17543/2007**

(22) Date of Filing Application: **20 April 2007**

(24) Date from which industrial property rights may have effect: **20 April 2007**

(54) Product in respect of which the design is registered: **Compact starter**

(51) International Design Classification: **13-03NES**

(71) Name(s) and Address(s) of Applicant(s):

**Siemens Aktiengesellschaft
Wittelsbacherplatz 2 80333 Munchen Germany**

(72) Name(s) of Designer(s): **Thomas Detemple and Josef Graf and Peter Trautwein**

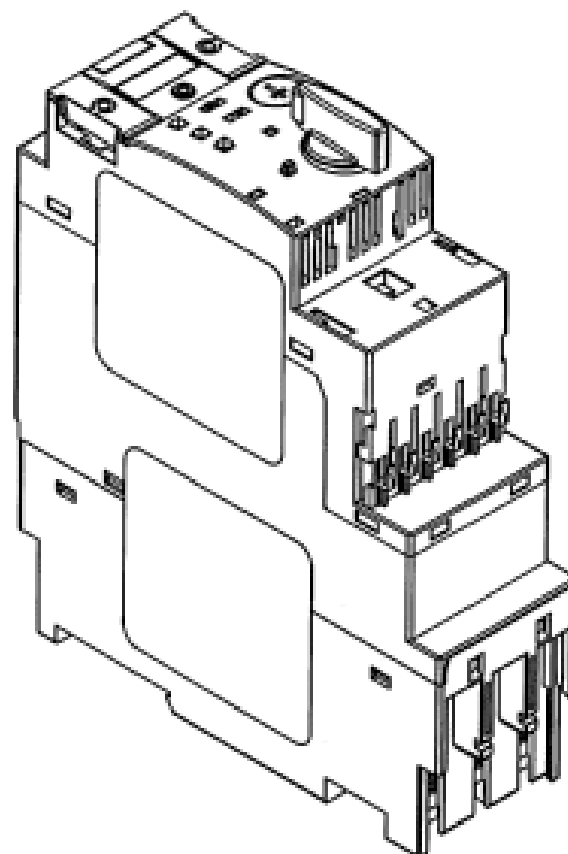
(45) Registration Date: **02 October 2007**

(30) Convention priority data:

(31) Number	(32) Date	(33) Country
000690037	05 Mar 2007	EUROPEAN COMMUNITY

(56) Related Art Documents: **Not Applicable**

(57) Statement of Newness and Distinctiveness: **Newness and distinctiveness is claimed in the features of shape and/or configuration of a compact starter as illustrated in the accompanying representations.**



(21) Design Number: **17544/2007**

(22) Date of Filing Application: **20 April 2007**

(24) Date from which industrial property rights may have effect: **20 April 2007**

(54) Product in respect of which the design is registered: **Reversing starter**

(51) International Design Classification: **13-03NES**

(71) Name(s) and Address(s) of Applicant(s):

**Siemens Aktiengesellschaft
Wittelsbacherplatz 2 80333 Munchen Germany**

(72) Name(s) of Designer(s): **Thomas Detemple and Josef Graf and Peter Trautwein**

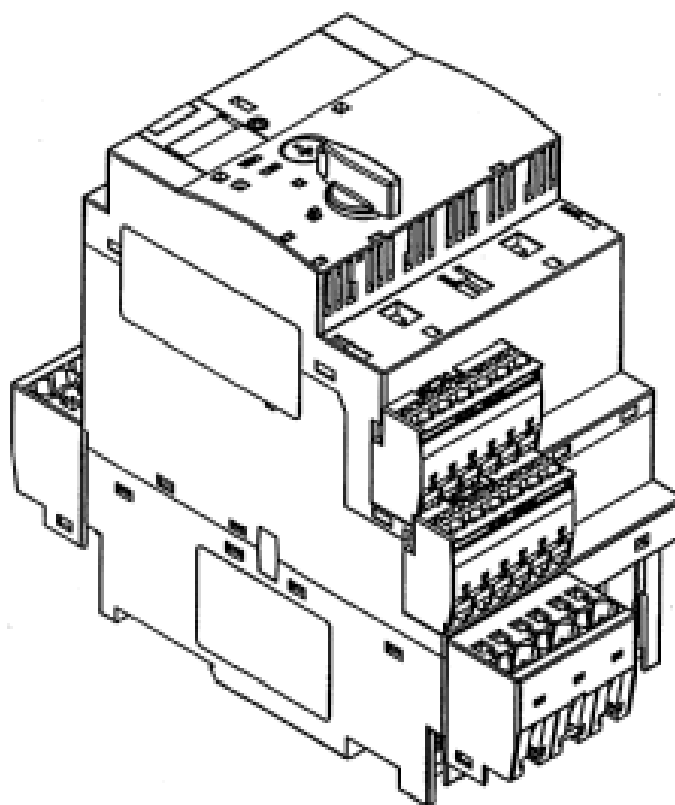
(45) Registration Date: **02 October 2007**

(30) Convention priority data:

(31) Number	(32) Date	(33) Country
000690037	05 Mar 2007	EUROPEAN COMMUNITY

(56) Related Art Documents: **Not Applicable**

(57) Statement of Newness and Distinctiveness: **Newness and distinctiveness is claimed in the features of shape and/or configuration of a reversing starter as illustrated in the accompanying representations.**



(21) Design Number: **17545/2007**

(22) Date of Filing Application: **20 April 2007**

(24) Date from which industrial property rights may have effect: **20 April 2007**

(54) Product in respect of which the design is registered: **Reversing starter**

(51) International Design Classification: **13-03NES**

(71) Name(s) and Address(s) of Applicant(s):

**Siemens Aktiengesellschaft
Wittelsbacherplatz 2 80333 Munchen Germany**

(72) Name(s) of Designer(s): **Thomas Detemple and Josef Graf and Peter Trautwein**

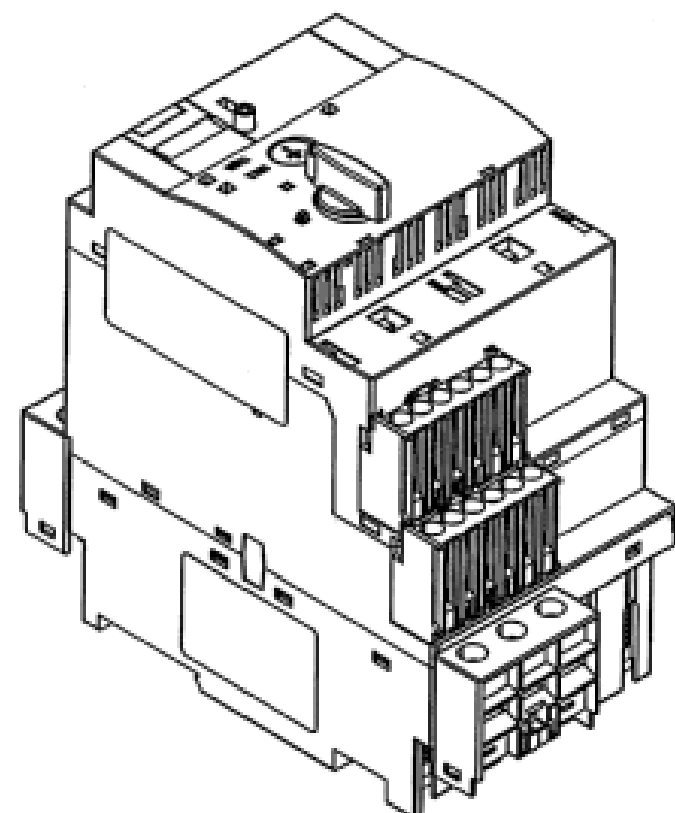
(45) Registration Date: **02 October 2007**

(30) Convention priority data:

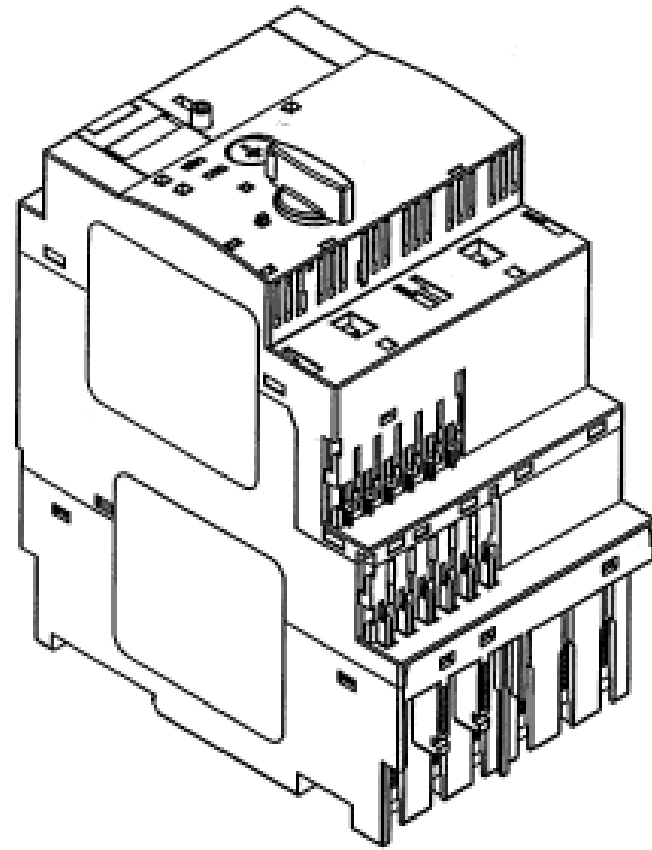
(31) Number	(32) Date	(33) Country
000690037	05 Mar 2007	EUROPEAN COMMUNITY

(56) Related Art Documents: **Not Applicable**

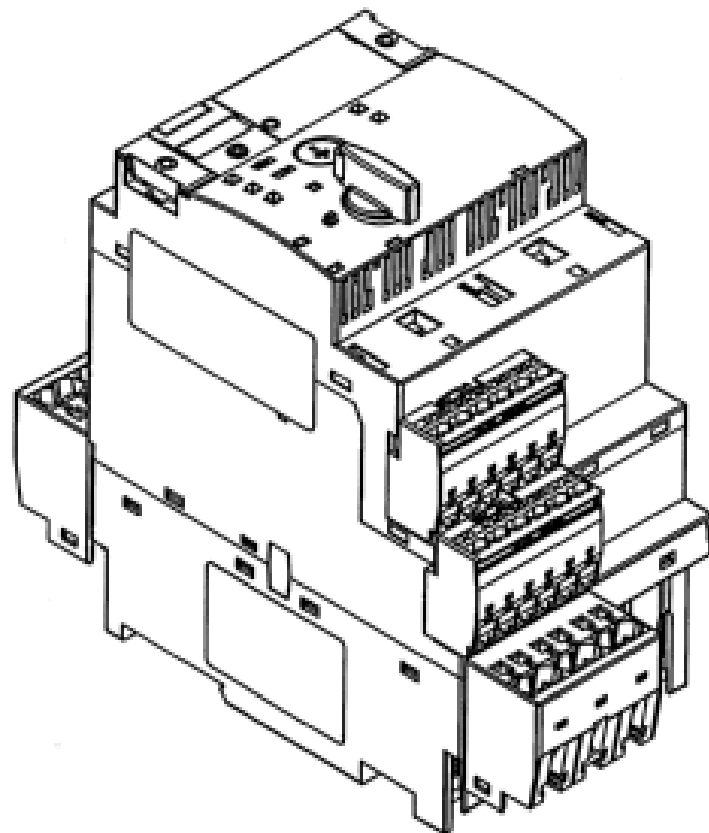
(57) Statement of Newness and Distinctiveness: **Newness and distinctiveness is claimed in the features of shape and/or configuration of a reversing starter as illustrated in the accompanying representations.**



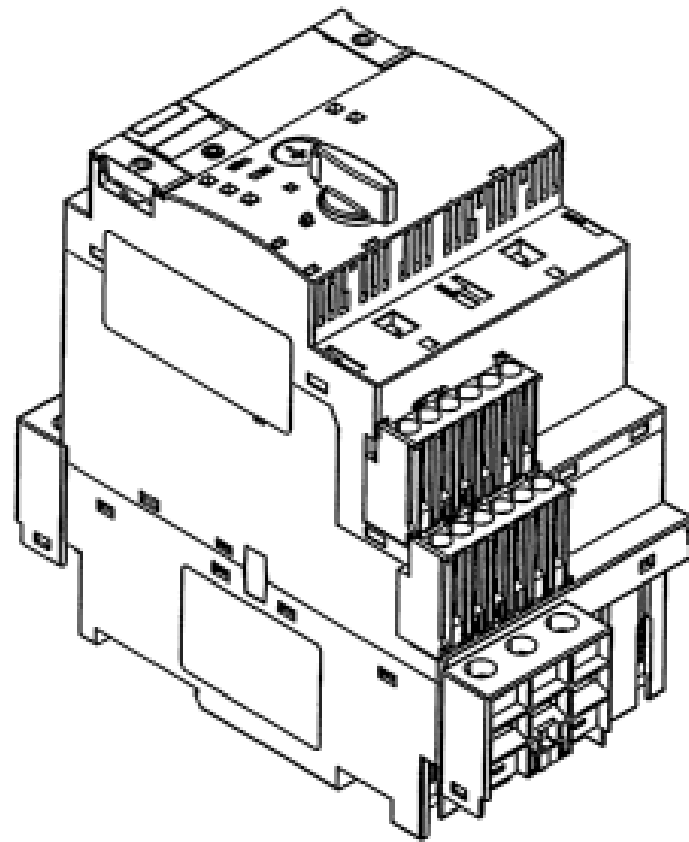
- (21) Design Number: **17546/2007**
(22) Date of Filing Application: **20 April 2007**
(24) Date from which industrial property rights may have effect: **20 April 2007**
(54) Product in respect of which the design is registered: **Reversing starter**
(51) International Design Classification: **13-03NES**
(71) Name(s) and Address(s) of Applicant(s):
Siemens Aktiengesellschaft
Wittelsbacherplatz 2 80333 Munchen Germany
(72) Name(s) of Designer(s): **Thomas Detemple and Josef Graf and Peter Trautwein**
(45) Registration Date: **02 October 2007**
(30) Convention priority data:
(31) Number (32) Date (33) Country
000690037 05 Mar 2007 EUROPEAN COMMUNITY
(56) Related Art Documents: **Not Applicable**
(57) Statement of Newness and Distinctiveness: **Newness and distinctiveness is claimed in the features of shape and/or configuration of a reversing starter as illustrated in the accompanying representations.**



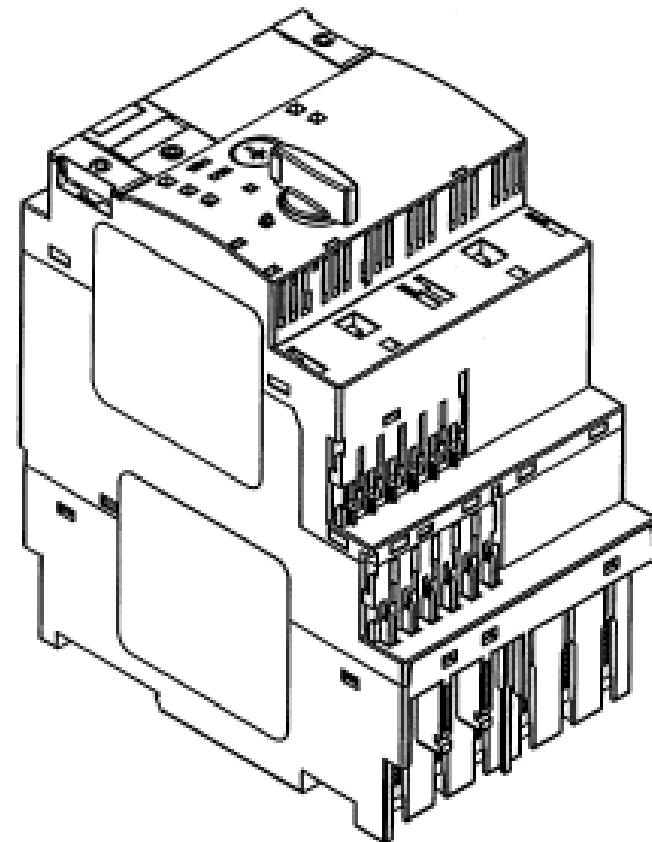
- (21) Design Number: **17547/2007**
(22) Date of Filing Application: **20 April 2007**
(24) Date from which industrial property rights may have effect: **20 April 2007**
(54) Product in respect of which the design is registered: **Reversing starter**
(51) International Design Classification: **13-03NES**
(71) Name(s) and Address(s) of Applicant(s):
Siemens Aktiengesellschaft
Wittelsbacherplatz 2 80333 Munchen Germany
(72) Name(s) of Designer(s): **Thomas Detemple and Josef Graf and Peter Trautwein**
(45) Registration Date: **02 October 2007**
(30) Convention priority data:
(31) Number (32) Date (33) Country
000690037 05 Mar 2007 EUROPEAN COMMUNITY
(56) Related Art Documents: **Not Applicable**
(57) Statement of Newness and Distinctiveness: **Newness and distinctiveness is claimed in the features of shape and/or configuration of a reversing starter as illustrated in the accompanying representations.**



- (21) Design Number: **17548/2007**
(22) Date of Filing Application: **20 April 2007**
(24) Date from which industrial property rights may have effect: **20 April 2007**
(54) Product in respect of which the design is registered: **Reversing starter**
(51) International Design Classification: **13-03NES**
(71) Name(s) and Address(s) of Applicant(s):
Siemens Aktiengesellschaft
Wittelsbacherplatz 2 80333 Munchen Germany
(72) Name(s) of Designer(s): **Thomas Detemple and Josef Graf and Peter Trautwein**
(45) Registration Date: **02 October 2007**
(30) Convention priority data:
(31) Number (32) Date (33) Country
000690037 05 Mar 2007 EUROPEAN COMMUNITY
(56) Related Art Documents: **Not Applicable**
(57) Statement of Newness and Distinctiveness: **Newness and distinctiveness is claimed in the features of shape and/or configuration of a reversing starter as illustrated in the accompanying representations.**



- (21) Design Number: **17549/2007**
(22) Date of Filing Application: **20 April 2007**
(24) Date from which industrial property rights may have effect: **20 April 2007**
(54) Product in respect of which the design is registered: **Reversing starter**
(51) International Design Classification: **13-03NES**
(71) Name(s) and Address(s) of Applicant(s):
Siemens Aktiengesellschaft
Wittelsbacherplatz 2 80333 Munchen Germany
(72) Name(s) of Designer(s): **Thomas Detemple and Josef Graf and Peter Trautwein**
(45) Registration Date: **02 October 2007**
(30) Convention priority data:
(31) Number (32) Date (33) Country
000690037 05 Mar 2007 EUROPEAN COMMUNITY
(56) Related Art Documents: **Not Applicable**
(57) Statement of Newness and Distinctiveness: **Newness and distinctiveness is claimed in the features of shape and/or configuration of a reversing starter as illustrated in the accompanying representations.**



(21) Design Number: **17793/2007**
(22) Date of Filing Application: **07 May 2007**
(24) Date from which industrial property rights may have effect: **07 May 2007**
(54) Product in respect of which the design is registered: **Bowl**
(51) International Design Classification: **07-01B**
(71) Name(s) and Address(s) of Applicant(s):
Steelite International PLC
Orme Street Burslem Stoke-on-Trent Staffordshire ST6 3RB United Kingdom
(72) Name(s) of Designer(s): **Andrew Klimecki**
(45) Registration Date: **02 October 2007**
(30) Convention priority data:
(31) Number (32) Date (33) Country
E-00023161-Q 07 Nov 2006 EUROPEAN COMMUNITY
(56) Related Art Documents: **Not Applicable**
(57) Statement of Newness and Distinctiveness: **Each feature of the bowl considered separately or in combination with any other feature or features.**



(21) Design Number: **17794/2007**
(22) Date of Filing Application: **07 May 2007**
(24) Date from which industrial property rights may have effect: **07 May 2007**
(54) Product in respect of which the design is registered: **Bowl**
(51) International Design Classification: **07-01B**
(71) Name(s) and Address(s) of Applicant(s):
Steelite International PLC
Orme Street Burslem Stoke-on-Trent Staffordshire ST6 3RB United Kingdom
(72) Name(s) of Designer(s): **Andrew Klimecki**
(45) Registration Date: **02 October 2007**
(30) Convention priority data:
(31) Number (32) Date (33) Country
E-00023161-Q 07 Nov 2006 EUROPEAN COMMUNITY
(56) Related Art Documents: **Not Applicable**
(57) Statement of Newness and Distinctiveness: **Each feature of the bowl considered separately or in combination with any other feature or features.**



(21) Design Number: **17795/2007**
(22) Date of Filing Application: **07 May 2007**
(24) Date from which industrial property rights may have effect: **07 May 2007**
(54) Product in respect of which the design is registered: **Bowl**
(51) International Design Classification: **07-01B**
(71) Name(s) and Address(s) of Applicant(s):
Steelite International PLC
Orme Street Burslem Stoke-on-Trent Staffordshire ST6 3RB United Kingdom
(72) Name(s) of Designer(s): **Andrew Klimecki**
(45) Registration Date: **02 October 2007**
(30) Convention priority data:
(31) Number (32) Date (33) Country
E-00023161-Q 07 Nov 2006 EUROPEAN COMMUNITY
(56) Related Art Documents: **Not Applicable**
(57) Statement of Newness and Distinctiveness: **Each feature of the bowl considered separately or in combination with any other feature or features.**



(21) Design Number: **18454/2007**
(22) Date of Filing Application: **18 June 2007**
(24) Date from which industrial property rights may have effect: **18 June 2007**
(54) Product in respect of which the design is registered: **Left-side and right-side vehicle hood scoop grille inserts**
(51) International Design Classification: **12-16B**
(71) Name(s) and Address(s) of Applicant(s):
GM Global Technology Operations, Inc
300 Renaissance Center Detroit Michigan 48265-3000 United States of America
(72) Name(s) of Designer(s): **Peter Hughes**
(45) Registration Date: **02 October 2007**
(56) Related Art Documents: **Not Applicable**
(57) Statement of Newness and Distinctiveness: **Newness and distinctiveness is claimed in the shape and/or configuration of left-side and right-side vehicle hood scoop grille inserts as shown in the accompanying representations.**



(21) Design Number: **18455/2007**

(22) Date of Filing Application: **18 June 2007**

(24) Date from which industrial property rights may have effect: **18 June 2007**

(54) Product in respect of which the design is registered: **Left-side and right-side vehicle side-marker lenses**

(51) International Design Classification: **12-16F**

(71) Name(s) and Address(s) of Applicant(s):

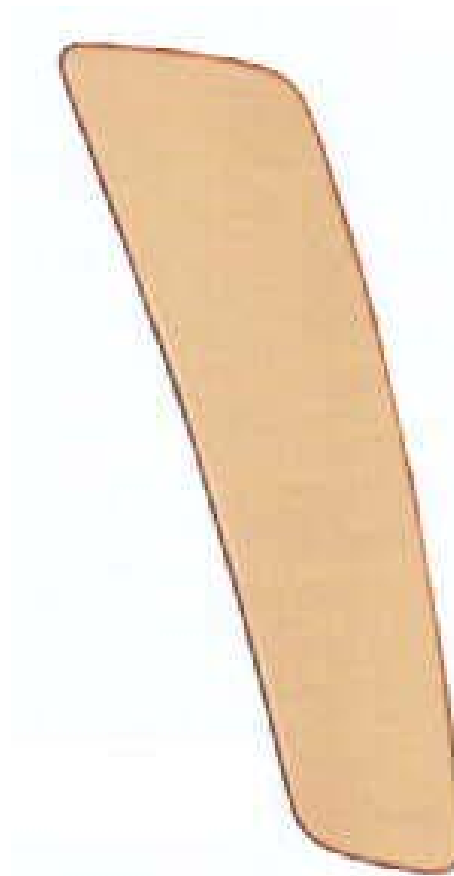
**GM Global Technology Operations, Inc
300 Renaissance Center Detroit Michigan 48265-3000 United States of America**

(72) Name(s) of Designer(s): **Peter Hughes**

(45) Registration Date: **02 October 2007**

(56) Related Art Documents: **Not Applicable**

(57) Statement of Newness and Distinctiveness: **Newness and distinctiveness is claimed in the shape and/or configuration of left-side and right-side vehicle side-marker lenses as shown in the accompanying representations.**



(21) Design Number: **18456/2007**

(22) Date of Filing Application: **18 June 2007**

(24) Date from which industrial property rights may have effect: **18 June 2007**

(54) Product in respect of which the design is registered: **Left-side and right-side vehicle hood scoops**

(51) International Design Classification: **12-16B**

(71) Name(s) and Address(s) of Applicant(s):

**GM Global Technology Operations, Inc
300 Renaissance Center Detroit Michigan 48265-3000 United States of America**

(72) Name(s) of Designer(s): **Peter Hughes**

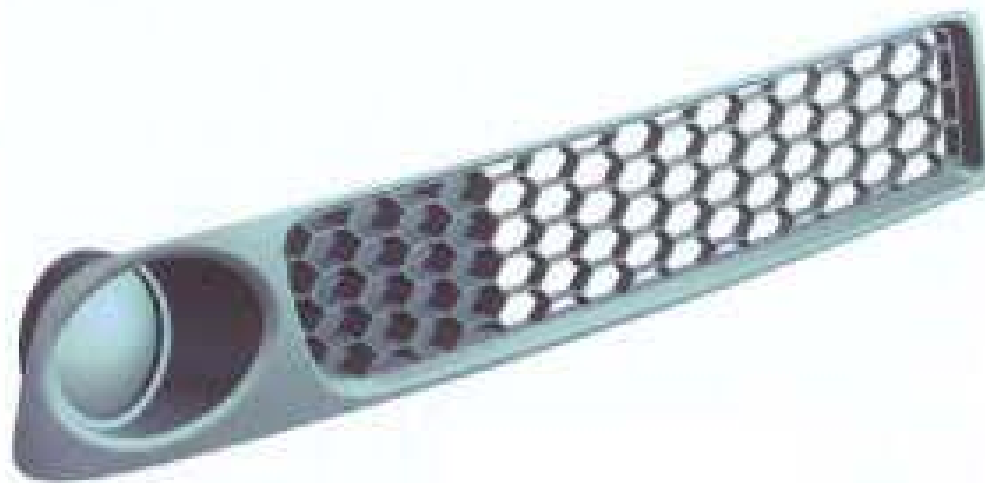
(45) Registration Date: **02 October 2007**

(56) Related Art Documents: **Not Applicable**

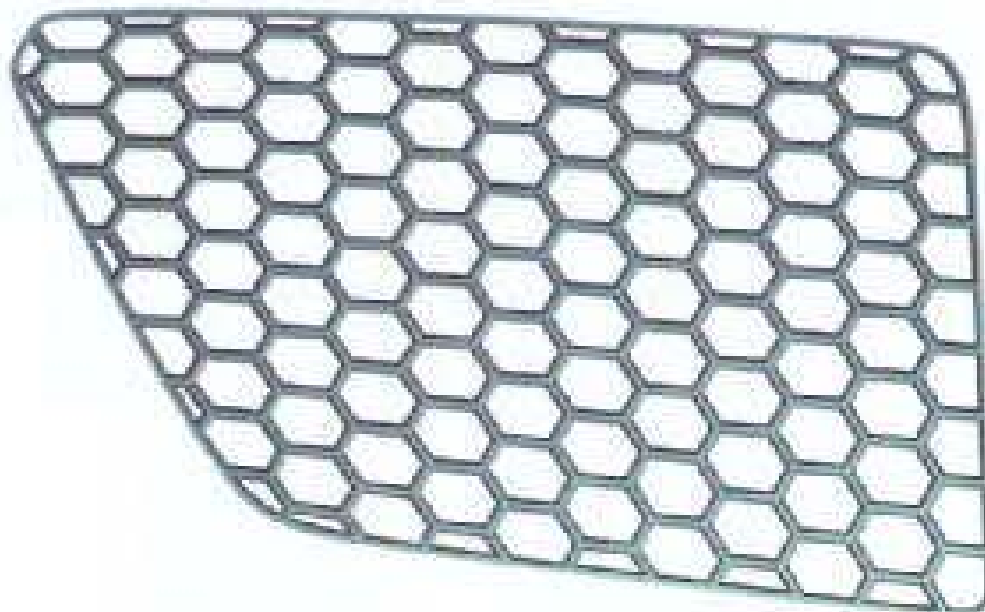
(57) Statement of Newness and Distinctiveness: **Newness and distinctiveness is claimed in the shape and/or configuration of left-side and right-side vehicle hood scoops as shown in the accompanying representations.**



- (21) Design Number: **18457/2007**
(22) Date of Filing Application: **18 June 2007**
(24) Date from which industrial property rights may have effect: **18 June 2007**
(54) Product in respect of which the design is registered: **Left-side and right-side vehicle grille inserts**
(51) International Design Classification: **12-16B**
(71) Name(s) and Address(s) of Applicant(s):
GM Global Technology Operations, Inc
300 Renaissance Center Detroit Michigan 48265-3000 United States of America
(72) Name(s) of Designer(s): **Peter Hughes**
(45) Registration Date: **02 October 2007**
(56) Related Art Documents: **Not Applicable**
(57) Statement of Newness and Distinctiveness: **Newness and distinctiveness is claimed in the shape and/or configuration of left-side and right-side vehicle grille inserts as shown in the accompanying representations.**



- (21) Design Number: **18458/2007**
(22) Date of Filing Application: **18 June 2007**
(24) Date from which industrial property rights may have effect: **18 June 2007**
(54) Product in respect of which the design is registered: **Left-side and right-side vehicle radiator grilles**
(51) International Design Classification: **12-16B**
(71) Name(s) and Address(s) of Applicant(s):
GM Global Technology Operations, Inc
300 Renaissance Center Detroit Michigan 48265-3000 United States of America
(72) Name(s) of Designer(s): **Peter Hughes**
(45) Registration Date: **02 October 2007**
(56) Related Art Documents: **Not Applicable**
(57) Statement of Newness and Distinctiveness: **Newness and distinctiveness is claimed in the shape and/or configuration of left-side and right-side vehicle radiator grilles as shown in the accompanying representations.**



(21) Design Number: **18459/2007**

(22) Date of Filing Application: **18 June 2007**

(24) Date from which industrial property rights may have effect: **18 June 2007**

(54) Product in respect of which the design is registered: **Vehicle fascia**

(51) International Design Classification: **12-16B**

(71) Name(s) and Address(s) of Applicant(s):

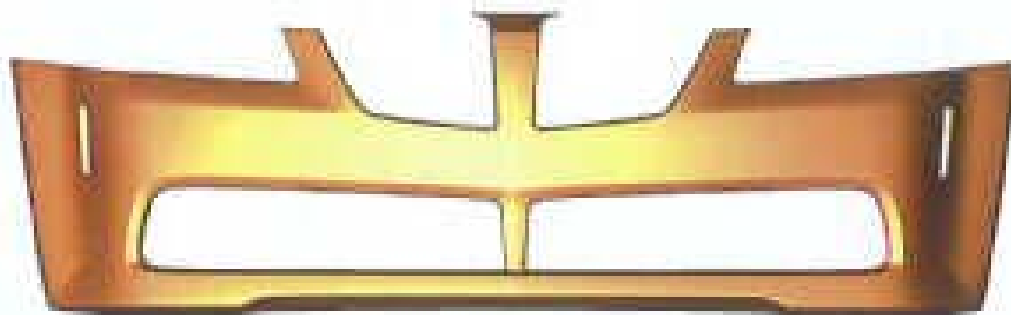
**GM Global Technology Operations, Inc
300 Renaissance Center Detroit Michigan 48265-3000 United States of
America**

(72) Name(s) of Designer(s): **Peter Hughes**

(45) Registration Date: **02 October 2007**

(56) Related Art Documents: **Not Applicable**

(57) Statement of Newness and Distinctiveness: **Newness and distinctiveness is claimed in the shape and/or configuration of a vehicle fascia as shown in the accompanying representations.**



(21) Design Number: **18460/2007**

(22) Date of Filing Application: **18 June 2007**

(24) Date from which industrial property rights may have effect: **18 June 2007**

(54) Product in respect of which the design is registered: **Vehicle licence plate mount**

(51) International Design Classification: **12-16NES**

(71) Name(s) and Address(s) of Applicant(s):

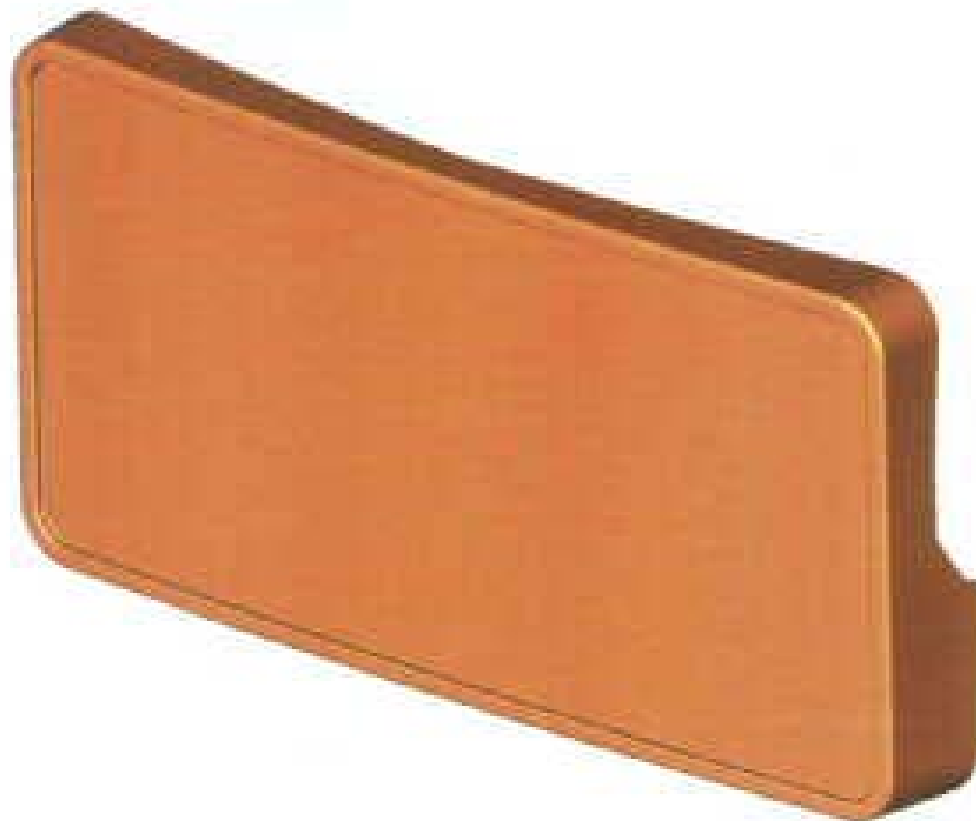
**GM Global Technology Operations, Inc
300 Renaissance Center Detroit Michigan 48265-3000 United States of
America**

(72) Name(s) of Designer(s): **Peter Hughes**

(45) Registration Date: **02 October 2007**

(56) Related Art Documents: **Not Applicable**

(57) Statement of Newness and Distinctiveness: **Newness and distinctiveness is claimed in the shape and/or configuration of a vehicle licence plate mount as shown in the accompanying representations.**



- (21) Design Number: **18461/2007**
- (22) Date of Filing Application: **18 June 2007**
- (24) Date from which industrial property rights may have effect: **18 June 2007**
- (54) Product in respect of which the design is registered: **Vehicle hood**
- (51) International Design Classification: **12-16B**
- (71) Name(s) and Address(s) of Applicant(s):
GM Global Technology Operations, Inc
300 Renaissance Center Detroit Michigan 48265-3000 United States of America
- (72) Name(s) of Designer(s): **Peter Hughes**
- (45) Registration Date: **02 October 2007**
- (56) Related Art Documents: **Not Applicable**
- (57) Statement of Newness and Distinctiveness: **Newness and distinctiveness is claimed in the shape and/or configuration of a vehicle hood as shown in the accompanying representations.**



- (21) Design Number: **18462/2007**
- (22) Date of Filing Application: **18 June 2007**
- (24) Date from which industrial property rights may have effect: **18 June 2007**
- (54) Product in respect of which the design is registered: **Left-side and right-side vehicle grille surrounds**
- (51) International Design Classification: **12-16B**
- (71) Name(s) and Address(s) of Applicant(s):
GM Global Technology Operations, Inc
300 Renaissance Center Detroit Michigan 48265-3000 United States of America
- (72) Name(s) of Designer(s): **Peter Hughes**
- (45) Registration Date: **02 October 2007**
- (56) Related Art Documents: **Not Applicable**
- (57) Statement of Newness and Distinctiveness: **Newness and distinctiveness is claimed in the shape and/or configuration of left-side and right-side vehicle grille surrounds as shown in the accompanying representations.**



(21) Design Number: **18505/2007**

(22) Date of Filing Application: **20 June 2007**

(24) Date from which industrial property rights may have effect: **20 June 2007**

(54) Product in respect of which the design is registered: **Disposable hair cover**

(51) International Design Classification: **02-03**

(71) Name(s) and Address(s) of Applicant(s):

**Livingstone International Pty Ltd
106-116 Epsom Road Rosebery New South Wales 2018 Australia**

(72) Name(s) of Designer(s): **Louis Loo**

(45) Registration Date: **02 October 2007**

(56) Related Art Documents: **Not Applicable**

(57) Statement of Newness and Distinctiveness: **Extra long cover (around 25cm) with ties.**



(21) Design Number: **18642/2007**

(22) Date of Filing Application: **29 June 2007**

(24) Date from which industrial property rights may have effect: **29 June 2007**

(54) Product in respect of which the design is registered: **Pressure filter valve**

(51) International Design Classification: **23-01K**

(71) Name(s) and Address(s) of Applicant(s):

**Bermad CS Ltd.
Kibbutz Evron Israel 25235**

(72) Name(s) of Designer(s): **Itamar Ben Nun**

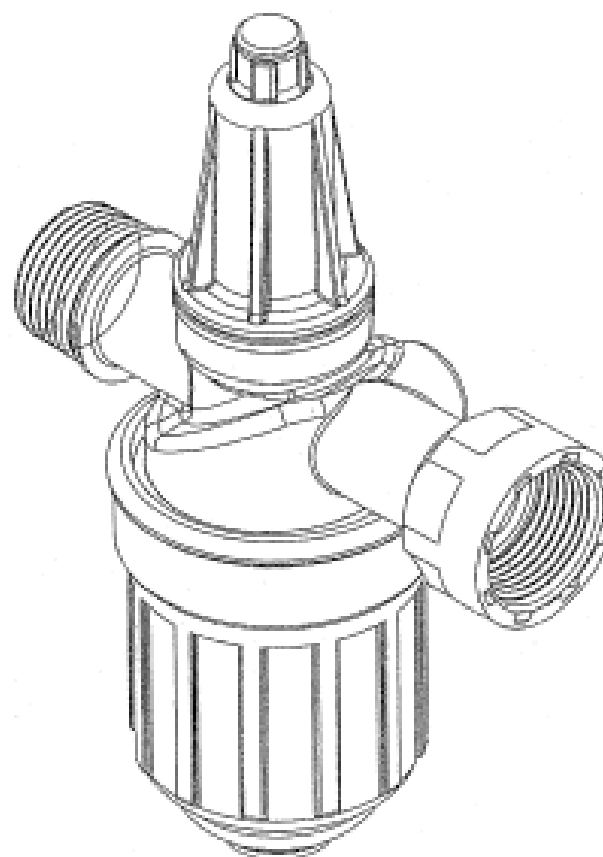
(45) Registration Date: **02 October 2007**

(30) Convention priority data:

(31) Number	(32) Date	(33) Country
43855	26 Feb 2007	ISRAEL

(56) Related Art Documents: **Not Applicable**

(57) Statement of Newness and Distinctiveness: **Those features of the pressure filter valve depicted in the representations that are new and distinctive are the shape and/or configuration.**



(21) Design Number: **18644/2007**

(22) Date of Filing Application: **29 June 2007**

(24) Date from which industrial property rights may have effect: **29 June 2007**

(54) Product in respect of which the design is registered: **Filter valve**

(51) International Design Classification: **23-01K**

(71) Name(s) and Address(s) of Applicant(s):

**Bermad CS Ltd.
Kibbutz Evron Israel 25235**

(72) Name(s) of Designer(s): **Itamar Ben Nun**

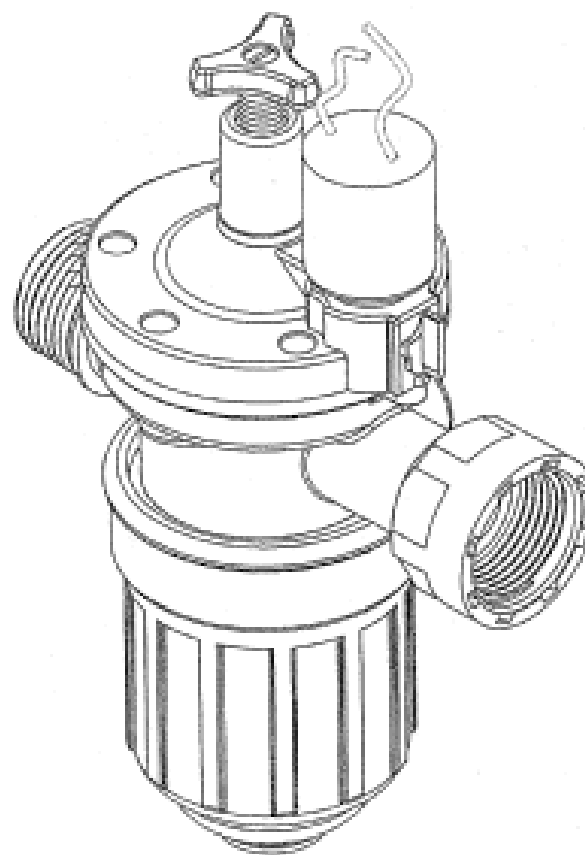
(45) Registration Date: **02 October 2007**

(30) Convention priority data:

(31) Number	(32) Date	(33) Country
43771	12 Feb 2007	ISRAEL

(56) Related Art Documents: **Not Applicable**

(57) Statement of Newness and Distinctiveness: **Those features of the filter valve depicted in the representations that are new and distinctive are the shape and/or configuration. The features shown in broken line are not part of the design and are to be disregarded when considering the overall impression of the design.**



(21) Design Number: **18779/2007**

(22) Date of Filing Application: **09 July 2007**

(24) Date from which industrial property rights may have effect: **09 July 2007**

(54) Product in respect of which the design is registered: **Carrier bag**

(51) International Design Classification: **03-99**

(71) Name(s) and Address(s) of Applicant(s):

**Lodger B.V.
Prins Bernhardlaan 60 2252 GZ Voorschoten Netherlands**

(72) Name(s) of Designer(s): **Angelica Maria van Oostveen**

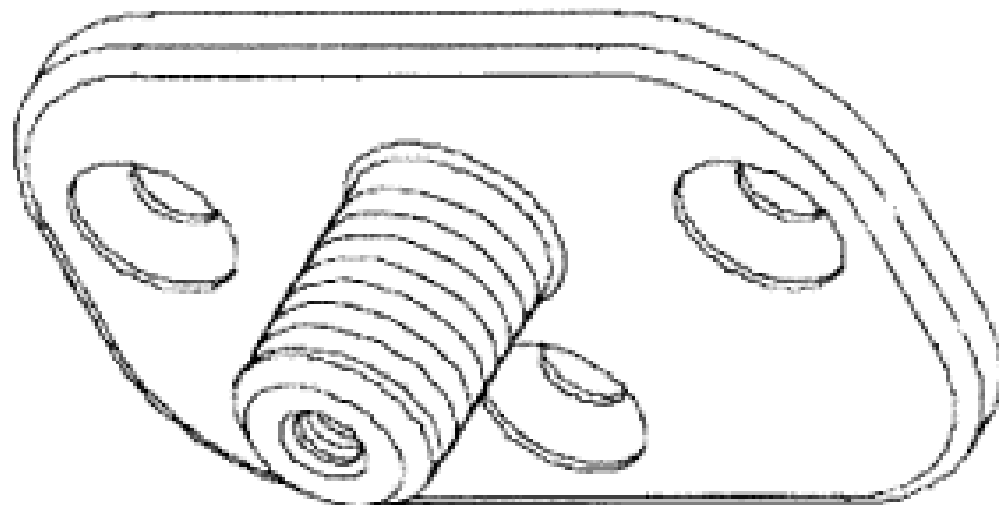
(45) Registration Date: **02 October 2007**

(56) Related Art Documents: **Not Applicable**

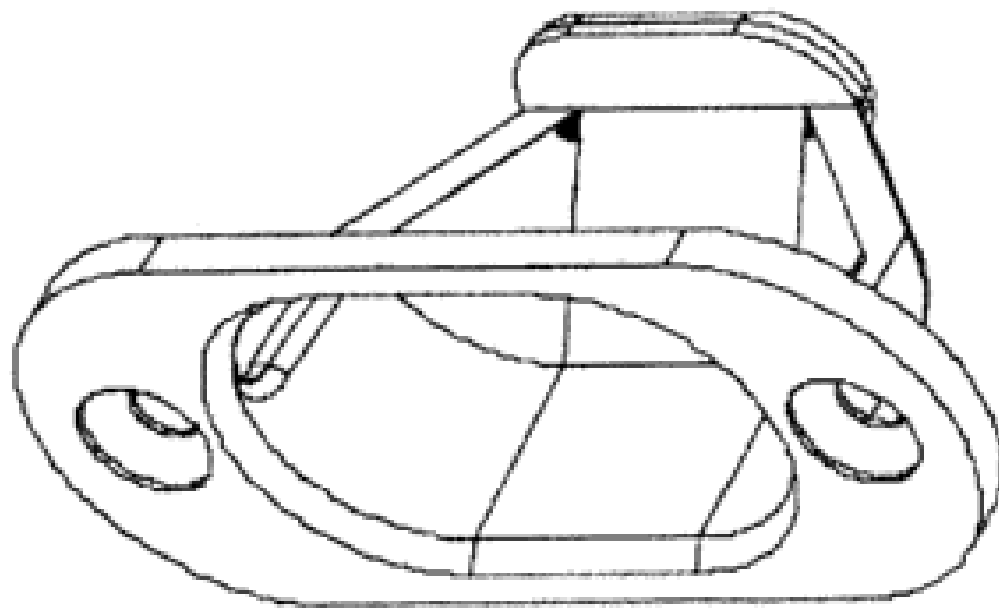
(57) Statement of Newness and Distinctiveness: **Newness and distinctiveness resides in a number of designs of a carrier bag with respect to the shape and/or configuration as shown in the representations.**



- (21) Design Number: **19420/2007**
(22) Date of Filing Application: **17 August 2007**
(24) Date from which industrial property rights may have effect: **17 August 2007**
(54) Product in respect of which the design is registered: **Bolt component**
(51) International Design Classification: **08-08B**
(71) Name(s) and Address(s) of Applicant(s):
RMD Press Co. Pty Ltd.
6-10 Market Road Sunshine Victoria 3020 Australia
(72) Name(s) of Designer(s): **Styli Pelekanos**
(45) Registration Date: **02 October 2007**
(56) Related Art Documents: **Not Applicable**
(57) Statement of Newness and Distinctiveness: **Newness and distinctiveness is claimed in the visual features shown in solid lines in the representations.**



- (21) Design Number: **19421/2007**
(22) Date of Filing Application: **17 August 2007**
(24) Date from which industrial property rights may have effect: **17 August 2007**
(54) Product in respect of which the design is registered: **Socket component**
(51) International Design Classification: **08-08NES**
(71) Name(s) and Address(s) of Applicant(s):
RMD Press Co. Pty Ltd.
6-10 Market Road Sunshine Victoria 3020 Australia
(72) Name(s) of Designer(s): **Styli Pelekanos**
(45) Registration Date: **02 October 2007**
(56) Related Art Documents: **Not Applicable**
(57) Statement of Newness and Distinctiveness: **Newness and distinctiveness is claimed in the visual features shown in solid lines in the representations.**



(21) Design Number: **14597/2006**

(22) Date of Filing Application: **13 October 2006**

(24) Date from which industrial property rights may have effect: **13 October 2006**

(54) Product in respect of which the design is registered: **Bodysuit**

(51) International Design Classification: **02-02C**

(71) Name(s) and Address(s) of Applicant(s):

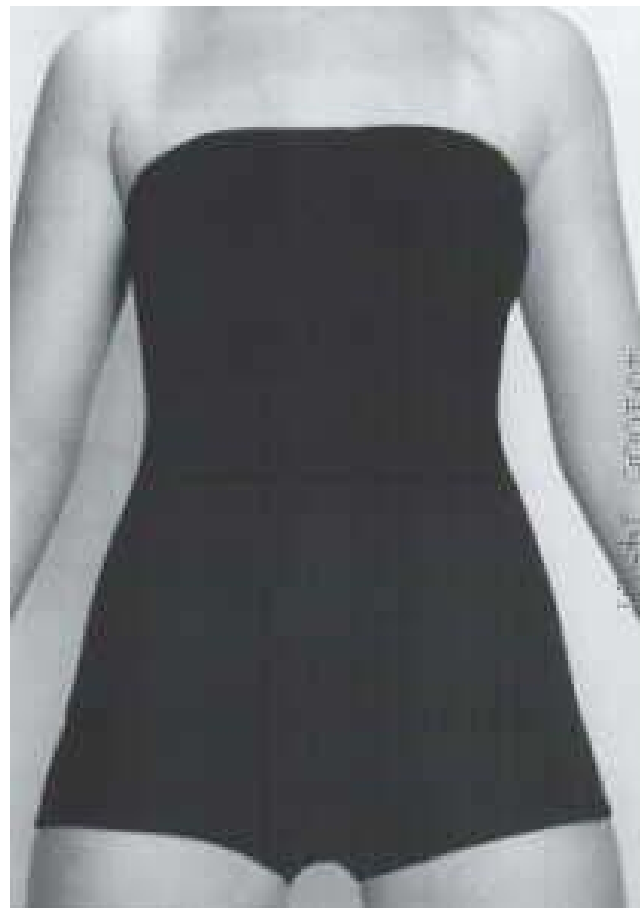
Monique Alamedine
Suite 24/22b Horwood Place Parramatta New South Wales 2150
Australia

(72) Name(s) of Designer(s): **Monique Alamedine**

(45) Registration Date: **02 October 2007**

(56) Related Art Documents: **Not Applicable**

(57) Statement of Newness and Distinctiveness: **The boycut leg and strapless, adjustable straps to make halter, cross over, front halter, crutch clips.**



(21) Design Number: **14598/2006**

(22) Date of Filing Application: **13 October 2006**

(24) Date from which industrial property rights may have effect: **13 October 2006**

(54) Product in respect of which the design is registered: **Bodysuit**

(51) International Design Classification: **02-02C**

(71) Name(s) and Address(s) of Applicant(s):

Monique Alamedine
Suite 24/22b Horwood Place Parramatta New South Wales 2150
Australia

(72) Name(s) of Designer(s): **Monique Alamedine**

(45) Registration Date: **02 October 2007**

(56) Related Art Documents: **Not Applicable**

(57) Statement of Newness and Distinctiveness: **Boy cut leg with crutch clips.**



(21) Design Number: **14599/2006**

(22) Date of Filing Application: **13 October 2006**

(24) Date from which industrial property rights may have effect: **13 October 2006**

(54) Product in respect of which the design is registered: **Bodysuit**

(51) International Design Classification: **02-02C**

(71) Name(s) and Address(s) of Applicant(s):

Monique Alamedine
Suite 24/22b Horwood Place Parramatta New South Wales 2150
Australia

(72) Name(s) of Designer(s): **Monique Alamedine**

(45) Registration Date: **02 October 2007**

(56) Related Art Documents: **Not Applicable**

(57) Statement of Newness and Distinctiveness: **Crop top inside. Boycut leg with crutch clips.**



(21) Design Number: **14600/2006**

(22) Date of Filing Application: **13 October 2006**

(24) Date from which industrial property rights may have effect: **13 October 2006**

(54) Product in respect of which the design is registered: **Bodysuit**

(51) International Design Classification: **02-02C**

(71) Name(s) and Address(s) of Applicant(s):

Monique Alamedine
Suite 24/22b Horwood Place Parramatta New South Wales 2150
Australia

(72) Name(s) of Designer(s): **Monique Alamedine**

(45) Registration Date: **02 October 2007**

(56) Related Art Documents: **Not Applicable**

(57) Statement of Newness and Distinctiveness: **Boycut leg with crutch clips.**



(21) Design Number: **14601/2006**

(22) Date of Filing Application: **13 October 2006**

(24) Date from which industrial property rights may have effect: **13 October 2006**

(54) Product in respect of which the design is registered: **Bodysuit**

(51) International Design Classification: **02-02C**

(71) Name(s) and Address(s) of Applicant(s):

Monique Alamedine
Suite 24/22b Horwood Place Parramatta New South Wales 2150
Australia

(72) Name(s) of Designer(s): **Monique Alamedine**

(45) Registration Date: **02 October 2007**

(56) Related Art Documents: **Not Applicable**

(57) Statement of Newness and Distinctiveness: **Boycut leg; lace, crutch clips.**



(21) Design Number: **14602/2006**

(22) Date of Filing Application: **13 October 2006**

(24) Date from which industrial property rights may have effect: **13 October 2006**

(54) Product in respect of which the design is registered: **Bodysuit**

(51) International Design Classification: **02-02C**

(71) Name(s) and Address(s) of Applicant(s):

Monique Alamedine
Suite 24/22b Horwood Place Parramatta New South Wales 2150
Australia

(72) Name(s) of Designer(s): **Monique Alamedine**

(45) Registration Date: **02 October 2007**

(56) Related Art Documents: **Not Applicable**

(57) Statement of Newness and Distinctiveness: **Boycut leg with crutch clips.**



(21) Design Number: **14603/2006**

(22) Date of Filing Application: **13 October 2006**

(24) Date from which industrial property rights may have effect: **13 October 2006**

(54) Product in respect of which the design is registered: **Bodysuit**

(51) International Design Classification: **02-02C**

(71) Name(s) and Address(s) of Applicant(s):

Monique Alamedine
Suite 24/22b Horwood Place Parramatta New South Wales 2150
Australia

(72) Name(s) of Designer(s): **Monique Alamedine**

(45) Registration Date: **02 October 2007**

(56) Related Art Documents: **Not Applicable**

(57) Statement of Newness and Distinctiveness: **Boycut leg with crutch clips.**



(21) Design Number: **14604/2006**

(22) Date of Filing Application: **13 October 2006**

(24) Date from which industrial property rights may have effect: **13 October 2006**

(54) Product in respect of which the design is registered: **Bodysuit**

(51) International Design Classification: **02-02C**

(71) Name(s) and Address(s) of Applicant(s):

Monique Alamedine
Suite 24/22b Horwood Place Parramatta New South Wales 2150
Australia

(72) Name(s) of Designer(s): **Monique Alamedine**

(45) Registration Date: **02 October 2007**

(56) Related Art Documents: **Not Applicable**

(57) Statement of Newness and Distinctiveness: **Boycut leg with crutch clips.**



(21) Design Number: **14605/2006**

(22) Date of Filing Application: **13 October 2006**

(24) Date from which industrial property rights may have effect: **13 October 2006**

(54) Product in respect of which the design is registered: **Bodysuit**

(51) International Design Classification: **02-02C**

(71) Name(s) and Address(s) of Applicant(s):

Monique Alamedine
Suite 24/22b Horwood Place Parramatta New South Wales 2150
Australia

(72) Name(s) of Designer(s): **Monique Alamedine**

(45) Registration Date: **02 October 2007**

(56) Related Art Documents: **Not Applicable**

(57) Statement of Newness and Distinctiveness: **Boycut leg singlet top attached together crutch clips.**



(21) Design Number: **14606/2006**

(22) Date of Filing Application: **13 October 2006**

(24) Date from which industrial property rights may have effect: **13 October 2006**

(54) Product in respect of which the design is registered: **Bodysuit**

(51) International Design Classification: **02-02C**

(71) Name(s) and Address(s) of Applicant(s):

Monique Alamedine
Suite 24/22b Horwood Place Parramatta New South Wales 2150
Australia

(72) Name(s) of Designer(s): **Monique Alamedine**

(45) Registration Date: **02 October 2007**

(56) Related Art Documents: **Not Applicable**

(57) Statement of Newness and Distinctiveness: **Boycut, T-shirt with opening at crutch, crutch clips.**



(21) Design Number: **14607/2006**

(22) Date of Filing Application: **13 October 2006**

(24) Date from which industrial property rights may have effect: **13 October 2006**

(54) Product in respect of which the design is registered: **Bodysuit**

(51) International Design Classification: **02-02C**

(71) Name(s) and Address(s) of Applicant(s):

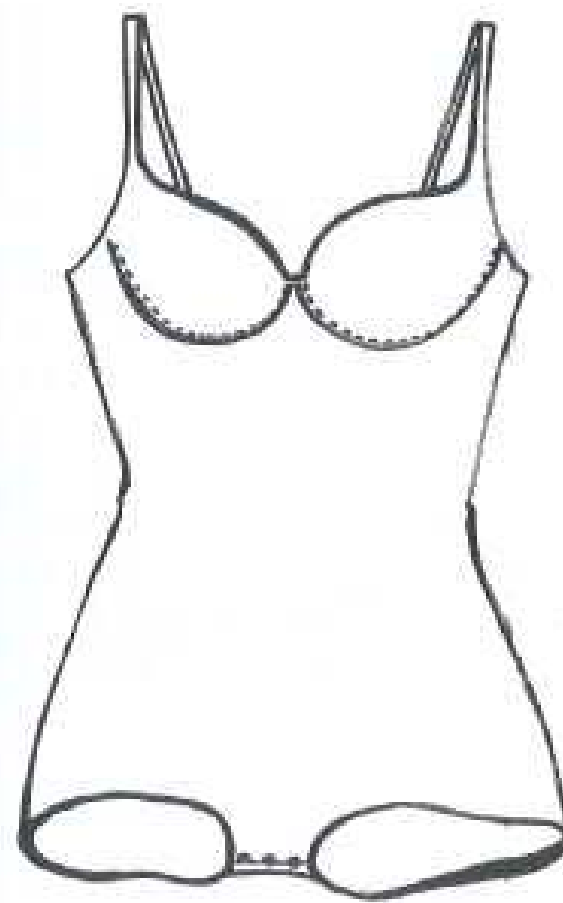
Monique Alamedine
Suite 24/22b Horwood Place Parramatta New South Wales 2150
Australia

(72) Name(s) of Designer(s): **Monique Alamedine**

(45) Registration Date: **02 October 2007**

(56) Related Art Documents: **Not Applicable**

(57) Statement of Newness and Distinctiveness: **T-Shirt bra attached to bodysuit with crutch clips.**



(21) Design Number: **14608/2006**

(22) Date of Filing Application: **13 October 2006**

(24) Date from which industrial property rights may have effect: **13 October 2006**

(54) Product in respect of which the design is registered: **Bodysuit**

(51) International Design Classification: **02-02C**

(71) Name(s) and Address(s) of Applicant(s):

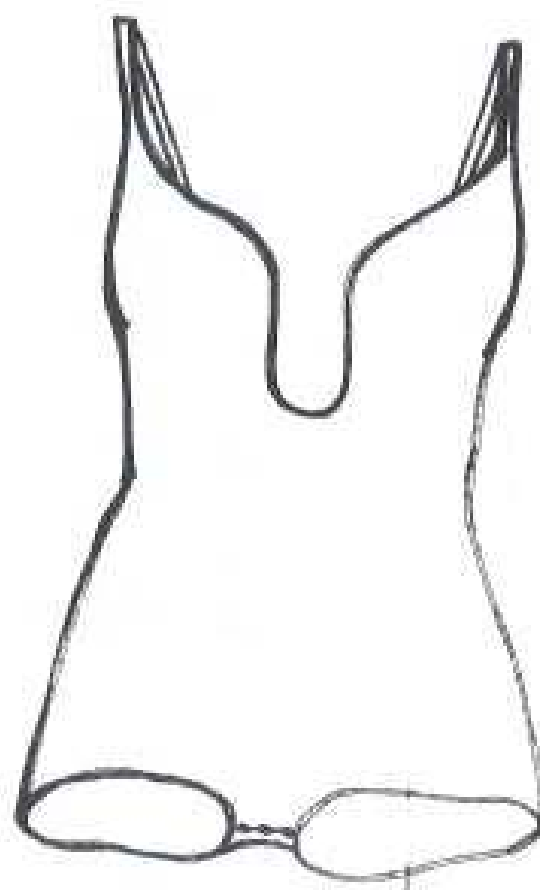
Monique Alamedine
Suite 24/22b Horwood Place Parramatta New South Wales 2150
Australia

(72) Name(s) of Designer(s): **Monique Alamedine**

(45) Registration Date: **02 October 2007**

(56) Related Art Documents: **Not Applicable**

(57) Statement of Newness and Distinctiveness: **Plunge bar and boycott leg with crutch clips.**



(21) Design Number: **14609/2006**

(22) Date of Filing Application: **13 October 2006**

(24) Date from which industrial property rights may have effect: **13 October 2006**

(54) Product in respect of which the design is registered: **Bodysuit**

(51) International Design Classification: **02-02C**

(71) Name(s) and Address(s) of Applicant(s):

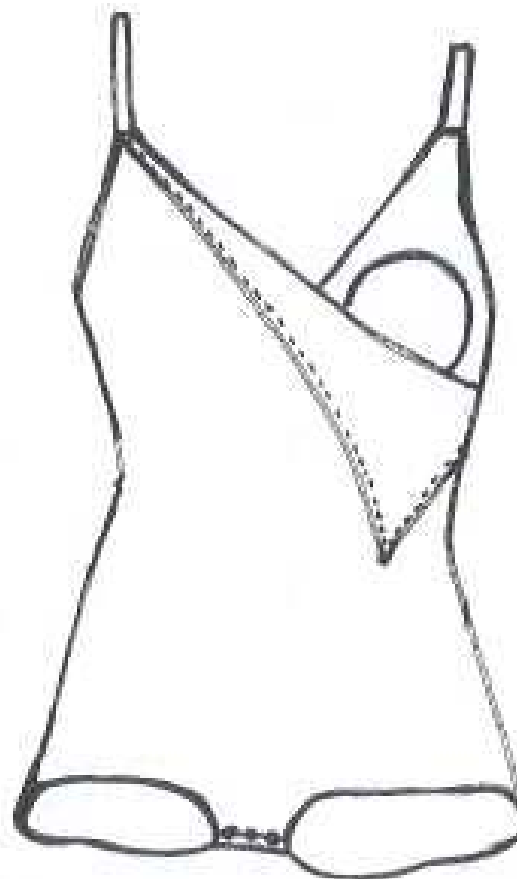
Monique Alamedine
Suite 24/22b Horwood Place Parramatta New South Wales 2150
Australia

(72) Name(s) of Designer(s): **Monique Alamedine**

(45) Registration Date: **02 October 2007**

(56) Related Art Documents: **Not Applicable**

(57) Statement of Newness and Distinctiveness: **Maternity bra with boycott leg and crutch clips.**



(21) Design Number: **14610/2006**

(22) Date of Filing Application: **13 October 2006**

(24) Date from which industrial property rights may have effect: **13 October 2006**

(54) Product in respect of which the design is registered: **Bodysuit**

(51) International Design Classification: **02-02C**

(71) Name(s) and Address(s) of Applicant(s):

Monique Alamedine
Suite 24/22b Horwood Place Parramatta New South Wales 2150
Australia

(72) Name(s) of Designer(s): **Monique Alamedine**

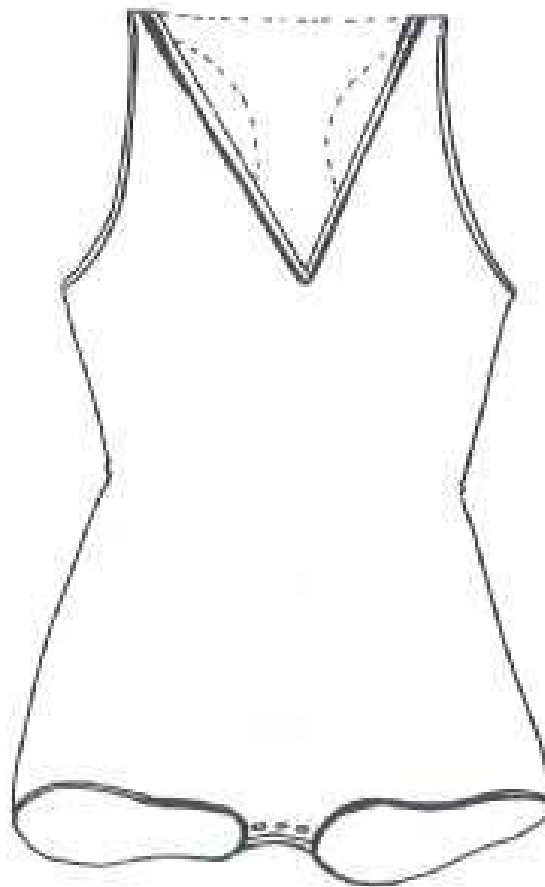
(45) Registration Date: **02 October 2007**

(56) Related Art Documents: **Not Applicable**

(57) Statement of Newness and Distinctiveness: **Bodysuit boycott leg and crutch clips/sticky.**



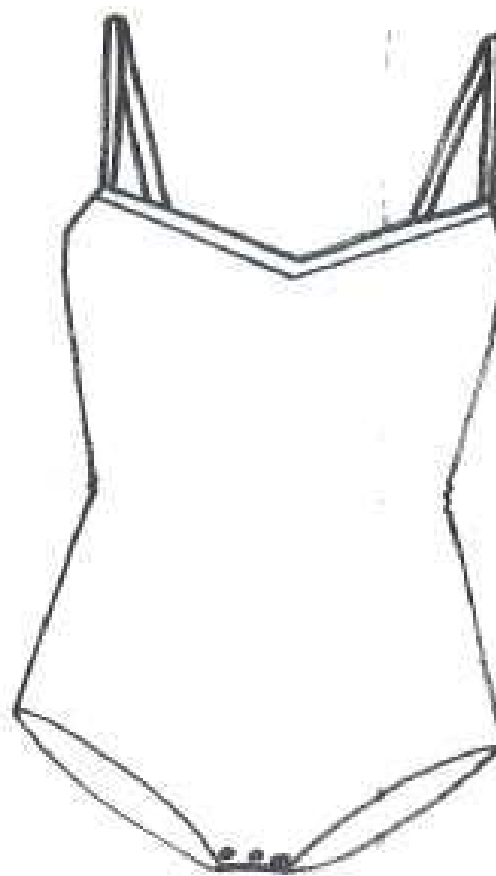
- (21) Design Number: **14611/2006**
- (22) Date of Filing Application: **13 October 2006**
- (24) Date from which industrial property rights may have effect: **13 October 2006**
- (54) Product in respect of which the design is registered: **Bodysuit**
- (51) International Design Classification: **02-02C**
- (71) Name(s) and Address(s) of Applicant(s):
Monique Alamedine
Suite 24/22b Horwood Place Parramatta New South Wales 2150
Australia
- (72) Name(s) of Designer(s): **Monique Alamedine**
- (45) Registration Date: **02 October 2007**
- (56) Related Art Documents: **Not Applicable**
- (57) Statement of Newness and Distinctiveness: **Boycut leg body with clips at crutches.**



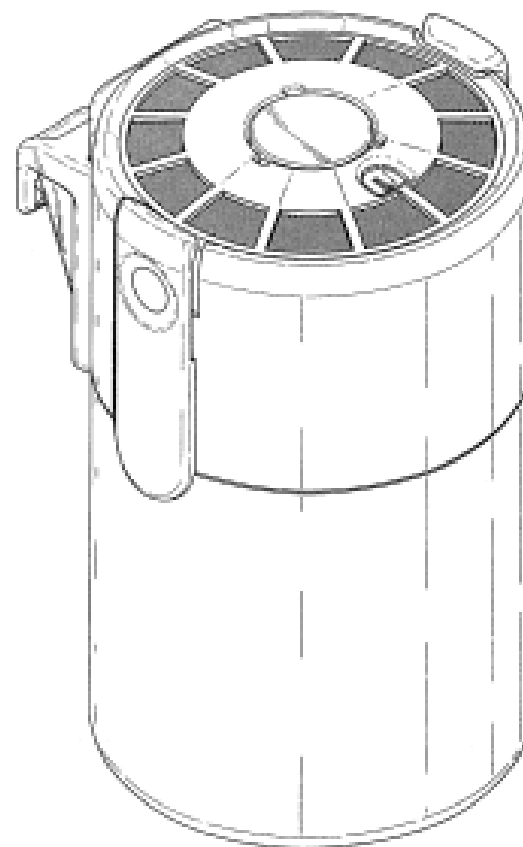
- (21) Design Number: **14612/2006**
- (22) Date of Filing Application: **13 October 2006**
- (24) Date from which industrial property rights may have effect: **13 October 2006**
- (54) Product in respect of which the design is registered: **Bodysuit**
- (51) International Design Classification: **02-02C**
- (71) Name(s) and Address(s) of Applicant(s):
Monique Alamedine
Suite 24/22b Horwood Place Parramatta New South Wales 2150
Australia
- (72) Name(s) of Designer(s): **Monique Alamedine**
- (45) Registration Date: **02 October 2007**
- (56) Related Art Documents: **Not Applicable**
- (57) Statement of Newness and Distinctiveness: **G String body with crutch clips copies.**



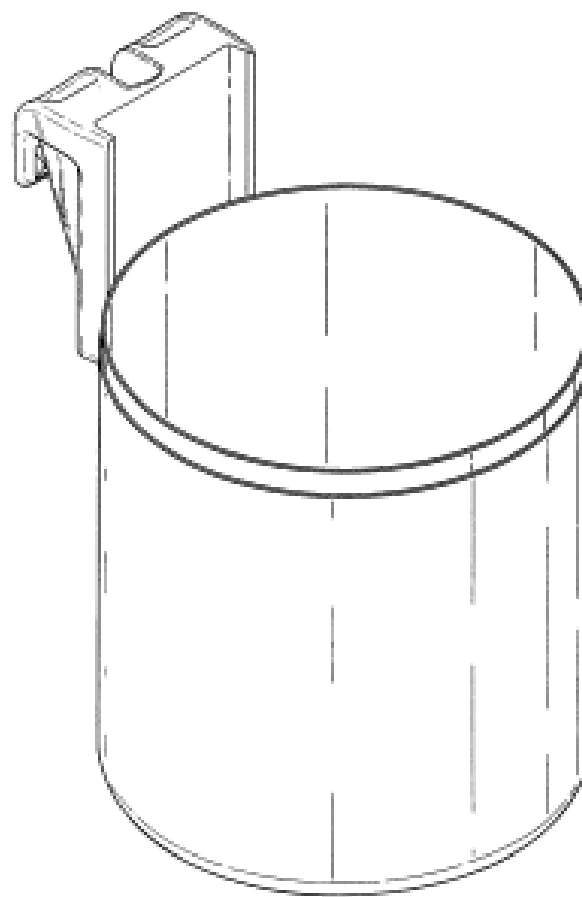
- (21) Design Number: **14613/2006**
(22) Date of Filing Application: **13 October 2006**
(24) Date from which industrial property rights may have effect: **13 October 2006**
(54) Product in respect of which the design is registered: **Bodysuit**
(51) International Design Classification: **02-02C**
(71) Name(s) and Address(s) of Applicant(s):
Monique Alamedine
Suite 24/22b Horwood Place Parramatta New South Wales 2150
Australia
(72) Name(s) of Designer(s): **Monique Alamedine**
(45) Registration Date: **02 October 2007**
(56) Related Art Documents: **Not Applicable**
(57) Statement of Newness and Distinctiveness: **Bodysuit with crutches clips.**



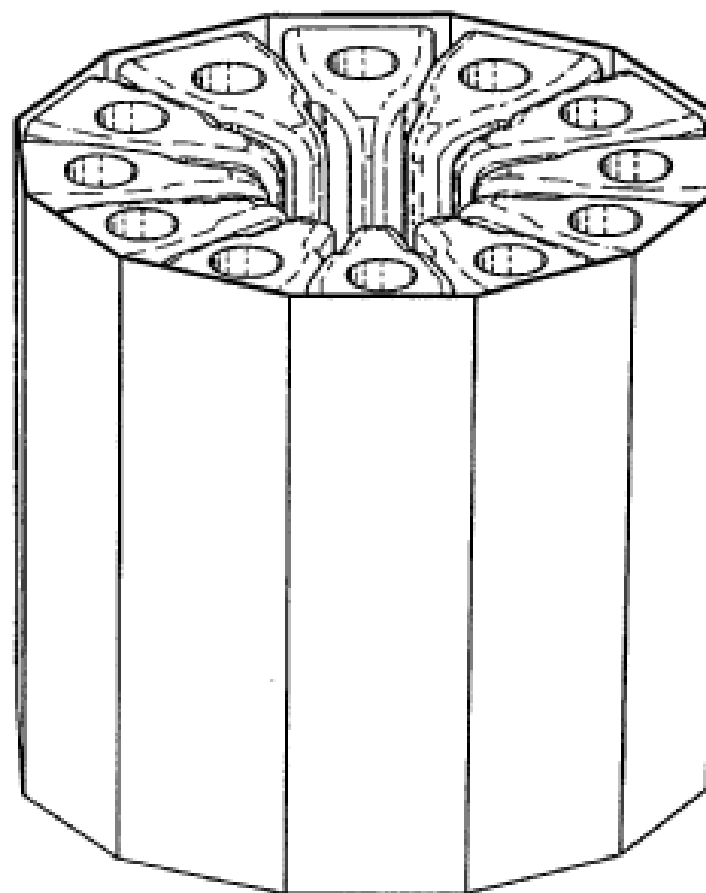
- (21) Design Number: **17528/2007**
(22) Date of Filing Application: **20 April 2007**
(24) Date from which industrial property rights may have effect: **20 April 2007**
(54) Product in respect of which the design is registered: **Dispensing device**
(51) International Design Classification: **09-01NES**
(71) Name(s) and Address(s) of Applicant(s):
Reckitt Benckiser N.V.
Siriusdreef 14 2132 WT Hoofddorp The Netherlands
(72) Name(s) of Designer(s): **Stefan Gaa and Chris Efstathios Housmekerides**
(45) Registration Date: **02 October 2007**
(30) Convention priority data:
(31) Number (32) Date (33) Country
000609425#0001 24 Oct 2006 EUROPEAN COMMUNITY
(56) Related Art Documents: **Not Applicable**
(57) Statement of Newness and Distinctiveness: **Newness and distinctiveness reside in the features of the design as shown in the representations.**



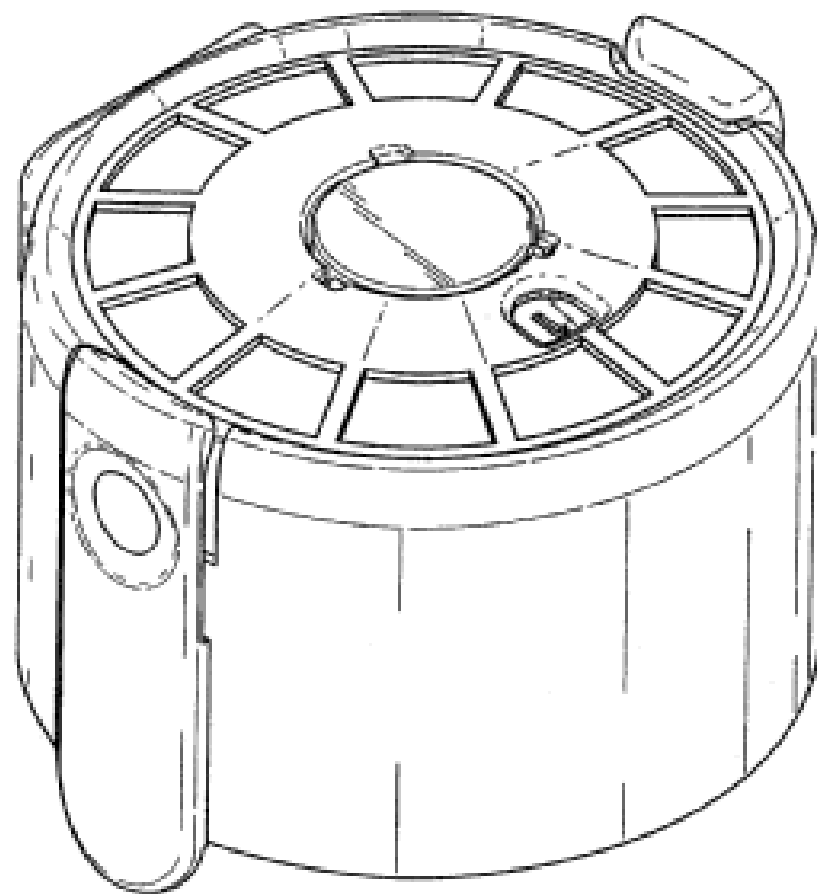
- (21) Design Number: **17530/2007**
(22) Date of Filing Application: **20 April 2007**
(24) Date from which industrial property rights may have effect: **20 April 2007**
(54) Product in respect of which the design is registered: **Dispensing device**
(51) International Design Classification: **09-01NES**
(71) Name(s) and Address(s) of Applicant(s):
Reckitt Benckiser N.V.
Siriusdreef 14 2132 WT Hoofddorp The Netherlands
(72) Name(s) of Designer(s): **Stefan Gaa and Chris Efstathios Housmekerides**
(45) Registration Date: **02 October 2007**
(30) Convention priority data:
(31) Number (32) Date (33) Country
000609425#0003 24 Oct 2006 EUROPEAN COMMUNITY
(56) Related Art Documents: **Not Applicable**
(57) Statement of Newness and Distinctiveness: **Newness and distinctiveness reside in the features of the design as shown in the representations.**



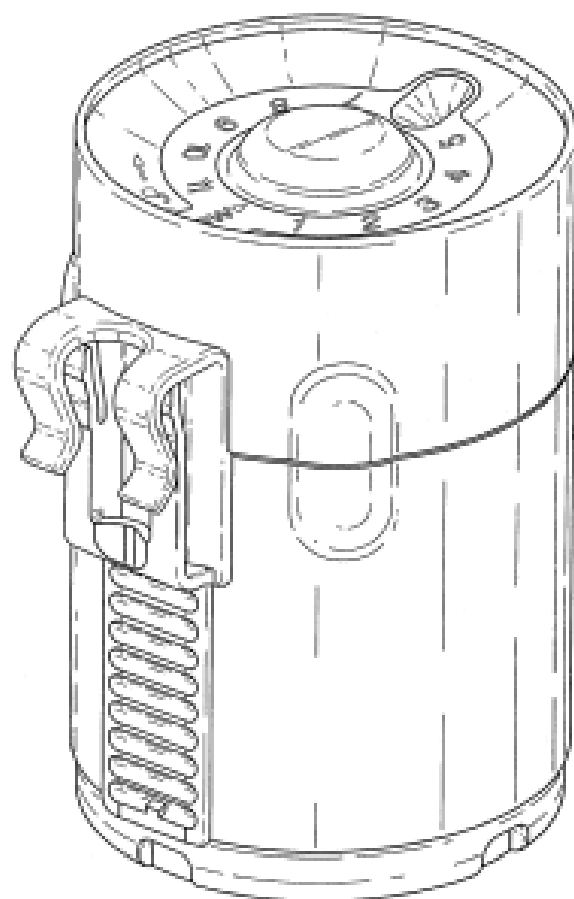
- (21) Design Number: **17531/2007**
(22) Date of Filing Application: **20 April 2007**
(24) Date from which industrial property rights may have effect: **20 April 2007**
(54) Product in respect of which the design is registered: **Dispensing device**
(51) International Design Classification: **09-01NES**
(71) Name(s) and Address(s) of Applicant(s):
Reckitt Benckiser N.V.
Kantoorgebouw de Appelaer De Fruittuinen 2#12 2132 NZ Hoofddorp The Netherlands
(72) Name(s) of Designer(s): **Stefan Gaa and Chris Efstathios Housmekerides**
(45) Registration Date: **02 October 2007**
(30) Convention priority data:
(31) Number (32) Date (33) Country
000609425#0004 24 Oct 2006 EUROPEAN COMMUNITY
(56) Related Art Documents: **Not Applicable**
(57) Statement of Newness and Distinctiveness: **Newness and distinctiveness reside in the features of the design as shown in the representations.**



(21) Design Number: **17532/2007**
(22) Date of Filing Application: **20 April 2007**
(24) Date from which industrial property rights may have effect: **20 April 2007**
(54) Product in respect of which the design is registered: **Dispensing device**
(51) International Design Classification: **09-01NES**
(71) Name(s) and Address(s) of Applicant(s):
Reckitt Benckiser N.V.
Siriusdreef 14 2132 WT Hoofddorp The Netherlands
(72) Name(s) of Designer(s): **Stefan Gaa and Chris Efstathios Housmekerides**
(45) Registration Date: **02 October 2007**
(30) Convention priority data:
(31) Number (32) Date (33) Country
000609425#0005 24 Oct 2006 EUROPEAN COMMUNITY
(56) Related Art Documents: **Not Applicable**
(57) Statement of Newness and Distinctiveness: **Newness and distinctiveness reside in the features of the design as shown in the representations.**



(21) Design Number: **17533/2007**
(22) Date of Filing Application: **20 April 2007**
(24) Date from which industrial property rights may have effect: **20 April 2007**
(54) Product in respect of which the design is registered: **Dispensing device**
(51) International Design Classification: **09-01NES**
(71) Name(s) and Address(s) of Applicant(s):
Reckitt Benckiser N.V.
Siriusdreef 14 2132 WT Hoofddorp The Netherlands
(72) Name(s) of Designer(s): **Stefan Gaa and Chris Efstathios Housmekerides**
(45) Registration Date: **02 October 2007**
(30) Convention priority data:
(31) Number (32) Date (33) Country
000609417#0001 24 Oct 2006 EUROPEAN COMMUNITY
(56) Related Art Documents: **Not Applicable**
(57) Statement of Newness and Distinctiveness: **Newness and distinctiveness reside in the features of the design as shown in the representations.**



(21) Design Number: **17534/2007**

(22) Date of Filing Application: **20 April 2007**

(24) Date from which industrial property rights may have effect: **20 April 2007**

(54) Product in respect of which the design is registered: **Dispensing device**

(51) International Design Classification: **09-01NES**

(71) Name(s) and Address(s) of Applicant(s):

Reckitt Benckiser N.V.
Siriusdreef 14 2132 WT Hoofddorp The Netherlands

(72) Name(s) of Designer(s): **Stefan Gaa and Chris Efstathios Housmekerides**

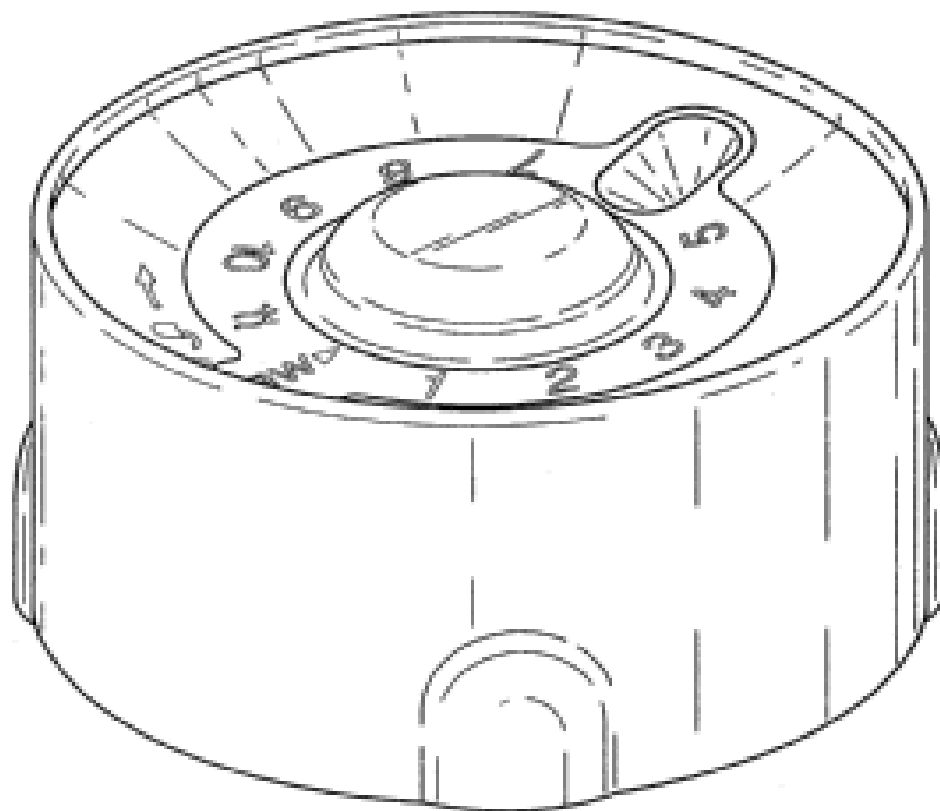
(45) Registration Date: **02 October 2007**

(30) Convention priority data:

(31) Number	(32) Date	(33) Country
000609417#0002	24 Oct 2006	EUROPEAN COMMUNITY

(56) Related Art Documents: **Not Applicable**

(57) Statement of Newness and Distinctiveness: **Newness and distinctiveness reside in the features of the design as shown in the representations.**



(21) Design Number: **17535/2007**

(22) Date of Filing Application: **20 April 2007**

(24) Date from which industrial property rights may have effect: **20 April 2007**

(54) Product in respect of which the design is registered: **Dispensing device**

(51) International Design Classification: **09-01NES**

(71) Name(s) and Address(s) of Applicant(s):

Reckitt Benckiser N.V.
Siriusdreef 14 2132 WT Hoofddorp The Netherlands

(72) Name(s) of Designer(s): **Stefan Gaa and Chris Efstathios Housmekerides**

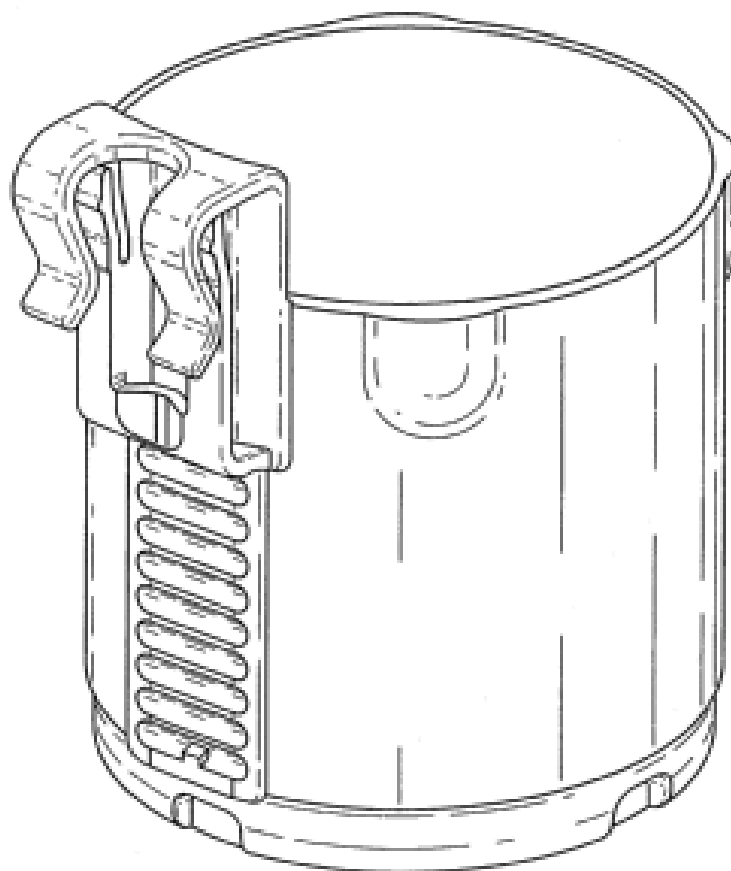
(45) Registration Date: **02 October 2007**

(30) Convention priority data:

(31) Number	(32) Date	(33) Country
000609417#0003	24 Oct 2006	EUROPEAN COMMUNITY

(56) Related Art Documents: **Not Applicable**

(57) Statement of Newness and Distinctiveness: **Newness and distinctiveness reside in the features of the design as shown in the representations.**



(21) Design Number: 17630/2007

(22) Date of Filing Application: 26 April 2007

(24) Date from which industrial property rights may have effect: 26 April 2007

(54) Product in respect of which the design is registered: **Tactile indicator with mounting shaft**

(51) International Design Classification: 25-02NES

(71) Name(s) and Address(s) of Applicant(s):

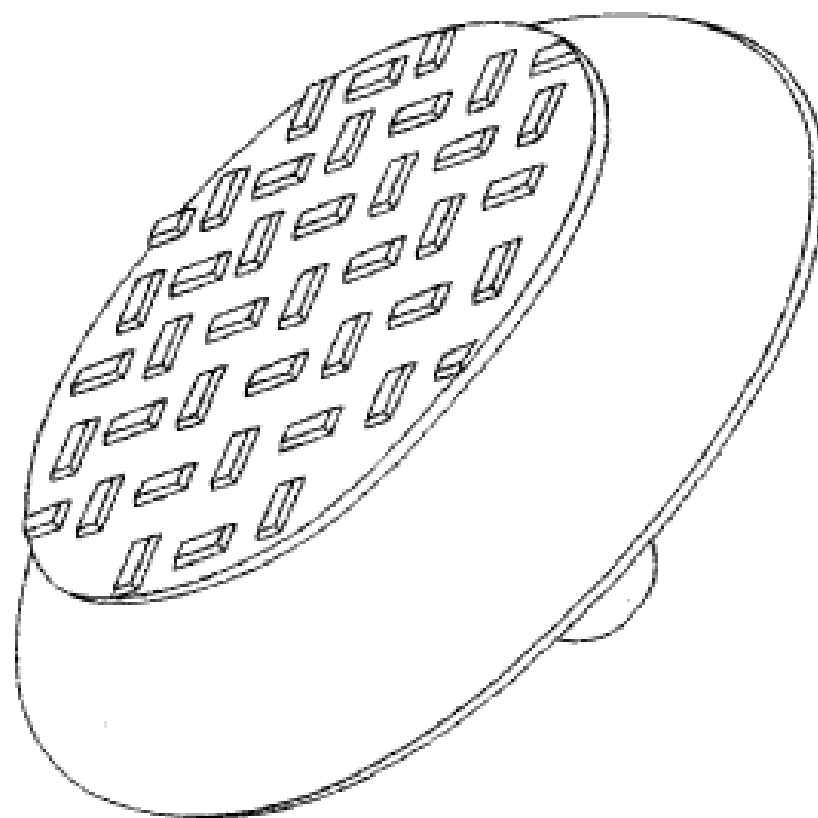
Pathfinder Systems Australia Pty Ltd
Unit 3/95 Jemma Road Prestons New South Wales 2170 Australia

(72) Name(s) of Designer(s): **Celestine Patrick McCuskey**

(45) Registration Date: 02 October 2007

(56) Related Art Documents: **Not Applicable**

(57) Statement of Newness and Distinctiveness: **The particular visual feature of the design which is new and distinctive is the pattern and ornamentation formed by the arrangement of the delineated rectangular areas on the top of the tactile indicator.**



(21) Design Number: 17631/2007

(22) Date of Filing Application: 26 April 2007

(24) Date from which industrial property rights may have effect: 26 April 2007

(54) Product in respect of which the design is registered: **Tactile indicators with mounting blade**

(51) International Design Classification: 25-02NES

(71) Name(s) and Address(s) of Applicant(s):

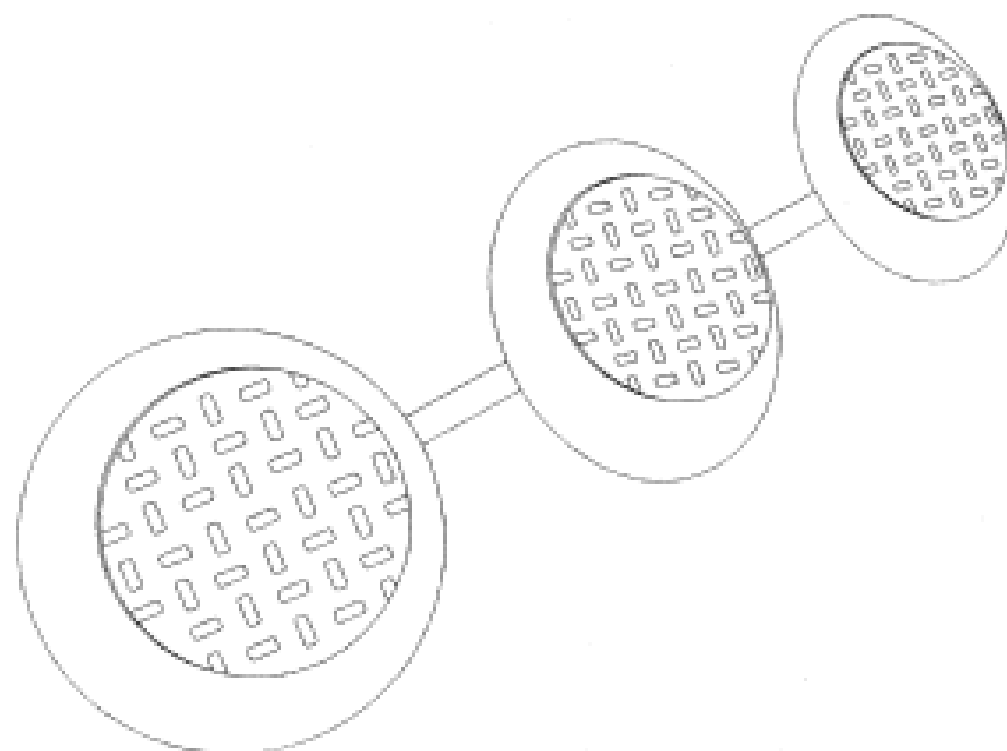
Pathfinder Systems Australia Pty Ltd
Unit 3/95 Jemma Road Prestons New South Wales 2170 Australia

(72) Name(s) of Designer(s): **Celestine Patrick McCuskey**

(45) Registration Date: 02 October 2007

(56) Related Art Documents: **Not Applicable**

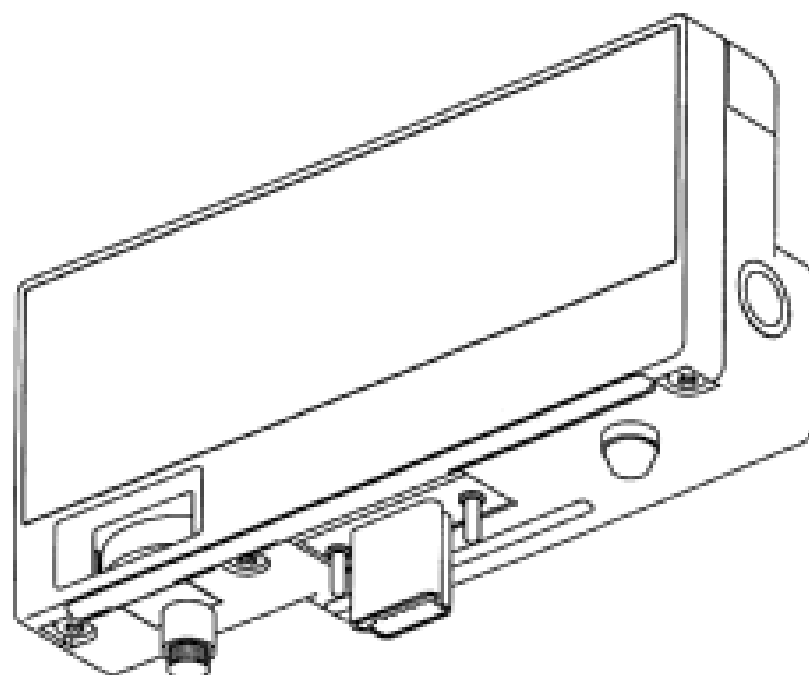
(57) Statement of Newness and Distinctiveness: **The particular visual features of the design which are new and distinctive are the pattern and ornamentation formed by the arrangement of the delineated rectangular areas on the tops of the tactile indicator heads which are arranged along a common blade. The blade is of indeterminate length and the number of tactile indicator heads arranged along the blade may vary.**



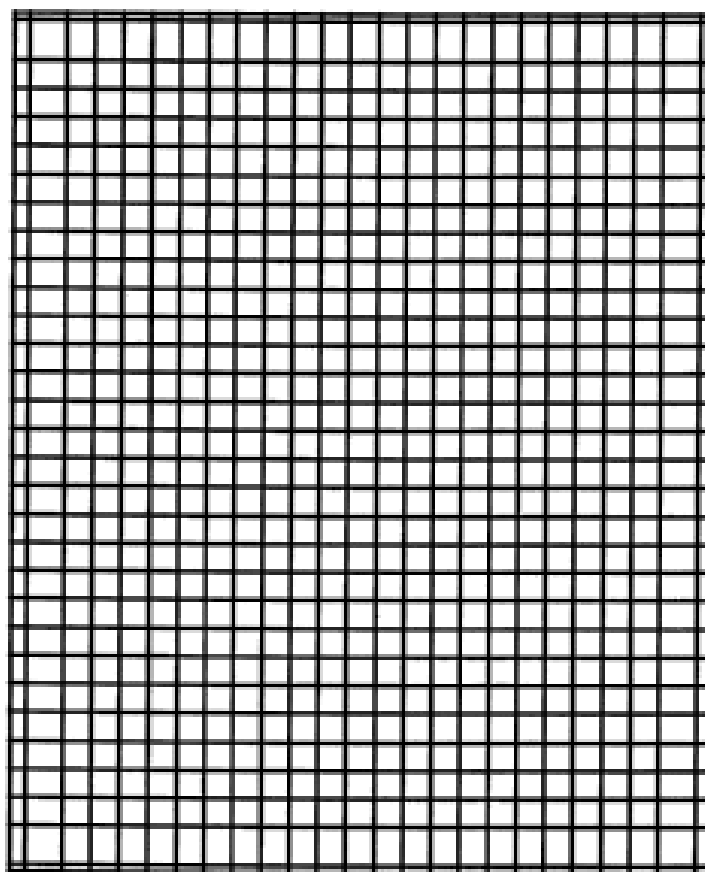
- (21) Design Number: **18889/2007**
(22) Date of Filing Application: **16 July 2007**
(24) Date from which industrial property rights may have effect: **16 July 2007**
(54) Product in respect of which the design is registered: **6 compartment tray**
(51) International Design Classification: **09-03F**
(71) Name(s) and Address(s) of Applicant(s):
 Kulbir Dhanda
 11 Quindus Street Beenleigh QLD 4207
 Sewa Dhanda
 11 Quindus Street Beenleigh QLD 4207
(72) Name(s) of Designer(s): **Kulbir Dhanda**
(45) Registration Date: **02 October 2007**
(56) Related Art Documents: **Not Applicable**
(57) Statement of Newness and Distinctiveness: **This product has a distinctive feature that is shown on the walls of the product. The ribbing provides extra strength. The edge of the compartment tray has no lip, rather it goes upwards thus giving it more strength.**



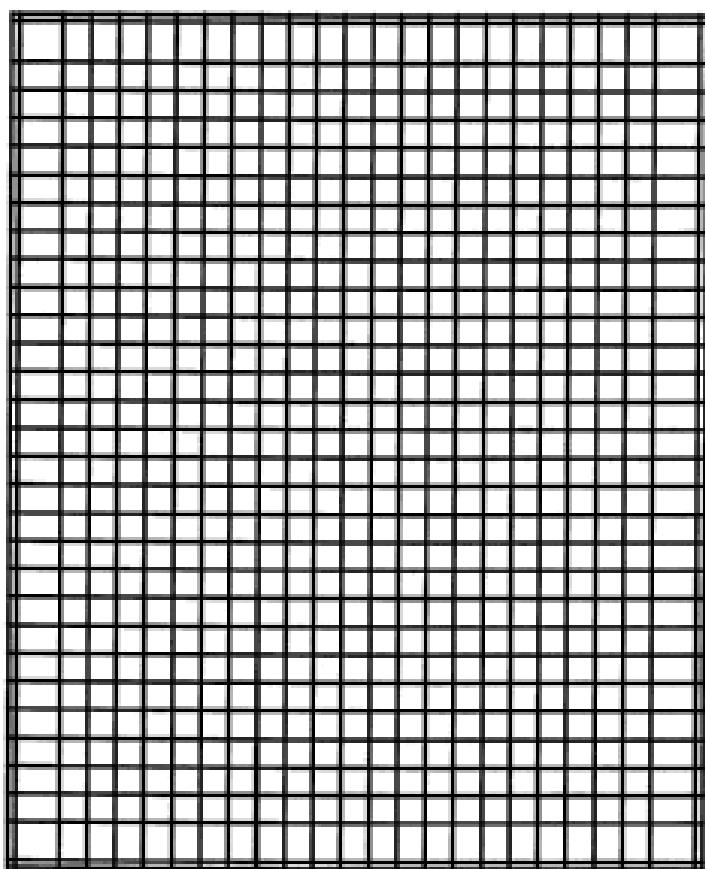
- (21) Design Number: **19118/2007**
(22) Date of Filing Application: **30 July 2007**
(24) Date from which industrial property rights may have effect: **30 July 2007**
(54) Product in respect of which the design is registered: **Tuner for a television**
(51) International Design Classification: **14-03NES**
(71) Name(s) and Address(s) of Applicant(s):
 Sony Computer Entertainment Inc.
 2-6-21 Minami-Aoyama Minato-ku Tokyo 107-0062 Japan
(72) Name(s) of Designer(s): **Naoto Shimizu**
(45) Registration Date: **02 October 2007**
(30) Convention priority data:
 (31) Number (32) Date (33) Country
 2007-002441 05 Feb 2007 JAPAN
(56) Related Art Documents: **Not Applicable**
(57) Statement of Newness and Distinctiveness: **Newness and distinctiveness resides in the features of shape and/or configuration of a tuner for a television as illustrated in the accompanying representations.**



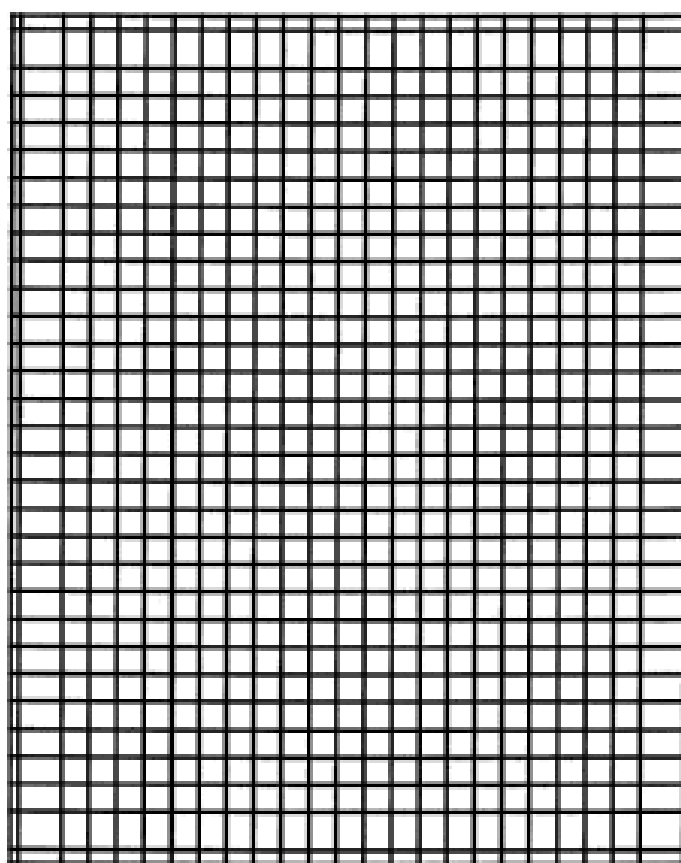
- (21) Design Number: **17573/2007**
- (22) Date of Filing Application: **20 April 2007**
- (24) Date from which industrial property rights may have effect: **20 April 2007**
- (54) Product in respect of which the design is registered: **Mine mesh**
- (51) International Design Classification: **25-02C**
- (71) Name(s) and Address(s) of Applicant(s):
Onesteel Reinforcing Pty Limited
Level 40 259 George Street Sydney New South Wales 2000 Australia
- (72) Name(s) of Designer(s): **Kannan Thangaraj**
- (45) Registration Date: **02 October 2007**
- (56) Related Art Documents: **Not Applicable**
- (57) Statement of Newness and Distinctiveness: **The shape and configuration, of the product is new and distinctive.**



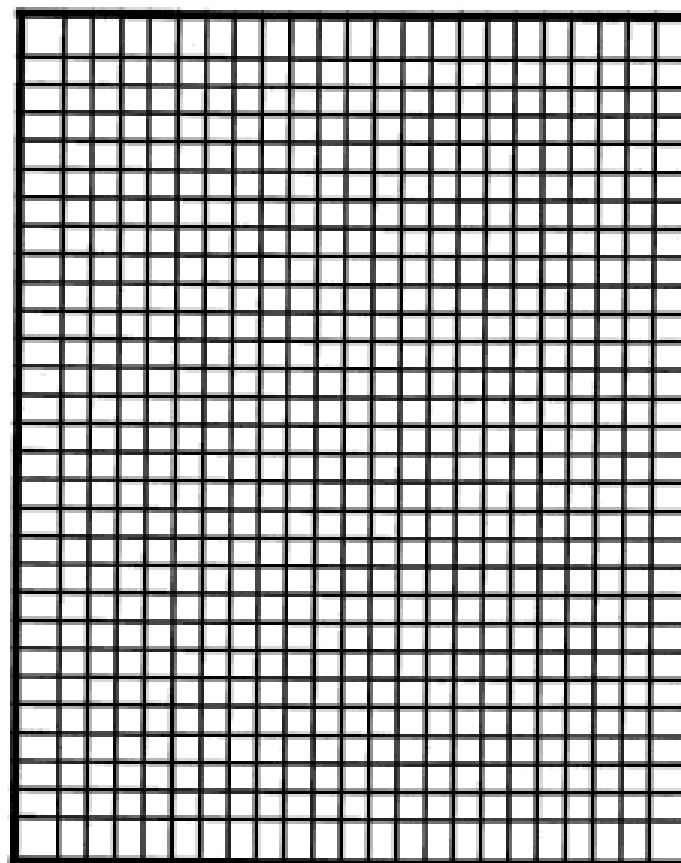
- (21) Design Number: **17574/2007**
- (22) Date of Filing Application: **20 April 2007**
- (24) Date from which industrial property rights may have effect: **20 April 2007**
- (54) Product in respect of which the design is registered: **Mine mesh**
- (51) International Design Classification: **25-02C**
- (71) Name(s) and Address(s) of Applicant(s):
Onesteel Reinforcing Pty Limited
Level 40 259 George Street Sydney New South Wales 2000 Australia
- (72) Name(s) of Designer(s): **Kannan Thangaraj**
- (45) Registration Date: **02 October 2007**
- (56) Related Art Documents: **Not Applicable**
- (57) Statement of Newness and Distinctiveness: **The shape and configuration, of the product is new and distinctive.**



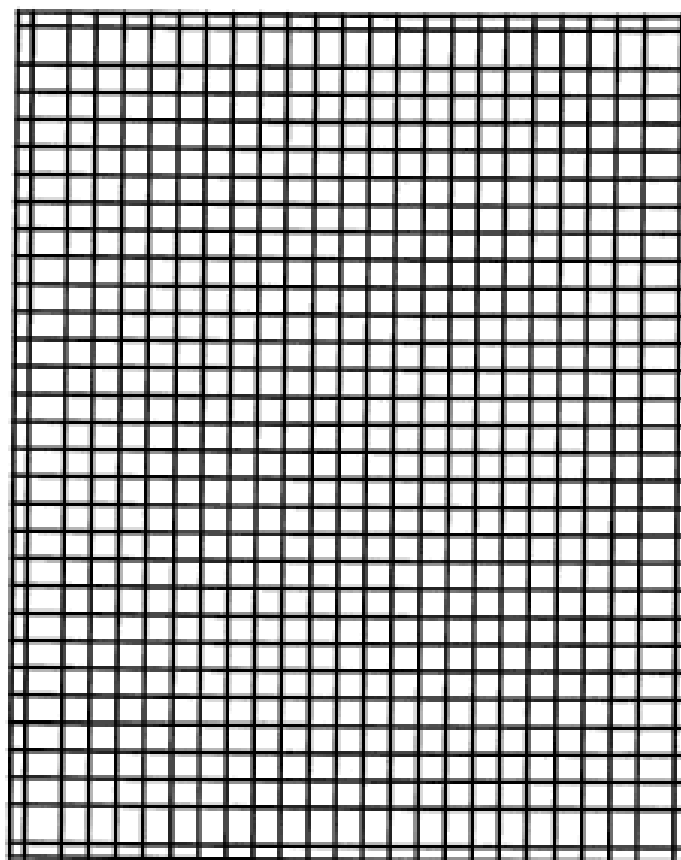
- (21) Design Number: **17575/2007**
- (22) Date of Filing Application: **20 April 2007**
- (24) Date from which industrial property rights may have effect: **20 April 2007**
- (54) Product in respect of which the design is registered: **Mine mesh**
- (51) International Design Classification: **25-02C**
- (71) Name(s) and Address(s) of Applicant(s):
Onesteel Reinforcing Pty Limited
Level 40 259 George Street Sydney New South Wales 2000 Australia
- (72) Name(s) of Designer(s): **Kannan Thangaraj**
- (45) Registration Date: **02 October 2007**
- (56) Related Art Documents: **Not Applicable**
- (57) Statement of Newness and Distinctiveness: **The shape and configuration, of the product is new and distinctive.**



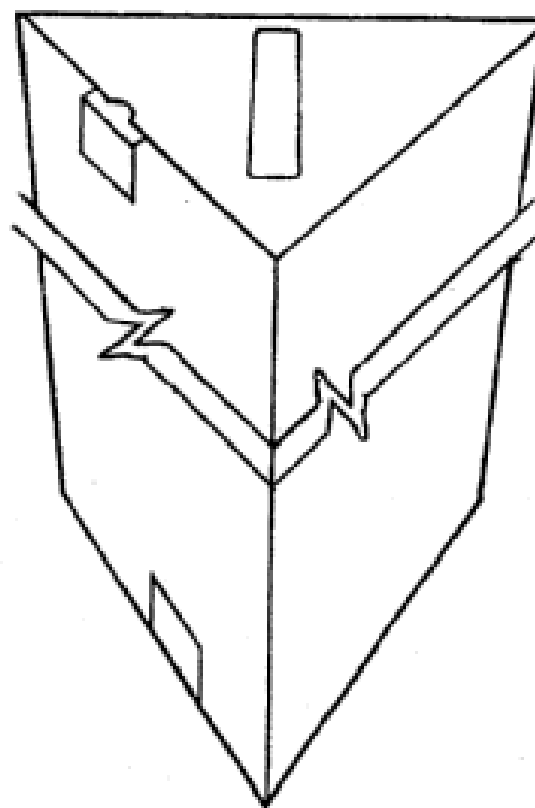
- (21) Design Number: **17576/2007**
- (22) Date of Filing Application: **20 April 2007**
- (24) Date from which industrial property rights may have effect: **20 April 2007**
- (54) Product in respect of which the design is registered: **Mine mesh**
- (51) International Design Classification: **25-02C**
- (71) Name(s) and Address(s) of Applicant(s):
Onesteel Reinforcing Pty Limited
Level 40 259 George Street Sydney New South Wales 2000 Australia
- (72) Name(s) of Designer(s): **Kannan Thangaraj**
- (45) Registration Date: **02 October 2007**
- (56) Related Art Documents: **Not Applicable**
- (57) Statement of Newness and Distinctiveness: **The shape and configuration, of the product is new and distinctive.**



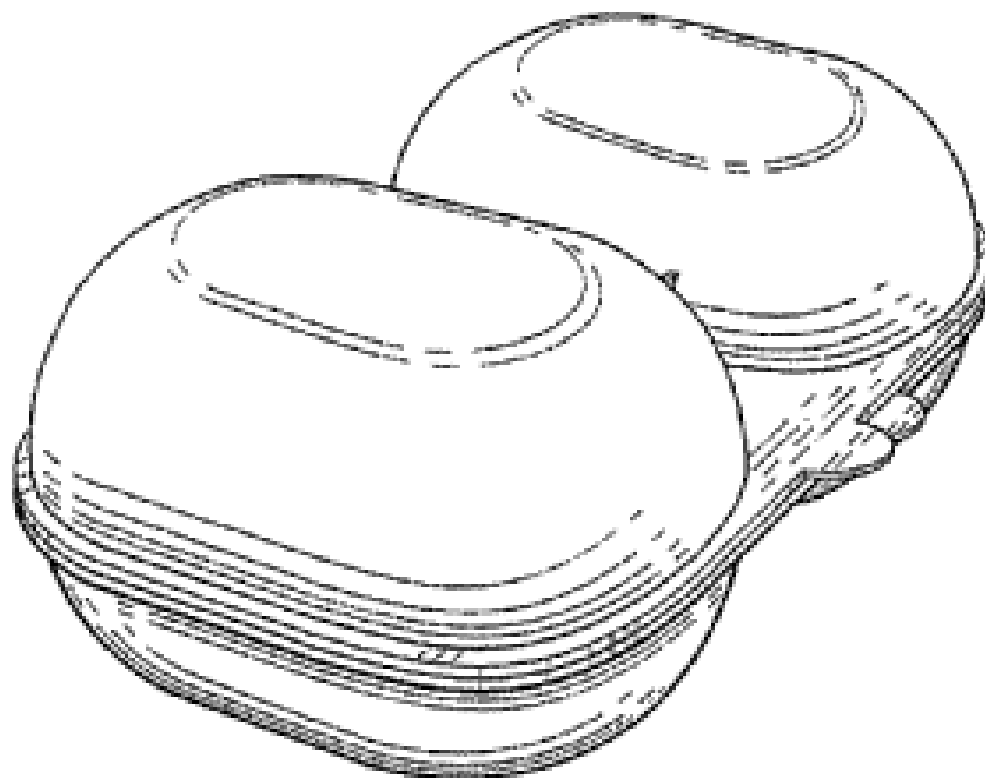
- (21) Design Number: **17577/2007**
- (22) Date of Filing Application: **20 April 2007**
- (24) Date from which industrial property rights may have effect: **20 April 2007**
- (54) Product in respect of which the design is registered: **Mine mesh**
- (51) International Design Classification: **25-02C**
- (71) Name(s) and Address(s) of Applicant(s):
Onesteel Reinforcing Pty Limited
Level 40 259 George Street Sydney New South Wales 2000 Australia
- (72) Name(s) of Designer(s): **Kannan Thangaraj**
- (45) Registration Date: **02 October 2007**
- (56) Related Art Documents: **Not Applicable**
- (57) Statement of Newness and Distinctiveness: **The shape and configuration, of the product is new and distinctive.**



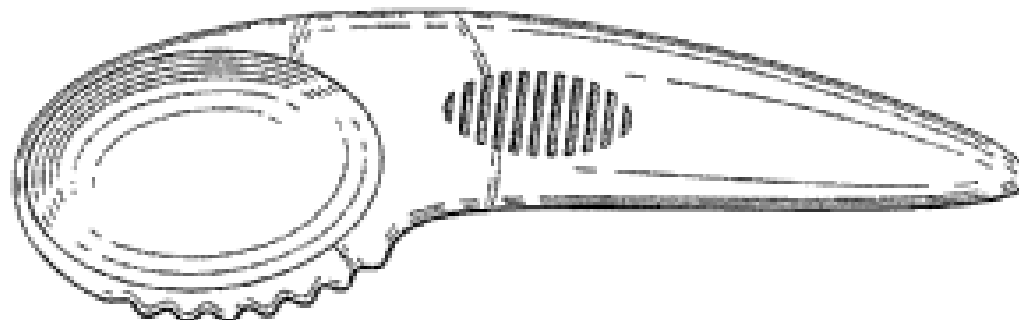
- (21) Design Number: **17687/2007**
- (22) Date of Filing Application: **01 May 2007**
- (24) Date from which industrial property rights may have effect: **01 May 2007**
- (54) Product in respect of which the design is registered: **Carton**
- (51) International Design Classification: **09-03NES**
- (71) Name(s) and Address(s) of Applicant(s):
Villa Maria Estate Limited
118 Montgomerie Road Mangere Auckland New Zealand
- (72) Name(s) of Designer(s): **Sancha Tooker**
- (45) Registration Date: **02 October 2007**
- (56) Related Art Documents: **Not Applicable**
- (57) Statement of Newness and Distinctiveness: **Nil**



(21) Design Number: **18078/2007**
(22) Date of Filing Application: **23 May 2007**
(24) Date from which industrial property rights may have effect: **23 May 2007**
(54) Product in respect of which the design is registered: **Tray for packing foods**
(51) International Design Classification: **09-03F**
(71) Name(s) and Address(s) of Applicant(s):
Zespri Group Limited
400 Maunganui Road Mount Maunganui South New Zealand
(72) Name(s) of Designer(s): **Antonio Jimenez and Andreas Borgers**
(45) Registration Date: **02 October 2007**
(30) Convention priority data:
(31) Number (32) Date (33) Country
000631205 01 Dec 2006 EUROPEAN COMMUNITY
(56) Related Art Documents: **Not Applicable**
(57) Statement of Newness and Distinctiveness: **Nil**



(21) Design Number: **18079/2007**
(22) Date of Filing Application: **23 May 2007**
(24) Date from which industrial property rights may have effect: **23 May 2007**
(54) Product in respect of which the design is registered: **Spoon**
(51) International Design Classification: **07-03**
(71) Name(s) and Address(s) of Applicant(s):
Zespri Group Limited
400 Maunganui Road Mount Maunganui South New Zealand
(72) Name(s) of Designer(s): **Antonio Jimenez and Andreas Borgers**
(45) Registration Date: **02 October 2007**
(30) Convention priority data:
(31) Number (32) Date (33) Country
000657655 01 Dec 2006 EUROPEAN COMMUNITY
(56) Related Art Documents: **Not Applicable**
(57) Statement of Newness and Distinctiveness: **Nil**



(21) Design Number: **18237/2007**

(22) Date of Filing Application: **31 May 2007**

(24) Date from which industrial property rights may have effect: **31 May 2007**

(54) Product in respect of which the design is registered: **A shearing comb**

(51) International Design Classification: **30-99**

(71) Name(s) and Address(s) of Applicant(s):

Tru-Test Pty. Ltd

2/2B Birmingham Avenue Villawood New South Wales 2163 Australia

(72) Name(s) of Designer(s): **Ronald George Cooper**

(45) Registration Date: **02 October 2007**

(56) Related Art Documents: **Not Applicable**

(57) Statement of Newness and Distinctiveness: **The design relates to a shearing comb and the newness and distinctiveness is claim in the features of shape and configuration of the teeth as illustrated in the representations accompanying the application.**



(21) Design Number: **18725/2007**

(22) Date of Filing Application: **05 July 2007**

(24) Date from which industrial property rights may have effect: **05 July 2007**

(54) Product in respect of which the design is registered: **Remote control hand piece**

(51) International Design Classification: **14-03NES**

(71) Name(s) and Address(s) of Applicant(s):

Smart Openers Pty Ltd

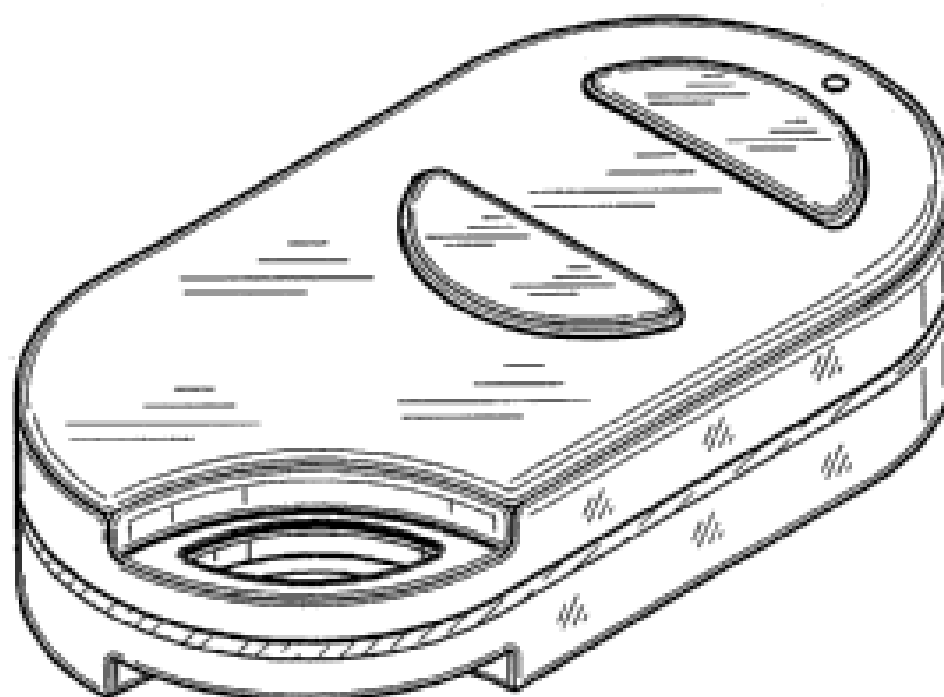
Suite 3 1-3 Albert Street Blackburn Victoria 3130 Australia

(72) Name(s) of Designer(s): **Jack Leivenzon and Glen Edward Flemming and Ben James Flemming**

(45) Registration Date: **02 October 2007**

(56) Related Art Documents: **Not Applicable**

(57) Statement of Newness and Distinctiveness: **Nil**



(21) Design Number: **18742/2007**

(22) Date of Filing Application: **09 July 2007**

(24) Date from which industrial property rights may have effect: **09 July 2007**

(54) Product in respect of which the design is registered: **Water collection well and septic tank**

(51) International Design Classification: **23-02NES**

(71) Name(s) and Address(s) of Applicant(s):

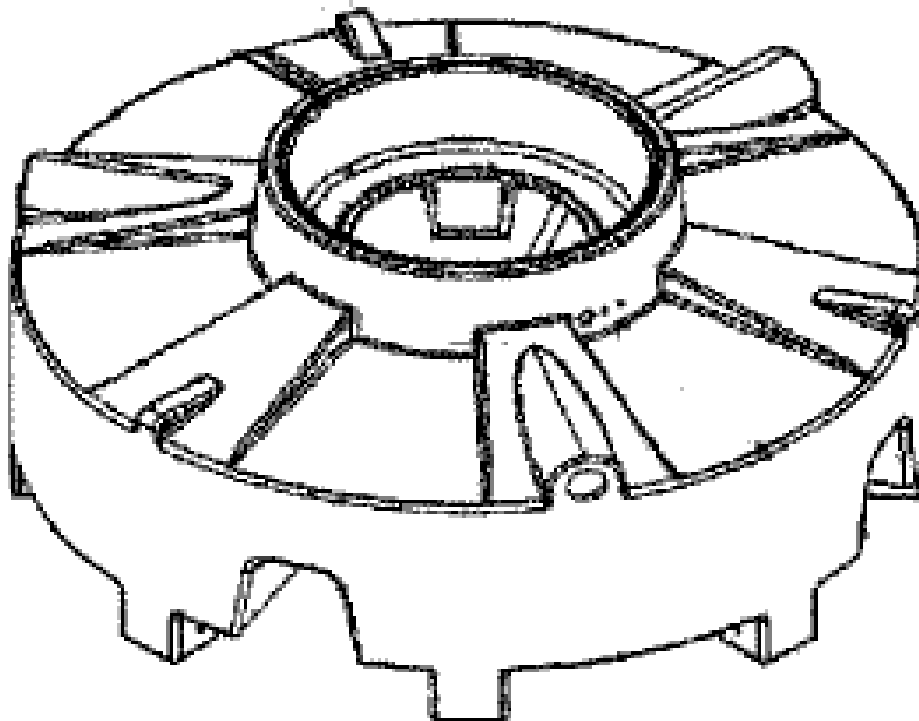
John Cordova
RMB 849 1545 Mandalong Road Dooralong New South Wales 2259
Australia

(72) Name(s) of Designer(s): **John Cordova**

(45) Registration Date: **02 October 2007**

(56) Related Art Documents: **Not Applicable**

(57) Statement of Newness and Distinctiveness: **Chamfers and base of device. Y16 Reo bar for anchorage. Unique inner lid access for safety.**



(21) Design Number: **18824/2007**

(22) Date of Filing Application: **11 July 2007**

(24) Date from which industrial property rights may have effect: **11 July 2007**

(54) Product in respect of which the design is registered: **Fitted top sheet for beds**

(51) International Design Classification: **06-13B**

(71) Name(s) and Address(s) of Applicant(s):

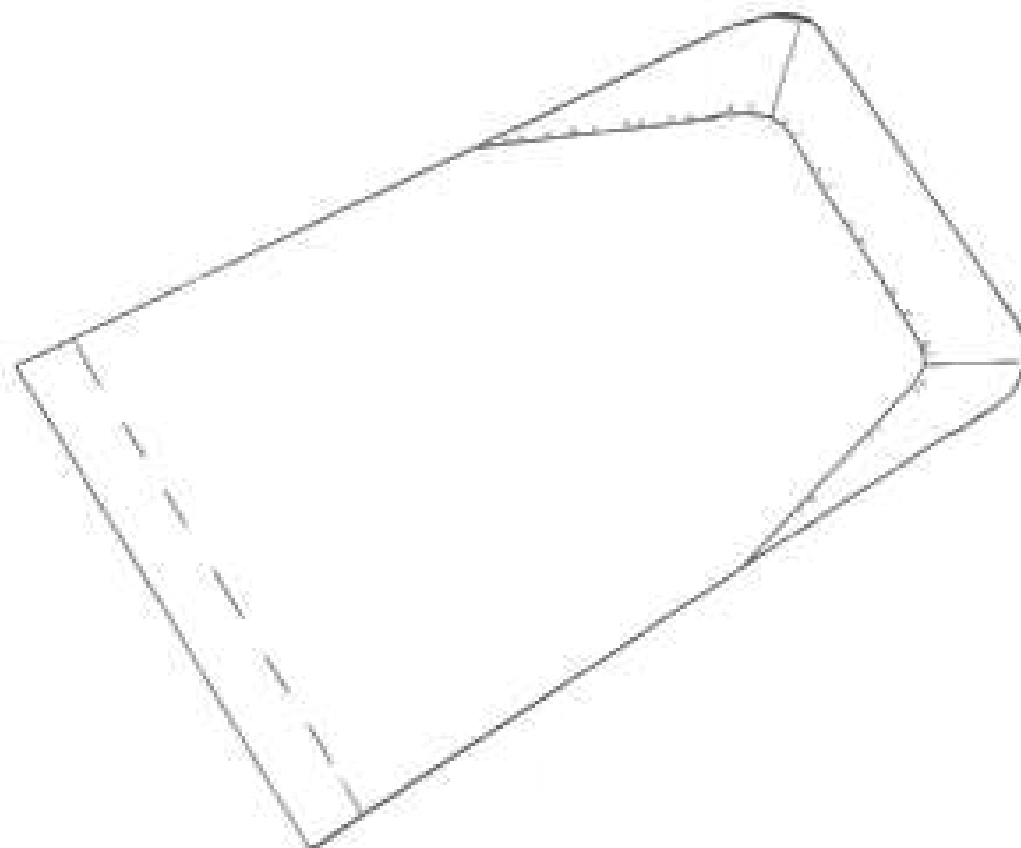
Kym Shuttleworth
101 Trudy Crescent Cornubia Queensland 4130 Australia

(72) Name(s) of Designer(s): **Kym Shuttleworth**

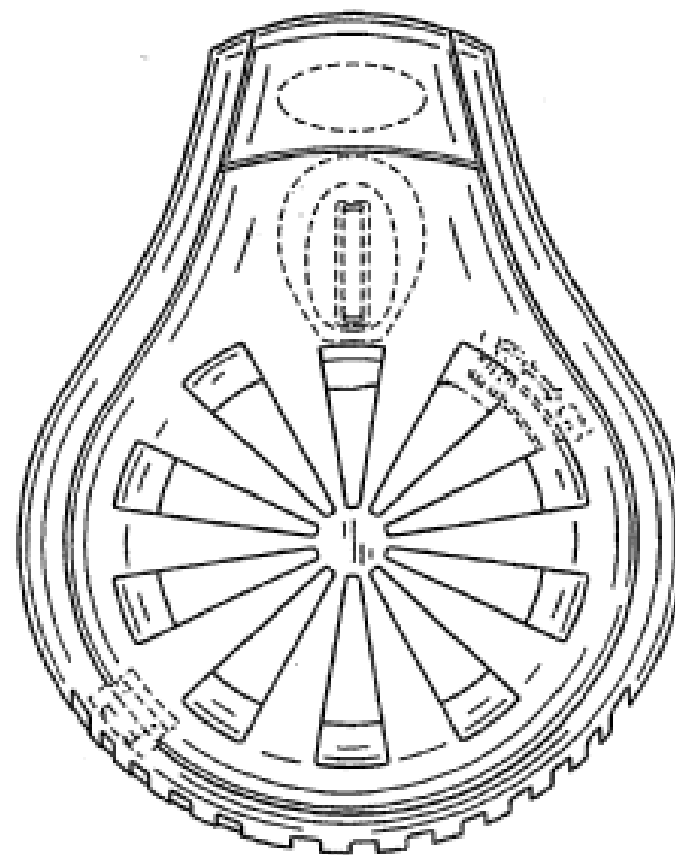
(45) Registration Date: **02 October 2007**

(56) Related Art Documents: **Not Applicable**

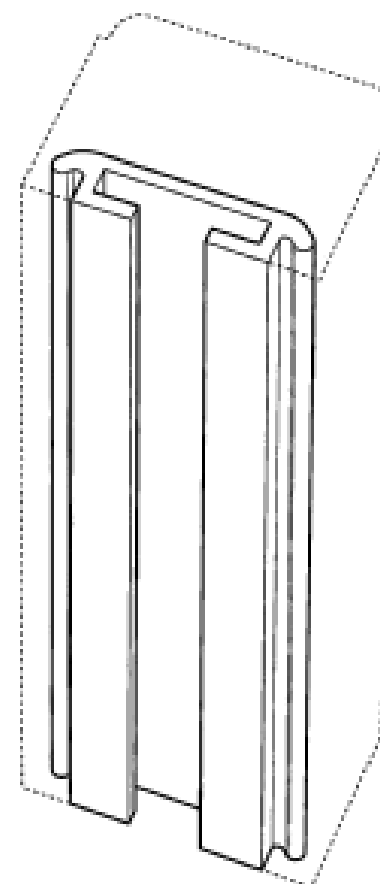
(57) Statement of Newness and Distinctiveness: **A standard flat top sheet and made it unique by creating a fitted foot which not only is fitted but goes under the mattress a further 10cm than any other fitted sheet currently on the market, leaving the top of the sheet like a standard flat sheet. This then means that the baby - young child - or adult would find it very difficult if not impossible to kick the sheet off.**



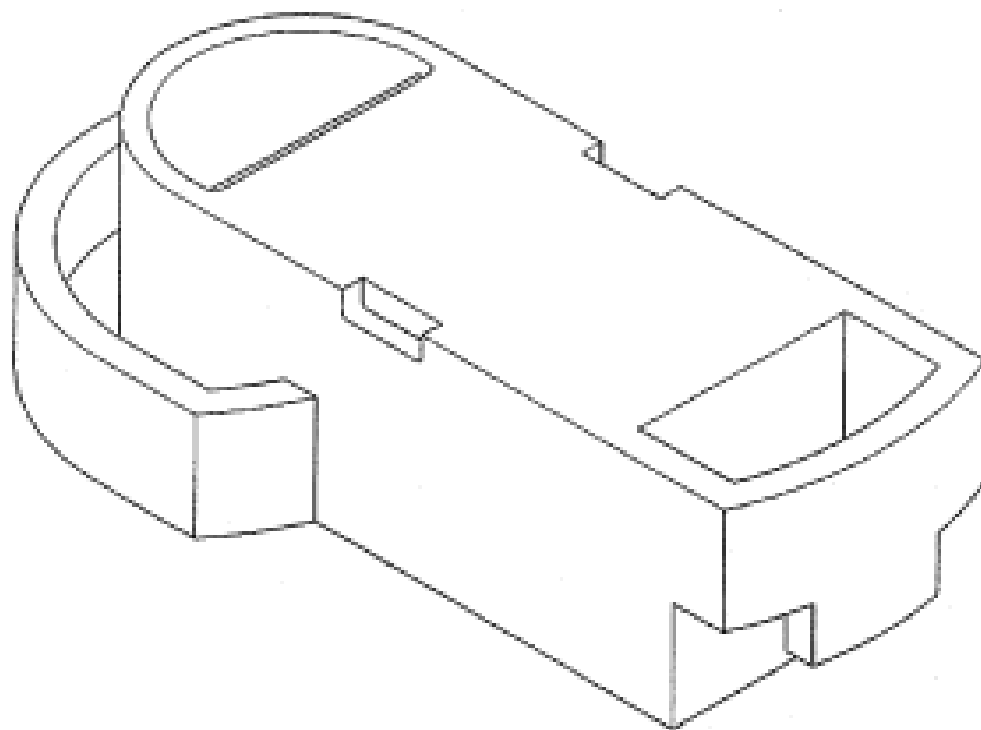
- (21) Design Number: **19068/2007**
(22) Date of Filing Application: **25 July 2007**
(24) Date from which industrial property rights may have effect: **25 July 2007**
(54) Product in respect of which the design is registered: **Volatile dispenser**
(51) International Design Classification: **28-03NES**
(71) Name(s) and Address(s) of Applicant(s):
S.C. Johnson & Son, Inc.
1525 Howe Street Racine Wisconsin 53403-2236 United States of America
(72) Name(s) of Designer(s): **Paul D. Hatch and Carl A. Cephress and Hyung S. Lee and Tyler D. Duston**
(45) Registration Date: **02 October 2007**
(30) Convention priority data:
(31) Number (32) Date (33) Country
29/281005 13 Jun 2007 UNITED STATES OF AMERICA
(56) Related Art Documents: **Not Applicable**
(57) Statement of Newness and Distinctiveness: **Newness and distinctiveness is claimed in those features of shape and/or configuration of a volatile dispenser as illustrated in continuous lines in the accompanying representations.**



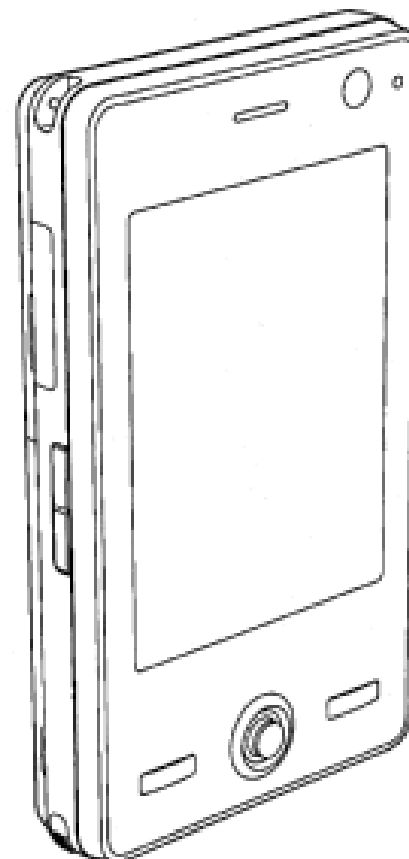
- (21) Design Number: **19071/2007**
(22) Date of Filing Application: **25 July 2007**
(24) Date from which industrial property rights may have effect: **25 July 2007**
(54) Product in respect of which the design is registered: **Sliding fender**
(51) International Design Classification: **25-02NES**
(71) Name(s) and Address(s) of Applicant(s):
Steven John Cowey
24 Ninth Street Wingfield South Australia 5013 Australia
(72) Name(s) of Designer(s): **S. J. Cowey**
(45) Registration Date: **02 October 2007**
(56) Related Art Documents: **Not Applicable**
(57) Statement of Newness and Distinctiveness: **Newness and distinctiveness resides in the features of shape and configuration of a sliding fender mount as shown in the accompanying representations. Those portions shown in dotted lines form no part of the design and are to be disregarded.**



- (21) Design Number: **19076/2007**
(22) Date of Filing Application: **26 July 2007**
(24) Date from which industrial property rights may have effect: **26 July 2007**
(54) Product in respect of which the design is registered: **Connecting device**
(51) International Design Classification: **08-08NES**
(71) Name(s) and Address(s) of Applicant(s):
Sang Kyeong Kim
SangShin Mantion Da#203 67#1 Gugi-dong Jongno-gu Seoul Korea
(72) Name(s) of Designer(s): **Sang Kyeong Kim**
(45) Registration Date: **02 October 2007**
(56) Related Art Documents: **Not Applicable**
(57) Statement of Newness and Distinctiveness: **In considering the newness or distinctiveness of the design, regard is to be given to the overall shape and/or configuration of the connecting device as shown in the representations.**



- (21) Design Number: **19083/2007**
(22) Date of Filing Application: **26 July 2007**
(24) Date from which industrial property rights may have effect: **26 July 2007**
(54) Product in respect of which the design is registered: **Cellular phone**
(51) International Design Classification: **14-03E**
(71) Name(s) and Address(s) of Applicant(s):
LG Electronics Inc.
20 Yoido-dong Yongdungpo-gu Seoul Republic of Korea
(72) Name(s) of Designer(s): **Soon Hyun Park**
(45) Registration Date: **02 October 2007**
(30) Convention priority data:
(31) Number (32) Date (33) Country
30-2007-0006893 14 Feb 2007 REPUBLIC OF KOREA
(56) Related Art Documents: **Not Applicable**
(57) Statement of Newness and Distinctiveness: **Newness and distinctiveness resides in the visual features of shape and/or configuration of a cellular phone as illustrated in the accompanying representations.**



(21) Design Number: **19086/2007**

(22) Date of Filing Application: **26 July 2007**

(24) Date from which industrial property rights may have effect: **26 July 2007**

(54) Product in respect of which the design is registered: **Ornamental object**

(51) International Design Classification: **11-02E**

(71) Name(s) and Address(s) of Applicant(s):

**Swarovski Aktiengesellschaft
Droschistrasse 15 FL-9495 Triesen Liechtenstein**

(72) Name(s) of Designer(s): **Heinz Tabertshofer**

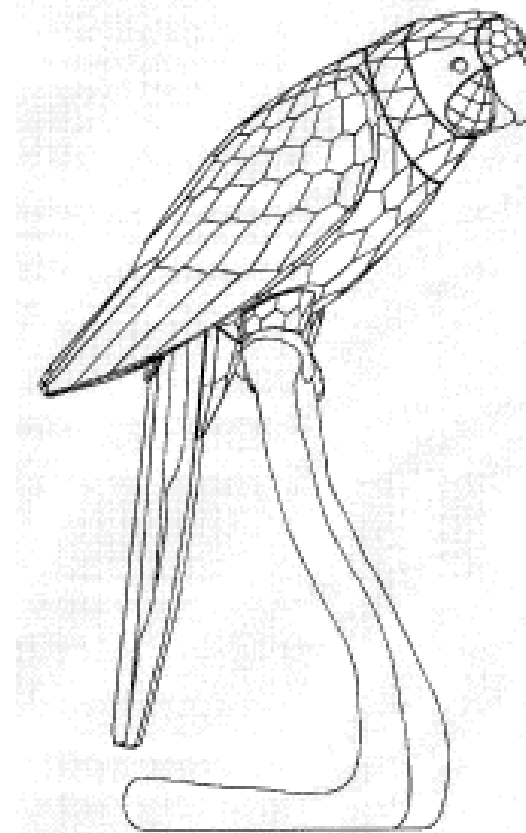
(45) Registration Date: **02 October 2007**

(30) Convention priority data:

(31) Number	(32) Date	(33) Country
674619-0003	20 Feb 2007	EUROPEAN COMMUNITY

(56) Related Art Documents: **Not Applicable**

(57) Statement of Newness and Distinctiveness: **Nil**



(21) Design Number: **19087/2007**

(22) Date of Filing Application: **26 July 2007**

(24) Date from which industrial property rights may have effect: **26 July 2007**

(54) Product in respect of which the design is registered: **Ornamental object**

(51) International Design Classification: **11-02E**

(71) Name(s) and Address(s) of Applicant(s):

**Swarovski Aktiengesellschaft
Droschistrasse 15 FL-9495 Triesen Liechtenstein**

(72) Name(s) of Designer(s): **Stefanie Nederegger**

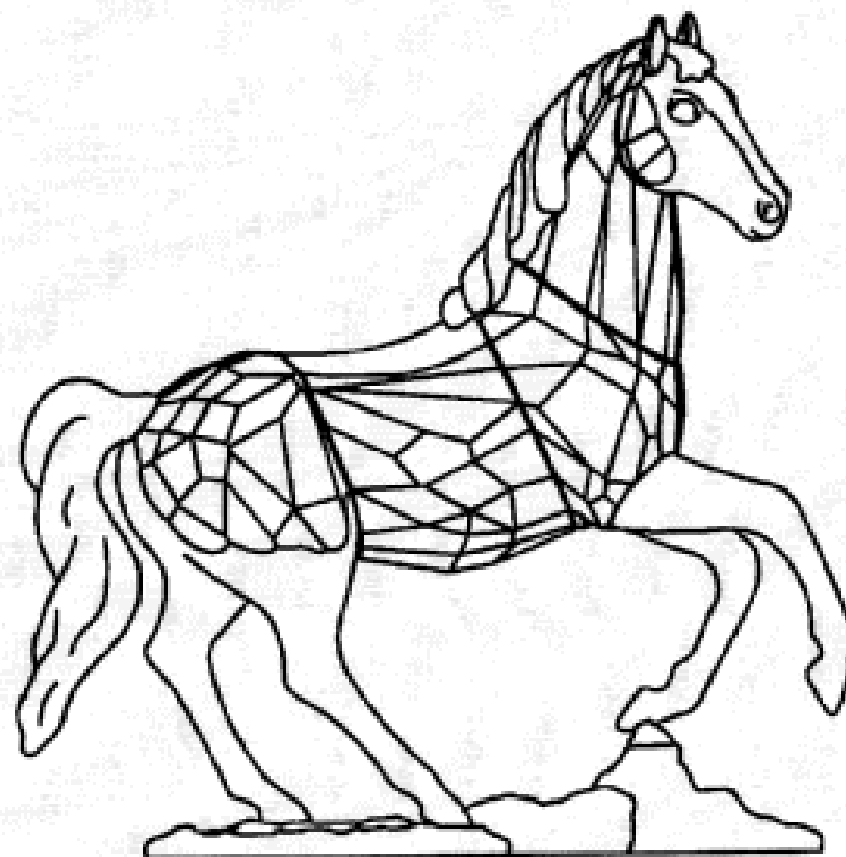
(45) Registration Date: **02 October 2007**

(30) Convention priority data:

(31) Number	(32) Date	(33) Country
674619-0001	20 Feb 2007	EUROPEAN COMMUNITY

(56) Related Art Documents: **Not Applicable**

(57) Statement of Newness and Distinctiveness: **Nil**



(21) Design Number: **19088/2007**

(22) Date of Filing Application: **26 July 2007**

(24) Date from which industrial property rights may have effect: **26 July 2007**

(54) Product in respect of which the design is registered: **Paint tray**

(51) International Design Classification: **08-05L**

(71) Name(s) and Address(s) of Applicant(s):

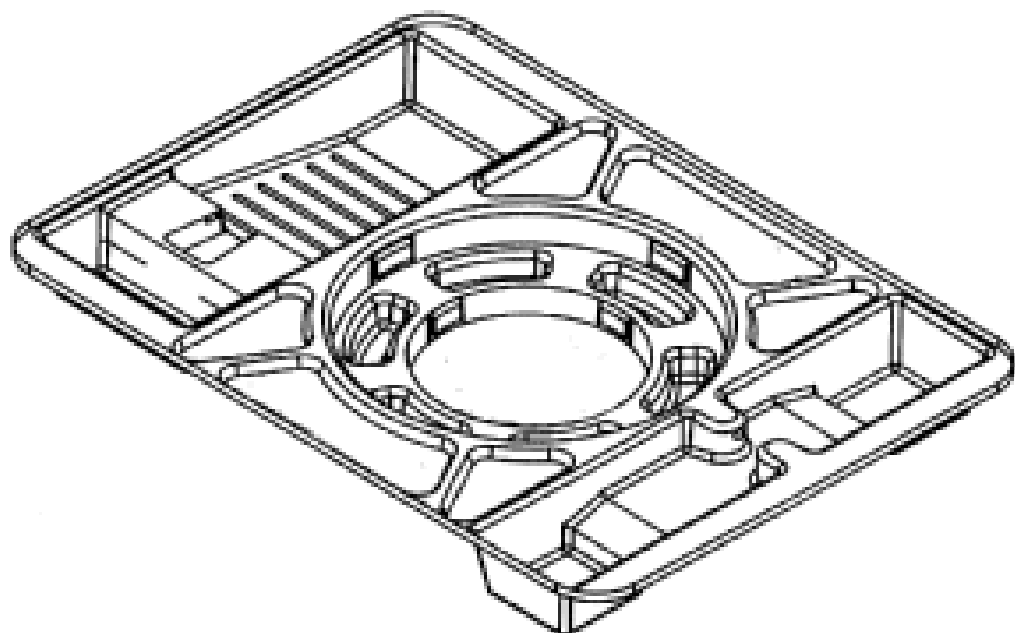
**UNI-PRO Painting Equipment Pty Ltd
Factory 9/11 144-150 Canterbury Road Kilsyth Victoria 3137 Australia**

(72) Name(s) of Designer(s): **Ken Simpson**

(45) Registration Date: **02 October 2007**

(56) Related Art Documents: **Not Applicable**

(57) Statement of Newness and Distinctiveness: **Nil**



(21) Design Number: **19551/2007**

(22) Date of Filing Application: **09 July 2007**

(24) Date from which industrial property rights may have effect: **09 July 2007**

(54) Product in respect of which the design is registered: **Water collection well or septic tank**

(51) International Design Classification: **23-02NES**

(71) Name(s) and Address(s) of Applicant(s):

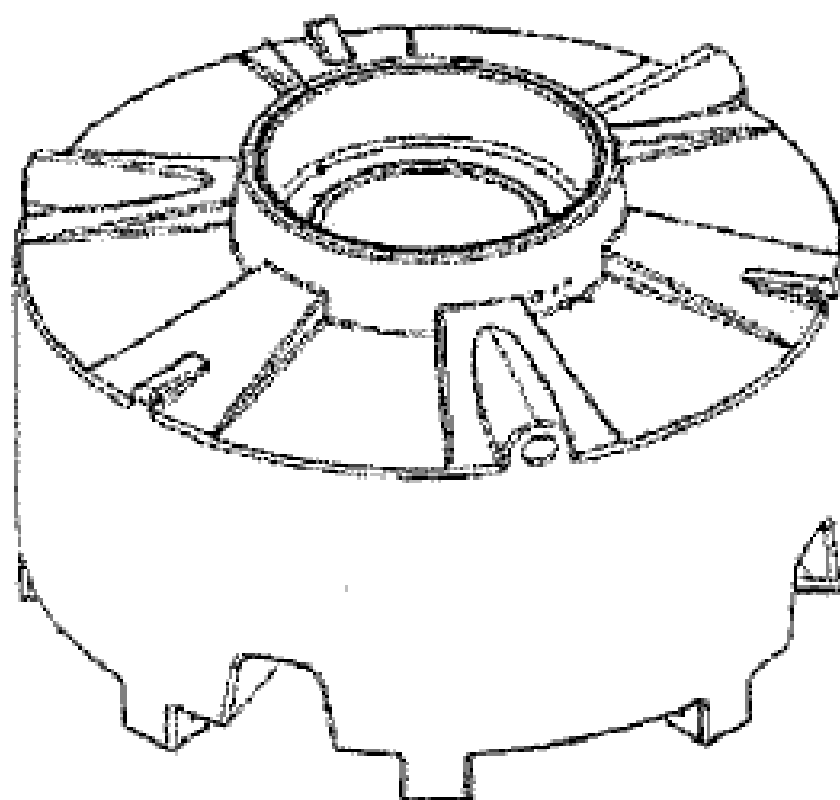
**John Cordova
RMB 849 1545 Mandalong Road Dooralong New South Wales 2259
Australia**

(72) Name(s) of Designer(s): **John Cordova**

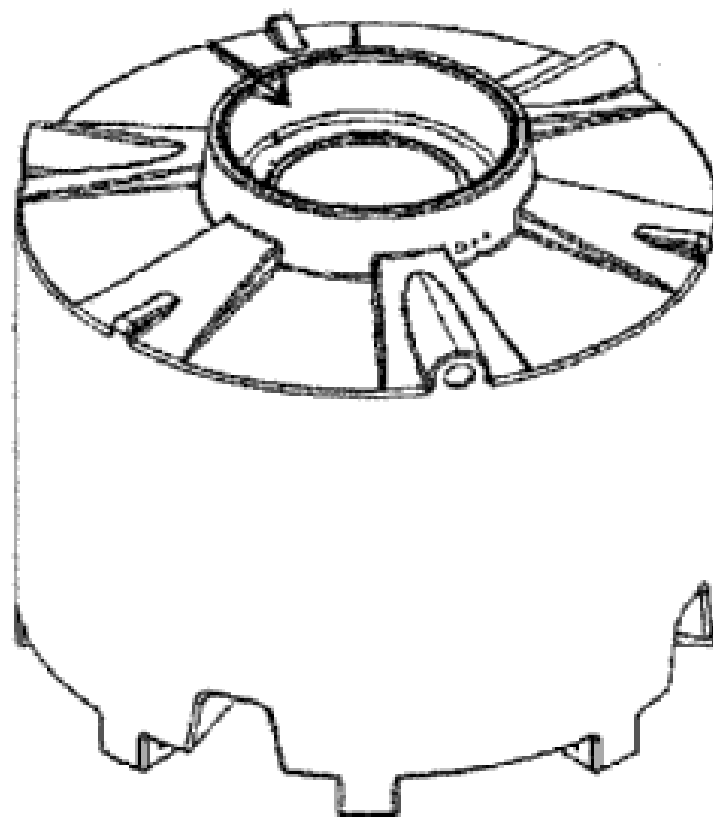
(45) Registration Date: **02 October 2007**

(56) Related Art Documents: **Not Applicable**

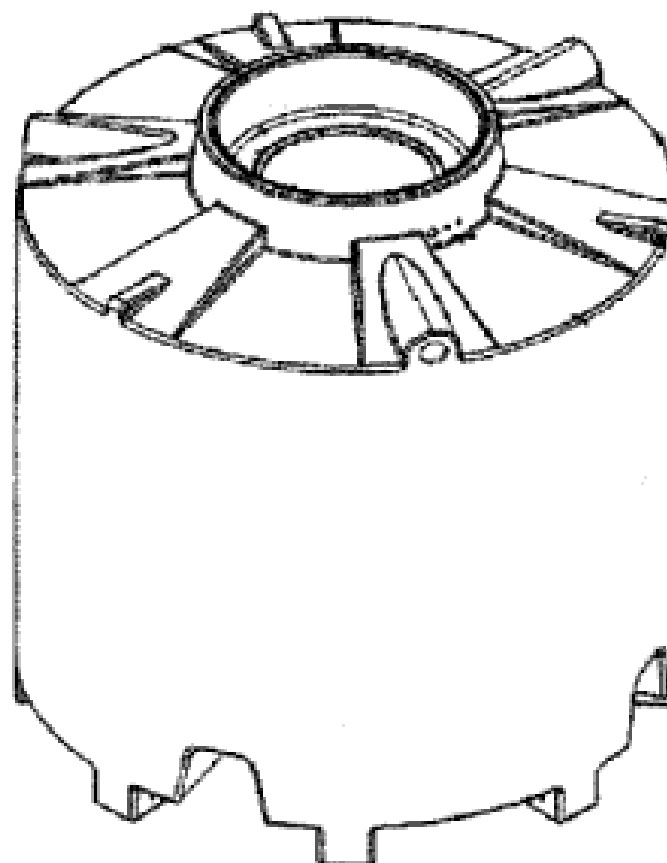
(57) Statement of Newness and Distinctiveness: **Chamfers & base of device, Y16 Reo bar for anchorage, Unique inner lid access for safety.**



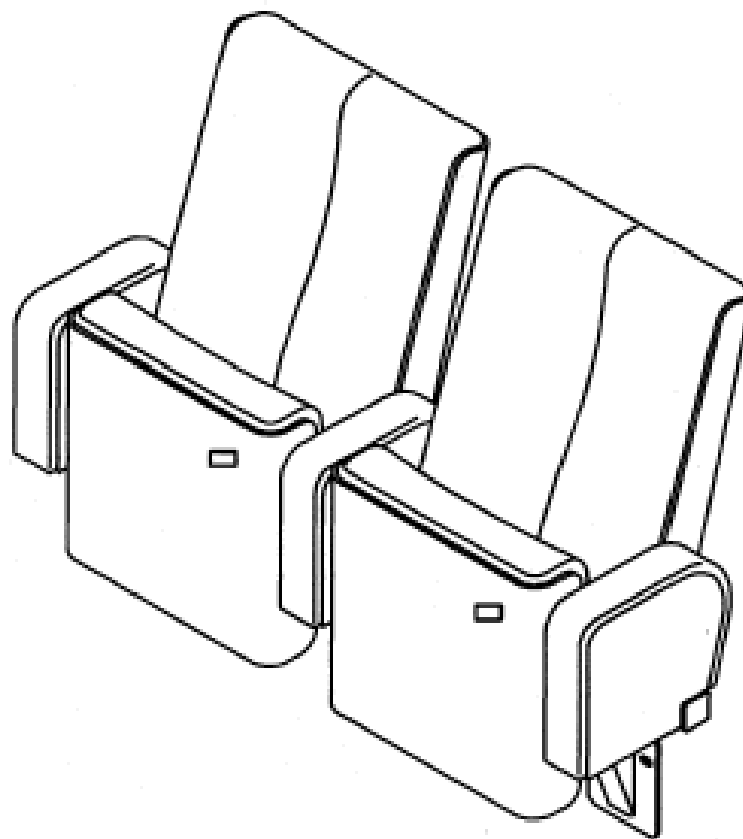
- (21) Design Number: **19552/2007**
(22) Date of Filing Application: **09 July 2007**
(24) Date from which industrial property rights may have effect: **09 July 2007**
(54) Product in respect of which the design is registered: **Water collection well or septic tank**
(51) International Design Classification: **23-02NES**
(71) Name(s) and Address(s) of Applicant(s):
John Cordova
RMB 849 1545 Mandalong Road Dooralong New South Wales 2259
Australia
(72) Name(s) of Designer(s): **John Cordova**
(45) Registration Date: **02 October 2007**
(56) Related Art Documents: **Not Applicable**
(57) Statement of Newness and Distinctiveness: **Chamfers & base of device, Y16**
Reo bar for anchorage, Unique inner lid access for safety.



- (21) Design Number: **19553/2007**
(22) Date of Filing Application: **09 July 2007**
(24) Date from which industrial property rights may have effect: **09 July 2007**
(54) Product in respect of which the design is registered: **Water collection well or septic tank**
(51) International Design Classification: **23-02NES**
(71) Name(s) and Address(s) of Applicant(s):
John Cordova
RMB 849 1545 Mandalong Road Dooralong New South Wales 2259
Australia
(72) Name(s) of Designer(s): **John Cordova**
(45) Registration Date: **02 October 2007**
(56) Related Art Documents: **Not Applicable**
(57) Statement of Newness and Distinctiveness: **Chamfers & base of device, Y16**
Reo bar for anchorage, Unique inner lid access for safety.



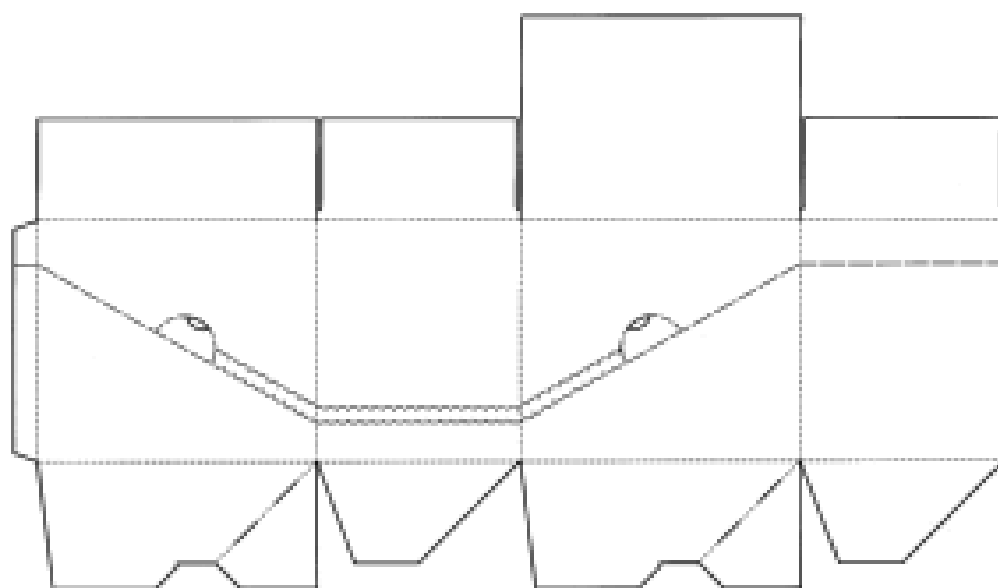
- (21) Design Number: **18140/2007**
(22) Date of Filing Application: **30 May 2007**
(24) Date from which industrial property rights may have effect: **30 May 2007**
(54) Product in respect of which the design is registered: **'TBS' stadium seating model 1100**
(51) International Design Classification: **06-01C**
(71) Name(s) and Address(s) of Applicant(s):
The Product People Pty Ltd
10 Bond Street Sydney New South Wales 2000 Australia
(72) Name(s) of Designer(s): **Sheldon King**
(45) Registration Date: **02 October 2007**
(56) Related Art Documents: **Not Applicable**
(57) Statement of Newness and Distinctiveness: **The TBS 1100 model is a stadium and arena seating system for VIP and club seating suitable for indoor and outdoor environments. The high performance, impact and stain-resistant external shell laminate used for backrest and seat uniquely wraps around protecting the cushioning. The highly visible, lens protected seat numbers provide protection and easy replacement of the number decal if required. The 1100 model club seat fits to the spin like rail system enabling the interchangeability of seats for maintenance and replacement.**



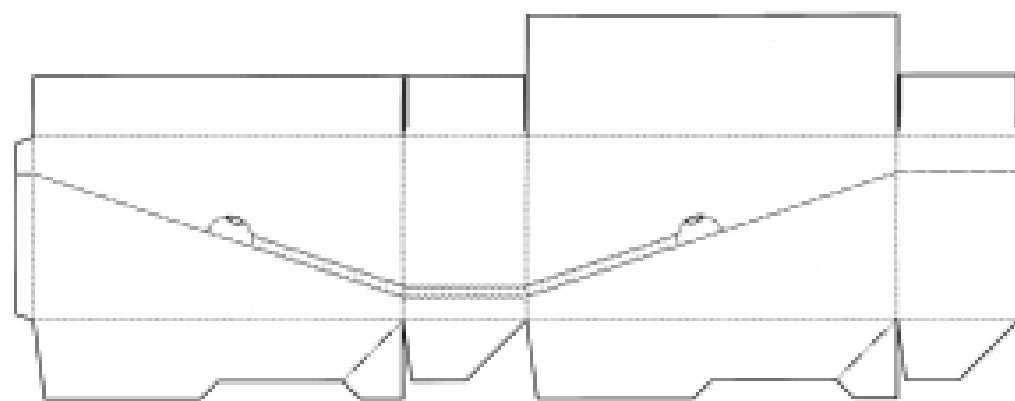
- (21) Design Number: **18939/2007**
(22) Date of Filing Application: **18 July 2007**
(24) Date from which industrial property rights may have effect: **18 July 2007**
(54) Product in respect of which the design is registered: **Projector mounting bracket**
(51) International Design Classification: **08-08NES**
(71) Name(s) and Address(s) of Applicant(s):
Benjamin John Salvemini
11 Sandleford Grange Southern River Western Australia 6110 Australia
(72) Name(s) of Designer(s): **Benjamin John Salvemini and Derk Brocx**
(45) Registration Date: **02 October 2007**
(56) Related Art Documents: **Not Applicable**
(57) Statement of Newness and Distinctiveness: **Ceiling joist hanger bracket off set sleug to accomodate various spacing between joists. Balanced point of attachment for "H" section.**



- (21) Design Number: **19084/2007**
(22) Date of Filing Application: **27 July 2007**
(24) Date from which industrial property rights may have effect: **27 July 2007**
(54) Product in respect of which the design is registered: **Carton blank**
(51) International Design Classification: **09-03M**
(71) Name(s) and Address(s) of Applicant(s):
Ampack Pty Ltd
4 - 6 James Street Williamstown Victoria 3016 Australia
(72) Name(s) of Designer(s): **Michael Hetrelezis**
(45) Registration Date: **02 October 2007**
(56) Related Art Documents: **Not Applicable**
(57) Statement of Newness and Distinctiveness: **Newness and distinctiveness resides in the features of shape and/or configuration of a carton blank as shown in the accompanying representations.**



- (21) Design Number: **19085/2007**
(22) Date of Filing Application: **27 July 2007**
(24) Date from which industrial property rights may have effect: **27 July 2007**
(54) Product in respect of which the design is registered: **Carton blank**
(51) International Design Classification: **09-03M**
(71) Name(s) and Address(s) of Applicant(s):
Ampack Pty Ltd
4 - 6 James Street Williamstown Victoria 3016 Australia
(72) Name(s) of Designer(s): **Michael Hetrelezis**
(45) Registration Date: **02 October 2007**
(56) Related Art Documents: **Not Applicable**
(57) Statement of Newness and Distinctiveness: **Newness and distinctiveness resides in the features of shape and/or configuration of a carton blank as shown in the accompanying representations.**



- (21) Design Number: **19094/2007**
(22) Date of Filing Application: **27 July 2007**
(24) Date from which industrial property rights may have effect: **27 July 2007**
(54) Product in respect of which the design is registered: **Nut cracker**
(51) International Design Classification: **07-06NES**
(71) Name(s) and Address(s) of Applicant(s):
Paul John Simpson
22 Narraport Crescent Beenleigh Queensland 4207 Australia
Phillip Guy Simpson
22 Narraport Crescent Beenleigh Queensland 4207 Australia
(72) Name(s) of Designer(s): **Phillip Guy Simpson and Paul John Simpson**
(45) Registration Date: **02 October 2007**
(56) Related Art Documents: **Not Applicable**
(57) Statement of Newness and Distinctiveness: **Barrell shape.**

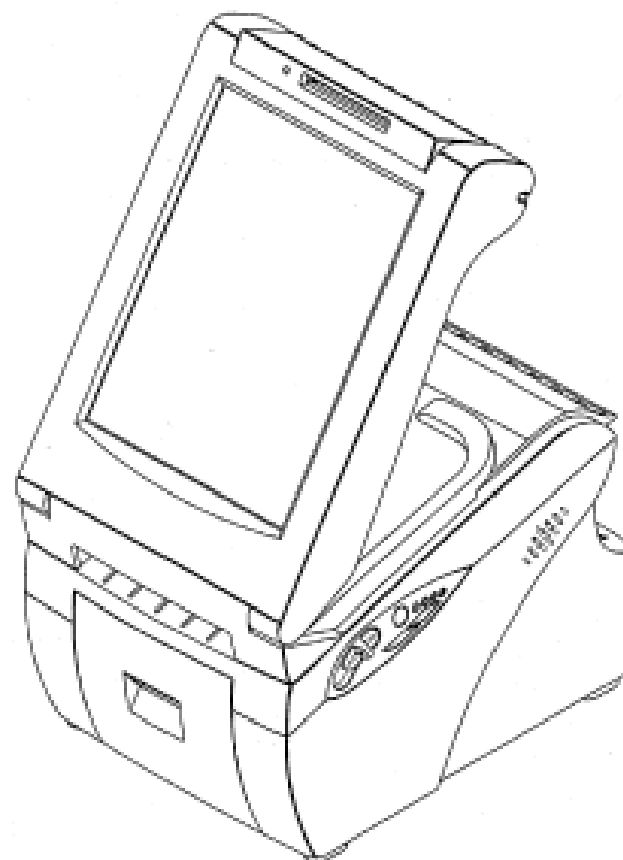


- (21) Design Number: **19095/2007**
(22) Date of Filing Application: **27 July 2007**
(24) Date from which industrial property rights may have effect: **27 July 2007**
(54) Product in respect of which the design is registered: **Lottery terminal**
(51) International Design Classification: **21-03**
(71) Name(s) and Address(s) of Applicant(s):
Constantinos Antonopoulos
64 Kifissias Avenue & 3 Premetis Street Maroussi Athens 15125 Greece
Georgios Plakas
64 Kifissias Avenue & 3 Premetis Street Maroussi Athens 15125 Greece
Konstantinos Vrahatis
64 Kifissias Avenue & 3 Premetis Street Maroussi Athens 15125 Greece
Georgios Kolios
64 Kifissias Avenue & 3 Premetis Street Maroussi Athens 15125 Greece
Stavros Liapis
64 Kifissias Avenue & 3 Premetis Street Maroussi Athens 15125 Greece

- (72) Name(s) of Designer(s): **Konstantinos Antonopoulos and Georgios Plakas and Konstantinos Vrahatis and Georgios Kolios and Stavros Liapis**
(45) Registration Date: **02 October 2007**
(30) Convention priority data:
(31) Number (32) Date (33) Country
2007010053 30 Jan 2007 GREECE

(56) Related Art Documents: **Not Applicable**

(57) Statement of Newness and Distinctiveness: **Newness and distinctiveness is claimed in the visual features of a lottery terminal as illustrated in the representations. For the purpose of considering the extent of newness and distinctiveness of the claimed design, features shown in phantom lines are to be disregarded.**



(19) AU

- (21) Design Number: **19096/2007**
- (22) Date of Filing Application: **27 July 2007**
- (24) Date from which industrial property rights may have effect: **27 July 2007**
- (54) Product in respect of which the design is registered: **A tap handle**
- (51) International Design Classification: **23-01H**
- (71) Name(s) and Address(s) of Applicant(s):

Newfrey LLC
1207 Drummond Plaza Newark Delaware 19711 United States of America

(72) Name(s) of Designer(s): **Aaron Hanna and Bryan Soriano**

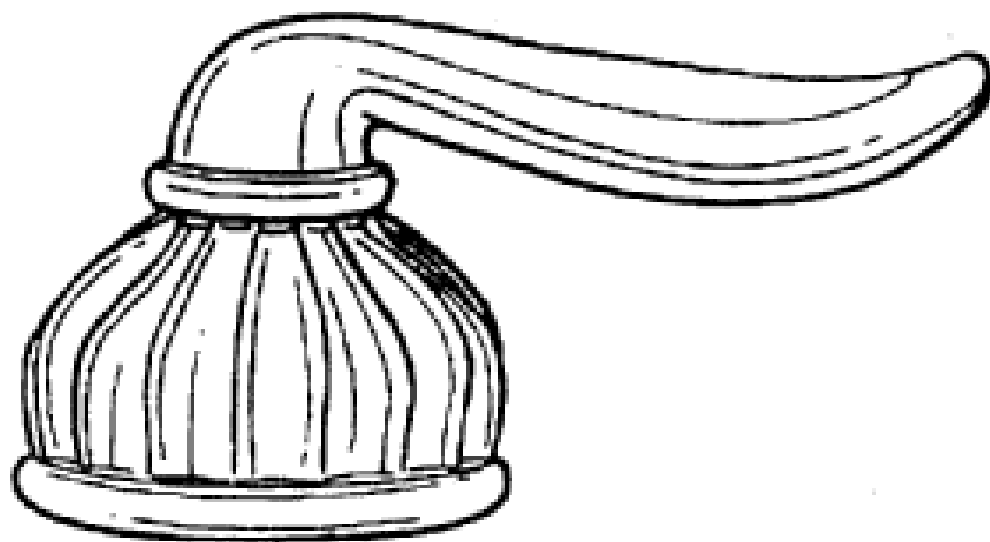
(45) Registration Date: **02 October 2007**

(30) Convention priority data:

(31) Number	(32) Date	(33) Country
29272636	13 Feb 2007	UNITED STATES OF AMERICA

(56) Related Art Documents: **Not Applicable**

(57) Statement of Newness and Distinctiveness: **Newness and distinctiveness is claimed in the visual features shown in solid lines in the representations.**



(19) AU

- (21) Design Number: **19097/2007**
- (22) Date of Filing Application: **27 July 2007**
- (24) Date from which industrial property rights may have effect: **27 July 2007**
- (54) Product in respect of which the design is registered: **A spout body**
- (51) International Design Classification: **23-01H**
- (71) Name(s) and Address(s) of Applicant(s):

Newfrey LLC
1207 Drummond Plaza Newark Delaware 19711 United States of America

(72) Name(s) of Designer(s): **Aaron Hanna**

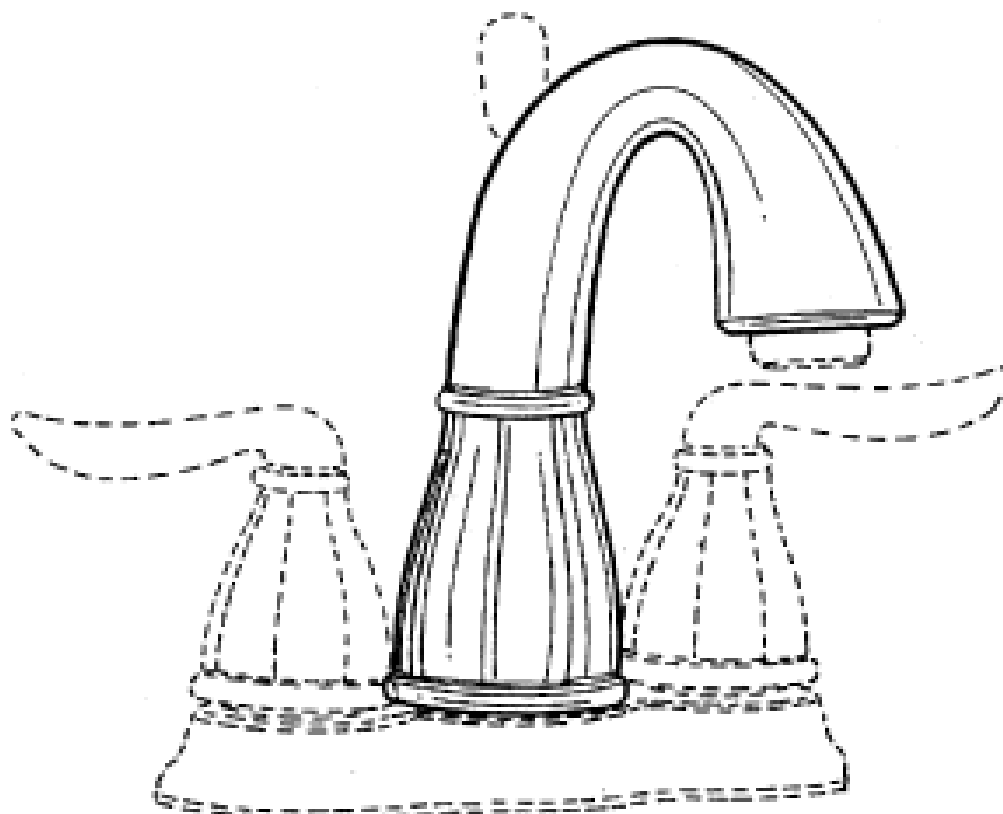
(45) Registration Date: **02 October 2007**

(30) Convention priority data:

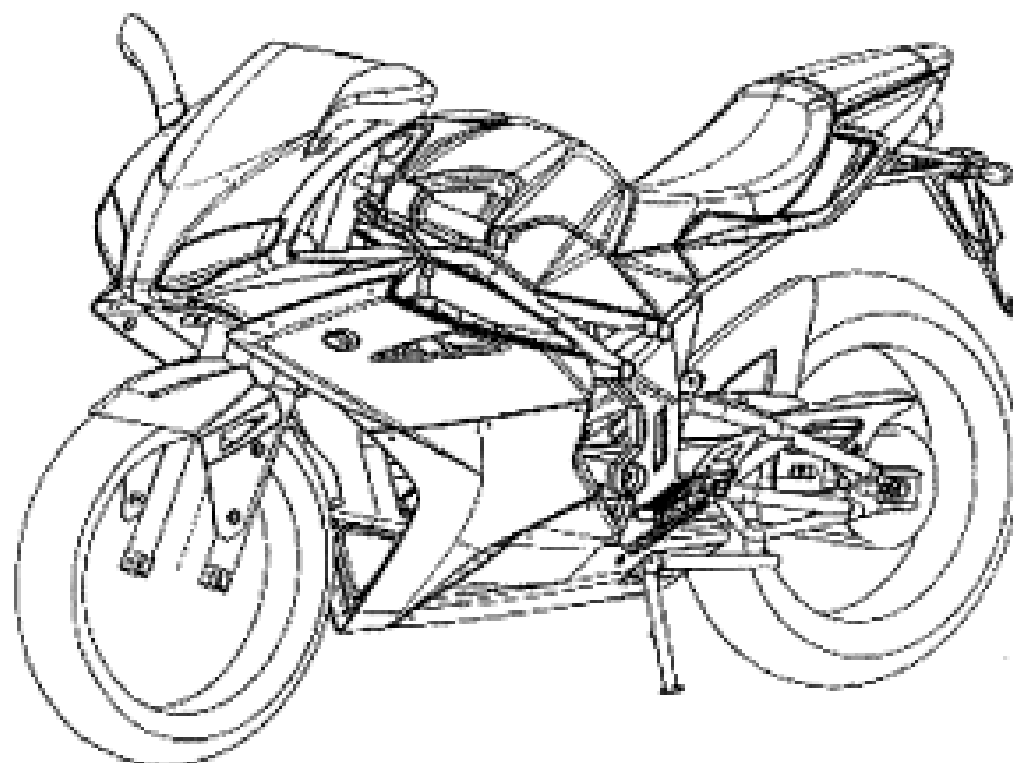
(31) Number	(32) Date	(33) Country
29272638	13 Feb 2007	UNITED STATES OF AMERICA

(56) Related Art Documents: **Not Applicable**

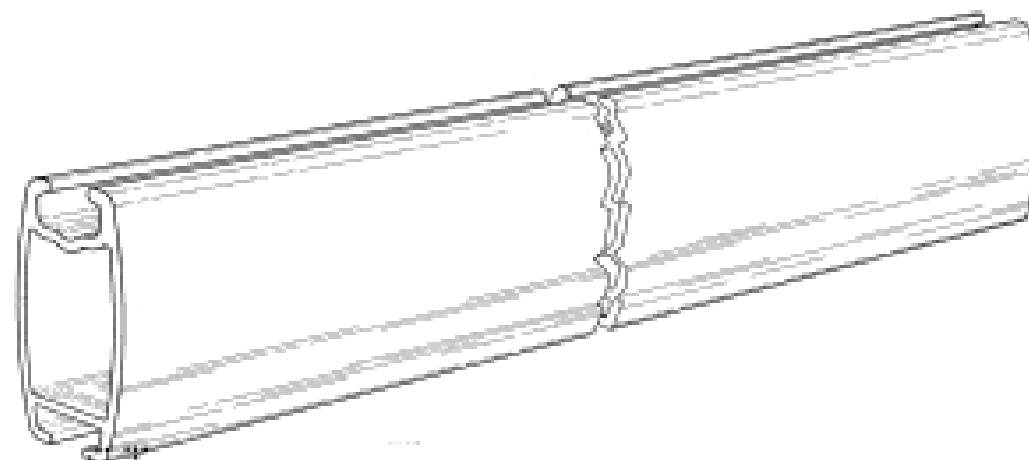
(57) Statement of Newness and Distinctiveness: **Newness and distinctiveness is claimed in the visual features shown in solid lines in the representations.**



- (21) Design Number: **19098/2007**
(22) Date of Filing Application: **27 July 2007**
(24) Date from which industrial property rights may have effect: **27 July 2007**
(54) Product in respect of which the design is registered: **Motorcycle**
(51) International Design Classification: **12-11**
(71) Name(s) and Address(s) of Applicant(s):
Barry Hall trading as Barry Hall Installations
Station Road North Hykeham Lincoln Lincs LN6 9AL United Kingdom
(72) Name(s) of Designer(s): **Alan Ainsworth and Balraj Ghataore and Barry Hall and Bruce Renfrew**
(45) Registration Date: **02 October 2007**
(30) Convention priority data:
(31) Number (32) Date (33) Country
000721436-0001 11 May 2007 EUROPEAN COMMUNITY
(56) Related Art Documents: **Not Applicable**
(57) Statement of Newness and Distinctiveness: **Nil**



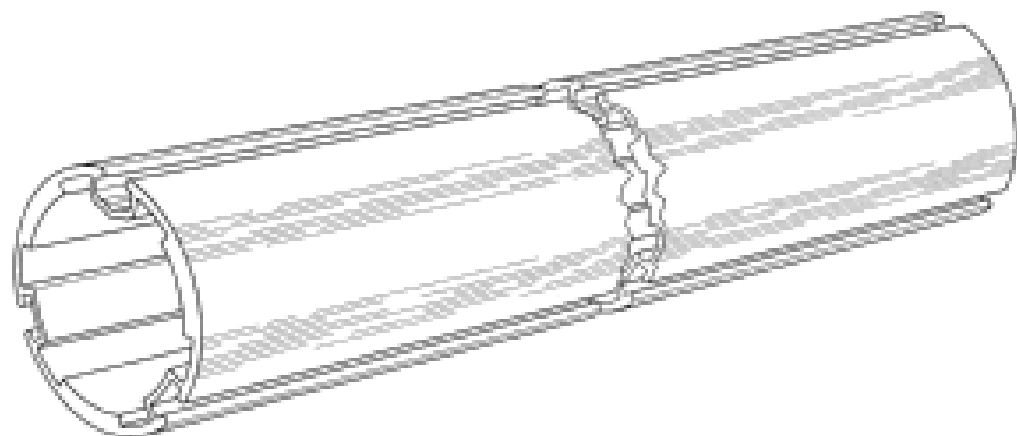
- (21) Design Number: **19099/2007**
(22) Date of Filing Application: **27 July 2007**
(24) Date from which industrial property rights may have effect: **27 July 2007**
(54) Product in respect of which the design is registered: **Roller blind bottom bar**
(51) International Design Classification: **08-08H**
(71) Name(s) and Address(s) of Applicant(s):
Louver-Lite Limited
Ashton Road Hyde Cheshire SK14 4BG United Kingdom
(72) Name(s) of Designer(s): **Reginald Charles Allsopp**
(45) Registration Date: **02 October 2007**
(56) Related Art Documents: **Not Applicable**
(57) Statement of Newness and Distinctiveness: **Newness and distinctiveness is claimed in the features of shape and/or configuration of the cross-section of a roller blind bottom bar as illustrated in the accompanying representations, wherein the cross-section of the roller blind bottom bar is constant along its length.**



- (21) Design Number: **19100/2007**
(22) Date of Filing Application: **27 July 2007**
(24) Date from which industrial property rights may have effect: **27 July 2007**
(54) Product in respect of which the design is registered: **Roller blind tube**
(51) International Design Classification: **08-08H**
(71) Name(s) and Address(s) of Applicant(s):

Louver-Lite Limited
Ashton Road Hyde Cheshire SK14 4BG United Kingdom

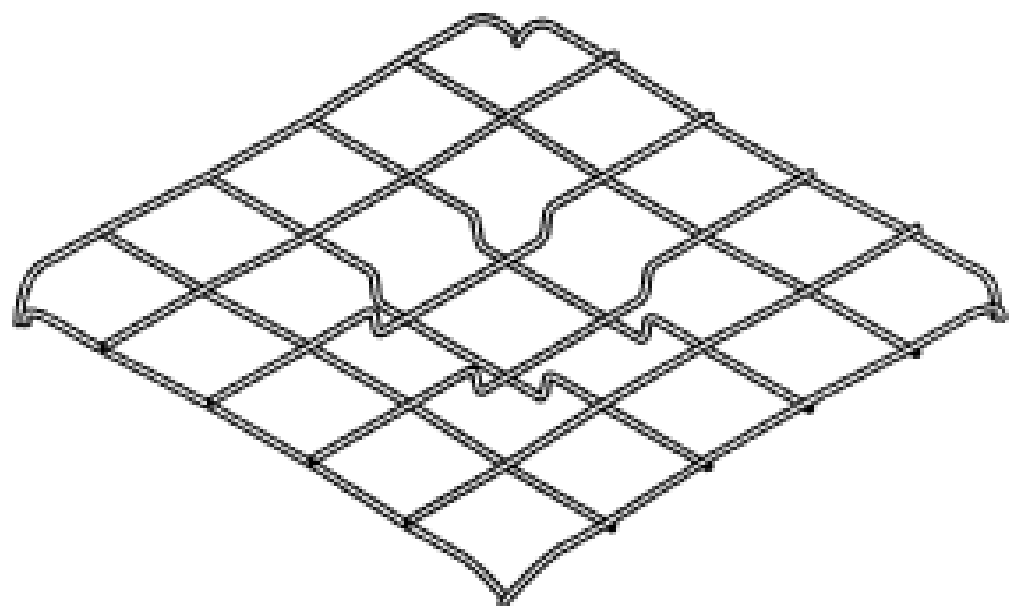
- (72) Name(s) of Designer(s): **Reginald Charles Allsopp**
(45) Registration Date: **02 October 2007**
(56) Related Art Documents: **Not Applicable**
(57) Statement of Newness and Distinctiveness: **Newness and distinctiveness is claimed in the features of shape and/or configuration of the cross-section of a roller blind tube as illustrated in the accompanying representations, wherein the cross-section of the roller blind tube is constant along its length.**



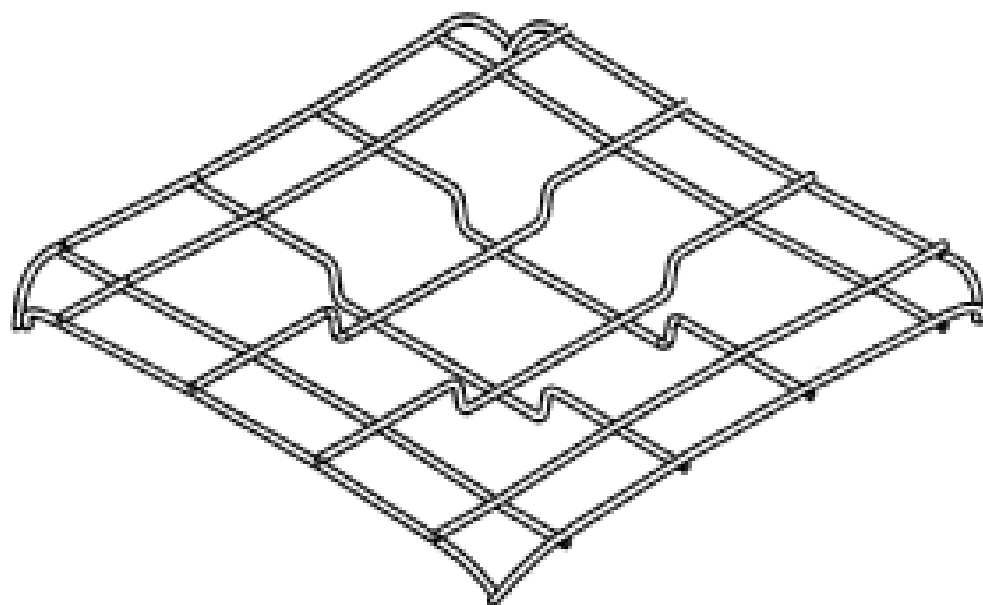
- (21) Design Number: **19101/2007**
(22) Date of Filing Application: **27 July 2007**
(24) Date from which industrial property rights may have effect: **27 July 2007**
(54) Product in respect of which the design is registered: **Rock face support device mesh element**
(51) International Design Classification: **25-02C**
(71) Name(s) and Address(s) of Applicant(s):

DYWIDAG-Systems International Pty Limited
25 Pacific Highway Bennett's Green New South Wales 2290 Australia

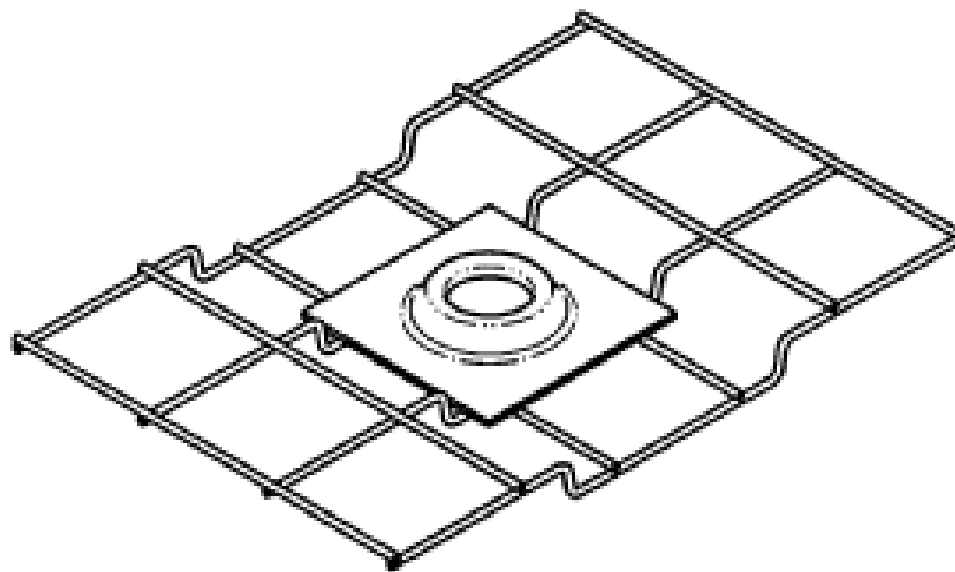
- (72) Name(s) of Designer(s): **David William Evans and Derek Colin Hird**
(45) Registration Date: **02 October 2007**
(56) Related Art Documents: **Not Applicable**
(57) Statement of Newness and Distinctiveness: **Newness and distinctiveness is claimed in the following features of shape and/or configuration of a rock face support device mesh element as illustrated in the accompanying representations: a) the central recessed portion; and b) the inclined portions at each corner of the mesh element.**



- (21) Design Number: **19102/2007**
(22) Date of Filing Application: **27 July 2007**
(24) Date from which industrial property rights may have effect: **27 July 2007**
(54) Product in respect of which the design is registered: **Rock face support device mesh element**
(51) International Design Classification: **25-02C**
(71) Name(s) and Address(s) of Applicant(s):
DYWIDAG-Systems International Pty Limited
25 Pacific Highway Bennett's Green New South Wales 2290 Australia
(72) Name(s) of Designer(s): **David William Evans and Derek Colin Hird**
(45) Registration Date: **02 October 2007**
(56) Related Art Documents: **Not Applicable**
(57) Statement of Newness and Distinctiveness: **Newness and distinctiveness is claimed in the following features of shape and/or configuration of a rock face support device mesh element as illustrated in the accompanying representations: a) the central recessed portion; b) the inclined portions at each corner of the mesh element; and c) the reduced relative spacing between rods adjacent the edges of the mesh element.**



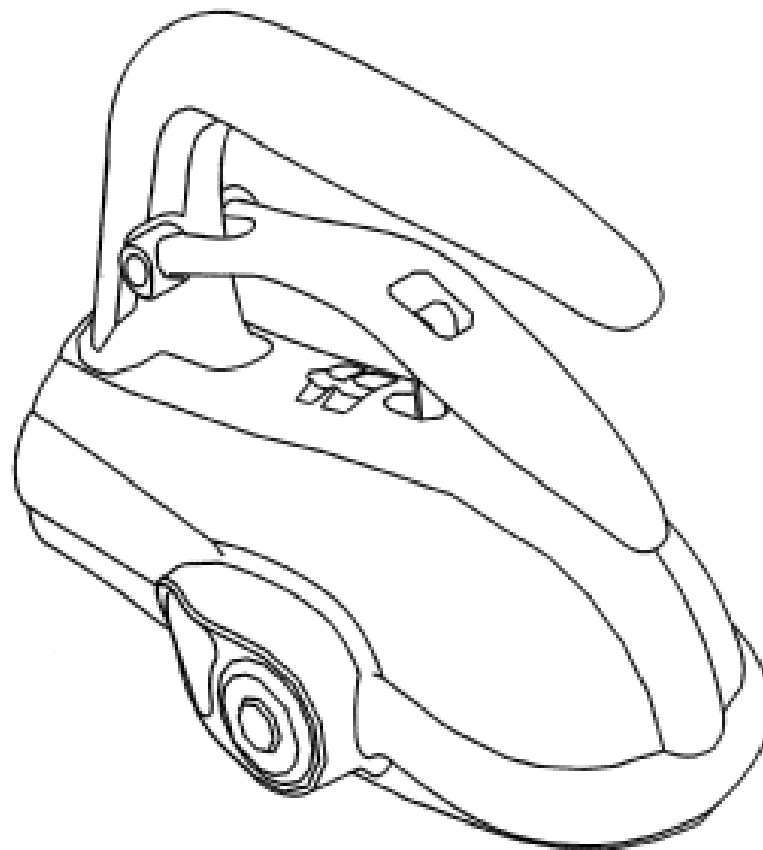
- (21) Design Number: **19103/2007**
(22) Date of Filing Application: **27 July 2007**
(24) Date from which industrial property rights may have effect: **27 July 2007**
(54) Product in respect of which the design is registered: **Rock face support device**
(51) International Design Classification: **25-02NES**
(71) Name(s) and Address(s) of Applicant(s):
DYWIDAG-Systems International Pty Limited
25 Pacific Highway Bennett's Green New South Wales 2290 Australia
(72) Name(s) of Designer(s): **David William Evans**
(45) Registration Date: **02 October 2007**
(56) Related Art Documents: **Not Applicable**
(57) Statement of Newness and Distinctiveness: **Newness and distinctiveness is claimed in the features of the channel configuration of the mesh element of a rock face support device as illustrated in the accompanying representations.**



- (21) Design Number: **19104/2007**
- (22) Date of Filing Application: **27 July 2007**
- (24) Date from which industrial property rights may have effect: **27 July 2007**
- (54) Product in respect of which the design is registered: **A coupling**
- (51) International Design Classification: **12-16L**
- (71) Name(s) and Address(s) of Applicant(s):

T-Force NZ Limited
108 Jerois Street Dargaville New Zealand

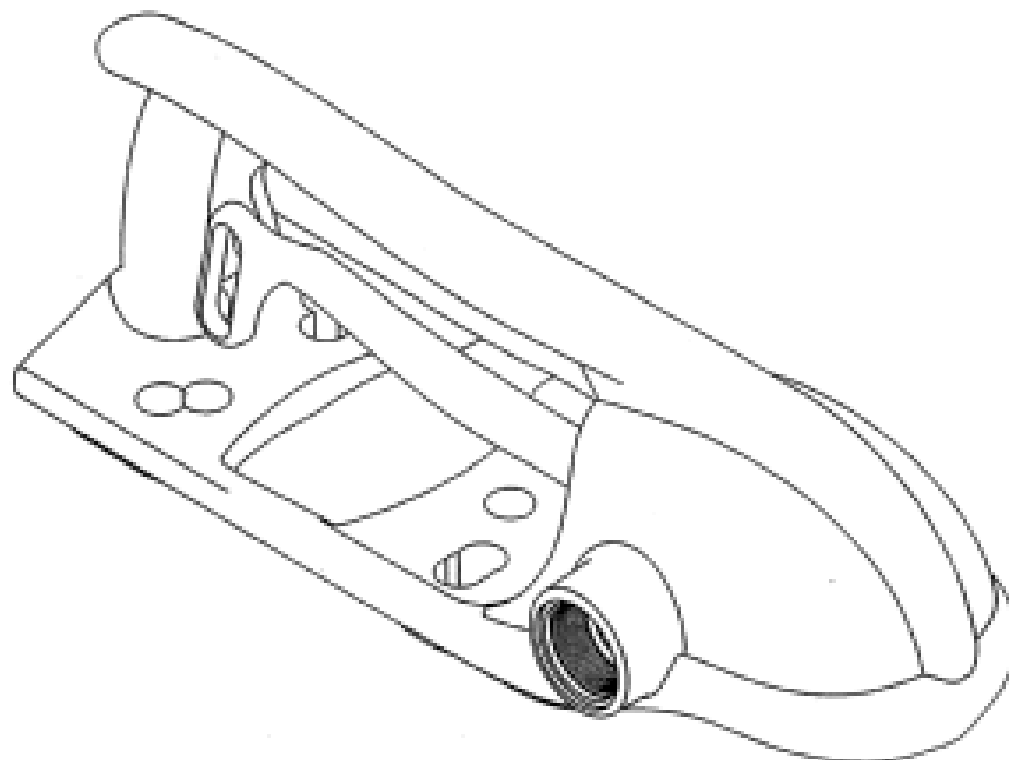
- (72) Name(s) of Designer(s): **Paul Smith**
- (45) Registration Date: **02 October 2007**
- (30) Convention priority data:
 - (31) Number (32) Date (33) Country
 - 409185 29 May 2007 NEW ZEALAND**
- (56) Related Art Documents: **Not Applicable**
- (57) Statement of Newness and Distinctiveness: **Newness and distinctiveness resides in the features of shape and configuration of a coupling as shown in the accompanying representations.**



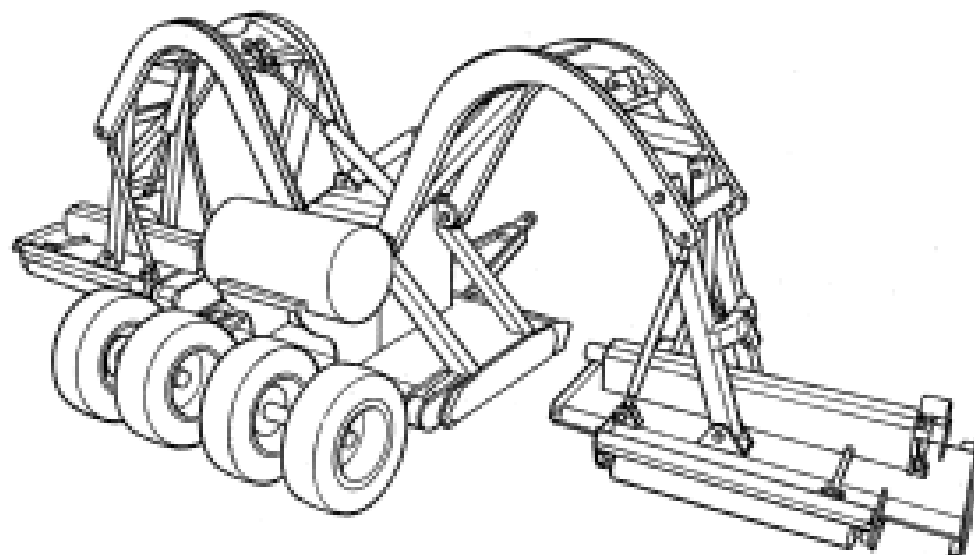
- (21) Design Number: **19105/2007**
- (22) Date of Filing Application: **27 July 2007**
- (24) Date from which industrial property rights may have effect: **27 July 2007**
- (54) Product in respect of which the design is registered: **A coupling**
- (51) International Design Classification: **12-16L**
- (71) Name(s) and Address(s) of Applicant(s):

T-Force NZ Limited
108 Jerois Street Dargaville New Zealand

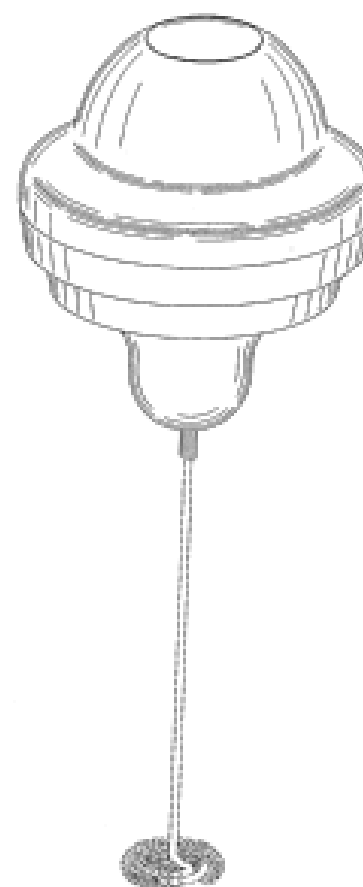
- (72) Name(s) of Designer(s): **Paul Smith**
- (45) Registration Date: **02 October 2007**
- (30) Convention priority data:
 - (31) Number (32) Date (33) Country
 - 409186 29 May 2007 NEW ZEALAND**
- (56) Related Art Documents: **Not Applicable**
- (57) Statement of Newness and Distinctiveness: **Newness and distinctiveness resides in the features of shape and configuration of a coupling as shown in the accompanying representations.**



- (21) Design Number: **19106/2007**
(22) Date of Filing Application: **27 July 2007**
(24) Date from which industrial property rights may have effect: **27 July 2007**
(54) Product in respect of which the design is registered: **Mower**
(51) International Design Classification: **15-03B**
(71) Name(s) and Address(s) of Applicant(s):
Chris Grow Engineering Pty Ltd
1170 Greenhill Road Uraidla South Australia 5142 Australia
(72) Name(s) of Designer(s): **Chris Grow**
(45) Registration Date: **02 October 2007**
(56) Related Art Documents: **Not Applicable**
(57) Statement of Newness and Distinctiveness: **Newness and distinctiveness reside in the shape and configuration of a mower as shown in the accompanying representations.**



- (21) Design Number: **17582/2007**
(22) Date of Filing Application: **23 April 2007**
(24) Date from which industrial property rights may have effect: **23 April 2007**
(54) Product in respect of which the design is registered: **Milk frother**
(51) International Design Classification: **07-04**
(71) Name(s) and Address(s) of Applicant(s):
Pi-Design AG
Kantonsstrasse 100 CH-6234 Triengen Switzerland
(72) Name(s) of Designer(s): **Jorgen Bodum**
(45) Registration Date: **03 October 2007**
(30) Convention priority data:
(31) Number (32) Date (33) Country
133.367 25 Oct 2006 SWITZERLAND
(56) Related Art Documents: **Not Applicable**
(57) Statement of Newness and Distinctiveness: **The shape and configuration of those parts of the design shown by means of solid lines in the representation are new and distinctive.**



- (21) Design Number: **19613/2007**
- (22) Date of Filing Application: **23 April 2007**
- (24) Date from which industrial property rights may have effect: **23 April 2007**
- (54) Product in respect of which the design is registered: **Milk frother**
- (51) International Design Classification: **07-04**
- (71) Name(s) and Address(s) of Applicant(s):

Pi-Design AG
Kantonsstrasse 100 CH-6234 Triengen Switzerland

(72) Name(s) of Designer(s): **Jorgen Bodum**

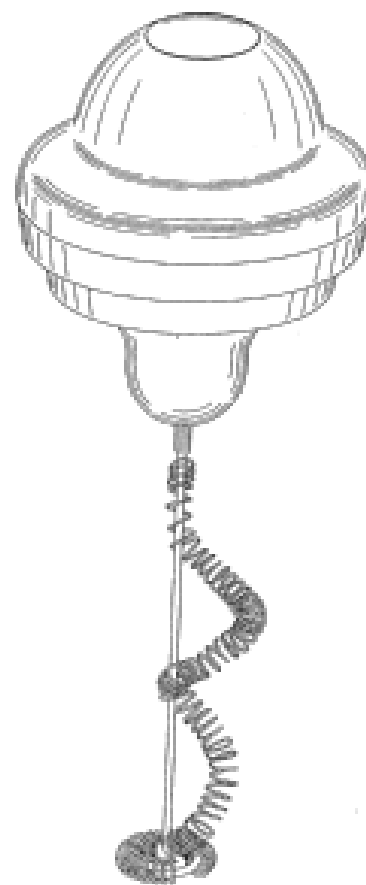
(45) Registration Date: **03 October 2007**

(30) Convention priority data:

(31) Number	(32) Date	(33) Country
133.367	25 Oct 2006	SWITZERLAND

(56) Related Art Documents: **Not Applicable**

(57) Statement of Newness and Distinctiveness: **The shape and configuration of those parts of the design shown by means of solid lines in the representations are new and distinctive.**



- (21) Design Number: **19614/2007**
- (22) Date of Filing Application: **23 April 2007**
- (24) Date from which industrial property rights may have effect: **23 April 2007**
- (54) Product in respect of which the design is registered: **Milk frother**
- (51) International Design Classification: **07-04**
- (71) Name(s) and Address(s) of Applicant(s):

Pi-Design AG
Kantonsstrasse 100 CH-6234 Triengen Switzerland

(72) Name(s) of Designer(s): **Jorgen Bodum**

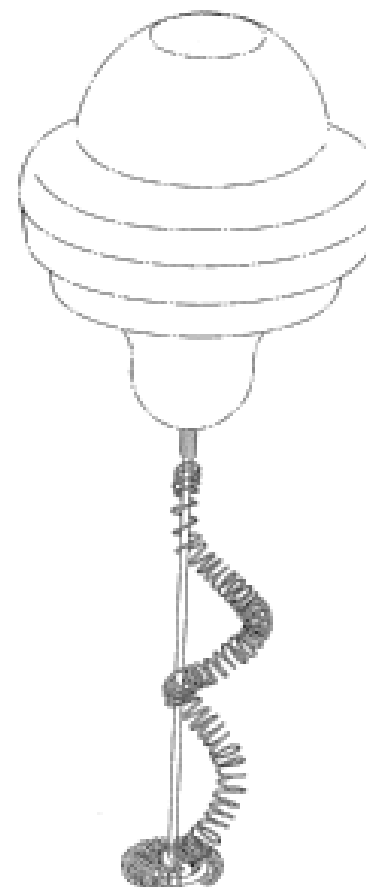
(45) Registration Date: **03 October 2007**

(30) Convention priority data:

(31) Number	(32) Date	(33) Country
133.367	25 Oct 2006	SWITZERLAND

(56) Related Art Documents: **Not Applicable**

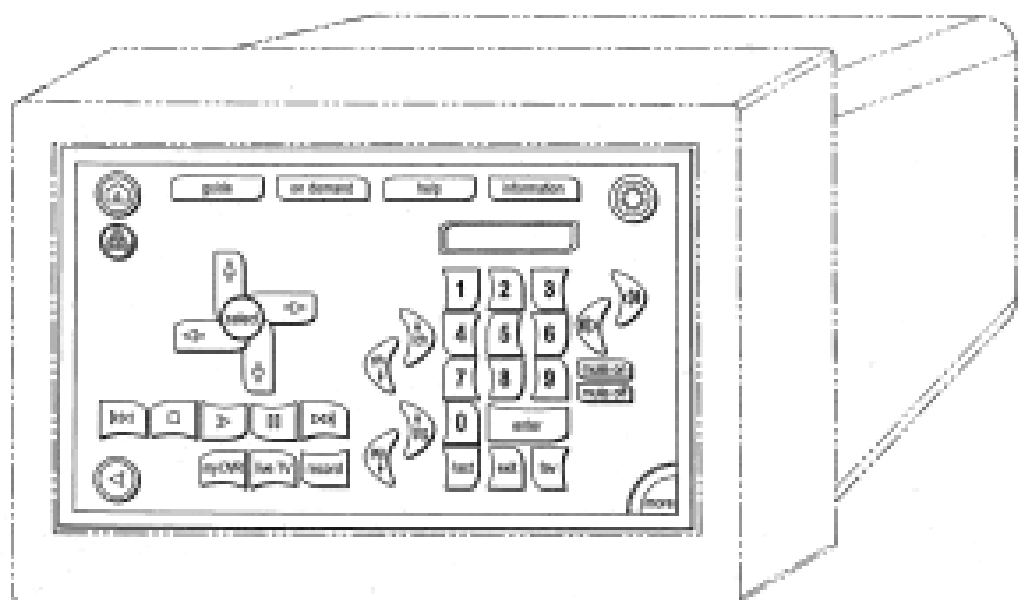
(57) Statement of Newness and Distinctiveness: **The shape and configuration of those parts of the design shown by means of solid lines in the representations are new and distinctive.**



(19) AU

- (21) Design Number: **17929/2007**
- (22) Date of Filing Application: **15 May 2007**
- (24) Date from which industrial property rights may have effect: **15 May 2007**
- (54) Product in respect of which the design is registered: **display screen**
- (51) International Design Classification: **14-04**
- (71) Name(s) and Address(s) of Applicant(s):
Savant Systems LLC
32 Wianno Avenue Osterville Massachusetts 02655 United States of America
- (72) Name(s) of Designer(s): **Gary DelPonte**
- (45) Registration Date: **03 October 2007**
- (30) Convention priority data:

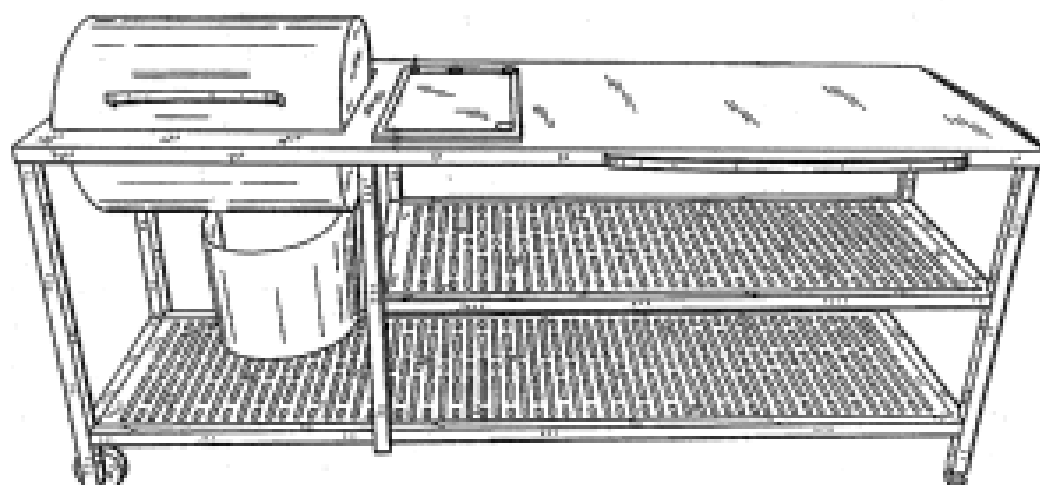
(31) Number	(32) Date	(33) Country
29/250,457	15 Nov 2006	UNITED STATES OF AMERICA
- (56) Related Art Documents: **Not Applicable**
- (57) Statement of Newness and Distinctiveness: **Those features of the display screen that are new and distinctive are the pattern and/or ornamentation of the user interface as shown in the representations. The shape and configuration of the display screen depicted in broken lines are not part of the design and are to be disregarded when considering the overall impression of the design.**



(19) AU

- (21) Design Number: **18055/2007**
- (22) Date of Filing Application: **22 May 2007**
- (24) Date from which industrial property rights may have effect: **22 May 2007**
- (54) Product in respect of which the design is registered: **Outdoor kitchen**
- (51) International Design Classification: **07-02E**
- (71) Name(s) and Address(s) of Applicant(s):
Out Standing ApS
Birkemosevej 51 DK-6000 Kolding Denmark
- (72) Name(s) of Designer(s): **John Roth**
- (45) Registration Date: **03 October 2007**
- (30) Convention priority data:

(31) Number	(32) Date	(33) Country
000648928	22 Nov 2006	EUROPEAN COMMUNITY
- (56) Related Art Documents: **Not Applicable**
- (57) Statement of Newness and Distinctiveness: **Newness and distinctiveness is claimed in the features of shape and/or configuration of an outdoor kitchen as illustrated in the accompanying representations.**



- (21) Design Number: **18056/2007**
(22) Date of Filing Application: **22 May 2007**
(24) Date from which industrial property rights may have effect: **22 May 2007**
(54) Product in respect of which the design is registered: **Outdoor kitchen**
(51) International Design Classification: **07-02E**
(71) Name(s) and Address(s) of Applicant(s):

Out Standing ApS
Birkemosevej 51 DK-6000 Kolding Denmark

(72) Name(s) of Designer(s): **John Roth**

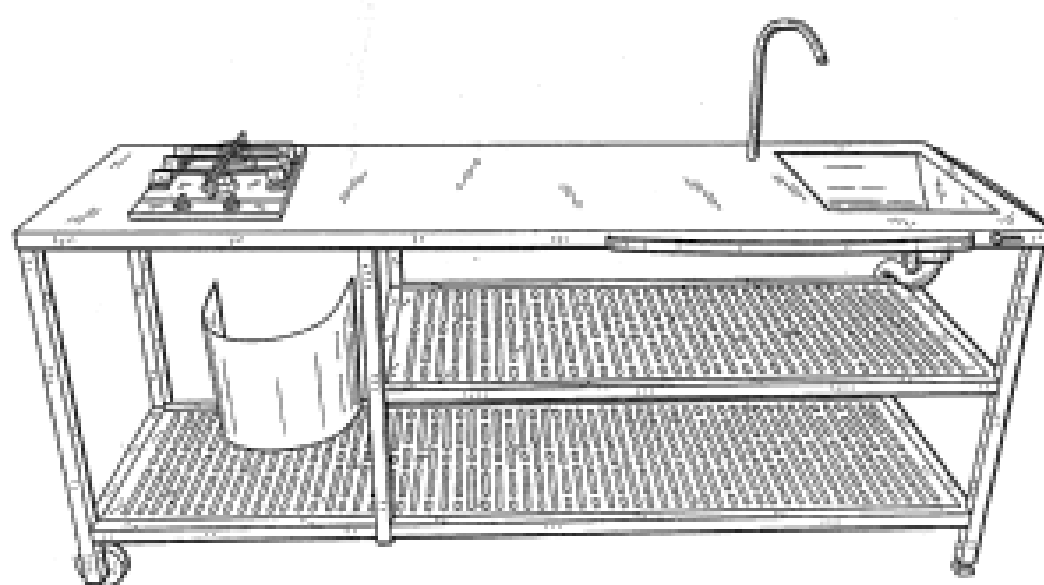
(45) Registration Date: **03 October 2007**

(30) Convention priority data:

(31) Number	(32) Date	(33) Country
000648928	22 Nov 2006	EUROPEAN COMMUNITY

(56) Related Art Documents: **Not Applicable**

(57) Statement of Newness and Distinctiveness: **Newness and distinctiveness is claimed in the features of shape and/or configuration of an outdoor kitchen as illustrated in the accompanying representations.**



- (21) Design Number: **18057/2007**
(22) Date of Filing Application: **22 May 2007**
(24) Date from which industrial property rights may have effect: **22 May 2007**
(54) Product in respect of which the design is registered: **Outdoor kitchen**
(51) International Design Classification: **07-02E**
(71) Name(s) and Address(s) of Applicant(s):

Out Standing ApS
Birkemosevej 51 DK-6000 Kolding Denmark

(72) Name(s) of Designer(s): **John Roth**

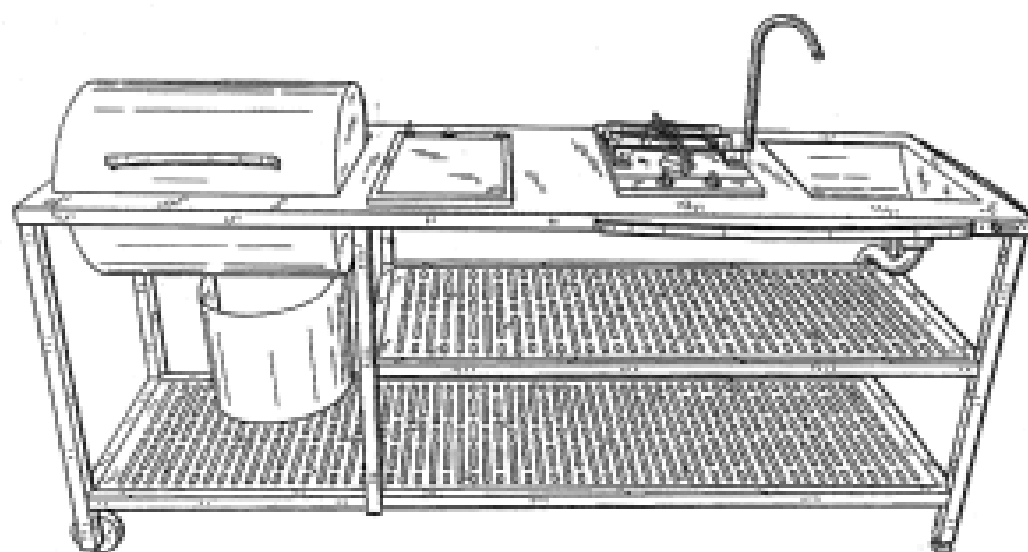
(45) Registration Date: **03 October 2007**

(30) Convention priority data:

(31) Number	(32) Date	(33) Country
000648928	22 Nov 2006	EUROPEAN COMMUNITY

(56) Related Art Documents: **Not Applicable**

(57) Statement of Newness and Distinctiveness: **Newness and distinctiveness is claimed in the features of shape and/or configuration of an outdoor kitchen as illustrated in the accompanying representations.**



- (21) Design Number: **18058/2007**
- (22) Date of Filing Application: **22 May 2007**
- (24) Date from which industrial property rights may have effect: **22 May 2007**
- (54) Product in respect of which the design is registered: **Outdoor kitchen**
- (51) International Design Classification: **07-02E**
- (71) Name(s) and Address(s) of Applicant(s):

Out Standing ApS
Birkemosevej 51 DK-6000 Kolding Denmark

(72) Name(s) of Designer(s): **John Roth**

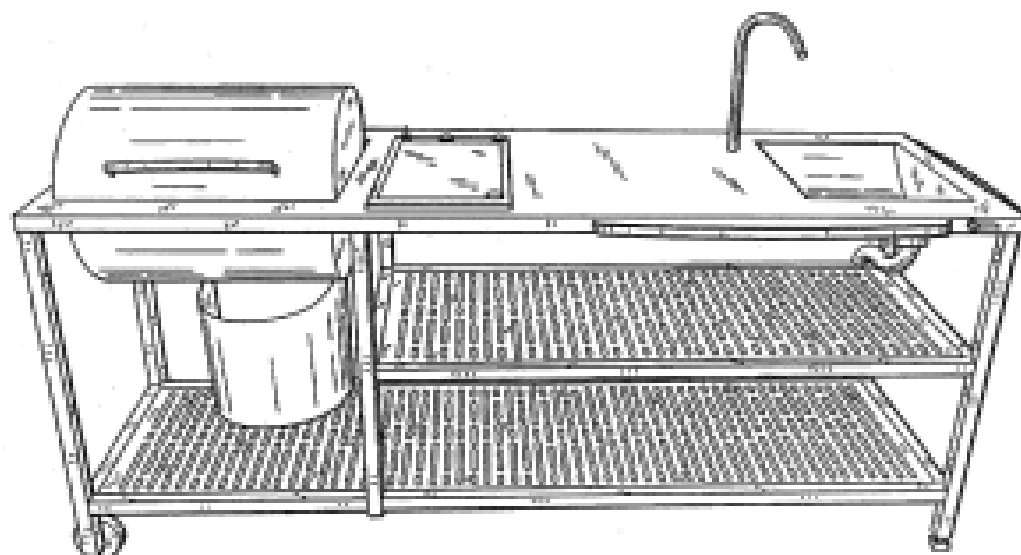
(45) Registration Date: **03 October 2007**

(30) Convention priority data:

(31) Number	(32) Date	(33) Country
000648928	22 Nov 2006	EUROPEAN COMMUNITY

(56) Related Art Documents: **Not Applicable**

(57) Statement of Newness and Distinctiveness: **Newness and distinctiveness is claimed in the features of shape and/or configuration of an outdoor kitchen as illustrated in the accompanying representations.**



- (21) Design Number: **18059/2007**
- (22) Date of Filing Application: **22 May 2007**
- (24) Date from which industrial property rights may have effect: **22 May 2007**
- (54) Product in respect of which the design is registered: **Outdoor kitchen**
- (51) International Design Classification: **07-02E**
- (71) Name(s) and Address(s) of Applicant(s):

Out Standing ApS
Birkemosevej 51 DK-6000 Kolding Denmark

(72) Name(s) of Designer(s): **John Roth**

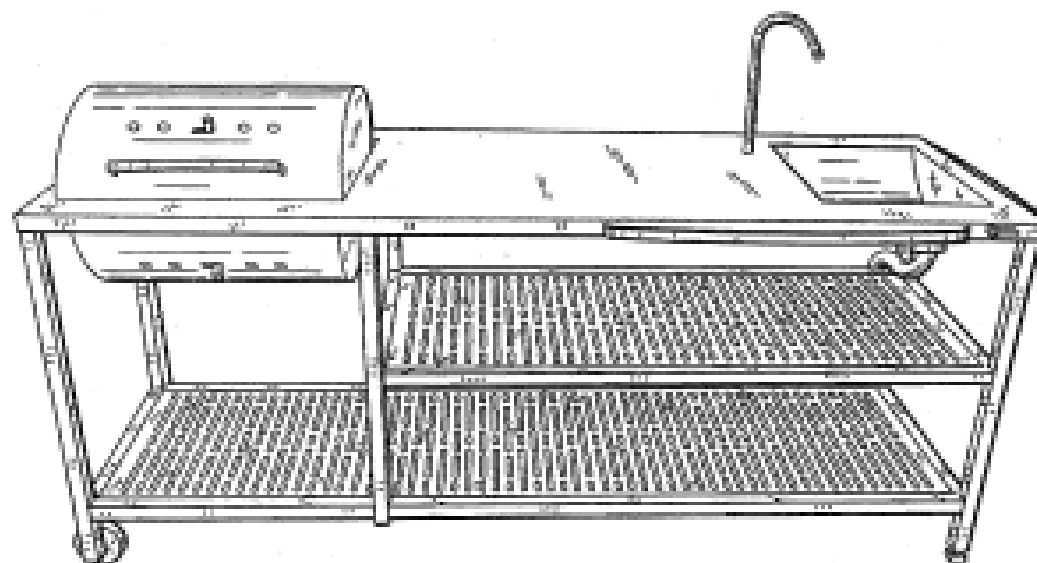
(45) Registration Date: **03 October 2007**

(30) Convention priority data:

(31) Number	(32) Date	(33) Country
000648928	22 Nov 2006	EUROPEAN COMMUNITY

(56) Related Art Documents: **Not Applicable**

(57) Statement of Newness and Distinctiveness: **Newness and distinctiveness is claimed in the features of shape and/or configuration of an outdoor kitchen as illustrated in the accompanying representations.**



(21) Design Number: **18228/2007**

(22) Date of Filing Application: **01 June 2007**

(24) Date from which industrial property rights may have effect: **01 June 2007**

(54) Product in respect of which the design is registered: **Motorised rubbish bin mover**

(51) International Design Classification: **12-02**

(71) Name(s) and Address(s) of Applicant(s):

E Motion Pty Ltd

55 West Thebarton Road Thebarton South Australia 5031 Australia

(72) Name(s) of Designer(s): **John Packer**

(45) Registration Date: **03 October 2007**

(56) Related Art Documents: **Not Applicable**

(57) Statement of Newness and Distinctiveness: **Compact and portable, adjustable to fit many common bin sizes.**



(21) Design Number: **18229/2007**

(22) Date of Filing Application: **01 June 2007**

(24) Date from which industrial property rights may have effect: **01 June 2007**

(54) Product in respect of which the design is registered: **Motorised trolley and chair mover**

(51) International Design Classification: **12-02**

(71) Name(s) and Address(s) of Applicant(s):

E Motion Pty Ltd.

55 West Thebarton Road Thebarton South Australia 5031 Australia

(72) Name(s) of Designer(s): **John Packer**

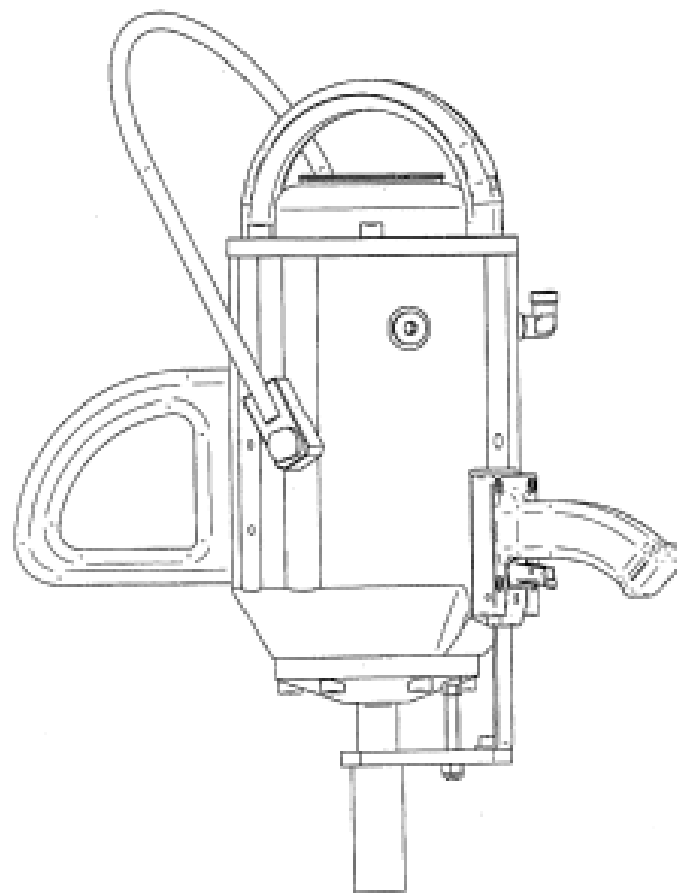
(45) Registration Date: **03 October 2007**

(56) Related Art Documents: **Not Applicable**

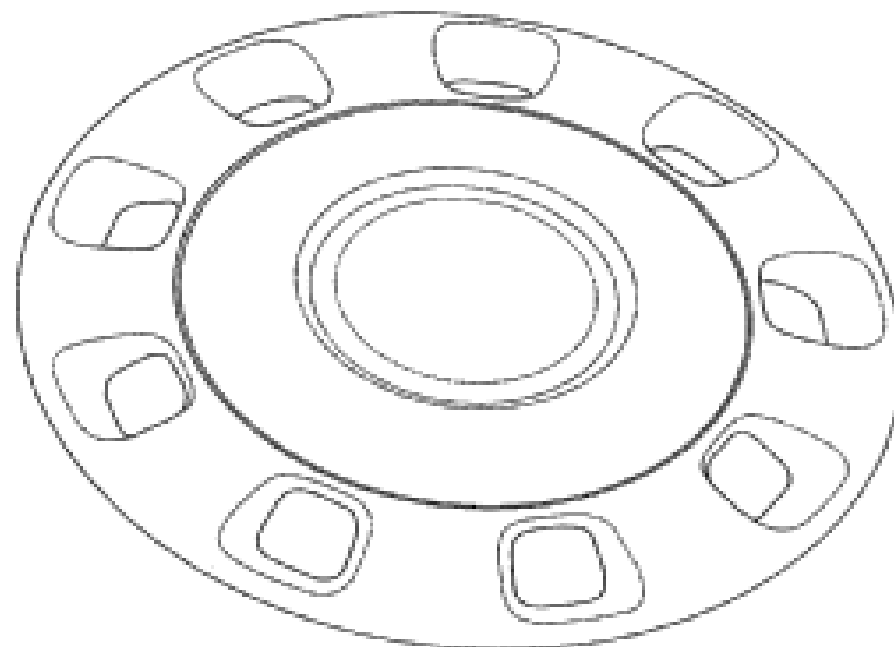
(57) Statement of Newness and Distinctiveness: **Compact and portable, adjustable height suits many different uses.**



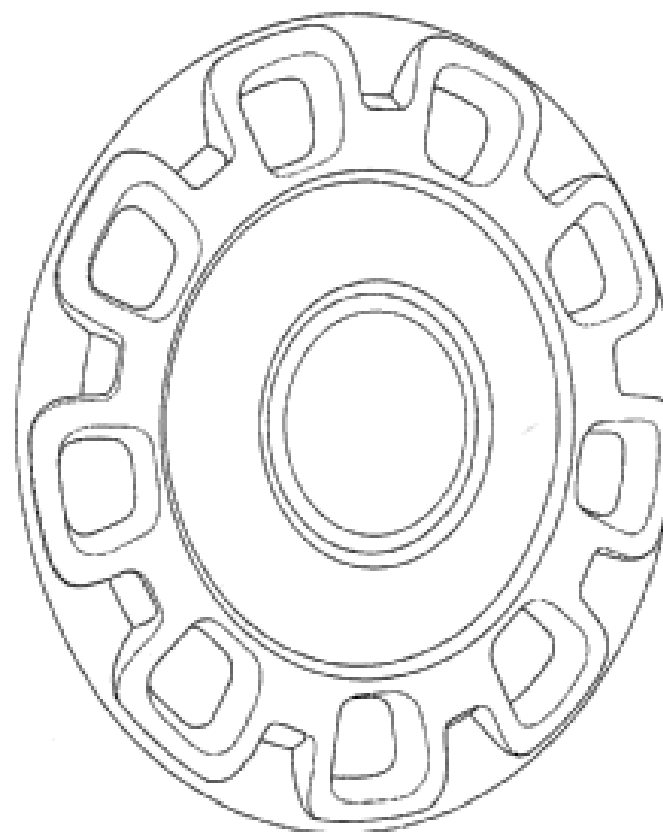
(21) Design Number: **18285/2007**
(22) Date of Filing Application: **04 June 2007**
(24) Date from which industrial property rights may have effect: **04 June 2007**
(54) Product in respect of which the design is registered: **Bolt shooting apparatus for slaughtering animals (e.g. cattle)**
(51) International Design Classification: **22-02**
(71) Name(s) and Address(s) of Applicant(s):
Schmid & Wezel GmbH & Co.
Maybachstrasse 2 D-75433 Maulbronn Germany
(72) Name(s) of Designer(s): **Patrick Wilhelmus and Ulrich Polzer and Dietmar Koller**
(45) Registration Date: **03 October 2007**
(30) Convention priority data:
(31) Number (32) Date (33) Country
000636527 14 Dec 2006 EUROPEAN COMMUNITY
(56) Related Art Documents: **Not Applicable**
(57) Statement of Newness and Distinctiveness: **Nil**



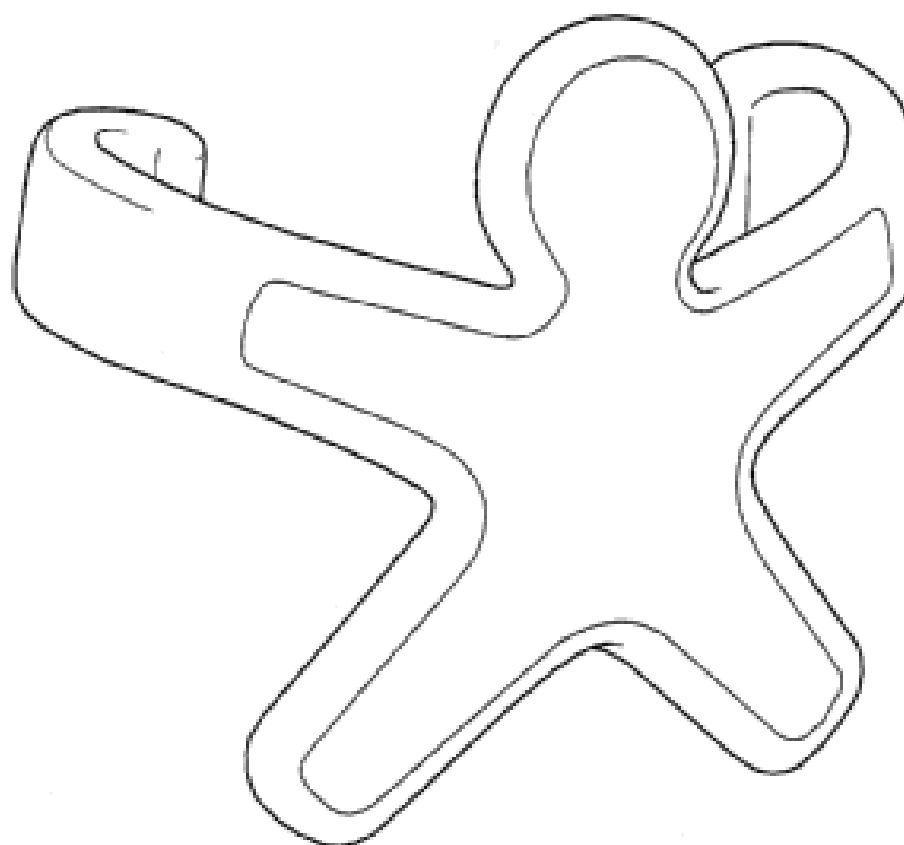
(21) Design Number: **18872/2007**
(22) Date of Filing Application: **12 July 2007**
(24) Date from which industrial property rights may have effect: **12 July 2007**
(54) Product in respect of which the design is registered: **Wheel cover**
(51) International Design Classification: **12-16A**
(71) Name(s) and Address(s) of Applicant(s):
Fiat Auto S.p.A.
Corso Giovanni Agnelli 200 1-10135 Torino Italy
(72) Name(s) of Designer(s): **Guido Bianco and Roberto Giolito**
(45) Registration Date: **03 October 2007**
(30) Convention priority data:
(31) Number (32) Date (33) Country
000655030 19 Jan 2007 EUROPEAN COMMUNITY
(56) Related Art Documents: **Not Applicable**
(57) Statement of Newness and Distinctiveness: **Those features of the wheel cover depicted in the representations that are new and distinctive are the shape and/or configuration.**



- (21) Design Number: **19602/2007**
(22) Date of Filing Application: **12 July 2007**
(24) Date from which industrial property rights may have effect: **12 July 2007**
(54) Product in respect of which the design is registered: **Wheel cover**
(51) International Design Classification: **12-16A**
(71) Name(s) and Address(s) of Applicant(s):
Fiat Auto S.p.A.
Corso Giovanni Agnelli 200 1-10135 Torino Italy
(72) Name(s) of Designer(s): **Guido Bianco and Roberto Giolito**
(45) Registration Date: **03 October 2007**
(30) Convention priority data:
(31) Number (32) Date (33) Country
000655030 19 Jan 2007 EUROPEAN COMMUNITY
(56) Related Art Documents: **Not Applicable**
(57) Statement of Newness and Distinctiveness: **Those features of the wheel cover depicted in the representations that are new and distinctive are the shape and/or configuration.**



- (21) Design Number: **19603/2007**
(22) Date of Filing Application: **12 July 2007**
(24) Date from which industrial property rights may have effect: **12 July 2007**
(54) Product in respect of which the design is registered: **Hanging device**
(51) International Design Classification: **12-16NES**
(71) Name(s) and Address(s) of Applicant(s):
Fiat Auto S.p.A.
Corso Giovanni Agnelli 200 1-10135 Torino Italy
(72) Name(s) of Designer(s): **Guido Bianco and Roberto Giolito**
(45) Registration Date: **03 October 2007**
(30) Convention priority data:
(31) Number (32) Date (33) Country
000655030 19 Jan 2007 EUROPEAN COMMUNITY
(56) Related Art Documents: **Not Applicable**
(57) Statement of Newness and Distinctiveness: **Those features of the hanging device depicted in the representations that are new and distinctive are the shape and/or configuration.**



(21) Design Number: **19023/2007**
(22) Date of Filing Application: **24 July 2007**
(24) Date from which industrial property rights may have effect: **24 July 2007**
(54) Product in respect of which the design is registered: **Ute swag**
(51) International Design Classification: **12-16NES, 21-04**
(71) Name(s) and Address(s) of Applicant(s):
Richard Albert Ellem
26 Langley Street Rockingham Western Australia 6168 Australia
(72) Name(s) of Designer(s): **Ricky Ellem**
(45) Registration Date: **03 October 2007**
(56) Related Art Documents: **Not Applicable**
(57) Statement of Newness and Distinctiveness: **Nil**



(21) Design Number: **19081/2007**
(22) Date of Filing Application: **27 July 2007**
(24) Date from which industrial property rights may have effect: **27 July 2007**
(54) Product in respect of which the design is registered: **Granos kitchen scale**
(51) International Design Classification: **10-04**
(71) Name(s) and Address(s) of Applicant(s):
Pi-Design AG
Kantonsstrasse 100 Postfach 463 CH-6234 Triengen Switzerland
(72) Name(s) of Designer(s): **Jorgen Bodum**
(45) Registration Date: **03 October 2007**
(30) Convention priority data:
(31) Number (32) Date (33) Country
DA 2007 08 Feb 2007 DENMARK
00031
(56) Related Art Documents: **Not Applicable**
(57) Statement of Newness and Distinctiveness: **Nil**

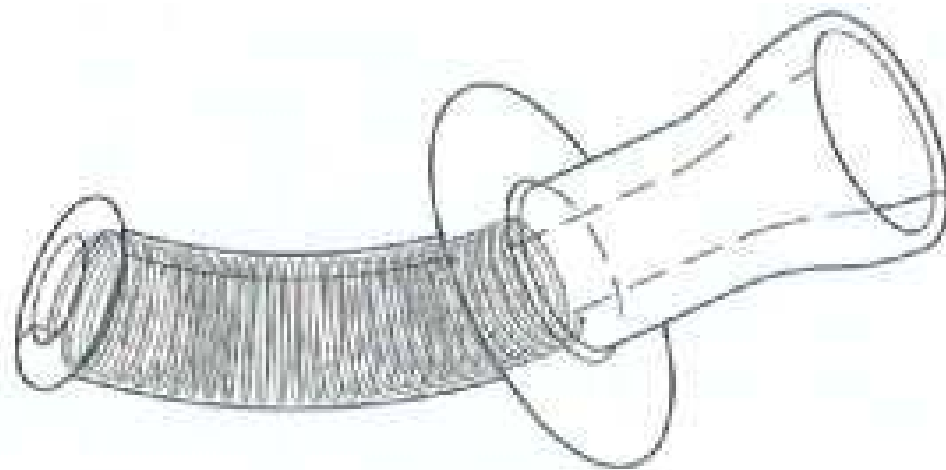


(21) Design Number: **19037/2007**
(22) Date of Filing Application: **25 July 2007**
(24) Date from which industrial property rights may have effect: **25 July 2007**
(54) Product in respect of which the design is registered: **Cannula**
(51) International Design Classification: **24-02**
(71) Name(s) and Address(s) of Applicant(s):

Ventrassist Pty Ltd
126 Greville Street Chatswood New South Wales 2067 Australia

(72) Name(s) of Designer(s): **Alexandra Joy Stonehouse and Martin Christopher Cook and John Campbell Woodard**

(45) Registration Date: **03 October 2007**
(56) Related Art Documents: **Not Applicable**
(57) Statement of Newness and Distinctiveness: **Nil**



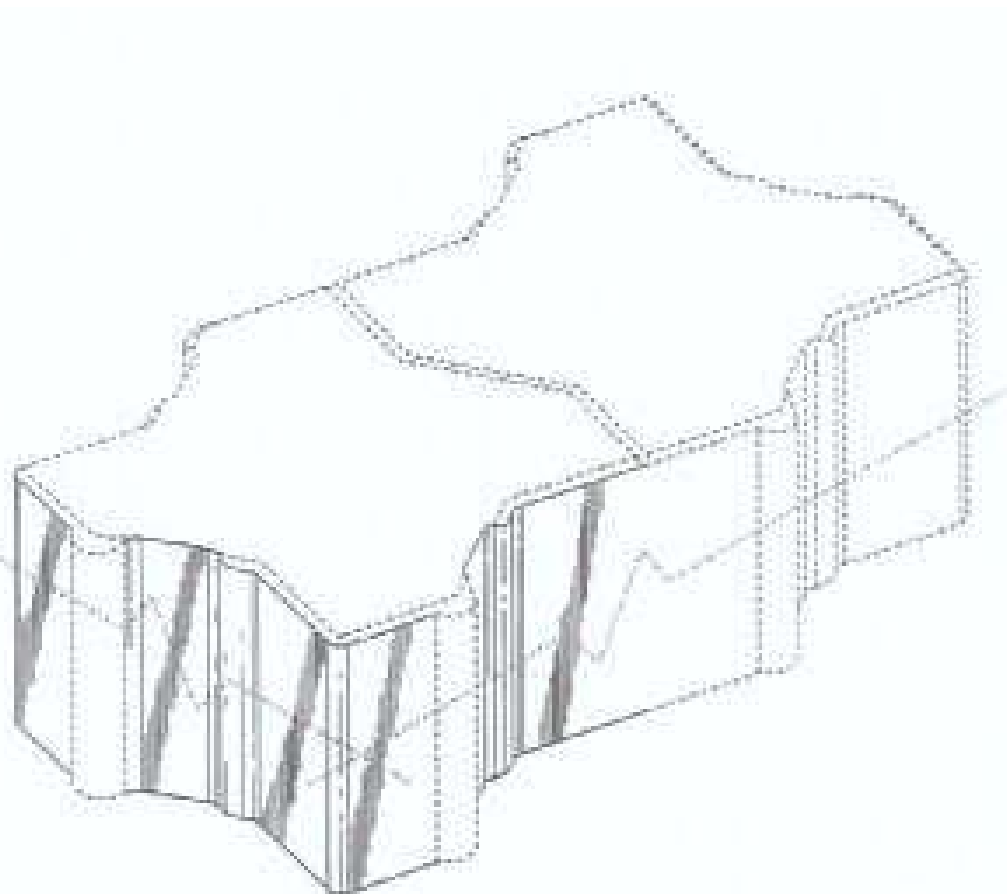
(21) Design Number: **19082/2007**
(22) Date of Filing Application: **26 July 2007**
(24) Date from which industrial property rights may have effect: **26 July 2007**
(54) Product in respect of which the design is registered: **Interlocking paver**
(51) International Design Classification: **25-01A**
(71) Name(s) and Address(s) of Applicant(s):

Advanced Pavement Technology Inc.
67 Stonehill Road Oswego Illinois 60543 United States of America

(72) Name(s) of Designer(s): **William C. Schneider**

(45) Registration Date: **03 October 2007**
(30) Convention priority data:
(31) Number (32) Date (33) Country
29/271875 29 Jan 2007 UNITED STATES OF AMERICA

(56) Related Art Documents: **Not Applicable**
(57) Statement of Newness and Distinctiveness: **Newness and distinctiveness is claimed in those features of shape and/or configuration of the end and side regions of an interlocking paver illustrated in continuous lines in the accompanying representations.**



(19) AU

(21) Design Number: **19090/2007**

(22) Date of Filing Application: **26 July 2007**

(24) Date from which industrial property rights may have effect: **26 July 2007**

(54) Product in respect of which the design is registered: **A hammer**

(51) International Design Classification: **08-02**

(71) Name(s) and Address(s) of Applicant(s):

The Stanley Works

1000 Stanley Drive New Britain Connecticut 06053 United States of America

(72) Name(s) of Designer(s): **Karl Vanderbeek**

(45) Registration Date: **03 October 2007**

(30) Convention priority data:

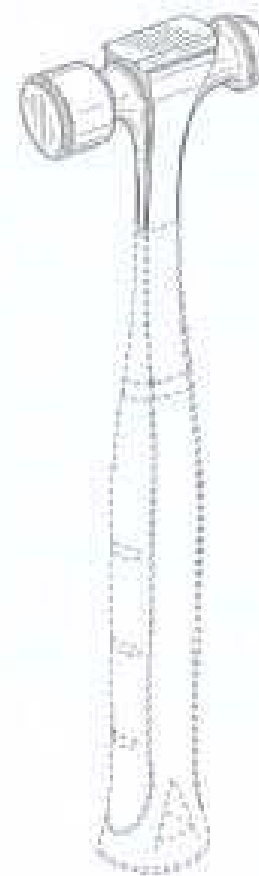
(31) Number
29271988

(32) Date
31 Jan 2007

(33) Country
UNITED STATES OF AMERICA

(56) Related Art Documents: **Not Applicable**

(57) Statement of Newness and Distinctiveness: **Newness and distinctiveness is claimed in the visual features shown in solid lines in the representations.**



(19) AU

(21) Design Number: **19091/2007**

(22) Date of Filing Application: **26 July 2007**

(24) Date from which industrial property rights may have effect: **26 July 2007**

(54) Product in respect of which the design is registered: **An automobile**

(51) International Design Classification: **12-08**

(71) Name(s) and Address(s) of Applicant(s):

Great Wall Motor Company Limited

No. 2266 Chaoyang South Street Baoding Hebei Province 071000 People's Republic of China

(72) Name(s) of Designer(s): **Chunhong Zheng**

(45) Registration Date: **03 October 2007**

(30) Convention priority data:

(31) Number
200730000992.9

(32) Date
07 Feb 2007

(33) Country
CHINA

(56) Related Art Documents: **Not Applicable**

(57) Statement of Newness and Distinctiveness: **Nil**



(21) Design Number: **19092/2007**
(22) Date of Filing Application: **26 July 2007**
(24) Date from which industrial property rights may have effect: **26 July 2007**
(54) Product in respect of which the design is registered: **An automobile**
(51) International Design Classification: **12-08**
(71) Name(s) and Address(s) of Applicant(s):
Great Wall Motor Company Limited
No. 2266 Chaoyang South Street Baoding Hebei Province 071000
People's Republic of China
(72) Name(s) of Designer(s): **Chunhong Zheng**
(45) Registration Date: **03 October 2007**
(30) Convention priority data:
(31) Number (32) Date (33) Country
200730000993.3 07 Feb 2007 CHINA
(56) Related Art Documents: **Not Applicable**
(57) Statement of Newness and Distinctiveness: **Nil**



(21) Design Number: **19093/2007**
(22) Date of Filing Application: **26 July 2007**
(24) Date from which industrial property rights may have effect: **26 July 2007**
(54) Product in respect of which the design is registered: **An automobile**
(51) International Design Classification: **12-08**
(71) Name(s) and Address(s) of Applicant(s):
Great Wall Motor Company Limited
No. 2266 Chaoyang South Street Baoding Hebei Province 071000
People's Republic of China
(72) Name(s) of Designer(s): **Chunhong Zheng**
(45) Registration Date: **03 October 2007**
(30) Convention priority data:
(31) Number (32) Date (33) Country
200730000991.4 07 Feb 2007 CHINA
(56) Related Art Documents: **Not Applicable**
(57) Statement of Newness and Distinctiveness: **Nil**



(21) Design Number: **19381/2007**
(22) Date of Filing Application: **16 August 2007**
(24) Date from which industrial property rights may have effect: **16 August 2007**
(54) Product in respect of which the design is registered: **Storage jar and lid**
(51) International Design Classification: **09-03L**
(71) Name(s) and Address(s) of Applicant(s):

Pi-Design AG
Kantonsstrasse 100 CH-6234 Triengen Switzerland

(72) Name(s) of Designer(s): **Jorgen Bodum**

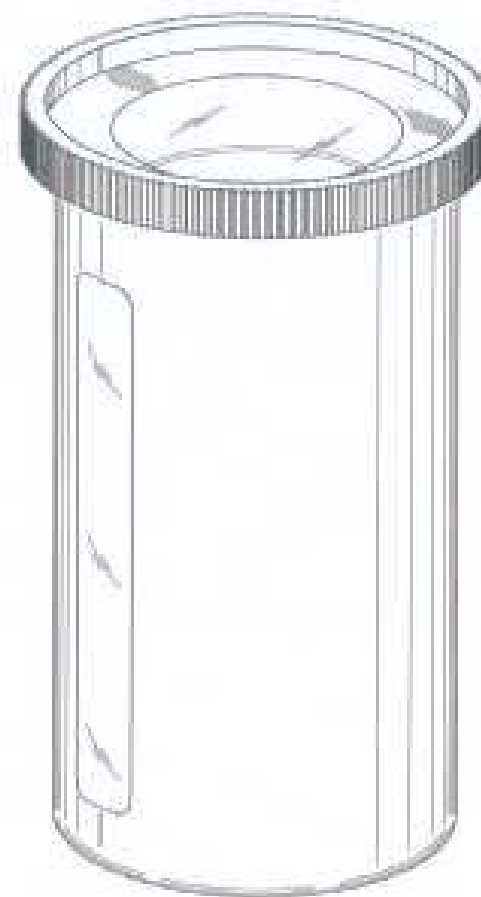
(45) Registration Date: **03 October 2007**

(30) Convention priority data:

(31) Number	(32) Date	(33) Country
133.629	27 Feb 2007	SWITZERLAND

(56) Related Art Documents: **Not Applicable**

(57) Statement of Newness and Distinctiveness: **Nil**



(21) Design Number: **17697/2007**
(22) Date of Filing Application: **01 May 2007**
(24) Date from which industrial property rights may have effect: **01 May 2007**
(54) Product in respect of which the design is registered: **Squid Lure**
(51) International Design Classification: **22-05**
(71) Name(s) and Address(s) of Applicant(s):

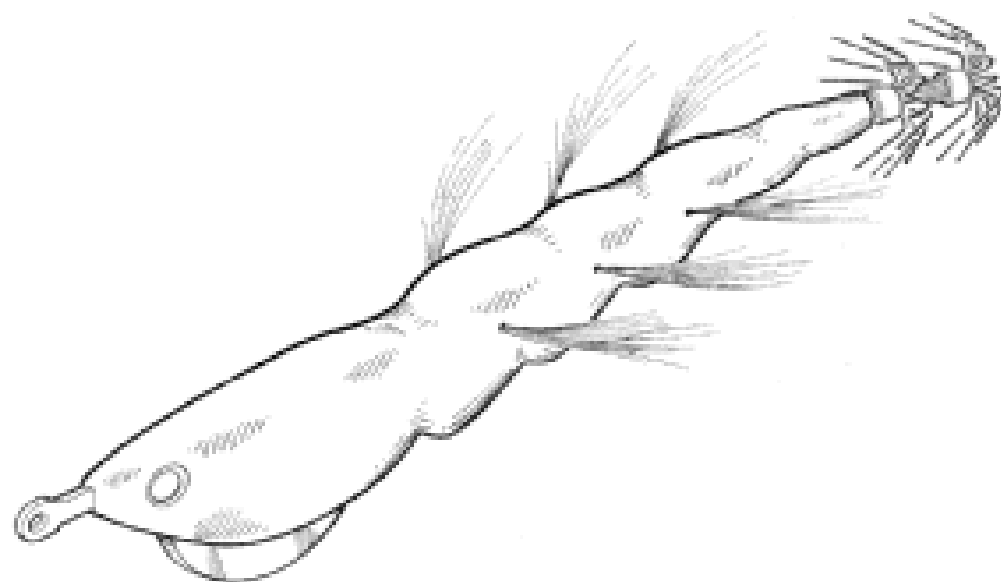
George Robert Braun
75 Crookston Road Reservoir Victoria 3073 Australia

(72) Name(s) of Designer(s): **George Robert Braun**

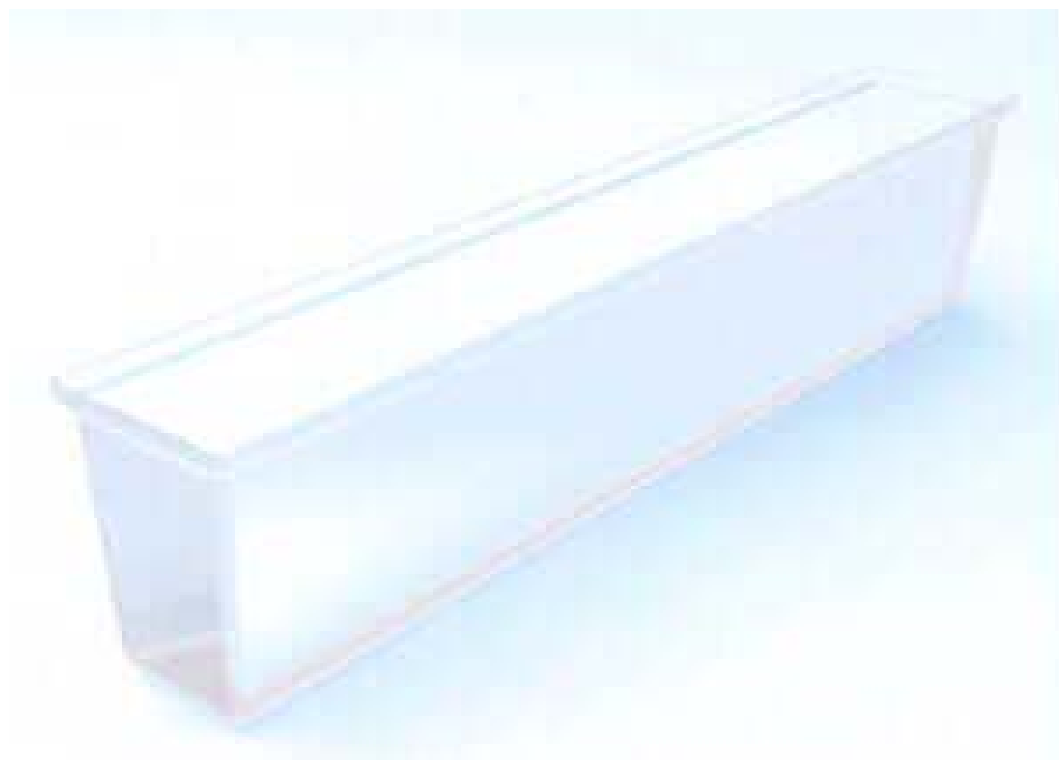
(45) Registration Date: **03 October 2007**

(56) Related Art Documents: **Not Applicable**

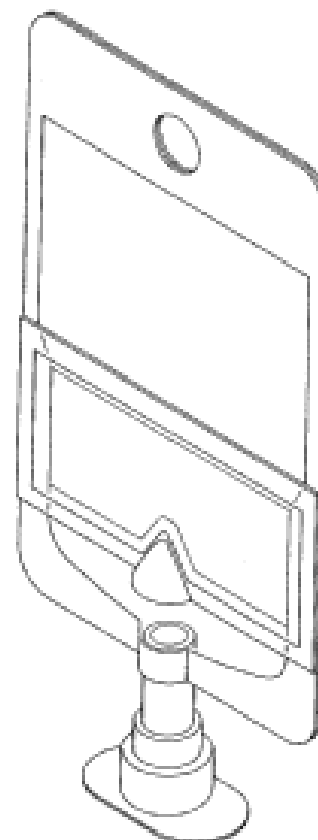
(57) Statement of Newness and Distinctiveness: **Nil**



- (21) Design Number: **17855/2007**
(22) Date of Filing Application: **10 May 2007**
(24) Date from which industrial property rights may have effect: **10 May 2007**
(54) Product in respect of which the design is registered: **Light box advertising using existing fluorescent light fitting**
(51) International Design Classification: **20-03NES, 26-05A**
(71) Name(s) and Address(s) of Applicant(s):
Provincial Events Pty Ltd
Suite C1.6 1 St. Heliers St Abbotsford Victoria 3067 Australia
(72) Name(s) of Designer(s): **Prem Nathan Reghunath**
(45) Registration Date: **03 October 2007**
(56) Related Art Documents: **Not Applicable**
(57) Statement of Newness and Distinctiveness: **The design is based on a diffuser used by fluorescent light fittings - but up to 10 times deeper than a diffuser giving it a fascia surface to attach advertising/signage on.**

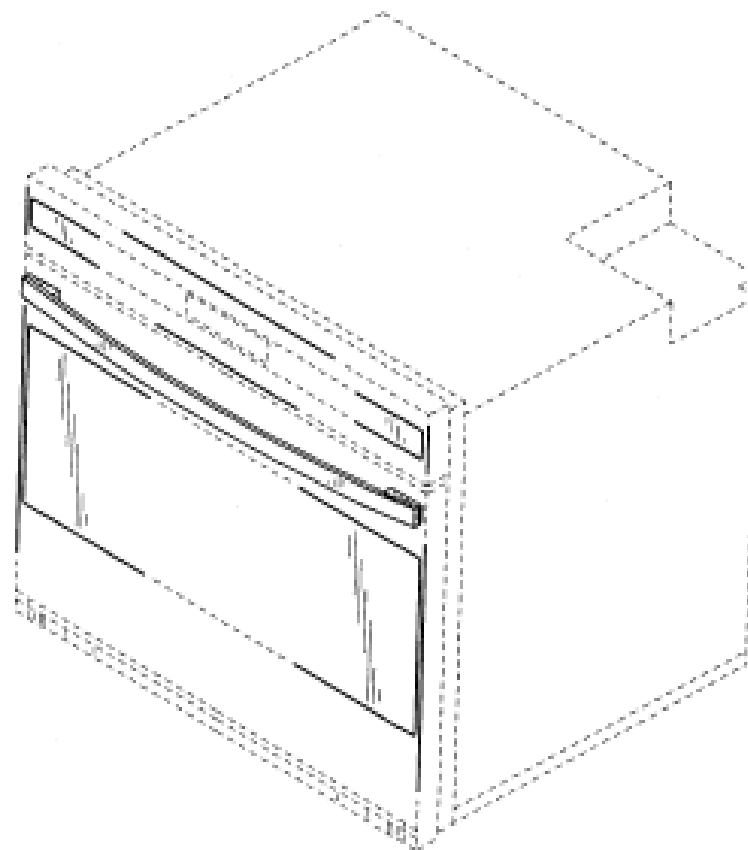


- (21) Design Number: **17875/2007**
(22) Date of Filing Application: **11 May 2007**
(24) Date from which industrial property rights may have effect: **11 May 2007**
(54) Product in respect of which the design is registered: **Infusion solution bag**
(51) International Design Classification: **24-04**
(71) Name(s) and Address(s) of Applicant(s):
Otsuka Pharmaceutical Factory, Inc.
115 Aza Kuguhara Tateiwa Muya-cho Naruto-shi Tokushima 772-8601 Japan
(72) Name(s) of Designer(s): **Fujio Inoue and Isamu Tateishi and Tatsuro Tsuruoka and Akihito Togawa**
(45) Registration Date: **03 October 2007**
(30) Convention priority data:
(31) Number (32) Date (33) Country
2006-031170 13 Nov 2006 JAPAN
(56) Related Art Documents: **Not Applicable**
(57) Statement of Newness and Distinctiveness: **Nil**

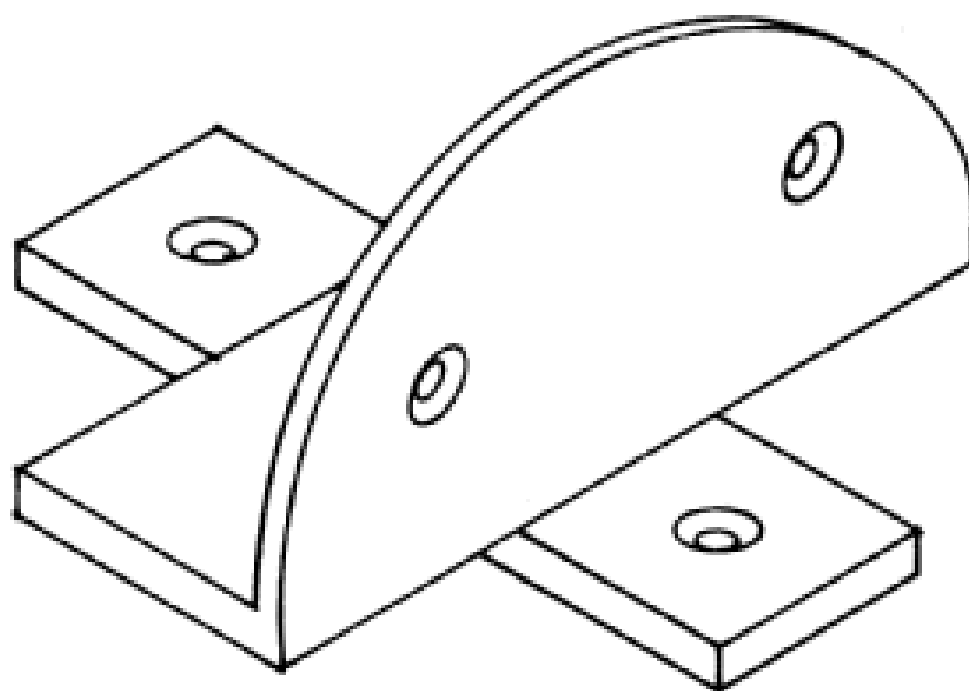


- (21) Design Number: **18007/2007**
- (22) Date of Filing Application: **21 May 2007**
- (24) Date from which industrial property rights may have effect: **21 May 2007**
- (54) Product in respect of which the design is registered: **Appliance with handle**
- (51) International Design Classification: **07-02C**
- (71) Name(s) and Address(s) of Applicant(s):
Wolf Appliance Company, Inc.
2866 Bud's Drive Fitchburg Wisconsin 53719 United States of America
- (72) Name(s) of Designer(s): **Curtis Leroy Cruver IV and William C. Cesaroni and Greg A. Martin**
- (45) Registration Date: **03 October 2007**
- (30) Convention priority data:

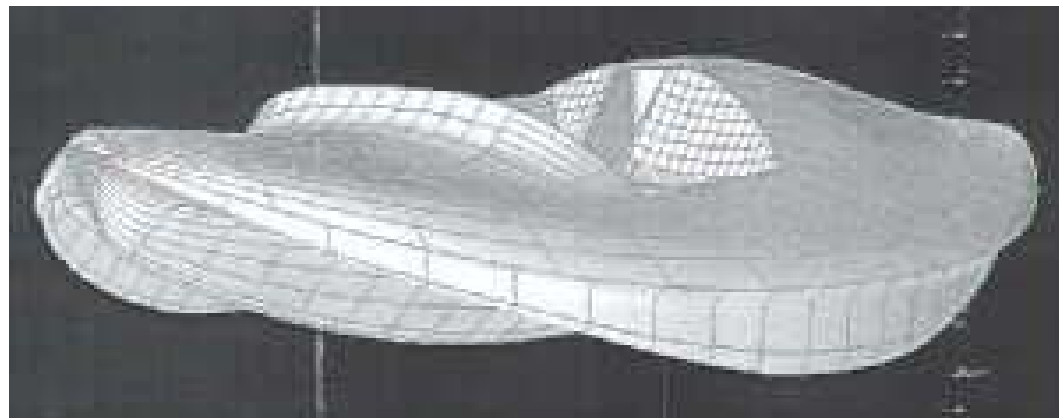
(31) Number	(32) Date	(33) Country
29269201	22 Nov 2006	UNITED STATES OF AMERICA
- (56) Related Art Documents: **Not Applicable**
- (57) Statement of Newness and Distinctiveness: **Newness and distinctiveness is claimed in the visual features shown in solid lines in the representations.**



- (21) Design Number: **18488/2007**
- (22) Date of Filing Application: **20 June 2007**
- (24) Date from which industrial property rights may have effect: **20 June 2007**
- (54) Product in respect of which the design is registered: **The pivot set is an item of door hardware comprising two parts. A bottom pivot and a top pivot**
- (51) International Design Classification: **08-09**
- (71) Name(s) and Address(s) of Applicant(s):
John Howard Styles
25A Wentworth Court 43-51 Giles Street Kingston ACT 2604 Australia
- (72) Name(s) of Designer(s): **John Howard Styles**
- (45) Registration Date: **03 October 2007**
- (56) Related Art Documents: **Not Applicable**
- (57) Statement of Newness and Distinctiveness: **The new design is a development of designs previously registered by the same designer. This pivot set comprises two different parts a bottom load bearing pivot and a top restraining pivot for semi-concealed installation. Bottom pivot shown on drawing 1 of 2 top pivot shown on drawing 2 of 2. Both parts are required to secure a pivot door.**



- (21) Design Number: **18624/2007**
(22) Date of Filing Application: **29 June 2007**
(24) Date from which industrial property rights may have effect: **29 June 2007**
(54) Product in respect of which the design is registered: **Sail boat**
(51) International Design Classification: **12-06B**
(71) Name(s) and Address(s) of Applicant(s):
Kenneth Malcolm McDonald
28 Fairhaven Street Bridge Downs Queensland 4035 Australia
(72) Name(s) of Designer(s): **Kenneth McDonald**
(45) Registration Date: **03 October 2007**
(56) Related Art Documents: **Not Applicable**
(57) Statement of Newness and Distinctiveness: **Unique set of contours, and configuration of the words "X-sail".**



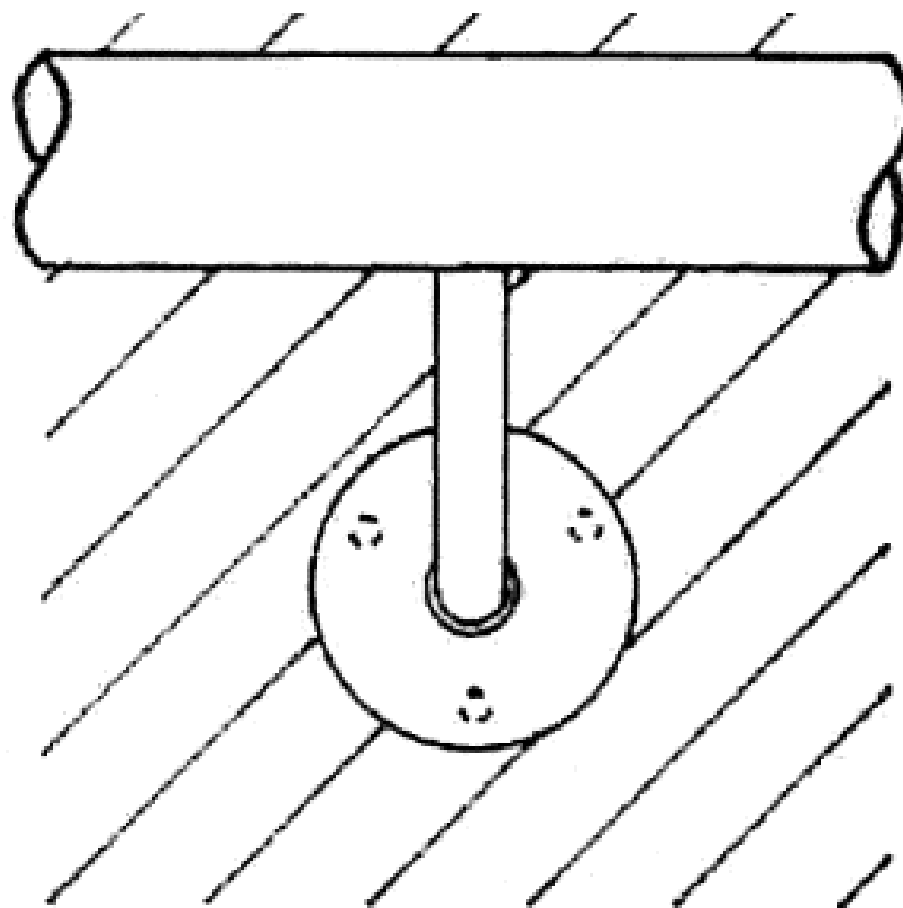
- (21) Design Number: **18651/2007**
(22) Date of Filing Application: **02 July 2007**
(24) Date from which industrial property rights may have effect: **02 July 2007**
(54) Product in respect of which the design is registered: **Safety helmet**
(51) International Design Classification: **02-03**
(71) Name(s) and Address(s) of Applicant(s):
Hatpac Limited
Brick Cottages Studio Shatters Road Layer Breton Essex CO2 OP
United Kingdom
(72) Name(s) of Designer(s): **Vincent Fallon**
(45) Registration Date: **03 October 2007**
(30) Convention priority data:
(31) Number (32) Date (33) Country
000648126 08 Jan 2007 EUROPEAN COMMUNITY
(56) Related Art Documents: **Not Applicable**
(57) Statement of Newness and Distinctiveness: **Nil**



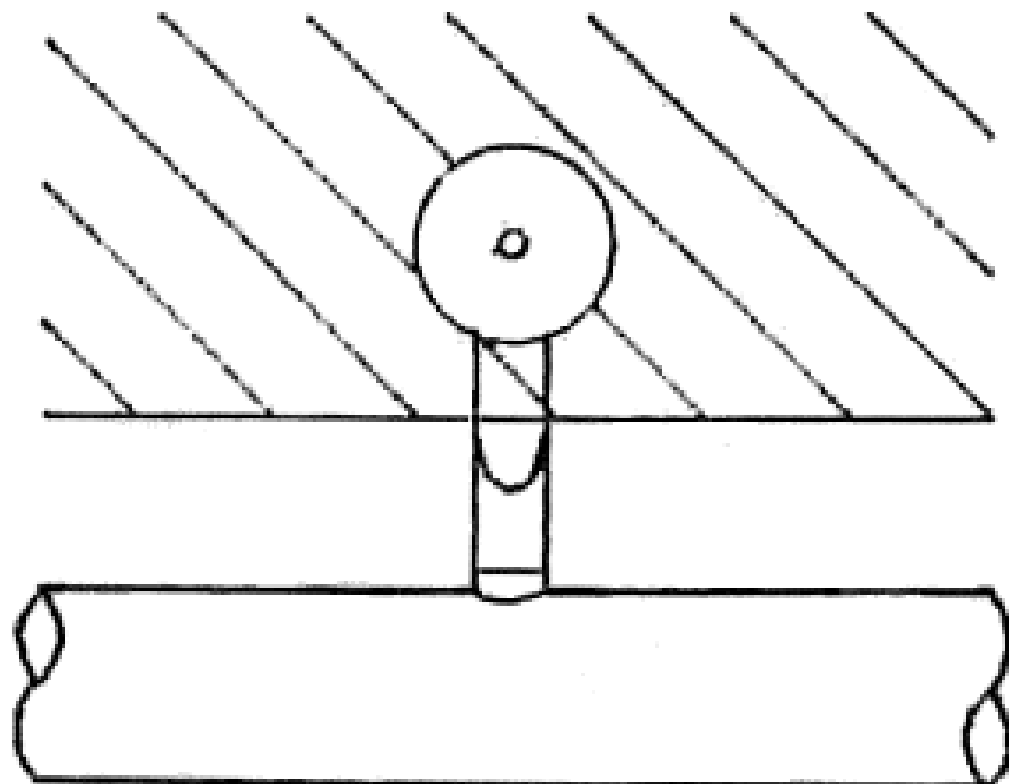
- (21) Design Number: **18652/2007**
(22) Date of Filing Application: **02 July 2007**
(24) Date from which industrial property rights may have effect: **02 July 2007**
(54) Product in respect of which the design is registered: **Fold up wheel away home gym, with storage compartment**
(51) International Design Classification: **21-02F**
(71) Name(s) and Address(s) of Applicant(s):
Advanced Fitness Concepts Pty. Ltd
46 Methil Street Runcorn Queensland 4113 Australia
(72) Name(s) of Designer(s): **Charlie Boxall**
(45) Registration Date: **03 October 2007**
(56) Related Art Documents: **Not Applicable**
(57) Statement of Newness and Distinctiveness: **A fold up easily stored home gym. Wheel's for easy transport, storage compartment, swivel pully's, specially designed for disabled persons.**



- (21) Design Number: **18697/2007**
(22) Date of Filing Application: **04 July 2007**
(24) Date from which industrial property rights may have effect: **04 July 2007**
(54) Product in respect of which the design is registered: **316 stainless steel wall rail bracket type 'M'**
(51) International Design Classification: **08-08M**
(71) Name(s) and Address(s) of Applicant(s):
Joseph White Trading as Stainform Industries
10 Redbank Place Picton New South Wales 2571 Australia
Chloe White Trading as Stainform Industries
10 Redbank Place Picton New South Wales 2571 Australia
(72) Name(s) of Designer(s): **Joseph White**
(45) Registration Date: **03 October 2007**
(56) Related Art Documents: **Not Applicable**
(57) Statement of Newness and Distinctiveness: **Nil**



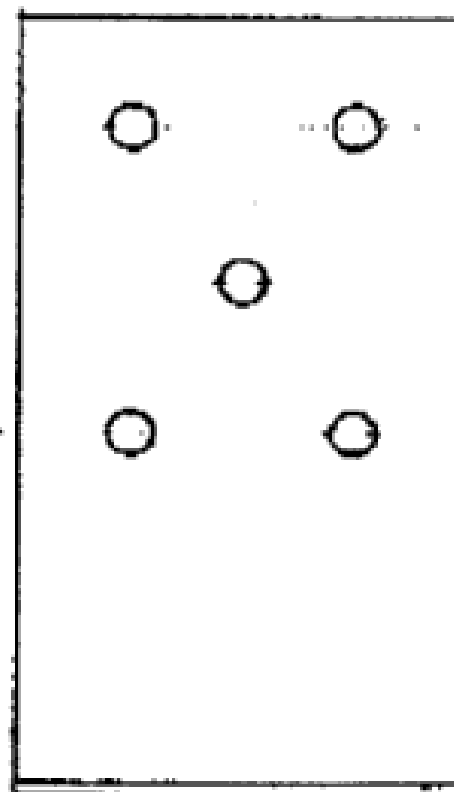
(21) Design Number: **18698/2007**
 (22) Date of Filing Application: **04 July 2007**
 (24) Date from which industrial property rights may have effect: **04 July 2007**
 (54) Product in respect of which the design is registered: **316 stainless steel panel bracket type 'banjo'**
 (51) International Design Classification: **08-08M**
 (71) Name(s) and Address(s) of Applicant(s):
Joseph White Trading as Stainform Industries
10 Redbank Place Picton New South Wales 2571 Australia
Chloe White Trading as Stainform Industries
10 Redbank Place Picton New South Wales 2571 Australia
 (72) Name(s) of Designer(s): **Joseph White**
 (45) Registration Date: **03 October 2007**
 (56) Related Art Documents: **Not Applicable**
 (57) Statement of Newness and Distinctiveness: **Nil**



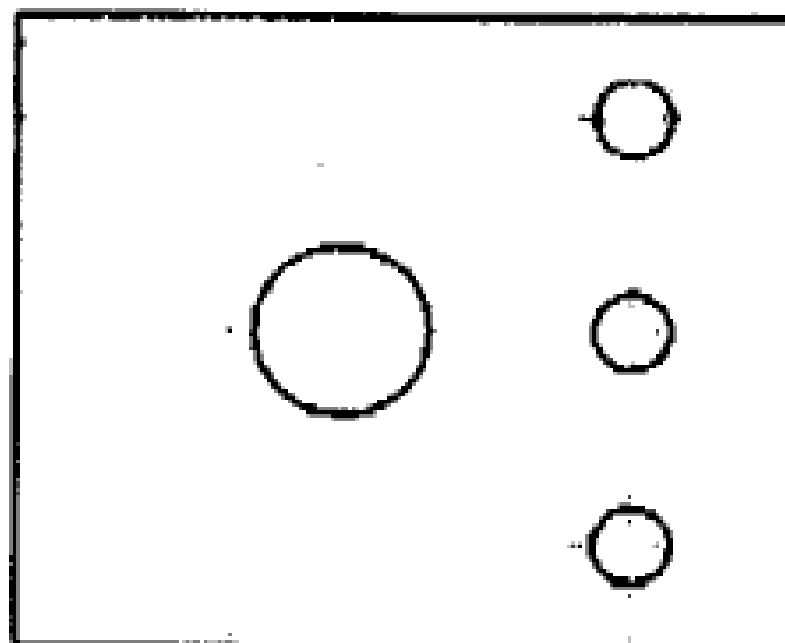
(21) Design Number: **19111/2007**
 (22) Date of Filing Application: **30 July 2007**
 (24) Date from which industrial property rights may have effect: **30 July 2007**
 (54) Product in respect of which the design is registered: **A bracket**
 (51) International Design Classification: **08-08L**
 (71) Name(s) and Address(s) of Applicant(s):
MiTek New Zealand Limited
5 Zealandian Drive East Tamaki Auckland New Zealand
Winstone Wallboards Limited
810 Great South Road Penrose Auckland New Zealand
 (72) Name(s) of Designer(s): **Stephen Coll**
 (45) Registration Date: **03 October 2007**
 (30) Convention priority data:

(31) Number	(32) Date	(33) Country
408640	08 Feb 2007	NEW ZEALAND

 (56) Related Art Documents: **Not Applicable**
 (57) Statement of Newness and Distinctiveness: **The features of shape and/or configuration substantially as shown in the representations.**



- (21) Design Number: **19112/2007**
(22) Date of Filing Application: **30 July 2007**
(24) Date from which industrial property rights may have effect: **30 July 2007**
(54) Product in respect of which the design is registered: **A washer**
(51) International Design Classification: **08-08B**
(71) Name(s) and Address(s) of Applicant(s):
MiTek New Zealand Limited
5 Zealandian Drive East Tamaki Auckland New Zealand
Winstone Wallboards Limited
810 Great South Road Penrose Auckland New Zealand
(72) Name(s) of Designer(s): **Stephen Coll**
(45) Registration Date: **03 October 2007**
(30) Convention priority data:
(31) Number (32) Date (33) Country
408641 08 Feb 2007 NEW ZEALAND
(56) Related Art Documents: **Not Applicable**
(57) Statement of Newness and Distinctiveness: **The features of shape and/or configuration substantially as shown in the representations.**



- (21) Design Number: **19116/2007**
(22) Date of Filing Application: **30 July 2007**
(24) Date from which industrial property rights may have effect: **30 July 2007**
(54) Product in respect of which the design is registered: **Football trainer**
(51) International Design Classification: **21-02NES**
(71) Name(s) and Address(s) of Applicant(s):
Birchill Limited
5 Castle Street St. Helier Jersey JE4 8UW Channel Islands
(72) Name(s) of Designer(s): **George Young**
(45) Registration Date: **03 October 2007**
(30) Convention priority data:
(31) Number (32) Date (33) Country
000663984 30 Jan 2006 EUROPEAN COMMUNITY
(56) Related Art Documents: **Not Applicable**
(57) Statement of Newness and Distinctiveness: **Newness and distinctiveness is claimed in the features of shape and/or configuration of a football trainer as illustrated in the accompanying representations, apart from the five footballs.**



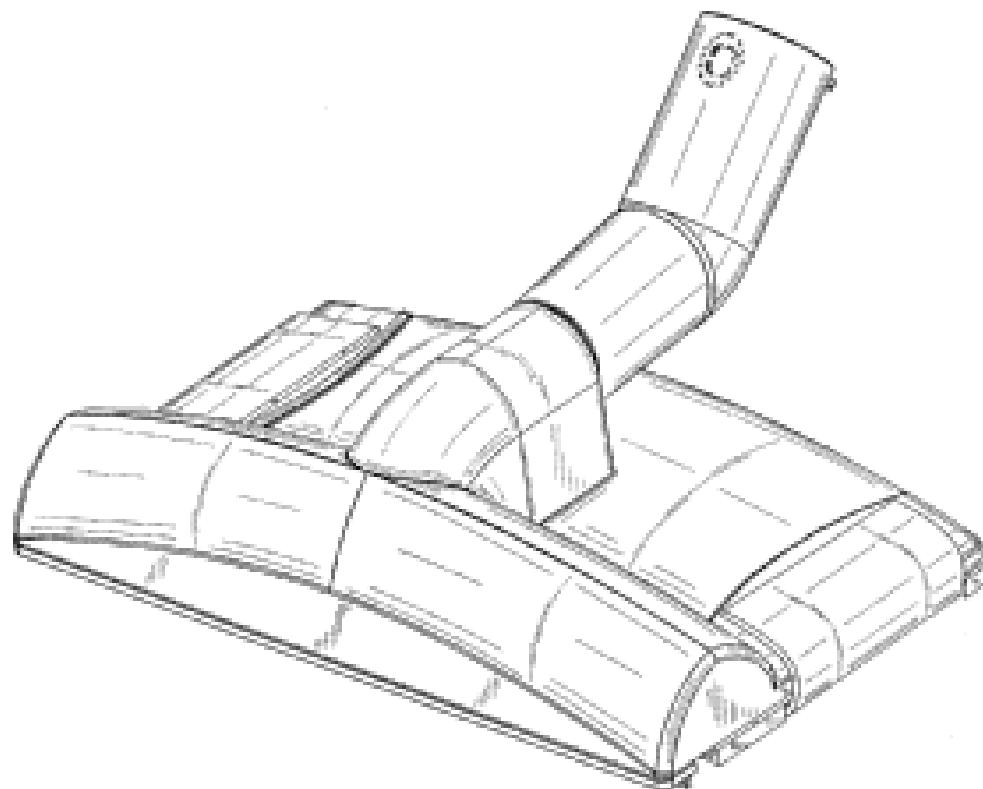
- (21) Design Number: **19119/2007**
- (22) Date of Filing Application: **30 July 2007**
- (24) Date from which industrial property rights may have effect: **30 July 2007**
- (54) Product in respect of which the design is registered: **Bottle**
- (51) International Design Classification: **09-01K**
- (71) Name(s) and Address(s) of Applicant(s):
Unilever PLC
Unilever House Blackfriars London EC4P 4BQ United Kingdom
- (72) Name(s) of Designer(s): **Neil Hirst and Edward Arthur Charles Mitchell and Alexis Julian Waterson**
- (45) Registration Date: **03 October 2007**
- (30) Convention priority data:

(31) Number	(32) Date	(33) Country
4001540	08 Feb 2007	UNITED KINGDOM
- (56) Related Art Documents: **Not Applicable**
- (57) Statement of Newness and Distinctiveness: **Newness and distinctiveness is claimed in the visual features shown in solid lines in the representations.**

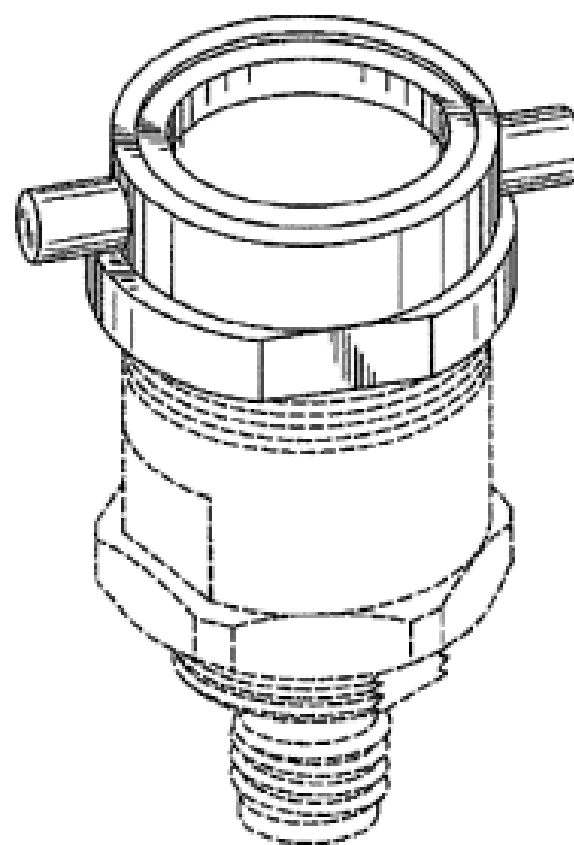


- (21) Design Number: **19120/2007**
- (22) Date of Filing Application: **30 July 2007**
- (24) Date from which industrial property rights may have effect: **30 July 2007**
- (54) Product in respect of which the design is registered: **Cleaning tool**
- (51) International Design Classification: **15-05**
- (71) Name(s) and Address(s) of Applicant(s):
BISSELL Homecare, Inc.
2345 Walker Avenue N.W. Grand Rapids MI 49544 United States of America
- (72) Name(s) of Designer(s): **Jose Carlito Santiago**
- (45) Registration Date: **03 October 2007**
- (30) Convention priority data:

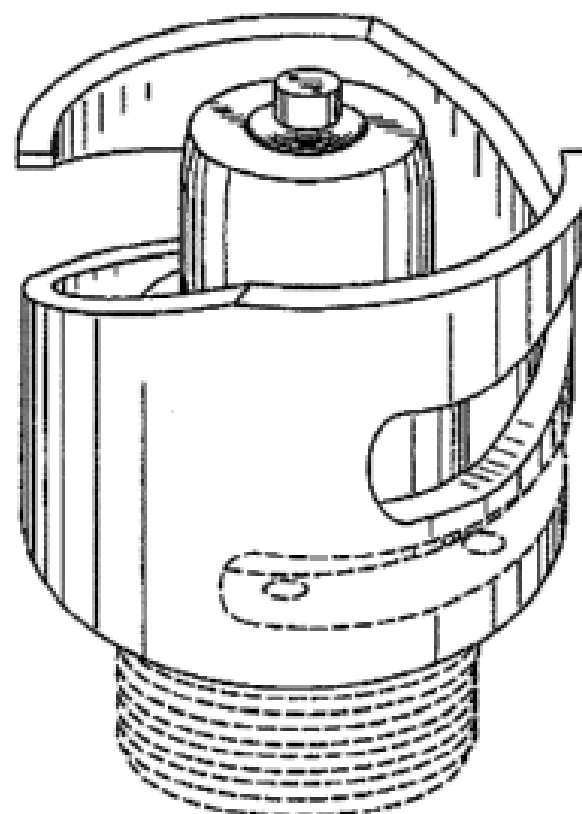
(31) Number	(32) Date	(33) Country
29/277,786	09 Mar 2007	UNITED STATES OF AMERICA
- (56) Related Art Documents: **Not Applicable**
- (57) Statement of Newness and Distinctiveness: **The shape and configuration of the product is new and distinctive. The features shown in dotted lines form no part of the design and should not be taken into consideration when considering the design as a whole.**



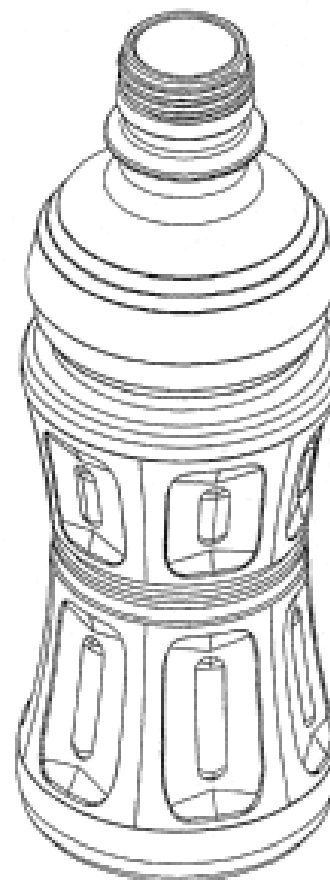
(21) Design Number: **19121/2007**
 (22) Date of Filing Application: **30 July 2007**
 (24) Date from which industrial property rights may have effect: **30 July 2007**
 (54) Product in respect of which the design is registered: **Liquid oxygen connector**
 (51) International Design Classification: **23-01A**
 (71) Name(s) and Address(s) of Applicant(s):
RIC Investments, LLC
801 West Street 2nd Floor Wilmington DE 19801-1545 United States of America
 (72) Name(s) of Designer(s): **Joseph T Dolensky and Jeremy Blair and Douglas Whitcher and Don Griffin**
 (45) Registration Date: **03 October 2007**
 (30) Convention priority data:
 (31) Number (32) Date (33) Country
29/272,035 31 Jan 2007 UNITED STATES OF AMERICA
 (56) Related Art Documents: **Not Applicable**
 (57) Statement of Newness and Distinctiveness: **The following visual features of the design are new and distinctive: The shape and configuration of a liquid oxygen connector as shown in solid lines in the accompanying drawings. In considering the newness and distinctiveness of the design, no regard is to be had to the visual features depicted by the broken lines.**



(21) Design Number: **19122/2007**
 (22) Date of Filing Application: **30 July 2007**
 (24) Date from which industrial property rights may have effect: **30 July 2007**
 (54) Product in respect of which the design is registered: **Liquid oxygen connector**
 (51) International Design Classification: **23-01A**
 (71) Name(s) and Address(s) of Applicant(s):
RIC Investments, LLC
801 West Street 2nd Floor Wilmington DE 19801-1545 United States of America
 (72) Name(s) of Designer(s): **Joseph T Dolensky and Jeremy Blair and Don Griffin and Douglas Whitcher and Robert J Maddox Jr**
 (45) Registration Date: **03 October 2007**
 (30) Convention priority data:
 (31) Number (32) Date (33) Country
29/272,037 31 Jan 2007 UNITED STATES OF AMERICA
 (56) Related Art Documents: **Not Applicable**
 (57) Statement of Newness and Distinctiveness: **The following visual features of the design are new and distinctive: The shape and configuration of a liquid oxygen connector as shown in solid lines in the accompanying drawings. In considering the newness and distinctiveness of the design, no regard is to be had to the visual features depicted by the broken lines.**



- (21) Design Number: **19124/2007**
(22) Date of Filing Application: **30 July 2007**
(24) Date from which industrial property rights may have effect: **30 July 2007**
(54) Product in respect of which the design is registered: **Bottle**
(51) International Design Classification: **09-01K**
(71) Name(s) and Address(s) of Applicant(s):
The Coca-Cola Company
One Coca-Cola Plaza NW Atlanta Georgia 30313 United States of America
(72) Name(s) of Designer(s): **June Young Kim**
(45) Registration Date: **03 October 2007**
(30) Convention priority data:
(31) Number (32) Date (33) Country
30-2007-0006595 13 Feb 2007 REPUBLIC OF KOREA
(56) Related Art Documents: **Not Applicable**
(57) Statement of Newness and Distinctiveness: **Those features of the bottle depicted in the representations that are new and distinctive are the shape and/or configuration.**



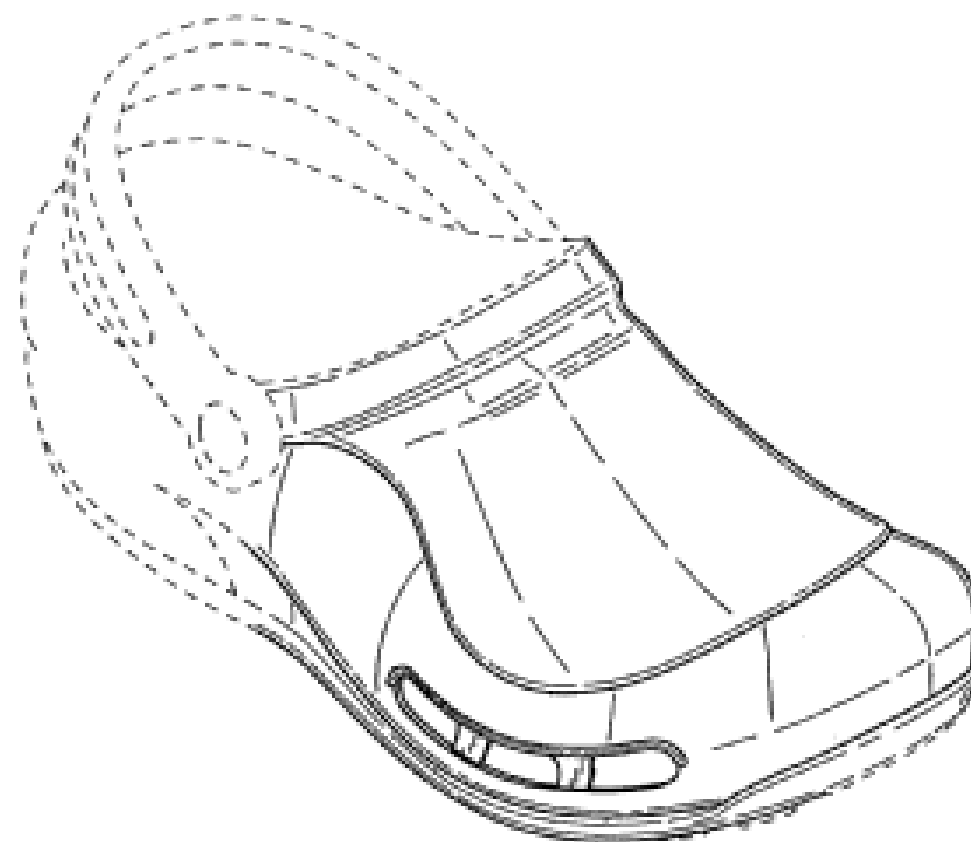
- (21) Design Number: **19125/2007**
(22) Date of Filing Application: **31 July 2007**
(24) Date from which industrial property rights may have effect: **31 July 2007**
(54) Product in respect of which the design is registered: **Seat**
(51) International Design Classification: **06-01E**
(71) Name(s) and Address(s) of Applicant(s):
Ross Didier
85 Glenair Court Lower Templestowe Victoria 3107 Australia
(72) Name(s) of Designer(s): **Ross Didier**
(45) Registration Date: **03 October 2007**
(56) Related Art Documents: **Not Applicable**
(57) Statement of Newness and Distinctiveness: **Nil**



(21) Design Number: **19127/2007**
 (22) Date of Filing Application: **30 July 2007**
 (24) Date from which industrial property rights may have effect: **30 July 2007**
 (54) Product in respect of which the design is registered: **Footwear**
 (51) International Design Classification: **02-04NES**
 (71) Name(s) and Address(s) of Applicant(s):
Crocs, Inc.
6328 Monarch Park Place Niwot Colorado 80503 United States of America
 (72) Name(s) of Designer(s): **Stefano del Biondi and Lucio Stefanello**
 (45) Registration Date: **03 October 2007**
 (30) Convention priority data:

(31) Number	(32) Date	(33) Country
29/276614	30 Jan 2007	UNITED STATES OF AMERICA

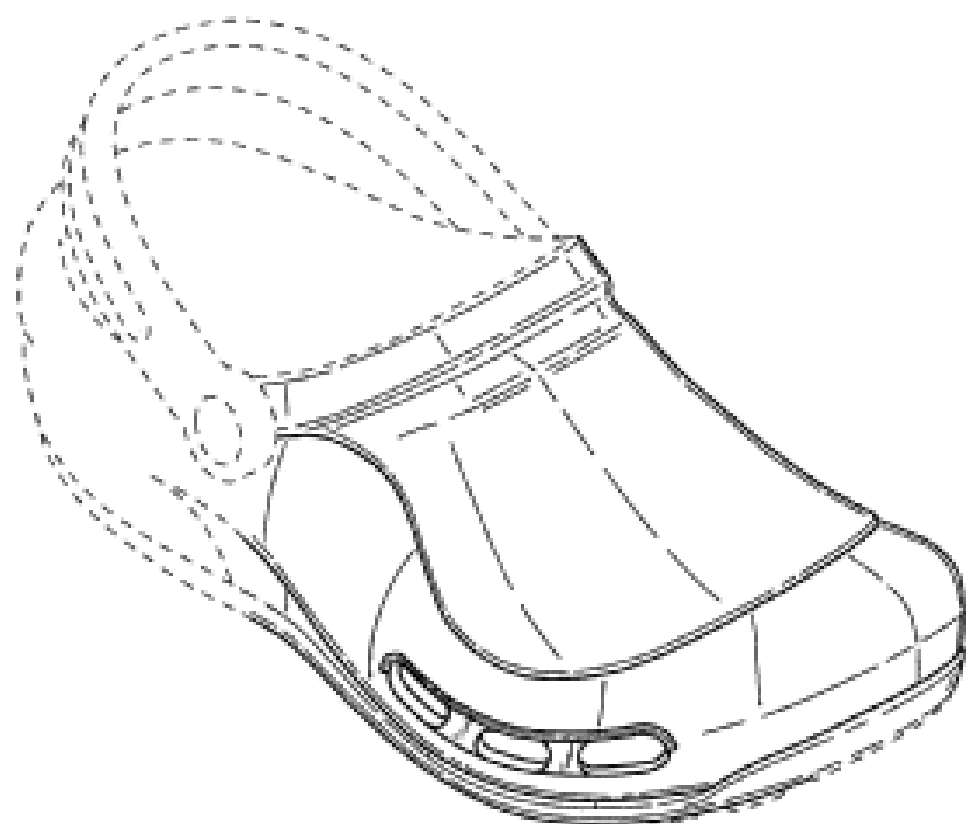
 (56) Related Art Documents: **Not Applicable**
 (57) Statement of Newness and Distinctiveness: **Newness and distinctiveness resides in the features of shape and configuration of the footwear shown in solid lines in the representations. When considering whether the design is substantially similar in overall impression to another design, no regard is to be given to those features of the design shown in phantom in the representations.**



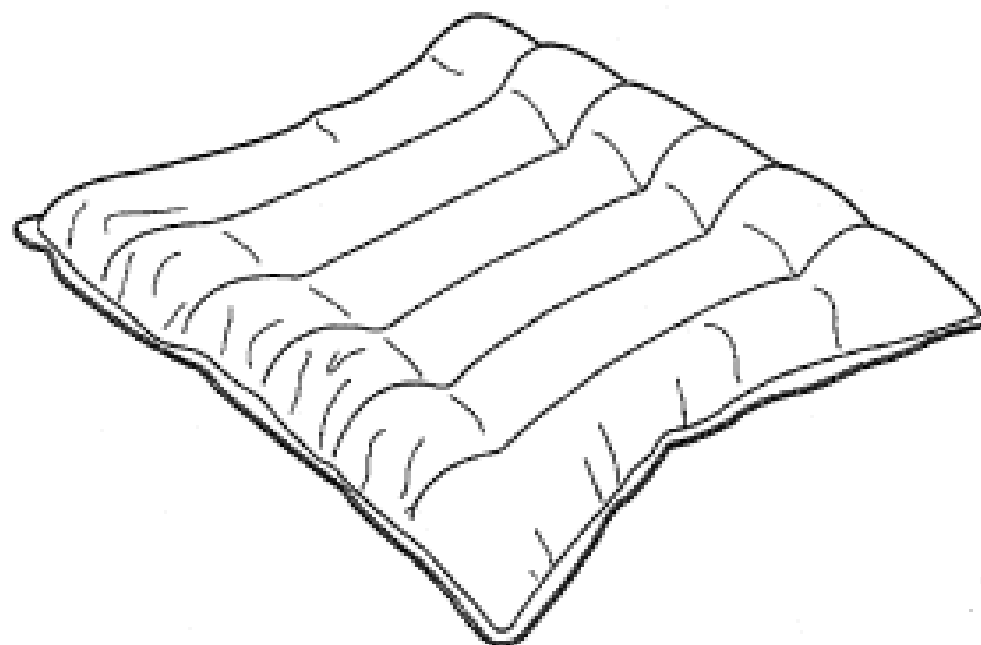
(21) Design Number: **19128/2007**
 (22) Date of Filing Application: **30 July 2007**
 (24) Date from which industrial property rights may have effect: **30 July 2007**
 (54) Product in respect of which the design is registered: **Footwear**
 (51) International Design Classification: **02-04NES**
 (71) Name(s) and Address(s) of Applicant(s):
Crocs, Inc.
6328 Monarch Park Place Niwot Colorado 80503 United States of America
 (72) Name(s) of Designer(s): **Stefano del Biondi and Lucio Stefanello**
 (45) Registration Date: **03 October 2007**
 (30) Convention priority data:

(31) Number	(32) Date	(33) Country
29/276614	30 Jan 2007	UNITED STATES OF AMERICA

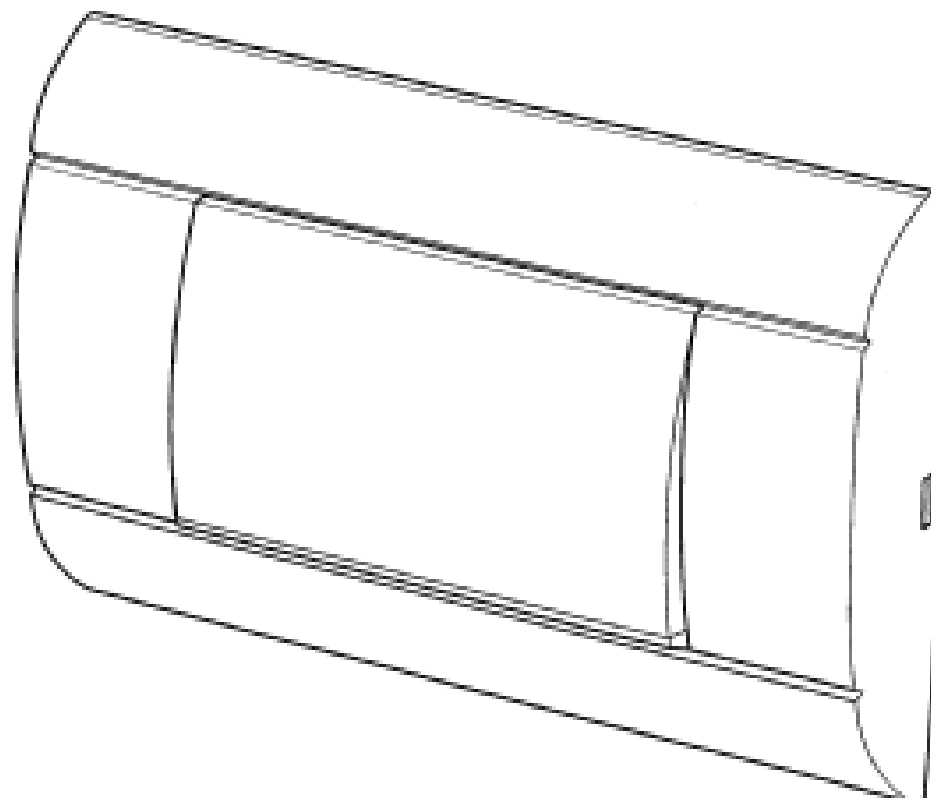
 (56) Related Art Documents: **Not Applicable**
 (57) Statement of Newness and Distinctiveness: **Newness and distinctiveness resides in the features of shape and configuration of the footwear shown in solid lines in the representations, with particular regard to the oval-shaped vents. When considering whether the design is substantially similar in overall impression to another design, no regard is to be given to those features of the design shown in phantom in the representations.**



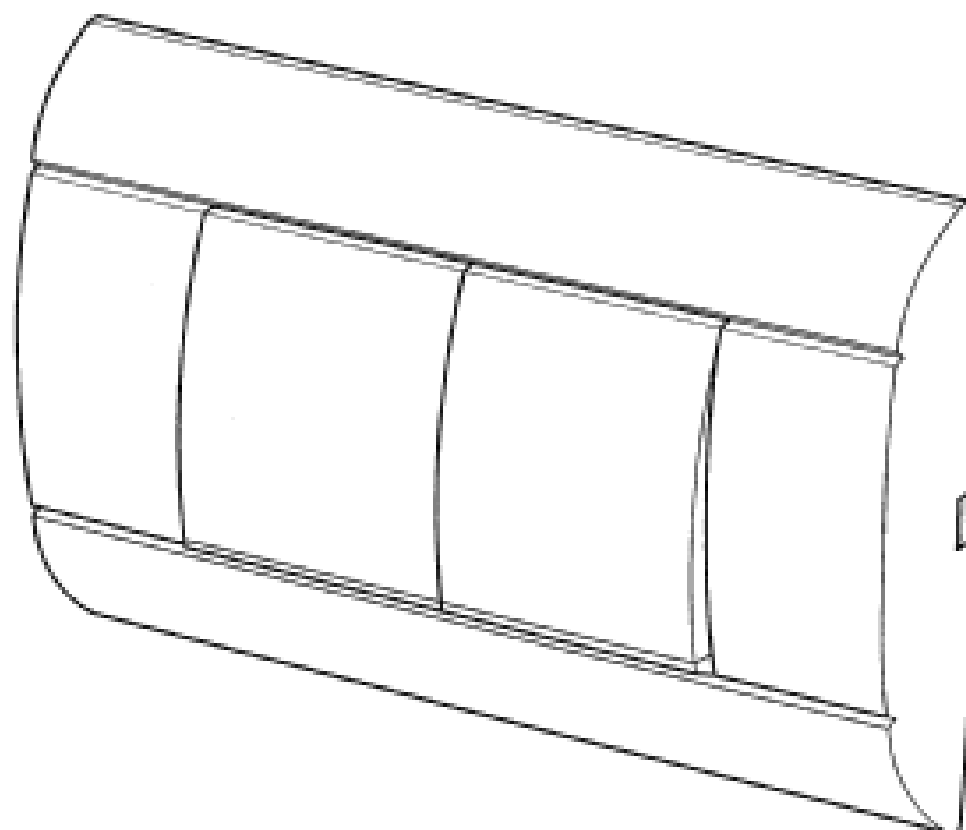
(21) Design Number: **19130/2007**
(22) Date of Filing Application: **31 July 2007**
(24) Date from which industrial property rights may have effect: **31 July 2007**
(54) Product in respect of which the design is registered: **A heat bag**
(51) International Design Classification: **24-04**
(71) Name(s) and Address(s) of Applicant(s):
Annette Herbert
23 Wilson Street Plympton Park South Australia 5038 Australia
(72) Name(s) of Designer(s): **Annette Herbert**
(45) Registration Date: **03 October 2007**
(56) Related Art Documents: **Not Applicable**
(57) Statement of Newness and Distinctiveness: **Nil**



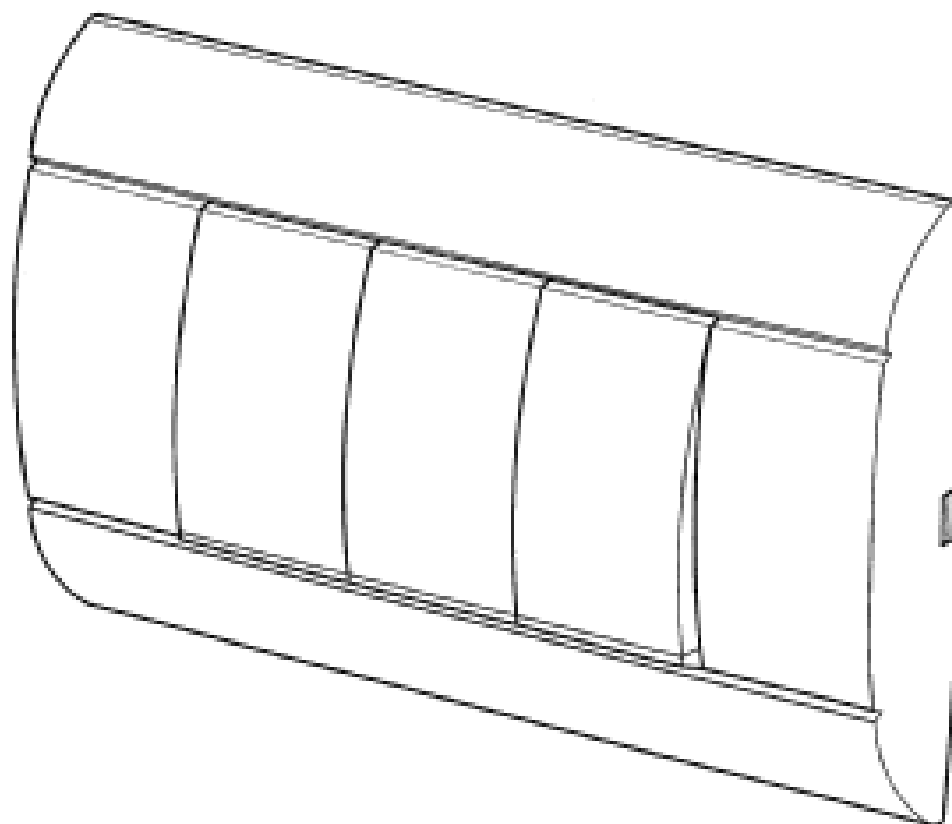
(21) Design Number: **19231/2007**
(22) Date of Filing Application: **30 July 2007**
(24) Date from which industrial property rights may have effect: **30 July 2007**
(54) Product in respect of which the design is registered: **Electric switch**
(51) International Design Classification: **13-03D**
(71) Name(s) and Address(s) of Applicant(s):
Clipsal Australia Pty Ltd
12 Park Terrace Bowden South Australia 5007 Australia
(72) Name(s) of Designer(s): **Eddy Rinna**
(45) Registration Date: **03 October 2007**
(56) Related Art Documents: **Not Applicable**
(57) Statement of Newness and Distinctiveness: **Nil**



(21) Design Number: **19232/2007**
(22) Date of Filing Application: **30 July 2007**
(24) Date from which industrial property rights may have effect: **30 July 2007**
(54) Product in respect of which the design is registered: **Electric switch**
(51) International Design Classification: **13-03D**
(71) Name(s) and Address(s) of Applicant(s):
Clipsal Australia Pty Ltd
12 Park Terrace Bowden South Australia 5007 Australia
(72) Name(s) of Designer(s): **Eddy Rinna**
(45) Registration Date: **03 October 2007**
(56) Related Art Documents: **Not Applicable**
(57) Statement of Newness and Distinctiveness: **Nil**



(21) Design Number: **19233/2007**
(22) Date of Filing Application: **30 July 2007**
(24) Date from which industrial property rights may have effect: **30 July 2007**
(54) Product in respect of which the design is registered: **Electric switch**
(51) International Design Classification: **13-03D**
(71) Name(s) and Address(s) of Applicant(s):
Clipsal Australia Pty Ltd
12 Park Terrace Bowden South Australia 5007 Australia
(72) Name(s) of Designer(s): **Eddy Rinna**
(45) Registration Date: **03 October 2007**
(56) Related Art Documents: **Not Applicable**
(57) Statement of Newness and Distinctiveness: **Nil**



(21) Design Number: **19234/2007**

(22) Date of Filing Application: **30 July 2007**

(24) Date from which industrial property rights may have effect: **30 July 2007**

(54) Product in respect of which the design is registered: **Electric switch module**

(51) International Design Classification: **13-03D**

(71) Name(s) and Address(s) of Applicant(s):

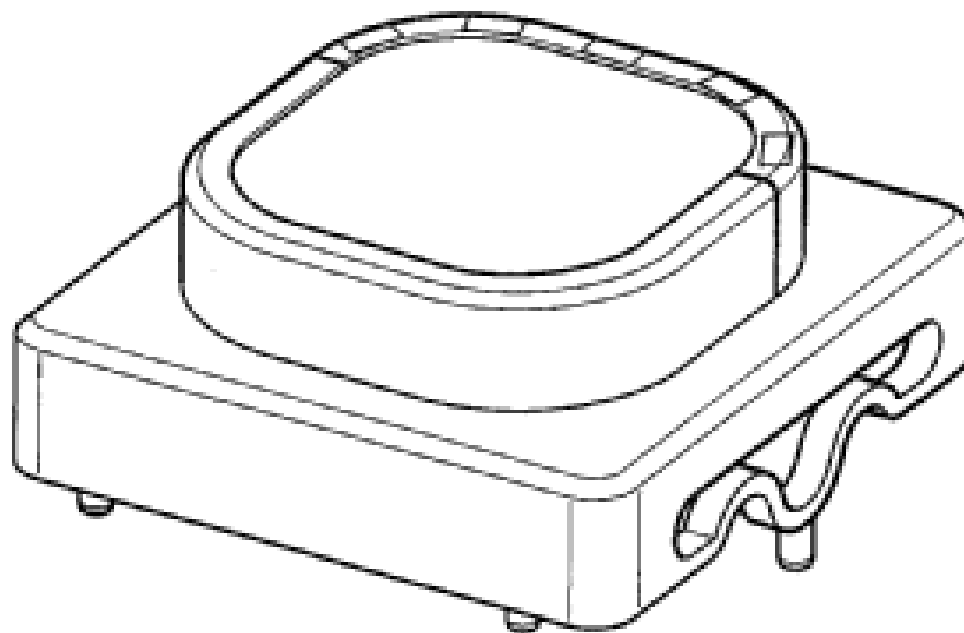
Clipsal Australia Pty Ltd
12 Park Terrace Bowden South Australia 5007 Australia

(72) Name(s) of Designer(s): **Eddy Rinna**

(45) Registration Date: **03 October 2007**

(56) Related Art Documents: **Not Applicable**

(57) Statement of Newness and Distinctiveness: **Nil**



(21) Design Number: **19235/2007**

(22) Date of Filing Application: **30 July 2007**

(24) Date from which industrial property rights may have effect: **30 July 2007**

(54) Product in respect of which the design is registered: **Electric switch module**

(51) International Design Classification: **13-03D**

(71) Name(s) and Address(s) of Applicant(s):

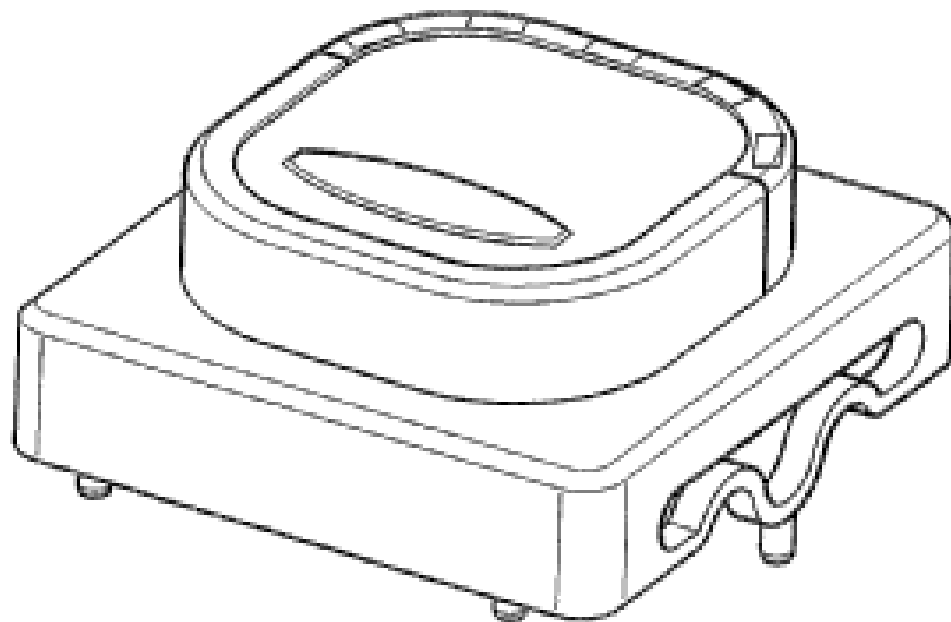
Clipsal Australia Pty Ltd
12 Park Terrace Bowden South Australia 5007 Australia

(72) Name(s) of Designer(s): **Eddy Rinna and Alvin Lam**

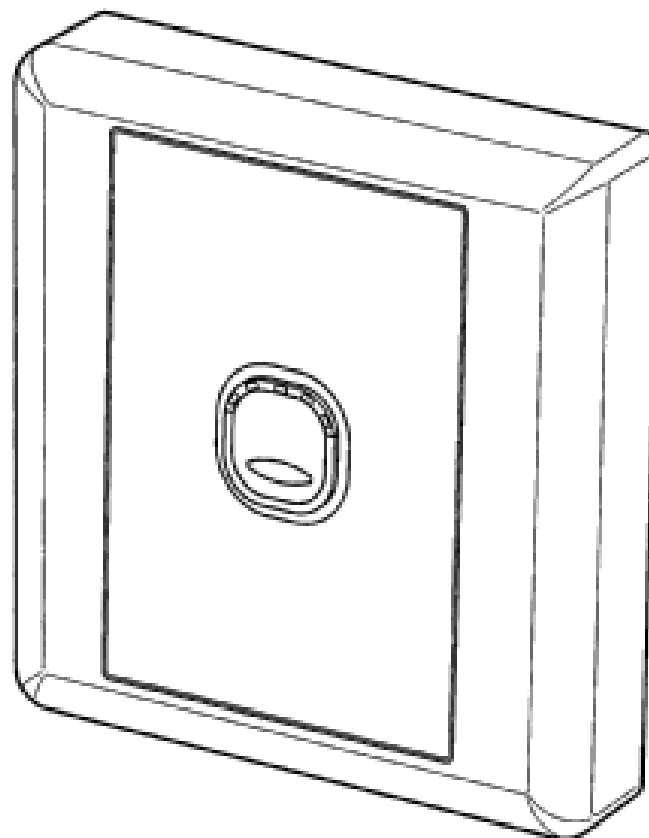
(45) Registration Date: **03 October 2007**

(56) Related Art Documents: **Not Applicable**

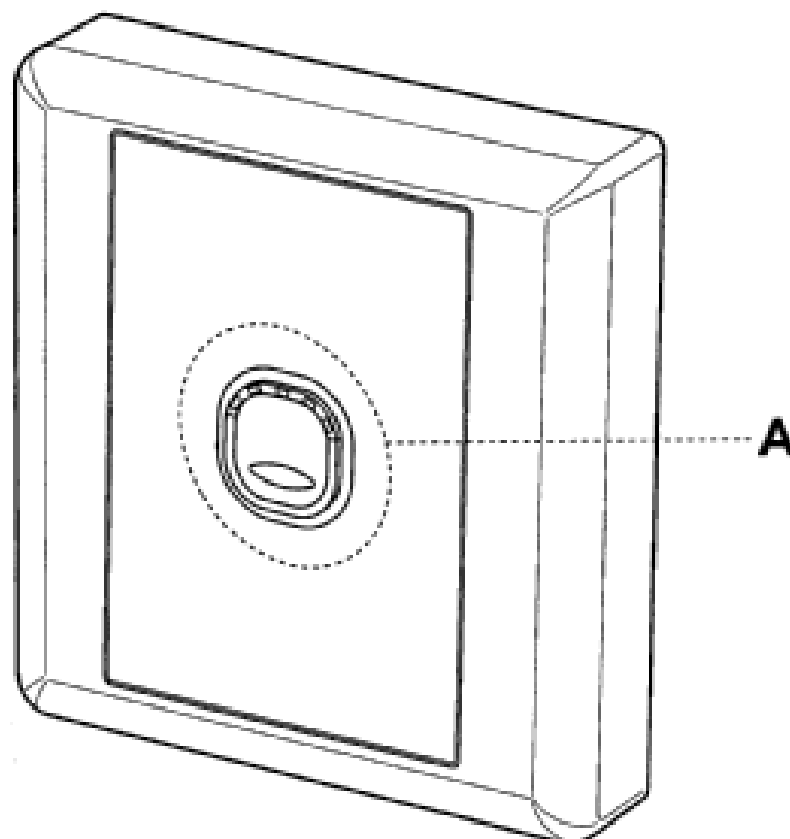
(57) Statement of Newness and Distinctiveness: **Nil**



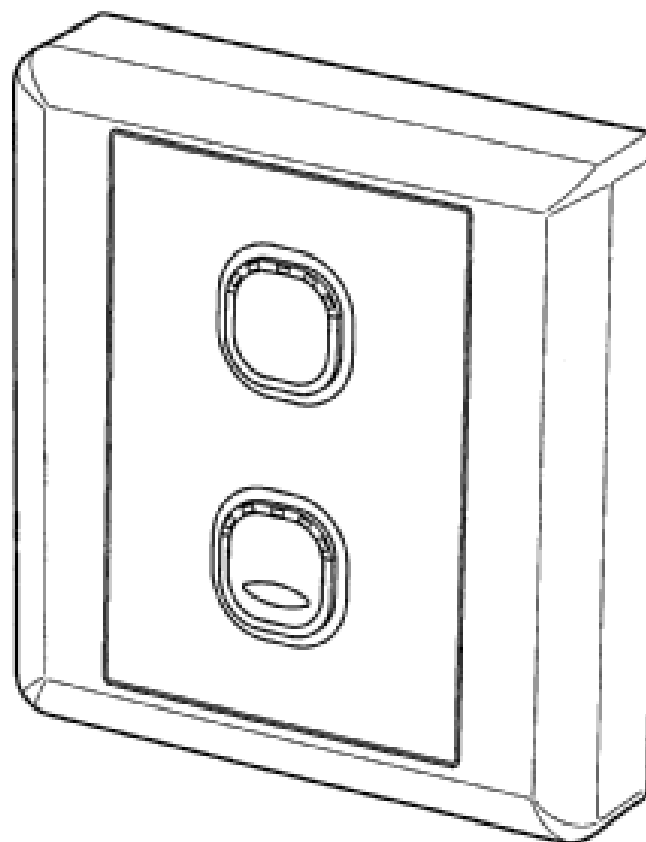
(21) Design Number: **19236/2007**
(22) Date of Filing Application: **30 July 2007**
(24) Date from which industrial property rights may have effect: **30 July 2007**
(54) Product in respect of which the design is registered: **Electric switch unit**
(51) International Design Classification: **13-03D**
(71) Name(s) and Address(s) of Applicant(s):
Clipsal Australia Pty Ltd
12 Park Terrace Bowden South Australia 5007 Australia
(72) Name(s) of Designer(s): **Eddy Rinna and Alvin Lam**
(45) Registration Date: **03 October 2007**
(56) Related Art Documents: **Not Applicable**
(57) Statement of Newness and Distinctiveness: **Nil**



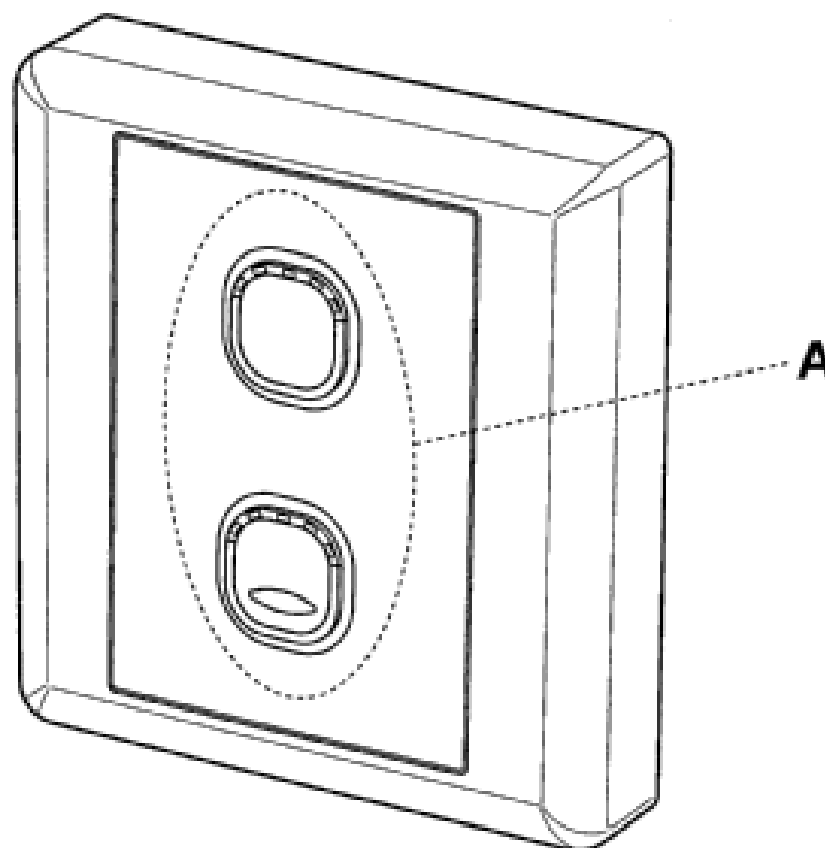
(21) Design Number: **19237/2007**
(22) Date of Filing Application: **30 July 2007**
(24) Date from which industrial property rights may have effect: **30 July 2007**
(54) Product in respect of which the design is registered: **Electric switch unit**
(51) International Design Classification: **13-03D**
(71) Name(s) and Address(s) of Applicant(s):
Clipsal Australia Pty Ltd
12 Park Terrace Bowden South Australia 5007 Australia
(72) Name(s) of Designer(s): **Eddy Rinna and Alvin Lam**
(45) Registration Date: **03 October 2007**
(56) Related Art Documents: **Not Applicable**
(57) Statement of Newness and Distinctiveness: **Newness is claimed in the portion of the electric switch unit within the region identified as "A". In considering the scope of the monopoly, no regard will be had to the portion outside the region identified as "A".**



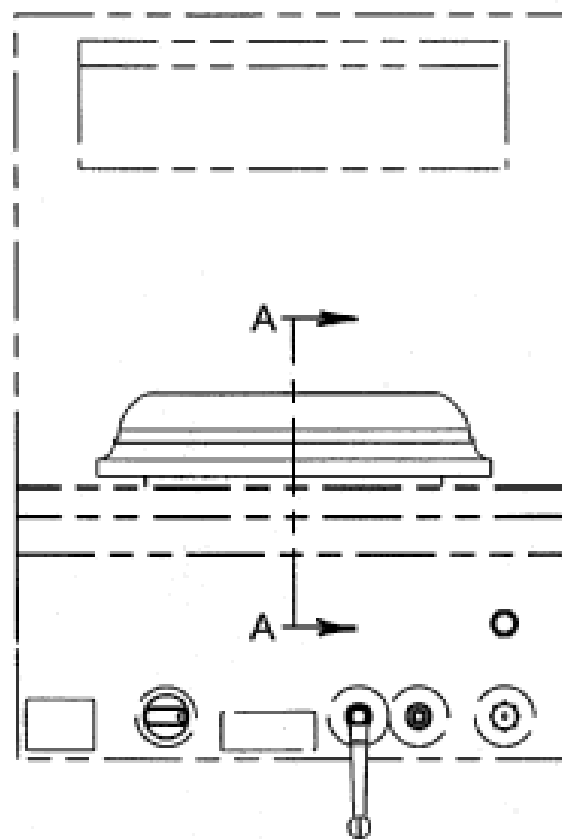
- (21) Design Number: **19238/2007**
(22) Date of Filing Application: **30 July 2007**
(24) Date from which industrial property rights may have effect: **30 July 2007**
(54) Product in respect of which the design is registered: **Electric switch unit**
(51) International Design Classification: **13-03D**
(71) Name(s) and Address(s) of Applicant(s):
Clipsal Australia Pty Ltd
12 Park Terrace Bowden South Australia 5007 Australia
(72) Name(s) of Designer(s): **Eddy Rinna and Alvin Lam**
(45) Registration Date: **03 October 2007**
(56) Related Art Documents: **Not Applicable**
(57) Statement of Newness and Distinctiveness: **Nil**



- (21) Design Number: **19239/2007**
(22) Date of Filing Application: **30 July 2007**
(24) Date from which industrial property rights may have effect: **30 July 2007**
(54) Product in respect of which the design is registered: **Electric switch unit**
(51) International Design Classification: **13-03D**
(71) Name(s) and Address(s) of Applicant(s):
Clipsal Australia Pty Ltd
12 Park Terrace Bowden South Australia 5007 Australia
(72) Name(s) of Designer(s): **Eddy Rinna and Alvin Lam**
(45) Registration Date: **03 October 2007**
(56) Related Art Documents: **Not Applicable**
(57) Statement of Newness and Distinctiveness: **Newness is claimed in the portion of the electric switch unit within the region identified as "A". In considering the scope of the monopoly, no regard will be had to the portion outside the region identified as "A".**



- (21) Design Number: **15655/2006**
- (22) Date of Filing Application: **08 December 2006**
- (24) Date from which industrial property rights may have effect: **08 December 2006**
- (54) Product in respect of which the design is registered: **Cooking range cooking utensil support assembly**
- (51) International Design Classification: **23-04**
- (71) Name(s) and Address(s) of Applicant(s):
B & S Commercial Kitchen Appliances Pty Ltd
57 Plateau Road Reservoir Victoria 3073 Australia
- (72) Name(s) of Designer(s): **Dean Skalistis**
- (45) Registration Date: **04 October 2007**
- (56) Related Art Documents: **Not Applicable**
- (57) Statement of Newness and Distinctiveness: **Those features of the cooking range cooking utensil support assembly depicted in the representations that are new and distinctive are the shape and/or configuration. The features shown in broken lines are not part of the design and are to be disregarded when considering the overall impression of the design.**



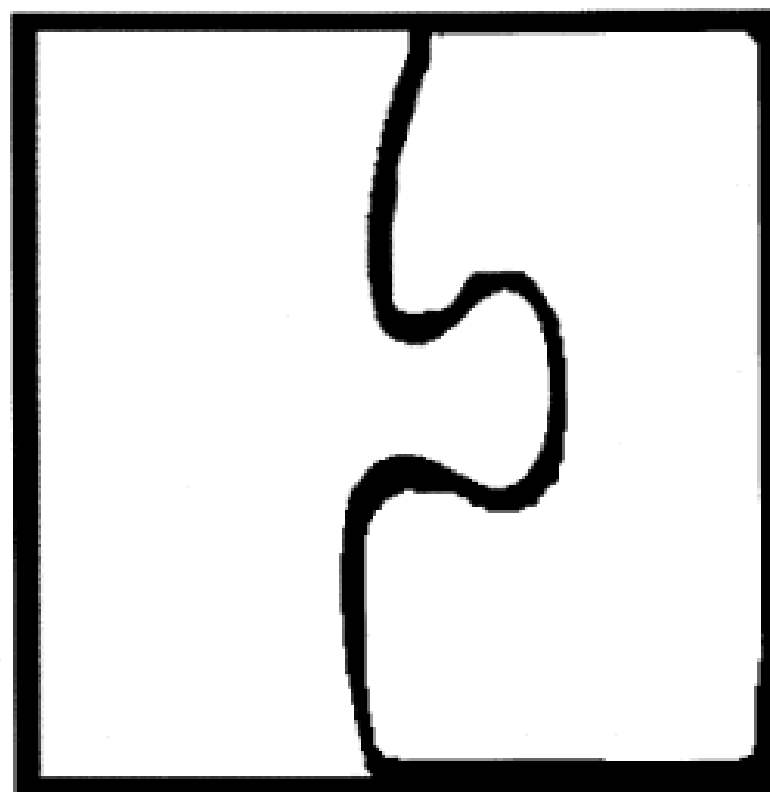
- (21) Design Number: **18976/2007**
- (22) Date of Filing Application: **19 July 2007**
- (24) Date from which industrial property rights may have effect: **19 July 2007**
- (54) Product in respect of which the design is registered: **Feeding device**
- (51) International Design Classification: **07-03**
- (71) Name(s) and Address(s) of Applicant(s):
Annaliese Jane Redlich
1 Curzon Street West Melbourne Victoria 3003 Australia
- (72) Name(s) of Designer(s): **Annaliese Jane Redlich**
- (45) Registration Date: **04 October 2007**
- (56) Related Art Documents: **Not Applicable**
- (57) Statement of Newness and Distinctiveness: **Newness and distinctiveness is claimed in the shape and configuration of the feeding device as shown in the representations.**



- (21) Design Number: **19132/2007**
- (22) Date of Filing Application: **01 August 2007**
- (24) Date from which industrial property rights may have effect: **01 August 2007**
- (54) Product in respect of which the design is registered: **The Great Australian Bite is a sandwich/cookie/biscuit/ bread/crust cutter in the shape of Australia**
- (51) International Design Classification: **07-02P**
- (71) Name(s) and Address(s) of Applicant(s):
**Kiersten Jowett of Westridge
 PO Box 503 Ashburton Victoria 3147 Australia**
- (72) Name(s) of Designer(s): **Kiersten Jowett**
- (45) Registration Date: **04 October 2007**
- (56) Related Art Documents: **Not Applicable**
- (57) Statement of Newness and Distinctiveness: **Monopoly is claimed in the features of shape and configuration of the sandwich/cookie/biscuit/crust cutter as illustrated in the accompanying representations which detail the map of Australia as the cutting edge and the place to take a bite to create The Great Australian Bight is imprinted (pressed) into the bread but not cut.**



- (21) Design Number: **19133/2007**
- (22) Date of Filing Application: **01 August 2007**
- (24) Date from which industrial property rights may have effect: **01 August 2007**
- (54) Product in respect of which the design is registered: **Sandwich/cookie/biscuit/bread/crust cutter in the shape of two fitted jigsaw puzzle pieces**
- (51) International Design Classification: **07-02P**
- (71) Name(s) and Address(s) of Applicant(s):
**Kiersten Jowett of Westridge
 PO Box 503 Ashburton Victoria 3147 Australia**
- (72) Name(s) of Designer(s): **Kiersten Jowett**
- (45) Registration Date: **04 October 2007**
- (56) Related Art Documents: **Not Applicable**
- (57) Statement of Newness and Distinctiveness: **Monopoly is claimed in the features of shape and configuration of the sandwich/cookie/biscuit/bread/crust cutter as illustrated in the accompanying representations which detail two jigsaw fitted puzzle pieces.**



(21) Design Number: **19134/2007**

(22) Date of Filing Application: **01 August 2007**

(24) Date from which industrial property rights may have effect: **01 August 2007**

(54) Product in respect of which the design is registered: **Product transports motorcycle-motorscooter inserted into a motor vehicles class 4 towbar receiver**

(51) International Design Classification: **12-16L**

(71) Name(s) and Address(s) of Applicant(s):

Robert F. Schlegel
5 Booral Street Buderim Queensland 4556 Australia

(72) Name(s) of Designer(s): **Robert F. Schlegel**

(45) Registration Date: **04 October 2007**

(56) Related Art Documents: **Not Applicable**

(57) Statement of Newness and Distinctiveness: **Nil**



(21) Design Number: **19135/2007**

(22) Date of Filing Application: **31 July 2007**

(24) Date from which industrial property rights may have effect: **31 July 2007**

(54) Product in respect of which the design is registered: **Tire**

(51) International Design Classification: **12-15NES**

(71) Name(s) and Address(s) of Applicant(s):

Xingyuan Tyre Group Co. Ltd
Xishui Industrial Zone Guangrao Dongying City Shandong Province
257336 China

(72) Name(s) of Designer(s): **Wenguang Song**

(45) Registration Date: **04 October 2007**

(30) Convention priority data:

(31) Number	(32) Date	(33) Country
200730158985.1	19 Jun 2007	CHINA

(56) Related Art Documents: **Not Applicable**

(57) Statement of Newness and Distinctiveness: **Nil**



(21) Design Number: **19136/2007**

(22) Date of Filing Application: **31 July 2007**

(24) Date from which industrial property rights may have effect: **31 July 2007**

(54) Product in respect of which the design is registered: **Tire**

(51) International Design Classification: **12-15C**

(71) Name(s) and Address(s) of Applicant(s):

Xingyuan Tyre Group Co. Ltd
Xishui Industrial Zone Guangrao Dongying City Shandong Province
257336 China

(72) Name(s) of Designer(s): **Wenguang Song**

(45) Registration Date: **04 October 2007**

(30) Convention priority data:

(31) Number	(32) Date	(33) Country
200730158986.6	19 Jun 2007	CHINA

(56) Related Art Documents: **Not Applicable**

(57) Statement of Newness and Distinctiveness: **Nil**



(21) Design Number: **19137/2007**

(22) Date of Filing Application: **31 July 2007**

(24) Date from which industrial property rights may have effect: **31 July 2007**

(54) Product in respect of which the design is registered: **Flask for cosmetics**

(51) International Design Classification: **28-03NES**

(71) Name(s) and Address(s) of Applicant(s):

Guerlain Societe Anonyme
68 Avenue des Champs Elysees Paris 75008 France

(72) Name(s) of Designer(s): **Helene Courtaigne Delalande**

(45) Registration Date: **04 October 2007**

(56) Related Art Documents: **Not Applicable**

(57) Statement of Newness and Distinctiveness: **Nil**



- (21) Design Number: **19138/2007**
(22) Date of Filing Application: **31 July 2007**
(24) Date from which industrial property rights may have effect: **31 July 2007**
(54) Product in respect of which the design is registered: **Remote control transmitter holding case**
(51) International Design Classification: **14-99**
(71) Name(s) and Address(s) of Applicant(s):
Smart Openers Pty Ltd
Suite 3 1-3 Albert Street Blackburn Victoria 3130 Australia
(72) Name(s) of Designer(s): **Jack Leivenzon and Steven Bellow and Glen Edward Flemming and Ben James Flemming**
(45) Registration Date: **04 October 2007**
(56) Related Art Documents: **Not Applicable**
(57) Statement of Newness and Distinctiveness: **Nil**



- (21) Design Number: **19141/2007**
(22) Date of Filing Application: **31 July 2007**
(24) Date from which industrial property rights may have effect: **31 July 2007**
(54) Product in respect of which the design is registered: **Statue of a dog**
(51) International Design Classification: **11-02E**
(71) Name(s) and Address(s) of Applicant(s):
Robert John Clifford Curtin
PO Box 369 Collins Street West Melbourne Victoria 8007 Australia
(72) Name(s) of Designer(s): **Robert J. Curtin and Matt Johnsson**
(45) Registration Date: **04 October 2007**
(56) Related Art Documents: **Not Applicable**
(57) Statement of Newness and Distinctiveness: **Nil**



- (21) Design Number: **19142/2007**
(22) Date of Filing Application: **31 July 2007**
(24) Date from which industrial property rights may have effect: **31 July 2007**
(54) Product in respect of which the design is registered: **Statue of a dog**
(51) International Design Classification: **11-02E**
(71) Name(s) and Address(s) of Applicant(s):
Robert John Clifford Curtin
PO Box 369 Collins Street West Melbourne Victoria 8007 Australia
(72) Name(s) of Designer(s): **Robert J. Curtin and Matt Johnsson**
(45) Registration Date: **04 October 2007**
(56) Related Art Documents: **Not Applicable**
(57) Statement of Newness and Distinctiveness: **Nil**



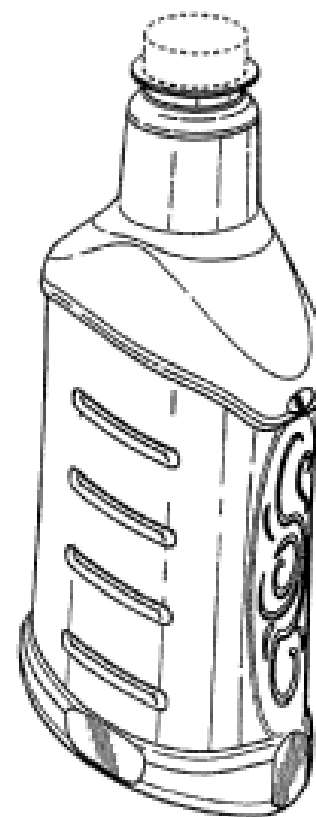
- (21) Design Number: **19143/2007**
(22) Date of Filing Application: **31 July 2007**
(24) Date from which industrial property rights may have effect: **31 July 2007**
(54) Product in respect of which the design is registered: **Tank**
(51) International Design Classification: **23-01F**
(71) Name(s) and Address(s) of Applicant(s):
Dhiti Towiwat
163/71 Soi Phaholyothin 32 Ladyao Chatuchak Bangkok Thailand
(72) Name(s) of Designer(s): **Dhiti Towiwat**
(45) Registration Date: **04 October 2007**
(56) Related Art Documents: **Not Applicable**
(57) Statement of Newness and Distinctiveness: **Newness and distinctiveness resides in the visual features of shape, configuration, pattern and/or ornamentation as applied to a tank as illustrated in the accompanying representations. The two label portions appearing on the side of the tank do not form part of the design and are to be disregarded when considering the newness and distinctiveness of the design.**



(21) Design Number: **19144/2007**
 (22) Date of Filing Application: **31 July 2007**
 (24) Date from which industrial property rights may have effect: **31 July 2007**
 (54) Product in respect of which the design is registered: **Bottle**
 (51) International Design Classification: **09-01K**
 (71) Name(s) and Address(s) of Applicant(s):
Kraft Foods Holdings, Inc.
Three Lakes Drive Northfield Illinois 60093 United States of America
 (72) Name(s) of Designer(s): **Angela Nicole Dodge and Ronald James Olson**
 (45) Registration Date: **04 October 2007**
 (30) Convention priority data:

(31) Number	(32) Date	(33) Country
29/276896	08 Feb 2007	UNITED STATES OF AMERICA

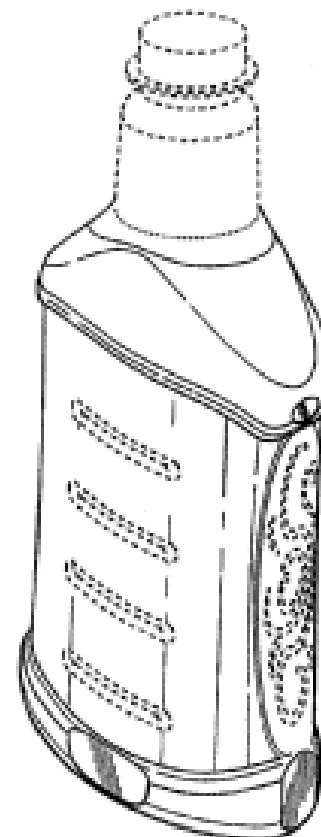
 (56) Related Art Documents: **Not Applicable**
 (57) Statement of Newness and Distinctiveness: **When determining whether the designs are substantially similar in overall impression to another design, no regard is to be had to those features shown in dotted outline in the accompanying drawings.**



(21) Design Number: **19145/2007**
 (22) Date of Filing Application: **31 July 2007**
 (24) Date from which industrial property rights may have effect: **31 July 2007**
 (54) Product in respect of which the design is registered: **Bottle**
 (51) International Design Classification: **09-01K**
 (71) Name(s) and Address(s) of Applicant(s):
Kraft Foods Holdings, Inc.
Three Lakes Drive Northfield Illinois 60093 United States of America
 (72) Name(s) of Designer(s): **Angela Nicole Dodge and Ronald James Olson**
 (45) Registration Date: **04 October 2007**
 (30) Convention priority data:

(31) Number	(32) Date	(33) Country
29/276896	08 Feb 2007	UNITED STATES OF AMERICA

 (56) Related Art Documents: **Not Applicable**
 (57) Statement of Newness and Distinctiveness: **When determining whether the designs are substantially similar in overall impression to another design, no regard is to be had to those features shown in dotted outline in the accompanying drawings.**



(21) Design Number: **19146/2007**

(22) Date of Filing Application: **31 July 2007**

(24) Date from which industrial property rights may have effect: **31 July 2007**

(54) Product in respect of which the design is registered: **Bottle**

(51) International Design Classification: **09-01K**

(71) Name(s) and Address(s) of Applicant(s):

Kraft Foods Holdings, Inc.

Three Lakes Drive Northfield Illinois 60093 United States of America

(72) Name(s) of Designer(s): **Angela Nicole Dodge and Ronald James Olson**

(45) Registration Date: **04 October 2007**

(30) Convention priority data:

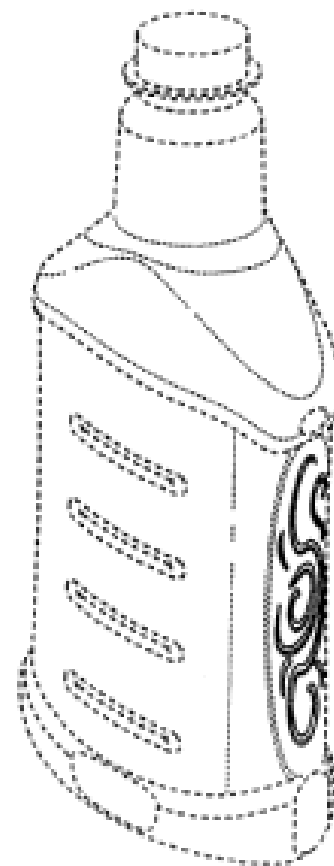
(31) Number
29/276896

(32) Date
08 Feb 2007

(33) Country
UNITED STATES OF AMERICA

(56) Related Art Documents: **Not Applicable**

(57) Statement of Newness and Distinctiveness: **When determining whether the designs are substantially similar in overall impression to another design, no regard is to be had to those features shown in dotted outline in the accompanying drawings.**



(21) Design Number: **19150/2007**

(22) Date of Filing Application: **31 July 2007**

(24) Date from which industrial property rights may have effect: **31 July 2007**

(54) Product in respect of which the design is registered: **Tyre**

(51) International Design Classification: **12-15C**

(71) Name(s) and Address(s) of Applicant(s):

Xingyuan Tyre Group Co., Ltd.

**Xishui Industrial Zone Guangrao Dongying City Shandong Province
257336 China**

(72) Name(s) of Designer(s): **Wenguang Song**

(45) Registration Date: **04 October 2007**

(30) Convention priority data:

(31) Number
200730158984.7

(32) Date
19 Jun 2007

(33) Country
CHINA

(56) Related Art Documents: **Not Applicable**

(57) Statement of Newness and Distinctiveness: **Newness and distinctiveness is claimed in the features of shape and/or configuration of the tread of a tyre as illustrated in the accompanying representations, wherein the shape and/or configuration of the tread is repeated throughout the circumference of the tyre.**



(21) Design Number: **19151/2007**

(22) Date of Filing Application: **31 July 2007**

(24) Date from which industrial property rights may have effect: **31 July 2007**

(54) Product in respect of which the design is registered: **Tyre**

(51) International Design Classification: **12-15C**

(71) Name(s) and Address(s) of Applicant(s):

Xingyuan Tyre Group Co., Ltd.
Xishui Industrial Zone Guangrao Dongying City Shandong Province
257336 China

(72) Name(s) of Designer(s): **Wenguang Song**

(45) Registration Date: **04 October 2007**

(30) Convention priority data:

(31) Number	(32) Date	(33) Country
200730158988.5	19 Jun 2007	CHINA

(56) Related Art Documents: **Not Applicable**

(57) Statement of Newness and Distinctiveness: **Newness and distinctiveness is claimed in the features of shape and/or configuration of the tread of a tyre as illustrated in the accompanying representations, wherein the shape and/or configuration of the tread is repeated throughout the circumference of the tyre.**



(21) Design Number: **19152/2007**

(22) Date of Filing Application: **01 August 2007**

(24) Date from which industrial property rights may have effect: **01 August 2007**

(54) Product in respect of which the design is registered: **A fore-foot sole pad for a dance slipper**

(51) International Design Classification: **02-04A**

(71) Name(s) and Address(s) of Applicant(s):

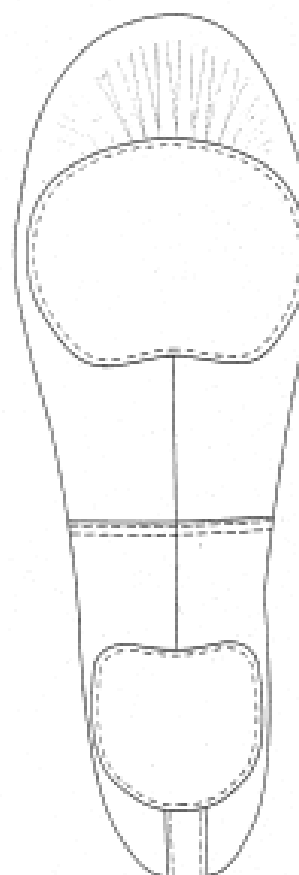
J Bloch Pty Ltd
8-18 William Street Beaconsfield New South Wales 2015 Australia

(72) Name(s) of Designer(s): **David Wilkenfeld and Felicia Leoncelli**

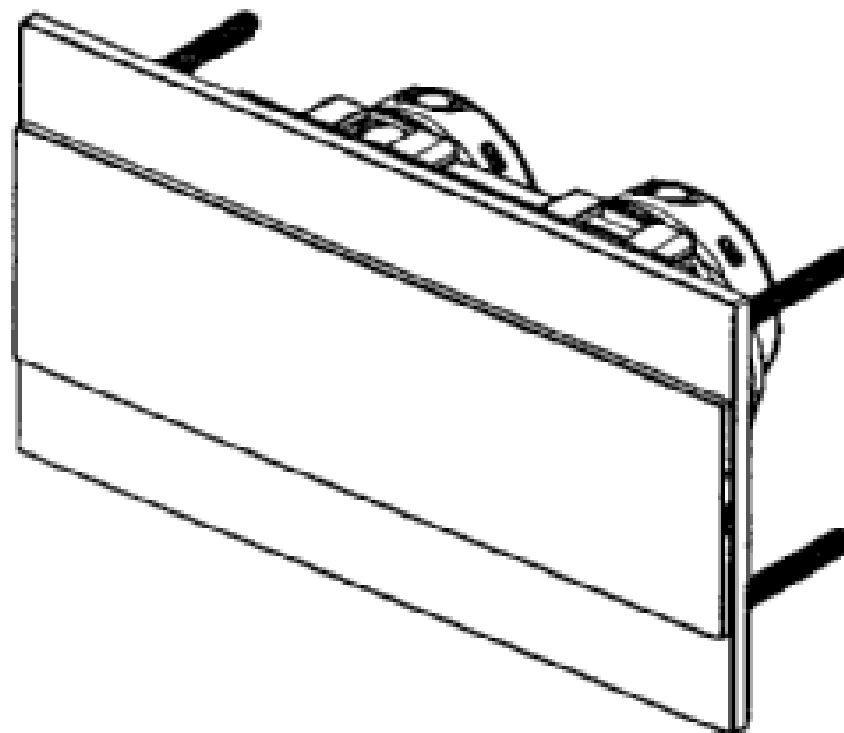
(45) Registration Date: **04 October 2007**

(56) Related Art Documents: **Not Applicable**

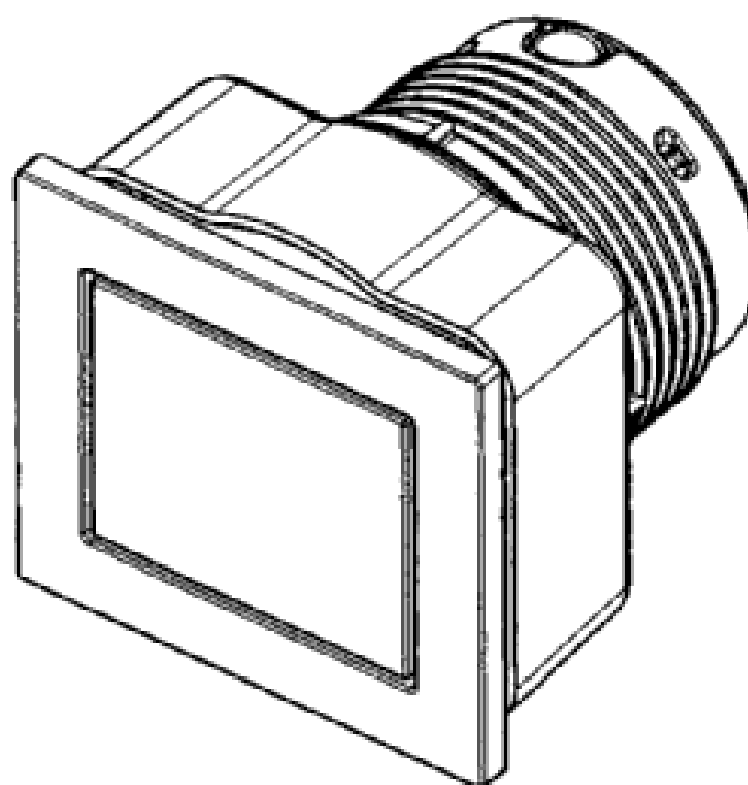
(57) Statement of Newness and Distinctiveness: **Newness and distinctiveness is claimed in the shape of the forefoot pad on the sole of the shoe and in the size of the forefoot pad relative to the size of the underside of the shoe, including the width of the forefoot pad which completely covers the metatarsals, as illustrated in the accompanying representations. Newness and distinctiveness is not claimed in the particular shape of the shoe to which it is attached.**



- (21) Design Number: **19153/2007**
(22) Date of Filing Application: **01 August 2007**
(24) Date from which industrial property rights may have effect: **01 August 2007**
(54) Product in respect of which the design is registered: **A button assembly**
(51) International Design Classification: **13-03NES**
(71) Name(s) and Address(s) of Applicant(s):
Caroma Industries Limited
10 Market Street Brisbane Queensland 4000 Australia
(72) Name(s) of Designer(s): **David Giorgio and Stephen John Cummings**
(45) Registration Date: **04 October 2007**
(56) Related Art Documents: **Not Applicable**
(57) Statement of Newness and Distinctiveness: **Newness and distinctiveness is claimed in the features of shape and/or configuration of the front face of a button assembly as illustrated in the accompanying representations.**



- (21) Design Number: **19154/2007**
(22) Date of Filing Application: **01 August 2007**
(24) Date from which industrial property rights may have effect: **01 August 2007**
(54) Product in respect of which the design is registered: **A button assembly**
(51) International Design Classification: **13-03NES**
(71) Name(s) and Address(s) of Applicant(s):
Caroma Industries Limited
10 Market Street Brisbane Queensland 4000 Australia
(72) Name(s) of Designer(s): **Stephen John Cummings and David Giorgio**
(45) Registration Date: **04 October 2007**
(56) Related Art Documents: **Not Applicable**
(57) Statement of Newness and Distinctiveness: **Newness and distinctiveness is claimed in the features of shape and/or configuration of the front face of a button assembly as illustrated in the accompanying representations.**



(21) Design Number: **19155/2007**

(22) Date of Filing Application: **01 August 2007**

(24) Date from which industrial property rights may have effect: **01 August 2007**

(54) Product in respect of which the design is registered: **A button assembly**

(51) International Design Classification: **13-03NES**

(71) Name(s) and Address(s) of Applicant(s):

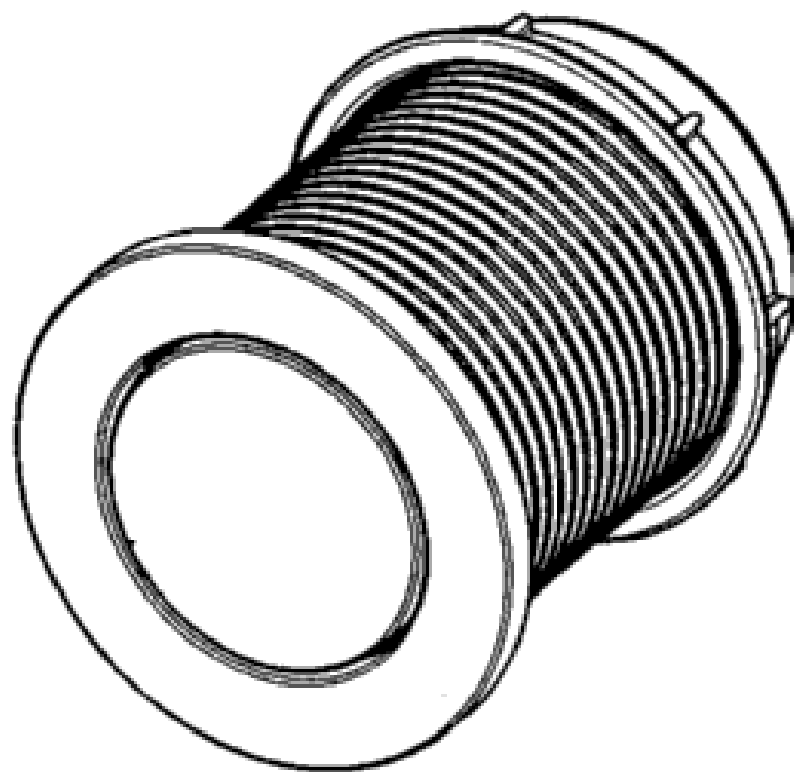
Caroma Industries Limited
10 Market Street Brisbane Queensland 4000 Australia

(72) Name(s) of Designer(s): **Stephen John Cummings and David Giorgio**

(45) Registration Date: **04 October 2007**

(56) Related Art Documents: **Not Applicable**

(57) Statement of Newness and Distinctiveness: **Newness and distinctiveness is claimed in the features of shape and/or configuration of the front face of a button assembly as illustrated in the accompanying representations.**



(21) Design Number: **19156/2007**

(22) Date of Filing Application: **01 August 2007**

(24) Date from which industrial property rights may have effect: **01 August 2007**

(54) Product in respect of which the design is registered: **A button assembly**

(51) International Design Classification: **13-03NES**

(71) Name(s) and Address(s) of Applicant(s):

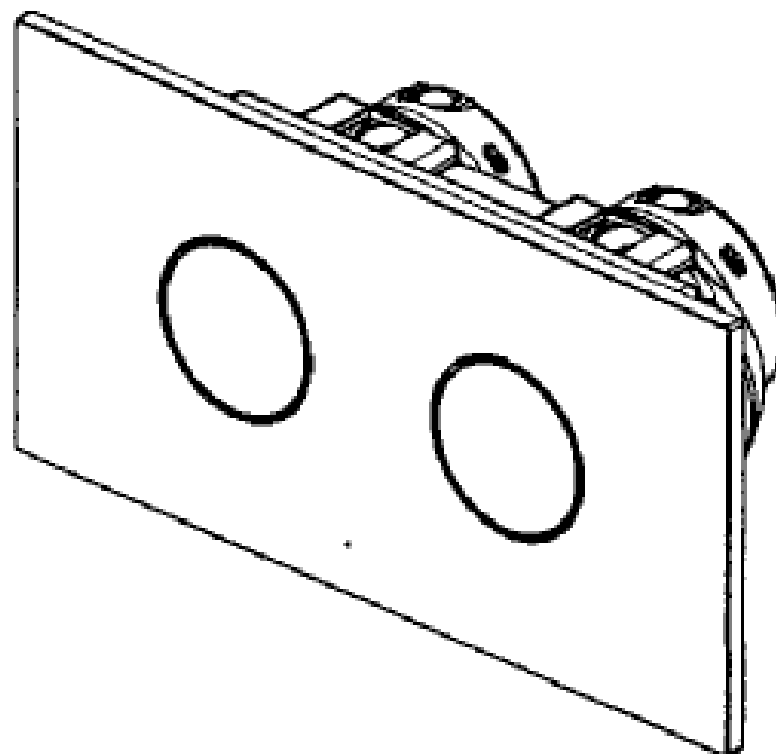
Caroma Industries Limited
10 Market Street Brisbane Queensland 4000 Australia

(72) Name(s) of Designer(s): **Stephen John Cummings and David Giorgio**

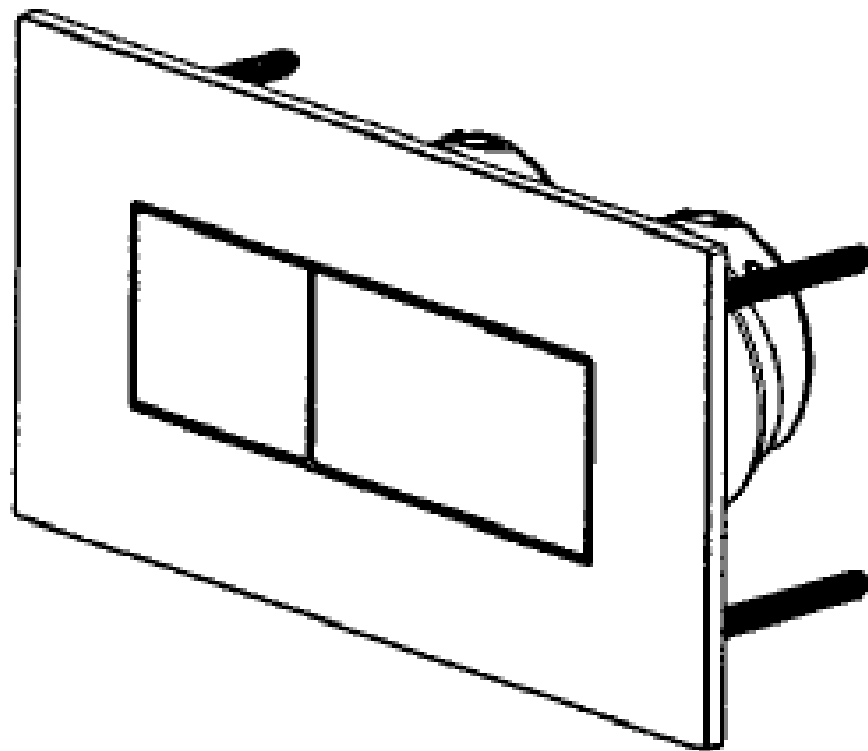
(45) Registration Date: **04 October 2007**

(56) Related Art Documents: **Not Applicable**

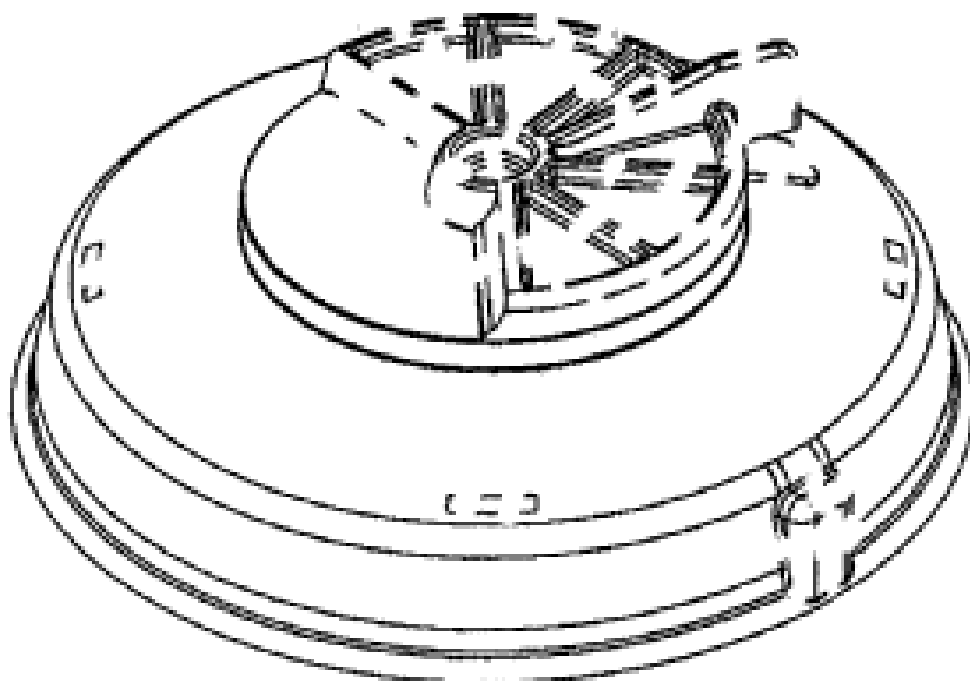
(57) Statement of Newness and Distinctiveness: **Newness and distinctiveness is claimed in the features of shape and/or configuration of the front face of a button assembly as illustrated in the accompanying representations.**



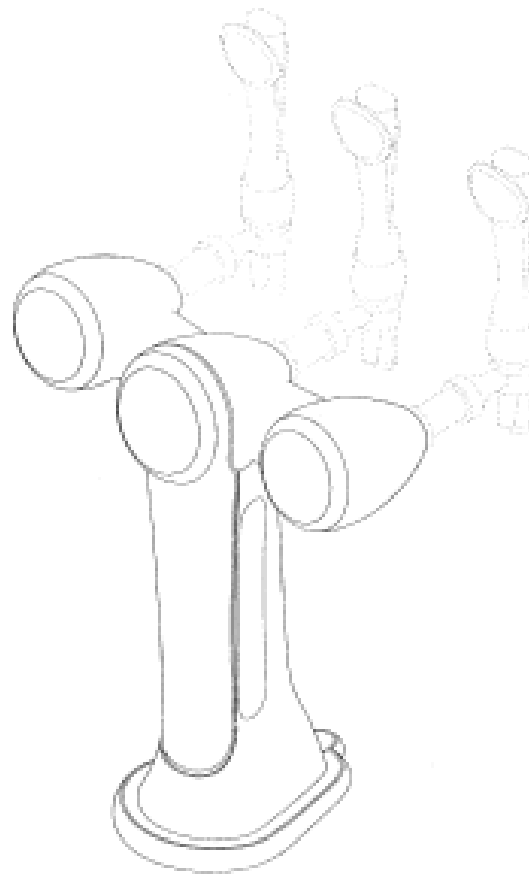
- (21) Design Number: **19157/2007**
(22) Date of Filing Application: **01 August 2007**
(24) Date from which industrial property rights may have effect: **01 August 2007**
(54) Product in respect of which the design is registered: **A button assembly**
(51) International Design Classification: **13-03NES**
(71) Name(s) and Address(s) of Applicant(s):
Caroma Industries Limited
10 Market Street Brisbane Queensland 4000 Australia
(72) Name(s) of Designer(s): **Stephen John Cummings and David Giorgio**
(45) Registration Date: **04 October 2007**
(56) Related Art Documents: **Not Applicable**
(57) Statement of Newness and Distinctiveness: **Newness and distinctiveness is claimed in the features of shape and/or configuration of the front face of a button assembly as illustrated in the accompanying representations.**



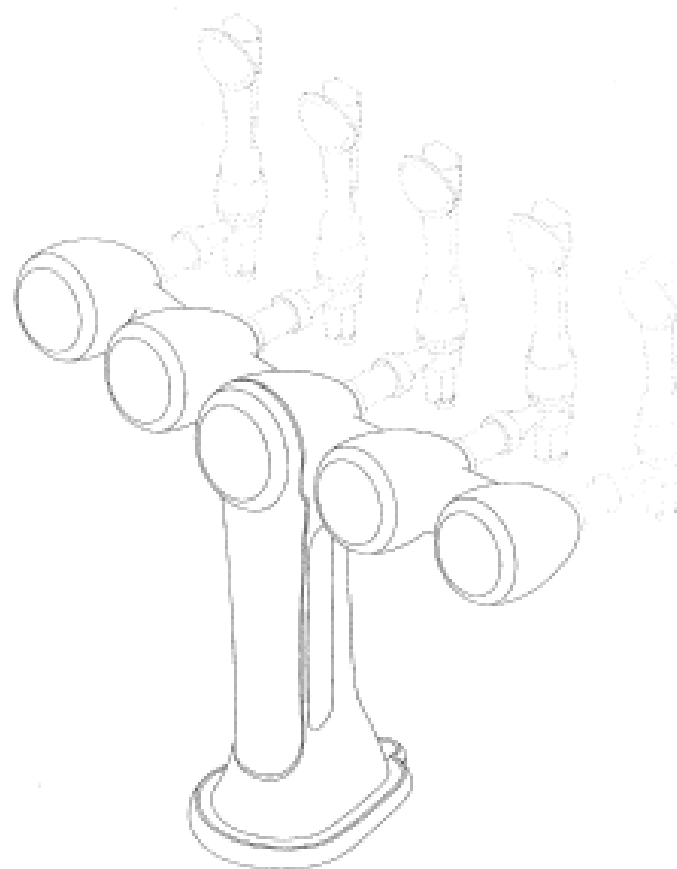
- (21) Design Number: **19158/2007**
(22) Date of Filing Application: **01 August 2007**
(24) Date from which industrial property rights may have effect: **01 August 2007**
(54) Product in respect of which the design is registered: **Dispensing closure**
(51) International Design Classification: **09-07A**
(71) Name(s) and Address(s) of Applicant(s):
JohnsonDiversey, Inc.
8310 16th Street - M/S 509 Sturtevant Wisconsin 53177 United States of America
(72) Name(s) of Designer(s): **Tyson Webster and M. Rinley Deeds and James W. Livingston and Andy Swain and David Holden and Kenneth J. Bird**
(45) Registration Date: **04 October 2007**
(30) Convention priority data:
(31) Number (32) Date (33) Country
29/276675 01 Feb 2007 UNITED STATES OF AMERICA
(56) Related Art Documents: **Not Applicable**
(57) Statement of Newness and Distinctiveness: **Newness and distinctiveness is claimed in those features of shape and/or configuration of a dispensing closure as illustrated in continuous lines in the accompanying representations.**



- (21) Design Number: **19187/2007**
(22) Date of Filing Application: **02 August 2007**
(24) Date from which industrial property rights may have effect: **02 August 2007**
(54) Product in respect of which the design is registered: **Beer fount**
(51) International Design Classification: **23-01NES**
(71) Name(s) and Address(s) of Applicant(s):
Scottish & Newcastle PLC
28 St Andrew Square Edinburgh EH2 1AF United Kingdom
(72) Name(s) of Designer(s): **Stephen Sleddon**
(45) Registration Date: **04 October 2007**
(30) Convention priority data:
(31) Number (32) Date (33) Country
000707237-0003 11 Apr 2007 EUROPEAN COMMUNITY
(56) Related Art Documents: **Not Applicable**
(57) Statement of Newness and Distinctiveness: **Newness and distinctiveness reside in the features of the design shown in solid lines in the representations excluding those features shown in broken lines.**



- (21) Design Number: **19188/2007**
(22) Date of Filing Application: **02 August 2007**
(24) Date from which industrial property rights may have effect: **02 August 2007**
(54) Product in respect of which the design is registered: **Beer fount**
(51) International Design Classification: **23-01NES**
(71) Name(s) and Address(s) of Applicant(s):
Scottish & Newcastle PLC
28 St Andrew Square Edinburgh EH2 1AF United Kingdom
(72) Name(s) of Designer(s): **Stephen Sleddon**
(45) Registration Date: **04 October 2007**
(30) Convention priority data:
(31) Number (32) Date (33) Country
000707237-0004 11 Apr 2007 EUROPEAN COMMUNITY
(56) Related Art Documents: **Not Applicable**
(57) Statement of Newness and Distinctiveness: **Newness and distinctiveness reside in the features of the design shown in solid lines in the representations excluding those features shown in broken lines.**

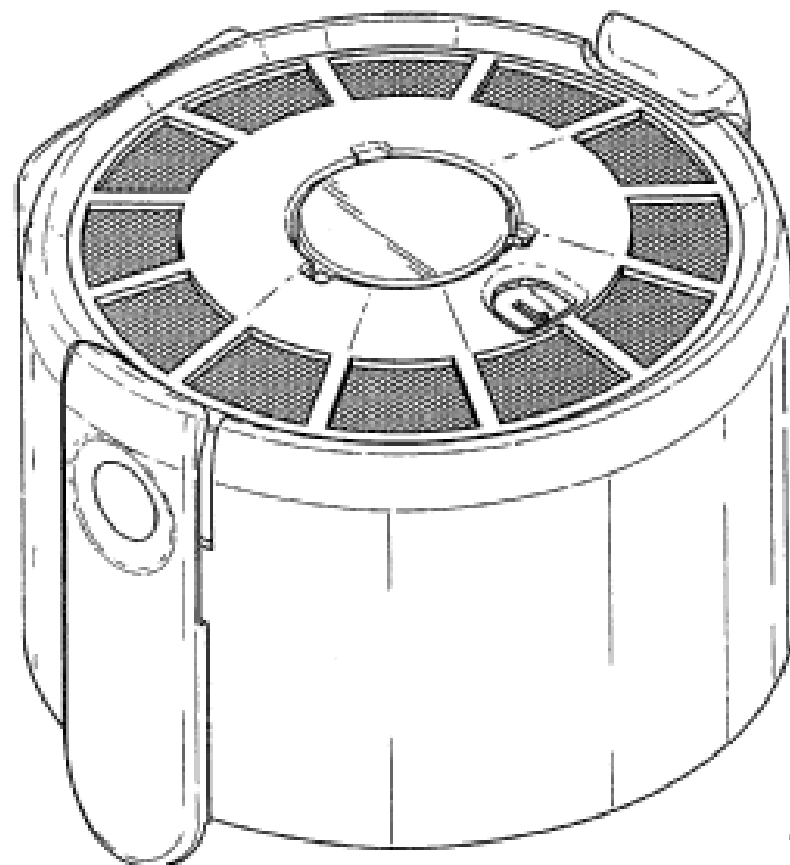


- (21) Design Number: **19616/2007**
- (22) Date of Filing Application: **04 September 2007**
- (24) Date from which industrial property rights may have effect: **04 September 2007**
- (54) Product in respect of which the design is registered: **Mattress topper**
- (51) International Design Classification: **06-13B**
- (71) Name(s) and Address(s) of Applicant(s):
Prestige Pillows & Linen Pty Ltd
124 Brookwater Drive Brookwater Brisbane Queensland 4300
Australia
- (72) Name(s) of Designer(s): **Robert Turch**
- (45) Registration Date: **04 October 2007**
- (56) Related Art Documents: **Not Applicable**
- (57) Statement of Newness and Distinctiveness: **This product has 2 layers or double layer. Each layer is filled with different filling or weight. The shape, colour, stitching pattern can change but the double layer concept will remain.**



- (21) Design Number: **17529/2007**
- (22) Date of Filing Application: **20 April 2007**
- (24) Date from which industrial property rights may have effect: **20 April 2007**
- (54) Product in respect of which the design is registered: **Dispensing device**
- (51) International Design Classification: **09-01A**
- (71) Name(s) and Address(s) of Applicant(s):
Reckitt Benckiser N.V.
Siriusdreef 14 2132 WT Hoofddorp The Netherlands
- (72) Name(s) of Designer(s): **Stefan Gaa and Chris Efstathios Housmekerides**
- (45) Registration Date: **05 October 2007**
- (30) Convention priority data:

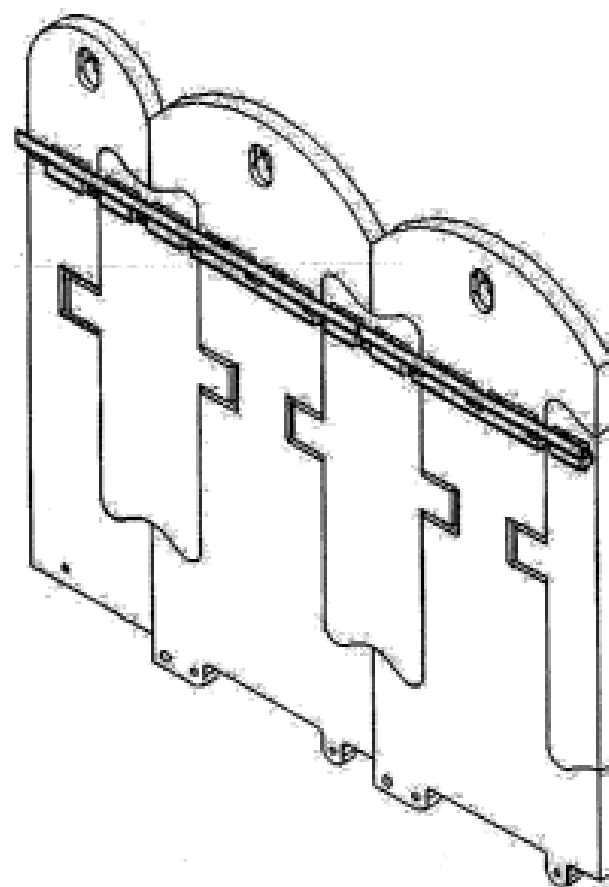
(31) Number	(32) Date	(33) Country
000609425#0002	24 Oct 2006	EUROPEAN COMMUNITY
- (56) Related Art Documents: **Not Applicable**
- (57) Statement of Newness and Distinctiveness: **Newness and distinctiveness reside in the features of the design as shown in the representations.**



(19) AU

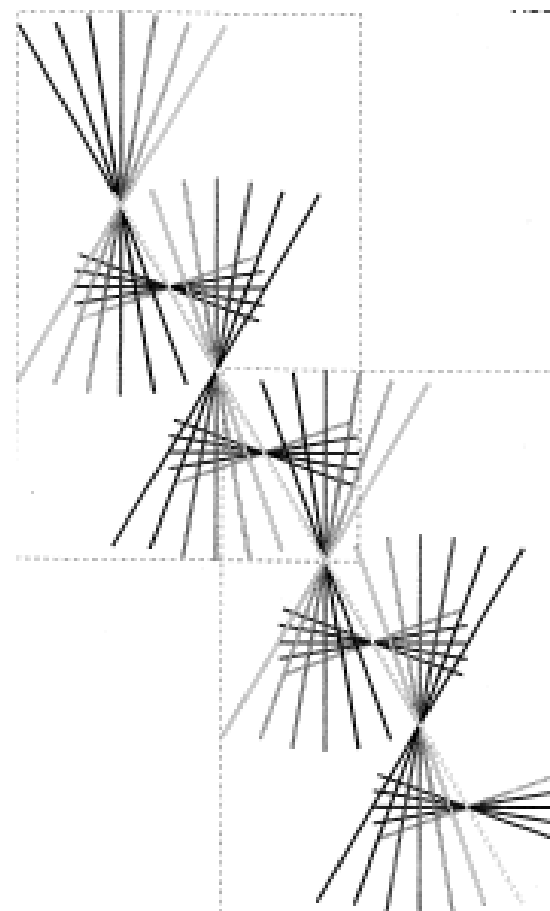
- (21) Design Number: **19162/2007**
- (22) Date of Filing Application: **01 August 2007**
- (24) Date from which industrial property rights may have effect: **01 August 2007**
- (54) Product in respect of which the design is registered: **Modular mounting system for wall hung devices**
- (51) International Design Classification: **08-08L**
- (71) Name(s) and Address(s) of Applicant(s):
JohnsonDiversey, Inc.
8310 16th Street - M/S 509 Sturtevant Wisconsin 53177 United States of America
- (72) Name(s) of Designer(s): **M. Rinley Deeds**
- (45) Registration Date: **05 October 2007**
- (30) Convention priority data:

(31) Number	(32) Date	(33) Country
29/276697	01 Feb 2007	UNITED STATES OF AMERICA
- (56) Related Art Documents: **Not Applicable**
- (57) Statement of Newness and Distinctiveness: **Newness and distinctiveness is claimed in the features of shape and/or configuration of a modular mounting system for wall hung devices as illustrated in the accompanying representations.**

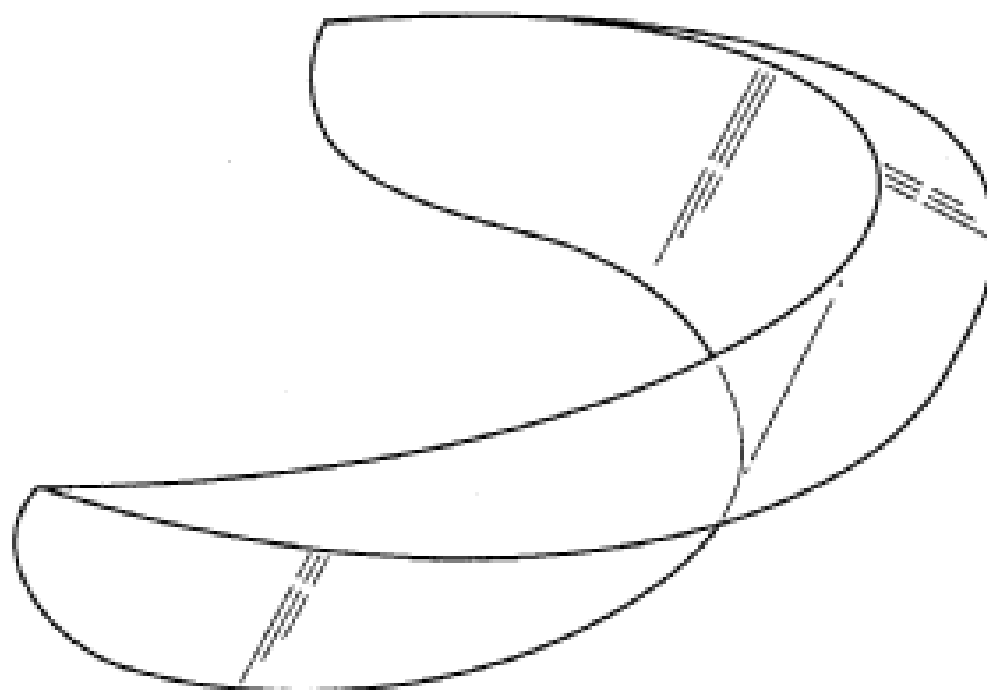


(19) AU

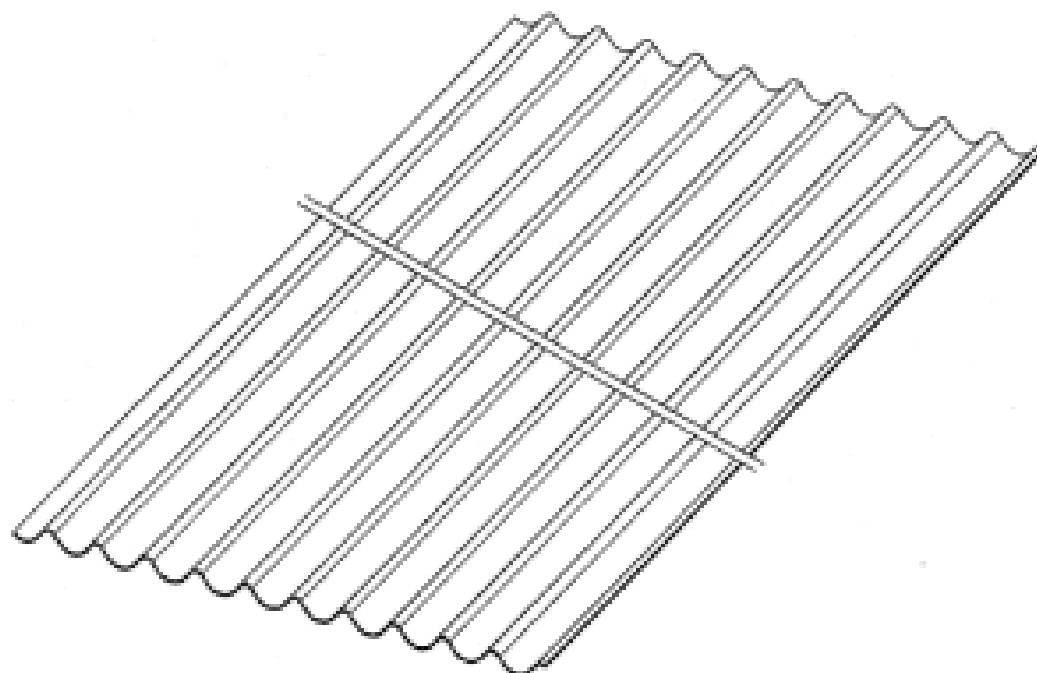
- (21) Design Number: **19164/2007**
- (22) Date of Filing Application: **01 August 2007**
- (24) Date from which industrial property rights may have effect: **01 August 2007**
- (54) Product in respect of which the design is registered: **An ornament**
- (51) International Design Classification: **11-02NES**
- (71) Name(s) and Address(s) of Applicant(s):
Christina Mary Waterson
Unit 12E 182 Dornoch Terrace Highgate Hill Queensland 4101 Australia
- (72) Name(s) of Designer(s): **Christina Mary Waterson**
- (45) Registration Date: **05 October 2007**
- (56) Related Art Documents: **Not Applicable**
- (57) Statement of Newness and Distinctiveness: **Nil**



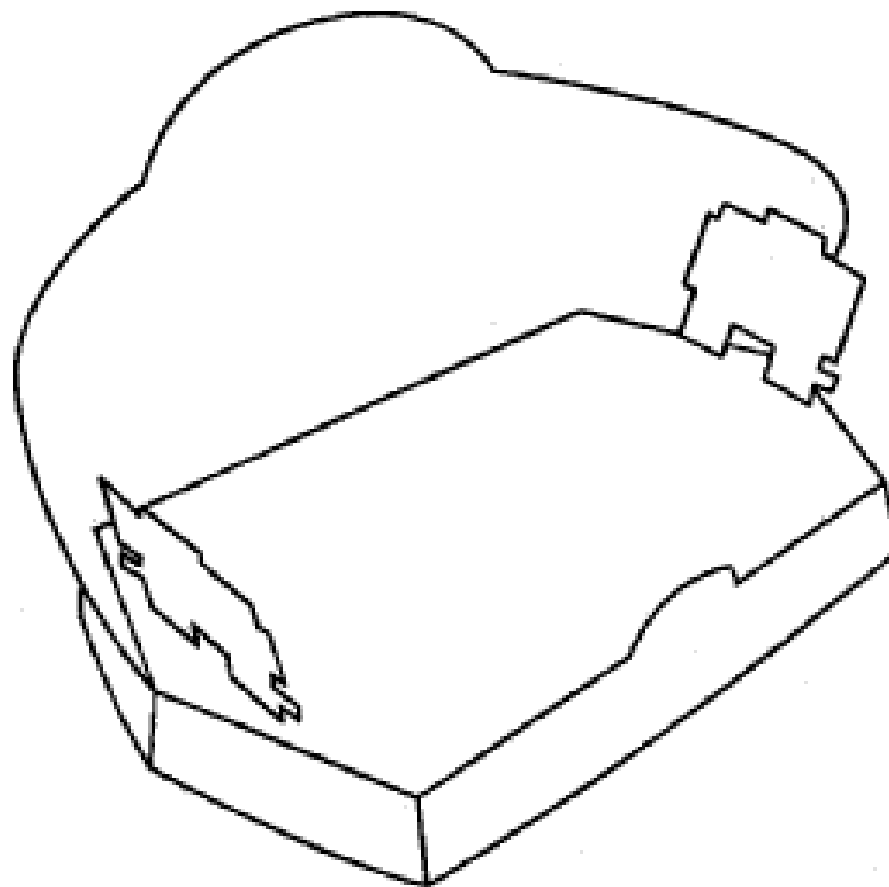
- (21) Design Number: **19166/2007**
(22) Date of Filing Application: **02 August 2007**
(24) Date from which industrial property rights may have effect: **02 August 2007**
(54) Product in respect of which the design is registered: **Cap visor**
(51) International Design Classification: **02-03**
(71) Name(s) and Address(s) of Applicant(s):
Starboard Innovations Inc.
640 Prince Street Suite 202 Truro Nova Scotia B2N 1G4 Canada
(72) Name(s) of Designer(s): **Randall F. Otterson**
(45) Registration Date: **05 October 2007**
(30) Convention priority data:
(31) Number (32) Date (33) Country
119,361 06 Feb 2007 CANADA
(56) Related Art Documents: **Not Applicable**
(57) Statement of Newness and Distinctiveness: **Newness and distinctiveness are claimed in the shape and configuration of a cap visor as illustrated in the accompanying representations.**



- (21) Design Number: **19168/2007**
(22) Date of Filing Application: **02 August 2007**
(24) Date from which industrial property rights may have effect: **02 August 2007**
(54) Product in respect of which the design is registered: **A cladding sheet of constant cross section**
(51) International Design Classification: **25-01G**
(71) Name(s) and Address(s) of Applicant(s):
Fletcher Building Holdings Limited
810 Great South Road Penrose 1061 Auckland New Zealand
(72) Name(s) of Designer(s): **Ian Kurt McClew**
(45) Registration Date: **05 October 2007**
(30) Convention priority data:
(31) Number (32) Date (33) Country
408759 23 Feb 2007 NEW ZEALAND
(56) Related Art Documents: **Not Applicable**
(57) Statement of Newness and Distinctiveness: **The visual features at least substantially as shown in the representations, such features appearing differently insofar as ridge form and channel form is concerned depending on which of two faces of the sheet is being viewed.**



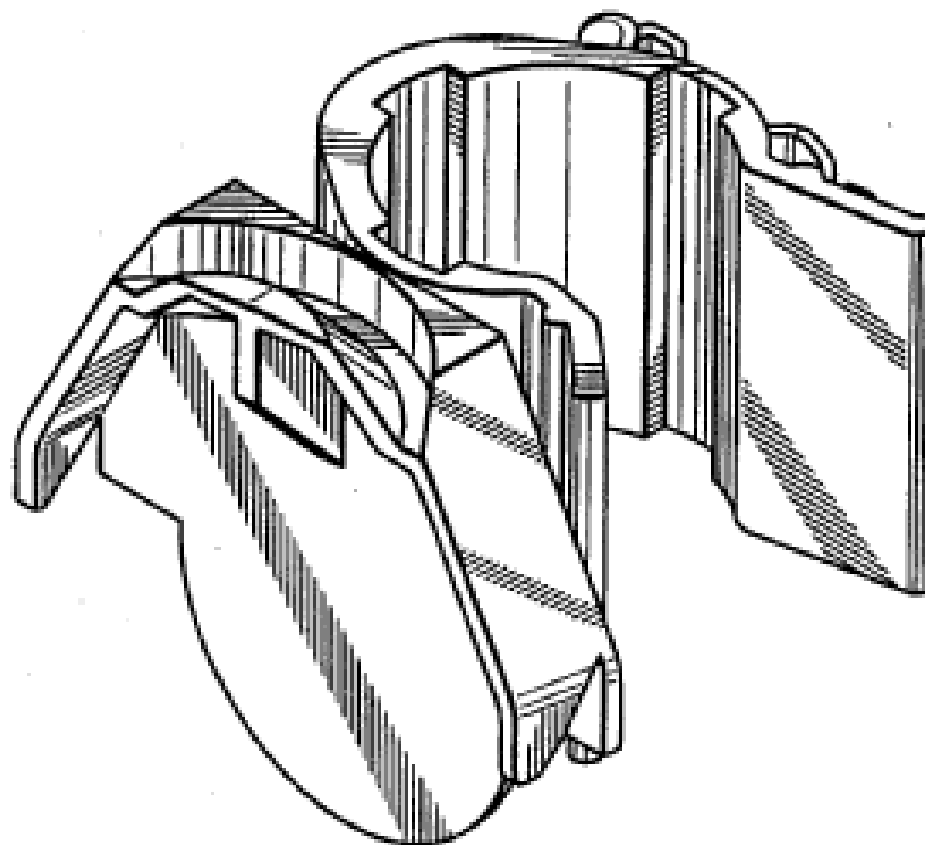
(21) Design Number: **19172/2007**
(22) Date of Filing Application: **02 August 2007**
(24) Date from which industrial property rights may have effect: **02 August 2007**
(54) Product in respect of which the design is registered: **A model stadium and blanks for assembly thereof**
(51) International Design Classification: **21-01D**
(71) Name(s) and Address(s) of Applicant(s):
Fusion Global Print Group Pty Ltd
488 Victoria Street Richmond Victoria 3121 Australia
(72) Name(s) of Designer(s): **Peter Croxford**
(45) Registration Date: **05 October 2007**
(56) Related Art Documents: **Not Applicable**
(57) Statement of Newness and Distinctiveness: **Nil**



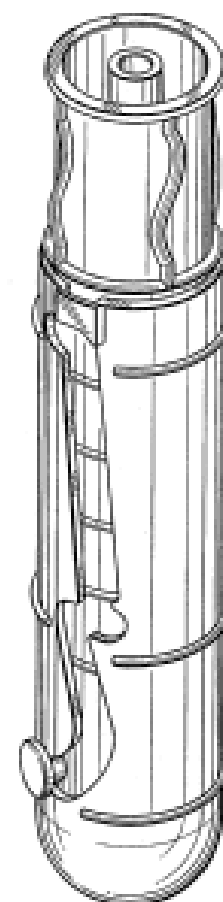
(21) Design Number: **19175/2007**
(22) Date of Filing Application: **02 August 2007**
(24) Date from which industrial property rights may have effect: **02 August 2007**
(54) Product in respect of which the design is registered: **A flag**
(51) International Design Classification: **11-05**
(71) Name(s) and Address(s) of Applicant(s):
Henry Wenner
36 Mount Street Nerang Queensland 4211 Australia
(72) Name(s) of Designer(s): **Henry Wenner**
(45) Registration Date: **05 October 2007**
(56) Related Art Documents: **Not Applicable**
(57) Statement of Newness and Distinctiveness: **Nil**



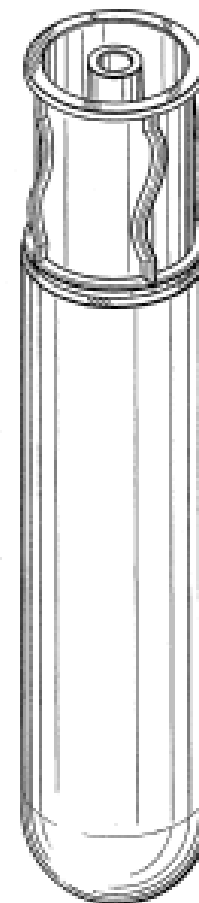
(21) Design Number: **19176/2007**
 (22) Date of Filing Application: **02 August 2007**
 (24) Date from which industrial property rights may have effect: **02 August 2007**
 (54) Product in respect of which the design is registered: **Mounting clip**
 (51) International Design Classification: **08-08NES**
 (71) Name(s) and Address(s) of Applicant(s):
Smiths Medical ASD, Inc.
160 Weymouth Street Rockland Massachusetts 02370-1136 United States of America
 (72) Name(s) of Designer(s): **Charles S. Baxter and Theodore J. Mosler and Charles R. Patzer**
 (45) Registration Date: **05 October 2007**
 (30) Convention priority data:
 (31) Number (32) Date (33) Country
29/280834 08 Jun 2007 UNITED STATES OF AMERICA
 (56) Related Art Documents: **Not Applicable**
 (57) Statement of Newness and Distinctiveness: **Newness and distinctiveness is claimed in the features of shape and/or configuration of a mounting clip as illustrated in the accompanying representations.**



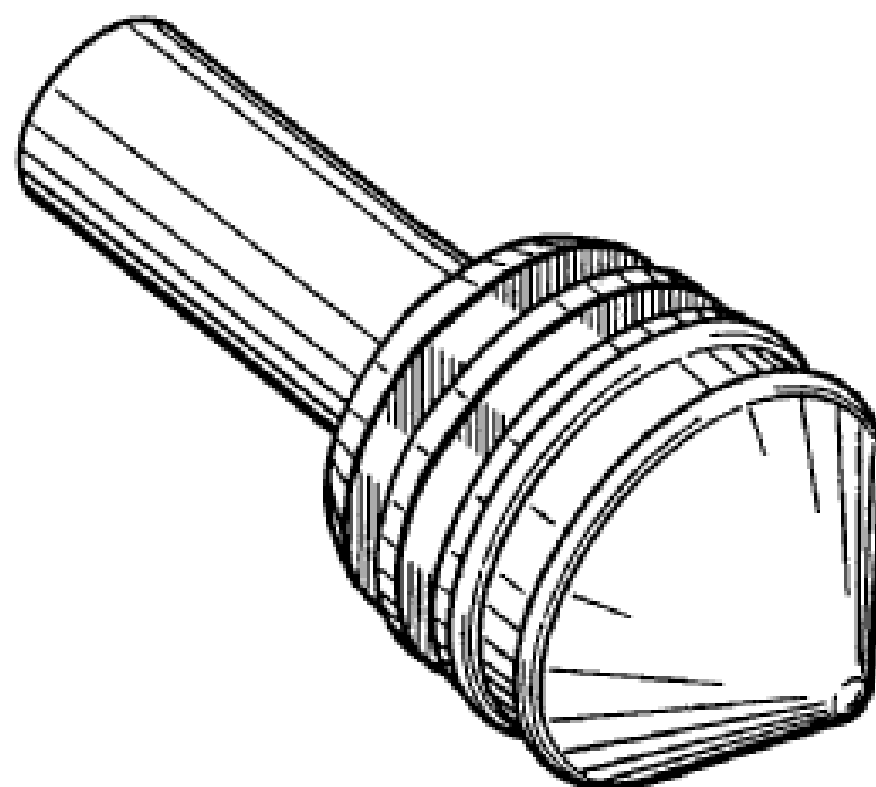
(21) Design Number: **19177/2007**
 (22) Date of Filing Application: **02 August 2007**
 (24) Date from which industrial property rights may have effect: **02 August 2007**
 (54) Product in respect of which the design is registered: **Flow-through medical fluid reservoir**
 (51) International Design Classification: **24-99**
 (71) Name(s) and Address(s) of Applicant(s):
Smiths Medical ASD, Inc.
160 Weymouth Street Rockland Massachusetts 02370-1136 United States of America
 (72) Name(s) of Designer(s): **Charles R. Patzer and John C. Toomey**
 (45) Registration Date: **05 October 2007**
 (30) Convention priority data:
 (31) Number (32) Date (33) Country
29/280832 08 Jun 2007 UNITED STATES OF AMERICA
 (56) Related Art Documents: **Not Applicable**
 (57) Statement of Newness and Distinctiveness: **Newness and distinctiveness is claimed in the features of shape and/or configuration of a flow-through medical fluid reservoir as illustrated in the accompanying representations.**



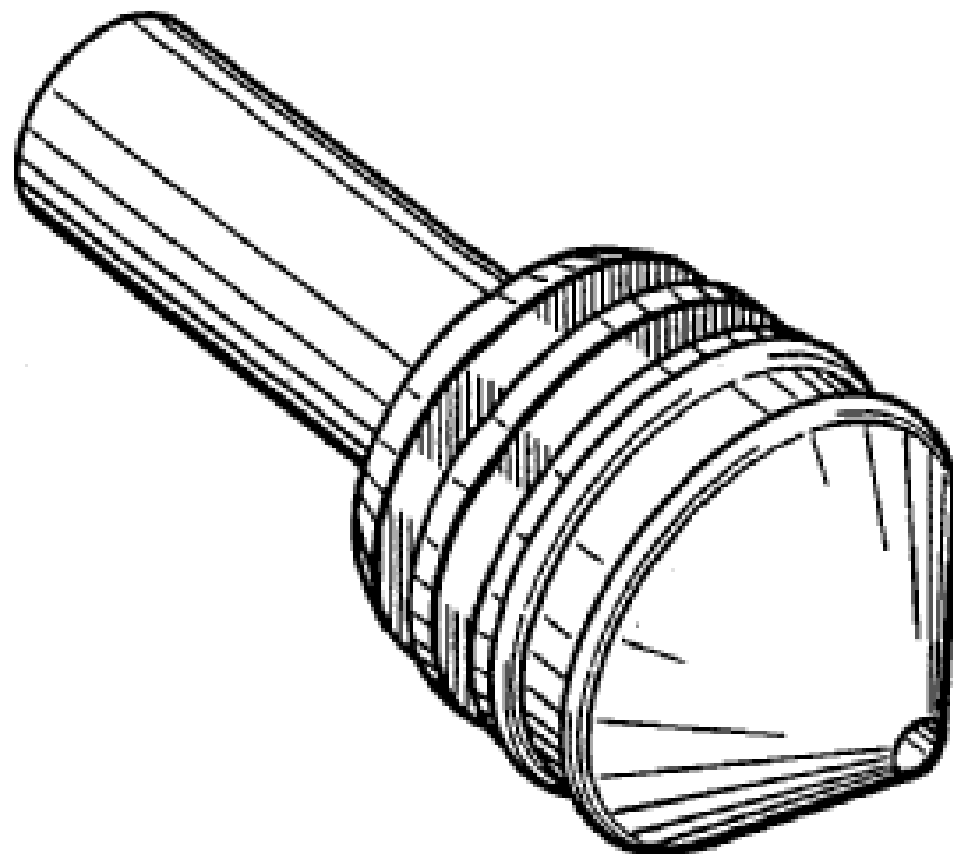
(21) Design Number: **19178/2007**
(22) Date of Filing Application: **02 August 2007**
(24) Date from which industrial property rights may have effect: **02 August 2007**
(54) Product in respect of which the design is registered: **Flow-through medical fluid reservoir**
(51) International Design Classification: **24-99**
(71) Name(s) and Address(s) of Applicant(s):
Smiths Medical ASD, Inc.
160 Weymouth Street Rockland Massachusetts 02370-1136 United States of America
(72) Name(s) of Designer(s): **Charles R. Patzer and John C. Toomey**
(45) Registration Date: **05 October 2007**
(30) Convention priority data:
(31) Number (32) Date (33) Country
29/280832 08 Jun 2007 UNITED STATES OF AMERICA
(56) Related Art Documents: **Not Applicable**
(57) Statement of Newness and Distinctiveness: **Newness and distinctiveness is claimed in the features of shape and/or configuration of a flow-through medical fluid reservoir as illustrated in the accompanying representations.**



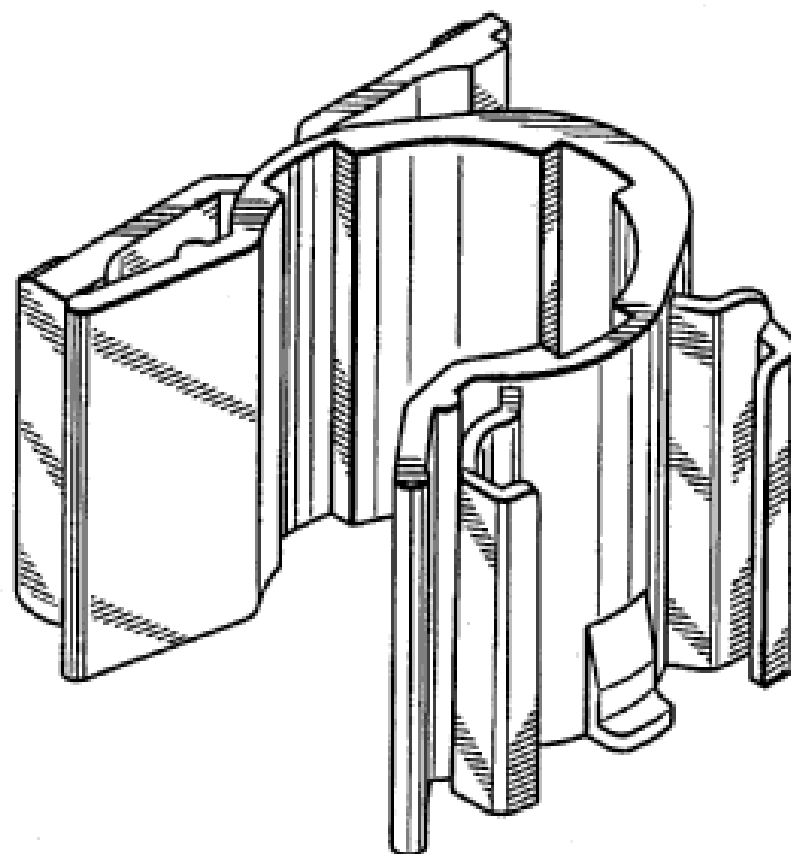
(21) Design Number: **19179/2007**
(22) Date of Filing Application: **02 August 2007**
(24) Date from which industrial property rights may have effect: **02 August 2007**
(54) Product in respect of which the design is registered: **Movable member for a medical fluid reservoir**
(51) International Design Classification: **24-99**
(71) Name(s) and Address(s) of Applicant(s):
Smiths Medical ASD, Inc.
160 Weymouth Street Rockland Massachusetts 02370-1136 United States of America
(72) Name(s) of Designer(s): **Charles R. Patzer**
(45) Registration Date: **05 October 2007**
(30) Convention priority data:
(31) Number (32) Date (33) Country
29/280831 08 Jun 2007 UNITED STATES OF AMERICA
(56) Related Art Documents: **Not Applicable**
(57) Statement of Newness and Distinctiveness: **Newness and distinctiveness is claimed in the features of shape and/or configuration of a movable member for a medical fluid reservoir as illustrated in the accompanying representations.**



(21) Design Number: **19180/2007**
 (22) Date of Filing Application: **02 August 2007**
 (24) Date from which industrial property rights may have effect: **02 August 2007**
 (54) Product in respect of which the design is registered: **Movable member for a medical fluid reservoir**
 (51) International Design Classification: **24-99**
 (71) Name(s) and Address(s) of Applicant(s):
Smiths Medical ASD, Inc.
160 Weymouth Street Rockland Massachusetts 02370-1136 United States of America
 (72) Name(s) of Designer(s): **Charles R. Patzer**
 (45) Registration Date: **05 October 2007**
 (30) Convention priority data:
 (31) Number (32) Date (33) Country
29/280831 08 Jun 2007 UNITED STATES OF AMERICA
 (56) Related Art Documents: **Not Applicable**
 (57) Statement of Newness and Distinctiveness: **Newness and distinctiveness is claimed in the features of shape and/or configuration of a movable member for a medical fluid reservoir as illustrated in the accompanying representations.**

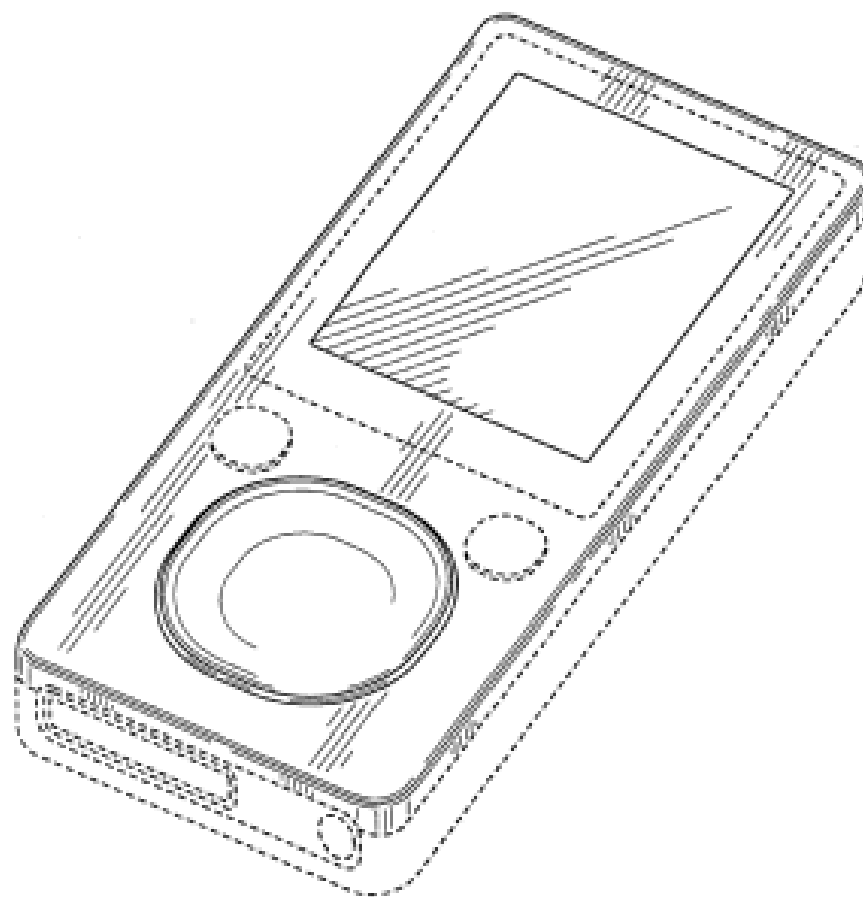


(21) Design Number: **19181/2007**
 (22) Date of Filing Application: **02 August 2007**
 (24) Date from which industrial property rights may have effect: **02 August 2007**
 (54) Product in respect of which the design is registered: **Mounting clip**
 (51) International Design Classification: **08-08NES**
 (71) Name(s) and Address(s) of Applicant(s):
Smiths Medical ASD, Inc.
160 Weymouth Street Rockland Massachusetts 02370-1136 United States of America
 (72) Name(s) of Designer(s): **Charles S. Baxter and Theodore J. Mosler and Charles R. Patzer**
 (45) Registration Date: **05 October 2007**
 (30) Convention priority data:
 (31) Number (32) Date (33) Country
29/280834 08 Jun 2007 UNITED STATES OF AMERICA
 (56) Related Art Documents: **Not Applicable**
 (57) Statement of Newness and Distinctiveness: **Newness and distinctiveness is claimed in the features of shape and/or configuration of a mounting clip as illustrated in the accompanying representations.**



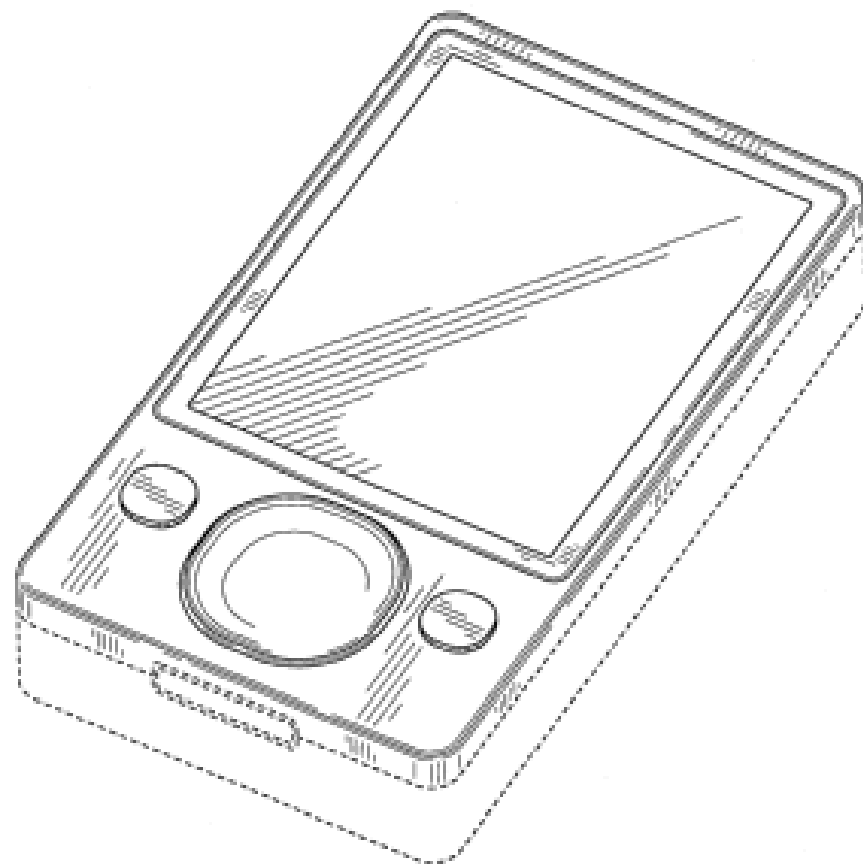
- (21) Design Number: **19182/2007**
- (22) Date of Filing Application: **02 August 2007**
- (24) Date from which industrial property rights may have effect: **02 August 2007**
- (54) Product in respect of which the design is registered: **Media player**
- (51) International Design Classification: **14-01**
- (71) Name(s) and Address(s) of Applicant(s):
Microsoft Corporation
One Microsoft Way Redmond Washington 98052 United States of America
- (72) Name(s) of Designer(s): **Carl J. Ledbetter and Catherine Kim and Steven T. Kaneko and Anton Andrews and Donald R. Coyner**
- (45) Registration Date: **05 October 2007**
- (30) Convention priority data:

(31) Number	(32) Date	(33) Country
29/280354	24 May 2007	UNITED STATES OF AMERICA
- (56) Related Art Documents: **Not Applicable**
- (57) Statement of Newness and Distinctiveness: **Newness and distinctiveness reside in the shape and/or configuration of a media player as illustrated in the accompanying representations. The features shown in broken outline are for illustrative purposes only and do not form part of the design.**



- (21) Design Number: **19183/2007**
- (22) Date of Filing Application: **02 August 2007**
- (24) Date from which industrial property rights may have effect: **02 August 2007**
- (54) Product in respect of which the design is registered: **Media player**
- (51) International Design Classification: **14-01**
- (71) Name(s) and Address(s) of Applicant(s):
Microsoft Corporation
One Microsoft Way Redmond Washington 98052 United States of America
- (72) Name(s) of Designer(s): **Carl J. Ledbetter and Steven T. Kaneko and Anton Andrews and Donald R. Coyner and Catherine Kim**
- (45) Registration Date: **05 October 2007**
- (30) Convention priority data:

(31) Number	(32) Date	(33) Country
29/280351	24 May 2007	UNITED STATES OF AMERICA
- (56) Related Art Documents: **Not Applicable**
- (57) Statement of Newness and Distinctiveness: **Newness and distinctiveness reside in the shape and/or configuration of a media player as illustrated in the accompanying representations. The areas shown in broken outline are for illustrative purposes only and do not form part of the design.**



(21) Design Number: **19184/2007**
 (22) Date of Filing Application: **02 August 2007**
 (24) Date from which industrial property rights may have effect: **02 August 2007**
 (54) Product in respect of which the design is registered: **Portion of a media player having an illuminated window**
 (51) International Design Classification: **14-01**
 (71) Name(s) and Address(s) of Applicant(s):

Microsoft Corporation
One Microsoft Way Redmond Washington 98052 United States of America

(72) Name(s) of Designer(s): **Carl J. Ledbetter and Catherine Kim**

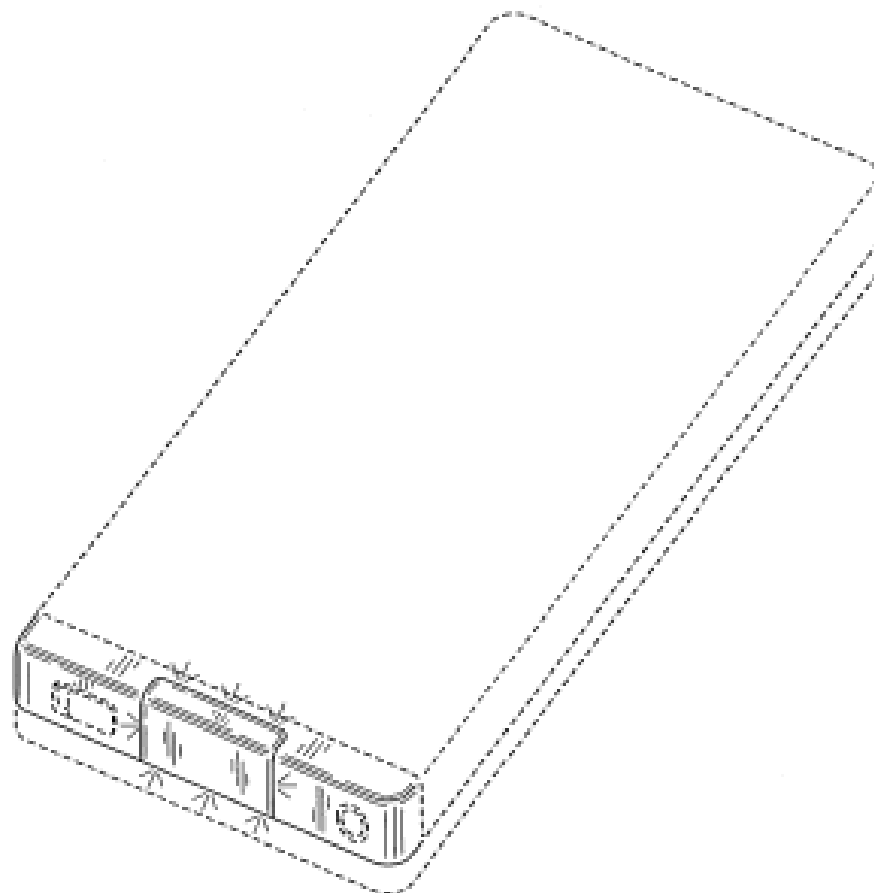
(45) Registration Date: **05 October 2007**

(30) Convention priority data:

(31) Number	(32) Date	(33) Country
29/280360	24 May 2007	UNITED STATES OF AMERICA

(56) Related Art Documents: **Not Applicable**

(57) Statement of Newness and Distinctiveness: **Newness and distinctiveness reside in the shape and/or configuration of a portion of a media player having an illuminated window as illustrated in the accompanying representations. The areas shown in broken outline and the radiating lines adjacent to the window element indicating illumination are for illustrative purposes only and do not form part of the design.**



(21) Design Number: **19185/2007**
 (22) Date of Filing Application: **02 August 2007**
 (24) Date from which industrial property rights may have effect: **02 August 2007**
 (54) Product in respect of which the design is registered: **Media player**
 (51) International Design Classification: **14-01**
 (71) Name(s) and Address(s) of Applicant(s):

Microsoft Corporation
One Microsoft Way Redmond Washington 98052 United States of America

(72) Name(s) of Designer(s): **Carl J. Ledbetter and Catherine Kim and Steven T. Kaneko and Anton Andrews and Donald R. Coyner**

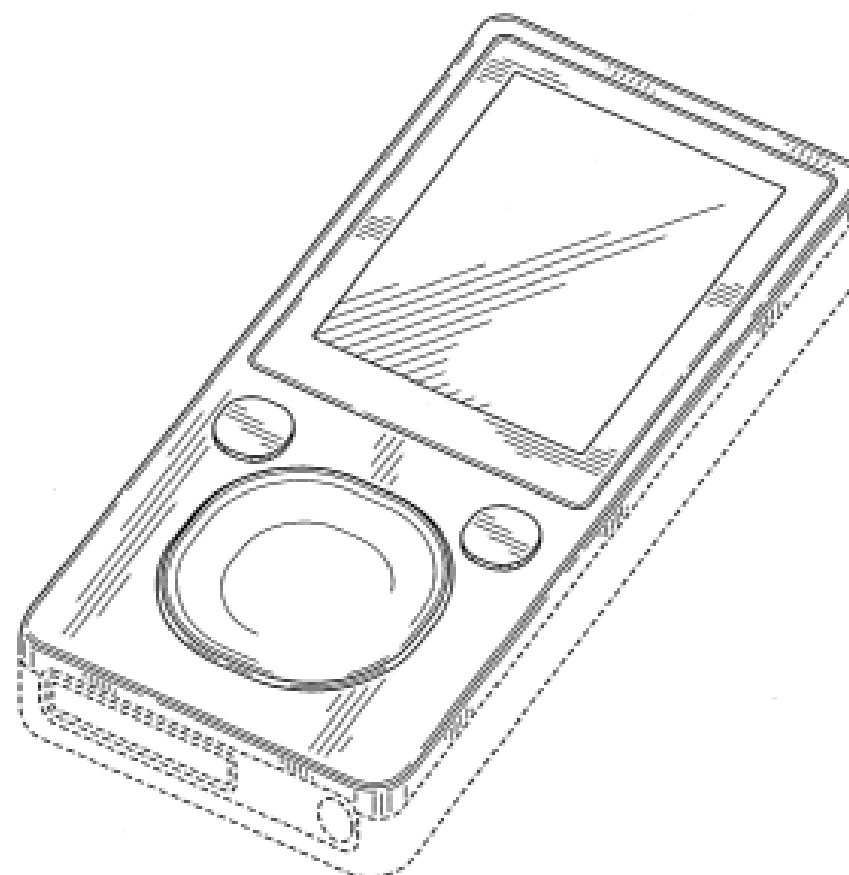
(45) Registration Date: **05 October 2007**

(30) Convention priority data:

(31) Number	(32) Date	(33) Country
29/280352	24 May 2007	UNITED STATES OF AMERICA

(56) Related Art Documents: **Not Applicable**

(57) Statement of Newness and Distinctiveness: **Newness and distinctiveness reside in the shape and/or configuration of a media player as illustrated in the accompanying representations. The features shown in broken outline are for illustrative purposes only and do not form part of the design.**



(21) Design Number: **19186/2007**

(22) Date of Filing Application: **02 August 2007**

(24) Date from which industrial property rights may have effect: **02 August 2007**

(54) Product in respect of which the design is registered: **Control button for a media player**

(51) International Design Classification: **14-01**

(71) Name(s) and Address(s) of Applicant(s):

Microsoft Corporation
One Microsoft Way Redmond Washington 98052 United States of America

(72) Name(s) of Designer(s): **Carl J. Ledbetter and Catherine Kim and Steven T. Kaneko and Anton Andrews and Donald R. Coyner**

(45) Registration Date: **05 October 2007**

(30) Convention priority data:

(31) Number	(32) Date	(33) Country
29/280355	24 May 2007	UNITED STATES OF AMERICA

(56) Related Art Documents: **Not Applicable**

(57) Statement of Newness and Distinctiveness: **Newness and distinctiveness reside in the shape and/or configuration of a control button for a media player as illustrated in the accompanying representations. The features shown in broken outline are for illustrative purposes only and do not form part of the design.**

