



**Australian Government**

---

**IP Australia**

**AUSTRALIAN OFFICIAL JOURNAL**

**OF**

**DESIGNS**

Did you know a searchable version of this journal is now available online?

It's FREE and EASY to SEARCH.

Find it at

<http://pericles.ipaustralia.gov.au/ols/epublish/content/olsEpublications.jsp>  
or using the "Online Journals" link on the IP Australia home page.

This Page Left Intentionally Blank

## Contents

### General Information & Notices

#### Proceedings Under the Designs Act 1906 preserved as a result of the provisions of Chapter 12 Part 2 of the Designs Act 2003

Applications for Extension of Time .....	10590
Applications Lapsed .....	10589
Extension of Period of Registration of Designs .....	10590
Extensions of Time Granted .....	10590
Names Registered - Alterations and Amendments .....	10591
Registrations Ceased .....	10590
Subsequent Owners Registered .....	10590

#### Proceedings Under the Designs Act 2003

Applications for Extension of Time Under Section 137 .....	10599
Applications Lapsed .....	10598
Applications Lodged .....	10595
Applications Withdrawn .....	10598
Certificate of Examination .....	10601
Corrigenda .....	10600
Extension of Time Granted Under Section 137 .....	10599
Publication and Registration Proceedings	
Designs Registered 316555 to 316637.....	10602
Revocation of Design Registrations .....	10599
Subsequent Owners Registered .....	10599

This Page Left Intentionally Blank

For information on the following please see our website [www.ipaustralia.gov.au](http://www.ipaustralia.gov.au) or contact our Customer Service Network on 1300651010

[Editorial enquiries](#)

[Contact information](#)

[Freedom of Information ACT](#)

[Professional Standards Board](#)

[Sales](#)

[Requests for information under Section 194 \(c\)](#)

[Country Codes](#)

[Trade Mark and Designs Hearing Sessions](#)

[INID \(Internationally agreed Numbers for the Identification of Data\)](#)

## “INID” NUMBERS in use on Australian Design Documents

“INID” is an acronym for “Internationally agreed Numbers for the Identification of Data”.

### (10) Data concerning the registration/renewal

- (11) Serial number of the registration and/or number of the design document
- (12) Plain language designation of the kind of published document
- (19) Identification, using the two-letter code according to WIPO Standard ST.3, of the authority publishing or registering the industrial design

### (20) Data concerning the application

- (21) Serial number of the application
- (22) Date of filing of the application
- (24) Date from which the industrial design right has effect

### (30) Data relating to priority under the Paris Convention

- (31) Serial number assigned to the priority application
- (32) Date of filing of the priority application
- (33) Two-letter code, according to WIPO Standard ST.3, identifying the authority with which the priority application was made

### (40) Date(s) of making information available to the public

- (45) Date of publication of the registered industrial design by printing or similar process, or making it available to the public by any other means

### (50) Miscellaneous Information

- (51) International Classification for Industrial Designs (class and subclass of the Locarno Classification)
- (54) Designation of article(s) or product(s) covered by the industrial design or title of the industrial design
- (55) Reproduction of the industrial design (e.g., drawing, photograph) and explanations relating to the reproduction
- (56) List of prior art documents, if separate from descriptive text
- (57) Description of characteristic features of the industrial design including indication of colours

### (60) References to other legally related application(s) and registration(s)

- (62) Serial number(s) and, if available, filing date(s) of application(s), registration(s) or document(s) related by division
- (66) Serial number(s) of the application, or the registration, of the design(s) which is (are) a variant(s) of the present one

### (70) Identification of parties concerned with the application or registration

- (71) Name(s) and address(es) of the applicant(s)
- (72) Name(s) of the creator(s) if known to be such
- (74) Name(s) and address(es) of the representative(s)

This Page Left Intentionally Blank

Official Notice**Declaration of the days in 2008 when the Designs Office, the Patent Office, the PBR Office and the Trade Marks Office and their sub-offices are taken not to be open for business, plus Family and Community Day 6 November 2007 in the Australian Capital Territory.**

The close-down provisions in the designs, Olympic insignia protection, patents, plant breeder's rights and trade marks legislation provide for the effect of Designs Office, the Patent Office, the PBR Office and the Trade Marks Office ('the Canberra offices') or any of their sub-offices in the State capitals ('State offices') not being open for business.

On 16 October 2007, the Director General of IP Australia declared under the close-down provisions the days when the Canberra offices and the State offices will not be open for business for the 2008 Calendar year. A copy of the declaration is attached. You will note that it covers the period from 1 January 2008 to 1 January 2009: from the first day of the 2008 Calendar year to the last day of IP Australia's 2008 Christmas to New Year close-down.

The Canberra offices and the State offices will not be open for business on the following days in the period 1 January 2008 to 1 January 2009.

All the Canberra offices and the State offices:

All Saturdays and Sundays in the period

Tuesday 1 January 2008	New Year's Day
Monday 28 January 2008 holiday	Australia Day substitute
Friday 21 March 2008	Good Friday
Monday 24 March 2008	Easter Monday
Friday 25 April 2008	Anzac Day
Thursday, 25 December 2008 to Thursday, 1 January 2009 close-down	2008 Christmas to New Year

The following are the days in the 2008 Calendar year when the Canberra offices and particular States offices will not be open for business, plus Family and Community Day 6 November 2007 in the Australian Capital Territory:

**The Canberra offices**

Tuesday 6 November 2007	Family and Community Day
Monday 10 March 2008	Canberra Day
Monday 9 June 2008	Queen's Birthday holiday
Monday 6 October 2008	Labour Day

**The New South Wales office**

Monday 9 June 2008	Queen's Birthday holiday
Monday 6 October 2008	Labour Day

**The Queensland office**

Monday 5 May 2008	Labour Day
Monday 9 June 2008	Queen's Birthday holiday
Wednesday 13 August 2008	Royal Queensland Show Day

**The South Australian office**

Monday 10 March 2008	Adelaide Cup Day
Monday 9 June 2008	Queen's Birthday holiday
Monday 6 October 2008	Labour Day

**The Tasmanian office**

Monday 11 February 2008	Royal Hobart Regatta holiday
Monday 10 March 2008	Eight Hours Day
Monday 9 June 2008	Queen's Birthday holiday
Thursday 23 October 2008	Royal Hobart Show Day

**The Victorian office**

Monday 10 March 2008	Labour Day
Monday 9 June 2008	Queen's Birthday holiday
Tuesday 4 November 2008	Melbourne Cup Day

**The Western Australian office**

Monday 3 March 2008	Labour Day
Monday 2 June 2008	Foundation Day
Monday 29 September 2008	Queen's Birthday holiday

For more information on the effect of the close-down provisions, please see the Official Notices of 23 March 2007 titled *Intellectual Property Legislation Amendment Regulations 2007 (No. 1)* and *The new close-down provisions in the trade marks legislation* available on IP Australia's website through the page

[www.ipaustralia.gov.au/resources/officialnotices.shtml](http://www.ipaustralia.gov.au/resources/officialnotices.shtml).

**Contact:** IP Australia  
**Phone:** 1300 651 010  
**Fax:** +61 2 6283 7999  
**E-mail:** [assist@ipaustralia.gov.au](mailto:assist@ipaustralia.gov.au)  
**Web:** [www.ipaustralia.gov.au](http://www.ipaustralia.gov.au)



**Official Notice**

Brisbane on the move

We are pleased to announce that the Queensland State Office of IP Australia will be moving to a new office effective from Monday, October 29, 2007.

The new address will be:

Brisbane Club Tower  
Level 15, 241 Adelaide Street  
Brisbane, Queensland, 4000

Our last day of business at Level 1, 102 Adelaide Street, Brisbane will be 26 October 2007.

We will be resuming operations at Level 15, 241 Adelaide, St Brisbane on 29 October 2007.

During this transition our office operating hours will not be affected.

All contact telephone and fax numbers will remain the same.

Should you have any concerns, please do not hesitate to contact Paul Loeffler-White at [paul.loeffler-white@ipaaustralia.gov.au](mailto:paul.loeffler-white@ipaaustralia.gov.au) or on 07 3007 1110.

**Contact:** IP Australia  
**Phone:** 1300 651 010  
**Fax:** +61 2 6283 7999  
**E-Mail:** [assist@ipaaustralia.gov.au](mailto:assist@ipaaustralia.gov.au)  
**Web:** [www.ipaustralia.gov.au](http://www.ipaustralia.gov.au)

Official Notice**ABSTRACT OF REASONS FOR A DECISION OF A  
DEPUTY REGISTRAR OF DESIGNS**

**Designs** : 304230  
**Applicant** : Sportservice Pty Ltd  
**Decision** : Objection in examination of lack of  
distinctiveness.

The citation was open to different interpretations of a particular visual feature;

The comparison required under s.19 is of the design, rather than with the representation of the design *per se*. The visual feature associated with the innovation behind the design was more prominent on the actual product than appeared from the representations.

The Deputy Registrar was not satisfied that a ground of revocation has been made out. Examination taken to have been completed.

**Decision Issued** : 10 Oct 2007

**Contact:** IP Australia  
**Phone:** 1300 651 010  
**Fax:** +61 2 6283 7999  
**E-mail:** [assist@ipaustralia.gov.au](mailto:assist@ipaustralia.gov.au)  
**Web:** [www.ipaustralia.gov.au](http://www.ipaustralia.gov.au)

**Official Notice****Surrender of Registrations****312560, 312561**

A request under Section 49 of the *Designs Act 2003* has been made by the registered owner of Design Registration Nos. 312560 and 312561 to surrender the registrations.

Any interested person may give notice to the Registrar that he or she wishes to be heard in relation to the above offer. This notice must be given within 1 month after 1 November 2007.

Your attention is drawn to Regulation 4.10 and 4.11 of the *Designs Regulations 2004*.

Address for Service: F B Rice & Co Patent and Trade Mark Attorneys, Level 23, 44 Market Street, Sydney, New South Wales, Australia.

**Contact:** IP Australia  
**Phone:** 1300 651 010  
**Fax:** +61 2 6283 7999  
**E-Mail:** [assist@ipaustralia.gov.au](mailto:assist@ipaustralia.gov.au)  
**Web:** [www.ipaustralia.gov.au](http://www.ipaustralia.gov.au)

**Official Notice****Designs Act 2003  
Amendments to Registered Designs at Examination**

The following amendments have been made to details previously published in the Australian Official Journal of Designs during the Examination process:

<b>Registration Numbers</b>	<b>Amendment type</b>	<b>New details</b>
304230	Product Name	Dismantlable bicycle transport rack

**Registration No. 304230**

Statement of Newness and Distinctiveness should read: Newness and distinctiveness of the design resides in the shape and configuration of the dismantlable bicycle transport rack as shown in the accompanying representations. The length and number of clamping positions of the clamping device marked 'A' is variable.

**Contact:** IP Australia  
**Phone:** 1300 651 010  
**Fax:** +61 2 6283 7999  
**E-Mail:** [assist@ipaustralia.gov.au](mailto:assist@ipaustralia.gov.au)  
**Web:** [www.ipaustralia.gov.au](http://www.ipaustralia.gov.au)

**Official Notice****Designs Act 2003  
Amendments to Registered Designs at Examination**

The following amendments have been made to details previously published in the Australian Official Journal of Designs during the Examination process:

<b>Registration Numbers</b>	<b>Amendment type</b>	<b>New details</b>
310922	Classification	09-05, 24-02
312714	Classification	13-03E, 13-03Z
312715	Classification	13-03E, 13-03Z

**Contact:** IP Australia  
**Phone:** 1300 651 010  
**Fax:** +61 2 6283 7999  
**E-Mail:** [assist@ipaustralia.gov.au](mailto:assist@ipaustralia.gov.au)  
**Web:** [www.ipaustralia.gov.au](http://www.ipaustralia.gov.au)

This Page Left Intentionally Blank

**Proceedings under the Designs Act 1906 preserved as a result of the provisions of Chapter 12 Part 2 of the Designs Act 2003.**

This Page Left Intentionally Blank



**Applications Lapsed**

02125 / 2004 (18-03)

**Extension of Period of Registration of Designs**

**2nd Period (Section 27A(12))**

146087	146271	146829
146902	146903	146904
146905	146906	146909
146910	146911	146936
146999	147000	147053
147115	147116	147117
147191	147292	147397
147398	147427	147453
147454	147492	147519
147676	147678	147682
147709	147809	147840
147841	148030	148070
148252	148297	148386
148544	148677	149057
149115	149373	149374
149432	149613	149669
149670	149816	149929
149930	151123	151582
151583	151584	151707
154883	155022	

**3rd Period (Section 27A(13))**

128771	129104	129170
130337	130376	130377
130447	130517	130622
130689	130797	130941
131347	131984	132009
132789	133713	133917
134300	134301	134302
134303	134304	134392
134526	134581	134582
134584	134680	134804
135004	135159	135723
135724	135725	135726
136050	136051	136181
136463	136539	136860
136887	139082	154282

**Registrations Ceased**

Note: Some of the following Registrations may have been previously advertised as ceased. In this instance, the previous advertisement still prevails.

113094	113768	114163
114205	114245	114317
114318	114583	114675
114748	114765	114979
115014	115015	115207
115208	115551	115684
115685	115939	116183
116184	116550	117396
117682	118249	126992

127907	128251	128254
128313	128370	128371
129313	129405	129552
129855	131554	131556
132861	143739	143799
143835	143837	144039
144138	144278	144449
145338	145339	145358
145361	145362	145449
145452	145463	145464
145676	145831	145981
146073	146138	146330
146331	146504	146958
147020	147021	147620
148157	148197	148585
148586	148649	148669
148670	149349	149350
149351	149352	149353
149354	149355	149356
149357	149367	149628
149629	149630	149834
150254	152363	155621

**Applications for Extension of time**

Applications for extension of time have been lodged. Objections must be lodged within 1 month from the date of this journal.

146986 **John Howard Styles** Extension of time to extend a registration. Address for Service: J.H. Styles 25A Wentworth Court 43-51 Giles Street KINGSTON ACT 2604

**Extensions of time granted**

Applications lodged for extension of time have been granted.

129170 **Mona Kerbage** An Extension of time to extend a registration has been granted to 25/10/2007

**Subsequent Owners Registered**

(The name in parentheses is that of the subsequent owner)

131344	( <b>McNeil AB</b> ) Pfizer Health AB
128572	( <b>McNeil AB</b> ) Pfizer Health AB
131345	( <b>McNeil AB</b> ) Pfizer Health AB
131346	( <b>McNeil AB</b> ) Pfizer Health AB
128571	( <b>McNeil AB</b> ) Pfizer Health AB
133278	( <b>McNeil AB</b> ) Pfizer Health AB
137131	( <b>McNeil AB</b> ) Pfizer Health AB
141122	( <b>Laboratoires Serono SA</b> ) Applied Research Systems ARS Holding N.V.
124204	( <b>Veyance Technologies, Inc.</b> ) The Goodyear Tire & Rubber Company
152844	( <b>Village Stone 2007 Limited</b> ) Village Stone (NZ) Limited
152569	( <b>NCI Holdings Pty Ltd</b> ) NCI Packaging Pty Ltd

**Subsequent Owners Registered**

156756      ( **NCI Holdings Pty Ltd** ) NCI Packaging Pty Ltd

**Names Registered - Alterations and Amendments**

(The name in parentheses is the new name of the proprietor)

146909      ( **Clipsal Australia Pty Ltd** ) Gerard Industries Pty Ltd

146910      ( **Clipsal Australia Pty Ltd** ) Gerard Industries Pty Ltd

146911      ( **Clipsal Australia Pty Ltd** ) Gerard Industries Pty Ltd

This Page Left Intentionally Blank

**Proceedings under the Designs Act 2003.**

This Page Left Intentionally Blank

**Applications Lodged**

Lodgement information is in the following order: **Applicant's Name**; International Classification, Name of Product, Lodgement Date and **Design Number**. If the applicant claims an earlier priority date under an International Convention, the Convention Country and the associated filing date are shown in parentheses before the Lodgement Date. Divisional information will also appear in parentheses before the Lodgement Date.

<b>Alfa Laval Corporate AB;</b> 08-05P, Nut moving device, (SE, 30 May 2007) 11 Oct 2007	<b>20171/2007</b>	<b>Centrotex (Aust) Pty Ltd;</b> 02-02NES, Mens and ladies shirt/blouse, 12 Oct 2007	<b>20172/2007</b>
<b>Aliquantum Pty Ltd;</b> 25-02H, Screens, 12 Oct 2007	<b>20180/2007</b>	<b>Centrotex (Aust) Pty Ltd;</b> 02-02NES, Mens and ladies shirt/blouse, 12 Oct 2007	<b>20357/2007</b>
<b>Australia and New Zealand Banking Group Limited;</b> 09-03M, Tamper-proof package blank, 09 Oct 2007	<b>20124/2007</b>	<b>Cook, David George;</b> 12-16K, Roof rail bracket, 09 Oct 2007	<b>20142/2007</b>
<b>Australia and New Zealand Banking Group Limited;</b> 09-03M, Tamper-proof package, 09 Oct 2007	<b>20135/2007</b>	<b>Crook, Tyrone;</b> 07-99NES, Funnel, 08 Oct 2007	<b>20121/2007</b>
<b>Australiana Group Holdings Pty Ltd;</b> 09-01K, Beverages, 09 Oct 2007	<b>20143/2007</b>	<b>Cryovac Australia Pty Ltd;</b> 09-03M, A container, 09 Oct 2007	<b>20163/2007</b>
<b>Black &amp; Decker, Inc.;</b> 08-03, Cordless lopper, (EM, 24 Apr 2007) 05 Oct 2007	<b>20112/2007</b>	<b>Cumminscorp Limited;</b> 23-01F, Fluid tank, 08 Oct 2007	<b>20144/2007</b>
<b>Black &amp; Decker, Inc.;</b> 08-03, Circular saw, (EM, 02 May 2007) 08 Oct 2007	<b>20128/2007</b>	<b>Cumminscorp Limited;</b> 23-01F, Fluid tank, 08 Oct 2007	<b>20145/2007</b>
<b>Black &amp; Decker, Inc.;</b> 08-03, Circular saw, (EM, 02 May 2007) 08 Oct 2007	<b>20129/2007</b>	<b>Cumminscorp Limited;</b> 23-01F, Fluid tank, 08 Oct 2007	<b>20146/2007</b>
<b>Black &amp; Decker, Inc.;</b> 08-03, Circular saw, (EM, 02 May 2007) 08 Oct 2007	<b>20130/2007</b>	<b>Cumminscorp Limited;</b> 23-01F, Fluid tank, 08 Oct 2007	<b>20147/2007</b>
<b>Black &amp; Decker, Inc.;</b> 08-03, Circular saw, (EM, 02 May 2007) 08 Oct 2007	<b>20130/2007</b>	<b>Cumminscorp Limited;</b> 23-01F, Fluid tank, 08 Oct 2007	<b>20148/2007</b>
<b>Black &amp; Decker, Inc.;</b> 08-03, Circular saw, (EM, 02 May 2007) 08 Oct 2007	<b>20130/2007</b>	<b>Cumminscorp Limited;</b> 23-01F, Fluid tank, 08 Oct 2007	<b>20149/2007</b>
<b>C.O. White Pty Ltd;</b> 06-03NES, Change table, 09 Oct 2007	<b>20162/2007</b>	<b>Daikin Industries Ltd.;</b> 23-04, Air-conditioner, (JP, 22 Jun 2007) 08 Oct 2007	<b>20134/2007</b>
<b>Campbell, Errol Frederick;</b> 25-01K, Vermin seal, 08 Oct 2007	<b>20152/2007</b>	<b>Daikin Industries Ltd.;</b> 23-04, Air-conditioner, (JP, 06 Jul 2007) 08 Oct 2007	<b>20132/2007</b>
<b>Campbell, Errol Frederick;</b> 25-01K, Vermin seal flap, 08 Oct 2007	<b>20153/2007</b>	<b>Daikin Industries Ltd.;</b> 23-04, Air-conditioner, (JP, 22 Jun 2007) 08 Oct 2007	<b>20133/2007</b>
<b>Caroma Industries Limited;</b> 23-02F, A sink, 05 Oct 2007	<b>20104/2007</b>	<b>Dawson, Helen;</b> 11-02NES, Ornamental object, 09 Oct 2007	<b>20166/2007</b>
<b>Caroma Industries Limited;</b> 23-02F, A sink, 05 Oct 2007	<b>20105/2007</b>	<b>Dawson, Helen;</b> 11-02NES, Ornamental object, 09 Oct 2007	<b>20167/2007</b>
<b>Caroma Industries Limited;</b> 23-02F, A sink, 05 Oct 2007	<b>20106/2007</b>	<b>De La Rue International Limited;</b> 19-02, Document handling apparatus, (EM, 05 Apr 2007) 04 Oct 2007	<b>20091/2007</b>
<b>Caroma Industries Limited;</b> 23-02F, A sink, 05 Oct 2007	<b>20107/2007</b>	<b>De La Rue International Limited;</b> 19-02, Document handling apparatus, (EM, 05 Apr 2007) 04 Oct 2007	<b>20092/2007</b>
<b>Caroma Industries Limited;</b> 23-02F, A sink, 05 Oct 2007	<b>20108/2007</b>	<b>De La Rue International Limited;</b> 19-02, Document handling apparatus, (EM, 05 Apr 2007) 04 Oct 2007	<b>20093/2007</b>
<b>Caroma Industries Limited;</b> 23-02F, A sink, 05 Oct 2007	<b>20109/2007</b>	<b>De La Rue International Limited;</b> 19-02, Document handling apparatus, (EM, 05 Apr 2007) 04 Oct 2007	<b>20094/2007</b>
<b>Caroma Industries Limited;</b> 23-02F, A sink, 05 Oct 2007	<b>20110/2007</b>	<b>De La Rue International Limited;</b> 19-02, Document handling apparatus, (EM, 05 Apr 2007) 04 Oct 2007	<b>20094/2007</b>
<b>Caroma Industries Limited;</b> 23-02F, A sink, 05 Oct 2007	<b>20111/2007</b>	<b>De La Rue International Limited;</b> 19-02, Document handling apparatus, (EM, 05 Apr 2007) 04 Oct 2007	<b>20094/2007</b>

<b>De La Rue International Limited;</b> 19-02, Document handling apparatus, (EM, 05 Apr 2007) 04 Oct 2007	<b>20095/2007</b>	<b>Hypercom Corporation;</b> 14-02, Point of sale terminal, (US, 16 Apr 2007) 11 Oct 2007	<b>20178/2007</b>
<b>De La Rue International Limited;</b> 19-02, Document handling apparatus, (EM, 05 Apr 2007) 04 Oct 2007	<b>20096/2007</b>	<b>Infinity Lighting Limited;</b> 26-05A, Light fitting, 09 Oct 2007	<b>20160/2007</b>
<b>De La Rue International Limited;</b> 19-02, Document handling apparatus, (EM, 05 Apr 2007) 04 Oct 2007	<b>20097/2007</b>	<b>Innov Industries Pty Ltd;</b> 07-06A, 07-07A, Thermal insulating device, 09 Oct 2007	<b>20139/2007</b>
<b>De La Rue International Limited;</b> 19-02, Document handling apparatus, (EM, 05 Apr 2007) 04 Oct 2007	<b>20090/2007</b>	<b>Innov Industries Pty Ltd;</b> 07-06A, 07-07A, Thermal insulating device, 09 Oct 2007	<b>20140/2007</b>
<b>Duffix Golf Products;</b> 21-02C, Golf swing training aid, (US, 25 Jun 2007) 08 Oct 2007	<b>20125/2007</b>	<b>Innov Industries Pty Ltd;</b> 07-06A, 07-07A, Thermal insulating device, 09 Oct 2007	<b>20141/2007</b>
<b>England, Robert;</b> 11-02D, Sculptural plaster casts (ornamental), 09 Oct 2007	<b>20136/2007</b>	<b>Innov Industries Pty Ltd;</b> 07-06A, 07-07A, Thermal insulating device, 09 Oct 2007	<b>20138/2007</b>
<b>Fernholly Pty Ltd;</b> 12-06A, A boat hull, 03 Oct 2007	<b>20063/2007</b>	<b>Innov Industries Pty Ltd;</b> 07-06A, 07-07A, Thermal insulating device, 09 Oct 2007	<b>20137/2007</b>
<b>Flex-Seal Couplings Limited;</b> 23-01NES, Support moulding for an underground water storage or attenuation structure, (EM, 23 Apr 2007) 05 Oct 2007	<b>20100/2007</b>	<b>Ito, Yoshiaki; Ohara, Nariko; Takamatsu, Kuniaki;</b> 12-15B, A tyre for automobile, 03 Oct 2007	<b>20064/2007</b>
<b>Flex-Seal Couplings Limited;</b> 23-01A, Pipe coupling, (EM, 18 Apr 2007) 05 Oct 2007	<b>20101/2007</b>	<b>Ito, Yoshiaki; Ohara, Nariko; Takamatsu, Kuniaki;</b> 12-15D, A tyre for motorcycle, 03 Oct 2007	<b>20065/2007</b>
<b>Flosspik Pty Ltd;</b> 28-03NES, Oral hygiene device, 05 Oct 2007	<b>20154/2007</b>	<b>Jackson Industries Pty Limited;</b> 13-03D, A power board, 11 Oct 2007	<b>20174/2007</b>
<b>Gordon, David Malcolm; Mawby, Barrie William;</b> 20-02NES, A note pad holder with advertising panel for shopping trolleys, 05 Oct 2007	<b>20120/2007</b>	<b>Jackson Industries Pty Limited;</b> 26-05NES, A night light, 11 Oct 2007	<b>20175/2007</b>
<b>Grant, Darrell L; McFee, Ronald E. K.;</b> 09-03E, Inflatable bottle carrier, (US, 08 May 2007) 06 Oct 2007	<b>20155/2007</b>	<b>Jackson Industries Pty Limited;</b> 13-03D, A power board, 11 Oct 2007	<b>20176/2007</b>
<b>Guney Ithalat Ve Pazarlama Anonim Sirketi;</b> 07-02F, Toaster, 11 Oct 2007	<b>20173/2007</b>	<b>Jackson Industries Pty Limited;</b> 26-05NES, A night light, 11 Oct 2007	<b>20177/2007</b>
<b>Hicks, Jason; Hicks, Anita;</b> 07-06A, 07-07A, Stubbie holder, 09 Oct 2007	<b>20123/2007</b>	<b>Kanbar, Maurice;</b> 19-99, Manual roll dispenser with axle, (US, 11 Apr 2007) 04 Oct 2007	<b>20089/2007</b>
<b>Hicks, Anita; Hicks, Jason;</b> 07-06A, 07-07A, Stubbie holder, 09 Oct 2007	<b>20123/2007</b>	<b>Lightforce Australia Pty Limited;</b> 26-06, Vehicle light, 09 Oct 2007	<b>20159/2007</b>
<b>Honda Motor Co., Ltd.;</b> 26-06, Headlight for motorcycles, (JP, 06 Apr 2007) 04 Oct 2007	<b>20079/2007</b>	<b>LRC Products Limited;</b> 28-03NES, Nail treatment device, (EM, 05 Apr 2007) 04 Oct 2007	<b>20076/2007</b>
<b>Honda Motor Co., Ltd.;</b> 12-16NES, Seat rail for motorcycles, (JP, 06 Apr 2007) 04 Oct 2007	<b>20080/2007</b>	<b>LRC Products Limited;</b> 28-03NES, Nail treatment device, (EM, 05 Apr 2007) 04 Oct 2007	<b>20077/2007</b>
<b>Honda Motor Co., Ltd.;</b> 12-11, Motorcycle, (JP, 06 Apr 2007) 04 Oct 2007	<b>20081/2007</b>	<b>LRC Products Limited;</b> 28-03NES, Nail treatment device, (EM, 05 Apr 2007) 04 Oct 2007	<b>20078/2007</b>
<b>Hort, Michael;</b> 23-04, Ceiling fan, 05 Oct 2007	<b>20103/2007</b>	<b>Mars, Incorporated;</b> 09-03L, Food packaging, (US, 05 Apr 2007) 04 Oct 2007	<b>20088/2007</b>
<b>Hypercom Corporation;</b> 14-02, Point of sale terminal, (US, 16 Apr 2007) 11 Oct 2007	<b>20179/2007</b>	<b>Master Lock Company LLC;</b> 08-07, Lock, (US, 13 Apr 2007) 11 Oct 2007	<b>20168/2007</b>
		<b>Master Lock Company LLC;</b> 08-07, Lock, (US, 13 Apr 2007) 11 Oct 2007	<b>20169/2007</b>
		<b>Master Lock Company LLC;</b> 08-07, Lock, (US, 13 Apr 2007) 11 Oct 2007	<b>20170/2007</b>



<b>Mawby, Barrie William; Gordon, David Malcolm;</b> 20-02NES, A note pad holder with advertising panel for shopping trolleys, 05 Oct 2007	<b>20120/2007</b>	<b>Rutgers, Peter John; Rutgers, Diane Lee;</b> 25-02K, Louvre blade, 04 Oct 2007	<b>20075/2007</b>
<b>McFee, Ronald E. K.; Grant, Darrell L.;</b> 09-03E, Inflatable bottle carrier, (US, 08 May 2007) 06 Oct 2007	<b>20155/2007</b>	<b>Rutgers, Diane Lee; Rutgers, Peter John;</b> 25-02K, Louvre blade, 04 Oct 2007	<b>20075/2007</b>
<b>NAK Australia Pty Limited;</b> 15-99, Roller seal, 08 Oct 2007	<b>20151/2007</b>	<b>Sandy, Alan Frederick; Wright, Gillian Paula;</b> 23-02C, Toilet seat adaptor and potty, (EM, 10 Apr 2007) 08 Oct 2007	<b>20122/2007</b>
<b>Ohara, Nariko; Takamatsu, Kuniaki; Ito, Yoshiaki;</b> 12-15B, A tyre for automobile, 03 Oct 2007	<b>20064/2007</b>	<b>Schnepf, Kurt;</b> 13-02, Coil core protector, 08 Oct 2007	<b>20150/2007</b>
<b>Ohara, Nariko; Takamatsu, Kuniaki; Ito, Yoshiaki;</b> 12-15D, A tyre for motorcycle, 03 Oct 2007	<b>20065/2007</b>	<b>Site Systems;</b> 06-03A, Table, 05 Oct 2007	<b>20099/2007</b>
<b>Paradigm Services Limited;</b> 18-03, A font type named paradigm book, (EM, 05 Apr 2007) 05 Oct 2007	<b>20113/2007</b>	<b>Societe Anonyme des Eaux Minerales d'Evian;</b> 09-01G, Bottle, (EM, 04 Apr 2007) 03 Oct 2007	<b>20059/2007</b>
<b>Paradigm Services Limited;</b> 18-03, A font type named paradigm book italic, (EM, 05 Apr 2007) 05 Oct 2007	<b>20114/2007</b>	<b>Societe Des Produits Nestle S.A.;</b> 15-07, Freezer, (CH, 13 Apr 2007) 10 Oct 2007	<b>20181/2007</b>
<b>Paradigm Services Limited;</b> 18-03, A font type named paradigm bold, (EM, 05 Apr 2007) 05 Oct 2007	<b>20115/2007</b>	<b>Sportsgirl Pty Ltd;</b> 02-02C, Various garments, 08 Oct 2007	<b>20158/2007</b>
<b>Paradigm Services Limited;</b> 18-03, A font type named paradigm semi bold italic, (EM, 05 Apr 2007) 05 Oct 2007	<b>20116/2007</b>	<b>SATMARK Australia Pty Ltd;</b> 14-03NES, Auto-positioning satellite antenna apparatus, 04 Oct 2007	<b>20098/2007</b>
<b>Paradigm Services Limited;</b> 18-03, A font type named paradigm light, (EM, 05 Apr 2007) 05 Oct 2007	<b>20117/2007</b>	<b>SOMFY SAS;</b> 13-02, Electric accumulator, (EM, 10 Apr 2007) 09 Oct 2007	<b>20164/2007</b>
<b>Paradigm Services Limited;</b> 18-03, A font type named paradigm light italic, (EM, 05 Apr 2007) 05 Oct 2007	<b>20118/2007</b>	<b>SOMFY SAS;</b> 13-01, Electric generator, (EM, 10 Apr 2007) 09 Oct 2007	<b>20165/2007</b>
<b>Paradigm Services Limited;</b> 20-03NES, A sign named paradigm ear, (EM, 05 Apr 2007) 05 Oct 2007	<b>20119/2007</b>	<b>Takamatsu, Kuniaki; Ohara, Nariko; Ito, Yoshiaki;</b> 12-15D, A tyre for motorcycle, 03 Oct 2007	<b>20065/2007</b>
<b>Payne, Graeme;</b> 08-08G, Universal hook as described on sheet 1 of 2 and 2 of 2 and shown on sheets 1/17 to 17/17, (US, 07 May 2007) 05 Oct 2007	<b>20157/2007</b>	<b>Takamatsu, Kuniaki; Ohara, Nariko; Ito, Yoshiaki;</b> 12-15B, A tyre for automobile, 03 Oct 2007	<b>20064/2007</b>
<b>Protective Optics, Inc.;</b> 02-06, Knuckle cap, (US, 09 Jul 2007) 08 Oct 2007	<b>20127/2007</b>	<b>Terumo Kabushiki Kaisha;</b> 24-02, Guide wire for catheter, (JP, 15 May 2007) 08 Oct 2007	<b>20126/2007</b>
<b>Results Sales Promotion Pty Limited;</b> 19-02, A stamp dispenser, 05 Oct 2007	<b>20102/2007</b>	<b>Tombow Pencil Co., Ltd;</b> 19-02, Coating film transfer apparatus, (JP, 19 Apr 2007) 04 Oct 2007	<b>20084/2007</b>
<b>Rutgers, Peter John; Rutgers, Diane Lee;</b> 25-02K, Louvre blade, 04 Oct 2007	<b>20072/2007</b>	<b>Tombow Pencil Co., Ltd;</b> 19-02, Coating film transfer apparatus, (JP, 19 Apr 2007) 04 Oct 2007	<b>20085/2007</b>
<b>Rutgers, Diane Lee; Rutgers, Peter John;</b> 25-02K, Louvre blade, 04 Oct 2007	<b>20072/2007</b>	<b>Tombow Pencil Co., Ltd;</b> 19-02, Coating film transfer apparatus, (JP, 19 Apr 2007) 04 Oct 2007	<b>20086/2007</b>
<b>Rutgers, Peter John; Rutgers, Diane Lee;</b> 25-02K, Louvre blade, 04 Oct 2007	<b>20073/2007</b>	<b>Toshiba Tec Kabushiki Kaisha;</b> 18-01, Check out apparatus for a store, (JP, 13 Apr 2007) 04 Oct 2007	<b>20082/2007</b>
<b>Rutgers, Diane Lee; Rutgers, Peter John;</b> 25-02K, Louvre blade, 04 Oct 2007	<b>20073/2007</b>	<b>Toshiba Tec Kabushiki Kaisha;</b> 18-01, Check out apparatus for a store, (JP, 13 Apr 2007) 04 Oct 2007	<b>20083/2007</b>
<b>Rutgers, Peter John; Rutgers, Diane Lee;</b> 25-02K, Louvre blade, 04 Oct 2007	<b>20074/2007</b>	<b>Ty-Techtronics Pty Ltd;</b> 14-01, Head set, 09 Oct 2007	<b>20161/2007</b>
<b>Rutgers, Diane Lee; Rutgers, Peter John;</b> 25-02K, Louvre blade, 04 Oct 2007	<b>20074/2007</b>	<b>ULTRA Proizvodnja elektronskih naprav d.o.o.;</b> 14-02, Payment device, 11 Oct 2007	<b>20205/2007</b>
<b>Rutgers, Peter John; Rutgers, Diane Lee;</b> 25-02K, Louvre blade, 04 Oct 2007	<b>20074/2007</b>	<b>Valerio, Kai;</b> 12-08, Car, 05 Oct 2007	<b>20156/2007</b>

<b>Vin Singlz Limited;</b> 07-01C, Tall tumbler, (NZ, 19 Apr 2007) 03 Oct 2007	<b>20060/2007</b>	<b>Visy R &amp; D Pty Ltd;</b> 09-03E, Mailing package for bottles and other fragile articles and blank for forming same, 04 Oct 2007	<b>20087/2007</b>
<b>Vin Singlz Limited;</b> 07-01C, Short tumbler, (NZ, 19 Apr 2007) 03 Oct 2007	<b>20061/2007</b>	<b>Wesbeam Holdings Ltd;</b> 08-08L, Bracket, 08 Oct 2007	<b>20131/2007</b>
<b>Vin Singlz Limited;</b> 07-01C, Shaped tumbler, (NZ, 19 Apr 2007) 03 Oct 2007	<b>20062/2007</b>	<b>Westmix Pty Ltd;</b> 12-02, Polymer wheelbarrow tray, 24 Aug 2007	<b>20294/2007</b>
		<b>Wright, Gillian Paula; Sandy, Alan Frederick;</b> 23-02C, Toilet seat adaptor and potty, (EM, 10 Apr 2007) 08 Oct 2007	<b>20122/2007</b>

---

**Applications Withdrawn**

13827 / 2006 (13-01)	13828 / 2006 (13-01)	19372 / 2007 (02-02C)	19373 / 2007 (02-02C)
18130 / 2007 (14-03E)	18569 / 2007 (12-16N)	19374 / 2007 (02-02NES)	19375 / 2007 (02-02NES)
18570 / 2007 (12-16N)	18571 / 2007 (12-16N)	19378 / 2007 (02-02C)	19380 / 2007 (02-02C)
18603 / 2007 (12-16NES)	18604 / 2007 (12-16NES)	20027 / 2007 (28-03NES)	
18605 / 2007 (12-08)	18606 / 2007 (12-08)		
18607 / 2007 (12-16H)	19366 / 2007 (02-02NES)		
19370 / 2007 (02-02NES)	19371 / 2007 (02-02C)		

---

**Applications Lapsed**

15236 / 2004 (10-07)	10479 / 2006 (02-04NES)
17368 / 2007 (02-04NES)	17439 / 2007 (02-02C)
17460 / 2007 (06-08)	18426 / 2007 (13-03E)
18504 / 2007 (20-03NES)	18506 / 2007 (99-00)
19361 / 2007 (24-04)	

## Revocation of Design Registrations

The following Design Registration(s) have been revoked and are taken never to have been registered:

303618 13-03B

## Applications for Extension of time under Section 137

Applications under section 137 for extension of time have been lodged. Objections must be lodged within 1 month from the date of this journal.

19498/2007 **NA&PG LLP** Address for Service: Baldwins  
Intellectual Property16 Chisholm Street North Ryde NSW 2113

## Extensions of time granted under Section 137

Applications lodged under section 137 for extension of time have been granted.

12200/2006 **Edward Kybartas**

17113/2007 **Ty Gerard Hermans as trustee for Sheeba Unit Trust**

## Subsequent Owners Registered

(The name in parentheses is that of the subsequent owner)

313652 ( **Amtrol Licensing Inc.** ) Amtrol Inc.  
313653 ( **Amtrol Licensing Inc.** ) Amtrol Inc.  
313654 ( **Amtrol Licensing Inc.** ) Amtrol Inc.  
305139 ( **NCI Holdings Pty Ltd** ) NCI Packaging Pty Ltd

**Corrigenda**

Number 315803

In Vol 21 , No 18 , page 10122 under the heading **Australian Registered Design**; (57) Statement of Newness and Distinctiveness should read: Those features of the front combination lamp for an automobile depicted in the representations that are new and distinctive are the shape and/or configuration. The lamp assembly housing is not part of the design and is to be disregarded when considering the overall impression of the design.

Number 316483

In Vol 21 , No 21 , page 10551 under the heading **Australian Registered Design**; (54) Product in respect of which the design is registered should read: The pivot set is an item of door hardware.

Number 316483

In Vol 21 , No 21 , page 10551 under the heading **Australian Registered Design**; (57) Statement of Newness and Distinctiveness should read: The new design is a development of designs previously registered by the same designer.

Number 312304

In Vol 21 , No 2 , page 8024 under the heading **Australian Registered Design**; (57) Statement of Newness and Distinctiveness should read: Those visual features of the chair depicted in the representations that are new and distinctive are the shape and/or configuration. The features of the bottom of the chair do not form part of the design and should be disregarded when considering the overall impression of the design.

**Certificate(s) of Examination**

Examination of the following Design Registration(s) has been completed. Infringement proceedings may now be commenced.

302857	25-02B	21/10/2007
304230	12-16K	16/10/2007
307525	29-02	19/10/2007
308458	06-01NES	23/10/2007
308466	12-15C	12/10/2007
308909	09-01G	18/10/2007
309923	07-01C	19/10/2007
311764	26-02	14/10/2007
312207	28-03NES	14/10/2007
312234	23-04	15/10/2007
312316	22-06	22/10/2007
312318	23-01G	12/10/2007
312543	07-01F	11/10/2007
312547	22-05	19/10/2007
312548	22-05	19/10/2007
312552	12-16B	21/10/2007
312729	13-03E	11/10/2007
312730	13-03E	11/10/2007
312731	13-03E	11/10/2007
312732	13-03E	11/10/2007
312733	13-03E	11/10/2007
312734	13-03E	11/10/2007
312735	13-03E	11/10/2007
312830	01-01	12/10/2007
312835	14-03E	19/10/2007
312949	14-03E	19/10/2007
312950	14-03E	19/10/2007
312989	14-03E	19/10/2007
312990	14-03E	19/10/2007
312991	28-03NES	23/10/2007
312992	28-03NES	23/10/2007
313013	12-02	23/10/2007
313029	02-04NES	23/10/2007
313066	07-04	14/10/2007
313067	07-04	14/10/2007
314721	15-05	16/10/2007

**Publication and Registration Proceedings**

**Designs Registered**

This section provides a concordance between design number and registration number of Designs covered in this journal. It also shows the main class and registration date.

This section covers Registration numbers 316555 to 316637 .

The registration number shown below should be used in all future correspondence.

<b>Design Number</b>	<b>Registration Number</b>	<b>International Classification Code (IDC)</b>	<b>Registration Date</b>	<b>Design Number</b>	<b>Registration Number</b>	<b>International Classification Code (IDC)</b>	<b>Registration Date</b>
11569/2006	316575	26-04	18/10/2007	19215/2007	316607	23-01H	23/10/2007
13221/2006	316579	08-08NES	23/10/2007	19216/2007	316608	23-01H	23/10/2007
16128/2007	316573	28-99	18/10/2007	19220/2007	316584	23-01F	23/10/2007
16140/2007	316574	28-99	18/10/2007	19221/2007	316609	03-01C	23/10/2007
16687/2007	316613	23-02NES	23/10/2007	19223/2007	316610	25-01K	23/10/2007
16803/2007	316614	15-02	23/10/2007	19224/2007	316585	25-01K	23/10/2007
17641/2007	316580	09-07NES	23/10/2007	19225/2007	316586	25-01K	23/10/2007
17918/2007	316566	23-01H	18/10/2007	19226/2007	316587	25-01K	23/10/2007
18022/2007	316562	02-02NES	18/10/2007	19228/2007	316588	14-01	23/10/2007
18023/2007	316563	02-02NES	18/10/2007	19229/2007	316589	14-01	23/10/2007
18081/2007	316578	12-16K	18/10/2007	19230/2007	316590	08-05N	23/10/2007
18135/2007	316581	12-06NES	23/10/2007	19246/2007	316591	12-10	23/10/2007
18137/2007	316582	12-06NES	23/10/2007	19247/2007	316592	12-10	23/10/2007
18255/2007	316565	09-03M	18/10/2007	19248/2007	316593	12-10	23/10/2007
18322/2007	316577	25-01K	18/10/2007	19249/2007	316594	12-10	23/10/2007
18563/2007	316564	24-02	18/10/2007	19253/2007	316595	14-02	23/10/2007
18597/2007	316598	30-04	23/10/2007	19254/2007	316596	09-03M	23/10/2007
18772/2007	316615	30-08	23/10/2007	19257/2007	316597	14-03A	23/10/2007
18833/2007	316558	06-04D	18/10/2007	19289/2007	316620	14-02	23/10/2007
18877/2007	316583	23-03A	23/10/2007	19290/2007	316621	26-05NES	23/10/2007
18929/2007	316559	12-10	18/10/2007	19299/2007	316622	21-02D	23/10/2007
19058/2007	316555	06-02	18/10/2007	19300/2007	316623	25-02NES	23/10/2007
19075/2007	316576	06-13NES	18/10/2007	19302/2007	316624	22-06	23/10/2007
19077/2007	316570	21-02C	18/10/2007	19303/2007	316625	08-05P	23/10/2007
19078/2007	316571	21-02C	18/10/2007	19305/2007	316626	07-02A	23/10/2007
19107/2007	316616	25-01F	23/10/2007	19306/2007	316627	07-02A	23/10/2007
19108/2007	316617	25-01F	23/10/2007	19307/2007	316628	19-02	23/10/2007
19109/2007	316618	25-01F	23/10/2007	19308/2007	316629	14-03E	23/10/2007
19149/2007	316619	21-02C	23/10/2007	19309/2007	316630	08-10	23/10/2007
19189/2007	316599	21-01L	23/10/2007	19310/2007	316631	08-10	23/10/2007
19190/2007	316600	22-05	23/10/2007	19312/2007	316632	25-01B	23/10/2007
19191/2007	316601	06-01L	23/10/2007	19313/2007	316633	25-01B	23/10/2007
19193/2007	316572	03-01A	18/10/2007	19314/2007	316634	08-08L	23/10/2007
19195/2007	316569	24-02	18/10/2007	19315/2007	316635	09-03NES	23/10/2007
19196/2007	316568	14-03NES	18/10/2007	19317/2007	316636	07-07A	23/10/2007
19197/2007	316567	06-04NES	18/10/2007	19319/2007	316637	09-07A	23/10/2007
19198/2007	316557	23-01G	18/10/2007	19549/2007	316561	04-01	18/10/2007
19199/2007	316556	12-08	18/10/2007	19550/2007	316560	04-01	18/10/2007
19202/2007	316602	07-02E	23/10/2007	20103/2007	316612	23-04	23/10/2007
19204/2007	316603	19-02	23/10/2007	20205/2007	316611	14-02	23/10/2007
19211/2007	316604	07-05NES	23/10/2007				
19212/2007	316605	12-02	23/10/2007				
19214/2007	316606	12-16B	23/10/2007				

**Publication and Registration Proceedings**  
**Class Listing of Designs Published or Registered**

The following section shows an International Classification Code listing of the Registered or Published Designs covered in this supplement.

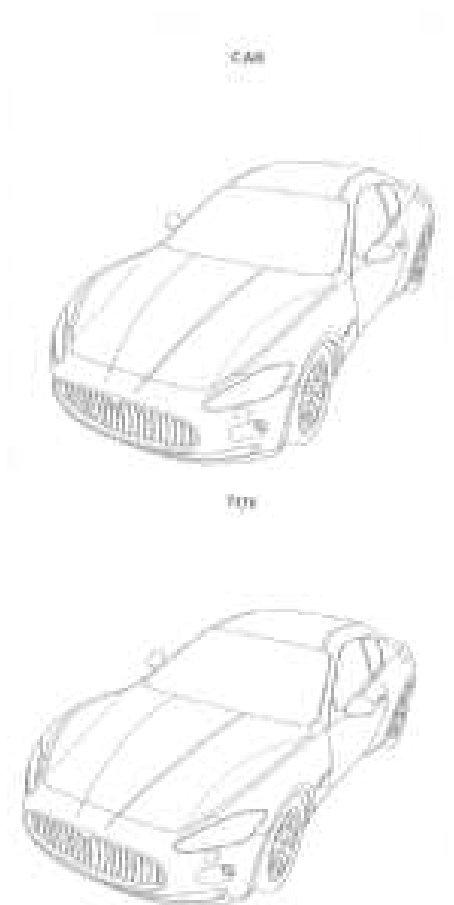
<b>Classification</b>	<b>Registration Number</b>	<b>Design Number</b>	<b>Classification</b>	<b>Registration Number</b>	<b>Design Number</b>
02-02 NES	316562	18022/2007	14-03 E	316589	19229/2007
02-02 NES	316563	18023/2007	14-03 E	316629	19308/2007
03-01 A	316572	19193/2007	14-03 NES	316568	19196/2007
03-01 C	316609	19221/2007	15-02	316614	16803/2007
04-01	316560	19550/2007	19-02	316603	19204/2007
04-01	316561	19549/2007	19-02	316628	19307/2007
06-01 L	316601	19191/2007	21-01 C	316556	19199/2007
06-02	316555	19058/2007	21-01 L	316599	19189/2007
06-03 NES	316602	19202/2007	21-02 C	316570	19077/2007
06-04 D	316558	18833/2007	21-02 C	316571	19078/2007
06-04 NES	316567	19197/2007	21-02 C	316619	19149/2007
06-13 NES	316576	19075/2007	21-02 D	316622	19299/2007
07-02 A	316626	19305/2007	22-05	316600	19190/2007
07-02 A	316627	19306/2007	22-06	316624	19302/2007
07-02 E	316602	19202/2007	23-01 F	316584	19220/2007
07-05 NES	316604	19211/2007	23-01 G	316557	19198/2007
07-07 A	316636	19317/2007	23-01 H	316566	17918/2007
08-05 N	316590	19230/2007	23-01 H	316607	19215/2007
08-05 P	316625	19303/2007	23-01 H	316608	19216/2007
08-08 L	316634	19314/2007	23-02 NES	316613	16687/2007
08-08 NES	316579	13221/2006	23-03 A	316583	18877/2007
08-10	316630	19309/2007	23-04	316612	20103/2007
08-10	316631	19310/2007	24-02	316564	18563/2007
09-03 M	316565	18255/2007	24-02	316569	19195/2007
09-03 M	316596	19254/2007	25-01 B	316632	19312/2007
09-03 NES	316635	19315/2007	25-01 B	316633	19313/2007
09-07 A	316637	19319/2007	25-01 F	316616	19107/2007
09-07 NES	316580	17641/2007	25-01 F	316617	19108/2007
12-02	316605	19212/2007	25-01 F	316618	19109/2007
12-06 NES	316581	18135/2007	25-01 K	316577	18322/2007
12-06 NES	316582	18137/2007	25-01 K	316585	19224/2007
12-08	316556	19199/2007	25-01 K	316586	19225/2007
12-10	316559	18929/2007	25-01 K	316587	19226/2007
12-10	316591	19246/2007	25-01 K	316610	19223/2007
12-10	316592	19247/2007	25-02 NES	316623	19300/2007
12-10	316593	19248/2007	25-04	316579	13221/2006
12-10	316594	19249/2007	26-04	316575	11569/2006
12-16 B	316606	19214/2007	26-05 NES	316621	19290/2007
12-16 K	316578	18081/2007	28-99	316573	16128/2007
14-01	316588	19228/2007	28-99	316574	16140/2007
14-01	316589	19229/2007	29-02	316579	13221/2006
14-02	316595	19253/2007	30-04	316598	18597/2007
14-02	316611	20205/2007	30-08	316615	18772/2007
14-02	316620	19289/2007			
14-03 A	316597	19257/2007			
14-03 E	316588	19228/2007			

- (21) Design Number: **19058/2007**
- (22) Date of Filing Application: **25 July 2007**
- (24) Date from which industrial property rights may have effect: **25 July 2007**
- (54) Product in respect of which the design is registered: **Royal princess carriage bed**
- (51) International Design Classification: **06-02**
- (71) Name(s) and Address(s) of Applicant(s):  
**Kimyee Furniture SDN BHD**  
**58A Jalan Parit Kangkong Bukit Pasir Batu Pahat Johor 83050**  
**Malaysia**
- (72) Name(s) of Designer(s): **Aw Gan Kian**
- (45) Registration Date: **18 October 2007**
- (56) Related Art Documents: **Not Applicable**
- (57) Statement of Newness and Distinctiveness: **Nil**



- (21) Design Number: **19199/2007**
- (22) Date of Filing Application: **03 August 2007**
- (24) Date from which industrial property rights may have effect: **03 August 2007**
- (54) Product in respect of which the design is registered: **Car and toy**
- (51) International Design Classification: **12-08, 21-01C**
- (71) Name(s) and Address(s) of Applicant(s):  
**Maserati S.p.A.**  
**Via Ciro Menotti 322 I-41100 Modena Italy**
- (72) Name(s) of Designer(s): **Andrea Pininfarina**
- (45) Registration Date: **18 October 2007**
- (30) Convention priority data:

(31) Number	(32) Date	(33) Country
<b>000670468</b>	<b>14 Feb 2007</b>	<b>EUROPEAN COMMUNITY</b>
- (56) Related Art Documents: **Not Applicable**
- (57) Statement of Newness and Distinctiveness: **Those features of the car and toy depicted in the representations that are new and distinctive are the shape and/or configuration.**





(21) Design Number: **19198/2007**

(22) Date of Filing Application: **03 August 2007**

(24) Date from which industrial property rights may have effect: **03 August 2007**

(54) Product in respect of which the design is registered: **Water tank filter screen**

(51) International Design Classification: **23-01G**

(71) Name(s) and Address(s) of Applicant(s):

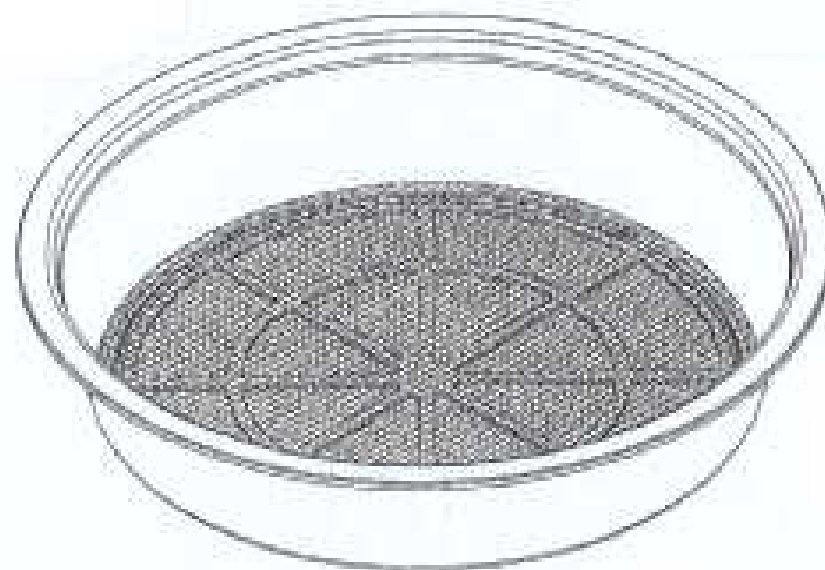
**Rotoquip (Proprietary) Limited**  
**4 Plantina Crescent New Era Springs 1560 Republic of South Africa**

(72) Name(s) of Designer(s): **Shaun Burchell**

(45) Registration Date: **18 October 2007**

(56) Related Art Documents: **Not Applicable**

(57) Statement of Newness and Distinctiveness: **Newness and distinctiveness is claimed in the features of shape and/or configuration of a water tank filter screen as illustrated in the accompanying representations.**



(21) Design Number: **18833/2007**

(22) Date of Filing Application: **12 July 2007**

(24) Date from which industrial property rights may have effect: **12 July 2007**

(54) Product in respect of which the design is registered: **Article of furniture**

(51) International Design Classification: **06-04D**

(71) Name(s) and Address(s) of Applicant(s):

**Islander Imports Pty Ltd**  
**177-181 Newton Road Wetherill Park New South Wales 2164 Australia**

(72) Name(s) of Designer(s): **Jim Godworth**

(45) Registration Date: **18 October 2007**

(56) Related Art Documents: **Not Applicable**

(57) Statement of Newness and Distinctiveness: **Nil**



- (21) Design Number: **18929/2007**
- (22) Date of Filing Application: **12 July 2007**
- (24) Date from which industrial property rights may have effect: **12 July 2007**
- (54) Product in respect of which the design is registered: **Interactive beer trailer with media centre**
- (51) International Design Classification: **12-10**
- (71) Name(s) and Address(s) of Applicant(s):

**Truckmania Pty Ltd**  
**Ground Floor 48 Chandos Street St Leonards New South Wales 2065**  
**Australia**

(72) Name(s) of Designer(s): **Peter Henry**

(45) Registration Date: **18 October 2007**

(56) Related Art Documents: **Not Applicable**

(57) Statement of Newness and Distinctiveness: **This is a multi purpose promotional unit that is self powered containing a serving bar and media centre. The unit has been designed so that the serving bar area and the media centre are separate. The serving bar area features a wooden bar that beer taps can be attached to. It also has a bar fridge opposite the serving bar on the interior of the trailer. Between the serving bar area and the nose cone is a safety fire wall allowing a keg system with gas canisters to be run safely from the nose cone area into the serving bar area. The media centre has been designed to enable interaction between the public and the equipment set-up in the media centre. This equipment consists of 2 x 42 inch LCD screens and 3 x laptops with internet access. Large shutters have been designed to open out from both the serving bar and the media centre and are designed to provide protection against adverse weather.**



- (21) Design Number: **19550/2007**
- (22) Date of Filing Application: **28 August 2007**
- (24) Date from which industrial property rights may have effect: **28 August 2007**
- (54) Product in respect of which the design is registered: **Mop Head**
- (51) International Design Classification: **04-01**
- (71) Name(s) and Address(s) of Applicant(s):

**Rubbermaid Commercial Products LLC**  
**3124 Valley Avenue Winchester Virginia 22601 United States of**  
**America**

(72) Name(s) of Designer(s): **Yin Ni Elaine Kong**

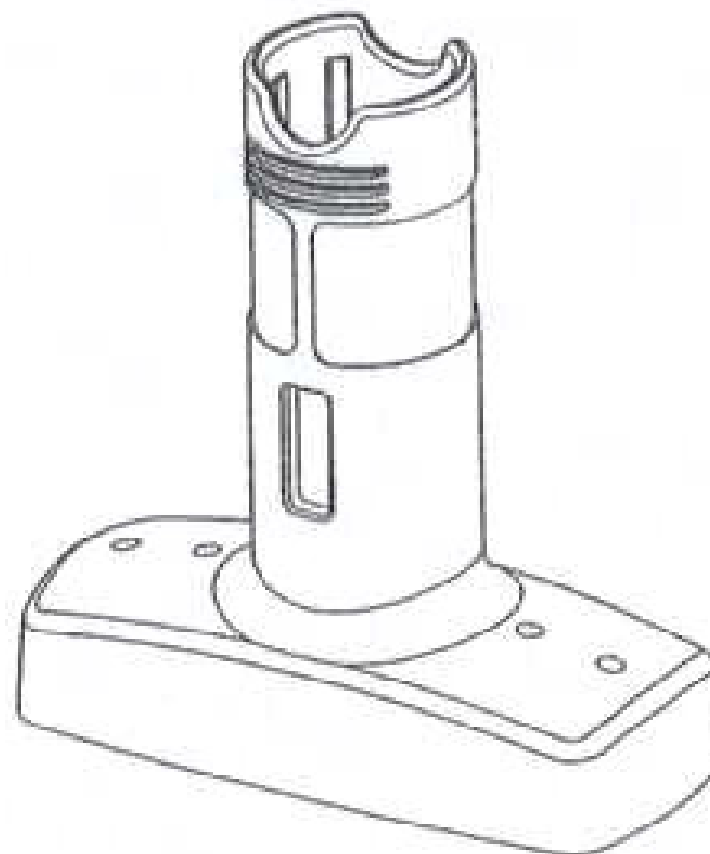
(45) Registration Date: **18 October 2007**

(30) Convention priority data:

(31) Number	(32) Date	(33) Country
<b>29/283932</b>	<b>27 Aug 2007</b>	<b>UNITED STATES OF AMERICA</b>

(56) Related Art Documents: **Not Applicable**

(57) Statement of Newness and Distinctiveness: **Newness and distinctiveness reside in the features of the design as shown in the representations.**



(21) Design Number: **19549/2007**

(22) Date of Filing Application: **28 August 2007**

(24) Date from which industrial property rights may have effect: **28 August 2007**

(54) Product in respect of which the design is registered: **Mop head**

(51) International Design Classification: **04-01**

(71) Name(s) and Address(s) of Applicant(s):

**Rubbermaid Commercial Products LLC  
3124 Valley Avenue Winchester Virginia 22601 United States of  
America**

(72) Name(s) of Designer(s): **Yin Ni Elaine Kong**

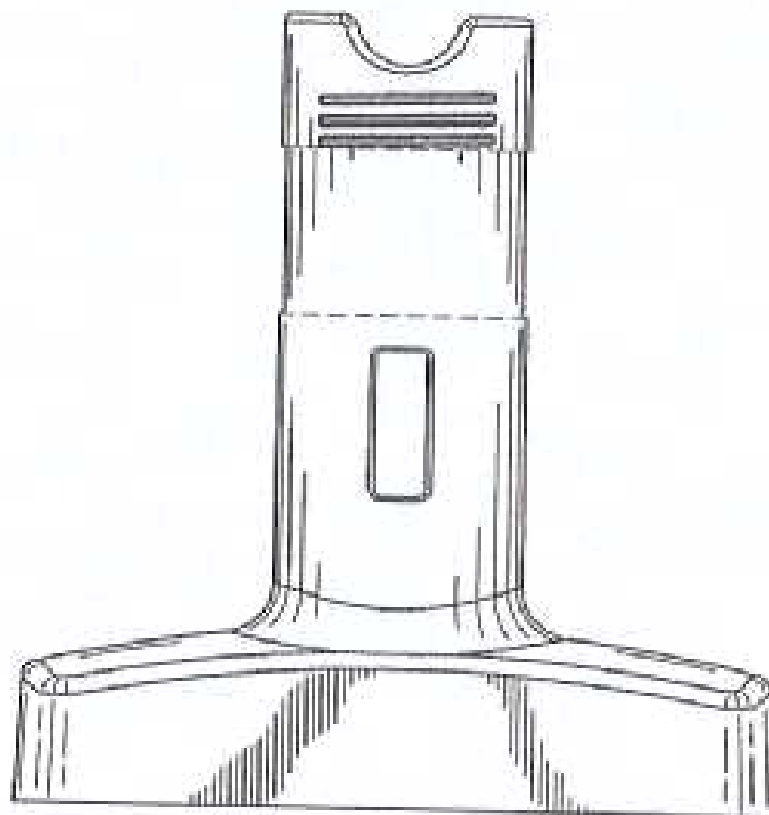
(45) Registration Date: **18 October 2007**

(30) Convention priority data:

(31) Number	(32) Date	(33) Country
<b>29/283932</b>	<b>27 Aug 2007</b>	<b>UNITED STATES OF AMERICA</b>

(56) Related Art Documents: **Not Applicable**

(57) Statement of Newness and Distinctiveness: **Newness and distinctiveness reside in the features of the design shown in solid lines in the representations excluding those features shown in broken lines.**



(21) Design Number: **18022/2007**

(22) Date of Filing Application: **21 May 2007**

(24) Date from which industrial property rights may have effect: **21 May 2007**

(54) Product in respect of which the design is registered: **A garment**

(51) International Design Classification: **02-02NES**

(71) Name(s) and Address(s) of Applicant(s):

**Katie-Lee Bright  
57 Shepherd Street Ryde New South Wales 2112 Australia**

(72) Name(s) of Designer(s): **Katie-Lee Bright**

(45) Registration Date: **18 October 2007**

(56) Related Art Documents: **Not Applicable**

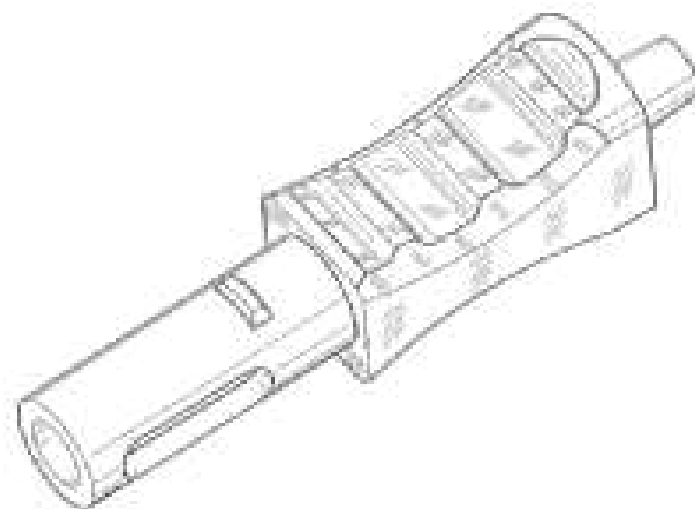
(57) Statement of Newness and Distinctiveness: **Newness and distinctiveness is claimed in the features of shape and/or configuration of a zipper on a front of a garment as illustrated in the accompanying representations.**



- (21) Design Number: **18023/2007**  
(22) Date of Filing Application: **21 May 2007**  
(24) Date from which industrial property rights may have effect: **21 May 2007**  
(54) Product in respect of which the design is registered: **A garment**  
(51) International Design Classification: **02-02NES**  
(71) Name(s) and Address(s) of Applicant(s):  
**Katie-Lee Bright**  
**57 Shepherd Street Ryde New South Wales 2112 Australia**  
(72) Name(s) of Designer(s): **Katie-Lee Bright**  
(45) Registration Date: **18 October 2007**  
(56) Related Art Documents: **Not Applicable**  
(57) Statement of Newness and Distinctiveness: **Newness and distinctiveness is claimed in the features of shape and/or configuration of a zipper on a front of a garment as illustrated in the accompanying representations.**



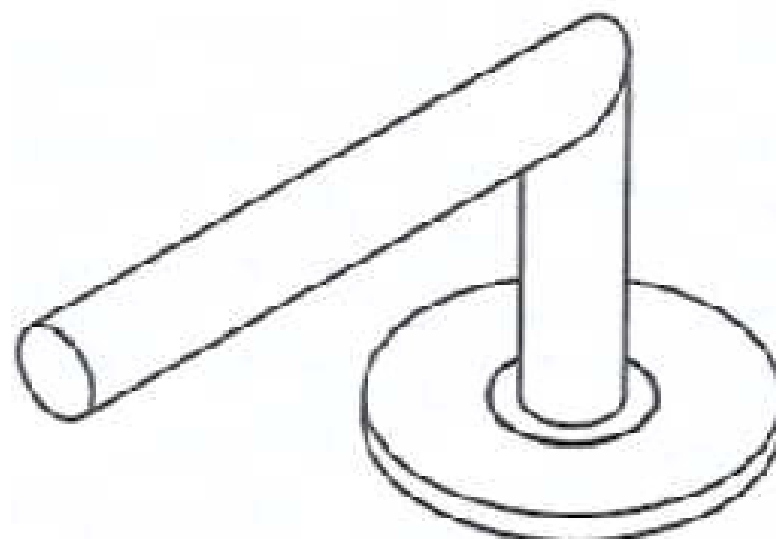
- (21) Design Number: **18563/2007**  
(22) Date of Filing Application: **22 June 2007**  
(24) Date from which industrial property rights may have effect: **22 June 2007**  
(54) Product in respect of which the design is registered: **Needle holder**  
(51) International Design Classification: **24-02**  
(71) Name(s) and Address(s) of Applicant(s):  
**Cum Suis BNT B.V.**  
**Dr. Molewaterplein 40 3015 GD Rotterdam Netherlands**  
(72) Name(s) of Designer(s): **Paulus Cornelius Helder and Rudolf Eduard Kraan and Mauritius Johannes Mathijs Maria Roost**  
(45) Registration Date: **18 October 2007**  
(30) Convention priority data:  
(31) Number      (32) Date      (33) Country  
**000703731-0001   10 Apr 2007      EUROPEAN COMMUNITY**  
(56) Related Art Documents: **Not Applicable**  
(57) Statement of Newness and Distinctiveness: **Newness and distinctiveness is claimed in the shape and/or configuration of a needle holder as shown in the accompanying representations.**



(21) Design Number: **18255/2007**  
(22) Date of Filing Application: **01 June 2007**  
(24) Date from which industrial property rights may have effect: **01 June 2007**  
(54) Product in respect of which the design is registered: **Box**  
(51) International Design Classification: **09-03M**  
(71) Name(s) and Address(s) of Applicant(s):  
**Nokia Corporation**  
**Keilalahdentie 4 FIN-02150 Espoo Finland**  
(72) Name(s) of Designer(s): **Petri Kaisanlahti and Kathy M. Knowles and Tammy Ching Yin Lo**  
(45) Registration Date: **18 October 2007**  
(30) Convention priority data:  
(31) Number      (32) Date      (33) Country  
**29250844      01 Dec 2006      UNITED STATES OF AMERICA**  
(56) Related Art Documents: **Not Applicable**  
(57) Statement of Newness and Distinctiveness: **Nil**



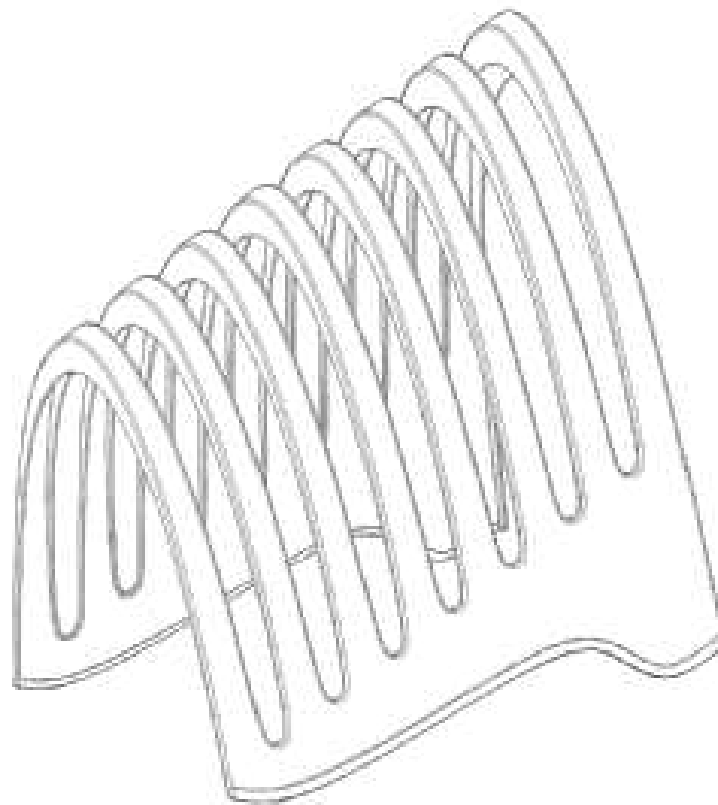
(21) Design Number: **17918/2007**  
(22) Date of Filing Application: **15 May 2007**  
(24) Date from which industrial property rights may have effect: **15 May 2007**  
(54) Product in respect of which the design is registered: **Tap**  
(51) International Design Classification: **23-01H**  
(71) Name(s) and Address(s) of Applicant(s):  
**Henry Feiner**  
**17 Edward Street Woollahra New South Wales 2025 Australia**  
(72) Name(s) of Designer(s): **Henry Feiner**  
(45) Registration Date: **18 October 2007**  
(56) Related Art Documents: **Not Applicable**  
(57) Statement of Newness and Distinctiveness: **Nil**



- (21) Design Number: **19197/2007**
- (22) Date of Filing Application: **03 August 2007**
- (24) Date from which industrial property rights may have effect: **03 August 2007**
- (54) Product in respect of which the design is registered: **File rack**
- (51) International Design Classification: **06-04NES**
- (71) Name(s) and Address(s) of Applicant(s):

**Acco Australia Pty Ltd**  
**The Lakes Business Park Level 2 8 Lord Street Botany New South**  
**Wales 2019 Australia**

- (72) Name(s) of Designer(s): **Adam Laws**
- (45) Registration Date: **18 October 2007**
- (56) Related Art Documents: **Not Applicable**
- (57) Statement of Newness and Distinctiveness: **Nil**

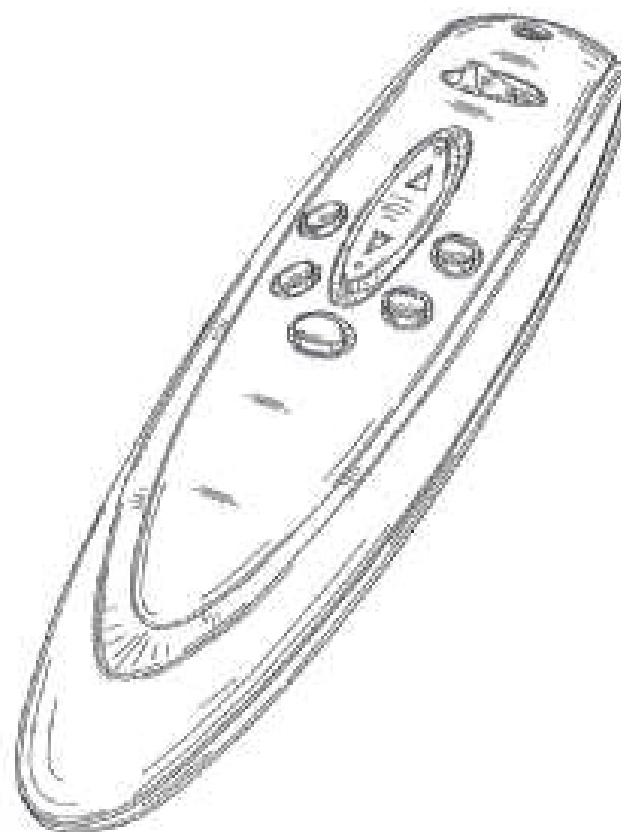


- (21) Design Number: **19196/2007**
- (22) Date of Filing Application: **03 August 2007**
- (24) Date from which industrial property rights may have effect: **03 August 2007**
- (54) Product in respect of which the design is registered: **Remote control for architectural coverings**
- (51) International Design Classification: **14-03NES**
- (71) Name(s) and Address(s) of Applicant(s):

**Hunter Douglas Inc.**  
**2 Park Way Upper Saddle River New Jersey 07458 United States of**  
**America**

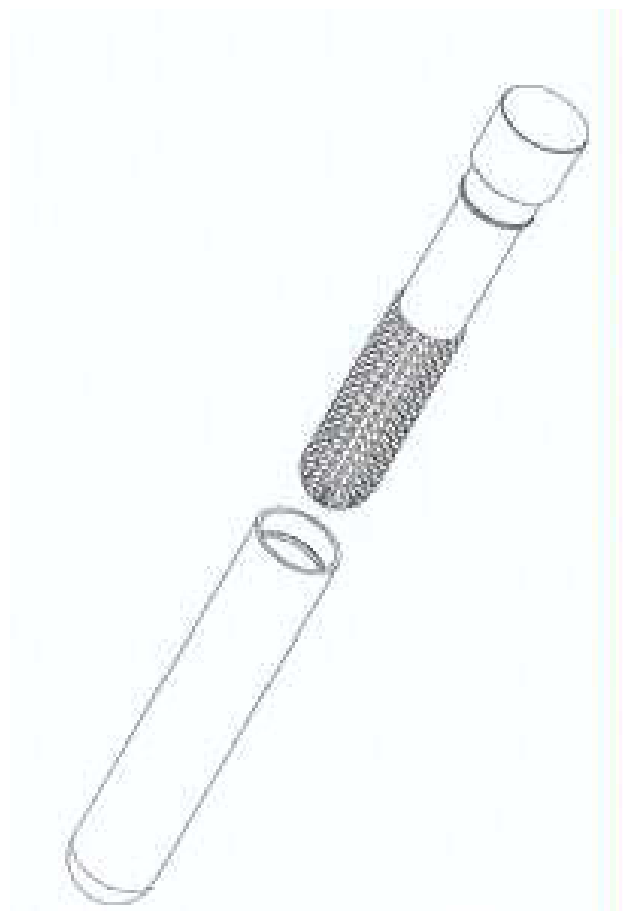
- (72) Name(s) of Designer(s): **Steffen Koury and Eric Nichols and Paul K. Metaxatos**
  - (45) Registration Date: **18 October 2007**
  - (30) Convention priority data:
- |                  |                    |                                 |
|------------------|--------------------|---------------------------------|
| (31) Number      | (32) Date          | (33) Country                    |
| <b>29/276778</b> | <b>05 Feb 2007</b> | <b>UNITED STATES OF AMERICA</b> |

- (56) Related Art Documents: **Not Applicable**
- (57) Statement of Newness and Distinctiveness: **Newness and distinctiveness resides in the shape and/or configuration of the remote control for architectural covering shown in the accompanying representations.**

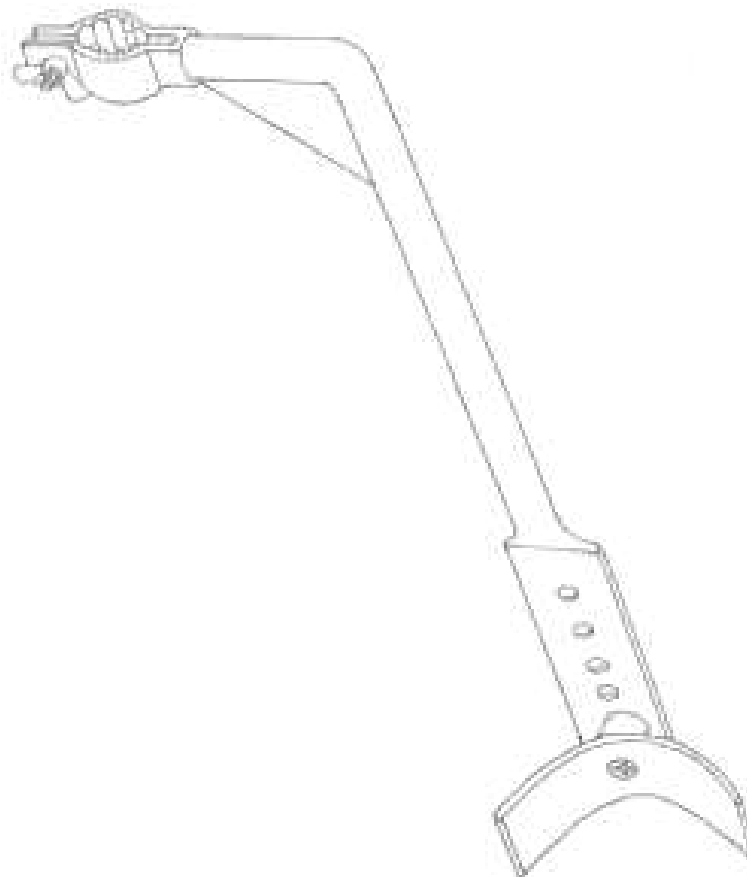




- (21) Design Number: **19195/2007**  
(22) Date of Filing Application: **03 August 2007**  
(24) Date from which industrial property rights may have effect: **03 August 2007**  
(54) Product in respect of which the design is registered: **Biological sampling device with cap**  
(51) International Design Classification: **24-02**  
(71) Name(s) and Address(s) of Applicant(s):  
**Polartechnics Limited**  
**Level 1 140 William Street Sydney New South Wales 2011 Australia**  
(72) Name(s) of Designer(s): **Kristine Leigh Riley**  
(45) Registration Date: **18 October 2007**  
(56) Related Art Documents: **Not Applicable**  
(57) Statement of Newness and Distinctiveness: **Newness and distinctiveness is claimed in the features of shape and/or configuration of the biological sampling device with cap as illustrated in the accompanying representations wherein particular consideration is to be had of the flocked portion of the sampling device.**



- (21) Design Number: **19077/2007**  
(22) Date of Filing Application: **26 July 2007**  
(24) Date from which industrial property rights may have effect: **26 July 2007**  
(54) Product in respect of which the design is registered: **Golf training device**  
(51) International Design Classification: **21-02C**  
(71) Name(s) and Address(s) of Applicant(s):  
**Kevin Paul Webster**  
**4 The Avenue Balaclava Victoria 3183 Australia**  
(72) Name(s) of Designer(s): **Kevin Paul Webster**  
(45) Registration Date: **18 October 2007**  
(56) Related Art Documents: **Not Applicable**  
(57) Statement of Newness and Distinctiveness: **The new features of the design are the shape and configuration of the proximal rectangular section and the forearm support.**



(21) Design Number: **19078/2007**

(22) Date of Filing Application: **26 July 2007**

(24) Date from which industrial property rights may have effect: **26 July 2007**

(54) Product in respect of which the design is registered: **Golf training device**

(51) International Design Classification: **21-02C**

(71) Name(s) and Address(s) of Applicant(s):

**Kevin Paul Webster**

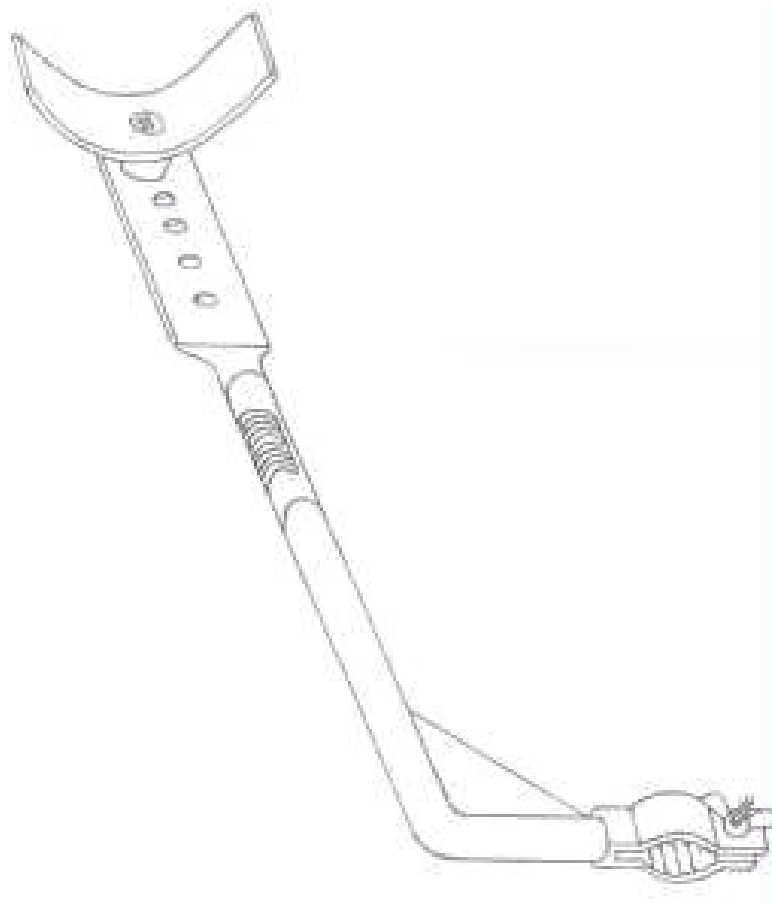
**4 The Avenue Balaclava Victoria 3183 Australia**

(72) Name(s) of Designer(s): **Kevin Paul Webster**

(45) Registration Date: **18 October 2007**

(56) Related Art Documents: **Not Applicable**

(57) Statement of Newness and Distinctiveness: **Design #2 has the addition of a rubber flex point. In all other ways it is the same as design #1.**



(21) Design Number: **19193/2007**

(22) Date of Filing Application: **03 August 2007**

(24) Date from which industrial property rights may have effect: **03 August 2007**

(54) Product in respect of which the design is registered: **Trolley bag**

(51) International Design Classification: **03-01A**

(71) Name(s) and Address(s) of Applicant(s):

**Cashmere Blazer Pty Ltd**

**6 Chelmsford Street Kensington Victoria 3031 Australia**

(72) Name(s) of Designer(s): **Stuart Neil Crumpler**

(45) Registration Date: **18 October 2007**

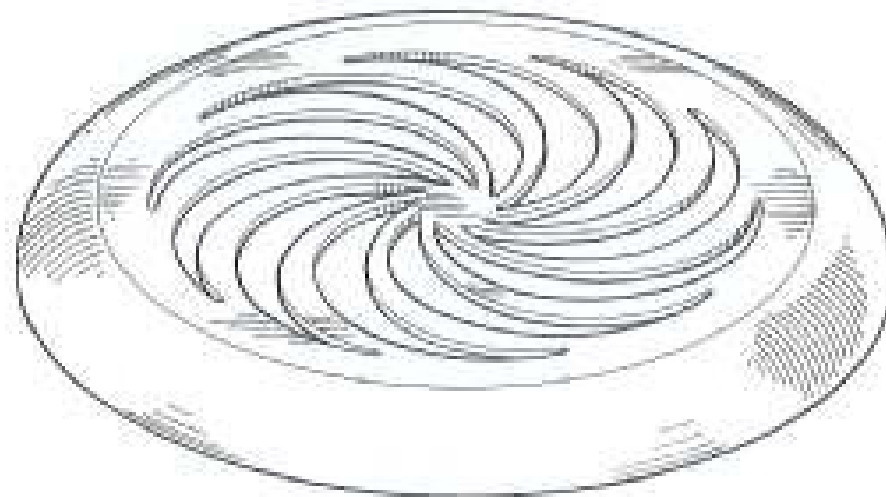
(56) Related Art Documents: **Not Applicable**

(57) Statement of Newness and Distinctiveness: **Nil**

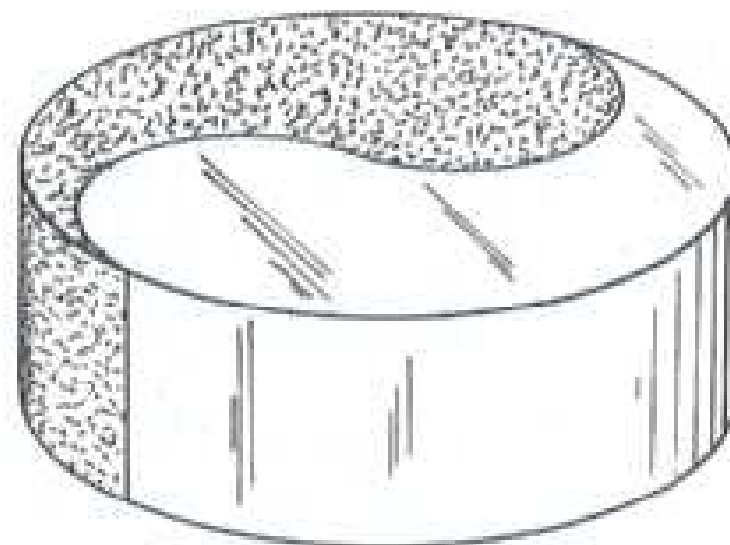




- (21) Design Number: **16128/2007**  
(22) Date of Filing Application: **24 January 2007**  
(24) Date from which industrial property rights may have effect: **24 January 2007**  
(54) Product in respect of which the design is registered: **Lid for air freshener/scent dispenser**  
(51) International Design Classification: **28-99**  
(71) Name(s) and Address(s) of Applicant(s):  
**Intellectual Property Development Corporation Pty Ltd  
Level 9 51 Queen Street Melbourne Victoria 3000 Australia**  
(72) Name(s) of Designer(s): **Philip Withers**  
(45) Registration Date: **18 October 2007**  
(56) Related Art Documents: **Not Applicable**  
(57) Statement of Newness and Distinctiveness: **Newness and distinctiveness are claimed in the features of shape and/or configuration of a lid for air freshener/scent dispenser, as illustrated in the accompanying representations. In considering the scope of the monopoly, the feature of the base shown in dotted lines should be excluded.**



- (21) Design Number: **16140/2007**  
(22) Date of Filing Application: **25 January 2007**  
(24) Date from which industrial property rights may have effect: **25 January 2007**  
(54) Product in respect of which the design is registered: **In-cistern toilet cleaner tablet**  
(51) International Design Classification: **28-99**  
(71) Name(s) and Address(s) of Applicant(s):  
**Intellectual Property Development Corporation Pty Ltd  
Level 9 51 Queen Street Melbourne Victoria 3000 Australia**  
(72) Name(s) of Designer(s): **Philip Withers**  
(45) Registration Date: **18 October 2007**  
(56) Related Art Documents: **Not Applicable**  
(57) Statement of Newness and Distinctiveness: **Newness and distinctiveness are claimed in the features of shape and/or configuration and pattern and/or ornamentation of an in-cistern toilet cleaner tablet, as illustrated in the accompanying representations.**



(21) Design Number: **11569/2006**

(22) Date of Filing Application: **18 April 2006**

(24) Date from which industrial property rights may have effect: **18 April 2006**

(54) Product in respect of which the design is registered: **Candles**

(51) International Design Classification: **26-04**

(71) Name(s) and Address(s) of Applicant(s):

**Rosanne Campbell**  
**PO Box 500N North Cairns Queensland 4870 Australia**

(72) Name(s) of Designer(s): **Jo Hardie**

(45) Registration Date: **18 October 2007**

(56) Related Art Documents: **Not Applicable**

(57) Statement of Newness and Distinctiveness: **Agate slices imbedded into the candles illuminate when candle is lit transferring the light through the agate.**



(21) Design Number: **19075/2007**

(22) Date of Filing Application: **26 July 2007**

(24) Date from which industrial property rights may have effect: **26 July 2007**

(54) Product in respect of which the design is registered: **Pram bags/liners**

(51) International Design Classification: **06-13NES**

(71) Name(s) and Address(s) of Applicant(s):

**Giusanna Investments Pty Ltd**  
**825 Kanumbra-Gobur Road Gobur Victoria 3719 Australia**

(72) Name(s) of Designer(s): **Deanna Sinopoli**

(45) Registration Date: **18 October 2007**

(56) Related Art Documents: **Not Applicable**

(57) Statement of Newness and Distinctiveness: **The design of the product is new and distinctive in that it incorporates the following features: Five reinforced harness strap holes customised to suit individual prams. Head rest converts into a hood, formed by press studs. Heavy duty zip down the front middle. Large pocket on the front (which can be on either the left side of right side). Utility strap (which can be on either the left side or right side). Novelty key tag in diamond shape attached to the zipper. Product is fleece-like in appearance.**



(21) Design Number: **18322/2007**

(22) Date of Filing Application: **07 June 2007**

(24) Date from which industrial property rights may have effect: **07 June 2007**

(54) Product in respect of which the design is registered: **Red dirt aero bar**

(51) International Design Classification: **25-01K**

(71) Name(s) and Address(s) of Applicant(s):

**Jaram Products Pty**

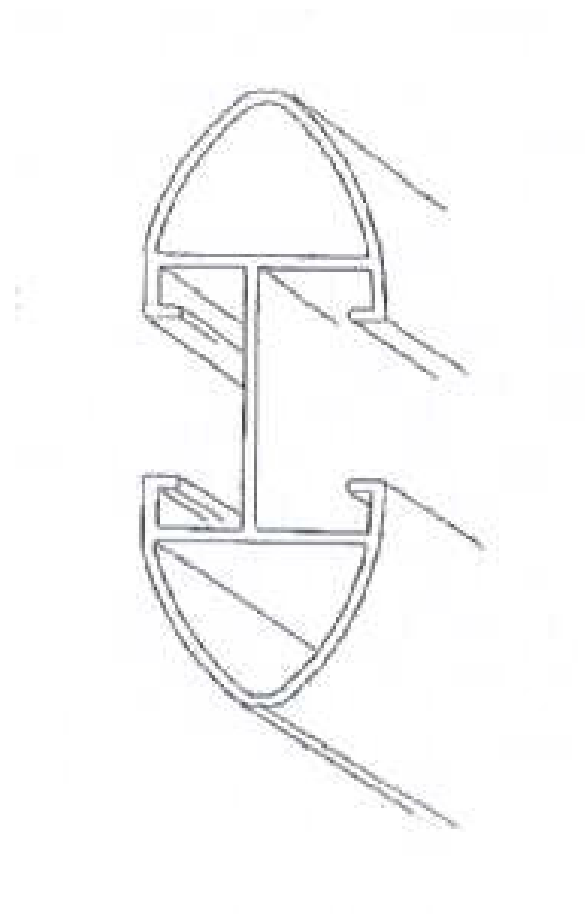
**12 Railway Parade Welshpool Western Australia 6106 Australia**

(72) Name(s) of Designer(s): **Jonathan Lloyd McEwen**

(45) Registration Date: **18 October 2007**

(56) Related Art Documents: **Not Applicable**

(57) Statement of Newness and Distinctiveness: **Nil**



(21) Design Number: **18081/2007**

(22) Date of Filing Application: **25 May 2007**

(24) Date from which industrial property rights may have effect: **25 May 2007**

(54) Product in respect of which the design is registered: **Vehicle roof top cargo racks**

(51) International Design Classification: **12-16K**

(71) Name(s) and Address(s) of Applicant(s):

**Stephen John Scott**

**679 West Plane Creek Road Sarina Queensland 4737 Australia**

(72) Name(s) of Designer(s): **Stephen John Scott**

(45) Registration Date: **18 October 2007**

(56) Related Art Documents: **Not Applicable**

(57) Statement of Newness and Distinctiveness: **Cargomaster has recessed steps that allow the trolley to travel along the guide rails without fouling on the rails.**



(21) Design Number: **13221/2006**

(22) Date of Filing Application: **25 July 2006**

(24) Date from which industrial property rights may have effect: **25 July 2006**

(54) Product in respect of which the design is registered: **Roof anchor**

(51) International Design Classification: **08-08NES, 25-04, 29-02**

(71) Name(s) and Address(s) of Applicant(s):

**Roland Stephen Voss**

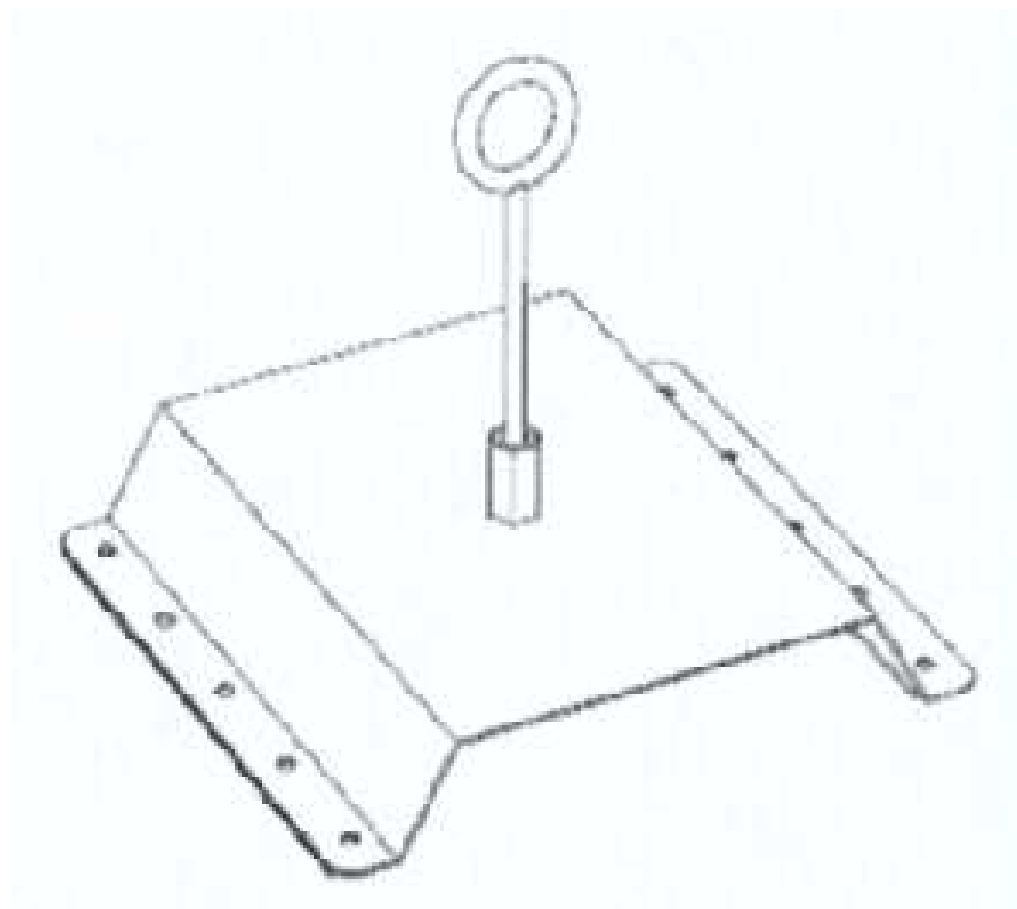
**40 Kalman Drive Boronia Victoria 3155 Australia**

(72) Name(s) of Designer(s): **Roland Stephen Voss**

(45) Registration Date: **23 October 2007**

(56) Related Art Documents: **Not Applicable**

(57) Statement of Newness and Distinctiveness: **Newness and distinctiveness is claimed in the features of shape and/or configuration of a roof anchor and its components for a roofing top mount plate, timber truss and/or mounting angle, as illustrated in the accompanying representations. No monopoly is claimed in respect of the actual roofing mount plate(s) or timber truss(s) shown in the representations.**



(21) Design Number: **17641/2007**

(22) Date of Filing Application: **27 April 2007**

(24) Date from which industrial property rights may have effect: **27 April 2007**

(54) Product in respect of which the design is registered: **Closure cap with insert**

(51) International Design Classification: **09-07NES**

(71) Name(s) and Address(s) of Applicant(s):

**Obrist Closures Switzerland GmbH**

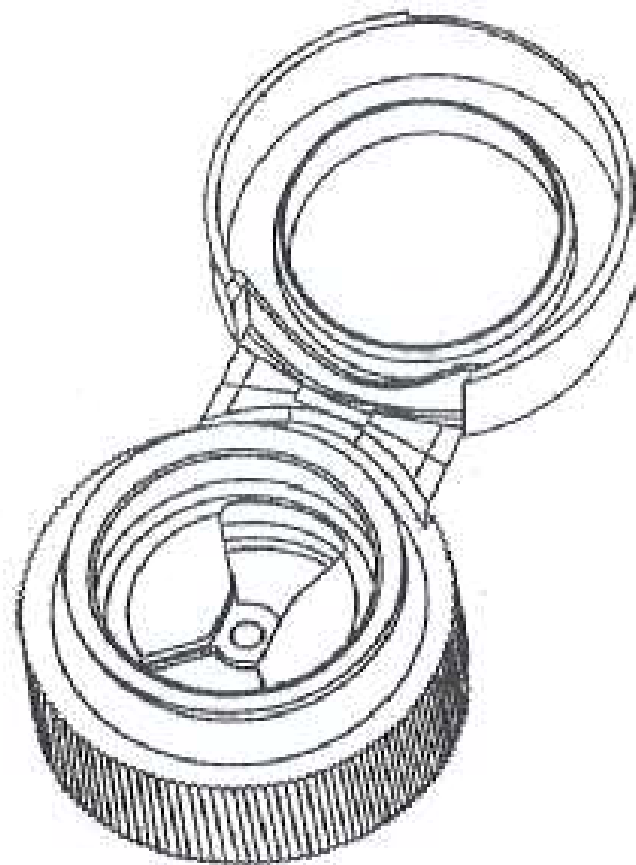
**Romerstrasse 83 CH-4153 Reinach Switzerland**

(72) Name(s) of Designer(s): **Eduardo Bonifacio and Antonio Gonzalez and Felip Jornet Grino**

(45) Registration Date: **23 October 2007**

(56) Related Art Documents: **Not Applicable**

(57) Statement of Newness and Distinctiveness: **Newness and distinctiveness reside in the shape and configuration of the design for a closure cap and insert as shown in the accompanying illustrations.**



(21) Design Number: **18135/2007**

(22) Date of Filing Application: **30 May 2007**

(24) Date from which industrial property rights may have effect: **30 May 2007**

(54) Product in respect of which the design is registered: **Seapen boat hull protector**

(51) International Design Classification: **12-06NES**

(71) Name(s) and Address(s) of Applicant(s):

**Allan William Barber**

**17 Corang Crescent Ferny Hills Queensland 4055 Australia**

(72) Name(s) of Designer(s): **Allan William Barber**

(45) Registration Date: **23 October 2007**

(56) Related Art Documents: **Not Applicable**

(57) Statement of Newness and Distinctiveness: **I have pioneered the development of a unique boat hull protector, the frame of which is the subject of this design application. It features a circumferential HDPE pipe frame, two or more pipe floats attached to the top and a discharge pipe at the bow. Previous design reg no 305188.**



(21) Design Number: **18137/2007**

(22) Date of Filing Application: **30 May 2007**

(24) Date from which industrial property rights may have effect: **30 May 2007**

(54) Product in respect of which the design is registered: **Seapen boat hull protector**

(51) International Design Classification: **12-06NES**

(71) Name(s) and Address(s) of Applicant(s):

**Allan William Barber**

**17 Corang Crescent Ferny Hills Queensland 4055 Australia**

(72) Name(s) of Designer(s): **Allan William Barber**

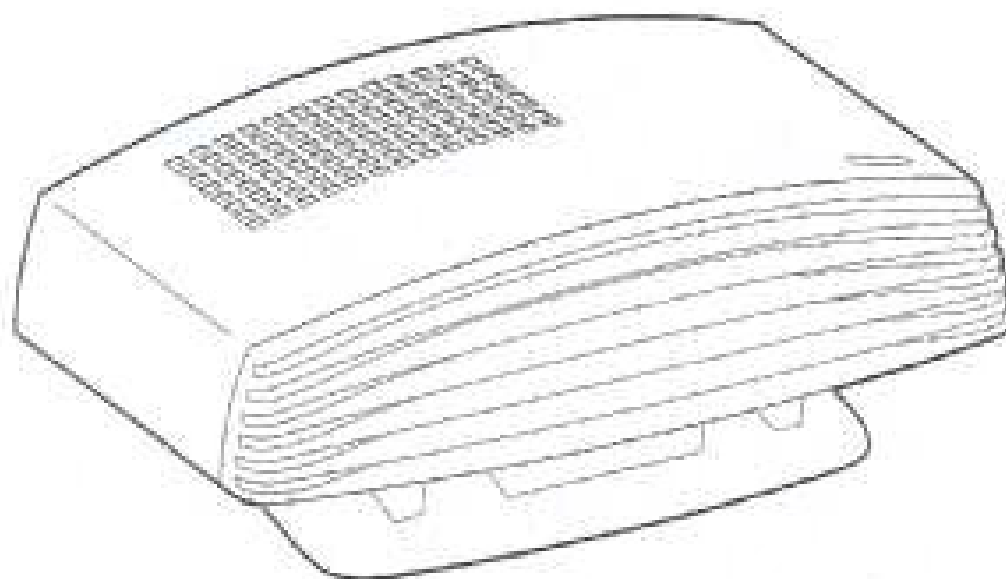
(45) Registration Date: **23 October 2007**

(56) Related Art Documents: **Not Applicable**

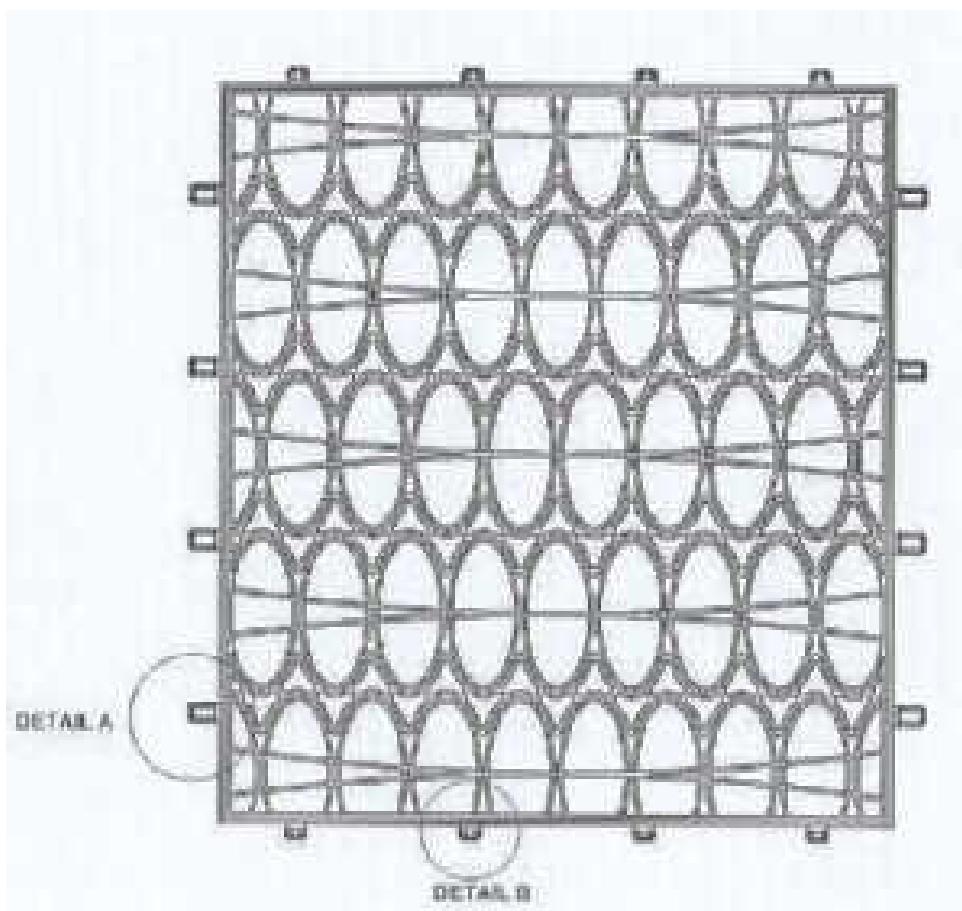
(57) Statement of Newness and Distinctiveness: **I have pioneered the development of a unique boat hull protector, the frame of which is the subject of this design application. It features a circumferential HDPE pipe frame with a moveable gate at the back controlled by a metal pipe lever.**



(21) Design Number: **18877/2007**  
(22) Date of Filing Application: **13 July 2007**  
(24) Date from which industrial property rights may have effect: **13 July 2007**  
(54) Product in respect of which the design is registered: **A heater**  
(51) International Design Classification: **23-03A**  
(71) Name(s) and Address(s) of Applicant(s):  
**OEM Marketing Services Limited**  
**Unit A 11F Cheung Lund Ind Bld 10 Cheung Yee Street Cheung Sha**  
**Wan Kowloon Hong Kong**  
(72) Name(s) of Designer(s): **Christopher James Woodward**  
(45) Registration Date: **23 October 2007**  
(30) Convention priority data:  
(31) Number (32) Date (33) Country  
**408560 15 Jan 2007 NEW ZEALAND**  
(56) Related Art Documents: **Not Applicable**  
(57) Statement of Newness and Distinctiveness: **Nil**



(21) Design Number: **19220/2007**  
(22) Date of Filing Application: **08 August 2007**  
(24) Date from which industrial property rights may have effect: **08 August 2007**  
(54) Product in respect of which the design is registered: **Fluid storage and dispersion tank underground internal tank panel**  
(51) International Design Classification: **23-01F**  
(71) Name(s) and Address(s) of Applicant(s):  
**Reshmaben Desai**  
**34 Ashcott Street Kings Langley New South Wales 2147 Australia**  
(72) Name(s) of Designer(s): **Reshma Desai**  
(45) Registration Date: **23 October 2007**  
(56) Related Art Documents: **Not Applicable**  
(57) Statement of Newness and Distinctiveness: **Each feature of the design considered separately or in combination with other feature or features. No uniqueness is claimed for peg's on the surface as stand alone.**





(21) Design Number: **19224/2007**

(22) Date of Filing Application: **07 August 2007**

(24) Date from which industrial property rights may have effect: **07 August 2007**

(54) Product in respect of which the design is registered: **A wall frame member**

(51) International Design Classification: **25-01K**

(71) Name(s) and Address(s) of Applicant(s):

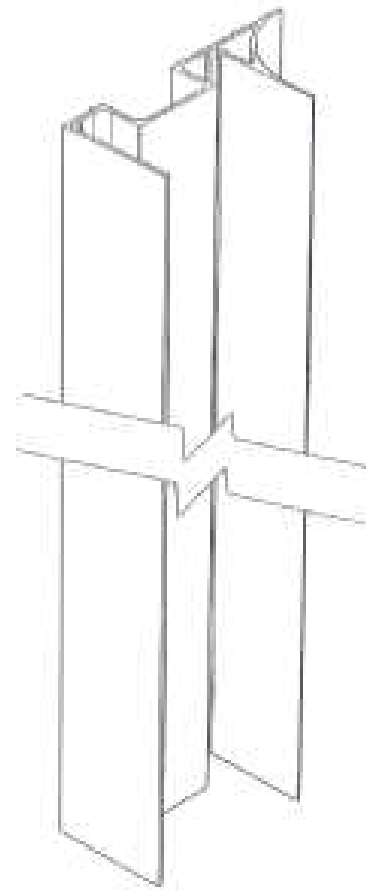
**Prodrome Designs Pty Ltd**  
**468 Stuart Highway Winnellie Northern Territory 0820 Australia**

(72) Name(s) of Designer(s): **Kelvin Chan**

(45) Registration Date: **23 October 2007**

(56) Related Art Documents: **Not Applicable**

(57) Statement of Newness and Distinctiveness: **Newness and distinctiveness resides in the shape and configuration of a wall frame member of indefinite length as shown in the accompanying representations.**



(21) Design Number: **19225/2007**

(22) Date of Filing Application: **07 August 2007**

(24) Date from which industrial property rights may have effect: **07 August 2007**

(54) Product in respect of which the design is registered: **A wall frame member**

(51) International Design Classification: **25-01K**

(71) Name(s) and Address(s) of Applicant(s):

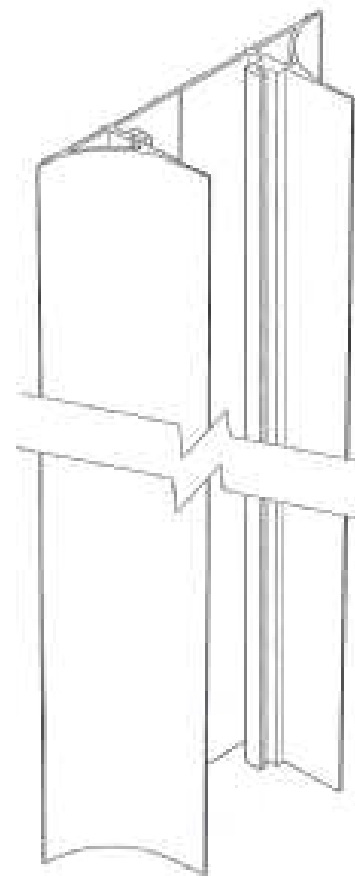
**Prodrome Designs Pty Ltd**  
**468 Stuart Highway Winnellie Northern Territory 0820 Australia**

(72) Name(s) of Designer(s): **Kelvin Chan**

(45) Registration Date: **23 October 2007**

(56) Related Art Documents: **Not Applicable**

(57) Statement of Newness and Distinctiveness: **Newness and distinctiveness resides in the shape and configuration of a wall frame member of indefinite length as shown in the accompanying representations.**



(21) Design Number: **19226/2007**

(22) Date of Filing Application: **07 August 2007**

(24) Date from which industrial property rights may have effect: **07 August 2007**

(54) Product in respect of which the design is registered: **A wall frame member**

(51) International Design Classification: **25-01K**

(71) Name(s) and Address(s) of Applicant(s):

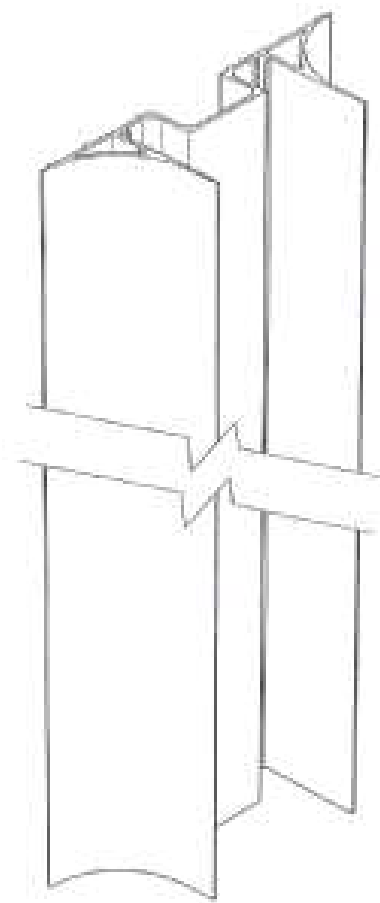
**Prodrome Designs Pty Ltd  
468 Stuart Highway Winnellie Northern Territory 0820 Australia**

(72) Name(s) of Designer(s): **Kelvin Chan**

(45) Registration Date: **23 October 2007**

(56) Related Art Documents: **Not Applicable**

(57) Statement of Newness and Distinctiveness: **Newness and distinctiveness resides in the shape and configuration of a wall frame member of indefinite length as shown in the accompanying representations.**



(21) Design Number: **19228/2007**

(22) Date of Filing Application: **07 August 2007**

(24) Date from which industrial property rights may have effect: **07 August 2007**

(54) Product in respect of which the design is registered: **Mobile/MP3 player**

(51) International Design Classification: **14-01, 14-03E**

(71) Name(s) and Address(s) of Applicant(s):

**Bang & Olufsen A/S  
Peter Bangs Vej 15 Postboks 40 7600 Struer Denmark**

(72) Name(s) of Designer(s): **David Lewis**

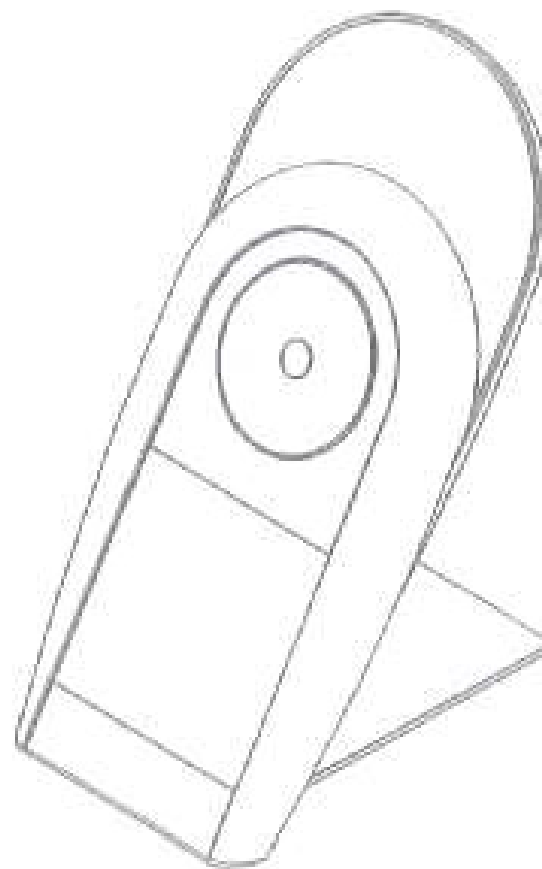
(45) Registration Date: **23 October 2007**

(30) Convention priority data:

(31) Number	(32) Date	(33) Country
<b>DA 2007 00032</b>	<b>09 Feb 2007</b>	<b>DENMARK</b>

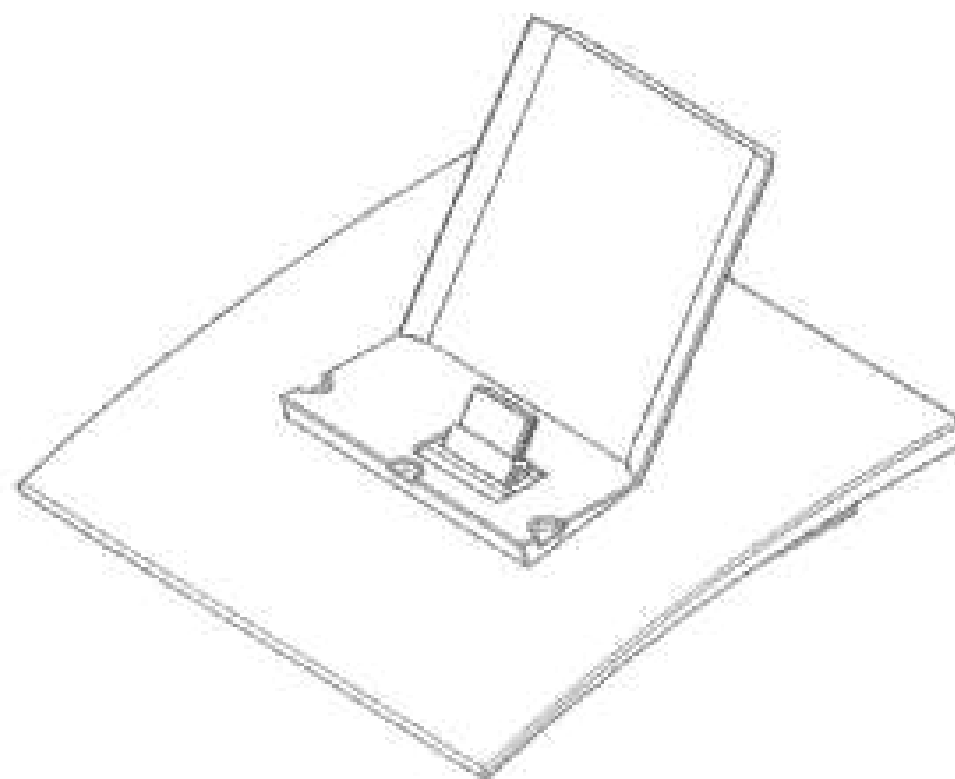
(56) Related Art Documents: **Not Applicable**

(57) Statement of Newness and Distinctiveness: **Nil**

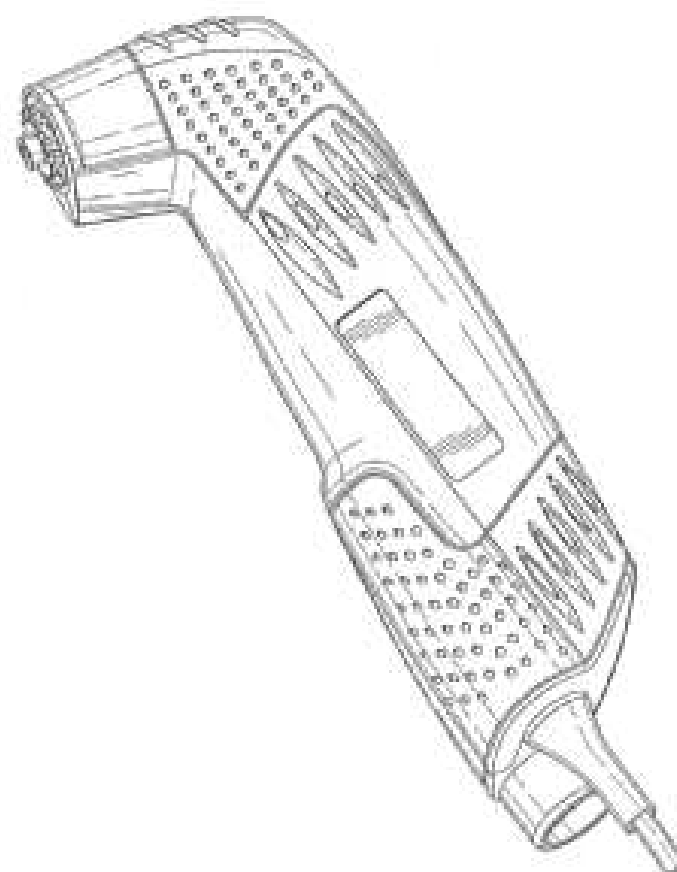




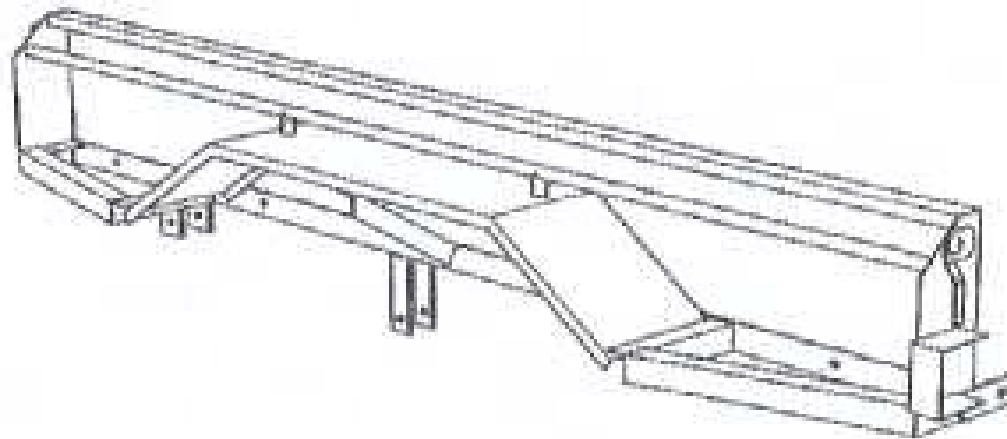
(21) Design Number: **19229/2007**  
(22) Date of Filing Application: **07 August 2007**  
(24) Date from which industrial property rights may have effect: **07 August 2007**  
(54) Product in respect of which the design is registered: **Charger for mobile/MP3 player**  
(51) International Design Classification: **14-01, 14-03E**  
(71) Name(s) and Address(s) of Applicant(s):  
**Bang & Olufsen A/S**  
**Peter Bangs Vej 15 Postboks 40 7600 Struer Denmark**  
(72) Name(s) of Designer(s): **David Lewis**  
(45) Registration Date: **23 October 2007**  
(30) Convention priority data:  
(31) Number (32) Date (33) Country  
**DA 2007 09 Feb 2007 DENMARK**  
**00032**  
(56) Related Art Documents: **Not Applicable**  
(57) Statement of Newness and Distinctiveness: **Nil**



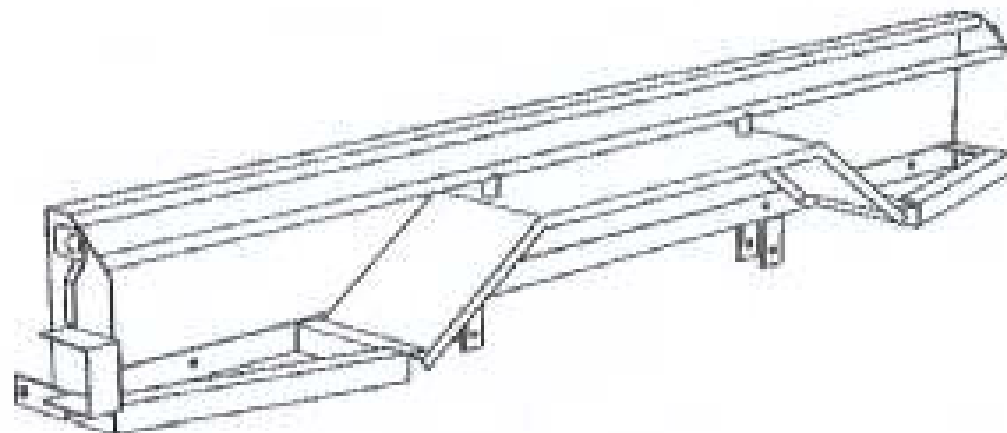
(21) Design Number: **19230/2007**  
(22) Date of Filing Application: **07 August 2007**  
(24) Date from which industrial property rights may have effect: **07 August 2007**  
(54) Product in respect of which the design is registered: **Multi-sander**  
(51) International Design Classification: **08-05N**  
(71) Name(s) and Address(s) of Applicant(s):  
**Robert Bosch GmbH**  
**Postfach 30 02 20 D-70442 Stuttgart Germany**  
(72) Name(s) of Designer(s): **Hans-Peter Aglassinger**  
(45) Registration Date: **23 October 2007**  
(30) Convention priority data:  
(31) Number (32) Date (33) Country  
**000723523 15 May 2007 EUROPEAN COMMUNITY**  
(56) Related Art Documents: **Not Applicable**  
(57) Statement of Newness and Distinctiveness: **Nil**



(21) Design Number: **19246/2007**  
(22) Date of Filing Application: **07 August 2007**  
(24) Date from which industrial property rights may have effect: **07 August 2007**  
(54) Product in respect of which the design is registered: **Trailer side panel (left)**  
(51) International Design Classification: **12-10**  
(71) Name(s) and Address(s) of Applicant(s):  
**Modern Trailers Pty Ltd**  
**12 Sherriffs Road Lonsdale South Australia 5160 Australia**  
(72) Name(s) of Designer(s): **Antonio Coluccio and Cosmo Coluccio**  
(45) Registration Date: **23 October 2007**  
(56) Related Art Documents: **Not Applicable**  
(57) Statement of Newness and Distinctiveness: **Nil**



(21) Design Number: **19247/2007**  
(22) Date of Filing Application: **07 August 2007**  
(24) Date from which industrial property rights may have effect: **07 August 2007**  
(54) Product in respect of which the design is registered: **Trailer side panel (right)**  
(51) International Design Classification: **12-10**  
(71) Name(s) and Address(s) of Applicant(s):  
**Modern Trailers Pty Ltd**  
**12 Sherriffs Road Lonsdale South Australia 5160 Australia**  
(72) Name(s) of Designer(s): **Antonio Coluccio and Cosmo Coluccio**  
(45) Registration Date: **23 October 2007**  
(56) Related Art Documents: **Not Applicable**  
(57) Statement of Newness and Distinctiveness: **Nil**



(21) Design Number: **19248/2007**

(22) Date of Filing Application: **07 August 2007**

(24) Date from which industrial property rights may have effect: **07 August 2007**

(54) Product in respect of which the design is registered: **Trailer side panel (left)**

(51) International Design Classification: **12-10**

(71) Name(s) and Address(s) of Applicant(s):

**Modern Trailers Pty Ltd**

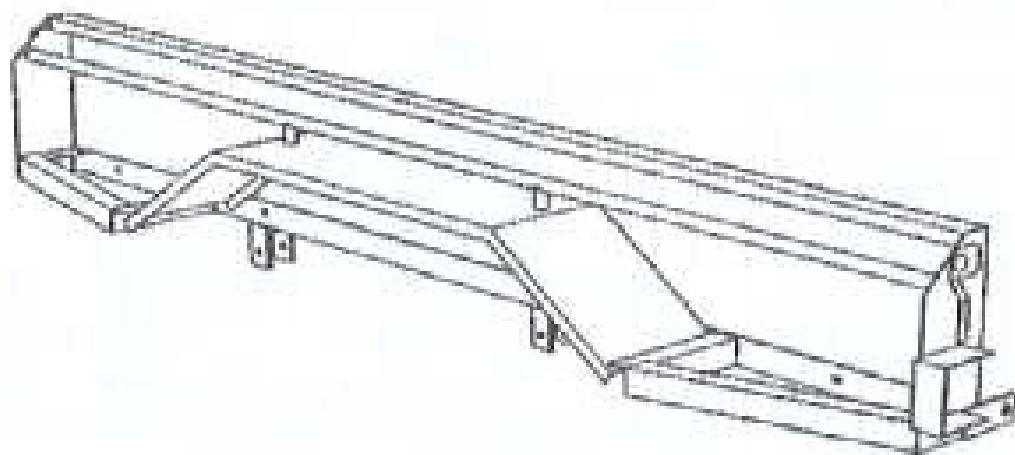
**12 Sherriffs Road Lonsdale South Australia 5160 Australia**

(72) Name(s) of Designer(s): **Antonio Coluccio and Cosmo Coluccio**

(45) Registration Date: **23 October 2007**

(56) Related Art Documents: **Not Applicable**

(57) Statement of Newness and Distinctiveness: **Nil**



(21) Design Number: **19249/2007**

(22) Date of Filing Application: **07 August 2007**

(24) Date from which industrial property rights may have effect: **07 August 2007**

(54) Product in respect of which the design is registered: **Trailer side panel (right)**

(51) International Design Classification: **12-10**

(71) Name(s) and Address(s) of Applicant(s):

**Modern Trailers Pty Ltd**

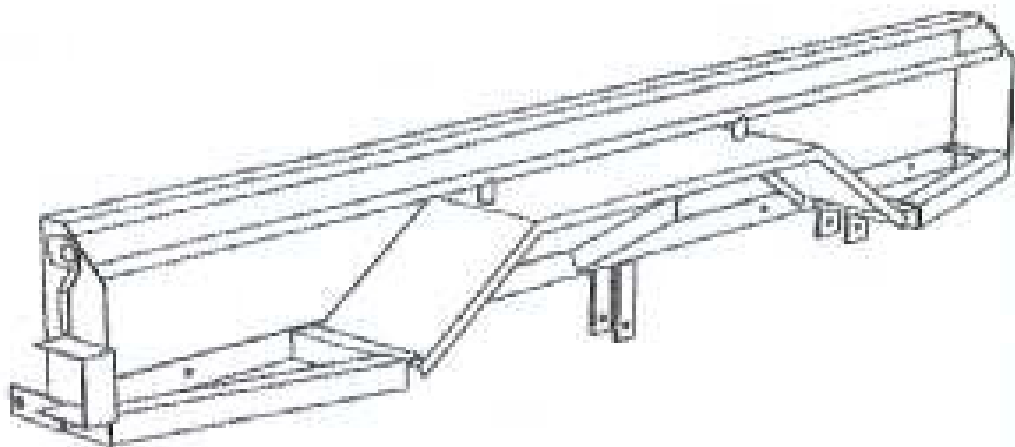
**12 Sherriffs Road Lonsdale South Australia 5160 Australia**

(72) Name(s) of Designer(s): **Antonio Coluccio and Cosmo Coluccio**

(45) Registration Date: **23 October 2007**

(56) Related Art Documents: **Not Applicable**

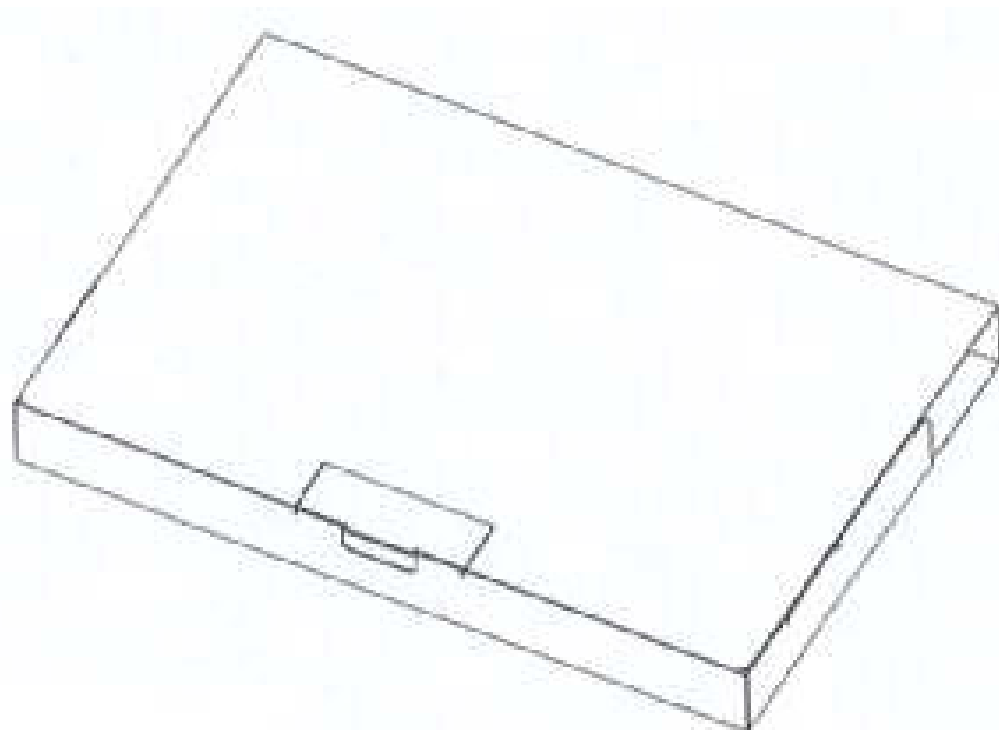
(57) Statement of Newness and Distinctiveness: **Nil**



- (21) Design Number: **19253/2007**  
(22) Date of Filing Application: **08 August 2007**  
(24) Date from which industrial property rights may have effect: **08 August 2007**  
(54) Product in respect of which the design is registered: **Computer network terminal**  
(51) International Design Classification: **14-02**  
(71) Name(s) and Address(s) of Applicant(s):  
**NComputing Co., Ltd.**  
**2nd Fl. Daeyoung Bldg. 1423-6 Gwanyang1-dong Dongan-gu**  
**Anyang-city Gyeonggi-do 431-807 Republic of Korea**  
(72) Name(s) of Designer(s): **Young Gil Song**  
(45) Registration Date: **23 October 2007**  
(30) Convention priority data:  
(31) Number (32) Date (33) Country  
**30-2007-0007359 16 Feb 2007 REPUBLIC OF KOREA**  
(56) Related Art Documents: **Not Applicable**  
(57) Statement of Newness and Distinctiveness: **Those features of the computer network terminal that are new and distinctive are the shape and/or configuration of the top and two sides of the product as shown in the perspective and top views attached to the representations. When considering the overall impression of the design, the features of the rear view (fig 3) and the right side view (fig 5) are to be disregarded.**



- (21) Design Number: **19254/2007**  
(22) Date of Filing Application: **08 August 2007**  
(24) Date from which industrial property rights may have effect: **08 August 2007**  
(54) Product in respect of which the design is registered: **Packaging**  
(51) International Design Classification: **09-03M**  
(71) Name(s) and Address(s) of Applicant(s):  
**Nokia Corporation**  
**Keilalahdentie 4 FIN-02150 Espoo Finland**  
(72) Name(s) of Designer(s): **Mika Mattila**  
(45) Registration Date: **23 October 2007**  
(30) Convention priority data:  
(31) Number (32) Date (33) Country  
**M20070032 09 Feb 2007 FINLAND**  
(56) Related Art Documents: **Not Applicable**  
(57) Statement of Newness and Distinctiveness: **Nil**



(21) Design Number: **19257/2007**  
(22) Date of Filing Application: **08 August 2007**  
(24) Date from which industrial property rights may have effect: **08 August 2007**  
(54) Product in respect of which the design is registered: **A holder**  
(51) International Design Classification: **14-03A**  
(71) Name(s) and Address(s) of Applicant(s):

**Nokia Corporation**  
**Keilalahdentie 4 FIN-02150 Espoo Finland**

(72) Name(s) of Designer(s): **Jan Kettula**

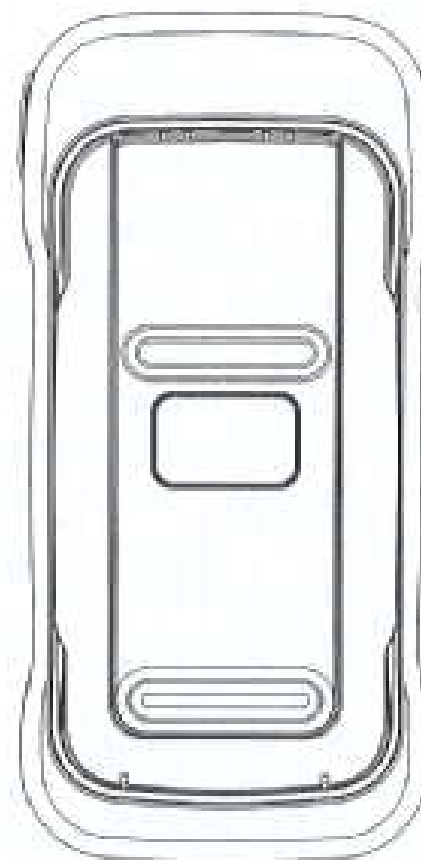
(45) Registration Date: **23 October 2007**

(30) Convention priority data:

(31) Number	(32) Date	(33) Country
<b>M20070033</b>	<b>09 Feb 2007</b>	<b>FINLAND</b>

(56) Related Art Documents: **Not Applicable**

(57) Statement of Newness and Distinctiveness: **Nil**



(21) Design Number: **18597/2007**  
(22) Date of Filing Application: **27 June 2007**  
(24) Date from which industrial property rights may have effect: **27 June 2007**  
(54) Product in respect of which the design is registered: **A saddle tree**  
(51) International Design Classification: **30-04**  
(71) Name(s) and Address(s) of Applicant(s):

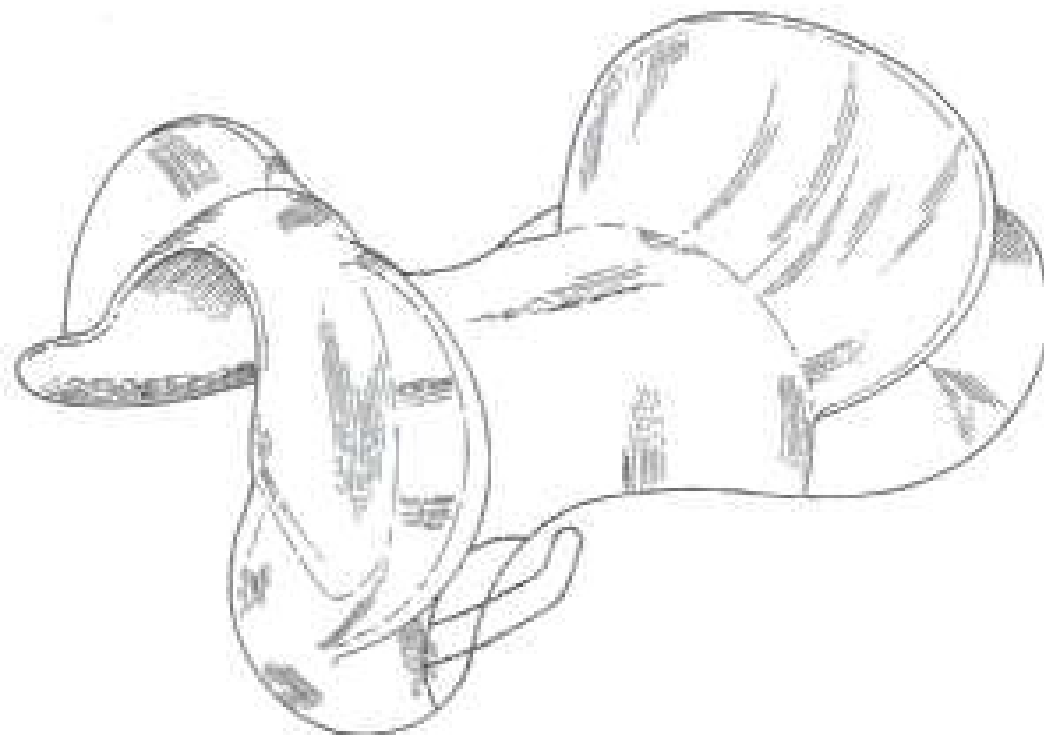
**John Christopher Brophy**  
**PO Box 82 Dayboro Queensland 4521 Australia**

(72) Name(s) of Designer(s): **John Christopher Brophy**

(45) Registration Date: **23 October 2007**

(56) Related Art Documents: **Not Applicable**

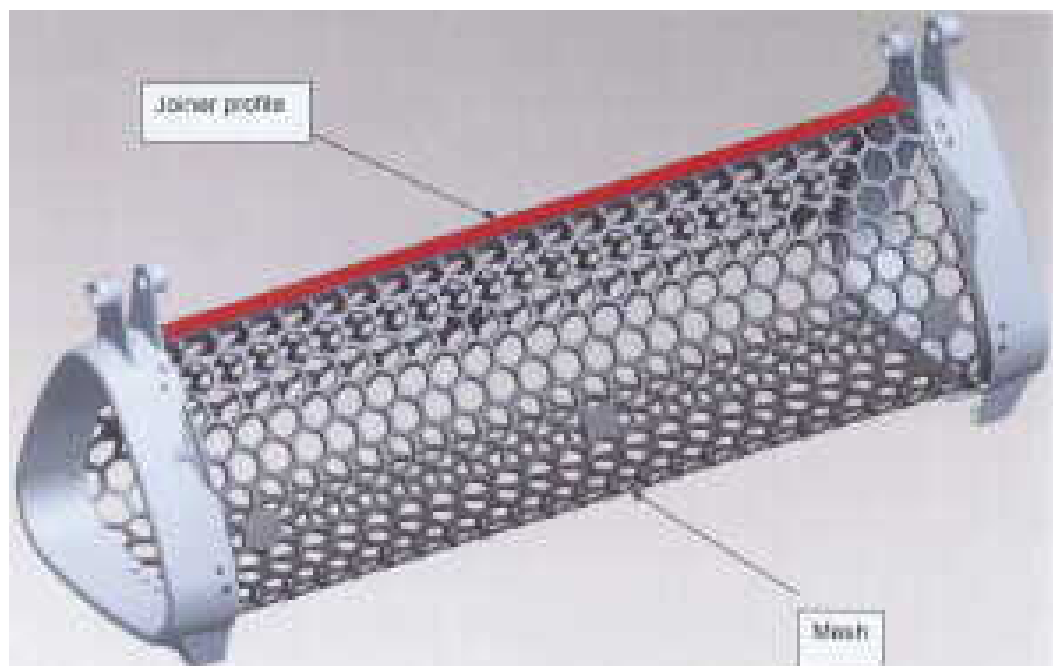
(57) Statement of Newness and Distinctiveness: **Nil**



- (21) Design Number: **19189/2007**  
(22) Date of Filing Application: **06 August 2007**  
(24) Date from which industrial property rights may have effect: **06 August 2007**  
(54) Product in respect of which the design is registered: **This design is to be applied to board games**  
(51) International Design Classification: **21-01L**  
(71) Name(s) and Address(s) of Applicant(s):  
**P. Davenport**  
**8 Russell Street Riverwood New South Wales 2210 Australia**  
**R. Matson**  
**8 Russell Street Riverwood New South Wales 2210 Australia**  
(72) Name(s) of Designer(s): **P. Davenport and R. Matson**  
(45) Registration Date: **23 October 2007**  
(56) Related Art Documents: **Not Applicable**  
(57) Statement of Newness and Distinctiveness: **Nil**



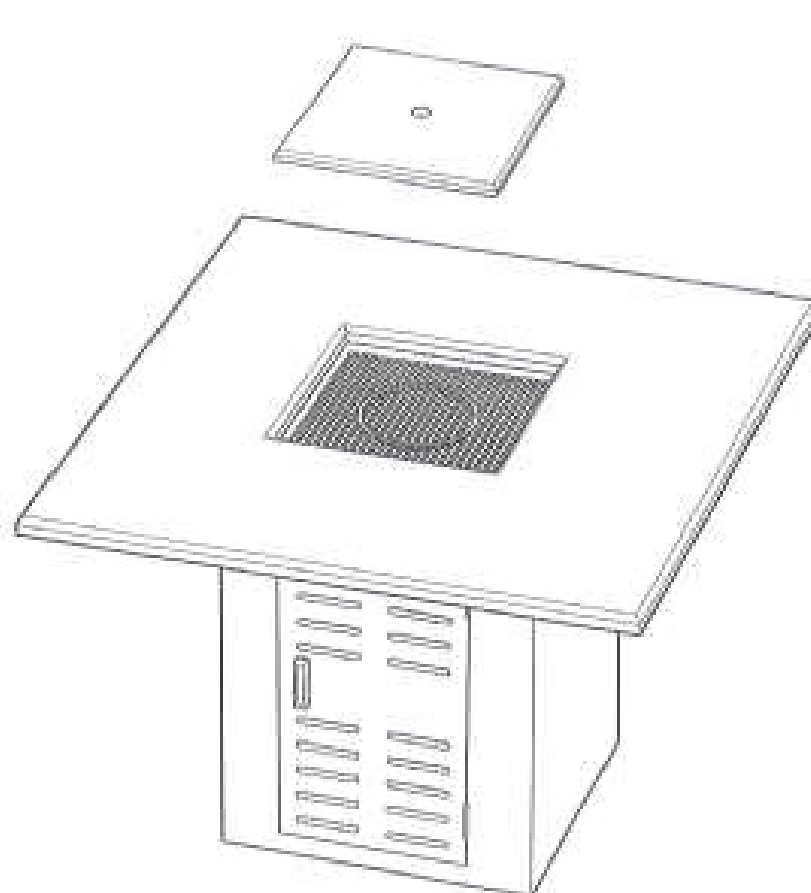
- (21) Design Number: **19190/2007**  
(22) Date of Filing Application: **06 August 2007**  
(24) Date from which industrial property rights may have effect: **06 August 2007**  
(54) Product in respect of which the design is registered: **Components to form a basket used in the aquaculture industry. Typically used for cultivating edible table**  
(51) International Design Classification: **22-05**  
(71) Name(s) and Address(s) of Applicant(s):  
**BST Oyster Supplies Pty Ltd**  
**22 Oyster Drive Cowell South Australia 5602 Australia**  
(72) Name(s) of Designer(s): **Andrew Kumnick and Andrew Whittaker and Giles McDonald**  
(45) Registration Date: **23 October 2007**  
(56) Related Art Documents: **Not Applicable**  
(57) Statement of Newness and Distinctiveness: **Following images showing the mesh and joiner profile configuration which is used in conjunction with the end caps but this design registration does not include the end caps. Mesh is formed flat then folded to form a tube connected by the joining profile. Holes are typically a honeycomb in shape and patterned in an even array. Holes come in various sizes.**



- (21) Design Number: **19191/2007**  
(22) Date of Filing Application: **06 August 2007**  
(24) Date from which industrial property rights may have effect: **06 August 2007**  
(54) Product in respect of which the design is registered: **Indoor-outdoor sling chair**  
(51) International Design Classification: **06-01L**  
(71) Name(s) and Address(s) of Applicant(s):  
**Liam O'Brien**  
**71 Dolans Road Cronulla New South Wales 2230 Australia**  
(72) Name(s) of Designer(s): **Liam O'Brien**  
(45) Registration Date: **23 October 2007**  
(56) Related Art Documents: **Not Applicable**  
(57) Statement of Newness and Distinctiveness: **The combination aesthetic of timber and tubular stainless steel frame due to being rebate joined together. Three legged symmetrical shape of chair.**



- (21) Design Number: **19202/2007**  
(22) Date of Filing Application: **03 August 2007**  
(24) Date from which industrial property rights may have effect: **03 August 2007**  
(54) Product in respect of which the design is registered: **Combined BBQ table setting**  
(51) International Design Classification: **07-02E, 06-03NES**  
(71) Name(s) and Address(s) of Applicant(s):  
**Zagreb Investments Pty Ltd**  
**Lot 94 Ridge Road Woodside South Australia 5244 Australia**  
(72) Name(s) of Designer(s): **Stephen Zagar**  
(45) Registration Date: **23 October 2007**  
(56) Related Art Documents: **Not Applicable**  
(57) Statement of Newness and Distinctiveness: **Newness and distinctiveness is claimed in the features of shape and/or configuration of a combined BBQ table setting as illustrated in the accompanying representations.**





(21) Design Number: **19204/2007**

(22) Date of Filing Application: **06 August 2007**

(24) Date from which industrial property rights may have effect: **06 August 2007**

(54) Product in respect of which the design is registered: **Stamp**

(51) International Design Classification: **19-02**

(71) Name(s) and Address(s) of Applicant(s):

**Shachihata Inc**

**No. 69 4-chome Amazuka-cho Nishi-ku Nagoya Aichi 451-0021 Japan**

(72) Name(s) of Designer(s): **Muneya Hanazato**

(45) Registration Date: **23 October 2007**

(30) Convention priority data:

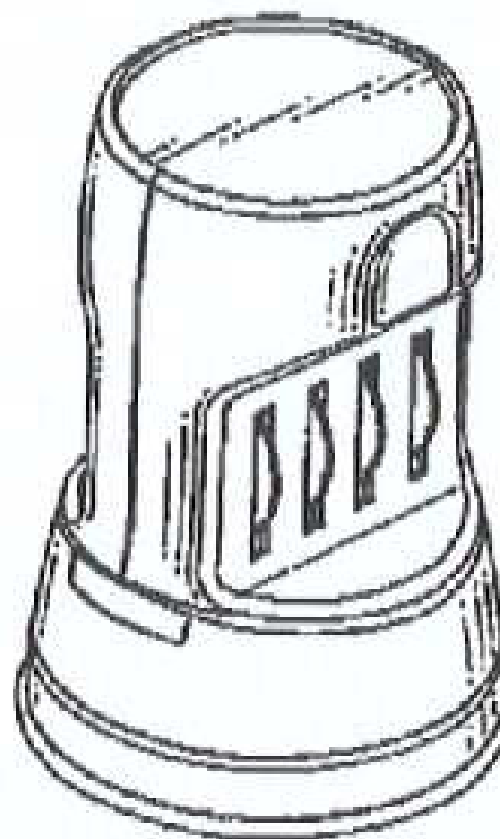
(31) Number  
**2007-002679**

(32) Date  
**06 Feb 2007**

(33) Country  
**JAPAN**

(56) Related Art Documents: **Not Applicable**

(57) Statement of Newness and Distinctiveness: **Nil**



(21) Design Number: **19211/2007**

(22) Date of Filing Application: **07 August 2007**

(24) Date from which industrial property rights may have effect: **07 August 2007**

(54) Product in respect of which the design is registered: **A head of a hand-held cleaning/scouring implement**

(51) International Design Classification: **07-05NES**

(71) Name(s) and Address(s) of Applicant(s):

**Easy-Do Products Ltd**

**Unitec House 2 Albert Place Finchley London N3 1QB England**

(72) Name(s) of Designer(s): **Matthew Higham**

(45) Registration Date: **23 October 2007**

(30) Convention priority data:

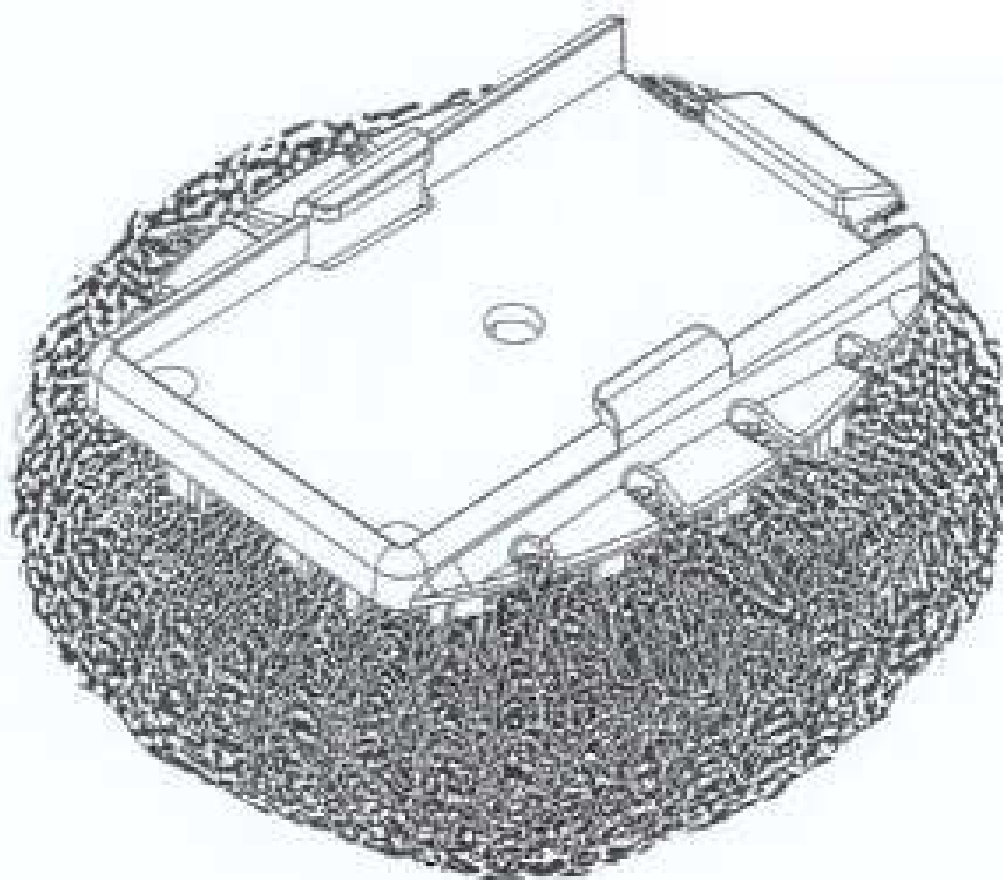
(31) Number  
**4002483**

(32) Date  
**21 Apr 2007**

(33) Country  
**UNITED KINGDOM**

(56) Related Art Documents: **Not Applicable**

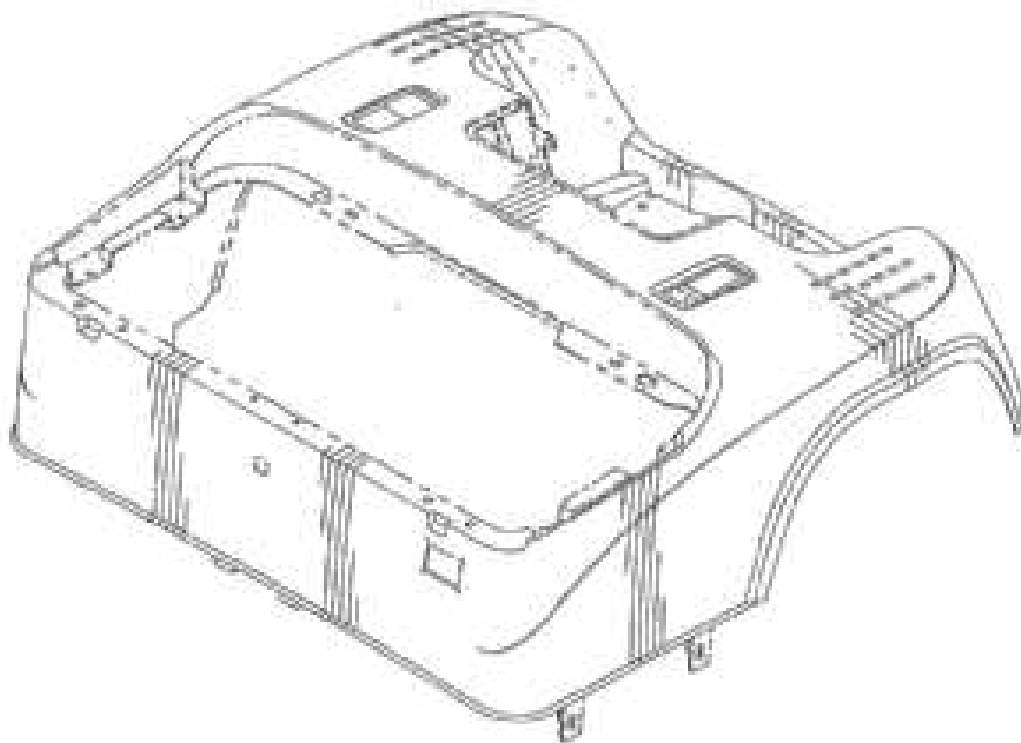
(57) Statement of Newness and Distinctiveness: **Newness and distinctiveness are claimed in the features of shape and or configuration of a hand-held cleaning/scouring implement.**





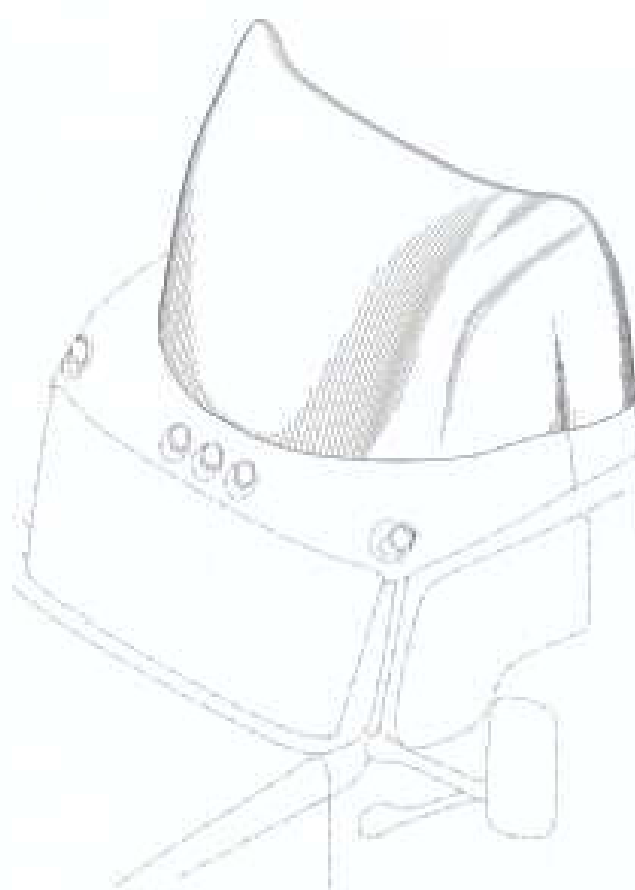
- (21) Design Number: **19212/2007**
- (22) Date of Filing Application: **06 August 2007**
- (24) Date from which industrial property rights may have effect: **06 August 2007**
- (54) Product in respect of which the design is registered: **Rear body of a golf car**
- (51) International Design Classification: **12-02**
- (71) Name(s) and Address(s) of Applicant(s):  
**Textron Inc.**  
**40 Westminster Street Providence Rhode Island 02903 United States of America**
- (72) Name(s) of Designer(s): **Anthony R. Rossello and Jennifer Schroer and Donald S. Hanson Jr. and Bradley J. Hanson**
- (45) Registration Date: **23 October 2007**
- (30) Convention priority data:  

(31) Number	(32) Date	(33) Country
<b>29/276919</b>	<b>09 Feb 2007</b>	<b>UNITED STATES OF AMERICA</b>
- (56) Related Art Documents: **Not Applicable**
- (57) Statement of Newness and Distinctiveness: **Newness and distinctiveness is claimed in the visual features shown in solid lines in the representations. The lines shown in phantom do not form part of the design.**

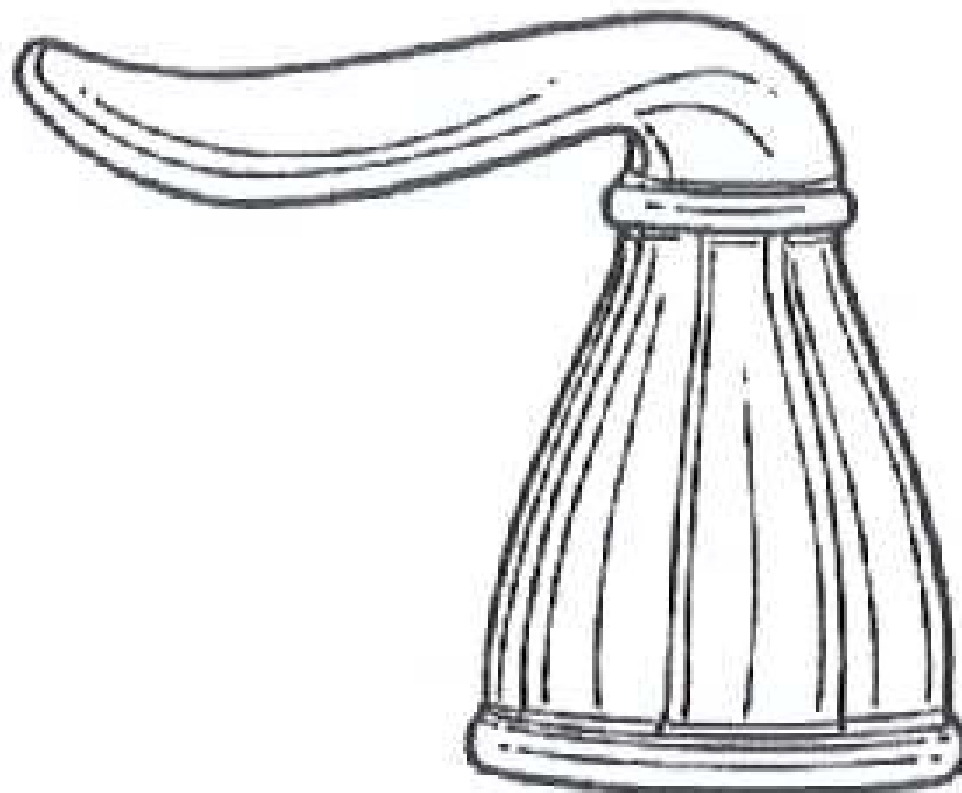


- (21) Design Number: **19214/2007**
- (22) Date of Filing Application: **06 August 2007**
- (24) Date from which industrial property rights may have effect: **06 August 2007**
- (54) Product in respect of which the design is registered: **Vehicle roof fairing**
- (51) International Design Classification: **12-16B**
- (71) Name(s) and Address(s) of Applicant(s):  
**PACCAR Inc**  
**777-106th Avenue Northeast Bellevue WA 98004 United States of America**
- (72) Name(s) of Designer(s): **Joshua Stafford Boyd**
- (45) Registration Date: **23 October 2007**
- (30) Convention priority data:  

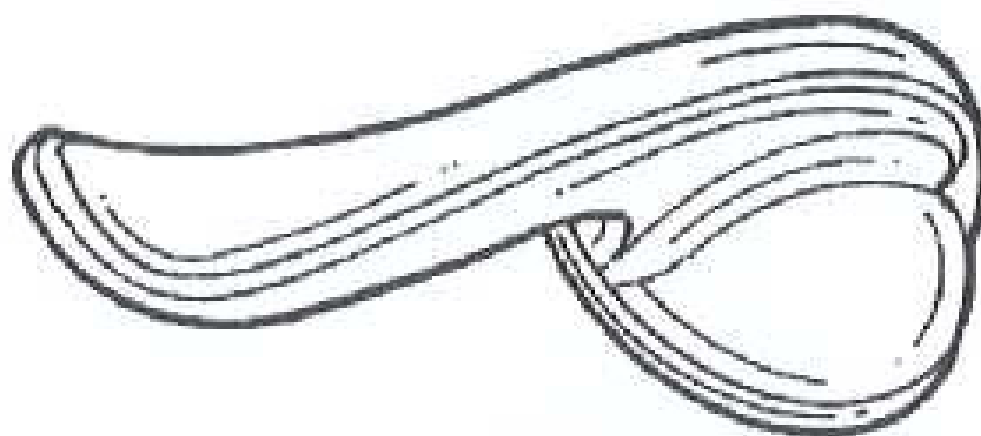
(31) Number	(32) Date	(33) Country
<b>29/276,795</b>	<b>06 Feb 2007</b>	<b>UNITED STATES OF AMERICA</b>
- (56) Related Art Documents: **Not Applicable**
- (57) Statement of Newness and Distinctiveness: **The shape and configuration of those parts of the product shown other than by means of broken lines in figure 1 of the representations are new and distinctive.**



(21) Design Number: **19215/2007**  
(22) Date of Filing Application: **06 August 2007**  
(24) Date from which industrial property rights may have effect: **06 August 2007**  
(54) Product in respect of which the design is registered: **A tap handle**  
(51) International Design Classification: **23-01H**  
(71) Name(s) and Address(s) of Applicant(s):  
**Newfrey LLC**  
**1207 Drummond Plaza Newark Delaware 19711 United States of America**  
(72) Name(s) of Designer(s): **Aaron Hanna**  
(45) Registration Date: **23 October 2007**  
(30) Convention priority data:  
(31) Number (32) Date (33) Country  
**29272999 23 Feb 2007 UNITED STATES OF AMERICA**  
(56) Related Art Documents: **Not Applicable**  
(57) Statement of Newness and Distinctiveness: **Newness and distinctiveness is claimed in the visual features shown in solid lines in the representations.**



(21) Design Number: **19216/2007**  
(22) Date of Filing Application: **06 August 2007**  
(24) Date from which industrial property rights may have effect: **06 August 2007**  
(54) Product in respect of which the design is registered: **A tap handle**  
(51) International Design Classification: **23-01H**  
(71) Name(s) and Address(s) of Applicant(s):  
**Newfrey LLC**  
**1207 Drummond Plaza Newark Delaware 19711 United States of America**  
(72) Name(s) of Designer(s): **Jerome F. Czerwinski Jr. and Bryan Soriano**  
(45) Registration Date: **23 October 2007**  
(30) Convention priority data:  
(31) Number (32) Date (33) Country  
**29272862 20 Feb 2007 UNITED STATES OF AMERICA**  
(56) Related Art Documents: **Not Applicable**  
(57) Statement of Newness and Distinctiveness: **Newness and distinctiveness is claimed in the visual features shown in solid lines in the representations.**



(21) Design Number: **19221/2007**

(22) Date of Filing Application: **07 August 2007**

(24) Date from which industrial property rights may have effect: **07 August 2007**

(54) Product in respect of which the design is registered: **A disc case**

(51) International Design Classification: **03-01C**

(71) Name(s) and Address(s) of Applicant(s):

**Max Media Tech Co., LTD**

**1F. No. 43 Lane 56 Jiancheng Road Sijihih Taipei 221 Taiwan**

(72) Name(s) of Designer(s): **Rong-Fu Deng**

(45) Registration Date: **23 October 2007**

(56) Related Art Documents: **Not Applicable**

(57) Statement of Newness and Distinctiveness: **The features of shape and configuration of the disk case, and in particular the features of shape and configuration of the disk holder, are new and distinct features.**



(21) Design Number: **19223/2007**

(22) Date of Filing Application: **07 August 2007**

(24) Date from which industrial property rights may have effect: **07 August 2007**

(54) Product in respect of which the design is registered: **A wall frame member**

(51) International Design Classification: **25-01K**

(71) Name(s) and Address(s) of Applicant(s):

**Prodrome Designs Pty Ltd**

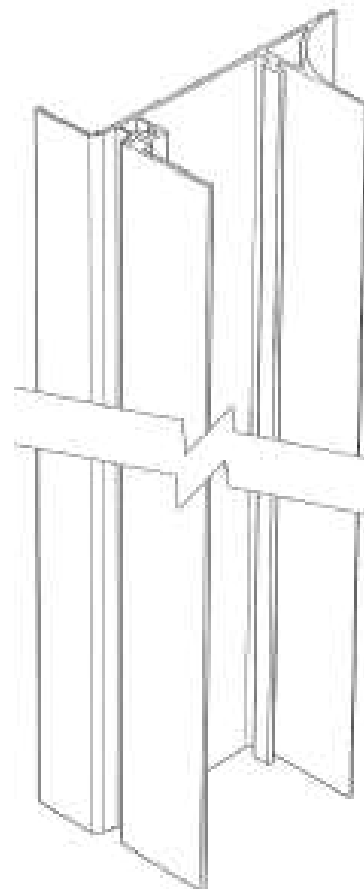
**468 Stuart Highway Winnellie Northern Territory 0820 Australia**

(72) Name(s) of Designer(s): **Kelvin Chan**

(45) Registration Date: **23 October 2007**

(56) Related Art Documents: **Not Applicable**

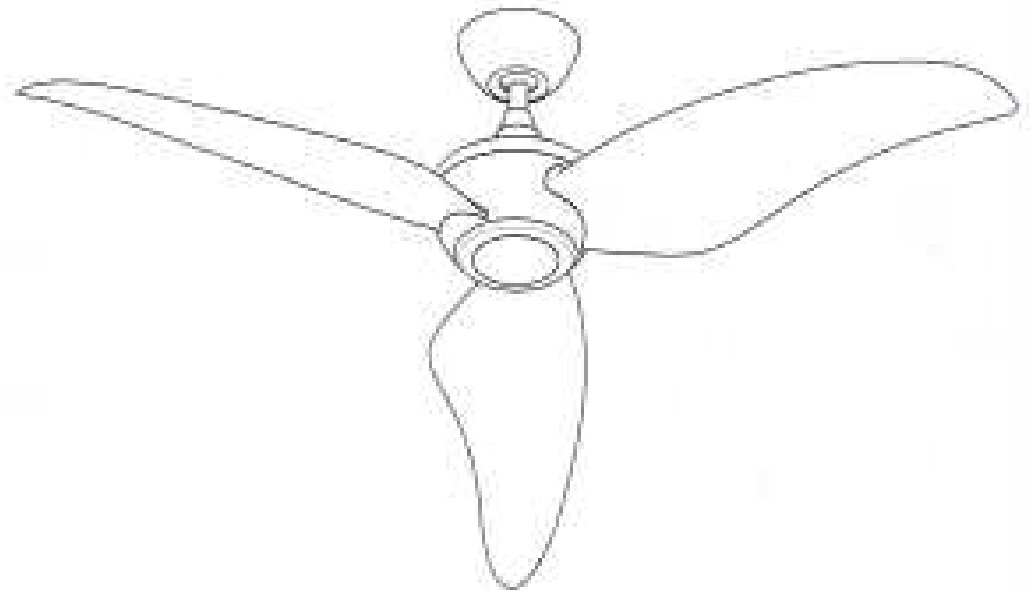
(57) Statement of Newness and Distinctiveness: **Newness and distinctiveness resides in the shape and configuration of a wall frame member of indefinite length as shown in the accompanying representations.**



- (21) Design Number: **20205/2007**  
(22) Date of Filing Application: **11 October 2007**  
(24) Date from which industrial property rights may have effect: **11 October 2007**  
(54) Product in respect of which the design is registered: **Payment device**  
(51) International Design Classification: **14-02**  
(71) Name(s) and Address(s) of Applicant(s):  
**ULTRA Proizvodnja elektronskih naprav d.o.o.**  
**Cesta Otona Zupancica 23a Zagorje 1410 Slovenia**  
(72) Name(s) of Designer(s): **Klemen Erzen and Janez Staric**  
(45) Registration Date: **23 October 2007**  
(56) Related Art Documents: **Not Applicable**  
(57) Statement of Newness and Distinctiveness: **Nil**



- (21) Design Number: **20103/2007**  
(22) Date of Filing Application: **05 October 2007**  
(24) Date from which industrial property rights may have effect: **05 October 2007**  
(54) Product in respect of which the design is registered: **Ceiling fan**  
(51) International Design Classification: **23-04**  
(71) Name(s) and Address(s) of Applicant(s):  
**Michael Hort**  
**3 Sylvia Street Chatswood New South Wales 2067 Australia**  
(72) Name(s) of Designer(s): **Michael Hort**  
(45) Registration Date: **23 October 2007**  
(56) Related Art Documents: **Not Applicable**  
(57) Statement of Newness and Distinctiveness: **The new features of the design are the shape and configuration of the fan blades, and the shape and configuration of the motor housing.**



(21) Design Number: **16687/2007**

(22) Date of Filing Application: **28 February 2007**

(24) Date from which industrial property rights may have effect: **28 February 2007**

(54) Product in respect of which the design is registered: **Drain grate having brush facility**

(51) International Design Classification: **23-02NES**

(71) Name(s) and Address(s) of Applicant(s):

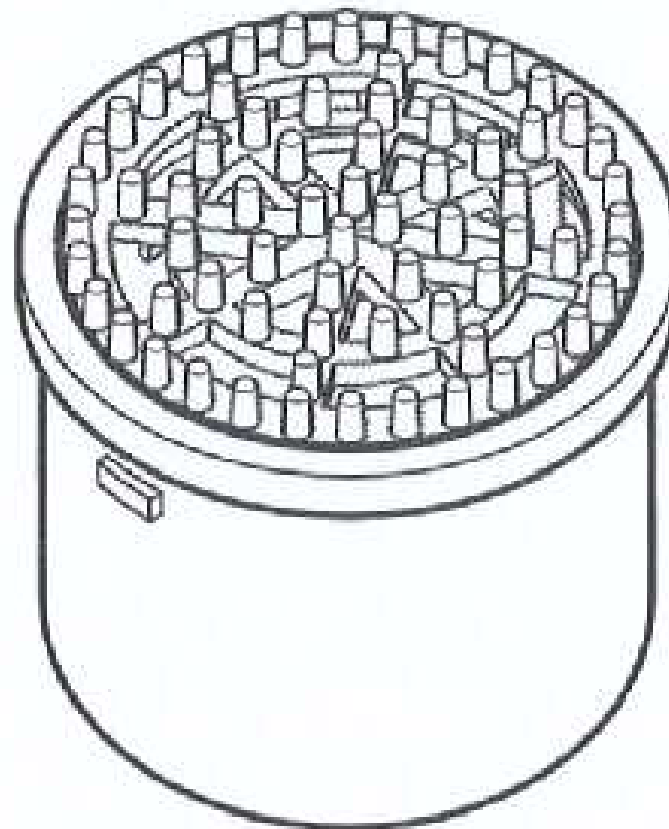
**Murray Norman Cook  
52 Treave Street Cloverdale Western Australia 6105 Australia**

(72) Name(s) of Designer(s): **Murray Norman Cook and Stephen E. Smith**

(45) Registration Date: **23 October 2007**

(56) Related Art Documents: **Not Applicable**

(57) Statement of Newness and Distinctiveness: **Newness resides in the features of shape and configuration of a foot brush mountable to a drain as depicted in the accompanying representations. Distinctiveness is claimed in the features of the design other than the particular bristle array shown.**



(21) Design Number: **16803/2007**

(22) Date of Filing Application: **09 March 2007**

(24) Date from which industrial property rights may have effect: **09 March 2007**

(54) Product in respect of which the design is registered: **Shaft safety guard**

(51) International Design Classification: **15-02**

(71) Name(s) and Address(s) of Applicant(s):

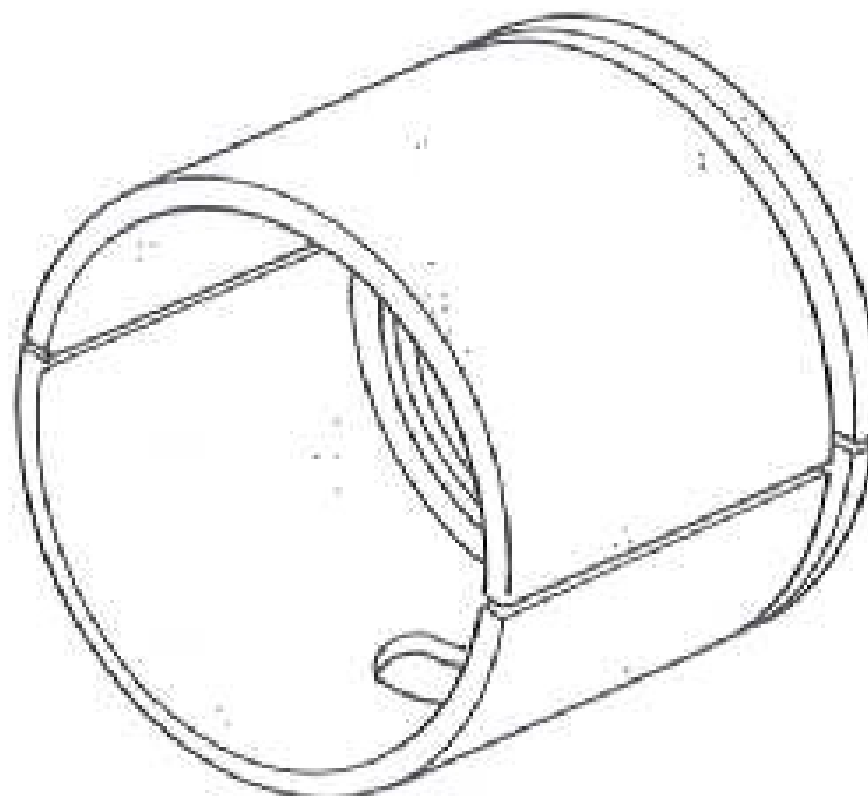
**Pump n Seal Australia Pty Ltd  
95 Excellence Drive Wangara Western Australia 6065 Australia**

(72) Name(s) of Designer(s): **Peter Freer**

(45) Registration Date: **23 October 2007**

(56) Related Art Documents: **Not Applicable**

(57) Statement of Newness and Distinctiveness: **The particular visual features of the design which are new and distinctive are the groove around the outer edge of the upper and lower sections of the shaft safety guard allowing attachment to a gland follower portion of a pump. The aperture on the lower section of the shaft safety guard serves as a drain for fluids and as viewing window to check whether the pump is in operation during maintenance. The upper and lower sections are combined around the pump shaft during use.**



(21) Design Number: **18772/2007**

(22) Date of Filing Application: **10 July 2007**

(24) Date from which industrial property rights may have effect: **10 July 2007**

(54) Product in respect of which the design is registered: **Animal ear tag**

(51) International Design Classification: **30-08**

(71) Name(s) and Address(s) of Applicant(s):

**Stockbrands Co Pty Ltd**

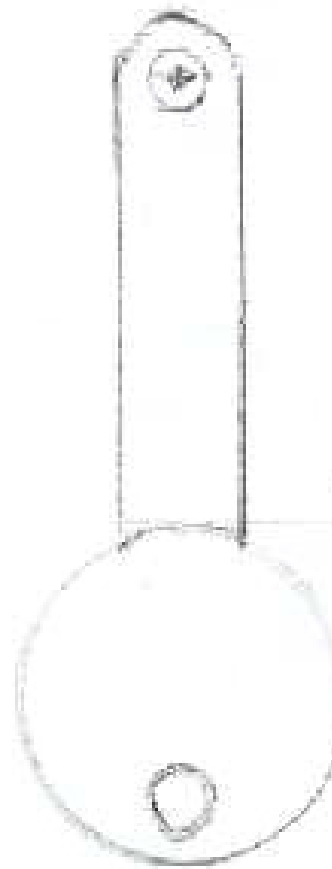
**53 Edward Street Osborne Park Western Australia 6017 Australia**

(72) Name(s) of Designer(s): **John Forehan**

(45) Registration Date: **23 October 2007**

(56) Related Art Documents: **Not Applicable**

(57) Statement of Newness and Distinctiveness: **An animal ear tag having an offset look.**



(21) Design Number: **19107/2007**

(22) Date of Filing Application: **27 July 2007**

(24) Date from which industrial property rights may have effect: **27 July 2007**

(54) Product in respect of which the design is registered: **Tiles**

(51) International Design Classification: **25-01F**

(71) Name(s) and Address(s) of Applicant(s):

**Ceramiche Atlas Concorde spa**

**Via Canaletto 141 Spezzano di Fiorano 41040 Italy**

(72) Name(s) of Designer(s): **Luca Mussini**

(45) Registration Date: **23 October 2007**

(30) Convention priority data:

(31) Number

(32) Date

(33) Country

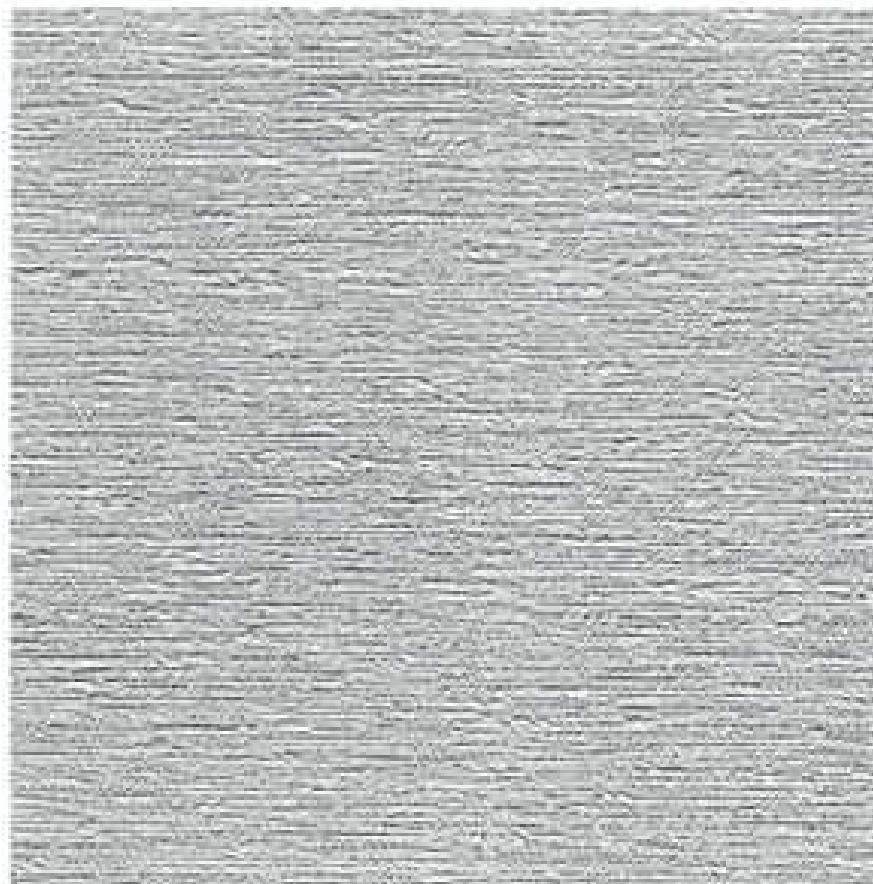
**000662457**

**01 Feb 2007**

**EUROPEAN COMMUNITY**

(56) Related Art Documents: **Not Applicable**

(57) Statement of Newness and Distinctiveness: **The newness and distinctiveness of the design resides in the features of pattern and/or ornamentation of the tile shown in the accompanying representation.**





(21) Design Number: **19108/2007**

(22) Date of Filing Application: **27 July 2007**

(24) Date from which industrial property rights may have effect: **27 July 2007**

(54) Product in respect of which the design is registered: **Tiles**

(51) International Design Classification: **25-01F**

(71) Name(s) and Address(s) of Applicant(s):

**Ceramiche Atlas Concorde spa  
Via Canaletto 141 Spezzano di Fiorano 41040 Italy**

(72) Name(s) of Designer(s): **Luca Mussini**

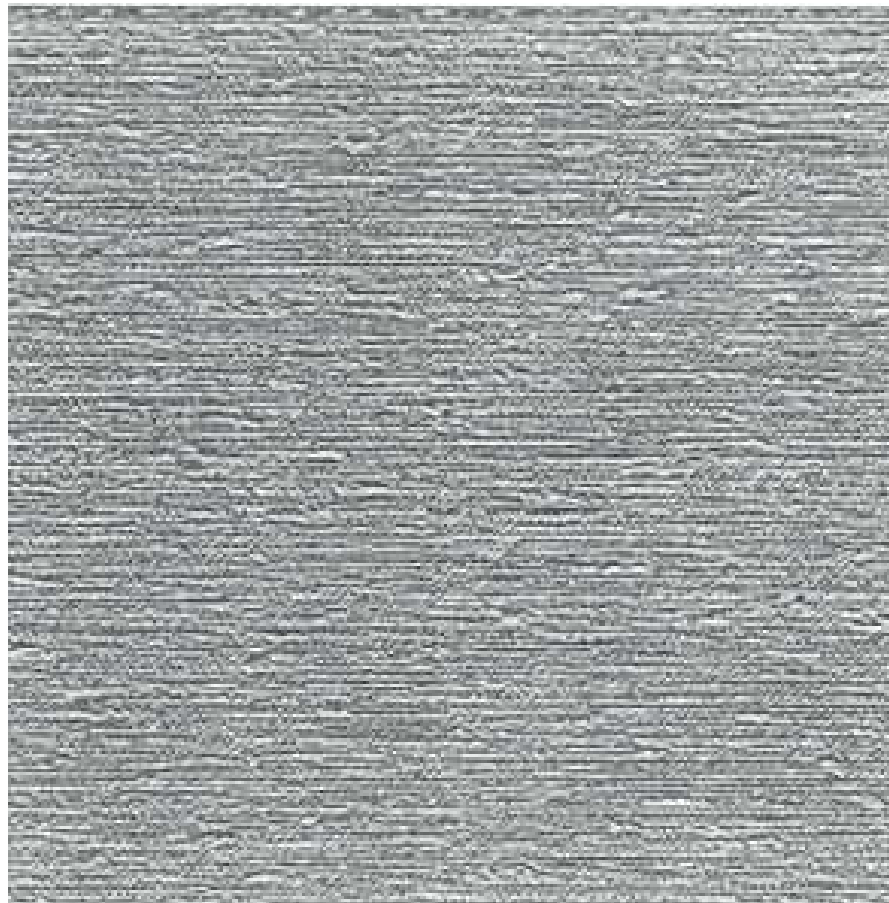
(45) Registration Date: **23 October 2007**

(30) Convention priority data:

(31) Number	(32) Date	(33) Country
<b>000662457</b>	<b>01 Feb 2007</b>	<b>EUROPEAN COMMUNITY</b>

(56) Related Art Documents: **Not Applicable**

(57) Statement of Newness and Distinctiveness: **The newness and distinctiveness of the design resides in the features of pattern and/or ornamentation of the tile shown in the accompanying representation.**



(21) Design Number: **19109/2007**

(22) Date of Filing Application: **27 July 2007**

(24) Date from which industrial property rights may have effect: **27 July 2007**

(54) Product in respect of which the design is registered: **Tiles**

(51) International Design Classification: **25-01F**

(71) Name(s) and Address(s) of Applicant(s):

**Ceramiche Atlas Concorde spa  
Via Canaletto 141 Spezzano di Fiorano 41040 Italy**

(72) Name(s) of Designer(s): **Luca Mussini**

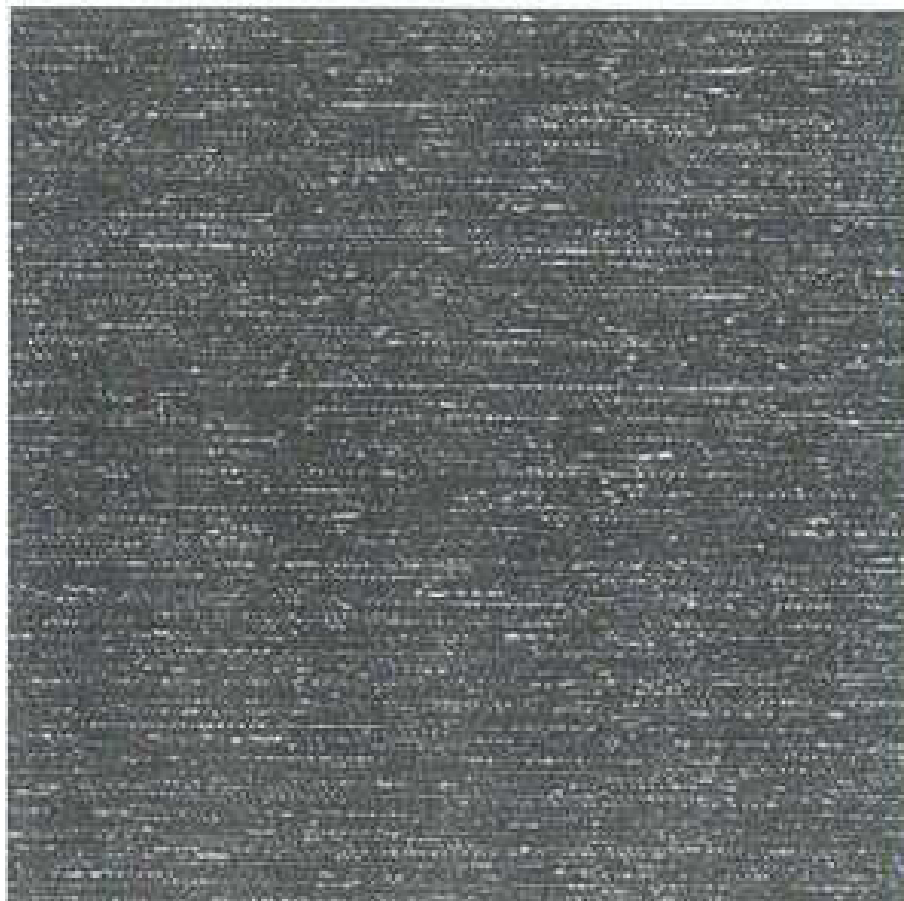
(45) Registration Date: **23 October 2007**

(30) Convention priority data:

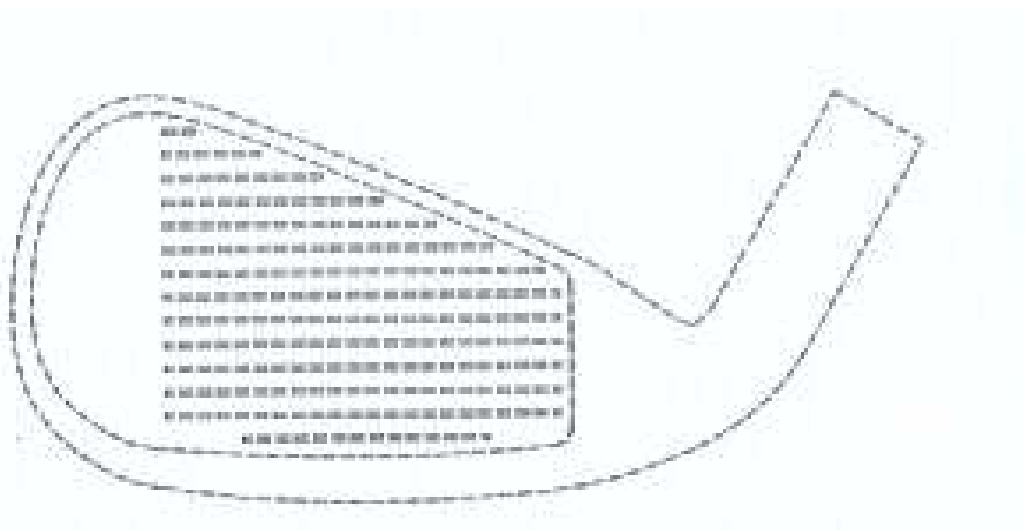
(31) Number	(32) Date	(33) Country
<b>000662457</b>	<b>01 Feb 2007</b>	<b>EUROPEAN COMMUNITY</b>

(56) Related Art Documents: **Not Applicable**

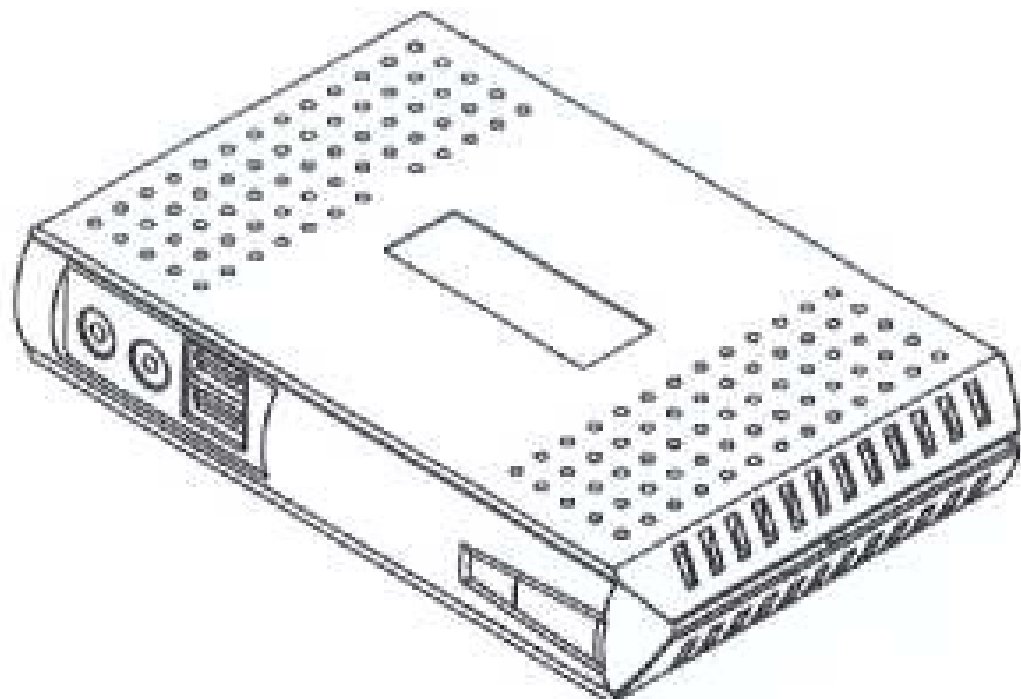
(57) Statement of Newness and Distinctiveness: **The newness and distinctiveness of the design resides in the features of pattern and/or ornamentation of the tile shown in the accompanying representation.**



- (21) Design Number: **19149/2007**  
(22) Date of Filing Application: **31 July 2007**  
(24) Date from which industrial property rights may have effect: **31 July 2007**  
(54) Product in respect of which the design is registered: **Golf club head**  
(51) International Design Classification: **21-02C**  
(71) Name(s) and Address(s) of Applicant(s):  
**Callaway Golf Company**  
**2180 Rutherford Road Carlsbad California 92008-7328 United States of America**  
(72) Name(s) of Designer(s): **Philip G. Foster and Luke R. Williams and Chris J. Wieland and Mark Noyes**  
(45) Registration Date: **23 October 2007**  
(30) Convention priority data:  
(31) Number (32) Date (33) Country  
**29/276649 31 Jan 2007 UNITED STATES OF AMERICA**  
(56) Related Art Documents: **Not Applicable**  
(57) Statement of Newness and Distinctiveness: **Newness and distinctiveness is claimed in those features of shape and configuration of a golf club head illustrated in continuous lines in the accompanying representations.**



- (21) Design Number: **19289/2007**  
(22) Date of Filing Application: **10 August 2007**  
(24) Date from which industrial property rights may have effect: **10 August 2007**  
(54) Product in respect of which the design is registered: **Arithmetic and control unit for a computer**  
(51) International Design Classification: **14-02**  
(71) Name(s) and Address(s) of Applicant(s):  
**NEC Corporation**  
**7-1 Shiba 5-Chome Minato-ku Tokyo Japan**  
(72) Name(s) of Designer(s): **Shinji Mine and Masaki Kato**  
(45) Registration Date: **23 October 2007**  
(30) Convention priority data:  
(31) Number (32) Date (33) Country  
**2007-012514 11 May 2007 JAPAN**  
(56) Related Art Documents: **Not Applicable**  
(57) Statement of Newness and Distinctiveness: **The shape and configuration of the arithmetic and control unit for a computer is new and distinctive.**





(21) Design Number: **19290/2007**

(22) Date of Filing Application: **10 August 2007**

(24) Date from which industrial property rights may have effect: **10 August 2007**

(54) Product in respect of which the design is registered: **Lighting assembly**

(51) International Design Classification: **26-05NES**

(71) Name(s) and Address(s) of Applicant(s):

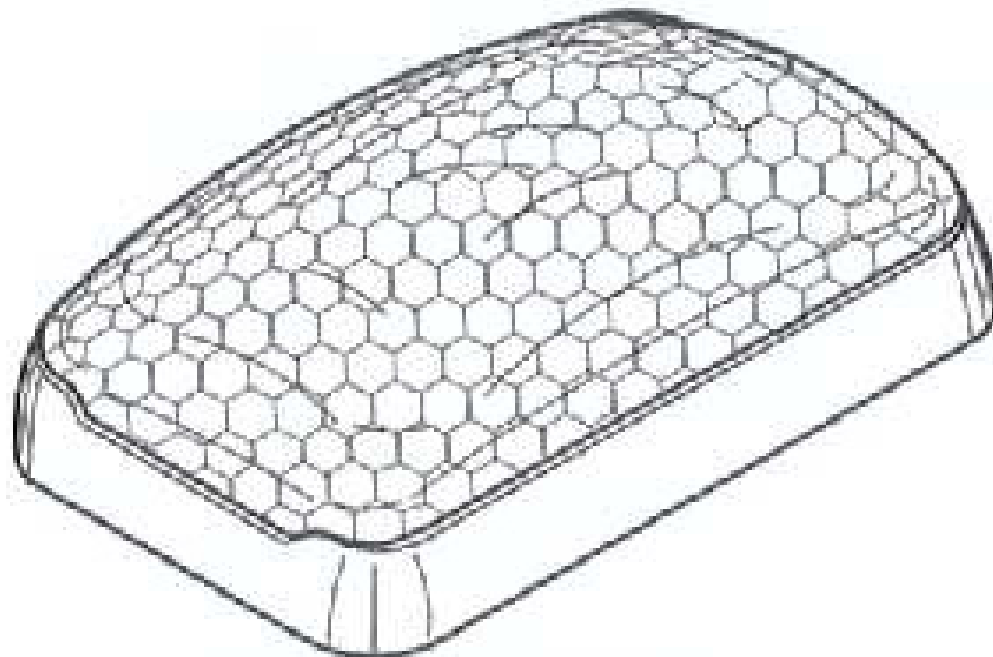
**LED Technologies Pty Ltd  
Factory 1 10 Brand Drive Thomastown Victoria 3074 Australia**

(72) Name(s) of Designer(s): **Tony Ottobre**

(45) Registration Date: **23 October 2007**

(56) Related Art Documents: **Not Applicable**

(57) Statement of Newness and Distinctiveness: **The shape, configuration, shape and configuration, pattern, ornamentation, pattern and ornamentation, of the design of the lighting assembly is new and distinctive.**



(21) Design Number: **19299/2007**

(22) Date of Filing Application: **10 August 2007**

(24) Date from which industrial property rights may have effect: **10 August 2007**

(54) Product in respect of which the design is registered: **Fin plug for surfcraft**

(51) International Design Classification: **21-02D**

(71) Name(s) and Address(s) of Applicant(s):

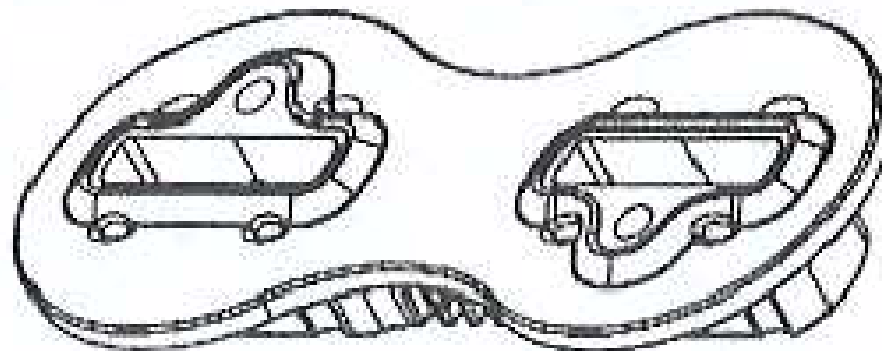
**Fin Control Systems Pty. Limited  
5-7 By The Sea Road Mona Vale New South Wales 2103 Australia**

(72) Name(s) of Designer(s): **Michael Durante**

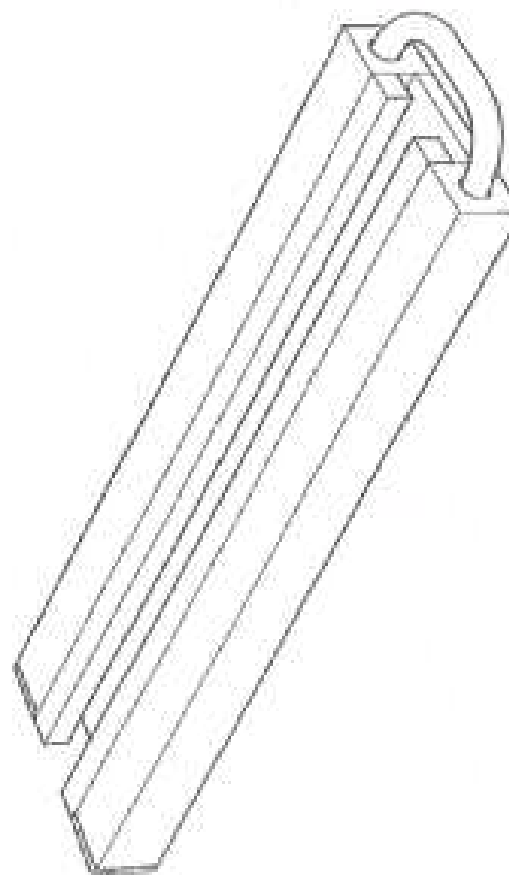
(45) Registration Date: **23 October 2007**

(56) Related Art Documents: **Not Applicable**

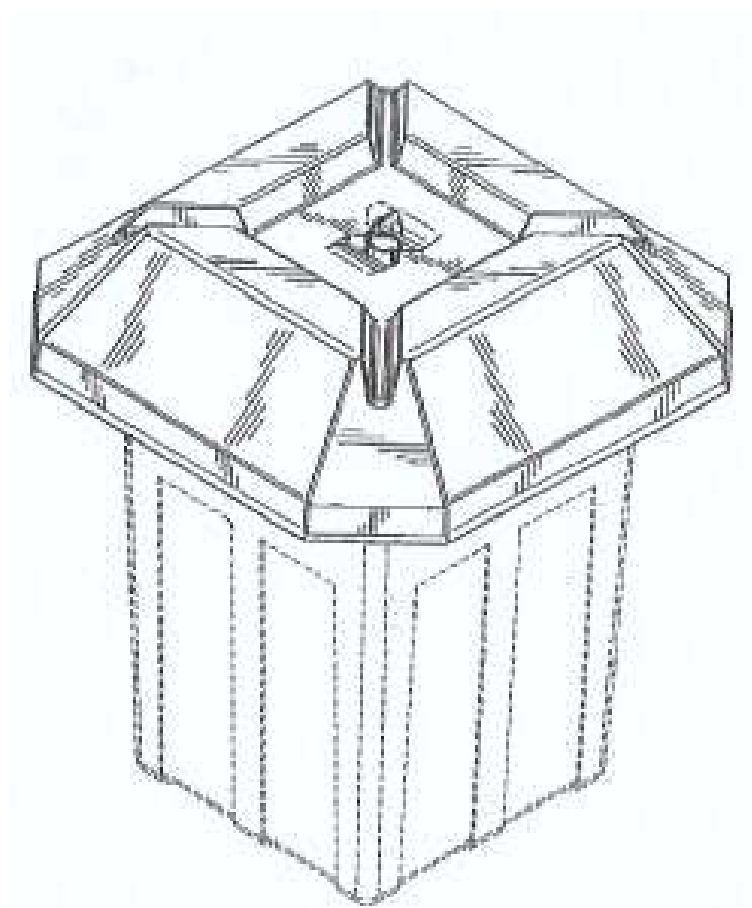
(57) Statement of Newness and Distinctiveness: **Nil**



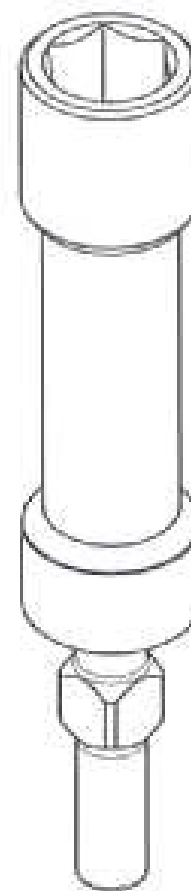
- (21) Design Number: **19300/2007**  
(22) Date of Filing Application: **10 August 2007**  
(24) Date from which industrial property rights may have effect: **10 August 2007**  
(54) Product in respect of which the design is registered: **A dock fender slide mounting**  
(51) International Design Classification: **25-02NES**  
(71) Name(s) and Address(s) of Applicant(s):  
**Steven John Cowey**  
**24 Ninth Street Wingfield South Australia 5013 Australia**  
(72) Name(s) of Designer(s): **Steven John Cowey**  
(45) Registration Date: **23 October 2007**  
(56) Related Art Documents: **Not Applicable**  
(57) Statement of Newness and Distinctiveness: **Newness and distinctiveness reside in the features of shape and configuration of a dock fender slide mounting as shown in the accompanying representations.**



- (21) Design Number: **19302/2007**  
(22) Date of Filing Application: **10 August 2007**  
(24) Date from which industrial property rights may have effect: **10 August 2007**  
(54) Product in respect of which the design is registered: **Shield for insect trap**  
(51) International Design Classification: **22-06**  
(71) Name(s) and Address(s) of Applicant(s):  
**S.C. Johnson & Son, Inc.**  
**1525 Howe Street Racine Wisconsin 53403-2236 United States of America**  
(72) Name(s) of Designer(s): **Tyler D. Duston and Steven B. Mineau**  
(45) Registration Date: **23 October 2007**  
(30) Convention priority data:  
(31) Number (32) Date (33) Country  
**29/277059 12 Feb 2007 UNITED STATES OF AMERICA**  
(56) Related Art Documents: **Not Applicable**  
(57) Statement of Newness and Distinctiveness: **Newness and distinctiveness is claimed in those features of shape and/or configuration of a shield for insect trap illustrated in continuous lines in the accompanying representations.**



(21) Design Number: **19303/2007**  
(22) Date of Filing Application: **10 August 2007**  
(24) Date from which industrial property rights may have effect: **10 August 2007**  
(54) Product in respect of which the design is registered: **Spanner**  
(51) International Design Classification: **08-05P**  
(71) Name(s) and Address(s) of Applicant(s):  
**Sandvik Intellectual Property AB**  
**Spangvagen 10 Sandviken SE-811 81 Sweden**  
(72) Name(s) of Designer(s): **Steven Weaver**  
(45) Registration Date: **23 October 2007**  
(56) Related Art Documents: **Not Applicable**  
(57) Statement of Newness and Distinctiveness: **Nil**



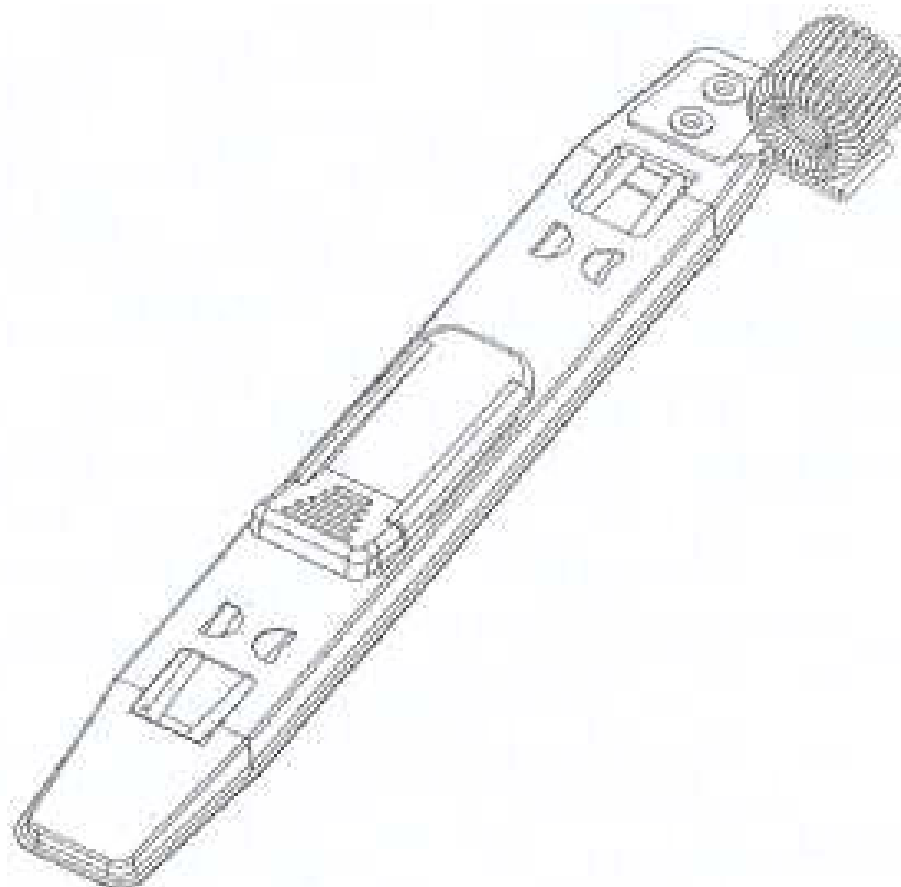
(21) Design Number: **19305/2007**  
(22) Date of Filing Application: **10 August 2007**  
(24) Date from which industrial property rights may have effect: **10 August 2007**  
(54) Product in respect of which the design is registered: **Cooking hob**  
(51) International Design Classification: **07-02A**  
(71) Name(s) and Address(s) of Applicant(s):  
**Meneghetti S.P.A.**  
**Via Borgo Lunardon 8 Rosa 36027 Italy**  
(72) Name(s) of Designer(s): **Tiziano Meneghetti**  
(45) Registration Date: **23 October 2007**  
(30) Convention priority data:  
(31) Number      (32) Date      (33) Country  
**000696729-0001    28 Mar 2007      EUROPEAN COMMUNITY**  
(56) Related Art Documents: **Not Applicable**  
(57) Statement of Newness and Distinctiveness: **Nil**



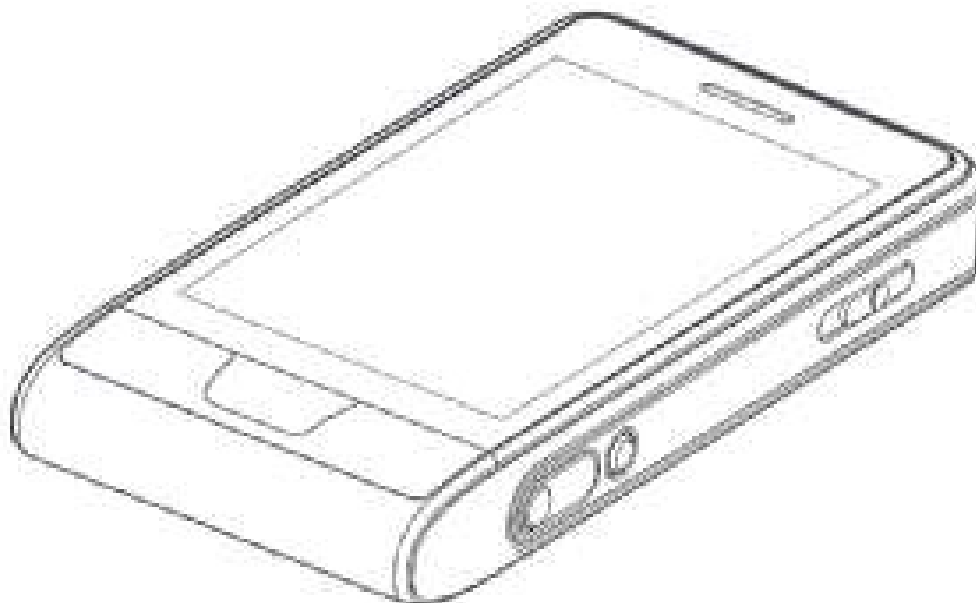
- (21) Design Number: **19306/2007**  
(22) Date of Filing Application: **10 August 2007**  
(24) Date from which industrial property rights may have effect: **10 August 2007**  
(54) Product in respect of which the design is registered: **Cooking hob**  
(51) International Design Classification: **07-02A**  
(71) Name(s) and Address(s) of Applicant(s):  
**Meneghetti S.P.A.**  
**Via Borgo Lunardon 8 Rosa 36027 Italy**  
(72) Name(s) of Designer(s): **Tiziano Meneghetti**  
(45) Registration Date: **23 October 2007**  
(30) Convention priority data:  
(31) Number (32) Date (33) Country  
**000696729-0002 28 Mar 2007 EUROPEAN COMMUNITY**  
(56) Related Art Documents: **Not Applicable**  
(57) Statement of Newness and Distinctiveness: **Nil**



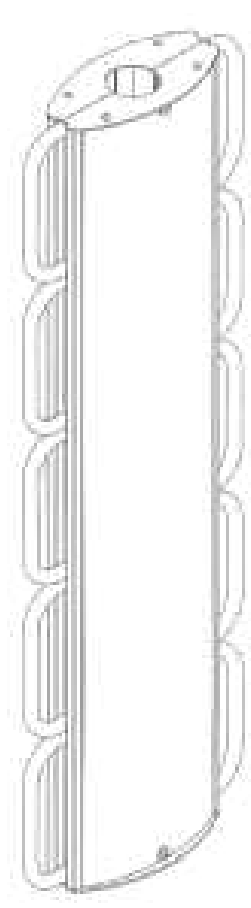
- (21) Design Number: **19307/2007**  
(22) Date of Filing Application: **10 August 2007**  
(24) Date from which industrial property rights may have effect: **10 August 2007**  
(54) Product in respect of which the design is registered: **Compressor bar**  
(51) International Design Classification: **19-02**  
(71) Name(s) and Address(s) of Applicant(s):  
**World Wide Stationery Manufacturing Co., Ltd.**  
**16-19/F Koon Wah Mirrors Factory 3rd Industrial Bld 5-9 Ka Hing Road**  
**Kwai Chung New Territories Hong Kong**  
(72) Name(s) of Designer(s): **Chun Yuen To**  
(45) Registration Date: **23 October 2007**  
(30) Convention priority data:  
(31) Number (32) Date (33) Country  
**000728274 21 May 2007 EUROPEAN COMMUNITY**  
(56) Related Art Documents: **Not Applicable**  
(57) Statement of Newness and Distinctiveness: **Those features of the compressor bar depicted in the representations that are new and distinctive are the shape and/or configuration.**



- (21) Design Number: **19308/2007**  
(22) Date of Filing Application: **10 August 2007**  
(24) Date from which industrial property rights may have effect: **10 August 2007**  
(54) Product in respect of which the design is registered: **Mobile telephone**  
(51) International Design Classification: **14-03E**  
(71) Name(s) and Address(s) of Applicant(s):  
**LG Electronics Inc.**  
**20 Yoido-dong Yongdungpo-gu Seoul 150-721 Republic of Korea**  
(72) Name(s) of Designer(s): **Hyun Jin Yoon and Chang Hoon Lee and Seung Chul Cho**  
(45) Registration Date: **23 October 2007**  
(30) Convention priority data:  
(31) Number (32) Date (33) Country  
**30-2007-0007073 15 Feb 2007 REPUBLIC OF KOREA**  
(56) Related Art Documents: **Not Applicable**  
(57) Statement of Newness and Distinctiveness: **Nil**



- (21) Design Number: **19309/2007**  
(22) Date of Filing Application: **10 August 2007**  
(24) Date from which industrial property rights may have effect: **10 August 2007**  
(54) Product in respect of which the design is registered: **Bicycle rack**  
(51) International Design Classification: **08-10**  
(71) Name(s) and Address(s) of Applicant(s):  
**Agwill Pty Ltd**  
**8-10 Giffard Street Silverwater New South Wales 2128 Australia**  
(72) Name(s) of Designer(s): **Paul Winterhalter and Adrian Wilson**  
(45) Registration Date: **23 October 2007**  
(56) Related Art Documents: **Not Applicable**  
(57) Statement of Newness and Distinctiveness: **Nil**



(21) Design Number: **19310/2007**

(22) Date of Filing Application: **10 August 2007**

(24) Date from which industrial property rights may have effect: **10 August 2007**

(54) Product in respect of which the design is registered: **Bicycle rack**

(51) International Design Classification: **08-10**

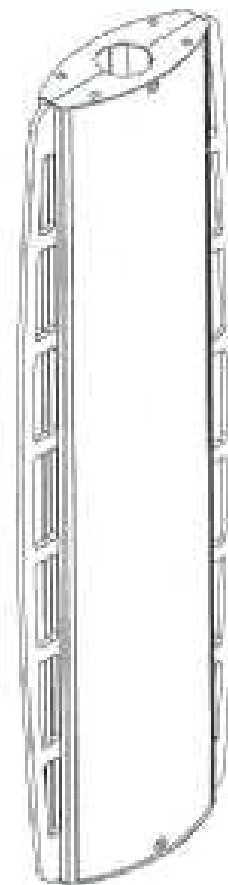
(71) Name(s) and Address(s) of Applicant(s):

**Agwill Pty Ltd**

**8-10 Giffard Street Silverwater New South Wales 2128 Australia**

(72) Name(s) of Designer(s): **Paul Winterhalter and Adrian Wilson**

(45) Registration Date: **23 October 2007**



(21) Design Number: **19312/2007**

(22) Date of Filing Application: **13 August 2007**

(24) Date from which industrial property rights may have effect: **13 August 2007**

(54) Product in respect of which the design is registered: **Ferrule chair**

(51) International Design Classification: **25-01B**

(71) Name(s) and Address(s) of Applicant(s):

**Adnurat Pty Ltd**

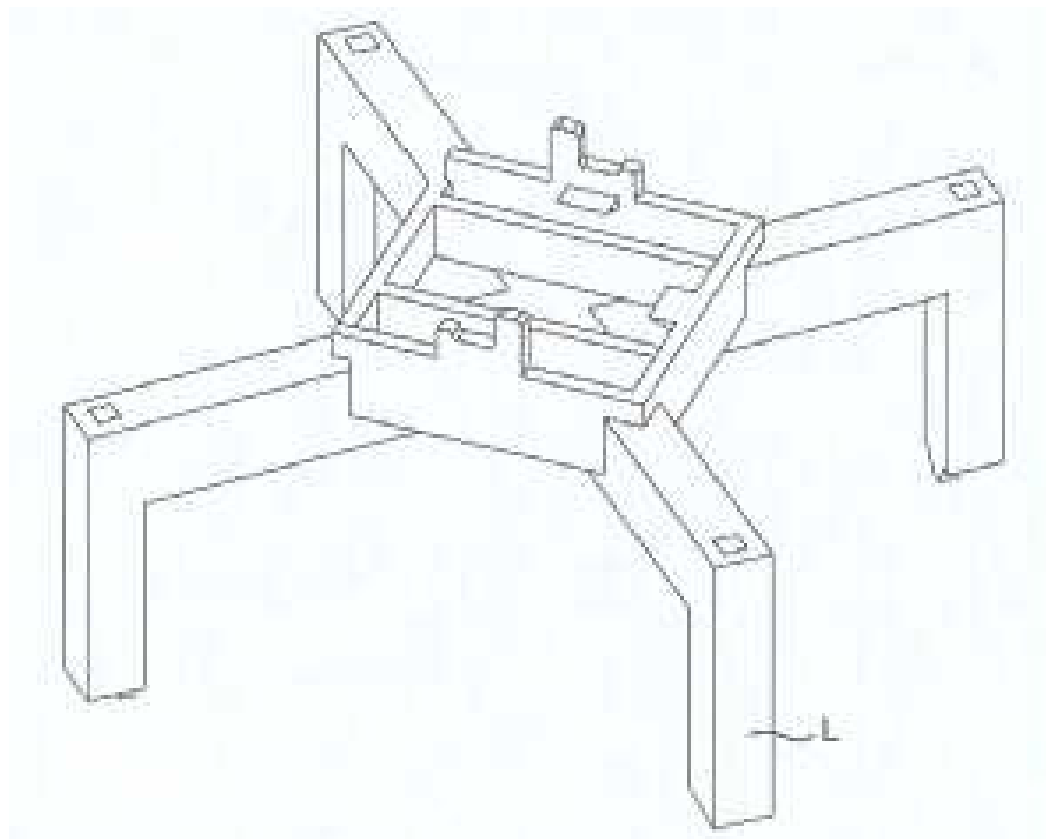
**7 Commercial Drive Lynbrook Victoria 3975 Australia**

(72) Name(s) of Designer(s): **Marc Olivetti**

(45) Registration Date: **23 October 2007**

(56) Related Art Documents: **Not Applicable**

(57) Statement of Newness and Distinctiveness: **Newness and distinctiveness resides in the visual features of shape and configuration as applied to a ferrule chair as illustrated in the accompanying representations. The legs indicated by label L are of indeterminate length and width.**



(21) Design Number: **19313/2007**

(22) Date of Filing Application: **13 August 2007**

(24) Date from which industrial property rights may have effect: **13 August 2007**

(54) Product in respect of which the design is registered: **Ferrule chair**

(51) International Design Classification: **25-01B**

(71) Name(s) and Address(s) of Applicant(s):

**Adnunat Pty Ltd**

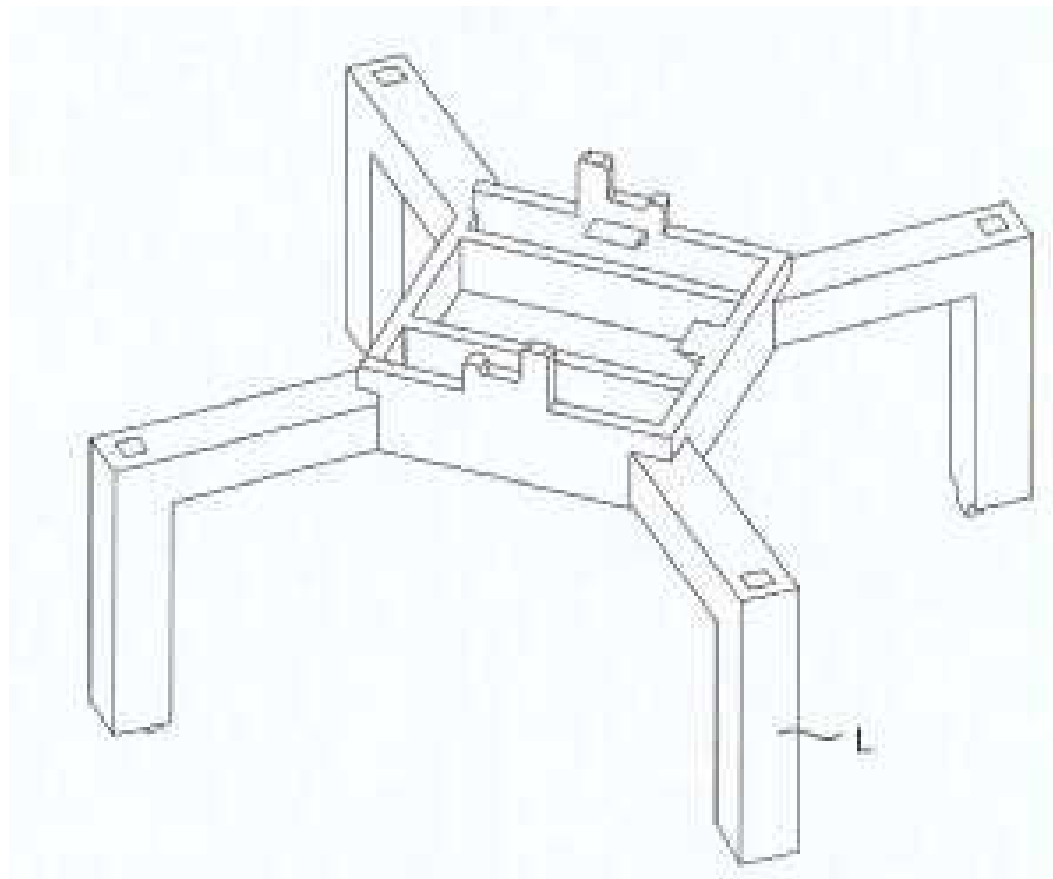
**7 Commercial Drive Lynbrook Victoria 3975 Australia**

(72) Name(s) of Designer(s): **Marc Olivetti**

(45) Registration Date: **23 October 2007**

(56) Related Art Documents: **Not Applicable**

(57) Statement of Newness and Distinctiveness: **Newness and distinctiveness resides in the visual features of shape and configuration as applied to a ferrule chair as illustrated in the accompanying representations. The legs indicated by label L are of indeterminate length and width.**



(21) Design Number: **19314/2007**

(22) Date of Filing Application: **13 August 2007**

(24) Date from which industrial property rights may have effect: **13 August 2007**

(54) Product in respect of which the design is registered: **Joiner**

(51) International Design Classification: **08-08L**

(71) Name(s) and Address(s) of Applicant(s):

**Smart Box Systems Pty Ltd**

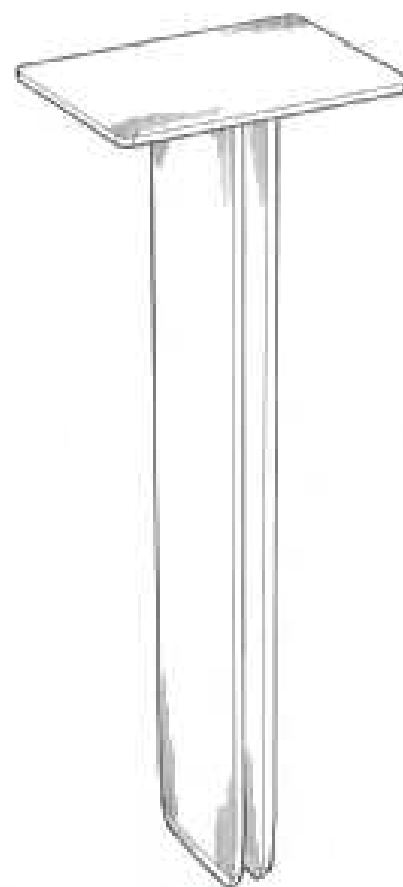
**377B Hawthorn Road Caulfield South Victoria 3162 Australia**

(72) Name(s) of Designer(s): **Sam Romek Gonn and Toby Ovadia and Leon Goldberg**

(45) Registration Date: **23 October 2007**

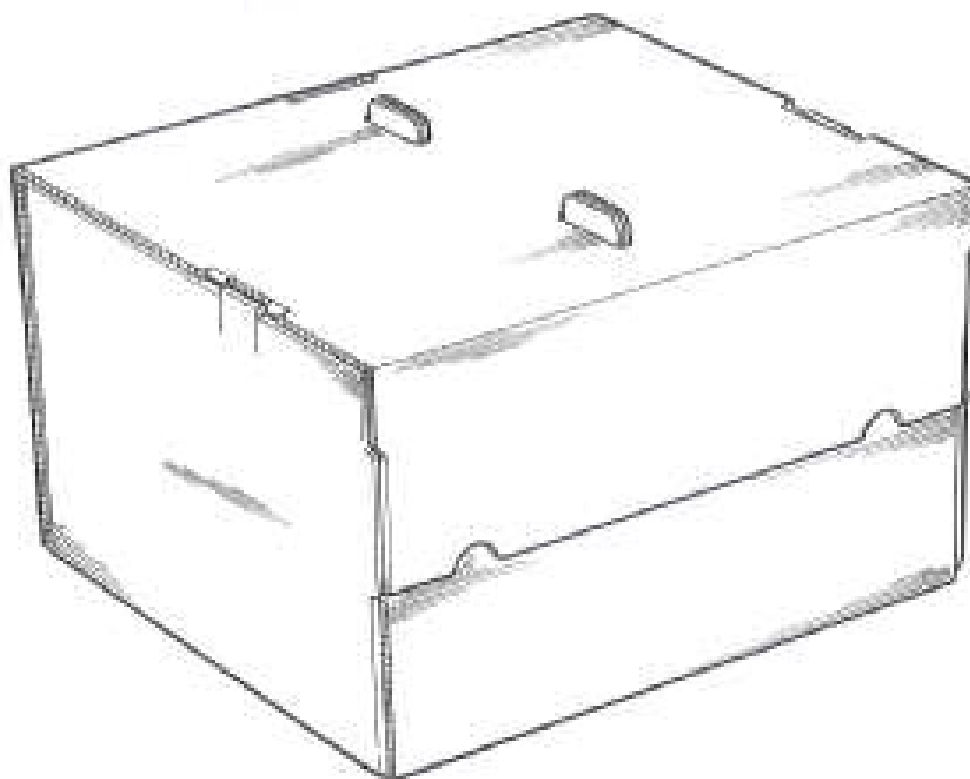
(56) Related Art Documents: **Not Applicable**

(57) Statement of Newness and Distinctiveness: **Nil**





- (21) Design Number: **19315/2007**  
(22) Date of Filing Application: **13 August 2007**  
(24) Date from which industrial property rights may have effect: **13 August 2007**  
(54) Product in respect of which the design is registered: **Container**  
(51) International Design Classification: **09-03NES**  
(71) Name(s) and Address(s) of Applicant(s):  
**Smart Box Systems Pty Ltd**  
**377B Hawthorn Road Caulfield South Victoria 3162 Australia**  
(72) Name(s) of Designer(s): **Sam Romek Gonn and Toby Ovadia and Leon Goldberg**  
(45) Registration Date: **23 October 2007**  
(56) Related Art Documents: **Not Applicable**  
(57) Statement of Newness and Distinctiveness: **Nil**



- (21) Design Number: **19317/2007**  
(22) Date of Filing Application: **13 August 2007**  
(24) Date from which industrial property rights may have effect: **13 August 2007**  
(54) Product in respect of which the design is registered: **Wine cooler**  
(51) International Design Classification: **07-07A**  
(71) Name(s) and Address(s) of Applicant(s):  
**Pi-Design AG**  
**Kantonsstrasse 100 Postfach 463 CH-6234 Triengen Switzerland**  
(72) Name(s) of Designer(s): **Jorgen Bodum**  
(45) Registration Date: **23 October 2007**  
(30) Convention priority data:  

(31) Number	(32) Date	(33) Country
<b>DA 2007</b>	<b>02 Mar 2007</b>	<b>DENMARK</b>
<b>00055</b>		

  
(56) Related Art Documents: **Not Applicable**  
(57) Statement of Newness and Distinctiveness: **Nil product(s). Representations of the design as applied to the product(s) are contained in the referenced representation sheets. (We enclosed five copies of these representation sheets).**





(19) AU

(21) Design Number: **19319/2007**

(22) Date of Filing Application: **13 August 2007**

(24) Date from which industrial property rights may have effect: **13 August 2007**

(54) Product in respect of which the design is registered: **Dispenser head**

(51) International Design Classification: **09-07A**

(71) Name(s) and Address(s) of Applicant(s):

**MeadWestvaco Corporation**

**11013 West Broad Street Glen Allen VA 23060 United States Of America**

(72) Name(s) of Designer(s): **Daria Teresa Pietrowski and Luis Costa**

(45) Registration Date: **23 October 2007**

(30) Convention priority data:

(31) Number

(32) Date

(33) Country

**29/277178**

**16 Feb 2007**

**UNITED STATES OF AMERICA**

(56) Related Art Documents: **Not Applicable**

(57) Statement of Newness and Distinctiveness: **Nil**

