



**Australian Government**

---

**IP Australia**

**AUSTRALIAN OFFICIAL JOURNAL**

**OF**

**DESIGNS**

Did you know a searchable version of this journal is now available online?

It's FREE and EASY to SEARCH.

Find it at

<http://pericles.ipaustralia.gov.au/ols/epublish/content/olsEpublications.jsp>  
or using the "Online Journals" link on the IP Australia home page.

This Page Left Intentionally Blank

## Contents

### General Information & Notices

#### Proceedings Under the Designs Act 1906 preserved as a result of the provisions of Chapter 12 Part 2 of the Designs Act 2003

|   |       |
|---|-------|
| Application for Extension of Period of Registration ..... | 10648 |
| Extension of Period of Registration of Designs .....      | 10648 |
| Names Registered - Alterations and Amendments .....       | 10649 |
| Registrations Ceased .....                                | 10648 |
| Subsequent Owners Registered .....                        | 10648 |

#### Proceedings Under the Designs Act 2003

|   |       |
|---|-------|
| Applications Assigned .....                       | 10659 |
| Applications Lapsed .....                         | 10658 |
| Applications Lodged .....                         | 10653 |
| Applications Withdrawn .....                      | 10658 |
| Certificate of Examination .....                  | 10661 |
| Extension of Time Granted Under Section 137 ..... | 10659 |
| Publication and Registration Proceedings          |       |
| Designs Registered 316638 to 316777.....          | 10662 |
| Registrations Ceased .....                        | 10659 |
| Revocation of Design Registrations .....          | 10659 |
| Subsequent Owners Registered .....                | 10659 |

This Page Left Intentionally Blank

For information on the following please see our website [www.ipaustralia.gov.au](http://www.ipaustralia.gov.au) or contact our Customer Service Network on 1300651010

[Editorial enquiries](#)

[Contact information](#)

[Freedom of Information ACT](#)

[Professional Standards Board](#)

[Sales](#)

[Requests for information under Section 194 \(c\)](#)

[Country Codes](#)

[Trade Mark and Designs Hearing Sessions](#)

[INID \(Internationally agreed Numbers for the Identification of Data\)](#)

## “INID” NUMBERS in use on Australian Design Documents

“INID” is an acronym for “Internationally agreed Numbers for the Identification of Data”.

### (10) Data concerning the registration/renewal

- (11) Serial number of the registration and/or number of the design document
- (12) Plain language designation of the kind of published document
- (19) Identification, using the two-letter code according to WIPO Standard ST.3, of the authority publishing or registering the industrial design

### (20) Data concerning the application

- (21) Serial number of the application
- (22) Date of filing of the application
- (24) Date from which the industrial design right has effect

### (30) Data relating to priority under the Paris Convention

- (31) Serial number assigned to the priority application
- (32) Date of filing of the priority application
- (33) Two-letter code, according to WIPO Standard ST.3, identifying the authority with which the priority application was made

### (40) Date(s) of making information available to the public

- (45) Date of publication of the registered industrial design by printing or similar process, or making it available to the public by any other means

### (50) Miscellaneous Information

- (51) International Classification for Industrial Designs (class and subclass of the Locarno Classification)
- (54) Designation of article(s) or product(s) covered by the industrial design or title of the industrial design
- (55) Reproduction of the industrial design (e.g., drawing, photograph) and explanations relating to the reproduction
- (56) List of prior art documents, if separate from descriptive text
- (57) Description of characteristic features of the industrial design including indication of colours

### (60) References to other legally related application(s) and registration(s)

- (62) Serial number(s) and, if available, filing date(s) of application(s), registration(s) or document(s) related by division
- (66) Serial number(s) of the application, or the registration, of the design(s) which is (are) a variant(s) of the present one

### (70) Identification of parties concerned with the application or registration

- (71) Name(s) and address(es) of the applicant(s)
- (72) Name(s) of the creator(s) if known to be such
- (74) Name(s) and address(es) of the representative(s)

This Page Left Intentionally Blank

**Official Notice****Surrender of Registration****157658**

A request under Section 49 of the *Designs Act 2003* has been made by the registered owner of Design Registration No. **157658** to surrender the registration.

Any interested person may give notice to the Registrar that he or she wishes to be heard in relation to the above offer. This notice must be given within 1 month after 15 November 2007.

Your attention is drawn to Regulation 4.10 and 4.11 of the *Designs Regulations 2004*.

Address for Service: Middletons GPO Box 4388 Melbourne Victoria 3001 Australia.

**Contact:** IP Australia  
**Phone:** 1300 651 010  
**Fax:** +61 2 6283 7999  
**E-Mail:** [assist@ipaustralia.gov.au](mailto:assist@ipaustralia.gov.au)  
**Web:** [www.ipaustralia.gov.au](http://www.ipaustralia.gov.au)

**Official Notice****Designs Act 2003  
Amendments to Registered Designs at Examination**

The following amendments have been made to details previously published in the Australian Official Journal of Designs during the Examination process:

| <b>Registration Numbers</b> | <b>Amendment type</b> | <b>New details</b> |
|-----------------------------|-----------------------|--------------------|
| 302857                      | Classification        | 25-02B, 25-02H     |
| 304171                      | Classification        | 28-02, 28-03Z      |
| 312234                      | Classification        | 23-04, 25-02F      |
| 312316                      | Classification        | 22-06, 25-02Z      |
| 312543                      | Classification        | 07-01F             |
| 312552                      | Classification        | 12-16B, 12-16Z     |
| 313066                      | Classification        | 07-04, 31-00       |
| 313067                      | Classification        | 07-04, 31-00       |

**Contact:** IP Australia  
**Phone:** 1300 651 010  
**Fax:** +61 2 6283 7999  
**E-Mail:** [assist@ipaustrialia.gov.au](mailto:assist@ipaustrialia.gov.au)  
**Web:** [www.ipaustrialia.gov.au](http://www.ipaustrialia.gov.au)



**Proceedings under the Designs Act 1906 preserved as a result of the provisions of Chapter 12 Part 2 of the Designs Act 2003.**

This Page Left Intentionally Blank

**Applications Lapsed**

There were no Applications Lapsed under this section

**Application for Extension of Period of Registration**

Applications under Section 27A(2) for extension of registration of the following designs have been lodged. In the event that a design is shown to be not new or original, the Registrar may refuse to extend the period of registration. Sub-section 27A(4) allows any person to lodge at the Designs Office material relevant to the question whether the design is not new or original. That material must be lodged within 11 months of the date when the registration of the design was made. Further details of the conditions and procedures for the lodgement of material are contained in Form 8 provided under the Designs Regulation 24.

| Registration Number | Registered Owner        | Registration Date |
|---------------------|-------------------------|-------------------|
| 157359              | MICHAEL ANDREW ATKINSON | 25/01/2005        |

**Extension of Period of Registration of Designs**

**1st Period (Section 27A(8))**

157359

**2nd Period (Section 27A(12))**

|        |        |        |
|--------|--------|--------|
| 145539 | 146369 | 146530 |
| 146531 | 146532 | 146533 |
| 146534 | 146535 | 146649 |
| 146691 | 146784 | 146813 |
| 147199 | 147230 | 147239 |
| 147240 | 147283 | 147294 |
| 147295 | 147296 | 147335 |
| 147336 | 147378 | 147379 |
| 147380 | 147384 | 147399 |
| 147400 | 147401 | 147402 |
| 147421 | 147455 | 147496 |
| 147497 | 147585 | 147586 |
| 147621 | 147644 | 147725 |
| 147811 | 147826 | 147867 |
| 147870 | 147875 | 147985 |
| 148100 | 148101 | 148317 |
| 148318 | 148434 | 148435 |
| 148436 | 148439 | 148811 |
| 148968 | 149154 | 149194 |
| 149226 | 149370 | 149379 |
| 149380 | 149433 | 149988 |
| 150218 | 150771 | 150876 |
| 150949 | 152317 | 152318 |
| 152319 | 152326 | 152397 |
| 154409 | 154410 | 155136 |

**3rd Period (Section 27A(13))**

|        |        |        |
|--------|--------|--------|
| 129335 | 129525 | 129815 |
| 130042 | 130290 | 130453 |
| 130474 | 130625 | 130683 |
| 131248 | 131260 | 131293 |
| 131475 | 132084 | 132189 |
| 132190 | 132259 | 132331 |
| 132332 | 133198 | 133255 |

|        |        |        |
|--------|--------|--------|
| 133404 | 134763 | 134764 |
| 134784 | 135143 | 139814 |
| 139815 |        |        |

**Registrations Ceased**

Note: Some of the following Registrations may have been previously advertised as ceased. In this instance, the previous advertisement still prevails.

|        |        |        |
|--------|--------|--------|
| 113180 | 113198 | 114250 |
| 114255 | 114258 | 114274 |
| 114301 | 114303 | 114305 |
| 114310 | 114425 | 114648 |
| 114710 | 114838 | 115034 |
| 115722 | 115723 | 115726 |
| 115727 | 115956 | 116029 |
| 116030 | 116521 | 116669 |
| 117303 | 117438 | 118989 |
| 124482 | 127523 | 128343 |
| 128413 | 128418 | 128492 |
| 128540 | 128541 | 128553 |
| 128587 | 128694 | 128887 |
| 128928 | 128942 | 129028 |
| 129113 | 129380 | 130409 |
| 131161 | 131944 | 132296 |
| 135571 | 136055 | 143696 |
| 143698 | 143699 | 143700 |
| 144000 | 144040 | 144139 |
| 144140 | 144397 | 145465 |
| 145523 | 145531 | 145534 |
| 145623 | 145624 | 145625 |
| 145677 | 145682 | 145785 |
| 145786 | 145787 | 145788 |
| 145789 | 145790 | 145948 |
| 145949 | 146075 | 146290 |
| 146333 | 146390 | 146450 |
| 146614 | 146688 | 147359 |
| 147770 | 147948 | 148066 |
| 149088 | 149533 | 149811 |
| 149855 | 149856 | 153896 |
| 157124 | 157124 | 158444 |
| 158444 |        |        |

**Subsequent Owners Registered**

(The name in parentheses is that of the subsequent owner)

|        |  |
|--------|--|
| 129375 | ( Watts Hardware Manufacturing Pty Ltd ) John Russell Watts  |
| 125458 | ( Watts Hardware Manufacturing Pty Ltd ) John Russell Watts  |
| 125499 | ( Watts Hardware Manufacturing Pty Ltd ) Yarra Ridge Pty Ltd |
| 126820 | ( Watts Hardware Manufacturing Pty Ltd ) Yarra Ridge Pty Ltd |
| 134219 | ( Watts Hardware Manufacturing Pty Ltd ) Yarra Ridge Pty Ltd |

**Subsequent Owners Registered**

(The name in parentheses is the new name of the proprietor)

|        |   |        |   |
|--------|---|--------|---|
| 141714 | ( <b>Watts Hardware Manufacturing Pty Ltd</b> ) Yarra Ridge Pty Ltd   | 149815 | ( <b>Violeta Rajcinoski</b> ) Violeta Buvcevska   |
| 128862 | ( <b>Watts Hardware Manufacturing Pty Ltd</b> ) Yarra Ridge Pty Ltd   | 153177 | ( <b>Violeta Rajcinoski</b> ) Violeta Buvcevska   |
| 137542 | ( <b>Watts Hardware Manufacturing Pty Ltd</b> ) Yarra Ridge Pty Ltd   | 122468 | ( <b>Bridgestone Firestone North American Tire, LLC</b> )<br>Bridgestone/Firestone Inc. |
| 141765 | ( <b>Watts Hardware Manufacturing Pty Ltd</b> ) Yarra Ridge Pty Ltd   |        |   |
| 142173 | ( <b>Watts Hardware Manufacturing Pty Ltd</b> ) Yarra Ridge Pty Ltd   |        |   |
| 156735 | ( <b>Jorgenson-Watts Pty Ltd</b> ) Door Hardware Development and Testing Pty Ltd                              |        |   |
| 158345 | ( <b>Jorgenson-Watts Pty Ltd</b> ) Door Hardware Development and Testing Pty Ltd                              |        |   |
| 158346 | ( <b>Jorgenson-Watts Pty Ltd</b> ) Door Hardware Development and Testing Pty Ltd                              |        |   |
| 155837 | ( <b>Watts Hardware Manufacturing Pty Ltd</b> ) Yarra Ridge Pty Ltd   |        |   |
| 155838 | ( <b>Watts Hardware Manufacturing Pty Ltd</b> ) Yarra Ridge Pty Ltd   |        |   |
| 142667 | ( <b>Watts Hardware Manufacturing Pty Ltd</b> ) Yarra Ridge Pty Ltd   |        |   |
| 146119 | ( <b>Watts Hardware Manufacturing Pty Ltd</b> ) Yarra Ridge Pty Ltd   |        |   |
| 152437 | ( <b>Watts Hardware Manufacturing Pty Ltd</b> ) Yarra Ridge Pty Ltd   |        |   |
| 152438 | ( <b>Watts Hardware Manufacturing Pty Ltd</b> ) Yarra Ridge Pty Ltd   |        |   |
| 152660 | ( <b>Watts Hardware Manufacturing Pty Ltd</b> ) Yarra Ridge Pty Ltd   |        |   |
| 157555 | ( <b>Watts Hardware Manufacturing Pty Ltd</b> ) Yarra Ridge Pty Ltd   |        |   |
| 152686 | ( <b>Watts Hardware Manufacturing Pty Ltd</b> ) Yarra Ridge Pty Ltd   |        |   |
| 154105 | ( <b>Watts Hardware Manufacturing Pty Ltd</b> ) Yarra Ridge Pty Ltd   |        |   |
| 146941 | ( <b>Spareco Pty Ltd</b> ) Noel Mervyn Rogers   |        |   |
| 150772 | ( <b>Gough Plastics Pty Ltd;VRM International Limited</b> )<br>VRM Enterprises Pty Ltd;Gough Plastics Pty Ltd |        |   |
| 133816 | ( <b>Gary Barker;Peter Unsworth</b> ) Trevor Avent;Gary Barker;Peter Unsworth                                 |        |   |
| 132040 | ( <b>Gary Barker;Peter Unsworth</b> ) Trevor Avent;Gary Barker;Peter Unsworth                                 |        |   |
| 132192 | ( <b>Gary Barker;Peter Unsworth</b> ) Trevor Avent;Gary Barker;Peter Unsworth                                 |        |   |
| 145119 | ( <b>CertainTeed Pacific Windows Corporation</b> )<br>CertainTeed Corporation                                 |        |   |
| 145171 | ( <b>CertainTeed Pacific Windows Corporation</b> )<br>CertainTeed Corporation                                 |        |   |
| 145172 | ( <b>CertainTeed Pacific Windows Corporation</b> )<br>CertainTeed Corporation                                 |        |   |
| 145173 | ( <b>CertainTeed Pacific Windows Corporation</b> )<br>CertainTeed Corporation                                 |        |   |
| 145174 | ( <b>CertainTeed Pacific Windows Corporation</b> )<br>CertainTeed Corporation                                 |        |   |

**Names Registered - Alterations and Amendments**

This Page Left Intentionally Blank

**Proceedings under the Designs Act 2003.**

This Page Left Intentionally Blank



**Applications Lodged**

Lodgement information is in the following order: **Applicant's Name**; International Classification, Name of Product, Lodgement Date and **Design Number**. If the applicant claims an earlier priority date under an International Convention, the Convention Country and the associated filing date are shown in parentheses before the Lodgement Date. Divisional information will also appear in parentheses before the Lodgement Date.

|  |                   |   |                   |
|--|-------------------|---|-------------------|
| <b>Aktiebolaget Electrolux;</b><br>15-05, Vacuum cleaner, (SE, 20 Apr 2007) 12 Oct 2007  | <b>20225/2007</b> | <b>Boxy Design Pty Ltd;</b><br>03-01A, Backpack, 11 Oct 2007  | <b>20202/2007</b> |
| <b>Aktiebolaget Electrolux;</b><br>09-07B, Lid, 15 Oct 2007  | <b>20256/2007</b> | <b>Boxy Design Pty Ltd;</b><br>07-07NES, Lunch box, 16 Oct 2007   | <b>20241/2007</b> |
| <b>Albert, Robert J.;</b><br>06-01F, Chair, 16 Oct 2007  | <b>20262/2007</b> | <b>Building Solutions Pty Ltd;</b><br>08-08B, Spacer, 18 Oct 2007   | <b>20302/2007</b> |
| <b>ADC Communications (Australia) Pty Limited;</b><br>13-03B, Cross connect block, 16 Oct 2007   | <b>20274/2007</b> | <b>Building Solutions Pty Ltd;</b><br>08-08B, Spacer, 18 Oct 2007   | <b>20303/2007</b> |
| <b>B.Boss Wheels Pty Ltd;</b><br>12-16A, Alloy wheels, 19 Oct 2007   | <b>20296/2007</b> | <b>Building Solutions Pty Ltd;</b><br>25-01K, Panel joiner the product has indefinite length, 18 Oct 2007             | <b>20304/2007</b> |
| <b>Bantick, Drewe;</b><br>06-05, Interior and exterior modular sculptural installations, also portable decorative items such as furniture, 22 Oct 2007 | <b>20341/2007</b> | <b>Building Solutions Pty Ltd;</b><br>25-01K, Panel joiner the product has indefinite length, 18 Oct 2007             | <b>20305/2007</b> |
| <b>Bantick, Drewe;</b><br>06-05, Interior and exterior modular sculptural installations, also portable decorative items such as furniture, 22 Oct 2007 | <b>20342/2007</b> | <b>Building Solutions Pty Ltd;</b><br>25-01K, Panel trim the product has indefinite length, 18 Oct 2007               | <b>20306/2007</b> |
| <b>Bantick, Drewe;</b><br>06-05, Interior and exterior modular sculptural installations, also portable decorative items such as furniture, 22 Oct 2007 | <b>20343/2007</b> | <b>Cann, Gary;</b><br>22-05, Fishing knives, 23 Oct 2007  | <b>20366/2007</b> |
| <b>Bantick, Drewe;</b><br>06-05, Interior and exterior modular sculptural installations, also portable decorative items such as furniture, 22 Oct 2007 | <b>20344/2007</b> | <b>Cann, Gary;</b><br>22-05, Fishing knives, 23 Oct 2007  | <b>20367/2007</b> |
| <b>Bantick, Drewe;</b><br>06-05, Interior and exterior modular sculptural installations, also portable decorative items such as furniture, 22 Oct 2007 | <b>20345/2007</b> | <b>Cooper, James W.;</b><br>12-10, Truck trailer, 18 Oct 2007   | <b>20297/2007</b> |
| <b>Bantick, Drewe;</b><br>06-05, Interior and exterior modular sculptural installations, also portable decorative items such as furniture, 22 Oct 2007 | <b>20346/2007</b> | <b>Creative Technology Ltd;</b><br>14-01, Loudspeaker, (US, 27 Jul 2007) 10 Oct 2007                                  | <b>20191/2007</b> |
| <b>Bantick, Drewe;</b><br>06-05, Interior and exterior modular sculptural installations, also portable decorative items such as furniture, 22 Oct 2007 | <b>20338/2007</b> | <b>Creative Technology Ltd;</b><br>14-01, Loudspeaker, (US, 06 Jul 2007) 10 Oct 2007                                  | <b>20192/2007</b> |
| <b>Bantick, Drewe;</b><br>06-05, Interior and exterior modular sculptural installations, also portable decorative items such as furniture, 22 Oct 2007 | <b>20339/2007</b> | <b>Creative Technology Ltd;</b><br>14-01, Media player, (US, 02 Aug 2007) 10 Oct 2007                                 | <b>20193/2007</b> |
| <b>Bantick, Drewe;</b><br>06-05, Interior and exterior modular sculptural installations, also portable decorative items such as furniture, 22 Oct 2007 | <b>20340/2007</b> | <b>Creative Technology Ltd;</b><br>14-01, Loudspeaker, (US, 06 Jul 2007) 10 Oct 2007                                  | <b>20194/2007</b> |
| <b>Bantick, Drewe;</b><br>06-05, Interior and exterior modular sculptural installations, also portable decorative items such as furniture, 22 Oct 2007 | <b>20338/2007</b> | <b>Creative Technology Ltd;</b><br>14-01, Loudspeaker and cradle for electronic device, (US, 13 Jun 2007) 10 Oct 2007 | <b>20195/2007</b> |
| <b>Bantick, Drewe;</b><br>06-05, Interior and exterior modular sculptural installations, also portable decorative items such as furniture, 22 Oct 2007 | <b>20339/2007</b> | <b>Creative Technology Ltd;</b><br>14-01, Loudspeaker device, (US, 25 Jul 2007) 10 Oct 2007                           | <b>20196/2007</b> |
| <b>Bantick, Drewe;</b><br>06-05, Interior and exterior modular sculptural installations, also portable decorative items such as furniture, 22 Oct 2007 | <b>20340/2007</b> | <b>Danson, Robert John;</b><br>25-01E, A fence post, 19 Oct 2007  | <b>20349/2007</b> |
| <b>Benton, Toni Michelle; Hamblin, Ronald Ian;</b><br>06-04NES, Modular wine rack, 12 Oct 2007   | <b>20213/2007</b> | <b>Davidson, George;</b><br>23-01L, Downpipe syphon box, 19 Oct 2007  | <b>20295/2007</b> |
| <b>Boral Masonry Limited;</b><br>25-01A, A brick, 23 Oct 2007  | <b>20387/2007</b> | <b>De'Longhi S.p.A.;</b><br>07-02L, Coffee machine, (EM, 26 Apr 2007) 19 Oct 2007                                     | <b>20335/2007</b> |
|  |                   | <b>De'Longhi S.p.A.;</b><br>07-02L, Coffee machine, (EM, 26 Apr 2007) 19 Oct 2007                                     | <b>20336/2007</b> |

|   |                   |  |                   |
|---|-------------------|--|-------------------|
| <b>De'Longhi S.p.A.;</b><br>07-02L, Coffee machine, (EM, 26 Apr 2007) 19 Oct 2007                     | <b>20337/2007</b> | <b>Flisch Holdings SA;</b><br>08-03, Cutting device, (CH, 12 Jul 2007) 16 Oct 2007   | <b>20242/2007</b> |
| <b>De'Longhi S.p.A.;</b><br>07-02L, Coffee machine, (EM, 26 Apr 2007) 19 Oct 2007                     | <b>20333/2007</b> | <b>Flisch Holdings SA;</b><br>08-03, Cutting device, (CH, 12 Jul 2007) 16 Oct 2007   | <b>20243/2007</b> |
| <b>De'Longhi S.p.A.;</b><br>07-02L, Coffee machine, (EM, 26 Apr 2007) 19 Oct 2007                     | <b>20334/2007</b> | <b>Flisch Holdings SA;</b><br>08-03, Cutting device, (CH, 12 Jul 2007) 16 Oct 2007   | <b>20244/2007</b> |
| <b>De'Longhi S.p.A.;</b><br>07-02L, Coffee machine, (EM, 26 Apr 2007) 19 Oct 2007                     | <b>20332/2007</b> | <b>Flisch Holdings SA;</b><br>08-03, Cutting device, (CH, 12 Jul 2007) 16 Oct 2007   | <b>20245/2007</b> |
| <b>Decor Corporation Pty Ltd, The;</b><br>09-03L, Container base, 15 Oct 2007                         | <b>20247/2007</b> | <b>Fox Racing, Inc.;</b><br>02-02B, Chest protector, (US, 13 Apr 2007) 12 Oct 2007   | <b>20208/2007</b> |
| <b>Dometic GmbH;</b><br>23-02C, Toilet system for recreational vehicle, (EM, 12 Feb 2007) 13 Aug 2007 | <b>20385/2007</b> | <b>Fox Racing, Inc.;</b><br>02-02B, Chest protector, (US, 13 Apr 2007) 12 Oct 2007   | <b>20209/2007</b> |
| <b>Dometic GmbH;</b><br>23-02C, Toilet system for recreational vehicle, (EM, 12 Feb 2007) 13 Aug 2007 | <b>20386/2007</b> | <b>Fox Racing, Inc.;</b><br>02-02B, Chest protector, (US, 13 Apr 2007) 12 Oct 2007   | <b>20210/2007</b> |
| <b>Eveready Battery Company, Inc.;</b><br>26-02, Lighting device, (US, 14 May 2007) 23 Oct 2007       | <b>20380/2007</b> | <b>Fox Racing, Inc.;</b><br>02-02B, Shoulder protector, (US, 13 Apr 2007) 12 Oct 2007  | <b>20211/2007</b> |
| <b>Eveready Battery Company, Inc.;</b><br>26-02, Lighting device, (US, 14 May 2007) 23 Oct 2007       | <b>20381/2007</b> | <b>Fox Racing, Inc.;</b><br>02-02B, Shoulder protector, (US, 13 Apr 2007) 12 Oct 2007  | <b>20212/2007</b> |
| <b>Eveready Battery Company, Inc.;</b><br>26-02, Lighting device, (US, 14 May 2007) 23 Oct 2007       | <b>20382/2007</b> | <b>Framelock Structures Pty Ltd;</b><br>25-02NES, Barrier structure, 22 Oct 2007   | <b>20368/2007</b> |
| <b>Eveready Battery Company, Inc.;</b><br>26-02, Lighting device, (US, 14 May 2007) 23 Oct 2007       | <b>20383/2007</b> | <b>Framelock Structures Pty Ltd;</b><br>25-02NES, Barrier structure, 22 Oct 2007   | <b>20369/2007</b> |
| <b>Ewing Industries Pty Ltd;</b><br>23-01H, Tap handle, 16 Oct 2007                                   | <b>20267/2007</b> | <b>Garmond Australia Pty Limited;</b><br>25-01K, Extrusion, 18 Oct 2007  | <b>20298/2007</b> |
| <b>ED Specially 4U;</b><br>19-07, Educational teaching resources, 22 Oct 2007                         | <b>20331/2007</b> | <b>Goodwin, Lloyd Ronald;</b><br>08-05F, All types of stranded wire, ropes, and cordage for domestic, farming, and commercial use, 18 Oct 2007 | <b>20278/2007</b> |
| <b>Fabris, Ariana;</b><br>06-04B, Four - drawer filing cabinet, 16 Oct 2007                           | <b>20259/2007</b> | <b>Goodyear Tire &amp; Rubber Company, The;</b><br>12-15B, A tyre, (US, 04 May 2007) 23 Oct 2007   | <b>20388/2007</b> |
| <b>Fabris, Ariana;</b><br>06-04B, Three - drawer filing cabinet, 16 Oct 2007                          | <b>20260/2007</b> | <b>Granite Works Pty Ltd; Williams, Cameron Leslie;</b><br>07-02A, Oven, 22 Oct 2007   | <b>20363/2007</b> |
| <b>Fabris, Ariana;</b><br>06-04B, Two - drawer filing cabinet, 16 Oct 2007                            | <b>20261/2007</b> | <b>Grant Olver Investments trading as Pilgrim Clothing;</b><br>06-06A, Clothing rack, 15 Oct 2007  | <b>20235/2007</b> |
| <b>Ferfor, S.A.;</b><br>06-01C, Bench seats, (EM, 13 Jun 2007) 13 Aug 2007                            | <b>20384/2007</b> | <b>Gravolin, Dennis Ronald;</b><br>12-16L, Box trailers, caravans, horse float, boat trailer and all types of trailers, 15 Oct 2007            | <b>20240/2007</b> |
| <b>Fitz Ezy Limited;</b><br>25-01NES, A flashing, (NZ, 30 Apr 2007) 17 Oct 2007                       | <b>20280/2007</b> | <b>Grow Point Co. Ltd;</b><br>07-99D, Can opener, (EM, 27 Apr 2007) 18 Oct 2007  | <b>20310/2007</b> |
| <b>Flextool (Aust) Pty Ltd;</b><br>15-02, Pump volute, 22 Oct 2007                                    | <b>20364/2007</b> | <b>Grow Point Co. Ltd;</b><br>07-04, Grater, (EM, 27 Apr 2007) 18 Oct 2007   | <b>20311/2007</b> |
| <b>Flextool (Aust) Pty Ltd;</b><br>15-02, Pump impeller, 22 Oct 2007                                  | <b>20365/2007</b> | <b>Grow Point Co. Ltd;</b><br>07-04, Citrus squeezer, (EM, 27 Apr 2007) 18 Oct 2007  | <b>20312/2007</b> |
|   |                   | <b>Grow Point Co. Ltd;</b><br>07-04, Grater, (EM, 27 Apr 2007) 18 Oct 2007   | <b>20313/2007</b> |

|   |                   |   |                   |
|---|-------------------|---|-------------------|
| <b>Grow Point Co. Ltd;</b><br>07-04, Garlic press, (EM, 27 Apr 2007) 18 Oct 2007                  | <b>20314/2007</b> | <b>Hansen Developments Limited;</b><br>23-01K, A valve, 15 Oct 2007   | <b>20238/2007</b> |
| <b>Grow Point Co. Ltd;</b><br>07-04, Ladle, (EM, 27 Apr 2007) 18 Oct 2007                         | <b>20315/2007</b> | <b>Harpur-Fikus, Victoria R.;</b><br>06-13B, Baby wrap, 18 Oct 2007   | <b>20277/2007</b> |
| <b>Grow Point Co. Ltd;</b><br>07-04, Masher, (EM, 27 Apr 2007) 18 Oct 2007                        | <b>20316/2007</b> | <b>Heltech Industries Pty Ltd;</b><br>08-01, Cap for screw piers, 12 Oct 2007   | <b>20228/2007</b> |
| <b>Grow Point Co. Ltd;</b><br>07-04, Rotary grater, (EM, 27 Apr 2007) 18 Oct 2007                 | <b>20317/2007</b> | <b>Hustler Equipment Sales;</b><br>15-03B, Bale lifter, (NZ, 14 Aug 2007) 18 Oct 2007   | <b>20307/2007</b> |
| <b>Grow Point Co. Ltd;</b><br>07-04, Gravy ladle, (EM, 27 Apr 2007) 18 Oct 2007                   | <b>20318/2007</b> | <b>HTL International Holdings Ltd;</b><br>06-01E, Ottoman, (SG, 15 Jan 2007) 16 Jul 2007  | <b>20410/2007</b> |
| <b>Grow Point Co. Ltd;</b><br>07-04, Slotted spoon, (EM, 27 Apr 2007) 18 Oct 2007                 | <b>20319/2007</b> | <b>Indoor Foliage Australia Pty Ltd;</b><br>11-02B, A pot for a plant, 17 Oct 2007  | <b>20284/2007</b> |
| <b>Grow Point Co. Ltd;</b><br>07-04, Pasta server, (EM, 27 Apr 2007) 18 Oct 2007                  | <b>20320/2007</b> | <b>Indoor Foliage Australia Pty Ltd;</b><br>11-02B, A pot for a plant, 17 Oct 2007  | <b>20285/2007</b> |
| <b>Grow Point Co. Ltd;</b><br>07-04, Spatula, (EM, 27 Apr 2007) 18 Oct 2007                       | <b>20321/2007</b> | <b>Indoor Foliage Australia Pty Ltd;</b><br>11-02B, A pot for a plant, 17 Oct 2007  | <b>20286/2007</b> |
| <b>Grow Point Co. Ltd;</b><br>07-04, Strainer, (EM, 27 Apr 2007) 18 Oct 2007                      | <b>20322/2007</b> | <b>Inverness Medical Switzerland GmbH;</b><br>24-02, Pregnancy test device, (CN, 11 May 2007) 11 Oct 2007                                 | <b>20204/2007</b> |
| <b>Grow Point Co. Ltd;</b><br>07-04, Peeler, (EM, 27 Apr 2007) 18 Oct 2007                        | <b>20323/2007</b> | <b>ITI Scotland Limited;</b><br>14-03NES, Passive antenna, (EM, 20 Apr 2007) 19 Oct 2007  | <b>20329/2007</b> |
| <b>Grow Point Co. Ltd;</b><br>07-04, Slicer, (EM, 27 Apr 2007) 18 Oct 2007                        | <b>20324/2007</b> | <b>James Neill Holdings Limited;</b><br>08-01, Garden spade, (GB, 20 Jun 2007) 23 Oct 2007  | <b>20389/2007</b> |
| <b>Grow Point Co. Ltd;</b><br>07-04, Corkscrew, (EM, 27 Apr 2007) 18 Oct 2007                     | <b>20325/2007</b> | <b>James Neill Holdings Limited;</b><br>08-01, Garden spade, (GB, 20 Jun 2007) 23 Oct 2007  | <b>20390/2007</b> |
| <b>Grow Point Co. Ltd;</b><br>07-04, Salad knife, (EM, 27 Apr 2007) 18 Oct 2007                   | <b>20326/2007</b> | <b>James Neill Holdings Limited;</b><br>08-01, Garden fork, (GB, 20 Jun 2007) 23 Oct 2007   | <b>20391/2007</b> |
| <b>Grow Point Co. Ltd;</b><br>07-04, Serving fork, (EM, 27 Apr 2007) 18 Oct 2007                  | <b>20327/2007</b> | <b>James Neill Holdings Limited;</b><br>08-01, Garden fork, (GB, 20 Jun 2007) 23 Oct 2007   | <b>20392/2007</b> |
| <b>Grow Point Co. Ltd;</b><br>07-04, Serving spoon, (EM, 27 Apr 2007) 18 Oct 2007                 | <b>20328/2007</b> | <b>James Neill Holdings Limited;</b><br>08-01, Garden edging tool, (GB, 20 Jun 2007) 23 Oct 2007  | <b>20393/2007</b> |
| <b>Grow Point Co. Ltd;</b><br>07-04, Peeler, (EM, 27 Apr 2007) 18 Oct 2007                        | <b>20308/2007</b> | <b>Janssen, Hilda Elisabeth Fransisca;</b><br>21-02NES, Resilient pads for use on pedals of fitness or physiotherapy devices, 09 Oct 2007 | <b>20258/2007</b> |
| <b>Grow Point Co. Ltd;</b><br>07-04, Corer, (EM, 27 Apr 2007) 18 Oct 2007                         | <b>20309/2007</b> | <b>Joe's Wrought Iron and Aluminium Pty Ltd;</b><br>08-08L, Foot plate for a post, 12 Oct 2007  | <b>20206/2007</b> |
| <b>H&amp;H Asia Limited trading as Sun Moon Furniture;</b><br>07-02E, Barbeque, 10 Oct 2007       | <b>20182/2007</b> | <b>John Wall, Inc.;</b><br>08-08K, Post bracket and attaching buckle, (US, 22 Dec 2006) (Divisional of 18568/2007) 10 Oct 2007            | <b>20199/2007</b> |
| <b>H&amp;H Asia Limited trading as Sun Moon Furniture;</b><br>06-04B, Filing cabinet, 10 Oct 2007 | <b>20183/2007</b> | <b>Johnston, Gavin; Johnston, Felicity;</b><br>25-02C, Spa fencing, 22 Oct 2007   | <b>20351/2007</b> |
| <b>H&amp;H Asia Limited trading as Sun Moon Furniture;</b><br>06-04B, Filing cabinet, 10 Oct 2007 | <b>20184/2007</b> | <b>Johnston, Felicity; Johnston, Gavin;</b><br>25-02C, Spa fencing, 22 Oct 2007   | <b>20351/2007</b> |
| <b>H&amp;H Asia Limited trading as Sun Moon Furniture;</b><br>06-04B, Filing cabinet, 10 Oct 2007 | <b>20185/2007</b> | <b>Kalinsky, Stuart;</b><br>02-04NES, Pedicure slipper, (US, 19 Apr 2007) 19 Oct 2007   | <b>20350/2007</b> |
| <b>Hamblin, Ronald Ian; Benton, Toni Michelle;</b><br>06-04NES, Modular wine rack, 12 Oct 2007    | <b>20213/2007</b> | <b>KYA Racing Pty Ltd;</b><br>12-16NES, Motorcycle wheel clamp, 15 Oct 2007   | <b>20257/2007</b> |

|  |                   |   |                   |
|--|-------------------|---|-------------------|
| <b>L-3 Communications Systems;</b><br>14-03E, Handheld electronic communications device, (US, 19 Apr 2007) 18 Oct 2007 | <b>20275/2007</b> | <b>Omodei, Bernard Joseph;</b><br>19-01, Direct mail laser paper A3, 15 Oct 2007  | <b>20230/2007</b> |
| <b>Lolitta Clothing;</b><br>02-02C, 02-02NES, Ladies clothin garments, 10 Oct 2007                                     | <b>20198/2007</b> | <b>Pacific Enterprises (Aust) Pty Ltd;</b><br>08-07, Sash window lock with keylock and handle, 16 Oct 2007                                | <b>20269/2007</b> |
| <b>Lolitta Clothing Pty Ltd;</b><br>02-02NES, Ladies clothin garments, 31 Aug 2007                                     | <b>20575/2007</b> | <b>Peak Innovations Inc.;</b><br>08-08K, A gate bracket, (US, 18 Jan 2007) 16 Jul 2007  | <b>20475/2007</b> |
| <b>Lolitta Clothing Pty Ltd;</b><br>02-02NES, Ladies clothin garments, 31 Aug 2007                                     | <b>20576/2007</b> | <b>Pi-Design AG;</b><br>07-01F, Ice tea jug, (DK, 07 May 2007) 15 Oct 2007  | <b>20251/2007</b> |
| <b>Lolitta Clothing Pty Ltd;</b><br>02-02NES, Ladies clothin garments, 31 Aug 2007                                     | <b>20577/2007</b> | <b>Pi-Design AG;</b><br>07-02L, Drip coffee maker with filter, (DK, 14 May 2007) 22 Oct 2007  | <b>20347/2007</b> |
| <b>Lolitta Clothing Pty Ltd;</b><br>02-02C, Ladies clothin garments, 31 Aug 2007                                       | <b>20578/2007</b> | <b>Pi-Design AG;</b><br>07-01C, Double wall glasses (2), (DK, 25 Apr 2007) 11 Oct 2007  | <b>20200/2007</b> |
| <b>Lolitta Clothing Pty Ltd;</b><br>02-02C, Ladies clothin garments, 10 Aug 2007                                       | <b>20569/2007</b> | <b>Pi-Design AG;</b><br>07-01C, Double wall glasses (2), (DK, 25 Apr 2007) 11 Oct 2007  | <b>20201/2007</b> |
| <b>Lolitta Clothing Pty Ltd;</b><br>02-02C, Ladies clothin garments, 10 Aug 2007                                       | <b>20570/2007</b> | <b>Powers Fasteners Australasia Pty Ltd;</b><br>08-99, Powder actuated tool, 24 Oct 2007  | <b>20407/2007</b> |
| <b>Lolitta Clothing Pty Ltd;</b><br>02-02C, Ladies clothin garments, 10 Aug 2007                                       | <b>20571/2007</b> | <b>Proact Medical Systems (Australia) Pty Ltd;</b><br>24-01, 24-02, Laryngeal masks (single use) by Proact Pro-Breath, 15 Oct 2007        | <b>20239/2007</b> |
| <b>Lolitta Clothing Pty Ltd;</b><br>02-02C, Ladies clothin garments, 31 Aug 2007                                       | <b>20572/2007</b> | <b>PAAR Enterprises Pty Ltd;</b><br>12-06NES, Floating boat guide and docking system, 16 Oct 2007   | <b>20263/2007</b> |
| <b>Lolitta Clothing Pty Ltd;</b><br>02-02C, Ladies clothin garments, 31 Aug 2007                                       | <b>20573/2007</b> | <b>PAAR Enterprises Pty Ltd;</b><br>12-06NES, Floating boat guide and docking system, 16 Oct 2007   | <b>20264/2007</b> |
| <b>Lolitta Clothing Pty Ltd;</b><br>02-02NES, Ladies clothin garments, 31 Aug 2007                                     | <b>20574/2007</b> | <b>PAAR Enterprises Pty Ltd;</b><br>12-06NES, Floating boat guide and docking system, 16 Oct 2007   | <b>20265/2007</b> |
| <b>LG Electronics Inc.;</b><br>14-03E, Cellular phone, (KR, 10 Oct 2007) 12 Oct 2007                                   | <b>20226/2007</b> | <b>Raven Products Pty Ltd;</b><br>09-99, A liner blank for use with clam packaging, 09 Oct 2007   | <b>20231/2007</b> |
| <b>McNeil-PPC, Inc.;</b><br>24-04, Cover material for a sanitary napkin, (US, 26 Apr 2007) 15 Oct 2007                 | <b>20249/2007</b> | <b>Raven Products Pty Ltd;</b><br>09-99, A liner blank for use with clam packaging, 09 Oct 2007   | <b>20232/2007</b> |
| <b>McNeil-PPC, Inc.;</b><br>24-04, Sanitary napkin, (US, 26 Apr 2007) 15 Oct 2007                                      | <b>20250/2007</b> | <b>Raven Products Pty Ltd;</b><br>09-99, A liner blank for use with clam packaging, 09 Oct 2007   | <b>20233/2007</b> |
| <b>Methven Limited;</b><br>23-02B, Shower fitting, (NZ, 19 Apr 2007) 19 Oct 2007                                       | <b>20352/2007</b> | <b>Raven Products Pty Ltd;</b><br>09-99, A liner blank for use with clam packaging, 09 Oct 2007   | <b>20234/2007</b> |
| <b>Methven Limited;</b><br>23-02B, Shower mixer, (NZ, 19 Apr 2007) 19 Oct 2007   | <b>20353/2007</b> | <b>ResMed Ltd;</b><br>24-01, Cushion clip for a respiratory mask, (US, 19 Apr 2007) 18 Oct 2007   | <b>20301/2007</b> |
| <b>Murru, Salvatore;</b><br>09-09, Lifter for wheelie bin, 16 Oct 2007   | <b>20268/2007</b> | <b>Roy Gripske &amp; Sons Pty Ltd;</b><br>08-03, Integrated blade and screen, 22 Oct 2007   | <b>20348/2007</b> |
| <b>Nique Enterprises Pty Ltd;</b><br>06-01F, A chair, 29 Oct 2007  | <b>20495/2007</b> | <b>S.C. Johnson &amp; Son, Inc.;</b><br>26-01, A melting plate with pattern for a decorative candle holder, (US, 17 Apr 2007) 17 Oct 2007 | <b>20293/2007</b> |
| <b>Nique Enterprises Pty Ltd;</b><br>06-01K, Rocking chair, 29 Oct 2007  | <b>20496/2007</b> | <b>Sebba International Pty Ltd;</b><br>12-16NES, Truck body, 10 Oct 2007  | <b>20197/2007</b> |
| <b>Nord, Sven Tor;</b><br>19-99, My ancestral wheel. The genealogy display board. Student edition., 15 Oct 2007        | <b>20246/2007</b> |   |                   |
| <b>Omodei, Bernard Joseph;</b><br>19-01, Direct mail laser paper A4, 15 Oct 2007                                       | <b>20229/2007</b> |   |                   |

|  |                   |   |                   |
|--|-------------------|---|-------------------|
| <b>Seiko Epson Corporation;</b><br>18-02, Ink cartridge, (JP, 18 Apr 2007) 15 Oct 2007                       | <b>20248/2007</b> | <b>Tobin, Edward;</b><br>30-02, Bee frame, 18 Oct 2007  | <b>20279/2007</b> |
| <b>Sharp Kabushiki Kaisha;</b><br>15-07, Refrigerator, (JP, 25 Apr 2007) 12 Oct 2007                         | <b>20221/2007</b> | <b>Tomic, Smilia;</b><br>03-01B, Key ring, 23 Oct 2007  | <b>20370/2007</b> |
| <b>Sharp Kabushiki Kaisha;</b><br>15-07, Refrigerator, (JP, 25 Apr 2007) 10 Oct 2007                         | <b>20186/2007</b> | <b>Toshiba Carrier Corporation;</b><br>14-03NES, Remote control for an air conditioner, (JP, 23 Apr 2007) 18 Oct 2007 | <b>20299/2007</b> |
| <b>Silvester, Benjamin;</b><br>02-06, A tennis glove without an index finger and with grip area, 12 Oct 2007 | <b>20223/2007</b> | <b>Tunstall, Talia;</b><br>06-08, Bag hanger, 18 Oct 2007   | <b>20276/2007</b> |
| <b>Silvester, Benjamin;</b><br>02-06, A glove without an index finger covering, 12 Oct 2007                  | <b>20222/2007</b> | <b>Wahl Clipper Corporation;</b><br>28-03D, Housing portion for hair clipper, (US, 21 Jun 2007) 15 Oct 2007           | <b>20253/2007</b> |
| <b>Silvester, Benjamin;</b><br>02-06, A tennis glove with grip area, 12 Oct 2007                             | <b>20224/2007</b> | <b>Wahl Clipper Corporation;</b><br>28-03D, Housing portion for hair clipper, (US, 21 Jun 2007) 16 Oct 2007           | <b>20266/2007</b> |
| <b>Smith Resources International Pty Ltd;</b><br>12-10, Car carrier, 12 Oct 2007                             | <b>20227/2007</b> | <b>Watts Hardware Manufacturing Pty Ltd;</b><br>08-07, Door locks, 22 Oct 2007  | <b>20330/2007</b> |
| <b>Societe Des Produits Nestle S.A.;</b><br>15-07, Freezer, (CH, 20 Apr 2007) 18 Oct 2007                    | <b>20300/2007</b> | <b>Whirlpool S.A.;</b><br>15-07, A refrigerator, (BR, 10 Apr 2007) 10 Oct 2007  | <b>20187/2007</b> |
| <b>Sportsgirl Pty Ltd;</b><br>02-02C, 02-02NES, Various garments, 22 Oct 2007                                | <b>20373/2007</b> | <b>Whirlpool S.A.;</b><br>15-07, A refrigerator, (BR, 10 Apr 2007) 10 Oct 2007  | <b>20188/2007</b> |
| <b>Sunload GmbH;</b><br>03-01A, Suitcase, (DE, 24 Apr 2007) 17 Oct 2007                                      | <b>20281/2007</b> | <b>Whirlpool S.A.;</b><br>15-07, A refrigerator, (BR, 10 Apr 2007) 10 Oct 2007  | <b>20189/2007</b> |
| <b>Sunload GmbH;</b><br>03-01A, Suitcase, (DE, 24 Apr 2007) 17 Oct 2007                                      | <b>20282/2007</b> | <b>Whirlpool S.A.;</b><br>15-07, A refrigerator, (BR, 10 Apr 2007) 10 Oct 2007  | <b>20190/2007</b> |
| <b>Sunload GmbH;</b><br>03-01A, Attache case, (DE, 24 Apr 2007) 17 Oct 2007                                  | <b>20283/2007</b> | <b>Whitehot Solutions Pty Ltd;</b><br>08-01, Power tool, 19 Oct 2007  | <b>20354/2007</b> |
| <b>Sway AS;</b><br>15-01, Blade mount and blade assembly for a wind turbine, (NO, 12 Apr 2007) 12 Oct 2007   | <b>20216/2007</b> | <b>Whitehot Solutions Pty Ltd;</b><br>08-01, Power tool, 19 Oct 2007  | <b>20355/2007</b> |
| <b>Sway AS;</b><br>15-01, Blade mount for a wind turbine, (NO, 12 Apr 2007) 12 Oct 2007                      | <b>20217/2007</b> | <b>Whitehot Solutions Pty Ltd;</b><br>08-01, Attachment for a power tool, 19 Oct 2007                                 | <b>20356/2007</b> |
| <b>Sway AS;</b><br>15-01, Wind turbine, (NO, 12 Apr 2007) 12 Oct 2007  | <b>20214/2007</b> | <b>Wildchild Design Pty Ltd;</b><br>21-01C, Toys and playthings namely a ride on toy, 11 Oct 2007                     | <b>20203/2007</b> |
| <b>Sway AS;</b><br>15-01, Blade mount and blade assembly for a wind turbine, (NO, 12 Apr 2007) 12 Oct 2007   | <b>20215/2007</b> | <b>Williams, Cameron Leslie; Granite Works Pty Ltd;</b><br>07-02A, Oven, 22 Oct 2007                                  | <b>20363/2007</b> |
| <b>Sway AS;</b><br>15-01, Blade mount and blade assembly for a wind turbine, (NO, 12 Apr 2007) 12 Oct 2007   | <b>20218/2007</b> | <b>Wills, Emma Kate;</b><br>02-01B, Nappy wallet, 22 Oct 2007   | <b>20371/2007</b> |
| <b>Sway AS;</b><br>15-01, Blade mount and blade assembly for a wind turbine, (NO, 12 Apr 2007) 12 Oct 2007   | <b>20219/2007</b> | <b>Wiseman, Allan John; Wiseman, Phillip Alan;</b><br>06-13NES, Vehicle seat cover, 16 Oct 2007                       | <b>20254/2007</b> |
| <b>Sway AS;</b><br>15-01, Blade mount and blade assembly for a wind turbine, (NO, 12 Apr 2007) 12 Oct 2007   | <b>20220/2007</b> | <b>Wiseman, Phillip Alan; Wiseman, Allan John;</b><br>06-13NES, Vehicle seat cover, 16 Oct 2007                       | <b>20254/2007</b> |
| <b>SOMFY SAS;</b><br>14-03NES, Remote control, (EM, 18 Apr 2007) 15 Oct 2007                                 | <b>20252/2007</b> | <b>Wiseman, Allan John; Wiseman, Phillip Alan;</b><br>06-13NES, Vehicle seat cover, 16 Oct 2007                       | <b>20255/2007</b> |
|  |                   | <b>Wiseman, Phillip Alan; Wiseman, Allan John;</b><br>06-13NES, Vehicle seat cover, 16 Oct 2007                       | <b>20255/2007</b> |
|  |                   | <b>Yanmar Co., Ltd.;</b><br>12-09, Tractor, (JP, 04 Jul 2007) 16 Oct 2007   | <b>20270/2007</b> |

|  |                   |   |                   |
|--|-------------------|---|-------------------|
| <b>Yanmar Co., Ltd.;</b><br>12-09, Tractor, (JP, 04 Jul 2007) 16 Oct 2007  | <b>20271/2007</b> | <b>Zumtobel Lighting GmbH &amp; Co. KG;</b><br>14-03NES, Remote controller, (EM, 17 Apr 2007) 17 Oct 2007 | <b>20289/2007</b> |
| <b>Yanmar Co., Ltd.;</b><br>08-06, Assist grip for agricultural vehicle, (JP, 04 Jul 2007) 16 Oct 2007                     | <b>20272/2007</b> | <b>Zumtobel Lighting GmbH &amp; Co. KG;</b><br>26-05D, Light fitting, (EM, 17 Apr 2007) 17 Oct 2007       | <b>20290/2007</b> |
| <b>Yanmar Co., Ltd.;</b><br>08-01, Power shovel, (JP, 19 Apr 2007) 16 Oct 2007   | <b>20273/2007</b> | <b>Zumtobel Lighting GmbH &amp; Co. KG;</b><br>26-05D, Light fitting, (EM, 17 Apr 2007) 17 Oct 2007       | <b>20291/2007</b> |
| <b>Zumtobel Lighting GmbH &amp; Co. KG;</b><br>26-05D, Reflecting element for light fitting, (EM, 17 Apr 2007) 17 Oct 2007 | <b>20287/2007</b> | <b>Zumtobel Lighting GmbH &amp; Co. KG;</b><br>26-05D, Light fitting, (EM, 17 Apr 2007) 17 Oct 2007       | <b>20292/2007</b> |
| <b>Zumtobel Lighting GmbH &amp; Co. KG;</b><br>26-05D, Light fitting, (EM, 17 Apr 2007) 17 Oct 2007                        | <b>20288/2007</b> |   |                   |

**Applications Withdrawn**

19570 / 2007 (06-03A)

**Applications Lapsed**

|                       |                         |
|-----------------------|-------------------------|
| 15840 / 2005 (21-02C) | 15841 / 2005 (21-02C)   |
| 17498 / 2007 (25-01E) | 17690 / 2007 (02-02NES) |
| 18623 / 2007 (19-04)  | 18668 / 2007 (06-02)    |
| 18669 / 2007 (06-06D) | 18760 / 2007 (99-00)    |
| 18790 / 2007 (14-03E) | 18813 / 2007 (12-16B)   |
| 18815 / 2007 (12-16B) | 18825 / 2007 (06-01G)   |

**Revocation of Design Registrations**

The following Design Registration(s) have been revoked and are taken never to have been registered:

- 145642 25-01K
- 146003 25-01K
- 306049 12-16NES

**Registrations Ceased**

- |        |        |        |
|--------|--------|--------|
| 309181 | 309245 | 309246 |
| 309247 | 309248 | 309249 |

**Extensions of time granted under Section 137**

Applications lodged under section 137 for extension of time have been granted.

- 308109 **3M Innovative Properties Company**
- 16823/2007 **Cindy-Lee Davies-Lightly**
- 16824/2007 **Cindy-Lee Davies-Lightly**
- 16825/2007 **Cindy-Lee Davies-Lightly**
- 16826/2007 **Cindy-Lee Davies-Lightly**
- 17634/2007 **Architectural Steelworks Pty Ltd**
- 17635/2007 **Architectural Steelworks Pty Ltd**
- 17636/2007 **Architectural Steelworks Pty Ltd**
- 17637/2007 **Architectural Steelworks Pty Ltd**
- 17638/2007 **Architectural Steelworks Pty Ltd**
- 17847/2007 **James Charles Weggery**
- 18340/2007 **Binder Investments Ltd.**
- 18729/2007 **Nokia Corporation**

**Applications Assigned**

(The name in parentheses is that of the subsequent applicant)

- 10334/2006 ( **Watts Hardware Manufacturing Pty Ltd** ) Yarra Ridge Pty Ltd
- 10335/2006 ( **Watts Hardware Manufacturing Pty Ltd** ) Yarra Ridge Pty Ltd
- 10336/2006 ( **Watts Hardware Manufacturing Pty Ltd** ) Yarra Ridge Pty Ltd

**Subsequent Owners Registered**

(The name in parentheses is that of the subsequent owner)

- 300218 ( **Watts Hardware Manufacturing Pty Ltd** ) Yarra Ridge Pty Ltd
- 300219 ( **Watts Hardware Manufacturing Pty Ltd** ) Yarra Ridge Pty Ltd
- 300642 ( **Watts Hardware Manufacturing Pty Ltd** ) Yarra Ridge Pty Ltd
- 300778 ( **Watts Hardware Manufacturing Pty Ltd** ) Yarra Ridge Pty Ltd
- 302034 ( **Watts Hardware Manufacturing Pty Ltd** ) Yarra Ridge Pty Ltd
- 302035 ( **Watts Hardware Manufacturing Pty Ltd** ) Yarra Ridge Pty Ltd
- 303342 ( **Watts Hardware Manufacturing Pty Ltd** ) Yarra Ridge Pty Ltd
- 303482 ( **Watts Hardware Manufacturing Pty Ltd** ) Yarra Ridge

Pty Ltd  
304814 ( **Spareco Pty Ltd** ) Noel Mervyn Rogers  
304815 ( **Spareco Pty Ltd** ) Noel Mervyn Rogers  
304816 ( **Spareco Pty Ltd** ) Noel Mervyn Rogers



**Certificate(s) of Examination**

Examination of the following Design Registration(s) has been completed. Infringement proceedings may now be commenced.

|        |          |            |
|--------|----------|------------|
| 302022 | 02-02B   | 05/11/2007 |
| 302023 | 02-02B   | 05/11/2007 |
| 310240 | 25-04    | 28/10/2007 |
| 311683 | 08-08M   | 28/10/2007 |
| 312377 | 14-03B   | 31/10/2007 |
| 312380 | 08-08L   | 31/10/2007 |
| 312812 | 21-02C   | 31/10/2007 |
| 312821 | 25-01E   | 31/10/2007 |
| 312948 | 25-01E   | 31/10/2007 |
| 312993 | 13-03D   | 31/10/2007 |
| 313081 | 15-02    | 29/10/2007 |
| 313091 | 21-02F   | 29/10/2007 |
| 313097 | 28-99    | 05/11/2007 |
| 313174 | 23-01NES | 31/10/2007 |
| 313185 | 21-02D   | 31/10/2007 |
| 313188 | 27-99    | 02/11/2007 |

**Publication and Registration Proceedings**

**Designs Registered**

This section provides a concordance between design number and registration number of Designs covered in this journal. It also shows the main class and registration date.

This section covers Registration numbers 316638 to 316777 .

The registration number shown below should be used in all future correspondence.

| Design Number | Registration Number | International Classification Code (IDC) | Registration Date | Design Number | Registration Number | International Classification Code (IDC) | Registration Date |
|---------------|---------------------|---|-------------------|---------------|---------------------|---|-------------------|
| 11476/2005    | 316714              | 02-02A                                  | 05/11/2007        | 18131/2007    | 316743              | 14-03E                                  | 05/11/2007        |
| 11479/2005    | 316715              | 02-02A                                  | 05/11/2007        | 18157/2007    | 316748              | 25-01A                                  | 02/11/2007        |
| 11481/2005    | 316716              | 02-02A                                  | 05/11/2007        | 18158/2007    | 316749              | 25-01A                                  | 02/11/2007        |
| 11486/2005    | 316717              | 02-02A                                  | 05/11/2007        | 18159/2007    | 316750              | 25-01A                                  | 02/11/2007        |
| 11488/2005    | 316718              | 02-02A                                  | 05/11/2007        | 18161/2007    | 316751              | 25-01A                                  | 02/11/2007        |
| 11489/2005    | 316719              | 02-02A                                  | 05/11/2007        | 18289/2007    | 316689              | 07-01B                                  | 05/11/2007        |
| 11490/2005    | 316720              | 02-02A                                  | 05/11/2007        | 18487/2007    | 316775              | 15-05                                   | 05/11/2007        |
| 13616/2006    | 316735              | 19-06                                   | 05/11/2007        | 18500/2007    | 316746              | 25-01B                                  | 05/11/2007        |
| 13617/2006    | 316736              | 19-06                                   | 05/11/2007        | 18840/2007    | 316713              | 06-01H                                  | 05/11/2007        |
| 13618/2006    | 316737              | 19-06                                   | 05/11/2007        | 18886/2007    | 316690              | 02-02NES                                | 05/11/2007        |
| 13619/2006    | 316738              | 19-06                                   | 05/11/2007        | 19061/2007    | 316638              | 14-02                                   | 01/11/2007        |
| 15069/2006    | 316747              | 08-07                                   | 02/11/2007        | 19064/2007    | 316752              | 09-03NES                                | 02/11/2007        |
| 15901/2006    | 316739              | 20-99                                   | 05/11/2007        | 19241/2007    | 316744              | 26-04                                   | 05/11/2007        |
| 15816/2007    | 316758              | 14-02                                   | 05/11/2007        | 19242/2007    | 316745              | 26-04                                   | 05/11/2007        |
| 15817/2007    | 316759              | 14-02                                   | 05/11/2007        | 19244/2007    | 316679              | 28-03NES                                | 25/10/2007        |
| 15818/2007    | 316760              | 14-02                                   | 05/11/2007        | 19250/2007    | 316639              | 14-03A                                  | 01/11/2007        |
| 15819/2007    | 316761              | 14-02                                   | 05/11/2007        | 19251/2007    | 316640              | 14-03A                                  | 01/11/2007        |
| 15820/2007    | 316762              | 14-02                                   | 05/11/2007        | 19252/2007    | 316641              | 14-03A                                  | 01/11/2007        |
| 15821/2007    | 316763              | 14-02                                   | 05/11/2007        | 19261/2007    | 316680              | 14-01                                   | 25/10/2007        |
| 15822/2007    | 316764              | 14-02                                   | 05/11/2007        | 19263/2007    | 316681              | 23-02A                                  | 25/10/2007        |
| 15823/2007    | 316765              | 14-02                                   | 05/11/2007        | 19265/2007    | 316682              | 12-02                                   | 25/10/2007        |
| 15824/2007    | 316766              | 14-02                                   | 05/11/2007        | 19268/2007    | 316683              | 09-03F                                  | 25/10/2007        |
| 15825/2007    | 316767              | 14-02                                   | 05/11/2007        | 19269/2007    | 316684              | 09-03F                                  | 25/10/2007        |
| 15826/2007    | 316768              | 14-02                                   | 05/11/2007        | 19270/2007    | 316685              | 14-01                                   | 25/10/2007        |
| 15827/2007    | 316769              | 14-02                                   | 05/11/2007        | 19274/2007    | 316642              | 24-99                                   | 01/11/2007        |
| 15828/2007    | 316770              | 14-02                                   | 05/11/2007        | 19275/2007    | 316643              | 06-02                                   | 01/11/2007        |
| 15829/2007    | 316771              | 14-02                                   | 05/11/2007        | 19276/2007    | 316644              | 06-02                                   | 01/11/2007        |
| 15830/2007    | 316772              | 14-02                                   | 05/11/2007        | 19277/2007    | 316645              | 25-01A                                  | 01/11/2007        |
| 15831/2007    | 316773              | 14-02                                   | 05/11/2007        | 19280/2007    | 316646              | 12-16B                                  | 01/11/2007        |
| 16404/2007    | 316687              | 14-02                                   | 05/11/2007        | 19281/2007    | 316647              | 09-07B                                  | 01/11/2007        |
| 16546/2007    | 316721              | 12-16B                                  | 01/11/2007        | 19282/2007    | 316648              | 09-07B                                  | 01/11/2007        |
| 16547/2007    | 316722              | 12-16B                                  | 01/11/2007        | 19283/2007    | 316649              | 09-07B                                  | 01/11/2007        |
| 16548/2007    | 316723              | 12-16B                                  | 01/11/2007        | 19285/2007    | 316650              | 26-05NES                                | 01/11/2007        |
| 16549/2007    | 316724              | 26-06                                   | 01/11/2007        | 19286/2007    | 316651              | 26-05NES                                | 01/11/2007        |
| 16550/2007    | 316725              | 26-06                                   | 01/11/2007        | 19287/2007    | 316652              | 26-05NES                                | 01/11/2007        |
| 16552/2007    | 316726              | 12-16C                                  | 01/11/2007        | 19292/2007    | 316653              | 13-02                                   | 01/11/2007        |
| 16573/2007    | 316688              | 25-01NES                                | 05/11/2007        | 19294/2007    | 316654              | 06-01E                                  | 01/11/2007        |
| 17006/2007    | 316686              | 28-03NES                                | 05/11/2007        | 19295/2007    | 316655              | 08-08L                                  | 01/11/2007        |
| 17327/2007    | 316774              | 13-01                                   | 05/11/2007        | 19296/2007    | 316656              | 08-08L                                  | 01/11/2007        |
| 17677/2007    | 316669              | 25-01K                                  | 25/10/2007        | 19297/2007    | 316657              | 15-99                                   | 01/11/2007        |
| 17678/2007    | 316670              | 25-01K                                  | 25/10/2007        | 19311/2007    | 316692              | 10-06                                   | 05/11/2007        |
| 17679/2007    | 316671              | 25-01K                                  | 25/10/2007        | 19320/2007    | 316691              | 21-02A                                  | 05/11/2007        |
| 17680/2007    | 316672              | 25-01K                                  | 25/10/2007        | 19321/2007    | 316693              | 07-01F                                  | 05/11/2007        |
| 17681/2007    | 316673              | 25-01K                                  | 25/10/2007        | 19322/2007    | 316694              | 07-01F                                  | 05/11/2007        |
| 17682/2007    | 316674              | 25-01K                                  | 25/10/2007        | 19323/2007    | 316753              | 21-01C                                  | 02/11/2007        |
| 17683/2007    | 316675              | 25-01K                                  | 25/10/2007        | 19333/2007    | 316695              | 23-03E                                  | 05/11/2007        |
| 17684/2007    | 316676              | 25-01K                                  | 25/10/2007        | 19336/2007    | 316696              | 25-02C                                  | 05/11/2007        |
| 17685/2007    | 316677              | 25-01K                                  | 25/10/2007        | 19337/2007    | 316697              | 25-02C                                  | 05/11/2007        |
| 17686/2007    | 316678              | 25-01K                                  | 25/10/2007        | 19338/2007    | 316698              | 21-02A                                  | 05/11/2007        |
| 17689/2007    | 316709              | 02-02C                                  | 05/11/2007        | 19339/2007    | 316699              | 21-02A                                  | 05/11/2007        |
| 18125/2007    | 316740              | 14-03E                                  | 05/11/2007        | 19341/2007    | 316700              | 23-01F                                  | 05/11/2007        |
| 18126/2007    | 316741              | 14-03E                                  | 05/11/2007        | 19342/2007    | 316701              | 06-06G                                  | 05/11/2007        |
| 18129/2007    | 316742              | 14-03E                                  | 05/11/2007        | 19343/2007    | 316702              | 21-01F                                  | 05/11/2007        |

Publication and Registration Proceedings - Designs Registered cont'd

| Design Number | Registration Number | International Classification Code (IDC) | Registration Date | Design Number | Registration Number | International Classification Code (IDC) | Registration Date |
|---------------|---------------------|---|-------------------|---------------|---------------------|---|-------------------|
| 19344/2007    | 316703              | 06-01E                                  | 05/11/2007        | 19979/2007    | 316662              | 25-01F                                  | 01/11/2007        |
| 19345/2007    | 316704              | 06-01E                                  | 05/11/2007        | 19980/2007    | 316663              | 25-01F                                  | 01/11/2007        |
| 19346/2007    | 316705              | 06-01E                                  | 05/11/2007        | 19981/2007    | 316664              | 25-01F                                  | 01/11/2007        |
| 19348/2007    | 316706              | 09-07NES                                | 05/11/2007        | 19982/2007    | 316665              | 25-01F                                  | 01/11/2007        |
| 19349/2007    | 316707              | 09-07NES                                | 05/11/2007        | 19983/2007    | 316666              | 25-01F                                  | 01/11/2007        |
| 19350/2007    | 316708              | 26-02                                   | 05/11/2007        | 19984/2007    | 316667              | 25-01F                                  | 01/11/2007        |
| 19359/2007    | 316730              | 24-02                                   | 01/11/2007        | 19985/2007    | 316668              | 25-01F                                  | 01/11/2007        |
| 19360/2007    | 316731              | 24-02                                   | 01/11/2007        | 20066/2007    | 316710              | 02-02C                                  | 05/11/2007        |
| 19363/2007    | 316732              | 15-07                                   | 01/11/2007        | 20067/2007    | 316711              | 02-02C                                  | 05/11/2007        |
| 19430/2007    | 316776              | 26-05A                                  | 05/11/2007        | 20068/2007    | 316712              | 02-02C                                  | 05/11/2007        |
| 19433/2007    | 316777              | 23-01H                                  | 05/11/2007        | 20275/2007    | 316727              | 14-03E                                  | 01/11/2007        |
| 19439/2007    | 316733              | 23-01F                                  | 01/11/2007        | 20295/2007    | 316728              | 23-01L                                  | 01/11/2007        |
| 19440/2007    | 316734              | 23-01F                                  | 01/11/2007        | 20364/2007    | 316729              | 15-02                                   | 01/11/2007        |
| 19696/2007    | 316658              | 25-03                                   | 01/11/2007        | 20365/2007    | 316754              | 15-02                                   | 02/11/2007        |
| 19881/2007    | 316659              | 25-01NES                                | 01/11/2007        | 20407/2007    | 316755              | 08-99                                   | 02/11/2007        |
| 19977/2007    | 316660              | 25-01F                                  | 01/11/2007        | 20495/2007    | 316756              | 06-01F                                  | 02/11/2007        |
| 19978/2007    | 316661              | 25-01F                                  | 01/11/2007        | 20496/2007    | 316757              | 06-01K                                  | 02/11/2007        |

**Publication and Registration Proceedings**  
**Class Listing of Designs Published or Registered**

The following section shows an International Classification Code listing of the Registered or Published Designs covered in this supplement.

| <b>Classification</b> | <b>Registration Number</b> | <b>Design Number</b> | <b>Classification</b> | <b>Registration Number</b> | <b>Design Number</b> |
|-----------------------|----------------------------|----------------------|-----------------------|----------------------------|----------------------|
| 02-02 A               | 316714                     | 11476/2005           | 14-01                 | 316680                     | 19261/2007           |
| 02-02 A               | 316715                     | 11479/2005           | 14-01                 | 316685                     | 19270/2007           |
| 02-02 A               | 316716                     | 11481/2005           | 14-02                 | 316638                     | 19061/2007           |
| 02-02 A               | 316717                     | 11486/2005           | 14-02                 | 316687                     | 16404/2007           |
| 02-02 A               | 316718                     | 11488/2005           | 14-02                 | 316758                     | 15816/2007           |
| 02-02 A               | 316719                     | 11489/2005           | 14-02                 | 316759                     | 15817/2007           |
| 02-02 A               | 316720                     | 11490/2005           | 14-02                 | 316760                     | 15818/2007           |
| 02-02 C               | 316709                     | 17689/2007           | 14-02                 | 316761                     | 15819/2007           |
| 02-02 C               | 316710                     | 20066/2007           | 14-02                 | 316762                     | 15820/2007           |
| 02-02 C               | 316711                     | 20067/2007           | 14-02                 | 316763                     | 15821/2007           |
| 02-02 C               | 316712                     | 20068/2007           | 14-02                 | 316764                     | 15822/2007           |
| 02-02 NES             | 316690                     | 18886/2007           | 14-02                 | 316765                     | 15823/2007           |
| 06-01 E               | 316654                     | 19294/2007           | 14-02                 | 316766                     | 15824/2007           |
| 06-01 E               | 316703                     | 19344/2007           | 14-02                 | 316767                     | 15825/2007           |
| 06-01 E               | 316704                     | 19345/2007           | 14-02                 | 316768                     | 15826/2007           |
| 06-01 E               | 316705                     | 19346/2007           | 14-02                 | 316769                     | 15827/2007           |
| 06-01 F               | 316756                     | 20495/2007           | 14-02                 | 316770                     | 15828/2007           |
| 06-01 H               | 316713                     | 18840/2007           | 14-02                 | 316771                     | 15829/2007           |
| 06-01 K               | 316757                     | 20496/2007           | 14-02                 | 316772                     | 15830/2007           |
| 06-02                 | 316643                     | 19275/2007           | 14-02                 | 316773                     | 15831/2007           |
| 06-02                 | 316644                     | 19276/2007           | 14-03 A               | 316639                     | 19250/2007           |
| 06-06 G               | 316701                     | 19342/2007           | 14-03 A               | 316640                     | 19251/2007           |
| 06-07                 | 316669                     | 17677/2007           | 14-03 A               | 316641                     | 19252/2007           |
| 06-07                 | 316670                     | 17678/2007           | 14-03 E               | 316727                     | 20275/2007           |
| 06-07                 | 316671                     | 17679/2007           | 14-03 E               | 316740                     | 18125/2007           |
| 06-07                 | 316672                     | 17680/2007           | 14-03 E               | 316741                     | 18126/2007           |
| 06-07                 | 316673                     | 17681/2007           | 14-03 E               | 316742                     | 18129/2007           |
| 06-07                 | 316674                     | 17682/2007           | 14-03 E               | 316743                     | 18131/2007           |
| 06-07                 | 316675                     | 17683/2007           | 15-02                 | 316729                     | 20364/2007           |
| 06-07                 | 316676                     | 17684/2007           | 15-02                 | 316754                     | 20365/2007           |
| 06-07                 | 316677                     | 17685/2007           | 15-05                 | 316775                     | 18487/2007           |
| 06-07                 | 316678                     | 17686/2007           | 15-07                 | 316732                     | 19363/2007           |
| 07-01 B               | 316689                     | 18289/2007           | 15-99                 | 316657                     | 19297/2007           |
| 07-01 F               | 316693                     | 19321/2007           | 19-06                 | 316735                     | 13616/2006           |
| 07-01 F               | 316694                     | 19322/2007           | 19-06                 | 316736                     | 13617/2006           |
| 08-07                 | 316747                     | 15069/2006           | 19-06                 | 316737                     | 13618/2006           |
| 08-08 L               | 316655                     | 19295/2007           | 19-06                 | 316738                     | 13619/2006           |
| 08-08 L               | 316656                     | 19296/2007           | 20-99                 | 316739                     | 15901/2006           |
| 08-99                 | 316755                     | 20407/2007           | 21-01 C               | 316753                     | 19323/2007           |
| 09-03 F               | 316683                     | 19268/2007           | 21-01 F               | 316702                     | 19343/2007           |
| 09-03 F               | 316684                     | 19269/2007           | 21-02 A               | 316691                     | 19320/2007           |
| 09-03 NES             | 316752                     | 19064/2007           | 21-02 A               | 316698                     | 19338/2007           |
| 09-07 B               | 316647                     | 19281/2007           | 21-02 A               | 316699                     | 19339/2007           |
| 09-07 B               | 316648                     | 19282/2007           | 23-01 F               | 316700                     | 19341/2007           |
| 09-07 B               | 316649                     | 19283/2007           | 23-01 F               | 316733                     | 19439/2007           |
| 09-07 NES             | 316706                     | 19348/2007           | 23-01 F               | 316734                     | 19440/2007           |
| 09-07 NES             | 316707                     | 19349/2007           | 23-01 H               | 316777                     | 19433/2007           |
| 10-06                 | 316692                     | 19311/2007           | 23-01 L               | 316728                     | 20295/2007           |
| 12-02                 | 316682                     | 19265/2007           | 23-02 A               | 316681                     | 19263/2007           |
| 12-16 B               | 316646                     | 19280/2007           | 23-03 E               | 316695                     | 19333/2007           |
| 12-16 B               | 316721                     | 16546/2007           | 24-02                 | 316730                     | 19359/2007           |
| 12-16 B               | 316722                     | 16547/2007           | 24-02                 | 316731                     | 19360/2007           |
| 12-16 B               | 316723                     | 16548/2007           | 24-99                 | 316642                     | 19274/2007           |
| 12-16 C               | 316726                     | 16552/2007           | 25-01 A               | 316645                     | 19277/2007           |
| 13-01                 | 316774                     | 17327/2007           | 25-01 A               | 316748                     | 18157/2007           |
| 13-02                 | 316653                     | 19292/2007           | 25-01 A               | 316749                     | 18158/2007           |

Registration Proceedings - Class Listing of Designs Published or Registered cont'd

| Classification | Registration Number | Design Number | Classification | Registration Number | Design Number |
|----------------|---------------------|---------------|----------------|---------------------|---------------|
| 25-01 A        | 316750              | 18159/2007    | 25-01 K        | 316677              | 17685/2007    |
| 25-01 A        | 316751              | 18161/2007    | 25-01 K        | 316678              | 17686/2007    |
| 25-01 B        | 316746              | 18500/2007    | 25-01 NES      | 316659              | 19881/2007    |
| 25-01 F        | 316660              | 19977/2007    | 25-01 NES      | 316688              | 16573/2007    |
| 25-01 F        | 316661              | 19978/2007    | 25-02 C        | 316696              | 19336/2007    |
| 25-01 F        | 316662              | 19979/2007    | 25-02 C        | 316697              | 19337/2007    |
| 25-01 F        | 316663              | 19980/2007    | 25-03          | 316658              | 19696/2007    |
| 25-01 F        | 316664              | 19981/2007    | 26-02          | 316708              | 19350/2007    |
| 25-01 F        | 316665              | 19982/2007    | 26-04          | 316744              | 19241/2007    |
| 25-01 F        | 316666              | 19983/2007    | 26-04          | 316745              | 19242/2007    |
| 25-01 F        | 316667              | 19984/2007    | 26-05 A        | 316776              | 19430/2007    |
| 25-01 F        | 316668              | 19985/2007    | 26-05 NES      | 316650              | 19285/2007    |
| 25-01 K        | 316669              | 17677/2007    | 26-05 NES      | 316651              | 19286/2007    |
| 25-01 K        | 316670              | 17678/2007    | 26-05 NES      | 316652              | 19287/2007    |
| 25-01 K        | 316671              | 17679/2007    | 26-06          | 316724              | 16549/2007    |
| 25-01 K        | 316672              | 17680/2007    | 26-06          | 316725              | 16550/2007    |
| 25-01 K        | 316673              | 17681/2007    | 28-03 NES      | 316679              | 19244/2007    |
| 25-01 K        | 316674              | 17682/2007    | 28-03 NES      | 316686              | 17006/2007    |
| 25-01 K        | 316675              | 17683/2007    |                |                     |               |
| 25-01 K        | 316676              | 17684/2007    |                |                     |               |

- (21) Design Number: **19061/2007**
- (22) Date of Filing Application: **25 July 2007**
- (24) Date from which industrial property rights may have effect: **25 July 2007**
- (54) Product in respect of which the design is registered: **Morgans virtual office**
- (51) International Design Classification: **14-02**
- (71) Name(s) and Address(s) of Applicant(s):  
**Morgans One Stop Realty**  
**277 Old Northern Road Castle Hill New South Wales 2154 Australia**
- (72) Name(s) of Designer(s): **Justin Dean**
- (45) Registration Date: **01 November 2007**
- (56) Related Art Documents: **Not Applicable**
- (57) Statement of Newness and Distinctiveness: **Nil**



- (21) Design Number: **19250/2007**
- (22) Date of Filing Application: **09 August 2007**
- (24) Date from which industrial property rights may have effect: **09 August 2007**
- (54) Product in respect of which the design is registered: **Adhesive phone accessory with a metallic-look surface finish**
- (51) International Design Classification: **14-03A**
- (71) Name(s) and Address(s) of Applicant(s):  
**Daniel Andrew Millar**  
**17 Kaimanawa Street Palmerston North New Zealand**
- (72) Name(s) of Designer(s): **Daniel Andrew Millar**
- (45) Registration Date: **01 November 2007**
- (30) Convention priority data:

|                   |                    |                                 |
|-------------------|--------------------|---------------------------------|
| (31) Number       | (32) Date          | (33) Country                    |
| <b>29/289,060</b> | <b>03 Jul 2007</b> | <b>UNITED STATES OF AMERICA</b> |
- (56) Related Art Documents: **Not Applicable**
- (57) Statement of Newness and Distinctiveness: **Newness and distinctiveness reside in the features of shape and/or configuration of the adhesive phone accessory as shown in the representations. The adhesive phone accessory has a metallic-look surface finish.**



- (21) Design Number: **19251/2007**  
(22) Date of Filing Application: **09 August 2007**  
(24) Date from which industrial property rights may have effect: **09 August 2007**  
(54) Product in respect of which the design is registered: **Adhesive phone accessory with a metallic-look surface finish**  
(51) International Design Classification: **14-03A**  
(71) Name(s) and Address(s) of Applicant(s):  
**Daniel Andrew Millar**  
**17 Kaimanawa Street Palmerston North New Zealand**  
(72) Name(s) of Designer(s): **Daniel Andrew Millar**  
(45) Registration Date: **01 November 2007**  
(30) Convention priority data:  
(31) Number (32) Date (33) Country  
**29/289,060 03 Jul 2007 UNITED STATES OF AMERICA**  
(56) Related Art Documents: **Not Applicable**  
(57) Statement of Newness and Distinctiveness: **Newness and distinctiveness reside in the features of shape and/or configuration of the adhesive phone accessory as shown in the representations. The adhesive phone accessory has a metallic-look surface finish.**



- (21) Design Number: **19252/2007**  
(22) Date of Filing Application: **09 August 2007**  
(24) Date from which industrial property rights may have effect: **09 August 2007**  
(54) Product in respect of which the design is registered: **Adhesive phone accessory with a metallic-look surface finish**  
(51) International Design Classification: **14-03A**  
(71) Name(s) and Address(s) of Applicant(s):  
**Daniel Andrew Millar**  
**17 Kaimanawa Street Palmerston North New Zealand**  
(72) Name(s) of Designer(s): **Daniel Andrew Millar**  
(45) Registration Date: **01 November 2007**  
(30) Convention priority data:  
(31) Number (32) Date (33) Country  
**29/289,060 03 Jul 2007 UNITED STATES OF AMERICA**  
(56) Related Art Documents: **Not Applicable**  
(57) Statement of Newness and Distinctiveness: **Newness and distinctiveness reside in the features of shape and/or configuration of the adhesive phone accessory as shown in the representations. The adhesive phone accessory has a metallic-look surface finish.**



(21) Design Number: **19274/2007**

(22) Date of Filing Application: **09 August 2007**

(24) Date from which industrial property rights may have effect: **09 August 2007**

(54) Product in respect of which the design is registered: **Therapeutic device**

(51) International Design Classification: **24-99**

(71) Name(s) and Address(s) of Applicant(s):

**The Procter & Gamble Company**  
**One Procter & Gamble Plaza Cincinnati Ohio 45202 United States of America**

(72) Name(s) of Designer(s): **Angela Marie Reed and Jason Alan Born**

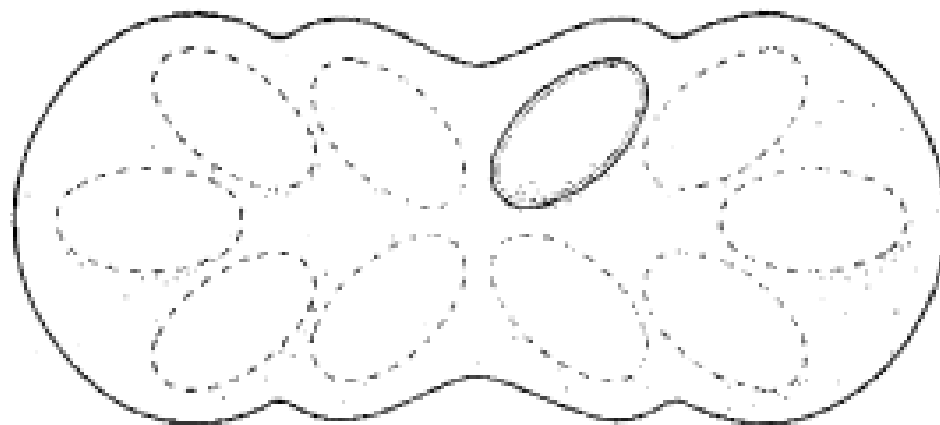
(45) Registration Date: **01 November 2007**

(30) Convention priority data:

|                   |                    |                                 |
|-------------------|--------------------|---------------------------------|
| (31) Number       | (32) Date          | (33) Country                    |
| <b>29/272,634</b> | <b>12 Feb 2007</b> | <b>UNITED STATES OF AMERICA</b> |

(56) Related Art Documents: **Not Applicable**

(57) Statement of Newness and Distinctiveness: **Newness and distinctiveness reside in the features of shape and/or configuration of the therapeutic device, as shown in the representations. The solid oval-shaped structure can be repeated in any number and location within the claimed design.**



(21) Design Number: **19275/2007**

(22) Date of Filing Application: **10 August 2007**

(24) Date from which industrial property rights may have effect: **10 August 2007**

(54) Product in respect of which the design is registered: **Bed - SE 2**

(51) International Design Classification: **06-02**

(71) Name(s) and Address(s) of Applicant(s):

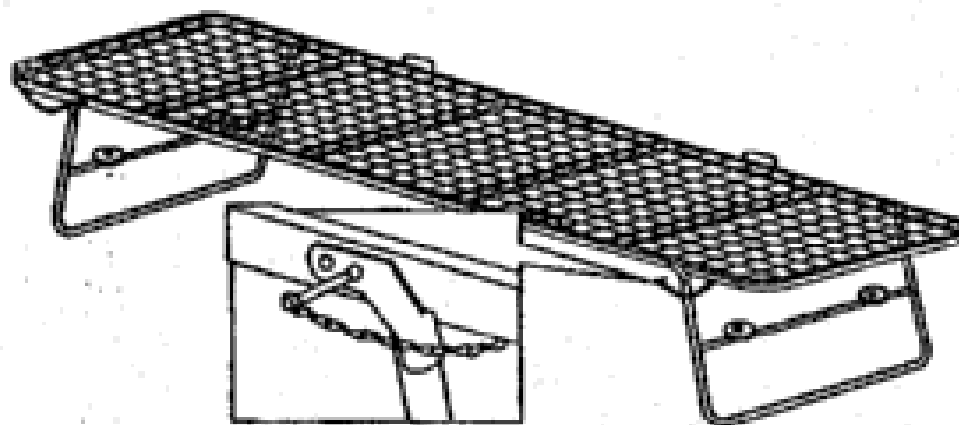
**Tube Home (M) SDN BHD**  
**No. 6 Jalan Perusahaan 2 Kawasan Perusahaan Beranang Hulu Langat Selangor 43700 Malaysia**

(72) Name(s) of Designer(s): **Tan Yok Chin**

(45) Registration Date: **01 November 2007**

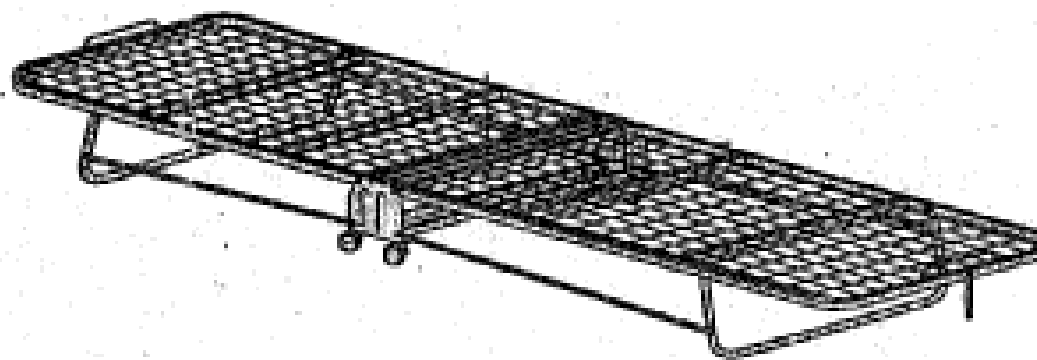
(56) Related Art Documents: **Not Applicable**

(57) Statement of Newness and Distinctiveness: **Nil**

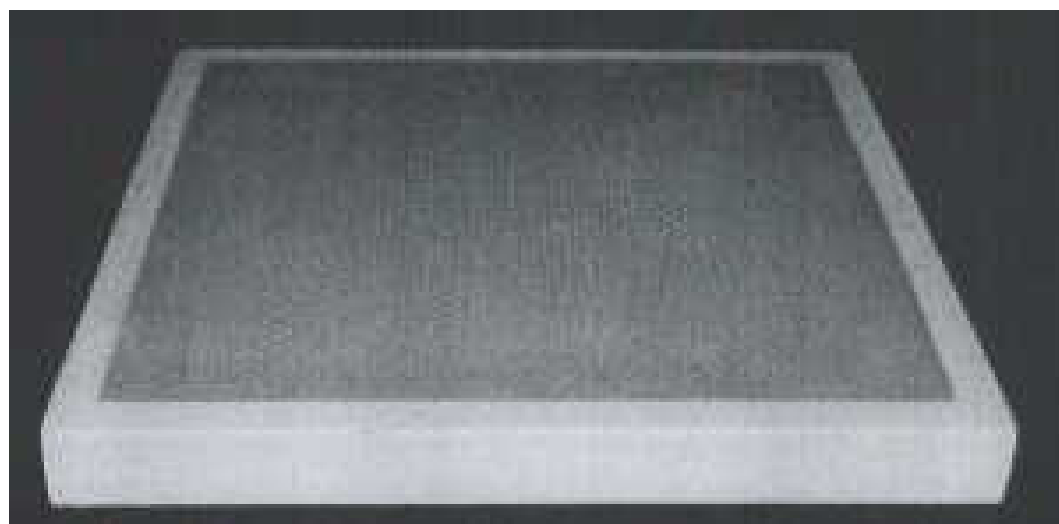




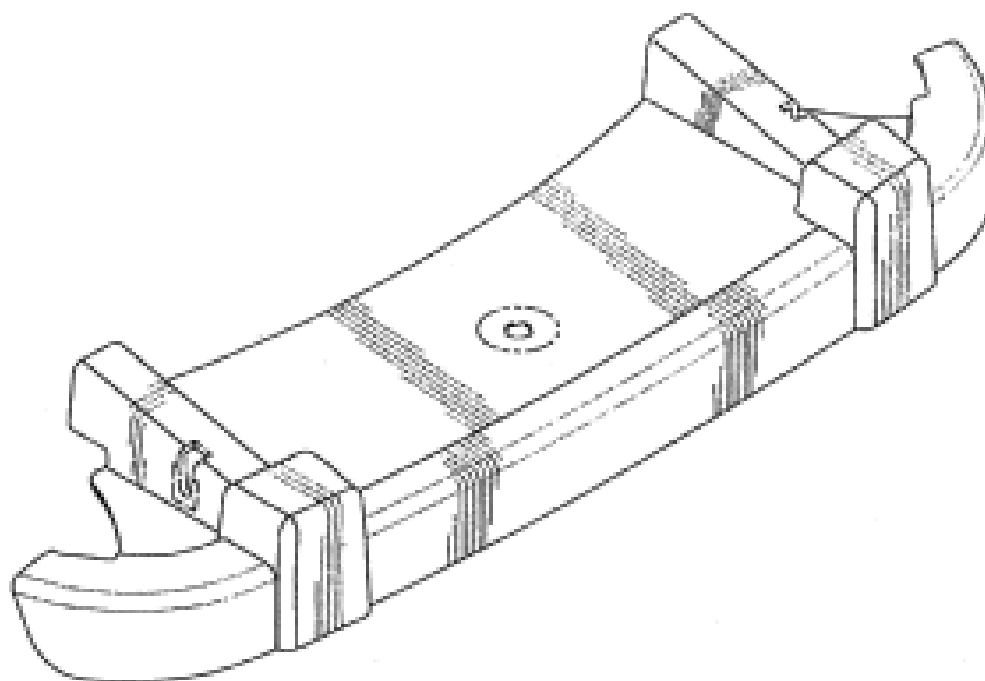
- (21) Design Number: **19276/2007**  
(22) Date of Filing Application: **10 August 2007**  
(24) Date from which industrial property rights may have effect: **10 August 2007**  
(54) Product in respect of which the design is registered: **Bed - AP**  
(51) International Design Classification: **06-02**  
(71) Name(s) and Address(s) of Applicant(s):  
**Tube Home (M) SDN BHD**  
**No. 6 Jalan Perusahaan 2 Kawasan Perusahaan Beranang Hulu**  
**Langat Selangor 43700 Malaysia**  
(72) Name(s) of Designer(s): **Tan Yok Chin**  
(45) Registration Date: **01 November 2007**  
(56) Related Art Documents: **Not Applicable**  
(57) Statement of Newness and Distinctiveness: **Nil**



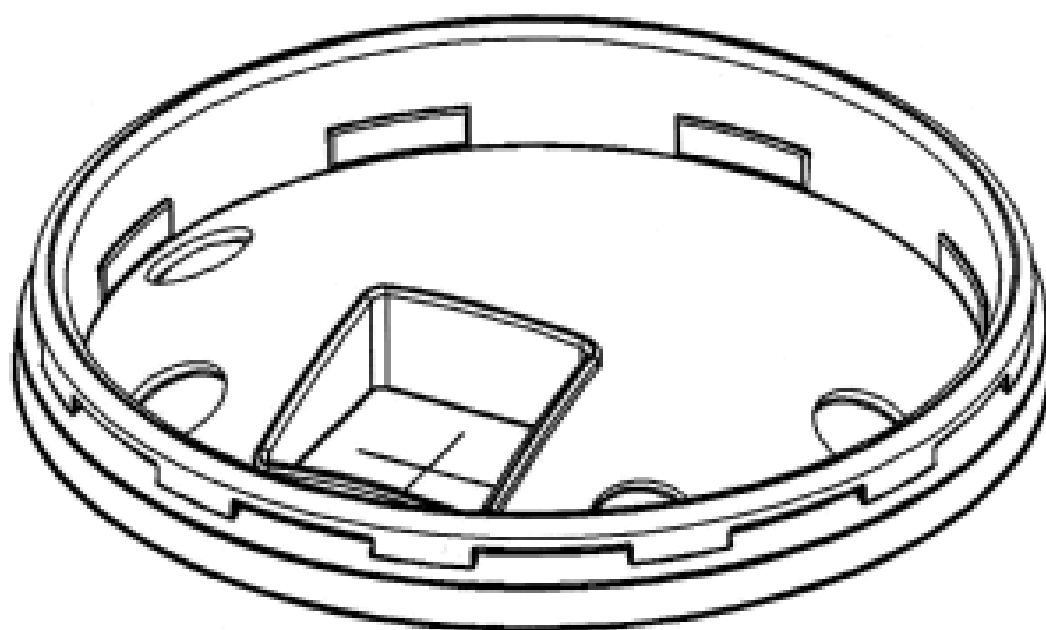
- (21) Design Number: **19277/2007**  
(22) Date of Filing Application: **10 August 2007**  
(24) Date from which industrial property rights may have effect: **10 August 2007**  
(54) Product in respect of which the design is registered: **Paver**  
(51) International Design Classification: **25-01A**  
(71) Name(s) and Address(s) of Applicant(s):  
**Jean-Marc Mongelard**  
**204 Morrison Road Putney New South Wales 2112 Australia**  
(72) Name(s) of Designer(s): **Jean-Marc Mongelard**  
(45) Registration Date: **01 November 2007**  
(56) Related Art Documents: **Not Applicable**  
(57) Statement of Newness and Distinctiveness: **A concrete paver with an embedded illuminating glass panel.**



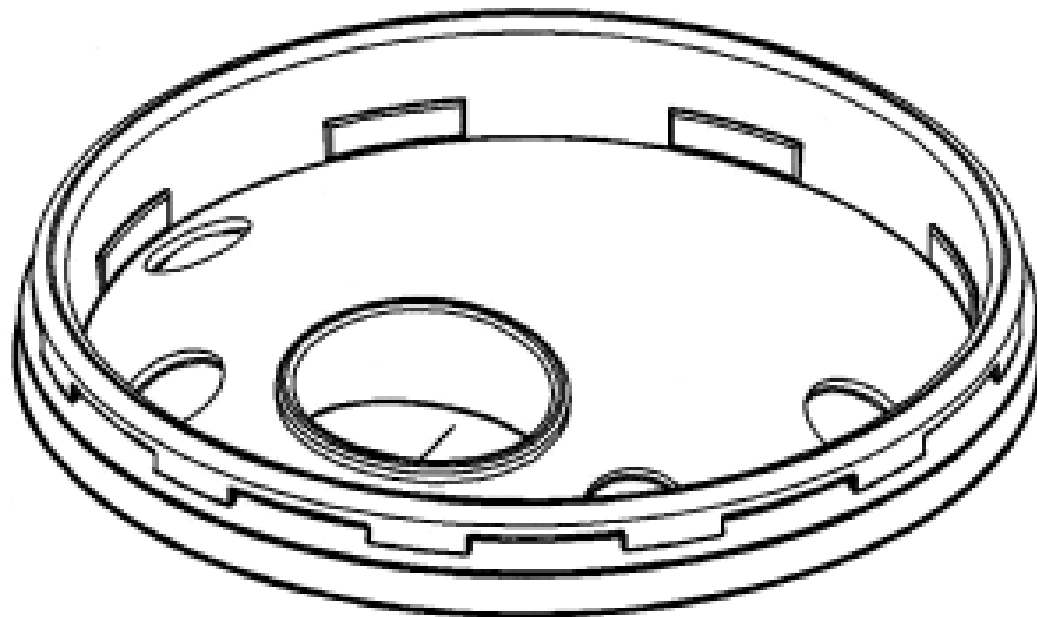
(21) Design Number: **19280/2007**  
 (22) Date of Filing Application: **09 August 2007**  
 (24) Date from which industrial property rights may have effect: **09 August 2007**  
 (54) Product in respect of which the design is registered: **Rear bumper**  
 (51) International Design Classification: **12-16B**  
 (71) Name(s) and Address(s) of Applicant(s):  
**Textron Inc.**  
**40 Westminster Street Providence Rhode Island 02903 United States of America**  
 (72) Name(s) of Designer(s): **Donald S. Hanson Jr. and Michael J. Hebert and Richard Krall**  
 (45) Registration Date: **01 November 2007**  
 (30) Convention priority data:  
 (31) Number (32) Date (33) Country  
**29/276921 09 Feb 2007 UNITED STATES OF AMERICA**  
 (56) Related Art Documents: **Not Applicable**  
 (57) Statement of Newness and Distinctiveness: **Newness and distinctiveness is claimed in the visual features shown in solid lines in the representations. The lines shown in phantom do not form part of the design.**



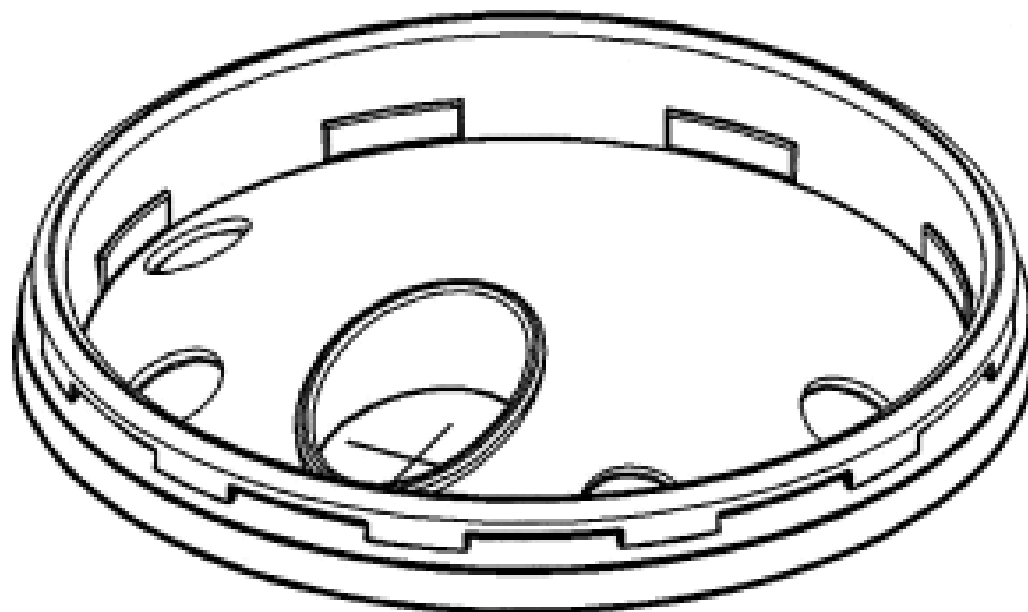
(21) Design Number: **19281/2007**  
 (22) Date of Filing Application: **09 August 2007**  
 (24) Date from which industrial property rights may have effect: **09 August 2007**  
 (54) Product in respect of which the design is registered: **Cup lid**  
 (51) International Design Classification: **09-07B**  
 (71) Name(s) and Address(s) of Applicant(s):  
**Seda S.P.A**  
**Corso Salvatore D'Amato 84 Arzano Napoli 80022 Italy**  
 (72) Name(s) of Designer(s): **Gianfranco D'Amato**  
 (45) Registration Date: **01 November 2007**  
 (30) Convention priority data:  
 (31) Number (32) Date (33) Country  
**000668553 12 Feb 2007 EUROPEAN COMMUNITY**  
 (56) Related Art Documents: **Not Applicable**  
 (57) Statement of Newness and Distinctiveness: **Newness and distinctiveness in the design as applied to a cup lid reside in the shape and configuration thereof as illustrated in the accompanying representations.**



- (21) Design Number: **19282/2007**  
(22) Date of Filing Application: **09 August 2007**  
(24) Date from which industrial property rights may have effect: **09 August 2007**  
(54) Product in respect of which the design is registered: **Cup lid**  
(51) International Design Classification: **09-07B**  
(71) Name(s) and Address(s) of Applicant(s):  
**Seda S.P.A**  
**Corso Salvatore D'Amato 84 Arzano Napoli 80022 Italy**  
(72) Name(s) of Designer(s): **Gianfranco D'Amato**  
(45) Registration Date: **01 November 2007**  
(30) Convention priority data:  
(31) Number (32) Date (33) Country  
**000668553 12 Feb 2007 EUROPEAN COMMUNITY**  
(56) Related Art Documents: **Not Applicable**  
(57) Statement of Newness and Distinctiveness: **Newness and distinctiveness in the design as applied to a cup lid reside in the shape and configuration thereof as illustrated in the accompanying representations.**



- (21) Design Number: **19283/2007**  
(22) Date of Filing Application: **09 August 2007**  
(24) Date from which industrial property rights may have effect: **09 August 2007**  
(54) Product in respect of which the design is registered: **Cup lid**  
(51) International Design Classification: **09-07B**  
(71) Name(s) and Address(s) of Applicant(s):  
**Seda S.P.A**  
**Corso Salvatore D'Amato 84 Arzano Napoli 80022 Italy**  
(72) Name(s) of Designer(s): **Gianfranco D'Amato**  
(45) Registration Date: **01 November 2007**  
(30) Convention priority data:  
(31) Number (32) Date (33) Country  
**000668553 12 Feb 2007 EUROPEAN COMMUNITY**  
(56) Related Art Documents: **Not Applicable**  
(57) Statement of Newness and Distinctiveness: **Newness and distinctiveness in the design as applied to a cup lid reside in the shape and configuration thereof as illustrated in the accompanying representations.**



(21) Design Number: 19285/2007

(22) Date of Filing Application: 10 August 2007

(24) Date from which industrial property rights may have effect: 10 August 2007

(54) Product in respect of which the design is registered: Lighting assembly

(51) International Design Classification: 26-05NES

(71) Name(s) and Address(s) of Applicant(s):

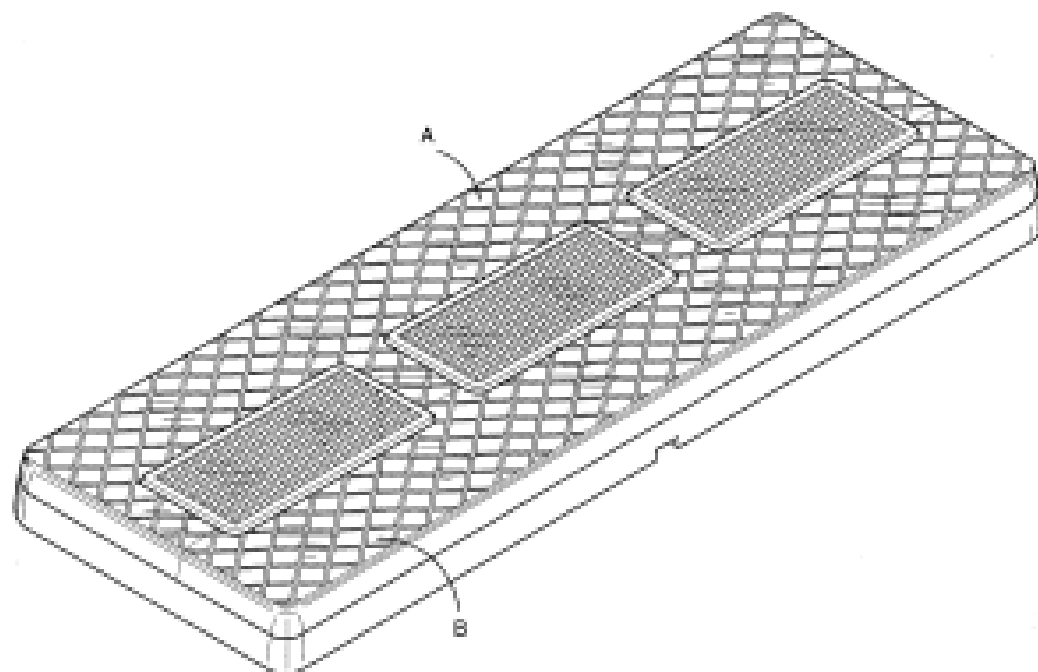
**LED Technologies Pty Ltd**  
**Factory 1 10 Brand Drive Thomastown Victoria 3074 Australia**

(72) Name(s) of Designer(s): Tony Ottobre

(45) Registration Date: 01 November 2007

(56) Related Art Documents: Not Applicable

(57) Statement of Newness and Distinctiveness: **The shape, configuration, shape and configuration, pattern, ornamentation, pattern and ornamentation, of the design of the lighting display is new and distinctive.**



(21) Design Number: 19286/2007

(22) Date of Filing Application: 10 August 2007

(24) Date from which industrial property rights may have effect: 10 August 2007

(54) Product in respect of which the design is registered: Lighting assembly

(51) International Design Classification: 26-05NES

(71) Name(s) and Address(s) of Applicant(s):

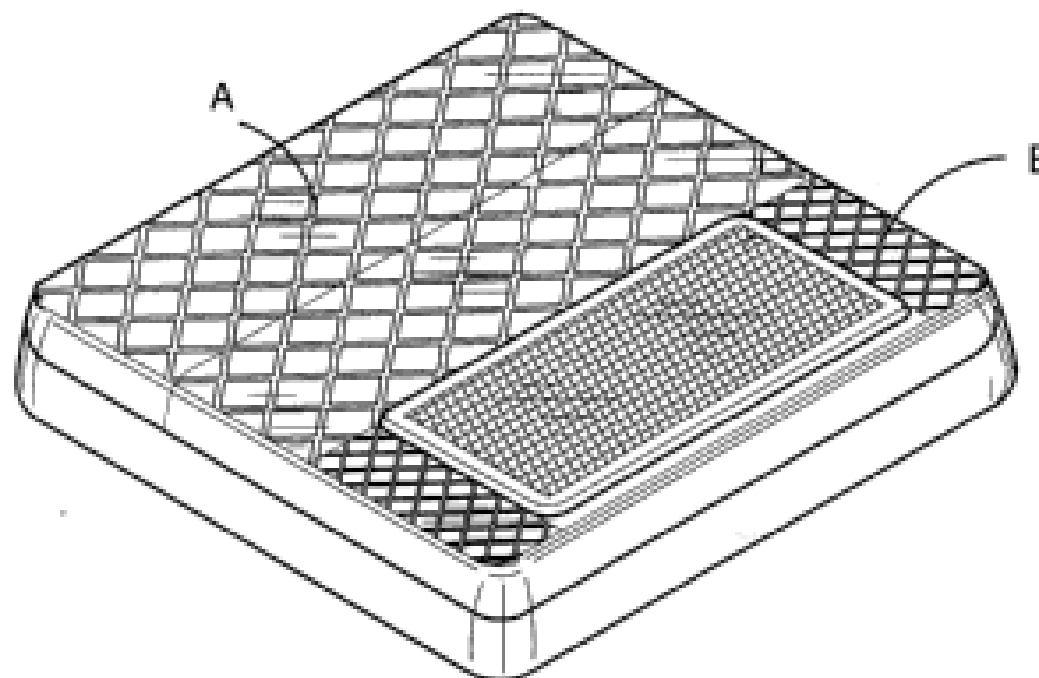
**LED Technologies Pty Ltd**  
**Factory 1 10 Brand Drive Thomastown Victoria 3074 Australia**

(72) Name(s) of Designer(s): Tony Ottobre

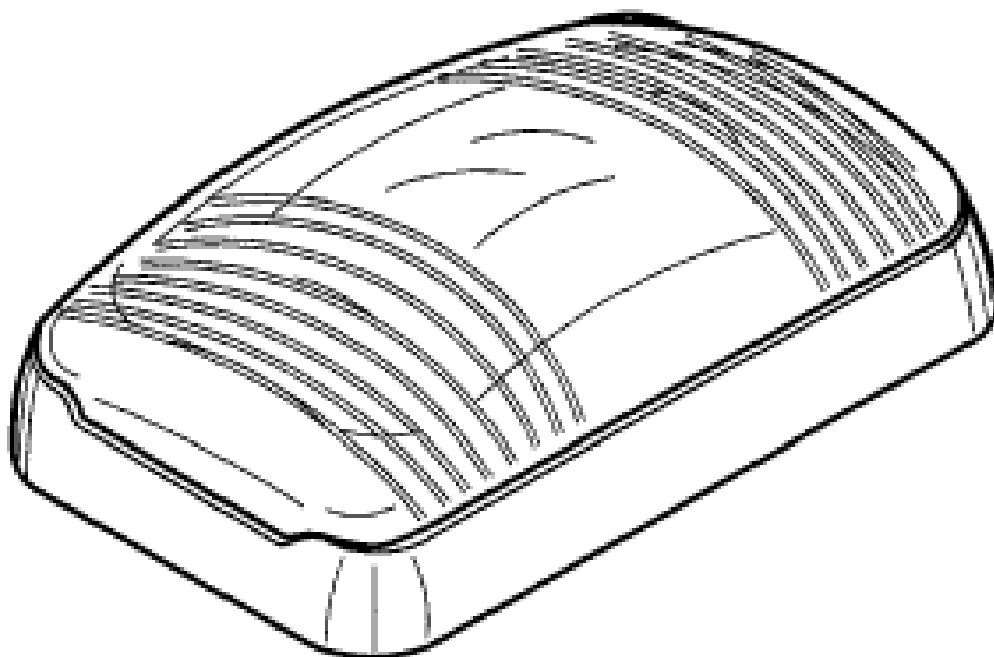
(45) Registration Date: 01 November 2007

(56) Related Art Documents: Not Applicable

(57) Statement of Newness and Distinctiveness: **The shape, configuration, shape and configuration, pattern, ornamentation, pattern and ornamentation, of the design of the lighting assembly is new and distinctive.**



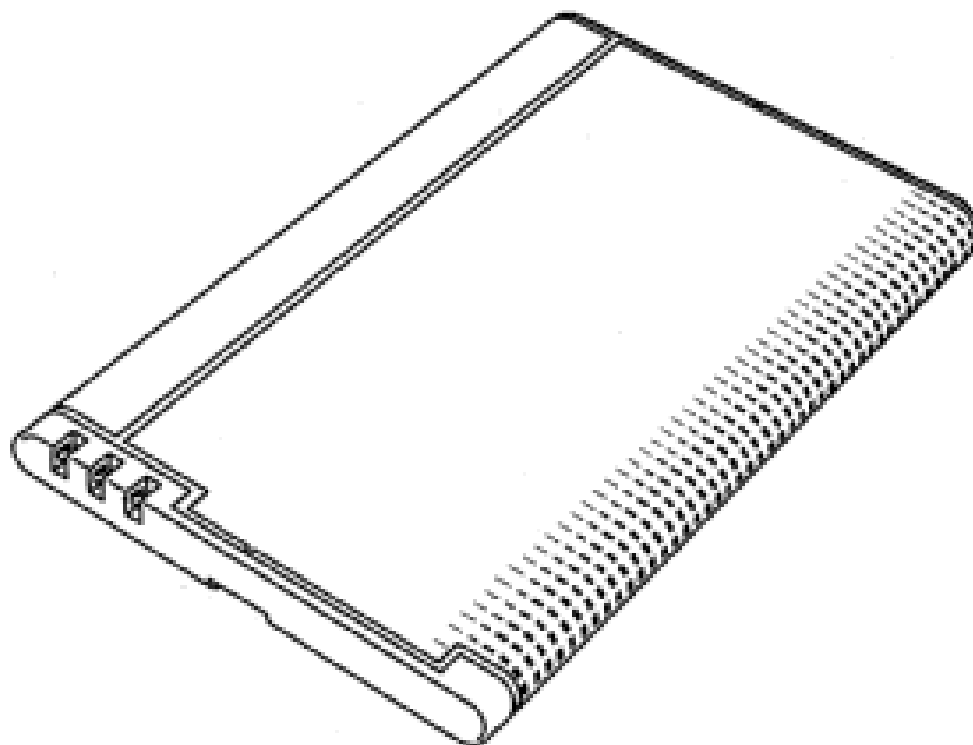
- (21) Design Number: **19287/2007**  
(22) Date of Filing Application: **10 August 2007**  
(24) Date from which industrial property rights may have effect: **10 August 2007**  
(54) Product in respect of which the design is registered: **Lighting assembly**  
(51) International Design Classification: **26-05NES**  
(71) Name(s) and Address(s) of Applicant(s):  
**LED Technologies Pty Ltd**  
**Factory 1 10 Brand Drive Thomastown Victoria 3074 Australia**  
(72) Name(s) of Designer(s): **Tony Ottobre**  
(45) Registration Date: **01 November 2007**  
(56) Related Art Documents: **Not Applicable**  
(57) Statement of Newness and Distinctiveness: **The shape, configuration, shape and configuration, pattern, ornamentation, pattern and ornamentation, of the design of the lighting assembly is new and distinctive.**



- (21) Design Number: **19292/2007**  
(22) Date of Filing Application: **09 August 2007**  
(24) Date from which industrial property rights may have effect: **09 August 2007**  
(54) Product in respect of which the design is registered: **A battery**  
(51) International Design Classification: **13-02**  
(71) Name(s) and Address(s) of Applicant(s):  
**Nokia Corporation**  
**Keilalahdentie 4 FIN-02150 Espoo Finland**  
(72) Name(s) of Designer(s): **Heli Sade**  
(45) Registration Date: **01 November 2007**  
(30) Convention priority data:  

|                  |                    |                |
|------------------|--------------------|----------------|
| (31) Number      | (32) Date          | (33) Country   |
| <b>M20070031</b> | <b>09 Feb 2007</b> | <b>FINLAND</b> |

  
(56) Related Art Documents: **Not Applicable**  
(57) Statement of Newness and Distinctiveness: **Nil**



(21) Design Number: **19294/2007**

(22) Date of Filing Application: **09 August 2007**

(24) Date from which industrial property rights may have effect: **09 August 2007**

(54) Product in respect of which the design is registered: **Bar stool**

(51) International Design Classification: **06-01E**

(71) Name(s) and Address(s) of Applicant(s):

**Hangzhou China Arts Economic & Trading Corp. Ltd  
Building 25 Jindu New City 326 Wenyuan Road Hangzhou City  
Zhejiang Province 310012 China**

(72) Name(s) of Designer(s): **Li Ren**

(45) Registration Date: **01 November 2007**

(56) Related Art Documents: **Not Applicable**

(57) Statement of Newness and Distinctiveness: **Each feature of the design considered separately or in combination with any other feature or features. The scope of the design is not restricted to the colours appearing in the accompanying representations.**



(21) Design Number: **19295/2007**

(22) Date of Filing Application: **09 August 2007**

(24) Date from which industrial property rights may have effect: **09 August 2007**

(54) Product in respect of which the design is registered: **Joiner**

(51) International Design Classification: **08-08L**

(71) Name(s) and Address(s) of Applicant(s):

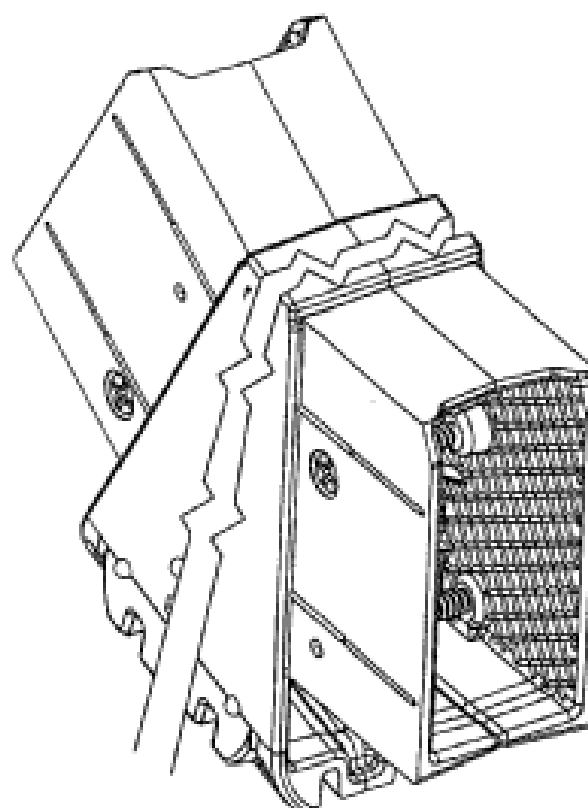
**IPH International Pty Ltd  
1 Blanck Street Ormeau Queensland 4208 Australia**

(72) Name(s) of Designer(s): **Richard Dinning**

(45) Registration Date: **01 November 2007**

(56) Related Art Documents: **Not Applicable**

(57) Statement of Newness and Distinctiveness: **The newness and distinctiveness of the design resides in the shape and/or configuration of the joiner shown in the representations.**



(21) Design Number: **19296/2007**

(22) Date of Filing Application: **09 August 2007**

(24) Date from which industrial property rights may have effect: **09 August 2007**

(54) Product in respect of which the design is registered: **Half joiner**

(51) International Design Classification: **08-08L**

(71) Name(s) and Address(s) of Applicant(s):

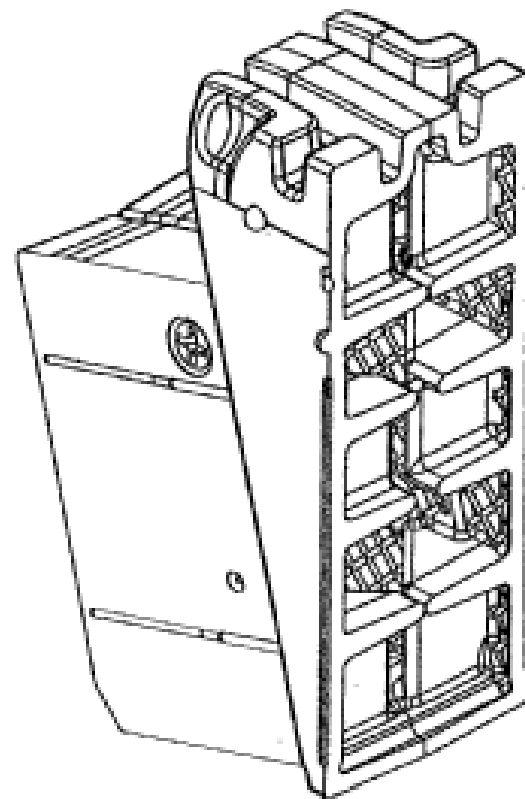
**IPH International Pty Ltd  
1 Blanck Street Ormeau Queensland 4208 Australia**

(72) Name(s) of Designer(s): **Richard Dinning**

(45) Registration Date: **01 November 2007**

(56) Related Art Documents: **Not Applicable**

(57) Statement of Newness and Distinctiveness: **The newness and distinctiveness of the design resides in the shape and/or configuration of the half joiner shown in the representations.**



(21) Design Number: **19297/2007**

(22) Date of Filing Application: **09 August 2007**

(24) Date from which industrial property rights may have effect: **16 May 2007**

(54) Product in respect of which the design is registered: **Collar for a modular rotor**

(51) International Design Classification: **15-99**

(71) Name(s) and Address(s) of Applicant(s):

**Outotec Oyj  
Riihitontuntie 7 E FI-02200 Espoo Finland**

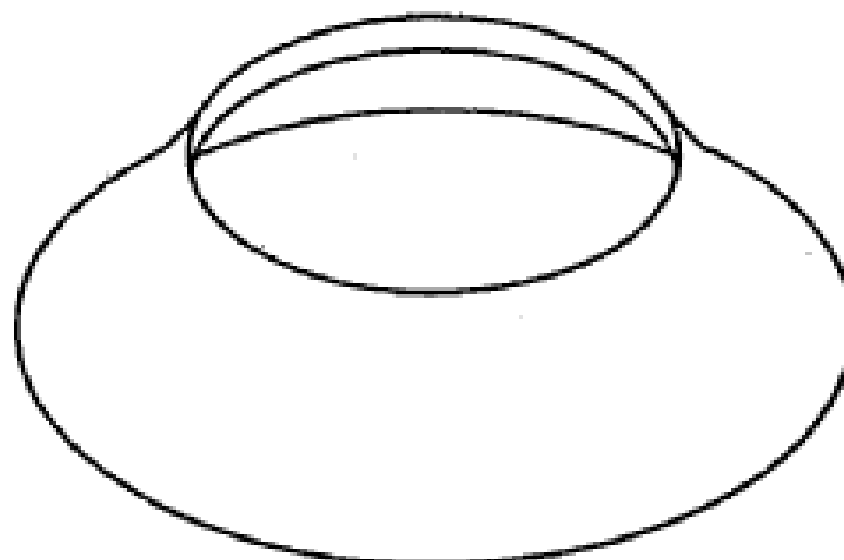
(72) Name(s) of Designer(s): **Antti Rinne**

(45) Registration Date: **01 November 2007**

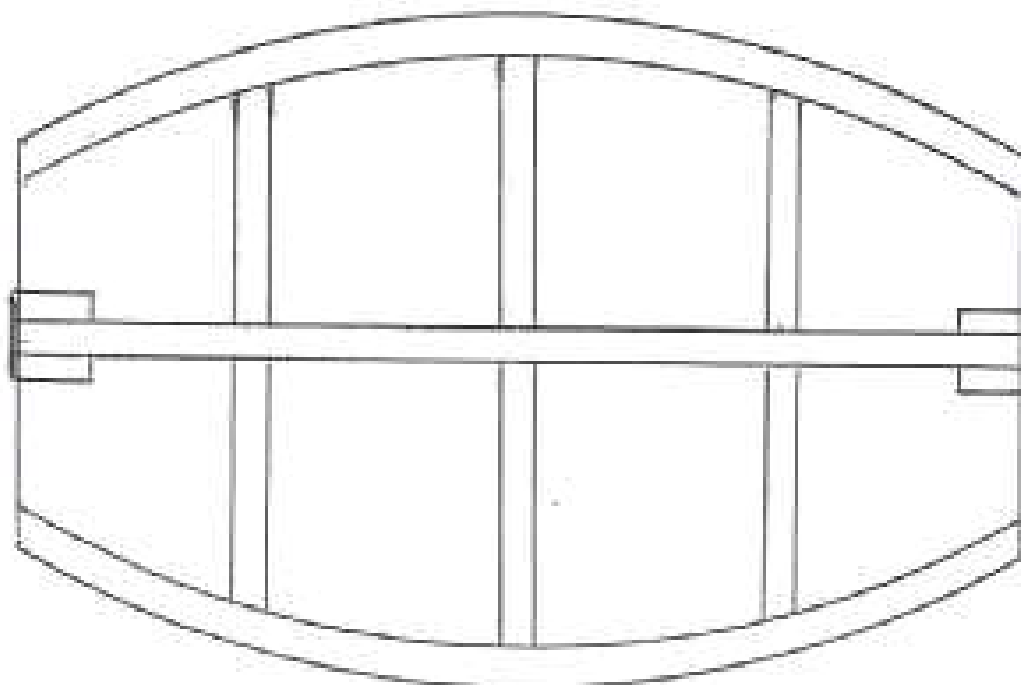
(62) Divisional of: **316217**

(56) Related Art Documents: **Not Applicable**

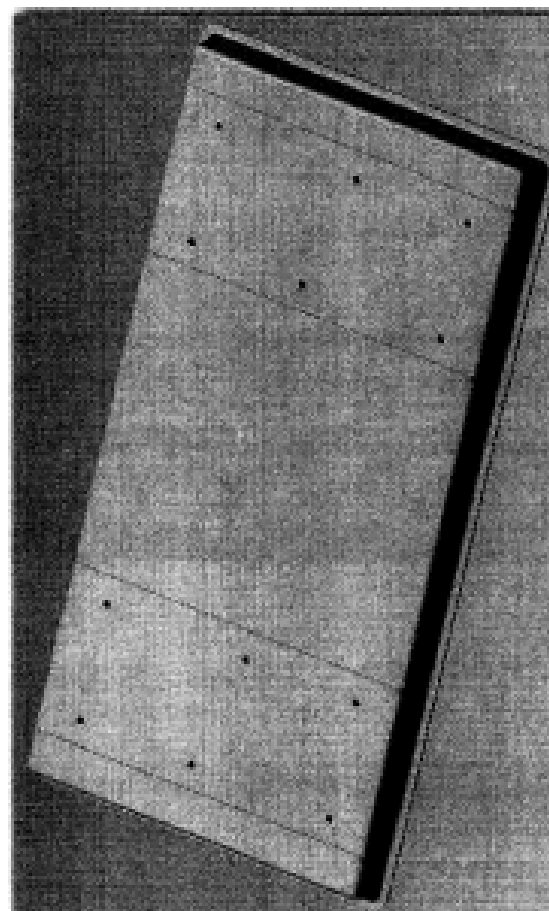
(57) Statement of Newness and Distinctiveness: **Newness and distinctiveness reside in the shape and/or configuration of the collar for a modular rotor illustrated in the accompanying representations.**



- (21) Design Number: **19696/2007**  
(22) Date of Filing Application: **11 September 2007**  
(24) Date from which industrial property rights may have effect: **11 September 2007**  
(54) Product in respect of which the design is registered: **Shelter**  
(51) International Design Classification: **25-03**  
(71) Name(s) and Address(s) of Applicant(s):  
**Michael Breen**  
**6 Hollett Road Stoneville Western Australia 6081 Australia**  
(72) Name(s) of Designer(s): **Michael Breen**  
(45) Registration Date: **01 November 2007**  
(56) Related Art Documents: **Not Applicable**  
(57) Statement of Newness and Distinctiveness: **Shelter has a 3 dimensional curved roof.**

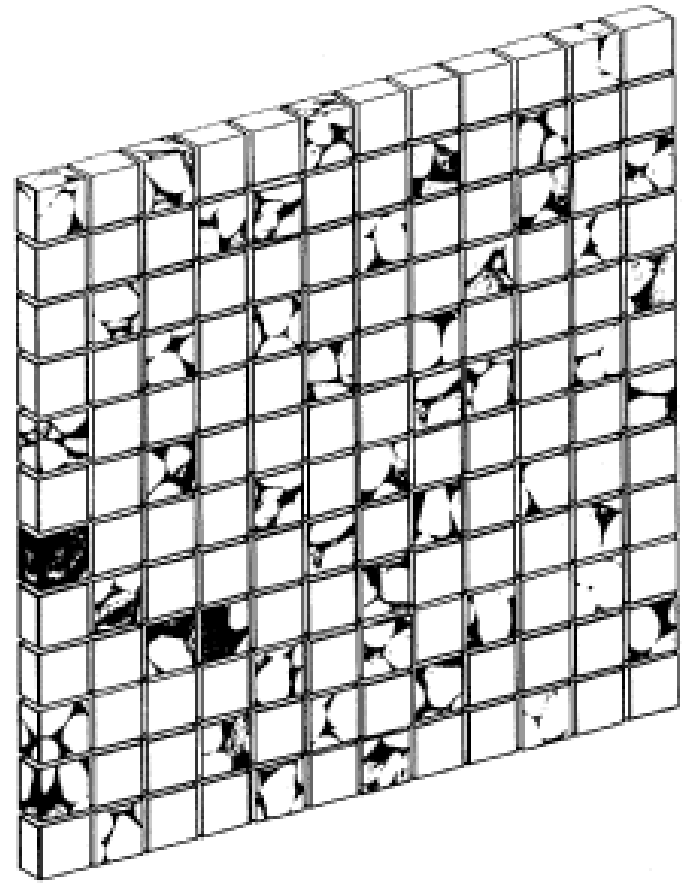


- (21) Design Number: **19881/2007**  
(22) Date of Filing Application: **19 September 2007**  
(24) Date from which industrial property rights may have effect: **19 September 2007**  
(54) Product in respect of which the design is registered: **Plastic slab**  
(51) International Design Classification: **25-01NES**  
(71) Name(s) and Address(s) of Applicant(s):  
**Kai Wei International Trading Company Ltd**  
**RM 504 5/F Opulent Building 402-6 Hennessy Road Hong Kong**  
(72) Name(s) of Designer(s): **Shun Can Chen**  
(45) Registration Date: **01 November 2007**  
(56) Related Art Documents: **Not Applicable**  
(57) Statement of Newness and Distinctiveness: **The newness and distinctiveness of the design resides in the shape and or/configuration of a plastic slab shown in the representations.**

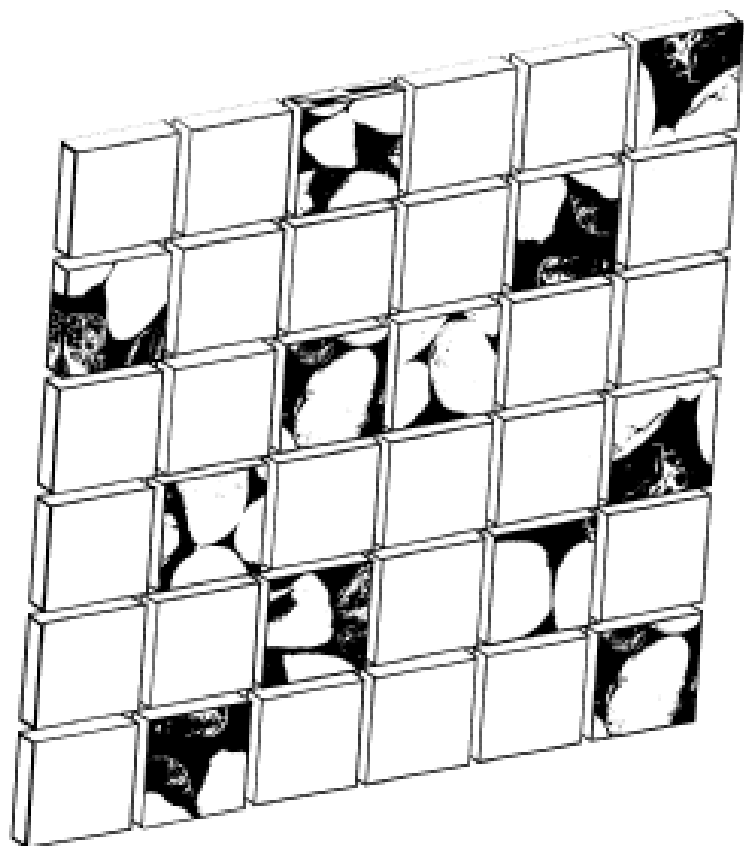




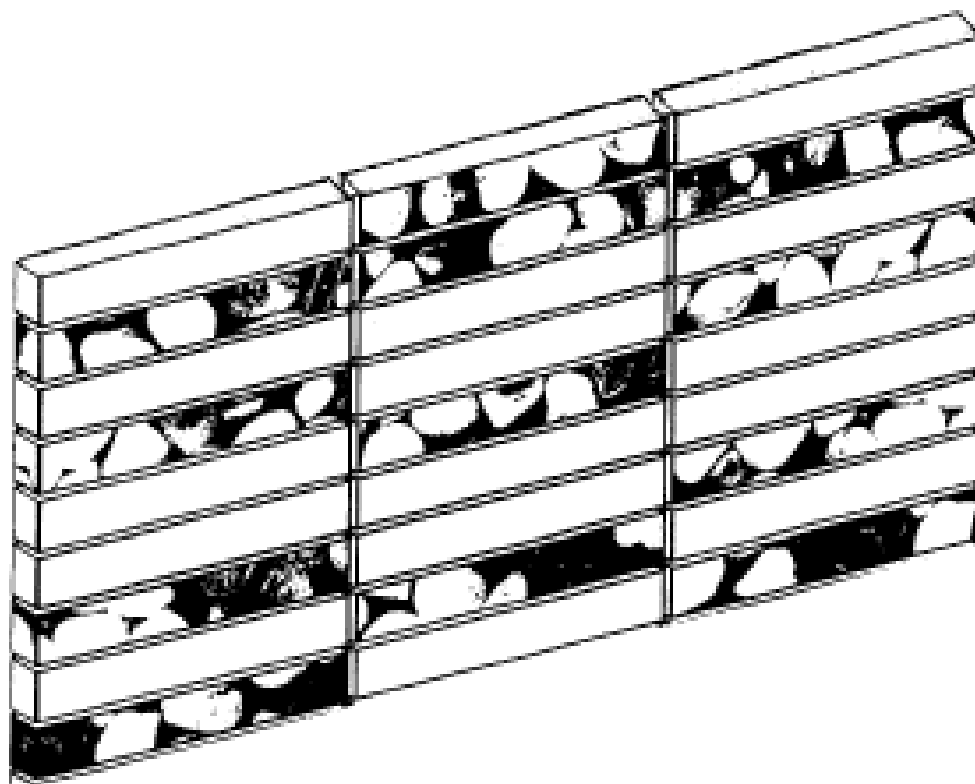
- (21) Design Number: **19977/2007**  
(22) Date of Filing Application: **28 September 2007**  
(24) Date from which industrial property rights may have effect: **28 September 2007**  
(54) Product in respect of which the design is registered: **Tile formation**  
(51) International Design Classification: **25-01F**  
(71) Name(s) and Address(s) of Applicant(s):  
**Everstone International Pty Ltd**  
**8 George Young Street Auburn New South Wales 2144 Australia**  
(72) Name(s) of Designer(s): **John Zeng**  
(45) Registration Date: **01 November 2007**  
(56) Related Art Documents: **Not Applicable**  
(57) Statement of Newness and Distinctiveness: **Nil**



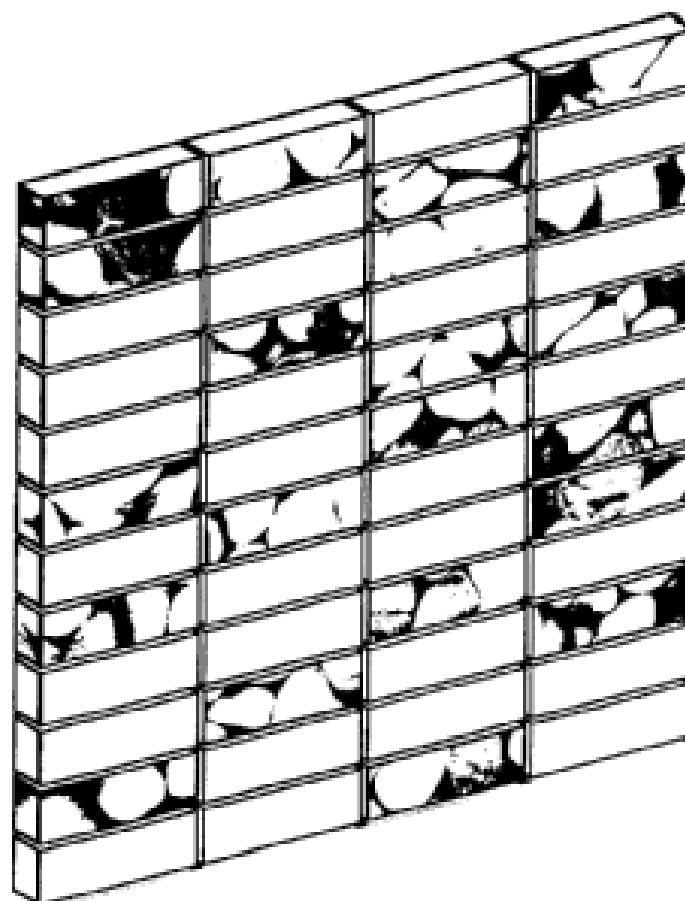
- (21) Design Number: **19978/2007**  
(22) Date of Filing Application: **28 September 2007**  
(24) Date from which industrial property rights may have effect: **28 September 2007**  
(54) Product in respect of which the design is registered: **Tile formation**  
(51) International Design Classification: **25-01F**  
(71) Name(s) and Address(s) of Applicant(s):  
**Everstone International Pty Ltd**  
**8 George Young Street Auburn New South Wales 2144 Australia**  
(72) Name(s) of Designer(s): **John Zeng**  
(45) Registration Date: **01 November 2007**  
(56) Related Art Documents: **Not Applicable**  
(57) Statement of Newness and Distinctiveness: **Nil**



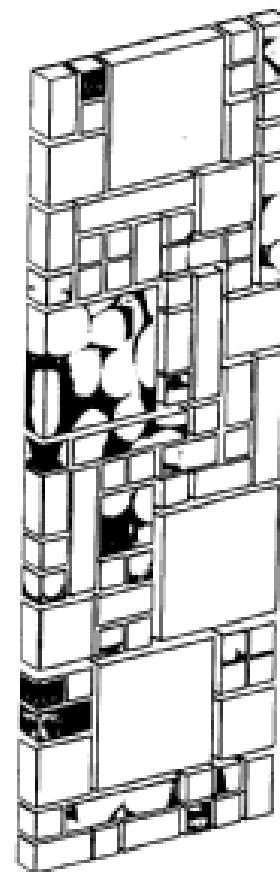
- (21) Design Number: **19979/2007**
- (22) Date of Filing Application: **28 September 2007**
- (24) Date from which industrial property rights may have effect: **28 September 2007**
- (54) Product in respect of which the design is registered: **Tile formation**
- (51) International Design Classification: **25-01F**
- (71) Name(s) and Address(s) of Applicant(s):  
**Everstone International Pty Ltd**  
**8 George Young Street Auburn New South Wales 2144 Australia**
- (72) Name(s) of Designer(s): **John Zeng**
- (45) Registration Date: **01 November 2007**
- (56) Related Art Documents: **Not Applicable**
- (57) Statement of Newness and Distinctiveness: **Nil**



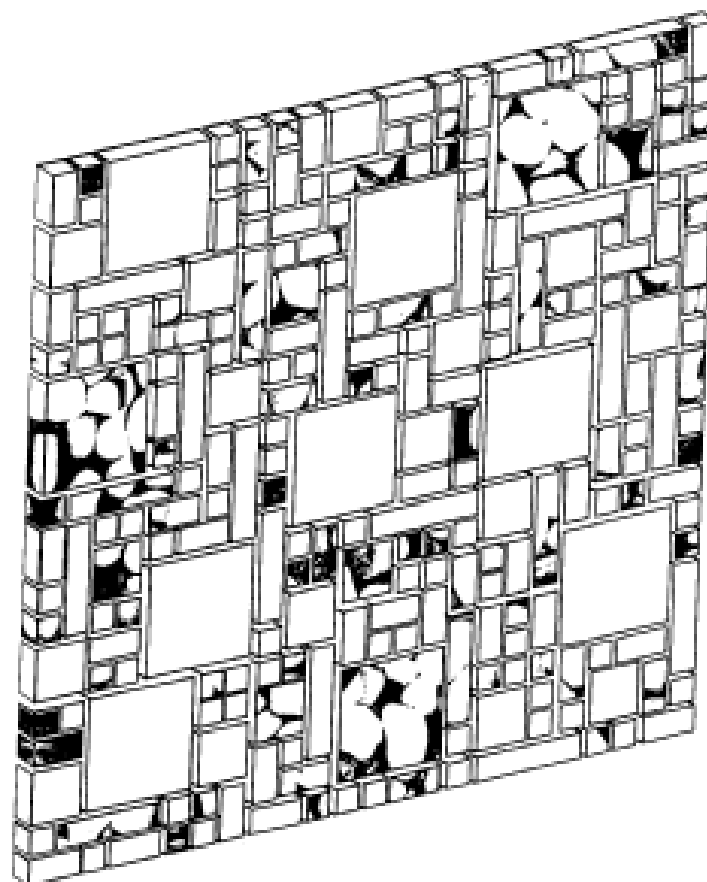
- (21) Design Number: **19980/2007**
- (22) Date of Filing Application: **28 September 2007**
- (24) Date from which industrial property rights may have effect: **28 September 2007**
- (54) Product in respect of which the design is registered: **Tile formation**
- (51) International Design Classification: **25-01F**
- (71) Name(s) and Address(s) of Applicant(s):  
**Everstone International Pty Ltd**  
**8 George Young Street Auburn New South Wales 2144 Australia**
- (72) Name(s) of Designer(s): **John Zeng**
- (45) Registration Date: **01 November 2007**
- (56) Related Art Documents: **Not Applicable**
- (57) Statement of Newness and Distinctiveness: **Nil**



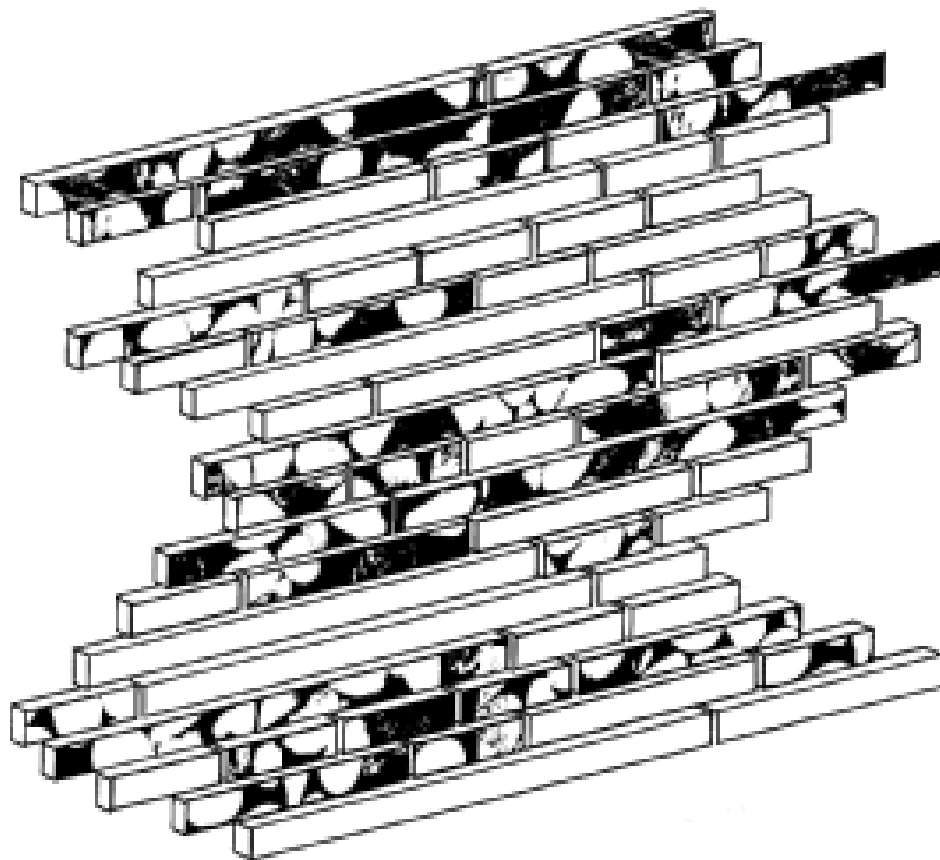
- (21) Design Number: **19981/2007**  
(22) Date of Filing Application: **28 September 2007**  
(24) Date from which industrial property rights may have effect: **28 September 2007**  
(54) Product in respect of which the design is registered: **Tile formation**  
(51) International Design Classification: **25-01F**  
(71) Name(s) and Address(s) of Applicant(s):  
**Everstone International Pty Ltd**  
**8 George Young Street Auburn New South Wales 2144 Australia**  
(72) Name(s) of Designer(s): **John Zeng**  
(45) Registration Date: **01 November 2007**  
(56) Related Art Documents: **Not Applicable**  
(57) Statement of Newness and Distinctiveness: **Nil**



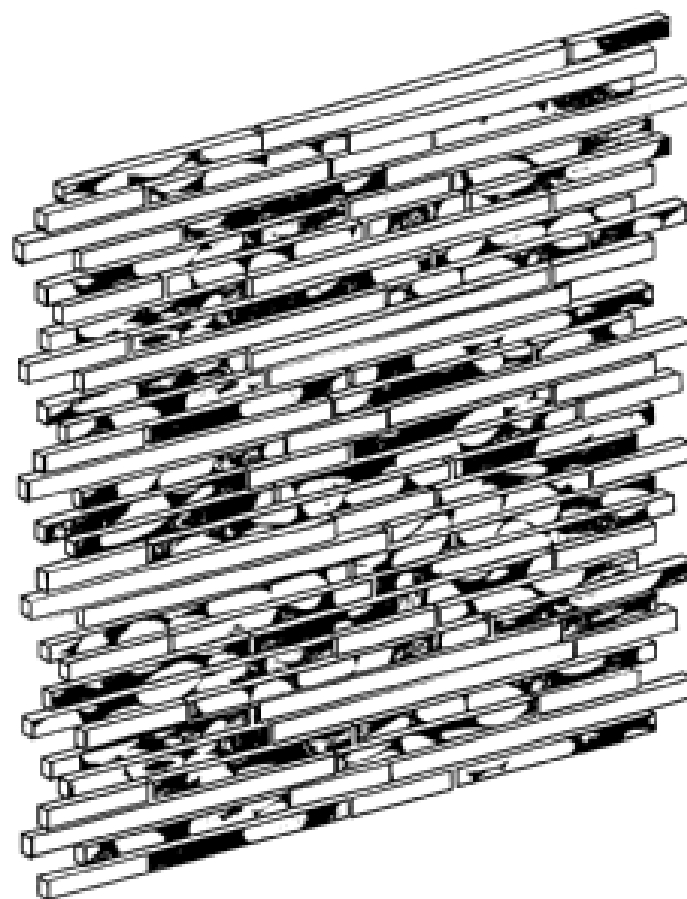
- (21) Design Number: **19982/2007**  
(22) Date of Filing Application: **28 September 2007**  
(24) Date from which industrial property rights may have effect: **28 September 2007**  
(54) Product in respect of which the design is registered: **Tile formation**  
(51) International Design Classification: **25-01F**  
(71) Name(s) and Address(s) of Applicant(s):  
**Everstone International Pty Ltd**  
**8 George Young Street Auburn New South Wales 2144 Australia**  
(72) Name(s) of Designer(s): **John Zeng**  
(45) Registration Date: **01 November 2007**  
(56) Related Art Documents: **Not Applicable**  
(57) Statement of Newness and Distinctiveness: **Nil**



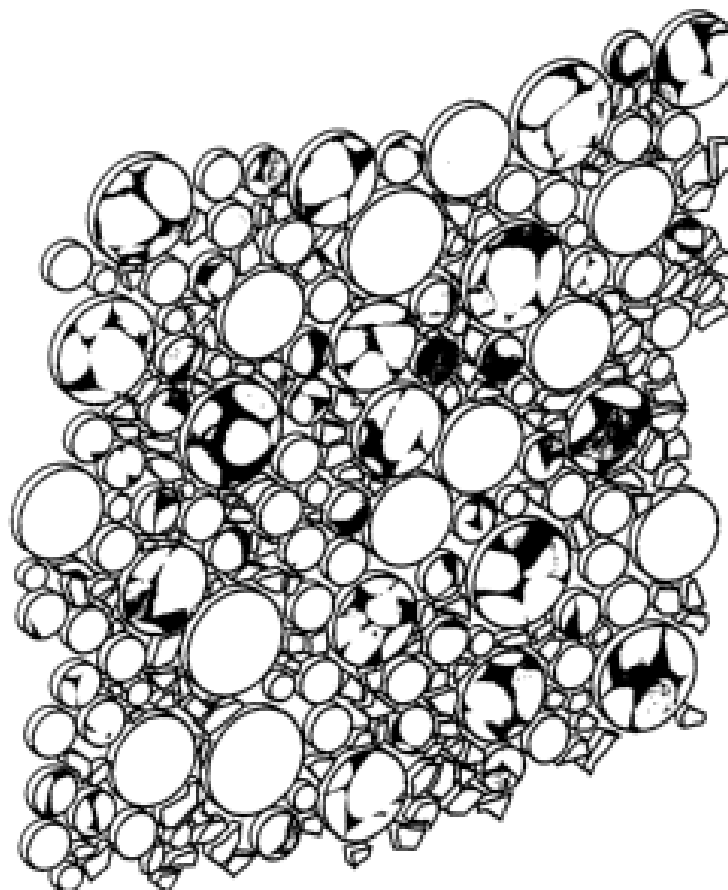
- (21) Design Number: **19983/2007**
- (22) Date of Filing Application: **28 September 2007**
- (24) Date from which industrial property rights may have effect: **28 September 2007**
- (54) Product in respect of which the design is registered: **Tile formation**
- (51) International Design Classification: **25-01F**
- (71) Name(s) and Address(s) of Applicant(s):  
**Everstone International Pty Ltd**  
**8 George Young Street Auburn New South Wales 2144 Australia**
- (72) Name(s) of Designer(s): **John Zeng**
- (45) Registration Date: **01 November 2007**
- (56) Related Art Documents: **Not Applicable**
- (57) Statement of Newness and Distinctiveness: **Nil**



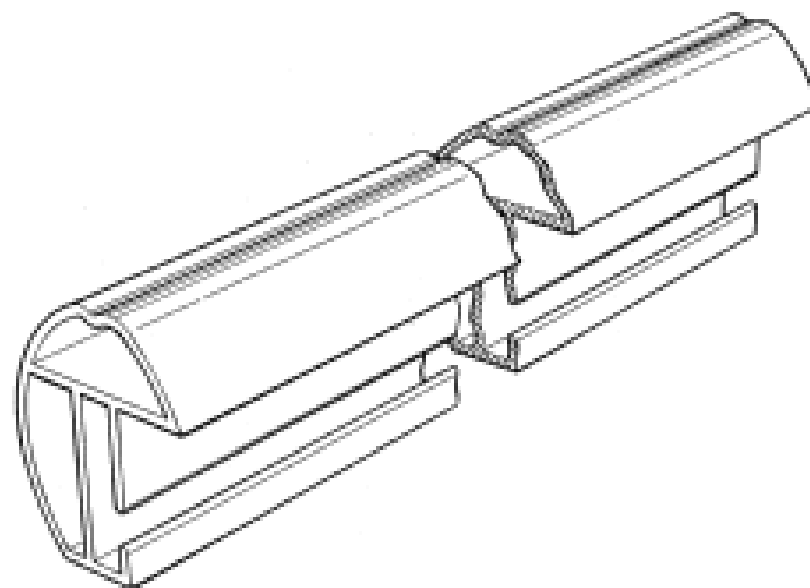
- (21) Design Number: **19984/2007**
- (22) Date of Filing Application: **28 September 2007**
- (24) Date from which industrial property rights may have effect: **28 September 2007**
- (54) Product in respect of which the design is registered: **Tile formation**
- (51) International Design Classification: **25-01F**
- (71) Name(s) and Address(s) of Applicant(s):  
**Everstone International Pty Ltd**  
**8 George Young Street Auburn New South Wales 2144 Australia**
- (72) Name(s) of Designer(s): **John Zeng**
- (45) Registration Date: **01 November 2007**
- (56) Related Art Documents: **Not Applicable**
- (57) Statement of Newness and Distinctiveness: **Nil**



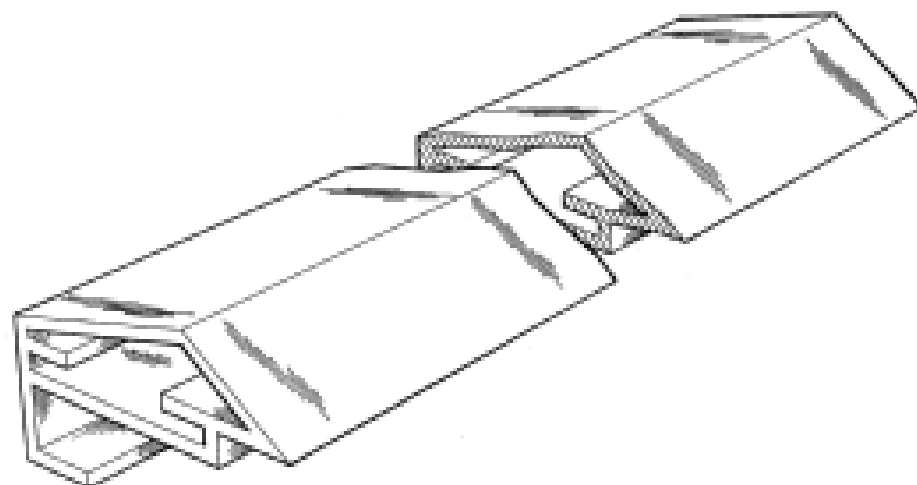
- (21) Design Number: **19985/2007**  
(22) Date of Filing Application: **28 September 2007**  
(24) Date from which industrial property rights may have effect: **28 September 2007**  
(54) Product in respect of which the design is registered: **Tile formation**  
(51) International Design Classification: **25-01F**  
(71) Name(s) and Address(s) of Applicant(s):  
**Everstone International Pty Ltd**  
**8 George Young Street Auburn New South Wales 2144 Australia**  
(72) Name(s) of Designer(s): **John Zeng**  
(45) Registration Date: **01 November 2007**  
(56) Related Art Documents: **Not Applicable**  
(57) Statement of Newness and Distinctiveness: **Nil**



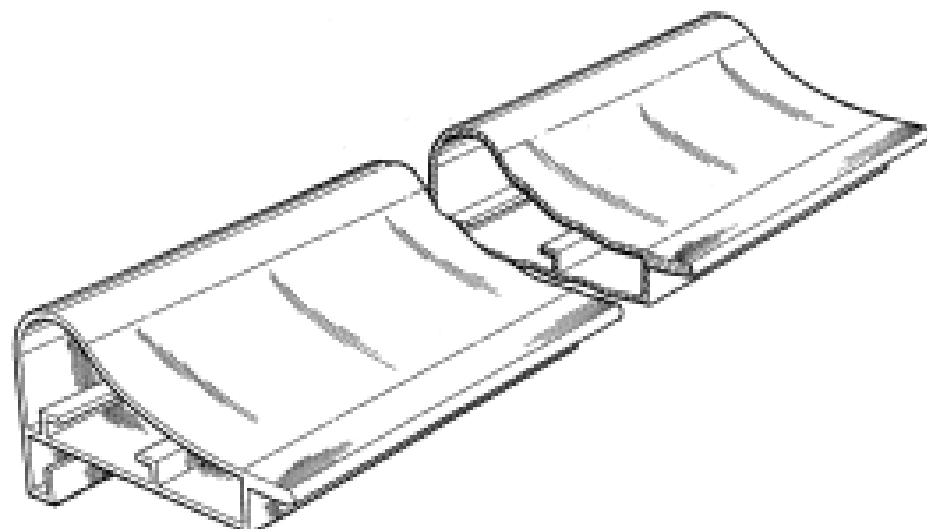
- (21) Design Number: **17677/2007**  
(22) Date of Filing Application: **01 May 2007**  
(24) Date from which industrial property rights may have effect: **01 May 2007**  
(54) Product in respect of which the design is registered: **Extrusions for picture frames**  
(51) International Design Classification: **25-01K, 06-07**  
(71) Name(s) and Address(s) of Applicant(s):  
**Garmond Australia Pty. Limited**  
**5/34 Carrick Drive Tullamarine Victoria 3043 Australia**  
(72) Name(s) of Designer(s): **Gary Skinner and Lesley Skinner**  
(45) Registration Date: **25 October 2007**  
(56) Related Art Documents: **Not Applicable**  
(57) Statement of Newness and Distinctiveness: **Nil**



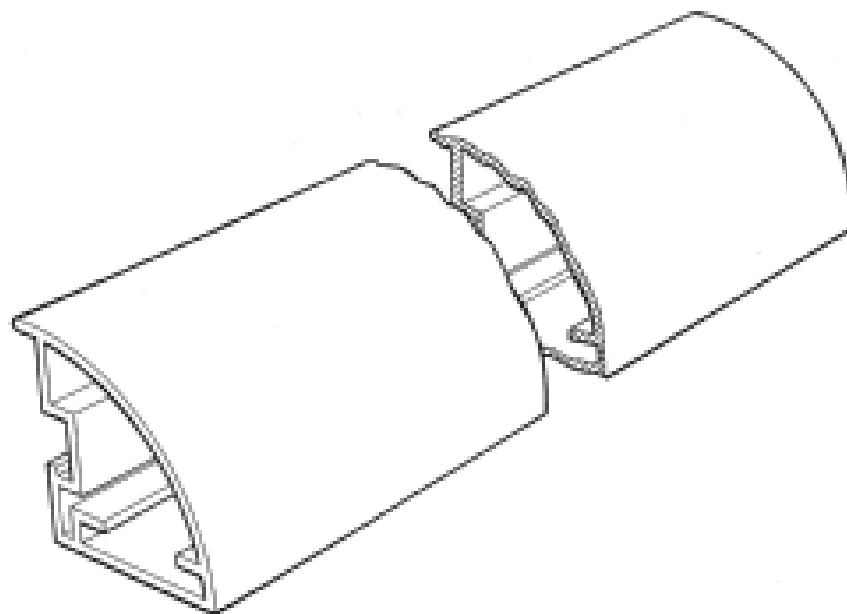
- (21) Design Number: **17678/2007**  
(22) Date of Filing Application: **01 May 2007**  
(24) Date from which industrial property rights may have effect: **01 May 2007**  
(54) Product in respect of which the design is registered: **Extrusions for picture frames**  
(51) International Design Classification: **25-01K, 06-07**  
(71) Name(s) and Address(s) of Applicant(s):  
**Garmond Australia Pty. Limited**  
**5/34 Carrick Drive Tullamarine Victoria 3043 Australia**  
(72) Name(s) of Designer(s): **Gary Skinner and Lesley Skinner**  
(45) Registration Date: **25 October 2007**  
(56) Related Art Documents: **Not Applicable**  
(57) Statement of Newness and Distinctiveness: **Nil**



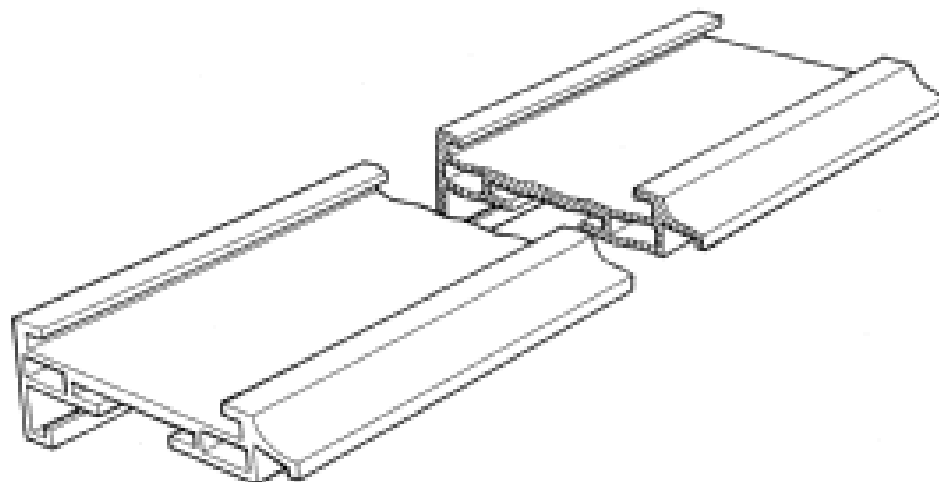
- (21) Design Number: **17679/2007**  
(22) Date of Filing Application: **01 May 2007**  
(24) Date from which industrial property rights may have effect: **01 May 2007**  
(54) Product in respect of which the design is registered: **Extrusions for picture frames**  
(51) International Design Classification: **25-01K, 06-07**  
(71) Name(s) and Address(s) of Applicant(s):  
**Garmond Australia Pty. Limited**  
**5/34 Carrick Drive Tullamarine Victoria 3043 Australia**  
(72) Name(s) of Designer(s): **Gary Skinner and Lesley Skinner**  
(45) Registration Date: **25 October 2007**  
(56) Related Art Documents: **Not Applicable**  
(57) Statement of Newness and Distinctiveness: **Nil**



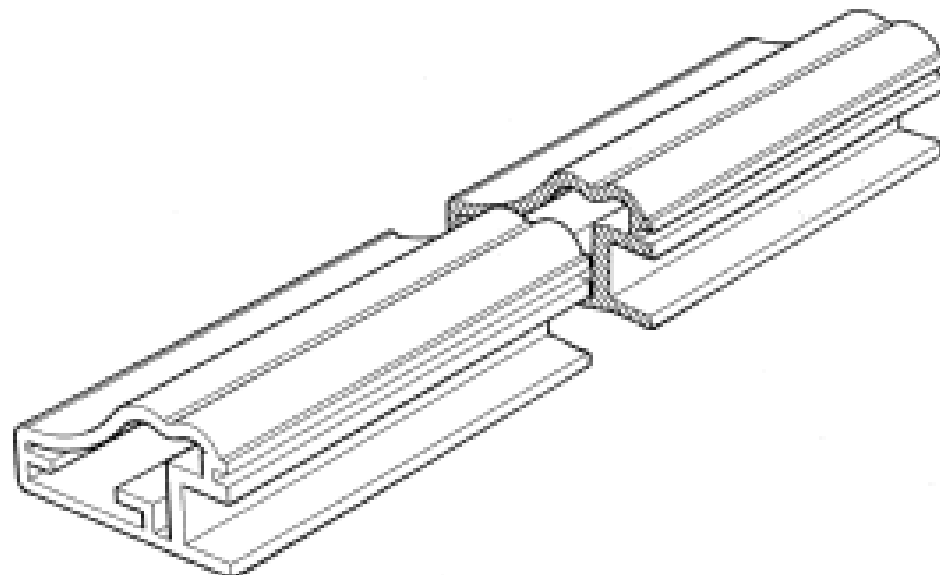
- (21) Design Number: **17680/2007**  
(22) Date of Filing Application: **01 May 2007**  
(24) Date from which industrial property rights may have effect: **01 May 2007**  
(54) Product in respect of which the design is registered: **Extrusions for picture frames**  
(51) International Design Classification: **25-01K, 06-07**  
(71) Name(s) and Address(s) of Applicant(s):  
**Garmond Australia Pty. Limited**  
**5/34 Carrick Drive Tullamarine Victoria 3043 Australia**  
(72) Name(s) of Designer(s): **Gary Skinner and Lesley Skinner**  
(45) Registration Date: **25 October 2007**  
(56) Related Art Documents: **Not Applicable**  
(57) Statement of Newness and Distinctiveness: **Nil**



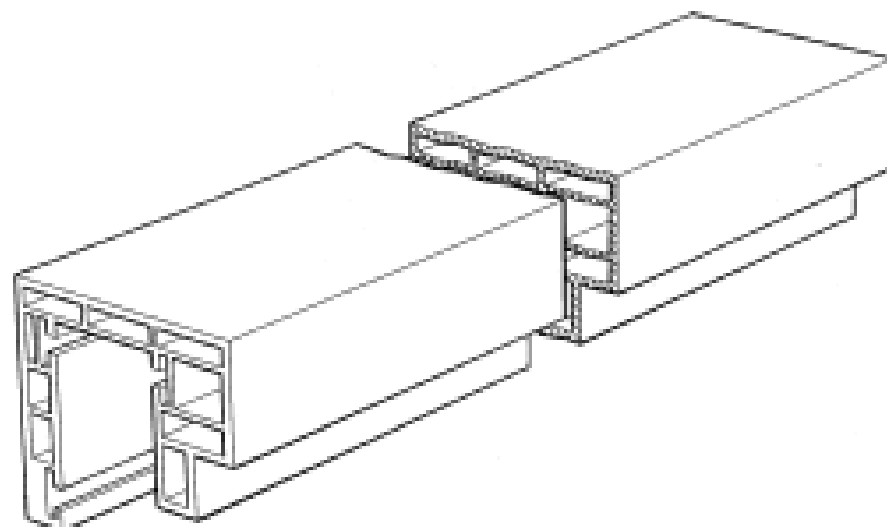
- (21) Design Number: **17681/2007**  
(22) Date of Filing Application: **01 May 2007**  
(24) Date from which industrial property rights may have effect: **01 May 2007**  
(54) Product in respect of which the design is registered: **Extrusions for picture frames**  
(51) International Design Classification: **25-01K, 06-07**  
(71) Name(s) and Address(s) of Applicant(s):  
**Garmond Australia Pty. Limited**  
**5/34 Carrick Drive Tullamarine Victoria 3043 Australia**  
(72) Name(s) of Designer(s): **Gary Skinner and Lesley Skinner**  
(45) Registration Date: **25 October 2007**  
(56) Related Art Documents: **Not Applicable**  
(57) Statement of Newness and Distinctiveness: **Nil**



- (21) Design Number: **17682/2007**  
(22) Date of Filing Application: **01 May 2007**  
(24) Date from which industrial property rights may have effect: **01 May 2007**  
(54) Product in respect of which the design is registered: **Extrusions for picture frames**  
(51) International Design Classification: **25-01K, 06-07**  
(71) Name(s) and Address(s) of Applicant(s):  
**Garmond Australia Pty. Limited**  
**5/34 Carrick Drive Tullamarine Victoria 3043 Australia**  
(72) Name(s) of Designer(s): **Gary Skinner and Lesley Skinner**  
(45) Registration Date: **25 October 2007**  
(56) Related Art Documents: **Not Applicable**  
(57) Statement of Newness and Distinctiveness: **Nil**

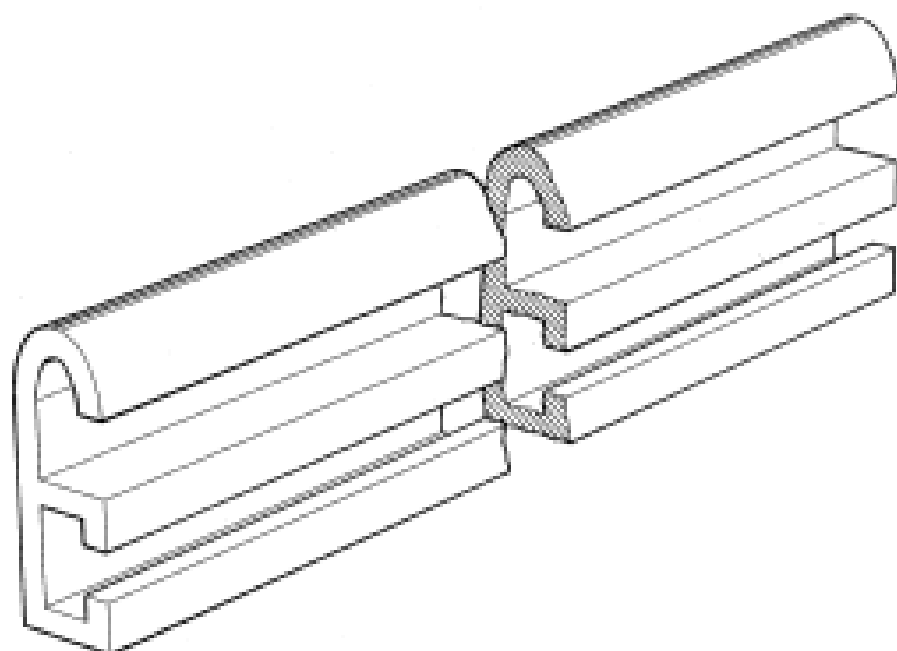


- (21) Design Number: **17683/2007**  
(22) Date of Filing Application: **01 May 2007**  
(24) Date from which industrial property rights may have effect: **01 May 2007**  
(54) Product in respect of which the design is registered: **Extrusions for picture frames**  
(51) International Design Classification: **25-01K, 06-07**  
(71) Name(s) and Address(s) of Applicant(s):  
**Garmond Australia Pty. Limited**  
**5/34 Carrick Drive Tullamarine Victoria 3043 Australia**  
(72) Name(s) of Designer(s): **Gary Skinner and Lesley Skinner**  
(45) Registration Date: **25 October 2007**  
(56) Related Art Documents: **Not Applicable**  
(57) Statement of Newness and Distinctiveness: **Nil**

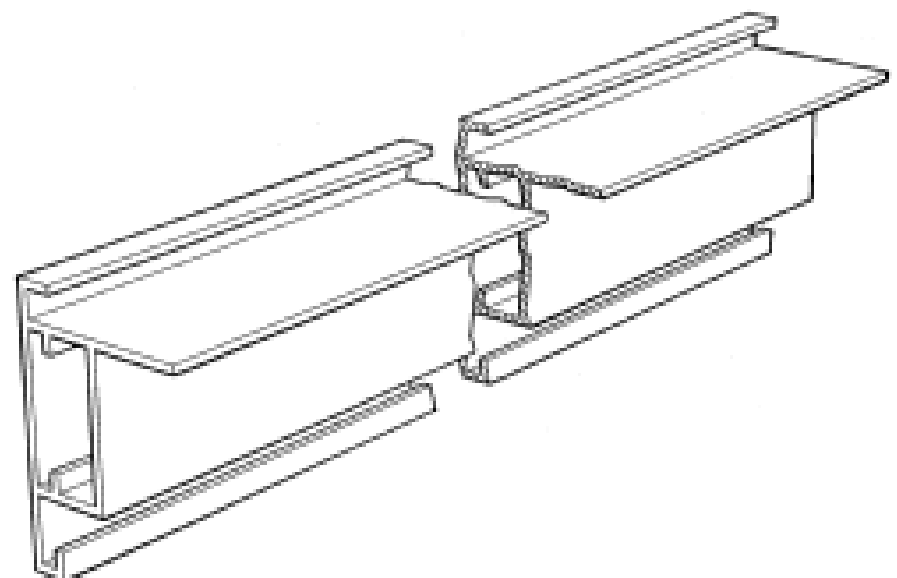




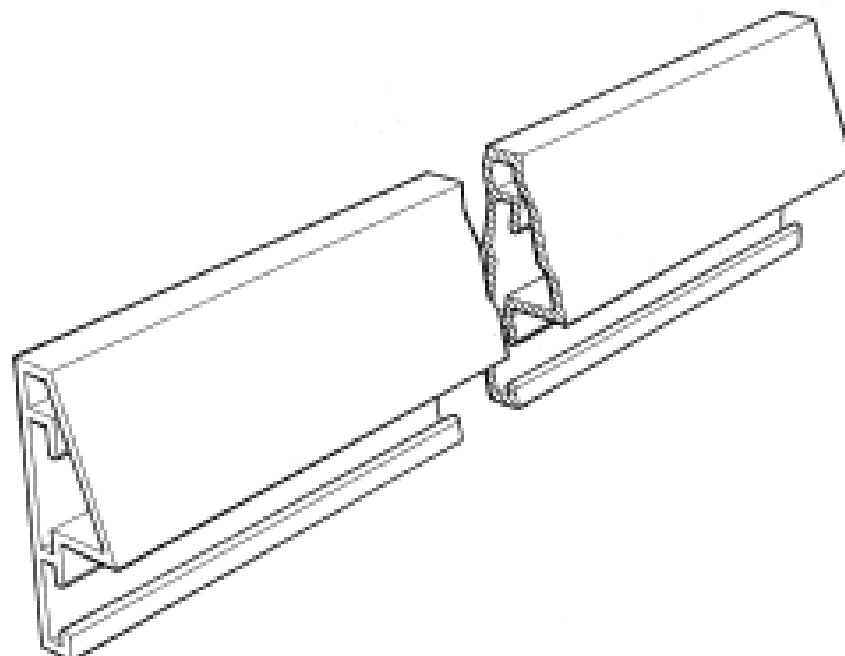
- (21) Design Number: **17684/2007**  
(22) Date of Filing Application: **01 May 2007**  
(24) Date from which industrial property rights may have effect: **01 May 2007**  
(54) Product in respect of which the design is registered: **Extrusions for picture frames**  
(51) International Design Classification: **25-01K, 06-07**  
(71) Name(s) and Address(s) of Applicant(s):  
**Garmond Australia Pty. Limited**  
**5/34 Carrick Drive Tullamarine Victoria 3043 Australia**  
(72) Name(s) of Designer(s): **Gary Skinner and Lesley Skinner**  
(45) Registration Date: **25 October 2007**  
(56) Related Art Documents: **Not Applicable**  
(57) Statement of Newness and Distinctiveness: **Nil**



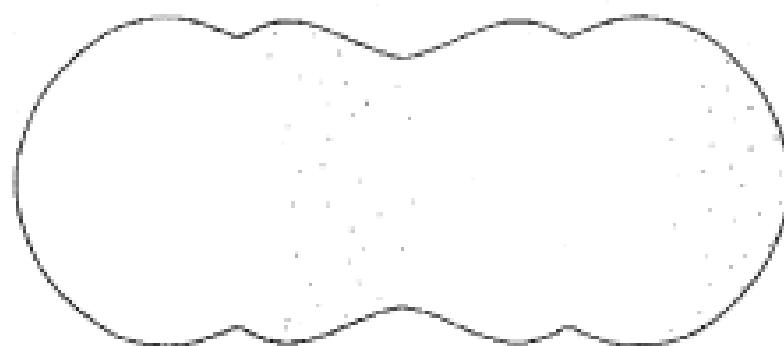
- (21) Design Number: **17685/2007**  
(22) Date of Filing Application: **01 May 2007**  
(24) Date from which industrial property rights may have effect: **01 May 2007**  
(54) Product in respect of which the design is registered: **Extrusions for picture frames**  
(51) International Design Classification: **25-01K, 06-07**  
(71) Name(s) and Address(s) of Applicant(s):  
**Garmond Australia Pty. Limited**  
**5/34 Carrick Drive Tullamarine Victoria 3043 Australia**  
(72) Name(s) of Designer(s): **Gary Skinner and Lesley Skinner**  
(45) Registration Date: **25 October 2007**  
(56) Related Art Documents: **Not Applicable**  
(57) Statement of Newness and Distinctiveness: **Nil**



- (21) Design Number: **17686/2007**  
(22) Date of Filing Application: **01 May 2007**  
(24) Date from which industrial property rights may have effect: **01 May 2007**  
(54) Product in respect of which the design is registered: **Extrusions for picture frames**  
(51) International Design Classification: **25-01K, 06-07**  
(71) Name(s) and Address(s) of Applicant(s):  
**Garmond Australia Pty. Limited**  
**5/34 Carrick Drive Tullamarine Victoria 3043 Australia**  
(72) Name(s) of Designer(s): **Gary Skinner and Lesley Skinner**  
(45) Registration Date: **25 October 2007**  
(56) Related Art Documents: **Not Applicable**  
(57) Statement of Newness and Distinctiveness: **Nil**



- (21) Design Number: **19244/2007**  
(22) Date of Filing Application: **09 August 2007**  
(24) Date from which industrial property rights may have effect: **09 August 2007**  
(54) Product in respect of which the design is registered: **Therapeutic device**  
(51) International Design Classification: **28-03NES**  
(71) Name(s) and Address(s) of Applicant(s):  
**The Procter & Gamble Company**  
**One Procter & Gamble Plaza Cincinnati Ohio 45202 United States of America**  
(72) Name(s) of Designer(s): **Angela Marie Reed and Jason Alan Born**  
(45) Registration Date: **25 October 2007**  
(30) Convention priority data:  
(31) Number      (32) Date      (33) Country  
**29/272,631      12 Feb 2007      UNITED STATES OF AMERICA**  
(56) Related Art Documents: **Not Applicable**  
(57) Statement of Newness and Distinctiveness: **Newness and distinctiveness reside in the features of shape and/or configuration of the therapeutic device, as shown in the representations.**



(21) Design Number: **19261/2007**  
(22) Date of Filing Application: **08 August 2007**  
(24) Date from which industrial property rights may have effect: **08 August 2007**  
(54) Product in respect of which the design is registered: **A display**  
(51) International Design Classification: **14-01**  
(71) Name(s) and Address(s) of Applicant(s):

**Nokia Corporation**  
**Keilalahdentie 4 FIN-02150 Espoo Finland**

(72) Name(s) of Designer(s): **Sami Lehtovaara**

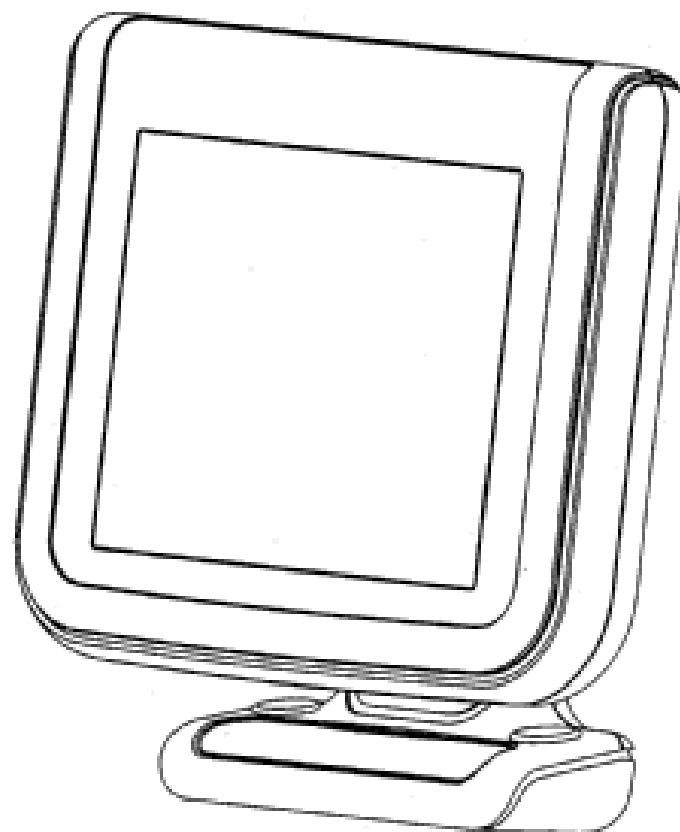
(45) Registration Date: **25 October 2007**

(30) Convention priority data:

| (31) Number      | (32) Date          | (33) Country   |
|------------------|--------------------|----------------|
| <b>M20070033</b> | <b>09 Feb 2007</b> | <b>FINLAND</b> |

(56) Related Art Documents: **Not Applicable**

(57) Statement of Newness and Distinctiveness: **Nil**



(21) Design Number: **19263/2007**  
(22) Date of Filing Application: **08 August 2007**  
(24) Date from which industrial property rights may have effect: **08 August 2007**  
(54) Product in respect of which the design is registered: **Toilet roll holder**  
(51) International Design Classification: **23-02A**  
(71) Name(s) and Address(s) of Applicant(s):

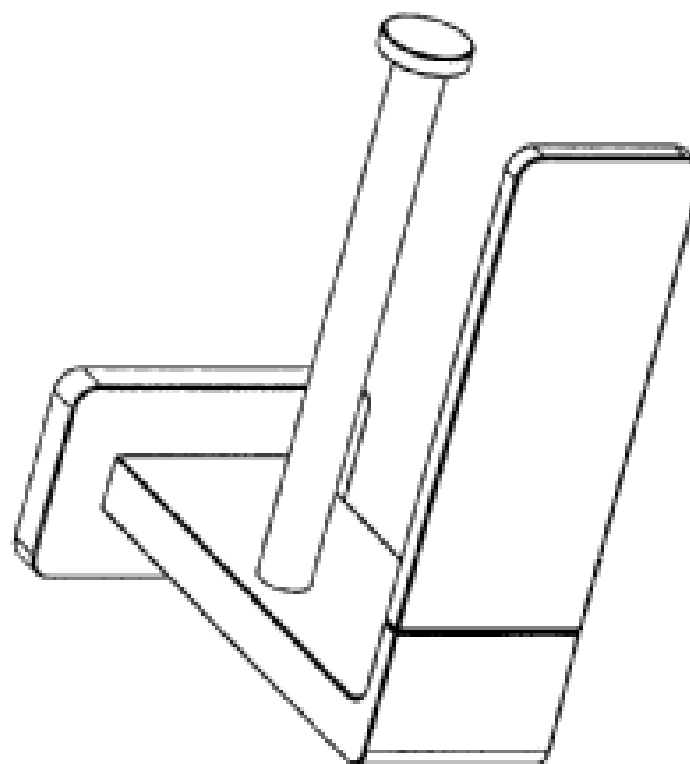
**Phoenix Industries Pty Ltd**  
**7 Ashburn Place Blackburn Victoria 3130 Australia**

(72) Name(s) of Designer(s): **John Hoogendoorn**

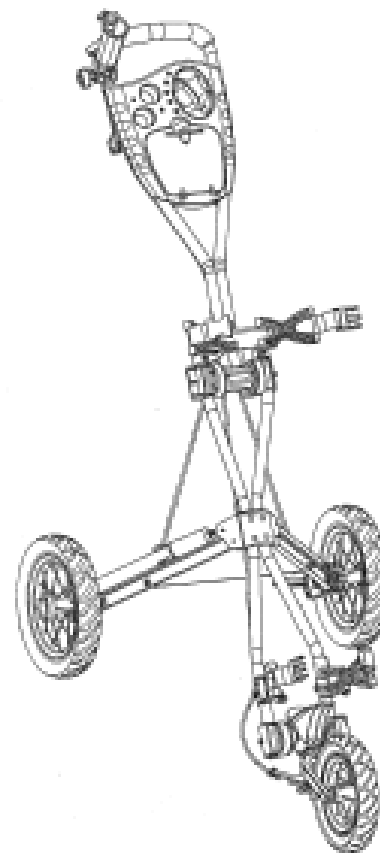
(45) Registration Date: **25 October 2007**

(56) Related Art Documents: **Not Applicable**

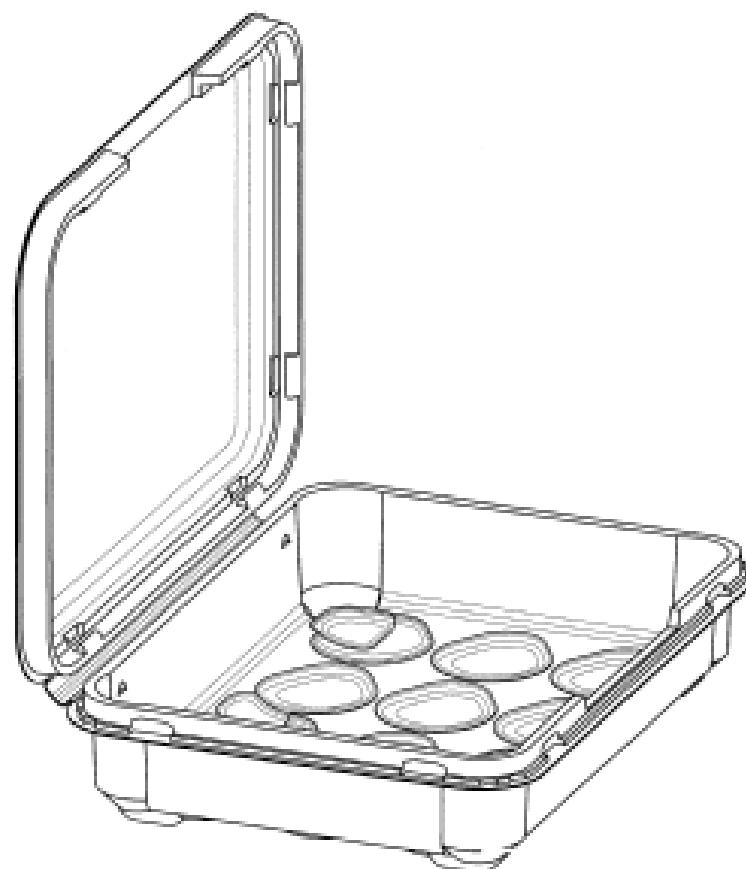
(57) Statement of Newness and Distinctiveness: **Nil**



- (21) Design Number: **19265/2007**  
(22) Date of Filing Application: **08 August 2007**  
(24) Date from which industrial property rights may have effect: **08 August 2007**  
(54) Product in respect of which the design is registered: **Golf cart**  
(51) International Design Classification: **12-02**  
(71) Name(s) and Address(s) of Applicant(s):  
**Unique Product & Design Co., Ltd.**  
**No.5, Ming Dong Road Yung Kang City Tainan Hsien Taiwan**  
(72) Name(s) of Designer(s): **Gordon Liao**  
(45) Registration Date: **25 October 2007**  
(56) Related Art Documents: **Not Applicable**  
(57) Statement of Newness and Distinctiveness: **Each feature of the golf cart considered separately or in combination with any other feature.**



- (21) Design Number: **19268/2007**  
(22) Date of Filing Application: **08 August 2007**  
(24) Date from which industrial property rights may have effect: **08 August 2007**  
(54) Product in respect of which the design is registered: **A produce container**  
(51) International Design Classification: **09-03F**  
(71) Name(s) and Address(s) of Applicant(s):  
**Multisteps Pty Ltd**  
**Unit 1 & 2/4 Richmond Road Homebush West New South Wales 2140**  
**Australia**  
(72) Name(s) of Designer(s): **John Lam**  
(45) Registration Date: **25 October 2007**  
(56) Related Art Documents: **Not Applicable**  
(57) Statement of Newness and Distinctiveness: **Newness and distinctiveness reside in the features of the design as shown in the representations.**



(21) Design Number: 19269/2007

(22) Date of Filing Application: 08 August 2007

(24) Date from which industrial property rights may have effect: 08 August 2007

(54) Product in respect of which the design is registered: A produce container

(51) International Design Classification: 09-03F

(71) Name(s) and Address(s) of Applicant(s):

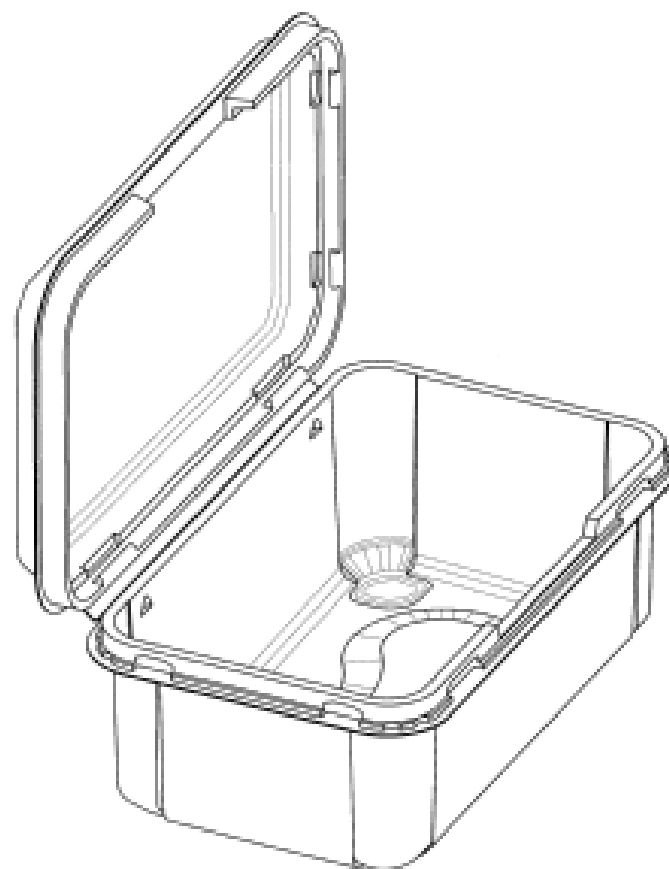
**Multisteps Pty Ltd**  
**Unit 1 & 2/4 Richmond Road Homebush West New South Wales 2140**  
**Australia**

(72) Name(s) of Designer(s): John Lam

(45) Registration Date: 25 October 2007

(56) Related Art Documents: Not Applicable

(57) Statement of Newness and Distinctiveness: **Newness and distinctiveness reside in the features of the design as shown in the representations.**



(21) Design Number: 19270/2007

(22) Date of Filing Application: 08 August 2007

(24) Date from which industrial property rights may have effect: 08 August 2007

(54) Product in respect of which the design is registered: Media player

(51) International Design Classification: 14-01

(71) Name(s) and Address(s) of Applicant(s):

**Microsoft Corporation**  
**One Microsoft Way Redmond Washington 98052 United States of**  
**America**

(72) Name(s) of Designer(s): **Carl J. Ledbetter and Catherine Kim and Steven T. Kaneko and Anton Andrews and Donald R. Coyner**

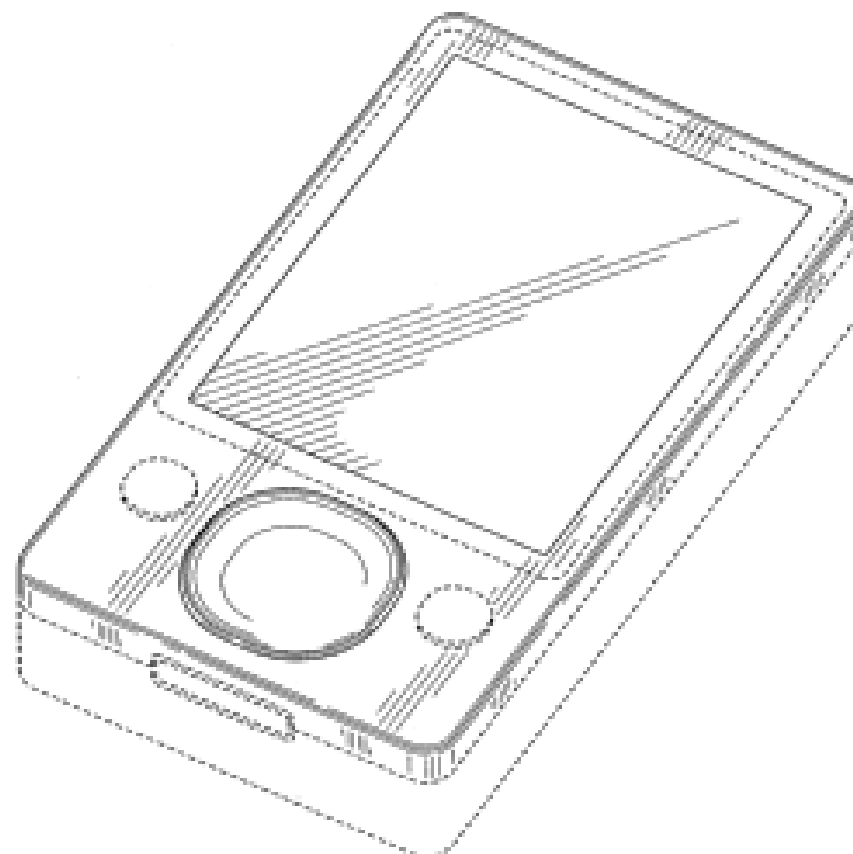
(45) Registration Date: 25 October 2007

(30) Convention priority data:

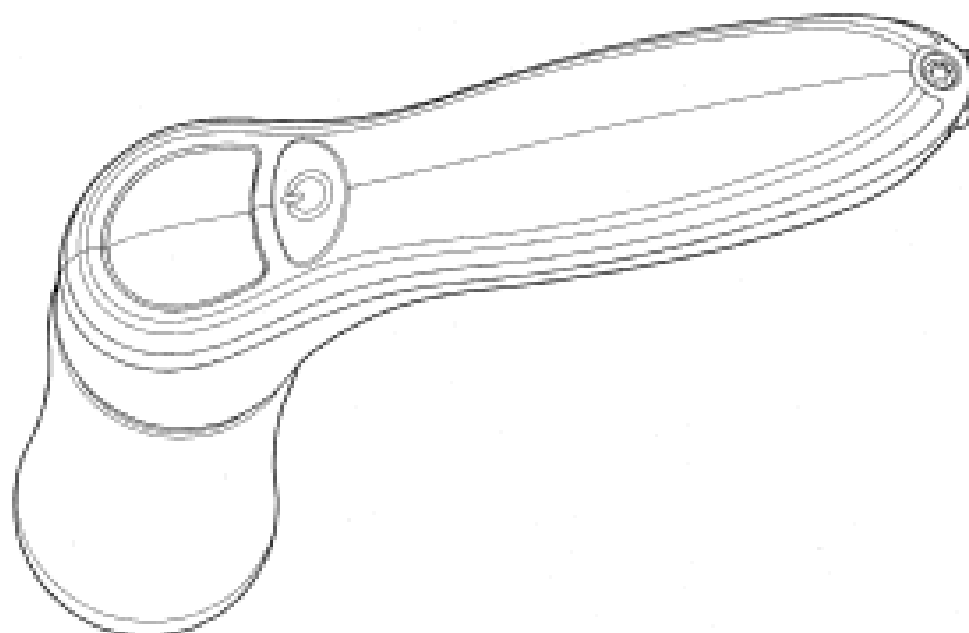
|             |             |                          |
|-------------|-------------|--------------------------|
| (31) Number | (32) Date   | (33) Country             |
| 29/280353   | 24 May 2007 | UNITED STATES OF AMERICA |

(56) Related Art Documents: Not Applicable

(57) Statement of Newness and Distinctiveness: **Newness and distinctiveness reside in the shape and/or configuration of a media player as illustrated in the accompanying representations. The areas shown in broken outline are for illustrative purposes only and do not form part of the design.**



- (21) Design Number: **17006/2007**  
(22) Date of Filing Application: **21 March 2007**  
(24) Date from which industrial property rights may have effect: **21 March 2007**  
(54) Product in respect of which the design is registered: **Hand held massager**  
(51) International Design Classification: **28-03NES**  
(71) Name(s) and Address(s) of Applicant(s):  
**Cypro-ssage Pty Ltd**  
**1/5 Nestor Drive Meadowbrook Queensland 4131 Australia**  
(72) Name(s) of Designer(s): **George Giles Campbell and Neil Brenton Piller**  
(45) Registration Date: **05 November 2007**  
(56) Related Art Documents: **Not Applicable**  
(57) Statement of Newness and Distinctiveness: **Nil**



- (21) Design Number: **16404/2007**  
(22) Date of Filing Application: **07 February 2007**  
(24) Date from which industrial property rights may have effect: **07 February 2007**  
(54) Product in respect of which the design is registered: **Lapramp**  
(51) International Design Classification: **14-02**  
(71) Name(s) and Address(s) of Applicant(s):  
**Karabri Retail Services Pty Ltd**  
**14 Picnic Street Frankston South Victoria 3199 Australia**  
(72) Name(s) of Designer(s): **Gary Blyth**  
(45) Registration Date: **05 November 2007**  
(56) Related Art Documents: **Not Applicable**  
(57) Statement of Newness and Distinctiveness: **The distinct multiple front ledges with the rear elevated vertical ledge combine to provide optimum laptop elevation with variable angle capability, enhanced airflow, compactness, portability and stability in a lightweight, durable unit with no moving parts. The design also incorporates free flowing curves, shape and dimension.**



(21) Design Number: **16573/2007**

(22) Date of Filing Application: **23 February 2007**

(24) Date from which industrial property rights may have effect: **23 February 2007**

(54) Product in respect of which the design is registered: **Roof valley member**

(51) International Design Classification: **25-01NES**

(71) Name(s) and Address(s) of Applicant(s):

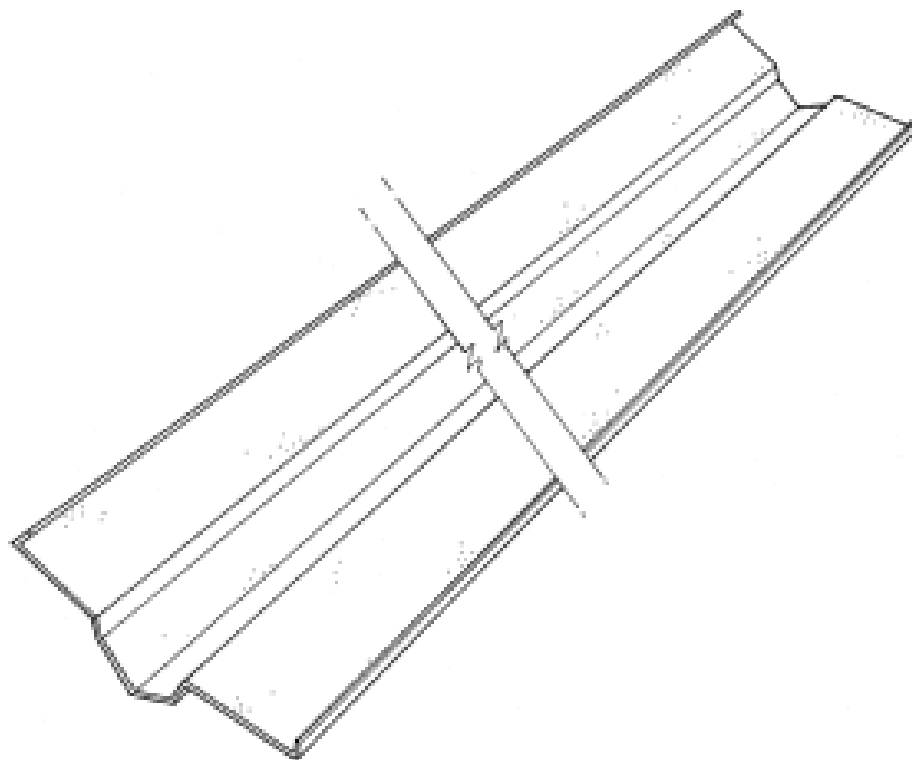
**G & D Roof Tiling Pty Ltd**  
**226 Benmuni Road Wanneroo Western Australia 6065 Australia**

(72) Name(s) of Designer(s): **Giuseppe Vinciullo**

(45) Registration Date: **05 November 2007**

(56) Related Art Documents: **Not Applicable**

(57) Statement of Newness and Distinctiveness: **The particular visual features of the design which are new and distinctive are shape or configuration.**



(21) Design Number: **18289/2007**

(22) Date of Filing Application: **04 June 2007**

(24) Date from which industrial property rights may have effect: **04 June 2007**

(54) Product in respect of which the design is registered: **Baby sticky bowl**

(51) International Design Classification: **07-01B**

(71) Name(s) and Address(s) of Applicant(s):

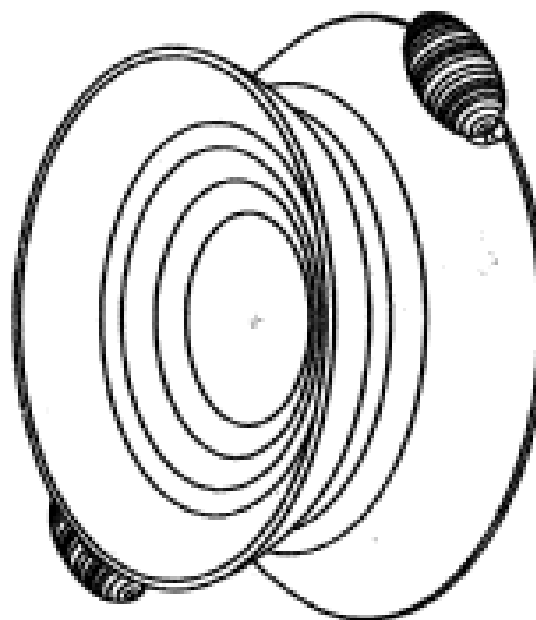
**Mauro Felici**  
**19 Kennedy Avenue Chelsea Heights Victoria 3196 Australia**

(72) Name(s) of Designer(s): **Mauro Felici**

(45) Registration Date: **05 November 2007**

(56) Related Art Documents: **Not Applicable**

(57) Statement of Newness and Distinctiveness: **Levers attached to each side (2 in total). One on the top and the other on the bottom.**



- (21) Design Number: **18886/2007**  
(22) Date of Filing Application: **16 July 2007**  
(24) Date from which industrial property rights may have effect: **16 July 2007**  
(54) Product in respect of which the design is registered: **New design racing colours**  
(51) International Design Classification: **02-02NES**  
(71) Name(s) and Address(s) of Applicant(s):  
**Mittys Group Pty Ltd**  
**c/- Acorn Consulting Group P/L Level 7 486 Albert Street East**  
**Melbourne Victoria 3002 Australia**  
(72) Name(s) of Designer(s): **Ian Roger Cameron and Allison Cameron**  
(45) Registration Date: **05 November 2007**  
(56) Related Art Documents: **Not Applicable**  
(57) Statement of Newness and Distinctiveness: **The subject design is distinct from other products as the new design racing colours is a flexible, close-fitting, long sleeved pullover shirt with zip-up chinese collar whilst the traditional design racing colours is a loose-fitting, long-sleeved shirt featuring full-length button-down front with chinese collar.**



- (21) Design Number: **19320/2007**  
(22) Date of Filing Application: **14 August 2007**  
(24) Date from which industrial property rights may have effect: **14 August 2007**  
(54) Product in respect of which the design is registered: **Practice ball**  
(51) International Design Classification: **21-02A**  
(71) Name(s) and Address(s) of Applicant(s):  
**Lifesjoy Pty Ltd**  
**PO Box 245 Yallingup Western Australia 6282 Australia**  
(72) Name(s) of Designer(s): **Damian Scott Oakes**  
(45) Registration Date: **05 November 2007**  
(56) Related Art Documents: **Not Applicable**  
(57) Statement of Newness and Distinctiveness: **Monopoly is claimed in the shape and configuration of a practice ball with attachments as shown in the accompanying photographic representation. The surface ornamentation is not claimed.**





(21) Design Number: **19311/2007**  
(22) Date of Filing Application: **14 August 2007**  
(24) Date from which industrial property rights may have effect: **14 August 2007**  
(54) Product in respect of which the design is registered: **Road sign clip for vehicle**  
(51) International Design Classification: **10-06**  
(71) Name(s) and Address(s) of Applicant(s):  
**Haigh Australia Pty Ltd**  
**64 Argyle Parade Darra Queensland 4076 Australia**  
(72) Name(s) of Designer(s): **Michael Bruce Smith**  
(45) Registration Date: **05 November 2007**  
(56) Related Art Documents: **Not Applicable**  
(57) Statement of Newness and Distinctiveness: **Nil**



(21) Design Number: **19321/2007**  
(22) Date of Filing Application: **13 August 2007**  
(24) Date from which industrial property rights may have effect: **13 August 2007**  
(54) Product in respect of which the design is registered: **Double wall chocolate jug**  
(51) International Design Classification: **07-01F**  
(71) Name(s) and Address(s) of Applicant(s):  
**Pi-Design AG**  
**Kantonsstrasse 100 Postfach 463 CH-6234 Triengen Switzerland**  
(72) Name(s) of Designer(s): **Jorgen Bodum**  
(45) Registration Date: **05 November 2007**  
(30) Convention priority data:  

|                |                    |                |
|----------------|--------------------|----------------|
| (31) Number    | (32) Date          | (33) Country   |
| <b>DA 2007</b> | <b>13 Feb 2007</b> | <b>DENMARK</b> |
| <b>00039</b>   |                    |                |

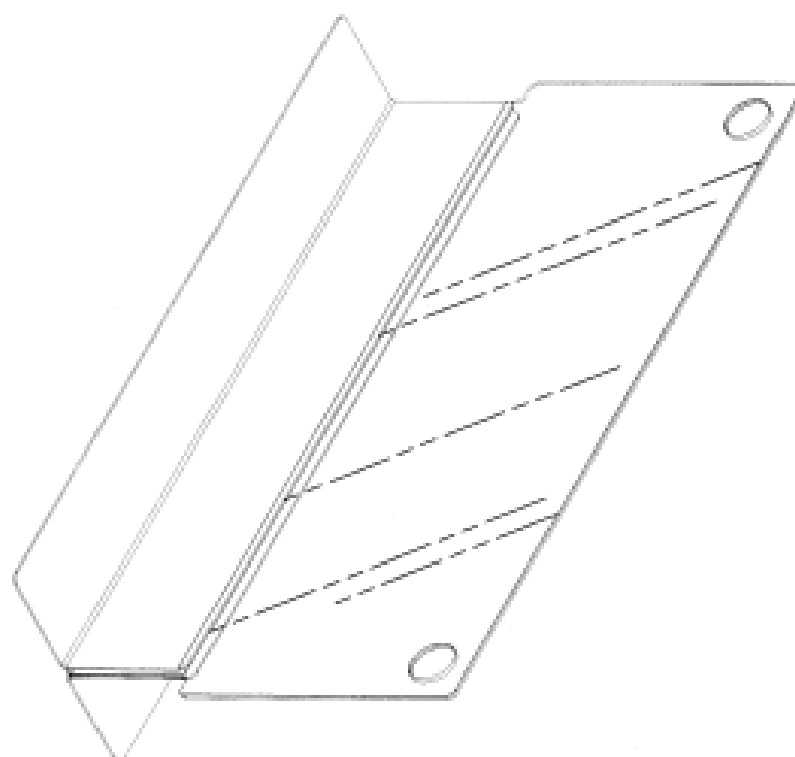
  
(56) Related Art Documents: **Not Applicable**  
(57) Statement of Newness and Distinctiveness: **Nil**



- (21) Design Number: **19322/2007**  
(22) Date of Filing Application: **13 August 2007**  
(24) Date from which industrial property rights may have effect: **13 August 2007**  
(54) Product in respect of which the design is registered: **Double wall chocolate jug**  
(51) International Design Classification: **07-01F**  
(71) Name(s) and Address(s) of Applicant(s):  
**Pi-Design AG**  
**Kantonsstrasse 100 Postfach 463 CH-6234 Triengen Switzerland**  
(72) Name(s) of Designer(s): **Jorgen Bodum**  
(45) Registration Date: **05 November 2007**  
(30) Convention priority data:  
(31) Number (32) Date (33) Country  
**DA 2007 13 Feb 2007 DENMARK**  
**00039**  
(56) Related Art Documents: **Not Applicable**  
(57) Statement of Newness and Distinctiveness: **Nil**



- (21) Design Number: **19333/2007**  
(22) Date of Filing Application: **14 August 2007**  
(24) Date from which industrial property rights may have effect: **14 August 2007**  
(54) Product in respect of which the design is registered: **Firescreen for open fireplace**  
(51) International Design Classification: **23-03E**  
(71) Name(s) and Address(s) of Applicant(s):  
**The Fire Company Pty Ltd**  
**9/5 Vuko Place Warriewood New South Wales 2102 Australia**  
(72) Name(s) of Designer(s): **Stephane Thomas**  
(45) Registration Date: **05 November 2007**  
(56) Related Art Documents: **Not Applicable**  
(57) Statement of Newness and Distinctiveness: **Toughened glass panel with two holes cut out at either end for ease of movement. Due to the shape of the glass, it sits securely within the fixed stainless steel fittings which are attached to the front of the EcoSmart fire. To enable you access the fireplace, the glass can be removed easily by lifting it out of the fittings. It can be placed safely within the 'solo' stainless steel base.**



(21) Design Number: **19336/2007**

(22) Date of Filing Application: **14 August 2007**

(24) Date from which industrial property rights may have effect: **14 August 2007**

(54) Product in respect of which the design is registered: **Stock grid bridge beam**

(51) International Design Classification: **25-02C**

(71) Name(s) and Address(s) of Applicant(s):

**Jack Raymond Buttsworth**

**722 South Arm Road Urunga New South Wales 2455 Australia**

(72) Name(s) of Designer(s): **Jack Raymond Buttsworth**

(45) Registration Date: **05 November 2007**

(56) Related Art Documents: **Not Applicable**

(57) Statement of Newness and Distinctiveness: **My design is a stock grid component that is easy to install without heavy machinery; maintenance of grid is simplified and can be modified at minimal expense.**



(21) Design Number: **19337/2007**

(22) Date of Filing Application: **14 August 2007**

(24) Date from which industrial property rights may have effect: **14 August 2007**

(54) Product in respect of which the design is registered: **Stock grid bridge side beam**

(51) International Design Classification: **25-02C**

(71) Name(s) and Address(s) of Applicant(s):

**Jack Raymond Buttsworth**

**722 South Arm Road Urunga New South Wales 2455 Australia**

(72) Name(s) of Designer(s): **Jack Raymond Buttsworth**

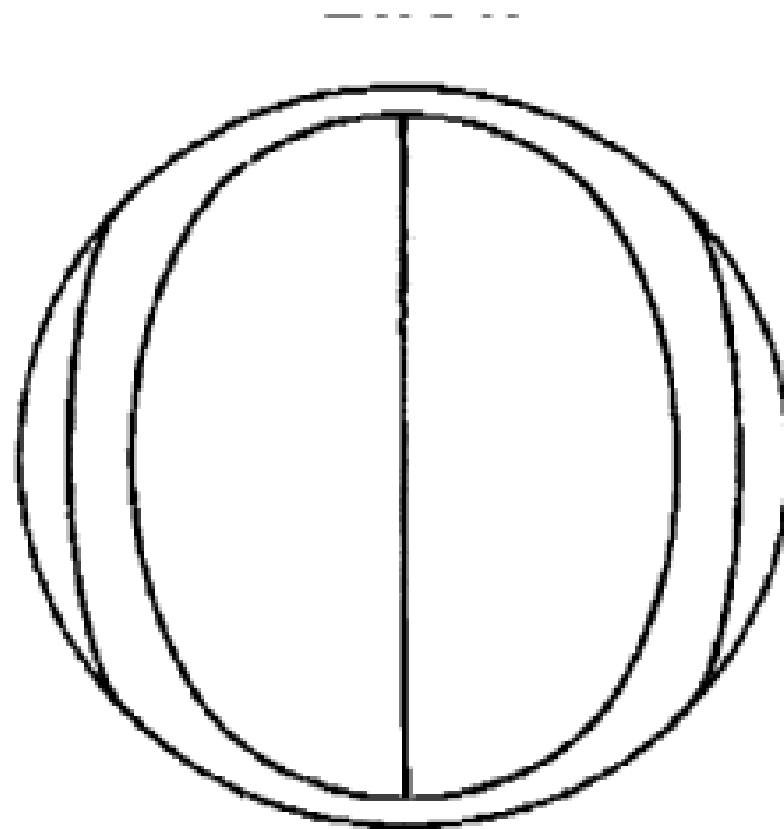
(45) Registration Date: **05 November 2007**

(56) Related Art Documents: **Not Applicable**

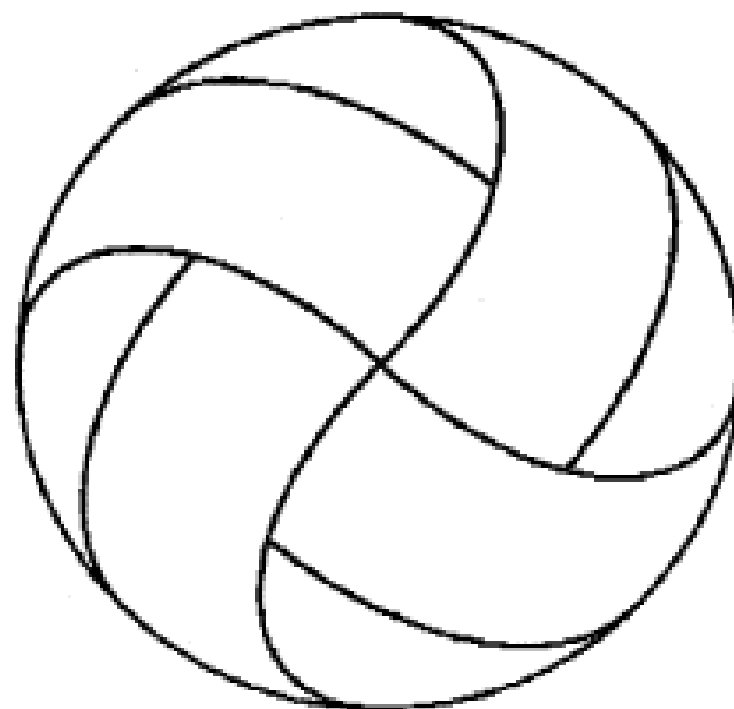
(57) Statement of Newness and Distinctiveness: **This is a supplement component of stock grid bridge beam.**



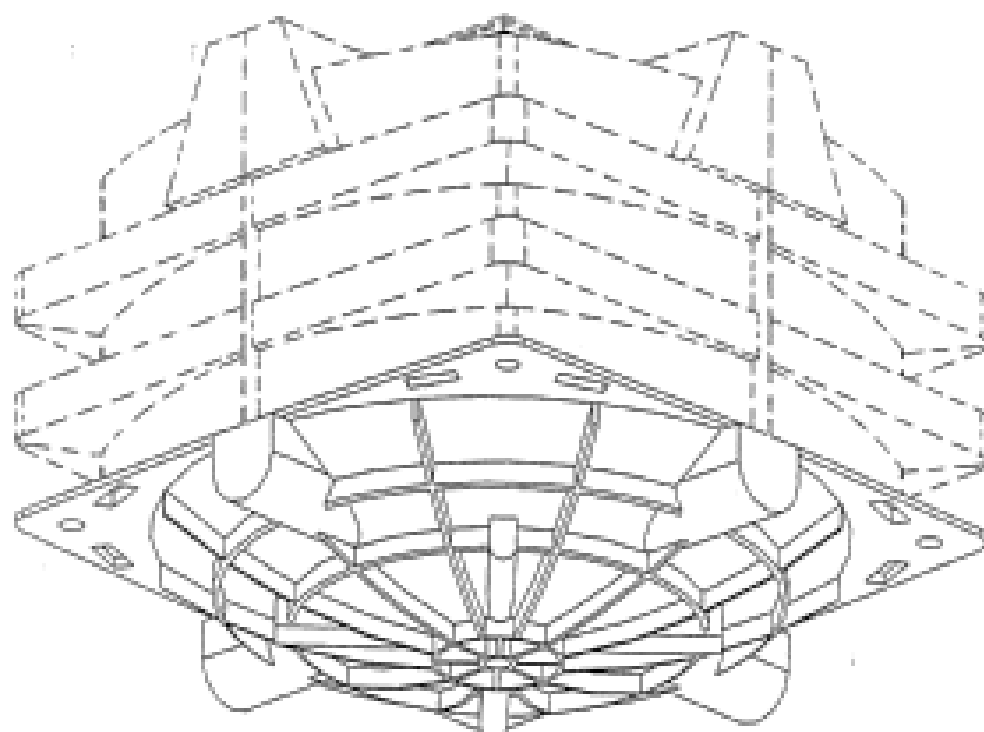
(21) Design Number: **19338/2007**  
(22) Date of Filing Application: **14 August 2007**  
(24) Date from which industrial property rights may have effect: **14 August 2007**  
(54) Product in respect of which the design is registered: **Sporting ball**  
(51) International Design Classification: **21-02A**  
(71) Name(s) and Address(s) of Applicant(s):  
**Mikasa Corporation**  
**11-2 Kusunoki-cho 3-chome Nishi-ku Hiroshima-shi Hiroshima Japan**  
(72) Name(s) of Designer(s): **Hiroo Takubo**  
(45) Registration Date: **05 November 2007**  
(30) Convention priority data:  
(31) Number      (32) Date      (33) Country  
**2007-006837      19 Feb 2007      JAPAN**  
(56) Related Art Documents: **Not Applicable**  
(57) Statement of Newness and Distinctiveness: **Nil**



(21) Design Number: **19339/2007**  
(22) Date of Filing Application: **14 August 2007**  
(24) Date from which industrial property rights may have effect: **14 August 2007**  
(54) Product in respect of which the design is registered: **Sporting ball**  
(51) International Design Classification: **21-02A**  
(71) Name(s) and Address(s) of Applicant(s):  
**Mikasa Corporation**  
**11-2 Kusunoki-cho 3-chome Nishi-ku Hiroshima-shi Hiroshima Japan**  
(72) Name(s) of Designer(s): **Tomoo Oono**  
(45) Registration Date: **05 November 2007**  
(30) Convention priority data:  
(31) Number      (32) Date      (33) Country  
**2007-006839      19 Feb 2007      JAPAN**  
(56) Related Art Documents: **Not Applicable**  
(57) Statement of Newness and Distinctiveness: **Nil**



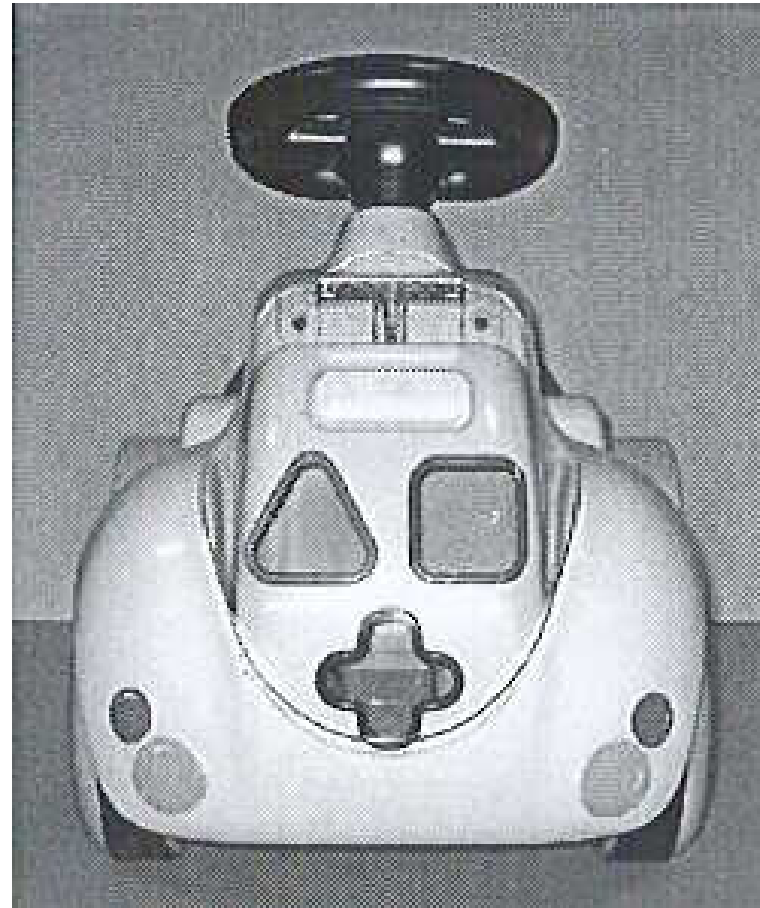
- (21) Design Number: **19341/2007**  
(22) Date of Filing Application: **14 August 2007**  
(24) Date from which industrial property rights may have effect: **14 August 2007**  
(54) Product in respect of which the design is registered: **Base of water storage tank**  
(51) International Design Classification: **23-01F**  
(71) Name(s) and Address(s) of Applicant(s):  
**BeeOx Corporation Pty Ltd**  
**1/25 Narabang Way Belrose New South Wales 2085 Australia**  
(72) Name(s) of Designer(s): **David Sparke**  
(45) Registration Date: **05 November 2007**  
(56) Related Art Documents: **Not Applicable**  
(57) Statement of Newness and Distinctiveness: **Newness and distinctiveness lies in the shape and configuration of the base of a water storage tank. The hatched lines in the figures do not form part of the design.**



- (21) Design Number: **19342/2007**  
(22) Date of Filing Application: **14 August 2007**  
(24) Date from which industrial property rights may have effect: **14 August 2007**  
(54) Product in respect of which the design is registered: **Infant car seat (part-of)**  
(51) International Design Classification: **06-06G**  
(71) Name(s) and Address(s) of Applicant(s):  
**Jane, S.A.**  
**Mercaders 34 Pol. Ind. Riera de Caldes 08184 Palau Solita I**  
**Plegamans Barcelona Spain**  
(72) Name(s) of Designer(s): **Manuel Jane Santamaria**  
(45) Registration Date: **05 November 2007**  
(30) Convention priority data:  
(31) Number      (32) Date      (33) Country  
**000694559      23 Mar 2007      EUROPEAN COMMUNITY**  
(56) Related Art Documents: **Not Applicable**  
(57) Statement of Newness and Distinctiveness: **Nil**



- (21) Design Number: **19343/2007**
- (22) Date of Filing Application: **14 August 2007**
- (24) Date from which industrial property rights may have effect: **14 August 2007**
- (54) Product in respect of which the design is registered: **Baby walker having the shape of a car**
- (51) International Design Classification: **21-01F**
- (71) Name(s) and Address(s) of Applicant(s):  
**Jane, S.A.**  
**Mercaders 34 Pol. Ind. Riera de Caldes 08184 Palau Solita I Plegamans Barcelona Spain**
- (72) Name(s) of Designer(s): **Manuel Jane Santamaria**
- (45) Registration Date: **05 November 2007**
- (30) Convention priority data:
  - (31) Number      (32) Date      (33) Country
  - 000686712-001    12 Mar 2007      EUROPEAN COMMUNITY**
- (56) Related Art Documents: **Not Applicable**
- (57) Statement of Newness and Distinctiveness: **Nil**



- (21) Design Number: **19344/2007**
- (22) Date of Filing Application: **14 August 2007**
- (24) Date from which industrial property rights may have effect: **14 August 2007**
- (54) Product in respect of which the design is registered: **Infant seats**
- (51) International Design Classification: **06-01E**
- (71) Name(s) and Address(s) of Applicant(s):  
**Jane, S.A.**  
**Mercaders 34 Pol. Ind. Riera de Caldes 08184 Palau Solita I Plegamans Barcelona Spain**
- (72) Name(s) of Designer(s): **Manuel Jane Santamaria**
- (45) Registration Date: **05 November 2007**
- (30) Convention priority data:
  - (31) Number      (32) Date      (33) Country
  - 000686720-0001    12 Mar 2007      EUROPEAN COMMUNITY**
- (56) Related Art Documents: **Not Applicable**
- (57) Statement of Newness and Distinctiveness: **Nil**



(21) Design Number: **19345/2007**  
(22) Date of Filing Application: **14 August 2007**  
(24) Date from which industrial property rights may have effect: **14 August 2007**  
(54) Product in respect of which the design is registered: **Infant seats**  
(51) International Design Classification: **06-01E**  
(71) Name(s) and Address(s) of Applicant(s):  
**Jane, S.A.**  
**Mercaders 34 Pol. Ind. Riera de Caldes 08184 Palau Solita I**  
**Plegamans Barcelona Spain**  
(72) Name(s) of Designer(s): **Manuel Jane Santamaria**  
(45) Registration Date: **05 November 2007**  
(30) Convention priority data:  
(31) Number (32) Date (33) Country  
**000686720-0002 12 Mar 2007 EUROPEAN COMMUNITY**  
(56) Related Art Documents: **Not Applicable**  
(57) Statement of Newness and Distinctiveness: **Nil**



(21) Design Number: **19346/2007**  
(22) Date of Filing Application: **14 August 2007**  
(24) Date from which industrial property rights may have effect: **14 August 2007**  
(54) Product in respect of which the design is registered: **Infant seats**  
(51) International Design Classification: **06-01E**  
(71) Name(s) and Address(s) of Applicant(s):  
**Jane, S.A.**  
**Mercaders 34 Pol. Ind. Riera de Caldes 08184 Palau Solita I**  
**Plegamans Barcelona Spain**  
(72) Name(s) of Designer(s): **Manuel Jane Santamaria**  
(45) Registration Date: **05 November 2007**  
(30) Convention priority data:  
(31) Number (32) Date (33) Country  
**000686720-0003 12 Mar 2007 EUROPEAN COMMUNITY**  
(56) Related Art Documents: **Not Applicable**  
(57) Statement of Newness and Distinctiveness: **Nil**



(21) Design Number: **19348/2007**

(22) Date of Filing Application: **14 August 2007**

(24) Date from which industrial property rights may have effect: **14 August 2007**

(54) Product in respect of which the design is registered: **Lid**

(51) International Design Classification: **09-07NES**

(71) Name(s) and Address(s) of Applicant(s):

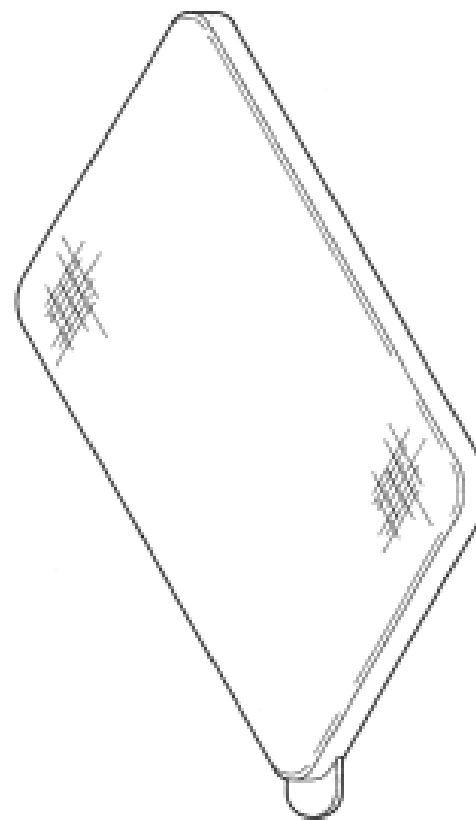
**Crisp Lids Pty Ltd**  
**Suite 4/20 Montgomery Street Kogarah New South Wales 2217**  
**Australia**

(72) Name(s) of Designer(s): **Ettore Ianello**

(45) Registration Date: **05 November 2007**

(56) Related Art Documents: **Not Applicable**

(57) Statement of Newness and Distinctiveness: **Newness and distinctiveness is claimed in the flange marked "A" of the lid shown in the representations.**



(21) Design Number: **19349/2007**

(22) Date of Filing Application: **14 August 2007**

(24) Date from which industrial property rights may have effect: **14 August 2007**

(54) Product in respect of which the design is registered: **Lid**

(51) International Design Classification: **09-07NES**

(71) Name(s) and Address(s) of Applicant(s):

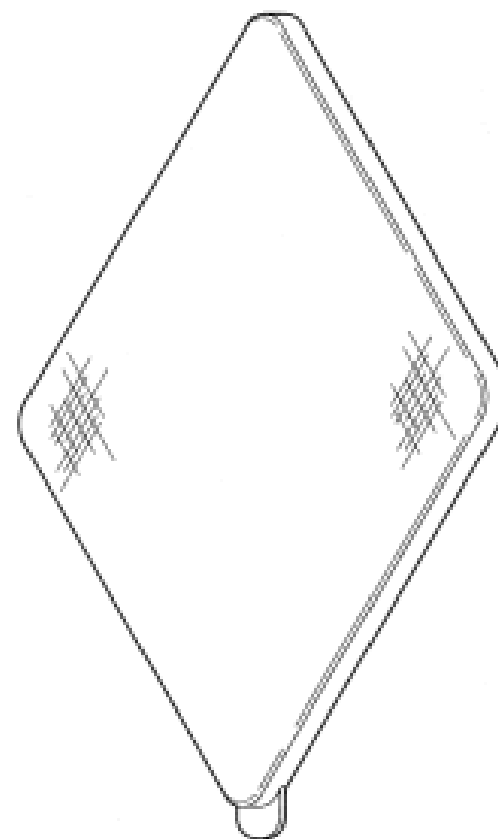
**Crisp Lids Pty Ltd**  
**Suite 4/20 Montgomery Street Kogarah New South Wales 2217**  
**Australia**

(72) Name(s) of Designer(s): **Ettore Ianello**

(45) Registration Date: **05 November 2007**

(56) Related Art Documents: **Not Applicable**

(57) Statement of Newness and Distinctiveness: **Newness and distinctiveness is claimed in the flange marked "A" of the lid shown in the representations.**





(21) Design Number: **19350/2007**

(22) Date of Filing Application: **14 August 2007**

(24) Date from which industrial property rights may have effect: **14 August 2007**

(54) Product in respect of which the design is registered: **Flashlight**

(51) International Design Classification: **26-02**

(71) Name(s) and Address(s) of Applicant(s):

**Eveready Battery Company, Inc.**  
**533 Maryville University Drive St Louis Missouri 63164 United States of America**

(72) Name(s) of Designer(s): **Timothy Rugendyke and Angelo Kotsis and Michael S. Squires and Kenneth G. Bonham**

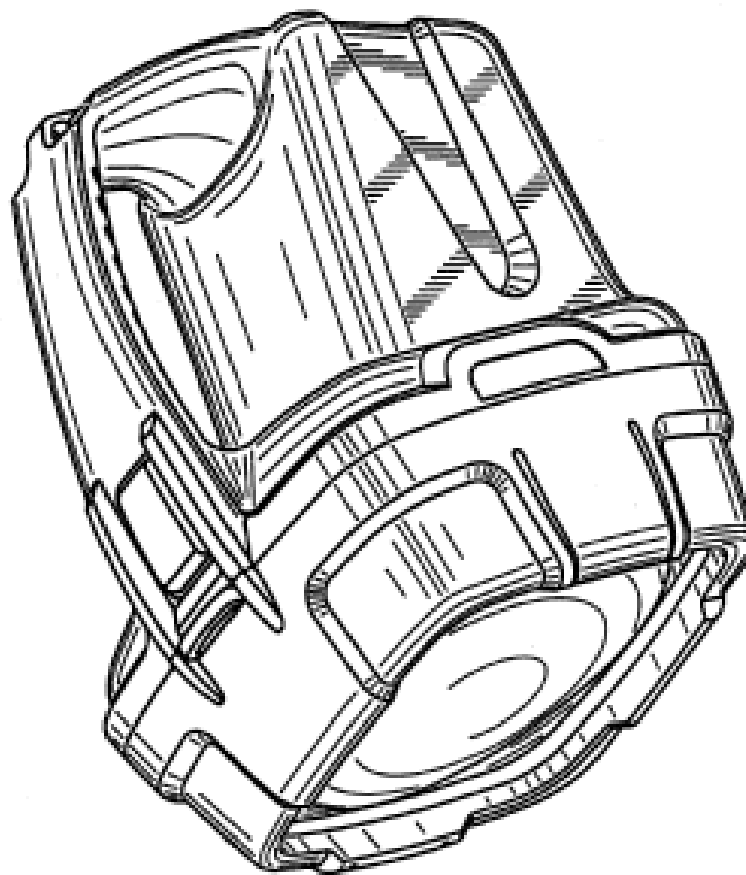
(45) Registration Date: **05 November 2007**

(30) Convention priority data:

|                  |                    |                                 |
|------------------|--------------------|---------------------------------|
| (31) Number      | (32) Date          | (33) Country                    |
| <b>29/273119</b> | <b>27 Feb 2007</b> | <b>UNITED STATES OF AMERICA</b> |

(56) Related Art Documents: **Not Applicable**

(57) Statement of Newness and Distinctiveness: **Nil**



(21) Design Number: **17689/2007**

(22) Date of Filing Application: **01 May 2007**

(24) Date from which industrial property rights may have effect: **01 May 2007**

(54) Product in respect of which the design is registered: **Ladies garments**

(51) International Design Classification: **02-02C**

(71) Name(s) and Address(s) of Applicant(s):

**Review Australia Pty Ltd**  
**25-31 Rokeby Street Collingwood Victoria 3066 Australia**

(72) Name(s) of Designer(s): **Jayne Ellis**

(45) Registration Date: **05 November 2007**

(56) Related Art Documents: **Not Applicable**

(57) Statement of Newness and Distinctiveness: **Nil**



- (21) Design Number: **20066/2007**
- (22) Date of Filing Application: **01 May 2007**
- (24) Date from which industrial property rights may have effect: **01 May 2007**
- (54) Product in respect of which the design is registered: **Ladies garments**
- (51) International Design Classification: **02-02C**
- (71) Name(s) and Address(s) of Applicant(s):  
**Review Australia Pty Ltd**  
**25-31 Rokeby Street Collingwood Victoria 3066 Australia**
- (72) Name(s) of Designer(s): **Jayne Ellis**
- (45) Registration Date: **05 November 2007**
- (56) Related Art Documents: **Not Applicable**
- (57) Statement of Newness and Distinctiveness: **Nil**



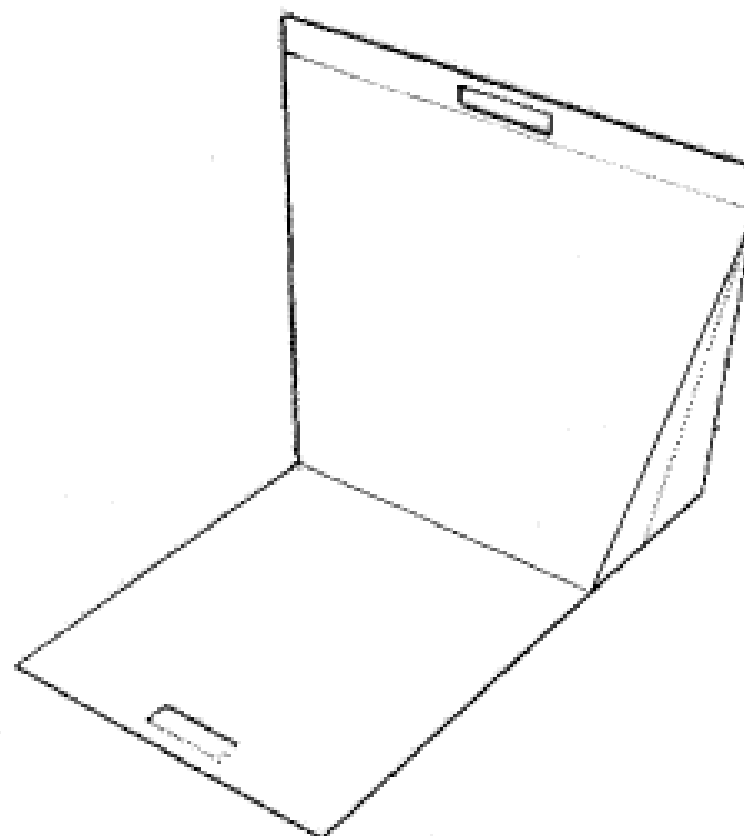
- (21) Design Number: **20067/2007**
- (22) Date of Filing Application: **01 May 2007**
- (24) Date from which industrial property rights may have effect: **01 May 2007**
- (54) Product in respect of which the design is registered: **Ladies garments**
- (51) International Design Classification: **02-02C**
- (71) Name(s) and Address(s) of Applicant(s):  
**Review Australia Pty Ltd**  
**25-31 Rokeby Street Collingwood Victoria 3066 Australia**
- (72) Name(s) of Designer(s): **Jayne Ellis**
- (45) Registration Date: **05 November 2007**
- (56) Related Art Documents: **Not Applicable**
- (57) Statement of Newness and Distinctiveness: **Nil**



- (21) Design Number: **20068/2007**  
(22) Date of Filing Application: **01 May 2007**  
(24) Date from which industrial property rights may have effect: **01 May 2007**  
(54) Product in respect of which the design is registered: **Ladies garments**  
(51) International Design Classification: **02-02C**  
(71) Name(s) and Address(s) of Applicant(s):  
**Review Australia Pty Ltd**  
**25-31 Rokeby Street Collingwood Victoria 3066 Australia**  
(72) Name(s) of Designer(s): **Jayne Ellis**  
(45) Registration Date: **05 November 2007**  
(56) Related Art Documents: **Not Applicable**  
(57) Statement of Newness and Distinctiveness: **Nil**



- (21) Design Number: **18840/2007**  
(22) Date of Filing Application: **11 July 2007**  
(24) Date from which industrial property rights may have effect: **11 July 2007**  
(54) Product in respect of which the design is registered: **A collapsible seat**  
(51) International Design Classification: **06-01H**  
(71) Name(s) and Address(s) of Applicant(s):  
**Box Clever Pty Limited**  
**4 Mulgowrie Crescent Balgowlah Heights New South Wales 2093**  
**Australia**  
(72) Name(s) of Designer(s): **Nicholas Leywood**  
(45) Registration Date: **05 November 2007**  
(56) Related Art Documents: **Not Applicable**  
(57) Statement of Newness and Distinctiveness: **The features of the design for which novelty is claimed are the shape or configuration of the product as shown in the representations. Any background features do not form part of the design and are to be disregarded. The cut-outs do not form part of the design and are to be disregarded.**



- (21) Design Number: **11476/2005**  
(22) Date of Filing Application: **08 April 2005**  
(24) Date from which industrial property rights may have effect: **08 April 2005**  
(54) Product in respect of which the design is registered: **Top**  
(51) International Design Classification: **02-02A**  
(71) Name(s) and Address(s) of Applicant(s):  
**Seafolly Pty Ltd**  
**247 King Street Mascot New South Wales 2020 Australia**  
(72) Name(s) of Designer(s): **Genelle Walkom**  
(45) Registration Date: **05 November 2007**  
(56) Related Art Documents: **Not Applicable**  
(57) Statement of Newness and Distinctiveness: **Nil**



- (21) Design Number: **11479/2005**  
(22) Date of Filing Application: **08 April 2005**  
(24) Date from which industrial property rights may have effect: **08 April 2005**  
(54) Product in respect of which the design is registered: **Top**  
(51) International Design Classification: **02-02A**  
(71) Name(s) and Address(s) of Applicant(s):  
**Seafolly Pty Ltd**  
**247 King Street Mascot New South Wales 2020 Australia**  
(72) Name(s) of Designer(s): **Genelle Walkom**  
(45) Registration Date: **05 November 2007**  
(56) Related Art Documents: **Not Applicable**  
(57) Statement of Newness and Distinctiveness: **Nil**



(21) Design Number: **11481/2005**

(22) Date of Filing Application: **08 April 2005**

(24) Date from which industrial property rights may have effect: **08 April 2005**

(54) Product in respect of which the design is registered: **Swimwear - one piece**

(51) International Design Classification: **02-02A**

(71) Name(s) and Address(s) of Applicant(s):

**Seafolly Pty Ltd**

**247 King Street Mascot New South Wales 2020 Australia**

(72) Name(s) of Designer(s): **Genelle Walkom**

(45) Registration Date: **05 November 2007**

(56) Related Art Documents: **Not Applicable**

(57) Statement of Newness and Distinctiveness: **Nil**



(21) Design Number: **11486/2005**

(22) Date of Filing Application: **08 April 2005**

(24) Date from which industrial property rights may have effect: **08 April 2005**

(54) Product in respect of which the design is registered: **Swimwear top**

(51) International Design Classification: **02-02A**

(71) Name(s) and Address(s) of Applicant(s):

**Seafolly Pty Ltd**

**247 King Street Mascot New South Wales 2020 Australia**

(72) Name(s) of Designer(s): **Genelle Walkom**

(45) Registration Date: **05 November 2007**

(56) Related Art Documents: **Not Applicable**

(57) Statement of Newness and Distinctiveness: **Nil**



- (21) Design Number: **11488/2005**
- (22) Date of Filing Application: **08 April 2005**
- (24) Date from which industrial property rights may have effect: **08 April 2005**
- (54) Product in respect of which the design is registered: **Swimwear - top**
- (51) International Design Classification: **02-02A**
- (71) Name(s) and Address(s) of Applicant(s):  
**Seafolly Pty Ltd**  
**247 King Street Mascot New South Wales 2020 Australia**
- (72) Name(s) of Designer(s): **Genelle Walkom**
- (45) Registration Date: **05 November 2007**
- (56) Related Art Documents: **Not Applicable**
- (57) Statement of Newness and Distinctiveness: **Nil**



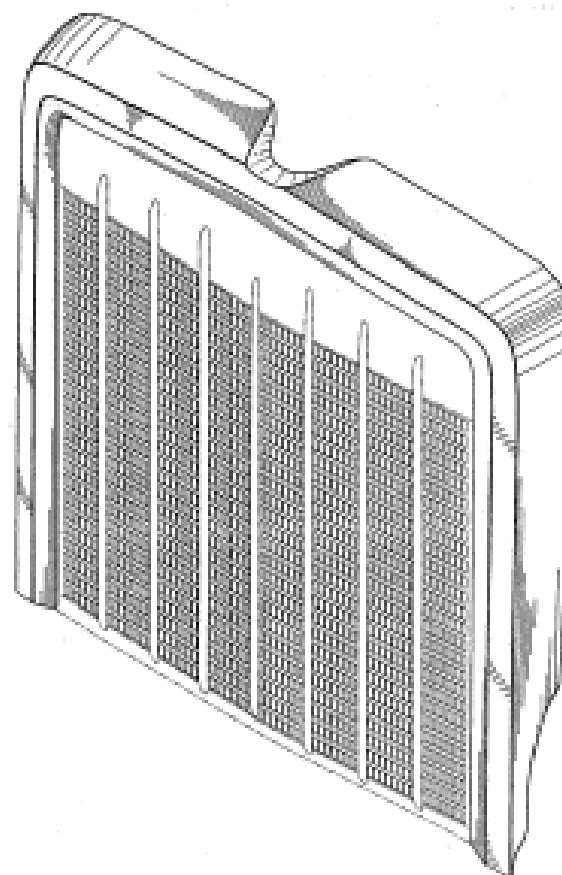
- (21) Design Number: **11489/2005**
- (22) Date of Filing Application: **08 April 2005**
- (24) Date from which industrial property rights may have effect: **08 April 2005**
- (54) Product in respect of which the design is registered: **Swimwear - top**
- (51) International Design Classification: **02-02A**
- (71) Name(s) and Address(s) of Applicant(s):  
**Seafolly Pty Ltd**  
**247 King Street Mascot New South Wales 2020 Australia**
- (72) Name(s) of Designer(s): **Genelle Walkom**
- (45) Registration Date: **05 November 2007**
- (56) Related Art Documents: **Not Applicable**
- (57) Statement of Newness and Distinctiveness: **Nil**



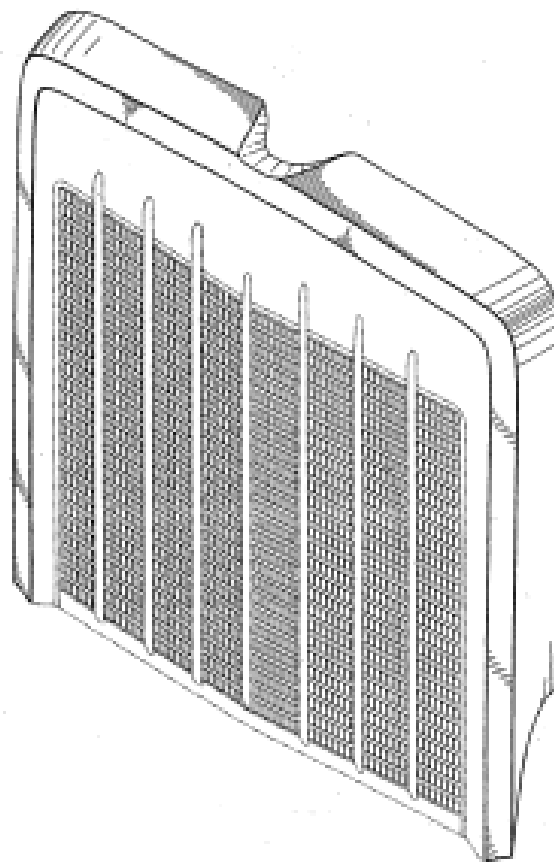
- (21) Design Number: **11490/2005**  
(22) Date of Filing Application: **08 April 2005**  
(24) Date from which industrial property rights may have effect: **08 April 2005**  
(54) Product in respect of which the design is registered: **Swimwear - top**  
(51) International Design Classification: **02-02A**  
(71) Name(s) and Address(s) of Applicant(s):  
**Seafolly Pty Ltd**  
**247 King Street Mascot New South Wales 2020 Australia**  
(72) Name(s) of Designer(s): **Genelle Walkom**  
(45) Registration Date: **05 November 2007**  
(56) Related Art Documents: **Not Applicable**  
(57) Statement of Newness and Distinctiveness: **Nil**



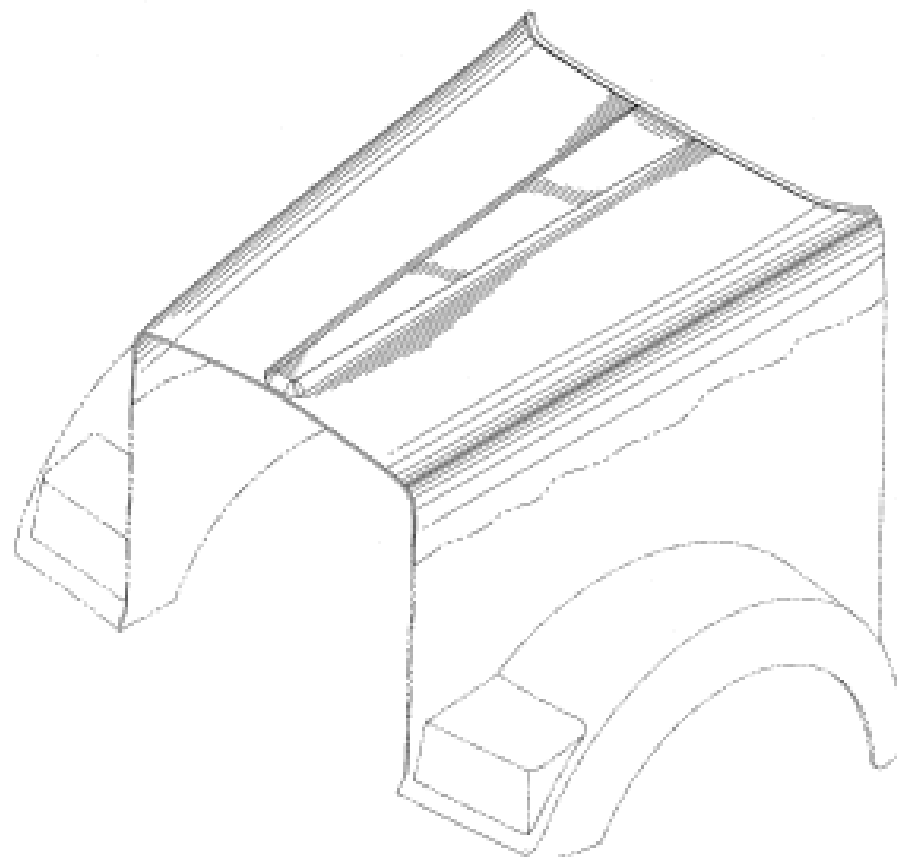
- (21) Design Number: **16546/2007**  
(22) Date of Filing Application: **22 February 2007**  
(24) Date from which industrial property rights may have effect: **22 February 2007**  
(54) Product in respect of which the design is registered: **Grille for truck**  
(51) International Design Classification: **12-16B**  
(71) Name(s) and Address(s) of Applicant(s):  
**PACCAR Inc**  
**777#106th Avenue Northeast Bellevue WA 98004 United States of America**  
(72) Name(s) of Designer(s): **Wayne K. Simons and F. Erik Tuft and Steven H. Hovind and Gerald J. Angelo and Wallace A. Peltola and Daniel R. Kieffer**  
(45) Registration Date: **01 November 2007**  
(56) Related Art Documents: **Not Applicable**  
(57) Statement of Newness and Distinctiveness: **The shape and configuration of those parts of the design shown by means of solid lines in the representations are new and distinctive.**



- (21) Design Number: **16547/2007**  
(22) Date of Filing Application: **22 February 2007**  
(24) Date from which industrial property rights may have effect: **22 February 2007**  
(54) Product in respect of which the design is registered: **Grille for a truck**  
(51) International Design Classification: **12-16B**  
(71) Name(s) and Address(s) of Applicant(s):  
**PACCAR Inc**  
**777#106th Avenue Northeast Bellevue WA 98004 United States of America**  
(72) Name(s) of Designer(s): **Wayne K. Simons and F. Erik Tuft and Steven H. Hovind and Gerald J. Angelo and Wallace A. Peltola and Daniel R. Kieffer**  
(45) Registration Date: **01 November 2007**  
(56) Related Art Documents: **Not Applicable**  
(57) Statement of Newness and Distinctiveness: **The shape and configuration of those parts of the design shown by means of solid lines in the representations are new and distinctive.**



- (21) Design Number: **16548/2007**  
(22) Date of Filing Application: **22 February 2007**  
(24) Date from which industrial property rights may have effect: **22 February 2007**  
(54) Product in respect of which the design is registered: **Top panel for a truck hood**  
(51) International Design Classification: **12-16B**  
(71) Name(s) and Address(s) of Applicant(s):  
**PACCAR Inc**  
**777#106th Avenue Northeast Bellevue WA 98004 United States of America**  
(72) Name(s) of Designer(s): **Wayne K. Simons and F. Erik Tuft and Steven H. Hovind and Gerald J. Angelo and Wallace A. Peltola and Daniel R. Kieffer**  
(45) Registration Date: **01 November 2007**  
(56) Related Art Documents: **Not Applicable**  
(57) Statement of Newness and Distinctiveness: **The shape and configuration of those parts of the design shown by means of solid lines in the representations are new and distinctive.**





(21) Design Number: **16549/2007**

(22) Date of Filing Application: **22 February 2007**

(24) Date from which industrial property rights may have effect: **22 February 2007**

(54) Product in respect of which the design is registered: **Truck headlamp**

(51) International Design Classification: **26-06**

(71) Name(s) and Address(s) of Applicant(s):

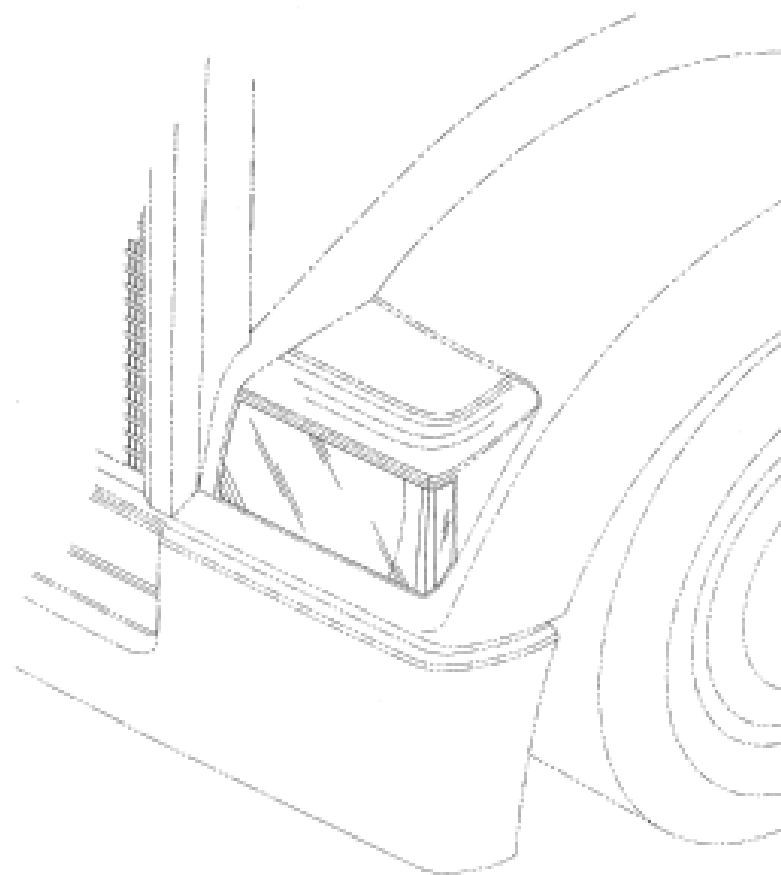
**PACCAR Inc**  
**777#106th Avenue Northeast Bellevue WA 98004 United States of America**

(72) Name(s) of Designer(s): **Wayne K. Simons and F. Erik Tuft and Steven H. Hovind and Gerald J. Angelo and Wallace A. Peltola and Daniel R. Kieffer**

(45) Registration Date: **01 November 2007**

(56) Related Art Documents: **Not Applicable**

(57) Statement of Newness and Distinctiveness: **The shape and configuration of those parts of the design shown by means of solid lines in the representations are new and distinctive.**



(21) Design Number: **16550/2007**

(22) Date of Filing Application: **22 February 2007**

(24) Date from which industrial property rights may have effect: **22 February 2007**

(54) Product in respect of which the design is registered: **Truck headlamp**

(51) International Design Classification: **26-06**

(71) Name(s) and Address(s) of Applicant(s):

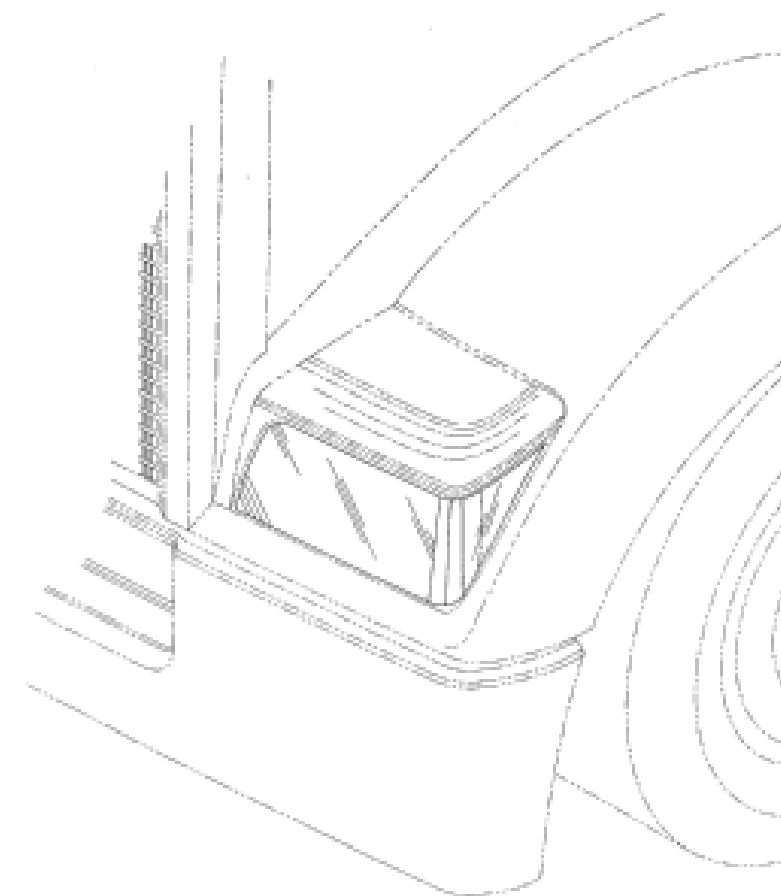
**PACCAR Inc**  
**777#106th Avenue Northeast Bellevue WA 98004 United States of America**

(72) Name(s) of Designer(s): **Wayne K. Simons and F. Erik Tuft and Steven H. Hovind and Gerald J. Angelo and Wallace A. Peltola and Daniel R. Kieffer**

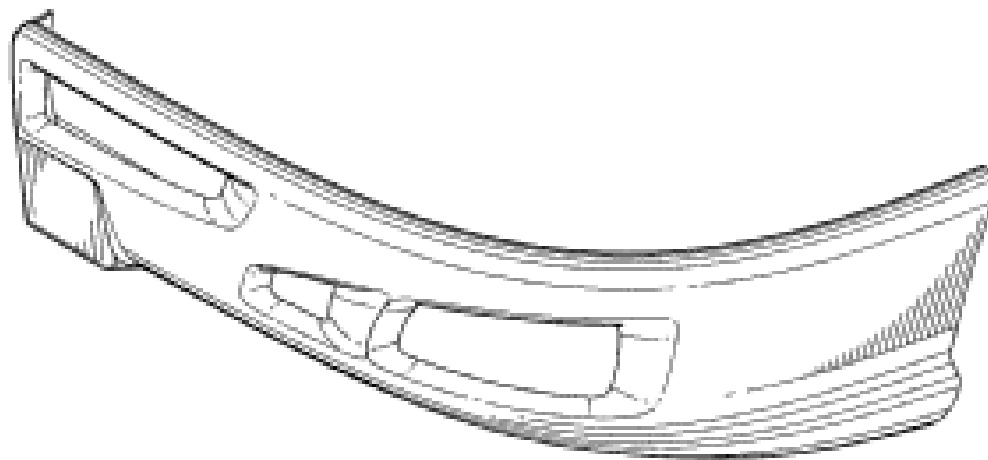
(45) Registration Date: **01 November 2007**

(56) Related Art Documents: **Not Applicable**

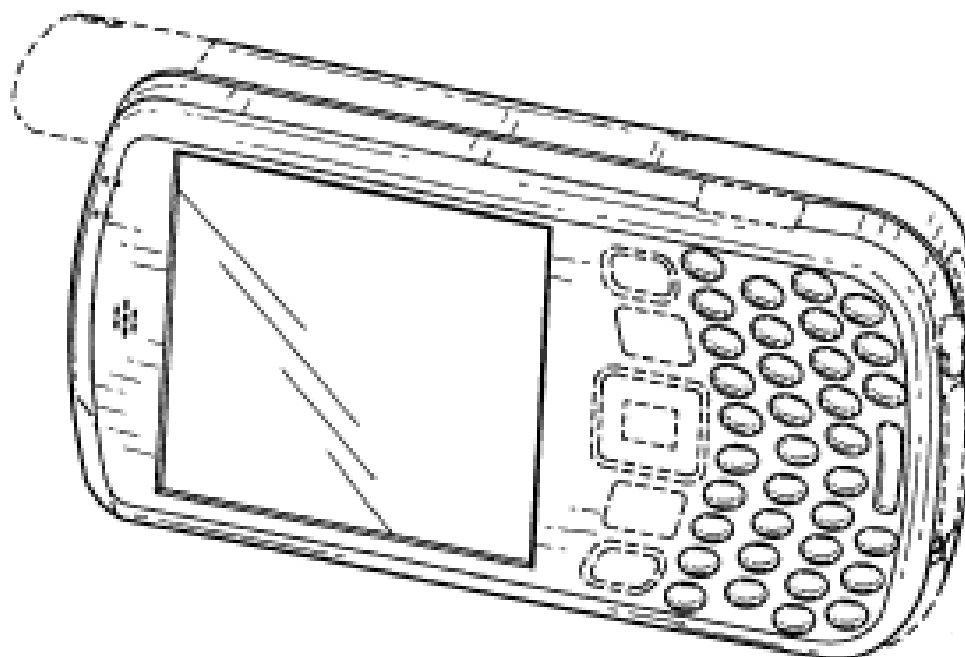
(57) Statement of Newness and Distinctiveness: **The shape and configuration of those parts of the design shown by means of solid lines in the representations are new and distinctive.**



(21) Design Number: **16552/2007**  
(22) Date of Filing Application: **22 February 2007**  
(24) Date from which industrial property rights may have effect: **22 February 2007**  
(54) Product in respect of which the design is registered: **Truck bumper**  
(51) International Design Classification: **12-16C**  
(71) Name(s) and Address(s) of Applicant(s):  
**PACCAR Inc**  
**777#106th Avenue Northeast Bellevue WA 98004 United States of America**  
(72) Name(s) of Designer(s): **Wayne K. Simons and F. Erik Tuft and Steven H. Hovind and Gerald J. Angelo and Wallace A. Peltola and Daniel R. Kieffer**  
(45) Registration Date: **01 November 2007**  
(56) Related Art Documents: **Not Applicable**  
(57) Statement of Newness and Distinctiveness: **Nil**



(21) Design Number: **20275/2007**  
(22) Date of Filing Application: **18 October 2007**  
(24) Date from which industrial property rights may have effect: **18 October 2007**  
(54) Product in respect of which the design is registered: **Handheld electronic communications device**  
(51) International Design Classification: **14-03E**  
(71) Name(s) and Address(s) of Applicant(s):  
**L-3 Communications Systems**  
**A&E-3SW Building One Federal Street Camden NJ 08103 United States of America**  
(72) Name(s) of Designer(s): **Keir Tomasso and Joseph E. D'Ottavi**  
(45) Registration Date: **01 November 2007**  
(30) Convention priority data:  
(31) Number (32) Date (33) Country  
**29/279,068 19 Apr 2007 UNITED STATES OF AMERICA**  
(56) Related Art Documents: **Not Applicable**  
(57) Statement of Newness and Distinctiveness: **Nil**



(21) Design Number: **20295/2007**

(22) Date of Filing Application: **19 October 2007**

(24) Date from which industrial property rights may have effect: **19 October 2007**

(54) Product in respect of which the design is registered: **Downpipe syphon box**

(51) International Design Classification: **23-01L**

(71) Name(s) and Address(s) of Applicant(s):

**George Davidson**

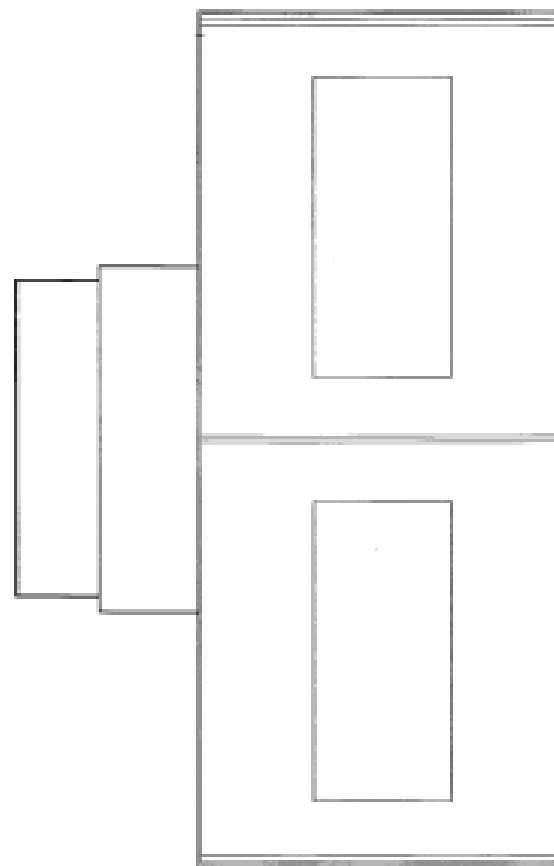
**8B Adamson Road Brentwood Perth Western Australia 6153 Australia**

(72) Name(s) of Designer(s): **George Davidson**

(45) Registration Date: **01 November 2007**

(56) Related Art Documents: **Not Applicable**

(57) Statement of Newness and Distinctiveness: **Nil**



(21) Design Number: **20364/2007**

(22) Date of Filing Application: **22 October 2007**

(24) Date from which industrial property rights may have effect: **22 October 2007**

(54) Product in respect of which the design is registered: **Pump volute**

(51) International Design Classification: **15-02**

(71) Name(s) and Address(s) of Applicant(s):

**Flextool (Aust) Pty Ltd**

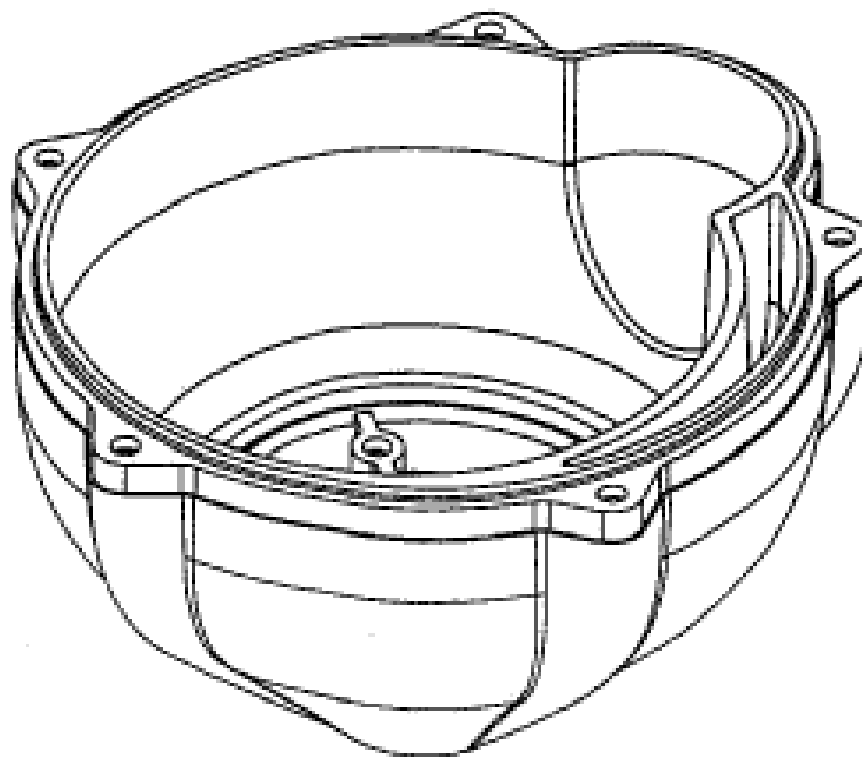
**400 Victoria Street Brunswick Victoria 3056 Australia**

(72) Name(s) of Designer(s): **Colin Metcalfe**

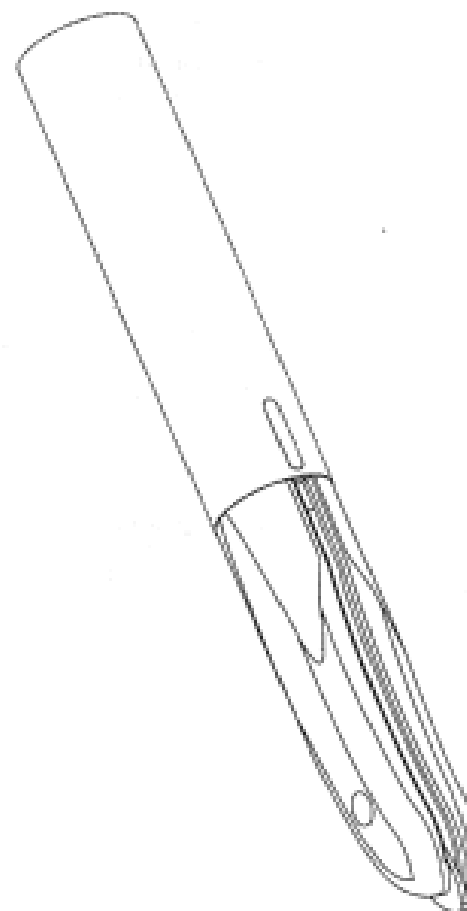
(45) Registration Date: **01 November 2007**

(56) Related Art Documents: **Not Applicable**

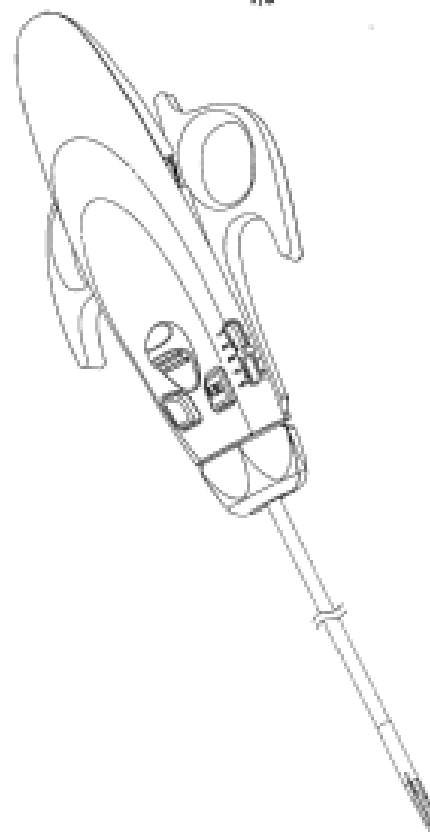
(57) Statement of Newness and Distinctiveness: **Newness and distinctiveness reside in the features of the design as shown in the representations.**



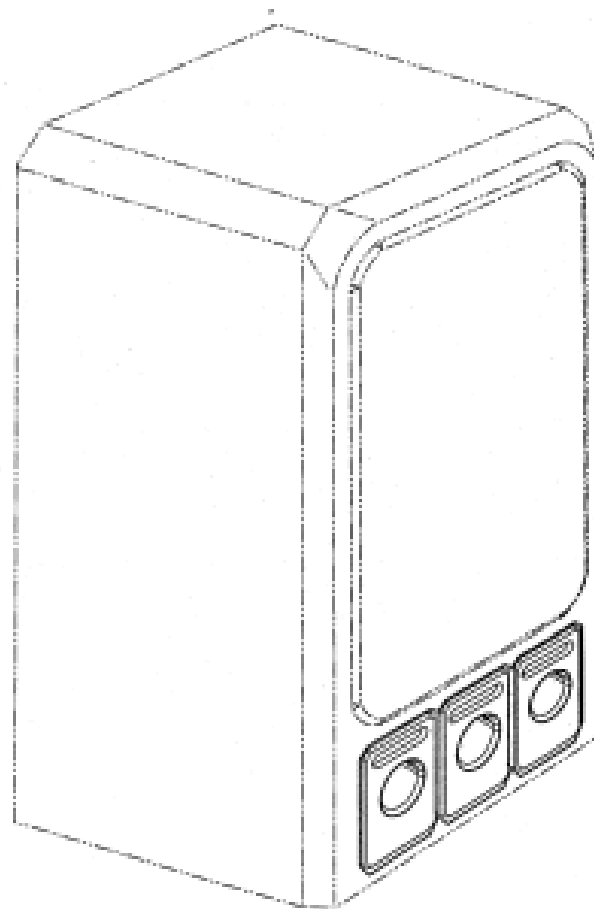
- (21) Design Number: **19359/2007**  
(22) Date of Filing Application: **15 August 2007**  
(24) Date from which industrial property rights may have effect: **15 August 2007**  
(54) Product in respect of which the design is registered: **End effectors of an elongated dissecting and dividing instrument**  
(51) International Design Classification: **24-02**  
(71) Name(s) and Address(s) of Applicant(s):  
**Covidien AG**  
**Victor von Bruns-Strasse 19 8212 Neuhausen am Rheinfall**  
**Switzerland**  
(72) Name(s) of Designer(s): **Paul Guerra**  
(45) Registration Date: **01 November 2007**  
(30) Convention priority data:  
(31) Number (32) Date (33) Country  
**29/272730 15 Feb 2007 UNITED STATES OF AMERICA**  
(56) Related Art Documents: **Not Applicable**  
(57) Statement of Newness and Distinctiveness: **Newness and distinctiveness is claimed in those features of shape and/or configuration of an end effector of an elongated dissecting and dividing instrument as illustrated in continuous lines in the accompanying representations.**



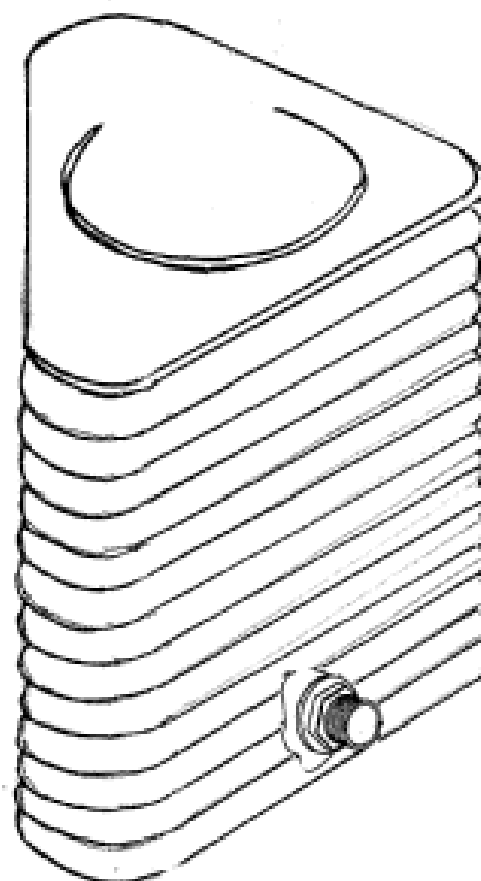
- (21) Design Number: **19360/2007**  
(22) Date of Filing Application: **15 August 2007**  
(24) Date from which industrial property rights may have effect: **15 August 2007**  
(54) Product in respect of which the design is registered: **Hemostat style elongated dissecting and dividing instrument**  
(51) International Design Classification: **24-02**  
(71) Name(s) and Address(s) of Applicant(s):  
**Covidien AG**  
**Victor von Bruns-Strasse 19 8212 Neuhausen am Rheinfall**  
**Switzerland**  
(72) Name(s) of Designer(s): **Dylan Hushka**  
(45) Registration Date: **01 November 2007**  
(30) Convention priority data:  
(31) Number (32) Date (33) Country  
**29/272731 15 Feb 2007 UNITED STATES OF AMERICA**  
(56) Related Art Documents: **Not Applicable**  
(57) Statement of Newness and Distinctiveness: **Newness and distinctiveness is claimed in those features of shape and/or configuration of a hemostat style elongated dissecting and dividing instrument as illustrated in continuous lines in the accompanying representations.**



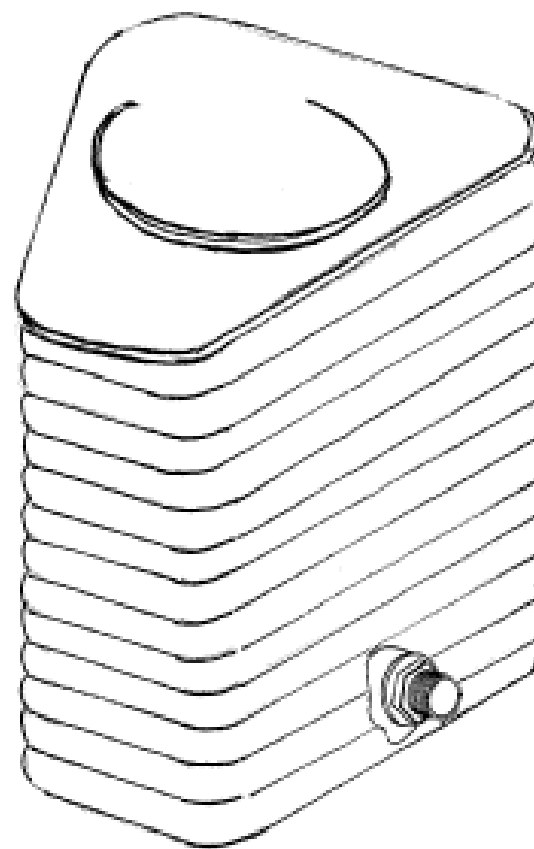
- (21) Design Number: **19363/2007**  
(22) Date of Filing Application: **15 August 2007**  
(24) Date from which industrial property rights may have effect: **15 August 2007**  
(54) Product in respect of which the design is registered: **Cooler**  
(51) International Design Classification: **15-07**  
(71) Name(s) and Address(s) of Applicant(s):  
**The Coca-Cola Company**  
**One Coca-Cola Plaza NW Atlanta Georgia 30313 United States of America**  
(72) Name(s) of Designer(s): **Steven C. Pfister and Eugenio Mendez and Graig Cochran and Stephen J. Zwonitzer and Shane Byler and Kurt Ramptom**  
(45) Registration Date: **01 November 2007**  
(30) Convention priority data:  
(31) Number (32) Date (33) Country  
**29/278,701 06 Apr 2007 UNITED STATES OF AMERICA**  
(56) Related Art Documents: **Not Applicable**  
(57) Statement of Newness and Distinctiveness: **Those features of the cooler depicted in the representations that are new and distinctive are the shape and/or configuration of the drawers shown in continuous lines. The features shown in broken lines are to be disregarded when considering the overall impression of the design.**



- (21) Design Number: **19439/2007**  
(22) Date of Filing Application: **15 August 2007**  
(24) Date from which industrial property rights may have effect: **15 August 2007**  
(54) Product in respect of which the design is registered: **Modular tanks for storage of rain water and liquids in individual and multitudinous units**  
(51) International Design Classification: **23-01F**  
(71) Name(s) and Address(s) of Applicant(s):  
**Courier Pete Pty Ltd**  
**32 Hicks Road East Greenmount Queensland 4359 Australia**  
(72) Name(s) of Designer(s): **Mark Nicholas Collymore**  
(45) Registration Date: **01 November 2007**  
(56) Related Art Documents: **Not Applicable**  
(57) Statement of Newness and Distinctiveness: **Please find inclosed designs are in similiar shape to design No 311744 and No 312218 but are still very different in there designs.**

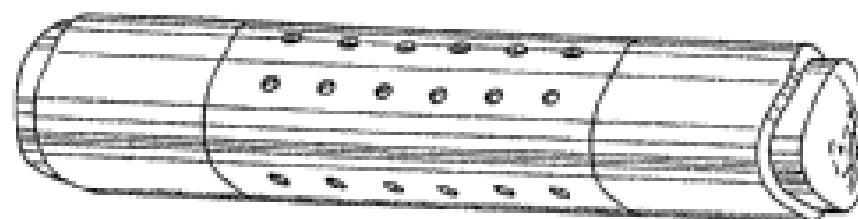


- (21) Design Number: **19440/2007**
- (22) Date of Filing Application: **15 August 2007**
- (24) Date from which industrial property rights may have effect: **15 August 2007**
- (54) Product in respect of which the design is registered: **Modular tanks for storage of rain water and liquids in individual and multitudinous units.**
- (51) International Design Classification: **23-01F**
- (71) Name(s) and Address(s) of Applicant(s):  
**Courier Pete Pty Ltd**  
**32 Hicks Road East Greenmount Queensland 4359 Australia**
- (72) Name(s) of Designer(s): **Mark Nicholas Collymore**
- (45) Registration Date: **01 November 2007**
- (56) Related Art Documents: **Not Applicable**
- (57) Statement of Newness and Distinctiveness: **Please find inclosed designs are in similiar shape to design No 311744 and No 312218 but are still very differnt in there designs.**



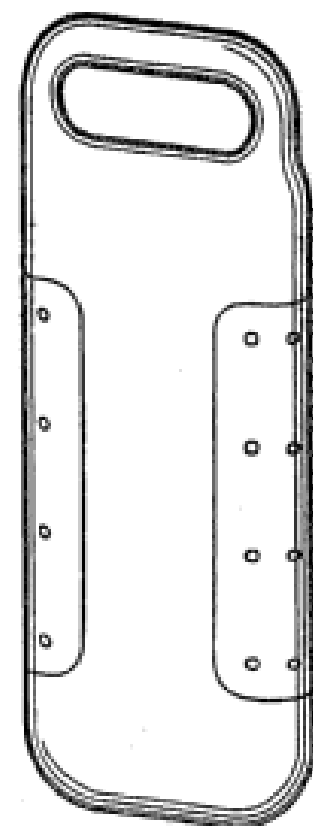
- (21) Design Number: **13616/2006**
- (22) Date of Filing Application: **15 August 2006**
- (24) Date from which industrial property rights may have effect: **15 August 2006**
- (54) Product in respect of which the design is registered: **Marker with cap**
- (51) International Design Classification: **19-06**
- (71) Name(s) and Address(s) of Applicant(s):  
**OMX, Inc.**  
**101 Convention Center Drive Suite 850 Las Vegas Nevada 89109**  
**United States of America**
- (72) Name(s) of Designer(s): **Scott Ternovits**
- (45) Registration Date: **05 November 2007**
- (30) Convention priority data:  

|                  |                    |                                 |
|------------------|--------------------|---------------------------------|
| (31) Number      | (32) Date          | (33) Country                    |
| <b>29/254076</b> | <b>15 Feb 2006</b> | <b>UNITED STATES OF AMERICA</b> |
- (56) Related Art Documents: **Not Applicable**
- (57) Statement of Newness and Distinctiveness: **Newness and distinctiveness is claimed in those features of shape and/or configuration of a marker with cap illustrated in continuous lines in the accompanying representations.**



- (21) Design Number: **13617/2006**
- (22) Date of Filing Application: **15 August 2006**
- (24) Date from which industrial property rights may have effect: **15 August 2006**
- (54) Product in respect of which the design is registered: **Eraser**
- (51) International Design Classification: **19-06**
- (71) Name(s) and Address(s) of Applicant(s):  
**OMX, Inc.**  
**101 Convention Center Drive Suite 850 Las Vegas Nevada 89109**  
**United States of America**
- (72) Name(s) of Designer(s): **Scott Ternovits**
- (45) Registration Date: **05 November 2007**
- (30) Convention priority data:  

|                  |                    |                                 |
|------------------|--------------------|---------------------------------|
| (31) Number      | (32) Date          | (33) Country                    |
| <b>29/254081</b> | <b>15 Feb 2006</b> | <b>UNITED STATES OF AMERICA</b> |
- (56) Related Art Documents: **Not Applicable**
- (57) Statement of Newness and Distinctiveness: **Newness and distinctiveness is claimed in the features of shape and/or configuration of an eraser as illustrated in the accompanying representations.**



- (21) Design Number: **13618/2006**
- (22) Date of Filing Application: **15 August 2006**
- (24) Date from which industrial property rights may have effect: **15 August 2006**
- (54) Product in respect of which the design is registered: **Pen**
- (51) International Design Classification: **19-06**
- (71) Name(s) and Address(s) of Applicant(s):  
**OMX, Inc.**  
**101 Convention Center Drive Suite 850 Las Vegas Nevada 89109**  
**United States of America**
- (72) Name(s) of Designer(s): **Scott Ternovits**
- (45) Registration Date: **05 November 2007**
- (30) Convention priority data:  

|                  |                    |                                 |
|------------------|--------------------|---------------------------------|
| (31) Number      | (32) Date          | (33) Country                    |
| <b>29/254080</b> | <b>15 Feb 2006</b> | <b>UNITED STATES OF AMERICA</b> |
- (56) Related Art Documents: **Not Applicable**
- (57) Statement of Newness and Distinctiveness: **Newness and distinctiveness is claimed in the features of shape and/or configuration of a pen as illustrated in the accompanying representations.**

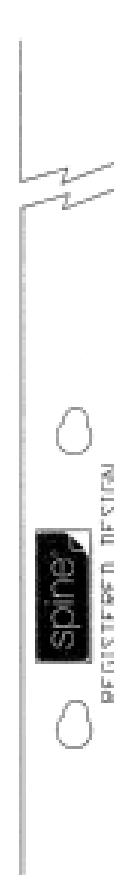


- (21) Design Number: **13619/2006**
- (22) Date of Filing Application: **15 August 2006**
- (24) Date from which industrial property rights may have effect: **15 August 2006**
- (54) Product in respect of which the design is registered: **Pen with cap**
- (51) International Design Classification: **19-06**
- (71) Name(s) and Address(s) of Applicant(s):  
**OMX, Inc.**  
**101 Convention Center Drive Suite 850 Las Vegas Nevada 89109**  
**United States of America**
- (72) Name(s) of Designer(s): **Scott Ternovits**
- (45) Registration Date: **05 November 2007**
- (30) Convention priority data:  

|                  |                    |                                 |
|------------------|--------------------|---------------------------------|
| (31) Number      | (32) Date          | (33) Country                    |
| <b>29/254078</b> | <b>15 Feb 2006</b> | <b>UNITED STATES OF AMERICA</b> |
- (56) Related Art Documents: **Not Applicable**
- (57) Statement of Newness and Distinctiveness: **Newness and distinctiveness is claimed in the features of shape and/or configuration of a pen with cap as illustrated in the accompanying representations.**



- (21) Design Number: **15901/2006**
- (22) Date of Filing Application: **22 December 2006**
- (24) Date from which industrial property rights may have effect: **22 December 2006**
- (54) Product in respect of which the design is registered: **Strip for bed support**
- (51) International Design Classification: **20-99**
- (71) Name(s) and Address(s) of Applicant(s):  
**David Fealy**  
**c/-Hardware by Design 20 Fleet Street Somerton Victoria 3062**  
**Australia**
- (72) Name(s) of Designer(s): **David Fealy**
- (45) Registration Date: **05 November 2007**
- (56) Related Art Documents: **Not Applicable**
- (57) Statement of Newness and Distinctiveness: **Newness and distinctiveness are claimed in the features of the shape and configuration of the continuous strip for bed support of indefinite length as shown in the representations, as illustrated in the accompanying representatives.**

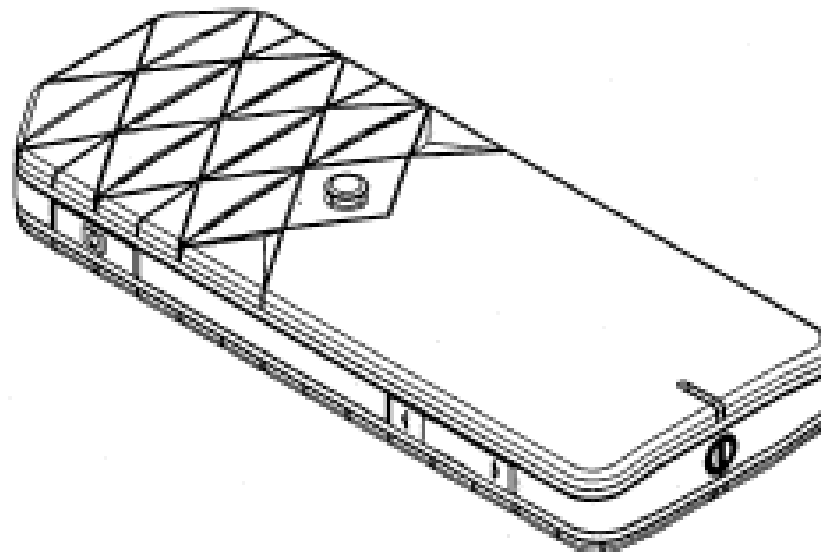




(21) Design Number: **18125/2007**  
 (22) Date of Filing Application: **28 May 2007**  
 (24) Date from which industrial property rights may have effect: **28 May 2007**  
 (54) Product in respect of which the design is registered: **Handset**  
 (51) International Design Classification: **14-03E**  
 (71) Name(s) and Address(s) of Applicant(s):  
**Nokia Corporation**  
**Keilalahdentie 4 FIN-02150 Espoo Finland**  
 (72) Name(s) of Designer(s): **Valerie Pegon and Silas Grant and Chee Wong and Totti Helin**  
 (45) Registration Date: **05 November 2007**  
 (30) Convention priority data:  

|                  |                    |                |
|------------------|--------------------|----------------|
| (31) Number      | (32) Date          | (33) Country   |
| <b>M20060222</b> | <b>28 Nov 2006</b> | <b>FINLAND</b> |

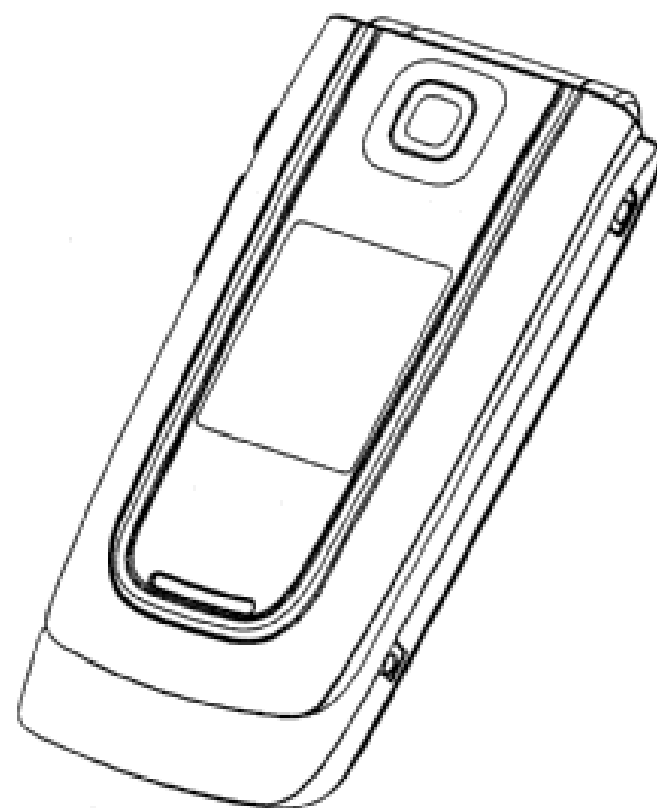
 (56) Related Art Documents: **Not Applicable**  
 (57) Statement of Newness and Distinctiveness: **Nil**



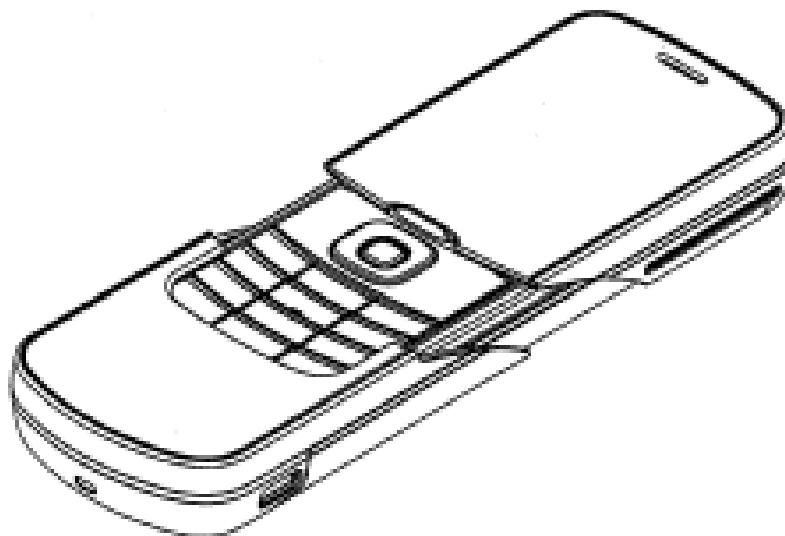
(21) Design Number: **18126/2007**  
 (22) Date of Filing Application: **28 May 2007**  
 (24) Date from which industrial property rights may have effect: **28 May 2007**  
 (54) Product in respect of which the design is registered: **Handset**  
 (51) International Design Classification: **14-03E**  
 (71) Name(s) and Address(s) of Applicant(s):  
**Nokia Corporation**  
**Keilalahdentie 4 FIN-02150 Espoo Finland**  
 (72) Name(s) of Designer(s): **Justin Lyles**  
 (45) Registration Date: **05 November 2007**  
 (30) Convention priority data:  

|                 |                    |                                 |
|-----------------|--------------------|---------------------------------|
| (31) Number     | (32) Date          | (33) Country                    |
| <b>29250714</b> | <b>28 Nov 2006</b> | <b>UNITED STATES OF AMERICA</b> |

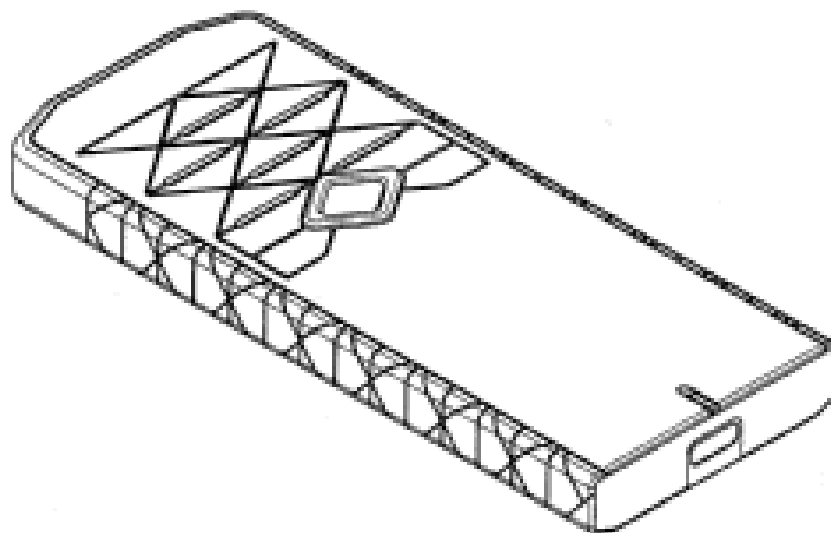
 (56) Related Art Documents: **Not Applicable**  
 (57) Statement of Newness and Distinctiveness: **Nil**



(21) Design Number: **18129/2007**  
(22) Date of Filing Application: **28 May 2007**  
(24) Date from which industrial property rights may have effect: **28 May 2007**  
(54) Product in respect of which the design is registered: **Handset**  
(51) International Design Classification: **14-03E**  
(71) Name(s) and Address(s) of Applicant(s):  
**Nokia Corporation**  
**Keilalahdentie 4 FIN-02150 Espoo Finland**  
(72) Name(s) of Designer(s): **Justin Lyles**  
(45) Registration Date: **05 November 2007**  
(30) Convention priority data:  
(31) Number      (32) Date      (33) Country  
**29250712      28 Nov 2006      UNITED STATES OF AMERICA**  
(56) Related Art Documents: **Not Applicable**  
(57) Statement of Newness and Distinctiveness: **Nil**

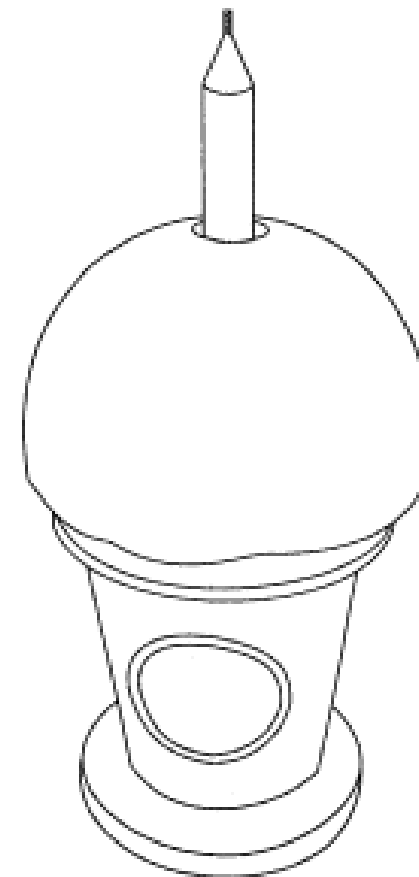


(21) Design Number: **18131/2007**  
(22) Date of Filing Application: **28 May 2007**  
(24) Date from which industrial property rights may have effect: **28 May 2007**  
(54) Product in respect of which the design is registered: **Handset**  
(51) International Design Classification: **14-03E**  
(71) Name(s) and Address(s) of Applicant(s):  
**Nokia Corporation**  
**Keilalahdentie 4 FIN-02150 Espoo Finland**  
(72) Name(s) of Designer(s): **Valerie Pegon and Silas Grant and Totti Helin and Chee Wong**  
(45) Registration Date: **05 November 2007**  
(30) Convention priority data:  
(31) Number      (32) Date      (33) Country  
**M20060223      28 Nov 2006      FINLAND**  
(56) Related Art Documents: **Not Applicable**  
(57) Statement of Newness and Distinctiveness: **Nil**



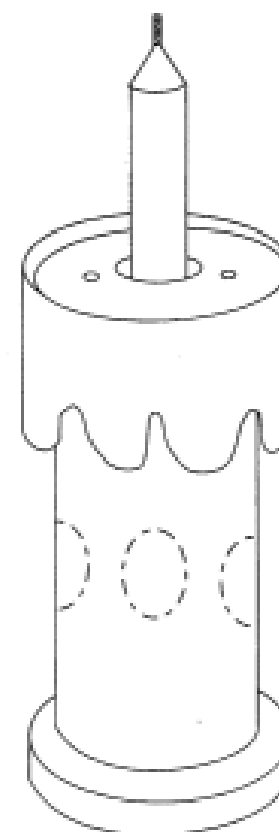
- (21) Design Number: **19241/2007**
- (22) Date of Filing Application: **09 August 2007**
- (24) Date from which industrial property rights may have effect: **09 August 2007**
- (54) Product in respect of which the design is registered: **An ice-cream candle ornament as a birthday gift or a birthday cake decoration**
- (51) International Design Classification: **26-04**
- (71) Name(s) and Address(s) of Applicant(s):  
**Jimmy Gue**  
**PO Box 30536 Seattle Washington 98113 United States of America**
- (72) Name(s) of Designer(s): **Jimmy Gue**
- (45) Registration Date: **05 November 2007**
- (30) Convention priority data:  

|                   |                    |                                 |
|-------------------|--------------------|---------------------------------|
| (31) Number       | (32) Date          | (33) Country                    |
| <b>29/271,930</b> | <b>31 Jan 2007</b> | <b>UNITED STATES OF AMERICA</b> |
- (56) Related Art Documents: **Not Applicable**
- (57) Statement of Newness and Distinctiveness: **A candle covered by a plastic ice-cream cup with a ceramic ice-cream-ball-like on the top.**

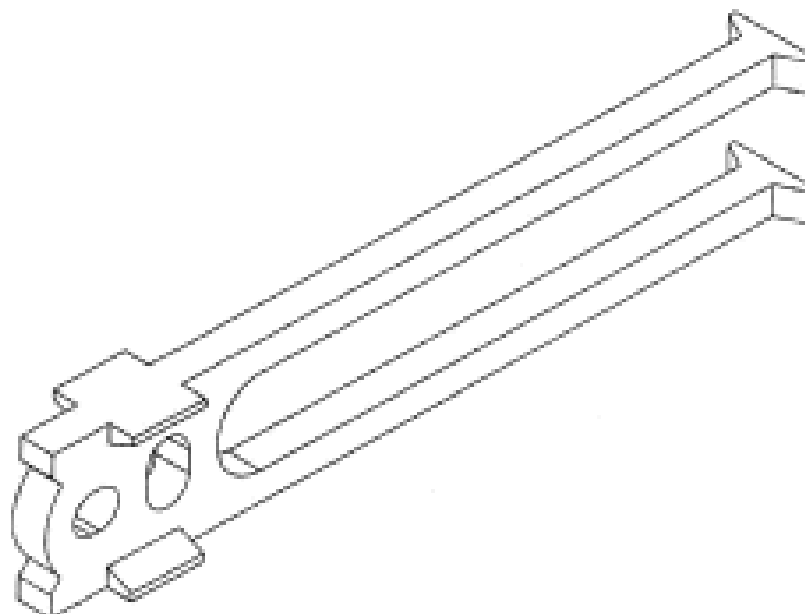


- (21) Design Number: **19242/2007**
- (22) Date of Filing Application: **09 August 2007**
- (24) Date from which industrial property rights may have effect: **09 August 2007**
- (54) Product in respect of which the design is registered: **An candle ornament as a birthday gift or a birthday cake decoration**
- (51) International Design Classification: **26-04**
- (71) Name(s) and Address(s) of Applicant(s):  
**Jimmy Gue**  
**PO Box 30536 Seattle Washington 98113 United States of America**
- (72) Name(s) of Designer(s): **Jimmy Gue**
- (45) Registration Date: **05 November 2007**
- (30) Convention priority data:  

|                   |                    |                                 |
|-------------------|--------------------|---------------------------------|
| (31) Number       | (32) Date          | (33) Country                    |
| <b>29/273,051</b> | <b>26 Feb 2007</b> | <b>UNITED STATES OF AMERICA</b> |
- (56) Related Art Documents: **Not Applicable**
- (57) Statement of Newness and Distinctiveness: **A candle covered by a pillar shell with drawing painted on the surface with a ceramic cap on the top.**



(21) Design Number: **18500/2007**  
(22) Date of Filing Application: **19 June 2007**  
(24) Date from which industrial property rights may have effect: **19 June 2007**  
(54) Product in respect of which the design is registered: **An anchor**  
(51) International Design Classification: **25-01B**  
(71) Name(s) and Address(s) of Applicant(s):  
**ITW New Zealand Limited**  
**7 Charann Place Avondale Auckland New Zealand**  
(72) Name(s) of Designer(s): **Roydon John Gilmore**  
(45) Registration Date: **05 November 2007**  
(30) Convention priority data:  
(31) Number **408511** (32) Date **22 Dec 2006** (33) Country **NEW ZEALAND**  
(56) Related Art Documents: **Not Applicable**  
(57) Statement of Newness and Distinctiveness: **Nil**



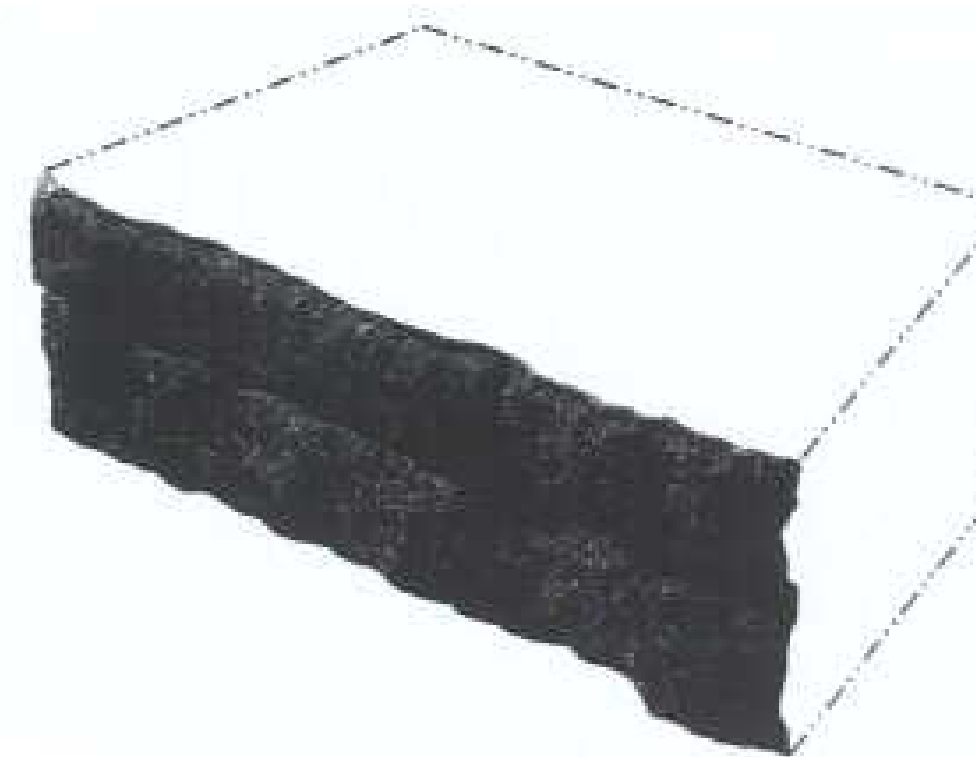
(21) Design Number: **15069/2006**  
(22) Date of Filing Application: **03 November 2006**  
(24) Date from which industrial property rights may have effect: **03 November 2006**  
(54) Product in respect of which the design is registered: **Latch for gates and doors**  
(51) International Design Classification: **08-07**  
(71) Name(s) and Address(s) of Applicant(s):  
**D & D Group Pty Ltd**  
**Unit 6 4-6 Aquatic Drive Frenchs Forest New South Wales 2086**  
**Australia**  
(72) Name(s) of Designer(s): **Scott Cosby and Neil Dunne**  
(45) Registration Date: **02 November 2007**  
(56) Related Art Documents: **Not Applicable**  
(57) Statement of Newness and Distinctiveness: **Nil**



- (21) Design Number: **18157/2007**  
(22) Date of Filing Application: **30 May 2007**  
(24) Date from which industrial property rights may have effect: **30 May 2007**  
(54) Product in respect of which the design is registered: **Retaining wall block**  
(51) International Design Classification: **25-01A**  
(71) Name(s) and Address(s) of Applicant(s):  
**Anchor Wall Systems Inc.**  
(72) Name(s) of Designer(s): **Jimmie Lloyd Mugge**  
(45) Registration Date: **02 November 2007**  
(30) Convention priority data:  
(31) Number (32) Date (33) Country  
**29/270,117 14 Dec 2006 UNITED STATES OF AMERICA**  
(56) Related Art Documents: **Not Applicable**  
(57) Statement of Newness and Distinctiveness: **The shape and configuration of the retaining wall block shown in the representations is new and distinctive. When considering the newness and distinctiveness of the design, features shown in broken lines are to be disregarded.**



- (21) Design Number: **18158/2007**  
(22) Date of Filing Application: **30 May 2007**  
(24) Date from which industrial property rights may have effect: **30 May 2007**  
(54) Product in respect of which the design is registered: **Retaining wall block**  
(51) International Design Classification: **25-01A**  
(71) Name(s) and Address(s) of Applicant(s):  
**Anchor Wall Systems Inc.**  
(72) Name(s) of Designer(s): **Jimmie Lloyd Mugge**  
(45) Registration Date: **02 November 2007**  
(30) Convention priority data:  
(31) Number (32) Date (33) Country  
**29/270,117 14 Dec 2006 UNITED STATES OF AMERICA**  
(56) Related Art Documents: **Not Applicable**  
(57) Statement of Newness and Distinctiveness: **The shape and configuration of the retaining wall block shown in the representations is new and distinctive. When considering the newness and distinctiveness of the design, features shown in broken lines are to be disregarded.**



(21) Design Number: **18159/2007**

(22) Date of Filing Application: **30 May 2007**

(24) Date from which industrial property rights may have effect: **30 May 2007**

(54) Product in respect of which the design is registered: **Retaining wall block**

(51) International Design Classification: **25-01A**

(71) Name(s) and Address(s) of Applicant(s):

**Anchor Wall Systems Inc.**

(72) Name(s) of Designer(s): **Jimmie Lloyd Mugge**

(45) Registration Date: **02 November 2007**

(30) Convention priority data:

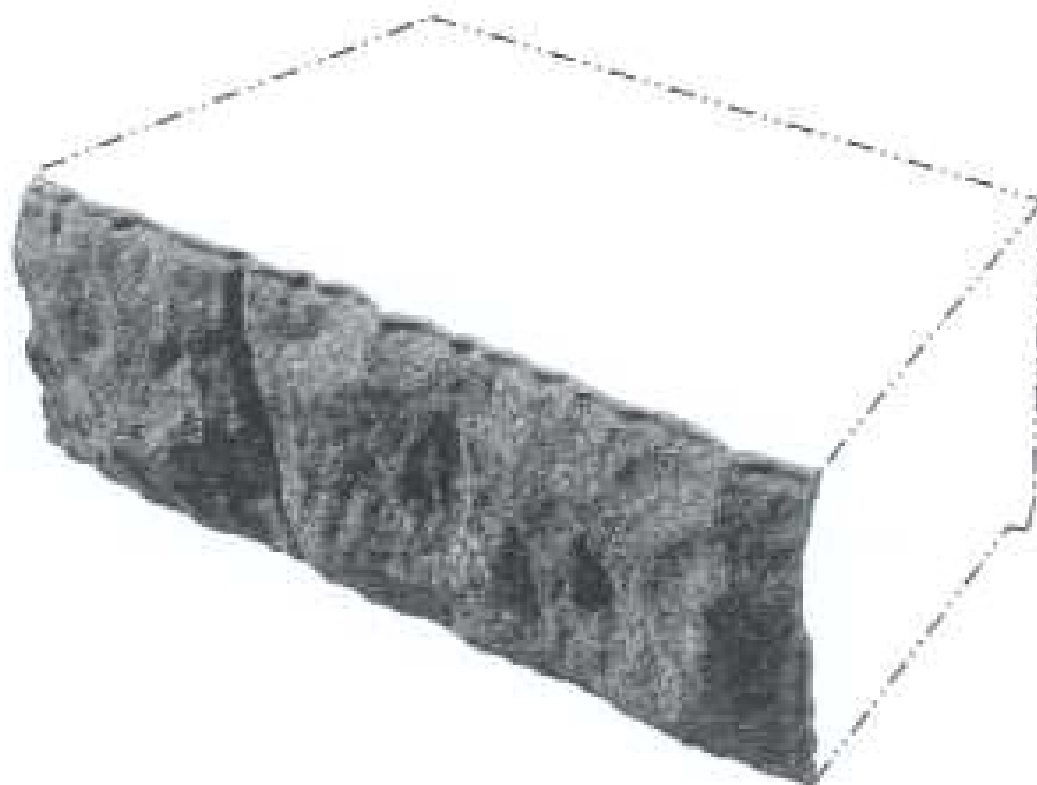
(31) Number  
**29/270,117**

(32) Date  
**14 Dec 2006**

(33) Country  
**UNITED STATES OF AMERICA**

(56) Related Art Documents: **Not Applicable**

(57) Statement of Newness and Distinctiveness: **The shape and configuration of the retaining wall block shown in the representations is new and distinctive. When considering the newness and distinctiveness of the design, features shown in broken lines are to be disregarded.**



(21) Design Number: **18161/2007**

(22) Date of Filing Application: **30 May 2007**

(24) Date from which industrial property rights may have effect: **30 May 2007**

(54) Product in respect of which the design is registered: **Retaining wall block**

(51) International Design Classification: **25-01A**

(71) Name(s) and Address(s) of Applicant(s):

**Anchor Wall Systems Inc.**

(72) Name(s) of Designer(s): **Jimmie Lloyd Mugge**

(45) Registration Date: **02 November 2007**

(30) Convention priority data:

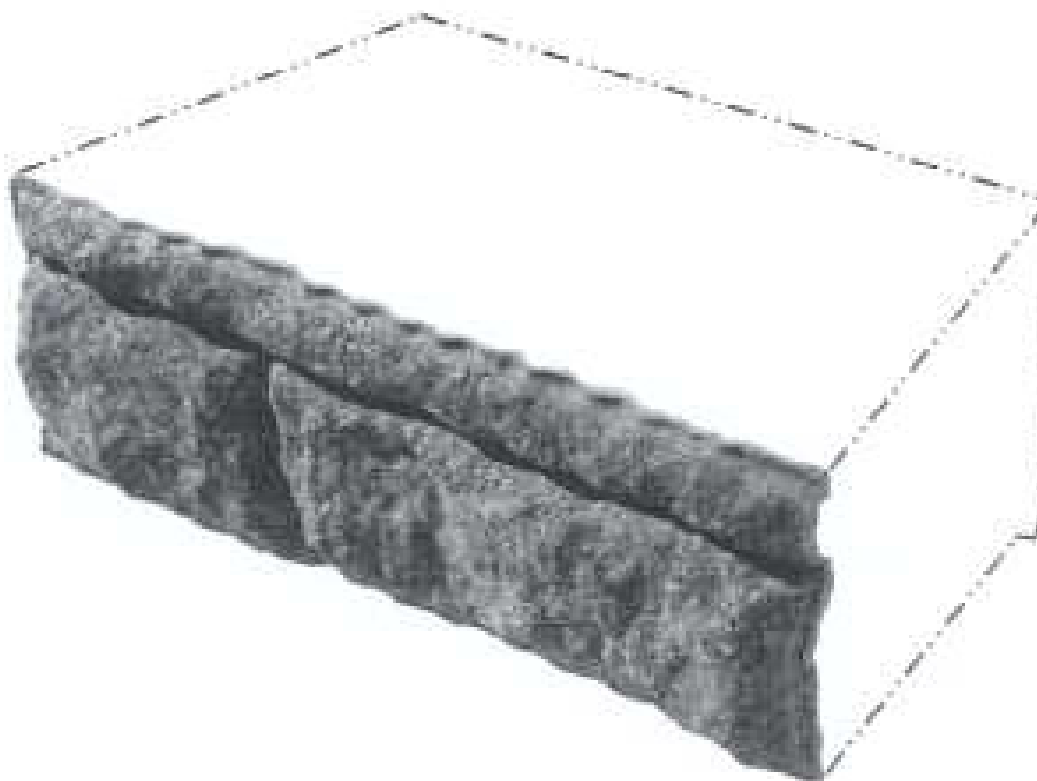
(31) Number  
**29/270,117**

(32) Date  
**14 Dec 2006**

(33) Country  
**UNITED STATES OF AMERICA**

(56) Related Art Documents: **Not Applicable**

(57) Statement of Newness and Distinctiveness: **The shape and configuration of the retaining wall block shown in the representations is new and distinctive. When considering the newness and distinctiveness of the design, features shown in broken lines are to be disregarded.**



(21) Design Number: **19064/2007**

(22) Date of Filing Application: **25 July 2007**

(24) Date from which industrial property rights may have effect: **25 July 2007**

(54) Product in respect of which the design is registered: **Pattern on container**

(51) International Design Classification: **09-03NES**

(71) Name(s) and Address(s) of Applicant(s):

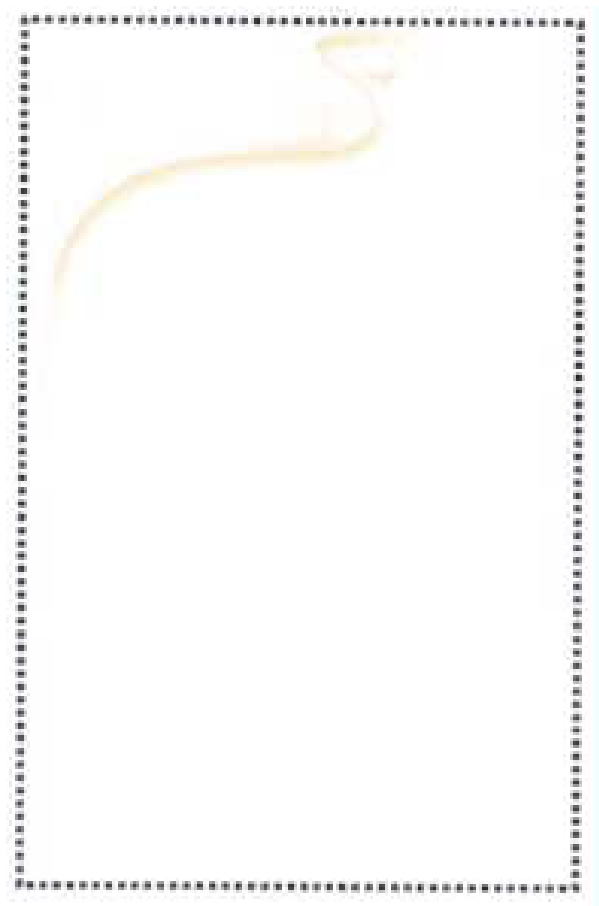
**Societe des Produits Nestle S.A.  
1800 Vevey Switzerland**

(72) Name(s) of Designer(s): **Matt Walker**

(45) Registration Date: **02 November 2007**

(56) Related Art Documents: **Not Applicable**

(57) Statement of Newness and Distinctiveness: **The visual features of the container depicted in the representations that are new and distinctive are the pattern and/or ornamentation. The features shown in broken lines are not part of the design and should be disregarded when considering the overall impression of the design.**



(21) Design Number: **19323/2007**

(22) Date of Filing Application: **15 August 2007**

(24) Date from which industrial property rights may have effect: **15 August 2007**

(54) Product in respect of which the design is registered: **Toy**

(51) International Design Classification: **21-01C**

(71) Name(s) and Address(s) of Applicant(s):

**Glen Donald Grant  
19 Daintree Close Kulvin Maroochydore Sunshine Coast 4558  
Queensland Australia**

(72) Name(s) of Designer(s): **Glen Donald Grant**

(45) Registration Date: **02 November 2007**

(56) Related Art Documents: **Not Applicable**

(57) Statement of Newness and Distinctiveness: **This design is a 3D outline of Australia, with wheels, and having inherent vehicular disposition and accesories including the island of Tasmania as an attached trailer. It is painted in the colours and layout of the Australian flag with additives or without.**



(21) Design Number: **20365/2007**

(22) Date of Filing Application: **22 October 2007**

(24) Date from which industrial property rights may have effect: **22 October 2007**

(54) Product in respect of which the design is registered: **Pump impeller**

(51) International Design Classification: **15-02**

(71) Name(s) and Address(s) of Applicant(s):

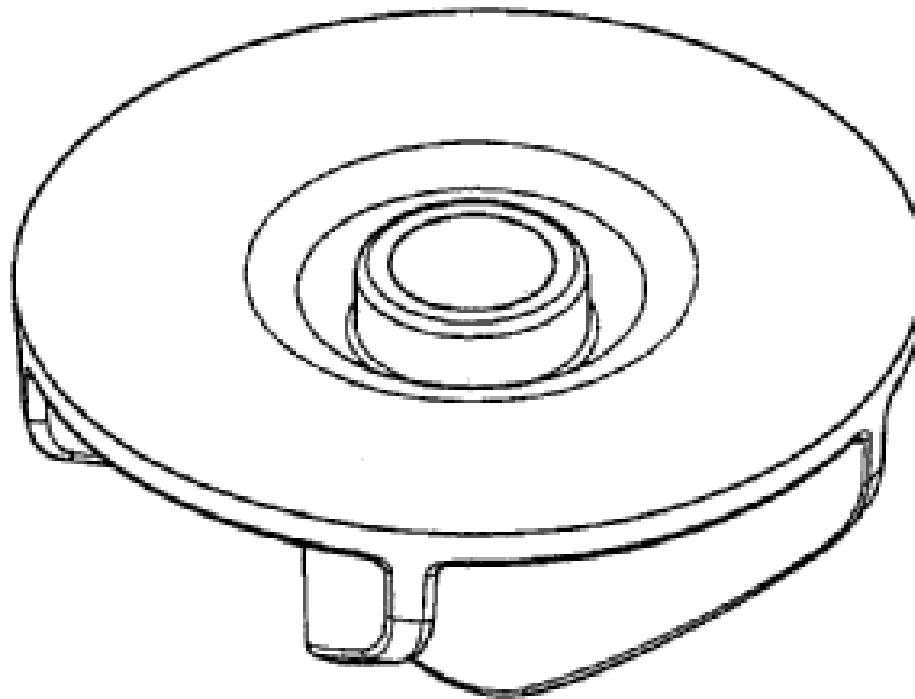
**Flextool (Aust) Pty Ltd**  
**400 Victoria Street Brunswick Victoria 3056 Australia**

(72) Name(s) of Designer(s): **Colin Metcalfe**

(45) Registration Date: **02 November 2007**

(56) Related Art Documents: **Not Applicable**

(57) Statement of Newness and Distinctiveness: **Newness and distinctiveness reside in the features of the design as shown in the representations.**



(21) Design Number: **20407/2007**

(22) Date of Filing Application: **24 October 2007**

(24) Date from which industrial property rights may have effect: **24 October 2007**

(54) Product in respect of which the design is registered: **Powder actuated tool**

(51) International Design Classification: **08-99**

(71) Name(s) and Address(s) of Applicant(s):

**Powers Fasteners Australasia Pty Ltd**  
**Factory 3 205 Abbots Road Dandenong South Victoria 3175 Australia**

(72) Name(s) of Designer(s): **Wal Seybold**

(45) Registration Date: **02 November 2007**

(56) Related Art Documents: **Not Applicable**

(57) Statement of Newness and Distinctiveness: **Newness and distinctiveness is claimed in each feature of the tool body, excluding the tool barrel, considered separately or in combination with any other feature or feature.**





(21) Design Number: **20495/2007**

(22) Date of Filing Application: **29 October 2007**

(24) Date from which industrial property rights may have effect: **29 October 2007**

(54) Product in respect of which the design is registered: **A chair**

(51) International Design Classification: **06-01F**

(71) Name(s) and Address(s) of Applicant(s):

**Nique Enterprises Pty Ltd**

**2-4 Ainslie Close Somersby New South Wales 2250 Australia**

(72) Name(s) of Designer(s): **Tom Bihari and Jacqueline McMahon**

(45) Registration Date: **02 November 2007**

(56) Related Art Documents: **Not Applicable**

(57) Statement of Newness and Distinctiveness: **Newness and distinctiveness is claimed in the features of shape and/or configuration of the following parts of a chair as illustrated in the accompanying representations.**



(21) Design Number: **20496/2007**

(22) Date of Filing Application: **29 October 2007**

(24) Date from which industrial property rights may have effect: **29 October 2007**

(54) Product in respect of which the design is registered: **Rocking chair**

(51) International Design Classification: **06-01K**

(71) Name(s) and Address(s) of Applicant(s):

**Nique Enterprises Pty Ltd**

**2-4 Ainslie Close Somersby New South Wales 2250 Australia**

(72) Name(s) of Designer(s): **Tom Bihari and Jacqueline McMahon**

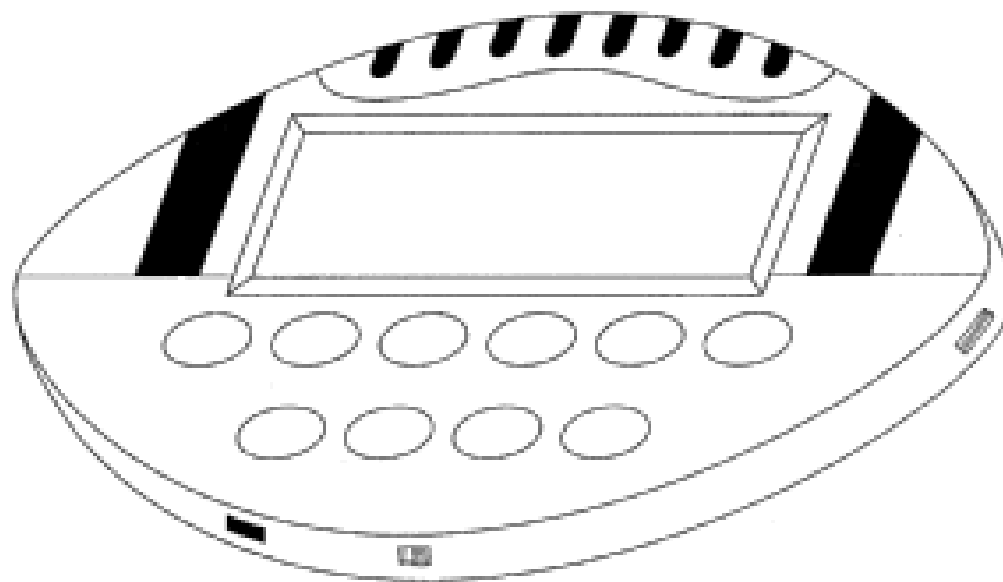
(45) Registration Date: **02 November 2007**

(56) Related Art Documents: **Not Applicable**

(57) Statement of Newness and Distinctiveness: **Newness and distinctiveness is claimed in the features of shape and/or configuration of the following parts of a chair as illustrated in the accompanying representations.**



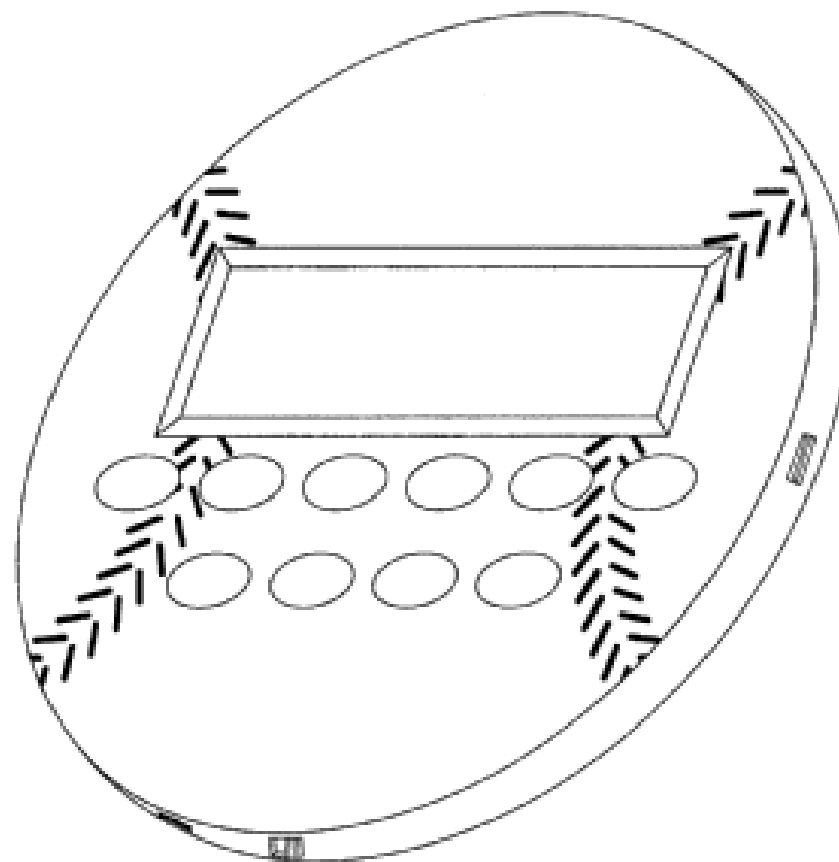
- (21) Design Number: **15816/2007**
- (22) Date of Filing Application: **04 January 2007**
- (24) Date from which industrial property rights may have effect: **04 January 2007**
- (54) Product in respect of which the design is registered: **Hand-held sports statistics counter**
- (51) International Design Classification: **14-02**
- (71) Name(s) and Address(s) of Applicant(s):  
**Sportzstats Pty Ltd**  
**Suite B 85 High Street South Kew Victoria 3101 Australia**
- (72) Name(s) of Designer(s): **Peter Stanley Daicos**
- (45) Registration Date: **05 November 2007**
- (56) Related Art Documents: **Not Applicable**
- (57) Statement of Newness and Distinctiveness: **Newness and distinctiveness are claimed in the features of shape and/or configuration and pattern and ornamentation of a hand-held sports statistics counter as shown in the accompanying representation. In considering the scope of the monopoly, the shape and number of buttons may be varied and the size and shape of the display window may be varied.**



- (21) Design Number: **15817/2007**
- (22) Date of Filing Application: **04 January 2007**
- (24) Date from which industrial property rights may have effect: **04 January 2007**
- (54) Product in respect of which the design is registered: **Hand-held sports statistics counter**
- (51) International Design Classification: **14-02**
- (71) Name(s) and Address(s) of Applicant(s):  
**Sportzstats Pty Ltd**  
**Suite B 85 High Street South Kew Victoria 3101 Australia**
- (72) Name(s) of Designer(s): **Peter Stanley Daicos**
- (45) Registration Date: **05 November 2007**
- (56) Related Art Documents: **Not Applicable**
- (57) Statement of Newness and Distinctiveness: **Newness and distinctiveness are claimed in the features of shape and/or configuration and pattern and ornamentation of a hand-held sports statistics counter as shown in the accompanying representation. In considering the scope of the monopoly, the shape and number of buttons may be varied and the size and shape of the display window may be varied.**



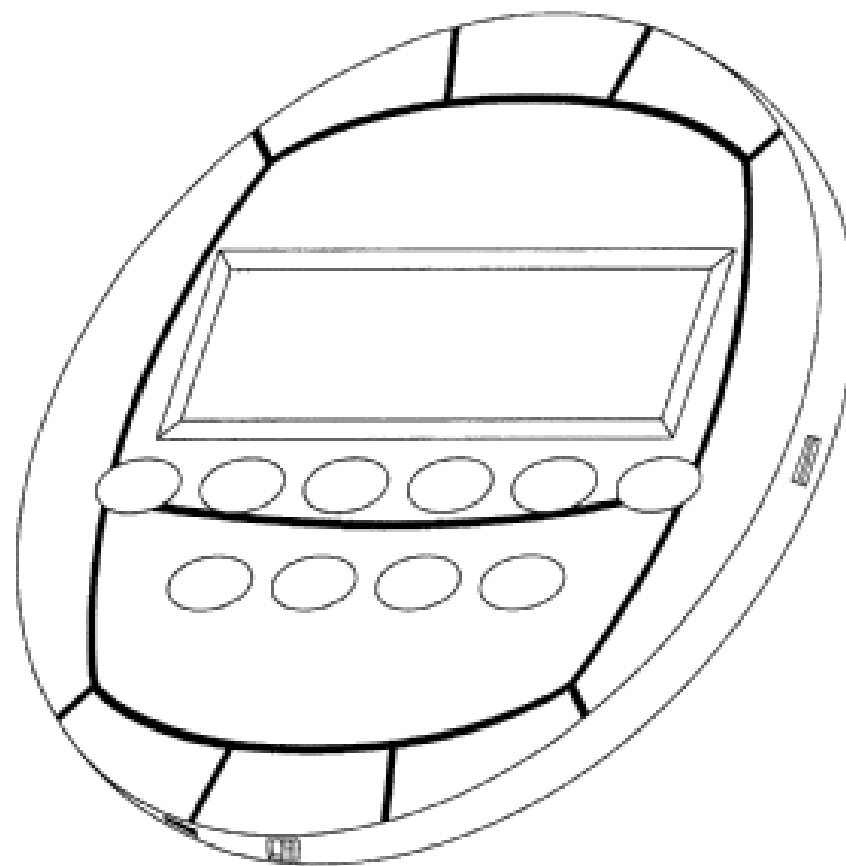
- (21) Design Number: **15818/2007**
- (22) Date of Filing Application: **04 January 2007**
- (24) Date from which industrial property rights may have effect: **04 January 2007**
- (54) Product in respect of which the design is registered: **Hand-held sports statistics counter**
- (51) International Design Classification: **14-02**
- (71) Name(s) and Address(s) of Applicant(s):  
**Sportzstats Pty Ltd**  
**Suite B 85 High Street South Kew Victoria 3101 Australia**
- (72) Name(s) of Designer(s): **Peter Stanley Daicos**
- (45) Registration Date: **05 November 2007**
- (56) Related Art Documents: **Not Applicable**
- (57) Statement of Newness and Distinctiveness: **Newness and distinctiveness are claimed in the features of shape and/or configuration and pattern and ornamentation of a hand-held sports statistics counter as shown in the accompanying representation. In considering the scope of the monopoly, the shape and number of buttons may be varied and the size and shape of the display window may be varied.**



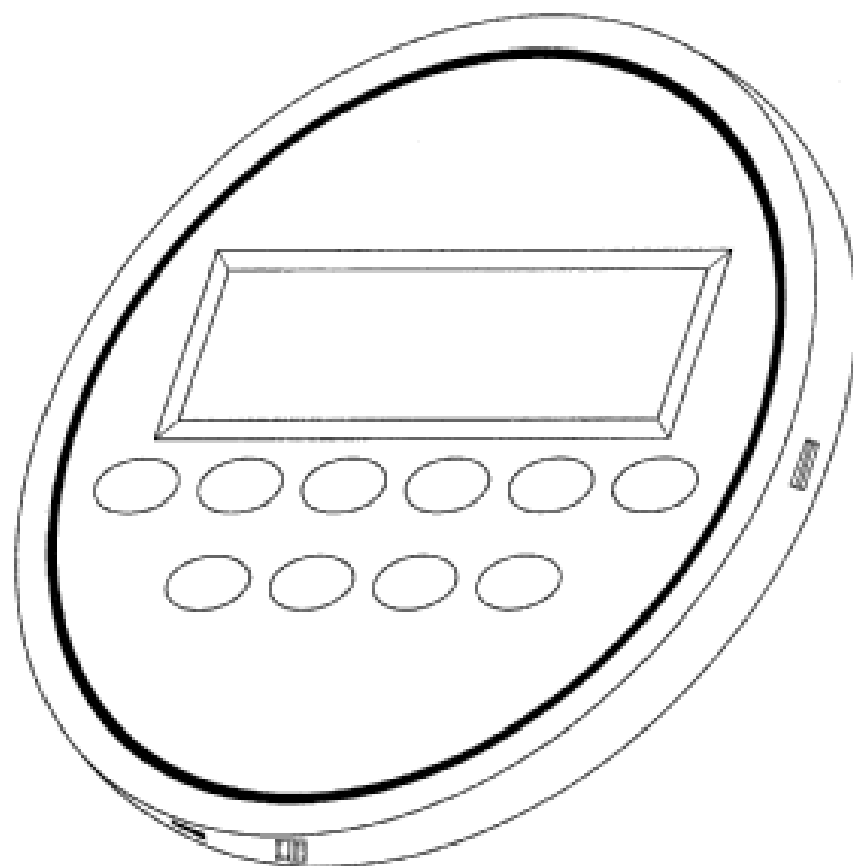
- (21) Design Number: **15819/2007**
- (22) Date of Filing Application: **04 January 2007**
- (24) Date from which industrial property rights may have effect: **04 January 2007**
- (54) Product in respect of which the design is registered: **Hand-held sports statistics counter**
- (51) International Design Classification: **14-02**
- (71) Name(s) and Address(s) of Applicant(s):  
**Sportzstats Pty Ltd**  
**Suite B 85 High Street South Kew Victoria 3101 Australia**
- (72) Name(s) of Designer(s): **Peter Stanley Daicos**
- (45) Registration Date: **05 November 2007**
- (56) Related Art Documents: **Not Applicable**
- (57) Statement of Newness and Distinctiveness: **Newness and distinctiveness are claimed in the features of shape and/or configuration and pattern and ornamentation of a hand-held sports statistics counter as shown in the accompanying representation. In considering the scope of the monopoly, the shape and number of buttons may be varied and the size and shape of the display window may be varied.**



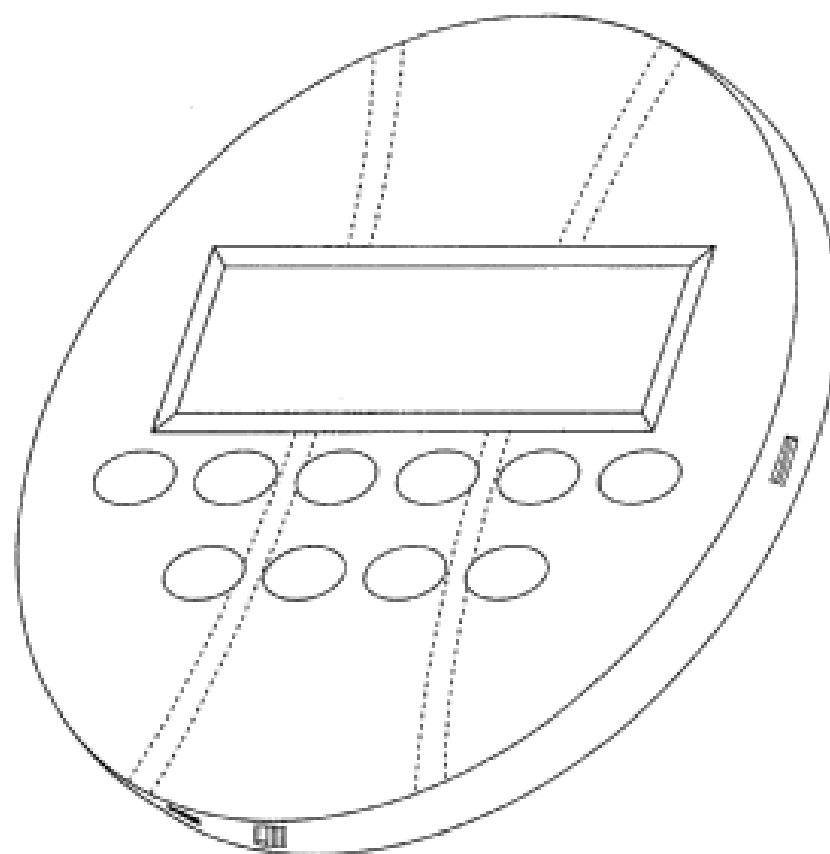
- (21) Design Number: **15820/2007**
- (22) Date of Filing Application: **04 January 2007**
- (24) Date from which industrial property rights may have effect: **04 January 2007**
- (54) Product in respect of which the design is registered: **Hand-held sports statistics counter**
- (51) International Design Classification: **14-02**
- (71) Name(s) and Address(s) of Applicant(s):  
**Sportzstats Pty Ltd**  
**Suite B 85 High Street South Kew Victoria 3101 Australia**
- (72) Name(s) of Designer(s): **Peter Stanley Daicos**
- (45) Registration Date: **05 November 2007**
- (56) Related Art Documents: **Not Applicable**
- (57) Statement of Newness and Distinctiveness: **Newness and distinctiveness are claimed in the features of shape and/or configuration and pattern and ornamentation of a hand-held sports statistics counter as shown in the accompanying representation. In considering the scope of the monopoly, the shape and number of buttons may be varied and the size and shape of the display window may be varied.**



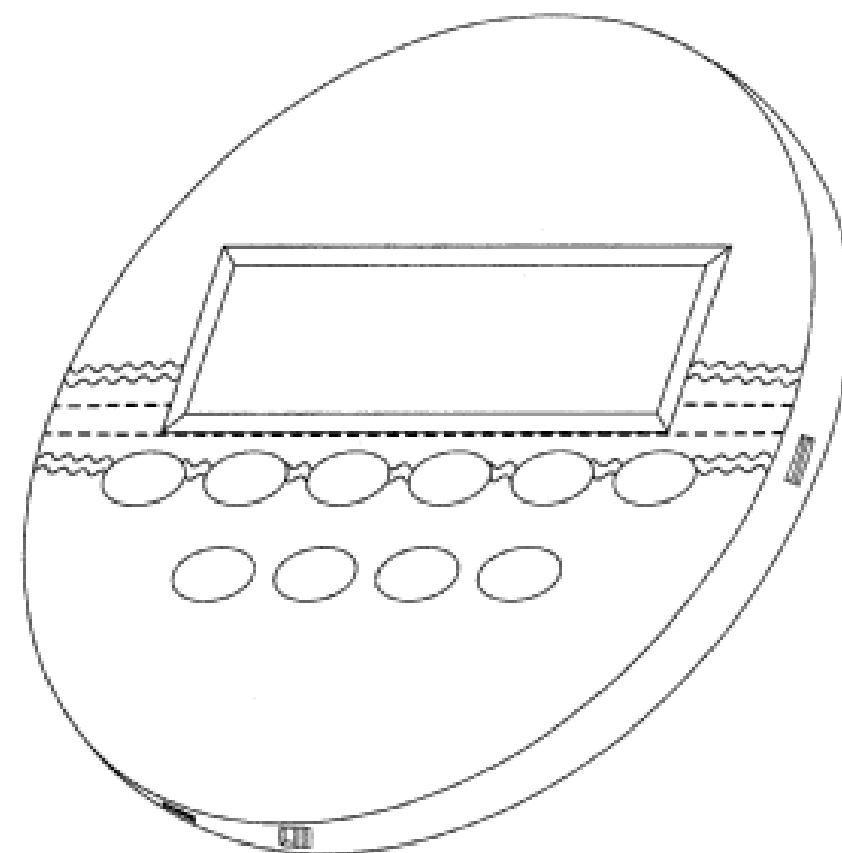
- (21) Design Number: **15821/2007**
- (22) Date of Filing Application: **04 January 2007**
- (24) Date from which industrial property rights may have effect: **04 January 2007**
- (54) Product in respect of which the design is registered: **Hand-held sports statistics counter**
- (51) International Design Classification: **14-02**
- (71) Name(s) and Address(s) of Applicant(s):  
**Sportzstats Pty Ltd**  
**Suite B 85 High Street South Kew Victoria 3101 Australia**
- (72) Name(s) of Designer(s): **Peter Stanley Daicos**
- (45) Registration Date: **05 November 2007**
- (56) Related Art Documents: **Not Applicable**
- (57) Statement of Newness and Distinctiveness: **Newness and distinctiveness are claimed in the features of shape and/or configuration and pattern and ornamentation of a hand-held sports statistics counter as shown in the accompanying representation. In considering the scope of the monopoly, the shape and number of buttons may be varied and the size and shape of the display window may be varied.**



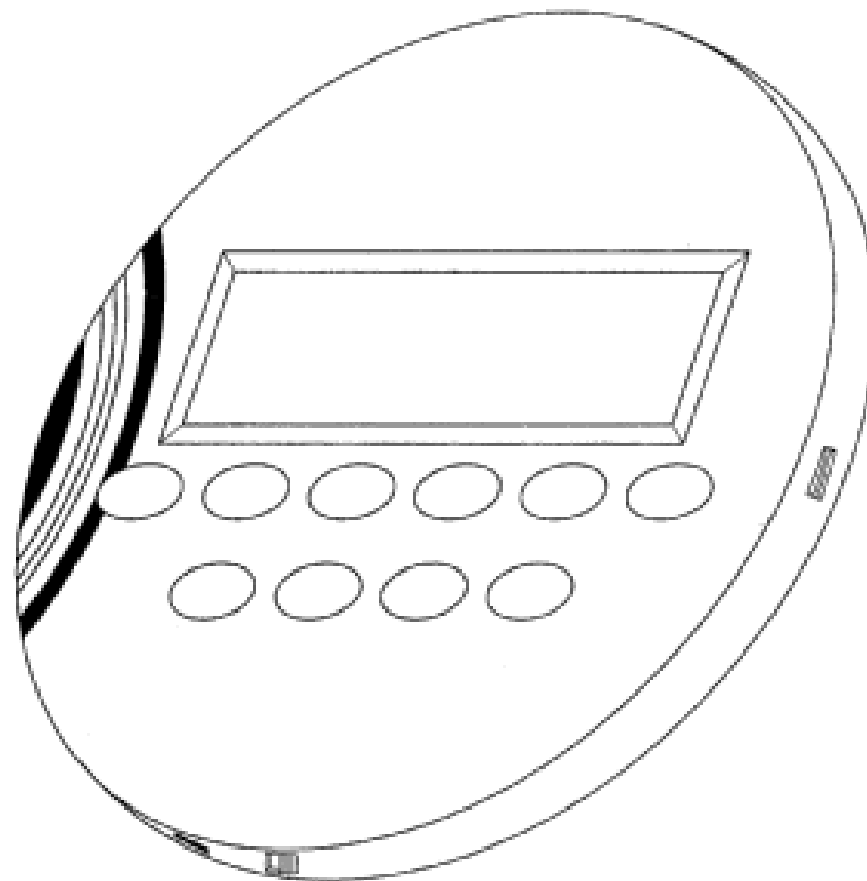
- (21) Design Number: **15822/2007**  
(22) Date of Filing Application: **04 January 2007**  
(24) Date from which industrial property rights may have effect: **04 January 2007**  
(54) Product in respect of which the design is registered: **Hand-held sports statistics counter**  
(51) International Design Classification: **14-02**  
(71) Name(s) and Address(s) of Applicant(s):  
**Sportzstats Pty Ltd**  
**Suite B 85 High Street South Kew Victoria 3101 Australia**  
(72) Name(s) of Designer(s): **Peter Stanley Daicos**  
(45) Registration Date: **05 November 2007**  
(56) Related Art Documents: **Not Applicable**  
(57) Statement of Newness and Distinctiveness: **Newness and distinctiveness are claimed in the features of shape and/or configuration and pattern and ornamentation of a hand-held sports statistics counter as shown in the accompanying representation. In considering the scope of the monopoly, the shape and number of buttons may be varied and the size and shape of the display window may be varied.**



- (21) Design Number: **15823/2007**  
(22) Date of Filing Application: **04 January 2007**  
(24) Date from which industrial property rights may have effect: **04 January 2007**  
(54) Product in respect of which the design is registered: **Hand-held sports statistics counter**  
(51) International Design Classification: **14-02**  
(71) Name(s) and Address(s) of Applicant(s):  
**Sportzstats Pty Ltd**  
**Suite B 85 High Street South Kew Victoria 3101 Australia**  
(72) Name(s) of Designer(s): **Peter Stanley Daicos**  
(45) Registration Date: **05 November 2007**  
(56) Related Art Documents: **Not Applicable**  
(57) Statement of Newness and Distinctiveness: **Newness and distinctiveness are claimed in the features of shape and/or configuration and pattern and ornamentation of a hand-held sports statistics counter as shown in the accompanying representation. In considering the scope of the monopoly, the shape and number of buttons may be varied and the size and shape of the display window may be varied.**



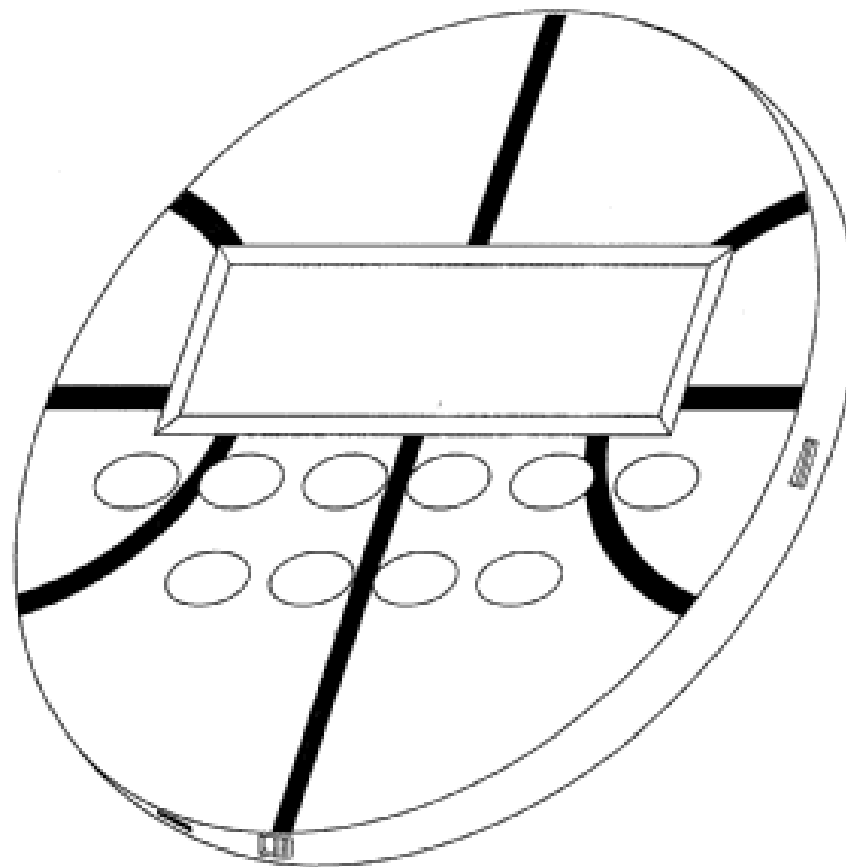
- (21) Design Number: **15824/2007**  
(22) Date of Filing Application: **04 January 2007**  
(24) Date from which industrial property rights may have effect: **04 January 2007**  
(54) Product in respect of which the design is registered: **Hand-held sports statistics counter**  
(51) International Design Classification: **14-02**  
(71) Name(s) and Address(s) of Applicant(s):  
**Sportzstats Pty Ltd**  
**Suite B 85 High Street South Kew Victoria 3101 Australia**  
(72) Name(s) of Designer(s): **Peter Stanley Daicos**  
(45) Registration Date: **05 November 2007**  
(56) Related Art Documents: **Not Applicable**  
(57) Statement of Newness and Distinctiveness: **Newness and distinctiveness are claimed in the features of shape and/or configuration and pattern and ornamentation of a hand-held sports statistics counter as shown in the accompanying representation. In considering the scope of the monopoly, the shape and number of buttons may be varied and the size and shape of the display window may be varied.**



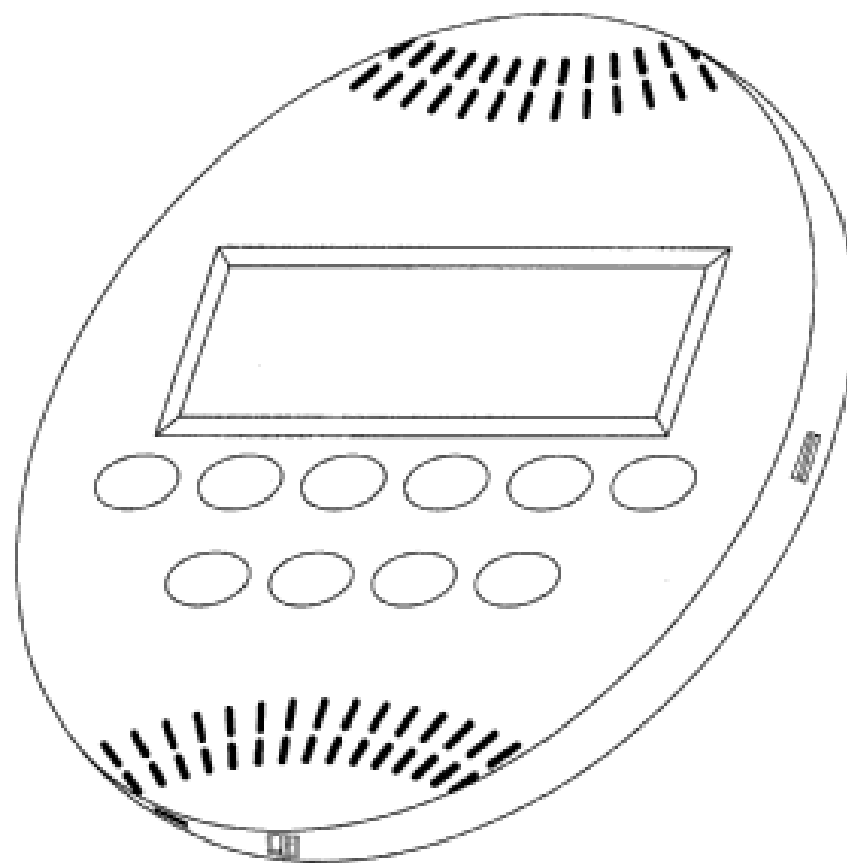
- (21) Design Number: **15825/2007**  
(22) Date of Filing Application: **04 January 2007**  
(24) Date from which industrial property rights may have effect: **04 January 2007**  
(54) Product in respect of which the design is registered: **Hand-held sports statistics counter**  
(51) International Design Classification: **14-02**  
(71) Name(s) and Address(s) of Applicant(s):  
**Sportzstats Pty Ltd**  
**Suite B 85 High Street South Kew Victoria 3101 Australia**  
(72) Name(s) of Designer(s): **Peter Stanley Daicos**  
(45) Registration Date: **05 November 2007**  
(56) Related Art Documents: **Not Applicable**  
(57) Statement of Newness and Distinctiveness: **Newness and distinctiveness are claimed in the features of shape and/or configuration and pattern and ornamentation of a hand-held sports statistics counter as shown in the accompanying representation. In considering the scope of the monopoly, the shape and number of buttons may be varied and the size and shape of the display window may be varied.**



- (21) Design Number: **15826/2007**  
(22) Date of Filing Application: **04 January 2007**  
(24) Date from which industrial property rights may have effect: **04 January 2007**  
(54) Product in respect of which the design is registered: **Hand-held sports statistics counter**  
(51) International Design Classification: **14-02**  
(71) Name(s) and Address(s) of Applicant(s):  
**Sportzstats Pty Ltd**  
**Suite B 85 High Street South Kew Victoria 3101 Australia**  
(72) Name(s) of Designer(s): **Peter Stanley Daicos**  
(45) Registration Date: **05 November 2007**  
(56) Related Art Documents: **Not Applicable**  
(57) Statement of Newness and Distinctiveness: **Newness and distinctiveness are claimed in the features of shape and/or configuration and pattern and ornamentation of a hand-held sports statistics counter as shown in the accompanying representation. In considering the scope of the monopoly, the shape and number of buttons may be varied and the size and shape of the display window may be varied.**



- (21) Design Number: **15827/2007**  
(22) Date of Filing Application: **04 January 2007**  
(24) Date from which industrial property rights may have effect: **04 January 2007**  
(54) Product in respect of which the design is registered: **Hand-held sports statistics counter**  
(51) International Design Classification: **14-02**  
(71) Name(s) and Address(s) of Applicant(s):  
**Sportzstats Pty Ltd**  
**Suite B 85 High Street South Kew Victoria 3101 Australia**  
(72) Name(s) of Designer(s): **Peter Stanley Daicos**  
(45) Registration Date: **05 November 2007**  
(56) Related Art Documents: **Not Applicable**  
(57) Statement of Newness and Distinctiveness: **Newness and distinctiveness are claimed in the features of shape and/or configuration and pattern and ornamentation of a hand-held sports statistics counter as shown in the accompanying representation. In considering the scope of the monopoly, the shape and number of buttons may be varied and the size and shape of the display window may be varied.**



(21) Design Number: **15828/2007**

(22) Date of Filing Application: **04 January 2007**

(24) Date from which industrial property rights may have effect: **04 January 2007**

(54) Product in respect of which the design is registered: **Hand-held sports statistics counter**

(51) International Design Classification: **14-02**

(71) Name(s) and Address(s) of Applicant(s):

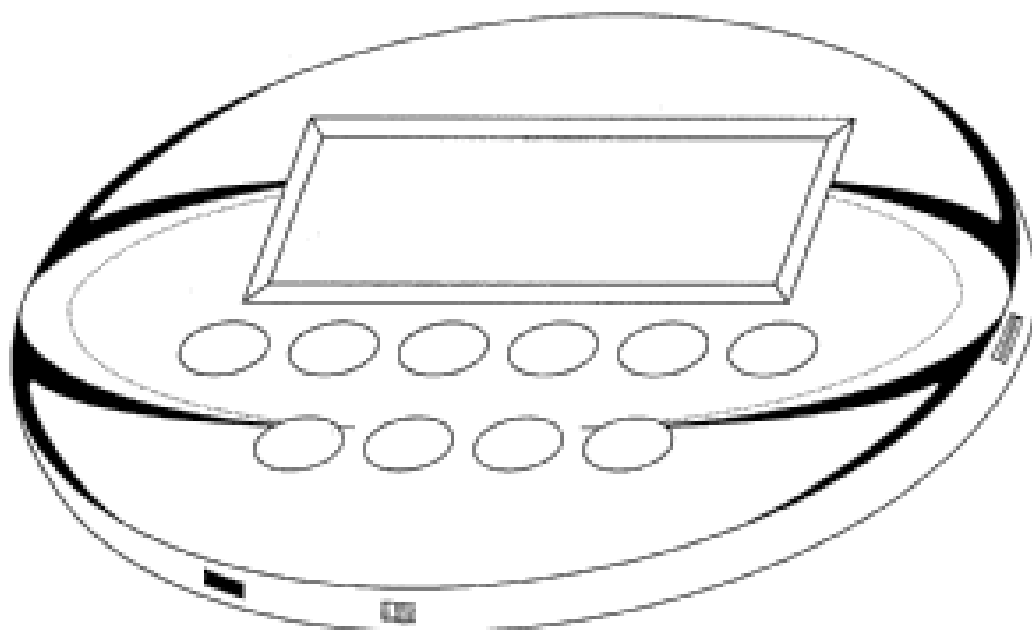
**Sportzstats Pty Ltd  
Suite B 85 High Street South Kew Victoria 3101 Australia**

(72) Name(s) of Designer(s): **Peter Stanley Daicos**

(45) Registration Date: **05 November 2007**

(56) Related Art Documents: **Not Applicable**

(57) Statement of Newness and Distinctiveness: **Newness and distinctiveness are claimed in the features of shape and/or configuration and pattern and ornamentation of a hand-held sports statistics counter as shown in the accompanying representation. In considering the scope of the monopoly, the shape and number of buttons may be varied and the size and shape of the display window may be varied.**



(21) Design Number: **15829/2007**

(22) Date of Filing Application: **04 January 2007**

(24) Date from which industrial property rights may have effect: **04 January 2007**

(54) Product in respect of which the design is registered: **Hand-held sports statistics counter**

(51) International Design Classification: **14-02**

(71) Name(s) and Address(s) of Applicant(s):

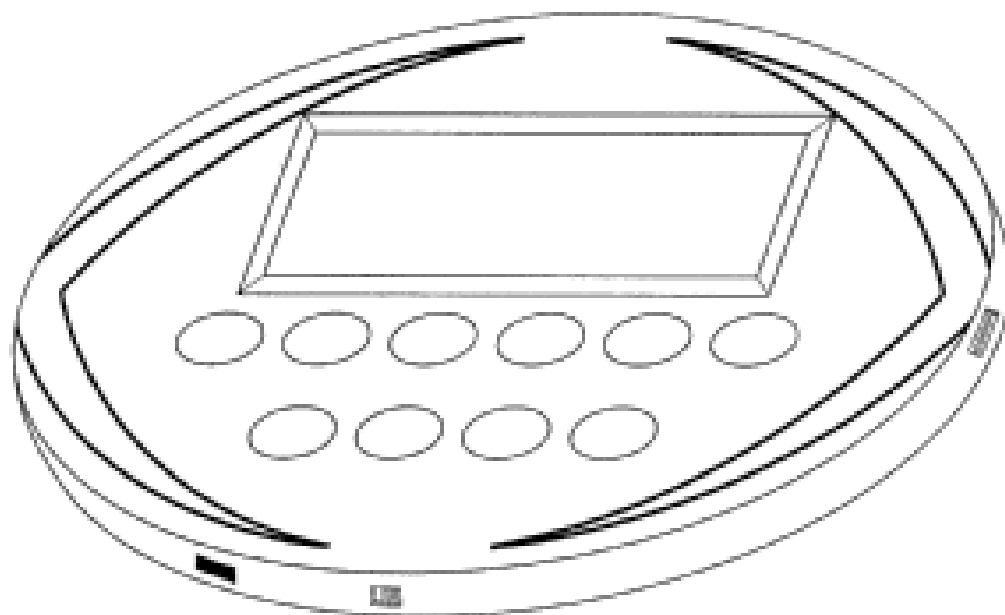
**Sportzstats Pty Ltd  
Suite B 85 High Street South Kew Victoria 3101 Australia**

(72) Name(s) of Designer(s): **Peter Stanley Daicos**

(45) Registration Date: **05 November 2007**

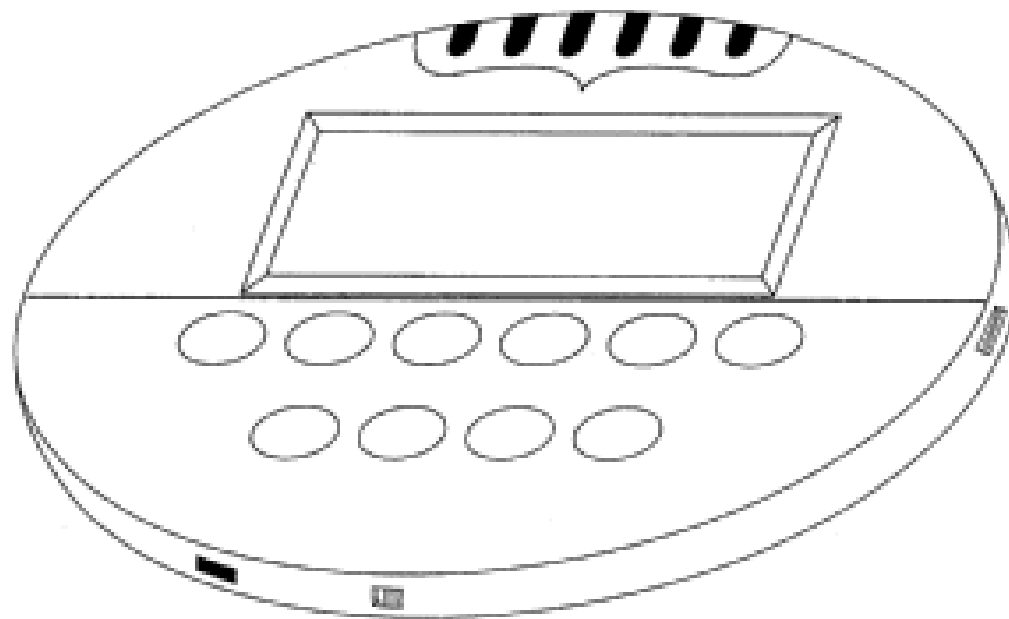
(56) Related Art Documents: **Not Applicable**

(57) Statement of Newness and Distinctiveness: **Newness and distinctiveness are claimed in the features of shape and/or configuration and pattern and ornamentation of a hand-held sports statistics counter as shown in the accompanying representation. In considering the scope of the monopoly, the shape and number of buttons may be varied and the size and shape of the display window may be varied.**

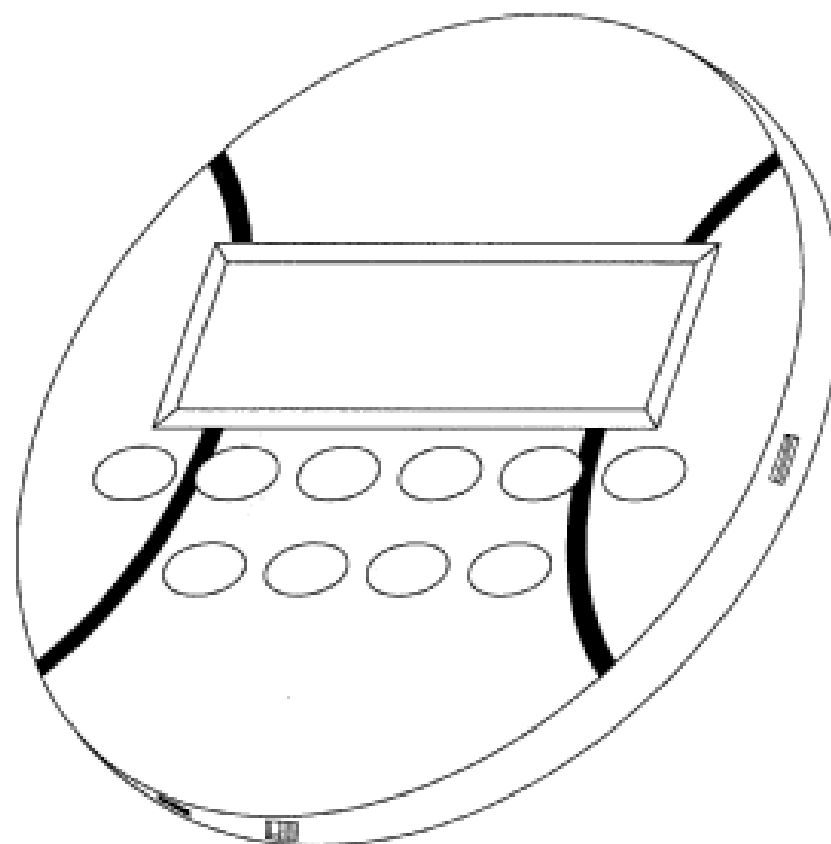




- (21) Design Number: **15830/2007**
- (22) Date of Filing Application: **04 January 2007**
- (24) Date from which industrial property rights may have effect: **04 January 2007**
- (54) Product in respect of which the design is registered: **Hand-held sports statistics counter**
- (51) International Design Classification: **14-02**
- (71) Name(s) and Address(s) of Applicant(s):  
**Sportzstats Pty Ltd**  
**Suite B 85 High Street South Kew Victoria 3101 Australia**
- (72) Name(s) of Designer(s): **Peter Stanley Daicos**
- (45) Registration Date: **05 November 2007**
- (56) Related Art Documents: **Not Applicable**
- (57) Statement of Newness and Distinctiveness: **Newness and distinctiveness are claimed in the features of shape and/or configuration and pattern and ornamentation of a hand-held sports statistics counter as shown in the accompanying representation. In considering the scope of the monopoly, the shape and number of buttons may be varied and the size and shape of the display window may be varied.**



- (21) Design Number: **15831/2007**
- (22) Date of Filing Application: **04 January 2007**
- (24) Date from which industrial property rights may have effect: **04 January 2007**
- (54) Product in respect of which the design is registered: **Hand-held sports statistics counter**
- (51) International Design Classification: **14-02**
- (71) Name(s) and Address(s) of Applicant(s):  
**Sportzstats Pty Ltd**  
**Suite B 85 High Street South Kew Victoria 3101 Australia**
- (72) Name(s) of Designer(s): **Peter Stanley Daicos**
- (45) Registration Date: **05 November 2007**
- (56) Related Art Documents: **Not Applicable**
- (57) Statement of Newness and Distinctiveness: **Newness and distinctiveness are claimed in the features of shape and/or configuration and pattern and ornamentation of a hand-held sports statistics counter as shown in the accompanying representation. In considering the scope of the monopoly, the shape and number of buttons may be varied and the size and shape of the display window may be varied.**



(21) Design Number: **17327/2007**

(22) Date of Filing Application: **04 April 2007**

(24) Date from which industrial property rights may have effect: **04 April 2007**

(54) Product in respect of which the design is registered: **Portable generator**

(51) International Design Classification: **13-01**

(71) Name(s) and Address(s) of Applicant(s):

**Yunfeng Ma**

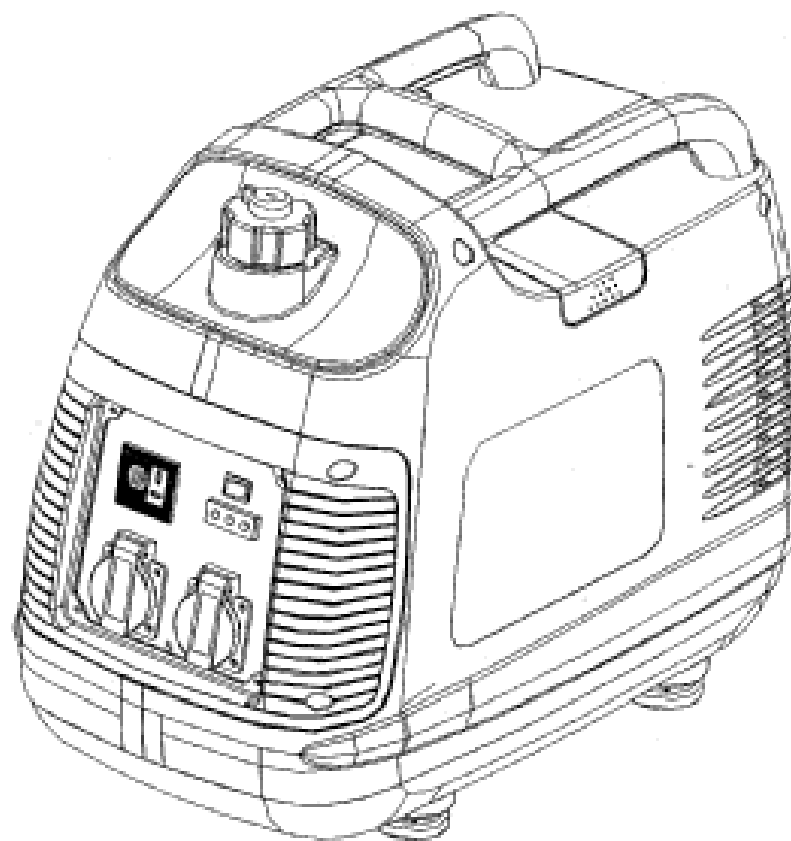
**Suzhou Shuangma Jidian Co. Ltd Jishui Rd Jinqiao Development  
Zone Mudu Town Wuzhong Dist Suzhou Jiangsu Province China**

(72) Name(s) of Designer(s): **Yunfeng Ma**

(45) Registration Date: **05 November 2007**

(56) Related Art Documents: **Not Applicable**

(57) Statement of Newness and Distinctiveness: **The newness and distinctiveness of the design resides in the shape and/or configuration of a portable generator shown in the representations.**



(21) Design Number: **18487/2007**

(22) Date of Filing Application: **19 June 2007**

(24) Date from which industrial property rights may have effect: **19 June 2007**

(54) Product in respect of which the design is registered: **Outlet cover for a vacuum cleaning system**

(51) International Design Classification: **15-05**

(71) Name(s) and Address(s) of Applicant(s):

**Stephen Jarvis**

**3 Isabel Court Arrowtown 9302 New Zealand**

(72) Name(s) of Designer(s): **Stephen Jarvis**

(45) Registration Date: **05 November 2007**

(30) Convention priority data:

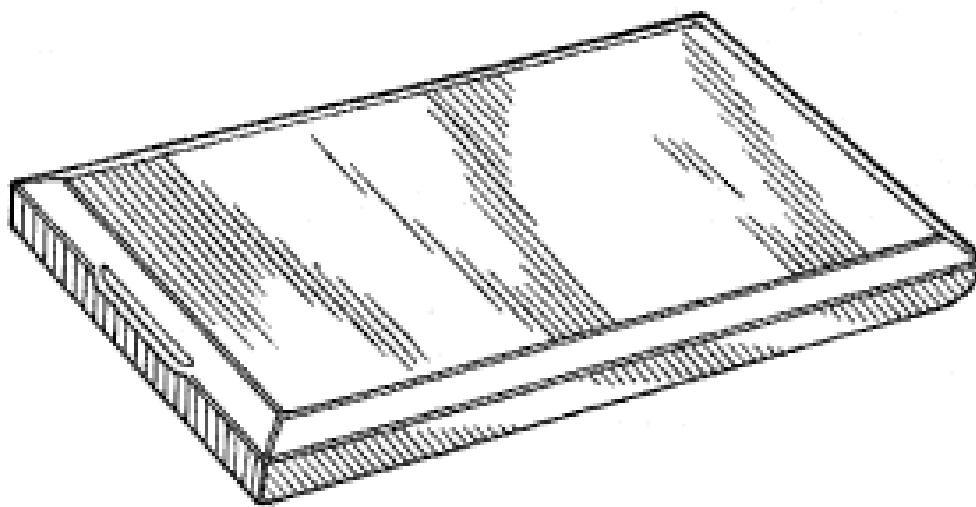
(31) Number  
**408475**

(32) Date  
**19 Dec 2006**

(33) Country  
**NEW ZEALAND**

(56) Related Art Documents: **Not Applicable**

(57) Statement of Newness and Distinctiveness: **Nil**



(21) Design Number: **19430/2007**

(22) Date of Filing Application: **20 August 2007**

(24) Date from which industrial property rights may have effect: **20 August 2007**

(54) Product in respect of which the design is registered: **Ceiling lighting fixture**

(51) International Design Classification: **26-05A**

(71) Name(s) and Address(s) of Applicant(s):

**Ruud Lighting, Inc.**  
**9201 Washington Avenue Racine Wisconsin 53406 United States of America**

(72) Name(s) of Designer(s): **Kurt S. Wilcox and Steven R. Wilczak and Brian L. Kinnune**

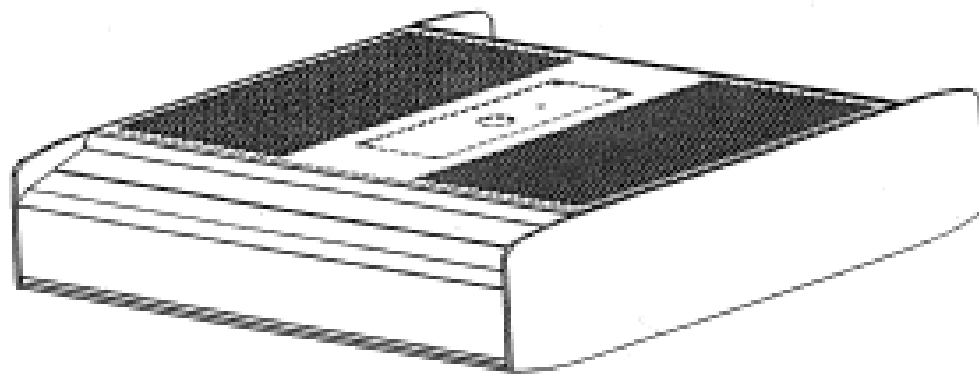
(45) Registration Date: **05 November 2007**

(30) Convention priority data:

|                  |                    |                                 |
|------------------|--------------------|---------------------------------|
| (31) Number      | (32) Date          | (33) Country                    |
| <b>29/272922</b> | <b>21 Feb 2007</b> | <b>UNITED STATES OF AMERICA</b> |

(56) Related Art Documents: **Not Applicable**

(57) Statement of Newness and Distinctiveness: **Newness and distinctiveness is claimed in the features of shape and/or configuration of a ceiling lighting fixture as illustrated in solid lines in the accompanying representations.**



(21) Design Number: **19433/2007**

(22) Date of Filing Application: **20 August 2007**

(24) Date from which industrial property rights may have effect: **20 August 2007**

(54) Product in respect of which the design is registered: **A tap body**

(51) International Design Classification: **23-01H**

(71) Name(s) and Address(s) of Applicant(s):

**Newfrey LLC**  
**1207 Drummond Plaza Newark Delaware 19711 United States of America**

(72) Name(s) of Designer(s): **Bryan Soriano**

(45) Registration Date: **05 November 2007**

(30) Convention priority data:

|                   |                    |                                 |
|-------------------|--------------------|---------------------------------|
| (31) Number       | (32) Date          | (33) Country                    |
| <b>29/273,138</b> | <b>26 Feb 2007</b> | <b>UNITED STATES OF AMERICA</b> |

(56) Related Art Documents: **Not Applicable**

(57) Statement of Newness and Distinctiveness: **Newness and distinctiveness is claimed in the visual features shown in solid lines in the representations.**

