



Australian Government

IP Australia

AUSTRALIAN OFFICIAL JOURNAL

OF

DESIGNS

Did you know a searchable version of this journal is now available online?

It's FREE and EASY to SEARCH.

Find it at

<http://pericles.ipaustralia.gov.au/ols/epublish/content/olsEpublications.jsp>
or using the "Online Journals" link on the IP Australia home page.

This Page Left Intentionally Blank

Contents

General Information & Notices

Proceedings Under the Designs Act 1906 preserved as a result of the provisions of Chapter 12 Part 2 of the Designs Act 2003

Applications for Extension of Time	10738
Extension of Period of Registration of Designs	10738
Extensions of Time Granted	10738
Names Registered - Alterations and Amendments	10739
Registrations Ceased	10738
Subsequent Owners Registered	10738

Proceedings Under the Designs Act 2003

Applications Lapsed	10751
Applications Lodged	10743
Certificate of Examination	10754
Corrigenda	10753
Extension of Period of Registration of Design	10752
Extension of Time Granted Under Section 137	10752
Names Registered - Alterations and Amendments	10752
Publication and Registration Proceedings	
Designs Registered 316778 to 316983.....	10755
Registrations Ceased	10752
Subsequent Owners Registered	10752

This Page Left Intentionally Blank

For information on the following please see our website www.ipaustralia.gov.au or contact our Customer Service Network on 1300651010

[Editorial enquiries](#)

[Contact information](#)

[Freedom of Information ACT](#)

[Professional Standards Board](#)

[Sales](#)

[Requests for Information under Section 194 \(c\)](#)

[Country Codes](#)

[Trade Mark and Designs Hearing Sessions](#)

[INID \(Internationally agreed Numbers for the Identification of Data\)](#)

“INID” NUMBERS in use on Australian Design Documents

“INID” is an acronym for “Internationally agreed Numbers for the Identification of Data”.

(10) Data concerning the registration/renewal

- (11) Serial number of the registration and/or number of the design document
- (12) Plain language designation of the kind of published document
- (19) Identification, using the two-letter code according to WIPO Standard ST.3, of the authority publishing or registering the industrial design

(20) Data concerning the application

- (21) Serial number of the application
- (22) Date of filing of the application
- (24) Date from which the industrial design right has effect

(30) Data relating to priority under the Paris Convention

- (31) Serial number assigned to the priority application
- (32) Date of filing of the priority application
- (33) Two-letter code, according to WIPO Standard ST.3, identifying the authority with which the priority application was made

(40) Date(s) of making information available to the public

- (45) Date of publication of the registered industrial design by printing or similar process, or making it available to the public by any other means

(50) Miscellaneous Information

- (51) International Classification for Industrial Designs (class and subclass of the Locarno Classification)
- (54) Designation of article(s) or product(s) covered by the industrial design or title of the industrial design
- (55) Reproduction of the industrial design (e.g., drawing, photograph) and explanations relating to the reproduction
- (56) List of prior art documents, if separate from descriptive text
- (57) Description of characteristic features of the industrial design including indication of colours

(60) References to other legally related application(s) and registration(s)

- (62) Serial number(s) and, if available, filing date(s) of application(s), registration(s) or document(s) related by division
- (66) Serial number(s) of the application, or the registration, of the design(s) which is (are) a variant(s) of the present one

(70) Identification of parties concerned with the application or registration

- (71) Name(s) and address(es) of the applicant(s)
- (72) Name(s) of the creator(s) if known to be such
- (74) Name(s) and address(es) of the representative(s)

This Page Left Intentionally Blank

Official Notice**Designs Act 2003
Amendments to Registered Designs at Examination**

The following amendments have been made to details previously published in the Australian Official Journal of Designs during the Examination process:

Registration Numbers	Amendment type	New details
302022	Classification	02-02A, 02-02B
302023	Classification	02-02A, 02-02B
311683	Classification	08-08M, 08-08Z, 14-99
312380	Classification	08-08L, 08-08Z
312948	Classification	25-01E
312993	Classification	13-03D
313081	Classification	15-02

Contact: IP Australia
Phone: 1300 651 010
Fax: +61 2 6283 7999
E-Mail: assist@ipaaustralia.gov.au
Web: www.ipaustralia.gov.au

This Page Left Intentionally Blank

Proceedings under the Designs Act 1906 preserved as a result of the provisions of Chapter 12 Part 2 of the Designs Act 2003.

This Page Left Intentionally Blank

Applications Lapsed

There were no Applications Lapsed under this section

Extension of Period of Registration of Designs

2nd Period (Section 27A(12))

144241	146370	146427
146545	146631	146830
147193	147315	147328
147403	147404	147429
147490	147491	147743
148031	148132	148546
148598	148678	148679
149228	149272	149775
150072	150217	150315
150360	151398	151852
151995	152084	152706
152819	152880	153166
153321	154438	

3rd Period (Section 27A(13))

130499	130679	130710
130729	130818	130856
130857	130886	130887
130954	131055	131114
131249	132025	133530
134008	134378	135512
135938		

Registrations Ceased

Note: Some of the following Registrations may have been previously advertised as ceased. In this instance, the previous advertisement still prevails.

114333	114334	114335
114390	114392	114395
114405	114415	114419
114421	114440	114441
114442	114517	114518
114524	114525	114526
114531	114538	114586
114587	114589	114590
114591	114592	114610
114611	114760	114761
114780	114781	114783
114951	115522	115524
115578	115579	115973
116032	116968	117204
117241	117242	117244
117245	117496	117497
117604	117908	118121
118251	118549	118689
121556	123469	127695
128506	128507	128543
128604	128629	128728
128729	128730	128758
128823	128874	128877
128988	129510	130106

131977	132607	134803
144078	144079	144080
144218	144236	144399
145590	145591	145594
145598	145599	145628
145629	145688	145689
145735	145739	145740
145907	145984	145985
145986	145987	146079
146080	146081	146082
146143	146347	146616
147213	147330	147331
147394	147438	147439
147593	148012	149358
149417	149418	149419
149969	153844	

Applications for Extension of time

Applications for extension of time have been lodged. Objections must be lodged within 1 month from the date of this journal.

143471 **Comprador Pacific Pty Ltd** Extension of time to extend a registration. Address for Service: Comprador Pacific Pty Ltd PO Box 75 BANYO QLD 4014

144634 **Caroma Industries Limited** Extension of time to extend a registration. Address for Service: SPRUSON & FERGUSON GPO Box 3898 SYDNEY NSW 2001

Extensions of time granted

Applications lodged for extension of time have been granted.

147328 **Richard John Burgess** An Extension of time to extend a registration has been granted to 18/10/2007

Subsequent Owners Registered

(The name in parentheses is that of the subsequent owner)

128907	(Steel-Line Garage Doors Australia Pty Ltd) STL Management Pty Ltd
153959	(Steel-Line Garage Doors Australia Pty Ltd) S.T.L. Management Pty Ltd
149116	(Lock & Lock Co., Ltd.) Hana Cobi Co. Ltd
149372	(Secumat Pty Ltd) Indplas Pty Ltd
135346	(NCI Holdings Pty Ltd) NCI Packaging Pty Ltd
135347	(NCI Holdings Pty Ltd) NCI Packaging Pty Ltd
135362	(NCI Holdings Pty Ltd) NCI Packaging Pty Ltd
135363	(NCI Holdings Pty Ltd) NCI Packaging Pty Ltd
144203	(NCI Holdings Pty Ltd) NCI Packaging Pty Ltd
144204	(NCI Holdings Pty Ltd) NCI Packaging Pty Ltd
144205	(NCI Holdings Pty Ltd) NCI Packaging Pty Ltd
144206	(NCI Holdings Pty Ltd) NCI Packaging Pty Ltd
150877	(NCI Holdings Pty Ltd) NCI Packaging Pty Ltd
156931	(NCI Holdings Pty Ltd) NCI Packaging Pty Ltd

Subsequent Owners Registered

156932 (**NCI Holdings Pty Ltd**) NCI Packaging Pty Ltd
 156933 (**NCI Holdings Pty Ltd**) NCI Packaging Pty Ltd
 132859 (**Crayola LLC**) Binney & Smith Inc.
 150819 (**Crayola LLC**) Binney & Smith Inc.
 133407 (**AKVA Group ASA**) Helgeland Plast A/S
 133485 (**AKVA Group ASA**) Helgeland Plast A/S

Names Registered - Alterations and Amendments

(The name in parentheses is the new name of the proprietor)

152352 (**Bridgestone Firestone North American Tire, LLC**)
 Bridgestone/Firestone North American Tire, LLC
 152703 (**Bridgestone Firestone North American Tire, LLC**)
 Bridgestone/Firestone North American Tire, LLC
 152773 (**Bridgestone Firestone North American Tire, LLC**)
 Bridgestone/Firestone North American Tire, LLC
 154202 (**Bridgestone Firestone North American Tire, LLC**)
 Bridgestone/Firestone North American Tire, LLC

This Page Left Intentionally Blank

Proceedings under the Designs Act 2003.

This Page Left Intentionally Blank

Applications Lodged

Lodgement information is in the following order: **Applicant's Name**; International Classification, Name of Product, Lodgement Date and **Design Number**. If the applicant claims an earlier priority date under an International Convention, the Convention Country and the associated filing date are shown in parentheses before the Lodgement Date. Divisional information will also appear in parentheses before the Lodgement Date.

van Hall, Maurits Evert; Walmsley, Kevin Bruce; 21-02NES, A set of protective articles, (NZ, 02 May 2007) 02 Nov 2007	20622/2007	Attard, Jonathan; 09-03D, Egg and food packaging, 24 Oct 2007	20446/2007
Adams, Donald Vincent; Adams, Fern Fanny; 07-05C, Clothes peg, 12 Oct 2007	20207/2007	Australiana Group Holdings Pty Ltd; 09-01K, Beverages, 26 Oct 2007	20473/2007
Adams, Fern Fanny; Adams, Donald Vincent; 07-05C, Clothes peg, 12 Oct 2007	20207/2007	AAED Pty Ltd; Bensusan, Lawrence; 13-03D, Double power point (also exact same but as series single power point), 08 Nov 2007	20662/2007
Aderans Holdings Co. Ltd.; 28-04, Base sheet of an apparatus for fixing a wig, (JP, 29 May 2007) 31 Oct 2007	20551/2007	AAED Pty Ltd; Bensusan, Lawrence; 13-03D, Light switch and mechanism as series of up to 6 switches on one plate, 08 Nov 2007	20663/2007
Aderans Holdings Co. Ltd.; 28-04, Apparatus for fixing a wig, (JP, 25 May 2007) 31 Oct 2007	20550/2007	AFC Group Pty Ltd; 08-08L, Mounting bracket, 24 Oct 2007	20411/2007
Aero Products International, Inc.; 06-01L, Inflatable chair, (US, 30 Apr 2007) 22 Oct 2007	20372/2007	AFC Group Pty Ltd; 08-08L, Mounting bracket, 24 Oct 2007	20412/2007
Aktiebolaget Electrolux; 15-05, Vacuum cleaner nozzle, (SE, 11 Jun 2007) 02 Nov 2007	20593/2007	Bensusan, Lawrence; AAED Pty Ltd; 13-03D, Light switch and mechanism as series of up to 6 switches on one plate, 08 Nov 2007	20663/2007
Aktiebolaget Electrolux; 15-07, Appliance, 25 Oct 2007	20424/2007	Bensusan, Lawrence; AAED Pty Ltd; 13-03D, Double power point (also exact same but as series single power point), 08 Nov 2007	20662/2007
Aktiebolaget Electrolux; 08-06, Handles and handle components, 25 Oct 2007	20423/2007	Berman, Ronald H.; 09-01NES, Mini brick pouch with straw insert region, (US, 12 Jul 2007) 08 Nov 2007	20674/2007
Altamura, Gicomina; Spadavecchia, Domenico; 02-07A, A belt hook, 02 Nov 2007	20633/2007	Bio Medico GmbH; 24-01, Medical apparatus, (DE, 02 May 2007) 02 Nov 2007	20619/2007
Altamura, Gicomina; Spadavecchia, Domenico; 02-07A, A belt hook, 02 Nov 2007	20634/2007	Black & Decker, Inc.; 15-05, A vacuum cleaner, (EM, 02 May 2007) 02 Nov 2007	20603/2007
Altamura, Gicomina; Spadavecchia, Domenico; 02-07A, A belt hook, 02 Nov 2007	20635/2007	Black & Decker, Inc.; 03-01D, Tool boxes, (EM, 08 Oct 2007) 07 Nov 2007	20665/2007
Aluminium Industries Australia Pty Ltd; 25-01K, Frame section for shower screens/glass products, 05 Nov 2007	20638/2007	Black & Decker, Inc.; 08-05N, Sander, (EM, 23 Apr 2007) 23 Oct 2007	20400/2007
Animal Marks; 19-99, Sea horse book marks, 26 Oct 2007	20438/2007	Black & Decker, Inc.; 08-05N, Sander, (EM, 23 Apr 2007) 23 Oct 2007	20401/2007
Architectural Window Systems Pty Limited; 25-01K, An extrusion, 22 Oct 2007	20431/2007	Bloomberg, LP; 14-02, Electronic device, (US, 04 May 2007) 02 Nov 2007	20608/2007
Ashley, David; 23-02B, Shower head for safety showers as used in industry, 08 Nov 2007	20685/2007	Boral Montoro Pty Ltd; 25-01F, A roof tile, 24 Oct 2007	20406/2007
Attard, Jonathan; 09-03D, Egg and food packaging, 24 Oct 2007	20444/2007	Borne Cult Pty Ltd.; 03-01B, Handbang liner, 31 Oct 2007	20542/2007
Attard, Jonathan; 09-03D, Egg and food packaging, 24 Oct 2007	20445/2007	Breville Pty Limited; 07-04, Food processor, 01 Nov 2007	20589/2007
		Brookstone Purchasing, Inc.; 14-03C, A speaker for an audio player, (US, 04 May 2007) 02 Nov 2007	20604/2007
		Burgundy Trial Pty Ltd; 08-07, Latch, 24 Oct 2007	20415/2007

Burgundy Trial Pty Ltd; 08-08B, Bolt, 24 Oct 2007	20416/2007	Dreyer, Bruce N.; Foxcroft, Geoffrey G.; 09-03L, Container, 07 Nov 2007	20661/2007
Burgundy Trial Pty Ltd; 08-06, Handle, 24 Oct 2007	20417/2007	Duffy, Glen Robert; 08-05N, Axle bearing press tool, 26 Oct 2007	20546/2007
Burgundy Trial Pty Ltd; 08-06, Handle, 24 Oct 2007	20418/2007	Dunn, Marty Heath; 20-99, The product is an information channel on the internet, 26 Oct 2007	20450/2007
Campbell, Brian Charles; 99-00, Sauces, 05 Nov 2007	20637/2007	Engineering Fitness International Corp.; 21-02F, Abdominal exercise apparatus, (US, 23 May 2007) 29 Oct 2007	20478/2007
Caroma Industries Limited; 23-01A, A toilet waste connector, 02 Nov 2007	20595/2007	Eveready Battery Company, Inc.; 26-05B, Lighting device, (US, 25 May 2007) 08 Nov 2007	20671/2007
Churchill, John Clive; 25-03, Bus shelter, 06 Nov 2007	20600/2007	Eveready Battery Company, Inc.; 26-05B, Lighting device, (US, 25 May 2007) 08 Nov 2007	20670/2007
Colgate-Palmolive Company; 09-01K, Dispenser, (US, 02 Apr 2007) 27 Sep 2007	20802/2007	Fabris, Ariana; 06-04B, Four drawer filing cabinet, 05 Nov 2007	20639/2007
Cook, Murray Norman; 23-02E, Drain inlet having brush facility, 01 Nov 2007	20585/2007	Fabris, Ariana; 06-04B, Four drawer filing cabinet, 05 Nov 2007	20640/2007
Cyclops Enterprises Limited; 21-01NES, A rattle, (NZ, 22 May 2007) 01 Nov 2007	20579/2007	Fabris, Ariana; 06-04B, Four drawer filing cabinet, 05 Nov 2007	20641/2007
CMD Holdings Pty Ltd; 21-03, Dunk tank, 31 Oct 2007	20556/2007	Fabris, Ariana; 06-04B, Four drawer filing cabinet, 05 Nov 2007	20642/2007
CTECH Closure Systems Pty Ltd; 09-07B, 10-04, A closure with integral measuring cup, 03 Nov 2007	20631/2007	Fabris, Ariana; 06-04B, Four drawer filing cabinet, 05 Nov 2007	20643/2007
CTECH Closure Systems Pty Ltd; 09-07B, A closure with integral measuring cup, 08 Nov 2007	20666/2007	Fabris, Ariana; 06-04B, Four drawer filing cabinet, 05 Nov 2007	20644/2007
CTECH Closure Systems Pty Ltd; 09-07A, A closure with integral measuring cup, 24 Oct 2007	20402/2007	Fabris, Ariana; 06-04B, Four drawer filing cabinet, 05 Nov 2007	20645/2007
CTECH Closure Systems Pty Ltd; 09-07B, 10-04, A closure with integral measuring cup, 31 Oct 2007	20545/2007	Fabris, Ariana; 06-04B, Four drawer filing cabinet, 05 Nov 2007	20646/2007
D B S Distributors; 07-02B, ULM model 2357 induction cooktop, 05 Nov 2007	20601/2007	Feltonmix Limited; 25-02C, A rail, (NZ, 03 May 2007) 02 Nov 2007	20611/2007
D&K Home Security P/L; 08-09, The joining sleeve will be used for making an adjustable sliding door pocket, for domestic and commercial building, applications, 31 Oct 2007	20561/2007	Focus Lifestyle Products Pty Ltd; 07-02E, Barbecue, 02 Nov 2007	20607/2007
Davis, Daniel D.; 15-04, Pipelayer, (US, 09 May 2007) 09 Nov 2007	20692/2007	Focus Lifestyle Products Pty Ltd; 07-02E, Barbecue, 23 Oct 2007	20398/2007
Daylight Company (Holdings) Limited, The; 26-05B, Magnifying lamp, (EM, 11 May 2007) 30 Oct 2007	20609/2007	Foster, John; 23-02NES, Shower and bathroom waste, 26 Oct 2007	20508/2007
Daylight Company (Holdings) Limited, The; 26-05B, Magnifying lamp, (EM, 11 May 2007) 30 Oct 2007	20610/2007	Foxcroft, Geoffrey G.; Dreyer, Bruce N.; 09-03L, Container, 07 Nov 2007	20661/2007
Digi-Click International Limited; 14-02, A computer mouse, (NZ, 04 Oct 2007) 02 Nov 2007	20624/2007	Foxcroft, Geoffrey G.; Dreyer, Bruce N.; 09-03L, Container, 07 Nov 2007	20660/2007
Dreyer, Bruce N.; Foxcroft, Geoffrey G.; 09-03L, Container, 07 Nov 2007	20660/2007	Fuji Xerox Co., Ltd.; 14-02, Toner cartridge, (JP, 26 Apr 2007) 25 Oct 2007	20429/2007
		Fuji Xerox Co., Ltd.; 14-02, Toner cartridge, (JP, 26 Apr 2007) 25 Oct 2007	20426/2007
		Garagetek, Inc.; 08-06, Metal handle, (US, 11 May 2007) 23 Oct 2007	20394/2007

Garagetek, Inc.; 08-06, Plastic handle, (US, 11 May 2007) 23 Oct 2007	20395/2007	Honda Motor Co., Ltd.; 12-11, Motorcycle, (JP, 26 Apr 2007) 26 Oct 2007	20487/2007
Garagetek, Inc.; 25-01D, Panel, (US, 11 May 2007) 23 Oct 2007	20396/2007	Honda Motor Co., Ltd.; 12-11, Motorcycle, (JP, 26 Apr 2007) 26 Oct 2007	20488/2007
Gessi S.p.A.; 23-01H, Mixing tap, (IT, 18 May 2007) 30 Oct 2007	20534/2007	Honda Motor Co., Ltd.; 12-11, Motorcycle, (JP, 26 Apr 2007) 26 Oct 2007	20490/2007
Glaxo Group Limited; 09-03M, A carton, (GB, 04 May 2007) 02 Nov 2007	20602/2007	Hua, Liu Yan; 23-02A, A soap holder, dual shelf, lower shelf as soap disc with small hold for draining, top shelf for small goods, 07 Nov 2007	20649/2007
Grant Olver Investments, trading as Pilgrim Clothing; 02-02C, 02-02NES, Dresses and tops, 26 Oct 2007	20439/2007	Huber Packaging Group GmbH & Co. KG; 09-03L, Beverage container, (EM, 03 May 2007) 29 Oct 2007	20504/2007
Gravlev, Jens; 12-06A, A boat hull, 08 Nov 2007	20669/2007	Huber Packaging Group GmbH & Co. KG; 09-03L, Beverage container, (EM, 03 May 2007) 29 Oct 2007	20505/2007
Guney Ithalat Ve Pazarlama Anonim Sirketi; 07-02N, Fryer, 30 Oct 2007	20535/2007	Hunter Douglas Inc.; 06-10, Tassel for coverings for architectural openings, (US, 01 May 2007) 31 Oct 2007	20549/2007
Hangzhou China Arts Economic & Trading Corp. Ltd.; 06-03B, Bar table, (CN, 20 Sep 2007) 05 Nov 2007	20630/2007	Hydengro International Pty Ltd.; 09-03F, Receptacle, 01 Nov 2007	20586/2007
Happy Horse Holdings Pty Limited; 07-05D, Clothes airer, 07 Nov 2007	20647/2007	Hydengro International Pty Ltd.; 09-03F, Plant growing apparatus, 01 Nov 2007	20587/2007
Heineken Supply Chain B.V.; 07-04, Beerkeg, (EM, 14 Aug 2007) 05 Nov 2007	20599/2007	Hydengro International Pty Ltd.; 25-01K, Irrigation extrusion, 01 Nov 2007	20588/2007
Heron, Liza Joanne; 08-07, Set of keys, 31 Oct 2007	20543/2007	Jackson Industries Pty Limited; 13-03D, A power board, 31 Oct 2007	20553/2007
Hide-Away Industries Pty Ltd.; 25-02C, Fencing element, 02 Nov 2007	20612/2007	Jackson Industries Pty Limited; 13-03D, A power board, 31 Oct 2007	20554/2007
Hide-Away Industries Pty Ltd.; 25-02C, Fencing element, 02 Nov 2007	20632/2007	JohnsonDiversey, Inc.; 15-05, Valve assembly, (US, 03 May 2007) 02 Nov 2007	20594/2007
Honda Motor Co., Ltd.; 15-01, An internal-combustion engine, (JP, 10 May 2007) 07 Nov 2007	20658/2007	JohnsonDiversey, Inc.; 09-02NES, Reservoir, (US, 03 May 2007) 02 Nov 2007	20614/2007
Honda Motor Co., Ltd.; 12-11, An automobile, (US, 26 Apr 2007) 26 Oct 2007	20479/2007	JohnsonDiversey, Inc.; 15-05, Tool grip, (US, 03 May 2007) 02 Nov 2007	20615/2007
Honda Motor Co., Ltd.; 12-16B, A side cover of an automobile, (US, 26 Apr 2007) 26 Oct 2007	20480/2007	JohnsonDiversey, Inc.; 15-05, Floor maintenance tool, (US, 03 May 2007) 02 Nov 2007	20616/2007
Honda Motor Co., Ltd.; 12-16B, A front fender of an automobile, (US, 26 Apr 2007) 26 Oct 2007	20481/2007	Kabushiki Kaisha Toyota Jidoshokki; 15-04, Shovel loader, (JP, 24 Apr 2007) 23 Oct 2007	20374/2007
Honda Motor Co., Ltd.; 12-16NES, An instrument panel for a truck vehicle, (US, 27 Apr 2007) 26 Oct 2007	20482/2007	Kabushiki Kaisha Toyota Jidoshokki; 15-04, Shovel loader, (JP, 24 Apr 2007) 23 Oct 2007	20375/2007
Honda Motor Co., Ltd.; 12-11, A truck vehicle, (US, 27 Apr 2007) 26 Oct 2007	20483/2007	Kabushiki Kaisha Toyota Jidoshokki; 15-04, Shovel loader, (JP, 24 Apr 2007) 23 Oct 2007	20376/2007
Honda Motor Co., Ltd.; 12-16B, A rear gate for a truck vehicle, (US, 27 Apr 2007) 26 Oct 2007	20484/2007	Kabushiki Kaisha Toyota Jidoshokki; 15-04, Cabin for working vehicles, (JP, 24 Apr 2007) 23 Oct 2007	20377/2007
Honda Motor Co., Ltd.; 12-16B, A bonnet for a truck vehicle, (US, 27 Apr 2007) 26 Oct 2007	20485/2007		

Kabushiki Kaisha Toyota Jidoshokki; 15-04, Shovel loader, (JP, 24 Apr 2007) 23 Oct 2007	20378/2007	Lacoste; 02-04NES, Shoe, (EM, 07 Sep 2007) 29 Oct 2007	20528/2007
Kabushiki Kaisha Toyota Jidoshokki; 15-04, Seat bar for working vehicles, (JP, 24 Apr 2007) 23 Oct 2007	20379/2007	Lacoste; 02-04NES, Shoe, (EM, 07 Sep 2007) 29 Oct 2007	20510/2007
Karsten Manufacturing Corporation; 21-02C, Golf club head, (US, 12 Jun 2007) 25 Oct 2007	20427/2007	Lacoste; 02-04NES, Shoe, (EM, 07 Sep 2007) 29 Oct 2007	20529/2007
Karsten Manufacturing Corporation; 21-02C, Golf iron head, (US, 13 Jun 2007) 24 Oct 2007	20421/2007	Lacoste; 02-04NES, Shoe, (EM, 07 Sep 2007) 29 Oct 2007	20511/2007
Keating, Geoffrey Francis; 06-03B, Table, shelf, plant stands, 31 Oct 2007	20562/2007	Lacoste; 02-04NES, Shoe, (EM, 07 Sep 2007) 29 Oct 2007	20512/2007
Kenny, Mark Ronald; 25-04, Insection moulded nylon flange boss L & R hand, 02 Nov 2007	20560/2007	Lacoste; 02-04NES, Shoe, (EM, 07 Sep 2007) 29 Oct 2007	20530/2007
Kenzo; 09-01G, Flask for perfumery products, (FR, 04 May 2007) 02 Nov 2007	20605/2007	Lacoste; 02-04NES, Shoe, (EM, 07 Sep 2007) 29 Oct 2007	20531/2007
Kenzo; 09-01G, Flask for perfumery products, (FR, 04 May 2007) 02 Nov 2007	20606/2007	Lacoste; 02-04NES, Shoe, (EM, 07 Sep 2007) 29 Oct 2007	20513/2007
Kikkerland Design, Inc.; 10-02, Keylight, 08 Nov 2007	20691/2007	Lacoste; 02-04NES, Shoe, (EM, 07 Sep 2007) 29 Oct 2007	20514/2007
Kohler Company; 14-01, Speaker grille, (US, 02 May 2007) 01 Nov 2007	20590/2007	Lacoste; 02-04NES, Shoe, (EM, 07 Sep 2007) 29 Oct 2007	20515/2007
KraMar Pet Company Pty Ltd, The; 09-03NES, Pet collar packaging, 26 Oct 2007	20476/2007	Lacoste; 02-04NES, Shoe, (EM, 07 Sep 2007) 29 Oct 2007	20516/2007
KraMar Pet Company Pty Ltd, The; 09-03NES, Pet collar packaging, 26 Oct 2007	20477/2007	Lacoste; 02-04NES, Shoe, (EM, 07 Sep 2007) 29 Oct 2007	20517/2007
Lacoste; 02-04NES, Shoe, (EM, 07 Sep 2007) (Divisional of 20531/2007) 29 Oct 2007	20533/2007	Lacoste; 02-04NES, Shoe, (EM, 07 Sep 2007) 29 Oct 2007	20518/2007
Lacoste; 02-04NES, Shoe, (EM, 07 Sep 2007) 29 Oct 2007	20521/2007	Lacoste; 02-04NES, Shoe, (EM, 07 Sep 2007) 29 Oct 2007	20519/2007
Lacoste; 02-04NES, Shoe, (EM, 07 Sep 2007) 29 Oct 2007	20522/2007	Legend Australia Holdings Pty Limited; 06-13B, Valance, 25 Oct 2007	20447/2007
Lacoste; 02-04NES, Shoe, (EM, 07 Sep 2007) 29 Oct 2007	20523/2007	Li, Yingye; Yang, Zeming; Yang, Jlashuo; 12-07, Aircraft, (CN, 23 Apr 2007) 23 Oct 2007	20399/2007
Lacoste; 02-04NES, Shoe, (EM, 07 Sep 2007) 29 Oct 2007	20524/2007	Lightfoot, Jacqueline; 06-01G, Seat, (GB, 14 Jun 2007) 07 Nov 2007	20650/2007
Lacoste; 02-04NES, Shoe, 29 Oct 2007	20525/2007	Linear Systems International Pty Ltd; 08-08NES, A support stand, 23 Oct 2007	20397/2007
Lacoste; 02-04NES, Shoe, (EM, 07 Sep 2007) (Divisional of 20525/2007) 29 Oct 2007	20526/2007	Loggerhead Tools LLC; 08-02, Foldable driver tool, (US, 07 May 2007) 01 Nov 2007	20580/2007
Lacoste; 02-04NES, Shoe, (EM, 07 Sep 2007) 29 Oct 2007	20527/2007	Lolitta Clothing; 02-02NES, Ladies clothin garments, 03 Aug 2007	20905/2007
Lacoste; 02-04NES, Shoe, (EM, 07 Sep 2007) 29 Oct 2007	20509/2007	Lolitta Clothing; 02-02C, Ladies clothin garments, 03 Aug 2007	20906/2007

Lolitta Clothing; 02-02C, Ladies clothin garments, 03 Aug 2007	20904/2007	Nokia Corporation; 14-03E, Handset, (FI, 25 Apr 2007) 25 Oct 2007	20433/2007
Lolitta Clothing; 02-02C, 02-02NES, , 07 Nov 2007	20651/2007	Nokia Corporation; 14-03E, Handset, (FI, 11 May 2007) 08 Nov 2007	20686/2007
Lomb Scientific (Aust) Pty Ltd; 09-01K, Glass and plastic bottles, 02 Nov 2007	20613/2007	Nokia Corporation; 14-03E, Handset, (FI, 25 Apr 2007) 25 Oct 2007	20434/2007
LG Electronics, Inc.; 14-03E, Cellular phone, (KR, 04 May 2007) 25 Oct 2007	20428/2007	Nolan, Cera; Nolan, Tom; 06-11, A mat, (EM, 24 Apr 2007) 24 Oct 2007	20414/2007
Majella, Gerard; 07-06D, Apparatus for removing a bottle cap, 07 Nov 2007	20664/2007	Nolan, Tom; Nolan, Cera; 06-11, A mat, (EM, 24 Apr 2007) 24 Oct 2007	20414/2007
McNeil-PPC, Inc.; 24-04, Sanitary napkin, (US, 08 May 2007) 02 Nov 2007	20592/2007	Olori Furniture Pty Ltd; 06-02, Bed, 01 Nov 2007	20544/2007
McSweeney, Angela Belle; 14-02, 28-03NES, Computer mouse cosmetic case, 02 Nov 2007	20596/2007	Olsson, Ashley Dean; Olsson, Ashley Norman; Olsson, Nathanael Dean; Olsson, Stafford James; Olsson, Kieran Blake; 08-08K, A keeper for a fence post, 08 Nov 2007	20687/2007
Muzaic, George; 02-02NES, An article of clothing, 26 Oct 2007	20422/2007	Olsson, Ashley Norman; Olsson, Ashley Dean; Olsson, Nathanael Dean; Olsson, Stafford James; Olsson, Kieran Blake; 08-08K, A keeper for a fence post, 08 Nov 2007	20687/2007
Myhill Pty Ltd; Seller, Roger; 23-01H, Basin tapware, sink tapware, laundry tapware, wall top assemblies (shower tapware) and bath tapware, 25 Oct 2007	20420/2007	Olsson, Nathanael Dean; Olsson, Ashley Dean; Olsson, Ashley Norman; Olsson, Stafford James; Olsson, Kieran Blake; 08-08K, A keeper for a fence post, 08 Nov 2007	20687/2007
Myhill Pty Ltd; Seller, Roger; 23-01H, General tapware for use in bathroom, kitchen, laundry and pool room, the design will also be applied to bathroom and, kitchen accessories., 25 Oct 2007	20409/2007	Olsson, Stafford James; Olsson, Ashley Dean; Olsson, Ashley Norman; Olsson, Nathanael Dean; Olsson, Kieran Blake; 08-08K, A keeper for a fence post, 08 Nov 2007	20687/2007
Myhill Pty Ltd; Seller, Roger; 23-01H, General tapware for use in bathroom, kitchen, laundry and pool room, the design will also be applied to bathroom and, kitchen accessories, 25 Oct 2007	20408/2007	Olsson, Kieran Blake; Olsson, Ashley Dean; Olsson, Ashley Norman; Olsson, Nathanael Dean; Olsson, Stafford James; 08-08K, A keeper for a fence post, 08 Nov 2007	20687/2007
Nice SPA; 14-03NES, Remote control, (IT, 06 Feb 2007) 06 Aug 2007	20787/2007	Omega SA (Omega AG) (Omega Ltd); 10-02, Watch, (WO, 04 Jun 2007) 08 Nov 2007	20690/2007
Nice SPA; 14-03NES, Remote control, (IT, 06 Feb 2007) 06 Aug 2007	20788/2007	Persides Limited; 14-03NES, Vee cam console and camera unit, (GB, 04 Jul 2007) 01 Nov 2007	20583/2007
Nice SPA; 14-03NES, Remote control, (IT, 06 Feb 2007) 06 Aug 2007	20792/2007	Pi-Design AG; 07-02L, Ice coffee maker, (DK, 05 Oct 2007) 31 Oct 2007	20552/2007
Nice SPA; 14-03NES, Remote control, (IT, 06 Feb 2007) 06 Aug 2007	20794/2007	Pi-Design AG; 07-01D, Double wall cup, (DK, 11 May 2007) 09 Nov 2007	20693/2007
Nice SPA; 08-07, Devices of a driving system for gates, (IT, 26 Feb 2007) 10 Aug 2007	20799/2007	Pi-Design AG; 07-01C, Double wall glasses (2), (DK, 08 May 2007) 08 Nov 2007	20672/2007
Nice SPA; 08-07, Devices of a driving system for gates, (IT, 26 Feb 2007) 10 Aug 2007	20800/2007	Pi-Design AG; 07-01C, Double wall glasses (2), (DK, 08 May 2007) 08 Nov 2007	20673/2007
Nice SPA; 08-07, Devices of a driving system for gates, (IT, 26 Feb 2007) 10 Aug 2007	20801/2007	Powersource Investments Pty Ltd; 15-07, Cooler, 14 Nov 2007	20834/2007
Niko Limited; 08-05L, Roller cleaner, 25 Oct 2007	20443/2007	Press Metal Aluminium (Australia) Pty Ltd; 25-01K, Threshold, 07 Nov 2007	20636/2007

Quota Marketing; 06-01NES, Sun hood on child booster seat, 09 Nov 2007	20667/2007	ResMed Ltd; 15-01, Flexible motor sleeve, (US, 27 Apr 2007) 26 Oct 2007	20462/2007
R & R Therapeutic Pty Ltd; 24-01, Device for applying traction, 02 Nov 2007	20620/2007	ResMed Ltd; 15-01, Motor assembly, (US, 27 Apr 2007) 26 Oct 2007	20463/2007
R & R Therapeutic Pty Ltd; 24-01, Device for applying traction, 02 Nov 2007	20621/2007	ResMed Ltd; 15-01, Motor assembly, (US, 27 Apr 2007) 26 Oct 2007	20464/2007
Rain Harvesting Pty Ltd; 23-01F, A tank, 05 Nov 2007	20625/2007	ResMed Ltd; 15-01, Motor housing, (US, 27 Apr 2007) 26 Oct 2007	20465/2007
Rain Harvesting Pty Ltd; 23-01F, A tank, 05 Nov 2007	20626/2007	ResMed Ltd; 15-01, Motor housing, (US, 27 Apr 2007) 26 Oct 2007	20466/2007
Rain Harvesting Pty Ltd; 23-01NES, A casing for products or components mounted to, or associated with, tanks, 05 Nov 2007	20627/2007	ResMed Ltd; 15-01, Motor housing, (US, 27 Apr 2007) 26 Oct 2007	20467/2007
Rain Harvesting Pty Ltd; 23-01NES, A casing for products or components mounted to, or associated with, tanks, 05 Nov 2007	20628/2007	ResMed Ltd; 15-01, Motor housing, (US, 27 Apr 2007) 26 Oct 2007	20468/2007
Rain Harvesting Pty Ltd; 23-01F, A tank inlet cover, 29 Oct 2007	20499/2007	ResMed Ltd; 15-01, Motor housing, (US, 27 Apr 2007) 26 Oct 2007	20469/2007
Rain Harvesting Pty Ltd; 23-01F, A tank inlet cover, 29 Oct 2007	20500/2007	ResMed Ltd; 15-01, Motor housing, (US, 27 Apr 2007) 26 Oct 2007	20470/2007
Reckitt Benckiser N.V.; 09-03NES, Container, (EM, 18 May 2007) 29 Oct 2007	20501/2007	ResMed Ltd; 15-01, Motor housing, (US, 27 Apr 2007) 26 Oct 2007	20471/2007
Reckitt Benckiser N.V.; 09-03NES, Container and lid, (EM, 18 May 2007) 29 Oct 2007	20502/2007	ResMed Ltd; 15-01, Impeller, (US, 27 Apr 2007) 26 Oct 2007	20452/2007
Reckitt Benckiser N.V.; 09-07NES, Lid, (EM, 18 May 2007) 29 Oct 2007	20503/2007	ResMed Ltd; 24-01, Respiratory mask assembly without forehead pad, (US, 10 May 2007) 09 Nov 2007	20696/2007
Resource Industry Training and Employment; 19-07, Training - visual aid for training purposes for pinchpoints on a conveyor belt and correct isolation procedures of same, 09 Nov 2007	20668/2007	ResMed Ltd; 24-01, Respiratory mask frame, (US, 10 May 2007) 09 Nov 2007	20697/2007
ResMed Ltd; 15-01, Impeller, (US, 27 Apr 2007) 26 Oct 2007	20451/2007	ResMed Ltd; 24-01, Respiratory mask frame, (US, 10 May 2007) 09 Nov 2007	20698/2007
ResMed Ltd; 15-01, Impeller, (US, 27 Apr 2007) 26 Oct 2007	20455/2007	ResMed Ltd; 24-01, Respiratory mask forehead support and pad assembly, (US, 10 May 2007) 09 Nov 2007	20699/2007
ResMed Ltd; 15-01, Impeller, (US, 27 Apr 2007) 26 Oct 2007	20456/2007	ResMed Ltd; 24-01, Respiratory mask forehead support, (US, 10 May 2007) 09 Nov 2007	20700/2007
ResMed Ltd; 15-01, Impeller, (US, 27 Apr 2007) 26 Oct 2007	20457/2007	ResMed Ltd; 24-01, Respiratory mask elbow with swivel, (US, 10 May 2007) 09 Nov 2007	20701/2007
ResMed Ltd; 15-01, Impeller, (US, 27 Apr 2007) 26 Oct 2007	20458/2007	ResMed Ltd; 24-01, Respiratory mask elbow without swivel, (US, 10 May 2007) 09 Nov 2007	20702/2007
ResMed Ltd; 15-01, Impeller, (US, 27 Apr 2007) 26 Oct 2007	20459/2007	ResMed Ltd; 24-01, Respiratory mask elbow without swivel or vent cover, (US, 10 May 2007) 09 Nov 2007	20703/2007
ResMed Ltd; 15-01, Flexible motor sleeve, (US, 27 Apr 2007) 26 Oct 2007	20460/2007	ResMed Ltd; 24-01, Respiratory mask vent cover, (US, 10 May 2007) 09 Nov 2007	20704/2007
ResMed Ltd; 15-01, Flexible motor sleeve, (US, 27 Apr 2007) 26 Oct 2007	20461/2007		

ResMed Ltd; 15-01, Impeller, (US, 27 Apr 2007) 26 Oct 2007	20453/2007	Seller, Roger; Myhill Pty Ltd; 23-01H, Basin tapware, sink tapware, laundry tapware, wall top assemblies (shower tapware) and bath tapware, 25 Oct 2007	20420/2007
ResMed Ltd; 15-01, Impeller, (US, 27 Apr 2007) 26 Oct 2007	20454/2007	Seller, Roger; Myhill Pty Ltd; 23-01H, General tapware for use in bathroom, kitchen, laundry and pool room, the design will also be applied to bathroom and, kitchen accessories, 25 Oct 2007	20408/2007
Review Australia Pty Ltd; 02-02NES, Ladies garments, 30 Oct 2007	20532/2007	Seller, Roger; Myhill Pty Ltd; 23-01H, General tapware for use in bathroom, kitchen, laundry and pool room, the design will also be applied to bathroom and, kitchen accessories., 25 Oct 2007	20409/2007
Review Australia Pty Ltd; 02-02C, Ladies garments, 24 May 2007	20623/2007	Shop Vac Corporation; 15-05, Vacuum cleaner, 09 Nov 2007	20705/2007
Roof Profiles Limited; 08-08L, Bracket, (EM, 01 May 2007) 01 Nov 2007	20563/2007	Shop Vac Corporation; 23-04, Air mover, (US, 11 May 2007) 09 Nov 2007	20706/2007
Roof Profiles Limited; 08-08L, Bracket, (EM, 01 May 2007) 01 Nov 2007	20564/2007	Shop Vac Corporation; 15-05, Vacuum, (US, 11 May 2007) 09 Nov 2007	20707/2007
Roof Profiles Limited; 25-01NES, Roof Corner, (EM, 01 May 2007) 01 Nov 2007	20565/2007	Shop Vac Corporation; 15-05, Vacuum, (US, 11 May 2007) 09 Nov 2007	20708/2007
Roof Profiles Limited; 25-01D, Vertical, (EM, 01 May 2007) 01 Nov 2007	20566/2007	Shop Vac Corporation; 15-05, Vacuum cleaner, (US, 11 May 2007) 09 Nov 2007	20709/2007
Roof Profiles Limited; 25-01NES, Vertical, (EM, 01 May 2007) 01 Nov 2007	20567/2007	Shop Vac Corporation; 15-05, Vacuum cleaner, (US, 11 May 2007) 09 Nov 2007	20710/2007
Ruud Lighting, Inc.; 26-04, Lighting fixture, (US, 04 May 2007) 05 Nov 2007	20597/2007	Shop-Vac Corporation; 15-05, Vacuum cleaner, (US, 11 May 2007) 08 Nov 2007	20675/2007
Ruud Lighting, Inc.; 26-03, Lighting fixture, (US, 04 May 2007) 05 Nov 2007	20598/2007	Shop-Vac Corporation; 15-05, Vacuum cleaner, (US, 11 May 2007) 08 Nov 2007	20676/2007
RTA Road & Transport Authority; 08-06, Pedestrian handrail for traffic signal posts, 30 Oct 2007	20491/2007	Shop-Vac Corporation; 15-05, Vacuum cleaner, (US, 11 May 2007) 08 Nov 2007	20677/2007
S.C. Johnson & Son, Inc.; 09-07A, Cover for a spray dispenser, (US, 24 Apr 2007) 24 Oct 2007	20403/2007	Shop-Vac Corporation; 15-05, Vacuum cleaner, (US, 11 May 2007) 08 Nov 2007	20678/2007
S.C. Johnson & Son, Inc.; 09-07A, Cover and actuator for a spray dispenser, (US, 24 Apr 2007) 24 Oct 2007	20404/2007	Shop-Vac Corporation; 15-05, Vacuum cleaner, (US, 11 May 2007) 08 Nov 2007	20679/2007
S.C. Johnson & Son, Inc.; 09-07A, Cover and actuator for a spray dispenser, (US, 24 Apr 2007) 24 Oct 2007	20405/2007	Shop-Vac Corporation; 15-05, Vacuum cleaner, (US, 11 May 2007) 08 Nov 2007	20680/2007
Sanford, L.P.; 19-06, Clip and grip for a writing instrument, (US, 26 Apr 2007) 25 Oct 2007	20430/2007	Shop-Vac Corporation; 18-04, 15-05, Shredder/vacuum cleaner, (US, 11 May 2007) 08 Nov 2007	20681/2007
Sanford, L.P.; 19-06, Cap for a writing instrument, (US, 26 Apr 2007) 24 Oct 2007	20419/2007	Shop-Vac Corporation; 15-05, Vacuum cleaner, (US, 11 May 2007) 08 Nov 2007	20682/2007
Sanyo Electric Co., Ltd.; 20-02C, Cold storage showcase, (JP, 31 May 2007) 02 Nov 2007	20617/2007	Shop-Vac Corporation; 15-05, Vacuum cleaner, (US, 11 May 2007) 08 Nov 2007	20683/2007
Sanyo Electric Co., Ltd.; 20-02C, Cold storage showcase, (JP, 31 May 2007) 02 Nov 2007	20618/2007		
Savill, Michael; 21-02D, Skin for a surfboard fin, 09 Nov 2007	20694/2007		
Seaquist Closures, L.L.C.; 09-07A, Dispensing closure, (US, 07 May 2007) 26 Oct 2007	20486/2007		

Shop-Vac Corporation; 15-05, Vacuum cleaner, (US, 11 May 2007) 08 Nov 2007	20684/2007	Sunload GmbH; 03-01B, Bag, (DE, 14 Feb 2007) 15 Aug 2007	20797/2007
Shop-Vac Corporation; 15-05, Vacuum cleaner, (US, 11 May 2007) 06 Nov 2007	20656/2007	Sunload GmbH; 03-01B, Bag, (DE, 14 Feb 2007) 15 Aug 2007	20789/2007
Shop-Vac Corporation; 15-05, Vacuum cleaner, (US, 11 May 2007) 06 Nov 2007	20657/2007	Sunload GmbH; 03-01B, Bag, (DE, 14 Feb 2007) 15 Aug 2007	20790/2007
Shop-Vac Corporation; 15-05, Vacuum Cleaner, (US, 24 Apr 2007) 29 Oct 2007	20520/2007	Syrinx Environmental Pty Ltd; 25-01D, Wall cladding product, 01 Nov 2007	20584/2007
Smith, Warren Lance Stewart; 20-03C, Display sign, 06 Nov 2007	20629/2007	SM France; 06-06E, Leg of table for collectivity furniture, (FR, 07 May 2007) 30 Oct 2007	20536/2007
Solideal Holding S.A.; 12-15C, Tyre profile, (EM, 08 May 2007) 26 Oct 2007	20474/2007	Task Force Properties & Investments Ltd; 21-02NES, Shin pad strapping, (EM, 30 Apr 2007) 30 Oct 2007	20539/2007
Sony Ericsson Mobile Communications AB; 14-03E, Mobile phone, (EM, 18 May 2007) 15 Nov 2007	20864/2007	Task Force Properties & Investments Ltd; 21-02NES, Combined shin pad and strapping, (EM, 30 Apr 2007) 30 Oct 2007	20540/2007
Southland-CNG Securities Pty Ltd; 06-04F, Drawer for shoes, 26 Oct 2007	20449/2007	Task Force Properties & Investments Ltd; 21-02NES, Shin pad decoration, (EM, 30 Apr 2007) 30 Oct 2007	20541/2007
Soutitrans Pty Ltd; 25-04, One step ladder, 24 Oct 2007	20413/2007	Task Force Properties & Investments Ltd; 21-02NES, Shin pad, (EM, 30 Apr 2007) 30 Oct 2007	20538/2007
Spadavecchia, Domenico; Altamura, Gicomina; 02-07A, A belt hook, 02 Nov 2007	20635/2007	Tasman Sinkware Pty Ltd; 23-02F, Sink, 01 Nov 2007	20581/2007
Spadavecchia, Domenico; Altamura, Gicomina; 02-07A, A belt hook, 02 Nov 2007	20634/2007	Tasman Sinkware Pty Ltd; 23-02F, Sink, 01 Nov 2007	20582/2007
Spadavecchia, Domenico; Altamura, Gicomina; 02-07A, A belt hook, 02 Nov 2007	20633/2007	Tente GmbH & Co. KG; 06-06C, castors, (DE, 22 May 2007) 26 Oct 2007	20448/2007
Sportsgirl Pty Ltd; 02-02C, Various garments, 08 Nov 2007	20688/2007	The Bicycle Corporation Pty Ltd; 12-16NES, Combined tail light and number plate mount, 08 Nov 2007	20689/2007
Sportsgirl Pty Ltd.; 02-02C, Various garments, 31 Oct 2007	20555/2007	The Chefs Toolbox Pty Ltd; 07-02P, Cake, chocolate, and biscuit making moulds, 01 Nov 2007	20558/2007
Sunload GmbH; 03-01B, Bag, (DE, 14 Feb 2007) 15 Aug 2007	20786/2007	The Chefs Toolbox Pty Ltd; 07-02P, Egg forming mould, 01 Nov 2007	20559/2007
Sunload GmbH; 03-01A, Bag, (DE, 19 Mar 2007) 20 Aug 2007	20849/2007	The Coca-Cola Company; 15-07, Cooler, (US, 06 Apr 2007) 15 Aug 2007	20648/2007
Sunload GmbH; 03-01A, Bag, (DE, 19 Mar 2007) 20 Aug 2007	20850/2007	The Dream Farm Pty Ltd; 07-04, Food masher, 05 Nov 2007	20659/2007
Sunload GmbH; 03-01A, Bag, (DE, 19 Mar 2007) 20 Aug 2007	20851/2007	Turker, Aynur; 03-99, Joey sling, baby sling, 26 Oct 2007	20472/2007
Sunload GmbH; 03-01A, Bag, (DE, 19 Mar 2007) 20 Aug 2007	20852/2007	Turker, Aynur; 03-99, Joey sling purse, 26 Oct 2007	20489/2007
Sunload GmbH; 03-01B, Bag, (DE, 14 Feb 2007) 15 Aug 2007	20791/2007	Vascular Insights LLC; 24-02, Handpiece for a medical device, (US, 04 May 2007) 31 Oct 2007	20548/2007
Sunload GmbH; 03-01B, Bag, (DE, 14 Feb 2007) 15 Aug 2007	20793/2007	Veenendaal, Marc Philipp; 23-02F, Basin with taps integral in shelf, 26 Oct 2007	20435/2007
Sunload GmbH; 03-01B, Bag, (DE, 14 Feb 2007) 15 Aug 2007	20795/2007	Veenendaal, Marc Philipp; 23-02F, Basin with integral taps, 26 Oct 2007	20436/2007
Sunload GmbH; 03-01B, Bag, (DE, 14 Feb 2007) 15 Aug 2007	20796/2007	Wahl Clipper Corporation; 28-03D, Housing portion for hair clipper, (US, 21 Jun 2007) 30 Oct 2007	20537/2007

Walker, Hugh Alexander; 21-01L, Dice, 01 Nov 2007	20591/2007	White, Isabel; White, Paul; 06-03B, Table, (NZ, 26 Sep 2007) 23 Oct 2007	20359/2007
Walmsley, Kevin Bruce; van Hall, Maurits Evert; 21-02NES, A set of protective articles, (NZ, 02 May 2007) 02 Nov 2007	20622/2007	White, Paul; White, Isabel; 06-03B, Table, (NZ, 26 Sep 2007) 23 Oct 2007	20360/2007
Ward, Adrian Garner; 25-02A, Sculptural cover plate for glass fencing clamps, 26 Oct 2007	20440/2007	White, Isabel; White, Paul; 06-03B, Table, (NZ, 26 Sep 2007) 23 Oct 2007	20360/2007
Ward, Adrian Garner; 25-02A, Sculptural cover plate for glass fencing clamps, 26 Oct 2007	20440/2007	White, Paul; White, Isabel; 06-01G, Chair, (NZ, 26 Sep 2007) 23 Oct 2007	20361/2007
Ward, Adrian Garner; 25-02A, For balustrade post top or decorative cap for any post or rail end or compatible architectural feature., 26 Oct 2007	20441/2007	White, Isabel; White, Paul; 06-01G, Chair, (NZ, 26 Sep 2007) 23 Oct 2007	20361/2007
Ward, Adrian Garner; 25-02A, For balustrade post base or decorative base for any post or rail or compatible architectural feature, 26 Oct 2007	20442/2007	White, Paul; White, Isabel; 06-06NES, Freestanding screen, (NZ, 26 Sep 2007) 23 Oct 2007	20362/2007
Watertight Products (Aust) Pty Ltd; 08-08B, Electrical spacer, 25 Oct 2007	20432/2007	White, Isabel; White, Paul; 06-06NES, Freestanding screen, (NZ, 26 Sep 2007) 23 Oct 2007	20362/2007
Watts, David Gregory; 03-01B, Wallet/money and card clip, 30 Oct 2007	20494/2007	Wilson, Charles; 23-02C, Toilet, 30 Oct 2007	20492/2007
Weir Minerals Australia Ltd; 15-02, Pump casing, 06 Nov 2007	20652/2007	Wilson, Charles; 23-02C, Toilet, 30 Oct 2007	20493/2007
Weir Minerals Australia Ltd; 23-01G, Pump inlet flow strainer, 06 Nov 2007	20653/2007	WD-40 Company; 08-05NES, Air blower, (US, 30 Apr 2007) 25 Oct 2007	20437/2007
Weir Minerals Australia Ltd; 15-02, Air diffuser for a mechanically sealed pump, 06 Nov 2007	20654/2007	Yang, Zeming; Li, Yingye; Yang, Jlashuo; 12-07, Aircraft, (CN, 23 Apr 2007) 23 Oct 2007	20399/2007
Weir Minerals Australia Ltd; 15-02, Pump impeller, 06 Nov 2007	20655/2007	Yang, Jlashuo; Yang, Zeming; Li, Yingye; 12-07, Aircraft, (CN, 23 Apr 2007) 23 Oct 2007	20399/2007
White, Paul; White, Isabel; 06-01E, Low Stool, (NZ, 26 Sep 2007) 23 Oct 2007	20358/2007	Yellow Culture Limited; 09-03M, Container erected from blank and having pop-out features in a fold-out panel, (EP, 03 May 2007) 01 Nov 2007	20568/2007
White, Isabel; White, Paul; 06-01E, Low Stool, (NZ, 26 Sep 2007) 23 Oct 2007	20358/2007	3M Innovative Properties Company; 20-02NES, Skin antiseptic composition dispenser, (US, 02 May 2007) 31 Oct 2007	20547/2007
White, Paul; White, Isabel; 06-03B, Table, (NZ, 26 Sep 2007) 23 Oct 2007	20359/2007		

Applications Lapsed

10990 / 2005 (09-02NES)	15652 / 2005 (19-01)
10714 / 2006 (23-01C)	11019 / 2006 (09-02NES)
13811 / 2006 (12-11)	17783 / 2007 (06-06NES)

Extension of Period of Registration of Designs

315098

Registrations Ceased

309292 309565 309566
 309567

Extensions of time granted under Section 137

Applications lodged under section 137 for extension of time have been granted.

- 18668/2007 **David Durance**
- 18669/2007 **David Durance**
- 18760/2007 **Sangenic International Limited**
- 20506/2007 **Shaun Pulfrey**
- 20507/2007 **Shaun Pulfrey**

Subsequent Owners Registered

(The name in parentheses is that of the subsequent owner)

- 300360 (**Steel-Line Garage Doors Australia Pty Ltd**) Allerton Investments Pty Ltd
- 300361 (**Steel-Line Garage Doors Australia Pty Ltd**) Allerton Investments Pty Ltd
- 300362 (**Steel-Line Garage Doors Australia Pty Ltd**) Allerton Investments Pty Ltd
- 305474 (**Steel-Line Garage Doors Australia Pty Ltd**) STL Management Pty Ltd
- 303207 (**Illixis Wines Pty Ltd**) MD Nivada Pte Ltd
- 306317 (**NCI Holdings Pty Ltd**) NCI Packaging Pty Ltd
- 307397 (**NCI Holdings Pty Ltd**) NCI Packaging Pty Ltd
- 307398 (**NCI Holdings Pty Ltd**) NCI Packaging Pty Ltd
- 310377 (**NCI Holdings Pty Ltd**) NCI Packaging Pty Ltd
- 314842 (**NCI Holdings Pty Ltd**) NCI Packaging Pty Ltd
- 314843 (**NCI Holdings Pty Ltd**) NCI Packaging Pty Ltd
- 314844 (**NCI Holdings Pty Ltd**) NCI Packaging Pty Ltd
- 314009 (**Cool Chili Limited**) Cool Chili AS

Names Registered - Alterations and Amendments

(The name in parentheses is that of the subsequent applicant)

- 307953 (**Bridgestone Firestone North American Tire, LLC**) Bridgestone/Firestone North American Tire, LLC
- 312955 (**Riri Group S.A.**) Crelux Holding S.A.
- 312956 (**Riri Group S.A.**) Crelux Holding S.A.
- 304954 (**Bridgestone Firestone North American Tire, LLC**) Bridgestone/Firestone North American Tire, LLC

Corrigenda

Number 315804

In Vol 21 , No 18 , page 10123 under the heading **Australian Registered Design**; (57) Statement of Newness and Distinctiveness should read: Those features of the rear combination lamp for an automobile depicted in the representations that are new and distinctive are the shape and/or configuration. The lamp assembly housing is not part of the design and is to be disregarded when considering the overall impression of the design.

Number 315805

In Vol 21 , No 18 , page 10123 under the heading **Australian Registered Design**; (57) Statement of Newness and Distinctiveness should read: Those features of the front bumper for an automobile depicted in the representations that are new and distinctive are the shape and/or configuration. The rear view is to be disregarded when considering the overall impression of the design.

Number 315812

In Vol 21 , No 18 , page 10127 under the heading **Australian Registered Design**; (57) Statement of Newness and Distinctiveness should read: Those features of the front combination lamp for an automobile depicted in the representations that are new and distinctive are the shape and/or configuration. The lamp assembly housing is not part of the design and is to be disregarded when considering the overall impression of the design.

Number 315813

In Vol 21 , No 18 , page 10127 under the heading **Australian Registered Design**; (57) Statement of Newness and Distinctiveness should read: Those features of the rear combination lamp for an automobile depicted in the representations that are new and distinctive are the shape and/or configuration. The lamp assembly housing is not part of the design and is to be disregarded when considering the overall impression of the design.

Number 312419

In Vol 21 , No 2 , page 8081 under the heading **Australian Registered Design**; (54) Product in respect of which the design is registered should read: A scratcher.

Certificate(s) of Examination

Examination of the following Design Registration(s) has been completed. Infringement proceedings may now be commenced.

305148	09-01NES	16/11/2007
309886	12-05	09/11/2007
310529	24-01	16/11/2007
310912	28-03NES	18/11/2007
311066	12-05	09/11/2007
311248	12-05	09/11/2007
312446	25-01C	15/11/2007
312701	20-02NES	08/11/2007
312815	02-04NES	16/11/2007
313167	14-01	16/11/2007
313168	14-01	16/11/2007
313169	14-01	16/11/2007
313170	14-01	16/11/2007
313182	13-03B	09/11/2007
313189	08-08C	16/11/2007
313190	14-01	16/11/2007
313322	14-02	16/11/2007
316318	21-03	20/11/2007
316336	21-03	20/11/2007

Publication and Registration Proceedings

Designs Registered

This section provides a concordance between design number and registration number of Designs covered in this journal. It also shows the main class and registration date.

This section covers Registration numbers 316778 to 316983 .

The registration number shown below should be used in all future correspondence.

Design Number	Registration Number	International Classification Code (IDC)	Registration Date	Design Number	Registration Number	International Classification Code (IDC)	Registration Date
15683/2004	316870	08-07	14/11/2007	18356/2007	316887	06-10	19/11/2007
12947/2005	316780	23-01H	08/11/2007	18357/2007	316888	06-10	19/11/2007
12948/2005	316781	23-01H	08/11/2007	18358/2007	316889	06-10	19/11/2007
15497/2005	316815	21-01L	13/11/2007	18453/2007	316943	08-08O	19/11/2007
15575/2005	316782	23-02A	08/11/2007	18625/2007	316845	13-03B	14/11/2007
15601/2005	316866	08-99	14/11/2007	18749/2007	316820	06-04B	13/11/2007
15602/2005	316867	08-99	14/11/2007	18750/2007	316821	06-04B	13/11/2007
15658/2005	316868	25-01K	14/11/2007	18751/2007	316822	06-04B	13/11/2007
15659/2005	316869	25-01K	14/11/2007	18752/2007	316823	06-04B	13/11/2007
10320/2006	316855	11-99	14/11/2007	18753/2007	316824	06-04B	13/11/2007
10334/2006	316876	08-06	19/11/2007	18754/2007	316825	06-04B	13/11/2007
10335/2006	316877	08-07	19/11/2007	18801/2007	316891	12-16F	19/11/2007
10336/2006	316878	08-07	19/11/2007	18802/2007	316892	12-16E	19/11/2007
10369/2006	316856	25-04	14/11/2007	18803/2007	316893	12-16E	19/11/2007
10370/2006	316857	25-04	14/11/2007	18804/2007	316890	12-16E	19/11/2007
10371/2006	316858	25-04	14/11/2007	18805/2007	316894	12-16E	19/11/2007
10847/2006	316859	23-01H	14/11/2007	18806/2007	316895	12-16B	19/11/2007
10848/2006	316860	23-01H	14/11/2007	18807/2007	316896	12-16B	19/11/2007
10849/2006	316861	23-01H	14/11/2007	18808/2007	316897	12-16E	19/11/2007
12534/2006	316879	06-02	19/11/2007	18809/2007	316898	12-16B	19/11/2007
12535/2006	316880	06-02	19/11/2007	18810/2007	316899	12-16B	19/11/2007
12796/2006	316863	02-02NES	14/11/2007	18811/2007	316900	12-16B	19/11/2007
13033/2006	316778	02-02B	08/11/2007	18812/2007	316901	12-16B	19/11/2007
13498/2006	316779	11-05	08/11/2007	18814/2007	316902	12-16B	19/11/2007
13822/2006	316864	09-03E	14/11/2007	18816/2007	316903	12-16B	19/11/2007
14300/2006	316862	23-01H	14/11/2007	18817/2007	316904	12-16B	19/11/2007
14518/2006	316865	02-03	14/11/2007	18934/2007	316928	25-04	16/11/2007
16529/2007	316816	21-03	13/11/2007	18935/2007	316929	25-04	16/11/2007
16975/2007	316939	12-10	19/11/2007	18959/2007	316905	06-02	19/11/2007
16976/2007	316940	12-10	19/11/2007	18960/2007	316906	06-02	19/11/2007
16977/2007	316941	12-10	19/11/2007	18961/2007	316907	06-02	19/11/2007
17026/2007	316960	08-99	20/11/2007	18975/2007	316846	07-02D	14/11/2007
17323/2007	316915	02-02NES	16/11/2007	19022/2007	316968	20-02E	20/11/2007
17634/2007	316871	06-01C	14/11/2007	19089/2007	316944	20-02E	19/11/2007
17635/2007	316872	06-05	14/11/2007	19123/2007	316945	09-03E	19/11/2007
17636/2007	316873	06-01C	14/11/2007	19163/2007	316847	12-05	14/11/2007
17637/2007	316874	06-05	14/11/2007	19200/2007	316946	28-99	19/11/2007
17638/2007	316875	06-01C	14/11/2007	19219/2007	316908	23-01F	19/11/2007
17672/2007	316881	06-13B	19/11/2007	19240/2007	316817	21-03	13/11/2007
17756/2007	316942	09-01K	19/11/2007	19255/2007	316909	14-03A	19/11/2007
17958/2007	316785	15-01	08/11/2007	19256/2007	316910	14-03A	19/11/2007
17959/2007	316786	15-01	08/11/2007	19258/2007	316911	14-03A	19/11/2007
18156/2007	316818	25-01A	13/11/2007	19293/2007	316912	12-15C	19/11/2007
18160/2007	316819	25-01A	13/11/2007	19298/2007	316913	23-01E	19/11/2007
18173/2007	316843	09-05	14/11/2007	19301/2007	316947	12-10	19/11/2007
18274/2007	316844	06-01F	14/11/2007	19304/2007	316787	02-02NES	08/11/2007
18286/2007	316882	02-04NES	19/11/2007	19316/2007	316848	06-13B	14/11/2007
18334/2007	316849	12-02	14/11/2007	19347/2007	316930	08-05L	16/11/2007
18335/2007	316919	28-03NES	16/11/2007	19352/2007	316948	28-03NES	19/11/2007
18337/2007	316883	07-06NES	19/11/2007	19353/2007	316949	28-03NES	19/11/2007
18339/2007	316884	07-06NES	19/11/2007	19354/2007	316950	28-03NES	19/11/2007
18354/2007	316885	06-10	19/11/2007	19355/2007	316951	28-03NES	19/11/2007
18355/2007	316886	06-10	19/11/2007	19384/2007	316791	23-01A	15/11/2007

Publication and Registration Proceedings - Designs Registered cont'd

Design Number	Registration Number	International Classification Code (IDC)	Registration Date	Design Number	Registration Number	International Classification Code (IDC)	Registration Date
19385/2007	316792	23-01A	15/11/2007	19456/2007	316979	23-01H	20/11/2007
19386/2007	316793	23-01A	15/11/2007	19457/2007	316980	23-01H	20/11/2007
19387/2007	316794	23-01A	15/11/2007	19458/2007	316981	08-08NES	20/11/2007
19388/2007	316795	23-01A	15/11/2007	19459/2007	316982	06-04NES	20/11/2007
19389/2007	316796	23-01A	15/11/2007	19463/2007	316983	15-99	20/11/2007
19390/2007	316797	23-01A	15/11/2007	19484/2007	316961	23-01A	20/11/2007
19391/2007	316798	23-01A	15/11/2007	19485/2007	316962	23-01A	20/11/2007
19392/2007	316799	23-01A	15/11/2007	19642/2007	316783	08-07	08/11/2007
19393/2007	316800	23-01A	15/11/2007	19643/2007	316784	08-07	08/11/2007
19394/2007	316801	23-01A	15/11/2007	19663/2007	316914	19-06	19/11/2007
19395/2007	316802	23-01A	15/11/2007	19694/2007	316931	14-02	16/11/2007
19396/2007	316803	09-01K	15/11/2007	19742/2007	316933	09-01K	16/11/2007
19397/2007	316804	09-07A	15/11/2007	19801/2007	316963	23-01G	20/11/2007
19398/2007	316805	09-01K	15/11/2007	19867/2007	316850	12-02	14/11/2007
19399/2007	316806	09-01A	15/11/2007	19868/2007	316851	12-02	14/11/2007
19400/2007	316807	08-08M	15/11/2007	19869/2007	316852	12-02	14/11/2007
19401/2007	316808	08-08M	15/11/2007	19870/2007	316853	12-02	14/11/2007
19402/2007	316809	08-09	15/11/2007	19871/2007	316854	12-02	14/11/2007
19403/2007	316810	08-09	15/11/2007	19888/2007	316934	06-01F	16/11/2007
19404/2007	316811	25-01K	15/11/2007	19893/2007	316935	14-01	16/11/2007
19405/2007	316812	25-01K	15/11/2007	19960/2007	316964	09-01K	20/11/2007
19406/2007	316826	08-09	13/11/2007	19961/2007	316936	09-01K	16/11/2007
19407/2007	316827	08-08M	13/11/2007	19986/2007	316920	28-03NES	16/11/2007
19408/2007	316828	08-08M	13/11/2007	19987/2007	316921	28-03NES	16/11/2007
19409/2007	316829	08-08M	13/11/2007	19988/2007	316922	28-03NES	16/11/2007
19410/2007	316830	25-01K	13/11/2007	19989/2007	316923	28-03NES	16/11/2007
19411/2007	316831	08-09	13/11/2007	19990/2007	316924	28-03NES	16/11/2007
19412/2007	316832	25-01K	13/11/2007	19991/2007	316925	28-03NES	16/11/2007
19413/2007	316833	08-08M	13/11/2007	19992/2007	316926	28-03NES	16/11/2007
19414/2007	316834	23-02B	13/11/2007	19993/2007	316927	28-03NES	16/11/2007
19415/2007	316835	23-02B	13/11/2007	19994/2007	316932	14-02	16/11/2007
19416/2007	316813	23-02B	15/11/2007	20001/2007	316937	09-01K	16/11/2007
19417/2007	316814	23-02B	15/11/2007	20002/2007	316938	09-01K	16/11/2007
19418/2007	316952	14-03NES	19/11/2007	20032/2007	316958	06-01L	19/11/2007
19427/2007	316836	22-05	13/11/2007	20033/2007	316959	06-01F	19/11/2007
19428/2007	316837	21-02C	13/11/2007	20069/2007	316916	02-02NES	16/11/2007
19429/2007	316838	21-02C	13/11/2007	20070/2007	316917	02-02NES	16/11/2007
19434/2007	316953	23-01H	19/11/2007	20071/2007	316918	02-02C	16/11/2007
19435/2007	316954	23-01H	19/11/2007	20162/2007	316966	06-03NES	20/11/2007
19436/2007	316955	23-02B	19/11/2007	20273/2007	316967	15-04	20/11/2007
19437/2007	316956	23-02B	19/11/2007	20431/2007	316839	25-01K	13/11/2007
19438/2007	316957	23-01H	19/11/2007	20501/2007	316840	09-03NES	13/11/2007
19442/2007	316969	21-03	20/11/2007	20502/2007	316841	09-03NES	13/11/2007
19446/2007	316970	07-01C	20/11/2007	20503/2007	316842	09-07NES	13/11/2007
19447/2007	316971	06-05	20/11/2007	20569/2007	316788	02-02C	08/11/2007
19448/2007	316972	06-05	20/11/2007	20570/2007	316789	02-02C	08/11/2007
19450/2007	316973	21-02C	20/11/2007	20571/2007	316790	02-02C	08/11/2007
19451/2007	316974	21-02C	20/11/2007	20802/2007	316965	09-01K	20/11/2007
19452/2007	316975	06-04NES	20/11/2007				
19453/2007	316976	12-08	20/11/2007				
19454/2007	316977	23-02B	20/11/2007				
19455/2007	316978	23-01H	20/11/2007				

Publication and Registration Proceedings
Class Listing of Designs Published or Registered

The following section shows an International Classification Code listing of the Registered or Published Designs covered in this supplement.

Classification	Registration Number	Design Number	Classification	Registration Number	Design Number
02-02 B	316778	13033/2006	07-06 NES	316884	18339/2007
02-02 C	316788	20569/2007	08-05 L	316930	19347/2007
02-02 C	316789	20570/2007	08-06	316876	10334/2006
02-02 C	316790	20571/2007	08-07	316783	19642/2007
02-02 C	316918	20071/2007	08-07	316784	19643/2007
02-02 NES	316787	19304/2007	08-07	316870	15683/2004
02-02 NES	316863	12796/2006	08-07	316877	10335/2006
02-02 NES	316915	17323/2007	08-07	316878	10336/2006
02-02 NES	316916	20069/2007	08-08 M	316807	19400/2007
02-02 NES	316917	20070/2007	08-08 M	316808	19401/2007
02-03	316865	14518/2006	08-08 M	316827	19407/2007
02-04 NES	316882	18286/2007	08-08 M	316828	19408/2007
06-01 C	316871	17634/2007	08-08 M	316829	19409/2007
06-01 C	316873	17636/2007	08-08 M	316833	19413/2007
06-01 C	316875	17638/2007	08-08 NES	316981	19458/2007
06-01 F	316844	18274/2007	08-08 O	316943	18453/2007
06-01 F	316934	19888/2007	08-09	316809	19402/2007
06-01 F	316959	20033/2007	08-09	316810	19403/2007
06-01 L	316958	20032/2007	08-09	316826	19406/2007
06-02	316879	12534/2006	08-09	316831	19411/2007
06-02	316880	12535/2006	08-09	316868	15658/2005
06-02	316905	18959/2007	08-99	316866	15601/2005
06-02	316906	18960/2007	08-99	316867	15602/2005
06-02	316907	18961/2007	08-99	316960	17026/2007
06-03 NES	316880	12535/2006	09-01 A	316806	19399/2007
06-03 NES	316966	20162/2007	09-01 K	316803	19396/2007
06-04 B	316820	18749/2007	09-01 K	316805	19398/2007
06-04 B	316821	18750/2007	09-01 K	316933	19742/2007
06-04 B	316822	18751/2007	09-01 K	316936	19961/2007
06-04 B	316823	18752/2007	09-01 K	316937	20001/2007
06-04 B	316824	18753/2007	09-01 K	316938	20002/2007
06-04 B	316825	18754/2007	09-01 K	316942	17756/2007
06-04 F	316880	12535/2006	09-01 K	316964	19960/2007
06-04 F	316905	18959/2007	09-01 K	316965	20802/2007
06-04 F	316906	18960/2007	09-03 E	316864	13822/2006
06-04 F	316907	18961/2007	09-03 E	316945	19123/2007
06-04 NES	316975	19452/2007	09-03 F	316864	13822/2006
06-04 NES	316982	19459/2007	09-03 NES	316840	20501/2007
06-05	316872	17635/2007	09-03 NES	316841	20502/2007
06-05	316874	17637/2007	09-05	316843	18173/2007
06-05	316880	12535/2006	09-07 A	316804	19397/2007
06-05	316971	19447/2007	09-07 NES	316842	20503/2007
06-05	316972	19448/2007	11-05	316779	13498/2006
06-10	316885	18354/2007	11-99	316855	10320/2006
06-10	316886	18355/2007	12-02	316849	18334/2007
06-10	316887	18356/2007	12-02	316850	19867/2007
06-10	316888	18357/2007	12-02	316851	19868/2007
06-10	316889	18358/2007	12-02	316852	19869/2007
06-10	316905	18959/2007	12-02	316853	19870/2007
06-10	316906	18960/2007	12-02	316854	19871/2007
06-10	316907	18961/2007	12-05	316847	19163/2007
06-13 B	316848	19316/2007	12-05	316869	15659/2005
06-13 B	316881	17672/2007	12-08	316976	19453/2007
07-01 C	316970	19446/2007	12-10	316939	16975/2007
07-02 D	316846	18975/2007	12-10	316940	16976/2007
07-06 NES	316883	18337/2007	12-10	316941	16977/2007

Registration Proceedings - Class Listing of Designs Published or Registered cont'd

Classification	Registration Number	Design Number	Classification	Registration Number	Design Number
12-10	316947	19301/2007	23-01 G	316963	19801/2007
12-15 C	316912	19293/2007	23-01 H	316780	12947/2005
12-16 B	316895	18806/2007	23-01 H	316781	12948/2005
12-16 B	316896	18807/2007	23-01 H	316859	10847/2006
12-16 B	316898	18809/2007	23-01 H	316860	10848/2006
12-16 B	316899	18810/2007	23-01 H	316861	10849/2006
12-16 B	316900	18811/2007	23-01 H	316862	14300/2006
12-16 B	316901	18812/2007	23-01 H	316953	19434/2007
12-16 B	316902	18814/2007	23-01 H	316954	19435/2007
12-16 B	316903	18816/2007	23-01 H	316957	19438/2007
12-16 B	316904	18817/2007	23-01 H	316978	19455/2007
12-16 E	316890	18804/2007	23-01 H	316979	19456/2007
12-16 E	316892	18802/2007	23-01 H	316980	19457/2007
12-16 E	316893	18803/2007	23-02 A	316782	15575/2005
12-16 E	316894	18805/2007	23-02 B	316813	19416/2007
12-16 E	316897	18808/2007	23-02 B	316814	19417/2007
12-16 F	316891	18801/2007	23-02 B	316834	19414/2007
13-03 B	316845	18625/2007	23-02 B	316835	19415/2007
14-01	316935	19893/2007	23-02 B	316859	10847/2006
14-02	316931	19694/2007	23-02 B	316860	10848/2006
14-02	316932	19994/2007	23-02 B	316861	10849/2006
14-03 A	316909	19255/2007	23-02 B	316862	14300/2006
14-03 A	316910	19256/2007	23-02 B	316955	19436/2007
14-03 A	316911	19258/2007	23-02 B	316956	19437/2007
14-03 NES	316952	19418/2007	23-02 B	316977	19454/2007
15-01	316785	17958/2007	24-01	316864	13822/2006
15-01	316786	17959/2007	25-01 A	316818	18156/2007
15-04	316967	20273/2007	25-01 A	316819	18160/2007
15-99	316983	19463/2007	25-01 K	316811	19404/2007
19-06	316914	19663/2007	25-01 K	316812	19405/2007
20-02 E	316944	19089/2007	25-01 K	316830	19410/2007
20-02 E	316968	19022/2007	25-01 K	316832	19412/2007
21-01 L	316815	15497/2005	25-01 K	316839	20431/2007
21-02 C	316837	19428/2007	25-01 K	316868	15658/2005
21-02 C	316838	19429/2007	25-01 K	316869	15659/2005
21-02 C	316973	19450/2007	25-04	316856	10369/2006
21-02 C	316974	19451/2007	25-04	316857	10370/2006
21-03	316816	16529/2007	25-04	316858	10371/2006
21-03	316817	19240/2007	25-04	316928	18934/2007
21-03	316969	19442/2007	25-04	316929	18935/2007
22-05	316836	19427/2007	28-03 NES	316919	18335/2007
23-01 A	316791	19384/2007	28-03 NES	316920	19986/2007
23-01 A	316792	19385/2007	28-03 NES	316921	19987/2007
23-01 A	316793	19386/2007	28-03 NES	316922	19988/2007
23-01 A	316794	19387/2007	28-03 NES	316923	19989/2007
23-01 A	316795	19388/2007	28-03 NES	316924	19990/2007
23-01 A	316796	19389/2007	28-03 NES	316925	19991/2007
23-01 A	316797	19390/2007	28-03 NES	316926	19992/2007
23-01 A	316798	19391/2007	28-03 NES	316927	19993/2007
23-01 A	316799	19392/2007	28-03 NES	316948	19352/2007
23-01 A	316800	19393/2007	28-03 NES	316949	19353/2007
23-01 A	316801	19394/2007	28-03 NES	316950	19354/2007
23-01 A	316802	19395/2007	28-03 NES	316951	19355/2007
23-01 A	316961	19484/2007	28-99	316946	19200/2007
23-01 A	316962	19485/2007			
23-01 E	316913	19298/2007			
23-01 F	316908	19219/2007			

- (21) Design Number: **13033/2006**
(22) Date of Filing Application: **17 July 2006**
(24) Date from which industrial property rights may have effect: **28 October 2005**
(54) Product in respect of which the design is registered: **Visual merchandising:-Posters, T-shirts, Bags, Photoprints, Party/Costume wear, Doll, Advertising/Promotion**
(51) International Design Classification: **02-02B**
(71) Name(s) and Address(s) of Applicant(s):
Jean Taylor
126 Chelmsford Street Newtown New South Wales 2042 Australia
(72) Name(s) of Designer(s): **Jean Taylor**
(45) Registration Date: **08 November 2007**
(62) Divisional of: **307946**
(56) Related Art Documents: **Not Applicable**
(57) Statement of Newness and Distinctiveness: **The costume is distinctive and new in the following ways: Shape - 1. The shape of the helmet with its cut out sides revealing the bare scalp and embossed panelling down the centre of the crown and over the ears. 2. The shape of the breast plate with the female moulded breasts and cut out ribs, stomach and crotch panels. Pattern - 3. The pattern of the back piece with its very distinctive organic cyber spine structure. Configuration - 4. The chain links which secure all the front panelling together like chain mail and rivet holes placed along all the edges of the breast plate and back piece so it can be laced onto the body. 5. The rigid yet flexible resin material that the costume is constructed from.* Texture - 6. The chrome metallic finish of the costume.* * Please note Jean Taylor is the designer. This costume was manufactured by a third party at the direction of the designer.**



- (21) Design Number: **13498/2006**
(22) Date of Filing Application: **09 August 2006**
(24) Date from which industrial property rights may have effect: **09 August 2006**
(54) Product in respect of which the design is registered: **Flagpole**
(51) International Design Classification: **11-05**
(71) Name(s) and Address(s) of Applicant(s):
Elizabeth Clark
182 South Road Terara New South Wales 2540 Australia
(72) Name(s) of Designer(s): **Elizabeth Clark**
(45) Registration Date: **08 November 2007**
(56) Related Art Documents: **Not Applicable**
(57) Statement of Newness and Distinctiveness: **This flagpole is distinctive due to the aluminium construction that replicates the natural "curve" of a traditional bamboo pole.**



(21) Design Number: **12947/2005**

(22) Date of Filing Application: **08 July 2005**

(24) Date from which industrial property rights may have effect: **08 July 2005**

(54) Product in respect of which the design is registered: **Tap flange**

(51) International Design Classification: **23-01H**

(71) Name(s) and Address(s) of Applicant(s):

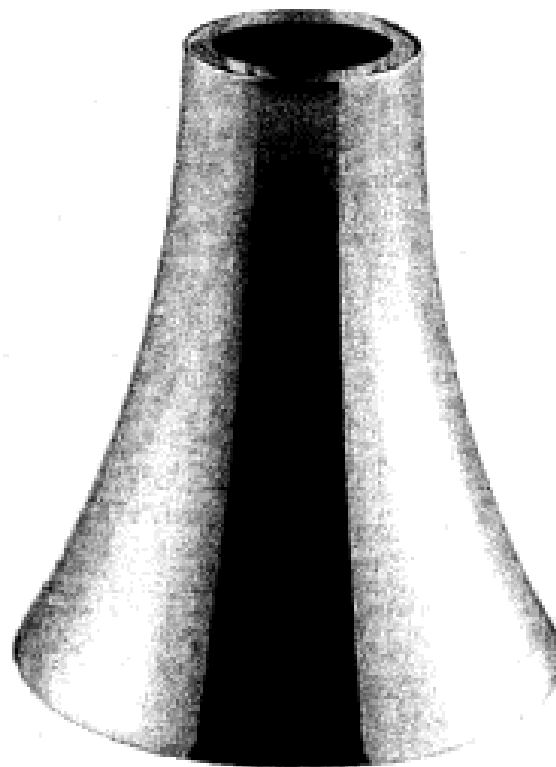
**Phoenix Industries Pty Ltd
7 Ashburn Place Blackburn Victoria 3130 Australia**

(72) Name(s) of Designer(s): **Natalia Mona Tjahjono**

(45) Registration Date: **08 November 2007**

(56) Related Art Documents: **Not Applicable**

(57) Statement of Newness and Distinctiveness: **Tapware flange with elegant tall smooth curved lines.**



(21) Design Number: **12948/2005**

(22) Date of Filing Application: **08 July 2005**

(24) Date from which industrial property rights may have effect: **08 July 2005**

(54) Product in respect of which the design is registered: **Tap handle**

(51) International Design Classification: **23-01H**

(71) Name(s) and Address(s) of Applicant(s):

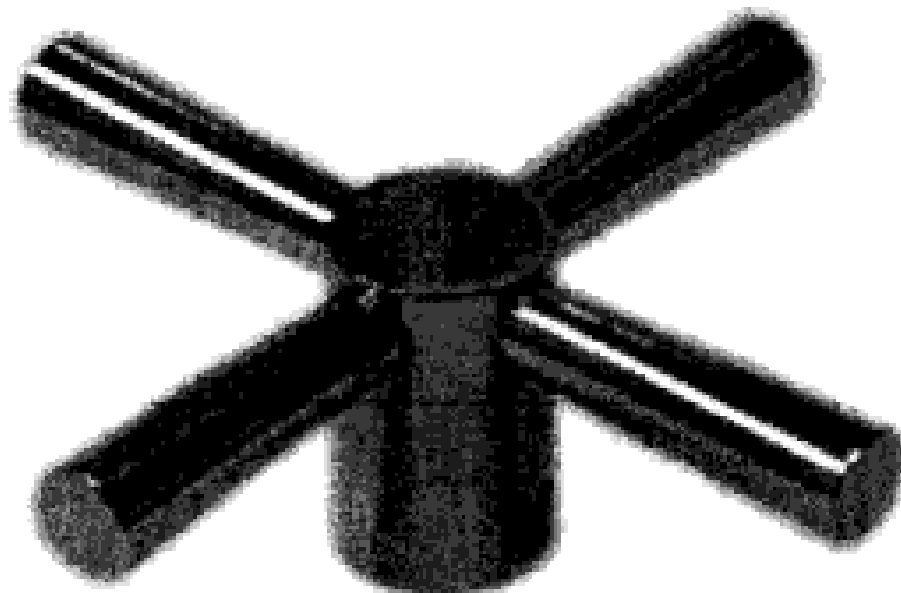
**Phoenix Industries Pty Ltd
7 Ashburn Place Blackburn Victoria 3130 Australia**

(72) Name(s) of Designer(s): **Natalia Mona Tjahjono**

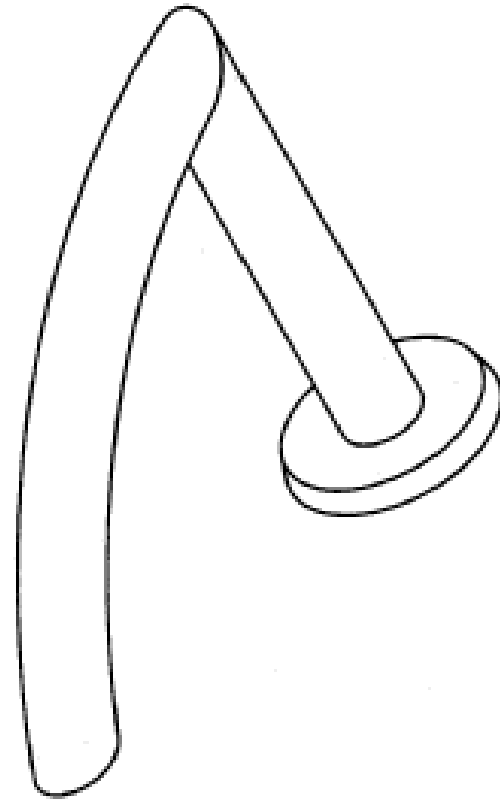
(45) Registration Date: **08 November 2007**

(56) Related Art Documents: **Not Applicable**

(57) Statement of Newness and Distinctiveness: **Nil**



- (21) Design Number: **15575/2005**
(22) Date of Filing Application: **08 July 2005**
(24) Date from which industrial property rights may have effect: **08 July 2005**
(54) Product in respect of which the design is registered: **Tumbler holder**
(51) International Design Classification: **23-02A**
(71) Name(s) and Address(s) of Applicant(s):
Phoenix Industries Pty Ltd
7 Ashburn Place Blackburn Victoria 3130 Australia
(72) Name(s) of Designer(s): **Natalia Mona Tjahjono**
(45) Registration Date: **08 November 2007**
(56) Related Art Documents: **Not Applicable**
(57) Statement of Newness and Distinctiveness: **Nil**



- (21) Design Number: **19642/2007**
(22) Date of Filing Application: **06 September 2007**
(24) Date from which industrial property rights may have effect: **06 September 2007**
(54) Product in respect of which the design is registered: **Side magnet latch without lock**
(51) International Design Classification: **08-07**
(71) Name(s) and Address(s) of Applicant(s):
Imd Concepts Pty Ltd
24/97 Oaks Avenue Dee Why New South Wales 2099 Australia
(72) Name(s) of Designer(s): **Imad Seymour**
(45) Registration Date: **08 November 2007**
(56) Related Art Documents: **Not Applicable**
(57) Statement of Newness and Distinctiveness: **Nil**



- (21) Design Number: **19643/2007**
- (22) Date of Filing Application: **06 September 2007**
- (24) Date from which industrial property rights may have effect: **06 September 2007**
- (54) Product in respect of which the design is registered: **Side magnet latch with lock**
- (51) International Design Classification: **08-07**
- (71) Name(s) and Address(s) of Applicant(s):
Imd Concepts Pty Ltd
24/97 Oaks Avenue Dee Why New South Wales 2099 Australia
- (72) Name(s) of Designer(s): **Imad Seymour**
- (45) Registration Date: **08 November 2007**
- (56) Related Art Documents: **Not Applicable**
- (57) Statement of Newness and Distinctiveness: **This design is with a lock built into it.**



- (21) Design Number: **17958/2007**
- (22) Date of Filing Application: **18 May 2007**
- (24) Date from which industrial property rights may have effect: **18 May 2007**
- (54) Product in respect of which the design is registered: **Metal jacket harmonic balancer**
- (51) International Design Classification: **15-01**
- (71) Name(s) and Address(s) of Applicant(s):
Ross Clothier
2/16 Forge Street Blacktown New South Wales 2148 Australia
- (72) Name(s) of Designer(s): **Ross Clothier**
- (45) Registration Date: **08 November 2007**
- (56) Related Art Documents: **Not Applicable**
- (57) Statement of Newness and Distinctiveness: **Anodized aluminium, laser etched from 0 degrees to 360 degrees, slotted to allow operator to adjust.**



(21) Design Number: **17959/2007**
(22) Date of Filing Application: **18 May 2007**
(24) Date from which industrial property rights may have effect: **18 May 2007**
(54) Product in respect of which the design is registered: **Metal jacket harmonic balancer**
(51) International Design Classification: **15-01**
(71) Name(s) and Address(s) of Applicant(s):
Ross Clothier
2/16 Forge Street Blacktown New South Wales 2148 Australia
(72) Name(s) of Designer(s): **Ross Clothier**
(45) Registration Date: **08 November 2007**
(56) Related Art Documents: **Not Applicable**
(57) Statement of Newness and Distinctiveness: **Removable anodized front pulley.**



(21) Design Number: **19304/2007**
(22) Date of Filing Application: **10 August 2007**
(24) Date from which industrial property rights may have effect: **10 August 2007**
(54) Product in respect of which the design is registered: **Ladies clothin garments**
(51) International Design Classification: **02-02NES**
(71) Name(s) and Address(s) of Applicant(s):
Lolitta Clothing Pty Ltd
11 Albert Street Richmond VIC 3121
(72) Name(s) of Designer(s): **Tamara Mond**
(45) Registration Date: **08 November 2007**
(56) Related Art Documents: **Not Applicable**
(57) Statement of Newness and Distinctiveness: **Nil**



- (21) Design Number: **20569/2007**
(22) Date of Filing Application: **10 August 2007**
(24) Date from which industrial property rights may have effect: **10 August 2007**
(54) Product in respect of which the design is registered: **Ladies clothin garments**
(51) International Design Classification: **02-02C**
(71) Name(s) and Address(s) of Applicant(s):
Lolitta Clothing Pty Ltd
11 Albert Street Richmond VIC 3121
(72) Name(s) of Designer(s): **Tamara Mond**
(45) Registration Date: **08 November 2007**
(56) Related Art Documents: **Not Applicable**
(57) Statement of Newness and Distinctiveness: **Nil**



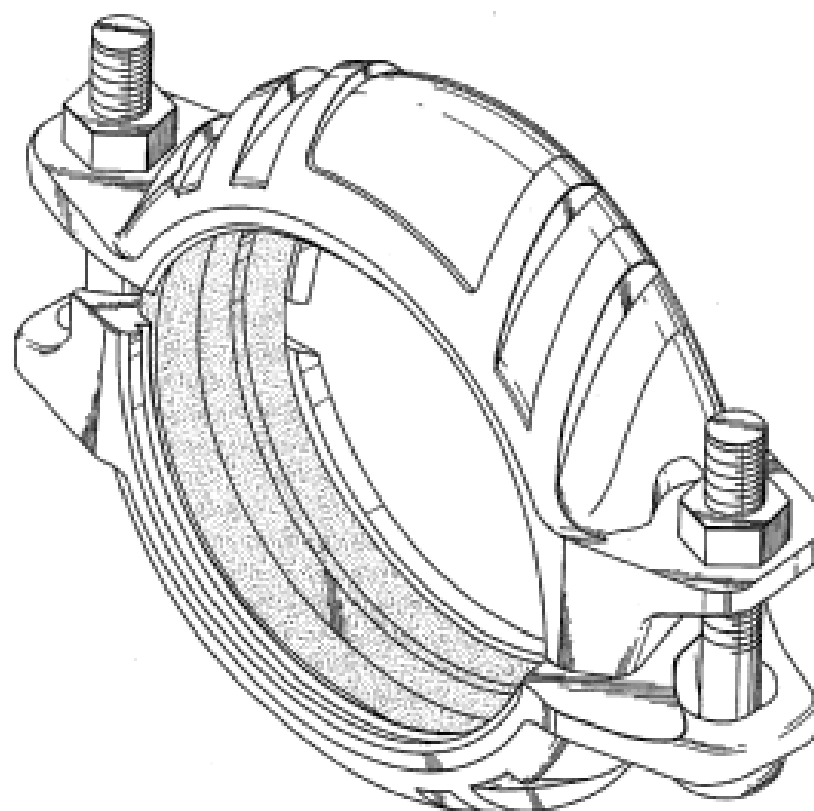
- (21) Design Number: **20570/2007**
(22) Date of Filing Application: **10 August 2007**
(24) Date from which industrial property rights may have effect: **10 August 2007**
(54) Product in respect of which the design is registered: **Ladies clothin garments**
(51) International Design Classification: **02-02C**
(71) Name(s) and Address(s) of Applicant(s):
Lolitta Clothing Pty Ltd
11 Albert Street Richmond VIC 3121
(72) Name(s) of Designer(s): **Tamara Mond**
(45) Registration Date: **08 November 2007**
(56) Related Art Documents: **Not Applicable**
(57) Statement of Newness and Distinctiveness: **Nil**



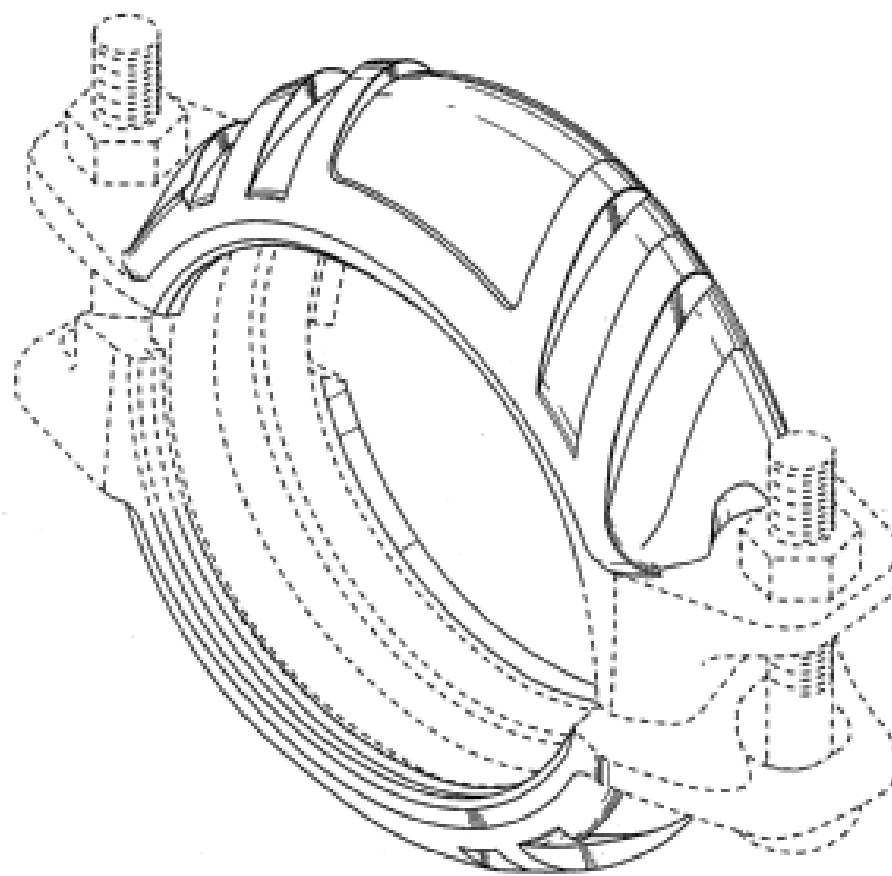
- (21) Design Number: **20571/2007**
(22) Date of Filing Application: **10 August 2007**
(24) Date from which industrial property rights may have effect: **10 August 2007**
(54) Product in respect of which the design is registered: **Ladies clothin garments**
(51) International Design Classification: **02-02C**
(71) Name(s) and Address(s) of Applicant(s):
Lolitta Clothing Pty Ltd
11 Albert Street Richmond VIC 3121
(72) Name(s) of Designer(s): **Tamara Mond**
(45) Registration Date: **08 November 2007**
(56) Related Art Documents: **Not Applicable**
(57) Statement of Newness and Distinctiveness: **Nil**



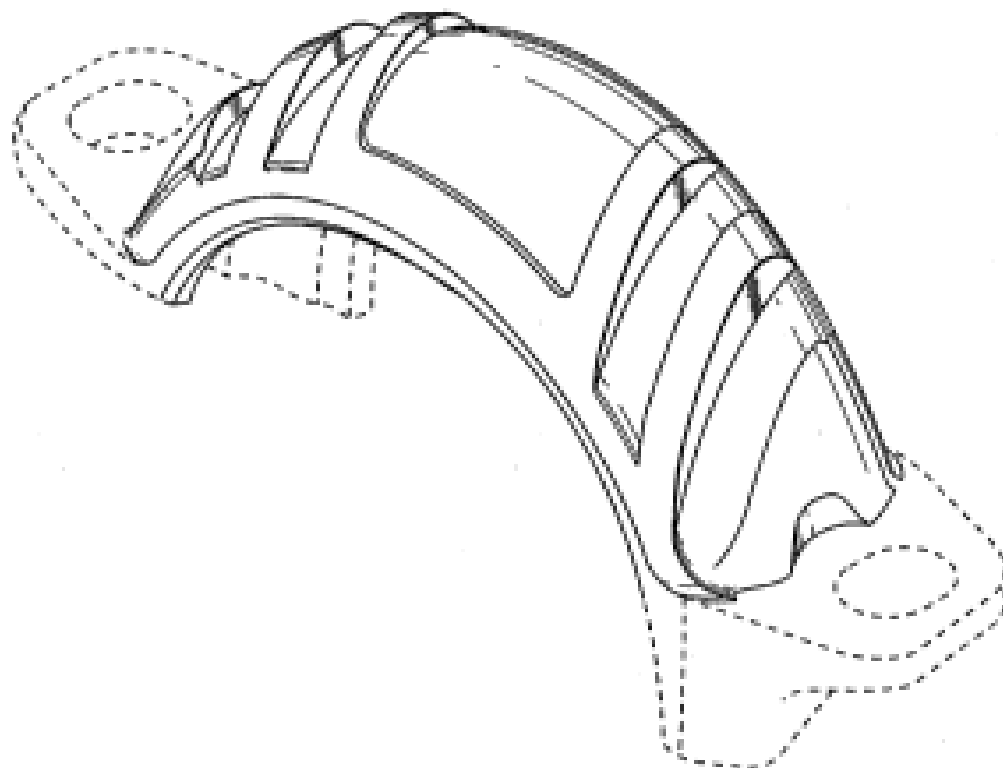
- (21) Design Number: **19384/2007**
(22) Date of Filing Application: **16 August 2007**
(24) Date from which industrial property rights may have effect: **16 August 2007**
(54) Product in respect of which the design is registered: **Pipe coupling assembly**
(51) International Design Classification: **23-01A**
(71) Name(s) and Address(s) of Applicant(s):
Victaulic Company
4901 Kesslersville Road Easton Pennsylvania 18040 United States of America
(72) Name(s) of Designer(s): **John W. Pierce and Douglas R. Dole and William A. Nagle and Scott D. Madara**
(45) Registration Date: **15 November 2007**
(30) Convention priority data:
(31) Number (32) Date (33) Country
29/278190 21 Mar 2007 UNITED STATES OF AMERICA
(56) Related Art Documents: **Not Applicable**
(57) Statement of Newness and Distinctiveness: **Newness and distinctiveness is claimed in the features of shape and/or configuration of a pipe coupling assembly as illustrated in the accompanying representations.**



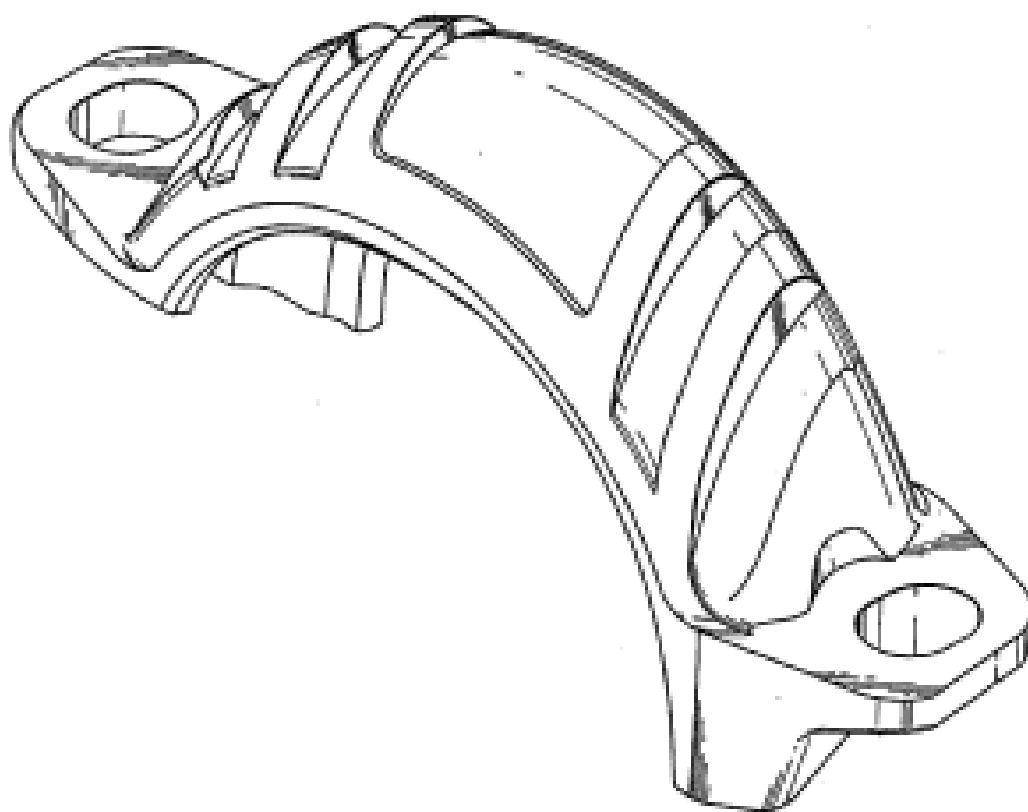
(21) Design Number: **19385/2007**
 (22) Date of Filing Application: **16 August 2007**
 (24) Date from which industrial property rights may have effect: **16 August 2007**
 (54) Product in respect of which the design is registered: **Pipe coupling assembly**
 (51) International Design Classification: **23-01A**
 (71) Name(s) and Address(s) of Applicant(s):
Victaulic Company
4901 Kesslersville Road Easton Pennsylvania 18040 United States of America
 (72) Name(s) of Designer(s): **John W. Pierce and Douglas R. Dole and William A. Nagle and Scott D. Madara**
 (45) Registration Date: **15 November 2007**
 (30) Convention priority data:
 (31) Number (32) Date (33) Country
29/278190 21 Mar 2007 UNITED STATES OF AMERICA
 (56) Related Art Documents: **Not Applicable**
 (57) Statement of Newness and Distinctiveness: **Newness and distinctiveness is claimed in those features of shape and/or configuration of a pipe coupling assembly illustrated in continuous lines in the accompanying representations.**



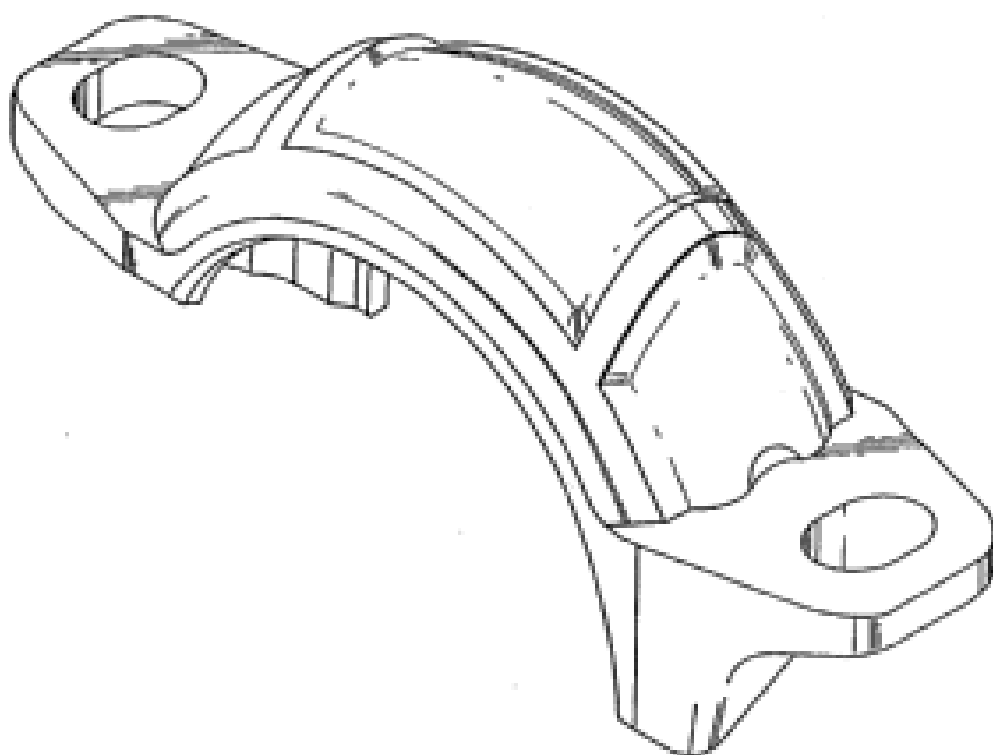
(21) Design Number: **19386/2007**
 (22) Date of Filing Application: **16 August 2007**
 (24) Date from which industrial property rights may have effect: **16 August 2007**
 (54) Product in respect of which the design is registered: **Pipe coupling segment**
 (51) International Design Classification: **23-01A**
 (71) Name(s) and Address(s) of Applicant(s):
Victaulic Company
4901 Kesslersville Road Easton Pennsylvania 18040 United States of America
 (72) Name(s) of Designer(s): **John W. Pierce and Douglas R. Dole and William A. Nagle and Scott D. Madara**
 (45) Registration Date: **15 November 2007**
 (30) Convention priority data:
 (31) Number (32) Date (33) Country
29/278190 21 Mar 2007 UNITED STATES OF AMERICA
 (56) Related Art Documents: **Not Applicable**
 (57) Statement of Newness and Distinctiveness: **Newness and distinctiveness is claimed in those features of shape and/or configuration of a pipe coupling segment illustrated in continuous lines in the accompanying representations.**



- (21) Design Number: **19387/2007**
(22) Date of Filing Application: **16 August 2007**
(24) Date from which industrial property rights may have effect: **16 August 2007**
(54) Product in respect of which the design is registered: **Pipe coupling segment**
(51) International Design Classification: **23-01A**
(71) Name(s) and Address(s) of Applicant(s):
Victaulic Company
4901 Kesslersville Road Easton Pennsylvania 18040 United States of America
(72) Name(s) of Designer(s): **John W. Pierce and Douglas R. Dole and William A. Nagle and Scott D. Madara**
(45) Registration Date: **15 November 2007**
(30) Convention priority data:
(31) Number (32) Date (33) Country
29/278190 21 Mar 2007 UNITED STATES OF AMERICA
(56) Related Art Documents: **Not Applicable**
(57) Statement of Newness and Distinctiveness: **Newness and distinctiveness is claimed in the features of shape and/or configuration of a pipe coupling segment as illustrated in the accompanying representations.**



- (21) Design Number: **19388/2007**
(22) Date of Filing Application: **16 August 2007**
(24) Date from which industrial property rights may have effect: **16 August 2007**
(54) Product in respect of which the design is registered: **Pipe coupling segment**
(51) International Design Classification: **23-01A**
(71) Name(s) and Address(s) of Applicant(s):
Victaulic Company
4901 Kesslersville Road Easton Pennsylvania 18040 United States of America
(72) Name(s) of Designer(s): **William A. Nagle and John W. Pierce and Douglas R. Dole and Scott D. Madara**
(45) Registration Date: **15 November 2007**
(30) Convention priority data:
(31) Number (32) Date (33) Country
29/278187 21 Mar 2007 UNITED STATES OF AMERICA
(56) Related Art Documents: **Not Applicable**
(57) Statement of Newness and Distinctiveness: **Newness and distinctiveness is claimed in the features of shape and/or configuration of a pipe coupling segment as illustrated in the accompanying representations.**



- (21) Design Number: **19389/2007**
- (22) Date of Filing Application: **16 August 2007**
- (24) Date from which industrial property rights may have effect: **16 August 2007**
- (54) Product in respect of which the design is registered: **Pipe coupling assembly**
- (51) International Design Classification: **23-01A**
- (71) Name(s) and Address(s) of Applicant(s):

Victaulic Company
4901 Kesslersville Road Easton Pennsylvania 18040 United States of America

- (72) Name(s) of Designer(s): **William A. Nagle and Scott D. Madara and John W. Pierce and Douglas R. Dole**

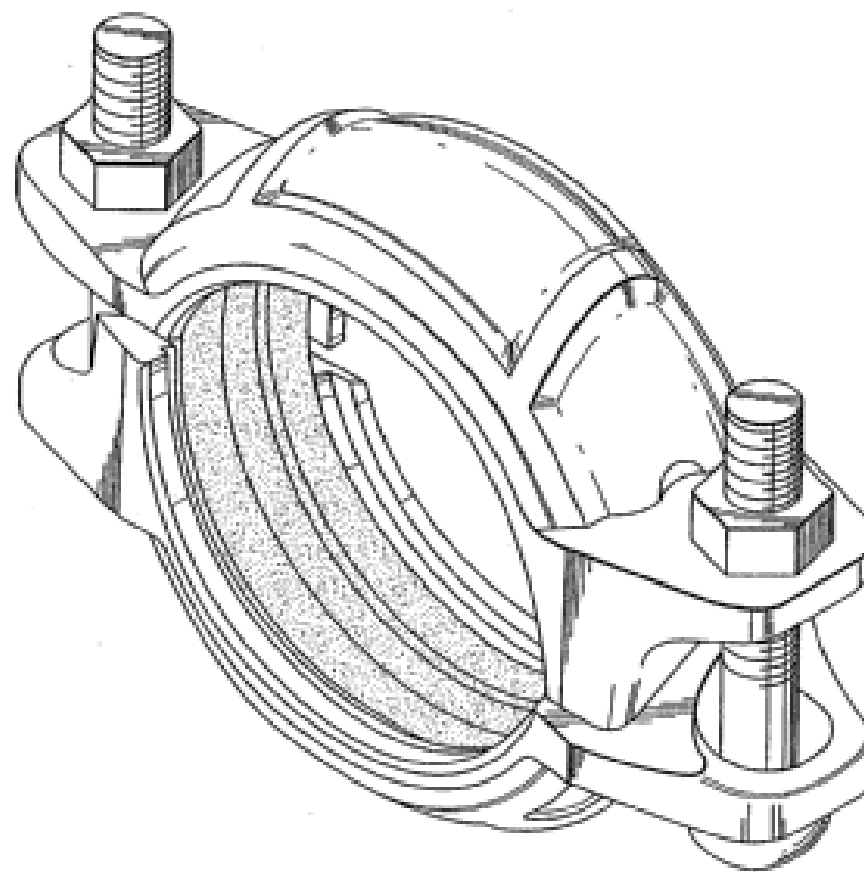
- (45) Registration Date: **15 November 2007**

- (30) Convention priority data:

(31) Number	(32) Date	(33) Country
29/278187	21 Mar 2007	UNITED STATES OF AMERICA

- (56) Related Art Documents: **Not Applicable**

- (57) Statement of Newness and Distinctiveness: **Newness and distinctiveness is claimed in the features of shape and/or configuration of a pipe coupling assembly as illustrated in the accompanying representations.**



- (21) Design Number: **19390/2007**
- (22) Date of Filing Application: **16 August 2007**
- (24) Date from which industrial property rights may have effect: **16 August 2007**
- (54) Product in respect of which the design is registered: **Pipe coupling segment**
- (51) International Design Classification: **23-01A**
- (71) Name(s) and Address(s) of Applicant(s):

Victaulic Company
4901 Kesslersville Road Easton Pennsylvania 18040 United States of America

- (72) Name(s) of Designer(s): **William A. Nagle and Scott D. Madara and John W. Pierce and Douglas R. Dole**

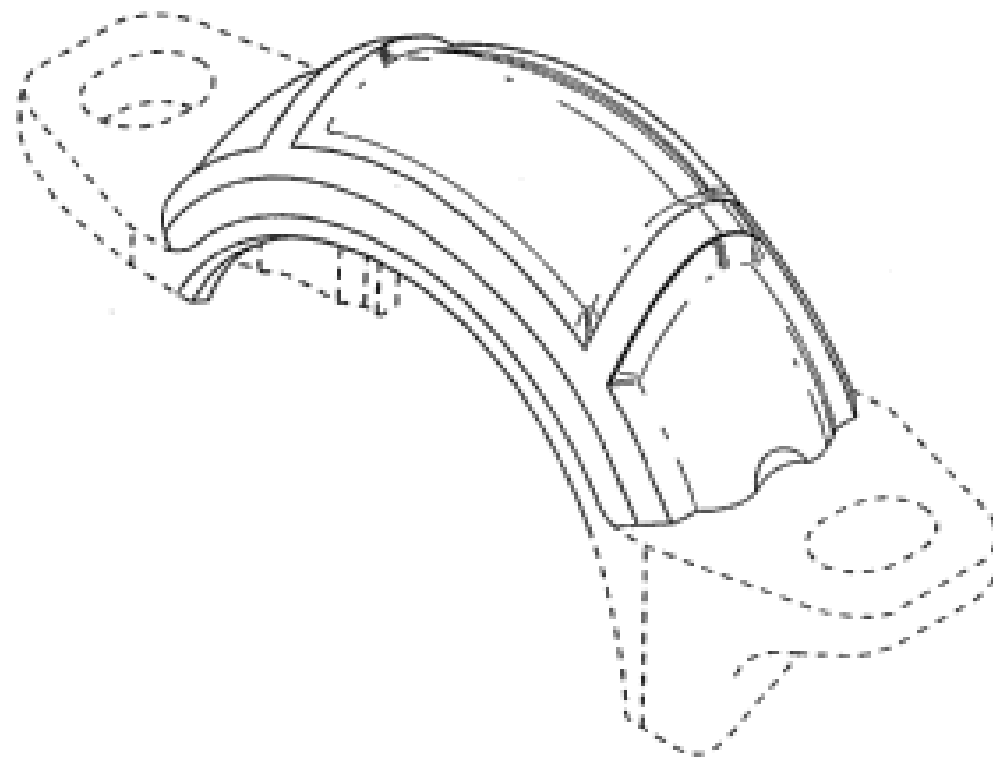
- (45) Registration Date: **15 November 2007**

- (30) Convention priority data:

(31) Number	(32) Date	(33) Country
29/278187	21 Mar 2007	UNITED STATES OF AMERICA

- (56) Related Art Documents: **Not Applicable**

- (57) Statement of Newness and Distinctiveness: **Newness and distinctiveness is claimed in those features of shape and/or configuration of a pipe coupling segment illustrated in continuous lines in the accompanying representations.**



- (21) Design Number: **19391/2007**
- (22) Date of Filing Application: **16 August 2007**
- (24) Date from which industrial property rights may have effect: **16 August 2007**
- (54) Product in respect of which the design is registered: **Pipe coupling assembly**
- (51) International Design Classification: **23-01A**
- (71) Name(s) and Address(s) of Applicant(s):

Victaulic Company
4901 Kesslersville Road Easton Pennsylvania 18040 United States of America

- (72) Name(s) of Designer(s): **William A. Nagle and Scott D. Madara and John W. Pierce and Douglas R. Dole**

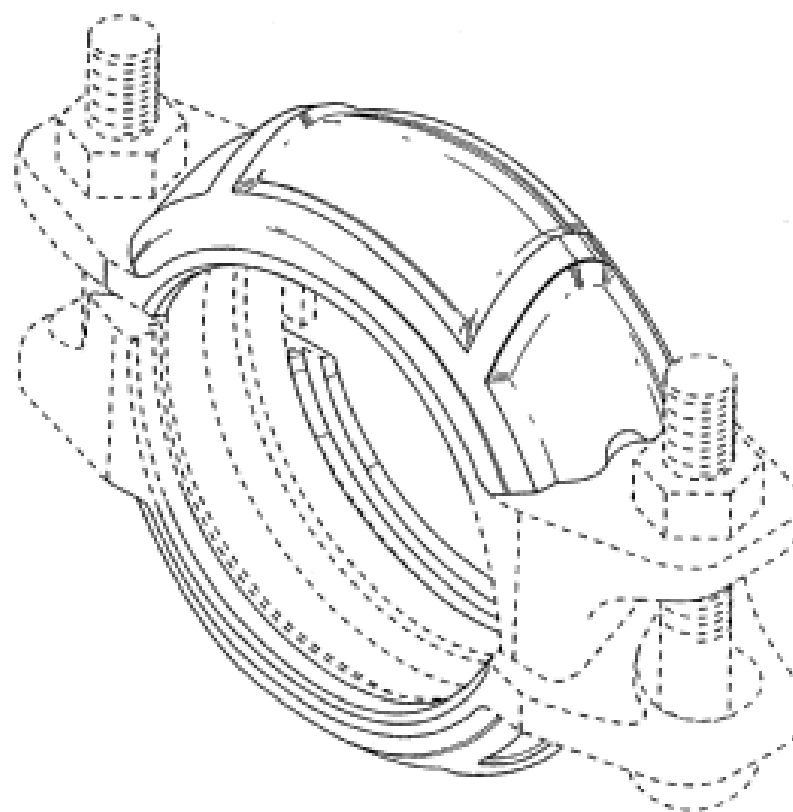
- (45) Registration Date: **15 November 2007**

- (30) Convention priority data:

(31) Number	(32) Date	(33) Country
29/278187	21 Mar 2007	UNITED STATES OF AMERICA

- (56) Related Art Documents: **Not Applicable**

- (57) Statement of Newness and Distinctiveness: **Newness and distinctiveness is claimed in those features of shape and/or configuration of a pipe coupling assembly illustrated in continuous lines in the accompanying representations.**



- (21) Design Number: **19392/2007**
- (22) Date of Filing Application: **16 August 2007**
- (24) Date from which industrial property rights may have effect: **16 August 2007**
- (54) Product in respect of which the design is registered: **Pipe coupling assembly**
- (51) International Design Classification: **23-01A**
- (71) Name(s) and Address(s) of Applicant(s):

Victaulic Company
4901 Kesslersville Road Easton Pennsylvania 18040 United States of America

- (72) Name(s) of Designer(s): **John W. Pierce and Douglas R. Dole and William A. Nagle and Scott D. Madara**

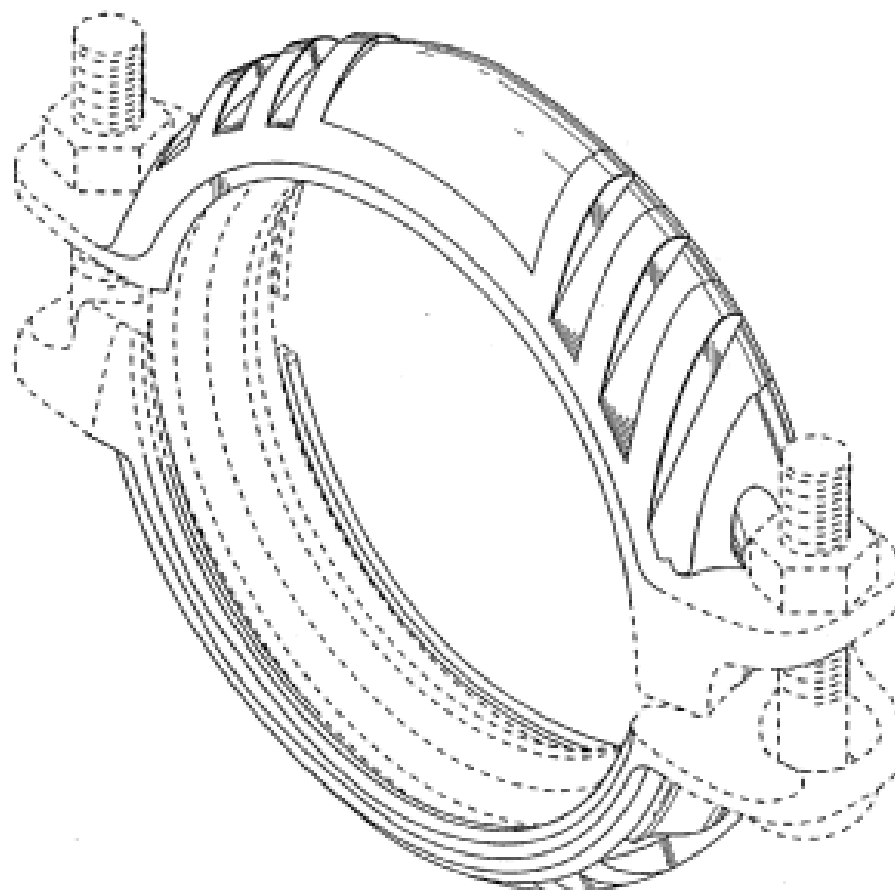
- (45) Registration Date: **15 November 2007**

- (30) Convention priority data:

(31) Number	(32) Date	(33) Country
29/278192	21 Mar 2007	UNITED STATES OF AMERICA

- (56) Related Art Documents: **Not Applicable**

- (57) Statement of Newness and Distinctiveness: **Newness and distinctiveness is claimed in those features of shape and/or configuration of a pipe coupling assembly illustrated in continuous lines in the accompanying representations.**



- (21) Design Number: **19393/2007**
- (22) Date of Filing Application: **16 August 2007**
- (24) Date from which industrial property rights may have effect: **16 August 2007**
- (54) Product in respect of which the design is registered: **Pipe coupling assembly**
- (51) International Design Classification: **23-01A**
- (71) Name(s) and Address(s) of Applicant(s):

Victaulic Company
4901 Kesslersville Road Easton Pennsylvania 18040 United States of America

- (72) Name(s) of Designer(s): **John W. Pierce and Douglas R. Dole and William A. Nagle and Scott D. Madara**

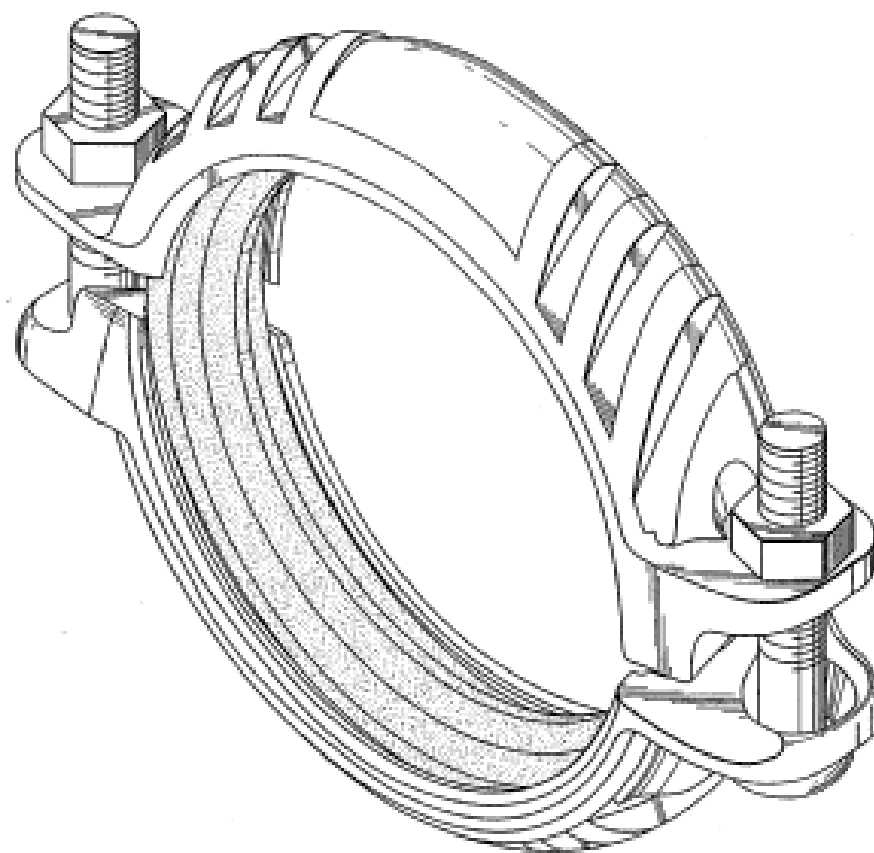
- (45) Registration Date: **15 November 2007**

- (30) Convention priority data:

(31) Number	(32) Date	(33) Country
29/278192	21 Mar 2007	UNITED STATES OF AMERICA

- (56) Related Art Documents: **Not Applicable**

- (57) Statement of Newness and Distinctiveness: **Newness and distinctiveness is claimed in the features of shape and/or configuration of a pipe coupling assembly as illustrated in the accompanying representations.**



- (21) Design Number: **19394/2007**
- (22) Date of Filing Application: **16 August 2007**
- (24) Date from which industrial property rights may have effect: **16 August 2007**
- (54) Product in respect of which the design is registered: **Pipe coupling segment**
- (51) International Design Classification: **23-01A**
- (71) Name(s) and Address(s) of Applicant(s):

Victaulic Company
4901 Kesslersville Road Easton Pennsylvania 18040 United States of America

- (72) Name(s) of Designer(s): **John W. Pierce and Douglas R. Dole and William A. Nagle and Scott D. Madara**

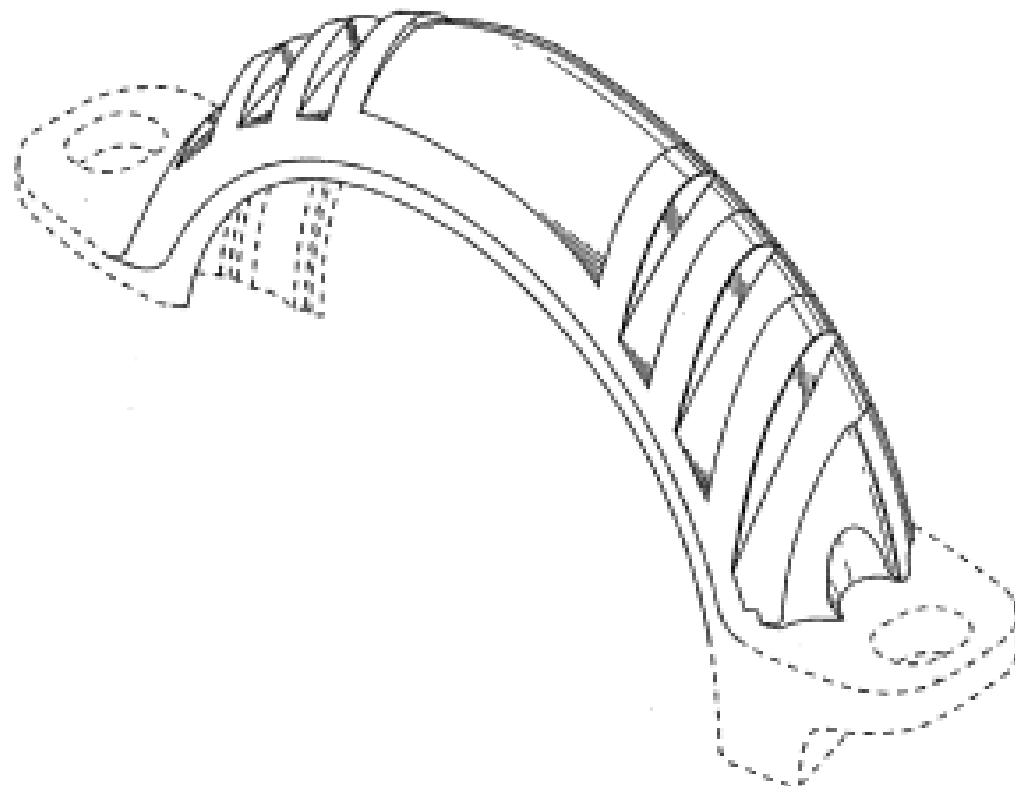
- (45) Registration Date: **15 November 2007**

- (30) Convention priority data:

(31) Number	(32) Date	(33) Country
29/278192	21 Mar 2007	UNITED STATES OF AMERICA

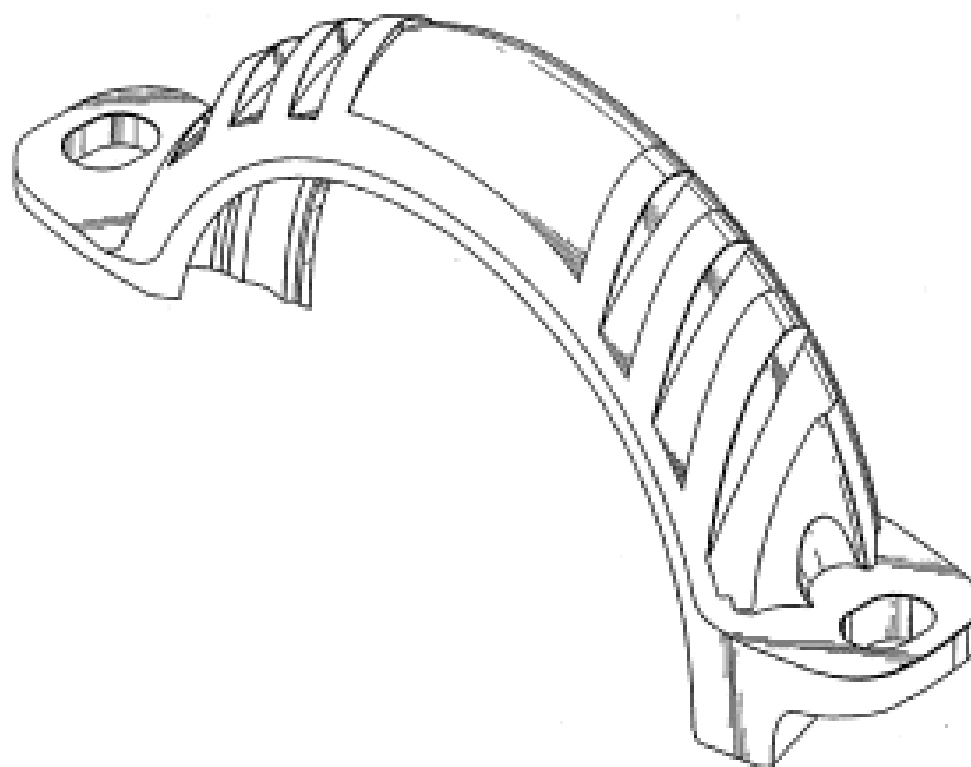
- (56) Related Art Documents: **Not Applicable**

- (57) Statement of Newness and Distinctiveness: **Newness and distinctiveness is claimed in those features of shape and/or configuration of a pipe coupling segment illustrated in continuous lines in the accompanying representations.**



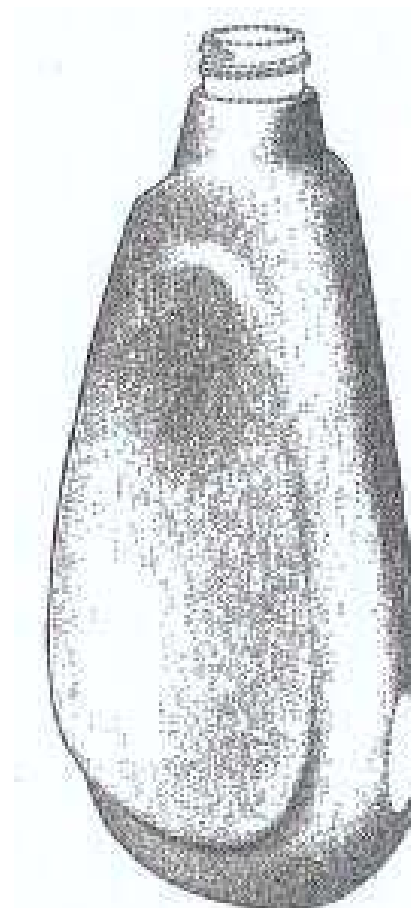
- (21) Design Number: **19395/2007**
- (22) Date of Filing Application: **16 August 2007**
- (24) Date from which industrial property rights may have effect: **16 August 2007**
- (54) Product in respect of which the design is registered: **Pipe coupling segment**
- (51) International Design Classification: **23-01A**
- (71) Name(s) and Address(s) of Applicant(s):
Victaulic Company
4901 Kesslersville Road Easton Pennsylvania 18040 United States of America
- (72) Name(s) of Designer(s): **John W. Pierce and Douglas R. Dole and William A. Nagle and Scott D. Madara**
- (45) Registration Date: **15 November 2007**
- (30) Convention priority data:

(31) Number	(32) Date	(33) Country
29/278192	21 Mar 2007	UNITED STATES OF AMERICA
- (56) Related Art Documents: **Not Applicable**
- (57) Statement of Newness and Distinctiveness: **Newness and distinctiveness is claimed in the features of shape and/or configuration of a pipe coupling segment as illustrated in the accompanying representation.**

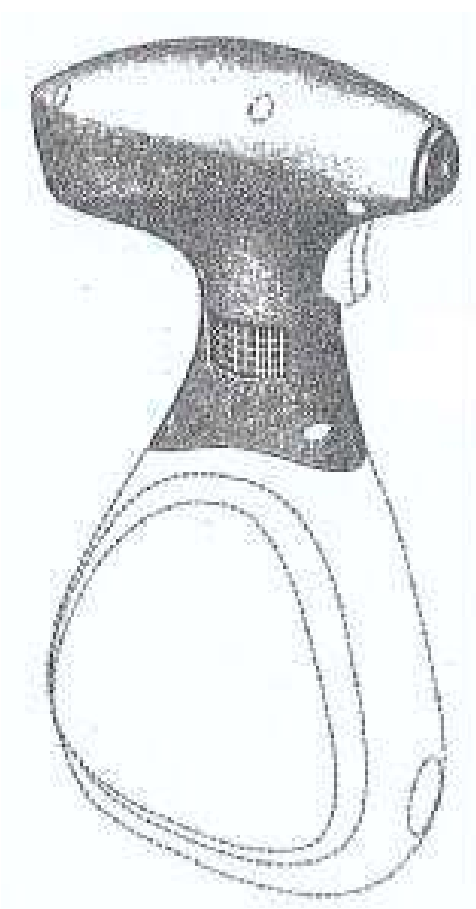


- (21) Design Number: **19396/2007**
- (22) Date of Filing Application: **16 August 2007**
- (24) Date from which industrial property rights may have effect: **16 August 2007**
- (54) Product in respect of which the design is registered: **Refill bottle**
- (51) International Design Classification: **09-01K**
- (71) Name(s) and Address(s) of Applicant(s):
S.C. Johnson and Son Inc.
1525 Howe Street Racine Wisconsin 53403-2236 United States of America
- (72) Name(s) of Designer(s): **Bradley G. Harrison and Cathal Fahy and Timothy R. Bartlett and Evan A. Sparks**
- (45) Registration Date: **15 November 2007**
- (30) Convention priority data:

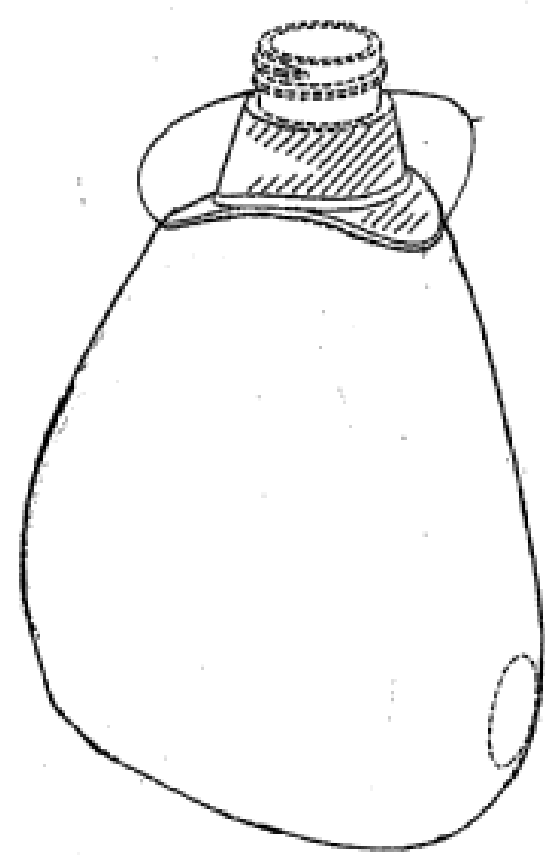
(31) Number	(32) Date	(33) Country
29/277187	16 Feb 2007	UNITED STATES OF AMERICA
- (56) Related Art Documents: **Not Applicable**
- (57) Statement of Newness and Distinctiveness: **Newness and distinctiveness is claimed in those features of shape and/or configuration of a refill bottle as illustrated in continuous lines in the accompanying representations.**



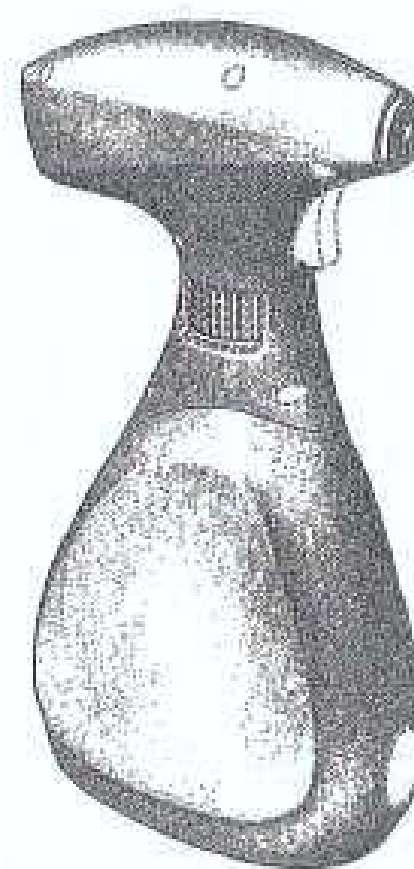
(21) Design Number: **19397/2007**
 (22) Date of Filing Application: **16 August 2007**
 (24) Date from which industrial property rights may have effect: **16 August 2007**
 (54) Product in respect of which the design is registered: **Sprayer head**
 (51) International Design Classification: **09-07A**
 (71) Name(s) and Address(s) of Applicant(s):
S.C. Johnson and Son Inc.
1525 Howe Street Racine Wisconsin 53403-2236 United States of America
 (72) Name(s) of Designer(s): **Bradley G. Harrison and Cathal Fahy and Timothy R. Bartlett and Evan A. Sparks**
 (45) Registration Date: **15 November 2007**
 (30) Convention priority data:
 (31) Number (32) Date (33) Country
29/277176 16 Feb 2007 UNITED STATES OF AMERICA
 (56) Related Art Documents: **Not Applicable**
 (57) Statement of Newness and Distinctiveness: **Newness and distinctiveness is claimed in those features of shape and/or configuration of a sprayer head as illustrated in continuous lines in the accompanying representations.**



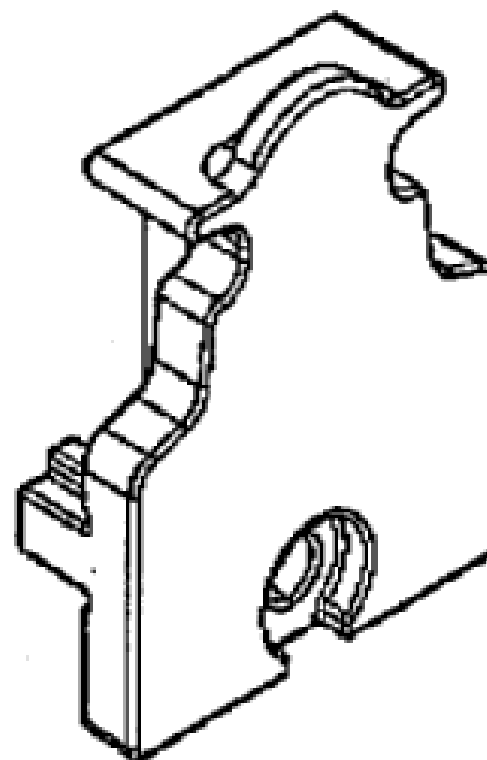
(21) Design Number: **19398/2007**
 (22) Date of Filing Application: **16 August 2007**
 (24) Date from which industrial property rights may have effect: **16 August 2007**
 (54) Product in respect of which the design is registered: **A bottle**
 (51) International Design Classification: **09-01K**
 (71) Name(s) and Address(s) of Applicant(s):
S.C. Johnson and Son Inc.
1525 Howe Street Racine Wisconsin 53403-2236 United States of America
 (72) Name(s) of Designer(s): **Bradley G. Harrison and Cathal Fahy and Timothy R. Bartlett and Evan A. Sparks**
 (45) Registration Date: **15 November 2007**
 (30) Convention priority data:
 (31) Number (32) Date (33) Country
29/277192 16 Feb 2007 UNITED STATES OF AMERICA
 (56) Related Art Documents: **Not Applicable**
 (57) Statement of Newness and Distinctiveness: **Newness and distinctiveness is claimed in those features of shape and/or configuration of the top portion of a bottle as illustrated in continuous lines and labelled "A" in the accompanying representations.**



- (21) Design Number: **19399/2007**
(22) Date of Filing Application: **16 August 2007**
(24) Date from which industrial property rights may have effect: **16 August 2007**
(54) Product in respect of which the design is registered: **A bottle and sprayer head**
(51) International Design Classification: **09-01A**
(71) Name(s) and Address(s) of Applicant(s):
S.C. Johnson and Son Inc.
1525 Howe Street Racine Wisconsin 53403-2236 United States of America
(72) Name(s) of Designer(s): **Bradley G. Harrison and Cathal Fahy and Timothy R. Bartlett and Evan A. Sparks**
(45) Registration Date: **15 November 2007**
(30) Convention priority data:
(31) Number (32) Date (33) Country
29/277180 16 Feb 2007 UNITED STATES OF AMERICA
(56) Related Art Documents: **Not Applicable**
(57) Statement of Newness and Distinctiveness: **Newness and distinctiveness is claimed in those features of shape and/or configuration of a bottle and sprayer head as illustrated in continuous lines in the accompanying representations.**



- (21) Design Number: **19400/2007**
(22) Date of Filing Application: **17 August 2007**
(24) Date from which industrial property rights may have effect: **17 August 2007**
(54) Product in respect of which the design is registered: **Antitilt end bracket for a compactus assembly**
(51) International Design Classification: **08-08M**
(71) Name(s) and Address(s) of Applicant(s):
Glidestore Freetrack Pty Ltd
48 Fullarton Road Norwood South Australia 5067 Australia
(72) Name(s) of Designer(s): **George Giles Campbell and Brian Maurice Parker**
(45) Registration Date: **15 November 2007**
(56) Related Art Documents: **Not Applicable**
(57) Statement of Newness and Distinctiveness: **Nil**



(21) Design Number: **19401/2007**

(22) Date of Filing Application: **17 August 2007**

(24) Date from which industrial property rights may have effect: **17 August 2007**

(54) Product in respect of which the design is registered: **A stop bracket for a compactus assembly**

(51) International Design Classification: **08-08M**

(71) Name(s) and Address(s) of Applicant(s):

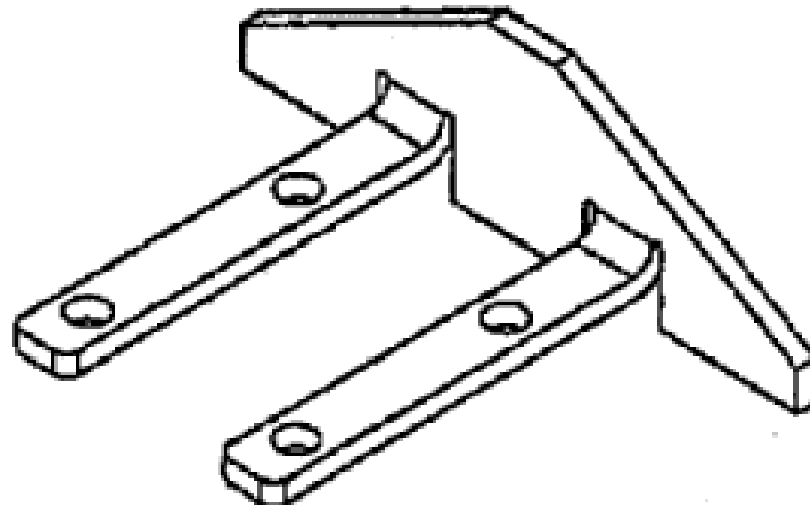
Glidestore Freetrack Pty Ltd
48 Fullarton Road Norwood South Australia 5067 Australia

(72) Name(s) of Designer(s): **George Giles Campbell and Brian Maurice Parker**

(45) Registration Date: **15 November 2007**

(56) Related Art Documents: **Not Applicable**

(57) Statement of Newness and Distinctiveness: **Nil**



(21) Design Number: **19402/2007**

(22) Date of Filing Application: **17 August 2007**

(24) Date from which industrial property rights may have effect: **17 August 2007**

(54) Product in respect of which the design is registered: **Wheel cartridge for a compactus assembly**

(51) International Design Classification: **08-09**

(71) Name(s) and Address(s) of Applicant(s):

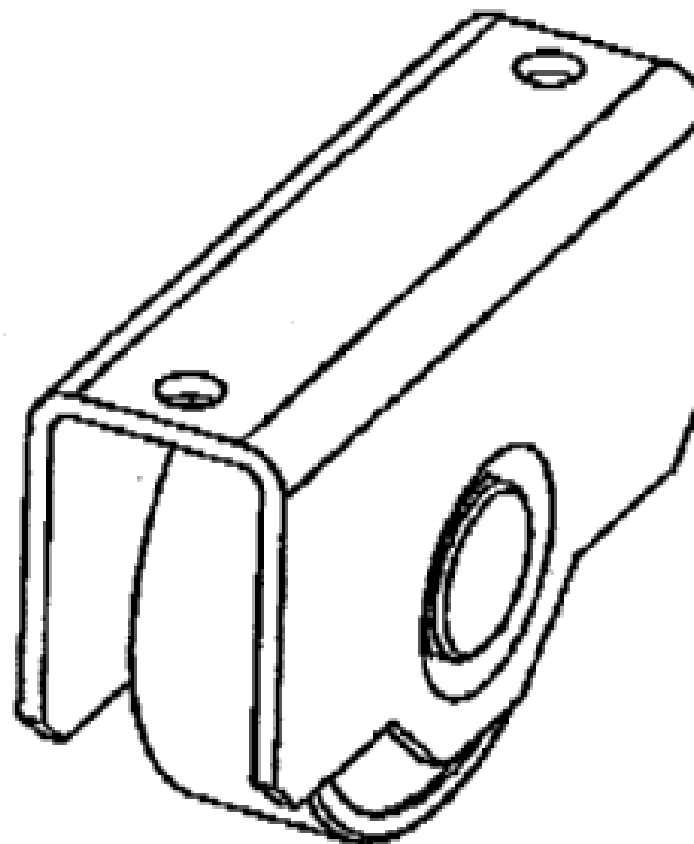
Glidestore Freetrack Pty Ltd
48 Fullarton Road Norwood South Australia 5067 Australia

(72) Name(s) of Designer(s): **George Giles Campbell and Brian Maurice Parker**

(45) Registration Date: **15 November 2007**

(56) Related Art Documents: **Not Applicable**

(57) Statement of Newness and Distinctiveness: **Nil**



(21) Design Number: **19403/2007**

(22) Date of Filing Application: **17 August 2007**

(24) Date from which industrial property rights may have effect: **17 August 2007**

(54) Product in respect of which the design is registered: **A packer for a compactus assembly**

(51) International Design Classification: **08-09**

(71) Name(s) and Address(s) of Applicant(s):

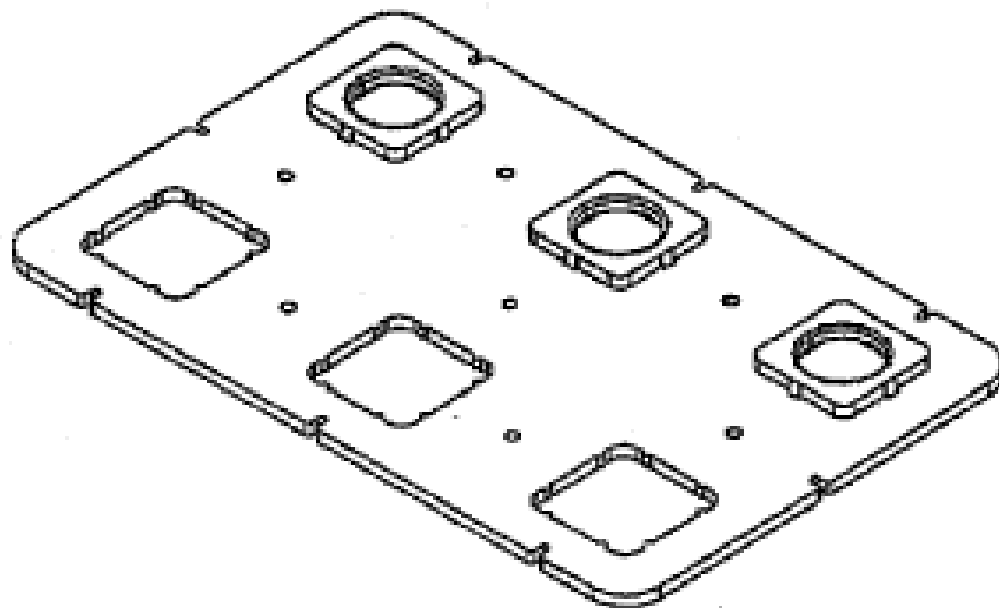
Glidestore Freetrack Pty Ltd
48 Fullarton Road Norwood South Australia 5067 Australia

(72) Name(s) of Designer(s): **George Giles Campbell and Brian Maurice Parker**

(45) Registration Date: **15 November 2007**

(56) Related Art Documents: **Not Applicable**

(57) Statement of Newness and Distinctiveness: **Nil**



(21) Design Number: **19404/2007**

(22) Date of Filing Application: **17 August 2007**

(24) Date from which industrial property rights may have effect: **17 August 2007**

(54) Product in respect of which the design is registered: **A runner extrusion for a compactus assembly**

(51) International Design Classification: **25-01K**

(71) Name(s) and Address(s) of Applicant(s):

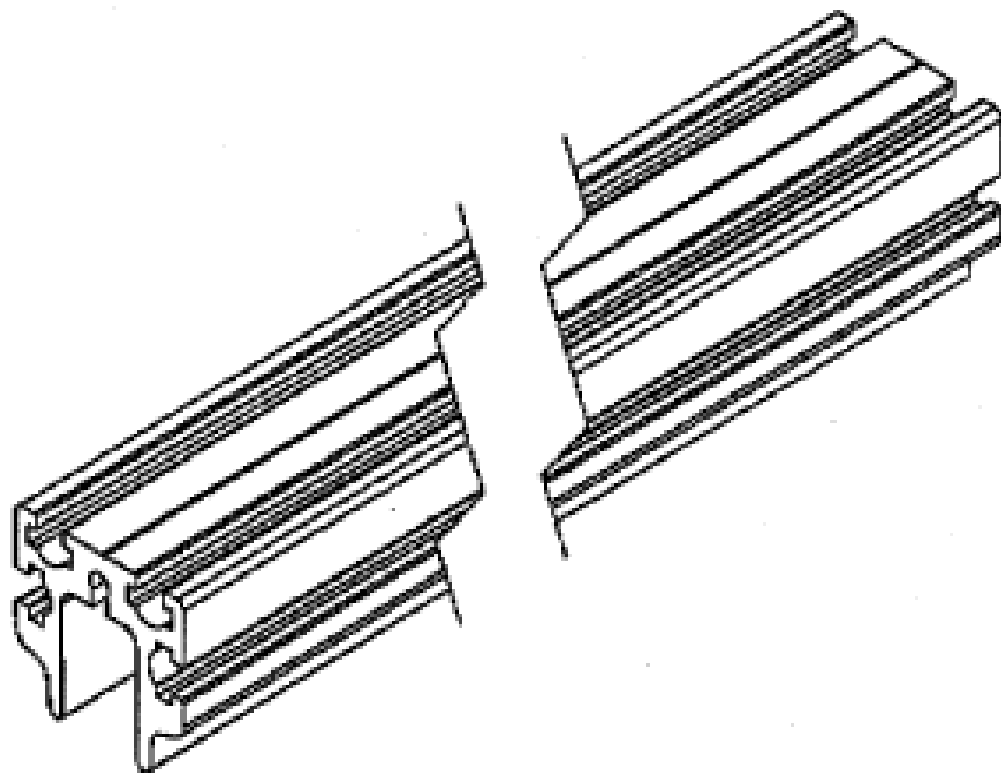
Glidestore Freetrack Pty Ltd
48 Fullarton Road Norwood South Australia 5067 Australia

(72) Name(s) of Designer(s): **George Giles Campbell and Brian Maurice Parker**

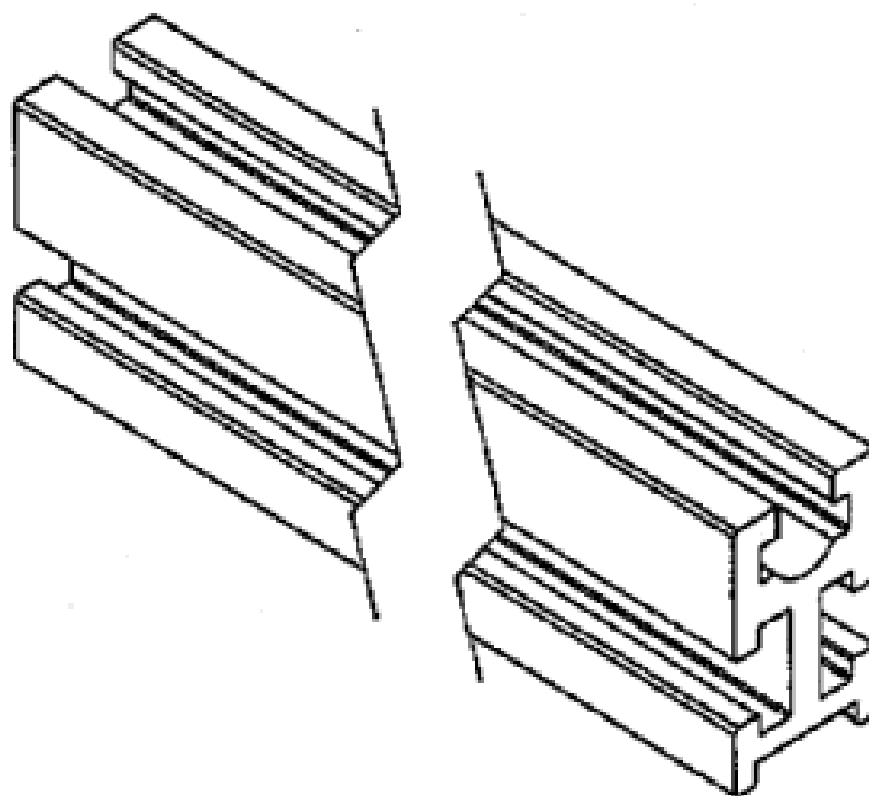
(45) Registration Date: **15 November 2007**

(56) Related Art Documents: **Not Applicable**

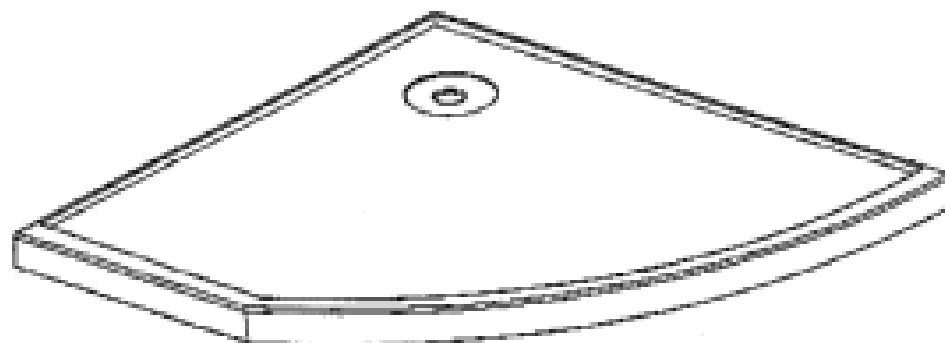
(57) Statement of Newness and Distinctiveness: **Nil**



(21) Design Number: **19405/2007**
(22) Date of Filing Application: **17 August 2007**
(24) Date from which industrial property rights may have effect: **17 August 2007**
(54) Product in respect of which the design is registered: **A cross member extrusion for a compactus assembly**
(51) International Design Classification: **25-01K**
(71) Name(s) and Address(s) of Applicant(s):
Glidestore Freetrack Pty Ltd
48 Fullarton Road Norwood South Australia 5067 Australia
(72) Name(s) of Designer(s): **George Giles Campbell and Brian Maurice Parker**
(45) Registration Date: **15 November 2007**
(56) Related Art Documents: **Not Applicable**
(57) Statement of Newness and Distinctiveness: **Nil**



(21) Design Number: **19416/2007**
(22) Date of Filing Application: **16 August 2007**
(24) Date from which industrial property rights may have effect: **16 August 2007**
(54) Product in respect of which the design is registered: **A shower base**
(51) International Design Classification: **23-02B**
(71) Name(s) and Address(s) of Applicant(s):
Kohler New Zealand Limited
133 Diana Drive Glenfield Auckland New Zealand
(72) Name(s) of Designer(s): **Peter Murphy**
(45) Registration Date: **15 November 2007**
(30) Convention priority data:
(31) Number (32) Date (33) Country
408722 16 Feb 2007 NEW ZEALAND
(56) Related Art Documents: **Not Applicable**
(57) Statement of Newness and Distinctiveness: **The novelty claimed for the design resides in the features of shape and/or configuration of a shower base having a front peripheral shape consisting of a curved portion and a straight portion as shown in the representations.**



- (21) Design Number: **19417/2007**
- (22) Date of Filing Application: **16 August 2007**
- (24) Date from which industrial property rights may have effect: **16 August 2007**
- (54) Product in respect of which the design is registered: **A shower enclosure**
- (51) International Design Classification: **23-02B**
- (71) Name(s) and Address(s) of Applicant(s):

Kohler New Zealand Limited
133 Diana Drive Glenfield Auckland New Zealand

(72) Name(s) of Designer(s): **Peter Murphy**

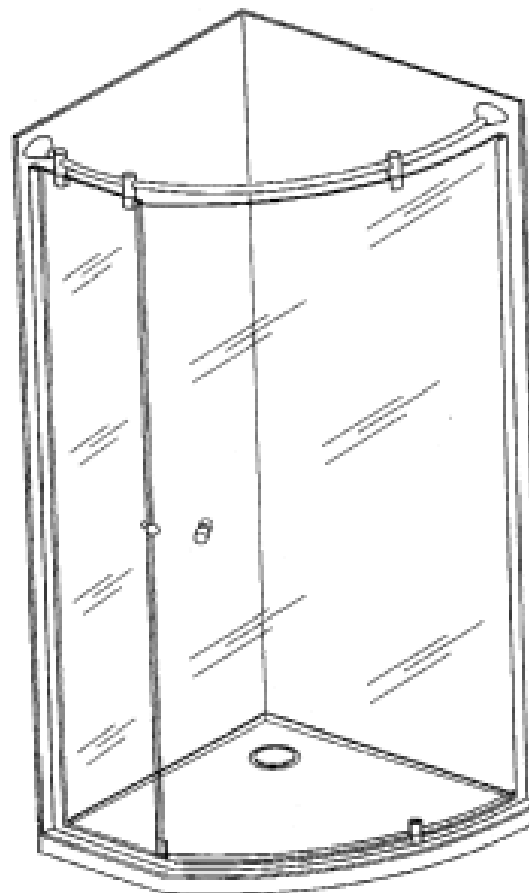
(45) Registration Date: **15 November 2007**

(30) Convention priority data:

(31) Number	(32) Date	(33) Country
408721	16 Feb 2007	NEW ZEALAND

(56) Related Art Documents: **Not Applicable**

(57) Statement of Newness and Distinctiveness: **The novelty claimed for the design resides in the features of shape and/or configuration of a shower enclosure comprising a door and return panel and supported from above from a curved structural element which is non-contiguous with the upper edge of the door and/or return panel as shown in the representations. The shape and/or configuration of the parts connecting door and return panel to the curved structural element, of the parts at either end of the curved structural element, and of the door handle, do not form part of the design. The corner walls also shown in the representations do not form part of the design.**



- (21) Design Number: **15497/2005**
- (22) Date of Filing Application: **12 December 2005**
- (24) Date from which industrial property rights may have effect: **12 December 2005**
- (54) Product in respect of which the design is registered: **Board game**
- (51) International Design Classification: **21-01L**
- (71) Name(s) and Address(s) of Applicant(s):

George Allen
Unit 4524/126 Lamington Street New Farm Queensland 4005 Australia

(72) Name(s) of Designer(s): **George Samuel Allen**

(45) Registration Date: **13 November 2007**

(56) Related Art Documents: **Not Applicable**

(57) Statement of Newness and Distinctiveness: **Nil**



(21) Design Number: **16529/2007**

(22) Date of Filing Application: **21 February 2007**

(24) Date from which industrial property rights may have effect: **21 February 2007**

(54) Product in respect of which the design is registered: **A monkey bar connector**

(51) International Design Classification: **21-03**

(71) Name(s) and Address(s) of Applicant(s):

Toymonster Limited

Room AB F1.31 Jia Li Mansion No.2 Lane 1228 West Yan an Rd Chang Ning District Shanghai 200052 China

(72) Name(s) of Designer(s): **Sui Chun Ling**

(45) Registration Date: **13 November 2007**

(56) Related Art Documents: **Not Applicable**

(57) Statement of Newness and Distinctiveness: **Shape and configuration of a monkey bar connector article as illustrated in the accompanying representations.**



(21) Design Number: **19240/2007**

(22) Date of Filing Application: **21 February 2007**

(24) Date from which industrial property rights may have effect: **21 February 2007**

(54) Product in respect of which the design is registered: **A monkey bar connector**

(51) International Design Classification: **21-03**

(71) Name(s) and Address(s) of Applicant(s):

Toymonster Limited

Room AB F1.31 Jia Li Mansion No.2 Lane 1228 West Yan an Rd Chang Ning District Shanghai 200052 China

(72) Name(s) of Designer(s): **Sui Chun Ling**

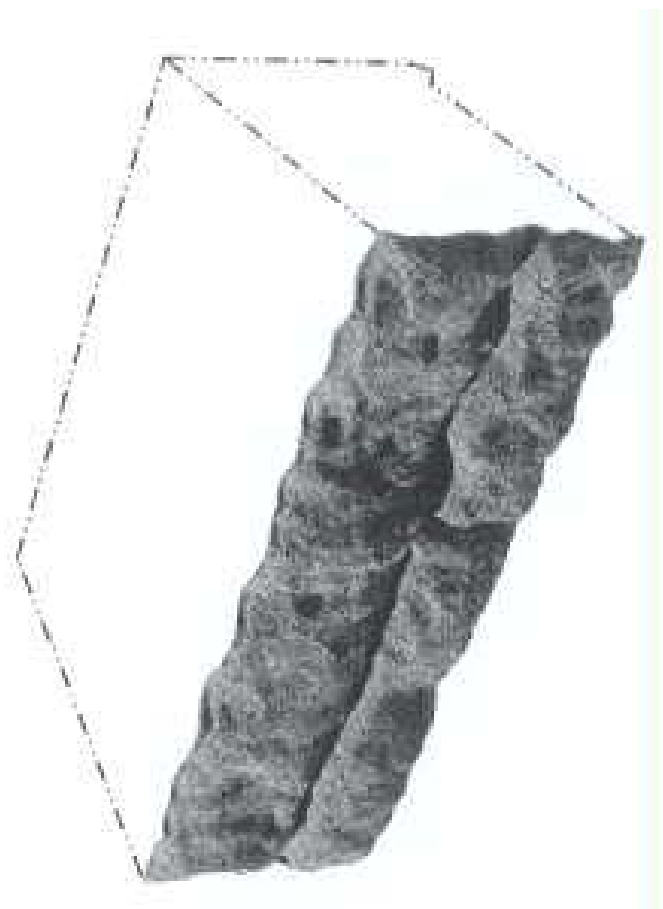
(45) Registration Date: **13 November 2007**

(56) Related Art Documents: **Not Applicable**

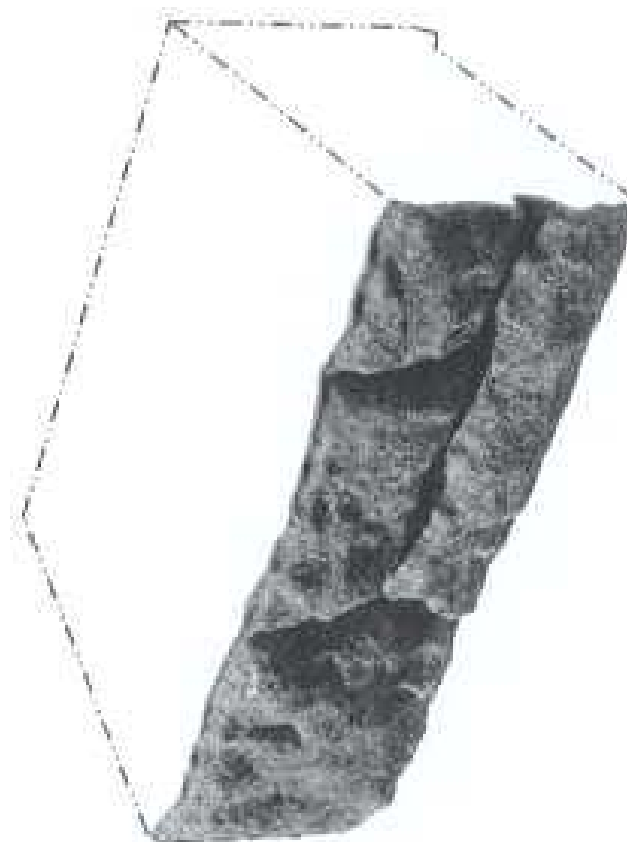
(57) Statement of Newness and Distinctiveness: **Shape and configuration of a monkey bar connector article as illustrated in the accompanying representations.**



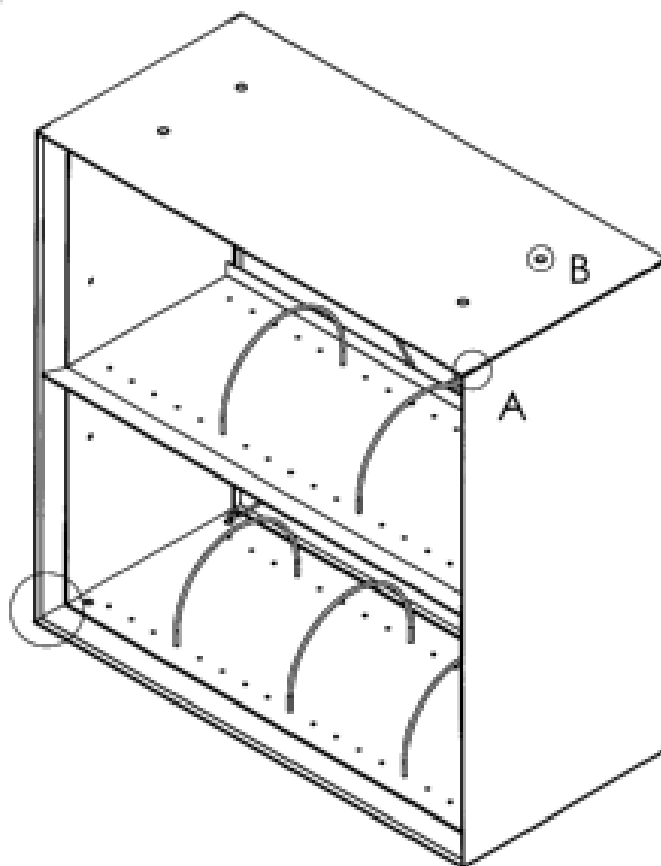
- (21) Design Number: **18156/2007**
(22) Date of Filing Application: **30 May 2007**
(24) Date from which industrial property rights may have effect: **30 May 2007**
(54) Product in respect of which the design is registered: **Retaining wall block**
(51) International Design Classification: **25-01A**
(71) Name(s) and Address(s) of Applicant(s):
Anchor Wall Systems Inc.
(72) Name(s) of Designer(s): **Jimmie Lloyd Mugge**
(45) Registration Date: **13 November 2007**
(30) Convention priority data:
(31) Number (32) Date (33) Country
29/270,117 14 Dec 2006 UNITED STATES OF AMERICA
(56) Related Art Documents: **Not Applicable**
(57) Statement of Newness and Distinctiveness: **The shape and configuration of the retaining wall block shown in the representations is new and distinctive. When considering the newness and distinctiveness of the design, features shown in broken lines are to be disregarded.**



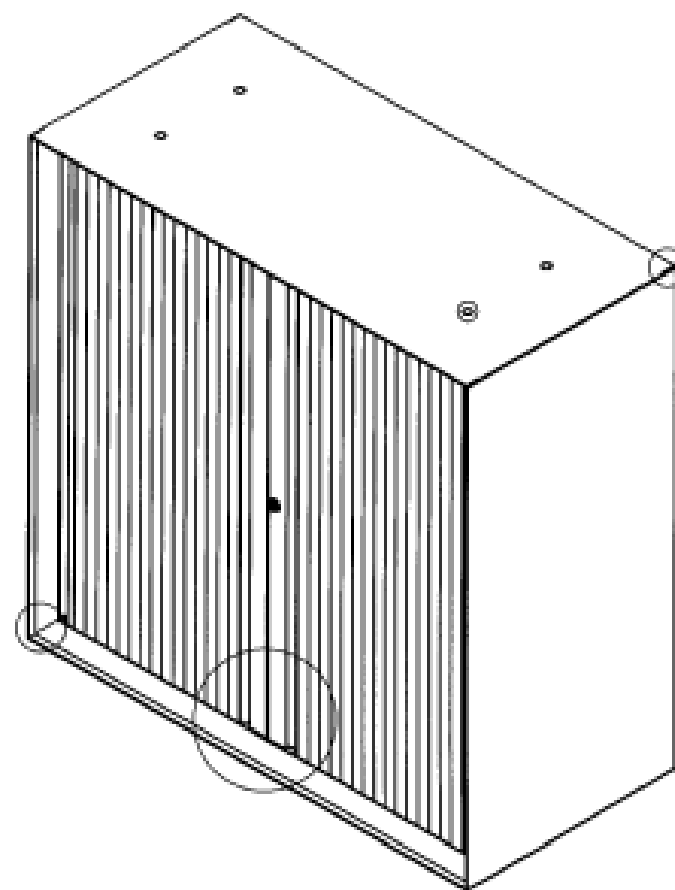
- (21) Design Number: **18160/2007**
(22) Date of Filing Application: **30 May 2007**
(24) Date from which industrial property rights may have effect: **30 May 2007**
(54) Product in respect of which the design is registered: **Retaining wall block**
(51) International Design Classification: **25-01A**
(71) Name(s) and Address(s) of Applicant(s):
Anchor Wall Systems Inc.
(72) Name(s) of Designer(s): **Jimmie Lloyd Mugge**
(45) Registration Date: **13 November 2007**
(30) Convention priority data:
(31) Number (32) Date (33) Country
29/270,117 14 Dec 2006 UNITED STATES OF AMERICA
(56) Related Art Documents: **Not Applicable**
(57) Statement of Newness and Distinctiveness: **The shape and configuration of the retaining wall block shown in the representations is new and distinctive. When considering the newness and distinctiveness of the design, features shown in broken lines are to be disregarded.**



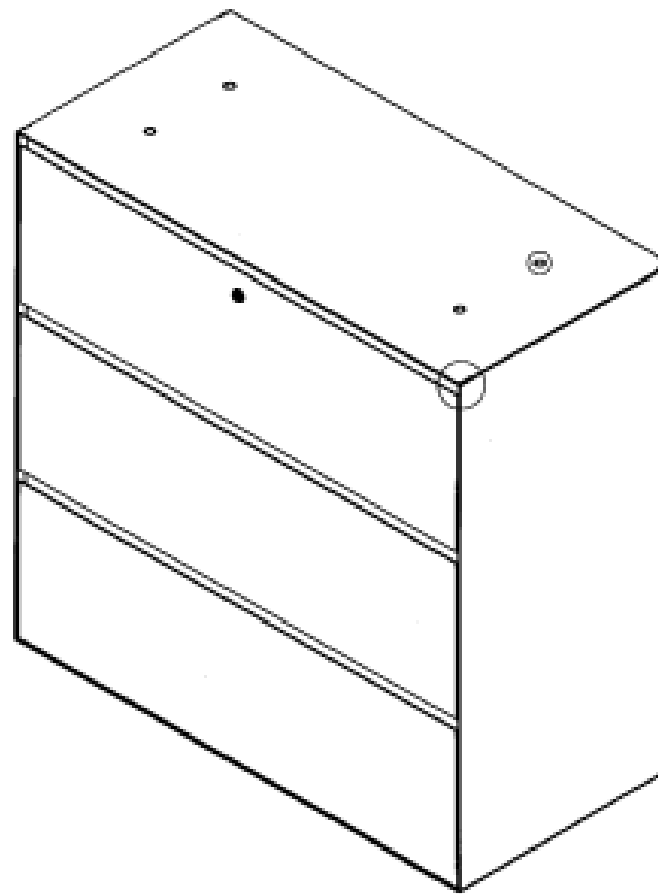
- (21) Design Number: **18749/2007**
- (22) Date of Filing Application: **09 July 2007**
- (24) Date from which industrial property rights may have effect: **09 July 2007**
- (54) Product in respect of which the design is registered: **Bookcase**
- (51) International Design Classification: **06-04B**
- (71) Name(s) and Address(s) of Applicant(s):
Advance Metal Products (Aust) Pty Ltd
24 Williamson Road Ingleburn New South Wales 2565 Australia
- (72) Name(s) of Designer(s): **Christelle Hug**
- (45) Registration Date: **13 November 2007**
- (56) Related Art Documents: **Not Applicable**
- (57) Statement of Newness and Distinctiveness: **Angled corner detail incorporating chrome corner join peice.**



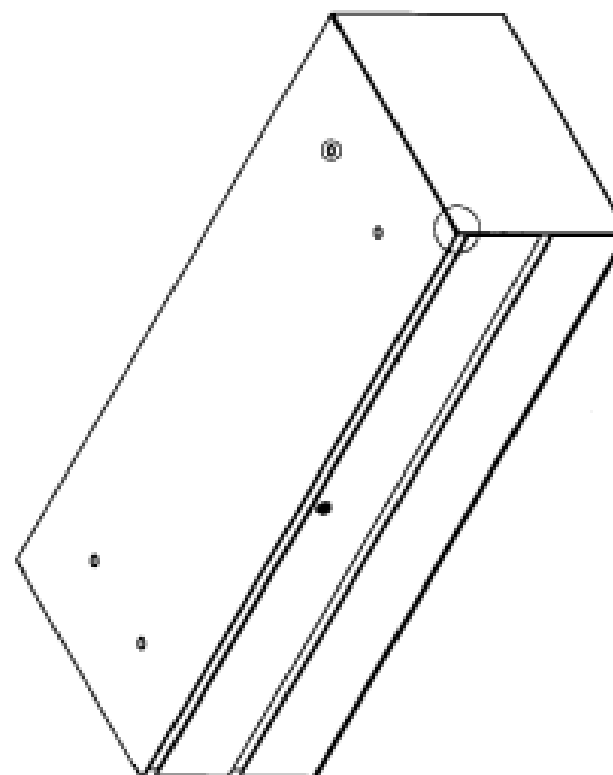
- (21) Design Number: **18750/2007**
- (22) Date of Filing Application: **09 July 2007**
- (24) Date from which industrial property rights may have effect: **09 July 2007**
- (54) Product in respect of which the design is registered: **Tambour door unit**
- (51) International Design Classification: **06-04B**
- (71) Name(s) and Address(s) of Applicant(s):
Advance Metal Products (Aust) Pty Ltd
24 Williamson Road Ingleburn New South Wales 2565 Australia
- (72) Name(s) of Designer(s): **Christelle Hug**
- (45) Registration Date: **13 November 2007**
- (56) Related Art Documents: **Not Applicable**
- (57) Statement of Newness and Distinctiveness: **Angled corner detail incorporating chrome corner join peice.**



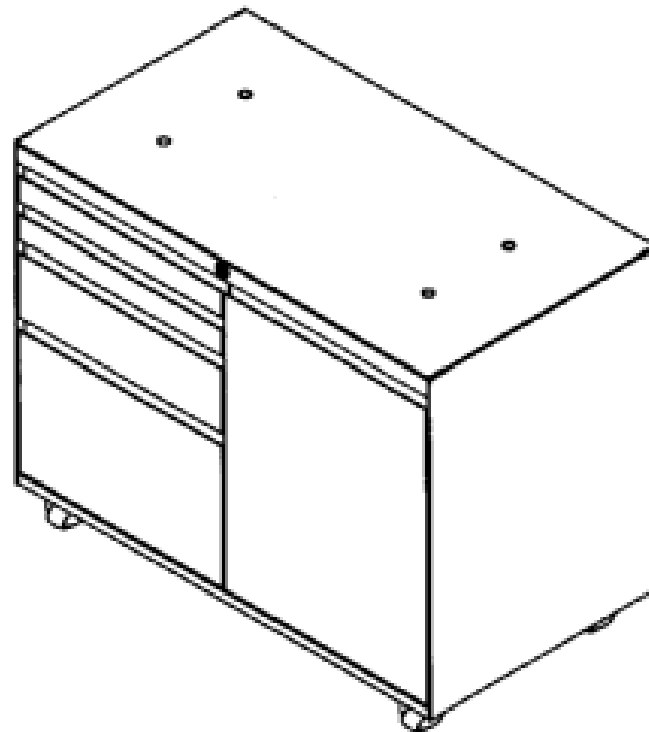
- (21) Design Number: **18751/2007**
(22) Date of Filing Application: **09 July 2007**
(24) Date from which industrial property rights may have effect: **09 July 2007**
(54) Product in respect of which the design is registered: **Lineal file**
(51) International Design Classification: **06-04B**
(71) Name(s) and Address(s) of Applicant(s):
Advance Metal Products (Aust) Pty Ltd
24 Williamson Road Ingleburn New South Wales 2565 Australia
(72) Name(s) of Designer(s): **Christelle Hug**
(45) Registration Date: **13 November 2007**
(56) Related Art Documents: **Not Applicable**
(57) Statement of Newness and Distinctiveness: **Angled corner detail incorporating chrome corner join peice.**



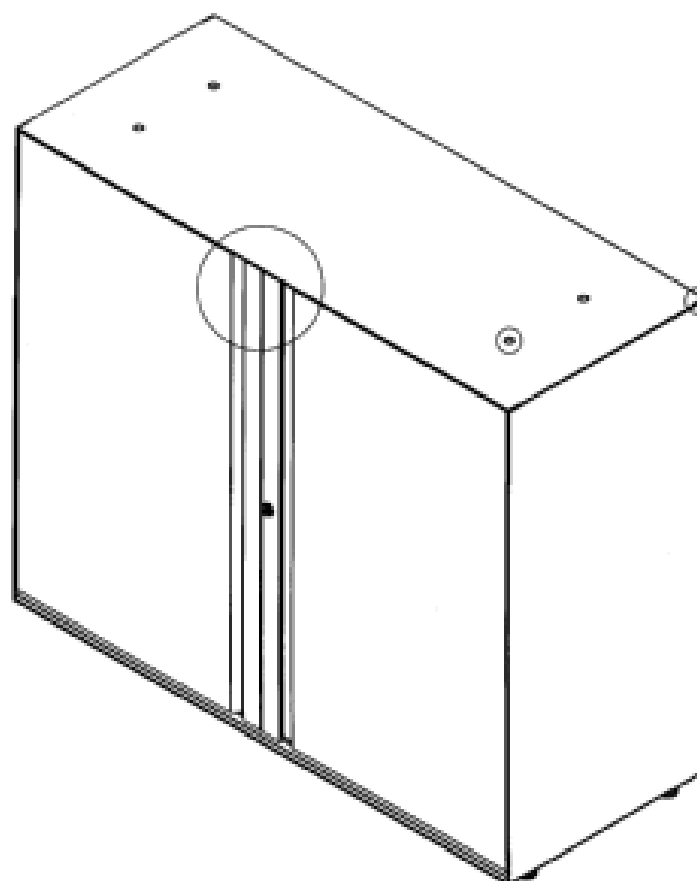
- (21) Design Number: **18752/2007**
(22) Date of Filing Application: **09 July 2007**
(24) Date from which industrial property rights may have effect: **09 July 2007**
(54) Product in respect of which the design is registered: **Multimedia file**
(51) International Design Classification: **06-04B**
(71) Name(s) and Address(s) of Applicant(s):
Advance Metal Products (Aust) Pty Ltd
24 Williamson Road Ingleburn New South Wales 2565 Australia
(72) Name(s) of Designer(s): **Christelle Hug**
(45) Registration Date: **13 November 2007**
(56) Related Art Documents: **Not Applicable**
(57) Statement of Newness and Distinctiveness: **Angled corner detail incorporating chrome corner join peice.**



- (21) Design Number: **18753/2007**
(22) Date of Filing Application: **09 July 2007**
(24) Date from which industrial property rights may have effect: **09 July 2007**
(54) Product in respect of which the design is registered: **Caddy**
(51) International Design Classification: **06-04B**
(71) Name(s) and Address(s) of Applicant(s):
Advance Metal Products (Aust) Pty Ltd
24 Williamson Road Ingleburn New South Wales 2565 Australia
(72) Name(s) of Designer(s): **Christelle Hug**
(45) Registration Date: **13 November 2007**
(56) Related Art Documents: **Not Applicable**
(57) Statement of Newness and Distinctiveness: **Angled corner detail incorporating chrome corner join peice.**



- (21) Design Number: **18754/2007**
(22) Date of Filing Application: **09 July 2007**
(24) Date from which industrial property rights may have effect: **09 July 2007**
(54) Product in respect of which the design is registered: **Sliding door unit**
(51) International Design Classification: **06-04B**
(71) Name(s) and Address(s) of Applicant(s):
Advance Metal Products (Aust) Pty Ltd
24 Williamson Road Ingleburn New South Wales 2565 Australia
(72) Name(s) of Designer(s): **Christelle Hug**
(45) Registration Date: **13 November 2007**
(56) Related Art Documents: **Not Applicable**
(57) Statement of Newness and Distinctiveness: **Angled corner detail incorporating chrome corner join peice.**



(21) Design Number: **19406/2007**

(22) Date of Filing Application: **17 August 2007**

(24) Date from which industrial property rights may have effect: **17 August 2007**

(54) Product in respect of which the design is registered: **A track hole jig for a compactus assembly**

(51) International Design Classification: **08-09**

(71) Name(s) and Address(s) of Applicant(s):

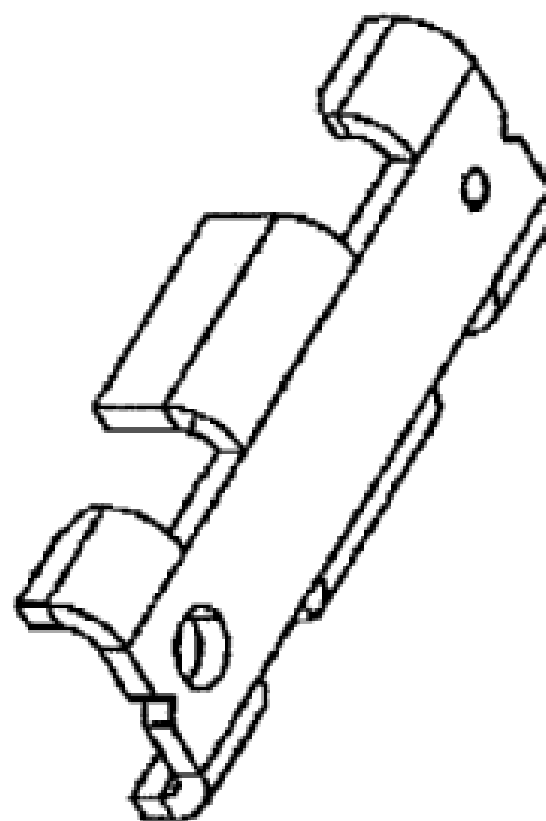
Glidestore Freetrack Pty Ltd
48 Fullarton Road Norwood South Australia 5067 Australia

(72) Name(s) of Designer(s): **George Giles Campbell and Brian Maurice Parker**

(45) Registration Date: **13 November 2007**

(56) Related Art Documents: **Not Applicable**

(57) Statement of Newness and Distinctiveness: **Nil**



(21) Design Number: **19407/2007**

(22) Date of Filing Application: **17 August 2007**

(24) Date from which industrial property rights may have effect: **17 August 2007**

(54) Product in respect of which the design is registered: **Cross member mounting bracket for a compactus assembly**

(51) International Design Classification: **08-08M**

(71) Name(s) and Address(s) of Applicant(s):

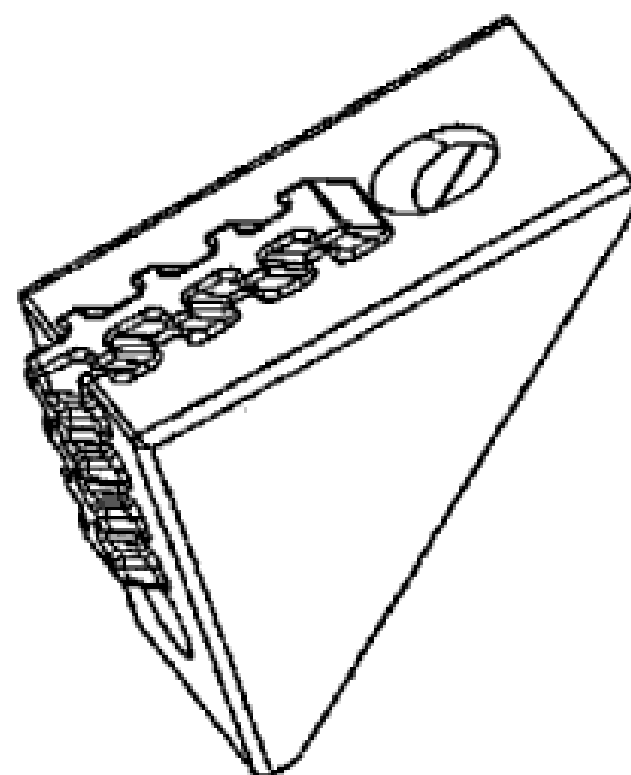
Glidestore Freetrack Pty Ltd
48 Fullarton Road Norwood South Australia 5067 Australia

(72) Name(s) of Designer(s): **George Giles Campbell and Brian Maurice Parker**

(45) Registration Date: **13 November 2007**

(56) Related Art Documents: **Not Applicable**

(57) Statement of Newness and Distinctiveness: **Nil**



(21) Design Number: **19408/2007**

(22) Date of Filing Application: **17 August 2007**

(24) Date from which industrial property rights may have effect: **17 August 2007**

(54) Product in respect of which the design is registered: **Locking bracket for a compactus assembly**

(51) International Design Classification: **08-08M**

(71) Name(s) and Address(s) of Applicant(s):

Glidestore Freetrack Pty Ltd

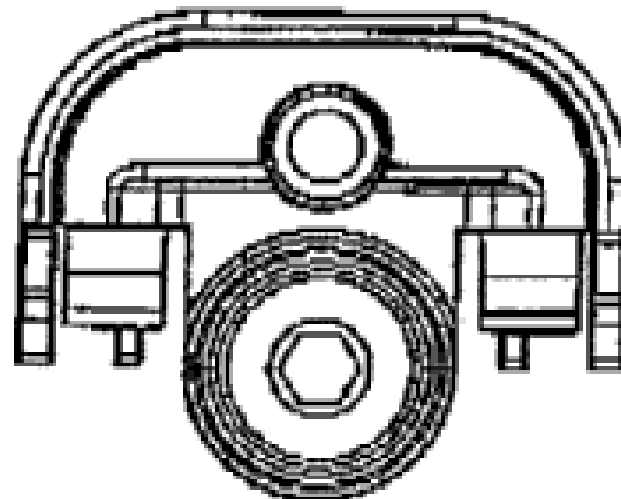
48 Fullarton Road Norwood South Australia 5067 Australia

(72) Name(s) of Designer(s): **George Giles Campbell and Brian Maurice Parker**

(45) Registration Date: **13 November 2007**

(56) Related Art Documents: **Not Applicable**

(57) Statement of Newness and Distinctiveness: **Nil**



(21) Design Number: **19409/2007**

(22) Date of Filing Application: **17 August 2007**

(24) Date from which industrial property rights may have effect: **17 August 2007**

(54) Product in respect of which the design is registered: **A stop bracket cover for a compactus assembly**

(51) International Design Classification: **08-08M**

(71) Name(s) and Address(s) of Applicant(s):

Glidestore Freetrack Pty Ltd

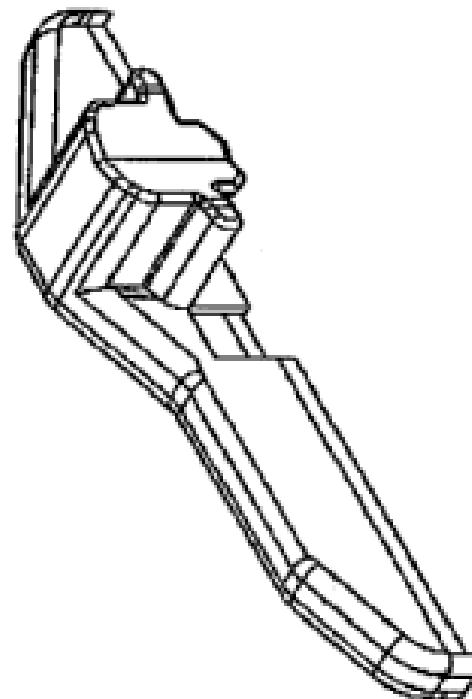
48 Fullarton Road Norwood South Australia 5067 Australia

(72) Name(s) of Designer(s): **George Giles Campbell and Brian Maurice Parker**

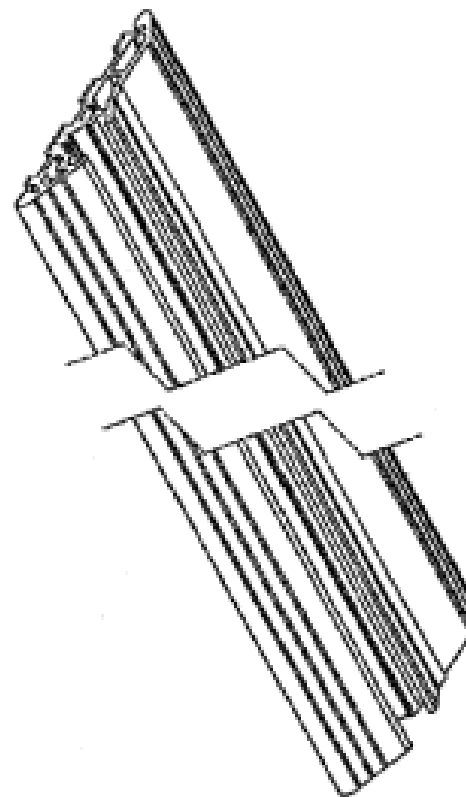
(45) Registration Date: **13 November 2007**

(56) Related Art Documents: **Not Applicable**

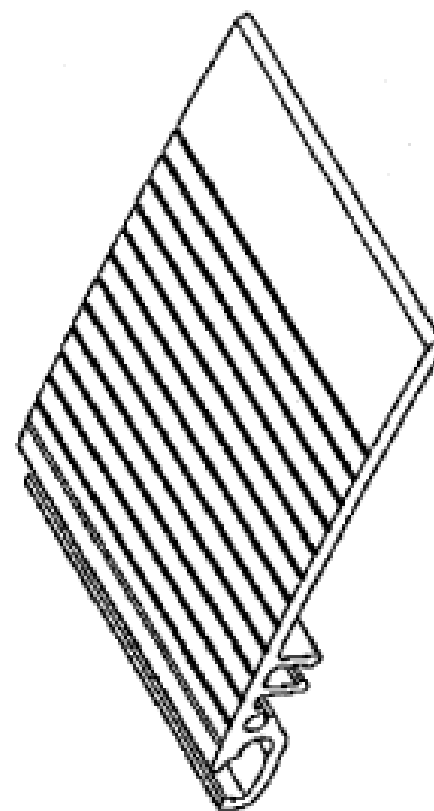
(57) Statement of Newness and Distinctiveness: **Nil**



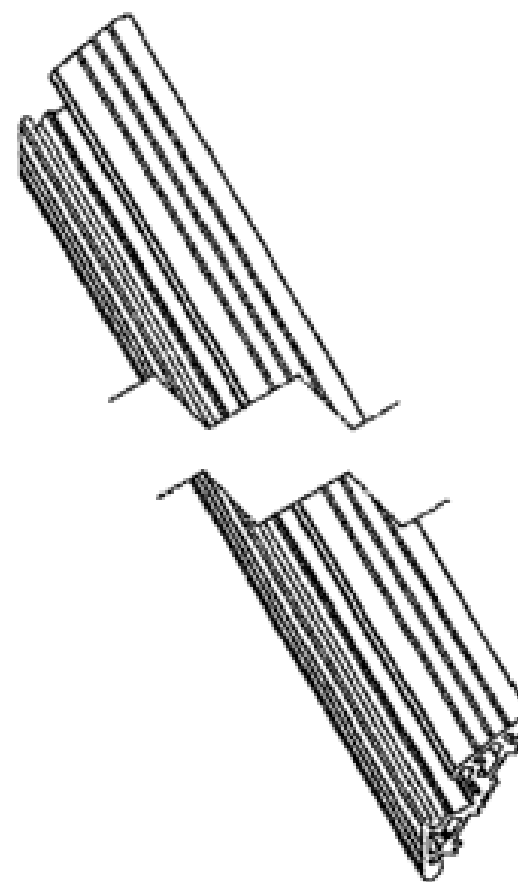
- (21) Design Number: **19410/2007**
(22) Date of Filing Application: **17 August 2007**
(24) Date from which industrial property rights may have effect: **17 August 2007**
(54) Product in respect of which the design is registered: **A track extrusion for a compactus assembly**
(51) International Design Classification: **25-01K**
(71) Name(s) and Address(s) of Applicant(s):
Glidestore Freetrack Pty Ltd
48 Fullarton Road Norwood South Australia 5067 Australia
(72) Name(s) of Designer(s): **George Giles Campbell and Brian Maurice Parker**
(45) Registration Date: **13 November 2007**
(56) Related Art Documents: **Not Applicable**
(57) Statement of Newness and Distinctiveness: **Nil**



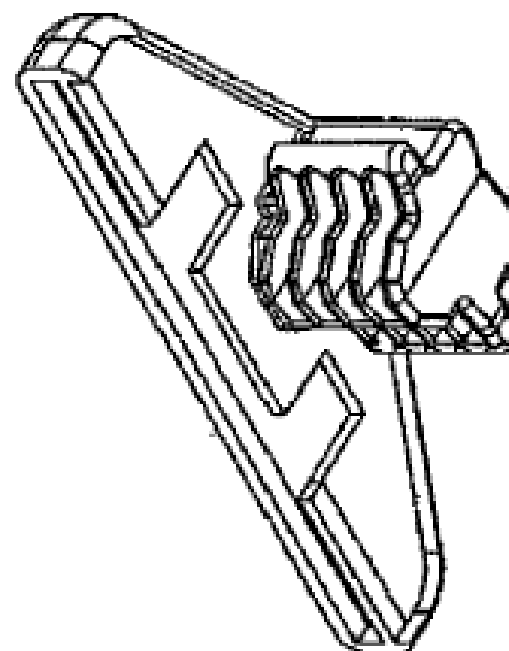
- (21) Design Number: **19411/2007**
(22) Date of Filing Application: **17 August 2007**
(24) Date from which industrial property rights may have effect: **17 August 2007**
(54) Product in respect of which the design is registered: **A ramp for a compactus assembly**
(51) International Design Classification: **08-09**
(71) Name(s) and Address(s) of Applicant(s):
Glidestore Freetrack Pty Ltd
48 Fullarton Road Norwood South Australia 5067 Australia
(72) Name(s) of Designer(s): **George Giles Campbell and Brian Maurice Parker**
(45) Registration Date: **13 November 2007**
(56) Related Art Documents: **Not Applicable**
(57) Statement of Newness and Distinctiveness: **Nil**



- (21) Design Number: **19412/2007**
(22) Date of Filing Application: **17 August 2007**
(24) Date from which industrial property rights may have effect: **17 August 2007**
(54) Product in respect of which the design is registered: **A track extrusion for a compactus assembly**
(51) International Design Classification: **25-01K**
(71) Name(s) and Address(s) of Applicant(s):
Glidestore Freetrack Pty Ltd
48 Fullarton Road Norwood South Australia 5067 Australia
(72) Name(s) of Designer(s): **George Giles Campbell and Brian Maurice Parker**
(45) Registration Date: **13 November 2007**
(56) Related Art Documents: **Not Applicable**
(57) Statement of Newness and Distinctiveness: **Nil**



- (21) Design Number: **19413/2007**
(22) Date of Filing Application: **17 August 2007**
(24) Date from which industrial property rights may have effect: **17 August 2007**
(54) Product in respect of which the design is registered: **A stop bracket cover for a compactus assembly**
(51) International Design Classification: **08-08M**
(71) Name(s) and Address(s) of Applicant(s):
Glidestore Freetrack Pty Ltd
48 Fullarton Road Norwood South Australia 5067 Australia
(72) Name(s) of Designer(s): **George Giles Campbell and Brian Maurice Parker**
(45) Registration Date: **13 November 2007**
(56) Related Art Documents: **Not Applicable**
(57) Statement of Newness and Distinctiveness: **Nil**



(21) Design Number: **19414/2007**

(22) Date of Filing Application: **17 August 2007**

(24) Date from which industrial property rights may have effect: **17 August 2007**

(54) Product in respect of which the design is registered: **Shower base**

(51) International Design Classification: **23-02B**

(71) Name(s) and Address(s) of Applicant(s):

Colin Ford

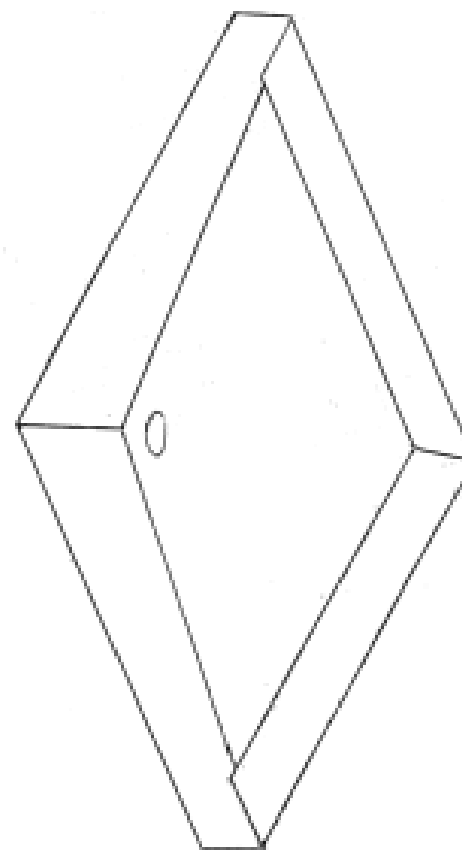
PO Box 64-403 Botany Centre New Zealand 2142

(72) Name(s) of Designer(s): **Colin Ford**

(45) Registration Date: **13 November 2007**

(56) Related Art Documents: **Not Applicable**

(57) Statement of Newness and Distinctiveness: **The new and distinctive features of the shower base design S1 reside in the upstand portions around two sides of the perimeter of the base in conjunction with the shower base inner top surface. Specifically, the top edges of the upstands are substantially non-parallel with their bottom/ base outer-side edges, and with the shower base inner top surface which is a single-plane sloping to a corner outlet hole. Additionally, the shower base has no vertical frontal portion attached to its horizontal frontal portion.**



(21) Design Number: **19415/2007**

(22) Date of Filing Application: **17 August 2007**

(24) Date from which industrial property rights may have effect: **17 August 2007**

(54) Product in respect of which the design is registered: **Shower base**

(51) International Design Classification: **23-02B**

(71) Name(s) and Address(s) of Applicant(s):

Colin Ford

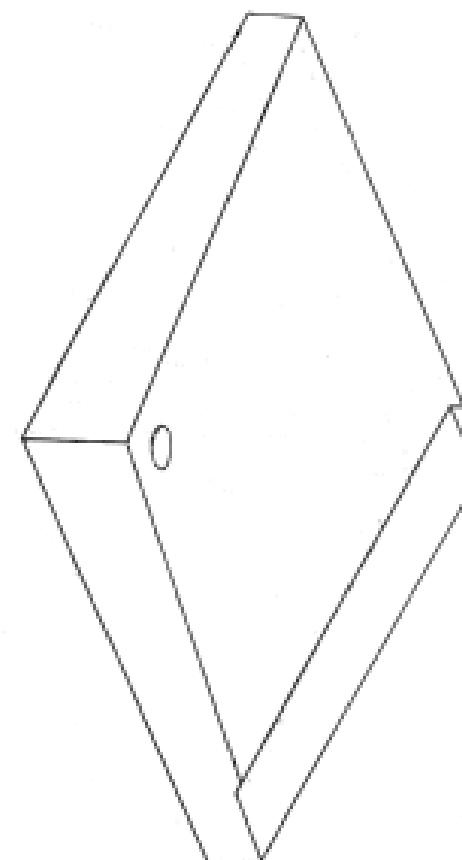
PO Box 64-403 Botany Centre New Zealand 2142

(72) Name(s) of Designer(s): **Colin Ford**

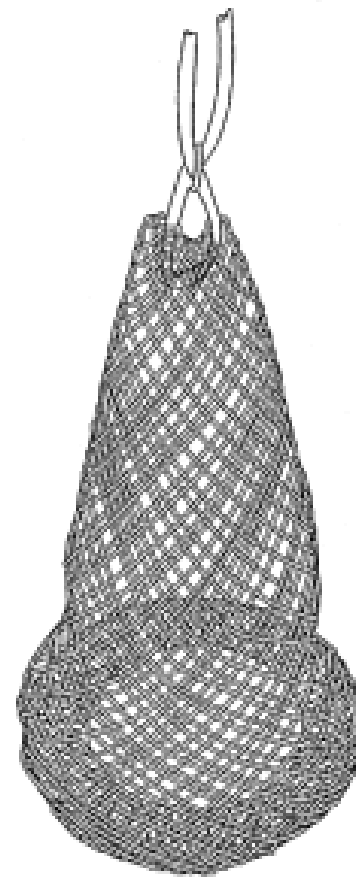
(45) Registration Date: **13 November 2007**

(56) Related Art Documents: **Not Applicable**

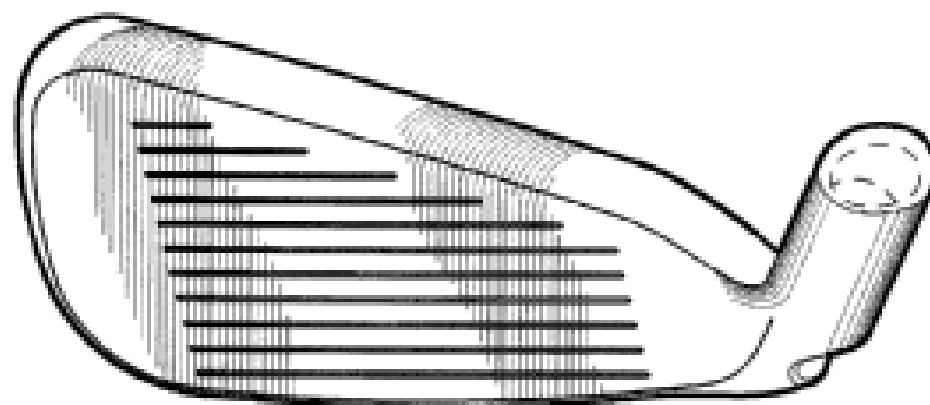
(57) Statement of Newness and Distinctiveness: **The new and distinctive features of the shower base design C3S reside in the upstand portions around two sides of the perimeter of the base in conjunction with the shower base inner top surface. Specifically, the top edges of the upstands are substantially non-parallel with their bottom/ base outer-side edges, and with the shower base inner top surface which is a single-plane sloping to a corner outlet hole. Additionally, the shower base has a raised-stepped portion along its front side and one open/no upstand side.**



- (21) Design Number: **19427/2007**
(22) Date of Filing Application: **17 August 2007**
(24) Date from which industrial property rights may have effect: **17 August 2007**
(54) Product in respect of which the design is registered: **Berley bag**
(51) International Design Classification: **22-05**
(71) Name(s) and Address(s) of Applicant(s):
Shaun McGeever
10 Dorset Place Port Lincoln South Australia 5606 Australia
(72) Name(s) of Designer(s): **Shaun McGeever**
(45) Registration Date: **13 November 2007**
(56) Related Art Documents: **Not Applicable**
(57) Statement of Newness and Distinctiveness: **Newness and distinctiveness of the design resides in the features of shape and/or configuration of the berley bag depicted in the accompanying representations.**



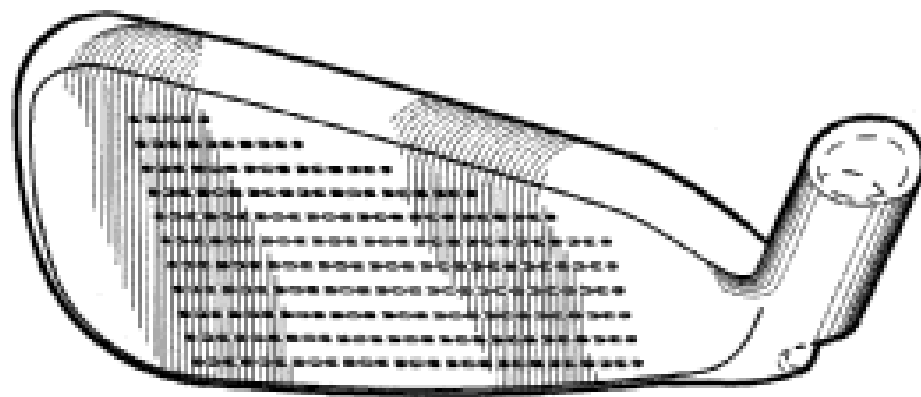
- (21) Design Number: **19428/2007**
(22) Date of Filing Application: **20 August 2007**
(24) Date from which industrial property rights may have effect: **20 August 2007**
(54) Product in respect of which the design is registered: **Golf iron head**
(51) International Design Classification: **21-02C**
(71) Name(s) and Address(s) of Applicant(s):
Karsten Manufacturing Corporation
2201 West Desert Cove Phoenix Arizona 85029 United States of America
(72) Name(s) of Designer(s): **Bradley D. Schweigert and Michael R. Nicolette**
(45) Registration Date: **13 November 2007**
(30) Convention priority data:
(31) Number (32) Date (33) Country
29/279374 27 Apr 2007 UNITED STATES OF AMERICA
(56) Related Art Documents: **Not Applicable**
(57) Statement of Newness and Distinctiveness: **Nil**



(19) AU

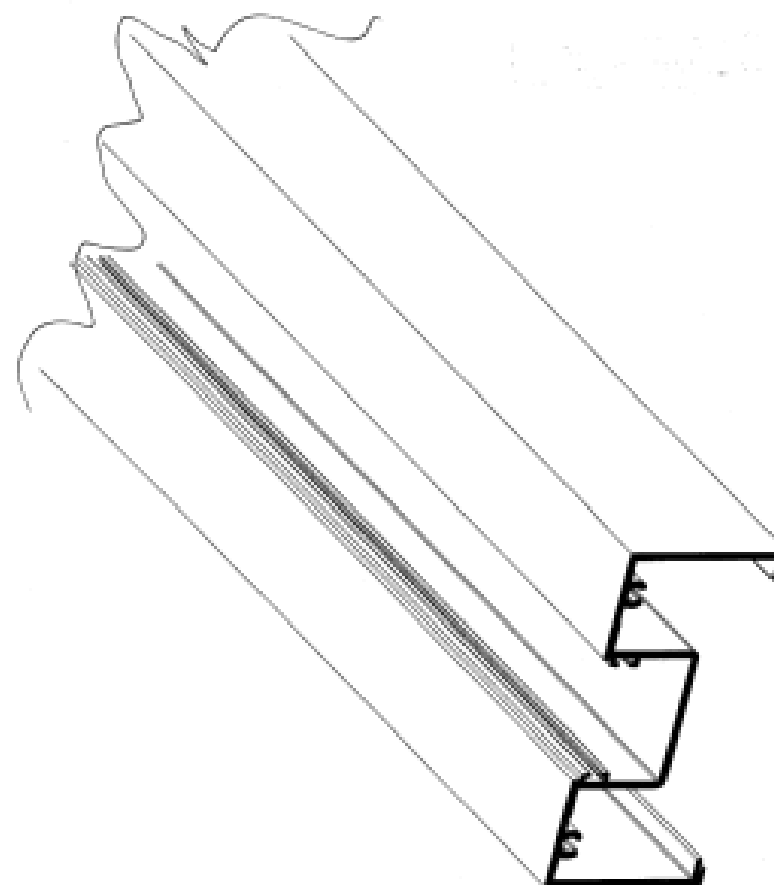
- (21) Design Number: **19429/2007**
- (22) Date of Filing Application: **20 August 2007**
- (24) Date from which industrial property rights may have effect: **20 August 2007**
- (54) Product in respect of which the design is registered: **Golf iron head**
- (51) International Design Classification: **21-02C**
- (71) Name(s) and Address(s) of Applicant(s):
Karsten Manufacturing Corporation
2201 West Desert Cove Phoenix Arizona 85029 United States of America
- (72) Name(s) of Designer(s): **Bradley D. Schweigert and Michael R. Nicolette**
- (45) Registration Date: **13 November 2007**
- (30) Convention priority data:

(31) Number	(32) Date	(33) Country
29/279374	27 Apr 2007	UNITED STATES OF AMERICA
- (56) Related Art Documents: **Not Applicable**
- (57) Statement of Newness and Distinctiveness: **Newness and distinctiveness is claimed in the visual features shown in solid lines in the representations.**

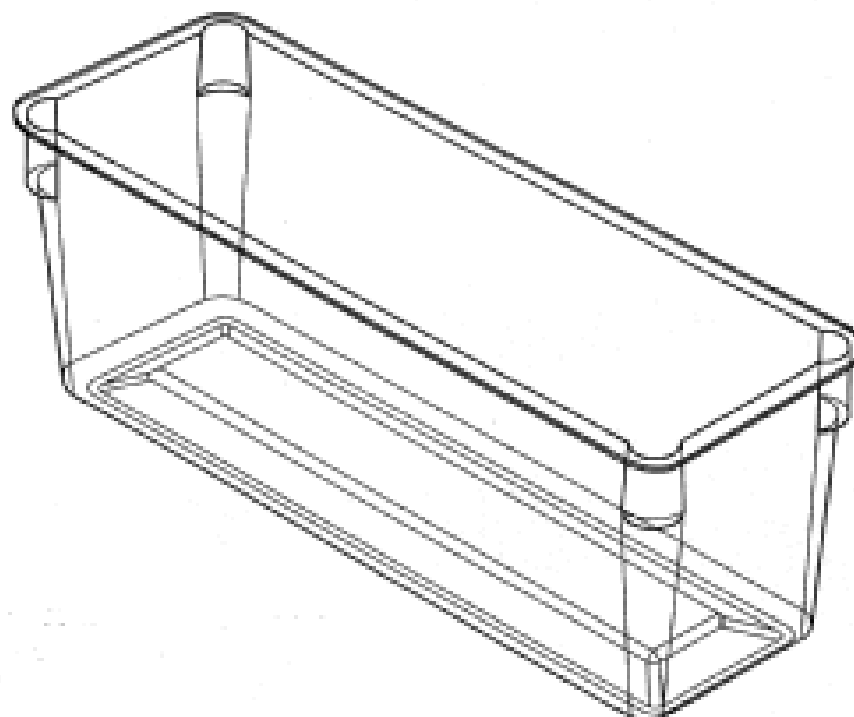


(19) AU

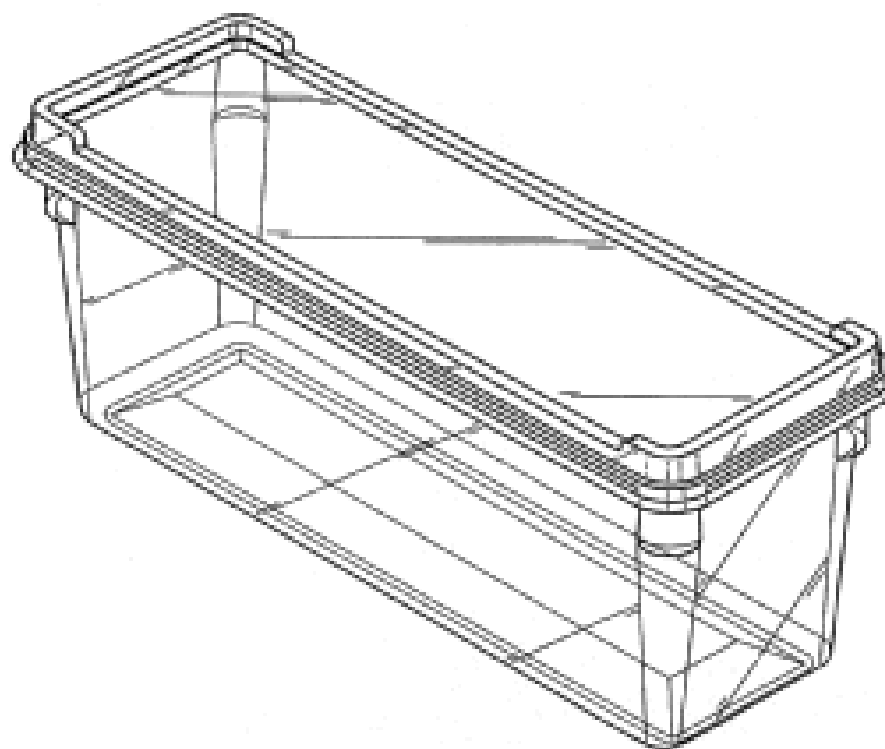
- (21) Design Number: **20431/2007**
- (22) Date of Filing Application: **22 October 2007**
- (24) Date from which industrial property rights may have effect: **22 October 2007**
- (54) Product in respect of which the design is registered: **An extrusion**
- (51) International Design Classification: **25-01K**
- (71) Name(s) and Address(s) of Applicant(s):
Architectural Window Systems Pty Limited
76-78 Jemma Road Prestons New South Wales 2170 Australia
- (72) Name(s) of Designer(s): **David John McCleary**
- (45) Registration Date: **13 November 2007**
- (56) Related Art Documents: **Not Applicable**
- (57) Statement of Newness and Distinctiveness: **Newness and distinctiveness is claimed in the shape and/or configuration of an extrusion as illustrated by the unbroken lines in the accompanying representation/s.**



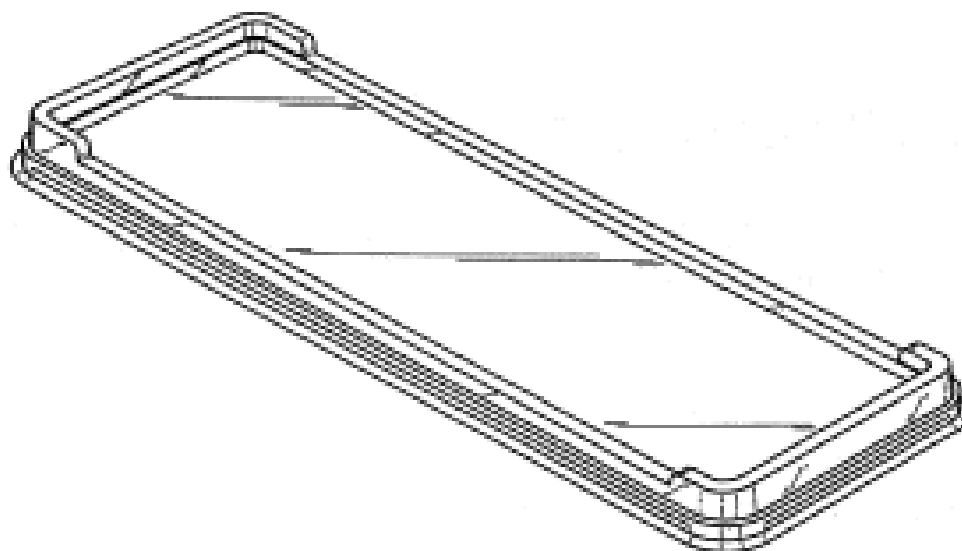
- (21) Design Number: **20501/2007**
(22) Date of Filing Application: **29 October 2007**
(24) Date from which industrial property rights may have effect: **29 October 2007**
(54) Product in respect of which the design is registered: **Container**
(51) International Design Classification: **09-03NES**
(71) Name(s) and Address(s) of Applicant(s):
Reckitt Benckiser N.V.
Siriusdreef 14 2132 WT Hoofddorp The Netherlands
(72) Name(s) of Designer(s): **Hans Peter Auer and Pawel Jaworski and Wilhelm Cramer**
(45) Registration Date: **13 November 2007**
(30) Convention priority data:
(31) Number (32) Date (33) Country
000725320-0001 18 May 2007 EUROPEAN COMMUNITY
(56) Related Art Documents: **Not Applicable**
(57) Statement of Newness and Distinctiveness: **Newness and distinctiveness reside in the features of the design as shown in the representations.**



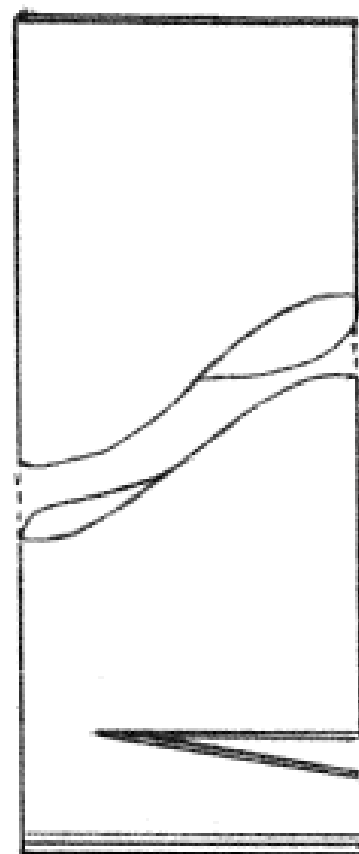
- (21) Design Number: **20502/2007**
(22) Date of Filing Application: **29 October 2007**
(24) Date from which industrial property rights may have effect: **29 October 2007**
(54) Product in respect of which the design is registered: **Container and lid**
(51) International Design Classification: **09-03NES**
(71) Name(s) and Address(s) of Applicant(s):
Reckitt Benckiser N.V.
Siriusdreef 14 2132 WT Hoofddorp The Netherlands
(72) Name(s) of Designer(s): **Hans Peter Auer and Pawel Jaworski and Wilhelm Cramer**
(45) Registration Date: **13 November 2007**
(30) Convention priority data:
(31) Number (32) Date (33) Country
000725320-0002 18 May 2007 EUROPEAN COMMUNITY
(56) Related Art Documents: **Not Applicable**
(57) Statement of Newness and Distinctiveness: **Newness and distinctiveness reside in the features of the design as shown in the representations.**



- (21) Design Number: **20503/2007**
(22) Date of Filing Application: **29 October 2007**
(24) Date from which industrial property rights may have effect: **29 October 2007**
(54) Product in respect of which the design is registered: **Lid**
(51) International Design Classification: **09-07NES**
(71) Name(s) and Address(s) of Applicant(s):
Reckitt Benckiser N.V.
Siriusdreef 14 2132 WT Hoofddorp The Netherlands
(72) Name(s) of Designer(s): **Pawel Jaworski**
(45) Registration Date: **13 November 2007**
(30) Convention priority data:
(31) Number (32) Date (33) Country
000725320-0003 18 May 2007 EUROPEAN COMMUNITY
(56) Related Art Documents: **Not Applicable**
(57) Statement of Newness and Distinctiveness: **Newness and distinctiveness reside in the features of the design as shown in the representations.**



- (21) Design Number: **18173/2007**
(22) Date of Filing Application: **01 June 2007**
(24) Date from which industrial property rights may have effect: **01 June 2007**
(54) Product in respect of which the design is registered: **Liquid storage bag with built-in filling spout formed from the material of the storage bag.**
(51) International Design Classification: **09-05**
(71) Name(s) and Address(s) of Applicant(s):
Douglas Trenchard
36 Boron Street Sumner Park Queensland 4074 Australia
(72) Name(s) of Designer(s): **Douglas Trenchard**
(45) Registration Date: **14 November 2007**
(56) Related Art Documents: **Not Applicable**
(57) Statement of Newness and Distinctiveness: **Filling spout formed by the two welds across width of the tubular storage bag with a cut between them. The spout is formed by the lower weld and the end weld of the bag.**



(21) Design Number: **18274/2007**

(22) Date of Filing Application: **01 June 2007**

(24) Date from which industrial property rights may have effect: **01 June 2007**

(54) Product in respect of which the design is registered: **Office chair back rest**

(51) International Design Classification: **06-01F**

(71) Name(s) and Address(s) of Applicant(s):

Michael Antunes

11 Blaxland Place Milperra New South Wales 2214 Australia

(72) Name(s) of Designer(s): **Spencer Yao**

(45) Registration Date: **14 November 2007**

(56) Related Art Documents: **Not Applicable**

(57) Statement of Newness and Distinctiveness: **The features of the design for which novelty is claimed are the shape and configuration of the backrest of the chair as shown in the images.**



(21) Design Number: **18625/2007**

(22) Date of Filing Application: **29 June 2007**

(24) Date from which industrial property rights may have effect: **29 June 2007**

(54) Product in respect of which the design is registered: **A straight plug, an angled plug, a connector**

(51) International Design Classification: **13-03B**

(71) Name(s) and Address(s) of Applicant(s):

Clipsal Australia Pty Limited

12 Park Terrace Bowden South Australia 5007 Australia

(72) Name(s) of Designer(s): **Iain Michael Wickens**

(45) Registration Date: **14 November 2007**

(30) Convention priority data:

(31) Number
408835

(32) Date
13 Mar 2007

(33) Country
NEW ZEALAND

(56) Related Art Documents: **Not Applicable**

(57) Statement of Newness and Distinctiveness: **The novelty claimed for the design resides in the features of shape and/or configuration all as shown in the representations.**



(21) Design Number: **18975/2007**

(22) Date of Filing Application: **19 July 2007**

(24) Date from which industrial property rights may have effect: **19 July 2007**

(54) Product in respect of which the design is registered: **Portable stove**

(51) International Design Classification: **07-02D**

(71) Name(s) and Address(s) of Applicant(s):

Allan Shephard
Unit 13/140 Duporth Avenue Maroochydore Queensland 4558
Australia

(72) Name(s) of Designer(s): **Allan Shephard**

(45) Registration Date: **14 November 2007**

(56) Related Art Documents: **Not Applicable**

(57) Statement of Newness and Distinctiveness: **Newness and distinctiveness resides in the shape and configuration having a portable stove as illustrated in the accompanied drawings.**



(21) Design Number: **19163/2007**

(22) Date of Filing Application: **01 August 2007**

(24) Date from which industrial property rights may have effect: **01 August 2007**

(54) Product in respect of which the design is registered: **Sling protector**

(51) International Design Classification: **12-05**

(71) Name(s) and Address(s) of Applicant(s):

Paul Dennis
17 Sycamore Court Warner Queensland 4500 Australia

(72) Name(s) of Designer(s): **Paul Dennis**

(45) Registration Date: **14 November 2007**

(56) Related Art Documents: **Not Applicable**

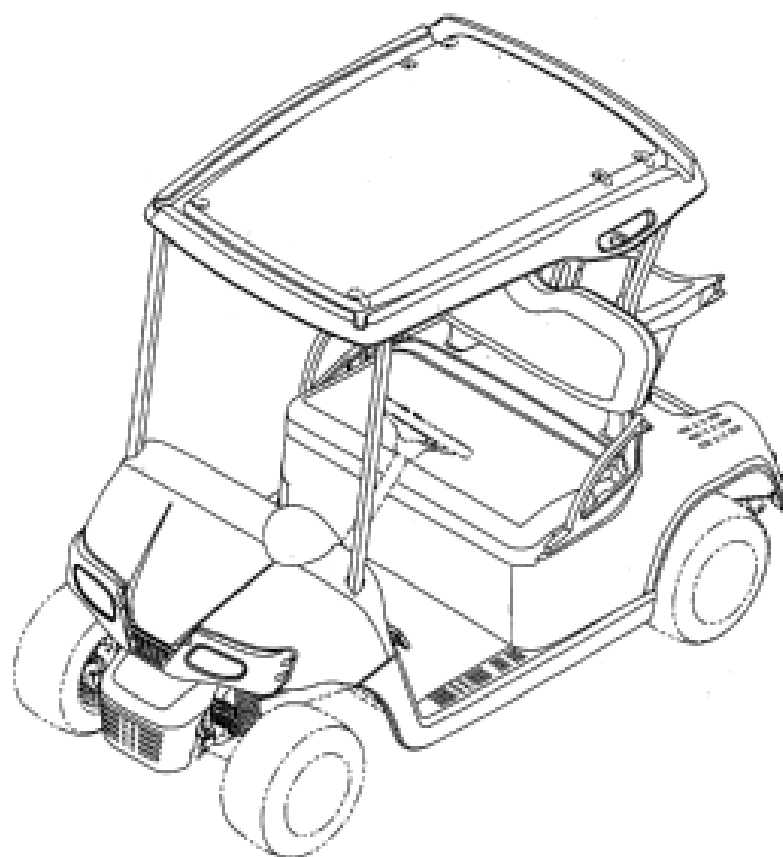
(57) Statement of Newness and Distinctiveness: **Newness and distinctiveness resides in the shape and configuration of a sling protector as shown in the accompanying drawings.**



- (21) Design Number: **19316/2007**
(22) Date of Filing Application: **13 August 2007**
(24) Date from which industrial property rights may have effect: **13 August 2007**
(54) Product in respect of which the design is registered: **Baby wrap**
(51) International Design Classification: **06-13B**
(71) Name(s) and Address(s) of Applicant(s):
Ivana Mostafa
23 Maxwell Street Lalor Victoria 3075 Australia
(72) Name(s) of Designer(s): **Ivana Mostafa**
(45) Registration Date: **14 November 2007**
(56) Related Art Documents: **Not Applicable**
(57) Statement of Newness and Distinctiveness: **New Features: 1)Fabrics = cotton, polyester and flannelette with baby prints in various colours, Also use of summer prints, use of different laces, satin ribbons and embroidery fabrics. Insert is made from blanket material (cotton + filling sewen together).**



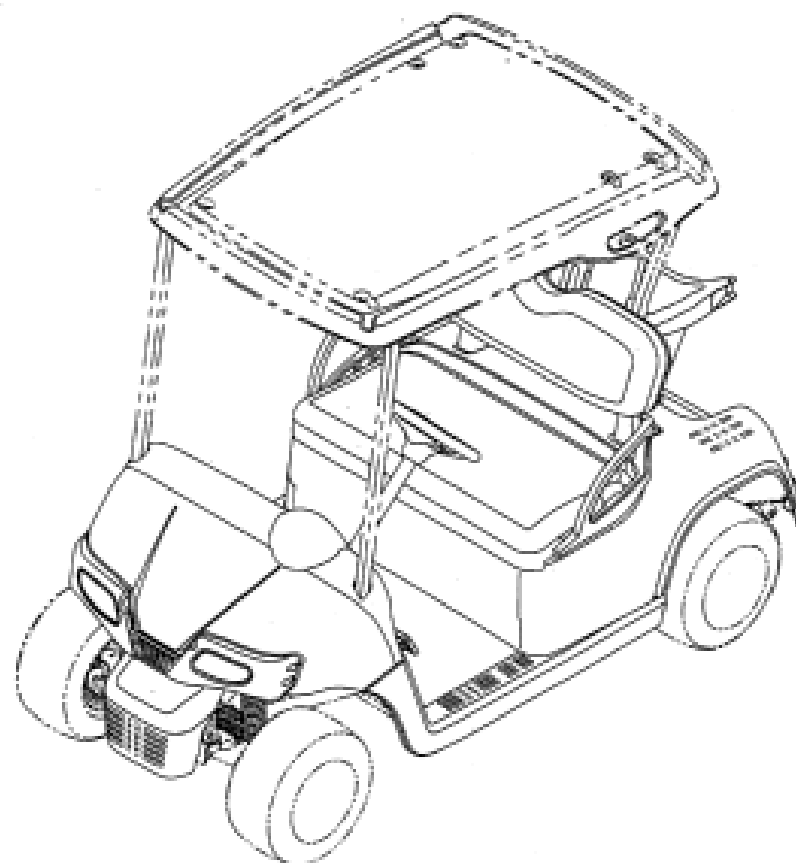
- (21) Design Number: **18334/2007**
(22) Date of Filing Application: **08 June 2007**
(24) Date from which industrial property rights may have effect: **08 June 2007**
(54) Product in respect of which the design is registered: **Golf car**
(51) International Design Classification: **12-02**
(71) Name(s) and Address(s) of Applicant(s):
Textron Inc.
40 Westminster Street Providence Rhode Island 02903 United States of America
(72) Name(s) of Designer(s): **Donald S. Hanson Jr. and Bradley J. Hanson**
(45) Registration Date: **14 November 2007**
(30) Convention priority data:
(31) Number (32) Date (33) Country
29/275006 08 Dec 2006 UNITED STATES OF AMERICA
(56) Related Art Documents: **Not Applicable**
(57) Statement of Newness and Distinctiveness: **Newness and distinctiveness is claimed in the visual features shown in solid lines in the representations. The lines shown in phantom do not form part of the design.**



(21) Design Number: **19867/2007**
 (22) Date of Filing Application: **08 June 2007**
 (24) Date from which industrial property rights may have effect: **08 June 2007**
 (54) Product in respect of which the design is registered: **Golf car**
 (51) International Design Classification: **12-02**
 (71) Name(s) and Address(s) of Applicant(s):
Textron Inc.
40 Westminster Street Providence Rhode Island 02903 United States of America
 (72) Name(s) of Designer(s): **Donald S. Hanson Jr. and Bradley J. Hanson**
 (45) Registration Date: **14 November 2007**
 (30) Convention priority data:

(31) Number	(32) Date	(33) Country
29/275006	08 Dec 2006	UNITED STATES OF AMERICA

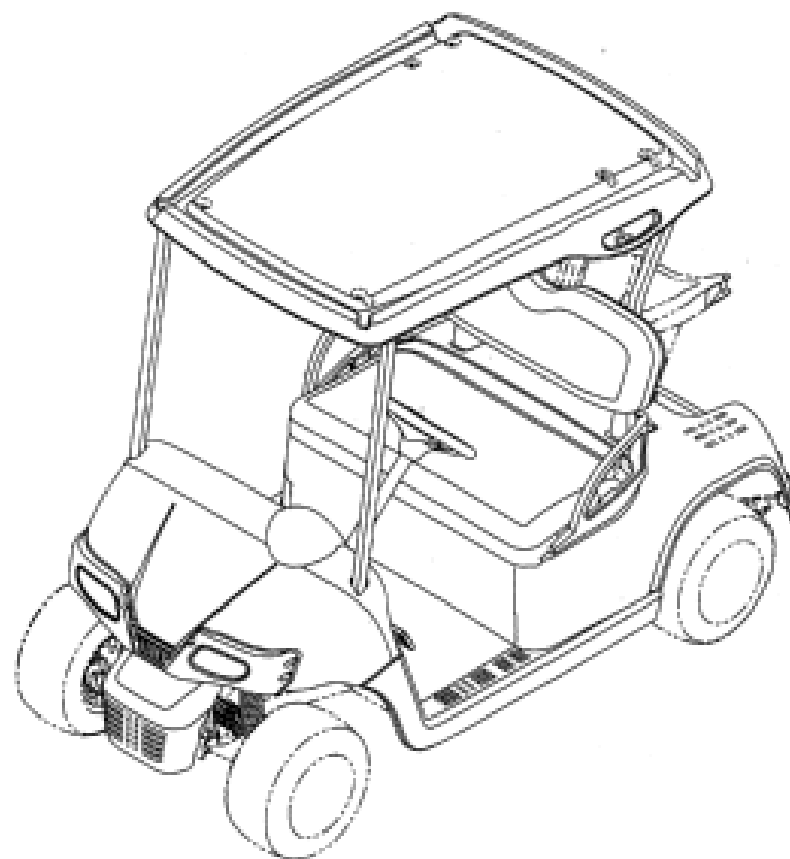
 (56) Related Art Documents: **Not Applicable**
 (57) Statement of Newness and Distinctiveness: **Newness and distinctiveness is claimed in the visual features shown in solid lines in the representations. The lines shown in phantom do not form part of the design.**



(21) Design Number: **19868/2007**
 (22) Date of Filing Application: **08 June 2007**
 (24) Date from which industrial property rights may have effect: **08 June 2007**
 (54) Product in respect of which the design is registered: **Golf car**
 (51) International Design Classification: **12-02**
 (71) Name(s) and Address(s) of Applicant(s):
Textron Inc.
40 Westminster Street Providence Rhode Island 02903 United States of America
 (72) Name(s) of Designer(s): **Donald S. Hanson Jr. and Bradley J. Hanson**
 (45) Registration Date: **14 November 2007**
 (30) Convention priority data:

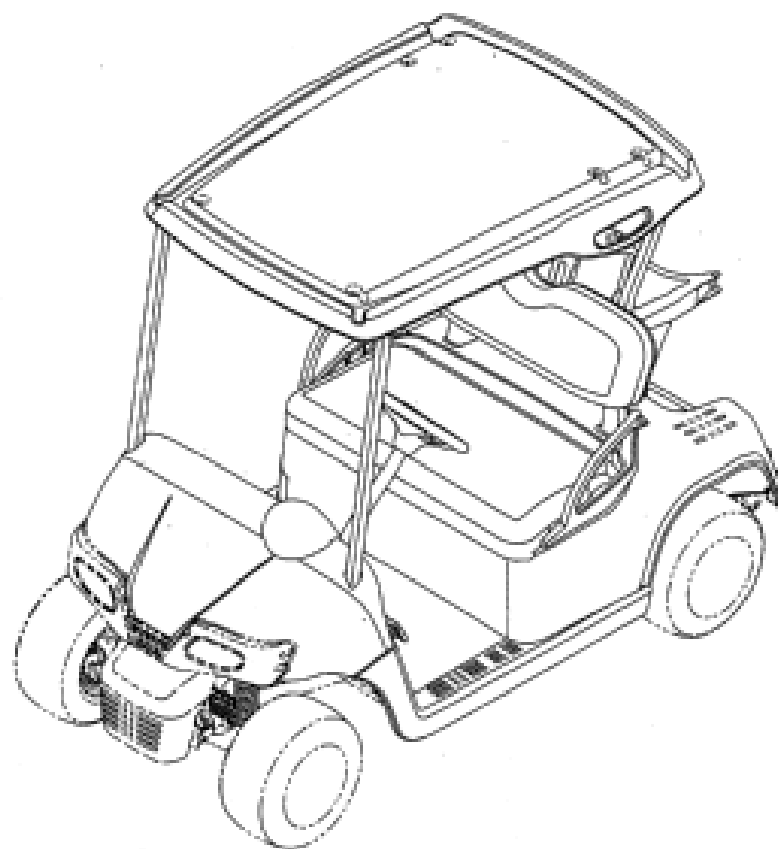
(31) Number	(32) Date	(33) Country
29/275006	08 Dec 2006	UNITED STATES OF AMERICA

 (56) Related Art Documents: **Not Applicable**
 (57) Statement of Newness and Distinctiveness: **Newness and distinctiveness is claimed in the visual features shown in solid lines in the representations. The lines shown in phantom do not form part of the design.**



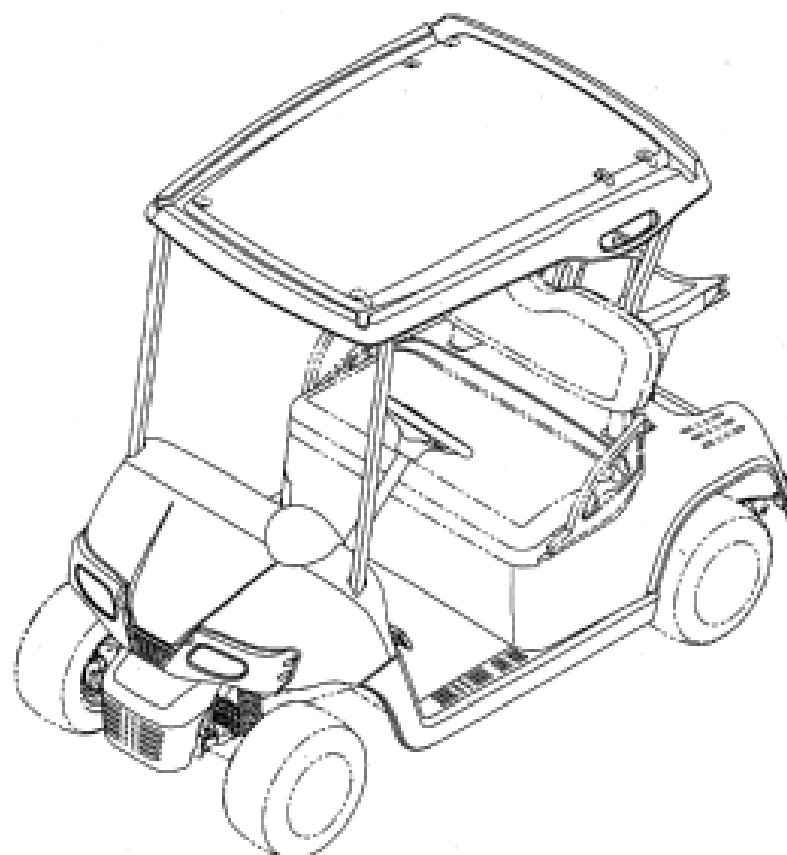
- (21) Design Number: **19869/2007**
- (22) Date of Filing Application: **08 June 2007**
- (24) Date from which industrial property rights may have effect: **08 June 2007**
- (54) Product in respect of which the design is registered: **Golf car**
- (51) International Design Classification: **12-02**
- (71) Name(s) and Address(s) of Applicant(s):
Textron Inc.
40 Westminster Street Providence Rhode Island 02903 United States of America
- (72) Name(s) of Designer(s): **Donald S. Hanson Jr. and Bradley J. Hanson**
- (45) Registration Date: **14 November 2007**
- (30) Convention priority data:

(31) Number	(32) Date	(33) Country
29/275006	08 Dec 2006	UNITED STATES OF AMERICA
- (56) Related Art Documents: **Not Applicable**
- (57) Statement of Newness and Distinctiveness: **Newness and distinctiveness is claimed in the visual features shown in solid lines in the representations. The lines shown in phantom do not form part of the design.**



- (21) Design Number: **19870/2007**
- (22) Date of Filing Application: **08 June 2007**
- (24) Date from which industrial property rights may have effect: **08 June 2007**
- (54) Product in respect of which the design is registered: **Golf car**
- (51) International Design Classification: **12-02**
- (71) Name(s) and Address(s) of Applicant(s):
Textron Inc.
40 Westminster Street Providence Rhode Island 02903 United States of America
- (72) Name(s) of Designer(s): **Donald S. Hanson Jr. and Bradley J. Hanson**
- (45) Registration Date: **14 November 2007**
- (30) Convention priority data:

(31) Number	(32) Date	(33) Country
29/275006	08 Dec 2006	UNITED STATES OF AMERICA
- (56) Related Art Documents: **Not Applicable**
- (57) Statement of Newness and Distinctiveness: **Newness and distinctiveness is claimed in the visual features shown in solid lines in the representations. The lines shown in phantom do not form part of the design.**



(21) Design Number: **19871/2007**

(22) Date of Filing Application: **08 June 2007**

(24) Date from which industrial property rights may have effect: **08 June 2007**

(54) Product in respect of which the design is registered: **Golf car**

(51) International Design Classification: **12-02**

(71) Name(s) and Address(s) of Applicant(s):

Textron Inc.

40 Westminster Street Providence Rhode Island 02903 United States of America

(72) Name(s) of Designer(s): **Donald S. Hanson Jr. and Bradley J. Hanson**

(45) Registration Date: **14 November 2007**

(30) Convention priority data:

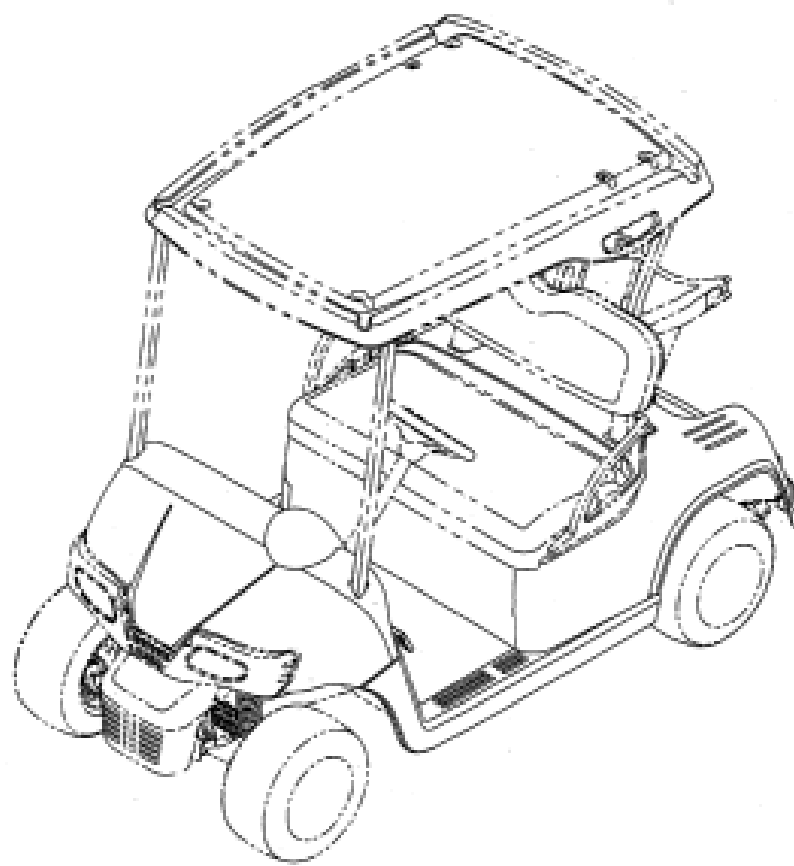
(31) Number
29/275006

(32) Date
08 Dec 2006

(33) Country
UNITED STATES OF AMERICA

(56) Related Art Documents: **Not Applicable**

(57) Statement of Newness and Distinctiveness: **Newness and distinctiveness is claimed in the visual features shown in solid lines in the representations. The lines shown in phantom do not form part of the design.**



(21) Design Number: **10320/2006**

(22) Date of Filing Application: **01 February 2006**

(24) Date from which industrial property rights may have effect: **01 February 2006**

(54) Product in respect of which the design is registered: **Fountain**

(51) International Design Classification: **11-99**

(71) Name(s) and Address(s) of Applicant(s):

Elegant Garden World Pty Ltd

40 Lisbon Street Fairfield East New South Wales 2165 Australia

(72) Name(s) of Designer(s): **Zhi Qiang Wu**

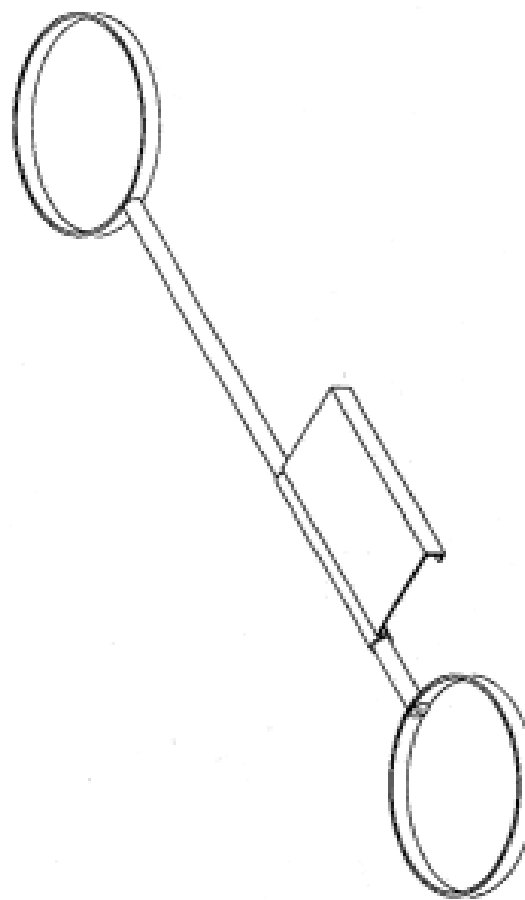
(45) Registration Date: **14 November 2007**

(56) Related Art Documents: **Not Applicable**

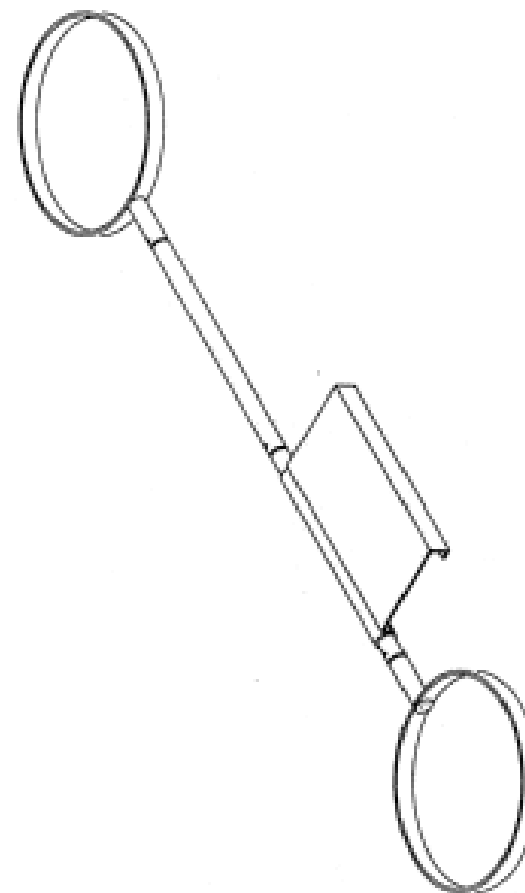
(57) Statement of Newness and Distinctiveness: **Nil**



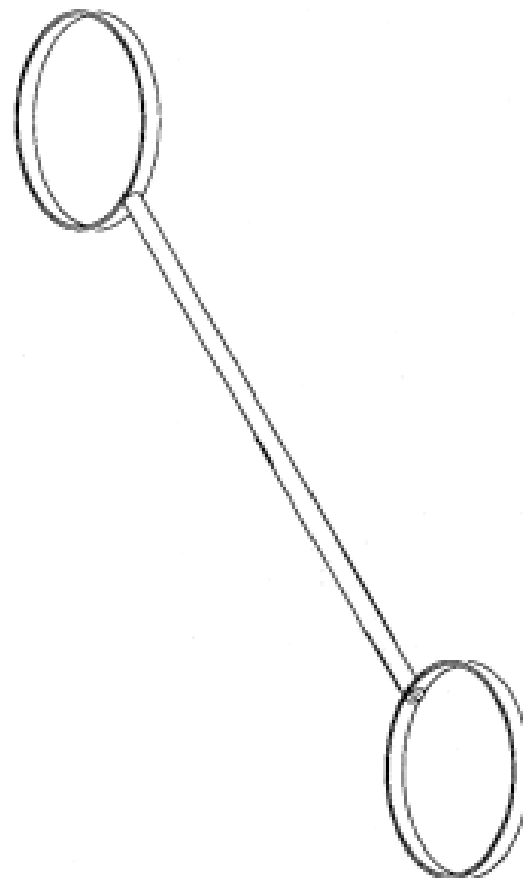
- (21) Design Number: **10369/2006**
- (22) Date of Filing Application: **03 February 2006**
- (24) Date from which industrial property rights may have effect: **03 February 2006**
- (54) Product in respect of which the design is registered: **Ladder accessory**
- (51) International Design Classification: **25-04**
- (71) Name(s) and Address(s) of Applicant(s):
Kaliba Pty Limited
31 Beaumont Street Rose Bay New South Wales 2029 Australia
- (72) Name(s) of Designer(s): **Jerry Adler and Charles Beck and William Arnold**
Van Rooijen and Steven Allen Kotek
- (45) Registration Date: **14 November 2007**
- (56) Related Art Documents: **Not Applicable**
- (57) Statement of Newness and Distinctiveness: **Nil**



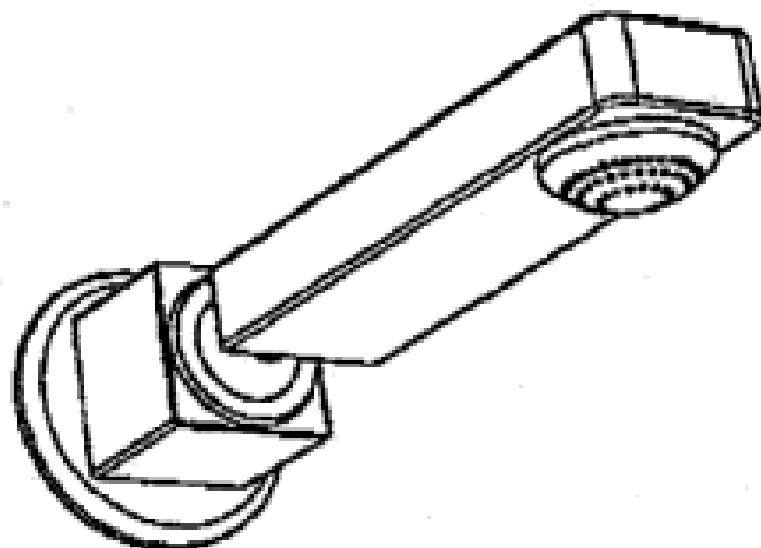
- (21) Design Number: **10370/2006**
- (22) Date of Filing Application: **03 February 2006**
- (24) Date from which industrial property rights may have effect: **03 February 2006**
- (54) Product in respect of which the design is registered: **Ladder accessory**
- (51) International Design Classification: **25-04**
- (71) Name(s) and Address(s) of Applicant(s):
Kaliba Pty Limited
31 Beaumont Stret Rose Bay New South Wales 2029 Australia
- (72) Name(s) of Designer(s): **Jerry Adler and Charles Beck and William Arnold**
Van Rooijen and Steven Allen Kotek
- (45) Registration Date: **14 November 2007**
- (56) Related Art Documents: **Not Applicable**
- (57) Statement of Newness and Distinctiveness: **Nil**



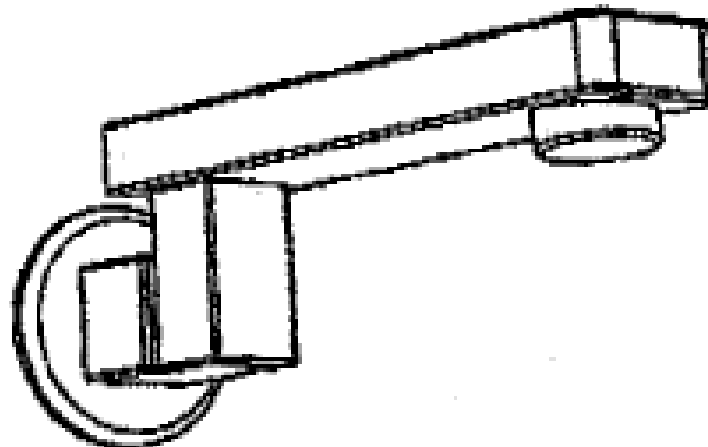
(21) Design Number: **10371/2006**
(22) Date of Filing Application: **03 February 2006**
(24) Date from which industrial property rights may have effect: **03 February 2006**
(54) Product in respect of which the design is registered: **Ladder accessory**
(51) International Design Classification: **25-04**
(71) Name(s) and Address(s) of Applicant(s):
Kaliba Pty Limited
31 Beaumont Stret Rose Bay New South Wales 2029 Australia
(72) Name(s) of Designer(s): **Jerry Adler and Charles Beck and William Arnold**
Van Rooijen and Steven Allen Kotek
(45) Registration Date: **14 November 2007**
(56) Related Art Documents: **Not Applicable**
(57) Statement of Newness and Distinctiveness: **Nil**



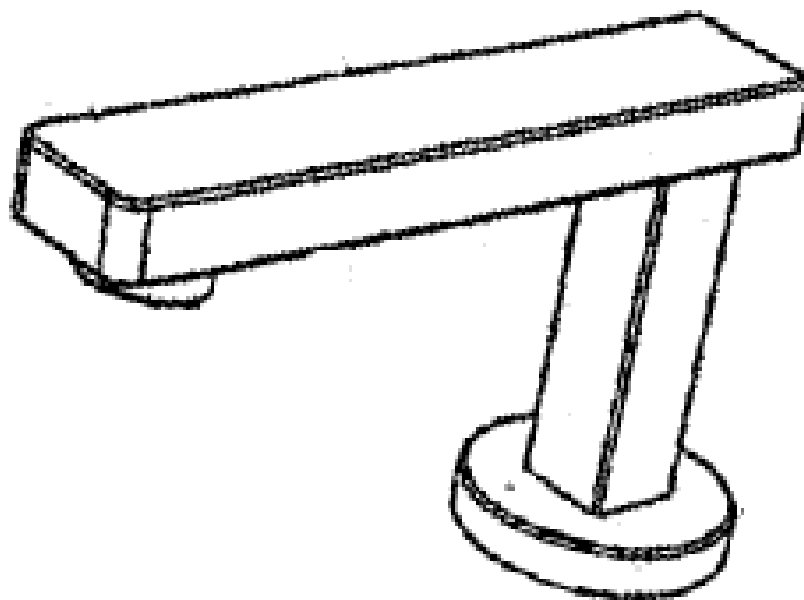
(21) Design Number: **10847/2006**
(22) Date of Filing Application: **06 March 2006**
(24) Date from which industrial property rights may have effect: **06 March 2006**
(54) Product in respect of which the design is registered: **Signature shower set**
(51) International Design Classification: **23-01H, 23-02B**
(71) Name(s) and Address(s) of Applicant(s):
Pacific Products (International) Pty Limited
PO Box 147 Northgate Queensland 4013 Australia
(72) Name(s) of Designer(s): **Peter Smallhorne**
(45) Registration Date: **14 November 2007**
(56) Related Art Documents: **Not Applicable**
(57) Statement of Newness and Distinctiveness: **Nil**



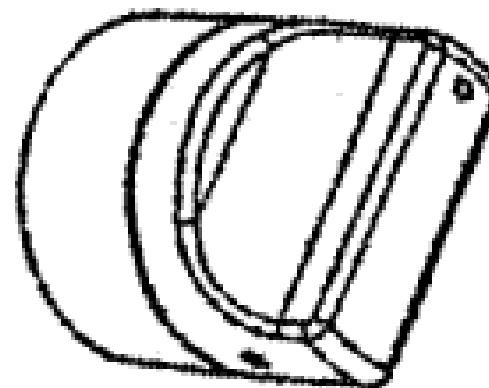
- (21) Design Number: **10848/2006**
- (22) Date of Filing Application: **06 March 2006**
- (24) Date from which industrial property rights may have effect: **06 March 2006**
- (54) Product in respect of which the design is registered: **Signature bath set**
- (51) International Design Classification: **23-01H, 23-02B**
- (71) Name(s) and Address(s) of Applicant(s):
Pacific Products (International) Pty Limited
PO Box 147 Northgate Queensland 4013 Australia
- (72) Name(s) of Designer(s): **Peter Smallhorne**
- (45) Registration Date: **14 November 2007**
- (56) Related Art Documents: **Not Applicable**
- (57) Statement of Newness and Distinctiveness: **Nil**



- (21) Design Number: **10849/2006**
- (22) Date of Filing Application: **06 March 2006**
- (24) Date from which industrial property rights may have effect: **06 March 2006**
- (54) Product in respect of which the design is registered: **Signature basin set**
- (51) International Design Classification: **23-01H, 23-02B**
- (71) Name(s) and Address(s) of Applicant(s):
Pacific Products (International) Pty Limited
PO Box 147 Northgate Queensland 4013 Australia
- (72) Name(s) of Designer(s): **Peter Smallhorne**
- (45) Registration Date: **14 November 2007**
- (56) Related Art Documents: **Not Applicable**
- (57) Statement of Newness and Distinctiveness: **Nil**



(21) Design Number: **14300/2006**
(22) Date of Filing Application: **06 March 2006**
(24) Date from which industrial property rights may have effect: **06 March 2006**
(54) Product in respect of which the design is registered: **Signature shower set tap**
(51) International Design Classification: **23-01H, 23-02B**
(71) Name(s) and Address(s) of Applicant(s):
Pacific Products (International) Pty Limited
PO Box 147 Northgate Queensland 4013 Australia
(72) Name(s) of Designer(s): **Peter Smallhorne**
(45) Registration Date: **14 November 2007**
(56) Related Art Documents: **Not Applicable**
(57) Statement of Newness and Distinctiveness: **Nil**



(21) Design Number: **12796/2006**
(22) Date of Filing Application: **30 June 2006**
(24) Date from which industrial property rights may have effect: **30 June 2006**
(54) Product in respect of which the design is registered: **Football guernseys/jumpers**
(51) International Design Classification: **02-02NES**
(71) Name(s) and Address(s) of Applicant(s):
Australian Football League Limited
140 Harbour Esplanade Docklands Victoria 3008 Australia
(72) Name(s) of Designer(s): **Joanne Bennett**
(45) Registration Date: **14 November 2007**
(56) Related Art Documents: **Not Applicable**
(57) Statement of Newness and Distinctiveness: **Nil.**



(21) Design Number: 13822/2006

(22) Date of Filing Application: 24 August 2006

(24) Date from which industrial property rights may have effect: 24 August 2006

(54) Product in respect of which the design is registered: **A multi-tube storage and transport rack**

(51) International Design Classification: 09-03E, 09-03F, 24-01

(71) Name(s) and Address(s) of Applicant(s):

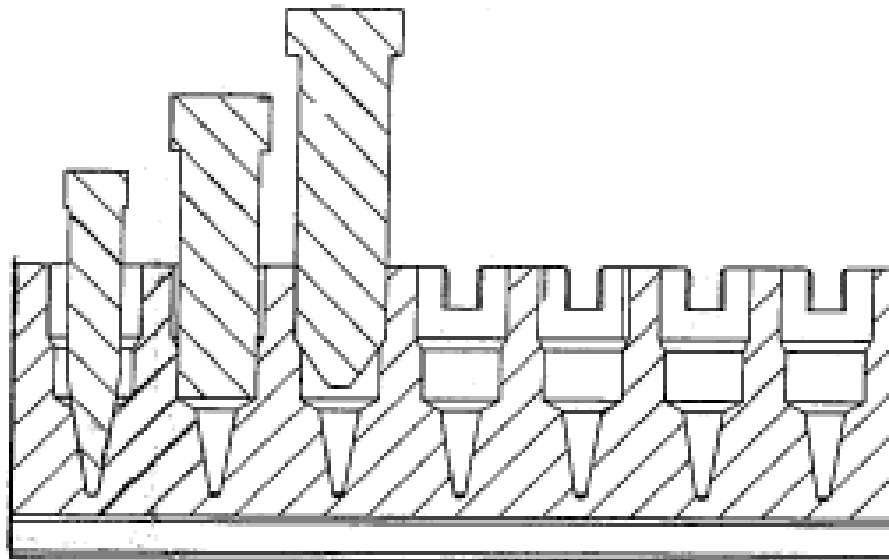
Biocorp Australia Pty Ltd
51 Cleveland Road Oakleigh South Victoria 3167 Australia

(72) Name(s) of Designer(s): **John Dawson**

(45) Registration Date: 14 November 2007

(56) Related Art Documents: **Not Applicable**

(57) Statement of Newness and Distinctiveness: **This rack has the ability of accepting several tubes of different diameter due to the apertures being 'stepped' - refer diagram attached.**



(21) Design Number: 14518/2006

(22) Date of Filing Application: 06 October 2006

(24) Date from which industrial property rights may have effect: 06 October 2006

(54) Product in respect of which the design is registered: **A hood garment**

(51) International Design Classification: 02-03

(71) Name(s) and Address(s) of Applicant(s):

Billy James Williamson
4 Woorak Road Palm Beach New South Wales 2108 Australia

(72) Name(s) of Designer(s): **Billy James Williamson**

(45) Registration Date: 14 November 2007

(56) Related Art Documents: **Not Applicable**

(57) Statement of Newness and Distinctiveness: **Newness and distinctiveness is claimed in the features of shape and/or configuration of a hood garment as illustrated in the accompanying representations.**



(21) Design Number: **15601/2005**

(22) Date of Filing Application: **15 December 2005**

(24) Date from which industrial property rights may have effect: **15 December 2005**

(54) Product in respect of which the design is registered: **Improved star post straightener**

(51) International Design Classification: **08-99**

(71) Name(s) and Address(s) of Applicant(s):

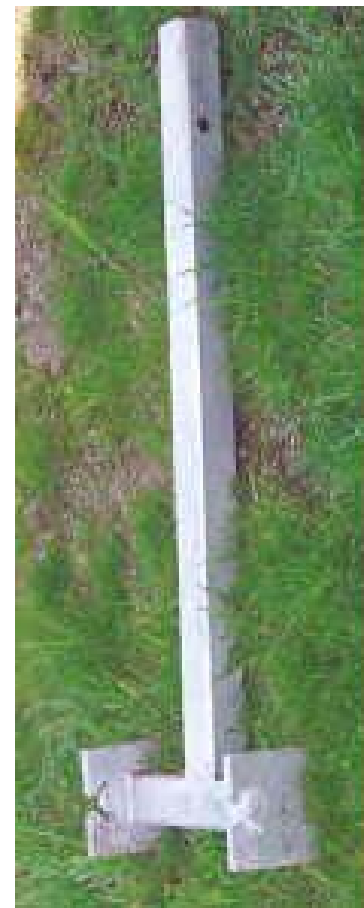
Laurence Keith Jolly
"Wirrannah" Hendersons Road The Rock New South Wales 2655
Australia

(72) Name(s) of Designer(s): **Laurence Keith Jolly**

(45) Registration Date: **14 November 2007**

(56) Related Art Documents: **Not Applicable**

(57) Statement of Newness and Distinctiveness: **Nil**



(21) Design Number: **15602/2005**

(22) Date of Filing Application: **15 December 2005**

(24) Date from which industrial property rights may have effect: **15 December 2005**

(54) Product in respect of which the design is registered: **Improved star post lifter**

(51) International Design Classification: **08-99**

(71) Name(s) and Address(s) of Applicant(s):

Laurence Keith Jolly
"Wirrannah" Hendersons Road The Rock New South Wales 2655
Australia

(72) Name(s) of Designer(s): **Laurence Keith Jolly**

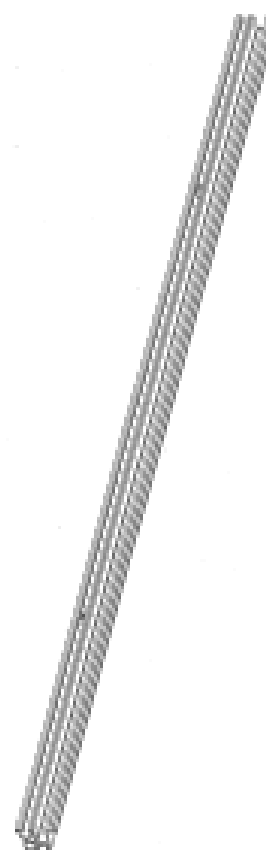
(45) Registration Date: **14 November 2007**

(56) Related Art Documents: **Not Applicable**

(57) Statement of Newness and Distinctiveness: **Nil**



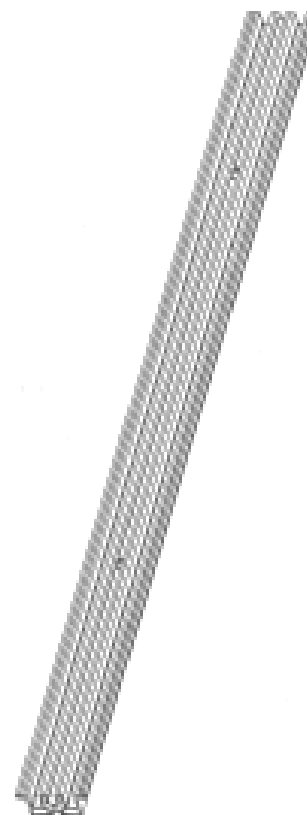
- (21) Design Number: **15658/2005**
(22) Date of Filing Application: **21 December 2005**
(24) Date from which industrial property rights may have effect: **21 December 2005**
(54) Product in respect of which the design is registered: **Elevator door sill**
(51) International Design Classification: **25-01K, 08-09**
(71) Name(s) and Address(s) of Applicant(s):
Inventio A.G.
Seestrasse 55 CH-6052 Hergiswil NW Switzerland
(72) Name(s) of Designer(s): **Stefano Menchini and Guntram Begle**
(45) Registration Date: **14 November 2007**
(56) Related Art Documents: **Not Applicable**
(57) Statement of Newness and Distinctiveness: **Newness and distinctiveness resides in the shape and configuration of an elevator door sill of indefinite length as illustrated in the accompanying representations. The elevator door sill is of indefinite length and the same design is repeated at regular intervals along its length.**



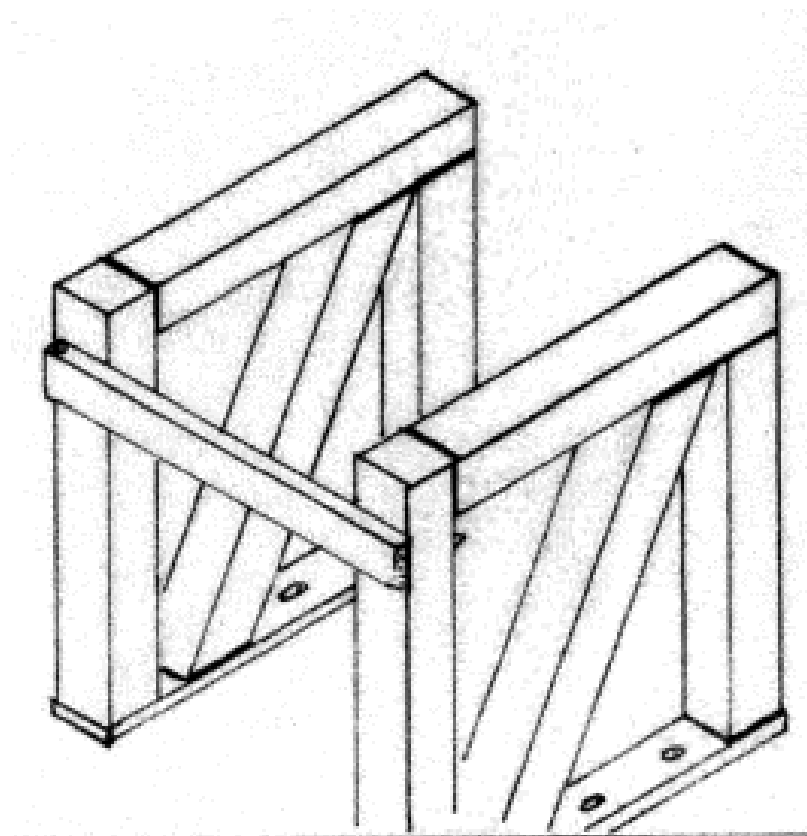
- (21) Design Number: **15659/2005**
(22) Date of Filing Application: **21 December 2005**
(24) Date from which industrial property rights may have effect: **21 December 2005**
(54) Product in respect of which the design is registered: **Elevator door sill**
(51) International Design Classification: **25-01K, 12-05**
(71) Name(s) and Address(s) of Applicant(s):
Inventio A.G.
Seestrasse 55 CH-6052 Hergiswil NW Switzerland
(72) Name(s) of Designer(s): **Stefano Menchini and Guntram Begle**
(45) Registration Date: **14 November 2007**
(30) Convention priority data:

(31) Number	(32) Date	(33) Country
132018	21 Jun 2005	SWITZERLAND

(56) Related Art Documents: **Not Applicable**
(57) Statement of Newness and Distinctiveness: **Newness and distinctiveness resides in the shape and configuration of an elevator door sill of indefinite length as illustrated in the accompanying representations. The elevator door sill is of indefinite length and the same design is repeated at regular intervals along its length.**



- (21) Design Number: **15683/2004**
(22) Date of Filing Application: **08 December 2004**
(24) Date from which industrial property rights may have effect: **08 December 2004**
(54) Product in respect of which the design is registered: **A.T.M antitheft device (automatic teller machine)**
(51) International Design Classification: **08-07**
(71) Name(s) and Address(s) of Applicant(s):
George Giesberts
2 Wills Court Mt Ommaney Queensland 4074 Australia
Gary Lamb
2 Wills Court Mt Ommaney Queensland 4074 Australia
(72) Name(s) of Designer(s): **George Giesberts**
(45) Registration Date: **14 November 2007**
(56) Related Art Documents: **Not Applicable**
(57) Statement of Newness and Distinctiveness: **Nil**



- (21) Design Number: **17634/2007**
(22) Date of Filing Application: **30 April 2007**
(24) Date from which industrial property rights may have effect: **30 April 2007**
(54) Product in respect of which the design is registered: **Seat**
(51) International Design Classification: **06-01C**
(71) Name(s) and Address(s) of Applicant(s):
Architectural Steelworks Pty Ltd
41 Sarich Court Osborne Park Western Australia 6017 Australia
(72) Name(s) of Designer(s): **Jayson Cinquina**
(45) Registration Date: **14 November 2007**
(56) Related Art Documents: **Not Applicable**
(57) Statement of Newness and Distinctiveness: **Nil**



(21) Design Number: **17635/2007**
(22) Date of Filing Application: **30 April 2007**
(24) Date from which industrial property rights may have effect: **30 April 2007**
(54) Product in respect of which the design is registered: **Table setting**
(51) International Design Classification: **06-05**
(71) Name(s) and Address(s) of Applicant(s):
Architectural Steelworks Pty Ltd
41 Sarich Court Osborne Park Western Australia 6017 Australia
(72) Name(s) of Designer(s): **Jayson Cinquina**
(45) Registration Date: **14 November 2007**
(56) Related Art Documents: **Not Applicable**
(57) Statement of Newness and Distinctiveness: **Nil**



(21) Design Number: **17636/2007**
(22) Date of Filing Application: **30 April 2007**
(24) Date from which industrial property rights may have effect: **30 April 2007**
(54) Product in respect of which the design is registered: **Seat**
(51) International Design Classification: **06-01C**
(71) Name(s) and Address(s) of Applicant(s):
Architectural Steelworks Pty Ltd
41 Sarich Court Osborne Park Western Australia 6017 Australia
(72) Name(s) of Designer(s): **Jayson Cinquina**
(45) Registration Date: **14 November 2007**
(56) Related Art Documents: **Not Applicable**
(57) Statement of Newness and Distinctiveness: **Nil**



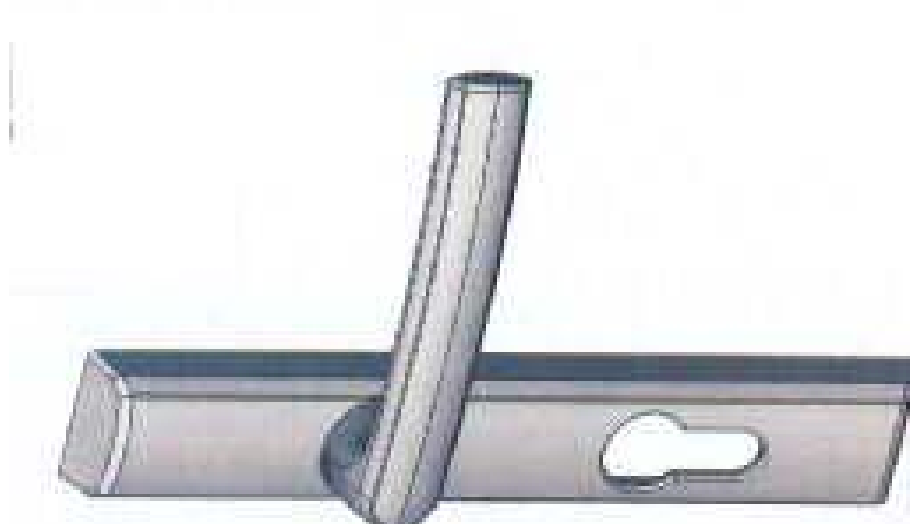
(21) Design Number: **17637/2007**
(22) Date of Filing Application: **30 April 2007**
(24) Date from which industrial property rights may have effect: **30 April 2007**
(54) Product in respect of which the design is registered: **Table setting**
(51) International Design Classification: **06-05**
(71) Name(s) and Address(s) of Applicant(s):
Architectural Steelworks Pty Ltd
41 Sarich Court Osborne Park Western Australia 6017 Australia
(72) Name(s) of Designer(s): **Jayson Cinquina**
(45) Registration Date: **14 November 2007**
(56) Related Art Documents: **Not Applicable**
(57) Statement of Newness and Distinctiveness: **Nil**



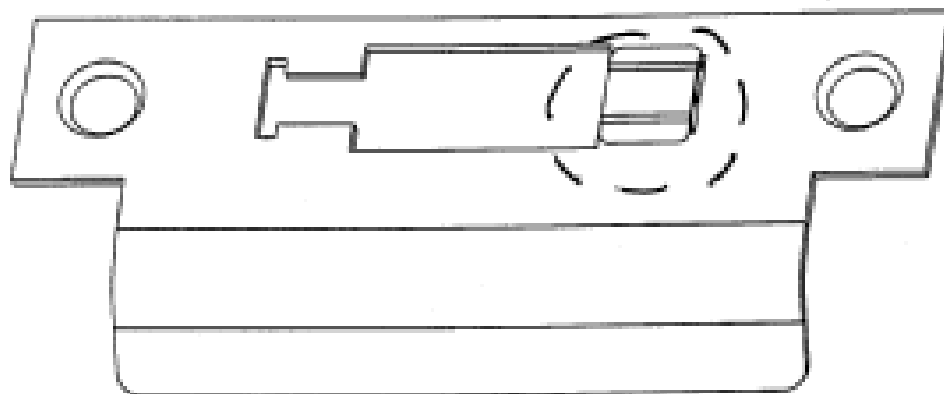
(21) Design Number: **17638/2007**
(22) Date of Filing Application: **30 April 2007**
(24) Date from which industrial property rights may have effect: **30 April 2007**
(54) Product in respect of which the design is registered: **Seat**
(51) International Design Classification: **06-01C**
(71) Name(s) and Address(s) of Applicant(s):
Architectural Steelworks Pty Ltd
41 Sarich Court Osborne Park Western Australia 6017 Australia
(72) Name(s) of Designer(s): **Jayson Cinquina**
(45) Registration Date: **14 November 2007**
(56) Related Art Documents: **Not Applicable**
(57) Statement of Newness and Distinctiveness: **Nil**



- (21) Design Number: **10334/2006**
(22) Date of Filing Application: **03 February 2006**
(24) Date from which industrial property rights may have effect: **03 February 2006**
(54) Product in respect of which the design is registered: **Lever and backplate assembly**
(51) International Design Classification: **08-06**
(71) Name(s) and Address(s) of Applicant(s):
Watts Hardware Manufacturing Pty Ltd
8 Ross Street South Melbourne Victoria 3205 Australia
(72) Name(s) of Designer(s): **David Greenbury**
(45) Registration Date: **19 November 2007**
(56) Related Art Documents: **Not Applicable**
(57) Statement of Newness and Distinctiveness: **Nil**



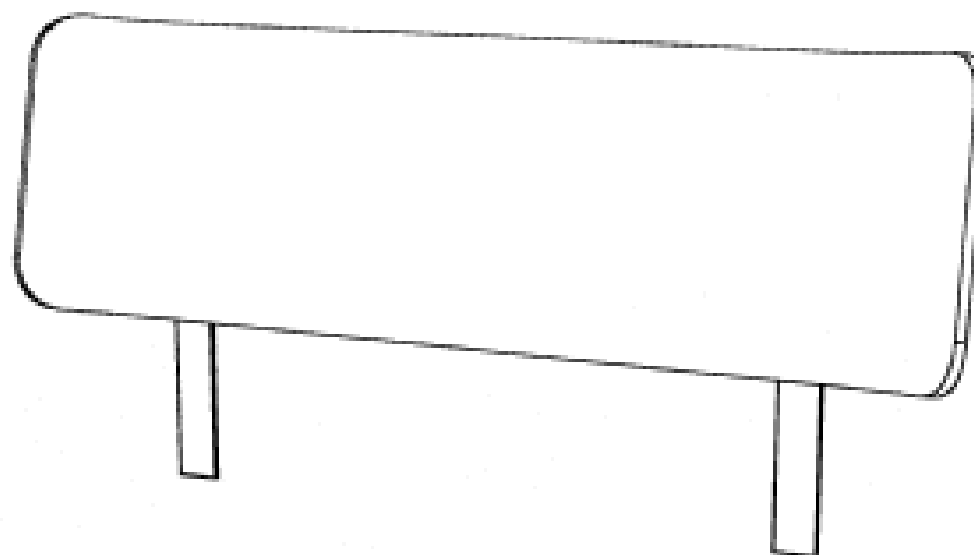
- (21) Design Number: **10335/2006**
(22) Date of Filing Application: **03 February 2006**
(24) Date from which industrial property rights may have effect: **03 February 2006**
(54) Product in respect of which the design is registered: **Door lock strike plate**
(51) International Design Classification: **08-07**
(71) Name(s) and Address(s) of Applicant(s):
Watts Hardware Manufacturing Pty Ltd
8 Ross Street South Melbourne Victoria 3205 Australia
(72) Name(s) of Designer(s): **David Greenbury and J. Russell Watts**
(45) Registration Date: **19 November 2007**
(56) Related Art Documents: **Not Applicable**
(57) Statement of Newness and Distinctiveness: **New and distinctive visual features comprise the hole cover member shown within the closed dotted line.**



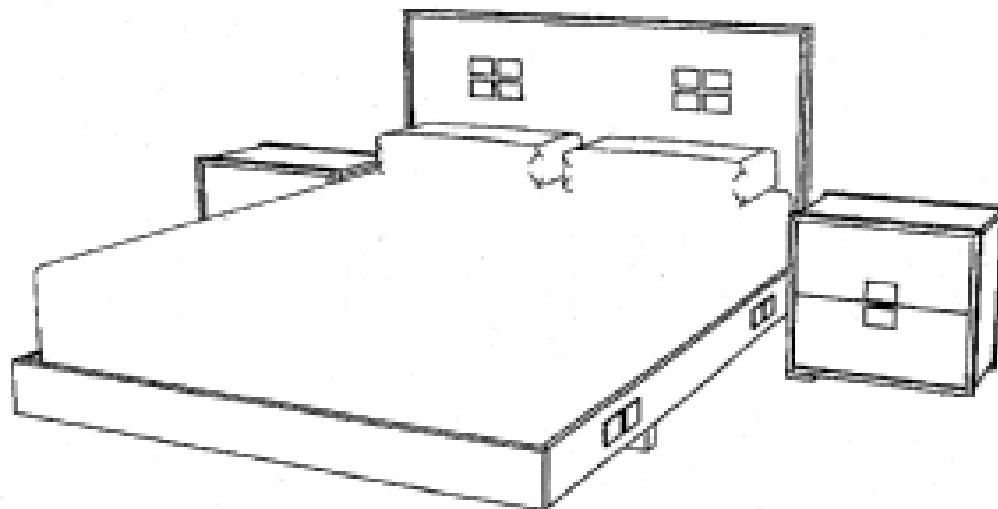
- (21) Design Number: **10336/2006**
- (22) Date of Filing Application: **03 February 2006**
- (24) Date from which industrial property rights may have effect: **03 February 2006**
- (54) Product in respect of which the design is registered: **Double cylinder**
- (51) International Design Classification: **08-07**
- (71) Name(s) and Address(s) of Applicant(s):
Watts Hardware Manufacturing Pty Ltd
8 Ross Street South Melbourne Victoria 3205 Australia
- (72) Name(s) of Designer(s): **J. Russell Watts**
- (45) Registration Date: **19 November 2007**
- (56) Related Art Documents: **Not Applicable**
- (57) Statement of Newness and Distinctiveness: **New and distinctive visual features comprise the non-cylindrical side portions shown in the representations within the closed dotted lines.**



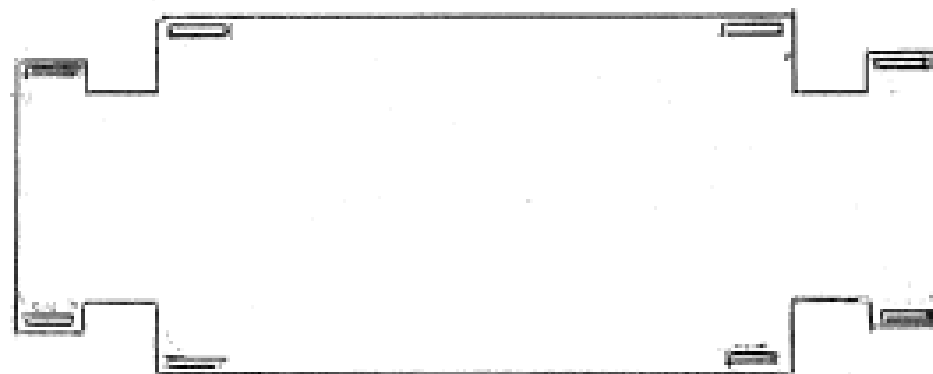
- (21) Design Number: **12534/2006**
- (22) Date of Filing Application: **13 June 2006**
- (24) Date from which industrial property rights may have effect: **13 June 2006**
- (54) Product in respect of which the design is registered: **Bed headboard**
- (51) International Design Classification: **06-02**
- (71) Name(s) and Address(s) of Applicant(s):
David Durance
Rear 24 Cunningham Street Northcote Victoria 3070 Australia
- (72) Name(s) of Designer(s): **David Durance**
- (45) Registration Date: **19 November 2007**
- (56) Related Art Documents: **Not Applicable**
- (57) Statement of Newness and Distinctiveness: **Nil**



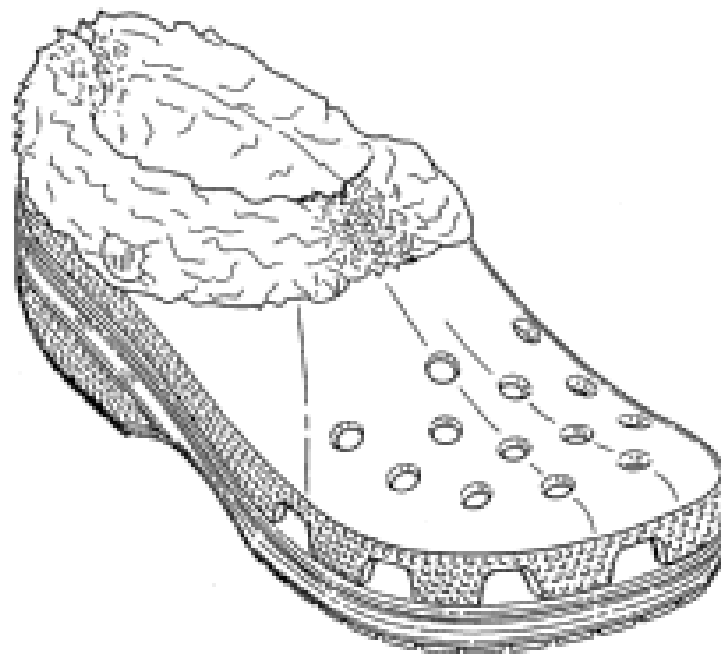
- (21) Design Number: **12535/2006**
(22) Date of Filing Application: **13 June 2006**
(24) Date from which industrial property rights may have effect: **13 June 2006**
(54) Product in respect of which the design is registered: **Bed, bedside table, tallboy, lingerie cabinet and dresser**
(51) International Design Classification: **06-02, 06-03NES, 06-04F, 06-05**
(71) Name(s) and Address(s) of Applicant(s):
David Durance
Rear 24 Cunningham Street Northcote Victoria 3070 Australia
(72) Name(s) of Designer(s): **David Durance**
(45) Registration Date: **19 November 2007**
(56) Related Art Documents: **Not Applicable**
(57) Statement of Newness and Distinctiveness: **Distinctiveness is not claimed for the appearance of the mattress as represented in fig 1 & fig 2.**



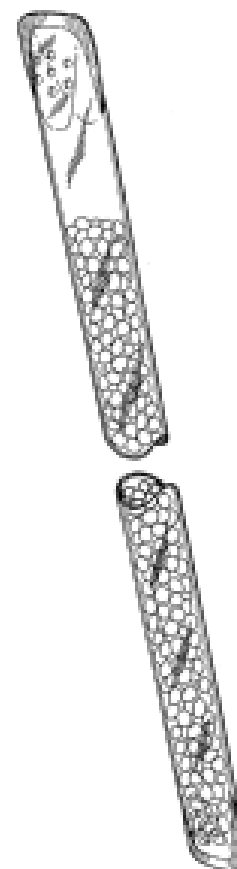
- (21) Design Number: **17672/2007**
(22) Date of Filing Application: **01 May 2007**
(24) Date from which industrial property rights may have effect: **01 May 2007**
(54) Product in respect of which the design is registered: **Bed Linen**
(51) International Design Classification: **06-13B**
(71) Name(s) and Address(s) of Applicant(s):
Careco Australia Pty Ltd
31/195 Prospect Highway Sevenhills New South Wales 2147 Australia
(72) Name(s) of Designer(s): **Zafer Cevik**
(45) Registration Date: **19 November 2007**
(56) Related Art Documents: **Not Applicable**
(57) Statement of Newness and Distinctiveness: **A unique fastening system allowing bed sheet to be fitted to mattress by velcro flaps top and bottom ends (without elastic edging) eliminating the need for the mattress to be lifted during making.**



- (21) Design Number: **18286/2007**
(22) Date of Filing Application: **04 June 2007**
(24) Date from which industrial property rights may have effect: **04 June 2007**
(54) Product in respect of which the design is registered: **Footwear**
(51) International Design Classification: **02-04NES**
(71) Name(s) and Address(s) of Applicant(s):
Crocs, Inc.
6273 Monarch Park Place Niwot Colorado 80503 United States of America
(72) Name(s) of Designer(s): **Stefano del Biondi and Lucio Stefanello**
(45) Registration Date: **19 November 2007**
(30) Convention priority data:
(31) Number (32) Date (33) Country
29/250892 04 Dec 2006 UNITED STATES OF AMERICA
(56) Related Art Documents: **Not Applicable**
(57) Statement of Newness and Distinctiveness: **The newness and distinctiveness of the design resides in the shape and configuration of the footwear shown in the representations. In deciding whether the design is substantially similar in overall impression to another design, no regard is to be given to the decorative circular bumps around the sides of the shoe nor the join in the fur trim around the edge of the footwear opening.**



- (21) Design Number: **18337/2007**
(22) Date of Filing Application: **12 June 2007**
(24) Date from which industrial property rights may have effect: **12 June 2007**
(54) Product in respect of which the design is registered: **Drinking straw**
(51) International Design Classification: **07-06NES**
(71) Name(s) and Address(s) of Applicant(s):
Unistraw Patent Holdings Limited
U0195 Jalan Merdeka 87007 Federal Territory of Labuan Malaysia
(72) Name(s) of Designer(s): **Peter Baron**
(45) Registration Date: **19 November 2007**
(56) Related Art Documents: **Not Applicable**
(57) Statement of Newness and Distinctiveness: **Newness and distinctiveness reside in the shape and configuration and/or pattern and ornamentation of the straw of indefinite length as illustrated in the accompanying drawing. In considering the scope of the monopoly, the shape, configuration and number of the holes shown at the ends of the straw in broken line are not considered part of the design and should be disregarded.**



(21) Design Number: **18339/2007**

(22) Date of Filing Application: **12 June 2007**

(24) Date from which industrial property rights may have effect: **12 June 2007**

(54) Product in respect of which the design is registered: **Drinking straw**

(51) International Design Classification: **07-06NES**

(71) Name(s) and Address(s) of Applicant(s):

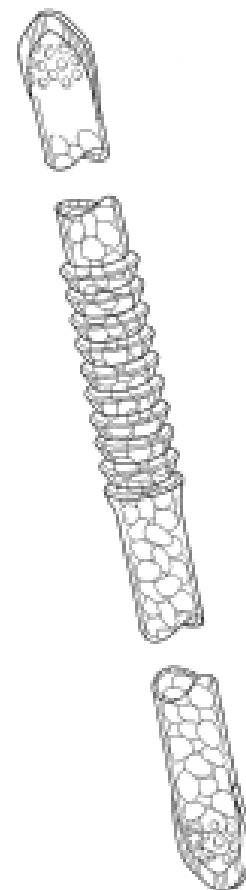
Unistraw Patent Holdings Limited
U0195 Jalan Merdeka 87007 Federal Territory of Labuan Malaysia

(72) Name(s) of Designer(s): **Peter Baron**

(45) Registration Date: **19 November 2007**

(56) Related Art Documents: **Not Applicable**

(57) Statement of Newness and Distinctiveness: **Newness and distinctiveness reside in the shape and configuration and/or pattern and ornamentation of the straw of indefinite length as illustrated in the accompanying drawings. In considering the scope of the monopoly, the shape, configuration and number of the holes shown at the ends of the straw in broken line are not considered part of the design and should be disregarded.**



(21) Design Number: **18354/2007**

(22) Date of Filing Application: **14 June 2007**

(24) Date from which industrial property rights may have effect: **14 June 2007**

(54) Product in respect of which the design is registered: **Louvre system**

(51) International Design Classification: **06-10**

(71) Name(s) and Address(s) of Applicant(s):

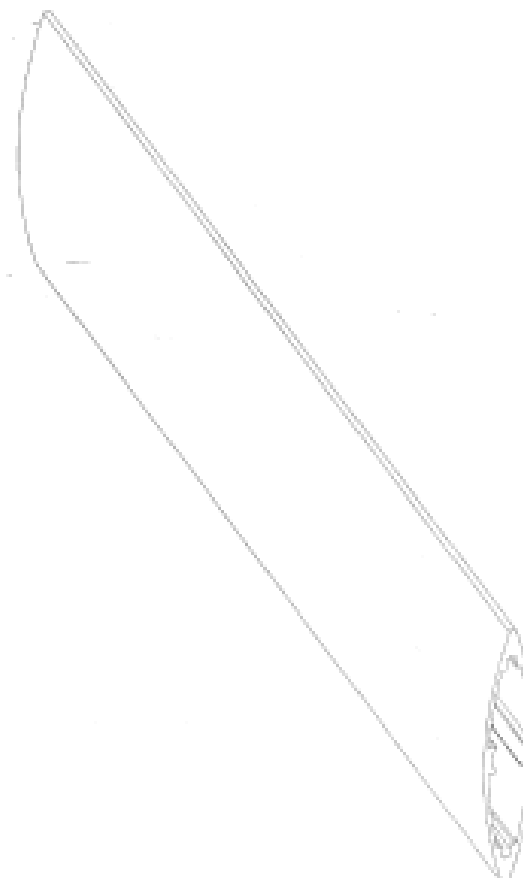
Zhi Jun Ke
340/9 Crofts Avenue Hurstville New South Wales 2220 Australia

(72) Name(s) of Designer(s): **Zhi Jun Ke**

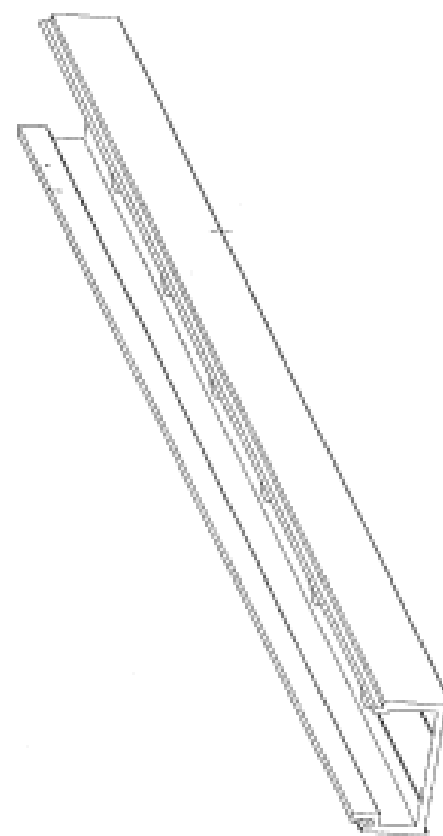
(45) Registration Date: **19 November 2007**

(56) Related Art Documents: **Not Applicable**

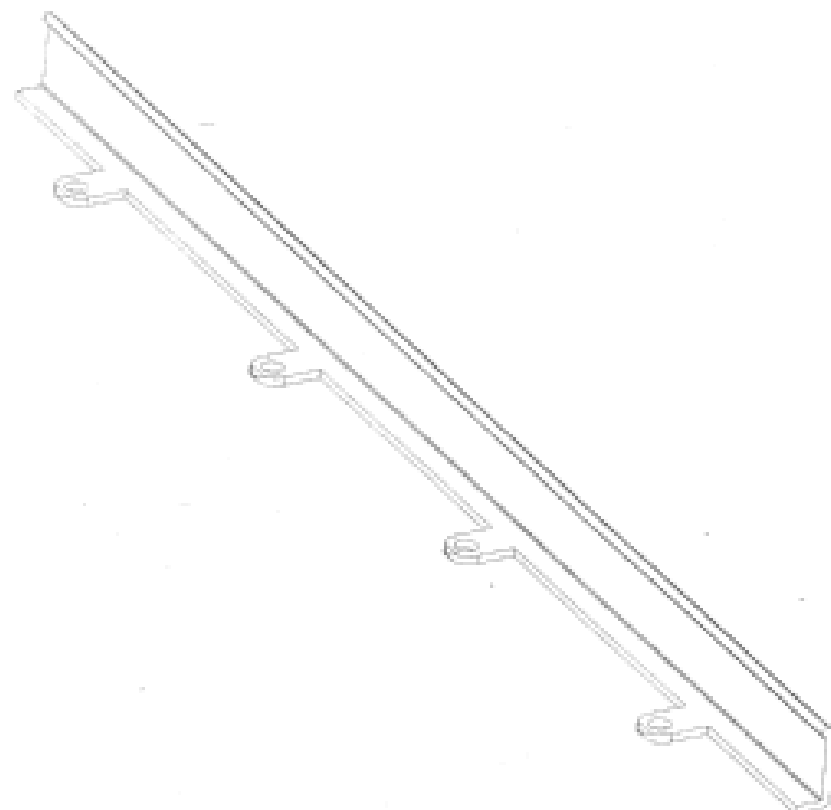
(57) Statement of Newness and Distinctiveness: **Nil**



(21) Design Number: **18355/2007**
(22) Date of Filing Application: **14 June 2007**
(24) Date from which industrial property rights may have effect: **14 June 2007**
(54) Product in respect of which the design is registered: **Louvre system**
(51) International Design Classification: **06-10**
(71) Name(s) and Address(s) of Applicant(s):
Zhi Jun Ke
340/9 Crofts Avenue Hurstville New South Wales 2220 Australia
(72) Name(s) of Designer(s): **Zhi Jun Ke**
(45) Registration Date: **19 November 2007**
(56) Related Art Documents: **Not Applicable**
(57) Statement of Newness and Distinctiveness: **Nil**



(21) Design Number: **18356/2007**
(22) Date of Filing Application: **14 June 2007**
(24) Date from which industrial property rights may have effect: **14 June 2007**
(54) Product in respect of which the design is registered: **Louvre system**
(51) International Design Classification: **06-10**
(71) Name(s) and Address(s) of Applicant(s):
Zhi Jun Ke
340/9 Crofts Avenue Hurstville New South Wales 2220 Australia
(72) Name(s) of Designer(s): **Zhi Jun Ke**
(45) Registration Date: **19 November 2007**
(56) Related Art Documents: **Not Applicable**
(57) Statement of Newness and Distinctiveness: **Nil**



(21) Design Number: **18357/2007**

(22) Date of Filing Application: **14 June 2007**

(24) Date from which industrial property rights may have effect: **14 June 2007**

(54) Product in respect of which the design is registered: **Louvre system**

(51) International Design Classification: **06-10**

(71) Name(s) and Address(s) of Applicant(s):

Zhi Jun Ke

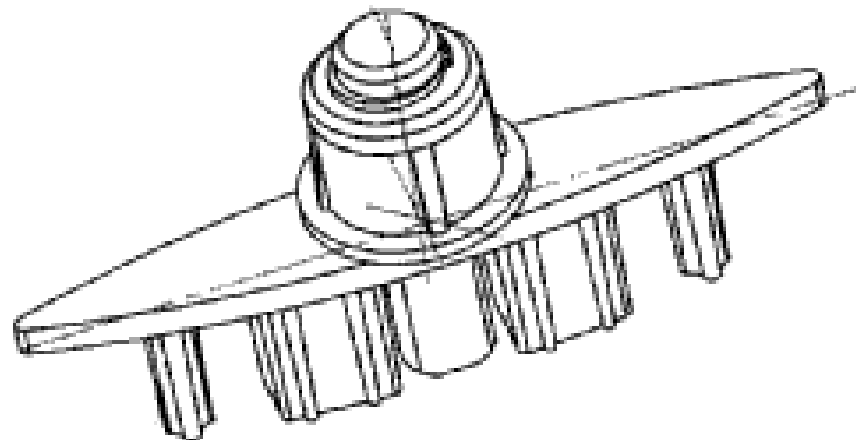
340/9 Crofts Avenue Hurstville New South Wales 2220 Australia

(72) Name(s) of Designer(s): **Zhi Jun Ke**

(45) Registration Date: **19 November 2007**

(56) Related Art Documents: **Not Applicable**

(57) Statement of Newness and Distinctiveness: **Nil**



(21) Design Number: **18358/2007**

(22) Date of Filing Application: **14 June 2007**

(24) Date from which industrial property rights may have effect: **14 June 2007**

(54) Product in respect of which the design is registered: **Louvre system**

(51) International Design Classification: **06-10**

(71) Name(s) and Address(s) of Applicant(s):

Zhi Jun Ke

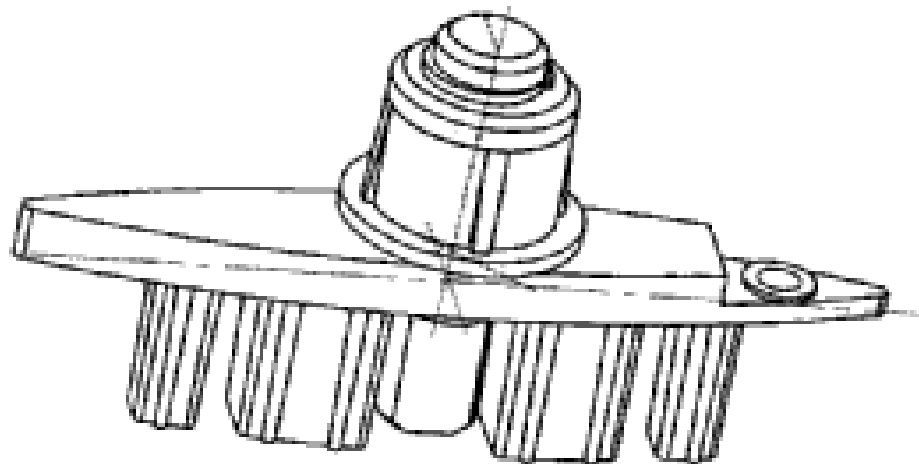
340/9 Crofts Avenue Hurstville New South Wales 2220 Australia

(72) Name(s) of Designer(s): **Zhi Jun Ke**

(45) Registration Date: **19 November 2007**

(56) Related Art Documents: **Not Applicable**

(57) Statement of Newness and Distinctiveness: **Nil**



- (21) Design Number: **18804/2007**
(22) Date of Filing Application: **11 July 2007**
(24) Date from which industrial property rights may have effect: **11 July 2007**
(54) Product in respect of which the design is registered: **Left-side and right-side vehicle lamp lenses**
(51) International Design Classification: **12-16E**
(71) Name(s) and Address(s) of Applicant(s):
GM Global Technology Operations, Inc
300 Renaissance Center Detroit Michigan 48265-3000 United States of America
(72) Name(s) of Designer(s): **Martin Love**
(45) Registration Date: **19 November 2007**
(56) Related Art Documents: **Not Applicable**
(57) Statement of Newness and Distinctiveness: **Newness and distinctiveness is claimed in the shape and/or configuration of left-side and right-side vehicle lamp lenses as shown in the accompanying representations.**



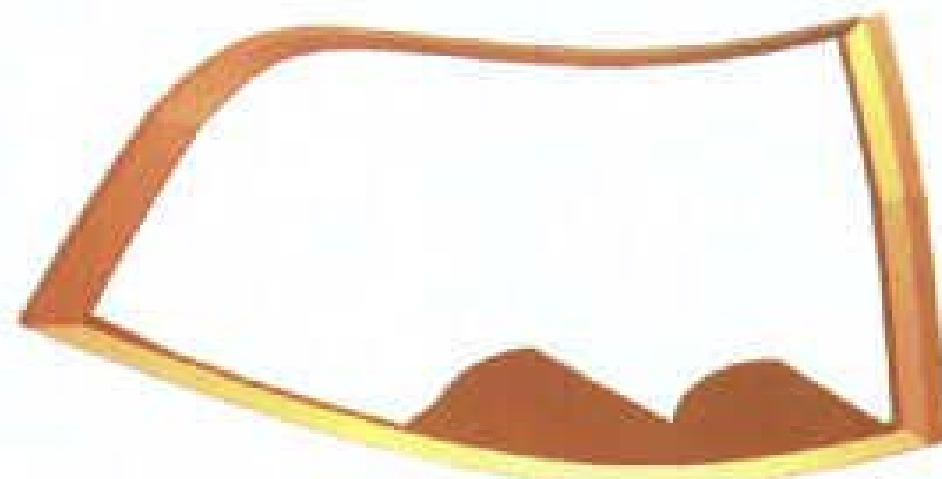
- (21) Design Number: **18801/2007**
(22) Date of Filing Application: **11 July 2007**
(24) Date from which industrial property rights may have effect: **11 July 2007**
(54) Product in respect of which the design is registered: **Left-side and right-side vehicle windows**
(51) International Design Classification: **12-16F**
(71) Name(s) and Address(s) of Applicant(s):
GM Global Technology Operations, Inc
300 Renaissance Center Detroit Michigan 48265-3000 United States of America
(72) Name(s) of Designer(s): **Martin Love**
(45) Registration Date: **19 November 2007**
(56) Related Art Documents: **Not Applicable**
(57) Statement of Newness and Distinctiveness: **Newness and distinctiveness is claimed in the shape and/or configuration of left-side and right-side vehicle windows as shown in the accompanying representations.**



- (21) Design Number: **18802/2007**
- (22) Date of Filing Application: **11 July 2007**
- (24) Date from which industrial property rights may have effect: **11 July 2007**
- (54) Product in respect of which the design is registered: **Vehicle reflectors**
- (51) International Design Classification: **12-16E**
- (71) Name(s) and Address(s) of Applicant(s):
GM Global Technology Operations, Inc
300 Renaissance Center Detroit Michigan 48265-3000 United States of America
- (72) Name(s) of Designer(s): **Martin Love**
- (45) Registration Date: **19 November 2007**
- (56) Related Art Documents: **Not Applicable**
- (57) Statement of Newness and Distinctiveness: **Newness and distinctiveness is claimed in the shape and/or configuration of vehicle reflectors as shown in the accompanying representations.**



- (21) Design Number: **18803/2007**
- (22) Date of Filing Application: **11 July 2007**
- (24) Date from which industrial property rights may have effect: **11 July 2007**
- (54) Product in respect of which the design is registered: **Left-side and right-side vehicle lamp housings**
- (51) International Design Classification: **12-16E**
- (71) Name(s) and Address(s) of Applicant(s):
GM Global Technology Operations, Inc
300 Renaissance Center Detroit Michigan 48265-3000 United States of America
- (72) Name(s) of Designer(s): **Martin Love**
- (45) Registration Date: **19 November 2007**
- (56) Related Art Documents: **Not Applicable**
- (57) Statement of Newness and Distinctiveness: **Newness and distinctiveness is claimed in the shape and/or configuration of left-side and right-side vehicle lamp housings as shown in the accompanying representations.**



(21) Design Number: **18805/2007**

(22) Date of Filing Application: **11 July 2007**

(24) Date from which industrial property rights may have effect: **11 July 2007**

(54) Product in respect of which the design is registered: **Left-side and right-side vehicle lamp lenses**

(51) International Design Classification: **12-16E**

(71) Name(s) and Address(s) of Applicant(s):

**GM Global Technology Operations, Inc
300 Renaissance Center Detroit Michigan 48265-3000 United States of America**

(72) Name(s) of Designer(s): **Martin Love**

(45) Registration Date: **19 November 2007**

(56) Related Art Documents: **Not Applicable**

(57) Statement of Newness and Distinctiveness: **Newness and distinctiveness is claimed in the shape and/or configuration of left-side and right-side vehicle lamp lenses as shown in the accompanying representations.**



(21) Design Number: **18806/2007**

(22) Date of Filing Application: **11 July 2007**

(24) Date from which industrial property rights may have effect: **11 July 2007**

(54) Product in respect of which the design is registered: **Vehicle roof panel**

(51) International Design Classification: **12-16B**

(71) Name(s) and Address(s) of Applicant(s):

**GM Global Technology Operations, Inc
300 Renaissance Center Detroit Michigan 48265-3000 United States of America**

(72) Name(s) of Designer(s): **Martin Love**

(45) Registration Date: **19 November 2007**

(56) Related Art Documents: **Not Applicable**

(57) Statement of Newness and Distinctiveness: **Newness and distinctiveness is claimed in the shape and/or configuration of a vehicle roof panel as shown in the accompanying representations.**



- (21) Design Number: **18807/2007**
(22) Date of Filing Application: **11 July 2007**
(24) Date from which industrial property rights may have effect: **11 July 2007**
(54) Product in respect of which the design is registered: **Vehicle spoiler**
(51) International Design Classification: **12-16B**
(71) Name(s) and Address(s) of Applicant(s):
GM Global Technology Operations, Inc
300 Renaissance Center Detroit Michigan 48265-3000 United States of America
(72) Name(s) of Designer(s): **Martin Love**
(45) Registration Date: **19 November 2007**
(56) Related Art Documents: **Not Applicable**
(57) Statement of Newness and Distinctiveness: **Newness and distinctiveness is claimed in the shape and/or configuration of a vehicle spoiler as shown in the accompanying representations.**



- (21) Design Number: **18808/2007**
(22) Date of Filing Application: **11 July 2007**
(24) Date from which industrial property rights may have effect: **11 July 2007**
(54) Product in respect of which the design is registered: **Vehicle tailgate glass**
(51) International Design Classification: **12-16E**
(71) Name(s) and Address(s) of Applicant(s):
GM Global Technology Operations, Inc
300 Renaissance Center Detroit Michigan 48265-3000 United States of America
(72) Name(s) of Designer(s): **Martin Love**
(45) Registration Date: **19 November 2007**
(56) Related Art Documents: **Not Applicable**
(57) Statement of Newness and Distinctiveness: **Newness and distinctiveness is claimed in the shape and/or configuration of a vehicle tailgate glass as shown in the accompanying representations.**



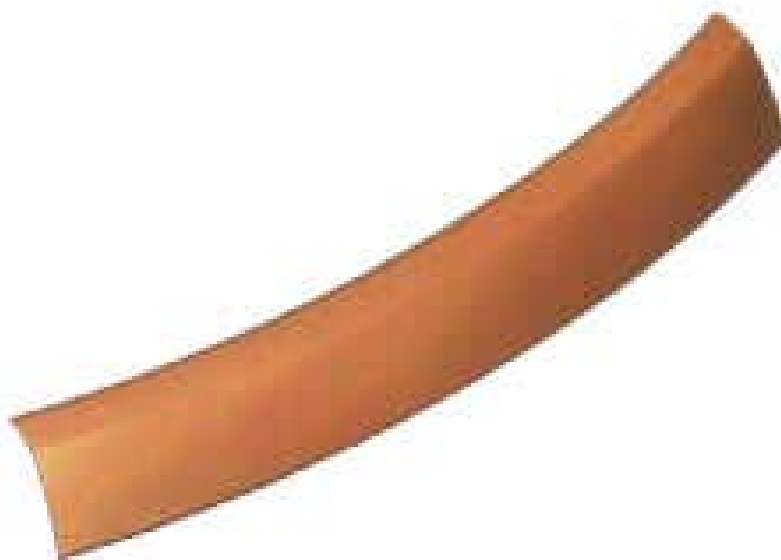
- (21) Design Number: **18809/2007**
- (22) Date of Filing Application: **11 July 2007**
- (24) Date from which industrial property rights may have effect: **11 July 2007**
- (54) Product in respect of which the design is registered: **Vehicle applique**
- (51) International Design Classification: **12-16B**
- (71) Name(s) and Address(s) of Applicant(s):
GM Global Technology Operations, Inc
300 Renaissance Center Detroit Michigan 48265-3000 United States of America
- (72) Name(s) of Designer(s): **Martin Love**
- (45) Registration Date: **19 November 2007**
- (56) Related Art Documents: **Not Applicable**
- (57) Statement of Newness and Distinctiveness: **Newness and distinctiveness is claimed in the shape and/or configuration of a vehicle applique as shown in the accompanying representations.**



- (21) Design Number: **18810/2007**
- (22) Date of Filing Application: **11 July 2007**
- (24) Date from which industrial property rights may have effect: **11 July 2007**
- (54) Product in respect of which the design is registered: **Vehicle tailgate lower panel**
- (51) International Design Classification: **12-16B**
- (71) Name(s) and Address(s) of Applicant(s):
GM Global Technology Operations, Inc
300 Renaissance Center Detroit Michigan 48265-3000 United States of America
- (72) Name(s) of Designer(s): **Martin Love**
- (45) Registration Date: **19 November 2007**
- (56) Related Art Documents: **Not Applicable**
- (57) Statement of Newness and Distinctiveness: **Newness and distinctiveness is claimed in the shape and/or configuration of a vehicle tailgate lower panel as shown in the accompanying representations.**



-
- (21) Design Number: **18811/2007**
(22) Date of Filing Application: **11 July 2007**
(24) Date from which industrial property rights may have effect: **11 July 2007**
(54) Product in respect of which the design is registered: **Vehicle tailgate centre panel**
(51) International Design Classification: **12-16B**
(71) Name(s) and Address(s) of Applicant(s):
GM Global Technology Operations, Inc
300 Renaissance Center Detroit Michigan 48265-3000 United States of America
(72) Name(s) of Designer(s): **Martin Love**
(45) Registration Date: **19 November 2007**
(56) Related Art Documents: **Not Applicable**
(57) Statement of Newness and Distinctiveness: **Newness and distinctiveness is claimed in the shape and/or configuration of a vehicle tailgate centre panel as shown in the accompanying representations.**



-
- (21) Design Number: **18812/2007**
(22) Date of Filing Application: **11 July 2007**
(24) Date from which industrial property rights may have effect: **11 July 2007**
(54) Product in respect of which the design is registered: **Vehicle tailgate upper panel**
(51) International Design Classification: **12-16B**
(71) Name(s) and Address(s) of Applicant(s):
GM Global Technology Operations, Inc
300 Renaissance Center Detroit Michigan 48265-3000 United States of America
(72) Name(s) of Designer(s): **Martin Love**
(45) Registration Date: **19 November 2007**
(56) Related Art Documents: **Not Applicable**
(57) Statement of Newness and Distinctiveness: **Newness and distinctiveness is claimed in the shape and/or configuration of a vehicle tailgate upper panel as shown in the accompanying representations.**



- (21) Design Number: **18814/2007**
- (22) Date of Filing Application: **11 July 2007**
- (24) Date from which industrial property rights may have effect: **11 July 2007**
- (54) Product in respect of which the design is registered: **Vehicle fascia**
- (51) International Design Classification: **12-16B**
- (71) Name(s) and Address(s) of Applicant(s):
GM Global Technology Operations, Inc
300 Renaissance Center Detroit Michigan 48265-3000 United States of America
- (72) Name(s) of Designer(s): **Martin Love**
- (45) Registration Date: **19 November 2007**
- (56) Related Art Documents: **Not Applicable**
- (57) Statement of Newness and Distinctiveness: **Newness and distinctiveness is claimed in the shape and/or configuration of a vehicle fascia as shown in the accompanying representations.**



- (21) Design Number: **18816/2007**
- (22) Date of Filing Application: **11 July 2007**
- (24) Date from which industrial property rights may have effect: **11 July 2007**
- (54) Product in respect of which the design is registered: **Vehicle fascia**
- (51) International Design Classification: **12-16B**
- (71) Name(s) and Address(s) of Applicant(s):
GM Global Technology Operations, Inc
300 Renaissance Center Detroit Michigan 48265-3000 United States of America
- (72) Name(s) of Designer(s): **Martin Love**
- (45) Registration Date: **19 November 2007**
- (56) Related Art Documents: **Not Applicable**
- (57) Statement of Newness and Distinctiveness: **Newness and distinctiveness is claimed in the shape and/or configuration of a vehicle fascia as shown in the accompanying representations.**



(21) Design Number: **18817/2007**

(22) Date of Filing Application: **11 July 2007**

(24) Date from which industrial property rights may have effect: **11 July 2007**

(54) Product in respect of which the design is registered: **Left-side and right-side vehicle body side panels**

(51) International Design Classification: **12-16B**

(71) Name(s) and Address(s) of Applicant(s):

**GM Global Technology Operations, Inc
300 Renaissance Center Detroit Michigan 48265-3000 United States of America**

(72) Name(s) of Designer(s): **Martin Love**

(45) Registration Date: **19 November 2007**

(56) Related Art Documents: **Not Applicable**

(57) Statement of Newness and Distinctiveness: **Newness and distinctiveness is claimed in the shape and/or configuration of left-side and right-side vehicle body side panels as shown in the accompanying representations.**



(21) Design Number: **18959/2007**

(22) Date of Filing Application: **18 July 2007**

(24) Date from which industrial property rights may have effect: **18 July 2007**

(54) Product in respect of which the design is registered: **Bed, bedside table, tallboy and dresser**

(51) International Design Classification: **06-02, 06-04F, 06-10**

(71) Name(s) and Address(s) of Applicant(s):

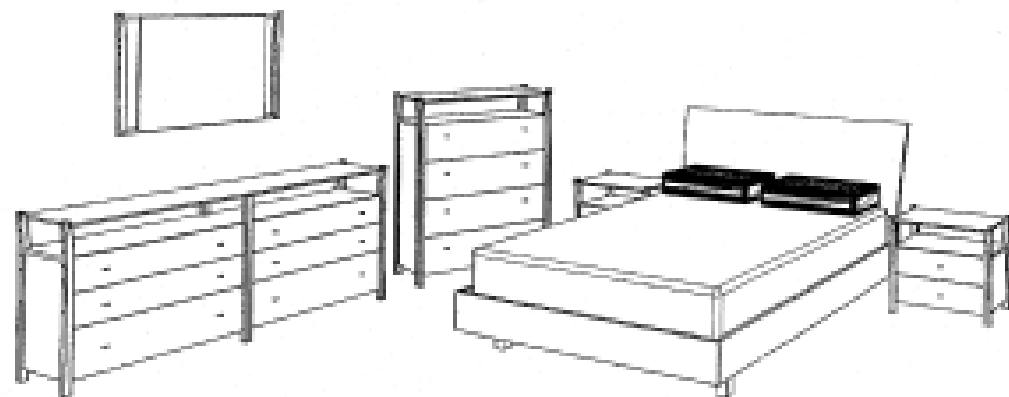
**David Durance
Rear 24 Cunningham Street Northcote Victoria 3070 Australia**

(72) Name(s) of Designer(s): **David Durance**

(45) Registration Date: **19 November 2007**

(56) Related Art Documents: **Not Applicable**

(57) Statement of Newness and Distinctiveness: **Nil**



(21) Design Number: **18960/2007**

(22) Date of Filing Application: **18 July 2007**

(24) Date from which industrial property rights may have effect: **18 July 2007**

(54) Product in respect of which the design is registered: **Bed, bedside table, tallboy and dresser**

(51) International Design Classification: **06-02, 06-04F, 06-10**

(71) Name(s) and Address(s) of Applicant(s):

David Durance

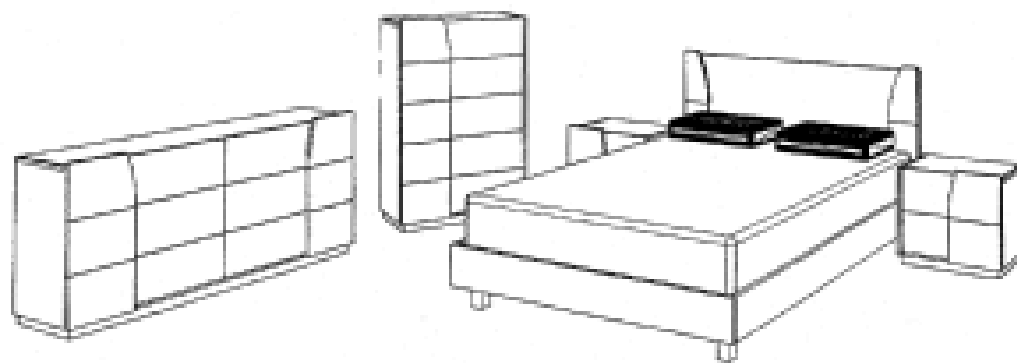
Rear 24 Cunningham Street Northcote Victoria 3070 Australia

(72) Name(s) of Designer(s): **David Durance**

(45) Registration Date: **19 November 2007**

(56) Related Art Documents: **Not Applicable**

(57) Statement of Newness and Distinctiveness: **Nil**



(21) Design Number: **18961/2007**

(22) Date of Filing Application: **18 July 2007**

(24) Date from which industrial property rights may have effect: **18 July 2007**

(54) Product in respect of which the design is registered: **Bed, bedside table, tallboy and dresser**

(51) International Design Classification: **06-02, 06-04F, 06-10**

(71) Name(s) and Address(s) of Applicant(s):

David Durance

Rear 24 Cunningham Street Northcote Victoria 3070 Australia

(72) Name(s) of Designer(s): **David Durance**

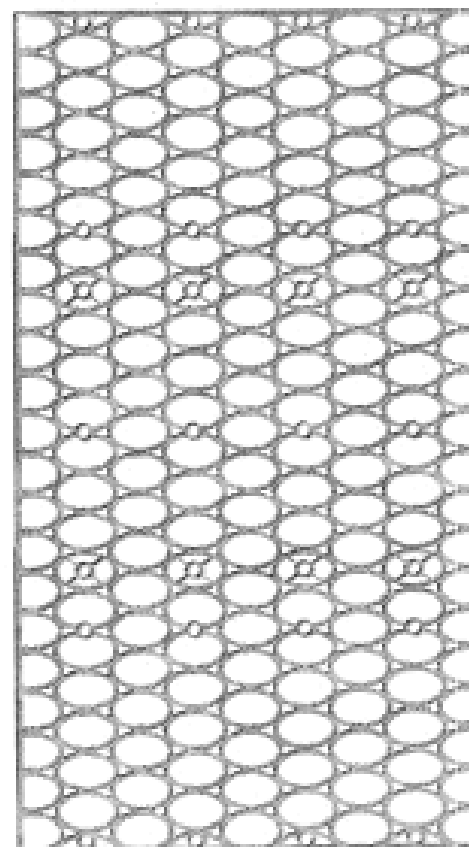
(45) Registration Date: **19 November 2007**

(56) Related Art Documents: **Not Applicable**

(57) Statement of Newness and Distinctiveness: **Nil**



- (21) Design Number: **19219/2007**
(22) Date of Filing Application: **08 August 2007**
(24) Date from which industrial property rights may have effect: **08 August 2007**
(54) Product in respect of which the design is registered: **Fluid storage and dispersion tank underground external tank panel**
(51) International Design Classification: **23-01F**
(71) Name(s) and Address(s) of Applicant(s):
Reshmaben Desai
34 Ashcott Street Kings Langley New South Wales 2147 Australia
(72) Name(s) of Designer(s): **Reshmaben Desai**
(45) Registration Date: **19 November 2007**
(56) Related Art Documents: **Not Applicable**
(57) Statement of Newness and Distinctiveness: **Each feature of the design considered separately or in combination with any other feature or features.**



- (21) Design Number: **19255/2007**
(22) Date of Filing Application: **08 August 2007**
(24) Date from which industrial property rights may have effect: **08 August 2007**
(54) Product in respect of which the design is registered: **A headset**
(51) International Design Classification: **14-03A**
(71) Name(s) and Address(s) of Applicant(s):
Nokia Corporation
Keilalahdentie 4 FIN-02150 Espoo Finland
(72) Name(s) of Designer(s): **Mikael Jaakkola and Sami Lehtovaara**
(45) Registration Date: **19 November 2007**
(30) Convention priority data:

(31) Number	(32) Date	(33) Country
M20070033	09 Feb 2007	FINLAND

(56) Related Art Documents: **Not Applicable**
(57) Statement of Newness and Distinctiveness: **Nil**



(21) Design Number: **19256/2007**
(22) Date of Filing Application: **08 August 2007**
(24) Date from which industrial property rights may have effect: **08 August 2007**
(54) Product in respect of which the design is registered: **A part of a headset**
(51) International Design Classification: **14-03A**
(71) Name(s) and Address(s) of Applicant(s):
Nokia Corporation
Keilalahdentie 4 FIN-02150 Espoo Finland
(72) Name(s) of Designer(s): **Mikael Jaakkola and Sami Lehtovaara**
(45) Registration Date: **19 November 2007**
(30) Convention priority data:
(31) Number (32) Date (33) Country
M20070033 09 Feb 2007 FINLAND
(56) Related Art Documents: **Not Applicable**
(57) Statement of Newness and Distinctiveness: **Nil**



(21) Design Number: **19258/2007**
(22) Date of Filing Application: **08 August 2007**
(24) Date from which industrial property rights may have effect: **08 August 2007**
(54) Product in respect of which the design is registered: **A part of a headset**
(51) International Design Classification: **14-03A**
(71) Name(s) and Address(s) of Applicant(s):
Nokia Corporation
Keilalahdentie 4 FIN-02150 Espoo Finland
(72) Name(s) of Designer(s): **Mikael Jaakkola and Sami Lehtovaara**
(45) Registration Date: **19 November 2007**
(30) Convention priority data:
(31) Number (32) Date (33) Country
M20070033 09 Feb 2007 FINLAND
(56) Related Art Documents: **Not Applicable**
(57) Statement of Newness and Distinctiveness: **Nil**



(21) Design Number: **19293/2007**

(22) Date of Filing Application: **09 August 2007**

(24) Date from which industrial property rights may have effect: **09 August 2007**

(54) Product in respect of which the design is registered: **Tire tread**

(51) International Design Classification: **12-15C**

(71) Name(s) and Address(s) of Applicant(s):

Michelin Recherche et Technique SA
Route Louis Braille 10 et 12 CH-1763 Granges-Paccot Switzerland

Societe De Technologie Michelin
23 rue Breschet F-63000 Clermont-Ferrand Cedex France

(72) Name(s) of Designer(s): **Jason P Carter and Robert C Radulescu and John Anthony Hutz and William Robert Hudek**

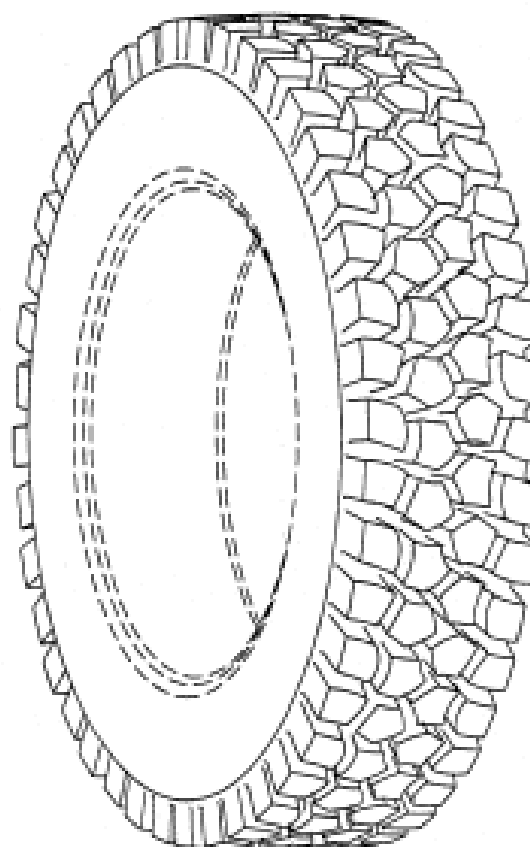
(45) Registration Date: **19 November 2007**

(30) Convention priority data:

(31) Number	(32) Date	(33) Country
29/272,781	16 Feb 2007	UNITED STATES OF AMERICA

(56) Related Art Documents: **Not Applicable**

(57) Statement of Newness and Distinctiveness: **Newness in the design resides in the shape or configuration applied to the tread region of the tire, no regard should be had to the remainder of the tire.**



(21) Design Number: **19298/2007**

(22) Date of Filing Application: **13 August 2007**

(24) Date from which industrial property rights may have effect: **13 August 2007**

(54) Product in respect of which the design is registered: **Stormwater drainage**

(51) International Design Classification: **23-01E**

(71) Name(s) and Address(s) of Applicant(s):

Campbelltown City Council
PO Box 57 Campbelltown New South Wales 2560 Australia

(72) Name(s) of Designer(s): **David Crompton and Luigi Brancato and Cathy Kinsey**

(45) Registration Date: **19 November 2007**

(56) Related Art Documents: **Not Applicable**

(57) Statement of Newness and Distinctiveness: **The design is distinctive in its appearance with a pyramid shaped grate used to improve the stormwater efficiency of the inlet pit. This design will be less prone to blockage and result in an improved stormwater system. Attached are a series of photos of the proto type. Dimension vary depending on pit and apron dimensions.**



(21) Design Number: **19663/2007**

(22) Date of Filing Application: **06 September 2007**

(24) Date from which industrial property rights may have effect: **06 September 2007**

(54) Product in respect of which the design is registered: **Cap for a writing instrument**

(51) International Design Classification: **19-06**

(71) Name(s) and Address(s) of Applicant(s):

**Pentel Kabushiki Kaisha
7-2 Nihonbashi Koami-Cho Chuo-Ku Tokyo Japan**

(72) Name(s) of Designer(s): **Shigeo Oka**

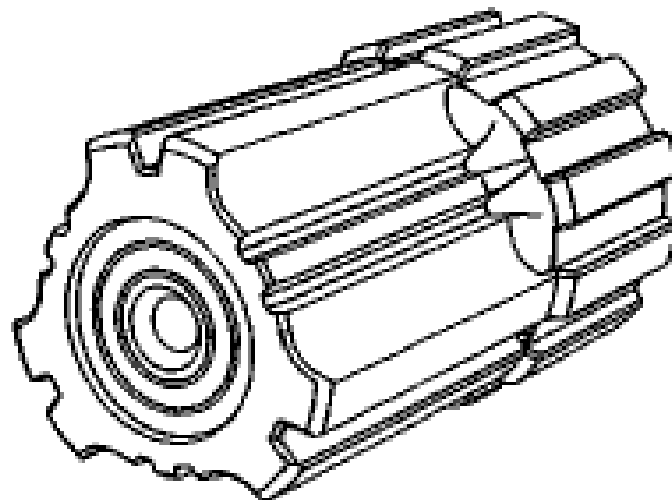
(45) Registration Date: **19 November 2007**

(30) Convention priority data:

(31) Number	(32) Date	(33) Country
2007-009414	09 Apr 2007	JAPAN

(56) Related Art Documents: **Not Applicable**

(57) Statement of Newness and Distinctiveness: **The shape and configuration of the cap of the writing instrument is new and distinctive.**



(21) Design Number: **17323/2007**

(22) Date of Filing Application: **04 April 2007**

(24) Date from which industrial property rights may have effect: **04 April 2007**

(54) Product in respect of which the design is registered: **Ladies garments**

(51) International Design Classification: **02-02NES**

(71) Name(s) and Address(s) of Applicant(s):

**Review Australia Pty Ltd
25-31 Rokeby Street Collingwood Victoria 3066 Australia**

(72) Name(s) of Designer(s): **Jayne Ellis**

(45) Registration Date: **16 November 2007**

(56) Related Art Documents: **Not Applicable**

(57) Statement of Newness and Distinctiveness: **Nil**



- (21) Design Number: **20069/2007**
(22) Date of Filing Application: **04 April 2007**
(24) Date from which industrial property rights may have effect: **04 April 2007**
(54) Product in respect of which the design is registered: **Ladies garments**
(51) International Design Classification: **02-02NES**
(71) Name(s) and Address(s) of Applicant(s):
Review Australia Pty Ltd
25-31 Rokeby Street Collingwood Victoria 3066 Australia
(72) Name(s) of Designer(s): **Jayne Ellis**
(45) Registration Date: **16 November 2007**
(56) Related Art Documents: **Not Applicable**
(57) Statement of Newness and Distinctiveness: **Nil**



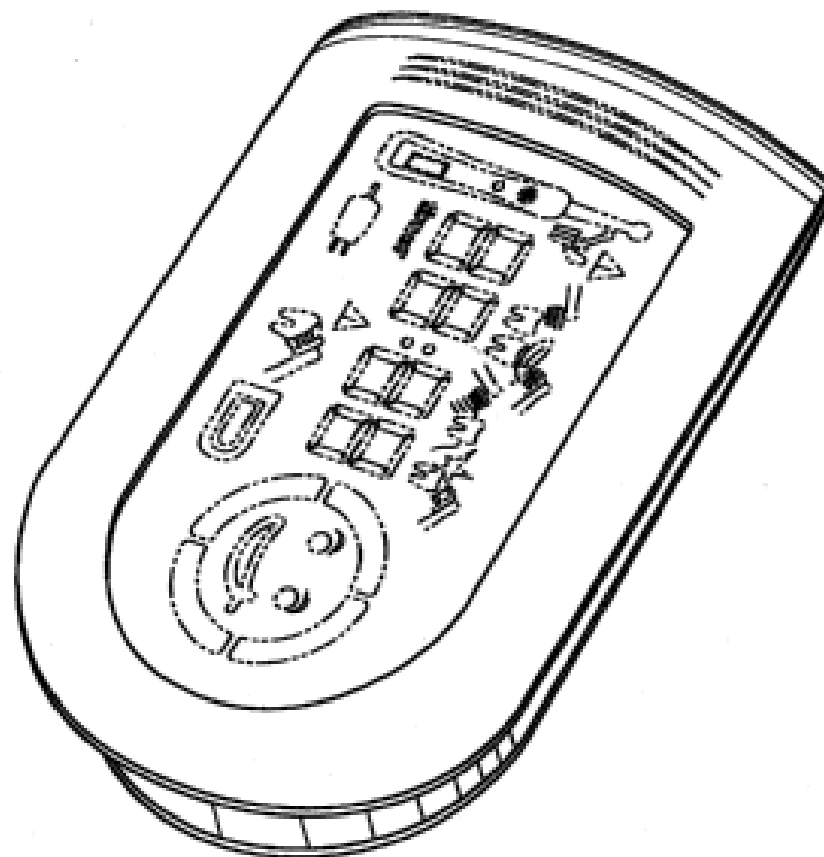
- (21) Design Number: **20070/2007**
(22) Date of Filing Application: **04 April 2007**
(24) Date from which industrial property rights may have effect: **04 April 2007**
(54) Product in respect of which the design is registered: **Ladies garments**
(51) International Design Classification: **02-02NES**
(71) Name(s) and Address(s) of Applicant(s):
Review Australia Pty Ltd
25-31 Rokeby Street Collingwood Victoria 3066 Australia
(72) Name(s) of Designer(s): **Jayne Ellis**
(45) Registration Date: **16 November 2007**
(56) Related Art Documents: **Not Applicable**
(57) Statement of Newness and Distinctiveness: **Nil**



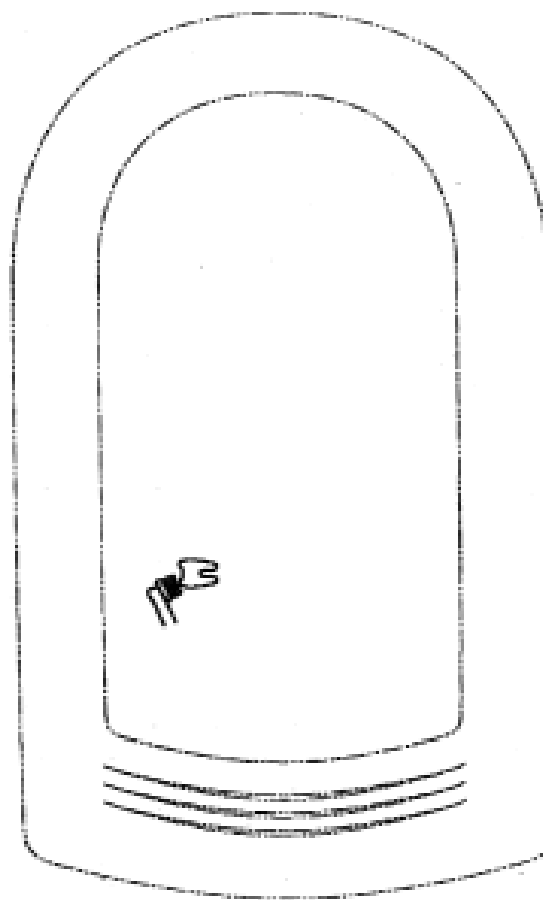
- (21) Design Number: **20071/2007**
(22) Date of Filing Application: **04 April 2007**
(24) Date from which industrial property rights may have effect: **04 April 2007**
(54) Product in respect of which the design is registered: **Ladies garments**
(51) International Design Classification: **02-02C**
(71) Name(s) and Address(s) of Applicant(s):
Review Australia Pty Ltd
25-31 Rokeby Street Collingwood Victoria 3066 Australia
(72) Name(s) of Designer(s): **Jayne Ellis**
(45) Registration Date: **16 November 2007**
(56) Related Art Documents: **Not Applicable**
(57) Statement of Newness and Distinctiveness: **Nil**



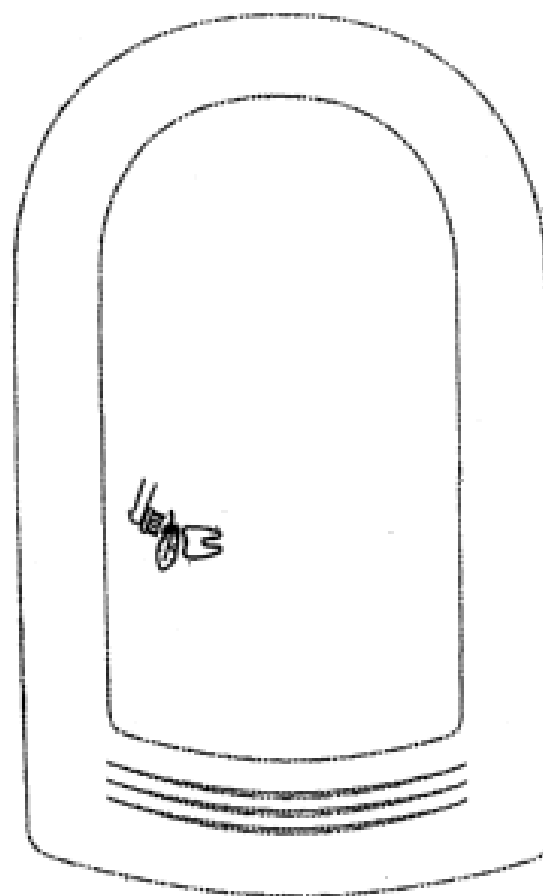
- (21) Design Number: **18335/2007**
(22) Date of Filing Application: **08 June 2007**
(24) Date from which industrial property rights may have effect: **08 June 2007**
(54) Product in respect of which the design is registered: **Oral care display device**
(51) International Design Classification: **28-03NES**
(71) Name(s) and Address(s) of Applicant(s):
Braun GmbH
Frankfurter Str. 145 61476 Kronberg Germany
(72) Name(s) of Designer(s): **Duy Phong Vu and Rory McGarry and Alex Thalheim-Martin**
(45) Registration Date: **16 November 2007**
(30) Convention priority data:
(31) Number (32) Date (33) Country
40606225.0 08 Dec 2006 GERMANY
(56) Related Art Documents: **Not Applicable**
(57) Statement of Newness and Distinctiveness: **Newness and distinctiveness is claimed in the visual features of shape, configuration, pattern and/or ornamentation of the oral care display device shown in solid lines in the accompanying representations. In considering the extent of monopoly, the 'icons' shown in broken lines should be disregarded.**



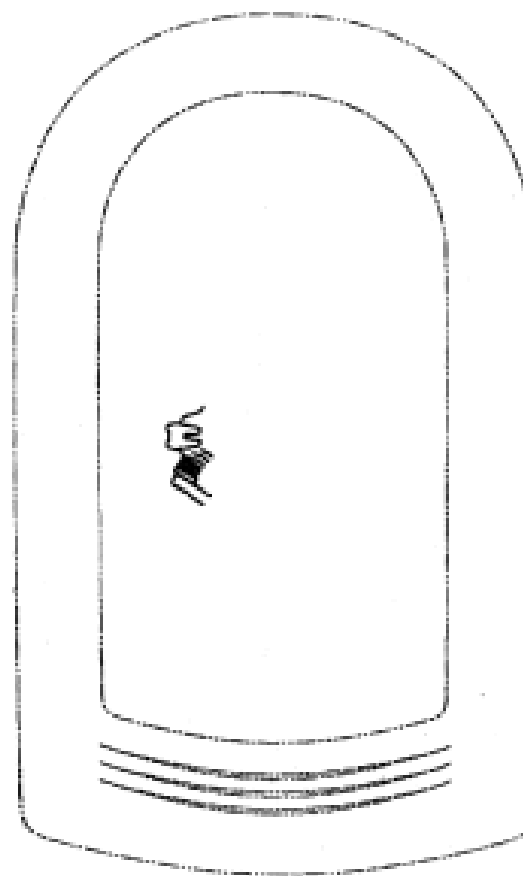
- (21) Design Number: **19986/2007**
(22) Date of Filing Application: **08 June 2007**
(24) Date from which industrial property rights may have effect: **08 June 2007**
(54) Product in respect of which the design is registered: **Oral care display device having 'cleaning' icon**
(51) International Design Classification: **28-03NES**
(71) Name(s) and Address(s) of Applicant(s):
Braun GmbH
Frankfurter Str. 145 61476 Kronberg Germany
(72) Name(s) of Designer(s): **Duy Phong Vu and Rory McGarry and Alex Thalheim-Martin**
(45) Registration Date: **16 November 2007**
(30) Convention priority data:
(31) Number (32) Date (33) Country
40606225.0 08 Dec 2006 GERMANY
(56) Related Art Documents: **Not Applicable**
(57) Statement of Newness and Distinctiveness: **Newness and distinctiveness is claimed in the visual features of pattern and ornamentation of the icon displayed on the oral care display device shown in solid lines in the accompanying representations. In considering the extent of monopoly, the features shown in broken lines should be disregarded.**



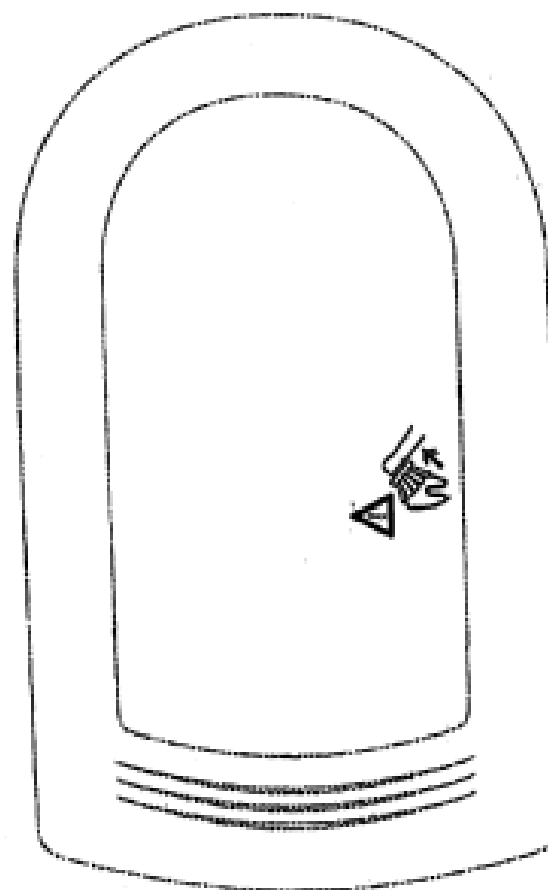
- (21) Design Number: **19987/2007**
(22) Date of Filing Application: **08 June 2007**
(24) Date from which industrial property rights may have effect: **08 June 2007**
(54) Product in respect of which the design is registered: **Oral care display device having 'sensitive cleaning' icon**
(51) International Design Classification: **28-03NES**
(71) Name(s) and Address(s) of Applicant(s):
Braun GmbH
Frankfurter Str. 145 61476 Kronberg Germany
(72) Name(s) of Designer(s): **Duy Phong Vu and Rory McGarry and Alex Thalheim-Martin**
(45) Registration Date: **16 November 2007**
(30) Convention priority data:
(31) Number (32) Date (33) Country
20606225.0 08 Dec 2006 GERMANY
(56) Related Art Documents: **Not Applicable**
(57) Statement of Newness and Distinctiveness: **Newness and distinctiveness is claimed in the visual features of pattern and ornamentation of the icon displayed on the oral care display device shown in solid lines in the accompanying representations. In considering the extent of monopoly, the features shown in broken lines should be disregarded.**



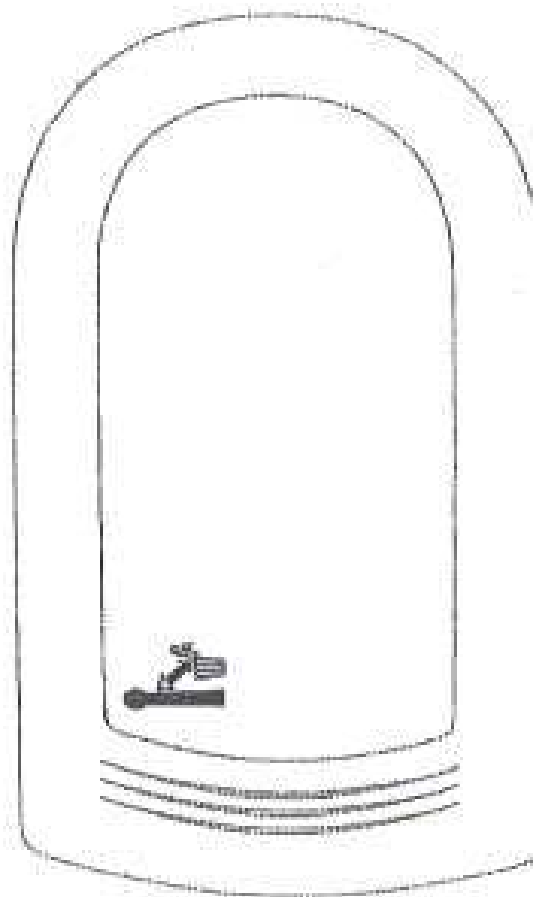
(21) Design Number: **19988/2007**
(22) Date of Filing Application: **08 June 2007**
(24) Date from which industrial property rights may have effect: **08 June 2007**
(54) Product in respect of which the design is registered: **Oral care display device having 'massaging the gums' icon**
(51) International Design Classification: **28-03NES**
(71) Name(s) and Address(s) of Applicant(s):
Braun GmbH
Frankfurter Str. 145 61476 Kronberg Germany
(72) Name(s) of Designer(s): **Duy Phong Vu and Rory McGarry and Alex Thalheim-Martin**
(45) Registration Date: **16 November 2007**
(30) Convention priority data:
(31) Number (32) Date (33) Country
40606225.0 08 Dec 2006 GERMANY
(56) Related Art Documents: **Not Applicable**
(57) Statement of Newness and Distinctiveness: **Newness and distinctiveness is claimed in the visual features of pattern and ornamentation of the icon displayed on the oral care display device shown in solid lines in the accompanying representations. In considering the extent of monopoly, the features shown in broken lines should be disregarded.**



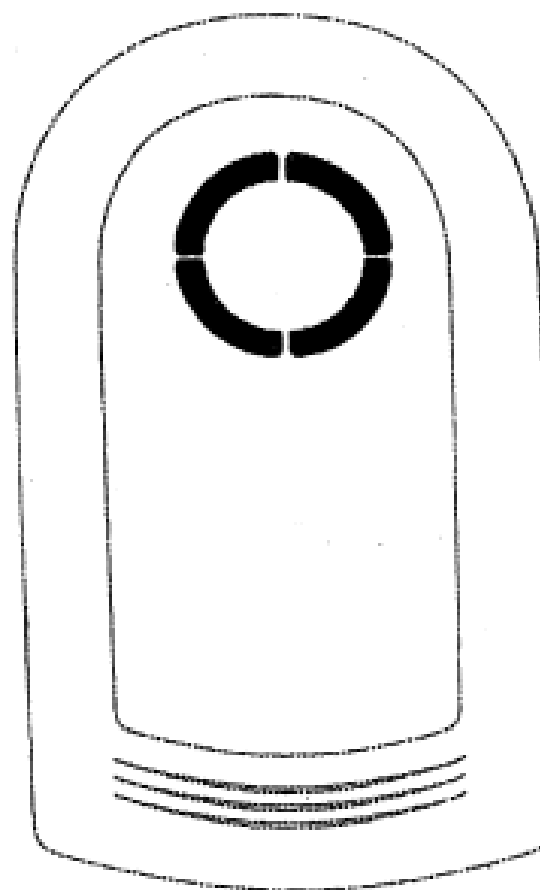
(21) Design Number: **19989/2007**
(22) Date of Filing Application: **08 June 2007**
(24) Date from which industrial property rights may have effect: **08 June 2007**
(54) Product in respect of which the design is registered: **Oral care display device having 'too much pressure' icon**
(51) International Design Classification: **28-03NES**
(71) Name(s) and Address(s) of Applicant(s):
Braun GmbH
Frankfurter Str. 145 61476 Kronberg Germany
(72) Name(s) of Designer(s): **Duy Phong Vu and Rory McGarry and Alex Thalheim-Martin**
(45) Registration Date: **16 November 2007**
(30) Convention priority data:
(31) Number (32) Date (33) Country
40606225.0 08 Dec 2006 GERMANY
(56) Related Art Documents: **Not Applicable**
(57) Statement of Newness and Distinctiveness: **Newness and distinctiveness is claimed in the visual features of pattern and ornamentation of the icon displayed on the oral care display device shown in solid lines in the accompanying representations. In considering the extent of monopoly, the features shown in broken lines should be disregarded.**



- (21) Design Number: **19990/2007**
(22) Date of Filing Application: **08 June 2007**
(24) Date from which industrial property rights may have effect: **08 June 2007**
(54) Product in respect of which the design is registered: **Oral care display device having 'replacement brush to be exchanged soon' icon**
(51) International Design Classification: **28-03NES**
(71) Name(s) and Address(s) of Applicant(s):
Braun GmbH
Frankfurter Str. 145 61476 Kronberg Germany
(72) Name(s) of Designer(s): **Duy Phong Vu and Rory McGarry and Alex Thalheim-Martin**
(45) Registration Date: **16 November 2007**
(30) Convention priority data:
(31) Number (32) Date (33) Country
40606225.0 08 Dec 2006 GERMANY
(56) Related Art Documents: **Not Applicable**
(57) Statement of Newness and Distinctiveness: **Newness and distinctiveness is claimed in the visual features of pattern and ornamentation of the icon displayed on the oral care display device shown in solid lines in the accompanying representations. In considering the extent of monopoly, the features shown in broken lines should be disregarded.**



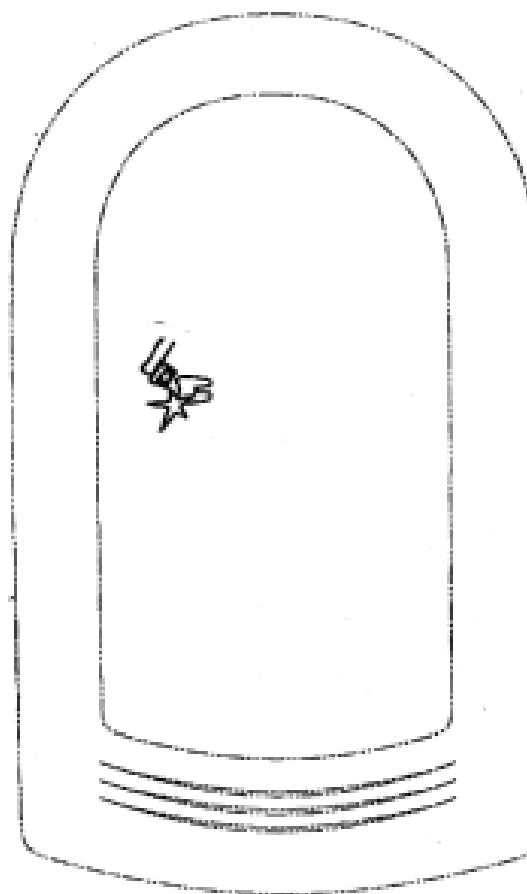
- (21) Design Number: **19991/2007**
(22) Date of Filing Application: **08 June 2007**
(24) Date from which industrial property rights may have effect: **08 June 2007**
(54) Product in respect of which the design is registered: **Oral care display device having 'circle of quadrants - 30 second intervals' icon**
(51) International Design Classification: **28-03NES**
(71) Name(s) and Address(s) of Applicant(s):
Braun GmbH
Frankfurter Str. 145 61476 Kronberg Germany
(72) Name(s) of Designer(s): **Duy Phong Vu and Rory McGarry and Alex Thalheim-Martin**
(45) Registration Date: **16 November 2007**
(30) Convention priority data:
(31) Number (32) Date (33) Country
40606225.0 08 Dec 2006 GERMANY
(56) Related Art Documents: **Not Applicable**
(57) Statement of Newness and Distinctiveness: **Newness and distinctiveness is claimed in the visual features of pattern and ornamentation of the icon displayed on the oral care display device shown in solid lines in the accompanying representations. In considering the extent of monopoly, the features shown in broken lines should be disregarded.**



(21) Design Number: **19992/2007**
 (22) Date of Filing Application: **08 June 2007**
 (24) Date from which industrial property rights may have effect: **08 June 2007**
 (54) Product in respect of which the design is registered: **Oral care display device having 'polishing' icon**
 (51) International Design Classification: **28-03NES**
 (71) Name(s) and Address(s) of Applicant(s):
Braun GmbH
Frankfurter Str. 145 61476 Kronberg Germany
 (72) Name(s) of Designer(s): **Duy Phong Vu and Rory McGarry and Alex Thalheim-Martin**
 (45) Registration Date: **16 November 2007**
 (30) Convention priority data:

(31) Number	(32) Date	(33) Country
40606225.0	08 Dec 2006	GERMANY

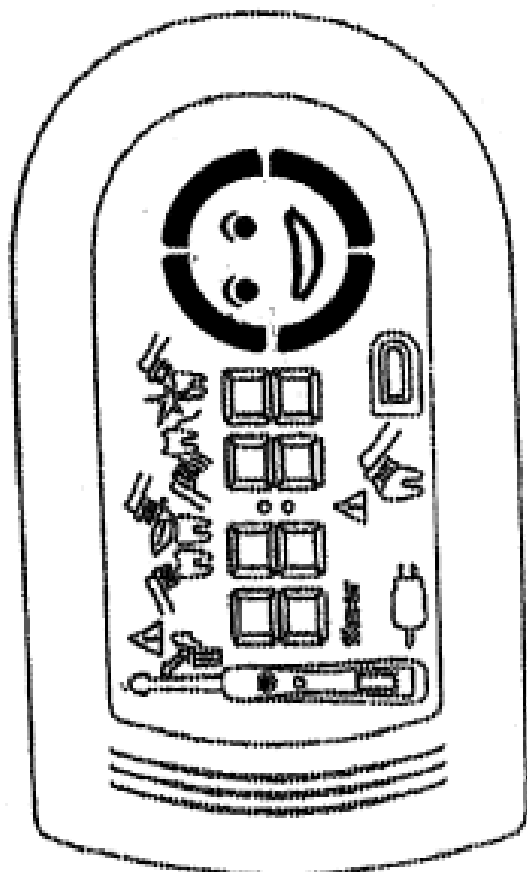
 (56) Related Art Documents: **Not Applicable**
 (57) Statement of Newness and Distinctiveness: **Newness and distinctiveness is claimed in the visual features of pattern and ornamentation of the icon displayed on the oral care display device shown in solid lines in the accompanying representations. In considering the extent of monopoly, the features shown in broken lines should be disregarded.**



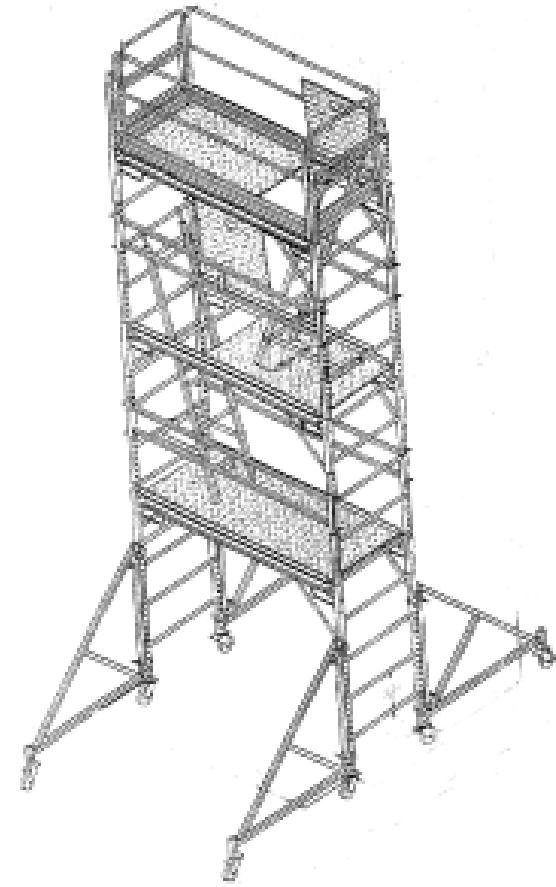
(21) Design Number: **19993/2007**
 (22) Date of Filing Application: **08 June 2007**
 (24) Date from which industrial property rights may have effect: **08 June 2007**
 (54) Product in respect of which the design is registered: **Oral care display device having 'smiley face - recommended brushing time of 2 minutes reached' icon**
 (51) International Design Classification: **28-03NES**
 (71) Name(s) and Address(s) of Applicant(s):
Braun GmbH
Frankfurter Str. 145 61476 Kronberg Germany
 (72) Name(s) of Designer(s): **Duy Phong Vu and Rory McGarry and Alex Thalheim-Martin**
 (45) Registration Date: **16 November 2007**
 (30) Convention priority data:

(31) Number	(32) Date	(33) Country
40606225.0	08 Dec 2006	GERMANY

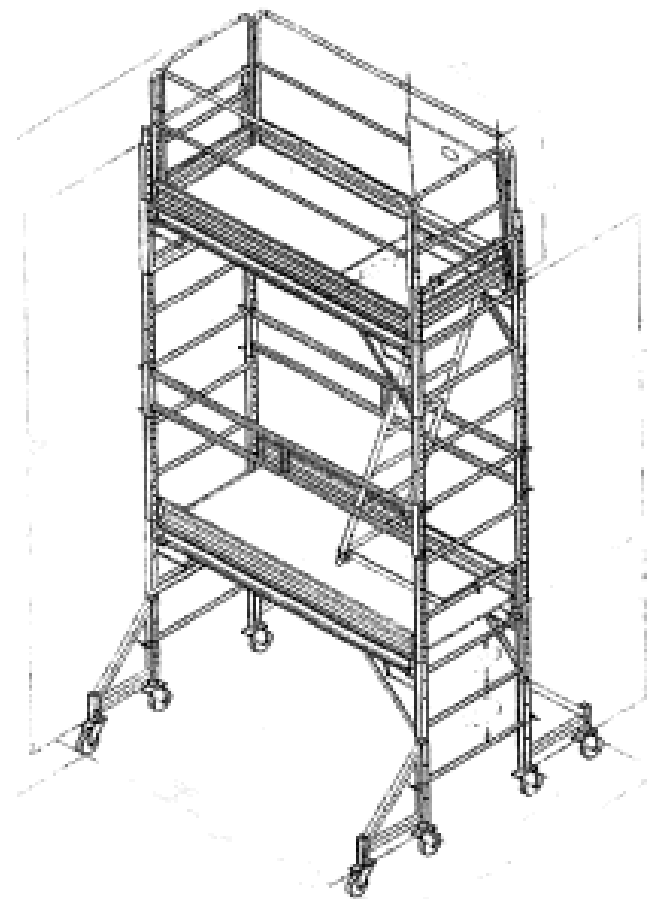
 (56) Related Art Documents: **Not Applicable**
 (57) Statement of Newness and Distinctiveness: **Newness and distinctiveness is claimed in the visual features of pattern and ornamentation of the icon displayed on the oral care display device shown in solid lines in the accompanying representations. In considering the extent of monopoly, the features shown in broken lines should be disregarded.**



- (21) Design Number: **18934/2007**
(22) Date of Filing Application: **16 July 2007**
(24) Date from which industrial property rights may have effect: **16 July 2007**
(54) Product in respect of which the design is registered: **New mini scaffold three level platform with side open hatch inside ladders x 2 and adjustable caster wheels plus**
(51) International Design Classification: **25-04**
(71) Name(s) and Address(s) of Applicant(s):
Auto Render Enterprises Pty Ltd
6 Henning Court Novar Gardern South Australia 5040 Australia
(72) Name(s) of Designer(s): **Guang Xing Yuan**
(45) Registration Date: **16 November 2007**
(56) Related Art Documents: **Not Applicable**
(57) Statement of Newness and Distinctiveness: **Special internal access ladders to clamber up to platform. Horizontal brace to support extra stability four adjustable caster (screwjack) wheels to suit un-level land.**



- (21) Design Number: **18935/2007**
(22) Date of Filing Application: **16 July 2007**
(24) Date from which industrial property rights may have effect: **16 July 2007**
(54) Product in respect of which the design is registered: **New mini scaffold two level platform with side open hatch inside ladder x 1 and adjustable caster wheels**
(51) International Design Classification: **25-04**
(71) Name(s) and Address(s) of Applicant(s):
Auto Render Enterprises Pty Ltd
6 Henning Court Novar Gardern South Australia 5040 Australia
(72) Name(s) of Designer(s): **Guang Xing Yuan**
(45) Registration Date: **16 November 2007**
(56) Related Art Documents: **Not Applicable**
(57) Statement of Newness and Distinctiveness: **Special internal access ladders to clamber up to platform adjustable caster wheels to suit un-level land.**



(21) Design Number: **19347/2007**

(22) Date of Filing Application: **14 August 2007**

(24) Date from which industrial property rights may have effect: **14 August 2007**

(54) Product in respect of which the design is registered: **Spill guard**

(51) International Design Classification: **08-05L**

(71) Name(s) and Address(s) of Applicant(s):

Terry Alan Randolph

20 Orana Road Mona Vale New South Wales 2103 Australia

(72) Name(s) of Designer(s): **Terry Alan Randolph**

(45) Registration Date: **16 November 2007**

(56) Related Art Documents: **Not Applicable**

(57) Statement of Newness and Distinctiveness: **Newness and distinctiveness resides in the features of shape and/or configuration of a spill guard as illustrated in the accompanying representations.**



(21) Design Number: **19694/2007**

(22) Date of Filing Application: **10 September 2007**

(24) Date from which industrial property rights may have effect: **10 September 2007**

(54) Product in respect of which the design is registered: **Verifier device**

(51) International Design Classification: **14-02**

(71) Name(s) and Address(s) of Applicant(s):

Bundesdruckerei GmbH

Oranienstrasse 91 D-10958 Berlin Germany

(72) Name(s) of Designer(s): **Hendrik Schulz**

(45) Registration Date: **16 November 2007**

(56) Related Art Documents: **Not Applicable**

(57) Statement of Newness and Distinctiveness: **Newness and distinctiveness is claimed in the visual features of shape, configuration, pattern and/or ornamentation of the verifier device shown in the representations. In considering the extent of monopoly, the relative size and position of the keyboard and other components of the device should be taken into consideration.**

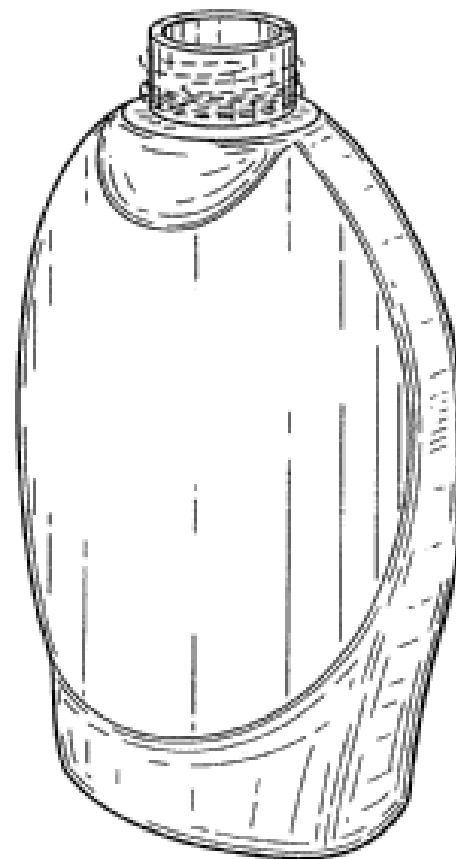


- (21) Design Number: **19994/2007**
- (22) Date of Filing Application: **10 September 2007**
- (24) Date from which industrial property rights may have effect: **10 September 2007**
- (54) Product in respect of which the design is registered: **Verifier device**
- (51) International Design Classification: **14-02**
- (71) Name(s) and Address(s) of Applicant(s):
Bundesdruckerei GmbH
Oranienstrasse 91 D-10958 Berlin Germany
- (72) Name(s) of Designer(s): **Hendrik Schulz**
- (45) Registration Date: **16 November 2007**
- (56) Related Art Documents: **Not Applicable**
- (57) Statement of Newness and Distinctiveness: **Newness and distinctiveness is claimed in the visual features of shape, configuration, pattern and/or ornamentation of the verifier device shown in the representations. In considering the extent of monopoly, the relative size and position of the keyboard and other components of the device should be taken into consideration.**



- (21) Design Number: **19742/2007**
- (22) Date of Filing Application: **14 September 2007**
- (24) Date from which industrial property rights may have effect: **14 September 2007**
- (54) Product in respect of which the design is registered: **Container**
- (51) International Design Classification: **09-01K**
- (71) Name(s) and Address(s) of Applicant(s):
Colgate-Palmolive Company
300 Park Avenue New York New York 10022 United States of America
- (72) Name(s) of Designer(s): **John C. Crawford and Roland Charriez**
- (45) Registration Date: **16 November 2007**
- (30) Convention priority data:

(31) Number	(32) Date	(33) Country
29/278212	22 Mar 2007	UNITED STATES OF AMERICA
- (56) Related Art Documents: **Not Applicable**
- (57) Statement of Newness and Distinctiveness: **Newness and distinctiveness reside in the features of the design shown in solid lines in the representations excluding those features shown in broken lines.**



(21) Design Number: **19888/2007**
(22) Date of Filing Application: **25 September 2007**
(24) Date from which industrial property rights may have effect: **25 September 2007**
(54) Product in respect of which the design is registered: **Chair**
(51) International Design Classification: **06-01F**
(71) Name(s) and Address(s) of Applicant(s):

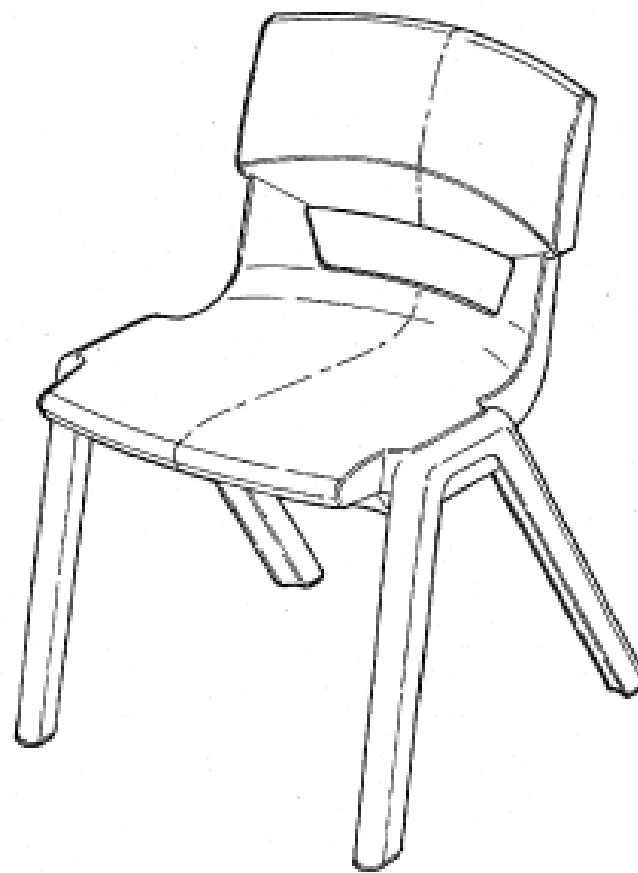
Sebel Furniture Limited
96 Canterbury Road Bankstown New South Wales 2200 Australia

(72) Name(s) of Designer(s): **Michael Fewchuk**

(45) Registration Date: **16 November 2007**

(56) Related Art Documents: **Not Applicable**

(57) Statement of Newness and Distinctiveness: **Fig.1 is a perspective view of a chair. Newness and distinctiveness is claimed in respect of the shape and/or configuration of the chair illustrated in the accompanying representations; Fig.2 is a rear perspective view of the chair of Fig.1; Fig.3 is a rear view of the chair of Fig.1; Fig.4 is a front view of the chair of Fig.1; Fig.5 is a top view of the chair of Fig.1; Fig.6 is an underside view of the chair of Fig.1; Fig.7 is a left hand side view of the chair of Fig.1; and Fig.8 is a cross-section side view through the chair of Fig.1.**



(21) Design Number: **19893/2007**
(22) Date of Filing Application: **25 September 2007**
(24) Date from which industrial property rights may have effect: **25 September 2007**
(54) Product in respect of which the design is registered: **Headphones**
(51) International Design Classification: **14-01**
(71) Name(s) and Address(s) of Applicant(s):

Sony Ericsson Mobile Communications AB
Nya Vattentorget SE 221 88 Lund Sweden

(72) Name(s) of Designer(s): **Anders Hansen**

(45) Registration Date: **16 November 2007**

(30) Convention priority data:

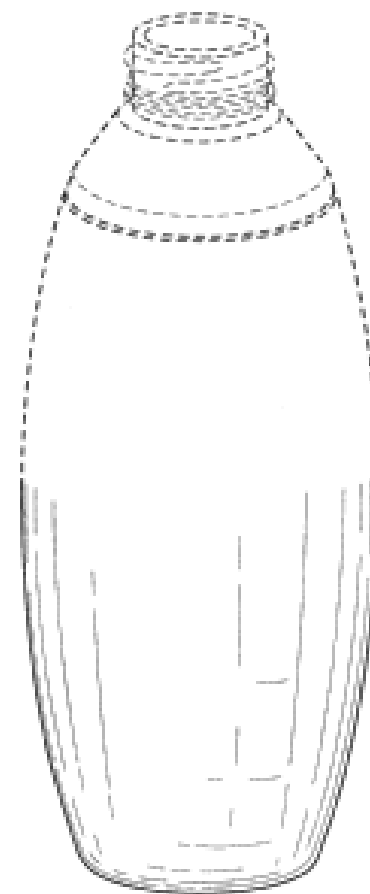
(31) Number	(32) Date	(33) Country
000704713	11 Apr 2007	EUROPEAN COMMUNITY

(56) Related Art Documents: **Not Applicable**

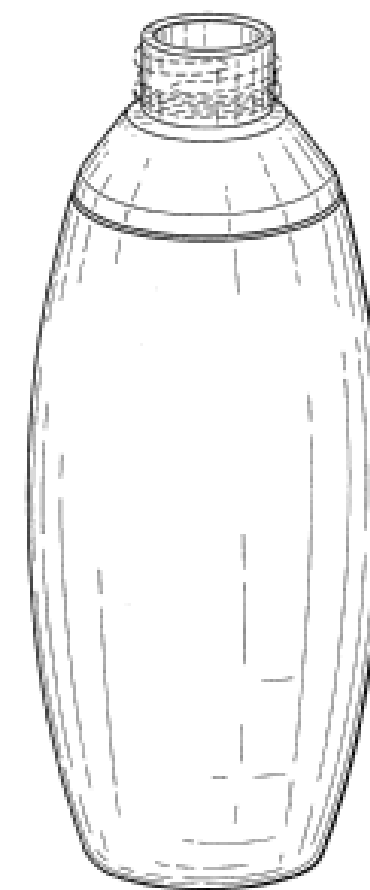
(57) Statement of Newness and Distinctiveness: **Nil**



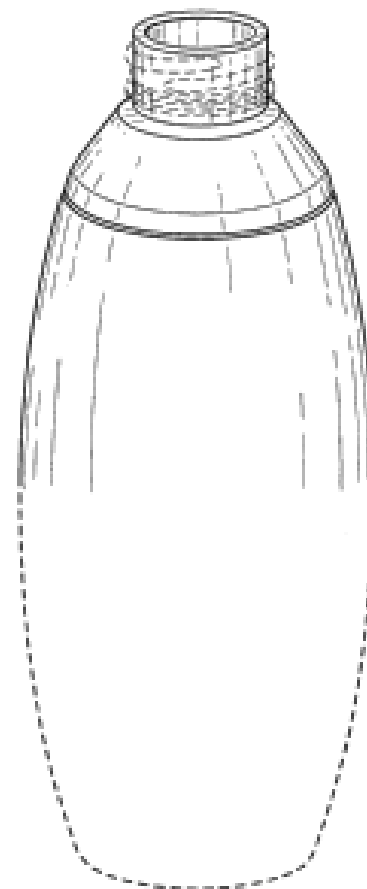
(21) Design Number: **19961/2007**
 (22) Date of Filing Application: **27 September 2007**
 (24) Date from which industrial property rights may have effect: **27 September 2007**
 (54) Product in respect of which the design is registered: **Container**
 (51) International Design Classification: **09-01K**
 (71) Name(s) and Address(s) of Applicant(s):
Colgate-Palmolive Company
300 Park Avenue New York New York 10022 United States of America
 (72) Name(s) of Designer(s): **Christopher M. Bradley and John Jamieson and Jeffrey Tilley**
 (45) Registration Date: **16 November 2007**
 (30) Convention priority data:
 (31) Number (32) Date (33) Country
29/278554 02 Apr 2007 UNITED STATES OF AMERICA
 (56) Related Art Documents: **Not Applicable**
 (57) Statement of Newness and Distinctiveness: **Newness and distinctiveness reside in the features of the design shown in solid lines in the representations excluding those features shown in broken lines.**



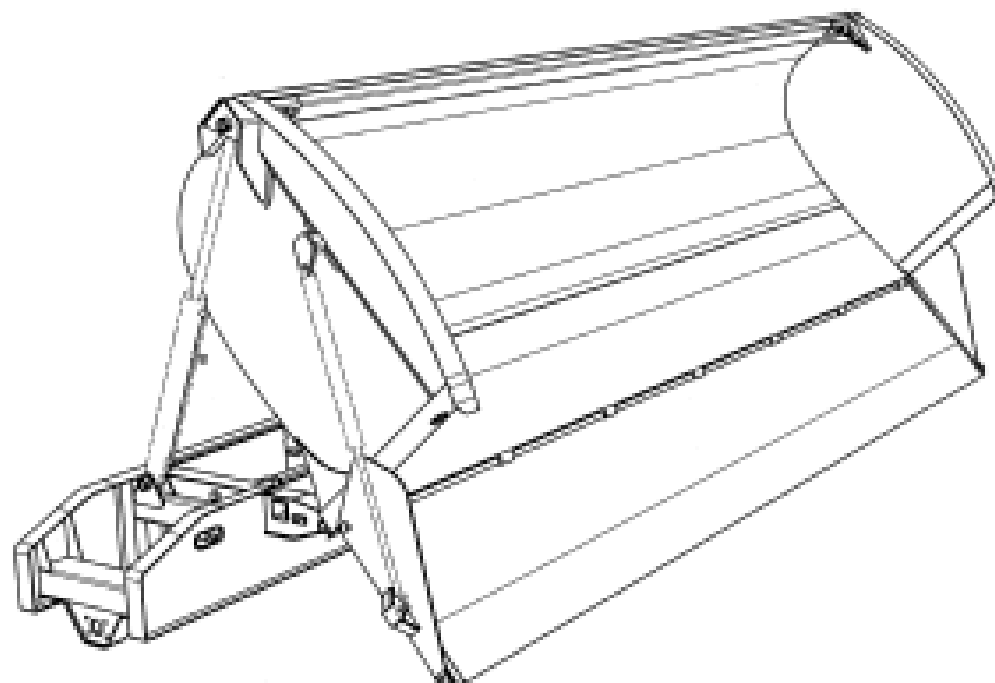
(21) Design Number: **20001/2007**
 (22) Date of Filing Application: **28 September 2007**
 (24) Date from which industrial property rights may have effect: **28 September 2007**
 (54) Product in respect of which the design is registered: **Container**
 (51) International Design Classification: **09-01K**
 (71) Name(s) and Address(s) of Applicant(s):
Colgate-Palmolive Company
300 Park Avenue New York New York 10022 United States of America
 (72) Name(s) of Designer(s): **Christopher M. Bradley and John Jamieson and Jeffrey Tilley**
 (45) Registration Date: **16 November 2007**
 (30) Convention priority data:
 (31) Number (32) Date (33) Country
29/278551 02 Apr 2007 UNITED STATES OF AMERICA
 (56) Related Art Documents: **Not Applicable**
 (57) Statement of Newness and Distinctiveness: **Newness and distinctiveness reside in the features of the design shown in solid lines in the representations excluding those features shown in broken lines.**



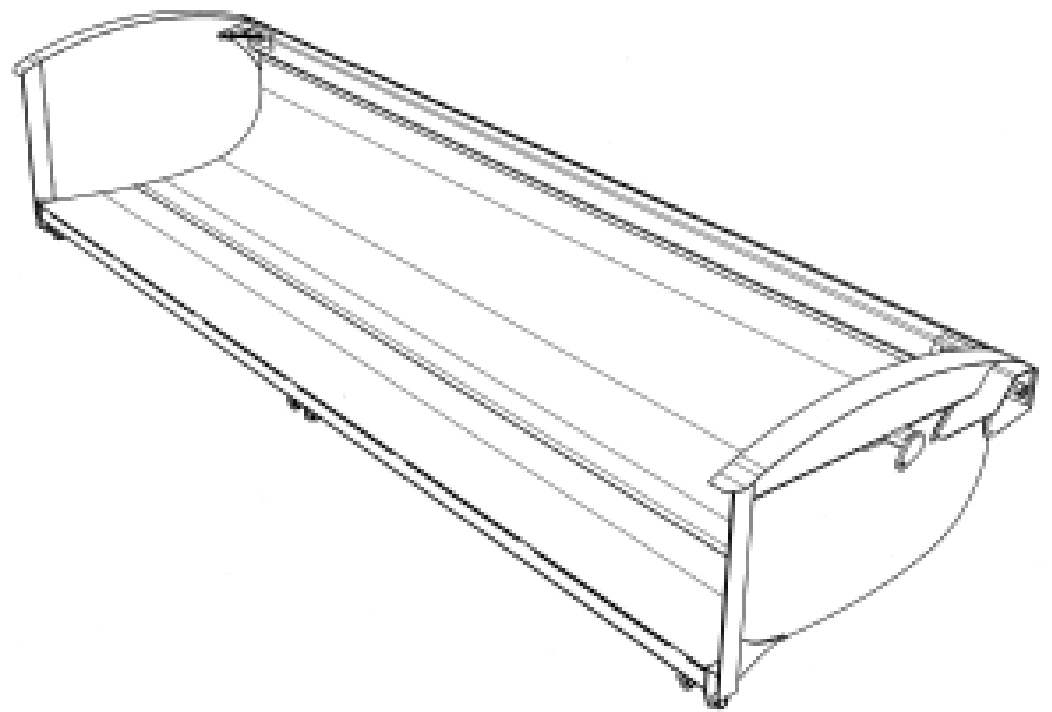
- (21) Design Number: **20002/2007**
(22) Date of Filing Application: **28 September 2007**
(24) Date from which industrial property rights may have effect: **28 September 2007**
(54) Product in respect of which the design is registered: **Container**
(51) International Design Classification: **09-01K**
(71) Name(s) and Address(s) of Applicant(s):
Colgate-Palmolive Company
300 Park Avenue New York New York 10022 United States of America
(72) Name(s) of Designer(s): **Christopher M. Bradley and John Jamieson and Jeffrey Tilley**
(45) Registration Date: **16 November 2007**
(30) Convention priority data:
(31) Number (32) Date (33) Country
29/278553 02 Apr 2007 UNITED STATES OF AMERICA
(56) Related Art Documents: **Not Applicable**
(57) Statement of Newness and Distinctiveness: **Newness and distinctiveness reside in the features of the design shown in solid lines in the representations excluding those features shown in broken lines.**



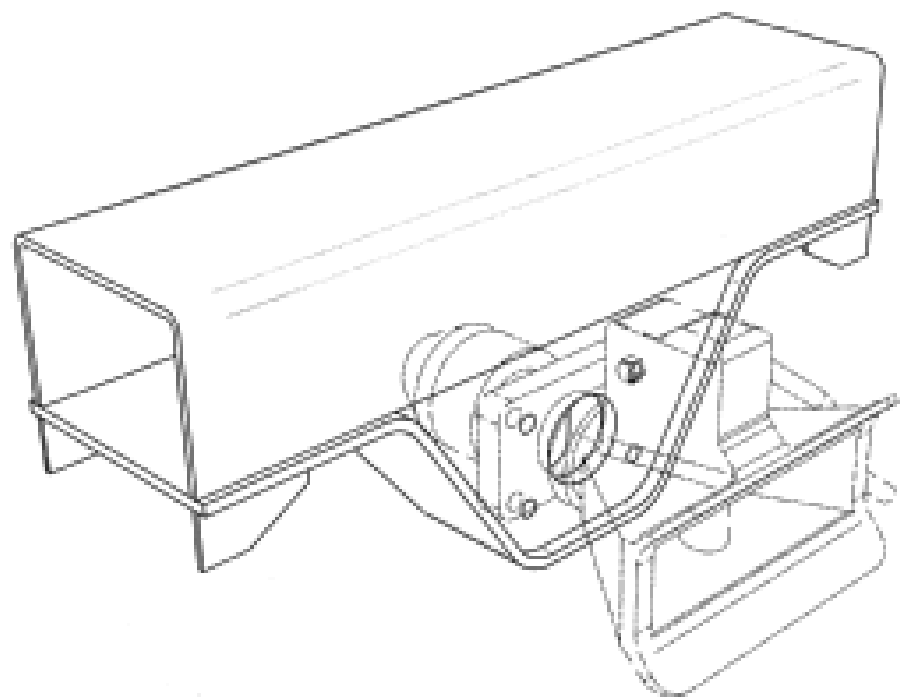
- (21) Design Number: **16975/2007**
(22) Date of Filing Application: **19 March 2007**
(24) Date from which industrial property rights may have effect: **19 March 2007**
(54) Product in respect of which the design is registered: **Side tipping trailer**
(51) International Design Classification: **12-10**
(71) Name(s) and Address(s) of Applicant(s):
Roadwest Transport Equipment & Sales Pty Ltd
100 Beechboro Road Bayswater Western Australia 6053 Australia
(72) Name(s) of Designer(s): **Peter Frank Lombardi and Ravi Subramaniam**
(45) Registration Date: **19 November 2007**
(56) Related Art Documents: **Not Applicable**
(57) Statement of Newness and Distinctiveness: **Newness and distinctiveness reside in the features of shape and/or configuration of a side tipping trailer as shown in the representations.**



- (21) Design Number: **16976/2007**
(22) Date of Filing Application: **19 March 2007**
(24) Date from which industrial property rights may have effect: **19 March 2007**
(54) Product in respect of which the design is registered: **Body for a side tipping trailer**
(51) International Design Classification: **12-10**
(71) Name(s) and Address(s) of Applicant(s):
Roadwest Transport Equipment & Sales Pty Ltd
100 Beechboro Road Bayswater Western Australia 6053 Australia
(72) Name(s) of Designer(s): **Peter Frank Lombardi and Ravi Subramaniam**
(45) Registration Date: **19 November 2007**
(56) Related Art Documents: **Not Applicable**
(57) Statement of Newness and Distinctiveness: **Newness and distinctiveness reside in the features of shape and/or configuration of a body for a side tipping trailer as shown in the representations.**



- (21) Design Number: **16977/2007**
(22) Date of Filing Application: **19 March 2007**
(24) Date from which industrial property rights may have effect: **19 March 2007**
(54) Product in respect of which the design is registered: **Rear chassis transverse and coupling support member for a truck/prime mover/trailer chassis**
(51) International Design Classification: **12-10**
(71) Name(s) and Address(s) of Applicant(s):
Roadwest Transport Equipment & Sales Pty Ltd
100 Beechboro Road Bayswater Western Australia 6053 Australia
Scorecorp Pty Ltd
23 Kelly Street Albany Western Australia 6330 Australia
de Vos Chater & Associates Pty Ltd
1/47 Kishorn Road APPLECROSS WA 6153
(72) Name(s) of Designer(s): **Ravi Subramaniam and Harvey Alan Bosch and Jurrien de Vos**
(45) Registration Date: **19 November 2007**
(56) Related Art Documents: **Not Applicable**
(57) Statement of Newness and Distinctiveness: **Newness and distinctiveness reside in the features of shape and/or configuration of a rear cross member for a rear chassis transverse and coupling support member for a truck/prime mover/trailer chassis as shown in the representations. The Ringfeeder coupling shown in dashed outline in the representations, does not form part of the design.**



- (21) Design Number: **17756/2007**
(22) Date of Filing Application: **04 May 2007**
(24) Date from which industrial property rights may have effect: **04 May 2007**
(54) Product in respect of which the design is registered: **Bottle**
(51) International Design Classification: **09-01K**
(71) Name(s) and Address(s) of Applicant(s):

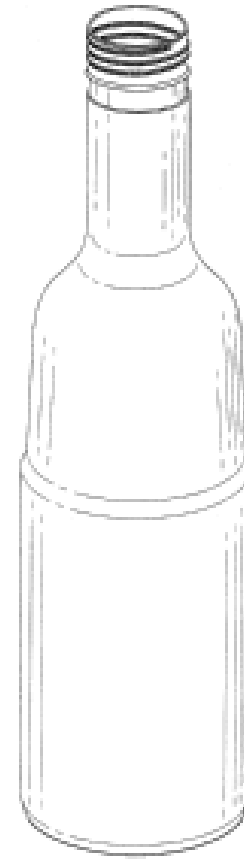
Vin Singlz Limited
16 Tainui Street Hamilton New Zealand

- (72) Name(s) of Designer(s): **Graeme Ashley Blake**
(45) Registration Date: **19 November 2007**

(30) Convention priority data:

(31) Number	(32) Date	(33) Country
408395	23 Nov 2006	NEW ZEALAND

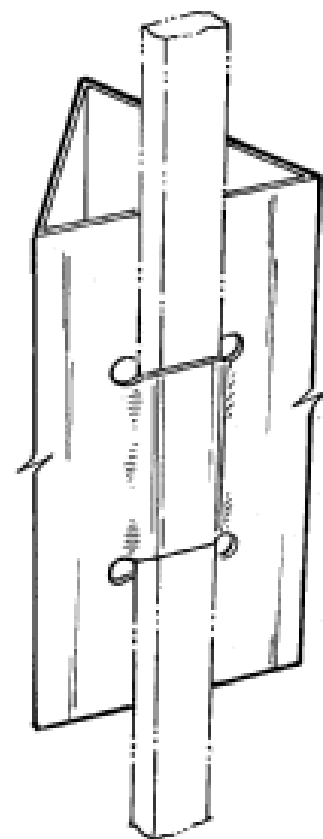
- (56) Related Art Documents: **Not Applicable**
(57) Statement of Newness and Distinctiveness: **Newness and distinctiveness are claimed in the features of shape and/or configuration of a bottle, as illustrated in the accompanying representations.**



- (21) Design Number: **18453/2007**
(22) Date of Filing Application: **18 June 2007**
(24) Date from which industrial property rights may have effect: **18 June 2007**
(54) Product in respect of which the design is registered: **Plant guard**
(51) International Design Classification: **08-08O**
(71) Name(s) and Address(s) of Applicant(s):

Gro-Guard Australia Pty Ltd
7 Vernon Smith Court Ottoway South Australia 5013 Australia

- (72) Name(s) of Designer(s): **Graham Richard Due**
(45) Registration Date: **19 November 2007**
(56) Related Art Documents: **Not Applicable**
(57) Statement of Newness and Distinctiveness: **Each feature of the triangulated plant guard of indeterminate length having shaped slots for receiving a supporting stake. The stake shown in phantom does not form part of the design.**



(21) Design Number: **19089/2007**
(22) Date of Filing Application: **26 July 2007**
(24) Date from which industrial property rights may have effect: **26 July 2007**
(54) Product in respect of which the design is registered: **Display apparatus for eyewear**
(51) International Design Classification: **20-02E**
(71) Name(s) and Address(s) of Applicant(s):
Dioptics Medical Products, Inc.
125 Venture Drive San Luis Obispo California United States of America
(72) Name(s) of Designer(s): **Henry Welling Lane**
(45) Registration Date: **19 November 2007**
(30) Convention priority data:
(31) Number (32) Date (33) Country
29272206 01 Feb 2007 UNITED STATES OF AMERICA
(56) Related Art Documents: **Not Applicable**
(57) Statement of Newness and Distinctiveness: **Newness and distinctiveness is claimed in the visual features shown in solid lines in the representations.**



(21) Design Number: **19123/2007**
(22) Date of Filing Application: **30 July 2007**
(24) Date from which industrial property rights may have effect: **30 July 2007**
(54) Product in respect of which the design is registered: **Carton**
(51) International Design Classification: **09-03E**
(71) Name(s) and Address(s) of Applicant(s):
Ohlins Racing AB
Box 722 S-194 27 Upplands Vasby Sweden
(72) Name(s) of Designer(s): **Preben Carlsson**
(45) Registration Date: **19 November 2007**
(30) Convention priority data:
(31) Number (32) Date (33) Country
000659883-0002 29 Jan 2007 EUROPEAN COMMUNITY
(56) Related Art Documents: **Not Applicable**
(57) Statement of Newness and Distinctiveness: **Those features of the carton depicted in the representations that are new and distinctive are the pattern and ornamentation. The shape and/or configuration of the carton are not part of the design and are to be disregarded when considering the overall impression of the design.**



(21) Design Number: **19200/2007**
(22) Date of Filing Application: **06 August 2007**
(24) Date from which industrial property rights may have effect: **06 August 2007**
(54) Product in respect of which the design is registered: **Triple chamber plug-in air freshener diffuser**
(51) International Design Classification: **28-99**
(71) Name(s) and Address(s) of Applicant(s):
Robert McBride Limited
Middleton Way Middleton Manchester M24 4DP United Kingdom
(72) Name(s) of Designer(s): **Michelle Walton and Laura Snowden and Yang Shutong**
(45) Registration Date: **19 November 2007**
(30) Convention priority data:
(31) Number (32) Date (33) Country
000678891 28 Feb 2007 EUROPEAN COMMUNITY
(56) Related Art Documents: **Not Applicable**
(57) Statement of Newness and Distinctiveness: **Nil**



(21) Design Number: **19301/2007**
(22) Date of Filing Application: **10 August 2007**
(24) Date from which industrial property rights may have effect: **10 August 2007**
(54) Product in respect of which the design is registered: **A feed out trailer**
(51) International Design Classification: **12-10**
(71) Name(s) and Address(s) of Applicant(s):
Stephen Henry Currie
200 Omaha Road Hastings New Zealand
Denise Marjorie Currie
200 Omaha Road Hastings New Zealand
James Robert Currie
300 Nottingley Road Hastings New Zealand
Valerie Kathryn Currie
300 Nottingley Road Hastings New Zealand
(72) Name(s) of Designer(s): **Stephen Henry Currie**
(45) Registration Date: **19 November 2007**
(56) Related Art Documents: **Not Applicable**
(57) Statement of Newness and Distinctiveness: **Nil**



- (21) Design Number: **19352/2007**
- (22) Date of Filing Application: **15 August 2007**
- (24) Date from which industrial property rights may have effect: **15 August 2007**
- (54) Product in respect of which the design is registered: **Toothbrush**
- (51) International Design Classification: **28-03NES**
- (71) Name(s) and Address(s) of Applicant(s):

Braun GmbH
Frankfurter Strasse 145 61476 Kronberg Germany

- (72) Name(s) of Designer(s): **Tilmann Winkler**

- (45) Registration Date: **19 November 2007**

- (30) Convention priority data:

(31) Number	(32) Date	(33) Country
40700876.4	16 Feb 2007	GERMANY

- (56) Related Art Documents: **Not Applicable**

- (57) Statement of Newness and Distinctiveness: **Newness and distinctiveness reside in the features of shape and/or configuration of the toothbrush as shown in the representations. Newness and distinctiveness are not claimed in respect of the parts shown in dashed/dotted and broken lines. These parts are shown for illustrative purposes only.**



- (21) Design Number: **19353/2007**
- (22) Date of Filing Application: **15 August 2007**
- (24) Date from which industrial property rights may have effect: **15 August 2007**
- (54) Product in respect of which the design is registered: **Toothbrush**
- (51) International Design Classification: **28-03NES**
- (71) Name(s) and Address(s) of Applicant(s):

Braun GmbH
Frankfurter Strasse 145 61476 Kronberg Germany

- (72) Name(s) of Designer(s): **Tilmann Winkler**

- (45) Registration Date: **19 November 2007**

- (30) Convention priority data:

(31) Number	(32) Date	(33) Country
40700876.4	16 Feb 2007	GERMANY

- (56) Related Art Documents: **Not Applicable**

- (57) Statement of Newness and Distinctiveness: **Newness and distinctiveness reside in the features of shape and/or configuration of the toothbrush as shown in the representations. Newness and distinctiveness are not claimed in respect of the parts shown in dashed/dotted and broken lines. These parts are shown for illustrative purposes only.**



- (21) Design Number: **19354/2007**
(22) Date of Filing Application: **15 August 2007**
(24) Date from which industrial property rights may have effect: **15 August 2007**
(54) Product in respect of which the design is registered: **Toothbrush**
(51) International Design Classification: **28-03NES**
(71) Name(s) and Address(s) of Applicant(s):
Braun GmbH
Frankfurter Strasse 145 61476 Kronberg Germany
(72) Name(s) of Designer(s): **Tilmann Winkler**
(45) Registration Date: **19 November 2007**
(30) Convention priority data:

(31) Number	(32) Date	(33) Country
40700876.4	16 Feb 2007	GERMANY

(56) Related Art Documents: **Not Applicable**
(57) Statement of Newness and Distinctiveness: **Newness and distinctiveness reside in the features of shape and/or configuration of the toothbrush as shown in the representations.**



- (21) Design Number: **19355/2007**
(22) Date of Filing Application: **15 August 2007**
(24) Date from which industrial property rights may have effect: **15 August 2007**
(54) Product in respect of which the design is registered: **Toothbrush**
(51) International Design Classification: **28-03NES**
(71) Name(s) and Address(s) of Applicant(s):
Braun GmbH
Frankfurter Strasse 145 61476 Kronberg Germany
(72) Name(s) of Designer(s): **Tilmann Winkler**
(45) Registration Date: **19 November 2007**
(30) Convention priority data:

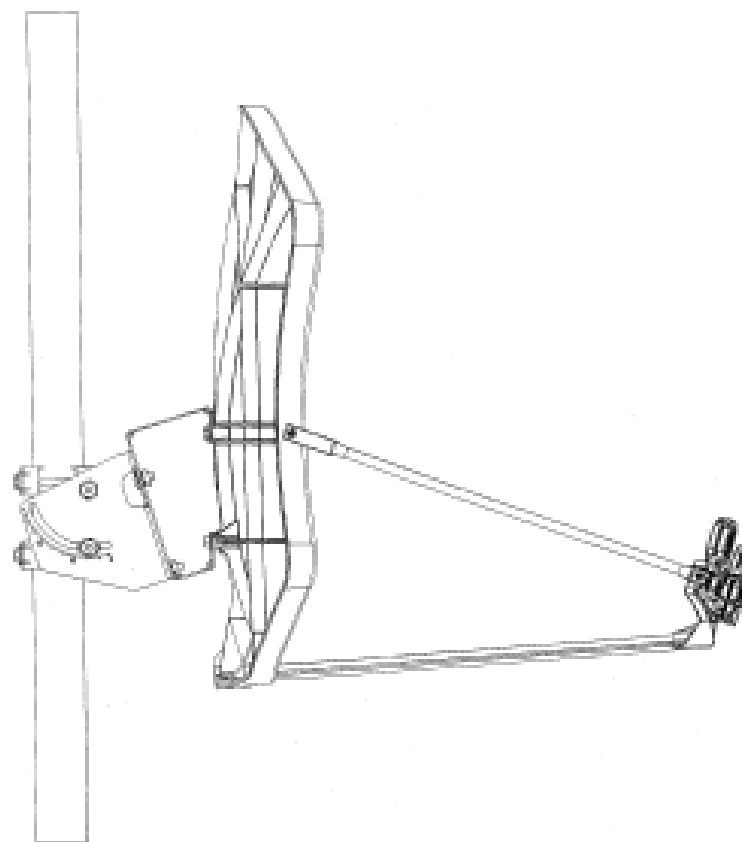
(31) Number	(32) Date	(33) Country
40700876.4	16 Feb 2007	GERMANY

(56) Related Art Documents: **Not Applicable**
(57) Statement of Newness and Distinctiveness: **Newness and distinctiveness reside in the features of shape and/or configuration of the toothbrush as shown in the representations. Newness and distinctiveness are not claimed for the words shown in the representations.**



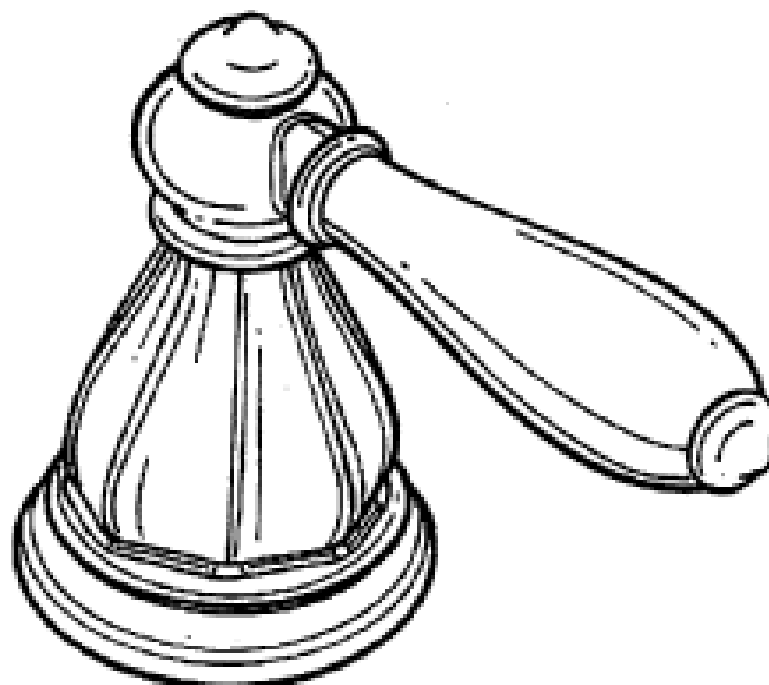
(19) AU

- (21) Design Number: **19418/2007**
(22) Date of Filing Application: **17 August 2007**
(24) Date from which industrial property rights may have effect: **17 August 2007**
(54) Product in respect of which the design is registered: **Satellite dish**
(51) International Design Classification: **14-03NES**
(71) Name(s) and Address(s) of Applicant(s):
Manufacture D'Appareillage Electrique De Cahor
Zone Industrielle de Regourd 46000 Cahors France
(72) Name(s) of Designer(s): **Patrice Gallimand and Olivier Dhellemmes and Michel Bouzou**
(45) Registration Date: **19 November 2007**
(30) Convention priority data:
(31) Number (32) Date (33) Country
675145-0001 20 Feb 2007 EUROPEAN COMMUNITY
(56) Related Art Documents: **Not Applicable**
(57) Statement of Newness and Distinctiveness: **Newness and Distinctiveness is claimed in the visual features of shape and configuration of the Satellite Dish as shown in the accompanying representations. In particular, the shape of the reflector and the focal line of the dish should be taken into consideration when considering the extent of newness and distinctiveness.**



(19) AU

- (21) Design Number: **19434/2007**
(22) Date of Filing Application: **20 August 2007**
(24) Date from which industrial property rights may have effect: **20 August 2007**
(54) Product in respect of which the design is registered: **A tap hub and handle**
(51) International Design Classification: **23-01H**
(71) Name(s) and Address(s) of Applicant(s):
Newfrey LLC
1207 Drummond Plaza Newark Delaware 19711 United States of America
(72) Name(s) of Designer(s): **Aaron Hanna**
(45) Registration Date: **19 November 2007**
(30) Convention priority data:
(31) Number (32) Date (33) Country
29273146 26 Feb 2007 UNITED STATES OF AMERICA
(56) Related Art Documents: **Not Applicable**
(57) Statement of Newness and Distinctiveness: **Newness and distinctiveness is claimed in the visual features shown in solid lines in the representations.**



(21) Design Number: **19435/2007**

(22) Date of Filing Application: **20 August 2007**

(24) Date from which industrial property rights may have effect: **20 August 2007**

(54) Product in respect of which the design is registered: **A spout**

(51) International Design Classification: **23-01H**

(71) Name(s) and Address(s) of Applicant(s):

Newfrey LLC
1207 Drummond Plaza Newark Delaware 19711 United States of America

(72) Name(s) of Designer(s): **Aaron Hanna**

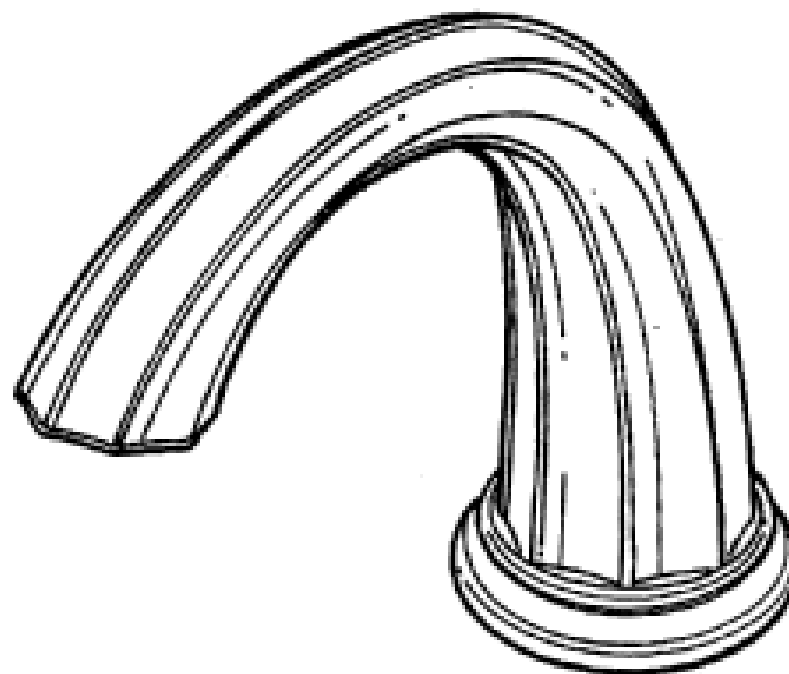
(45) Registration Date: **19 November 2007**

(30) Convention priority data:

(31) Number	(32) Date	(33) Country
29273145	26 Feb 2007	UNITED STATES OF AMERICA

(56) Related Art Documents: **Not Applicable**

(57) Statement of Newness and Distinctiveness: **Newness and distinctiveness is claimed in the visual features shown in solid lines in the representations.**



(21) Design Number: **19436/2007**

(22) Date of Filing Application: **20 August 2007**

(24) Date from which industrial property rights may have effect: **20 August 2007**

(54) Product in respect of which the design is registered: **A shower head**

(51) International Design Classification: **23-02B**

(71) Name(s) and Address(s) of Applicant(s):

Newfrey LLC
1207 Drummond Plaza Newark Delaware 19711 United States of America

(72) Name(s) of Designer(s): **Aaron Hanna**

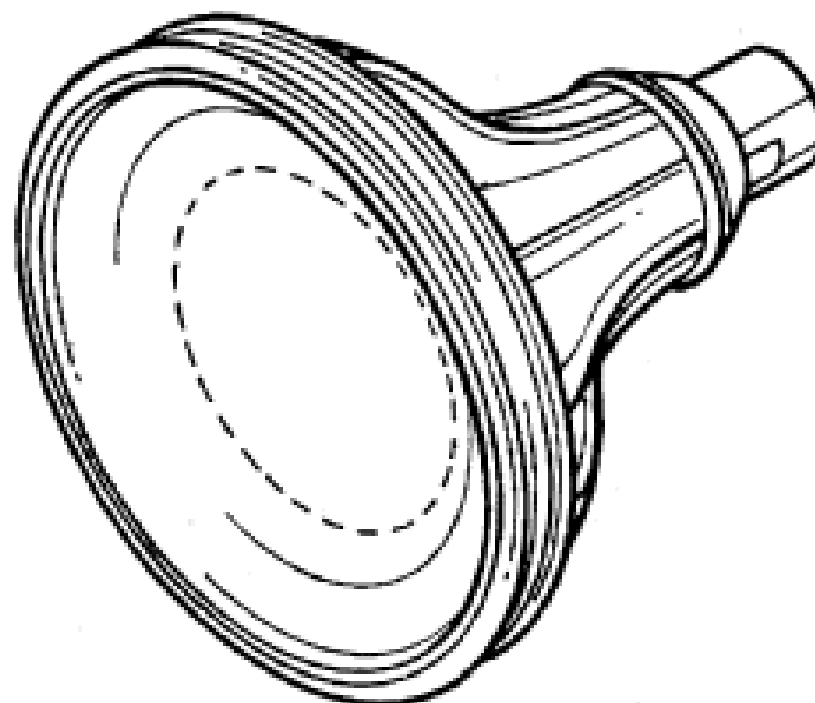
(45) Registration Date: **19 November 2007**

(30) Convention priority data:

(31) Number	(32) Date	(33) Country
29273218	28 Feb 2007	UNITED STATES OF AMERICA

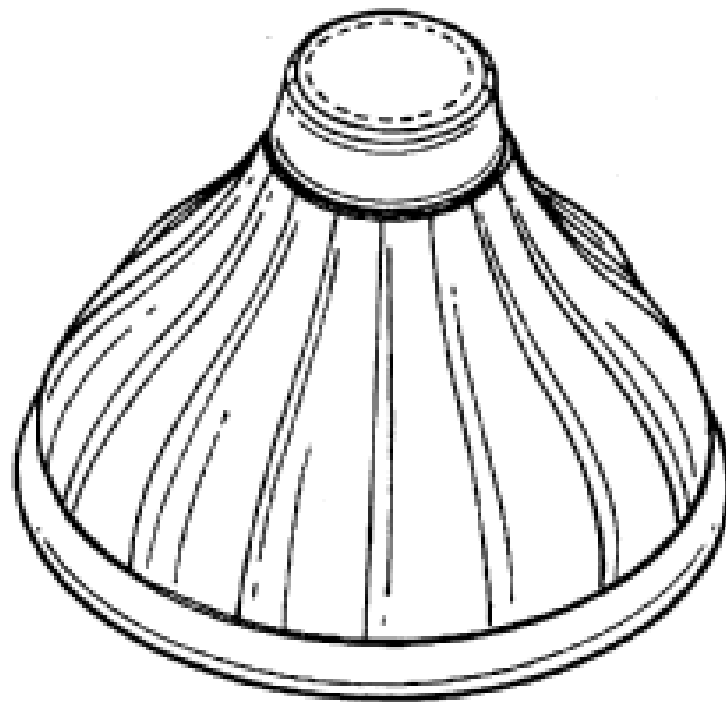
(56) Related Art Documents: **Not Applicable**

(57) Statement of Newness and Distinctiveness: **Newness and distinctiveness is claimed in the visual features shown in solid lines in the representations.**



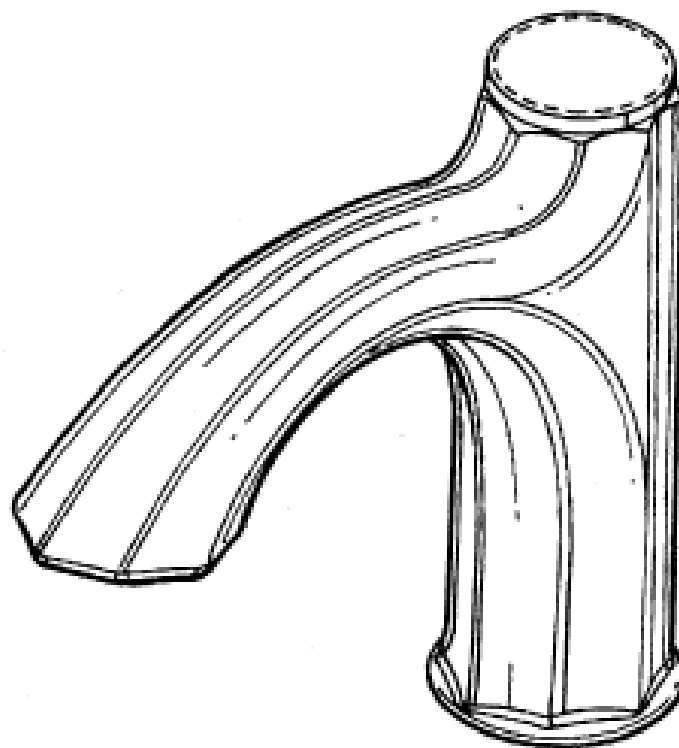
- (21) Design Number: **19437/2007**
- (22) Date of Filing Application: **20 August 2007**
- (24) Date from which industrial property rights may have effect: **20 August 2007**
- (54) Product in respect of which the design is registered: **A shower head**
- (51) International Design Classification: **23-02B**
- (71) Name(s) and Address(s) of Applicant(s):
Newfrey LLC
1207 Drummond Plaza Newark Delaware 19711 United States of America
- (72) Name(s) of Designer(s): **Bryan Soriano and Aaron Hanna**
- (45) Registration Date: **19 November 2007**
- (30) Convention priority data:

(31) Number	(32) Date	(33) Country
29273219	28 Feb 2007	UNITED STATES OF AMERICA
- (56) Related Art Documents: **Not Applicable**
- (57) Statement of Newness and Distinctiveness: **Newness and distinctiveness is claimed in the visual features shown in solid lines in the representations.**



- (21) Design Number: **19438/2007**
- (22) Date of Filing Application: **20 August 2007**
- (24) Date from which industrial property rights may have effect: **20 August 2007**
- (54) Product in respect of which the design is registered: **A tap body**
- (51) International Design Classification: **23-01H**
- (71) Name(s) and Address(s) of Applicant(s):
Newfrey LLC
1207 Drummond Plaza Newark Delaware 19711 United States of America
- (72) Name(s) of Designer(s): **Aaron Hanna**
- (45) Registration Date: **19 November 2007**
- (30) Convention priority data:

(31) Number	(32) Date	(33) Country
29273220	28 Feb 2007	UNITED STATES OF AMERICA
- (56) Related Art Documents: **Not Applicable**
- (57) Statement of Newness and Distinctiveness: **Newness and distinctiveness is claimed in the visual features shown in solid lines in the representations.**



- (21) Design Number: **20032/2007**
(22) Date of Filing Application: **02 October 2007**
(24) Date from which industrial property rights may have effect: **02 October 2007**
(54) Product in respect of which the design is registered: **A chair**
(51) International Design Classification: **06-01L**
(71) Name(s) and Address(s) of Applicant(s):

Victoria Link Limited
18 Kelburn Parade Wellington New Zealand

(72) Name(s) of Designer(s): **Timothy John Miller**

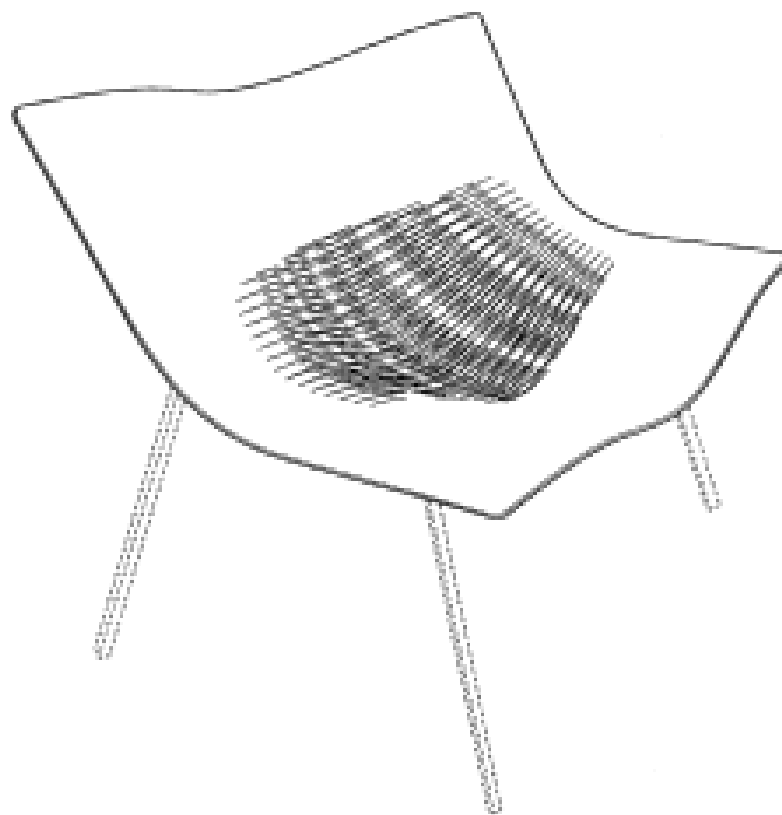
(45) Registration Date: **19 November 2007**

(30) Convention priority data:

(31) Number	(32) Date	(33) Country
408944	03 Apr 2007	NEW ZEALAND

(56) Related Art Documents: **Not Applicable**

(57) Statement of Newness and Distinctiveness: **Newness and distinctiveness reside in the features of shape and/or configuration of the chair, as shown in the representations. Newness and distinctiveness is not claimed in relation to the features shown in phantom lines in the representations.**



- (21) Design Number: **20033/2007**
(22) Date of Filing Application: **02 October 2007**
(24) Date from which industrial property rights may have effect: **02 October 2007**
(54) Product in respect of which the design is registered: **A chair**
(51) International Design Classification: **06-01F**
(71) Name(s) and Address(s) of Applicant(s):

Victoria Link Limited
18 Kelburn Parade Wellington New Zealand

(72) Name(s) of Designer(s): **Timothy John Miller**

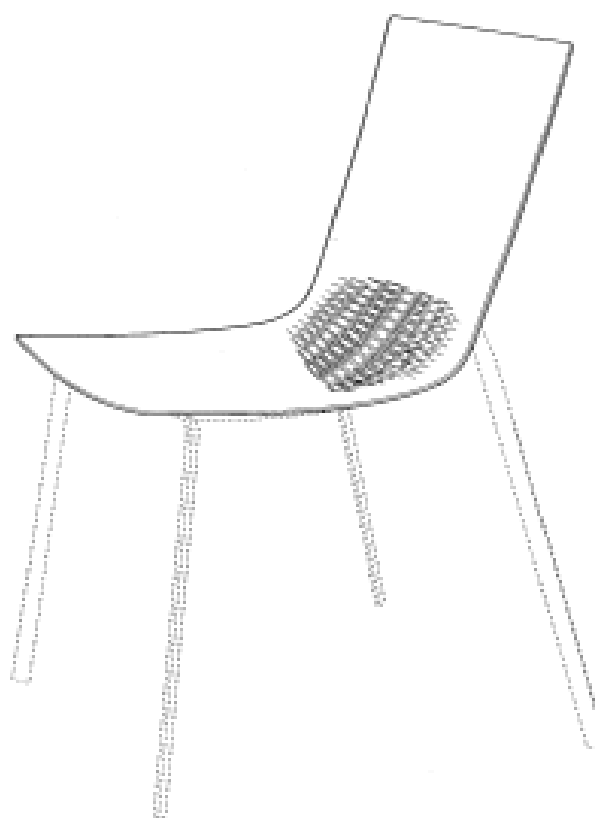
(45) Registration Date: **19 November 2007**

(30) Convention priority data:

(31) Number	(32) Date	(33) Country
408981	16 Apr 2007	NEW ZEALAND

(56) Related Art Documents: **Not Applicable**

(57) Statement of Newness and Distinctiveness: **Newness and distinctiveness reside in the features of shape and/or configuration of the chair, as shown in the representations. Newness and distinctiveness is not claimed in relation to the features shown in phantom lines in the representations.**



(21) Design Number: **17026/2007**

(22) Date of Filing Application: **23 March 2007**

(24) Date from which industrial property rights may have effect: **23 March 2007**

(54) Product in respect of which the design is registered: **Split pin installer**

(51) International Design Classification: **08-99**

(71) Name(s) and Address(s) of Applicant(s):

Roger Alexander Panton

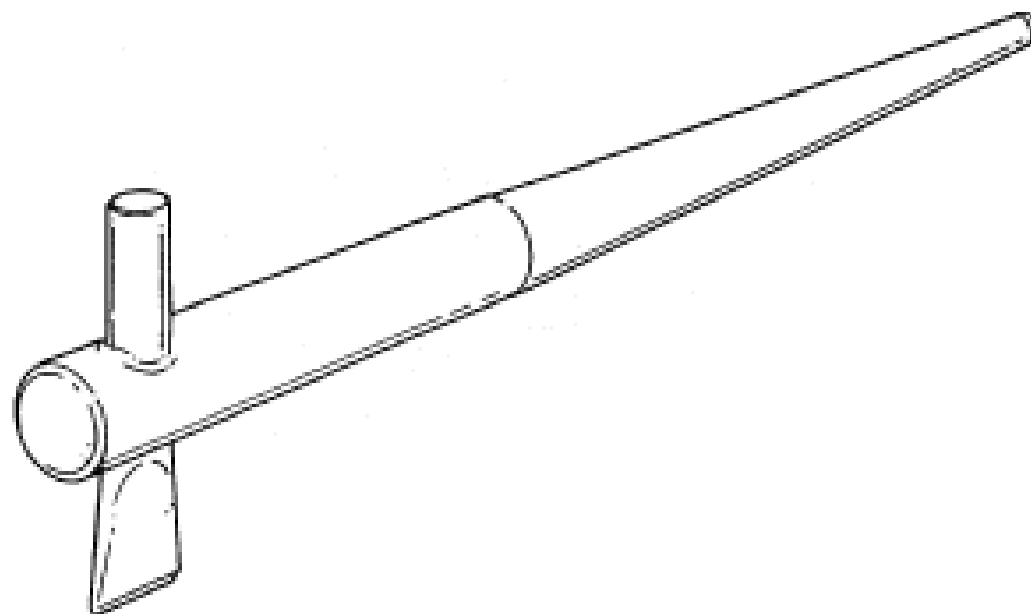
119 Hordern Street Victoria Park Western Australia 6100 Australia

(72) Name(s) of Designer(s): **Roger Panton**

(45) Registration Date: **20 November 2007**

(56) Related Art Documents: **Not Applicable**

(57) Statement of Newness and Distinctiveness: **The particular visual features of the design which are new and distinctive are the shape or configuration.**



(21) Design Number: **19484/2007**

(22) Date of Filing Application: **21 August 2007**

(24) Date from which industrial property rights may have effect: **21 August 2007**

(54) Product in respect of which the design is registered: **Rings, gaskets, seals etc, of rubber or similar material**

(51) International Design Classification: **23-01A**

(71) Name(s) and Address(s) of Applicant(s):

Terramix S.A.

125m Este 150m Suzos de Pozos de Santa Ana San Jose Costa Rica

(72) Name(s) of Designer(s): **Gerardo Darce**

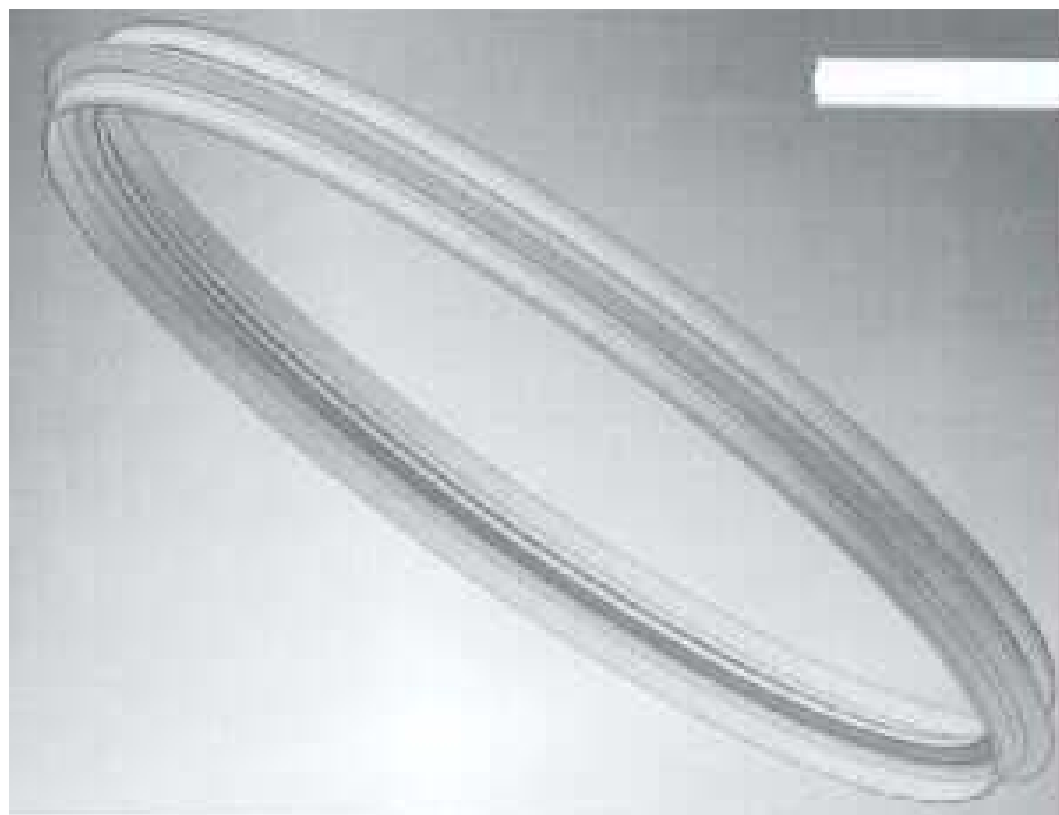
(45) Registration Date: **20 November 2007**

(56) Related Art Documents: **Not Applicable**

(57) Statement of Newness and Distinctiveness: **Nil**



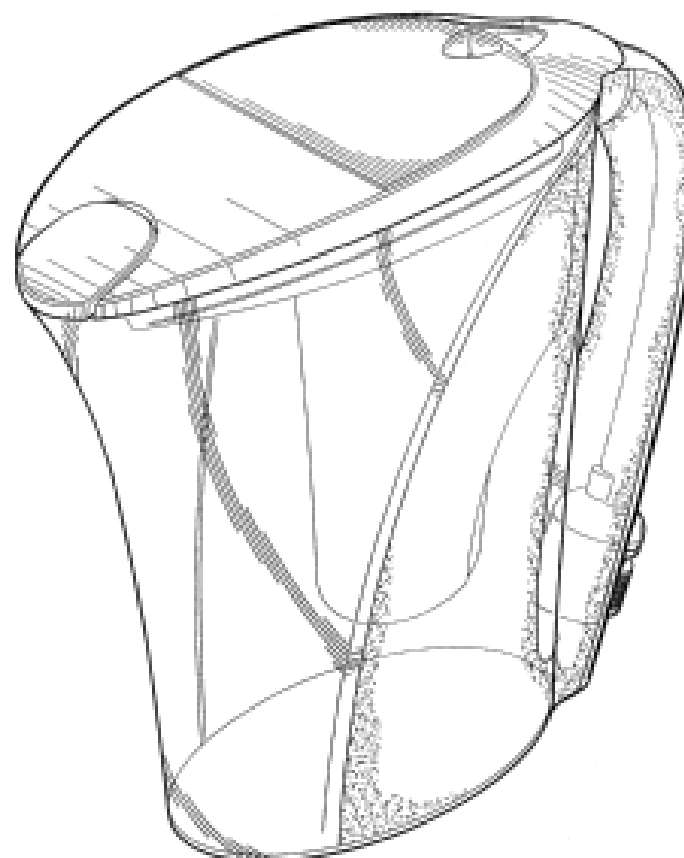
(21) Design Number: **19485/2007**
 (22) Date of Filing Application: **21 August 2007**
 (24) Date from which industrial property rights may have effect: **21 August 2007**
 (54) Product in respect of which the design is registered: **Rings, gaskets, seals, etc, of rubber or similar material**
 (51) International Design Classification: **23-01A**
 (71) Name(s) and Address(s) of Applicant(s):
Terramix S.A.
125m Este 150m Suzos de Pozos de Santa Ana San Jose Costa Rica
 (72) Name(s) of Designer(s): **Gerardo Darce**
 (45) Registration Date: **20 November 2007**
 (56) Related Art Documents: **Not Applicable**
 (57) Statement of Newness and Distinctiveness: **Nil**



(21) Design Number: **19801/2007**
 (22) Date of Filing Application: **19 September 2007**
 (24) Date from which industrial property rights may have effect: **19 September 2007**
 (54) Product in respect of which the design is registered: **Water filtration pitcher**
 (51) International Design Classification: **23-01G**
 (71) Name(s) and Address(s) of Applicant(s):
Aplica Consumer Products, Inc.
3633 Flamingo Road Miramar FL 33027 United States of America
 (72) Name(s) of Designer(s): **Arthur Y. Wu and Jay K. Fording and Sean D. Anderson and Francisco Javier Barquin Santillan**
 (45) Registration Date: **20 November 2007**
 (30) Convention priority data:

(31) Number	(32) Date	(33) Country
29/280,212	21 May 2007	UNITED STATES OF AMERICA

 (56) Related Art Documents: **Not Applicable**
 (57) Statement of Newness and Distinctiveness: **Nil**



- (21) Design Number: **19960/2007**
- (22) Date of Filing Application: **27 September 2007**
- (24) Date from which industrial property rights may have effect: **27 September 2007**
- (54) Product in respect of which the design is registered: **Dispenser**
- (51) International Design Classification: **09-01K**
- (71) Name(s) and Address(s) of Applicant(s):
Colgate-Palmolive Company
300 Park Avenue New York New York 10022 United States of America
- (72) Name(s) of Designer(s): **Christopher M. Bradley and John Jamieson and Jeffrey Tilley**
- (45) Registration Date: **20 November 2007**
- (30) Convention priority data:

(31) Number	(32) Date	(33) Country
29/278557	02 Apr 2007	UNITED STATES OF AMERICA
- (56) Related Art Documents: **Not Applicable**
- (57) Statement of Newness and Distinctiveness: **Newness and distinctiveness reside in the features of the design shown in solid lines in the representations excluding those features shown in broken lines.**

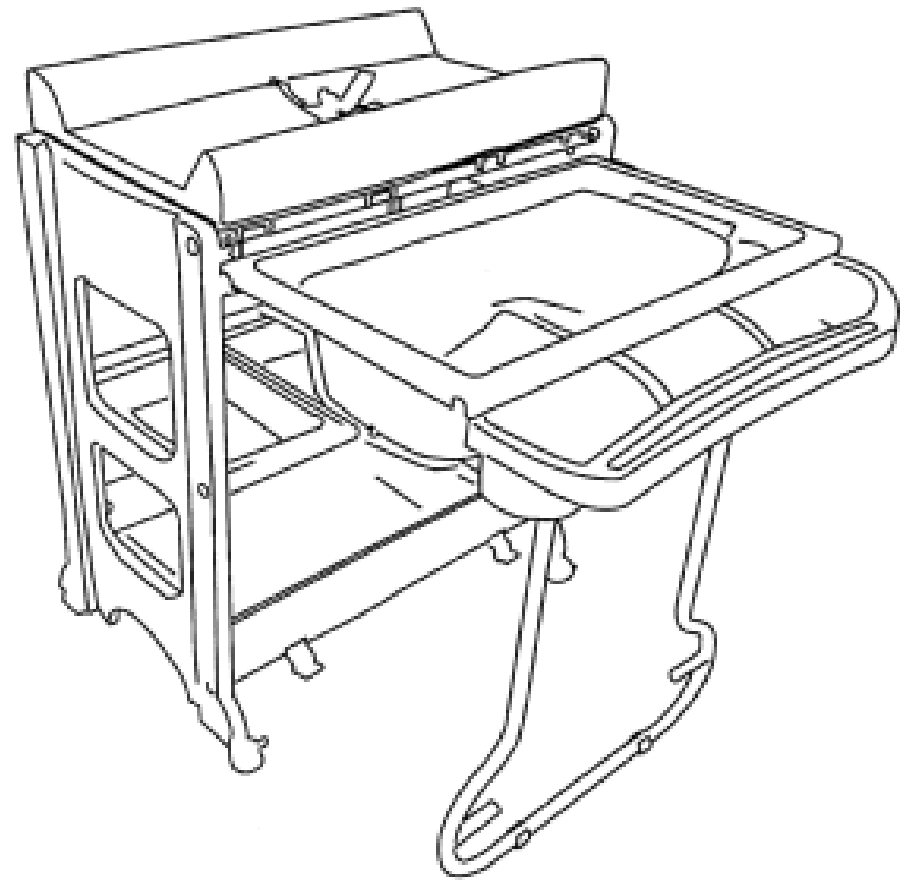


- (21) Design Number: **20802/2007**
- (22) Date of Filing Application: **27 September 2007**
- (24) Date from which industrial property rights may have effect: **27 September 2007**
- (54) Product in respect of which the design is registered: **Dispenser**
- (51) International Design Classification: **09-01K**
- (71) Name(s) and Address(s) of Applicant(s):
Colgate-Palmolive Company
300 Park Avenue New York New York 10022 United States of America
- (72) Name(s) of Designer(s): **Christopher M. Bradley and John Jamieson and Jeffrey Tilley**
- (45) Registration Date: **20 November 2007**
- (30) Convention priority data:

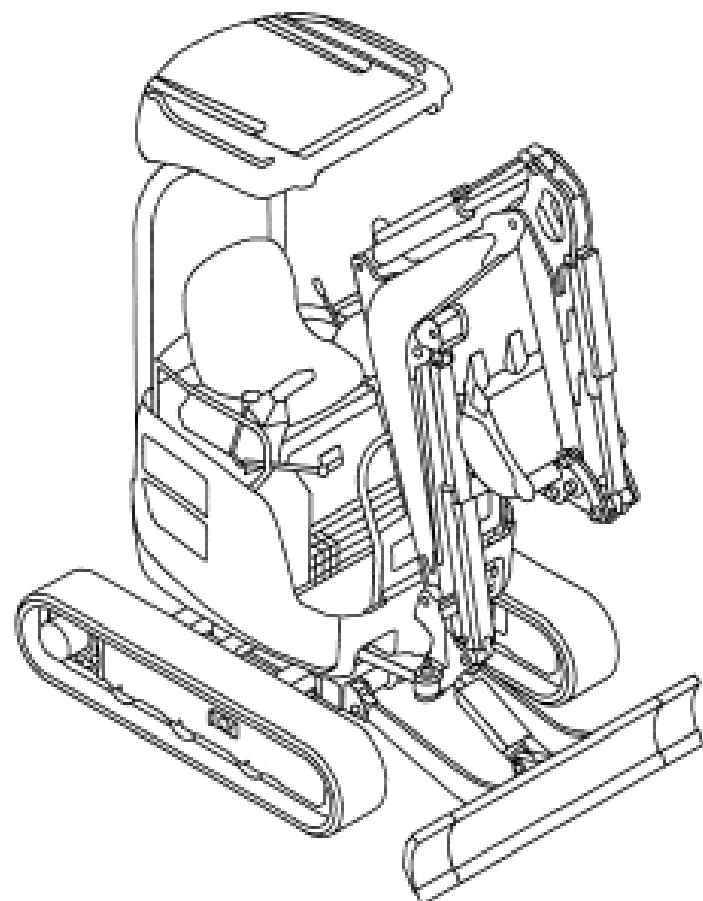
(31) Number	(32) Date	(33) Country
29/278557	02 Apr 2007	UNITED STATES OF AMERICA
- (56) Related Art Documents: **Not Applicable**
- (57) Statement of Newness and Distinctiveness: **Newness and distinctiveness reside in the features of the design shown in solid lines in the representations excluding those features shown in broken lines.**



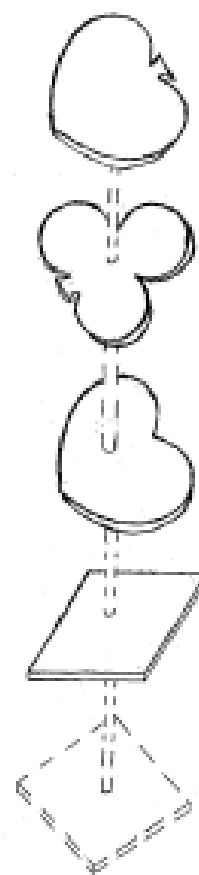
- (21) Design Number: **20162/2007**
(22) Date of Filing Application: **09 October 2007**
(24) Date from which industrial property rights may have effect: **09 October 2007**
(54) Product in respect of which the design is registered: **Change table**
(51) International Design Classification: **06-03NES**
(71) Name(s) and Address(s) of Applicant(s):
C.O. White Pty Ltd
20 Calarco Drive Derrimut Victoria 3030 Australia
(72) Name(s) of Designer(s): **Wen Huang and Charles White**
(45) Registration Date: **20 November 2007**
(56) Related Art Documents: **Not Applicable**
(57) Statement of Newness and Distinctiveness: **Newness and distinctiveness are claimed in the features of shape and/or configuration of a change table with bath that can move from open to closed position, as illustrated in the accompanying representatives.**



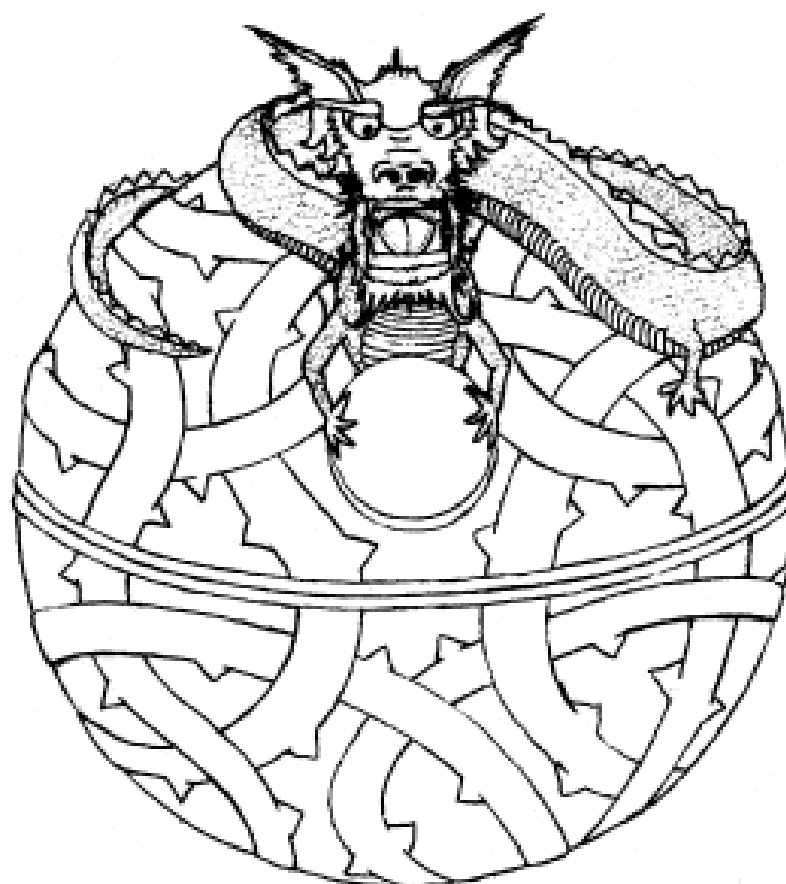
- (21) Design Number: **20273/2007**
(22) Date of Filing Application: **16 October 2007**
(24) Date from which industrial property rights may have effect: **16 October 2007**
(54) Product in respect of which the design is registered: **Power shovel**
(51) International Design Classification: **15-04**
(71) Name(s) and Address(s) of Applicant(s):
Yanmar Co., Ltd.
1-32 Chayamachi Kita-ku Osaka-shi Osaka 530-0013 Japan
(72) Name(s) of Designer(s): **Takahiro Ikeda and Saizou Kondou and Takafumi Nobayashi and Keiichi Nishihara and Masao Nagata**
(45) Registration Date: **20 November 2007**
(30) Convention priority data:
(31) Number (32) Date (33) Country
2007-10555 19 Apr 2007 JAPAN
(56) Related Art Documents: **Not Applicable**
(57) Statement of Newness and Distinctiveness: **Newness and distinctiveness reside in the features of the design as shown in the representations.**



- (21) Design Number: **19022/2007**
- (22) Date of Filing Application: **23 July 2007**
- (24) Date from which industrial property rights may have effect: **23 July 2007**
- (54) Product in respect of which the design is registered: **'Card suit' shelf/display unit**
- (51) International Design Classification: **20-02E**
- (71) Name(s) and Address(s) of Applicant(s):
Geoffrey Francis Keating
67 Hampton Road Darch Western Australia 6065 Australia
- (72) Name(s) of Designer(s): **Geoffrey Francis Keating**
- (45) Registration Date: **20 November 2007**
- (56) Related Art Documents: **Not Applicable**
- (57) Statement of Newness and Distinctiveness: **Newness and distinctiveness is claimed in the features of shape and/or configuration of a 'card suit' shelf/display unit as illustrated in the accompanying representations. The base and supporting arms shown in phantom do not form part of the monopoly claimed. The number of shelves and the make up of them in terms of the suits included may vary from one upwards.**



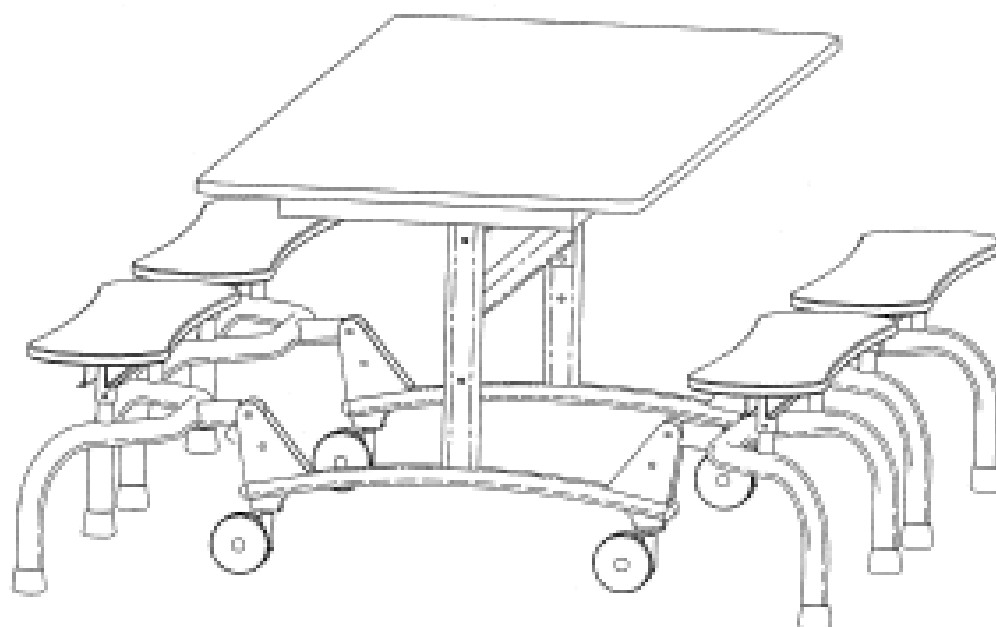
- (21) Design Number: **19442/2007**
- (22) Date of Filing Application: **21 August 2007**
- (24) Date from which industrial property rights may have effect: **21 August 2007**
- (54) Product in respect of which the design is registered: **A gaming orb**
- (51) International Design Classification: **21-03**
- (71) Name(s) and Address(s) of Applicant(s):
European Rainbow Roulette, LLC
24452 North Sunset Avenue Cary Illinois 60013 United States of America
- (72) Name(s) of Designer(s): **Stephen Foote and Joel Young**
- (45) Registration Date: **20 November 2007**
- (56) Related Art Documents: **Not Applicable**
- (57) Statement of Newness and Distinctiveness: **Newness and distinctiveness is claimed in the shape and/or configuration of a gaming orb as illustrated in the representation. No regard is to be had to the features of shape and/or configuration or pattern and/or ornamentation of the dragon depicted at the top of the orb.**



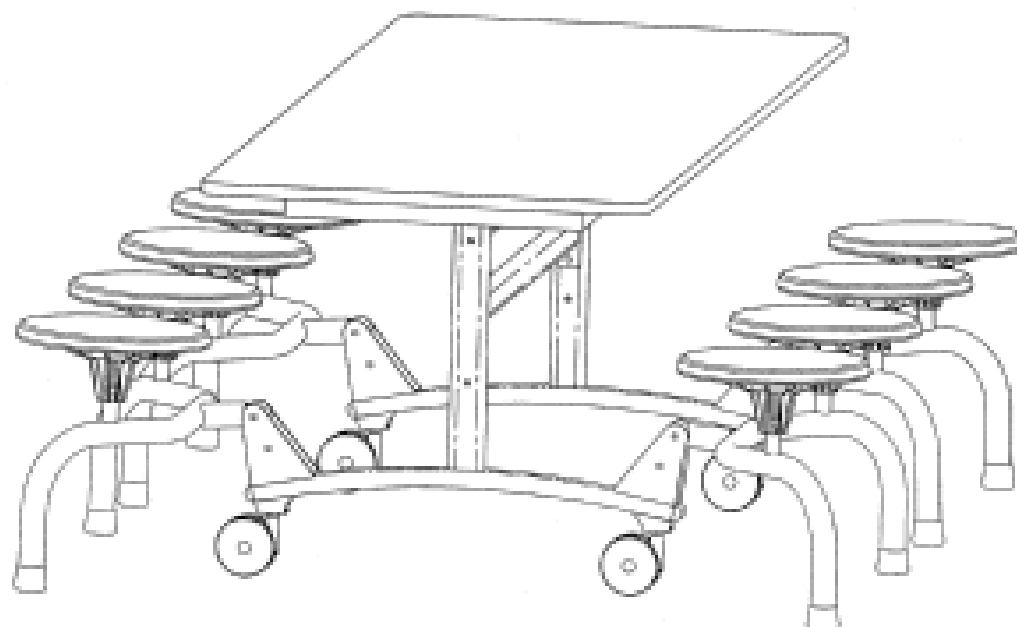
(21) Design Number: **19446/2007**
(22) Date of Filing Application: **22 August 2007**
(24) Date from which industrial property rights may have effect: **22 August 2007**
(54) Product in respect of which the design is registered: **Double wall glass**
(51) International Design Classification: **07-01C**
(71) Name(s) and Address(s) of Applicant(s):
Pi-Design AG
Kantonsstrasse 100 Postfach 463 CH-6234 Triengen Switzerland
(72) Name(s) of Designer(s): **Jorgen Bodum**
(45) Registration Date: **20 November 2007**
(30) Convention priority data:
(31) Number (32) Date (33) Country
DA 2007 12 Mar 2007 DENMARK
00066
(56) Related Art Documents: **Not Applicable**
(57) Statement of Newness and Distinctiveness: **Nil**



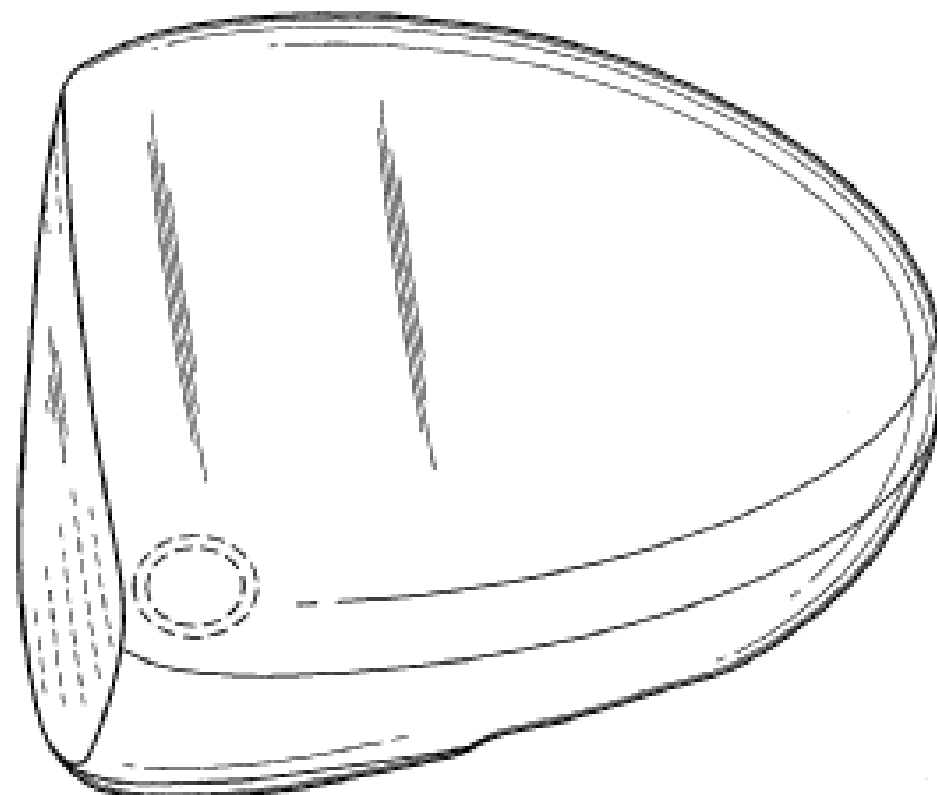
(21) Design Number: **19447/2007**
(22) Date of Filing Application: **21 August 2007**
(24) Date from which industrial property rights may have effect: **21 August 2007**
(54) Product in respect of which the design is registered: **Table and seating arrangement**
(51) International Design Classification: **06-05**
(71) Name(s) and Address(s) of Applicant(s):
Sico Incorporated
7525 Cahill Road Minneapolis Minnesota 55439-2745 United States of America
(72) Name(s) of Designer(s): **Richard C. Bue and Kendall A. Kragenbring and John M. Elliott**
(45) Registration Date: **20 November 2007**
(30) Convention priority data:
(31) Number (32) Date (33) Country
29/272935 21 Feb 2007 UNITED STATES OF AMERICA
(56) Related Art Documents: **Not Applicable**
(57) Statement of Newness and Distinctiveness: **Newness and distinctiveness is claimed in the features of shape and/or configuration of a table and seating arrangement as illustrated in the accompanying representations.**



(21) Design Number: **19448/2007**
 (22) Date of Filing Application: **21 August 2007**
 (24) Date from which industrial property rights may have effect: **21 August 2007**
 (54) Product in respect of which the design is registered: **Table and seating arrangement**
 (51) International Design Classification: **06-05**
 (71) Name(s) and Address(s) of Applicant(s):
Sico Incorporated
7525 Cahill Road Minneapolis Minnesota 55439-2745 United States of America
 (72) Name(s) of Designer(s): **Richard C. Bue and Kendall A. Kragenbring and John M. Elliott**
 (45) Registration Date: **20 November 2007**
 (30) Convention priority data:
 (31) Number (32) Date (33) Country
29/272935 21 Feb 2007 UNITED STATES OF AMERICA
 (56) Related Art Documents: **Not Applicable**
 (57) Statement of Newness and Distinctiveness: **Newness and distinctiveness is claimed in the features of shape and/or configuration of a table and seating arrangement as illustrated in the accompanying representations.**



(21) Design Number: **19450/2007**
 (22) Date of Filing Application: **21 August 2007**
 (24) Date from which industrial property rights may have effect: **21 August 2007**
 (54) Product in respect of which the design is registered: **Golf club head**
 (51) International Design Classification: **21-02C**
 (71) Name(s) and Address(s) of Applicant(s):
Callaway Golf Company
2180 Rutherford Road Carlsbad California 92008-7328 United States of America
 (72) Name(s) of Designer(s): **Michael Hallack and Larry G. Tang**
 (45) Registration Date: **20 November 2007**
 (30) Convention priority data:
 (31) Number (32) Date (33) Country
29/277303 21 Feb 2007 UNITED STATES OF AMERICA
 (56) Related Art Documents: **Not Applicable**
 (57) Statement of Newness and Distinctiveness: **Newness and distinctiveness is claimed in those features of shape and/or configuration of a golf club head illustrated in continuous lines in the accompanying representations.**



(21) Design Number: **19451/2007**

(22) Date of Filing Application: **21 August 2007**

(24) Date from which industrial property rights may have effect: **21 August 2007**

(54) Product in respect of which the design is registered: **Golf club head**

(51) International Design Classification: **21-02C**

(71) Name(s) and Address(s) of Applicant(s):

Callaway Golf Company
2180 Rutherford Road Carlsbad California 92008-7328 United States of America

(72) Name(s) of Designer(s): **Larry G. Tang and Michael Hallack**

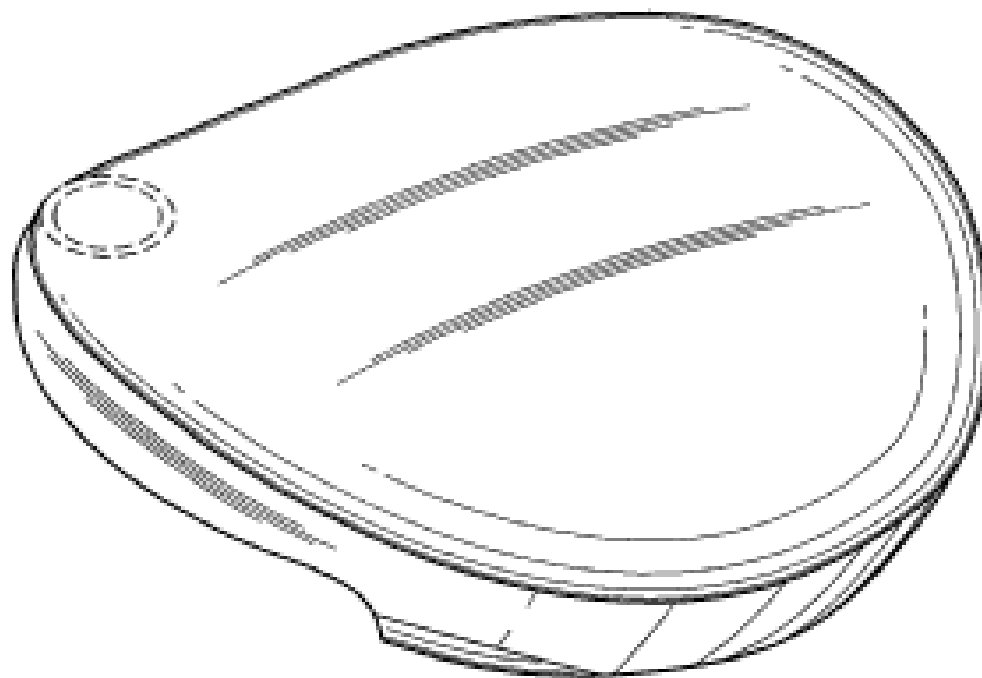
(45) Registration Date: **20 November 2007**

(30) Convention priority data:

(31) Number	(32) Date	(33) Country
29/277302	21 Feb 2007	UNITED STATES OF AMERICA

(56) Related Art Documents: **Not Applicable**

(57) Statement of Newness and Distinctiveness: **Newness and distinctiveness is claimed in those features of shape and/or configuration of a golf club head illustrated in continuous lines in the accompanying representations.**



(21) Design Number: **19452/2007**

(22) Date of Filing Application: **21 August 2007**

(24) Date from which industrial property rights may have effect: **21 August 2007**

(54) Product in respect of which the design is registered: **Shelving section**

(51) International Design Classification: **06-04NES**

(71) Name(s) and Address(s) of Applicant(s):

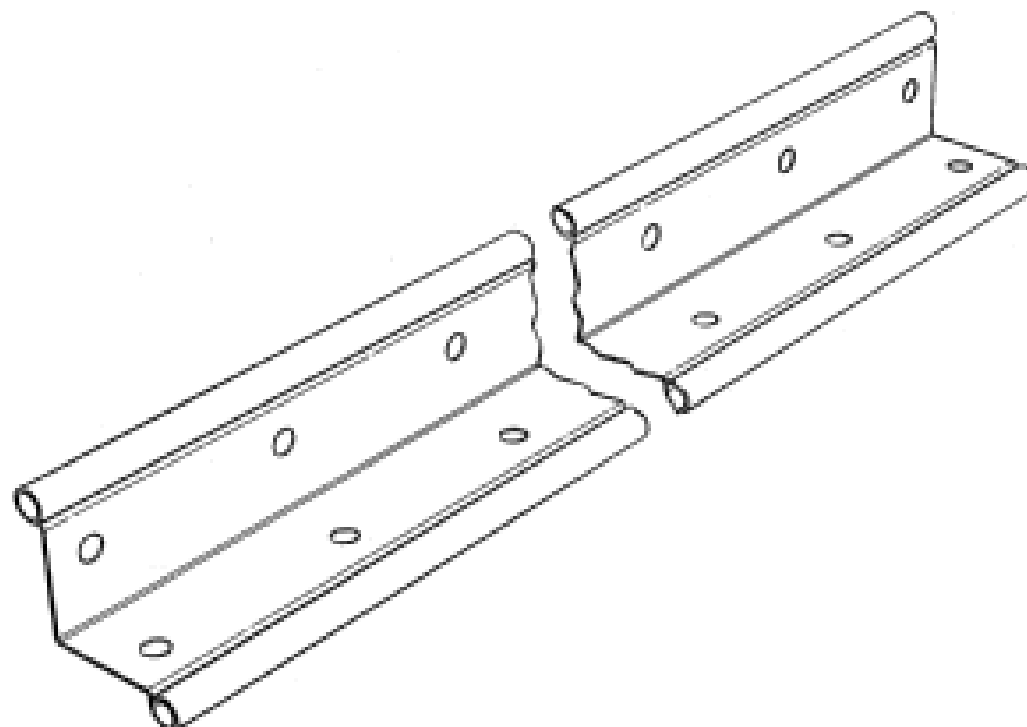
Geelong Sales International Ltd
Suite 1101 Tower 1 The Gateway 25 Canton Road Tsim Sha Tsui
Kowloon Hong Kong China

(72) Name(s) of Designer(s): **Darren Anthony Fraser**

(45) Registration Date: **20 November 2007**

(56) Related Art Documents: **Not Applicable**

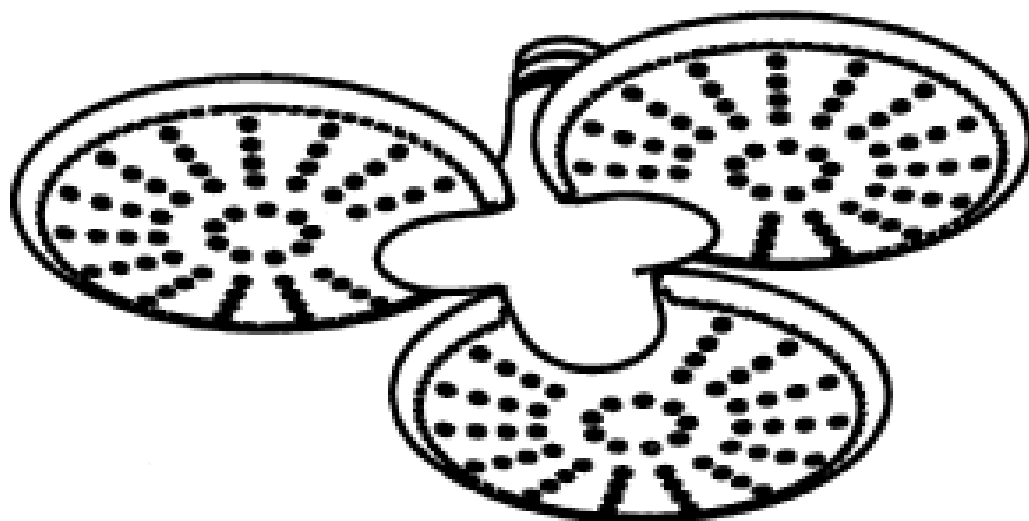
(57) Statement of Newness and Distinctiveness: **Newness and distinctiveness resides in the features of shape and configuration of a shelving section of indefinite length as shown in the accompanying representations.**



(21) Design Number: **19453/2007**
(22) Date of Filing Application: **21 August 2007**
(24) Date from which industrial property rights may have effect: **21 August 2007**
(54) Product in respect of which the design is registered: **An automobile**
(51) International Design Classification: **12-08**
(71) Name(s) and Address(s) of Applicant(s):
Great Wall Motor Company Limited
No. 2266 Chaoyang South Street Baoding Hebei Province 071000
People's Republic of China
(72) Name(s) of Designer(s): **Zheng Chunhong**
(45) Registration Date: **20 November 2007**
(30) Convention priority data:
(31) Number (32) Date (33) Country
200730007682.X 03 Apr 2007 CHINA
(56) Related Art Documents: **Not Applicable**
(57) Statement of Newness and Distinctiveness: **Nil**



(21) Design Number: **19454/2007**
(22) Date of Filing Application: **21 August 2007**
(24) Date from which industrial property rights may have effect: **21 August 2007**
(54) Product in respect of which the design is registered: **A shower head**
(51) International Design Classification: **23-02B**
(71) Name(s) and Address(s) of Applicant(s):
Hansa Metallwerke AG
Sigmaringer Str. 107 D-70567 Stuttgart Germany
(72) Name(s) of Designer(s): **Michael Lammel and Bernd Zeisel**
(45) Registration Date: **20 November 2007**
(30) Convention priority data:
(31) Number (32) Date (33) Country
000685698-0001 09 Mar 2007 EUROPEAN COMMUNITY
(56) Related Art Documents: **Not Applicable**
(57) Statement of Newness and Distinctiveness: **Nil**



(21) Design Number: **19455/2007**

(22) Date of Filing Application: **21 August 2007**

(24) Date from which industrial property rights may have effect: **21 August 2007**

(54) Product in respect of which the design is registered: **Water outlet**

(51) International Design Classification: **23-01H**

(71) Name(s) and Address(s) of Applicant(s):

Hansa Metallwerke AG
Sigmaringer Str. 107 D-70567 Stuttgart Germany

(72) Name(s) of Designer(s): **Michael Lammel and Bernd Zeisel**

(45) Registration Date: **20 November 2007**

(30) Convention priority data:

(31) Number	(32) Date	(33) Country
000683198-0001	06 Mar 2007	EUROPEAN COMMUNITY

(56) Related Art Documents: **Not Applicable**

(57) Statement of Newness and Distinctiveness: **Nil**



(21) Design Number: **19456/2007**

(22) Date of Filing Application: **21 August 2007**

(24) Date from which industrial property rights may have effect: **21 August 2007**

(54) Product in respect of which the design is registered: **A mixing tap**

(51) International Design Classification: **23-01H**

(71) Name(s) and Address(s) of Applicant(s):

Hansa Metallwerke AG
Sigmaringer Str. 107 D-70567 Stuttgart Germany

(72) Name(s) of Designer(s): **Michael Lammel and Bernd Zeisel**

(45) Registration Date: **20 November 2007**

(30) Convention priority data:

(31) Number	(32) Date	(33) Country
000683198-0002	06 Mar 2007	EUROPEAN COMMUNITY

(56) Related Art Documents: **Not Applicable**

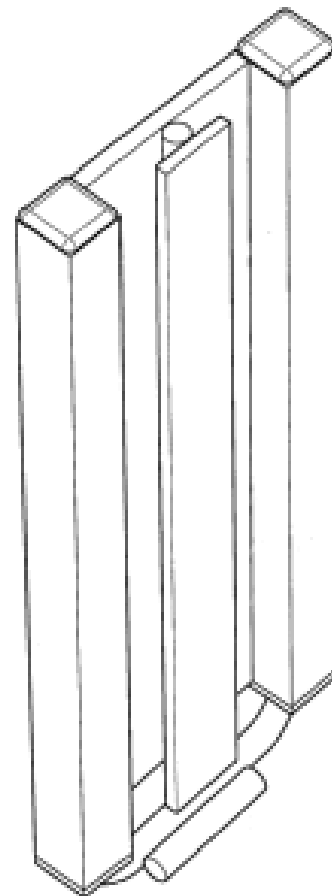
(57) Statement of Newness and Distinctiveness: **Nil**



(21) Design Number: **19457/2007**
(22) Date of Filing Application: **21 August 2007**
(24) Date from which industrial property rights may have effect: **21 August 2007**
(54) Product in respect of which the design is registered: **A mixing tap**
(51) International Design Classification: **23-01H**
(71) Name(s) and Address(s) of Applicant(s):
Hansa Metallwerke AG
Sigmaringer Str. 107 D-70567 Stuttgart Germany
(72) Name(s) of Designer(s): **Michael Lammel and Bernd Zeisel**
(45) Registration Date: **20 November 2007**
(30) Convention priority data:
(31) Number (32) Date (33) Country
000683198-0005 06 Mar 2007 EUROPEAN COMMUNITY
(56) Related Art Documents: **Not Applicable**
(57) Statement of Newness and Distinctiveness: **Nil**



(21) Design Number: **19458/2007**
(22) Date of Filing Application: **21 August 2007**
(24) Date from which industrial property rights may have effect: **21 August 2007**
(54) Product in respect of which the design is registered: **A dock fender slide mounting**
(51) International Design Classification: **08-08NES**
(71) Name(s) and Address(s) of Applicant(s):
Steven John Cowey
24 Ninth Street Wingfield South Australia 5013 Australia
(72) Name(s) of Designer(s): **Steven John Cowey**
(45) Registration Date: **20 November 2007**
(56) Related Art Documents: **Not Applicable**
(57) Statement of Newness and Distinctiveness: **Newness and distinctiveness reside in the features of shape and configuration of a dock fender slide mounting as shown in the accompanying representations.**



(21) Design Number: **19459/2007**

(22) Date of Filing Application: **22 August 2007**

(24) Date from which industrial property rights may have effect: **22 August 2007**

(54) Product in respect of which the design is registered: **Multiple angle shelf extrusion set**

(51) International Design Classification: **06-04NES**

(71) Name(s) and Address(s) of Applicant(s):

Channel Panel Pty Ltd

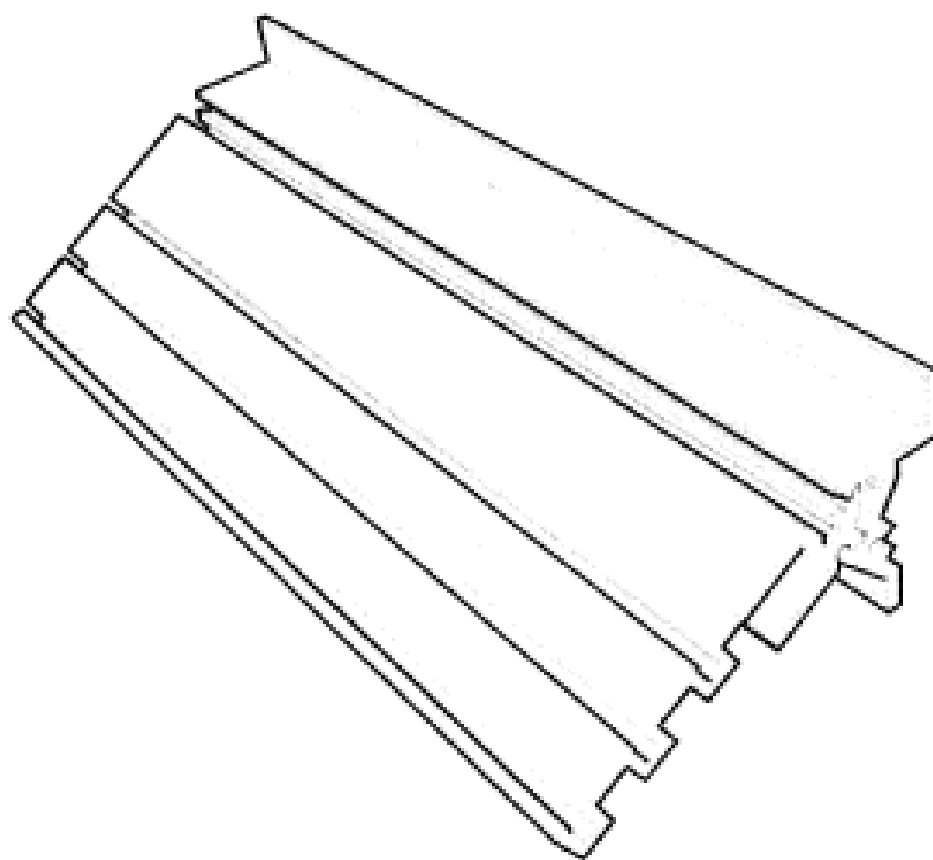
6/30 Leighton Place Hornsby New South Wales 2077 Australia

(72) Name(s) of Designer(s): **Andrew Stolp and Garry Holder**

(45) Registration Date: **20 November 2007**

(56) Related Art Documents: **Not Applicable**

(57) Statement of Newness and Distinctiveness: **The extrusion set has an indexable multiple angle position detail for the shelf profile.**



(21) Design Number: **19463/2007**

(22) Date of Filing Application: **22 August 2007**

(24) Date from which industrial property rights may have effect: **16 May 2007**

(54) Product in respect of which the design is registered: **Rotor module**

(51) International Design Classification: **15-99**

(71) Name(s) and Address(s) of Applicant(s):

Outotec Oyj

Riihitontuntie 7 E FI-02200 Espoo Finland

(72) Name(s) of Designer(s): **Antti Rinne**

(45) Registration Date: **20 November 2007**

(62) Divisional of: **316217**

(56) Related Art Documents: **Not Applicable**

(57) Statement of Newness and Distinctiveness: **Newness and distinctiveness reside in the shape and/or configuration of the rotor module illustrated by solid lines in the accompanying representations. The features shown in broken outline are illustrative only.**

