



Australian Government

IP Australia

AUSTRALIAN OFFICIAL JOURNAL

OF

DESIGNS

Did you know a searchable version of this journal is now available online?

It's FREE and EASY to SEARCH.

Find it at

<http://pericles.ipaustralia.gov.au/ols/epublish/content/olsEpublications.jsp>
or using the "Online Journals" link on the IP Australia home page.

This Page Left Intentionally Blank

Contents

General Information & Notices

Proceedings Under the Designs Act 1906 preserved as a result of the provisions of Chapter 12 Part 2 of the Designs Act 2003

Extension of Period of Registration of Designs	10864
Registrations Ceased	10864
Subsequent Owners Registered	10864

Proceedings Under the Designs Act 2003

Applications Lapsed	10875
Applications Lodged	10869
Applications Withdrawn	10875
Certificate of Examination	10879
Corrigenda	10878
Extension of Period of Registration of Design	10877
Extension of Time Granted Under Section 137	10877
Names Registered - Alterations and Amendments	10877
Publication and Registration Proceedings	
Designs Registered 316984 to 317182.....	10880
Subsequent Owners Registered	10877

This Page Left Intentionally Blank

For information on the following please see our website www.ipaustralia.gov.au or contact our Customer Service Network on 1300651010

[Editorial enquiries](#)

[Contact information](#)

[Freedom of Information ACT](#)

[Professional Standards Board](#)

[Sales](#)

[Requests for information under Section 194 \(c\)](#)

[Country Codes](#)

[Trade Mark and Designs Hearing Sessions](#)

[INID \(Internationally agreed Numbers for the Identification of Data\)](#)

“INID” NUMBERS in use on Australian Design Documents

“INID” is an acronym for “Internationally agreed Numbers for the Identification of Data”.

(10) Data concerning the registration/renewal

- (11) Serial number of the registration and/or number of the design document
- (12) Plain language designation of the kind of published document
- (19) Identification, using the two-letter code according to WIPO Standard ST.3, of the authority publishing or registering the industrial design

(20) Data concerning the application

- (21) Serial number of the application
- (22) Date of filing of the application
- (24) Date from which the industrial design right has effect

(30) Data relating to priority under the Paris Convention

- (31) Serial number assigned to the priority application
- (32) Date of filing of the priority application
- (33) Two-letter code, according to WIPO Standard ST.3, identifying the authority with which the priority application was made

(40) Date(s) of making information available to the public

- (45) Date of publication of the registered industrial design by printing or similar process, or making it available to the public by any other means

(50) Miscellaneous Information

- (51) International Classification for Industrial Designs (class and subclass of the Locarno Classification)
- (54) Designation of article(s) or product(s) covered by the industrial design or title of the industrial design
- (55) Reproduction of the industrial design (e.g., drawing, photograph) and explanations relating to the reproduction
- (56) List of prior art documents, if separate from descriptive text
- (57) Description of characteristic features of the industrial design including indication of colours

(60) References to other legally related application(s) and registration(s)

- (62) Serial number(s) and, if available, filing date(s) of application(s), registration(s) or document(s) related by division
- (66) Serial number(s) of the application, or the registration, of the design(s) which is (are) a variant(s) of the present one

(70) Identification of parties concerned with the application or registration

- (71) Name(s) and address(es) of the applicant(s)
- (72) Name(s) of the creator(s) if known to be such
- (74) Name(s) and address(es) of the representative(s)

This Page Left Intentionally Blank

Official Notice**Surrender of Registration****138069**

A request under Section 49 of the *Designs Act 2003* has been made by the registered owner of Design Registration No. 138069 to surrender the registration.

Any interested person may give notice to the Registrar that he or she wishes to be heard in relation to the above offer. This notice must be given within 1 month after 13 December 2007.

Your attention is drawn to Regulation 4.10 and 4.11 of the *Designs Regulations 2004*.

Address for Service: John Sacchetta and Tony Lanuto, 19 Dandarriga Way Delahey Victoria 3037 Australia.

Contact: IP Australia
Phone: 1300 651 010
Fax: +61 2 6283 7999
E-Mail: assist@ipaustralia.gov.au
Web: www.ipaustralia.gov.au

Official Notice**Designs Act 2003
Amendments to Registered Designs at Examination**

The following amendments have been made to details previously published in the Australian Official Journal of Designs during the Examination process:

Registration Numbers	Amendment type	New details
303561	Classification	06-04B, 08-07
303562	Classification	06-04B, 08-07
312315	Classification	22-06, 25-02Z
313322	Classification	14-03A

Contact: IP Australia
Phone: 1300 651 010
Fax: +61 2 6283 7999
E-Mail: assist@ipaaustralia.gov.au
Web: www.ipaustralia.gov.au

**Proceedings under the Designs Act 1906 preserved as a
result of the provisions of Chapter 12 Part 2 of the Designs
Act 2003.**

This Page Left Intentionally Blank

Applications Lapsed

There were no Applications Lapsed under this section

Extension of Period of Registration of Designs

2nd Period (Section 27A(12))

146430	146483	146484
146593	146914	146915
146916	146917	146918
147001	147316	147339
147445	147606	147683
147684	147813	147928
147929	147988	148082
148083	148134	148192
148250	148251	148322
148366	148367	148385
148470	148471	148472
148473	148474	148475
148606	148626	148709
148726	149046	149227
149726	149770	150219
150562	150749	150814
150994	151013	151119
151632	151998	151999
152000	152053	152054
152085	152086	152120
152121	152122	152123
152214	152215	152249
152250	152666	152727
152748	152749	152750
152818	153730	153731
153834		

3rd Period (Section 27A(13))

129215	130298	130663
130666	130700	130772
130811	131357	131805
131863	131907	132321
133956	134082	134224
135048	135199	135754
135798	135799	135811
135825	137264	139860

Registrations Ceased

Note: Some of the following Registrations may have been previously advertised as ceased. In this instance, the previous advertisement still prevails.

113025	114479	114515
114541	114638	114726
114727	114753	115052
115322	117115	117413
117574	117605	117671
117672	117673	117674
118505	118506	118507
118508	119272	119827
119828	119829	119896
124896	124897	127373

128670	128770	128790
128793	128795	128796
129034	130035	130388
131559	131560	131561
131562	131563	131564
131823	131824	131825
131826	131827	132031
132279	132280	132281
132282	132283	132284
132285	132286	132289
132290	144450	144592
144795	145631	145632
145633	145634	145641
145693	145697	145698
145699	145742	145743
145747	145748	145749
145751	145753	145754
145755	145756	145757
145798	145837	145841
145842	145844	145909
145910	146146	146148
147440	147663	148067
148776	148951	149477
150023	150568	150932

Subsequent Owners Registered

(The name in parentheses is that of the subsequent owner)

158124	(Bloomberg Finance L.P.) Bloomberg LP
158160	(Bloomberg Finance L.P.) Bloomberg LP
158161	(Bloomberg Finance L.P.) Bloomberg LP
153573	(Bloomberg Finance L.P.) Bloomberg L.P.
154431	(Bloomberg Finance L.P.) Bloomberg L.P.
153574	(Bloomberg Finance L.P.) Bloomberg L.P.
154432	(Bloomberg Finance L.P.) Bloomberg L.P.
154385	(Bloomberg Finance L.P.) Bloomberg L.P.
155468	(Bloomberg Finance L.P.) Bloomberg L.P.
154531	(Bloomberg Finance L.P.) Bloomberg L.P.
155950	(Bloomberg Finance L.P.) Bloomberg L.P.
157425	(Bloomberg Finance L.P.) Bloomberg L.P.
135663	(CSR Building Products Limited) CCV Holdings Proprietary Limited
139076	(CSR Building Products Limited) CCV Holdings Proprietary Limited
142273	(CSR Building Products Limited) CCV Holdings Proprietary Limited
142535	(CSR Building Products Limited) CCV Holdings Proprietary Limited

This Page Left Intentionally Blank

Proceedings under the Designs Act 2003.

This Page Left Intentionally Blank

Applications Lodged

Lodgement information is in the following order: **Applicant's Name**; International Classification, Name of Product, Lodgement Date and **Design Number**. If the applicant claims an earlier priority date under an International Convention, the Convention Country and the associated filing date are shown in parentheses before the Lodgement Date. Divisional information will also appear in parentheses before the Lodgement Date.

Ablecrest Pty Ltd Trading as Phoenix Pool Equipment; 23-03H, Swimming pool heat pump as replacement for solar heating, 14 Nov 2007	20804/2007	Bakopoulos, Nikolaos Filaretos; 25-01E, An upright having an attachment portion, 09 Nov 2007	20759/2007
Abra Products Pty Ltd; 25-01K, Window frame extrusion, 15 Nov 2007	20860/2007	Bakopoulos, Nikolaos Filaretos; 25-01E, A ground anchor for an upright, 09 Nov 2007	20760/2007
Aiphone Co., Ltd; 14-03A, A portable intercom with a TV monitor, (JP, 25 May 2007) 19 Nov 2007	20916/2007	Bakopoulos, Nikolaos Filaretos; 25-01E, A ground anchor for an upright, 09 Nov 2007	20761/2007
Ali, Kutsal; 06-01E, Chair, 15 Oct 2007	20236/2007	Bakopoulos, Nikolaos Filaretos; 25-01E, A ground anchor for an upright, 09 Nov 2007	20762/2007
Ali, Kutsal; 06-01E, Chair, 15 Oct 2007	20237/2007	Bird Healthcare Pty Ltd; 24-04, Inhalation device, 23 Nov 2007	20984/2007
Alto Packaging Limited; 07-99A, A set of trays, 19 Nov 2007	20903/2007	Bird Healthcare Pty Ltd; 23-01K, Valve seat, 23 Nov 2007	20985/2007
Amcor Limited; 09-03E, A carton and blank therefor, 12 Nov 2007	20742/2007	Bird Healthcare Pty Ltd; 24-04, Mouth piece, 23 Nov 2007	20986/2007
Archer, R. L.; 06-03NES, Building trade, manufacturing industry, 12 Nov 2007	20765/2007	Bird Healthcare Pty Ltd; 24-04, Inhaler, 23 Nov 2007	20987/2007
Armon Limited; 29-02, Child safety buckle, (EM, 27 Jun 2007) 16 Nov 2007	20900/2007	Bird Healthcare Pty Ltd; 23-01K, Valve flap, 23 Nov 2007	20983/2007
Armortec, Inc.; 25-01A, Revetment blocks, (US, 11 Jun 2007) 16 Nov 2007	20870/2007	Bomac Research Limited; 03-01B, Bag, (NZ, 17 May 2007) 16 Nov 2007	20871/2007
Assembly Electronics Pty Ltd; 13-03D, Electrical outlet, 23 Nov 2007	20972/2007	Bright Group Pty Limited, The; 21-03, Gaming machine cabinet, 12 Nov 2007	20767/2007
Astrium SAS; 12-07, Cabin plane (inside), (EM, 14 May 2007) 13 Nov 2007	20780/2007	British Sky Broadcasting Limited; 14-03NES, Data transmission device, (EM, 18 May 2007) 16 Nov 2007	20892/2007
Astrium SAS; 12-07, Plane, (EM, 14 May 2007) 13 Nov 2007	20781/2007	British Sky Broadcasting Limited; 14-03NES, Data transmission device, (EM, 18 May 2007) 16 Nov 2007	20894/2007
Astrium SAS; 12-07, Plane, (EM, 14 May 2007) 13 Nov 2007	20782/2007	Brown, Louise; 02-01B, Undergarment, 13 Nov 2007	20776/2007
Astrium SAS; 12-07, Plane seat, (EM, 14 May 2007) 13 Nov 2007	20783/2007	Brown, Wallace; Nelson, Robert W.; 21-02F, Exercise device, (US, 29 May 2007) 22 Nov 2007	20961/2007
Attachment Technologies Incorporated; 08-03, Cutter tooth, (US, 18 May 2007) 19 Nov 2007	20912/2007	Burgundy Trial Pty Ltd; 08-06, Handle, 13 Nov 2007	20784/2007
Attachment Technologies Incorporated; 08-03, Cutter tooth, (US, 18 May 2007) 19 Nov 2007	20913/2007	Butterfield, Paul Joseph; Butterfield, Karen Mary; Rogers, John; 08-08L, Joist reinforcing bracket, 20 Nov 2007	20923/2007
Australian Interactive Postcards; 19-01, Interactive postcard, 26 Nov 2007	20990/2007	Butterfield, Karen Mary; Butterfield, Paul Joseph; Rogers, John; 08-08L, Joist reinforcing bracket, 20 Nov 2007	20923/2007
ANI Forest International; 03-01NES, Mobile holster, 16 Nov 2007	20853/2007	Butterfield, Paul Joseph; Butterfield, Karen Mary; Rogers, John; 08-08L, Joist reinforcing bracket, 20 Nov 2007	20925/2007
		Butterfield, Karen Mary; Butterfield, Paul Joseph; Rogers, John; 08-08L, Joist reinforcing bracket, 20 Nov 2007	20925/2007

Butterfield, Paul Joseph; Butterfield, Karen Mary; Rogers, John; 08-08L, Joist reinforcing bracket, 20 Nov 2007	20924/2007	Dutch Variations Pty Ltd; 21-01L, 'Roulette' et al games of chance, 15 Aug 2007	20965/2007
Butterfield, Karen Mary; Butterfield, Paul Joseph; Rogers, John; 08-08L, Joist reinforcing bracket, 20 Nov 2007	20924/2007	Dutch Variations Pty Ltd; 21-01L, 'Roulette' et al games of chance and other wheel-based games of chance, 15 Aug 2007	20966/2007
Butterfield, Paul Joseph; Butterfield, Karen Mary; Rogers, John; 08-08L, Joist reinforcing bracket, 20 Nov 2007	20926/2007	E.D. Oates Pty Ltd; 07-99C, Caddy for cleaning implement, 21 Nov 2007	20936/2007
Butterfield, Karen Mary; Butterfield, Paul Joseph; Rogers, John; 08-08L, Joist reinforcing bracket, 20 Nov 2007	20926/2007	E.D. Oates Pty Ltd; 04-01, Cleaning brush, 21 Nov 2007	20937/2007
BEP Marine Limited; 13-03E, Switch panel (6 sw), (NZ, 18 Jul 2007) 23 Nov 2007	20949/2007	E.D. Oates Pty Ltd; 07-99C, Dustpan, 21 Nov 2007	20938/2007
BEP Marine Limited; 13-03E, Switch panel (4 sw), (NZ, 18 Jul 2007) 23 Nov 2007	20950/2007	E.D. Oates Pty Ltd; 04-01, Broom, 21 Nov 2007	20939/2007
BEP Marine Limited; 13-03E, Switch panel (5 sw), (NZ, 18 Jul 2007) 23 Nov 2007	20951/2007	Electrolux Home Care Products, Inc.; 15-05, Vacuum cleaner base, (US, 04 Jun 2007) 22 Nov 2007	20931/2007
Carbon Barbers; 15-02, Design for a vertical windturbine for medium scale ie: around factories and dwellings, and its mirror image, 12 Nov 2007	20766/2007	Electrolux Home Care Products, Inc.; 15-05, Vacuum cleaner grille, (US, 04 Jun 2007) 22 Nov 2007	20932/2007
Claremont, Chris; 21-02C, Golf training device, 14 Nov 2007	20839/2007	Electrolux Home Care Products, Inc.; 15-05, Upright vacuum cleaner, (US, 04 Jun 2007) 22 Nov 2007	20933/2007
Clipsal Australia Pty Limited; 13-03D, Frame for an electric switch unit, 12 Nov 2007	20739/2007	Electrolux Home Care Products, Inc.; 15-05, Vacuum cleaner housing feature, (US, 04 Jun 2007) 22 Nov 2007	20934/2007
Clipsal Australia Pty Ltd; 13-03D, Dolly switch housing, 12 Nov 2007	20740/2007	Electrolux Home Care Products, Inc.; 15-05, Vacuum cleaner housing, (US, 04 Jun 2007) 22 Nov 2007	20935/2007
Clipsal Australia Pty Ltd; 13-03E, Electric switch unit, 12 Nov 2007	20741/2007	Everbright International Pty Ltd; 06-04F, 2-draw bedside chest, 15 Nov 2007	20830/2007
Cold Forged Products No. 1 Pty Limited; 08-08B, Rail screw, 14 Nov 2007	20841/2007	Everbright International Pty Ltd; 06-04F, 3-draw bedside chest, 15 Nov 2007	20831/2007
Combi-Lift Limited; 12-05, Fork lift truck, (EM, 18 May 2007) 12 Nov 2007	20736/2007	Everbright International Pty Ltd; 06-04F, 5-draw tallboy, 15 Nov 2007	20832/2007
Connected Group Australia Pty Ltd; 13-03D, Podiox electrical switch housing, 22 Nov 2007	20947/2007	Everbright International Pty Ltd; 06-06F, Bedhead, 15 Nov 2007	20833/2007
Cosset Industries Pty Ltd; 25-01B, 09-09, A post, 14 Nov 2007	20835/2007	Eveready Battery Company, Inc.; 26-02, A flashlight, (US, 29 May 2007) 21 Nov 2007	20942/2007
De La Rue International Limited; 19-02, Banknote sorter, (EM, 16 May 2007) 13 Nov 2007	20785/2007	Eveready Battery Company, Inc.; 26-02, A flashlight, (US, 29 May 2007) 21 Nov 2007	20943/2007
Dutch Variations Pty Ltd; 21-01L, 'Roulette' et al games of chance, 15 Aug 2007	20962/2007	Eveready Battery Company, Inc.; 26-02, A flashlight, (US, 29 May 2007) 21 Nov 2007	20944/2007
Dutch Variations Pty Ltd; 21-01L, Wheel-based games of chance, 15 Aug 2007	20963/2007	Eveready Battery Company, Inc.; 26-02, Lighting device, (US, 25 May 2007) 12 Nov 2007	20718/2007
Dutch Variations Pty Ltd; 21-01L, Wheel-based games of chance, 15 Aug 2007	20964/2007	Eveready Battery Company, Inc.; 28-03A, Safety razor, (US, 24 Jul 2007) 16 Nov 2007	20882/2007
		Eveready Battery Company, Inc.; 28-03A, Safety razor handle, (US, 24 Jul 2007) 16 Nov 2007	20883/2007

Eveready Battery Company, Inc.; 28-03A, Safety razor handle, (US, 24 Jul 2007) 16 Nov 2007	20884/2007	Gooden, Rebecca; Gooden, Benjamin Douglas; Gooden, Joseph; Gooden, Chester; 11-02B, A root director, 07 Nov 2007	20805/2007
Eveready Battery Company, Inc.; 28-03A, Safety razor, (US, 24 Jul 2007) 16 Nov 2007	20885/2007	Gooden, Joseph; Gooden, Benjamin Douglas; Gooden, Rebecca; Gooden, Chester; 11-02B, A root director, 07 Nov 2007	20805/2007
Eveready Battery Company, Inc.; 28-03A, Safety razor handle, (US, 24 Jul 2007) 16 Nov 2007	20886/2007	Gooden, Chester; Gooden, Benjamin Douglas; Gooden, Rebecca; Gooden, Joseph; 11-02B, A root director, 07 Nov 2007	20805/2007
Eveready Battery Company, Inc.; 28-03A, Safety razor handle, (US, 24 Jul 2007) 16 Nov 2007	20887/2007	Goodyear Tire & Rubber Company, The; 12-15B, A tyre, (JP, 29 May 2007) 20 Nov 2007	20803/2007
Eveready Battery Company, Inc.; 28-03A, Safety razor handle, (US, 24 Jul 2007) 16 Nov 2007	20888/2007	Goumei-gaisha Yamatoya; 06-01E, Baby chair, (JP, 14 May 2007) 13 Nov 2007	20777/2007
Eveready Battery Company, Inc.; 28-03A, Safety razor, (US, 27 Aug 2007) 16 Nov 2007	20889/2007	Goumei-gaisha Yamatoya; 06-01E, Baby chair, (JP, 14 May 2007) 13 Nov 2007	20779/2007
Eveready Battery Company, Inc.; 28-03A, Safety razor, (US, 27 Aug 2007) 16 Nov 2007	20890/2007	Gruber, Peter; 15-01, Gearshift assembly, 29 Nov 2007	21047/2007
Eveready Battery Company, Inc.; 28-03A, Safety razor handle, (US, 27 Aug 2007) 16 Nov 2007	20891/2007	Gryffin EPSS Pty Ltd; 08-08B, Washer element, 09 Nov 2007	20717/2007
Eveready Battery Company, Inc.; 26-02, Lighting device, (US, 25 May 2007) 12 Nov 2007	20719/2007	GN A/S; 14-03A, Headset, 14 Nov 2007	20836/2007
Eveready Battery Company, Inc.; 26-02, Lighting device, (US, 06 Jun 2007) 23 Nov 2007	20970/2007	Hadaway, Robert John; 25-02NES, Tilting security bollard, 12 Nov 2007	20711/2007
Eveready Battery Company, Inc.; 26-02, Lighting device, (US, 06 Jun 2007) 23 Nov 2007	20971/2007	Higgins, Gary; 15-99, Volumetric filling machine, 05 Dec 2007	21094/2007
ELC Management LLC; 09-01G, Bottle, (US, 24 Jul 2007) 22 Aug 2007	20737/2007	Hodson, Cindy; Rocstar Pet Cafe; 30-01, Rocstar dog bandana, 14 Nov 2007	20768/2007
ELC Management LLC; 09-01G, Bottle, (US, 24 Jul 2007) 22 Aug 2007	20738/2007	Howe, Ian; Perry, R. William; 25-01E, Rail or post component for a frame with couplers, (US, 31 Jul 2007) 12 Nov 2007	20758/2007
Farallon Capital Pty Ltd; 25-01C, A cross-arm blank, 14 Nov 2007	20872/2007	HD Wood Technologies Limited; 25-01D, Veneer panel, 12 Nov 2007	20721/2007
Florenca, Isaias; 09-01G, Bottle, 19 Nov 2007	20921/2007	HD Wood Technologies Limited; 25-01D, Veneer panel, 12 Nov 2007	20722/2007
Fookes, Jillian; 30-01, Horse rugs, 13 Nov 2007	20772/2007	HD Wood Technologies Limited; 25-01D, Veneer panel, 12 Nov 2007	20723/2007
Frazer, Robert; Intech Global Pty Ltd; 25-01F, Tile support member, 23 Nov 2007	20982/2007	HD Wood Technologies Limited; 25-01D, Veneer panel, 12 Nov 2007	20724/2007
Gilby Envirotech Acoustic Solutions, Keith Allan; 13-01, Enclosure for genset (standby power generator) Designed by Envirotech, 26 Nov 2007	20978/2007	HD Wood Technologies Limited; 25-01D, Veneer panel, 12 Nov 2007	20725/2007
Gilby Envirotech Acoustic Solutions, Keith Allan; 13-01, Enclosure for genset (standby power generator) designed by Envirotech, 26 Nov 2007	20979/2007	HD Wood Technologies Limited; 25-01D, Veneer panel, 12 Nov 2007	20726/2007
Gooden, Benjamin Douglas; Gooden, Rebecca; Gooden, Joseph; Gooden, Chester; 11-02B, A root director, 07 Nov 2007	20805/2007	HD Wood Technologies Limited; 25-01D, Veneer panel, 12 Nov 2007	20727/2007
		HD Wood Technologies Limited; 25-01D, Veneer panel, 12 Nov 2007	20728/2007
		HD Wood Technologies Limited; 25-01D, Veneer panel, 12 Nov 2007	20729/2007
		HD Wood Technologies Limited; 25-01D, Veneer panel, 12 Nov 2007	20730/2007

HD Wood Technologies Limited; 25-01D, Veneer panel, 12 Nov 2007	20731/2007	Kendrick, Ryan Joseph; 24-04, Posture support, 21 Nov 2007	20946/2007
HD Wood Technologies Limited; 25-01D, Veneer panel, 12 Nov 2007	20732/2007	Kikkerland Design, Inc.; 26-05NES, Keylight, 15 Nov 2007	20861/2007
HD Wood Technologies Limited; 25-01D, Veneer panel, 12 Nov 2007	20733/2007	Kikkerland Design, Inc.; 26-05NES, Keylight, 15 Nov 2007	20862/2007
HD Wood Technologies Limited; 25-01D, Veneer panel, 12 Nov 2007	20734/2007	Kikkerland Design, Inc.; 26-05NES, Keylight, 15 Nov 2007	20863/2007
HD Wood Technologies Limited; 25-01D, Veneer panel, 12 Nov 2007	20735/2007	Koninklijke Philips Electronics N.V.; 28-03NES, Mini charger for toothbrush, (EM, 24 May 2007) 14 Nov 2007	20845/2007
Indrawan, Ludwig; 25-01A, Interlocking masonry blocks building products, (ID, 01 May 2007) 28 Oct 2007	20497/2007	Koninklijke Philips Electronics N.V.; 28-03NES, Charger for toothbrush, (EM, 24 May 2007) 14 Nov 2007	20846/2007
Indrawan, Ludwig; 25-01A, Interlocking masonry blocks (building products), (ID, 01 May 2007) 28 Oct 2007	20498/2007	Koninklijke Philips Electronics N.V.; 28-03NES, Toothbrush, (EM, 24 May 2007) 14 Nov 2007	20847/2007
Intech Global Pty Ltd; Frazer, Robert; 25-01F, Tile support member, 23 Nov 2007	20982/2007	Koninklijke Philips Electronics N.V.; 28-03NES, UV sanitizer for toothbrush head, (EM, 24 May 2007) 14 Nov 2007	20842/2007
International Patents Inc.; 23-01K, Cuff pressure controller, (GB, 12 Sep 2007) 19 Nov 2007	20920/2007	Koninklijke Philips Electronics N.V.; 26-05A, Luminaire (batten), (EM, 31 May 2007) 23 Nov 2007	20974/2007
ILLYCAFFE' SpA con unico socio; 07-02L, Coffee machine, (EM, 14 May 2007) 09 Nov 2007	20716/2007	Koninklijke Philips Electronics N.V.; 28-03NES, Toothbrush, (EM, 24 May 2007) 14 Nov 2007	20843/2007
Jedrzejczyk, Damian Richard; 05-04, Sticky tape, 14 Nov 2007	20840/2007	Koninklijke Philips Electronics N.V.; 28-03NES, UV sanitizer, (EM, 24 May 2007) 14 Nov 2007	20844/2007
Jones, Ronald Charles; Jones, Lynne Margaret; 23-01G, Bio-centrifugal water purifying filter, 21 Nov 2007	20967/2007	Laundry Athletics LLP; 02-02NES, Jacket, (EM, 22 May 2007) 20 Nov 2007	20902/2007
Jones, Lynne Margaret; Jones, Ronald Charles; 23-01G, Bio-centrifugal water purifying filter, 21 Nov 2007	20967/2007	Lili Diamonds; 11-01NES, Gemstone, 16 Nov 2007	20856/2007
JAL GROUP s.r.l.; 02-04B, Shoe sole, (CH, 27 Jul 2007) 16 Nov 2007	20873/2007	Linak A/S; 13-03NES, A control unit, especially for hospital and care beds, (DK, 21 May 2007) 21 Nov 2007	20940/2007
JAL GROUP s.r.l.; 02-04B, Shoe sole, (CH, 27 Jul 2007) 16 Nov 2007	20874/2007	Linak A/S; 13-03NES, A control unit, especially for hospital and care beds, (DK, 21 May 2007) 21 Nov 2007	20941/2007
JAL GROUP s.r.l.; 02-04B, Shoe sole, (CH, 27 Jul 2007) 16 Nov 2007	20875/2007	Logidos Aps; 09-01A, Dispenser, (EM, 09 May 2007) 09 Nov 2007	20713/2007
Kabushiki Kaisha Toshiba; 14-02, Recording medium, (JP, 05 Jun 2007) 14 Nov 2007	20848/2007	Lolitta Clothing; 02-02C, , 16 Nov 2007	20868/2007
Kabushiki Kaisha Toshiba; 14-01, Television set, (JP, 01 Oct 2007) 19 Nov 2007	20917/2007	Lolitta Clothing; 02-02C, , 16 Nov 2007	20869/2007
Kabushiki Kaisha Toshiba; 14-02, Recording medium, (JP, 05 Jun 2007) 15 Nov 2007	20865/2007	Macken, Philip; 02-05, Neck tie, 22 Nov 2007	20968/2007
Kaicer, Clive; 13-03C, Cable, wire or cord organisers and management devices, 19 Nov 2007	20901/2007	Magic Garage Openers; 08-09, Garage door opener, 26 Nov 2007	20973/2007
Kendrick, Ryan Joseph; 24-04, Posture support, 21 Nov 2007	20945/2007	Master Lock Company LLC; 08-07, Shackle, (US, 10 May 2007) 12 Nov 2007	20746/2007
		Master Lock Company LLC; 08-07, Shackle, (US, 10 May 2007) 12 Nov 2007	20744/2007

Master Lock Company LLC; 08-07, Shackle, (US, 10 May 2007) 12 Nov 2007	20747/2007	Medela Holding AG; 03-99, Bag for a breastpump, (US, 18 May 2007) 19 Nov 2007	20911/2007
Master Lock Company LLC; 08-07, Shackle, (US, 10 May 2007) 12 Nov 2007	20748/2007	Morphy Richards Limited; 07-02H, Steamer, (EM, 29 May 2007) 22 Nov 2007	20948/2007
Master Lock Company LLC; 08-07, Shackle, (US, 10 May 2007) 12 Nov 2007	20749/2007	MAPA GmbH Gummi- und Plastikwerke; 24-02, Breast pump, (EP, 25 May 2007) 23 Nov 2007	20976/2007
Master Lock Company LLC; 08-07, Shackle, (US, 10 May 2007) 12 Nov 2007	20750/2007	Nelson, Robert W.; Brown, Wallace; 21-02F, Exercise device, (US, 29 May 2007) 22 Nov 2007	20961/2007
Master Lock Company LLC; 08-07, Shackle, (US, 10 May 2007) 12 Nov 2007	20751/2007	Payne Pattenden Architects Pty Ltd; 06-01NES, Tablet for lecture seating, 12 Nov 2007	20764/2007
Master Lock Company LLC; 08-07, Shackle, (US, 10 May 2007) 12 Nov 2007	20752/2007	Peng, Xiaolin; 06-01G, Armchair, (EM, 31 May 2007) 21 Nov 2007	20929/2007
Master Lock Company LLC; 08-07, Shackle, (US, 10 May 2007) 12 Nov 2007	20753/2007	Peng, Xiaolin; 06-01G, Armchair, (EM, 14 Sep 2007) 21 Nov 2007	20928/2007
Master Lock Company LLC; 08-07, Shackle, (US, 10 May 2007) 12 Nov 2007	20754/2007	Perry, R. William; Howe, Ian; 25-01E, Rail or post component for a frame with couplers, (US, 31 Jul 2007) 12 Nov 2007	20758/2007
Master Lock Company LLC; 08-07, Shackle, (US, 10 May 2007) 12 Nov 2007	20755/2007	Phillips, Adam; 06-03A, Table, 13 Nov 2007	20774/2007
Master Lock Company LLC; 08-07, Shackle, (US, 10 May 2007) 12 Nov 2007	20756/2007	Physicians Formula Cosmetics, Inc.; 28-03NES, Cosmetic container, (US, 11 Oct 2007) 19 Nov 2007	20918/2007
Master Lock Company LLC; 08-07, Shackle, (US, 10 May 2007) 12 Nov 2007	20757/2007	Pi-Design AG; 07-02L, Coffee press double wall in stainless steel, (DK, 23 May 2007) 22 Nov 2007	20952/2007
Master Lock Company LLC; 08-07, Shackle, (US, 10 May 2007) 12 Nov 2007	20745/2007	Pi-Design AG; 07-02L, Coffee press double wall in stainless steel, (DK, 08 Jun 2007) 22 Nov 2007	20953/2007
Materazzo, Robyn; 19-01, Non tearable expandable envelope, 09 Nov 2007	20712/2007	Pi-Design AG; 07-01C, Mug presses (4), (DK, 23 May 2007) 22 Nov 2007	20956/2007
McNeil-PPC, Inc.; 24-04, Sanitary absorbent article, (US, 16 May 2007) 13 Nov 2007	20769/2007	Pi-Design AG; 07-01C, Mug presses (4), (DK, 23 May 2007) 22 Nov 2007	20957/2007
McNeil-PPC, Inc.; 24-04, Sanitary absorbent article, (US, 16 May 2007) 13 Nov 2007	20770/2007	Pi-Design AG; 07-01C, Mug presses (4), (DK, 23 May 2007) 22 Nov 2007	20958/2007
Medela Holding AG; 24-04, Breast pad, (US, 25 May 2007) 23 Nov 2007	20975/2007	Pi-Design AG; 07-01C, Mug presses (4), (DK, 23 May 2007) 22 Nov 2007	20959/2007
Medela Holding AG; 03-99, Bag for a breastpump, (US, 18 May 2007) 19 Nov 2007	20908/2007	Pi-Design AG; 07-01G, Ice tea jug, (DK, 21 May 2007) 16 Nov 2007	20798/2007
Medela Holding AG; 03-99, Bag for a breastpump, (US, 18 May 2007) 19 Nov 2007	20909/2007	Pi-Design AG; 07-04, 07-01C, Ice tea glass, (DK, 21 May 2007) 16 Nov 2007	20854/2007
Medela Holding AG; 03-99, Bag for a breastpump, (US, 18 May 2007) 19 Nov 2007	20910/2007	Pro-Iroda Industries, Inc.; 07-02E, Barbecue stove, 15 Nov 2007	20858/2007
		Pulfrey, Shaun; 04-02, Hair brush, (EM, 27 Apr 2007) 26 Oct 2007	20506/2007

Pulfrey, Shaun; 04-02, Hair brush bristles, (EM, 27 Apr 2007) 26 Oct 2007	20507/2007	Seahorse Equipment Limited; 08-08NES, A line hauler, 13 Nov 2007	20778/2007
PACCAR Inc; 12-16B, Truck body, 22 Feb 2007	20977/2007	Siedna, Seth Grady; 13-02, Alternative power source for devices that require a 6 volt lantern battery, 26 Nov 2007	20988/2007
PACCAR Inc; 12-16B, Truck body, 22 Feb 2007	20980/2007	Societe des Produits Nestle S.A.; 07-02L, Beverage machine, (CH, 12 Jul 2007) 22 Nov 2007	20960/2007
PACCAR Inc; 12-16B, Truck hood, 22 Feb 2007	20981/2007	Soremartec S.A.; 01-01, Confectionery, (EM, 22 May 2007) 13 Nov 2007	20773/2007
Reckitt Benckiser (UK) Limited; 09-01K, Bottle, (EM, 25 May 2007) 16 Nov 2007	20895/2007	Soremartec S.A.; 09-03M, Packaging, (EM, 22 May 2007) 15 Nov 2007	20866/2007
Reckitt Benckiser (UK) Limited; 09-01K, Bottle, (EM, 25 May 2007) 16 Nov 2007	20896/2007	Starr, Warren Glenn; 08-09, A door handling tool, 19 Nov 2007	20907/2007
ResMed Ltd; 24-01, Respiratory mask assembly, mask cushions, (US, 10 May 2007) 09 Nov 2007	20695/2007	Steelcase SA; 06-06G, Chair and seat supports, (EM, 14 May 2007) 09 Nov 2007	20715/2007
Review Australia Pty Ltd; 02-02C, 02-02NES, Ladies garments, 12 Nov 2007	20720/2007	Stevens, John Timothy; 20-02E, Access tower, (EM, 16 May 2007) 16 Nov 2007	20893/2007
Rieke Corporation; 09-07A, Closing cap for container closure, (US, 31 May 2007) 16 Nov 2007	20897/2007	Stuart, Geoffrey Catherwood; 09-03NES, Teas, coffees and sugars, stick type package forms, 14 Nov 2007	20771/2007
Rieke Corporation; 09-07A, Closing cap for a container closure, (US, 31 May 2007) 16 Nov 2007	20898/2007	Syngenta Participations AG; 09-01B, A container, (US, 04 Jun 2007) 19 Nov 2007	20914/2007
Rieke Corporation; 09-07A, Closing cap, (US, 31 May 2007) 16 Nov 2007	20899/2007	Syngenta Participations AG; 09-01B, A container, (US, 04 Jun 2007) 19 Nov 2007	20915/2007
Rocstar Pet Cafe; Hodson, Cindy; 30-01, Rocstar dog bandana, 14 Nov 2007	20768/2007	SPECWASHIP 2007 Ltd; 28-03NES, Footbath, (EM, 18 May 2007) 16 Nov 2007	20867/2007
Rogers, John; Butterfield, Paul Joseph; Butterfield, Karen Mary; 08-08L, Joist reinforcing bracket, 20 Nov 2007	20926/2007	SSH Australia Pty Limited; 24-02, Medical device, 14 Nov 2007	20827/2007
Rogers, John; Butterfield, Paul Joseph; Butterfield, Karen Mary; 08-08L, Joist reinforcing bracket, 20 Nov 2007	20923/2007	SSH Australia Pty Limited; 24-02, Medical device, 14 Nov 2007	20828/2007
Rogers, John; Butterfield, Paul Joseph; Butterfield, Karen Mary; 08-08L, Joist reinforcing bracket, 20 Nov 2007	20924/2007	SSH Australia Pty Limited; 24-02, Medical device, 14 Nov 2007	20829/2007
Rogers, John; Butterfield, Paul Joseph; Butterfield, Karen Mary; 08-08L, Joist reinforcing bracket, 20 Nov 2007	20925/2007	Team Poly Pty Ltd; 12-16C, Front bumper for a vehicle, 15 Nov 2007	20857/2007
S.C. Johnson & Son, Inc.; 26-01, Decorative candleholder, (US, 22 May 2007) 22 Nov 2007	20954/2007	Tiger Medical Products (US), Inc.; 28-99, Pill crusher pouch, (US, 06 Jun 2007) 12 Nov 2007	20763/2007
S.C. Johnson & Son, Inc.; 26-01, Decorative candleholder, (US, 22 May 2007) 22 Nov 2007	20955/2007	Toymonster Intellectual Property Limited; 21-03, Play equipment, 20 Nov 2007	20927/2007
Sagrin Pty Ltd; 10-06, "Bicycle horn with clip", 26 Nov 2007	20989/2007	Transnet NZ Limited; 13-03C, Pillar box, (NZ, 12 Jun 2007) 23 Nov 2007	20969/2007
Samsung Electronics Co., Ltd.; 14-03E, Mobile phone, (KR, 28 Aug 2007) 09 Nov 2007	20714/2007	Tsann Kuen (China) Enterprise Co., Ltd.; 07-02N, Fryer and roaster, (CN, 22 May 2007) 13 Nov 2007	20775/2007
Saunders, Roger James; 99-00, Finished coffins (the design is the panels that attach to above), 21 Nov 2007	20930/2007	Urba Muse Pty Ltd; 03-01D, Bag, 19 Nov 2007	20919/2007

Viviers, Danielina Theodora; 28-03C, A hair accessory, (ZA, 30 Apr 2007) 31 Oct 2007	20557/2007	Wolverine World Wide, Inc.; 02-04NES, Footwear upper, (US, 17 May 2007) 14 Nov 2007	20815/2007
Ward, Duncan; 23-02B, Shower and hand held shower, 20 Nov 2007	20922/2007	Wolverine World Wide, Inc.; 02-04NES, Footwear upper, (US, 17 May 2007) 14 Nov 2007	20816/2007
Wells Enterprises Australia Pty Ltd; 08-06, A hinge, 16 Nov 2007	20877/2007	Wolverine World Wide, Inc.; 02-04NES, Footwear upper, (US, 17 May 2007) 14 Nov 2007	20817/2007
Wells Enterprises Australia Pty Ltd; 08-06, A hinge, 16 Nov 2007	20878/2007	Wolverine World Wide, Inc.; 02-04NES, Footwear upper, (US, 17 May 2007) 14 Nov 2007	20818/2007
Wells Enterprises Australia Pty Ltd; 08-07, A latch, 16 Nov 2007	20879/2007	Wolverine World Wide, Inc.; 02-04NES, Footwear upper, (US, 17 May 2007) 14 Nov 2007	20819/2007
Wells Enterprises Australia Pty Ltd; 08-07, A latch, 16 Nov 2007	20880/2007	Wolverine World Wide, Inc.; 02-04NES, Footwear upper, (US, 17 May 2007) 14 Nov 2007	20820/2007
Wells Enterprises Australia Pty Ltd; 08-07, A latch, 16 Nov 2007	20881/2007	Wolverine World Wide, Inc.; 02-04B, Footwear sole, (US, 17 May 2007) 14 Nov 2007	20821/2007
Wolverine World Wide, Inc.; 02-04NES, Footwear upper, (US, 17 May 2007) 14 Nov 2007	20806/2007	Wolverine World Wide, Inc.; 02-04B, Footwear sole, (US, 17 May 2007) 14 Nov 2007	20822/2007
Wolverine World Wide, Inc.; 02-04B, Footwear sole, (US, 17 May 2007) 14 Nov 2007	20807/2007	Wolverine World Wide, Inc.; 02-04NES, Footwear upper, (US, 17 May 2007) 14 Nov 2007	20823/2007
Wolverine World Wide, Inc.; 02-04NES, Footwear upper, (US, 17 May 2007) 14 Nov 2007	20808/2007	Wolverine World Wide, Inc.; 02-04NES, Footwear upper, (US, 17 May 2007) 14 Nov 2007	20824/2007
Wolverine World Wide, Inc.; 02-04NES, Footwear upper, (US, 17 May 2007) 14 Nov 2007	20809/2007	Wolverine World Wide, Inc.; 02-04B, Footwear sole, (US, 17 May 2007) 14 Nov 2007	20825/2007
Wolverine World Wide, Inc.; 02-04NES, Footwear upper, (US, 17 May 2007) 14 Nov 2007	20810/2007	Wolverine World Wide, Inc.; 02-04NES, Footwear upper, (US, 17 May 2007) 14 Nov 2007	20826/2007
Wolverine World Wide, Inc.; 02-04NES, Footwear upper, (US, 17 May 2007) 14 Nov 2007	20811/2007	WD-40 Company; 09-01A, Retainer for rust inhibitor, (US, 17 May 2007) 16 Nov 2007	20876/2007
Wolverine World Wide, Inc.; 02-04NES, Footwear upper, (US, 17 May 2007) 14 Nov 2007	20812/2007	3d Funtimes Limited; 21-01C, Layered toy boat, 13 Nov 2007	20743/2007
Wolverine World Wide, Inc.; 02-04NES, Footwear upper, (US, 17 May 2007) 14 Nov 2007	20813/2007		
Wolverine World Wide, Inc.; 02-04NES, Footwear upper, (US, 17 May 2007) 14 Nov 2007	20814/2007		

Applications Withdrawn

19542 / 2007 (30-04) 19543 / 2007 (30-04)
19544 / 2007 (30-04)

Applications Lapsed

18062 / 2007 (02-02NES) 18070 / 2007 (12-11) 18071 / 2007 (12-11) 18205 / 2007 (02-02C)

18226 / 2007 (14-01)
19170 / 2007 (21-01D)
19266 / 2007 (11-01C)
19419 / 2007 (02-02A)

18227 / 2007 (14-01)
19213 / 2007 (12-16C)
19267 / 2007 (08-08C)

Extension of Period of Registration of Designs

311566

Extensions of time granted under Section 137

Applications lodged under section 137 for extension of time have been granted.

16269/2007 **Thatslove Pty Ltd**

16270/2007 **Thatslove Pty Ltd**

18340/2007 **Binder Investments Ltd.**

18623/2007 **Mandy Aileen Kuhne**

Subsequent Owners Registered

(The name in parentheses is that of the subsequent owner)

- 316255 (**Bloomberg Finance L.P.**) Bloomberg, LP
- 316254 (**Bloomberg Finance L.P.**) Bloomberg, LP
- 316251 (**Bloomberg Finance L.P.**) Bloomberg, LP
- 316252 (**Bloomberg Finance L.P.**) Bloomberg, LP
- 316253 (**Bloomberg Finance L.P.**) Bloomberg, LP
- 303171 (**Leatt Brace Holdings (Pty) Ltd**) Christopher James Leatt
- 305138 (**Leatt Brace Holdings (Pty) Ltd**) Christopher James Leatt

Names Registered - Alterations and Amendments

(The name in parentheses is that of the subsequent applicant)

- 302359 (**LED Technologies Pty Ltd**) ATS Auto Trade Supplies Pty Ltd
- 302360 (**LED Technologies Pty Ltd**) ATS Auto Trade Supplies Pty Ltd

Corrigenda

Number 316818

In Vol 21 , No 24 , page 10779 under the heading **Australian Registered Design;** (71) Name(s) and Address(s) of Applicant(s) should read: Anchor Wall Systems, Inc 5959 Baker Road Suite 390 Minnetonka Minnesota 55345-5996 United States of America.

Number 316819

In Vol 21 , No 24 , page 10779 under the heading **Australian Registered Design;** (71) Name(s) and Address(s) of Applicant(s) should read: Anchor Wall Systems, Inc 5959 Baker Road Suite 390 Minnetonka Minnesota 55345-5996 United States of America.

Number 312504

In Vol 21 , No 3 , page 8148 under the heading **Australian Registered Design;** (57) Statement of Newness and Distinctiveness should read: Those features of the container depicted in the representations that are new and distinctive are the shape and/or configuration.

Number 313221

In Vol 21 , No 6 , page 8569 under the heading **Australian Registered Design;** (57) Statement of Newness and Distinctiveness should read: Those features of the pad depicted in the representations that are new and distinctive are the shape, configuration, pattern and ornamentation..

Certificate(s) of Examination

Examination of the following Design Registration(s) has been completed. Infringement proceedings may now be commenced.

302699	09-09	22/11/2007
303561	06-04B	27/11/2007
303562	06-04B	27/11/2007
306851	06-01F	22/11/2007
311684	08-08M	03/12/2007
311720	08-08M	03/12/2007
312315	22-06	25/11/2007
312538	23-01B	26/11/2007
312539	23-01B	26/11/2007
313320	25-01E	30/11/2007
313321	14-03A	30/11/2007
313385	10-04	30/11/2007
313447	21-02F	29/11/2007
313448	07-02L	03/12/2007
316076	08-03	30/11/2007
316536	06-13B	26/11/2007

Publication and Registration Proceedings

Designs Registered

This section provides a concordance between design number and registration number of Designs covered in this journal. It also shows the main class and registration date.

This section covers Registration numbers 316984 to 317182 .

The registration number shown below should be used in all future correspondence.

Design Number	Registration Number	International Classification Code (IDC)	Registration Date	Design Number	Registration Number	International Classification Code (IDC)	Registration Date
15563/2005	317174	21-02C	04/12/2007	19192/2007	317058	25-01A	27/11/2007
15713/2006	317073	02-02NES	27/11/2007	19217/2007	317043	06-09	22/11/2007
15714/2006	317074	02-05	27/11/2007	19273/2007	317160	09-03F	03/12/2007
15715/2006	317075	30-04	27/11/2007	19278/2007	317086	12-10	27/11/2007
15716/2006	317076	09-03M	27/11/2007	19318/2007	317161	23-02C	03/12/2007
16195/2007	317053	28-99	27/11/2007	19334/2007	317149	25-01E	03/12/2007
16269/2007	317077	02-02NES	27/11/2007	19335/2007	317150	25-01E	03/12/2007
16270/2007	317078	09-05	27/11/2007	19422/2007	317120	07-02A	28/11/2007
17113/2007	317153	21-02NES	03/12/2007	19432/2007	317031	19-02	22/11/2007
17551/2007	317134	12-08	03/12/2007	19445/2007	317044	25-01NES	22/11/2007
17552/2007	317135	12-08	03/12/2007	19464/2007	316985	15-99	23/11/2007
17553/2007	317136	12-16B	03/12/2007	19465/2007	316986	15-99	23/11/2007
17554/2007	317137	12-16B	03/12/2007	19466/2007	316987	09-03L	23/11/2007
17555/2007	317138	26-06	03/12/2007	19467/2007	316988	16-01	23/11/2007
17556/2007	317139	26-06	03/12/2007	19468/2007	316989	16-01	23/11/2007
17557/2007	317140	26-06	03/12/2007	19469/2007	316990	16-01	23/11/2007
17558/2007	317141	26-06	03/12/2007	19470/2007	316991	16-01	23/11/2007
17559/2007	317142	12-16B	03/12/2007	19473/2007	316992	12-16NES	23/11/2007
17560/2007	317143	12-16B	03/12/2007	19474/2007	316993	15-01	23/11/2007
17561/2007	317144	12-16B	03/12/2007	19475/2007	316994	15-01	23/11/2007
17562/2007	317145	12-16B	03/12/2007	19476/2007	316995	15-01	23/11/2007
17563/2007	317113	12-16B	28/11/2007	19477/2007	316996	09-03NES	23/11/2007
17564/2007	317114	12-16D	28/11/2007	19478/2007	316997	09-03NES	23/11/2007
17623/2007	317154	11-02B	03/12/2007	19479/2007	316998	25-03	23/11/2007
17847/2007	317146	09-03M	03/12/2007	19480/2007	316999	23-01F	23/11/2007
17919/2007	316984	25-01K	23/11/2007	19481/2007	317000	23-01F	23/11/2007
18361/2007	317115	09-01K	28/11/2007	19486/2007	317001	22-05	23/11/2007
18553/2007	317038	19-04	22/11/2007	19487/2007	317002	15-05	23/11/2007
18568/2007	317039	08-08K	22/11/2007	19488/2007	317003	09-02B	23/11/2007
18662/2007	317079	26-05C	27/11/2007	19489/2007	317004	24-04	23/11/2007
18663/2007	317080	26-05C	27/11/2007	19490/2007	317005	08-03	23/11/2007
18664/2007	317081	26-05C	27/11/2007	19491/2007	317006	08-08D	23/11/2007
18665/2007	317082	26-05C	27/11/2007	19495/2007	317045	07-05NES	22/11/2007
18699/2007	317116	08-08G	28/11/2007	19497/2007	317046	07-06D	22/11/2007
18701/2007	317155	09-03E	03/12/2007	19499/2007	317047	23-01A	22/11/2007
18719/2007	317040	06-01G	22/11/2007	19500/2007	317048	07-05B	22/11/2007
18720/2007	317041	06-04NES	22/11/2007	19501/2007	317007	16-06	23/11/2007
18745/2007	317083	08-09	27/11/2007	19512/2007	317049	21-02C	22/11/2007
18746/2007	317084	08-09	27/11/2007	19513/2007	317032	21-02C	22/11/2007
18748/2007	317119	06-01E	28/11/2007	19514/2007	317033	21-02C	22/11/2007
18756/2007	317042	23-01F	22/11/2007	19515/2007	317034	21-02C	22/11/2007
18783/2007	317175	09-08	04/12/2007	19516/2007	317035	07-02L	22/11/2007
18874/2007	317147	09-01A	03/12/2007	19518/2007	317164	21-02NES	03/12/2007
18911/2007	317148	06-01G	03/12/2007	19519/2007	317165	21-02NES	03/12/2007
18928/2007	317156	08-08K	03/12/2007	19520/2007	317036	23-01H	22/11/2007
18968/2007	317092	25-02NES	27/11/2007	19521/2007	317037	07-01B	22/11/2007
18970/2007	317158	26-05B	03/12/2007	19523/2007	317094	24-04	27/11/2007
18974/2007	317093	23-01E	27/11/2007	19524/2007	317151	14-02	03/12/2007
19114/2007	317117	08-08G	28/11/2007	19525/2007	317017	09-01K	22/11/2007
19115/2007	317118	08-08G	28/11/2007	19526/2007	317018	09-01K	22/11/2007
19139/2007	317159	12-15C	03/12/2007	19527/2007	317019	09-01K	22/11/2007
19165/2007	317085	11-02NES	27/11/2007	19528/2007	317020	09-01K	22/11/2007
19171/2007	317054	02-02C	27/11/2007	19529/2007	317021	13-02	22/11/2007

Publication and Registration Proceedings - Designs Registered cont'd

Design Number	Registration Number	International Classification Code (IDC)	Registration Date	Design Number	Registration Number	International Classification Code (IDC)	Registration Date
19530/2007	317022	09-01K	22/11/2007	19619/2007	317107	07-04	27/11/2007
19531/2007	317023	09-01K	22/11/2007	19620/2007	317108	13-02	27/11/2007
19532/2007	317024	31-00	22/11/2007	19621/2007	317109	23-01A	27/11/2007
19537/2007	317026	23-04	22/11/2007	19622/2007	317110	23-01A	27/11/2007
19538/2007	317027	26-06	22/11/2007	19623/2007	317111	23-01A	27/11/2007
19539/2007	317028	26-05D	22/11/2007	19625/2007	317112	21-02C	27/11/2007
19540/2007	317029	26-04	22/11/2007	19626/2007	317121	26-05A	28/11/2007
19541/2007	317030	12-16A	22/11/2007	19627/2007	317122	26-05A	28/11/2007
19547/2007	317062	25-01A	27/11/2007	19632/2007	317123	12-16NES	28/11/2007
19559/2007	317061	08-08K	27/11/2007	19633/2007	317124	12-16NES	28/11/2007
19561/2007	317050	13-03NES	22/11/2007	19634/2007	317125	24-01	28/11/2007
19565/2007	317176	06-04F	04/12/2007	19635/2007	317126	24-01	28/11/2007
19566/2007	317177	06-01G	04/12/2007	19636/2007	317127	23-01H	28/11/2007
19567/2007	317178	06-01G	04/12/2007	19644/2007	317051	19-01	22/11/2007
19568/2007	317179	06-01G	04/12/2007	19649/2007	317128	13-03D	28/11/2007
19571/2007	317087	09-04	27/11/2007	19650/2007	317129	07-02H	28/11/2007
19572/2007	317088	09-04	27/11/2007	19651/2007	317130	09-03E	28/11/2007
19574/2007	317063	23-01L	27/11/2007	19695/2007	317025	23-04	22/11/2007
19575/2007	317064	23-01L	27/11/2007	19738/2007	317059	03-03	27/11/2007
19576/2007	317065	23-01L	27/11/2007	19739/2007	317060	03-03	27/11/2007
19577/2007	317066	08-01	27/11/2007	19819/2007	317091	14-02	27/11/2007
19578/2007	317166	12-08	03/12/2007	19820/2007	317052	09-05	22/11/2007
19579/2007	317167	08-06	03/12/2007	19857/2007	317131	09-03M	28/11/2007
19582/2007	317168	12-16B	03/12/2007	19858/2007	317132	09-03M	28/11/2007
19583/2007	317169	12-16H	03/12/2007	19859/2007	317133	09-03M	28/11/2007
19584/2007	317170	12-16C	03/12/2007	20136/2007	317008	11-02D	23/11/2007
19585/2007	317089	25-01B	27/11/2007	20178/2007	317009	14-02	23/11/2007
19586/2007	317090	25-01B	27/11/2007	20179/2007	317010	14-02	23/11/2007
19587/2007	317067	25-01B	27/11/2007	20239/2007	317171	24-01	03/12/2007
19588/2007	317068	25-01NES	27/11/2007	20270/2007	317011	12-09	23/11/2007
19589/2007	317069	25-01B	27/11/2007	20271/2007	317012	12-09	23/11/2007
19590/2007	317070	09-01K	27/11/2007	20272/2007	317013	08-06	23/11/2007
19591/2007	317071	12-06A	27/11/2007	20385/2007	317162	23-02C	03/12/2007
19592/2007	317072	10-04	27/11/2007	20386/2007	317163	23-02C	03/12/2007
19593/2007	317180	25-02B	04/12/2007	20410/2007	317152	06-01E	03/12/2007
19594/2007	317181	25-02B	04/12/2007	20475/2007	317157	08-08K	03/12/2007
19596/2007	317095	12-16H	27/11/2007	20636/2007	317014	25-01K	23/11/2007
19598/2007	317096	22-05	27/11/2007	20834/2007	317015	15-07	23/11/2007
19599/2007	317097	22-05	27/11/2007	20864/2007	317016	14-03E	23/11/2007
19600/2007	317099	25-02NES	27/11/2007	20895/2007	317172	09-01K	03/12/2007
19601/2007	317098	23-01G	27/11/2007	20896/2007	317173	09-01K	03/12/2007
19606/2007	317100	02-04C	27/11/2007	20904/2007	317055	02-02C	27/11/2007
19607/2007	317101	24-02	27/11/2007	20905/2007	317056	02-02NES	27/11/2007
19608/2007	317102	24-02	27/11/2007	20906/2007	317057	02-02C	27/11/2007
19609/2007	317103	24-02	27/11/2007	21047/2007	317182	15-01	04/12/2007
19610/2007	317104	24-02	27/11/2007				
19611/2007	317105	24-02	27/11/2007				
19612/2007	317106	08-08B	27/11/2007				

Publication and Registration Proceedings
Class Listing of Designs Published or Registered

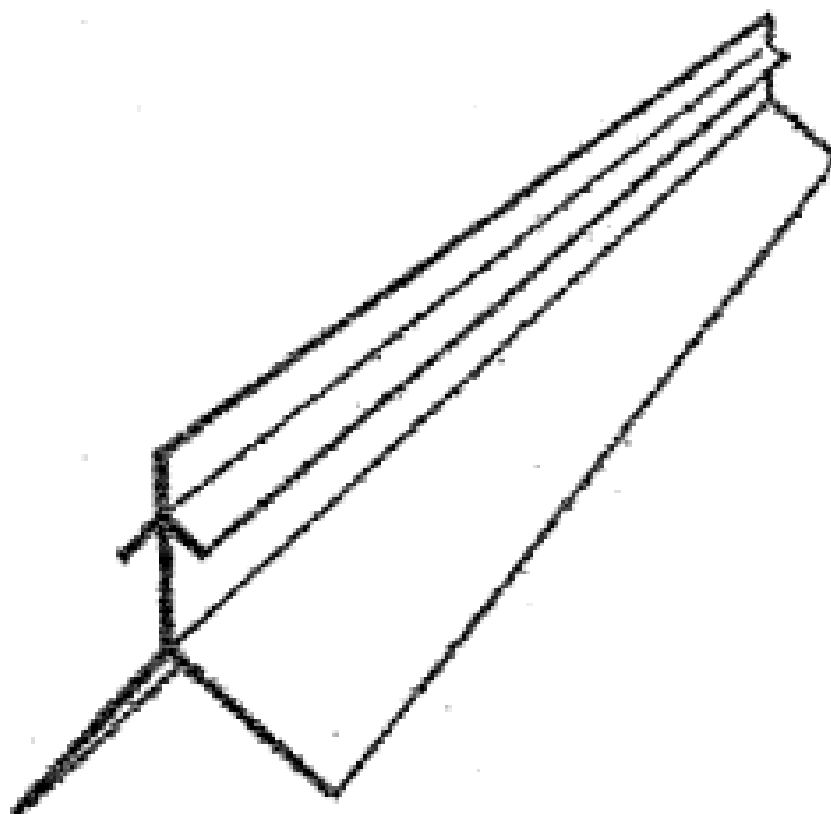
The following section shows an International Classification Code listing of the Registered or Published Designs covered in this supplement.

Classification	Registration Number	Design Number	Classification	Registration Number	Design Number
02-02 C	317054	19171/2007	09-03 E	317155	18701/2007
02-02 C	317055	20904/2007	09-03 F	317160	19273/2007
02-02 C	317057	20906/2007	09-03 L	316987	19466/2007
02-02 NES	317056	20905/2007	09-03 M	317076	15716/2006
02-02 NES	317073	15713/2006	09-03 M	317131	19857/2007
02-02 NES	317077	16269/2007	09-03 M	317132	19858/2007
02-04 C	317100	19606/2007	09-03 M	317133	19859/2007
02-05	317074	15714/2006	09-03 M	317146	17847/2007
03-03	317059	19738/2007	09-03 NES	316996	19477/2007
03-03	317060	19739/2007	09-03 NES	316997	19478/2007
06-01 E	317119	18748/2007	09-04	317087	19571/2007
06-01 E	317152	20410/2007	09-04	317088	19572/2007
06-01 G	317040	18719/2007	09-05	317052	19820/2007
06-01 G	317148	18911/2007	09-05	317078	16270/2007
06-01 G	317177	19566/2007	09-08	317175	18783/2007
06-01 G	317178	19567/2007	10-04	317072	19592/2007
06-01 G	317179	19568/2007	11-02 B	317154	17623/2007
06-04 F	317176	19565/2007	11-02 D	317008	20136/2007
06-04 NES	317041	18720/2007	11-02 NES	317085	19165/2007
06-09	317043	19217/2007	12-06 A	317071	19591/2007
07-01 B	317037	19521/2007	12-08	317134	17551/2007
07-02 A	317120	19422/2007	12-08	317135	17552/2007
07-02 H	317129	19650/2007	12-08	317166	19578/2007
07-02 L	317035	19516/2007	12-09	317011	20270/2007
07-04	317107	19619/2007	12-09	317012	20271/2007
07-05 B	317048	19500/2007	12-10	317086	19278/2007
07-05 NES	317045	19495/2007	12-15 C	317159	19139/2007
07-06 D	317046	19497/2007	12-16 A	317030	19541/2007
08-01	317066	19577/2007	12-16 B	317113	17563/2007
08-03	317005	19490/2007	12-16 B	317136	17553/2007
08-06	317013	20272/2007	12-16 B	317137	17554/2007
08-06	317167	19579/2007	12-16 B	317142	17559/2007
08-08 B	317106	19612/2007	12-16 B	317143	17560/2007
08-08 D	317006	19491/2007	12-16 B	317144	17561/2007
08-08 G	317116	18699/2007	12-16 B	317145	17562/2007
08-08 G	317117	19114/2007	12-16 B	317168	19582/2007
08-08 G	317118	19115/2007	12-16 C	317170	19584/2007
08-08 K	317039	18568/2007	12-16 D	317114	17564/2007
08-08 K	317061	19559/2007	12-16 H	317095	19596/2007
08-08 K	317156	18928/2007	12-16 H	317169	19583/2007
08-08 K	317157	20475/2007	12-16 NES	316992	19473/2007
08-09	317083	18745/2007	12-16 NES	317123	19632/2007
08-09	317084	18746/2007	12-16 NES	317124	19633/2007
09-01 A	317147	18874/2007	13-02	317021	19529/2007
09-01 K	317017	19525/2007	13-02	317108	19620/2007
09-01 K	317018	19526/2007	13-03 D	317128	19649/2007
09-01 K	317019	19527/2007	13-03 NES	317050	19561/2007
09-01 K	317020	19528/2007	14-02	317009	20178/2007
09-01 K	317022	19530/2007	14-02	317010	20179/2007
09-01 K	317023	19531/2007	14-02	317091	19819/2007
09-01 K	317070	19590/2007	14-02	317151	19524/2007
09-01 K	317115	18361/2007	14-03 E	317016	20864/2007
09-01 K	317172	20895/2007	15-01	316993	19474/2007
09-01 K	317173	20896/2007	15-01	316994	19475/2007
09-02 B	317003	19488/2007	15-01	316995	19476/2007
09-03 E	317130	19651/2007	15-01	317182	21047/2007

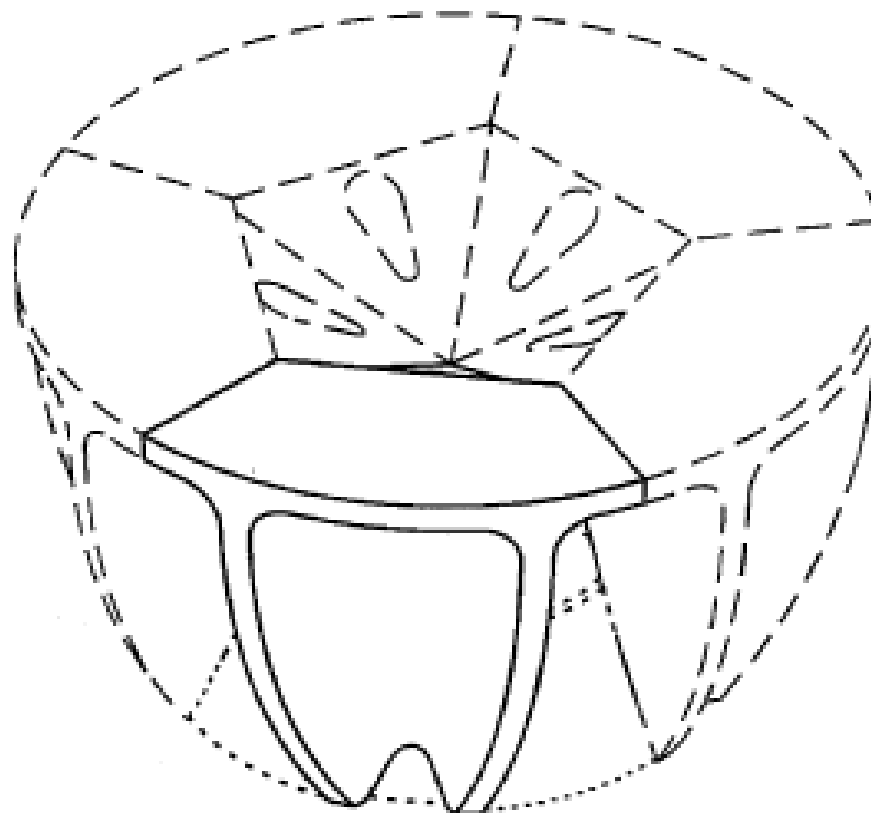
Registration Proceedings - Class Listing of Designs Published or Registered cont'd

Classification	Registration Number	Design Number	Classification	Registration Number	Design Number
15-05	317002	19487/2007	24-01	317126	19635/2007
15-07	317015	20834/2007	24-01	317171	20239/2007
15-99	316985	19464/2007	24-02	317101	19607/2007
15-99	316986	19465/2007	24-02	317102	19608/2007
16-01	316988	19467/2007	24-02	317103	19609/2007
16-01	316989	19468/2007	24-02	317104	19610/2007
16-01	316990	19469/2007	24-02	317105	19611/2007
16-01	316991	19470/2007	24-02	317171	20239/2007
16-06	317007	19501/2007	24-04	317004	19489/2007
19-01	317051	19644/2007	24-04	317094	19523/2007
19-02	317031	19432/2007	25-01 A	317058	19192/2007
19-04	317038	18553/2007	25-01 A	317062	19547/2007
19-06	317091	19819/2007	25-01 B	317067	19587/2007
21-02 C	317032	19513/2007	25-01 B	317069	19589/2007
21-02 C	317033	19514/2007	25-01 B	317089	19585/2007
21-02 C	317034	19515/2007	25-01 B	317090	19586/2007
21-02 C	317049	19512/2007	25-01 E	317149	19334/2007
21-02 C	317112	19625/2007	25-01 E	317150	19335/2007
21-02 C	317174	15563/2005	25-01 K	316984	17919/2007
21-02 NES	317153	17113/2007	25-01 K	317014	20636/2007
21-02 NES	317164	19518/2007	25-01 NES	317044	19445/2007
21-02 NES	317165	19519/2007	25-01 NES	317068	19588/2007
22-05	317001	19486/2007	25-02 B	317180	19593/2007
22-05	317096	19598/2007	25-02 B	317181	19594/2007
22-05	317097	19599/2007	25-02 NES	317092	18968/2007
23-01 A	317047	19499/2007	25-02 NES	317099	19600/2007
23-01 A	317109	19621/2007	25-03	316998	19479/2007
23-01 A	317110	19622/2007	26-04	317029	19540/2007
23-01 A	317111	19623/2007	26-05 A	317121	19626/2007
23-01 E	317093	18974/2007	26-05 A	317122	19627/2007
23-01 F	316999	19480/2007	26-05 B	317158	18970/2007
23-01 F	317000	19481/2007	26-05 C	317079	18662/2007
23-01 F	317042	18756/2007	26-05 C	317080	18663/2007
23-01 G	317098	19601/2007	26-05 C	317081	18664/2007
23-01 H	317036	19520/2007	26-05 C	317082	18665/2007
23-01 H	317127	19636/2007	26-05 D	317028	19539/2007
23-01 L	317063	19574/2007	26-06	317027	19538/2007
23-01 L	317064	19575/2007	26-06	317138	17555/2007
23-01 L	317065	19576/2007	26-06	317139	17556/2007
23-02 B	317180	19593/2007	26-06	317140	17557/2007
23-02 B	317181	19594/2007	26-06	317141	17558/2007
23-02 C	317161	19318/2007	28-99	317053	16195/2007
23-02 C	317162	20385/2007	30-04	317075	15715/2006
23-02 C	317163	20386/2007	31-00	317024	19532/2007
23-04	317025	19695/2007			
23-04	317026	19537/2007			
24-01	317125	19634/2007			

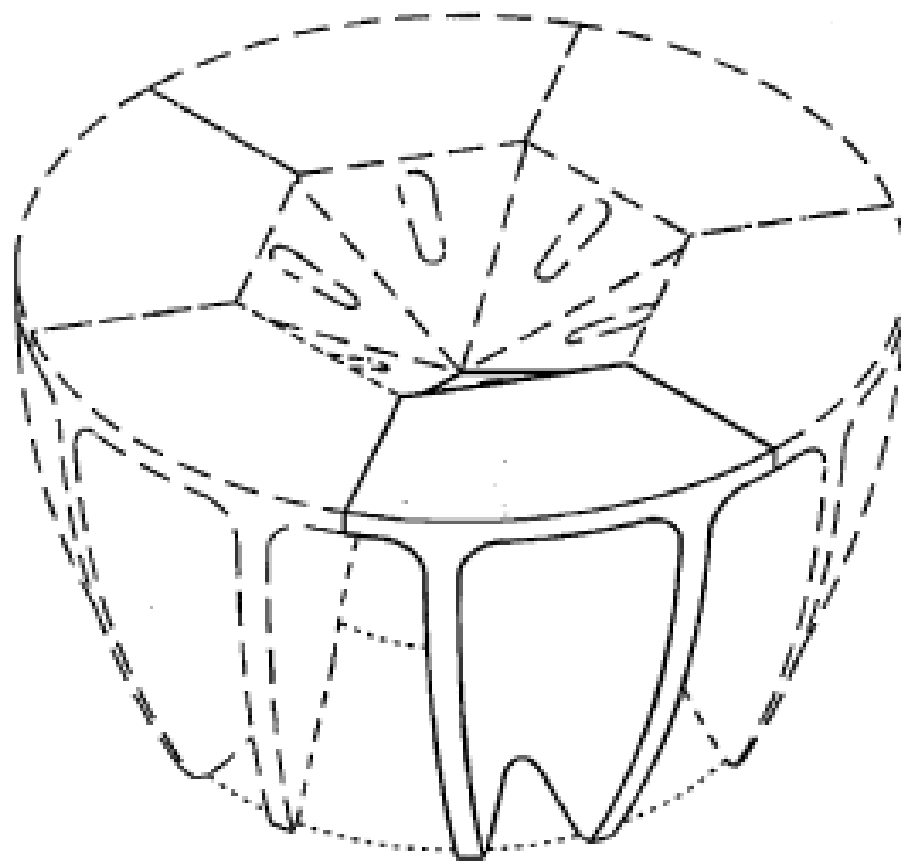
- (21) Design Number: **17919/2007**
(22) Date of Filing Application: **15 May 2007**
(24) Date from which industrial property rights may have effect: **15 May 2007**
(54) Product in respect of which the design is registered: **Extrusion**
(51) International Design Classification: **25-01K**
(71) Name(s) and Address(s) of Applicant(s):
GAT Distribution NZ Limited
2 Wanganella Street Birkenhead Auckland New Zealand
(72) Name(s) of Designer(s): **Wayne Martin**
(45) Registration Date: **23 November 2007**
(56) Related Art Documents: **Not Applicable**
(57) Statement of Newness and Distinctiveness: **Newness and distinctiveness reside in the features of shape and/or configuration of an extrusion as shown in the accompanying representations.**



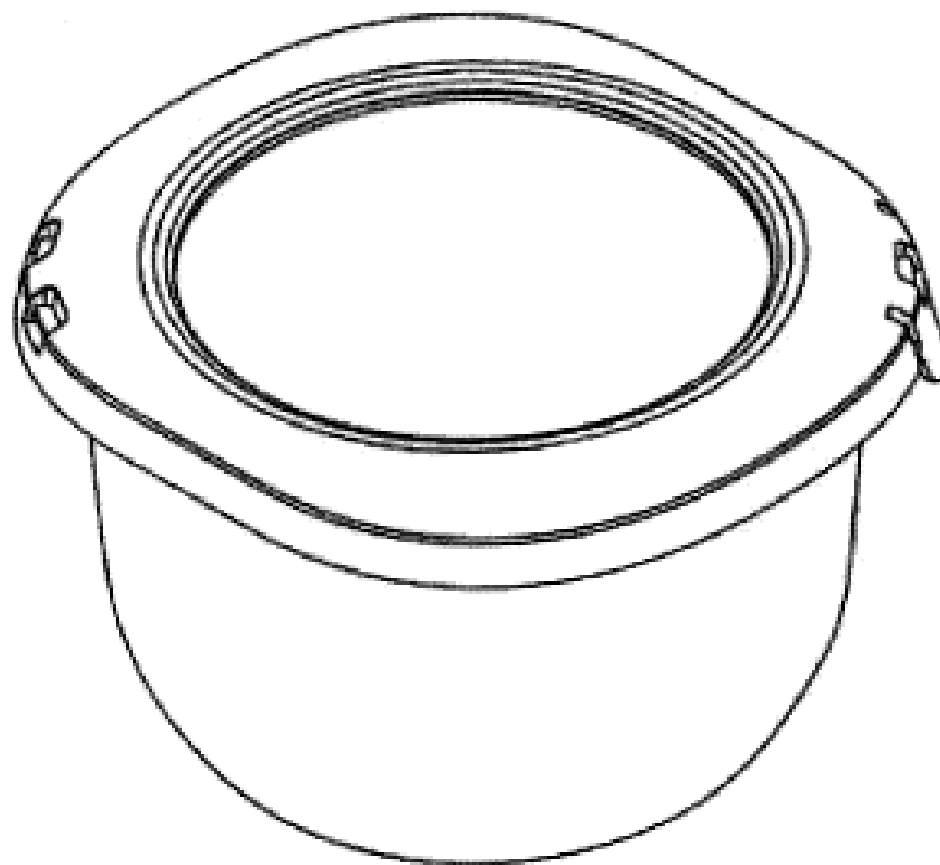
- (21) Design Number: **19464/2007**
(22) Date of Filing Application: **22 August 2007**
(24) Date from which industrial property rights may have effect: **16 May 2007**
(54) Product in respect of which the design is registered: **Rotor module**
(51) International Design Classification: **15-99**
(71) Name(s) and Address(s) of Applicant(s):
Outotec Oyj
Riihitontuntie 7 E FI-02200 Espoo Finland
(72) Name(s) of Designer(s): **Antti Rinne**
(45) Registration Date: **23 November 2007**
(62) Divisional of: **316217**
(56) Related Art Documents: **Not Applicable**
(57) Statement of Newness and Distinctiveness: **Newness and distinctiveness reside in the shape and/or configuration of the rotor module illustrated by solid lines in the accompanying representations. The features shown in broken outline are illustrative only.**



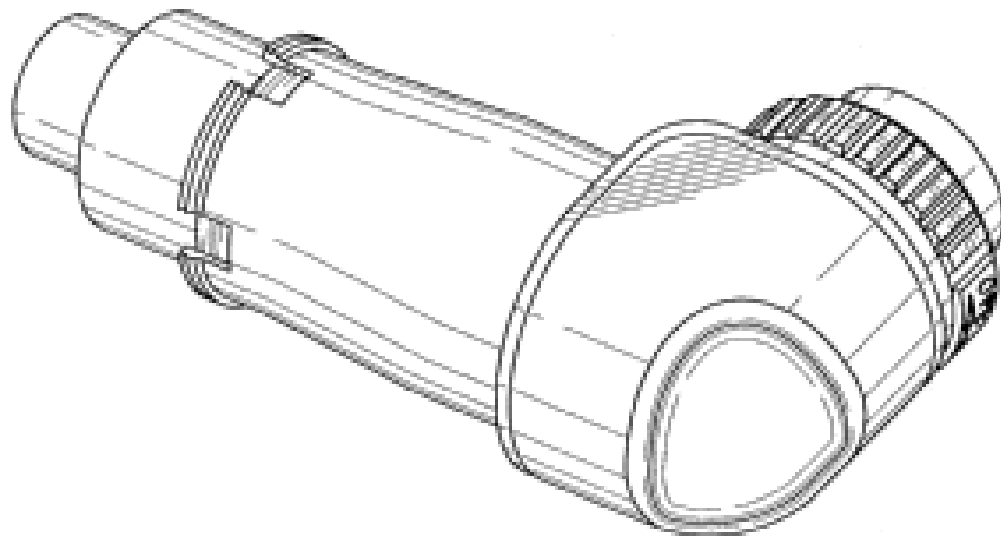
- (21) Design Number: **19465/2007**
(22) Date of Filing Application: **22 August 2007**
(24) Date from which industrial property rights may have effect: **16 May 2007**
(54) Product in respect of which the design is registered: **Rotor module**
(51) International Design Classification: **15-99**
(71) Name(s) and Address(s) of Applicant(s):
Outotec Oyj
Riihitontuntie 7 E FI-02200 Espoo Finland
(72) Name(s) of Designer(s): **Antti Rinne**
(45) Registration Date: **23 November 2007**
(62) Divisional of: **316217**
(56) Related Art Documents: **Not Applicable**
(57) Statement of Newness and Distinctiveness: **Newness and distinctiveness reside in the shape and/or configuration of the rotor module illustrated by solid lines in the accompanying representations. The features shown in broken outline are illustrative only.**



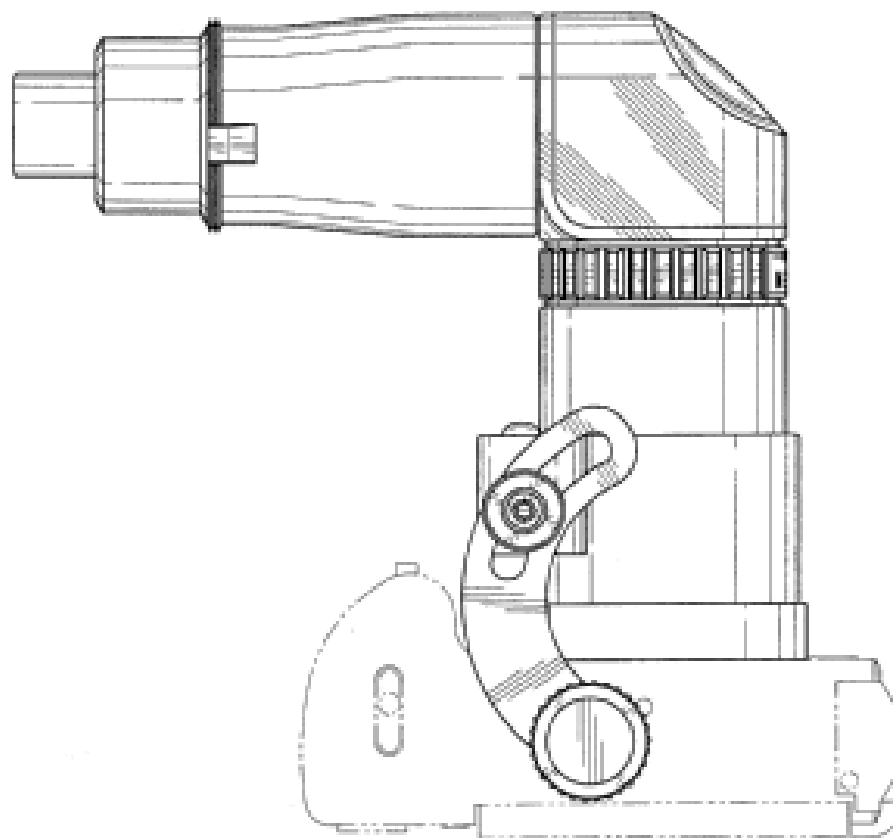
- (21) Design Number: **19466/2007**
(22) Date of Filing Application: **22 August 2007**
(24) Date from which industrial property rights may have effect: **22 August 2007**
(54) Product in respect of which the design is registered: **Container**
(51) International Design Classification: **09-03L**
(71) Name(s) and Address(s) of Applicant(s):
Societe des Produits Nestle S.A.
1800 Vevey Switzerland
(72) Name(s) of Designer(s): **Loic Faulon**
(45) Registration Date: **23 November 2007**
(30) Convention priority data:
(31) Number (32) Date (33) Country
133641 22 Feb 2007 SWITZERLAND
(56) Related Art Documents: **Not Applicable**
(57) Statement of Newness and Distinctiveness: **Newness and distinctiveness reside in the shape and configuration of the container as shown in the drawings.**



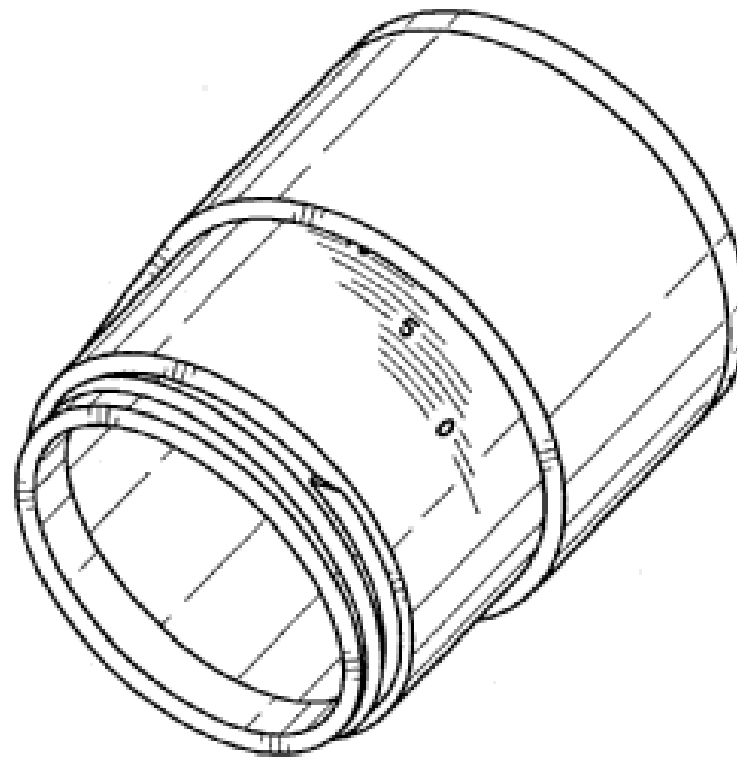
(21) Design Number: **19467/2007**
(22) Date of Filing Application: **22 August 2007**
(24) Date from which industrial property rights may have effect: **22 August 2007**
(54) Product in respect of which the design is registered: **A part of a camera adapter**
(51) International Design Classification: **16-01**
(71) Name(s) and Address(s) of Applicant(s):
Carl Zeiss Surgical GmbH
Carl-Zeiss-Strasse 22 Oberkochen 73447 Germany
(72) Name(s) of Designer(s): **Hartmut Gartner and Werner Koch**
(45) Registration Date: **23 November 2007**
(30) Convention priority data:
(31) Number (32) Date (33) Country
000734819 05 Jun 2007 EUROPEAN COMMUNITY
(56) Related Art Documents: **Not Applicable**
(57) Statement of Newness and Distinctiveness: **Nil**



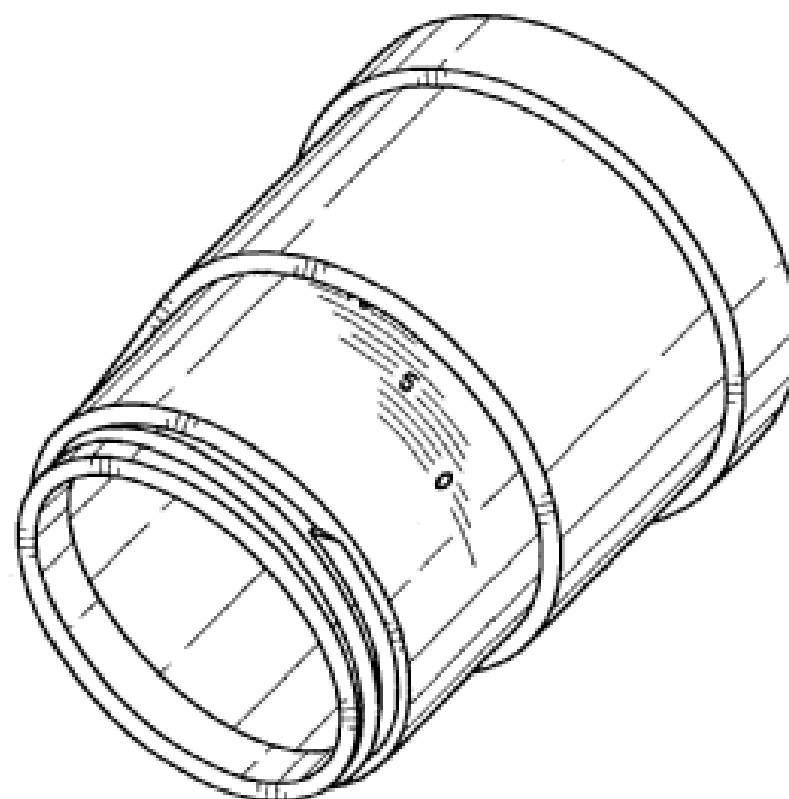
(21) Design Number: **19468/2007**
(22) Date of Filing Application: **22 August 2007**
(24) Date from which industrial property rights may have effect: **22 August 2007**
(54) Product in respect of which the design is registered: **A camera adapter**
(51) International Design Classification: **16-01**
(71) Name(s) and Address(s) of Applicant(s):
Carl Zeiss Surgical GmbH
Carl-Zeiss-Strasse 22 Oberkochen 73447 Germany
(72) Name(s) of Designer(s): **Hartmut Gartner and Werner Koch**
(45) Registration Date: **23 November 2007**
(30) Convention priority data:
(31) Number (32) Date (33) Country
000734819 05 Jun 2007 EUROPEAN COMMUNITY
(56) Related Art Documents: **Not Applicable**
(57) Statement of Newness and Distinctiveness: **Newness and distinctiveness is claimed in the visual features shown in solid lines in the representations.**



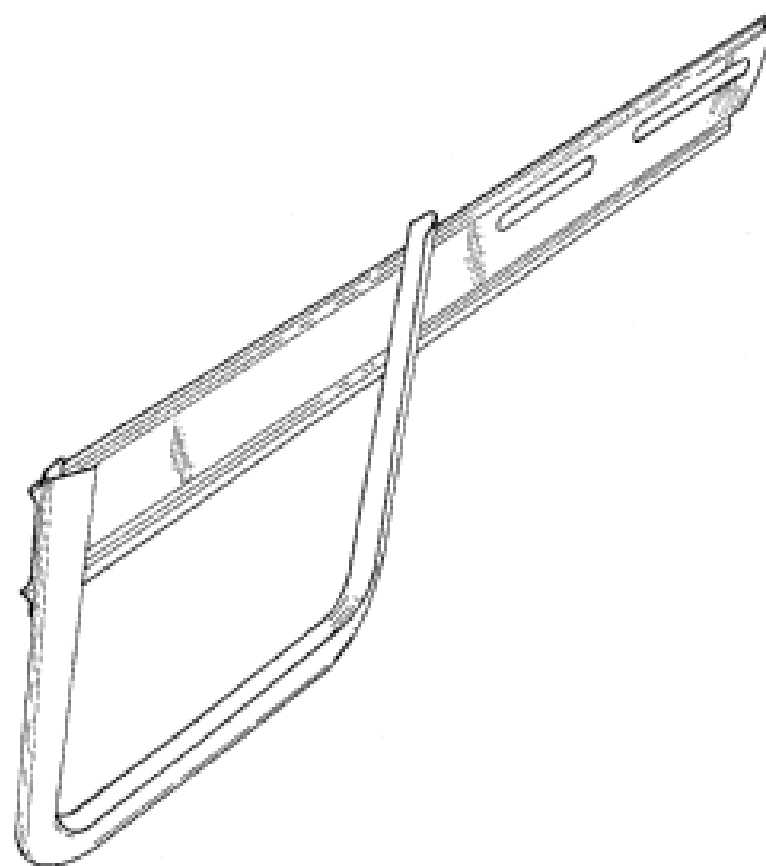
- (21) Design Number: **19469/2007**
(22) Date of Filing Application: **22 August 2007**
(24) Date from which industrial property rights may have effect: **22 August 2007**
(54) Product in respect of which the design is registered: **A part of a camera adapter**
(51) International Design Classification: **16-01**
(71) Name(s) and Address(s) of Applicant(s):
Carl Zeiss Surgical GmbH
Carl-Zeiss-Strasse 22 Oberkochen 73447 Germany
(72) Name(s) of Designer(s): **Hartmut Gartner and Werner Koch**
(45) Registration Date: **23 November 2007**
(30) Convention priority data:
(31) Number (32) Date (33) Country
000734819 05 Jun 2007 EUROPEAN COMMUNITY
(56) Related Art Documents: **Not Applicable**
(57) Statement of Newness and Distinctiveness: **Nil**



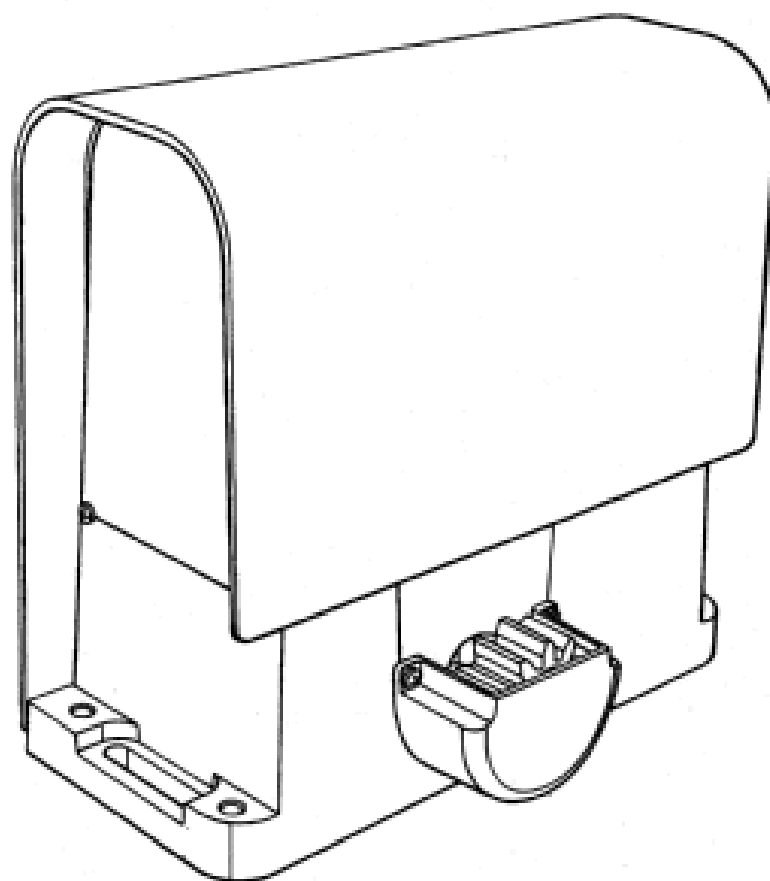
- (21) Design Number: **19470/2007**
(22) Date of Filing Application: **22 August 2007**
(24) Date from which industrial property rights may have effect: **22 August 2007**
(54) Product in respect of which the design is registered: **A part of a camera adapter**
(51) International Design Classification: **16-01**
(71) Name(s) and Address(s) of Applicant(s):
Carl Zeiss Surgical GmbH
Carl-Zeiss-Strasse 22 Oberkochen 73447 Germany
(72) Name(s) of Designer(s): **Werner Koch and Hartmut Gartner**
(45) Registration Date: **23 November 2007**
(30) Convention priority data:
(31) Number (32) Date (33) Country
000734819 05 Jun 2007 EUROPEAN COMMUNITY
(56) Related Art Documents: **Not Applicable**
(57) Statement of Newness and Distinctiveness: **Nil**



- (21) Design Number: **19473/2007**
(22) Date of Filing Application: **22 August 2007**
(24) Date from which industrial property rights may have effect: **22 August 2007**
(54) Product in respect of which the design is registered: **L/P plate holder**
(51) International Design Classification: **12-16NES**
(71) Name(s) and Address(s) of Applicant(s):
Specialty Automotive Products Pty Ltd
459 Canterbury Road Campsie New South Wales 2194 Australia
(72) Name(s) of Designer(s): **Geoffrey Roy Ward**
(45) Registration Date: **23 November 2007**
(56) Related Art Documents: **Not Applicable**
(57) Statement of Newness and Distinctiveness: **Nil**



- (21) Design Number: **19474/2007**
(22) Date of Filing Application: **22 August 2007**
(24) Date from which industrial property rights may have effect: **22 August 2007**
(54) Product in respect of which the design is registered: **Motor for gate**
(51) International Design Classification: **15-01**
(71) Name(s) and Address(s) of Applicant(s):
Nice S.p.A
Via Pezza Alta 13 Z.I. Rustigne 31046 oderzo Prov. of Treviso Italy
(72) Name(s) of Designer(s): **Roberto Gherlenda**
(45) Registration Date: **23 November 2007**
(30) Convention priority data:
(31) Number (32) Date (33) Country
MI2007000050 26 Feb 2007 ITALY
(56) Related Art Documents: **Not Applicable**
(57) Statement of Newness and Distinctiveness: **Nil**



(21) Design Number: **19475/2007**
(22) Date of Filing Application: **22 August 2007**
(24) Date from which industrial property rights may have effect: **22 August 2007**
(54) Product in respect of which the design is registered: **Motor for gate**
(51) International Design Classification: **15-01**
(71) Name(s) and Address(s) of Applicant(s):

Nice S.p.A
Via Pezza Alta 13 Z.I. Rustigne 31046 oderzo Prov. of Treviso Italy

(72) Name(s) of Designer(s): **Roberto Gherlenda**

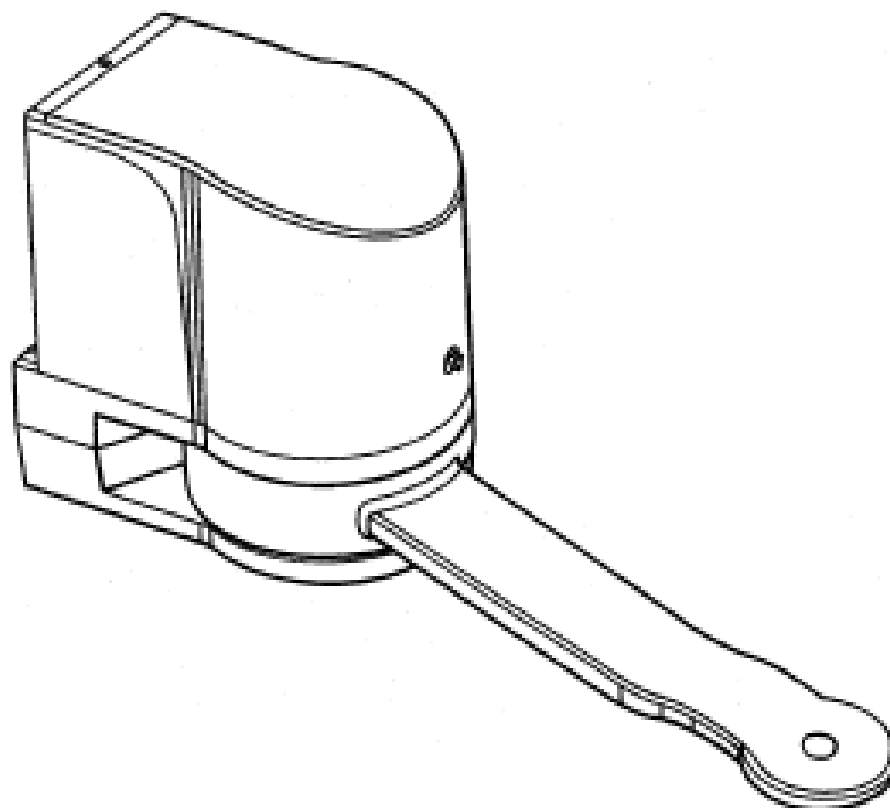
(45) Registration Date: **23 November 2007**

(30) Convention priority data:

(31) Number	(32) Date	(33) Country
MI2007000050	26 Feb 2007	ITALY

(56) Related Art Documents: **Not Applicable**

(57) Statement of Newness and Distinctiveness: **Nil**



(21) Design Number: **19476/2007**
(22) Date of Filing Application: **22 August 2007**
(24) Date from which industrial property rights may have effect: **22 August 2007**
(54) Product in respect of which the design is registered: **Motor for gate**
(51) International Design Classification: **15-01**
(71) Name(s) and Address(s) of Applicant(s):

Nice S.p.A
Via Pezza Alta 13 Z.I. Rustigne 31046 oderzo Prov. of Treviso Italy

(72) Name(s) of Designer(s): **Roberto Gherlenda**

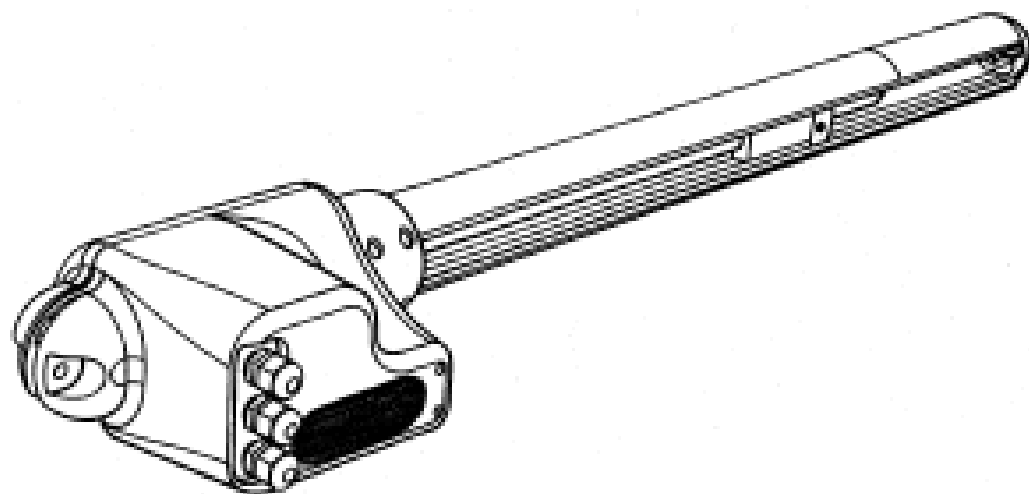
(45) Registration Date: **23 November 2007**

(30) Convention priority data:

(31) Number	(32) Date	(33) Country
MI2007000050	26 Feb 2007	ITALY

(56) Related Art Documents: **Not Applicable**

(57) Statement of Newness and Distinctiveness: **Nil**



(21) Design Number: **19477/2007**

(22) Date of Filing Application: **22 August 2007**

(24) Date from which industrial property rights may have effect: **22 August 2007**

(54) Product in respect of which the design is registered: **Carton Blank**

(51) International Design Classification: **09-03NES**

(71) Name(s) and Address(s) of Applicant(s):

Ampack Pty Ltd

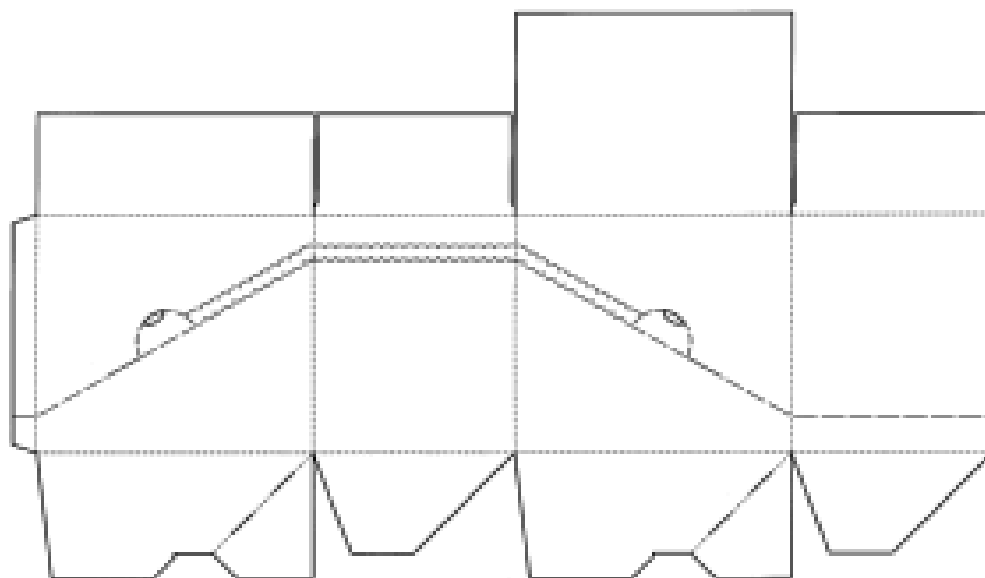
4 - 6 James Street Williamstown Victoria 3016 Australia

(72) Name(s) of Designer(s): **Michael Hetrelezis**

(45) Registration Date: **23 November 2007**

(56) Related Art Documents: **Not Applicable**

(57) Statement of Newness and Distinctiveness: **Newness and distinctiveness resides in the features of shape and/or configuration of a carton blank as shown in the accompanying representations.**



(21) Design Number: **19478/2007**

(22) Date of Filing Application: **22 August 2007**

(24) Date from which industrial property rights may have effect: **22 August 2007**

(54) Product in respect of which the design is registered: **Carton blank**

(51) International Design Classification: **09-03NES**

(71) Name(s) and Address(s) of Applicant(s):

Ampack Pty Ltd

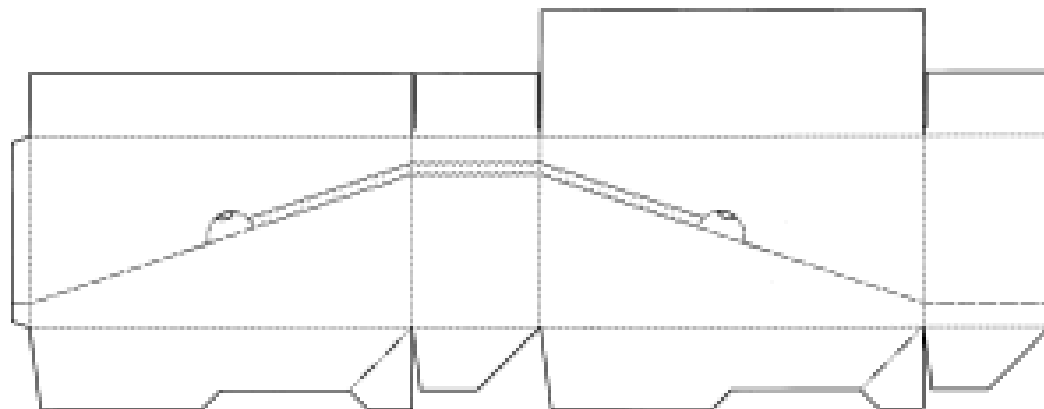
4 - 6 James Street Williamstown Victoria 3016 Australia

(72) Name(s) of Designer(s): **Michael Hetrelezis**

(45) Registration Date: **23 November 2007**

(56) Related Art Documents: **Not Applicable**

(57) Statement of Newness and Distinctiveness: **Newness and distinctiveness resides in the features of shape and/or configuration of a carton blank as shown in the accompanying representations.**



(21) Design Number: **19479/2007**

(22) Date of Filing Application: **23 August 2007**

(24) Date from which industrial property rights may have effect: **23 August 2007**

(54) Product in respect of which the design is registered: **Temporary shelter**

(51) International Design Classification: **25-03**

(71) Name(s) and Address(s) of Applicant(s):

Hesco Bastion Limited
Unit 37 Knowsthorpe Gate Cross Green Industrial Estate Leeds LS9
ONP United Kingdom

(72) Name(s) of Designer(s): **James Heselden**

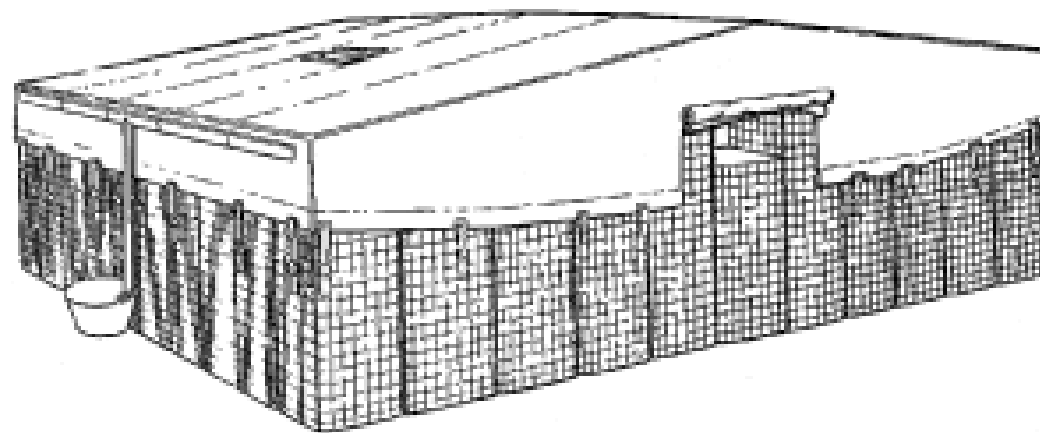
(45) Registration Date: **23 November 2007**

(30) Convention priority data:

(31) Number	(32) Date	(33) Country
000718101	04 May 2007	EUROPEAN COMMUNITY

(56) Related Art Documents: **Not Applicable**

(57) Statement of Newness and Distinctiveness: **Nil**



(21) Design Number: **19480/2007**

(22) Date of Filing Application: **23 August 2007**

(24) Date from which industrial property rights may have effect: **23 August 2007**

(54) Product in respect of which the design is registered: **Water tank (single storage)**

(51) International Design Classification: **23-01F**

(71) Name(s) and Address(s) of Applicant(s):

Global Rotomoulding
1560 Koorlong Avenue Irymple Victoria 3498 Australia

(72) Name(s) of Designer(s): **Angus McDonald and Howard Ferry**

(45) Registration Date: **23 November 2007**

(56) Related Art Documents: **Not Applicable**

(57) Statement of Newness and Distinctiveness: **Single water tank that can be adapted to a modular system (multiple tanks) where the top cap can be a different colour to the tank cylinder, helping create a distinguishable 'wave look' to tank top.**



(21) Design Number: **19481/2007**

(22) Date of Filing Application: **23 August 2007**

(24) Date from which industrial property rights may have effect: **23 August 2007**

(54) Product in respect of which the design is registered: **Water tank (storage)**

(51) International Design Classification: **23-01F**

(71) Name(s) and Address(s) of Applicant(s):

Global Rotomoulding

1560 Koorlong Avenue Irymple Victoria 3498 Australia

(72) Name(s) of Designer(s): **Angus McDonald and Howard Ferry**

(45) Registration Date: **23 November 2007**

(56) Related Art Documents: **Not Applicable**

(57) Statement of Newness and Distinctiveness: **Modular design, cylindrical tank with 2nd colour option for top cap set on a 'wave' style join between the tank & top cap. Top cap is reversible.**



(21) Design Number: **19486/2007**

(22) Date of Filing Application: **23 August 2007**

(24) Date from which industrial property rights may have effect: **23 August 2007**

(54) Product in respect of which the design is registered: **Mollusc cultivation enclosure**

(51) International Design Classification: **22-05**

(71) Name(s) and Address(s) of Applicant(s):

Tooltech Pty Ltd

19-25 Antimony Street Carole Park Queensland 4300 Australia

(72) Name(s) of Designer(s): **Wayne Scott**

(45) Registration Date: **23 November 2007**

(56) Related Art Documents: **Not Applicable**

(57) Statement of Newness and Distinctiveness: **Newness and distinctiveness is claimed in the shape and configuration of the mollusc cultivation enclosure depicted in the accompanying illustrations.**



(21) Design Number: **19487/2007**

(22) Date of Filing Application: **23 August 2007**

(24) Date from which industrial property rights may have effect: **23 August 2007**

(54) Product in respect of which the design is registered: **Wireless iron and station**

(51) International Design Classification: **15-05**

(71) Name(s) and Address(s) of Applicant(s):

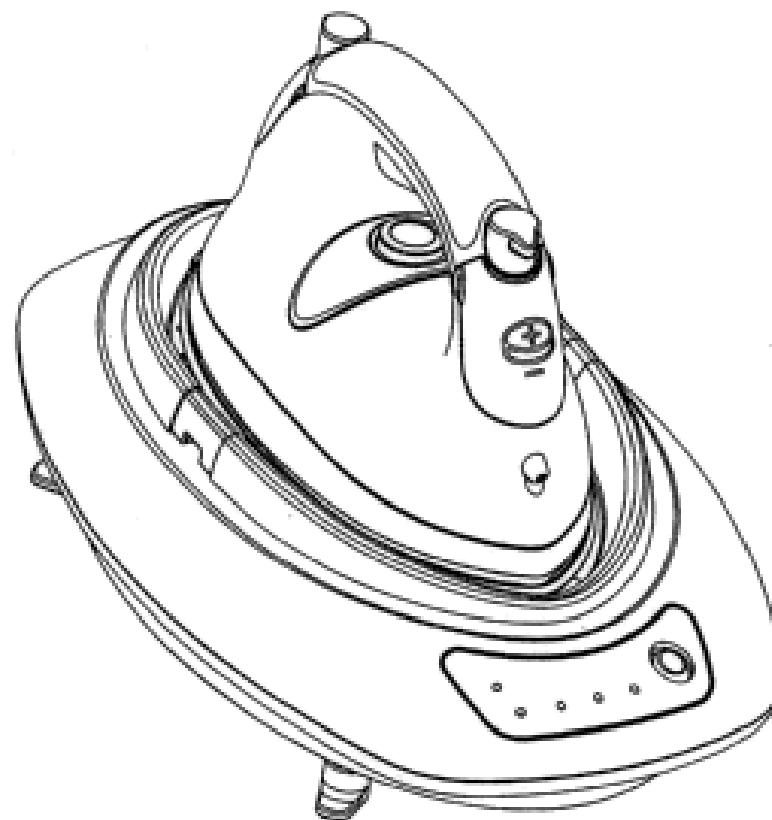
**Goodway Electrical Co. Ltd.
Block A & C 2F Gee Chang Industrial Building 108 Lok Shan Road
Tokwawan Kowloon, Hong Kong**

(72) Name(s) of Designer(s): **Lung Wai Choi**

(45) Registration Date: **23 November 2007**

(56) Related Art Documents: **Not Applicable**

(57) Statement of Newness and Distinctiveness: **Newness and distinctiveness resides in the shape or configuration of a wireless iron and station as shown in the accompanying representations.**



(21) Design Number: **19488/2007**

(22) Date of Filing Application: **23 August 2007**

(24) Date from which industrial property rights may have effect: **23 August 2007**

(54) Product in respect of which the design is registered: **A container**

(51) International Design Classification: **09-02B**

(71) Name(s) and Address(s) of Applicant(s):

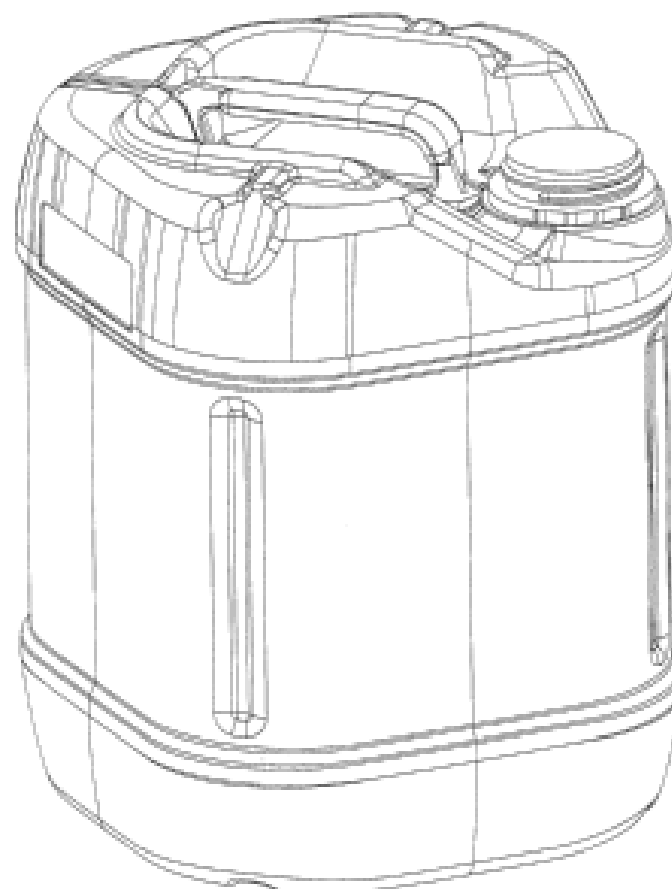
**VIP Plastic Packaging Pty Ltd
Level 17 644 Chapel Street South Yarra Victoria Australia**

(72) Name(s) of Designer(s): **Peter Smitran**

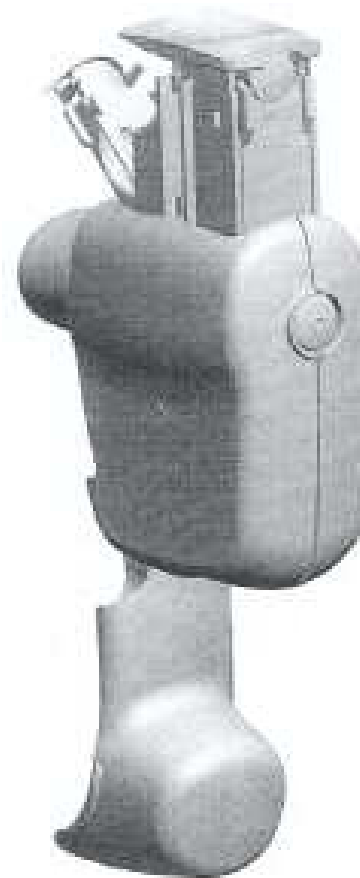
(45) Registration Date: **23 November 2007**

(56) Related Art Documents: **Not Applicable**

(57) Statement of Newness and Distinctiveness: **Newness and distinctiveness of the design resides in the shape or configuration of the top and bottom of the container as shown in the accompanying representations.**



(21) Design Number: **19489/2007**
(22) Date of Filing Application: **23 August 2007**
(24) Date from which industrial property rights may have effect: **23 August 2007**
(54) Product in respect of which the design is registered: **Inhaler for administration of a medicament powder**
(51) International Design Classification: **24-04**
(71) Name(s) and Address(s) of Applicant(s):
Pfizer Limited
Ramsgate Road Sandwich Kent CT13-9NJ United Kingdom
(72) Name(s) of Designer(s): **Jonathan Hogwood**
(45) Registration Date: **23 November 2007**
(30) Convention priority data:
(31) Number (32) Date (33) Country
000679048-0001 28 Feb 2007 EUROPEAN COMMUNITY
(56) Related Art Documents: **Not Applicable**
(57) Statement of Newness and Distinctiveness: **Nil**



(21) Design Number: **19490/2007**
(22) Date of Filing Application: **23 August 2007**
(24) Date from which industrial property rights may have effect: **23 August 2007**
(54) Product in respect of which the design is registered: **Tactile ground surface indicator spacer with carpet-cutting blade**
(51) International Design Classification: **08-03**
(71) Name(s) and Address(s) of Applicant(s):
CTA Australia Pty Ltd
Unit 4 7 Commercial Court Tullamarine Victoria 3043 Australia
(72) Name(s) of Designer(s): **Daniel DeDomenico**
(45) Registration Date: **23 November 2007**
(56) Related Art Documents: **Not Applicable**
(57) Statement of Newness and Distinctiveness: **Nil**



(21) Design Number: **19491/2007**

(22) Date of Filing Application: **23 August 2007**

(24) Date from which industrial property rights may have effect: **23 August 2007**

(54) Product in respect of which the design is registered: **Deck and fence clamp**

(51) International Design Classification: **08-08D**

(71) Name(s) and Address(s) of Applicant(s):

Vasilis Kamilakis

50 Broughton Road Surrey Hills Victoria 3127 Australia

(72) Name(s) of Designer(s): **Vasilis Kamilakis**

(45) Registration Date: **23 November 2007**

(56) Related Art Documents: **Not Applicable**

(57) Statement of Newness and Distinctiveness: **Novelty is claimed in a deck and fence clamp or variable horizontal length with variable horizontally and vertically positioned tongue spacers and variable horizontally positioned end plates.**



(21) Design Number: **19501/2007**

(22) Date of Filing Application: **22 August 2007**

(24) Date from which industrial property rights may have effect: **22 August 2007**

(54) Product in respect of which the design is registered: **Swimming goggles**

(51) International Design Classification: **16-06**

(71) Name(s) and Address(s) of Applicant(s):

Herman Chiang

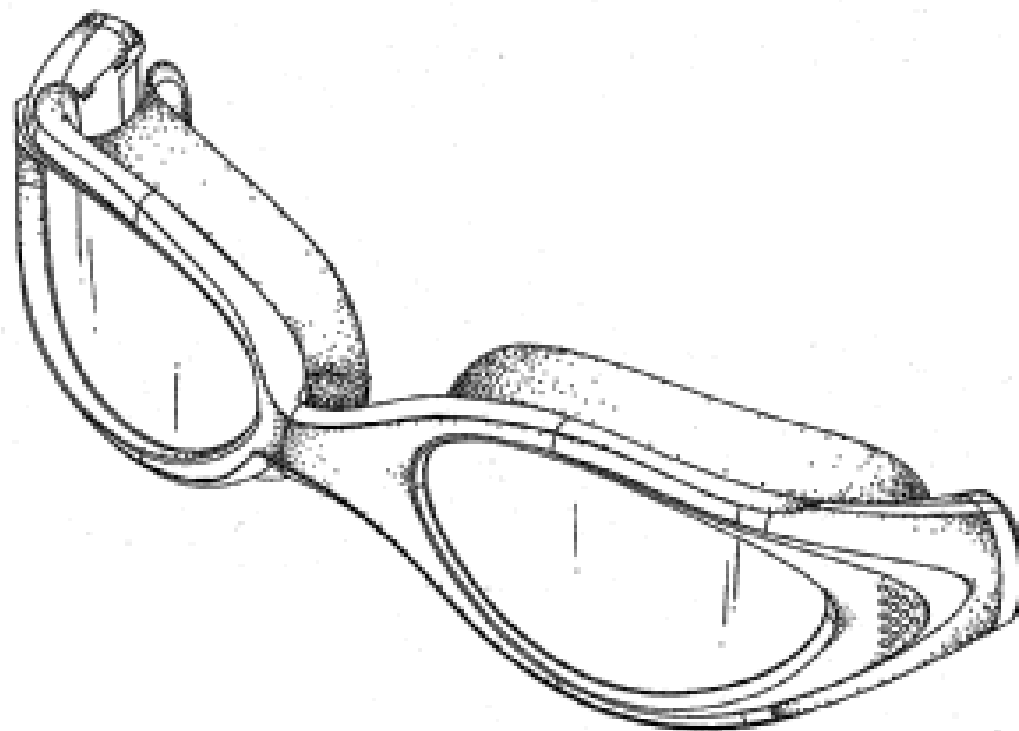
11F-2 No. 634-9 Ching-Ping Rd Chung-Ho City Taipei Hsien Taiwan

(72) Name(s) of Designer(s): **Herman Chiang**

(45) Registration Date: **23 November 2007**

(56) Related Art Documents: **Not Applicable**

(57) Statement of Newness and Distinctiveness: **Nil**



(19) AU

- (21) Design Number: **20136/2007**
- (22) Date of Filing Application: **09 October 2007**
- (24) Date from which industrial property rights may have effect: **09 October 2007**
- (54) Product in respect of which the design is registered: **Sculptural plaster casts (ornamental)**
- (51) International Design Classification: **11-02D**
- (71) Name(s) and Address(s) of Applicant(s):
Robert England
4 Brimble Cottages Castle Street Mere Wiltshire BA12 6JY United Kingdom
- (72) Name(s) of Designer(s): **Robert England**
- (45) Registration Date: **23 November 2007**
- (56) Related Art Documents: **Not Applicable**
- (57) Statement of Newness and Distinctiveness: **The design shows a plaster casting of the human hand holding a birthstone.**



(19) AU

- (21) Design Number: **20178/2007**
- (22) Date of Filing Application: **11 October 2007**
- (24) Date from which industrial property rights may have effect: **11 October 2007**
- (54) Product in respect of which the design is registered: **Point of sale terminal**
- (51) International Design Classification: **14-02**
- (71) Name(s) and Address(s) of Applicant(s):
Hypercom Corporation
2851 West Kathleen Road Phoenix Arizona 85053 United States of America
- (72) Name(s) of Designer(s): **Chris Henry**
- (45) Registration Date: **23 November 2007**
- (30) Convention priority data:

(31) Number	(32) Date	(33) Country
29/278969	16 Apr 2007	UNITED STATES OF AMERICA
- (56) Related Art Documents: **Not Applicable**
- (57) Statement of Newness and Distinctiveness: **Newness and distinctiveness reside in the features of the design shown in solid lines in the representations excluding those features shown in broken lines.**



(19) AU

- (21) Design Number: **20179/2007**
- (22) Date of Filing Application: **11 October 2007**
- (24) Date from which industrial property rights may have effect: **11 October 2007**
- (54) Product in respect of which the design is registered: **Point of sale terminal**
- (51) International Design Classification: **14-02**
- (71) Name(s) and Address(s) of Applicant(s):
Hypercom Corporation
2851 West Kathleen Road Phoenix Arizona 85053 United States of America
- (72) Name(s) of Designer(s): **Chris Henry**
- (45) Registration Date: **23 November 2007**
- (30) Convention priority data:

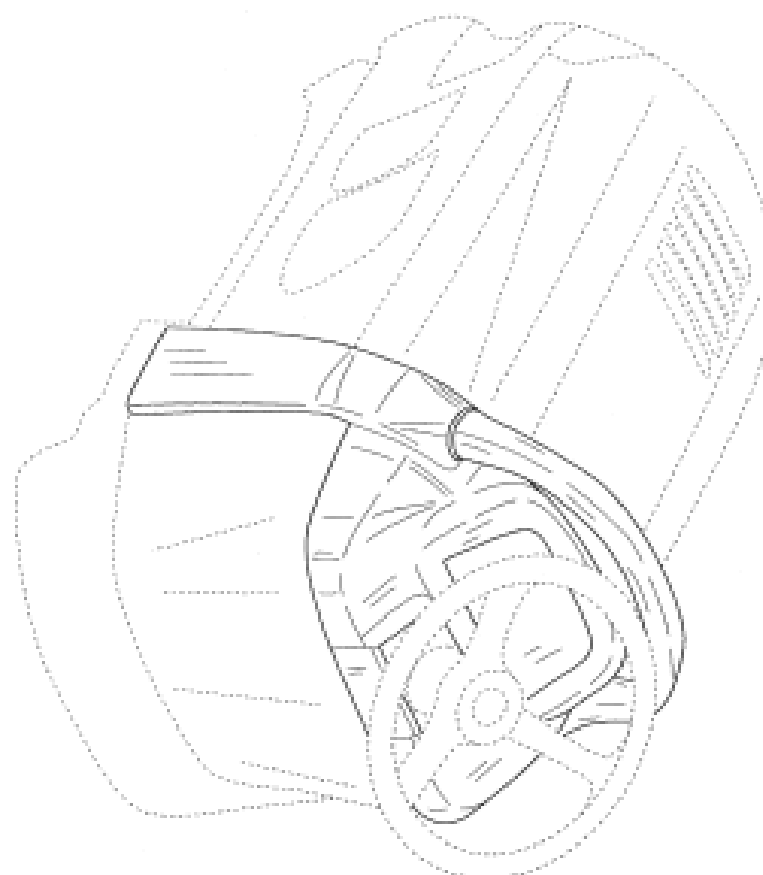
(31) Number	(32) Date	(33) Country
29/278969	16 Apr 2007	UNITED STATES OF AMERICA
- (56) Related Art Documents: **Not Applicable**
- (57) Statement of Newness and Distinctiveness: **Newness and distinctiveness reside in the features of the design shown in solid lines in the representations excluding those features shown in broken lines.**



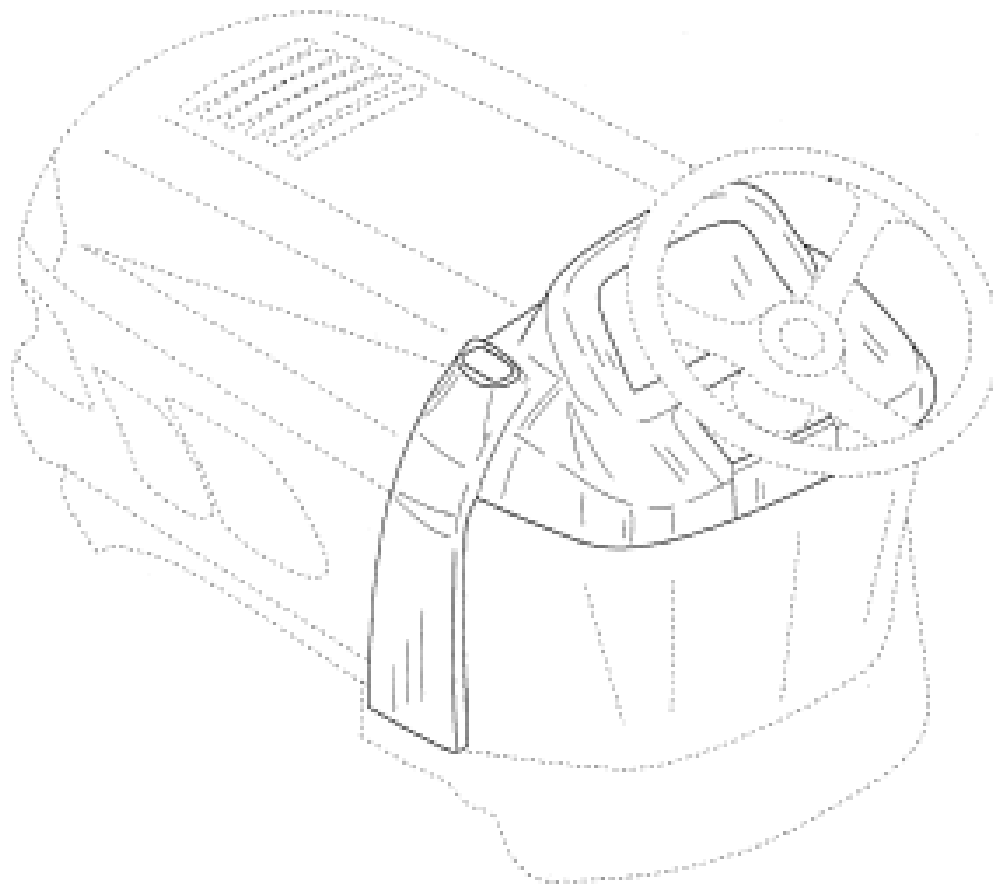
(19) AU

- (21) Design Number: **20270/2007**
- (22) Date of Filing Application: **16 October 2007**
- (24) Date from which industrial property rights may have effect: **16 October 2007**
- (54) Product in respect of which the design is registered: **Tractor**
- (51) International Design Classification: **12-09**
- (71) Name(s) and Address(s) of Applicant(s):
Yanmar Co., Ltd.
1-32 Chayamachi Kita-ku Osaka-shi Osaka 530-0013 Japan
- (72) Name(s) of Designer(s): **Kunihiko Matsumoto and Junko Shibaoka**
- (45) Registration Date: **23 November 2007**
- (30) Convention priority data:

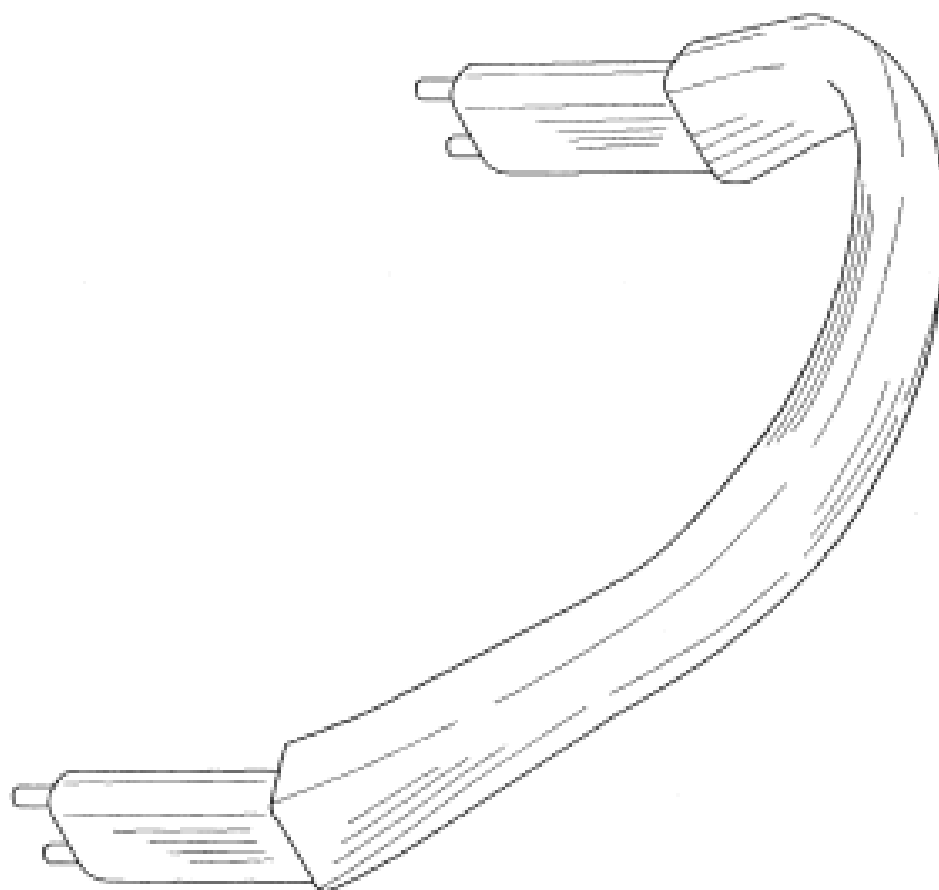
(31) Number	(32) Date	(33) Country
2007-18056	04 Jul 2007	JAPAN
- (56) Related Art Documents: **Not Applicable**
- (57) Statement of Newness and Distinctiveness: **Newness and distinctiveness reside in the features of the design shown in solid lines in the representations excluding those features shown in broken lines.**



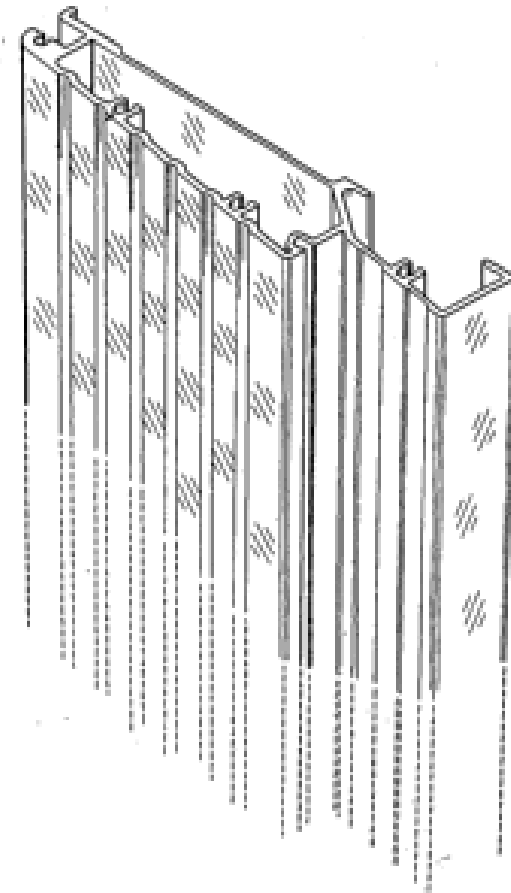
- (21) Design Number: **20271/2007**
(22) Date of Filing Application: **16 October 2007**
(24) Date from which industrial property rights may have effect: **16 October 2007**
(54) Product in respect of which the design is registered: **Tractor**
(51) International Design Classification: **12-09**
(71) Name(s) and Address(s) of Applicant(s):
Yanmar Co., Ltd.
1-32 Chayamachi Kita-ku Osaka-shi Osaka 530-0013 Japan
(72) Name(s) of Designer(s): **Kunihiko Matsumoto and Junko Shibaoka**
(45) Registration Date: **23 November 2007**
(30) Convention priority data:
(31) Number (32) Date (33) Country
2007-18057 04 Jul 2007 JAPAN
(56) Related Art Documents: **Not Applicable**
(57) Statement of Newness and Distinctiveness: **Newness and distinctiveness reside in the features of the design shown in solid lines in the representations excluding those features shown in broken lines.**



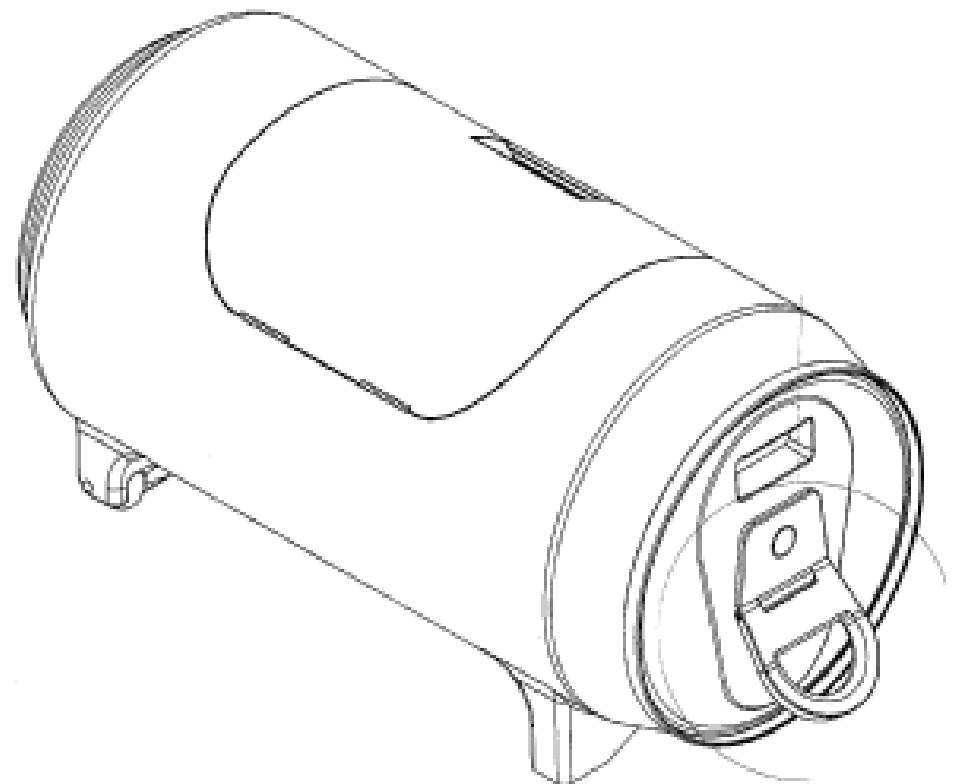
- (21) Design Number: **20272/2007**
(22) Date of Filing Application: **16 October 2007**
(24) Date from which industrial property rights may have effect: **16 October 2007**
(54) Product in respect of which the design is registered: **Assist grip for agricultural vehicle**
(51) International Design Classification: **08-06**
(71) Name(s) and Address(s) of Applicant(s):
Yanmar Co., Ltd.
1-32 Chayamachi Kita-ku Osaka-shi Osaka 530-0013 Japan
(72) Name(s) of Designer(s): **Kunihiko Matsumoto and Junko Shibaoka**
(45) Registration Date: **23 November 2007**
(30) Convention priority data:
(31) Number (32) Date (33) Country
2007-18054 04 Jul 2007 JAPAN
(56) Related Art Documents: **Not Applicable**
(57) Statement of Newness and Distinctiveness: **Newness and distinctiveness reside in the features of the design shown in solid lines in the representations excluding those features shown in broken lines.**



- (21) Design Number: **20636/2007**
(22) Date of Filing Application: **07 November 2007**
(24) Date from which industrial property rights may have effect: **07 November 2007**
(54) Product in respect of which the design is registered: **Threshold**
(51) International Design Classification: **25-01K**
(71) Name(s) and Address(s) of Applicant(s):
Press Metal Aluminium (Australia) Pty Ltd
2/22 Eastern Service Stapylton Queensland 4207 Australia
(72) Name(s) of Designer(s): **Graeme Barton**
(45) Registration Date: **23 November 2007**
(56) Related Art Documents: **Not Applicable**
(57) Statement of Newness and Distinctiveness: **The design has constant cross section and indefinite length.**



- (21) Design Number: **20834/2007**
(22) Date of Filing Application: **14 November 2007**
(24) Date from which industrial property rights may have effect: **14 November 2007**
(54) Product in respect of which the design is registered: **Cooler**
(51) International Design Classification: **15-07**
(71) Name(s) and Address(s) of Applicant(s):
Powersource Investments Pty Ltd
Level 1 176 Bridge Road Richmond Victoria 3121 Australia
(72) Name(s) of Designer(s): **Jason Weiler**
(45) Registration Date: **23 November 2007**
(56) Related Art Documents: **Not Applicable**
(57) Statement of Newness and Distinctiveness: **Each feature of a design considered separately or in combination with any other feature or features.**



(21) Design Number: **20864/2007**

(22) Date of Filing Application: **15 November 2007**

(24) Date from which industrial property rights may have effect: **15 November 2007**

(54) Product in respect of which the design is registered: **Mobile phone**

(51) International Design Classification: **14-03E**

(71) Name(s) and Address(s) of Applicant(s):

**Sony Ericsson Mobile Communications AB
Nya Vattentorget SE 221 88 Lund Sweden**

(72) Name(s) of Designer(s): **Yoshinori Yamada**

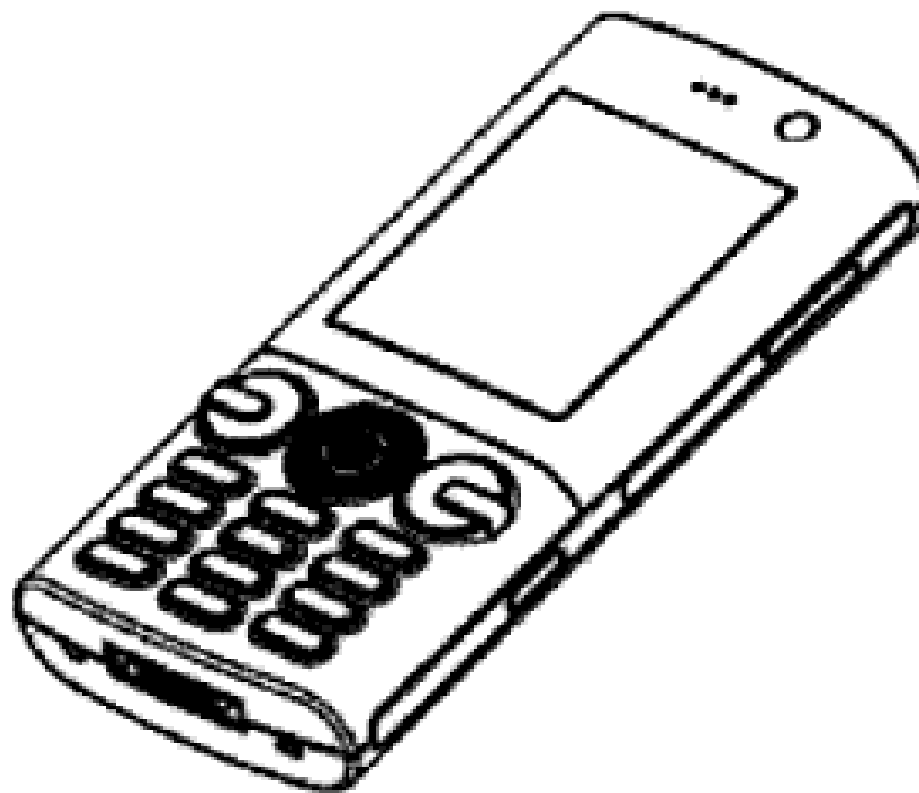
(45) Registration Date: **23 November 2007**

(30) Convention priority data:

(31) Number	(32) Date	(33) Country
000724752-0001	18 May 2007	EUROPEAN COMMUNITY

(56) Related Art Documents: **Not Applicable**

(57) Statement of Newness and Distinctiveness: **Nil**



(21) Design Number: **19525/2007**

(22) Date of Filing Application: **27 August 2007**

(24) Date from which industrial property rights may have effect: **27 August 2007**

(54) Product in respect of which the design is registered: **Plastic bottle with disc cap**

(51) International Design Classification: **09-01K**

(71) Name(s) and Address(s) of Applicant(s):

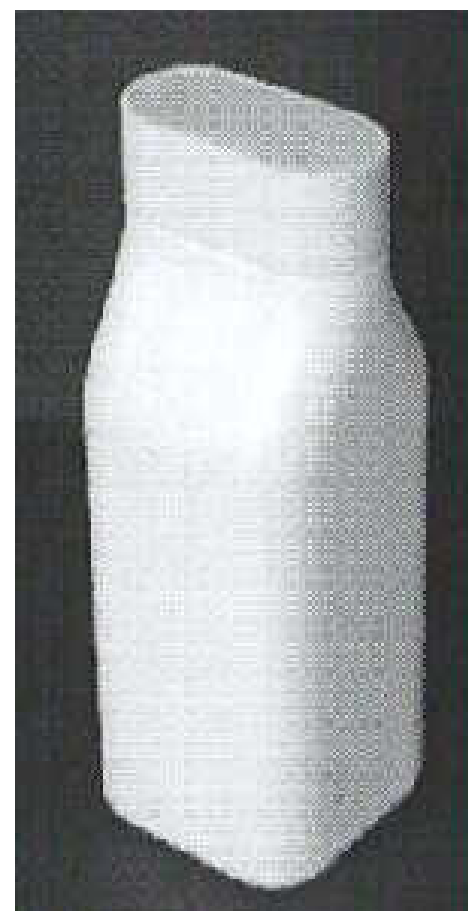
**Sasi Holdings Pty Ltd
Suite 5 Level 1 6-8 Crewe Place Rosebery New South Wales 2018
Australia**

(72) Name(s) of Designer(s): **Brenan Liston**

(45) Registration Date: **22 November 2007**

(56) Related Art Documents: **Not Applicable**

(57) Statement of Newness and Distinctiveness: **The disc cap attached to the bottle is original in shape and function.**



(21) Design Number: **19526/2007**

(22) Date of Filing Application: **27 August 2007**

(24) Date from which industrial property rights may have effect: **27 August 2007**

(54) Product in respect of which the design is registered: **Plastic bottle with disc cap**

(51) International Design Classification: **09-01K**

(71) Name(s) and Address(s) of Applicant(s):

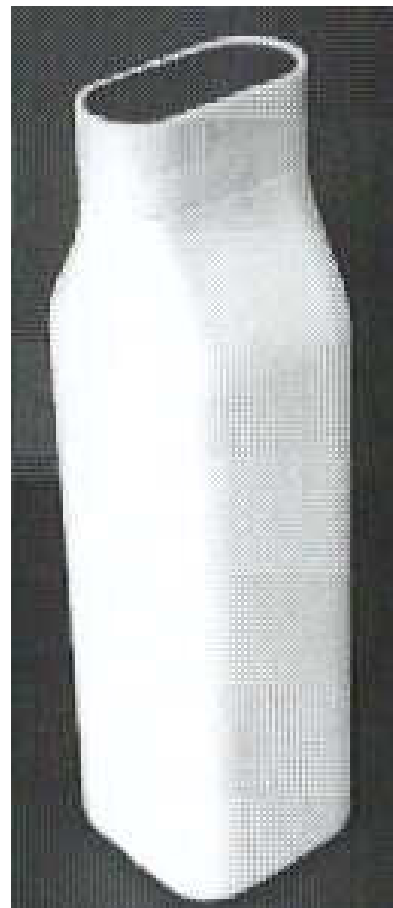
Sasi Holdings Pty Ltd
Suite 5 Level 1 6-8 Crewe Place Rosebery New South Wales 2018
Australia

(72) Name(s) of Designer(s): **Brenan Liston**

(45) Registration Date: **22 November 2007**

(56) Related Art Documents: **Not Applicable**

(57) Statement of Newness and Distinctiveness: **The disk cap attached to the bottle is original in shape and function.**



(21) Design Number: **19527/2007**

(22) Date of Filing Application: **27 August 2007**

(24) Date from which industrial property rights may have effect: **27 August 2007**

(54) Product in respect of which the design is registered: **Plastic bottle with cap**

(51) International Design Classification: **09-01K**

(71) Name(s) and Address(s) of Applicant(s):

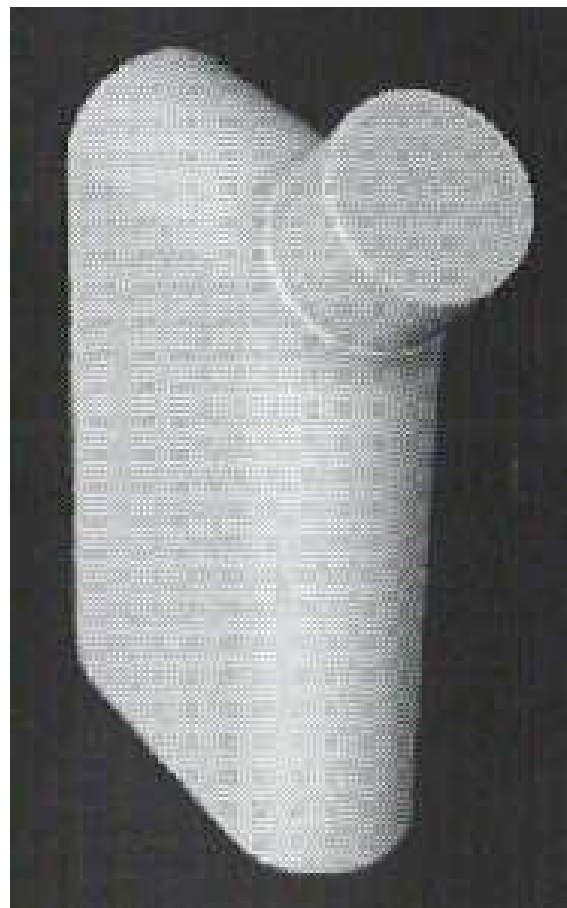
Container Pty Ltd
6/244 Commonwealth Street Surry Hills New South Wales 2010
Australia

(72) Name(s) of Designer(s): **Brenan Liston**

(45) Registration Date: **22 November 2007**

(56) Related Art Documents: **Not Applicable**

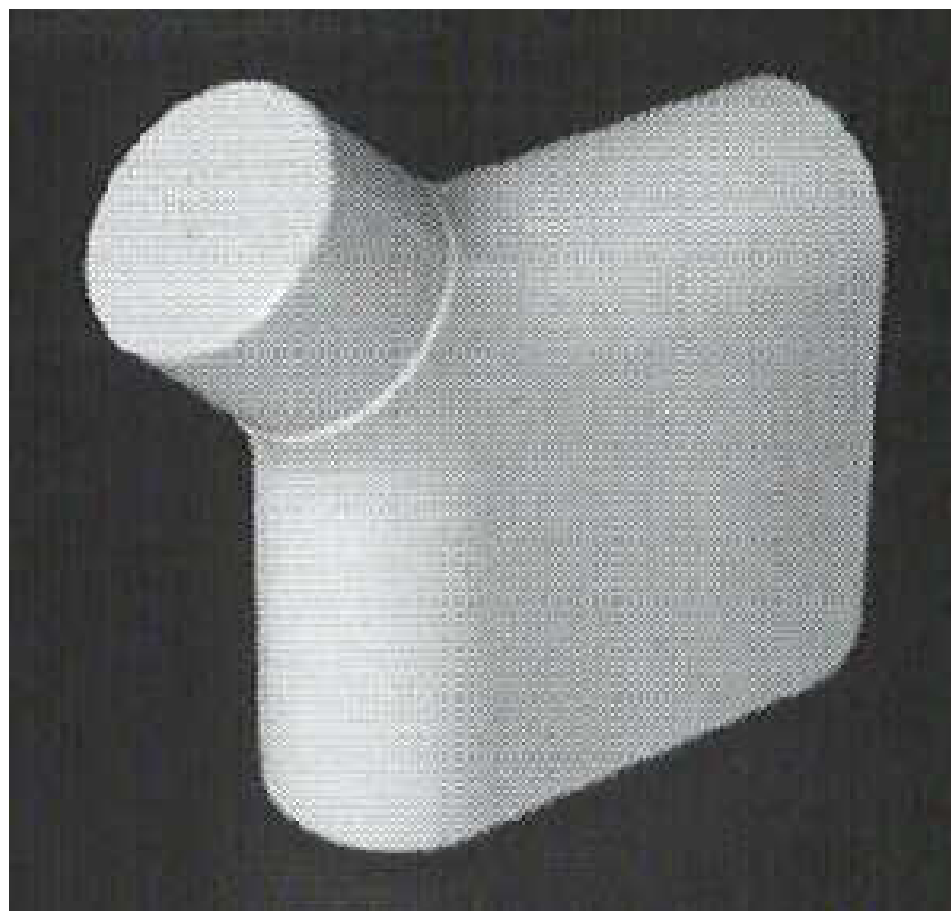
(57) Statement of Newness and Distinctiveness: **Nil**



(21) Design Number: **19528/2007**
 (22) Date of Filing Application: **27 August 2007**
 (24) Date from which industrial property rights may have effect: **27 August 2007**
 (54) Product in respect of which the design is registered: **Plastic bottle with cap**
 (51) International Design Classification: **09-01K**
 (71) Name(s) and Address(s) of Applicant(s):

Container Pty Ltd
6/244 Commonwealth Street Surry Hills New South Wales 2010
Australia

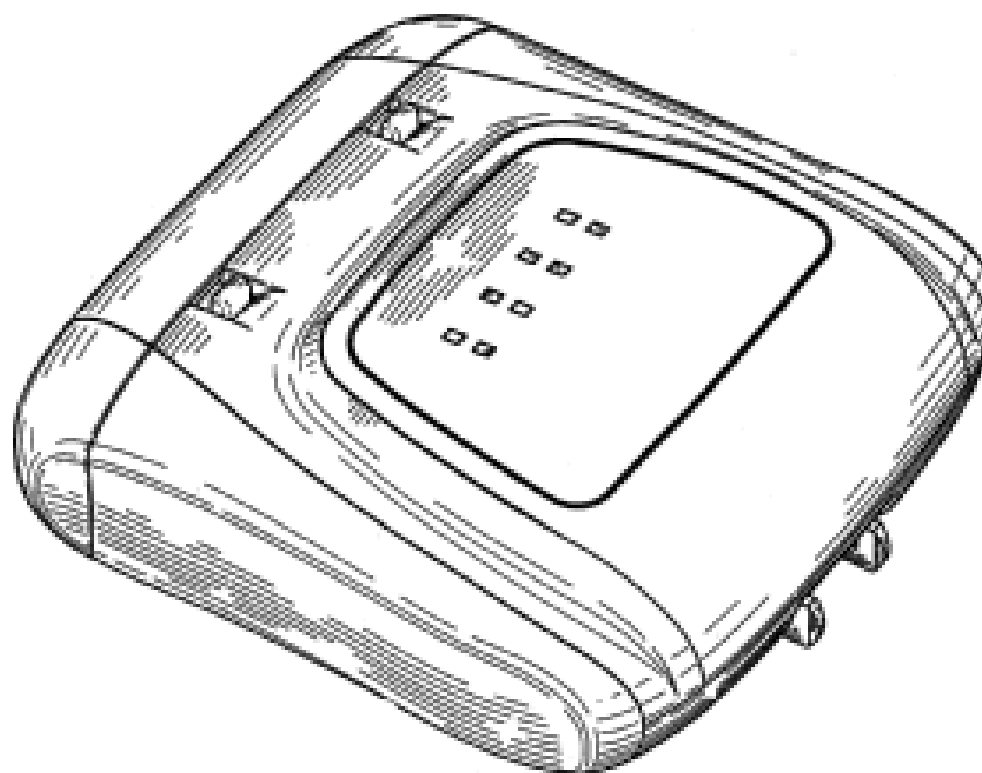
(72) Name(s) of Designer(s): **Brenan Liston**
 (45) Registration Date: **22 November 2007**
 (56) Related Art Documents: **Not Applicable**
 (57) Statement of Newness and Distinctiveness: **Nil**



(21) Design Number: **19529/2007**
 (22) Date of Filing Application: **27 August 2007**
 (24) Date from which industrial property rights may have effect: **27 August 2007**
 (54) Product in respect of which the design is registered: **A battery charger**
 (51) International Design Classification: **13-02**
 (71) Name(s) and Address(s) of Applicant(s):

Eveready Battery Company, Inc.
533 Maryville University Drive St Louis Missouri 63164 United States
of America

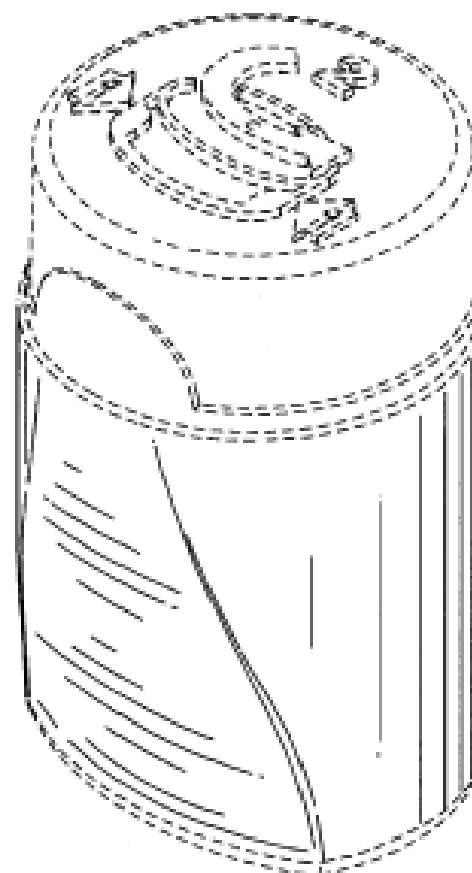
(72) Name(s) of Designer(s): **Scott W. Osiecki and Donwoong Kang and Mandy Iswarienko**
 (45) Registration Date: **22 November 2007**
 (30) Convention priority data:
 (31) Number (32) Date (33) Country
29/277932 14 Mar 2007 UNITED STATES OF AMERICA
 (56) Related Art Documents: **Not Applicable**
 (57) Statement of Newness and Distinctiveness: **Nil**



- (21) Design Number: **19530/2007**
(22) Date of Filing Application: **27 August 2007**
(24) Date from which industrial property rights may have effect: **27 August 2007**
(54) Product in respect of which the design is registered: **A container**
(51) International Design Classification: **09-01K**
(71) Name(s) and Address(s) of Applicant(s):
David Murray Melrose
90 Balmoral Road Mt Eden Auckland 1003 New Zealand
(72) Name(s) of Designer(s): **David Murray Melrose and Campbell Melrose-Allen and Tania Maria Robinson and Andrew Candy**
(45) Registration Date: **22 November 2007**
(30) Convention priority data:
(31) Number (32) Date (33) Country
408841 14 Mar 2007 NEW ZEALAND
(56) Related Art Documents: **Not Applicable**
(57) Statement of Newness and Distinctiveness: **Newness and distinctiveness resides in the features of shape and/or configuration of a container as illustrated in the accompanying representations.**



- (21) Design Number: **19531/2007**
(22) Date of Filing Application: **27 August 2007**
(24) Date from which industrial property rights may have effect: **27 August 2007**
(54) Product in respect of which the design is registered: **Bottle**
(51) International Design Classification: **09-01K**
(71) Name(s) and Address(s) of Applicant(s):
McNeil-PPC Inc.
Grandview Road Skillman New Jersey 08558 United States of America
(72) Name(s) of Designer(s): **Steven Ginsberg and Barry G. Seelig and Karen Golta**
(45) Registration Date: **22 November 2007**
(30) Convention priority data:
(31) Number (32) Date (33) Country
29/273277 28 Feb 2007 UNITED STATES OF AMERICA
(56) Related Art Documents: **Not Applicable**
(57) Statement of Newness and Distinctiveness: **Newness and distinctiveness reside in the shape and configuration of the bottle shown in the accompanying representations. When considering the scope of the monopoly, those features shown in broken lines do not form part of the design and should be disregarded.**



(21) Design Number: **19532/2007**

(22) Date of Filing Application: **27 August 2007**

(24) Date from which industrial property rights may have effect: **27 August 2007**

(54) Product in respect of which the design is registered: **Milkshake beater head**

(51) International Design Classification: **31-00**

(71) Name(s) and Address(s) of Applicant(s):

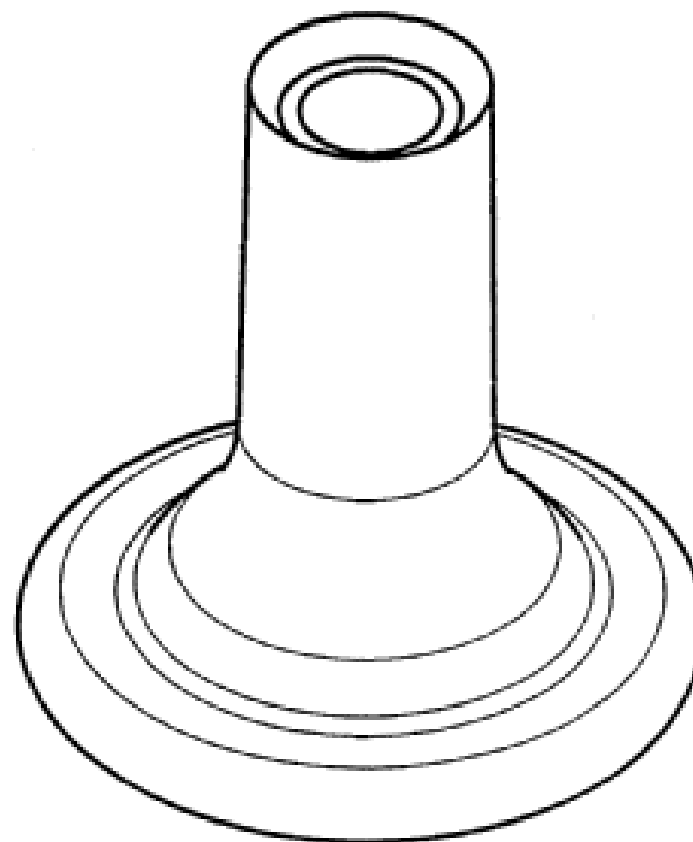
ROBAND Australia Pty Ltd
24 Middleton Road Dee Why New South Wales 2099 Australia

(72) Name(s) of Designer(s): **Paul Le Vavasseau**

(45) Registration Date: **22 November 2007**

(56) Related Art Documents: **Not Applicable**

(57) Statement of Newness and Distinctiveness: **Newness and distinctiveness is claimed in the features of shape and/or configuration of the enlarged ellipsoid end portion and surrounding integral ring of a milkshake beater head as illustrated in the accompanying representations.**



(21) Design Number: **19695/2007**

(22) Date of Filing Application: **07 September 2007**

(24) Date from which industrial property rights may have effect: **07 September 2007**

(54) Product in respect of which the design is registered: **Electric fan**

(51) International Design Classification: **23-04**

(71) Name(s) and Address(s) of Applicant(s):

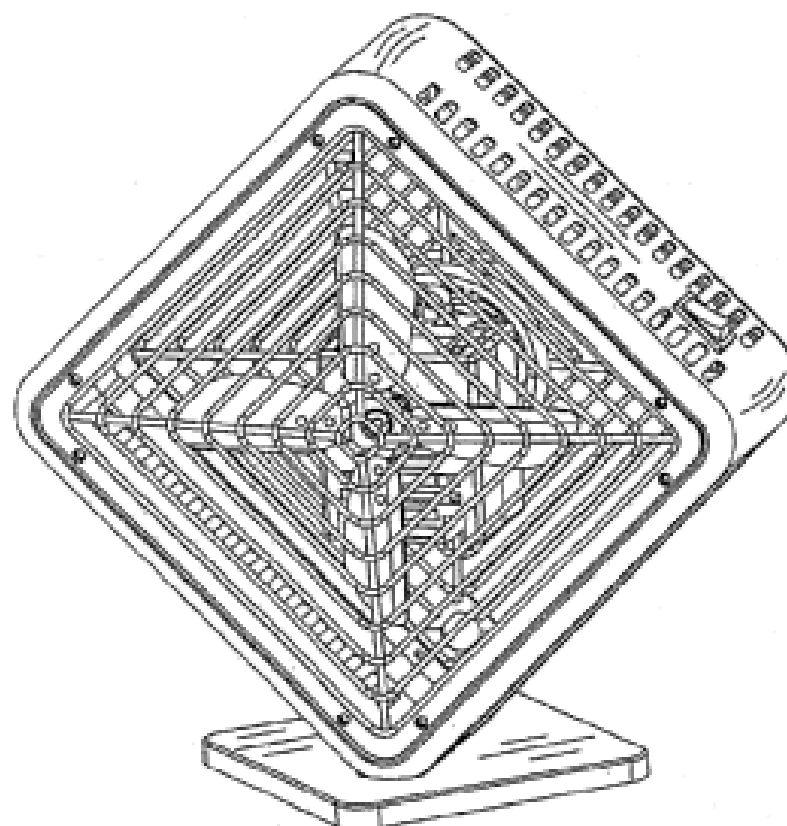
Kuei-chih Hsu
Yongmei Garden 25 Meihua Fazenda Minzhi Village Longhua town
Baoan Shenzhen China

(72) Name(s) of Designer(s): **Kuei-chih Hsu**

(45) Registration Date: **22 November 2007**

(56) Related Art Documents: **Not Applicable**

(57) Statement of Newness and Distinctiveness: **Newness and distinctiveness are claimed in the features of shape and/or configuration of an electric fan, as illustrated in the accompanying representatives.**



(21) Design Number: **19537/2007**

(22) Date of Filing Application: **27 August 2007**

(24) Date from which industrial property rights may have effect: **27 August 2007**

(54) Product in respect of which the design is registered: **Electric fan**

(51) International Design Classification: **23-04**

(71) Name(s) and Address(s) of Applicant(s):

Kuei-chih Hsu

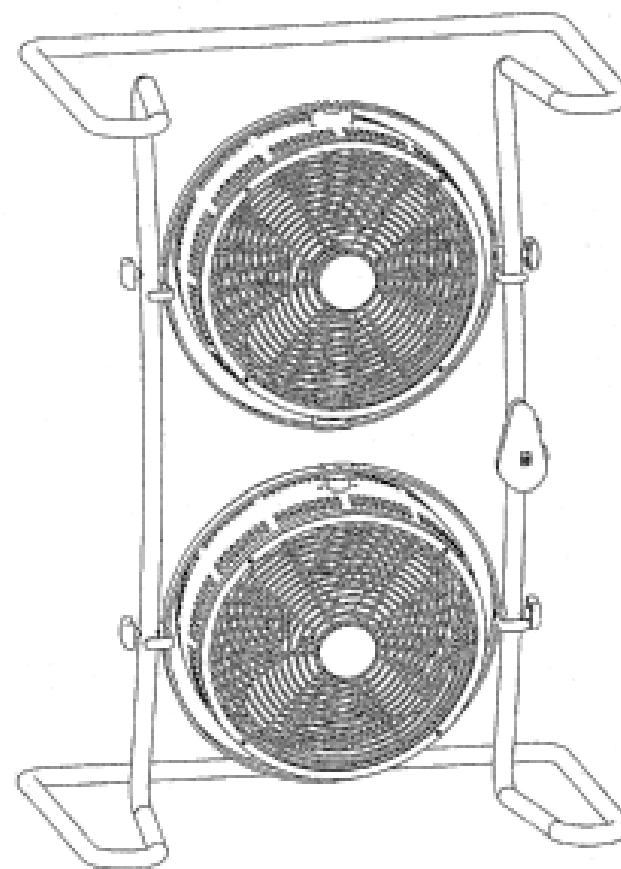
**Yongmei Garden 25 Meihua Fazenda Minzhi Village Longhua town
Baoan Shenzhen China**

(72) Name(s) of Designer(s): **Kuei-chih Hsu**

(45) Registration Date: **22 November 2007**

(56) Related Art Documents: **Not Applicable**

(57) Statement of Newness and Distinctiveness: **Newness and distinctiveness are claimed in the features of shape and/or configuration of an electric fan, as illustrated in the accompanying representatives.**



(21) Design Number: **19538/2007**

(22) Date of Filing Application: **27 August 2007**

(24) Date from which industrial property rights may have effect: **27 August 2007**

(54) Product in respect of which the design is registered: **Light fitting**

(51) International Design Classification: **26-06**

(71) Name(s) and Address(s) of Applicant(s):

Brown & Watson International Pty Ltd

3 Millennium Court Knoxfield Victoria 3179 Australia

(72) Name(s) of Designer(s): **Chris Fang and Jonathan Lionel Banks**

(45) Registration Date: **22 November 2007**

(56) Related Art Documents: **Not Applicable**

(57) Statement of Newness and Distinctiveness: **Those features of the light fitting depicted in the representations that are new and distinctive are the shape and/or configuration.**



(21) Design Number: **19539/2007**

(22) Date of Filing Application: **27 August 2007**

(24) Date from which industrial property rights may have effect: **27 August 2007**

(54) Product in respect of which the design is registered: **Lamp reflector**

(51) International Design Classification: **26-05D**

(71) Name(s) and Address(s) of Applicant(s):

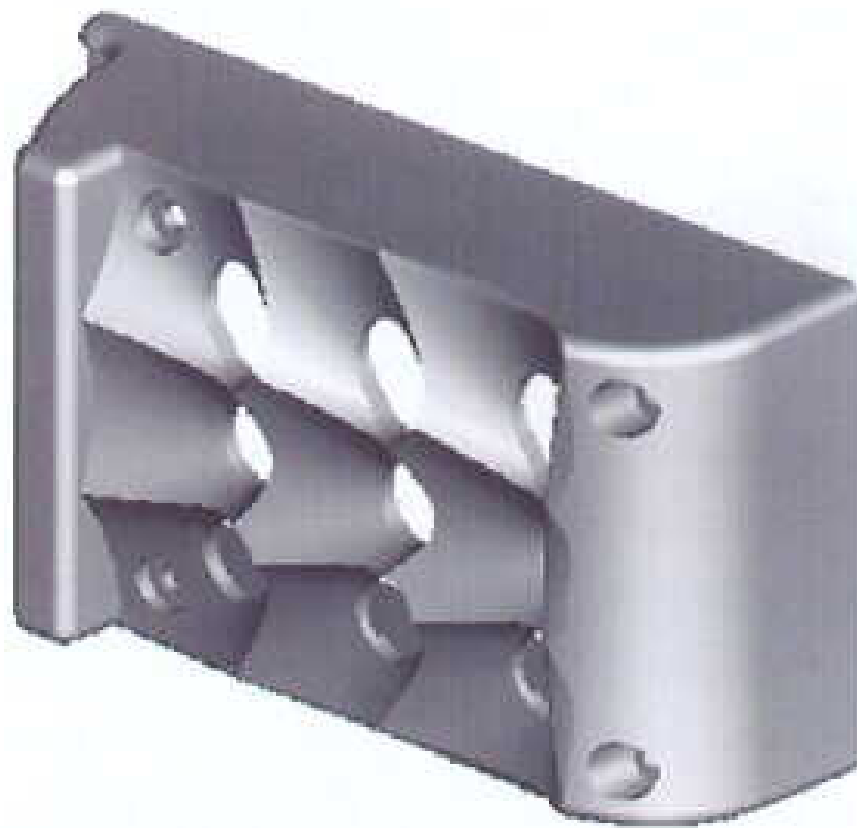
**Brown & Watson International Pty Ltd
3 Millennium Court Knoxfield Victoria 3179 Australia**

(72) Name(s) of Designer(s): **Chris Fang and Jonathan Lionel Banks**

(45) Registration Date: **22 November 2007**

(56) Related Art Documents: **Not Applicable**

(57) Statement of Newness and Distinctiveness: **Those features of the lamp reflector depicted in the representations that are new and distinctive are the shape and/or configuration.**



(21) Design Number: **19540/2007**

(22) Date of Filing Application: **27 August 2007**

(24) Date from which industrial property rights may have effect: **27 August 2007**

(54) Product in respect of which the design is registered: **Lighting unit**

(51) International Design Classification: **26-04**

(71) Name(s) and Address(s) of Applicant(s):

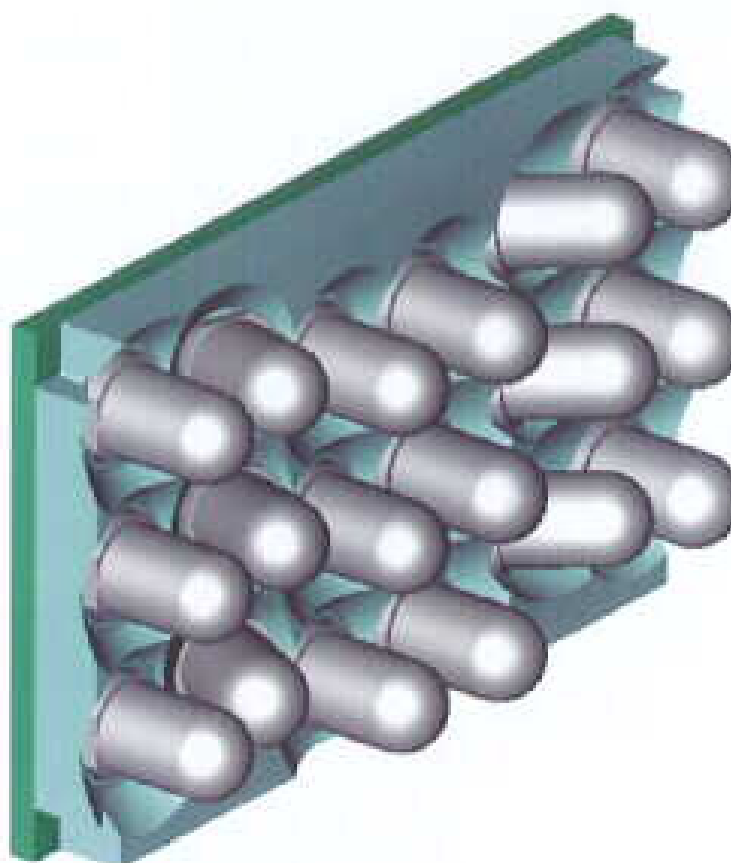
**Brown & Watson International Pty Ltd
3 Millennium Court Knoxfield Victoria 3179 Australia**

(72) Name(s) of Designer(s): **Chris Fang and Jonathan Lionel Banks**

(45) Registration Date: **22 November 2007**

(56) Related Art Documents: **Not Applicable**

(57) Statement of Newness and Distinctiveness: **Those features of the lighting unit depicted in the representations that are new and distinctive are the shape and/or configuration.**



(21) Design Number: **19541/2007**

(22) Date of Filing Application: **28 August 2007**

(24) Date from which industrial property rights may have effect: **28 August 2007**

(54) Product in respect of which the design is registered: **A vehicle wheel**

(51) International Design Classification: **12-16A**

(71) Name(s) and Address(s) of Applicant(s):

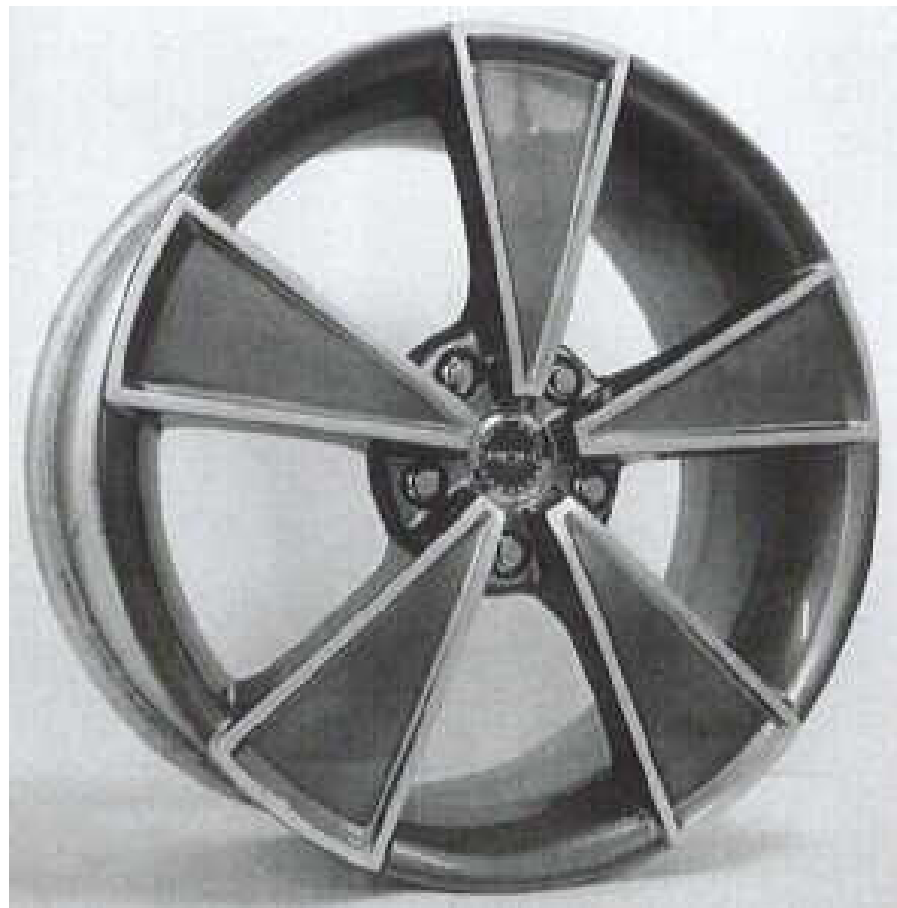
**Arrowcrest Group Pty Ltd
34 Burleigh Avenue Woodville North South Australia 5012 Australia**

(72) Name(s) of Designer(s): **Glynn Helgeson**

(45) Registration Date: **22 November 2007**

(56) Related Art Documents: **Not Applicable**

(57) Statement of Newness and Distinctiveness: **Newness and distinctiveness resides in the features of shape and configuration of a vehicle wheel as shown in the accompanying representations.**



(21) Design Number: **19432/2007**

(22) Date of Filing Application: **20 August 2007**

(24) Date from which industrial property rights may have effect: **20 August 2007**

(54) Product in respect of which the design is registered: **Compendium**

(51) International Design Classification: **19-02**

(71) Name(s) and Address(s) of Applicant(s):

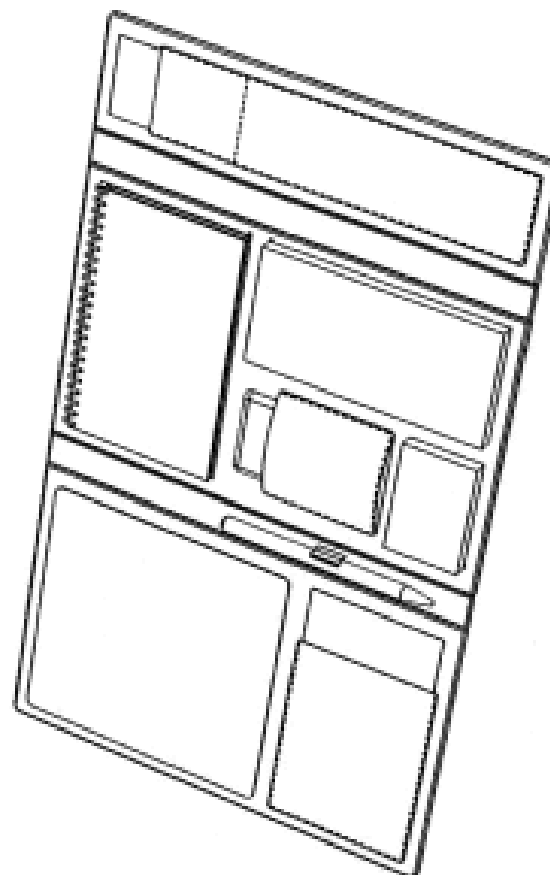
**Blue Five Design Pty Ltd
Suite 3 462 Burwood Road Hawthorn Victoria 3122 Australia**

(72) Name(s) of Designer(s): **Steve Carroll**

(45) Registration Date: **22 November 2007**

(56) Related Art Documents: **Not Applicable**

(57) Statement of Newness and Distinctiveness: **Monopoly is claimed in the shape and configuration of the compendium for use on a desk or for portable use as illustrated in the accompanying representations.**



(21) Design Number: 19513/2007

(22) Date of Filing Application: 24 August 2007

(24) Date from which industrial property rights may have effect: 24 August 2007

(54) Product in respect of which the design is registered: Golf club head

(51) International Design Classification: 21-02C

(71) Name(s) and Address(s) of Applicant(s):

Karsten Manufacturing Corporation
2201 West Desert Cove Phoenix Arizona 85029 United States of America

(72) Name(s) of Designer(s): **Marty R. Jertson and Michael R. Nicolette and Bradley D. Schweigert and Anthony D. Serrano and Xiaojian Chen**

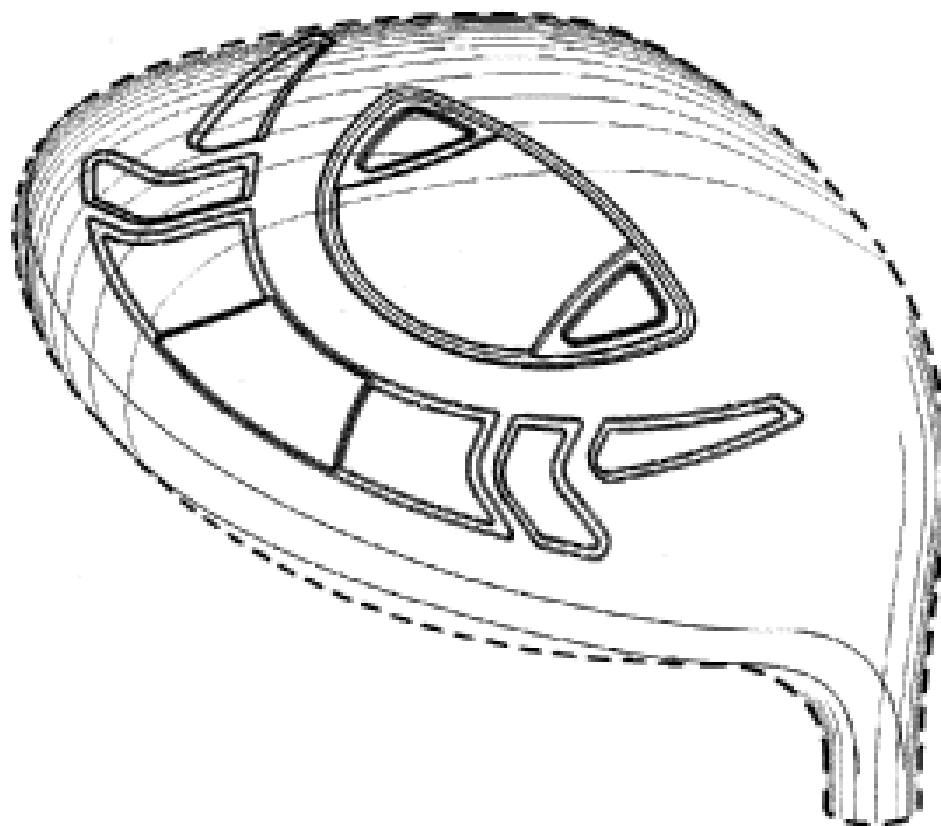
(45) Registration Date: 22 November 2007

(30) Convention priority data:

(31) Number	(32) Date	(33) Country
29/280086	16 May 2007	UNITED STATES OF AMERICA

(56) Related Art Documents: **Not Applicable**

(57) Statement of Newness and Distinctiveness: **Newness and distinctiveness is claimed in the visual features shown in solid lines in the representations.**



(21) Design Number: 19514/2007

(22) Date of Filing Application: 24 August 2007

(24) Date from which industrial property rights may have effect: 24 August 2007

(54) Product in respect of which the design is registered: Golf club head

(51) International Design Classification: 21-02C

(71) Name(s) and Address(s) of Applicant(s):

Karsten Manufacturing Corporation
2201 West Desert Cove Phoenix Arizona 85029 United States of America

(72) Name(s) of Designer(s): **Marty R. Jertson and Michael R. Nicolette and Bradley D. Schweigert and Anthony D. Serrano and Xiaojian Chen**

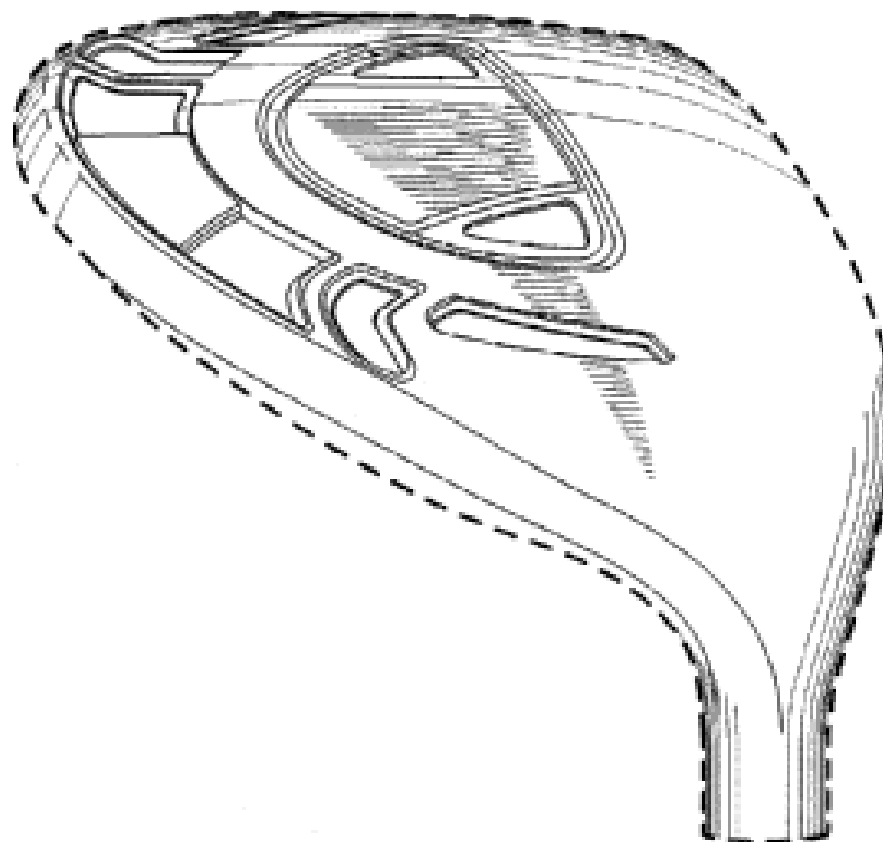
(45) Registration Date: 22 November 2007

(30) Convention priority data:

(31) Number	(32) Date	(33) Country
29/280086	16 May 2007	UNITED STATES OF AMERICA

(56) Related Art Documents: **Not Applicable**

(57) Statement of Newness and Distinctiveness: **Newness and distinctiveness is claimed in the visual features shown in solid lines in the representations.**



(21) Design Number: 19515/2007

(22) Date of Filing Application: 24 August 2007

(24) Date from which industrial property rights may have effect: 24 August 2007

(54) Product in respect of which the design is registered: Golf club head

(51) International Design Classification: 21-02C

(71) Name(s) and Address(s) of Applicant(s):

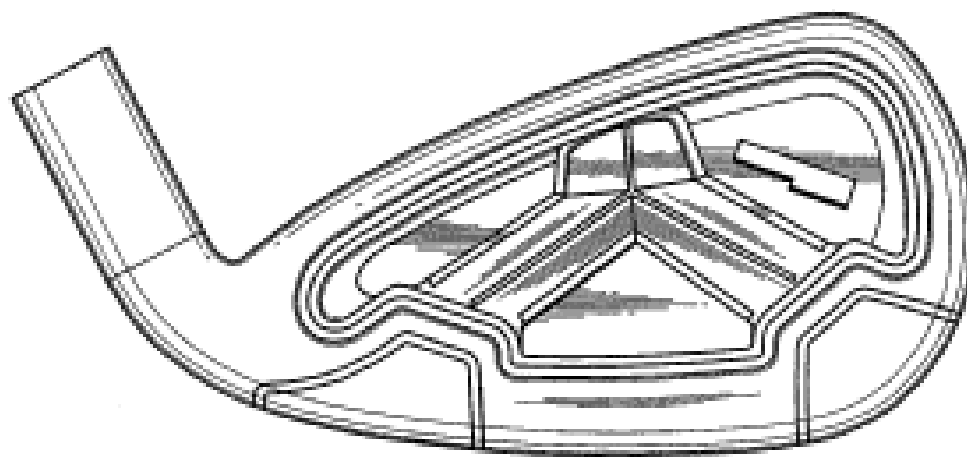
Callaway Golf Company
2180 Rutherford Road Carlsbad California 92008-7328 United States of America

(72) Name(s) of Designer(s): Philip G. Foster and Luke R. Williams and Chris J. Wieland and Mark Noyles

(45) Registration Date: 22 November 2007

(56) Related Art Documents: Not Applicable

(57) Statement of Newness and Distinctiveness: Newness and distinctiveness is claimed in those features of shape and/or configuration of a golf club head illustrated in continuous lines in the accompanying representations.



(21) Design Number: 19516/2007

(22) Date of Filing Application: 27 August 2007

(24) Date from which industrial property rights may have effect: 27 August 2007

(54) Product in respect of which the design is registered: Coffee press double wall

(51) International Design Classification: 07-02L

(71) Name(s) and Address(s) of Applicant(s):

Pi-Design AG
Kantonstrasse 100 Postfach 463 CH-6234 Triengen Switzerland

(72) Name(s) of Designer(s): Jorgen Bodum

(45) Registration Date: 22 November 2007

(30) Convention priority data:

(31) Number	(32) Date	(33) Country
DA 2007 00057	06 Mar 2007	DENMARK

(56) Related Art Documents: Not Applicable

(57) Statement of Newness and Distinctiveness: Nil



(21) Design Number: **19520/2007**

(22) Date of Filing Application: **24 August 2007**

(24) Date from which industrial property rights may have effect: **24 August 2007**

(54) Product in respect of which the design is registered: **A tap handle**

(51) International Design Classification: **23-01H**

(71) Name(s) and Address(s) of Applicant(s):

Newfrey LLC

1207 Drummond Plaza Newark Delaware 19711 United States of America

(72) Name(s) of Designer(s): **Aaron Hanna**

(45) Registration Date: **22 November 2007**

(30) Convention priority data:

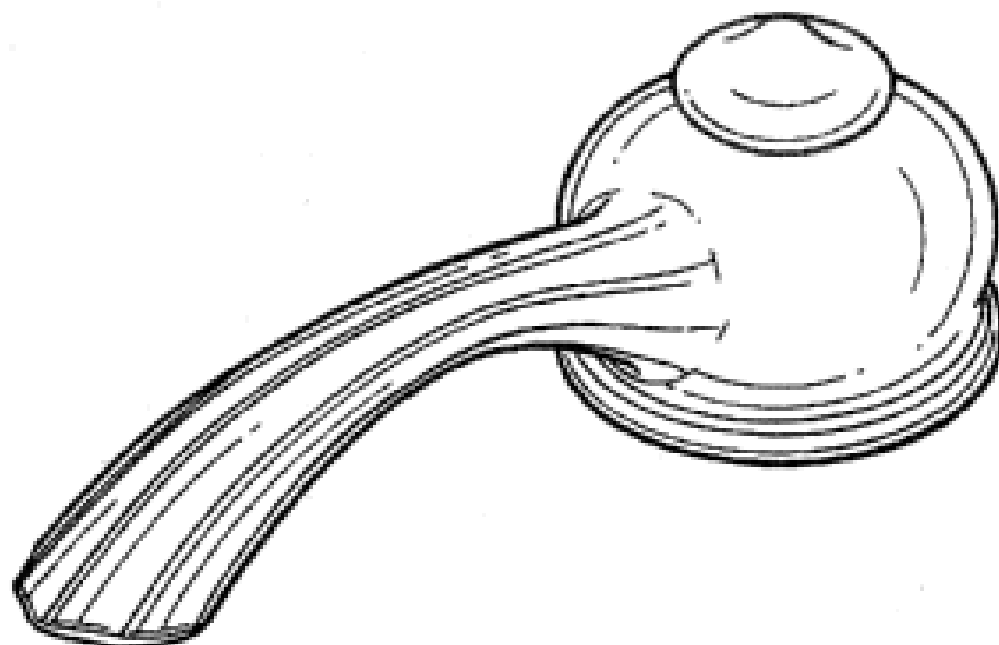
(31) Number
29273221

(32) Date
28 Feb 2007

(33) Country
UNITED STATES OF AMERICA

(56) Related Art Documents: **Not Applicable**

(57) Statement of Newness and Distinctiveness: **Newness and distinctiveness is claimed in the visual features shown in solid lines in the representations.**



(21) Design Number: **19521/2007**

(22) Date of Filing Application: **24 August 2007**

(24) Date from which industrial property rights may have effect: **24 August 2007**

(54) Product in respect of which the design is registered: **Fruitbowl - bowl - platter**

(51) International Design Classification: **07-01B**

(71) Name(s) and Address(s) of Applicant(s):

Ian Reid

209 McKean Street North Fitzroy Melbourne Victoria 3068 Australia

(72) Name(s) of Designer(s): **Ian Reid**

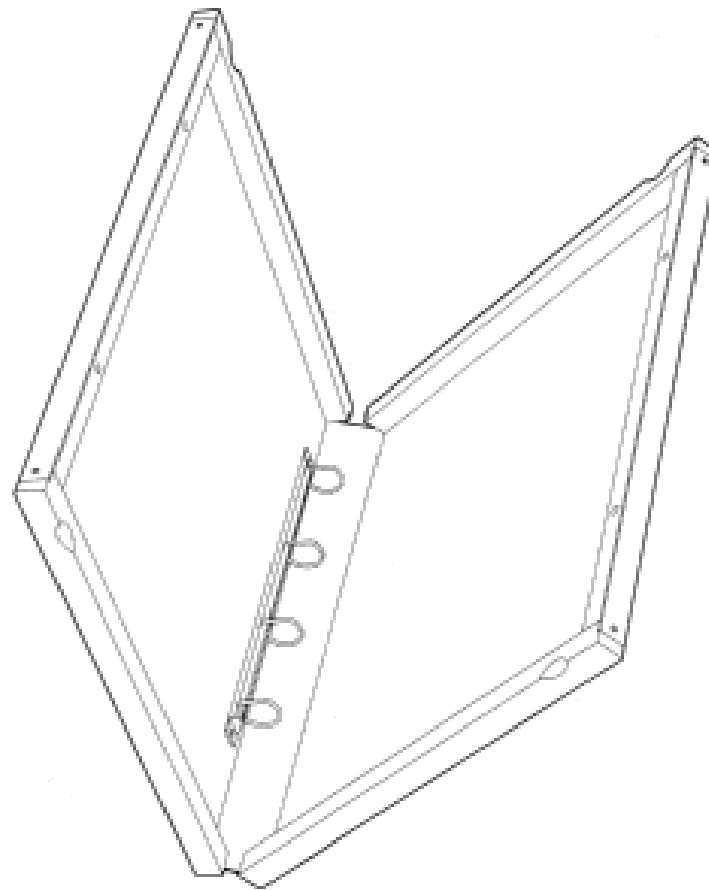
(45) Registration Date: **22 November 2007**

(56) Related Art Documents: **Not Applicable**

(57) Statement of Newness and Distinctiveness: **The form and configuration of the bowl is new and distinctive, specifically the shape and alignment of the 2 components that create the bowl.**

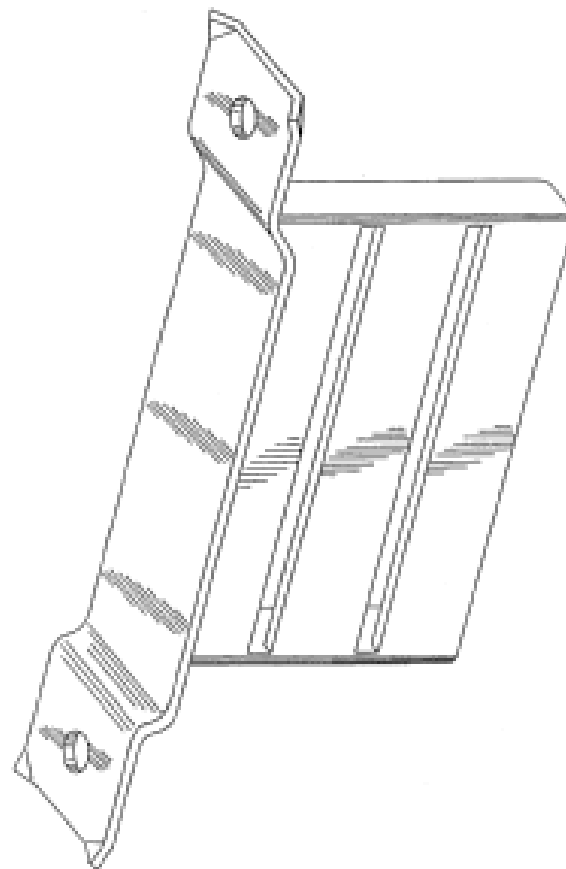


- (21) Design Number: **18553/2007**
- (22) Date of Filing Application: **22 June 2007**
- (24) Date from which industrial property rights may have effect: **22 June 2007**
- (54) Product in respect of which the design is registered: **Foliocase**
- (51) International Design Classification: **19-04**
- (71) Name(s) and Address(s) of Applicant(s):
Campbell Boyer
56 Boyers Lane Narrawong Victoria 3285 Australia
- (72) Name(s) of Designer(s): **Campbell Boyer**
- (45) Registration Date: **22 November 2007**
- (56) Related Art Documents: **Not Applicable**
- (57) Statement of Newness and Distinctiveness: **Exposed trim on 2/4 edges. Small fixing screws x 4 visible on product exterior. Small round finger-holes x 2 on exposed trim. Radii of approx 2mm on 4 exterior edges.**



- (21) Design Number: **18568/2007**
- (22) Date of Filing Application: **22 June 2007**
- (24) Date from which industrial property rights may have effect: **22 June 2007**
- (54) Product in respect of which the design is registered: **Post bracket and attaching buckle**
- (51) International Design Classification: **08-08K**
- (71) Name(s) and Address(s) of Applicant(s):
John Wall, Inc.
440 West Greene Street Carmichaels Pennsylvania 15320 United States of America
- (72) Name(s) of Designer(s): **John R. Wall**
- (45) Registration Date: **22 November 2007**
- (30) Convention priority data:

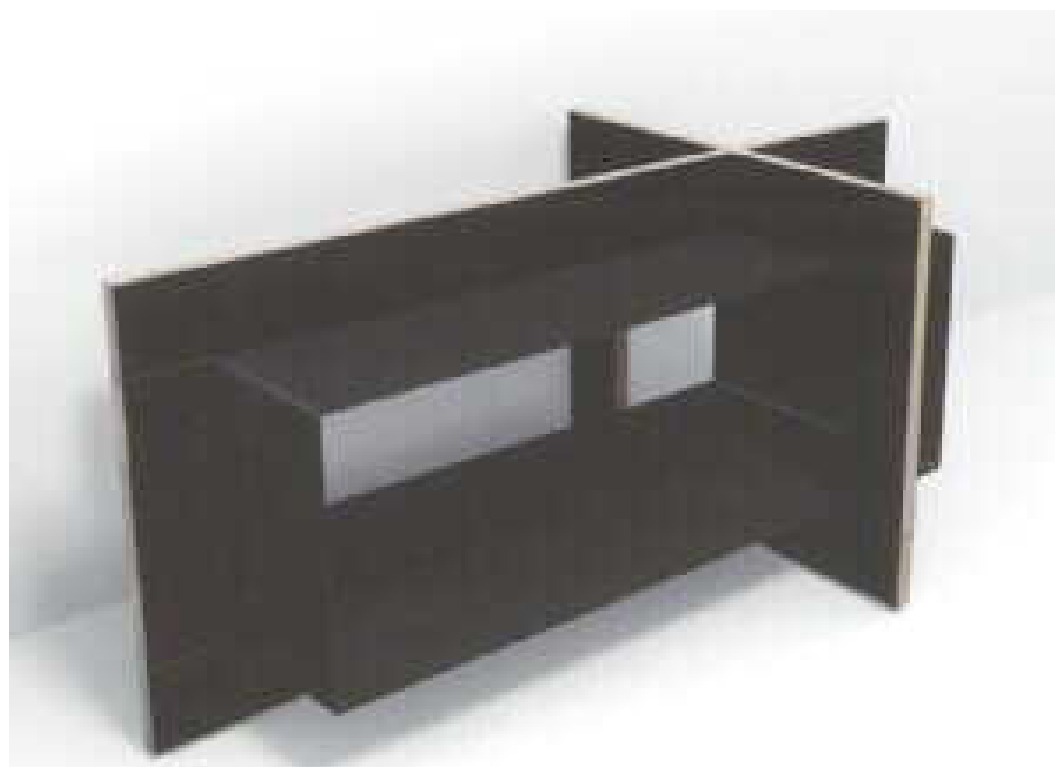
(31) Number	(32) Date	(33) Country
29270490	22 Dec 2006	UNITED STATES OF AMERICA
- (56) Related Art Documents: **Not Applicable**
- (57) Statement of Newness and Distinctiveness: **Newness and distinctiveness is claimed in the visual features shown in solid lines in the representations.**



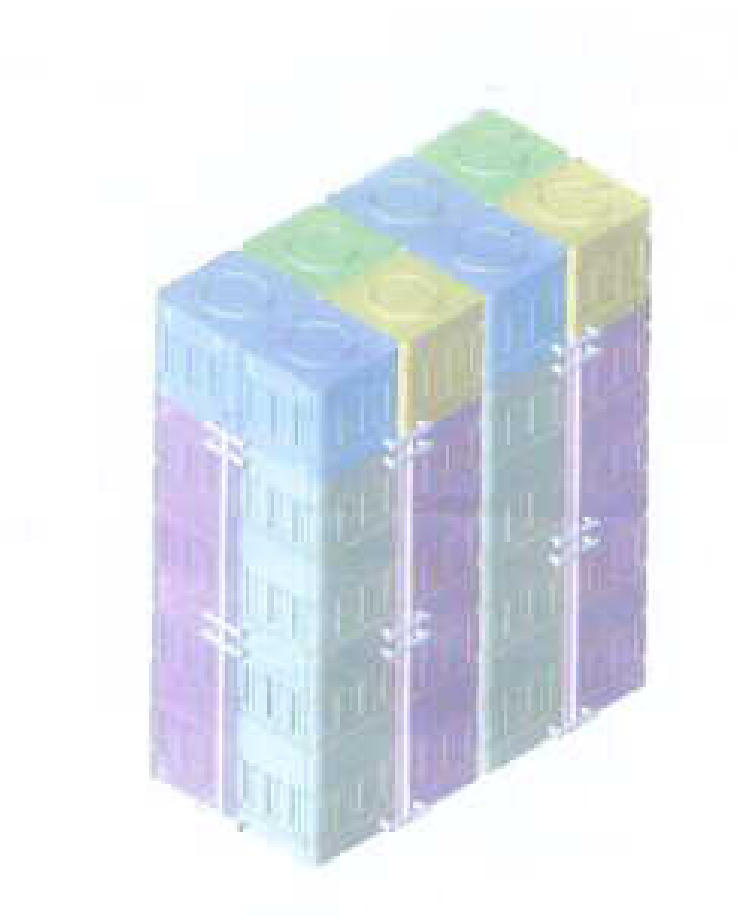
- (21) Design Number: **18719/2007**
(22) Date of Filing Application: **06 July 2007**
(24) Date from which industrial property rights may have effect: **06 July 2007**
(54) Product in respect of which the design is registered: **Lounge and reclining chair**
(51) International Design Classification: **06-01G**
(71) Name(s) and Address(s) of Applicant(s):
Campbell Boyer
56 Boyers Lane Narrawong Victoria 3285 Australia
(72) Name(s) of Designer(s): **Campbell Boyer**
(45) Registration Date: **22 November 2007**
(56) Related Art Documents: **Not Applicable**
(57) Statement of Newness and Distinctiveness: **Singular folded plane that borders small rectangular inserts. Supported by triangulated base.**



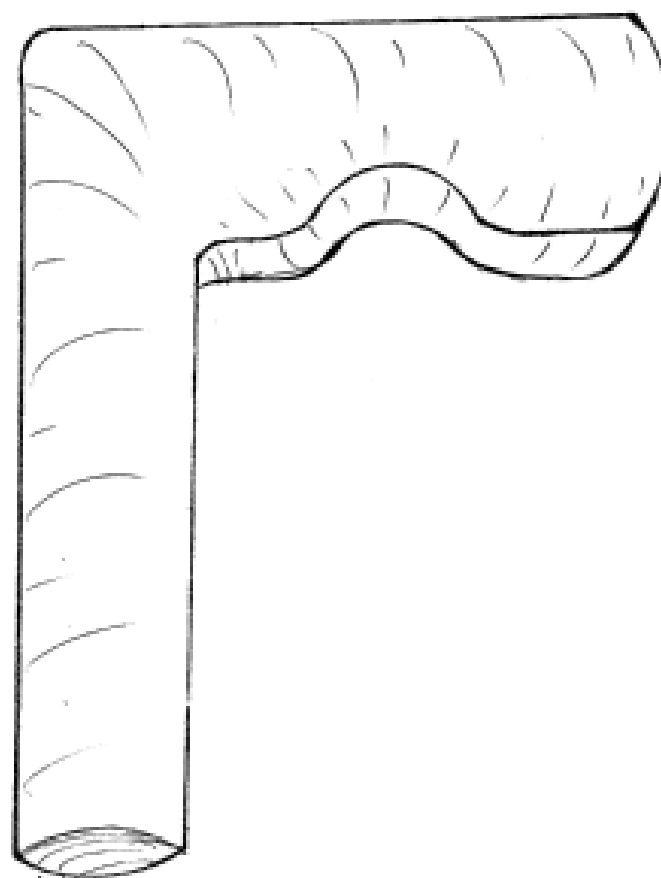
- (21) Design Number: **18720/2007**
(22) Date of Filing Application: **06 July 2007**
(24) Date from which industrial property rights may have effect: **06 July 2007**
(54) Product in respect of which the design is registered: **Shelving/storage system**
(51) International Design Classification: **06-04NES**
(71) Name(s) and Address(s) of Applicant(s):
Campbell Boyer
56 Boyers Lane Narrawong Victoria 3285 Australia
(72) Name(s) of Designer(s): **Campbell Boyer**
(45) Registration Date: **22 November 2007**
(56) Related Art Documents: **Not Applicable**
(57) Statement of Newness and Distinctiveness: **Thin strips of material positioned with longest axis perpendicular to the interior panel cladding. Two rectangular frames, interlocking around a thin interior cladding.**



- (21) Design Number: **18756/2007**
(22) Date of Filing Application: **09 July 2007**
(24) Date from which industrial property rights may have effect: **09 July 2007**
(54) Product in respect of which the design is registered: **Water tank**
(51) International Design Classification: **23-01F**
(71) Name(s) and Address(s) of Applicant(s):
Tony Cheng
18 Droop Street Footscray Victoria 3011 Australia
(72) Name(s) of Designer(s): **Tony Cheng**
(45) Registration Date: **22 November 2007**
(56) Related Art Documents: **Not Applicable**
(57) Statement of Newness and Distinctiveness: **The tank is stackable and joinable horizontally with special piping features.**



- (21) Design Number: **19217/2007**
(22) Date of Filing Application: **08 August 2007**
(24) Date from which industrial property rights may have effect: **08 August 2007**
(54) Product in respect of which the design is registered: **Bed buddie (pillow)**
(51) International Design Classification: **06-09**
(71) Name(s) and Address(s) of Applicant(s):
Richard Dixon
14 Kate Court Langwarrin Victoria 3910 Australia
(72) Name(s) of Designer(s): **Richard Dixon**
(45) Registration Date: **22 November 2007**
(56) Related Art Documents: **Not Applicable**
(57) Statement of Newness and Distinctiveness: **The design of this "bed buddie" is a snug design that you almost wear when you are lying down, the longtail is designed to give total comfort strong back support, a lot more warmth stopping any draughts. It is also designed to give children something to cuddle.**



- (21) Design Number: **19445/2007**
- (22) Date of Filing Application: **22 August 2007**
- (24) Date from which industrial property rights may have effect: **22 August 2007**
- (54) Product in respect of which the design is registered: **RWMA-PC Expansion joint polished concrete**
- (51) International Design Classification: **25-01NES**
- (71) Name(s) and Address(s) of Applicant(s):

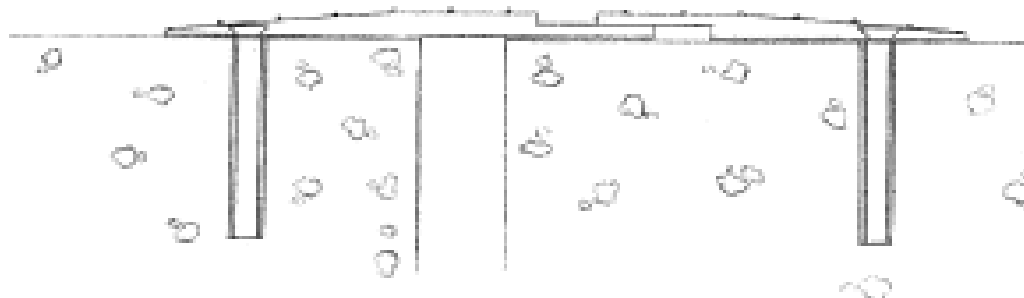
Miska Pty Ltd
75 Colebard Street West Acacia Ridge Queensland 4110 Australia

(72) Name(s) of Designer(s): **Employees of Miska Pty Ltd**

(45) Registration Date: **22 November 2007**

(56) Related Art Documents: **Not Applicable**

(57) Statement of Newness and Distinctiveness: **In their current form expansion joints for smooth surfaces rely on an edge up to which the surface covering is introduced or alternatively they have to be cast into the concrete either at the time of pouring or by means of a "block out" which is filled by another material at the time of installation of the joint. If a block out is used it can unsightly and unsuitable for polished finishes. The RWMA-PC overcomes this to allowing a full strength, engineered expansion joint which will avoid buckling and trip hazards. Because it can be installed after the polishing or installation of the final surface it greatly reduces the time required for installation and the current need for specialised trades.**



- (21) Design Number: **19495/2007**
- (22) Date of Filing Application: **23 August 2007**
- (24) Date from which industrial property rights may have effect: **23 August 2007**
- (54) Product in respect of which the design is registered: **Perforated ball containing disinfectants, for use in washing machines**
- (51) International Design Classification: **07-05NES**
- (71) Name(s) and Address(s) of Applicant(s):

Smart Fiber AG
Prof-Hermann-Klare-Str. 23 07407 Rudolstadt Germany

(72) Name(s) of Designer(s): **Bernhard Schablinger**

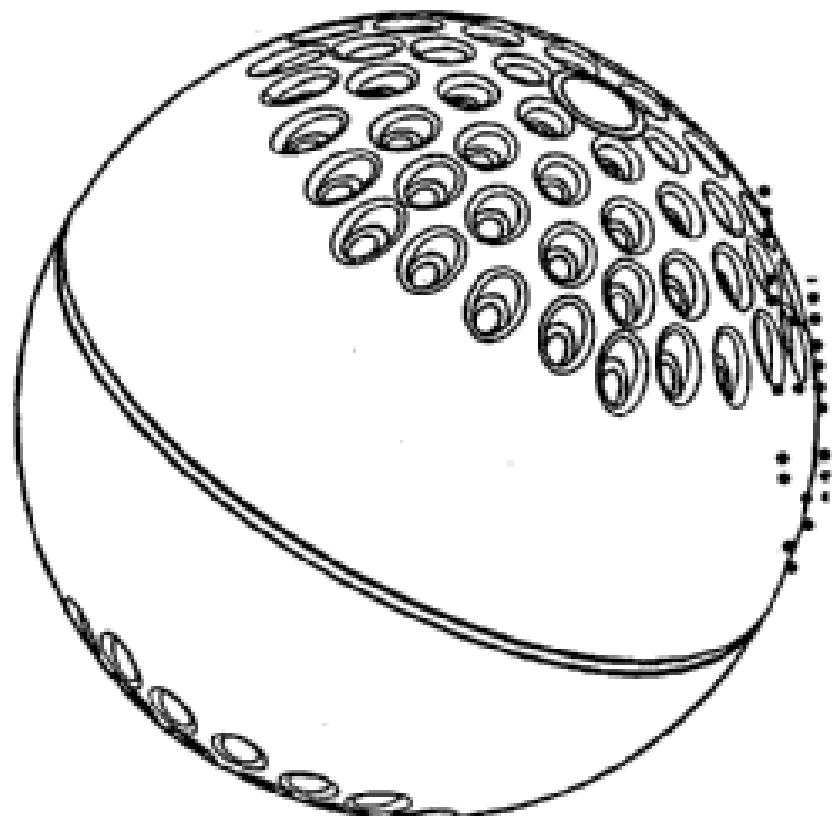
(45) Registration Date: **22 November 2007**

(30) Convention priority data:

(31) Number	(32) Date	(33) Country
679 576	28 Feb 2007	EUROPEAN COMMUNITY

(56) Related Art Documents: **Not Applicable**

(57) Statement of Newness and Distinctiveness: **Newness and distinctiveness is claimed in the features of shape and/or configuration of a perforated ball containing disinfectants, for use in washing machines as illustrated in the accompanying representations.**



(21) Design Number: **19497/2007**

(22) Date of Filing Application: **24 August 2007**

(24) Date from which industrial property rights may have effect: **24 August 2007**

(54) Product in respect of which the design is registered: **Bottle opener**

(51) International Design Classification: **07-06D**

(71) Name(s) and Address(s) of Applicant(s):

Joel Raymond Noble

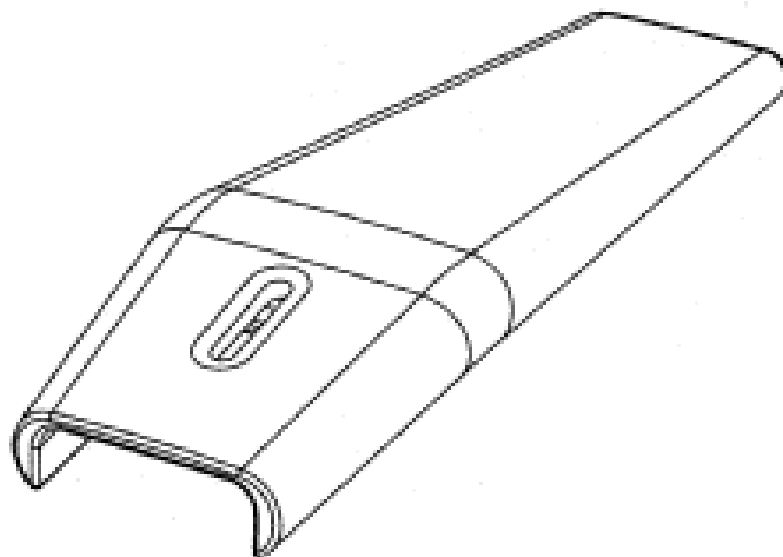
40 Warwick Road Ipswich Queensland 4305 Australia

(72) Name(s) of Designer(s): **Joel Raymond Noble**

(45) Registration Date: **22 November 2007**

(56) Related Art Documents: **Not Applicable**

(57) Statement of Newness and Distinctiveness: **Nil**



(21) Design Number: **19499/2007**

(22) Date of Filing Application: **24 August 2007**

(24) Date from which industrial property rights may have effect: **24 August 2007**

(54) Product in respect of which the design is registered: **A spouting connector**

(51) International Design Classification: **23-01A**

(71) Name(s) and Address(s) of Applicant(s):

Roy McKay Watson

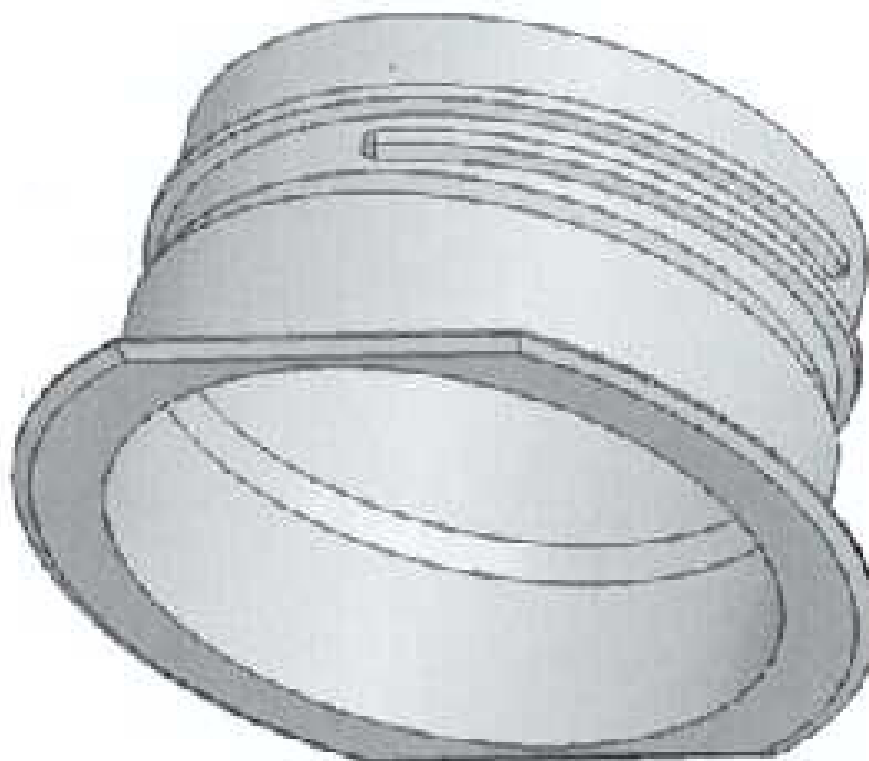
149B Park Road Palmerston North New Zealand

(72) Name(s) of Designer(s): **Roy McKay Watson**

(45) Registration Date: **22 November 2007**

(56) Related Art Documents: **Not Applicable**

(57) Statement of Newness and Distinctiveness: **Nil**



(21) Design Number: **19500/2007**
(22) Date of Filing Application: **24 August 2007**
(24) Date from which industrial property rights may have effect: **24 August 2007**
(54) Product in respect of which the design is registered: **Laundry cabinet**
(51) International Design Classification: **07-05B**
(71) Name(s) and Address(s) of Applicant(s):

Robinhood Limited
Level 17 10 Customhouse Quay Wellington New Zealand

(72) Name(s) of Designer(s): **James Powell**

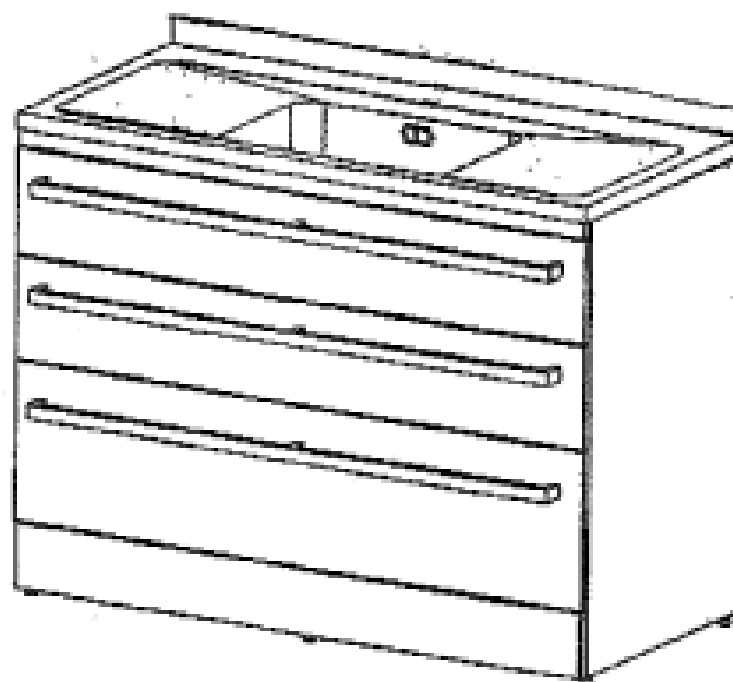
(45) Registration Date: **22 November 2007**

(30) Convention priority data:

(31) Number	(32) Date	(33) Country
409106	10 May 2007	NEW ZEALAND

(56) Related Art Documents: **Not Applicable**

(57) Statement of Newness and Distinctiveness: **Nil**



(21) Design Number: **19512/2007**
(22) Date of Filing Application: **24 August 2007**
(24) Date from which industrial property rights may have effect: **24 August 2007**
(54) Product in respect of which the design is registered: **Golf club head**
(51) International Design Classification: **21-02C**
(71) Name(s) and Address(s) of Applicant(s):

Karsten Manufacturing Corporation
2201 West Desert Cove Phoenix Arizona 85029 United States of America

(72) Name(s) of Designer(s): **Marty R. Jertson and Michael R. Nicolette and Bradley D. Schweigert and Anthony D. Serrano and Xiaojian Chen**

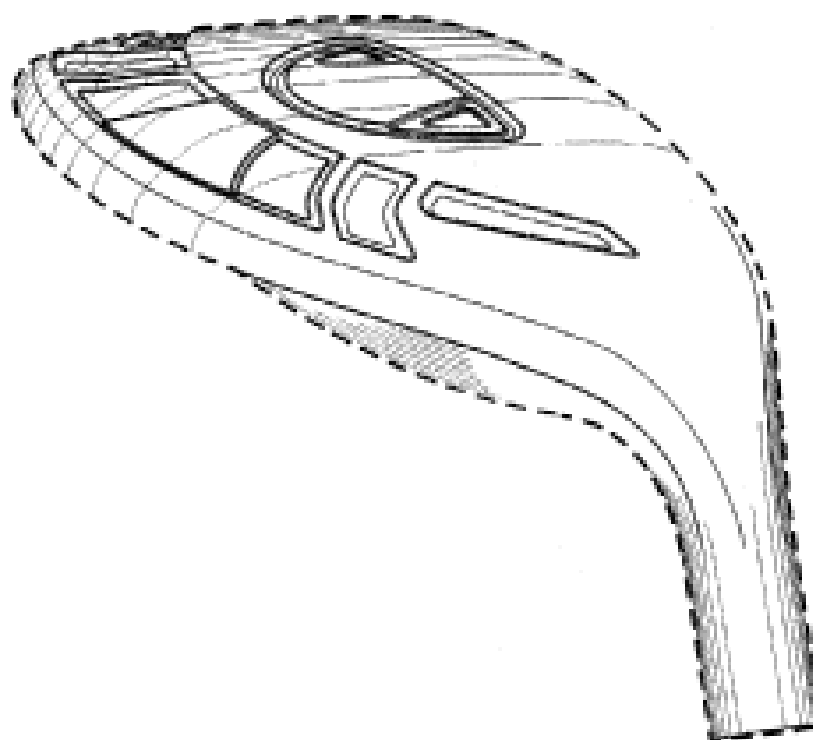
(45) Registration Date: **22 November 2007**

(30) Convention priority data:

(31) Number	(32) Date	(33) Country
29/280086	16 May 2007	UNITED STATES OF AMERICA

(56) Related Art Documents: **Not Applicable**

(57) Statement of Newness and Distinctiveness: **Newness and distinctiveness is claimed in the visual features shown in solid lines in the representations.**



(21) Design Number: **19561/2007**

(22) Date of Filing Application: **30 August 2007**

(24) Date from which industrial property rights may have effect: **30 August 2007**

(54) Product in respect of which the design is registered: **Power saver**

(51) International Design Classification: **13-03NES**

(71) Name(s) and Address(s) of Applicant(s):

**Auscha Corporation Pty Ltd
Unit D1 46-62 Maddox Street Alexandria New South Wales 2015
Australia**

(72) Name(s) of Designer(s): **Raj N. Rajkumar**

(45) Registration Date: **22 November 2007**

(56) Related Art Documents: **Not Applicable**

(57) Statement of Newness and Distinctiveness: **Power saver unit with power indicator.**



(21) Design Number: **19644/2007**

(22) Date of Filing Application: **06 September 2007**

(24) Date from which industrial property rights may have effect: **06 September 2007**

(54) Product in respect of which the design is registered: **Reuseable envelope**

(51) International Design Classification: **19-01**

(71) Name(s) and Address(s) of Applicant(s):

**Nicole Maree Golland
22 Ronald Avenue South Morang Melbourne 3752**

(72) Name(s) of Designer(s): **Nicole Maree Golland**

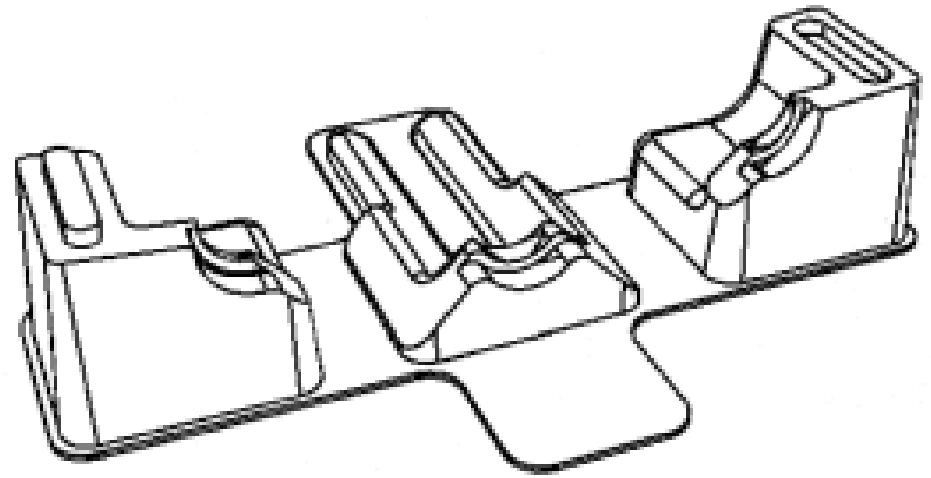
(45) Registration Date: **22 November 2007**

(56) Related Art Documents: **Not Applicable**

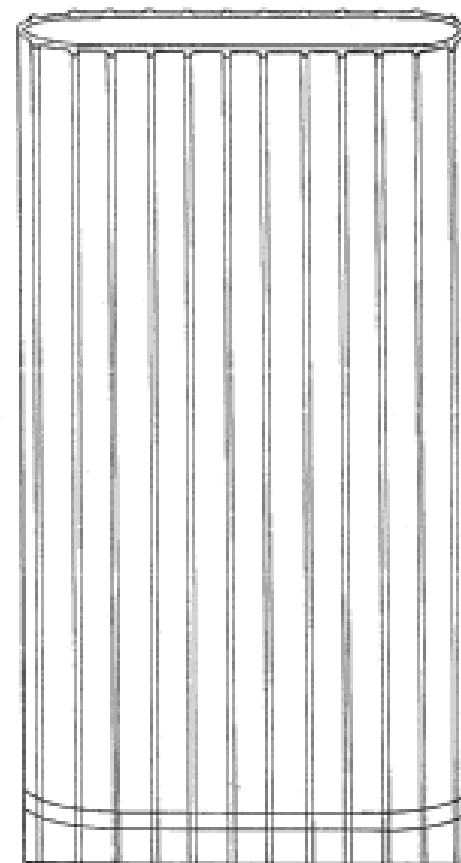
(57) Statement of Newness and Distinctiveness: **Made from enviromentally friendly cotton with provision for business sized card for identification.**



(21) Design Number: **19820/2007**
(22) Date of Filing Application: **21 September 2007**
(24) Date from which industrial property rights may have effect: **21 September 2007**
(54) Product in respect of which the design is registered: **Corer blade package**
(51) International Design Classification: **09-05**
(71) Name(s) and Address(s) of Applicant(s):
Ventrassist Pty Ltd
126 Greville Street Chatswood New South Wales 2067 Australia
(72) Name(s) of Designer(s): **Michael Brian Bender and Damian Matthew Harris**
(45) Registration Date: **22 November 2007**
(30) Convention priority data:
(31) Number (32) Date (33) Country
29/282,559 24 Jul 2007 UNITED STATES OF AMERICA
(56) Related Art Documents: **Not Applicable**
(57) Statement of Newness and Distinctiveness: **Nil**



(21) Design Number: **16195/2007**
(22) Date of Filing Application: **31 January 2007**
(24) Date from which industrial property rights may have effect: **31 January 2007**
(54) Product in respect of which the design is registered: **Pill crusher pouch**
(51) International Design Classification: **28-99**
(71) Name(s) and Address(s) of Applicant(s):
Tiger Medical Products (US), Inc
17328 Ventura Boulevard #245 Encino CA 91316 United States of America
(72) Name(s) of Designer(s): **Mark Engel and Song Yang and Xuebo Wang and Qinlin Bao**
(45) Registration Date: **27 November 2007**
(56) Related Art Documents: **Not Applicable**
(57) Statement of Newness and Distinctiveness: **Visual features of the design which are new and distinctive are the features of shape and configuration of the pill crusher pouch as illustrated in the representations.**



(21) Design Number: **19171/2007**
(22) Date of Filing Application: **03 August 2007**
(24) Date from which industrial property rights may have effect: **03 August 2007**
(54) Product in respect of which the design is registered: **Ladies clothin garments**
(51) International Design Classification: **02-02C**
(71) Name(s) and Address(s) of Applicant(s):
Lolitta Clothing Pty Ltd
11 Albert Street Richmond Victoria 3121 Australia
(72) Name(s) of Designer(s): **Tamara Mond**
(45) Registration Date: **27 November 2007**
(56) Related Art Documents: **Not Applicable**
(57) Statement of Newness and Distinctiveness: **Nil**



(21) Design Number: **20904/2007**
(22) Date of Filing Application: **03 August 2007**
(24) Date from which industrial property rights may have effect: **03 August 2007**
(54) Product in respect of which the design is registered: **Ladies clothin garments**
(51) International Design Classification: **02-02C**
(71) Name(s) and Address(s) of Applicant(s):
Lolitta Clothing Pty Ltd
11 Albert Street Richmond Victoria 3121 Australia
(72) Name(s) of Designer(s): **Tamara Mond**
(45) Registration Date: **27 November 2007**
(56) Related Art Documents: **Not Applicable**
(57) Statement of Newness and Distinctiveness: **Nil**



(21) Design Number: **20905/2007**
(22) Date of Filing Application: **03 August 2007**
(24) Date from which industrial property rights may have effect: **03 August 2007**
(54) Product in respect of which the design is registered: **Ladies clothin garments**
(51) International Design Classification: **02-02NES**
(71) Name(s) and Address(s) of Applicant(s):
Lolitta Clothing Pty Ltd
11 Albert Street Richmond Victoria 3121 Australia
(72) Name(s) of Designer(s): **Tamara Mond**
(45) Registration Date: **27 November 2007**
(56) Related Art Documents: **Not Applicable**
(57) Statement of Newness and Distinctiveness: **Nil**



(21) Design Number: **20906/2007**
(22) Date of Filing Application: **03 August 2007**
(24) Date from which industrial property rights may have effect: **03 August 2007**
(54) Product in respect of which the design is registered: **Ladies clothin garments**
(51) International Design Classification: **02-02C**
(71) Name(s) and Address(s) of Applicant(s):
Lolitta Clothing Pty Ltd
11 Albert Street Richmond Victoria 3121 Australia
(72) Name(s) of Designer(s): **Tamara Mond**
(45) Registration Date: **27 November 2007**
(56) Related Art Documents: **Not Applicable**
(57) Statement of Newness and Distinctiveness: **Nil**



(21) Design Number: **19192/2007**

(22) Date of Filing Application: **06 August 2007**

(24) Date from which industrial property rights may have effect: **06 August 2007**

(54) Product in respect of which the design is registered: **Concrete pavers**

(51) International Design Classification: **25-01A**

(71) Name(s) and Address(s) of Applicant(s):

Troy Rodney Lyons

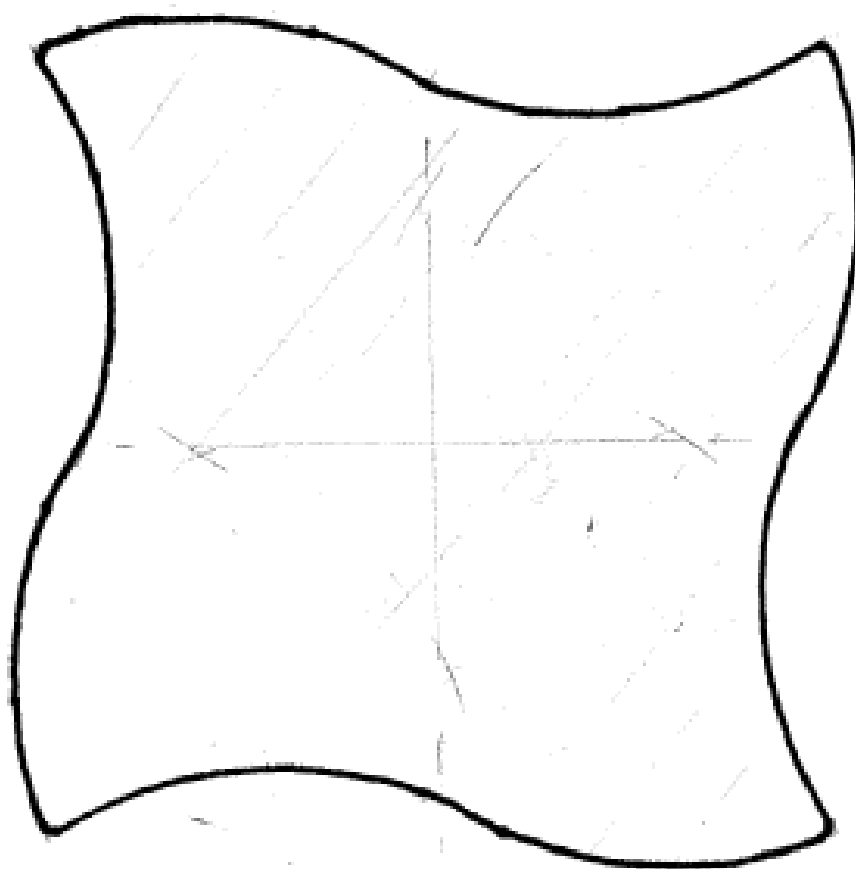
4 Scarlet Mews Quinns Rock Western Australia 6030 Australia

(72) Name(s) of Designer(s): **Troy Rodney Lyons**

(45) Registration Date: **27 November 2007**

(56) Related Art Documents: **Not Applicable**

(57) Statement of Newness and Distinctiveness: **Distinctive shape as per drawing with variation to include scaled versions of either larger or smaller size.**



(21) Design Number: **19738/2007**

(22) Date of Filing Application: **17 September 2007**

(24) Date from which industrial property rights may have effect: **17 September 2007**

(54) Product in respect of which the design is registered: **Umbrella parts**

(51) International Design Classification: **03-03**

(71) Name(s) and Address(s) of Applicant(s):

M & J Direct Imports Pty Ltd

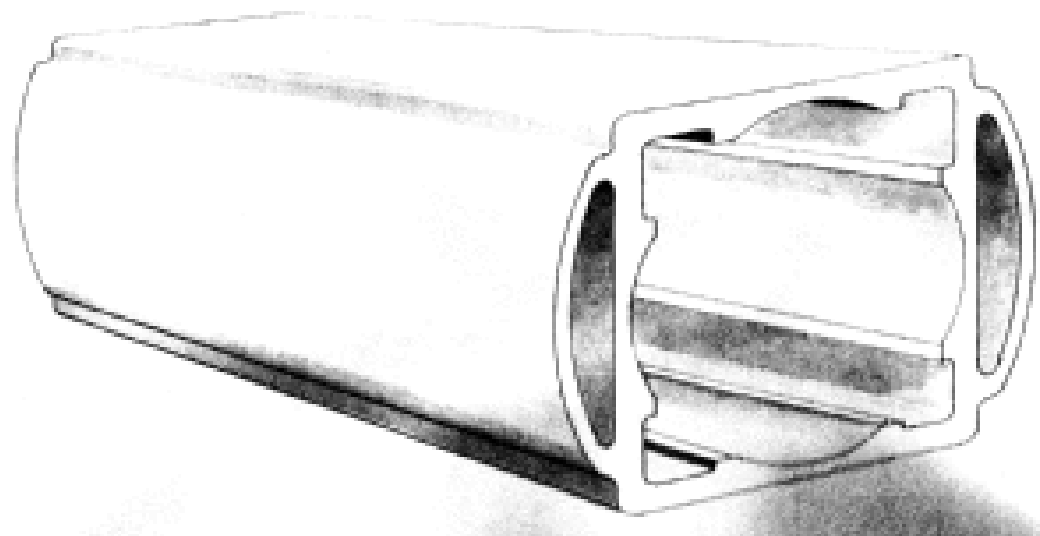
PO Box 2159 Burleigh DC Queensland 4220 Australia

(72) Name(s) of Designer(s): **John Edward Broughton and Michael William Retallick**

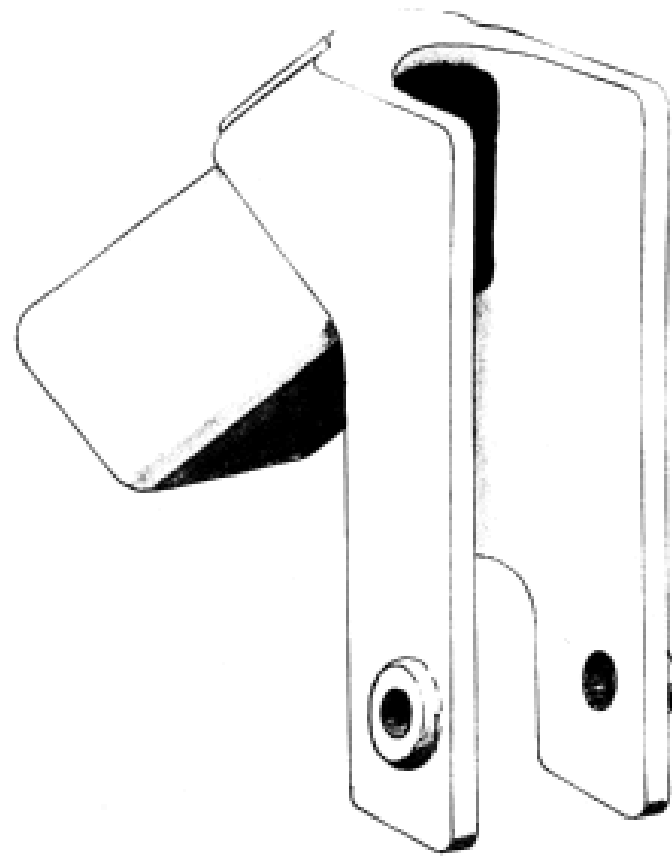
(45) Registration Date: **27 November 2007**

(56) Related Art Documents: **Not Applicable**

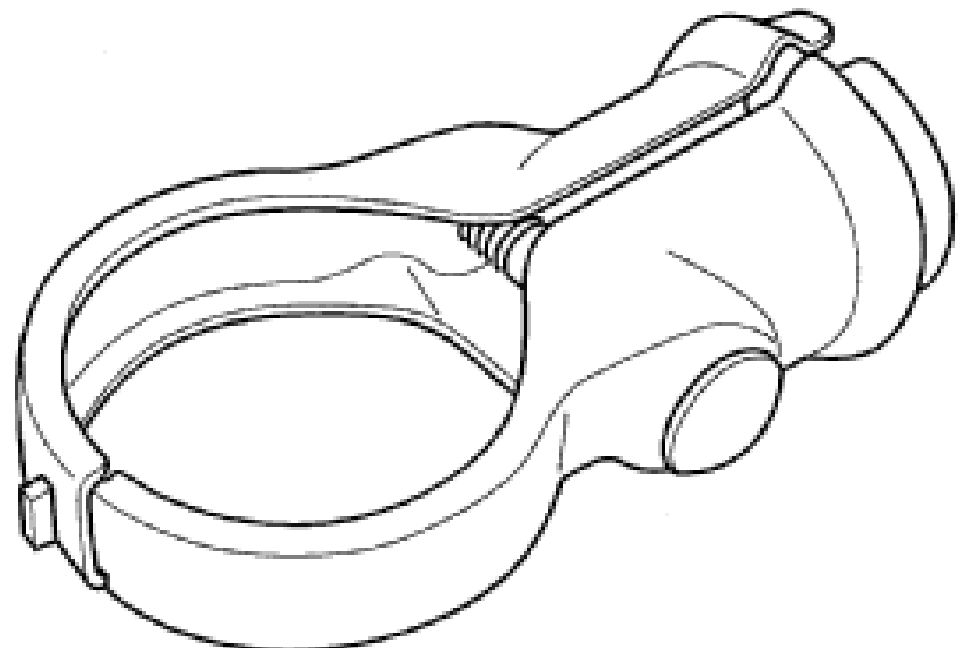
(57) Statement of Newness and Distinctiveness: **Extrusion item 1. The external shape and the galleries with strengthening ribs are new. The internal shape is common.**



- (21) Design Number: **19739/2007**
(22) Date of Filing Application: **17 September 2007**
(24) Date from which industrial property rights may have effect: **17 September 2007**
(54) Product in respect of which the design is registered: **Umbrella parts**
(51) International Design Classification: **03-03**
(71) Name(s) and Address(s) of Applicant(s):
M & J Direct Imports Pty Ltd
PO Box 2159 Burleigh DC Queensland 4220 Australia
(72) Name(s) of Designer(s): **John Edward Broughton and Michael William Retallick**
(45) Registration Date: **27 November 2007**
(56) Related Art Documents: **Not Applicable**
(57) Statement of Newness and Distinctiveness: **Nil**



- (21) Design Number: **19559/2007**
(22) Date of Filing Application: **30 August 2007**
(24) Date from which industrial property rights may have effect: **30 August 2007**
(54) Product in respect of which the design is registered: **Chain wire fencing**
(51) International Design Classification: **08-08K**
(71) Name(s) and Address(s) of Applicant(s):
RMD Press Co. Pty Ltd
6-10 Market Road Sunshine Victoria 3020 Australia
(72) Name(s) of Designer(s): **Allan Roy Masters**
(45) Registration Date: **27 November 2007**
(56) Related Art Documents: **Not Applicable**
(57) Statement of Newness and Distinctiveness: **Nil**



(21) Design Number: **19547/2007**

(22) Date of Filing Application: **28 August 2007**

(24) Date from which industrial property rights may have effect: **28 August 2007**

(54) Product in respect of which the design is registered: **A masonry block**

(51) International Design Classification: **25-01A**

(71) Name(s) and Address(s) of Applicant(s):

Jarmen Pty Ltd

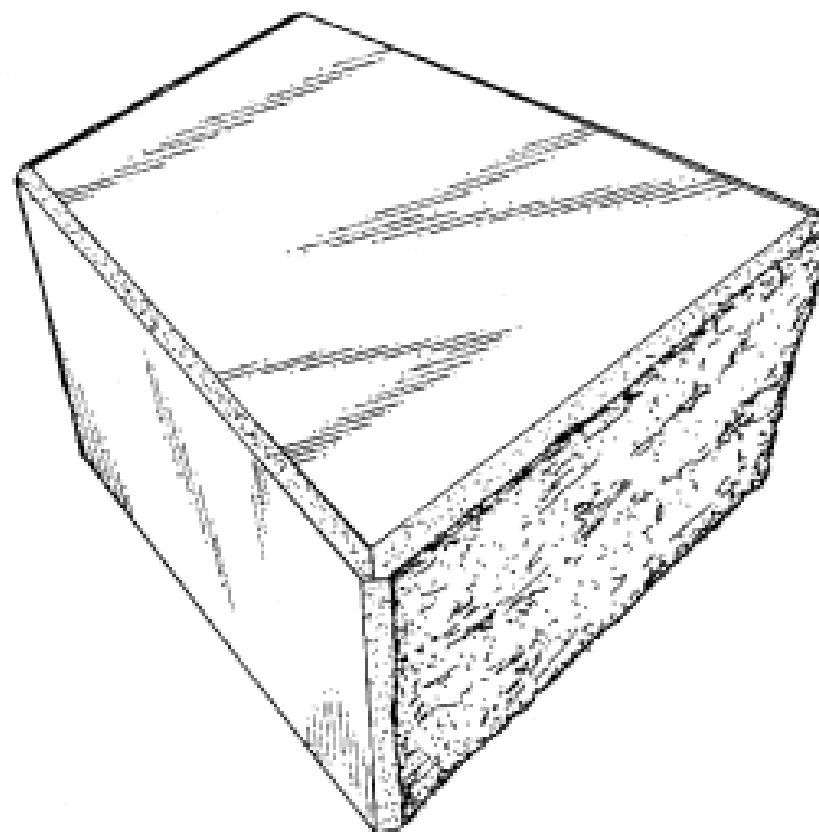
17 Industrial Avenue Maryborough Queensland 4650 Australia

(72) Name(s) of Designer(s): **Andrew Kearley**

(45) Registration Date: **27 November 2007**

(56) Related Art Documents: **Not Applicable**

(57) Statement of Newness and Distinctiveness: **The newness and distinctiveness of the design resides in the features of shape and/or configuration of a masonry block as illustrated in the accompanying representations.**



(21) Design Number: **19574/2007**

(22) Date of Filing Application: **29 August 2007**

(24) Date from which industrial property rights may have effect: **29 August 2007**

(54) Product in respect of which the design is registered: **Rainwater diverter**

(51) International Design Classification: **23-01L**

(71) Name(s) and Address(s) of Applicant(s):

Philip Tranchitella

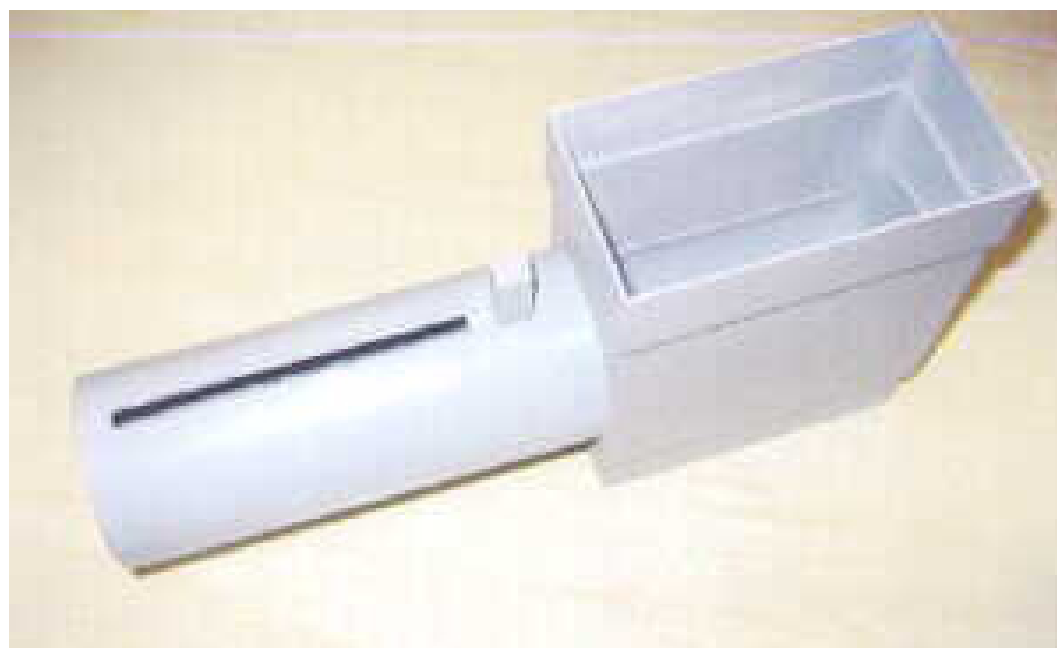
22-23 Caithwill Court Narre Warren North Victoria 3804 Australia

(72) Name(s) of Designer(s): **Philip Tranchitella**

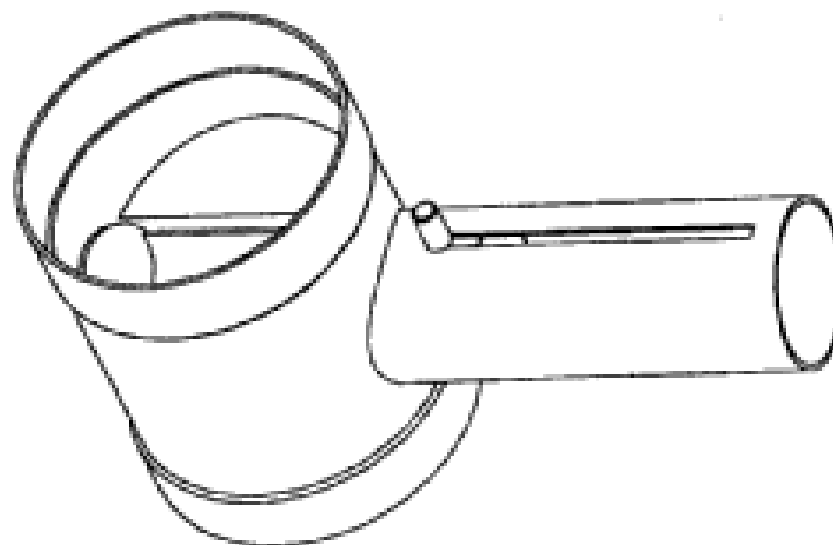
(45) Registration Date: **27 November 2007**

(56) Related Art Documents: **Not Applicable**

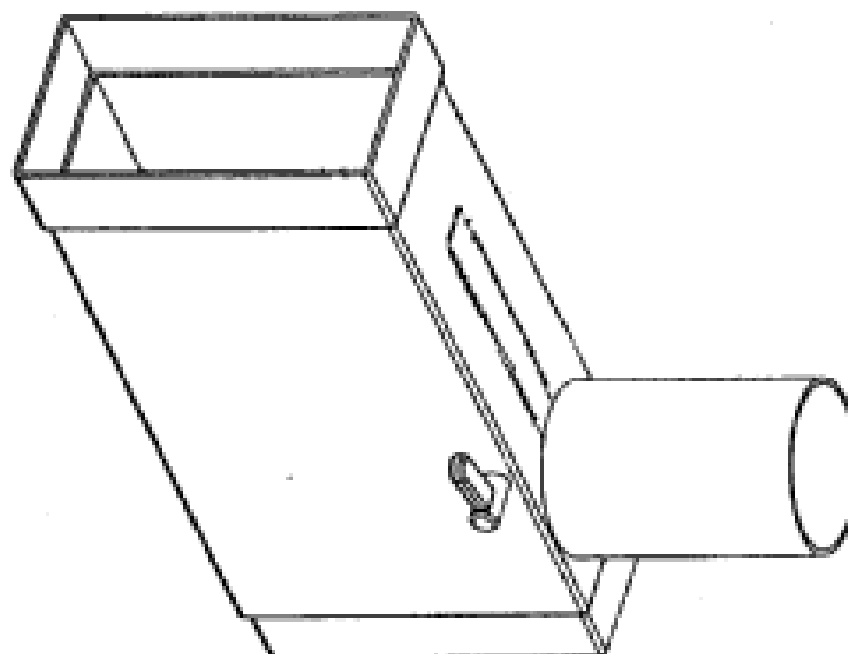
(57) Statement of Newness and Distinctiveness: **Nil**



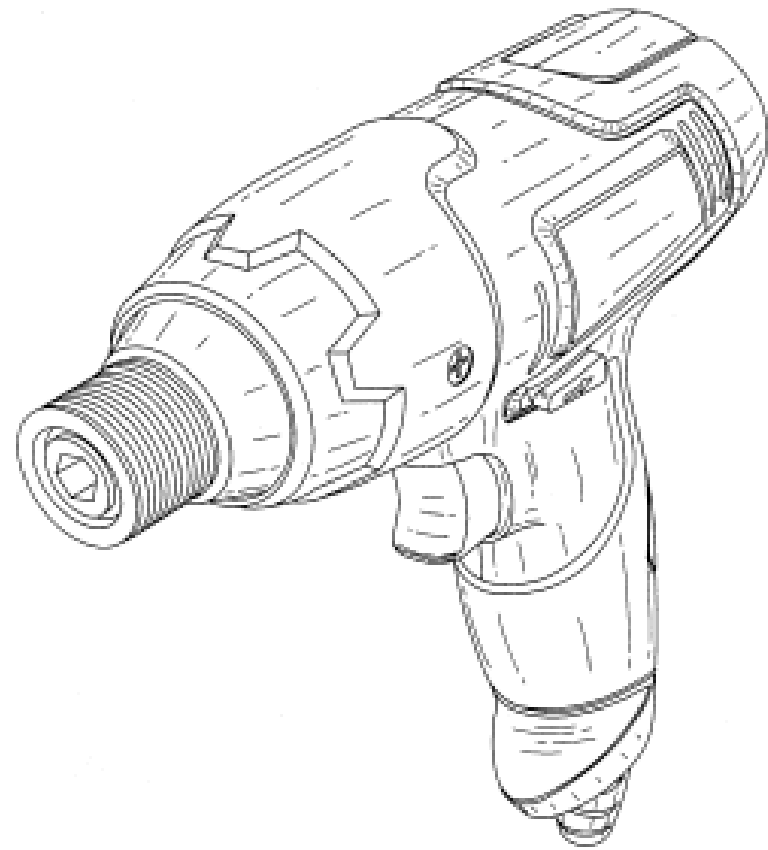
(21) Design Number: **19575/2007**
(22) Date of Filing Application: **29 August 2007**
(24) Date from which industrial property rights may have effect: **29 August 2007**
(54) Product in respect of which the design is registered: **Rainwater diverter**
(51) International Design Classification: **23-01L**
(71) Name(s) and Address(s) of Applicant(s):
Philip Tranchitella
22-23 Caithwill Court Narre Warren North Victoria 3804 Australia
(72) Name(s) of Designer(s): **Philip Tranchitella**
(45) Registration Date: **27 November 2007**
(56) Related Art Documents: **Not Applicable**
(57) Statement of Newness and Distinctiveness: **Nil**



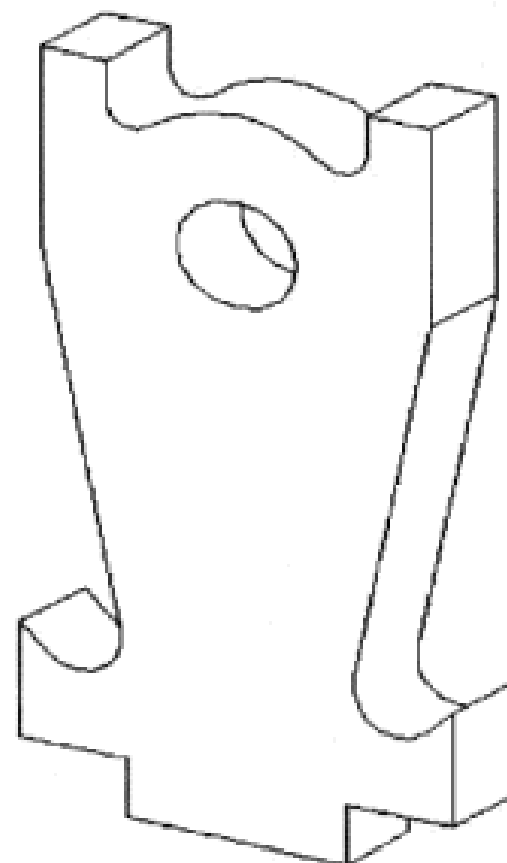
(21) Design Number: **19576/2007**
(22) Date of Filing Application: **29 August 2007**
(24) Date from which industrial property rights may have effect: **29 August 2007**
(54) Product in respect of which the design is registered: **Rainwater diverter**
(51) International Design Classification: **23-01L**
(71) Name(s) and Address(s) of Applicant(s):
Philip Tranchitella
22-23 Caithwill Court Narre Warren North Victoria 3804 Australia
(72) Name(s) of Designer(s): **Philip Tranchitella**
(45) Registration Date: **27 November 2007**
(56) Related Art Documents: **Not Applicable**
(57) Statement of Newness and Distinctiveness: **Nil**



- (21) Design Number: **19577/2007**
(22) Date of Filing Application: **29 August 2007**
(24) Date from which industrial property rights may have effect: **29 August 2007**
(54) Product in respect of which the design is registered: **An impact driver**
(51) International Design Classification: **08-01**
(71) Name(s) and Address(s) of Applicant(s):
Black & Decker, Inc.
1207 Drummond Plaza Newark Delaware 19711 United States of America
(72) Name(s) of Designer(s): **Windy Shi**
(45) Registration Date: **27 November 2007**
(30) Convention priority data:
(31) Number (32) Date (33) Country
000682067-0001 05 Mar 2007 EUROPEAN COMMUNITY
(56) Related Art Documents: **Not Applicable**
(57) Statement of Newness and Distinctiveness: **Nil**



- (21) Design Number: **19587/2007**
(22) Date of Filing Application: **28 August 2007**
(24) Date from which industrial property rights may have effect: **28 August 2007**
(54) Product in respect of which the design is registered: **Anchor**
(51) International Design Classification: **25-01B**
(71) Name(s) and Address(s) of Applicant(s):
Adnunat Pty Ltd
7 Commercial Drive Lynbrook Victoria 3975 Australia
(72) Name(s) of Designer(s): **Marc Olivetti**
(45) Registration Date: **27 November 2007**
(56) Related Art Documents: **Not Applicable**
(57) Statement of Newness and Distinctiveness: **Newness and distinctiveness resides in the visual features of shape and configuration as applied to an anchor as illustrated in the accompanying representations.**



(21) Design Number: **19588/2007**

(22) Date of Filing Application: **28 August 2007**

(24) Date from which industrial property rights may have effect: **28 August 2007**

(54) Product in respect of which the design is registered: **Spacer**

(51) International Design Classification: **25-01NES**

(71) Name(s) and Address(s) of Applicant(s):

Adnunat Pty Ltd

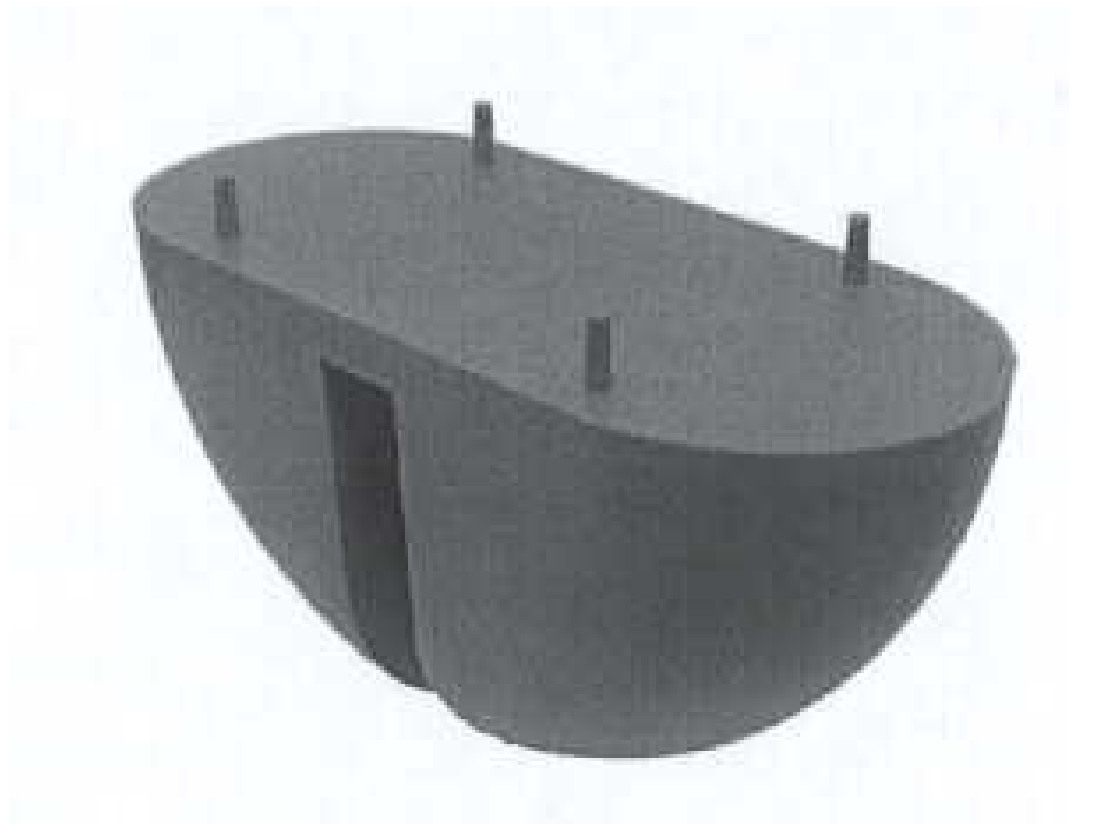
7 Commercial Drive Lynbrook Victoria 3975 Australia

(72) Name(s) of Designer(s): **Marc Olivetti**

(45) Registration Date: **27 November 2007**

(56) Related Art Documents: **Not Applicable**

(57) Statement of Newness and Distinctiveness: **Newness and distinctiveness resides in the visual features of shape and configuration as applied to a spacer as illustrated in the accompanying representations.**



(21) Design Number: **19589/2007**

(22) Date of Filing Application: **28 August 2007**

(24) Date from which industrial property rights may have effect: **28 August 2007**

(54) Product in respect of which the design is registered: **Support chair**

(51) International Design Classification: **25-01B**

(71) Name(s) and Address(s) of Applicant(s):

Adnunat Pty Ltd

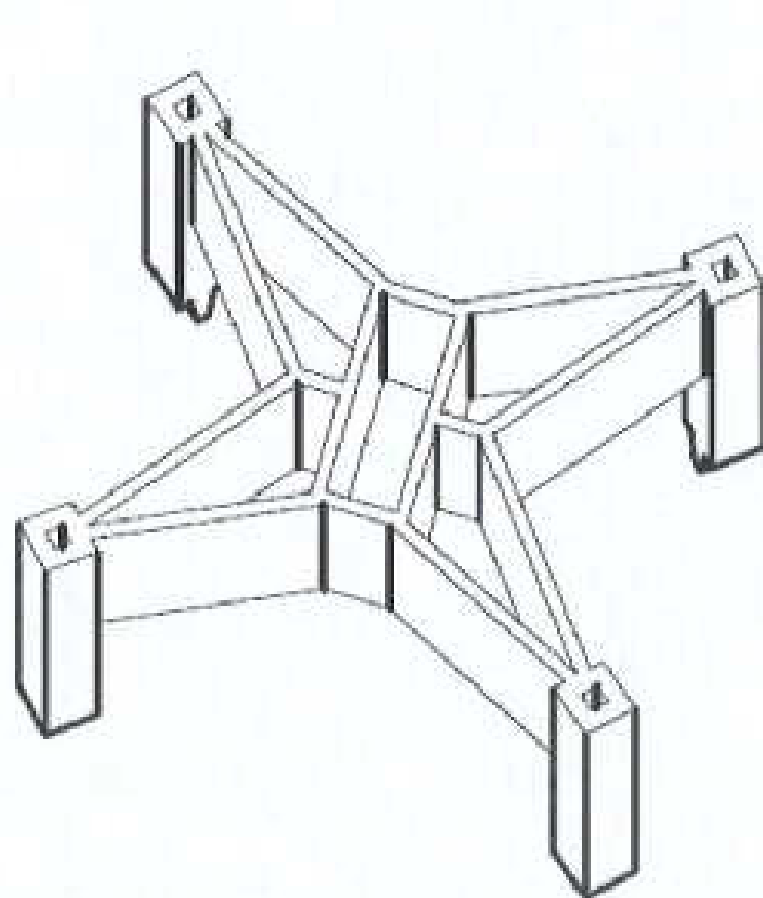
7 Commercial Drive Lynbrook Victoria 3975 Australia

(72) Name(s) of Designer(s): **Marc Olivetti**

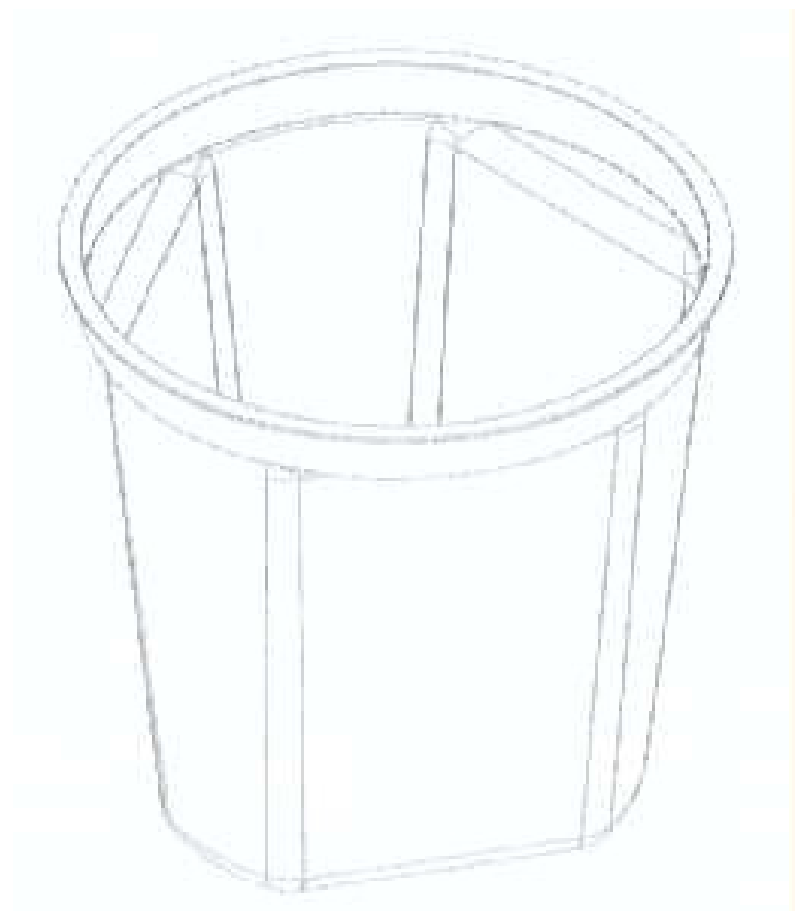
(45) Registration Date: **27 November 2007**

(56) Related Art Documents: **Not Applicable**

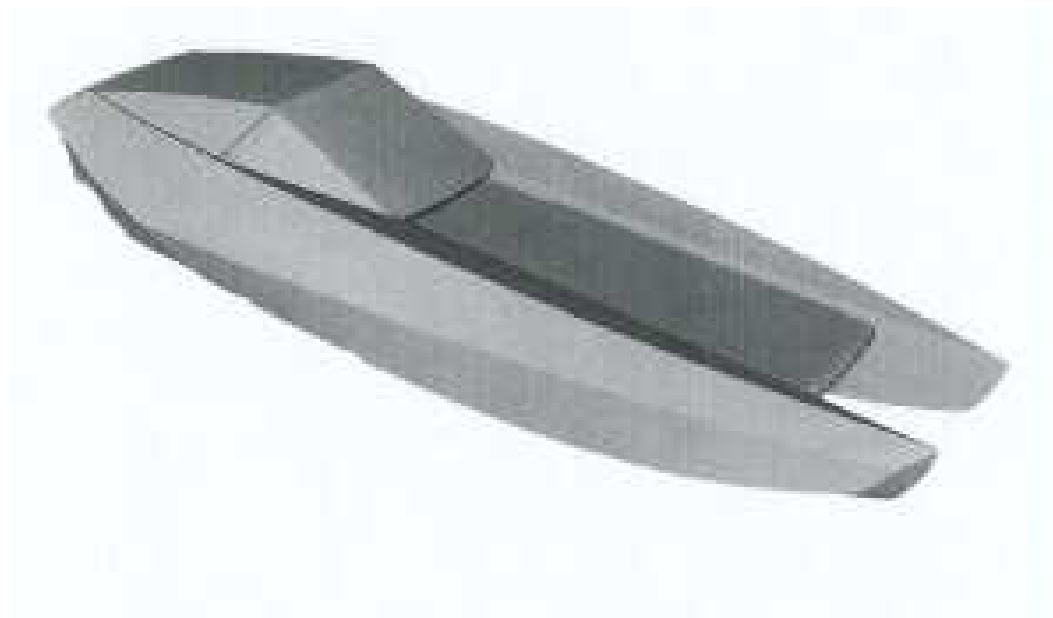
(57) Statement of Newness and Distinctiveness: **Newness and distinctiveness resides in the visual features of shape and configuration as applied to a support chair as illustrated in the accompanying representations.**



- (21) Design Number: **19590/2007**
(22) Date of Filing Application: **28 August 2007**
(24) Date from which industrial property rights may have effect: **28 August 2007**
(54) Product in respect of which the design is registered: **Pottle**
(51) International Design Classification: **09-01K**
(71) Name(s) and Address(s) of Applicant(s):
Tecpak Industries Limited
759 Kaikorai Valley Road Dunedin New Zealand
(72) Name(s) of Designer(s): **Jamie Robert Hodgins**
(45) Registration Date: **27 November 2007**
(56) Related Art Documents: **Not Applicable**
(57) Statement of Newness and Distinctiveness: **The shape and configuration of the pottle is new and distinctive. In considering the newness and distinctiveness of the design, the features shown in broken lines are to be disregarded.**



- (21) Design Number: **19591/2007**
(22) Date of Filing Application: **28 August 2007**
(24) Date from which industrial property rights may have effect: **28 August 2007**
(54) Product in respect of which the design is registered: **Boat**
(51) International Design Classification: **12-06A**
(71) Name(s) and Address(s) of Applicant(s):
Code-X AG
Naumatthalde 11 6045 Meggen Switzerland
(72) Name(s) of Designer(s): **Fabrice Aeberhard**
(45) Registration Date: **27 November 2007**
(30) Convention priority data:
(31) Number (32) Date (33) Country
000700430 21 Mar 2007 EUROPEAN COMMUNITY
(56) Related Art Documents: **Not Applicable**
(57) Statement of Newness and Distinctiveness: **Nil**



(21) Design Number: **19592/2007**

(22) Date of Filing Application: **28 August 2007**

(24) Date from which industrial property rights may have effect: **28 August 2007**

(54) Product in respect of which the design is registered: **A measuring cup**

(51) International Design Classification: **10-04**

(71) Name(s) and Address(s) of Applicant(s):

Chef'n Corporation
1520 4th Avenue 3rd Floor Seattle Washington 98101 United States of America

(72) Name(s) of Designer(s): **Jonah S. Griffith and Bob Ludeman**

(45) Registration Date: **27 November 2007**

(30) Convention priority data:

(31) Number	(32) Date	(33) Country
29277616	02 Mar 2007	UNITED STATES OF AMERICA

(56) Related Art Documents: **Not Applicable**

(57) Statement of Newness and Distinctiveness: **Newness and distinctiveness is claimed in the visual features shown in solid lines in the representations.**



(21) Design Number: **15713/2006**

(22) Date of Filing Application: **14 December 2006**

(24) Date from which industrial property rights may have effect: **14 December 2006**

(54) Product in respect of which the design is registered: **T-shirts**

(51) International Design Classification: **02-02NES**

(71) Name(s) and Address(s) of Applicant(s):

Thatslove Pty Ltd
Level 1 314 Stanmore Road Petersham New South Wales 2049 Australia

(72) Name(s) of Designer(s): **Beverley Dawn Feneck**

(45) Registration Date: **27 November 2007**

(56) Related Art Documents: **Not Applicable**

(57) Statement of Newness and Distinctiveness: **Blue and pink in graphic**



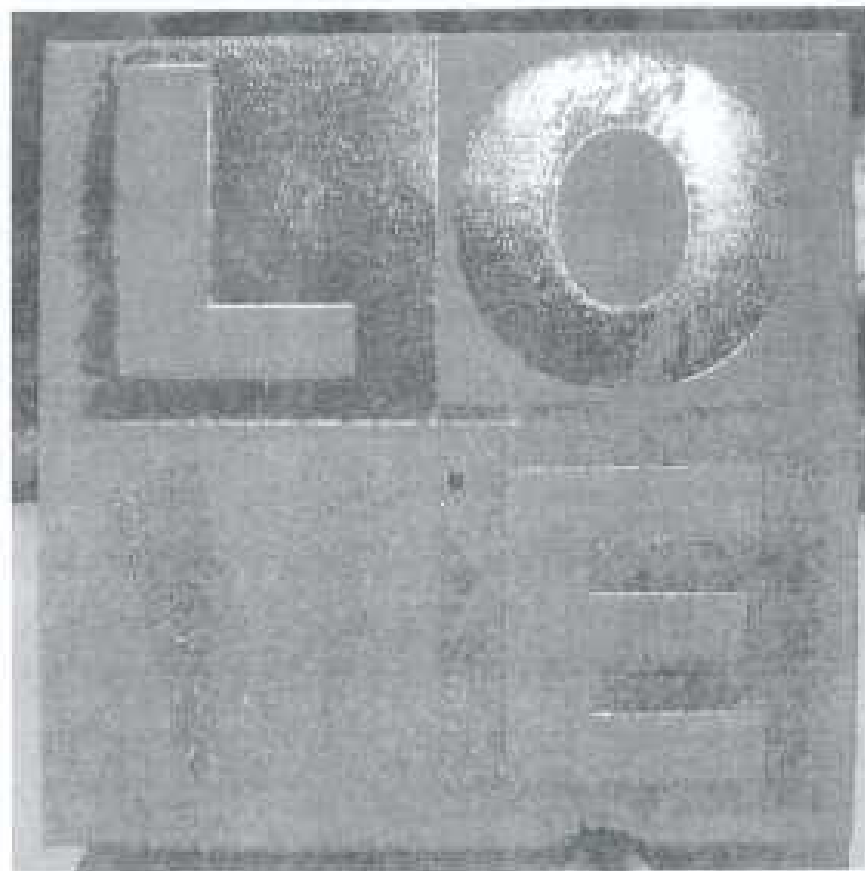
- (21) Design Number: **15714/2006**
(22) Date of Filing Application: **14 December 2006**
(24) Date from which industrial property rights may have effect: **14 December 2006**
(54) Product in respect of which the design is registered: **Bandana**
(51) International Design Classification: **02-05**
(71) Name(s) and Address(s) of Applicant(s):
Thatslove pty ltd
Level 1 314 Stanmore Road Petersham New South Wales 2049
Australia
(72) Name(s) of Designer(s): **Beverley Dawn Feneck**
(45) Registration Date: **27 November 2007**
(56) Related Art Documents: **Not Applicable**
(57) Statement of Newness and Distinctiveness: **Pink on blue repetition of part of THATsLOVE logo.**



- (21) Design Number: **15715/2006**
(22) Date of Filing Application: **14 December 2006**
(24) Date from which industrial property rights may have effect: **14 December 2006**
(54) Product in respect of which the design is registered: **Dog lead**
(51) International Design Classification: **30-04**
(71) Name(s) and Address(s) of Applicant(s):
Thatslove pty ltd
Level 1 314 Stanmore Road Petersham New South Wales 2049
Australia
(72) Name(s) of Designer(s): **Beverley Dawn Feneck**
(45) Registration Date: **27 November 2007**
(56) Related Art Documents: **Not Applicable**
(57) Statement of Newness and Distinctiveness: **Repetition of boxed THATsLOVE to appear in blue or pink.**



- (21) Design Number: **15716/2006**
(22) Date of Filing Application: **14 December 2006**
(24) Date from which industrial property rights may have effect: **14 December 2006**
(54) Product in respect of which the design is registered: **Gift box**
(51) International Design Classification: **09-03M**
(71) Name(s) and Address(s) of Applicant(s):
Thatslove Pty Ltd
Level 1 314 Stanmore Road Petersham New South Wales 2049
Australia
(72) Name(s) of Designer(s): **Beverley Dawn Feneck**
(45) Registration Date: **27 November 2007**
(56) Related Art Documents: **Not Applicable**
(57) Statement of Newness and Distinctiveness: **Produced in either blue or pink.**



- (21) Design Number: **16269/2007**
(22) Date of Filing Application: **05 February 2007**
(24) Date from which industrial property rights may have effect: **05 February 2007**
(54) Product in respect of which the design is registered: **T-shirts**
(51) International Design Classification: **02-02NES**
(71) Name(s) and Address(s) of Applicant(s):
Thatslove Pty Ltd
Level 1 314 Stanmore Road Petersham New South Wales 2049
Australia
(72) Name(s) of Designer(s): **Beverley Feneck**
(45) Registration Date: **27 November 2007**
(56) Related Art Documents: **Not Applicable**
(57) Statement of Newness and Distinctiveness: **Print to appear in diff colours and sometimes with RSPCA logo.**



- (21) Design Number: **16270/2007**
(22) Date of Filing Application: **05 February 2007**
(24) Date from which industrial property rights may have effect: **05 February 2007**
(54) Product in respect of which the design is registered: **Music cover**
(51) International Design Classification: **09-05**
(71) Name(s) and Address(s) of Applicant(s):
Thatslove Pty Ltd
Level 1 314 Stanmore Road Petersham New South Wales 2049
Australia
(72) Name(s) of Designer(s): **Beverley Feneck**
(45) Registration Date: **27 November 2007**
(56) Related Art Documents: **Not Applicable**
(57) Statement of Newness and Distinctiveness: **Printed in either pink or blue**



- (21) Design Number: **18662/2007**
(22) Date of Filing Application: **02 July 2007**
(24) Date from which industrial property rights may have effect: **02 July 2007**
(54) Product in respect of which the design is registered: **Light**
(51) International Design Classification: **26-05C**
(71) Name(s) and Address(s) of Applicant(s):
Ningbo Ledeshi Electric Equipment Co., Ltd
No. 438 Younger Avenue Shigan Ningbo Zheijang China
(72) Name(s) of Designer(s): **Zhang Guo Xiang**
(45) Registration Date: **27 November 2007**
(56) Related Art Documents: **Not Applicable**
(57) Statement of Newness and Distinctiveness: **The visual features of those parts of the product shown, other than feature A shown in figures 3, 5 and 8, are new and distinctive. No regard should be had to the shadow lines projecting beneath the illustrated product, when considering newness and distinctiveness.**



- (21) Design Number: **18663/2007**
(22) Date of Filing Application: **02 July 2007**
(24) Date from which industrial property rights may have effect: **02 July 2007**
(54) Product in respect of which the design is registered: **Light**
(51) International Design Classification: **26-05C**
(71) Name(s) and Address(s) of Applicant(s):

Ningbo Ledeshi Electric Equipment Co., Ltd
No. 438 Younger Avenue Shigan Ningbo Zhejiang China

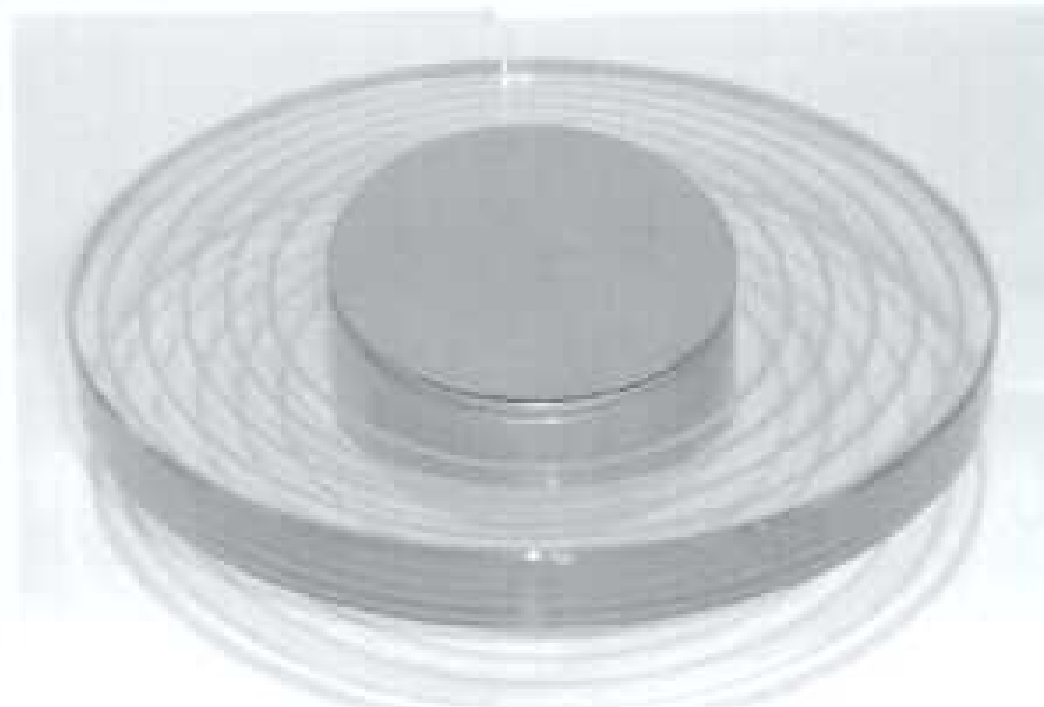
- (72) Name(s) of Designer(s): **Zhang Guo Xiang**
(45) Registration Date: **27 November 2007**
(56) Related Art Documents: **Not Applicable**
(57) Statement of Newness and Distinctiveness: **The visual features of those parts of the product shown, other than by means of feature A of figures 5 and 7, are new and distinctive. No regard should be had to the shadow lines projecting beneath the illustrated product, when considering newness and distinctiveness.**



- (21) Design Number: **18664/2007**
(22) Date of Filing Application: **02 July 2007**
(24) Date from which industrial property rights may have effect: **02 July 2007**
(54) Product in respect of which the design is registered: **Light**
(51) International Design Classification: **26-05C**
(71) Name(s) and Address(s) of Applicant(s):

Ningbo Ledeshi Electric Equipment Co., Ltd
No. 438 Younger Avenue Shigan Ningbo Zhejiang China

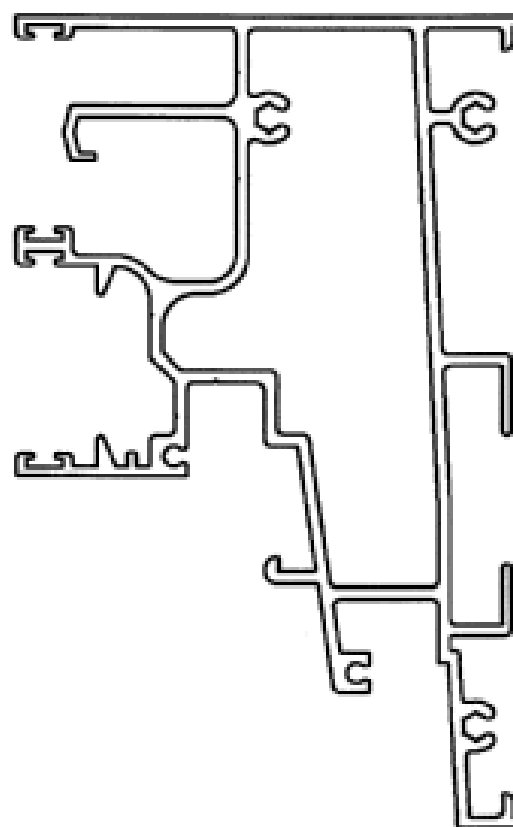
- (72) Name(s) of Designer(s): **Zhang Guo Xiang**
(45) Registration Date: **27 November 2007**
(56) Related Art Documents: **Not Applicable**
(57) Statement of Newness and Distinctiveness: **The visual features of those parts of the product shown, other than features A and B shown within the dotted lines of figures 2 and 6, are new and distinctive. No regard should be had to the shadow lines projecting beneath the illustrated product, when considering newness and distinctiveness.**



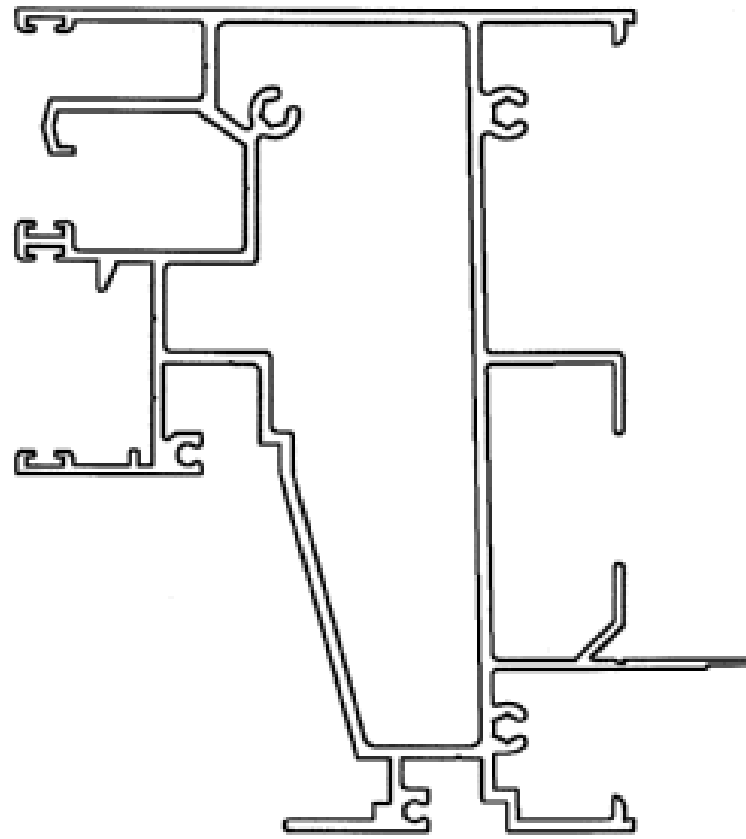
- (21) Design Number: **18665/2007**
(22) Date of Filing Application: **02 July 2007**
(24) Date from which industrial property rights may have effect: **02 July 2007**
(54) Product in respect of which the design is registered: **Light**
(51) International Design Classification: **26-05C**
(71) Name(s) and Address(s) of Applicant(s):
Ningbo Ledeshi Electric Equipment Co., Ltd
No. 438 Younger Avenue Shigan Ningbo Zhejiang China
(72) Name(s) of Designer(s): **Zhang Guo Xiang**
(45) Registration Date: **27 November 2007**
(56) Related Art Documents: **Not Applicable**
(57) Statement of Newness and Distinctiveness: **No regard should be had to the shadow lines projecting beneath the illustrated product, when considering newness and distinctiveness.**



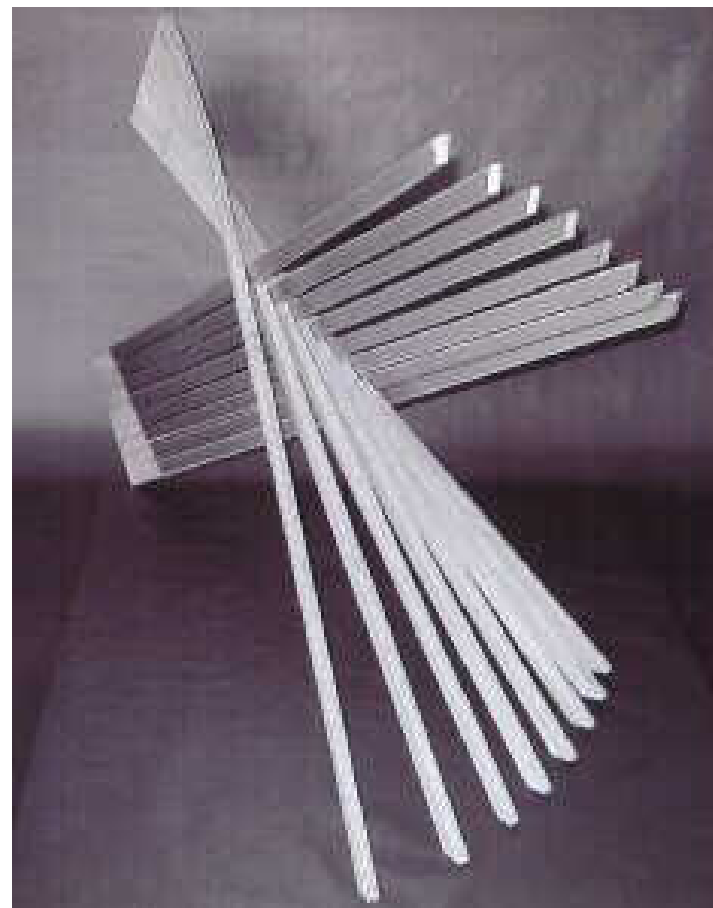
- (21) Design Number: **18745/2007**
(22) Date of Filing Application: **09 July 2007**
(24) Date from which industrial property rights may have effect: **09 July 2007**
(54) Product in respect of which the design is registered: **Extruded aluminium profile for sliding window and sliding door**
(51) International Design Classification: **08-09**
(71) Name(s) and Address(s) of Applicant(s):
Neata Glass Pty Ltd
8 Elder Street Alice Springs Northern Territory 0870 Australia
(72) Name(s) of Designer(s): **David A.J. McKenzie**
(45) Registration Date: **27 November 2007**
(56) Related Art Documents: **Not Applicable**
(57) Statement of Newness and Distinctiveness: **The profiles submitted unique features are the relationship of the internal flanges and channels that intergrate the extrusions with the stud framing of the building and the special hollow chambers.**



- (21) Design Number: **18746/2007**
(22) Date of Filing Application: **09 July 2007**
(24) Date from which industrial property rights may have effect: **09 July 2007**
(54) Product in respect of which the design is registered: **Extruded aluminium profile for sliding window and sliding door**
(51) International Design Classification: **08-09**
(71) Name(s) and Address(s) of Applicant(s):
Neata Glass Pty Ltd
8 Elder Street Alice Springs Northern Territory 0870 Australia
(72) Name(s) of Designer(s): **David A.J. McKenzie**
(45) Registration Date: **27 November 2007**
(56) Related Art Documents: **Not Applicable**
(57) Statement of Newness and Distinctiveness: **The profiles submitted unique features are the relationship of the internal flanges and channels that intergrate the extrusions with the stud framing of the building and the special hollow chambers.**



- (21) Design Number: **19165/2007**
(22) Date of Filing Application: **01 August 2007**
(24) Date from which industrial property rights may have effect: **01 August 2007**
(54) Product in respect of which the design is registered: **An ornament**
(51) International Design Classification: **11-02NES**
(71) Name(s) and Address(s) of Applicant(s):
Christina Mary Waterson
Unit 12E 182 Dornoch Terrace Highgate Hill Queensland 4101
Australia
(72) Name(s) of Designer(s): **Christina Mary Waterson**
(45) Registration Date: **27 November 2007**
(56) Related Art Documents: **Not Applicable**
(57) Statement of Newness and Distinctiveness: **Nil**



(21) Design Number: 19278/2007

(22) Date of Filing Application: 09 August 2007

(24) Date from which industrial property rights may have effect: 09 August 2007

(54) Product in respect of which the design is registered: Vehicle display trailer

(51) International Design Classification: 12-10

(71) Name(s) and Address(s) of Applicant(s):

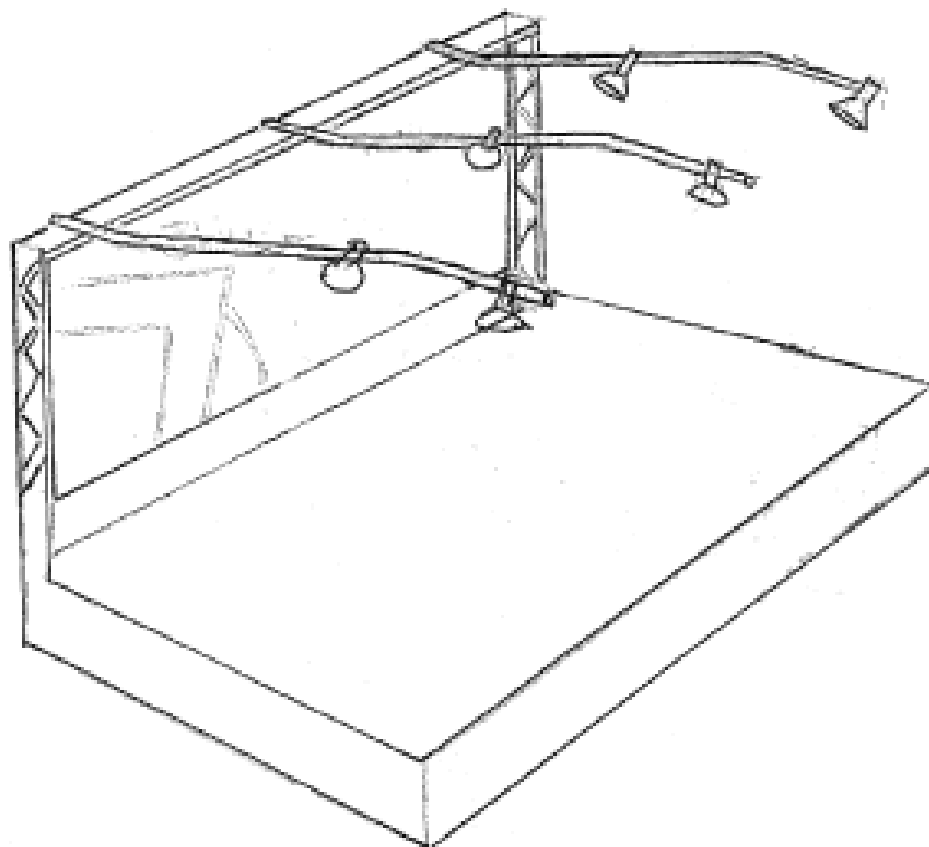
Truckmania Pty Ltd
Ground Floor 48 Chandos Street St Leonards New South Wales 2065
Australia

(72) Name(s) of Designer(s): Peter Henry

(45) Registration Date: 27 November 2007

(56) Related Art Documents: Not Applicable

(57) Statement of Newness and Distinctiveness: The vehicle display trailer can be towed into position at venues for promotions and transformed into an exhibition quality display unit with a minimum of fuss and time required. The unit features a truss system that supports ample signage plus the lighting system that makes the vehicle display trailer an effective promotional tool both day and night. Features of the vehicle display trailer include the following: Trailer body made from steel; Design requires two chassis as the solid top needs to hold the weight of a 4WD vehicle with the gap between the two used as storage; The unit feature a retractable draw bar, this will provide a cleaner aesthetic; The trusses supporting the signage are made of alloy; It will be possible to remove the trusses for long journeys or storage if necessary; The light supports that attach to the trusses and their connectors are made of alloy; The two loading ramps will be made of steel; The fold down sides will be made of steel, when they are folded up in travel mode two to three braces will hold the tarps form once it is attached; Storage areas built into the unit will have space for the lights, 3 phase lead, a ladder, ramps and light support arms; Lights - 10 x par-cans with chrome finish; Electrics will be built in to each unit. The setup will enable the unit to run with either 3 phase or 240v leads with 10 amp power (depending on what is available at each venue). Safety trips will be built into the power control centre; The double sided banner suspended from the truss system is removable and printed on a billboard skin. This can either be attached at each venue or left on the unit while travelling to act as a mobile billboard; SAV (self adhesive vinyl) will be attached to the trailer body; Trailer will be fitted with mechanical override disc breaks.



(21) Design Number: 19571/2007

(22) Date of Filing Application: 29 August 2007

(24) Date from which industrial property rights may have effect: 29 August 2007

(54) Product in respect of which the design is registered: Crate for shelf ready merchandising

(51) International Design Classification: 09-04

(71) Name(s) and Address(s) of Applicant(s):

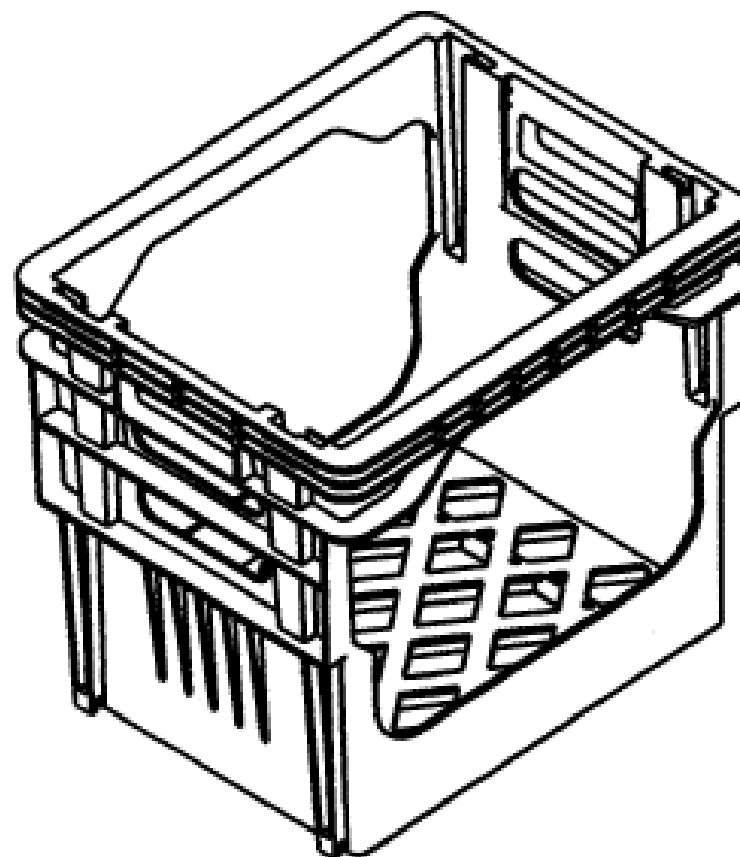
Checkmate International Pty Ltd
9-11 Railway Avenue Huntingdale Victoria 3166 Australia

(72) Name(s) of Designer(s): John Leahy and Boris Dobra

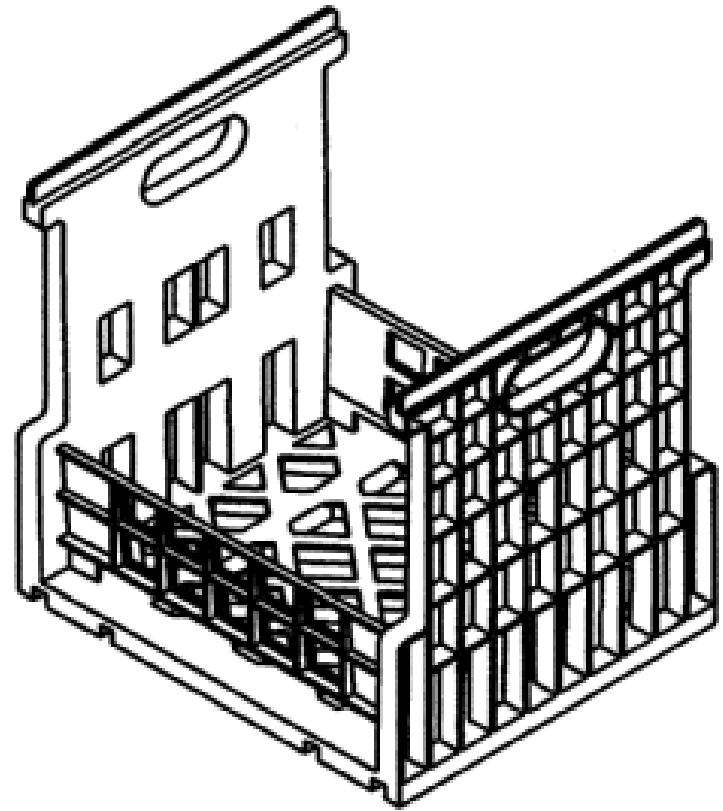
(45) Registration Date: 27 November 2007

(56) Related Art Documents: Not Applicable

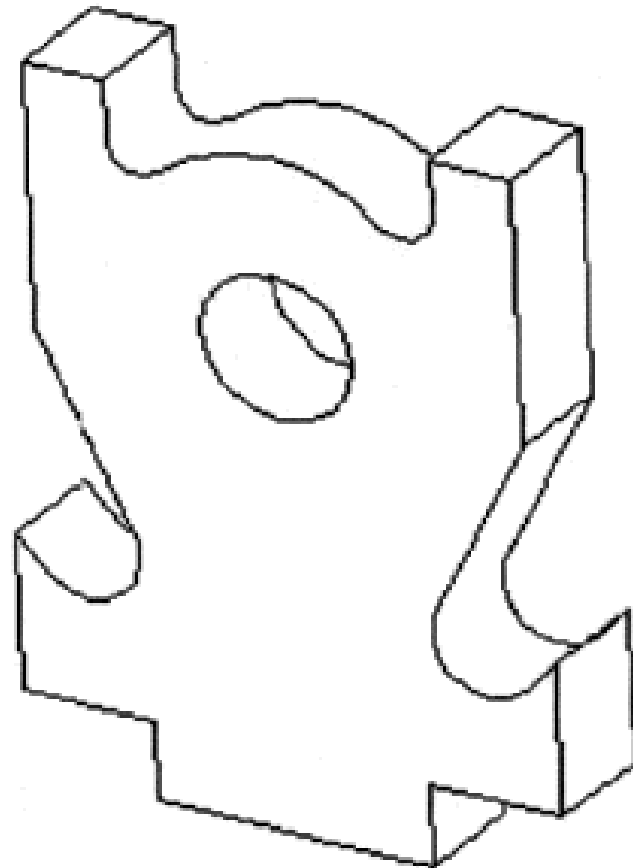
(57) Statement of Newness and Distinctiveness: Nil



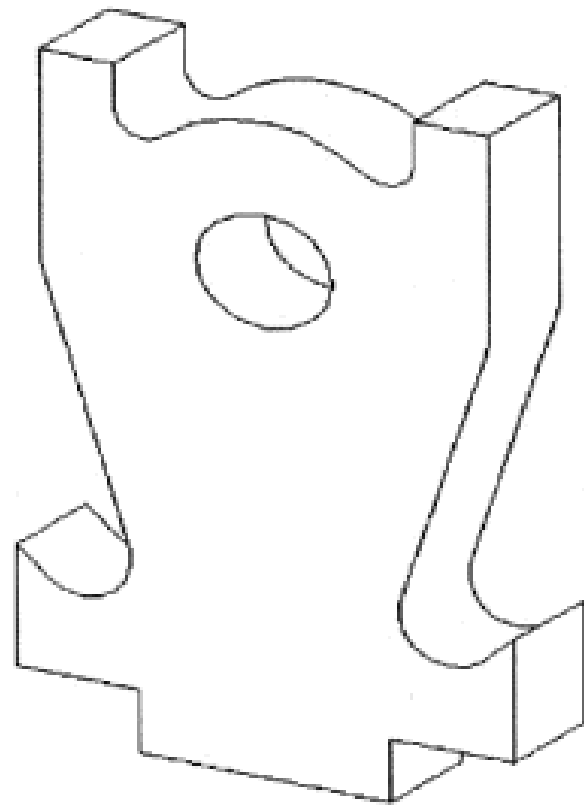
- (21) Design Number: **19572/2007**
(22) Date of Filing Application: **29 August 2007**
(24) Date from which industrial property rights may have effect: **29 August 2007**
(54) Product in respect of which the design is registered: **U-crate for retail shelves**
(51) International Design Classification: **09-04**
(71) Name(s) and Address(s) of Applicant(s):
Checkmate International Pty Ltd
9-11 Railway Avenue Huntingdale Victoria 3166 Australia
(72) Name(s) of Designer(s): **John Leahy and Boris Dobra**
(45) Registration Date: **27 November 2007**
(56) Related Art Documents: **Not Applicable**
(57) Statement of Newness and Distinctiveness: **Nil**



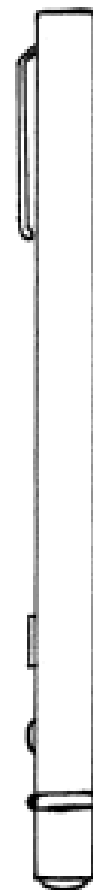
- (21) Design Number: **19585/2007**
(22) Date of Filing Application: **28 August 2007**
(24) Date from which industrial property rights may have effect: **28 August 2007**
(54) Product in respect of which the design is registered: **Anchor**
(51) International Design Classification: **25-01B**
(71) Name(s) and Address(s) of Applicant(s):
Adnunat Pty Ltd
7 Commercial Drive Lynbrook Victoria 3975 Australia
(72) Name(s) of Designer(s): **Marc Olivetti**
(45) Registration Date: **27 November 2007**
(56) Related Art Documents: **Not Applicable**
(57) Statement of Newness and Distinctiveness: **Newness and distinctiveness resides in the visual features of shape and configuration as applied to an anchor as illustrated in the accompanying representations.**



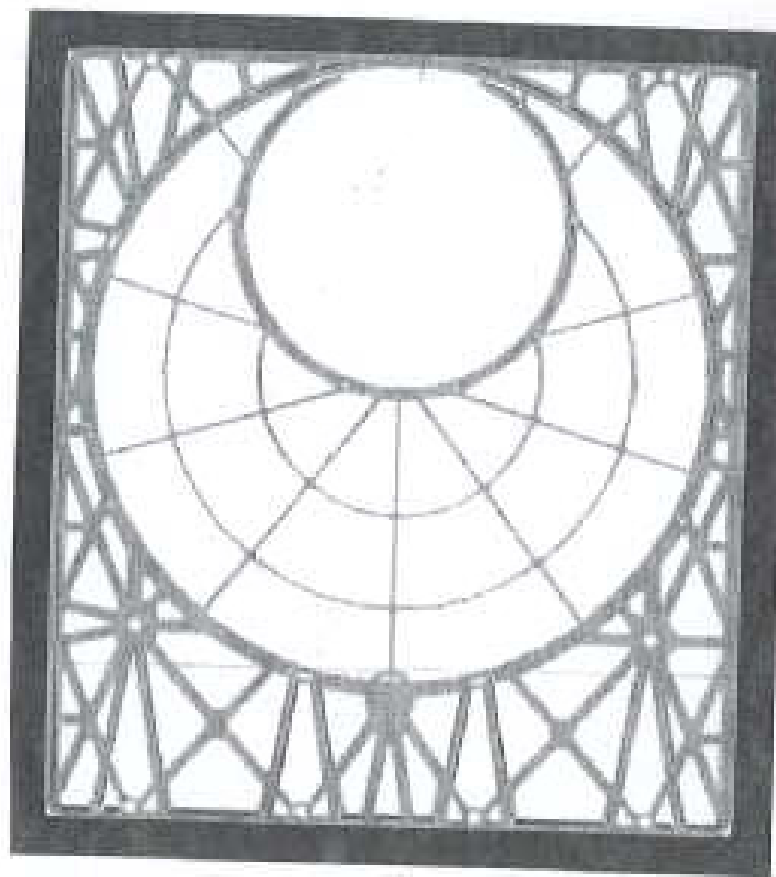
- (21) Design Number: **19586/2007**
(22) Date of Filing Application: **28 August 2007**
(24) Date from which industrial property rights may have effect: **28 August 2007**
(54) Product in respect of which the design is registered: **Anchor**
(51) International Design Classification: **25-01B**
(71) Name(s) and Address(s) of Applicant(s):
Adnunat Pty Ltd
7 Commercial Drive Lynbrook Victoria 3975 Australia
(72) Name(s) of Designer(s): **Marc Olivetti**
(45) Registration Date: **27 November 2007**
(56) Related Art Documents: **Not Applicable**
(57) Statement of Newness and Distinctiveness: **Newness and distinctiveness resides in the visual features of shape and configuration as applied to an anchor as illustrated in the accompanying representations.**



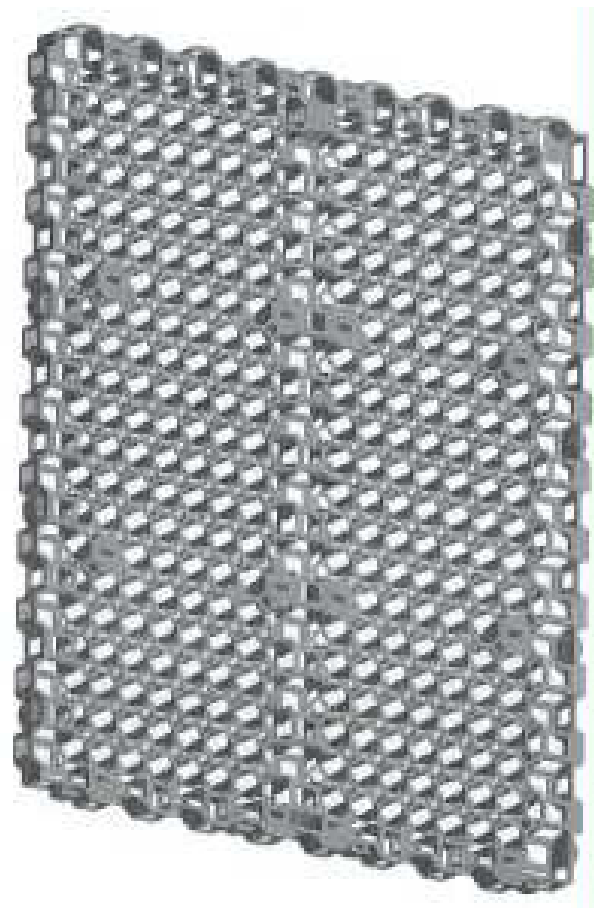
- (21) Design Number: **19819/2007**
(22) Date of Filing Application: **21 September 2007**
(24) Date from which industrial property rights may have effect: **21 September 2007**
(54) Product in respect of which the design is registered: **Wireless computer mouse**
(51) International Design Classification: **14-02, 19-06**
(71) Name(s) and Address(s) of Applicant(s):
Andrew Vamvakaris
601 Compton Road Sunnybank Hills Queensland 4109 Australia
(72) Name(s) of Designer(s): **Andrew Vamvakaris**
(45) Registration Date: **27 November 2007**
(56) Related Art Documents: **Not Applicable**
(57) Statement of Newness and Distinctiveness: **Pen shape; protruding scroll ball; protruding mouse ball; pocket clip; protruding ring button; protruding rectangular button.**



- (21) Design Number: **18968/2007**
(22) Date of Filing Application: **19 July 2007**
(24) Date from which industrial property rights may have effect: **19 July 2007**
(54) Product in respect of which the design is registered: **Inspection plate for modular underground tanks**
(51) International Design Classification: **25-02NES**
(71) Name(s) and Address(s) of Applicant(s):
Oscar Larach
Suite 3 163 Sailors Bay Road Northbridge New South Wales 2063
Australia
(72) Name(s) of Designer(s): **Oscar Larach**
(45) Registration Date: **27 November 2007**
(56) Related Art Documents: **Not Applicable**
(57) Statement of Newness and Distinctiveness: **The newness and distinctiveness in respect of the design is claimed in the features of shape and configuration of the inspection plate for modular underground tanks, as illustrated in the accompanying representations.**

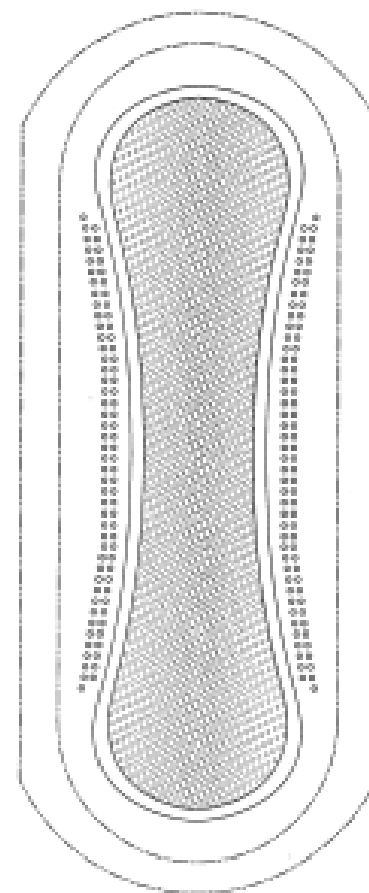


- (21) Design Number: **18974/2007**
(22) Date of Filing Application: **19 July 2007**
(24) Date from which industrial property rights may have effect: **19 July 2007**
(54) Product in respect of which the design is registered: **Drainage cell**
(51) International Design Classification: **23-01E**
(71) Name(s) and Address(s) of Applicant(s):
Oscar Larach
Suite 3 163 Sailors Bay Road Northbridge New South Wales 2063
Australia
(72) Name(s) of Designer(s): **Oscar Larach**
(45) Registration Date: **27 November 2007**
(56) Related Art Documents: **Not Applicable**
(57) Statement of Newness and Distinctiveness: **The newness and distinctiveness in respect of the design is claimed in the features of shape and configuration of a drainage cell, as illustrated in the accompanying representations.**

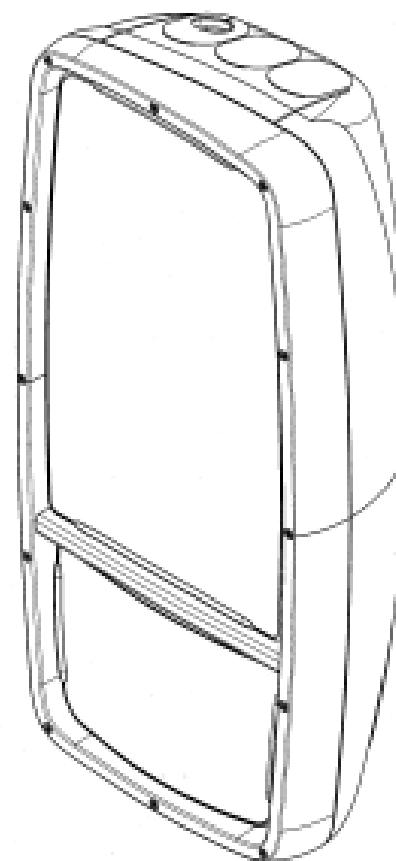


- (21) Design Number: **19523/2007**
- (22) Date of Filing Application: **03 September 2007**
- (24) Date from which industrial property rights may have effect: **03 September 2007**
- (54) Product in respect of which the design is registered: **Absorbent article**
- (51) International Design Classification: **24-04**
- (71) Name(s) and Address(s) of Applicant(s):
Kimberly-Clark Worldwide, Inc.
401 North Lake Street Neenah Wisconsin 54956 United States of America
- (72) Name(s) of Designer(s): **Suzanne K. Sullivan Conrad and Jane B. Kelly and Mary L. McDaniel and MaryAnn Zunker**
- (45) Registration Date: **27 November 2007**
- (30) Convention priority data:

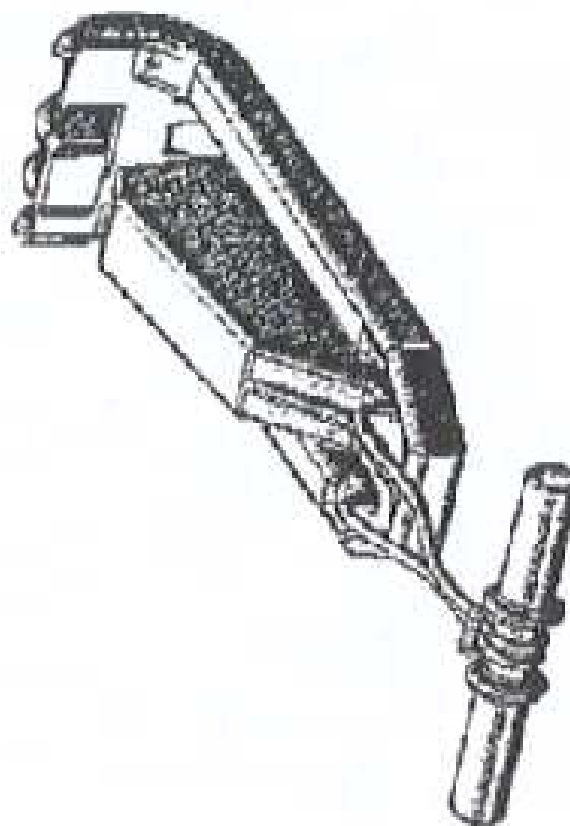
(31) Number	(32) Date	(33) Country
29/285501	30 Mar 2007	UNITED STATES OF AMERICA
- (56) Related Art Documents: **Not Applicable**
- (57) Statement of Newness and Distinctiveness: **Newness and distinctiveness is claimed in those features of pattern and/or ornamentation of an absorbent article as illustrated in the accompanying representations, wherein the length and width of the article as illustrated by the broken lines and labelled "A" is indefinite.**



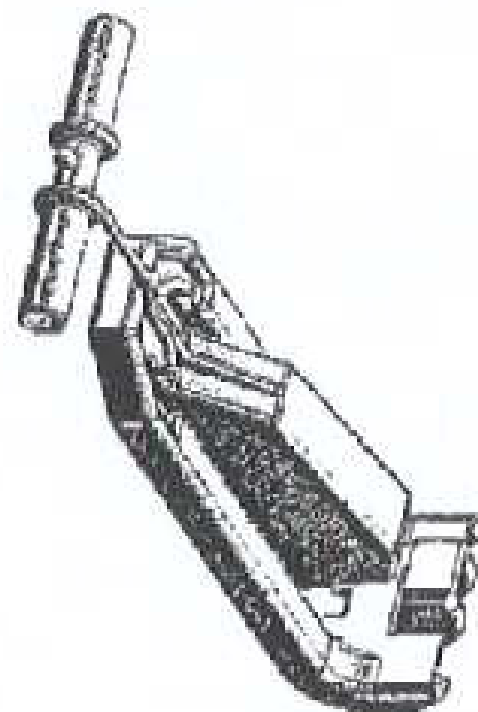
- (21) Design Number: **19596/2007**
- (22) Date of Filing Application: **30 August 2007**
- (24) Date from which industrial property rights may have effect: **30 August 2007**
- (54) Product in respect of which the design is registered: **Rear view mirror**
- (51) International Design Classification: **12-16H**
- (71) Name(s) and Address(s) of Applicant(s):
Michael Ferman
99-105 Boundary Road Peakhurst New South Wales 2210 Australia
- (72) Name(s) of Designer(s): **Michael Ferman and Oliver Clemens and Robert Kratzer**
- (45) Registration Date: **27 November 2007**
- (56) Related Art Documents: **Not Applicable**
- (57) Statement of Newness and Distinctiveness: **Newness is claimed in the features of shape and configuration of the rear view mirror as shown in the accompanying representations.**



- (21) Design Number: **19598/2007**
(22) Date of Filing Application: **30 August 2007**
(24) Date from which industrial property rights may have effect: **30 August 2007**
(54) Product in respect of which the design is registered: **A multi-orientation oyster basket attachment assembly**
(51) International Design Classification: **22-05**
(71) Name(s) and Address(s) of Applicant(s):
Seapa Pty Ltd
24-30 Erudina Avenue Edwardstown South Australia 5039 Australia
(72) Name(s) of Designer(s): **Gary Thompson**
(45) Registration Date: **27 November 2007**
(56) Related Art Documents: **Not Applicable**
(57) Statement of Newness and Distinctiveness: **Nil**



- (21) Design Number: **19599/2007**
(22) Date of Filing Application: **30 August 2007**
(24) Date from which industrial property rights may have effect: **30 August 2007**
(54) Product in respect of which the design is registered: **A multi-orientation oyster basket attachment assembly**
(51) International Design Classification: **22-05**
(71) Name(s) and Address(s) of Applicant(s):
Seapa Pty Ltd
24-30 Erudina Avenue Edwardstown South Australia 5039 Australia
(72) Name(s) of Designer(s): **Gary Thompson**
(45) Registration Date: **27 November 2007**
(56) Related Art Documents: **Not Applicable**
(57) Statement of Newness and Distinctiveness: **Nil**



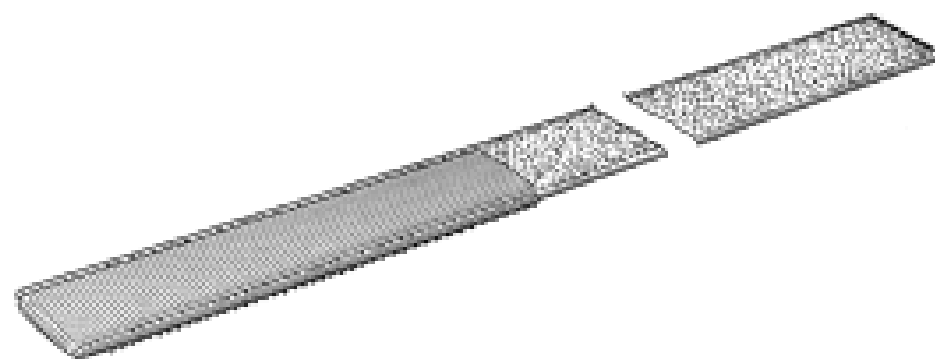
- (21) Design Number: **19601/2007**
(22) Date of Filing Application: **03 September 2007**
(24) Date from which industrial property rights may have effect: **03 September 2007**
(54) Product in respect of which the design is registered: **Stormwater quality improvement devices**
(51) International Design Classification: **23-01G**
(71) Name(s) and Address(s) of Applicant(s):
Filthy Clean Solutions Pty Ltd
331 Maundrell Terrace Aspley Queensland 4034 Australia
(72) Name(s) of Designer(s): **Shane Thomas Freese and Stanley George Peterson**
(45) Registration Date: **27 November 2007**
(56) Related Art Documents: **Not Applicable**
(57) Statement of Newness and Distinctiveness: **Newness and distinctiveness is claimed in the features of shape and/or configuration of the stormwater quality improvement device, including the one piece supporting structure, tapered filter basket, overflow and deflection panels, as shown in the representations accompanying the application.**



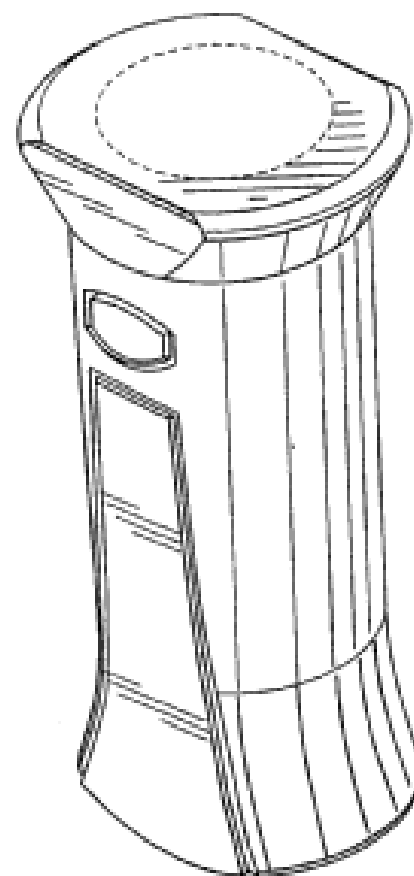
- (21) Design Number: **19600/2007**
(22) Date of Filing Application: **31 August 2007**
(24) Date from which industrial property rights may have effect: **31 August 2007**
(54) Product in respect of which the design is registered: **Fence riser 4006**
(51) International Design Classification: **25-02NES**
(71) Name(s) and Address(s) of Applicant(s):
BST Oyster Supplies Pty Ltd
PO Box 356 Cowell South Australia 5602 Australia
(72) Name(s) of Designer(s): **Giles Cameron McDonald and Andrew William Whittaker and Andrew Paul Kumnick**
(45) Registration Date: **27 November 2007**
(56) Related Art Documents: **Not Applicable**
(57) Statement of Newness and Distinctiveness: **Nil**



- (21) Design Number: **19606/2007**
(22) Date of Filing Application: **31 August 2007**
(24) Date from which industrial property rights may have effect: **31 August 2007**
(54) Product in respect of which the design is registered: **Sock strap**
(51) International Design Classification: **02-04C**
(71) Name(s) and Address(s) of Applicant(s):
Sally-Anne Maree Honeychurch
1 Ernest Street Bendigo Victoria 3550 Australia
(72) Name(s) of Designer(s): **Sally-Anne Maree Honeychurch**
(45) Registration Date: **27 November 2007**
(56) Related Art Documents: **Not Applicable**
(57) Statement of Newness and Distinctiveness: **Nil**



- (21) Design Number: **19607/2007**
(22) Date of Filing Application: **31 August 2007**
(24) Date from which industrial property rights may have effect: **31 August 2007**
(54) Product in respect of which the design is registered: **Handle for a injector**
(51) International Design Classification: **24-02**
(71) Name(s) and Address(s) of Applicant(s):
Bristol-Myers Squibb Company
PO Box 4000 Patent Department Princeton New Jersey 08543-4000
United State of America
(72) Name(s) of Designer(s): **Marc W. Hunter and Heath A. Doty and Bryce G. Rutter and Melvin J. Leedle**
(45) Registration Date: **27 November 2007**
(30) Convention priority data:
(31) Number (32) Date (33) Country
29/273931 15 Mar 2007 UNITED STATES OF AMERICA
(56) Related Art Documents: **Not Applicable**
(57) Statement of Newness and Distinctiveness: **Newness and distinctiveness is claimed in the features of shape and/or configuration of handle for an injector as illustrated in the accompanying representations.**



(21) Design Number: **19608/2007**

(22) Date of Filing Application: **31 August 2007**

(24) Date from which industrial property rights may have effect: **31 August 2007**

(54) Product in respect of which the design is registered: **Handle for an injector**

(51) International Design Classification: **24-02**

(71) Name(s) and Address(s) of Applicant(s):

Bristol-Myers Squibb Company
PO Box 4000 Patent Department Princeton New Jersey 08543-4000
United State of America

(72) Name(s) of Designer(s): **Marc W. Hunter and Heath A. Doty and Bryce G. Rutter and Melvin J. Leedle**

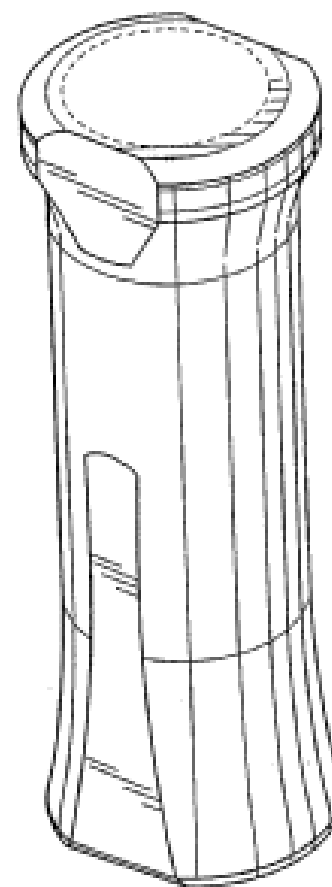
(45) Registration Date: **27 November 2007**

(30) Convention priority data:

(31) Number	(32) Date	(33) Country
29/273931	15 Mar 2007	UNITED STATES OF AMERICA

(56) Related Art Documents: **Not Applicable**

(57) Statement of Newness and Distinctiveness: **Newness and distinctiveness is claimed in the features of shape and/or configuration of handle for an injector as illustrated in the accompanying representations.**



(21) Design Number: **19609/2007**

(22) Date of Filing Application: **31 August 2007**

(24) Date from which industrial property rights may have effect: **31 August 2007**

(54) Product in respect of which the design is registered: **An overcap for an injector**

(51) International Design Classification: **24-02**

(71) Name(s) and Address(s) of Applicant(s):

Bristol-Myers Squibb Company
PO Box 4000 Patent Department Princeton New Jersey 08543-4000
United State of America

(72) Name(s) of Designer(s): **Marc W. Hunter and Heath A. Doty and Bryce G. Rutter and Melvin J. Leedle**

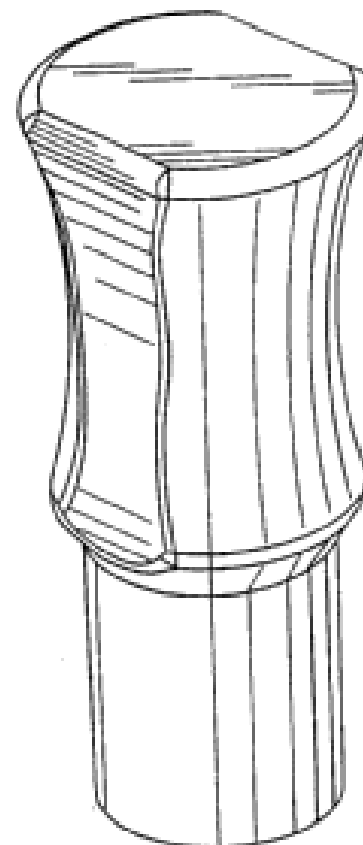
(45) Registration Date: **27 November 2007**

(30) Convention priority data:

(31) Number	(32) Date	(33) Country
29/273931	15 Mar 2007	UNITED STATES OF AMERICA

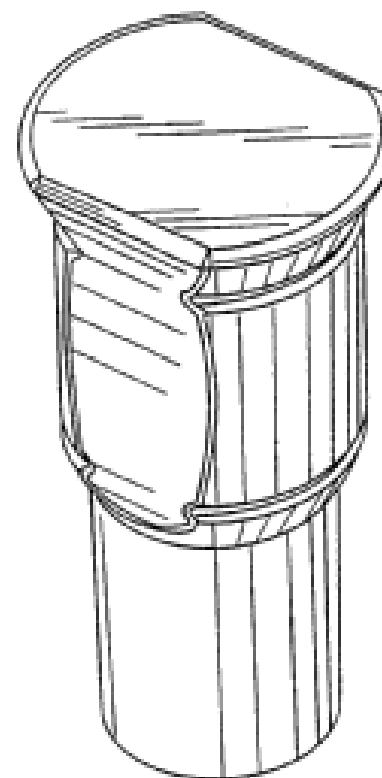
(56) Related Art Documents: **Not Applicable**

(57) Statement of Newness and Distinctiveness: **Newness and distinctiveness is claimed in the features of shape and/or configuration of an overcap for an injector as illustrated in the accompanying representations.**



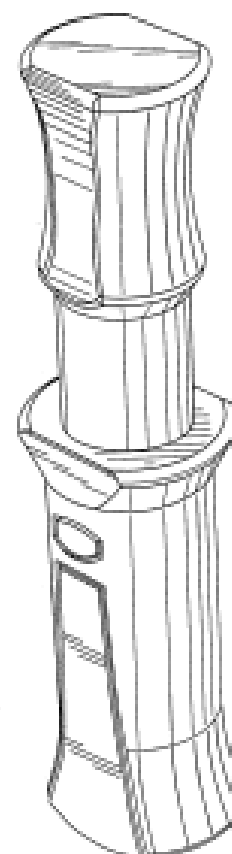
- (21) Design Number: **19610/2007**
- (22) Date of Filing Application: **31 August 2007**
- (24) Date from which industrial property rights may have effect: **31 August 2007**
- (54) Product in respect of which the design is registered: **An overcap for an injector**
- (51) International Design Classification: **24-02**
- (71) Name(s) and Address(s) of Applicant(s):
Bristol-Myers Squibb Company
PO Box 4000 Patent Department Princeton New Jersey 08543-4000
United State of America
- (72) Name(s) of Designer(s): **Marc W. Hunter and Heath A. Doty and Bryce G. Rutter and Melvin J. Leedle**
- (45) Registration Date: **27 November 2007**
- (30) Convention priority data:

(31) Number	(32) Date	(33) Country
29/273931	15 Mar 2007	UNITED STATES OF AMERICA
- (56) Related Art Documents: **Not Applicable**
- (57) Statement of Newness and Distinctiveness: **Newness and distinctiveness is claimed in the features of shape and/or configuration of an overcap for an injector as illustrated in the accompanying representations.**



- (21) Design Number: **19611/2007**
- (22) Date of Filing Application: **31 August 2007**
- (24) Date from which industrial property rights may have effect: **31 August 2007**
- (54) Product in respect of which the design is registered: **An injector**
- (51) International Design Classification: **24-02**
- (71) Name(s) and Address(s) of Applicant(s):
Bristol-Myers Squibb Company
PO Box 4000 Patent Department Princeton New Jersey 08543-4000
United State of America
- (72) Name(s) of Designer(s): **Marc W. Hunter and Heath A. Doty and Bryce G. Rutter and Melvin J. Leedle**
- (45) Registration Date: **27 November 2007**
- (30) Convention priority data:

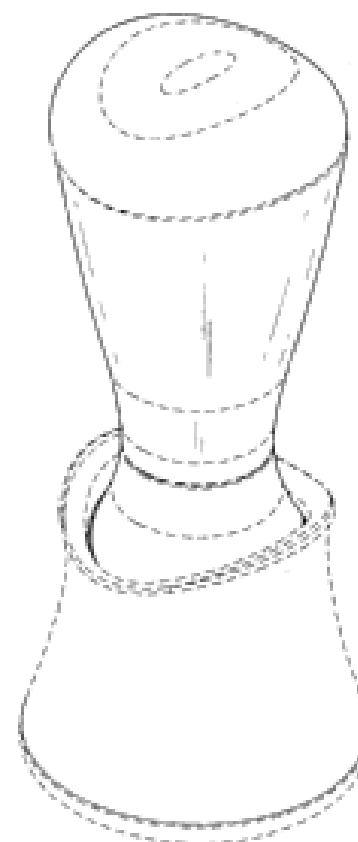
(31) Number	(32) Date	(33) Country
29/273931	15 Mar 2007	UNITED STATES OF AMERICA
- (56) Related Art Documents: **Not Applicable**
- (57) Statement of Newness and Distinctiveness: **Newness and distinctiveness is claimed in the features of shape and/or configuration of an injector as illustrated in the accompanying representations.**



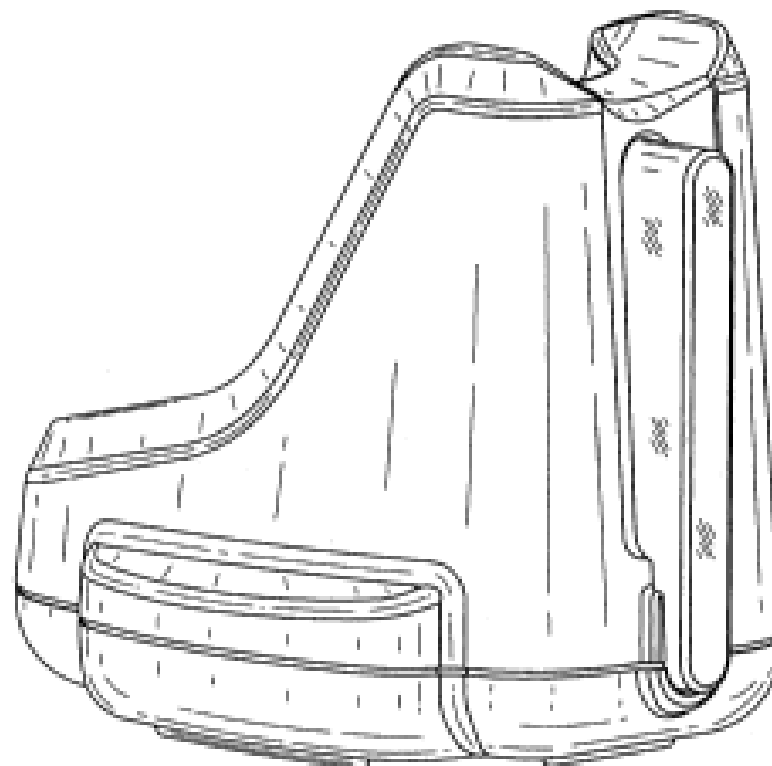
- (21) Design Number: **19612/2007**
(22) Date of Filing Application: **31 August 2007**
(24) Date from which industrial property rights may have effect: **31 August 2007**
(54) Product in respect of which the design is registered: **Rock bolt**
(51) International Design Classification: **08-08B**
(71) Name(s) and Address(s) of Applicant(s):
Sandvik Intellectual Property AB
Sandviken SE-811 81 Sweden
(72) Name(s) of Designer(s): **John Horsch and Steven Weaver**
(45) Registration Date: **27 November 2007**
(56) Related Art Documents: **Not Applicable**
(57) Statement of Newness and Distinctiveness: **Nil**



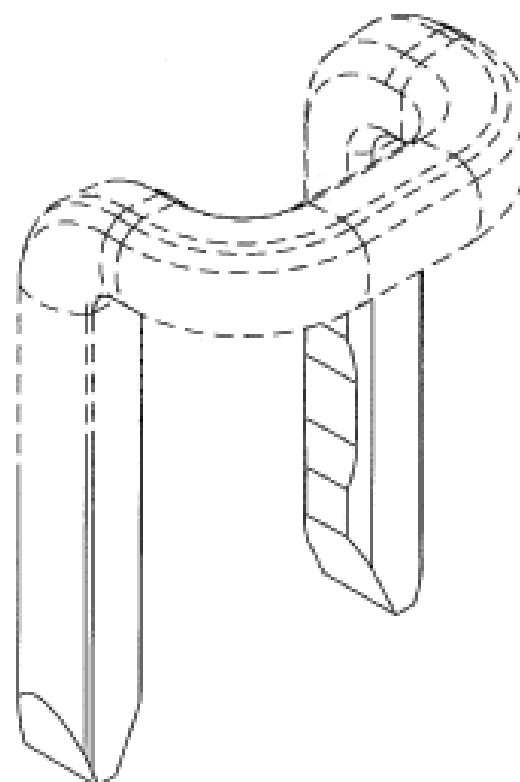
- (21) Design Number: **19619/2007**
(22) Date of Filing Application: **03 September 2007**
(24) Date from which industrial property rights may have effect: **03 September 2007**
(54) Product in respect of which the design is registered: **A liquid dispenser**
(51) International Design Classification: **07-04**
(71) Name(s) and Address(s) of Applicant(s):
Chef'n Corporation
1520 4th Avenue 3rd Floor Seattle Washington 98101 United States of America
(72) Name(s) of Designer(s): **Jonah S. Griffith**
(45) Registration Date: **27 November 2007**
(30) Convention priority data:
(31) Number (32) Date (33) Country
29277675 06 Mar 2007 UNITED STATES OF AMERICA
(56) Related Art Documents: **Not Applicable**
(57) Statement of Newness and Distinctiveness: **Newness and distinctiveness is claimed in the visual features shown in solid lines in the representations.**



- (21) Design Number: **19620/2007**
(22) Date of Filing Application: **03 September 2007**
(24) Date from which industrial property rights may have effect: **03 September 2007**
(54) Product in respect of which the design is registered: **A charging cradle for a power tool**
(51) International Design Classification: **13-02**
(71) Name(s) and Address(s) of Applicant(s):
Black & Decker, Inc.
1207 Drummond Plaza Newark Delaware 19711 United States of America
(72) Name(s) of Designer(s): **Stephen Houghton**
(45) Registration Date: **27 November 2007**
(30) Convention priority data:
(31) Number (32) Date (33) Country
000684931 08 Mar 2007 EUROPEAN COMMUNITY
(56) Related Art Documents: **Not Applicable**
(57) Statement of Newness and Distinctiveness: **Newness and distinctiveness is claimed in the features of shape and/or configuration of the charging cradle shown in the representations.**



- (21) Design Number: **19621/2007**
(22) Date of Filing Application: **03 September 2007**
(24) Date from which industrial property rights may have effect: **03 September 2007**
(54) Product in respect of which the design is registered: **Coupling staple**
(51) International Design Classification: **23-01A**
(71) Name(s) and Address(s) of Applicant(s):
Ryco Hydraulics Pty Ltd
19 Whitehall Street Footscray Victoria 3011 Australia
(72) Name(s) of Designer(s): **Leigh Morrison and Scott Robert Dorman**
(45) Registration Date: **27 November 2007**
(56) Related Art Documents: **Not Applicable**
(57) Statement of Newness and Distinctiveness: **Those features of the coupling staple depicted in the representations that are new and distinctive are the shape and/or configuration of the tines of the coupling staple including the recess in the inner surface of each tine. The features shown in broken lines are to be disregarded when considering the overall impression of the design.**

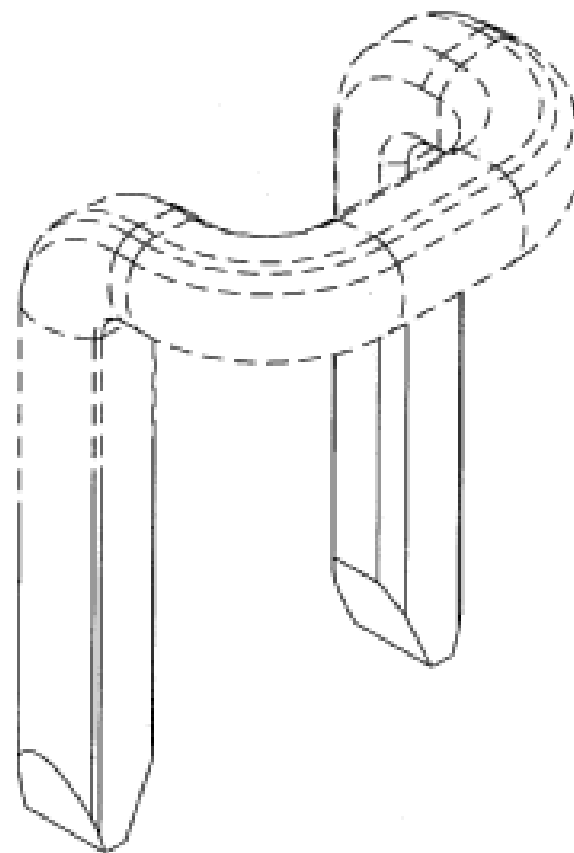


- (21) Design Number: **19622/2007**
- (22) Date of Filing Application: **03 September 2007**
- (24) Date from which industrial property rights may have effect: **03 September 2007**
- (54) Product in respect of which the design is registered: **Coupling staple**
- (51) International Design Classification: **23-01A**
- (71) Name(s) and Address(s) of Applicant(s):

Ryco Hydraulics Pty Ltd
19 Whitehall Street Footscray Victoria 3011 Australia

- (72) Name(s) of Designer(s): **Leigh Morrison and Scott Robert Dorman**
- (45) Registration Date: **27 November 2007**
- (56) Related Art Documents: **Not Applicable**

(57) Statement of Newness and Distinctiveness: **Those features of the couplig staple depicted in the representations that are new and distinctive are the cross-sectional shape of the tines, particulary depicted in section A-A. The features shown in broken lines are to disregarded when considering the overall impression of the design.**



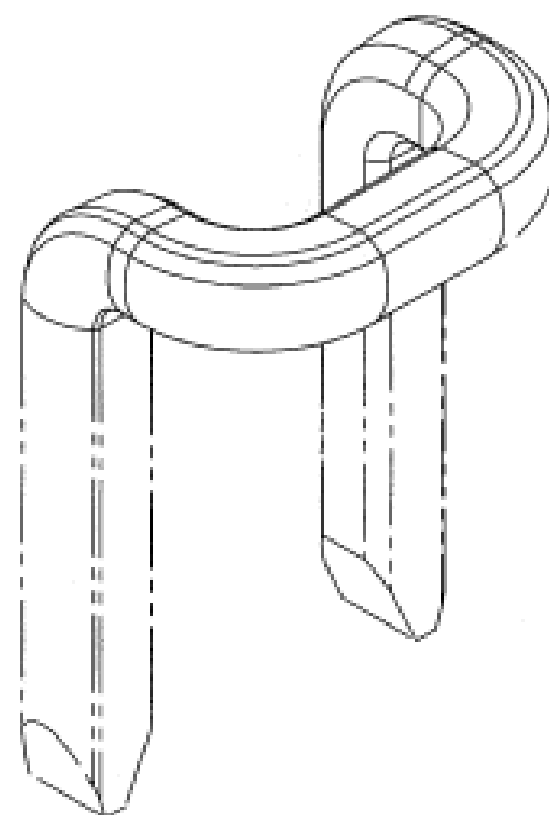
- (21) Design Number: **19623/2007**
- (22) Date of Filing Application: **03 September 2007**
- (24) Date from which industrial property rights may have effect: **03 September 2007**
- (54) Product in respect of which the design is registered: **Coupling staple**
- (51) International Design Classification: **23-01A**
- (71) Name(s) and Address(s) of Applicant(s):

Ryco Hydraulics Pty Ltd
19 Whitehall Street Footscray Victoria 3011 Australia

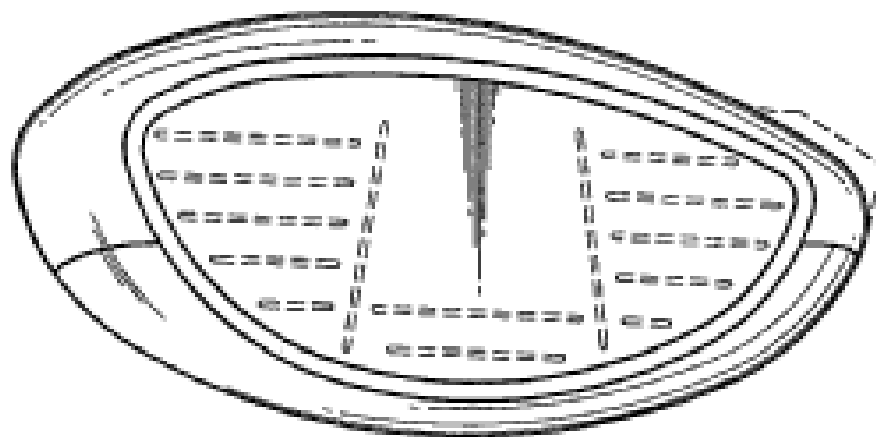
- (72) Name(s) of Designer(s): **Leigh Morrison and Scott Robert Dorman**
- (45) Registration Date: **27 November 2007**
- (56) Related Art Documents: **Not Applicable**

(57) Statement of Newness and Distinctiveness: **Those features of the coupling staple depicted in the representations that are new and distinctive are the bent end of the staple depicted in solid lines. The features shown in broken lines are to be disregarded when considering the overall impression of the design**

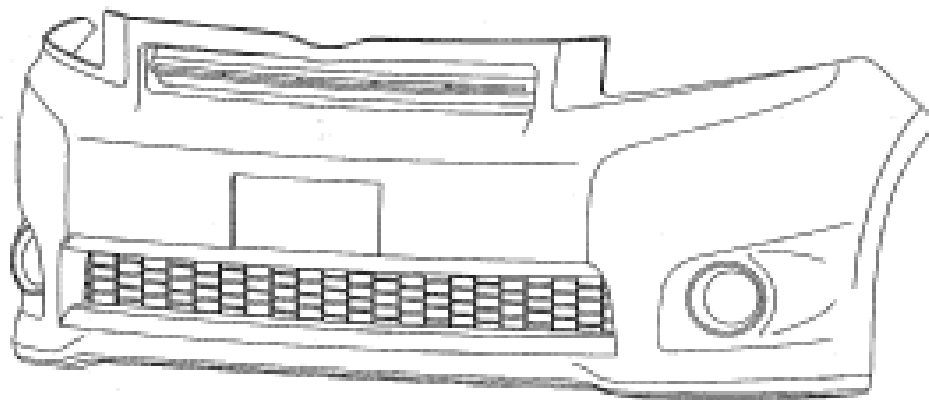
1/2



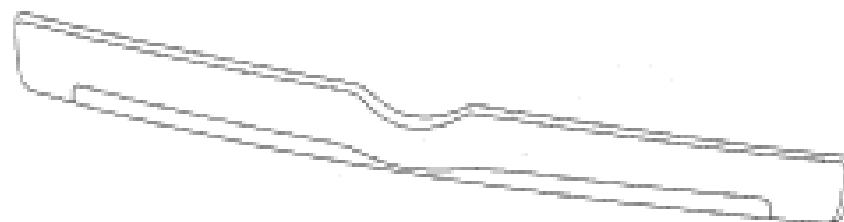
- (21) Design Number: **19625/2007**
(22) Date of Filing Application: **03 September 2007**
(24) Date from which industrial property rights may have effect: **03 September 2007**
(54) Product in respect of which the design is registered: **Gold club head**
(51) International Design Classification: **21-02C**
(71) Name(s) and Address(s) of Applicant(s):
Callaway Golf Company
2180 Rutherford Road Carlsbad California 92008-7328 United States of America
(72) Name(s) of Designer(s): **Ronald K. Hettinger and Patrick C. Kroegler and Homer E. Aguinaldo**
(45) Registration Date: **27 November 2007**
(30) Convention priority data:
(31) Number (32) Date (33) Country
29/277613 02 Mar 2007 UNITED STATES OF AMERICA
(56) Related Art Documents: **Not Applicable**
(57) Statement of Newness and Distinctiveness: **Newness and distinctiveness is claimed in those features of shape and/or configuration of a golf club head illustrated in continuous lines in the accompanying representations.**



- (21) Design Number: **17563/2007**
(22) Date of Filing Application: **20 April 2007**
(24) Date from which industrial property rights may have effect: **20 April 2007**
(54) Product in respect of which the design is registered: **Front bumper for an automobile**
(51) International Design Classification: **12-16B**
(71) Name(s) and Address(s) of Applicant(s):
Toyota Jidosha Kabushiki Kaisha
1 Toyota-cho Toyota-shi Aichi-ken 471-8571 Japan
(72) Name(s) of Designer(s): **Tetsu Endoh and Nobuyuki Tomatsu**
(45) Registration Date: **28 November 2007**
(56) Related Art Documents: **Not Applicable**
(57) Statement of Newness and Distinctiveness: **Those features of the front bumper for an automobile depicted in the representations that are new and distinctive are the shape and/or configuration.**



- (21) Design Number: **17564/2007**
(22) Date of Filing Application: **20 April 2007**
(24) Date from which industrial property rights may have effect: **20 April 2007**
(54) Product in respect of which the design is registered: **Decor strip**
(51) International Design Classification: **12-16D**
(71) Name(s) and Address(s) of Applicant(s):
Toyota Jidosha Kabushiki Kaisha
1 Toyota-cho Toyota-shi Aichi-ken 471-8571 Japan
(72) Name(s) of Designer(s): **Naoya Suzuki and Hisataka Tokizane and Nobuyuki Tomatsu**
(45) Registration Date: **28 November 2007**
(56) Related Art Documents: **Not Applicable**
(57) Statement of Newness and Distinctiveness: **Those features of the decor strip depicted in the representations that are new and distinctive are the shape and/or configuration.**



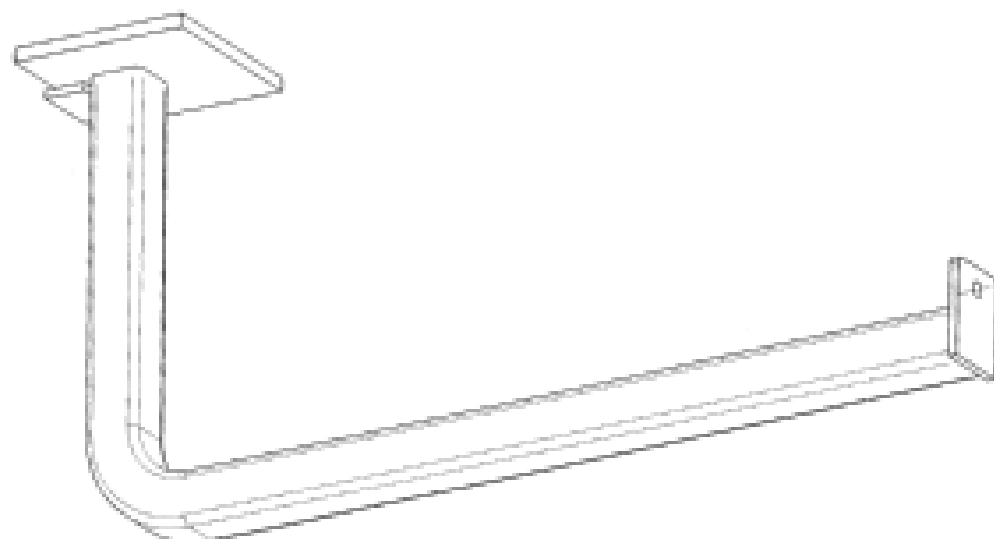
- (21) Design Number: **18361/2007**
(22) Date of Filing Application: **13 June 2007**
(24) Date from which industrial property rights may have effect: **13 June 2007**
(54) Product in respect of which the design is registered: **Container**
(51) International Design Classification: **09-01K**
(71) Name(s) and Address(s) of Applicant(s):
Saflite Cape (Proprietary) Limited
Unit 17 Riverpark De Waal Road Diep River 7800 Republic of South of Africa
(72) Name(s) of Designer(s): **WALTER ALEXANDER SMITH**
(45) Registration Date: **28 November 2007**
(30) Convention priority data:

(31) Number	(32) Date	(33) Country
A2007/00320	06 Mar 2007	SOUTH AFRICA

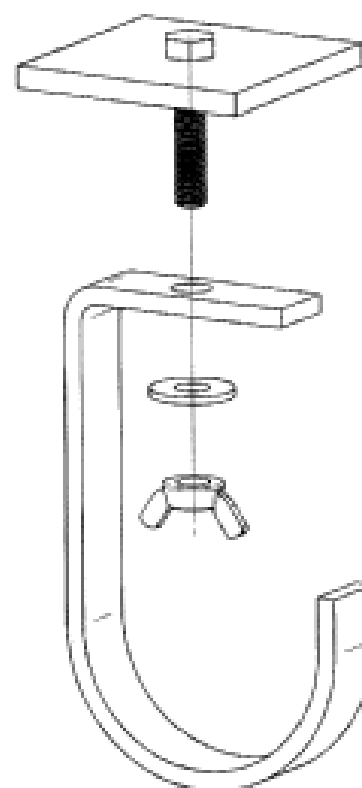
(56) Related Art Documents: **Not Applicable**
(57) Statement of Newness and Distinctiveness: **Those features of the container depicted in the representations that are new and distinctive are the shape and/or configuration. The tap is not part of the design and is to be disregarded when considering the overall impression of the design.**



(21) Design Number: **18699/2007**
(22) Date of Filing Application: **05 July 2007**
(24) Date from which industrial property rights may have effect: **05 July 2007**
(54) Product in respect of which the design is registered: **Hanging device**
(51) International Design Classification: **08-08G**
(71) Name(s) and Address(s) of Applicant(s):
Greg Linke
2 Churchman Court Gawler East South Australia 5118 Australia
(72) Name(s) of Designer(s): **Gregory Linke**
(45) Registration Date: **28 November 2007**
(56) Related Art Documents: **Not Applicable**
(57) Statement of Newness and Distinctiveness: **Nil**



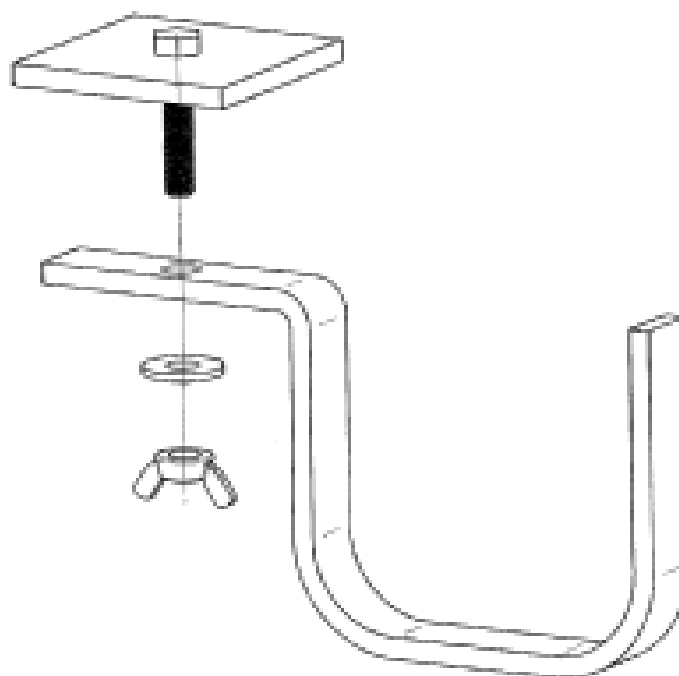
(21) Design Number: **19114/2007**
(22) Date of Filing Application: **05 July 2007**
(24) Date from which industrial property rights may have effect: **05 July 2007**
(54) Product in respect of which the design is registered: **Hanging device**
(51) International Design Classification: **08-08G**
(71) Name(s) and Address(s) of Applicant(s):
Greg Linke
2 Churchman Court Gawler East South Australia 5118 Australia
(72) Name(s) of Designer(s): **Gregory Linke**
(45) Registration Date: **28 November 2007**
(56) Related Art Documents: **Not Applicable**
(57) Statement of Newness and Distinctiveness: **Nil**



(21) Design Number: **19115/2007**
(22) Date of Filing Application: **05 July 2007**
(24) Date from which industrial property rights may have effect: **05 July 2007**
(54) Product in respect of which the design is registered: **Hanging device**
(51) International Design Classification: **08-08G**
(71) Name(s) and Address(s) of Applicant(s):

Greg Linke
2 Churchman Court Gawler East South Australia 5118 Australia

(72) Name(s) of Designer(s): **Gregory Linke**
(45) Registration Date: **28 November 2007**
(56) Related Art Documents: **Not Applicable**
(57) Statement of Newness and Distinctiveness: **Nil**



(21) Design Number: **18748/2007**
(22) Date of Filing Application: **09 July 2007**
(24) Date from which industrial property rights may have effect: **09 July 2007**
(54) Product in respect of which the design is registered: **Furniture - stools - seats**
(51) International Design Classification: **06-01E**
(71) Name(s) and Address(s) of Applicant(s):

Kevin O'Connor
422 Dryburgh Street North Melbourne Victoria 3051 Australia

(72) Name(s) of Designer(s): **Kevin O'Connor**
(45) Registration Date: **28 November 2007**
(56) Related Art Documents: **Not Applicable**
(57) Statement of Newness and Distinctiveness: **The legs curve so that each foot ends up underneath the starting point of the next leg.**



(21) Design Number: **19422/2007**

(22) Date of Filing Application: **17 August 2007**

(24) Date from which industrial property rights may have effect: **17 August 2007**

(54) Product in respect of which the design is registered: **Cooking oven**

(51) International Design Classification: **07-02A**

(71) Name(s) and Address(s) of Applicant(s):

**Allan R. Jones Technologies Pty Ltd
25 Spooner Street Lithgow New South Wales 2790 Australia**

(72) Name(s) of Designer(s): **Allan Jones**

(45) Registration Date: **28 November 2007**

(56) Related Art Documents: **Not Applicable**

(57) Statement of Newness and Distinctiveness: **Dome shape, porthole windows, hinge handle, overall shape as one design.**



(21) Design Number: **19626/2007**

(22) Date of Filing Application: **03 September 2007**

(24) Date from which industrial property rights may have effect: **03 September 2007**

(54) Product in respect of which the design is registered: **Reflector**

(51) International Design Classification: **26-05A**

(71) Name(s) and Address(s) of Applicant(s):

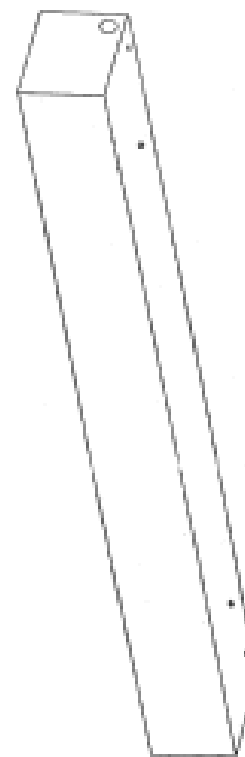
**Gamma Illumination Pty Ltd
20 Queen Street Revesby New South Wales 2212 Australia**

(72) Name(s) of Designer(s): **Michael Calabro**

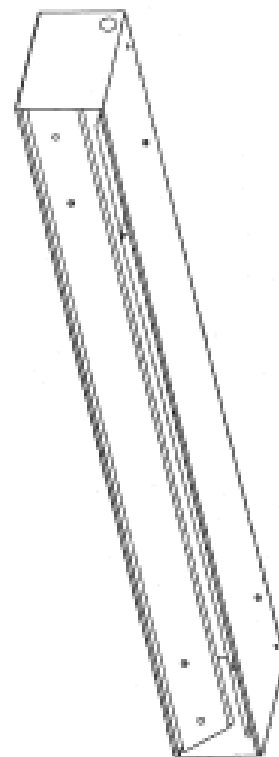
(45) Registration Date: **28 November 2007**

(56) Related Art Documents: **Not Applicable**

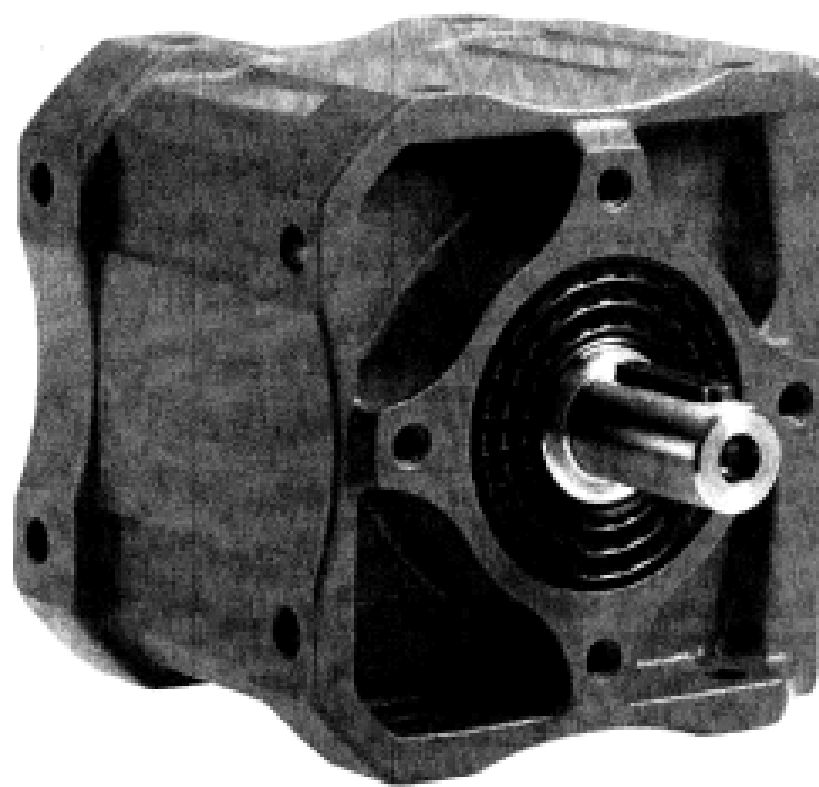
(57) Statement of Newness and Distinctiveness: **The newness and distinctiveness resides in the shape and configuration of the reflector.**



- (21) Design Number: **19627/2007**
(22) Date of Filing Application: **03 September 2007**
(24) Date from which industrial property rights may have effect: **03 September 2007**
(54) Product in respect of which the design is registered: **Reflector**
(51) International Design Classification: **26-05A**
(71) Name(s) and Address(s) of Applicant(s):
Gamma Illumination Pty Ltd
20 Queen Street Revesby New South Wales 2212 Australia
(72) Name(s) of Designer(s): **Michael Calabro**
(45) Registration Date: **28 November 2007**
(56) Related Art Documents: **Not Applicable**
(57) Statement of Newness and Distinctiveness: **The newness and distinctiveness resides in the shape and configuration of the reflector.**



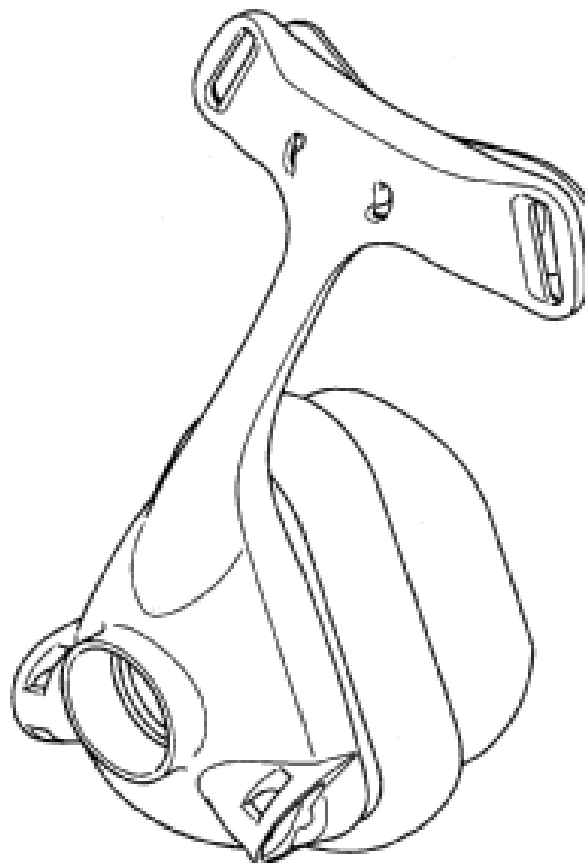
- (21) Design Number: **19632/2007**
(22) Date of Filing Application: **04 September 2007**
(24) Date from which industrial property rights may have effect: **04 September 2007**
(54) Product in respect of which the design is registered: **Gearbox**
(51) International Design Classification: **12-16NES**
(71) Name(s) and Address(s) of Applicant(s):
Sew-Eurodrive GmbH & Co. KG
Ernst-Blickle-Strasse 42 76646 Bruchsal Germany
(72) Name(s) of Designer(s): **Hans-Jurgen Lannoch**
(45) Registration Date: **28 November 2007**
(30) Convention priority data:
(31) Number (32) Date (33) Country
DE 28 Mar 2007 GERMANY
40701807.7
(56) Related Art Documents: **Not Applicable**
(57) Statement of Newness and Distinctiveness: **Nil**



(21) Design Number: **19633/2007**
(22) Date of Filing Application: **04 September 2007**
(24) Date from which industrial property rights may have effect: **04 September 2007**
(54) Product in respect of which the design is registered: **Gearbox**
(51) International Design Classification: **12-16NES**
(71) Name(s) and Address(s) of Applicant(s):
Sew-Eurodrive GmbH & Co. KG
Ernst-Blickle-Strasse 42 76646 Bruchsal Germany
(72) Name(s) of Designer(s): **Hans-Jurgen Lannoch**
(45) Registration Date: **28 November 2007**
(30) Convention priority data:
(31) Number (32) Date (33) Country
DE 28 Mar 2007 GERMANY
40701807.7
(56) Related Art Documents: **Not Applicable**
(57) Statement of Newness and Distinctiveness: **Nil**



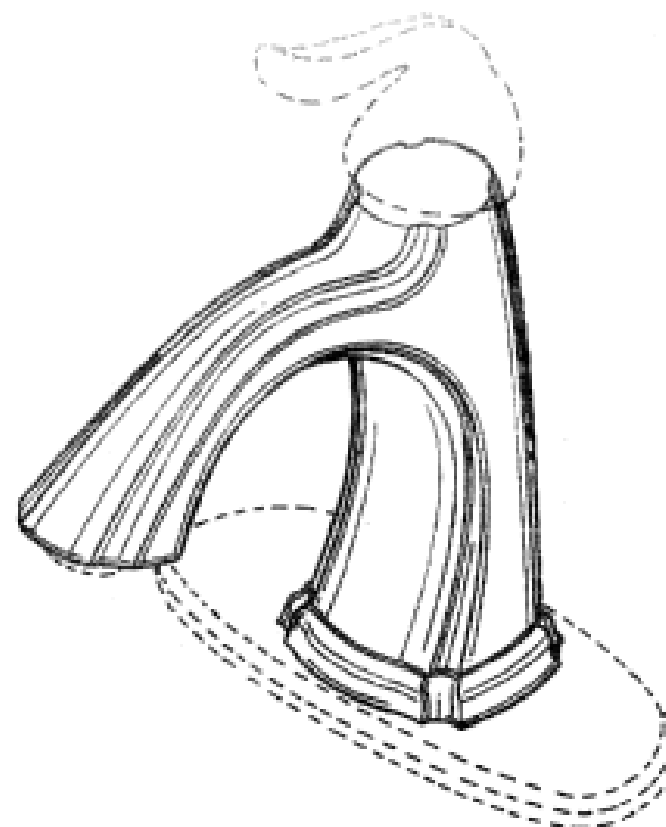
(21) Design Number: **19634/2007**
(22) Date of Filing Application: **04 September 2007**
(24) Date from which industrial property rights may have effect: **04 September 2007**
(54) Product in respect of which the design is registered: **A mask for a respirator**
(51) International Design Classification: **24-01**
(71) Name(s) and Address(s) of Applicant(s):
Teijin Pharma Limited
1-1 Uchisaiwai-cho 2 chome Chiyoda-ku Tokyo 100-0011 Japan
(72) Name(s) of Designer(s): **Kazuaki Fujiura and Naoki Kurai and Takamitsu Okayama and Tongoh Chin and Satoe Matsunaga and Toshiki Nakamura and Keiko Omura and Masahide Takishita and Shinya Fujimoto and Hideharu Shimura and Toru Hikosaka**
(45) Registration Date: **28 November 2007**
(30) Convention priority data:
(31) Number (32) Date (33) Country
2007-005933 07 Mar 2007 JAPAN
(56) Related Art Documents: **Not Applicable**
(57) Statement of Newness and Distinctiveness: **Nil**



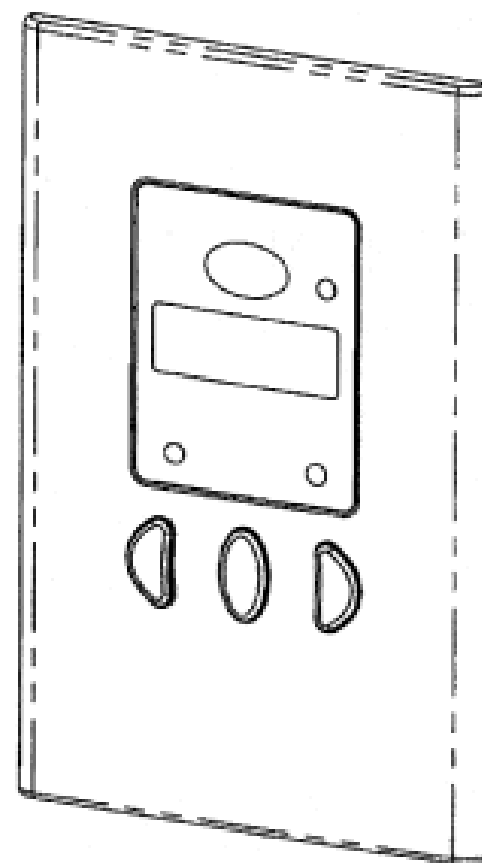
(21) Design Number: **19635/2007**
 (22) Date of Filing Application: **04 September 2007**
 (24) Date from which industrial property rights may have effect: **04 September 2007**
 (54) Product in respect of which the design is registered: **A cushion for a respiratory mask**
 (51) International Design Classification: **24-01**
 (71) Name(s) and Address(s) of Applicant(s):
Teijin Pharma Limited
1-1 Uchisaiwai-cho 2 chome Chiyoda-ku Tokyo 100-0011 Japan
 (72) Name(s) of Designer(s): **Keiko Omura and Masahide Takishita and Shinya Fujimoto and Satoe Matsunaga and Takamitsu Okayama and Tongoh Chin and Hideharu Shimura and Toru Hikosaka**
 (45) Registration Date: **28 November 2007**
 (30) Convention priority data:
 (31) Number (32) Date (33) Country
2007-005949 07 Mar 2007 JAPAN
 (56) Related Art Documents: **Not Applicable**
 (57) Statement of Newness and Distinctiveness: **Nil**



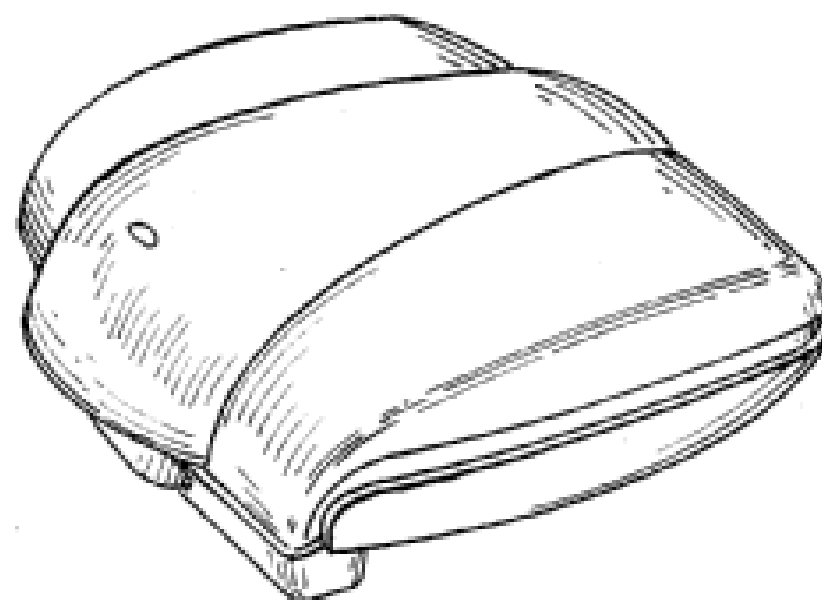
(21) Design Number: **19636/2007**
 (22) Date of Filing Application: **04 September 2007**
 (24) Date from which industrial property rights may have effect: **04 September 2007**
 (54) Product in respect of which the design is registered: **A tap body**
 (51) International Design Classification: **23-01H**
 (71) Name(s) and Address(s) of Applicant(s):
Newfrey LLC
1207 Drummond Plaza Newark Delaware 19711 United States of America
 (72) Name(s) of Designer(s): **David R. Downey**
 (45) Registration Date: **28 November 2007**
 (30) Convention priority data:
 (31) Number (32) Date (33) Country
29273631 09 Mar 2007 UNITED STATES OF AMERICA
 (56) Related Art Documents: **Not Applicable**
 (57) Statement of Newness and Distinctiveness: **Newness and distinctiveness is claimed in the visual features shown in solid lines in the representations.**



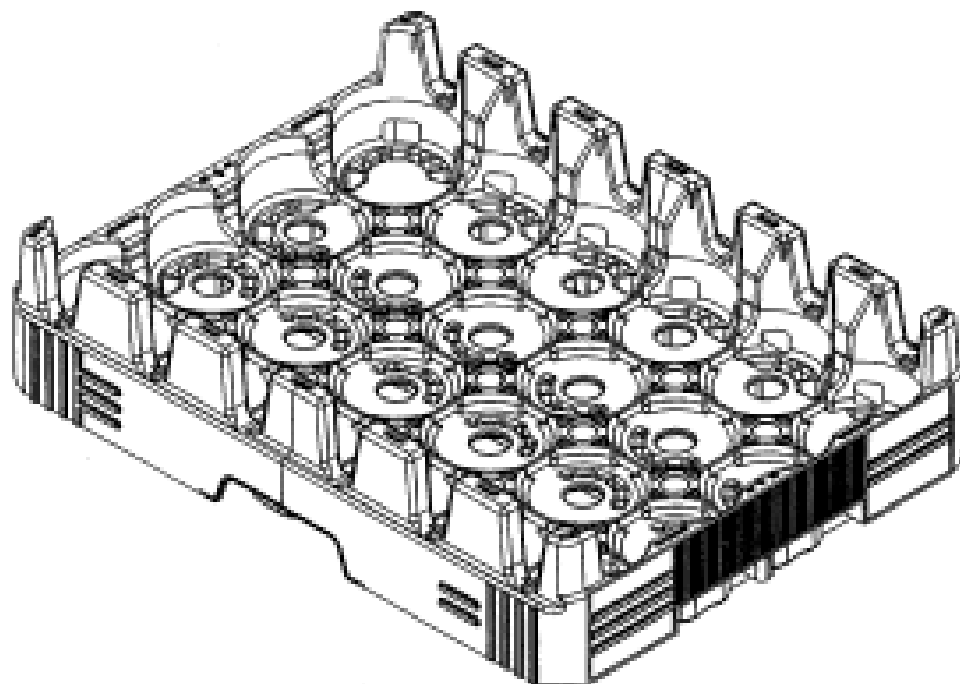
- (21) Design Number: **19649/2007**
(22) Date of Filing Application: **05 September 2007**
(24) Date from which industrial property rights may have effect: **05 September 2007**
(54) Product in respect of which the design is registered: **Cover plate**
(51) International Design Classification: **13-03D**
(71) Name(s) and Address(s) of Applicant(s):
DEMDL No. 1 Pty. Ltd.
Level 4 25 Claremont Street South Yarra Victoria 3141 Australia
(72) Name(s) of Designer(s): **Mark Lissek**
(45) Registration Date: **28 November 2007**
(56) Related Art Documents: **Not Applicable**
(57) Statement of Newness and Distinctiveness: **Nil**



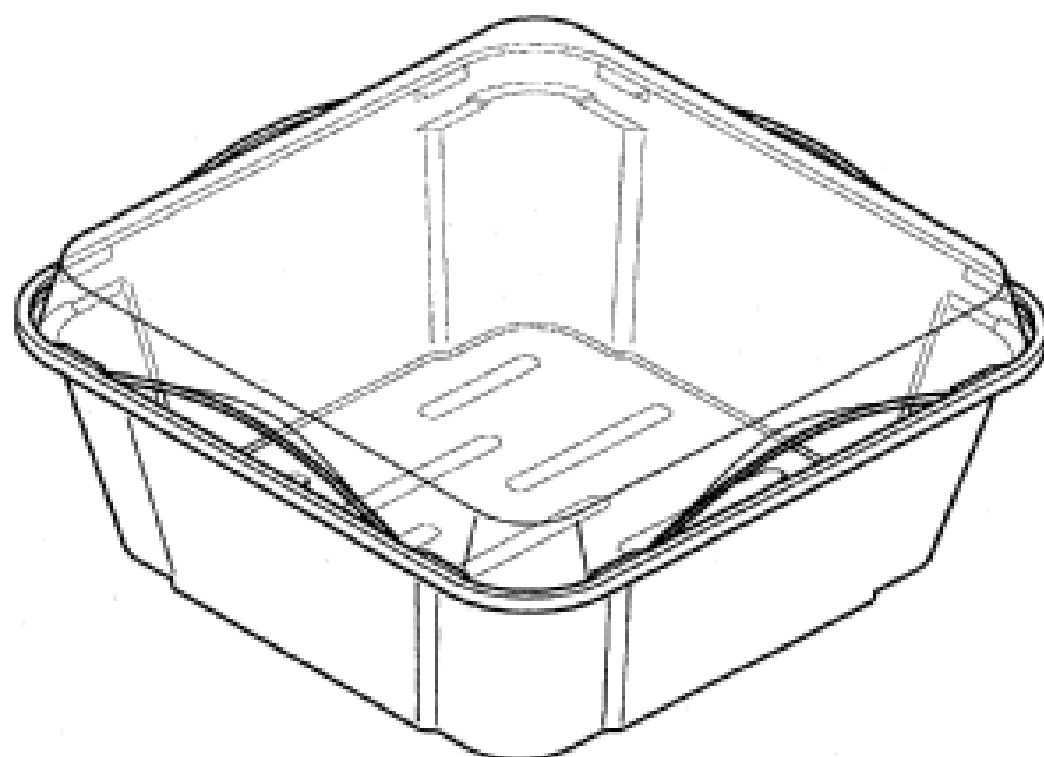
- (21) Design Number: **19650/2007**
(22) Date of Filing Application: **05 September 2007**
(24) Date from which industrial property rights may have effect: **05 September 2007**
(54) Product in respect of which the design is registered: **A cooking grill**
(51) International Design Classification: **07-02H**
(71) Name(s) and Address(s) of Applicant(s):
Saab Appliances Pty Ltd
Unit 1 122-124 Hassall Street Wetherill Park New South Wales 2164
Australia
(72) Name(s) of Designer(s): **Joe Belluccini**
(45) Registration Date: **28 November 2007**
(56) Related Art Documents: **Not Applicable**
(57) Statement of Newness and Distinctiveness: **Newness and distinctiveness is claimed in the shape and/or configuration of a "cooking grillA cooking grill" as illustrated in the representations.**



(21) Design Number: **19651/2007**
(22) Date of Filing Application: **05 September 2007**
(24) Date from which industrial property rights may have effect: **05 September 2007**
(54) Product in respect of which the design is registered: **Tray for bottles**
(51) International Design Classification: **09-03E**
(71) Name(s) and Address(s) of Applicant(s):
K. Hartwall Oy Ab
Kay Hartwallin tie 2 FI-01150 Soderkulla Finland
(72) Name(s) of Designer(s): **Johan Lindstrom**
(45) Registration Date: **28 November 2007**
(30) Convention priority data:
(31) Number (32) Date (33) Country
000685094 08 Mar 2007 EUROPEAN COMMUNITY
(56) Related Art Documents: **Not Applicable**
(57) Statement of Newness and Distinctiveness: **Nil**



(21) Design Number: **19857/2007**
(22) Date of Filing Application: **21 September 2007**
(24) Date from which industrial property rights may have effect: **21 September 2007**
(54) Product in respect of which the design is registered: **Container**
(51) International Design Classification: **09-03M**
(71) Name(s) and Address(s) of Applicant(s):
Adare Limited
Falconer Road Haverhill Suffolk CB9 7XU United Kingdom
(72) Name(s) of Designer(s): **Xie Fu Song**
(45) Registration Date: **28 November 2007**
(30) Convention priority data:
(31) Number (32) Date (33) Country
000693650-0005 22 Mar 2007 EUROPEAN COMMUNITY
(56) Related Art Documents: **Not Applicable**
(57) Statement of Newness and Distinctiveness: **Nil**



(21) Design Number: **19858/2007**
(22) Date of Filing Application: **21 September 2007**
(24) Date from which industrial property rights may have effect: **21 September 2007**
(54) Product in respect of which the design is registered: **Container**
(51) International Design Classification: **09-03M**
(71) Name(s) and Address(s) of Applicant(s):

Adare Limited
Falconer Road Haverhill Suffolk CB9 7XU United Kingdom

(72) Name(s) of Designer(s): **Xie Fu Song**

(45) Registration Date: **28 November 2007**

(30) Convention priority data:

(31) Number	(32) Date	(33) Country
000693650-0003	22 Mar 2007	EUROPEAN COMMUNITY

(56) Related Art Documents: **Not Applicable**

(57) Statement of Newness and Distinctiveness: **Nil**



(21) Design Number: **19859/2007**
(22) Date of Filing Application: **21 September 2007**
(24) Date from which industrial property rights may have effect: **21 September 2007**
(54) Product in respect of which the design is registered: **Container**
(51) International Design Classification: **09-03M**
(71) Name(s) and Address(s) of Applicant(s):

Adare Limited
Falconer Road Haverhill Suffolk CB9 7XU United Kingdom

(72) Name(s) of Designer(s): **Tse Kei Chun**

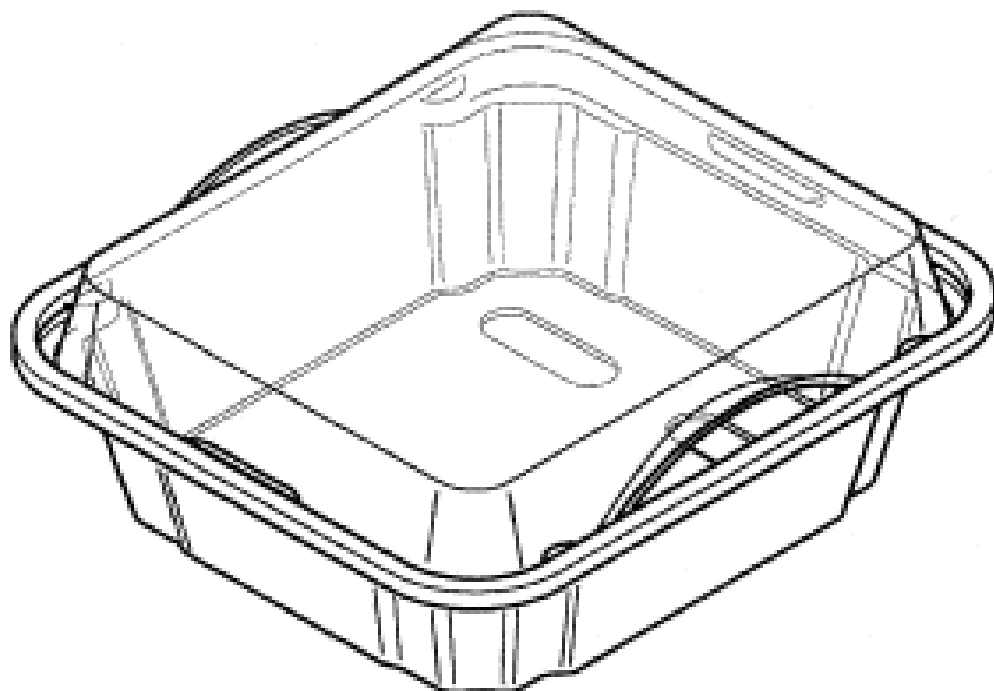
(45) Registration Date: **28 November 2007**

(30) Convention priority data:

(31) Number	(32) Date	(33) Country
000693650-0001	22 Mar 2007	EUROPEAN COMMUNITY

(56) Related Art Documents: **Not Applicable**

(57) Statement of Newness and Distinctiveness: **Nil**



- (21) Design Number: **17551/2007**
(22) Date of Filing Application: **20 April 2007**
(24) Date from which industrial property rights may have effect: **20 April 2007**
(54) Product in respect of which the design is registered: **Automobile**
(51) International Design Classification: **12-08**
(71) Name(s) and Address(s) of Applicant(s):
Toyota Jidosha Kabushiki Kaisha
1 Toyota-cho Toyota-shi Aichi-ken 471-8571 Japan
(72) Name(s) of Designer(s): **Etsuya Ohishi and Shinichi Nakamura and Nobuyuki Tomatsu and Shogo Tokutake**
(45) Registration Date: **03 December 2007**
(56) Related Art Documents: **Not Applicable**
(57) Statement of Newness and Distinctiveness: **Those features of the automobile depicted in the representations that are new and distinctive are the shape and/or configuration.**



- (21) Design Number: **17552/2007**
(22) Date of Filing Application: **20 April 2007**
(24) Date from which industrial property rights may have effect: **20 April 2007**
(54) Product in respect of which the design is registered: **Automobile**
(51) International Design Classification: **12-08**
(71) Name(s) and Address(s) of Applicant(s):
Toyota Jidosha Kabushiki Kaisha
1 Toyota-cho Toyota-shi Aichi-ken 471-8571 Japan
(72) Name(s) of Designer(s): **Etsuya Ohishi and Shinichi Nakamura and Nobuyuki Tomatsu and Shogo Tokutake and Tetsu Endoh**
(45) Registration Date: **03 December 2007**
(56) Related Art Documents: **Not Applicable**
(57) Statement of Newness and Distinctiveness: **Those features of the automobile depicted in the representations that are new and distinctive are the shape and/or configuration.**



(21) Design Number: **17553/2007**

(22) Date of Filing Application: **20 April 2007**

(24) Date from which industrial property rights may have effect: **20 April 2007**

(54) Product in respect of which the design is registered: **Vehicle front assembly**

(51) International Design Classification: **12-16B**

(71) Name(s) and Address(s) of Applicant(s):

**Toyota Jidosha Kabushiki Kaisha
1 Toyota-cho Toyota-shi Aichi-ken 471-8571 Japan**

(72) Name(s) of Designer(s): **Shinichi Nakamura and Tetsu Endoh and Nobuyuki Tomatsu**

(45) Registration Date: **03 December 2007**

(56) Related Art Documents: **Not Applicable**

(57) Statement of Newness and Distinctiveness: **Those features of the vehicle front assembly depicted in the representations that are new and distinctive are the shape and/or configuration. The features shown in faint rendering are not part of the design and are to be disregarded when considering the overall impression of the design.**



(21) Design Number: **17554/2007**

(22) Date of Filing Application: **20 April 2007**

(24) Date from which industrial property rights may have effect: **20 April 2007**

(54) Product in respect of which the design is registered: **Vehicle front assembly**

(51) International Design Classification: **12-16B**

(71) Name(s) and Address(s) of Applicant(s):

**Toyota Jidosha Kabushiki Kaisha
1 Toyota-cho Toyota-shi Aichi-ken 471-8571 Japan**

(72) Name(s) of Designer(s): **Etsuya Ohishi and Shogo Tokutake and Nobuyuki Tomatsu and Yoshimune Mayuzumi and Mitsushi Kintaka**

(45) Registration Date: **03 December 2007**

(56) Related Art Documents: **Not Applicable**

(57) Statement of Newness and Distinctiveness: **Those features of the vehicle front assembly depicted in the representations that are new and distinctive are the shape and/or configuration. The features shown in faint rendering are not part of the design and are to be disregarded when considering the overall impression of the design.**



- (21) Design Number: **17555/2007**
(22) Date of Filing Application: **20 April 2007**
(24) Date from which industrial property rights may have effect: **20 April 2007**
(54) Product in respect of which the design is registered: **Front combination lamp for an automobile**
(51) International Design Classification: **26-06**
(71) Name(s) and Address(s) of Applicant(s):
Toyota Jidosha Kabushiki Kaisha
1 Toyota-cho Toyota-shi Aichi-ken 471-8571 Japan
(72) Name(s) of Designer(s): **Tetsu Endoh and Nobuyuki Tomatsu**
(45) Registration Date: **03 December 2007**
(56) Related Art Documents: **Not Applicable**
(57) Statement of Newness and Distinctiveness: **Those features of the front combination lamp for an automobile depicted in the representations that are new and distinctive are the shape and/or configuration.**



- (21) Design Number: **17556/2007**
(22) Date of Filing Application: **20 April 2007**
(24) Date from which industrial property rights may have effect: **20 April 2007**
(54) Product in respect of which the design is registered: **Front combination lamp for an automobile**
(51) International Design Classification: **26-06**
(71) Name(s) and Address(s) of Applicant(s):
Toyota Jidosha Kabushiki Kaisha
1 Toyota-cho Toyota-shi Aichi-ken 471-8571 Japan
(72) Name(s) of Designer(s): **Mitsushi Kintaka and Nobuyuki Tomatsu**
(45) Registration Date: **03 December 2007**
(56) Related Art Documents: **Not Applicable**
(57) Statement of Newness and Distinctiveness: **Those features of the front combination lamp for an automobile depicted in the representations that are new and distinctive are the shape and/or configuration.**



(21) Design Number: **17557/2007**

(22) Date of Filing Application: **20 April 2007**

(24) Date from which industrial property rights may have effect: **20 April 2007**

(54) Product in respect of which the design is registered: **Rear combination lamp for an automobile**

(51) International Design Classification: **26-06**

(71) Name(s) and Address(s) of Applicant(s):

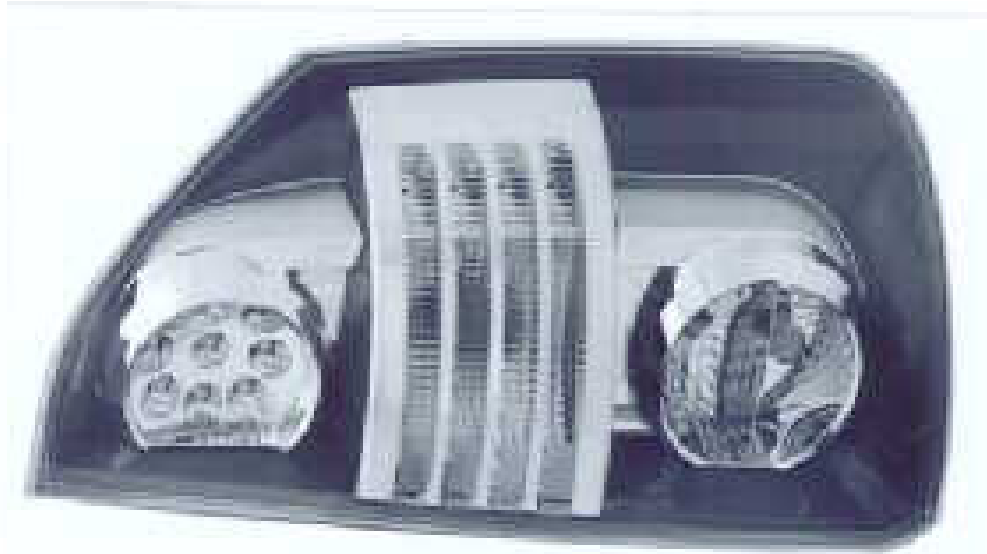
**Toyota Jidosha Kabushiki Kaisha
1 Toyota-cho Toyota-shi Aichi-ken 471-8571 Japan**

(72) Name(s) of Designer(s): **Hisataka Tokizane and Nobuyuki Tomatsu**

(45) Registration Date: **03 December 2007**

(56) Related Art Documents: **Not Applicable**

(57) Statement of Newness and Distinctiveness: **Those features of the rear combination lamp for an automobile depicted in the representations that are new and distinctive are the shape and/or configuration.**



(21) Design Number: **17558/2007**

(22) Date of Filing Application: **20 April 2007**

(24) Date from which industrial property rights may have effect: **20 April 2007**

(54) Product in respect of which the design is registered: **Rear combination lamp for an automobile**

(51) International Design Classification: **26-06**

(71) Name(s) and Address(s) of Applicant(s):

**Toyota Jidosha Kabushiki Kaisha
1 Toyota-cho Toyota-shi Aichi-ken 471-8571 Japan**

(72) Name(s) of Designer(s): **Naoya Suzuki and Nobuyuki Tomatsu**

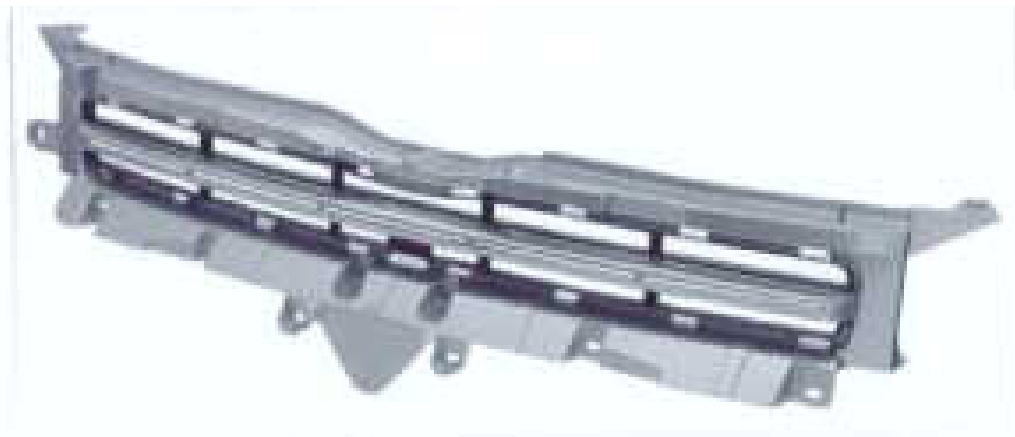
(45) Registration Date: **03 December 2007**

(56) Related Art Documents: **Not Applicable**

(57) Statement of Newness and Distinctiveness: **Those features of the rear combination lamp for an automobile depicted in the representations that are new and distinctive are the shape and/or configuration.**



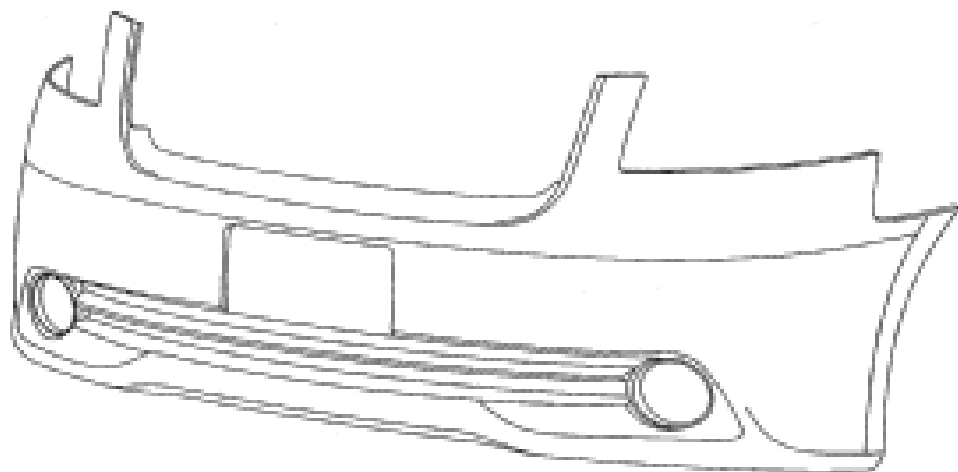
- (21) Design Number: **17559/2007**
(22) Date of Filing Application: **20 April 2007**
(24) Date from which industrial property rights may have effect: **20 April 2007**
(54) Product in respect of which the design is registered: **Front grille for automobile**
(51) International Design Classification: **12-16B**
(71) Name(s) and Address(s) of Applicant(s):
Toyota Jidosha Kabushiki Kaisha
1 Toyota-cho Toyota-shi Aichi-ken 471-8571 Japan
(72) Name(s) of Designer(s): **Tetsu Endoh and Nobuyuki Tomatsu**
(45) Registration Date: **03 December 2007**
(56) Related Art Documents: **Not Applicable**
(57) Statement of Newness and Distinctiveness: **Those features of the front grille for automobile that are depicted in the representations that are new and distinctive are the shape and/or configuration.**



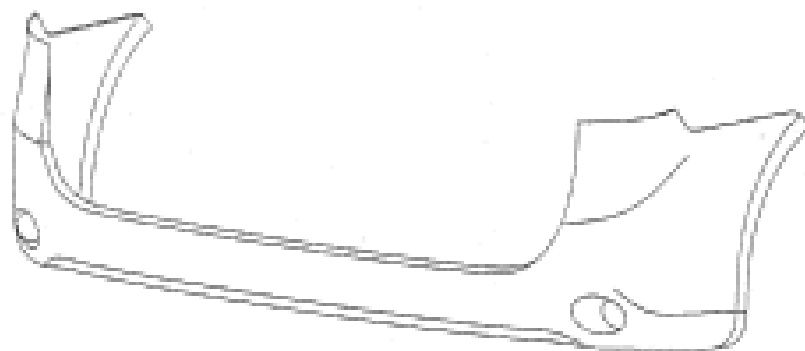
- (21) Design Number: **17560/2007**
(22) Date of Filing Application: **20 April 2007**
(24) Date from which industrial property rights may have effect: **20 April 2007**
(54) Product in respect of which the design is registered: **Front grille for automobile**
(51) International Design Classification: **12-16B**
(71) Name(s) and Address(s) of Applicant(s):
Toyota Jidosha Kabushiki Kaisha
1 Toyota-cho Toyota-shi Aichi-ken 471-8571 Japan
(72) Name(s) of Designer(s): **Nobuyuki Tomatsu and Shogo Tokutake and Mitsushi Kintaka**
(45) Registration Date: **03 December 2007**
(56) Related Art Documents: **Not Applicable**
(57) Statement of Newness and Distinctiveness: **Those features of the front grille for automobile depicted in the representations that are new and distinctive are the shape and/or configuration.**



- (21) Design Number: **17561/2007**
(22) Date of Filing Application: **20 April 2007**
(24) Date from which industrial property rights may have effect: **20 April 2007**
(54) Product in respect of which the design is registered: **Front bumper for an automobile**
(51) International Design Classification: **12-16B**
(71) Name(s) and Address(s) of Applicant(s):
Toyota Jidosha Kabushiki Kaisha
1 Toyota-cho Toyota-shi Aichi-ken 471-8571 Japan
(72) Name(s) of Designer(s): **Etsuya Ohishi and Yoshimune Mayuzumi and Nobuyuki Tomatsu and Shogo Tokutake and Mitsushi Kintaka**
(45) Registration Date: **03 December 2007**
(56) Related Art Documents: **Not Applicable**
(57) Statement of Newness and Distinctiveness: **Those features of the front bumper for an automobile that are new and distinctive are the shape and/or configuration.**



- (21) Design Number: **17562/2007**
(22) Date of Filing Application: **20 April 2007**
(24) Date from which industrial property rights may have effect: **20 April 2007**
(54) Product in respect of which the design is registered: **Rear bumper for an automobile**
(51) International Design Classification: **12-16B**
(71) Name(s) and Address(s) of Applicant(s):
Toyota Jidosha Kabushiki Kaisha
1 Toyota-cho Toyota-shi Aichi-ken 471-8571 Japan
(72) Name(s) of Designer(s): **Etsuya Ohishi and Nobuyuki Tomatsu and Naoya Suzuki**
(45) Registration Date: **03 December 2007**
(56) Related Art Documents: **Not Applicable**
(57) Statement of Newness and Distinctiveness: **Those features of the rear bumper for an automobile depicted in the representations that are new and distinctive are the shape and/or configuration.**



(21) Design Number: **17847/2007**
 (22) Date of Filing Application: **09 May 2007**
 (24) Date from which industrial property rights may have effect: **09 May 2007**
 (54) Product in respect of which the design is registered: **A box**
 (51) International Design Classification: **09-03M**
 (71) Name(s) and Address(s) of Applicant(s):

James Charles Weggery
57 Orion Drive Welcome Bay Tauranga New Zealand

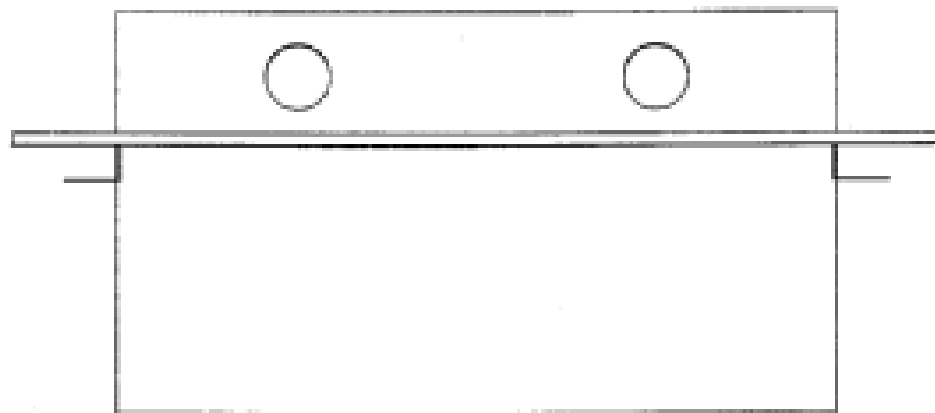
(72) Name(s) of Designer(s): **James Charles Weggery**
 (45) Registration Date: **03 December 2007**

(30) Convention priority data:

(31) Number	(32) Date	(33) Country
408361	09 Nov 2006	NEW ZEALAND

(56) Related Art Documents: **Not Applicable**

(57) Statement of Newness and Distinctiveness: **Nil**



(21) Design Number: **18874/2007**
 (22) Date of Filing Application: **12 July 2007**
 (24) Date from which industrial property rights may have effect: **12 July 2007**
 (54) Product in respect of which the design is registered: **Aerosol dispenser**
 (51) International Design Classification: **09-01A**
 (71) Name(s) and Address(s) of Applicant(s):

ConAgra Foods, Inc
One Conagra Drive Omaha Nebraska 68102-5001 United States of America

(72) Name(s) of Designer(s): **David W France**

(45) Registration Date: **03 December 2007**

(30) Convention priority data:

(31) Number	(32) Date	(33) Country
29/271,570	22 Jan 2007	UNITED STATES OF AMERICA

(56) Related Art Documents: **Not Applicable**

(57) Statement of Newness and Distinctiveness: **Those features of the aerosol dispenser depicted in the representations that are new and distinctive are the shape and/or configuration. The features shown in broken lines are not part of the designs and are to be disregarded when considering the overall impression of the designs.**



(21) Design Number: **18911/2007**

(22) Date of Filing Application: **16 July 2007**

(24) Date from which industrial property rights may have effect: **16 July 2007**

(54) Product in respect of which the design is registered: **Sofa**

(51) International Design Classification: **06-01G**

(71) Name(s) and Address(s) of Applicant(s):

**HTL International Holdings Ltd
11 Gul Circle Singapore 629567 Singapore**

(72) Name(s) of Designer(s): **Hans Reinhard Hopfer**

(45) Registration Date: **03 December 2007**

(30) Convention priority data:

(31) Number	(32) Date	(33) Country
D 2007/64/I	15 Jan 2007	SINGAPORE

(56) Related Art Documents: **Not Applicable**

(57) Statement of Newness and Distinctiveness: **The newness and distinctiveness of the design resides in the pattern, shape and configuration of the article as shown in the representations.**



(21) Design Number: **19334/2007**

(22) Date of Filing Application: **14 August 2007**

(24) Date from which industrial property rights may have effect: **14 August 2007**

(54) Product in respect of which the design is registered: **Concrete sleeper**

(51) International Design Classification: **25-01E**

(71) Name(s) and Address(s) of Applicant(s):

**CSMM Pty Ltd trading as Creative Sleepers
66 Morrow Road Lonsdale South Australia 5160 Australia**

(72) Name(s) of Designer(s): **Robin Williams**

(45) Registration Date: **03 December 2007**

(56) Related Art Documents: **Not Applicable**

(57) Statement of Newness and Distinctiveness: **Nil**



(21) Design Number: **19335/2007**

(22) Date of Filing Application: **14 August 2007**

(24) Date from which industrial property rights may have effect: **14 August 2007**

(54) Product in respect of which the design is registered: **Concrete coin**

(51) International Design Classification: **25-01E**

(71) Name(s) and Address(s) of Applicant(s):

**CSMM Pty Ltd trading as Creative Sleepers
66 Morrow Road Lonsdale South Australia 5160 Australia**

(72) Name(s) of Designer(s): **Robin Williams**

(45) Registration Date: **03 December 2007**

(56) Related Art Documents: **Not Applicable**

(57) Statement of Newness and Distinctiveness: **Nil**



(21) Design Number: **19524/2007**

(22) Date of Filing Application: **27 August 2007**

(24) Date from which industrial property rights may have effect: **27 August 2007**

(54) Product in respect of which the design is registered: **Slim line interactive kiosk with compact book**

(51) International Design Classification: **14-02**

(71) Name(s) and Address(s) of Applicant(s):

**Form Australia Pty Ltd
226 St. Kilda Road St. Kilda Victoria 3182 Australia**

(72) Name(s) of Designer(s): **Gerry Mussett and Cheryl Fraser**

(45) Registration Date: **03 December 2007**

(56) Related Art Documents: **Not Applicable**

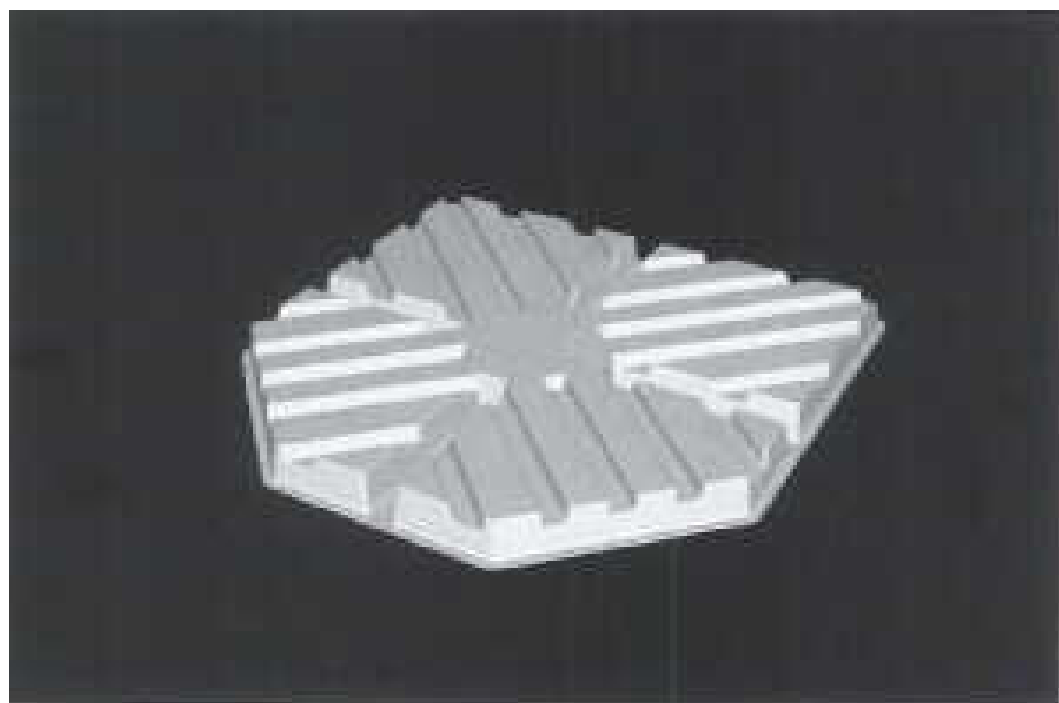
(57) Statement of Newness and Distinctiveness: **Nil**



- (21) Design Number: **20410/2007**
(22) Date of Filing Application: **16 July 2007**
(24) Date from which industrial property rights may have effect: **16 July 2007**
(54) Product in respect of which the design is registered: **Ottoman**
(51) International Design Classification: **06-01E**
(71) Name(s) and Address(s) of Applicant(s):
HTL International Holdings Ltd
11 Gul Circle Singapore 629567 Singapore
(72) Name(s) of Designer(s): **Hans Reinhard Hopfer**
(45) Registration Date: **03 December 2007**
(30) Convention priority data:
(31) Number (32) Date (33) Country
D 2007/64/I 15 Jan 2007 SINGAPORE
(56) Related Art Documents: **Not Applicable**
(57) Statement of Newness and Distinctiveness: **The newness and distinctiveness of the design resides in the pattern, shape and configuration of the article as shown in the representations.**



- (21) Design Number: **17113/2007**
(22) Date of Filing Application: **27 March 2007**
(24) Date from which industrial property rights may have effect: **27 March 2007**
(54) Product in respect of which the design is registered: **An equipment support base**
(51) International Design Classification: **21-02NES**
(71) Name(s) and Address(s) of Applicant(s):
Ty Gerard Hermans
2 Zammit Street Deception Bay Queensland 4508 Australia
(72) Name(s) of Designer(s): **Ty Gerard Hermans**
(45) Registration Date: **03 December 2007**
(56) Related Art Documents: **Not Applicable**
(57) Statement of Newness and Distinctiveness: **Nil**



(21) Design Number: **17623/2007**

(22) Date of Filing Application: **27 April 2007**

(24) Date from which industrial property rights may have effect: **27 April 2007**

(54) Product in respect of which the design is registered: **Garden product post or wall mounted stackable plant pot**

(51) International Design Classification: **11-02B**

(71) Name(s) and Address(s) of Applicant(s):

John Rodney Keats

22A Hill Street Lambton New South Wales 2299 Australia

(72) Name(s) of Designer(s): **John Rodney Keats**

(45) Registration Date: **03 December 2007**

(56) Related Art Documents: **Not Applicable**

(57) Statement of Newness and Distinctiveness: **A plant pot which, in use, is adapted to be stacked geometrically within a lateral 180 degree radial array with one or more other similar plant pots, wherein: each said plant pot has a back wall, side walls and a front wall extending between a base portion and an upper rim portion defining the pot cavity and a fluid retaining reservoir separated by a further included irrigating grid like device allowing fluids to transfer into said reservoir and drawn back into the growing media by the growing media's own capillary action. Said back wall is adapted to be received and interlock with a further included elongated supporting mountable stem which is connected to a further included connecting device and collectively adapted to fasten to any vertical or near vertical surface in co-operation with appropriate fastening devices and support an intended stacked formation of said plant pots in tiered alignment offset one level to the next.**



(21) Design Number: **18701/2007**

(22) Date of Filing Application: **04 July 2007**

(24) Date from which industrial property rights may have effect: **04 July 2007**

(54) Product in respect of which the design is registered: **A box**

(51) International Design Classification: **09-03E**

(71) Name(s) and Address(s) of Applicant(s):

Specialised Packaging Services Pty Ltd

101 Byrnes Road Wagga Wagga New South Wales 2650 Australia

(72) Name(s) of Designer(s): **Nicholas John Leywood and Craig Oliver**

(45) Registration Date: **03 December 2007**

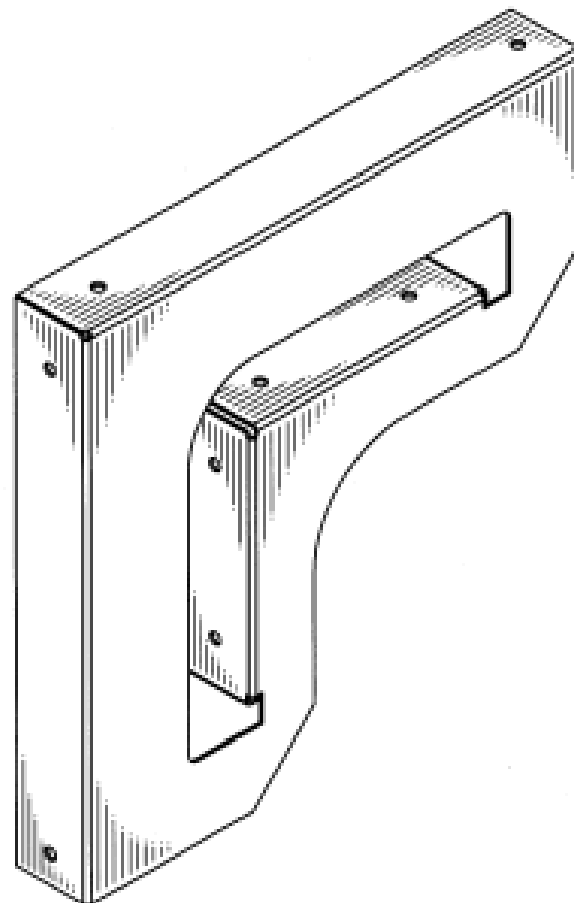
(56) Related Art Documents: **Not Applicable**

(57) Statement of Newness and Distinctiveness: **Newness and distinctiveness is claimed in the features of shape and/or configuration of a box as illustrated in the accompanying representations.**



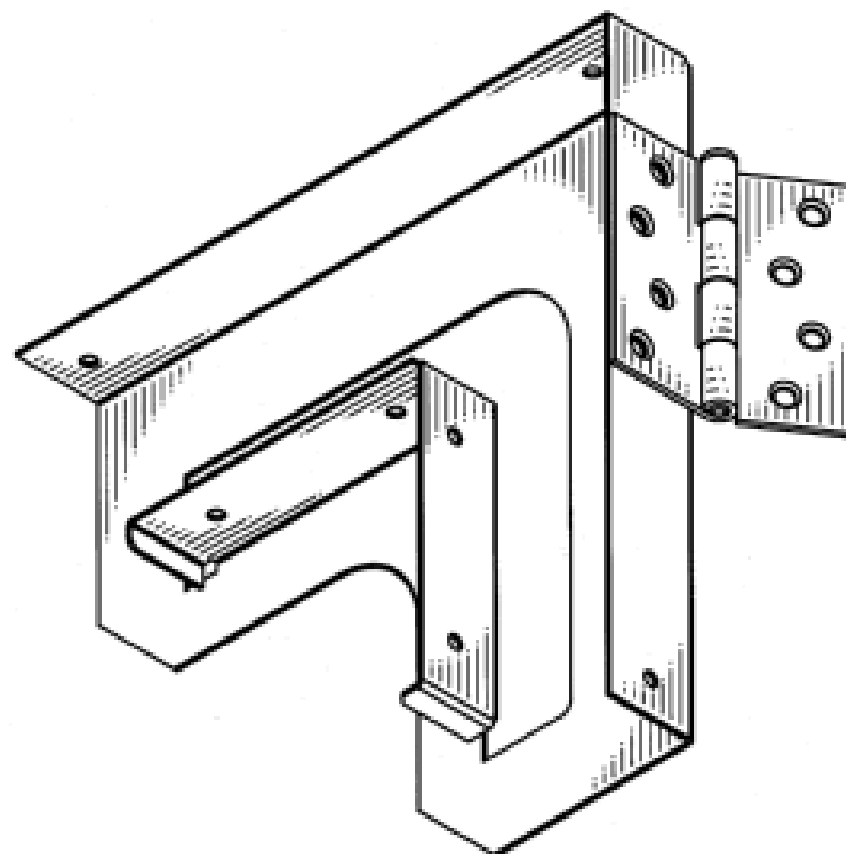
- (21) Design Number: **18928/2007**
- (22) Date of Filing Application: **16 July 2007**
- (24) Date from which industrial property rights may have effect: **16 July 2007**
- (54) Product in respect of which the design is registered: **A gate bracket**
- (51) International Design Classification: **08-08K**
- (71) Name(s) and Address(s) of Applicant(s):
Peak Innovations Inc.
Attn: IP Legal Dept. 203-11782 Hammersmith Way Richmond BC V7A
5E2 Canada
- (72) Name(s) of Designer(s): **Simon Walker and Hou Jun (Frank) Fan and Wei**
Min (Karen) Zhu and Jianzhong Zhu
- (45) Registration Date: **03 December 2007**
- (30) Convention priority data:

(31) Number	(32) Date	(33) Country
29/276,220	18 Jan 2007	UNITED STATES OF AMERICA
- (56) Related Art Documents: **Not Applicable**
- (57) Statement of Newness and Distinctiveness: **The design consists of the features of shape, pattern, ornament and configuration of the gate bracket as shown in the attached figures.**



- (21) Design Number: **20475/2007**
- (22) Date of Filing Application: **16 July 2007**
- (24) Date from which industrial property rights may have effect: **16 July 2007**
- (54) Product in respect of which the design is registered: **A gate bracket**
- (51) International Design Classification: **08-08K**
- (71) Name(s) and Address(s) of Applicant(s):
Peak Innovations Inc.
Attn: IP Legal Dept. 203-11782 Hammersmith Way Richmond BC V7A
5E2 Canada
- (72) Name(s) of Designer(s): **Simon Walker and Hou Jun (Frank) Fan and Wei**
Min (Karen) Zhu and Jianzhong Zhu
- (45) Registration Date: **03 December 2007**
- (30) Convention priority data:

(31) Number	(32) Date	(33) Country
29/276,220	18 Jan 2007	UNITED STATES OF AMERICA
- (56) Related Art Documents: **Not Applicable**
- (57) Statement of Newness and Distinctiveness: **The design consists of the features of shape, pattern, ornament and configuration of the gate bracket as shown in the attached figures.**



(21) Design Number: **18970/2007**

(22) Date of Filing Application: **19 July 2007**

(24) Date from which industrial property rights may have effect: **19 July 2007**

(54) Product in respect of which the design is registered: **An upright lamp & artwork**

(51) International Design Classification: **26-05B**

(71) Name(s) and Address(s) of Applicant(s):

Adam Goodrum

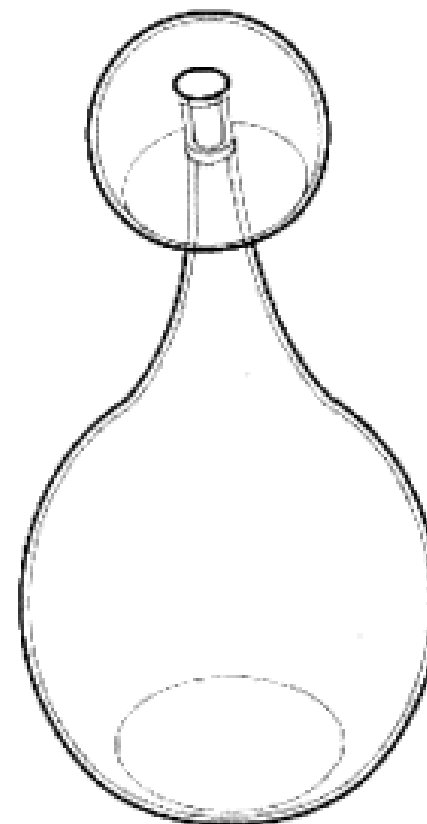
Corner Cape & John Street Waterloo New South Wales 2017 Australia

(72) Name(s) of Designer(s): **Adam Goodrum**

(45) Registration Date: **03 December 2007**

(56) Related Art Documents: **Not Applicable**

(57) Statement of Newness and Distinctiveness: **Newness and distinctiveness is claimed in respect of the shape and/or configuration of the product illustrated in the accompanying representations.**



(21) Design Number: **19139/2007**

(22) Date of Filing Application: **31 July 2007**

(24) Date from which industrial property rights may have effect: **31 July 2007**

(54) Product in respect of which the design is registered: **Tire (XB02N)**

(51) International Design Classification: **12-15C**

(71) Name(s) and Address(s) of Applicant(s):

Xingyuan Tyre Group Co., Ltd.

**Xishui Industrial Zone Guangrao Dongying City Shandong Province
257336 China**

(72) Name(s) of Designer(s): **Wenguang Song**

(45) Registration Date: **03 December 2007**

(30) Convention priority data:

(31) Number	(32) Date	(33) Country
200730158983.2	19 Jun 2007	CHINA

(56) Related Art Documents: **Not Applicable**

(57) Statement of Newness and Distinctiveness: **Nil**



(21) Design Number: **19273/2007**

(22) Date of Filing Application: **09 August 2007**

(24) Date from which industrial property rights may have effect: **09 August 2007**

(54) Product in respect of which the design is registered: **Egg tray**

(51) International Design Classification: **09-03F**

(71) Name(s) and Address(s) of Applicant(s):

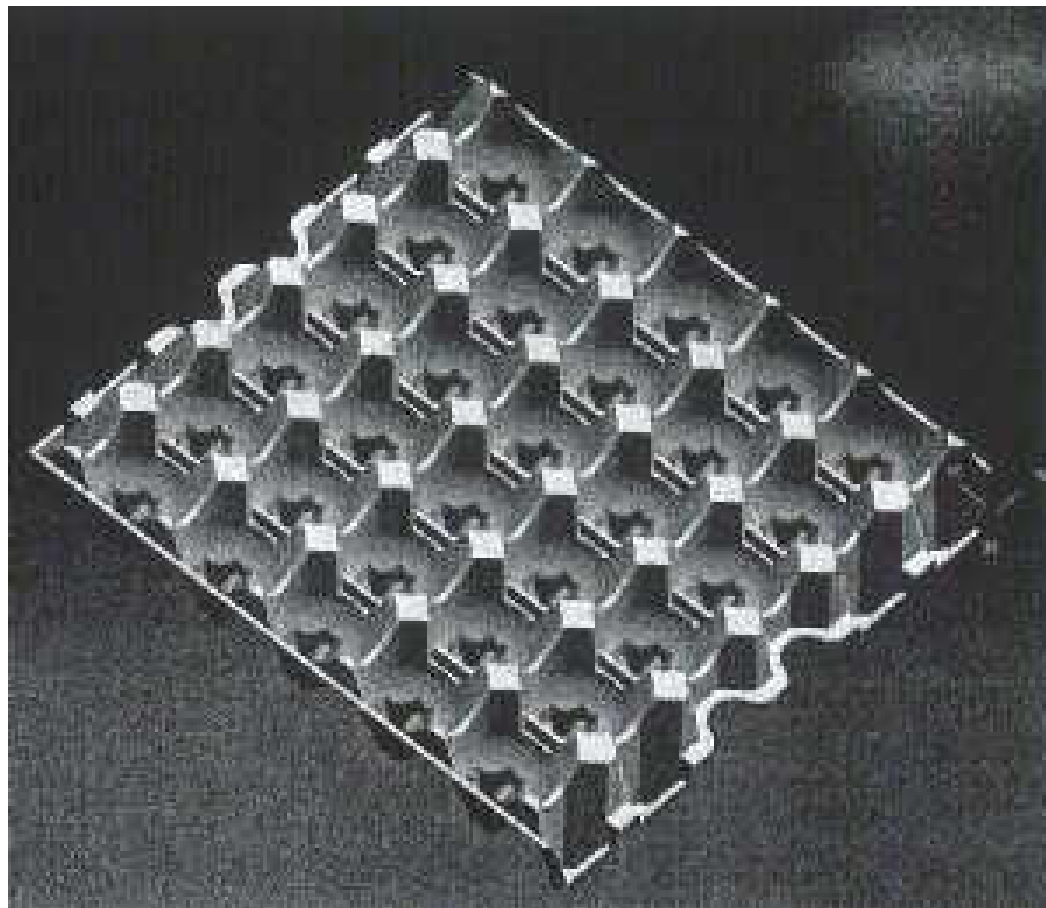
**Huhtamaki Australia Pty Ltd
225 Wellington Road Mulgrave Victoria 3170 Australia**

(72) Name(s) of Designer(s): **Erwin Van Der Wal**

(45) Registration Date: **03 December 2007**

(56) Related Art Documents: **Not Applicable**

(57) Statement of Newness and Distinctiveness: **In considering the newness or distinctiveness of the design, regard is to be given to the overall shape and/or configuration of an egg tray having a cross section A-A or B-B as shown in the representations.**



(21) Design Number: **19318/2007**

(22) Date of Filing Application: **13 August 2007**

(24) Date from which industrial property rights may have effect: **13 August 2007**

(54) Product in respect of which the design is registered: **Toilet system for recreational vehicle**

(51) International Design Classification: **23-02C**

(71) Name(s) and Address(s) of Applicant(s):

**Dometic GmbH
In der Steinwiese 16 57074 Siegen Germany**

(72) Name(s) of Designer(s): **Alexandra- Joy Jaeckel and Roland Sauter and Andrew Moseley**

(45) Registration Date: **03 December 2007**

(30) Convention priority data:

(31) Number	(32) Date	(33) Country
000669023	12 Feb 2007	EUROPEAN COMMUNITY

(56) Related Art Documents: **Not Applicable**

(57) Statement of Newness and Distinctiveness: **Newness and distinctiveness reside in the features of the design as shown in the representations.**



(21) Design Number: **20385/2007**
(22) Date of Filing Application: **13 August 2007**
(24) Date from which industrial property rights may have effect: **13 August 2007**
(54) Product in respect of which the design is registered: **Toilet system for recreational vehicle**
(51) International Design Classification: **23-02C**
(71) Name(s) and Address(s) of Applicant(s):
Dometic GmbH
In der Steinwiese 16 57074 Siegen Germany
(72) Name(s) of Designer(s): **Alexandra- Joy Jaeckel and Roland Sauter and Andrew Moseley**
(45) Registration Date: **03 December 2007**
(30) Convention priority data:
(31) Number (32) Date (33) Country
000669023 12 Feb 2007 EUROPEAN COMMUNITY
(56) Related Art Documents: **Not Applicable**
(57) Statement of Newness and Distinctiveness: **Newness and distinctiveness reside in the features of the design as shown in the representations.**



(21) Design Number: **20386/2007**
(22) Date of Filing Application: **13 August 2007**
(24) Date from which industrial property rights may have effect: **13 August 2007**
(54) Product in respect of which the design is registered: **Toilet system for recreational vehicle**
(51) International Design Classification: **23-02C**
(71) Name(s) and Address(s) of Applicant(s):
Dometic GmbH
In der Steinwiese 16 57074 Siegen Germany
(72) Name(s) of Designer(s): **Alexandra- Joy Jaeckel and Roland Sauter and Andrew Moseley**
(45) Registration Date: **03 December 2007**
(30) Convention priority data:
(31) Number (32) Date (33) Country
000669023 12 Feb 2007 EUROPEAN COMMUNITY
(56) Related Art Documents: **Not Applicable**
(57) Statement of Newness and Distinctiveness: **Newness and distinctiveness reside in the features of the design as shown in the representations.**



(21) Design Number: **19518/2007**

(22) Date of Filing Application: **24 August 2007**

(24) Date from which industrial property rights may have effect: **24 August 2007**

(54) Product in respect of which the design is registered: **Equipment base**

(51) International Design Classification: **21-02NES**

(71) Name(s) and Address(s) of Applicant(s):

Ty Gerard Hermans

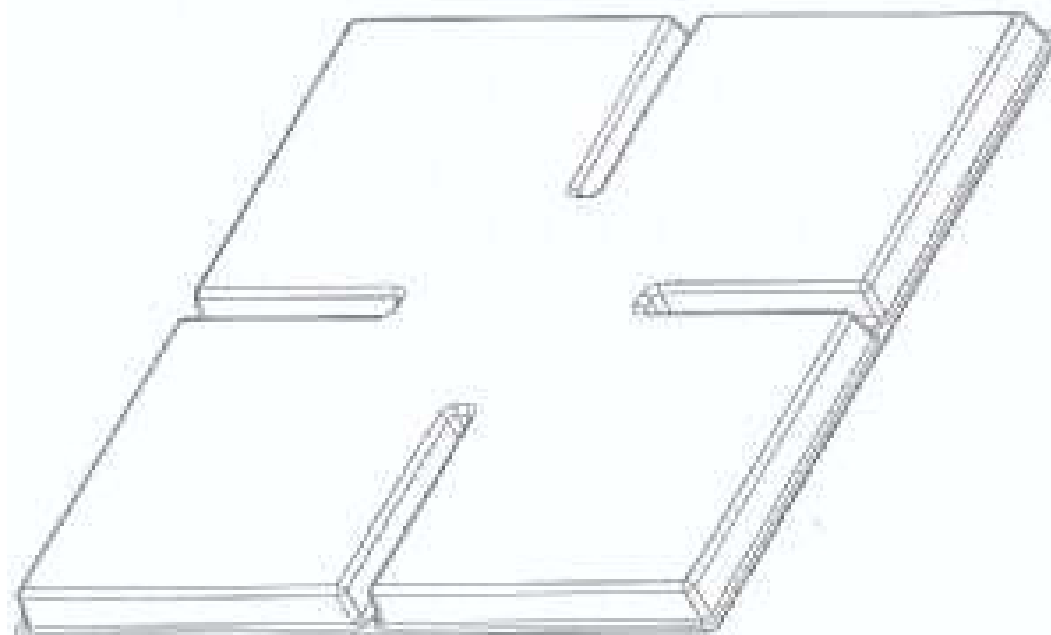
31 Snook Street CLONTARF QLD 4019

(72) Name(s) of Designer(s): **Ty Gerard Hermans**

(45) Registration Date: **03 December 2007**

(56) Related Art Documents: **Not Applicable**

(57) Statement of Newness and Distinctiveness: **Newness and distinctiveness resides in the shape and configuration of the equipment base illustrated in figs. 1.1 and 1.2 of the accompanying drawings.**



(21) Design Number: **19519/2007**

(22) Date of Filing Application: **24 August 2007**

(24) Date from which industrial property rights may have effect: **24 August 2007**

(54) Product in respect of which the design is registered: **Equipment base**

(51) International Design Classification: **21-02NES**

(71) Name(s) and Address(s) of Applicant(s):

Ty Gerard Hermans

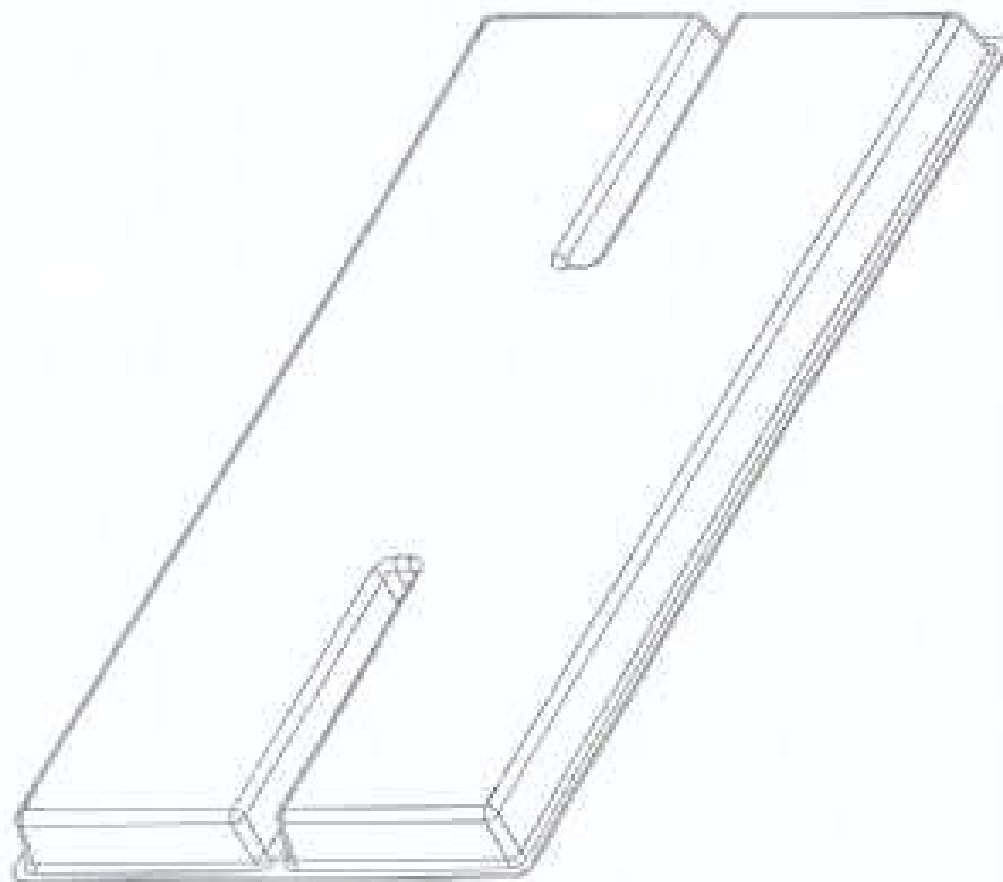
31 Snook Street CLONTARF QLD 4019

(72) Name(s) of Designer(s): **Ty Gerard Hermans**

(45) Registration Date: **03 December 2007**

(56) Related Art Documents: **Not Applicable**

(57) Statement of Newness and Distinctiveness: **Newness and distinctiveness resides in the shape and configuration of the equipment base illustrated in figs 2.1 and 2.2 of the accompanying drawings.**



- (21) Design Number: **19578/2007**
(22) Date of Filing Application: **28 August 2007**
(24) Date from which industrial property rights may have effect: **28 August 2007**
(54) Product in respect of which the design is registered: **Automobile**
(51) International Design Classification: **12-08**
(71) Name(s) and Address(s) of Applicant(s):
Toyota Jidosha Kabushiki Kaisha
1 Toyota-cho Toyota-shi Aichi-ken 471-8571 Japan
(72) Name(s) of Designer(s): **Yasuhide Hosoda and Isoroku Yamada and Sotiris Kovos**
(45) Registration Date: **03 December 2007**
(56) Related Art Documents: **Not Applicable**
(57) Statement of Newness and Distinctiveness: **Those features of the automobile depicted in the representations that are new and distinctive are the shape and/or configuration.**



- (21) Design Number: **19579/2007**
(22) Date of Filing Application: **28 August 2007**
(24) Date from which industrial property rights may have effect: **28 August 2007**
(54) Product in respect of which the design is registered: **Door handle**
(51) International Design Classification: **08-06**
(71) Name(s) and Address(s) of Applicant(s):
Toyota Jidosha Kabushiki Kaisha
1 Toyota-cho Toyota-shi Aichi-ken 471-8571 Japan
(72) Name(s) of Designer(s): **Hirosuke Imai and Satoru Sugimoto**
(45) Registration Date: **03 December 2007**
(56) Related Art Documents: **Not Applicable**
(57) Statement of Newness and Distinctiveness: **Those features of the door handle depicted in the representations that are new and distinctive are the shape and/or configuration.**



(21) Design Number: **19582/2007**

(22) Date of Filing Application: **28 August 2007**

(24) Date from which industrial property rights may have effect: **28 August 2007**

(54) Product in respect of which the design is registered: **Front grille for automobile**

(51) International Design Classification: **12-16B**

(71) Name(s) and Address(s) of Applicant(s):

**Toyota Jidosha Kabushiki Kaisha
1 Toyota-cho Toyota-shi Aichi-ken 471-8571 Japan**

(72) Name(s) of Designer(s): **Akikazu Hayashi and Takahiro Kanno and Kengo Matsumoto**

(45) Registration Date: **03 December 2007**

(56) Related Art Documents: **Not Applicable**

(57) Statement of Newness and Distinctiveness: **Those features of the front grille for automobile depicted in the representations that are new and distinctive are the shape and/or configuration.**



(21) Design Number: **19583/2007**

(22) Date of Filing Application: **28 August 2007**

(24) Date from which industrial property rights may have effect: **28 August 2007**

(54) Product in respect of which the design is registered: **Rear view mirror**

(51) International Design Classification: **12-16H**

(71) Name(s) and Address(s) of Applicant(s):

**Toyota Jidosha Kabushiki Kaisha
1 Toyota-cho Toyota-shi Aichi-ken 471-8571 Japan**

(72) Name(s) of Designer(s): **Hirosuke Imai and Satoru Sugimoto**

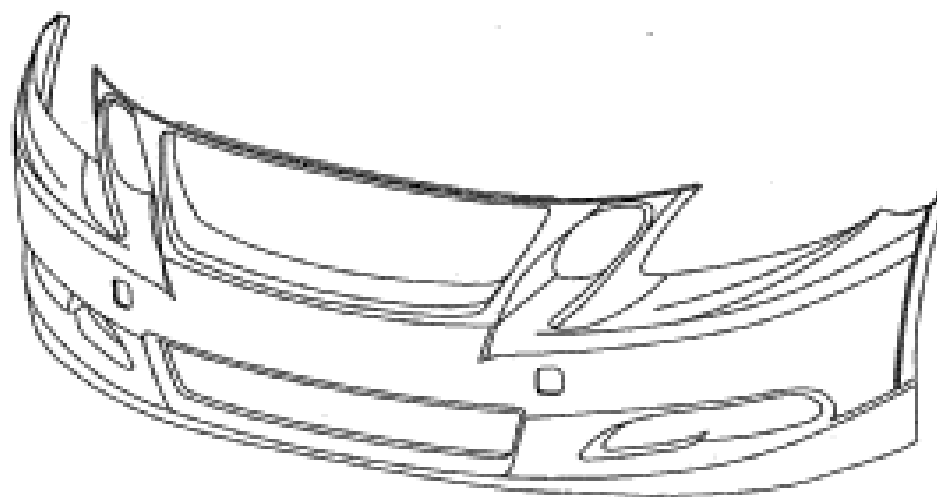
(45) Registration Date: **03 December 2007**

(56) Related Art Documents: **Not Applicable**

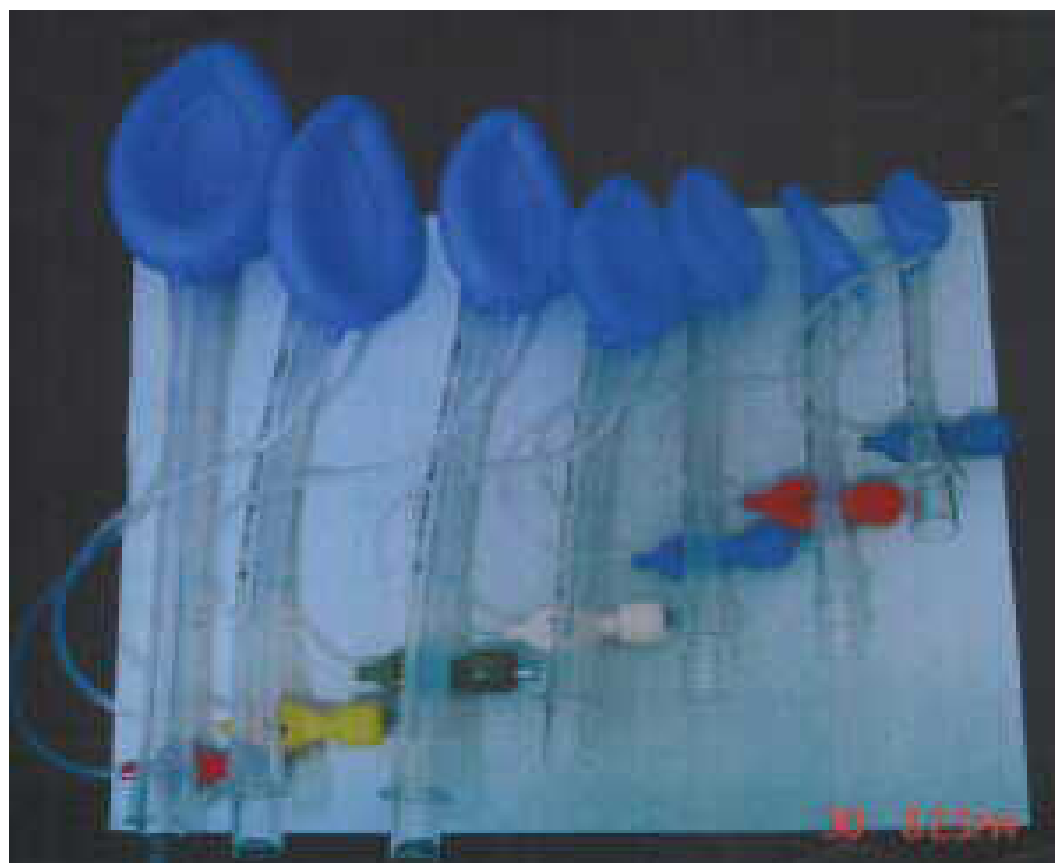
(57) Statement of Newness and Distinctiveness: **Those features of the rear view mirror depicted in the representations that are new and distinctive are the shape and/or configuration.**



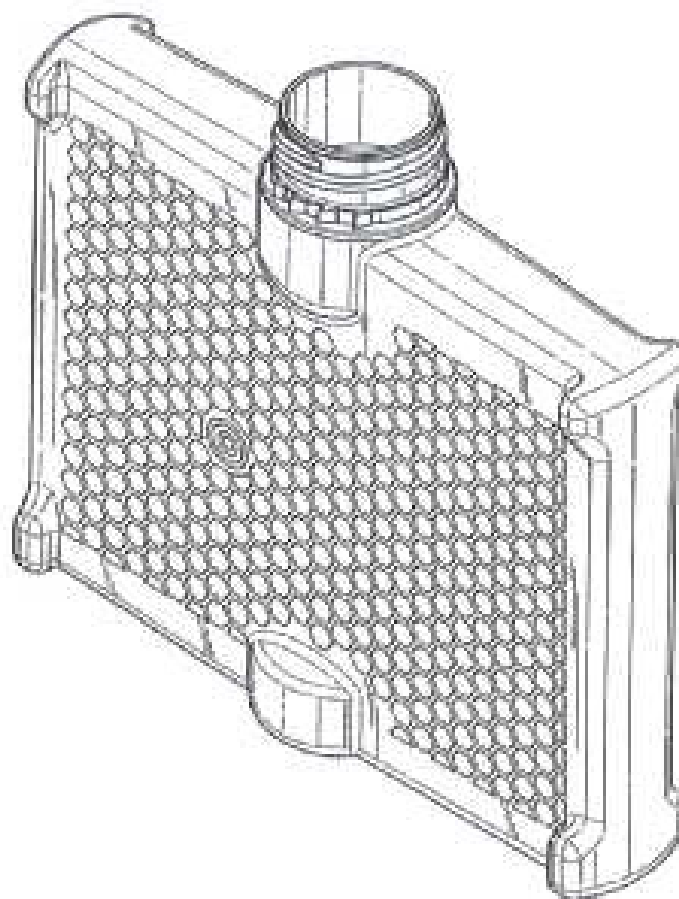
- (21) Design Number: **19584/2007**
(22) Date of Filing Application: **28 August 2007**
(24) Date from which industrial property rights may have effect: **28 August 2007**
(54) Product in respect of which the design is registered: **Front bumper for automobile**
(51) International Design Classification: **12-16C**
(71) Name(s) and Address(s) of Applicant(s):
Toyota Jidosha Kabushiki Kaisha
1 Toyota-cho Toyota-shi Aichi-ken 471-8571 Japan
(72) Name(s) of Designer(s): **Akikazu Hayashi and Takahiro Kanno**
(45) Registration Date: **03 December 2007**
(56) Related Art Documents: **Not Applicable**
(57) Statement of Newness and Distinctiveness: **those features of the front bumper for automobile depicted in the representations that are new and distinctive are the shape and/or configuration.**



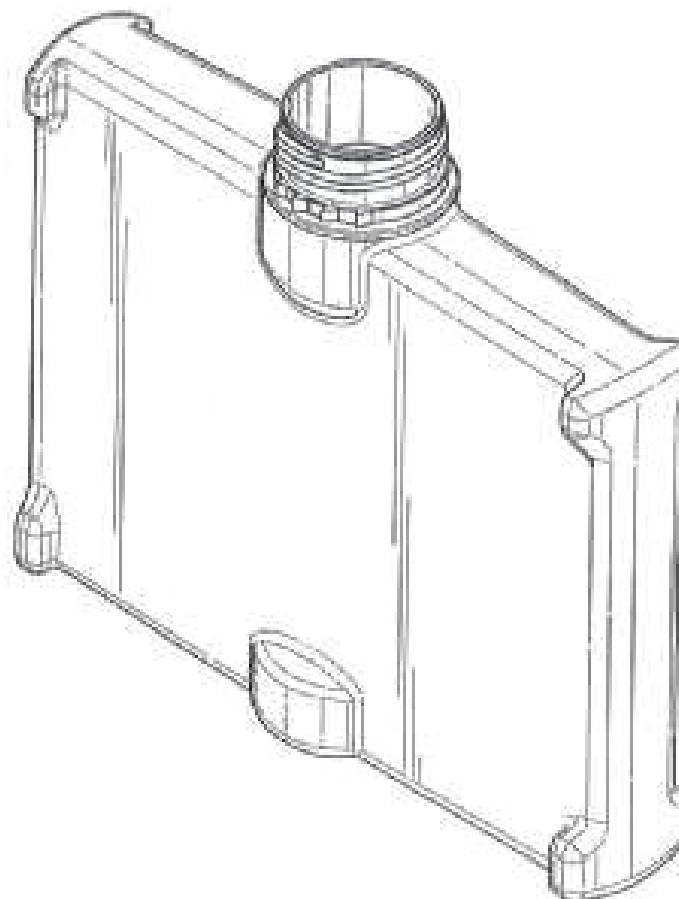
- (21) Design Number: **20239/2007**
(22) Date of Filing Application: **15 October 2007**
(24) Date from which industrial property rights may have effect: **15 October 2007**
(54) Product in respect of which the design is registered: **Laryngeal masks (single use) by Proact Pro-Breath**
(51) International Design Classification: **24-01, 24-02**
(71) Name(s) and Address(s) of Applicant(s):
Proact Medical Systems (Australia) Pty Ltd
33 Merrigal Road Port Macquarie New South Wales 2444 Australia
(72) Name(s) of Designer(s): **Clive Manners**
(45) Registration Date: **03 December 2007**
(56) Related Art Documents: **Not Applicable**
(57) Statement of Newness and Distinctiveness: **Colour coding of cuff inflation valve for size identification.**



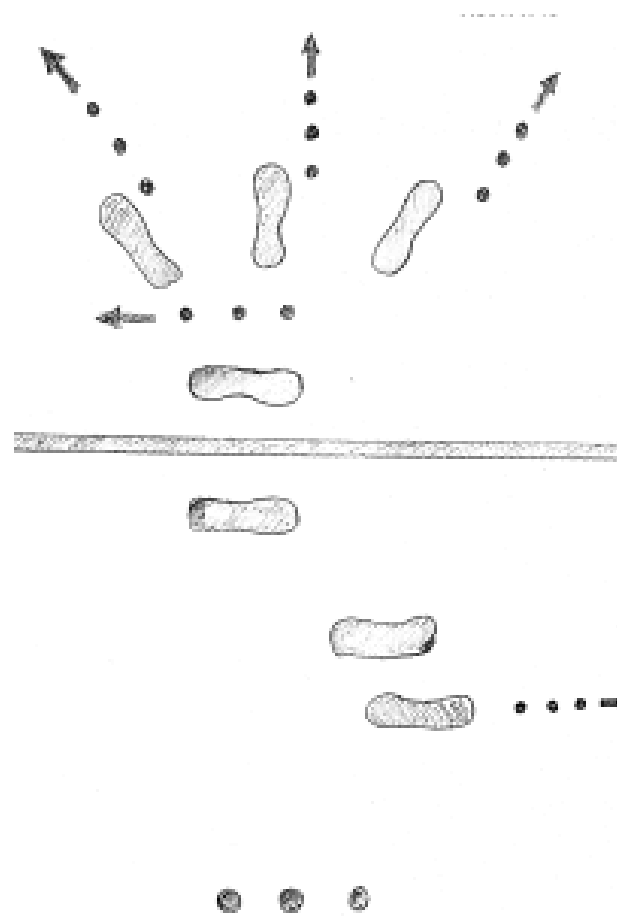
- (21) Design Number: **20895/2007**
(22) Date of Filing Application: **16 November 2007**
(24) Date from which industrial property rights may have effect: **16 November 2007**
(54) Product in respect of which the design is registered: **Bottle**
(51) International Design Classification: **09-01K**
(71) Name(s) and Address(s) of Applicant(s):
Reckitt Benckiser (UK) Limited
103-105 Bath Road Slough Berkshire SL1 3UH United Kingdom
(72) Name(s) of Designer(s): **Daniel Brady**
(45) Registration Date: **03 December 2007**
(30) Convention priority data:
(31) Number (32) Date (33) Country
000729603-0001 25 May 2007 EUROPEAN COMMUNITY
(56) Related Art Documents: **Not Applicable**
(57) Statement of Newness and Distinctiveness: **Newness and distinctiveness reside in the features of the design as shown in the representations.**



- (21) Design Number: **20896/2007**
(22) Date of Filing Application: **16 November 2007**
(24) Date from which industrial property rights may have effect: **16 November 2007**
(54) Product in respect of which the design is registered: **Bottle**
(51) International Design Classification: **09-01K**
(71) Name(s) and Address(s) of Applicant(s):
Reckitt Benckiser (UK) Limited
103-105 Bath Road Slough Berkshire SL1 3UH United Kingdom
(72) Name(s) of Designer(s): **Daniel Brady**
(45) Registration Date: **03 December 2007**
(30) Convention priority data:
(31) Number (32) Date (33) Country
000729603-0002 25 May 2007 EUROPEAN COMMUNITY
(56) Related Art Documents: **Not Applicable**
(57) Statement of Newness and Distinctiveness: **Newness and distinctiveness reside in the features of the design as shown in the representations.**



- (21) Design Number: **15563/2005**
- (22) Date of Filing Application: **16 December 2005**
- (24) Date from which industrial property rights may have effect: **16 December 2005**
- (54) Product in respect of which the design is registered: **Mat, canvas, synthetic turf**
- (51) International Design Classification: **21-02C**
- (71) Name(s) and Address(s) of Applicant(s):
William Paul Monaghan
52 Prinsep Road Jandakot Western Australia 6164 Australia
- (72) Name(s) of Designer(s): **William Paul Monaghan**
- (45) Registration Date: **04 December 2007**
- (56) Related Art Documents: **Not Applicable**
- (57) Statement of Newness and Distinctiveness: **Oversized and coloured feet positioning to aid stroke development in junior cricketers. Multi tee placements for range of strokes. To be used by facilitator (coach, teacher, parent) to avoid body contact.**



- (21) Design Number: **18783/2007**
- (22) Date of Filing Application: **11 July 2007**
- (24) Date from which industrial property rights may have effect: **11 July 2007**
- (54) Product in respect of which the design is registered: **Coil mate for use as a plastic pallet**
- (51) International Design Classification: **09-08**
- (71) Name(s) and Address(s) of Applicant(s):
ACPL Rollers & Parts Pty Ltd
9 Holloway Drive Bayswater Victoria 3153 Australia
- (72) Name(s) of Designer(s): **Russell Burchall and Paul Stewart**
- (45) Registration Date: **04 December 2007**
- (56) Related Art Documents: **Not Applicable**
- (57) Statement of Newness and Distinctiveness: **Nil**



(21) Design Number: **19565/2007**

(22) Date of Filing Application: **30 August 2007**

(24) Date from which industrial property rights may have effect: **30 August 2007**

(54) Product in respect of which the design is registered: **An article of furniture**

(51) International Design Classification: **06-04F**

(71) Name(s) and Address(s) of Applicant(s):

Lyndon Craig

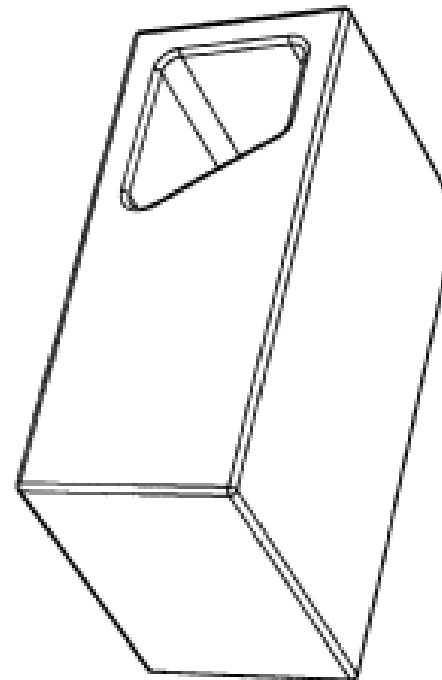
50108/425 Bourke Street Surry Hills New South Wales 2010 Australia

(72) Name(s) of Designer(s): **Lyndon Craig**

(45) Registration Date: **04 December 2007**

(56) Related Art Documents: **Not Applicable**

(57) Statement of Newness and Distinctiveness: **This design applies to articles of furniture with identical design features, manufactured at varying heights and lengths and widths.**



(21) Design Number: **19566/2007**

(22) Date of Filing Application: **30 August 2007**

(24) Date from which industrial property rights may have effect: **30 August 2007**

(54) Product in respect of which the design is registered: **An article of furniture**

(51) International Design Classification: **06-01G**

(71) Name(s) and Address(s) of Applicant(s):

Lyndon Craig

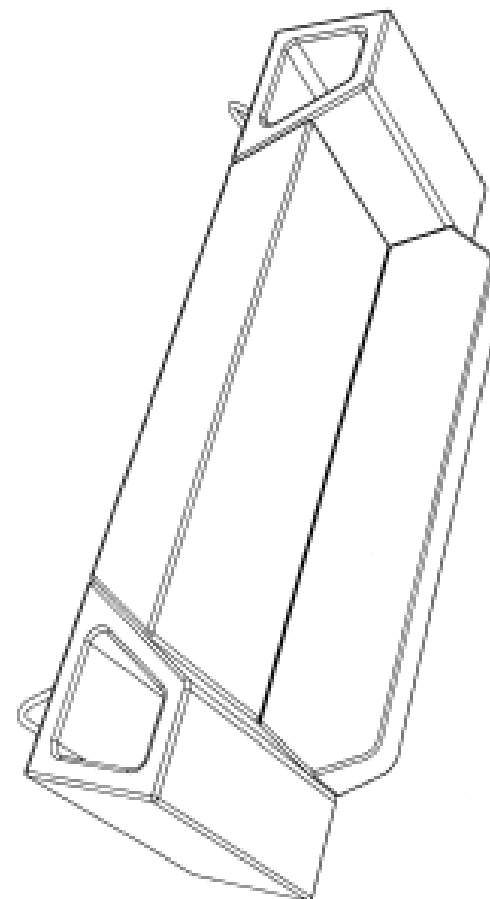
50108/425 Bourke Street Surry Hills New South Wales 2010 Australia

(72) Name(s) of Designer(s): **Lyndon Craig**

(45) Registration Date: **04 December 2007**

(56) Related Art Documents: **Not Applicable**

(57) Statement of Newness and Distinctiveness: **Nil**



(21) Design Number: **19567/2007**

(22) Date of Filing Application: **30 August 2007**

(24) Date from which industrial property rights may have effect: **30 August 2007**

(54) Product in respect of which the design is registered: **An article of furniture**

(51) International Design Classification: **06-01G**

(71) Name(s) and Address(s) of Applicant(s):

Lyndon Craig

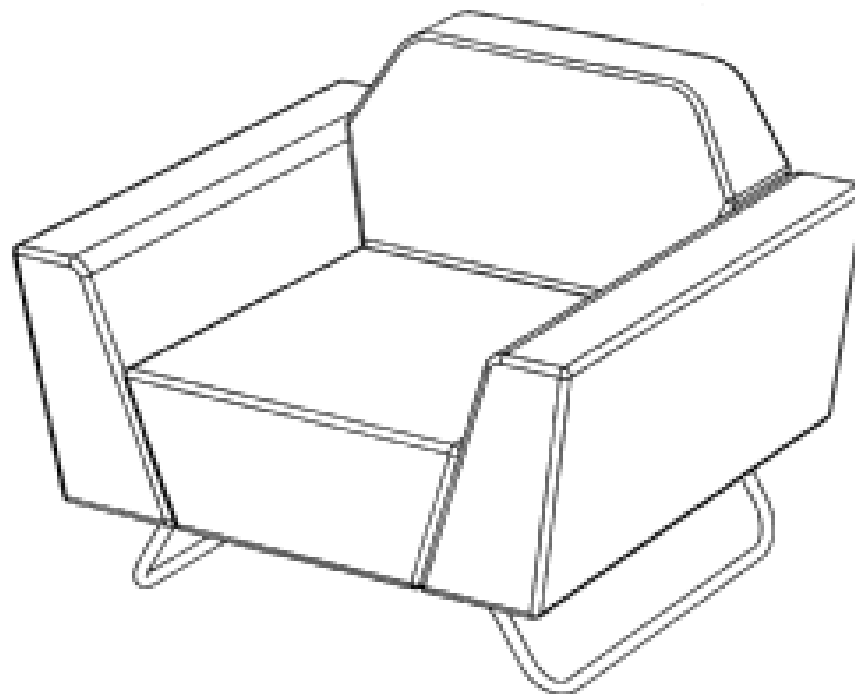
50108/425 Bourke Street Surry Hills New South Wales 2010 Australia

(72) Name(s) of Designer(s): **Lyndon Craig**

(45) Registration Date: **04 December 2007**

(56) Related Art Documents: **Not Applicable**

(57) Statement of Newness and Distinctiveness: **Nil**



(21) Design Number: **19568/2007**

(22) Date of Filing Application: **30 August 2007**

(24) Date from which industrial property rights may have effect: **30 August 2007**

(54) Product in respect of which the design is registered: **An article of furniture**

(51) International Design Classification: **06-01G**

(71) Name(s) and Address(s) of Applicant(s):

Lyndon Craig

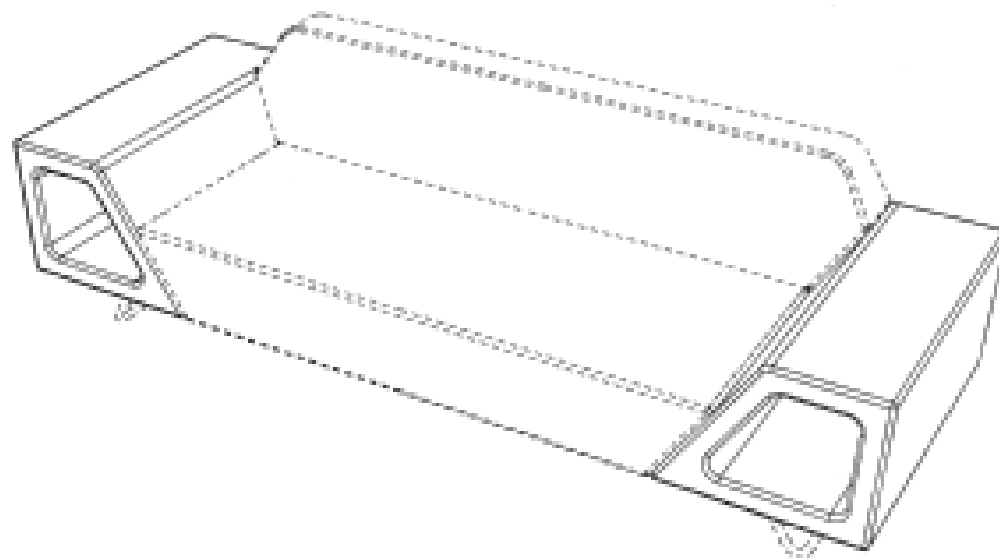
50108/425 Bourke Street Surry Hills New South Wales 2010 Australia

(72) Name(s) of Designer(s): **Lyndon Craig**

(45) Registration Date: **04 December 2007**

(56) Related Art Documents: **Not Applicable**

(57) Statement of Newness and Distinctiveness: **Nil**



(21) Design Number: **19593/2007**

(22) Date of Filing Application: **30 August 2007**

(24) Date from which industrial property rights may have effect: **30 August 2007**

(54) Product in respect of which the design is registered: **A shower panel**

(51) International Design Classification: **25-02B, 23-02B**

(71) Name(s) and Address(s) of Applicant(s):

Hansa Metallwerke AG
Sigmaringer Str. 107 D-70567 Stuttgart Germany

(72) Name(s) of Designer(s): **Reinhard Zetsche and Bruno Sacco**

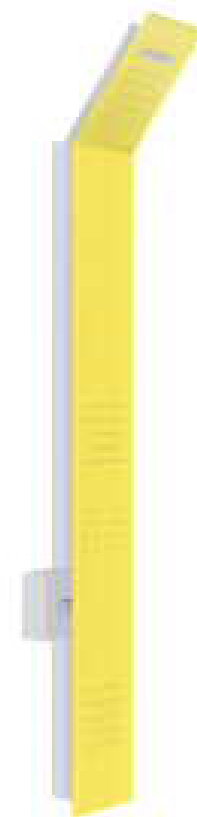
(45) Registration Date: **04 December 2007**

(30) Convention priority data:

(31) Number	(32) Date	(33) Country
000682299	05 Mar 2007	EUROPEAN COMMUNITY

(56) Related Art Documents: **Not Applicable**

(57) Statement of Newness and Distinctiveness: **Newness and distinctiveness is claimed in the shape and/or configuration of the shower panel as shown in the representations.**



(21) Design Number: **19594/2007**

(22) Date of Filing Application: **30 August 2007**

(24) Date from which industrial property rights may have effect: **30 August 2007**

(54) Product in respect of which the design is registered: **A shower panel**

(51) International Design Classification: **25-02B, 23-02B**

(71) Name(s) and Address(s) of Applicant(s):

Hansa Metallwerke AG
Sigmaringer Str. 107 D-70567 Stuttgart Germany

(72) Name(s) of Designer(s): **Reinhard Zetsche and Bruno Sacco**

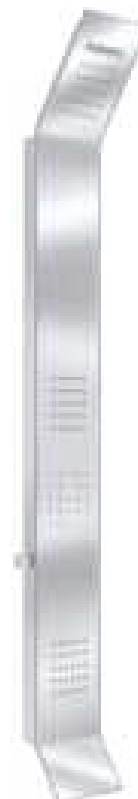
(45) Registration Date: **04 December 2007**

(30) Convention priority data:

(31) Number	(32) Date	(33) Country
000682299	05 Mar 2007	EUROPEAN COMMUNITY

(56) Related Art Documents: **Not Applicable**

(57) Statement of Newness and Distinctiveness: **Newness and distinctiveness is claimed in the shape and/or configuration of the shower panel as shown in the representations.**



- (21) Design Number: **21047/2007**
(22) Date of Filing Application: **29 November 2007**
(24) Date from which industrial property rights may have effect: **29 November 2007**
(54) Product in respect of which the design is registered: **Gearshift assembly**
(51) International Design Classification: **15-01**
(71) Name(s) and Address(s) of Applicant(s):
Peter Gruber
248-260 Minns Road Melton Victoria 3337 Australia
(72) Name(s) of Designer(s): **Peter Gruber**
(45) Registration Date: **04 December 2007**
(56) Related Art Documents: **Not Applicable**
(57) Statement of Newness and Distinctiveness: **Nil**

