



Australian Government

IP Australia

AUSTRALIAN OFFICIAL JOURNAL

OF

DESIGNS

Did you know a searchable version of this journal is now available online?

It's FREE and EASY to SEARCH.

Find it at

<http://pericles.ipaustralia.gov.au/ols/epublish/content/olsEpublications.jsp>
or using the "Online Journals" link on the IP Australia home page.

This Page Left Intentionally Blank

Contents

General Information & Notices

**Proceedings Under the Designs Act 1906 preserved as a result of the provisions of Chapter 12
Part 2 of the Designs Act 2003**

Extension of Period of Registration of Designs	2
Extensions of Time Granted	2
Registrations Ceased	2
Subsequent Owners Registered	2

Proceedings Under the Designs Act 2003

Applications Lapsed	8
Applications Lodged	7
Certificate of Examination	11
Extension of Time Granted Under Section 137	10
Publication and Registration Proceedings	
Designs Registered 317183 to 317252.....	12
Registrations Ceased	10
Revocation of Design Registrations	10

This Page Left Intentionally Blank

For information on the following please see our website www.ipaustralia.gov.au or contact our Customer Service Network on 1300651010

[Editorial enquiries](#)

[Contact information](#)

[Freedom of Information ACT](#)

[Professional Standards Board](#)

[Sales](#)

[Requests for information under Section 194 \(c\)](#)

[Country Codes](#)

[Trade Mark and Designs Hearing Sessions](#)

[INID \(Internationally agreed Numbers for the Identification of Data\)](#)

“INID” NUMBERS in use on Australian Design Documents

“INID” is an acronym for “Internationally agreed Numbers for the Identification of Data”.

(10) Data concerning the registration/renewal

- (11) Serial number of the registration and/or number of the design document
- (12) Plain language designation of the kind of published document
- (19) Identification, using the two-letter code according to WIPO Standard ST.3, of the authority publishing or registering the industrial design

(20) Data concerning the application

- (21) Serial number of the application
- (22) Date of filing of the application
- (24) Date from which the industrial design right has effect

(30) Data relating to priority under the Paris Convention

- (31) Serial number assigned to the priority application
- (32) Date of filing of the priority application
- (33) Two-letter code, according to WIPO Standard ST.3, identifying the authority with which the priority application was made

(40) Date(s) of making information available to the public

- (45) Date of publication of the registered industrial design by printing or similar process, or making it available to the public by any other means

(50) Miscellaneous Information

- (51) International Classification for Industrial Designs (class and subclass of the Locarno Classification)
- (54) Designation of article(s) or product(s) covered by the industrial design or title of the industrial design
- (55) Reproduction of the industrial design (e.g., drawing, photograph) and explanations relating to the reproduction
- (56) List of prior art documents, if separate from descriptive text
- (57) Description of characteristic features of the industrial design including indication of colours

(60) References to other legally related application(s) and registration(s)

- (62) Serial number(s) and, if available, filing date(s) of application(s), registration(s) or document(s) related by division
- (66) Serial number(s) of the application, or the registration, of the design(s) which is (are) a variant(s) of the present one

(70) Identification of parties concerned with the application or registration

- (71) Name(s) and address(es) of the applicant(s)
- (72) Name(s) of the creator(s) if known to be such
- (74) Name(s) and address(es) of the representative(s)

This Page Left Intentionally Blank

This Page Left Intentionally Blank

Proceedings under the Designs Act 1906 preserved as a result of the provisions of Chapter 12 Part 2 of the Designs Act 2003.

This Page Left Intentionally Blank

Applications Lapsed

There were no Applications Lapsed under this section

Extension of Period of Registration of Designs

2nd Period (Section 27A(12))

144592	146717	146941
146986	147420	147706
147708	147737	147828
147893	147906	147907
147908	147951	148200
148201	148202	148203
148464	148609	148625
148680	149054	149083
149084	149359	150008
150877	151183	151372
151604	151795	152841
153012	155200	

3rd Period (Section 27A(13))

130529	130530	130863
130864	130895	130896
130945	130946	130947
130949	130963	130964
130965	130968	131083
131607	131763	133259
133260		

Registrations Ceased

Note: Some of the following Registrations may have been previously advertised as ceased. In this instance, the previous advertisement still prevails.

113767	114463	114482
114729	115045	115752
115753	115901	115902
115903	118465	118520
127154	127820	128751
128839	128840	128851
128854	128879	128880
128896	128912	128966
128974	129035	129105
129172	129199	129202
129203	129226	129612
130010	130691	131904
133218	136449	137062
144220	145758	145845
145846	145847	145848
145850	145851	145852
145853	145854	145857
145955	146292	146395
146396	146686	146708
147515	148603	149508
150317		

Extensions of time granted

Applications lodged for extension of time have been granted.

144592 **Quinsite Nominees Pty Ltd** An Extension of time to extend a registration has been granted to 07/12/2007

146986 **John Howard Styles** An Extension of time to extend a registration has been granted to 10/10/2007

Subsequent Owners Registered

(The name in parentheses is that of the subsequent owner)

120477	(A.L.M. Industries Pty Limited)	Antonio Messina
128909	(A.L.M. Industries Pty Limited)	Antonio Messina
151125	(Peter Kent Moore)	Paula Commins

This Page Left Intentionally Blank

Proceedings under the Designs Act 2003.

This Page Left Intentionally Blank

Applications Lodged

Lodgement information is in the following order: **Applicant's Name**; International Classification, Name of Product, Lodgement Date and **Design Number**. If the applicant claims an earlier priority date under an International Convention, the Convention Country and the associated filing date are shown in parentheses before the Lodgement Date. Divisional information will also appear in parentheses before the Lodgement Date.

Andogen Pty Ltd; 21-01A, Kangaroo soft toy with red boxing gloves, shorts and helmet, 27 Nov 2007	21028/2007	Hansa Metallwerke AG; 23-01H, Part of a mixing tap, (EM, 29 May 2007) 26 Nov 2007	20997/2007
Arlec Australia Limited; 20-02E, A display stand, 28 Nov 2007	21034/2007	Hansa Metallwerke AG; 23-01H, Mixing tap, (EM, 29 May 2007) 26 Nov 2007	20998/2007
Arlec Australia Limited; 20-02E, A display stand, 28 Nov 2007	21036/2007	Herbert, Annette; 02-02NES, A heat vest, 29 Nov 2007	21048/2007
Arlec Australia Limited; 20-02E, A display stand, 28 Nov 2007	21037/2007	Higgins, Gary; 15-99, Volumetric filling machine, 05 Dec 2007	21196/2007
Astral Property Pty Limited; 25-01A, Paver, 28 Nov 2007	21009/2007	Higgins, Gary; 15-99, Volumetric filling machine, 05 Dec 2007	21197/2007
Astral Property Pty Limited; 25-01A, Paver, 28 Nov 2007	21008/2007	Hope, Anthony; 09-09, A blank for a cover for a refuse receptacle, 28 Nov 2007	21042/2007
Bellnet Pty Ltd; 23-01B, , 27 Nov 2007	20995/2007	Irwin and Sheehan Pty Ltd; 09-07C, Closure, 27 Nov 2007	21021/2007
Bellnet Pty Ltd; 23-01B, , 27 Nov 2007	20996/2007	Irwin and Sheehan Pty Ltd; 09-07C, Closure, 27 Nov 2007	21022/2007
Berkana Holdings Pty Ltd; 25-02C, Mesh panel, 27 Nov 2007	21007/2007	Jones, Christopher Anthony; 25-02C, Portable fence, 26 Nov 2007	21002/2007
Celaya Empananza Y Galdos Internacional S.A.; 07-02L, Coffee maker, (EM, 28 May 2007) 27 Nov 2007	21026/2007	Kabushiki Kaisha Sega; 21-03, Game device, (JP, 28 May 2007) 27 Nov 2007	21012/2007
Country Auto Service; 29-99, Salvage air cushion, 27 Nov 2007	20993/2007	Kabushiki Kaisha Sega; 14-04, Image display device, (JP, 28 May 2007) 27 Nov 2007	21013/2007
Cox, Mark Alan Stuart; 06-01C, Seat, 28 Nov 2007	21023/2007	Karsten Manufacturing Corporation; 21-02C, Golf club head, (US, 20 Jun 2007) 27 Nov 2007	21016/2007
Di Cristo, Michelle; 02-02C, Baby clothing, 29 Nov 2007	21044/2007	Karsten Manufacturing Corporation; 21-02C, Golf hybrid head, (US, 20 Jun 2007) 27 Nov 2007	21017/2007
Eveready Battery Company, Inc.; 26-02, Flashlight, (US, 20 Jun 2007) 26 Nov 2007	21003/2007	Karsten Manufacturing Corporation; 21-02C, Golf hybrid head, (US, 20 Jun 2007) 27 Nov 2007	21018/2007
Eveready Battery Company, Inc.; 26-99, Headlamp, (US, 20 Jun 2007) 26 Nov 2007	21004/2007	Karsten Manufacturing Corporation; 21-02C, Golf driver head, (US, 20 Jun 2007) 27 Nov 2007	21019/2007
Eveready Battery Company, Inc.; 26-99, Headlamp, (US, 20 Jun 2007) 26 Nov 2007	21005/2007	Karsten Manufacturing Corporation; 21-02C, Golf driver head, (US, 20 Jun 2007) 27 Nov 2007	21020/2007
EMT Group Pty Ltd; 15-04, EMT 100 underground 6x4 wheel rigid chassis mining vehicle, 03 Dec 2007	21072/2007	Knight, James R.C.; 02-07A, Belt, 05 Jun 2007	21134/2007
Fiori, Mark Victor Keefe; 06-04E, Food storage cabinet, 27 Nov 2007	21001/2007	Koninklijke Philips Electronics N.V.; 26-05A, Luminaire (batten), (EM, 31 May 2007) 27 Nov 2007	21014/2007
Flett, Geoff; 12-16K, Universal roof golf club storage carrier, 28 Nov 2007	21006/2007	Koninklijke Philips Electronics N.V.; 26-05A, Luminaire (batten), (EM, 31 May 2007) 27 Nov 2007	21015/2007
Gryffin EPSS Pty Ltd; 08-06, Hinge element, 27 Nov 2007	21011/2007		
Hammersmith Nominees Pty Ltd; 30-04, A pair of stirrup bars, 28 Nov 2007	21035/2007		

Liu, Yun-Zhao; 26-02, Flashlight, (CN, 18 Sep 2007) 26 Nov 2007	21029/2007	O Book Pty Ltd, The; 14-02, Keyboard version 1, 06 Aug 2007	21164/2007
Liu, Yun-Zhao; 26-02, Flashlight, 26 Nov 2007	21030/2007	O Book Pty Ltd, The; 14-03E, Flip phone, 06 Aug 2007	21165/2007
Lolitta Clothing; 02-02C, 02-02NES, , 28 Nov 2007	21039/2007	O Book Pty Ltd, The; 14-03E, Slide phone version 1, 06 Aug 2007	21166/2007
Lolitta Clothing; 02-02C, 02-02NES, , 28 Nov 2007	21040/2007	O Book Pty Ltd, The; 14-03E, Swivel phone, 06 Aug 2007	21167/2007
Nokia Corporation; 14-99, Cable holder, (FI, 25 May 2007) 26 Nov 2007	20999/2007	O Book Pty Ltd, The; 14-03E, Circle phone, 06 Aug 2007	21168/2007
O Book Pty Ltd, The; 19-01, Envelopes, 06 Aug 2007	21149/2007	O Book Pty Ltd, The; 14-01, Scanner, 06 Aug 2007	21169/2007
O Book Pty Ltd, The; 14-04, Computer screen, 06 Aug 2007	21150/2007	Parker, Angela Leonie; 21-01H, Baby/toddler/children's toys - TagzBall, 29 Nov 2007	21045/2007
O Book Pty Ltd, The; 14-01, MP3 design concept, 06 Aug 2007	21151/2007	Pelican Manufacturing Pty, Ltd.; 12-05, Slide and turn hoist top sheet, 28 Nov 2007	21010/2007
O Book Pty Ltd, The; 14-01, Mini MP3 design concept, 06 Aug 2007	21152/2007	Peter K Pty Ltd; 09-08, Mini pallet, 27 Nov 2007	21027/2007
O Book Pty Ltd, The; 14-01, LCD television, 06 Aug 2007	21153/2007	Review Australia Pty Ltd; 02-02C, 02-02NES, Ladies garments, 28 Nov 2007	21038/2007
O Book Pty Ltd, The; 14-02, Printer, 06 Aug 2007	21154/2007	Samsung Electronics Co., Ltd.; 15-05, Drum type washing machine, 27 Nov 2007	21024/2007
O Book Pty Ltd, The; 14-03A, Fax machine, 06 Aug 2007	21155/2007	Samsung Electronics Co., Ltd.; 15-05, Drum type washing machine, 27 Nov 2007	21025/2007
O Book Pty Ltd, The; 14-03E, Home phone version 1, 06 Aug 2007	21156/2007	Seiko Epson Corporation; 18-02, Ink cartridge, (JP, 21 Sep 2007) 28 Nov 2007	21043/2007
O Book Pty Ltd, The; 20-03C, Real estate sign, 06 Aug 2007	21157/2007	Shirazi, Farzad; 25-01D, Building, 27 Nov 2007	21032/2007
O Book Pty Ltd, The; 20-03C, Underhanging sign version 1, 06 Aug 2007	21158/2007	Shirliff, Ian Peter; 23-01H, Tap, 27 Nov 2007	20994/2007
O Book Pty Ltd, The; 20-03C, Underhanging sign version 2, 06 Aug 2007	21159/2007	Timetale Pty. Ltd.; 16-05, FOZI tripod - a plastic, folding device for supporting cameras, mobile phones and media players in multiple, positions when use, 29 Nov 2007	21046/2007
O Book Pty Ltd, The; 19-01, 06-13NES, Single/double sided printed/paper/card goods (inclusive of advertising signs and posters) and including bed sheets,, dunas, towels, tea towels etc, 06 Aug 2007	21160/2007	Tsai, Yih-Chiou; 24-02, Vaginal speculum, 28 Nov 2007	21041/2007
O Book Pty Ltd, The; 19-01, Centre fold paper/printed goods - including various birthday and gift cards, thank you cards, invitations etc, 06 Aug 2007	21161/2007	Ward, Duncan; 23-02F, 23-01H, Basin and faucet, 27 Nov 2007	21031/2007
O Book Pty Ltd, The; 19-01, Two-fold paper/printed goods, 06 Aug 2007	21162/2007	Whiteheart Licensing Pty Ltd; 02-04NES, "Sports shoe", 28 Nov 2007	21033/2007
O Book Pty Ltd, The; 14-02, Laptop computer, 06 Aug 2007	21163/2007	Ziegler, Samuel Charles; 11-01A, Jewellery ring: ouroboros, 26 Nov 2007	21000/2007

Applications Lapsed

18253 / 2007 (08-08NES)

20049 / 2007 (06-03C)

20050 / 2007 (06-03C)

20051 / 2007 (06-03C)

20052 / 2007 (06-06NES)

Revocation of Design Registrations

The following Design Registration(s) have been revoked and are taken never to have been registered:

312560 09-01D

312561 09-01D

Registrations Ceased

306043

Extensions of time granted under Section 137

Applications lodged under section 137 for extension of time have been granted.

18825/2007 **Wesley James Dunlop**

19498/2007 **NA&PG LLP**

Certificate(s) of Examination

Examination of the following Design Registration(s) has been completed. Infringement proceedings may now be commenced.

302301	24-04	10/12/2007
302547	24-04	10/12/2007
305071	24-04	10/12/2007
307141	26-05A	30/11/2007
309713	09-01NES	10/12/2007
310151	14-03NES	30/11/2007
310325	08-08G	30/11/2007
310326	08-08G	30/11/2007
310391	25-01B	30/11/2007
310434	26-06	30/11/2007
312237	25-01E	10/12/2007
312245	19-06	30/11/2007
312320	14-02	10/12/2007
312321	14-03NES	10/12/2007
313317	07-04	10/12/2007
313328	09-08	30/11/2007
313387	07-06B	12/12/2007
316652	26-05NES	30/11/2007

Publication and Registration Proceedings

Designs Registered

This section provides a concordance between design number and registration number of Designs covered in this journal. It also shows the main class and registration date.

This section covers Registration numbers 317183 to 317252 .

The registration number shown below should be used in all future correspondence.

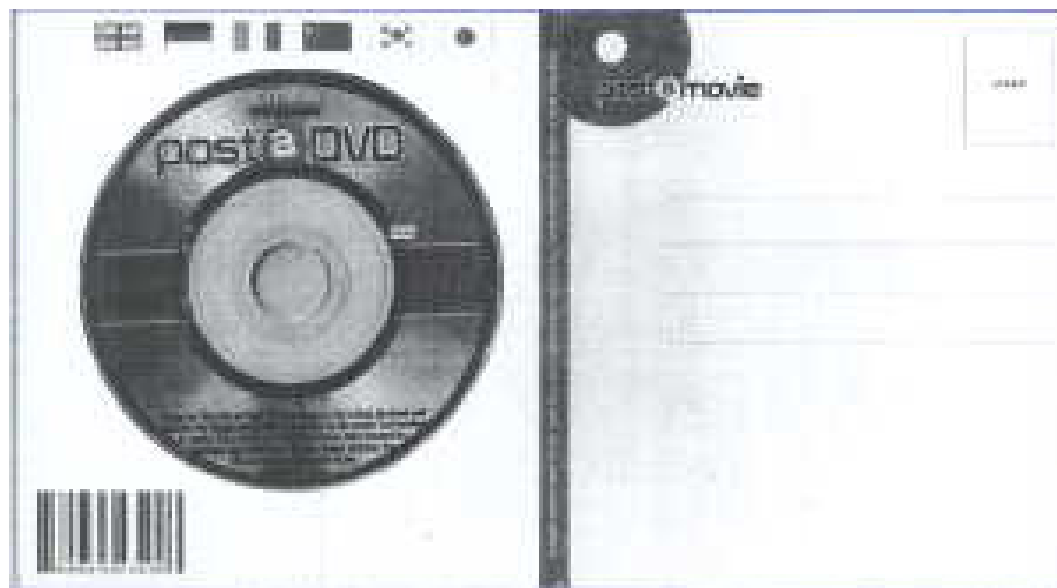
Design Number	Registration Number	International Classification Code (IDC)	Registration Date	Design Number	Registration Number	International Classification Code (IDC)	Registration Date
10155/2005	317229	09-05	12/12/2007	19661/2007	317198	01-01	10/12/2007
12739/2005	317235	02-07NES	12/12/2007	19662/2007	317204	01-01	11/12/2007
12806/2005	317236	06-01C	12/12/2007	19665/2007	317205	02-04B	11/12/2007
12807/2005	317237	09-09	12/12/2007	19666/2007	317206	23-04	11/12/2007
12808/2005	317238	09-09	12/12/2007	19667/2007	317207	23-04	11/12/2007
12949/2005	317239	07-05D	12/12/2007	19668/2007	317208	23-04	11/12/2007
14579/2005	317240	06-01E	12/12/2007	19669/2007	317209	20-02NES	11/12/2007
15414/2005	317241	07-03	12/12/2007	19674/2007	317210	19-01	11/12/2007
15576/2005	317242	07-05D	12/12/2007	19675/2007	317211	09-05	11/12/2007
15577/2005	317243	06-04NES	12/12/2007	19676/2007	317212	24-03	11/12/2007
10089/2006	317228	23-01A	12/12/2007	19677/2007	317213	24-03	11/12/2007
10707/2006	317230	21-01F	12/12/2007	19678/2007	317214	24-03	11/12/2007
11550/2006	317231	14-02	12/12/2007	19685/2007	317215	12-16L	11/12/2007
12354/2006	317232	11-01C	12/12/2007	19686/2007	317216	22-05	11/12/2007
12355/2006	317233	11-01C	12/12/2007	19689/2007	317217	07-01C	11/12/2007
12664/2006	317234	24-01	12/12/2007	19690/2007	317218	08-06	11/12/2007
15902/2007	317244	02-02NES	12/12/2007	19691/2007	317219	08-03	11/12/2007
15903/2007	317245	02-02NES	12/12/2007	19845/2007	317199	06-13C	10/12/2007
15904/2007	317246	20-02NES	12/12/2007	19846/2007	317200	06-13C	10/12/2007
15908/2007	317247	09-05	12/12/2007	19847/2007	317201	06-13C	10/12/2007
18340/2007	317183	19-01	10/12/2007	20072/2007	317249	25-02K	12/12/2007
19167/2007	317184	12-06B	10/12/2007	20073/2007	317250	25-02K	12/12/2007
19243/2007	317248	99-00	12/12/2007	20074/2007	317251	25-02K	12/12/2007
19443/2007	317185	21-04	10/12/2007	20075/2007	317252	25-02K	12/12/2007
19605/2007	317220	02-02C	12/12/2007	20225/2007	317202	15-05	10/12/2007
19638/2007	317186	14-02	10/12/2007	20572/2007	317221	02-02C	12/12/2007
19639/2007	317187	14-02	10/12/2007	20573/2007	317222	02-02C	12/12/2007
19640/2007	317188	14-02	10/12/2007	20574/2007	317223	02-02NES	12/12/2007
19641/2007	317189	14-02	10/12/2007	20575/2007	317224	02-02NES	12/12/2007
19645/2007	317190	12-16L	10/12/2007	20576/2007	317225	02-02NES	12/12/2007
19652/2007	317191	09-03E	10/12/2007	20577/2007	317226	02-02NES	12/12/2007
19653/2007	317192	09-03E	10/12/2007	20578/2007	317227	02-02C	12/12/2007
19654/2007	317193	07-02C	10/12/2007	20593/2007	317203	15-05	10/12/2007
19655/2007	317194	07-02C	10/12/2007				
19656/2007	317195	08-08G	10/12/2007				
19657/2007	317196	15-05	10/12/2007				
19659/2007	317197	25-02C	10/12/2007				

Publication and Registration Proceedings
Class Listing of Designs Published or Registered

The following section shows an International Classification Code listing of the Registered or Published Designs covered in this supplement.

Classification	Registration Number	Design Number	Classification	Registration Number	Design Number
01-01	317198	19661/2007	11-01 NES	317235	12739/2005
01-01	317204	19662/2007	12-06 B	317184	19167/2007
02-02 C	317220	19605/2007	12-16 L	317190	19645/2007
02-02 C	317221	20572/2007	12-16 L	317215	19685/2007
02-02 C	317222	20573/2007	14-02	317186	19638/2007
02-02 C	317227	20578/2007	14-02	317187	19639/2007
02-02 NES	317223	20574/2007	14-02	317188	19640/2007
02-02 NES	317224	20575/2007	14-02	317189	19641/2007
02-02 NES	317225	20576/2007	14-02	317231	11550/2006
02-02 NES	317226	20577/2007	15-05	317196	19657/2007
02-02 NES	317244	15902/2007	15-05	317202	20225/2007
02-02 NES	317245	15903/2007	15-05	317203	20593/2007
02-04 B	317205	19665/2007	19-01	317183	18340/2007
02-07 NES	317235	12739/2005	19-01	317210	19674/2007
05-06 NES	317229	10155/2005	20-02 NES	317209	19669/2007
06-01 C	317236	12806/2005	20-02 NES	317246	15904/2007
06-01 E	317240	14579/2005	21-01 F	317230	10707/2006
06-04 NES	317243	15577/2005	21-04	317185	19443/2007
06-13 C	317199	19845/2007	22-05	317216	19686/2007
06-13 C	317200	19846/2007	23-01 A	317228	10089/2006
06-13 C	317201	19847/2007	23-02 A	317228	10089/2006
07-01 C	317217	19689/2007	23-04	317206	19666/2007
07-02 C	317193	19654/2007	23-04	317207	19667/2007
07-02 C	317194	19655/2007	23-04	317208	19668/2007
07-03	317241	15414/2005	24-01	317234	12664/2006
07-05 D	317239	12949/2005	24-03	317212	19676/2007
07-05 D	317242	15576/2005	24-03	317213	19677/2007
08-03	317219	19691/2007	24-03	317214	19678/2007
08-06	317218	19690/2007	24-04	317234	12664/2006
08-08 G	317195	19656/2007	25-02 C	317197	19659/2007
09-03 E	317191	19652/2007	25-02 K	317249	20072/2007
09-03 E	317192	19653/2007	25-02 K	317250	20073/2007
09-05	317211	19675/2007	25-02 K	317251	20074/2007
09-05	317229	10155/2005	25-02 K	317252	20075/2007
09-05	317247	15908/2007	29-99	317234	12664/2006
09-09	317237	12807/2005	99-00	317248	19243/2007
09-09	317238	12808/2005			
11-01 C	317232	12354/2006			
11-01 C	317233	12355/2006			

- (21) Design Number: **18340/2007**
(22) Date of Filing Application: **12 June 2007**
(24) Date from which industrial property rights may have effect: **12 June 2007**
(54) Product in respect of which the design is registered: **A rectangular movie post card**
(51) International Design Classification: **19-01**
(71) Name(s) and Address(s) of Applicant(s):
Binder Investments Ltd.
91 Kelso Lane Coromandel Township New Zealand 3506
(72) Name(s) of Designer(s): **Philip Binder**
(45) Registration Date: **10 December 2007**
(56) Related Art Documents: **Not Applicable**
(57) Statement of Newness and Distinctiveness: **A rectangular movie post card that has a mini dvd on the back under a plastic clear see through cover heat sealed the card has a large photo on the front.**



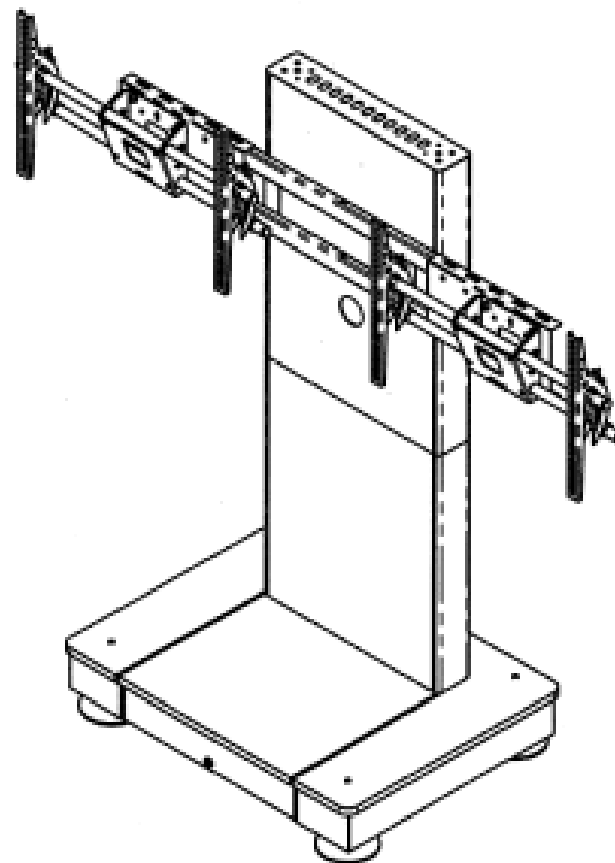
- (21) Design Number: **19167/2007**
(22) Date of Filing Application: **01 August 2007**
(24) Date from which industrial property rights may have effect: **01 August 2007**
(54) Product in respect of which the design is registered: **Trailable yacht**
(51) International Design Classification: **12-06B**
(71) Name(s) and Address(s) of Applicant(s):
Tim Wilson Yacht Design Pty Ltd
15 Garden Crescent Inverloch Victoria 3996 Australia
(72) Name(s) of Designer(s): **Tim Wilson**
(45) Registration Date: **10 December 2007**
(56) Related Art Documents: **Not Applicable**
(57) Statement of Newness and Distinctiveness: **Nil**



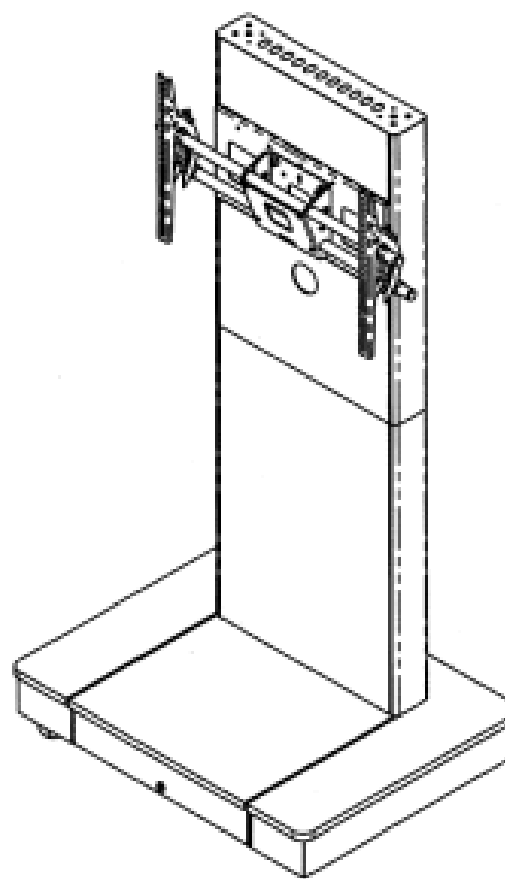
- (21) Design Number: **19443/2007**
(22) Date of Filing Application: **21 August 2007**
(24) Date from which industrial property rights may have effect: **21 August 2007**
(54) Product in respect of which the design is registered: **Combined peg puller/hammer**
(51) International Design Classification: **21-04**
(71) Name(s) and Address(s) of Applicant(s):
Garry Bretherton
60 Sampson Road Numurkah Victoria 3636 Australia
(72) Name(s) of Designer(s): **Garry Bretherton**
(45) Registration Date: **10 December 2007**
(56) Related Art Documents: **Not Applicable**
(57) Statement of Newness and Distinctiveness: **This is a combination peg puller and hammer (a hammer has been added and combined to my registered design no 312476 Peg Puller 14134/2006 15th September 2006, and it has been designed to be used in conjunction with my registered design no 312477 Peg 15116/2006 15th September 2006. This is a new design.**



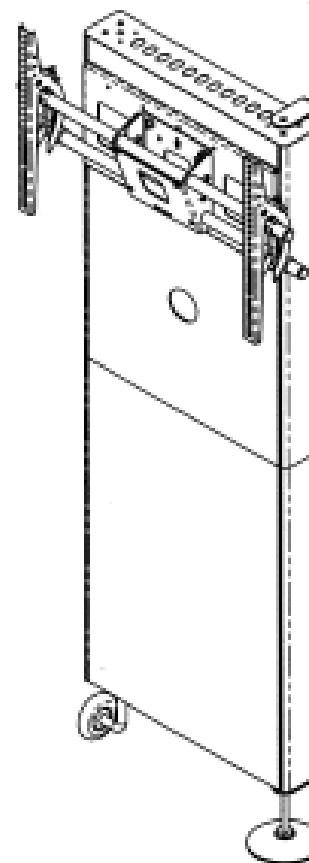
- (21) Design Number: **19638/2007**
(22) Date of Filing Application: **06 September 2007**
(24) Date from which industrial property rights may have effect: **06 September 2007**
(54) Product in respect of which the design is registered: **Audio/visual stand**
(51) International Design Classification: **14-02**
(71) Name(s) and Address(s) of Applicant(s):
Colebrook Bosson Saunders Products Ltd
35 Union Street London SE1 1SD United Kingdom
(72) Name(s) of Designer(s): **Andrew Wills and Alex Lau and Seiyo Ezure**
(45) Registration Date: **10 December 2007**
(30) Convention priority data:
(31) Number (32) Date (33) Country
000686258 06 Mar 2007 EUROPEAN COMMUNITY
(56) Related Art Documents: **Not Applicable**
(57) Statement of Newness and Distinctiveness: **In considering the newness or distinctiveness of the design, regard is to be given to the overall shape and/or configuration of an audio/visual stand as shown in the representations.**



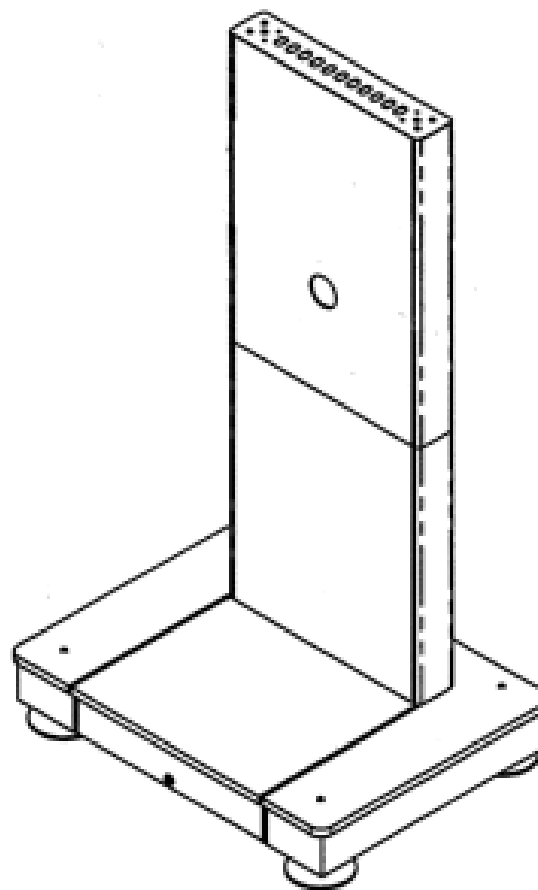
- (21) Design Number: **19639/2007**
(22) Date of Filing Application: **06 September 2007**
(24) Date from which industrial property rights may have effect: **06 September 2007**
(54) Product in respect of which the design is registered: **Audio/visual stand**
(51) International Design Classification: **14-02**
(71) Name(s) and Address(s) of Applicant(s):
Colebrook Bosson Saunders Products Ltd
35 Union Street London SE1 1SD United Kingdom
(72) Name(s) of Designer(s): **Andrew Wills and Alex Lau and Seiyo Ezure**
(45) Registration Date: **10 December 2007**
(30) Convention priority data:
(31) Number (32) Date (33) Country
000686258 06 Mar 2007 EUROPEAN COMMUNITY
(56) Related Art Documents: **Not Applicable**
(57) Statement of Newness and Distinctiveness: **In considering the newness or distinctiveness of the design, regard is to be given to the overall shape and/or configuration of an audio/visual stand as shown in the representations.**



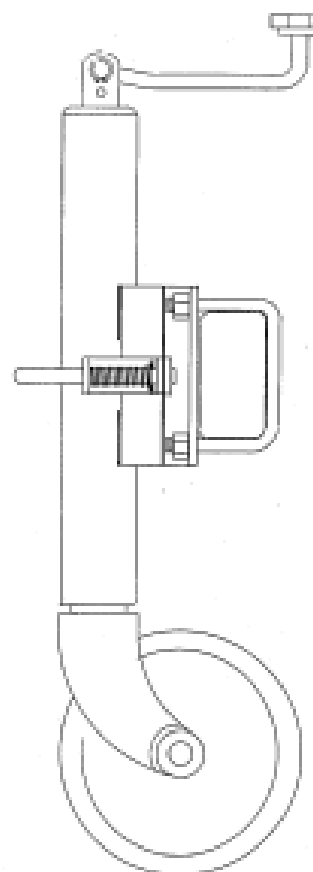
- (21) Design Number: **19640/2007**
(22) Date of Filing Application: **06 September 2007**
(24) Date from which industrial property rights may have effect: **06 September 2007**
(54) Product in respect of which the design is registered: **Audio/visual stand**
(51) International Design Classification: **14-02**
(71) Name(s) and Address(s) of Applicant(s):
Colebrook Bosson Saunders Products Ltd
35 Union Street London SE1 1SD United Kingdom
(72) Name(s) of Designer(s): **Andrew Wills and Alex Lau and Seiyo Ezure**
(45) Registration Date: **10 December 2007**
(30) Convention priority data:
(31) Number (32) Date (33) Country
000686258 06 Mar 2007 EUROPEAN COMMUNITY
(56) Related Art Documents: **Not Applicable**
(57) Statement of Newness and Distinctiveness: **In considering the newness or distinctiveness of the design, regard is to be given to the overall shape and/or configuration of an audio/visual stand as shown in the representations.**



- (21) Design Number: **19641/2007**
(22) Date of Filing Application: **06 September 2007**
(24) Date from which industrial property rights may have effect: **06 September 2007**
(54) Product in respect of which the design is registered: **Audio/visual stand**
(51) International Design Classification: **14-02**
(71) Name(s) and Address(s) of Applicant(s):
Colebrook Bosson Saunders Products Ltd
35 Union Street London SE1 1SD United Kingdom
(72) Name(s) of Designer(s): **Andrew Wills and Alex Lau and Seiyo Ezure**
(45) Registration Date: **10 December 2007**
(30) Convention priority data:
(31) Number (32) Date (33) Country
000686258 06 Mar 2007 EUROPEAN COMMUNITY
(56) Related Art Documents: **Not Applicable**
(57) Statement of Newness and Distinctiveness: **In considering the newness or distinctiveness of the design, regard is to be given to the overall shape and/or configuration of an audio/visual stand as shown in the representations.**



- (21) Design Number: **19645/2007**
(22) Date of Filing Application: **06 September 2007**
(24) Date from which industrial property rights may have effect: **06 September 2007**
(54) Product in respect of which the design is registered: **A jockey wheel clamp**
(51) International Design Classification: **12-16L**
(71) Name(s) and Address(s) of Applicant(s):
Felk Trailers Pty Ltd
54 Medcalf Street Warners Bay New South Wales 2282 Australia
(72) Name(s) of Designer(s): **Edward Karl Felk**
(45) Registration Date: **10 December 2007**
(56) Related Art Documents: **Not Applicable**
(57) Statement of Newness and Distinctiveness: **Monopoly is claimed on the overall design of the clamp.**



(21) Design Number: **19652/2007**

(22) Date of Filing Application: **05 September 2007**

(24) Date from which industrial property rights may have effect: **05 September 2007**

(54) Product in respect of which the design is registered: **Tray for bottles**

(51) International Design Classification: **09-03E**

(71) Name(s) and Address(s) of Applicant(s):

K. Hartwall Oy Ab

Kay Hartwallin tie 2 FI-01150 Soderkulla Finland

(72) Name(s) of Designer(s): **Markku Tiilikainen**

(45) Registration Date: **10 December 2007**

(30) Convention priority data:

(31) Number

(32) Date

(33) Country

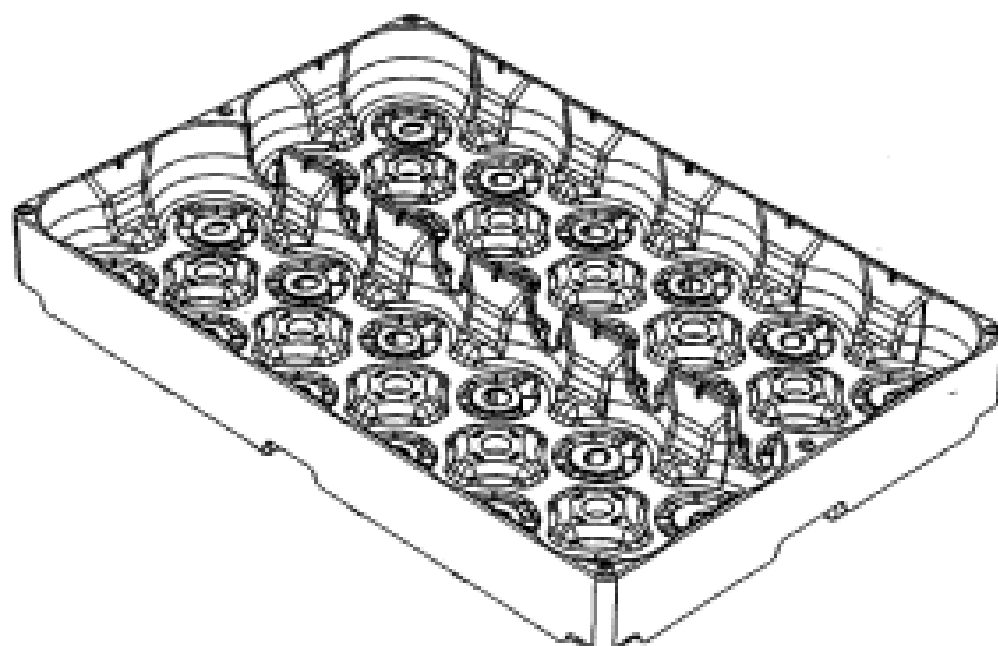
000685094

08 Mar 2007

EUROPEAN COMMUNITY

(56) Related Art Documents: **Not Applicable**

(57) Statement of Newness and Distinctiveness: **Nil**



(21) Design Number: **19653/2007**

(22) Date of Filing Application: **05 September 2007**

(24) Date from which industrial property rights may have effect: **05 September 2007**

(54) Product in respect of which the design is registered: **Tray for bottles**

(51) International Design Classification: **09-03E**

(71) Name(s) and Address(s) of Applicant(s):

K. Hartwall Oy Ab

Kay Hartwallin tie 2 FI-01150 Soderkulla Finland

(72) Name(s) of Designer(s): **Johan Lindstrom**

(45) Registration Date: **10 December 2007**

(30) Convention priority data:

(31) Number

(32) Date

(33) Country

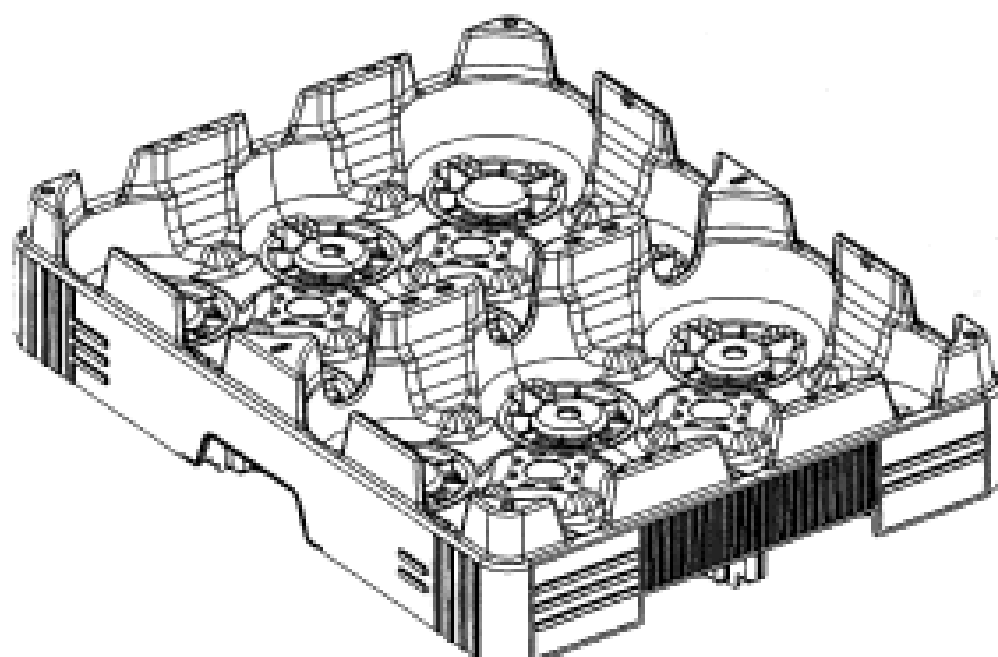
000685094

08 Mar 2007

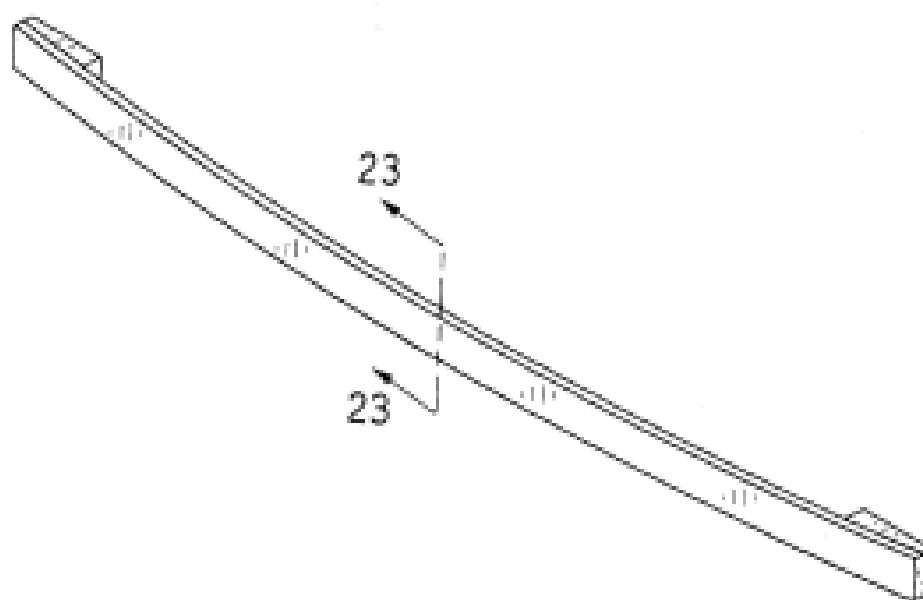
EUROPEAN COMMUNITY

(56) Related Art Documents: **Not Applicable**

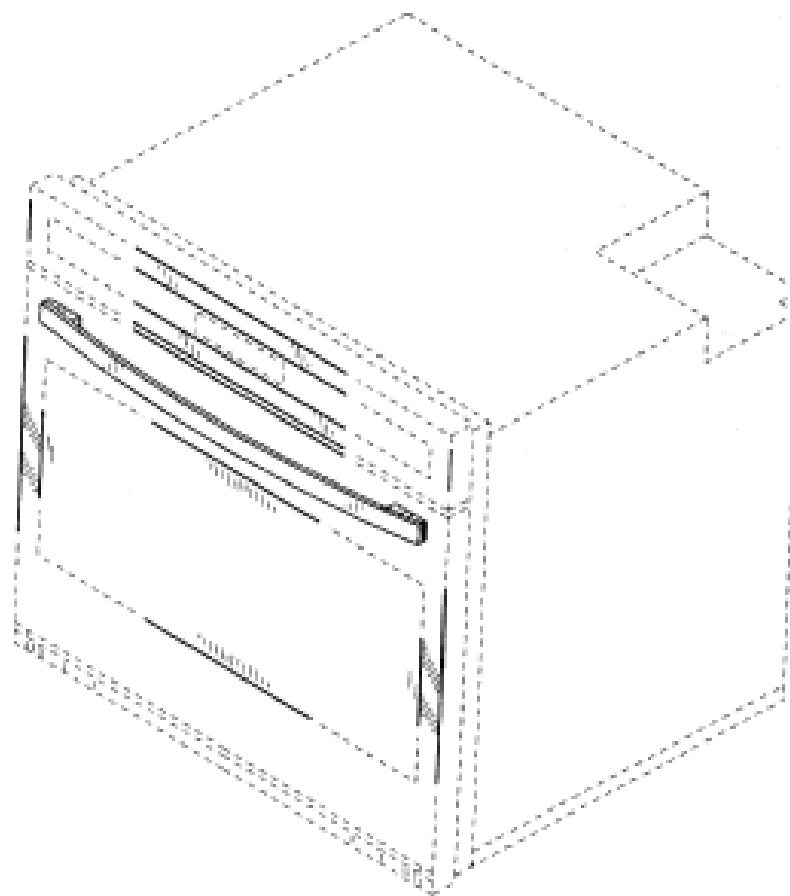
(57) Statement of Newness and Distinctiveness: **Nil**



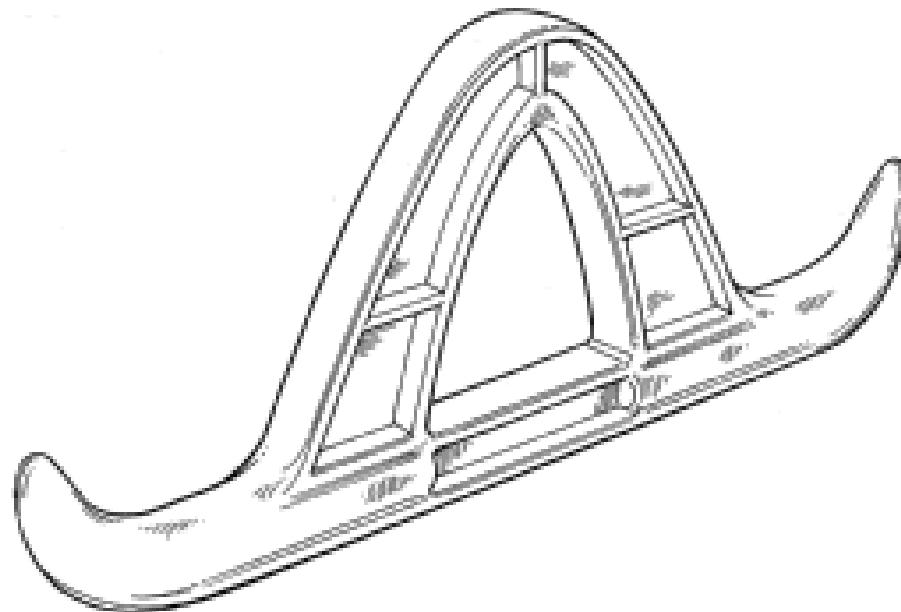
- (21) Design Number: **19654/2007**
- (22) Date of Filing Application: **05 September 2007**
- (24) Date from which industrial property rights may have effect: **21 May 2007**
- (54) Product in respect of which the design is registered: **A handle**
- (51) International Design Classification: **07-02C**
- (71) Name(s) and Address(s) of Applicant(s):
Wolf Appliance Company, Inc.
2866 Bud's Drive Fitchburg Wisconsin 53719 United States of America
- (72) Name(s) of Designer(s): **William C. Cesaroni and Greg A. Martin and Curtis Leroy Cruver IV**
- (45) Registration Date: **10 December 2007**
- (62) Divisional of: **316482**
- (56) Related Art Documents: **Not Applicable**
- (57) Statement of Newness and Distinctiveness: **Newness and distinctiveness is claimed in the visual features of a handle shown in solid lines in the accompanying representations.**



- (21) Design Number: **19655/2007**
- (22) Date of Filing Application: **05 September 2007**
- (24) Date from which industrial property rights may have effect: **21 May 2007**
- (54) Product in respect of which the design is registered: **Appliance with handle**
- (51) International Design Classification: **07-02C**
- (71) Name(s) and Address(s) of Applicant(s):
Wolf Appliance Company, Inc.
2866 Bud's Drive Fitchburg Wisconsin 53719 United States of America
- (72) Name(s) of Designer(s): **William C. Cesaroni and Greg A. Martin and Curtis Leroy Cruver IV**
- (45) Registration Date: **10 December 2007**
- (62) Divisional of: **316482**
- (56) Related Art Documents: **Not Applicable**
- (57) Statement of Newness and Distinctiveness: **Newness and distinctiveness is claimed in the visual features shown in solid lines in the representations.**



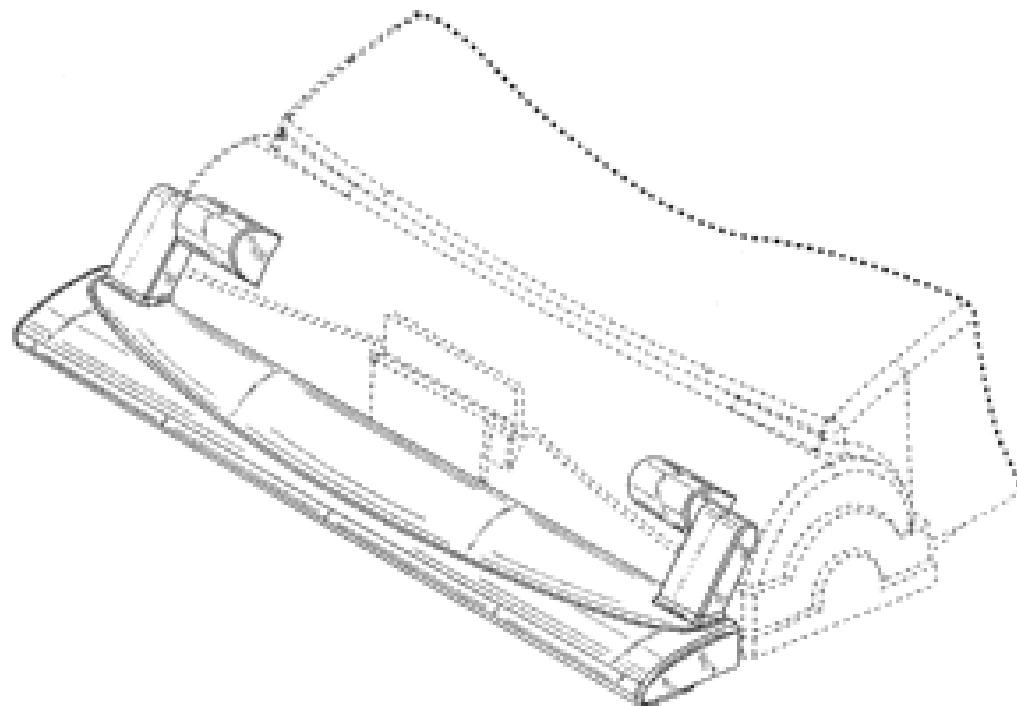
- (21) Design Number: **19656/2007**
(22) Date of Filing Application: **05 September 2007**
(24) Date from which industrial property rights may have effect: **05 September 2007**
(54) Product in respect of which the design is registered: **A meat gambrel**
(51) International Design Classification: **08-08G**
(71) Name(s) and Address(s) of Applicant(s):
Phuc Xuong Pty Ltd
26 Allan Street Altona North Victoria 3025 Australia
(72) Name(s) of Designer(s): **Jack Lay**
(45) Registration Date: **10 December 2007**
(56) Related Art Documents: **Not Applicable**
(57) Statement of Newness and Distinctiveness: **Newness and distinctiveness are claimed in the features of shape and/or configuration of a meat gambrel, as illustrated in the accompanying representations.**



- (21) Design Number: **19657/2007**
(22) Date of Filing Application: **05 September 2007**
(24) Date from which industrial property rights may have effect: **05 September 2007**
(54) Product in respect of which the design is registered: **Floor cleaning tool**
(51) International Design Classification: **15-05**
(71) Name(s) and Address(s) of Applicant(s):
BISSELL Homecare, Inc.
2345 Walker Avenue N.W. Grand Rapids MI 49544 United States of America
(72) Name(s) of Designer(s): **Douglas J. Medema**
(45) Registration Date: **10 December 2007**
(30) Convention priority data:

(31) Number	(32) Date	(33) Country
29/277783	09 Mar 2007	UNITED STATES OF AMERICA

(56) Related Art Documents: **Not Applicable**
(57) Statement of Newness and Distinctiveness: **The shape and configuration of the design of the product is new and distinctive. The features shown in dotted lines form no part of the design and should not be taken into consideration when considering the design as a whole.**



- (21) Design Number: **19659/2007**
(22) Date of Filing Application: **06 September 2007**
(24) Date from which industrial property rights may have effect: **06 September 2007**
(54) Product in respect of which the design is registered: **A fencing component**
(51) International Design Classification: **25-02C**
(71) Name(s) and Address(s) of Applicant(s):

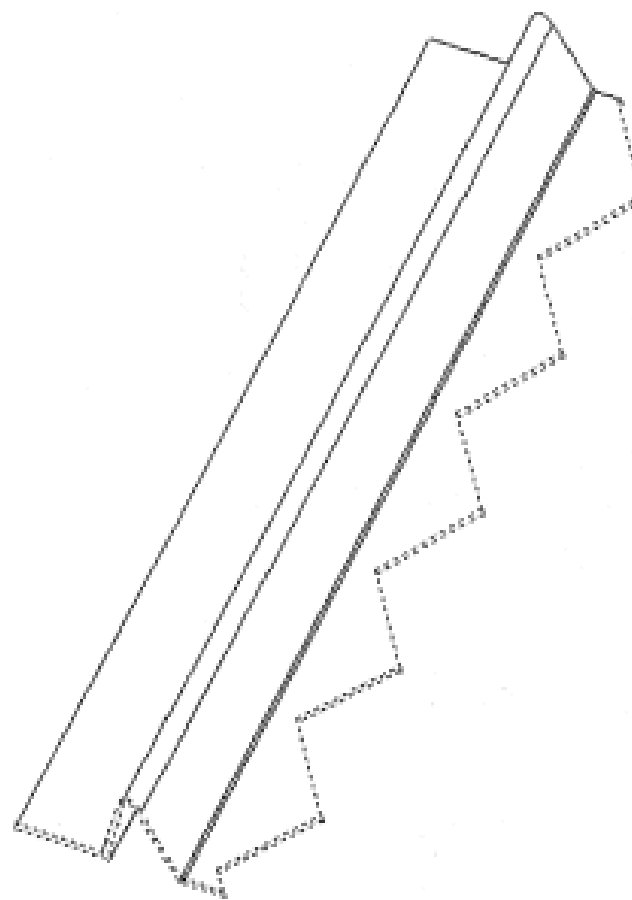
Gryffin Pty Ltd
8 Bessemer Road Bayswater Victoria 3153 Australia

- (72) Name(s) of Designer(s): **John Mythen and Stephen King**

- (45) Registration Date: **10 December 2007**

- (56) Related Art Documents: **Not Applicable**

- (57) Statement of Newness and Distinctiveness: **Newness and distinctiveness is claimed in the features of shape and/or configuration of a fencing component as illustrated in the accompanying representations. In considering which features are new and distinctive, particular regard is to be had to the cross section of the fencing component. As shown by the broken lines, the fencing component is of indefinite length. In addition, the particular shape and/or configuration of the projections shown in dotted lines is to be disregarded. Without limiting the scope of the design an exemplary use and arrangements are shown in figures 6 and 7.**



- (21) Design Number: **19661/2007**
(22) Date of Filing Application: **06 September 2007**
(24) Date from which industrial property rights may have effect: **06 September 2007**
(54) Product in respect of which the design is registered: **Fruit- based snack bar**
(51) International Design Classification: **01-01**
(71) Name(s) and Address(s) of Applicant(s):

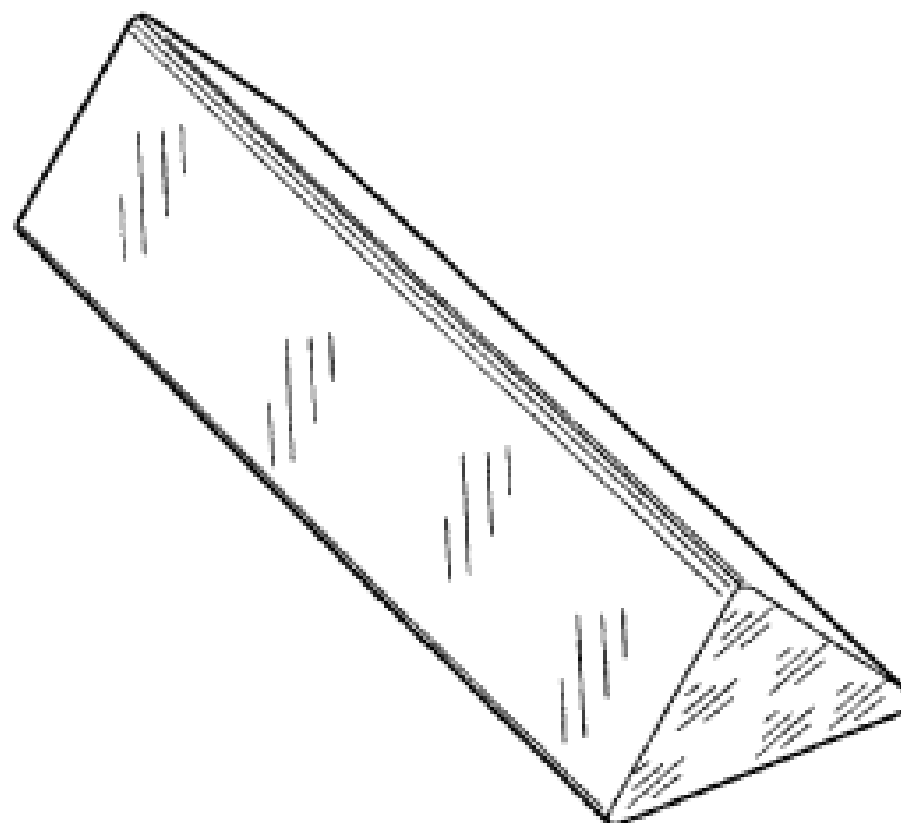
Cadbury Enterprises Pte Limited
346 Jalan Boon Lay Jurong 619528 Singapore

- (72) Name(s) of Designer(s): **Kon Costopoulos and Blair Keating**

- (45) Registration Date: **10 December 2007**

- (56) Related Art Documents: **Not Applicable**

- (57) Statement of Newness and Distinctiveness: **Nil**



(21) Design Number: **19845/2007**

(22) Date of Filing Application: **24 September 2007**

(24) Date from which industrial property rights may have effect: **24 September 2007**

(54) Product in respect of which the design is registered: **Beach towel**

(51) International Design Classification: **06-13C**

(71) Name(s) and Address(s) of Applicant(s):

Andrew Bird

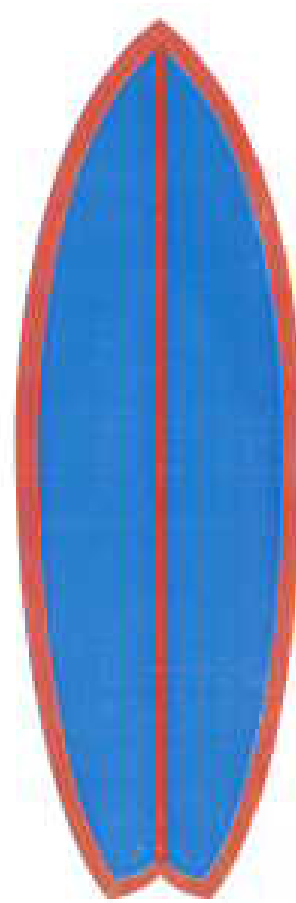
**WS Apt 137/169-171 Phillip Street Waterloo New South Wales 2017
Australia**

(72) Name(s) of Designer(s): **Andrew Bird**

(45) Registration Date: **10 December 2007**

(56) Related Art Documents: **Not Applicable**

(57) Statement of Newness and Distinctiveness: **Shape of beach towel design**



(21) Design Number: **19846/2007**

(22) Date of Filing Application: **24 September 2007**

(24) Date from which industrial property rights may have effect: **24 September 2007**

(54) Product in respect of which the design is registered: **Beach towel**

(51) International Design Classification: **06-13C**

(71) Name(s) and Address(s) of Applicant(s):

Andrew Bird

**WS Apt 137/169-171 Phillip Street Waterloo New South Wales 2017
Australia**

(72) Name(s) of Designer(s): **Andrew Bird**

(45) Registration Date: **10 December 2007**

(56) Related Art Documents: **Not Applicable**

(57) Statement of Newness and Distinctiveness: **Split colour, half and half, design.**



(21) Design Number: **19847/2007**
(22) Date of Filing Application: **24 September 2007**
(24) Date from which industrial property rights may have effect: **24 September 2007**
(54) Product in respect of which the design is registered: **Beach towel**
(51) International Design Classification: **06-13C**
(71) Name(s) and Address(s) of Applicant(s):

Andrew Bird
WS Apt 137/169-171 Phillip Street Waterloo New South Wales 2017
Australia

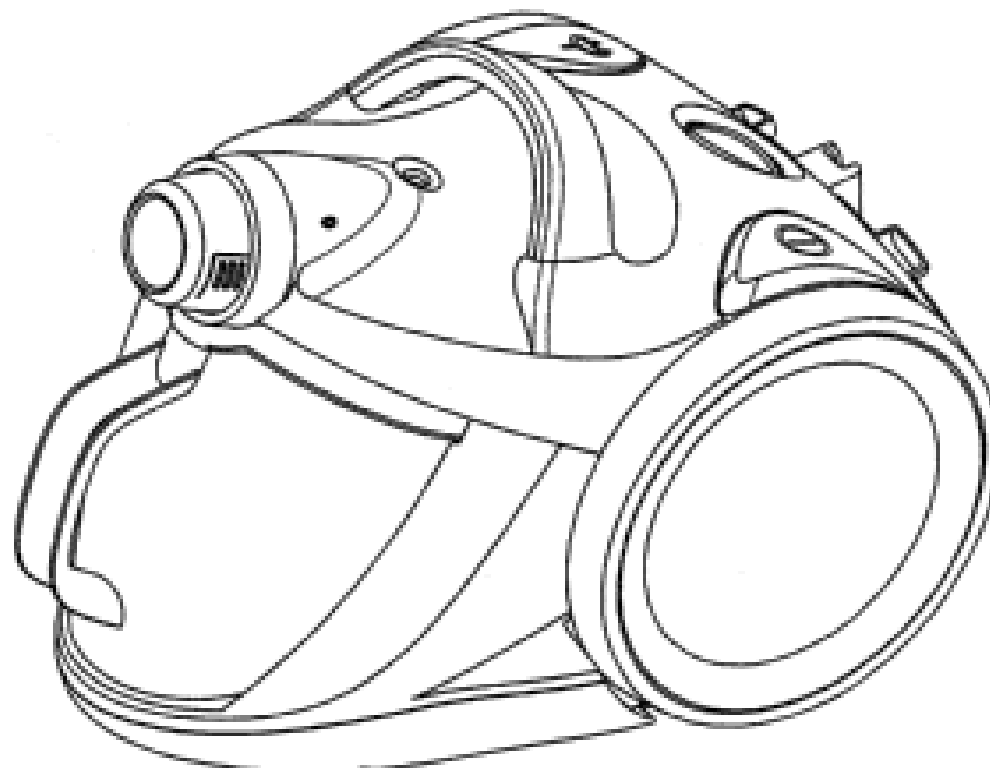
(72) Name(s) of Designer(s): **Andrew Bird**
(45) Registration Date: **10 December 2007**
(56) Related Art Documents: **Not Applicable**
(57) Statement of Newness and Distinctiveness: **Nil**



(21) Design Number: **20225/2007**
(22) Date of Filing Application: **12 October 2007**
(24) Date from which industrial property rights may have effect: **12 October 2007**
(54) Product in respect of which the design is registered: **Vacuum cleaner**
(51) International Design Classification: **15-05**
(71) Name(s) and Address(s) of Applicant(s):

Aktiebolaget Electrolux
S:t Goransgatan 143 SE 105-45 Stockholm Sweden

(72) Name(s) of Designer(s): **Joachim Nordwall**
(45) Registration Date: **10 December 2007**
(30) Convention priority data:
(31) Number (32) Date (33) Country
2007/0221 20 Apr 2007 SWEDEN
(56) Related Art Documents: **Not Applicable**
(57) Statement of Newness and Distinctiveness: **Nil**



(21) Design Number: **20593/2007**
(22) Date of Filing Application: **02 November 2007**
(24) Date from which industrial property rights may have effect: **02 November 2007**
(54) Product in respect of which the design is registered: **Vacuum cleaner nozzle**
(51) International Design Classification: **15-05**
(71) Name(s) and Address(s) of Applicant(s):

Aktiebolaget Electrolux
S:t Goransgatan 143 SE 105-45 Stockholm Sweden

(72) Name(s) of Designer(s): **Anna-Karin Gray**

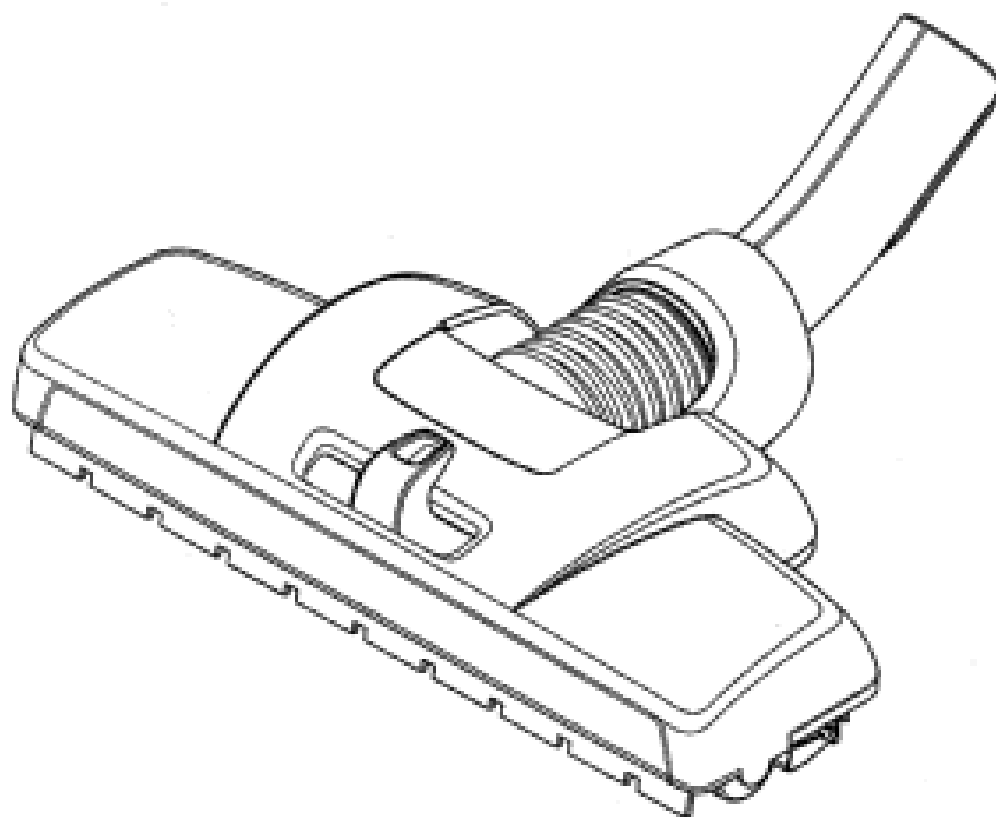
(45) Registration Date: **10 December 2007**

(30) Convention priority data:

(31) Number	(32) Date	(33) Country
2007/0291	11 Jun 2007	SWEDEN

(56) Related Art Documents: **Not Applicable**

(57) Statement of Newness and Distinctiveness: **Nil**



(21) Design Number: **19662/2007**
(22) Date of Filing Application: **06 September 2007**
(24) Date from which industrial property rights may have effect: **06 September 2007**
(54) Product in respect of which the design is registered: **Fruit- based snack bar**
(51) International Design Classification: **01-01**
(71) Name(s) and Address(s) of Applicant(s):

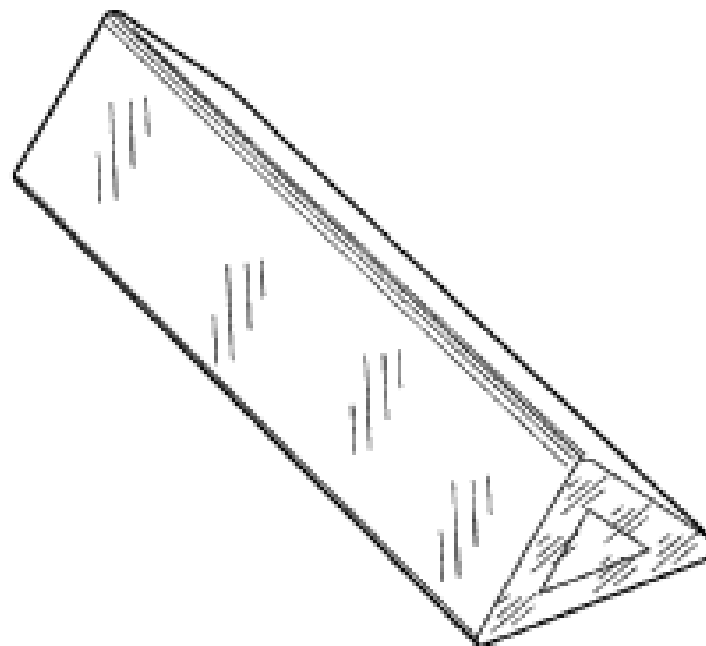
Cadbury Enterprises Pte Limited
346 Jalan Boon Lay Jurong 619528 Singapore

(72) Name(s) of Designer(s): **Kon Costopoulos and Blair Keating**

(45) Registration Date: **11 December 2007**

(56) Related Art Documents: **Not Applicable**

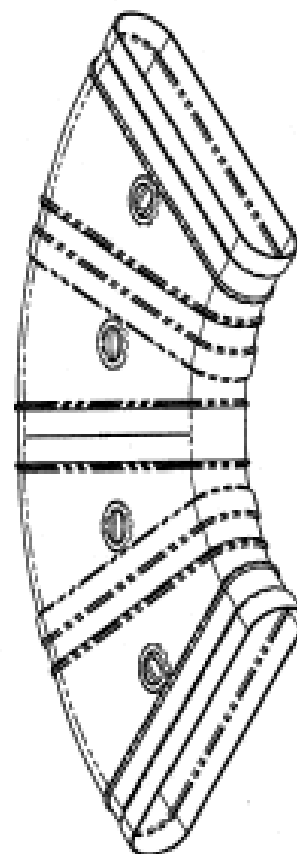
(57) Statement of Newness and Distinctiveness: **Nil**



(21) Design Number: **19665/2007**
(22) Date of Filing Application: **06 September 2007**
(24) Date from which industrial property rights may have effect: **06 September 2007**
(54) Product in respect of which the design is registered: **Sport shoe sole**
(51) International Design Classification: **02-04B**
(71) Name(s) and Address(s) of Applicant(s):
Societe De Technologie Michelin
23 rue Breschet F-63000 Clermont-Ferrand Cedex France
Michelin Recherche et Technique S.A.
Route Louis Braille 10 et 12 CH-1763 Granges-Paccot Switzerland
(72) Name(s) of Designer(s): **Arnaud Larregain and Adam Jara and Frederic Perrin**
(45) Registration Date: **11 December 2007**
(30) Convention priority data:
(31) Number (32) Date (33) Country
000684584 08 Mar 2007 EUROPEAN COMMUNITY
(56) Related Art Documents: **Not Applicable**
(57) Statement of Newness and Distinctiveness: **Nil**



(21) Design Number: **19666/2007**
(22) Date of Filing Application: **06 September 2007**
(24) Date from which industrial property rights may have effect: **06 September 2007**
(54) Product in respect of which the design is registered: **Duct connectors**
(51) International Design Classification: **23-04**
(71) Name(s) and Address(s) of Applicant(s):
Icon Plastics Pty Ltd
19 Hallam Road South Hallam Victoria 3803 Australia
(72) Name(s) of Designer(s): **Royston Douglas Bull**
(45) Registration Date: **11 December 2007**
(56) Related Art Documents: **Not Applicable**
(57) Statement of Newness and Distinctiveness: **Nil**



(21) Design Number: **19667/2007**

(22) Date of Filing Application: **06 September 2007**

(24) Date from which industrial property rights may have effect: **06 September 2007**

(54) Product in respect of which the design is registered: **Duct connectors**

(51) International Design Classification: **23-04**

(71) Name(s) and Address(s) of Applicant(s):

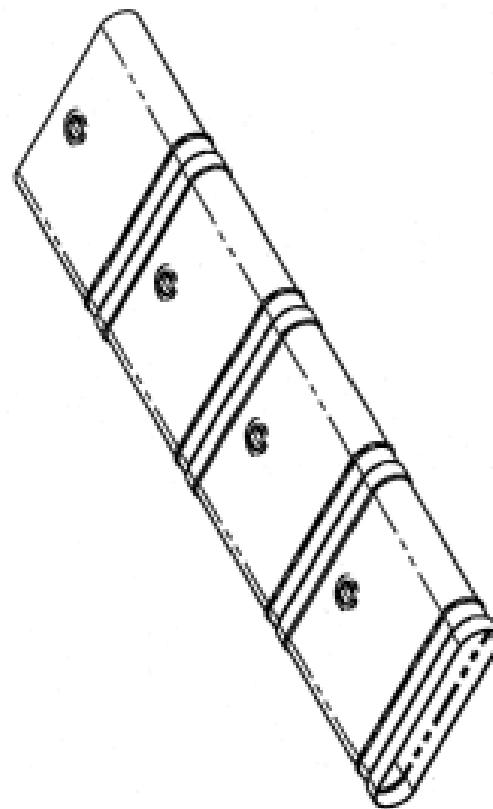
Icon Plastics Pty Ltd
19 Hallam Road South Hallam Victoria 3803 Australia

(72) Name(s) of Designer(s): **Royston Douglas Bull**

(45) Registration Date: **11 December 2007**

(56) Related Art Documents: **Not Applicable**

(57) Statement of Newness and Distinctiveness: **Nil**



(21) Design Number: **19668/2007**

(22) Date of Filing Application: **06 September 2007**

(24) Date from which industrial property rights may have effect: **06 September 2007**

(54) Product in respect of which the design is registered: **Duct connectors**

(51) International Design Classification: **23-04**

(71) Name(s) and Address(s) of Applicant(s):

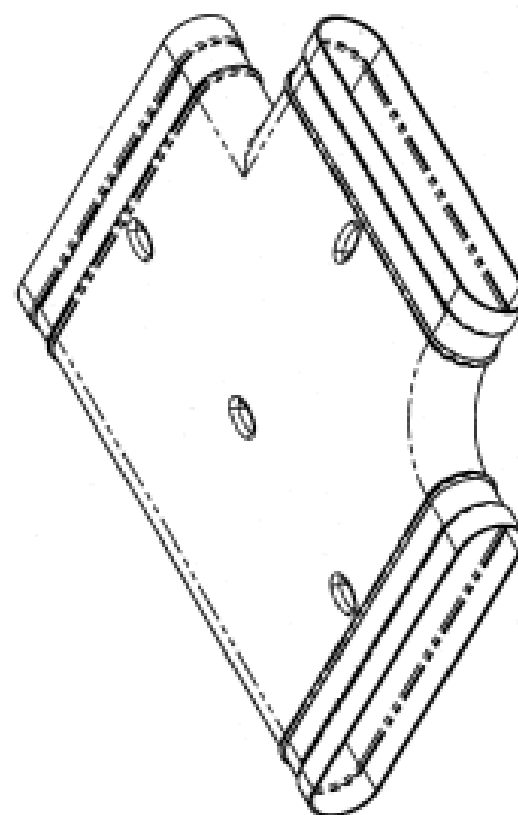
Icon Plastics Pty Ltd
19 Hallam Road South Hallam Victoria 3803 Australia

(72) Name(s) of Designer(s): **Royston Douglas Bull**

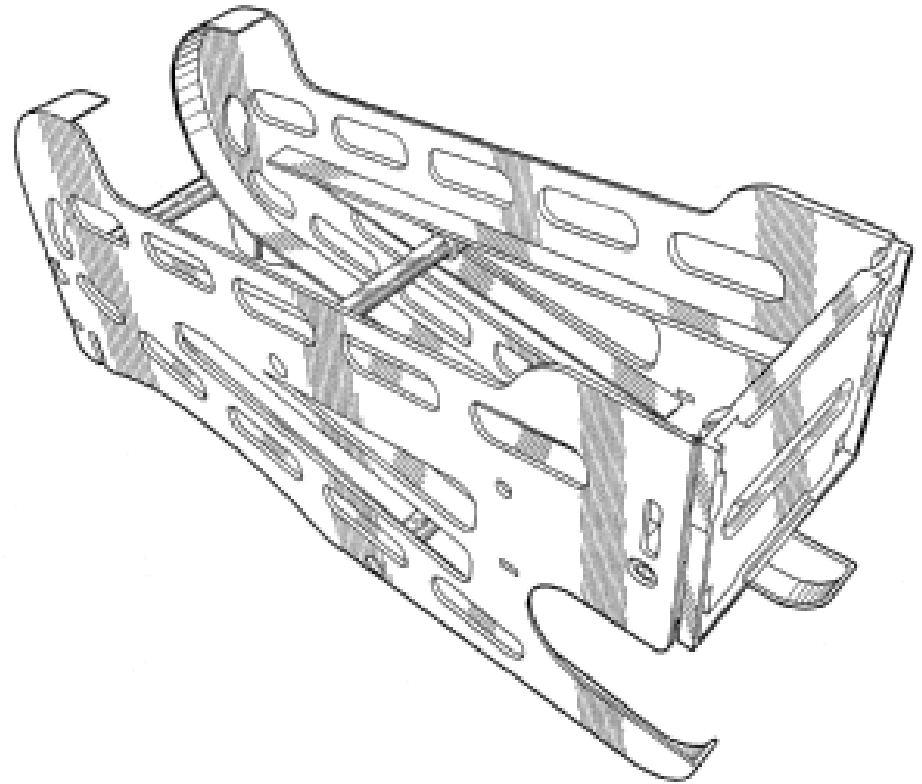
(45) Registration Date: **11 December 2007**

(56) Related Art Documents: **Not Applicable**

(57) Statement of Newness and Distinctiveness: **Nil**



- (21) Design Number: **19669/2007**
(22) Date of Filing Application: **06 September 2007**
(24) Date from which industrial property rights may have effect: **06 September 2007**
(54) Product in respect of which the design is registered: **Gravity fed dispenser**
(51) International Design Classification: **20-02NES**
(71) Name(s) and Address(s) of Applicant(s):
McCormick & Company, Incorporated
18 Loveton Circle Sparks Maryland 21152-6000 United States of America
(72) Name(s) of Designer(s): **Eric Henry and Margaret Kime and James E. Brennan and Craig Hockenbury**
(45) Registration Date: **11 December 2007**
(30) Convention priority data:
(31) Number (32) Date (33) Country
29/277,680 06 Mar 2007 UNITED STATES OF AMERICA
(56) Related Art Documents: **Not Applicable**
(57) Statement of Newness and Distinctiveness: **Nil**



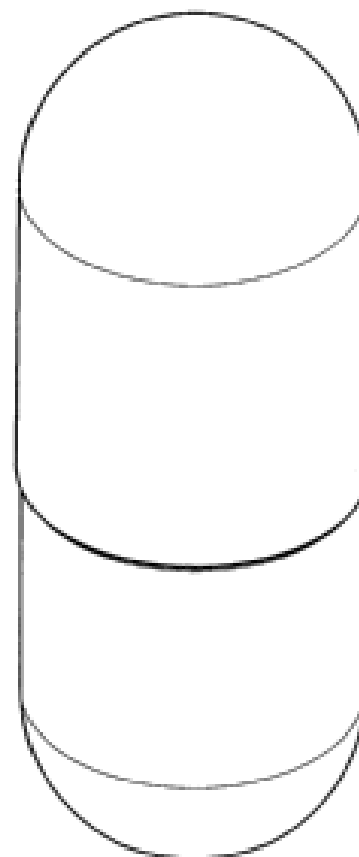
- (21) Design Number: **19674/2007**
(22) Date of Filing Application: **10 September 2007**
(24) Date from which industrial property rights may have effect: **10 September 2007**
(54) Product in respect of which the design is registered: **Tooth fairy card**
(51) International Design Classification: **19-01**
(71) Name(s) and Address(s) of Applicant(s):
Nicholas Koutsis
4 Grand South Circuit Springfield Lakes Queensland 4300 Australia
Denita Koutsis
4 Grand South Circuit Springfield Lakes Queensland 4300 Australia
Glenn Barrie Williams
4 Grand South Circuit Springfield Lakes Queensland 4300 Australia
Stacey Joy Williams
4 Grand South Circuit Springfield Lakes Queensland 4300 Australia
(72) Name(s) of Designer(s): **Denita Koutsis**
(45) Registration Date: **11 December 2007**
(56) Related Art Documents: **Not Applicable**
(57) Statement of Newness and Distinctiveness: **The adhesive on the star is strong enough to withhold the weight of a coin and can be removed without damaging the card. Card is personalised with childs name.**



(21) Design Number: **19675/2007**
 (22) Date of Filing Application: **07 September 2007**
 (24) Date from which industrial property rights may have effect: **07 September 2007**
 (54) Product in respect of which the design is registered: **Capsule storage container**
 (51) International Design Classification: **09-05**
 (71) Name(s) and Address(s) of Applicant(s):
Origin Source (Pty) Ltd
Building U6 Pinelands Office Park Ardeer Road Modderfontein
Johannesburg South Africa
 (72) Name(s) of Designer(s): **Brian Arthur Steinhobel**
 (45) Registration Date: **11 December 2007**
 (30) Convention priority data:

(31) Number	(32) Date	(33) Country
A2007/00346	08 Mar 2007	SOUTH AFRICA

 (56) Related Art Documents: **Not Applicable**
 (57) Statement of Newness and Distinctiveness: **The newness and distinctiveness of the design resides in the shape and/or configuration of the capsule storage container shown in the representations.**



(21) Design Number: **19676/2007**
 (22) Date of Filing Application: **07 September 2007**
 (24) Date from which industrial property rights may have effect: **07 September 2007**
 (54) Product in respect of which the design is registered: **Prosthesis**
 (51) International Design Classification: **24-03**
 (71) Name(s) and Address(s) of Applicant(s):
Otto Bock Healthcare Products GmbH
Kaiserstrasse 39 1070 WIEN Austria
 (72) Name(s) of Designer(s): **Peter Kuschnigg and Gregor Puchhammer**
 (45) Registration Date: **11 December 2007**
 (30) Convention priority data:

(31) Number	(32) Date	(33) Country
407 01 345.8	09 Mar 2007	GERMANY

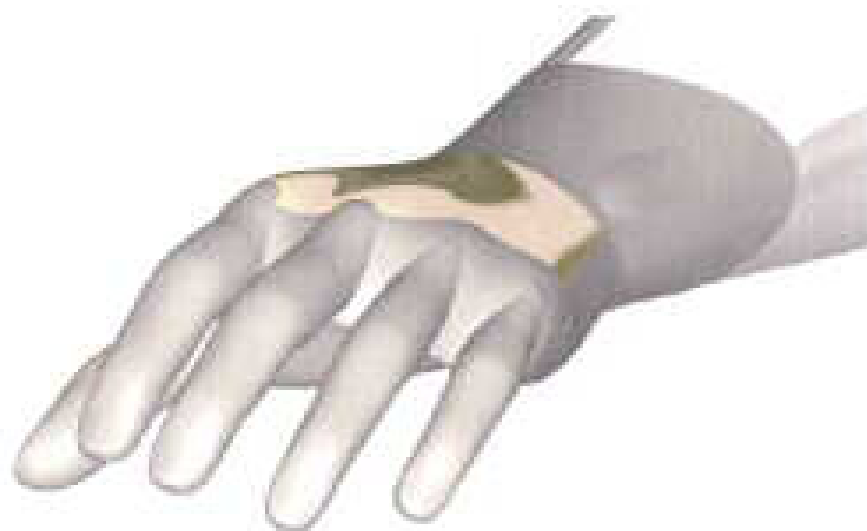
 (56) Related Art Documents: **Not Applicable**
 (57) Statement of Newness and Distinctiveness: **The newness and distinctiveness of the design resides in the shape and/or configuration of the prostheses shown in the representations.**



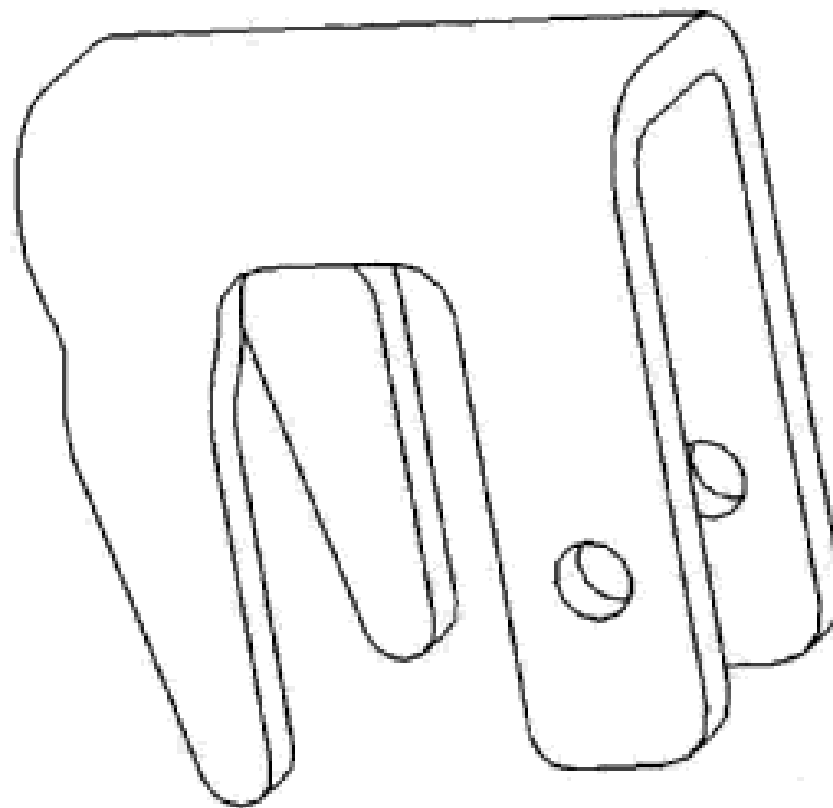
- (21) Design Number: **19677/2007**
(22) Date of Filing Application: **07 September 2007**
(24) Date from which industrial property rights may have effect: **07 September 2007**
(54) Product in respect of which the design is registered: **Prosthesis**
(51) International Design Classification: **24-03**
(71) Name(s) and Address(s) of Applicant(s):
Otto Bock Healthcare Products GmbH
Kaiserstrasse 39 1070 WIEN Austria
(72) Name(s) of Designer(s): **Peter Kuschnigg and Gregor Puchhammer**
(45) Registration Date: **11 December 2007**
(30) Convention priority data:
(31) Number (32) Date (33) Country
407 01 345.8 09 Mar 2007 GERMANY
(56) Related Art Documents: **Not Applicable**
(57) Statement of Newness and Distinctiveness: **The newness and distinctiveness of the design resides in the shape and/or configuration of the prostheses shown in the representations.**



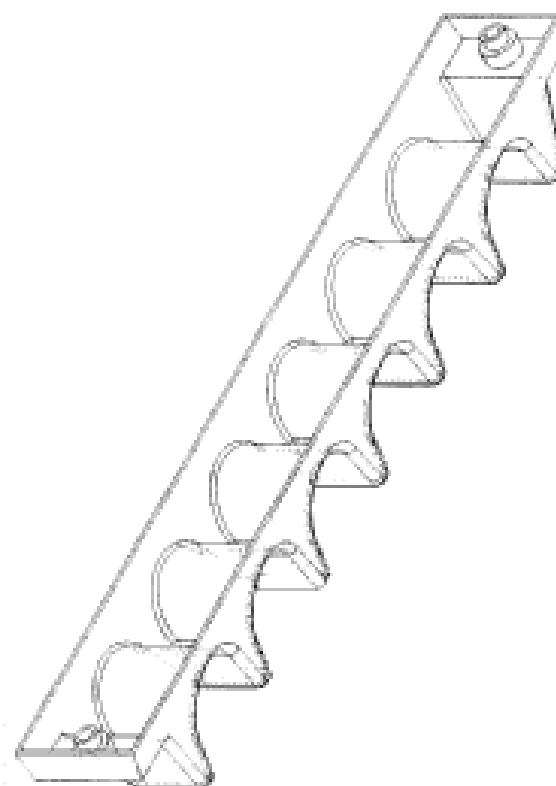
- (21) Design Number: **19678/2007**
(22) Date of Filing Application: **07 September 2007**
(24) Date from which industrial property rights may have effect: **07 September 2007**
(54) Product in respect of which the design is registered: **Prosthesis**
(51) International Design Classification: **24-03**
(71) Name(s) and Address(s) of Applicant(s):
Otto Bock Healthcare Products GmbH
Kaiserstrasse 39 1070 WIEN Austria
(72) Name(s) of Designer(s): **Peter Kuschnigg and Gregor Puchhammer**
(45) Registration Date: **11 December 2007**
(30) Convention priority data:
(31) Number (32) Date (33) Country
407 01 345.8 09 Mar 2007 GERMANY
(56) Related Art Documents: **Not Applicable**
(57) Statement of Newness and Distinctiveness: **The newness and distinctiveness of the design resides in the shape and/or configuration of the prostheses shown in the representations.**



- (21) Design Number: **19685/2007**
(22) Date of Filing Application: **10 September 2007**
(24) Date from which industrial property rights may have effect: **10 September 2007**
(54) Product in respect of which the design is registered: **Tow bars, tow pins, tow hitches**
(51) International Design Classification: **12-16L**
(71) Name(s) and Address(s) of Applicant(s):
Paul Carter
PO Box 248 Ingle Farm South Australia 5098 Australia
(72) Name(s) of Designer(s): **Paul Carter and Gerard Modystach**
(45) Registration Date: **11 December 2007**
(56) Related Art Documents: **Not Applicable**
(57) Statement of Newness and Distinctiveness: **Nil**



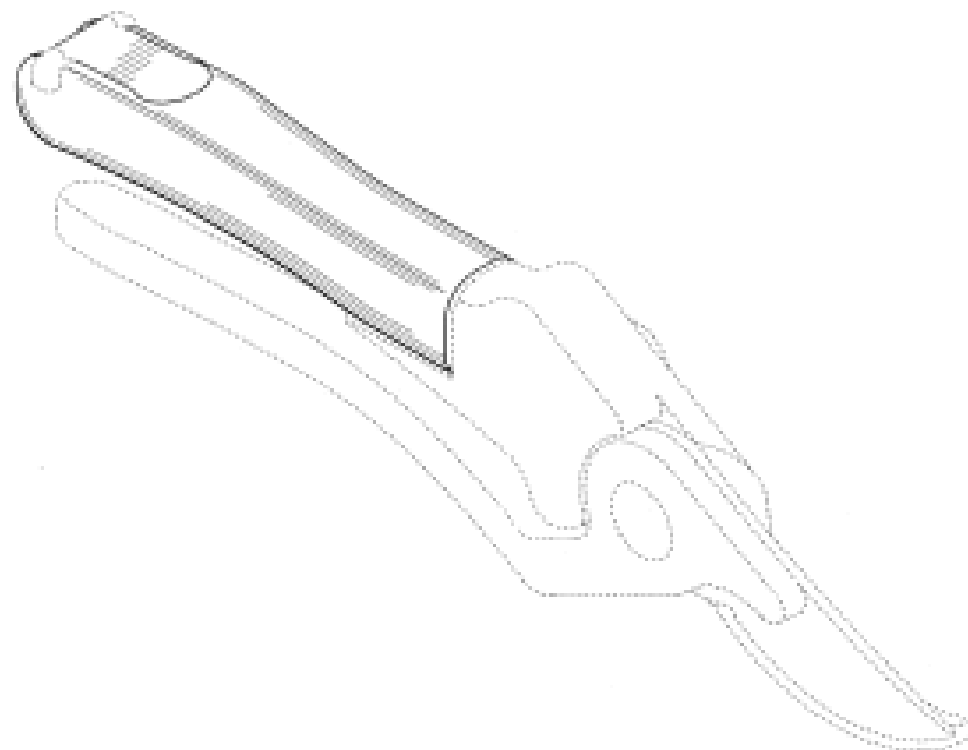
- (21) Design Number: **19686/2007**
(22) Date of Filing Application: **10 September 2007**
(24) Date from which industrial property rights may have effect: **10 September 2007**
(54) Product in respect of which the design is registered: **Fishing rods of most circumference sizes, with or without reels attached, can be stored in the fishing rod rack**
(51) International Design Classification: **22-05**
(71) Name(s) and Address(s) of Applicant(s):
John Quinn
5 Merideth Place Green Point New South Wales 2251 Australia
(72) Name(s) of Designer(s): **John Quinn**
(45) Registration Date: **11 December 2007**
(56) Related Art Documents: **Not Applicable**
(57) Statement of Newness and Distinctiveness: **The design of cradles in which rod sits. Rack design allows vertical attachment to wall, manufacturable in a wide range of visually attractive colours, storage space efficient, protects rods from damage. Designs allows for rods to be stored in an assembled state, with reels attached.**



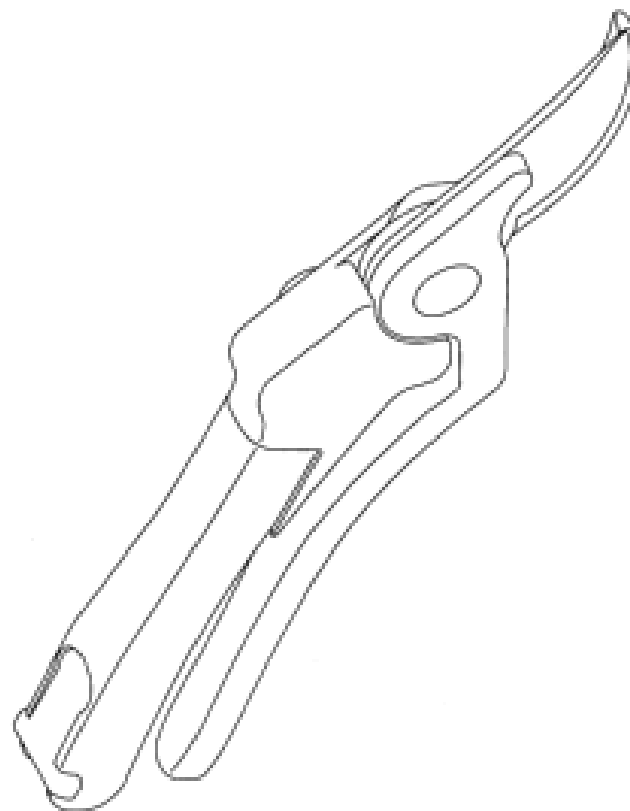
(21) Design Number: **19689/2007**
(22) Date of Filing Application: **06 September 2007**
(24) Date from which industrial property rights may have effect: **06 September 2007**
(54) Product in respect of which the design is registered: **Double wall drinking glass**
(51) International Design Classification: **07-01C**
(71) Name(s) and Address(s) of Applicant(s):
Pi-Design AG
Kantonsstrasse 100 Postfach 463 CH-6234 Triengen Switzerland
(72) Name(s) of Designer(s): **Jorgen Bodum**
(45) Registration Date: **11 December 2007**
(30) Convention priority data:
(31) Number (32) Date (33) Country
DA 2007 16 Mar 2007 DENMARK
00068
(56) Related Art Documents: **Not Applicable**
(57) Statement of Newness and Distinctiveness: **Nil**



(21) Design Number: **19690/2007**
(22) Date of Filing Application: **07 September 2007**
(24) Date from which industrial property rights may have effect: **07 September 2007**
(54) Product in respect of which the design is registered: **A tool handle**
(51) International Design Classification: **08-06**
(71) Name(s) and Address(s) of Applicant(s):
Leatherman Tool Group, Inc.
12106 NE Ainsworth Circle Portland Oregon 97220 United States of America
(72) Name(s) of Designer(s): **Hollan A. Tsuda**
(45) Registration Date: **11 December 2007**
(30) Convention priority data:
(31) Number (32) Date (33) Country
29273640 09 Mar 2007 UNITED STATES OF AMERICA
(56) Related Art Documents: **Not Applicable**
(57) Statement of Newness and Distinctiveness: **Newness and distinctiveness is claimed in the visual features shown in solid lines in the representations.**



(21) Design Number: **19691/2007**
(22) Date of Filing Application: **07 September 2007**
(24) Date from which industrial property rights may have effect: **07 September 2007**
(54) Product in respect of which the design is registered: **Multipurpose tool including a pruner**
(51) International Design Classification: **08-03**
(71) Name(s) and Address(s) of Applicant(s):
Leatherman Tool Group, Inc.
12106 NE Ainsworth Circle Portland Oregon 97220 United States of America
(72) Name(s) of Designer(s): **Glenn A. Klecker and Hollan A. Tsuda**
(45) Registration Date: **11 December 2007**
(30) Convention priority data:
(31) Number (32) Date (33) Country
29273641 09 Mar 2007 UNITED STATES OF AMERICA
(56) Related Art Documents: **Not Applicable**
(57) Statement of Newness and Distinctiveness: **Nil**



(21) Design Number: **19605/2007**
(22) Date of Filing Application: **31 August 2007**
(24) Date from which industrial property rights may have effect: **31 August 2007**
(54) Product in respect of which the design is registered: **Ladies clothin garments**
(51) International Design Classification: **02-02C**
(71) Name(s) and Address(s) of Applicant(s):
Lolitta Clothing Pty Ltd
11 Albert Street Richmond Victoria 3121 Australia
(72) Name(s) of Designer(s): **Tamara Mond**
(45) Registration Date: **12 December 2007**
(56) Related Art Documents: **Not Applicable**
(57) Statement of Newness and Distinctiveness: **Nil**



(21) Design Number: **20572/2007**

(22) Date of Filing Application: **31 August 2007**

(24) Date from which industrial property rights may have effect: **31 August 2007**

(54) Product in respect of which the design is registered: **Ladies clothin garments**

(51) International Design Classification: **02-02C**

(71) Name(s) and Address(s) of Applicant(s):

Lolitta Clothing Pty Ltd
11 Albert Street Richmond Victoria 3121 Australia

(72) Name(s) of Designer(s): **Tamara Mond**

(45) Registration Date: **12 December 2007**

(56) Related Art Documents: **Not Applicable**

(57) Statement of Newness and Distinctiveness: **Nil**



(21) Design Number: **20573/2007**

(22) Date of Filing Application: **31 August 2007**

(24) Date from which industrial property rights may have effect: **31 August 2007**

(54) Product in respect of which the design is registered: **Ladies clothin garments**

(51) International Design Classification: **02-02C**

(71) Name(s) and Address(s) of Applicant(s):

Lolitta Clothing Pty Ltd
11 Albert Street Richmond Victoria 3121 Australia

(72) Name(s) of Designer(s): **Tamara Mond**

(45) Registration Date: **12 December 2007**

(56) Related Art Documents: **Not Applicable**

(57) Statement of Newness and Distinctiveness: **Nil**



(21) Design Number: **20574/2007**

(22) Date of Filing Application: **31 August 2007**

(24) Date from which industrial property rights may have effect: **31 August 2007**

(54) Product in respect of which the design is registered: **Ladies clothin garments**

(51) International Design Classification: **02-02NES**

(71) Name(s) and Address(s) of Applicant(s):

Lolitta Clothing Pty Ltd
11 Albert Street Richmond Victoria 3121 Australia

(72) Name(s) of Designer(s): **Tamara Mond**

(45) Registration Date: **12 December 2007**

(56) Related Art Documents: **Not Applicable**

(57) Statement of Newness and Distinctiveness: **Nil**



(21) Design Number: **20575/2007**

(22) Date of Filing Application: **31 August 2007**

(24) Date from which industrial property rights may have effect: **31 August 2007**

(54) Product in respect of which the design is registered: **Ladies clothin garments**

(51) International Design Classification: **02-02NES**

(71) Name(s) and Address(s) of Applicant(s):

Lolitta Clothing Pty Ltd
11 Albert Street Richmond Victoria 3121 Australia

(72) Name(s) of Designer(s): **Tamara Mond**

(45) Registration Date: **12 December 2007**

(56) Related Art Documents: **Not Applicable**

(57) Statement of Newness and Distinctiveness: **Nil**



(21) Design Number: **20576/2007**

(22) Date of Filing Application: **31 August 2007**

(24) Date from which industrial property rights may have effect: **31 August 2007**

(54) Product in respect of which the design is registered: **Ladies clothin garments**

(51) International Design Classification: **02-02NES**

(71) Name(s) and Address(s) of Applicant(s):

Lolitta Clothing Pty Ltd
11 Albert Street Richmond Victoria 3121 Australia

(72) Name(s) of Designer(s): **Tamara Mond**

(45) Registration Date: **12 December 2007**

(56) Related Art Documents: **Not Applicable**

(57) Statement of Newness and Distinctiveness: **Nil**



(21) Design Number: **20577/2007**

(22) Date of Filing Application: **31 August 2007**

(24) Date from which industrial property rights may have effect: **31 August 2007**

(54) Product in respect of which the design is registered: **Ladies clothin garments**

(51) International Design Classification: **02-02NES**

(71) Name(s) and Address(s) of Applicant(s):

Lolitta Clothing Pty Ltd
11 Albert Street Richmond Victoria 3121 Australia

(72) Name(s) of Designer(s): **Tamara Mond**

(45) Registration Date: **12 December 2007**

(56) Related Art Documents: **Not Applicable**

(57) Statement of Newness and Distinctiveness: **Nil**



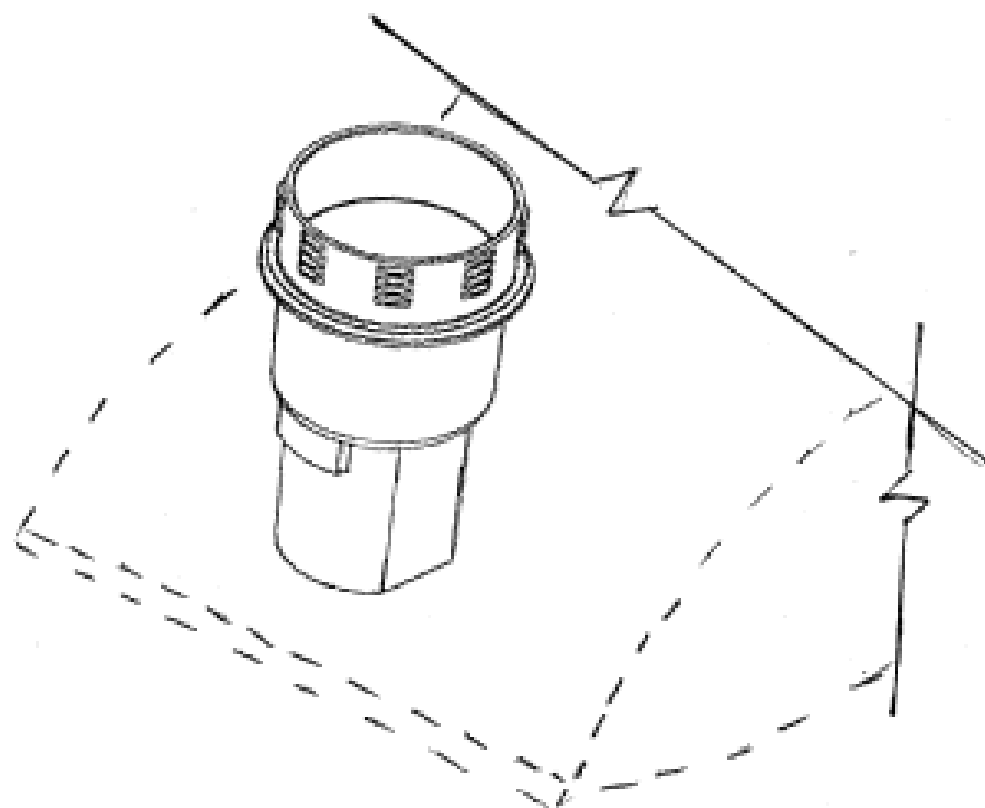
(21) Design Number: **20578/2007**
 (22) Date of Filing Application: **31 August 2007**
 (24) Date from which industrial property rights may have effect: **31 August 2007**
 (54) Product in respect of which the design is registered: **Ladies clothin garments**
 (51) International Design Classification: **02-02C**
 (71) Name(s) and Address(s) of Applicant(s):
Lolitta Clothing Pty Ltd
11 Albert Street Richmond Victoria 3121 Australia
 (72) Name(s) of Designer(s): **Tamara Mond**
 (45) Registration Date: **12 December 2007**
 (56) Related Art Documents: **Not Applicable**
 (57) Statement of Newness and Distinctiveness: **Nil**



(21) Design Number: **10089/2006**
 (22) Date of Filing Application: **12 January 2006**
 (24) Date from which industrial property rights may have effect: **12 January 2006**
 (54) Product in respect of which the design is registered: **Housing adapted to couple a soap pump to a soap container**
 (51) International Design Classification: **23-01A, 23-02A**
 (71) Name(s) and Address(s) of Applicant(s):
JohnsonDiversey, Inc.
8310 16th Street M/S 509 Sturtevant Wisconsin 53177 United States of America
 (72) Name(s) of Designer(s): **Brian Haworth**
 (45) Registration Date: **12 December 2007**
 (30) Convention priority data:

(31) Number	(32) Date	(33) Country
29/234567	20 Jul 2005	UNITED STATES OF AMERICA

 (56) Related Art Documents: **Not Applicable**
 (57) Statement of Newness and Distinctiveness: **Newness and distinctiveness is claimed in the features of shape and/or configuration of a housing adapted to couple a soap pump to a soap container as illustrated in continuous lines in the accompanying representations.**



(21) Design Number: **10155/2005**

(22) Date of Filing Application: **14 January 2005**

(24) Date from which industrial property rights may have effect: **14 January 2005**

(54) Product in respect of which the design is registered: **sheet material, bag**

(51) International Design Classification: **09-05, 05-06NES**

(71) Name(s) and Address(s) of Applicant(s):

**International Consolidated Business Pty Ltd
Level 9 51 Queen Street Melbourne Victoria 3000 Australia**

(72) Name(s) of Designer(s): **Philip Withers and Jill Williams**

(45) Registration Date: **12 December 2007**

(56) Related Art Documents: **Not Applicable**

(57) Statement of Newness and Distinctiveness: **The pattern or ornamentation of the product is new and distinctive. The striped pattern applied to the sheet material and bag can be of indefinite width and indefinite length having one or more repeating units of the design.**



(21) Design Number: **10707/2006**

(22) Date of Filing Application: **27 February 2006**

(24) Date from which industrial property rights may have effect: **27 February 2006**

(54) Product in respect of which the design is registered: **Metal pedal car (childs toy and collectable)**

(51) International Design Classification: **21-01F**

(71) Name(s) and Address(s) of Applicant(s):

**Edge Enterprises Pty Ltd
PO Box 1108 Kalamunda Western Australia 6076 Australia**

(72) Name(s) of Designer(s): **Brett Preston and Lisa Preston**

(45) Registration Date: **12 December 2007**

(56) Related Art Documents: **Not Applicable**

(57) Statement of Newness and Distinctiveness: **The colour and flame decoration and pattern. As per attached pictures.**



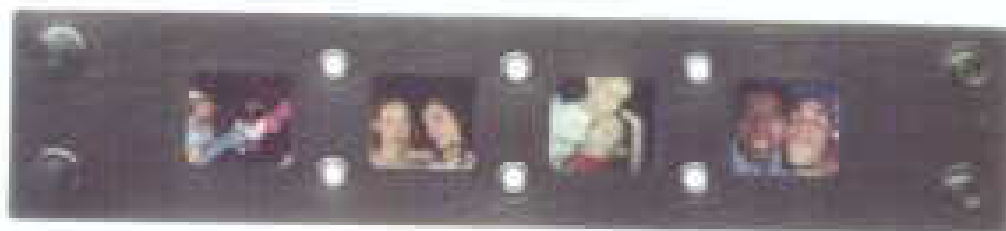
(19) AU

- (21) Design Number: **11550/2006**
- (22) Date of Filing Application: **18 April 2006**
- (24) Date from which industrial property rights may have effect: **18 April 2006**
- (54) Product in respect of which the design is registered: **Combimouse (combination keyboard and mouse as per US patent 5,936,555.**
- (51) International Design Classification: **14-02**
- (71) Name(s) and Address(s) of Applicant(s):
Combimouse Pty Ltd
16 Namatjira Place Leederville Western Australia 6007 Australia
- (72) Name(s) of Designer(s): **Ari Zagnoev and Susan Merli and Roger Larcombe**
- (45) Registration Date: **12 December 2007**
- (56) Related Art Documents: **Not Applicable**
- (57) Statement of Newness and Distinctiveness: **1. The general shape and form of the left unit. 2. The general shape and form of the multimedia keys on the lift unit.**



(19) AU

- (21) Design Number: **12354/2006**
- (22) Date of Filing Application: **29 May 2006**
- (24) Date from which industrial property rights may have effect: **29 May 2006**
- (54) Product in respect of which the design is registered: **Display accessory**
- (51) International Design Classification: **11-01C**
- (71) Name(s) and Address(s) of Applicant(s):
Spencer Moy
675 Water Street # 10A New York New York New York 10002 United States of America
- (72) Name(s) of Designer(s): **Spencer Moy**
- (45) Registration Date: **12 December 2007**
- (56) Related Art Documents: **Not Applicable**
- (57) Statement of Newness and Distinctiveness: **Nil.**

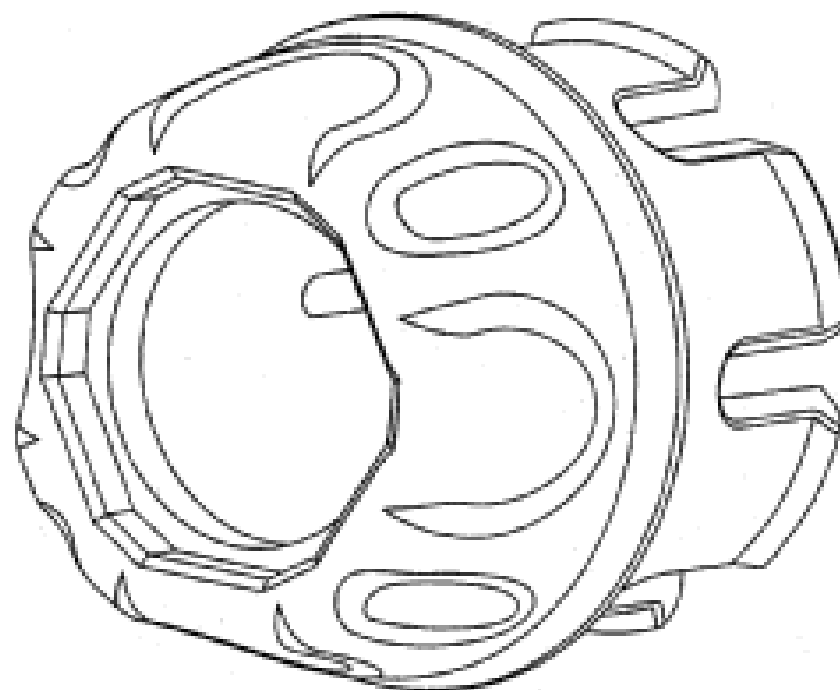


(21) Design Number: **12355/2006**
(22) Date of Filing Application: **29 May 2006**
(24) Date from which industrial property rights may have effect: **29 May 2006**
(54) Product in respect of which the design is registered: **Display accessory**
(51) International Design Classification: **11-01C**
(71) Name(s) and Address(s) of Applicant(s):
Spencer Moy
675 Water Street # 10A New York New York New York 10002 United States of America



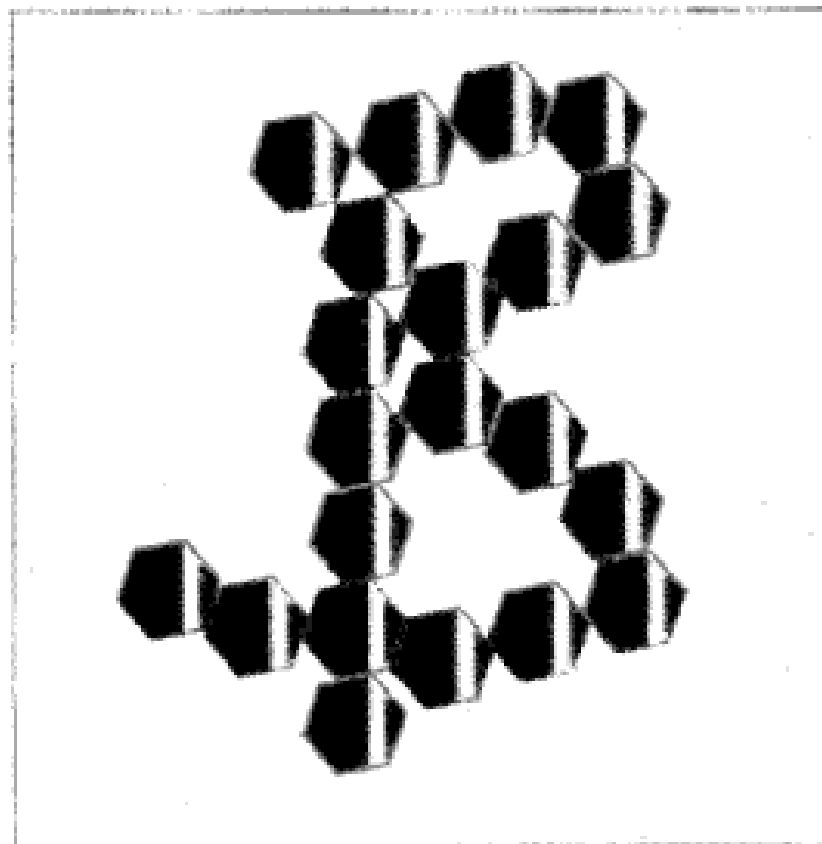
(72) Name(s) of Designer(s): **Spencer Moy**
(45) Registration Date: **12 December 2007**
(56) Related Art Documents: **Not Applicable**
(57) Statement of Newness and Distinctiveness: **Nil.**

(21) Design Number: **12664/2006**
(22) Date of Filing Application: **22 June 2006**
(24) Date from which industrial property rights may have effect: **22 June 2006**
(54) Product in respect of which the design is registered: **Adjustable forehead support dial for respiratory mask**
(51) International Design Classification: **24-01, 24-04, 29-99**
(71) Name(s) and Address(s) of Applicant(s):
ResMed Ltd
1 Elizabeth Macarthur Drive Bella Vista New South Wales 2153 Australia

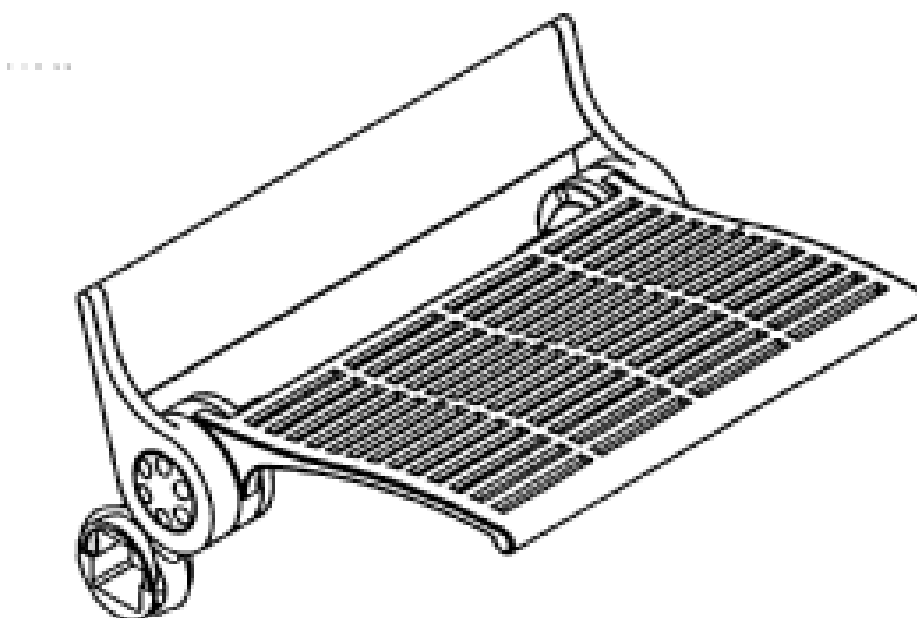


(72) Name(s) of Designer(s): **Vincent Chu and Eva Ng and Scott Alexander Howard and Murray William Lee**
(45) Registration Date: **12 December 2007**
(30) Convention priority data:
(31) Number (32) Date (33) Country
29/251,707 12 Jan 2006 UNITED STATES OF AMERICA
(56) Related Art Documents: **Not Applicable**
(57) Statement of Newness and Distinctiveness: **Nil**

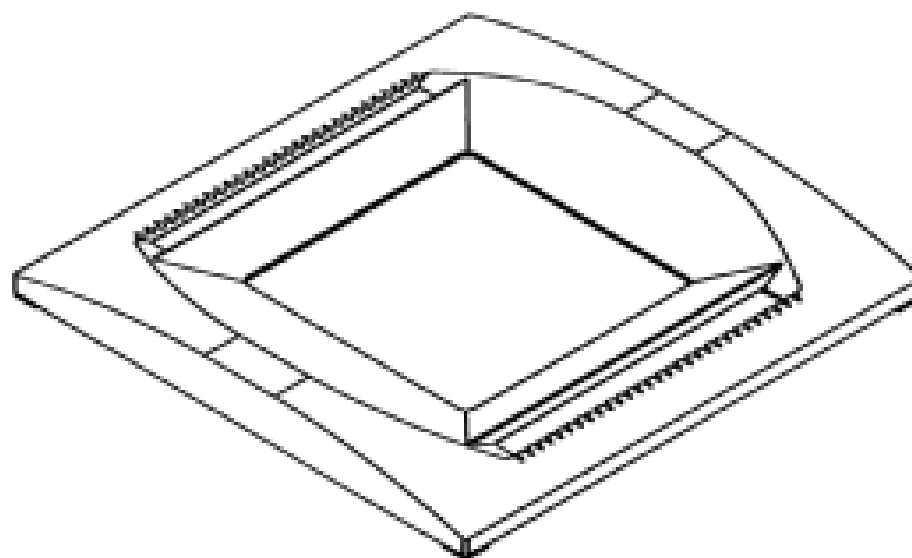
- (21) Design Number: **12739/2005**
- (22) Date of Filing Application: **29 June 2005**
- (24) Date from which industrial property rights may have effect: **29 June 2005**
- (54) Product in respect of which the design is registered: **Crystal layout**
- (51) International Design Classification: **02-07NES, 11-01NES**
- (71) Name(s) and Address(s) of Applicant(s):
Camara Clothing
19-21 Johnston Street Collingwood Victoria 3066 Australia
- (72) Name(s) of Designer(s): **Carol Skoufis**
- (45) Registration Date: **12 December 2007**
- (56) Related Art Documents: **Not Applicable**
- (57) Statement of Newness and Distinctiveness: **Configuration and layout of crystals.**



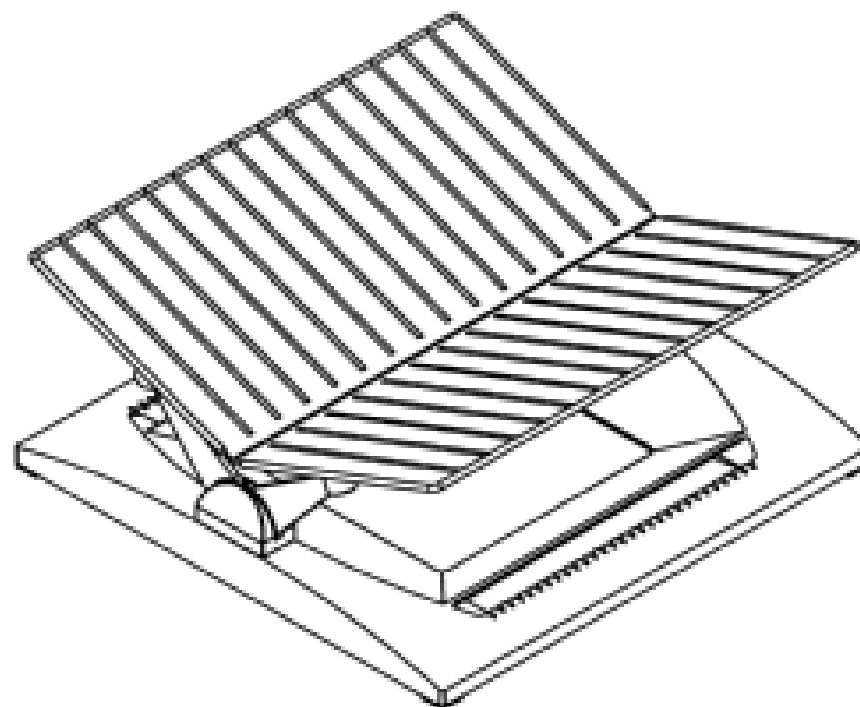
- (21) Design Number: **12806/2005**
- (22) Date of Filing Application: **01 July 2005**
- (24) Date from which industrial property rights may have effect: **01 July 2005**
- (54) Product in respect of which the design is registered: **Seat**
- (51) International Design Classification: **06-01C**
- (71) Name(s) and Address(s) of Applicant(s):
Street Furniture Australia Pty Ltd
92-94 Buckland Street Alexandria New South Wales 2015 Australia
- (72) Name(s) of Designer(s): **William Morrison**
- (45) Registration Date: **12 December 2007**
- (56) Related Art Documents: **Not Applicable**
- (57) Statement of Newness and Distinctiveness: **Nil**



(21) Design Number: **12807/2005**
(22) Date of Filing Application: **01 July 2005**
(24) Date from which industrial property rights may have effect: **01 July 2005**
(54) Product in respect of which the design is registered: **Wheeled bin enclosure**
(51) International Design Classification: **09-09**
(71) Name(s) and Address(s) of Applicant(s):
Street Furniture Australia Pty Ltd
92-94 Buckland Street Alexandria New South Wales 2015 Australia
(72) Name(s) of Designer(s): **William Morrison**
(45) Registration Date: **12 December 2007**
(56) Related Art Documents: **Not Applicable**
(57) Statement of Newness and Distinctiveness: **Nil**



(21) Design Number: **12808/2005**
(22) Date of Filing Application: **01 July 2005**
(24) Date from which industrial property rights may have effect: **01 July 2005**
(54) Product in respect of which the design is registered: **Wheeled bin enclosure**
(51) International Design Classification: **09-09**
(71) Name(s) and Address(s) of Applicant(s):
Street Furniture Australia Pty Ltd
92-94 Buckland Street Alexandria New South Wales 2015 Australia
(72) Name(s) of Designer(s): **William Morrison**
(45) Registration Date: **12 December 2007**
(56) Related Art Documents: **Not Applicable**
(57) Statement of Newness and Distinctiveness: **Nil**



(21) Design Number: **12949/2005**

(22) Date of Filing Application: **08 July 2005**

(24) Date from which industrial property rights may have effect: **08 July 2005**

(54) Product in respect of which the design is registered: **double towel rail**

(51) International Design Classification: **07-05D**

(71) Name(s) and Address(s) of Applicant(s):

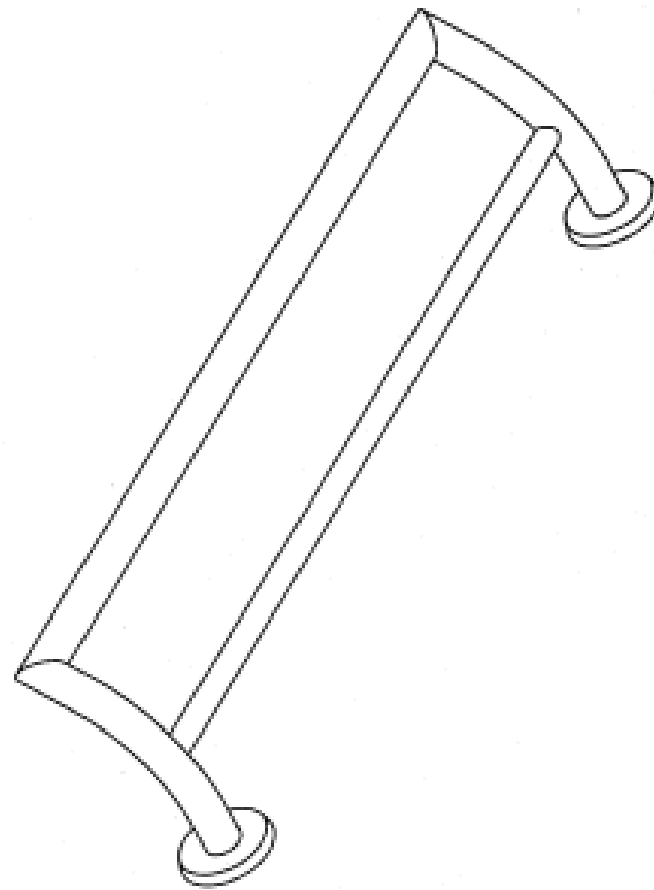
Phoenix Industries Pty Ltd
7 Ashburn Place Blackburn Victoria 3130 Australia

(72) Name(s) of Designer(s): **Natalia Mona Tjahjono**

(45) Registration Date: **12 December 2007**

(56) Related Art Documents: **Not Applicable**

(57) Statement of Newness and Distinctiveness: **Unique design in combining curved and linear features.**



(21) Design Number: **14579/2005**

(22) Date of Filing Application: **20 October 2005**

(24) Date from which industrial property rights may have effect: **20 October 2005**

(54) Product in respect of which the design is registered: **Stool**

(51) International Design Classification: **06-01E**

(71) Name(s) and Address(s) of Applicant(s):

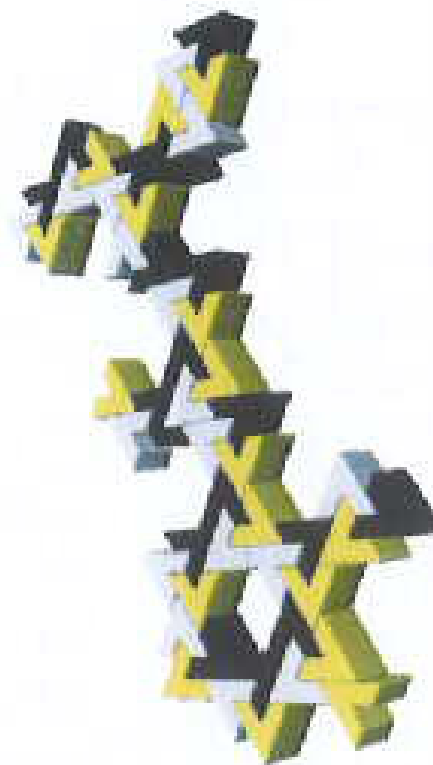
Babak Aryaie
12 The Rampart Hornsby New South Wales 2077 Australia

(72) Name(s) of Designer(s): **Babak Aryaie**

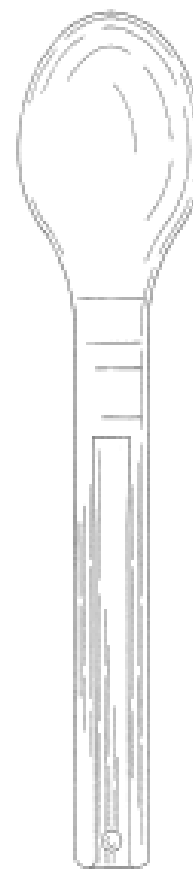
(45) Registration Date: **12 December 2007**

(56) Related Art Documents: **Not Applicable**

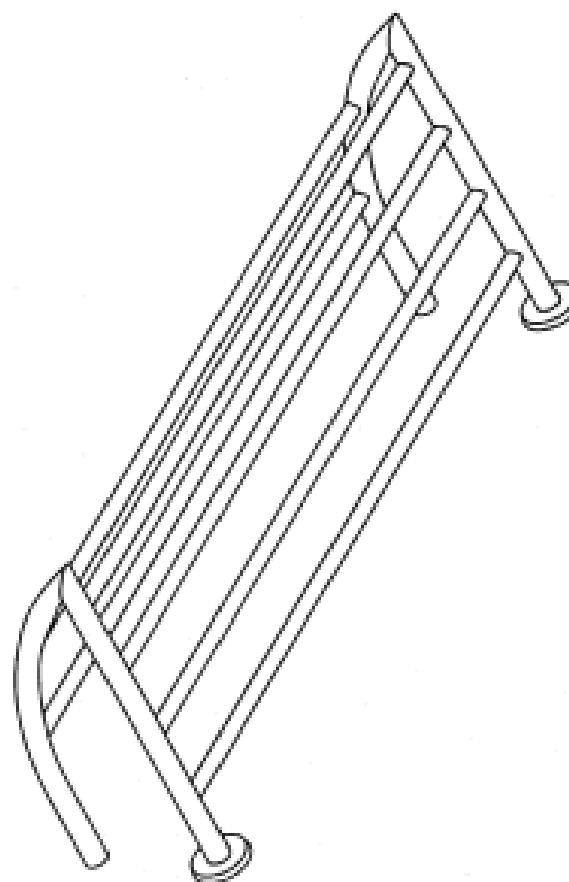
(57) Statement of Newness and Distinctiveness: **Nil**



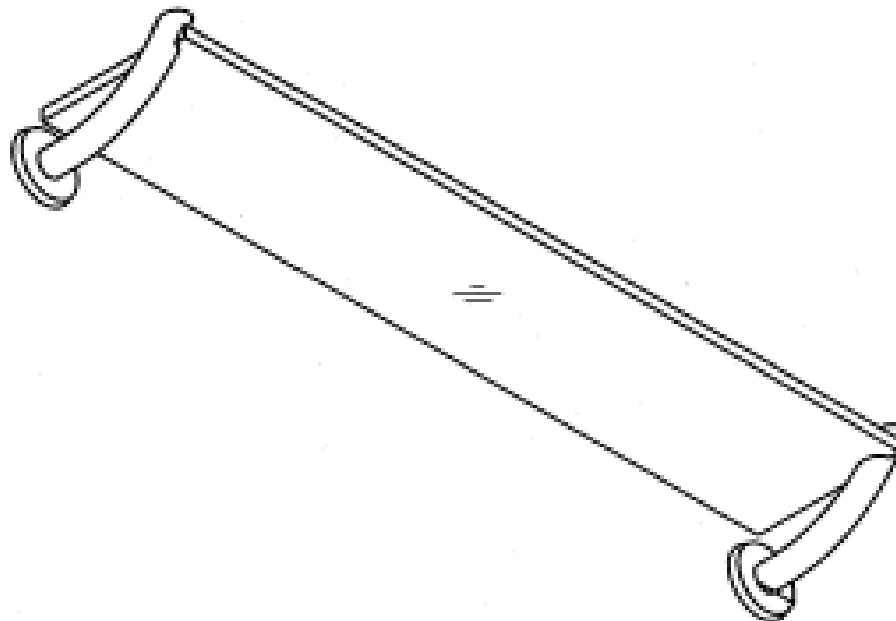
- (21) Design Number: **15414/2005**
(22) Date of Filing Application: **05 December 2005**
(24) Date from which industrial property rights may have effect: **05 December 2005**
(54) Product in respect of which the design is registered: **Spoons**
(51) International Design Classification: **07-03**
(71) Name(s) and Address(s) of Applicant(s):
Dart Industries Inc.
14901 S. Orange Blossom Trail Orlando Florida 32837 United States of America
(72) Name(s) of Designer(s): **Jakob Heiberg and Douglas M. Laib and Dorte Sondergaard**
(45) Registration Date: **12 December 2007**
(30) Convention priority data:
(31) Number (32) Date (33) Country
29/231,745 08 Jun 2005 UNITED STATES OF AMERICA
(56) Related Art Documents: **Not Applicable**
(57) Statement of Newness and Distinctiveness: **Those visual features of the spoons depicted in the representations that are new and distinctive are the shape and/or configuration.**



- (21) Design Number: **15576/2005**
(22) Date of Filing Application: **08 July 2005**
(24) Date from which industrial property rights may have effect: **08 July 2005**
(54) Product in respect of which the design is registered: **Towel Rack**
(51) International Design Classification: **07-05D**
(71) Name(s) and Address(s) of Applicant(s):
Phoenix Industries Pty Ltd
7 Ashburn Place Blackburn Victoria 3130 Australia
(72) Name(s) of Designer(s): **Natalia Mona Tjahjono**
(45) Registration Date: **12 December 2007**
(56) Related Art Documents: **Not Applicable**
(57) Statement of Newness and Distinctiveness: **Nil**



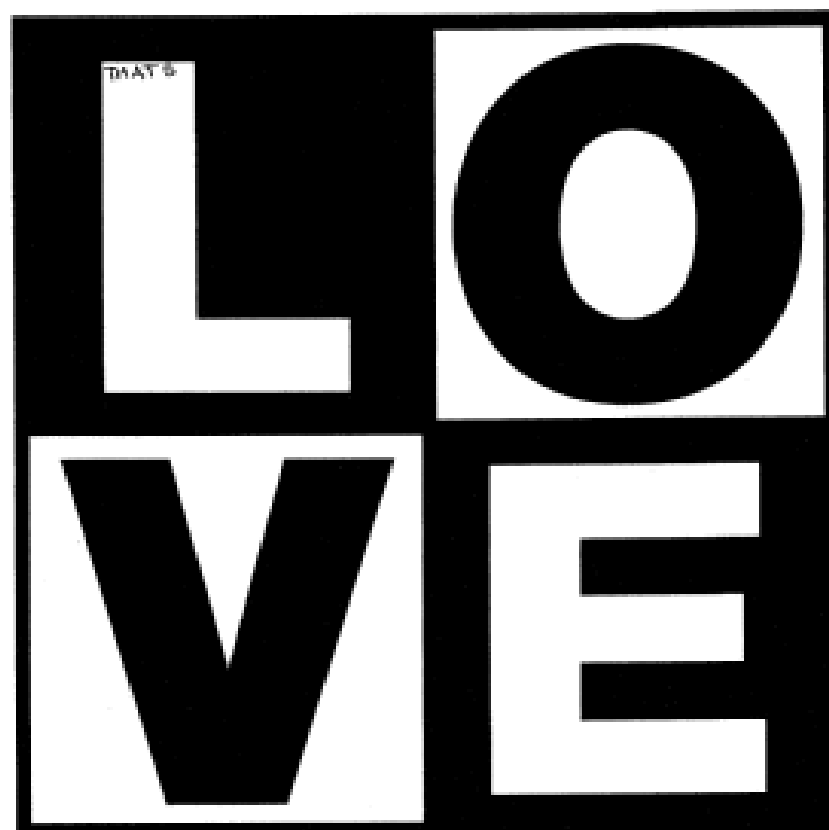
- (21) Design Number: **15577/2005**
- (22) Date of Filing Application: **08 July 2005**
- (24) Date from which industrial property rights may have effect: **08 July 2005**
- (54) Product in respect of which the design is registered: **Glass shelf**
- (51) International Design Classification: **06-04NES**
- (71) Name(s) and Address(s) of Applicant(s):
Phoenix Industries Pty Ltd
7 Ashburn Place Blackburn Victoria 3130 Australia
- (72) Name(s) of Designer(s): **Natalia Mona Tjahjono**
- (45) Registration Date: **12 December 2007**
- (56) Related Art Documents: **Not Applicable**
- (57) Statement of Newness and Distinctiveness: **Nil**



- (21) Design Number: **15902/2007**
- (22) Date of Filing Application: **10 January 2007**
- (24) Date from which industrial property rights may have effect: **10 January 2007**
- (54) Product in respect of which the design is registered: **T-shirts material and material**
- (51) International Design Classification: **02-02NES**
- (71) Name(s) and Address(s) of Applicant(s):
Thatslove Pty Ltd
Level 1 314 Stanmore Road Petersham New South Wales 2049 Australia
- (72) Name(s) of Designer(s): **Beverley Feneck**
- (45) Registration Date: **12 December 2007**
- (56) Related Art Documents: **Not Applicable**
- (57) Statement of Newness and Distinctiveness: **Can be line work or filled in reproduced in one on many colours**



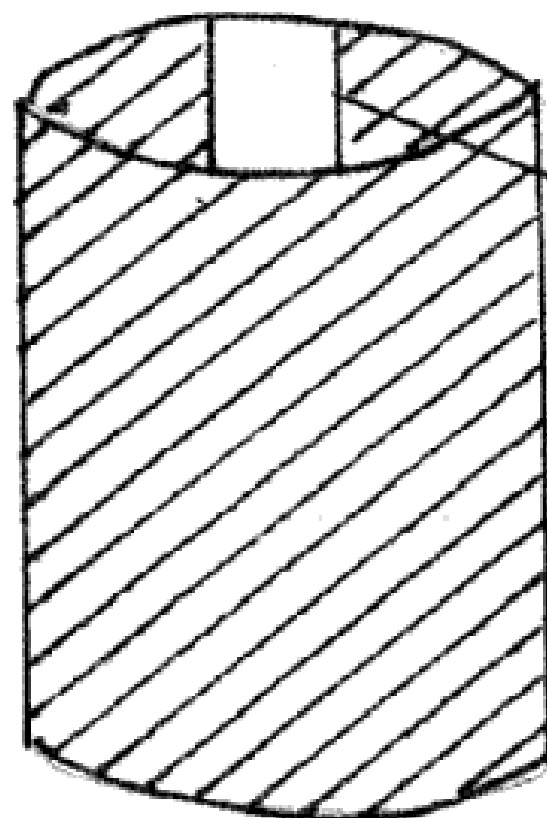
- (21) Design Number: **15903/2007**
(22) Date of Filing Application: **10 January 2007**
(24) Date from which industrial property rights may have effect: **10 January 2007**
(54) Product in respect of which the design is registered: **Material and canvas material/art work**
(51) International Design Classification: **02-02NES**
(71) Name(s) and Address(s) of Applicant(s):
Thatslove Pty Ltd
Level 1 314 Stanmore Road Petersham New South Wales 2049
Australia
(72) Name(s) of Designer(s): **Beverley Feneck**
(45) Registration Date: **12 December 2007**
(56) Related Art Documents: **Not Applicable**
(57) Statement of Newness and Distinctiveness: **Can be line work or filled in reproduced in one on many colours.**



- (21) Design Number: **15904/2007**
(22) Date of Filing Application: **10 January 2007**
(24) Date from which industrial property rights may have effect: **10 January 2007**
(54) Product in respect of which the design is registered: **Swing tags**
(51) International Design Classification: **20-02NES**
(71) Name(s) and Address(s) of Applicant(s):
Thatslove Pty Ltd
Level 1 314 Stanmore Road Petersham New South Wales 2049
Australia
(72) Name(s) of Designer(s): **Beverley Feneck**
(45) Registration Date: **12 December 2007**
(56) Related Art Documents: **Not Applicable**
(57) Statement of Newness and Distinctiveness: **Thatslove trademark layed out in a line.**

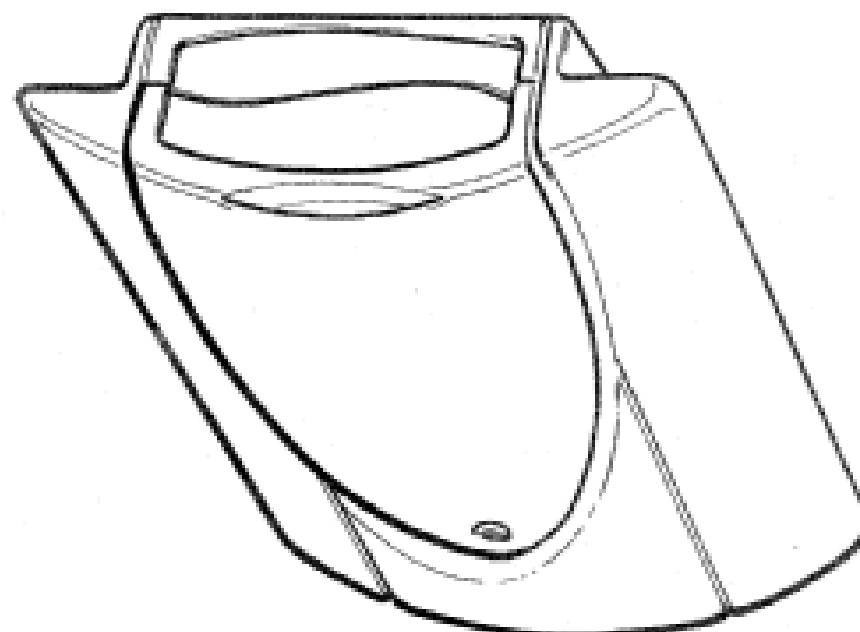


- (21) Design Number: **15908/2007**
- (22) Date of Filing Application: **11 January 2007**
- (24) Date from which industrial property rights may have effect: **11 January 2007**
- (54) Product in respect of which the design is registered: **Banana bunch cover - window A**
- (51) International Design Classification: **09-05**
- (71) Name(s) and Address(s) of Applicant(s):
Douglas Michael Trenchard
PO Box 261 Sumner Park Queensland 4074 Australia
- (72) Name(s) of Designer(s): **Douglas Michael Trenchard**
- (45) Registration Date: **12 December 2007**
- (56) Related Art Documents: **Not Applicable**
- (57) Statement of Newness and Distinctiveness: **The product is a banana bunch cover which is made from polyethylene sheeting produced in tubular form. It is supplied in roll form as a flattened tubular sheet, would onto a cardboard core, and is perforated at regular intervals at right angles to the edge and across the entire width of the sheet so as to enable individual covers to be removed from the continuous tubular sheet. This new design has a process of manufacture utilizing two separate plastic extruders feeding a single blown film die such that the majority of the circumference of the tubular film is produced by one extruder in which the plastic is of one solid colour and is opaque. Innovation, newness and distinctiveness is claimed for a see-through "window" stripe which is produced by the second extruder feeding see-through plastic into a section of the blown film die causing a portion of the circumference of the tubular film to be see through. This see-through "window" stripe runs the entire length of the tube, preferably centralized on the posterior side of the flattened tube so as to be placed on the back side of bunch cover when the flattened tube has been perforated to allow for the removal of individual covers.**

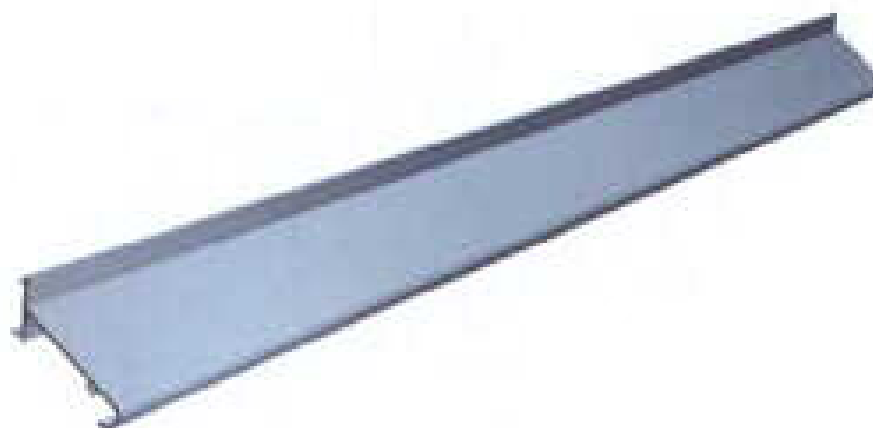


- (21) Design Number: **19243/2007**
- (22) Date of Filing Application: **08 August 2007**
- (24) Date from which industrial property rights may have effect: **08 August 2007**
- (54) Product in respect of which the design is registered: **A letter box**
- (51) International Design Classification: **99-00**
- (71) Name(s) and Address(s) of Applicant(s):
Wilson Plastics Limited
12 Downing Street Palmerston North 4412 New Zealand
- (72) Name(s) of Designer(s): **Murray Brian Clare and Robin Whitfield**
- (45) Registration Date: **12 December 2007**
- (30) Convention priority data:

(31) Number	(32) Date	(33) Country
408719	19 Feb 2007	NEW ZEALAND
- (56) Related Art Documents: **Not Applicable**
- (57) Statement of Newness and Distinctiveness: **The design is to be applied to a letter box and the novelty resides in the features of shape and configuration as shown in the accompanying representations. The underside profile of the letter box as shown by cross-hatching does not form any part of the novelty of the design.**



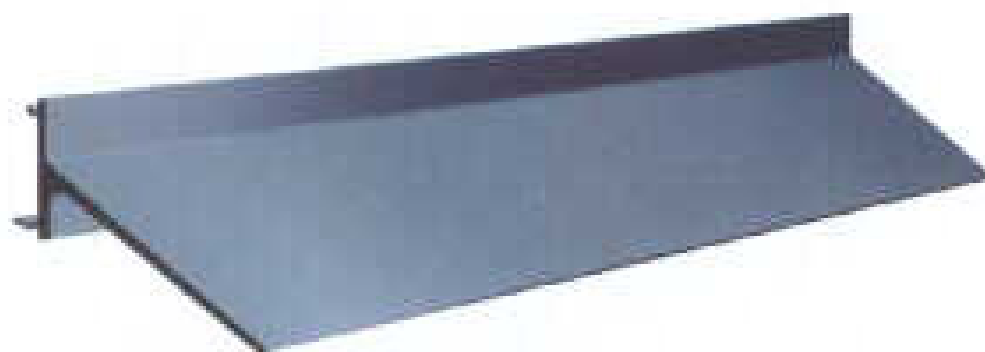
- (21) Design Number: **20072/2007**
(22) Date of Filing Application: **04 October 2007**
(24) Date from which industrial property rights may have effect: **04 October 2007**
(54) Product in respect of which the design is registered: **Louvre blade**
(51) International Design Classification: **25-02K**
(71) Name(s) and Address(s) of Applicant(s):
Peter John Rutgers
5 Clyde Court Oak Park Victoria 3046 Australia
Diane Lee Rutgers
5 Clyde Court Oak Park Victoria 3046 Australia
(72) Name(s) of Designer(s): **Peter John Rutgers and Diane Lee Rutgers**
(45) Registration Date: **12 December 2007**
(56) Related Art Documents: **Not Applicable**
(57) Statement of Newness and Distinctiveness: **Monopoly is claimed in the features of shape or configuration of the louvre blade as illustrated in the representations.**



- (21) Design Number: **20073/2007**
(22) Date of Filing Application: **04 October 2007**
(24) Date from which industrial property rights may have effect: **04 October 2007**
(54) Product in respect of which the design is registered: **Louvre blade**
(51) International Design Classification: **25-02K**
(71) Name(s) and Address(s) of Applicant(s):
Peter John Rutgers
5 Clyde Court Oak Park Victoria 3046 Australia
Diane Lee Rutgers
5 Clyde Court Oak Park Victoria 3046 Australia
(72) Name(s) of Designer(s): **Peter John Rutgers and Diane Lee Rutgers**
(45) Registration Date: **12 December 2007**
(56) Related Art Documents: **Not Applicable**
(57) Statement of Newness and Distinctiveness: **Monopoly is claimed in the features of shape or configuration of the louvre blade as illustrated in the representations.**



- (21) Design Number: **20074/2007**
(22) Date of Filing Application: **04 October 2007**
(24) Date from which industrial property rights may have effect: **04 October 2007**
(54) Product in respect of which the design is registered: **Louvre blade**
(51) International Design Classification: **25-02K**
(71) Name(s) and Address(s) of Applicant(s):
Peter John Rutgers
5 Clyde Court Oak Park Victoria 3046 Australia
Diane Lee Rutgers
5 Clyde Court Oak Park Victoria 3046 Australia
(72) Name(s) of Designer(s): **Peter John Rutgers and Diane Lee Rutgers**
(45) Registration Date: **12 December 2007**
(56) Related Art Documents: **Not Applicable**
(57) Statement of Newness and Distinctiveness: **Monopoly is claimed in the features of shape or configuration of the louvre blade as illustrated in the representations.**



- (21) Design Number: **20075/2007**
(22) Date of Filing Application: **04 October 2007**
(24) Date from which industrial property rights may have effect: **04 October 2007**
(54) Product in respect of which the design is registered: **Louvre blade**
(51) International Design Classification: **25-02K**
(71) Name(s) and Address(s) of Applicant(s):
Peter John Rutgers
5 Clyde Court Oak Park Victoria 3046 Australia
Diane Lee Rutgers
5 Clyde Court Oak Park Victoria 3046 Australia
(72) Name(s) of Designer(s): **Diane Lee Rutgers and Peter John Rutgers**
(45) Registration Date: **12 December 2007**
(56) Related Art Documents: **Not Applicable**
(57) Statement of Newness and Distinctiveness: **Monopoly is claimed in the features of shape or configuration of the louvre blade as illustrated in the representations.**

