



Australian Government

IP Australia

AUSTRALIAN OFFICIAL JOURNAL

OF

DESIGNS

Did you know a searchable version of this journal is now available online?

It's FREE and EASY to SEARCH.

Find it at

<http://pericles.ipaustralia.gov.au/ols/epublish/content/olsEpublications.jsp>
or using the "Online Journals" link on the IP Australia home page.

This Page Left Intentionally Blank

Contents

General Information & Notices

Proceedings Under the Designs Act 1906 preserved as a result of the provisions of Chapter 12 Part 2 of the Designs Act 2003

Applications for Extension of Time	208
Extension of Period of Registration of Designs	208
Extensions of Time Granted	208
Names Registered - Alterations and Amendments	209
Registrations Ceased	208
Subsequent Owners Registered	209

Proceedings Under the Designs Act 2003

Applications for Extension of Time Under Section 137	219
Applications Lapsed	218
Applications Lodged	213
Applications Withdrawn	218
Certificate of Examination	221
Corrigenda	220
Extension of Time Granted Under Section 137	219
Names Registered - Alterations and Amendments	219
Publication and Registration Proceedings	
Designs Registered 317513 to 317760.....	222
Registrations Ceased	219
Revocation of Design Registrations	219
Subsequent Owners Registered	219

This Page Left Intentionally Blank

For information on the following please see our website www.ipaustralia.gov.au or contact our Customer Service Network on 1300651010

[Editorial enquiries](#)

[Contact information](#)

[Freedom of Information ACT](#)

[Professional Standards Board](#)

[Sales](#)

[Requests for Information under Section 194 \(c\)](#)

[Country Codes](#)

[Trade Mark and Designs Hearing Sessions](#)

[INID \(Internationally agreed Numbers for the Identification of Data\)](#)

“INID” NUMBERS in use on Australian Design Documents

“INID” is an acronym for “Internationally agreed Numbers for the Identification of Data”.

(10) Data concerning the registration/renewal

- (11) Serial number of the registration and/or number of the design document
- (12) Plain language designation of the kind of published document
- (19) Identification, using the two-letter code according to WIPO Standard ST.3, of the authority publishing or registering the industrial design

(20) Data concerning the application

- (21) Serial number of the application
- (22) Date of filing of the application
- (24) Date from which the industrial design right has effect

(30) Data relating to priority under the Paris Convention

- (31) Serial number assigned to the priority application
- (32) Date of filing of the priority application
- (33) Two-letter code, according to WIPO Standard ST.3, identifying the authority with which the priority application was made

(40) Date(s) of making information available to the public

- (45) Date of publication of the registered industrial design by printing or similar process, or making it available to the public by any other means

(50) Miscellaneous Information

- (51) International Classification for Industrial Designs (class and subclass of the Locarno Classification)
- (54) Designation of article(s) or product(s) covered by the industrial design or title of the industrial design
- (55) Reproduction of the industrial design (e.g., drawing, photograph) and explanations relating to the reproduction
- (56) List of prior art documents, if separate from descriptive text
- (57) Description of characteristic features of the industrial design including indication of colours

(60) References to other legally related application(s) and registration(s)

- (62) Serial number(s) and, if available, filing date(s) of application(s), registration(s) or document(s) related by division
- (66) Serial number(s) of the application, or the registration, of the design(s) which is (are) a variant(s) of the present one

(70) Identification of parties concerned with the application or registration

- (71) Name(s) and address(es) of the applicant(s)
- (72) Name(s) of the creator(s) if known to be such
- (74) Name(s) and address(es) of the representative(s)

This Page Left Intentionally Blank

Official Notice**ABSTRACT OF REASONS FOR A DECISION OF A
DEPUTY REGISTRAR OF DESIGNS**

Design : 15022/05

Applicant : Microsoft Corporation

Decision : Hearing in respect of formalities check, and whether the design met the requirement of identifying the product sufficient for it to be classified in accordance with Locarno.

The Design application was for a font. The representations showed a collection of visual features intended to be applied to unspecified products in unspecified arrangements. The application did not disclose a product bearing visual features. When a design application sets out visual features in the absence of a product, there is no product to be classified in Locarno – and subparagraph (1)(c) of the formalities check necessarily fails. Registration refused.

Decision Issued : 16 January 2008

Contact: IP Australia
Phone: 1300 651 010
Fax: +61 2 6283 7999
E-mail: assist@ipaustralia.gov.au
Web: www.ipaustralia.gov.au

Official Notice**Designs Act 2003
Amendments to Registered Designs at Examination**

The following amendments have been made to details previously published in the Australian Official Journal of Designs during the Examination process:

Registration Numbers	Amendment type	New details
306463	Classification	13-02, 14-01, 14-02, 14-03A
306464	Classification	13-02, 14-01, 14-02, 14-03A
306465	Classification	13-02, 14-01, 14-02, 14-03A
306466	Classification	13-02, 14-01, 14-02, 14-03A
306467	Classification	13-02, 14-01, 14-02, 14-03A
306468	Classification	13-02, 14-01, 14-02, 14-03A
311007	Classification	19-01, 19-08
311068	Classification	12-05, 12-16B
311607	Classification	19-02, 19-06
313507	Classification	25-03, 23-02B
313739	Classification	07-02E
313851	Classification	15-05
317153	Classification	25-01Z

Contact: IP Australia
Phone: 1300 651 010
Fax: +61 2 6283 7999
E-Mail: assist@ipaaustralia.gov.au
Web: www.ipaustralia.gov.au

Proceedings under the Designs Act 1906 preserved as a result of the provisions of Chapter 12 Part 2 of the Designs Act 2003.

This Page Left Intentionally Blank

Applications Lapsed

There were no Applications Lapsed under this section

Extension of Period of Registration of Designs

2nd Period (Section 27A(12))

144220	146160	146578
147070	147350	147815
147817	147835	147836
147903	147905	147952
148023	148039	148040
148081	148159	148174
148175	148205	148254
148256	148285	148328
148368	148459	148478
148548	148573	148593
148594	148646	148648
148681	148731	148732
148733	148813	148843
148927	148928	148952
149095	149097	149098
149130	149131	149132
149229	149230	149232
149306	149388	149444
149768	149912	150067
150068	150128	150161
150334	150492	150493
150952	151017	151094
151095	151096	151258
151259	151271	151314
151353	151416	151585
152275	152997	152998
153014	153157	153465

3rd Period (Section 27A(13))

130514	130626	130728
130799	130951	130952
130953	130955	130971
131013	131014	131133
131134	131190	131192
131193	131194	131265
131296	131298	131371
131391	131430	131614
131615	131616	131617
131646	131719	131729
131730	131731	131732
131975	132140	132141
132514	132515	132574
132611	132695	133110
133150	133188	133189
134010	134262	134263
134387	134441	135991
138350		

Registrations Ceased

Note: Some of the following Registrations may have been previously advertised as ceased. In this instance, the

previous advertisement still prevails.

114875	115174	115176
115276	115278	115567
115568	116288	116385
116827	116878	117304
120496	127461	127541
129279	129428	129432
129433	129475	129497
129526	129596	129597
129598	130069	130161
130321	130322	130485
130757	131722	131757
134240	134400	134401
135489	135490	144654
144713	144956	145998
146027	146028	146030
146031	146032	146033
146094	146095	146096
146097	146098	146099
146102	146104	146106
146158	146161	146166
146294	146343	146400
146401	146458	146513
146570	146738	147225
147366	147565	147595
147596	147763	147793
147807	147864	147865
148015	148127	148310
148432	148698	148792
148816	148817	149138
149518	149837	149970
150002	150339	150629
150683	150811	

Applications for Extension of time

Applications for extension of time have been lodged. Objections must be lodged within 1 month from the date of this journal.

147023 **Schneider Electric Industries SAS** Extension of time to extend a registration. Address for Service: Griffith Hack GPO Box 4164 SYDNEY NSW 2001

147024 **Schneider Electric Industries SAS** Extension of time to extend a registration. Address for Service: Griffith Hack GPO Box 4164 SYDNEY NSW 2001

Extensions of time granted

Applications lodged for extension of time have been granted.

132695 **Tamsin Kate Whaley** An Extension of time to extend a registration has been granted to 03/01/2008

144220 **Colin Thomas Cook** An Extension of time to extend a registration has been granted to 02/01/2008

This Page Left Intentionally Blank

Proceedings under the Designs Act 2003.

This Page Left Intentionally Blank

Applications Lodged

Lodgement information is in the following order: **Applicant's Name**; International Classification, Name of Product, Lodgement Date and **Design Number**. If the applicant claims an earlier priority date under an International Convention, the Convention Country and the associated filing date are shown in parentheses before the Lodgement Date. Divisional information will also appear in parentheses before the Lodgement Date.

Alminco Pty Ltd; 12-99, Injector assembly, 21 Dec 2007	21567/2007	Camara Clothing trading as Bardot; 02-02NES, Gathered yoryu top with crochet neck band and cuff, 03 Jan 2008	10042/2008
Archbold, Daniel Stephen; Hill, Charmaine Ruth Veronica; 25-03, A shelter attachment, 07 Jan 2008	10069/2008	Camara Clothing trading as Bardot; 02-02NES, Fleece jacket with de-tatchable hood and staggered centre front buttons, 03 Jan 2008	10043/2008
Arlec Australia Limited; 26-05C, A lamp, 08 Jan 2008	10078/2008	Camara Clothing trading as Bardot; 02-02C, Gathered yoryu shirt dress with eyelet and press stud detail, 03 Jan 2008	10044/2008
Arlec Australia Limited; 26-05C, A lamp, 08 Jan 2008	10079/2008	Carponovum AB; 24-01, Anastomosis rings with o-rings, (EM, 13 Jul 2007) 11 Jan 2008	10116/2008
Avery Dennison Corporation; 19-01, Larger desktop-printable return address label sheet, (US, 10 Jul 2007) 10 Jan 2008	10113/2008	Carponovum AB; 24-01, Anastomosis device, (EM, 13 Jul 2007) 11 Jan 2008	10117/2008
Backyard Leisure Holdings, Inc.; 21-03, Play set slide(s) and rails, (US, 11 Jul 2007) 11 Jan 2008	10134/2008	Carponovum AB; 24-01, Anastomosis device, (EM, 13 Jul 2007) 11 Jan 2008	10118/2008
Bazouni, Charlie; Zady, Joseph; 99-00, Structure, 24 Dec 2007	21555/2007	Carponovum AB; 24-01, Anastomosis rings, (EM, 13 Jul 2007) 11 Jan 2008	10119/2008
Bazouni, Charlie; Zady, Joseph; 99-00, Structure, 24 Dec 2007	21554/2007	Carponovum AB; 24-01, Female part of an anastomosis ring, (EM, 13 Jul 2007) 11 Jan 2008	10120/2008
Bazouni, Charlie; Zady, Joseph; 99-00, Structure, 24 Dec 2007	21556/2007	Carponovum AB; 24-01, Male part of an anastomosis ring, (EM, 13 Jul 2007) 11 Jan 2008	10121/2008
Bazouni, Charlie; Zady, Joseph; 99-00, Structure, 24 Dec 2007	21557/2007	Cipla Limited; 24-04, Body, (IN, 13 Jul 2007) 14 Jan 2008	10171/2008
Bird, Rodney David; 23-01F, Rainwater tank, 21 Dec 2007	21566/2007	Cipla Limited; 24-04, Base, (IN, 13 Jul 2007) 14 Jan 2008	10172/2008
Black & Decker, Inc.; 08-03, Tile cutter, (EM, 04 Sep 2007) 08 Jan 2008	10081/2008	Cipla Limited; 24-04, Roller for cartridge lock, (IN, 13 Jul 2007) 14 Jan 2008	10173/2008
Brady, Rex Robert; 29-02, The design is to be applied to a pedestrian control device, (NZ, 24 Oct 2007) 15 Jan 2008	10149/2008	Cipla Limited; 24-04, Mouth piece, (IN, 13 Jul 2007) 14 Jan 2008	10166/2008
Breville Pty Limited; 06-04NES, Storage rack, 04 Jan 2008	10051/2008	Cipla Limited; 24-04, Cantilever, (IN, 13 Jul 2007) 14 Jan 2008	10167/2008
British American Tobacco (Investments) Limited; 09-03A, Cigarette packet, (EM, 13 Jul 2007) 11 Jan 2008	10136/2008	Cipla Limited; 24-04, Multidose inhaler, (IN, 13 Jul 2007) 14 Jan 2008	10168/2008
British American Tobacco (Investments) Limited; 09-03A, Cigarette packet, (EM, 13 Jul 2007) 11 Jan 2008	10137/2008	Cipla Limited; 24-04, Dust cap, (IN, 13 Jul 2007) 14 Jan 2008	10169/2008
Bryman, Gary; 99-00, Integrated smoking implement, (US, 31 Aug 2007) 24 Dec 2007	21560/2007	Cipla Limited; 24-04, Dose counter, (IN, 13 Jul 2007) 14 Jan 2008	10170/2008
Bryman, Gary; 99-00, Integrated smoking implement, (US, 31 Aug 2007) 24 Dec 2007	21559/2007	Cipla Limited; 24-04, Cam strip, (IN, 13 Jul 2007) 14 Jan 2008	10165/2008
Callanan, Ryan Daniel; 07-04, Peeler, slicer, grater, (NZ, 22 Aug 2007) 15 Jan 2008	10148/2008		

Coleman Company, Inc., The; 06-06G, Armrest for folding chair, (US, 26 Jun 2007) 21 Dec 2007	21564/2007	Electrolux Home Products, Inc.; 07-02C, Portion of a burner cap, (US, 04 Sep 2007) 04 Jan 2008	10050/2008
Coleman Company, Inc., The; 06-06G, Armrest for folding chair, (US, 26 Jun 2007) 21 Dec 2007	21565/2007	Ferrante, Joe; 01-99, Ice cream cone (specialty), 02 Jan 2008	10008/2008
Colgate-Palmolive Company; 09-01B, Container, (US, 27 Jun 2007) 21 Dec 2007	21561/2007	Flaming Ambience; 99-00, Flame box, 07 Jan 2008	10065/2008
Colgate-Palmolive Company; 09-01B, Container, (US, 27 Jun 2007) 21 Dec 2007	21562/2007	Flaming Ambience; 99-00, Circular flame box, 07 Jan 2008	10066/2008
Colgate-Palmolive Company; 09-01NES, Container and closure, (US, 27 Jun 2007) 21 Dec 2007	21563/2007	Fowle, Gregory John; Fowle, Sharon Marie; 25-02C, Attachment assembly, 04 Jan 2008	10064/2008
Combotronic Limited; 13-03D, DC booster, 03 Jan 2008	10033/2008	Fujitsu General Limited; 23-04, Air conditioner, (JP, 11 Jul 2007) 10 Jan 2008	10112/2008
Combotronic Limited; 13-03D, Power adapter/charger, 03 Jan 2008	10034/2008	Galimi, Roberto; 21-01L, Board game, 11 Jan 2008	10138/2008
Conair Corporation; 07-02L, Coffee maker, (US, 11 Jul 2007) 04 Jan 2008	10059/2008	GlaxoSmithKline Consumer Healthcare GmbH & Co. KG; 04-02, Toothbrush bristles/toothbrush head with bristles, (GB, 28 Jun 2007) 24 Dec 2007	21572/2007
Connected Group Australia Pty Ltd; 13-03D, P0410/410L slimline electrical switch, 19 Dec 2007	21439/2007	Grant Olver Investments P/L_trading as Pilgrim Clothing; 06-08, Clothes hanger, 02 Jan 2008	10004/2008
Craig, Lyndon; 06-03NES, An article of furniture, 15 Jan 2008	10147/2008	Grant Olver Investments P/L_trading as Pilgrim Clothing; 02-02C, 02-02NES, Autumn/winter, 02 Jan 2008	10005/2008
Crown Equipment Corporation; 12-16C, Overhead guard for a fork lift truck, (US, 06 Jul 2007) 02 Jan 2008	10028/2008	Guney Ithalat Ve Pazarlama Anonim Sirketi; 07-02G, A sandwich toaster/griller, 10 Jan 2008	10111/2008
Crown Equipment Corporation; 12-16NES, Counterweight for a fork lift truck, (US, 06 Jul 2007) 02 Jan 2008	10029/2008	Hill, Charmaine Ruth Veronica; Archbold, Daniel Stephen; 25-03, A shelter attachment, 07 Jan 2008	10069/2008
Crown Equipment Corporation; 12-16NES, Power unit for a fork lift truck, (US, 06 Jul 2007) 02 Jan 2008	10030/2008	Husqvarna AB; 12-08, All-terrain vehicle, (EM, 03 Jul 2007) 02 Jan 2008	10019/2008
Crown Equipment Corporation; 12-05, Fork lift truck, (US, 06 Jul 2007) 02 Jan 2008	10031/2008	Intellectual Property Development Corporation Pty Ltd; 07-05E, Chunky sponges, 10 Jan 2008	10090/2008
Decor Corporation Pty Ltd, The; 04-01, 07-05E, Ratchet pawl body of a "twist-to-wring" ratchet squeeze mop, 11 Jan 2008	10124/2008	ISM Objects Pty Ltd; 26-05D, Iro pendant lamp, 08 Jan 2008	10073/2008
Dunn and Farrugia Pty Ltd; 25-01K, Extrusion, 02 Jan 2008	10007/2008	ISM Objects Pty Ltd; 26-05B, Kapelo table lamp, 08 Jan 2008	10074/2008
Dunn and Farrugia Pty Ltd; 25-01K, Extrusion, 02 Jan 2008	10006/2008	Jeyes Group Limited; 03-01NES, Tablet dispenser, (EM, 06 Jul 2007) 04 Jan 2008	10063/2008
Dyer, John Raymond; 23-01D, Watering unit, 11 Jan 2008	10139/2008	Johnson Controls Hybrid and Recycling GmbH; 13-02, Accumulator, (EM, 23 Jul 2007) 14 Jan 2008	10155/2008
DCJT Pty Ltd; 08-08B, A screw pile, 02 Jan 2008	10010/2008	Johnson Controls Hybrid and Recycling GmbH; 13-02, Accumulator, (EM, 23 Jul 2007) 14 Jan 2008	10156/2008
Electrolux Home Products, Inc.; 07-02C, Portion of a burner cap, (US, 04 Sep 2007) 04 Jan 2008	10048/2008		
Electrolux Home Products, Inc.; 07-02C, Portion of a burner cap, (US, 04 Sep 2007) 04 Jan 2008	10049/2008		

Johnson Controls Hybrid and Recycling GmbH; 13-02, Accumulator, (EM, 23 Jul 2007) 14 Jan 2008	10157/2008	McNeil-PPC, Inc.; 24-04, Embossed absorbent article, (US, 03 Jul 2007) 24 Dec 2007	21552/2007
Johnson Controls Hybrid and Recycling GmbH; 13-02, Accumulator, (EM, 23 Jul 2007) 14 Jan 2008	10158/2008	Micro Finance Investment AG (a Swiss Corporation); 09-01B, Bottle, (IL, 11 Dec 2007) 04 Jan 2008	10057/2008
Johnson Controls Hybrid and Recycling GmbH; 13-02, Accumulator, (EM, 23 Jul 2007) 14 Jan 2008	10159/2008	Nintendo Co., Ltd.; 21-01N, A controller adaptor, (JP, 21 Jun 2007) 21 Dec 2007	21540/2007
Johnson Controls Hybrid and Recycling GmbH; 13-02, Accumulator, (EM, 23 Jul 2007) 14 Jan 2008	10160/2008	Nintendo Co., Ltd.; 21-01N, A controller cover, (JP, 22 Jun 2007) 21 Dec 2007	21541/2007
Johnson Controls Hybrid and Recycling GmbH; 13-02, Accumulator, (EM, 23 Jul 2007) 14 Jan 2008	10160/2008	Nintendo Co., Ltd.; 21-01N, A controller, (JP, 22 Jun 2007) 21 Dec 2007	21542/2007
Julius Blum GmbH; 13-03E, Electrical connector, (EM, 13 Jul 2007) 08 Jan 2008	10075/2008	Nintendo Co., Ltd.; 02-07A, A buckle, (JP, 27 Jun 2007) 21 Dec 2007	21543/2007
Julius Blum GmbH; 13-03E, Electrical connector, (EM, 13 Jul 2007) 08 Jan 2008	10076/2008	Nintendo Co., Ltd.; 21-01N, An attachment for a controller, (JP, 05 Jul 2007) 21 Dec 2007	21539/2007
Julius Blum GmbH; 13-03E, Electrical cable, (EM, 13 Jul 2007) 08 Jan 2008	10077/2008	Nokia Corporation; 09-03M, Box blank, (FI, 25 Jun 2007) 24 Dec 2007	21573/2007
Kabushiki Kaisha Audio-Technica; 14-01, Headphone assembly, (JP, 26 Nov 2007) 04 Jan 2008	10060/2008	Nokia Corporation; 09-03M, Box, (FI, 06 Jul 2007) 07 Jan 2008	10070/2008
Kabushiki Kaisha Audio-Technica; 14-01, Headphone, (JP, 26 Nov 2007) 04 Jan 2008	10061/2008	Nokia Corporation; 14-03A, Handsfree speakerphone, (FI, 04 Jul 2007) 04 Jan 2008	10052/2008
Kabushiki Kaisha Audio-Technica; 14-01, Headphone, (JP, 26 Nov 2007) 04 Jan 2008	10062/2008	Nokia Corporation; 14-03A, Hoder for a handset, (FI, 04 Jul 2007) 04 Jan 2008	10053/2008
Kabushiki Kaisha Wiz; 21-01C, Flying mechanism for a toy, (JP, 13 Jul 2007) 08 Jan 2008	10086/2008	Nokia Corporation; 09-03M, Box blank, (FI, 25 Jun 2007) 24 Dec 2007	21574/2007
Karsten Manufacturing Corporation; 21-02C, Golf putter head, (US, 10 Aug 2007) 14 Jan 2008	10164/2008	Nokia Corporation; 09-03M, Box blank, (FI, 25 Jun 2007) 24 Dec 2007	21576/2007
Karsten Manufacturing Corporation; 21-02C, Golf putter head, (US, 15 Aug 2007) 15 Jan 2008	10178/2008	Nokia Corporation; 09-03M, Box blank, (FI, 25 Jun 2007) 24 Dec 2007	21575/2007
L&P Property Management Company; 08-08C, A coil spring, (US, 10 Jul 2007) 09 Jan 2008	10091/2008	Nokia Corporation; 14-03A, A handset, (US, 12 Jul 2007) 11 Jan 2008	10122/2008
Leycolm Pty Ltd; 20-03NES, A sign for a drinking vessel, 09 Jan 2008	10089/2008	Nokia Corporation; 14-03A, Key buttons for a handset, (US, 12 Jul 2007) 11 Jan 2008	10123/2008
Linak A/S; 15-99, A linear actuator, (DK, 09 Jul 2007) 08 Jan 2008	10087/2008	Norbrook Laboratories Ltd; 23-03NES, A heating device, (EM, 20 Jul 2007) 08 Jan 2008	10082/2008
LG Electronics Inc.; 15-05, Washing machine, (KR, 02 Jul 2007) 24 Dec 2007	21553/2007	Norbrook Laboratories Ltd; 09-03L, Container with labelling, (EM, 20 Jul 2007) 08 Jan 2008	10083/2008
LG Electronics, Inc.; 14-03E, Cellular phone, (KR, 09 Jul 2007) 02 Jan 2008	10009/2008	Norbrook Laboratories Ltd; 09-03L, Container, (EM, 20 Jul 2007) 08 Jan 2008	10084/2008
		Pentel Kabushiki Kaisha; 19-06, Ballpoint pen, (JP, 13 Jul 2007) 08 Jan 2008	10085/2008

Pi-Design AG; 07-02L, Coffee press double wall in stainless steel, (DK, 06 Jul 2007) 07 Jan 2008	10068/2008	Review Australia Pty Ltd; 02-02C, Ladies garments, 06 Aug 2007	10152/2008
Pi-Design AG; 07-02L, Coffee press (5), (DK, 16 Jul 2007) 14 Jan 2008	10140/2008	Review Australia Pty Ltd; 02-02NES, Ladies garments, 06 Aug 2007	10153/2008
Pi-Design AG; 07-02L, Coffee press (5), (DK, 16 Jul 2007) 14 Jan 2008	10141/2008	Review Australia Pty Ltd; 02-02C, Ladies garments, 06 Aug 2007	10154/2008
Pi-Design AG; 07-02L, Coffee press (5), (DK, 16 Jul 2007) 14 Jan 2008	10142/2008	Royal Appliance Mfg. Co.; 15-05, Handle for stick vacuum cleaner, (US, 30 Jul 2007) 04 Jan 2008	10054/2008
Pi-Design AG; 07-02L, Coffee press (5), (DK, 16 Jul 2007) 14 Jan 2008	10143/2008	Royal Appliance Mfg. Co.; 15-05, Base for stick vacuum cleaner, (US, 31 Jul 2007) 04 Jan 2008	10055/2008
Pi-Design AG; 07-02L, Coffee Press (5), (DK, 16 Jul 2007) 14 Jan 2008	10144/2008	Royal Appliance Mfg. Co.; 15-05, Hand held vacuum body, (US, 31 Aug 2007) 04 Jan 2008	10056/2008
Purdue Pharma L.P.; 09-01NES, Container, (US, 02 Jul 2007) 02 Jan 2008	10020/2008	Russell-Smith, Johanne; 09-03M, An innovative style of rigid rose box for packaging, presentation and branding a rose product. The brand colours, are a black logo and wrapped rose icon on an ivory background, 04 Jan 2008	10071/2008
Purdue Pharma L.P.; 09-01NES, Container, (US, 02 Jul 2007) 02 Jan 2008	10021/2008	Samsung Electronics Co., Ltd.; 07-02B, Microwave oven, 11 Jan 2008	10135/2008
Purdue Pharma L.P.; 09-01NES, Container, (US, 02 Jul 2007) 02 Jan 2008	10022/2008	Schwan-STABILO Schwanhaeusser GmbH & Co.; 19-06, Ballpoint pen, (EM, 12 Jul 2007) 14 Jan 2008	10145/2008
Purdue Pharma L.P.; 09-01NES, Container, (US, 02 Jul 2007) 02 Jan 2008	10023/2008	Schwan-STABILO Schwanhaeusser GmbH & Co.; 19-99, Pattern/ornamentation for a pen, (EM, 12 Jul 2007) 14 Jan 2008	10146/2008
Purdue Pharma L.P.; 09-01NES, Container, (US, 02 Jul 2007) 02 Jan 2008	10024/2008	Seaquist-Loffler Kunstsoffwerk GmbH; 09-07A, Closure, (EP, 16 Jul 2007) 14 Jan 2008	10162/2008
Purdue Pharma L.P.; 09-01NES, Container, (US, 02 Jul 2007) 02 Jan 2008	10025/2008	Seaquist-Loffler Kunstsoffwerk GmbH; 09-07A, Closure, (EP, 16 Jul 2007) 14 Jan 2008	10163/2008
Purdue Pharma L.P.; 09-01NES, Container, (US, 02 Jul 2007) 02 Jan 2008	10026/2008	Section A Pty Ltd; 02-03, Visor, 02 Jan 2008	10003/2008
Purdue Pharma L.P.; 09-01NES, Container, (US, 02 Jul 2007) 02 Jan 2008	10027/2008	Senso Appliances; 07-02C, , 02 Jan 2008	10002/2008
Recipro Industries - Clive Blakely; 12-02, The product is aimed at the caravan owner and carries a portable toilet to and from its under bed storage cupboard, 21 Dec 2007	21570/2007	Shell Brands International AG; 09-01B, Container for lubricants, (GB, 16 Aug 2007) 08 Jan 2008	10080/2008
Reckitt Benckiser (UK) Limited; 28-99, Air freshener device, (EM, 20 Jul 2007) 10 Jan 2008	10114/2008	Siemens Aktiengesellschaft; 13-03NES, Basic block for mounting of installation devices, (EM, 06 Aug 2007) 09 Jan 2008	10094/2008
Reckitt Benckiser (UK) Limited; 28-99, Air freshener device, (EM, 20 Jul 2007) 10 Jan 2008	10115/2008	Siemens Aktiengesellschaft; 13-03NES, Basic block for mounting of installation devices, (EM, 06 Aug 2007) 09 Jan 2008	10095/2008
Review Australia Pty Ltd; 02-02C, 02-02NES, Ladies garments, 04 Jan 2008	10036/2008	Siemens Aktiengesellschaft; 13-03NES, Basic block for mounting of installation devices, (EM, 06 Aug 2007) 09 Jan 2008	10096/2008
Review Australia Pty Ltd; 02-02C, Ladies garments, 06 Aug 2007	10150/2008		
Review Australia Pty Ltd; 02-02C, Ladies garments, 06 Aug 2007	10151/2008		

Siemens Aktiengesellschaft; 13-03NES, Basic block for mounting of installation devices, (EM, 06 Aug 2007) 09 Jan 2008	10097/2008	Smith & Nephew PLC; 09-99, Bag, (EM, 02 Jul 2007) 02 Jan 2008	10016/2008
Siemens Aktiengesellschaft; 13-03NES, Basic block for mounting of installation devices, (EM, 06 Aug 2007) 09 Jan 2008	10098/2008	Smith & Nephew PLC; 24-99, Device, (EM, 02 Jul 2007) 02 Jan 2008	10017/2008
Siemens Aktiengesellschaft; 13-03NES, Basic block for mounting of installation devices, (EM, 06 Aug 2007) 09 Jan 2008	10099/2008	Smith & Nephew PLC; 09-99, Canister, (EM, 02 Jul 2007) 02 Jan 2008	10018/2008
Siemens Aktiengesellschaft; 13-03NES, Basic block for mounting of installation devices, (EM, 06 Aug 2007) 09 Jan 2008	10100/2008	Societe de Prospection et D'Inventions Techniques SPIT; 08-08B, Adaptor for strip collated screws, (EM, 26 Jun 2007) 21 Dec 2007	21538/2007
Siemens Aktiengesellschaft; 13-03NES, Basic block for mounting of installation devices, (EM, 06 Aug 2007) 09 Jan 2008	10101/2008	Societe des Produits Nestle S.A.; 07-01B, A package, 24 Dec 2007	21546/2007
Siemens Aktiengesellschaft; 13-03NES, Basic block for mounting of installation devices, (EM, 06 Aug 2007) 09 Jan 2008	10102/2008	Societe des Produits Nestle S.A.; 31-00, Soft ice dispenser, (CH, 24 Jul 2007) 15 Jan 2008	10161/2008
Siemens Aktiengesellschaft; 13-03NES, Basic block for mounting of installation devices, (EM, 06 Aug 2007) 09 Jan 2008	10103/2008	Societe des Produits Nestle S.A.; 07-01B, A package, 24 Dec 2007	21547/2007
Siemens Aktiengesellschaft; 13-03NES, Basic block for mounting of installation devices, (EM, 06 Aug 2007) 09 Jan 2008	10104/2008	Societe des Produits Nestle S.A.; 07-01B, A package, 24 Dec 2007	21548/2007
Siemens Aktiengesellschaft; 13-03NES, Basic block for mounting of installation devices, (EM, 06 Aug 2007) 09 Jan 2008	10105/2008	Societe des Produits Nestle S.A.; 07-01B, A package, 24 Dec 2007	21549/2007
Siemens Aktiengesellschaft; 13-03NES, Basic block for mounting of installation devices, (EM, 06 Aug 2007) 09 Jan 2008	10106/2008	Societe des Produits Nestle S.A.; 07-01B, A package, 24 Dec 2007	21550/2007
Siemens Aktiengesellschaft; 13-03NES, Basic block for mounting of installation devices, (EM, 06 Aug 2007) 09 Jan 2008	10107/2008	Societe des Produits Nestle S.A.; 07-01B, A package, 24 Dec 2007	21551/2007
Siemens Aktiengesellschaft; 13-03NES, Basic block for mounting of installation devices, (EM, 06 Aug 2007) 09 Jan 2008	10108/2008	Souness, Mark; 08-08L, Bracket, 11 Jan 2008	10110/2008
Siemens Aktiengesellschaft; 13-03NES, Basic block for mounting of installation devices, (EM, 06 Aug 2007) 09 Jan 2008	10109/2008	Steelcase S.A.; 06-01F, Chair, (EM, 12 Jul 2007) 11 Dec 2007	21230/2007
Siemens Aktiengesellschaft; 13-03NES, Basic block for mounting of installation devices, (EM, 06 Aug 2007) 09 Jan 2008	10110/2008	Steelcase SA; 06-06G, Seat backrest support, (EM, 14 May 2007) 09 Nov 2007	10186/2008
Siemens Aktiengesellschaft; 13-03NES, Basic block for mounting of installation devices, (EM, 06 Aug 2007) 09 Jan 2008	10111/2008	Steelcase SA; 06-01F, Chair, (EM, 12 Jul 2007) 11 Dec 2007	21577/2007
Siemens Aktiengesellschaft; 13-03NES, Basic block for mounting of installation devices, (EM, 06 Aug 2007) 09 Jan 2008	10112/2008	Steelcase SA; 06-01F, Chair, (EM, 12 Jul 2007) 11 Dec 2007	21578/2007
Siemens Aktiengesellschaft; 13-03NES, Basic block for mounting of installation devices, (EM, 06 Aug 2007) 09 Jan 2008	10113/2008	Steelcase SA; 06-01F, Chair, (EM, 12 Jul 2007) 11 Dec 2007	21579/2007
Siemens Aktiengesellschaft; 13-03NES, Basic block for mounting of installation devices, (EM, 06 Aug 2007) 09 Jan 2008	10114/2008	Steelcase SA; 06-01F, Chair, (EM, 12 Jul 2007) 11 Dec 2007	21580/2007
Siemens Aktiengesellschaft; 13-03NES, Basic block for mounting of installation devices, (EM, 06 Aug 2007) 09 Jan 2008	10115/2008	Steelcase SA; 06-06G, Seat backrest support, (EM, 14 May 2007) 09 Nov 2007	10185/2008
Siemens Aktiengesellschaft; 13-03NES, Basic block for mounting of installation devices, (EM, 06 Aug 2007) 09 Jan 2008	10116/2008	SHC Technology Co., Ltd; 06-01F, Chair, 04 Jan 2008	10058/2008
Siemens Aktiengesellschaft; 13-03NES, Basic block for mounting of installation devices, (EM, 06 Aug 2007) 09 Jan 2008	10117/2008	T.H. & E. Design Group Ltd.; 11-02A, Vase, (IL, 27 Jun 2007) 24 Dec 2007	21568/2007
Smart Openers Pty Ltd; 12-16NES, Gear box module, 11 Jan 2008	10131/2008	Talley Group Limited; 24-01, Wound drainage apparatus for medical purposes, (EM, 12 Jul 2007) 14 Jan 2008	10175/2008
Smart Openers Pty Ltd; 12-16NES, Gear box module, 11 Jan 2008	10132/2008	Taylor, Dean Michael; 12-10, A trailer, 24 Dec 2007	21569/2007
Smart Openers Pty Ltd; 12-16NES, Gear box module, 11 Jan 2008	10133/2008	Tea-Cha Teaware Pty. Ltd.; 07-02NES, Tea filter, 08 Jan 2008	10072/2008
Smith & Nephew PLC; 28-03NES, Therapy unit, (EM, 02 Jul 2007) 02 Jan 2008	10015/2008		

The Libman Company; 04-01, Portion of a mop handle, (US, 02 Dec 2007) 04 Jan 2008	10046/2008	Tucci, Augusto; 14-99, Holder, 03 Jan 2008	10040/2008
The Libman Company; 04-01, Portion of a mop handle, (US, 05 Dec 2007) 04 Jan 2008	10047/2008	Tully, Peter; 30-03, Single and multiple ring bird feeder and watering unit, 02 Jan 2008	10001/2008
The Libman Company; 04-01, Portion of a mop head, (US, 05 Dec 2007) 04 Jan 2008	10045/2008	Volkswagen AG; 12-08, 21-01C, Motor vehicle and toy vehicle, (EM, 09 Jul 2007) 24 Dec 2007	21558/2007
Tombow Pencil Co., Ltd.; 19-06, Pen, (JP, 11 Oct 2007) 15 Jan 2008	10181/2008	Wang, Hsing-Tzu; 08-05L, Paint spray gun, 14 Jan 2008	10174/2008
Toshiba Carrier Corporation; 23-04, Air conditioner, (JP, 12 Jul 2007) 09 Jan 2008	10092/2008	Watts, David Gregory; 03-01B, Card holders, wallets, money clips, 10 Jan 2008	10088/2008
Toshiba Carrier Corporation; 23-04, Air conditioner, (JP, 10 Jul 2007) 09 Jan 2008	10093/2008	White, Vernon; 11-01A, Jewellery item, (ZA, 02 Jul 2007) 02 Jan 2008	10032/2008
Toshiba Tec Kabushiki Kaisha; 16-03, Electronic copying machine, (JP, 19 Jul 2007) 03 Jan 2008	10041/2008	Winter, Frank; 06-07, To be applied on picture frames, 16 Jan 2008	10176/2008
Tucci, Augusto; 08-08L, Mounting bracket, 03 Jan 2008	10037/2008	Wu, Cheng Shi; 11-02E, A sculpture, 16 Jan 2008	10177/2008
Tucci, Augusto; 14-99, Holder, 11 Jan 2008	10125/2008	Yanmar Co., Ltd.; 12-16B, Bonnet for agricultural working machine, (JP, 19 Oct 2007) 15 Jan 2008	10179/2008
Tucci, Augusto; 20-02NES, Information display unit, 11 Jan 2008	10126/2008	Yanmar Co., Ltd.; 12-09, Tractor, (JP, 19 Oct 2007) 15 Jan 2008	10180/2008
Tucci, Augusto; 20-02NES, Information display unit, 11 Jan 2008	10127/2008	Zady, Joseph; Bazouni, Charlie; 99-00, Structure, 24 Dec 2007	21557/2007
Tucci, Augusto; 16-01, Camera assembly, 11 Jan 2008	10128/2008	Zady, Joseph; Bazouni, Charlie; 99-00, Structure, 24 Dec 2007	21554/2007
Tucci, Augusto; 20-03NES, Display unit, 03 Jan 2008	10038/2008	Zady, Joseph; Bazouni, Charlie; 99-00, Structure, 24 Dec 2007	21555/2007
Tucci, Augusto; 20-02NES, Mounting stand, 11 Jan 2008	10129/2008	Zady, Joseph; Bazouni, Charlie; 99-00, Structure, 24 Dec 2007	21556/2007
Tucci, Augusto; 14-02, Cradle, 11 Jan 2008	10130/2008	Zhang, Zhong Da; Zhu, Xiaoming; 20-03C, Street sign, 04 Jan 2008	10035/2008
Tucci, Augusto; 14-02, 13-02, Cradle, 03 Jan 2008	10039/2008	Zhu, Xiaoming; Zhang, Zhong Da; 20-03C, Street sign, 04 Jan 2008	10035/2008

Applications Withdrawn

19929 / 2007 (28-99)

Applications Lapsed

12200 / 2006 (02-05)	18562 / 2007 (22-05)
18760 / 2007 (99-00)	19618 / 2007 (25-03)
19628 / 2007 (21-02C)	19687 / 2007 (22-05)
20450 / 2007 (20-99)	20543 / 2007 (08-07)

Revocation of Design Registrations

The following Design Registration(s) have been revoked and are taken never to have been registered:

138069 08-08B

Registrations Ceased

303214 307123 308795
311247

Applications for Extension of time under Section 137

Applications under section 137 for extension of time have been lodged. Objections must be lodged within 1 month from the date of this journal.

309348 **Onesteel Trading Pty Limited** Address for Service:
Griffith Hack GPO Box 4164 SYDNEY NSW 2001

Extensions of time granted under Section 137

Applications lodged under section 137 for extension of time have been granted.

15539/2004 **Suzie Gold**
308795 **Snapple Beverage Corporation**
20557/2007 **Danielina Theodora Viviers**

Subsequent Owners Registered

(The name in parentheses is that of the subsequent owner)

300020 (**Husqvarna AB**) Aktiebolaget Electrolux
300878 (**Husqvarna AB**) Aktiebolaget Electrolux
300879 (**Husqvarna AB**) Aktiebolaget Electrolux
300880 (**Husqvarna AB**) Aktiebolaget Electrolux
305845 (**Husqvarna AB**) Aktiebolaget Electrolux
316095 (**ADC GmbH**) ADC Communications (Australia) Pty Limited
316096 (**ADC GmbH**) ADC Communications (Australia) Pty Limited
311419 (**Shuffle Master, Inc.**) Progressive Gaming International Corporation
312958 (**Shuffle Master, Inc.**) Progressive Gaming International Corporation

Names Registered - Alterations and Amendments

(The name in parentheses is that of the subsequent applicant)

307912 (**Fusion Global Print Group Pty Ltd**) Fusion Print Media Group Pty Ltd
312383 (**Fusion Global Print Group Pty Ltd**) Fusion Print Media Group Pty Ltd
312384 (**Fusion Global Print Group Pty Ltd**) Fusion Print Media Group Pty Ltd
305390 (**Technique Solutions Pty**) Technique Tools Pty
312877 (**Nice S.p.A**) Mhouse Srl

Corrigenda

Number 317142

In Vol 21 , No 25 , page 10963 under the heading **Australian Registered Design**; (57) Statement of Newness and Distinctiveness should read: Those features of the front grille for automobile depicted in the representations that are new and distinctive are the shape and/or configuration.

Certificate(s) of Examination

Examination of the following Design Registration(s) has been completed. Infringement proceedings may now be commenced.

303641	06-03A	17/01/2008
303642	06-03B	17/01/2008
303643	06-03A	17/01/2008
305532	09-03M	14/01/2008
305533	09-03M	14/01/2008
305817	09-01C	14/01/2008
306463	14-02	21/01/2008
306464	14-02	21/01/2008
306465	14-02	21/01/2008
306466	14-02	21/01/2008
306467	14-02	21/01/2008
306468	14-02	21/01/2008
308764	09-01K	15/01/2008
310537	13-03NES	22/01/2008
311070	12-16C	24/12/2007
311415	28-03B	15/01/2008
311427	08-09	22/01/2008
312307	08-07	22/01/2008
312422	19-06	16/01/2008
312423	19-06	16/01/2008
312424	19-06	16/01/2008
312532	06-10	16/01/2008
312767	12-16NES	22/01/2008
313323	28-03A	10/01/2008
313324	28-03A	10/01/2008
313325	28-03A	10/01/2008
313520	02-04NES	22/01/2008
313521	02-04NES	22/01/2008
313522	02-04NES	22/01/2008
313523	02-04NES	22/01/2008
313524	02-04NES	22/01/2008
313525	02-04NES	22/01/2008
313526	02-04NES	22/01/2008
313708	14-03E	09/01/2008
313740	28-02	15/01/2008
313741	04-01	15/01/2008
313744	14-02	15/01/2008
313745	14-02	15/01/2008
313746	07-05NES	15/01/2008
313747	24-01	15/01/2008
313748	24-02	15/01/2008
313776	09-01G	18/01/2008
314025	08-03	22/01/2008
314026	08-02	22/01/2008
314092	14-03E	17/01/2008
314093	14-03E	17/01/2008
314094	06-09	16/01/2008
314724	23-02C	16/01/2008
315980	02-04NES	11/01/2008
315981	02-04NES	11/01/2008
316498	02-04NES	11/01/2008
316499	02-04NES	11/01/2008
317055	02-02C	10/01/2008
317221	02-02C	15/01/2008
317225	02-02NES	15/01/2008
317226	02-02NES	15/01/2008

Publication and Registration Proceedings

Designs Registered

This section provides a concordance between design number and registration number of Designs covered in this journal. It also shows the main class and registration date.

This section covers Registration numbers 317513 to 317760 .

The registration number shown below should be used in all future correspondence.

Design Number	Registration Number	International Classification Code (IDC)	Registration Date	Design Number	Registration Number	International Classification Code (IDC)	Registration Date
15539/2004	317532	02-02NES	14/01/2008	19697/2007	317540	26-05D	15/01/2008
11592/2005	317530	24-04	14/01/2008	19728/2007	317755	13-03D	22/01/2008
16444/2007	317533	19-02	14/01/2008	19746/2007	317655	24-02	17/01/2008
16445/2007	317534	19-02	14/01/2008	19766/2007	317604	08-08NES	16/01/2008
16446/2007	317535	19-02	14/01/2008	19814/2007	317612	26-03	18/01/2008
16447/2007	317536	19-02	14/01/2008	19815/2007	317613	14-03E	18/01/2008
16823/2007	317629	06-07	17/01/2008	19821/2007	317513	15-01	14/01/2008
16824/2007	317630	06-07	17/01/2008	19872/2007	317756	23-01H	22/01/2008
16825/2007	317631	06-07	17/01/2008	19873/2007	317636	21-03	17/01/2008
16826/2007	317632	06-07	17/01/2008	19875/2007	317757	22-05	22/01/2008
17220/2007	317633	25-04	17/01/2008	19889/2007	317541	08-10	15/01/2008
17221/2007	317634	25-04	17/01/2008	19905/2007	317542	15-05	15/01/2008
17702/2007	317720	07-01F	22/01/2008	19906/2007	317543	15-05	15/01/2008
18519/2007	317590	12-10	16/01/2008	19907/2007	317544	15-05	15/01/2008
18520/2007	317591	12-10	16/01/2008	19908/2007	317545	15-05	15/01/2008
18521/2007	317592	12-10	16/01/2008	19909/2007	317546	15-05	15/01/2008
18522/2007	317593	12-10	16/01/2008	19910/2007	317547	15-05	15/01/2008
18523/2007	317594	12-10	16/01/2008	19911/2007	317548	15-05	15/01/2008
18524/2007	317595	12-10	16/01/2008	19912/2007	317549	15-05	15/01/2008
18525/2007	317596	12-10	16/01/2008	19913/2007	317550	15-05	15/01/2008
18526/2007	317597	12-10	16/01/2008	19914/2007	317551	15-05	15/01/2008
18527/2007	317598	12-10	16/01/2008	19915/2007	317552	15-05	15/01/2008
18528/2007	317599	12-10	16/01/2008	19916/2007	317553	23-01G	15/01/2008
18529/2007	317600	12-10	16/01/2008	19917/2007	317554	25-01K	15/01/2008
18530/2007	317601	12-10	16/01/2008	19918/2007	317555	25-01K	15/01/2008
18729/2007	317740	14-03A	22/01/2008	19919/2007	317556	25-01K	15/01/2008
18825/2007	317635	06-01G	17/01/2008	19920/2007	317557	25-01G	15/01/2008
19170/2007	317741	21-01D	22/01/2008	19926/2007	317656	08-08D	17/01/2008
19206/2007	317651	02-02B	17/01/2008	19927/2007	317565	21-01NES	16/01/2008
19207/2007	317694	24-04	22/01/2008	19928/2007	317566	21-01NES	16/01/2008
19208/2007	317695	24-04	22/01/2008	19930/2007	317567	12-12	16/01/2008
19209/2007	317671	20-03C	18/01/2008	19931/2007	317568	08-05L	16/01/2008
19210/2007	317672	19-03	18/01/2008	19932/2007	317569	08-05L	16/01/2008
19460/2007	317614	26-05A	18/01/2008	19933/2007	317570	06-03NES	16/01/2008
19462/2007	317742	07-02F	22/01/2008	19937/2007	317571	09-01C	16/01/2008
19492/2007	317743	12-16A	22/01/2008	19938/2007	317572	09-05	16/01/2008
19493/2007	317744	12-16A	22/01/2008	19939/2007	317573	09-05	16/01/2008
19494/2007	317745	12-16A	22/01/2008	19940/2007	317574	09-05	16/01/2008
19498/2007	317652	06-01F	17/01/2008	19941/2007	317575	09-05	16/01/2008
19506/2007	317746	12-16A	22/01/2008	19942/2007	317576	09-05	16/01/2008
19507/2007	317747	12-16A	22/01/2008	19943/2007	317577	09-05	16/01/2008
19508/2007	317748	12-16A	22/01/2008	19944/2007	317578	09-05	16/01/2008
19509/2007	317749	12-16A	22/01/2008	19945/2007	317579	09-05	16/01/2008
19510/2007	317750	12-16A	22/01/2008	19946/2007	317580	19-02	16/01/2008
19511/2007	317751	12-16A	22/01/2008	19947/2007	317581	14-02	16/01/2008
19522/2007	317537	16-06	14/01/2008	19958/2007	317582	23-01E	16/01/2008
19545/2007	317752	19-01	22/01/2008	19959/2007	317583	25-02C	16/01/2008
19563/2007	317653	30-04	17/01/2008	19962/2007	317584	14-01	16/01/2008
19564/2007	317654	30-04	17/01/2008	19964/2007	317585	13-03NES	16/01/2008
19597/2007	317753	25-04	22/01/2008	19965/2007	317586	13-03NES	16/01/2008
19604/2007	317602	10-02	16/01/2008	19966/2007	317587	24-01	16/01/2008
19629/2007	317603	08-08K	16/01/2008	19967/2007	317588	24-01	16/01/2008
19664/2007	317754	08-08K	22/01/2008	19969/2007	317758	09-07A	22/01/2008

Publication and Registration Proceedings - Designs Registered cont'd

Design Number	Registration Number	International Classification Code (IDC)	Registration Date	Design Number	Registration Number	International Classification Code (IDC)	Registration Date
19970/2007	317605	08-08NES	16/01/2008	20094/2007	317710	19-02	22/01/2008
19972/2007	317606	25-01K	16/01/2008	20095/2007	317711	19-02	22/01/2008
19973/2007	317607	25-01K	16/01/2008	20096/2007	317712	19-02	22/01/2008
19974/2007	317608	28-03A	16/01/2008	20097/2007	317713	19-02	22/01/2008
19976/2007	317609	12-02	16/01/2008	20098/2007	317714	14-03NES	22/01/2008
19996/2007	317615	14-03A	18/01/2008	20100/2007	317715	23-01NES	22/01/2008
19997/2007	317616	07-01C	18/01/2008	20101/2007	317716	23-01A	22/01/2008
19998/2007	317617	07-01E	18/01/2008	20102/2007	317717	19-02	22/01/2008
19999/2007	317618	09-01G	18/01/2008	20104/2007	317721	23-02F	22/01/2008
20011/2007	317589	24-04	16/01/2008	20105/2007	317722	23-02F	22/01/2008
20019/2007	317619	08-08NES	18/01/2008	20106/2007	317723	23-02F	22/01/2008
20020/2007	317620	07-04	18/01/2008	20107/2007	317724	23-02F	22/01/2008
20021/2007	317621	10-02	18/01/2008	20108/2007	317725	23-02F	22/01/2008
20022/2007	317622	10-02	18/01/2008	20109/2007	317726	23-02F	22/01/2008
20023/2007	317623	23-04	18/01/2008	20110/2007	317727	23-02F	22/01/2008
20024/2007	317624	23-04	18/01/2008	20111/2007	317728	23-02F	22/01/2008
20025/2007	317625	23-04	18/01/2008	20112/2007	317729	08-03	22/01/2008
20026/2007	317610	06-04NES	16/01/2008	20121/2007	317730	07-99NES	22/01/2008
20028/2007	317626	21-02F	18/01/2008	20122/2007	317731	23-02C	22/01/2008
20029/2007	317627	21-02F	18/01/2008	20126/2007	317732	24-02	22/01/2008
20031/2007	317637	25-02F	17/01/2008	20127/2007	317733	02-06	22/01/2008
20034/2007	317638	09-01G	17/01/2008	20128/2007	317734	08-03	22/01/2008
20035/2007	317639	07-01F	17/01/2008	20129/2007	317735	08-03	22/01/2008
20036/2007	317640	09-01G	17/01/2008	20130/2007	317736	08-03	22/01/2008
20037/2007	317641	09-01H	17/01/2008	20131/2007	317737	08-08L	22/01/2008
20038/2007	317642	07-01F	17/01/2008	20155/2007	317738	09-03E	22/01/2008
20039/2007	317643	09-01K	17/01/2008	20156/2007	317739	12-08	22/01/2008
20040/2007	317644	07-01F	17/01/2008	20287/2007	317560	26-05D	15/01/2008
20041/2007	317645	07-01F	17/01/2008	20288/2007	317558	26-05D	15/01/2008
20042/2007	317646	07-01F	17/01/2008	20289/2007	317559	14-03NES	15/01/2008
20044/2007	317647	07-04	17/01/2008	20290/2007	317561	26-05D	15/01/2008
20045/2007	317648	07-04	17/01/2008	20291/2007	317562	26-05D	15/01/2008
20053/2007	317657	25-01NES	17/01/2008	20292/2007	317563	26-05D	15/01/2008
20055/2007	317658	13-03C	17/01/2008	20332/2007	317519	07-02L	14/01/2008
20056/2007	317659	13-03C	17/01/2008	20333/2007	317520	07-02L	14/01/2008
20058/2007	317660	21-01H	17/01/2008	20334/2007	317521	07-02L	14/01/2008
20059/2007	317661	09-01G	17/01/2008	20335/2007	317522	07-02L	14/01/2008
20060/2007	317662	07-01C	17/01/2008	20336/2007	317523	07-02L	14/01/2008
20061/2007	317663	07-01C	17/01/2008	20337/2007	317524	07-02L	14/01/2008
20062/2007	317664	07-01C	17/01/2008	20348/2007	317669	08-03	17/01/2008
20076/2007	317665	28-03NES	17/01/2008	20384/2007	317564	06-01C	15/01/2008
20077/2007	317666	28-03NES	17/01/2008	20535/2007	317718	07-02N	22/01/2008
20078/2007	317667	28-03NES	17/01/2008	20583/2007	317611	14-03NES	16/01/2008
20079/2007	317668	26-06	17/01/2008	20611/2007	317719	25-02C	22/01/2008
20080/2007	317696	12-16NES	22/01/2008	20668/2007	317670	19-07	17/01/2008
20081/2007	317697	12-11	22/01/2008	20948/2007	317628	07-02H	18/01/2008
20082/2007	317698	18-01	22/01/2008	21058/2007	317759	08-05K	22/01/2008
20083/2007	317699	18-01	22/01/2008	21137/2007	317760	03-01NES	22/01/2008
20084/2007	317700	19-02	22/01/2008	21149/2007	317673	19-01	18/01/2008
20085/2007	317701	19-02	22/01/2008	21150/2007	317674	14-04	18/01/2008
20086/2007	317702	19-02	22/01/2008	21151/2007	317675	14-01	18/01/2008
20087/2007	317703	09-03E	22/01/2008	21152/2007	317676	14-01	18/01/2008
20088/2007	317704	09-03L	22/01/2008	21153/2007	317677	14-01	18/01/2008
20089/2007	317705	07-99C	22/01/2008	21154/2007	317678	14-02	18/01/2008
20090/2007	317706	19-02	22/01/2008	21155/2007	317679	14-03A	18/01/2008
20091/2007	317707	19-02	22/01/2008	21156/2007	317680	14-03E	18/01/2008
20092/2007	317708	19-02	22/01/2008	21157/2007	317681	20-03C	18/01/2008
20093/2007	317709	19-02	22/01/2008	21158/2007	317682	20-03C	18/01/2008

Publication and Registration Proceedings - Designs Registered cont'd

Design Number	Registration Number	International Classification Code (IDC)	Registration Date	Design Number	Registration Number	International Classification Code (IDC)	Registration Date
21159/2007	317683	20-03C	18/01/2008	21458/2007	317527	06-13C	14/01/2008
21160/2007	317684	19-01	18/01/2008	21464/2007	317526	14-03E	14/01/2008
21161/2007	317685	19-01	18/01/2008	21482/2007	317528	09-01B	14/01/2008
21162/2007	317686	19-01	18/01/2008	21483/2007	317529	09-01NES	14/01/2008
21163/2007	317687	14-02	18/01/2008	21561/2007	317538	09-01B	14/01/2008
21164/2007	317688	14-02	18/01/2008	21562/2007	317539	09-01B	14/01/2008
21165/2007	317689	14-03E	18/01/2008	10011/2008	317515	09-07A	14/01/2008
21166/2007	317690	14-03E	18/01/2008	10012/2008	317516	09-07A	14/01/2008
21167/2007	317691	14-03E	18/01/2008	10013/2008	317517	09-07A	14/01/2008
21168/2007	317692	14-03E	18/01/2008	10014/2008	317518	09-07A	14/01/2008
21169/2007	317693	14-01	18/01/2008	10067/2008	317514	12-02	14/01/2008
21205/2007	317531	02-04NES	14/01/2008	10114/2008	317649	28-99	17/01/2008
21456/2007	317525	09-01NES	14/01/2008	10115/2008	317650	28-99	17/01/2008

Publication and Registration Proceedings
Class Listing of Designs Published or Registered

The following section shows an International Classification Code listing of the Registered or Published Designs covered in this supplement.

Classification	Registration Number	Design Number	Classification	Registration Number	Design Number
02-02 B	317651	19206/2007	08-08 NES	317604	19766/2007
02-02 NES	317532	15539/2004	08-08 NES	317605	19970/2007
02-04 NES	317531	21205/2007	08-08 NES	317619	20019/2007
02-06	317733	20127/2007	08-10	317541	19889/2007
03-01 NES	317760	21137/2007	09-01 B	317528	21482/2007
03-99	317527	21458/2007	09-01 B	317538	21561/2007
06-01 C	317564	20384/2007	09-01 B	317539	21562/2007
06-01 F	317652	19498/2007	09-01 C	317571	19937/2007
06-01 G	317635	18825/2007	09-01 G	317618	19999/2007
06-03 NES	317570	19933/2007	09-01 G	317638	20034/2007
06-04 NES	317610	20026/2007	09-01 G	317640	20036/2007
06-07	317629	16823/2007	09-01 G	317661	20059/2007
06-07	317630	16824/2007	09-01 H	317641	20037/2007
06-07	317631	16825/2007	09-01 K	317643	20039/2007
06-07	317632	16826/2007	09-01 NES	317525	21456/2007
06-13 C	317527	21458/2007	09-01 NES	317529	21483/2007
06-13 C	317532	15539/2004	09-03 E	317703	20087/2007
06-13 NES	317684	21160/2007	09-03 E	317738	20155/2007
07-01 C	317616	19997/2007	09-03 L	317704	20088/2007
07-01 C	317662	20060/2007	09-03 NES	317752	19545/2007
07-01 C	317663	20061/2007	09-05	317572	19938/2007
07-01 C	317664	20062/2007	09-05	317573	19939/2007
07-01 D	317532	15539/2004	09-05	317574	19940/2007
07-01 E	317617	19998/2007	09-05	317575	19941/2007
07-01 F	317639	20035/2007	09-05	317576	19942/2007
07-01 F	317642	20038/2007	09-05	317577	19943/2007
07-01 F	317644	20040/2007	09-05	317578	19944/2007
07-01 F	317645	20041/2007	09-05	317579	19945/2007
07-01 F	317646	20042/2007	09-07 A	317515	10011/2008
07-01 F	317720	17702/2007	09-07 A	317516	10012/2008
07-02 F	317742	19462/2007	09-07 A	317517	10013/2008
07-02 H	317628	20948/2007	09-07 A	317518	10014/2008
07-02 L	317519	20332/2007	09-07 A	317758	19969/2007
07-02 L	317520	20333/2007	10-02	317602	19604/2007
07-02 L	317521	20334/2007	10-02	317621	20021/2007
07-02 L	317522	20335/2007	10-02	317622	20022/2007
07-02 L	317523	20336/2007	11-01 E	317537	19522/2007
07-02 L	317524	20337/2007	12-02	317514	10067/2008
07-02 N	317718	20535/2007	12-02	317609	19976/2007
07-04	317620	20020/2007	12-08	317739	20156/2007
07-04	317647	20044/2007	12-10	317590	18519/2007
07-04	317648	20045/2007	12-10	317591	18520/2007
07-99 C	317705	20089/2007	12-10	317592	18521/2007
07-99 NES	317730	20121/2007	12-10	317593	18522/2007
08-03	317669	20348/2007	12-10	317594	18523/2007
08-03	317729	20112/2007	12-10	317595	18524/2007
08-03	317734	20128/2007	12-10	317596	18525/2007
08-03	317735	20129/2007	12-10	317597	18526/2007
08-03	317736	20130/2007	12-10	317598	18527/2007
08-05 K	317759	21058/2007	12-10	317599	18528/2007
08-05 L	317568	19931/2007	12-10	317600	18529/2007
08-05 L	317569	19932/2007	12-10	317601	18530/2007
08-08 D	317656	19926/2007	12-11	317697	20081/2007
08-08 K	317603	19629/2007	12-12	317567	19930/2007
08-08 K	317754	19664/2007	12-16 A	317743	19492/2007
08-08 L	317737	20131/2007	12-16 A	317744	19493/2007

Registration Proceedings - Class Listing of Designs Published or Registered cont'd

Classification	Registration Number	Design Number	Classification	Registration Number	Design Number
12-16 A	317745	19494/2007	19-02	317536	16447/2007
12-16 A	317746	19506/2007	19-02	317580	19946/2007
12-16 A	317747	19507/2007	19-02	317700	20084/2007
12-16 A	317748	19508/2007	19-02	317701	20085/2007
12-16 A	317749	19509/2007	19-02	317702	20086/2007
12-16 A	317750	19510/2007	19-02	317706	20090/2007
12-16 A	317751	19511/2007	19-02	317707	20091/2007
12-16 NES	317696	20080/2007	19-02	317708	20092/2007
13-03 C	317658	20055/2007	19-02	317709	20093/2007
13-03 C	317659	20056/2007	19-02	317710	20094/2007
13-03 D	317755	19728/2007	19-02	317711	20095/2007
13-03 NES	317585	19964/2007	19-02	317712	20096/2007
13-03 NES	317586	19965/2007	19-02	317713	20097/2007
14-01	317584	19962/2007	19-02	317717	20102/2007
14-01	317675	21151/2007	19-03	317672	19210/2007
14-01	317676	21152/2007	19-07	317670	20668/2007
14-01	317677	21153/2007	19-08	317532	15539/2004
14-01	317693	21169/2007	20-03 C	317671	19209/2007
14-02	317581	19947/2007	20-03 C	317681	21157/2007
14-02	317678	21154/2007	20-03 C	317682	21158/2007
14-02	317687	21163/2007	20-03 C	317683	21159/2007
14-02	317688	21164/2007	21-01 D	317741	19170/2007
14-03 A	317615	19996/2007	21-01 H	317660	20058/2007
14-03 A	317679	21155/2007	21-01 NES	317565	19927/2007
14-03 A	317740	18729/2007	21-01 NES	317566	19928/2007
14-03 E	317526	21464/2007	21-02 F	317626	20028/2007
14-03 E	317613	19815/2007	21-02 F	317627	20029/2007
14-03 E	317680	21156/2007	21-03	317636	19873/2007
14-03 E	317689	21165/2007	22-05	317757	19875/2007
14-03 E	317690	21166/2007	23-01 A	317716	20101/2007
14-03 E	317691	21167/2007	23-01 E	317582	19958/2007
14-03 E	317692	21168/2007	23-01 G	317553	19916/2007
14-03 NES	317559	20289/2007	23-01 H	317756	19872/2007
14-03 NES	317611	20583/2007	23-01 NES	317715	20100/2007
14-03 NES	317714	20098/2007	23-02 C	317731	20122/2007
14-04	317674	21150/2007	23-02 F	317721	20104/2007
15-01	317513	19821/2007	23-02 F	317722	20105/2007
15-05	317542	19905/2007	23-02 F	317723	20106/2007
15-05	317543	19906/2007	23-02 F	317724	20107/2007
15-05	317544	19907/2007	23-02 F	317725	20108/2007
15-05	317545	19908/2007	23-02 F	317726	20109/2007
15-05	317546	19909/2007	23-02 F	317727	20110/2007
15-05	317547	19910/2007	23-02 F	317728	20111/2007
15-05	317548	19911/2007	23-04	317623	20023/2007
15-05	317549	19912/2007	23-04	317624	20024/2007
15-05	317550	19913/2007	23-04	317625	20025/2007
15-05	317551	19914/2007	24-01	317587	19966/2007
15-05	317552	19915/2007	24-01	317588	19967/2007
16-06	317537	19522/2007	24-02	317655	19746/2007
18-01	317698	20082/2007	24-02	317732	20126/2007
18-01	317699	20083/2007	24-04	317530	11592/2005
19-01	317673	21149/2007	24-04	317589	20011/2007
19-01	317684	21160/2007	24-04	317694	19207/2007
19-01	317685	21161/2007	24-04	317695	19208/2007
19-01	317686	21162/2007	25-01 G	317557	19920/2007
19-01	317752	19545/2007	25-01 K	317554	19917/2007
19-02	317533	16444/2007	25-01 K	317555	19918/2007
19-02	317534	16445/2007	25-01 K	317556	19919/2007
19-02	317535	16446/2007	25-01 K	317606	19972/2007

Registration Proceedings - Class Listing of Designs Published or Registered cont'd

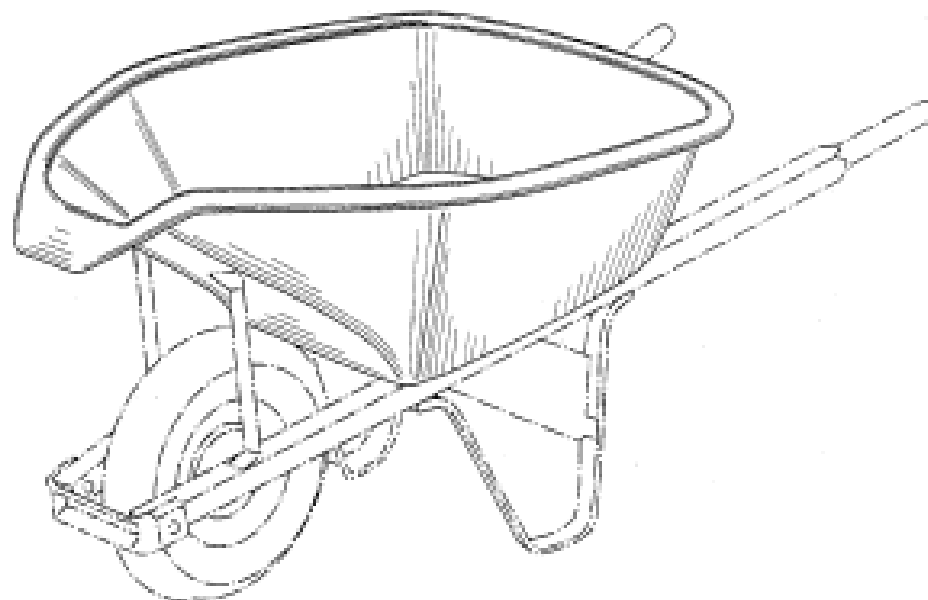
Classification	Registration Number	Design Number	Classification	Registration Number	Design Number
25-01 K	317607	19973/2007	26-05 D	317562	20291/2007
25-01 NES	317657	20053/2007	26-05 D	317563	20292/2007
25-02 C	317583	19959/2007	26-06	317668	20079/2007
25-02 C	317719	20611/2007	28-03 A	317608	19974/2007
25-02 F	317637	20031/2007	28-03 NES	317665	20076/2007
25-04	317633	17220/2007	28-03 NES	317666	20077/2007
25-04	317634	17221/2007	28-03 NES	317667	20078/2007
25-04	317753	19597/2007	28-99	317530	11592/2005
26-03	317612	19814/2007	28-99	317649	10114/2008
26-05 A	317614	19460/2007	28-99	317650	10115/2008
26-05 D	317540	19697/2007	30-04	317653	19563/2007
26-05 D	317558	20288/2007	30-04	317654	19564/2007
26-05 D	317560	20287/2007			
26-05 D	317561	20290/2007			

- (21) Design Number: **19821/2007**
- (22) Date of Filing Application: **21 September 2007**
- (24) Date from which industrial property rights may have effect: **21 September 2007**
- (54) Product in respect of which the design is registered: **Supercharger mounting and drive**
- (51) International Design Classification: **15-01**
- (71) Name(s) and Address(s) of Applicant(s):
Performance Design Australia Pty. Ltd.
8 Bonnington Court Murrumba Downs Queensland 4503 Australia
- (72) Name(s) of Designer(s): **Mark J. Pickering and Darren Robb**
- (45) Registration Date: **14 January 2008**
- (56) Related Art Documents: **Not Applicable**
- (57) Statement of Newness and Distinctiveness: **Monopoly is claimed over the unique layout and reversed drive system of this supercharger as it applies to mazda rotary engines as depicted in the photographs.**



- (21) Design Number: **10067/2008**
- (22) Date of Filing Application: **04 January 2008**
- (24) Date from which industrial property rights may have effect: **04 January 2008**
- (54) Product in respect of which the design is registered: **Pour-spout wheelbarrow tray**
- (51) International Design Classification: **12-02**
- (71) Name(s) and Address(s) of Applicant(s):
Ames True Temper, Inc.
464 Railroad Avenue Camp Hill PA 17011 United States of America
- (72) Name(s) of Designer(s): **Eric D. Hyp and Barry R. Albert**
- (45) Registration Date: **14 January 2008**
- (30) Convention priority data:

(31) Number	(32) Date	(33) Country
29/289,991	09 Aug 2007	UNITED STATES OF AMERICA
- (56) Related Art Documents: **Not Applicable**
- (57) Statement of Newness and Distinctiveness: **Nil**



(21) Design Number: **10011/2008**

(22) Date of Filing Application: **02 January 2008**

(24) Date from which industrial property rights may have effect: **02 January 2008**

(54) Product in respect of which the design is registered: **Bottle cap**

(51) International Design Classification: **09-07A**

(71) Name(s) and Address(s) of Applicant(s):

Reckitt Benckiser N.V.
Siriusdreef 14 2132 WT Hoofddorp The Netherlands

(72) Name(s) of Designer(s): **Alberto Buogo and Andrea Marigo and Mattia Scaggiante**

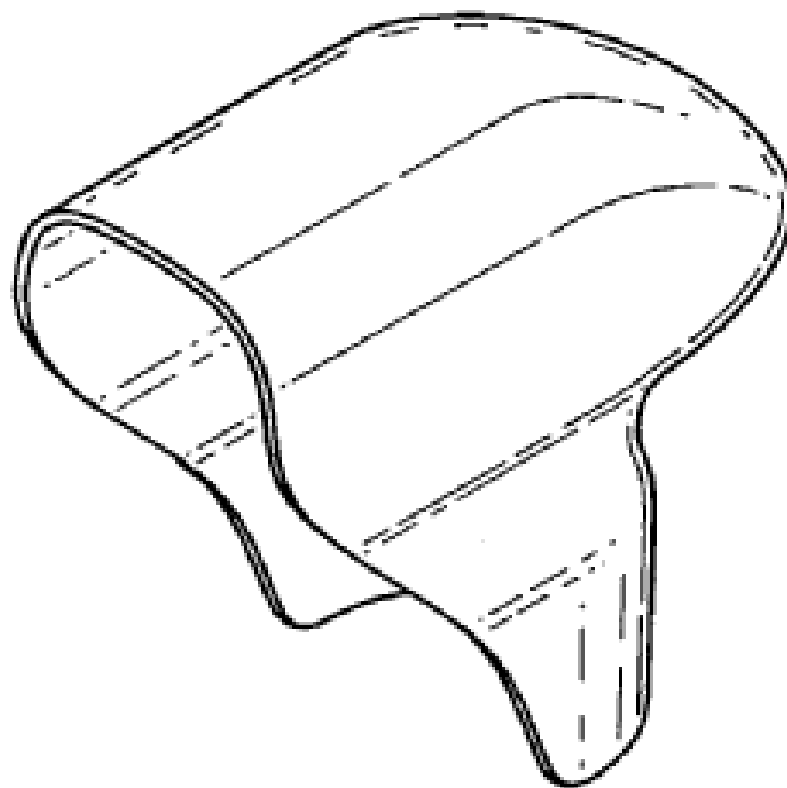
(45) Registration Date: **14 January 2008**

(30) Convention priority data:

(31) Number	(32) Date	(33) Country
000754817	09 Jul 2007	EUROPEAN COMMUNITY

(56) Related Art Documents: **Not Applicable**

(57) Statement of Newness and Distinctiveness: **Newness and distinctiveness reside in the features of the design as shown in the representations.**



(21) Design Number: **10012/2008**

(22) Date of Filing Application: **02 January 2008**

(24) Date from which industrial property rights may have effect: **02 January 2008**

(54) Product in respect of which the design is registered: **Bottle cap**

(51) International Design Classification: **09-07A**

(71) Name(s) and Address(s) of Applicant(s):

Reckitt Benckiser N.V.
Siriusdreef 14 2132 WT Hoofddorp The Netherlands

(72) Name(s) of Designer(s): **Alberto Buogo and Andrea Marigo and Mattia Scaggiante**

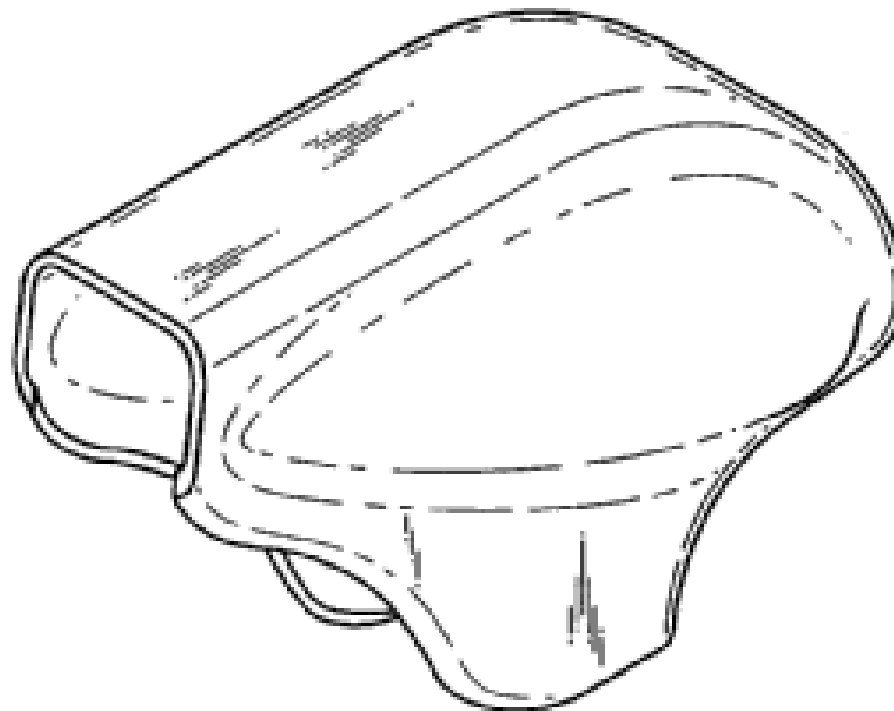
(45) Registration Date: **14 January 2008**

(30) Convention priority data:

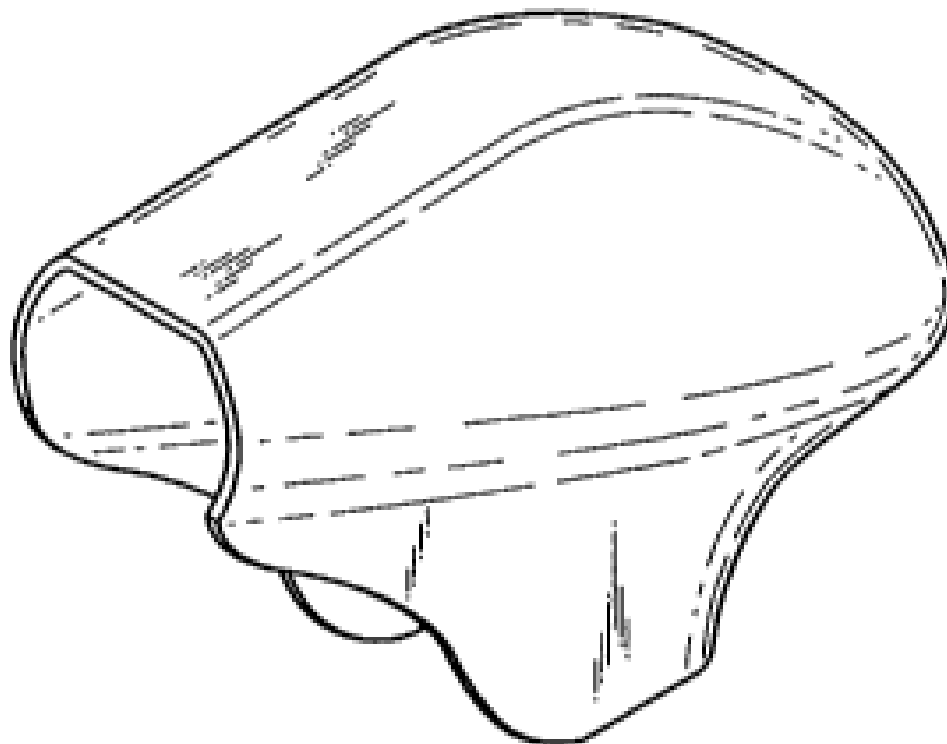
(31) Number	(32) Date	(33) Country
000754817	09 Jul 2007	EUROPEAN COMMUNITY

(56) Related Art Documents: **Not Applicable**

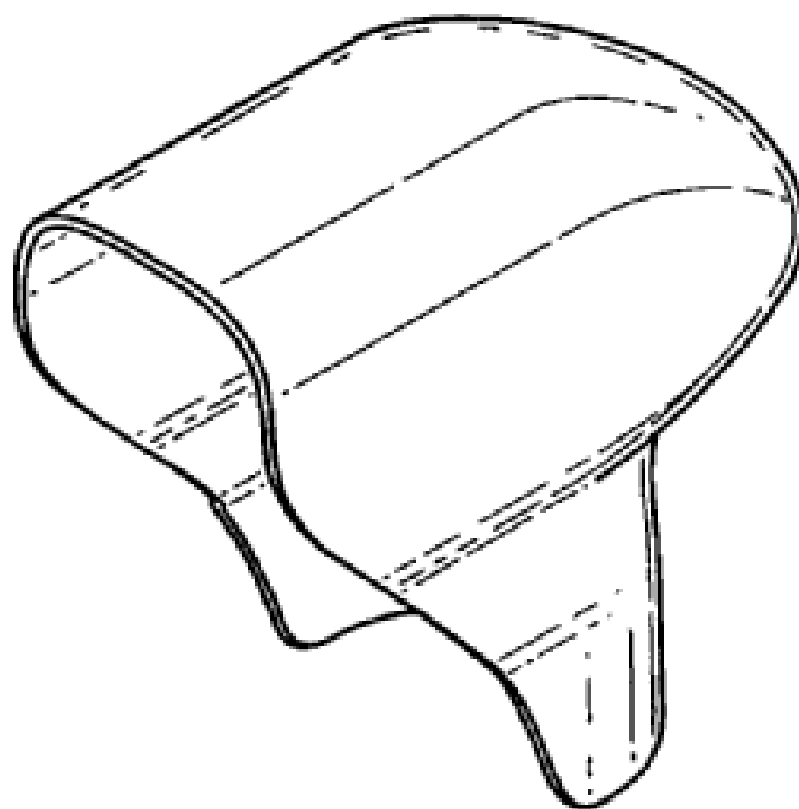
(57) Statement of Newness and Distinctiveness: **Newness and distinctiveness reside in the features of the design as shown in the representations.**



- (21) Design Number: **10013/2008**
(22) Date of Filing Application: **02 January 2008**
(24) Date from which industrial property rights may have effect: **02 January 2008**
(54) Product in respect of which the design is registered: **Bottle cap**
(51) International Design Classification: **09-07A**
(71) Name(s) and Address(s) of Applicant(s):
Reckitt Benckiser N.V.
Siriusdreef 14 2132 WT Hoofddorp The Netherlands
(72) Name(s) of Designer(s): **Alberto Buogo and Andrea Marigo and Mattia Scaggiante**
(45) Registration Date: **14 January 2008**
(30) Convention priority data:
(31) Number (32) Date (33) Country
000754817 09 Jul 2007 EUROPEAN COMMUNITY
(56) Related Art Documents: **Not Applicable**
(57) Statement of Newness and Distinctiveness: **Newness and distinctiveness reside in the features of the design as shown in the representations.**



- (21) Design Number: **10014/2008**
(22) Date of Filing Application: **02 January 2008**
(24) Date from which industrial property rights may have effect: **02 January 2008**
(54) Product in respect of which the design is registered: **Bottle cap**
(51) International Design Classification: **09-07A**
(71) Name(s) and Address(s) of Applicant(s):
Reckitt Benckiser N.V.
Siriusdreef 14 2132 WT Hoofddorp The Netherlands
(72) Name(s) of Designer(s): **Alberto Buogo and Andrea Marigo and Mattia Scaggiante**
(45) Registration Date: **14 January 2008**
(30) Convention priority data:
(31) Number (32) Date (33) Country
000754817 09 Jul 2007 EUROPEAN COMMUNITY
(56) Related Art Documents: **Not Applicable**
(57) Statement of Newness and Distinctiveness: **Newness and distinctiveness reside in the features of the design as shown in the representations.**



(21) Design Number: **20332/2007**

(22) Date of Filing Application: **19 October 2007**

(24) Date from which industrial property rights may have effect: **19 October 2007**

(54) Product in respect of which the design is registered: **Coffee machine**

(51) International Design Classification: **07-02L**

(71) Name(s) and Address(s) of Applicant(s):

De'Longhi S.p.A.
Via L. Seitz 47 Treviso 31100 Italy

(72) Name(s) of Designer(s): **Giacomo Borin**

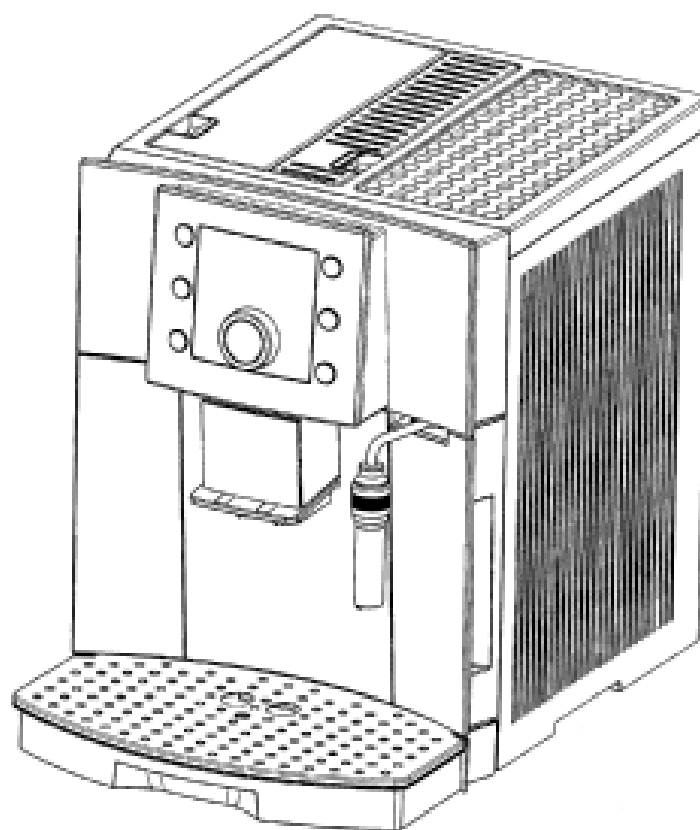
(45) Registration Date: **14 January 2008**

(30) Convention priority data:

(31) Number	(32) Date	(33) Country
713516	26 Apr 2007	EUROPEAN COMMUNITY

(56) Related Art Documents: **Not Applicable**

(57) Statement of Newness and Distinctiveness: **Nil**



(21) Design Number: **20333/2007**

(22) Date of Filing Application: **19 October 2007**

(24) Date from which industrial property rights may have effect: **19 October 2007**

(54) Product in respect of which the design is registered: **Coffee machine**

(51) International Design Classification: **07-02L**

(71) Name(s) and Address(s) of Applicant(s):

De'Longhi S.p.A.
Via L. Seitz 47 Treviso 31100 Italy

(72) Name(s) of Designer(s): **Giacomo Borin**

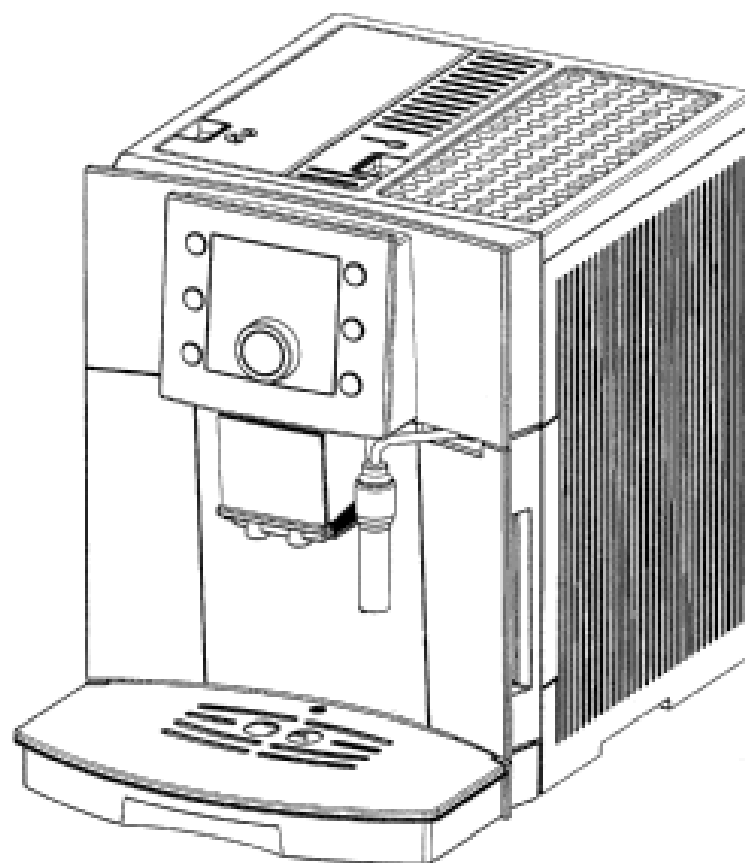
(45) Registration Date: **14 January 2008**

(30) Convention priority data:

(31) Number	(32) Date	(33) Country
713516	26 Apr 2007	EUROPEAN COMMUNITY

(56) Related Art Documents: **Not Applicable**

(57) Statement of Newness and Distinctiveness: **Nil**



(21) Design Number: **20334/2007**

(22) Date of Filing Application: **19 October 2007**

(24) Date from which industrial property rights may have effect: **19 October 2007**

(54) Product in respect of which the design is registered: **Coffee machine**

(51) International Design Classification: **07-02L**

(71) Name(s) and Address(s) of Applicant(s):

De'Longhi S.p.A.
Via L. Seitz 47 Treviso 31100 Italy

(72) Name(s) of Designer(s): **Giacomo Borin**

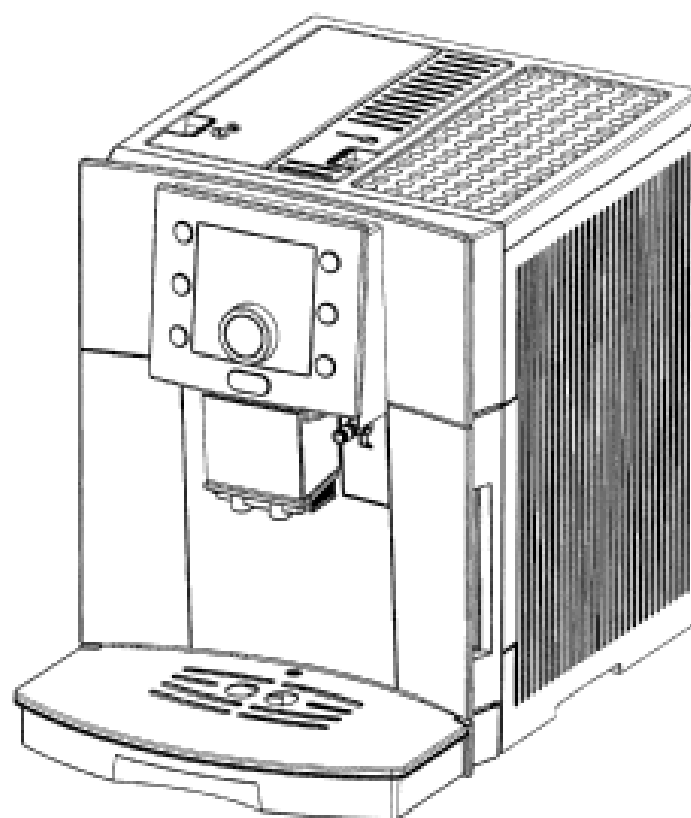
(45) Registration Date: **14 January 2008**

(30) Convention priority data:

(31) Number	(32) Date	(33) Country
713516	26 Apr 2007	EUROPEAN COMMUNITY

(56) Related Art Documents: **Not Applicable**

(57) Statement of Newness and Distinctiveness: **Nil**



(21) Design Number: **20335/2007**

(22) Date of Filing Application: **19 October 2007**

(24) Date from which industrial property rights may have effect: **19 October 2007**

(54) Product in respect of which the design is registered: **Coffee machine**

(51) International Design Classification: **07-02L**

(71) Name(s) and Address(s) of Applicant(s):

De'Longhi S.p.A.
Via L. Seitz 47 Treviso 31100 Italy

(72) Name(s) of Designer(s): **Giacomo Borin**

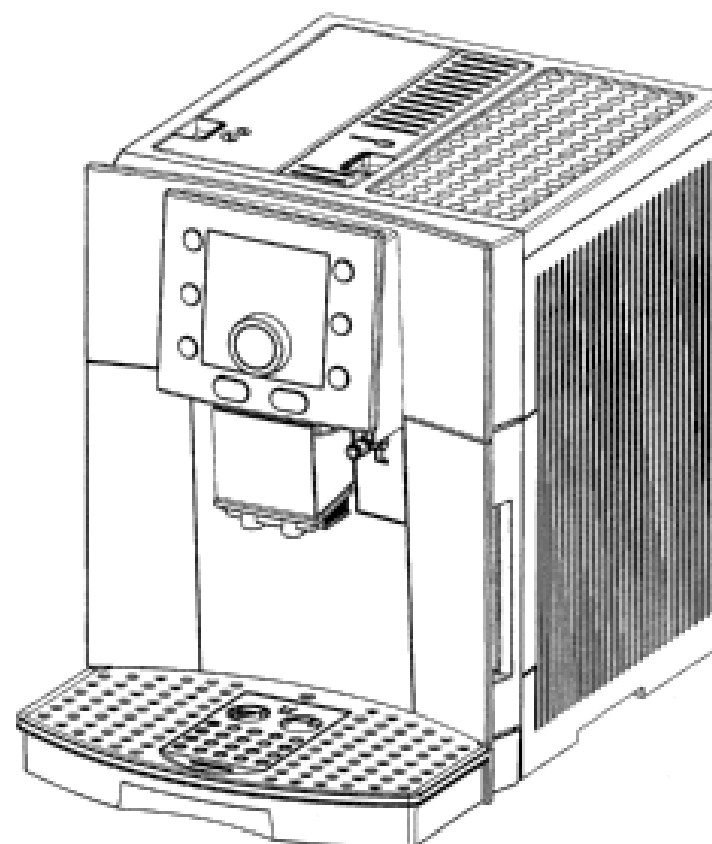
(45) Registration Date: **14 January 2008**

(30) Convention priority data:

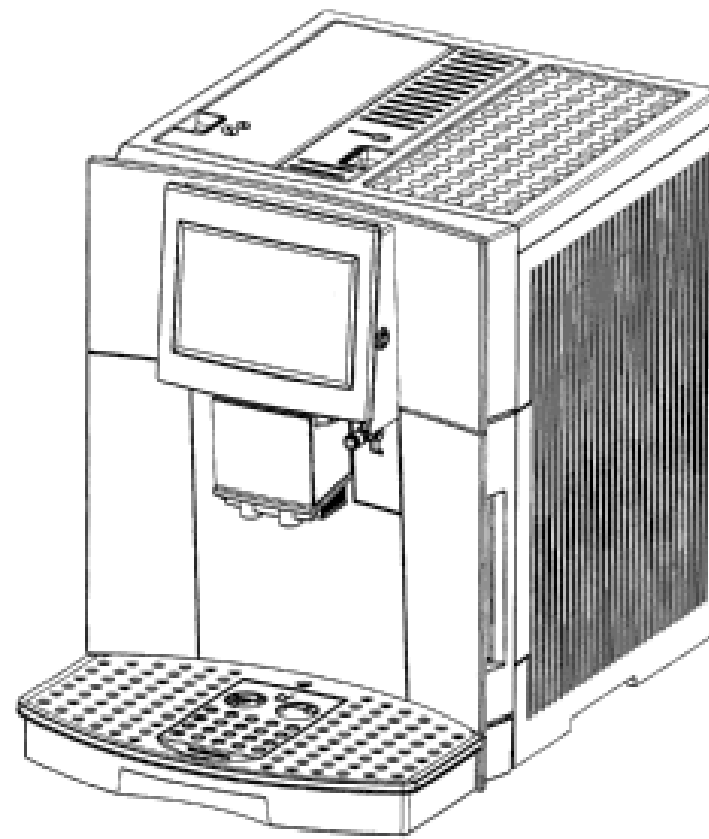
(31) Number	(32) Date	(33) Country
713516	26 Apr 2007	EUROPEAN COMMUNITY

(56) Related Art Documents: **Not Applicable**

(57) Statement of Newness and Distinctiveness: **Nil**



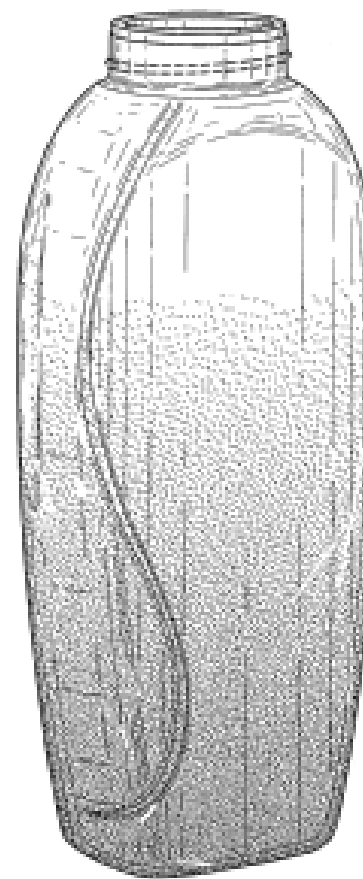
(21) Design Number: **20336/2007**
(22) Date of Filing Application: **19 October 2007**
(24) Date from which industrial property rights may have effect: **19 October 2007**
(54) Product in respect of which the design is registered: **Coffee machine**
(51) International Design Classification: **07-02L**
(71) Name(s) and Address(s) of Applicant(s):
De'Longhi S.p.A.
Via L. Seitz 47 Treviso 31100 Italy
(72) Name(s) of Designer(s): **Giacomo Borin**
(45) Registration Date: **14 January 2008**
(30) Convention priority data:
(31) Number (32) Date (33) Country
713516 26 Apr 2007 EUROPEAN COMMUNITY
(56) Related Art Documents: **Not Applicable**
(57) Statement of Newness and Distinctiveness: **Nil**



(21) Design Number: **20337/2007**
(22) Date of Filing Application: **19 October 2007**
(24) Date from which industrial property rights may have effect: **19 October 2007**
(54) Product in respect of which the design is registered: **Coffee machine**
(51) International Design Classification: **07-02L**
(71) Name(s) and Address(s) of Applicant(s):
De'Longhi S.p.A.
Via L. Seitz 47 Treviso 31100 Italy
(72) Name(s) of Designer(s): **Giacomo Borin**
(45) Registration Date: **14 January 2008**
(30) Convention priority data:
(31) Number (32) Date (33) Country
713516 26 Apr 2007 EUROPEAN COMMUNITY
(56) Related Art Documents: **Not Applicable**
(57) Statement of Newness and Distinctiveness: **Nil**



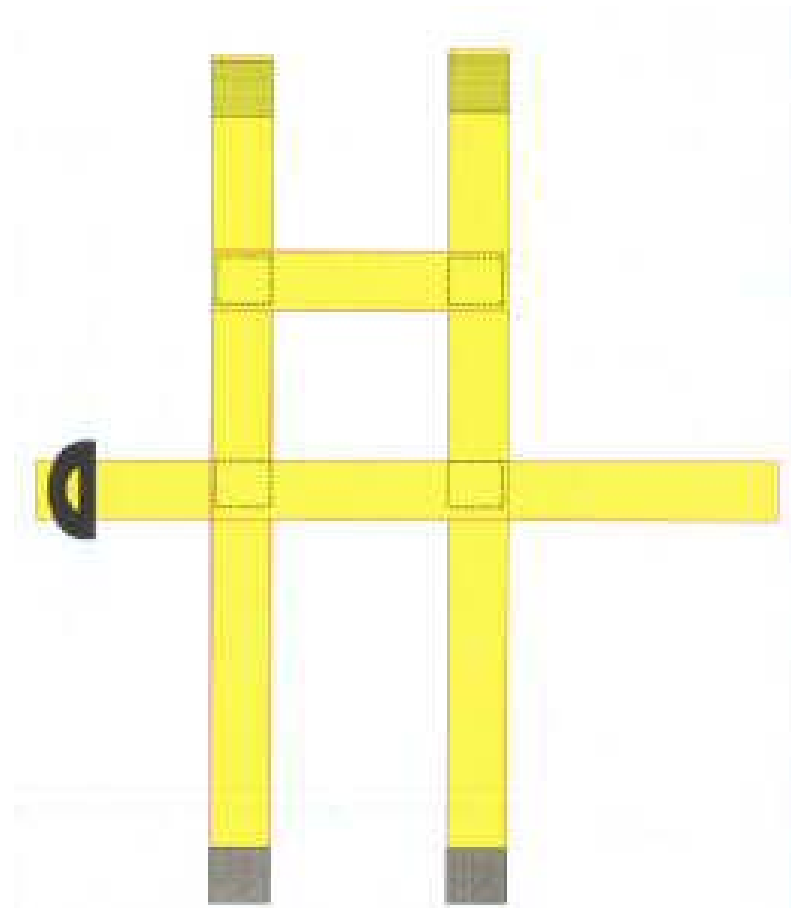
- (21) Design Number: **21456/2007**
(22) Date of Filing Application: **19 December 2007**
(24) Date from which industrial property rights may have effect: **19 December 2007**
(54) Product in respect of which the design is registered: **Container**
(51) International Design Classification: **09-01NES**
(71) Name(s) and Address(s) of Applicant(s):
Colgate-Palmolive Company
300 Park Avenue New York New York 10022 United States of America
(72) Name(s) of Designer(s): **Fernando Muniz-Simas Moreira and Robert Monaghan and Pepijn Rutger van der Krogt and Guillermo Weyland and Bruce Cummings**
(45) Registration Date: **14 January 2008**
(30) Convention priority data:
(31) Number (32) Date (33) Country
29/281600 27 Jun 2007 UNITED STATES OF AMERICA
(56) Related Art Documents: **Not Applicable**
(57) Statement of Newness and Distinctiveness: **Newness and distinctiveness reside in the features of the design shown in solid lines in the representations excluding those features shown in broken lines.**



- (21) Design Number: **21464/2007**
(22) Date of Filing Application: **19 December 2007**
(24) Date from which industrial property rights may have effect: **19 December 2007**
(54) Product in respect of which the design is registered: **Mobile phone**
(51) International Design Classification: **14-03E**
(71) Name(s) and Address(s) of Applicant(s):
Sony Ericsson Mobile Communications AB
Nya Vattentorget SE 221 88 Lund Sweden
(72) Name(s) of Designer(s): **Masakazu Kanatani and Lin Chia-Yao(Muse)**
(45) Registration Date: **14 January 2008**
(30) Convention priority data:
(31) Number (32) Date (33) Country
000753900 09 Jul 2007 EUROPEAN COMMUNITY
(56) Related Art Documents: **Not Applicable**
(57) Statement of Newness and Distinctiveness: **Nil**

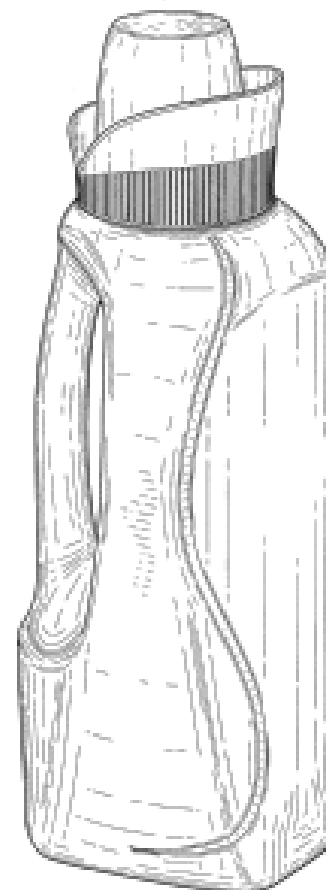


- (21) Design Number: **21458/2007**
- (22) Date of Filing Application: **20 December 2007**
- (24) Date from which industrial property rights may have effect: **20 December 2007**
- (54) Product in respect of which the design is registered: **Beach towel, towel carry brace/carry handle**
- (51) International Design Classification: **06-13C, 03-99**
- (71) Name(s) and Address(s) of Applicant(s):
Beach Foot International Pty Ltd
137 - 169 Phillip Street Waterloo New South Wales 2017 Australia
- (72) Name(s) of Designer(s): **Andrew Bird**
- (45) Registration Date: **14 January 2008**
- (56) Related Art Documents: **Not Applicable**
- (57) Statement of Newness and Distinctiveness: **Nil**



- (21) Design Number: **21482/2007**
- (22) Date of Filing Application: **20 December 2007**
- (24) Date from which industrial property rights may have effect: **20 December 2007**
- (54) Product in respect of which the design is registered: **Container and closure**
- (51) International Design Classification: **09-01B**
- (71) Name(s) and Address(s) of Applicant(s):
Colgate-Palmolive Company
300 Park Avenue New York New York 10022 United States of America
- (72) Name(s) of Designer(s): **Robert Monaghan and Pepijn Rutger van der Krogt and Guillermo Weyland and Fernando Muniz-Simas Moreira and William H. Lunderman and Bruce Cummings**
- (45) Registration Date: **14 January 2008**
- (30) Convention priority data:

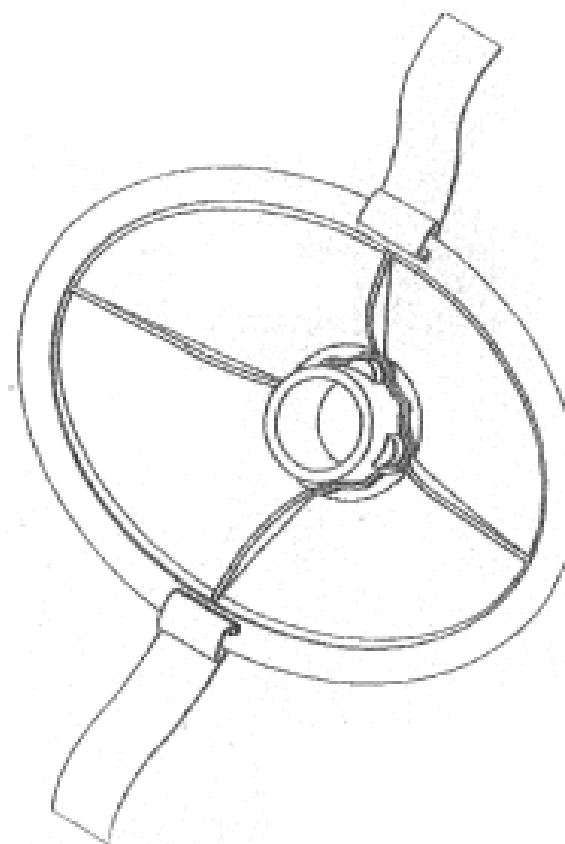
(31) Number	(32) Date	(33) Country
29/281603	27 Jun 2007	UNITED STATES OF AMERICA
- (56) Related Art Documents: **Not Applicable**
- (57) Statement of Newness and Distinctiveness: **Newness and distinctiveness reside in the features of the design as shown in the representations.**



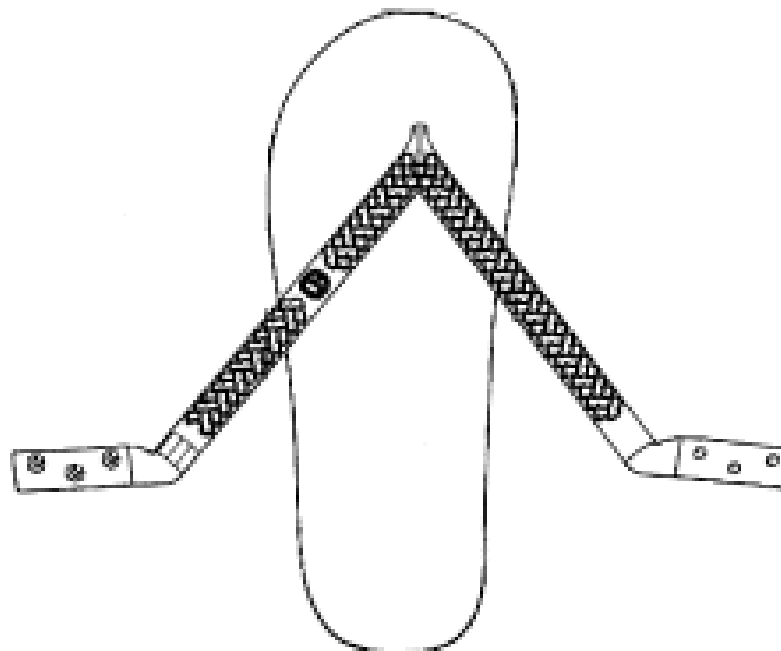
- (21) Design Number: **21483/2007**
(22) Date of Filing Application: **20 December 2007**
(24) Date from which industrial property rights may have effect: **20 December 2007**
(54) Product in respect of which the design is registered: **Container**
(51) International Design Classification: **09-01NES**
(71) Name(s) and Address(s) of Applicant(s):
Colgate-Palmolive Company
300 Park Avenue New York New York 10022 United States of America
(72) Name(s) of Designer(s): **Guillermo Weyland and Fernando Muniz-Simas
Moreira and Robert Monaghan and Pepijn Rutger van der Krogt and
Bruce Cummings**
(45) Registration Date: **14 January 2008**
(30) Convention priority data:
(31) Number (32) Date (33) Country
29/281597 27 Jun 2007 UNITED STATES OF AMERICA
(56) Related Art Documents: **Not Applicable**
(57) Statement of Newness and Distinctiveness: **Newness and distinctiveness
reside in the features of the design as shown in the representations.**



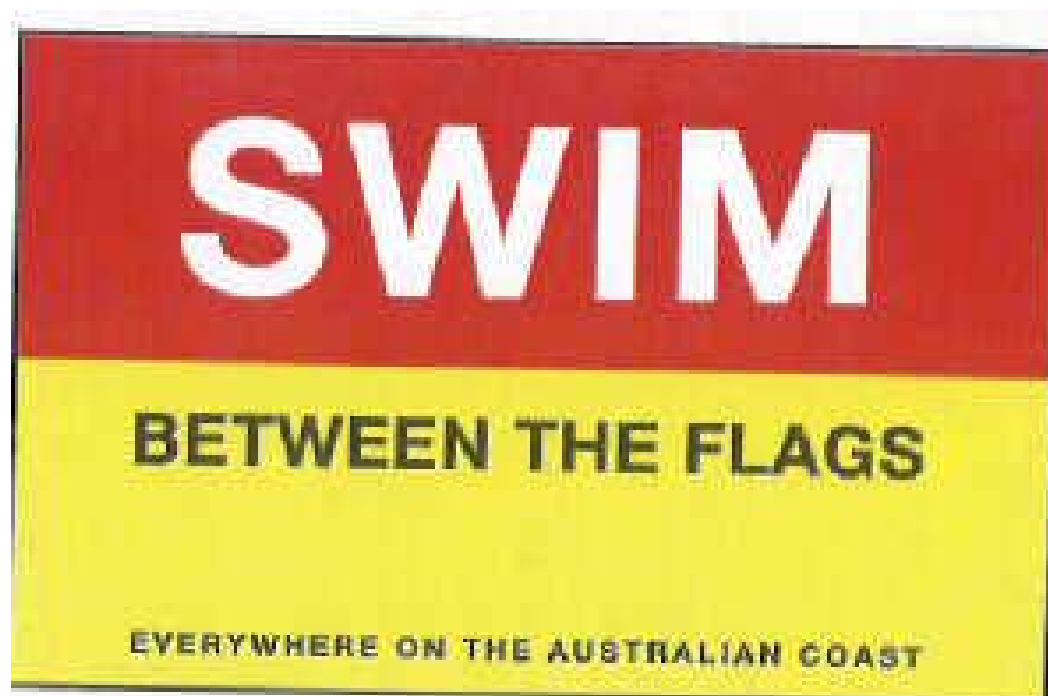
- (21) Design Number: **11592/2005**
(22) Date of Filing Application: **20 April 2005**
(24) Date from which industrial property rights may have effect: **20 April 2005**
(54) Product in respect of which the design is registered: **Design one is a
stand-alone design to be manufactured as an adult toy**
(51) International Design Classification: **24-04, 28-99**
(71) Name(s) and Address(s) of Applicant(s):
Renee Veld
118 Columbus Drive Hollywell Queensland 4216 Australia
(72) Name(s) of Designer(s): **David Richardson**
(45) Registration Date: **14 January 2008**
(56) Related Art Documents: **Not Applicable**
(57) Statement of Newness and Distinctiveness: **The entire design is new and
distinctive.**



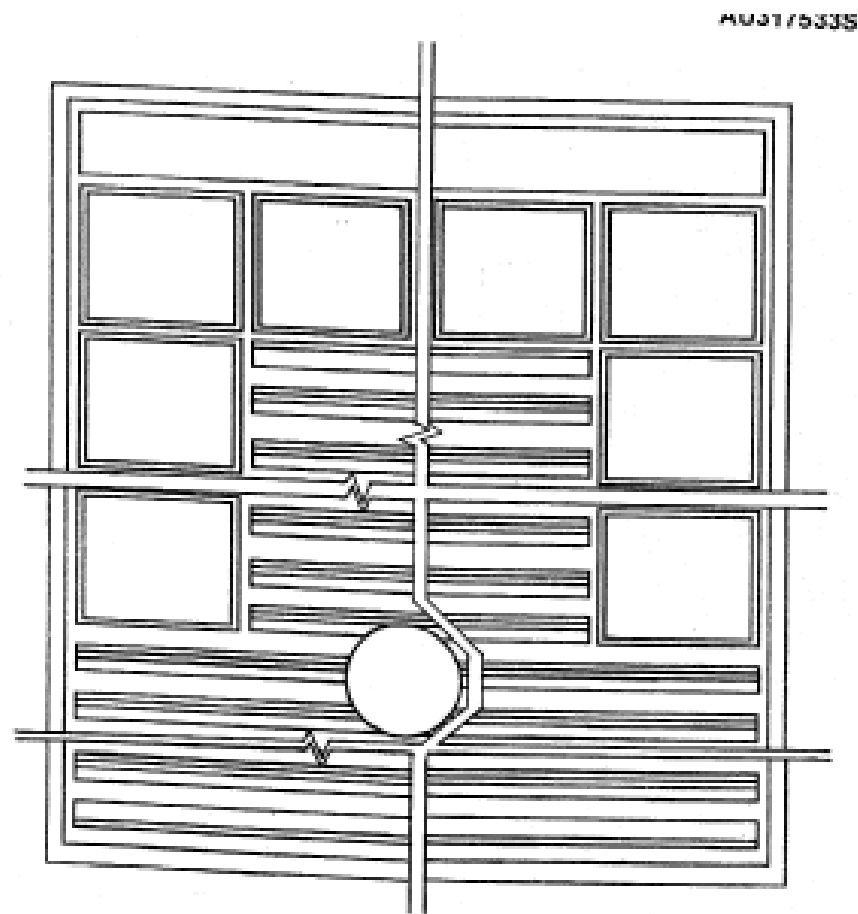
- (21) Design Number: **21205/2007**
(22) Date of Filing Application: **10 December 2007**
(24) Date from which industrial property rights may have effect: **10 December 2007**
(54) Product in respect of which the design is registered: **Footwear-thong with strap**
(51) International Design Classification: **02-04NES**
(71) Name(s) and Address(s) of Applicant(s):
Thomas Crago
10 Church Street South Melbourne Victoria 3205 Australia
Georgina Barry
6/384 Oxford Street Bondi Junction New South Wales 2022 Australia
Sam Christie
6/384 Oxford Street Bondi Junction New South Wales 2022 Australia
Kathryn Tucker
10 Church Street South Melbourne Victoria 3205 Australia
William Baker
6/384 Oxford Street Bondi Junction New South Wales 2022 Australia
(72) Name(s) of Designer(s): **Thomas Crago and Georgina Barry and Sam Christie and Kathryn Tucker and William Baker**
(45) Registration Date: **14 January 2008**
(56) Related Art Documents: **Not Applicable**
(57) Statement of Newness and Distinctiveness: **Nil**



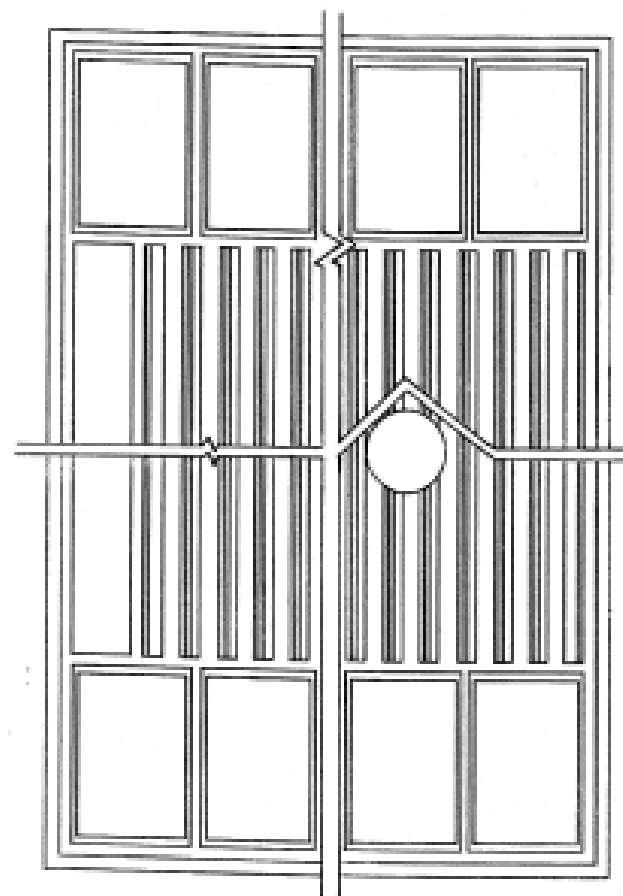
- (21) Design Number: **15539/2004**
(22) Date of Filing Application: **30 November 2004**
(24) Date from which industrial property rights may have effect: **30 November 2004**
(54) Product in respect of which the design is registered: **Stickers, tee shirt, singlet, tea towel, mug**
(51) International Design Classification: **02-02NES, 06-13C, 07-01D, 19-08**
(71) Name(s) and Address(s) of Applicant(s):
Suzie Gold
35 Pacific Road Palm Beach New South Wales 2108 Australia
(72) Name(s) of Designer(s): **Suzie Gold**
(45) Registration Date: **14 January 2008**
(56) Related Art Documents: **Not Applicable**
(57) Statement of Newness and Distinctiveness: **Red and yellow flag like with the wording swim between the flags - everywhere on the Australian coast.**



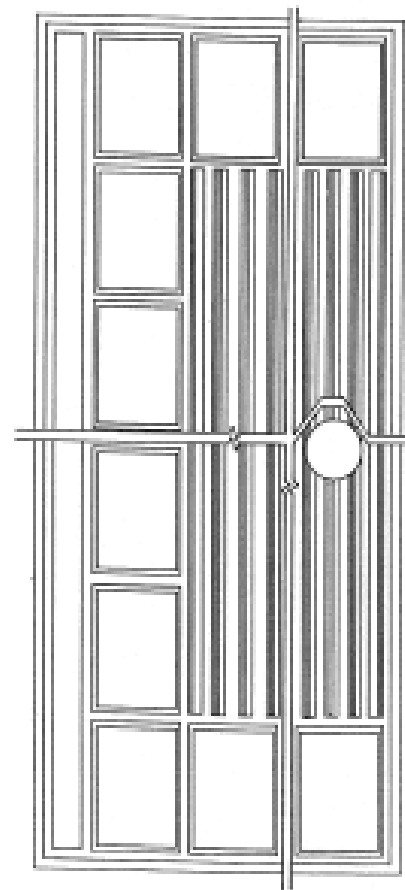
- (21) Design Number: **16444/2007**
- (22) Date of Filing Application: **16 February 2007**
- (24) Date from which industrial property rights may have effect: **16 February 2007**
- (54) Product in respect of which the design is registered: **Notice board**
- (51) International Design Classification: **19-02**
- (71) Name(s) and Address(s) of Applicant(s):
Nu-Board Australia Pty Ltd
31/6 Trelawney Street Woollahra New South Wales 2025 Australia
- (72) Name(s) of Designer(s): **Charles Berelowitz**
- (45) Registration Date: **14 January 2008**
- (56) Related Art Documents: **Not Applicable**
- (57) Statement of Newness and Distinctiveness: **The visual features which are new and distinctive include the shape and configuration of the product, including the patterns of repeated features, including such features appearing in relation to the indefinite dimensions as shown in the representations, and in each specific example of the product.**



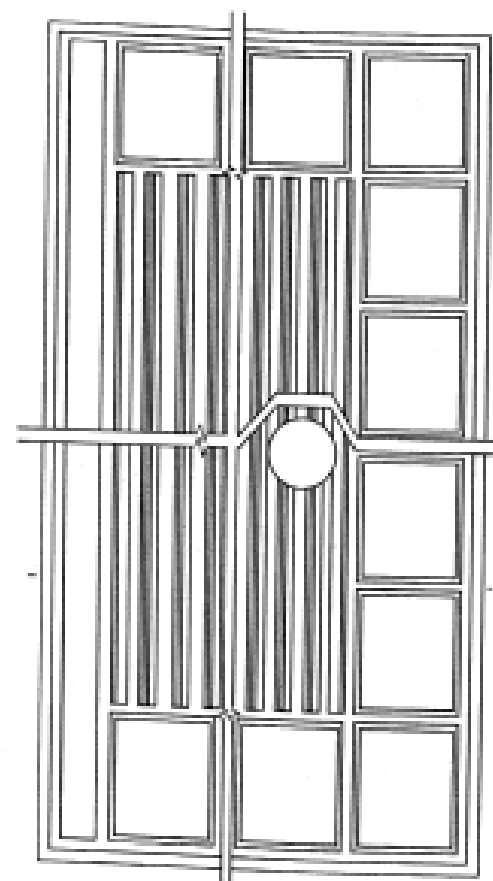
- (21) Design Number: **16445/2007**
- (22) Date of Filing Application: **16 February 2007**
- (24) Date from which industrial property rights may have effect: **16 February 2007**
- (54) Product in respect of which the design is registered: **Notice board**
- (51) International Design Classification: **19-02**
- (71) Name(s) and Address(s) of Applicant(s):
Nu-Board Australia Pty Ltd
31/6 Trelawney Street Woollahra New South Wales 2025 Australia
- (72) Name(s) of Designer(s): **Charles Berelowitz**
- (45) Registration Date: **14 January 2008**
- (56) Related Art Documents: **Not Applicable**
- (57) Statement of Newness and Distinctiveness: **The visual features which are new and distinctive include the shape and configuration of the product, including the patterns of repeated features, including such features appearing in relation to the indefinite dimensions as shown in the representations, and in each specific example of the product.**



- (21) Design Number: **16446/2007**
(22) Date of Filing Application: **16 February 2007**
(24) Date from which industrial property rights may have effect: **16 February 2007**
(54) Product in respect of which the design is registered: **Notice board**
(51) International Design Classification: **19-02**
(71) Name(s) and Address(s) of Applicant(s):
Nu-Board Australia Pty Ltd
31/6 Trelawney Street Woollahra New South Wales 2025 Australia
(72) Name(s) of Designer(s): **Charles Berelowitz**
(45) Registration Date: **14 January 2008**
(56) Related Art Documents: **Not Applicable**
(57) Statement of Newness and Distinctiveness: **The visual features which are new and distinctive include the shape and configuration of the product, including the patterns of repeated features, including such features appearing in relation to the indefinite dimensions as shown in the representations, and in each specific example of the product.**



- (21) Design Number: **16447/2007**
(22) Date of Filing Application: **16 February 2007**
(24) Date from which industrial property rights may have effect: **16 February 2007**
(54) Product in respect of which the design is registered: **Notice board**
(51) International Design Classification: **19-02**
(71) Name(s) and Address(s) of Applicant(s):
Nu-Board Australia Pty Ltd
31/6 Trelawney Street Woollahra New South Wales 2025 Australia
(72) Name(s) of Designer(s): **Charles Berelowitz**
(45) Registration Date: **14 January 2008**
(56) Related Art Documents: **Not Applicable**
(57) Statement of Newness and Distinctiveness: **The visual features which are new and distinctive include the shape and configuration of the product, including the patterns of repeated features, including such features appearing in relation to the indefinite dimensions as shown in the representations, and in each specific example of the product.**

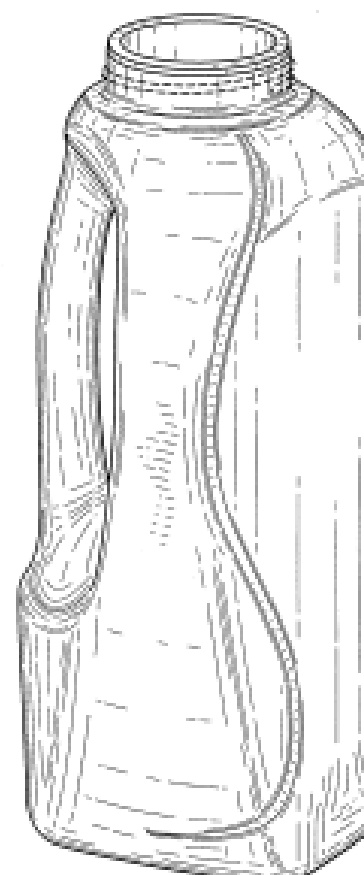


- (21) Design Number: **19522/2007**
- (22) Date of Filing Application: **27 August 2007**
- (24) Date from which industrial property rights may have effect: **27 August 2007**
- (54) Product in respect of which the design is registered: **Spectical retainers**
- (51) International Design Classification: **16-06, 11-01E**
- (71) Name(s) and Address(s) of Applicant(s):
Julia Grainger
410 Merrawarp Road Ceres Victoria 3221 Australia
- (72) Name(s) of Designer(s): **Julia Grainger**
- (45) Registration Date: **14 January 2008**
- (56) Related Art Documents: **Not Applicable**
- (57) Statement of Newness and Distinctiveness: **Spectacles retainers and spectacle chords currently available; do not incorporate concept of fashionable accessory; are plain and lack embellishment; are too light to hold glasses against the wearer's body meaning that as the wearer moves about the glasses would swing to and fro and sometimes come adrift from the retainer causing the glasses to fall and become damaged; are not seen as stylish or fashionable; and do not appeal to younger women. Neckspecs design takes into consideration all of the above issues and therefore differ from other types of spectacles retainer/chords. Neckspecs are designed to be worn around the neck as a retainer for spectacles either reading glasses or sun-glasses. Each neckspecs features a fob clasp at the back which attaches the Neckspecs around the wearers neck and a heart positioned at the front apex of the Neckspecs. The spectacles are attached to the Neckspecs by threading the ear of the spectacles through the heart positioned at the front of the Neckspecs. When attached in this manner the spectacles are retained safely around the wearer's neck hanging toward the front at mid chest level. Each individual Neckspecs is sufficiently weighted to stop the sun or reading glasses swinging back and forth whilst the wearer moves around. This minimises the instance of the glasses either swinging or falling from the Neckspecs. Neckspecs is embellished with beads to create a stylish retainer/chord to which glasses can be attached. For the avoidance of doubt, the applicant is not seeking design registration rights in a beaded necklace. The applicant is seeking design registration rights in the retaining of spectacles.**

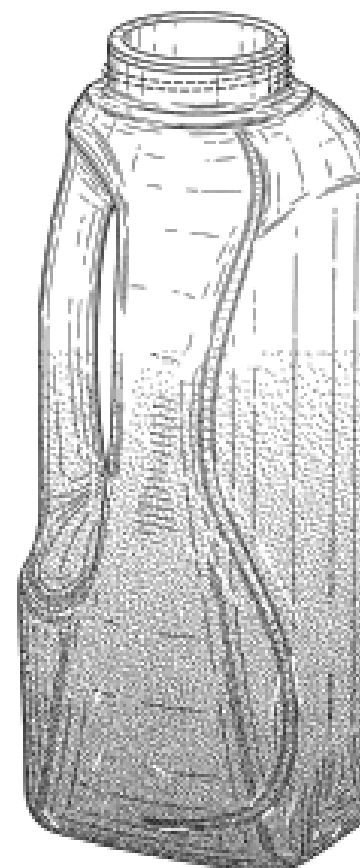


- (21) Design Number: **21561/2007**
- (22) Date of Filing Application: **21 December 2007**
- (24) Date from which industrial property rights may have effect: **21 December 2007**
- (54) Product in respect of which the design is registered: **Container**
- (51) International Design Classification: **09-01B**
- (71) Name(s) and Address(s) of Applicant(s):
Colgate-Palmolive Company
300 Park Avenue New York New York 10022 United States of America
- (72) Name(s) of Designer(s): **Guillermo Weyland and Robert Monaghan and Fernando Muniz-Simas Moreria and Pepijn Rutger van der Krogt and William H. Lunderman and Bruce Cummings**
- (45) Registration Date: **14 January 2008**
- (30) Convention priority data:

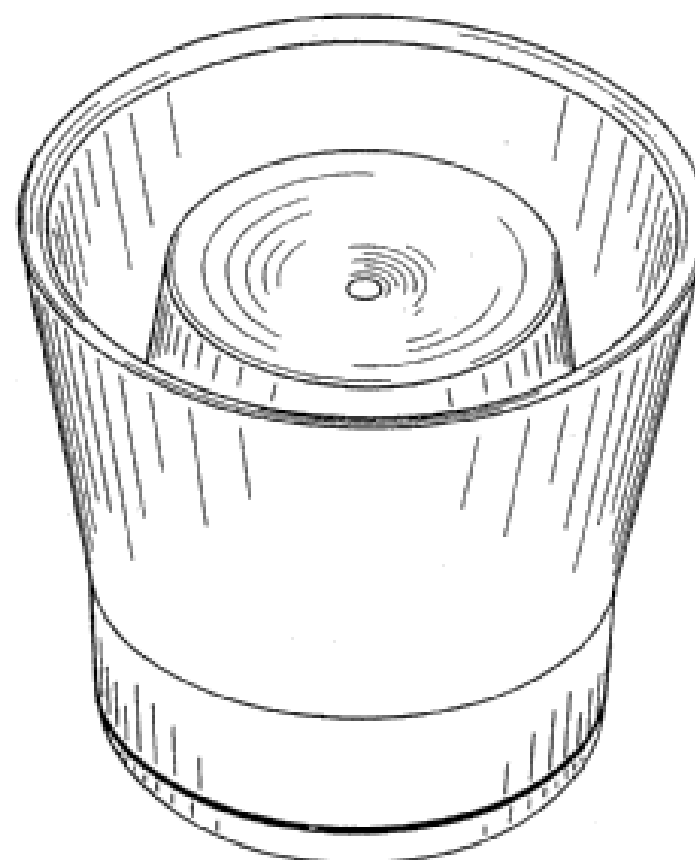
(31) Number	(32) Date	(33) Country
29,281604	27 Jun 2007	UNITED STATES OF AMERICA
- (56) Related Art Documents: **Not Applicable**
- (57) Statement of Newness and Distinctiveness: **Newness and distinctiveness reside in the features of the design shown in solid lines in the representations excluding those features shown in broken lines.**



- (21) Design Number: **21562/2007**
(22) Date of Filing Application: **21 December 2007**
(24) Date from which industrial property rights may have effect: **21 December 2007**
(54) Product in respect of which the design is registered: **Container**
(51) International Design Classification: **09-01B**
(71) Name(s) and Address(s) of Applicant(s):
Colgate-Palmolive Company
300 Park Avenue New York New York 10022 United States of America
(72) Name(s) of Designer(s): **Bruce Cummings and William H. Lunderman and Fernando Muniz-Simas Moreira and Robert Monaghan and Pepijn Rutger van der Krogt and Guillermo Weyland**
(45) Registration Date: **14 January 2008**
(30) Convention priority data:
(31) Number (32) Date (33) Country
29/281606 27 Jun 2007 UNITED STATES OF AMERICA
(56) Related Art Documents: **Not Applicable**
(57) Statement of Newness and Distinctiveness: **Newness and distinctiveness reside in the features of the design shown in solid lines in the representations excluding those features shown in broken lines.**



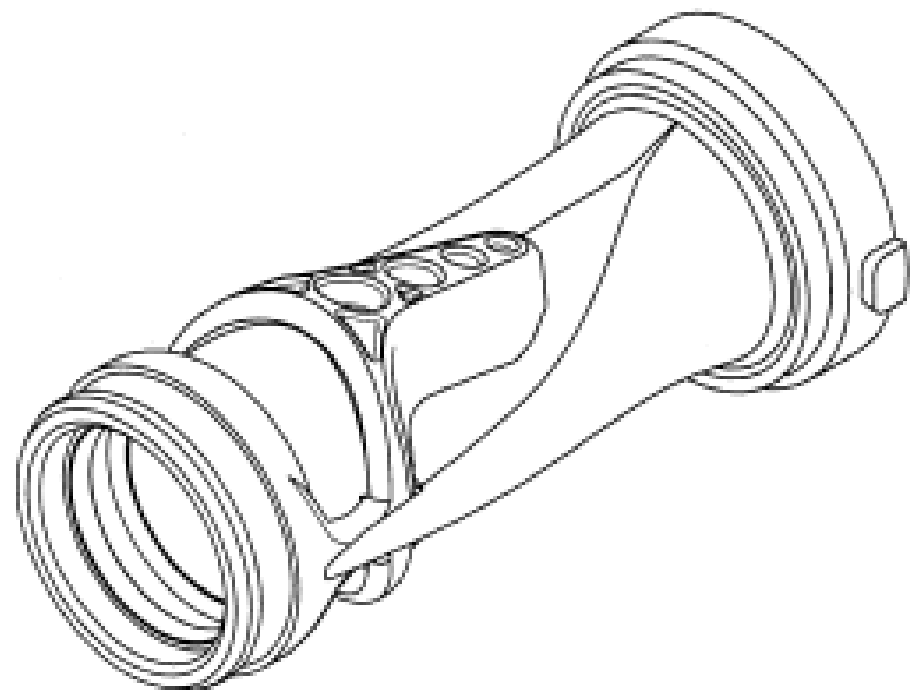
- (21) Design Number: **19697/2007**
(22) Date of Filing Application: **10 September 2007**
(24) Date from which industrial property rights may have effect: **10 September 2007**
(54) Product in respect of which the design is registered: **Lighting apparatus**
(51) International Design Classification: **26-05D**
(71) Name(s) and Address(s) of Applicant(s):
Helen of Troy Limited
13 8th Avenue Belleville PO Box 836E St Michael Barbados
(72) Name(s) of Designer(s): **Stefane Erhard Barbeau and Duane Bryant Smith**
(45) Registration Date: **15 January 2008**
(30) Convention priority data:
(31) Number (32) Date (33) Country
29/273651 10 Mar 2007 UNITED STATES OF AMERICA
(56) Related Art Documents: **Not Applicable**
(57) Statement of Newness and Distinctiveness: **Newness and distinctiveness is claimed in the features of the shape and/or configuration of the lighting apparatus as illustrated by continuous unbroken lines in the accompanying representations.**



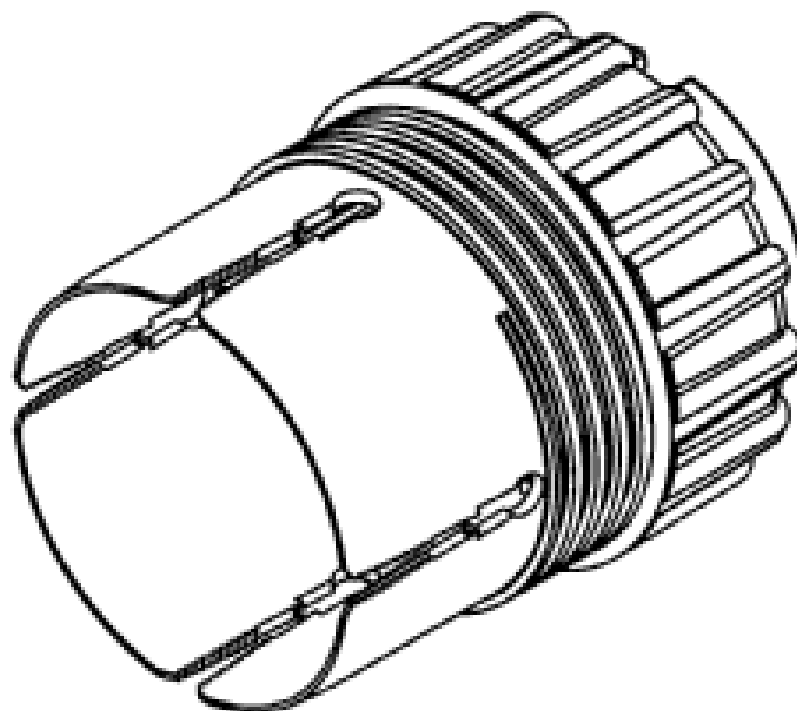
- (21) Design Number: **19889/2007**
(22) Date of Filing Application: **26 September 2007**
(24) Date from which industrial property rights may have effect: **26 September 2007**
(54) Product in respect of which the design is registered: **Bicycle rack attachment**
(51) International Design Classification: **08-10**
(71) Name(s) and Address(s) of Applicant(s):
Trevor Sydney Alfred Hill
32/33 Austral Terrace Morphettville South Australia 5043 Australia
(72) Name(s) of Designer(s): **Trevor Sydney Alfred Hill**
(45) Registration Date: **15 January 2008**
(56) Related Art Documents: **Not Applicable**
(57) Statement of Newness and Distinctiveness: **Newness and distinctiveness is claimed in the bicycle rack attachment as shown and no protection is claimed in the straps that feature in the perspective view.**



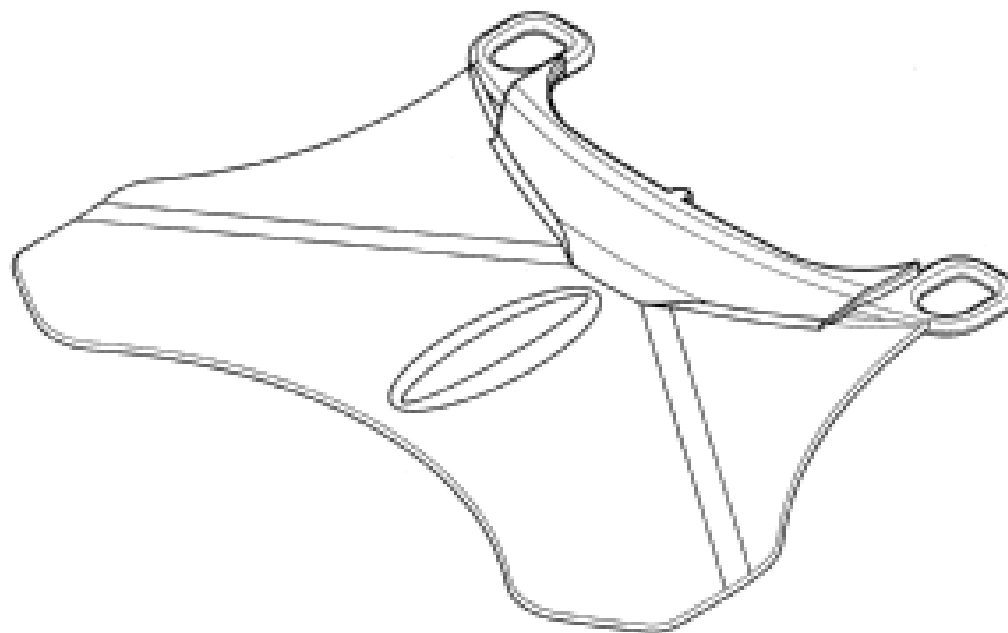
- (21) Design Number: **19905/2007**
(22) Date of Filing Application: **25 September 2007**
(24) Date from which industrial property rights may have effect: **25 September 2007**
(54) Product in respect of which the design is registered: **A diaphragm for a pool cleaner**
(51) International Design Classification: **15-05**
(71) Name(s) and Address(s) of Applicant(s):
Zodiac Pool Care Europe SAS
2 rue Maurice Mallet F-92130 Issy les Moulineaux France
(72) Name(s) of Designer(s): **Hendrikus Johannes van der Meijden and Michael Edward Moore**
(45) Registration Date: **15 January 2008**
(56) Related Art Documents: **Not Applicable**
(57) Statement of Newness and Distinctiveness: **Newness and distinctiveness is claimed in the features of shape and/or configuration of a diaphragm for a pool cleaner as illustrated in the accompanying representations.**



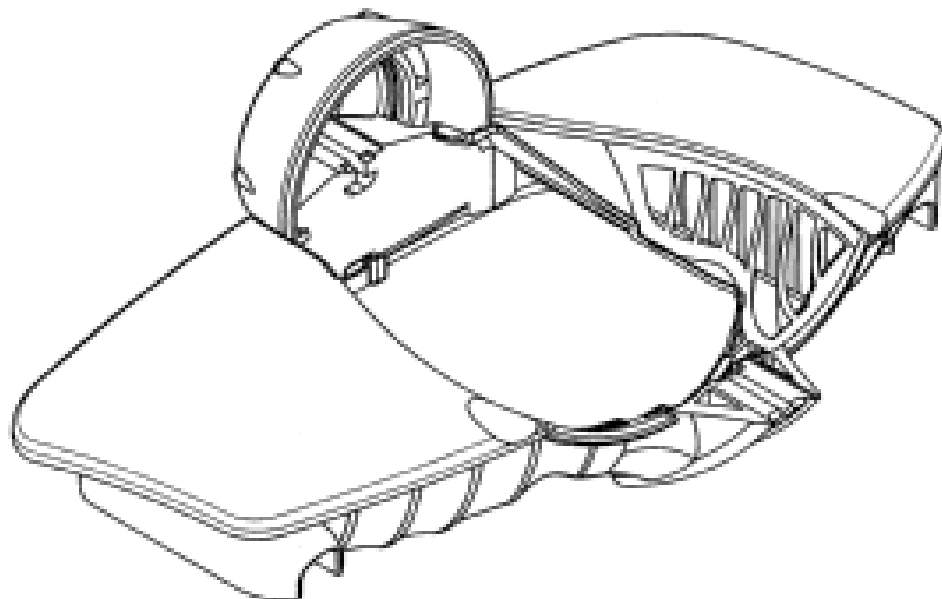
- (21) Design Number: **19906/2007**
(22) Date of Filing Application: **25 September 2007**
(24) Date from which industrial property rights may have effect: **25 September 2007**
(54) Product in respect of which the design is registered: **A cassette for a pool cleaner**
(51) International Design Classification: **15-05**
(71) Name(s) and Address(s) of Applicant(s):
Zodiac Pool Care Europe SAS
2 rue Maurice Mallet F-92130 Issy les Moulineaux France
(72) Name(s) of Designer(s): **Hendrikus Johannes van der Meijden and Michael Edward Moore and Alexis Adrian Felipe Wadman and Peter Hugh Harrison**
(45) Registration Date: **15 January 2008**
(56) Related Art Documents: **Not Applicable**
(57) Statement of Newness and Distinctiveness: **Newness and distinctiveness is claimed in the features of shape and/or configuration of a cassette for a pool cleaner as illustrated in the accompanying representations.**



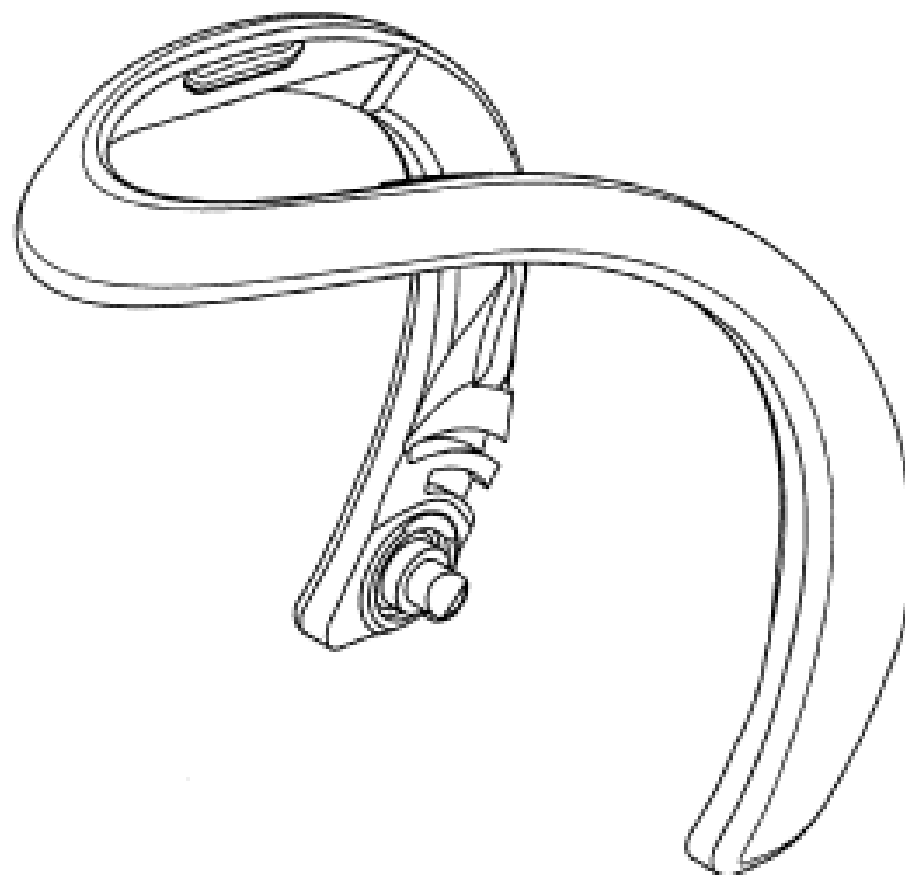
- (21) Design Number: **19907/2007**
(22) Date of Filing Application: **25 September 2007**
(24) Date from which industrial property rights may have effect: **25 September 2007**
(54) Product in respect of which the design is registered: **A trailing disc for a pool cleaner**
(51) International Design Classification: **15-05**
(71) Name(s) and Address(s) of Applicant(s):
Zodiac Pool Care Europe SAS
2 rue Maurice Mallet F-92130 Issy les Moulineaux France
(72) Name(s) of Designer(s): **Hendrikus Johannes van der Meijden and Michael Edward Moore and Alexis Adrian Felipe Wadman and Peter Hugh Harrison**
(45) Registration Date: **15 January 2008**
(56) Related Art Documents: **Not Applicable**
(57) Statement of Newness and Distinctiveness: **Newness and distinctiveness is claimed in the features of shape and/or configuration of a trailing disc for a pool cleaner as illustrated in the accompanying representations.**



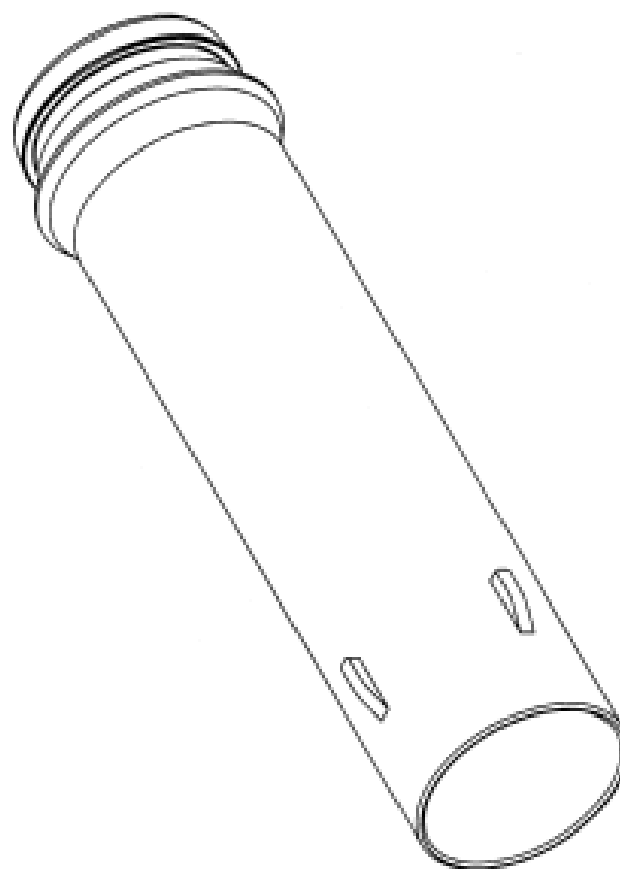
- (21) Design Number: **19908/2007**
(22) Date of Filing Application: **25 September 2007**
(24) Date from which industrial property rights may have effect: **25 September 2007**
(54) Product in respect of which the design is registered: **A apron for a pool cleaner**
(51) International Design Classification: **15-05**
(71) Name(s) and Address(s) of Applicant(s):
Zodiac Pool Care Europe SAS
2 rue Maurice Mallet F-92130 Issy les Moulineaux France
(72) Name(s) of Designer(s): **Hendrikus Johannes van der Meijden and Michael Edward Moore and Alexis Adrian Felipe Wadman and Peter Hugh Harrison**
(45) Registration Date: **15 January 2008**
(56) Related Art Documents: **Not Applicable**
(57) Statement of Newness and Distinctiveness: **Newness and distinctiveness is claimed in the features of shape and/or configuration of a apron for a pool cleaner as illustrated in the accompanying representations.**



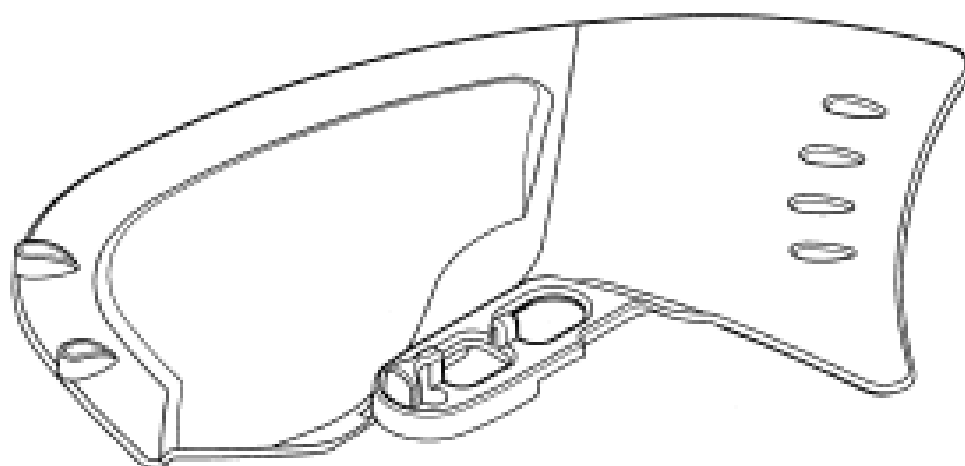
- (21) Design Number: **19909/2007**
(22) Date of Filing Application: **25 September 2007**
(24) Date from which industrial property rights may have effect: **25 September 2007**
(54) Product in respect of which the design is registered: **A handle mounting bracket for a pool cleaner**
(51) International Design Classification: **15-05**
(71) Name(s) and Address(s) of Applicant(s):
Zodiac Pool Care Europe SAS
2 rue Maurice Mallet F-92130 Issy les Moulineaux France
(72) Name(s) of Designer(s): **Hendrikus Johannes van der Meijden and Michael Edward Moore and Alexis Adrian Felipe Wadman and Peter Hugh Harrison**
(45) Registration Date: **15 January 2008**
(56) Related Art Documents: **Not Applicable**
(57) Statement of Newness and Distinctiveness: **Newness and distinctiveness is claimed in the features of shape and/or configuration of a handle mounting bracket for a pool cleaner as illustrated in the accompanying representations.**



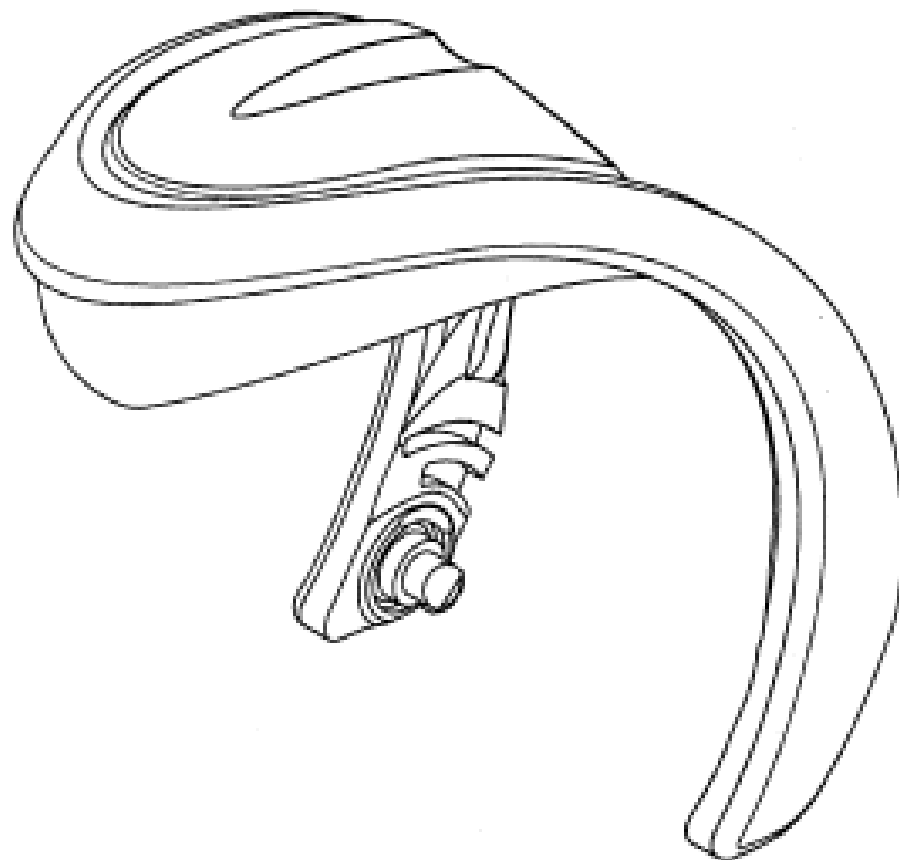
- (21) Design Number: **19910/2007**
(22) Date of Filing Application: **25 September 2007**
(24) Date from which industrial property rights may have effect: **25 September 2007**
(54) Product in respect of which the design is registered: **A tube for a pool cleaner**
(51) International Design Classification: **15-05**
(71) Name(s) and Address(s) of Applicant(s):
Zodiac Pool Care Europe SAS
2 rue Maurice Mallet F-92130 Issy les Moulineaux France
(72) Name(s) of Designer(s): **Hendrikus Johannes van der Meijden and Michael Edward Moore and Alexis Adrian Felipe Wadman and Peter Hugh Harrison**
(45) Registration Date: **15 January 2008**
(56) Related Art Documents: **Not Applicable**
(57) Statement of Newness and Distinctiveness: **Newness and distinctiveness is claimed in the features of shape and/or configuration of a tube for a pool cleaner as illustrated in the accompanying representations.**



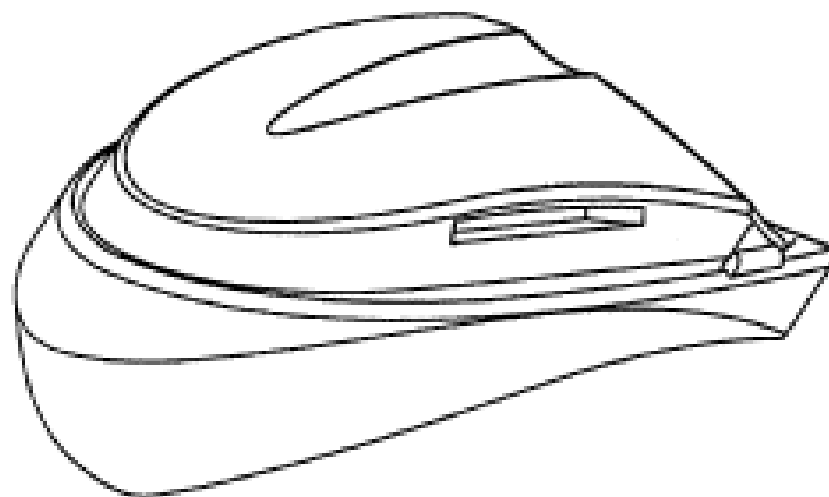
- (21) Design Number: **19911/2007**
(22) Date of Filing Application: **25 September 2007**
(24) Date from which industrial property rights may have effect: **25 September 2007**
(54) Product in respect of which the design is registered: **A wing disc for a pool cleaner**
(51) International Design Classification: **15-05**
(71) Name(s) and Address(s) of Applicant(s):
Zodiac Pool Care Europe SAS
2 rue Maurice Mallet F-92130 Issy les Moulineaux France
(72) Name(s) of Designer(s): **Hendrikus Johannes van der Meijden and Michael Edward Moore and Alexis Adrian Felipe Wadman and Peter Hugh Harrison**
(45) Registration Date: **15 January 2008**
(56) Related Art Documents: **Not Applicable**
(57) Statement of Newness and Distinctiveness: **Newness and distinctiveness is claimed in the features of shape and/or configuration of a wing disc for a pool cleaner as illustrated in the accompanying representations.**



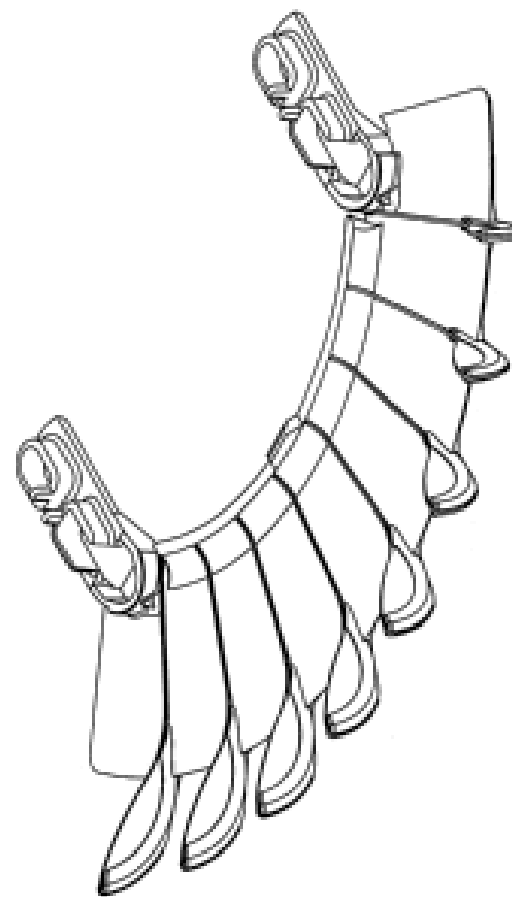
- (21) Design Number: **19912/2007**
(22) Date of Filing Application: **25 September 2007**
(24) Date from which industrial property rights may have effect: **25 September 2007**
(54) Product in respect of which the design is registered: **A handle for a pool cleaner**
(51) International Design Classification: **15-05**
(71) Name(s) and Address(s) of Applicant(s):
Zodiac Pool Care Europe SAS
2 rue Maurice Mallet F-92130 Issy les Moulineaux France
(72) Name(s) of Designer(s): **Hendrikus Johannes van der Meijden and Michael Edward Moore and Alexis Adrian Felipe Wadman and Peter Hugh Harrison**
(45) Registration Date: **15 January 2008**
(56) Related Art Documents: **Not Applicable**
(57) Statement of Newness and Distinctiveness: **Newness and distinctiveness is claimed in the features of shape and/or configuration of a handle for a pool cleaner as illustrated in the accompanying representations.**



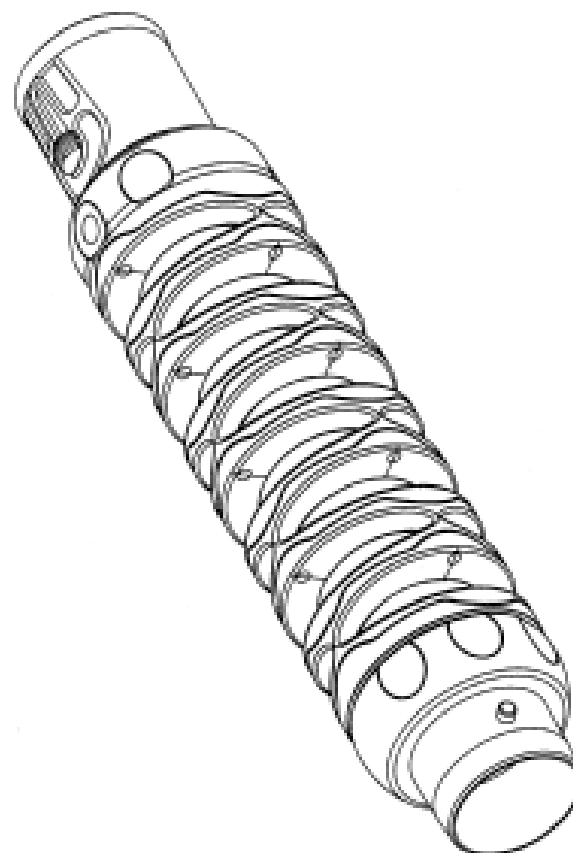
- (21) Design Number: **19913/2007**
(22) Date of Filing Application: **25 September 2007**
(24) Date from which industrial property rights may have effect: **25 September 2007**
(54) Product in respect of which the design is registered: **A handle grip for a pool cleaner**
(51) International Design Classification: **15-05**
(71) Name(s) and Address(s) of Applicant(s):
Zodiac Pool Care Europe SAS
2 rue Maurice Mallet F-92130 Issy les Moulineaux France
(72) Name(s) of Designer(s): **Hendrikus Johannes van der Meijden and Michael Edward Moore and Alexis Adrian Felipe Wadman and Peter Hugh Harrison**
(45) Registration Date: **15 January 2008**
(56) Related Art Documents: **Not Applicable**
(57) Statement of Newness and Distinctiveness: **Newness and distinctiveness is claimed in the features of shape and/or configuration of a handle grip for a pool cleaner as illustrated in the accompanying representations.**



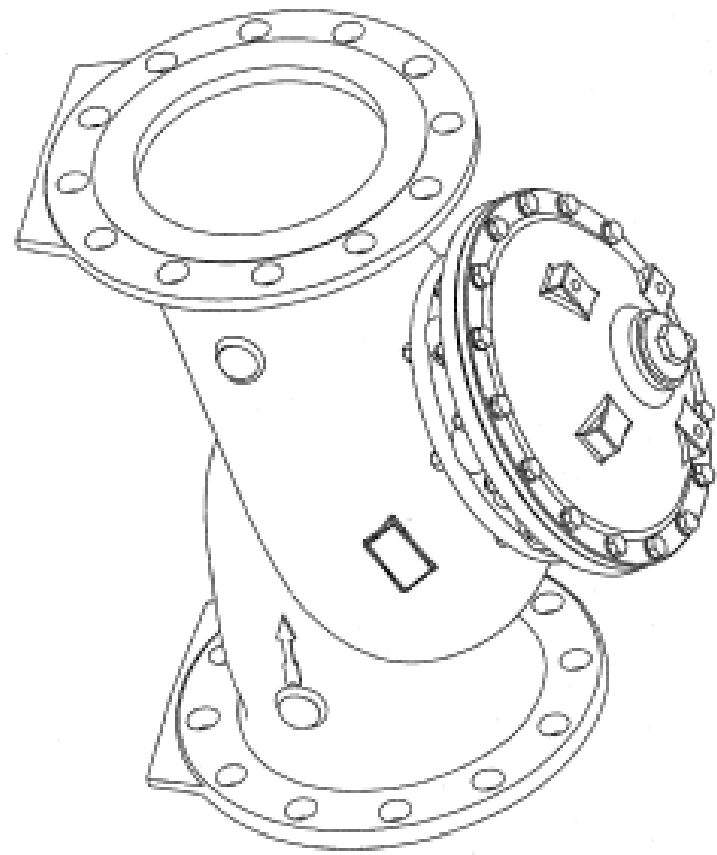
- (21) Design Number: **19914/2007**
(22) Date of Filing Application: **25 September 2007**
(24) Date from which industrial property rights may have effect: **25 September 2007**
(54) Product in respect of which the design is registered: **A leading disc for a pool cleaner**
(51) International Design Classification: **15-05**
(71) Name(s) and Address(s) of Applicant(s):
Zodiac Pool Care Europe SAS
2 rue Maurice Mallet F-92130 Issy les Moulineaux France
(72) Name(s) of Designer(s): **Hendrikus Johannes van der Meijden and Michael Edward Moore and Alexis Adrian Felipe Wadman and Peter Hugh Harrison**
(45) Registration Date: **15 January 2008**
(56) Related Art Documents: **Not Applicable**
(57) Statement of Newness and Distinctiveness: **Newness and distinctiveness is claimed in the features of shape and/or configuration of a leading disc for a pool cleaner as illustrated in the accompanying representations.**



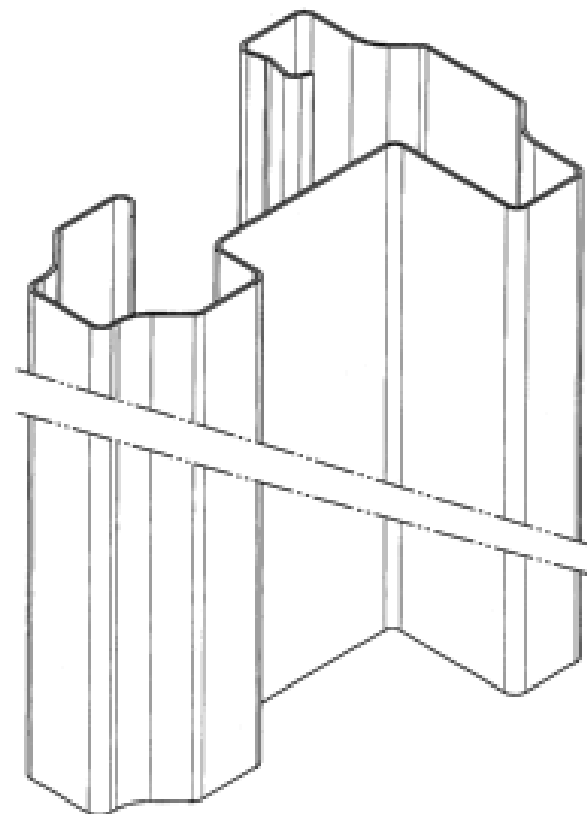
- (21) Design Number: **19915/2007**
(22) Date of Filing Application: **25 September 2007**
(24) Date from which industrial property rights may have effect: **25 September 2007**
(54) Product in respect of which the design is registered: **A flexible hose for a pool cleaner**
(51) International Design Classification: **15-05**
(71) Name(s) and Address(s) of Applicant(s):
Zodiac Pool Care Europe SAS
2 rue Maurice Mallet F-92130 Issy les Moulineaux France
(72) Name(s) of Designer(s): **Hendrikus Johannes van der Meijden and Michael Edward Moore**
(45) Registration Date: **15 January 2008**
(56) Related Art Documents: **Not Applicable**
(57) Statement of Newness and Distinctiveness: **Newness and distinctiveness is claimed in the features of shape and/or configuration of a flexible hose for a pool cleaner as illustrated in the accompanying representations.**



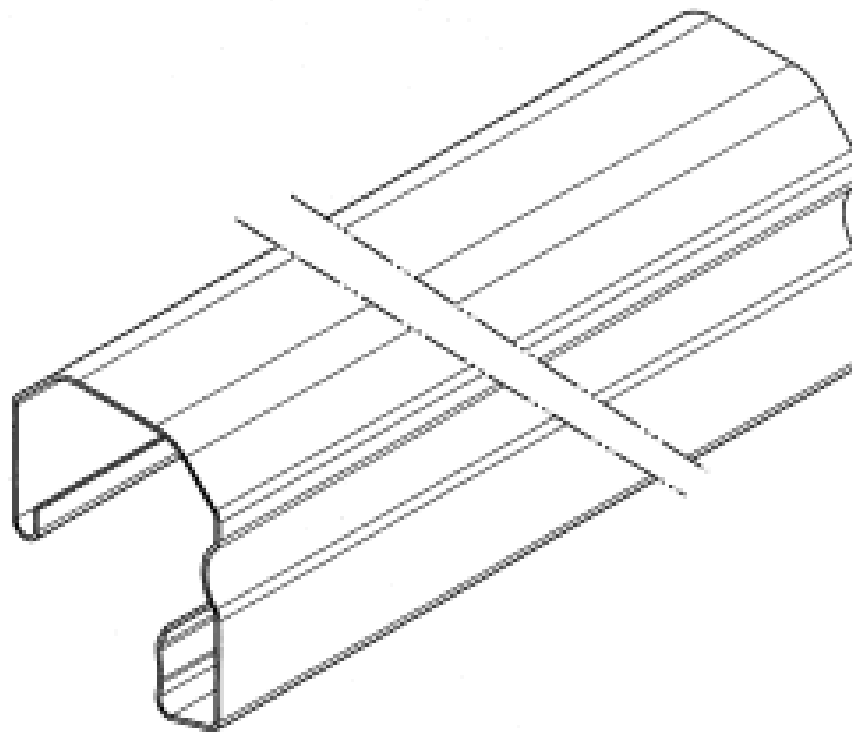
- (21) Design Number: **19916/2007**
(22) Date of Filing Application: **26 September 2007**
(24) Date from which industrial property rights may have effect: **26 September 2007**
(54) Product in respect of which the design is registered: **Hydraulic control valve**
(51) International Design Classification: **23-01G**
(71) Name(s) and Address(s) of Applicant(s):
Bermad CS Ltd
Kibbutz Evron 22808 Israel
(72) Name(s) of Designer(s): **Zvi Weingarten**
(45) Registration Date: **15 January 2008**
(56) Related Art Documents: **Not Applicable**
(57) Statement of Newness and Distinctiveness: **Those features of the hydraulic control valve depicted in the representations that are new and distinctive are the shape and/or configuration.**



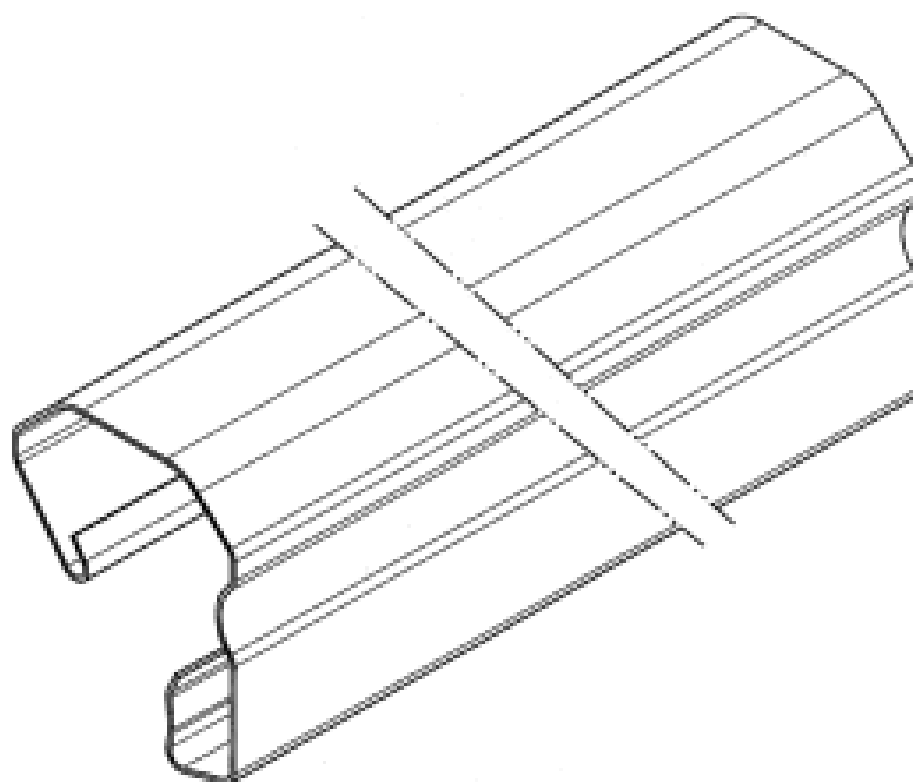
- (21) Design Number: **19917/2007**
(22) Date of Filing Application: **26 September 2007**
(24) Date from which industrial property rights may have effect: **26 September 2007**
(54) Product in respect of which the design is registered: **A construction member**
(51) International Design Classification: **25-01K**
(71) Name(s) and Address(s) of Applicant(s):
Stramit Corporation Pty Limited
Level 5 Tower A Zenith Centre 821 Pacific Highway Chatswood New South Wales 2067 Australia
(72) Name(s) of Designer(s): **Christopher Lee Healy and John Richard Bugh**
(45) Registration Date: **15 January 2008**
(56) Related Art Documents: **Not Applicable**
(57) Statement of Newness and Distinctiveness: **Those features of the construction member depicted in the representations that are new and distinctive are the shape and/or configuration.**



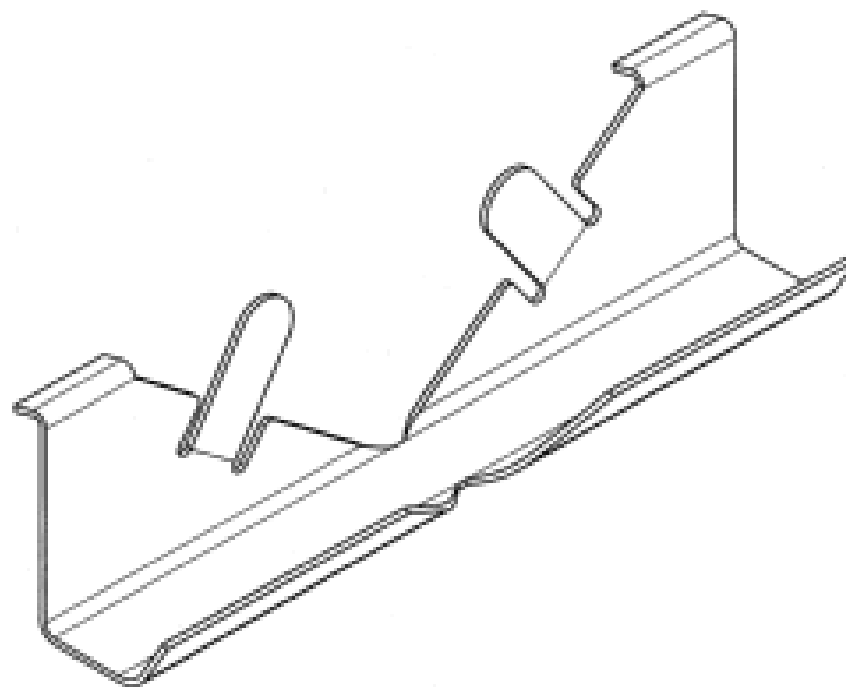
- (21) Design Number: **19918/2007**
(22) Date of Filing Application: **26 September 2007**
(24) Date from which industrial property rights may have effect: **26 September 2007**
(54) Product in respect of which the design is registered: **A construction member**
(51) International Design Classification: **25-01K**
(71) Name(s) and Address(s) of Applicant(s):
Stramit Corporation Pty Limited
Level 5 Tower A Zenith Centre 821 Pacific Highway Chatswood New
South Wales 2067 Australia
(72) Name(s) of Designer(s): **Christopher Lee Healy and John Richard Bugh**
(45) Registration Date: **15 January 2008**
(56) Related Art Documents: **Not Applicable**
(57) Statement of Newness and Distinctiveness: **Those features of the construction member depicted in the representations that are new and distinctive are the shape and/or configuration.**



- (21) Design Number: **19919/2007**
(22) Date of Filing Application: **26 September 2007**
(24) Date from which industrial property rights may have effect: **26 September 2007**
(54) Product in respect of which the design is registered: **A construction member**
(51) International Design Classification: **25-01K**
(71) Name(s) and Address(s) of Applicant(s):
Stramit Corporation Pty Limited
Level 5 Tower A Zenith Centre 821 Pacific Highway Chatswood New
South Wales 2067 Australia
(72) Name(s) of Designer(s): **Christopher Lee Healy and John Richard Bugh**
(45) Registration Date: **15 January 2008**
(56) Related Art Documents: **Not Applicable**
(57) Statement of Newness and Distinctiveness: **Those features of the construction member depicted in the representations that are new and distinctive are the shape and/or configuration.**



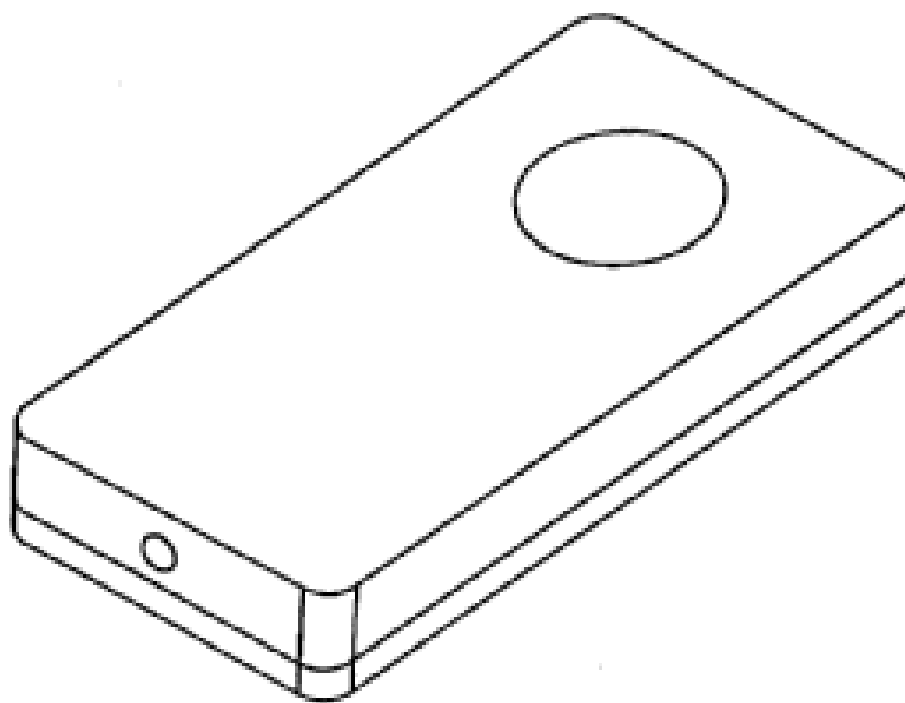
- (21) Design Number: **19920/2007**
(22) Date of Filing Application: **26 September 2007**
(24) Date from which industrial property rights may have effect: **26 September 2007**
(54) Product in respect of which the design is registered: **A construction member**
(51) International Design Classification: **25-01G**
(71) Name(s) and Address(s) of Applicant(s):
Stramit Corporation Pty Limited
Level 5 Tower A Zenith Centre 821 Pacific Highway Chatswood New
South Wales 2067 Australia
(72) Name(s) of Designer(s): **Christopher Lee Healy and John Richard Bugh**
(45) Registration Date: **15 January 2008**
(56) Related Art Documents: **Not Applicable**
(57) Statement of Newness and Distinctiveness: **Those features of the construction member depicted in the representations that are new and distinctive are the shape and/or configuration.**



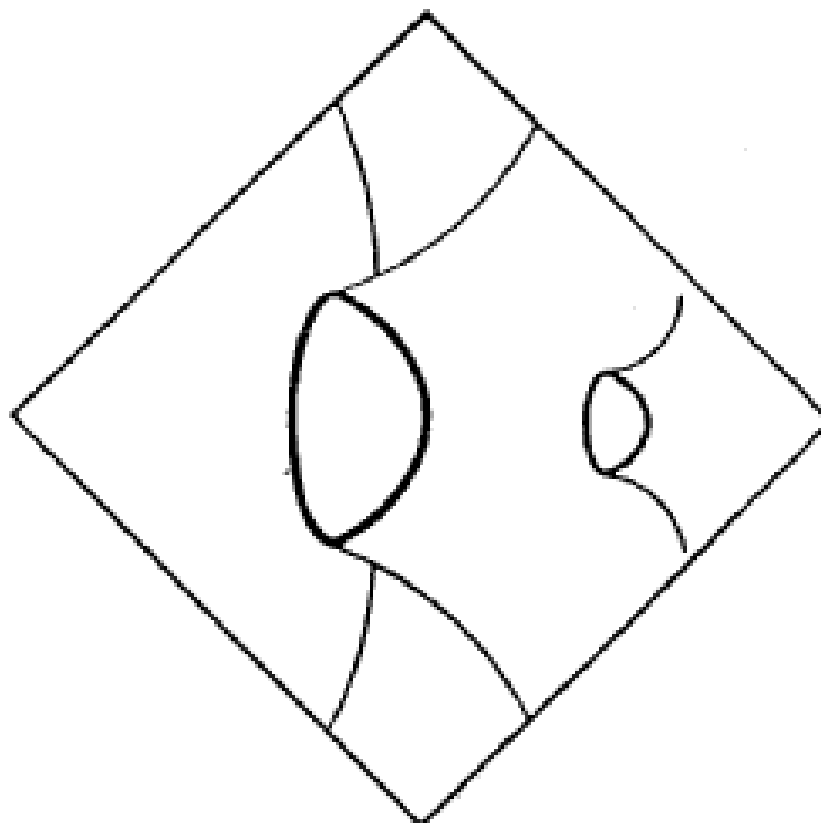
- (21) Design Number: **20288/2007**
(22) Date of Filing Application: **17 October 2007**
(24) Date from which industrial property rights may have effect: **17 October 2007**
(54) Product in respect of which the design is registered: **Light fitting**
(51) International Design Classification: **26-05D**
(71) Name(s) and Address(s) of Applicant(s):
Zumtobel Lighting GmbH & Co. KG
Grevenmarschstr. 74-78 32657 Lemgo Germany
(72) Name(s) of Designer(s): **Rashid Hani**
(45) Registration Date: **15 January 2008**
(30) Convention priority data:
(31) Number (32) Date (33) Country
000709 17 Apr 2007 EUROPEAN COMMUNITY
829-0001
(56) Related Art Documents: **Not Applicable**
(57) Statement of Newness and Distinctiveness: **Newness and distinctiveness is claimed in the features of shape and/or configuration of a light fitting as illustrated in the accompanying representations.**



- (21) Design Number: **20289/2007**
(22) Date of Filing Application: **17 October 2007**
(24) Date from which industrial property rights may have effect: **17 October 2007**
(54) Product in respect of which the design is registered: **Remote controller**
(51) International Design Classification: **14-03NES**
(71) Name(s) and Address(s) of Applicant(s):
Zumtobel Lighting GmbH & Co. KG
Grevenmarschstr. 74-78 32657 Lemgo Germany
(72) Name(s) of Designer(s): **James Irvine**
(45) Registration Date: **15 January 2008**
(30) Convention priority data:
(31) Number (32) Date (33) Country
000708 17 Apr 2007 EUROPEAN COMMUNITY
144-0001
(56) Related Art Documents: **Not Applicable**
(57) Statement of Newness and Distinctiveness: **Newness and distinctiveness is claimed in the features of shape and/or configuration of a remote controller as illustrated in the accompanying representations.**



- (21) Design Number: **20287/2007**
(22) Date of Filing Application: **17 October 2007**
(24) Date from which industrial property rights may have effect: **17 October 2007**
(54) Product in respect of which the design is registered: **Reflecting element for light fitting**
(51) International Design Classification: **26-05D**
(71) Name(s) and Address(s) of Applicant(s):
Zumtobel Lighting GmbH & Co. KG
Grevenmarschstr. 74-78 32657 Lemgo Germany
(72) Name(s) of Designer(s): **Rashid Hani**
(45) Registration Date: **15 January 2008**
(30) Convention priority data:
(31) Number (32) Date (33) Country
000709 17 Apr 2007 EUROPEAN COMMUNITY
829-0001
(56) Related Art Documents: **Not Applicable**
(57) Statement of Newness and Distinctiveness: **Newness and distinctiveness is claimed in the features of shape and/or configuration of a reflecting element for light fitting as illustrated in the accompanying representations.**



(21) Design Number: **20290/2007**
(22) Date of Filing Application: **17 October 2007**
(24) Date from which industrial property rights may have effect: **17 October 2007**
(54) Product in respect of which the design is registered: **Light fitting**
(51) International Design Classification: **26-05D**
(71) Name(s) and Address(s) of Applicant(s):

Zumtobel Lighting GmbH & Co. KG
Grevenmarschstr. 74-78 32657 Lemgo Germany

(72) Name(s) of Designer(s): **James Irvine**

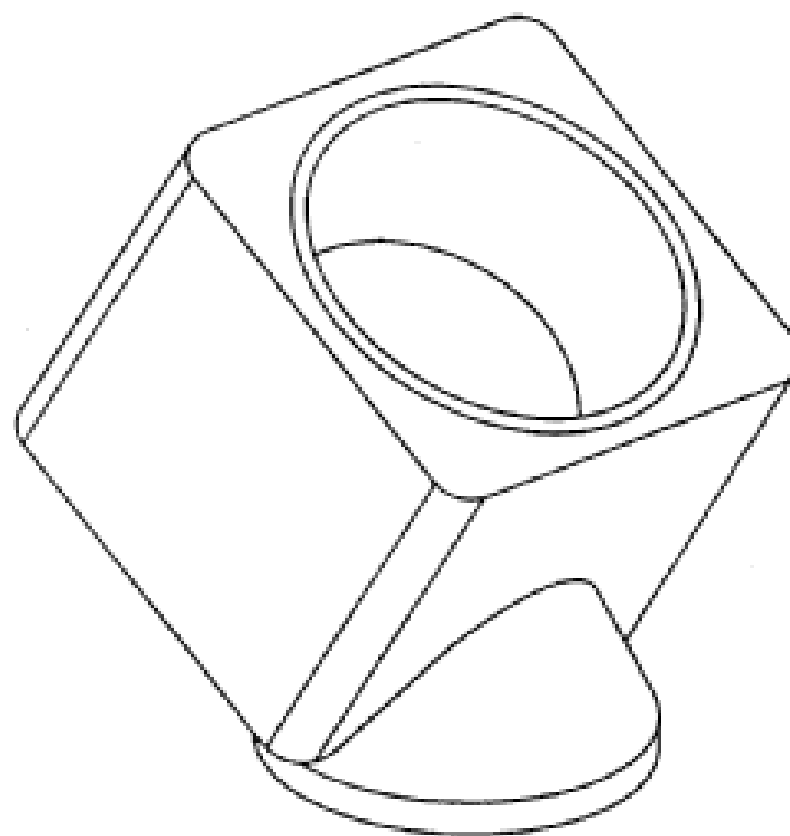
(45) Registration Date: **15 January 2008**

(30) Convention priority data:

(31) Number	(32) Date	(33) Country
000708	17 Apr 2007	EUROPEAN COMMUNITY
144-0001		

(56) Related Art Documents: **Not Applicable**

(57) Statement of Newness and Distinctiveness: **Newness and distinctiveness is claimed in the features of shape and/or configuration of a light fitting as illustrated in the accompanying representations.**



(21) Design Number: **20291/2007**
(22) Date of Filing Application: **17 October 2007**
(24) Date from which industrial property rights may have effect: **17 October 2007**
(54) Product in respect of which the design is registered: **Light fitting**
(51) International Design Classification: **26-05D**
(71) Name(s) and Address(s) of Applicant(s):

Zumtobel Lighting GmbH & Co. KG
Grevenmarschstr. 74-78 32657 Lemgo Germany

(72) Name(s) of Designer(s): **James Irvine**

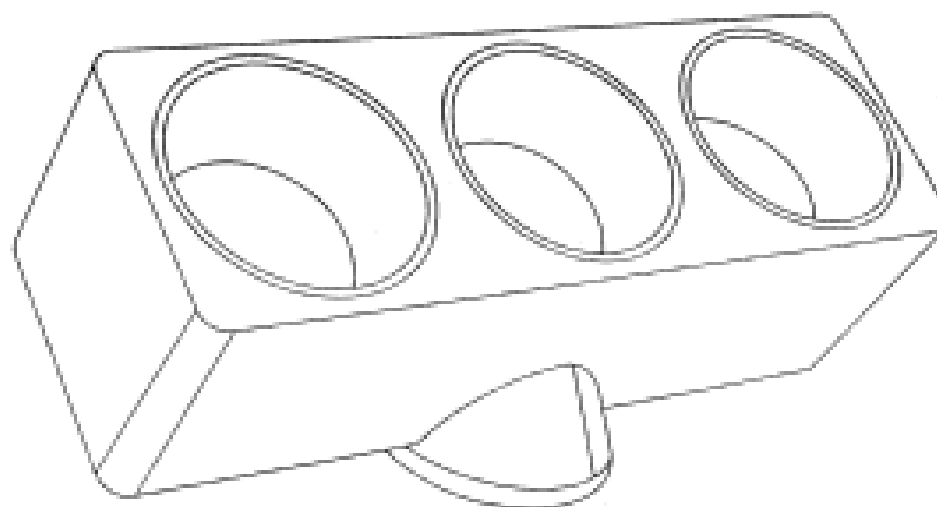
(45) Registration Date: **15 January 2008**

(30) Convention priority data:

(31) Number	(32) Date	(33) Country
000708	17 Apr 2007	EUROPEAN COMMUNITY
144-0001		

(56) Related Art Documents: **Not Applicable**

(57) Statement of Newness and Distinctiveness: **Newness and distinctiveness is claimed in the features of shape and/or configuration of a light fitting as illustrated in the accompanying representations.**



(21) Design Number: **20292/2007**

(22) Date of Filing Application: **17 October 2007**

(24) Date from which industrial property rights may have effect: **17 October 2007**

(54) Product in respect of which the design is registered: **Light fitting**

(51) International Design Classification: **26-05D**

(71) Name(s) and Address(s) of Applicant(s):

**Zumtobel Lighting GmbH & Co. KG
Grevenmarschstr. 74-78 32657 Lemgo Germany**

(72) Name(s) of Designer(s): **Rashid Hani**

(45) Registration Date: **15 January 2008**

(30) Convention priority data:

(31) Number	(32) Date	(33) Country
000709	17 Apr 2007	EUROPEAN COMMUNITY
829-0001		

(56) Related Art Documents: **Not Applicable**

(57) Statement of Newness and Distinctiveness: **Newness and distinctiveness is claimed in the features of shape and/or configuration of a light fitting as illustrated in the accompanying representations.**



(21) Design Number: **20384/2007**

(22) Date of Filing Application: **13 August 2007**

(24) Date from which industrial property rights may have effect: **13 August 2007**

(54) Product in respect of which the design is registered: **A seat**

(51) International Design Classification: **06-01C**

(71) Name(s) and Address(s) of Applicant(s):

**Ferfor, S.A.
La Guardiola, 1, Avinyonet Del Penedes, 08793 Barcelona, Spain**

(72) Name(s) of Designer(s): **Nicolau Cruz Dani and Matas Casademont Lluís**

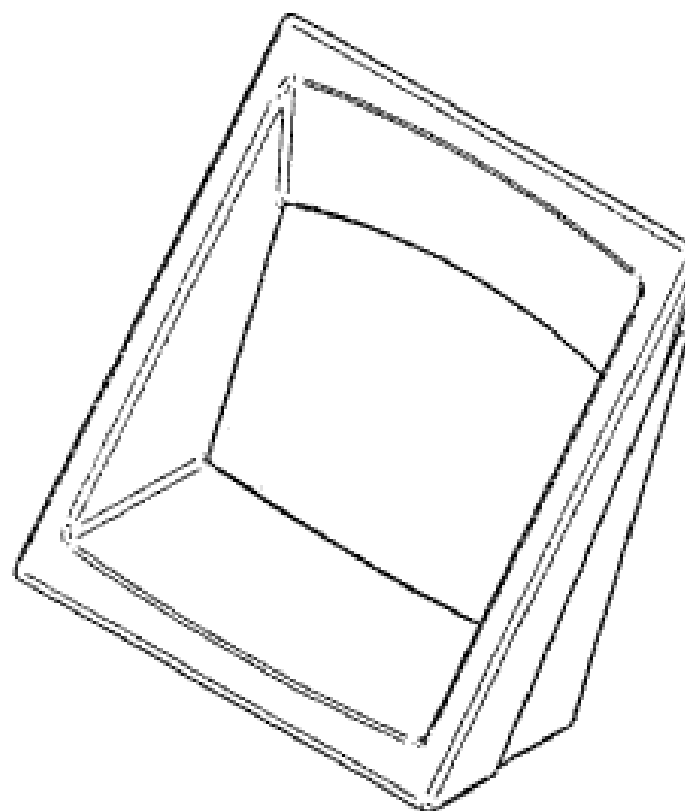
(45) Registration Date: **15 January 2008**

(30) Convention priority data:

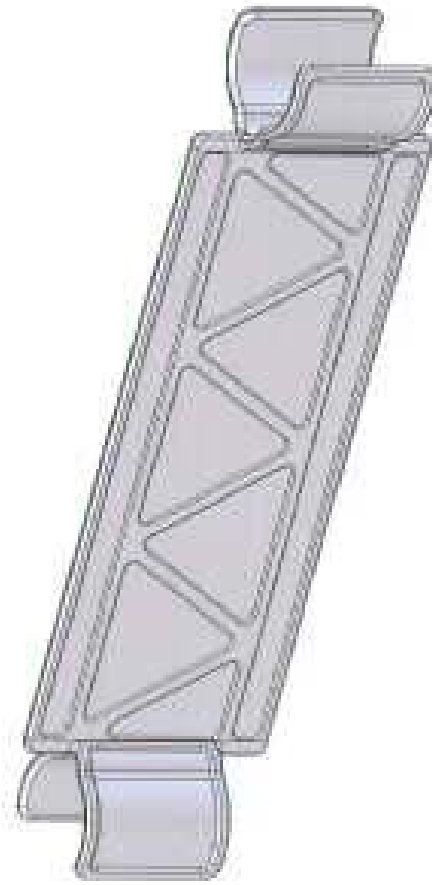
(31) Number	(32) Date	(33) Country
000739214-0003	13 Jun 2007	EUROPEAN COMMUNITY

(56) Related Art Documents: **Not Applicable**

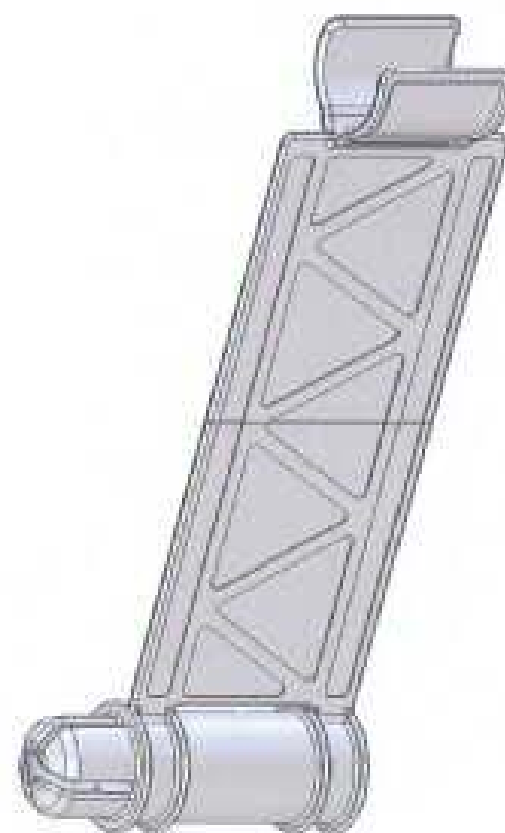
(57) Statement of Newness and Distinctiveness: **Newness and distinctiveness in the design as applied to a seat reside in the shape and configuration thereof as illustrated in the accompanying representations.**



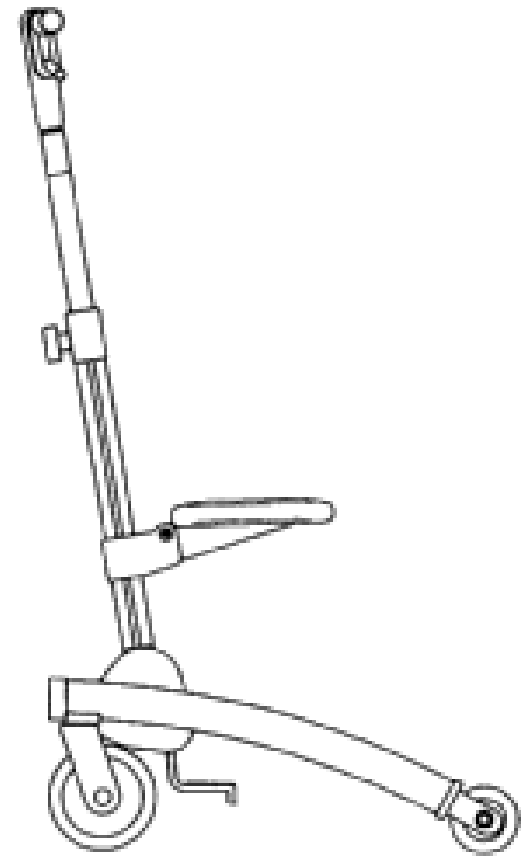
(21) Design Number: **19927/2007**
(22) Date of Filing Application: **26 September 2007**
(24) Date from which industrial property rights may have effect: **26 September 2007**
(54) Product in respect of which the design is registered: **A toy**
(51) International Design Classification: **21-01NES**
(71) Name(s) and Address(s) of Applicant(s):
Andrew McDougall
2/170 Oxford Street Collingwood Victoria 3066 Australia
(72) Name(s) of Designer(s): **Andrew McDougall**
(45) Registration Date: **16 January 2008**
(56) Related Art Documents: **Not Applicable**
(57) Statement of Newness and Distinctiveness: **Nil**



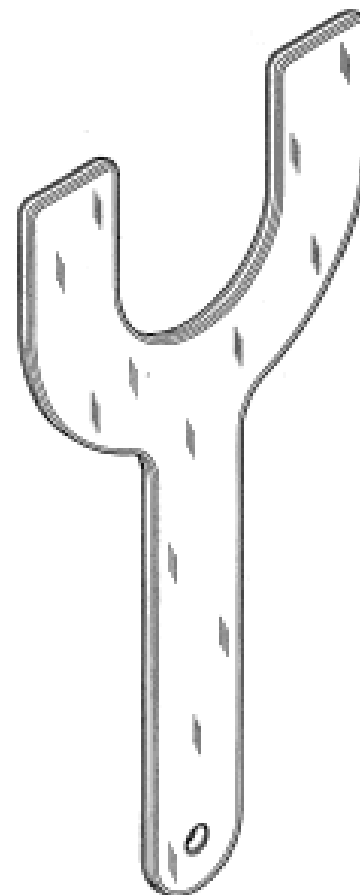
(21) Design Number: **19928/2007**
(22) Date of Filing Application: **26 September 2007**
(24) Date from which industrial property rights may have effect: **26 September 2007**
(54) Product in respect of which the design is registered: **A toy**
(51) International Design Classification: **21-01NES**
(71) Name(s) and Address(s) of Applicant(s):
Andrew McDougall
2/170 Oxford Street Collingwood Victoria 3066 Australia
(72) Name(s) of Designer(s): **Andrew McDougall**
(45) Registration Date: **16 January 2008**
(56) Related Art Documents: **Not Applicable**
(57) Statement of Newness and Distinctiveness: **Nil**



- (21) Design Number: **19930/2007**
(22) Date of Filing Application: **26 September 2007**
(24) Date from which industrial property rights may have effect: **26 September 2007**
(54) Product in respect of which the design is registered: **Rolling walker**
(51) International Design Classification: **12-12**
(71) Name(s) and Address(s) of Applicant(s):
Takano Co., Ltd.
137 Miyada-mura Kamiina-gun Nagano Japan
(72) Name(s) of Designer(s): **Chihiro Shimodaira and Taketo Yamamoto and Otohiko Tatebe**
(45) Registration Date: **16 January 2008**
(30) Convention priority data:
(31) Number (32) Date (33) Country
2007-7783 27 Mar 2007 JAPAN
(56) Related Art Documents: **Not Applicable**
(57) Statement of Newness and Distinctiveness: **Newness and distinctiveness is claimed in the features of shape and/or configuration of a rolling walker as illustrated in the accompanying representations.**



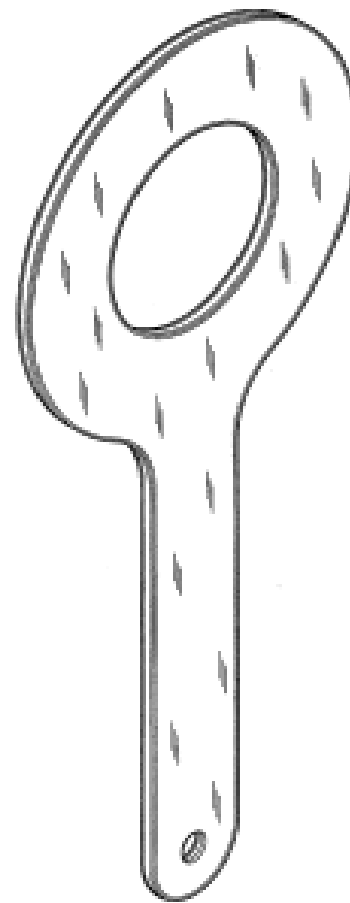
- (21) Design Number: **19931/2007**
(22) Date of Filing Application: **26 September 2007**
(24) Date from which industrial property rights may have effect: **26 September 2007**
(54) Product in respect of which the design is registered: **Paint roller cleaner**
(51) International Design Classification: **08-05L**
(71) Name(s) and Address(s) of Applicant(s):
Con Moulos
1 Garling Place Barden Ridge New South Wales 2234 Australia
(72) Name(s) of Designer(s): **Con Moulos**
(45) Registration Date: **16 January 2008**
(56) Related Art Documents: **Not Applicable**
(57) Statement of Newness and Distinctiveness: **Nil**



- (21) Design Number: **19932/2007**
(22) Date of Filing Application: **26 September 2007**
(24) Date from which industrial property rights may have effect: **26 September 2007**
(54) Product in respect of which the design is registered: **Paint roller cleaner**
(51) International Design Classification: **08-05L**
(71) Name(s) and Address(s) of Applicant(s):

Con Moulos
1 Garling Place Barden Ridge New South Wales 2234 Australia

- (72) Name(s) of Designer(s): **Con Moulos**
(45) Registration Date: **16 January 2008**
(56) Related Art Documents: **Not Applicable**
(57) Statement of Newness and Distinctiveness: **Nil**

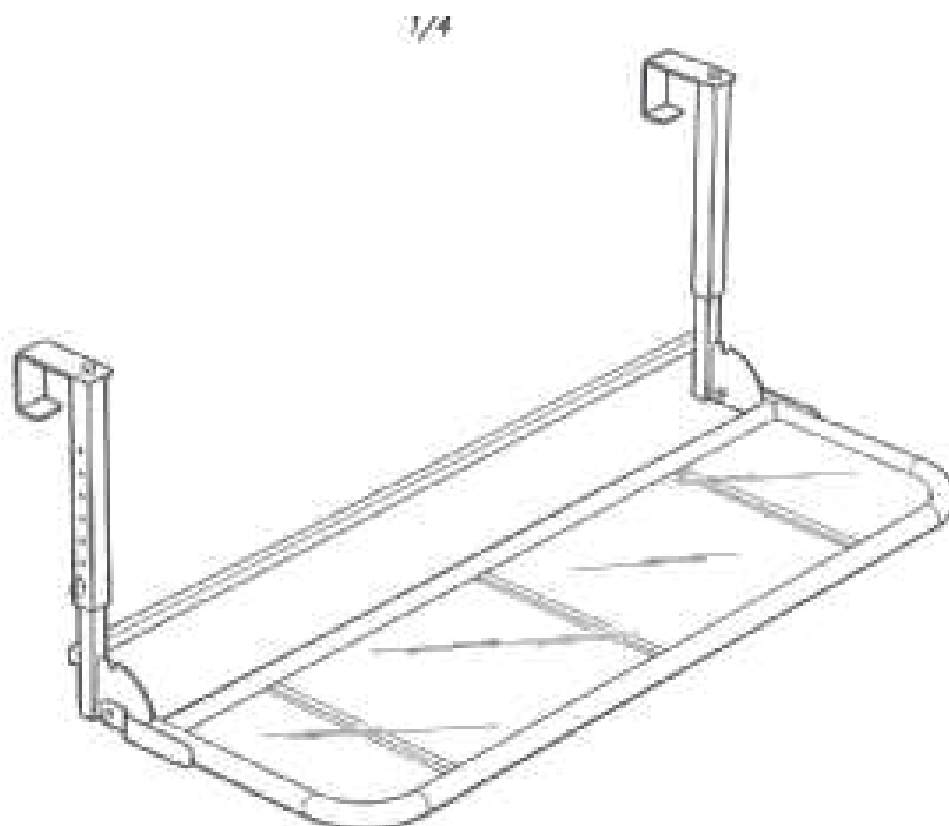


- (21) Design Number: **19933/2007**
(22) Date of Filing Application: **26 September 2007**
(24) Date from which industrial property rights may have effect: **26 September 2007**
(54) Product in respect of which the design is registered: **Balustrade table**
(51) International Design Classification: **06-03NES**
(71) Name(s) and Address(s) of Applicant(s):

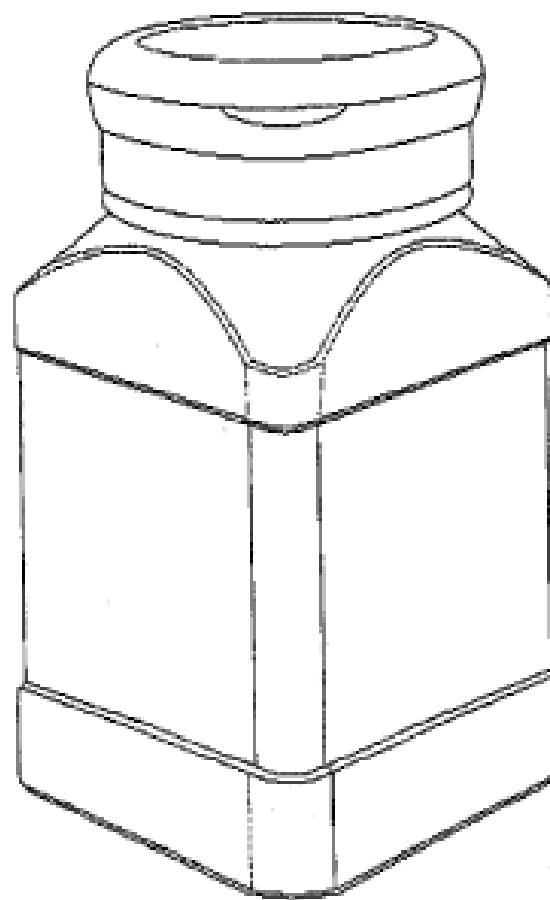
Graham Holt
37 Jillico Avenue Tallangatta Victoria 3700 Australia

Roger Holt
37 Hill Street Weston New South Wales 2326 Australia

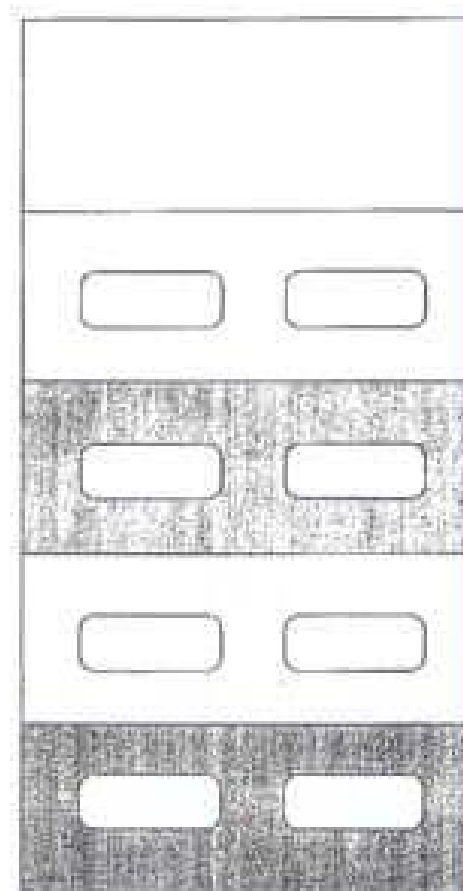
- (72) Name(s) of Designer(s): **Graham Holt**
(45) Registration Date: **16 January 2008**
(56) Related Art Documents: **Not Applicable**
(57) Statement of Newness and Distinctiveness: **Newness and distinctiveness is claimed in the features of shape and/or configuration of a balustrade table as illustrated in the accompanying representations.**



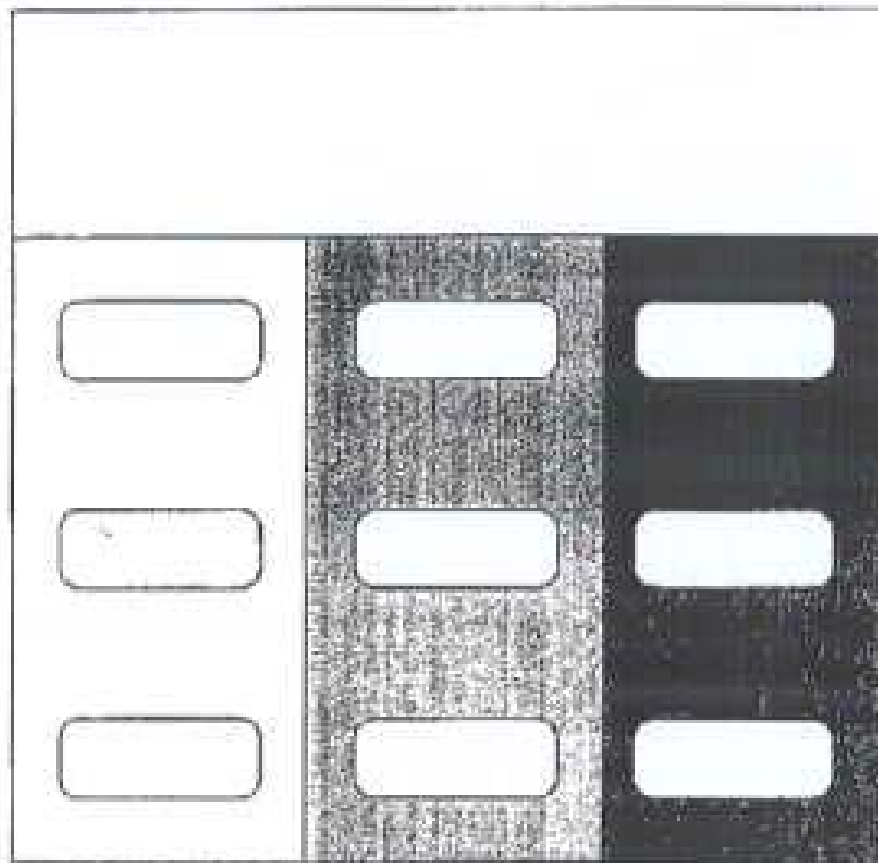
(21) Design Number: **19937/2007**
(22) Date of Filing Application: **27 September 2007**
(24) Date from which industrial property rights may have effect: **27 September 2007**
(54) Product in respect of which the design is registered: **Jars**
(51) International Design Classification: **09-01C**
(71) Name(s) and Address(s) of Applicant(s):
Anchor Foods Pty Ltd
148 Carrington Street O'Connor Western Australia 6163 Australia
(72) Name(s) of Designer(s): **Steve Boros**
(45) Registration Date: **16 January 2008**
(56) Related Art Documents: **Not Applicable**
(57) Statement of Newness and Distinctiveness: **Nil**



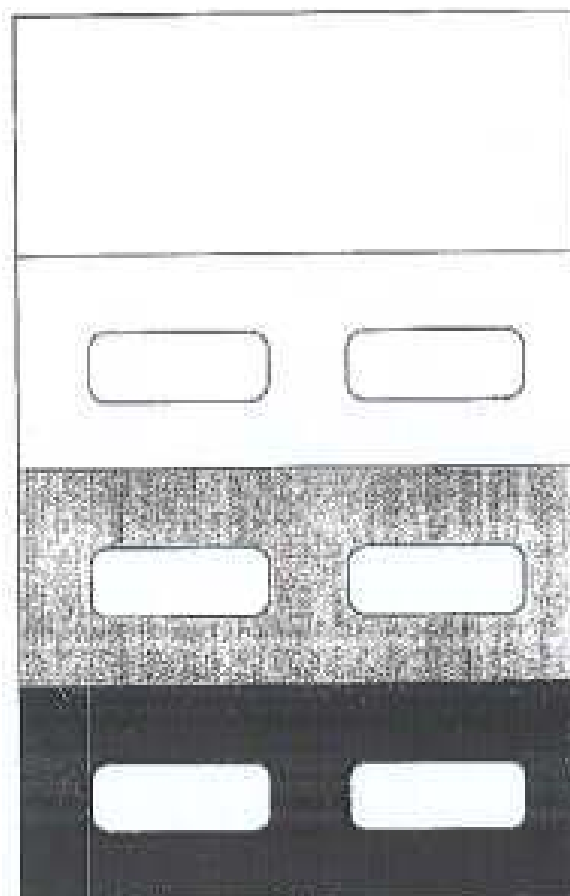
(21) Design Number: **19938/2007**
(22) Date of Filing Application: **27 September 2007**
(24) Date from which industrial property rights may have effect: **27 September 2007**
(54) Product in respect of which the design is registered: **Dispensing device**
(51) International Design Classification: **09-05**
(71) Name(s) and Address(s) of Applicant(s):
The Procter & Gamble Company
One Procter & Gamble Plaza Cincinnati Ohio 45202 United States of America
(72) Name(s) of Designer(s): **Mary Elaine Freeland and Debra Kay Williams**
(45) Registration Date: **16 January 2008**
(30) Convention priority data:
(31) Number (32) Date (33) Country
29/285,309 27 Mar 2007 UNITED STATES OF AMERICA
(56) Related Art Documents: **Not Applicable**
(57) Statement of Newness and Distinctiveness: **Newness and distinctiveness reside in the features of shape and/or configuration of the dispensing device, as shown in the representations.**



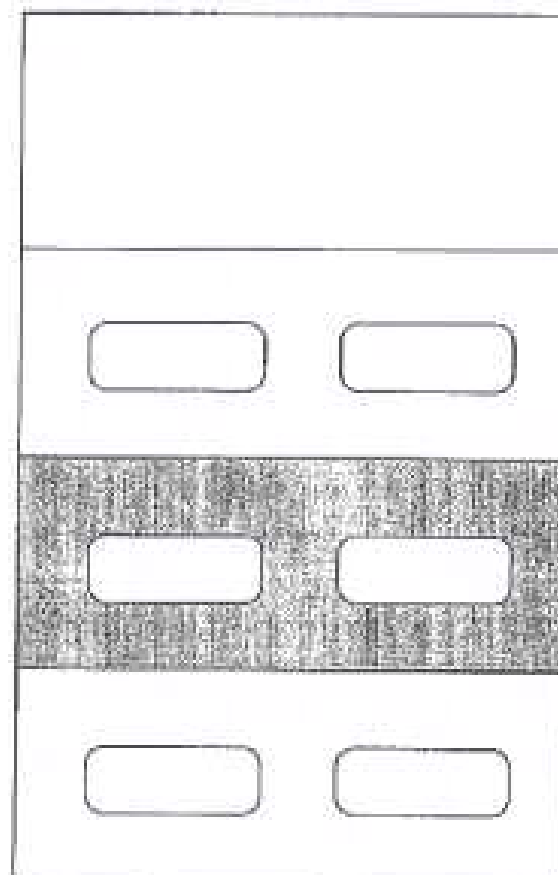
(21) Design Number: **19939/2007**
(22) Date of Filing Application: **27 September 2007**
(24) Date from which industrial property rights may have effect: **27 September 2007**
(54) Product in respect of which the design is registered: **Dispensing device**
(51) International Design Classification: **09-05**
(71) Name(s) and Address(s) of Applicant(s):
The Procter & Gamble Company
One Procter & Gamble Plaza Cincinnati Ohio 45202 United States of America
(72) Name(s) of Designer(s): **Mary Elaine Freeland and Debra Kay Williams**
(45) Registration Date: **16 January 2008**
(30) Convention priority data:
(31) Number (32) Date (33) Country
29/285,309 27 Mar 2007 UNITED STATES OF AMERICA
(56) Related Art Documents: **Not Applicable**
(57) Statement of Newness and Distinctiveness: **Newness and distinctiveness reside in the features of shape and/or configuration of the dispensing device, as shown in the representations.**



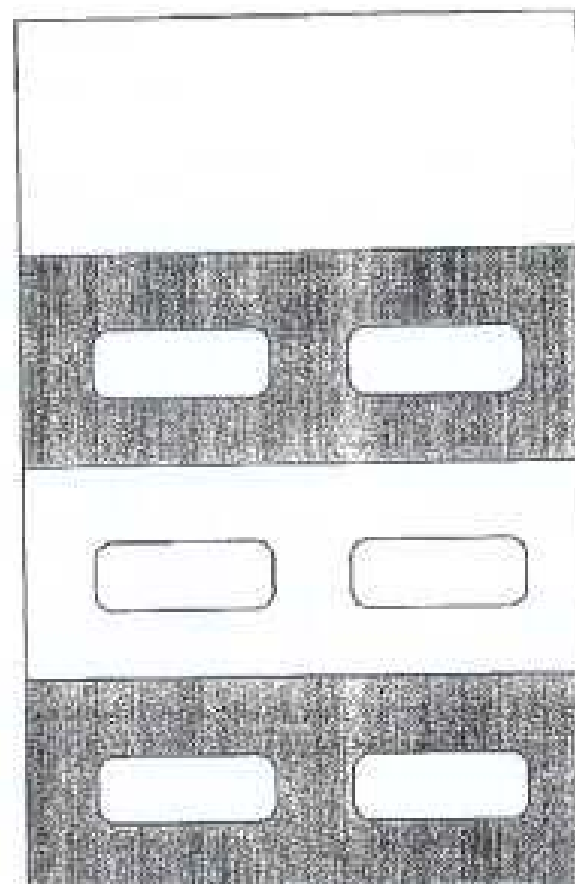
(21) Design Number: **19940/2007**
(22) Date of Filing Application: **27 September 2007**
(24) Date from which industrial property rights may have effect: **27 September 2007**
(54) Product in respect of which the design is registered: **Dispensing device**
(51) International Design Classification: **09-05**
(71) Name(s) and Address(s) of Applicant(s):
The Procter & Gamble Company
One Procter & Gamble Plaza Cincinnati Ohio 45202 United States of America
(72) Name(s) of Designer(s): **Mary Elaine Freeland and Debra Kay Williams**
(45) Registration Date: **16 January 2008**
(30) Convention priority data:
(31) Number (32) Date (33) Country
29/285,309 27 Mar 2007 UNITED STATES OF AMERICA
(56) Related Art Documents: **Not Applicable**
(57) Statement of Newness and Distinctiveness: **Newness and distinctiveness reside in the features of shape and/or configuration of the dispensing device, as shown in the representations.**



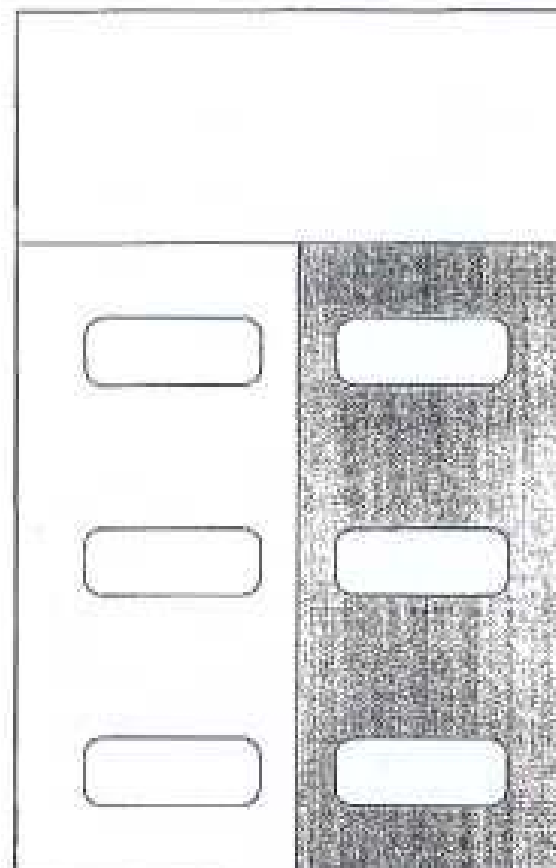
(21) Design Number: **19941/2007**
(22) Date of Filing Application: **27 September 2007**
(24) Date from which industrial property rights may have effect: **27 September 2007**
(54) Product in respect of which the design is registered: **Dispensing device**
(51) International Design Classification: **09-05**
(71) Name(s) and Address(s) of Applicant(s):
The Procter & Gamble Company
One Procter & Gamble Plaza Cincinnati Ohio 45202 United States of America
(72) Name(s) of Designer(s): **Mary Elaine Freeland and Debra Kay Williams**
(45) Registration Date: **16 January 2008**
(30) Convention priority data:
(31) Number (32) Date (33) Country
29/285,331 27 Mar 2007 UNITED STATES OF AMERICA
(56) Related Art Documents: **Not Applicable**
(57) Statement of Newness and Distinctiveness: **Nil**



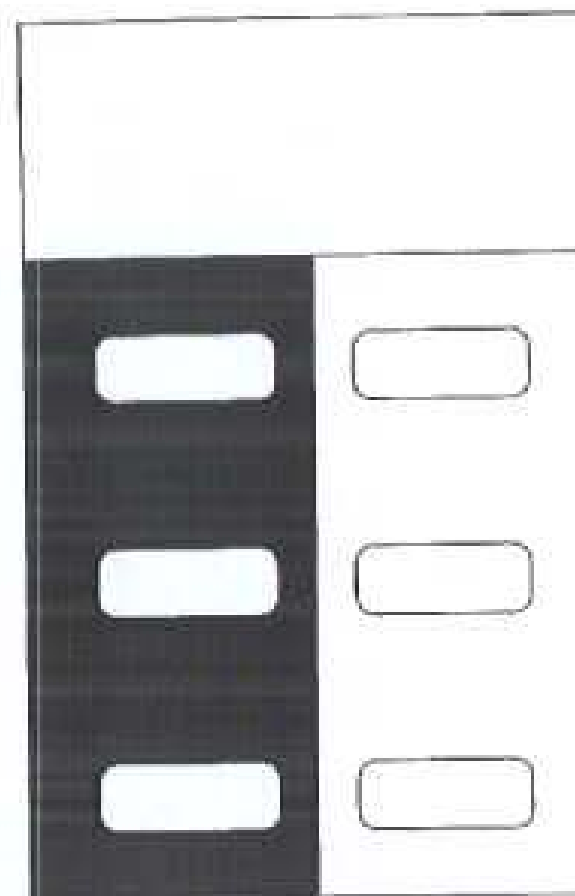
(21) Design Number: **19942/2007**
(22) Date of Filing Application: **27 September 2007**
(24) Date from which industrial property rights may have effect: **27 September 2007**
(54) Product in respect of which the design is registered: **Dispensing device**
(51) International Design Classification: **09-05**
(71) Name(s) and Address(s) of Applicant(s):
The Procter & Gamble Company
One Procter & Gamble Plaza Cincinnati Ohio 45202 United States of America
(72) Name(s) of Designer(s): **Mary Elaine Freeland and Debra Kay Williams**
(45) Registration Date: **16 January 2008**
(30) Convention priority data:
(31) Number (32) Date (33) Country
29/285,331 27 Mar 2007 UNITED STATES OF AMERICA
(56) Related Art Documents: **Not Applicable**
(57) Statement of Newness and Distinctiveness: **Nil**



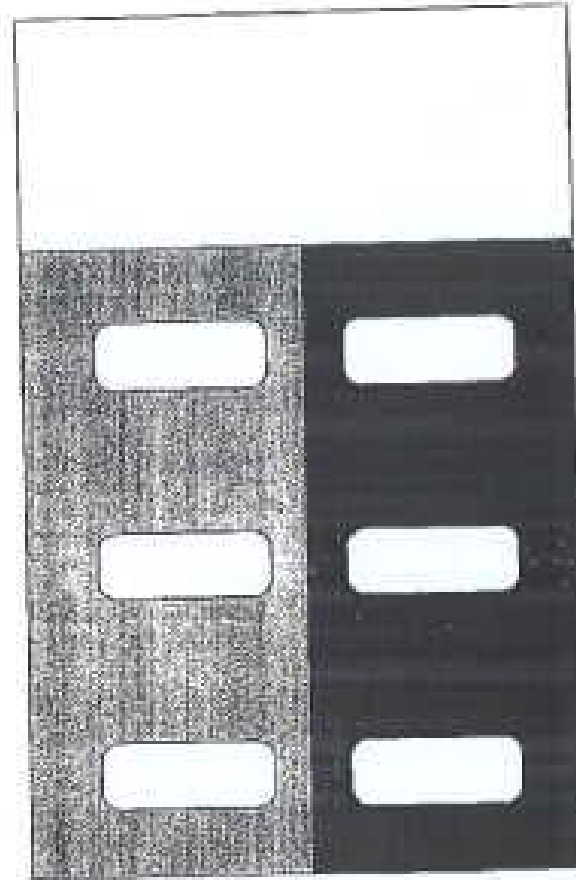
(21) Design Number: **19943/2007**
(22) Date of Filing Application: **27 September 2007**
(24) Date from which industrial property rights may have effect: **27 September 2007**
(54) Product in respect of which the design is registered: **Dispensing device**
(51) International Design Classification: **09-05**
(71) Name(s) and Address(s) of Applicant(s):
The Procter & Gamble Company
One Procter & Gamble Plaza Cincinnati Ohio 45202 United States of America
(72) Name(s) of Designer(s): **Mary Elaine Freeland and Debra Kay Williams**
(45) Registration Date: **16 January 2008**
(30) Convention priority data:
(31) Number (32) Date (33) Country
29/285,331 27 Mar 2007 UNITED STATES OF AMERICA
(56) Related Art Documents: **Not Applicable**
(57) Statement of Newness and Distinctiveness: **Nil**



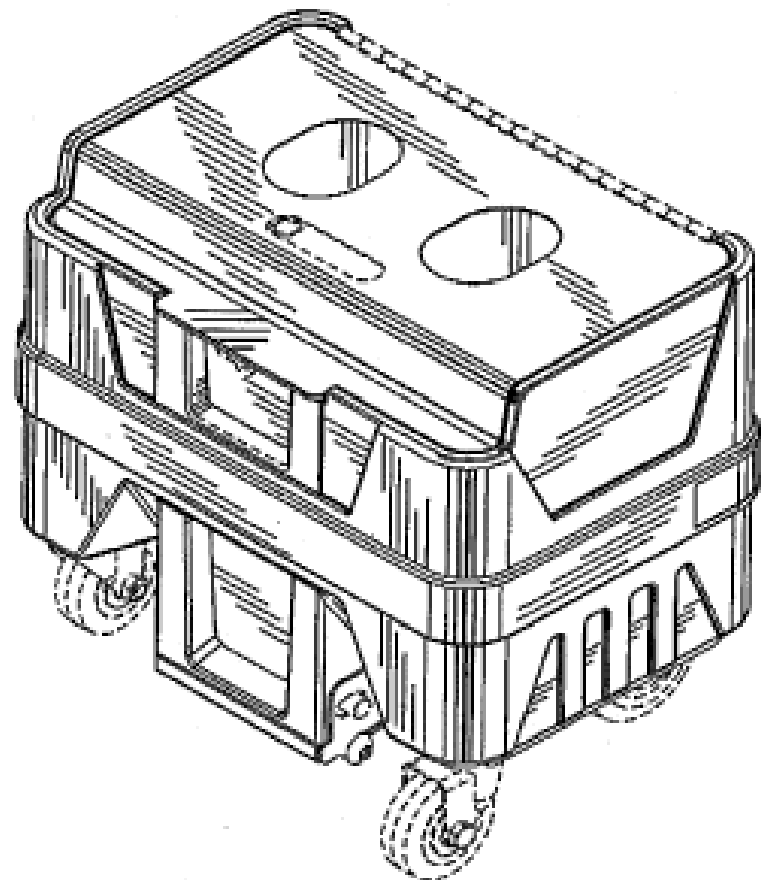
(21) Design Number: **19944/2007**
(22) Date of Filing Application: **27 September 2007**
(24) Date from which industrial property rights may have effect: **27 September 2007**
(54) Product in respect of which the design is registered: **Dispensing device**
(51) International Design Classification: **09-05**
(71) Name(s) and Address(s) of Applicant(s):
The Procter & Gamble Company
One Procter & Gamble Plaza Cincinnati Ohio 45202 United States of America
(72) Name(s) of Designer(s): **Mary Elaine Freeland and Debra Kay Williams**
(45) Registration Date: **16 January 2008**
(30) Convention priority data:
(31) Number (32) Date (33) Country
29/285,331 27 Mar 2007 UNITED STATES OF AMERICA
(56) Related Art Documents: **Not Applicable**
(57) Statement of Newness and Distinctiveness: **Nil**



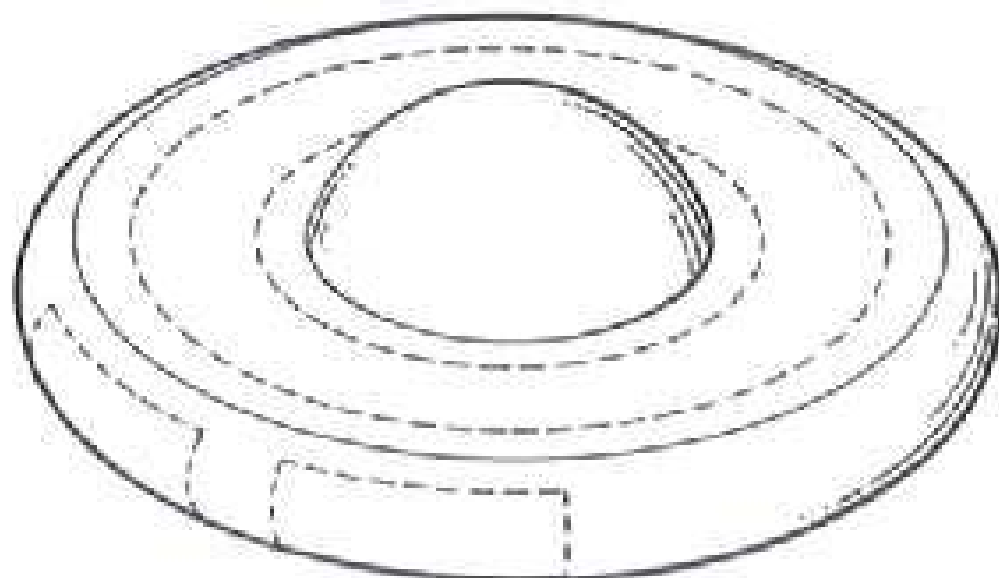
(21) Design Number: **19945/2007**
(22) Date of Filing Application: **27 September 2007**
(24) Date from which industrial property rights may have effect: **27 September 2007**
(54) Product in respect of which the design is registered: **Dispensing device**
(51) International Design Classification: **09-05**
(71) Name(s) and Address(s) of Applicant(s):
The Procter & Gamble Company
One Procter & Gamble Plaza Cincinnati Ohio 45202 United States of America
(72) Name(s) of Designer(s): **Mary Elaine Freeland and Debra Kay Williams**
(45) Registration Date: **16 January 2008**
(30) Convention priority data:
(31) Number (32) Date (33) Country
29/285,331 27 Mar 2007 UNITED STATES OF AMERICA
(56) Related Art Documents: **Not Applicable**
(57) Statement of Newness and Distinctiveness: **Nil**



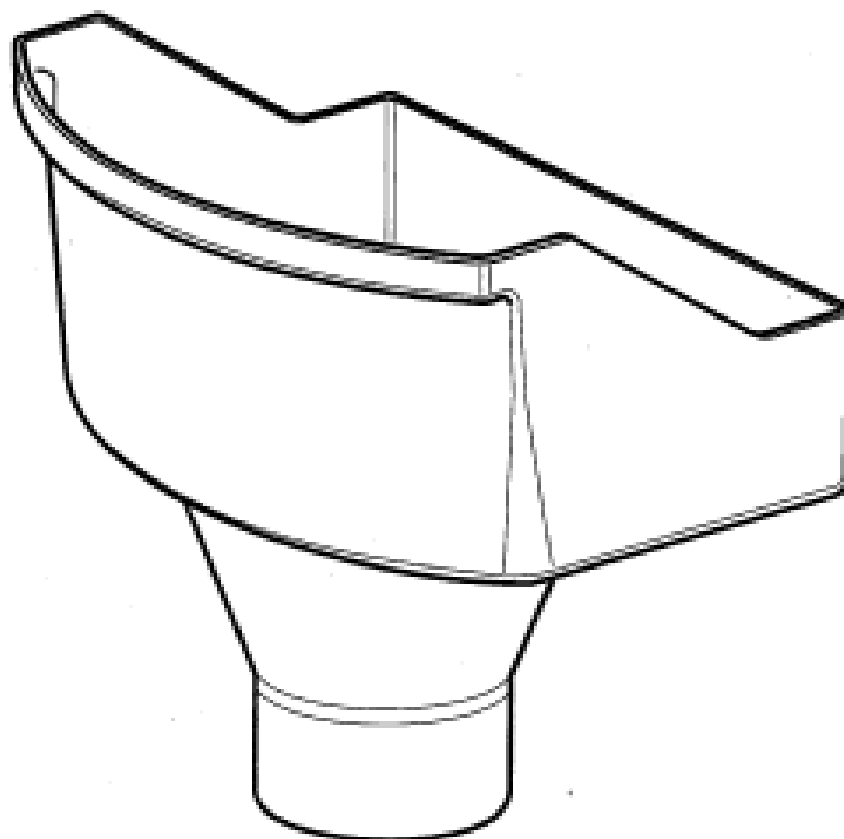
(21) Design Number: **19946/2007**
(22) Date of Filing Application: **26 September 2007**
(24) Date from which industrial property rights may have effect: **26 September 2007**
(54) Product in respect of which the design is registered: **Coin bin**
(51) International Design Classification: **19-02**
(71) Name(s) and Address(s) of Applicant(s):
De La Rue Cash Systems, Inc.
705 South 12th Street PO Box 200 Watertown WI 53094 United States of America
(72) Name(s) of Designer(s): **Robert E. Gunst and Jesse Cotterman and Lisa Howard**
(45) Registration Date: **16 January 2008**
(30) Convention priority data:
(31) Number (32) Date (33) Country
29/286,590 11 May 2007 UNITED STATES OF AMERICA
(56) Related Art Documents: **Not Applicable**
(57) Statement of Newness and Distinctiveness: **Nil**



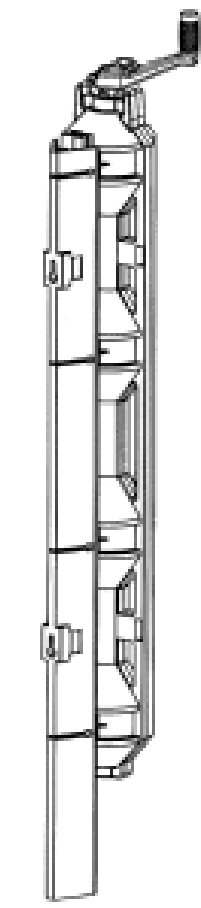
- (21) Design Number: **19947/2007**
(22) Date of Filing Application: **27 September 2007**
(24) Date from which industrial property rights may have effect: **27 September 2007**
(54) Product in respect of which the design is registered: **A hand-held input device for a computer**
(51) International Design Classification: **14-02**
(71) Name(s) and Address(s) of Applicant(s):
David Johnston
PO Box 484 Bega New South Wales 2550 Australia
(72) Name(s) of Designer(s): **David Johnston**
(45) Registration Date: **16 January 2008**
(56) Related Art Documents: **Not Applicable**
(57) Statement of Newness and Distinctiveness: **The particular visual features of the input device that are to be regarded as new and distinctive are indicated by the features in solid lines in the accompanying representations. The features shown by dashed lines in the accompanying representations are to be disregarded when construing visual features of the design.**



- (21) Design Number: **19958/2007**
(22) Date of Filing Application: **27 September 2007**
(24) Date from which industrial property rights may have effect: **27 September 2007**
(54) Product in respect of which the design is registered: **Rainhead**
(51) International Design Classification: **23-01E**
(71) Name(s) and Address(s) of Applicant(s):
Garry Ewen
C/- 13 Sandra Place Welshpool Western Australia 6106 Australia
(72) Name(s) of Designer(s): **Garry Ewen**
(45) Registration Date: **16 January 2008**
(56) Related Art Documents: **Not Applicable**
(57) Statement of Newness and Distinctiveness: **Nil**



- (21) Design Number: **19959/2007**
- (22) Date of Filing Application: **27 September 2007**
- (24) Date from which industrial property rights may have effect: **27 September 2007**
- (54) Product in respect of which the design is registered: **Retractable fence**
- (51) International Design Classification: **25-02C**
- (71) Name(s) and Address(s) of Applicant(s):
Retract-A-Fence Pty Ltd
Section 1388 Wiles Firetrack Wistow South Australia 5251 Australia
- (72) Name(s) of Designer(s): **Steven John Goeby and Garry Keith Fiebig**
- (45) Registration Date: **16 January 2008**
- (56) Related Art Documents: **Not Applicable**
- (57) Statement of Newness and Distinctiveness: **Newness and distinctiveness is claimed in the features of shape and/or configuration of a retractable fence as illustrated in the accompanying representations.**



- (21) Design Number: **19962/2007**
- (22) Date of Filing Application: **27 September 2007**
- (24) Date from which industrial property rights may have effect: **27 September 2007**
- (54) Product in respect of which the design is registered: **Loudspeaker**
- (51) International Design Classification: **14-01**
- (71) Name(s) and Address(s) of Applicant(s):
B & W Group Ltd
Dale Road Worthing West Sussex BN11 2BH United Kingdom
- (72) Name(s) of Designer(s): **Morten Villiers Warren and Marcus Andrew Hoggarth and Paul Thomas Harris**
- (45) Registration Date: **16 January 2008**
- (30) Convention priority data:

(31) Number	(32) Date	(33) Country
705678	05 Apr 2007	EUROPEAN COMMUNITY
- (56) Related Art Documents: **Not Applicable**
- (57) Statement of Newness and Distinctiveness: **Newness and distinctiveness reside in the features of the design as shown in the representations.**



(21) Design Number: **19964/2007**
(22) Date of Filing Application: **27 September 2007**
(24) Date from which industrial property rights may have effect: **27 September 2007**
(54) Product in respect of which the design is registered: **Operating/display panel**
(51) International Design Classification: **13-03NES**
(71) Name(s) and Address(s) of Applicant(s):

Inventio AG
Seestrasse 55 Ch-6052 Hergiswil Switzerland

(72) Name(s) of Designer(s): **Daniela Corti and Guido Gilli**

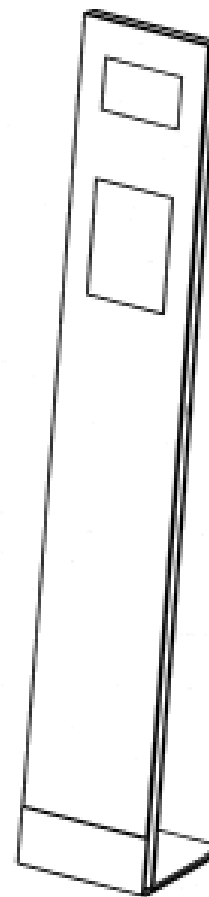
(45) Registration Date: **16 January 2008**

(30) Convention priority data:

(31) Number	(32) Date	(33) Country
133956	11 Apr 2007	SWITZERLAND

(56) Related Art Documents: **Not Applicable**

(57) Statement of Newness and Distinctiveness: **Nil**



(21) Design Number: **19965/2007**
(22) Date of Filing Application: **27 September 2007**
(24) Date from which industrial property rights may have effect: **27 September 2007**
(54) Product in respect of which the design is registered: **Operating/display panel**
(51) International Design Classification: **13-03NES**
(71) Name(s) and Address(s) of Applicant(s):

Inventio AG
Seestrasse 55 Ch-6052 Hergiswil Switzerland

(72) Name(s) of Designer(s): **Daniela Corti and Guido Gilli**

(45) Registration Date: **16 January 2008**

(30) Convention priority data:

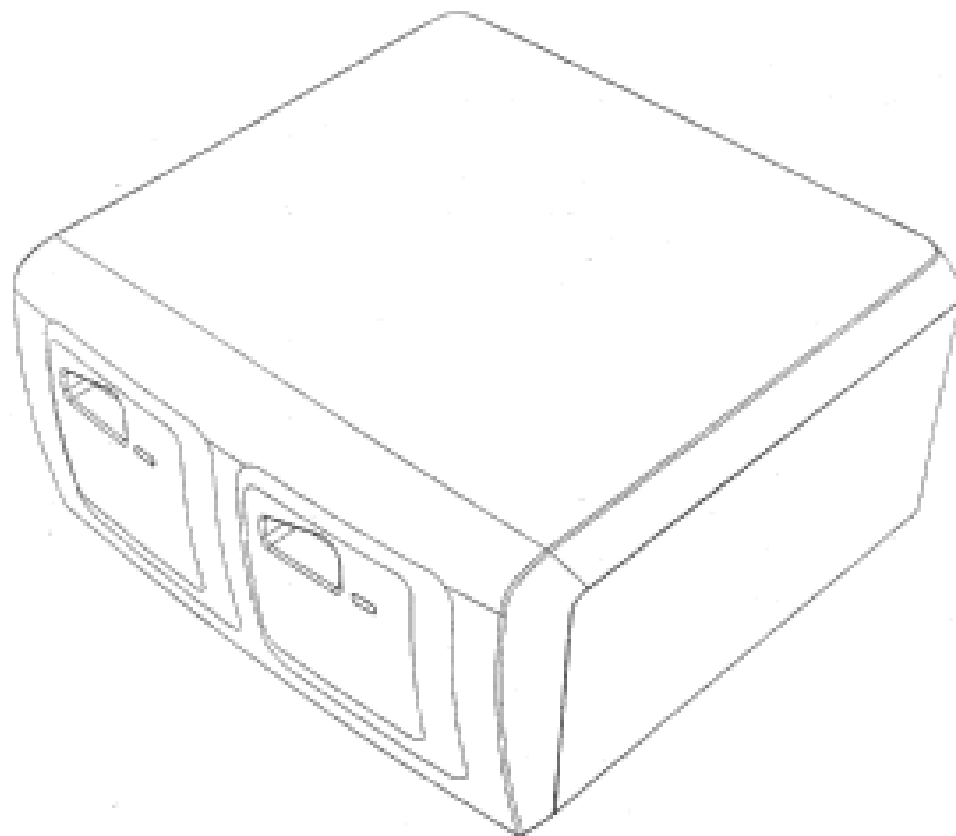
(31) Number	(32) Date	(33) Country
133956	11 Apr 2007	SWITZERLAND

(56) Related Art Documents: **Not Applicable**

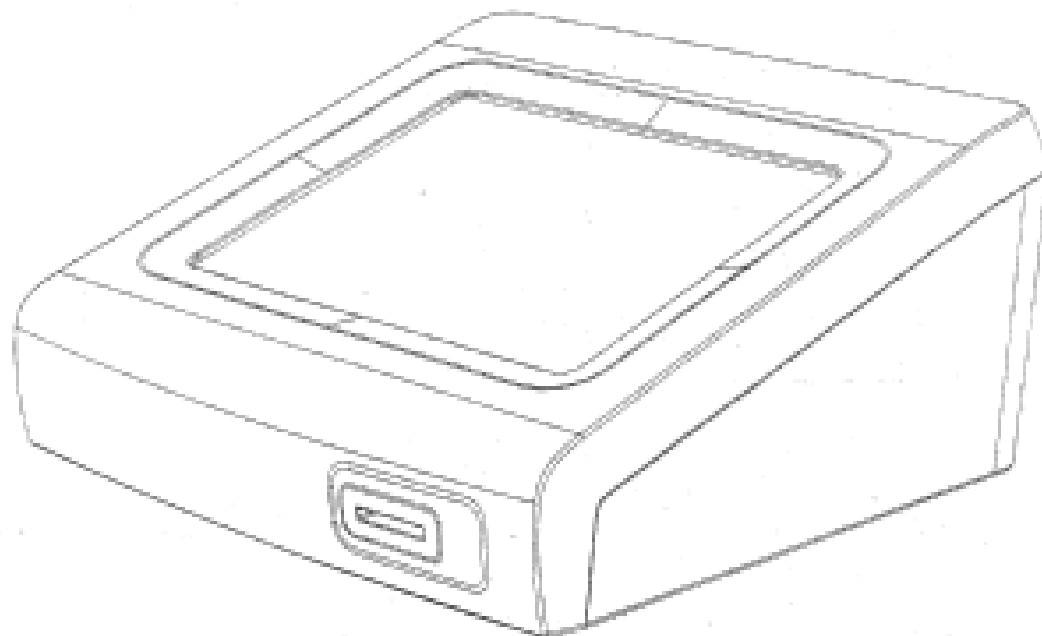
(57) Statement of Newness and Distinctiveness: **Nil**



(21) Design Number: **19966/2007**
(22) Date of Filing Application: **27 September 2007**
(24) Date from which industrial property rights may have effect: **27 September 2007**
(54) Product in respect of which the design is registered: **A reader housing**
(51) International Design Classification: **24-01**
(71) Name(s) and Address(s) of Applicant(s):
Response Biomedical Corporation
100-8900 Glenlyon Parkway Burnaby B.C. V5J 5J8 Canada
(72) Name(s) of Designer(s): **Robert Johnston and David Kwan-Kit Orr**
(45) Registration Date: **16 January 2008**
(30) Convention priority data:
(31) Number (32) Date (33) Country
29285426 29 Mar 2007 UNITED STATES OF AMERICA
(56) Related Art Documents: **Not Applicable**
(57) Statement of Newness and Distinctiveness: **Nil**



(21) Design Number: **19967/2007**
(22) Date of Filing Application: **27 September 2007**
(24) Date from which industrial property rights may have effect: **27 September 2007**
(54) Product in respect of which the design is registered: **A controller housing**
(51) International Design Classification: **24-01**
(71) Name(s) and Address(s) of Applicant(s):
Response Biomedical Corporation
100-8900 Glenlyon Parkway Burnaby B.C. V5J 5J8 Canada
(72) Name(s) of Designer(s): **Robert Johnston and David Kwan-Kit Orr**
(45) Registration Date: **16 January 2008**
(30) Convention priority data:
(31) Number (32) Date (33) Country
29285432 29 Mar 2007 UNITED STATES OF AMERICA
(56) Related Art Documents: **Not Applicable**
(57) Statement of Newness and Distinctiveness: **Nil**



- (21) Design Number: **20011/2007**
(22) Date of Filing Application: **28 September 2007**
(24) Date from which industrial property rights may have effect: **28 September 2007**
(54) Product in respect of which the design is registered: **Multidose inhaler**
(51) International Design Classification: **24-04**
(71) Name(s) and Address(s) of Applicant(s):

Cipla Limited
289 Bellasis Road Mumbai Central Mumbai Maharashtra 400 008 India

(72) Name(s) of Designer(s): **Amar Lulla and Xerxes Rao**

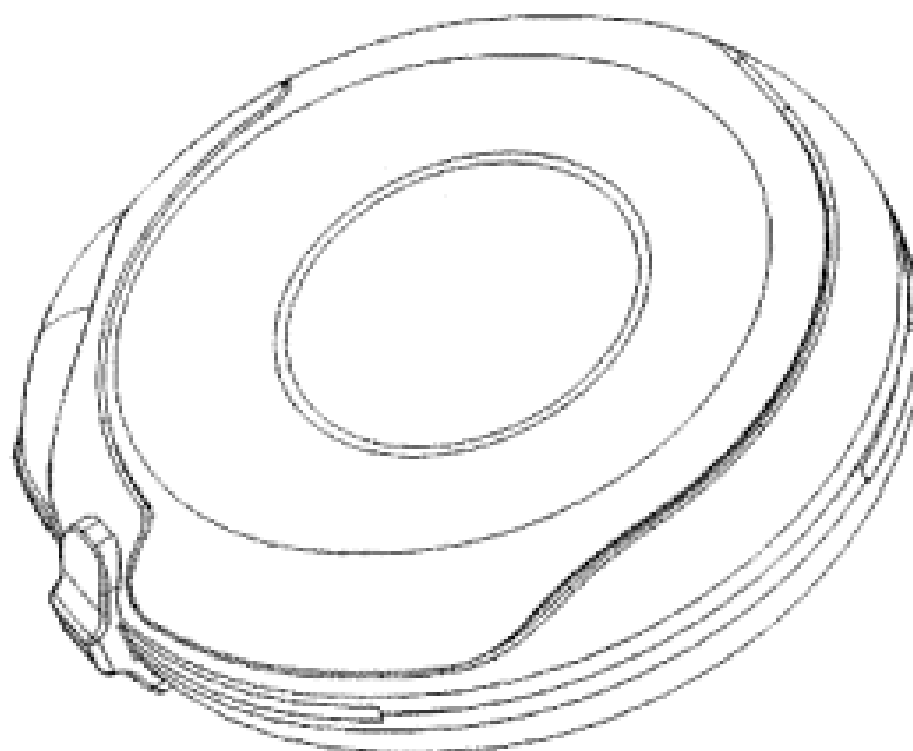
(45) Registration Date: **16 January 2008**

(30) Convention priority data:

(31) Number	(32) Date	(33) Country
209117	28 Mar 2007	INDIA

(56) Related Art Documents: **Not Applicable**

(57) Statement of Newness and Distinctiveness: **Newness and distinctiveness is claimed in the features of shape and/or configuration of a multidose inhaler as illustrated in the accompanying representations.**



- (21) Design Number: **18519/2007**
(22) Date of Filing Application: **20 June 2007**
(24) Date from which industrial property rights may have effect: **20 June 2007**
(54) Product in respect of which the design is registered: **A caravan body**
(51) International Design Classification: **12-10**
(71) Name(s) and Address(s) of Applicant(s):

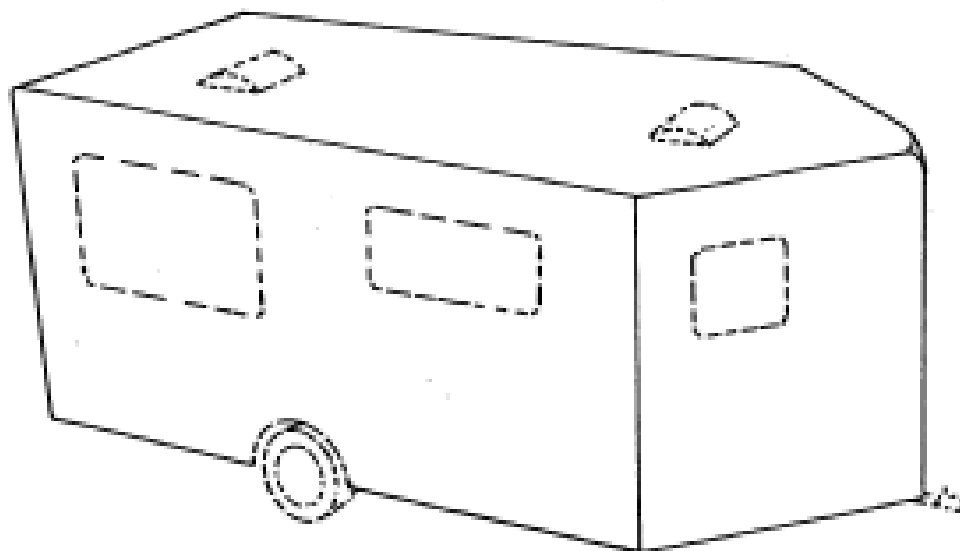
Colin Robert MacLean
17 Kamholtz Court Ashmore Queensland 4214 Australia

(72) Name(s) of Designer(s): **Colin Robert MacLean**

(45) Registration Date: **16 January 2008**

(56) Related Art Documents: **Not Applicable**

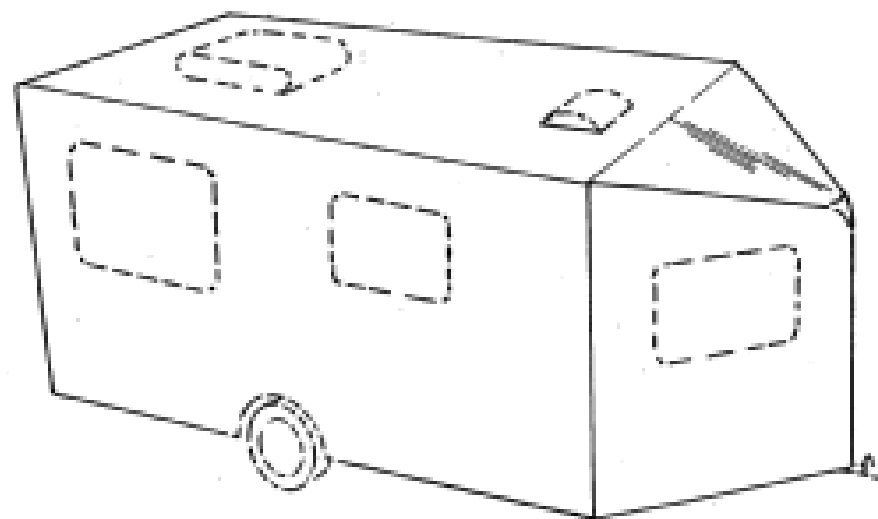
(57) Statement of Newness and Distinctiveness: **The newness and distinctiveness of the design resides in the features of shape and/or configuration of the caravan body shown in the accompanying representations.**



- (21) Design Number: **18520/2007**
(22) Date of Filing Application: **20 June 2007**
(24) Date from which industrial property rights may have effect: **20 June 2007**
(54) Product in respect of which the design is registered: **A caravan body**
(51) International Design Classification: **12-10**
(71) Name(s) and Address(s) of Applicant(s):

Colin Robert MacLean
17 Kamholtz Court Ashmore Queensland 4214 Australia

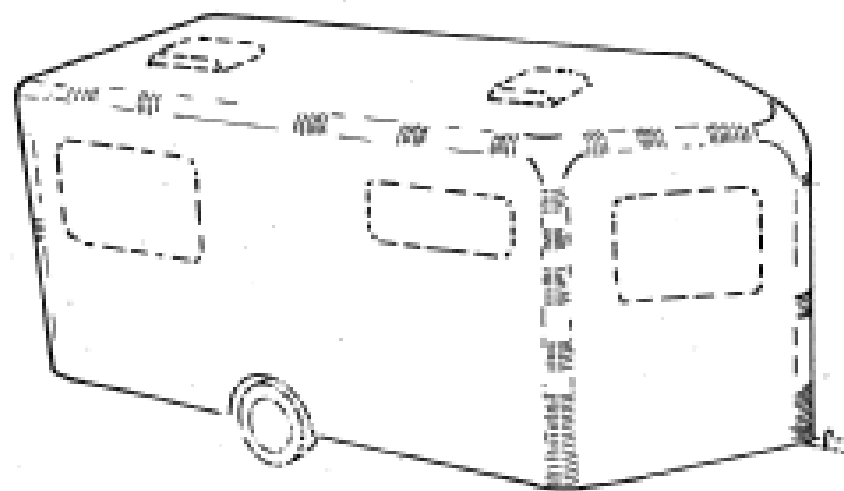
- (72) Name(s) of Designer(s): **Colin Robert MacLean**
(45) Registration Date: **16 January 2008**
(56) Related Art Documents: **Not Applicable**
(57) Statement of Newness and Distinctiveness: **The newness and distinctiveness of the design resides in the features of shape and/or configuration of the caravan body shown in the accompanying representations.**



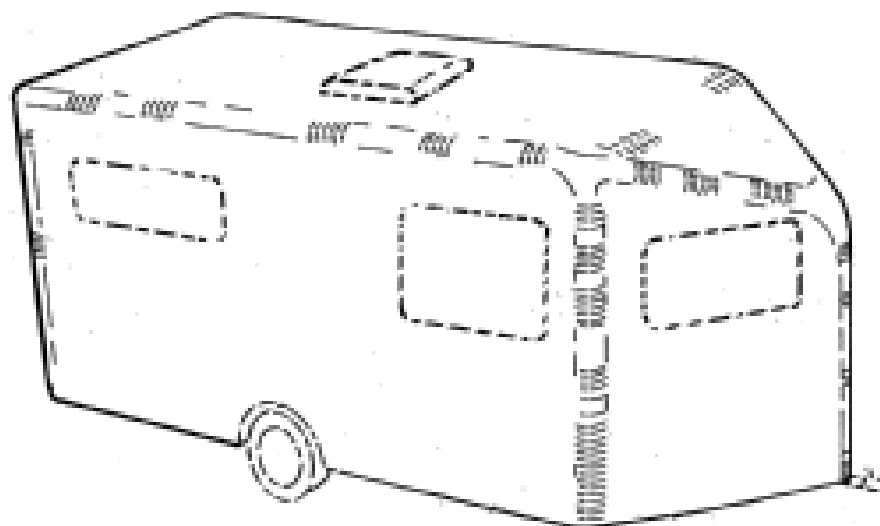
- (21) Design Number: **18521/2007**
(22) Date of Filing Application: **20 June 2007**
(24) Date from which industrial property rights may have effect: **20 June 2007**
(54) Product in respect of which the design is registered: **A caravan body**
(51) International Design Classification: **12-10**
(71) Name(s) and Address(s) of Applicant(s):

Colin Robert MacLean
17 Kamholtz Court Ashmore Queensland 4214 Australia

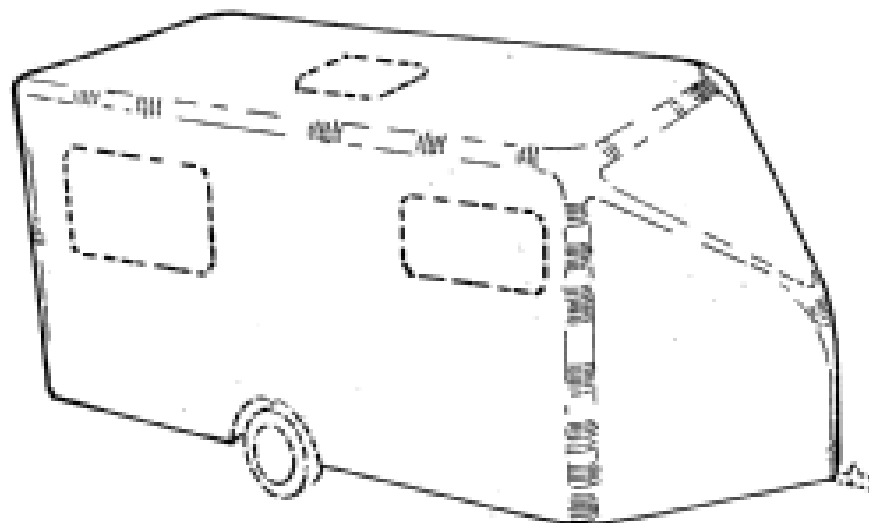
- (72) Name(s) of Designer(s): **Colin Robert MacLean**
(45) Registration Date: **16 January 2008**
(56) Related Art Documents: **Not Applicable**
(57) Statement of Newness and Distinctiveness: **The newness and distinctiveness of the design resides in the features of shape and/or configuration of the caravan body shown in the accompanying representations.**



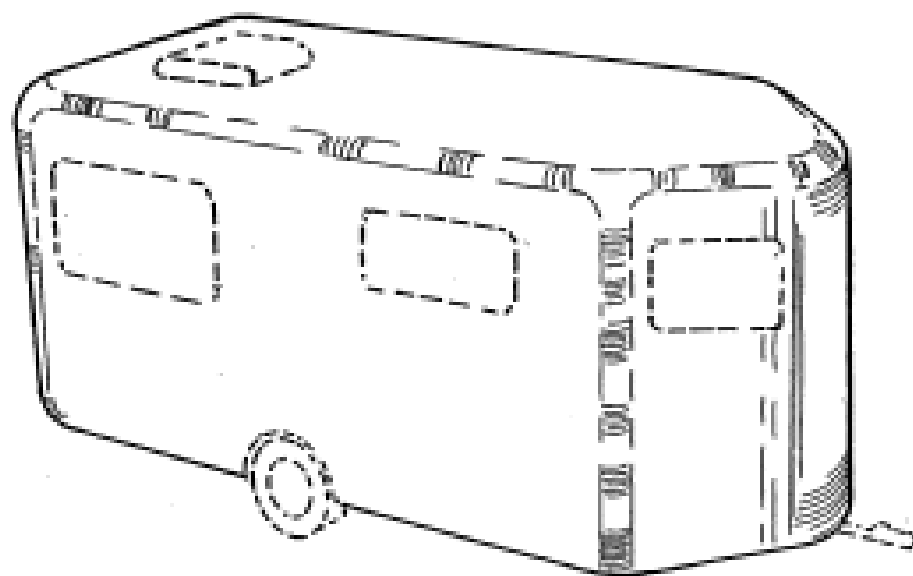
- (21) Design Number: **18522/2007**
(22) Date of Filing Application: **20 June 2007**
(24) Date from which industrial property rights may have effect: **20 June 2007**
(54) Product in respect of which the design is registered: **A caravan body**
(51) International Design Classification: **12-10**
(71) Name(s) and Address(s) of Applicant(s):
Colin Robert MacLean
17 Kamholtz Court Ashmore Queensland 4214 Australia
(72) Name(s) of Designer(s): **Colin Robert MacLean**
(45) Registration Date: **16 January 2008**
(56) Related Art Documents: **Not Applicable**
(57) Statement of Newness and Distinctiveness: **The newness and distinctiveness of the design resides in the features of shape and/or configuration of the caravan body shown in the accompanying representations.**



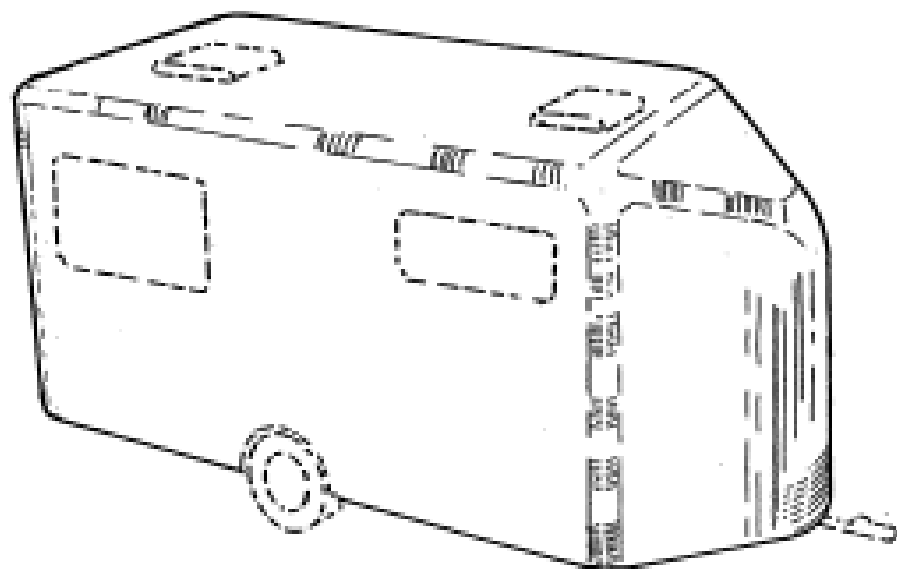
- (21) Design Number: **18523/2007**
(22) Date of Filing Application: **20 June 2007**
(24) Date from which industrial property rights may have effect: **20 June 2007**
(54) Product in respect of which the design is registered: **A caravan body**
(51) International Design Classification: **12-10**
(71) Name(s) and Address(s) of Applicant(s):
Colin Robert MacLean
17 Kamholtz Court Ashmore Queensland 4214 Australia
(72) Name(s) of Designer(s): **Colin Robert MacLean**
(45) Registration Date: **16 January 2008**
(56) Related Art Documents: **Not Applicable**
(57) Statement of Newness and Distinctiveness: **The newness and distinctiveness of the design resides in the features of shape and/or configuration shown in the accompanying representations.**



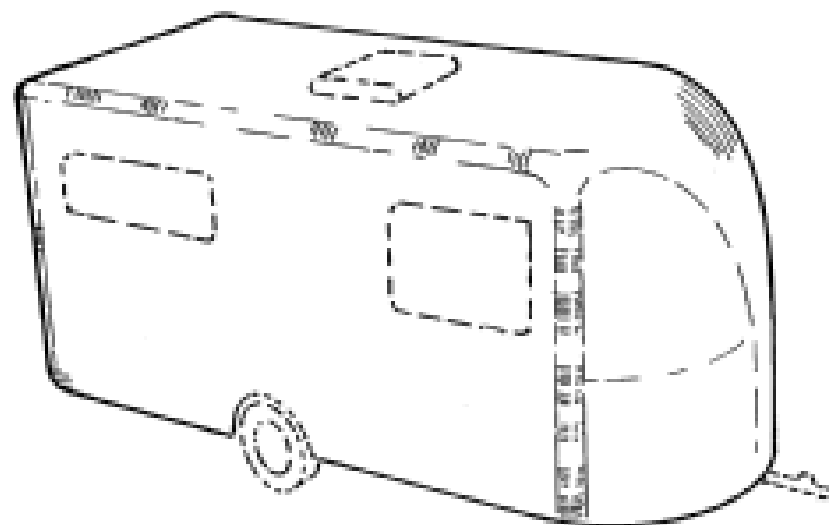
- (21) Design Number: **18524/2007**
(22) Date of Filing Application: **20 June 2007**
(24) Date from which industrial property rights may have effect: **20 June 2007**
(54) Product in respect of which the design is registered: **A caravan body**
(51) International Design Classification: **12-10**
(71) Name(s) and Address(s) of Applicant(s):
Colin Robert MacLean
17 Kamholtz Court Ashmore Queensland 4214 Australia
(72) Name(s) of Designer(s): **Colin Robert MacLean**
(45) Registration Date: **16 January 2008**
(56) Related Art Documents: **Not Applicable**
(57) Statement of Newness and Distinctiveness: **The newness and distinctiveness of the design resides in the features of shape and/or configuration of the caravan body shown in the accompanying representations.**



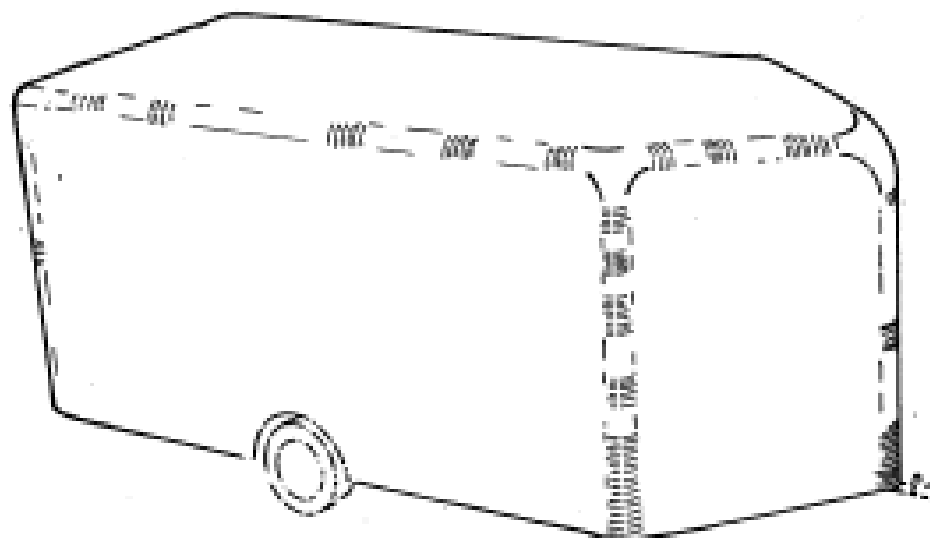
- (21) Design Number: **18525/2007**
(22) Date of Filing Application: **20 June 2007**
(24) Date from which industrial property rights may have effect: **20 June 2007**
(54) Product in respect of which the design is registered: **A caravan body**
(51) International Design Classification: **12-10**
(71) Name(s) and Address(s) of Applicant(s):
Colin Robert MacLean
17 Kamholtz Court Ashmore Queensland 4214 Australia
(72) Name(s) of Designer(s): **Colin Robert MacLean**
(45) Registration Date: **16 January 2008**
(56) Related Art Documents: **Not Applicable**
(57) Statement of Newness and Distinctiveness: **The newness and distinctiveness of the design resides in the features of shape and/or configuration of the caravan body shown in the accompanying representations.**



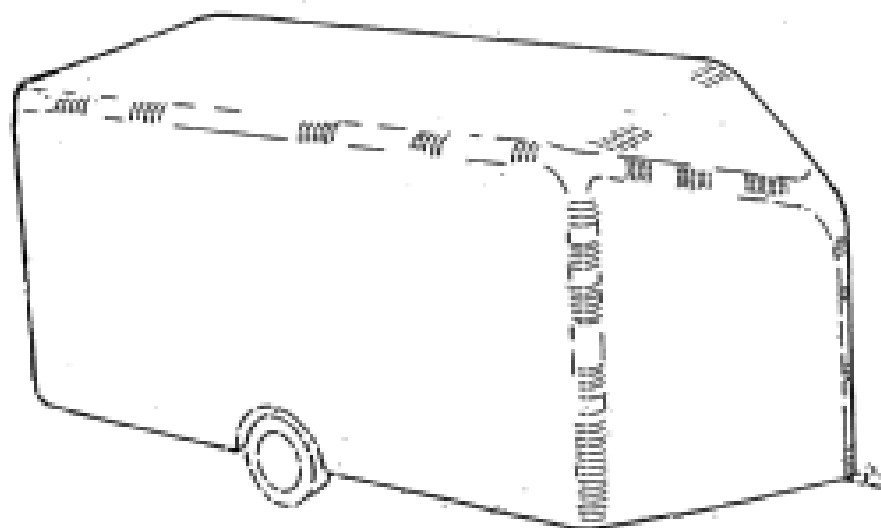
- (21) Design Number: **18526/2007**
(22) Date of Filing Application: **20 June 2007**
(24) Date from which industrial property rights may have effect: **20 June 2007**
(54) Product in respect of which the design is registered: **A caravan body**
(51) International Design Classification: **12-10**
(71) Name(s) and Address(s) of Applicant(s):
Colin Robert MacLean
17 Kamholtz Court Ashmore Queensland 4214 Australia
(72) Name(s) of Designer(s): **Colin Robert MacLean**
(45) Registration Date: **16 January 2008**
(56) Related Art Documents: **Not Applicable**
(57) Statement of Newness and Distinctiveness: **The newness and distinctiveness of the design resides in the features of shape and/or configuration of the caravan body shown in the accompanying representations.**



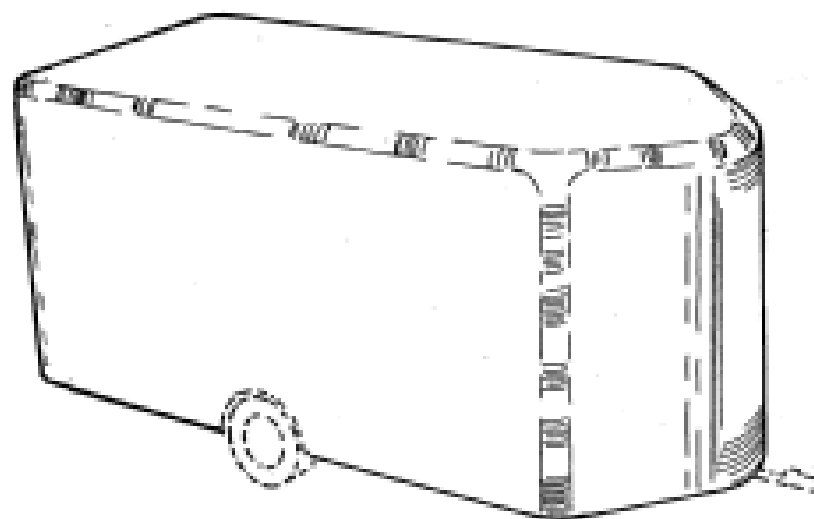
- (21) Design Number: **18527/2007**
(22) Date of Filing Application: **20 June 2007**
(24) Date from which industrial property rights may have effect: **20 June 2007**
(54) Product in respect of which the design is registered: **A vehicle body**
(51) International Design Classification: **12-10**
(71) Name(s) and Address(s) of Applicant(s):
Colin Robert MacLean
17 Kamholtz Court Ashmore Queensland 4214 Australia
(72) Name(s) of Designer(s): **Colin Robert MacLean**
(45) Registration Date: **16 January 2008**
(56) Related Art Documents: **Not Applicable**
(57) Statement of Newness and Distinctiveness: **The newness and distinctiveness of the design resides in the features of shape and/or configuration of the vehicle body shown in the accompanying representations.**



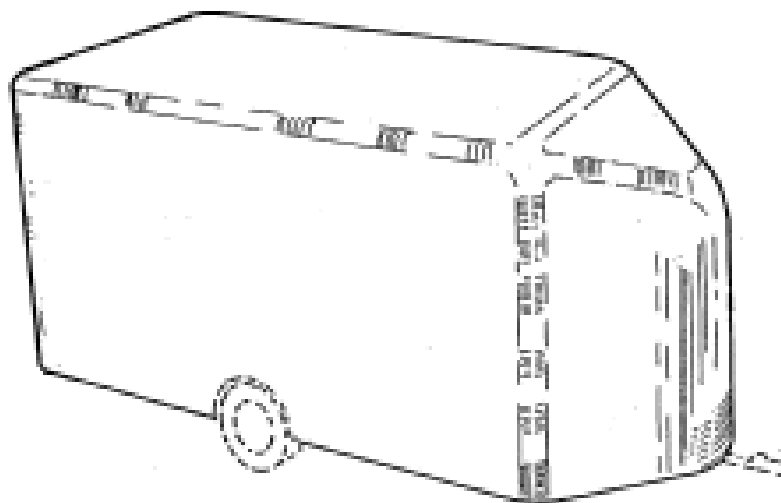
- (21) Design Number: **18528/2007**
(22) Date of Filing Application: **20 June 2007**
(24) Date from which industrial property rights may have effect: **20 June 2007**
(54) Product in respect of which the design is registered: **A vehicle body**
(51) International Design Classification: **12-10**
(71) Name(s) and Address(s) of Applicant(s):
Colin Robert MacLean
17 Kamholtz Court Ashmore Queensland 4214 Australia
(72) Name(s) of Designer(s): **Colin Robert MacLean**
(45) Registration Date: **16 January 2008**
(56) Related Art Documents: **Not Applicable**
(57) Statement of Newness and Distinctiveness: **The newness and distinctiveness of the design resides in the features of shape and/or configuration of the vehicle body shown in the accompanying representations.**



- (21) Design Number: **18529/2007**
(22) Date of Filing Application: **20 June 2007**
(24) Date from which industrial property rights may have effect: **20 June 2007**
(54) Product in respect of which the design is registered: **A vehicle body**
(51) International Design Classification: **12-10**
(71) Name(s) and Address(s) of Applicant(s):
Colin Robert MacLean
17 Kamholtz Court Ashmore Queensland 4214 Australia
(72) Name(s) of Designer(s): **Colin Robert MacLean**
(45) Registration Date: **16 January 2008**
(56) Related Art Documents: **Not Applicable**
(57) Statement of Newness and Distinctiveness: **The newness and distinctiveness of the design resides in the features of shape and/or configuration of the vehicle body shown in the accompanying representations.**



- (21) Design Number: **18530/2007**
(22) Date of Filing Application: **20 June 2007**
(24) Date from which industrial property rights may have effect: **20 June 2007**
(54) Product in respect of which the design is registered: **A vehicle body**
(51) International Design Classification: **12-10**
(71) Name(s) and Address(s) of Applicant(s):
Colin Robert MacLean
17 Kamholtz Court Ashmore Queensland 4214 Australia
(72) Name(s) of Designer(s): **Colin Robert MacLean**
(45) Registration Date: **16 January 2008**
(56) Related Art Documents: **Not Applicable**
(57) Statement of Newness and Distinctiveness: **The newness and distinctiveness of the design resides in the features of shape and/or configuration of the vehicle body shown in the accompanying representations.**



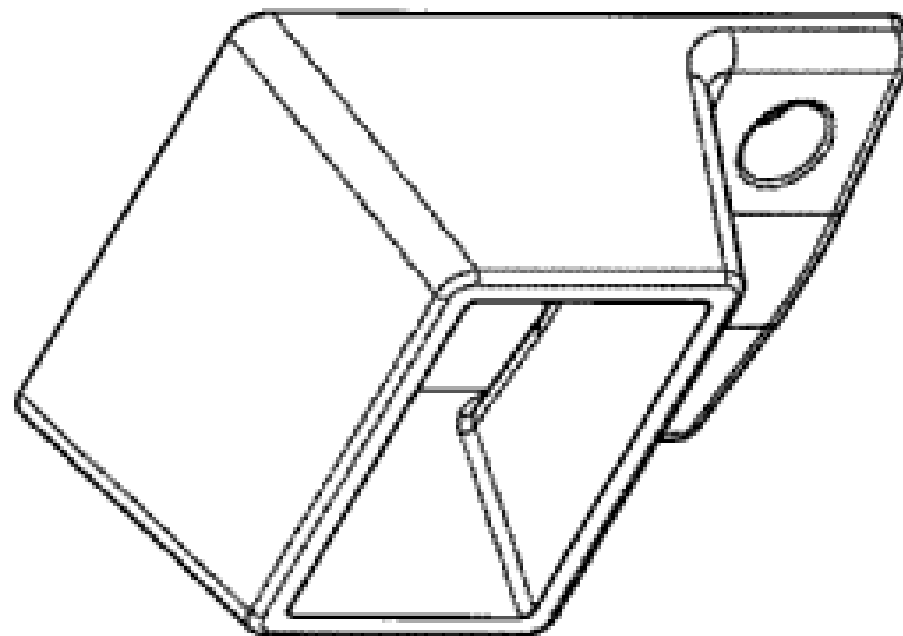
- (21) Design Number: **19604/2007**
(22) Date of Filing Application: **31 August 2007**
(24) Date from which industrial property rights may have effect: **31 August 2007**
(54) Product in respect of which the design is registered: **Band**
(51) International Design Classification: **10-02**
(71) Name(s) and Address(s) of Applicant(s):
Cool Mountain Collection AG
Naumatthalde 9 6045 Meggen Switzerland
(72) Name(s) of Designer(s): **Fabrice Aeberhard and Christian Kaegi**
(45) Registration Date: **16 January 2008**
(30) Convention priority data:

(31) Number	(32) Date	(33) Country
134117	25 Jun 2007	SWITZERLAND

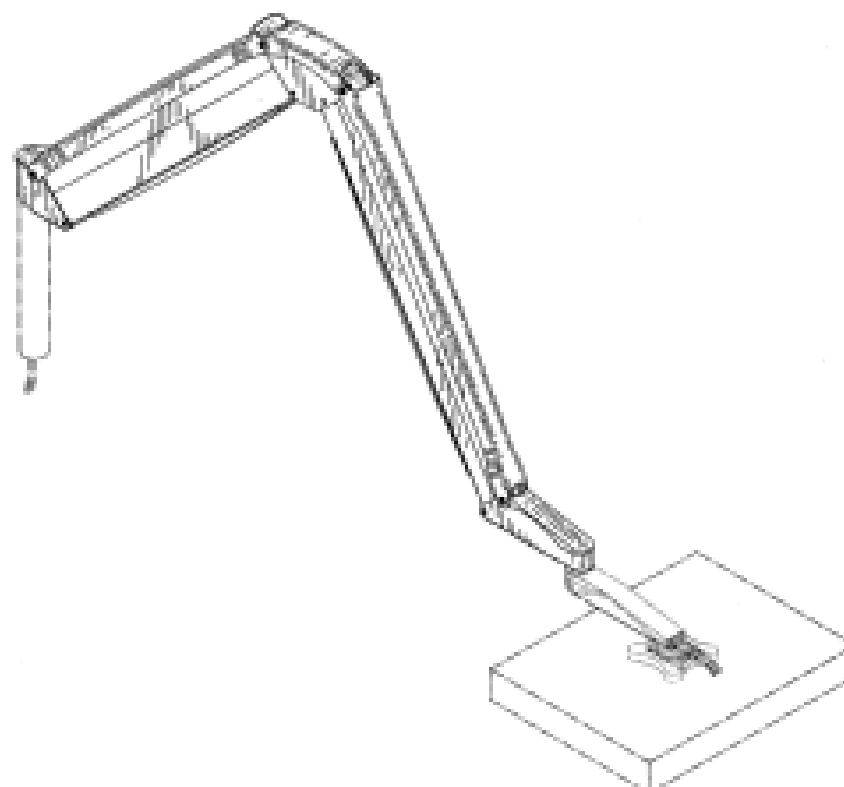
(56) Related Art Documents: **Not Applicable**
(57) Statement of Newness and Distinctiveness: **Those features of the band depicted in the representations that are new and distinctive are the shape and/or configuration.**



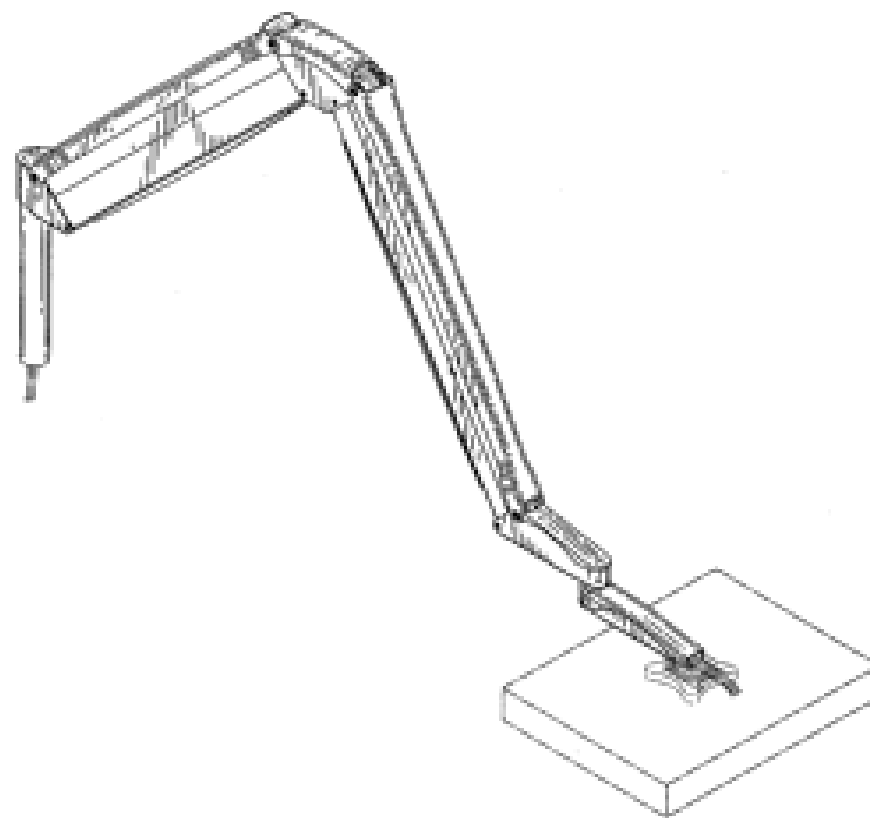
- (21) Design Number: **19629/2007**
(22) Date of Filing Application: **05 September 2007**
(24) Date from which industrial property rights may have effect: **05 September 2007**
(54) Product in respect of which the design is registered: **Rail bracket for fencing**
(51) International Design Classification: **08-08K**
(71) Name(s) and Address(s) of Applicant(s):
RMD Press Co. Pty Ltd
6-10 Market Road Sunshine Victoria 3020 Australia
(72) Name(s) of Designer(s): **Ian Buckley**
(45) Registration Date: **16 January 2008**
(56) Related Art Documents: **Not Applicable**
(57) Statement of Newness and Distinctiveness: **Nil**



- (21) Design Number: **19766/2007**
(22) Date of Filing Application: **14 September 2007**
(24) Date from which industrial property rights may have effect: **14 September 2007**
(54) Product in respect of which the design is registered: **Boom extension arm**
(51) International Design Classification: **08-08NES**
(71) Name(s) and Address(s) of Applicant(s):
Innovative Office Products, Inc
100 Kuebler Road Easton Pennsylvania 18040 United States of America
(72) Name(s) of Designer(s): **Bradley A. Derry and David Vanduzer and Odd N. Oddsen and Robert Altonji**
(45) Registration Date: **16 January 2008**
(30) Convention priority data:
(31) Number (32) Date (33) Country
29/288,254 05 Jun 2007 UNITED STATES OF AMERICA
(56) Related Art Documents: **Not Applicable**
(57) Statement of Newness and Distinctiveness: **Those features of the boom extension arm depicted in the representations that are new and distinctive are the shape and/or configuration. The features shown in broken lines are not part of the design and are to be disregarded when considering the overall impression of the design.**



(21) Design Number: **19970/2007**
(22) Date of Filing Application: **14 September 2007**
(24) Date from which industrial property rights may have effect: **14 September 2007**
(54) Product in respect of which the design is registered: **Boom extension arm**
(51) International Design Classification: **08-08NES**
(71) Name(s) and Address(s) of Applicant(s):
Innovative Office Products, Inc
100 Kuebler Road Easton Pennsylvania 18040 United States of America
(72) Name(s) of Designer(s): **Bradley A. Derry and Odd N. Oddsen and David Vanduzer and Robert Altonji**
(45) Registration Date: **16 January 2008**
(30) Convention priority data:
(31) Number (32) Date (33) Country
29/288,254 05 Jun 2007 UNITED STATES OF AMERICA
(56) Related Art Documents: **Not Applicable**
(57) Statement of Newness and Distinctiveness: **Those features of the boom extension arm depicted in the representations that are new and distinctive are the shape and/or configuration. The features shown in broken lines are to be disregarded when considering the overall impression of the design.**



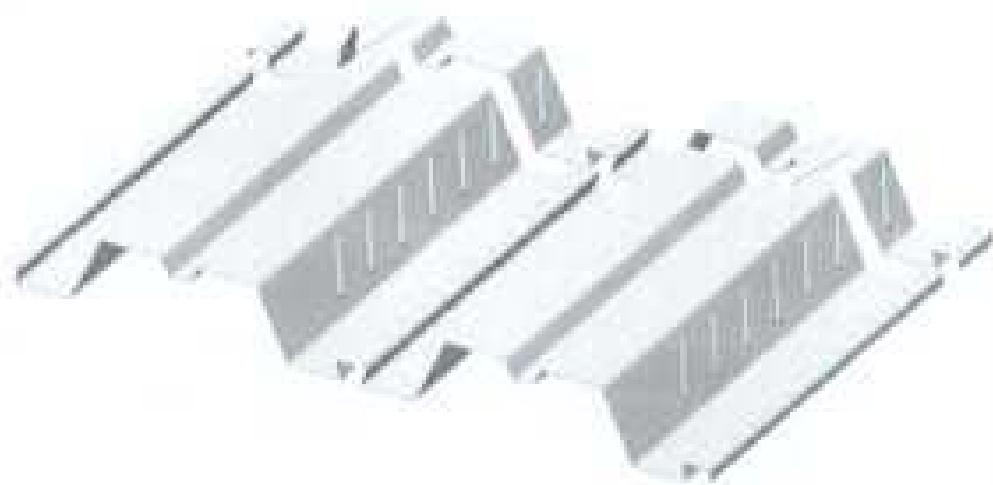
(21) Design Number: **19972/2007**
(22) Date of Filing Application: **28 September 2007**
(24) Date from which industrial property rights may have effect: **28 September 2007**
(54) Product in respect of which the design is registered: **An element of indefinite length used in construction**
(51) International Design Classification: **25-01K**
(71) Name(s) and Address(s) of Applicant(s):
Tray-dec NZ Limited
46 Patiki Road Avondale Auckland New Zealand
(72) Name(s) of Designer(s): **Ian Welch**
(45) Registration Date: **16 January 2008**
(30) Convention priority data:
(31) Number (32) Date (33) Country
409556 21 Aug 2007 NEW ZEALAND
(56) Related Art Documents: **Not Applicable**
(57) Statement of Newness and Distinctiveness: **The design is to be applied to an element of indefinite length used in construction and the novelty resides in the features of shape and configuration as shown in the accompanying representations.**



(21) Design Number: **19973/2007**
 (22) Date of Filing Application: **28 September 2007**
 (24) Date from which industrial property rights may have effect: **28 September 2007**
 (54) Product in respect of which the design is registered: **An element of indefinite length used in construction**
 (51) International Design Classification: **25-01K**
 (71) Name(s) and Address(s) of Applicant(s):
Tray-dec NZ Limited
46 Patiki Road Avondale Auckland New Zealand
 (72) Name(s) of Designer(s): **Ian Welch**
 (45) Registration Date: **16 January 2008**
 (30) Convention priority data:

(31) Number	(32) Date	(33) Country
409557	21 Aug 2007	NEW ZEALAND

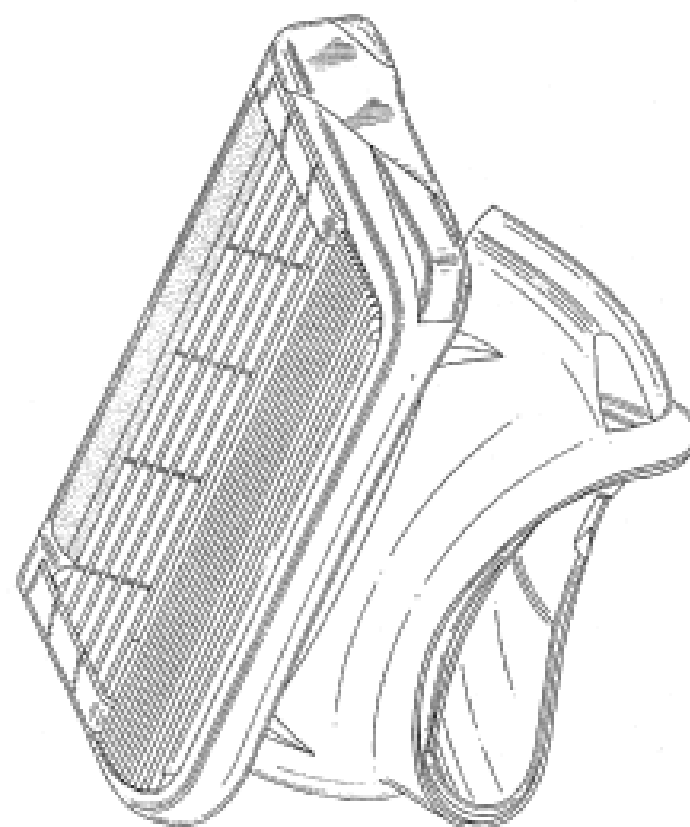
 (56) Related Art Documents: **Not Applicable**
 (57) Statement of Newness and Distinctiveness: **The design is to be applied to an element of indefinite length used in construction and the novelty resides in the features of shape and configuration as shown in the accompanying representations.**



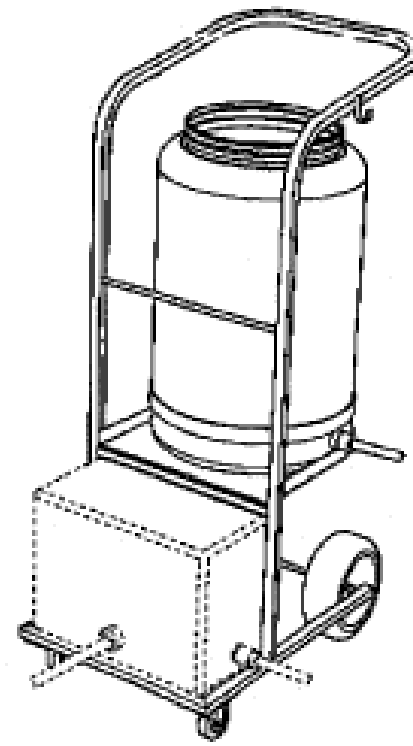
(21) Design Number: **19974/2007**
 (22) Date of Filing Application: **28 September 2007**
 (24) Date from which industrial property rights may have effect: **28 September 2007**
 (54) Product in respect of which the design is registered: **Shaving blade unit**
 (51) International Design Classification: **28-03A**
 (71) Name(s) and Address(s) of Applicant(s):
The Gillette Company
Prudential Tower Building 38th Floor 800 Boylston Street Boston
Massachusetts 02199 United States of America
 (72) Name(s) of Designer(s): **Andrew Russell Keene and Stephen Leonard Rawle**
 (45) Registration Date: **16 January 2008**
 (30) Convention priority data:

(31) Number	(32) Date	(33) Country
29/285,486	30 Mar 2007	UNITED STATES OF AMERICA

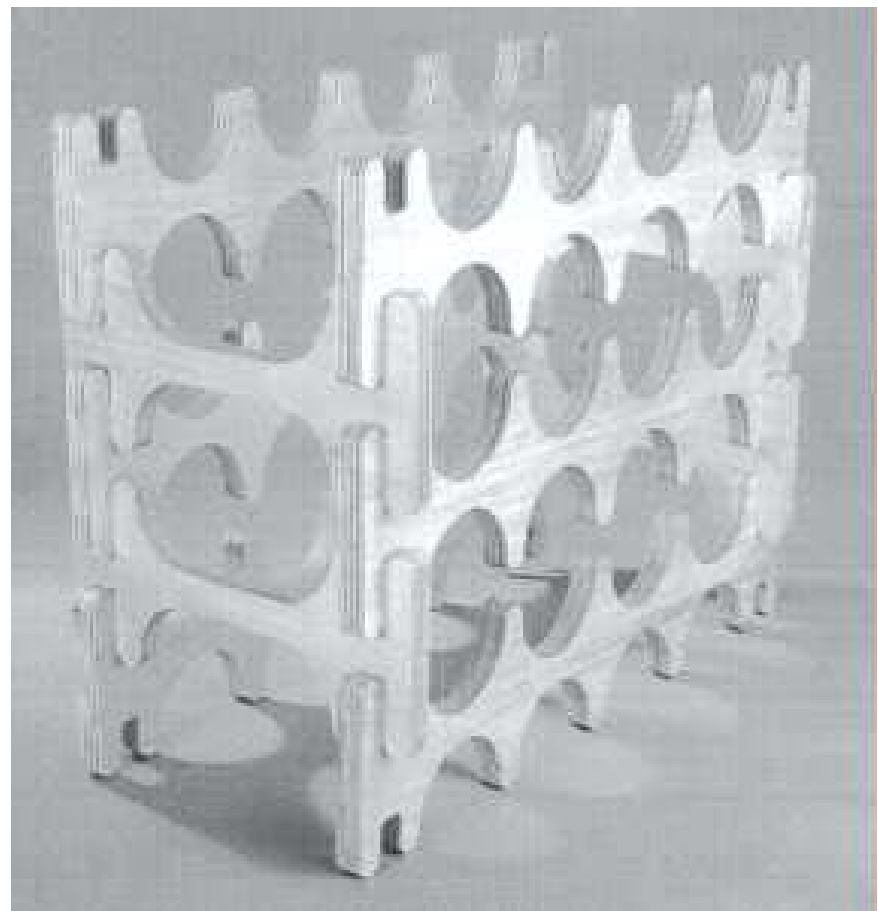
 (56) Related Art Documents: **Not Applicable**
 (57) Statement of Newness and Distinctiveness: **Newness and distinctiveness reside in the features of shape and/or configuration of the shaving blade unit, as shown in the representations.**



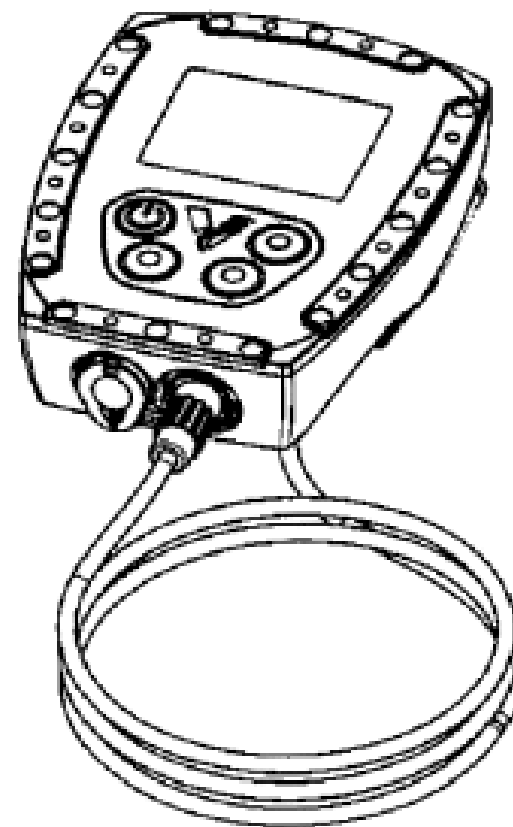
- (21) Design Number: **19976/2007**
(22) Date of Filing Application: **28 September 2007**
(24) Date from which industrial property rights may have effect: **28 September 2007**
(54) Product in respect of which the design is registered: **A trolley**
(51) International Design Classification: **12-02**
(71) Name(s) and Address(s) of Applicant(s):
George Pipikos
2119 Clarke Road Virginia South Australia 5120 Australia
(72) Name(s) of Designer(s): **George Pipikos**
(45) Registration Date: **16 January 2008**
(56) Related Art Documents: **Not Applicable**
(57) Statement of Newness and Distinctiveness: **Statement of newness and distinctiveness resides in the visual features of the shape and/or configuration of a trolley as illustrated. The shape and configuration of the pump as shown in the dotted outlines is to be disregarded.**



- (21) Design Number: **20026/2007**
(22) Date of Filing Application: **27 September 2007**
(24) Date from which industrial property rights may have effect: **27 September 2007**
(54) Product in respect of which the design is registered: **Wine racks**
(51) International Design Classification: **06-04NES**
(71) Name(s) and Address(s) of Applicant(s):
Ferrari Furniture & Cabinetmakers Pty Ltd
PO Box 409 Kalamunda Western Australia 6926 Australia
(72) Name(s) of Designer(s): **Penelope Forlano**
(45) Registration Date: **16 January 2008**
(56) Related Art Documents: **Not Applicable**
(57) Statement of Newness and Distinctiveness: **Nil**



(21) Design Number: **20583/2007**
(22) Date of Filing Application: **01 November 2007**
(24) Date from which industrial property rights may have effect: **01 November 2007**
(54) Product in respect of which the design is registered: **Vee cam console and camera unit**
(51) International Design Classification: **14-03NES**
(71) Name(s) and Address(s) of Applicant(s):
Persides Limited
St Brandon's House Great George Street Bristol BS1 5QT United Kingdom
(72) Name(s) of Designer(s): **Chris Mobley**
(45) Registration Date: **16 January 2008**
(30) Convention priority data:
(31) Number (32) Date (33) Country
4003830 04 Jul 2007 UNITED KINGDOM
(56) Related Art Documents: **Not Applicable**
(57) Statement of Newness and Distinctiveness: **Nil**



(21) Design Number: **19814/2007**
(22) Date of Filing Application: **19 September 2007**
(24) Date from which industrial property rights may have effect: **19 September 2007**
(54) Product in respect of which the design is registered: **Outdoor lighting fixture**
(51) International Design Classification: **26-03**
(71) Name(s) and Address(s) of Applicant(s):
Schreder
Rue de Lusambo 67 Brussels B-1130 Belgium
(72) Name(s) of Designer(s): **Schoichi Minami and Jorge Rodrigues Alves**
(45) Registration Date: **18 January 2008**
(30) Convention priority data:
(31) Number (32) Date (33) Country
000691480-0001 20 Mar 2007 EUROPEAN COMMUNITY
(56) Related Art Documents: **Not Applicable**
(57) Statement of Newness and Distinctiveness: **Nil**

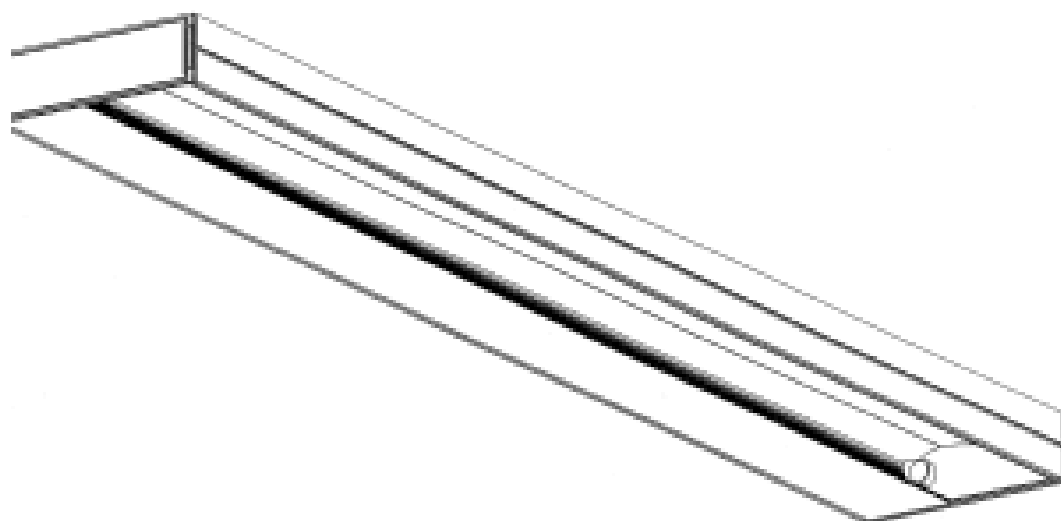


- (21) Design Number: **19815/2007**
- (22) Date of Filing Application: **19 September 2007**
- (24) Date from which industrial property rights may have effect: **28 May 2007**
- (54) Product in respect of which the design is registered: **Handset**
- (51) International Design Classification: **14-03E**
- (71) Name(s) and Address(s) of Applicant(s):
**Nokia Corporation of Keilalahdentie 4
FIN-02150 Espoo Finland**
- (72) Name(s) of Designer(s): **Justin Lyles**
- (45) Registration Date: **18 January 2008**
- (30) Convention priority data:

(31) Number	(32) Date	(33) Country
29250712	28 Oct 2006	UNITED STATES OF AMERICA
- (62) Divisional of: **316742**
- (56) Related Art Documents: **Not Applicable**
- (57) Statement of Newness and Distinctiveness: **Newness and distinctiveness is claimed in the shape and configuration of the handset shown in the representations. The data appearing in the activated screen displays does not form part of the design and is to be disregarded.**



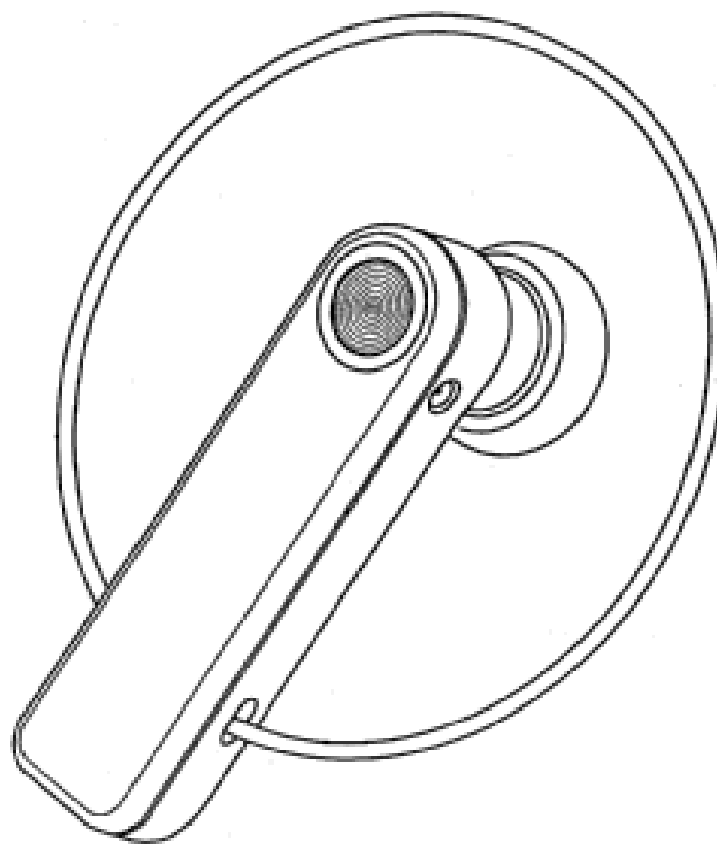
- (21) Design Number: **19460/2007**
- (22) Date of Filing Application: **22 August 2007**
- (24) Date from which industrial property rights may have effect: **22 August 2007**
- (54) Product in respect of which the design is registered: **Wall washing light fitting**
- (51) International Design Classification: **26-05A**
- (71) Name(s) and Address(s) of Applicant(s):
**Intralux Australia Pty Limited
23 Enterprise Street Richlands Queensland 4077 Australia**
- (72) Name(s) of Designer(s): **Demetre Tryfiatis**
- (45) Registration Date: **18 January 2008**
- (56) Related Art Documents: **Not Applicable**
- (57) Statement of Newness and Distinctiveness: **Various mounting options such as recessed, suspended. Ability of fittings to be interconnected (end to end). Fixture if indefinite length.**



- (21) Design Number: **19996/2007**
- (22) Date of Filing Application: **01 October 2007**
- (24) Date from which industrial property rights may have effect: **01 October 2007**
- (54) Product in respect of which the design is registered: **Headset**
- (51) International Design Classification: **14-03A**
- (71) Name(s) and Address(s) of Applicant(s):

Nokia Corporation
Keilalahdentie 4 FIN-02150 Espoo Finland

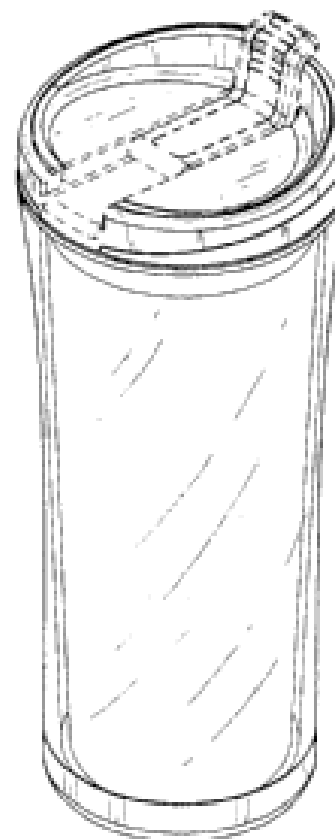
- (72) Name(s) of Designer(s): **Heli Sade and Sami Lehtovaara**
- (45) Registration Date: **18 January 2008**
- (30) Convention priority data:
 - (31) Number (32) Date (33) Country
 - M20070062 02 Apr 2007 FINLAND**
- (56) Related Art Documents: **Not Applicable**
- (57) Statement of Newness and Distinctiveness: **Nil**



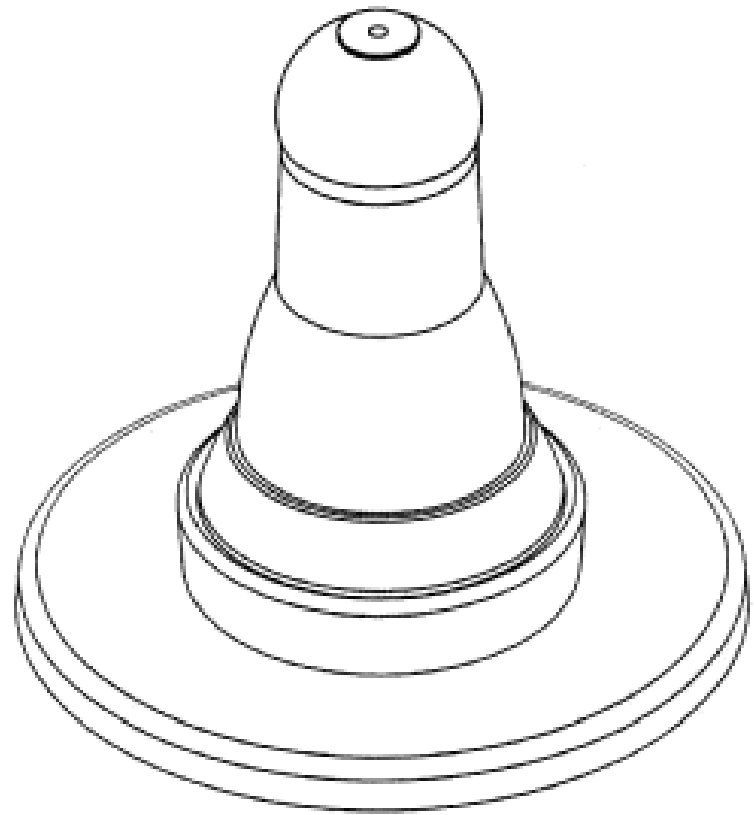
- (21) Design Number: **19997/2007**
- (22) Date of Filing Application: **01 October 2007**
- (24) Date from which industrial property rights may have effect: **01 October 2007**
- (54) Product in respect of which the design is registered: **A tumbler**
- (51) International Design Classification: **07-01C**
- (71) Name(s) and Address(s) of Applicant(s):

Chef'n Corporation
1520 4th Avenue 3rd Floor Seattle Washington 98101 United States of America

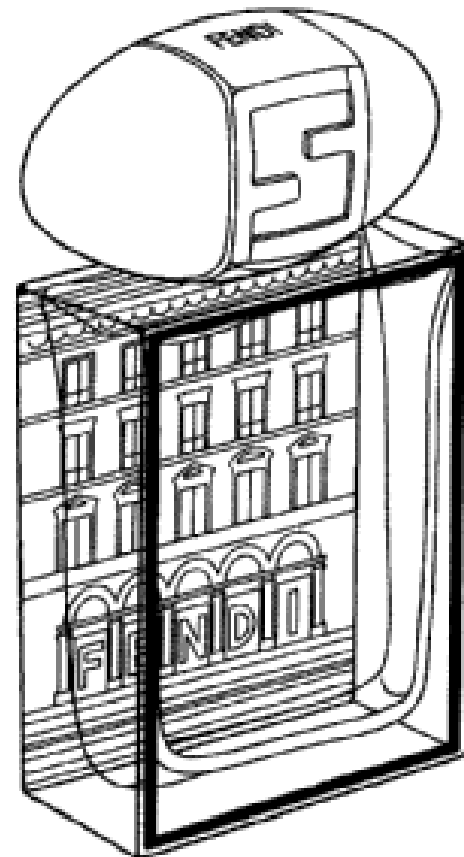
- (72) Name(s) of Designer(s): **Jason O. Germany**
- (45) Registration Date: **18 January 2008**
- (30) Convention priority data:
 - (31) Number (32) Date (33) Country
 - 29278895 12 Apr 2007 UNITED STATES OF AMERICA**
- (56) Related Art Documents: **Not Applicable**
- (57) Statement of Newness and Distinctiveness: **Newness and distinctiveness is claimed in the visual features shown in solid lines in the representations.**



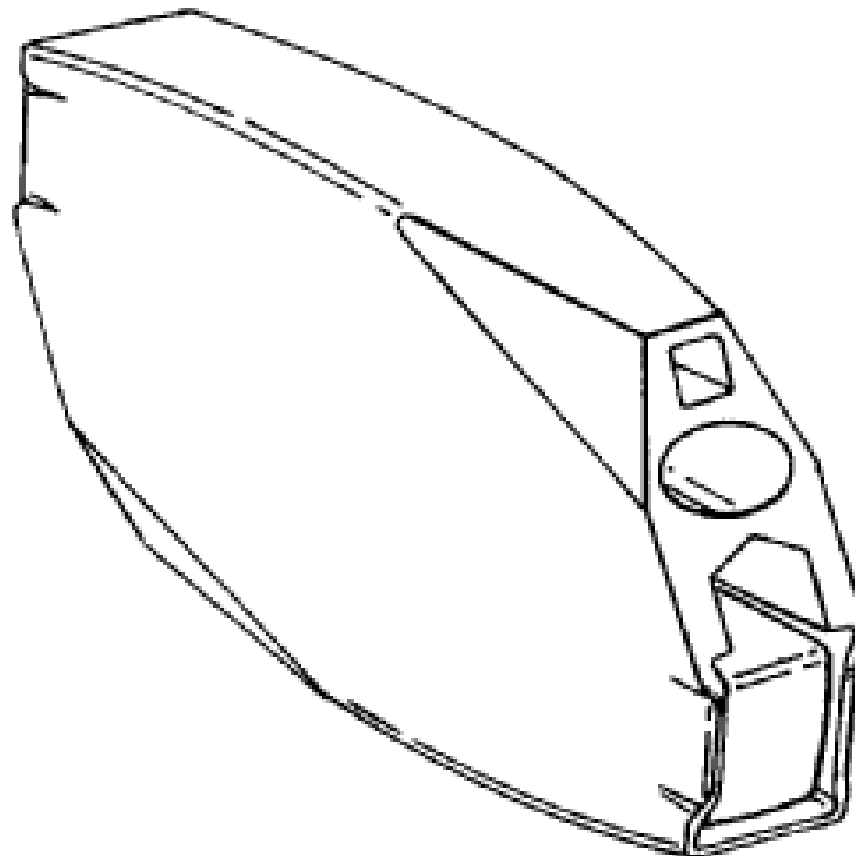
- (21) Design Number: **19998/2007**
(22) Date of Filing Application: **01 October 2007**
(24) Date from which industrial property rights may have effect: **01 October 2007**
(54) Product in respect of which the design is registered: **Moulded teat**
(51) International Design Classification: **07-01E**
(71) Name(s) and Address(s) of Applicant(s):
Poppet International Pty Ltd
104 Tope Street South Melbourne Victoria 3205 Australia
(72) Name(s) of Designer(s): **Phillip Higgins**
(45) Registration Date: **18 January 2008**
(56) Related Art Documents: **Not Applicable**
(57) Statement of Newness and Distinctiveness: **Nil**



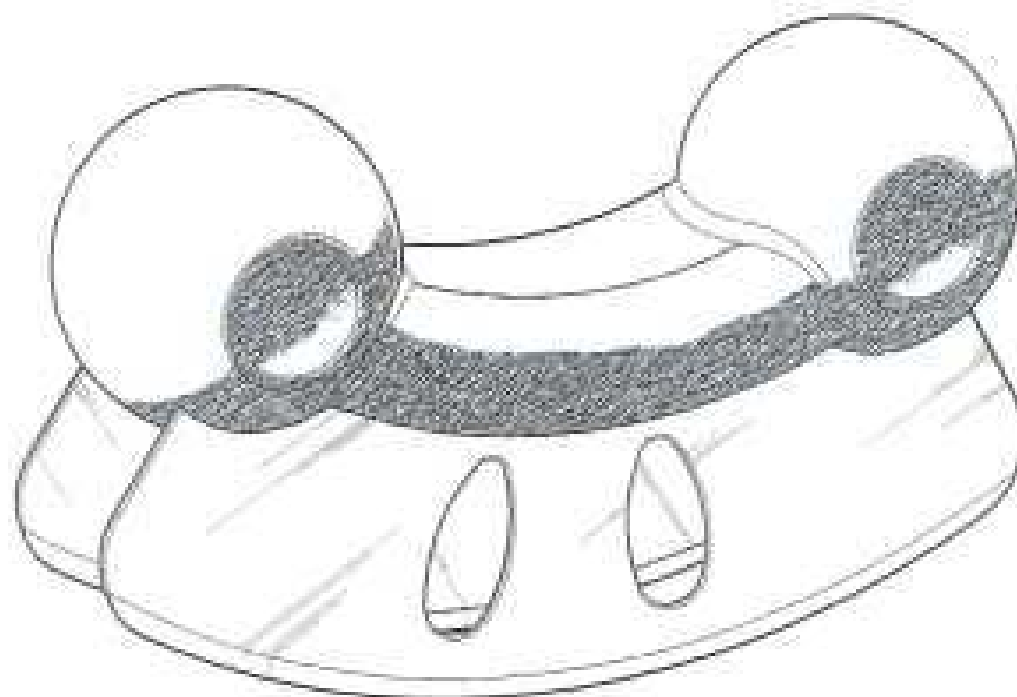
- (21) Design Number: **19999/2007**
(22) Date of Filing Application: **01 October 2007**
(24) Date from which industrial property rights may have effect: **01 October 2007**
(54) Product in respect of which the design is registered: **Containers for perfume**
(51) International Design Classification: **09-01G**
(71) Name(s) and Address(s) of Applicant(s):
Fendi Adele S.r.l.
Via Flaminia 968 I-00189 Rome Italy
(72) Name(s) of Designer(s): **Maria Silvia Venturini Fendi**
(45) Registration Date: **18 January 2008**
(30) Convention priority data:
(31) Number (32) Date (33) Country
000702105-0001 05 Apr 2007 ITALY
(56) Related Art Documents: **Not Applicable**
(57) Statement of Newness and Distinctiveness: **Nil**



(21) Design Number: **20019/2007**
(22) Date of Filing Application: **01 October 2007**
(24) Date from which industrial property rights may have effect: **01 October 2007**
(54) Product in respect of which the design is registered: **Suspending equipment**
(51) International Design Classification: **08-08NES**
(71) Name(s) and Address(s) of Applicant(s):
Gripple Limited
The Old West Gun Works Saville Street East Sheffield S4 7UQ United Kingdom
(72) Name(s) of Designer(s): **Neil Clarke**
(45) Registration Date: **18 January 2008**
(30) Convention priority data:
(31) Number (32) Date (33) Country
000704614 10 Apr 2007 EUROPEAN COMMUNITY
(56) Related Art Documents: **Not Applicable**
(57) Statement of Newness and Distinctiveness: **Nil**



(21) Design Number: **20020/2007**
(22) Date of Filing Application: **01 October 2007**
(24) Date from which industrial property rights may have effect: **01 October 2007**
(54) Product in respect of which the design is registered: **Food chopping device**
(51) International Design Classification: **07-04**
(71) Name(s) and Address(s) of Applicant(s):
Furitechnics Group Pty Ltd
15 Donkin Street West End Queensland 4101 Australia
(72) Name(s) of Designer(s): **Mark James Henry**
(45) Registration Date: **18 January 2008**
(30) Convention priority data:
(31) Number (32) Date (33) Country
29/285,722 05 Apr 2007 UNITED STATES OF AMERICA
(56) Related Art Documents: **Not Applicable**
(57) Statement of Newness and Distinctiveness: **The newness and distinctiveness of the design resides in the shape and configuration of the food chopping device shown in the representations.**



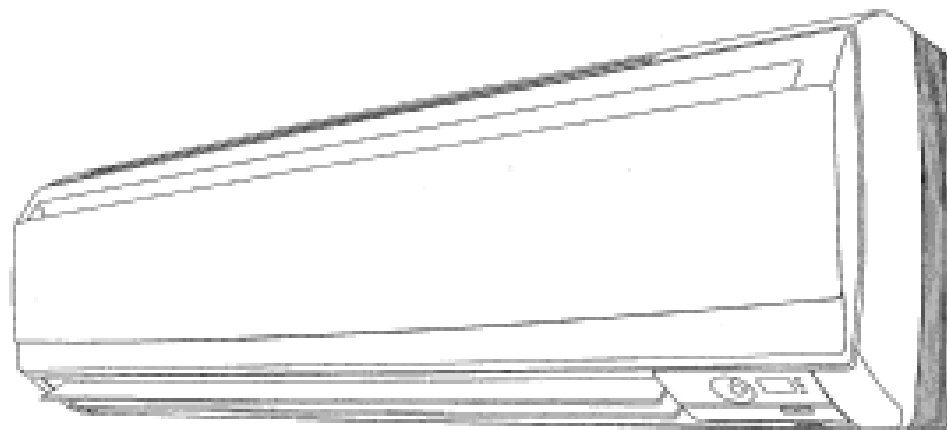
(21) Design Number: **20021/2007**
(22) Date of Filing Application: **01 October 2007**
(24) Date from which industrial property rights may have effect: **01 October 2007**
(54) Product in respect of which the design is registered: **Wristwatch**
(51) International Design Classification: **10-02**
(71) Name(s) and Address(s) of Applicant(s):
Rado Uhren AG (Rado Watch Co Ltd) (Montres Rado SA)
Bielstrasse 45 Lengnau Switzerland
(72) Name(s) of Designer(s): **Werner Scholpp**
(45) Registration Date: **18 January 2008**
(30) Convention priority data:
(31) Number (32) Date (33) Country
DM/068765 11 Apr 2007 WORLD INTELLECTUAL
PROPERTY ORGANIZATION
(WIPO)
(56) Related Art Documents: **Not Applicable**
(57) Statement of Newness and Distinctiveness: **Nil**



(21) Design Number: **20022/2007**
(22) Date of Filing Application: **01 October 2007**
(24) Date from which industrial property rights may have effect: **01 October 2007**
(54) Product in respect of which the design is registered: **Wristwatch**
(51) International Design Classification: **10-02**
(71) Name(s) and Address(s) of Applicant(s):
Rado Uhren AG (Rado Watch Co Ltd) (Montres Rado SA)
Bielstrasse 45 Lengnau Switzerland
(72) Name(s) of Designer(s): **Werner Scholpp**
(45) Registration Date: **18 January 2008**
(30) Convention priority data:
(31) Number (32) Date (33) Country
DM/068765 11 Apr 2007 WORLD INTELLECTUAL
PROPERTY ORGANIZATION
(WIPO)
(56) Related Art Documents: **Not Applicable**
(57) Statement of Newness and Distinctiveness: **Nil**

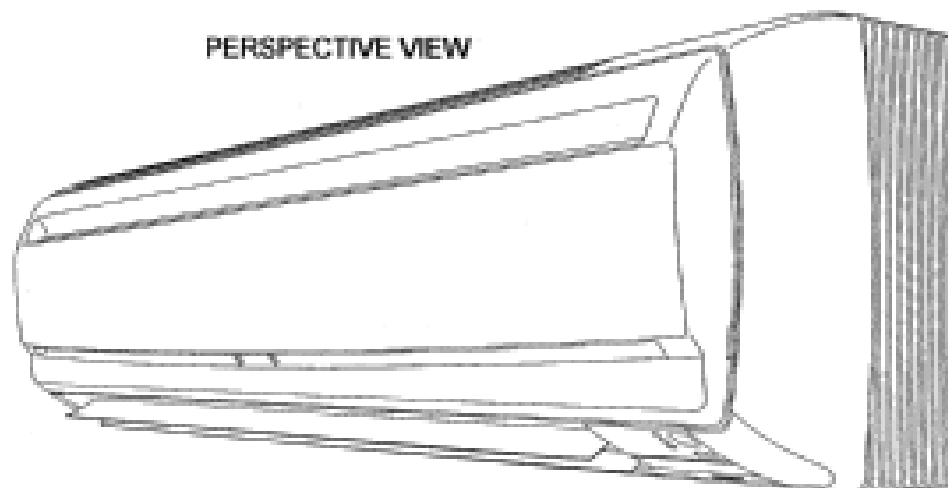


- (21) Design Number: **20023/2007**
(22) Date of Filing Application: **01 October 2007**
(24) Date from which industrial property rights may have effect: **01 October 2007**
(54) Product in respect of which the design is registered: **Air-conditioner**
(51) International Design Classification: **23-04**
(71) Name(s) and Address(s) of Applicant(s):
Daikin Industries Ltd
Umeda Centre Building 4-12 Nakazaki-Nishi 2-Chome Kita-Ku
Osaka-shi Osaka-Fu Japan
(72) Name(s) of Designer(s): **Kouichirou Seki**
(45) Registration Date: **18 January 2008**
(56) Related Art Documents: **Not Applicable**
(57) Statement of Newness and Distinctiveness: **Nil**

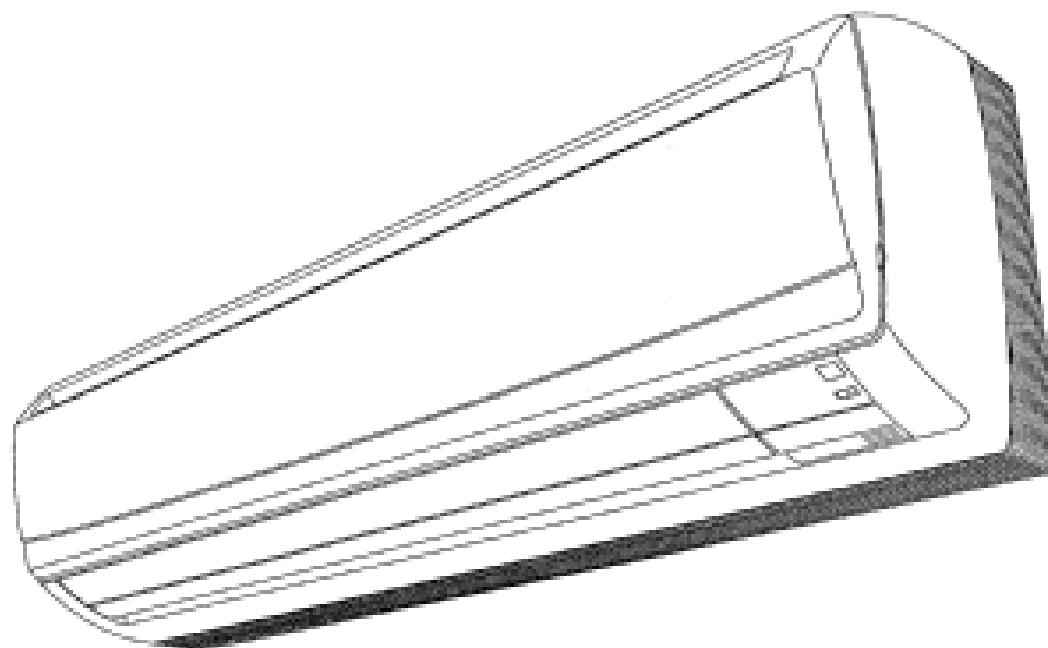


- (21) Design Number: **20024/2007**
(22) Date of Filing Application: **01 October 2007**
(24) Date from which industrial property rights may have effect: **01 October 2007**
(54) Product in respect of which the design is registered: **Air-conditioner**
(51) International Design Classification: **23-04**
(71) Name(s) and Address(s) of Applicant(s):
Daikin Industries Ltd
Umeda Centre Building 4-12 Nakazaki-Nishi 2-Chome Kita-Ku
Osaka-shi Osaka-Fu Japan
(72) Name(s) of Designer(s): **Kentarou Niki and Koichiro Seki**
(45) Registration Date: **18 January 2008**
(56) Related Art Documents: **Not Applicable**
(57) Statement of Newness and Distinctiveness: **Nil**

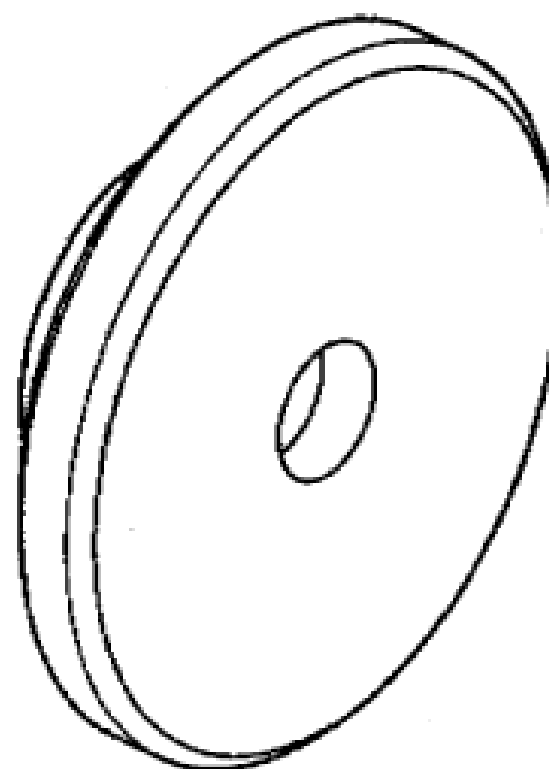
PERSPECTIVE VIEW



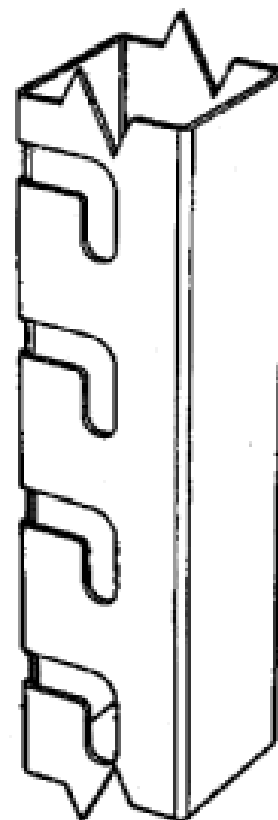
- (21) Design Number: **20025/2007**
(22) Date of Filing Application: **01 October 2007**
(24) Date from which industrial property rights may have effect: **01 October 2007**
(54) Product in respect of which the design is registered: **Air-conditioner**
(51) International Design Classification: **23-04**
(71) Name(s) and Address(s) of Applicant(s):
Daikin Industries Ltd
Umeda Centre Building 4-12 Nakazaki-Nishi 2-Chome Kita-Ku
Osaka-shi Osaka-Fu Japan
(72) Name(s) of Designer(s): **Kentarou Niki and Kouichirou Seki**
(45) Registration Date: **18 January 2008**
(56) Related Art Documents: **Not Applicable**
(57) Statement of Newness and Distinctiveness: **Nil**



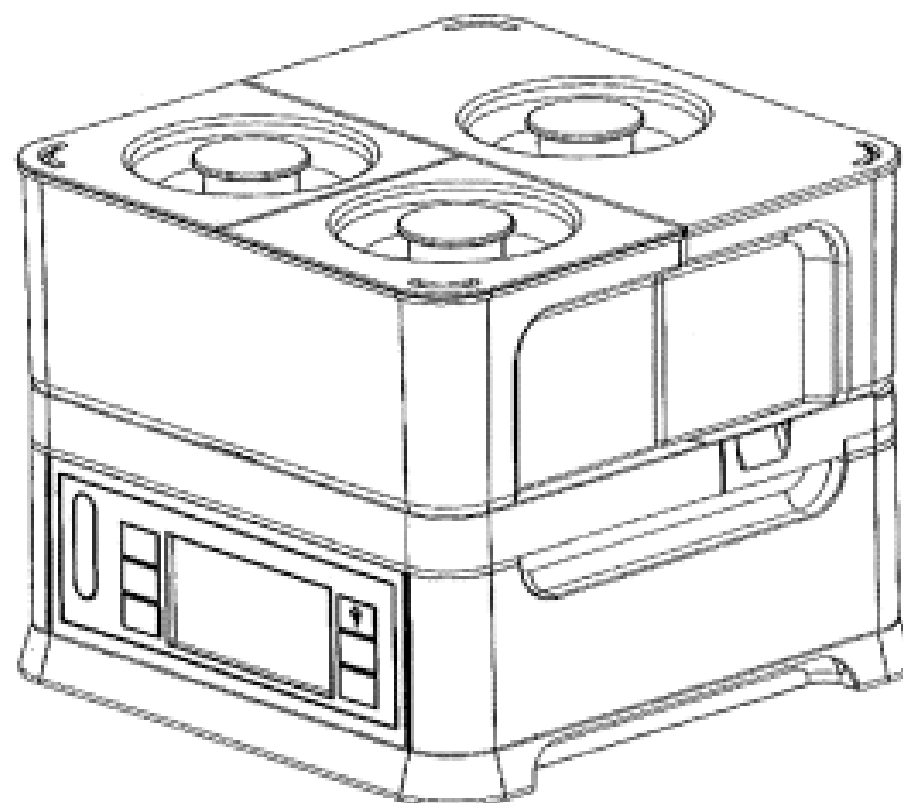
- (21) Design Number: **20028/2007**
(22) Date of Filing Application: **28 September 2007**
(24) Date from which industrial property rights may have effect: **28 September 2007**
(54) Product in respect of which the design is registered: **A connector for fitness equipment attachments**
(51) International Design Classification: **21-02F**
(71) Name(s) and Address(s) of Applicant(s):
Horifoke Pty Ltd
248 Flinders Street Adelaide South Australia 5000 Australia
AH Martyn Nominees Pty Ltd
248 Flinders Street Adelaide South Australia 5000 Australia
(72) Name(s) of Designer(s): **Ian Crossing and Brett Grant and David Sanderson**
(45) Registration Date: **18 January 2008**
(56) Related Art Documents: **Not Applicable**
(57) Statement of Newness and Distinctiveness: **Nil**



- (21) Design Number: **20029/2007**
(22) Date of Filing Application: **28 September 2007**
(24) Date from which industrial property rights may have effect: **28 September 2007**
(54) Product in respect of which the design is registered: **A support for fitness equipment**
(51) International Design Classification: **21-02F**
(71) Name(s) and Address(s) of Applicant(s):
Horifoke Pty Ltd
248 Flinders Street Adelaide South Australia 5000 Australia
AH Martyn Nominees Pty Ltd
248 Flinders Street Adelaide South Australia 5000 Australia
(72) Name(s) of Designer(s): **Ian Crossing and Brett Grant and David Sanderson**
(45) Registration Date: **18 January 2008**
(56) Related Art Documents: **Not Applicable**
(57) Statement of Newness and Distinctiveness: **Nil**



- (21) Design Number: **20948/2007**
(22) Date of Filing Application: **22 November 2007**
(24) Date from which industrial property rights may have effect: **22 November 2007**
(54) Product in respect of which the design is registered: **Steamer**
(51) International Design Classification: **07-02H**
(71) Name(s) and Address(s) of Applicant(s):
Morphy Richards Limited
Talbot Road Swinton Works Mexborough S64 8AJ United Kingdom
(72) Name(s) of Designer(s): **George Walters**
(45) Registration Date: **18 January 2008**
(30) Convention priority data:
(31) Number (32) Date (33) Country
730643 29 May 2007 EUROPEAN COMMUNITY
(56) Related Art Documents: **Not Applicable**
(57) Statement of Newness and Distinctiveness: **Newness and distinctiveness is claimed in the shape and/or configuration of a steamer as shown in the accompanying representations. Features of the electrical plug/socket which appear in the view from below are to be disregarded.**



(21) Design Number: **16823/2007**

(22) Date of Filing Application: **12 March 2007**

(24) Date from which industrial property rights may have effect: **12 March 2007**

(54) Product in respect of which the design is registered: **Silhouette cut childrens mirrors**

(51) International Design Classification: **06-07**

(71) Name(s) and Address(s) of Applicant(s):

Cindy-Lee Davies-Lightly

GPO Box 2437 Melbourne Victoria 3001 Australia

(72) Name(s) of Designer(s): **Cindy-Lee Davies**

(45) Registration Date: **17 January 2008**

(56) Related Art Documents: **Not Applicable**

(57) Statement of Newness and Distinctiveness: **Newness in process and design of childrens mirrors and adult mirrors, laser cut process of mirror acrylic in 3mm thickness, uniqueness in application of mirrors. Uniqueness in using childrens silhouette to produce functional mirrors. Product size varies 20cm - 1 meter. Newness - Silhouette portrait in mirror.**



(21) Design Number: **16824/2007**

(22) Date of Filing Application: **12 March 2007**

(24) Date from which industrial property rights may have effect: **12 March 2007**

(54) Product in respect of which the design is registered: **Silhouette cut childrens mirrors**

(51) International Design Classification: **06-07**

(71) Name(s) and Address(s) of Applicant(s):

Cindy-Lee Davies-Lightly

GPO Box 2437 Melbourne Victoria 3001 Australia

(72) Name(s) of Designer(s): **Cindy-Lee Davies**

(45) Registration Date: **17 January 2008**

(56) Related Art Documents: **Not Applicable**

(57) Statement of Newness and Distinctiveness: **Newness of process, laser cut mirror acrylic silhouette's of children to produce functional unique designs. Silhouette images are various sizes 50cm - 1m. Uniqueness in graphic image. Uniqueness and newness creating silhouette portrait in mirror.**



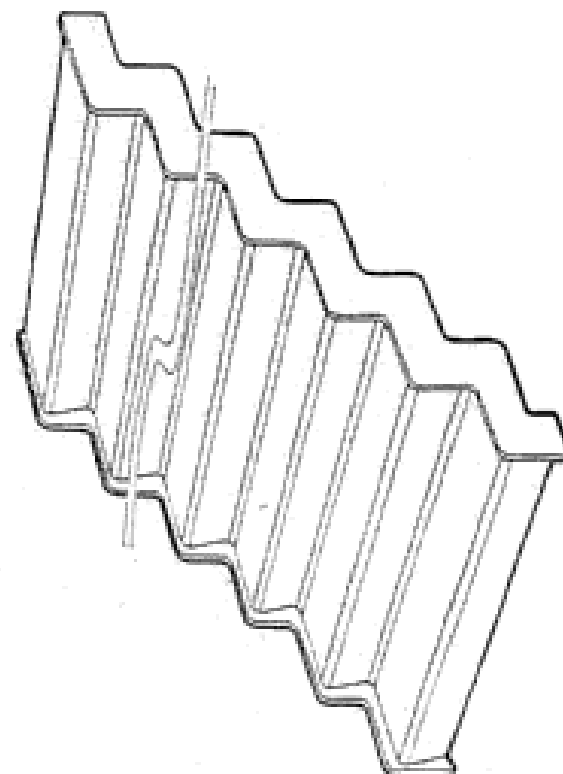
- (21) Design Number: **16825/2007**
(22) Date of Filing Application: **12 March 2007**
(24) Date from which industrial property rights may have effect: **12 March 2007**
(54) Product in respect of which the design is registered: **Silhouette cut childrens mirrors**
(51) International Design Classification: **06-07**
(71) Name(s) and Address(s) of Applicant(s):
Cindy-Lee Davies-Lightly
GPO Box 2437 Melbourne Victoria 3001 Australia
(72) Name(s) of Designer(s): **Cindy-Lee Davies**
(45) Registration Date: **17 January 2008**
(56) Related Art Documents: **Not Applicable**
(57) Statement of Newness and Distinctiveness: **Newness of process laser cut mirror of silhouette images of children - Uniqueness in design producing a functional alternative to standard mirrors. Uniqueness in size acrylic mirror 20cm height to 1m height. Uniqueness in image. Uniqueness in creating silhouette portrait in mirror.**



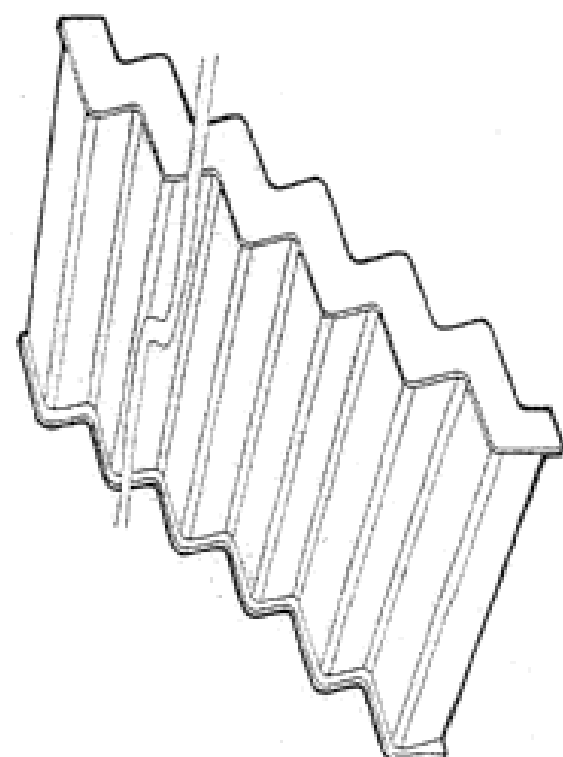
- (21) Design Number: **16826/2007**
(22) Date of Filing Application: **12 March 2007**
(24) Date from which industrial property rights may have effect: **12 March 2007**
(54) Product in respect of which the design is registered: **Silhouette cut childrens mirrors**
(51) International Design Classification: **06-07**
(71) Name(s) and Address(s) of Applicant(s):
Cindy-Lee Davies-Lightly
GPO Box 2437 Melbourne Victoria 3001 Australia
(72) Name(s) of Designer(s): **Cindy-Lee Davies**
(45) Registration Date: **17 January 2008**
(56) Related Art Documents: **Not Applicable**
(57) Statement of Newness and Distinctiveness: **Newness of process laser cut childrens mirrors. Distinctiveness silhouette images of children. Application newness to be applied to the wall. Uniqueness in size 20cm - 1m in height. Uniqueness in image graphics. Uniqueness in creating silhouette portrait in mirror.**



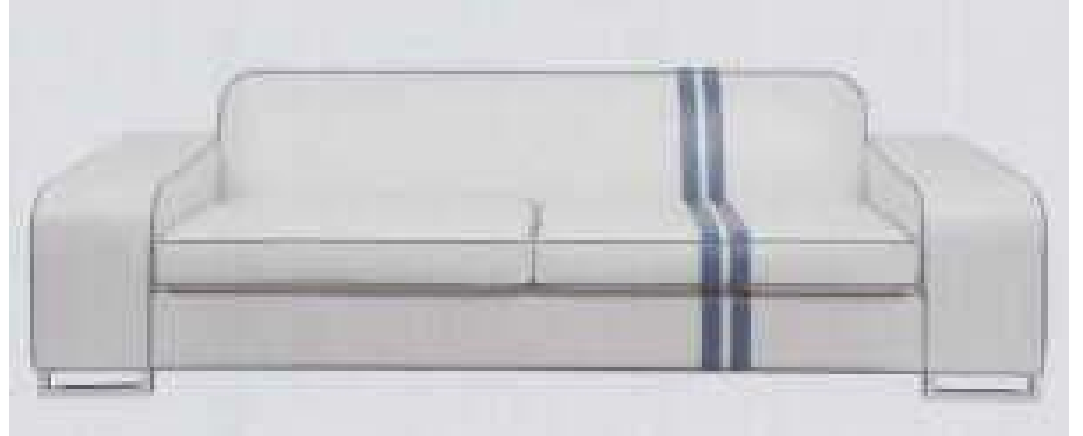
- (21) Design Number: **17220/2007**
(22) Date of Filing Application: **02 April 2007**
(24) Date from which industrial property rights may have effect: **02 April 2007**
(54) Product in respect of which the design is registered: **Staircase**
(51) International Design Classification: **25-04**
(71) Name(s) and Address(s) of Applicant(s):
Willem Denheld
52 Alto Avenue Croydon Victoria 3136 Australia
John Delany
Unit 1 126 Merrindale Drive Croydon Victoria 3136 Australia
(72) Name(s) of Designer(s): **Willem Denheld**
(45) Registration Date: **17 January 2008**
(56) Related Art Documents: **Not Applicable**
(57) Statement of Newness and Distinctiveness: **Visual features of the design which are new and distinctive are the features of shape and configuration of staircase as illustrated in the representations.**



- (21) Design Number: **17221/2007**
(22) Date of Filing Application: **02 April 2007**
(24) Date from which industrial property rights may have effect: **02 April 2007**
(54) Product in respect of which the design is registered: **Staircase**
(51) International Design Classification: **25-04**
(71) Name(s) and Address(s) of Applicant(s):
Willem Denheld
52 Alto Avenue Croydon Victoria 3136 Australia
John Delany
Unit 1 126 Merrindale Drive Croydon Victoria 3136 Australia
(72) Name(s) of Designer(s): **Willem Denheld**
(45) Registration Date: **17 January 2008**
(56) Related Art Documents: **Not Applicable**
(57) Statement of Newness and Distinctiveness: **Visual features of the design which are new and distinctive are the features of shape and configuration of staircase as illustrated in the representations.**



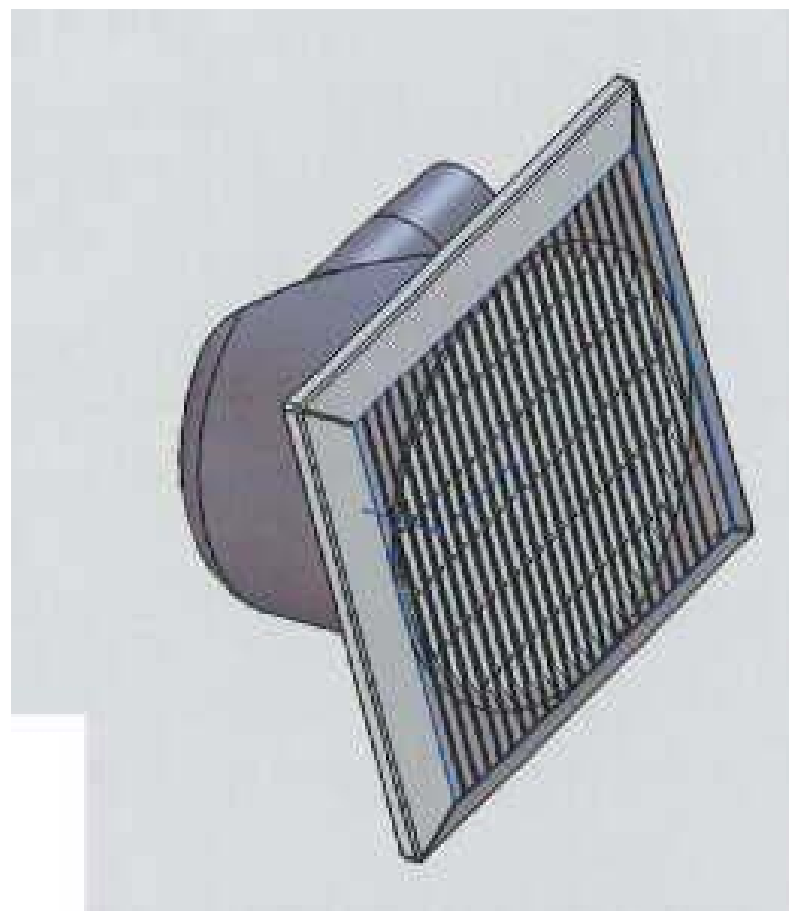
- (21) Design Number: **18825/2007**
(22) Date of Filing Application: **13 July 2007**
(24) Date from which industrial property rights may have effect: **13 July 2007**
(54) Product in respect of which the design is registered: **Naja couch**
(51) International Design Classification: **06-01G**
(71) Name(s) and Address(s) of Applicant(s):
Wesley James Dunlop
PO Box 308 Seaforth New South Wales 2092 Australia
(72) Name(s) of Designer(s): **Wesley James Dunlop**
(45) Registration Date: **17 January 2008**
(56) Related Art Documents: **Not Applicable**
(57) Statement of Newness and Distinctiveness: **Taking design cues from the 1960's and merging these aesthetic features with modern minimalism gives the naja couch its new and distinctive identity.**



- (21) Design Number: **19873/2007**
(22) Date of Filing Application: **24 September 2007**
(24) Date from which industrial property rights may have effect: **24 September 2007**
(54) Product in respect of which the design is registered: **Gaming machine**
(51) International Design Classification: **21-03**
(71) Name(s) and Address(s) of Applicant(s):
Stargames Corporation Pty Limited
1 Sheridan Close Milperra New South Wales 2214 Australia
(72) Name(s) of Designer(s): **Andrew Cantrill and Eva Vasas and Peter Saisanas**
(45) Registration Date: **17 January 2008**
(56) Related Art Documents: **Not Applicable**
(57) Statement of Newness and Distinctiveness: **Nil**



- (21) Design Number: **20031/2007**
(22) Date of Filing Application: **02 October 2007**
(24) Date from which industrial property rights may have effect: **02 October 2007**
(54) Product in respect of which the design is registered: **RCG200-150 ritevent ceiling mounted grille**
(51) International Design Classification: **25-02F**
(71) Name(s) and Address(s) of Applicant(s):
Fantech Pty Ltd
13-19 Dunlop Road Mulgrave Victoria 3170 Australia
(72) Name(s) of Designer(s): **Stuart King**
(45) Registration Date: **17 January 2008**
(56) Related Art Documents: **Not Applicable**
(57) Statement of Newness and Distinctiveness: **An adjustable connector is fitted for horizontal or vertical duct connection.**



- (21) Design Number: **20034/2007**
(22) Date of Filing Application: **02 October 2007**
(24) Date from which industrial property rights may have effect: **02 October 2007**
(54) Product in respect of which the design is registered: **Bottle**
(51) International Design Classification: **09-01G**
(71) Name(s) and Address(s) of Applicant(s):
SAVERGLASS
Place de La Gare 60960 Feuquieres France
(72) Name(s) of Designer(s): **Didier Rica**
(45) Registration Date: **17 January 2008**
(56) Related Art Documents: **Not Applicable**
(57) Statement of Newness and Distinctiveness: **Newness and distinctiveness reside in the features of the design as shown in the representations, and in particular by the designs rectangular section with rounded angles and its straight silhouette, in the alternating pattern of large and small radius at the shoulder and base, and in that the shoulder is practically horizontal and the cylindrical neck has average height and diameter dimensions, the item having a flat glass base.**



(21) Design Number: **20035/2007**

(22) Date of Filing Application: **02 October 2007**

(24) Date from which industrial property rights may have effect: **02 October 2007**

(54) Product in respect of which the design is registered: **Flask**

(51) International Design Classification: **07-01F**

(71) Name(s) and Address(s) of Applicant(s):

SAVERGLASS

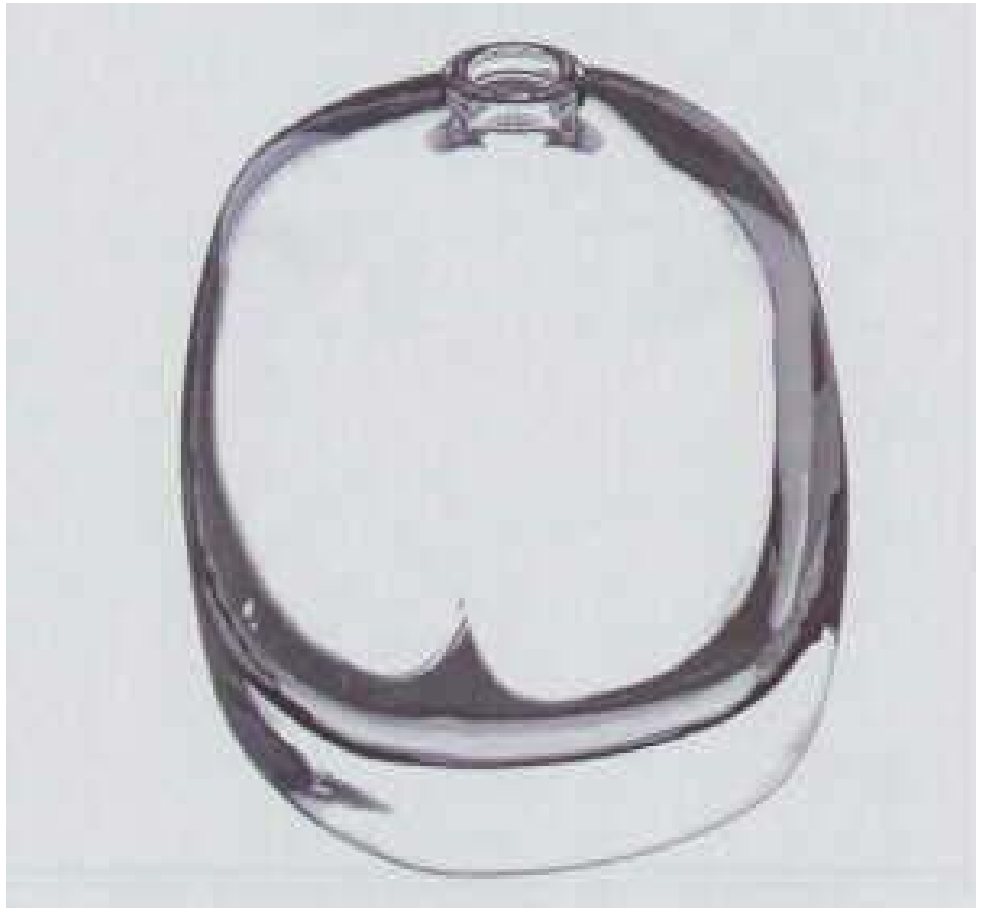
Place de La Gare 60960 Feuquieres France

(72) Name(s) of Designer(s): **Didier Rica**

(45) Registration Date: **17 January 2008**

(56) Related Art Documents: **Not Applicable**

(57) Statement of Newness and Distinctiveness: **Newness and distinctiveness reside in the features of the design as shown in the representations, in particular by a rather square global section, rounded domed faces, and thick glass base with the overall impression created by the design being reminiscent of a cube without angles.**



(21) Design Number: **20036/2007**

(22) Date of Filing Application: **02 October 2007**

(24) Date from which industrial property rights may have effect: **02 October 2007**

(54) Product in respect of which the design is registered: **Bottle**

(51) International Design Classification: **09-01G**

(71) Name(s) and Address(s) of Applicant(s):

SAVERGLASS

Place de La Gare 60960 Feuquieres France

(72) Name(s) of Designer(s): **Didier Rica**

(45) Registration Date: **17 January 2008**

(56) Related Art Documents: **Not Applicable**

(57) Statement of Newness and Distinctiveness: **Newness and distinctiveness reside in the features of the design as shown in the representations, and in particular in the slightly domed shape of its cylindrical body and its narrow and almost horizontal shoulder, the neck of the bottle being long and cylindrical, the design having a narrow and thick glass base.**



(21) Design Number: **20037/2007**

(22) Date of Filing Application: **02 October 2007**

(24) Date from which industrial property rights may have effect: **02 October 2007**

(54) Product in respect of which the design is registered: **Bottle**

(51) International Design Classification: **09-01H**

(71) Name(s) and Address(s) of Applicant(s):

SAVERGLASS

Place de La Gare 60960 Feuquieres France

(72) Name(s) of Designer(s): **Didier Rica**

(45) Registration Date: **17 January 2008**

(56) Related Art Documents: **Not Applicable**

(57) Statement of Newness and Distinctiveness: **Newness and distinctiveness reside in the features of the design as shown in the representations, and differs from the silhouette of a typical burgundy type bottle, in the very slanted shape of its shoulder which makes an absolute straight line, the base of the body (base rim diameter) being very terse (small diameter), the punt having a very geometrical profile, in which the bottom forms a flat spot.**



(21) Design Number: **20038/2007**

(22) Date of Filing Application: **02 October 2007**

(24) Date from which industrial property rights may have effect: **02 October 2007**

(54) Product in respect of which the design is registered: **Flask**

(51) International Design Classification: **07-01F**

(71) Name(s) and Address(s) of Applicant(s):

SAVERGLASS

Place de La Gare 60960 Feuquieres France

(72) Name(s) of Designer(s): **Didier Rica**

(45) Registration Date: **17 January 2008**

(56) Related Art Documents: **Not Applicable**

(57) Statement of Newness and Distinctiveness: **Newness and distinctiveness reside in the features of the design as shown in the representations, in particular in its global very flat shape and large facing, its section being rectangular with slightly radiused main faces, and in side view, the design is very flat at the shoulder and widens gently down to the base, and in front view, all four identical corners are rounded in shape, the item having a thick glass base.**



(21) Design Number: **20039/2007**

(22) Date of Filing Application: **02 October 2007**

(24) Date from which industrial property rights may have effect: **02 October 2007**

(54) Product in respect of which the design is registered: **Bottle**

(51) International Design Classification: **09-01K**

(71) Name(s) and Address(s) of Applicant(s):

SAVERGLASS

Place de La Gare 60960 Feuquieres France

(72) Name(s) of Designer(s): **Didier Rica**

(45) Registration Date: **17 January 2008**

(56) Related Art Documents: **Not Applicable**

(57) Statement of Newness and Distinctiveness: **Newness and distinctiveness reside in the features of the design as shown in the representations, which is characterised by its high very conical silhouette and its prominent, almost horizontal, shoulder, the neck being relatively short, the design having a flat glass base.**



(21) Design Number: **20040/2007**

(22) Date of Filing Application: **02 October 2007**

(24) Date from which industrial property rights may have effect: **02 October 2007**

(54) Product in respect of which the design is registered: **Flask**

(51) International Design Classification: **07-01F**

(71) Name(s) and Address(s) of Applicant(s):

SAVERGLASS

Place de La Gare 60960 Feuquieres France

(72) Name(s) of Designer(s): **Didier Rica**

(45) Registration Date: **17 January 2008**

(56) Related Art Documents: **Not Applicable**

(57) Statement of Newness and Distinctiveness: **Newness and distinctiveness reside in the features of the design as shown in the representations, the design being characterised by a slight wave shaped depression on each of its two main faces, identical on both faces, the facing being slightly conical, the small sides (in side view) being curved, the overall section being rather rectangular in shape, smaller at the base than at the shoulder, with the design having a thick glass base.**



(21) Design Number: **20041/2007**

(22) Date of Filing Application: **02 October 2007**

(24) Date from which industrial property rights may have effect: **02 October 2007**

(54) Product in respect of which the design is registered: **Flask**

(51) International Design Classification: **07-01F**

(71) Name(s) and Address(s) of Applicant(s):

SAVERGLASS

Place de La Gare 60960 Feuquieres France

(72) Name(s) of Designer(s): **Didier Rica**

(45) Registration Date: **17 January 2008**

(56) Related Art Documents: **Not Applicable**

(57) Statement of Newness and Distinctiveness: **Newness and distinctiveness reside in the features of the design as shown in the representations which is characterised by a set of inverted sections at the base and shoulder, with the irregular shaped shoulder section inverted and reduced in size to make the foot section of the bottle, the two main faces of the bottle being asymmetrical, conical and slightly curved, the design having a thick glass base.**



(21) Design Number: **20042/2007**

(22) Date of Filing Application: **02 October 2007**

(24) Date from which industrial property rights may have effect: **02 October 2007**

(54) Product in respect of which the design is registered: **Flask**

(51) International Design Classification: **07-01F**

(71) Name(s) and Address(s) of Applicant(s):

SAVERGLASS

Place de La Gare 60960 Feuquieres France

(72) Name(s) of Designer(s): **Didier Rica**

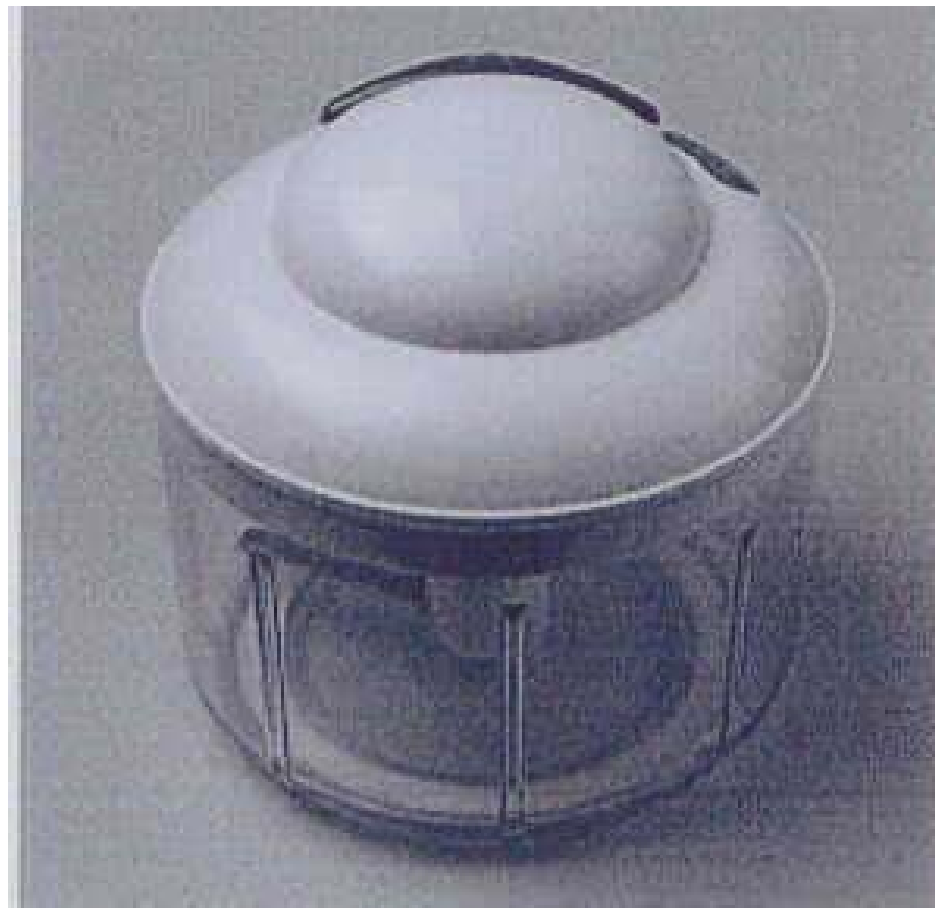
(45) Registration Date: **17 January 2008**

(56) Related Art Documents: **Not Applicable**

(57) Statement of Newness and Distinctiveness: **Newness and distinctiveness reside in the features of the design as shown in the representations and in particular the different set of oval sections at the base and shoulder, the section being wider and rounder at the shoulder than at the base of the bottle, in side view, the design presenting a taper which allows both sections of base and shoulder to meet, the facing being of rectangular shape, the design having a thick glass base.**



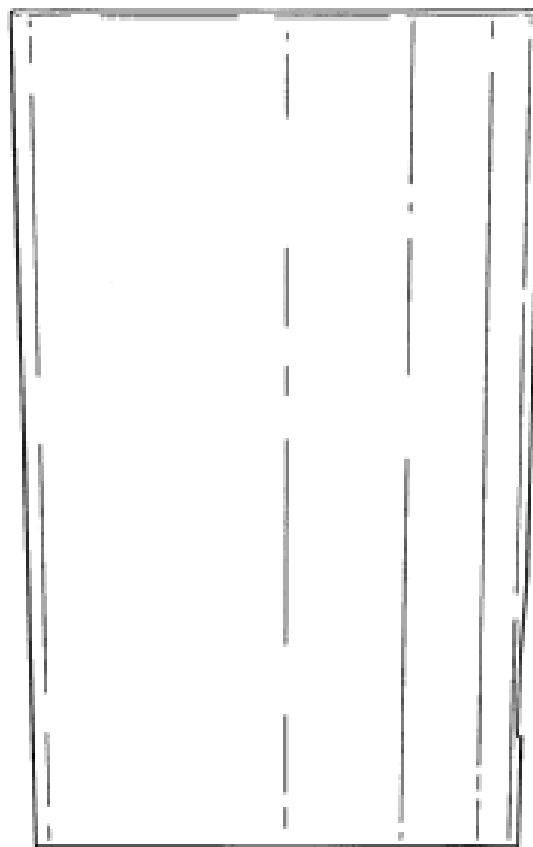
(21) Design Number: **20044/2007**
(22) Date of Filing Application: **02 October 2007**
(24) Date from which industrial property rights may have effect: **02 October 2007**
(54) Product in respect of which the design is registered: **Kitchen equipment**
(51) International Design Classification: **07-04**
(71) Name(s) and Address(s) of Applicant(s):
swizzProzzz AG
Rainstrasse 4 Hergiswil 6052 Switzerland
(72) Name(s) of Designer(s): **Ulrich Greiner**
(45) Registration Date: **17 January 2008**
(30) Convention priority data:
(31) Number (32) Date (33) Country
133857 02 Apr 2007 SWITZERLAND
(56) Related Art Documents: **Not Applicable**
(57) Statement of Newness and Distinctiveness: **Nil**



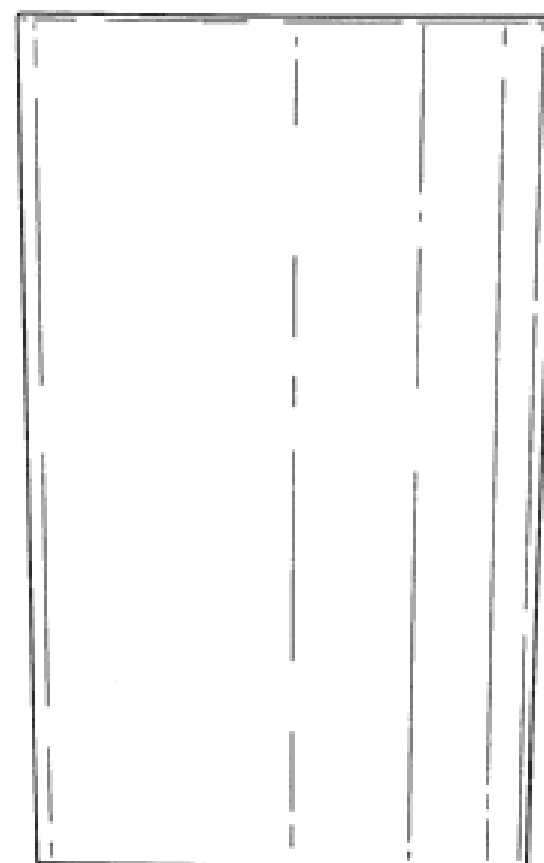
(21) Design Number: **20045/2007**
(22) Date of Filing Application: **02 October 2007**
(24) Date from which industrial property rights may have effect: **02 October 2007**
(54) Product in respect of which the design is registered: **Kitchen equipment**
(51) International Design Classification: **07-04**
(71) Name(s) and Address(s) of Applicant(s):
swizzProzzz AG
Rainstrasse 4 Hergiswil 6052 Switzerland
(72) Name(s) of Designer(s): **Ulrich Greiner**
(45) Registration Date: **17 January 2008**
(30) Convention priority data:
(31) Number (32) Date (33) Country
133857 02 Apr 2007 SWITZERLAND
(56) Related Art Documents: **Not Applicable**
(57) Statement of Newness and Distinctiveness: **Nil**



- (21) Design Number: **10114/2008**
(22) Date of Filing Application: **10 January 2008**
(24) Date from which industrial property rights may have effect: **10 January 2008**
(54) Product in respect of which the design is registered: **Air freshener device**
(51) International Design Classification: **28-99**
(71) Name(s) and Address(s) of Applicant(s):
Reckitt Benckiser (UK) Limited
103-105 Bath Road Slough Berkshire SL1 3UH United Kingdom
(72) Name(s) of Designer(s): **Valeria Aloe and Sam Leach and Jay Packman and Simon Woolley**
(45) Registration Date: **17 January 2008**
(30) Convention priority data:
(31) Number (32) Date (33) Country
000761713-0001 20 Jul 2007 EUROPEAN COMMUNITY
(56) Related Art Documents: **Not Applicable**
(57) Statement of Newness and Distinctiveness: **Newness and distinctiveness reside in the features of the design as shown in the representations.**



- (21) Design Number: **10115/2008**
(22) Date of Filing Application: **10 January 2008**
(24) Date from which industrial property rights may have effect: **10 January 2008**
(54) Product in respect of which the design is registered: **Air freshener device**
(51) International Design Classification: **28-99**
(71) Name(s) and Address(s) of Applicant(s):
Reckitt Benckiser (UK) Limited
103-105 Bath Road Slough Berkshire SL1 3UH United Kingdom
(72) Name(s) of Designer(s): **Valeria Aloe and Sam Leach and Jay Packman and Simon Woolley**
(45) Registration Date: **17 January 2008**
(30) Convention priority data:
(31) Number (32) Date (33) Country
000761713-0002 20 Jul 2007 EUROPEAN COMMUNITY
(56) Related Art Documents: **Not Applicable**
(57) Statement of Newness and Distinctiveness: **Newness and distinctiveness reside in the features of the design as shown in the representations.**



(21) Design Number: **19206/2007**

(22) Date of Filing Application: **03 August 2007**

(24) Date from which industrial property rights may have effect: **03 August 2007**

(54) Product in respect of which the design is registered: **Trademans pocket vest**

(51) International Design Classification: **02-02B**

(71) Name(s) and Address(s) of Applicant(s):

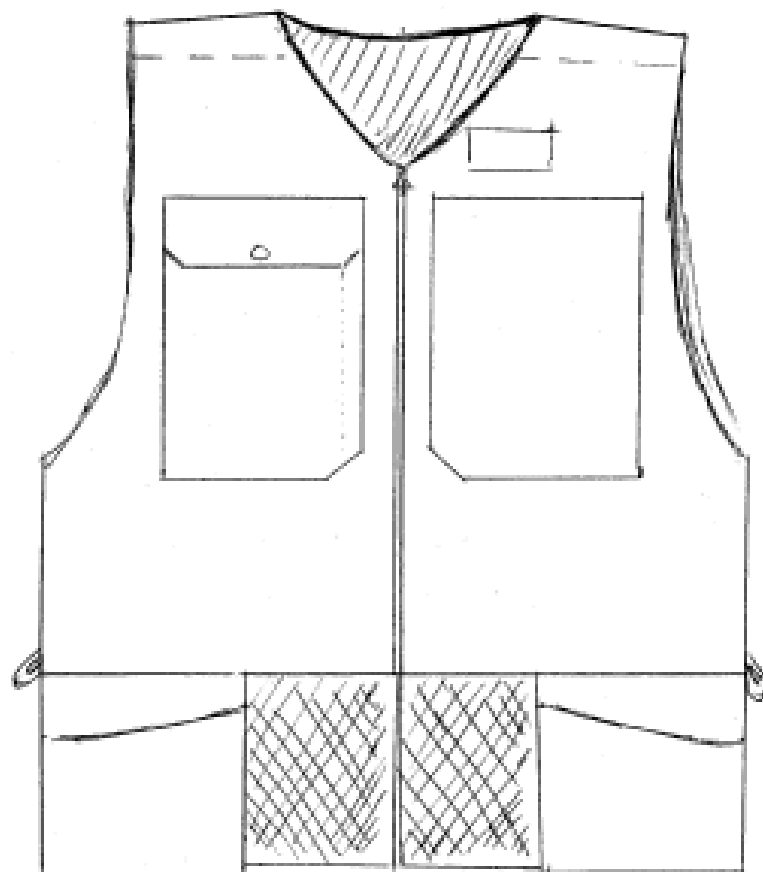
Ryan D'Arcy
113 Riseley Street Ardross Western Australia 6153 Australia

(72) Name(s) of Designer(s): **Ryan D'Arcy**

(45) Registration Date: **17 January 2008**

(56) Related Art Documents: **Not Applicable**

(57) Statement of Newness and Distinctiveness: **The basic vest has 4 reinforced pockets and loops hanging below the body of the vest for the use of carrying hand tools and various small articles such as nails or electrical pieces.**



(21) Design Number: **19498/2007**

(22) Date of Filing Application: **24 August 2007**

(24) Date from which industrial property rights may have effect: **24 August 2007**

(54) Product in respect of which the design is registered: **Chair**

(51) International Design Classification: **06-01F**

(71) Name(s) and Address(s) of Applicant(s):

NA&PG LLP
36 Brook Green London W6 7BL United Kingdom

(72) Name(s) of Designer(s): **Nicola Jane Adams**

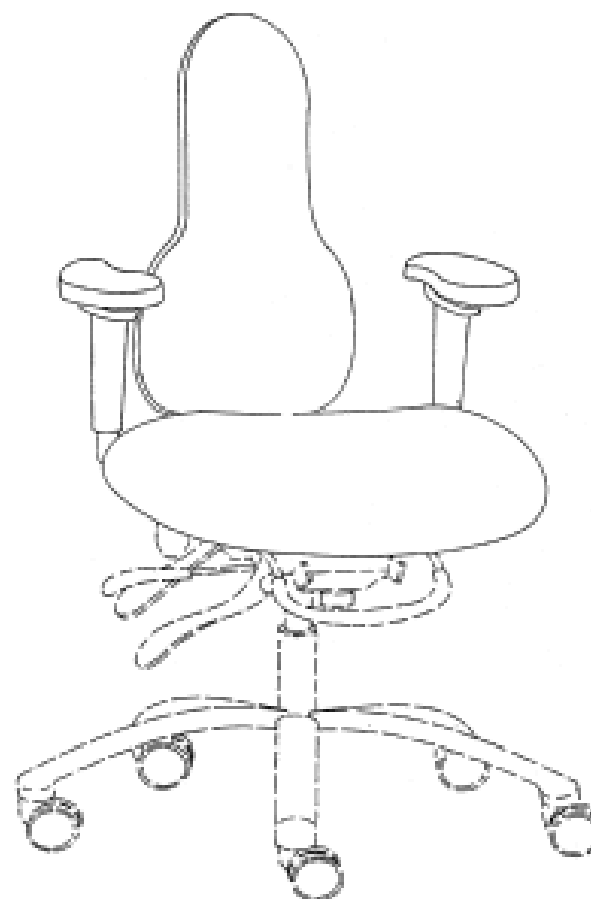
(45) Registration Date: **17 January 2008**

(30) Convention priority data:

(31) Number	(32) Date	(33) Country
000563465-0001	20 Jul 2006	EUROPEAN COMMUNITY

(56) Related Art Documents: **Not Applicable**

(57) Statement of Newness and Distinctiveness: **Newness and distinctiveness is claimed in the shape and configuration of the chair excluding those portions shown in dashed line.**



(21) Design Number: **19563/2007**

(22) Date of Filing Application: **29 August 2007**

(24) Date from which industrial property rights may have effect: **29 August 2007**

(54) Product in respect of which the design is registered: **Treeless saddle**

(51) International Design Classification: **30-04**

(71) Name(s) and Address(s) of Applicant(s):

Sabine Ullmann

Wald-Michelbacher-Strasse 2 Hirschhorn 69434 Germany

(72) Name(s) of Designer(s): **Sabine Ullmann**

(45) Registration Date: **17 January 2008**

(56) Related Art Documents: **Not Applicable**

(57) Statement of Newness and Distinctiveness: **Embossed logo, horse head detail, see drawing**



(21) Design Number: **19564/2007**

(22) Date of Filing Application: **29 August 2007**

(24) Date from which industrial property rights may have effect: **29 August 2007**

(54) Product in respect of which the design is registered: **Treeless saddle**

(51) International Design Classification: **30-04**

(71) Name(s) and Address(s) of Applicant(s):

Sabine Ullmann

Wald-Michelbacher-Strasse 2 Hirschhorn 69434 Germany

(72) Name(s) of Designer(s): **Sabine Ullmann**

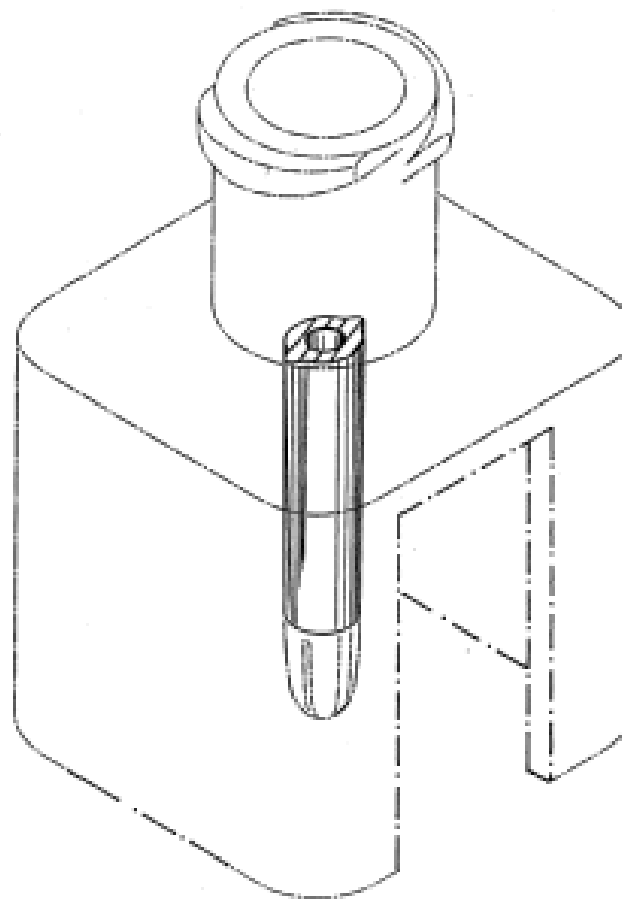
(45) Registration Date: **17 January 2008**

(56) Related Art Documents: **Not Applicable**

(57) Statement of Newness and Distinctiveness: **Embossed logo, horse head detail, see drawing**



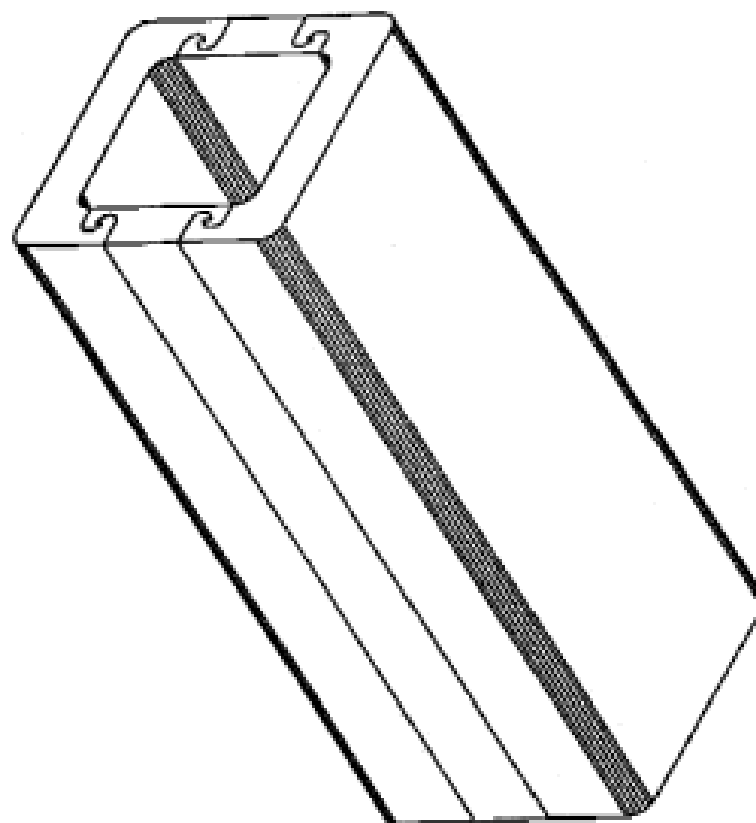
(21) Design Number: **19746/2007**
 (22) Date of Filing Application: **14 September 2007**
 (24) Date from which industrial property rights may have effect: **14 September 2007**
 (54) Product in respect of which the design is registered: **Medical fluid adaptor**
 (51) International Design Classification: **24-02**
 (71) Name(s) and Address(s) of Applicant(s):
Smiths Medical ASD, Inc.
160 Weymouth Street Rockland Massachusetts 02370-1136 United States of America
 (72) Name(s) of Designer(s): **Charles S. Baxter and Charles R. Patzer and Theodore J. Mosler and Dale Marvin Gallogly**
 (45) Registration Date: **17 January 2008**
 (30) Convention priority data:
 (31) Number (32) Date (33) Country
29/278290 23 Mar 2007 UNITED STATES OF AMERICA
 (56) Related Art Documents: **Not Applicable**
 (57) Statement of Newness and Distinctiveness: **Newness and distinctiveness is claimed in the features of shape and/or configuration of the cannula proximal portion of a medical fluid adaptor as illustrated in the accompanying representations.**



(21) Design Number: **19926/2007**
 (22) Date of Filing Application: **26 September 2007**
 (24) Date from which industrial property rights may have effect: **26 September 2007**
 (54) Product in respect of which the design is registered: **Deck and fence clamp**
 (51) International Design Classification: **08-08D**
 (71) Name(s) and Address(s) of Applicant(s):
Vasilis Kamilakis
50 Broughton Road Surrey Hills Victoria 3127 Australia
 (72) Name(s) of Designer(s): **Vasilis Kamilakis**
 (45) Registration Date: **17 January 2008**
 (56) Related Art Documents: **Not Applicable**
 (57) Statement of Newness and Distinctiveness: **Novelty is claimed in a deck and fence clamp of variable horizontal length with variable horizontally and vertically positioned tongue spacers and variable horizontally positioned end plate.**



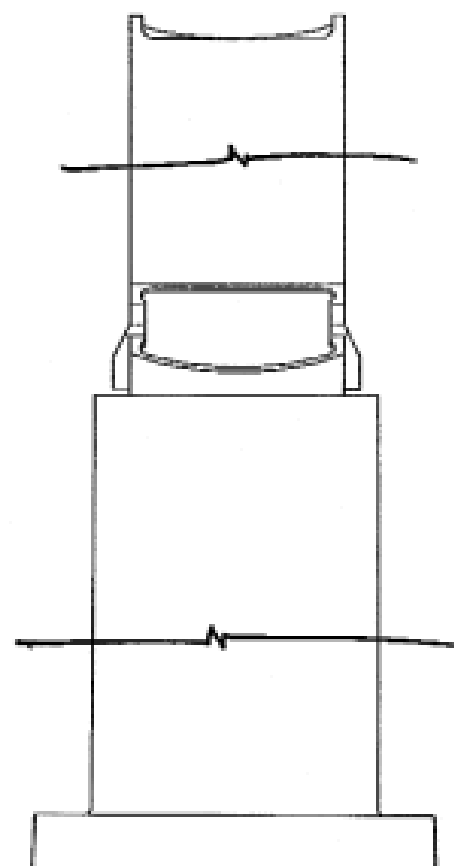
(21) Design Number: **20053/2007**
 (22) Date of Filing Application: **03 October 2007**
 (24) Date from which industrial property rights may have effect: **03 October 2007**
 (54) Product in respect of which the design is registered: **Cross member wear liner**
 (51) International Design Classification: **25-01NES**
 (71) Name(s) and Address(s) of Applicant(s):
Pazza Pty Ltd
185 Fullarton Road Dulwich South Australia 5065 Australia
 (72) Name(s) of Designer(s): **Kym Lawrence and David Dreckow and Warrick Morgan**
 (45) Registration Date: **17 January 2008**
 (56) Related Art Documents: **Not Applicable**
 (57) Statement of Newness and Distinctiveness: **Nil**



(21) Design Number: **20055/2007**
 (22) Date of Filing Application: **04 October 2007**
 (24) Date from which industrial property rights may have effect: **04 October 2007**
 (54) Product in respect of which the design is registered: **Pillar box**
 (51) International Design Classification: **13-03C**
 (71) Name(s) and Address(s) of Applicant(s):
Transnet NZ Ltd
20 Neilpark Drive East Tamaki Heights Auckland New Zealand
 (72) Name(s) of Designer(s): **James Michael Leo Lucas**
 (45) Registration Date: **17 January 2008**
 (30) Convention priority data:

(31) Number	(32) Date	(33) Country
408973	04 Apr 2007	NEW ZEALAND

 (56) Related Art Documents: **Not Applicable**
 (57) Statement of Newness and Distinctiveness: **Nil**



(21) Design Number: **20056/2007**
 (22) Date of Filing Application: **04 October 2007**
 (24) Date from which industrial property rights may have effect: **04 October 2007**
 (54) Product in respect of which the design is registered: **Pillar box**
 (51) International Design Classification: **13-03C**
 (71) Name(s) and Address(s) of Applicant(s):

Transnet NZ Ltd
20 Neilpark Drive East Tamaki Heights Auckland New Zealand

(72) Name(s) of Designer(s): **James Michael Leo Lucas**

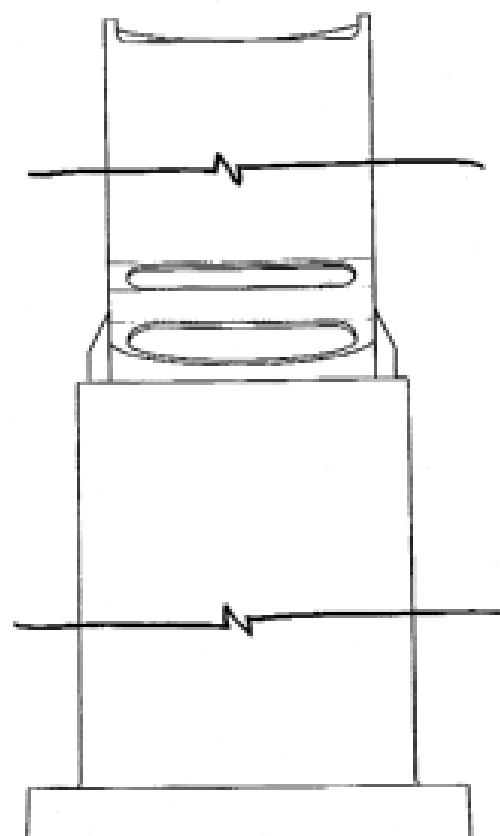
(45) Registration Date: **17 January 2008**

(30) Convention priority data:

(31) Number	(32) Date	(33) Country
408972	04 Apr 2007	NEW ZEALAND

(56) Related Art Documents: **Not Applicable**

(57) Statement of Newness and Distinctiveness: **Nil**



(21) Design Number: **20058/2007**
 (22) Date of Filing Application: **03 October 2007**
 (24) Date from which industrial property rights may have effect: **03 October 2007**
 (54) Product in respect of which the design is registered: **Dart board**
 (51) International Design Classification: **21-01H**
 (71) Name(s) and Address(s) of Applicant(s):

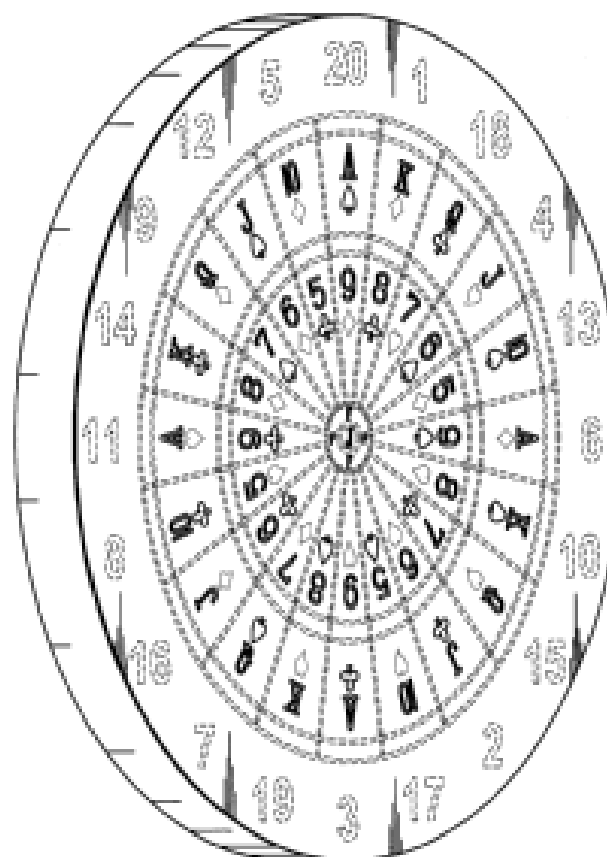
Charles M. Hanes
689 Club Circle Louisville CO80027 United States of America

(72) Name(s) of Designer(s): **Charles M. Hanes**

(45) Registration Date: **17 January 2008**

(56) Related Art Documents: **Not Applicable**

(57) Statement of Newness and Distinctiveness: **Nil**



(21) Design Number: **20059/2007**

(22) Date of Filing Application: **03 October 2007**

(24) Date from which industrial property rights may have effect: **03 October 2007**

(54) Product in respect of which the design is registered: **Bottle**

(51) International Design Classification: **09-01G**

(71) Name(s) and Address(s) of Applicant(s):

**Societe Anonyme des Eaux Minerales d'Evian
22 avenue des Sources 74500 Evian Les Bains France**

(72) Name(s) of Designer(s): **Laurent Hainaut**

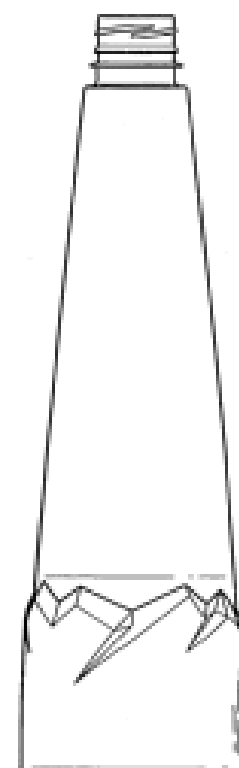
(45) Registration Date: **17 January 2008**

(30) Convention priority data:

(31) Number	(32) Date	(33) Country
000701867	04 Apr 2007	EUROPEAN COMMUNITY

(56) Related Art Documents: **Not Applicable**

(57) Statement of Newness and Distinctiveness: **Newness and distinctiveness reside in the features of the design as shown in the representations.**



(21) Design Number: **20060/2007**

(22) Date of Filing Application: **03 October 2007**

(24) Date from which industrial property rights may have effect: **03 October 2007**

(54) Product in respect of which the design is registered: **Tall tumbler**

(51) International Design Classification: **07-01C**

(71) Name(s) and Address(s) of Applicant(s):

**Vin Singlz Limited
16 Tainui Street Hamilton New Zealand**

(72) Name(s) of Designer(s): **Graeme Ashley Blake**

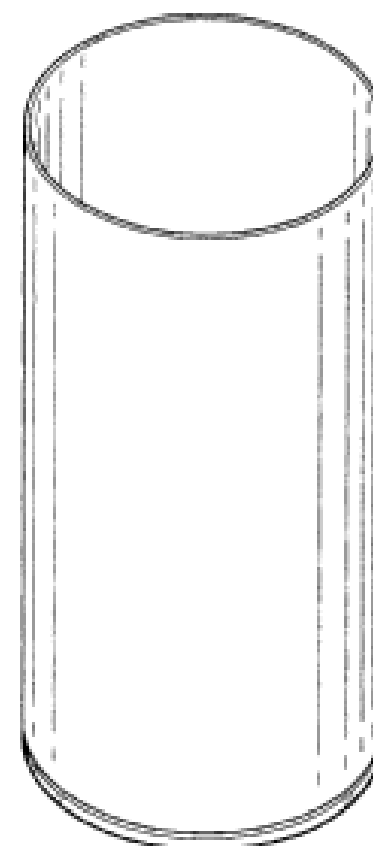
(45) Registration Date: **17 January 2008**

(30) Convention priority data:

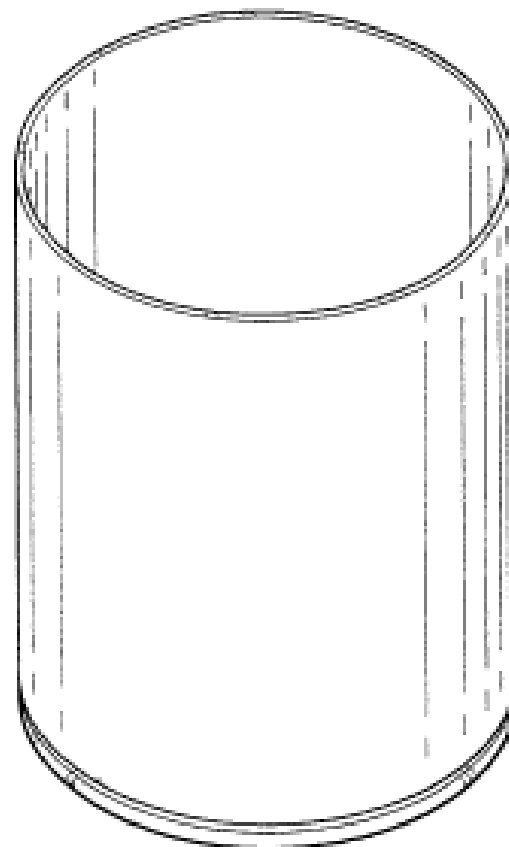
(31) Number	(32) Date	(33) Country
408997	19 Apr 2007	NEW ZEALAND

(56) Related Art Documents: **Not Applicable**

(57) Statement of Newness and Distinctiveness: **Newness and distinctiveness are claimed in the features of shape and/or configuration of a tumbler, as illustrated in the accompanying representations.**



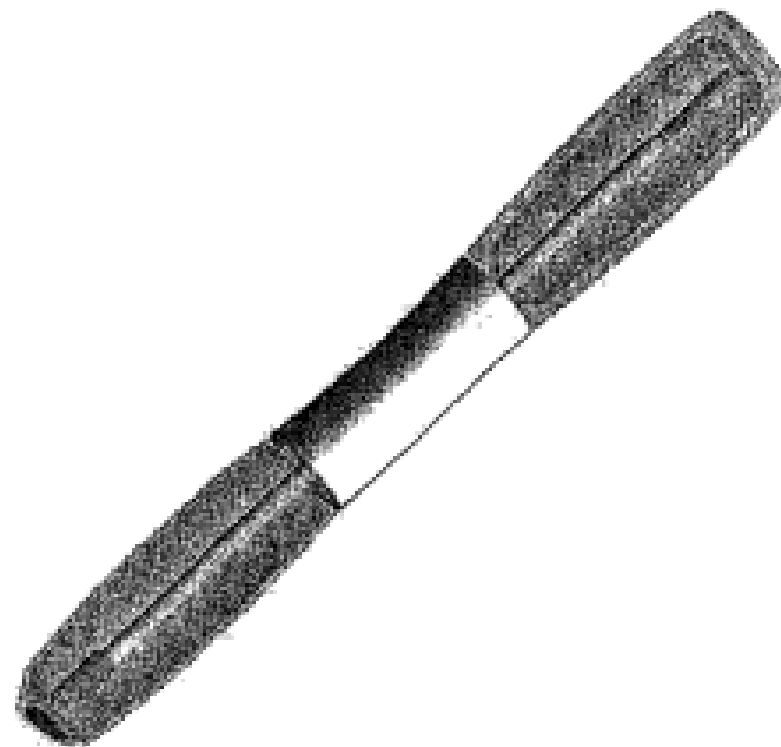
- (21) Design Number: **20061/2007**
(22) Date of Filing Application: **03 October 2007**
(24) Date from which industrial property rights may have effect: **03 October 2007**
(54) Product in respect of which the design is registered: **Short tumbler**
(51) International Design Classification: **07-01C**
(71) Name(s) and Address(s) of Applicant(s):
Vin Singlz Limited
16 Tainui Street Hamilton New Zealand
(72) Name(s) of Designer(s): **Graeme Ashley Blake**
(45) Registration Date: **17 January 2008**
(30) Convention priority data:
(31) Number (32) Date (33) Country
408998 19 Apr 2007 NEW ZEALAND
(56) Related Art Documents: **Not Applicable**
(57) Statement of Newness and Distinctiveness: **Newness and distinctiveness are claimed in the features of shape and/or configuration of a tumbler, as illustrated in the accompanying representations.**



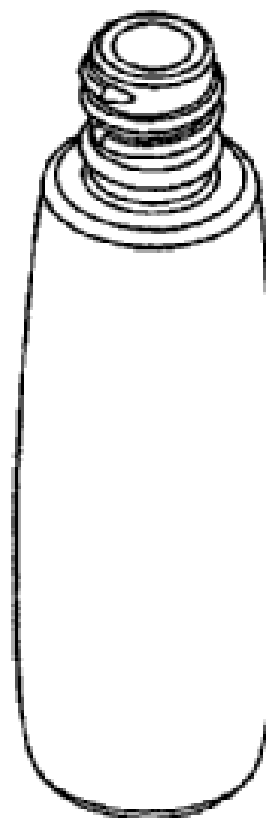
- (21) Design Number: **20062/2007**
(22) Date of Filing Application: **03 October 2007**
(24) Date from which industrial property rights may have effect: **03 October 2007**
(54) Product in respect of which the design is registered: **Shaped tumbler**
(51) International Design Classification: **07-01C**
(71) Name(s) and Address(s) of Applicant(s):
Vin Singlz Limited
16 Tainui Street Hamilton New Zealand
(72) Name(s) of Designer(s): **Graeme Ashley Blake**
(45) Registration Date: **17 January 2008**
(30) Convention priority data:
(31) Number (32) Date (33) Country
408999 19 Apr 2007 NEW ZEALAND
(56) Related Art Documents: **Not Applicable**
(57) Statement of Newness and Distinctiveness: **Newness and distinctiveness are claimed in the features of shape and/or configuration of a tumbler, as illustrated in the accompanying representations.**



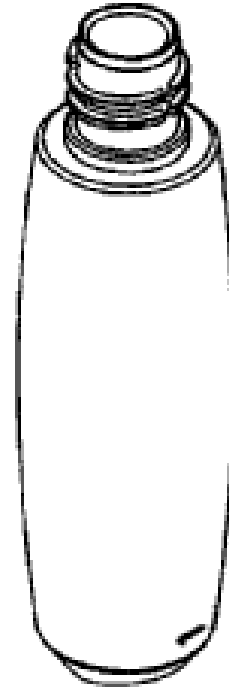
(21) Design Number: **20076/2007**
(22) Date of Filing Application: **04 October 2007**
(24) Date from which industrial property rights may have effect: **04 October 2007**
(54) Product in respect of which the design is registered: **Nail treatment device**
(51) International Design Classification: **28-03NES**
(71) Name(s) and Address(s) of Applicant(s):
LRC Products Limited
35 New Bridge Street London EC4V 6BW United Kingdom
(72) Name(s) of Designer(s): **Craig Wightman and Rachel Armstrong**
(45) Registration Date: **17 January 2008**
(30) Convention priority data:
(31) Number (32) Date (33) Country
000705686 05 Apr 2007 EUROPEAN COMMUNITY
(56) Related Art Documents: **Not Applicable**
(57) Statement of Newness and Distinctiveness: **Nil**



(21) Design Number: **20077/2007**
(22) Date of Filing Application: **04 October 2007**
(24) Date from which industrial property rights may have effect: **04 October 2007**
(54) Product in respect of which the design is registered: **Nail treatment device**
(51) International Design Classification: **28-03NES**
(71) Name(s) and Address(s) of Applicant(s):
LRC Products Limited
35 New Bridge Street London EC4V 6BW United Kingdom
(72) Name(s) of Designer(s): **Craig Wightman and Rachel Armstrong**
(45) Registration Date: **17 January 2008**
(30) Convention priority data:
(31) Number (32) Date (33) Country
000705686 05 Apr 2007 EUROPEAN COMMUNITY
(56) Related Art Documents: **Not Applicable**
(57) Statement of Newness and Distinctiveness: **Nil**



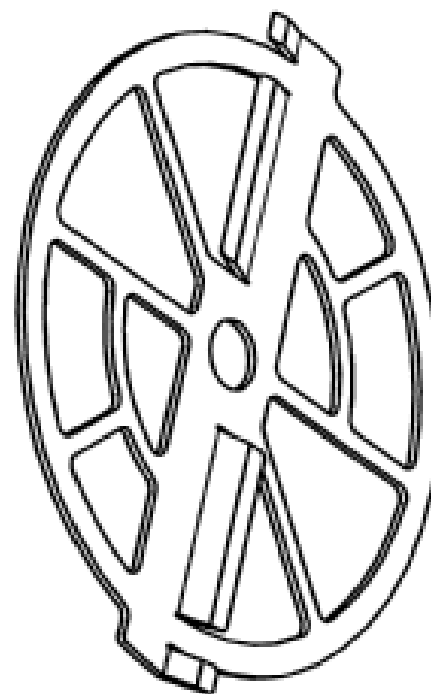
(21) Design Number: **20078/2007**
(22) Date of Filing Application: **04 October 2007**
(24) Date from which industrial property rights may have effect: **04 October 2007**
(54) Product in respect of which the design is registered: **Nail treatment device**
(51) International Design Classification: **28-03NES**
(71) Name(s) and Address(s) of Applicant(s):
LRC Products Limited
35 New Bridge Street London EC4V 6BW United Kingdom
(72) Name(s) of Designer(s): **Craig Wightman and Rachel Armstrong**
(45) Registration Date: **17 January 2008**
(30) Convention priority data:
(31) Number (32) Date (33) Country
000705686 05 Apr 2007 EUROPEAN COMMUNITY
(56) Related Art Documents: **Not Applicable**
(57) Statement of Newness and Distinctiveness: **Nil**



(21) Design Number: **20079/2007**
(22) Date of Filing Application: **04 October 2007**
(24) Date from which industrial property rights may have effect: **04 October 2007**
(54) Product in respect of which the design is registered: **Headlight for motorcycles**
(51) International Design Classification: **26-06**
(71) Name(s) and Address(s) of Applicant(s):
Honda Motor Co., Ltd.
1-1 Minami-Aoyama 2-Chome Minato-Ku Tokyo 107-8556 Japan
(72) Name(s) of Designer(s): **Takashi Arai and Tokumaru Watanabe**
(45) Registration Date: **17 January 2008**
(30) Convention priority data:
(31) Number (32) Date (33) Country
2007-009130 06 Apr 2007 JAPAN
(56) Related Art Documents: **Not Applicable**
(57) Statement of Newness and Distinctiveness: **Nil**



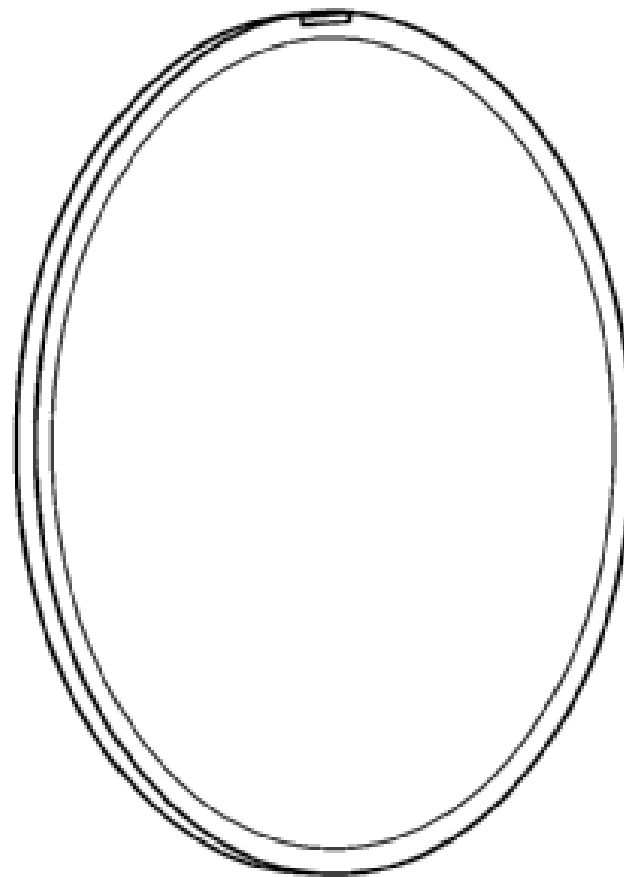
- (21) Design Number: **20348/2007**
(22) Date of Filing Application: **22 October 2007**
(24) Date from which industrial property rights may have effect: **22 October 2007**
(54) Product in respect of which the design is registered: **Integrated blade and screen**
(51) International Design Classification: **08-03**
(71) Name(s) and Address(s) of Applicant(s):
Roy Gripske & Sons Pty Ltd
11 Sodium Street Narangba Queensland 4504 Australia
(72) Name(s) of Designer(s): **Members of the design team of Roy Gripske & Sons Pty Ltd**
(45) Registration Date: **17 January 2008**
(56) Related Art Documents: **Not Applicable**
(57) Statement of Newness and Distinctiveness: **The newness and distinctiveness resides in the shape and configuration of the integrated blade and screen as shown in the accompanying representation.**



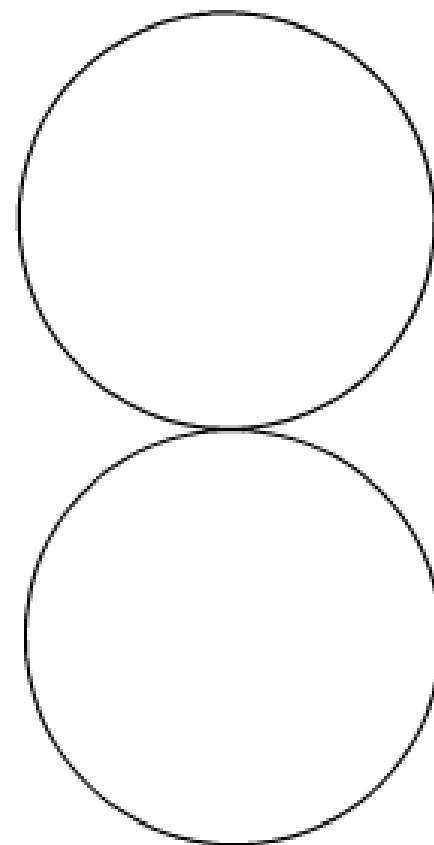
- (21) Design Number: **20668/2007**
(22) Date of Filing Application: **09 November 2007**
(24) Date from which industrial property rights may have effect: **09 November 2007**
(54) Product in respect of which the design is registered: **Training - visual aid for training purposes for pinchpoints on a conveyor belt and correct isolation procedures of same**
(51) International Design Classification: **19-07**
(71) Name(s) and Address(s) of Applicant(s):
Resource Industry Training and Employment Pty Ltd
PO Box 2580 Emerald QLD AUSTRALIA 4720
(72) Name(s) of Designer(s): **Brian James Wilson**
(45) Registration Date: **17 January 2008**
(56) Related Art Documents: **Not Applicable**
(57) Statement of Newness and Distinctiveness: **The actual conveyor belt is a working model. The design also has an emergency stop, pre-start alarm and isolation point, all required for this visual/teaching aid.**



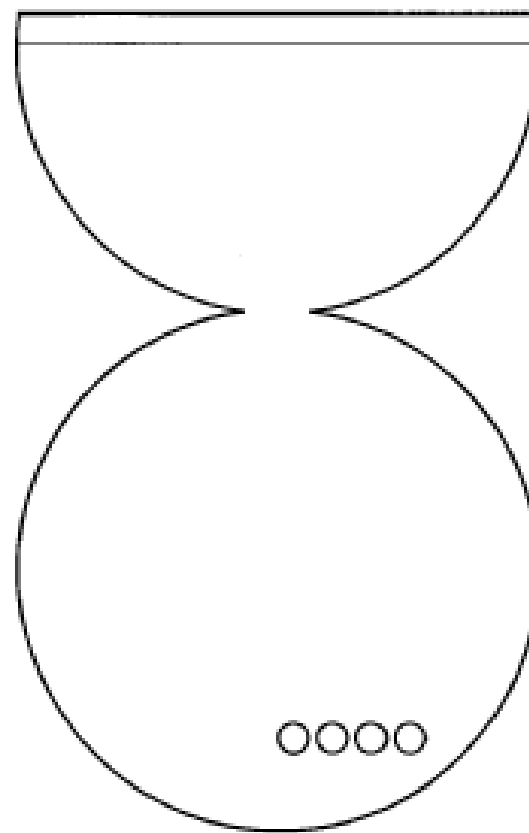
- (21) Design Number: **19209/2007**
- (22) Date of Filing Application: **06 August 2007**
- (24) Date from which industrial property rights may have effect: **06 August 2007**
- (54) Product in respect of which the design is registered: **Billboard Design Concept 1 / Movie Display Board**
- (51) International Design Classification: **20-03C**
- (71) Name(s) and Address(s) of Applicant(s):
The O Book Pty Ltd
678 Huon Road Fern Tree Tasmania 7054 Australia
- (72) Name(s) of Designer(s): **Michael Owen Davis**
- (45) Registration Date: **18 January 2008**
- (56) Related Art Documents: **Not Applicable**
- (57) Statement of Newness and Distinctiveness: **The shape and configuration in all accompanying representations is both new and distinct in that all the products listed are circular in shape. The visual feature claimed as new and distinct is the round shape applied as these products do not exist in such a shape currently.**



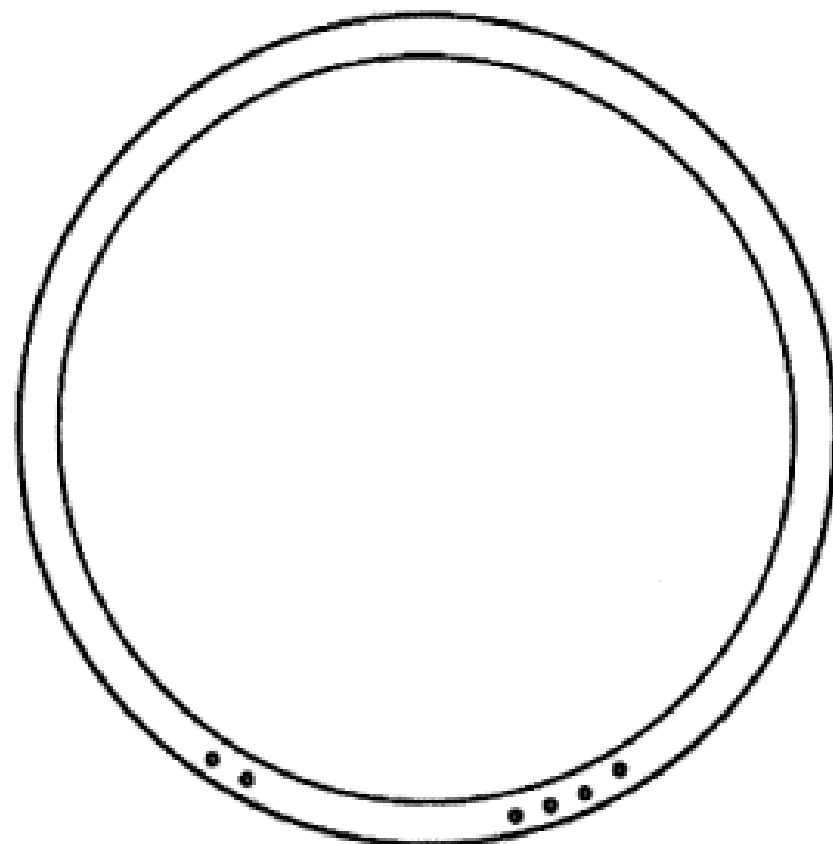
- (21) Design Number: **19210/2007**
- (22) Date of Filing Application: **06 August 2007**
- (24) Date from which industrial property rights may have effect: **06 August 2007**
- (54) Product in respect of which the design is registered: **Calendars version 1**
- (51) International Design Classification: **19-03**
- (71) Name(s) and Address(s) of Applicant(s):
The O Book Pty Ltd
678 Huon Road Fern Tree Tasmania 7054 Australia
- (72) Name(s) of Designer(s): **Michael Owen Davis**
- (45) Registration Date: **18 January 2008**
- (56) Related Art Documents: **Not Applicable**
- (57) Statement of Newness and Distinctiveness: **The shape and configuration in all accompanying representations is both new and distinct in that all the products listed are circular in shape. The visual feature claimed as new and distinct is the round shape applied as these products do not exist in such a shape currently.**



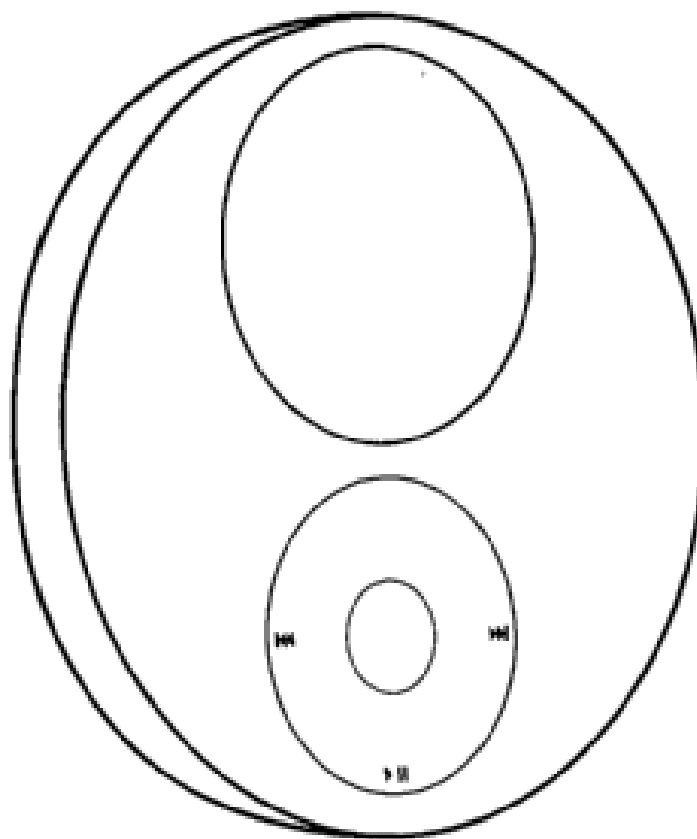
- (21) Design Number: **21149/2007**
(22) Date of Filing Application: **06 August 2007**
(24) Date from which industrial property rights may have effect: **06 August 2007**
(54) Product in respect of which the design is registered: **Envelopes**
(51) International Design Classification: **19-01**
(71) Name(s) and Address(s) of Applicant(s):
The O Book Pty Ltd
678 Huon Road Fern Tree Tasmania 7054 Australia
(72) Name(s) of Designer(s): **Michael Owen Davis**
(45) Registration Date: **18 January 2008**
(56) Related Art Documents: **Not Applicable**
(57) Statement of Newness and Distinctiveness: **The shape and configuration in all accompanying representations is both new and distinct in that all the products listed are circular in shape. The visual feature claimed as new and distinct is the round shape applied as these products do not exist in such a shape currently.**



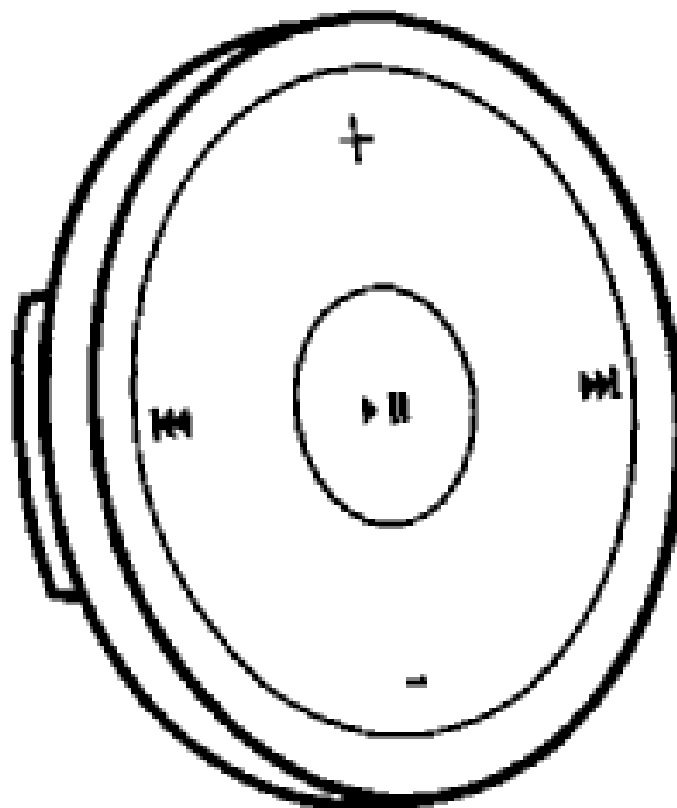
- (21) Design Number: **21150/2007**
(22) Date of Filing Application: **06 August 2007**
(24) Date from which industrial property rights may have effect: **06 August 2007**
(54) Product in respect of which the design is registered: **Computer screen**
(51) International Design Classification: **14-04**
(71) Name(s) and Address(s) of Applicant(s):
The O Book Pty Ltd
678 Huon Road Fern Tree Tasmania 7054 Australia
(72) Name(s) of Designer(s): **Michael Owen Davis**
(45) Registration Date: **18 January 2008**
(56) Related Art Documents: **Not Applicable**
(57) Statement of Newness and Distinctiveness: **The shape and configuration in all accompanying representations is both new and distinct in that all the products listed are circular in shape. The visual feature claimed as new and distinct is the round shape applied as these products do not exist in such a shape currently.**



- (21) Design Number: **21151/2007**
- (22) Date of Filing Application: **06 August 2007**
- (24) Date from which industrial property rights may have effect: **06 August 2007**
- (54) Product in respect of which the design is registered: **MP3 design concept**
- (51) International Design Classification: **14-01**
- (71) Name(s) and Address(s) of Applicant(s):
The O Book Pty Ltd
678 Huon Road Fern Tree Tasmania 7054 Australia
- (72) Name(s) of Designer(s): **Michael Owen Davis**
- (45) Registration Date: **18 January 2008**
- (56) Related Art Documents: **Not Applicable**
- (57) Statement of Newness and Distinctiveness: **The shape and configuration in all accompanying representations is both new and distinct in that all the products listed are circular in shape. The visual feature claimed as new and distinct is the round shape applied as these products do not exist in such a shape currently.**



- (21) Design Number: **21152/2007**
- (22) Date of Filing Application: **06 August 2007**
- (24) Date from which industrial property rights may have effect: **06 August 2007**
- (54) Product in respect of which the design is registered: **Mini MP3 design concept**
- (51) International Design Classification: **14-01**
- (71) Name(s) and Address(s) of Applicant(s):
The O Book Pty Ltd
678 Huon Road Fern Tree Tasmania 7054 Australia
- (72) Name(s) of Designer(s): **Michael Owen Davis**
- (45) Registration Date: **18 January 2008**
- (56) Related Art Documents: **Not Applicable**
- (57) Statement of Newness and Distinctiveness: **The shape and configuration in all accompanying representations is both new and distinct in that all the products listed are circular in shape. The visual feature claimed as new and distinct is the round shape applied as these products do not exist in such a shape currently.**



(21) Design Number: **21153/2007**

(22) Date of Filing Application: **06 August 2007**

(24) Date from which industrial property rights may have effect: **06 August 2007**

(54) Product in respect of which the design is registered: **LCD television**

(51) International Design Classification: **14-01**

(71) Name(s) and Address(s) of Applicant(s):

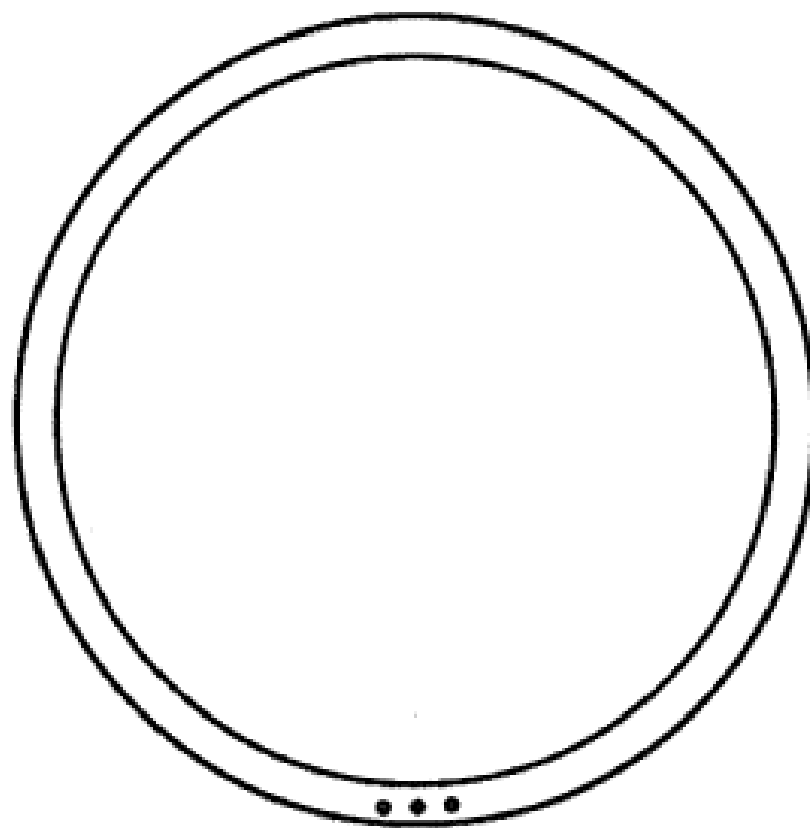
**The O Book Pty Ltd
678 Huon Road Fern Tree Tasmania 7054 Australia**

(72) Name(s) of Designer(s): **Michael Owen Davis**

(45) Registration Date: **18 January 2008**

(56) Related Art Documents: **Not Applicable**

(57) Statement of Newness and Distinctiveness: **The shape and configuration in all accompanying representations is both new and distinct in that all the products listed are circular in shape. The visual feature claimed as new and distinct is the round shape applied as these products do not exist in such a shape currently.**



(21) Design Number: **21154/2007**

(22) Date of Filing Application: **06 August 2007**

(24) Date from which industrial property rights may have effect: **06 August 2007**

(54) Product in respect of which the design is registered: **Printer**

(51) International Design Classification: **14-02**

(71) Name(s) and Address(s) of Applicant(s):

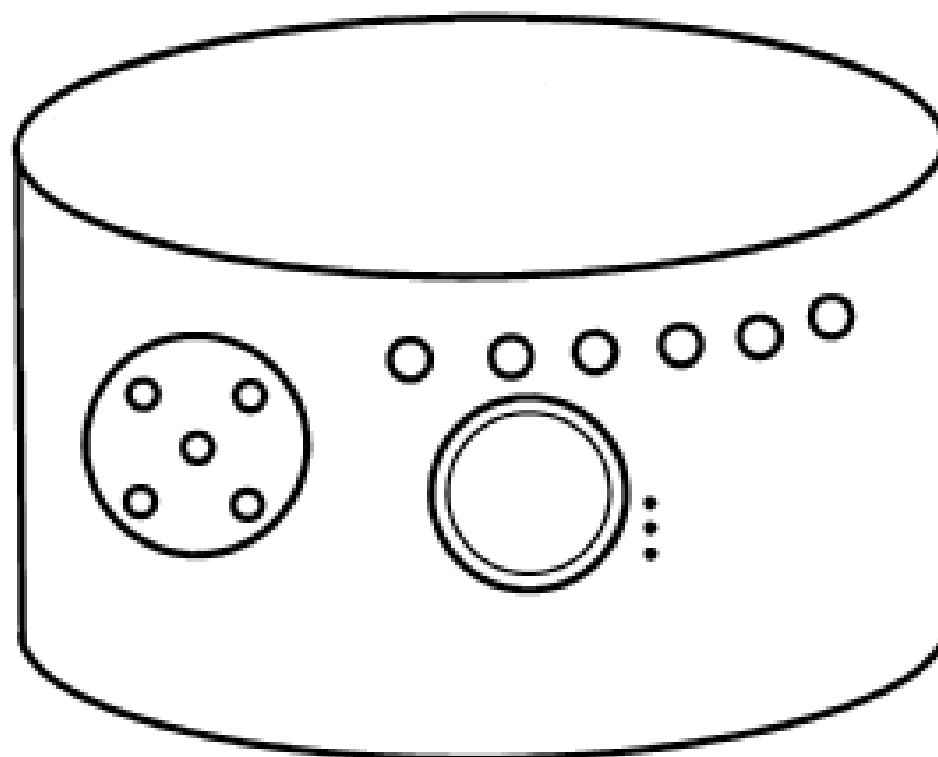
**The O Book Pty Ltd
678 Huon Road Fern Tree Tasmania 7054 Australia**

(72) Name(s) of Designer(s): **Michael Owen Davis**

(45) Registration Date: **18 January 2008**

(56) Related Art Documents: **Not Applicable**

(57) Statement of Newness and Distinctiveness: **The shape and configuration in all accompanying representations is both new and distinct in that all the products listed are circular in shape. The visual feature claimed as new and distinct is the round shape applied as these products do not exist in such a shape currently.**



(21) Design Number: **21155/2007**

(22) Date of Filing Application: **06 August 2007**

(24) Date from which industrial property rights may have effect: **06 August 2007**

(54) Product in respect of which the design is registered: **Fax machine**

(51) International Design Classification: **14-03A**

(71) Name(s) and Address(s) of Applicant(s):

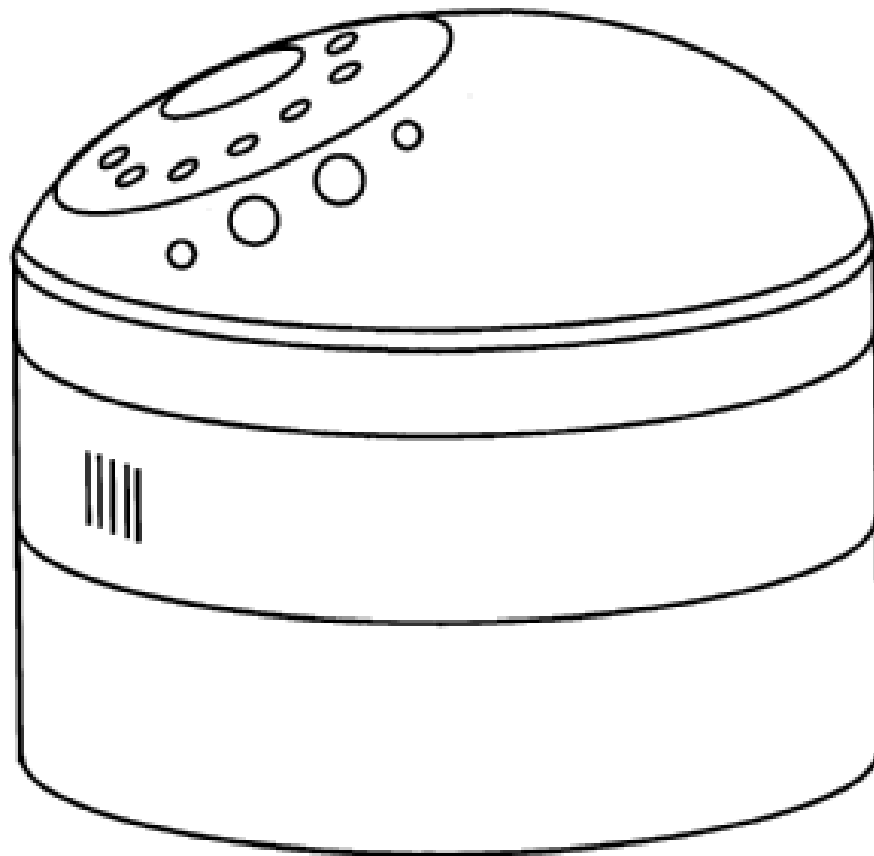
**The O Book Pty Ltd
678 Huon Road Fern Tree Tasmania 7054 Australia**

(72) Name(s) of Designer(s): **Michael Owen Davis**

(45) Registration Date: **18 January 2008**

(56) Related Art Documents: **Not Applicable**

(57) Statement of Newness and Distinctiveness: **The shape and configuration in all accompanying representations is both new and distinct in that all the products listed are circular in shape. The visual feature claimed as new and distinct is the round shape applied as these products do not exist in such a shape currently.**



(21) Design Number: **21156/2007**

(22) Date of Filing Application: **06 August 2007**

(24) Date from which industrial property rights may have effect: **06 August 2007**

(54) Product in respect of which the design is registered: **Home phone version 1**

(51) International Design Classification: **14-03E**

(71) Name(s) and Address(s) of Applicant(s):

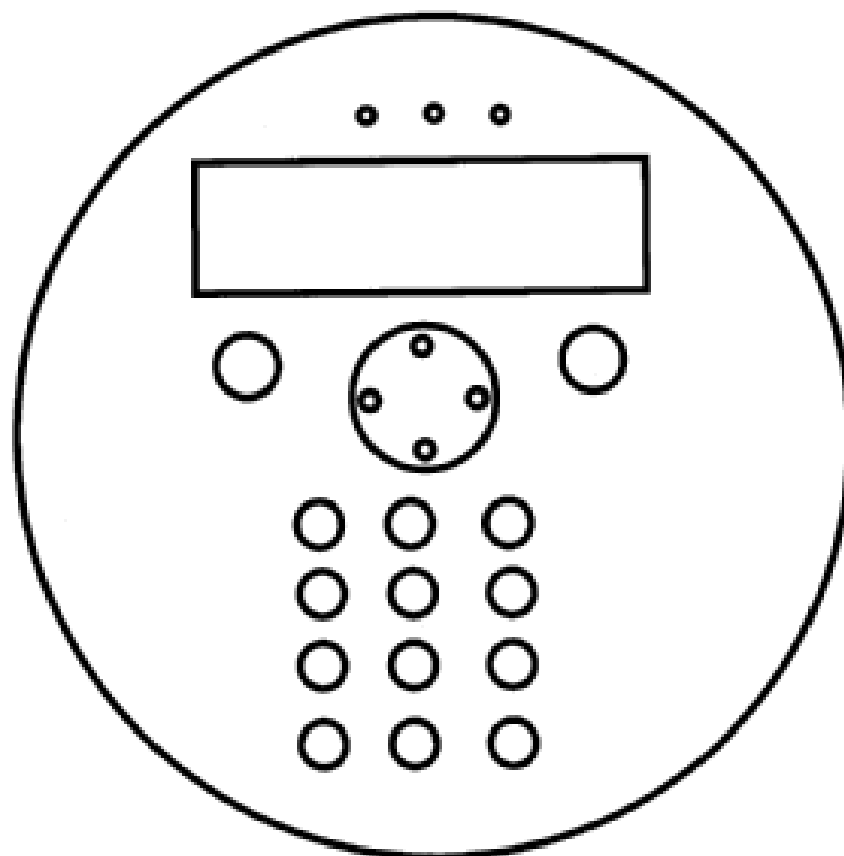
**The O Book Pty Ltd
678 Huon Road Fern Tree Tasmania 7054 Australia**

(72) Name(s) of Designer(s): **Michael Owen Davis**

(45) Registration Date: **18 January 2008**

(56) Related Art Documents: **Not Applicable**

(57) Statement of Newness and Distinctiveness: **The shape and configuration in all accompanying representations is both new and distinct in that all the products listed are circular in shape. The visual feature claimed as new and distinct is the round shape applied as these products do not exist in such a shape currently.**



(21) Design Number: **21157/2007**

(22) Date of Filing Application: **06 August 2007**

(24) Date from which industrial property rights may have effect: **06 August 2007**

(54) Product in respect of which the design is registered: **Real estate sign**

(51) International Design Classification: **20-03C**

(71) Name(s) and Address(s) of Applicant(s):

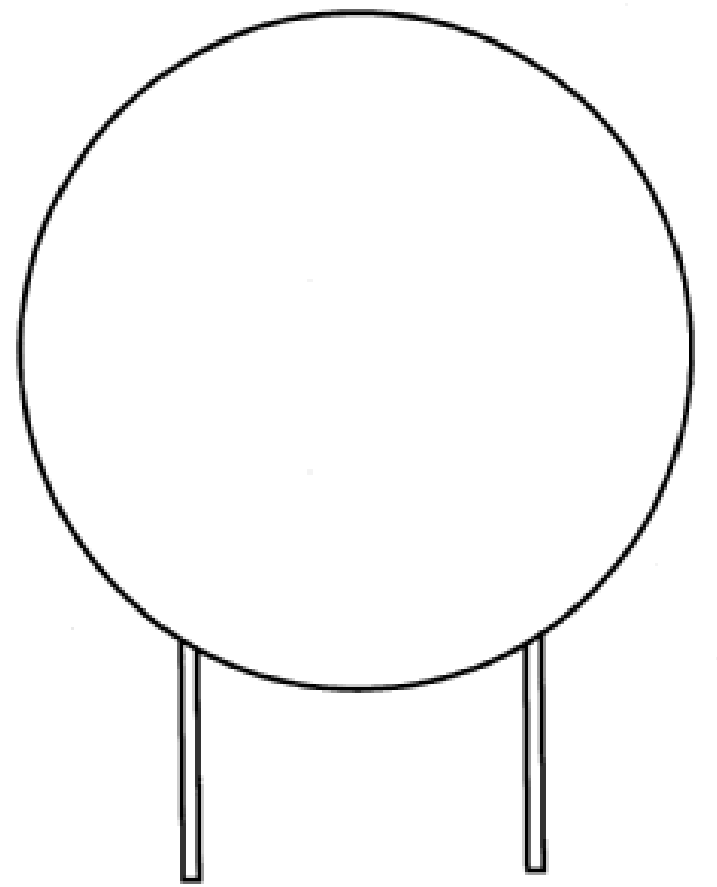
**The O Book Pty Ltd
678 Huon Road Fern Tree Tasmania 7054 Australia**

(72) Name(s) of Designer(s): **Michael Owen Davis**

(45) Registration Date: **18 January 2008**

(56) Related Art Documents: **Not Applicable**

(57) Statement of Newness and Distinctiveness: **The shape and configuration in all accompanying representations is both new and distinct in that all the products listed are circular in shape. The visual feature claimed as new and distinct is the round shape applied as these products do not exist in such a shape currently.**



(21) Design Number: **21158/2007**

(22) Date of Filing Application: **06 August 2007**

(24) Date from which industrial property rights may have effect: **06 August 2007**

(54) Product in respect of which the design is registered: **Underhanging sign version 1**

(51) International Design Classification: **20-03C**

(71) Name(s) and Address(s) of Applicant(s):

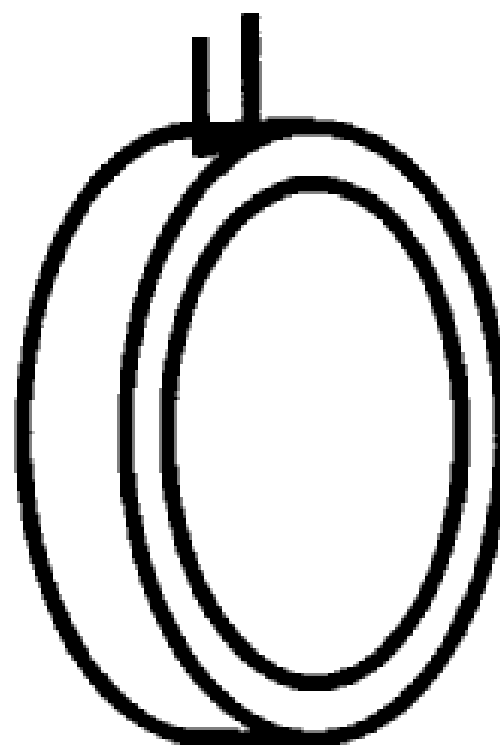
**The O Book Pty Ltd
678 Huon Road Fern Tree Tasmania 7054 Australia**

(72) Name(s) of Designer(s): **Michael Owen Davis**

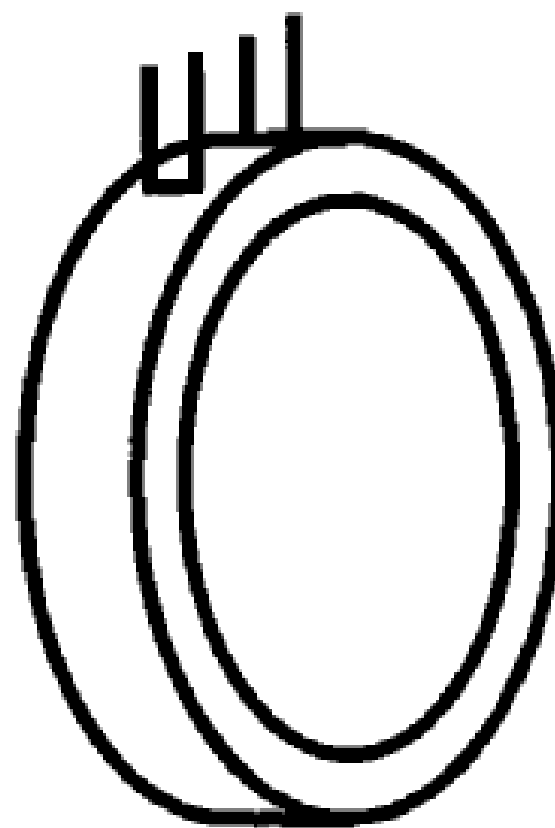
(45) Registration Date: **18 January 2008**

(56) Related Art Documents: **Not Applicable**

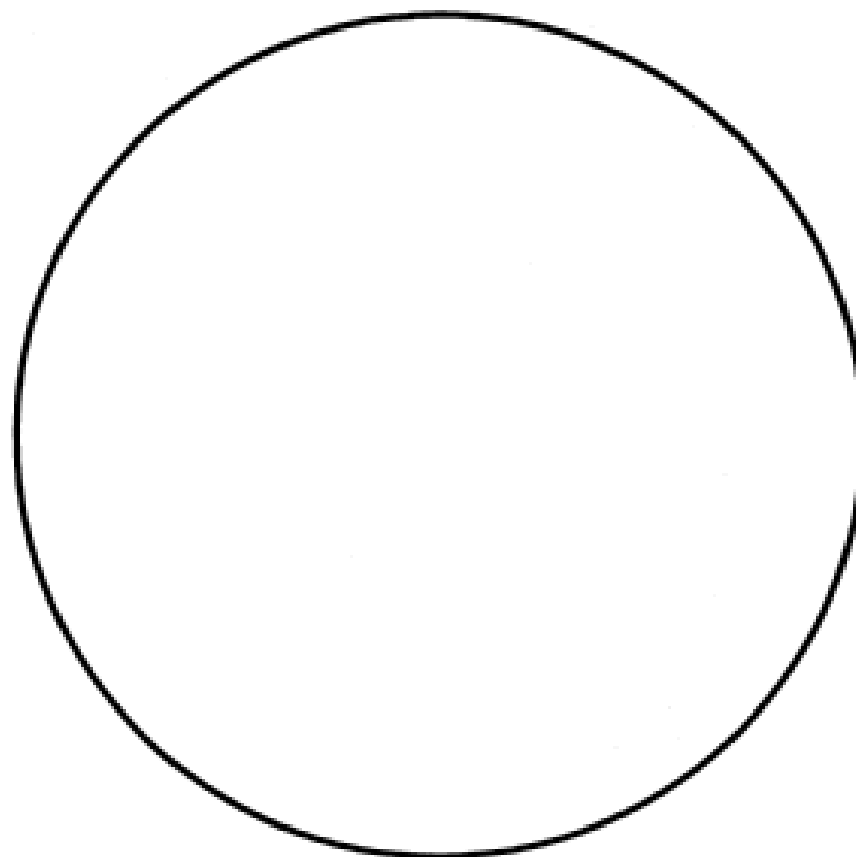
(57) Statement of Newness and Distinctiveness: **The shape and configuration in all accompanying representations is both new and distinct in that all the products listed are circular in shape. The visual feature claimed as new and distinct is the round shape applied as these products do not exist in such a shape currently.**



- (21) Design Number: **21159/2007**
(22) Date of Filing Application: **06 August 2007**
(24) Date from which industrial property rights may have effect: **06 August 2007**
(54) Product in respect of which the design is registered: **Underhanging sign version 2**
(51) International Design Classification: **20-03C**
(71) Name(s) and Address(s) of Applicant(s):
The O Book Pty Ltd
678 Huon Road Fern Tree Tasmania 7054 Australia
(72) Name(s) of Designer(s): **Michael Owen Davis**
(45) Registration Date: **18 January 2008**
(56) Related Art Documents: **Not Applicable**
(57) Statement of Newness and Distinctiveness: **The shape and configuration in all accompanying representations is both new and distinct in that all the products listed are circular in shape. The visual feature claimed as new and distinct is the round shape applied as these products do not exist in such a shape currently.**

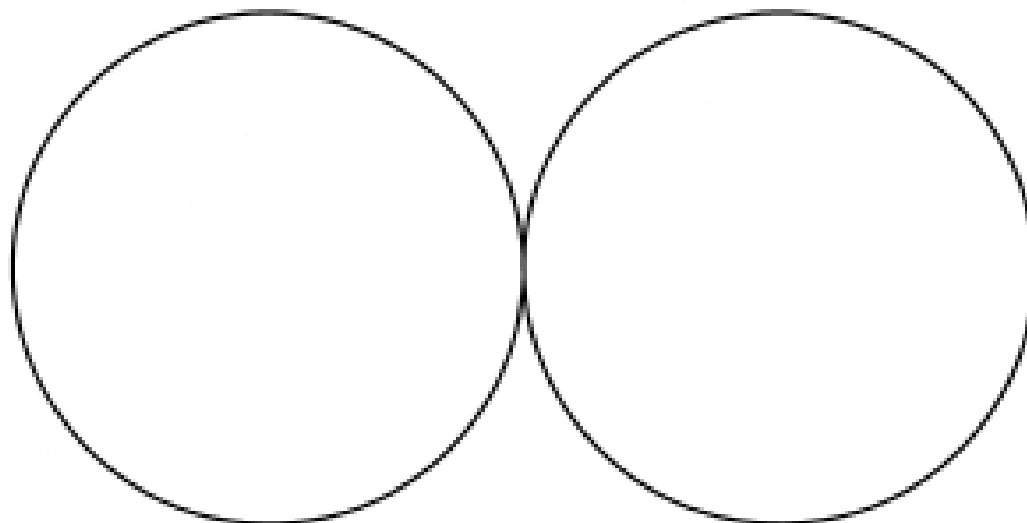


- (21) Design Number: **21160/2007**
(22) Date of Filing Application: **06 August 2007**
(24) Date from which industrial property rights may have effect: **06 August 2007**
(54) Product in respect of which the design is registered: **Single/double sided printed/paper/card goods (inclusive of advertising signs and posters) and including bed sheets,**
(51) International Design Classification: **19-01, 06-13NES**
(71) Name(s) and Address(s) of Applicant(s):
The O Book Pty Ltd
678 Huon Road Fern Tree Tasmania 7054 Australia
(72) Name(s) of Designer(s): **Michael Owen Davis**
(45) Registration Date: **18 January 2008**
(56) Related Art Documents: **Not Applicable**
(57) Statement of Newness and Distinctiveness: **The shape and configuration in all accompanying representations is both new and distinct in that all the products listed are circular in shape. The visual feature claimed as new and distinct is the round shape applied as these products do not exist in such a shape currently.**



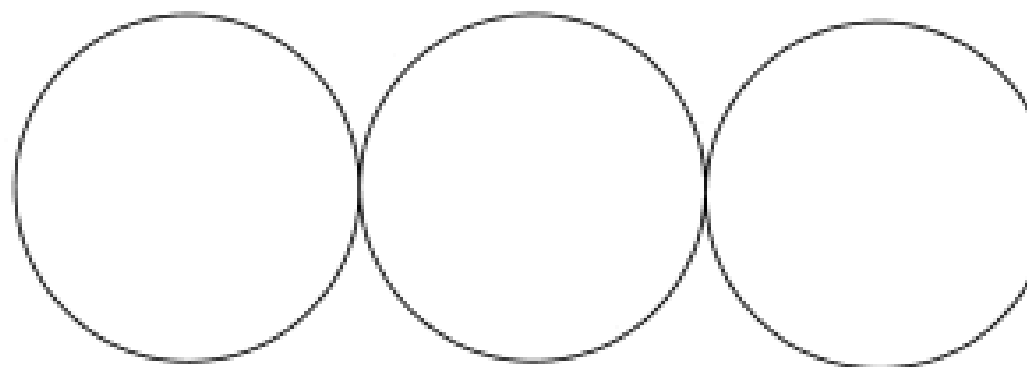
(19) AU

- (21) Design Number: **21161/2007**
- (22) Date of Filing Application: **06 August 2007**
- (24) Date from which industrial property rights may have effect: **06 August 2007**
- (54) Product in respect of which the design is registered: **Centre fold paper/printed goods - including various birthday and gift cards, thank you cards, invitations etc**
- (51) International Design Classification: **19-01**
- (71) Name(s) and Address(s) of Applicant(s):
The O Book Pty Ltd
678 Huon Road Fern Tree Tasmania 7054 Australia
- (72) Name(s) of Designer(s): **Michael Owen Davis**
- (45) Registration Date: **18 January 2008**
- (56) Related Art Documents: **Not Applicable**
- (57) Statement of Newness and Distinctiveness: **The shape and configuration in all accompanying representations is both new and distinct in that all the products listed are circular in shape. The visual feature claimed as new and distinct is the round shape applied as these products do not exist in such a shape currently.**

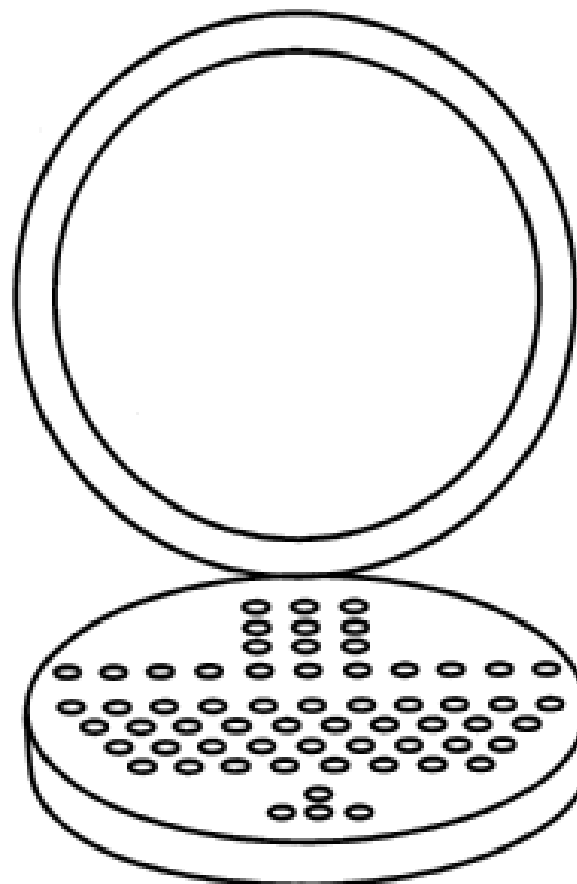


(19) AU

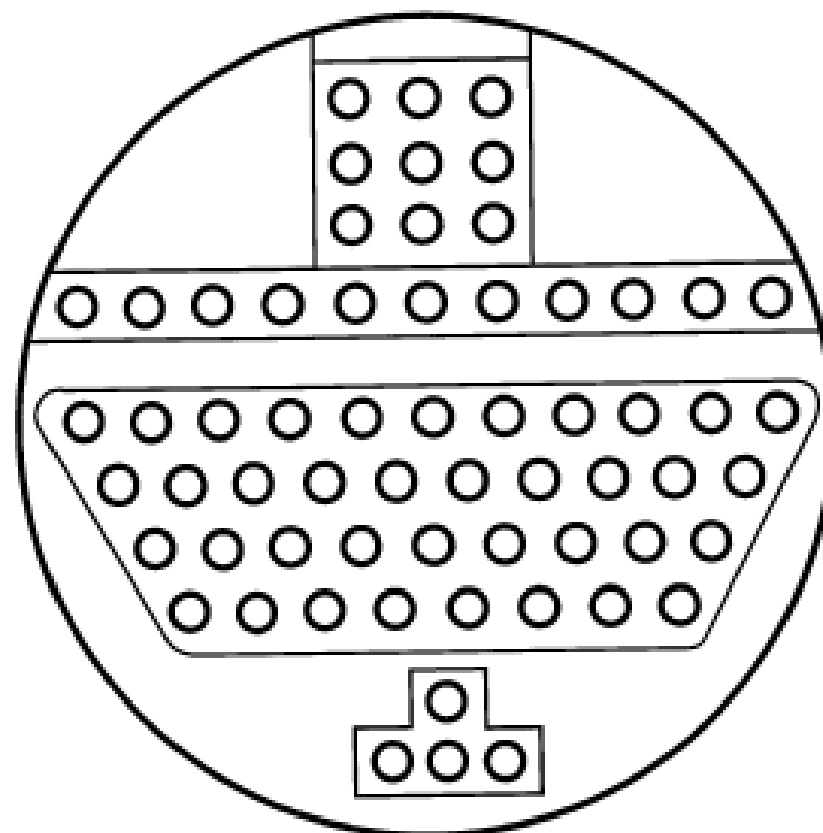
- (21) Design Number: **21162/2007**
- (22) Date of Filing Application: **06 August 2007**
- (24) Date from which industrial property rights may have effect: **06 August 2007**
- (54) Product in respect of which the design is registered: **Two-fold paper/printed goods**
- (51) International Design Classification: **19-01**
- (71) Name(s) and Address(s) of Applicant(s):
The O Book Pty Ltd
678 Huon Road Fern Tree Tasmania 7054 Australia
- (72) Name(s) of Designer(s): **Michael Owen Davis**
- (45) Registration Date: **18 January 2008**
- (56) Related Art Documents: **Not Applicable**
- (57) Statement of Newness and Distinctiveness: **The shape and configuration in all accompanying representations is both new and distinct in that all the products listed are circular in shape. The visual feature claimed as new and distinct is the round shape applied as these products do not exist in such a shape currently.**



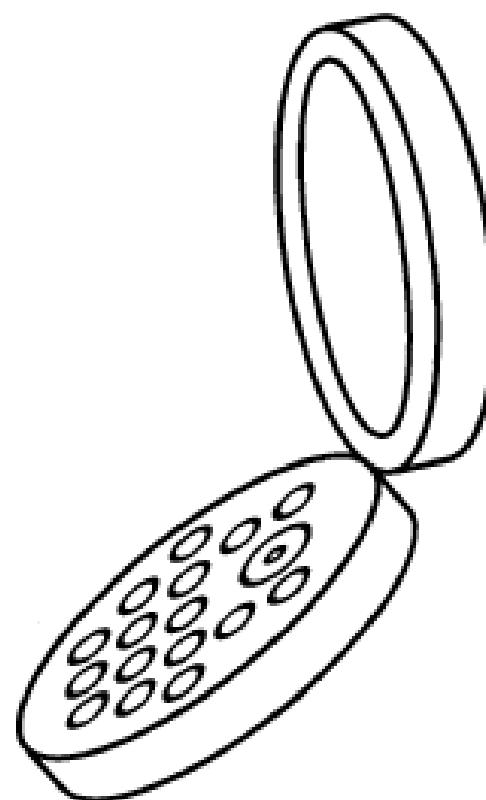
- (21) Design Number: **21163/2007**
- (22) Date of Filing Application: **06 August 2007**
- (24) Date from which industrial property rights may have effect: **06 August 2007**
- (54) Product in respect of which the design is registered: **Laptop computer**
- (51) International Design Classification: **14-02**
- (71) Name(s) and Address(s) of Applicant(s):
The O Book Pty Ltd
678 Huon Road Fern Tree Tasmania 7054 Australia
- (72) Name(s) of Designer(s): **Michael Owen Davis**
- (45) Registration Date: **18 January 2008**
- (56) Related Art Documents: **Not Applicable**
- (57) Statement of Newness and Distinctiveness: **The shape and configuration in all accompanying representations is both new and distinct in that all the products listed are circular in shape. The visual feature claimed as new and distinct is the round shape applied as these products do not exist in such a shape currently.**



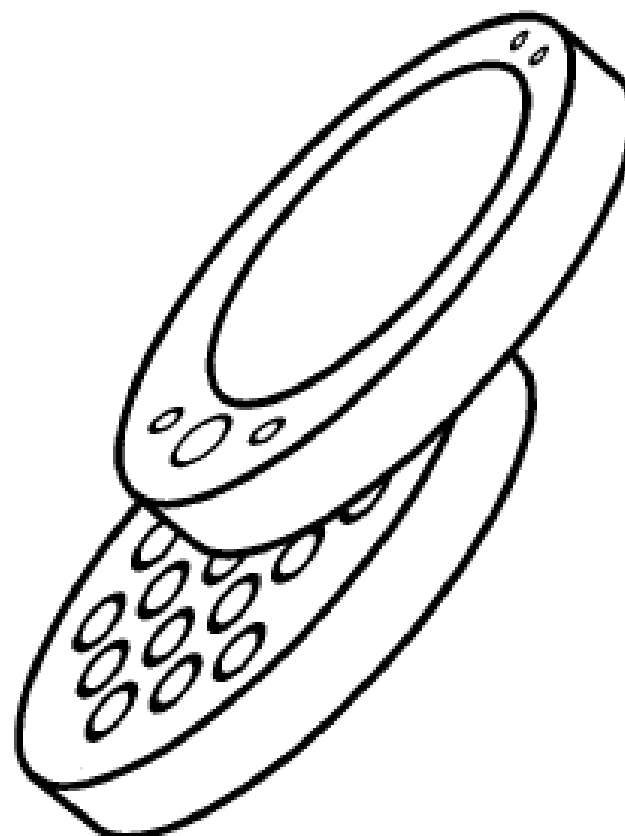
- (21) Design Number: **21164/2007**
- (22) Date of Filing Application: **06 August 2007**
- (24) Date from which industrial property rights may have effect: **06 August 2007**
- (54) Product in respect of which the design is registered: **Keyboard version 1**
- (51) International Design Classification: **14-02**
- (71) Name(s) and Address(s) of Applicant(s):
The O Book Pty Ltd
678 Huon Road Fern Tree Tasmania 7054 Australia
- (72) Name(s) of Designer(s): **Michael Owen Davis**
- (45) Registration Date: **18 January 2008**
- (56) Related Art Documents: **Not Applicable**
- (57) Statement of Newness and Distinctiveness: **The shape and configuration in all accompanying representations is both new and distinct in that all the products listed are circular in shape. The visual feature claimed as new and distinct is the round shape applied as these products do not exist in such a shape currently.**



- (21) Design Number: **21165/2007**
(22) Date of Filing Application: **06 August 2007**
(24) Date from which industrial property rights may have effect: **06 August 2007**
(54) Product in respect of which the design is registered: **Flip phone**
(51) International Design Classification: **14-03E**
(71) Name(s) and Address(s) of Applicant(s):
The O Book Pty Ltd
678 Huon Road Fern Tree Tasmania 7054 Australia
(72) Name(s) of Designer(s): **Michael Owen Davis**
(45) Registration Date: **18 January 2008**
(56) Related Art Documents: **Not Applicable**
(57) Statement of Newness and Distinctiveness: **The shape and configuration in all accompanying representations is both new and distinct in that all the products listed are circular in shape. The visual feature claimed as new and distinct is the round shape applied as these products do not exist in such a shape currently.**



- (21) Design Number: **21166/2007**
(22) Date of Filing Application: **06 August 2007**
(24) Date from which industrial property rights may have effect: **06 August 2007**
(54) Product in respect of which the design is registered: **Slide phone version 1**
(51) International Design Classification: **14-03E**
(71) Name(s) and Address(s) of Applicant(s):
The O Book Pty Ltd
678 Huon Road Fern Tree Tasmania 7054 Australia
(72) Name(s) of Designer(s): **Michael Owen Davis**
(45) Registration Date: **18 January 2008**
(56) Related Art Documents: **Not Applicable**
(57) Statement of Newness and Distinctiveness: **The shape and configuration in all accompanying representations is both new and distinct in that all the products listed are circular in shape. The visual feature claimed as new and distinct is the round shape applied as these products do not exist in such a shape currently.**



(21) Design Number: **21167/2007**

(22) Date of Filing Application: **06 August 2007**

(24) Date from which industrial property rights may have effect: **06 August 2007**

(54) Product in respect of which the design is registered: **Swivel phone**

(51) International Design Classification: **14-03E**

(71) Name(s) and Address(s) of Applicant(s):

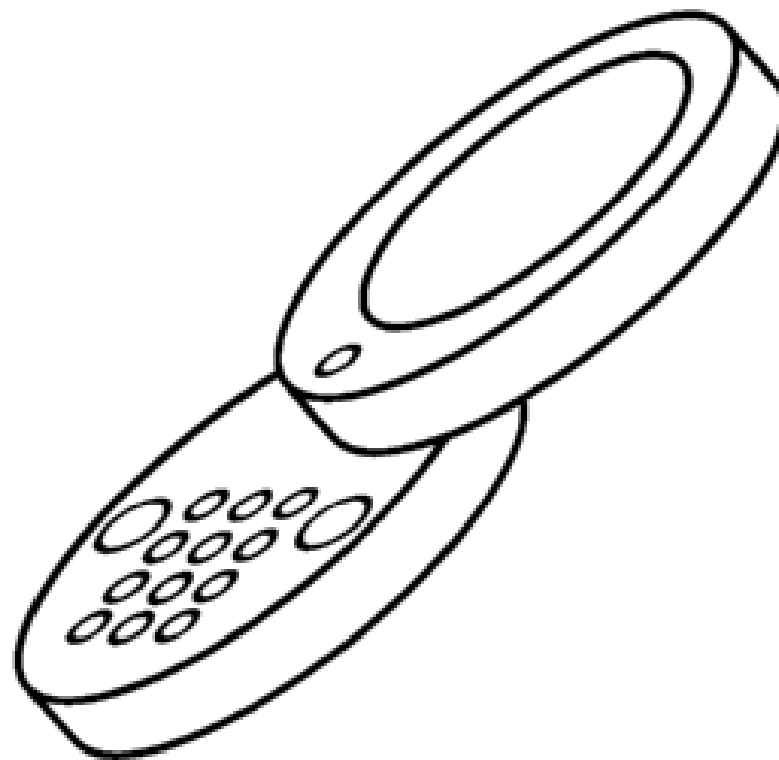
**The O Book Pty Ltd
678 Huon Road Fern Tree Tasmania 7054 Australia**

(72) Name(s) of Designer(s): **Michael Owen Davis**

(45) Registration Date: **18 January 2008**

(56) Related Art Documents: **Not Applicable**

(57) Statement of Newness and Distinctiveness: **The shape and configuration in all accompanying representations is both new and distinct in that all the products listed are circular in shape. The visual feature claimed as new and distinct is the round shape applied as these products do not exist in such a shape currently.**



(21) Design Number: **21168/2007**

(22) Date of Filing Application: **06 August 2007**

(24) Date from which industrial property rights may have effect: **06 August 2007**

(54) Product in respect of which the design is registered: **Circle phone**

(51) International Design Classification: **14-03E**

(71) Name(s) and Address(s) of Applicant(s):

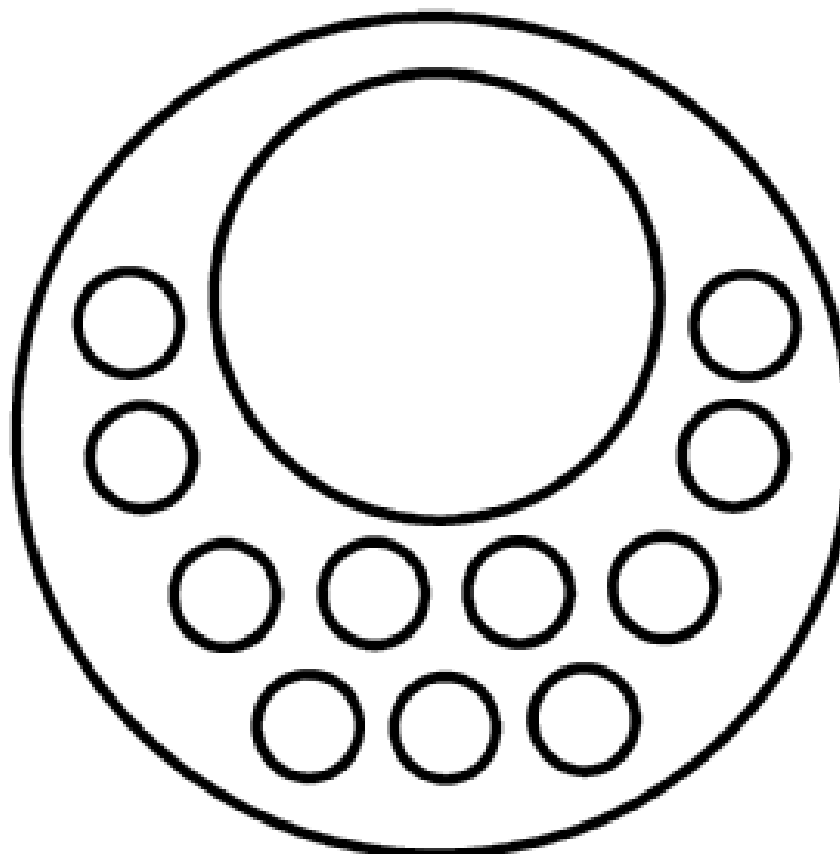
**The O Book Pty Ltd
678 Huon Road Fern Tree Tasmania 7054 Australia**

(72) Name(s) of Designer(s): **Michael Owen Davis**

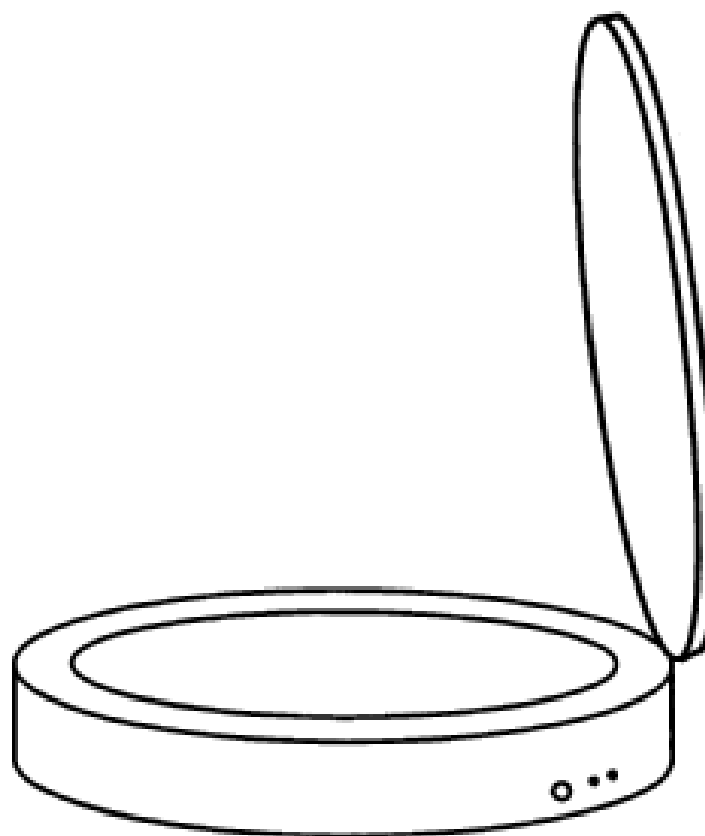
(45) Registration Date: **18 January 2008**

(56) Related Art Documents: **Not Applicable**

(57) Statement of Newness and Distinctiveness: **The shape and configuration in all accompanying representations is both new and distinct in that all the products listed are circular in shape. The visual feature claimed as new and distinct is the round shape applied as these products do not exist in such a shape currently.**



- (21) Design Number: **21169/2007**
(22) Date of Filing Application: **06 August 2007**
(24) Date from which industrial property rights may have effect: **06 August 2007**
(54) Product in respect of which the design is registered: **Scanner**
(51) International Design Classification: **14-01**
(71) Name(s) and Address(s) of Applicant(s):
The O Book Pty Ltd
678 Huon Road Fern Tree Tasmania 7054 Australia
(72) Name(s) of Designer(s): **Michael Owen Davis**
(45) Registration Date: **18 January 2008**
(56) Related Art Documents: **Not Applicable**
(57) Statement of Newness and Distinctiveness: **The shape and configuration in all accompanying representations is both new and distinct in that all the products listed are circular in shape. The visual feature claimed as new and distinct is the round shape applied as these products do not exist in such a shape currently.**



- (21) Design Number: **19207/2007**
(22) Date of Filing Application: **06 August 2007**
(24) Date from which industrial property rights may have effect: **06 August 2007**
(54) Product in respect of which the design is registered: **Warm tie**
(51) International Design Classification: **24-04**
(71) Name(s) and Address(s) of Applicant(s):
Amy Corlass Trading as Warm Ties
42 Dorset Road Mount Martha Victoria 3934 Australia
(72) Name(s) of Designer(s): **Amy Corlass**
(45) Registration Date: **22 January 2008**
(56) Related Art Documents: **Not Applicable**
(57) Statement of Newness and Distinctiveness: **The warm tie is a new product designed to improve the effectiveness and ease of use of the warm pack (design 2) by securing the warm pack to the body, allowing the wearer to move freely without needing to hold the warm pack in position. The key design features of the warm tie are:- a central pouch with overlapping top flap to retain the warm pack, two ties attached one each side of the pouch. The ties are long enough to suit all sizes and may be tied at the front or back, the ties eliminate buckles or similar fixings which may cause discomfort, the warm tie is manufactured from soft stretch fabric for maximum comfort.**



(21) Design Number: **19208/2007**

(22) Date of Filing Application: **06 August 2007**

(24) Date from which industrial property rights may have effect: **06 August 2007**

(54) Product in respect of which the design is registered: **Warm pack**

(51) International Design Classification: **24-04**

(71) Name(s) and Address(s) of Applicant(s):

**Amy Corlass Trading as Warm Ties
42 Dorset Road Mount Martha Victoria 3934 Australia**

(72) Name(s) of Designer(s): **Amy Corlass**

(45) Registration Date: **22 January 2008**

(56) Related Art Documents: **Not Applicable**

(57) Statement of Newness and Distinctiveness: **The warm pack is a new and distinctive design of heat pack. The key design feature is an additional seam running the length of the warm pack forming two separate compartments. This design feature restricts the movement of the heat medium inside the warm pack, thus reducing lumps and empty spots, hence maintaining a more even heat distribution and improving comfort for the wearer.**



(21) Design Number: **20080/2007**

(22) Date of Filing Application: **04 October 2007**

(24) Date from which industrial property rights may have effect: **04 October 2007**

(54) Product in respect of which the design is registered: **Seat rail for motorcycles**

(51) International Design Classification: **12-16NES**

(71) Name(s) and Address(s) of Applicant(s):

**Honda Motor Co., Ltd.
1-1 Minami-Aoyama 2-Chome Minato-Ku Tokyo 107-8556 Japan**

(72) Name(s) of Designer(s): **Hirotsugu Ueno and Takashi Arai**

(45) Registration Date: **22 January 2008**

(30) Convention priority data:

(31) Number	(32) Date	(33) Country
2007-009131	06 Apr 2007	JAPAN

(56) Related Art Documents: **Not Applicable**

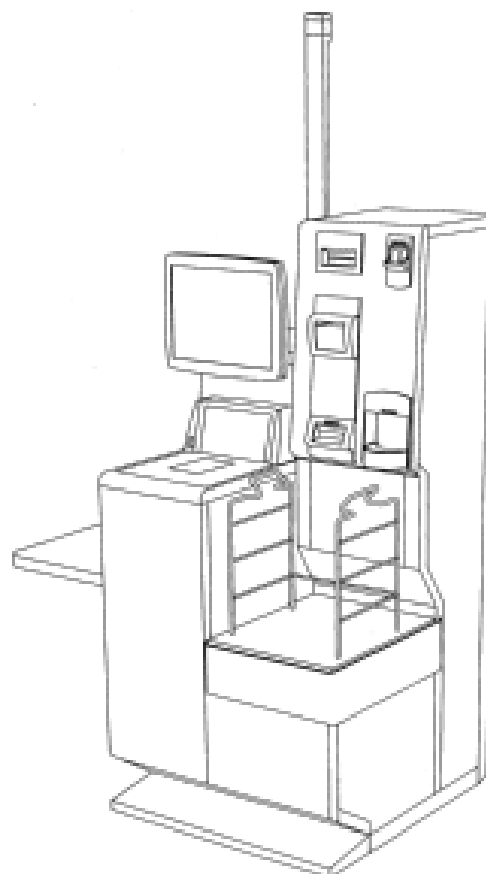
(57) Statement of Newness and Distinctiveness: **Nil**



(21) Design Number: **20081/2007**
(22) Date of Filing Application: **04 October 2007**
(24) Date from which industrial property rights may have effect: **04 October 2007**
(54) Product in respect of which the design is registered: **Motorcycle**
(51) International Design Classification: **12-11**
(71) Name(s) and Address(s) of Applicant(s):
Honda Motor Co., Ltd.
1-1 Minami-Aoyama 2-Chome Minato-Ku Tokyo 107-8556 Japan
(72) Name(s) of Designer(s): **Hirotsugu Ueno and Tetsuya Nakazawa and Teofiro Plaza**
(45) Registration Date: **22 January 2008**
(30) Convention priority data:
(31) Number (32) Date (33) Country
2007-009129 06 Apr 2007 JAPAN
(56) Related Art Documents: **Not Applicable**
(57) Statement of Newness and Distinctiveness: **Nil**

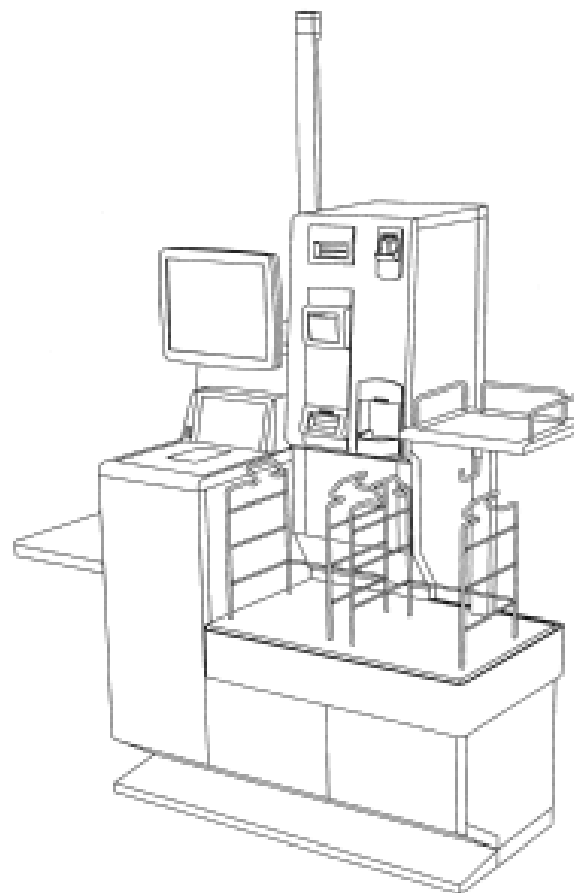


(21) Design Number: **20082/2007**
(22) Date of Filing Application: **04 October 2007**
(24) Date from which industrial property rights may have effect: **04 October 2007**
(54) Product in respect of which the design is registered: **Check out apparatus for a store**
(51) International Design Classification: **18-01**
(71) Name(s) and Address(s) of Applicant(s):
Toshiba Tec Kabushiki Kaisha
2-17-2 Higashigotanda Shinagawa-ku Tokyo 141-8664 Japan
(72) Name(s) of Designer(s): **Shigeru Sato**
(45) Registration Date: **22 January 2008**
(30) Convention priority data:
(31) Number (32) Date (33) Country
2007-009938 13 Apr 2007 JAPAN
(56) Related Art Documents: **Not Applicable**
(57) Statement of Newness and Distinctiveness: **Nil**



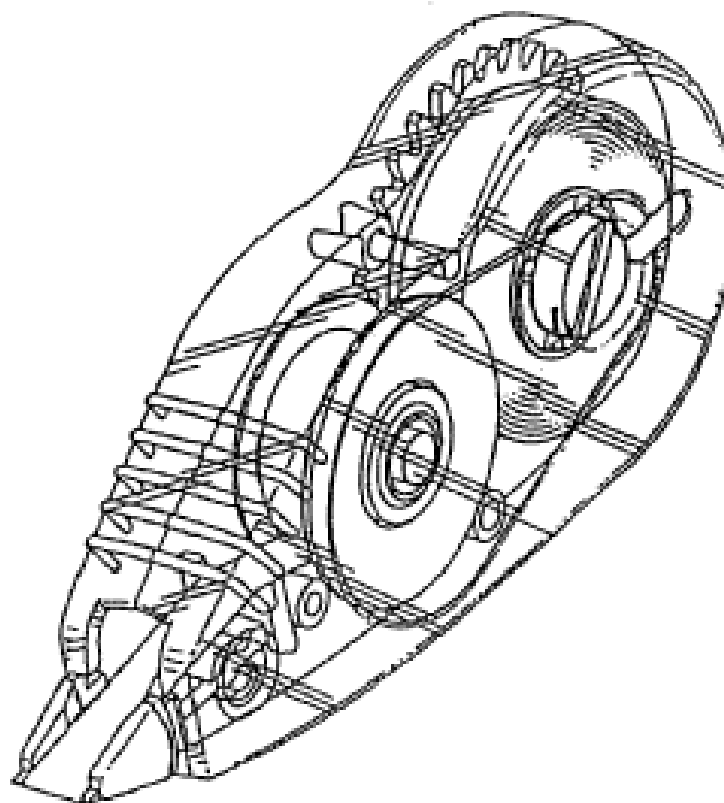
- (21) Design Number: **20083/2007**
- (22) Date of Filing Application: **04 October 2007**
- (24) Date from which industrial property rights may have effect: **04 October 2007**
- (54) Product in respect of which the design is registered: **Check out apparatus for a store**
- (51) International Design Classification: **18-01**
- (71) Name(s) and Address(s) of Applicant(s):
Toshiba Tec Kabushiki Kaisha
2-17-2 Higashigotanda Shinagawa-ku Tokyo 141-8664 Japan
- (72) Name(s) of Designer(s): **Shigeru Sato**
- (45) Registration Date: **22 January 2008**
- (30) Convention priority data:

(31) Number	(32) Date	(33) Country
2007-009939	13 Apr 2007	JAPAN
- (56) Related Art Documents: **Not Applicable**
- (57) Statement of Newness and Distinctiveness: **Nil**

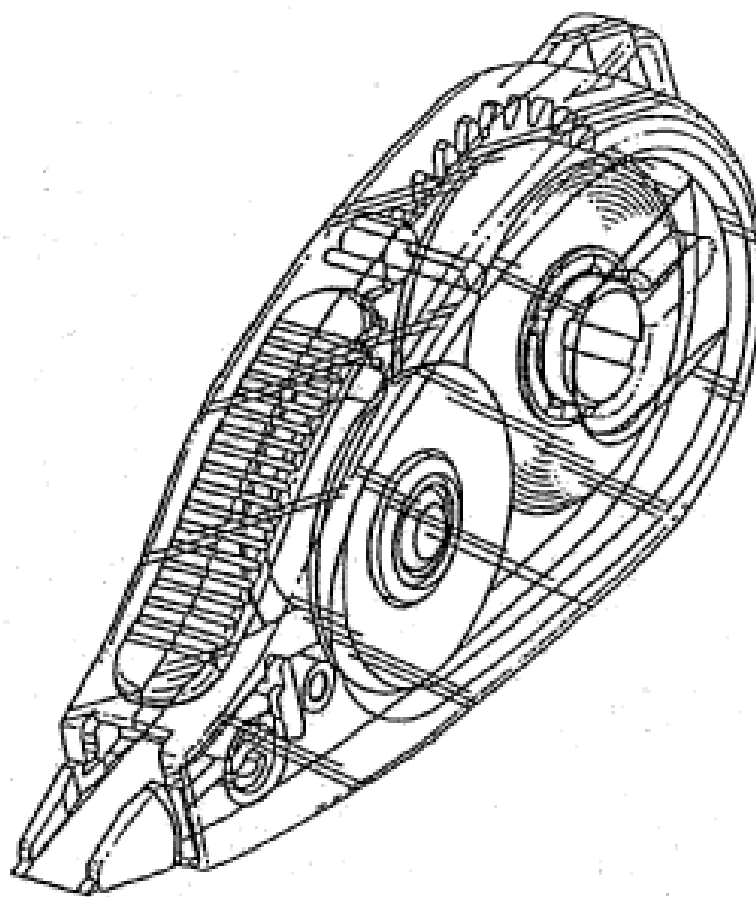


- (21) Design Number: **20084/2007**
- (22) Date of Filing Application: **04 October 2007**
- (24) Date from which industrial property rights may have effect: **04 October 2007**
- (54) Product in respect of which the design is registered: **Coating film transfer apparatus**
- (51) International Design Classification: **19-02**
- (71) Name(s) and Address(s) of Applicant(s):
Tombow Pencil Co., Ltd
6-10-12 Toshima Kita-ku Tokyo 114-8583 Japan
- (72) Name(s) of Designer(s): **Yoshinori Kouda**
- (45) Registration Date: **22 January 2008**
- (30) Convention priority data:

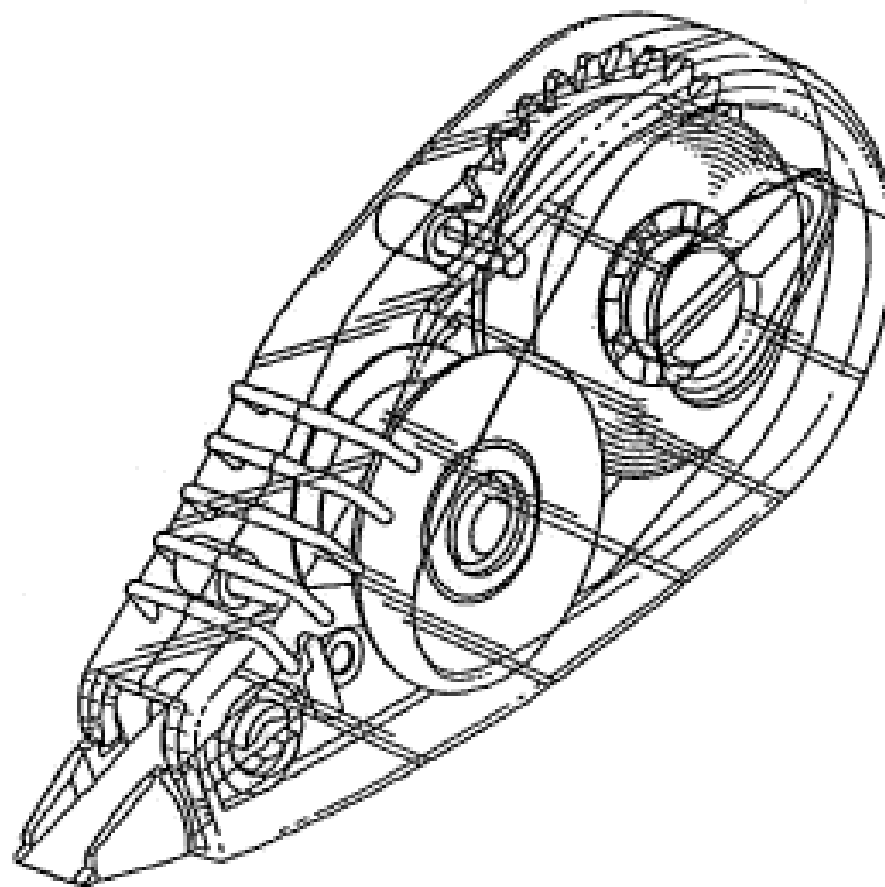
(31) Number	(32) Date	(33) Country
2007-010474	19 Apr 2007	JAPAN
- (56) Related Art Documents: **Not Applicable**
- (57) Statement of Newness and Distinctiveness: **Those features of the coating film transfer apparatus depicted in the representations that are new and distinctive are the shape and/or configuration.**



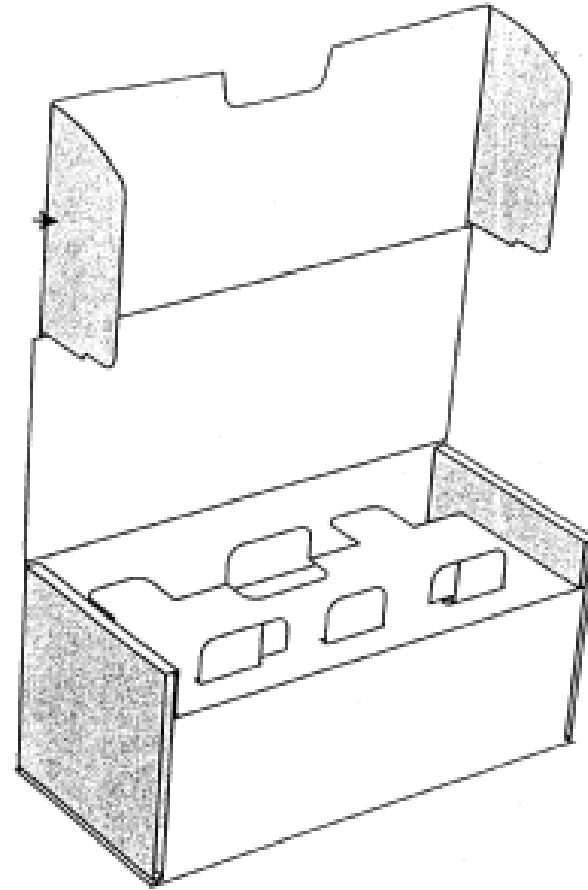
- (21) Design Number: **20085/2007**
(22) Date of Filing Application: **04 October 2007**
(24) Date from which industrial property rights may have effect: **04 October 2007**
(54) Product in respect of which the design is registered: **Coating film transfer apparatus**
(51) International Design Classification: **19-02**
(71) Name(s) and Address(s) of Applicant(s):
Tombow Pencil Co., Ltd
6-10-12 Toshima Kita-ku Tokyo 114-8583 Japan
(72) Name(s) of Designer(s): **Yoshinori Kouda**
(45) Registration Date: **22 January 2008**
(30) Convention priority data:
(31) Number (32) Date (33) Country
2007-010476 19 Apr 2007 JAPAN
(56) Related Art Documents: **Not Applicable**
(57) Statement of Newness and Distinctiveness: **Those features of the coating film transfer apparatus depicted in the representations that are new and distinctive are the shape and/or configuration.**



- (21) Design Number: **20086/2007**
(22) Date of Filing Application: **04 October 2007**
(24) Date from which industrial property rights may have effect: **04 October 2007**
(54) Product in respect of which the design is registered: **Coating film transfer apparatus**
(51) International Design Classification: **19-02**
(71) Name(s) and Address(s) of Applicant(s):
Tombow Pencil Co., Ltd
6-10-12 Toshima Kita-ku Tokyo 114-8583 Japan
(72) Name(s) of Designer(s): **Yoshinori Kouda**
(45) Registration Date: **22 January 2008**
(30) Convention priority data:
(31) Number (32) Date (33) Country
2007-010478 19 Apr 2007 JAPAN
(56) Related Art Documents: **Not Applicable**
(57) Statement of Newness and Distinctiveness: **Those features of the coating film transfer apparatus depicted in the representations that are new and distinctive are the shape and/or configuration.**

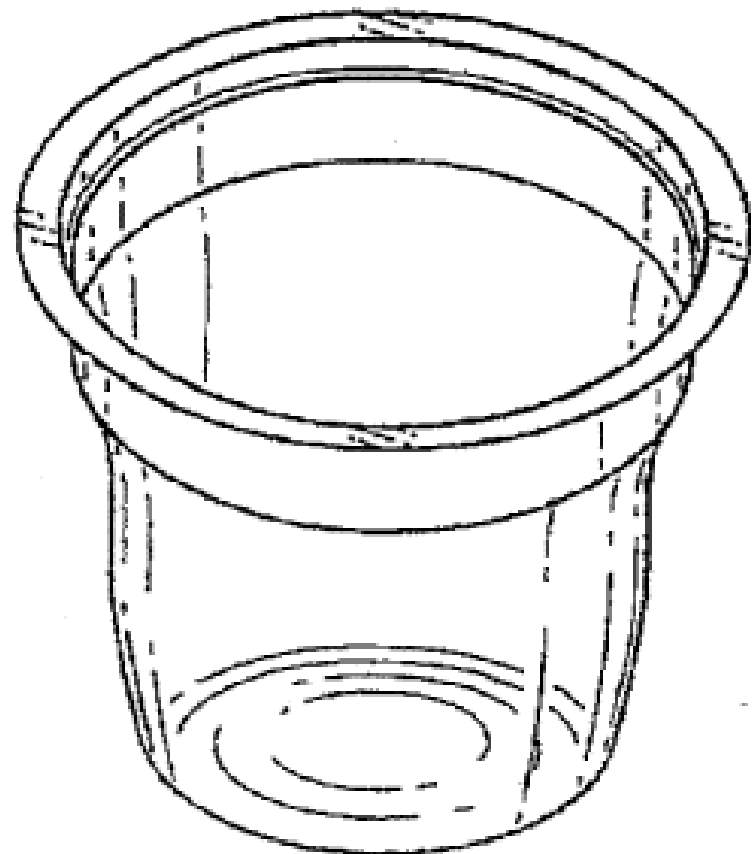


- (21) Design Number: **20087/2007**
- (22) Date of Filing Application: **04 October 2007**
- (24) Date from which industrial property rights may have effect: **04 October 2007**
- (54) Product in respect of which the design is registered: **Mailing package for bottles and other fragile articles and blank for forming same**
- (51) International Design Classification: **09-03E**
- (71) Name(s) and Address(s) of Applicant(s):
Visy R & D Pty Ltd
Level 2 533 Little Lonsdale St Melbourne Victoria 3000 Australia
- (72) Name(s) of Designer(s): **Katrina Pauling**
- (45) Registration Date: **22 January 2008**
- (56) Related Art Documents: **Not Applicable**
- (57) Statement of Newness and Distinctiveness: **Newness and distinctiveness is claimed in the visual features of shape or configuration of a mailing package and the blank for forming same as illustrated in the accompanying representations. The instructions appearing in the representations of how the blank is folded to assemble the package should be ignored when determining the scope of the registration.**

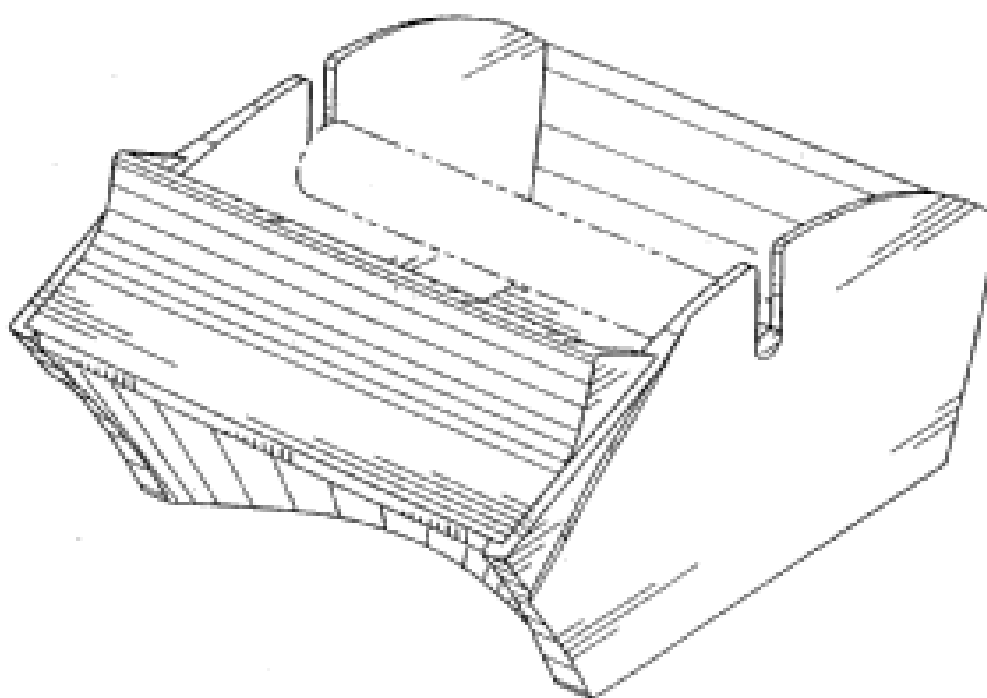


- (21) Design Number: **20088/2007**
- (22) Date of Filing Application: **04 October 2007**
- (24) Date from which industrial property rights may have effect: **04 October 2007**
- (54) Product in respect of which the design is registered: **Food packaging**
- (51) International Design Classification: **09-03L**
- (71) Name(s) and Address(s) of Applicant(s):
Mars, Incorporated
6885 Elm Street McLean Virginia 22101-3883 United States of America
- (72) Name(s) of Designer(s): **Michael J. Wilson and Bryan W. Ware and Sean C. Silk**
- (45) Registration Date: **22 January 2008**
- (30) Convention priority data:

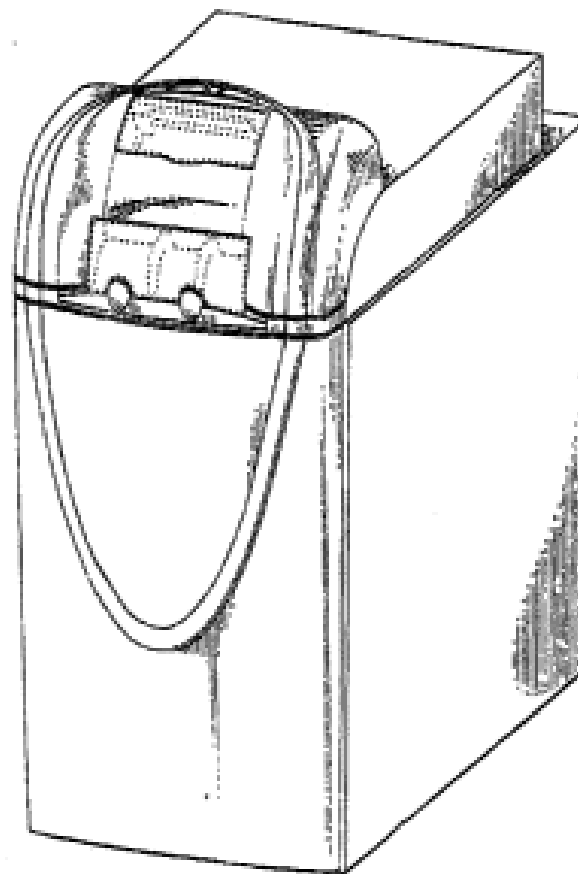
(31) Number	(32) Date	(33) Country
29/274,220	05 Apr 2007	UNITED STATES OF AMERICA
- (56) Related Art Documents: **Not Applicable**
- (57) Statement of Newness and Distinctiveness: **The novelty of the design resides on the features of shape and configuration as depicted in the representations attached.**



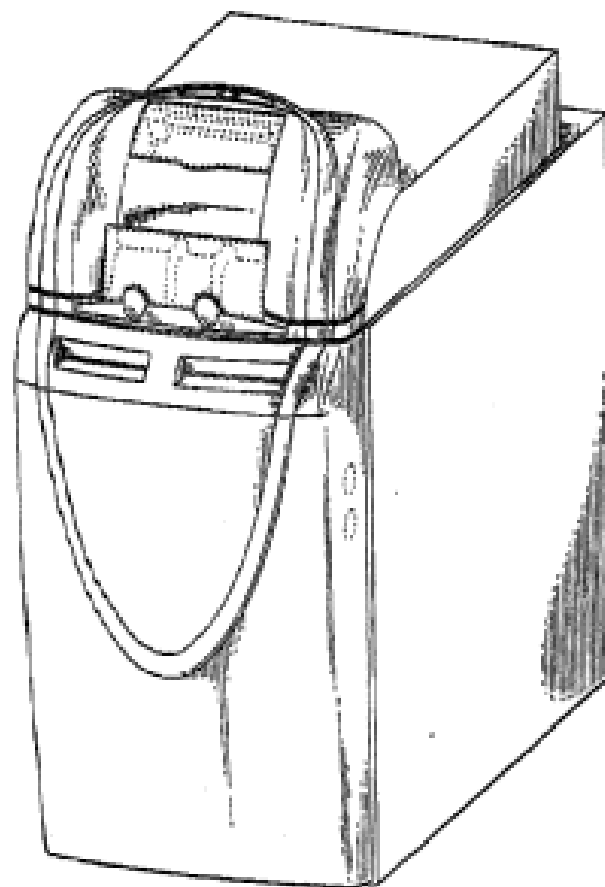
- (21) Design Number: **20089/2007**
(22) Date of Filing Application: **04 October 2007**
(24) Date from which industrial property rights may have effect: **04 October 2007**
(54) Product in respect of which the design is registered: **Manual roll dispenser with axle**
(51) International Design Classification: **07-99C**
(71) Name(s) and Address(s) of Applicant(s):
Maurice Kanbar
2100 Jackson Street San Francisco California 94115 United States of America
(72) Name(s) of Designer(s): **Maurice Kanbar**
(45) Registration Date: **22 January 2008**
(30) Convention priority data:
(31) Number (32) Date (33) Country
29/285873 11 Apr 2007 UNITED STATES OF AMERICA
(56) Related Art Documents: **Not Applicable**
(57) Statement of Newness and Distinctiveness: **Newness and distinctiveness is claimed in those features of shape and/or configuration of a manual roll dispenser with axle illustrated in continuous lines in the accompanying representations.**



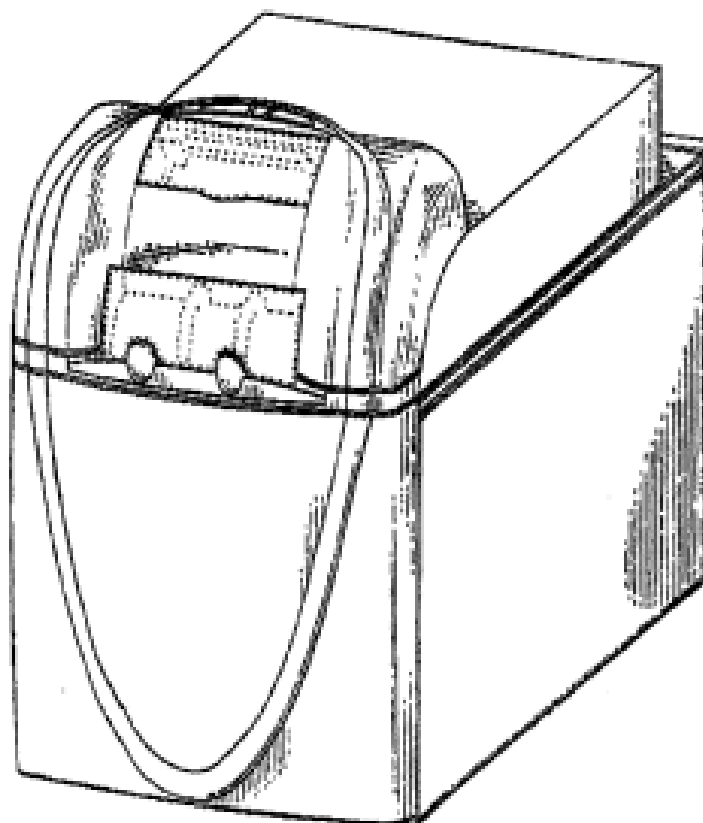
- (21) Design Number: **20090/2007**
(22) Date of Filing Application: **04 October 2007**
(24) Date from which industrial property rights may have effect: **04 October 2007**
(54) Product in respect of which the design is registered: **Document handling apparatus**
(51) International Design Classification: **19-02**
(71) Name(s) and Address(s) of Applicant(s):
De La Rue International Limited
De La Rue House Jays Close Viables Basingstoke RG22 4BS United Kingdom
(72) Name(s) of Designer(s): **Angus James Davidson and Martin Gaze**
(45) Registration Date: **22 January 2008**
(30) Convention priority data:
(31) Number (32) Date (33) Country
000705769-0008 05 Apr 2007 EUROPEAN COMMUNITY
(56) Related Art Documents: **Not Applicable**
(57) Statement of Newness and Distinctiveness: **Newness and distinctiveness is claimed in the visual features of shape and configuration of the document handling apparatus as illustrated in the accompanying representations. In considering the extent of monopoly, the size, relative proportions of the safe (the base of the product) and note handling module (top portion) should be considered.**



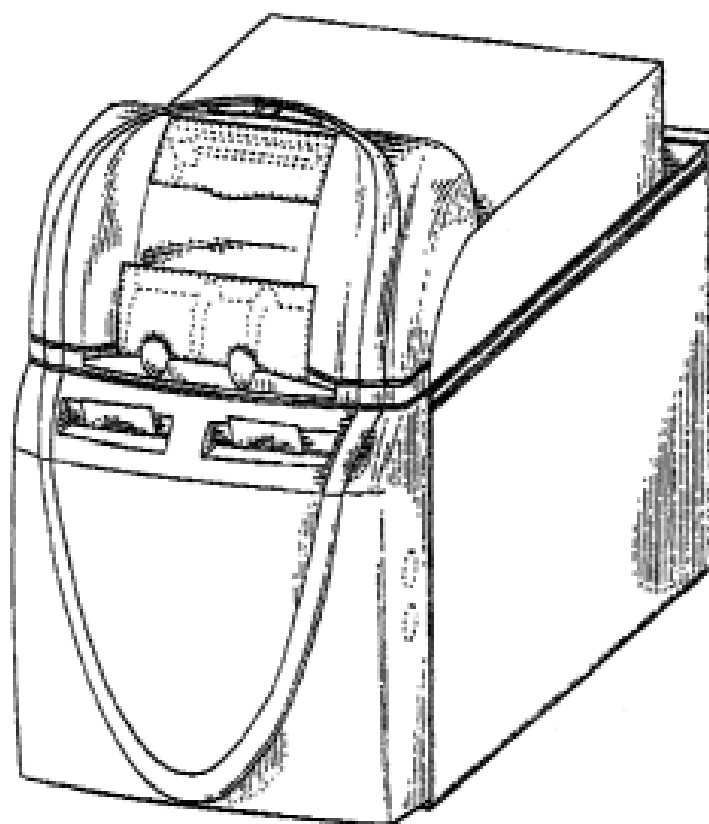
- (21) Design Number: **20091/2007**
(22) Date of Filing Application: **04 October 2007**
(24) Date from which industrial property rights may have effect: **04 October 2007**
(54) Product in respect of which the design is registered: **Document handling apparatus**
(51) International Design Classification: **19-02**
(71) Name(s) and Address(s) of Applicant(s):
De La Rue International Limited
De La Rue House Jays Close Viables Basingstoke RG22 4BS United Kingdom
(72) Name(s) of Designer(s): **Angus James Davidson and Martin Gaze**
(45) Registration Date: **22 January 2008**
(30) Convention priority data:
(31) Number (32) Date (33) Country
000705769-0007 05 Apr 2007 EUROPEAN COMMUNITY
(56) Related Art Documents: **Not Applicable**
(57) Statement of Newness and Distinctiveness: **Newness and distinctiveness is claimed in the visual features of shape and configuration of the document handling apparatus as illustrated in the accompanying representations. In considering the extent of monopoly, the size, relative proportions of the safe (the base of the product) and note handling module (top portion) and the provision of drop boxes (on the front) should be considered.**



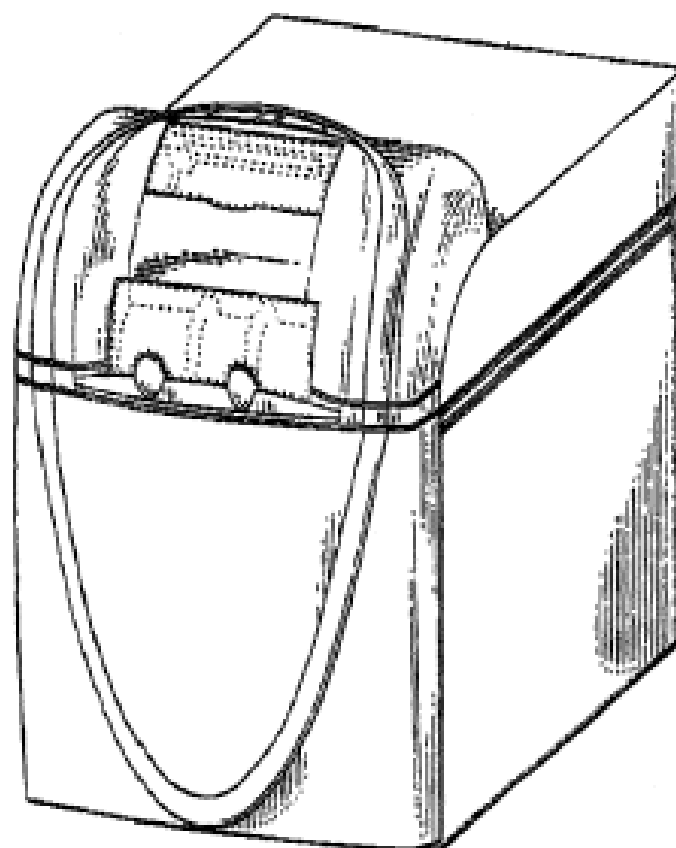
- (21) Design Number: **20092/2007**
(22) Date of Filing Application: **04 October 2007**
(24) Date from which industrial property rights may have effect: **04 October 2007**
(54) Product in respect of which the design is registered: **Document handling apparatus**
(51) International Design Classification: **19-02**
(71) Name(s) and Address(s) of Applicant(s):
De La Rue International Limited
De La Rue House Jays Close Basingstoke Hampshire RG22 4BS United Kingdom
(72) Name(s) of Designer(s): **Angus James Davidson and Martin Gaze**
(45) Registration Date: **22 January 2008**
(30) Convention priority data:
(31) Number (32) Date (33) Country
000705769-0006 05 Apr 2007 EUROPEAN COMMUNITY
(56) Related Art Documents: **Not Applicable**
(57) Statement of Newness and Distinctiveness: **Newness and distinctiveness is claimed in the visual features of shape and configuration of the document handling apparatus as illustrated in the accompanying representations. In considering the extent of monopoly, the size, relative proportions of the safe (the base of the product) and note handling module (top portion) should be considered.**



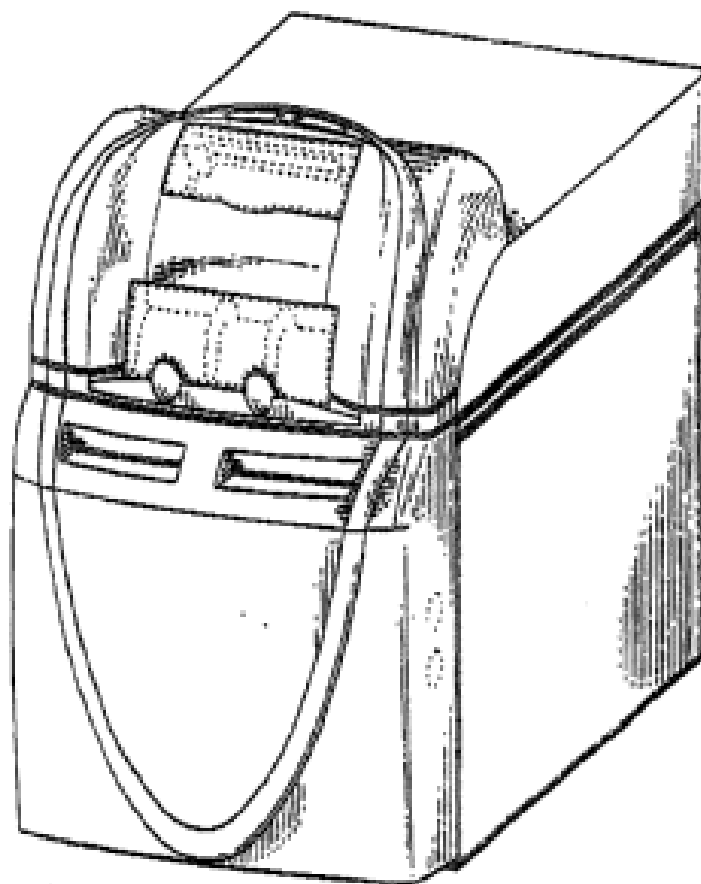
- (21) Design Number: **20093/2007**
(22) Date of Filing Application: **04 October 2007**
(24) Date from which industrial property rights may have effect: **04 October 2007**
(54) Product in respect of which the design is registered: **Document handling apparatus**
(51) International Design Classification: **19-02**
(71) Name(s) and Address(s) of Applicant(s):
De La Rue International Limited
De La Rue House Jays Close Viables Basingstoke RG22 4BS United Kingdom
(72) Name(s) of Designer(s): **Angus James Davidson and Martin Gaze**
(45) Registration Date: **22 January 2008**
(30) Convention priority data:
(31) Number (32) Date (33) Country
000705769-0005 05 Apr 2007 EUROPEAN COMMUNITY
(56) Related Art Documents: **Not Applicable**
(57) Statement of Newness and Distinctiveness: **Newness and distinctiveness is claimed in the visual features of shape and configuration of the document handling apparatus as illustrated in the accompanying representations. In considering the extent of monopoly, the size, relative proportions of the safe (the base of the product) and note handling module (top portion) and the provision of drop boxes (on the front) should be considered.**



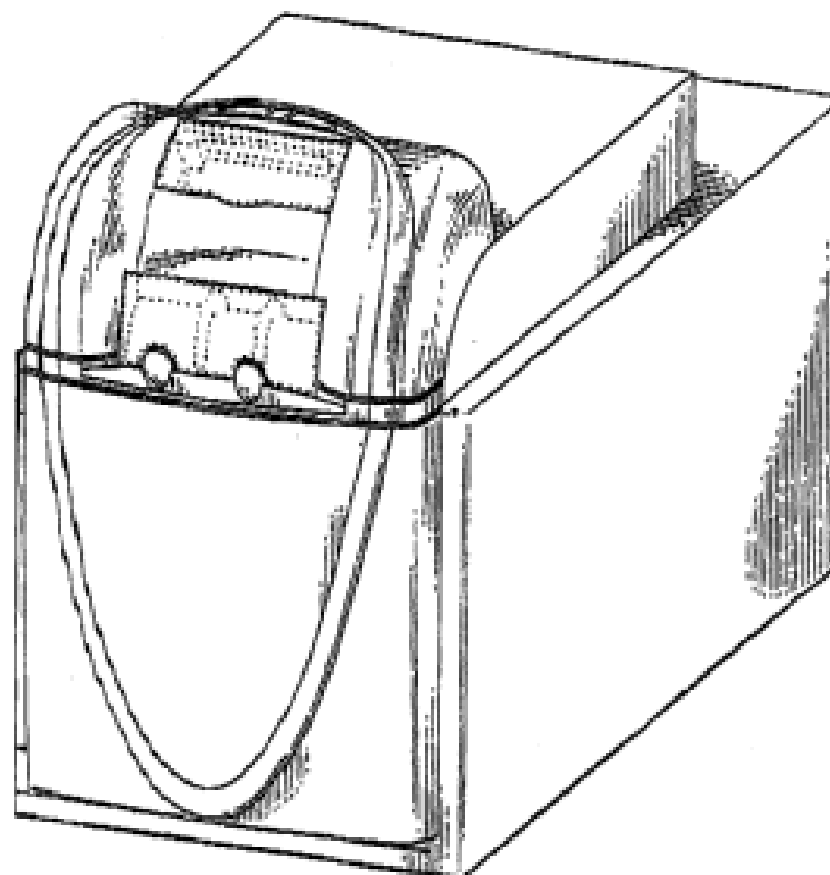
- (21) Design Number: **20094/2007**
(22) Date of Filing Application: **04 October 2007**
(24) Date from which industrial property rights may have effect: **04 October 2007**
(54) Product in respect of which the design is registered: **Document handling apparatus**
(51) International Design Classification: **19-02**
(71) Name(s) and Address(s) of Applicant(s):
De La Rue International Limited
De La Rue House Jays Close Viables Basingstoke RG22 4BS United Kingdom
(72) Name(s) of Designer(s): **Angus James Davidson and Martin Gaze**
(45) Registration Date: **22 January 2008**
(30) Convention priority data:
(31) Number (32) Date (33) Country
000705769-0004 05 Apr 2007 EUROPEAN COMMUNITY
(56) Related Art Documents: **Not Applicable**
(57) Statement of Newness and Distinctiveness: **Newness and distinctiveness is claimed in the visual features of shape and configuration of the document handling apparatus as illustrated in the accompanying representations. In considering the extent of monopoly, the size, relative proportions of the safe (the base of the product) and note handling module (top portion) should be considered.**



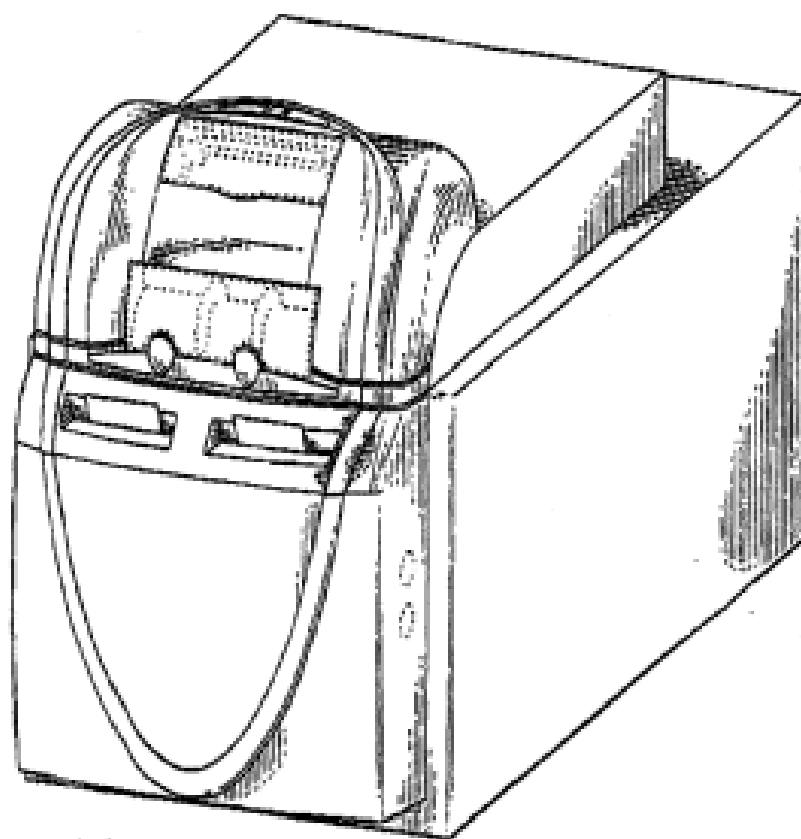
- (21) Design Number: **20095/2007**
(22) Date of Filing Application: **04 October 2007**
(24) Date from which industrial property rights may have effect: **04 October 2007**
(54) Product in respect of which the design is registered: **Document handling apparatus**
(51) International Design Classification: **19-02**
(71) Name(s) and Address(s) of Applicant(s):
De La Rue International Limited
De La Rue House Jays Close Viables Basingstoke RG22 4BS United Kingdom
(72) Name(s) of Designer(s): **Angus James Davidson and Martin Gaze**
(45) Registration Date: **22 January 2008**
(30) Convention priority data:
(31) Number (32) Date (33) Country
000705769-0003 05 Apr 2007 EUROPEAN COMMUNITY
(56) Related Art Documents: **Not Applicable**
(57) Statement of Newness and Distinctiveness: **Newness and distinctiveness is claimed in the visual features of shape and configuration of the document handling apparatus as illustrated in the accompanying representations. In considering the extent of monopoly, the size, relative proportions of the safe (the base of the product) and note handling module (top portion) and the provision of drop boxes (on the front) should be considered.**



- (21) Design Number: **20096/2007**
(22) Date of Filing Application: **04 October 2007**
(24) Date from which industrial property rights may have effect: **04 October 2007**
(54) Product in respect of which the design is registered: **Document handling apparatus**
(51) International Design Classification: **19-02**
(71) Name(s) and Address(s) of Applicant(s):
De La Rue International Limited
De La Rue House Jays Close Viables Basingstoke RG22 4BS United Kingdom
(72) Name(s) of Designer(s): **Angus James Davidson and Martin Gaze**
(45) Registration Date: **22 January 2008**
(30) Convention priority data:
(31) Number (32) Date (33) Country
000705769-0002 05 Apr 2007 EUROPEAN COMMUNITY
(56) Related Art Documents: **Not Applicable**
(57) Statement of Newness and Distinctiveness: **Newness and distinctiveness is claimed in the visual features of shape and configuration of the document handling apparatus as illustrated in the accompanying representations. In considering the extent of monopoly, the size, relative proportions of the safe (the base of the product) and note handling module (top portion) should be considered.**



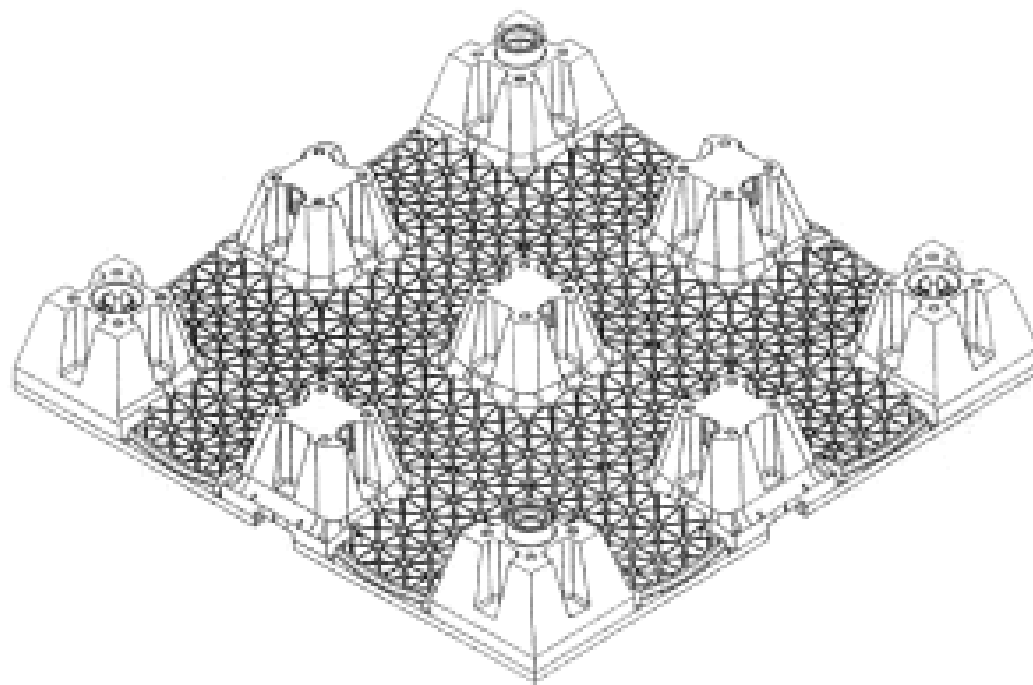
- (21) Design Number: **20097/2007**
(22) Date of Filing Application: **04 October 2007**
(24) Date from which industrial property rights may have effect: **04 October 2007**
(54) Product in respect of which the design is registered: **Document handling apparatus**
(51) International Design Classification: **19-02**
(71) Name(s) and Address(s) of Applicant(s):
De La Rue International Limited
De La Rue House Jays Close Viables Basingstoke RG22 4BS United Kingdom
(72) Name(s) of Designer(s): **Angus James Davidson and Martin Gaze**
(45) Registration Date: **22 January 2008**
(30) Convention priority data:
(31) Number (32) Date (33) Country
000705769-0001 05 Apr 2007 EUROPEAN COMMUNITY
(56) Related Art Documents: **Not Applicable**
(57) Statement of Newness and Distinctiveness: **Newness and distinctiveness is claimed in the visual features of shape and configuration of the document handling apparatus as illustrated in the accompanying representations. In considering the extent of monopoly, the size, relative proportions of the safe (the base of the product) and note handling module (top portion) and the provision of drop boxes (on the front) should be considered.**



- (21) Design Number: **20098/2007**
(22) Date of Filing Application: **04 October 2007**
(24) Date from which industrial property rights may have effect: **04 October 2007**
(54) Product in respect of which the design is registered: **Auto-positioning satellite antenna apparatus**
(51) International Design Classification: **14-03NES**
(71) Name(s) and Address(s) of Applicant(s):
SATMARK Australia Pty Ltd
Level 5 5-9 Harbourview Cr Milsons Point New South Wales 2016 Australia
(72) Name(s) of Designer(s): **Duck-Kyu Kim**
(45) Registration Date: **22 January 2008**
(56) Related Art Documents: **Not Applicable**
(57) Statement of Newness and Distinctiveness: **Nil**



(21) Design Number: **20100/2007**
 (22) Date of Filing Application: **05 October 2007**
 (24) Date from which industrial property rights may have effect: **05 October 2007**
 (54) Product in respect of which the design is registered: **Support moulding for an underground water storage or attenuation structure**
 (51) International Design Classification: **23-01NES**
 (71) Name(s) and Address(s) of Applicant(s):
Flex-Seal Couplings Limited
Endeavour Works Newlands Way Valley Park Wombwell Barnsley S73 0UW United Kingdom
 (72) Name(s) of Designer(s): **Stephen Keith Riding**
 (45) Registration Date: **22 January 2008**
 (30) Convention priority data:
 (31) Number (32) Date (33) Country
000711973 23 Apr 2007 EUROPEAN COMMUNITY
 (56) Related Art Documents: **Not Applicable**
 (57) Statement of Newness and Distinctiveness: **The features of shape and configuration are new and distinctive.**



(21) Design Number: **20101/2007**
 (22) Date of Filing Application: **05 October 2007**
 (24) Date from which industrial property rights may have effect: **05 October 2007**
 (54) Product in respect of which the design is registered: **Pipe coupling**
 (51) International Design Classification: **23-01A**
 (71) Name(s) and Address(s) of Applicant(s):
Flex-Seal Couplings Limited
Endeavour Works Newlands Way Valley Park Wombwell Barnsley S73 0UW United Kingdom
 (72) Name(s) of Designer(s): **David John Milnes**
 (45) Registration Date: **22 January 2008**
 (30) Convention priority data:
 (31) Number (32) Date (33) Country
000709241 18 Apr 2007 EUROPEAN COMMUNITY
 (56) Related Art Documents: **Not Applicable**
 (57) Statement of Newness and Distinctiveness: **The features of shape and configuration are new and distinctive.**



(21) Design Number: **20102/2007**

(22) Date of Filing Application: **05 October 2007**

(24) Date from which industrial property rights may have effect: **05 October 2007**

(54) Product in respect of which the design is registered: **A stamp dispenser**

(51) International Design Classification: **19-02**

(71) Name(s) and Address(s) of Applicant(s):

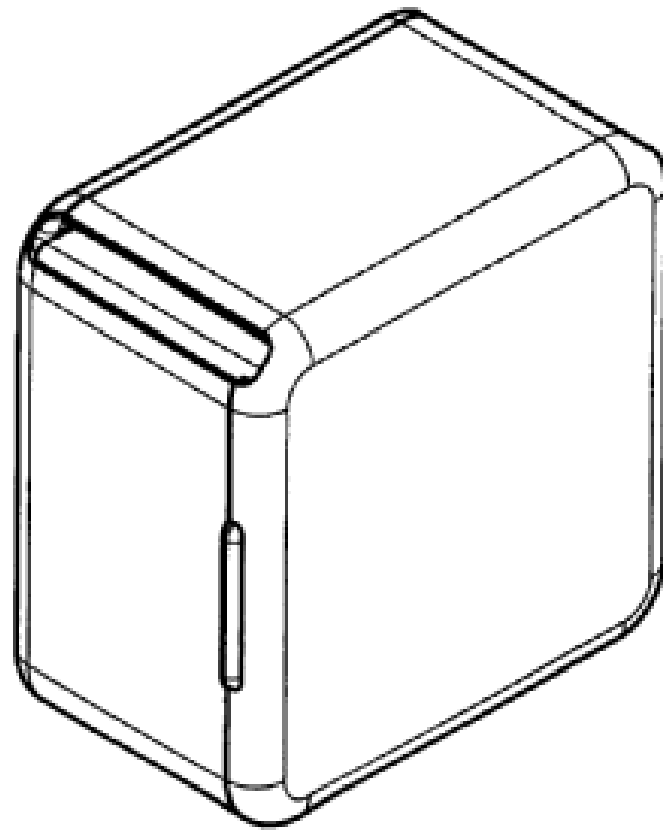
**Results Sales Promotion Pty Limited
39 Llewellyn Street Oatley New South Wales 2223 Australia**

(72) Name(s) of Designer(s): **Henry Greaves**

(45) Registration Date: **22 January 2008**

(56) Related Art Documents: **Not Applicable**

(57) Statement of Newness and Distinctiveness: **Newness and distinctiveness is claimed in respect of the shape and/or configuration of the product illustrated in the accompanying representations.**



(21) Design Number: **20535/2007**

(22) Date of Filing Application: **30 October 2007**

(24) Date from which industrial property rights may have effect: **30 October 2007**

(54) Product in respect of which the design is registered: **Fryer**

(51) International Design Classification: **07-02N**

(71) Name(s) and Address(s) of Applicant(s):

**Guney Ithalat Ve Pazarlama Anonim Sirketi
Abdi Ipekci Caddesi No. 195 Bayrampasa Istanbul Turkey**

(72) Name(s) of Designer(s): **Kunter Sekercioglu and Ozum Ozkan**

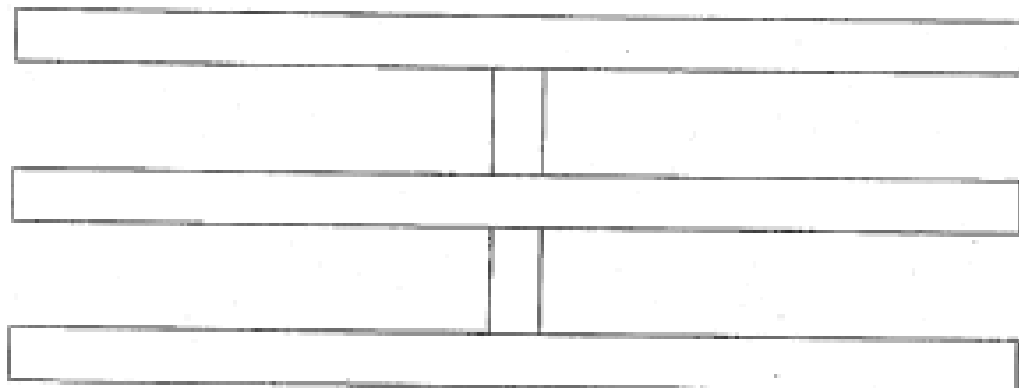
(45) Registration Date: **22 January 2008**

(56) Related Art Documents: **Not Applicable**

(57) Statement of Newness and Distinctiveness: **Newness and distinctiveness is claimed in the features of shape and/or configuration of a fryer as illustrated in the accompanying representations.**



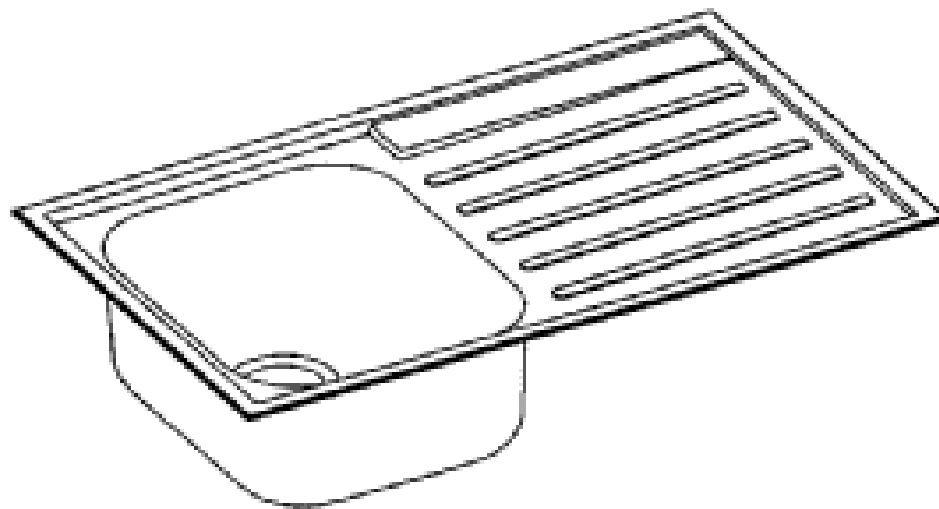
(21) Design Number: **20611/2007**
(22) Date of Filing Application: **02 November 2007**
(24) Date from which industrial property rights may have effect: **02 November 2007**
(54) Product in respect of which the design is registered: **A rail**
(51) International Design Classification: **25-02C**
(71) Name(s) and Address(s) of Applicant(s):
Feltonmix Limited
Level 3 117 St Georges Bay Road Parnell Auckland New Zealand
(72) Name(s) of Designer(s): **Stephen James Beagley and Jean Voon**
(45) Registration Date: **22 January 2008**
(30) Convention priority data:
(31) Number (32) Date (33) Country
409085 03 May 2007 NEW ZEALAND
(56) Related Art Documents: **Not Applicable**
(57) Statement of Newness and Distinctiveness: **Nil**



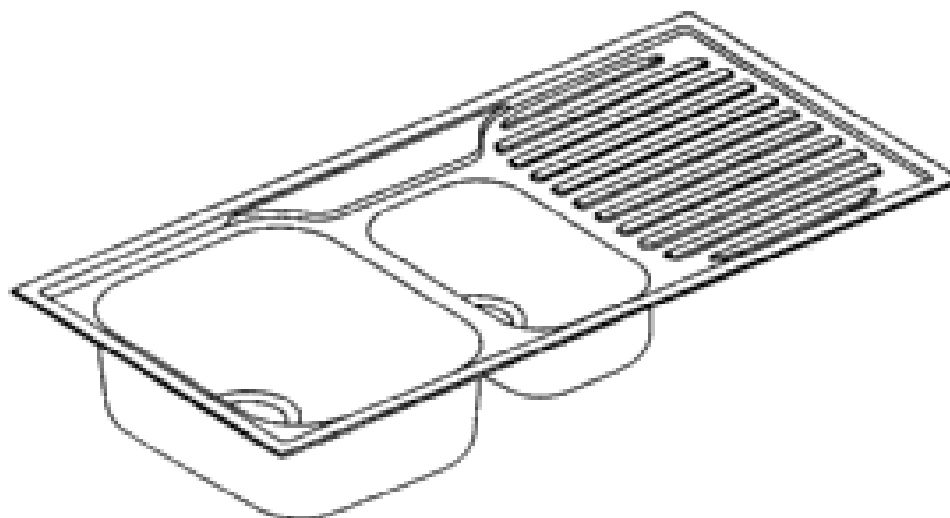
(21) Design Number: **17702/2007**
(22) Date of Filing Application: **07 May 2007**
(24) Date from which industrial property rights may have effect: **07 May 2007**
(54) Product in respect of which the design is registered: **Jug with lid**
(51) International Design Classification: **07-01F**
(71) Name(s) and Address(s) of Applicant(s):
Douglas Bean (Australia) Pty Ltd
84 Lewis Road Wantirna South Victoria 3152 Australia
(72) Name(s) of Designer(s): **Douglas Colin Bean**
(45) Registration Date: **22 January 2008**
(56) Related Art Documents: **Not Applicable**
(57) Statement of Newness and Distinctiveness: **Visual features of the design which are new and distinctive are the features of shape and configuration of jug with lid as illustrated in the representations. The lettering on the lid, and graduated markings on the side do not form part of the design and are to be disregarded.**



- (21) Design Number: **20104/2007**
(22) Date of Filing Application: **05 October 2007**
(24) Date from which industrial property rights may have effect: **05 October 2007**
(54) Product in respect of which the design is registered: **A sink**
(51) International Design Classification: **23-02F**
(71) Name(s) and Address(s) of Applicant(s):
Caroma Industries Limited
10 Market Street Brisbane Queensland 4000 Australia
(72) Name(s) of Designer(s): **Stephen John Cummings and David Giorgio and Leonie Carolyn Brickwood**
(45) Registration Date: **22 January 2008**
(56) Related Art Documents: **Not Applicable**
(57) Statement of Newness and Distinctiveness: **Newness and distinctiveness is claimed in the feature of shape and/or configuration of a sink as illustrated in the accompanying representations.**



- (21) Design Number: **20105/2007**
(22) Date of Filing Application: **05 October 2007**
(24) Date from which industrial property rights may have effect: **05 October 2007**
(54) Product in respect of which the design is registered: **A sink**
(51) International Design Classification: **23-02F**
(71) Name(s) and Address(s) of Applicant(s):
Caroma Industries Limited
10 Market Street Brisbane Queensland 4000 Australia
(72) Name(s) of Designer(s): **Stephen John Cummings and David Giorgio and Leonie Carolyn Brickwood**
(45) Registration Date: **22 January 2008**
(56) Related Art Documents: **Not Applicable**
(57) Statement of Newness and Distinctiveness: **Newness and distinctiveness is claimed in the features of shape and/or configuration of a sink as illustrated in the accompanying representations.**



(21) Design Number: **20106/2007**

(22) Date of Filing Application: **05 October 2007**

(24) Date from which industrial property rights may have effect: **05 October 2007**

(54) Product in respect of which the design is registered: **A sink**

(51) International Design Classification: **23-02F**

(71) Name(s) and Address(s) of Applicant(s):

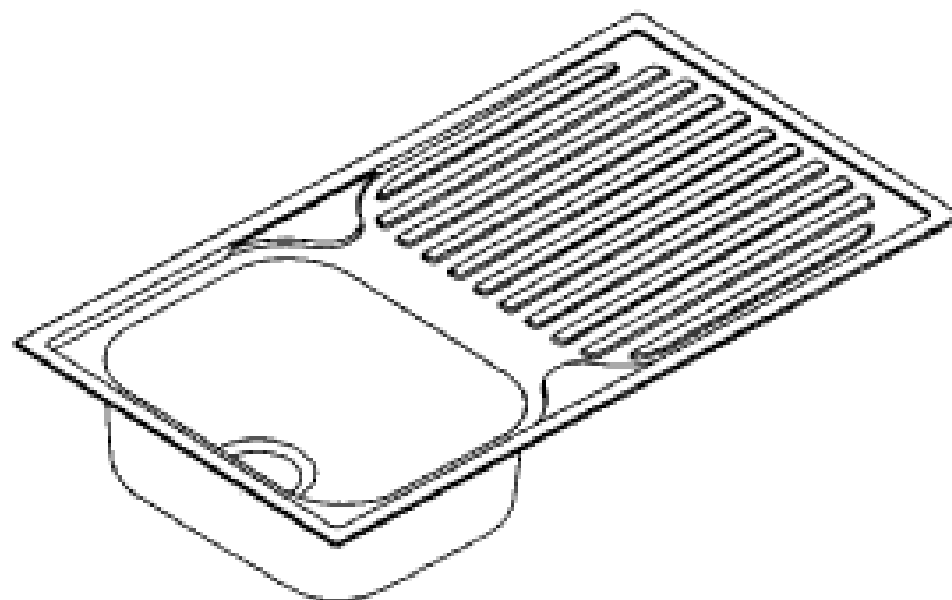
Caroma Industries Limited
10 Market Street Brisbane Queensland 4000 Australia

(72) Name(s) of Designer(s): **Stephen John Cummings and David Giorgio and Leonie Carolyn Brickwood**

(45) Registration Date: **22 January 2008**

(56) Related Art Documents: **Not Applicable**

(57) Statement of Newness and Distinctiveness: **Newness and distinctiveness is claimed in the features of shape and/or configuration of a sink as illustrated in the accompanying representations.**



(21) Design Number: **20107/2007**

(22) Date of Filing Application: **05 October 2007**

(24) Date from which industrial property rights may have effect: **05 October 2007**

(54) Product in respect of which the design is registered: **A sink**

(51) International Design Classification: **23-02F**

(71) Name(s) and Address(s) of Applicant(s):

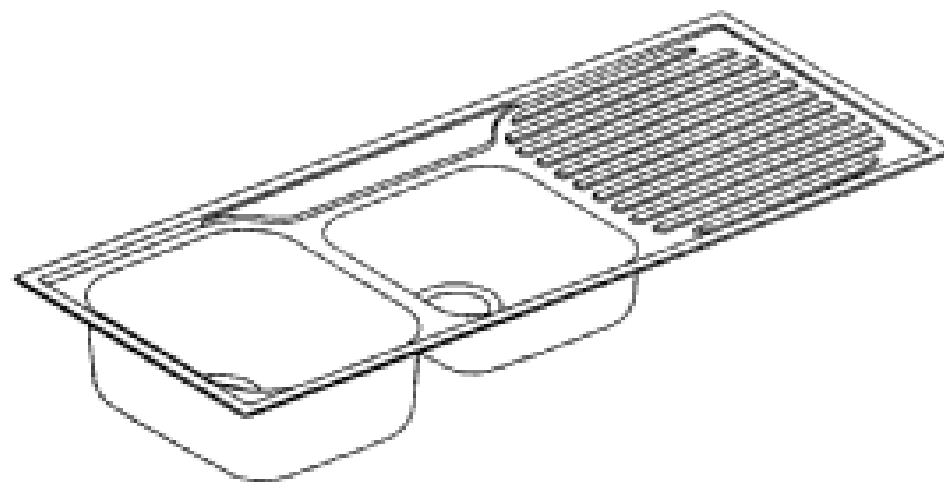
Caroma Industries Limited
10 Market Street Brisbane Queensland 4000 Australia

(72) Name(s) of Designer(s): **Stephen John Cummings and David Giorgio and Leonie Carolyn Brickwood**

(45) Registration Date: **22 January 2008**

(56) Related Art Documents: **Not Applicable**

(57) Statement of Newness and Distinctiveness: **Newness and distinctiveness is claimed in the features of shape and/or configuration of a sink as illustrated in the accompanying representations.**



(21) Design Number: **20108/2007**

(22) Date of Filing Application: **05 October 2007**

(24) Date from which industrial property rights may have effect: **05 October 2007**

(54) Product in respect of which the design is registered: **A sink**

(51) International Design Classification: **23-02F**

(71) Name(s) and Address(s) of Applicant(s):

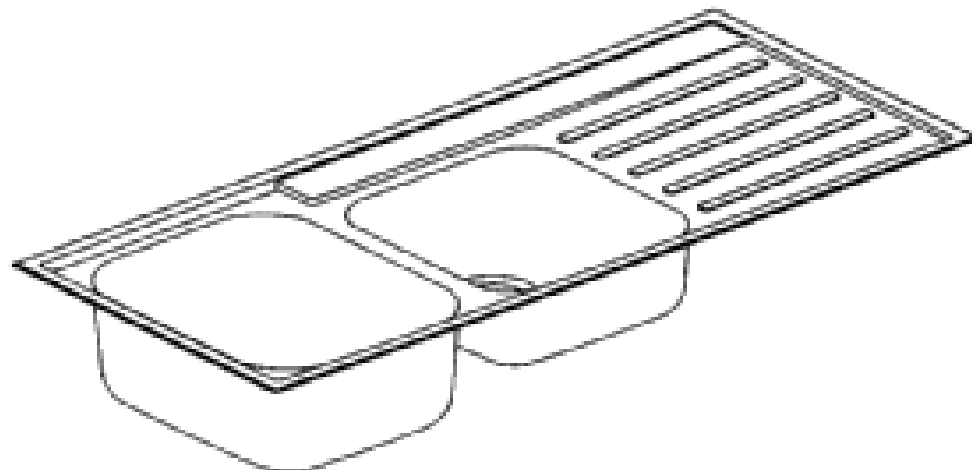
Caroma Industries Limited
10 Market Street Brisbane Queensland 4000 Australia

(72) Name(s) of Designer(s): **Stephen John Cummings and David Giorgio and Leonie Carolyn Brickwood**

(45) Registration Date: **22 January 2008**

(56) Related Art Documents: **Not Applicable**

(57) Statement of Newness and Distinctiveness: **Newness and distinctiveness is claimed in the features of shape and/or configuration of a sink as illustrated in the accompanying representations.**



(21) Design Number: **20109/2007**

(22) Date of Filing Application: **05 October 2007**

(24) Date from which industrial property rights may have effect: **05 October 2007**

(54) Product in respect of which the design is registered: **A sink**

(51) International Design Classification: **23-02F**

(71) Name(s) and Address(s) of Applicant(s):

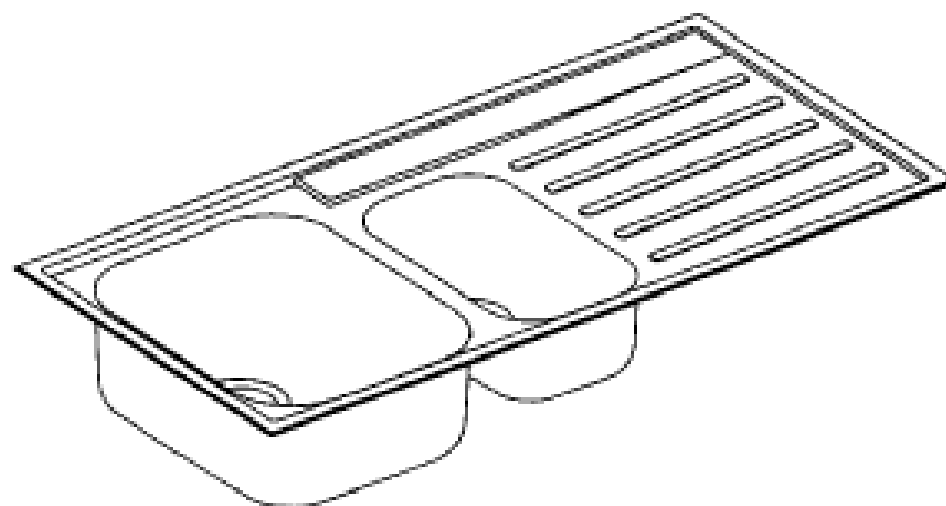
Caroma Industries Limited
10 Market Street Brisbane Queensland 4000 Australia

(72) Name(s) of Designer(s): **Stephen John Cummings and David Giorgio and Leonie Carolyn Brickwood**

(45) Registration Date: **22 January 2008**

(56) Related Art Documents: **Not Applicable**

(57) Statement of Newness and Distinctiveness: **Newness and distinctiveness is claimed in the features of shape and/or configuration of a sink as illustrated in the accompanying representations.**



(21) Design Number: **20110/2007**

(22) Date of Filing Application: **05 October 2007**

(24) Date from which industrial property rights may have effect: **05 October 2007**

(54) Product in respect of which the design is registered: **A sink**

(51) International Design Classification: **23-02F**

(71) Name(s) and Address(s) of Applicant(s):

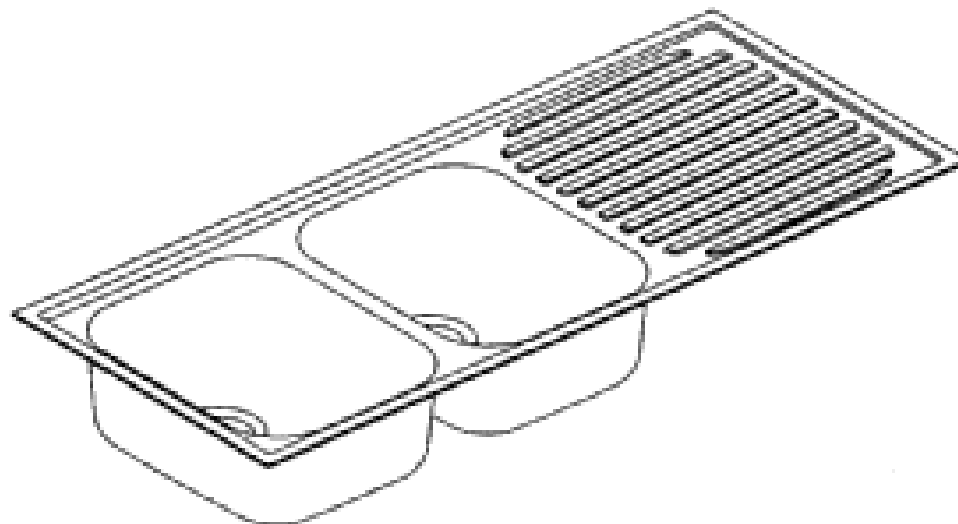
Caroma Industries Limited
10 Market Street Brisbane Queensland 4000 Australia

(72) Name(s) of Designer(s): **Stephen John Cummings and David Giorgio and Leonie Carolyn Brickwood**

(45) Registration Date: **22 January 2008**

(56) Related Art Documents: **Not Applicable**

(57) Statement of Newness and Distinctiveness: **Newness and distinctiveness is claimed in the features of shape and/or configuration of a sink as illustrated in the accompanying representations.**



(21) Design Number: **20111/2007**

(22) Date of Filing Application: **05 October 2007**

(24) Date from which industrial property rights may have effect: **05 October 2007**

(54) Product in respect of which the design is registered: **A sink**

(51) International Design Classification: **23-02F**

(71) Name(s) and Address(s) of Applicant(s):

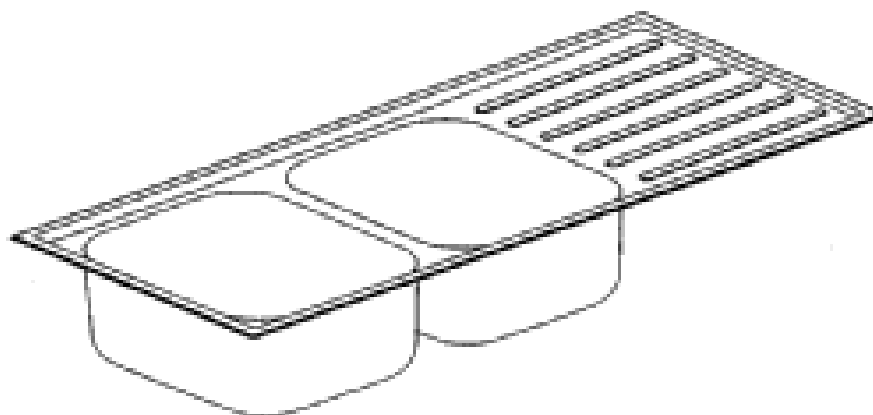
Caroma Industries Limited
10 Market Street Brisbane Queensland 4000 Australia

(72) Name(s) of Designer(s): **Stephen John Cummings and David Giorgio and Leonie Carolyn Brickwood**

(45) Registration Date: **22 January 2008**

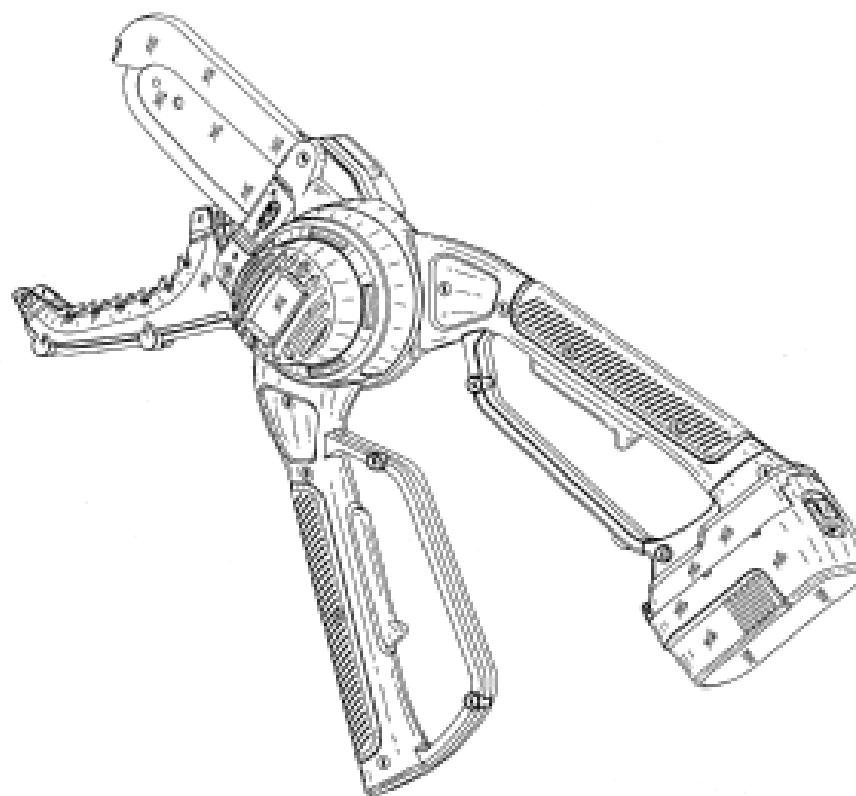
(56) Related Art Documents: **Not Applicable**

(57) Statement of Newness and Distinctiveness: **Newness and distinctiveness is claimed in the features of shape and/or configuration of a sink as illustrated in the accompanying representations.**

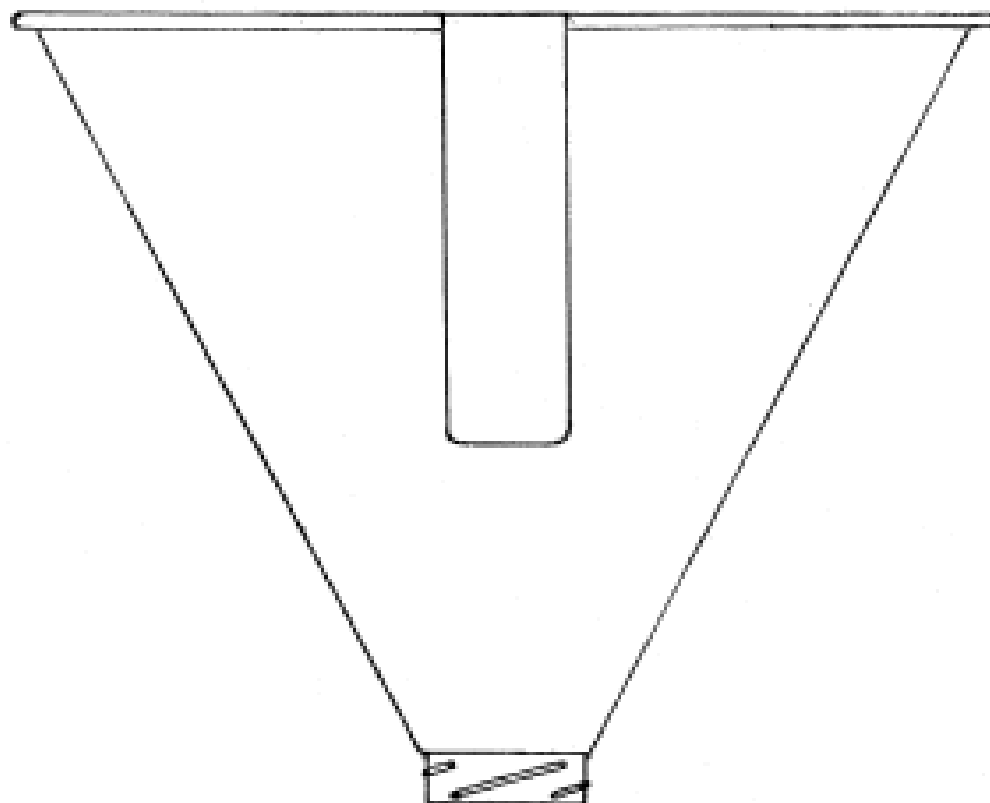


- (21) Design Number: **20112/2007**
- (22) Date of Filing Application: **05 October 2007**
- (24) Date from which industrial property rights may have effect: **05 October 2007**
- (54) Product in respect of which the design is registered: **Cordless lopper**
- (51) International Design Classification: **08-03**
- (71) Name(s) and Address(s) of Applicant(s):
Black & Decker, Inc.
1207 Drummond Plaza, Newark, Delaware 19711 United States of America
- (72) Name(s) of Designer(s): **Mark Baxter**
- (45) Registration Date: **22 January 2008**
- (30) Convention priority data:

(31) Number	(32) Date	(33) Country
000712898	24 Apr 2007	EUROPEAN COMMUNITY
- (56) Related Art Documents: **Not Applicable**
- (57) Statement of Newness and Distinctiveness: **Nil**



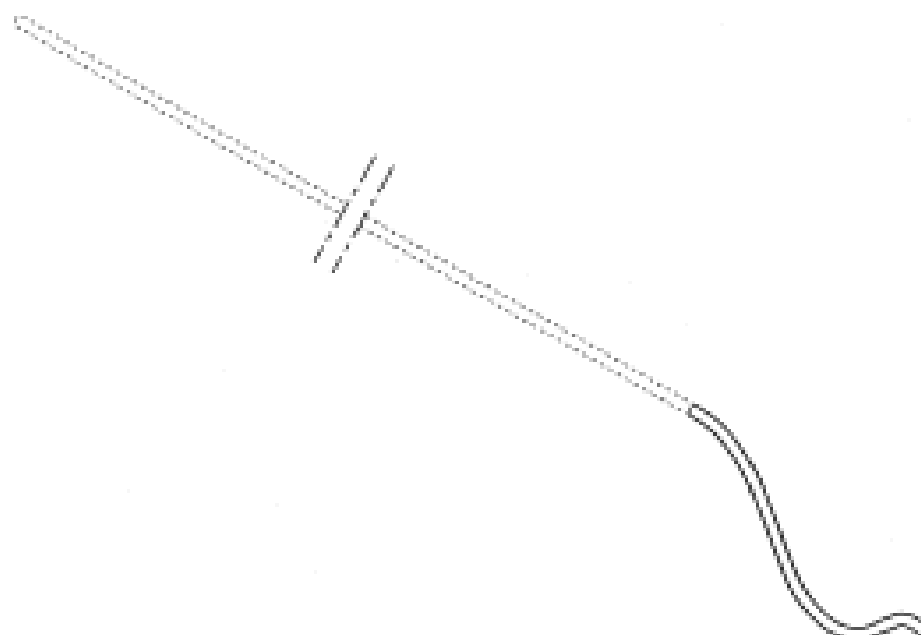
- (21) Design Number: **20121/2007**
- (22) Date of Filing Application: **08 October 2007**
- (24) Date from which industrial property rights may have effect: **08 October 2007**
- (54) Product in respect of which the design is registered: **Funnel**
- (51) International Design Classification: **07-99NES**
- (71) Name(s) and Address(s) of Applicant(s):
Tyrone Crook
2775 Moggill Road Pullenvale Queensland 4069 Australia
- (72) Name(s) of Designer(s): **Tyrone Crook**
- (45) Registration Date: **22 January 2008**
- (56) Related Art Documents: **Not Applicable**
- (57) Statement of Newness and Distinctiveness: **The speed funnel has a large rectangular receiving area, which accommodates large containers from which product can be de-canted into/through the funnel. The large receiving area allows for positive cleaning right to the bottom hole, making the funnel very hygienic and user friendly. The large receiving and discharge openings allow for the transfer of some breakfast cereals, sugar, rice, spices, powders and all liquids very rapidly. The big handle allows full support and control of the funnel at all times when in use.**



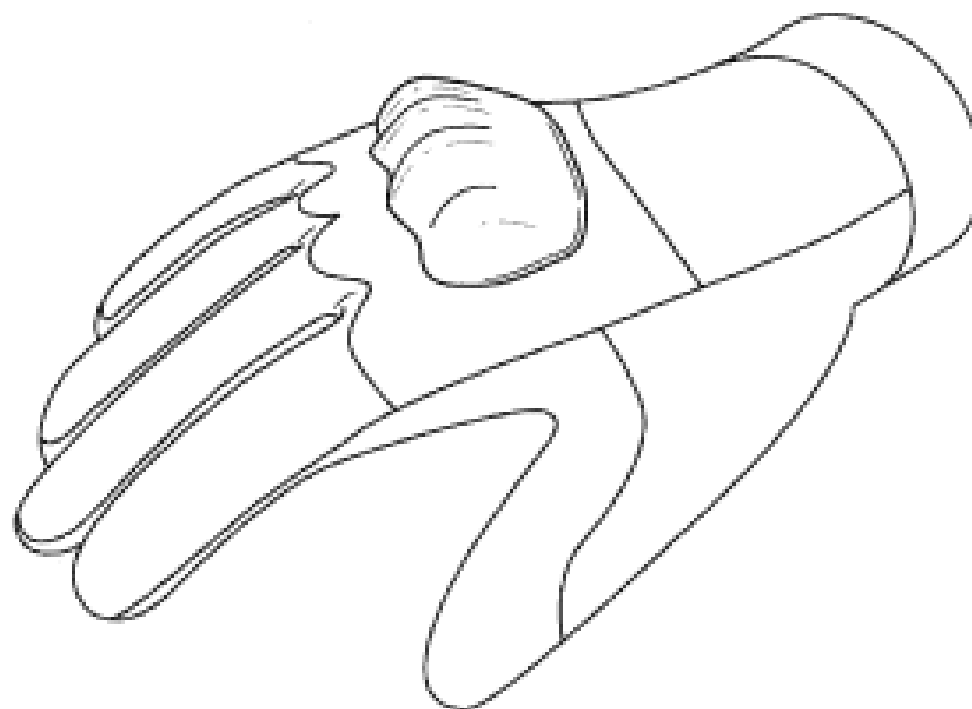
(21) Design Number: **20122/2007**
(22) Date of Filing Application: **08 October 2007**
(24) Date from which industrial property rights may have effect: **08 October 2007**
(54) Product in respect of which the design is registered: **Toilet seat adaptor and potty**
(51) International Design Classification: **23-02C**
(71) Name(s) and Address(s) of Applicant(s):
Alan Frederick Sandy
1 Old Blundells Court Station Road Tiverton Devon EX16 4LF United Kingdom
Gillian Paula Wright
19 Foxdell Way Chalfont St Peter Buckinghamshire SL9 0PL United Kingdom
(72) Name(s) of Designer(s): **Christopher Lovatt**
(45) Registration Date: **22 January 2008**
(30) Convention priority data:
(31) Number (32) Date (33) Country
000705991 10 Apr 2007 EUROPEAN COMMUNITY
(56) Related Art Documents: **Not Applicable**
(57) Statement of Newness and Distinctiveness: **Nil**



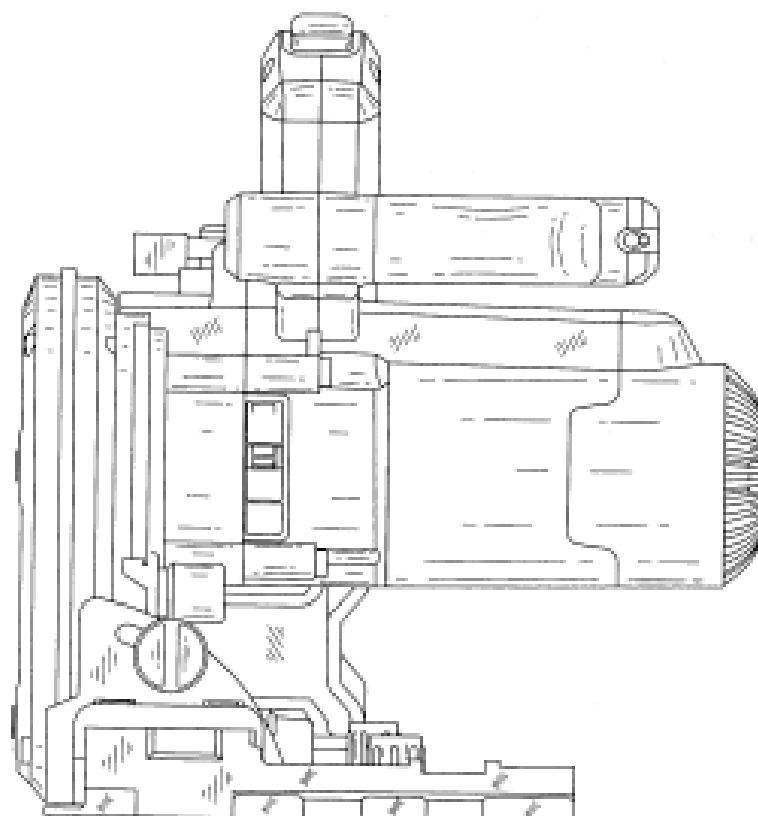
(21) Design Number: **20126/2007**
(22) Date of Filing Application: **08 October 2007**
(24) Date from which industrial property rights may have effect: **08 October 2007**
(54) Product in respect of which the design is registered: **Guide wire for catheter**
(51) International Design Classification: **24-02**
(71) Name(s) and Address(s) of Applicant(s):
Terumo Kabushiki Kaisha
44-1, 2-CHOME, HATAGAYA, SHIBUYA-KU TOKYO JAPAN
(72) Name(s) of Designer(s): **Noriyuki Tamai and Katsuhiro Shirakawa and Hiroshi Yagi and Tomokane Kurosawa**
(45) Registration Date: **22 January 2008**
(30) Convention priority data:
(31) Number (32) Date (33) Country
2007-012743 15 May 2007 JAPAN
(56) Related Art Documents: **Not Applicable**
(57) Statement of Newness and Distinctiveness: **When determining whether the design 1 is substantially similar in overall impression to another design, no regard is to be had to those features shown in dotted outline in the accompanying drawings.**



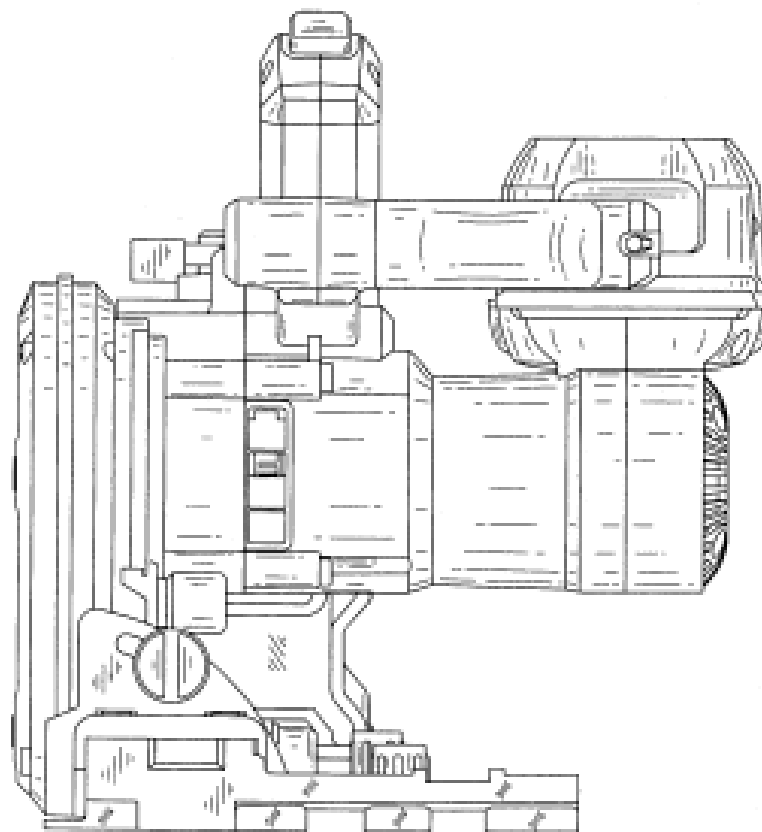
- (21) Design Number: **20127/2007**
(22) Date of Filing Application: **08 October 2007**
(24) Date from which industrial property rights may have effect: **08 October 2007**
(54) Product in respect of which the design is registered: **Knuckle cap**
(51) International Design Classification: **02-06**
(71) Name(s) and Address(s) of Applicant(s):
Protective Optics, Inc.
7491 Longard Road, Livermore, CA 94551 UNITED STATES OF AMERICA
(72) Name(s) of Designer(s): **Alex Hong**
(45) Registration Date: **22 January 2008**
(30) Convention priority data:
(31) Number (32) Date (33) Country
29/281991 09 Jul 2007 UNITED STATES OF AMERICA
(56) Related Art Documents: **Not Applicable**
(57) Statement of Newness and Distinctiveness: **Whilst a right hand glove has been shown in the drawings, it is to be understood that a left hand glove would be a mirror image of the glove as depicted.**



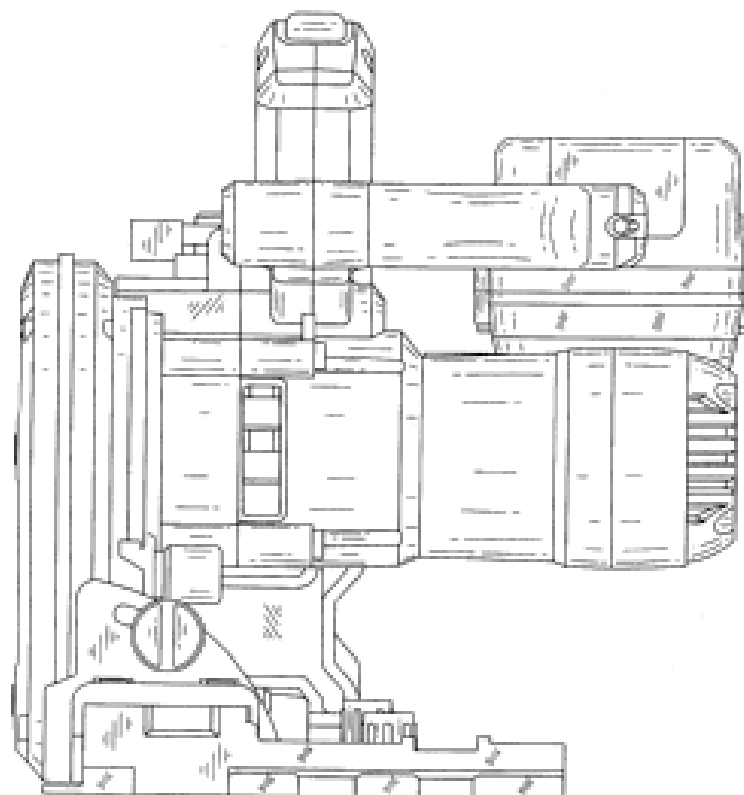
- (21) Design Number: **20128/2007**
(22) Date of Filing Application: **08 October 2007**
(24) Date from which industrial property rights may have effect: **08 October 2007**
(54) Product in respect of which the design is registered: **Circular saw**
(51) International Design Classification: **08-03**
(71) Name(s) and Address(s) of Applicant(s):
Black & Decker, Inc.
1207 Drummond Plaza, Newark, Delaware, 19711, United States of America
(72) Name(s) of Designer(s): **Sion Netzler**
(45) Registration Date: **22 January 2008**
(30) Convention priority data:
(31) Number (32) Date (33) Country
000716576-0001 02 May 2007 EUROPEAN COMMUNITY
(56) Related Art Documents: **Not Applicable**
(57) Statement of Newness and Distinctiveness: **Nil**



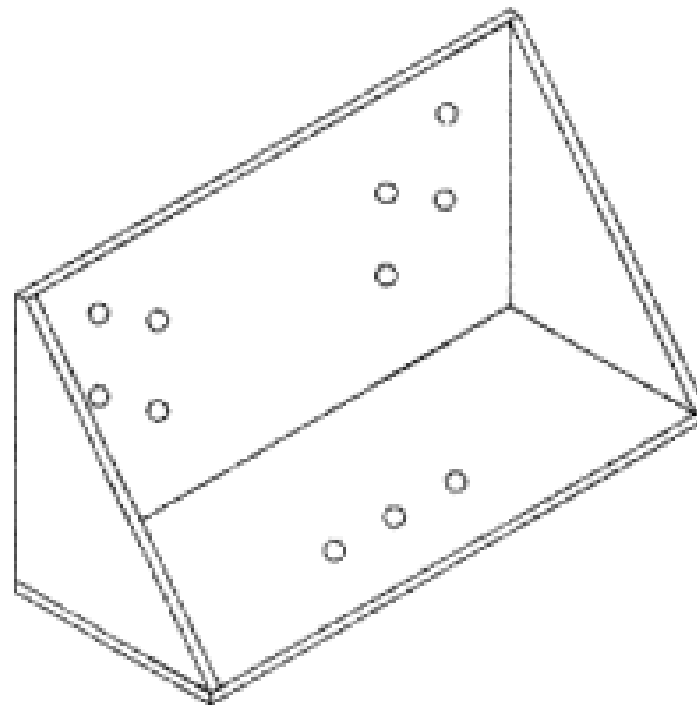
(21) Design Number: **20129/2007**
(22) Date of Filing Application: **08 October 2007**
(24) Date from which industrial property rights may have effect: **08 October 2007**
(54) Product in respect of which the design is registered: **Circular saw**
(51) International Design Classification: **08-03**
(71) Name(s) and Address(s) of Applicant(s):
Black & Decker, Inc.
1207 Drummond Plaza, Newark, Delaware, 19711, United States of America
(72) Name(s) of Designer(s): **Sion Netzler**
(45) Registration Date: **22 January 2008**
(30) Convention priority data:
(31) Number (32) Date (33) Country
000716535-0001 02 May 2007 EUROPEAN COMMUNITY
(56) Related Art Documents: **Not Applicable**
(57) Statement of Newness and Distinctiveness: **Nil**



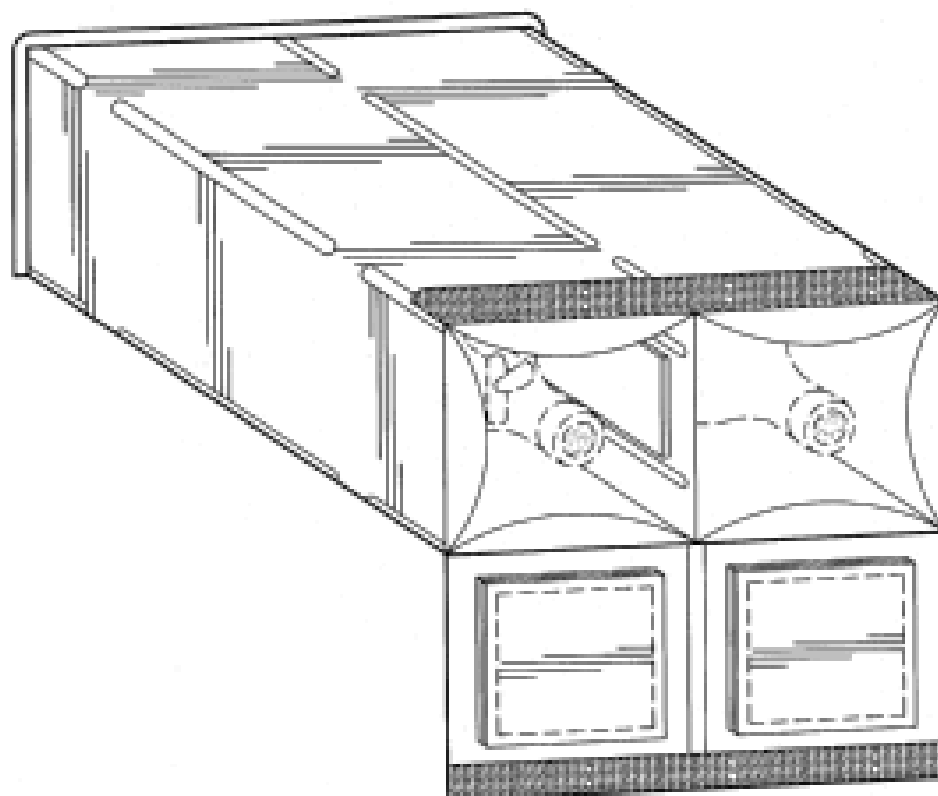
(21) Design Number: **20130/2007**
(22) Date of Filing Application: **08 October 2007**
(24) Date from which industrial property rights may have effect: **08 October 2007**
(54) Product in respect of which the design is registered: **Circular saw**
(51) International Design Classification: **08-03**
(71) Name(s) and Address(s) of Applicant(s):
Black & Decker, Inc.
1207 Drummond Plaza, Newark, Delaware, 19711, United States of America
(72) Name(s) of Designer(s): **Sion Netzler**
(45) Registration Date: **22 January 2008**
(30) Convention priority data:
(31) Number (32) Date (33) Country
000716600-0001 02 May 2007 EUROPEAN COMMUNITY
(56) Related Art Documents: **Not Applicable**
(57) Statement of Newness and Distinctiveness: **Nil**



- (21) Design Number: **20131/2007**
(22) Date of Filing Application: **08 October 2007**
(24) Date from which industrial property rights may have effect: **08 October 2007**
(54) Product in respect of which the design is registered: **Bracket**
(51) International Design Classification: **08-08L**
(71) Name(s) and Address(s) of Applicant(s):
Wesbeam Holdings Ltd
190 Pederick Road Neerabup Western Australia 6031 Australia
(72) Name(s) of Designer(s): **Stephen Dayus**
(45) Registration Date: **22 January 2008**
(56) Related Art Documents: **Not Applicable**
(57) Statement of Newness and Distinctiveness: **Nil**



- (21) Design Number: **20155/2007**
(22) Date of Filing Application: **06 October 2007**
(24) Date from which industrial property rights may have effect: **06 October 2007**
(54) Product in respect of which the design is registered: **Inflatable bottle carrier**
(51) International Design Classification: **09-03E**
(71) Name(s) and Address(s) of Applicant(s):
Darrell L Grant
2515 34th St. San Diego, CA 92103 United States of America
Ronald E. K. McFee
P.O.box 1016 Lemon Grove, CA 91046 United States of America
(72) Name(s) of Designer(s): **Darrell L Grant and Ronald E. K. McFee**
(45) Registration Date: **22 January 2008**
(30) Convention priority data:
(31) Number (32) Date (33) Country
29/279,796 08 May 2007 UNITED STATES OF AMERICA
(56) Related Art Documents: **Not Applicable**
(57) Statement of Newness and Distinctiveness: **Newness and distinctiveness is claimed in the shape and/or configuration of an inflatable bottle carrier as illustrated in the representations. No regard is to be had to the features of shape and/or configuration or pattern and/or ornamentation of the elements depicted in broken lines.**



- (21) Design Number: **20156/2007**
(22) Date of Filing Application: **05 October 2007**
(24) Date from which industrial property rights may have effect: **05 October 2007**
(54) Product in respect of which the design is registered: **Car**
(51) International Design Classification: **12-08**
(71) Name(s) and Address(s) of Applicant(s):
Kai Valerio
PO Box 593 Mascot New South Wales 1460 Australia
(72) Name(s) of Designer(s): **Kai Valerio**
(45) Registration Date: **22 January 2008**
(56) Related Art Documents: **Not Applicable**
(57) Statement of Newness and Distinctiveness: **Newness and distinctiveness is claimed in the features of shape and/or configuration of a car as illustrated in the accompanying representations.**



- (21) Design Number: **18729/2007**
(22) Date of Filing Application: **05 July 2007**
(24) Date from which industrial property rights may have effect: **05 July 2007**
(54) Product in respect of which the design is registered: **Headset**
(51) International Design Classification: **14-03A**
(71) Name(s) and Address(s) of Applicant(s):
Nokia Corporation
Keilalahdentie 4 FIN-02150 Espoo Finland
(72) Name(s) of Designer(s): **Mikael Jaakkola and Sami Lehtovaara**
(45) Registration Date: **22 January 2008**
(30) Convention priority data:

(31) Number	(32) Date	(33) Country
M20070004	05 Jan 2007	FINLAND

(56) Related Art Documents: **Not Applicable**
(57) Statement of Newness and Distinctiveness: **Nil**



(21) Design Number: **19170/2007**

(22) Date of Filing Application: **03 August 2007**

(24) Date from which industrial property rights may have effect: **03 August 2007**

(54) Product in respect of which the design is registered: **Model of Qld house made from plywood packaging and literature**

(51) International Design Classification: **21-01D**

(71) Name(s) and Address(s) of Applicant(s):

Marcus Bree

116 Bilyana Street Balmoral Queensland 4171 Australia

(72) Name(s) of Designer(s): **Marcus Bree**

(45) Registration Date: **22 January 2008**

(56) Related Art Documents: **Not Applicable**

(57) Statement of Newness and Distinctiveness: **Nil**



(21) Design Number: **19462/2007**

(22) Date of Filing Application: **22 August 2007**

(24) Date from which industrial property rights may have effect: **22 August 2007**

(54) Product in respect of which the design is registered: **Electric toaster**

(51) International Design Classification: **07-02F**

(71) Name(s) and Address(s) of Applicant(s):

Guney Ithakat Ve Pazarlama Anonim Sirketi

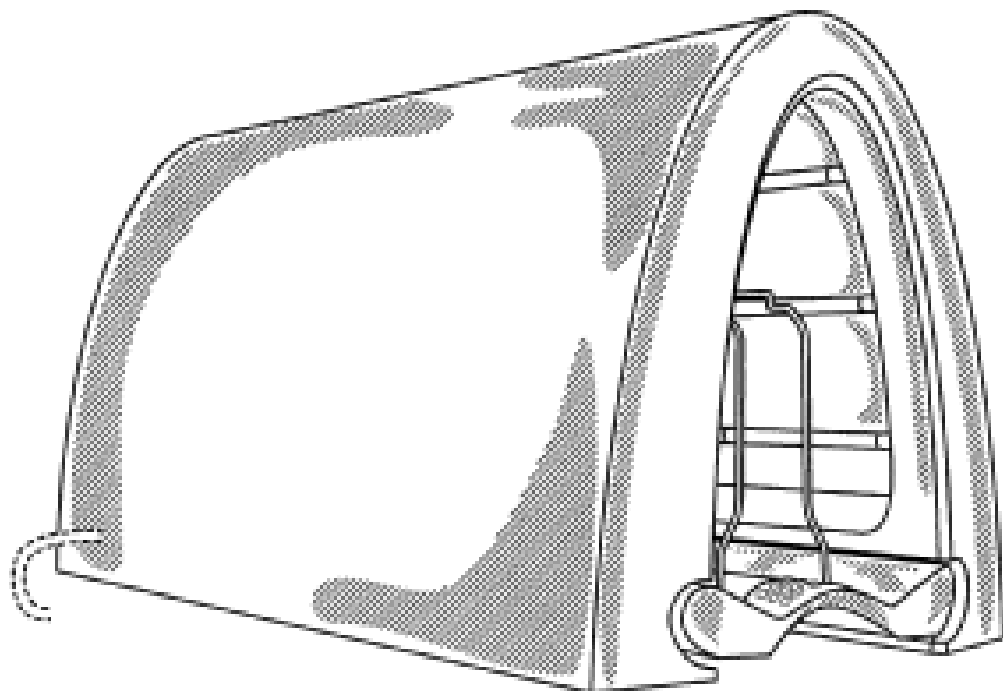
Abdi Ipecki Caddesi No.195 Bayrampasa Istanbul Turkey

(72) Name(s) of Designer(s): **Atil Kizilbayir**

(45) Registration Date: **22 January 2008**

(56) Related Art Documents: **Not Applicable**

(57) Statement of Newness and Distinctiveness: **Newness and distinctiveness is claimed in the features of shape and/or configuration of an electric toaster illustrated with continuous lines in the accompanying representations.**



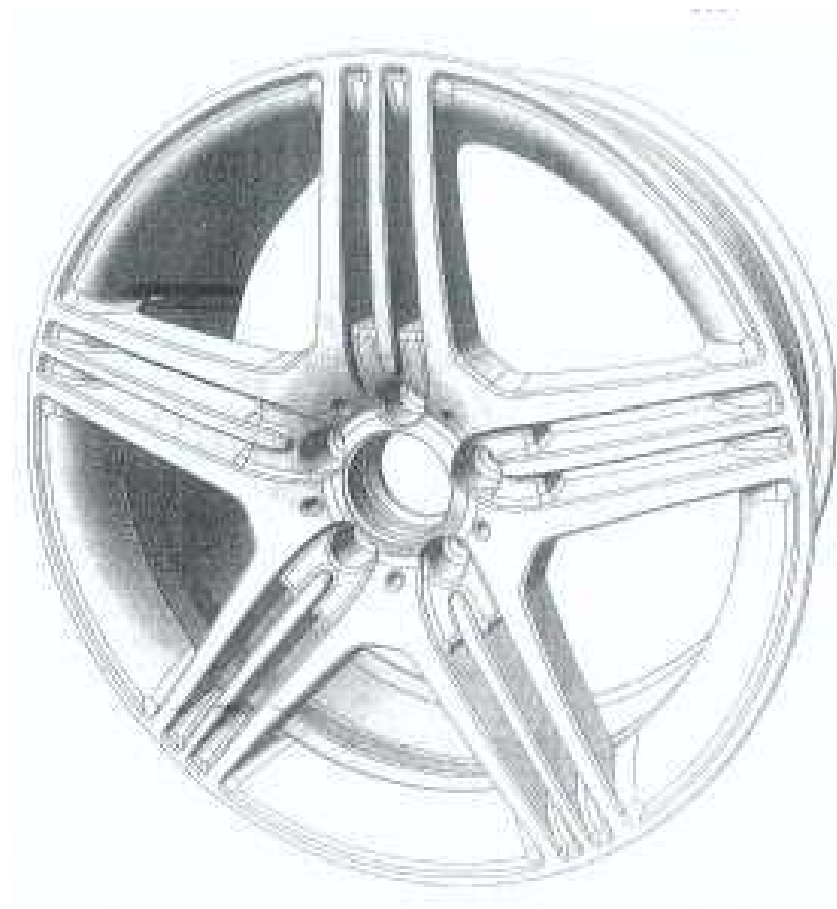
- (21) Design Number: **19492/2007**
(22) Date of Filing Application: **23 August 2007**
(24) Date from which industrial property rights may have effect: **23 August 2007**
(54) Product in respect of which the design is registered: **Wheel for vehicle**
(51) International Design Classification: **12-16A**
(71) Name(s) and Address(s) of Applicant(s):
DaimlerChrysler AG
Mercedesstrasse 137 D-70327 Stuttgart Germany
(72) Name(s) of Designer(s): **Claus Hieke**
(45) Registration Date: **22 January 2008**
(30) Convention priority data:
(31) Number (32) Date (33) Country
000677331-0006 26 Feb 2007 EUROPEAN COMMUNITY
(56) Related Art Documents: **Not Applicable**
(57) Statement of Newness and Distinctiveness: **Newness and distinctiveness is claimed in the features of shape and/or configuration of a wheel for vehicle as illustrated in the accompanying representations.**



- (21) Design Number: **19493/2007**
(22) Date of Filing Application: **23 August 2007**
(24) Date from which industrial property rights may have effect: **23 August 2007**
(54) Product in respect of which the design is registered: **Wheel for vehicle**
(51) International Design Classification: **12-16A**
(71) Name(s) and Address(s) of Applicant(s):
DaimlerChrysler AG
Mercedesstrasse 137 D-70327 Stuttgart Germany
(72) Name(s) of Designer(s): **Claus Hieke**
(45) Registration Date: **22 January 2008**
(30) Convention priority data:
(31) Number (32) Date (33) Country
000677331-0002 26 Feb 2007 EUROPEAN COMMUNITY
(56) Related Art Documents: **Not Applicable**
(57) Statement of Newness and Distinctiveness: **Newness and distinctiveness is claimed in the features of shape and/or configuration of a wheel for vehicle as illustrated in the accompanying representations.**



- (21) Design Number: **19494/2007**
(22) Date of Filing Application: **23 August 2007**
(24) Date from which industrial property rights may have effect: **23 August 2007**
(54) Product in respect of which the design is registered: **Wheel for vehicle**
(51) International Design Classification: **12-16A**
(71) Name(s) and Address(s) of Applicant(s):
DaimlerChrysler AG
Mercedesstrasse 137 D-70327 Stuttgart Germany
(72) Name(s) of Designer(s): **Claus Hieke**
(45) Registration Date: **22 January 2008**
(30) Convention priority data:
(31) Number (32) Date (33) Country
000677331-0004 26 Feb 2007 EUROPEAN COMMUNITY
(56) Related Art Documents: **Not Applicable**
(57) Statement of Newness and Distinctiveness: **Newness and distinctiveness is claimed in the features of shape and/or configuration of a wheel for vehicle as illustrated in the accompanying representations.**



- (21) Design Number: **19506/2007**
(22) Date of Filing Application: **24 August 2007**
(24) Date from which industrial property rights may have effect: **24 August 2007**
(54) Product in respect of which the design is registered: **A vehicle wheel**
(51) International Design Classification: **12-16A**
(71) Name(s) and Address(s) of Applicant(s):
DaimlerChrysler AG
Mercedesstrasse 137 D-70327 Stuttgart Germany
(72) Name(s) of Designer(s): **Claus Hieke**
(45) Registration Date: **22 January 2008**
(30) Convention priority data:
(31) Number (32) Date (33) Country
000677760-0002 28 Feb 2007 EUROPEAN COMMUNITY
(56) Related Art Documents: **Not Applicable**
(57) Statement of Newness and Distinctiveness: **Newness and distinctiveness is claimed in the features of shape and/or configuration of a vehicle wheel as illustrated in the accompanying representations.**



- (21) Design Number: **19507/2007**
(22) Date of Filing Application: **24 August 2007**
(24) Date from which industrial property rights may have effect: **24 August 2007**
(54) Product in respect of which the design is registered: **A vehicle wheel**
(51) International Design Classification: **12-16A**
(71) Name(s) and Address(s) of Applicant(s):
DaimlerChrysler AG
Mercedesstrasse 137 D-70327 Stuttgart Germany
(72) Name(s) of Designer(s): **Claus Hieke**
(45) Registration Date: **22 January 2008**
(30) Convention priority data:
(31) Number (32) Date (33) Country
000677596-0008 27 Feb 2007 EUROPEAN COMMUNITY
(56) Related Art Documents: **Not Applicable**
(57) Statement of Newness and Distinctiveness: **Newness and distinctiveness is claimed in the features of shape and/or configuration of a vehicle wheel as illustrated in the accompanying representations.**



- (21) Design Number: **19508/2007**
(22) Date of Filing Application: **24 August 2007**
(24) Date from which industrial property rights may have effect: **24 August 2007**
(54) Product in respect of which the design is registered: **A vehicle wheel**
(51) International Design Classification: **12-16A**
(71) Name(s) and Address(s) of Applicant(s):
DaimlerChrysler AG
Mercedesstrasse 137 D-70327 Stuttgart Germany
(72) Name(s) of Designer(s): **Claus Hieke**
(45) Registration Date: **22 January 2008**
(30) Convention priority data:
(31) Number (32) Date (33) Country
000677554-0002 27 Feb 2007 EUROPEAN COMMUNITY
(56) Related Art Documents: **Not Applicable**
(57) Statement of Newness and Distinctiveness: **Newness and distinctiveness is claimed in the features of shape and/or configuration of a vehicle wheel as illustrated in the accompanying representations.**



- (21) Design Number: **19509/2007**
(22) Date of Filing Application: **24 August 2007**
(24) Date from which industrial property rights may have effect: **24 August 2007**
(54) Product in respect of which the design is registered: **A vehicle wheel**
(51) International Design Classification: **12-16A**
(71) Name(s) and Address(s) of Applicant(s):
DaimlerChrysler AG
Mercedesstrasse 137 D-70327 Stuttgart Germany
(72) Name(s) of Designer(s): **Claus Hieke**
(45) Registration Date: **22 January 2008**
(30) Convention priority data:
(31) Number (32) Date (33) Country
000677596-0002 27 Feb 2007 EUROPEAN COMMUNITY
(56) Related Art Documents: **Not Applicable**
(57) Statement of Newness and Distinctiveness: **Newness and distinctiveness is claimed in the features of shape and/or configuration of a vehicle wheel as illustrated in the accompanying representations.**



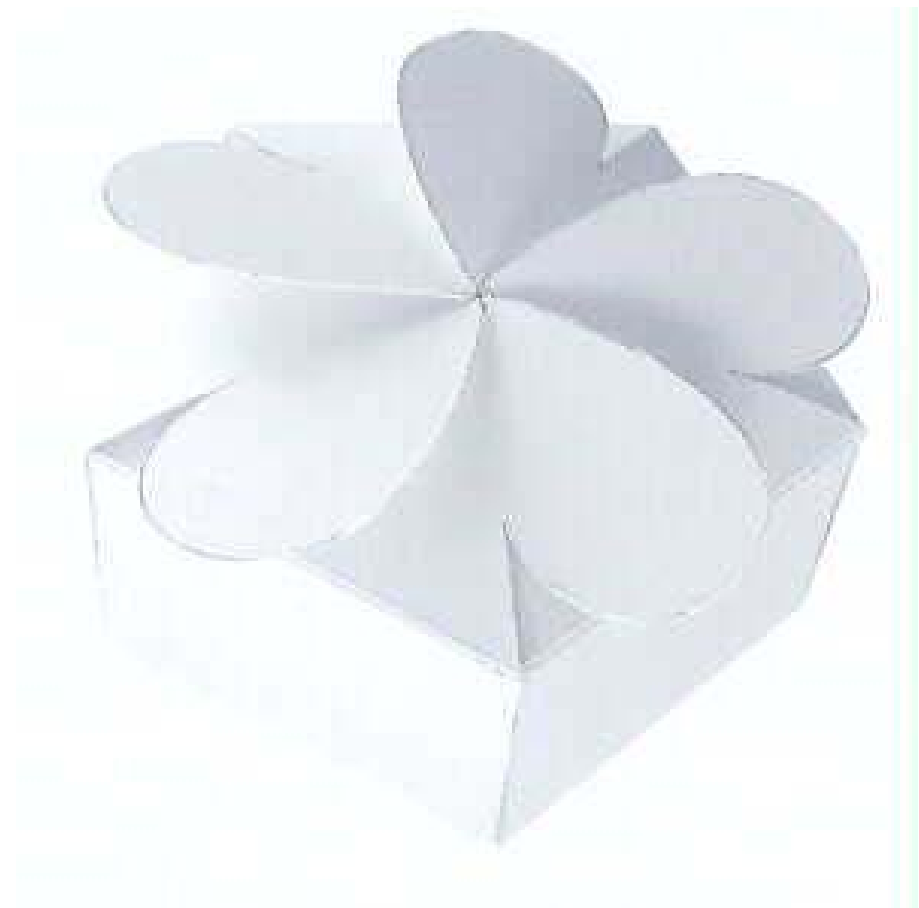
- (21) Design Number: **19510/2007**
(22) Date of Filing Application: **24 August 2007**
(24) Date from which industrial property rights may have effect: **24 August 2007**
(54) Product in respect of which the design is registered: **A vehicle wheel**
(51) International Design Classification: **12-16A**
(71) Name(s) and Address(s) of Applicant(s):
DaimlerChrysler AG
Mercedesstrasse 137 D-70327 Stuttgart Germany
(72) Name(s) of Designer(s): **Claus Hieke**
(45) Registration Date: **22 January 2008**
(30) Convention priority data:
(31) Number (32) Date (33) Country
000677596-0004 27 Feb 2007 EUROPEAN COMMUNITY
(56) Related Art Documents: **Not Applicable**
(57) Statement of Newness and Distinctiveness: **Newness and distinctiveness is claimed in the features of shape and/or configuration of a vehicle wheel as illustrated in the accompanying representations.**



- (21) Design Number: **19511/2007**
(22) Date of Filing Application: **24 August 2007**
(24) Date from which industrial property rights may have effect: **24 August 2007**
(54) Product in respect of which the design is registered: **A vehicle wheel**
(51) International Design Classification: **12-16A**
(71) Name(s) and Address(s) of Applicant(s):
DaimlerChrysler AG
Mercedesstrasse 137 D-70327 Stuttgart Germany
(72) Name(s) of Designer(s): **Claus Hieke**
(45) Registration Date: **22 January 2008**
(30) Convention priority data:
(31) Number (32) Date (33) Country
000677596-0006 27 Feb 2007 EUROPEAN COMMUNITY
(56) Related Art Documents: **Not Applicable**
(57) Statement of Newness and Distinctiveness: **Newness and distinctiveness is claimed in the features of shape and/or configuration of a vehicle wheel as illustrated in the accompanying representations.**



- (21) Design Number: **19545/2007**
(22) Date of Filing Application: **29 August 2007**
(24) Date from which industrial property rights may have effect: **29 August 2007**
(54) Product in respect of which the design is registered: **Invitation card, paper product, box, packaging**
(51) International Design Classification: **19-01, 09-03NES**
(71) Name(s) and Address(s) of Applicant(s):
Anna McGregor
6, 15 Christensen Street Yeronga QLD 4104
(72) Name(s) of Designer(s): **Anna McGregor**
(45) Registration Date: **22 January 2008**
(56) Related Art Documents: **Not Applicable**
(57) Statement of Newness and Distinctiveness: **Unique diecut and fold. 5 distinctive flaps, fold to form flower shape.**



(21) Design Number: **19597/2007**

(22) Date of Filing Application: **31 August 2007**

(24) Date from which industrial property rights may have effect: **31 August 2007**

(54) Product in respect of which the design is registered: **Scaffolding platform member**

(51) International Design Classification: **25-04**

(71) Name(s) and Address(s) of Applicant(s):

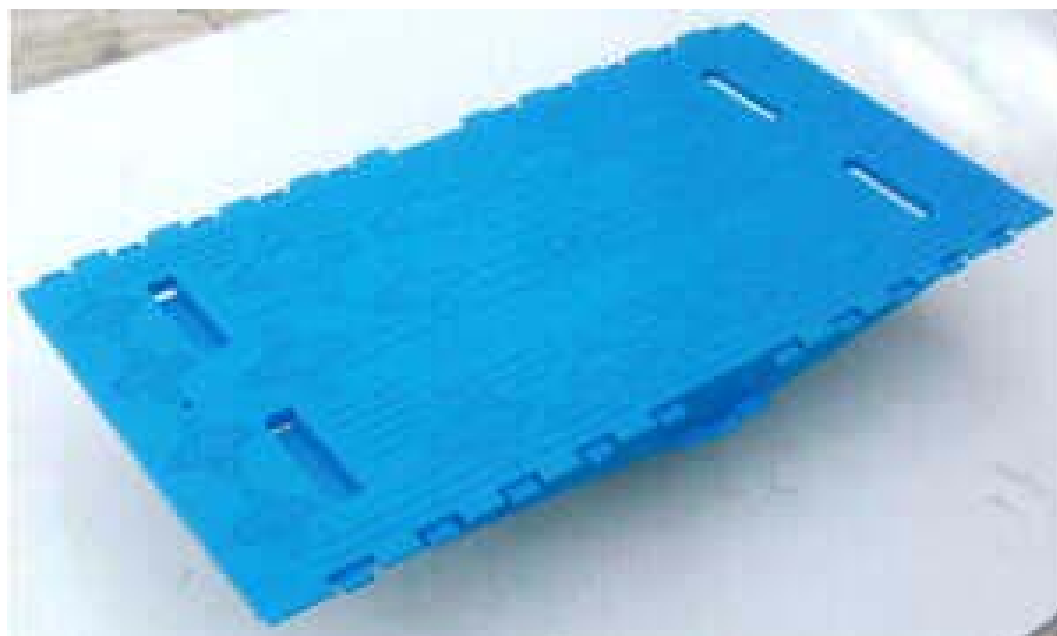
**Berkana Holdings Pty Ltd
1/19 Villiers Drive Currumbin 4223 Queensland Australia**

(72) Name(s) of Designer(s): **David Kenneth Dart**

(45) Registration Date: **22 January 2008**

(56) Related Art Documents: **Not Applicable**

(57) Statement of Newness and Distinctiveness: **Newness and distinctiveness are claimed in the shape and configuration of a scaffolding platform member as illustrated in the accompanying representations. In considering the new and distinctive features of the design, the surface features of the top surface of the member are to be disregarded.**



(21) Design Number: **19664/2007**

(22) Date of Filing Application: **06 September 2007**

(24) Date from which industrial property rights may have effect: **06 September 2007**

(54) Product in respect of which the design is registered: **A fence support**

(51) International Design Classification: **08-08K**

(71) Name(s) and Address(s) of Applicant(s):

**Juralco Aluminium Building Products Limited
7 Parkway Drive Mairangi Bay Auckland 1330 New Zealand**

(72) Name(s) of Designer(s): **Grant Bruce Boyce and Ronald Charles Hanley**

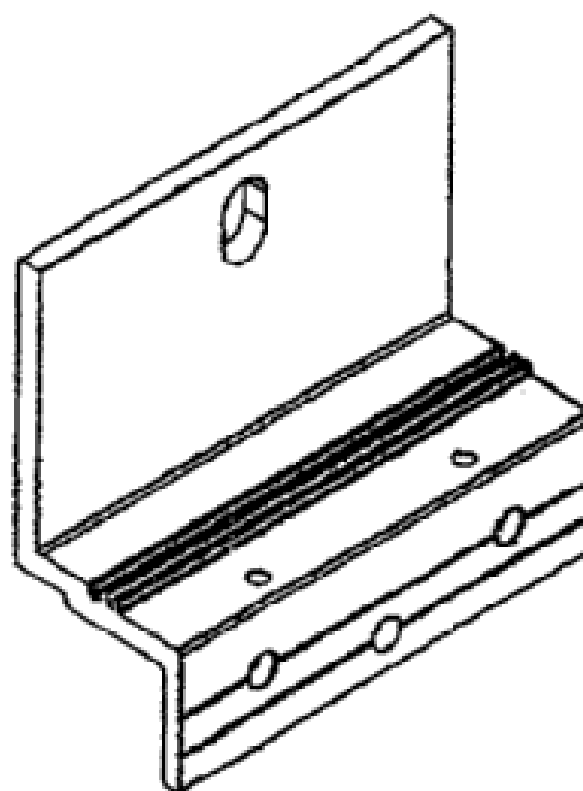
(45) Registration Date: **22 January 2008**

(30) Convention priority data:

(31) Number	(32) Date	(33) Country
408842	14 Mar 2007	NEW ZEALAND

(56) Related Art Documents: **Not Applicable**

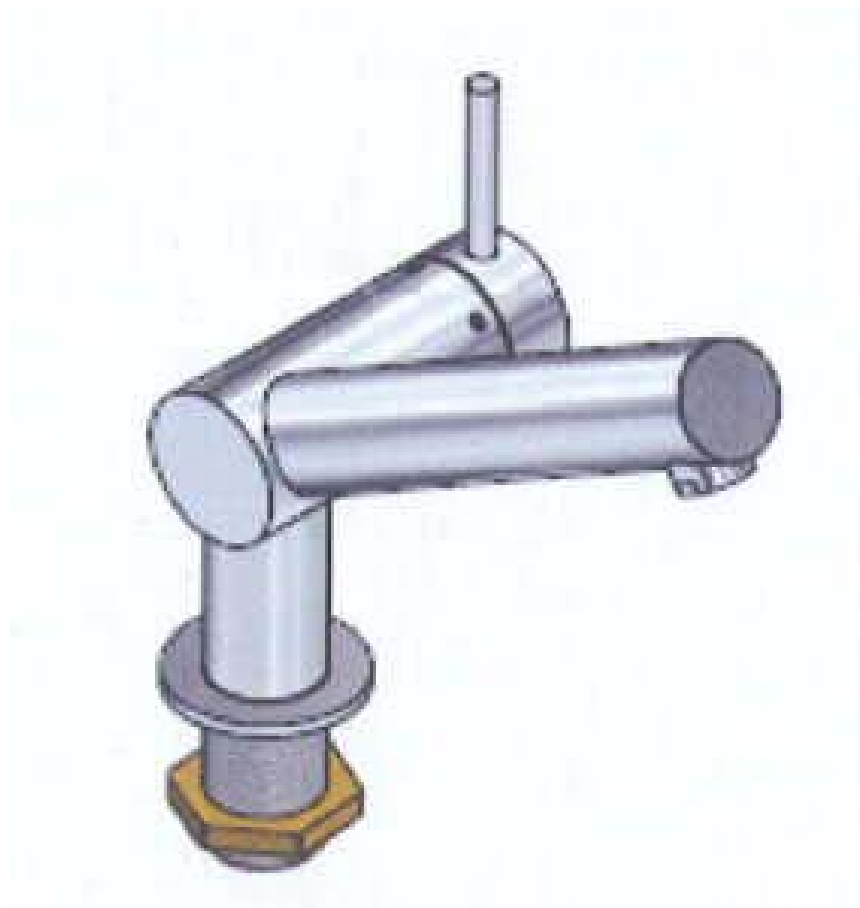
(57) Statement of Newness and Distinctiveness: **The individual components of the fence support may be of any desired length and of constant cross sections throughout those lengths.**



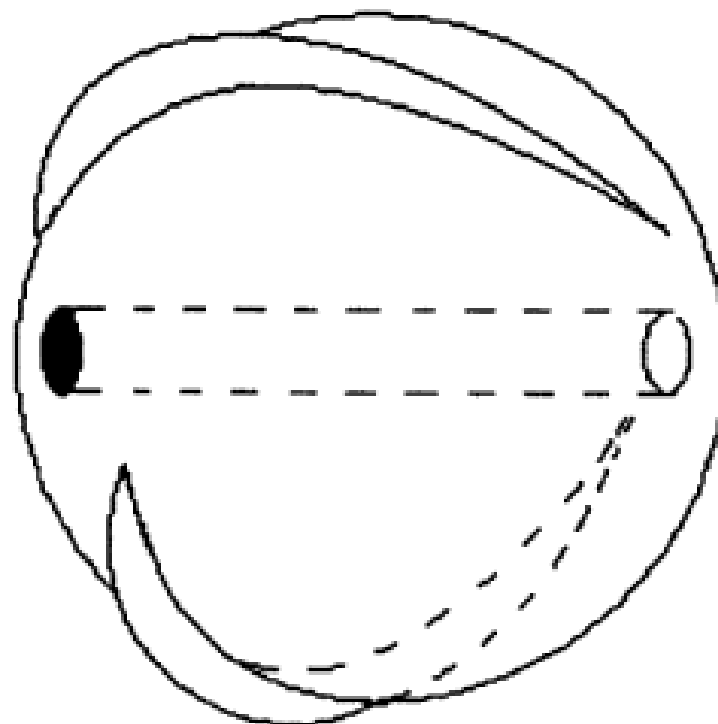
- (21) Design Number: **19728/2007**
(22) Date of Filing Application: **13 September 2007**
(24) Date from which industrial property rights may have effect: **13 September 2007**
(54) Product in respect of which the design is registered: **A straight plug, an angled plug, a connector**
(51) International Design Classification: **13-03D**
(71) Name(s) and Address(s) of Applicant(s):
Schneider Electric New Zealand Holdings Limited
11 Moncur Place Middleton Christchurch
(72) Name(s) of Designer(s): **Iain Wickens and Ian Richardson and Ian Fulcher and Benjamin Marsh and Stewart Macdonald**
(45) Registration Date: **22 January 2008**
(30) Convention priority data:
(31) Number (32) Date (33) Country
408835 13 Mar 2007 NEW ZEALAND
(56) Related Art Documents: **Not Applicable**
(57) Statement of Newness and Distinctiveness: **The novelty claimed for the design resides in the features of shape and/or coniguration all as shown in the representations.**



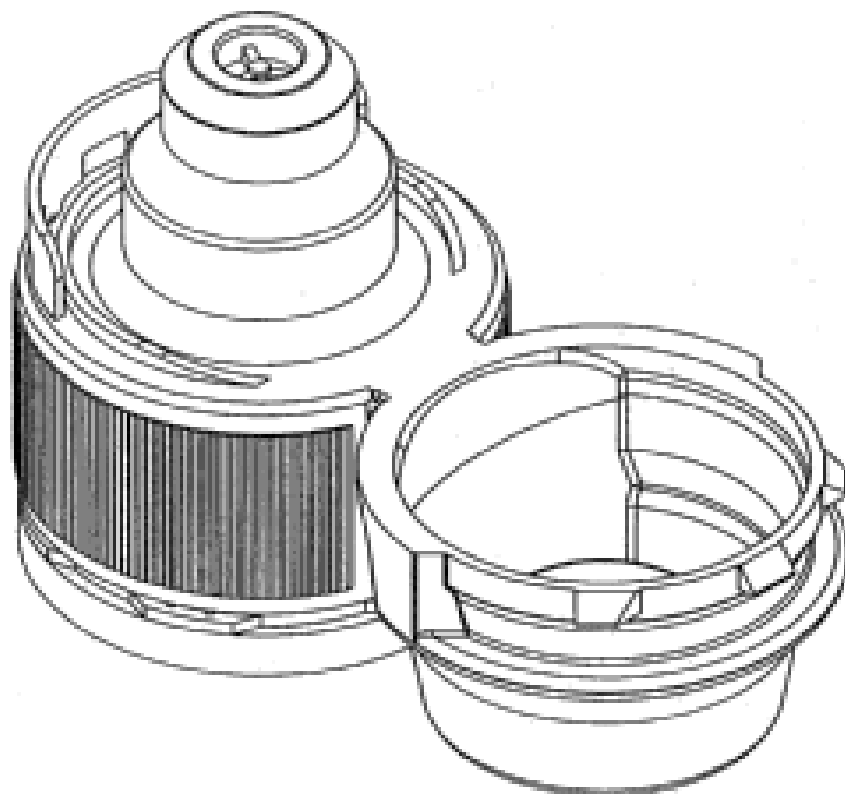
- (21) Design Number: **19872/2007**
(22) Date of Filing Application: **25 September 2007**
(24) Date from which industrial property rights may have effect: **25 September 2007**
(54) Product in respect of which the design is registered: **Basin mixer**
(51) International Design Classification: **23-01H**
(71) Name(s) and Address(s) of Applicant(s):
Roger Seller and Myhill Pty Ltd
587-593 Church Street Richmond Victoria 3183 Australia
(72) Name(s) of Designer(s): **Xavier Claramunt**
(45) Registration Date: **22 January 2008**
(56) Related Art Documents: **Not Applicable**
(57) Statement of Newness and Distinctiveness: **The distinctiveness of the design is mainly in the angle of the outlet which is seated at 120 degrees from the base, also the slim line design of the base, this slim line design with the outlet placed at 120 degrees has not yet been seen before in the Australian market.**



- (21) Design Number: **19875/2007**
- (22) Date of Filing Application: **24 September 2007**
- (24) Date from which industrial property rights may have effect: **24 September 2007**
- (54) Product in respect of which the design is registered: **Rotating fishing sinker**
- (51) International Design Classification: **22-05**
- (71) Name(s) and Address(s) of Applicant(s):
Stuart Craig Little
284 Duke Road Doonan Queensland 4562 Australia
- (72) Name(s) of Designer(s): **Stuart Craig Little**
- (45) Registration Date: **22 January 2008**
- (56) Related Art Documents: **Not Applicable**
- (57) Statement of Newness and Distinctiveness: **Nil**



- (21) Design Number: **19969/2007**
- (22) Date of Filing Application: **27 September 2007**
- (24) Date from which industrial property rights may have effect: **27 September 2007**
- (54) Product in respect of which the design is registered: **Container closure**
- (51) International Design Classification: **09-07A**
- (71) Name(s) and Address(s) of Applicant(s):
Camtech Engineering Pty Ltd
2 Demand Avenue Labrador Queensland 4215 Australia
- (72) Name(s) of Designer(s): **Roger William Clark**
- (45) Registration Date: **22 January 2008**
- (56) Related Art Documents: **Not Applicable**
- (57) Statement of Newness and Distinctiveness: **Those features of the container closure depicted in the representations that are new and distinctive are the shape and/or configuration.**



- (21) Design Number: **21058/2007**
(22) Date of Filing Application: **28 November 2007**
(24) Date from which industrial property rights may have effect: **28 November 2007**
(54) Product in respect of which the design is registered: **A tilting guide tool**
(51) International Design Classification: **08-05K**
(71) Name(s) and Address(s) of Applicant(s):
Meng Kai
15 Bilney Drive Athelstone SA 5076
(72) Name(s) of Designer(s): **Ming Kai**
(45) Registration Date: **22 January 2008**
(56) Related Art Documents: **Not Applicable**
(57) Statement of Newness and Distinctiveness: **Nil**



- (21) Design Number: **21137/2007**
(22) Date of Filing Application: **06 December 2007**
(24) Date from which industrial property rights may have effect: **06 December 2007**
(54) Product in respect of which the design is registered: **Case**
(51) International Design Classification: **03-01NES**
(71) Name(s) and Address(s) of Applicant(s):
Jenny Tremaine
Suite 18 100 William Street Melbourne Victoria 3000 Australia
Jo Gale
Suite 18 100 William Street Melbourne Victoria 3000 Australia
(72) Name(s) of Designer(s): **Jenny Tremaine and Jo Gale**
(45) Registration Date: **22 January 2008**
(56) Related Art Documents: **Not Applicable**
(57) Statement of Newness and Distinctiveness: **Newness and distinctiveness is claimed in the features of shape and/or configuration of a case as illustrated in the accompanying representations.**

