



Australian Government

IP Australia

AUSTRALIAN OFFICIAL JOURNAL

OF

DESIGNS

Did you know a searchable version of this journal is now available online?
It's FREE and EASY to SEARCH.

Find it at

<http://pericles.ipaustralia.gov.au/ols/epublish/content/olsEpublications.jsp>
or using the "Online Journals" link on the IP Australia home page.

This Page Left Intentionally Blank

Contents

General Information & Notices

**Proceedings Under the Designs Act 1906 preserved as a result of the provisions of Chapter 12
Part 2 of the Designs Act 2003**

Extension of Period of Registration of Designs	354
Extensions of Time Granted	354
Licences Registered	354
Names Registered - Alterations and Amendments	354
Registrations Ceased	354
Subsequent Owners Registered	354

Proceedings Under the Designs Act 2003

Applications Lapsed	361
Applications Lodged	359
Certificate of Examination	363
Extension of Time Granted Under Section 137	362
Licences Registered	362
Publication and Registration Proceedings	
Designs Registered 317761 to 317880.....	364
Registrations Ceased	362
Subsequent Owners Registered	362

This Page Left Intentionally Blank

For information on the following please see our website www.ipaustralia.gov.au or contact our Customer Service Network on 1300651010

[Editorial enquiries](#)

[Contact information](#)

[Freedom of Information ACT](#)

[Professional Standards Board](#)

[Sales](#)

[Requests for Information under Section 194 \(c\)](#)

[Country Codes](#)

[Trade Mark and Designs Hearing Sessions](#)

[INID \(Internationally agreed Numbers for the Identification of Data\)](#)

“INID” NUMBERS in use on Australian Design Documents

“INID” is an acronym for “Internationally agreed Numbers for the Identification of Data”.

(10) Data concerning the registration/renewal

- (11) Serial number of the registration and/or number of the design document
- (12) Plain language designation of the kind of published document
- (19) Identification, using the two-letter code according to WIPO Standard ST.3, of the authority publishing or registering the industrial design

(20) Data concerning the application

- (21) Serial number of the application
- (22) Date of filing of the application
- (24) Date from which the industrial design right has effect

(30) Data relating to priority under the Paris Convention

- (31) Serial number assigned to the priority application
- (32) Date of filing of the priority application
- (33) Two-letter code, according to WIPO Standard ST.3, identifying the authority with which the priority application was made

(40) Date(s) of making information available to the public

- (45) Date of publication of the registered industrial design by printing or similar process, or making it available to the public by any other means

(50) Miscellaneous Information

- (51) International Classification for Industrial Designs (class and subclass of the Locarno Classification)
- (54) Designation of article(s) or product(s) covered by the industrial design or title of the industrial design
- (55) Reproduction of the industrial design (e.g., drawing, photograph) and explanations relating to the reproduction
- (56) List of prior art documents, if separate from descriptive text
- (57) Description of characteristic features of the industrial design including indication of colours

(60) References to other legally related application(s) and registration(s)

- (62) Serial number(s) and, if available, filing date(s) of application(s), registration(s) or document(s) related by division
- (66) Serial number(s) of the application, or the registration, of the design(s) which is (are) a variant(s) of the present one

(70) Identification of parties concerned with the application or registration

- (71) Name(s) and address(es) of the applicant(s)
- (72) Name(s) of the creator(s) if known to be such
- (74) Name(s) and address(es) of the representative(s)

This Page Left Intentionally Blank

Official Notice**Designs Act 2003
Amendments to Registered Designs at Examination**

The following amendments have been made to details previously published in the Australian Official Journal of Designs during the Examination process:

Registration Numbers	Amendment type	New details
309927	Classification	08-06
310012	Classification	08-06
310114	Classification	08-06
310191	Classification	07-02L, 07-04
310192	Classification	07-02L, 07-04
310193	Classification	07-02L, 07-04
311415	Classification	28-03B
312079	Classification	07-01G
312574	Classification	06-03D, 21-01L
312575	Classification	06-03D, 21-01L
313196	Classification	06-06Z
313740	Classification	28-02
313747	Classification	24-01, 24-02
314050	Classification	09-05

Contact: IP Australia
Phone: 1300 651 010
Fax: +61 2 6283 7999
E-Mail: assist@ipaustralia.gov.au
Web: www.ipaustralia.gov.au

Proceedings under the Designs Act 1906 preserved as a result of the provisions of Chapter 12 Part 2 of the Designs Act 2003.

This Page Left Intentionally Blank

Applications Lapsed

There were no Applications Lapsed under this section

Extension of Period of Registration of Designs

2nd Period (Section 27A(12))

146161	146920	147483
147818	147877	147935
147936	147937	147966
147997	147998	148041
148095	148106	148108
148115	148118	148129
148151	148152	148161
148162	148163	148213
148257	148324	148419
148420	148520	148627
148797	148999	149175
149235	149236	149240
149263	149381	149434
149769	149840	150108
150109	150469	150590
151562	151626	151637
151798	152251	152296
152751		

3rd Period (Section 27A(13))

131219	131225	131226
131383	131433	131514
131621	131622	131720
131791	131809	131810
132236	132263	132388
132412	132413	132872
132994	133090	133091
133407	133485	133541
133542	133903	134139
134209	134651	134652
135304	135356	135391
135392	135411	135412
135413	135414	135415
135496	136046	146161

Registrations Ceased

Note: Some of the following Registrations may have been previously advertised as ceased. In this instance, the previous advertisement still prevails.

114960	114965	114993
114995	114997	115132
115133	115145	115280
115372	115978	116419
116644	116706	116707
117575	118104	119425
127642	127700	128802
129358	129501	129511
129518	129519	129620
129639	129705	129719
130037	130244	130323
130450	130451	130452

130502	130722	130758
130877	130880	130881
130882	130883	130966
130967	131062	132728
133962	134904	135431
135849	145111	145392
146216	146217	146300
146301	146302	146344
146345	146346	146405
146408	146461	146518
146623	146624	146625
146626	146627	146710
146711	147173	147226
147333	147441	147442
147779	148068	148093
148094	148198	148281
149368	149369	149763
149836	149968	150003
150348	150511	150934
150936	151053	151182
153570		

Extensions of time granted

Applications lodged for extension of time have been granted.

146161 **Chaseling McGiffin Pty Ltd** An Extension of time to extend a registration has been granted to 06/02/2008

Subsequent Owners Registered

(The name in parentheses is that of the subsequent owner)

154996	(CTECH Closures Pty Ltd)	CTECH Equipment Pty Ltd
154997	(CTECH Closures Pty Ltd)	CTECH Equipment Pty Ltd
154998	(CTECH Closures Pty Ltd)	CTECH Equipment Pty Ltd
154999	(CTECH Closures Pty Ltd)	CTECH Equipment Pty Ltd
155000	(CTECH Closures Pty Ltd)	CTECH Equipment Pty Ltd
155001	(CTECH Closures Pty Ltd)	CTECH Equipment Pty Ltd
155002	(CTECH Closures Pty Ltd)	CTECH Equipment Pty Ltd

Names Registered - Alterations and Amendments

(The name in parentheses is the new name of the proprietor)

156389	(Evergreen Packaging International B.V.)	Semaj Holdings B.V.
--------	---	---------------------

Licences Registered

125458	A licence has been granted to Austral Lock Industries Pty Ltd
129375	A licence has been granted to Austral Lock Industries Pty Ltd
125499	A licence has been granted to Austral Lock Industries Pty Ltd
126820	A licence has been granted to Austral Lock Industries Pty Ltd
128862	A licence has been granted to Austral Lock

Industries Pty Ltd

- 134219 A licence has been granted to **Austral Lock Industries Pty Ltd**
- 137542 A licence has been granted to **Austral Lock Industries Pty Ltd**
- 141714 A licence has been granted to **Austral Lock Industries Pty Ltd**
- 141765 A licence has been granted to **Austral Lock Industries Pty Ltd**
- 142173 A licence has been granted to **Austral Lock Industries Pty Ltd**
- 142667 A licence has been granted to **Austral Lock Industries Pty Ltd**
- 146119 A licence has been granted to **Austral Lock Industries Pty Ltd**
- 152437 A licence has been granted to **Austral Lock Industries Pty Ltd**
- 152438 A licence has been granted to **Austral Lock Industries Pty Ltd**
- 152660 A licence has been granted to **Austral Lock Industries Pty Ltd**
- 152686 A licence has been granted to **Austral Lock Industries Pty Ltd**
- 154105 A licence has been granted to **Austral Lock Industries Pty Ltd**
- 155837 A licence has been granted to **Austral Lock Industries Pty Ltd**
- 157555 A licence has been granted to **Austral Lock Industries Pty Ltd**
- 155838 A licence has been granted to **Austral Lock Industries Pty Ltd**

This Page Left Intentionally Blank

Proceedings under the Designs Act 2003.

This Page Left Intentionally Blank

Applications Lodged

Lodgement information is in the following order: **Applicant's Name**; International Classification, Name of Product, Lodgement Date and **Design Number**. If the applicant claims an earlier priority date under an International Convention, the Convention Country and the associated filing date are shown in parentheses before the Lodgement Date. Divisional information will also appear in parentheses before the Lodgement Date.

e2interactive, Inc. doing business as e2Interactive, Inc.; 19-08, Double snap card, (US, 07 Jun 2007) 15 Nov 2007	20859/2007	Bailey Enterprises Australia Pty Ltd; 23-01F, Water tanks, 29 Jan 2008	10326/2008
Acco Australia Pty Ltd; 19-99, Presentation box, 16 Jan 2008	10189/2008	Bailey Enterprises Australia Pty Ltd; 23-01F, Water tanks, 29 Jan 2008	10327/2008
Acco Australia Pty Ltd; 19-04, Cover letter portfolio, 16 Jan 2008	10190/2008	Bailey Enterprises Australia Pty Ltd; 23-01F, Water tanks, 29 Jan 2008	10328/2008
Acco Australia Pty Ltd; 19-04, Presentation sleeve, 16 Jan 2008	10191/2008	Bailey Enterprises Australia Pty Ltd; 23-01F, Water tanks, 29 Jan 2008	10329/2008
Acco Australia Pty Ltd; 19-04, Presentation wrap, 16 Jan 2008	10192/2008	Bailey Enterprises Australia Pty Ltd; 23-01F, Water tanks, 29 Jan 2008	10330/2008
Aktiebolaget Electrolux; 15-05, Vacuum cleaner, (EM, 27 Nov 2007) 18 Jan 2008	10229/2008	Bailey Enterprises Australia Pty Ltd; 23-01F, Water tanks, 29 Jan 2008	10331/2008
Architectural Window Systems Pty Limited; 25-01K, An extrusion, 16 Jan 2008	10254/2008	Bailey Enterprises Australia Pty Ltd; 23-01F, Water tanks, 29 Jan 2008	10332/2008
Architectural Window Systems Pty Limited; 25-01K, An extrusion, 16 Jan 2008	10255/2008	Bico AG; 99-00, Element for the adjustment of hardness, 14 Nov 2007	20837/2007
Architectural Window Systems Pty Limited; 25-01K, An extrusion, 16 Jan 2008	10256/2008	Bico AG; 99-00, Clip, 14 Nov 2007	20838/2007
Architectural Window Systems Pty Limited; 25-01K, An extrusion, 16 Jan 2008	10257/2008	Binggrae Co. Ltd; 09-03M, Ice cream packaging, 16 Jan 2008	10188/2008
Architectural Window Systems Pty Limited; 25-01K, An extrusion, 16 Jan 2008	10258/2008	Black & Decker Inc.; 15-05, Charger base for a vacuum cleaner, (EM, 24 Jul 2007) 18 Jan 2008	10244/2008
Athnasiadis, George; 09-01G, Spirit bottle, perfume bottle, 18 Jan 2008	10215/2008	Burton, Antony Colin; 11-05, Flag(s), 30 Jan 2008	10379/2008
Ausbrush Panels Pty Ltd; 25-02C, A fence gate panel, 21 Jan 2008	10253/2008	BBJ Systems Inc.; 08-07, Road-rail dry bulk pressure tankers, 21 Jan 2008	10228/2008
Automatic Technology (Australia) Pty Ltd; 13-03E, Wall-mounted control unit, 21 Jan 2008	10247/2008	Casio Keisanki Kabushiki Kaisha, doing business as Casio Computer Co., Ltd.; 18-01, Electronic calculator, 18 Jan 2008	10239/2008
Automatic Technology (Australia) Pty Ltd; 14-03NES, Remote control transmitter, 21 Jan 2008	10248/2008	Cross, Brett; 08-08NES, Pipe support device, 18 Jan 2008	10243/2008
Automatic Technology (Australia) Pty Ltd; 14-03NES, Remote control unit, 21 Jan 2008	10249/2008	Crystal Clear International Limited; 28-03NES, Cosmetic device, (EM, 30 Oct 2007) 18 Dec 2007	21507/2007
ACO Severin Ahlmann GmbH & Co. KG; 23-01E, Drainage channel, 18 Jan 2008	10232/2008	CSAV, Inc.; 06-04NES, Wall mountable shelf system for electronic equipment, (US, 17 Jul 2007) 17 Jan 2008	10206/2008
ACO Severin Ahlmann GmbH & Co. KG; 23-01E, Drainage channel, 18 Jan 2008	10233/2008	CSAV, Inc.; 06-04NES, Wall mountable shelf unit for electronic equipment, (US, 17 Jul 2007) 17 Jan 2008	10199/2008
ACO Severin Ahlmann GmbH & Co. KG; 23-01E, Drainage channel, 18 Jan 2008	10234/2008	D & D Group Pty Ltd; 08-06, Hinge, 23 Jan 2008	10277/2008
ACO Severin Ahlmann GmbH & Co. KG; 23-01E, Drainage channel, 18 Jan 2008	10235/2008	Dart Industries Inc.; 07-06C, Condiment mill, (US, 23 Aug 2007) 16 Jan 2008	10184/2008
ACO Severin Ahlmann GmbH & Co. KG; 23-01E, Drainage channel, 18 Jan 2008	10231/2008		
Bailey Enterprises Australia Pty Ltd; 23-01F, Water tanks, 29 Jan 2008	10325/2008		

DKB Household UK Limited; 07-06C, Duo condiment mill, (EM, 06 Aug 2007) 22 Jan 2008	10270/2008	Karsten Manufacturing Corporation; 21-02C, Golf putter head, (US, 15 Aug 2007) 17 Jan 2008	10208/2008
Eccosit Industries Pty Ltd; 06-06G, Actuator member of a tilting mechanism for a chair, 17 Jan 2008	10218/2008	Karsten Manufacturing Corporation; 21-02C, Golf putter head, (US, 15 Aug 2007) 17 Jan 2008	10209/2008
Eccosit Industries Pty Ltd; 06-06G, Connector pin of a tilting mechanism for a chair, 17 Jan 2008	10221/2008	Lolitta Clothing Pty Ltd; 02-02C, Pant, 10 Oct 2007	21581/2007
Eccosit Industries Pty Ltd; 06-06G, Slider arm of a tilting mechanism for a chair, 17 Jan 2008	10219/2008	Lolitta Clothing Pty Ltd; 02-02C, A dress, 10 Oct 2007	21582/2007
Eccosit Industries Pty Ltd; 06-06G, Locking arm of a tilting mechanism for a chair, 17 Jan 2008	10220/2008	Ludowici Technologies Pty Ltd; 15-99, A feed inlet for a hydrocyclone, 16 Jan 2008	10187/2008
Eveready Battery Company, Inc.; 26-02, Lighting device, (US, 22 Aug 2007) 22 Jan 2008	10267/2008	Monarch Industries (Aust.) Pty. Ltd.; 25-03, Infra-red spray booth. The products it benefits are damaged cars, bikes and automotive accessories, 22 Jan 2008	10259/2008
Fluorinex Active Ltd.; 24-04, Dental device, (US, 18 Jul 2007) 17 Jan 2008	10213/2008	Motorola, Inc.; 14-03NES, Housing for a communication device, (US, 02 Aug 2007) 22 Jan 2008	10268/2008
Gasparini, Jon; 06-06E, Trestle support for tables, 17 Jan 2008	10216/2008	Neave, Robert; 13-03D, Design of light switch surrounds to light switch (domestic) in picture. Clipsail switch used, 17 Jan 2008	10245/2008
H&L Tooth Company; 15-04, Lip shroud, (US, 23 Jul 2007) 22 Jan 2008	10271/2008	Ningi Developments Pty Ltd; 22-06, A vermin barrier assembly, 17 Jan 2008	10193/2008
H&L Tooth Company; 15-04, Lower corner lip shroud, (US, 23 Jul 2007) 22 Jan 2008	10272/2008	Nissan Jidosha Kabushiki Kaisha; 12-05, Forklift truck, (JP, 10 Aug 2007) 23 Jan 2008	10278/2008
Honda Motor Co., Ltd.; 26-06, Rear combination lamp for automobile, (JP, 02 Aug 2007) 22 Jan 2008	10263/2008	Otsuka Pharmaceutical Factory, Inc.; 24-01, Infusion solution bag, (JP, 19 Jul 2007) 18 Jan 2008	10240/2008
Honda Motor Co., Ltd.; 26-06, Rear combination lamp for automobile, (JP, 02 Aug 2007) 22 Jan 2008	10264/2008	Parcheta, Greg; 12-11, Bicycle to pram towing frame, 21 Jan 2008	10227/2008
Honda Motor Co., Ltd.; 12-08, Automobile, (JP, 03 Aug 2007) 22 Jan 2008	10265/2008	Pigeon Corporation; 24-02, Breast pump, (JP, 30 Oct 2007) 21 Jan 2008	10251/2008
Honda Motor Co., Ltd.; 12-08, Automobile, (JP, 03 Aug 2007) 22 Jan 2008	10266/2008	Polmos Zyrardow SP. ZO. O; 07-07A, Ice bucket, (EM, 20 Jul 2007) 18 Jan 2008	10241/2008
Honda Motor Co., Ltd.; 26-06, Front combination lamp for automobile, (JP, 02 Aug 2007) 22 Jan 2008	10261/2008	Polmos Zyrardow SP. ZO. O; 07-07A, Ice buckets, (EM, 20 Jul 2007) 18 Jan 2008	10242/2008
Honda Motor Co., Ltd.; 26-06, Rear combination lamp for automobile, (JP, 02 Aug 2007) 22 Jan 2008	10262/2008	PTD Pty Ltd; 12-16C, Vehicle roll cage and loading boom, 16 Jan 2008	10182/2008
Industrial Galvanizers Corporation Pty Ltd; 25-02NES, Improved workzone barrier and components, 21 Jan 2008	10250/2008	PTD Pty Ltd; 25-01K, Extrusion, 16 Jan 2008	10183/2008
JohnsonDiversey, Inc.; 15-05, Floor finish applicator, (US, 20 Jul 2007) 18 Jan 2008	10230/2008	Randall, Martin; 25-01B, Bar chair, 17 Jan 2008	10194/2008
Karsten Manufacturing Corporation; 21-02C, Golf bag bottom, (US, 28 Aug 2007) 18 Jan 2008	10236/2008	Randall, Martin; 25-01B, Ferrule chair, 17 Jan 2008	10195/2008
Karsten Manufacturing Corporation; 21-02C, Golf putter head, (US, 15 Aug 2007) 18 Jan 2008	10237/2008	Randall, Martin; 08-08B, Ferrule, 17 Jan 2008	10196/2008
		Randall, Martin; 25-01B, Bar, 17 Jan 2008	10197/2008

Reckitt Benckiser (UK) Limited; 09-01K, Bottle, (EM, 20 Jul 2007) 17 Jan 2008	10210/2008	Trott, Karasina Johanna; Trott, Graham Lindsay; 08-99, Joiner, 16 Jan 2008	10217/2008
Reckitt Benckiser (UK) Limited; 09-01K, Bottle, (EM, 20 Jul 2007) 17 Jan 2008	10211/2008	Tsakonas, Athanasios; 25-02G, A grating, 18 Jan 2008	10238/2008
Reckitt Benckiser (UK) Limited; 09-01K, Bottle, (EM, 20 Jul 2007) 17 Jan 2008	10212/2008	Unilever PLC; 09-01K, Bottle, (US, 03 Aug 2007) 22 Jan 2008	10269/2008
Review Australia Pty Ltd; 02-02C, 02-02NES, Ladies garments, 18 Jan 2008	10214/2008	V&S Vin & Sprit Aktiebolag (publ); V&S Vin Sprit Aktiebolag (publ); 09-01K, Bottle, (US, 27 Jul 2007) 22 Jan 2008	10273/2008
Rieke Corporation; 25-02NES, Plug with overcap, (US, 17 Jul 2007) 17 Jan 2008	10205/2008	V&S Vin & Sprit Aktiebolag (publ); 09-01K, Bottle, (US, 27 Jul 2007) 22 Jan 2008	10274/2008
Rutgers, Peter John; Rutgers, Diane Lee; 25-02K, Louvre blade, 22 Jan 2008	10246/2008	V&S Vin Sprit Aktiebolag (publ); V&S Vin & Sprit Aktiebolag (publ); 09-01K, Bottle, (US, 27 Jul 2007) 22 Jan 2008	10273/2008
Rutgers, Diane Lee; Rutgers, Peter John; 25-02K, Louvre blade, 22 Jan 2008	10246/2008	Vornado Air Circulation Systems, Inc.; 23-04, Fan, (US, 20 Jul 2007) 17 Jan 2008	10207/2008
Sea Box International Pty Ltd; 09-03K, Container, 18 Jan 2008	10260/2008	William Grant & Sons Limited; 09-01K, Bottle, 23 Jan 2008	10276/2008
Seiko Epson Corporation; 14-02, Ink cartridge, (JP, 27 Nov 2007) 17 Jan 2008	10202/2008	Winds of Trade, LLC; 02-06, A glove, (US, 17 Jul 2007) 17 Jan 2008	10200/2008
Seiko Epson Corporation; 14-02, Ink cartridge, (JP, 27 Nov 2007) 17 Jan 2008	10203/2008	Winds of Trade, LLC; 02-06, A glove, (US, 17 Jul 2007) 17 Jan 2008	10201/2008
Seiko Epson Corporation; 14-02, Ink cartridge, (JP, 27 Nov 2007) 17 Jan 2008	10204/2008	Wu, Yuewei; 08-03, Carpenter knife, 18 Jan 2008	10222/2008
Seiko Epson Corporation; 14-02, Ink cartridge, (JP, 27 Nov 2007) 17 Jan 2008	10198/2008	Wu, Yuewei; 08-03, Carpenter knife with locking means, 18 Jan 2008	10223/2008
Sony Ericsson Mobile Communications AB; 14-03E, Mobile phone, (EM, 27 Jul 2007) 22 Jan 2008	10275/2008	Wu, Yuewei; 08-03, Carpenter knife, 18 Jan 2008	10224/2008
Trott, Graham Lindsay; Trott, Karasina Johanna; 08-99, Joiner, 16 Jan 2008	10217/2008	Wu, Cheng Shi; 11-02A, A urn or a fountain, 21 Jan 2008	10225/2008
		Wu, Cheng Shi; 11-02A, A urn or a fountain, 21 Jan 2008	10226/2008

Applications Lapsed

11392 / 2005 (21-01A)	11393 / 2005 (21-01A)
18930 / 2007 (21-01A)	18931 / 2007 (21-01A)
18932 / 2007 (01-01)	20766 / 2007 (15-02)
20804 / 2007 (23-03H)	

Registrations Ceased

310455 310456

Extensions of time granted under Section 137

Applications lodged under section 137 for extension of time have been granted.

310957 **Gruma Oceania Pty Ltd**14800/2006 **Guillermo E. Litman**14801/2006 **Guillermo E. Litman**14802/2006 **Guillermo E. Litman****Licences Registered**

300218 A licence has been granted to **Austral Lock Industries Pty Ltd**

300219 A licence has been granted to **Austral Lock Industries Pty Ltd**

300642 A licence has been granted to **Austral Lock Industries Pty Ltd**

300778 A licence has been granted to **Austral Lock Industries Pty Ltd**

302034 A licence has been granted to **Austral Lock Industries Pty Ltd**

302035 A licence has been granted to **Austral Lock Industries Pty Ltd**

303482 A licence has been granted to **Austral Lock Industries Pty Ltd**

316876 A licence has been granted to **Austral Lock Industries Pty Ltd**

316877 A licence has been granted to **Austral Lock Industries Pty Ltd**

316878 A licence has been granted to **Austral Lock Industries Pty Ltd**

303342 A licence has been granted to **Austral Lock Industries Pty Ltd**

Subsequent Owners Registered

(The name in parentheses is that of the subsequent owner)

317467 (**Aktiebolaget Electrolux**) Electrolux Home Products Pty Limited

313965 (**B.Boss Wheels Pty Ltd**) Daniel Galea

315483 (**B.Boss Wheels Pty Ltd**) Daniel Galea

Certificate(s) of Examination

Examination of the following Design Registration(s) has been completed. Infringement proceedings may now be commenced.

303388	06-01G	31/01/2008	313247	07-01D	31/01/2008
303389	06-06G	06/02/2008	313250	06-06NES	24/01/2008
303390	06-01G	31/01/2008	313436	06-01NES	29/01/2008
303644	06-01G	31/01/2008	313438	07-05E	30/01/2008
303875	06-06G	06/02/2008	313517	06-01NES	29/01/2008
304256	25-02G	29/01/2008	313518	06-01NES	29/01/2008
304257	25-02G	29/01/2008	313608	22-06	05/02/2008
304434	25-02C	29/01/2008	313625	08-05L	31/01/2008
307429	14-01	04/02/2008	313628	28-03NES	29/01/2008
308301	03-01NES	07/02/2008	313629	28-03NES	29/01/2008
308302	03-01NES	07/02/2008	313673	08-07	31/01/2008
308394	07-02B	31/01/2008	313943	06-13B	05/02/2008
308798	06-01G	31/01/2008	313946	23-02A	31/01/2008
308799	06-01G	31/01/2008	313947	23-02A	31/01/2008
309775	06-01G	31/01/2008	313948	23-02A	31/01/2008
309846	06-01G	31/01/2008	313949	23-02A	31/01/2008
309891	07-01NES	05/02/2008	313950	23-02A	31/01/2008
309916	08-05N	31/01/2008	313951	23-02A	31/01/2008
309927	08-06	24/01/2008	313952	23-02A	31/01/2008
309935	20-02E	06/02/2008	313953	23-02A	31/01/2008
309936	20-02E	06/02/2008	313986	09-08	24/01/2008
309937	20-02E	06/02/2008	313998	27-99	24/01/2008
309944	28-03NES	29/01/2008	314036	06-01F	06/02/2008
310012	08-06	24/01/2008	314037	06-06G	06/02/2008
310114	08-06	24/01/2008	314038	06-06G	06/02/2008
310191	07-02L	31/01/2008	314049	03-01A	24/01/2008
310192	07-02L	31/01/2008	314050	09-05	24/01/2008
310193	07-02L	31/01/2008	314059	23-01D	24/01/2008
310579	28-03NES	29/01/2008	314087	06-06G	06/02/2008
310616	21-02F	31/01/2008	314088	06-06G	06/02/2008
310807	07-01NES	06/02/2008	314497	07-07NES	31/01/2008
311993	07-01C	31/01/2008	314498	03-01A	31/01/2008
311994	07-01C	31/01/2008	314499	07-07NES	31/01/2008
311995	08-05N	29/01/2008			
312077	07-02L	31/01/2008			
312078	07-02L	31/01/2008			
312079	07-01F	31/01/2008			
312119	10-07	31/01/2008			
312164	25-01K	31/01/2008			
312272	07-01F	06/02/2008			
312273	07-01F	06/02/2008			
312274	07-01F	06/02/2008			
312275	07-01F	06/02/2008			
312276	07-01F	06/02/2008			
312277	07-01F	06/02/2008			
312574	21-01L	24/01/2008			
312575	21-01L	24/01/2008			
312690	09-03L	29/01/2008			
312691	09-07B	29/01/2008			
312692	09-03L	29/01/2008			
312791	07-01D	31/01/2008			
312792	07-01C	31/01/2008			
312793	07-01D	31/01/2008			
312867	07-02L	31/01/2008			
312868	07-02L	31/01/2008			
312931	24-04	27/01/2008			
312933	24-04	27/01/2008			
312935	24-04	27/01/2008			
312959	08-03	31/01/2008			
312994	24-04	24/01/2008			
313196	06-06NES	24/01/2008			
313245	07-01D	31/01/2008			
313246	07-01C	31/01/2008			

Publication and Registration Proceedings

Designs Registered

This section provides a concordance between design number and registration number of Designs covered in this journal. It also shows the main class and registration date.

This section covers Registration numbers 317761 to 317880 .

The registration number shown below should be used in all future correspondence.

Design Number	Registration Number	International Classification Code (IDC)	Registration Date	Design Number	Registration Number	International Classification Code (IDC)	Registration Date
18272/2007	317784	02-07A	29/01/2008	20171/2007	317802	08-05P	30/01/2008
18600/2007	317761	09-04	24/01/2008	20173/2007	317844	07-02F	04/02/2008
18653/2007	317786	06-02	29/01/2008	20174/2007	317845	13-03D	04/02/2008
18709/2007	317765	09-03M	24/01/2008	20175/2007	317846	26-05NES	04/02/2008
18711/2007	317766	09-03M	24/01/2008	20176/2007	317847	13-03E	04/02/2008
19356/2007	317767	28-03NES	24/01/2008	20177/2007	317848	26-05NES	04/02/2008
19357/2007	317768	28-03NES	24/01/2008	20180/2007	317849	25-02H	04/02/2008
19358/2007	317769	28-03NES	24/01/2008	20181/2007	317803	15-07	30/01/2008
19441/2007	317788	11-01A	29/01/2008	20182/2007	317804	07-02E	30/01/2008
19546/2007	317770	19-06	24/01/2008	20183/2007	317805	06-04B	30/01/2008
19555/2007	317773	15-01	24/01/2008	20184/2007	317806	06-04B	30/01/2008
19556/2007	317774	15-01	24/01/2008	20185/2007	317807	06-04B	30/01/2008
19646/2007	317775	03-01D	24/01/2008	20186/2007	317808	15-07	30/01/2008
19647/2007	317776	07-07A	24/01/2008	20187/2007	317809	15-07	30/01/2008
19648/2007	317777	14-03D	24/01/2008	20188/2007	317810	15-07	30/01/2008
19679/2007	317866	24-03	05/02/2008	20189/2007	317811	15-07	30/01/2008
19680/2007	317867	24-03	05/02/2008	20190/2007	317812	15-07	30/01/2008
19681/2007	317868	24-03	05/02/2008	20191/2007	317813	14-01	30/01/2008
19682/2007	317869	24-03	05/02/2008	20192/2007	317814	14-01	30/01/2008
19683/2007	317870	24-03	05/02/2008	20193/2007	317815	14-01	30/01/2008
19684/2007	317871	24-03	05/02/2008	20194/2007	317816	14-01	30/01/2008
19700/2007	317789	24-03	29/01/2008	20195/2007	317817	14-01	30/01/2008
19701/2007	317790	24-03	29/01/2008	20196/2007	317818	14-01	30/01/2008
19702/2007	317791	24-03	29/01/2008	20199/2007	317819	08-08K	30/01/2008
19703/2007	317792	24-03	29/01/2008	20200/2007	317850	07-01C	04/02/2008
19767/2007	317779	12-16NES	24/01/2008	20201/2007	317851	07-01C	04/02/2008
19809/2007	317793	26-05D	29/01/2008	20203/2007	317852	21-01F	04/02/2008
19874/2007	317794	13-03D	29/01/2008	20204/2007	317853	24-02	04/02/2008
19884/2007	317798	08-07	30/01/2008	20207/2007	317854	07-05C	04/02/2008
19948/2007	317795	24-01	29/01/2008	20208/2007	317855	02-02B	04/02/2008
19949/2007	317796	24-01	29/01/2008	20209/2007	317856	02-02B	04/02/2008
20123/2007	317822	07-06A	31/01/2008	20210/2007	317857	02-02B	04/02/2008
20124/2007	317823	09-03M	31/01/2008	20211/2007	317858	02-02B	04/02/2008
20132/2007	317824	23-04	31/01/2008	20212/2007	317859	02-02B	04/02/2008
20133/2007	317825	23-04	31/01/2008	20213/2007	317860	06-04NES	04/02/2008
20134/2007	317826	23-04	31/01/2008	20214/2007	317861	15-01	04/02/2008
20135/2007	317827	09-03M	31/01/2008	20215/2007	317862	15-01	04/02/2008
20137/2007	317828	07-06A	31/01/2008	20216/2007	317863	15-01	04/02/2008
20138/2007	317829	07-06A	31/01/2008	20217/2007	317864	15-01	04/02/2008
20139/2007	317830	07-06A	31/01/2008	20218/2007	317865	15-01	04/02/2008
20140/2007	317831	07-06A	31/01/2008	20231/2007	317841	09-99	31/01/2008
20141/2007	317832	07-06A	31/01/2008	20232/2007	317842	09-99	31/01/2008
20142/2007	317833	12-16K	31/01/2008	20233/2007	317820	09-99	30/01/2008
20152/2007	317834	25-01K	31/01/2008	20234/2007	317821	09-99	30/01/2008
20153/2007	317835	25-01K	31/01/2008	20427/2007	317843	21-02C	31/01/2008
20159/2007	317836	26-06	31/01/2008	20982/2007	317797	25-01F	29/01/2008
20160/2007	317837	26-05A	31/01/2008	21105/2007	317782	23-01H	24/01/2008
20163/2007	317838	09-03M	31/01/2008	21134/2007	317785	02-07A	29/01/2008
20164/2007	317839	13-02	31/01/2008	21440/2007	317783	23-01H	24/01/2008
20165/2007	317840	13-01	31/01/2008	21441/2007	317762	09-04	24/01/2008
20168/2007	317799	08-07	30/01/2008	21442/2007	317763	09-04	24/01/2008
20169/2007	317800	08-07	30/01/2008	21443/2007	317764	09-04	24/01/2008
20170/2007	317801	08-07	30/01/2008	21471/2007	317787	06-04F	29/01/2008

Publication and Registration Proceedings - Designs Registered cont'd

Design Number	Registration Number	International Classification Code (IDC)	Registration Date	Design Number	Registration Number	International Classification Code (IDC)	Registration Date
21493/2007	317780	12-16NES	24/01/2008	10326/2008	317874	23-01F	05/02/2008
21494/2007	317781	12-16NES	24/01/2008	10327/2008	317875	23-01F	05/02/2008
21544/2007	317771	19-06	24/01/2008	10328/2008	317876	23-01F	05/02/2008
21545/2007	317772	19-06	24/01/2008	10329/2008	317877	23-01F	05/02/2008
21571/2007	317778	26-05B	24/01/2008	10330/2008	317878	23-01F	05/02/2008
10246/2008	317872	25-02K	05/02/2008	10331/2008	317879	23-01F	05/02/2008
10325/2008	317873	23-01F	05/02/2008	10332/2008	317880	23-01F	05/02/2008

Publication and Registration Proceedings
Class Listing of Designs Published or Registered

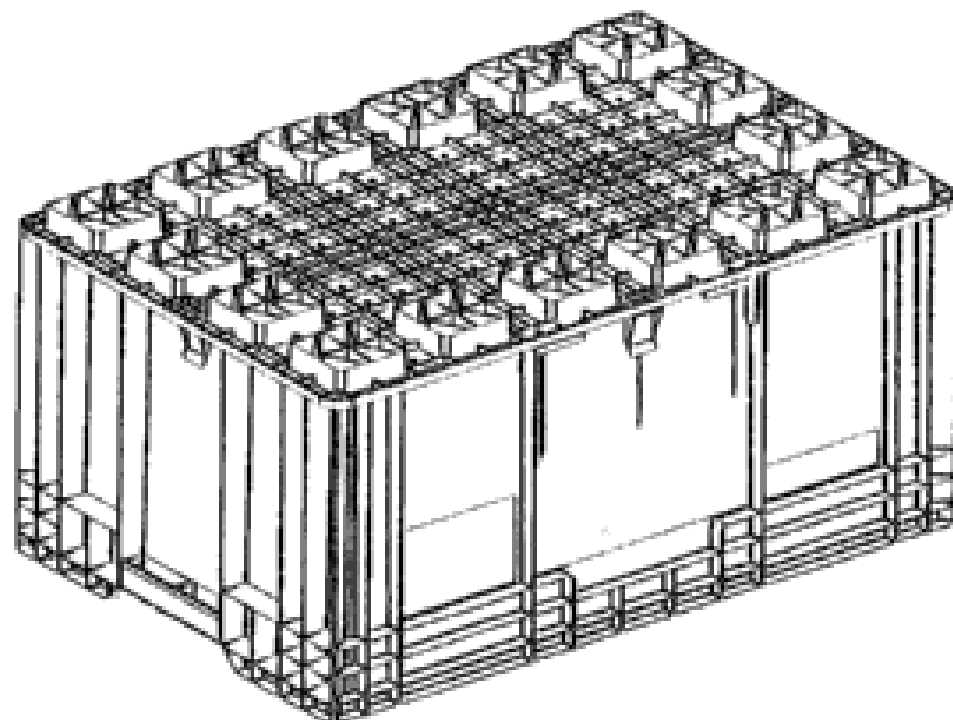
The following section shows an International Classification Code listing of the Registered or Published Designs covered in this supplement.

Classification	Registration Number	Design Number	Classification	Registration Number	Design Number
02-02 B	317855	20208/2007	14-01	317814	20192/2007
02-02 B	317856	20209/2007	14-01	317815	20193/2007
02-02 B	317857	20210/2007	14-01	317816	20194/2007
02-02 B	317858	20211/2007	14-01	317817	20195/2007
02-02 B	317859	20212/2007	14-01	317818	20196/2007
02-07 A	317784	18272/2007	14-03 D	317777	19648/2007
02-07 A	317785	21134/2007	15-01	317773	19555/2007
03-01 D	317775	19646/2007	15-01	317774	19556/2007
06-02	317786	18653/2007	15-01	317861	20214/2007
06-04 B	317805	20183/2007	15-01	317862	20215/2007
06-04 B	317806	20184/2007	15-01	317863	20216/2007
06-04 B	317807	20185/2007	15-01	317864	20217/2007
06-04 F	317787	21471/2007	15-01	317865	20218/2007
06-04 NES	317860	20213/2007	15-07	317803	20181/2007
07-01 C	317850	20200/2007	15-07	317808	20186/2007
07-01 C	317851	20201/2007	15-07	317809	20187/2007
07-02 E	317804	20182/2007	15-07	317810	20188/2007
07-02 F	317844	20173/2007	15-07	317811	20189/2007
07-05 C	317854	20207/2007	15-07	317812	20190/2007
07-06 A	317822	20123/2007	19-06	317770	19546/2007
07-06 A	317828	20137/2007	19-06	317771	21544/2007
07-06 A	317829	20138/2007	19-06	317772	21545/2007
07-06 A	317830	20139/2007	21-01 F	317852	20203/2007
07-06 A	317831	20140/2007	21-02 C	317843	20427/2007
07-06 A	317832	20141/2007	23-01 F	317873	10325/2008
07-07 A	317776	19647/2007	23-01 F	317874	10326/2008
08-05 P	317802	20171/2007	23-01 F	317875	10327/2008
08-07	317798	19884/2007	23-01 F	317876	10328/2008
08-07	317799	20168/2007	23-01 F	317877	10329/2008
08-07	317800	20169/2007	23-01 F	317878	10330/2008
08-07	317801	20170/2007	23-01 F	317879	10331/2008
08-08 K	317819	20199/2007	23-01 F	317880	10332/2008
09-03 M	317765	18709/2007	23-01 H	317782	21105/2007
09-03 M	317766	18711/2007	23-01 H	317783	21440/2007
09-03 M	317823	20124/2007	23-04	317824	20132/2007
09-03 M	317827	20135/2007	23-04	317825	20133/2007
09-03 M	317838	20163/2007	23-04	317826	20134/2007
09-04	317761	18600/2007	24-01	317795	19948/2007
09-04	317762	21441/2007	24-01	317796	19949/2007
09-04	317763	21442/2007	24-02	317853	20204/2007
09-04	317764	21443/2007	24-03	317789	19700/2007
09-99	317820	20233/2007	24-03	317790	19701/2007
09-99	317821	20234/2007	24-03	317791	19702/2007
09-99	317841	20231/2007	24-03	317792	19703/2007
09-99	317842	20232/2007	24-03	317866	19679/2007
11-01 A	317788	19441/2007	24-03	317867	19680/2007
12-16 K	317833	20142/2007	24-03	317868	19681/2007
12-16 NES	317779	19767/2007	24-03	317869	19682/2007
12-16 NES	317780	21493/2007	24-03	317870	19683/2007
12-16 NES	317781	21494/2007	24-03	317871	19684/2007
13-01	317840	20165/2007	25-01 F	317797	20982/2007
13-02	317839	20164/2007	25-01 K	317834	20152/2007
13-03 D	317794	19874/2007	25-01 K	317835	20153/2007
13-03 D	317845	20174/2007	25-02 H	317849	20180/2007
13-03 E	317847	20176/2007	25-02 K	317872	10246/2008
14-01	317813	20191/2007	26-05 A	317837	20160/2007

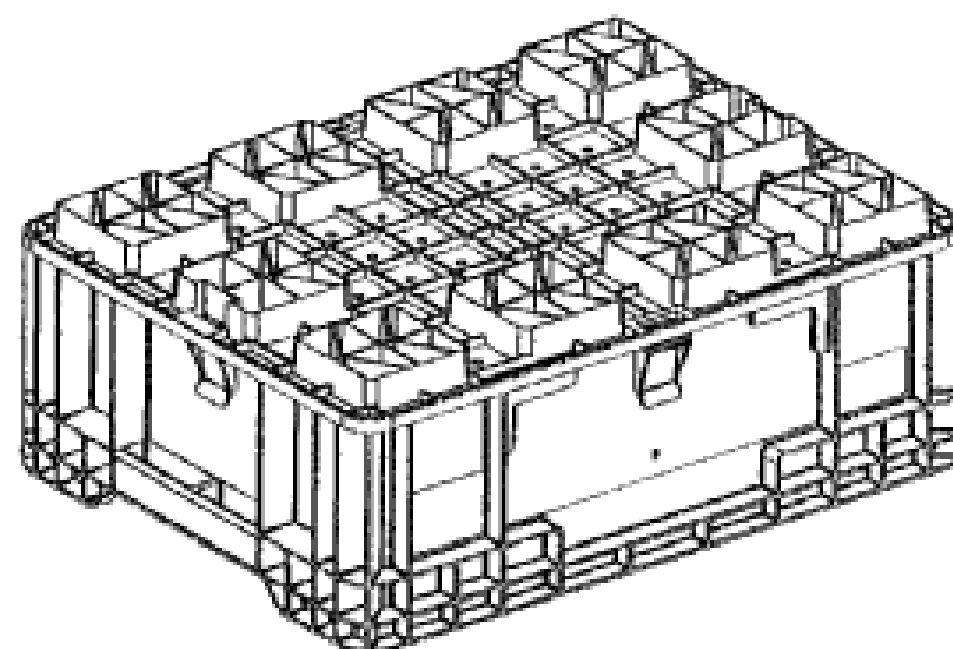
Registration Proceedings - Class Listing of Designs Published or Registered cont'd

Classification	Registration Number	Design Number	Classification	Registration Number	Design Number
26-05 B	317778	21571/2007	28-03 NES	317767	19356/2007
26-05 D	317793	19809/2007	28-03 NES	317768	19357/2007
26-05 NES	317846	20175/2007	28-03 NES	317769	19358/2007
26-05 NES	317848	20177/2007			
26-06	317836	20159/2007			

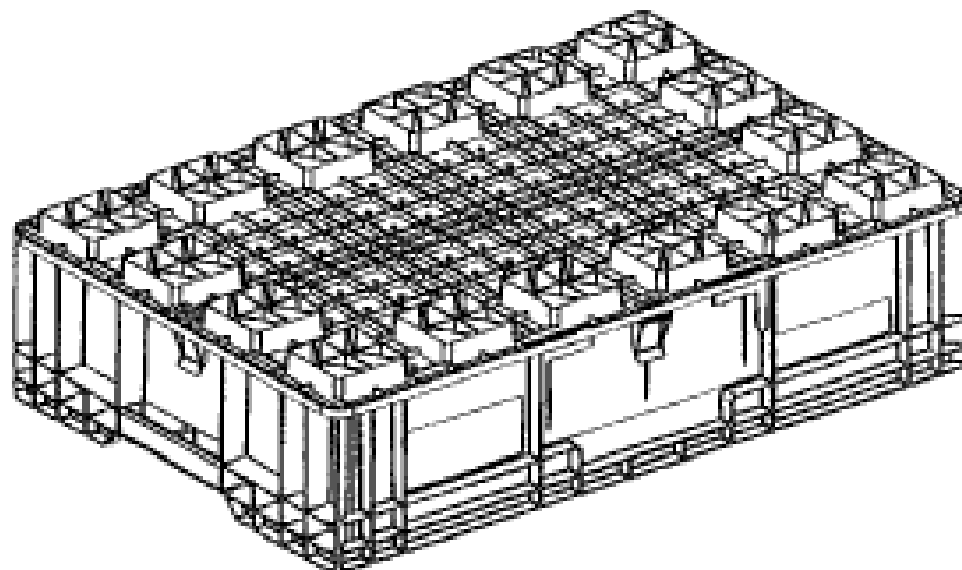
- (21) Design Number: **18600/2007**
- (22) Date of Filing Application: **27 June 2007**
- (24) Date from which industrial property rights may have effect: **27 June 2007**
- (54) Product in respect of which the design is registered: **A crate**
- (51) International Design Classification: **09-04**
- (71) Name(s) and Address(s) of Applicant(s):
Chep Australia Limited
468 Boundary Road Derrimut Victoria 3030 Australia
- (72) Name(s) of Designer(s): **Joe Germano**
- (45) Registration Date: **24 January 2008**
- (56) Related Art Documents: **Not Applicable**
- (57) Statement of Newness and Distinctiveness: **Nil**



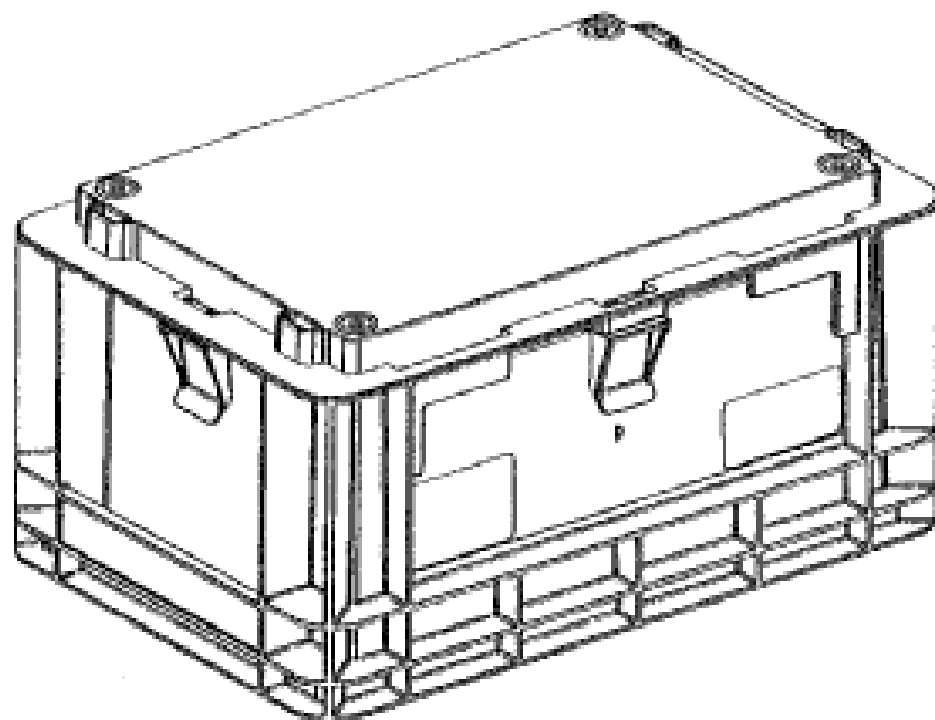
- (21) Design Number: **21441/2007**
- (22) Date of Filing Application: **27 June 2007**
- (24) Date from which industrial property rights may have effect: **27 June 2007**
- (54) Product in respect of which the design is registered: **A crate**
- (51) International Design Classification: **09-04**
- (71) Name(s) and Address(s) of Applicant(s):
Chep Australia Limited
468 Boundary Road Derrimut Victoria 3030 Australia
- (72) Name(s) of Designer(s): **Joe Germano**
- (45) Registration Date: **24 January 2008**
- (56) Related Art Documents: **Not Applicable**
- (57) Statement of Newness and Distinctiveness: **Nil**



- (21) Design Number: **21442/2007**
(22) Date of Filing Application: **27 June 2007**
(24) Date from which industrial property rights may have effect: **27 June 2007**
(54) Product in respect of which the design is registered: **A crate**
(51) International Design Classification: **09-04**
(71) Name(s) and Address(s) of Applicant(s):
Chep Australia Limited
468 Boundary Road Derrimut Victoria 3030 Australia
(72) Name(s) of Designer(s): **Joe Germano**
(45) Registration Date: **24 January 2008**
(56) Related Art Documents: **Not Applicable**
(57) Statement of Newness and Distinctiveness: **Nil**



- (21) Design Number: **21443/2007**
(22) Date of Filing Application: **27 June 2007**
(24) Date from which industrial property rights may have effect: **27 June 2007**
(54) Product in respect of which the design is registered: **A crate**
(51) International Design Classification: **09-04**
(71) Name(s) and Address(s) of Applicant(s):
Chep Australia Limited
468 Boundary Road Derrimut Victoria 3030 Australia
(72) Name(s) of Designer(s): **Joe Germano**
(45) Registration Date: **24 January 2008**
(56) Related Art Documents: **Not Applicable**
(57) Statement of Newness and Distinctiveness: **Nil**



- (21) Design Number: **18709/2007**
(22) Date of Filing Application: **04 July 2007**
(24) Date from which industrial property rights may have effect: **04 July 2007**
(54) Product in respect of which the design is registered: **A container**
(51) International Design Classification: **09-03M**
(71) Name(s) and Address(s) of Applicant(s):
Cryovac Australia Pty Ltd
1126 Sydney Road Fawkner Victoria 3060 Australia
(72) Name(s) of Designer(s): **Michael Grima and Rowan Lamont**
(45) Registration Date: **24 January 2008**
(56) Related Art Documents: **Not Applicable**
(57) Statement of Newness and Distinctiveness: **Nil**



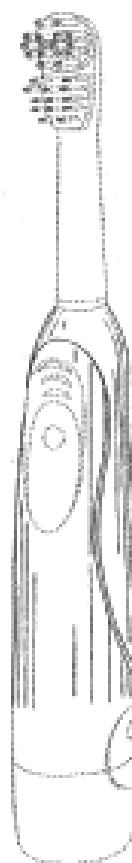
- (21) Design Number: **18711/2007**
(22) Date of Filing Application: **04 July 2007**
(24) Date from which industrial property rights may have effect: **04 July 2007**
(54) Product in respect of which the design is registered: **A container**
(51) International Design Classification: **09-03M**
(71) Name(s) and Address(s) of Applicant(s):
Cryovac Australia Pty Ltd
1126 Sydney Road Fawkner Victoria 3060 Australia
(72) Name(s) of Designer(s): **Michael Grima and Rowan Lamont**
(45) Registration Date: **24 January 2008**
(56) Related Art Documents: **Not Applicable**
(57) Statement of Newness and Distinctiveness: **Nil**



- (21) Design Number: **19356/2007**
(22) Date of Filing Application: **15 August 2007**
(24) Date from which industrial property rights may have effect: **15 August 2007**
(54) Product in respect of which the design is registered: **A handle for a toothbrush**
(51) International Design Classification: **28-03NES**
(71) Name(s) and Address(s) of Applicant(s):
Braun GmbH
Frankfurter Strasse 145 61476 Kronberg Germany
(72) Name(s) of Designer(s): **Tilmann Winkler**
(45) Registration Date: **24 January 2008**
(30) Convention priority data:

(31) Number	(32) Date	(33) Country
40700876.4	16 Feb 2007	GERMANY

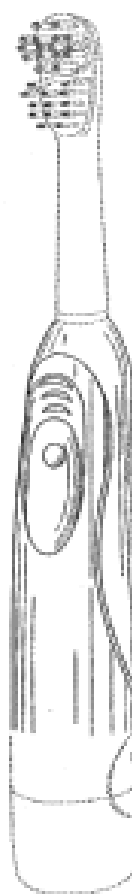
(56) Related Art Documents: **Not Applicable**
(57) Statement of Newness and Distinctiveness: **Newness and distinctiveness reside in the features of shape and/or configuration of the part of the handle of the toothbrush as shown in solid lines in the representations. Newness and distinctiveness are not claimed in respect of the parts shown in dashed/dotted and broken lines. These parts are shown for illustrative purposes only.**



- (21) Design Number: **19357/2007**
(22) Date of Filing Application: **15 August 2007**
(24) Date from which industrial property rights may have effect: **15 August 2007**
(54) Product in respect of which the design is registered: **A handle for a toothbrush**
(51) International Design Classification: **28-03NES**
(71) Name(s) and Address(s) of Applicant(s):
Braun GmbH
Frankfurter Strasse 145 61476 Kronberg Germany
(72) Name(s) of Designer(s): **Tilmann Winkler**
(45) Registration Date: **24 January 2008**
(30) Convention priority data:

(31) Number	(32) Date	(33) Country
40700876.4	16 Feb 2007	GERMANY

(56) Related Art Documents: **Not Applicable**
(57) Statement of Newness and Distinctiveness: **Newness and distinctiveness reside in the features of shape and/or configuration of the part of the handle of the toothbrush as shown in solid lines in the representations. Newness and distinctiveness are not claimed in respect of the parts shown in dashed/dotted and broken lines. These parts are shown for illustrative purposes only.**



- (21) Design Number: **19358/2007**
(22) Date of Filing Application: **15 August 2007**
(24) Date from which industrial property rights may have effect: **15 August 2007**
(54) Product in respect of which the design is registered: **A handle for a toothbrush**
(51) International Design Classification: **28-03NES**
(71) Name(s) and Address(s) of Applicant(s):
Braun GmbH
Frankfurter Strasse 145 61476 Kronberg Germany
(72) Name(s) of Designer(s): **Tilmann Winkler**
(45) Registration Date: **24 January 2008**
(30) Convention priority data:

(31) Number	(32) Date	(33) Country
40700876.4	16 Feb 2007	GERMANY

(56) Related Art Documents: **Not Applicable**
(57) Statement of Newness and Distinctiveness: **Newness and distinctiveness reside in the features of shape and/or configuration of the part of the handle of the toothbrush as shown in solid lines in the representations. Newness and distinctiveness are not claimed in respect of the parts shown in dashed/dotted and broken lines. These parts are shown for illustrative purposes only.**



- (21) Design Number: **19546/2007**
(22) Date of Filing Application: **28 August 2007**
(24) Date from which industrial property rights may have effect: **28 August 2007**
(54) Product in respect of which the design is registered: **Writing instrument**
(51) International Design Classification: **19-06**
(71) Name(s) and Address(s) of Applicant(s):
Sanford, L.P.
2707 Butterfield Road Oak Brook IL 60523 United States of America
(72) Name(s) of Designer(s): **Sona N. Patadia and Michael A. Serafin**
(45) Registration Date: **24 January 2008**
(30) Convention priority data:

(31) Number	(32) Date	(33) Country
29/285,399	28 Mar 2007	UNITED STATES OF AMERICA

(56) Related Art Documents: **Not Applicable**
(57) Statement of Newness and Distinctiveness: **The newness and distinctiveness of the design resides in the features of shape, configuration, pattern and/or ornamentation of the Writing Instrument shown in the accompanying representations, in considering the newness and distinctiveness of the design no consideration should be given to the features shown in dashed outline as they are for illustrative purposes and form no part of the design.**



(21) Design Number: **21544/2007**

(22) Date of Filing Application: **28 August 2007**

(24) Date from which industrial property rights may have effect: **28 August 2007**

(54) Product in respect of which the design is registered: **Writing instrument**

(51) International Design Classification: **19-06**

(71) Name(s) and Address(s) of Applicant(s):

Sanford, L.P.

2707 Butterfield Road Oak Brook IL 60523 United States of America

(72) Name(s) of Designer(s): **Michael A. Serafin and Sona N. Patadia**

(45) Registration Date: **24 January 2008**

(30) Convention priority data:

(31) Number

(32) Date

(33) Country

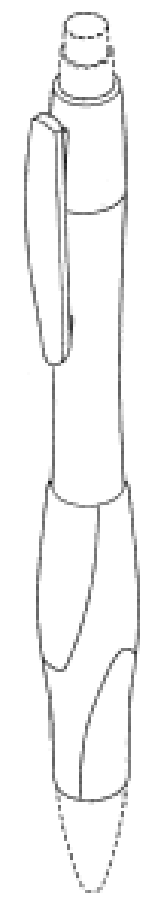
29/285,399

28 Mar 2007

UNITED STATES OF AMERICA

(56) Related Art Documents: **Not Applicable**

(57) Statement of Newness and Distinctiveness: **The newness and distinctiveness of the design resides in the features of shape, configuration, pattern and/or ornamentation of the writing instrument shown in the accompanying representations, in considering the newness and distinctiveness of the design no consideration should be given to the features shown in dashed outline as they are for illustrative purposes and form no part of the design.**



(21) Design Number: **21545/2007**

(22) Date of Filing Application: **28 August 2007**

(24) Date from which industrial property rights may have effect: **28 August 2007**

(54) Product in respect of which the design is registered: **Writing instrument**

(51) International Design Classification: **19-06**

(71) Name(s) and Address(s) of Applicant(s):

Sanford, L.P.

2707 Butterfield Road Oak Brook IL 60523 United States of America

(72) Name(s) of Designer(s): **Michael A. Serafin and Sona N. Patadia**

(45) Registration Date: **24 January 2008**

(30) Convention priority data:

(31) Number

(32) Date

(33) Country

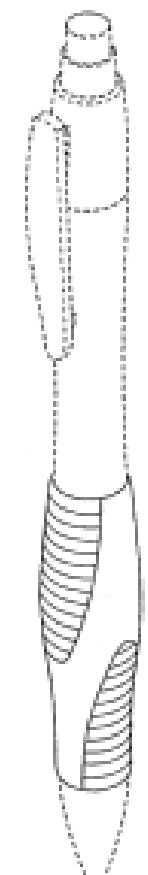
29/285,399

28 Mar 2007

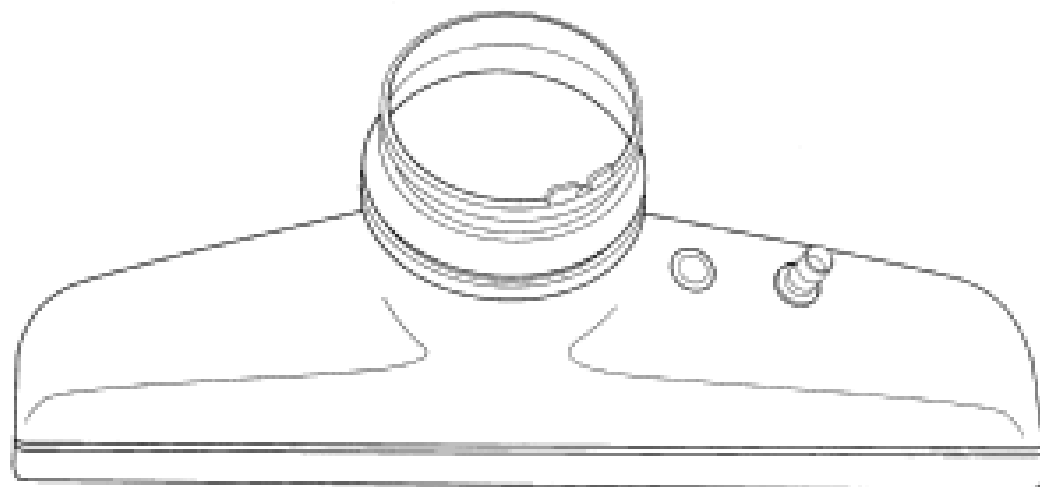
UNITED STATES OF AMERICA

(56) Related Art Documents: **Not Applicable**

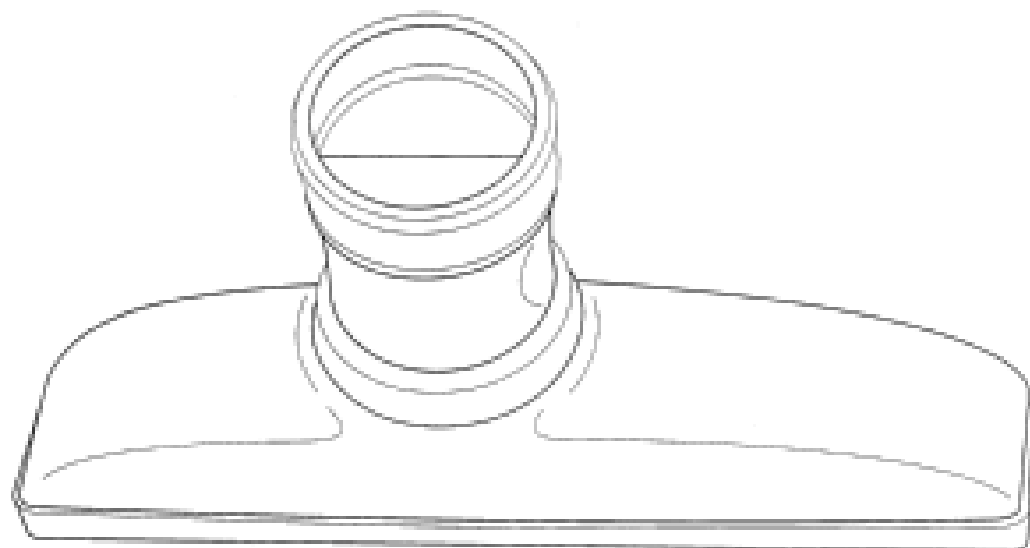
(57) Statement of Newness and Distinctiveness: **The newness and distinctiveness of the design resides in the features of shape, configuration, pattern and/or ornamentation of the writing instrument shown in the accompanying representations, in considering the newness and distinctiveness of the design no consideration should be given to the features shown in dashed outline as they are for illustrative purposes and form no part of the design.**



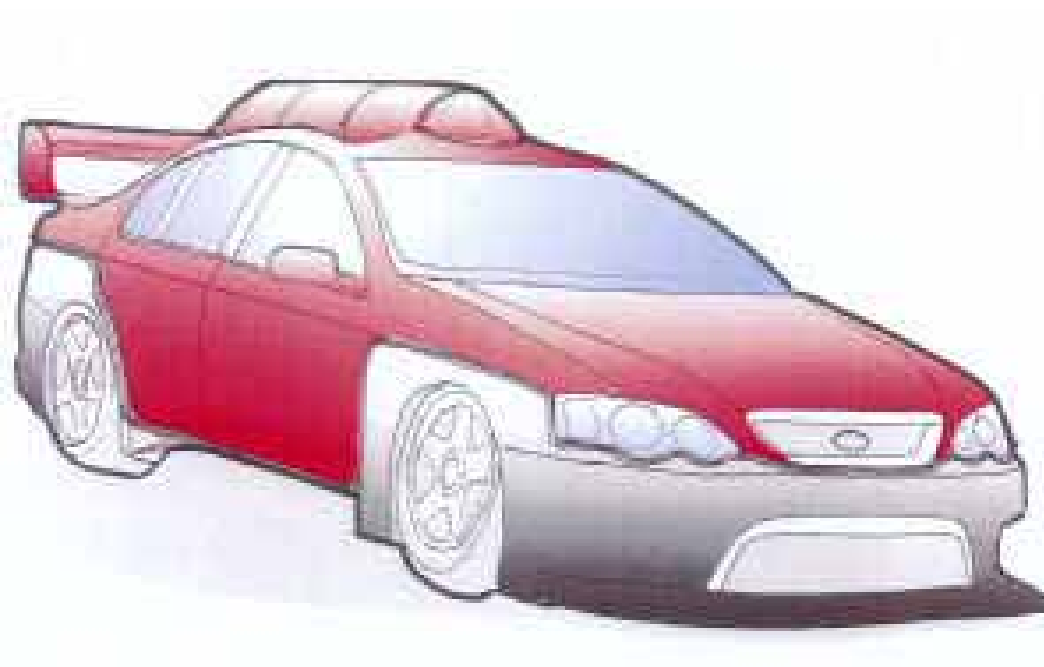
- (21) Design Number: **19555/2007**
- (22) Date of Filing Application: **28 August 2007**
- (24) Date from which industrial property rights may have effect: **28 August 2007**
- (54) Product in respect of which the design is registered: **Air induction unit**
- (51) International Design Classification: **15-01**
- (71) Name(s) and Address(s) of Applicant(s):
Corsa Specialized Vehicles (Aust) Pty Ltd
4/82-90 Northview Drive Sunshine Victoria 3020 Australia
- (72) Name(s) of Designer(s): **Peter Guiseppe Dichiera**
- (45) Registration Date: **24 January 2008**
- (56) Related Art Documents: **Not Applicable**
- (57) Statement of Newness and Distinctiveness: **Nil**



- (21) Design Number: **19556/2007**
- (22) Date of Filing Application: **28 August 2007**
- (24) Date from which industrial property rights may have effect: **28 August 2007**
- (54) Product in respect of which the design is registered: **Air induction unit**
- (51) International Design Classification: **15-01**
- (71) Name(s) and Address(s) of Applicant(s):
Corsa Specialized Vehicles (Aust) Pty Ltd
4/82-90 Northview Drive Sunshine Victoria 3020 Australia
- (72) Name(s) of Designer(s): **Peter Guiseppe Dichiera**
- (45) Registration Date: **24 January 2008**
- (56) Related Art Documents: **Not Applicable**
- (57) Statement of Newness and Distinctiveness: **Nil**



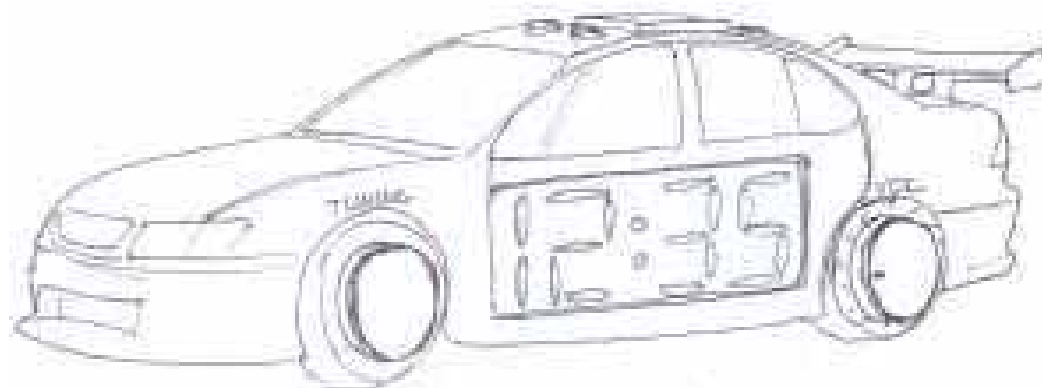
- (21) Design Number: **19646/2007**
- (22) Date of Filing Application: **06 September 2007**
- (24) Date from which industrial property rights may have effect: **06 September 2007**
- (54) Product in respect of which the design is registered: **Resin toolbox with handle and hinged lid. Accepts standard hand tools and screws, nails etc**
- (51) International Design Classification: **03-01D**
- (71) Name(s) and Address(s) of Applicant(s):
Francesco Spadavecchia
2A Reynolds Avenue Dernan Court South Australia 5075 Australia
- (72) Name(s) of Designer(s): **Francesco Spadavecchia**
- (45) Registration Date: **24 January 2008**
- (56) Related Art Documents: **Not Applicable**
- (57) Statement of Newness and Distinctiveness: **Toolbox in the shape of a motor vehicle.**



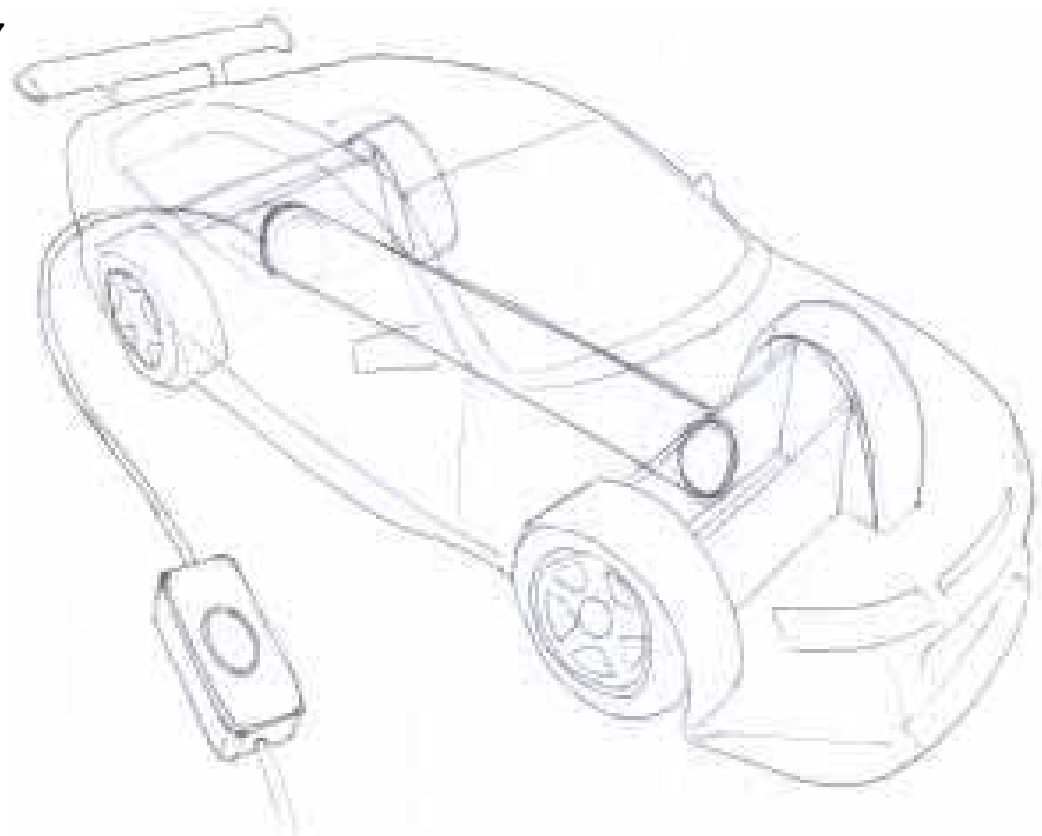
- (21) Design Number: **19647/2007**
- (22) Date of Filing Application: **06 September 2007**
- (24) Date from which industrial property rights may have effect: **06 September 2007**
- (54) Product in respect of which the design is registered: **Carry cool & store drinks. Fill with ice and cold water. Accepts both bottles and cans**
- (51) International Design Classification: **07-07A**
- (71) Name(s) and Address(s) of Applicant(s):
Francesco Spadavecchia
2A Reynolds Avenue Dernan Court South Australia 5075 Australia
- (72) Name(s) of Designer(s): **Francesco Spadavecchia**
- (45) Registration Date: **24 January 2008**
- (56) Related Art Documents: **Not Applicable**
- (57) Statement of Newness and Distinctiveness: **Drinks cooler in the shape of a motor vehicle.**



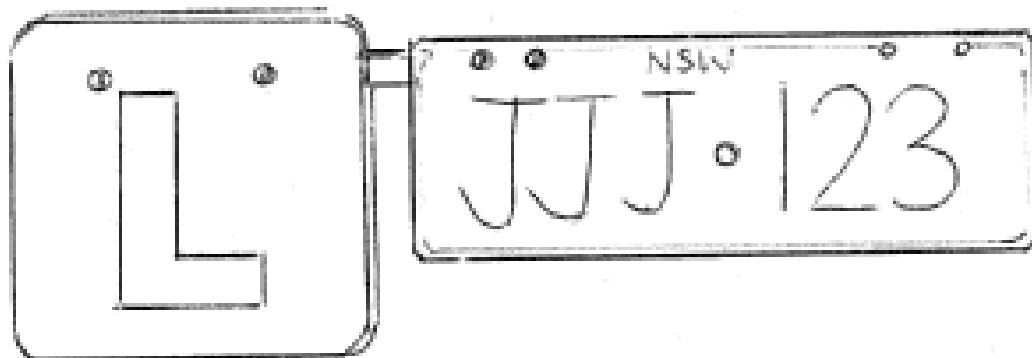
- (21) Design Number: **19648/2007**
(22) Date of Filing Application: **06 September 2007**
(24) Date from which industrial property rights may have effect: **06 September 2007**
(54) Product in respect of which the design is registered: **Alarm clock version integrates light and clock radio**
(51) International Design Classification: **14-03D**
(71) Name(s) and Address(s) of Applicant(s):
Francesco Spadavecchia
2A Reynolds Avenue Dernan Court South Australia 5075 Australia
(72) Name(s) of Designer(s): **Francesco Spadavecchia**
(45) Registration Date: **24 January 2008**
(56) Related Art Documents: **Not Applicable**
(57) Statement of Newness and Distinctiveness: **Bedside light and clock radio in the shape of a motor vehicle.**



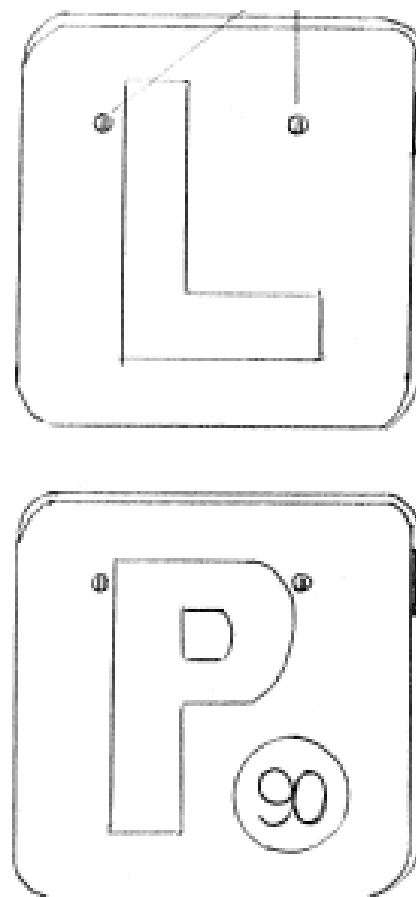
- (21) Design Number: **21571/2007**
(22) Date of Filing Application: **06 September 2007**
(24) Date from which industrial property rights may have effect: **06 September 2007**
(54) Product in respect of which the design is registered: **Simple bedside light - one version having in-line switch & fluoro.**
(51) International Design Classification: **26-05B**
(71) Name(s) and Address(s) of Applicant(s):
Francesco Spadavecchia
2A Reynolds Avenue Dernan Court South Australia 5075 Australia
(72) Name(s) of Designer(s): **Francesco Spadavecchia**
(45) Registration Date: **24 January 2008**
(56) Related Art Documents: **Not Applicable**
(57) Statement of Newness and Distinctiveness: **Bedside light & clock radio in the shape of a motor vehicle.**



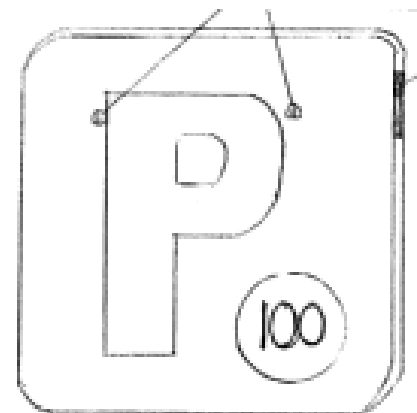
- (21) Design Number: **19767/2007**
- (22) Date of Filing Application: **18 September 2007**
- (24) Date from which industrial property rights may have effect: **18 September 2007**
- (54) Product in respect of which the design is registered: **Complete driver L to P's kit**
- (51) International Design Classification: **12-16NES**
- (71) Name(s) and Address(s) of Applicant(s):
Anthony Basha
3 Moffatt Way Beaumont Hills New South Wales 2155 Australia
- (72) Name(s) of Designer(s): **Anthony C. Basha**
- (45) Registration Date: **24 January 2008**
- (56) Related Art Documents: **Not Applicable**
- (57) Statement of Newness and Distinctiveness: **Complete drivers L to P's is a cartridge/pouch concept that has a single mouting aluminium band for fixing to existing plates. Pouches reverse to display next level.**



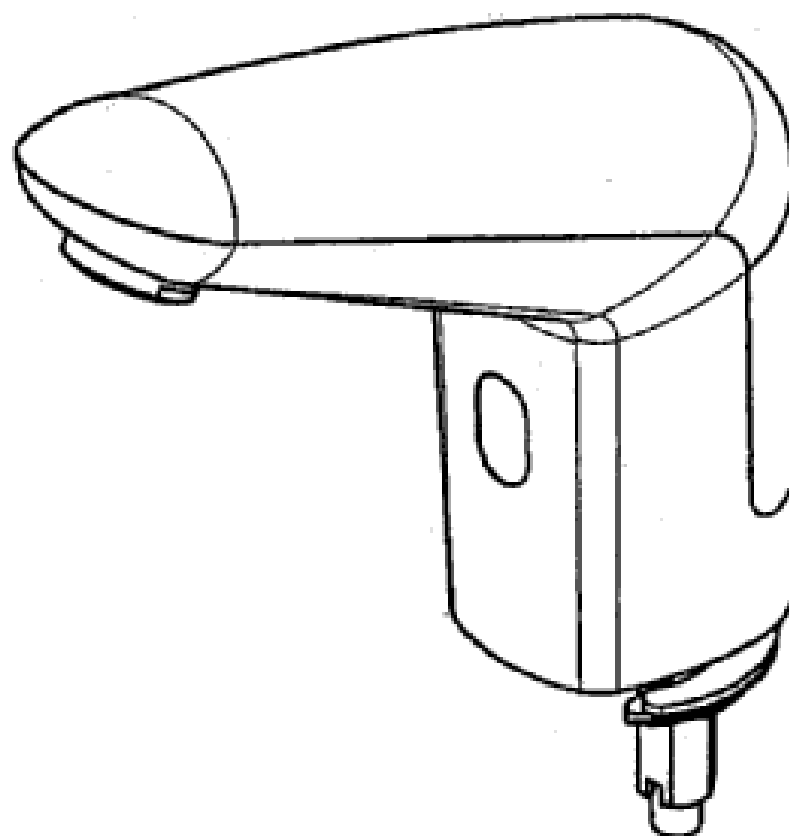
- (21) Design Number: **21493/2007**
- (22) Date of Filing Application: **18 September 2007**
- (24) Date from which industrial property rights may have effect: **18 September 2007**
- (54) Product in respect of which the design is registered: **Complete driver L to P's kit**
- (51) International Design Classification: **12-16NES**
- (71) Name(s) and Address(s) of Applicant(s):
Anthony Basha
3 Moffatt Way Beaumont Hills New South Wales 2155 Australia
- (72) Name(s) of Designer(s): **Anthony C. Basha**
- (45) Registration Date: **24 January 2008**
- (56) Related Art Documents: **Not Applicable**
- (57) Statement of Newness and Distinctiveness: **Complete driver L to P's is a cartridge/pouch concept that has a single mouting aluminium band for fixing to existing plates. Pouches reverse to display next level.**



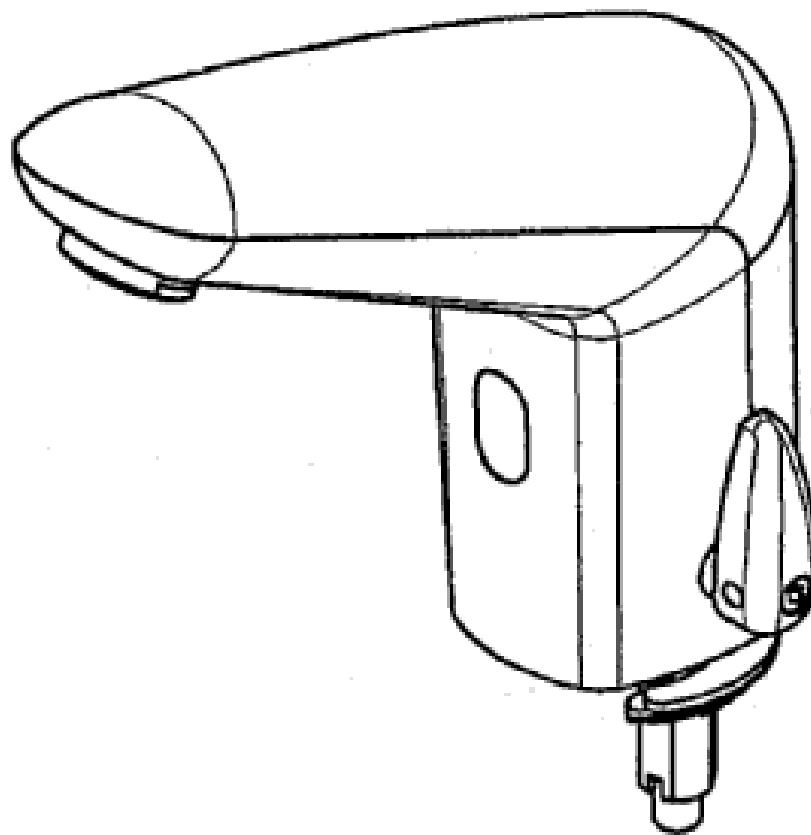
- (21) Design Number: **21494/2007**
(22) Date of Filing Application: **18 September 2007**
(24) Date from which industrial property rights may have effect: **18 September 2007**
(54) Product in respect of which the design is registered: **Complete driver L to P's kit**
(51) International Design Classification: **12-16NES**
(71) Name(s) and Address(s) of Applicant(s):
Anthony Basha
3 Moffatt Way Beaumont Hills New South Wales 2155 Australia
(72) Name(s) of Designer(s): **Anthony C. Basha**
(45) Registration Date: **24 January 2008**
(56) Related Art Documents: **Not Applicable**
(57) Statement of Newness and Distinctiveness: **Complete driver L to P's is a cartridge/pouch concept that has a single mouting aluminium band for fixing to existing plates. Pouches reverse to display next level.**



- (21) Design Number: **21105/2007**
(22) Date of Filing Application: **04 December 2007**
(24) Date from which industrial property rights may have effect: **04 December 2007**
(54) Product in respect of which the design is registered: **Tap**
(51) International Design Classification: **23-01H**
(71) Name(s) and Address(s) of Applicant(s):
Les Robinets Presto, Societe Anonyme
7 rue Racine 92120 Montrouge France
(72) Name(s) of Designer(s): **Daniel Dutheil**
(45) Registration Date: **24 January 2008**
(30) Convention priority data:
(31) Number (32) Date (33) Country
073371 20 Jul 2007 FRANCE
(56) Related Art Documents: **Not Applicable**
(57) Statement of Newness and Distinctiveness: **Those features of the tap depicted in the representations that are new and distinctive are the shape and/or configuration.**



- (21) Design Number: **21440/2007**
(22) Date of Filing Application: **04 December 2007**
(24) Date from which industrial property rights may have effect: **04 December 2007**
(54) Product in respect of which the design is registered: **Tap**
(51) International Design Classification: **23-01H**
(71) Name(s) and Address(s) of Applicant(s):
Les Robinets Presto, Societe Anonyme
7 rue Racine 92120 Montrouge France
(72) Name(s) of Designer(s): **Daniel Dutheil**
(45) Registration Date: **24 January 2008**
(30) Convention priority data:
(31) Number (32) Date (33) Country
073371 20 Jul 2007 FRANCE
(56) Related Art Documents: **Not Applicable**
(57) Statement of Newness and Distinctiveness: **Those features of the tap depicted in the representations that are new and distinctive are the shape and/or configuration.**



- (21) Design Number: **18272/2007**
(22) Date of Filing Application: **05 June 2007**
(24) Date from which industrial property rights may have effect: **05 June 2007**
(54) Product in respect of which the design is registered: **Belt**
(51) International Design Classification: **02-07A**
(71) Name(s) and Address(s) of Applicant(s):
James R. C. Knight
5 Booth Street Balmain New South Wales 2041 Australia
(72) Name(s) of Designer(s): **James R. C. Knight**
(45) Registration Date: **29 January 2008**
(56) Related Art Documents: **Not Applicable**
(57) Statement of Newness and Distinctiveness: **Specially designed pockets made from rubber slits that allow quick and easy access to the inside of the pockets.**



- (21) Design Number: **21134/2007**
(22) Date of Filing Application: **05 June 2007**
(24) Date from which industrial property rights may have effect: **05 June 2007**
(54) Product in respect of which the design is registered: **Belt**
(51) International Design Classification: **02-07A**
(71) Name(s) and Address(s) of Applicant(s):
James R.C. Knight
5 Booth Street Balmain Sydney New South Wales 2041 Australia
(72) Name(s) of Designer(s): **James R.C. Knight**
(45) Registration Date: **29 January 2008**
(56) Related Art Documents: **Not Applicable**
(57) Statement of Newness and Distinctiveness: **Specially designed pockets (slits) which allow easy access to the inside of the pockets and allow items to be pulled through the slits. An iPod holder on the exterior of the belt.**



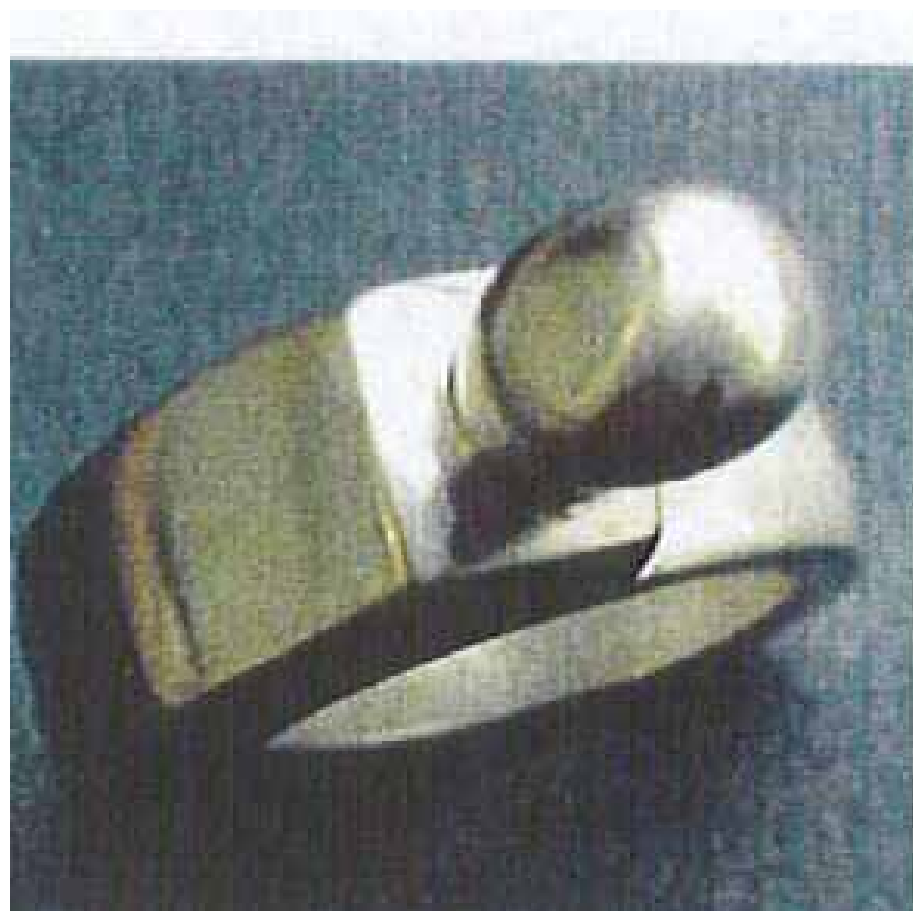
- (21) Design Number: **18653/2007**
(22) Date of Filing Application: **29 June 2007**
(24) Date from which industrial property rights may have effect: **29 June 2007**
(54) Product in respect of which the design is registered: **928-27 Fairy Bed**
(51) International Design Classification: **06-02**
(71) Name(s) and Address(s) of Applicant(s):
Kimyee Furniture SDN BHD
58A Jalan Parit Kangkong Bukit Pasir Batu Pahat Johor 83050 Malaysia
(72) Name(s) of Designer(s): **Aw Gan Kian**
(45) Registration Date: **29 January 2008**
(56) Related Art Documents: **Not Applicable**
(57) Statement of Newness and Distinctiveness: **Nil**



- (21) Design Number: **21471/2007**
(22) Date of Filing Application: **29 June 2007**
(24) Date from which industrial property rights may have effect: **29 June 2007**
(54) Product in respect of which the design is registered: **928-08 fairy bed side table**
(51) International Design Classification: **06-04F**
(71) Name(s) and Address(s) of Applicant(s):
Kimyee Furniture Sdn Bhd
58A Jalan Parit Kangkong Bukit Pasir Batu Pahat Johor 83050
Malaysia
(72) Name(s) of Designer(s): **Aw Gan Kian**
(45) Registration Date: **29 January 2008**
(56) Related Art Documents: **Not Applicable**
(57) Statement of Newness and Distinctiveness: **Nil**



- (21) Design Number: **19441/2007**
(22) Date of Filing Application: **21 August 2007**
(24) Date from which industrial property rights may have effect: **21 August 2007**
(54) Product in respect of which the design is registered: **Jewellery**
(51) International Design Classification: **11-01A**
(71) Name(s) and Address(s) of Applicant(s):
Marcia Swaby
9 Napier Street Paddington New South Wales 2021 Australia
(72) Name(s) of Designer(s): **Marcia A. Swaby**
(45) Registration Date: **29 January 2008**
(56) Related Art Documents: **Not Applicable**
(57) Statement of Newness and Distinctiveness: **The rings are mini statues that stand up as a feature with a body and head symbolising the human figure.**



- (21) Design Number: **19700/2007**
(22) Date of Filing Application: **10 September 2007**
(24) Date from which industrial property rights may have effect: **10 September 2007**
(54) Product in respect of which the design is registered: **Prosthesis**
(51) International Design Classification: **24-03**
(71) Name(s) and Address(s) of Applicant(s):
Otto Bock Healthcare Products GmbH
Kaiserstrasse 39 1070 WIEN Austria
(72) Name(s) of Designer(s): **Peter Kuschnigg and Gregor Puchhammer**
(45) Registration Date: **29 January 2008**
(30) Convention priority data:
(31) Number (32) Date (33) Country
407 01 357.1 10 Mar 2007 GERMANY
(56) Related Art Documents: **Not Applicable**
(57) Statement of Newness and Distinctiveness: **The newness and distinctiveness of the design resides in the shape and/or configuration of the prosthesis shown in the representations.**



- (21) Design Number: **19701/2007**
(22) Date of Filing Application: **10 September 2007**
(24) Date from which industrial property rights may have effect: **10 September 2007**
(54) Product in respect of which the design is registered: **Prosthesis**
(51) International Design Classification: **24-03**
(71) Name(s) and Address(s) of Applicant(s):
Otto Bock Healthcare Products GmbH
Kaiserstrasse 39 1070 WIEN Austria
(72) Name(s) of Designer(s): **Peter Kuschnigg and Gregor Puchhammer**
(45) Registration Date: **29 January 2008**
(30) Convention priority data:
(31) Number (32) Date (33) Country
407 01 357.1 10 Mar 2007 GERMANY
(56) Related Art Documents: **Not Applicable**
(57) Statement of Newness and Distinctiveness: **The newness and distinctiveness of the design resides in the shape and/or configuration of the prosthesis shown in the representations.**



- (21) Design Number: **19702/2007**
(22) Date of Filing Application: **10 September 2007**
(24) Date from which industrial property rights may have effect: **10 September 2007**
(54) Product in respect of which the design is registered: **Prosthesis**
(51) International Design Classification: **24-03**
(71) Name(s) and Address(s) of Applicant(s):
Otto Bock Healthcare Products GmbH
Kaiserstrasse 39 1070 WIEN Austria
(72) Name(s) of Designer(s): **Peter Kuschnigg and Gregor Puchhammer**
(45) Registration Date: **29 January 2008**
(30) Convention priority data:
(31) Number (32) Date (33) Country
407 01 357.1 10 Mar 2007 GERMANY
(56) Related Art Documents: **Not Applicable**
(57) Statement of Newness and Distinctiveness: **The newness and distinctiveness of the design resides in the shape and/or configuration of the prosthesis shown in the representations.**



- (21) Design Number: **19703/2007**
(22) Date of Filing Application: **10 September 2007**
(24) Date from which industrial property rights may have effect: **10 September 2007**
(54) Product in respect of which the design is registered: **Prosthesis**
(51) International Design Classification: **24-03**
(71) Name(s) and Address(s) of Applicant(s):
Otto Bock Healthcare Products GmbH
Kaiserstrasse 39 1070 WIEN Austria
(72) Name(s) of Designer(s): **Peter Kuschnigg and Gregor Puchhammer**
(45) Registration Date: **29 January 2008**
(30) Convention priority data:
(31) Number (32) Date (33) Country
407 01 357.1 10 Mar 2007 GERMANY
(56) Related Art Documents: **Not Applicable**
(57) Statement of Newness and Distinctiveness: **The newness and distinctiveness of the design resides in the shape and/or configuration of the prosthesis shown in the representations.**



(21) Design Number: **19809/2007**

(22) Date of Filing Application: **19 September 2007**

(24) Date from which industrial property rights may have effect: **19 September 2007**

(54) Product in respect of which the design is registered: **Lighting fixture**

(51) International Design Classification: **26-05D**

(71) Name(s) and Address(s) of Applicant(s):

**Zumtobel Lighting GmbH & Co. KG
Grevenmarschstr. 74-78 32657 Lemgo Germany**

(72) Name(s) of Designer(s): **Katharina Gotz-Schafer**

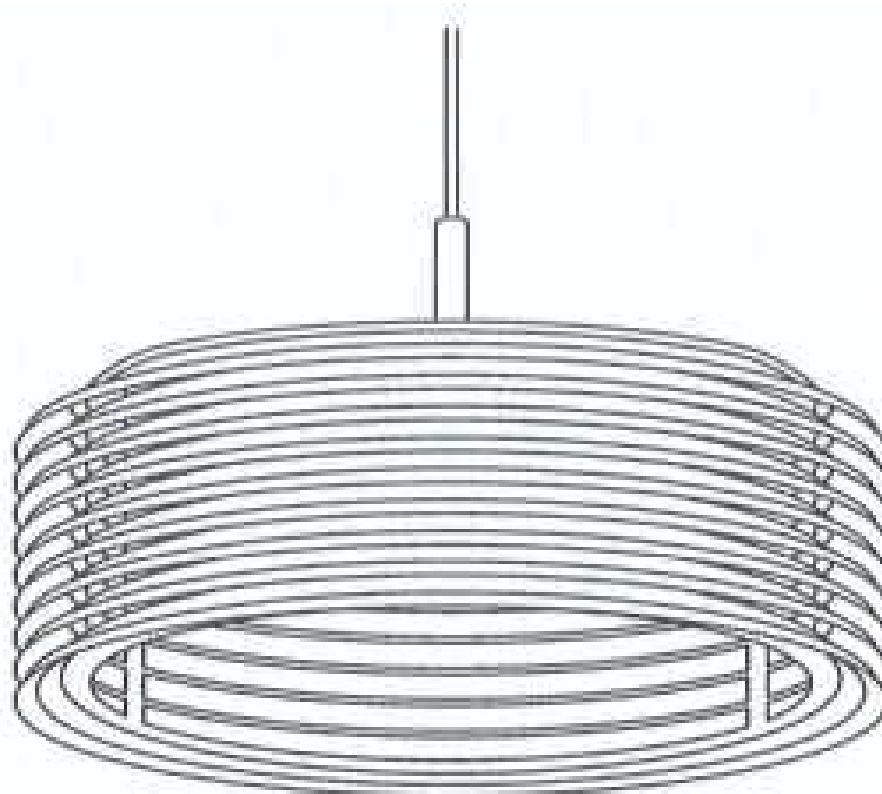
(45) Registration Date: **29 January 2008**

(30) Convention priority data:

(31) Number	(32) Date	(33) Country
000 691 969	21 Mar 2007	EUROPEAN COMMUNITY

(56) Related Art Documents: **Not Applicable**

(57) Statement of Newness and Distinctiveness: **Newness and distinctiveness is claimed in the features of shape and/or configuration of a lighting fixture as illustrated in the accompanying representations.**



(21) Design Number: **19874/2007**

(22) Date of Filing Application: **24 September 2007**

(24) Date from which industrial property rights may have effect: **24 September 2007**

(54) Product in respect of which the design is registered: **Blank Plate Outlet, Single Power Outlet - Horizontal, Single Power Outlet - Vertical, Double Power Outlet -**

(51) International Design Classification: **13-03D**

(71) Name(s) and Address(s) of Applicant(s):

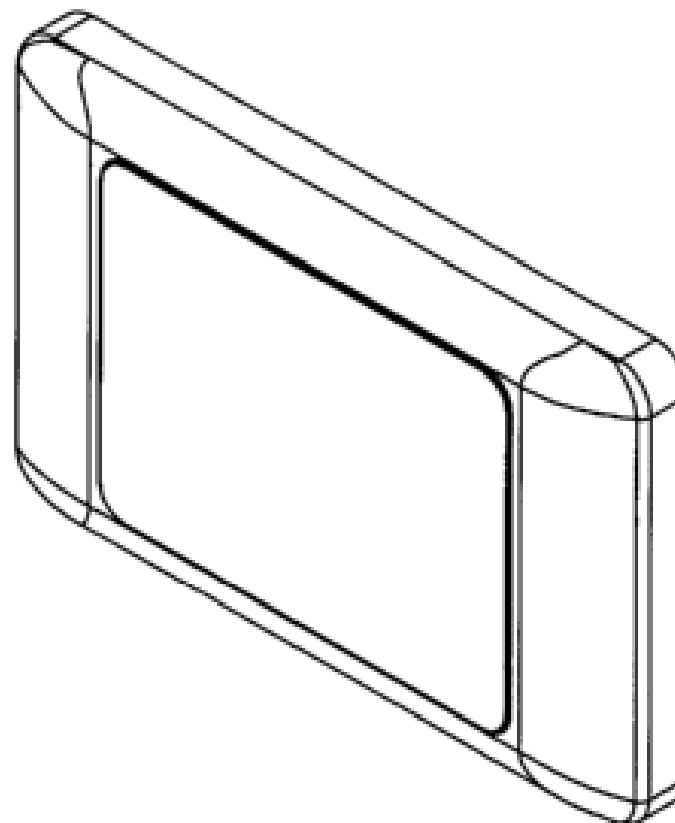
**Esco Industries Pty Ltd
Unit 37 Slough Business Park Holker Street Silverwater New South
Wales 2128 Australia**

(72) Name(s) of Designer(s): **Steve Adams and Simon Baumgartner**

(45) Registration Date: **29 January 2008**

(56) Related Art Documents: **Not Applicable**

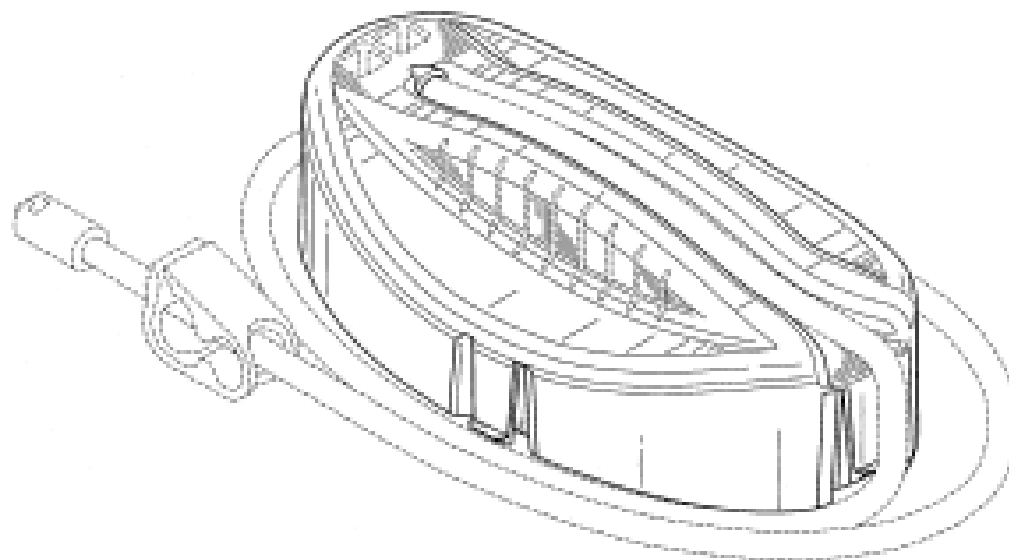
(57) Statement of Newness and Distinctiveness: **The overall shape of the face/faceplate is different to any other outlet on the market in relation to the curve. Oval switch detail unique in appearance. Tool slot for cover removal.**



(21) Design Number: **19948/2007**
 (22) Date of Filing Application: **28 September 2007**
 (24) Date from which industrial property rights may have effect: **28 September 2007**
 (54) Product in respect of which the design is registered: **Cannister for a Reduced Pressure Treatment System**
 (51) International Design Classification: **24-01**
 (71) Name(s) and Address(s) of Applicant(s):
KCI Licensing, Inc.
PO Box 659508 San Antonio TX 78265 United States of America
 (72) Name(s) of Designer(s): **Christopher Brian Locke and Aidan Marcus Tout**
 (45) Registration Date: **29 January 2008**
 (30) Convention priority data:

(31) Number	(32) Date	(33) Country
29/285591	02 Apr 2007	UNITED STATES OF AMERICA

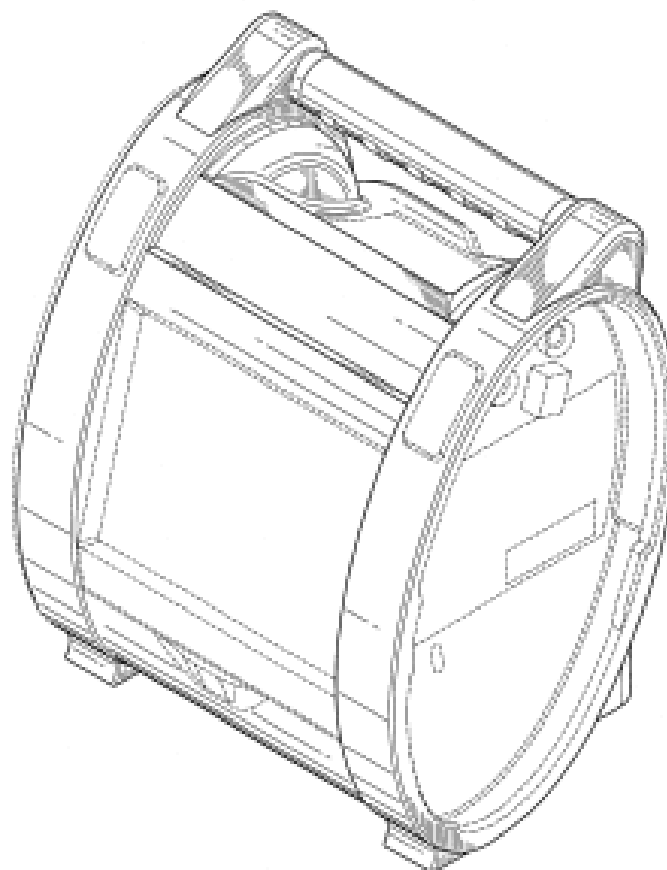
 (56) Related Art Documents: **Not Applicable**
 (57) Statement of Newness and Distinctiveness: **Nil**



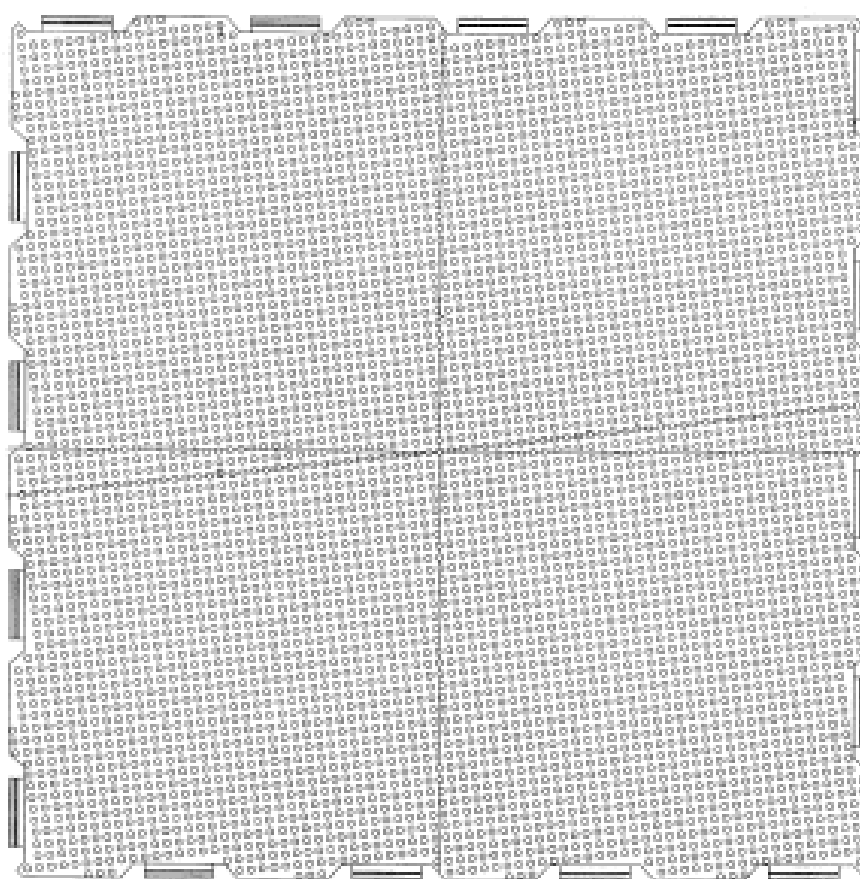
(21) Design Number: **19949/2007**
 (22) Date of Filing Application: **28 September 2007**
 (24) Date from which industrial property rights may have effect: **28 September 2007**
 (54) Product in respect of which the design is registered: **Reduced Pressure Treatment Device**
 (51) International Design Classification: **24-01**
 (71) Name(s) and Address(s) of Applicant(s):
KCI Licensing, Inc.
PO Box 659508 San Antonio TX 78265 United States of America
 (72) Name(s) of Designer(s): **Christopher Brian Locke and Aidan Marcus Tout**
 (45) Registration Date: **29 January 2008**
 (30) Convention priority data:

(31) Number	(32) Date	(33) Country
29/285602	02 Apr 2007	UNITED STATES OF AMERICA

 (56) Related Art Documents: **Not Applicable**
 (57) Statement of Newness and Distinctiveness: **Nil**

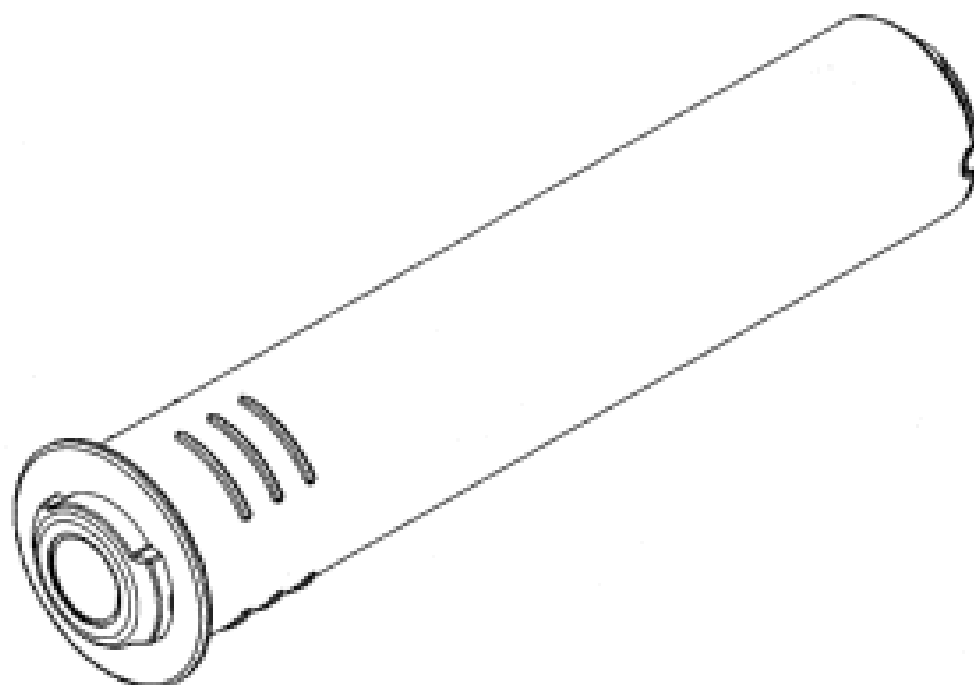


- (21) Design Number: **20982/2007**
- (22) Date of Filing Application: **23 November 2007**
- (24) Date from which industrial property rights may have effect: **23 November 2007**
- (54) Product in respect of which the design is registered: **Tile support member**
- (51) International Design Classification: **25-01F**
- (71) Name(s) and Address(s) of Applicant(s):
Robert Frazer
1 Lawson Crescent Thomastown Victoria 3074 Australia
Innvotech Pty Ltd
1 Lawson Crescent Thomastown Victoria 3074 Australia
- (72) Name(s) of Designer(s): **Robert Frazer**
- (45) Registration Date: **29 January 2008**
- (56) Related Art Documents: **Not Applicable**
- (57) Statement of Newness and Distinctiveness: **The shape and configuration of the product is new and distinctive.**



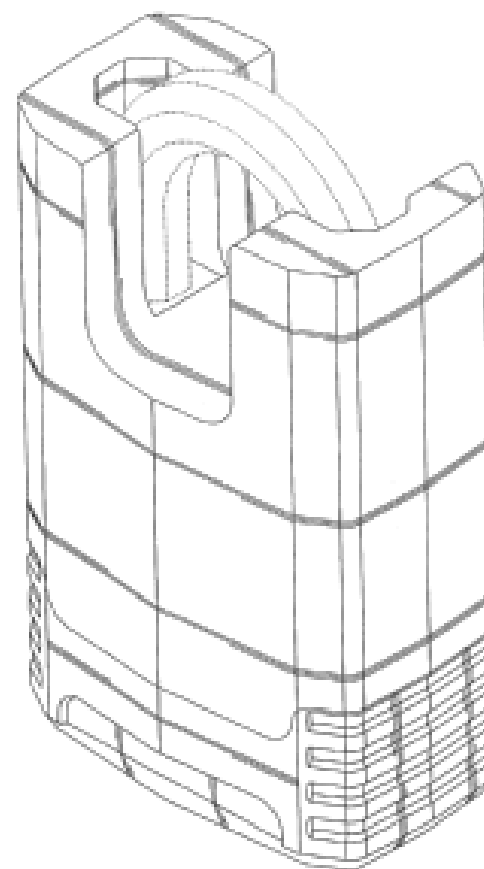
- (21) Design Number: **19884/2007**
- (22) Date of Filing Application: **24 September 2007**
- (24) Date from which industrial property rights may have effect: **24 September 2007**
- (54) Product in respect of which the design is registered: **A touch latch mechanism for moving parts of furniture such as for example doors, drawers etc**
- (51) International Design Classification: **08-07**
- (71) Name(s) and Address(s) of Applicant(s):
Julius Blum GmbH
Industriestrasse 1 6973 Hochst Austria
- (72) Name(s) of Designer(s): **Wolfgang Held**
- (45) Registration Date: **30 January 2008**
- (30) Convention priority data:

(31) Number	(32) Date	(33) Country
717236	03 May 2007	EUROPEAN COMMUNITY
- (56) Related Art Documents: **Not Applicable**
- (57) Statement of Newness and Distinctiveness: **Nil**



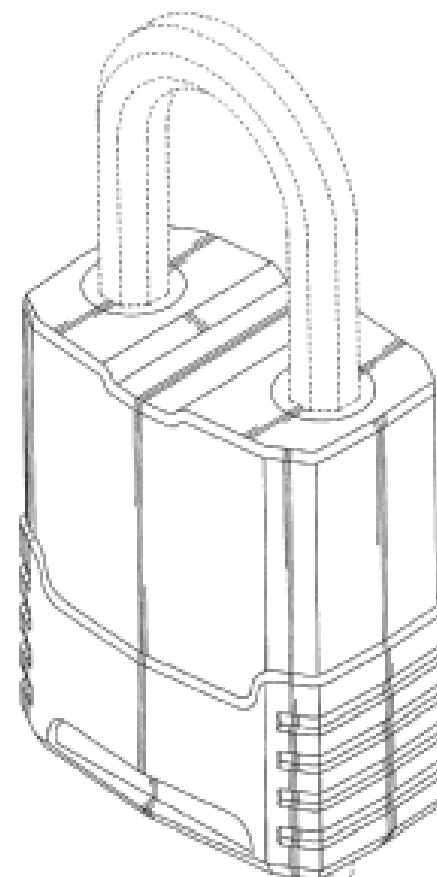
- (21) Design Number: **20168/2007**
- (22) Date of Filing Application: **11 October 2007**
- (24) Date from which industrial property rights may have effect: **11 October 2007**
- (54) Product in respect of which the design is registered: **Lock**
- (51) International Design Classification: **08-07**
- (71) Name(s) and Address(s) of Applicant(s):
Master Lock Company LLC
137 W. Forest Hill Avenue PO Box 927 Oak Creek Wisconsin 53154
United States of America
- (72) Name(s) of Designer(s): **Christopher Rohde and John Blomstrom and Jesse Marcelle and Scott Stevens**
- (45) Registration Date: **30 January 2008**
- (30) Convention priority data:

(31) Number	(32) Date	(33) Country
29/285,859	13 Apr 2007	UNITED STATES OF AMERICA
- (56) Related Art Documents: **Not Applicable**
- (57) Statement of Newness and Distinctiveness: **The newness and distinctiveness are provided by the shape and/or configuration of the design shown in the representations. The features shown in broken lines in the representations are for illustrative purposes only and should not be considered when construing visual features of the design.**

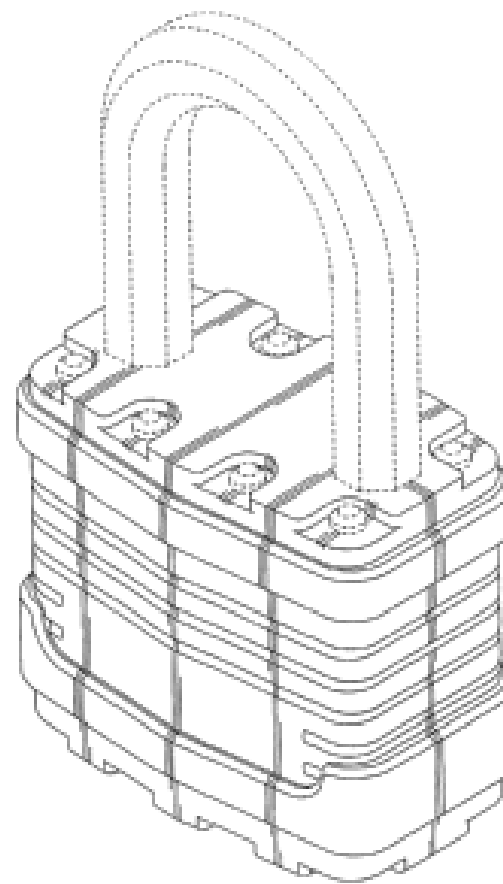


- (21) Design Number: **20169/2007**
- (22) Date of Filing Application: **11 October 2007**
- (24) Date from which industrial property rights may have effect: **11 October 2007**
- (54) Product in respect of which the design is registered: **Lock**
- (51) International Design Classification: **08-07**
- (71) Name(s) and Address(s) of Applicant(s):
Master Lock Company LLC
137 W. Forest Hill Avenue PO Box 927 Oak Creek Wisconsin 53154
United States of America
- (72) Name(s) of Designer(s): **Christopher Rohde and John Blomstrom and Jesse Marcelle and Scott Stevens**
- (45) Registration Date: **30 January 2008**
- (30) Convention priority data:

(31) Number	(32) Date	(33) Country
29/285,856	13 Apr 2007	UNITED STATES OF AMERICA
- (56) Related Art Documents: **Not Applicable**
- (57) Statement of Newness and Distinctiveness: **The newness and distinctiveness are provided by the shape and/or configuration of the design shown in the representations. The features shown in broken lines in the representations are for illustrative purposes only and should not be considered when construing visual features of the design.**



- (21) Design Number: **20170/2007**
(22) Date of Filing Application: **11 October 2007**
(24) Date from which industrial property rights may have effect: **11 October 2007**
(54) Product in respect of which the design is registered: **Lock**
(51) International Design Classification: **08-07**
(71) Name(s) and Address(s) of Applicant(s):
Master Lock Company LLC
137 W. Forest Hill Avenue PO Box 927 Oak Creek Wisconsin 53154
United States of America
(72) Name(s) of Designer(s): **Christopher Rohde and John Blomstrom and**
Jesse Marcelle and Scott Stevens
(45) Registration Date: **30 January 2008**
(30) Convention priority data:
(31) Number (32) Date (33) Country
29/285,864 13 Apr 2007 UNITED STATES OF AMERICA
(56) Related Art Documents: **Not Applicable**
(57) Statement of Newness and Distinctiveness: **The newness and distinctiveness are provided by the shape and/or configuration of the design shown in the representations. The features shown in broken lines in the representations are for illustrative purposes only and should not be considered when construing visual features of the design.**



- (21) Design Number: **20171/2007**
(22) Date of Filing Application: **11 October 2007**
(24) Date from which industrial property rights may have effect: **11 October 2007**
(54) Product in respect of which the design is registered: **Nut moving device**
(51) International Design Classification: **08-05P**
(71) Name(s) and Address(s) of Applicant(s):
Alfa Laval Corporate AB
Box 73 S-221 00 Lund Sweden
(72) Name(s) of Designer(s): **Roger Knutsson**
(45) Registration Date: **30 January 2008**
(30) Convention priority data:
(31) Number (32) Date (33) Country
2007/0270 30 May 2007 SWEDEN
(56) Related Art Documents: **Not Applicable**
(57) Statement of Newness and Distinctiveness: **Nil**



(21) Design Number: **20181/2007**

(22) Date of Filing Application: **10 October 2007**

(24) Date from which industrial property rights may have effect: **10 October 2007**

(54) Product in respect of which the design is registered: **Freezer**

(51) International Design Classification: **15-07**

(71) Name(s) and Address(s) of Applicant(s):

**Societe Des Produits Nestle S.A.
1800 Vevey Switzerland**

(72) Name(s) of Designer(s): **Frank Rousselin**

(45) Registration Date: **30 January 2008**

(30) Convention priority data:

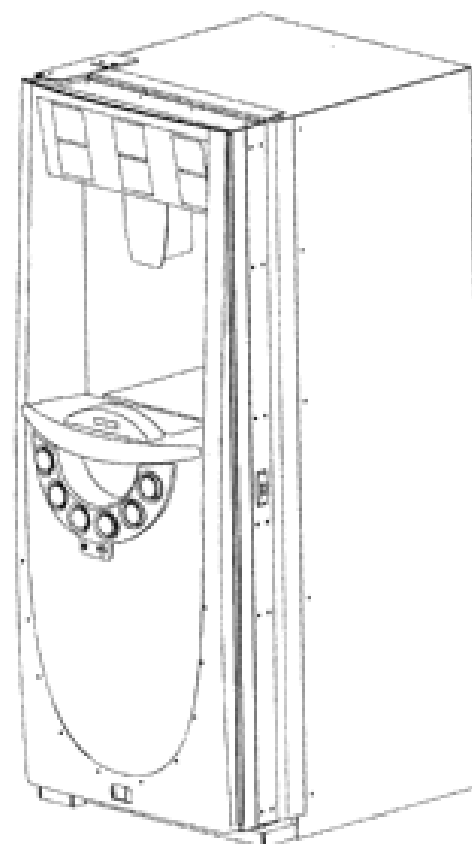
(31) Number
133779

(32) Date
13 Apr 2007

(33) Country
SWITZERLAND

(56) Related Art Documents: **Not Applicable**

(57) Statement of Newness and Distinctiveness: **Newness and distinctiveness reside in the shape and configuration of the freezer shown in the accompanying representations.**



(21) Design Number: **20182/2007**

(22) Date of Filing Application: **10 October 2007**

(24) Date from which industrial property rights may have effect: **10 October 2007**

(54) Product in respect of which the design is registered: **Barbeque**

(51) International Design Classification: **07-02E**

(71) Name(s) and Address(s) of Applicant(s):

**H&H Asia Limited trading as Sun Moon Furniture
27F No. 4013 Shennan Toad Shenzhen 518028 People's Republic of
China**

(72) Name(s) of Designer(s): **Alpha Chien**

(45) Registration Date: **30 January 2008**

(56) Related Art Documents: **Not Applicable**

(57) Statement of Newness and Distinctiveness: **Newness and distinctiveness resides in the shape and/or configuration of the barbeque as illustrated in the accompanying representations.**



(21) Design Number: **20183/2007**

(22) Date of Filing Application: **10 October 2007**

(24) Date from which industrial property rights may have effect: **10 October 2007**

(54) Product in respect of which the design is registered: **Filing cabinet**

(51) International Design Classification: **06-04B**

(71) Name(s) and Address(s) of Applicant(s):

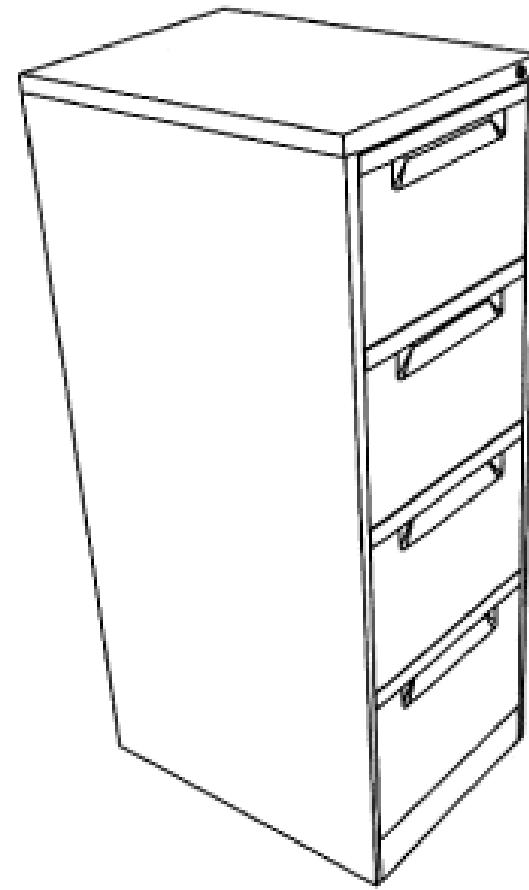
**H&H Asia Limited trading as Icon Office Furniture
c/- 27F No. 4013 Shennan Road Shenzhen 518028 People's Republic
of China**

(72) Name(s) of Designer(s): **Alpha Chien**

(45) Registration Date: **30 January 2008**

(56) Related Art Documents: **Not Applicable**

(57) Statement of Newness and Distinctiveness: **Newness and distinctiveness
resides in the shape and/or configuration of the barbeque as illustrated
in the accompanying representations.**



(21) Design Number: **20184/2007**

(22) Date of Filing Application: **10 October 2007**

(24) Date from which industrial property rights may have effect: **10 October 2007**

(54) Product in respect of which the design is registered: **Filing cabinet**

(51) International Design Classification: **06-04B**

(71) Name(s) and Address(s) of Applicant(s):

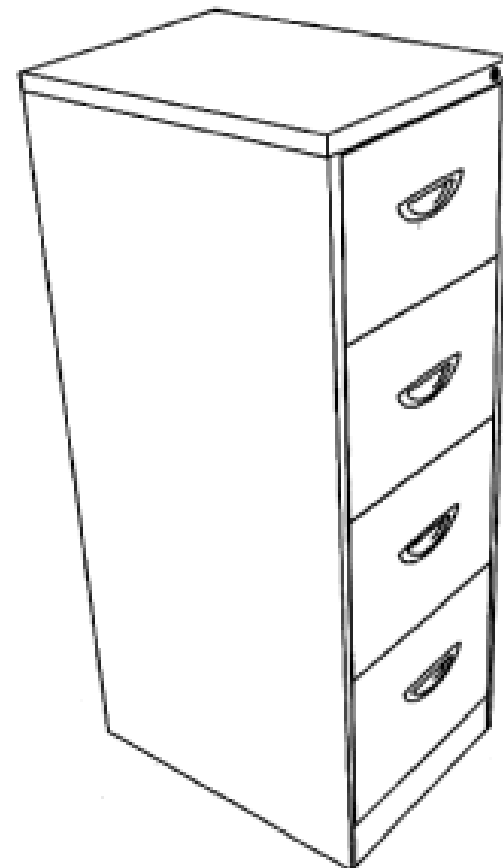
**H&H Asia Limited trading as Icon Office Furniture
c/- 27F No. 4013 Shennan Road Shenzhen 518028 People's Republic
of China**

(72) Name(s) of Designer(s): **Alpha Chien**

(45) Registration Date: **30 January 2008**

(56) Related Art Documents: **Not Applicable**

(57) Statement of Newness and Distinctiveness: **Newness and distinctiveness
resides in the shape and/or configuration of the barbeque as illustrated
in the accompanying representations.**



(21) Design Number: **20185/2007**

(22) Date of Filing Application: **10 October 2007**

(24) Date from which industrial property rights may have effect: **10 October 2007**

(54) Product in respect of which the design is registered: **Filing cabinet**

(51) International Design Classification: **06-04B**

(71) Name(s) and Address(s) of Applicant(s):

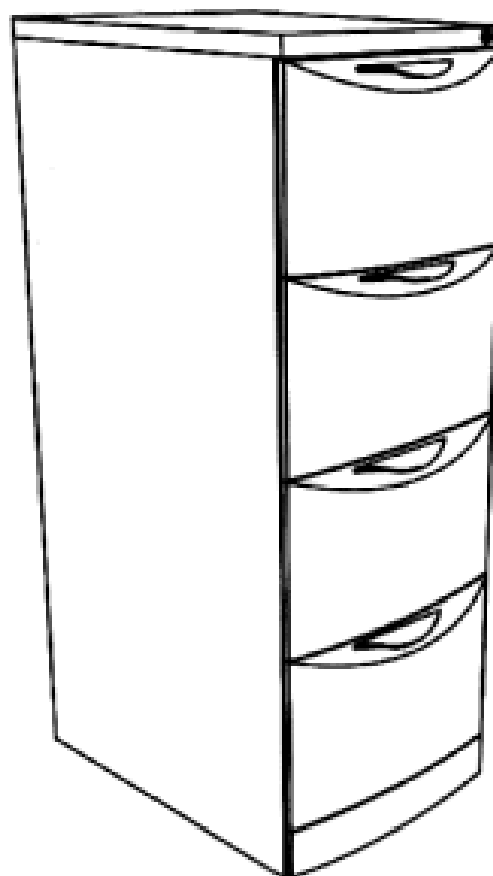
**H&H Asia Limited trading as Icon Office Furniture
c/- 27F No. 4013 Shennan Road Shenzhen 518028 People's Republic
of China**

(72) Name(s) of Designer(s): **Alpha Chien**

(45) Registration Date: **30 January 2008**

(56) Related Art Documents: **Not Applicable**

(57) Statement of Newness and Distinctiveness: **Newness and distinctiveness
resides in the shape and/or configuration of the barbeque as illustrated
in the accompanying representations.**



(21) Design Number: **20186/2007**

(22) Date of Filing Application: **10 October 2007**

(24) Date from which industrial property rights may have effect: **10 October 2007**

(54) Product in respect of which the design is registered: **Refrigerator**

(51) International Design Classification: **15-07**

(71) Name(s) and Address(s) of Applicant(s):

**Sharp Kabushiki Kaisha
22-22 Nagaike-cho Abeno-ku Osaka Japan**

(72) Name(s) of Designer(s): **Hiroshi Mizuno and Naoya Kikumoto**

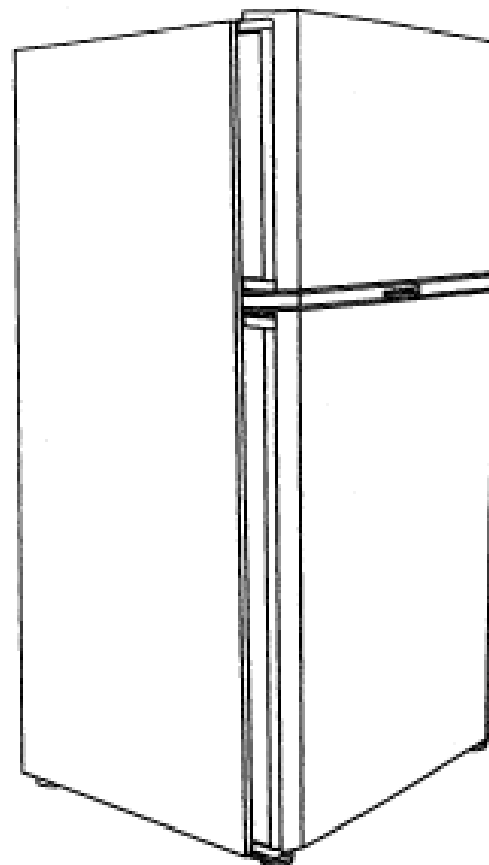
(45) Registration Date: **30 January 2008**

(30) Convention priority data:

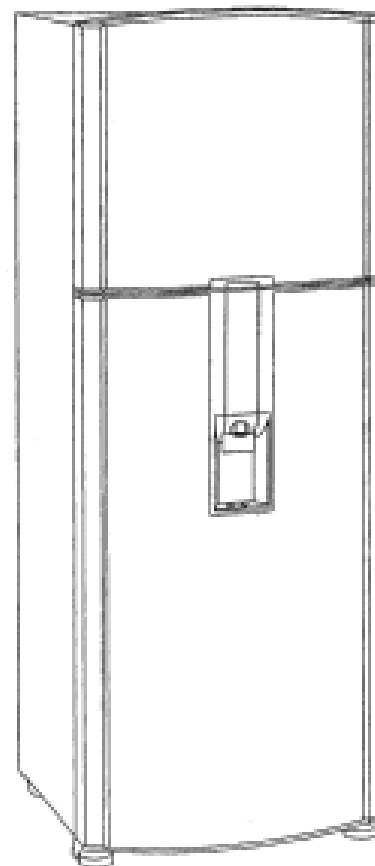
(31) Number	(32) Date	(33) Country
2007-011106	25 Apr 2007	JAPAN

(56) Related Art Documents: **Not Applicable**

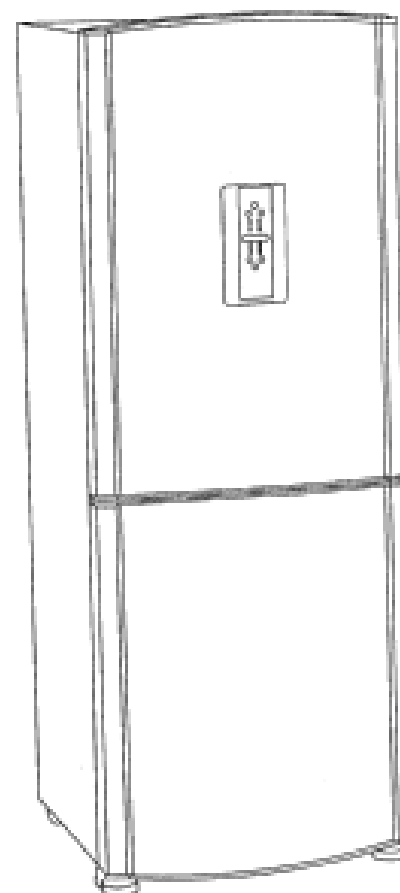
(57) Statement of Newness and Distinctiveness: **Newness and distinctiveness is
claimed in the visual features shown in solid lines in the representations.**



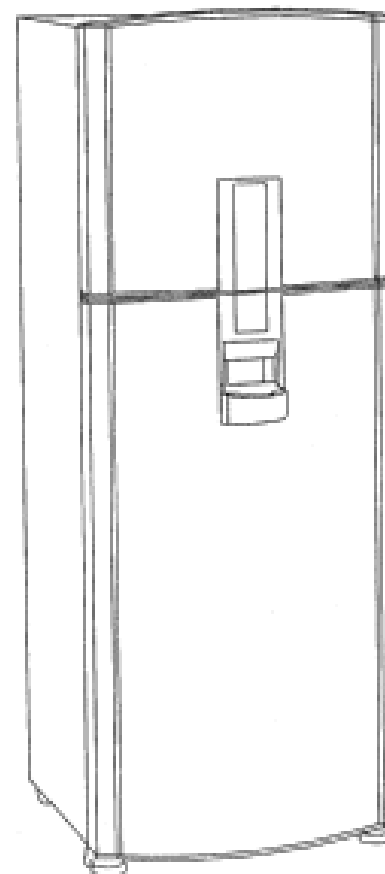
- (21) Design Number: **20187/2007**
(22) Date of Filing Application: **10 October 2007**
(24) Date from which industrial property rights may have effect: **10 October 2007**
(54) Product in respect of which the design is registered: **A refrigerator**
(51) International Design Classification: **15-07**
(71) Name(s) and Address(s) of Applicant(s):
Whirlpool S.A
Av. das Nacoes Unidas 12.995,32 andar Brooklin Novo 04578-000 Sao Paulo-SP Brazil
(72) Name(s) of Designer(s): **Guilherme Nehring and Carlos Roberto Lemos Homem de Mello and Anna Luiza Morais de Sa Cavalcanti and Rodolfo Floeter Junior**
(45) Registration Date: **30 January 2008**
(30) Convention priority data:
(31) Number (32) Date (33) Country
DI6700941-7 10 Apr 2007 BRAZIL
(56) Related Art Documents: **Not Applicable**
(57) Statement of Newness and Distinctiveness: **Newness and distinctiveness is claimed in the features of shape and/or configuration of a refrigerator as illustrated in the accompanying representations.**



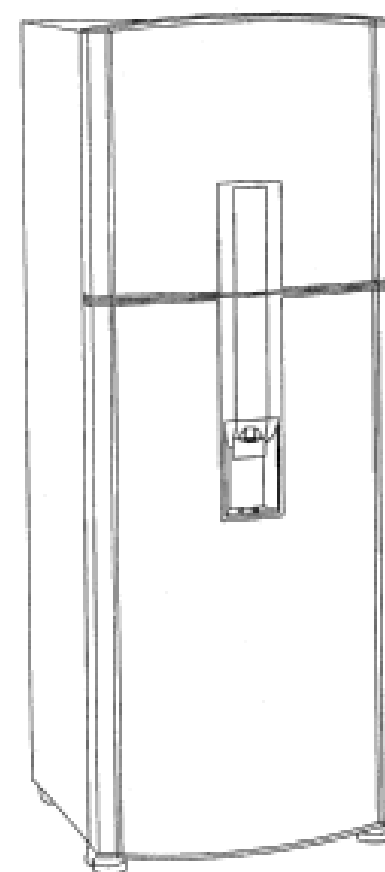
- (21) Design Number: **20188/2007**
(22) Date of Filing Application: **10 October 2007**
(24) Date from which industrial property rights may have effect: **10 October 2007**
(54) Product in respect of which the design is registered: **A refrigerator**
(51) International Design Classification: **15-07**
(71) Name(s) and Address(s) of Applicant(s):
Whirlpool S.A
Av. das Nacoes Unidas 12.995,32 andar Brooklin Novo 04578-000 Sao Paulo-SP Brazil
(72) Name(s) of Designer(s): **Guilherme Nehring and Anna Luiza Morais de Sa Cavalcanti and Rodolfo Floeter Junior and Carlos Roberto Lemos Homem de Mello**
(45) Registration Date: **30 January 2008**
(30) Convention priority data:
(31) Number (32) Date (33) Country
DI6700941-7 10 Apr 2007 BRAZIL
(56) Related Art Documents: **Not Applicable**
(57) Statement of Newness and Distinctiveness: **Newness and distinctiveness is claimed in the features of shape and/or configuration of a refrigerator as illustrated in the accompanying representations.**



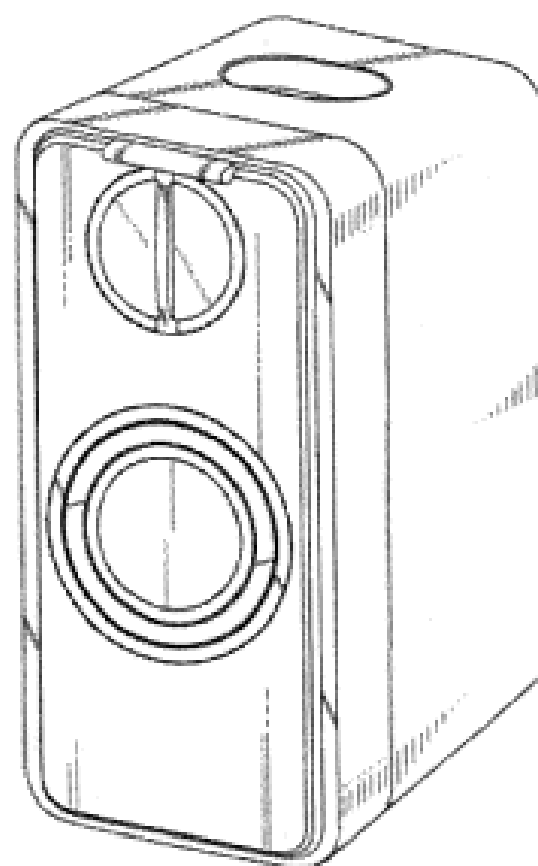
- (21) Design Number: **20189/2007**
(22) Date of Filing Application: **10 October 2007**
(24) Date from which industrial property rights may have effect: **10 October 2007**
(54) Product in respect of which the design is registered: **A refrigerator**
(51) International Design Classification: **15-07**
(71) Name(s) and Address(s) of Applicant(s):
Whirlpool S.A
Av. das Nacoes Unidas 12.995,32 andar Brooklin Novo 04578-000 Sao Paulo-SP Brazil
(72) Name(s) of Designer(s): **Guilherme Nehring and Carlos Roberto Lemos Homem de Mello and Anna Luiza Morais de Sa Cavalcanti and Rodolfo Floeter Junior**
(45) Registration Date: **30 January 2008**
(30) Convention priority data:
(31) Number (32) Date (33) Country
DI6700941-7 10 Apr 2007 BRAZIL
(56) Related Art Documents: **Not Applicable**
(57) Statement of Newness and Distinctiveness: **Newness and distinctiveness is claimed in the features of shape and/or configuration of a refrigerator as illustrated in the accompanying representations.**



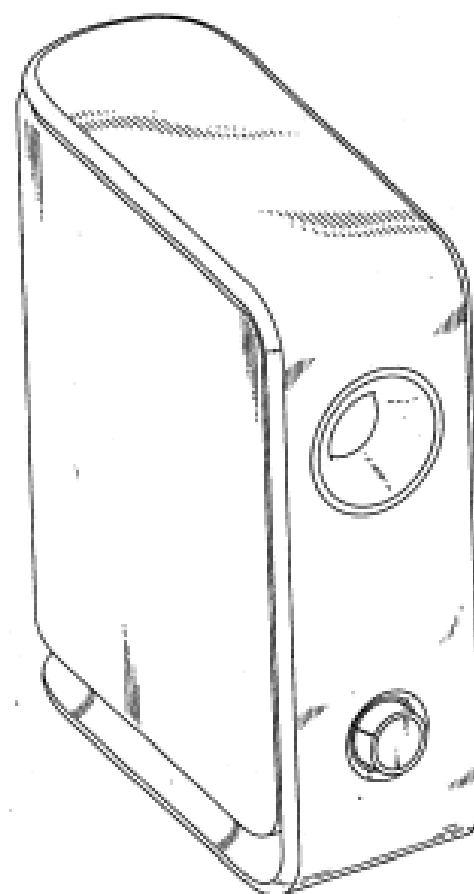
- (21) Design Number: **20190/2007**
(22) Date of Filing Application: **10 October 2007**
(24) Date from which industrial property rights may have effect: **10 October 2007**
(54) Product in respect of which the design is registered: **A refrigerator**
(51) International Design Classification: **15-07**
(71) Name(s) and Address(s) of Applicant(s):
Whirlpool S.A
Av. das Nacoes Unidas 12.995,32 andar Brooklin Novo 04578-000 Sao Paulo-SP Brazil
(72) Name(s) of Designer(s): **Guilherme Nehring and Carlos Roberto Lemos Homem de Mello and Anna Luiza Morais de Sa Cavalcanti and Rodolfo Floeter Junior**
(45) Registration Date: **30 January 2008**
(30) Convention priority data:
(31) Number (32) Date (33) Country
DI6700941-7 10 Apr 2007 BRAZIL
(56) Related Art Documents: **Not Applicable**
(57) Statement of Newness and Distinctiveness: **Newness and distinctiveness is claimed in the features of shape and/or configuration of a refrigerator as illustrated in the accompanying representations.**



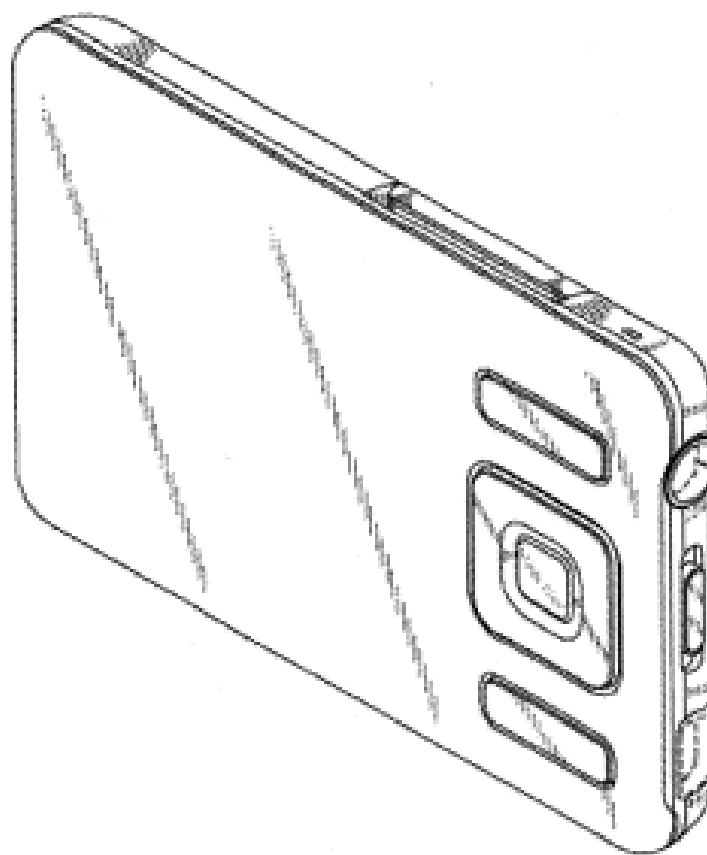
- (21) Design Number: **20191/2007**
(22) Date of Filing Application: **10 October 2007**
(24) Date from which industrial property rights may have effect: **10 October 2007**
(54) Product in respect of which the design is registered: **Loudspeaker**
(51) International Design Classification: **14-01**
(71) Name(s) and Address(s) of Applicant(s):
Creative Technology Ltd
31 International Business Park Creative Resource Singapore 609921
(72) Name(s) of Designer(s): **Nicholas Stephen Marchand and Mei San Gigi Cho and Yu Weng Alvin Sitoh**
(45) Registration Date: **30 January 2008**
(30) Convention priority data:
(31) Number (32) Date (33) Country
29/282,752 27 Jul 2007 UNITED STATES OF AMERICA
(56) Related Art Documents: **Not Applicable**
(57) Statement of Newness and Distinctiveness: **The novelty of the design resides in the features of shape and configuration as depicted in the attached representations.**



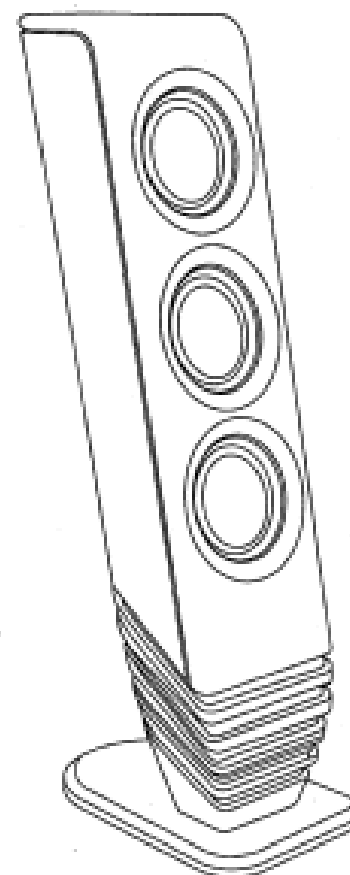
- (21) Design Number: **20192/2007**
(22) Date of Filing Application: **10 October 2007**
(24) Date from which industrial property rights may have effect: **10 October 2007**
(54) Product in respect of which the design is registered: **Loudspeaker**
(51) International Design Classification: **14-01**
(71) Name(s) and Address(s) of Applicant(s):
Creative Technology Ltd
31 International Business Park Creative Resource Singapore 609921
(72) Name(s) of Designer(s): **Kian Choon Janie Lim and Jeng Khim Tan and Chien Mei Linda Ang and Hui Ling Gan and Soo Beng Damien Khoo**
(45) Registration Date: **30 January 2008**
(30) Convention priority data:
(31) Number (32) Date (33) Country
29/289,086 06 Jul 2007 UNITED STATES OF AMERICA
(56) Related Art Documents: **Not Applicable**
(57) Statement of Newness and Distinctiveness: **The novelty of the design resides in the features of shape and configuration as depicted in the attached representations.**



(21) Design Number: **20193/2007**
(22) Date of Filing Application: **10 October 2007**
(24) Date from which industrial property rights may have effect: **10 October 2007**
(54) Product in respect of which the design is registered: **Media player**
(51) International Design Classification: **14-01**
(71) Name(s) and Address(s) of Applicant(s):
Creative Technology Ltd
31 International Business Park Creative Resource Singapore 609921
(72) Name(s) of Designer(s): **Boon Keat Eddy Toh**
(45) Registration Date: **30 January 2008**
(30) Convention priority data:
(31) Number (32) Date (33) Country
29/282,961 02 Aug 2007 UNITED STATES OF AMERICA
(56) Related Art Documents: **Not Applicable**
(57) Statement of Newness and Distinctiveness: **The novelty of the design resides in the features of shape and configuration as depicted in the attached representations.**



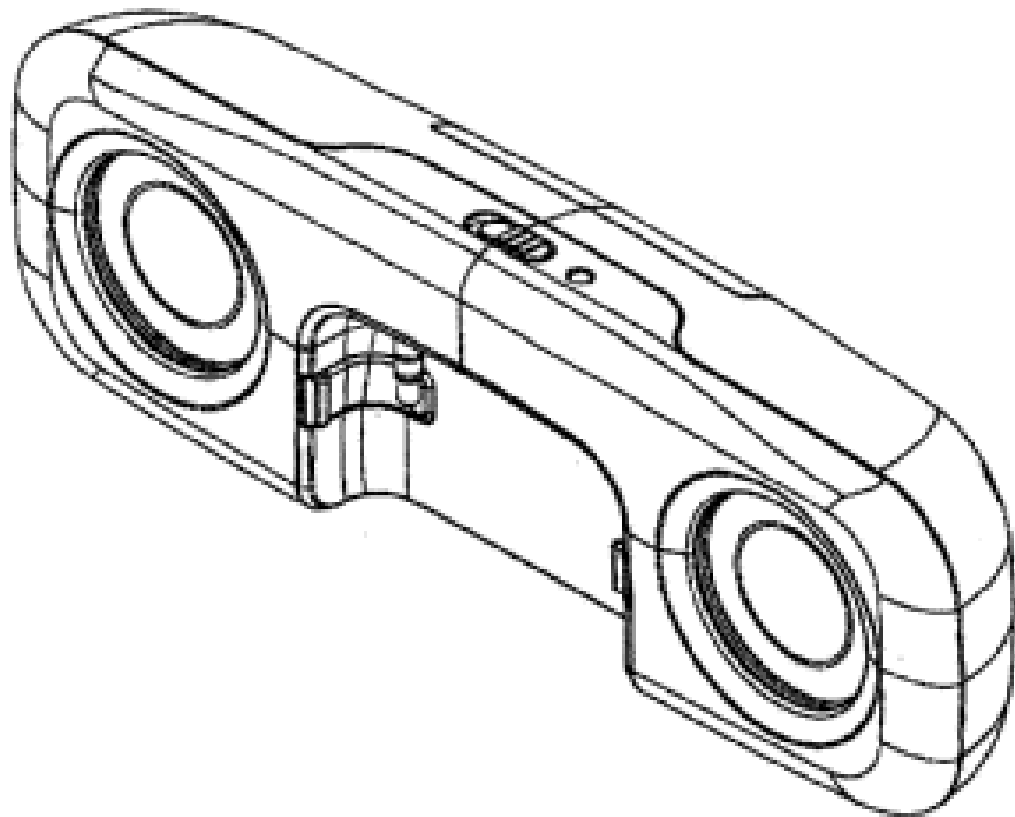
(21) Design Number: **20194/2007**
(22) Date of Filing Application: **10 October 2007**
(24) Date from which industrial property rights may have effect: **10 October 2007**
(54) Product in respect of which the design is registered: **Loudspeaker**
(51) International Design Classification: **14-01**
(71) Name(s) and Address(s) of Applicant(s):
Creative Technology Ltd
31 International Business Park Creative Resource Singapore 609921
(72) Name(s) of Designer(s): **Kian Choon Janie Lim and Jen Khim Tan and Chien Mei Linda Ang and Hui Ling Gan and Soo Beng Damien Khoo**
(45) Registration Date: **30 January 2008**
(30) Convention priority data:
(31) Number (32) Date (33) Country
29/289,087 06 Jul 2007 UNITED STATES OF AMERICA
(56) Related Art Documents: **Not Applicable**
(57) Statement of Newness and Distinctiveness: **The novelty of the design resides in the features of shape and configuration as depicted in the attached representations.**



(19) AU

- (21) Design Number: **20195/2007**
- (22) Date of Filing Application: **10 October 2007**
- (24) Date from which industrial property rights may have effect: **10 October 2007**
- (54) Product in respect of which the design is registered: **Loudspeaker and cradle for electronic device**
- (51) International Design Classification: **14-01**
- (71) Name(s) and Address(s) of Applicant(s):
Creative Technology Ltd
31 International Business Park Creative Resource Singapore 609921
- (72) Name(s) of Designer(s): **Chien Mei Linda Ang and Wei Lit Wilfred Leung**
- (45) Registration Date: **30 January 2008**
- (30) Convention priority data:

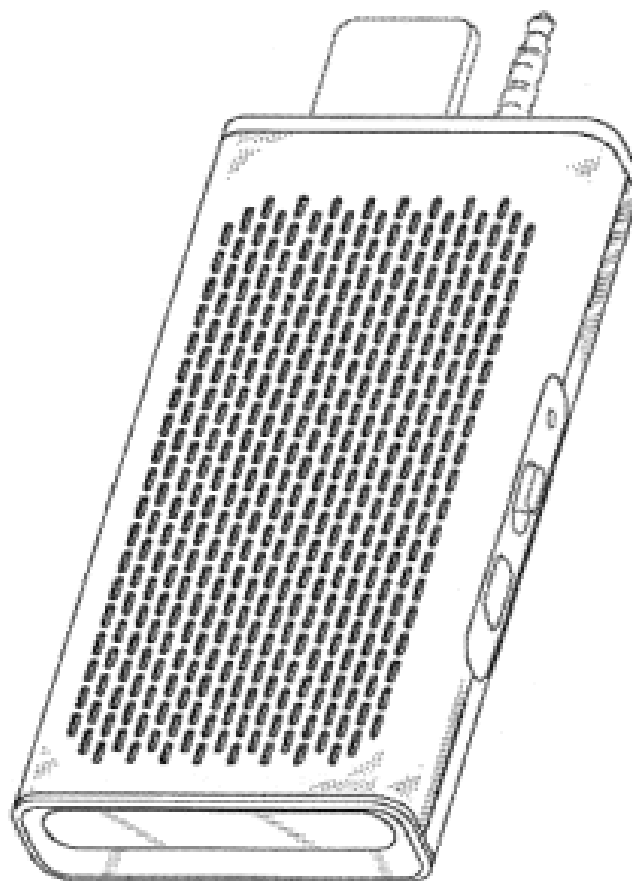
(31) Number	(32) Date	(33) Country
29/288,512	13 Jun 2007	UNITED STATES OF AMERICA
- (56) Related Art Documents: **Not Applicable**
- (57) Statement of Newness and Distinctiveness: **The novelty of the design resides in the features of shape and configuration as depicted in the attached representations.**



(19) AU

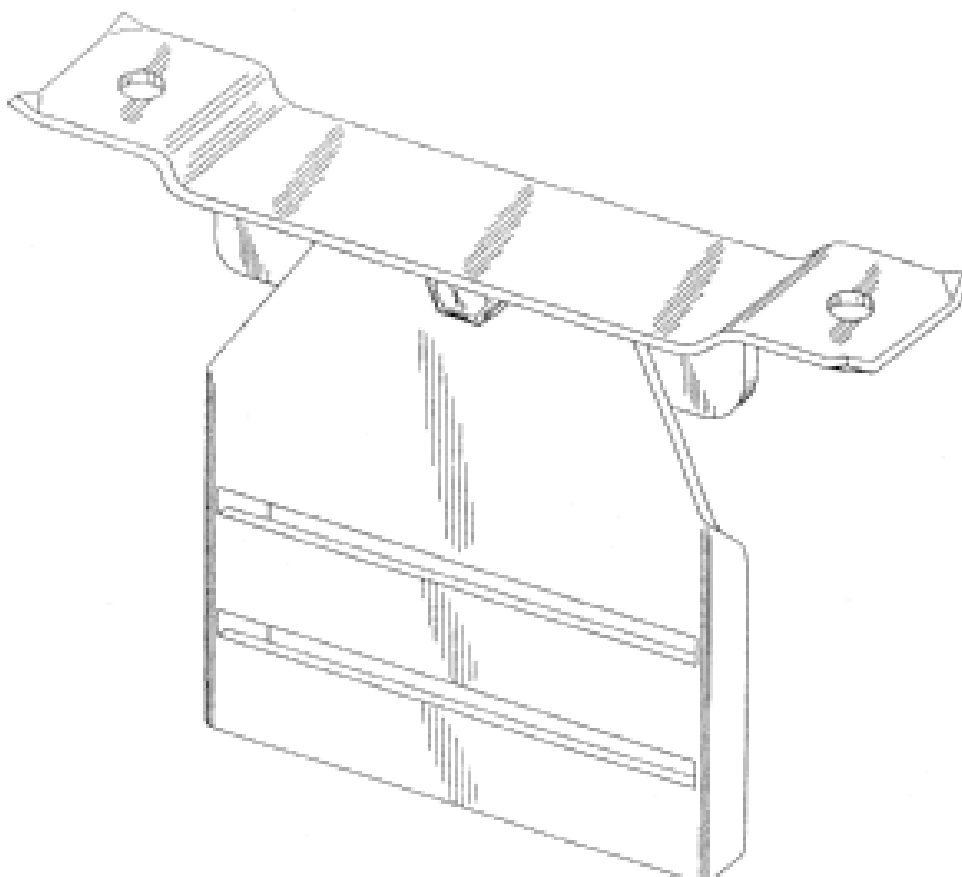
- (21) Design Number: **20196/2007**
- (22) Date of Filing Application: **10 October 2007**
- (24) Date from which industrial property rights may have effect: **10 October 2007**
- (54) Product in respect of which the design is registered: **Loudspeaker device**
- (51) International Design Classification: **14-01**
- (71) Name(s) and Address(s) of Applicant(s):
Creative Technology Ltd
31 International Business Park Creative Resource Singapore 609921
- (72) Name(s) of Designer(s): **Kian Choon Janie Lim and Soo Beng Damien Khoo and Yuet Syn Joey Ng and Kar Choon Ng and Nicholas Stephen Marchand**
- (45) Registration Date: **30 January 2008**
- (30) Convention priority data:

(31) Number	(32) Date	(33) Country
29/282,604	25 Jul 2007	UNITED STATES OF AMERICA
- (56) Related Art Documents: **Not Applicable**
- (57) Statement of Newness and Distinctiveness: **The novelty of the design resides in the features of shape and configuration as depicted in the attached representations.**



- (21) Design Number: **20199/2007**
- (22) Date of Filing Application: **10 October 2007**
- (24) Date from which industrial property rights may have effect: **22 June 2007**
- (54) Product in respect of which the design is registered: **Post bracket and attaching buckle**
- (51) International Design Classification: **08-08K**
- (71) Name(s) and Address(s) of Applicant(s):
John Wall, Inc.
440 West Greene Street Carmichaels Pennsylvania 15320 United States of America
- (72) Name(s) of Designer(s): **John R. Wall**
- (45) Registration Date: **30 January 2008**
- (30) Convention priority data:

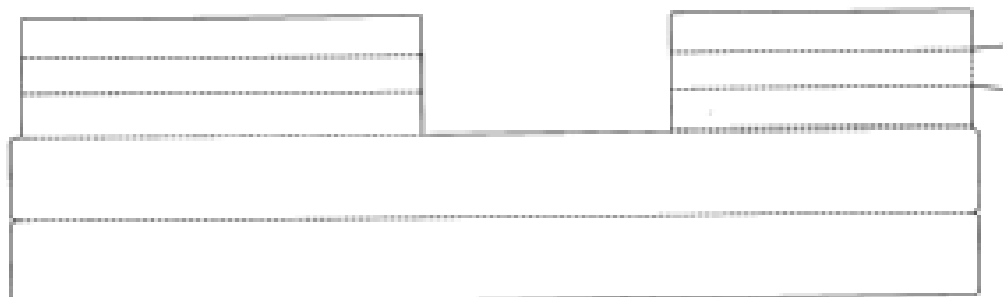
(31) Number	(32) Date	(33) Country
29270490	22 Dec 2006	UNITED STATES OF AMERICA
- (62) Divisional of: **317039**
- (56) Related Art Documents: **Not Applicable**
- (57) Statement of Newness and Distinctiveness: **Newness and distinctiveness is claimed in the visual features shown in solid lines in the representations.**



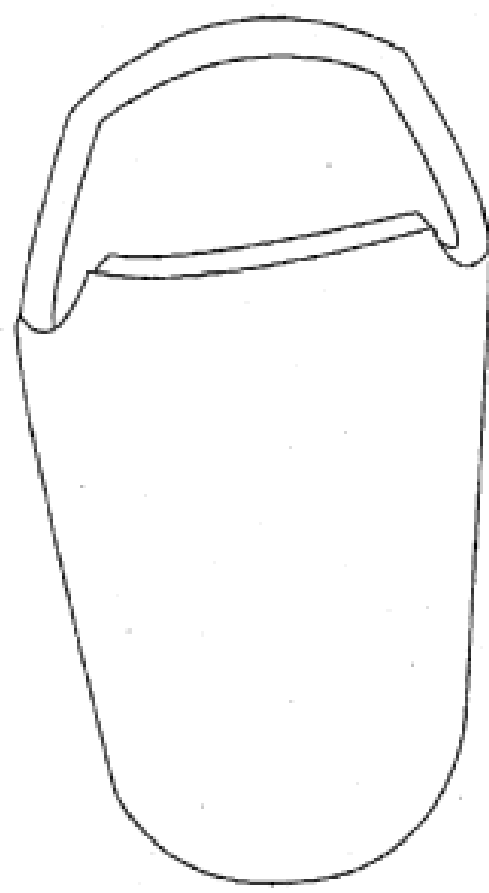
- (21) Design Number: **20233/2007**
- (22) Date of Filing Application: **09 October 2007**
- (24) Date from which industrial property rights may have effect: **09 October 2007**
- (54) Product in respect of which the design is registered: **A liner blank for use with clam packaging**
- (51) International Design Classification: **09-99**
- (71) Name(s) and Address(s) of Applicant(s):
Raven Products Pty Ltd
18#22 Aldershot Road Lonsdale South Australia 5160 Australia
- (72) Name(s) of Designer(s): **Michael Moulding and Andrew Whittaker**
- (45) Registration Date: **30 January 2008**
- (56) Related Art Documents: **Not Applicable**
- (57) Statement of Newness and Distinctiveness: **Nil**



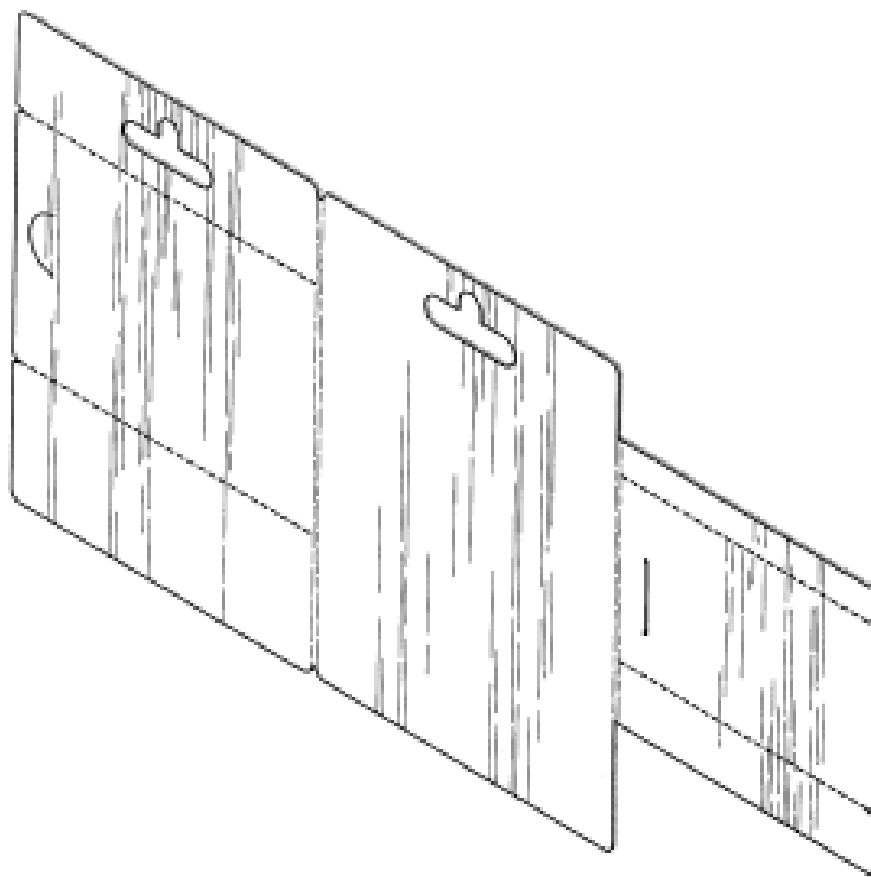
- (21) Design Number: **20234/2007**
- (22) Date of Filing Application: **09 October 2007**
- (24) Date from which industrial property rights may have effect: **09 October 2007**
- (54) Product in respect of which the design is registered: **A liner blank for use with clam packaging**
- (51) International Design Classification: **09-99**
- (71) Name(s) and Address(s) of Applicant(s):
Raven Products Pty Ltd
18#22 Aldershot Road Lonsdale South Australia 5160 Australia
- (72) Name(s) of Designer(s): **Michael Moulding and Andrew Whittaker**
- (45) Registration Date: **30 January 2008**
- (56) Related Art Documents: **Not Applicable**
- (57) Statement of Newness and Distinctiveness: **Nil**



- (21) Design Number: **20123/2007**
- (22) Date of Filing Application: **09 October 2007**
- (24) Date from which industrial property rights may have effect: **09 October 2007**
- (54) Product in respect of which the design is registered: **Stubbie holder**
- (51) International Design Classification: **07-06A**
- (71) Name(s) and Address(s) of Applicant(s):
Jason Hicks
97 Fryers Street Shepparton Victoria 3630 Australia
Anita Hicks
97 Fryers Street Shepparton Victoria 3630 Australia
- (72) Name(s) of Designer(s): **Jason Hicks**
- (45) Registration Date: **31 January 2008**
- (56) Related Art Documents: **Not Applicable**
- (57) Statement of Newness and Distinctiveness: **Newness is claimed in the features of shape and configuration of the stubbie holder as shown in the accompanying representations.**



- (21) Design Number: **20124/2007**
(22) Date of Filing Application: **09 October 2007**
(24) Date from which industrial property rights may have effect: **09 October 2007**
(54) Product in respect of which the design is registered: **Tamper-proof package blank**
(51) International Design Classification: **09-03M**
(71) Name(s) and Address(s) of Applicant(s):
Australia and New Zealand Banking Group Limited
Level 6 100 Queen Street Melbourne Victoria 3000 Australia
(72) Name(s) of Designer(s): **Catherine O'Brien**
(45) Registration Date: **31 January 2008**
(56) Related Art Documents: **Not Applicable**
(57) Statement of Newness and Distinctiveness: **Nil**



- (21) Design Number: **20132/2007**
(22) Date of Filing Application: **08 October 2007**
(24) Date from which industrial property rights may have effect: **08 October 2007**
(54) Product in respect of which the design is registered: **Air-conditioner**
(51) International Design Classification: **23-04**
(71) Name(s) and Address(s) of Applicant(s):
Daikin Industries Ltd.
Umeda Center Building, 4-12 Nakazaki-Nishi 2-chome, Kita-Ku,
Osaka-shi, Osaka-fu, Japan
(72) Name(s) of Designer(s): **Kouichirou Seki**
(45) Registration Date: **31 January 2008**
(30) Convention priority data:
(31) Number (32) Date (33) Country
2007-18464 06 Jul 2007 JAPAN
(56) Related Art Documents: **Not Applicable**
(57) Statement of Newness and Distinctiveness: **Nil**



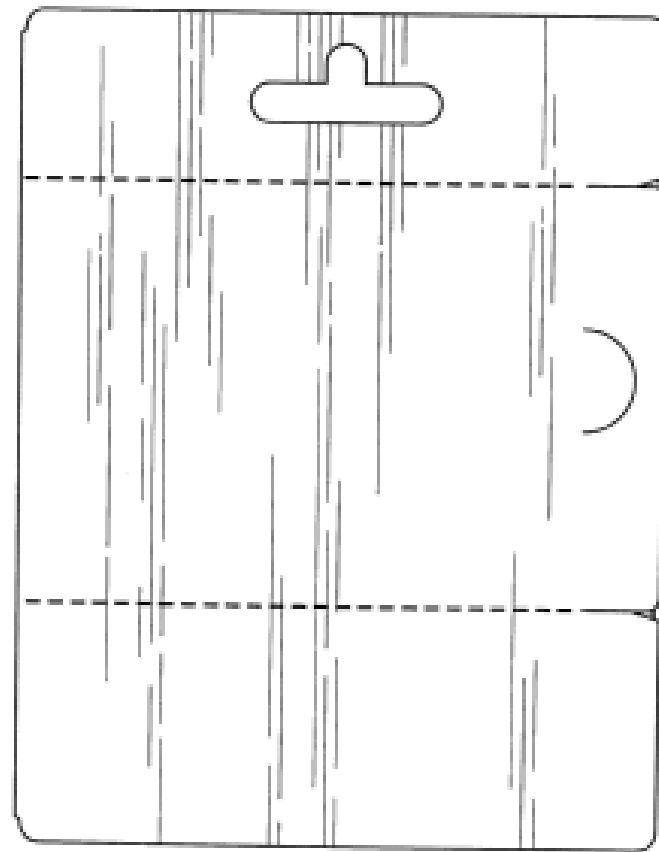
(21) Design Number: **20133/2007**
(22) Date of Filing Application: **08 October 2007**
(24) Date from which industrial property rights may have effect: **08 October 2007**
(54) Product in respect of which the design is registered: **Air-conditioner**
(51) International Design Classification: **23-04**
(71) Name(s) and Address(s) of Applicant(s):
Daikin Industries Ltd.
Umeda Center Building, 4-12 Nakazaki-Nishi 2-chome, Kita-Ku,
Osaka-shi, Osaka-fu, Japan
(72) Name(s) of Designer(s): **Junji Nakamura and Kouichirou Seki and**
Kentarou Niki and Yuuichi Murai
(45) Registration Date: **31 January 2008**
(30) Convention priority data:
(31) Number (32) Date (33) Country
2007-16769 22 Jun 2007 JAPAN
(56) Related Art Documents: **Not Applicable**
(57) Statement of Newness and Distinctiveness: **Nil**



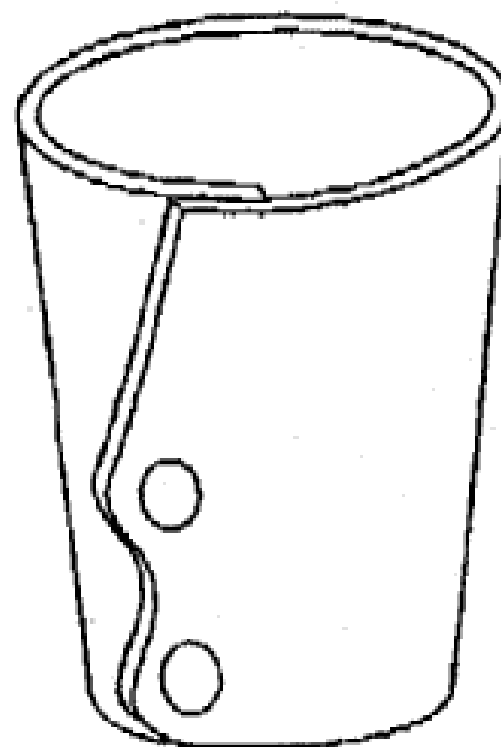
(21) Design Number: **20134/2007**
(22) Date of Filing Application: **08 October 2007**
(24) Date from which industrial property rights may have effect: **08 October 2007**
(54) Product in respect of which the design is registered: **Air-conditioner**
(51) International Design Classification: **23-04**
(71) Name(s) and Address(s) of Applicant(s):
Daikin Industries Ltd.
Umeda Center Building, 4-12 Nakazaki-Nishi 2-chome, Kita-Ku,
Osaka-shi, Osaka-fu, Japan
(72) Name(s) of Designer(s): **Junji Nakamura and Kouichirou Seki and**
Kentarou Niki and Yuuichi Murai
(45) Registration Date: **31 January 2008**
(30) Convention priority data:
(31) Number (32) Date (33) Country
2007-16770 22 Jun 2007 JAPAN
(56) Related Art Documents: **Not Applicable**
(57) Statement of Newness and Distinctiveness: **Nil**



- (21) Design Number: **20135/2007**
(22) Date of Filing Application: **09 October 2007**
(24) Date from which industrial property rights may have effect: **09 October 2007**
(54) Product in respect of which the design is registered: **Tamper-proof package**
(51) International Design Classification: **09-03M**
(71) Name(s) and Address(s) of Applicant(s):
Australia and New Zealand Banking Group Limited
Level 6 100 Queen Street Melbourne Victoria 3000 Australia
(72) Name(s) of Designer(s): **Catherine O'Brien**
(45) Registration Date: **31 January 2008**
(56) Related Art Documents: **Not Applicable**
(57) Statement of Newness and Distinctiveness: **Nil**



- (21) Design Number: **20137/2007**
(22) Date of Filing Application: **09 October 2007**
(24) Date from which industrial property rights may have effect: **09 October 2007**
(54) Product in respect of which the design is registered: **Thermal insulating device**
(51) International Design Classification: **07-06A**
(71) Name(s) and Address(s) of Applicant(s):
Innov Industries Pty Ltd
17 Charles Street Toowoomba Queensland 4350 Australia
(72) Name(s) of Designer(s): **Anthony Ford**
(45) Registration Date: **31 January 2008**
(56) Related Art Documents: **Not Applicable**
(57) Statement of Newness and Distinctiveness: **Monopoly is claimed in the shape and configuration of the thermal insulating device as illustrated in the accompanying representations. In considering the extent of monopoly protection, the shape and configuration of the cup is to be disregarded.**



(21) Design Number: **20138/2007**

(22) Date of Filing Application: **09 October 2007**

(24) Date from which industrial property rights may have effect: **09 October 2007**

(54) Product in respect of which the design is registered: **Thermal insulating device**

(51) International Design Classification: **07-06A**

(71) Name(s) and Address(s) of Applicant(s):

Innov Industries Pty Ltd

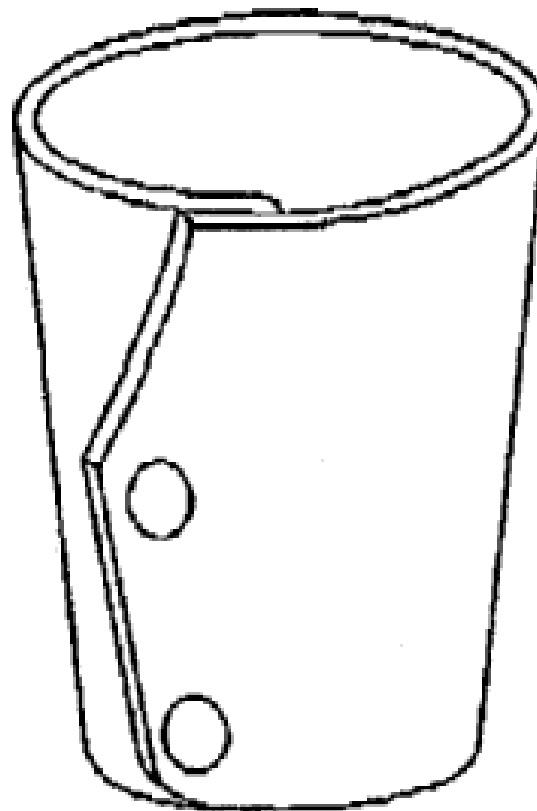
17 Charles Street Toowoomba Queensland 4350 Australia

(72) Name(s) of Designer(s): **Anthony Ford**

(45) Registration Date: **31 January 2008**

(56) Related Art Documents: **Not Applicable**

(57) Statement of Newness and Distinctiveness: **Monopoly is claimed in the shape and configuration of the thermal insulating device as illustrated in the accompanying representations. In considering the extent of monopoly protection, the shape and configuration of the cup is to be disregarded.**



(21) Design Number: **20139/2007**

(22) Date of Filing Application: **09 October 2007**

(24) Date from which industrial property rights may have effect: **09 October 2007**

(54) Product in respect of which the design is registered: **Thermal insulating device**

(51) International Design Classification: **07-06A**

(71) Name(s) and Address(s) of Applicant(s):

Innov Industries Pty Ltd

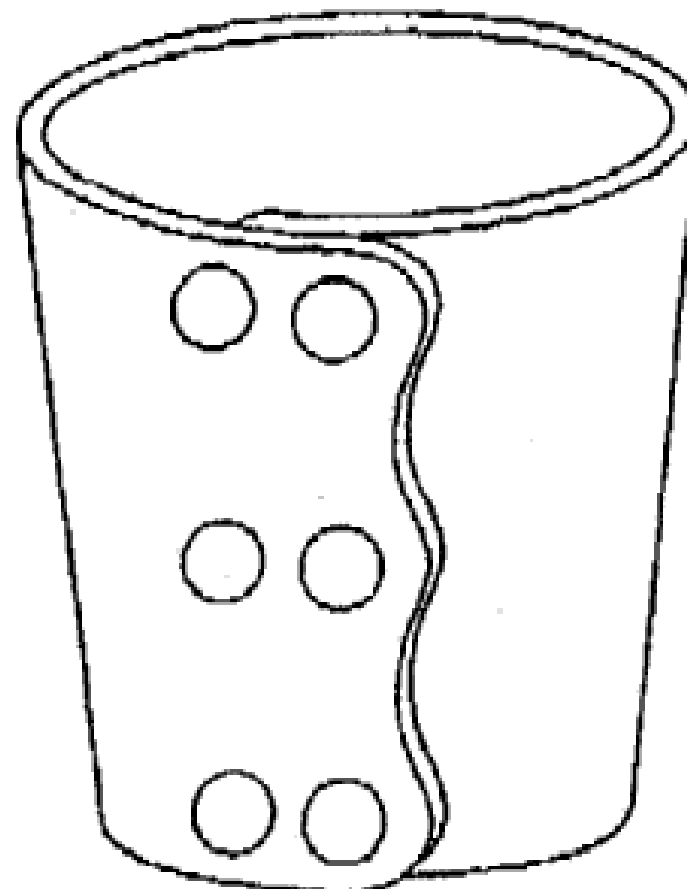
17 Charles Street Toowoomba Queensland 4350 Australia

(72) Name(s) of Designer(s): **Anthony Ford**

(45) Registration Date: **31 January 2008**

(56) Related Art Documents: **Not Applicable**

(57) Statement of Newness and Distinctiveness: **Monopoly is claimed in the shape and configuration of the thermal insulating device as illustrated in the accompanying representations. In considering the extent of monopoly protection, the shape and configuration of the cup is to be disregarded.**



(21) Design Number: **20140/2007**

(22) Date of Filing Application: **09 October 2007**

(24) Date from which industrial property rights may have effect: **09 October 2007**

(54) Product in respect of which the design is registered: **Thermal insulating device**

(51) International Design Classification: **07-06A**

(71) Name(s) and Address(s) of Applicant(s):

Innov Industries Pty Ltd

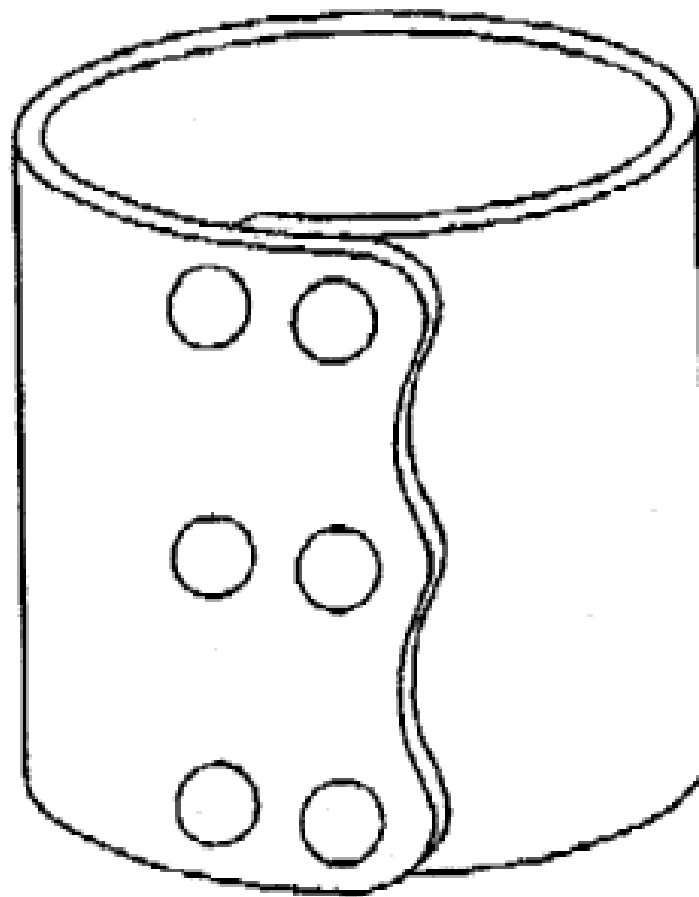
17 Charles Street Toowoomba Queensland 4350 Australia

(72) Name(s) of Designer(s): **Anthony Ford**

(45) Registration Date: **31 January 2008**

(56) Related Art Documents: **Not Applicable**

(57) Statement of Newness and Distinctiveness: **Monopoly is claimed in the shape and configuration of the thermal insulating device as illustrated in the accompanying representations. In considering the extent of monopoly protection, the shape and configuration of the bottle is to be disregarded.**



(21) Design Number: **20141/2007**

(22) Date of Filing Application: **09 October 2007**

(24) Date from which industrial property rights may have effect: **09 October 2007**

(54) Product in respect of which the design is registered: **Thermal insulating device**

(51) International Design Classification: **07-06A**

(71) Name(s) and Address(s) of Applicant(s):

Innov Industries Pty Ltd

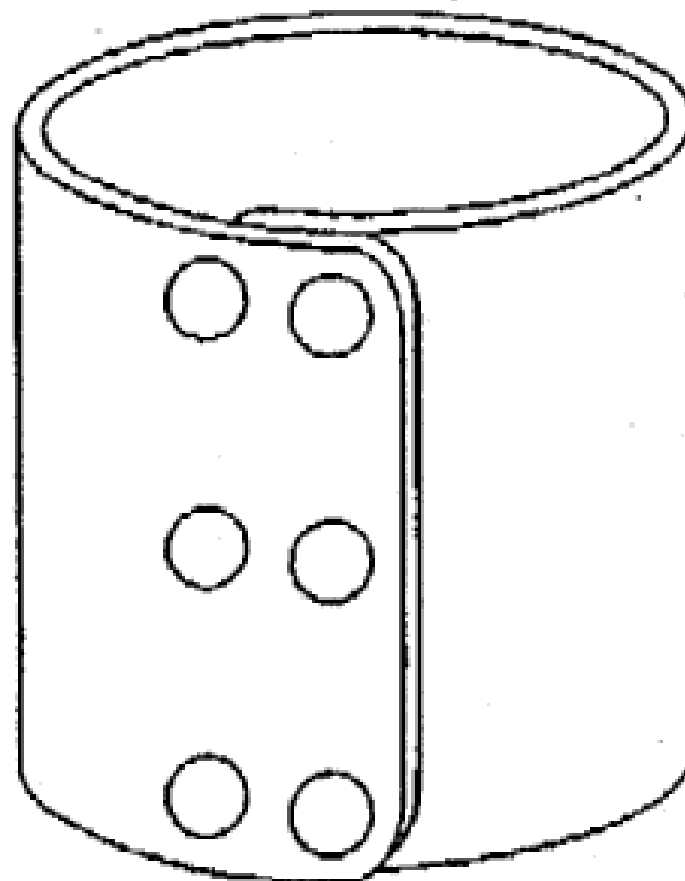
17 Charles Street Toowoomba Queensland 4350 Australia

(72) Name(s) of Designer(s): **Anthony Ford**

(45) Registration Date: **31 January 2008**

(56) Related Art Documents: **Not Applicable**

(57) Statement of Newness and Distinctiveness: **Monopoly is claimed in the shape and configuration of the thermal insulating device as illustrated in the accompanying representations. In considering the extent of monopoly protection, the shape and configuration of the bottle is to be disregarded.**



(21) Design Number: **20142/2007**

(22) Date of Filing Application: **09 October 2007**

(24) Date from which industrial property rights may have effect: **09 October 2007**

(54) Product in respect of which the design is registered: **Roof rail bracket**

(51) International Design Classification: **12-16K**

(71) Name(s) and Address(s) of Applicant(s):

David George Cook

14 Binary Street Yatala Queensland 4207 Australia

(72) Name(s) of Designer(s): **David George Cook**

(45) Registration Date: **31 January 2008**

(56) Related Art Documents: **Not Applicable**

(57) Statement of Newness and Distinctiveness: **The distinctiveness of this roof rail bracket is it is made from plastic, not metal, making it light weight with no sharp edges and giving it a design which blends with the caravan or camper trailers exterior. It has a slot moulded into it so that a roof spreader rail can be attached into it. It also has two fixing holes so that it can be screwed onto a wall.**



(21) Design Number: **20152/2007**

(22) Date of Filing Application: **08 October 2007**

(24) Date from which industrial property rights may have effect: **08 October 2007**

(54) Product in respect of which the design is registered: **Vermin seal**

(51) International Design Classification: **25-01K**

(71) Name(s) and Address(s) of Applicant(s):

Errol Frederick Campbell

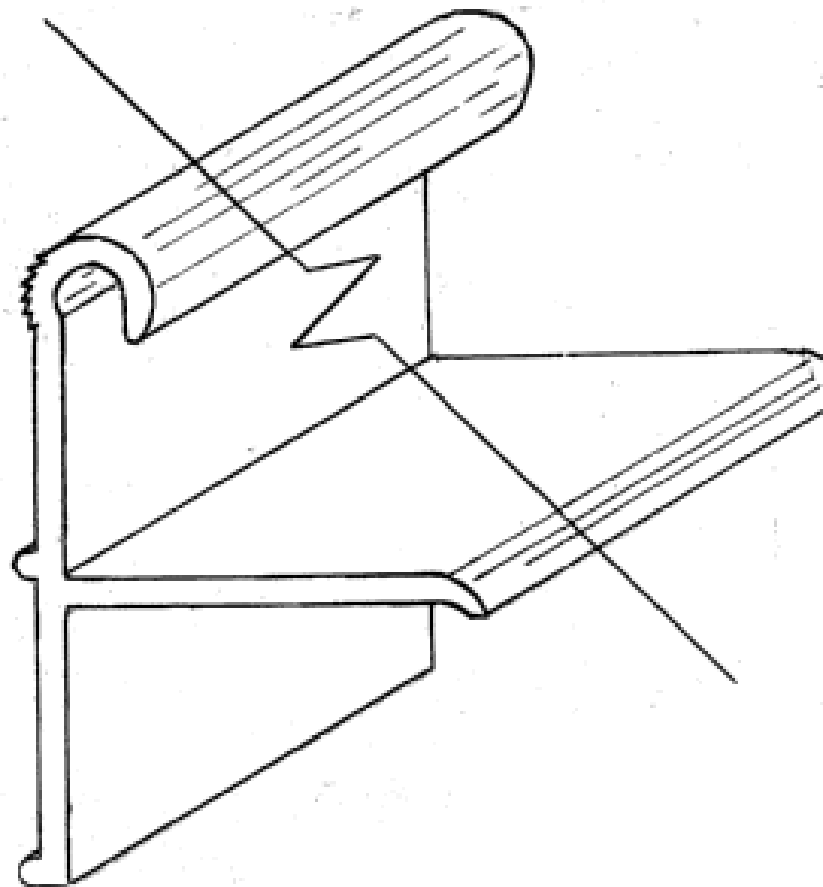
78 Old Glen Innes Road South Grafton New South Wales 2460 Australia

(72) Name(s) of Designer(s): **Errol Frederick Campbell**

(45) Registration Date: **31 January 2008**

(56) Related Art Documents: **Not Applicable**

(57) Statement of Newness and Distinctiveness: **New and distinctive visual features of the buidling seal comprising the general shape and configuration of the building seal. (The seal is of undetermined length).**



(21) Design Number: **20153/2007**

(22) Date of Filing Application: **08 October 2007**

(24) Date from which industrial property rights may have effect: **08 October 2007**

(54) Product in respect of which the design is registered: **Vermin seal flap**

(51) International Design Classification: **25-01K**

(71) Name(s) and Address(s) of Applicant(s):

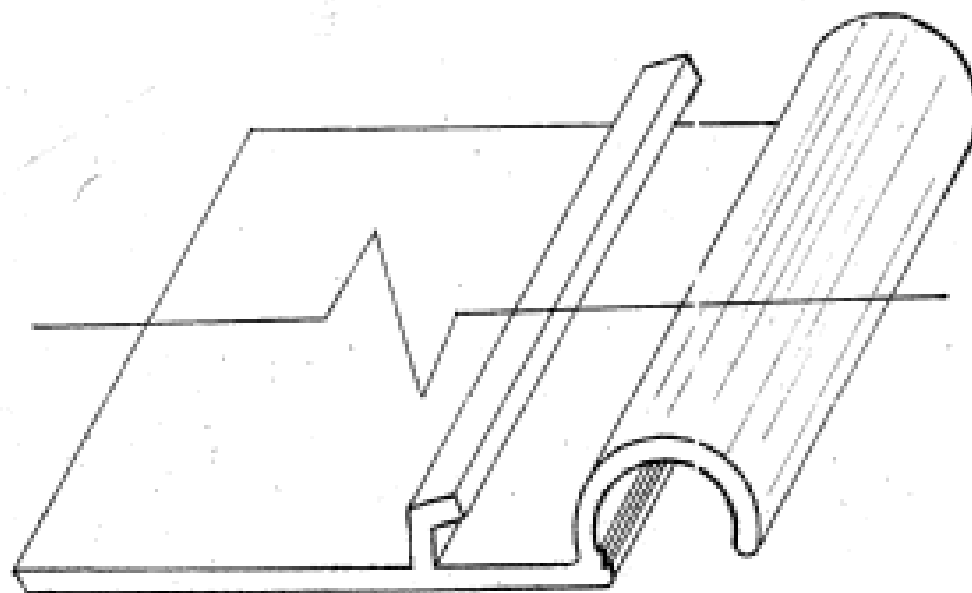
Errol Frederick Campbell
78 Old Glen Innes Road South Grafton New South Wales 2460
Australia

(72) Name(s) of Designer(s): **Errol Frederick Campbell**

(45) Registration Date: **31 January 2008**

(56) Related Art Documents: **Not Applicable**

(57) Statement of Newness and Distinctiveness: **Newness and distinctive visual features of the buidling seal comprising the general shape and configuration of the building seal. (The seal is of undetermined length).**



(21) Design Number: **20159/2007**

(22) Date of Filing Application: **09 October 2007**

(24) Date from which industrial property rights may have effect: **09 October 2007**

(54) Product in respect of which the design is registered: **Vehicle light**

(51) International Design Classification: **26-06**

(71) Name(s) and Address(s) of Applicant(s):

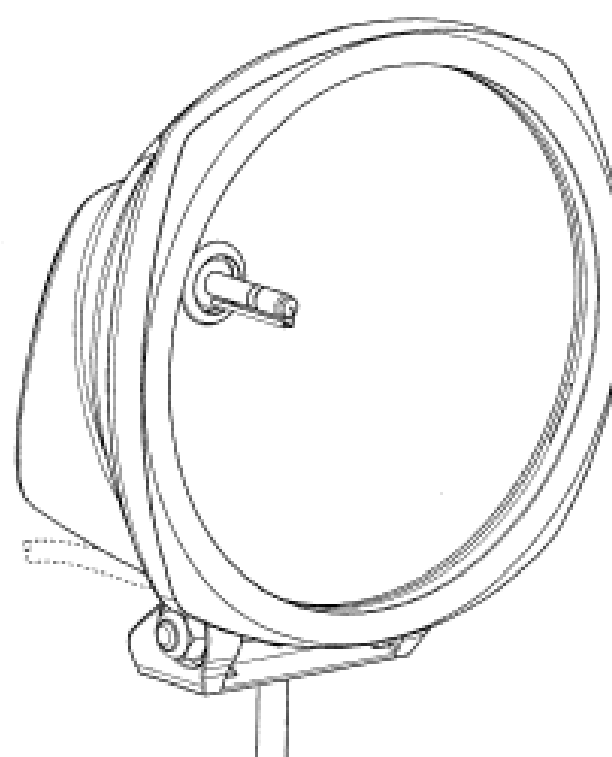
Lightforce Australia Pty Limited
28 Orsmond Street Hindmarsh South Australia 5007 Australia

(72) Name(s) of Designer(s): **Bernie Dunn and Andrew Keil and Peter Culley and Kerry Langkilde and Jeff Innes and Trevor Crispin and Eric Hahn and Gavan Doyle and Dave Holden and Steve Layton**

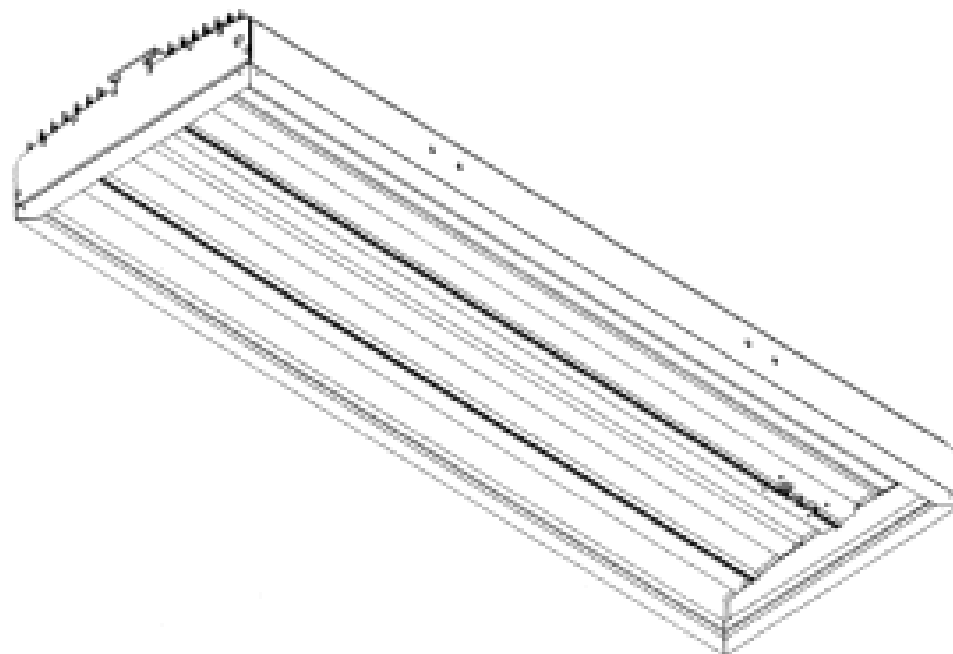
(45) Registration Date: **31 January 2008**

(56) Related Art Documents: **Not Applicable**

(57) Statement of Newness and Distinctiveness: **Newness and distinctiveness resides in the features of shape and configuration of a vehicle light as shown in the accompanying representations. Those portions shown in dotted line form no part of the design and are to be disregarded.**



- (21) Design Number: **20160/2007**
(22) Date of Filing Application: **09 October 2007**
(24) Date from which industrial property rights may have effect: **09 October 2007**
(54) Product in respect of which the design is registered: **Light fitting**
(51) International Design Classification: **26-05A**
(71) Name(s) and Address(s) of Applicant(s):
Infinity Lighting Limited
12 Discovery Avenue Welcome Bay Tauranga 3112 New Zealand
(72) Name(s) of Designer(s): **Phillip Pearce Fuller**
(45) Registration Date: **31 January 2008**
(56) Related Art Documents: **Not Applicable**
(57) Statement of Newness and Distinctiveness: **Nil shape and configuration of a vehicle light as shown in the accompanying representations. Those portions shown in dotted line form no part of the design and are to be disregarded.**



- (21) Design Number: **20163/2007**
(22) Date of Filing Application: **09 October 2007**
(24) Date from which industrial property rights may have effect: **09 October 2007**
(54) Product in respect of which the design is registered: **A container**
(51) International Design Classification: **09-03M**
(71) Name(s) and Address(s) of Applicant(s):
Cryovac Australia Pty Ltd
1126 Sydney Road Fawkner Victoria 3060 Australia
(72) Name(s) of Designer(s): **Michael Grima and Rowan Lamont**
(45) Registration Date: **31 January 2008**
(56) Related Art Documents: **Not Applicable**
(57) Statement of Newness and Distinctiveness: **Nil**



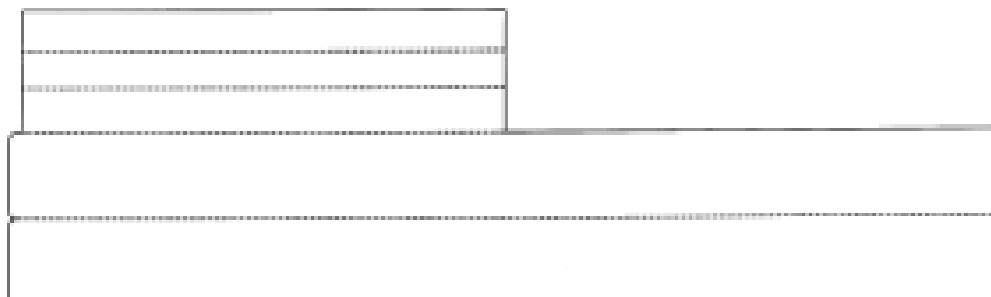
(21) Design Number: **20164/2007**
(22) Date of Filing Application: **09 October 2007**
(24) Date from which industrial property rights may have effect: **09 October 2007**
(54) Product in respect of which the design is registered: **Electric accumulator**
(51) International Design Classification: **13-02**
(71) Name(s) and Address(s) of Applicant(s):
SOMFY SAS
50, avenue du Nouveau Monde Cluses 74300 France
(72) Name(s) of Designer(s): **Olivier Charleux and Jean Ducret**
(45) Registration Date: **31 January 2008**
(30) Convention priority data:
(31) Number (32) Date (33) Country
000703848-0001 10 Apr 2007 EUROPEAN COMMUNITY
(56) Related Art Documents: **Not Applicable**
(57) Statement of Newness and Distinctiveness: **Nil**



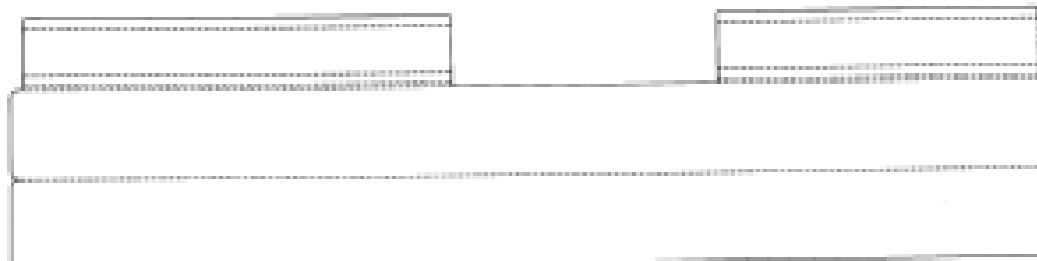
(21) Design Number: **20165/2007**
(22) Date of Filing Application: **09 October 2007**
(24) Date from which industrial property rights may have effect: **09 October 2007**
(54) Product in respect of which the design is registered: **Electric generator**
(51) International Design Classification: **13-01**
(71) Name(s) and Address(s) of Applicant(s):
SOMFY SAS
50, avenue du Nouveau Monde Cluses 74300 France
(72) Name(s) of Designer(s): **Olivier Charleux and Jean Ducret**
(45) Registration Date: **31 January 2008**
(30) Convention priority data:
(31) Number (32) Date (33) Country
000703848-0001 10 Apr 2007 EUROPEAN COMMUNITY
(56) Related Art Documents: **Not Applicable**
(57) Statement of Newness and Distinctiveness: **Nil**



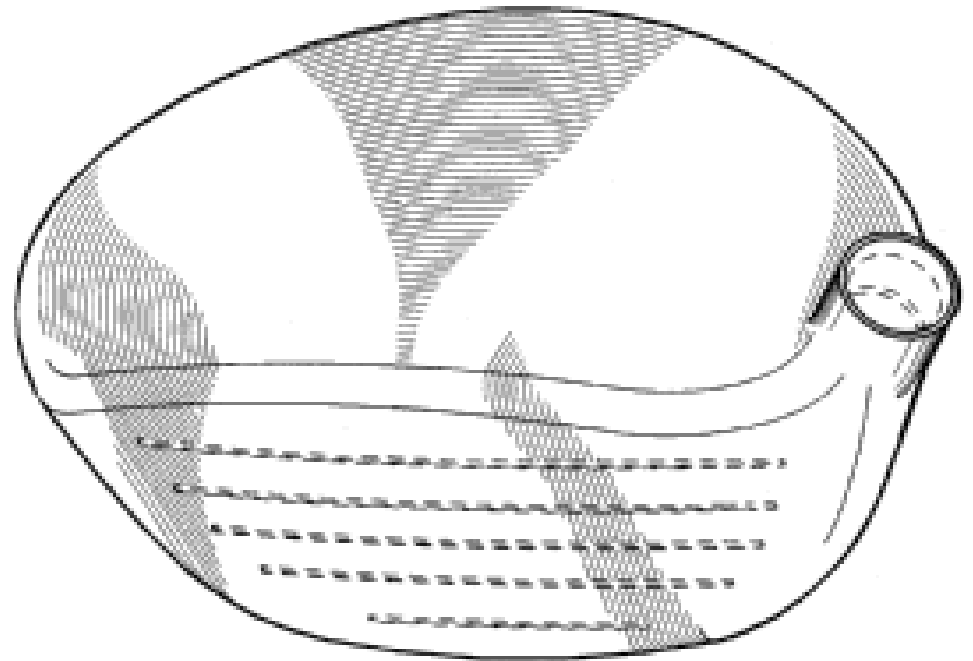
(21) Design Number: **20231/2007**
(22) Date of Filing Application: **09 October 2007**
(24) Date from which industrial property rights may have effect: **09 October 2007**
(54) Product in respect of which the design is registered: **A liner blank for use with clam packaging**
(51) International Design Classification: **09-99**
(71) Name(s) and Address(s) of Applicant(s):
Raven Products Pty Ltd
18#22 Aldershot Road Lonsdale South Australia 5160 Australia
(72) Name(s) of Designer(s): **Michael Moulding and Andrew Whittaker**
(45) Registration Date: **31 January 2008**
(56) Related Art Documents: **Not Applicable**
(57) Statement of Newness and Distinctiveness: **Nil**



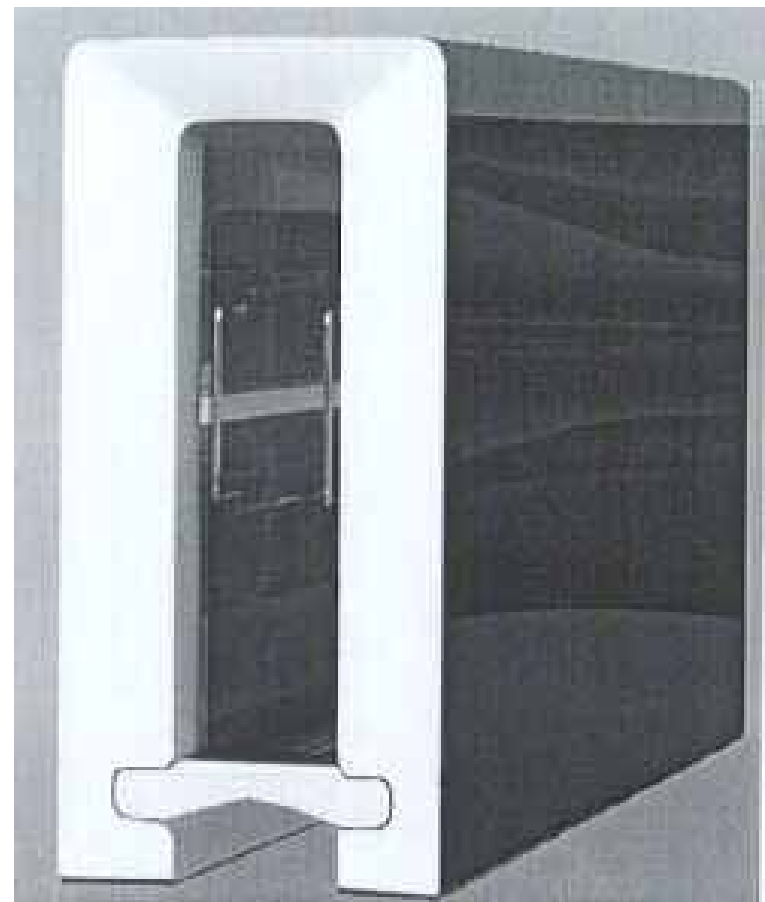
(21) Design Number: **20232/2007**
(22) Date of Filing Application: **09 October 2007**
(24) Date from which industrial property rights may have effect: **09 October 2007**
(54) Product in respect of which the design is registered: **A liner blank for use with clam packaging**
(51) International Design Classification: **09-99**
(71) Name(s) and Address(s) of Applicant(s):
Raven Products Pty Ltd
18#22 Aldershot Road Lonsdale South Australia 5160 Australia
(72) Name(s) of Designer(s): **Michael Moulding and Andrew Whittaker**
(45) Registration Date: **31 January 2008**
(56) Related Art Documents: **Not Applicable**
(57) Statement of Newness and Distinctiveness: **Nil**



- (21) Design Number: **20427/2007**
(22) Date of Filing Application: **25 October 2007**
(24) Date from which industrial property rights may have effect: **25 October 2007**
(54) Product in respect of which the design is registered: **Golf club head**
(51) International Design Classification: **21-02C**
(71) Name(s) and Address(s) of Applicant(s):
Karsten Manufacturing Corporation
2201 West Desert Cove Phoenix Arizona 85029 United States of America
(72) Name(s) of Designer(s): **Marty R. Jertson and Michael R. Nicolette and Bradley D. Schweigert and Anthony D. Serrano and Xiaojian Chen**
(45) Registration Date: **31 January 2008**
(30) Convention priority data:
(31) Number (32) Date (33) Country
29/280985 12 Jun 2007 UNITED STATES OF AMERICA
(56) Related Art Documents: **Not Applicable**
(57) Statement of Newness and Distinctiveness: **Newness and distinctiveness is claimed in the visual features shown in solid lines in the representations.**



- (21) Design Number: **20173/2007**
(22) Date of Filing Application: **11 October 2007**
(24) Date from which industrial property rights may have effect: **11 October 2007**
(54) Product in respect of which the design is registered: **Toaster**
(51) International Design Classification: **07-02F**
(71) Name(s) and Address(s) of Applicant(s):
Guney Ithalat Ve Pazarlama Anonim Sirketi
Abdi Ipecki Caddesi No. 195 Bayrampasa Istanbul Turkey
(72) Name(s) of Designer(s): **Atil Kizilbayir**
(45) Registration Date: **04 February 2008**
(56) Related Art Documents: **Not Applicable**
(57) Statement of Newness and Distinctiveness: **Newness and distinctiveness is claimed in the features of shape and/or configuration of a toaster as illustrated in the accompanying representations.**



(21) Design Number: **20174/2007**

(22) Date of Filing Application: **11 October 2007**

(24) Date from which industrial property rights may have effect: **11 October 2007**

(54) Product in respect of which the design is registered: **A power board**

(51) International Design Classification: **13-03D**

(71) Name(s) and Address(s) of Applicant(s):

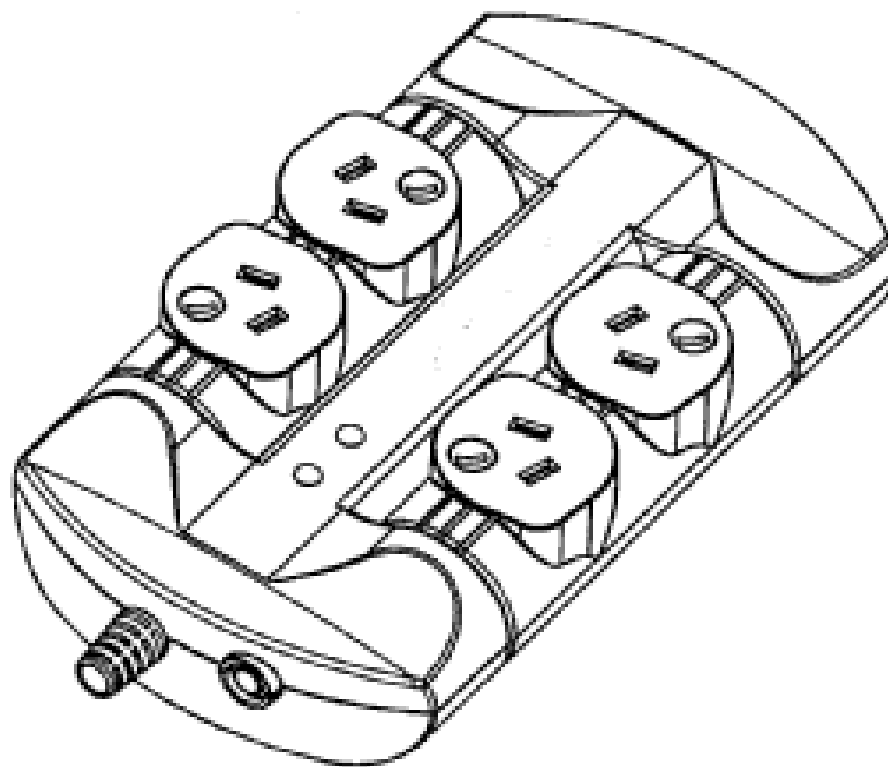
**Jackson Industries Pty Limited
16 Brookhollow Avenue Norwest Business Park Baulkham Hills New
South Wales 2153 Australia**

(72) Name(s) of Designer(s): **Ross Alec Jackson**

(45) Registration Date: **04 February 2008**

(56) Related Art Documents: **Not Applicable**

(57) Statement of Newness and Distinctiveness: **Newness and distinctiveness is claimed in the features of shape and/or configuration of a radiused casing and swivelling power sockets of a power board as illustrated in the accompanying representations.**



(21) Design Number: **20175/2007**

(22) Date of Filing Application: **11 October 2007**

(24) Date from which industrial property rights may have effect: **11 October 2007**

(54) Product in respect of which the design is registered: **A night light**

(51) International Design Classification: **26-05NES**

(71) Name(s) and Address(s) of Applicant(s):

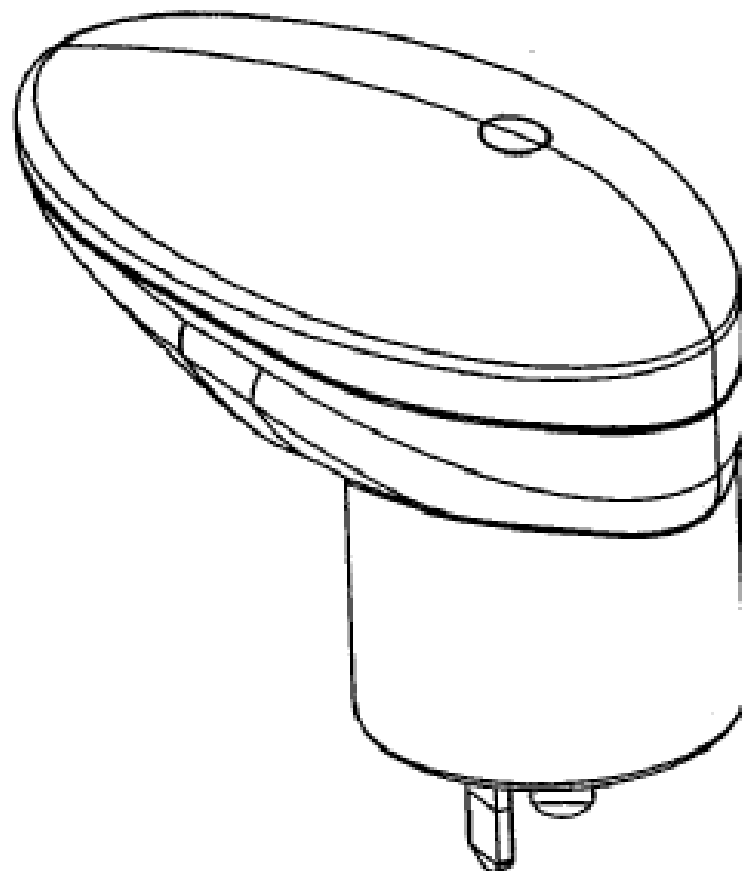
**Jackson Industries Pty Limited
16 Brookhollow Avenue Norwest Business Park Baulkham Hills New
South Wales 2153 Australia**

(72) Name(s) of Designer(s): **Ross Alec Jackson**

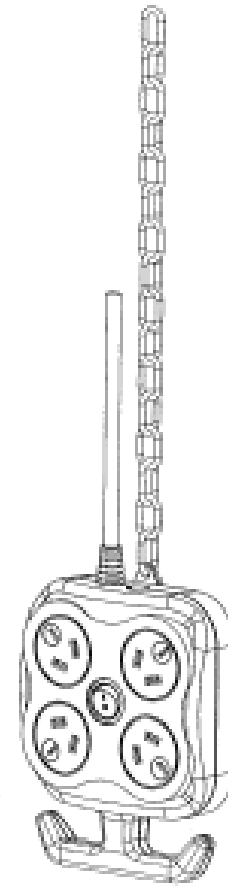
(45) Registration Date: **04 February 2008**

(56) Related Art Documents: **Not Applicable**

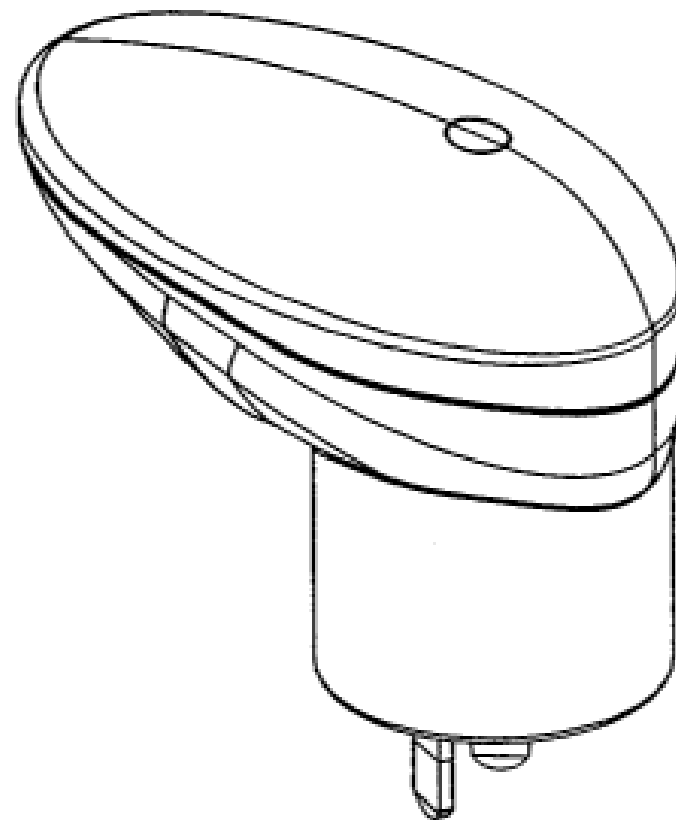
(57) Statement of Newness and Distinctiveness: **Newness and distinctiveness is claimed in the features of shape and/or configuration of a radiused casing of a night light as illustrated in the accompanying representations.**



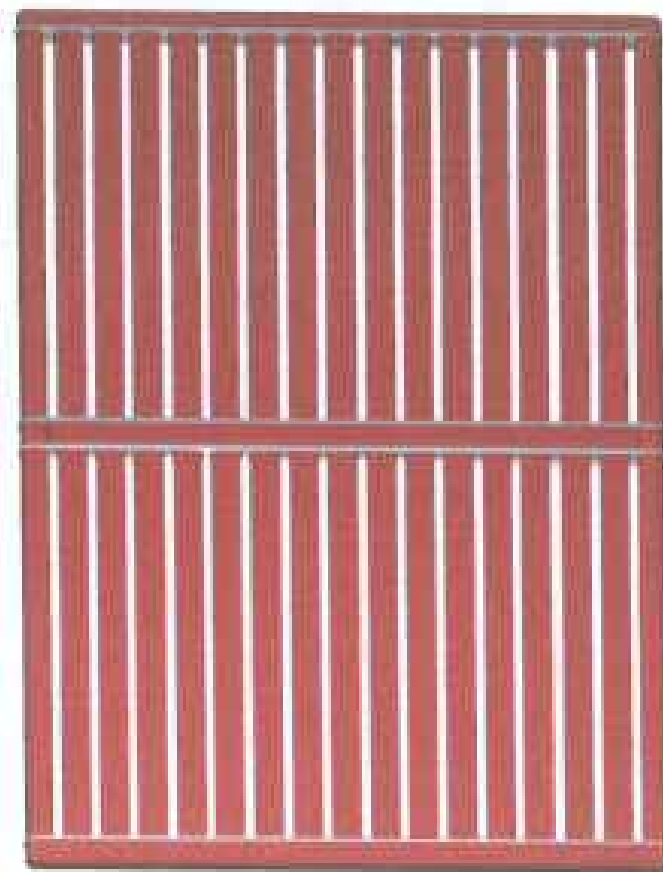
- (21) Design Number: **20176/2007**
- (22) Date of Filing Application: **11 October 2007**
- (24) Date from which industrial property rights may have effect: **11 October 2007**
- (54) Product in respect of which the design is registered: **A power board**
- (51) International Design Classification: **13-03E**
- (71) Name(s) and Address(s) of Applicant(s):
Jackson Industries Pty Limited
16 Brookhollow Avenue Norwest Business Park Baulkham Hills New
South Wales 2153 Australia
- (72) Name(s) of Designer(s): **Ross Alec Jackson**
- (45) Registration Date: **04 February 2008**
- (56) Related Art Documents: **Not Applicable**
- (57) Statement of Newness and Distinctiveness: **Newness and distinctiveness is claimed in the features of shape and/or configuration of a radiused casing and handle of a power board as illustrated in the accompanying representations.**



- (21) Design Number: **20177/2007**
- (22) Date of Filing Application: **11 October 2007**
- (24) Date from which industrial property rights may have effect: **11 October 2007**
- (54) Product in respect of which the design is registered: **A night light**
- (51) International Design Classification: **26-05NES**
- (71) Name(s) and Address(s) of Applicant(s):
Jackson Industries Pty Limited
16 Brookhollow Avenue Norwest Business Park Baulkham Hills New
South Wales 2153 Australia
- (72) Name(s) of Designer(s): **Ross Alec Jackson**
- (45) Registration Date: **04 February 2008**
- (56) Related Art Documents: **Not Applicable**
- (57) Statement of Newness and Distinctiveness: **Newness and distinctiveness is claimed in the features of shape and/or configuration of a radiused casing and a distorted lens of a night light as illustrated in the accompanying representations.**



(21) Design Number: **20180/2007**
(22) Date of Filing Application: **12 October 2007**
(24) Date from which industrial property rights may have effect: **12 October 2007**
(54) Product in respect of which the design is registered: **Screens**
(51) International Design Classification: **25-02H**
(71) Name(s) and Address(s) of Applicant(s):
Aliquantum Pty Ltd
129 The Boulevard Floreat Western Australia 6014 Australia
(72) Name(s) of Designer(s): **Russell Collier**
(45) Registration Date: **04 February 2008**
(56) Related Art Documents: **Not Applicable**
(57) Statement of Newness and Distinctiveness: **Monopoly is claimed in the features of shape or configuration of a screen as illustrated in the accompanying representations.**



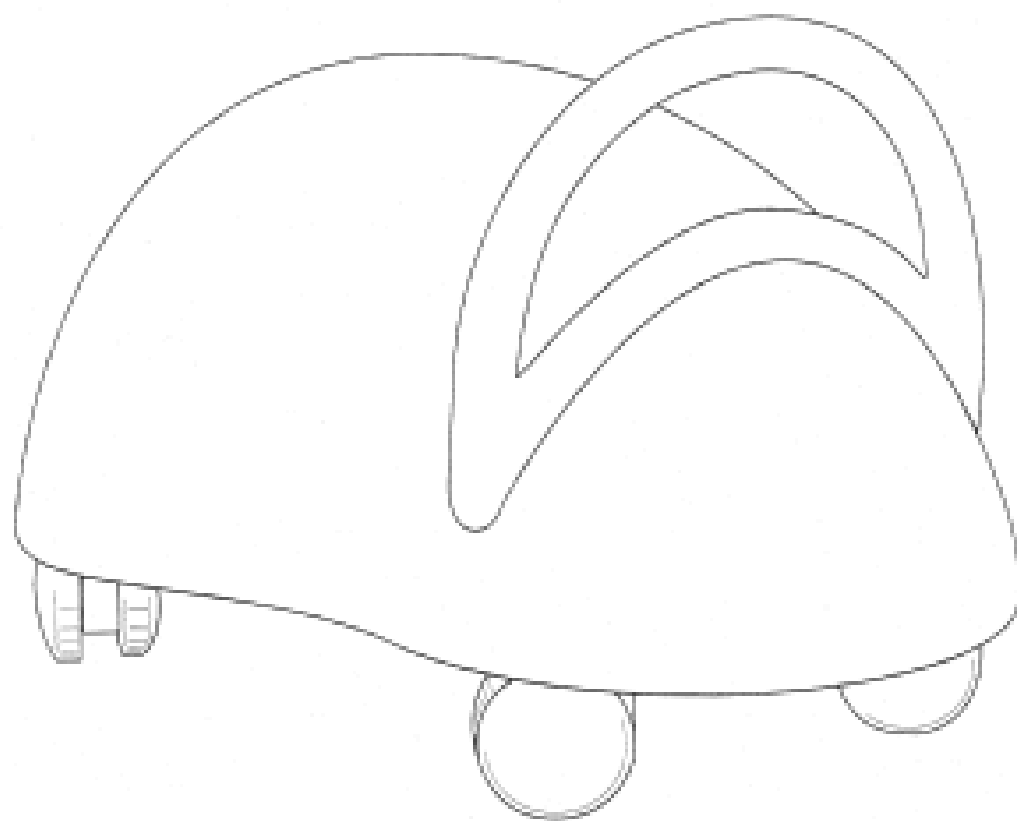
(21) Design Number: **20200/2007**
(22) Date of Filing Application: **11 October 2007**
(24) Date from which industrial property rights may have effect: **11 October 2007**
(54) Product in respect of which the design is registered: **Double wall glasses (2)**
(51) International Design Classification: **07-01C**
(71) Name(s) and Address(s) of Applicant(s):
Pi-Design AG
Kantonsstrasse 100 Postfach 463 CH-6234 Triengen Switzerland
(72) Name(s) of Designer(s): **Jorgen Bodum**
(45) Registration Date: **04 February 2008**
(30) Convention priority data:
(31) Number (32) Date (33) Country
DA 2007 25 Apr 2007 DENMARK
00102
(56) Related Art Documents: **Not Applicable**
(57) Statement of Newness and Distinctiveness: **Nil**



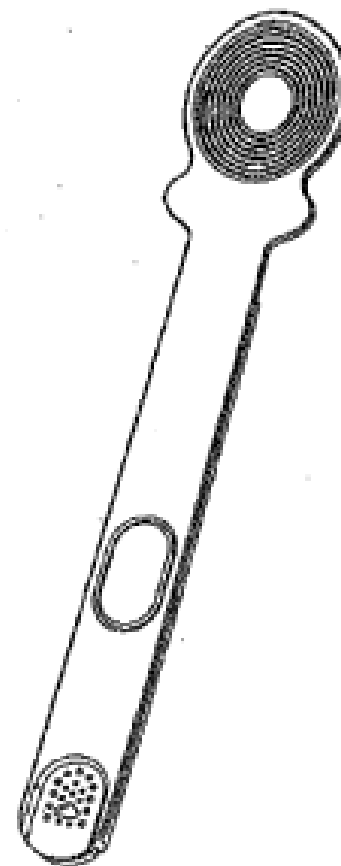
(21) Design Number: **20201/2007**
(22) Date of Filing Application: **11 October 2007**
(24) Date from which industrial property rights may have effect: **11 October 2007**
(54) Product in respect of which the design is registered: **Double wall glasses (2)**
(51) International Design Classification: **07-01C**
(71) Name(s) and Address(s) of Applicant(s):
Pi-Design AG
Kantonsstrasse 100 Postfach 463 CH-6234 Triengen Switzerland
(72) Name(s) of Designer(s): **Jorgen Bodum**
(45) Registration Date: **04 February 2008**
(30) Convention priority data:
(31) Number (32) Date (33) Country
DA 2007 25 Apr 2007 DENMARK
00102
(56) Related Art Documents: **Not Applicable**
(57) Statement of Newness and Distinctiveness: **Nil**



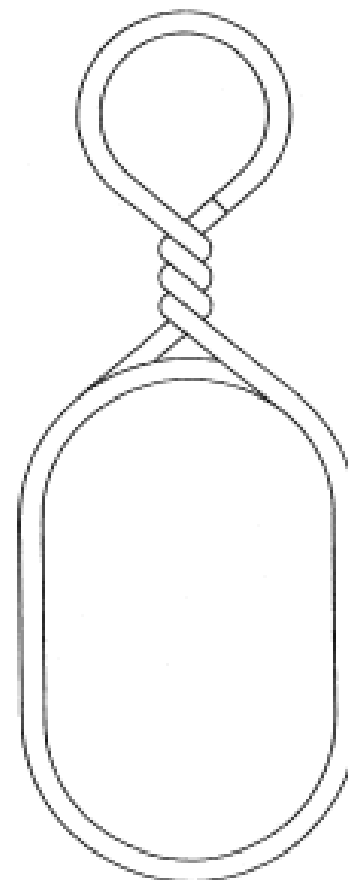
(21) Design Number: **20203/2007**
(22) Date of Filing Application: **11 October 2007**
(24) Date from which industrial property rights may have effect: **11 October 2007**
(54) Product in respect of which the design is registered: **Toys and playthings**
namely a ride on toy
(51) International Design Classification: **21-01F**
(71) Name(s) and Address(s) of Applicant(s):
Wildchild Design Pty Ltd
PO Box 373 Kuranda Queensland 4881 Australia
(72) Name(s) of Designer(s): **Barry Child and Christiane Doris Child**
(45) Registration Date: **04 February 2008**
(56) Related Art Documents: **Not Applicable**
(57) Statement of Newness and Distinctiveness: **Nil**



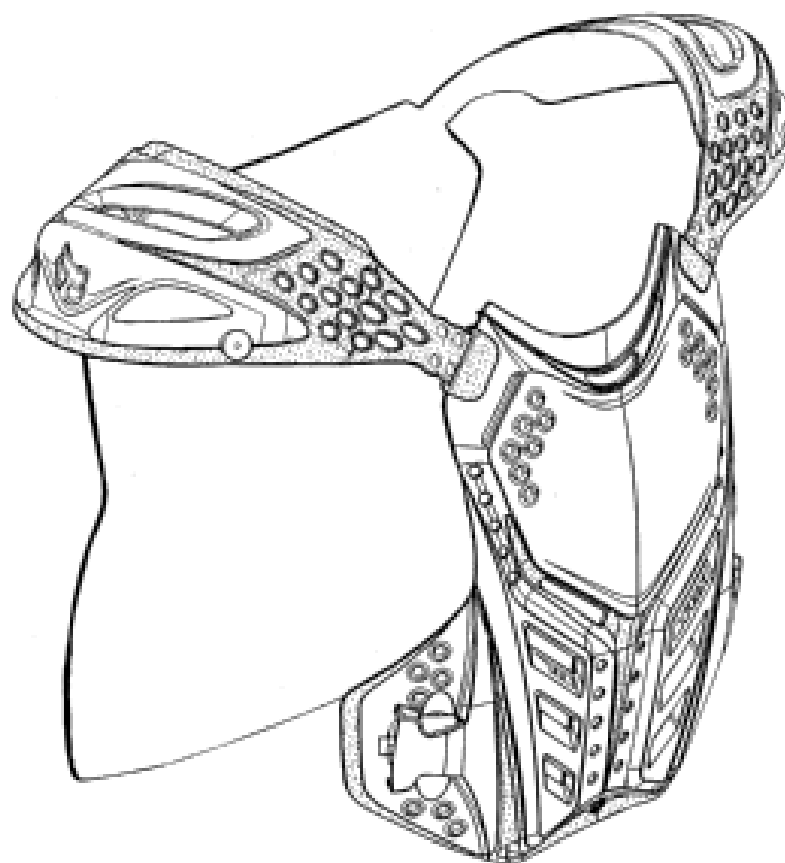
(21) Design Number: **20204/2007**
(22) Date of Filing Application: **11 October 2007**
(24) Date from which industrial property rights may have effect: **11 October 2007**
(54) Product in respect of which the design is registered: **Pregnancy test device**
(51) International Design Classification: **24-02**
(71) Name(s) and Address(s) of Applicant(s):
Inverness Medical Switzerland GmbH
Bahnhofstrasse 28 CH-6300 Zug Switzerland
(72) Name(s) of Designer(s): **He Xiaowei**
(45) Registration Date: **04 February 2008**
(30) Convention priority data:
(31) Number (32) Date (33) Country
200730116163.7 11 May 2007 CHINA
(56) Related Art Documents: **Not Applicable**
(57) Statement of Newness and Distinctiveness: **Nil**



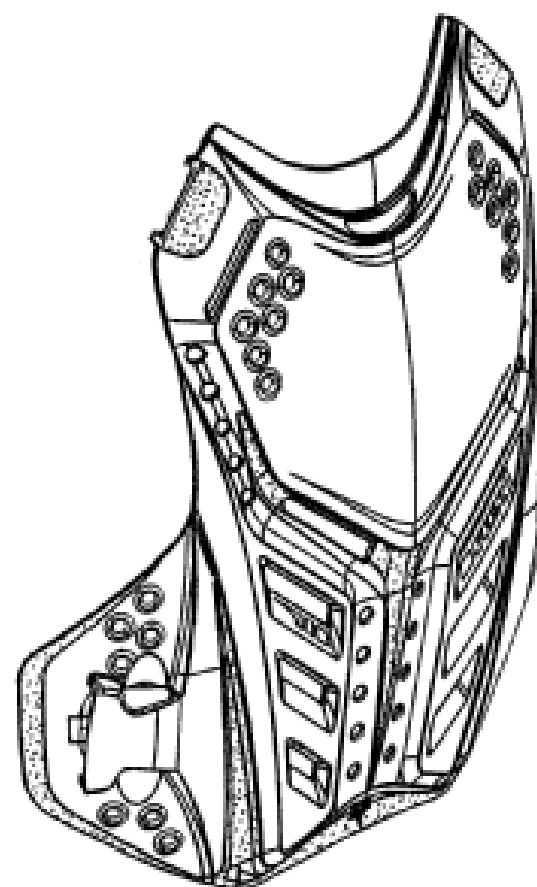
(21) Design Number: **20207/2007**
(22) Date of Filing Application: **12 October 2007**
(24) Date from which industrial property rights may have effect: **12 October 2007**
(54) Product in respect of which the design is registered: **Clothes peg**
(51) International Design Classification: **07-05C**
(71) Name(s) and Address(s) of Applicant(s):
Donald Vincent Adams
378 Torryburn Road Uralla New South Wales 2358 Australia
Fern Fanny Adams
378 Torryburn Road Uralla New South Wales 2358 Australia
(72) Name(s) of Designer(s): **Donald Vincent Adams and Fern Fanny Adams**
(45) Registration Date: **04 February 2008**
(56) Related Art Documents: **Not Applicable**
(57) Statement of Newness and Distinctiveness: **Nil**



(21) Design Number: **20208/2007**
 (22) Date of Filing Application: **12 October 2007**
 (24) Date from which industrial property rights may have effect: **12 October 2007**
 (54) Product in respect of which the design is registered: **Chest protector**
 (51) International Design Classification: **02-02B**
 (71) Name(s) and Address(s) of Applicant(s):
Fox Racing, Inc
18400 Sutter Boulevard Morgan Hill CA 95037 United States of America
 (72) Name(s) of Designer(s): **David Durham**
 (45) Registration Date: **04 February 2008**
 (30) Convention priority data:
 (31) Number (32) Date (33) Country
29/278940 13 Apr 2007 UNITED STATES OF AMERICA
 (56) Related Art Documents: **Not Applicable**
 (57) Statement of Newness and Distinctiveness: **The shape and configuration of outwardly facing parts of the product are new and distinctive**

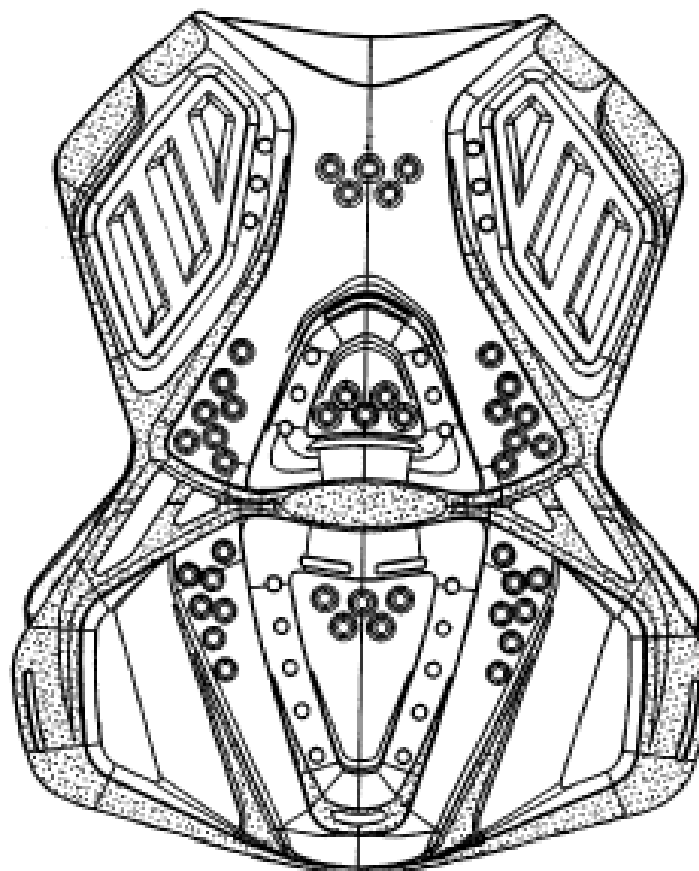


(21) Design Number: **20209/2007**
 (22) Date of Filing Application: **12 October 2007**
 (24) Date from which industrial property rights may have effect: **12 October 2007**
 (54) Product in respect of which the design is registered: **Chest protector**
 (51) International Design Classification: **02-02B**
 (71) Name(s) and Address(s) of Applicant(s):
Fox Racing, Inc
18400 Sutter Boulevard Morgan Hill CA 95037 United States of America
 (72) Name(s) of Designer(s): **David Durham**
 (45) Registration Date: **04 February 2008**
 (30) Convention priority data:
 (31) Number (32) Date (33) Country
29/278940 13 Apr 2007 UNITED STATES OF AMERICA
 (56) Related Art Documents: **Not Applicable**
 (57) Statement of Newness and Distinctiveness: **Nil**



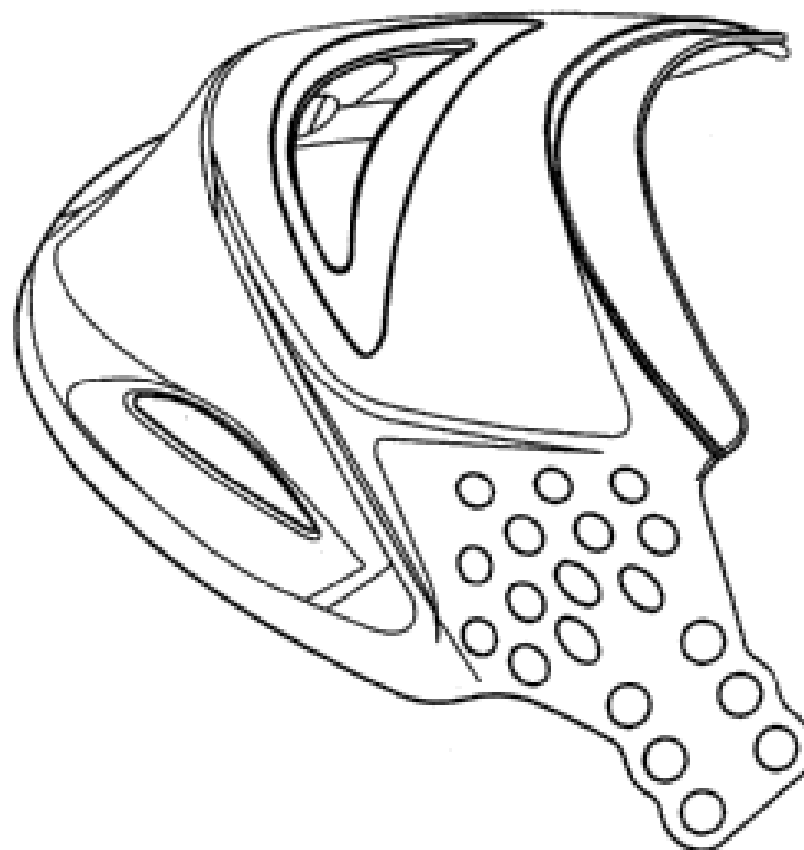
(19) AU

(21) Design Number: **20210/2007**
 (22) Date of Filing Application: **12 October 2007**
 (24) Date from which industrial property rights may have effect: **12 October 2007**
 (54) Product in respect of which the design is registered: **Chest protector**
 (51) International Design Classification: **02-02B**
 (71) Name(s) and Address(s) of Applicant(s):
Fox Racing, Inc
18400 Sutter Boulevard Morgan Hill CA 95037 United States of America
 (72) Name(s) of Designer(s): **David Durham**
 (45) Registration Date: **04 February 2008**
 (30) Convention priority data:
 (31) Number (32) Date (33) Country
29/278940 13 Apr 2007 UNITED STATES OF AMERICA
 (56) Related Art Documents: **Not Applicable**
 (57) Statement of Newness and Distinctiveness: **Nil**



(19) AU

(21) Design Number: **20211/2007**
 (22) Date of Filing Application: **12 October 2007**
 (24) Date from which industrial property rights may have effect: **12 October 2007**
 (54) Product in respect of which the design is registered: **Shoulder protector**
 (51) International Design Classification: **02-02B**
 (71) Name(s) and Address(s) of Applicant(s):
Fox Racing, Inc
18400 Sutter Boulevard Morgan Hill CA 95037 United States of America
 (72) Name(s) of Designer(s): **David Durham**
 (45) Registration Date: **04 February 2008**
 (30) Convention priority data:
 (31) Number (32) Date (33) Country
29/278940 13 Apr 2007 UNITED STATES OF AMERICA
 (56) Related Art Documents: **Not Applicable**
 (57) Statement of Newness and Distinctiveness: **Nil**



(21) Design Number: **20212/2007**

(22) Date of Filing Application: **12 October 2007**

(24) Date from which industrial property rights may have effect: **12 October 2007**

(54) Product in respect of which the design is registered: **Shoulder protector**

(51) International Design Classification: **02-02B**

(71) Name(s) and Address(s) of Applicant(s):

Fox Racing, Inc
18400 Sutter Boulevard Morgan Hill CA 95037 United States of America

(72) Name(s) of Designer(s): **David Durham**

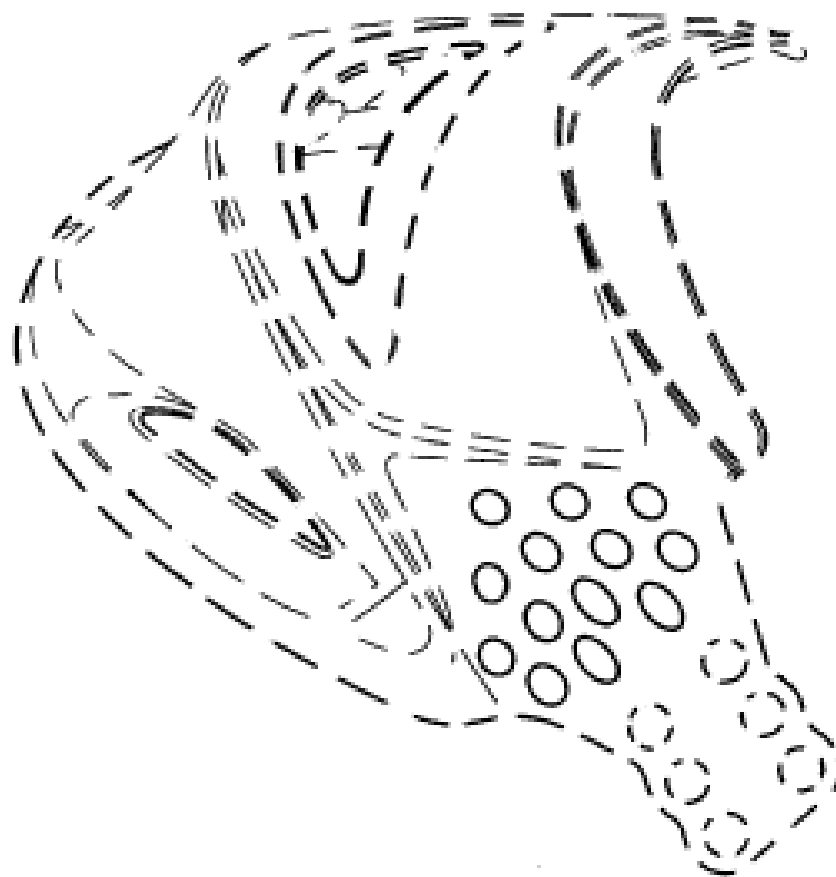
(45) Registration Date: **04 February 2008**

(30) Convention priority data:

(31) Number	(32) Date	(33) Country
29/278940	13 Apr 2007	UNITED STATES OF AMERICA

(56) Related Art Documents: **Not Applicable**

(57) Statement of Newness and Distinctiveness: **The shape and configuration of those parts of the design shown by means of solid lines in the representations are new and distinctive.**



(21) Design Number: **20213/2007**

(22) Date of Filing Application: **12 October 2007**

(24) Date from which industrial property rights may have effect: **12 October 2007**

(54) Product in respect of which the design is registered: **Modular wine rack**

(51) International Design Classification: **06-04NES**

(71) Name(s) and Address(s) of Applicant(s):

Ronald Ian Hamblin
51 Milyerra Road Kariong New South Wales 2250 Australia

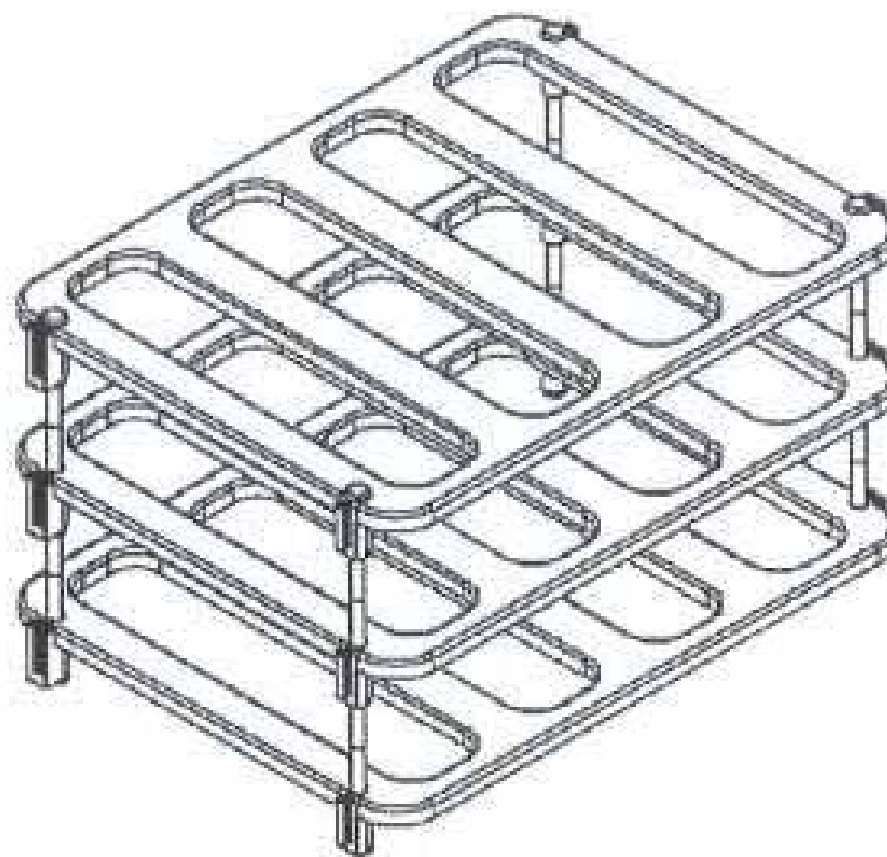
Toni Michelle Benton
51 Milyerra Road Kariong New South Wales 2250 Australia

(72) Name(s) of Designer(s): **Ronald Ian Hamblin and Toni Michelle Benton**

(45) Registration Date: **04 February 2008**

(56) Related Art Documents: **Not Applicable**

(57) Statement of Newness and Distinctiveness: **Nil**



(21) Design Number: **20214/2007**

(22) Date of Filing Application: **12 October 2007**

(24) Date from which industrial property rights may have effect: **12 October 2007**

(54) Product in respect of which the design is registered: **Wind turbine**

(51) International Design Classification: **15-01**

(71) Name(s) and Address(s) of Applicant(s):

Sway AS

Fanaveien 96 Radal 5239 Norway

(72) Name(s) of Designer(s): **Eystein Borgen**

(45) Registration Date: **04 February 2008**

(30) Convention priority data:

(31) Number
20070226

(32) Date
12 Apr 2007

(33) Country
NORWAY

(56) Related Art Documents: **Not Applicable**

(57) Statement of Newness and Distinctiveness: **The shape and configuration of the wind turbine shown in the representations is new and distinctive.**



(21) Design Number: **20215/2007**

(22) Date of Filing Application: **12 October 2007**

(24) Date from which industrial property rights may have effect: **12 October 2007**

(54) Product in respect of which the design is registered: **Blade mount and blade assembly for a wind turbine**

(51) International Design Classification: **15-01**

(71) Name(s) and Address(s) of Applicant(s):

Sway AS

Fanaveien 96 Radal 5239 Norway

(72) Name(s) of Designer(s): **Eystein Borgen**

(45) Registration Date: **04 February 2008**

(30) Convention priority data:

(31) Number
20070226

(32) Date
12 Apr 2007

(33) Country
NORWAY

(56) Related Art Documents: **Not Applicable**

(57) Statement of Newness and Distinctiveness: **The shape and configuration of the blade mount and blade assembly for a wind turbine shown in the representations is new and distinctive.**



- (21) Design Number: **20216/2007**
(22) Date of Filing Application: **12 October 2007**
(24) Date from which industrial property rights may have effect: **12 October 2007**
(54) Product in respect of which the design is registered: **Blade mount and blade assembly for a wind turbine**
(51) International Design Classification: **15-01**
(71) Name(s) and Address(s) of Applicant(s):
Sway AS
Fanaveien 96 Radal 5239 Norway
(72) Name(s) of Designer(s): **Eystein Borgen**
(45) Registration Date: **04 February 2008**
(30) Convention priority data:

(31) Number	(32) Date	(33) Country
20070226	12 Apr 2007	NORWAY

(56) Related Art Documents: **Not Applicable**
(57) Statement of Newness and Distinctiveness: **The shape and configuration of the blade mount and blade assembly for a wind turbine shown in the representations is new and distinctive.**



- (21) Design Number: **20217/2007**
(22) Date of Filing Application: **12 October 2007**
(24) Date from which industrial property rights may have effect: **12 October 2007**
(54) Product in respect of which the design is registered: **Blade mount for a wind turbine**
(51) International Design Classification: **15-01**
(71) Name(s) and Address(s) of Applicant(s):
Sway AS
Fanaveien 96 Radal 5239 Norway
(72) Name(s) of Designer(s): **Eystein Borgen**
(45) Registration Date: **04 February 2008**
(30) Convention priority data:

(31) Number	(32) Date	(33) Country
20070226	12 Apr 2007	NORWAY

(56) Related Art Documents: **Not Applicable**
(57) Statement of Newness and Distinctiveness: **The shape and configuration of the blade mount for a wind turbine shown in the representations is new and distinctive.**



(21) Design Number: **20218/2007**

(22) Date of Filing Application: **12 October 2007**

(24) Date from which industrial property rights may have effect: **12 October 2007**

(54) Product in respect of which the design is registered: **Blade mount and blade assembly for a wind turbine**

(51) International Design Classification: **15-01**

(71) Name(s) and Address(s) of Applicant(s):

Sway AS

Fanaveien 96 Radal 5239 Norway

(72) Name(s) of Designer(s): **Eystein Borgen**

(45) Registration Date: **04 February 2008**

(30) Convention priority data:

(31) Number
20070226

(32) Date
12 Apr 2007

(33) Country
NORWAY

(56) Related Art Documents: **Not Applicable**

(57) Statement of Newness and Distinctiveness: **The shape and configuration of the blade mount and blade assembly for a wind turbine shown in the representations is new and distinctive.**



(21) Design Number: **19679/2007**

(22) Date of Filing Application: **07 September 2007**

(24) Date from which industrial property rights may have effect: **07 September 2007**

(54) Product in respect of which the design is registered: **Prostheses**

(51) International Design Classification: **24-03**

(71) Name(s) and Address(s) of Applicant(s):

**Otto Bock Healthcare Products GmbH
Kaiserstrasse 39 1070 WIEN Austria**

(72) Name(s) of Designer(s): **Peter Kuschnigg and Gregor Puchhammer**

(45) Registration Date: **05 February 2008**

(56) Related Art Documents: **Not Applicable**

(57) Statement of Newness and Distinctiveness: **The newness and distinctiveness of the design resides in the shape and/or configuration of the prostheses shown in the representations.**



- (21) Design Number: **19680/2007**
(22) Date of Filing Application: **07 September 2007**
(24) Date from which industrial property rights may have effect: **07 September 2007**
(54) Product in respect of which the design is registered: **Prosthesis**
(51) International Design Classification: **24-03**
(71) Name(s) and Address(s) of Applicant(s):
Otto Bock Healthcare Products GmbH
Kaiserstrasse 39 1070 WIEN Austria
(72) Name(s) of Designer(s): **Peter Kuschnigg and Gregor Puchhammer**
(45) Registration Date: **05 February 2008**
(56) Related Art Documents: **Not Applicable**
(57) Statement of Newness and Distinctiveness: **The newness and distinctiveness of the design resides in the shape and/or configuration of the prostheses shown in the representations.**



- (21) Design Number: **19681/2007**
(22) Date of Filing Application: **07 September 2007**
(24) Date from which industrial property rights may have effect: **07 September 2007**
(54) Product in respect of which the design is registered: **Prosthesis**
(51) International Design Classification: **24-03**
(71) Name(s) and Address(s) of Applicant(s):
Otto Bock Healthcare Products GmbH
Kaiserstrasse 39 1070 WIEN Austria
(72) Name(s) of Designer(s): **Peter Kuschnigg and Gregor Puchhammer**
(45) Registration Date: **05 February 2008**
(56) Related Art Documents: **Not Applicable**
(57) Statement of Newness and Distinctiveness: **The newness and distinctiveness of the design resides in the shape and/or configuration of the prostheses shown in the representations.**



- (21) Design Number: **19682/2007**
(22) Date of Filing Application: **07 September 2007**
(24) Date from which industrial property rights may have effect: **07 September 2007**
(54) Product in respect of which the design is registered: **Prosthesis**
(51) International Design Classification: **24-03**
(71) Name(s) and Address(s) of Applicant(s):
Otto Bock Healthcare Products GmbH
Kaiserstrasse 39 1070 WIEN Austria
(72) Name(s) of Designer(s): **Peter Kuschnigg and Gregor Puchhammer**
(45) Registration Date: **05 February 2008**
(56) Related Art Documents: **Not Applicable**
(57) Statement of Newness and Distinctiveness: **The newness and distinctiveness of the design resides in the shape and/or configuration of the prostheses shown in the representations.**



- (21) Design Number: **19683/2007**
(22) Date of Filing Application: **07 September 2007**
(24) Date from which industrial property rights may have effect: **07 September 2007**
(54) Product in respect of which the design is registered: **Prosthesis**
(51) International Design Classification: **24-03**
(71) Name(s) and Address(s) of Applicant(s):
Otto Bock Healthcare Products GmbH
Kaiserstrasse 39 1070 WIEN Austria
(72) Name(s) of Designer(s): **Peter Kuschnigg and Gregor Puchhammer**
(45) Registration Date: **05 February 2008**
(30) Convention priority data:

(31) Number	(32) Date	(33) Country
407 01 357.1	10 Mar 2007	GERMANY

(56) Related Art Documents: **Not Applicable**
(57) Statement of Newness and Distinctiveness: **The newness and distinctiveness of the design resides in the shape and/or configuration of the prostheses shown in the representations.**



- (21) Design Number: **19684/2007**
(22) Date of Filing Application: **07 September 2007**
(24) Date from which industrial property rights may have effect: **07 September 2007**
(54) Product in respect of which the design is registered: **Prosthesis**
(51) International Design Classification: **24-03**
(71) Name(s) and Address(s) of Applicant(s):
Otto Bock Healthcare Products GmbH
Kaiserstrasse 39 1070 WIEN Austria
(72) Name(s) of Designer(s): **Peter Kuschnigg and Gregor Puchhammer**
(45) Registration Date: **05 February 2008**
(30) Convention priority data:
(31) Number (32) Date (33) Country
407 01 357.1 10 Mar 2007 GERMANY
(56) Related Art Documents: **Not Applicable**
(57) Statement of Newness and Distinctiveness: **The newness and distinctiveness of the design resides in the shape and/or configuration of the prostheses shown in the representations.**



- (21) Design Number: **10246/2008**
(22) Date of Filing Application: **22 January 2008**
(24) Date from which industrial property rights may have effect: **22 January 2008**
(54) Product in respect of which the design is registered: **Louvre blade**
(51) International Design Classification: **25-02K**
(71) Name(s) and Address(s) of Applicant(s):
Peter John Rutgers
5 Clyde Court Oak Park Victoria 3046 Australia
Diane Lee Rutgers
5 Clyde Court Oak Park Victoria 3046 Australia
(72) Name(s) of Designer(s): **Peter John Rutgers and Diane Lee Rutgers**
(45) Registration Date: **05 February 2008**
(56) Related Art Documents: **Not Applicable**
(57) Statement of Newness and Distinctiveness: **Monopoly is claimed in the features of shape or configuration of the louvre blade as illustrated in the representations.**



(21) Design Number: **10325/2008**

(22) Date of Filing Application: **29 January 2008**

(24) Date from which industrial property rights may have effect: **29 January 2008**

(54) Product in respect of which the design is registered: **Water tanks**

(51) International Design Classification: **23-01F**

(71) Name(s) and Address(s) of Applicant(s):

**Bailey Enterprises Australia Pty Ltd
8 Yazaki Way Carrum Downs Victoria 3201 Australia**

(72) Name(s) of Designer(s): **Peter Bailey**

(45) Registration Date: **05 February 2008**

(56) Related Art Documents: **Not Applicable**

(57) Statement of Newness and Distinctiveness: **The particular visual features of the design that are new and distinctive are the parts or centre sections of the water tank that are shown in the representations in light grey. Newness and distinctiveness is not claimed for the parts of the water tank that are shown in the representations in dark grey.**



(21) Design Number: **10326/2008**

(22) Date of Filing Application: **29 January 2008**

(24) Date from which industrial property rights may have effect: **29 January 2008**

(54) Product in respect of which the design is registered: **Water tanks**

(51) International Design Classification: **23-01F**

(71) Name(s) and Address(s) of Applicant(s):

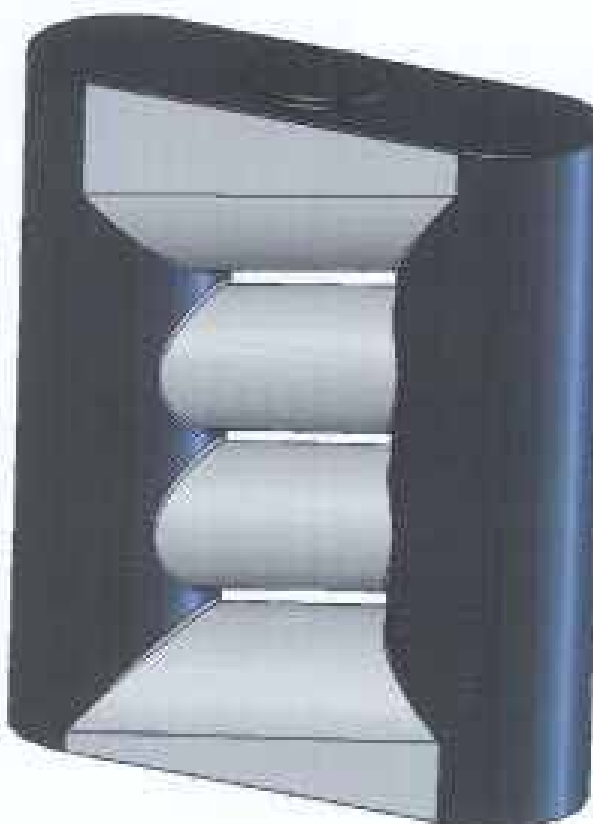
**Bailey Enterprises Australia Pty Ltd
8 Yazaki Way Carrum Downs Victoria 3201 Australia**

(72) Name(s) of Designer(s): **Peter Bailey**

(45) Registration Date: **05 February 2008**

(56) Related Art Documents: **Not Applicable**

(57) Statement of Newness and Distinctiveness: **The particular visual features of the design that are new and distinctive are the parts or centre sections of the water tank that are shown in light grey. Newness and distinctiveness is not claimed for the parts of the water tank that are shown in the representations in dark grey.**



(21) Design Number: **10327/2008**

(22) Date of Filing Application: **29 January 2008**

(24) Date from which industrial property rights may have effect: **29 January 2008**

(54) Product in respect of which the design is registered: **Water tanks**

(51) International Design Classification: **23-01F**

(71) Name(s) and Address(s) of Applicant(s):

**Bailey Enterprises Australia Pty Ltd
8 Yazaki Way Carrum Downs Victoria 3201 Australia**

(72) Name(s) of Designer(s): **Peter Bailey**

(45) Registration Date: **05 February 2008**

(56) Related Art Documents: **Not Applicable**

(57) Statement of Newness and Distinctiveness: **The particular visual features of the design that are new and distinctive are the parts or centre sections of the water tank that are shown in the representations in light grey. Newness and distinctiveness is not claimed for the parts of the water tank that are shown in the representations in dark grey.**



(21) Design Number: **10328/2008**

(22) Date of Filing Application: **29 January 2008**

(24) Date from which industrial property rights may have effect: **29 January 2008**

(54) Product in respect of which the design is registered: **Water tanks**

(51) International Design Classification: **23-01F**

(71) Name(s) and Address(s) of Applicant(s):

**Bailey Enterprises Australia Pty Ltd
8 Yazaki Way Carrum Downs Victoria 3201 Australia**

(72) Name(s) of Designer(s): **Peter Bailey**

(45) Registration Date: **05 February 2008**

(56) Related Art Documents: **Not Applicable**

(57) Statement of Newness and Distinctiveness: **The particular visual features of the design that are new and distinctive are the parts or centre sections of the water tank that are shown in light grey. Newness and distinctiveness is not claimed for the parts of the water tank that are shown in the representations in dark grey.**



(21) Design Number: **10329/2008**

(22) Date of Filing Application: **29 January 2008**

(24) Date from which industrial property rights may have effect: **29 January 2008**

(54) Product in respect of which the design is registered: **Water tanks**

(51) International Design Classification: **23-01F**

(71) Name(s) and Address(s) of Applicant(s):

**Bailey Enterprises Australia Pty Ltd
8 Yazaki Way Carrum Downs Victoria 3201 Australia**

(72) Name(s) of Designer(s): **Peter Bailey**

(45) Registration Date: **05 February 2008**

(56) Related Art Documents: **Not Applicable**

(57) Statement of Newness and Distinctiveness: **The particular visual features of the design that are new and distinctive are the parts or centre sections of the water tank that are shown in the representations in light grey. Newness and distinctiveness is not claimed for the parts of the water tank that are shown in the representations in dark grey.**



(21) Design Number: **10330/2008**

(22) Date of Filing Application: **29 January 2008**

(24) Date from which industrial property rights may have effect: **29 January 2008**

(54) Product in respect of which the design is registered: **Water tanks**

(51) International Design Classification: **23-01F**

(71) Name(s) and Address(s) of Applicant(s):

**Bailey Enterprises Australia Pty Ltd
8 Yazaki Way Carrum Downs Victoria 3201 Australia**

(72) Name(s) of Designer(s): **Peter Bailey**

(45) Registration Date: **05 February 2008**

(56) Related Art Documents: **Not Applicable**

(57) Statement of Newness and Distinctiveness: **The particular visual features of the design that are new and distinctive are the parts or centre sections of the water tank that are shown in the representations in light grey. Newness and distinctiveness is not claimed for the parts of the water tank that are shown in the representations in dark grey.**



(21) Design Number: **10331/2008**

(22) Date of Filing Application: **29 January 2008**

(24) Date from which industrial property rights may have effect: **29 January 2008**

(54) Product in respect of which the design is registered: **Water tanks**

(51) International Design Classification: **23-01F**

(71) Name(s) and Address(s) of Applicant(s):

**Bailey Enterprises Australia Pty Ltd
8 Yazaki Way Carrum Downs Victoria 3201 Australia**

(72) Name(s) of Designer(s): **Peter Bailey**

(45) Registration Date: **05 February 2008**

(56) Related Art Documents: **Not Applicable**

(57) Statement of Newness and Distinctiveness: **The particular visual features of the design that are new and distinctive are the parts or centre sections of the water tank that are shown in the representations in light grey. Newness and distinctiveness is not claimed for the parts of the water tank that are shown in the representations in dark grey.**



(21) Design Number: **10332/2008**

(22) Date of Filing Application: **29 January 2008**

(24) Date from which industrial property rights may have effect: **29 January 2008**

(54) Product in respect of which the design is registered: **Water tanks**

(51) International Design Classification: **23-01F**

(71) Name(s) and Address(s) of Applicant(s):

**Bailey Enterprises Australia Pty Ltd
8 Yazaki Way Carrum Downs Victoria 3201 Australia**

(72) Name(s) of Designer(s): **Peter Bailey**

(45) Registration Date: **05 February 2008**

(56) Related Art Documents: **Not Applicable**

(57) Statement of Newness and Distinctiveness: **The particular visual features of the design that are new and distinctive are the parts or centre sections of the water tank that are shown in light grey. Newness and distinctiveness is not claimed for the parts of the water tank that are shown in the representations in dark grey.**

