



**Australian Government**

---

**IP Australia**

**AUSTRALIAN OFFICIAL JOURNAL**

**OF**

**DESIGNS**

Did you know a searchable version of this journal is now available online?

It's FREE and EASY to SEARCH.

Find it at

<http://pericles.ipaustralia.gov.au/ols/epublish/content/olsEpublications.jsp>  
or using the "Online Journals" link on the IP Australia home page.

This Page Left Intentionally Blank

## Contents

### General Information & Notices

#### Proceedings Under the Designs Act 1906 preserved as a result of the provisions of Chapter 12 Part 2 of the Designs Act 2003

Extension of Period of Registration of Designs .....	430
Registrations Ceased .....	430
Subsequent Owners Registered .....	430

#### Proceedings Under the Designs Act 2003

Applications Assigned .....	441
Applications Lapsed .....	440
Applications Lodged .....	435
Applications Withdrawn .....	440
Certificate of Examination .....	442
Extension of Time Granted Under Section 137 .....	441
Names Registered - Alterations and Amendments .....	441
Publication and Registration Proceedings	
Designs Registered 317881 to 318063.....	443
Revocation of Design Registrations .....	441
Subsequent Owners Registered .....	441

This Page Left Intentionally Blank

For information on the following please see our website [www.ipaustralia.gov.au](http://www.ipaustralia.gov.au) or contact our Customer Service Network on 1300651010

[Editorial enquiries](#)

[Contact information](#)

[Freedom of Information ACT](#)

[Professional Standards Board](#)

[Sales](#)

[Requests for Information under Section 194 \(c\)](#)

[Country Codes](#)

[Trade Mark and Designs Hearing Sessions](#)

[INID \(Internationally agreed Numbers for the Identification of Data\)](#)

## “INID” NUMBERS in use on Australian Design Documents

“INID” is an acronym for “Internationally agreed Numbers for the Identification of Data”.

### (10) Data concerning the registration/renewal

- (11) Serial number of the registration and/or number of the design document
- (12) Plain language designation of the kind of published document
- (19) Identification, using the two-letter code according to WIPO Standard ST.3, of the authority publishing or registering the industrial design

### (20) Data concerning the application

- (21) Serial number of the application
- (22) Date of filing of the application
- (24) Date from which the industrial design right has effect

### (30) Data relating to priority under the Paris Convention

- (31) Serial number assigned to the priority application
- (32) Date of filing of the priority application
- (33) Two-letter code, according to WIPO Standard ST.3, identifying the authority with which the priority application was made

### (40) Date(s) of making information available to the public

- (45) Date of publication of the registered industrial design by printing or similar process, or making it available to the public by any other means

### (50) Miscellaneous Information

- (51) International Classification for Industrial Designs (class and subclass of the Locarno Classification)
- (54) Designation of article(s) or product(s) covered by the industrial design or title of the industrial design
- (55) Reproduction of the industrial design (e.g., drawing, photograph) and explanations relating to the reproduction
- (56) List of prior art documents, if separate from descriptive text
- (57) Description of characteristic features of the industrial design including indication of colours

### (60) References to other legally related application(s) and registration(s)

- (62) Serial number(s) and, if available, filing date(s) of application(s), registration(s) or document(s) related by division
- (66) Serial number(s) of the application, or the registration, of the design(s) which is (are) a variant(s) of the present one

### (70) Identification of parties concerned with the application or registration

- (71) Name(s) and address(es) of the applicant(s)
- (72) Name(s) of the creator(s) if known to be such
- (74) Name(s) and address(es) of the representative(s)

This Page Left Intentionally Blank

Official Notice**Designs Act 2003  
Amendments to Registered Designs at Examination**

The following amendments have been made to details previously published in the Australian Official Journal of Designs during the Examination process:

<b>Registration Numbers</b>	<b>Amendment type</b>	<b>New details</b>
311995	Classification	08-05N, 08-05Z
313946	Classification	23-02A
313947	Classification	23-02A
313948	Classification	23-02A
313949	Classification	23-02A
313950	Classification	23-02A
313951	Classification	23-02A
313952	Classification	23-02A
313953	Classification	23-02A
314498	Classification	03-01A
314499	Classification	07-07Z

**Contact:** IP Australia  
**Phone:** 1300 651 010  
**Fax:** +61 2 6283 7999  
**E-Mail:** [assist@ipaustralia.gov.au](mailto:assist@ipaustralia.gov.au)  
**Web:** [www.ipaustralia.gov.au](http://www.ipaustralia.gov.au)

This Page Left Intentionally Blank



**Proceedings under the Designs Act 1906 preserved as a result of the provisions of Chapter 12 Part 2 of the Designs Act 2003.**

This Page Left Intentionally Blank

**Applications Lapsed**

There were no Applications Lapsed under this section

**Extension of Period of Registration of Designs**

**2nd Period (Section 27A(12))**

147075	147277	147762
148160	148164	148178
148183	148186	148189
148235	148260	148261
148325	148336	148337
148338	148421	148422
148423	148424	148574
148630	148636	148688
148711	148850	148897
148901	149347	149713
149714	150009	150107
150318	150384	150503
150710	150791	150852
151052	151278	151475
151625	151627	152056
152100	152323	152339
152670	153544	153545
153546	153547	153548
153586	153587	154820

**3rd Period (Section 27A(13))**

129564	129995	131218
131229	131230	131231
131232	131366	131367
131368	131395	131396
131397	131461	131489
131532	131623	131631
131632	131657	131738
131959	132102	132119
132147	132149	132398
132442	132503	132860
133261	133262	133263
133264	133276	133648
137042	138059	139868

129664	129665	129667
129668	129669	129710
129762	130155	130246
130411	130412	130486
131846	131847	132630
133358	133643	134279
135418	142164	145051
145052	145161	145162
146000	146034	146243
146244	146245	146246
146307	146348	146349
146351	146352	146353
146409	146410	146413
146520	146716	146775
146776	146777	146818
146819	146820	146821
146853	146870	146968
147028	147029	147030
147031	147032	147033
147172	147281	147444
147536	147537	147538
147539	147540	147541
147542	147543	147544
147545	147546	148128
148351	148605	149958
149959	150193	150258
150297	150298	150299
150300	150301	150302

**Subsequent Owners Registered**

(The name in parentheses is that of the subsequent owner)

127587	( Gremarnig Investments Pty Ltd ) Irwin Hubert Harrison
128078	( Scholle Europe Limited ) Crestbury Limited
140484	( Vinidex Pty Limited ) John Masters
144274	( DVS Limited ) Mark Leslie Shepherd as Trustee for the DVS Family Trust; Horwath Trustee Services (Wellington) Ltd as Trustee for the DVS Family Trust

**Registrations Ceased**

Note: Some of the following Registrations may have been previously advertised as ceased. In this instance, the previous advertisement still prevails.

113541	113815	113898
113900	114703	114707
115067	115068	115079
115099	115253	115521
115987	116663	117059
117195	117196	117197
117662	117685	117686
117874	118082	119064
119917	128036	128140
128283	128608	129354
129403	129586	129587
129588	129589	129590

This Page Left Intentionally Blank



**Proceedings under the Designs Act 2003.**

This Page Left Intentionally Blank



**Applications Lodged**

Lodgement information is in the following order: **Applicant's Name**; International Classification, Name of Product, Lodgement Date and **Design Number**. If the applicant claims an earlier priority date under an International Convention, the Convention Country and the associated filing date are shown in parentheses before the Lodgement Date. Divisional information will also appear in parentheses before the Lodgement Date.

<b>Acerack Pty Limited;</b> 06-04NES, Shelf for a storage rack, 30 Jan 2008	<b>10375/2008</b>	<b>Caroma Industries Limited;</b> 23-01H, A tap handle assembly, 01 Feb 2008	<b>10423/2008</b>
<b>Aktiebolaget Electrolux;</b> 15-07, A handle and appliance, 25 Jan 2008	<b>10334/2008</b>	<b>Caroma Industries Limited;</b> 23-01H, A tap handle and spout assembly, 01 Feb 2008	<b>10424/2008</b>
<b>Ames True Temper, Inc.;</b> 08-99, Hose reel with tubular frame, (US, 13 Aug 2007) 29 Jan 2008	<b>10367/2008</b>	<b>Caroma Industries Limited;</b> 23-01H, A tap handle and spout assembly, 01 Feb 2008	<b>10425/2008</b>
<b>Ashford, Brian;</b> 23-01H, Tap seat reforming tool, 22 Jan 2008	<b>10291/2008</b>	<b>Caroma Industries Limited;</b> 23-01H, A spout, 01 Feb 2008	<b>10426/2008</b>
<b>Auscha Corporation Pty Ltd;</b> 13-03D, Power saver, 22 Jan 2008	<b>10293/2008</b>	<b>Caroma Industries Limited;</b> 23-01H, A tap handle and spout assembly, 01 Feb 2008	<b>10427/2008</b>
<b>Belingar, Robert;</b> 07-02D, Multifunctional dutch oven for outdoor cooking, 01 Feb 2008	<b>10401/2008</b>	<b>Caroma Industries Limited;</b> 23-01H, A tap handle and spout assembly, 01 Feb 2008	<b>10428/2008</b>
<b>Belkin International, Inc.;</b> 14-99, A support for a laptop computer, (US, 01 Aug 2007) 01 Feb 2008	<b>10437/2008</b>	<b>Caroma Industries Limited;</b> 23-01H, A tap mixer assembly, 01 Feb 2008	<b>10429/2008</b>
<b>Better Energy Systems Ltd.;</b> 23-03D, Solar-powered charger, (US, 03 Aug 2007) 04 Feb 2008	<b>10478/2008</b>	<b>Caroma Industries Limited;</b> 23-01H, A tap mixer assembly, 01 Feb 2008	<b>10430/2008</b>
<b>Better Energy Systems Ltd.;</b> 23-03D, Solar-powered charger, (US, 03 Aug 2007) 04 Feb 2008	<b>10479/2008</b>	<b>Caroma Industries Limited;</b> 23-01H, A tap mixer assembly, 01 Feb 2008	<b>10431/2008</b>
<b>Bickford's Australia Pty Ltd;</b> 09-01K, A bottle, 22 Jan 2008	<b>10290/2008</b>	<b>Caroma Industries Limited;</b> 23-01H, A tap handle and spout assembly, 01 Feb 2008	<b>10432/2008</b>
<b>Black &amp; Decker, Inc.;</b> 08-06, Handle for a power scrubber, (US, 27 Jun 2007) 01 Feb 2008	<b>10457/2008</b>	<b>Caroma Industries Limited;</b> 23-01H, A tap mixer assembly, 01 Feb 2008	<b>10433/2008</b>
<b>Boyle, Jeffrey; Kermode, Felicity Louise;</b> 02-01B, Therapeutic sports garment, 30 Jan 2008	<b>10377/2008</b>	<b>Caroma Industries Limited;</b> 23-01H, A tap handle and spout assembly, 01 Feb 2008	<b>10434/2008</b>
<b>Boyle, Jeffrey; Kermode, Felicity Louise;</b> 02-01B, Therapeutic sports garment, 30 Jan 2008	<b>10376/2008</b>	<b>Caroma Industries Limited;</b> 23-02B, A shower, 01 Feb 2008	<b>10435/2008</b>
<b>Boyle, Jeffrey; Kermode, Felicity Louise;</b> 02-01B, Therapeutic sports garment, 30 Jan 2008	<b>10376/2008</b>	<b>Caroma Industries Limited;</b> 23-02B, A shower, 01 Feb 2008	<b>10436/2008</b>
<b>British American Tobacco (Investments) Limited;</b> 27-01, Smoking article, (EM, 10 Aug 2007) 30 Jan 2008	<b>10380/2008</b>	<b>Caroma Industries Limited;</b> 23-01H, A tap handle and spout assembly, 01 Feb 2008	<b>10437/2008</b>
<b>British American Tobacco (Investments) Limited;</b> 09-03A, Cigarette packet, (EM, 03 Aug 2007) 30 Jan 2008	<b>10381/2008</b>	<b>CellCorp Australia Pty Ltd.;</b> 06-13B, A sleeping bag, 04 Feb 2008	<b>10484/2008</b>
<b>Brother Industries, Ltd.;</b> 14-02, Toner cartridge, (JP, 10 Aug 2007) 04 Feb 2008	<b>10482/2008</b>	<b>Closet Case Pty Ltd;</b> 09-03B, Shoe box, 01 Feb 2008	<b>10441/2008</b>
<b>Brother Industries, Ltd.;</b> 18-02, Photosensitive drum unit, (JP, 10 Aug 2007) 04 Feb 2008	<b>10483/2008</b>	<b>Colgate-Palmolive Company;</b> 09-01NES, Container and closure, (US, 27 Jul 2007) 21 Dec 2007	<b>10626/2008</b>
<b>C.E. Niehoff &amp; Co.;</b> 13-03NES, Motorized actuator, (US, 29 Jun 2007) 21 Jan 2008	<b>10252/2008</b>	<b>Crocs, Inc.;</b> 02-04NES, Footwear, (US, 27 Jul 2007) 24 Jan 2008	<b>10315/2008</b>
		<b>Crocs, Inc.;</b> 02-04NES, Footwear, (US, 27 Jul 2007) 25 Jan 2008	<b>10341/2008</b>
		<b>Crocs, Inc.;</b> 02-04NES, Footwear, (US, 27 Jul 2007) 24 Jan 2008	<b>10316/2008</b>

<b>Crocs, Inc.;</b> 02-04NES, Footwear, (US, 27 Jul 2007) 24 Jan 2008	<b>10317/2008</b>	<b>Federal-Mogul Products, Inc.;</b> 12-16M, A brake friction pad, (US, 01 Aug 2007) 01 Feb 2008	<b>10454/2008</b>
<b>Croucher, David John;</b> 08-08H, 08-99, To a curtain track, 31 Jan 2008	<b>10369/2008</b>	<b>Federal-Mogul Products, Inc.;</b> 12-16M, A brake friction pad, (US, 01 Aug 2007) 01 Feb 2008	<b>10455/2008</b>
<b>Croucher, David John;</b> 08-08H, 08-99, To a curtain track, 31 Jan 2008	<b>10370/2008</b>	<b>Federal-Mogul Products, Inc.;</b> 12-16M, A brake friction pad, (US, 01 Aug 2007) 01 Feb 2008	<b>10456/2008</b>
<b>Croucher, David John;</b> 08-08H, 08-99, To a curtain track, 31 Jan 2008	<b>10371/2008</b>	<b>Federal-Mogul Products, Inc.;</b> 12-16M, A brake friction pad, (US, 01 Aug 2007) 01 Feb 2008	<b>10458/2008</b>
<b>Croucher, David John;</b> 08-08H, To a curtain track, 31 Jan 2008	<b>10372/2008</b>	<b>Federal-Mogul Products, Inc.;</b> 12-16M, A brake friction pad, (US, 01 Aug 2007) 01 Feb 2008	<b>10459/2008</b>
<b>Croucher, David John;</b> 08-08H, To a curtain track, 31 Jan 2008	<b>10373/2008</b>	<b>Federal-Mogul Products, Inc.;</b> 12-16M, A brake friction pad, (US, 01 Aug 2007) 01 Feb 2008	<b>10460/2008</b>
<b>Croucher, David John;</b> 08-08H, To a curtain track, 31 Jan 2008	<b>10374/2008</b>	<b>Federal-Mogul Products, Inc.;</b> 12-16M, A brake friction pad, (US, 01 Aug 2007) 01 Feb 2008	<b>10461/2008</b>
<b>Dart Industries Inc.;</b> 07-04, Vegetable dicer, (US, 29 Aug 2007) 25 Jan 2008	<b>10336/2008</b>	<b>Federal-Mogul Products, Inc.;</b> 12-16M, A brake friction pad, (US, 01 Aug 2007) 01 Feb 2008	<b>10462/2008</b>
<b>Dart Industries Inc.;</b> 07-04, Grater, (US, 24 Aug 2007) 25 Jan 2008	<b>10337/2008</b>	<b>Federal-Mogul Products, Inc.;</b> 12-16M, A brake friction pad, (US, 01 Aug 2007) 01 Feb 2008	<b>10463/2008</b>
<b>Duff, Simon;</b> 06-01G, Daytripper, 25 Jan 2008	<b>10333/2008</b>	<b>Federal-Mogul Products, Inc.;</b> 12-16M, A brake friction pad, (US, 01 Aug 2007) 01 Feb 2008	<b>10464/2008</b>
<b>Earl, Cameron Scott;</b> 03-01NES, Art folio bag, 22 Jan 2008	<b>10292/2008</b>	<b>Federal-Mogul Products, Inc.;</b> 12-16M, A brake friction pad, (US, 01 Aug 2007) 01 Feb 2008	<b>10465/2008</b>
<b>ERCO Leuchten GmbH;</b> 26-05C, Lighting apparatus, (EM, 13 Aug 2007) 01 Feb 2008	<b>10449/2008</b>	<b>Fricke, Garry;</b> 07-99NES, Pouring spout attachment, 23 Jan 2008	<b>10324/2008</b>
<b>ERCO Leuchten GmbH;</b> 26-05C, Lighting apparatus, (EM, 13 Aug 2007) 01 Feb 2008	<b>10450/2008</b>	<b>Fujitsu General Limited;</b> 23-04, Air conditioner, (JP, 20 Aug 2007) 31 Jan 2008	<b>10414/2008</b>
<b>ERCO Leuchten GmbH;</b> 26-05C, Lighting apparatus, (EM, 13 Aug 2007) 01 Feb 2008	<b>10451/2008</b>	<b>Gough, Simon John;</b> 30-03, Animal trough, 31 Jan 2008	<b>10383/2008</b>
<b>ERCO Leuchten GmbH;</b> 26-05C, Lighting apparatus, (EM, 13 Aug 2007) 01 Feb 2008	<b>10452/2008</b>	<b>Gough, Simon John;</b> 30-03, Animal trough, 31 Jan 2008	<b>10384/2008</b>
<b>ERCO Leuchten GmbH;</b> 26-05C, Lighting apparatus, (EM, 13 Aug 2007) 01 Feb 2008	<b>10443/2008</b>	<b>Gough, Andrew;</b> 29-99, Trail stabilisation panel. Walking, vehicular, horse, bicycle trails, 31 Jan 2008	<b>10385/2008</b>
<b>ERCO Leuchten GmbH;</b> 26-05C, Lighting apparatus, (EM, 13 Aug 2007) 01 Feb 2008	<b>10444/2008</b>	<b>Gro-Guard Australia Pty Ltd;</b> 08-08O, A plant guard, 25 Jan 2008	<b>10338/2008</b>
<b>ERCO Leuchten GmbH;</b> 26-05C, Lighting apparatus, (EM, 13 Aug 2007) 01 Feb 2008	<b>10445/2008</b>	<b>GM Global Technology Operations, Inc.;</b> 12-08, 21-01C, A motor vehicle and a model vehicle, 24 Jan 2008	<b>10321/2008</b>
<b>ERCO Leuchten GmbH;</b> 26-05C, Lighting apparatus, (EM, 13 Aug 2007) 01 Feb 2008	<b>10446/2008</b>	<b>GM Global Technology Operations, Inc.;</b> 12-08, 21-01C, A motor vehicle and a model vehicle, 24 Jan 2008	<b>10322/2008</b>
<b>ERCO Leuchten GmbH;</b> 26-05C, Lighting apparatus, (EM, 13 Aug 2007) 01 Feb 2008	<b>10447/2008</b>	<b>Halliday, Glen H.; Leighton, Jeffery L.;</b> 25-03, Playhouse, (US, 24 Jul 2007) 24 Jan 2008	<b>10319/2008</b>
<b>ERCO Leuchten GmbH;</b> 26-05C, Lighting apparatus, (EM, 13 Aug 2007) 01 Feb 2008	<b>10448/2008</b>		
<b>Federal-Mogul Products, Inc.;</b> 12-16M, A brake friction pad, (US, 01 Aug 2007) 01 Feb 2008	<b>10453/2008</b>		

<b>Halliday, Glen H.; Leighton, Jeffery L.;</b> 25-03, Playhouse, (US, 24 Jul 2007) 24 Jan 2008	<b>10320/2008</b>	<b>Jorgenson-Watts Pty Ltd;</b> 25-02H, 25-02B, Frame of a door or window, 29 Jan 2008	<b>10364/2008</b>
<b>Halliday, Glen H.; Leighton, Jeffery L.;</b> 25-03, Playhouse, (US, 24 Jul 2007) 24 Jan 2008	<b>10318/2008</b>	<b>Jorgenson-Watts Pty Ltd;</b> 25-02H, 25-02B, Frame of a door or window, 29 Jan 2008	<b>10365/2008</b>
<b>Helen of Troy Limited;</b> 09-03M, Storage container, (US, 27 Jul 2007) 29 Jan 2008	<b>10350/2008</b>	<b>Kabushiki Kaisha Toshiba, also trading as Toshiba Corporation;</b> 14-03B, A television receiver, (JP, 27 Nov 2007) 29 Jan 2008	<b>10347/2008</b>
<b>Helen of Troy Limited;</b> 09-03M, Storage container, (US, 27 Jul 2007) 31 Jan 2008	<b>10368/2008</b>	<b>Kabushiki Kaisha Toshiba, also trading as Toshiba Corporation;</b> 14-03B, A television receiver, (JP, 27 Nov 2007) 29 Jan 2008	<b>10348/2008</b>
<b>Helen of Troy Limited;</b> 09-03M, Storage container, (US, 27 Jul 2007) 29 Jan 2008	<b>10351/2008</b>	<b>Kabushiki Kaisha Toshiba, also trading as Toshiba Corporation;</b> 14-03B, A television receiver, (JP, 27 Nov 2007) 29 Jan 2008	<b>10349/2008</b>
<b>Helen of Troy Limited;</b> 09-03M, Storage container, (US, 27 Jul 2007) 29 Jan 2008	<b>10352/2008</b>	<b>Karsten Manufacturing Corporation;</b> 21-02C, Golf driver head, (US, 12 Jul 2007) 01 Feb 2008	<b>10421/2008</b>
<b>Helen of Troy Limited;</b> 09-03M, Storage container, (US, 27 Jul 2007) 29 Jan 2008	<b>10353/2008</b>	<b>Keating, Geoffrey Francis;</b> 06-03A, Table, shelf, display unit, 30 Jan 2008	<b>10360/2008</b>
<b>Helen of Troy Limited;</b> 09-03M, Storage container, (US, 27 Jul 2007) 29 Jan 2008	<b>10354/2008</b>	<b>Keating, Geoffrey Francis;</b> 06-03B, Table, shelf, display unit, 30 Jan 2008	<b>10361/2008</b>
<b>Helen of Troy Limited;</b> 09-03M, Storage container, (US, 27 Jul 2007) 29 Jan 2008	<b>10355/2008</b>	<b>Keating, Geoffrey Francis;</b> 06-03B, Table, shelf, display unit, 30 Jan 2008	<b>10362/2008</b>
<b>Helen of Troy Limited;</b> 09-03M, Storage container, (US, 27 Jul 2007) 29 Jan 2008	<b>10356/2008</b>	<b>Kenwood Limited;</b> 07-04, Hand held kitchen appliance power units, (EM, 27 Jul 2007) 25 Jan 2008	<b>10339/2008</b>
<b>Helen of Troy Limited;</b> 09-03M, Storage container, (US, 27 Jul 2007) 29 Jan 2008	<b>10357/2008</b>	<b>Kenwood Limited;</b> 07-04, Hand held kitchen appliance power units, (EM, 27 Jul 2007) 25 Jan 2008	<b>10340/2008</b>
<b>Helen of Troy Limited;</b> 09-03M, Storage container, (US, 27 Jul 2007) 29 Jan 2008	<b>10358/2008</b>	<b>Kenwood Limited;</b> 31-00, Blender, (EM, 03 Aug 2007) 23 Jan 2008	<b>10282/2008</b>
<b>Helen of Troy Limited;</b> 09-03M, Storage container, (US, 27 Jul 2007) 29 Jan 2008	<b>10359/2008</b>	<b>Kermode, Felicity Louise; Boyle, Jeffrey;</b> 02-01B, Therapeutic sports garment, 30 Jan 2008	<b>10377/2008</b>
<b>Hirafu Pty Ltd;</b> 09-01K, Packaging container, 31 Jan 2008	<b>10389/2008</b>	<b>Kermode, Felicity Louise; Boyle, Jeffrey;</b> 02-01B, Therapeutic sports garment, 30 Jan 2008	<b>10376/2008</b>
<b>Hirafu Pty Ltd;</b> 09-01K, Packaging container, 31 Jan 2008	<b>10390/2008</b>	<b>Kikuchi, Hideaki; Ohara, Nariko; Takamatsu, Kuniaki; Ito, Yoshiaki;</b> 12-15B, A tyre for an automobile, (Divisional of 20064/2007) 03 Oct 2007	<b>21583/2007</b>
<b>Hirafu Pty Ltd;</b> 09-01K, Packaging container, 31 Jan 2008	<b>10391/2008</b>	<b>Kisonas, Indre;</b> 06-01E, "p'arc" stool, 01 Feb 2008	<b>10472/2008</b>
<b>Ito, Yoshiaki; Ohara, Nariko; Takamatsu, Kuniaki; Kikuchi, Hideaki;</b> 12-15B, A tyre for an automobile, (Divisional of 20064/2007) 03 Oct 2007	<b>21583/2007</b>	<b>Kohler China Investment Co., Ltd.;</b> 23-02C, Lavatory, (CN, 27 Jul 2007) 29 Jan 2008	<b>10344/2008</b>
<b>IAMS Company, The;</b> 09-03NES, Side-gusseted bag, (US, 02 Aug 2007) 30 Jan 2008	<b>10402/2008</b>	<b>Kohler China Investment Co., Ltd.;</b> 23-02C, Lavatory, (CN, 27 Jul 2007) 29 Jan 2008	<b>10345/2008</b>
<b>IAMS Company, The;</b> 09-03NES, Side-gusseted bag, (US, 02 Aug 2007) 30 Jan 2008	<b>10386/2008</b>	<b>Kohler China Investment Co., Ltd.;</b> 23-02C, Lavatory, (CN, 27 Jul 2007) 29 Jan 2008	<b>10346/2008</b>
<b>IAMS Company, The;</b> 09-03NES, Side-gusseted bag, (US, 02 Aug 2007) 30 Jan 2008	<b>10387/2008</b>		

<b>Kohler China Investment Co., Ltd.;</b> 23-02C, Lavatory, (US, 27 Jul 2007) 25 Jan 2008	<b>10335/2008</b>	<b>Mitsubishi Electric Corporation;</b> 23-04, Air conditioner, (JP, 20 Aug 2007) 01 Feb 2008	<b>10420/2008</b>
<b>Koninklijke Philips Electronics N.V.;</b> 07-05A, Iron with steam generator, (EM, 21 Aug 2007) 31 Jan 2008	<b>10418/2008</b>	<b>Mitsubishi Pencil Co., Ltd.;</b> 19-06, Pen, (JP, 31 Jul 2007) 30 Jan 2008	<b>10378/2008</b>
<b>L&amp;P Property Management Company;</b> 08-08C, Spring core, (US, 03 Aug 2007) 04 Feb 2008	<b>10480/2008</b>	<b>Moko Architecture &amp; Design Pty Ltd.;</b> 11-02NES, Wind sculpture, 01 Feb 2008	<b>10394/2008</b>
<b>L&amp;P Property Management Company;</b> 08-08C, Top portion of a spring core, (US, 03 Aug 2007) 04 Feb 2008	<b>10481/2008</b>	<b>Moko Architecture &amp; Design Pty Ltd.;</b> 11-02NES, Wind sculpture, 01 Feb 2008	<b>10395/2008</b>
<b>La Montre Hermes S.A.;</b> 10-02, A watch, (WO, 25 Jul 2007) 23 Jan 2008	<b>10280/2008</b>	<b>Nautilus, Inc.;</b> 21-02F, Dumbbell handle, (US, 23 Jan 2008) 24 Jan 2008	<b>10307/2008</b>
<b>La Montre Hermes S.A.;</b> 11-01C, A bracelet for a watch, (WO, 25 Jul 2007) 23 Jan 2008	<b>10281/2008</b>	<b>Nautilus, Inc.;</b> 21-02F, Dumbbell, (US, 23 Jan 2008) 24 Jan 2008	<b>10308/2008</b>
<b>Leighton, Jeffery L.; Halliday, Glen H.;</b> 25-03, Playhouse, (US, 24 Jul 2007) 24 Jan 2008	<b>10318/2008</b>	<b>Nautilus, Inc.;</b> 21-02F, Dumbbell weight plate, (US, 23 Jan 2008) 24 Jan 2008	<b>10310/2008</b>
<b>Leighton, Jeffery L.; Halliday, Glen H.;</b> 25-03, Playhouse, (US, 24 Jul 2007) 24 Jan 2008	<b>10320/2008</b>	<b>Nautilus, Inc.;</b> 21-02F, Dumbbell weight plate, (US, 23 Jan 2008) 24 Jan 2008	<b>10311/2008</b>
<b>Leighton, Jeffery L.; Halliday, Glen H.;</b> 25-03, Playhouse, (US, 24 Jul 2007) 24 Jan 2008	<b>10319/2008</b>	<b>Nautilus, Inc.;</b> 21-02F, Dumbbell base, 24 Jan 2008	<b>10312/2008</b>
<b>Lolitta Clothing;</b> 02-02C, 02-02NES, , 31 Jan 2008	<b>10406/2008</b>	<b>Nautilus, Inc.;</b> 21-02F, Dumbbell, (US, 23 Jan 2008) 24 Jan 2008	<b>10313/2008</b>
<b>Lolitta Clothing;</b> 02-02C, 02-02NES, , 31 Jan 2008	<b>10403/2008</b>	<b>Nautilus, Inc.;</b> 21-02F, Dumbbell, (US, 23 Jan 2008) 24 Jan 2008	<b>10314/2008</b>
<b>Lolitta Clothing;</b> 02-02C, 02-02NES, , 31 Jan 2008	<b>10404/2008</b>	<b>Nuna International B.V.;</b> 12-12, Buggy, 30 Jan 2008	<b>10382/2008</b>
<b>Lolitta Clothing;</b> 02-02C, 02-02NES, , 31 Jan 2008	<b>10405/2008</b>	<b>Ohara, Nariko; Takamatsu, Kuniaki; Ito, Yoshiaki; Kikuchi, Hideaki;</b> 12-15B, A tyre for an automobile, (Divisional of 20064/2007) 03 Oct 2007	<b>21583/2007</b>
<b>LED Technologies Pty Ltd.;</b> 26-05NES, Lighting assembly, 31 Jan 2008	<b>10407/2008</b>	<b>Oz Aqua Tanks;</b> 23-01F, Oz aqua 2000L water tank, 01 Feb 2008	<b>10392/2008</b>
<b>LED Technologies Pty Ltd.;</b> 26-05NES, Lighting assembly, 31 Jan 2008	<b>10408/2008</b>	<b>Oz Aqua Tanks;</b> 23-01F, Oz aqua 3000L water tank, 01 Feb 2008	<b>10393/2008</b>
<b>LED Technologies Pty Ltd.;</b> 26-05NES, Lighting assembly, 31 Jan 2008	<b>10409/2008</b>	<b>Pacific Helmets NZ Limited.;</b> 02-03, A helmet, (NZ, 24 Jul 2007) 24 Jan 2008	<b>10283/2008</b>
<b>LG Electronics Inc.;</b> 14-01, MP3 player, (KR, 24 Feb 2007) 01 Feb 2008	<b>10440/2008</b>	<b>Peer Intellectual Properties Pty Ltd.;</b> 24-01, A wall stud, 24 Jan 2008	<b>10294/2008</b>
<b>LG Electronics Inc.;</b> 99-00, , 04 Feb 2008	<b>10473/2008</b>	<b>Peer Intellectual Properties Pty Ltd.;</b> 25-01C, A wall stud, 24 Jan 2008	<b>10295/2008</b>
<b>Man Roland Druckmaschinen AG.;</b> 18-99, Clip, (DE, 26 Oct 2007) 22 Jan 2008	<b>10288/2008</b>	<b>Peer Intellectual Properties Pty Ltd.;</b> 25-01C, A wall stud, 24 Jan 2008	<b>10296/2008</b>
<b>Man Roland Druckmaschinen AG.;</b> 18-99, Clip, (DE, 26 Oct 2007) 22 Jan 2008	<b>10289/2008</b>	<b>Peer Intellectual Properties Pty Ltd.;</b> 25-01C, A wall stud, 24 Jan 2008	<b>10297/2008</b>
<b>Mars Incorporated.;</b> 01-06, Pet chew, (EM, 22 Nov 2007) 23 Jan 2008	<b>10284/2008</b>	<b>Peer Intellectual Properties Pty Ltd.;</b> 25-01C, A wall stud, 24 Jan 2008	<b>10298/2008</b>
<b>Mead, Rowena.;</b> 04-02, Toothbrush, 24 Jan 2008	<b>10306/2008</b>	<b>Peer Intellectual Properties Pty Ltd.;</b> 25-01C, A wall stud, 24 Jan 2008	<b>10299/2008</b>
<b>Miller, Kylie.;</b> 06-11, Baby massage mat, 04 Feb 2008	<b>10466/2008</b>	<b>Peer Intellectual Properties Pty Ltd.;</b> 25-01C, A wall stud, 24 Jan 2008	<b>10300/2008</b>

<b>Peer Intellectual Properties Pty Ltd;</b> 25-01C, A wall stud, 24 Jan 2008	<b>10301/2008</b>	<b>Samar, LLC;</b> 28-99, Air deodorising apparatus, (EM, 16 Aug 2007) 01 Feb 2008	<b>10442/2008</b>
<b>Pickford, Brad;</b> 30-99, Artificial cow, 31 Jan 2008	<b>10410/2008</b>	<b>Seiko Epson Corporation;</b> 14-02, Ink cartridge, (JP, 15 Aug 2007) 24 Jan 2008	<b>10309/2008</b>
<b>Procter &amp; Gamble Company, The;</b> 01-01, Interlocking confectionery, 04 Feb 2008	<b>10467/2008</b>	<b>Shiseido Co., Ltd.;</b> 09-01G, Bottle, 04 Feb 2008	<b>10474/2008</b>
<b>Procter &amp; Gamble Company, The;</b> 01-01, Confectionery, 04 Feb 2008	<b>10468/2008</b>	<b>Shiseido Co., Ltd.;</b> 09-01G, Bottle, 04 Feb 2008	<b>10475/2008</b>
<b>Procter &amp; Gamble Company, The;</b> 01-01, Confectionery, 04 Feb 2008	<b>10469/2008</b>	<b>Shiseido Co., Ltd.;</b> 09-01C, Jar, 04 Feb 2008	<b>10476/2008</b>
<b>Procter &amp; Gamble Company, The;</b> 01-01, Confectionery, 04 Feb 2008	<b>10470/2008</b>	<b>Shiseido Co., Ltd.;</b> 09-01G, Bottle, 04 Feb 2008	<b>10477/2008</b>
<b>Procter &amp; Gamble Company, The;</b> 01-01, Confectionery, 04 Feb 2008	<b>10471/2008</b>	<b>Signostics Pty Ltd;</b> 24-01, Display and processing unit for medical scanning apparatus, 04 Feb 2008	<b>10485/2008</b>
<b>Redman, Michael;</b> 05-05NES, The design is printed on a baby change mat, 25 Jan 2008	<b>10323/2008</b>	<b>Signostics Pty Ltd;</b> 24-01, Probe unit for medical scanning apparatus, 04 Feb 2008	<b>10486/2008</b>
<b>Review Australia Pty Ltd;</b> 02-02NES, A top, 04 Sep 2007	<b>10537/2008</b>	<b>Societe des Produits Nestle S.A.;</b> 09-01K, A bottle, (CH, 24 Sep 2007) 24 Jan 2008	<b>10305/2008</b>
<b>Review Australia Pty Ltd;</b> 02-02C, A dress, 04 Sep 2007	<b>10541/2008</b>	<b>Spillane, Shirley A.;</b> 19-08, Adhesive labels, 01 Feb 2008	<b>10396/2008</b>
<b>Review Australia Pty Ltd;</b> 02-02C, A tunic, 04 Sep 2007	<b>10542/2008</b>	<b>Takamatsu, Kuniaki; Ohara, Nariko; Ito, Yoshiaki; Kikuchi, Hideaki;</b> 12-15B, A tyre for an automobile, (Divisional of 20064/2007) 03 Oct 2007	<b>21583/2007</b>
<b>Review Australia Pty Ltd;</b> 02-02NES, A top, 04 Sep 2007	<b>10538/2008</b>	<b>Tigerlight Inc.;</b> 99-00, Personal defence device, (US, 26 Jul 2007) 29 Jan 2008	<b>10366/2008</b>
<b>Review Australia Pty Ltd;</b> 02-02C, A dress, 04 Sep 2007	<b>10539/2008</b>	<b>Unilever PLC;</b> 09-03L, Container, (US, 03 Aug 2007) 01 Feb 2008	<b>10422/2008</b>
<b>Review Australia Pty Ltd;</b> 02-02C, Ladies garments, 04 Sep 2007	<b>10540/2008</b>	<b>Unilever PLC;</b> 09-03L, Container, (US, 03 Aug 2007) 31 Jan 2008	<b>10417/2008</b>
<b>S.C. Johnson &amp; Son, Inc.;</b> 23-02NES, Dispenser mounting device, (US, 31 Jul 2007) 31 Jan 2008	<b>10411/2008</b>	<b>United States Gypsum Company;</b> 15-04, Mixer for viscous materials, (US, 31 Jul 2007) 29 Jan 2008	<b>10342/2008</b>
<b>S.C. Johnson &amp; Son, Inc.;</b> 09-01K, Bottle, (US, 22 Jan 2008) 31 Jan 2008	<b>10412/2008</b>	<b>United States Gypsum Company;</b> 15-04, Mixer for viscous materials, (US, 31 Jul 2007) 29 Jan 2008	<b>10343/2008</b>
<b>S.C. Johnson &amp; Son, Inc.;</b> 23-02NES, Dispenser mounting device, (US, 31 Jul 2007) 31 Jan 2008	<b>10413/2008</b>	<b>Wieland Helicopter Technologies Ltd;</b> 12-07, WHT single seat helicopter design, 04 Feb 2008	<b>10438/2008</b>
<b>S.C. Johnson &amp; Son, Inc.;</b> 09-01K, Bottle, (US, 31 Jul 2007) 31 Jan 2008	<b>10415/2008</b>	<b>Wobben, Aloys;</b> 15-01, Windturbine rotor hub with blades; windturbine rotor hub; wind turbine; windturbine rotor hub, (EM, 23 Jul 2007) 23 Jan 2008	<b>10279/2008</b>
<b>S.C. Johnson &amp; Son, Inc.;</b> 07-06A, Bottle holder, (US, 31 Jul 2007) 31 Jan 2008	<b>10416/2008</b>	<b>Wobben, Aloys;</b> 15-01, Windturbine rotor hub with blades; windturbine rotor hub; wind turbine; windturbine rotor hub, (EM, 23 Jul 2007) 23 Jan 2008	<b>10285/2008</b>
<b>Samsung Electronics Co., Ltd.;</b> 07-02B, Microwave oven, 24 Jan 2008	<b>10302/2008</b>	<b>Wobben, Aloys;</b> 15-01, Windturbine rotor hub with blades; windturbine rotor hub; wind turbine; windturbine rotor hub, (EM, 23 Jul 2007) 23 Jan 2008	<b>10286/2008</b>
<b>Samsung Electronics Co., Ltd.;</b> 07-02A, Oven, 24 Jan 2008	<b>10303/2008</b>		
<b>Sansai Australia Pty Ltd;</b> 13-03D, Power board, 31 Jan 2008	<b>10397/2008</b>		
<b>Sansai Australia Pty Ltd;</b> 13-03D, Power board, 31 Jan 2008	<b>10398/2008</b>		
<b>Sansai Australia Pty Ltd;</b> 13-03D, Power board, 31 Jan 2008	<b>10399/2008</b>		
<b>Sansai Australia Pty Ltd;</b> 13-03D, Power board, 31 Jan 2008	<b>10400/2008</b>		

**Wobben, Aloys;** **10287/2008**  
 15-01, Windturbine rotor hub with blades;  
 windturbine rotor hub; wind turbine; windturbine  
 rotor hub, (EM, 23 Jul 2007) 23 Jan 2008

**3M Innovative Properties Company;** **10439/2008**  
 08-03, Media cutting device, (US, 03 Aug 2007)  
 01 Feb 2008

**Zippmask.com Pty Ltd;** **10304/2008**  
 20-02E, A stand, 25 Jan 2008

**Applications Withdrawn**

21101 / 2007 (11-02C)

**Applications Lapsed**

10981 / 2005 (25-01B)	11316 / 2005 (25-02NES)
12038 / 2005 (30-03)	12039 / 2005 (02-02NES)
12843 / 2005 (03-01A)	12844 / 2005 (03-01A)
12845 / 2005 (03-01A)	12846 / 2005 (03-01A)
15137 / 2005 (14-03E)	10256 / 2006 (14-01)
10280 / 2006 (25-02H)	10679 / 2006 (22-05)
16459 / 2007 (02-99)	17222 / 2007 (06-01F)
18996 / 2007 (23-01F)	18997 / 2007 (23-01F)
19053 / 2007 (05-05NES)	19054 / 2007 (02-02C)
19174 / 2007 (05-05A)	19279 / 2007 (21-02NES)
19324 / 2007 (19-04)	19562 / 2007 (08-08L)
20030 / 2007 (09-07A)	20047 / 2007 (22-05)
20048 / 2007 (22-05)	20054 / 2007 (10-05)
20113 / 2007 (18-03)	20114 / 2007 (18-03)
20115 / 2007 (18-03)	20116 / 2007 (18-03)
20117 / 2007 (18-03)	20118 / 2007 (18-03)
20119 / 2007 (20-03NES)	

### Revocation of Design Registrations

The following Design Registration(s) have been revoked and are taken never to have been registered:

303976 09-01A  
 303977 09-01C  
 303979 09-01A  
 304539 09-01C

### Amendments

(The name in parentheses is that of the subsequent applicant)

314719 ( Savant Systems LLC ) RacePointMedia LLC  
 314720 ( Savant Systems LLC ) RacePointMedia LLC  
 314722 ( Savant Systems LLC ) RacePointMedia LLC  
 314962 ( Savant Systems LLC ) RacePointMedia LLC

### Extensions of time granted under Section 137

Applications lodged under section 137 for extension of time have been granted.

310455 **Connected Group Australia Pty Limited**  
 310456 **Connected Group Australia Pty Limited**  
 310456 **Connected Group Australia Pty Limited**  
 18818/2007 **TIC Group Pty Ltd**  
 18819/2007 **TIC Group Pty Ltd**  
 18820/2007 **TIC Group Pty Ltd**  
 19687/2007 **John Quinn**  
 20263/2007 **PAAR Enterprises Pty Ltd**  
 20264/2007 **PAAR Enterprises Pty Ltd**  
 20265/2007 **PAAR Enterprises Pty Ltd**  
 20766/2007 **Carbon Barbers**  
 10368/2008 **Helen of Troy Limited**  
 10421/2008 **Karsten Manufacturing Corporation**

### Applications Assigned

(The name in parentheses is that of the subsequent applicant)

20989/2007 ( **The Electric Bicycle Co. Pty Ltd** ) Sagrin Pty Ltd  
 18294/2007 ( **Novetec Building Products Pty Ltd** ) Militaire Nominees Pty Ltd  
 20608/2007 ( **Bloomberg Finance L.P.** ) Bloomberg, LP

### Subsequent Owners Registered

(The name in parentheses is that of the subsequent owner)

309489 ( **Raytec B.V.** ) Ray Technology Group B.V.  
 305420 ( **Novetec Building Products Pty Ltd** ) Militaire Nominees Pty Ltd  
 314849 ( **Flosspik Pty Ltd** ) Peter Anthony Roemuss;Fanny Estelle Franks  
 313263 ( **Novetec Building Products Pty Ltd** ) Militaire Nominees Pty Ltd

### Names Registered - Alterations and

**Certificate(s) of Examination**

Examination of the following Design Registration(s) has been completed. Infringement proceedings may now be commenced.

303888	25-01C	07/02/2008
303889	25-01C	07/02/2008
303890	25-01C	07/02/2008
304756	13-03E	14/02/2008
306737	13-03E	14/02/2008
306805	23-01H	21/02/2008
306806	23-01H	21/02/2008
306972	13-03E	14/02/2008
307430	14-01	18/02/2008
308259	25-01K	19/02/2008
312303	12-05	19/02/2008
312412	08-08D	11/02/2008
312577	06-01D	19/02/2008
313113	07-01F	19/02/2008
313114	07-01F	19/02/2008
313115	07-01F	19/02/2008
313116	07-01F	19/02/2008
313117	07-01F	19/02/2008
313275	08-08NES	11/02/2008
313751	07-01F	18/02/2008
313820	19-02	18/02/2008
313855	14-01	12/02/2008
313856	14-01	12/02/2008
313857	14-01	18/02/2008
313858	14-01	12/02/2008
313977	09-03NES	11/02/2008
314138	12-05	21/02/2008
314139	09-01D	20/02/2008
314339	07-07NES	21/02/2008
314359	23-01H	11/02/2008
314360	07-05D	11/02/2008
314516	08-08NES	07/02/2008
314555	04-99	14/02/2008
314556	04-99	14/02/2008
314557	04-99	14/02/2008
314558	04-99	14/02/2008
314612	08-05NES	11/02/2008
314613	08-05NES	11/02/2008
314615	08-05NES	11/02/2008
314617	09-08	07/02/2008
314618	07-01B	07/02/2008
314770	14-01	19/02/2008
315007	26-06	19/02/2008
315090	07-06D	19/02/2008
315091	07-06D	19/02/2008
317252	25-02K	11/02/2008
317384	02-04NES	10/02/2008
317385	02-04NES	10/02/2008



**Publication and Registration Proceedings**

**Designs Registered**

This section provides a concordance between design number and registration number of Designs covered in this journal. It also shows the main class and registration date.

This section covers Registration numbers 317881 to 318063 .

The registration number shown below should be used in all future correspondence.

Design Number	Registration Number	International Classification Code (IDC)	Registration Date	Design Number	Registration Number	International Classification Code (IDC)	Registration Date
14929/2004	318005	06-01E	19/02/2008	20252/2007	317925	14-03NES	12/02/2008
14223/2006	318004	02-02C	19/02/2008	20253/2007	317926	28-03D	12/02/2008
14800/2006	317881	16-01	12/02/2008	20259/2007	317927	06-04B	12/02/2008
14801/2006	317882	16-01	12/02/2008	20260/2007	317928	06-04B	12/02/2008
14802/2006	317883	16-01	12/02/2008	20261/2007	317929	06-04B	12/02/2008
15979/2006	318006	02-02NES	19/02/2008	20262/2007	317958	06-01F	14/02/2008
17402/2007	317884	22-05	12/02/2008	20266/2007	317959	28-03D	14/02/2008
19365/2007	317951	02-02C	14/02/2008	20267/2007	317960	23-01H	14/02/2008
19367/2007	317952	02-02C	14/02/2008	20268/2007	317961	09-09	14/02/2008
19368/2007	317953	02-02C	14/02/2008	20269/2007	317962	08-07	14/02/2008
19369/2007	317954	02-02NES	14/02/2008	20276/2007	317963	06-08	14/02/2008
19376/2007	317955	02-02NES	14/02/2008	20277/2007	317964	06-13B	14/02/2008
19377/2007	317956	02-02C	14/02/2008	20278/2007	318007	08-05F	19/02/2008
19379/2007	317957	02-02C	14/02/2008	20279/2007	317965	30-02	14/02/2008
19569/2007	317885	06-03A	12/02/2008	20280/2007	317966	25-01NES	14/02/2008
19595/2007	317886	23-01G	12/02/2008	20284/2007	317967	11-02B	14/02/2008
19718/2007	317907	09-03A	12/02/2008	20285/2007	317968	11-02B	14/02/2008
19719/2007	317908	09-03A	12/02/2008	20286/2007	317969	11-02B	14/02/2008
19731/2007	318037	09-03M	19/02/2008	20293/2007	317970	26-01	14/02/2008
19824/2007	317887	25-03	12/02/2008	20296/2007	317905	12-16A	12/02/2008
19837/2007	317888	25-01D	12/02/2008	20297/2007	317971	12-10	15/02/2008
19838/2007	317889	25-01D	12/02/2008	20298/2007	317972	25-01K	15/02/2008
19877/2007	317909	03-01B	12/02/2008	20299/2007	317973	14-03NES	15/02/2008
19950/2007	317910	23-01A	12/02/2008	20300/2007	317974	15-07	15/02/2008
19951/2007	317911	23-01H	12/02/2008	20301/2007	317975	24-01	15/02/2008
19952/2007	317912	08-07	12/02/2008	20302/2007	317976	08-08B	15/02/2008
19953/2007	317913	08-07	12/02/2008	20303/2007	317977	08-08B	15/02/2008
19954/2007	317914	23-01G	12/02/2008	20304/2007	317978	25-01K	15/02/2008
19955/2007	317915	26-05NES	12/02/2008	20305/2007	317979	25-01K	15/02/2008
19956/2007	317916	23-01A	12/02/2008	20306/2007	317980	25-01K	15/02/2008
19957/2007	317917	23-01E	12/02/2008	20307/2007	317981	15-03B	15/02/2008
20099/2007	317918	06-03A	12/02/2008	20308/2007	317930	07-04	13/02/2008
20219/2007	317890	15-01	12/02/2008	20309/2007	317931	07-04	13/02/2008
20220/2007	317891	15-01	12/02/2008	20310/2007	317932	07-99D	13/02/2008
20221/2007	317892	15-07	12/02/2008	20311/2007	317933	07-04	13/02/2008
20222/2007	317893	02-06	12/02/2008	20312/2007	317934	07-04	13/02/2008
20223/2007	317894	02-06	12/02/2008	20313/2007	317935	07-04	13/02/2008
20224/2007	317895	02-06	12/02/2008	20314/2007	317936	07-04	13/02/2008
20226/2007	317896	14-03E	12/02/2008	20315/2007	317937	07-04	13/02/2008
20227/2007	317897	12-10	12/02/2008	20316/2007	317938	07-04	13/02/2008
20235/2007	317898	06-06A	12/02/2008	20317/2007	317939	07-04	13/02/2008
20236/2007	317899	06-01E	12/02/2008	20318/2007	317940	07-04	13/02/2008
20237/2007	317900	06-01E	12/02/2008	20319/2007	317941	07-04	13/02/2008
20242/2007	317919	08-03	12/02/2008	20320/2007	317942	07-04	13/02/2008
20243/2007	317920	08-03	12/02/2008	20321/2007	317943	07-04	13/02/2008
20244/2007	317921	08-03	12/02/2008	20322/2007	317944	07-04	13/02/2008
20245/2007	317922	08-03	12/02/2008	20323/2007	317945	07-04	13/02/2008
20246/2007	317901	19-99	12/02/2008	20324/2007	317946	07-04	13/02/2008
20247/2007	317902	09-03L	12/02/2008	20325/2007	317947	07-04	13/02/2008
20248/2007	317903	18-02	12/02/2008	20326/2007	317948	07-04	13/02/2008
20249/2007	317904	24-04	12/02/2008	20327/2007	317949	07-04	13/02/2008
20250/2007	317923	24-04	12/02/2008	20328/2007	317950	07-04	13/02/2008
20251/2007	317924	07-01F	12/02/2008	20329/2007	317982	14-03NES	15/02/2008

Publication and Registration Proceedings - Designs Registered cont'd

Design Number	Registration Number	International Classification Code (IDC)	Registration Date	Design Number	Registration Number	International Classification Code (IDC)	Registration Date
20338/2007	317983	11-02NES	15/02/2008	20422/2007	318027	02-02NES	19/02/2008
20339/2007	317984	11-02NES	15/02/2008	20425/2007	318028	07-01D	19/02/2008
20340/2007	317985	11-02NES	15/02/2008	20426/2007	318029	14-02	19/02/2008
20341/2007	317986	11-02NES	15/02/2008	20428/2007	318030	14-03E	19/02/2008
20342/2007	317987	11-02NES	15/02/2008	20429/2007	318031	14-02	19/02/2008
20343/2007	317988	11-02NES	15/02/2008	20432/2007	318032	08-08B	19/02/2008
20344/2007	317989	11-02NES	15/02/2008	20440/2007	318038	25-02A	19/02/2008
20345/2007	317990	11-02NES	15/02/2008	20441/2007	318039	25-02A	19/02/2008
20346/2007	317991	11-02NES	15/02/2008	20442/2007	318040	25-02A	19/02/2008
20347/2007	317992	07-02L	15/02/2008	20443/2007	318041	08-05L	19/02/2008
20350/2007	317993	02-04NES	15/02/2008	20444/2007	318033	09-03D	19/02/2008
20351/2007	317994	25-02C	15/02/2008	20445/2007	318034	09-03D	19/02/2008
20352/2007	317995	23-02B	15/02/2008	20446/2007	318035	09-03D	19/02/2008
20353/2007	317996	23-02B	15/02/2008	20447/2007	318036	06-13B	19/02/2008
20354/2007	317997	08-01	15/02/2008	20449/2007	318042	06-04F	19/02/2008
20355/2007	317998	08-01	15/02/2008	20451/2007	318043	15-01	19/02/2008
20356/2007	317999	08-01	15/02/2008	20452/2007	318044	15-01	19/02/2008
20363/2007	318000	07-02A	15/02/2008	20453/2007	318045	15-01	19/02/2008
20368/2007	318001	25-02NES	15/02/2008	20454/2007	318046	15-01	19/02/2008
20369/2007	318002	25-02NES	15/02/2008	20455/2007	318047	15-01	19/02/2008
20371/2007	318003	02-01B	15/02/2008	20456/2007	318048	15-01	19/02/2008
20391/2007	318008	08-01	19/02/2008	20457/2007	318049	15-01	19/02/2008
20392/2007	318009	08-01	19/02/2008	20458/2007	318050	15-01	19/02/2008
20393/2007	318010	08-01	19/02/2008	20459/2007	318051	15-01	19/02/2008
20394/2007	318011	08-06	19/02/2008	20460/2007	318052	15-01	19/02/2008
20395/2007	318012	08-06	19/02/2008	20461/2007	318053	15-01	19/02/2008
20396/2007	318013	25-01D	19/02/2008	20462/2007	318054	15-01	19/02/2008
20400/2007	318014	08-05N	19/02/2008	20463/2007	318055	15-01	19/02/2008
20401/2007	318015	08-05N	19/02/2008	20464/2007	318056	15-01	19/02/2008
20403/2007	318016	09-07A	19/02/2008	20465/2007	318057	15-01	19/02/2008
20404/2007	318017	09-07A	19/02/2008	20466/2007	318058	15-01	19/02/2008
20405/2007	318018	09-07A	19/02/2008	20467/2007	318059	15-01	19/02/2008
20406/2007	318019	25-01F	19/02/2008	20468/2007	318060	15-01	19/02/2008
20408/2007	318020	23-01H	19/02/2008	20469/2007	318061	15-01	19/02/2008
20409/2007	318021	23-01H	19/02/2008	20470/2007	318062	15-01	19/02/2008
20411/2007	318022	08-08L	19/02/2008	20471/2007	318063	15-01	19/02/2008
20412/2007	318023	08-08L	19/02/2008	20557/2007	317906	28-03C	12/02/2008
20419/2007	318024	19-06	19/02/2008				
20420/2007	318025	23-01H	19/02/2008				
20421/2007	318026	21-02C	19/02/2008				

**Publication and Registration Proceedings**  
**Class Listing of Designs Published or Registered**

The following section shows an International Classification Code listing of the Registered or Published Designs covered in this supplement.

<b>Classification</b>	<b>Registration Number</b>	<b>Design Number</b>	<b>Classification</b>	<b>Registration Number</b>	<b>Design Number</b>
02-01 B	318003	20371/2007	07-04	317950	20328/2007
02-02 C	317951	19365/2007	07-99 D	317932	20310/2007
02-02 C	317952	19367/2007	08-01	317997	20354/2007
02-02 C	317953	19368/2007	08-01	317998	20355/2007
02-02 C	317956	19377/2007	08-01	317999	20356/2007
02-02 C	317957	19379/2007	08-01	318008	20391/2007
02-02 C	318004	14223/2006	08-01	318009	20392/2007
02-02 NES	317954	19369/2007	08-01	318010	20393/2007
02-02 NES	317955	19376/2007	08-03	317919	20242/2007
02-02 NES	318006	15979/2006	08-03	317920	20243/2007
02-02 NES	318027	20422/2007	08-03	317921	20244/2007
02-04 NES	317993	20350/2007	08-03	317922	20245/2007
02-06	317893	20222/2007	08-05 F	318007	20278/2007
02-06	317894	20223/2007	08-05 L	318041	20443/2007
02-06	317895	20224/2007	08-05 N	318014	20400/2007
03-01 B	317909	19877/2007	08-05 N	318015	20401/2007
03-01 B	318003	20371/2007	08-06	318011	20394/2007
06-01 C	317918	20099/2007	08-06	318012	20395/2007
06-01 E	317899	20236/2007	08-07	317912	19952/2007
06-01 E	317900	20237/2007	08-07	317913	19953/2007
06-01 E	318005	14929/2004	08-07	317962	20269/2007
06-01 F	317958	20262/2007	08-08 B	317976	20302/2007
06-03 A	317885	19569/2007	08-08 B	317977	20303/2007
06-03 A	317918	20099/2007	08-08 B	318032	20432/2007
06-04 B	317927	20259/2007	08-08 L	318022	20411/2007
06-04 B	317928	20260/2007	08-08 L	318023	20412/2007
06-04 B	317929	20261/2007	09-03 A	317907	19718/2007
06-04 F	318042	20449/2007	09-03 A	317908	19719/2007
06-04 NES	317898	20235/2007	09-03 D	318033	20444/2007
06-06 A	317898	20235/2007	09-03 D	318034	20445/2007
06-08	317963	20276/2007	09-03 D	318035	20446/2007
06-13 B	317964	20277/2007	09-03 L	317902	20247/2007
06-13 B	318036	20447/2007	09-03 M	318037	19731/2007
07-01 D	318028	20425/2007	09-07 A	318016	20403/2007
07-01 F	317924	20251/2007	09-07 A	318017	20404/2007
07-02 A	318000	20363/2007	09-07 A	318018	20405/2007
07-02 L	317992	20347/2007	09-09	317961	20268/2007
07-04	317930	20308/2007	11-02 B	317967	20284/2007
07-04	317931	20309/2007	11-02 B	317968	20285/2007
07-04	317933	20311/2007	11-02 B	317969	20286/2007
07-04	317934	20312/2007	11-02 NES	317983	20338/2007
07-04	317935	20313/2007	11-02 NES	317984	20339/2007
07-04	317936	20314/2007	11-02 NES	317985	20340/2007
07-04	317937	20315/2007	11-02 NES	317986	20341/2007
07-04	317938	20316/2007	11-02 NES	317987	20342/2007
07-04	317939	20317/2007	11-02 NES	317988	20343/2007
07-04	317940	20318/2007	11-02 NES	317989	20344/2007
07-04	317941	20319/2007	11-02 NES	317990	20345/2007
07-04	317942	20320/2007	11-02 NES	317991	20346/2007
07-04	317943	20321/2007	12-10	317897	20227/2007
07-04	317944	20322/2007	12-10	317971	20297/2007
07-04	317945	20323/2007	12-16 A	317905	20296/2007
07-04	317946	20324/2007	14-02	318029	20426/2007
07-04	317947	20325/2007	14-02	318031	20429/2007
07-04	317948	20326/2007	14-03 E	317896	20226/2007
07-04	317949	20327/2007	14-03 E	318030	20428/2007

Registration Proceedings - Class Listing of Designs Published or Registered cont'd

Classification	Registration Number	Design Number	Classification	Registration Number	Design Number
14-03 NES	317925	20252/2007	19-99	317901	20246/2007
14-03 NES	317973	20299/2007	21-02 C	318026	20421/2007
14-03 NES	317982	20329/2007	22-05	317884	17402/2007
15-01	317890	20219/2007	23-01 A	317910	19950/2007
15-01	317891	20220/2007	23-01 A	317916	19956/2007
15-01	318043	20451/2007	23-01 E	317917	19957/2007
15-01	318044	20452/2007	23-01 G	317886	19595/2007
15-01	318045	20453/2007	23-01 G	317914	19954/2007
15-01	318046	20454/2007	23-01 H	317911	19951/2007
15-01	318047	20455/2007	23-01 H	317960	20267/2007
15-01	318048	20456/2007	23-01 H	318020	20408/2007
15-01	318049	20457/2007	23-01 H	318021	20409/2007
15-01	318050	20458/2007	23-01 H	318025	20420/2007
15-01	318051	20459/2007	23-02 B	317995	20352/2007
15-01	318052	20460/2007	23-02 B	317996	20353/2007
15-01	318053	20461/2007	24-01	317975	20301/2007
15-01	318054	20462/2007	24-04	317904	20249/2007
15-01	318055	20463/2007	24-04	317923	20250/2007
15-01	318056	20464/2007	25-01 D	317888	19837/2007
15-01	318057	20465/2007	25-01 D	317889	19838/2007
15-01	318058	20466/2007	25-01 D	318013	20396/2007
15-01	318059	20467/2007	25-01 F	318019	20406/2007
15-01	318060	20468/2007	25-01 K	317972	20298/2007
15-01	318061	20469/2007	25-01 K	317978	20304/2007
15-01	318062	20470/2007	25-01 K	317979	20305/2007
15-01	318063	20471/2007	25-01 K	317980	20306/2007
15-02	318043	20451/2007	25-01 NES	317966	20280/2007
15-02	318044	20452/2007	25-02 A	318038	20440/2007
15-02	318045	20453/2007	25-02 A	318039	20441/2007
15-02	318046	20454/2007	25-02 A	318040	20442/2007
15-02	318047	20455/2007	25-02 C	317994	20351/2007
15-02	318048	20456/2007	25-02 NES	318001	20368/2007
15-02	318049	20457/2007	25-02 NES	318002	20369/2007
15-02	318050	20458/2007	25-03	317887	19824/2007
15-02	318051	20459/2007	26-01	317970	20293/2007
15-03 B	317981	20307/2007	26-05 NES	317915	19955/2007
15-07	317892	20221/2007	28-03 C	317906	20557/2007
15-07	317974	20300/2007	28-03 D	317926	20253/2007
16-01	317881	14800/2006	28-03 D	317959	20266/2007
16-01	317882	14801/2006	30-02	317965	20279/2007
16-01	317883	14802/2006			
18-02	317903	20248/2007			
19-06	318024	20419/2007			

(21) Design Number: **14800/2006**

(22) Date of Filing Application: **20 October 2006**

(24) Date from which industrial property rights may have effect: **20 October 2006**

(54) Product in respect of which the design is registered: **Camera**

(51) International Design Classification: **16-01**

(71) Name(s) and Address(s) of Applicant(s):

**Guillermo E. Litman**

**45-18 Person Street Long Island City New York 11101 United States of America**

(72) Name(s) of Designer(s): **Guillermo E. Litman**

(45) Registration Date: **12 February 2008**

(30) Convention priority data:

(31) Number

(32) Date

(33) Country

**S.N.29/258,319**

**20 Apr 2006**

**UNITED STATES OF AMERICA**

(56) Related Art Documents: **Not Applicable**

(57) Statement of Newness and Distinctiveness: **Nil**



(21) Design Number: **14801/2006**

(22) Date of Filing Application: **20 October 2006**

(24) Date from which industrial property rights may have effect: **20 October 2006**

(54) Product in respect of which the design is registered: **Camera**

(51) International Design Classification: **16-01**

(71) Name(s) and Address(s) of Applicant(s):

**Guillermo E. Litman**

**45-18 Person Street Long Island City New York 11101 United States of America**

(72) Name(s) of Designer(s): **Guillermo E. Litman**

(45) Registration Date: **12 February 2008**

(30) Convention priority data:

(31) Number

(32) Date

(33) Country

**S.N.29/258,319**

**20 Apr 2006**

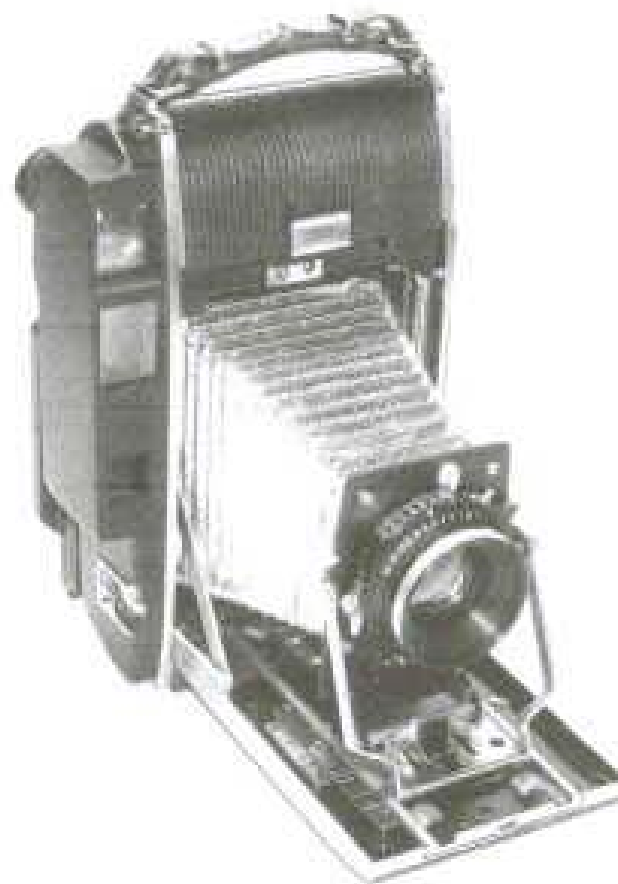
**UNITED STATES OF AMERICA**

(56) Related Art Documents: **Not Applicable**

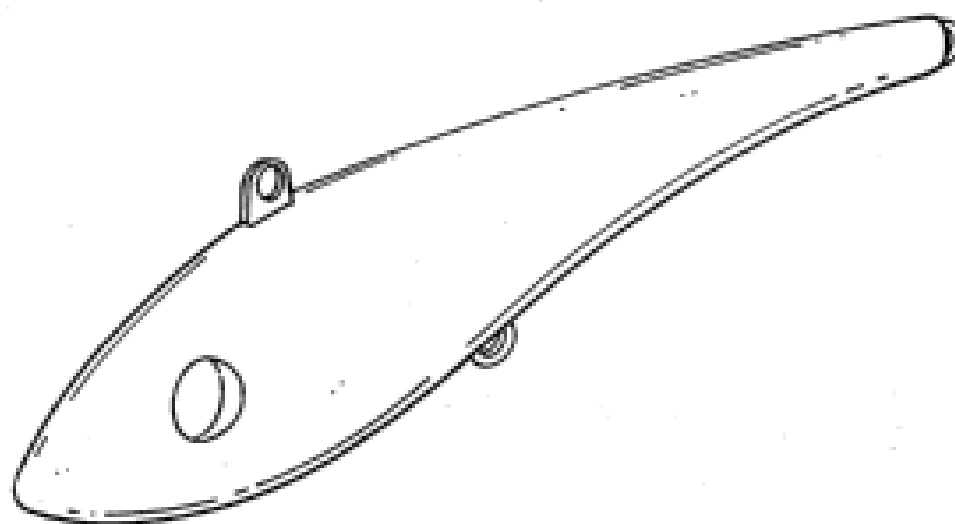
(57) Statement of Newness and Distinctiveness: **Nil**



(21) Design Number: **14802/2006**  
(22) Date of Filing Application: **20 October 2006**  
(24) Date from which industrial property rights may have effect: **20 October 2006**  
(54) Product in respect of which the design is registered: **Camera**  
(51) International Design Classification: **16-01**  
(71) Name(s) and Address(s) of Applicant(s):  
**Guillermo E. Litman**  
**45-18 Person Street Long Island City New York 11101 United States of America**  
(72) Name(s) of Designer(s): **Guillermo E. Litman**  
(45) Registration Date: **12 February 2008**  
(30) Convention priority data:  
(31) Number      (32) Date      (33) Country  
**S.N.29/258,319    20 Apr 2006      UNITED STATES OF AMERICA**  
(56) Related Art Documents: **Not Applicable**  
(57) Statement of Newness and Distinctiveness: **Nil**



(21) Design Number: **17402/2007**  
(22) Date of Filing Application: **13 April 2007**  
(24) Date from which industrial property rights may have effect: **13 April 2007**  
(54) Product in respect of which the design is registered: **Fishing lure**  
(51) International Design Classification: **22-05**  
(71) Name(s) and Address(s) of Applicant(s):  
**Halco Pty Ltd**  
**8 Pakenham Street Fremantle Western Australia 6160 Australia**  
(72) Name(s) of Designer(s): **Benjamin Neil Patrick**  
(45) Registration Date: **12 February 2008**  
(56) Related Art Documents: **Not Applicable**  
(57) Statement of Newness and Distinctiveness: **The particular visual features of the design which are new and distinctive are shape or configuration.**



(21) Design Number: **19569/2007**

(22) Date of Filing Application: **30 August 2007**

(24) Date from which industrial property rights may have effect: **30 August 2007**

(54) Product in respect of which the design is registered: **An article of furniture**

(51) International Design Classification: **06-03A**

(71) Name(s) and Address(s) of Applicant(s):

**Lyndon Craig**

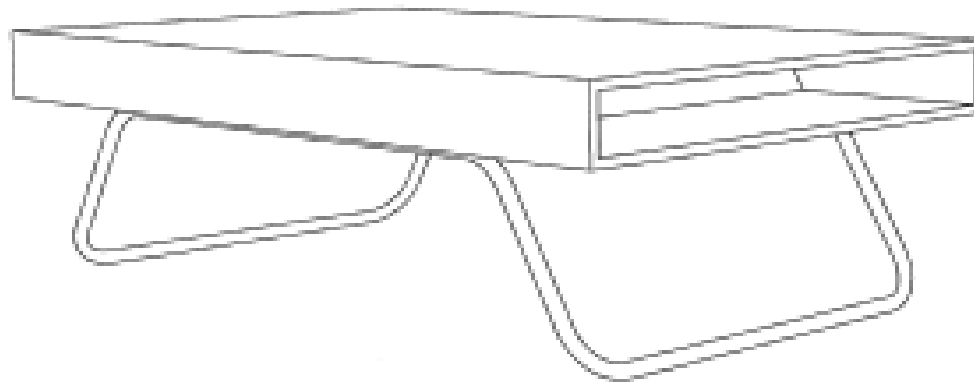
**50108/425 Bourke Street Surry Hills New South Wales 2010 Australia**

(72) Name(s) of Designer(s): **Lyndon Craig**

(45) Registration Date: **12 February 2008**

(56) Related Art Documents: **Not Applicable**

(57) Statement of Newness and Distinctiveness: **This design applies to articles of furniture with identical design features, manufactured at varying heights and lengths and widths.**



(21) Design Number: **19595/2007**

(22) Date of Filing Application: **30 August 2007**

(24) Date from which industrial property rights may have effect: **30 August 2007**

(54) Product in respect of which the design is registered: **Enviro drain & litter strainer**

(51) International Design Classification: **23-01G**

(71) Name(s) and Address(s) of Applicant(s):

**Eric Williams**

**Unit 2 46-50 Buchanan Road Brooklyn Victoria 3012 Australia**

(72) Name(s) of Designer(s): **Eric Williams**

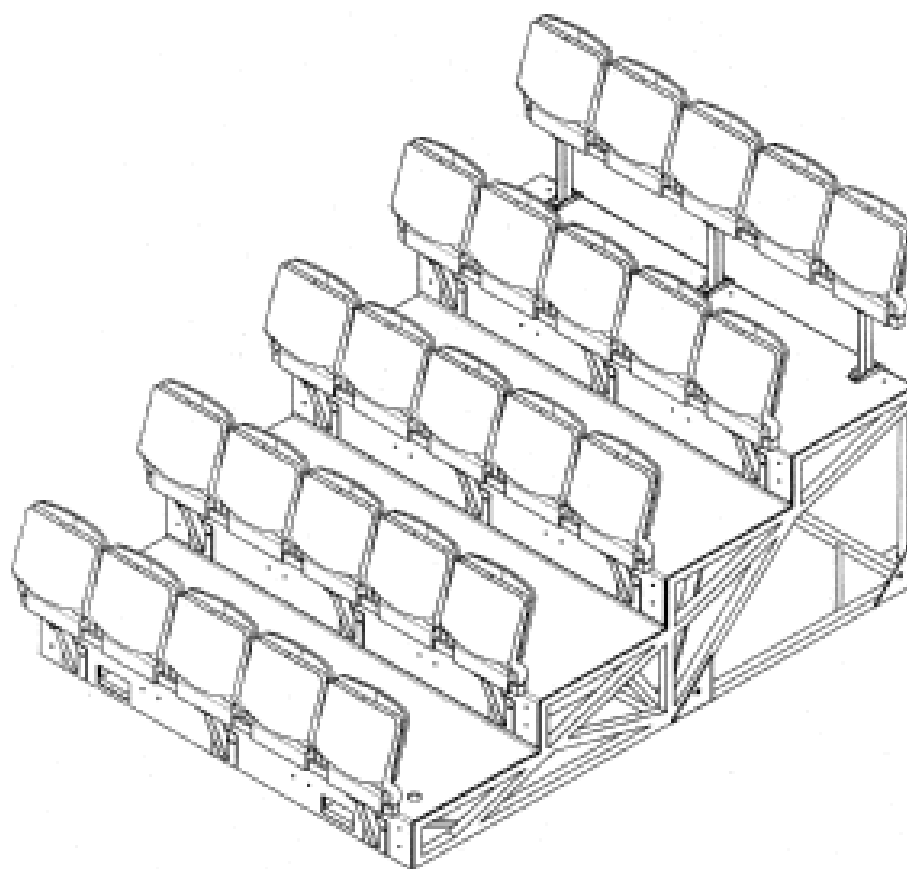
(45) Registration Date: **12 February 2008**

(56) Related Art Documents: **Not Applicable**

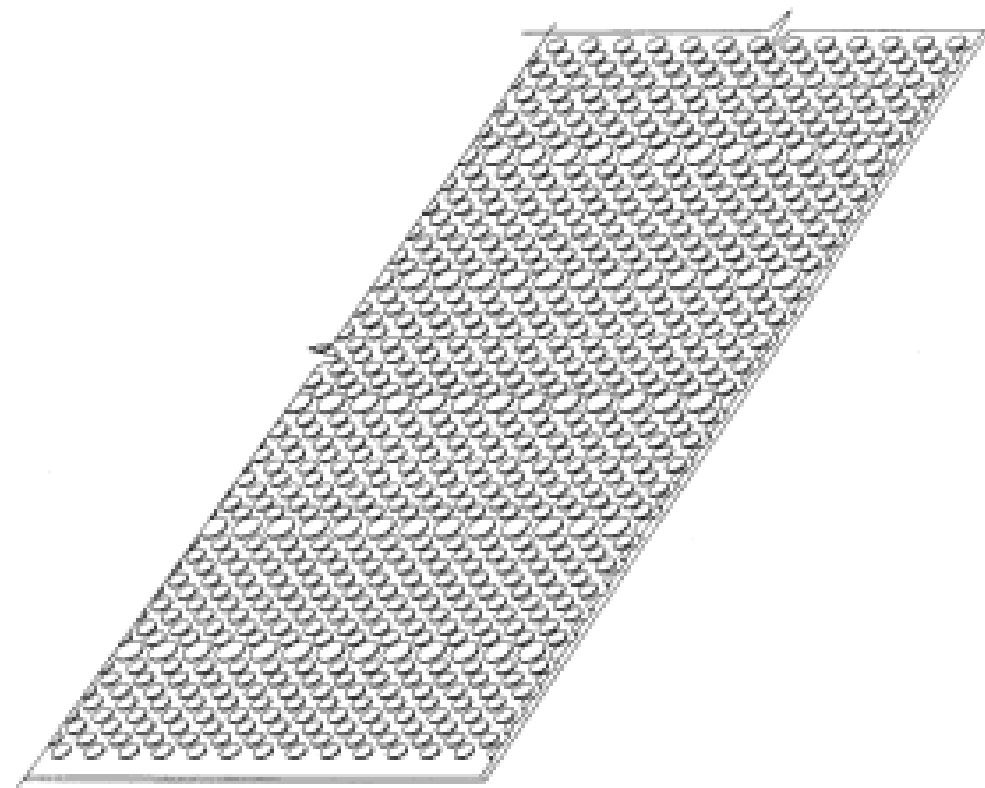
(57) Statement of Newness and Distinctiveness: **Rectangular metal mesh basket to with hooks to carry nylon mesh bag insert for catching leaf & litter from curb & chanel drains. Overflow windows built in the metal basket to allow water to escape to stop drain blockage. Size adjustable rubber trim at top of metal basket to secure unit in position.**



- (21) Design Number: **19824/2007**  
(22) Date of Filing Application: **21 September 2007**  
(24) Date from which industrial property rights may have effect: **21 September 2007**  
(54) Product in respect of which the design is registered: **The polygon grandstand is a demountable grandstand seating system suitable for indoor and outdoor environments**  
(51) International Design Classification: **25-03**  
(71) Name(s) and Address(s) of Applicant(s):  
**The Product People Pty Ltd**  
**10 Bond Street Sydney New South Wales 2000 Australia**  
(72) Name(s) of Designer(s): **Sheldon King**  
(45) Registration Date: **12 February 2008**  
(56) Related Art Documents: **Not Applicable**  
(57) Statement of Newness and Distinctiveness: **The Polygon grandstand is a demountable grandstand seating system suitable for indoor and outdoor environments and is designed for rapid erection and deconstruction. The uniquely assembled 'polygon like' structure of the support beams is not only engineered for light weight rigid construction but also provide a distinctive aesthetic. When triangular panels are mounted/suspended between the support beams the polygon displays a distinctive visual appeal whilst restricting access into the modular box forms for safety in usage. The 'meccano' style construction can easily be modified to suit varying venues and locations. As the modules link together like 'lego' blocks seating capacity is increased. The characteristic geometric appearance gives the polygon grandstand a strong sophisticated look whilst allowing for minimisation of raw material. In a demanding architectural market the improved visual aesthetic of the 'polygon grandstand' provides both a functional seating system and a visual sculpture to an environment such as outdoor public screening of sports events or community entertainment facility. The 'polygon grandstand' adds visual presence to an otherwise mechanical functional spectator seating facility.**

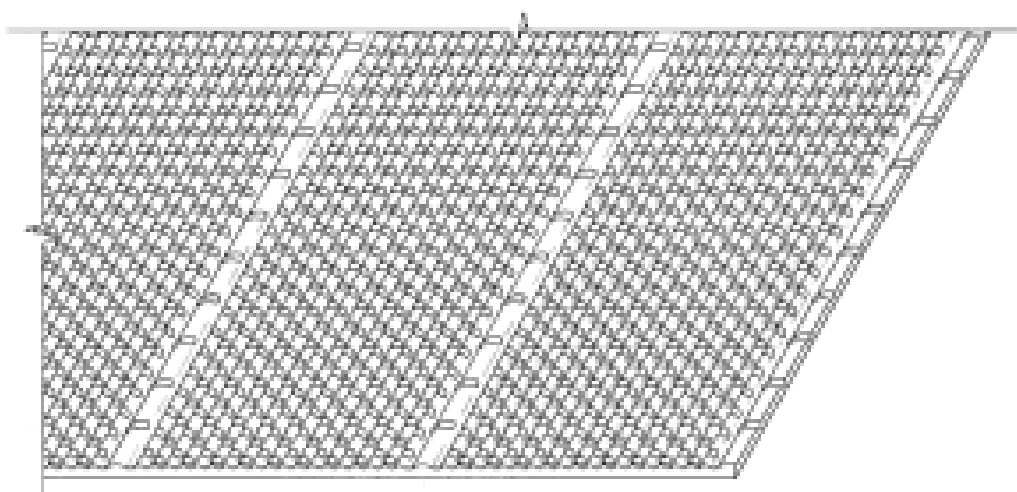


- (21) Design Number: **19837/2007**  
(22) Date of Filing Application: **21 September 2007**  
(24) Date from which industrial property rights may have effect: **21 September 2007**  
(54) Product in respect of which the design is registered: **Building element**  
(51) International Design Classification: **25-01D**  
(71) Name(s) and Address(s) of Applicant(s):  
**James Hardie International Finance B.V.**  
**Atrium 8th Floor Strawinskylaan 3077 1077 ZX Amsterdam The Netherlands**  
(72) Name(s) of Designer(s): **James Gleeson and Roger Pecnik**  
(45) Registration Date: **12 February 2008**  
(56) Related Art Documents: **Not Applicable**  
(57) Statement of Newness and Distinctiveness: **Newness and distinctiveness resides in the features of shape and/or configuration of a building element of indefinite length and width, as illustrated in the accompanying representations.**





- (21) Design Number: **19838/2007**  
(22) Date of Filing Application: **21 September 2007**  
(24) Date from which industrial property rights may have effect: **21 September 2007**  
(54) Product in respect of which the design is registered: **Building element**  
(51) International Design Classification: **25-01D**  
(71) Name(s) and Address(s) of Applicant(s):  
**James Hardie International Finance B.V.**  
**Atrium 8th Floor Strawinskylaan 3077 1077 ZX Amsterdam The Netherlands**  
(72) Name(s) of Designer(s): **James Gleeson and Roger Pecnik**  
(45) Registration Date: **12 February 2008**  
(56) Related Art Documents: **Not Applicable**  
(57) Statement of Newness and Distinctiveness: **Newness and distinctiveness resides in the features of shape and/or configuration of a building element of indefinite length and width as illustrated in the accompanying representations.**



- (21) Design Number: **20219/2007**  
(22) Date of Filing Application: **12 October 2007**  
(24) Date from which industrial property rights may have effect: **12 October 2007**  
(54) Product in respect of which the design is registered: **Blade mount and blade assembly for a wind turbine**  
(51) International Design Classification: **15-01**  
(71) Name(s) and Address(s) of Applicant(s):  
**Sway AS**  
**Fanaveien 96 Radal 5239 Norway**  
(72) Name(s) of Designer(s): **Eystein Borgen**  
(45) Registration Date: **12 February 2008**  
(30) Convention priority data:  

(31) Number	(32) Date	(33) Country
<b>20070226</b>	<b>12 Apr 2007</b>	<b>NORWAY</b>

  
(56) Related Art Documents: **Not Applicable**  
(57) Statement of Newness and Distinctiveness: **The shape and configuration of the blade mount and blade assembly for a wind turbine shown in the representations is new and distinctive.**



- (21) Design Number: **20220/2007**  
(22) Date of Filing Application: **12 October 2007**  
(24) Date from which industrial property rights may have effect: **12 October 2007**  
(54) Product in respect of which the design is registered: **Blade mount and blade assembly for a wind turbine**  
(51) International Design Classification: **15-01**  
(71) Name(s) and Address(s) of Applicant(s):  
**Sway AS**  
**Fanaveien 96 Radal 5239 Norway**  
(72) Name(s) of Designer(s): **Eystein Borgen**  
(45) Registration Date: **12 February 2008**  
(30) Convention priority data:  

(31) Number	(32) Date	(33) Country
<b>20070226</b>	<b>12 Apr 2007</b>	<b>NORWAY</b>

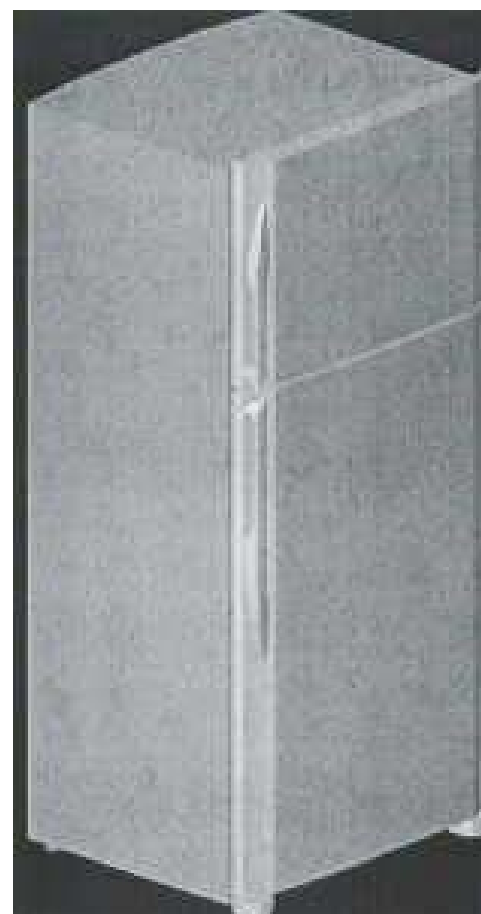
  
(56) Related Art Documents: **Not Applicable**  
(57) Statement of Newness and Distinctiveness: **The shape and configuration of the blade mount and blade assembly for a wind turbine shown in the representations is new and distinctive.**



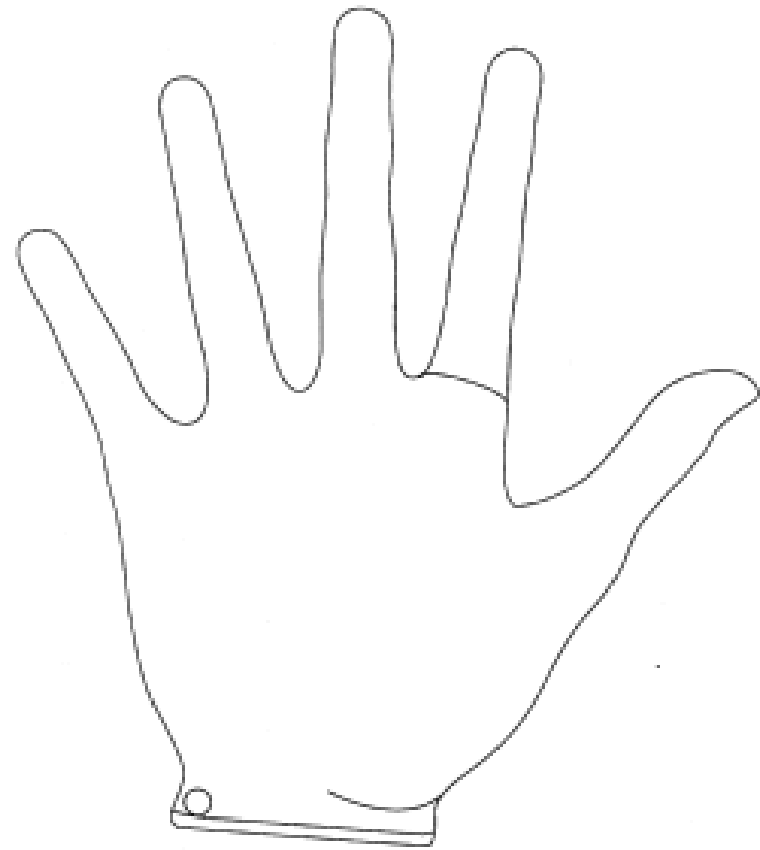
- (21) Design Number: **20221/2007**  
(22) Date of Filing Application: **12 October 2007**  
(24) Date from which industrial property rights may have effect: **12 October 2007**  
(54) Product in respect of which the design is registered: **Refrigerator**  
(51) International Design Classification: **15-07**  
(71) Name(s) and Address(s) of Applicant(s):  
**Sharp Kabushiki Kaisha**  
**22-22 Nagaike-cho Abeno-ku Osaka Japan**  
(72) Name(s) of Designer(s): **Hiroshi Mizuno**  
(45) Registration Date: **12 February 2008**  
(30) Convention priority data:  

(31) Number	(32) Date	(33) Country
<b>2007-011110</b>	<b>25 Apr 2007</b>	<b>JAPAN</b>

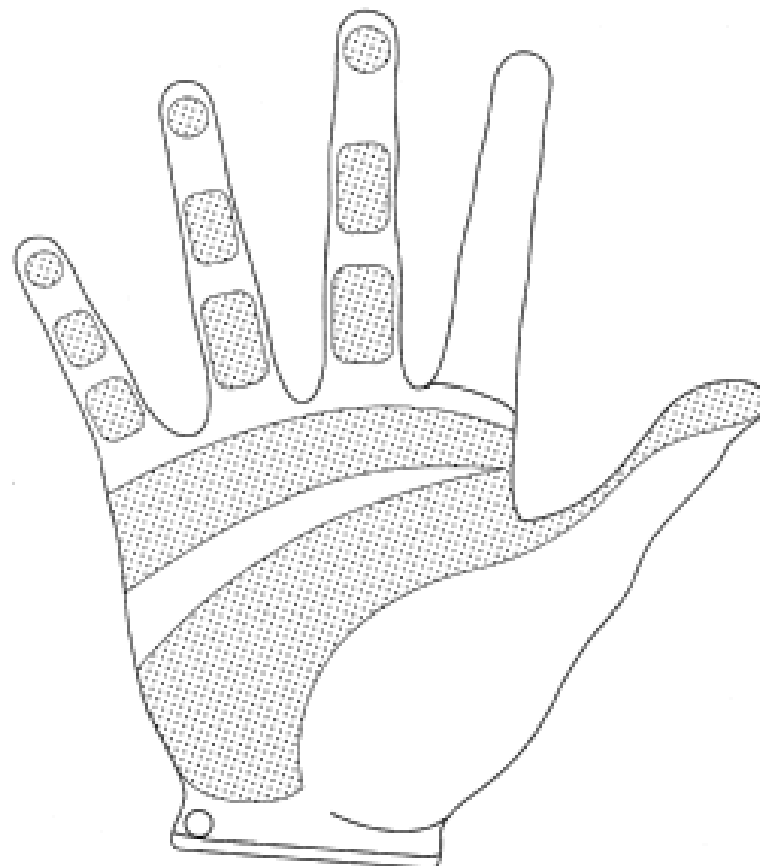
  
(56) Related Art Documents: **Not Applicable**  
(57) Statement of Newness and Distinctiveness: **Newness and distinctiveness is claimed in the visual feature of the handle of the refrigerator.**



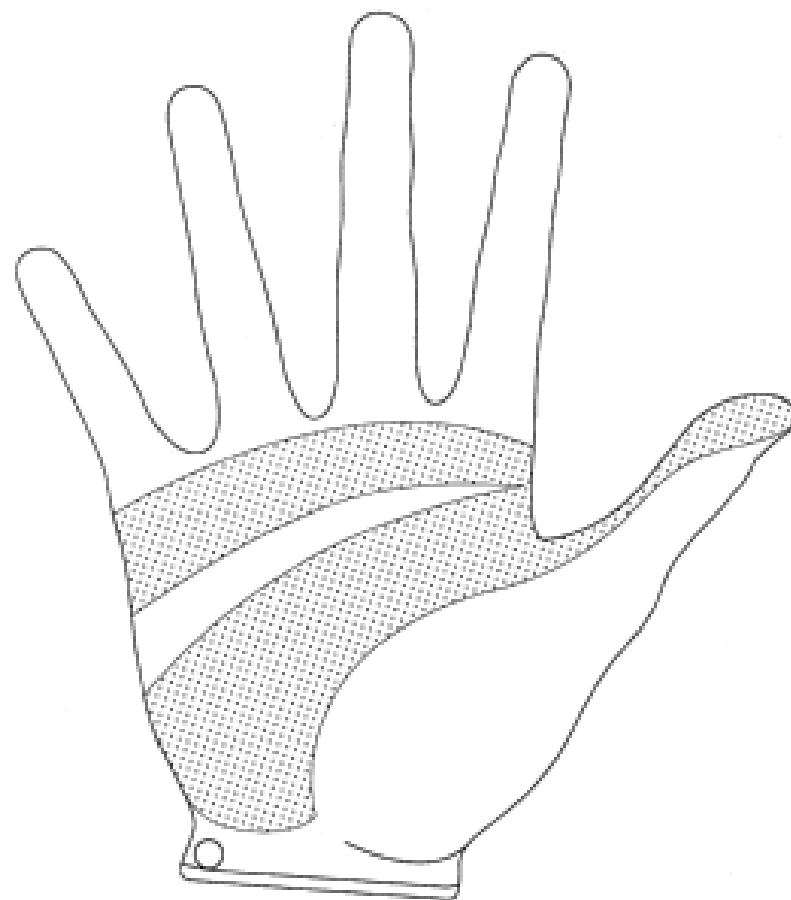
- (21) Design Number: **20222/2007**  
(22) Date of Filing Application: **12 October 2007**  
(24) Date from which industrial property rights may have effect: **12 October 2007**  
(54) Product in respect of which the design is registered: **A glove without an index finger covering**  
(51) International Design Classification: **02-06**  
(71) Name(s) and Address(s) of Applicant(s):  
**Benjamin Silvester**  
**34/29 Bennelong Road Homebush Bay New South Wales 2127**  
**Australia**  
(72) Name(s) of Designer(s): **Benjamin Silvester**  
(45) Registration Date: **12 February 2008**  
(56) Related Art Documents: **Not Applicable**  
(57) Statement of Newness and Distinctiveness: **Newness and distinctiveness is claimed in the absence of an index finger covering portion of the glove**



- (21) Design Number: **20223/2007**  
(22) Date of Filing Application: **12 October 2007**  
(24) Date from which industrial property rights may have effect: **12 October 2007**  
(54) Product in respect of which the design is registered: **A tennis glove without an index finger and with grip area**  
(51) International Design Classification: **02-06**  
(71) Name(s) and Address(s) of Applicant(s):  
**Benjamin Silvester**  
**34/29 Bennelong Road Homebush Bay New South Wales 2127**  
**Australia**  
(72) Name(s) of Designer(s): **Benjamin Silvester**  
(45) Registration Date: **12 February 2008**  
(56) Related Art Documents: **Not Applicable**  
(57) Statement of Newness and Distinctiveness: **Newness and distinctiveness is claimed in the visual features of the grip area of the palm portion and thumb portion of the glove, and in the grip areas of the finger portions, and in the absence of an index finger covering portion. The pattern used to identify the grip areas is not limiting to the scope of the design.**

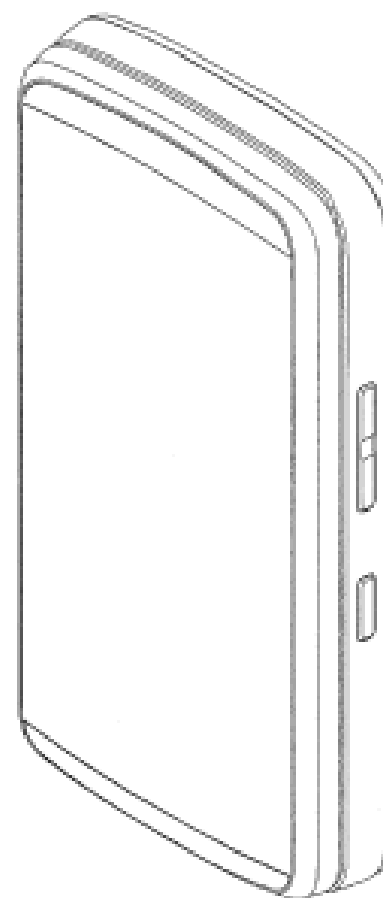


- (21) Design Number: **20224/2007**
- (22) Date of Filing Application: **12 October 2007**
- (24) Date from which industrial property rights may have effect: **12 October 2007**
- (54) Product in respect of which the design is registered: **A tennis glove with grip area**
- (51) International Design Classification: **02-06**
- (71) Name(s) and Address(s) of Applicant(s):  
**Benjamin Silvester**  
**34/29 Bennelong Road Homebush Bay New South Wales 2127**  
**Australia**
- (72) Name(s) of Designer(s): **Benjamin Silvester**
- (45) Registration Date: **12 February 2008**
- (56) Related Art Documents: **Not Applicable**
- (57) Statement of Newness and Distinctiveness: **Newness and distinctiveness is claimed in the visual features of the grip area of the palm portion and thumb portion of the glove. The pattern used to identify the grip area is not limiting to the scope of the design.**

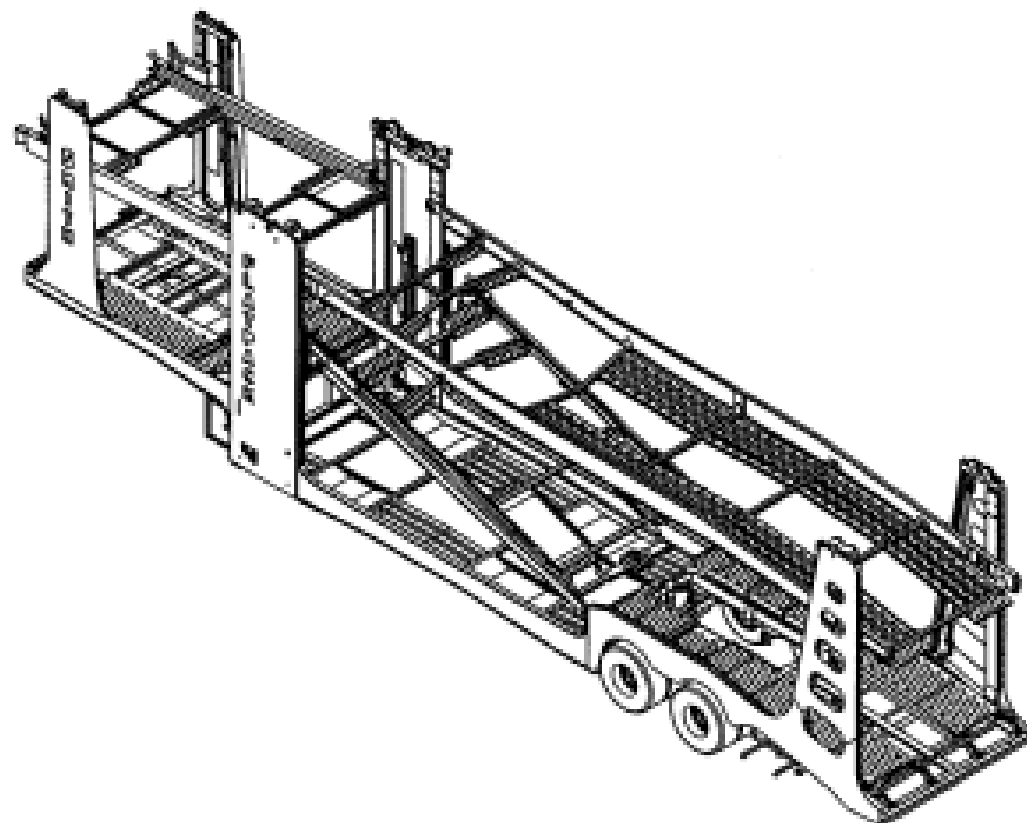


- (21) Design Number: **20226/2007**
- (22) Date of Filing Application: **12 October 2007**
- (24) Date from which industrial property rights may have effect: **12 October 2007**
- (54) Product in respect of which the design is registered: **Cellular phone**
- (51) International Design Classification: **14-03E**
- (71) Name(s) and Address(s) of Applicant(s):  
**LG Electronics Inc.**  
**20 Yeouido-dong Yeongdeungpo-gu Seoul 150-721 Republic of Korea**
- (72) Name(s) of Designer(s): **Ji Hoon Shin and Hyun Chul Kim**
- (45) Registration Date: **12 February 2008**
- (30) Convention priority data:  

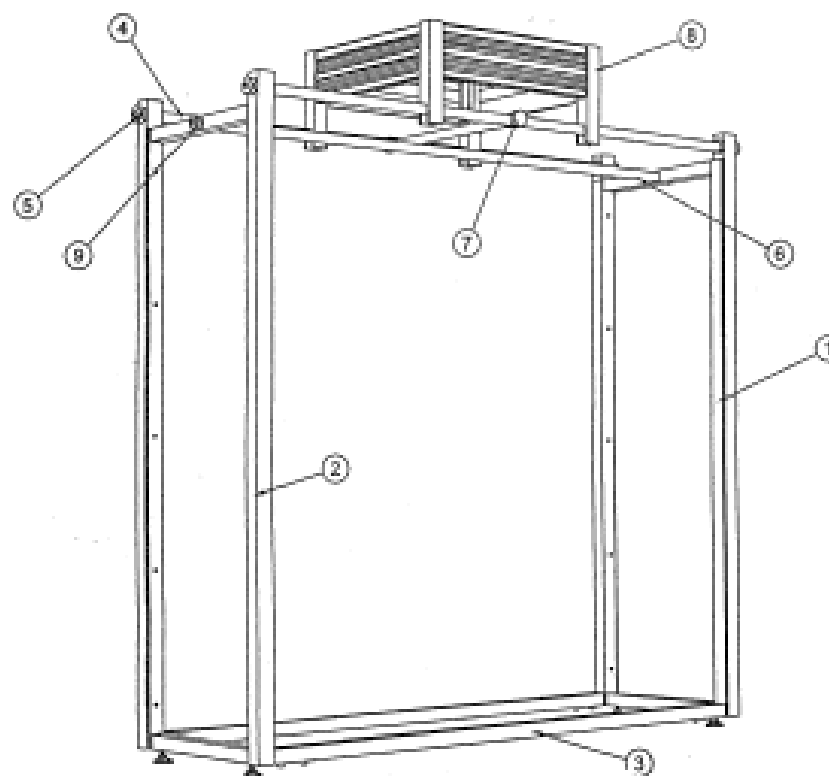
(31) Number	(32) Date	(33) Country
<b>30-2007-0020498</b>	<b>10 May 2007</b>	<b>REPUBLIC OF KOREA</b>
- (56) Related Art Documents: **Not Applicable**
- (57) Statement of Newness and Distinctiveness: **Newness and distinctiveness in the design as applied to a cellular phone resides in the shape and/or configuration thereof as is illustrated in the accompanying representations.**



- (21) Design Number: **20227/2007**
- (22) Date of Filing Application: **12 October 2007**
- (24) Date from which industrial property rights may have effect: **12 October 2007**
- (54) Product in respect of which the design is registered: **Car carrier**
- (51) International Design Classification: **12-10**
- (71) Name(s) and Address(s) of Applicant(s):  
**Smith Resources International Pty Ltd**  
**Smith Street Industrial Estate Gympie Gympie Queensland 4570**  
**Australia**
- (72) Name(s) of Designer(s): **Aaron Lindstrom**
- (45) Registration Date: **12 February 2008**
- (56) Related Art Documents: **Not Applicable**
- (57) Statement of Newness and Distinctiveness: **Nil**



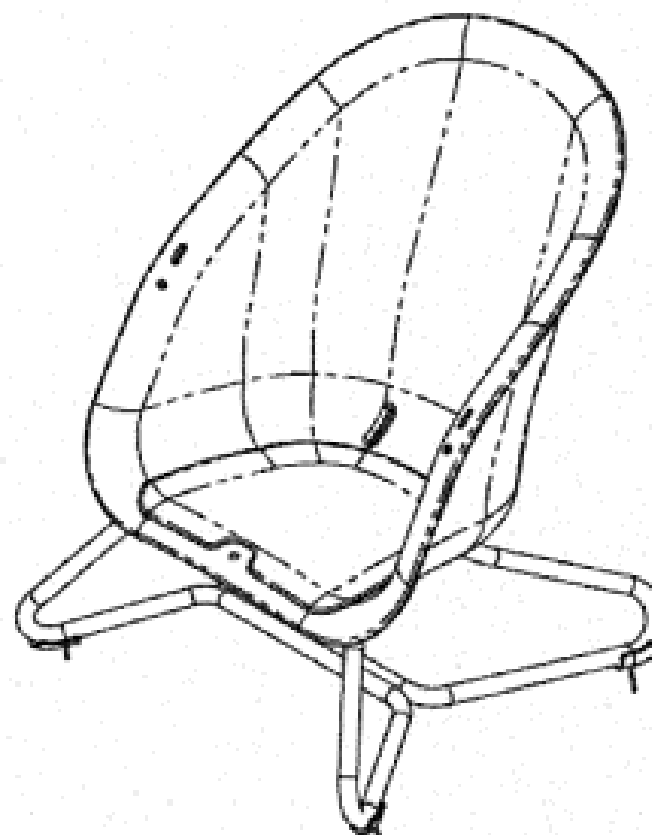
- (21) Design Number: **20235/2007**
- (22) Date of Filing Application: **15 October 2007**
- (24) Date from which industrial property rights may have effect: **15 October 2007**
- (54) Product in respect of which the design is registered: **Clothing rack**
- (51) International Design Classification: **06-06A, 06-04NES**
- (71) Name(s) and Address(s) of Applicant(s):  
**Grant Olver Investments P/L trading as Pilgrim Clothing**  
**2 Vale Street St Kilda Victoria Australia 3182**
- (72) Name(s) of Designer(s): **Ken Olver**
- (45) Registration Date: **12 February 2008**
- (56) Related Art Documents: **Not Applicable**
- (57) Statement of Newness and Distinctiveness: **Nil**



- (21) Design Number: **20236/2007**  
(22) Date of Filing Application: **15 October 2007**  
(24) Date from which industrial property rights may have effect: **15 October 2007**  
(54) Product in respect of which the design is registered: **Chair**  
(51) International Design Classification: **06-01E**  
(71) Name(s) and Address(s) of Applicant(s):  
**Kutsal Ali**  
**114 Sandhurst Boulevard Sandhurst Victoria 3977 Australia**  
(72) Name(s) of Designer(s): **Kutsal Ali**  
(45) Registration Date: **12 February 2008**  
(56) Related Art Documents: **Not Applicable**  
(57) Statement of Newness and Distinctiveness: **Newness and distinctiveness is claimed in the features of shape and/or configuration of a chair as illustrated in the accompanying representations.**



- (21) Design Number: **20237/2007**  
(22) Date of Filing Application: **15 October 2007**  
(24) Date from which industrial property rights may have effect: **15 October 2007**  
(54) Product in respect of which the design is registered: **Chair**  
(51) International Design Classification: **06-01E**  
(71) Name(s) and Address(s) of Applicant(s):  
**Kutsal Ali**  
**114 Sandhurst Boulevard Sandhurst Victoria 3977 Australia**  
(72) Name(s) of Designer(s): **Kutsal Ali**  
(45) Registration Date: **12 February 2008**  
(56) Related Art Documents: **Not Applicable**  
(57) Statement of Newness and Distinctiveness: **Newness and distinctiveness is claimed in the features of shape and/or configuration of a chair as illustrated in the accompanying representations.**



- (21) Design Number: **20246/2007**
- (22) Date of Filing Application: **15 October 2007**
- (24) Date from which industrial property rights may have effect: **15 October 2007**
- (54) Product in respect of which the design is registered: **My ancestral wheel. The genealogy display board. Student edition.**
- (51) International Design Classification: **19-99**
- (71) Name(s) and Address(s) of Applicant(s):  
**Sven Tor Nord**  
**Unit 2 13/15 Gould Street Frankston Victoria 3199 Australia**
- (72) Name(s) of Designer(s): **Sven Tor Nord**
- (45) Registration Date: **12 February 2008**
- (56) Related Art Documents: **Not Applicable**
- (57) Statement of Newness and Distinctiveness: **Nil**



- (21) Design Number: **20247/2007**
- (22) Date of Filing Application: **15 October 2007**
- (24) Date from which industrial property rights may have effect: **15 October 2007**
- (54) Product in respect of which the design is registered: **Container base**
- (51) International Design Classification: **09-03L**
- (71) Name(s) and Address(s) of Applicant(s):  
**The Decor Corporation Pty Ltd**  
**1314 Ferntree Gully Road Scoresby Victoria 3179 Australia**
- (72) Name(s) of Designer(s): **Arthur Richard Carlson**
- (45) Registration Date: **12 February 2008**
- (56) Related Art Documents: **Not Applicable**
- (57) Statement of Newness and Distinctiveness: **Nil**



(19) AU

- (21) Design Number: **20248/2007**
- (22) Date of Filing Application: **15 October 2007**
- (24) Date from which industrial property rights may have effect: **15 October 2007**
- (54) Product in respect of which the design is registered: **Ink cartridge**
- (51) International Design Classification: **18-02**
- (71) Name(s) and Address(s) of Applicant(s):

**Seiko Epson Corporation**  
**4-1, Nishishinjuku 2-chome Shinjuku-ku, Tokyo, 163-0811, Japan**

(72) Name(s) of Designer(s): **Izumi Nozawa and Hitotoshi Kimura**

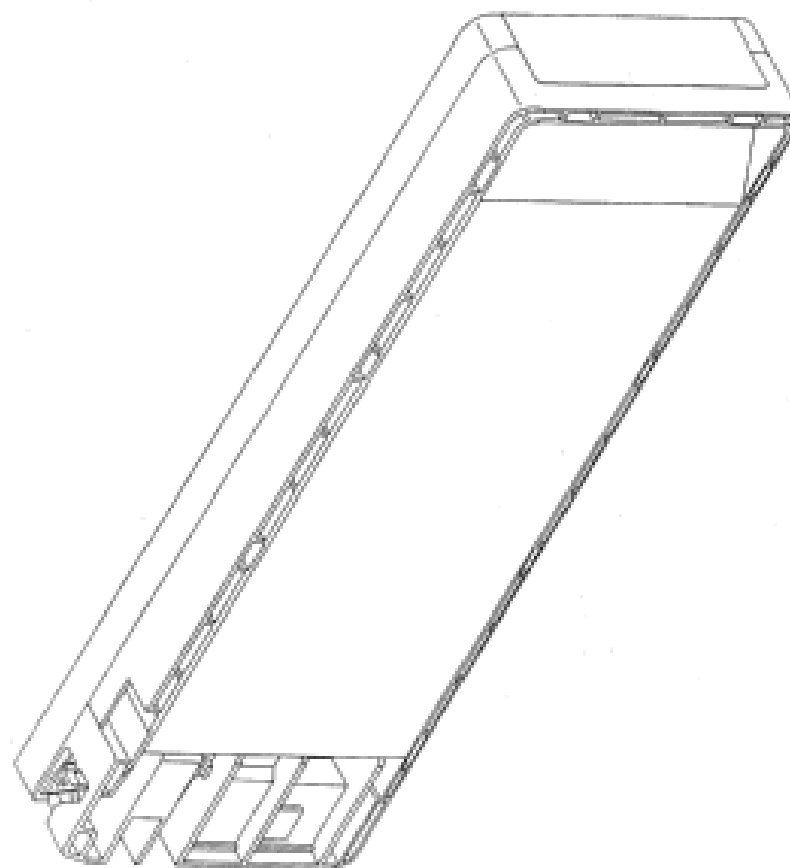
(45) Registration Date: **12 February 2008**

(30) Convention priority data:

(31) Number	(32) Date	(33) Country
<b>2007-010328</b>	<b>18 Apr 2007</b>	<b>JAPAN</b>

(56) Related Art Documents: **Not Applicable**

(57) Statement of Newness and Distinctiveness: **Newness and distinctiveness is claimed in the features of an ink outlet situated near one corner of the left side and an arrangement of an ink outlet, an IC substrate, a compressed air inlet and a guide pin cavity as labelled "A" and "B" of an ink cartridge as illustrated in the accompanying representations.**



(19) AU

- (21) Design Number: **20249/2007**
- (22) Date of Filing Application: **15 October 2007**
- (24) Date from which industrial property rights may have effect: **15 October 2007**
- (54) Product in respect of which the design is registered: **Cover material for a sanitary napkin**
- (51) International Design Classification: **24-04**
- (71) Name(s) and Address(s) of Applicant(s):

**McNeil-PPC, Inc.**  
**199 Grandview Road Skillman New Jersey 08558 United States of America**

(72) Name(s) of Designer(s): **Julie Francoeur**

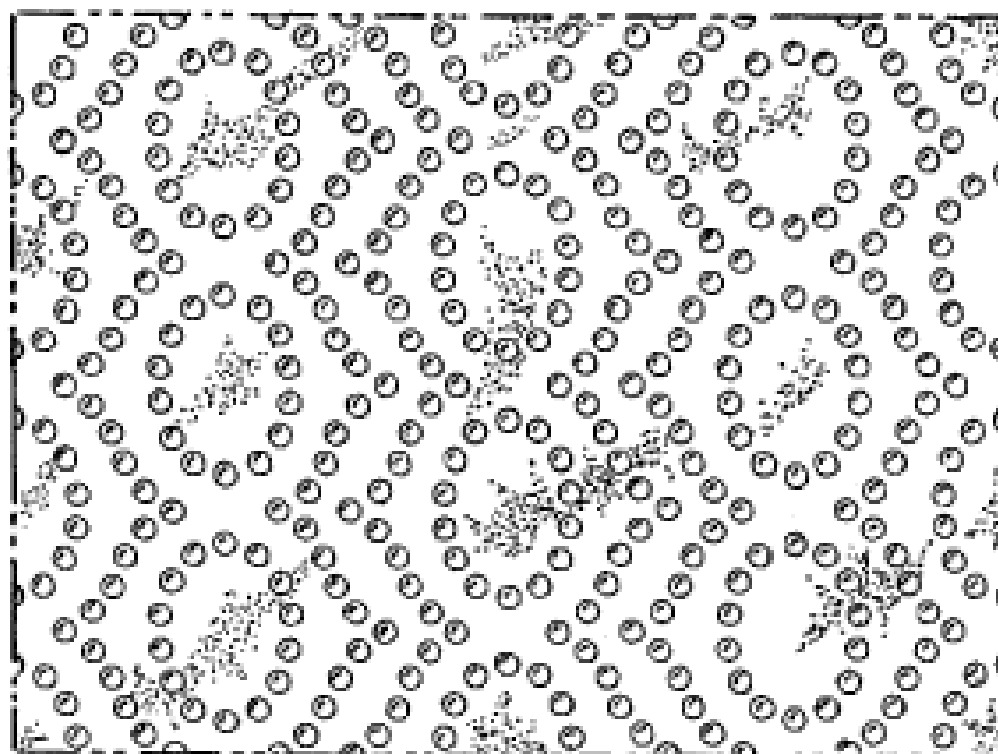
(45) Registration Date: **12 February 2008**

(30) Convention priority data:

(31) Number	(32) Date	(33) Country
<b>29/279317</b>	<b>26 Apr 2007</b>	<b>UNITED STATES OF AMERICA</b>

(56) Related Art Documents: **Not Applicable**

(57) Statement of Newness and Distinctiveness: **Newness and distinctiveness reside in the pattern and ornamentation and/or shape and configuration applied to a cover material for a sanitary napkin of indefinite length and width as shown in the accompanying illustrations.**



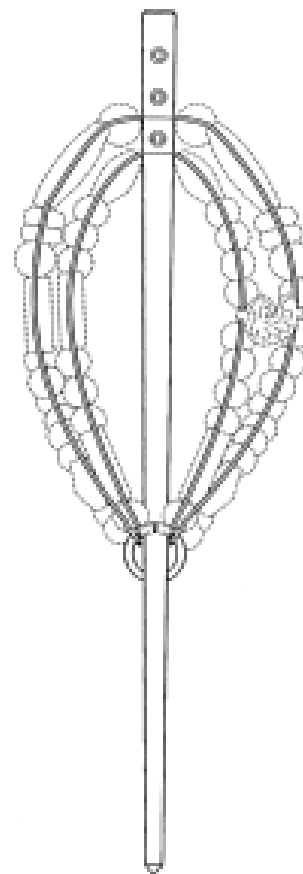


- (21) Design Number: **20296/2007**
- (22) Date of Filing Application: **19 October 2007**
- (24) Date from which industrial property rights may have effect: **19 October 2007**
- (54) Product in respect of which the design is registered: **Alloy wheels**
- (51) International Design Classification: **12-16A**
- (71) Name(s) and Address(s) of Applicant(s):  
**B.Boss Wheels Pty Ltd**  
**8 Lalor Court Springvale South Victoria 3172 Australia**
- (72) Name(s) of Designer(s): **Mason Lu**
- (45) Registration Date: **12 February 2008**
- (56) Related Art Documents: **Not Applicable**
- (57) Statement of Newness and Distinctiveness: **Nil**

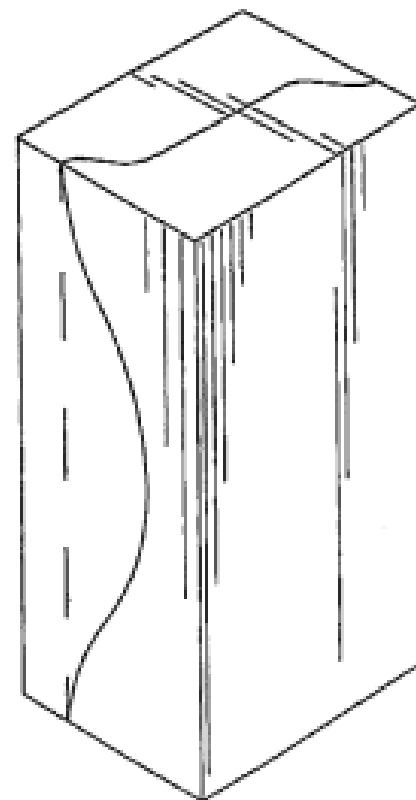


- (21) Design Number: **20557/2007**
- (22) Date of Filing Application: **31 October 2007**
- (24) Date from which industrial property rights may have effect: **31 October 2007**
- (54) Product in respect of which the design is registered: **A hair accessory**
- (51) International Design Classification: **28-03C**
- (71) Name(s) and Address(s) of Applicant(s):  
**Danielina Theodora Viviers**  
**Plot 134 Bultfontein Pretoria 0120 Republic of South Africa**
- (72) Name(s) of Designer(s): **Danielina Theodora Viviers**
- (45) Registration Date: **12 February 2008**
- (30) Convention priority data:

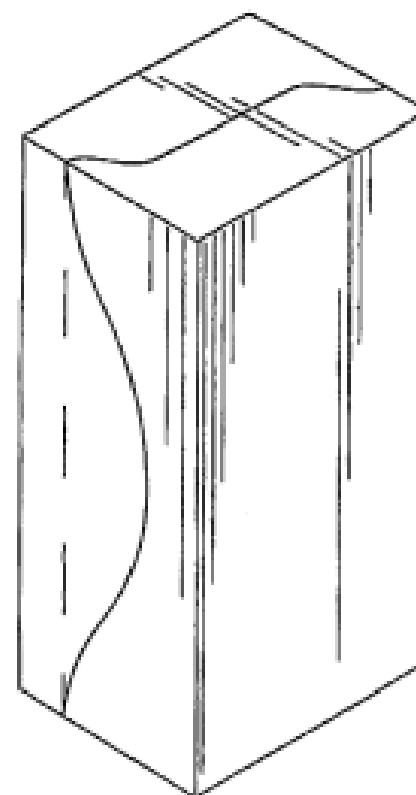
(31) Number	(32) Date	(33) Country
<b>A2007/00767</b>	<b>30 Apr 2007</b>	<b>SOUTH AFRICA</b>
- (56) Related Art Documents: **Not Applicable**
- (57) Statement of Newness and Distinctiveness: **The newness and distinctiveness of the design resides in the features of shape and/or configuration shown in the accompanying representations.**



(21) Design Number: **19718/2007**  
(22) Date of Filing Application: **12 September 2007**  
(24) Date from which industrial property rights may have effect: **12 September 2007**  
(54) Product in respect of which the design is registered: **Cigarette packet**  
(51) International Design Classification: **09-03A**  
(71) Name(s) and Address(s) of Applicant(s):  
**British American Tobacco (Investments) Limited**  
**Globe House 1 Water Street London WC2R 3LA United Kingdom**  
(72) Name(s) of Designer(s): **Alan Douglas Tearle**  
(45) Registration Date: **12 February 2008**  
(30) Convention priority data:  
(31) Number (32) Date (33) Country  
**000694930 16 Mar 2007 EUROPEAN PATENT OFFICE (EPO)**  
(56) Related Art Documents: **Not Applicable**  
(57) Statement of Newness and Distinctiveness: **Newness and distinctiveness resides in the features of shape and/or configuration of a cigarette packet as illustrated in the accompanying representations.**



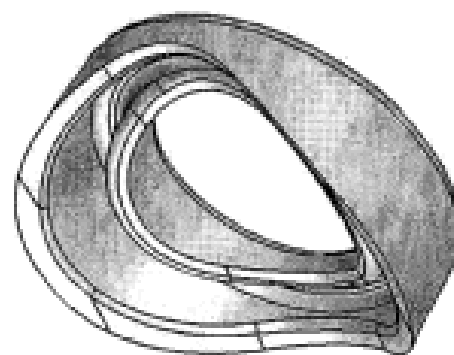
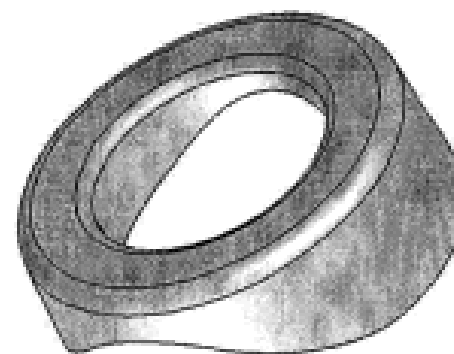
(21) Design Number: **19719/2007**  
(22) Date of Filing Application: **12 September 2007**  
(24) Date from which industrial property rights may have effect: **12 September 2007**  
(54) Product in respect of which the design is registered: **Cigarette packet**  
(51) International Design Classification: **09-03A**  
(71) Name(s) and Address(s) of Applicant(s):  
**British American Tobacco (Investments) Limited**  
**Globe House 1 Water Street London WC2R 3LA United Kingdom**  
(72) Name(s) of Designer(s): **Alan Douglas Tearle**  
(45) Registration Date: **12 February 2008**  
(30) Convention priority data:  
(31) Number (32) Date (33) Country  
**000694930 16 Mar 2007 EUROPEAN PATENT OFFICE (EPO)**  
(56) Related Art Documents: **Not Applicable**  
(57) Statement of Newness and Distinctiveness: **Newness and distinctiveness resides in the features of shape and/or configuration of a cigarette packet as illustrated in the accompanying representations.**



- (21) Design Number: **19877/2007**
- (22) Date of Filing Application: **24 September 2007**
- (24) Date from which industrial property rights may have effect: **24 September 2007**
- (54) Product in respect of which the design is registered: **Wallet/money and card clip**
- (51) International Design Classification: **03-01B**
- (71) Name(s) and Address(s) of Applicant(s):  
**David Gregory Watts**  
**113 Carabella Street Kirribilli New South Wales 2061 Australia**
- (72) Name(s) of Designer(s): **David Gregory Watts**
- (45) Registration Date: **12 February 2008**
- (56) Related Art Documents: **Not Applicable**
- (57) Statement of Newness and Distinctiveness: **Made from a single, cut and scored piece of plastic.**



- (21) Design Number: **19950/2007**
- (22) Date of Filing Application: **28 September 2007**
- (24) Date from which industrial property rights may have effect: **28 September 2007**
- (54) Product in respect of which the design is registered: **External adapter plate**
- (51) International Design Classification: **23-01A**
- (71) Name(s) and Address(s) of Applicant(s):  
**BlueScope Steel Limited**  
**Level 11 120 Collins Street Melbourne Victoria 3000 Australia**
- (72) Name(s) of Designer(s): **Neil Edwin Wallace and Luciano Papic**
- (45) Registration Date: **12 February 2008**
- (56) Related Art Documents: **Not Applicable**
- (57) Statement of Newness and Distinctiveness: **The shape and configuration of the design of the product is new and distinctive.**



(21) Design Number: **19951/2007**

(22) Date of Filing Application: **28 September 2007**

(24) Date from which industrial property rights may have effect: **28 September 2007**

(54) Product in respect of which the design is registered: **Overflow body**

(51) International Design Classification: **23-01H**

(71) Name(s) and Address(s) of Applicant(s):

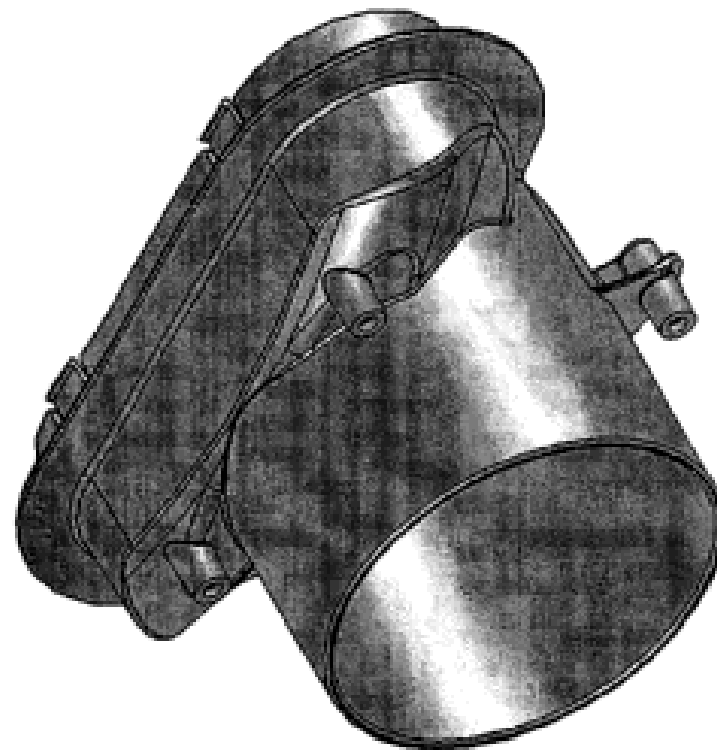
**BlueScope Steel Limited**  
**Level 11 120 Collins Street Melbourne Victoria 3000 Australia**

(72) Name(s) of Designer(s): **Neil Edwin Wallace and Luciano Papic**

(45) Registration Date: **12 February 2008**

(56) Related Art Documents: **Not Applicable**

(57) Statement of Newness and Distinctiveness: **The shape and configuration of the design of the product is new and distinctive.**



(21) Design Number: **19952/2007**

(22) Date of Filing Application: **28 September 2007**

(24) Date from which industrial property rights may have effect: **28 September 2007**

(54) Product in respect of which the design is registered: **External locking ring**

(51) International Design Classification: **08-07**

(71) Name(s) and Address(s) of Applicant(s):

**BlueScope Steel Limited**  
**Level 11 120 Collins Street Melbourne Victoria 3000 Australia**

(72) Name(s) of Designer(s): **Neil Edwin Wallace and Luciano Papic**

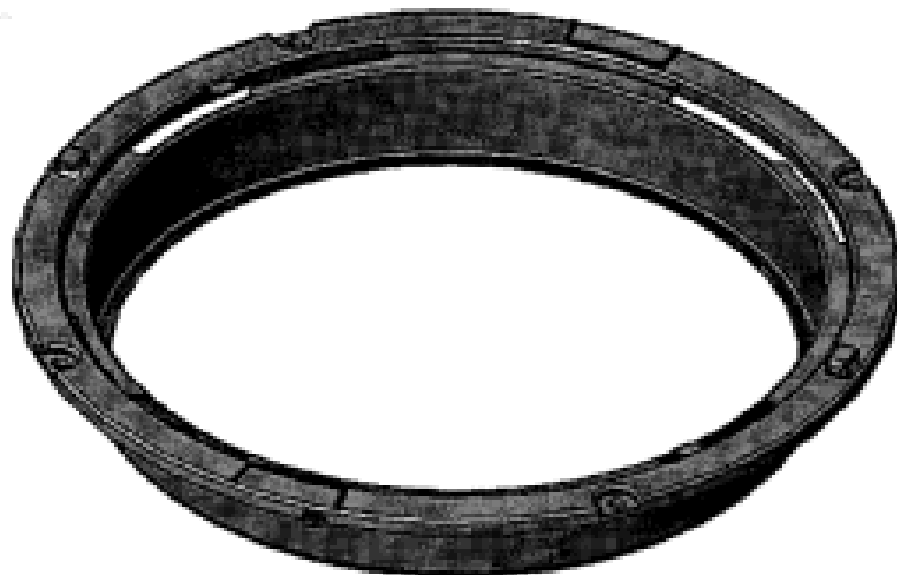
(45) Registration Date: **12 February 2008**

(56) Related Art Documents: **Not Applicable**

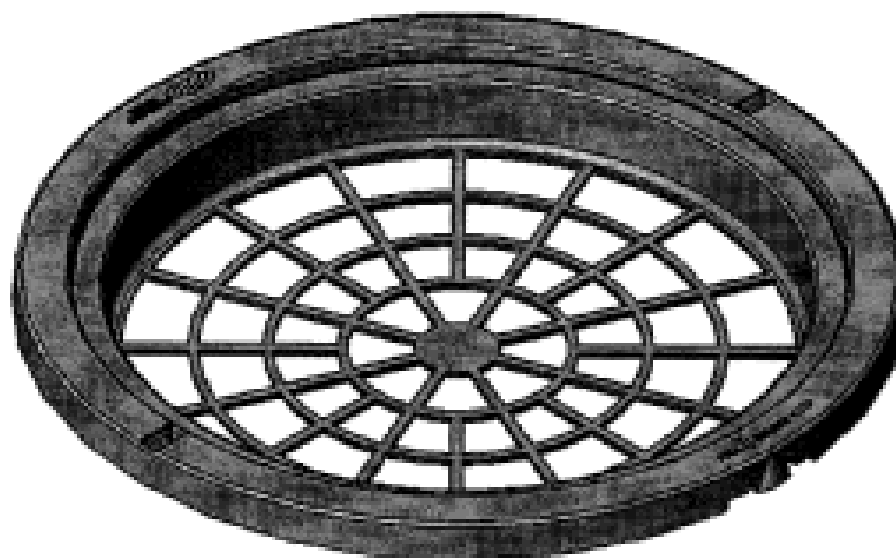
(57) Statement of Newness and Distinctiveness: **The shape and configuration of the design of the product is new and distinctive.**



- (21) Design Number: **19953/2007**  
(22) Date of Filing Application: **28 September 2007**  
(24) Date from which industrial property rights may have effect: **28 September 2007**  
(54) Product in respect of which the design is registered: **Retaining ring**  
(51) International Design Classification: **08-07**  
(71) Name(s) and Address(s) of Applicant(s):  
**BlueScope Steel Limited**  
**Level 11 120 Collins Street Melbourne Victoria 3000 Australia**  
(72) Name(s) of Designer(s): **Neil Edwin Wallace and Luciano Papic**  
(45) Registration Date: **12 February 2008**  
(56) Related Art Documents: **Not Applicable**  
(57) Statement of Newness and Distinctiveness: **The shape and configuration of the design of the product is new and distinctive.**



- (21) Design Number: **19954/2007**  
(22) Date of Filing Application: **28 September 2007**  
(24) Date from which industrial property rights may have effect: **28 September 2007**  
(54) Product in respect of which the design is registered: **Inlet strainer**  
(51) International Design Classification: **23-01G**  
(71) Name(s) and Address(s) of Applicant(s):  
**BlueScope Steel Limited**  
**Level 11 120 Collins Street Melbourne Victoria 3000 Australia**  
(72) Name(s) of Designer(s): **Neil Edwin Wallace and Luciano Papic**  
(45) Registration Date: **12 February 2008**  
(56) Related Art Documents: **Not Applicable**  
(57) Statement of Newness and Distinctiveness: **The shape and configuration of the design of the product is new and distinctive.**



(21) Design Number: **19955/2007**

(22) Date of Filing Application: **28 September 2007**

(24) Date from which industrial property rights may have effect: **28 September 2007**

(54) Product in respect of which the design is registered: **Light guard**

(51) International Design Classification: **26-05NES**

(71) Name(s) and Address(s) of Applicant(s):

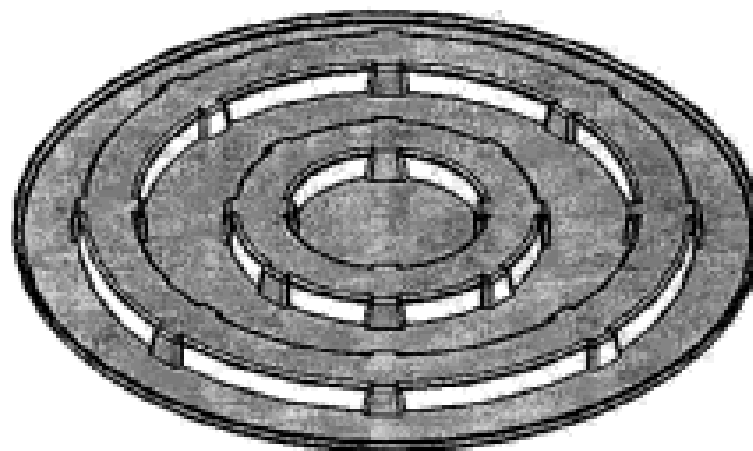
**BlueScope Steel Limited**  
**Level 11 120 Collins Street Melbourne Victoria 3000 Australia**

(72) Name(s) of Designer(s): **Neil Edwin Wallace and Luciano Papic**

(45) Registration Date: **12 February 2008**

(56) Related Art Documents: **Not Applicable**

(57) Statement of Newness and Distinctiveness: **The shape and configuration of the design of the product is new and distinctive.**



(21) Design Number: **19956/2007**

(22) Date of Filing Application: **28 September 2007**

(24) Date from which industrial property rights may have effect: **28 September 2007**

(54) Product in respect of which the design is registered: **Internal adaptor plate**

(51) International Design Classification: **23-01A**

(71) Name(s) and Address(s) of Applicant(s):

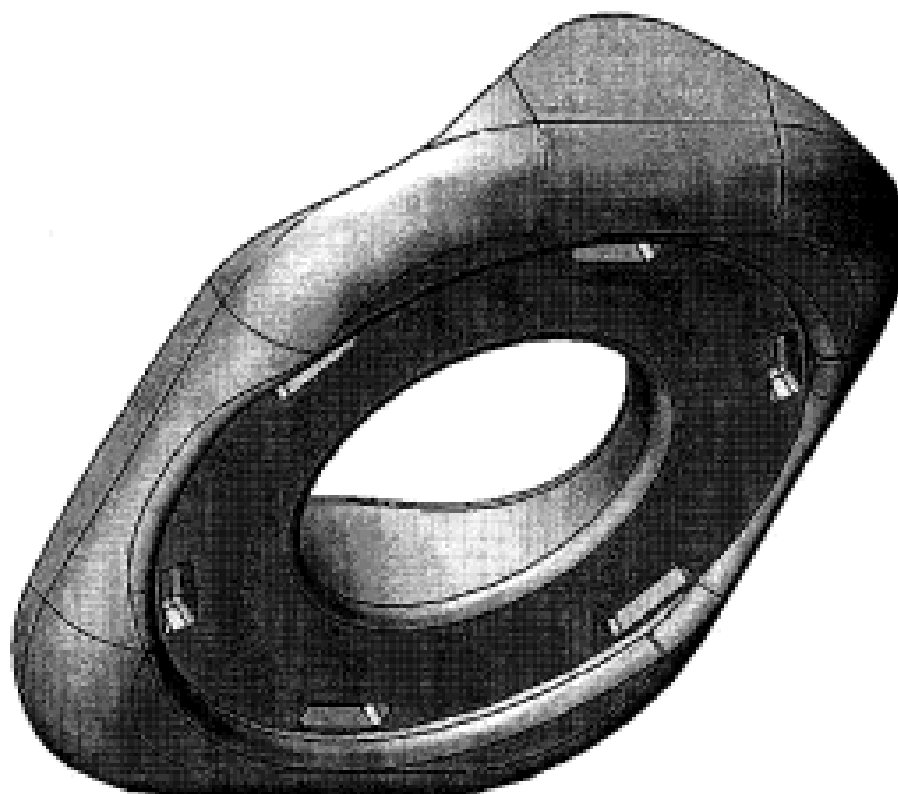
**BlueScope Steel Limited**  
**Level 11 120 Collins Street Melbourne Victoria 3000 Australia**

(72) Name(s) of Designer(s): **Neil Edwin Wallace and Luciano Papic**

(45) Registration Date: **12 February 2008**

(56) Related Art Documents: **Not Applicable**

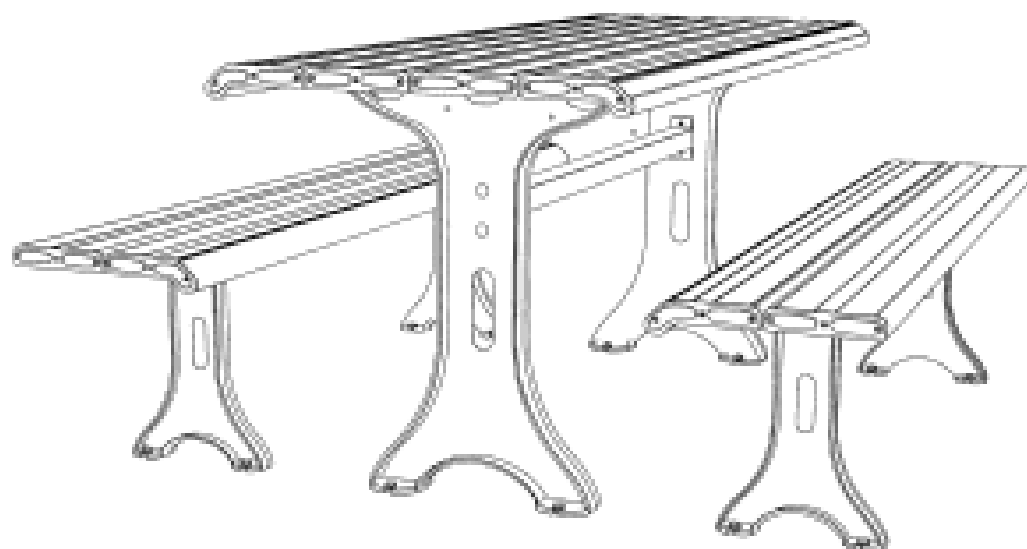
(57) Statement of Newness and Distinctiveness: **The shape and configuration of the design of the product is new and distinctive.**



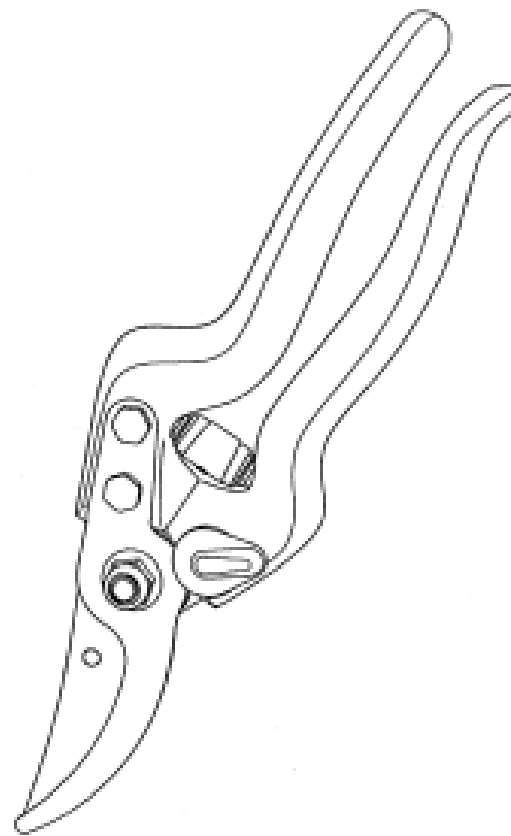
- (21) Design Number: **19957/2007**  
(22) Date of Filing Application: **28 September 2007**  
(24) Date from which industrial property rights may have effect: **28 September 2007**  
(54) Product in respect of which the design is registered: **Outlet body**  
(51) International Design Classification: **23-01E**  
(71) Name(s) and Address(s) of Applicant(s):  
**BlueScope Steel Limited**  
**Level 11 120 Collins Street Melbourne Victoria 3000 Australia**  
(72) Name(s) of Designer(s): **Neil Edwin Wallace and Luciano Papic**  
(45) Registration Date: **12 February 2008**  
(56) Related Art Documents: **Not Applicable**  
(57) Statement of Newness and Distinctiveness: **The shape and configuration of the design of the product is new and distinctive.**



- (21) Design Number: **20099/2007**  
(22) Date of Filing Application: **05 October 2007**  
(24) Date from which industrial property rights may have effect: **05 October 2007**  
(54) Product in respect of which the design is registered: **Table and Bench Seat**  
(51) International Design Classification: **06-03A, 06-01C**  
(71) Name(s) and Address(s) of Applicant(s):  
**Harvey Rowland**  
**10 Maddison Street Bundaberg QLD 4670**  
**Martin Rowland**  
**10 Maddison Street Bundaberg QLD 4670**  
(72) Name(s) of Designer(s): **Harvey Rowland and Martin Rowland**  
(45) Registration Date: **12 February 2008**  
(56) Related Art Documents: **Not Applicable**  
(57) Statement of Newness and Distinctiveness: **The newness and distinctiveness of the design resides in the shape and configuration of a table as illustrated in the accompanying representations.**



(21) Design Number: **20242/2007**  
(22) Date of Filing Application: **16 October 2007**  
(24) Date from which industrial property rights may have effect: **16 October 2007**  
(54) Product in respect of which the design is registered: **Cutting device**  
(51) International Design Classification: **08-03**  
(71) Name(s) and Address(s) of Applicant(s):  
**Flisch Holding SA**  
**Rue des Melezes 4 Les Geneveys-sur-Coffrane CH-2206 Switzerland**  
(72) Name(s) of Designer(s): **Paolo Fancelli**  
(45) Registration Date: **12 February 2008**  
(30) Convention priority data:  
(31) Number (32) Date (33) Country  
**134 168 12 Jul 2007 SWITZERLAND**  
(56) Related Art Documents: **Not Applicable**  
(57) Statement of Newness and Distinctiveness: **Those features of the cutting device depicted in the representations that are new and distinctive are the shape and/or configuration.**



(21) Design Number: **20243/2007**  
(22) Date of Filing Application: **16 October 2007**  
(24) Date from which industrial property rights may have effect: **16 October 2007**  
(54) Product in respect of which the design is registered: **Cutting device**  
(51) International Design Classification: **08-03**  
(71) Name(s) and Address(s) of Applicant(s):  
**Flisch Holding SA**  
**Rue des Melezes 4 Les Geneveys-sur-Coffrane CH-2206 Switzerland**  
(72) Name(s) of Designer(s): **Paolo Fancelli**  
(45) Registration Date: **12 February 2008**  
(30) Convention priority data:  
(31) Number (32) Date (33) Country  
**134 168 12 Jul 2007 SWITZERLAND**  
(56) Related Art Documents: **Not Applicable**  
(57) Statement of Newness and Distinctiveness: **Those features of the cutting device depicted in the representations that are new and distinctive are the shape, configuration and/or ornamentation.**





(21) Design Number: **20244/2007**

(22) Date of Filing Application: **16 October 2007**

(24) Date from which industrial property rights may have effect: **16 October 2007**

(54) Product in respect of which the design is registered: **Cutting device**

(51) International Design Classification: **08-03**

(71) Name(s) and Address(s) of Applicant(s):

**Flisch Holding SA**

**Rue des Melezes 4 Les Geneveys-sur-Coffrane CH-2206 Switzerland**

(72) Name(s) of Designer(s): **Paolo Fancelli**

(45) Registration Date: **12 February 2008**

(30) Convention priority data:

(31) Number  
**134 168**

(32) Date  
**12 Jul 2007**

(33) Country  
**SWITZERLAND**

(56) Related Art Documents: **Not Applicable**

(57) Statement of Newness and Distinctiveness: **Those features of the cutting device depicted in the representations that are new and distinctive are the shape, configuration and/or ornamentation.**



(21) Design Number: **20245/2007**

(22) Date of Filing Application: **16 October 2007**

(24) Date from which industrial property rights may have effect: **16 October 2007**

(54) Product in respect of which the design is registered: **Cutting device**

(51) International Design Classification: **08-03**

(71) Name(s) and Address(s) of Applicant(s):

**Flisch Holding SA**

**Rue des Melezes 4 Les Geneveys-sur-Coffrane CH-2206 Switzerland**

(72) Name(s) of Designer(s): **Paolo Fancelli**

(45) Registration Date: **12 February 2008**

(30) Convention priority data:

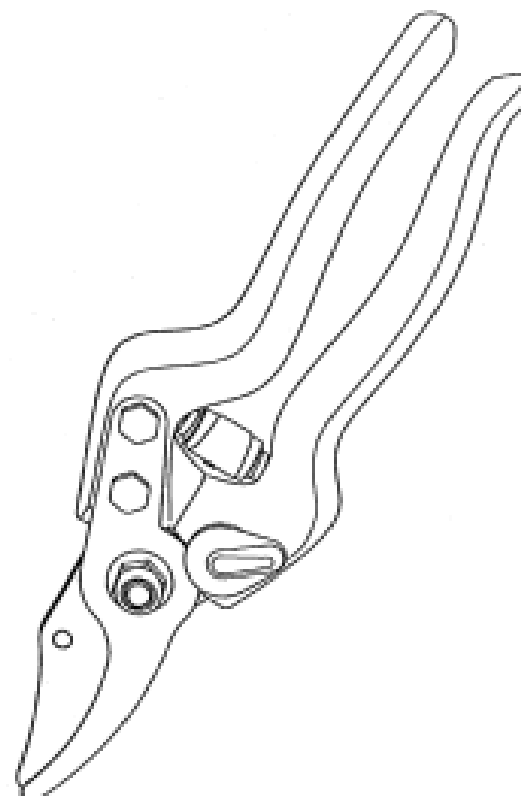
(31) Number  
**134 168**

(32) Date  
**12 Jul 2007**

(33) Country  
**SWITZERLAND**

(56) Related Art Documents: **Not Applicable**

(57) Statement of Newness and Distinctiveness: **Those features of the cutting device depicted in the representations that are new and distinctive are the shape and/or configuration.**



(21) Design Number: **20250/2007**

(22) Date of Filing Application: **15 October 2007**

(24) Date from which industrial property rights may have effect: **15 October 2007**

(54) Product in respect of which the design is registered: **Sanitary napkin**

(51) International Design Classification: **24-04**

(71) Name(s) and Address(s) of Applicant(s):

**McNeil-PPC, Inc.**  
**199 Grandview Road Skillman New Jersey 08558 United States of America**

(72) Name(s) of Designer(s): **Julie Francoeur**

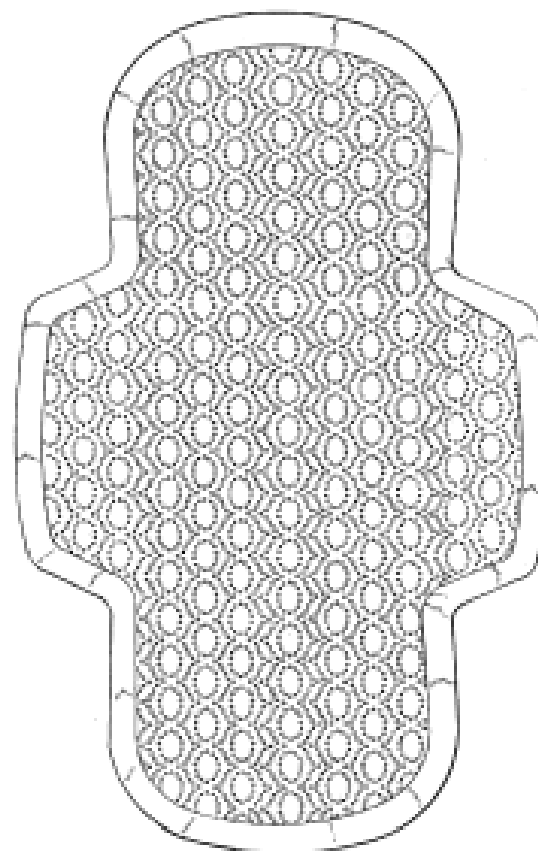
(45) Registration Date: **12 February 2008**

(30) Convention priority data:

(31) Number	(32) Date	(33) Country
<b>29/279318</b>	<b>26 Apr 2007</b>	<b>UNITED STATES OF AMERICA</b>

(56) Related Art Documents: **Not Applicable**

(57) Statement of Newness and Distinctiveness: **Newness and distinctiveness reside in the pattern and ornamentation and/or shape and configuration of the sanitary napkin as shown in the accompanying representations. In considering the scope of the monopoly claimed, the orientation of the pattern with respect to the napkin is not considered part of the design.**



(21) Design Number: **20251/2007**

(22) Date of Filing Application: **15 October 2007**

(24) Date from which industrial property rights may have effect: **15 October 2007**

(54) Product in respect of which the design is registered: **Ice tea jug**

(51) International Design Classification: **07-01F**

(71) Name(s) and Address(s) of Applicant(s):

**Pi-Design AG**  
**Kantonsstrasse 100 Postfach 463 CH-6234 Triengen Switzerland**

(72) Name(s) of Designer(s): **Jorgen Bodum**

(45) Registration Date: **12 February 2008**

(30) Convention priority data:

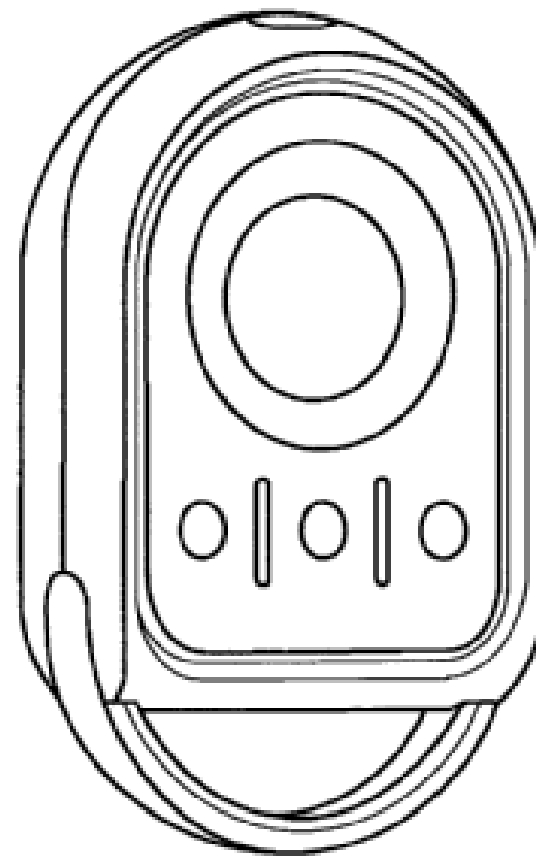
(31) Number	(32) Date	(33) Country
<b>DA 2007 00118</b>	<b>07 May 2007</b>	<b>DENMARK</b>

(56) Related Art Documents: **Not Applicable**

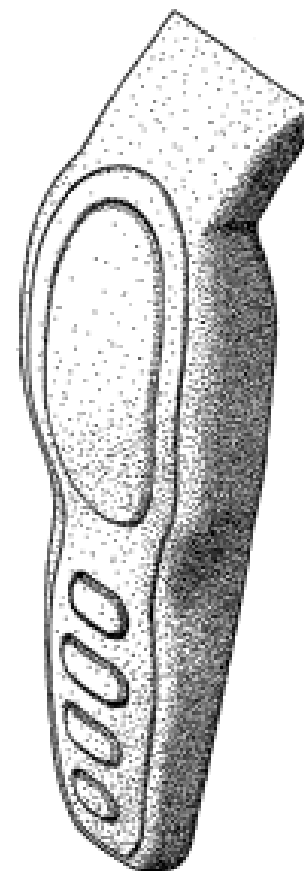
(57) Statement of Newness and Distinctiveness: **Nil**



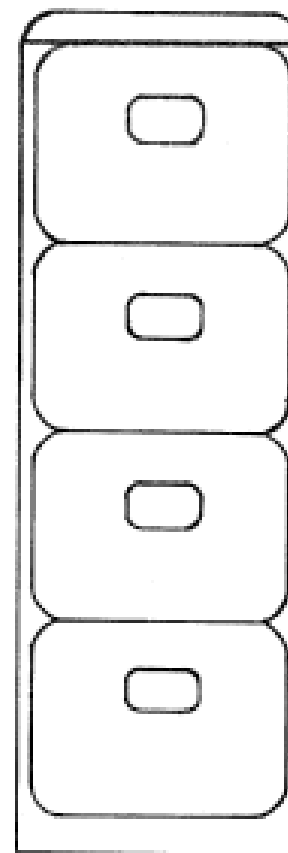
(21) Design Number: **20252/2007**  
(22) Date of Filing Application: **15 October 2007**  
(24) Date from which industrial property rights may have effect: **15 October 2007**  
(54) Product in respect of which the design is registered: **Remote control**  
(51) International Design Classification: **14-03NES**  
(71) Name(s) and Address(s) of Applicant(s):  
**SOMFY SAS**  
**50, avenue du Nouveau Monde Cluses 74300 France**  
(72) Name(s) of Designer(s): **Olivier Poulet and Olivier Charleux**  
(45) Registration Date: **12 February 2008**  
(30) Convention priority data:  
(31) Number (32) Date (33) Country  
**000710124 18 Apr 2007 EUROPEAN COMMUNITY**  
(56) Related Art Documents: **Not Applicable**  
(57) Statement of Newness and Distinctiveness: **Nil**



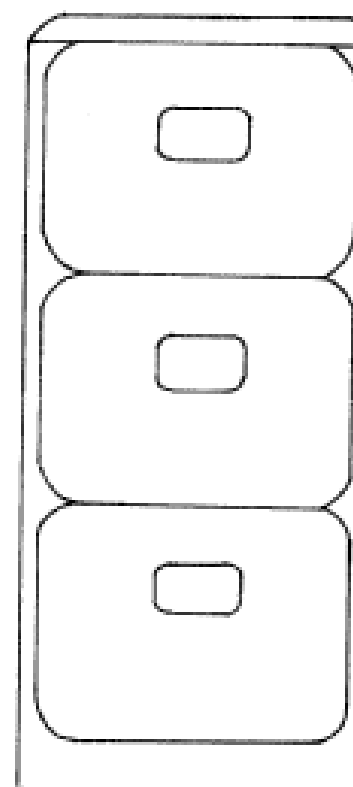
(21) Design Number: **20253/2007**  
(22) Date of Filing Application: **15 October 2007**  
(24) Date from which industrial property rights may have effect: **15 October 2007**  
(54) Product in respect of which the design is registered: **Housing portion for hair clipper**  
(51) International Design Classification: **28-03D**  
(71) Name(s) and Address(s) of Applicant(s):  
**Wahl Clipper Corporation**  
**2900 North Locust Street, Sterling, 61081, IL, UNITED STATES OF AMERICA**  
(72) Name(s) of Designer(s): **Jason M. Long and Michael Eddinger**  
(45) Registration Date: **12 February 2008**  
(30) Convention priority data:  
(31) Number (32) Date (33) Country  
**29/288725 21 Jun 2007 UNITED STATES OF AMERICA**  
(56) Related Art Documents: **Not Applicable**  
(57) Statement of Newness and Distinctiveness: **The new and distinctive features of the design are the features of shape or configuration of the housing portion for hair clipper as shown in the attached representations. The features shown in the bottom view are not considered to be new or distinctive and do not form part of the design.**



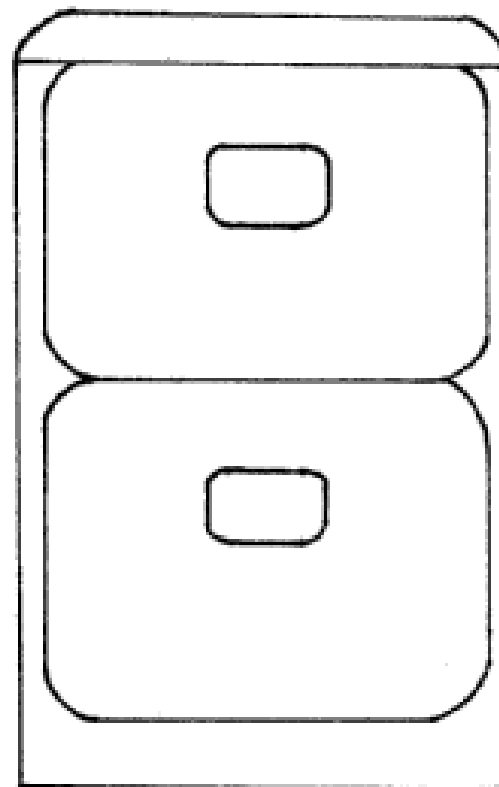
- (21) Design Number: **20259/2007**
- (22) Date of Filing Application: **16 October 2007**
- (24) Date from which industrial property rights may have effect: **16 October 2007**
- (54) Product in respect of which the design is registered: **Four - drawer filing cabinet**
- (51) International Design Classification: **06-04B**
- (71) Name(s) and Address(s) of Applicant(s):  
**Ariana Fabris**  
**PO Box 170 Heidelberg Victoria 3084 Australia**
- (72) Name(s) of Designer(s): **Ariana Fabris**
- (45) Registration Date: **12 February 2008**
- (56) Related Art Documents: **Not Applicable**
- (57) Statement of Newness and Distinctiveness: **This design is new and distinctive because of (1) the rounded shape of the top of the filing cabinet and (2) the rounded shape of the four drawers. I've only ever seen straight-edged filing cabinets in this respect.**



- (21) Design Number: **20260/2007**
- (22) Date of Filing Application: **16 October 2007**
- (24) Date from which industrial property rights may have effect: **16 October 2007**
- (54) Product in respect of which the design is registered: **Three - drawer filing cabinet**
- (51) International Design Classification: **06-04B**
- (71) Name(s) and Address(s) of Applicant(s):  
**Ariana Fabris**  
**PO Box 170 Heidelberg Victoria 3084 Australia**
- (72) Name(s) of Designer(s): **Ariana Fabris**
- (45) Registration Date: **12 February 2008**
- (56) Related Art Documents: **Not Applicable**
- (57) Statement of Newness and Distinctiveness: **This design is new and distinctive because of (1) the rounded shape of the top of the filing cabinet and (2) the rounded shape of the three drawers. I've only ever seen straight-edged cabinets in this respect.**



- (21) Design Number: **20261/2007**
- (22) Date of Filing Application: **16 October 2007**
- (24) Date from which industrial property rights may have effect: **16 October 2007**
- (54) Product in respect of which the design is registered: **Two - drawer filing cabinet**
- (51) International Design Classification: **06-04B**
- (71) Name(s) and Address(s) of Applicant(s):  
**Ariana Fabris**  
**PO Box 170 Heidelberg Victoria 3084 Australia**
- (72) Name(s) of Designer(s): **Ariana Fabris**
- (45) Registration Date: **12 February 2008**
- (56) Related Art Documents: **Not Applicable**
- (57) Statement of Newness and Distinctiveness: **This design is new and distinctive because of (1) the rounded shape of the top of the filing cabinet and (2) the rounded shape of the two drawers. I've only seen straight-edged filing cabinets in this respect.**



- (21) Design Number: **20308/2007**
- (22) Date of Filing Application: **18 October 2007**
- (24) Date from which industrial property rights may have effect: **18 October 2007**
- (54) Product in respect of which the design is registered: **Peeler**
- (51) International Design Classification: **07-04**
- (71) Name(s) and Address(s) of Applicant(s):  
**Grow Point Co. Ltd**  
**Room 8 4/F New Henry House 10 Ice House Street Central Hong Kong**
- (72) Name(s) of Designer(s): **Wong Fan Fong Jackson**
- (45) Registration Date: **13 February 2008**
- (30) Convention priority data:

(31) Number	(32) Date	(33) Country
<b>000714530</b>	<b>27 Apr 2007</b>	<b>EUROPEAN COMMUNITY</b>
- (56) Related Art Documents: **Not Applicable**
- (57) Statement of Newness and Distinctiveness: **Nil**



(21) Design Number: **20309/2007**

(22) Date of Filing Application: **18 October 2007**

(24) Date from which industrial property rights may have effect: **18 October 2007**

(54) Product in respect of which the design is registered: **Corer**

(51) International Design Classification: **07-04**

(71) Name(s) and Address(s) of Applicant(s):

**Grow Point Co. Ltd**

**Room 8 4/F New Henry House 10 Ice House Street Central Hong Kong**

(72) Name(s) of Designer(s): **Wong Fan Fong Jackson**

(45) Registration Date: **13 February 2008**

(30) Convention priority data:

(31) Number  
**000714530**

(32) Date  
**27 Apr 2007**

(33) Country  
**EUROPEAN COMMUNITY**

(56) Related Art Documents: **Not Applicable**

(57) Statement of Newness and Distinctiveness: **Nil**



(21) Design Number: **20310/2007**

(22) Date of Filing Application: **18 October 2007**

(24) Date from which industrial property rights may have effect: **18 October 2007**

(54) Product in respect of which the design is registered: **Can opener**

(51) International Design Classification: **07-99D**

(71) Name(s) and Address(s) of Applicant(s):

**Grow Point Co. Ltd**

**Room 8 4/F New Henry House 10 Ice House Street Central Hong Kong**

(72) Name(s) of Designer(s): **Wong Fan Fong Jackson**

(45) Registration Date: **13 February 2008**

(30) Convention priority data:

(31) Number  
**000714530**

(32) Date  
**27 Apr 2007**

(33) Country  
**EUROPEAN COMMUNITY**

(56) Related Art Documents: **Not Applicable**

(57) Statement of Newness and Distinctiveness: **Nil**



(21) Design Number: **20311/2007**  
(22) Date of Filing Application: **18 October 2007**  
(24) Date from which industrial property rights may have effect: **18 October 2007**  
(54) Product in respect of which the design is registered: **Grater**  
(51) International Design Classification: **07-04**  
(71) Name(s) and Address(s) of Applicant(s):  
**Grow Point Co. Ltd**  
**Room 8 4/F New Henry House 10 Ice House Street Central Hong Kong**  
(72) Name(s) of Designer(s): **Wong Fan Fong Jackson**  
(45) Registration Date: **13 February 2008**  
(30) Convention priority data:  
(31) Number      (32) Date      (33) Country  
**000714530      27 Apr 2007      EUROPEAN COMMUNITY**  
(56) Related Art Documents: **Not Applicable**  
(57) Statement of Newness and Distinctiveness: **Nil**



(21) Design Number: **20312/2007**  
(22) Date of Filing Application: **18 October 2007**  
(24) Date from which industrial property rights may have effect: **18 October 2007**  
(54) Product in respect of which the design is registered: **Citrus squeezer**  
(51) International Design Classification: **07-04**  
(71) Name(s) and Address(s) of Applicant(s):  
**Grow Point Co. Ltd**  
**Room 8 4/F New Henry House 10 Ice House Street Central Hong Kong**  
(72) Name(s) of Designer(s): **Wong Fan Fong Jackson**  
(45) Registration Date: **13 February 2008**  
(30) Convention priority data:  
(31) Number      (32) Date      (33) Country  
**000714530      27 Apr 2007      EUROPEAN COMMUNITY**  
(56) Related Art Documents: **Not Applicable**  
(57) Statement of Newness and Distinctiveness: **Nil**



(21) Design Number: **20313/2007**  
(22) Date of Filing Application: **18 October 2007**  
(24) Date from which industrial property rights may have effect: **18 October 2007**  
(54) Product in respect of which the design is registered: **Grater**  
(51) International Design Classification: **07-04**  
(71) Name(s) and Address(s) of Applicant(s):  
**Grow Point Co. Ltd**  
**Room 8 4/F New Henry House 10 Ice House Street Central Hong Kong**  
(72) Name(s) of Designer(s): **Wong Fan Fong Jackson**  
(45) Registration Date: **13 February 2008**  
(30) Convention priority data:  
(31) Number      (32) Date      (33) Country  
**000714530      27 Apr 2007      EUROPEAN COMMUNITY**  
(56) Related Art Documents: **Not Applicable**  
(57) Statement of Newness and Distinctiveness: **Nil**



(21) Design Number: **20314/2007**  
(22) Date of Filing Application: **18 October 2007**  
(24) Date from which industrial property rights may have effect: **18 October 2007**  
(54) Product in respect of which the design is registered: **Garlic press**  
(51) International Design Classification: **07-04**  
(71) Name(s) and Address(s) of Applicant(s):  
**Grow Point Co. Ltd**  
**Room 8 4/F New Henry House 10 Ice House Street Central Hong Kong**  
(72) Name(s) of Designer(s): **Wong Fan Fong Jackson**  
(45) Registration Date: **13 February 2008**  
(30) Convention priority data:  
(31) Number      (32) Date      (33) Country  
**000714530      27 Apr 2007      EUROPEAN COMMUNITY**  
(56) Related Art Documents: **Not Applicable**  
(57) Statement of Newness and Distinctiveness: **Nil**





(21) Design Number: **20315/2007**  
(22) Date of Filing Application: **18 October 2007**  
(24) Date from which industrial property rights may have effect: **18 October 2007**  
(54) Product in respect of which the design is registered: **Ladle**  
(51) International Design Classification: **07-04**  
(71) Name(s) and Address(s) of Applicant(s):  
**Grow Point Co. Ltd**  
**Room 8 4/F New Henry House 10 Ice House Street Central Hong Kong**  
(72) Name(s) of Designer(s): **Wong Fan Fong Jackson**  
(45) Registration Date: **13 February 2008**  
(30) Convention priority data:  
(31) Number      (32) Date      (33) Country  
**000714530      27 Apr 2007      EUROPEAN COMMUNITY**  
(56) Related Art Documents: **Not Applicable**  
(57) Statement of Newness and Distinctiveness: **Nil**



(21) Design Number: **20316/2007**  
(22) Date of Filing Application: **18 October 2007**  
(24) Date from which industrial property rights may have effect: **18 October 2007**  
(54) Product in respect of which the design is registered: **Masher**  
(51) International Design Classification: **07-04**  
(71) Name(s) and Address(s) of Applicant(s):  
**Grow Point Co. Ltd**  
**Room 8 4/F New Henry House 10 Ice House Street Central Hong Kong**  
(72) Name(s) of Designer(s): **Wong Fan Fong Jackson**  
(45) Registration Date: **13 February 2008**  
(30) Convention priority data:  
(31) Number      (32) Date      (33) Country  
**000714530      27 Apr 2007      EUROPEAN COMMUNITY**  
(56) Related Art Documents: **Not Applicable**  
(57) Statement of Newness and Distinctiveness: **Nil**



(21) Design Number: **20317/2007**  
(22) Date of Filing Application: **18 October 2007**  
(24) Date from which industrial property rights may have effect: **18 October 2007**  
(54) Product in respect of which the design is registered: **Rotary grater**  
(51) International Design Classification: **07-04**  
(71) Name(s) and Address(s) of Applicant(s):  
**Grow Point Co. Ltd**  
**Room 8 4/F New Henry House 10 Ice House Street Central Hong Kong**  
(72) Name(s) of Designer(s): **Wong Fan Fong Jackson**  
(45) Registration Date: **13 February 2008**  
(30) Convention priority data:  
(31) Number (32) Date (33) Country  
**000714530 27 Apr 2007 EUROPEAN COMMUNITY**  
(56) Related Art Documents: **Not Applicable**  
(57) Statement of Newness and Distinctiveness: **Nil**



(21) Design Number: **20318/2007**  
(22) Date of Filing Application: **18 October 2007**  
(24) Date from which industrial property rights may have effect: **18 October 2007**  
(54) Product in respect of which the design is registered: **Gravy ladle**  
(51) International Design Classification: **07-04**  
(71) Name(s) and Address(s) of Applicant(s):  
**Grow Point Co. Ltd**  
**Room 8 4/F New Henry House 10 Ice House Street Central Hong Kong**  
(72) Name(s) of Designer(s): **Wong Fan Fong Jackson**  
(45) Registration Date: **13 February 2008**  
(30) Convention priority data:  
(31) Number (32) Date (33) Country  
**000714530 27 Apr 2007 EUROPEAN COMMUNITY**  
(56) Related Art Documents: **Not Applicable**  
(57) Statement of Newness and Distinctiveness: **Nil**



(21) Design Number: **20319/2007**

(22) Date of Filing Application: **18 October 2007**

(24) Date from which industrial property rights may have effect: **18 October 2007**

(54) Product in respect of which the design is registered: **Slotted spoon**

(51) International Design Classification: **07-04**

(71) Name(s) and Address(s) of Applicant(s):

**Grow Point Co. Ltd**

**Room 8 4/F New Henry House 10 Ice House Street Central Hong Kong**

(72) Name(s) of Designer(s): **Wong Fan Fong Jackson**

(45) Registration Date: **13 February 2008**

(30) Convention priority data:

(31) Number

(32) Date

(33) Country

**000714530**

**27 Apr 2007**

**EUROPEAN COMMUNITY**

(56) Related Art Documents: **Not Applicable**

(57) Statement of Newness and Distinctiveness: **Nil**



(21) Design Number: **20320/2007**

(22) Date of Filing Application: **18 October 2007**

(24) Date from which industrial property rights may have effect: **18 October 2007**

(54) Product in respect of which the design is registered: **Pasta server**

(51) International Design Classification: **07-04**

(71) Name(s) and Address(s) of Applicant(s):

**Grow Point Co. Ltd**

**Room 8 4/F New Henry House 10 Ice House Street Central Hong Kong**

(72) Name(s) of Designer(s): **Wong Fan Fong Jackson**

(45) Registration Date: **13 February 2008**

(30) Convention priority data:

(31) Number

(32) Date

(33) Country

**000714530**

**27 Apr 2007**

**EUROPEAN COMMUNITY**

(56) Related Art Documents: **Not Applicable**

(57) Statement of Newness and Distinctiveness: **Nil**



(21) Design Number: **20321/2007**

(22) Date of Filing Application: **18 October 2007**

(24) Date from which industrial property rights may have effect: **18 October 2007**

(54) Product in respect of which the design is registered: **Spatula**

(51) International Design Classification: **07-04**

(71) Name(s) and Address(s) of Applicant(s):

**Grow Point Co. Ltd**

**Room 8 4/F New Henry House 10 Ice House Street Central Hong Kong**

(72) Name(s) of Designer(s): **Wong Fan Fong Jackson**

(45) Registration Date: **13 February 2008**

(30) Convention priority data:

(31) Number

(32) Date

(33) Country

**000714530**

**27 Apr 2007**

**EUROPEAN COMMUNITY**

(56) Related Art Documents: **Not Applicable**

(57) Statement of Newness and Distinctiveness: **Nil**



(21) Design Number: **20322/2007**

(22) Date of Filing Application: **18 October 2007**

(24) Date from which industrial property rights may have effect: **18 October 2007**

(54) Product in respect of which the design is registered: **Strainer**

(51) International Design Classification: **07-04**

(71) Name(s) and Address(s) of Applicant(s):

**Grow Point Co. Ltd**

**Room 8 4/F New Henry House 10 Ice House Street Central Hong Kong**

(72) Name(s) of Designer(s): **Wong Fan Fong Jackson**

(45) Registration Date: **13 February 2008**

(30) Convention priority data:

(31) Number

(32) Date

(33) Country

**000714530**

**27 Apr 2007**

**EUROPEAN COMMUNITY**

(56) Related Art Documents: **Not Applicable**

(57) Statement of Newness and Distinctiveness: **Nil**



(21) Design Number: **20323/2007**

(22) Date of Filing Application: **18 October 2007**

(24) Date from which industrial property rights may have effect: **18 October 2007**

(54) Product in respect of which the design is registered: **Peeler**

(51) International Design Classification: **07-04**

(71) Name(s) and Address(s) of Applicant(s):

**Grow Point Co. Ltd**

**Room 8 4/F New Henry House 10 Ice House Street Central Hong Kong**

(72) Name(s) of Designer(s): **Wong Fan Fong Jackson**

(45) Registration Date: **13 February 2008**

(30) Convention priority data:

(31) Number  
**000714530**

(32) Date  
**27 Apr 2007**

(33) Country  
**EUROPEAN COMMUNITY**

(56) Related Art Documents: **Not Applicable**

(57) Statement of Newness and Distinctiveness: **Nil**



(21) Design Number: **20324/2007**

(22) Date of Filing Application: **18 October 2007**

(24) Date from which industrial property rights may have effect: **18 October 2007**

(54) Product in respect of which the design is registered: **Slicer**

(51) International Design Classification: **07-04**

(71) Name(s) and Address(s) of Applicant(s):

**Grow Point Co. Ltd**

**Room 8 4/F New Henry House 10 Ice House Street Central Hong Kong**

(72) Name(s) of Designer(s): **Wong Fan Fong Jackson**

(45) Registration Date: **13 February 2008**

(30) Convention priority data:

(31) Number  
**000714530**

(32) Date  
**27 Apr 2007**

(33) Country  
**EUROPEAN COMMUNITY**

(56) Related Art Documents: **Not Applicable**

(57) Statement of Newness and Distinctiveness: **Nil**



(21) Design Number: **20325/2007**

(22) Date of Filing Application: **18 October 2007**

(24) Date from which industrial property rights may have effect: **18 October 2007**

(54) Product in respect of which the design is registered: **Corkscrew**

(51) International Design Classification: **07-04**

(71) Name(s) and Address(s) of Applicant(s):

**Grow Point Co. Ltd**

**Room 8 4/F New Henry House 10 Ice House Street Central Hong Kong**

(72) Name(s) of Designer(s): **Wong Fan Fung Jackson**

(45) Registration Date: **13 February 2008**

(30) Convention priority data:

(31) Number

(32) Date

(33) Country

**000714530**

**27 Apr 2007**

**EUROPEAN COMMUNITY**

(56) Related Art Documents: **Not Applicable**

(57) Statement of Newness and Distinctiveness: **Nil**



(21) Design Number: **20326/2007**

(22) Date of Filing Application: **18 October 2007**

(24) Date from which industrial property rights may have effect: **18 October 2007**

(54) Product in respect of which the design is registered: **Salad knife**

(51) International Design Classification: **07-04**

(71) Name(s) and Address(s) of Applicant(s):

**Grow Point Co. Ltd**

**Room 8 4/F New Henry House 10 Ice House Street Central Hong Kong**

(72) Name(s) of Designer(s): **Wong Fan Fung Jackson**

(45) Registration Date: **13 February 2008**

(30) Convention priority data:

(31) Number

(32) Date

(33) Country

**000714530**

**27 Apr 2007**

**EUROPEAN COMMUNITY**

(56) Related Art Documents: **Not Applicable**

(57) Statement of Newness and Distinctiveness: **Nil**



(21) Design Number: **20327/2007**  
(22) Date of Filing Application: **18 October 2007**  
(24) Date from which industrial property rights may have effect: **18 October 2007**  
(54) Product in respect of which the design is registered: **Serving fork**  
(51) International Design Classification: **07-04**  
(71) Name(s) and Address(s) of Applicant(s):  
**Grow Point Co. Ltd**  
**Room 8 4/F New Henry House 10 Ice House Street Central Hong Kong**  
(72) Name(s) of Designer(s): **Wong Fan Fong Jackson**  
(45) Registration Date: **13 February 2008**  
(30) Convention priority data:  
(31) Number      (32) Date      (33) Country  
**000714530      27 Apr 2007      EUROPEAN COMMUNITY**  
(56) Related Art Documents: **Not Applicable**  
(57) Statement of Newness and Distinctiveness: **Nil**



(21) Design Number: **20328/2007**  
(22) Date of Filing Application: **18 October 2007**  
(24) Date from which industrial property rights may have effect: **18 October 2007**  
(54) Product in respect of which the design is registered: **Serving spoon**  
(51) International Design Classification: **07-04**  
(71) Name(s) and Address(s) of Applicant(s):  
**Grow Point Co. Ltd**  
**Room 8 4/F New Henry House 10 Ice House Street Central Hong Kong**  
(72) Name(s) of Designer(s): **Wong Fan Fong Jackson**  
(45) Registration Date: **13 February 2008**  
(30) Convention priority data:  
(31) Number      (32) Date      (33) Country  
**000714530      27 Apr 2007      EUROPEAN COMMUNITY**  
(56) Related Art Documents: **Not Applicable**  
(57) Statement of Newness and Distinctiveness: **Nil**



(21) Design Number: **19365/2007**

(22) Date of Filing Application: **17 August 2007**

(24) Date from which industrial property rights may have effect: **17 August 2007**

(54) Product in respect of which the design is registered: **Jewel neckline taffeta dress**

(51) International Design Classification: **02-02C**

(71) Name(s) and Address(s) of Applicant(s):

**Grant Olver Investments P/L\_trading as Pilgrim Clothing  
2 Vale Street St Kilda Victoria Australia 3182**

(72) Name(s) of Designer(s): **Grant Olver**

(45) Registration Date: **14 February 2008**

(56) Related Art Documents: **Not Applicable**

(57) Statement of Newness and Distinctiveness: **Nil**



(21) Design Number: **19367/2007**

(22) Date of Filing Application: **17 August 2007**

(24) Date from which industrial property rights may have effect: **17 August 2007**

(54) Product in respect of which the design is registered: **Coral Diamonte dress**

(51) International Design Classification: **02-02C**

(71) Name(s) and Address(s) of Applicant(s):

**Grant Olver Investments P/L\_trading as Pilgrim Clothing  
2 Vale Street St Kilda Victoria Australia 3182**

(72) Name(s) of Designer(s): **Grant Olver**

(45) Registration Date: **14 February 2008**

(56) Related Art Documents: **Not Applicable**

(57) Statement of Newness and Distinctiveness: **Nil**





- (21) Design Number: **19368/2007**
- (22) Date of Filing Application: **17 August 2007**
- (24) Date from which industrial property rights may have effect: **17 August 2007**
- (54) Product in respect of which the design is registered: **Leaf print strapless dress**
- (51) International Design Classification: **02-02C**
- (71) Name(s) and Address(s) of Applicant(s):  
**Grant Olver Investments P/L\_trading as Pilgrim Clothing  
2 Vale Street St Kilda Victoria Australia 3182**
- (72) Name(s) of Designer(s): **Grant Olver**
- (45) Registration Date: **14 February 2008**
- (56) Related Art Documents: **Not Applicable**
- (57) Statement of Newness and Distinctiveness: **Nil**



- (21) Design Number: **19369/2007**
- (22) Date of Filing Application: **17 August 2007**
- (24) Date from which industrial property rights may have effect: **17 August 2007**
- (54) Product in respect of which the design is registered: **Lace trim shirt**
- (51) International Design Classification: **02-02NES**
- (71) Name(s) and Address(s) of Applicant(s):  
**Grant Olver Investments P/L\_trading as Pilgrim Clothing  
2 Vale Street St Kilda Victoria Australia 3182**
- (72) Name(s) of Designer(s): **Grant Olver**
- (45) Registration Date: **14 February 2008**
- (56) Related Art Documents: **Not Applicable**
- (57) Statement of Newness and Distinctiveness: **Nil**



(21) Design Number: **19376/2007**

(22) Date of Filing Application: **17 August 2007**

(24) Date from which industrial property rights may have effect: **17 August 2007**

(54) Product in respect of which the design is registered: **Balloon tshirt top**

(51) International Design Classification: **02-02NES**

(71) Name(s) and Address(s) of Applicant(s):

**Grant Olver Investments P/L\_trading as Pilgrim Clothing  
2 Vale Street St Kilda Victoria Australia 3182**

(72) Name(s) of Designer(s): **Grant Olver**

(45) Registration Date: **14 February 2008**

(56) Related Art Documents: **Not Applicable**

(57) Statement of Newness and Distinctiveness: **Nil**



(21) Design Number: **19377/2007**

(22) Date of Filing Application: **17 August 2007**

(24) Date from which industrial property rights may have effect: **17 August 2007**

(54) Product in respect of which the design is registered: **Green trim dress**

(51) International Design Classification: **02-02C**

(71) Name(s) and Address(s) of Applicant(s):

**Grant Olver Investments P/L\_trading as Pilgrim Clothing  
2 Vale Street St Kilda Victoria Australia 3182**

(72) Name(s) of Designer(s): **Grant Olver**

(45) Registration Date: **14 February 2008**

(56) Related Art Documents: **Not Applicable**

(57) Statement of Newness and Distinctiveness: **Nil**



(21) Design Number: **19379/2007**

(22) Date of Filing Application: **17 August 2007**

(24) Date from which industrial property rights may have effect: **17 August 2007**

(54) Product in respect of which the design is registered: **70's black trim dress**

(51) International Design Classification: **02-02C**

(71) Name(s) and Address(s) of Applicant(s):

**Grant Olver Investments P/L\_trading as Pilgrim Clothing  
2 Vale Street St Kilda Victoria Australia 3182**

(72) Name(s) of Designer(s): **Grant Olver**

(45) Registration Date: **14 February 2008**

(56) Related Art Documents: **Not Applicable**

(57) Statement of Newness and Distinctiveness: **Nil**



(21) Design Number: **20262/2007**

(22) Date of Filing Application: **16 October 2007**

(24) Date from which industrial property rights may have effect: **16 October 2007**

(54) Product in respect of which the design is registered: **Chair**

(51) International Design Classification: **06-01F**

(71) Name(s) and Address(s) of Applicant(s):

**Robert J. Albert  
Sussex Street Linton Victoria 3360 Australia**

(72) Name(s) of Designer(s): **Robert J. Albert**

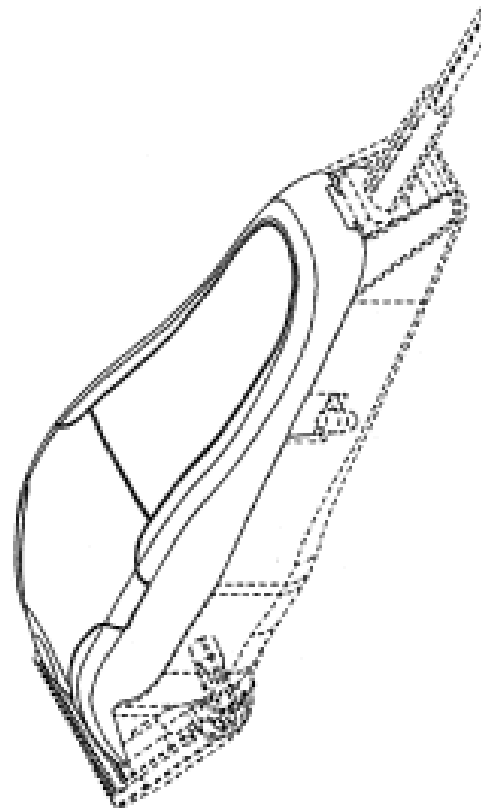
(45) Registration Date: **14 February 2008**

(56) Related Art Documents: **Not Applicable**

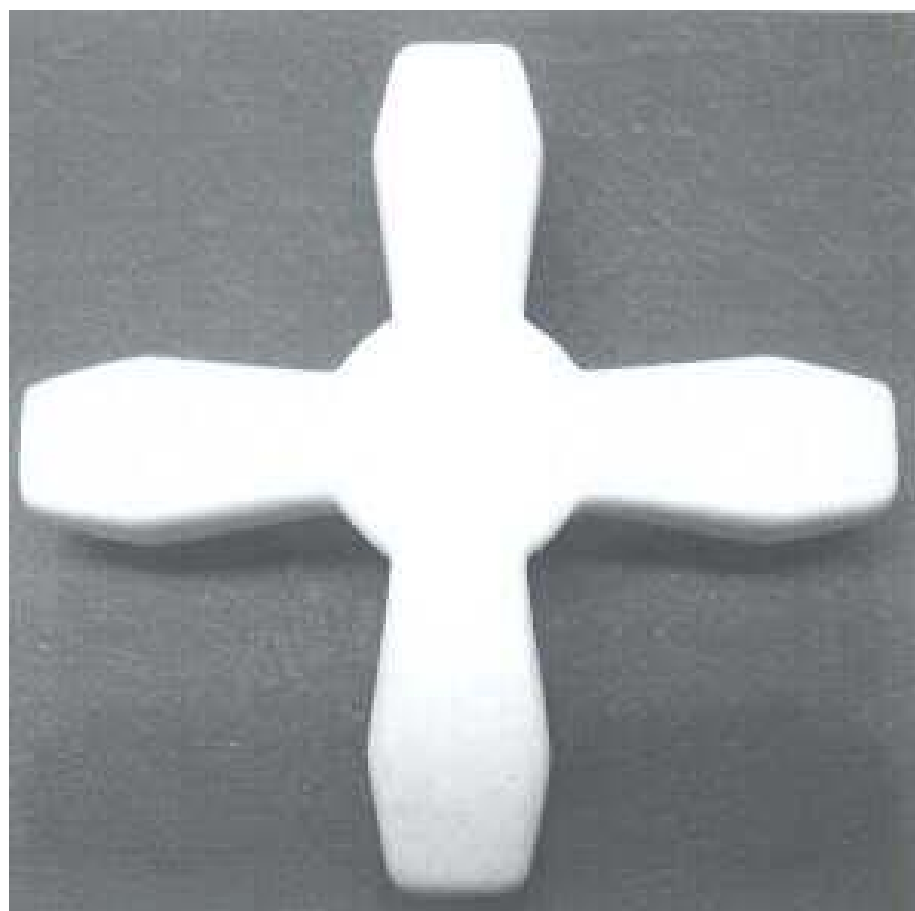
(57) Statement of Newness and Distinctiveness: **Nil**



- (21) Design Number: **20266/2007**  
(22) Date of Filing Application: **16 October 2007**  
(24) Date from which industrial property rights may have effect: **16 October 2007**  
(54) Product in respect of which the design is registered: **Housing portion for hair clipper**  
(51) International Design Classification: **28-03D**  
(71) Name(s) and Address(s) of Applicant(s):  
**Wahl Clipper Corporation**  
**2900 North Locust Street Sterling 61081 IL United States of America**  
(72) Name(s) of Designer(s): **Jason M. Long and Charles Choi**  
(45) Registration Date: **14 February 2008**  
(30) Convention priority data:  
(31) Number (32) Date (33) Country  
**29/288714 21 Jun 2007 UNITED STATES OF AMERICA**  
(56) Related Art Documents: **Not Applicable**  
(57) Statement of Newness and Distinctiveness: **The new and distinctive features are the features of shape and configuration of a housing portion for hair clipper. The features shown in dotted outline in the representations do not form part of the design.**



- (21) Design Number: **20267/2007**  
(22) Date of Filing Application: **16 October 2007**  
(24) Date from which industrial property rights may have effect: **16 October 2007**  
(54) Product in respect of which the design is registered: **Tap handle**  
(51) International Design Classification: **23-01H**  
(71) Name(s) and Address(s) of Applicant(s):  
**Ewing Industries Pty Ltd**  
**4/24 Deakin Street Brendale Queensland 4500 Australia**  
(72) Name(s) of Designer(s): **Iain Ewing**  
(45) Registration Date: **14 February 2008**  
(56) Related Art Documents: **Not Applicable**  
(57) Statement of Newness and Distinctiveness: **Newness and distinctiveness are claimed in the shape and configuration of the tap handle depicted in the accompanying representations. The cavity marked "A" is to be disregarded when considering the newness and distinctiveness of the design.**



(21) Design Number: **20268/2007**

(22) Date of Filing Application: **16 October 2007**

(24) Date from which industrial property rights may have effect: **16 October 2007**

(54) Product in respect of which the design is registered: **Lifter for wheelie bin**

(51) International Design Classification: **09-09**

(71) Name(s) and Address(s) of Applicant(s):

**Salvatore Murru**

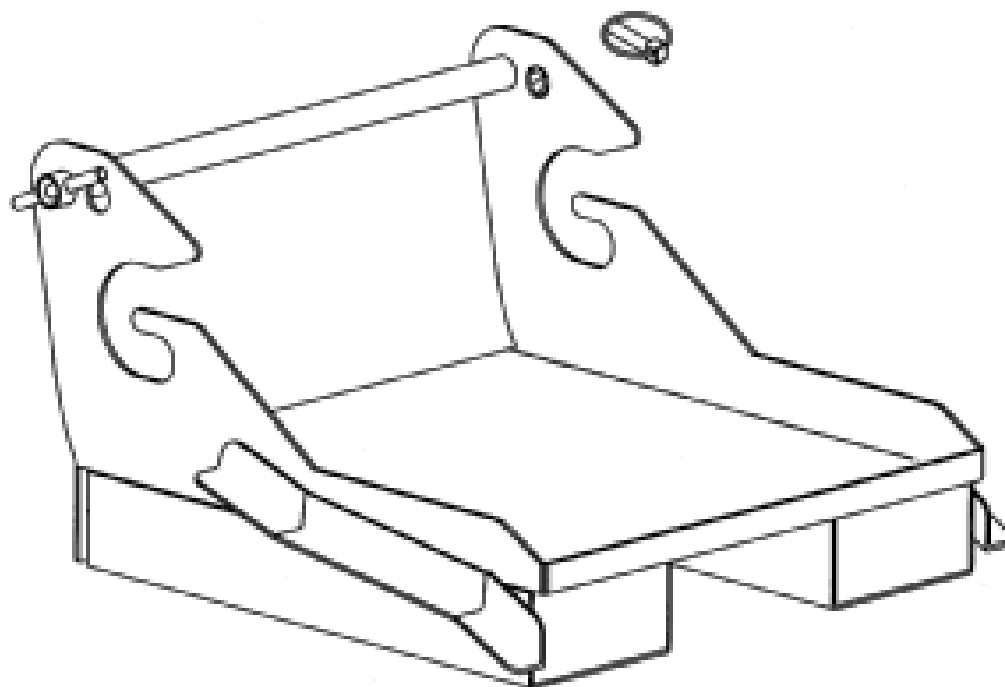
**43 Bexsarm Crescent Rowville Victoria 3178 Australia**

(72) Name(s) of Designer(s): **Salvatore Murru and John Leahy**

(45) Registration Date: **14 February 2008**

(56) Related Art Documents: **Not Applicable**

(57) Statement of Newness and Distinctiveness: **Nil**



(21) Design Number: **20269/2007**

(22) Date of Filing Application: **16 October 2007**

(24) Date from which industrial property rights may have effect: **16 October 2007**

(54) Product in respect of which the design is registered: **Sash window lock with keylock and handle**

(51) International Design Classification: **08-07**

(71) Name(s) and Address(s) of Applicant(s):

**Pacific Enterprises (Aust) Pty Ltd**

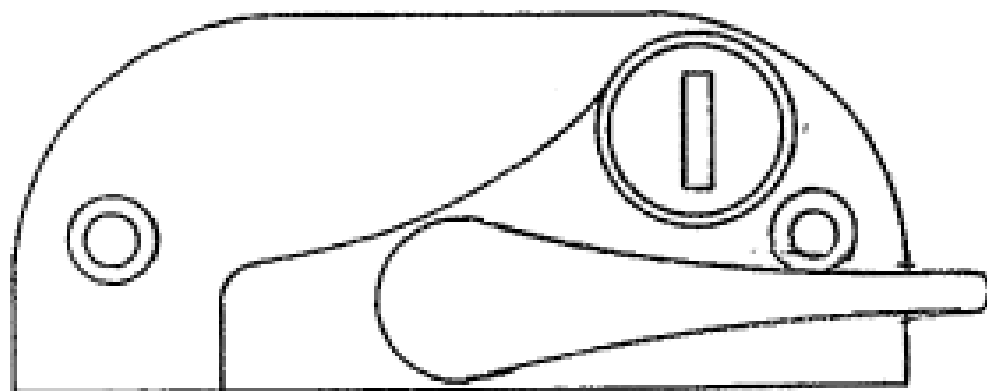
**6 Mosrael Place Scoresby Victoria 3179 Australia**

(72) Name(s) of Designer(s): **Graeme Byrne and David Li**

(45) Registration Date: **14 February 2008**

(56) Related Art Documents: **Not Applicable**

(57) Statement of Newness and Distinctiveness: **Newness and distinctiveness are claimed in the features of shape and/or configuration of a sash window lock with keylock and handle, as illustrated in the accompanying representatives but no monopoly is claimed in the internal elements shown in the underneath view.**



(21) Design Number: **20276/2007**

(22) Date of Filing Application: **18 October 2007**

(24) Date from which industrial property rights may have effect: **18 October 2007**

(54) Product in respect of which the design is registered: **Bag hanger**

(51) International Design Classification: **06-08**

(71) Name(s) and Address(s) of Applicant(s):

**Talia Tunstall**

**Unit 6 26-28 Riversdale Road Hawthorn Victoria 3122 Australia**

(72) Name(s) of Designer(s): **Talia Tunstall**

(45) Registration Date: **14 February 2008**

(56) Related Art Documents: **Not Applicable**

(57) Statement of Newness and Distinctiveness: **The overall appearance of this design is an open oval shape with one end being flat. The flat piece is what rests on the table or bench top and has an extended hollow shaft, which holds the next component. This component is a hook shaped piece, with a straight arm that fits inside the hollow shaft of the previous piece. These two components act as a telescopic arm, which extends depending on the table width it is needed for. The final component of the design is a spring-loaded section shaped like a teardrop. This moves and enables the secure locking mechanism to work. It is a portable device intended to be carried by the user and not permanently attached to any surface. This bag hangers intended usage is to be placed on a table or bench top to hang a bag off it, while being securely attached to the table or bench top.**



(21) Design Number: **20277/2007**

(22) Date of Filing Application: **18 October 2007**

(24) Date from which industrial property rights may have effect: **18 October 2007**

(54) Product in respect of which the design is registered: **Baby wrap**

(51) International Design Classification: **06-13B**

(71) Name(s) and Address(s) of Applicant(s):

**Victoria R. Harpur-Fikus**

**17 Ripley Street Mt Waverley Victoria 3149 Australia**

(72) Name(s) of Designer(s): **Victoria R. Harpur-Fikus**

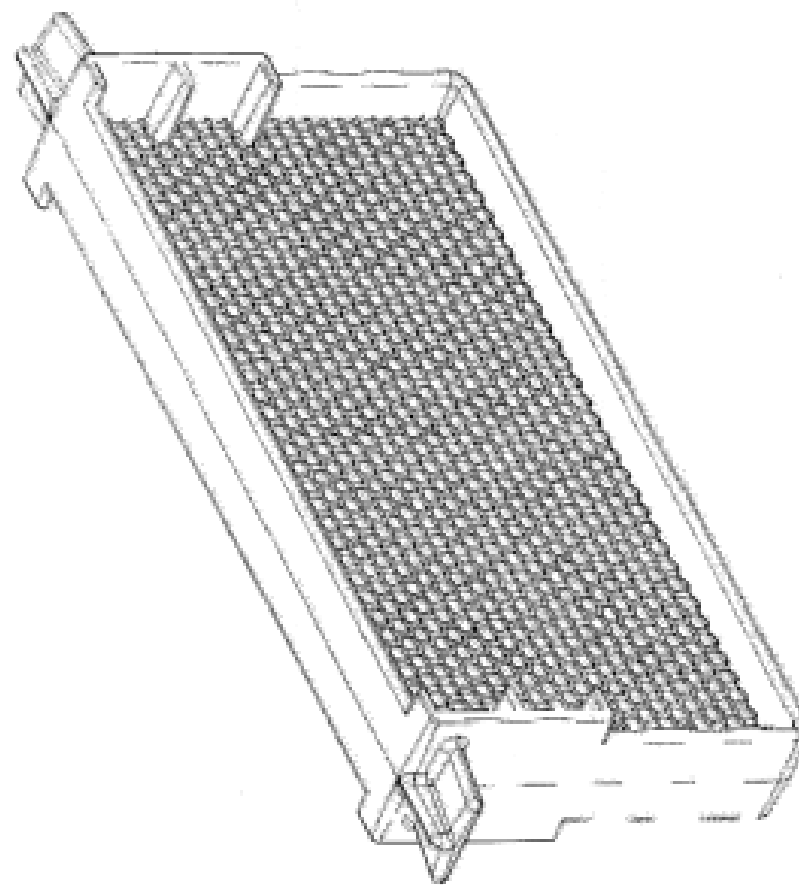
(45) Registration Date: **14 February 2008**

(56) Related Art Documents: **Not Applicable**

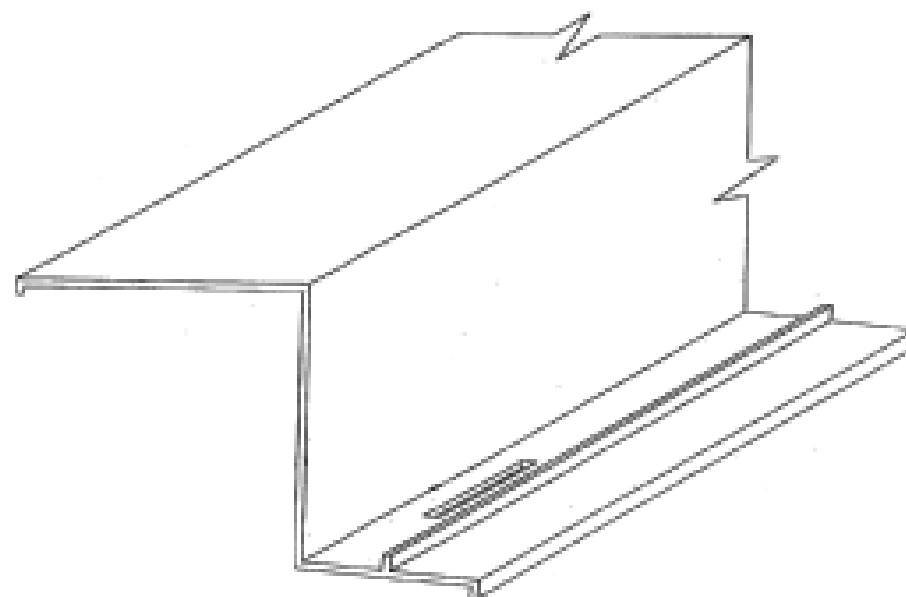
(57) Statement of Newness and Distinctiveness: **Monopoly is claimed in the shape and configuration of the baby wrap as shown in the representations.**



- (21) Design Number: **20279/2007**  
(22) Date of Filing Application: **18 October 2007**  
(24) Date from which industrial property rights may have effect: **18 October 2007**  
(54) Product in respect of which the design is registered: **Bee frame**  
(51) International Design Classification: **30-02**  
(71) Name(s) and Address(s) of Applicant(s):  
**Edward Tobin**  
**43 Christie Street Raglan Bathurst New South Wales 2795 Australia**  
(72) Name(s) of Designer(s): **Edward Charles Tobin**  
(45) Registration Date: **14 February 2008**  
(56) Related Art Documents: **Not Applicable**  
(57) Statement of Newness and Distinctiveness: **The new features of the design are: a thinner surrounding wall, absence of cooling holes, a thinner top bar lug and only one middle gussett in the top bar lug.**



- (21) Design Number: **20280/2007**  
(22) Date of Filing Application: **17 October 2007**  
(24) Date from which industrial property rights may have effect: **17 October 2007**  
(54) Product in respect of which the design is registered: **A flashing**  
(51) International Design Classification: **25-01NES**  
(71) Name(s) and Address(s) of Applicant(s):  
**Fitz Ezy Limited**  
**5 Norrie Street Drury Auckland 2113 New Zealand**  
(72) Name(s) of Designer(s): **Richard Gordon Warren Pratt**  
(45) Registration Date: **14 February 2008**  
(30) Convention priority data:  
(31) Number      (32) Date      (33) Country  
**409047      30 Apr 2007      NEW ZEALAND**  
(56) Related Art Documents: **Not Applicable**  
(57) Statement of Newness and Distinctiveness: **Newness and distinctiveness resides in the features of shape and configuration of a flashing which is of indefinite length as shown in the accompanying representations.**



(21) Design Number: **20284/2007**

(22) Date of Filing Application: **17 October 2007**

(24) Date from which industrial property rights may have effect: **17 October 2007**

(54) Product in respect of which the design is registered: **A pot for a plant**

(51) International Design Classification: **11-02B**

(71) Name(s) and Address(s) of Applicant(s):

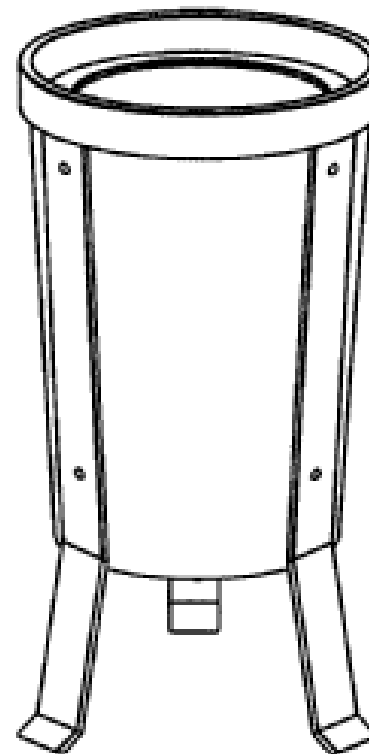
**Indoor Foliage Australia Pty Ltd  
191 Graham Road Bridgeman Downs Queensland 4035 Australia**

(72) Name(s) of Designer(s): **David Andrew Zappala**

(45) Registration Date: **14 February 2008**

(56) Related Art Documents: **Not Applicable**

(57) Statement of Newness and Distinctiveness: **The newness and distinctiveness of the design resides in the shape and configuration of a pot for a plant shown in the representations.**



(21) Design Number: **20285/2007**

(22) Date of Filing Application: **17 October 2007**

(24) Date from which industrial property rights may have effect: **17 October 2007**

(54) Product in respect of which the design is registered: **A pot for a plant**

(51) International Design Classification: **11-02B**

(71) Name(s) and Address(s) of Applicant(s):

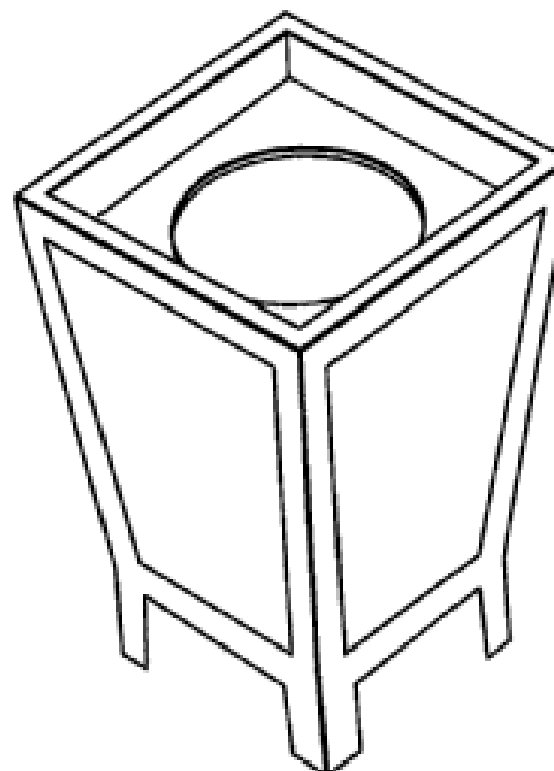
**Indoor Foliage Australia Pty Ltd  
191 Graham Road Bridgeman Downs Queensland 4035 Australia**

(72) Name(s) of Designer(s): **David Andrew Zappala**

(45) Registration Date: **14 February 2008**

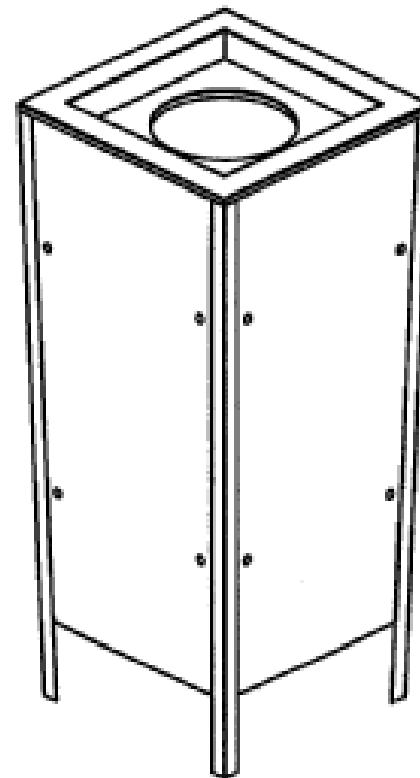
(56) Related Art Documents: **Not Applicable**

(57) Statement of Newness and Distinctiveness: **The newness and distinctiveness of the design resides in the shape and configuration of a pot for a plant shown in the representations.**



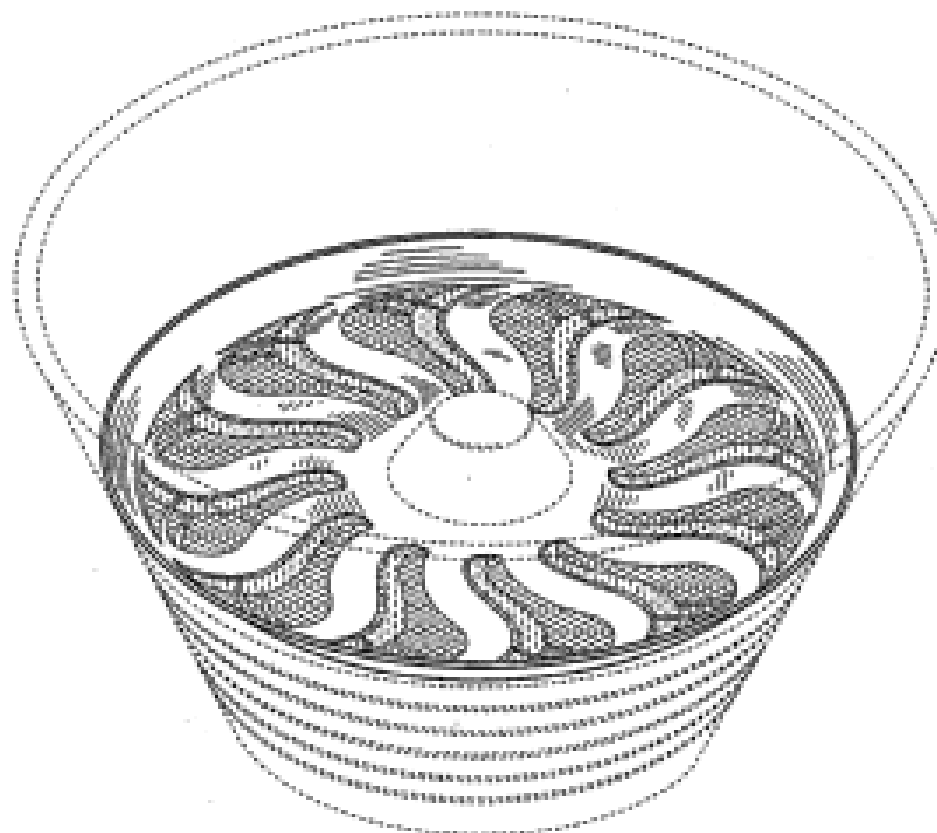


- (21) Design Number: **20286/2007**
- (22) Date of Filing Application: **17 October 2007**
- (24) Date from which industrial property rights may have effect: **17 October 2007**
- (54) Product in respect of which the design is registered: **A pot for a plant**
- (51) International Design Classification: **11-02B**
- (71) Name(s) and Address(s) of Applicant(s):  
**Indoor Foliage Australia Pty Ltd**  
**191 Graham Road Bridgeman Downs Queensland 4035 Australia**
- (72) Name(s) of Designer(s): **David Andrew Zappala**
- (45) Registration Date: **14 February 2008**
- (56) Related Art Documents: **Not Applicable**
- (57) Statement of Newness and Distinctiveness: **The newness and distinctiveness of the design resides in the shape and configuration of a pot for a plant shown in the representations.**

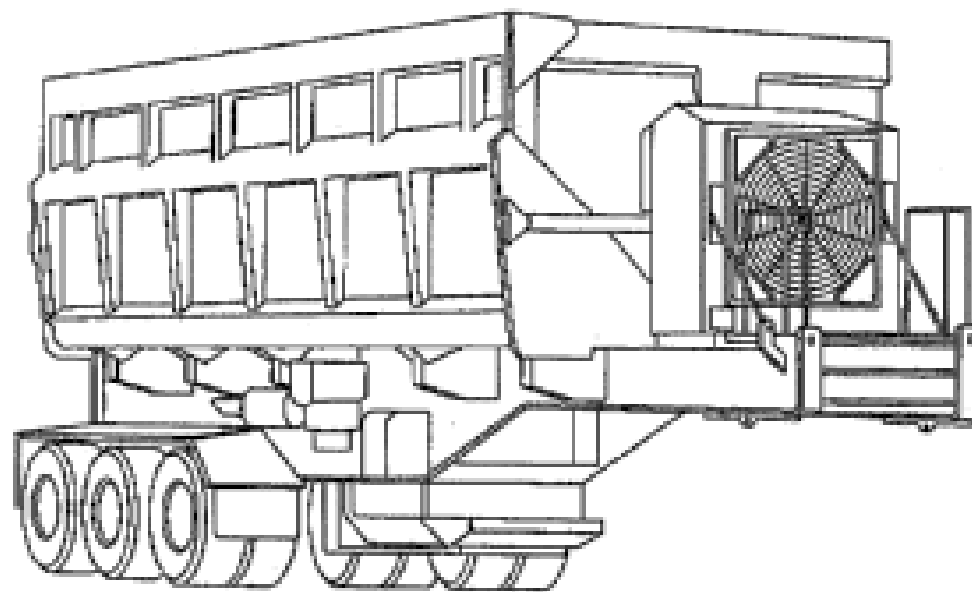


- (21) Design Number: **20293/2007**
- (22) Date of Filing Application: **17 October 2007**
- (24) Date from which industrial property rights may have effect: **17 October 2007**
- (54) Product in respect of which the design is registered: **A melting plate with pattern for a decorative candle holder**
- (51) International Design Classification: **26-01**
- (71) Name(s) and Address(s) of Applicant(s):  
**S.C. Johnson & Son, Inc.**  
**1525 Howe Street Racine Wisconsin 53403-2236 United States of America**
- (72) Name(s) of Designer(s): **Mary Beth Adams and Martin P. Defatte and Paul E. Furner**
- (45) Registration Date: **14 February 2008**
- (30) Convention priority data:  

(31) Number	(32) Date	(33) Country
<b>29/285947</b>	<b>17 Apr 2007</b>	<b>UNITED STATES OF AMERICA</b>
- (56) Related Art Documents: **Not Applicable**
- (57) Statement of Newness and Distinctiveness: **Newness and distinctiveness is claimed in those features of shape and/or configuration of a melting plate with pattern for a decorative candle holder illustrated in continuous lines in the accompanying representations.**



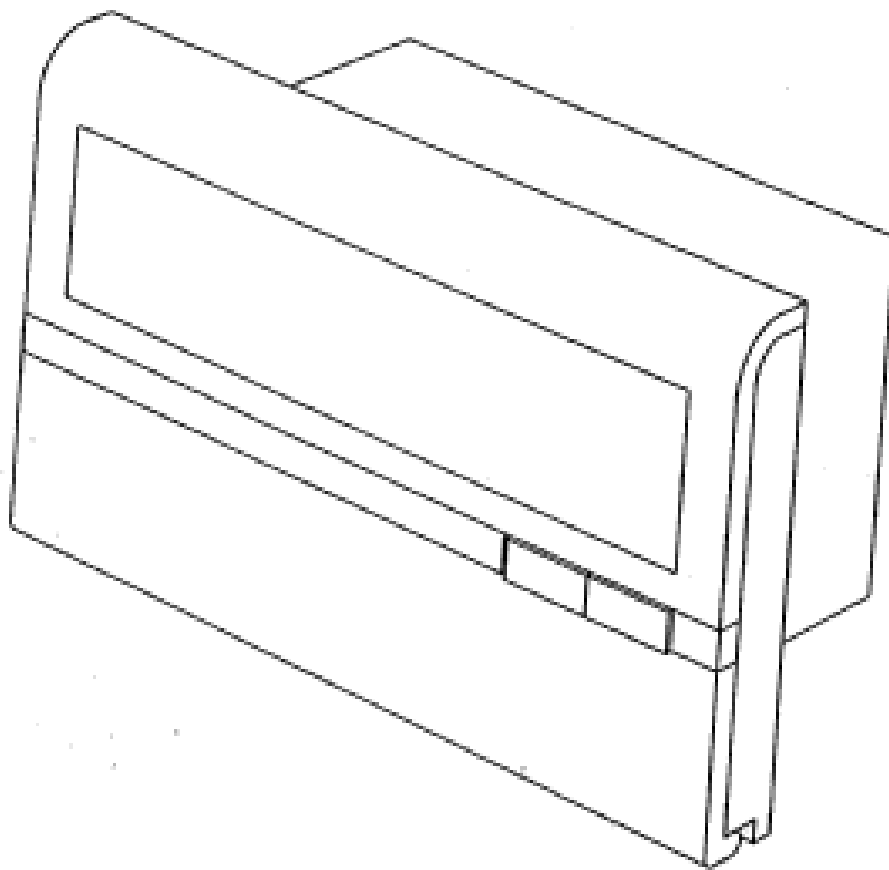
(21) Design Number: **20297/2007**  
(22) Date of Filing Application: **18 October 2007**  
(24) Date from which industrial property rights may have effect: **18 October 2007**  
(54) Product in respect of which the design is registered: **Truck trailer**  
(51) International Design Classification: **12-10**  
(71) Name(s) and Address(s) of Applicant(s):  
**James W Cooper**  
**94 Cullen Bay Crescent Larrakeyah Northern Territory 0820 Australia**  
(72) Name(s) of Designer(s): **James W Cooper**  
(45) Registration Date: **15 February 2008**  
(56) Related Art Documents: **Not Applicable**  
(57) Statement of Newness and Distinctiveness: **Nil**



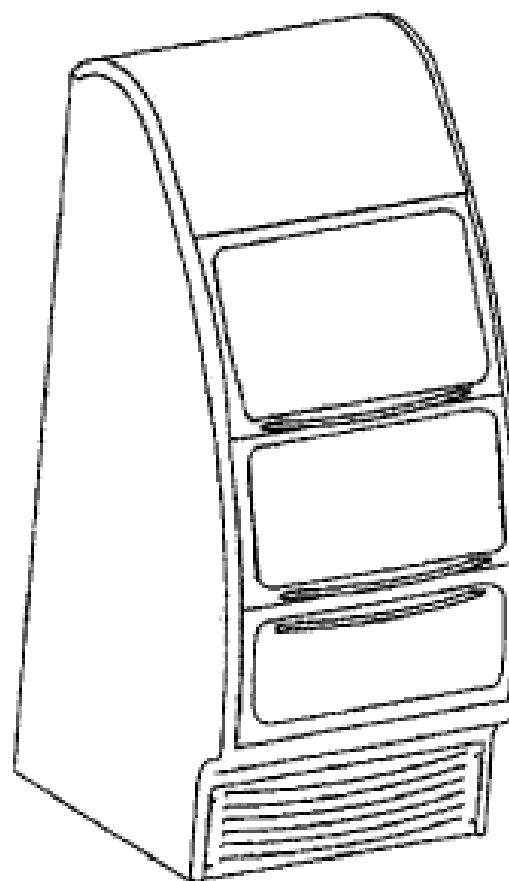
(21) Design Number: **20298/2007**  
(22) Date of Filing Application: **18 October 2007**  
(24) Date from which industrial property rights may have effect: **18 October 2007**  
(54) Product in respect of which the design is registered: **Extrusion**  
(51) International Design Classification: **25-01K**  
(71) Name(s) and Address(s) of Applicant(s):  
**Garmond Australia Pty Limited**  
**PO Box 1094 Tullamarine Victoria 3043 Australia**  
(72) Name(s) of Designer(s): **Gary Skinner**  
(45) Registration Date: **15 February 2008**  
(56) Related Art Documents: **Not Applicable**  
(57) Statement of Newness and Distinctiveness: **Nil**



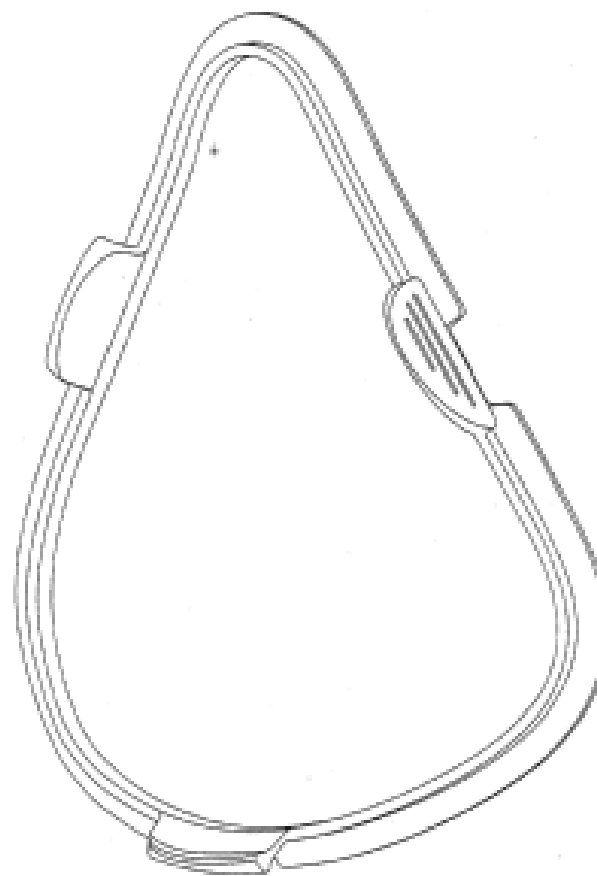
- (21) Design Number: **20299/2007**  
(22) Date of Filing Application: **18 October 2007**  
(24) Date from which industrial property rights may have effect: **18 October 2007**  
(54) Product in respect of which the design is registered: **Remote control for an air conditioner**  
(51) International Design Classification: **14-03NES**  
(71) Name(s) and Address(s) of Applicant(s):  
**Toshiba Carrier Corporation**  
**1-1 Shibaura 1-chome Minato-ku Tokyo Japan**  
(72) Name(s) of Designer(s): **Motoyuki Suzuki**  
(45) Registration Date: **15 February 2008**  
(30) Convention priority data:  
(31) Number      (32) Date      (33) Country  
**2007-010843      23 Apr 2007      JAPAN**  
(56) Related Art Documents: **Not Applicable**  
(57) Statement of Newness and Distinctiveness: **Newness and distinctiveness is claimed in the features of shape and/or configuration of a remote control for an air conditioner as illustrated in the accompanying representations.**



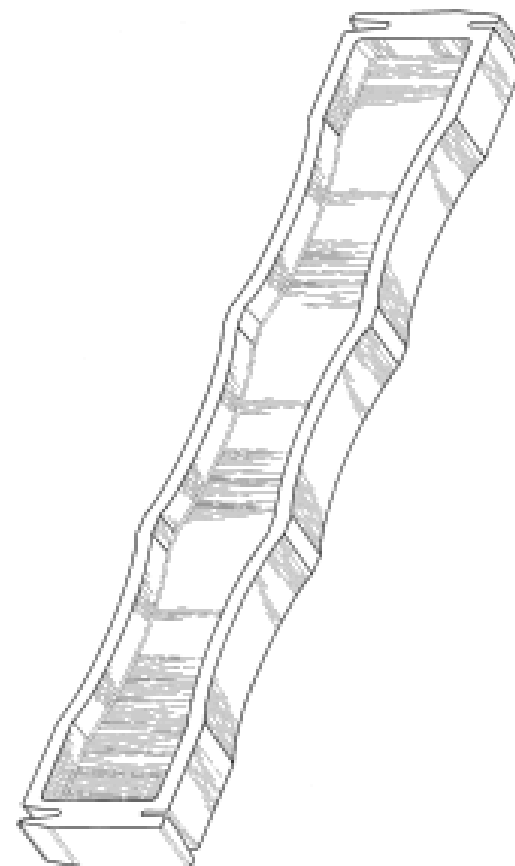
- (21) Design Number: **20300/2007**  
(22) Date of Filing Application: **18 October 2007**  
(24) Date from which industrial property rights may have effect: **18 October 2007**  
(54) Product in respect of which the design is registered: **Freezer**  
(51) International Design Classification: **15-07**  
(71) Name(s) and Address(s) of Applicant(s):  
**Societe Des Produits Nestle S.A.**  
**1800 Vevey Switzerland**  
(72) Name(s) of Designer(s): **Lasse Lykke Espersen**  
(45) Registration Date: **15 February 2008**  
(30) Convention priority data:  
(31) Number      (32) Date      (33) Country  
**133831      20 Apr 2007      SWITZERLAND**  
(56) Related Art Documents: **Not Applicable**  
(57) Statement of Newness and Distinctiveness: **Newness and distinctiveness reside in the shape and configuration of the freezer as shown in the accompanying representations.**



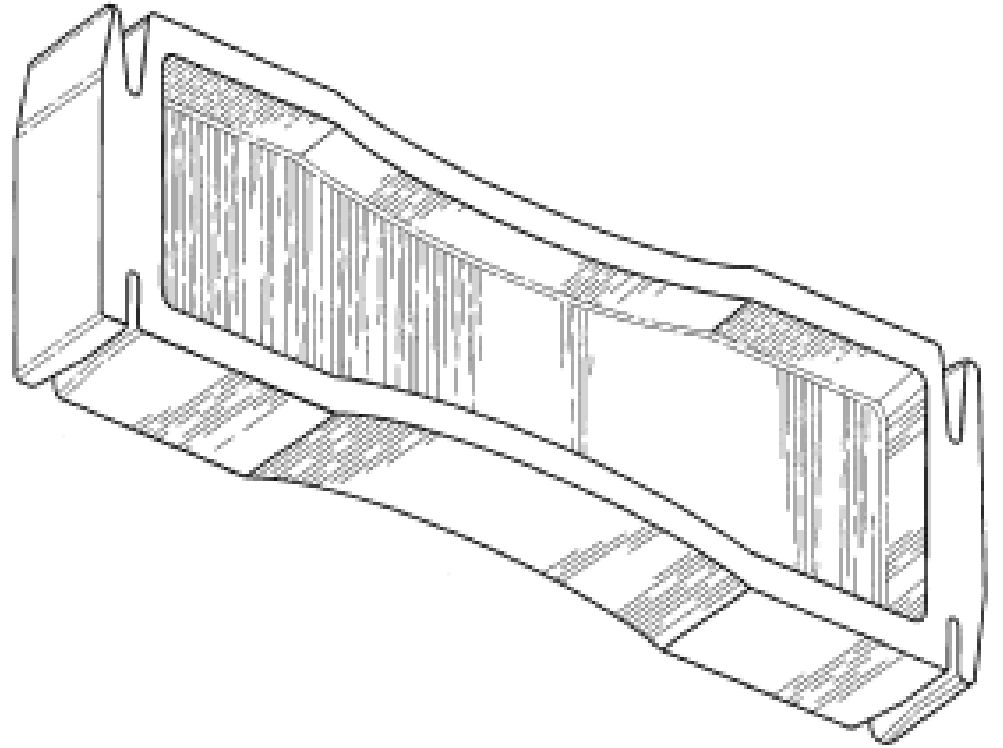
(21) Design Number: **20301/2007**  
(22) Date of Filing Application: **18 October 2007**  
(24) Date from which industrial property rights may have effect: **18 October 2007**  
(54) Product in respect of which the design is registered: **Cushion clip for a respiratory mask**  
(51) International Design Classification: **24-01**  
(71) Name(s) and Address(s) of Applicant(s):  
**ResMed Ltd**  
**1 Elizabeth Macarthur Drive Bella Vista New South Wales 2153**  
**Australia**  
(72) Name(s) of Designer(s): **Errol Savio Alex D'Souza and Matthew Eves**  
(45) Registration Date: **15 February 2008**  
(30) Convention priority data:  
(31) Number (32) Date (33) Country  
**29/274357 19 Apr 2007 UNITED STATES OF AMERICA**  
(56) Related Art Documents: **Not Applicable**  
(57) Statement of Newness and Distinctiveness: **Nil**



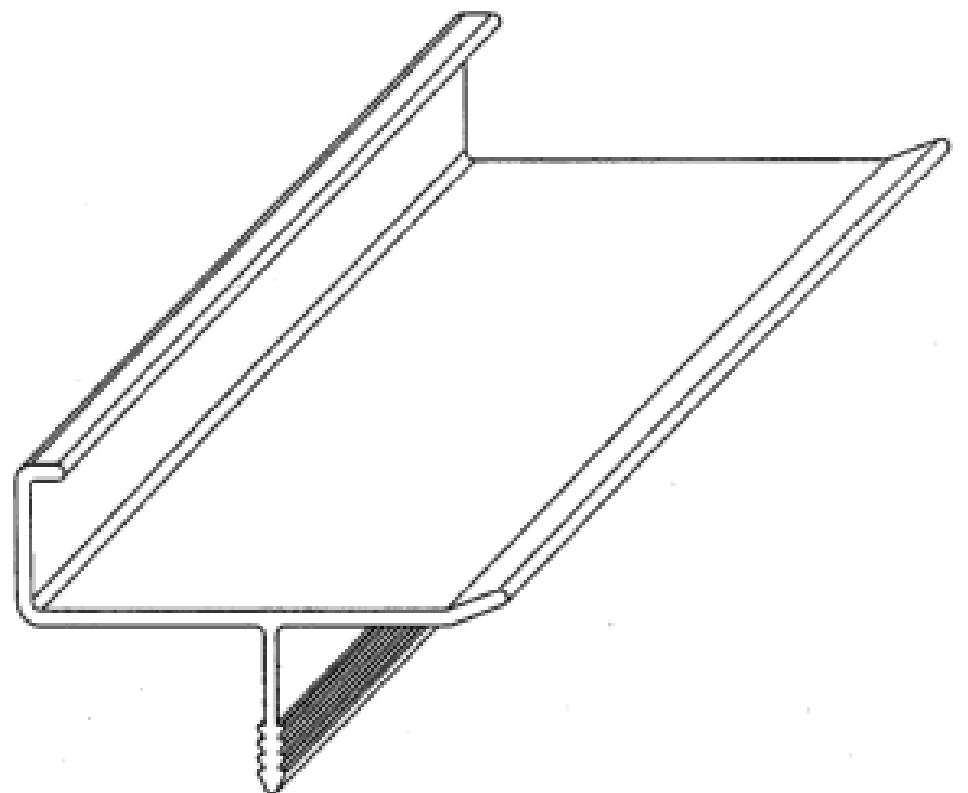
(21) Design Number: **20302/2007**  
(22) Date of Filing Application: **18 October 2007**  
(24) Date from which industrial property rights may have effect: **18 October 2007**  
(54) Product in respect of which the design is registered: **Spacer**  
(51) International Design Classification: **08-08B**  
(71) Name(s) and Address(s) of Applicant(s):  
**Building Solutions Pty Ltd**  
**19 Lower Mill Road Cooroy Queensland 4563 Australia**  
(72) Name(s) of Designer(s): **Peter Kelly and Alan Gayne Emblin**  
(45) Registration Date: **15 February 2008**  
(56) Related Art Documents: **Not Applicable**  
(57) Statement of Newness and Distinctiveness: **Nil**



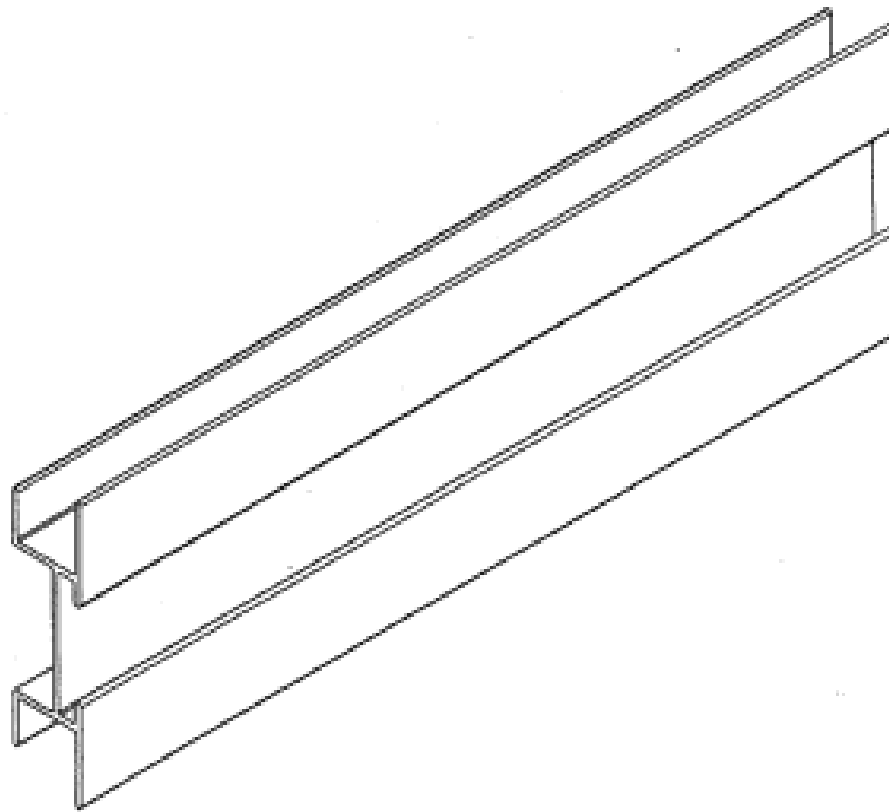
- (21) Design Number: **20303/2007**  
(22) Date of Filing Application: **18 October 2007**  
(24) Date from which industrial property rights may have effect: **18 October 2007**  
(54) Product in respect of which the design is registered: **Spacer**  
(51) International Design Classification: **08-08B**  
(71) Name(s) and Address(s) of Applicant(s):  
**Building Solutions Pty Ltd**  
**19 Lower Mill Road Cooroy Queensland 4563 Australia**  
(72) Name(s) of Designer(s): **Peter Kelly and Alan Gayne Emblin**  
(45) Registration Date: **15 February 2008**  
(56) Related Art Documents: **Not Applicable**  
(57) Statement of Newness and Distinctiveness: **Nil**



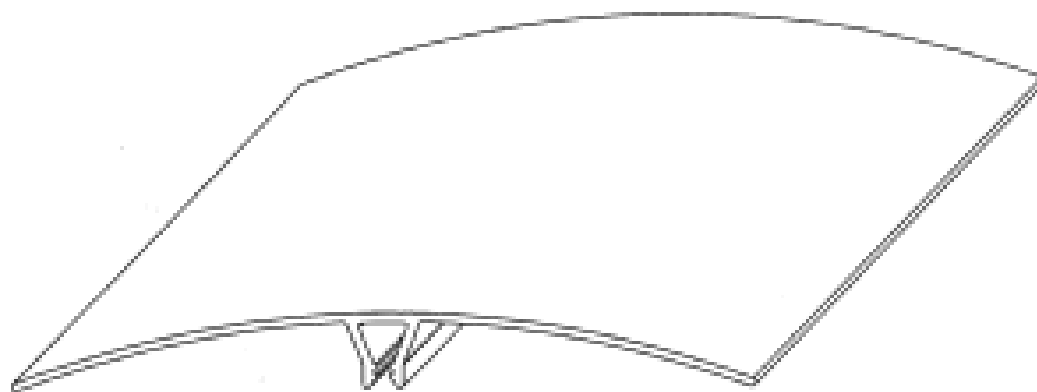
- (21) Design Number: **20304/2007**  
(22) Date of Filing Application: **18 October 2007**  
(24) Date from which industrial property rights may have effect: **18 October 2007**  
(54) Product in respect of which the design is registered: **Panel joiner**  
(51) International Design Classification: **25-01K**  
(71) Name(s) and Address(s) of Applicant(s):  
**Building Solutions Pty Ltd**  
**19 Lower Mill Road Cooroy Queensland 4563 Australia**  
(72) Name(s) of Designer(s): **Peter Kelly**  
(45) Registration Date: **15 February 2008**  
(56) Related Art Documents: **Not Applicable**  
(57) Statement of Newness and Distinctiveness: **Monopoly is claimed in the shape and configuration of a panel joiner, having indefinite length, as illustrated in the representations.**



- (21) Design Number: **20305/2007**  
(22) Date of Filing Application: **18 October 2007**  
(24) Date from which industrial property rights may have effect: **18 October 2007**  
(54) Product in respect of which the design is registered: **Panel joiner**  
(51) International Design Classification: **25-01K**  
(71) Name(s) and Address(s) of Applicant(s):  
**Building Solutions Pty Ltd**  
**19 Lower Mill Road Cooroy Queensland 4563 Australia**  
(72) Name(s) of Designer(s): **Peter Kelly**  
(45) Registration Date: **15 February 2008**  
(56) Related Art Documents: **Not Applicable**  
(57) Statement of Newness and Distinctiveness: **Monopoly is claimed in the shape and configuration of a panel joiner, having indefinite length, as illustrated in the representations.**



- (21) Design Number: **20306/2007**  
(22) Date of Filing Application: **18 October 2007**  
(24) Date from which industrial property rights may have effect: **18 October 2007**  
(54) Product in respect of which the design is registered: **Panel trim**  
(51) International Design Classification: **25-01K**  
(71) Name(s) and Address(s) of Applicant(s):  
**Building Solutions Pty Ltd**  
**19 Lower Mill Road Cooroy Queensland 4563 Australia**  
(72) Name(s) of Designer(s): **Peter Kelly**  
(45) Registration Date: **15 February 2008**  
(56) Related Art Documents: **Not Applicable**  
(57) Statement of Newness and Distinctiveness: **Monopoly is claimed in the shape and configuration of a panel trim, having indefinite length, as illustrated in the representations.**



(21) Design Number: **20307/2007**  
 (22) Date of Filing Application: **18 October 2007**  
 (24) Date from which industrial property rights may have effect: **18 October 2007**  
 (54) Product in respect of which the design is registered: **Bale lifter**  
 (51) International Design Classification: **15-03B**  
 (71) Name(s) and Address(s) of Applicant(s):

**Hustler Equipment Sales**  
**1416 Omahu Road Hastings New Zealand**

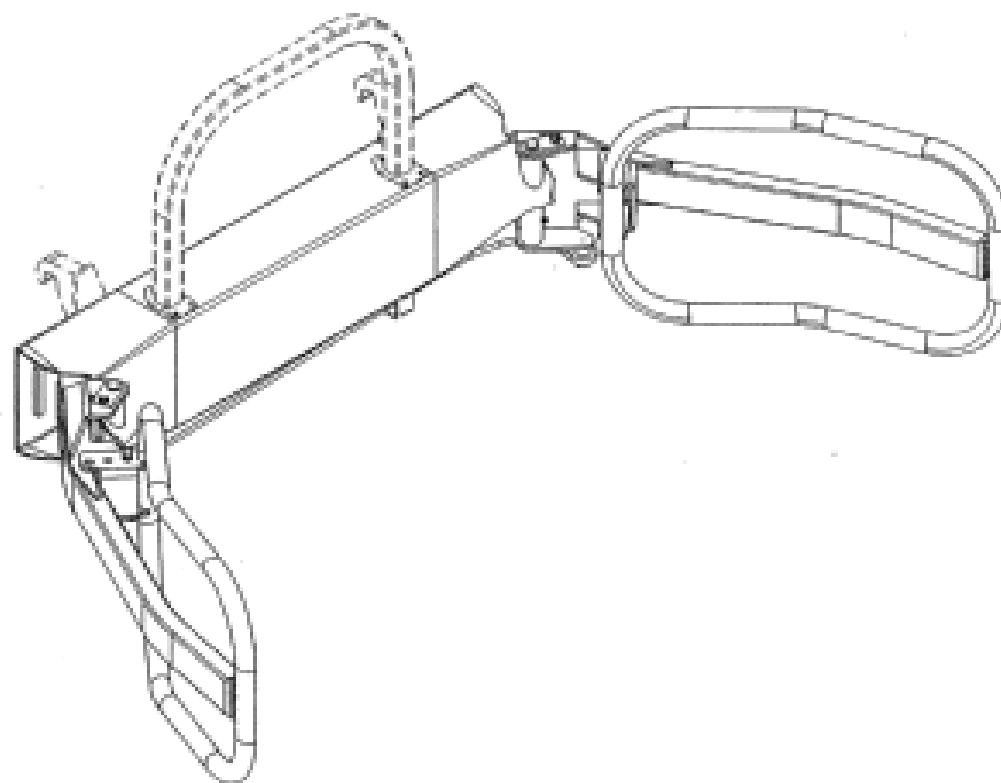
(72) Name(s) of Designer(s): **Steve Currie and Jerry Currie and James Currie**  
 (45) Registration Date: **15 February 2008**

(30) Convention priority data:

(31) Number	(32) Date	(33) Country
<b>409532</b>	<b>14 Aug 2007</b>	<b>NEW ZEALAND</b>

(56) Related Art Documents: **Not Applicable**

(57) Statement of Newness and Distinctiveness: **New and distinctive features of the design include the shape and configuration of the central structure member of the bale lifter shown in the representations. In assessing the newness and distinctiveness of the design, features shown in broken lines are to be disregarded.**



(21) Design Number: **20329/2007**  
 (22) Date of Filing Application: **19 October 2007**  
 (24) Date from which industrial property rights may have effect: **19 October 2007**  
 (54) Product in respect of which the design is registered: **Passive antenna**  
 (51) International Design Classification: **14-03NES**  
 (71) Name(s) and Address(s) of Applicant(s):

**ITI Scotland Limited**  
**191 West George Street 5th Floor Glasgow G2 2LB United Kingdom**

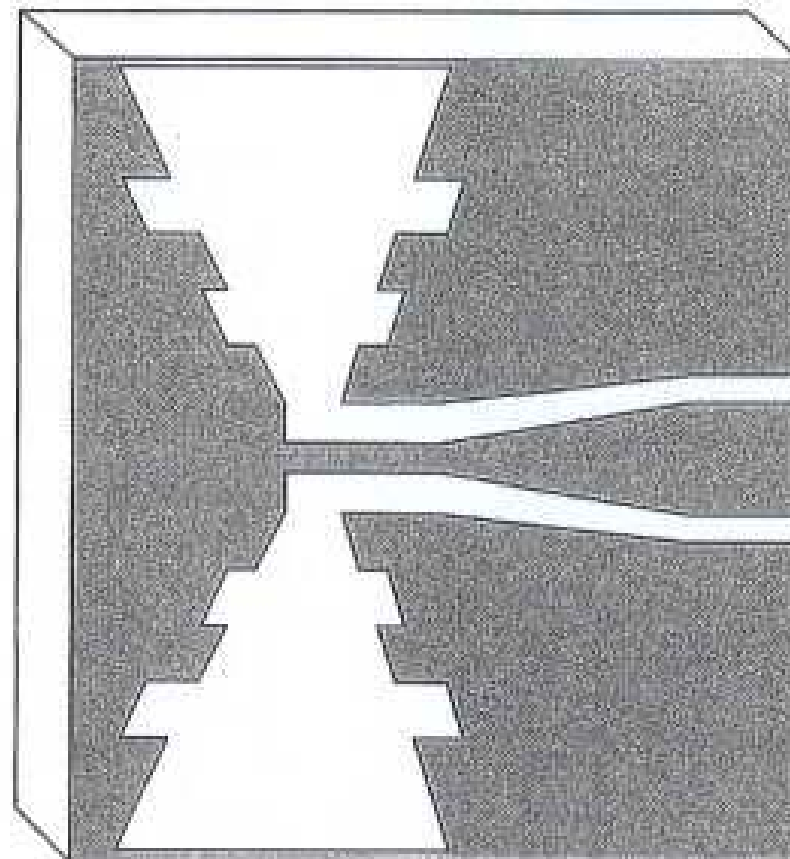
(72) Name(s) of Designer(s): **Mark Norris and Dean Kemp and Duncan Bremner**  
 (45) Registration Date: **15 February 2008**

(30) Convention priority data:

(31) Number	(32) Date	(33) Country
<b>000713813</b>	<b>20 Apr 2007</b>	<b>EUROPEAN COMMUNITY</b>

(56) Related Art Documents: **Not Applicable**

(57) Statement of Newness and Distinctiveness: **In considering the newness or distinctiveness of the design, regard is to be given to the overall shape and/or configuration of an antenna as shown in the representations.**



- (21) Design Number: **20338/2007**  
(22) Date of Filing Application: **22 October 2007**  
(24) Date from which industrial property rights may have effect: **22 October 2007**  
(54) Product in respect of which the design is registered: **Interior and exterior modular sculptural installations, also portable decorative items such as furniture**  
(51) International Design Classification: **11-02NES**  
(71) Name(s) and Address(s) of Applicant(s):  
**Drewe Bantick**  
**8/7 Ardoch Avenue St Kilda East Victoria 3183 Australia**  
(72) Name(s) of Designer(s): **Drewe Bantick**  
(45) Registration Date: **15 February 2008**  
(56) Related Art Documents: **Not Applicable**  
(57) Statement of Newness and Distinctiveness: **Modular nature allows for multiple arrangements to create alternate patterns. Voids within the design facilitate the use of different backing materials and backlit effects. Groove running around all side faces, accommodates support rods and spacers. Designs are able to be made as a single or double sided feature.**



- (21) Design Number: **20339/2007**  
(22) Date of Filing Application: **22 October 2007**  
(24) Date from which industrial property rights may have effect: **22 October 2007**  
(54) Product in respect of which the design is registered: **Interior and exterior modular sculptural installations, also portable decorative items such as furniture**  
(51) International Design Classification: **11-02NES**  
(71) Name(s) and Address(s) of Applicant(s):  
**Drewe Bantick**  
**8/7 Ardoch Avenue St Kilda East Victoria 3183 Australia**  
(72) Name(s) of Designer(s): **Drewe Bantick**  
(45) Registration Date: **15 February 2008**  
(56) Related Art Documents: **Not Applicable**  
(57) Statement of Newness and Distinctiveness: **Modular nature allows for multiple arrangements to create alternate patterns. Voids within the design facilitate the use of different backing materials and backlit effects. Groove running around all side faces, accommodates support rods and spacers. Designs are able to be made as a single or double sided feature.**





(21) Design Number: **20340/2007**

(22) Date of Filing Application: **22 October 2007**

(24) Date from which industrial property rights may have effect: **22 October 2007**

(54) Product in respect of which the design is registered: **Interior and exterior modular sculptural installations, also portable decorative items such as furniture**

(51) International Design Classification: **11-02NES**

(71) Name(s) and Address(s) of Applicant(s):

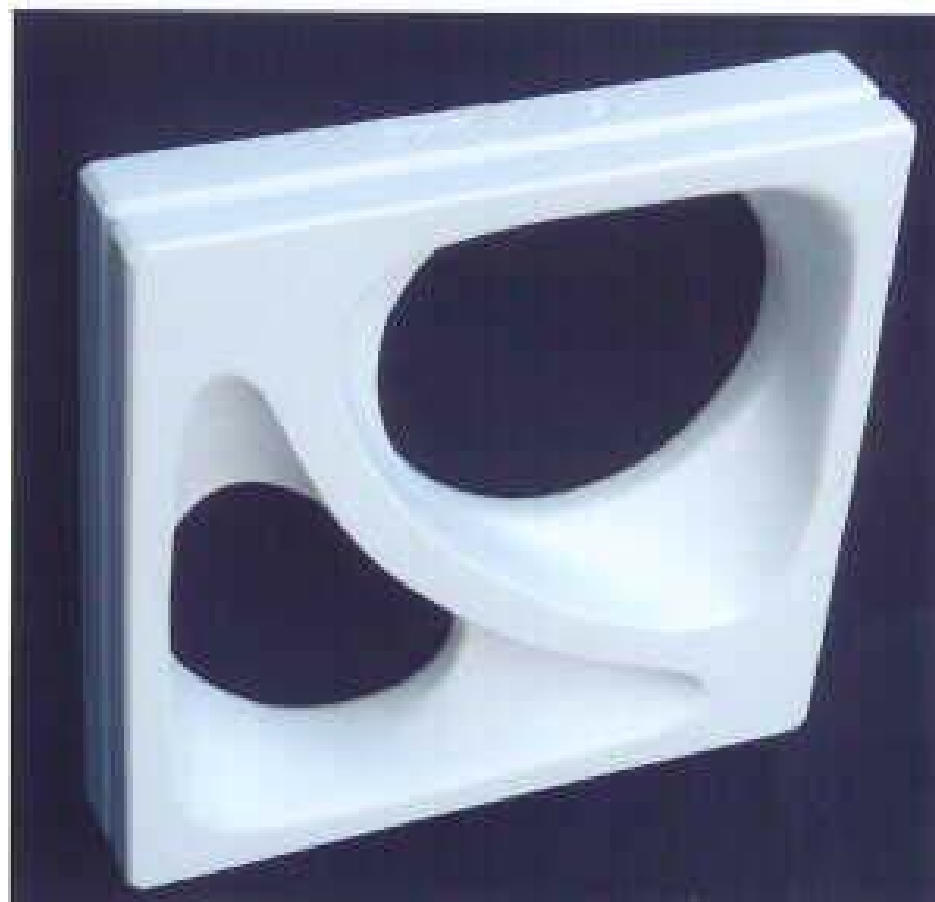
**Drewe Bantick**  
**8/7 Ardoch Avenue St Kilda East Victoria 3183 Australia**

(72) Name(s) of Designer(s): **Drewe Bantick**

(45) Registration Date: **15 February 2008**

(56) Related Art Documents: **Not Applicable**

(57) Statement of Newness and Distinctiveness: **Modular nature allows for multiple arrangements to create alternate patterns. Voids within the design facilitate the use of different backing materials and backlit effects. Groove running around all side faces, accommodates support rods and spacers. Designs are able to be made as a single or double sided feature.**



(21) Design Number: **20341/2007**

(22) Date of Filing Application: **22 October 2007**

(24) Date from which industrial property rights may have effect: **22 October 2007**

(54) Product in respect of which the design is registered: **Interior and exterior modular sculptural installations, also portable decorative items such as furniture**

(51) International Design Classification: **11-02NES**

(71) Name(s) and Address(s) of Applicant(s):

**Drewe Bantick**  
**8/7 Ardoch Avenue St Kilda East Victoria 3183 Australia**

(72) Name(s) of Designer(s): **Drewe Bantick**

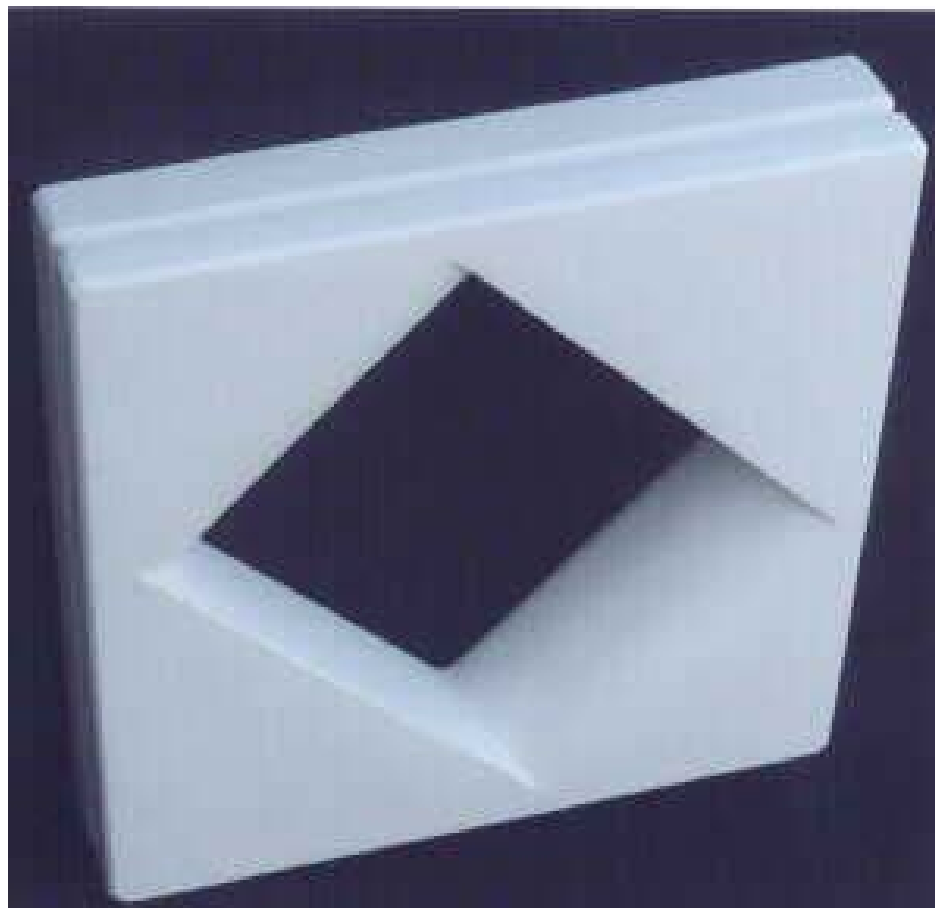
(45) Registration Date: **15 February 2008**

(56) Related Art Documents: **Not Applicable**

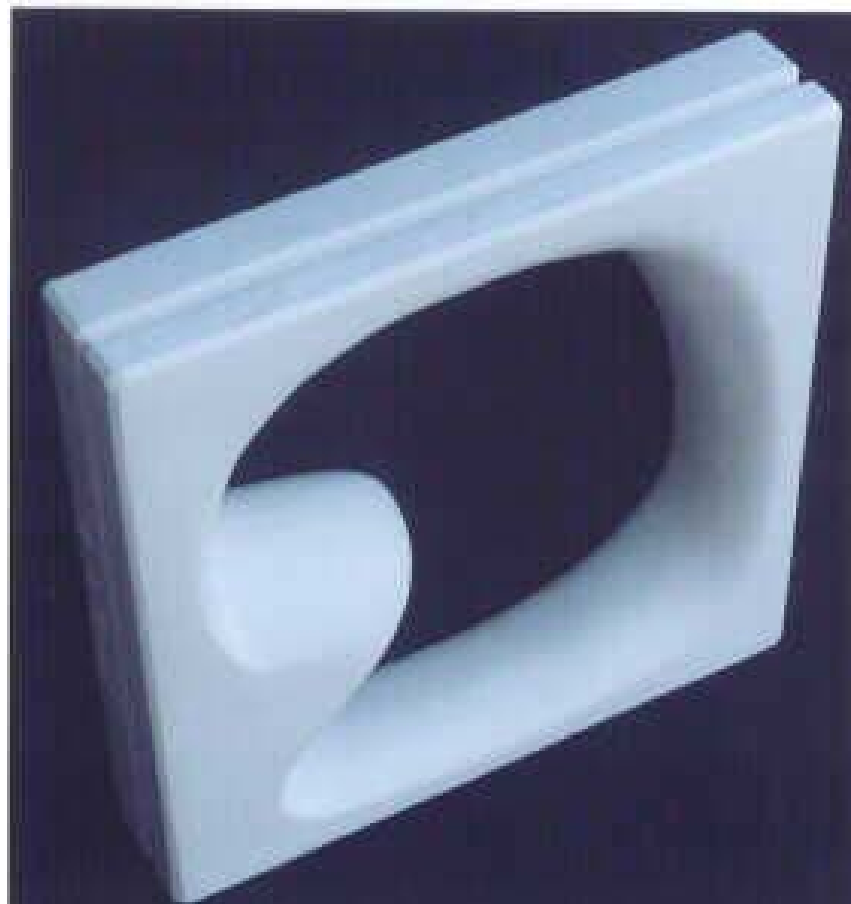
(57) Statement of Newness and Distinctiveness: **Modular nature allows for multiple arrangements to create alternate patterns. Voids within the design facilitate the use of different backing materials and backlit effects. Groove running around all side faces, accommodates support rods and spacers. Designs are able to be made as a single or double sided feature.**



- (21) Design Number: **20342/2007**  
(22) Date of Filing Application: **22 October 2007**  
(24) Date from which industrial property rights may have effect: **22 October 2007**  
(54) Product in respect of which the design is registered: **Interior and exterior modular sculptural installations, also portable decorative items such as furniture**  
(51) International Design Classification: **11-02NES**  
(71) Name(s) and Address(s) of Applicant(s):  
**Drewe Bantick**  
**8/7 Ardoch Avenue St Kilda East Victoria 3183 Australia**  
(72) Name(s) of Designer(s): **Drewe Bantick**  
(45) Registration Date: **15 February 2008**  
(56) Related Art Documents: **Not Applicable**  
(57) Statement of Newness and Distinctiveness: **Modular nature allows for multiple arrangements to create alternate patterns. Voids within the design facilitate the use of different backing materials and backlit effects. Groove running around all side faces, accommodates support rods and spacers. Designs are able to be made as a single or double sided feature.**



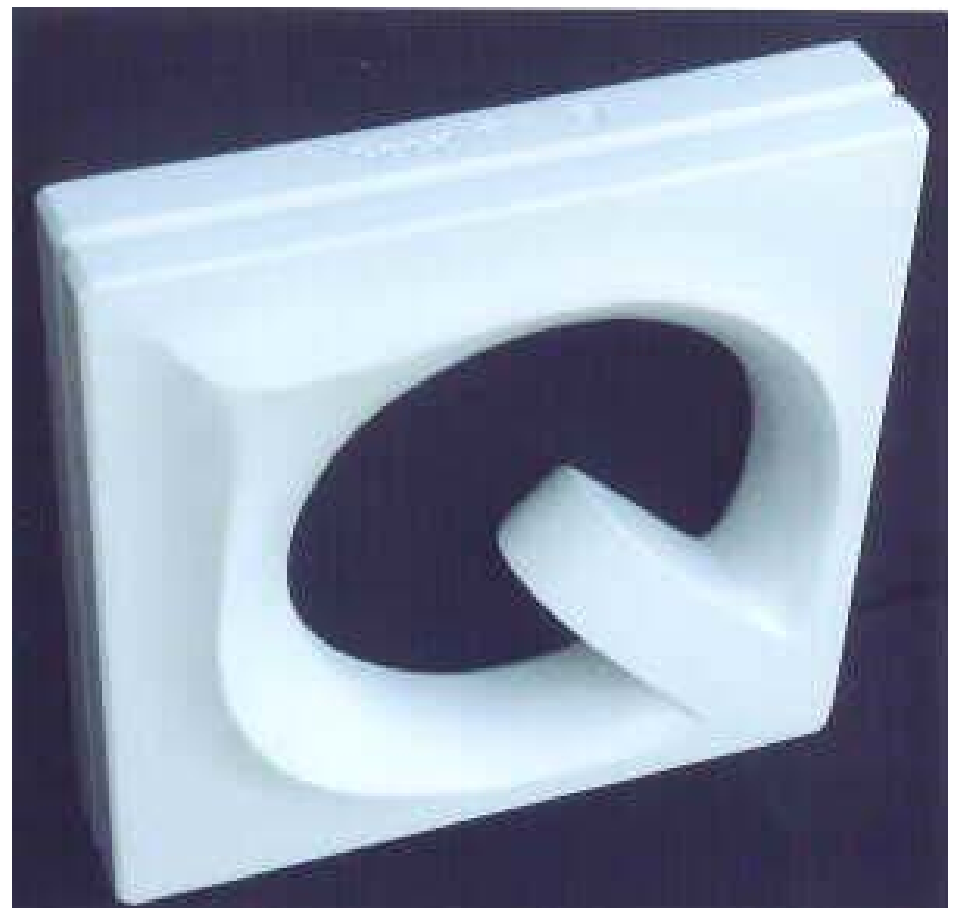
- (21) Design Number: **20343/2007**  
(22) Date of Filing Application: **22 October 2007**  
(24) Date from which industrial property rights may have effect: **22 October 2007**  
(54) Product in respect of which the design is registered: **Interior and exterior modular sculptural installations, also portable decorative items such as furniture**  
(51) International Design Classification: **11-02NES**  
(71) Name(s) and Address(s) of Applicant(s):  
**Drewe Bantick**  
**8/7 Ardoch Avenue St Kilda East Victoria 3183 Australia**  
(72) Name(s) of Designer(s): **Drewe Bantick**  
(45) Registration Date: **15 February 2008**  
(56) Related Art Documents: **Not Applicable**  
(57) Statement of Newness and Distinctiveness: **Modular nature allows for multiple arrangements to create alternate patterns. Voids within the design facilitate the use of different backing materials and backlit effects. Groove running around all side faces, accommodates support rods and spacers. Designs are able to be made as a single or double sided feature.**



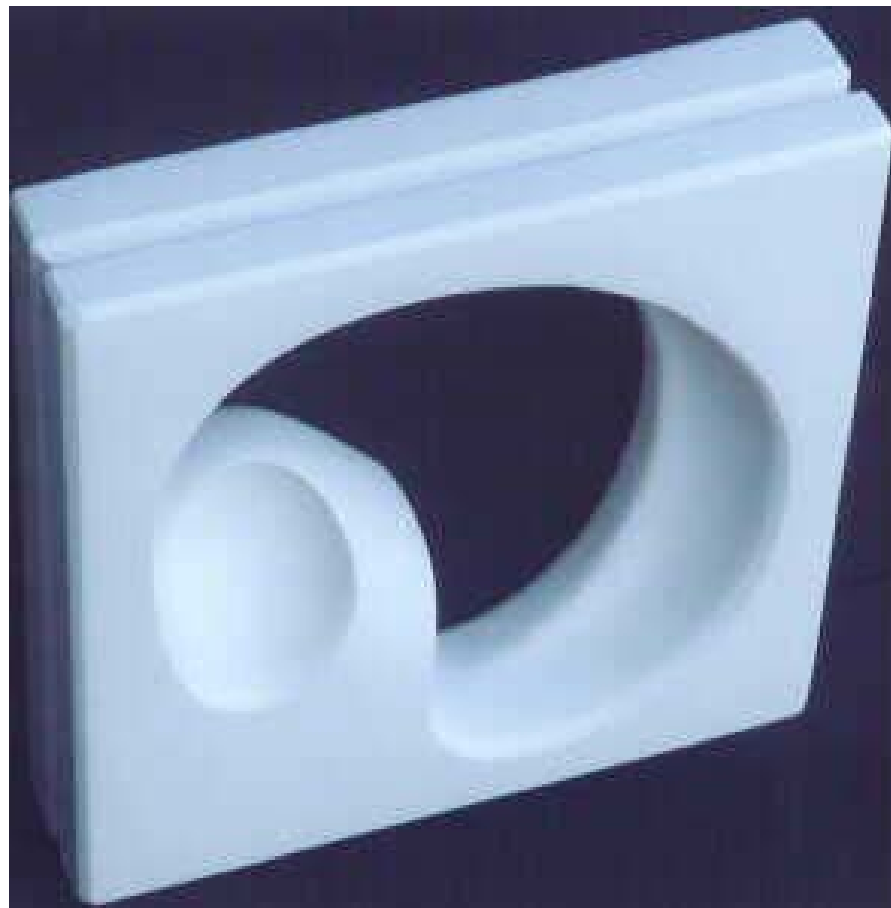
- (21) Design Number: **20344/2007**  
(22) Date of Filing Application: **22 October 2007**  
(24) Date from which industrial property rights may have effect: **22 October 2007**  
(54) Product in respect of which the design is registered: **Interior and exterior modular sculptural installations, also portable decorative items such as furniture**  
(51) International Design Classification: **11-02NES**  
(71) Name(s) and Address(s) of Applicant(s):  
**Drewe Bantick**  
**8/7 Ardoch Avenue St Kilda East Victoria 3183 Australia**  
(72) Name(s) of Designer(s): **Drewe Bantick**  
(45) Registration Date: **15 February 2008**  
(56) Related Art Documents: **Not Applicable**  
(57) Statement of Newness and Distinctiveness: **Modular nature allows for multiple arrangements to create alternate patterns. Voids within the design facilitate the use of different backing materials and backlit effects. Groove running around all side faces, accommodates support rods and spacers. Designs are able to be made as a single or double sided feature.**



- (21) Design Number: **20345/2007**  
(22) Date of Filing Application: **22 October 2007**  
(24) Date from which industrial property rights may have effect: **22 October 2007**  
(54) Product in respect of which the design is registered: **Interior and exterior modular sculptural installations, also portable decorative items such as furniture**  
(51) International Design Classification: **11-02NES**  
(71) Name(s) and Address(s) of Applicant(s):  
**Drewe Bantick**  
**8/7 Ardoch Avenue St Kilda East Victoria 3183 Australia**  
(72) Name(s) of Designer(s): **Drewe Bantick**  
(45) Registration Date: **15 February 2008**  
(56) Related Art Documents: **Not Applicable**  
(57) Statement of Newness and Distinctiveness: **Modular nature allows for multiple arrangements to create alternate patterns. Voids within the design facilitate the use of different backing materials and backlit effects. Groove running around all side faces, accommodates support rods and spacers. Designs are able to be made as a single or double sided feature.**



- (21) Design Number: **20346/2007**  
(22) Date of Filing Application: **22 October 2007**  
(24) Date from which industrial property rights may have effect: **22 October 2007**  
(54) Product in respect of which the design is registered: **Interior and exterior modular sculptural installations, also portable decorative items such as furniture**  
(51) International Design Classification: **11-02NES**  
(71) Name(s) and Address(s) of Applicant(s):  
**Drewe Bantick**  
**8/7 Ardoch Avenue St Kilda East Victoria 3183 Australia**  
(72) Name(s) of Designer(s): **Drewe Bantick**  
(45) Registration Date: **15 February 2008**  
(56) Related Art Documents: **Not Applicable**  
(57) Statement of Newness and Distinctiveness: **Modular nature allows for multiple arrangements to create alternate patterns. Voids within the design facilitate the use of different backing materials and backlit effects. Groove running around all side faces, accommodates support rods and spacers. Designs are able to be made as a single or double sided feature.**



- (21) Design Number: **20347/2007**  
(22) Date of Filing Application: **22 October 2007**  
(24) Date from which industrial property rights may have effect: **22 October 2007**  
(54) Product in respect of which the design is registered: **Drip coffee maker with filter**  
(51) International Design Classification: **07-02L**  
(71) Name(s) and Address(s) of Applicant(s):  
**Pi-Design AG**  
**Kantonsstrasse 100 Postfach 463 CH-6234 Triengen Switzerland**  
(72) Name(s) of Designer(s): **Jorgen Bodum**  
(45) Registration Date: **15 February 2008**  
(30) Convention priority data:  
(31) Number (32) Date (33) Country  
**DA 2007 14 May 2007 DENMARK**  
**00123**  
(56) Related Art Documents: **Not Applicable**  
(57) Statement of Newness and Distinctiveness: **Nil**



- (21) Design Number: **20350/2007**
- (22) Date of Filing Application: **19 October 2007**
- (24) Date from which industrial property rights may have effect: **19 October 2007**
- (54) Product in respect of which the design is registered: **Pedicure slipper**
- (51) International Design Classification: **02-04NES**
- (71) Name(s) and Address(s) of Applicant(s):

**Stuart Kalinsky**  
**1385 York Avenue New York New York 10021 United States of America**

(72) Name(s) of Designer(s): **Stuart Kalinsky**

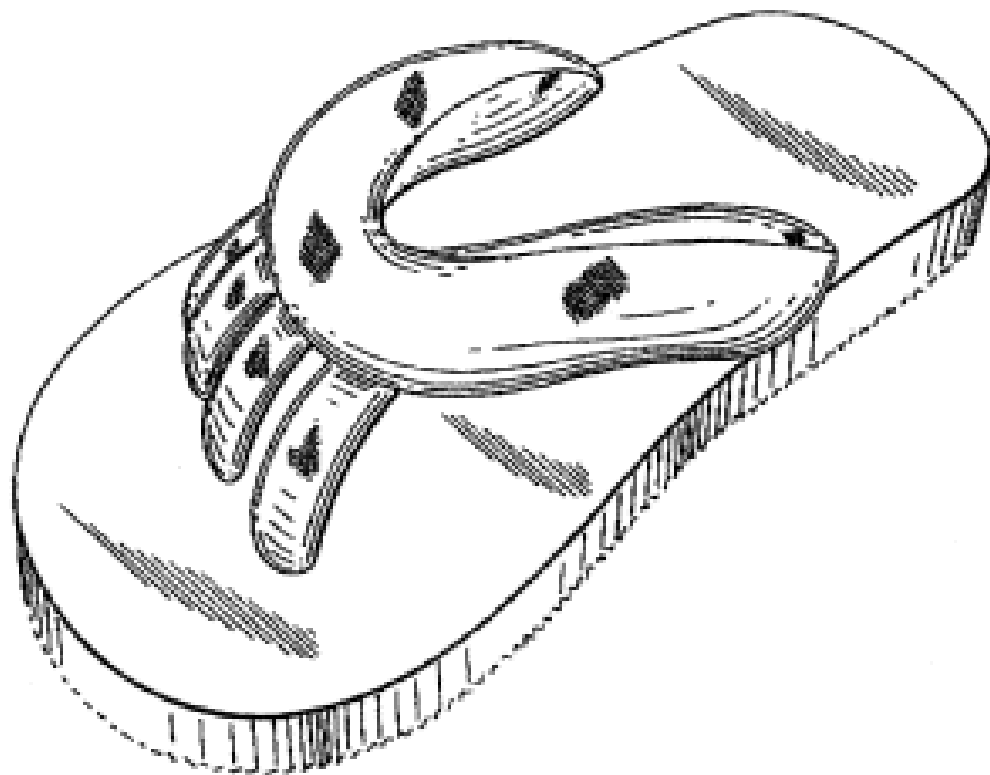
(45) Registration Date: **15 February 2008**

(30) Convention priority data:

(31) Number	(32) Date	(33) Country
<b>28/285,982</b>	<b>19 Apr 2007</b>	<b>UNITED STATES OF AMERICA</b>

(56) Related Art Documents: **Not Applicable**

(57) Statement of Newness and Distinctiveness: **The newness and distinctiveness of the design resides in the shape and/or configuration of the pedicure slipper shown in the representations. When assessing the scope of protection, the sole of the slipper shown in a dashed line is to be disregarded.**



- (21) Design Number: **20351/2007**
- (22) Date of Filing Application: **22 October 2007**
- (24) Date from which industrial property rights may have effect: **22 October 2007**
- (54) Product in respect of which the design is registered: **Spa fencing**
- (51) International Design Classification: **25-02C**
- (71) Name(s) and Address(s) of Applicant(s):

**Gavin Johnston**  
**29 Karbro Drive Cardup Western Australia 6122 Australia**  
**Felicity Johnston**  
**29 Karbro Drive Cardup Western Australia 6122 Australia**

(72) Name(s) of Designer(s): **Gavin Johnston**

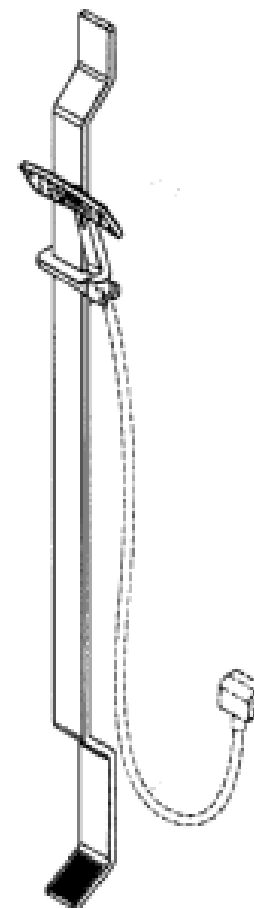
(45) Registration Date: **15 February 2008**

(56) Related Art Documents: **Not Applicable**

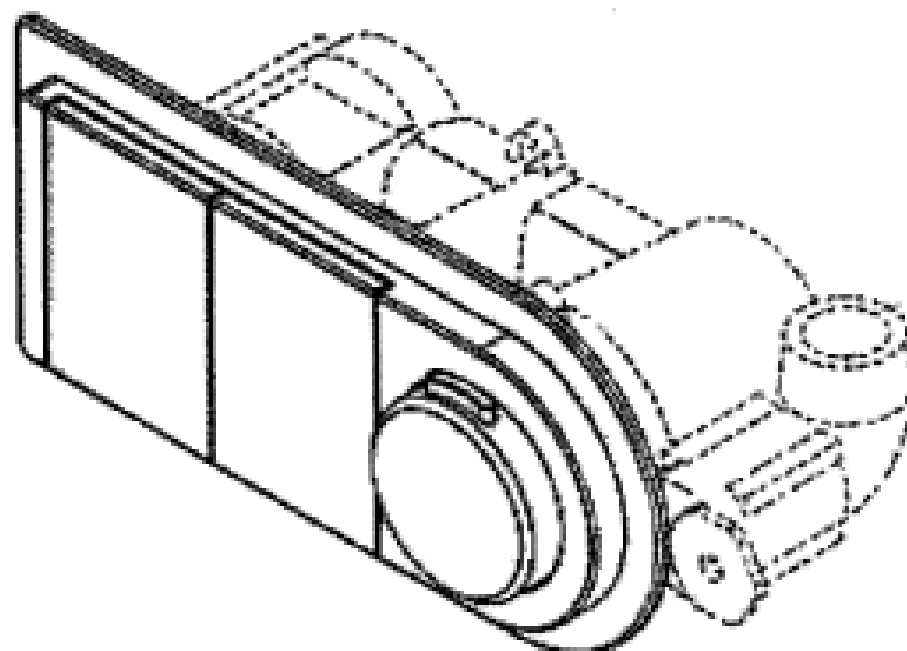
(57) Statement of Newness and Distinctiveness: **The new features of the design is that the barrier bolts onto the spa and is totally portable including built in steps and gate.**



- (21) Design Number: **20352/2007**  
(22) Date of Filing Application: **19 October 2007**  
(24) Date from which industrial property rights may have effect: **19 October 2007**  
(54) Product in respect of which the design is registered: **Shower fitting**  
(51) International Design Classification: **23-02B**  
(71) Name(s) and Address(s) of Applicant(s):  
**Methven Limited**  
**447 Rosebank Road Avondale Auckland New Zealand**  
(72) Name(s) of Designer(s): **Clark Jon Bardsley and Kent Bradley Thomas Sneddon**  
(45) Registration Date: **15 February 2008**  
(30) Convention priority data:  
(31) Number (32) Date (33) Country  
**409009 19 Apr 2007 NEW ZEALAND**  
(56) Related Art Documents: **Not Applicable**  
(57) Statement of Newness and Distinctiveness: **The shape and configuration of those parts of the design shown by means of solid lines in the representations are new and distinctive.**



- (21) Design Number: **20353/2007**  
(22) Date of Filing Application: **19 October 2007**  
(24) Date from which industrial property rights may have effect: **19 October 2007**  
(54) Product in respect of which the design is registered: **Shower mixer**  
(51) International Design Classification: **23-02B**  
(71) Name(s) and Address(s) of Applicant(s):  
**Methven Limited**  
**447 Rosebank Road Avondale Auckland New Zealand**  
(72) Name(s) of Designer(s): **Clark Jon Bardsley and Kent Bradley Thomas Sneddon**  
(45) Registration Date: **15 February 2008**  
(30) Convention priority data:  
(31) Number (32) Date (33) Country  
**409004 19 Apr 2007 NEW ZEALAND**  
(56) Related Art Documents: **Not Applicable**  
(57) Statement of Newness and Distinctiveness: **The shape and configuration of those parts of the design shown by means of solid lines in the representations are new and distinctive.**



(21) Design Number: **20354/2007**

(22) Date of Filing Application: **19 October 2007**

(24) Date from which industrial property rights may have effect: **19 October 2007**

(54) Product in respect of which the design is registered: **Power tool**

(51) International Design Classification: **08-01**

(71) Name(s) and Address(s) of Applicant(s):

**Whitehot Solutions Pty Ltd**

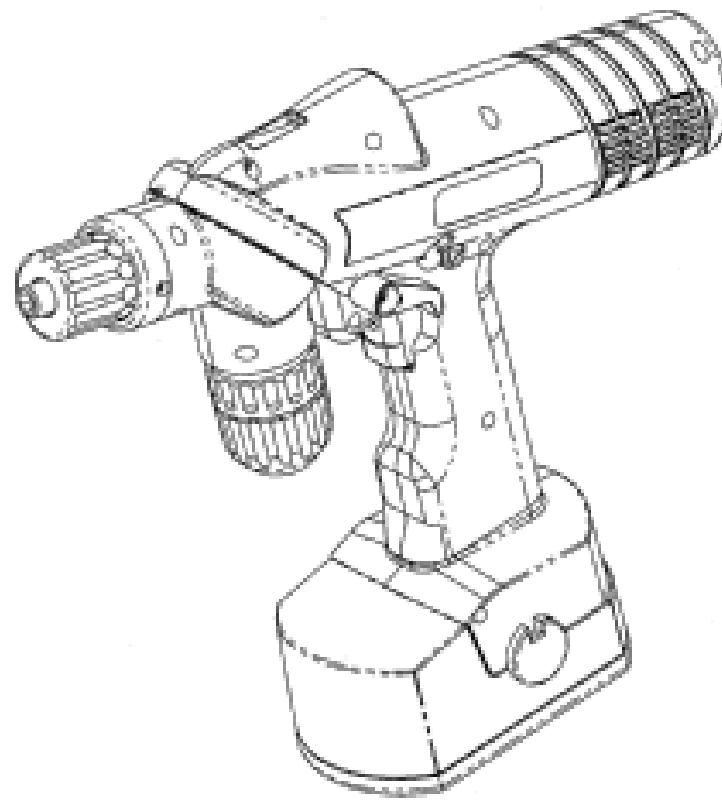
**'Colombo Creek' Jerilderie New South Wales 2716 Australia**

(72) Name(s) of Designer(s): **John Francis Whitehead and Iain White**

(45) Registration Date: **15 February 2008**

(56) Related Art Documents: **Not Applicable**

(57) Statement of Newness and Distinctiveness: **Newness and distinctiveness resides in the features of shape and/or configuration of a power tool as shown in the accompanying representations.**



(21) Design Number: **20355/2007**

(22) Date of Filing Application: **19 October 2007**

(24) Date from which industrial property rights may have effect: **19 October 2007**

(54) Product in respect of which the design is registered: **Power tool**

(51) International Design Classification: **08-01**

(71) Name(s) and Address(s) of Applicant(s):

**Whitehot Solutions Pty Ltd**

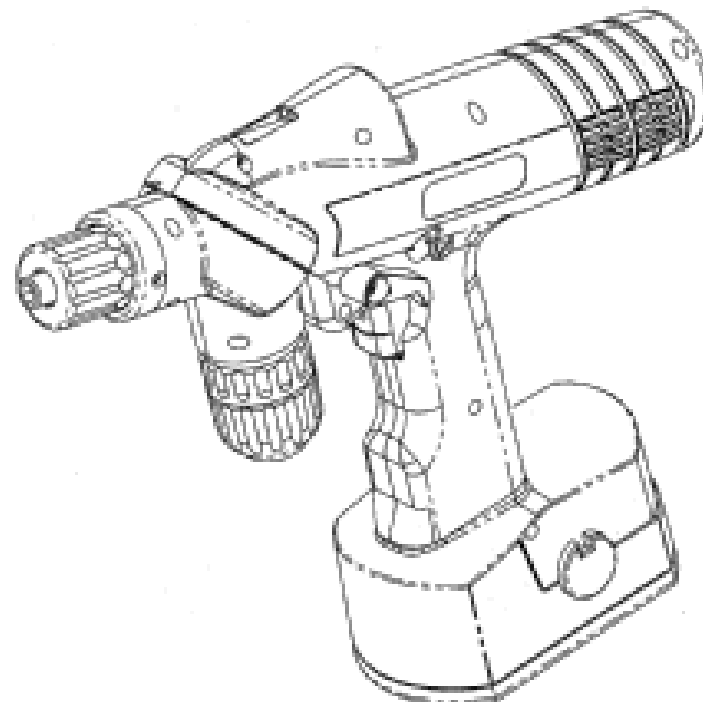
**'Colombo Creek' Jerilderie New South Wales 2716 Australia**

(72) Name(s) of Designer(s): **John Francis Whitehead and Iain White**

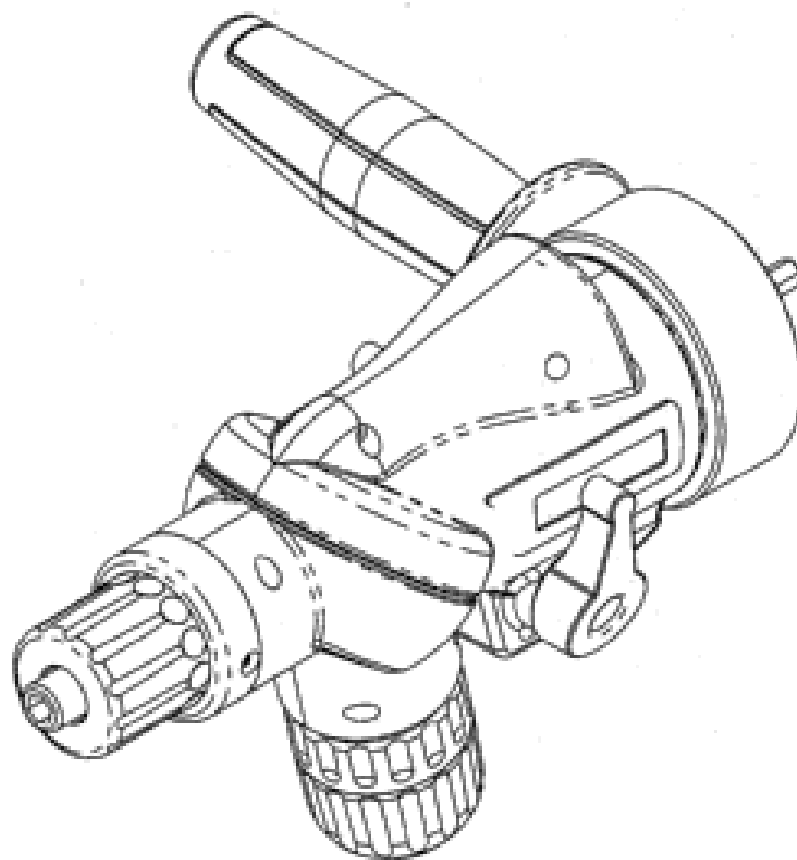
(45) Registration Date: **15 February 2008**

(56) Related Art Documents: **Not Applicable**

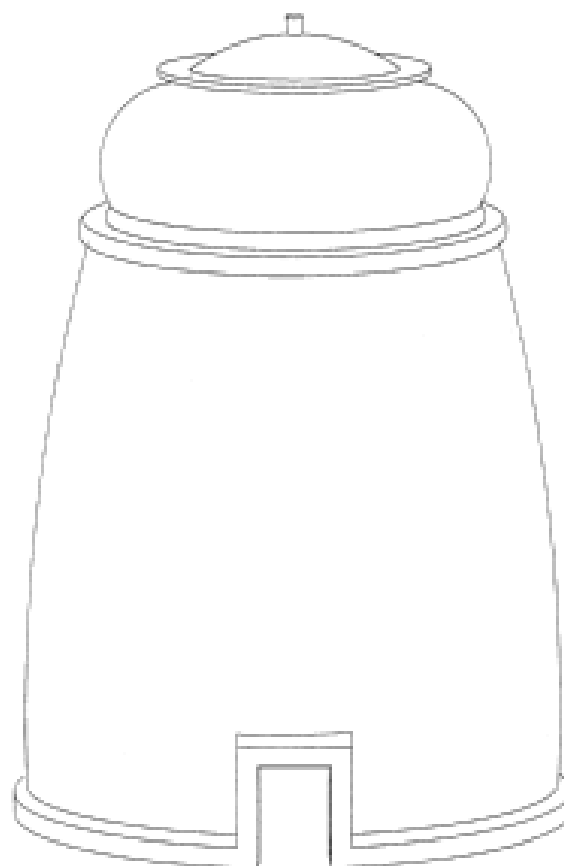
(57) Statement of Newness and Distinctiveness: **Newness and distinctiveness resides in the features of shape and/or configuration of a power tool as shown in the accompanying representations.**



- (21) Design Number: **20356/2007**
- (22) Date of Filing Application: **19 October 2007**
- (24) Date from which industrial property rights may have effect: **19 October 2007**
- (54) Product in respect of which the design is registered: **Attachment for a power tool**
- (51) International Design Classification: **08-01**
- (71) Name(s) and Address(s) of Applicant(s):  
**Whitehot Solutions Pty Ltd**  
**'Colombo Creek' Jerilderie New South Wales 2716 Australia**
- (72) Name(s) of Designer(s): **John Francis Whitehead and Iain White**
- (45) Registration Date: **15 February 2008**
- (56) Related Art Documents: **Not Applicable**
- (57) Statement of Newness and Distinctiveness: **Newness and distinctiveness resides in the features of shape and/or configuration of an attachment for a power tool as shown in the accompanying representations.**

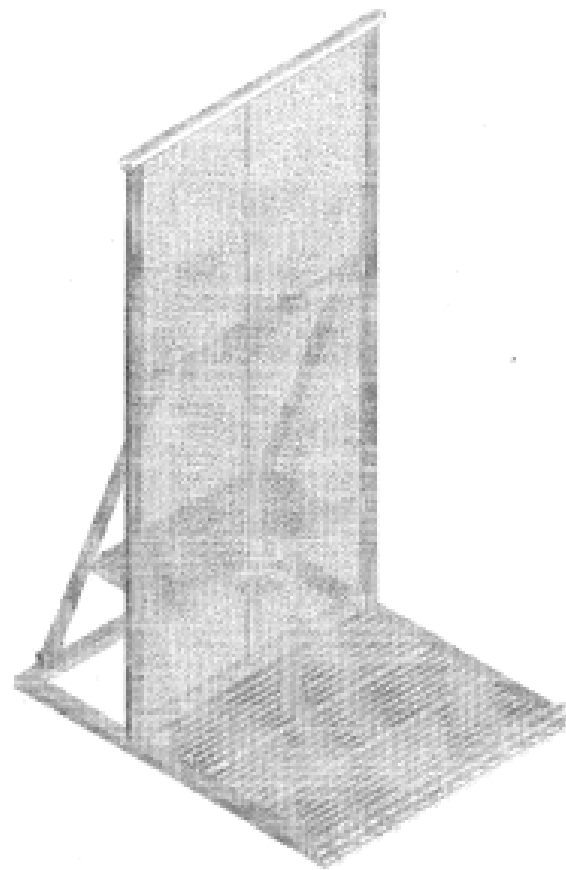


- (21) Design Number: **20363/2007**
- (22) Date of Filing Application: **22 October 2007**
- (24) Date from which industrial property rights may have effect: **22 October 2007**
- (54) Product in respect of which the design is registered: **Oven**
- (51) International Design Classification: **07-02A**
- (71) Name(s) and Address(s) of Applicant(s):  
**Granite Works Pty Ltd**  
**5 Montrose Street Hawthorn Victoria 3123 Australia**  
**Cameron Leslie Williams**  
**143 Bodalla Park Drive Bodalla New South Wales 2545 Australia**
- (72) Name(s) of Designer(s): **Cameron Leslie Williams**
- (45) Registration Date: **15 February 2008**
- (56) Related Art Documents: **Not Applicable**
- (57) Statement of Newness and Distinctiveness: **Newness and distinctiveness is claimed in the visual features shown in solid lines in the representations.**

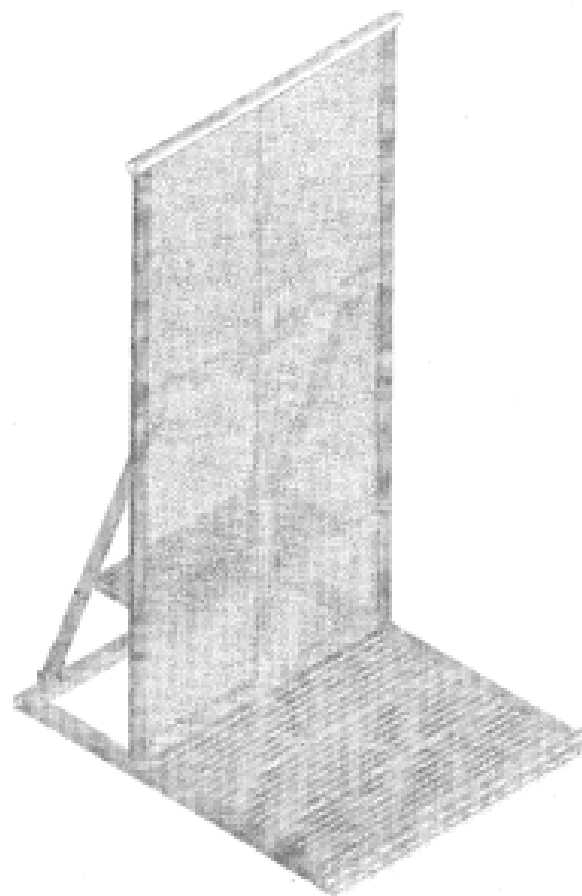




- (21) Design Number: **20368/2007**  
(22) Date of Filing Application: **22 October 2007**  
(24) Date from which industrial property rights may have effect: **22 October 2007**  
(54) Product in respect of which the design is registered: **Barrier structure**  
(51) International Design Classification: **25-02NES**  
(71) Name(s) and Address(s) of Applicant(s):  
**Framelock Structures Pty Ltd**  
**24 Stuart Highway Stuart Park Northern Territory 0820 Australia**  
(72) Name(s) of Designer(s): **Colin Campbell West**  
(45) Registration Date: **15 February 2008**  
(56) Related Art Documents: **Not Applicable**  
(57) Statement of Newness and Distinctiveness: **Nil**



- (21) Design Number: **20369/2007**  
(22) Date of Filing Application: **22 October 2007**  
(24) Date from which industrial property rights may have effect: **22 October 2007**  
(54) Product in respect of which the design is registered: **Barrier structure**  
(51) International Design Classification: **25-02NES**  
(71) Name(s) and Address(s) of Applicant(s):  
**Framelock Structures Pty Ltd**  
**24 Stuart Highway Stuart Park Northern Territory 0820 Australia**  
(72) Name(s) of Designer(s): **Colin Campbell West**  
(45) Registration Date: **15 February 2008**  
(56) Related Art Documents: **Not Applicable**  
(57) Statement of Newness and Distinctiveness: **Nil**



(21) Design Number: **20371/2007**

(22) Date of Filing Application: **22 October 2007**

(24) Date from which industrial property rights may have effect: **22 October 2007**

(54) Product in respect of which the design is registered: **Nappy wallet**

(51) International Design Classification: **02-01B, 03-01B**

(71) Name(s) and Address(s) of Applicant(s):

**Emma Kate Wills**

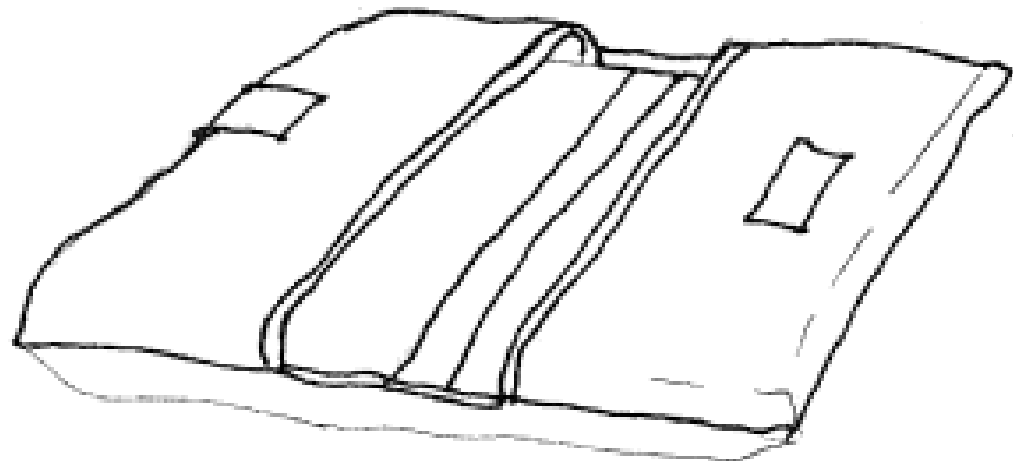
**14 Walter Street Leichhardt New South Wales 2040 Australia**

(72) Name(s) of Designer(s): **Emma Kate Wills**

(45) Registration Date: **15 February 2008**

(56) Related Art Documents: **Not Applicable**

(57) Statement of Newness and Distinctiveness: **Newness and distinctiveness resides in the features of shape and configuration of a nappy wallet as depicted in the accompanying representations.**



(21) Design Number: **14223/2006**

(22) Date of Filing Application: **21 September 2006**

(24) Date from which industrial property rights may have effect: **21 September 2006**

(54) Product in respect of which the design is registered: **Work shirts**

(51) International Design Classification: **02-02C**

(71) Name(s) and Address(s) of Applicant(s):

**Waterlink Investments Pty Ltd**

**2A Fletcher Street East Fremantle Western Australia 6158 Australia**

(72) Name(s) of Designer(s): **Damian Smith**

(45) Registration Date: **19 February 2008**

(56) Related Art Documents: **Not Applicable**

(57) Statement of Newness and Distinctiveness: **The newness and distinctiveness of the design resides in the shape and configuration of the back area of the shirt below the yoke as shown on the accompanying representations.**



(21) Design Number: **14929/2004**

(22) Date of Filing Application: **19 October 2004**

(24) Date from which industrial property rights may have effect: **19 October 2004**

(54) Product in respect of which the design is registered: **Pouffe**

(51) International Design Classification: **06-01E**

(71) Name(s) and Address(s) of Applicant(s):

**Patrizir Haidley**

**8 First Avenue Toowoomba Queensland 4350 Australia**

(72) Name(s) of Designer(s): **Patrizir Haidley and Sue Hogan**

(45) Registration Date: **19 February 2008**

(56) Related Art Documents: **Not Applicable**

(57) Statement of Newness and Distinctiveness: **Piano hinged timber framed ottoman has multi-functional ability to become single bed. Two put together becomes queen size bed.**



(21) Design Number: **15979/2006**

(22) Date of Filing Application: **21 September 2006**

(24) Date from which industrial property rights may have effect: **21 September 2006**

(54) Product in respect of which the design is registered: **Work shirts**

(51) International Design Classification: **02-02NES**

(71) Name(s) and Address(s) of Applicant(s):

**Waterlink Investments Pty Ltd**

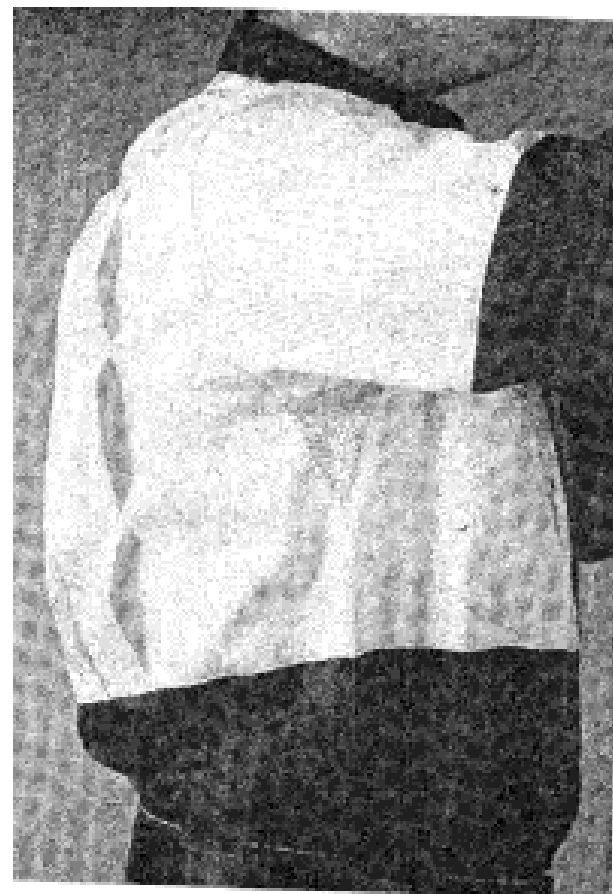
**2A Fletcher Street East Fremantle Western Australia 6158 Australia**

(72) Name(s) of Designer(s): **Damian Smith**

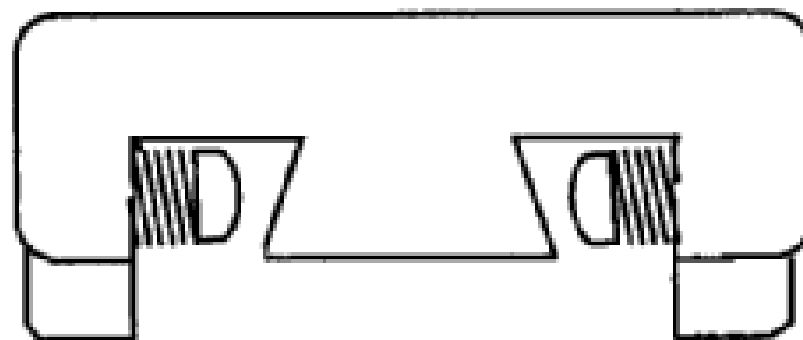
(45) Registration Date: **19 February 2008**

(56) Related Art Documents: **Not Applicable**

(57) Statement of Newness and Distinctiveness: **The newness and distinctiveness of the design resides in the shape and configuration of the back vented area of the shirt below the yoke as shown on the accompanying representations. Length of sleeve is indefinite as per reps.**

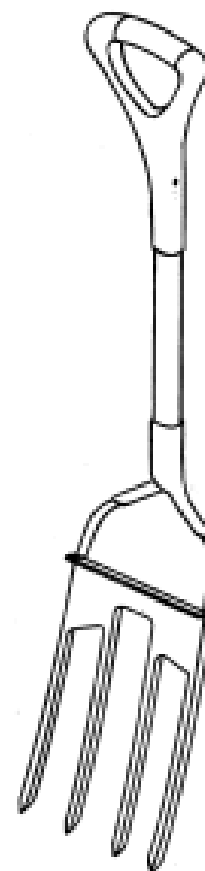


- (21) Design Number: **20278/2007**
- (22) Date of Filing Application: **18 October 2007**
- (24) Date from which industrial property rights may have effect: **18 October 2007**
- (54) Product in respect of which the design is registered: **Gripping and clamping device.**
- (51) International Design Classification: **08-05F**
- (71) Name(s) and Address(s) of Applicant(s):  
**Lloyd Ronald Goodwin**  
**1147 Southgate Road Grafton New South Wales 2460 Australia**
- (72) Name(s) of Designer(s): **Lloyd Ronald Goodwin**
- (45) Registration Date: **19 February 2008**
- (56) Related Art Documents: **Not Applicable**
- (57) Statement of Newness and Distinctiveness: **Taipan 356 This new and innovative shape is a gripping and clamping device which allows visual adjustment of any form of cable. The cable is restrained by passing through a torturous path and being held in place with the aid of an adjustable threaded screw, when tightened presses down deforming the cable in the contour groove.**

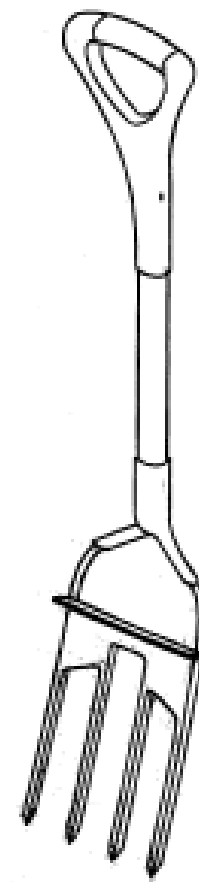


- (21) Design Number: **20391/2007**
- (22) Date of Filing Application: **23 October 2007**
- (24) Date from which industrial property rights may have effect: **23 October 2007**
- (54) Product in respect of which the design is registered: **Garden fork**
- (51) International Design Classification: **08-01**
- (71) Name(s) and Address(s) of Applicant(s):  
**James Neill Holdings Limited**  
**Atlas Way, Atlas North, Sheffield, S4 7QQ, England**
- (72) Name(s) of Designer(s): **Terence Kelly**
- (45) Registration Date: **19 February 2008**
- (30) Convention priority data:

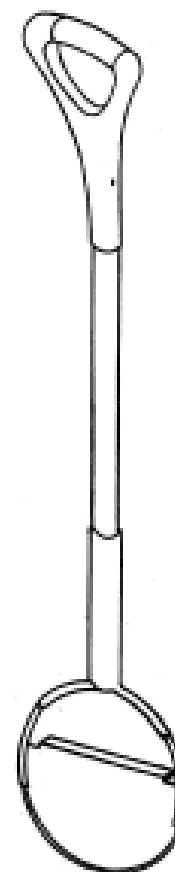
(31) Number	(32) Date	(33) Country
<b>4003268</b>	<b>20 Jun 2007</b>	<b>UNITED KINGDOM</b>
- (56) Related Art Documents: **Not Applicable**
- (57) Statement of Newness and Distinctiveness: **Nil**



(21) Design Number: **20392/2007**  
(22) Date of Filing Application: **23 October 2007**  
(24) Date from which industrial property rights may have effect: **23 October 2007**  
(54) Product in respect of which the design is registered: **Garden fork**  
(51) International Design Classification: **08-01**  
(71) Name(s) and Address(s) of Applicant(s):  
**James Neill Holdings Limited**  
**Atlas Way, Atlas North, Sheffield, S4 7QQ, England**  
(72) Name(s) of Designer(s): **Terence Kelly**  
(45) Registration Date: **19 February 2008**  
(30) Convention priority data:  
(31) Number (32) Date (33) Country  
**4003269 20 Jun 2007 UNITED KINGDOM**  
(56) Related Art Documents: **Not Applicable**  
(57) Statement of Newness and Distinctiveness: **Nil**



(21) Design Number: **20393/2007**  
(22) Date of Filing Application: **23 October 2007**  
(24) Date from which industrial property rights may have effect: **23 October 2007**  
(54) Product in respect of which the design is registered: **Garden edging tool**  
(51) International Design Classification: **08-01**  
(71) Name(s) and Address(s) of Applicant(s):  
**James Neill Holdings Limited**  
**Atlas Way, Atlas North, Sheffield, S4 7QQ, England**  
(72) Name(s) of Designer(s): **Terence Kelly**  
(45) Registration Date: **19 February 2008**  
(30) Convention priority data:  
(31) Number (32) Date (33) Country  
**4003272 20 Jun 2007 UNITED KINGDOM**  
(56) Related Art Documents: **Not Applicable**  
(57) Statement of Newness and Distinctiveness: **Nil**



(21) Design Number: **20394/2007**  
 (22) Date of Filing Application: **23 October 2007**  
 (24) Date from which industrial property rights may have effect: **23 October 2007**  
 (54) Product in respect of which the design is registered: **Metal handle**  
 (51) International Design Classification: **08-06**  
 (71) Name(s) and Address(s) of Applicant(s):  
**Garagetek, Inc.**  
**5 Aerial Way Suite 200 SYOSSET New York 11791 United States of America**  
 (72) Name(s) of Designer(s): **Marc Shuman and John Maxworthy**  
 (45) Registration Date: **19 February 2008**  
 (30) Convention priority data:  

(31) Number	(32) Date	(33) Country
<b>29/286582</b>	<b>11 May 2007</b>	<b>UNITED STATES OF AMERICA</b>

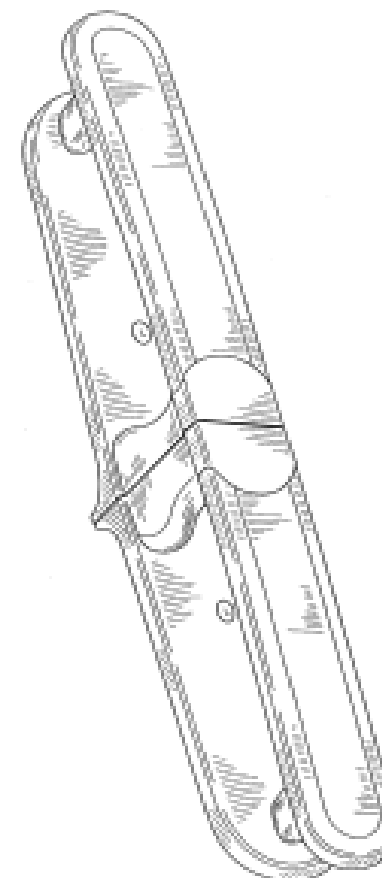
 (56) Related Art Documents: **Not Applicable**  
 (57) Statement of Newness and Distinctiveness: **The newness and distinctiveness of the design resides in the shape and/or configuration of the metal handle shown in the representations.**



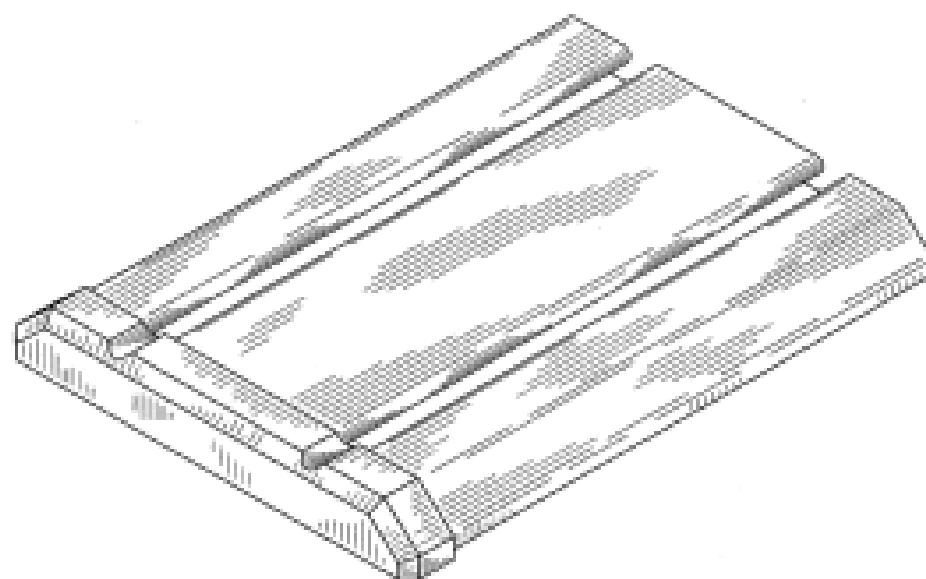
(21) Design Number: **20395/2007**  
 (22) Date of Filing Application: **23 October 2007**  
 (24) Date from which industrial property rights may have effect: **23 October 2007**  
 (54) Product in respect of which the design is registered: **Plastic handle**  
 (51) International Design Classification: **08-06**  
 (71) Name(s) and Address(s) of Applicant(s):  
**Garagetek, Inc.**  
**5 Aerial Way Suite 200 SYOSSET New York 11791 United States of America**  
 (72) Name(s) of Designer(s): **Marc Shuman and John Maxworthy**  
 (45) Registration Date: **19 February 2008**  
 (30) Convention priority data:  

(31) Number	(32) Date	(33) Country
<b>29/286593</b>	<b>11 May 2007</b>	<b>UNITED STATES OF AMERICA</b>

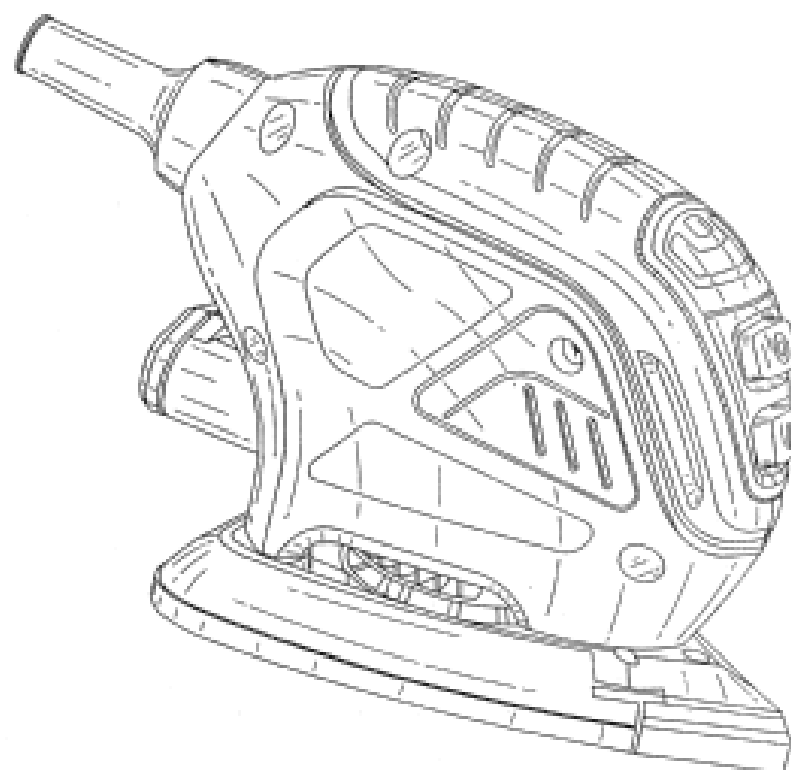
 (56) Related Art Documents: **Not Applicable**  
 (57) Statement of Newness and Distinctiveness: **The newness and distinctiveness of the design resides in the shape and/or configuration of the plastic handle shown in the representations.**



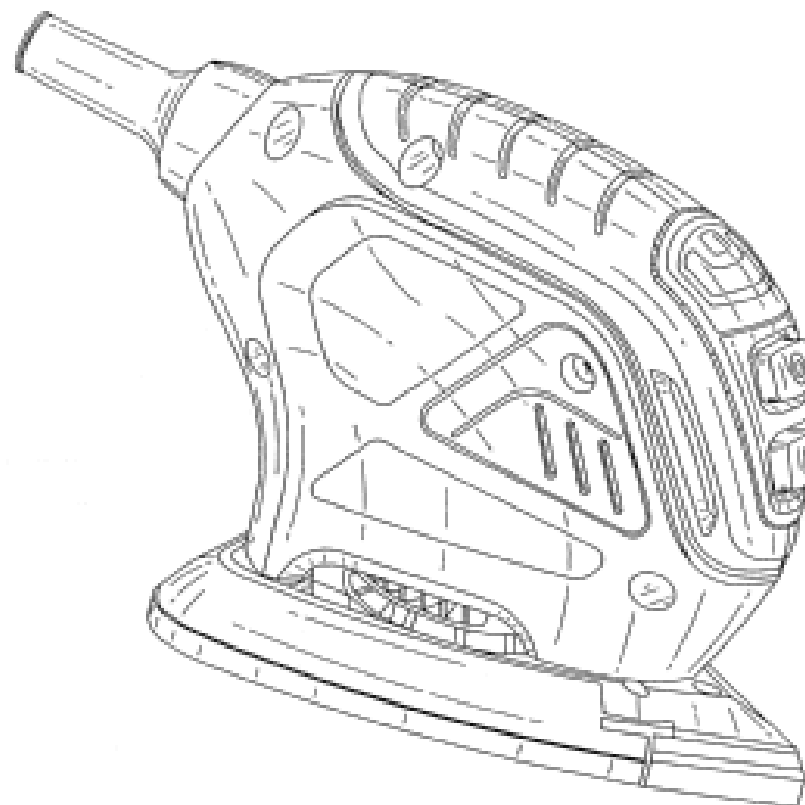
(21) Design Number: **20396/2007**  
(22) Date of Filing Application: **23 October 2007**  
(24) Date from which industrial property rights may have effect: **23 October 2007**  
(54) Product in respect of which the design is registered: **Panel**  
(51) International Design Classification: **25-01D**  
(71) Name(s) and Address(s) of Applicant(s):  
**Garagetek, Inc.**  
**5 Aerial Way Suite 200 SYOSSET New York 11791 United States of America**  
(72) Name(s) of Designer(s): **Marc Shuman and John Maxworthy**  
(45) Registration Date: **19 February 2008**  
(30) Convention priority data:  
(31) Number (32) Date (33) Country  
**29/286594 11 May 2007 UNITED STATES OF AMERICA**  
(56) Related Art Documents: **Not Applicable**  
(57) Statement of Newness and Distinctiveness: **The newness and distinctiveness of the design resides in the shape and/or configuration of the panel shown in the representations.**



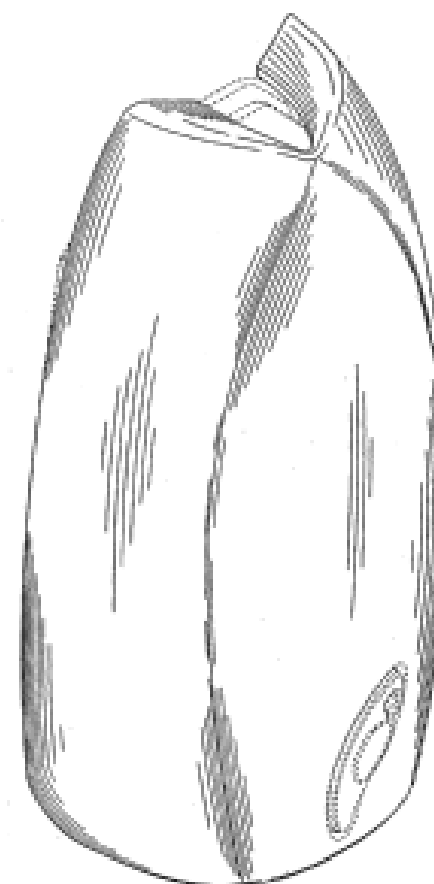
(21) Design Number: **20400/2007**  
(22) Date of Filing Application: **23 October 2007**  
(24) Date from which industrial property rights may have effect: **23 October 2007**  
(54) Product in respect of which the design is registered: **Sander**  
(51) International Design Classification: **08-05N**  
(71) Name(s) and Address(s) of Applicant(s):  
**Black & Decker, Inc.**  
**1207 Drummond Plaza, Newark, Delaware, 19711, United States of America**  
(72) Name(s) of Designer(s): **Mark Stratford and Mark Baxter**  
(45) Registration Date: **19 February 2008**  
(30) Convention priority data:  
(31) Number (32) Date (33) Country  
**000711676-0001 23 Apr 2007 EUROPEAN COMMUNITY**  
(56) Related Art Documents: **Not Applicable**  
(57) Statement of Newness and Distinctiveness: **Nil**



(21) Design Number: **20401/2007**  
 (22) Date of Filing Application: **23 October 2007**  
 (24) Date from which industrial property rights may have effect: **23 October 2007**  
 (54) Product in respect of which the design is registered: **Sander**  
 (51) International Design Classification: **08-05N**  
 (71) Name(s) and Address(s) of Applicant(s):  
**Black & Decker, Inc.**  
**1207 Drummond Plaza, Newark, Delaware, 19711, United States of America**  
 (72) Name(s) of Designer(s): **Mark Stratford and Mark Baxter**  
 (45) Registration Date: **19 February 2008**  
 (30) Convention priority data:  
 (31) Number      (32) Date      (33) Country  
**000711676-0001    23 Apr 2007      EUROPEAN COMMUNITY**  
 (56) Related Art Documents: **Not Applicable**  
 (57) Statement of Newness and Distinctiveness: **Nil**

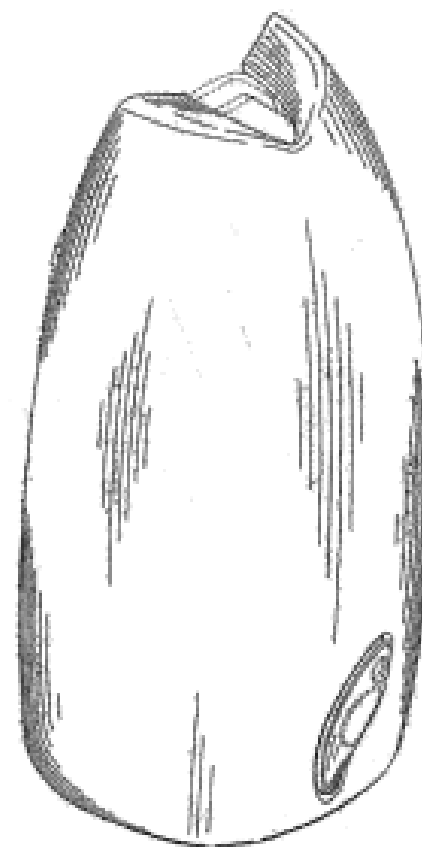


(21) Design Number: **20403/2007**  
 (22) Date of Filing Application: **24 October 2007**  
 (24) Date from which industrial property rights may have effect: **24 October 2007**  
 (54) Product in respect of which the design is registered: **Cover for a spray dispenser**  
 (51) International Design Classification: **09-07A**  
 (71) Name(s) and Address(s) of Applicant(s):  
**S.C. Johnson & Son, Inc.**  
**1525 Howe Street Racine Wisconsin 53403-2236 United States of America**  
 (72) Name(s) of Designer(s): **Paul E. Furner and Amelia H. Majerowski and Kenneth W. Michaels and Evan A. Sparks**  
 (45) Registration Date: **19 February 2008**  
 (30) Convention priority data:  
 (31) Number      (32) Date      (33) Country  
**29/279238      24 Apr 2007      UNITED STATES OF AMERICA**  
 (56) Related Art Documents: **Not Applicable**  
 (57) Statement of Newness and Distinctiveness: **Newness and distinctiveness is claimed in those features of shape and/or configuration of a cover for a spray dispenser as illustrated in continuous lines as illustrated in the accompanying representations.**





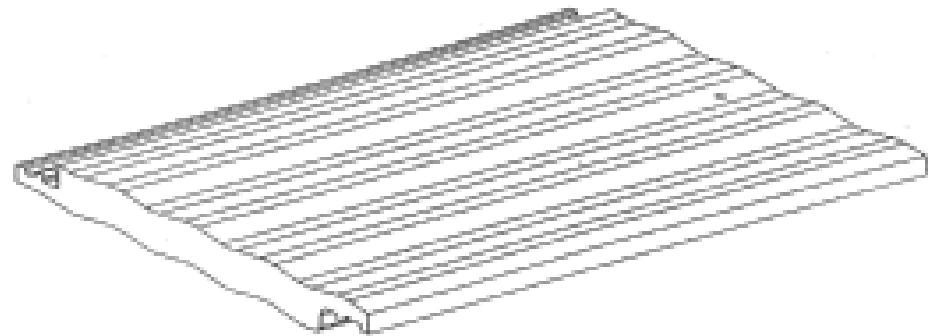
- (21) Design Number: **20404/2007**  
(22) Date of Filing Application: **24 October 2007**  
(24) Date from which industrial property rights may have effect: **24 October 2007**  
(54) Product in respect of which the design is registered: **Cover and actuator for a spray dispenser**  
(51) International Design Classification: **09-07A**  
(71) Name(s) and Address(s) of Applicant(s):  
**S.C. Johnson & Son, Inc.**  
**1525 Howe Street Racine Wisconsin 53403-2236 United States of America**  
(72) Name(s) of Designer(s): **Paul E. Furner and Amelia H. Majerowski and Kenneth W. Michaels and Evan A. Sparks**  
(45) Registration Date: **19 February 2008**  
(30) Convention priority data:  
(31) Number (32) Date (33) Country  
**29/279242 24 Apr 2007 UNITED STATES OF AMERICA**  
(56) Related Art Documents: **Not Applicable**  
(57) Statement of Newness and Distinctiveness: **Newness and distinctiveness is claimed in those features of shape and/or configuration of a cover and actuator for a spray dispenser as illustrated in continuous lines in the accompanying representations.**



- (21) Design Number: **20405/2007**  
(22) Date of Filing Application: **24 October 2007**  
(24) Date from which industrial property rights may have effect: **24 October 2007**  
(54) Product in respect of which the design is registered: **Cover and actuator for a spray dispenser**  
(51) International Design Classification: **09-07A**  
(71) Name(s) and Address(s) of Applicant(s):  
**S.C. Johnson & Son, Inc.**  
**1525 Howe Street Racine Wisconsin 53403-2236 United States of America**  
(72) Name(s) of Designer(s): **Paul E. Furner and Amelia H. Majerowski and Kenneth W. Michaels and Evan A. Sparks**  
(45) Registration Date: **19 February 2008**  
(30) Convention priority data:  
(31) Number (32) Date (33) Country  
**29/279236 24 Apr 2007 UNITED STATES OF AMERICA**  
(56) Related Art Documents: **Not Applicable**  
(57) Statement of Newness and Distinctiveness: **Newness and distinctiveness is claimed in those features of shape and/or configuration of a cover and actuator for a spray dispenser as illustrated in continuous lines in the accompanying representations.**



- (21) Design Number: **20406/2007**  
(22) Date of Filing Application: **24 October 2007**  
(24) Date from which industrial property rights may have effect: **24 October 2007**  
(54) Product in respect of which the design is registered: **A roof tile**  
(51) International Design Classification: **25-01F**  
(71) Name(s) and Address(s) of Applicant(s):  
**Boral Montoro Pty Ltd**  
**Level 39 AMP Building 50 Bridge Street Sydney New South Wales**  
**2000 Australia**  
(72) Name(s) of Designer(s): **Phillip John Elsley and Lloyd Robert Johnston**  
**and Michael Terence Toovey**  
(45) Registration Date: **19 February 2008**  
(56) Related Art Documents: **Not Applicable**  
(57) Statement of Newness and Distinctiveness: **Newness and distinctiveness is**  
**claimed in the features of shape and/or configuration of the top face of a**  
**roof tile as illustrated in the accompanying representations.**



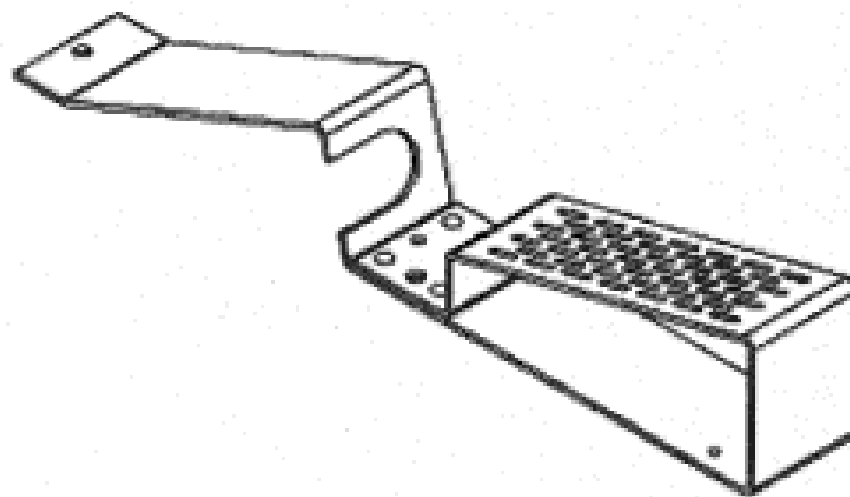
- (21) Design Number: **20408/2007**  
(22) Date of Filing Application: **25 October 2007**  
(24) Date from which industrial property rights may have effect: **25 October 2007**  
(54) Product in respect of which the design is registered: **General tapware for use**  
**in bathroom, kitchen, laundry and pool room, the design will also be**  
**applied to bathroom and**  
(51) International Design Classification: **23-01H**  
(71) Name(s) and Address(s) of Applicant(s):  
**Roger Seller**  
**587-593 Church Street Richmond Victoria 3121 Australia**  
**Myhill Pty Ltd**  
**587-593 Church Street Richmond Victoria 3121 Australia**  
(72) Name(s) of Designer(s): **Lien Giang and James Edmonds**  
(45) Registration Date: **19 February 2008**  
(56) Related Art Documents: **Not Applicable**  
(57) Statement of Newness and Distinctiveness: **The classic body is unique and**  
**distinctive to the market due to the curvature of the silhouette, feminine**  
**style and shape.**



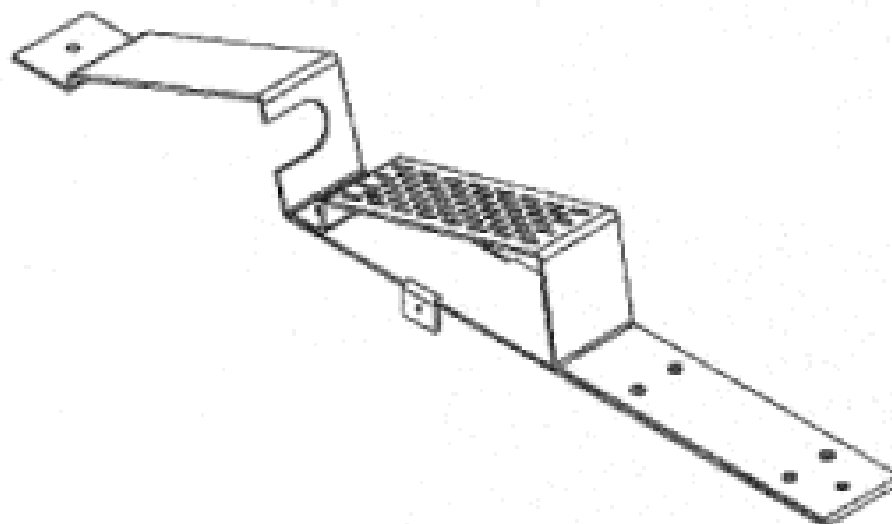
- (21) Design Number: **20409/2007**  
(22) Date of Filing Application: **25 October 2007**  
(24) Date from which industrial property rights may have effect: **25 October 2007**  
(54) Product in respect of which the design is registered: **General tapware for use in bathroom, kitchen, laundry and pool room, the design will also be applied to bathroom and**  
(51) International Design Classification: **23-01H**  
(71) Name(s) and Address(s) of Applicant(s):  
**Roger Seller**  
**587-593 Church Street Richmond Victoria 3121 Australia**  
**Myhill Pty Ltd**  
**587-593 Church Street Richmond Victoria 3121 Australia**  
(72) Name(s) of Designer(s): **Lien Giang and James Edmonds**  
(45) Registration Date: **19 February 2008**  
(56) Related Art Documents: **Not Applicable**  
(57) Statement of Newness and Distinctiveness: **The classic body is unique and distinctive to the market due to the curvature of the silhouette, feminine style and shape.**



- (21) Design Number: **20411/2007**  
(22) Date of Filing Application: **24 October 2007**  
(24) Date from which industrial property rights may have effect: **24 October 2007**  
(54) Product in respect of which the design is registered: **Mounting bracket**  
(51) International Design Classification: **08-08L**  
(71) Name(s) and Address(s) of Applicant(s):  
**AFC Group Pty Ltd**  
**93 to 97 Merrindale Drive Croydon Victoria 3136 Australia**  
(72) Name(s) of Designer(s): **Michael Gauci**  
(45) Registration Date: **19 February 2008**  
(56) Related Art Documents: **Not Applicable**  
(57) Statement of Newness and Distinctiveness: **Newness and distinctiveness is claimed in the features of shape and/or configuration of a mounting bracket as illustrated in the accompanying representations.**



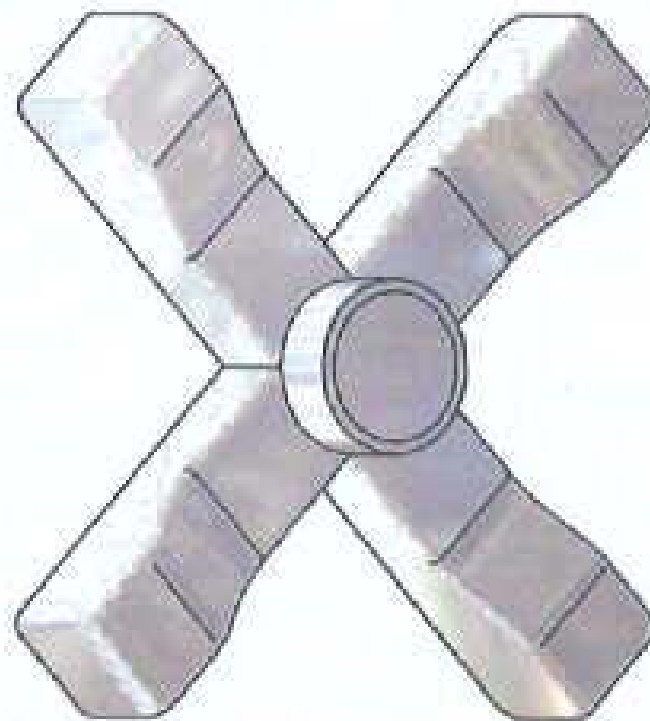
(21) Design Number: **20412/2007**  
(22) Date of Filing Application: **24 October 2007**  
(24) Date from which industrial property rights may have effect: **24 October 2007**  
(54) Product in respect of which the design is registered: **Mounting bracket**  
(51) International Design Classification: **08-08L**  
(71) Name(s) and Address(s) of Applicant(s):  
**AFC Group Pty Ltd**  
**93 to 97 Merrindale Drive Croydon Victoria 3136 Australia**  
(72) Name(s) of Designer(s): **Michael Gauci**  
(45) Registration Date: **19 February 2008**  
(56) Related Art Documents: **Not Applicable**  
(57) Statement of Newness and Distinctiveness: **Newness and distinctiveness is claimed in the features of shape and/or configuration of a mounting bracket as illustrated in the accompanying representations.**



(21) Design Number: **20419/2007**  
(22) Date of Filing Application: **24 October 2007**  
(24) Date from which industrial property rights may have effect: **24 October 2007**  
(54) Product in respect of which the design is registered: **Cap for a writing instrument**  
(51) International Design Classification: **19-06**  
(71) Name(s) and Address(s) of Applicant(s):  
**Sanford, L.P.**  
**29 East Stephenson Street Freeport IL 61032 United States of America**  
(72) Name(s) of Designer(s): **Matthew J. Gerules**  
(45) Registration Date: **19 February 2008**  
(30) Convention priority data:  
(31) Number (32) Date (33) Country  
**29/286,179 26 Apr 2007 UNITED STATES OF AMERICA**  
(56) Related Art Documents: **Not Applicable**  
(57) Statement of Newness and Distinctiveness: **Nil**

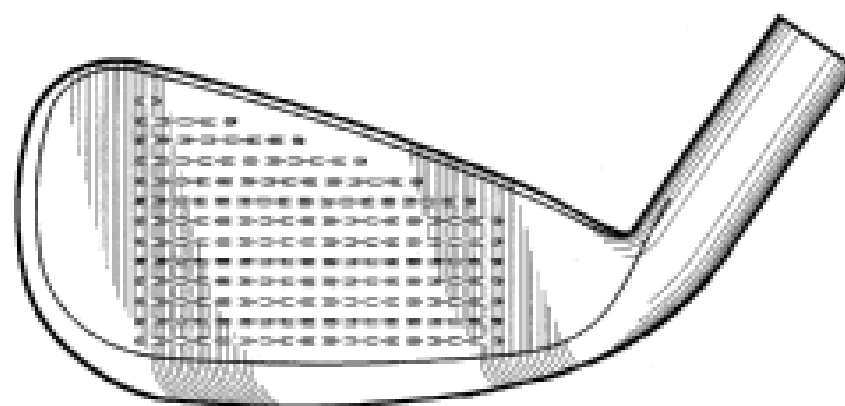


- (21) Design Number: **20420/2007**
- (22) Date of Filing Application: **25 October 2007**
- (24) Date from which industrial property rights may have effect: **25 October 2007**
- (54) Product in respect of which the design is registered: **Basin tapware, sink tapware, laundry tapware, wall top assemblies (shower tapware) and bath tapware**
- (51) International Design Classification: **23-01H**
- (71) Name(s) and Address(s) of Applicant(s):  
  - Roger Seller**
  - 587-593 Church Street Richmond Victoria 3121 Australia**
  - Myhill Pty Ltd**
  - 587-593 Church Street Richmond Victoria 3121 Australia**
- (72) Name(s) of Designer(s): **Lien Giang and James Edmonds**
- (45) Registration Date: **19 February 2008**
- (56) Related Art Documents: **Not Applicable**
- (57) Statement of Newness and Distinctiveness: **The handle is unique in that the underside detail has not been seen in any tapware prior to this in the Australian market.**



- (21) Design Number: **20421/2007**
- (22) Date of Filing Application: **24 October 2007**
- (24) Date from which industrial property rights may have effect: **24 October 2007**
- (54) Product in respect of which the design is registered: **Golf iron head**
- (51) International Design Classification: **21-02C**
- (71) Name(s) and Address(s) of Applicant(s):  
  - Karsten Manufacturing Corporation**
  - 2201 West Desert Cove Phoenix Arizona 85029 United States of America**
- (72) Name(s) of Designer(s): **Richard R. Sanchez and Michael R. Nicolette and Bradley D. Schweigert**
- (45) Registration Date: **19 February 2008**
- (30) Convention priority data:  

(31) Number	(32) Date	(33) Country
<b>29/281014</b>	<b>13 Jun 2007</b>	<b>UNITED STATES OF AMERICA</b>
- (56) Related Art Documents: **Not Applicable**
- (57) Statement of Newness and Distinctiveness: **Newness and distinctiveness is claimed in the visual features shown in solid lines in the representations.**



- (21) Design Number: **20422/2007**  
(22) Date of Filing Application: **26 October 2007**  
(24) Date from which industrial property rights may have effect: **26 October 2007**  
(54) Product in respect of which the design is registered: **An article of clothing**  
(51) International Design Classification: **02-02NES**  
(71) Name(s) and Address(s) of Applicant(s):  
**George Muzaic**  
**147 Catalina Place NE Calgary Alberta T1Y 6S3 Canada**  
(72) Name(s) of Designer(s): **George Muzaic**  
(45) Registration Date: **19 February 2008**  
(56) Related Art Documents: **Not Applicable**  
(57) Statement of Newness and Distinctiveness: **Those features of the article of clothing depicted in the representations that are new and distinctive are the shape and/or configuration.**

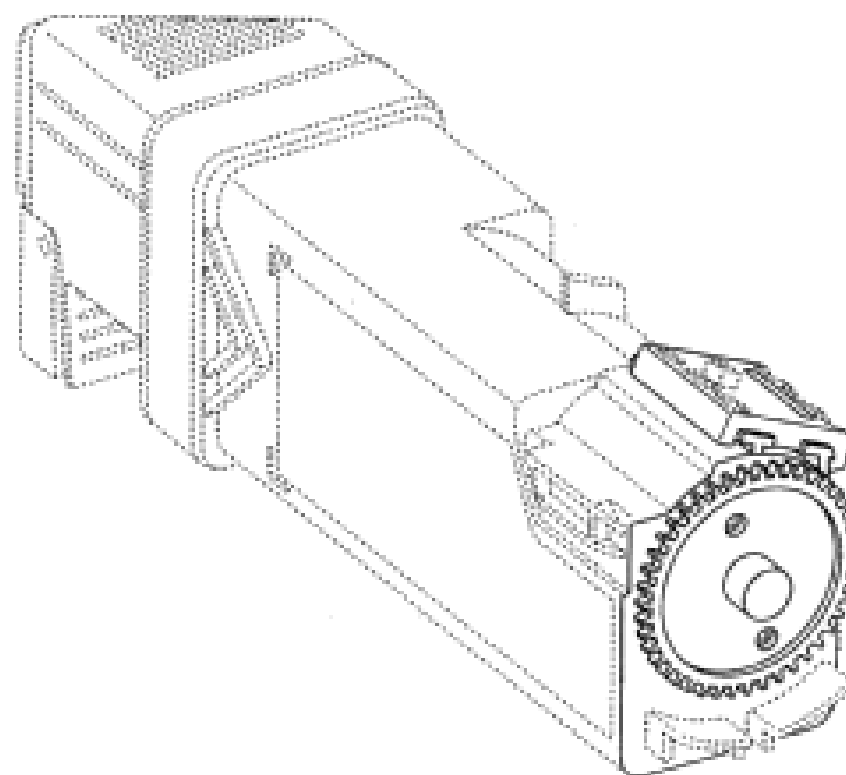


- (21) Design Number: **20425/2007**  
(22) Date of Filing Application: **25 October 2007**  
(24) Date from which industrial property rights may have effect: **25 October 2007**  
(54) Product in respect of which the design is registered: **Glass mug**  
(51) International Design Classification: **07-01D**  
(71) Name(s) and Address(s) of Applicant(s):  
**Pi-Design AG**  
**Kantonsstrasse 100 Postfach 463 CH-6234 Triengen Switzerland**  
(72) Name(s) of Designer(s): **Jorgen Bodum**  
(45) Registration Date: **19 February 2008**  
(30) Convention priority data:  
(31) Number (32) Date (33) Country  
**DA 2007 03 May 2007 DENMARK**  
**00113**  
(56) Related Art Documents: **Not Applicable**  
(57) Statement of Newness and Distinctiveness: **The following visual features of the design are new and distinctive: the glass mug has a small diameter base which flares out to a larger diameter at the top of the glass mug; and the handle on the glass mug is unevenly shaped, being close to the mug at the top joint, sloping outwards on an angle and being further away from the mug at the bottom joint; and the handle on the glass mug is relatively narrow and thin.**



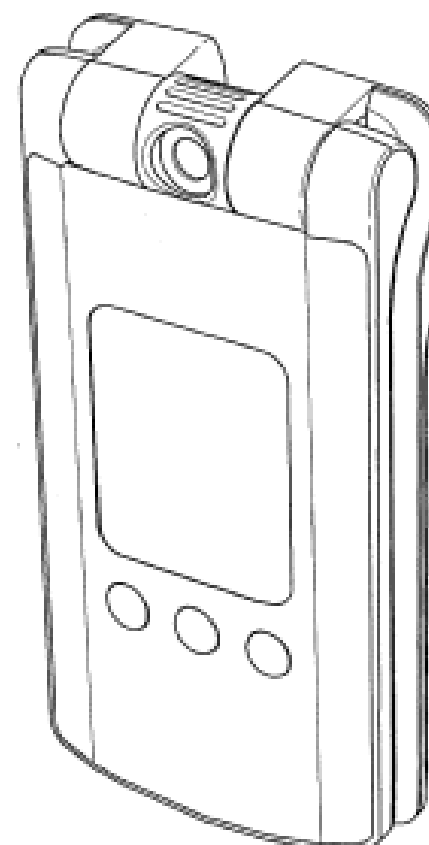
- (21) Design Number: **20426/2007**
- (22) Date of Filing Application: **25 October 2007**
- (24) Date from which industrial property rights may have effect: **25 October 2007**
- (54) Product in respect of which the design is registered: **Toner cartridge**
- (51) International Design Classification: **14-02**
- (71) Name(s) and Address(s) of Applicant(s):  
**Fuji Xerox Co., Ltd.**  
**7-3, Akasaka 9-chome Minato-ku Tokyo Japan**
- (72) Name(s) of Designer(s): **Yasuhide Saito and Kazuhiro Saito and Shinichi Sakai and Akinori Ono**
- (45) Registration Date: **19 February 2008**
- (30) Convention priority data:  

(31) Number	(32) Date	(33) Country
<b>2007-011249</b>	<b>26 Apr 2007</b>	<b>JAPAN</b>
- (56) Related Art Documents: **Not Applicable**
- (57) Statement of Newness and Distinctiveness: **Newness and distinctiveness is claimed in those features of shape and/or configuration of a toner cartridge as illustrated in continuous lines in the accompanying representations.**



- (21) Design Number: **20428/2007**
- (22) Date of Filing Application: **25 October 2007**
- (24) Date from which industrial property rights may have effect: **25 October 2007**
- (54) Product in respect of which the design is registered: **Cellular phone**
- (51) International Design Classification: **14-03E**
- (71) Name(s) and Address(s) of Applicant(s):  
**LG Electronics, Inc.**  
**20 Yeouido-dong Yeongdeungpo-gu Seoul 150-721 Korea**
- (72) Name(s) of Designer(s): **Hong Kyu Park**
- (45) Registration Date: **19 February 2008**
- (30) Convention priority data:  

(31) Number	(32) Date	(33) Country
<b>30-2007-0019651</b>	<b>04 May 2007</b>	<b>REPUBLIC OF KOREA</b>
- (56) Related Art Documents: **Not Applicable**
- (57) Statement of Newness and Distinctiveness: **Newness and distinctiveness in the design as applied to a cellular phone resides in the shape and/or configuration thereof as is illustrated in the accompanying representations.**



(19) AU

- (21) Design Number: **20429/2007**
- (22) Date of Filing Application: **25 October 2007**
- (24) Date from which industrial property rights may have effect: **25 October 2007**
- (54) Product in respect of which the design is registered: **Toner cartridge**
- (51) International Design Classification: **14-02**
- (71) Name(s) and Address(s) of Applicant(s):

**Fuji Xerox Co., Ltd.**  
**7-3 Akasaka 9-chome, Minato-ku, Tokyo, Japan**

(72) Name(s) of Designer(s): **Kazuhiro Saito**

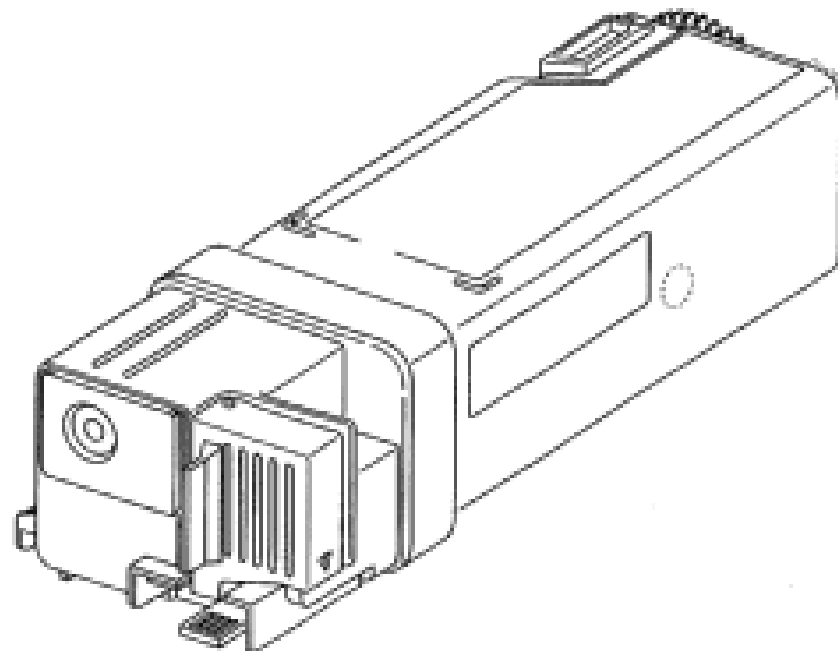
(45) Registration Date: **19 February 2008**

(30) Convention priority data:

(31) Number	(32) Date	(33) Country
<b>2007-011245</b>	<b>26 Apr 2007</b>	<b>JAPAN</b>

(56) Related Art Documents: **Not Applicable**

(57) Statement of Newness and Distinctiveness: **Newness and distinctiveness is claimed in those features of shape and/or configuration of a toner cartridge illustrated in continuous lines in the accompanying representations.**



(19) AU

- (21) Design Number: **20432/2007**
- (22) Date of Filing Application: **25 October 2007**
- (24) Date from which industrial property rights may have effect: **25 October 2007**
- (54) Product in respect of which the design is registered: **Electrical spacer**
- (51) International Design Classification: **08-08B**
- (71) Name(s) and Address(s) of Applicant(s):

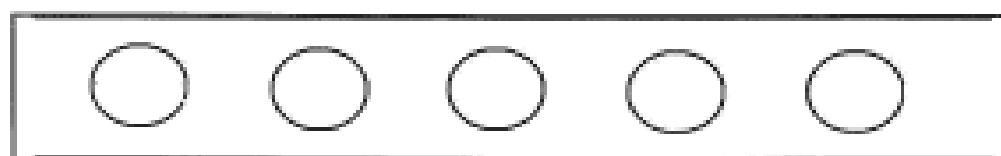
**Watertight Products (Aust) Pty Ltd**  
**Unit 17 10 Vulcan Road Canning Vale Western Australia 6155**  
**Australia**

(72) Name(s) of Designer(s): **Stephen Paulle**

(45) Registration Date: **19 February 2008**

(56) Related Art Documents: **Not Applicable**

(57) Statement of Newness and Distinctiveness: **Newness and distinctiveness is claimed in each feature of the design considered separately or in combination with any other feature or features and/or the shape and configuration of the electrical spacer as shown in the drawings.**





(21) Design Number: **20444/2007**

(22) Date of Filing Application: **24 October 2007**

(24) Date from which industrial property rights may have effect: **24 October 2007**

(54) Product in respect of which the design is registered: **Egg and food packaging**

(51) International Design Classification: **09-03D**

(71) Name(s) and Address(s) of Applicant(s):

**Jonathan Attard**

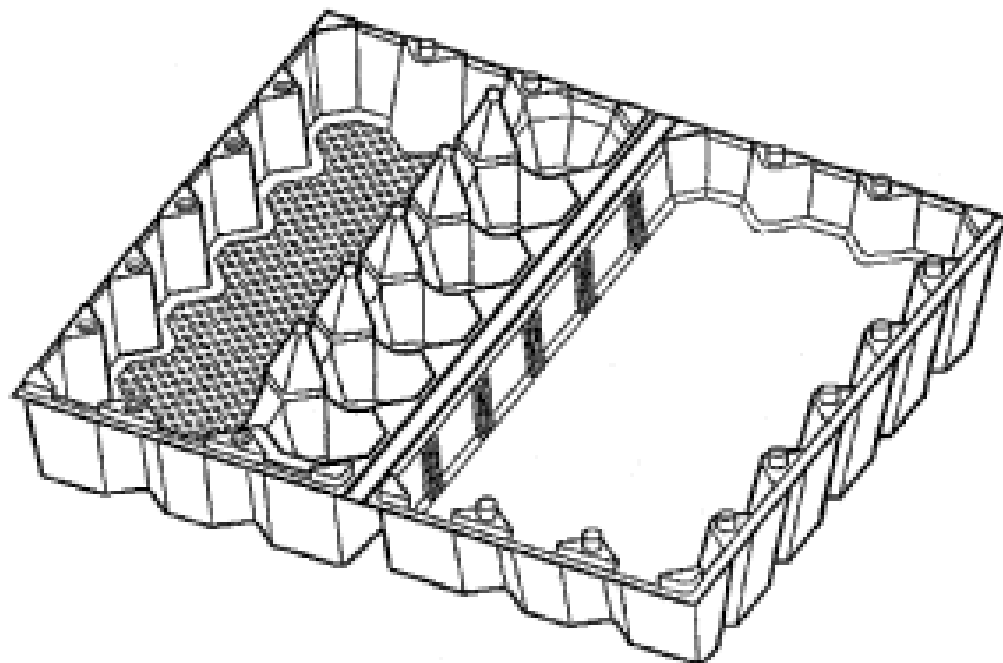
**7 Lea Street North Plympton South Australia 5037 Australia**

(72) Name(s) of Designer(s): **Jonathan Attard**

(45) Registration Date: **19 February 2008**

(56) Related Art Documents: **Not Applicable**

(57) Statement of Newness and Distinctiveness: **Nil**



(21) Design Number: **20445/2007**

(22) Date of Filing Application: **24 October 2007**

(24) Date from which industrial property rights may have effect: **24 October 2007**

(54) Product in respect of which the design is registered: **Egg and food packaging**

(51) International Design Classification: **09-03D**

(71) Name(s) and Address(s) of Applicant(s):

**Jonathan Attard**

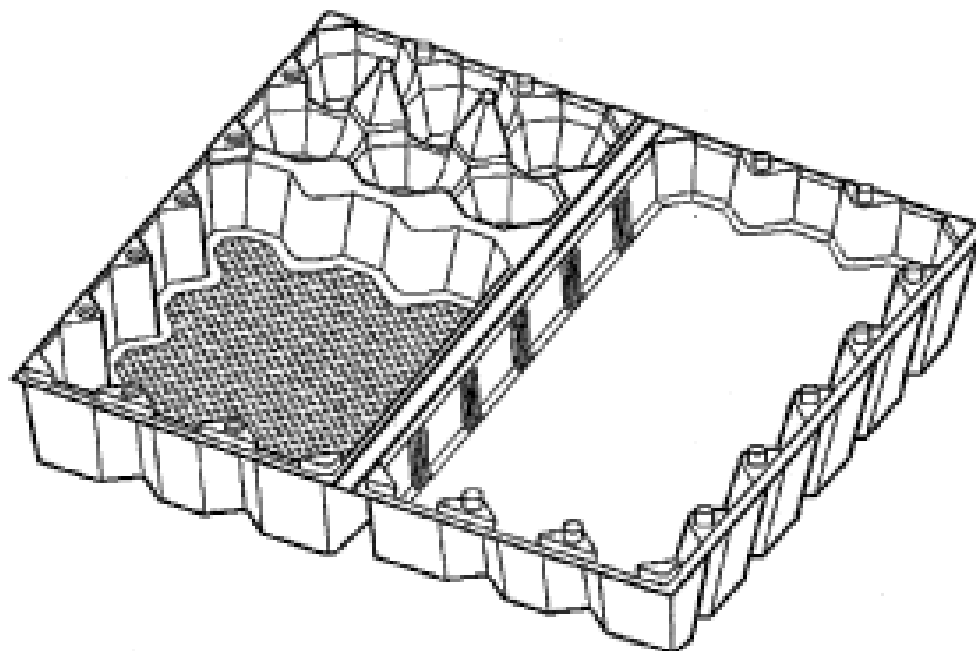
**7 Lea Street North Plympton South Australia 5037 Australia**

(72) Name(s) of Designer(s): **Jonathan Attard**

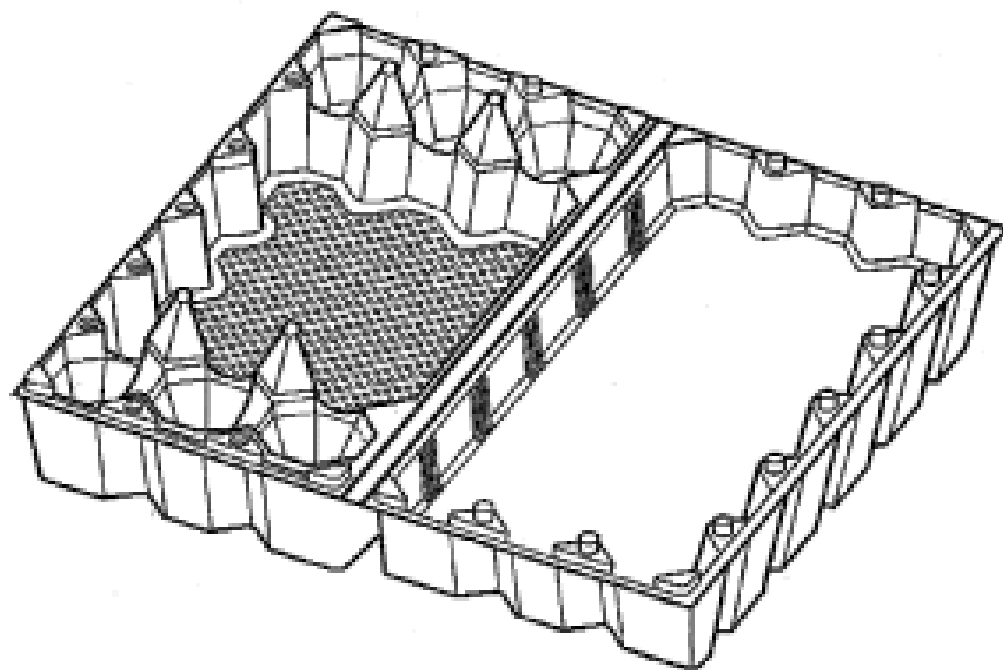
(45) Registration Date: **19 February 2008**

(56) Related Art Documents: **Not Applicable**

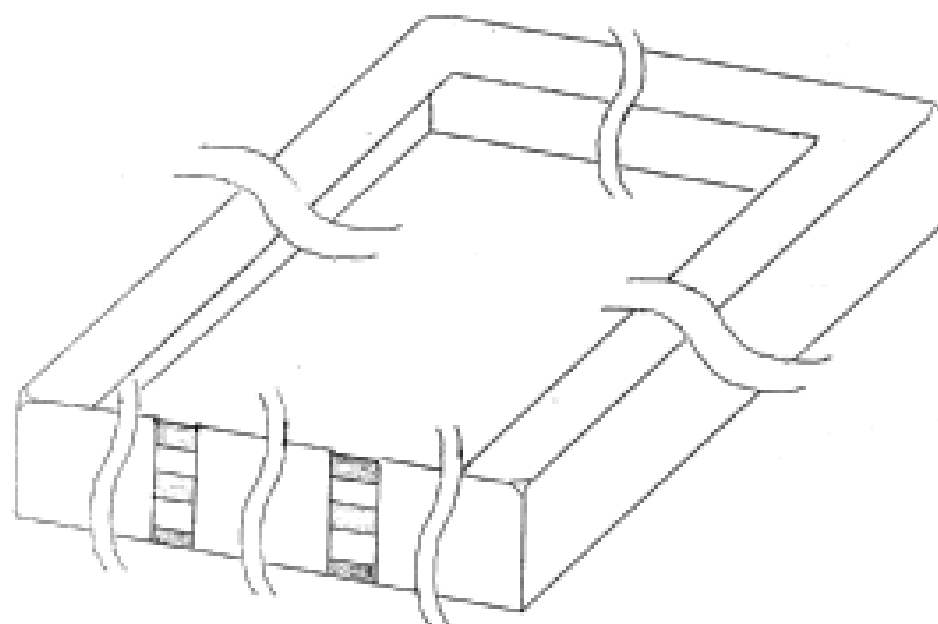
(57) Statement of Newness and Distinctiveness: **Nil**



- (21) Design Number: **20446/2007**  
(22) Date of Filing Application: **24 October 2007**  
(24) Date from which industrial property rights may have effect: **24 October 2007**  
(54) Product in respect of which the design is registered: **Egg and food packaging**  
(51) International Design Classification: **09-03D**  
(71) Name(s) and Address(s) of Applicant(s):  
**Jonathan Attard**  
**7 Lea Street North Plympton South Australia 5037 Australia**  
(72) Name(s) of Designer(s): **Jonathan Attard**  
(45) Registration Date: **19 February 2008**  
(56) Related Art Documents: **Not Applicable**  
(57) Statement of Newness and Distinctiveness: **Nil**



- (21) Design Number: **20447/2007**  
(22) Date of Filing Application: **25 October 2007**  
(24) Date from which industrial property rights may have effect: **25 October 2007**  
(54) Product in respect of which the design is registered: **Valance**  
(51) International Design Classification: **06-13B**  
(71) Name(s) and Address(s) of Applicant(s):  
**Legend Australia Holdings Pty Limited**  
**33 Cross Street Brookvale New South Wales 2100 Australia**  
(72) Name(s) of Designer(s): **Graeme L. Duffy**  
(45) Registration Date: **19 February 2008**  
(56) Related Art Documents: **Not Applicable**  
(57) Statement of Newness and Distinctiveness: **The valance is of variable width and length as indicated by the break lines in the representations.**



- (21) Design Number: **19731/2007**  
(22) Date of Filing Application: **13 September 2007**  
(24) Date from which industrial property rights may have effect: **13 September 2007**  
(54) Product in respect of which the design is registered: **Package for pollen filtering device**  
(51) International Design Classification: **09-03M**  
(71) Name(s) and Address(s) of Applicant(s):  
**Laszlo Vajai**  
**Loverseny u. 13. Kecskemet H-6000 Hungary**  
(72) Name(s) of Designer(s): **Laszlo Vajai**  
(45) Registration Date: **19 February 2008**  
(30) Convention priority data:  
(31) Number (32) Date (33) Country  
**D07 00041 13 Mar 2007 HUNGARY**  
(56) Related Art Documents: **Not Applicable**  
(57) Statement of Newness and Distinctiveness: **Nil**



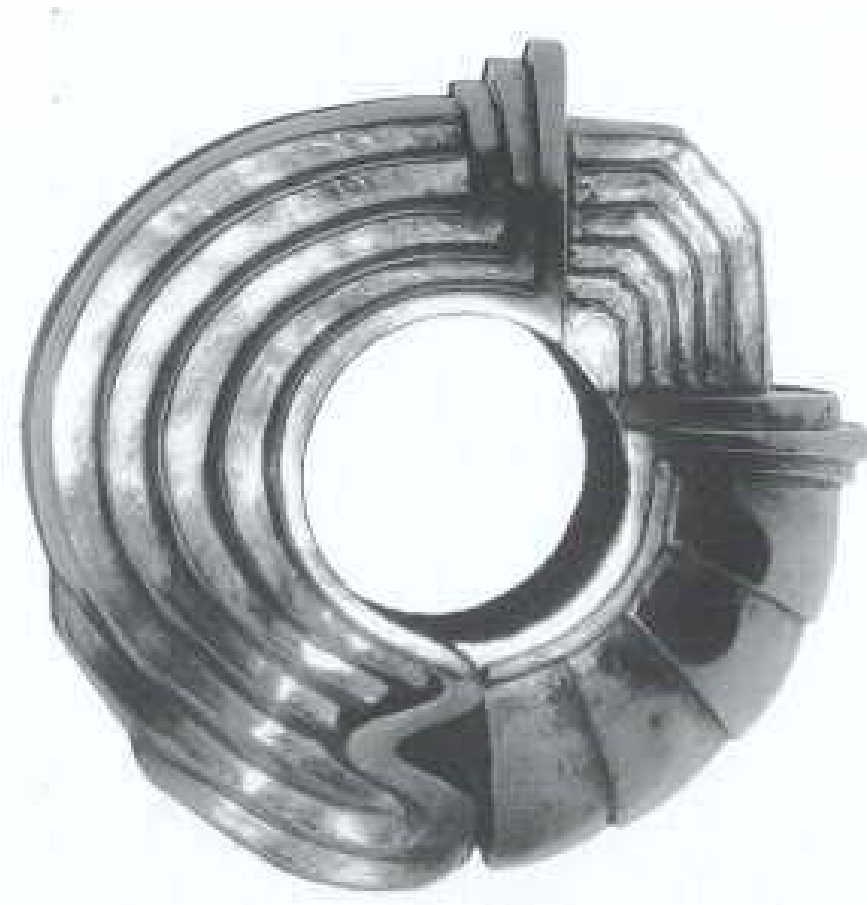
- (21) Design Number: **20440/2007**  
(22) Date of Filing Application: **26 October 2007**  
(24) Date from which industrial property rights may have effect: **26 October 2007**  
(54) Product in respect of which the design is registered: **Sculptural cover plate for glass fencing clamps**  
(51) International Design Classification: **25-02A**  
(71) Name(s) and Address(s) of Applicant(s):  
**Adrian Garner Ward**  
**90 Anderson Road Nimbin New South Wales 2480 Australia**  
(72) Name(s) of Designer(s): **Adrian Garner Ward**  
(45) Registration Date: **19 February 2008**  
(56) Related Art Documents: **Not Applicable**  
(57) Statement of Newness and Distinctiveness: **As a new product the distinctive features are: the sculptural design of fish and the frosted glass wings as shown in digital images supplied.**



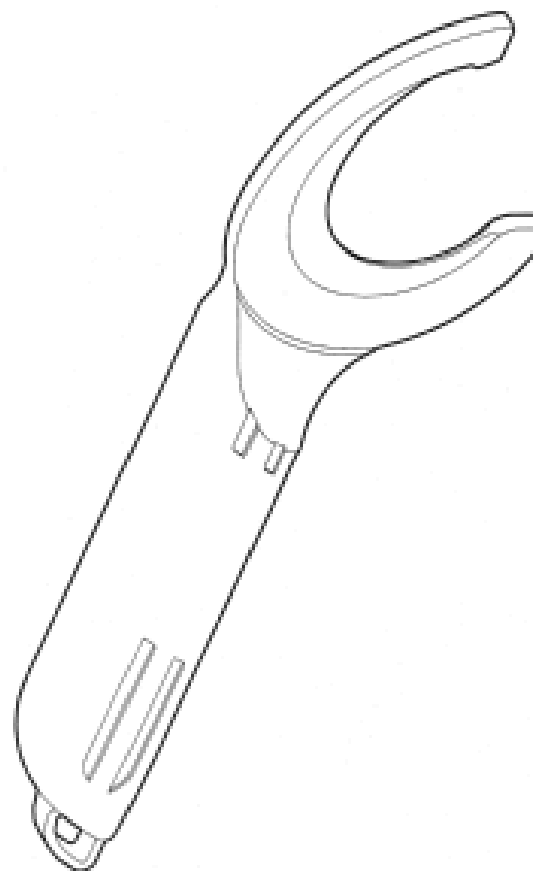
- (21) Design Number: **20441/2007**  
(22) Date of Filing Application: **26 October 2007**  
(24) Date from which industrial property rights may have effect: **26 October 2007**  
(54) Product in respect of which the design is registered: **For balustrade post top or decorative cap for any post or rail end or compatible architectural feature.**  
(51) International Design Classification: **25-02A**  
(71) Name(s) and Address(s) of Applicant(s):  
**Adrian Garner Ward**  
**90 Anderson Road Nimbin New South Wales 2480 Australia**  
(72) Name(s) of Designer(s): **Adrian Garner Ward**  
(45) Registration Date: **19 February 2008**  
(56) Related Art Documents: **Not Applicable**  
(57) Statement of Newness and Distinctiveness: **As a new product the distinctive feature of the sculptural design is the wave motif.**



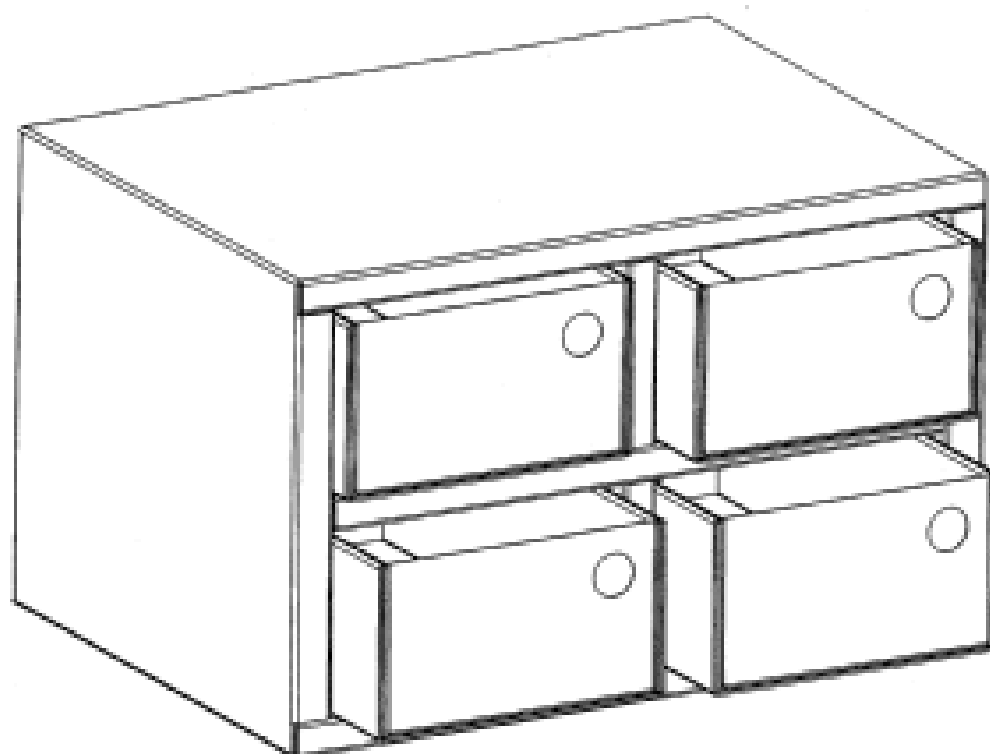
- (21) Design Number: **20442/2007**  
(22) Date of Filing Application: **26 October 2007**  
(24) Date from which industrial property rights may have effect: **26 October 2007**  
(54) Product in respect of which the design is registered: **For balustrade post base or decorative base for any post or rail or compatible architectural feature**  
(51) International Design Classification: **25-02A**  
(71) Name(s) and Address(s) of Applicant(s):  
**Adrian Garner Ward**  
**90 Anderson Road Nimbin New South Wales 2480 Australia**  
(72) Name(s) of Designer(s): **Adrian Garner Ward**  
(45) Registration Date: **19 February 2008**  
(56) Related Art Documents: **Not Applicable**  
(57) Statement of Newness and Distinctiveness: **As a new product the distinctive feature is the sculptural design as shown in digital images supplied.**



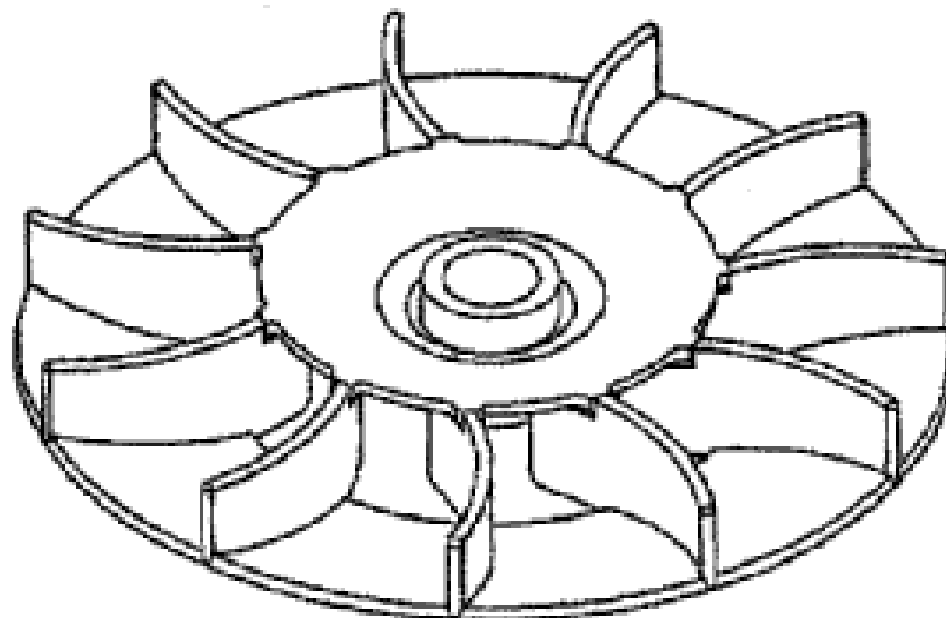
- (21) Design Number: **20443/2007**  
(22) Date of Filing Application: **25 October 2007**  
(24) Date from which industrial property rights may have effect: **25 October 2007**  
(54) Product in respect of which the design is registered: **Roller cleaner**  
(51) International Design Classification: **08-05L**  
(71) Name(s) and Address(s) of Applicant(s):  
**Niko Limited**  
**2/73 Buckley Road Epsom Auckland 1023 New Zealand**  
(72) Name(s) of Designer(s): **Kim Scott**  
(45) Registration Date: **19 February 2008**  
(56) Related Art Documents: **Not Applicable**  
(57) Statement of Newness and Distinctiveness: **Nil**



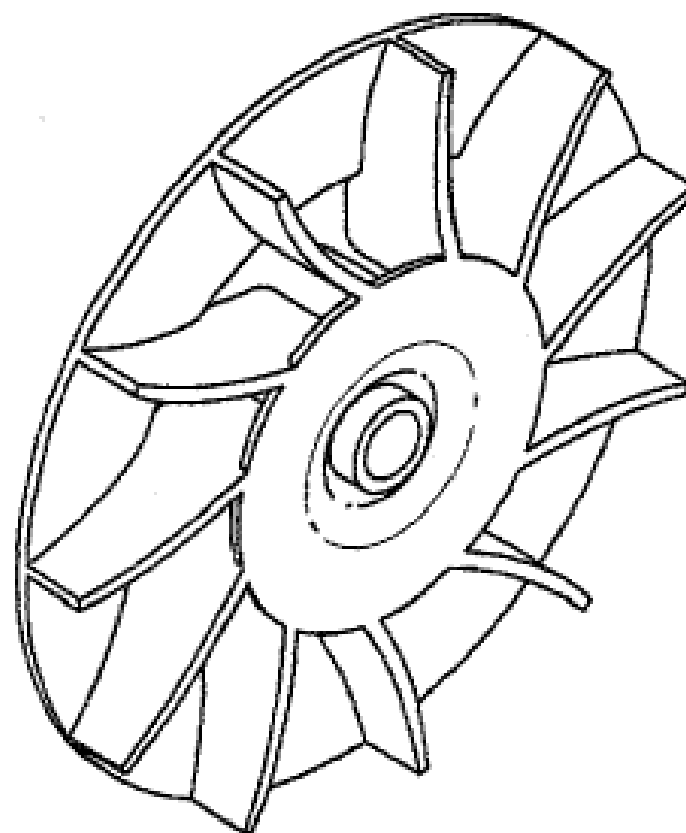
- (21) Design Number: **20449/2007**  
(22) Date of Filing Application: **26 October 2007**  
(24) Date from which industrial property rights may have effect: **26 October 2007**  
(54) Product in respect of which the design is registered: **Drawer for shoes**  
(51) International Design Classification: **06-04F**  
(71) Name(s) and Address(s) of Applicant(s):  
**Southland-CNG Securities Pty Ltd**  
**Suite 201 Level 2 BMA House 135 Macquarie Street Sydney New South Wales 2000 Australia**  
(72) Name(s) of Designer(s): **Catherine Mary Wong and Christopher Keith Edward Burgess**  
(45) Registration Date: **19 February 2008**  
(56) Related Art Documents: **Not Applicable**  
(57) Statement of Newness and Distinctiveness: **Newness and distinctiveness reside in the features of shape and configuration of the design as shown in the representations. Although the carcass contains four drawers it will be appreciated that the design may be applied to drawer assemblies having fewer or more drawers.**



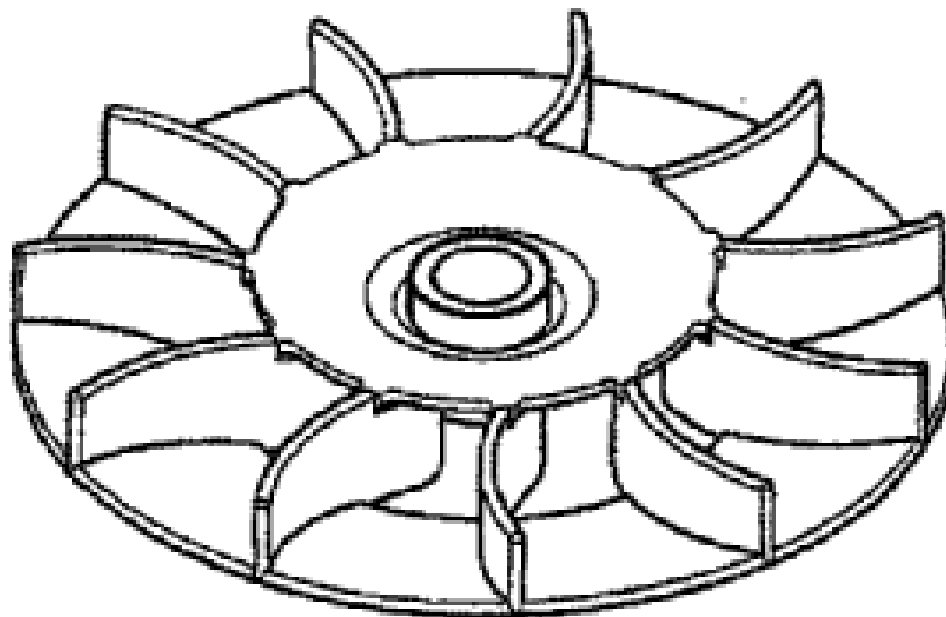
(21) Design Number: **20451/2007**  
(22) Date of Filing Application: **26 October 2007**  
(24) Date from which industrial property rights may have effect: **26 October 2007**  
(54) Product in respect of which the design is registered: **Impeller**  
(51) International Design Classification: **15-01, 15-02**  
(71) Name(s) and Address(s) of Applicant(s):  
**ResMed Ltd**  
**1 Elizabeth Macarthur Drive Bella Vista New South Wales 2153**  
**Australia**  
(72) Name(s) of Designer(s): **Barton John Kenyon and Nicholas Jerome Reed**  
**and Ian Malcolm Smith**  
(45) Registration Date: **19 February 2008**  
(30) Convention priority data:  
(31) Number (32) Date (33) Country  
**29/274507 27 Apr 2007 UNITED STATES OF AMERICA**  
(56) Related Art Documents: **Not Applicable**  
(57) Statement of Newness and Distinctiveness: **Nil**



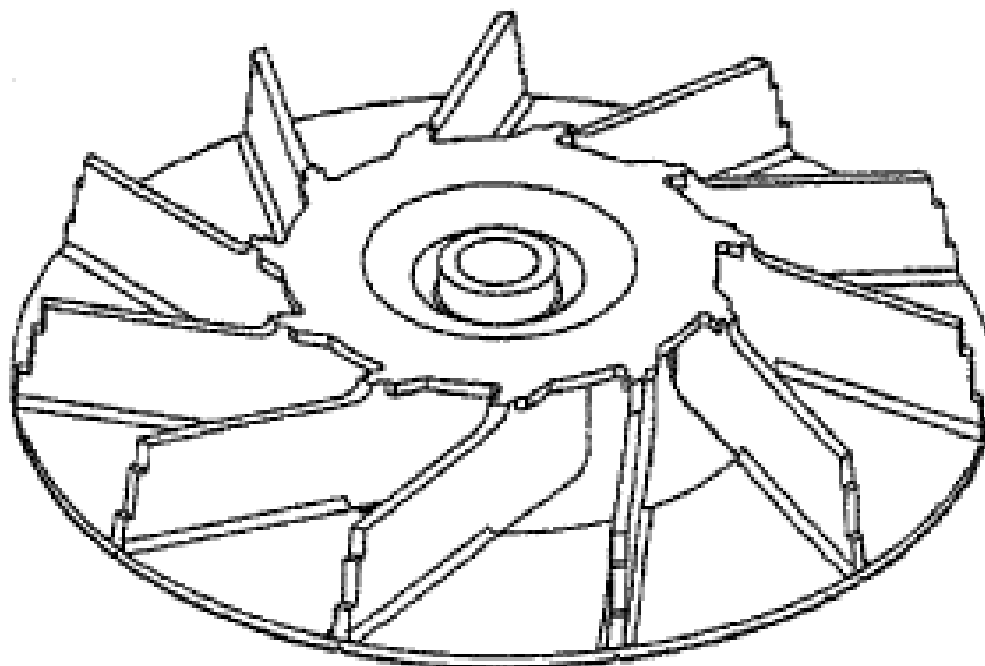
(21) Design Number: **20452/2007**  
(22) Date of Filing Application: **26 October 2007**  
(24) Date from which industrial property rights may have effect: **26 October 2007**  
(54) Product in respect of which the design is registered: **Impeller**  
(51) International Design Classification: **15-01, 15-02**  
(71) Name(s) and Address(s) of Applicant(s):  
**ResMed Ltd**  
**1 Elizabeth Macarthur Drive Bella Vista New South Wales 2153**  
**Australia**  
(72) Name(s) of Designer(s): **Barton John Kenyon and Nicholas Jerome Reed**  
**and Ian Malcolm Smith**  
(45) Registration Date: **19 February 2008**  
(30) Convention priority data:  
(31) Number (32) Date (33) Country  
**29/274507 27 Apr 2007 UNITED STATES OF AMERICA**  
(56) Related Art Documents: **Not Applicable**  
(57) Statement of Newness and Distinctiveness: **Nil**



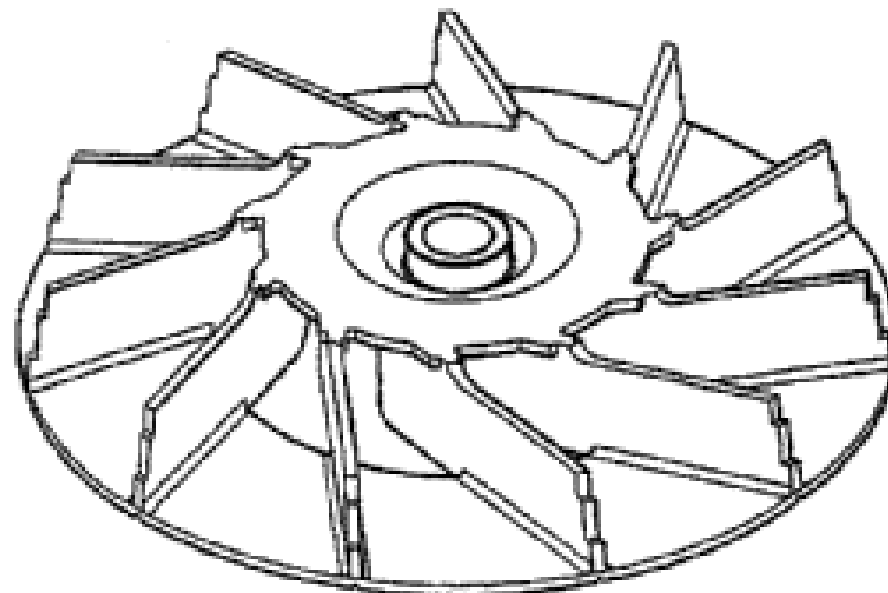
(21) Design Number: **20453/2007**  
(22) Date of Filing Application: **26 October 2007**  
(24) Date from which industrial property rights may have effect: **26 October 2007**  
(54) Product in respect of which the design is registered: **Impeller**  
(51) International Design Classification: **15-01, 15-02**  
(71) Name(s) and Address(s) of Applicant(s):  
**ResMed Ltd**  
**1 Elizabeth Macarthur Drive Bella Vista New South Wales 2153**  
**Australia**  
(72) Name(s) of Designer(s): **Barton John Kenyon and Nicholas Jerome Reed**  
**and Ian Malcolm Smith**  
(45) Registration Date: **19 February 2008**  
(30) Convention priority data:  
(31) Number (32) Date (33) Country  
**29/274507 27 Apr 2007 UNITED STATES OF AMERICA**  
(56) Related Art Documents: **Not Applicable**  
(57) Statement of Newness and Distinctiveness: **Nil**



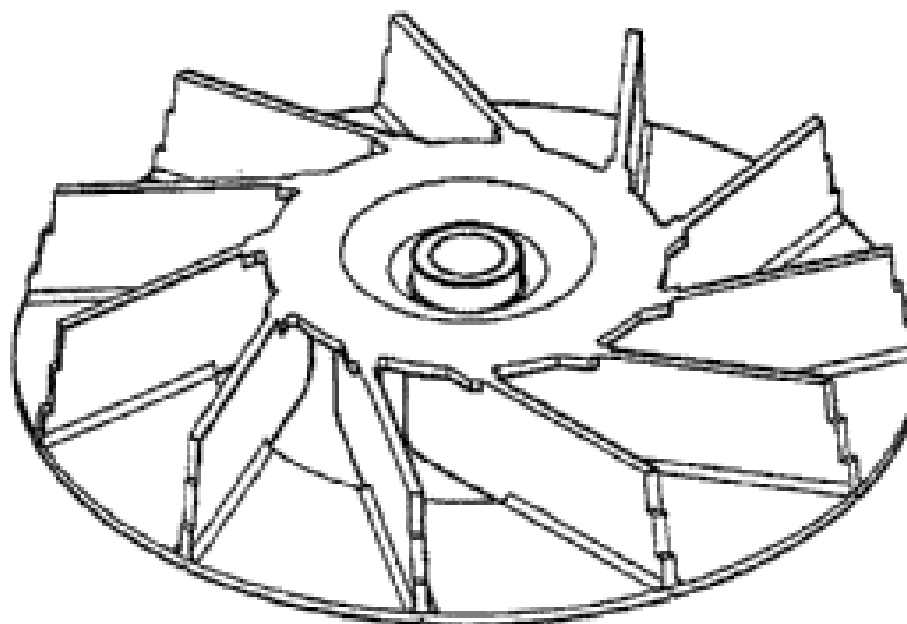
(21) Design Number: **20454/2007**  
(22) Date of Filing Application: **26 October 2007**  
(24) Date from which industrial property rights may have effect: **26 October 2007**  
(54) Product in respect of which the design is registered: **Impeller**  
(51) International Design Classification: **15-01, 15-02**  
(71) Name(s) and Address(s) of Applicant(s):  
**ResMed Ltd**  
**1 Elizabeth Macarthur Drive Bella Vista New South Wales 2153**  
**Australia**  
(72) Name(s) of Designer(s): **Barton John Kenyon and Nicholas Jerome Reed**  
**and Ian Malcolm Smith**  
(45) Registration Date: **19 February 2008**  
(30) Convention priority data:  
(31) Number (32) Date (33) Country  
**29/274507 27 Apr 2007 UNITED STATES OF AMERICA**  
(56) Related Art Documents: **Not Applicable**  
(57) Statement of Newness and Distinctiveness: **Nil**



(21) Design Number: **20455/2007**  
(22) Date of Filing Application: **26 October 2007**  
(24) Date from which industrial property rights may have effect: **26 October 2007**  
(54) Product in respect of which the design is registered: **Impeller**  
(51) International Design Classification: **15-01, 15-02**  
(71) Name(s) and Address(s) of Applicant(s):  
**ResMed Ltd**  
**1 Elizabeth Macarthur Drive Bella Vista New South Wales 2153**  
**Australia**  
(72) Name(s) of Designer(s): **Barton John Kenyon and Nicholas Jerome Reed**  
**and Ian Malcolm Smith**  
(45) Registration Date: **19 February 2008**  
(30) Convention priority data:  
(31) Number (32) Date (33) Country  
**29/274507 27 Apr 2007 UNITED STATES OF AMERICA**  
(56) Related Art Documents: **Not Applicable**  
(57) Statement of Newness and Distinctiveness: **Nil**

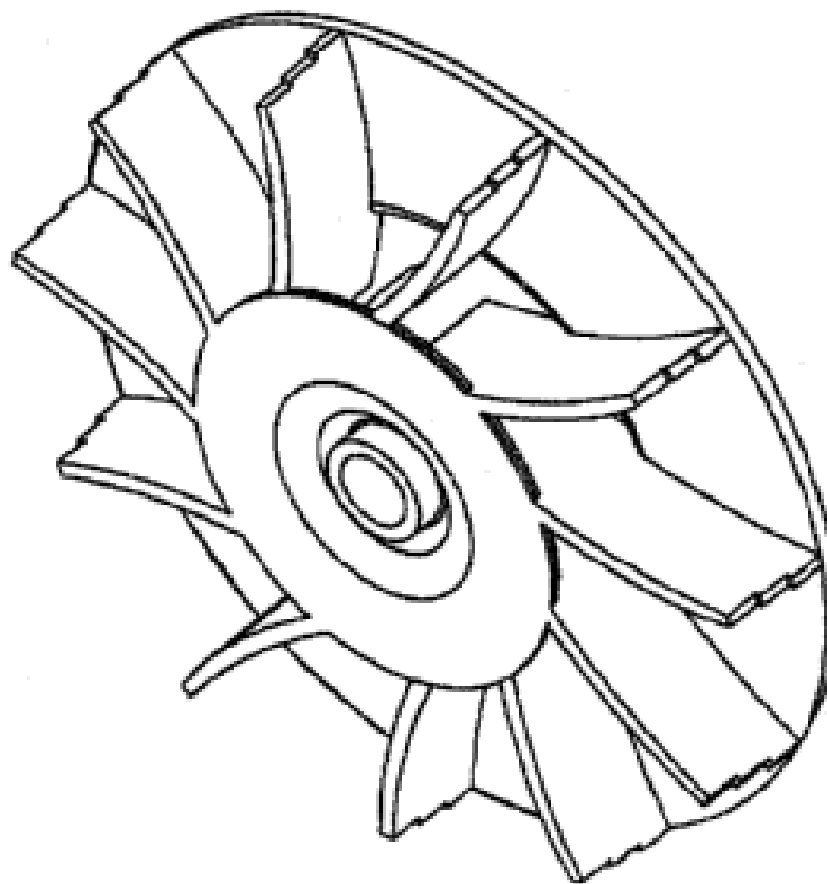


(21) Design Number: **20456/2007**  
(22) Date of Filing Application: **26 October 2007**  
(24) Date from which industrial property rights may have effect: **26 October 2007**  
(54) Product in respect of which the design is registered: **Impeller**  
(51) International Design Classification: **15-01, 15-02**  
(71) Name(s) and Address(s) of Applicant(s):  
**ResMed Ltd**  
**1 Elizabeth Macarthur Drive Bella Vista New South Wales 2153**  
**Australia**  
(72) Name(s) of Designer(s): **Barton John Kenyon and Nicholas Jerome Reed**  
**and Ian Malcolm Smith**  
(45) Registration Date: **19 February 2008**  
(30) Convention priority data:  
(31) Number (32) Date (33) Country  
**29/274507 27 Apr 2007 UNITED STATES OF AMERICA**  
(56) Related Art Documents: **Not Applicable**  
(57) Statement of Newness and Distinctiveness: **Nil**

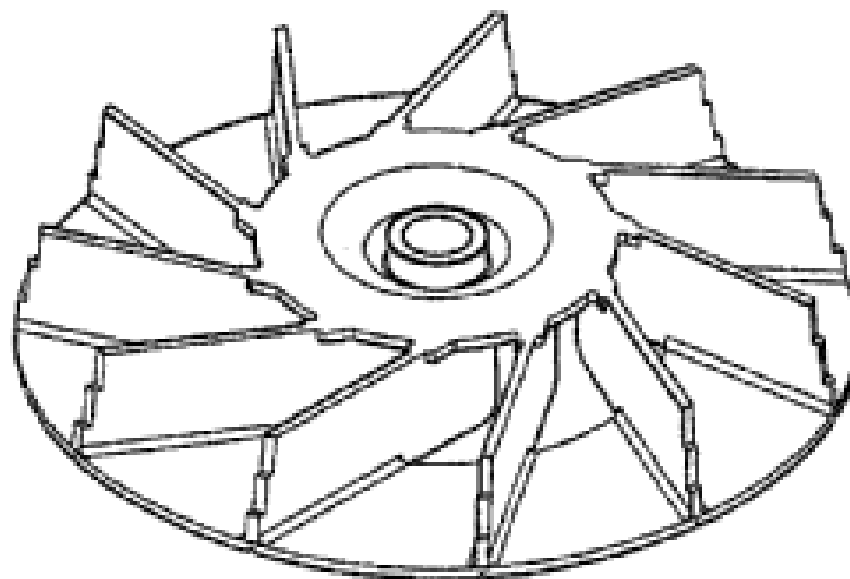




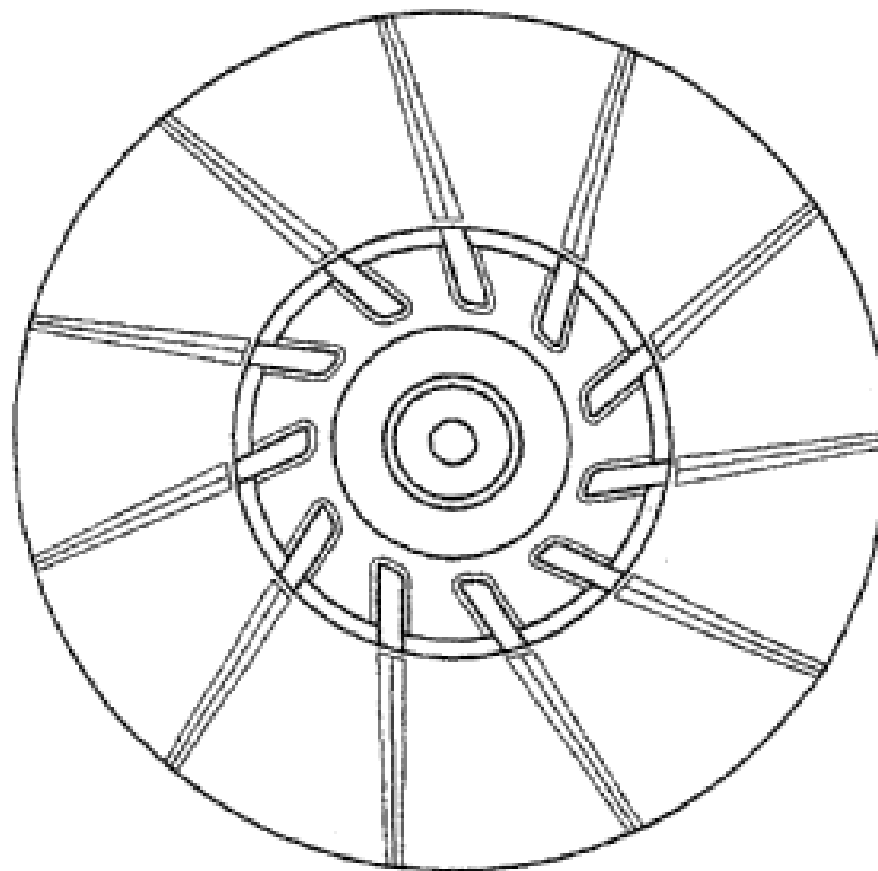
(21) Design Number: **20457/2007**  
(22) Date of Filing Application: **26 October 2007**  
(24) Date from which industrial property rights may have effect: **26 October 2007**  
(54) Product in respect of which the design is registered: **Impeller**  
(51) International Design Classification: **15-01, 15-02**  
(71) Name(s) and Address(s) of Applicant(s):  
**ResMed Ltd**  
**1 Elizabeth Macarthur Drive Bella Vista New South Wales 2153**  
**Australia**  
(72) Name(s) of Designer(s): **Barton John Kenyon and Nicholas Jerome Reed**  
**and Ian Malcolm Smith**  
(45) Registration Date: **19 February 2008**  
(30) Convention priority data:  
(31) Number (32) Date (33) Country  
**29/274507 27 Apr 2007 UNITED STATES OF AMERICA**  
(56) Related Art Documents: **Not Applicable**  
(57) Statement of Newness and Distinctiveness: **Nil**



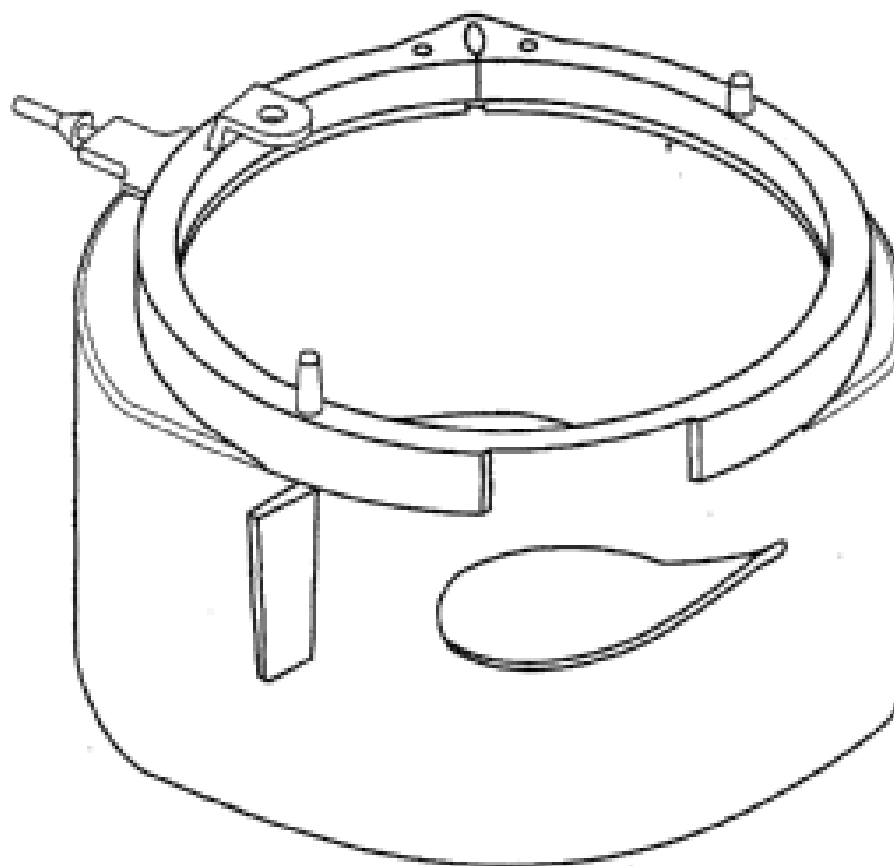
(21) Design Number: **20458/2007**  
(22) Date of Filing Application: **26 October 2007**  
(24) Date from which industrial property rights may have effect: **26 October 2007**  
(54) Product in respect of which the design is registered: **Impeller**  
(51) International Design Classification: **15-01, 15-02**  
(71) Name(s) and Address(s) of Applicant(s):  
**ResMed Ltd**  
**1 Elizabeth Macarthur Drive Bella Vista New South Wales 2153**  
**Australia**  
(72) Name(s) of Designer(s): **Barton John Kenyon and Nicholas Jerome Reed**  
**and Ian Malcolm Smith**  
(45) Registration Date: **19 February 2008**  
(30) Convention priority data:  
(31) Number (32) Date (33) Country  
**29/274507 27 Apr 2007 UNITED STATES OF AMERICA**  
(56) Related Art Documents: **Not Applicable**  
(57) Statement of Newness and Distinctiveness: **Nil**



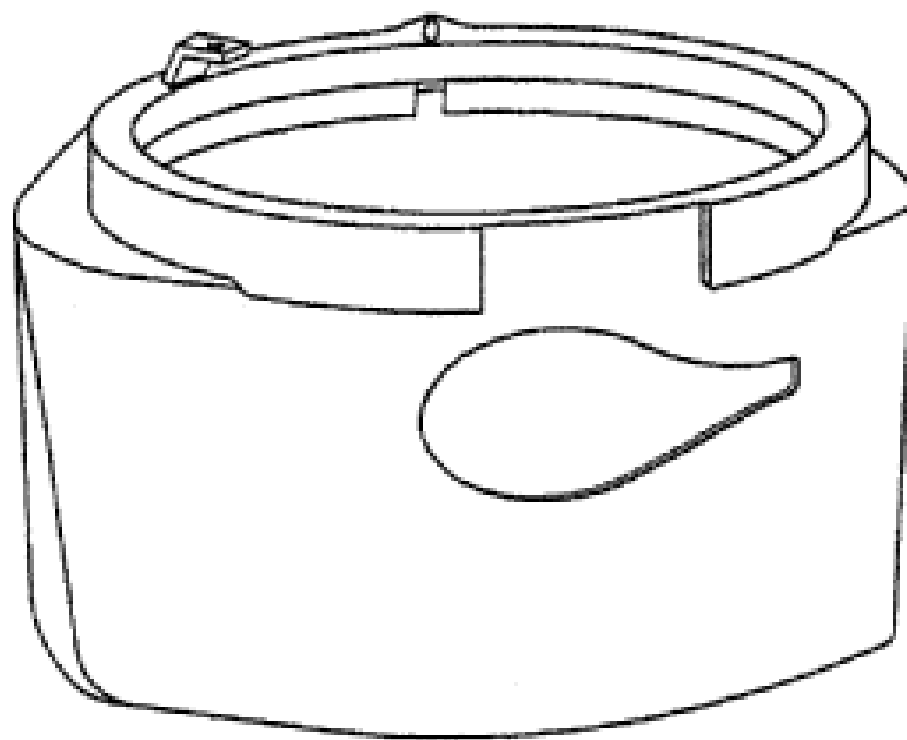
(21) Design Number: **20459/2007**  
 (22) Date of Filing Application: **26 October 2007**  
 (24) Date from which industrial property rights may have effect: **26 October 2007**  
 (54) Product in respect of which the design is registered: **Impeller**  
 (51) International Design Classification: **15-01, 15-02**  
 (71) Name(s) and Address(s) of Applicant(s):  
**ResMed Ltd**  
**1 Elizabeth Macarthur Drive Bella Vista New South Wales 2153**  
**Australia**  
 (72) Name(s) of Designer(s): **Barton John Kenyon and Nicholas Jerome Reed**  
**and Ian Malcolm Smith**  
 (45) Registration Date: **19 February 2008**  
 (30) Convention priority data:  
 (31) Number (32) Date (33) Country  
**29/274507 27 Apr 2007 UNITED STATES OF AMERICA**  
 (56) Related Art Documents: **Not Applicable**  
 (57) Statement of Newness and Distinctiveness: **Nil**



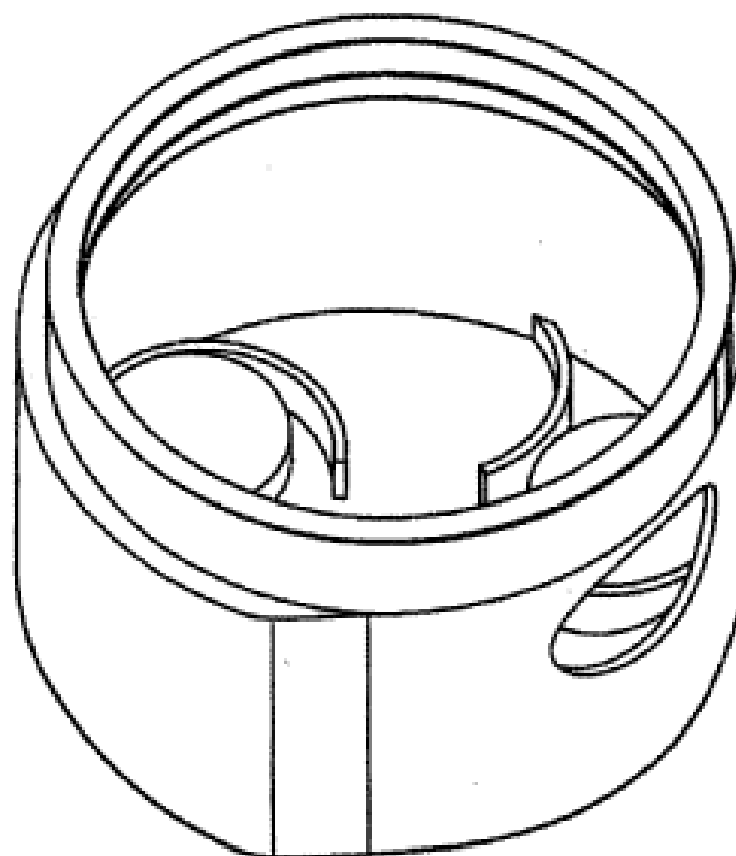
(21) Design Number: **20460/2007**  
 (22) Date of Filing Application: **26 October 2007**  
 (24) Date from which industrial property rights may have effect: **26 October 2007**  
 (54) Product in respect of which the design is registered: **Flexible motor sleeve**  
 (51) International Design Classification: **15-01**  
 (71) Name(s) and Address(s) of Applicant(s):  
**ResMed Ltd**  
**1 Elizabeth Macarthur Drive Bella Vista New South Wales 2153**  
**Australia**  
 (72) Name(s) of Designer(s): **Barton John Kenyon**  
 (45) Registration Date: **19 February 2008**  
 (30) Convention priority data:  
 (31) Number (32) Date (33) Country  
**29/274505 27 Apr 2007 UNITED STATES OF AMERICA**  
 (56) Related Art Documents: **Not Applicable**  
 (57) Statement of Newness and Distinctiveness: **Nil**



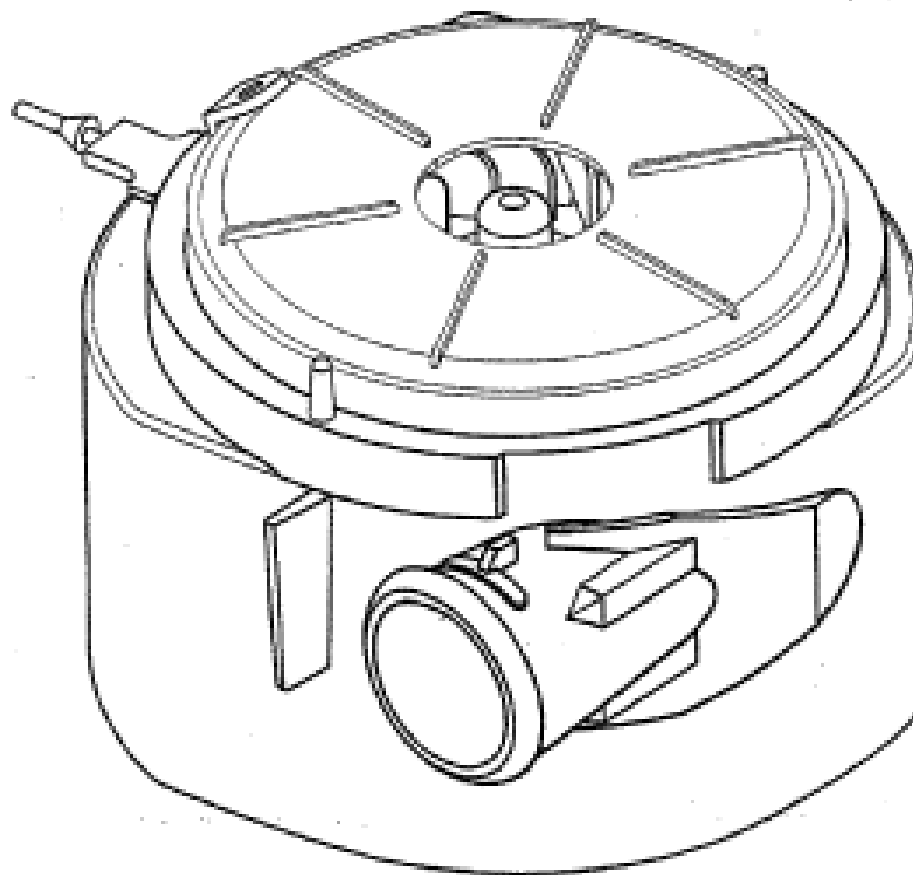
(21) Design Number: **20461/2007**  
 (22) Date of Filing Application: **26 October 2007**  
 (24) Date from which industrial property rights may have effect: **26 October 2007**  
 (54) Product in respect of which the design is registered: **Flexible motor sleeve**  
 (51) International Design Classification: **15-01**  
 (71) Name(s) and Address(s) of Applicant(s):  
**ResMed Ltd**  
**1 Elizabeth Macarthur Drive Bella Vista New South Wales 2153**  
**Australia**  
 (72) Name(s) of Designer(s): **Barton John Kenyon**  
 (45) Registration Date: **19 February 2008**  
 (30) Convention priority data:  
 (31) Number (32) Date (33) Country  
**29/274505 27 Apr 2007 UNITED STATES OF AMERICA**  
 (56) Related Art Documents: **Not Applicable**  
 (57) Statement of Newness and Distinctiveness: **Newness and distinctiveness is claimed in those visual features depicted in unbroken lines.**



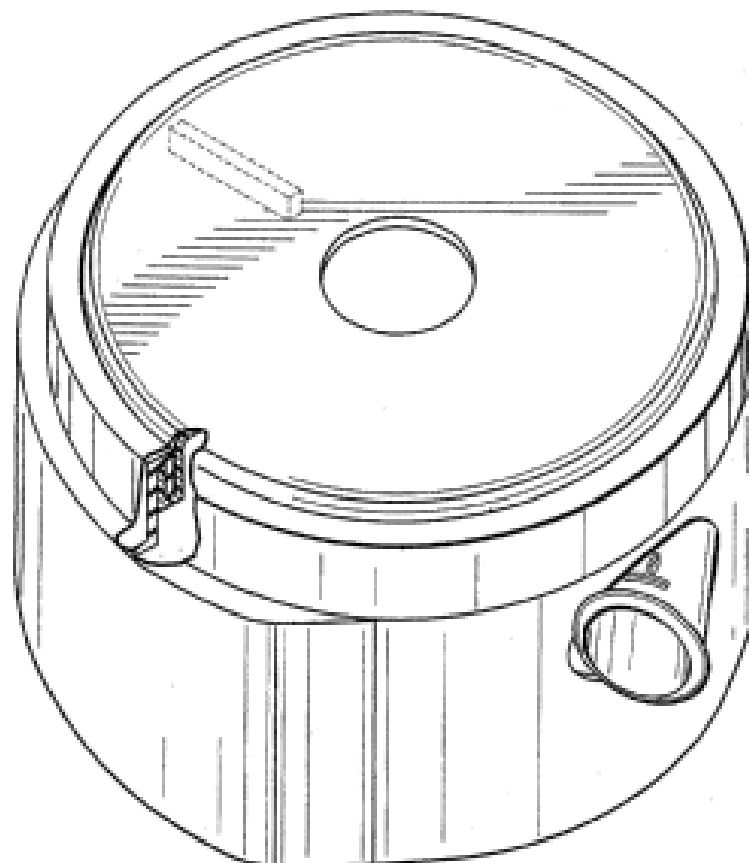
(21) Design Number: **20462/2007**  
 (22) Date of Filing Application: **26 October 2007**  
 (24) Date from which industrial property rights may have effect: **26 October 2007**  
 (54) Product in respect of which the design is registered: **Flexible motor sleeve**  
 (51) International Design Classification: **15-01**  
 (71) Name(s) and Address(s) of Applicant(s):  
**ResMed Ltd**  
**1 Elizabeth Macarthur Drive Bella Vista New South Wales 2153**  
**Australia**  
 (72) Name(s) of Designer(s): **Barton John Kenyon**  
 (45) Registration Date: **19 February 2008**  
 (30) Convention priority data:  
 (31) Number (32) Date (33) Country  
**29/274505 27 Apr 2007 UNITED STATES OF AMERICA**  
 (56) Related Art Documents: **Not Applicable**  
 (57) Statement of Newness and Distinctiveness: **Newness and distinctiveness is claimed in those visual features depicted in unbroken lines.**



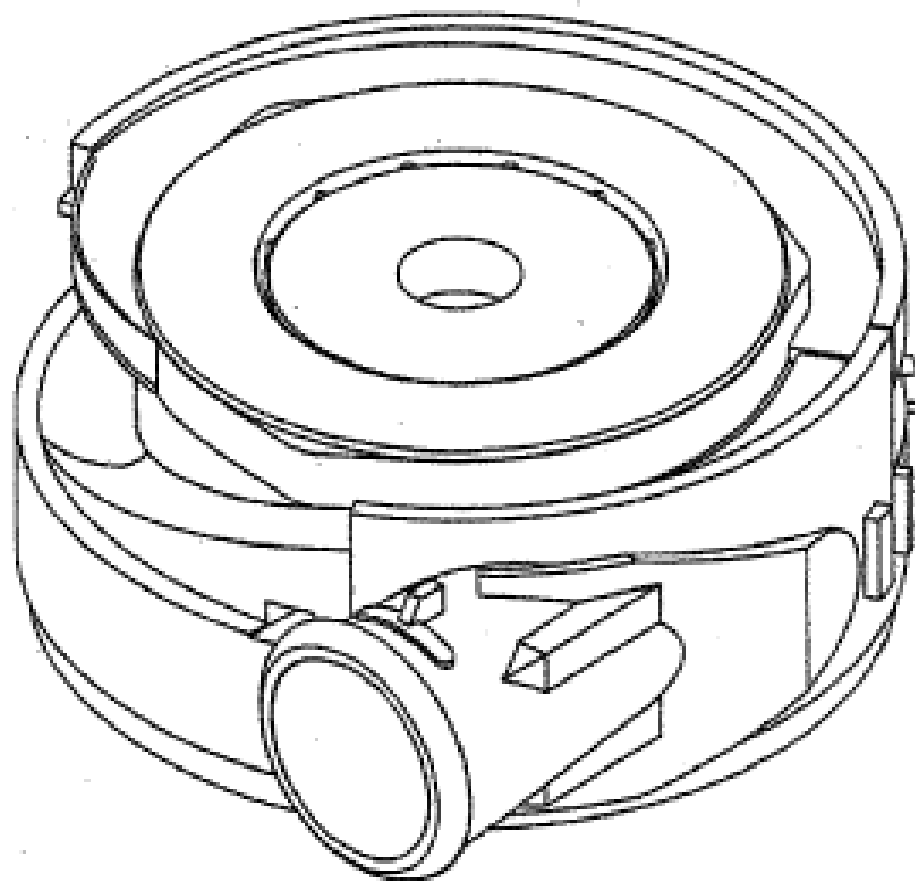
(21) Design Number: **20463/2007**  
 (22) Date of Filing Application: **26 October 2007**  
 (24) Date from which industrial property rights may have effect: **26 October 2007**  
 (54) Product in respect of which the design is registered: **Motor assembly**  
 (51) International Design Classification: **15-01**  
 (71) Name(s) and Address(s) of Applicant(s):  
**ResMed Ltd**  
**1 Elizabeth Macarthur Drive Bella Vista New South Wales 2153**  
**Australia**  
 (72) Name(s) of Designer(s): **Barton John Kenyon and David B. Sears and**  
**Michael Bruce Moir and Michael David Bednar**  
 (45) Registration Date: **19 February 2008**  
 (30) Convention priority data:  
 (31) Number (32) Date (33) Country  
**29/274506 27 Apr 2007 UNITED STATES OF AMERICA**  
 (56) Related Art Documents: **Not Applicable**  
 (57) Statement of Newness and Distinctiveness: **Nil**



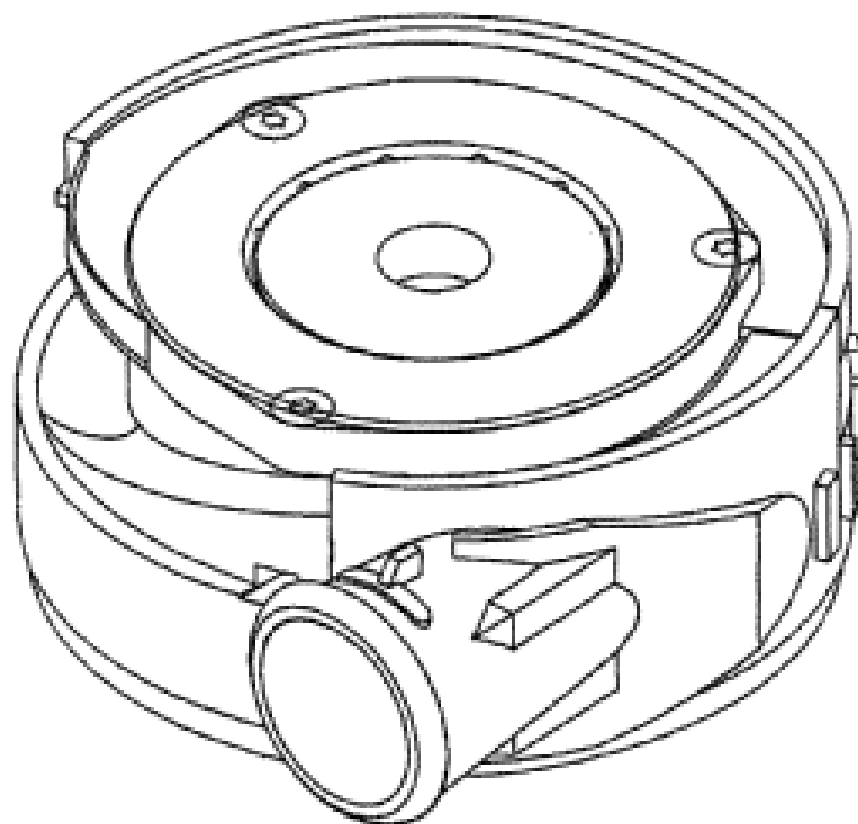
(21) Design Number: **20464/2007**  
 (22) Date of Filing Application: **26 October 2007**  
 (24) Date from which industrial property rights may have effect: **26 October 2007**  
 (54) Product in respect of which the design is registered: **Motor assembly**  
 (51) International Design Classification: **15-01**  
 (71) Name(s) and Address(s) of Applicant(s):  
**ResMed Ltd**  
**1 Elizabeth Macarthur Drive Bella Vista New South Wales 2153**  
**Australia**  
 (72) Name(s) of Designer(s): **Barton John Kenyon and David B. Sears and**  
**Michael Bruce Moir and Michael David Bednar**  
 (45) Registration Date: **19 February 2008**  
 (30) Convention priority data:  
 (31) Number (32) Date (33) Country  
**29/274506 27 Apr 2007 UNITED STATES OF AMERICA**  
 (56) Related Art Documents: **Not Applicable**  
 (57) Statement of Newness and Distinctiveness: **Nil**



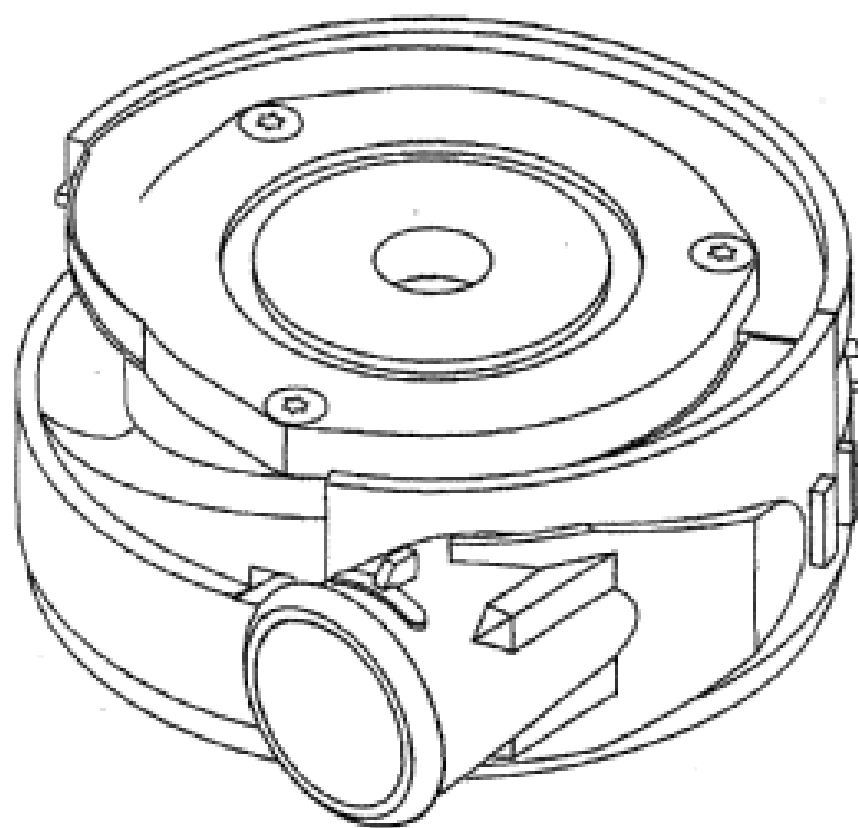
(21) Design Number: **20465/2007**  
(22) Date of Filing Application: **26 October 2007**  
(24) Date from which industrial property rights may have effect: **26 October 2007**  
(54) Product in respect of which the design is registered: **Motor housing**  
(51) International Design Classification: **15-01**  
(71) Name(s) and Address(s) of Applicant(s):  
**ResMed Ltd**  
**1 Elizabeth Macarthur Drive Bella Vista New South Wales 2153**  
**Australia**  
(72) Name(s) of Designer(s): **Barton John Kenyon and David B. Sears and**  
**Michael Bruce Moir and Michael David Bednar and Richard G. Krum**  
(45) Registration Date: **19 February 2008**  
(30) Convention priority data:  
(31) Number (32) Date (33) Country  
**29/274504 27 Apr 2007 UNITED STATES OF AMERICA**  
(56) Related Art Documents: **Not Applicable**  
(57) Statement of Newness and Distinctiveness: **Nil**



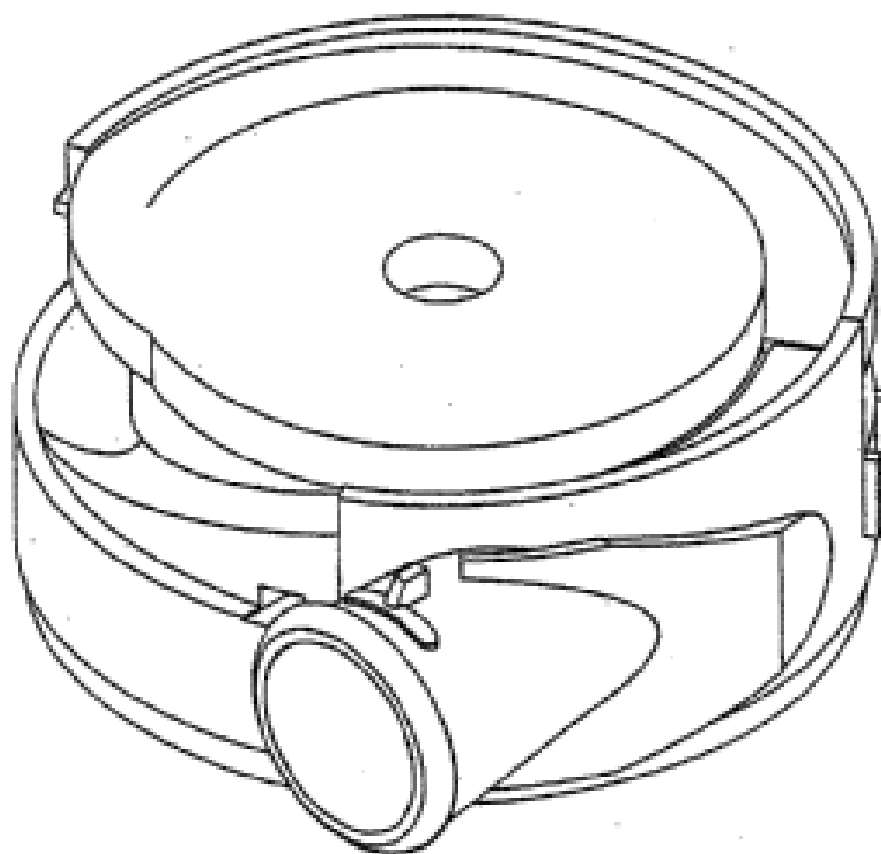
(21) Design Number: **20466/2007**  
(22) Date of Filing Application: **26 October 2007**  
(24) Date from which industrial property rights may have effect: **26 October 2007**  
(54) Product in respect of which the design is registered: **Motor housing**  
(51) International Design Classification: **15-01**  
(71) Name(s) and Address(s) of Applicant(s):  
**ResMed Ltd**  
**1 Elizabeth Macarthur Drive Bella Vista New South Wales 2153**  
**Australia**  
(72) Name(s) of Designer(s): **Barton John Kenyon and David B. Sears and**  
**Michael Bruce Moir and Michael David Bednar and Richard G. Krum**  
(45) Registration Date: **19 February 2008**  
(30) Convention priority data:  
(31) Number (32) Date (33) Country  
**29/274504 27 Apr 2007 UNITED STATES OF AMERICA**  
(56) Related Art Documents: **Not Applicable**  
(57) Statement of Newness and Distinctiveness: **Nil**



(21) Design Number: **20467/2007**  
(22) Date of Filing Application: **26 October 2007**  
(24) Date from which industrial property rights may have effect: **26 October 2007**  
(54) Product in respect of which the design is registered: **Motor housing**  
(51) International Design Classification: **15-01**  
(71) Name(s) and Address(s) of Applicant(s):  
**ResMed Ltd**  
**1 Elizabeth Macarthur Drive Bella Vista New South Wales 2153**  
**Australia**  
(72) Name(s) of Designer(s): **Barton John Kenyon and David B. Sears and**  
**Michael Bruce Moir and Michael David Bednar and Richard G. Krum**  
(45) Registration Date: **19 February 2008**  
(30) Convention priority data:  
(31) Number (32) Date (33) Country  
**29/274504 27 Apr 2007 UNITED STATES OF AMERICA**  
(56) Related Art Documents: **Not Applicable**  
(57) Statement of Newness and Distinctiveness: **Nil**

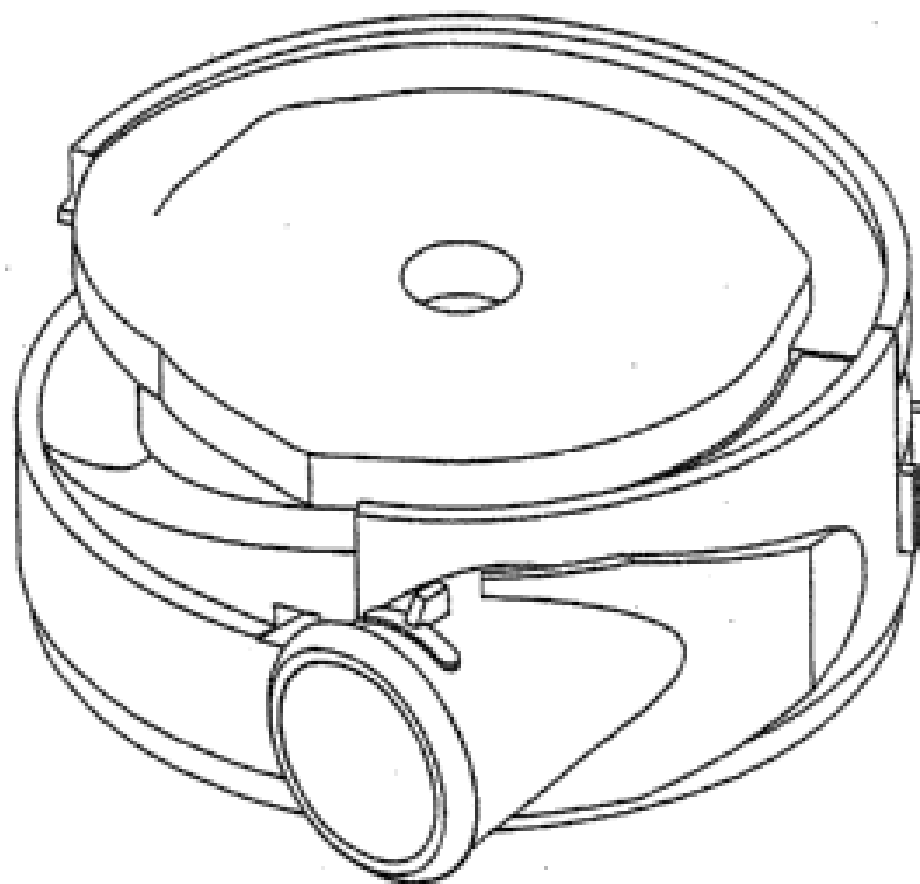


(21) Design Number: **20468/2007**  
(22) Date of Filing Application: **26 October 2007**  
(24) Date from which industrial property rights may have effect: **26 October 2007**  
(54) Product in respect of which the design is registered: **Motor housing**  
(51) International Design Classification: **15-01**  
(71) Name(s) and Address(s) of Applicant(s):  
**ResMed Ltd**  
**1 Elizabeth Macarthur Drive Bella Vista New South Wales 2153**  
**Australia**  
(72) Name(s) of Designer(s): **Barton John Kenyon and David B. Sears and**  
**Michael Bruce Moir and Michael David Bednar and Richard G. Krum**  
(45) Registration Date: **19 February 2008**  
(30) Convention priority data:  
(31) Number (32) Date (33) Country  
**29/274504 27 Apr 2007 UNITED STATES OF AMERICA**  
(56) Related Art Documents: **Not Applicable**  
(57) Statement of Newness and Distinctiveness: **Nil**



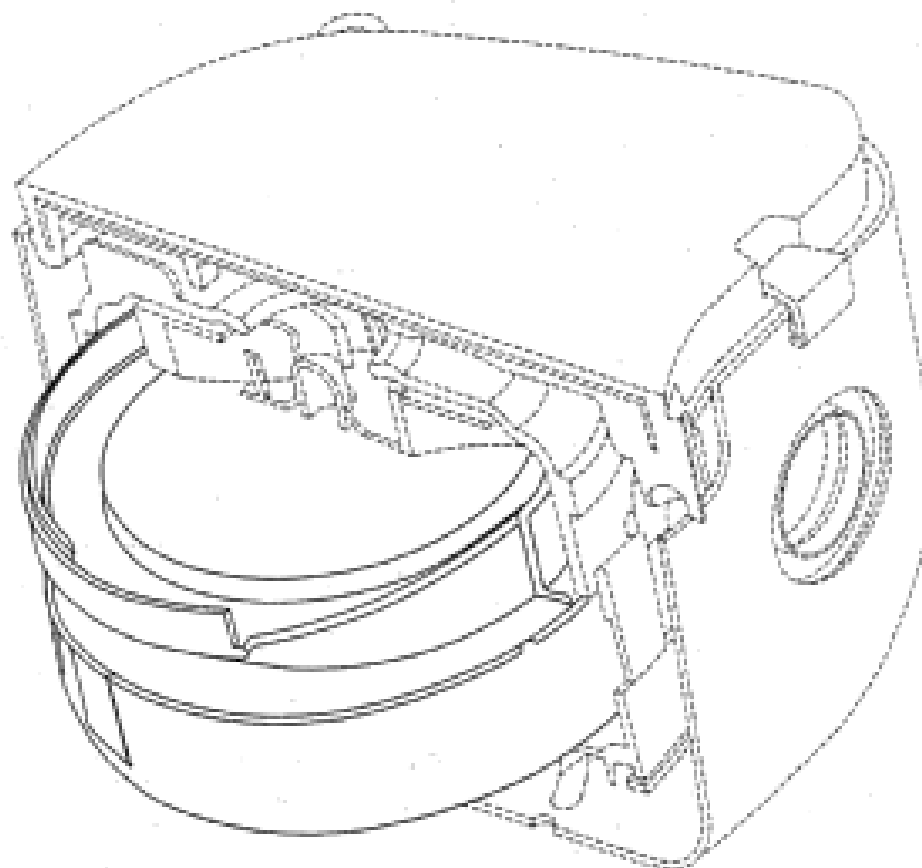
- (21) Design Number: **20469/2007**
- (22) Date of Filing Application: **26 October 2007**
- (24) Date from which industrial property rights may have effect: **26 October 2007**
- (54) Product in respect of which the design is registered: **Motor housing**
- (51) International Design Classification: **15-01**
- (71) Name(s) and Address(s) of Applicant(s):  
**ResMed Ltd**  
**1 Elizabeth Macarthur Drive Bella Vista New South Wales 2153**  
**Australia**
- (72) Name(s) of Designer(s): **Barton John Kenyon and David B. Sears and**  
**Michael Bruce Moir and Michael David Bednar and Richard G. Krum**
- (45) Registration Date: **19 February 2008**
- (30) Convention priority data:  

(31) Number	(32) Date	(33) Country
<b>29/274504</b>	<b>27 Apr 2007</b>	<b>UNITED STATES OF AMERICA</b>
- (56) Related Art Documents: **Not Applicable**
- (57) Statement of Newness and Distinctiveness: **Nil**



- (21) Design Number: **20470/2007**
- (22) Date of Filing Application: **26 October 2007**
- (24) Date from which industrial property rights may have effect: **26 October 2007**
- (54) Product in respect of which the design is registered: **Motor housing**
- (51) International Design Classification: **15-01**
- (71) Name(s) and Address(s) of Applicant(s):  
**ResMed Ltd**  
**1 Elizabeth Macarthur Drive Bella Vista New South Wales 2153**  
**Australia**
- (72) Name(s) of Designer(s): **Barton John Kenyon and David B. Sears and**  
**Michael Bruce Moir and Michael David Bednar and Richard G. Krum**
- (45) Registration Date: **19 February 2008**
- (30) Convention priority data:  

(31) Number	(32) Date	(33) Country
<b>29/274504</b>	<b>27 Apr 2007</b>	<b>UNITED STATES OF AMERICA</b>
- (56) Related Art Documents: **Not Applicable**
- (57) Statement of Newness and Distinctiveness: **Newness and distinctiveness is claimed in those visual features depicted in unbroken lines.**



- (21) Design Number: **20471/2007**  
(22) Date of Filing Application: **26 October 2007**  
(24) Date from which industrial property rights may have effect: **26 October 2007**  
(54) Product in respect of which the design is registered: **Motor housing**  
(51) International Design Classification: **15-01**  
(71) Name(s) and Address(s) of Applicant(s):  
**ResMed Ltd**  
**1 Elizabeth Macarthur Drive Bella Vista New South Wales 2153**  
**Australia**  
(72) Name(s) of Designer(s): **Barton John Kenyon and David B. Sears and**  
**Michael Bruce Moir and Michael David Bednar and Richard G. Krum**  
(45) Registration Date: **19 February 2008**  
(30) Convention priority data:  
(31) Number      (32) Date      (33) Country  
**29/274504      27 Apr 2007      UNITED STATES OF AMERICA**  
(56) Related Art Documents: **Not Applicable**  
(57) Statement of Newness and Distinctiveness: **Newness and distinctiveness is**  
**claimed in those visual features depicted in unbroken lines.**

