



Australian Government

IP Australia

AUSTRALIAN OFFICIAL JOURNAL

OF

DESIGNS

Did you know a searchable version of this journal is now available online?

It's FREE and EASY to SEARCH.

Find it at

<http://pericles.ipaustralia.gov.au/ols/epublish/content/olsEpublications.jsp>
or using the "Online Journals" link on the IP Australia home page.

This Page Left Intentionally Blank

Contents

General Information & Notices

**Proceedings Under the Designs Act 1906 preserved as a result of the provisions of Chapter 12
Part 2 of the Designs Act 2003**

Applications for Extension of Time	540
Extension of Period of Registration of Designs	540
Names Registered - Alterations and Amendments	541
Registrations Ceased	540
Subsequent Owners Registered	540

Proceedings Under the Designs Act 2003

Applications for Extension of Time Under Section 137	554
Applications Lapsed	553
Applications Lodged	545
Applications Withdrawn	552
Certificate of Examination	556
Corrigenda	555
Designs Refused	553
Extension of Time Granted Under Section 137	554
Publication and Registration Proceedings	
Designs Registered 318064 to 318316.....	557
Subsequent Owners Registered	554

This Page Left Intentionally Blank

For information on the following please see our website www.ipaustralia.gov.au or contact our Customer Service Network on 1300651010

[Editorial enquiries](#)

[Contact information](#)

[Freedom of Information ACT](#)

[Professional Standards Board](#)

[Sales](#)

[Requests for Information under Section 194 \(c\)](#)

[Country Codes](#)

[Trade Mark and Designs Hearing Sessions](#)

[INID \(Internationally agreed Numbers for the Identification of Data\)](#)

“INID” NUMBERS in use on Australian Design Documents

“INID” is an acronym for “Internationally agreed Numbers for the Identification of Data”.

(10) Data concerning the registration/renewal

- (11) Serial number of the registration and/or number of the design document
- (12) Plain language designation of the kind of published document
- (19) Identification, using the two-letter code according to WIPO Standard ST.3, of the authority publishing or registering the industrial design

(20) Data concerning the application

- (21) Serial number of the application
- (22) Date of filing of the application
- (24) Date from which the industrial design right has effect

(30) Data relating to priority under the Paris Convention

- (31) Serial number assigned to the priority application
- (32) Date of filing of the priority application
- (33) Two-letter code, according to WIPO Standard ST.3, identifying the authority with which the priority application was made

(40) Date(s) of making information available to the public

- (45) Date of publication of the registered industrial design by printing or similar process, or making it available to the public by any other means

(50) Miscellaneous Information

- (51) International Classification for Industrial Designs (class and subclass of the Locarno Classification)
- (54) Designation of article(s) or product(s) covered by the industrial design or title of the industrial design
- (55) Reproduction of the industrial design (e.g., drawing, photograph) and explanations relating to the reproduction
- (56) List of prior art documents, if separate from descriptive text
- (57) Description of characteristic features of the industrial design including indication of colours

(60) References to other legally related application(s) and registration(s)

- (62) Serial number(s) and, if available, filing date(s) of application(s), registration(s) or document(s) related by division
- (66) Serial number(s) of the application, or the registration, of the design(s) which is (are) a variant(s) of the present one

(70) Identification of parties concerned with the application or registration

- (71) Name(s) and address(es) of the applicant(s)
- (72) Name(s) of the creator(s) if known to be such
- (74) Name(s) and address(es) of the representative(s)

This Page Left Intentionally Blank

This Page Left Intentionally Blank

Proceedings under the Designs Act 1906 preserved as a result of the provisions of Chapter 12 Part 2 of the Designs Act 2003.

This Page Left Intentionally Blank

Applications Lapsed

There were no Applications Lapsed under this section

Extension of Period of Registration of Designs

2nd Period (Section 27A(12))

147409	147550	147589
147590	147931	147932
147979	147980	147981
147982	147983	148111
148112	148113	148267
148269	148270	148271
148290	148298	148301
148333	148381	148387
148390	148397	148527
148575	148615	148692
148693	148789	148926
148971	148972	149077
149145	149146	149168
149231	149382	149480
149633	149654	149655
149739	149931	149932
150024	150106	150157
150335	150336	150337
150670	150813	150815
150841	151076	151077
151078	151079	151080
151081	151167	151354
151355	151577	152005
152131	152132	152133
152134	152135	152136
152137	152219	152439
154006	154604	154605

3rd Period (Section 27A(13))

129683	130131	130338
130845	131029	131030
131031	131032	131033
131034	131206	131275
131303	131369	131373
131388	131405	131437
131443	131444	131445
131446	131447	131448
131452	131639	131709
131792	131860	132085
132518	132519	132669
132999	133265	133266
133271	133273	134126
134250	134440	134887
135086	135735	135954
136041	136417	136865
138317	140029	140030
141012		

Registrations Ceased

Note: Some of the following Registrations may have been previously advertised as ceased. In this instance, the

previous advertisement still prevails.

115091	115092	115093
115124	115127	115128
115151	115163	115165
115251	115282	115317
115583	115629	115725
115861	116173	116386
116870	116871	117350
117789	118972	127966
128284	129749	129769
129770	129771	129785
129786	129833	129834
129836	129867	129943
130487	130488	130489
130490	131287	131332
131573	131790	132038
132268	132278	132636
132696	133563	133900
133901	134500	134684
134685	134686	134687
134723	137393	137394
137395	137396	145278
145279	145806	146250
146252	146253	146256
146257	146258	146259
146262	146263	146265
146270	146358	146363
146415	146416	146417
146423	146470	146471
146472	146473	146525
146526	146527	146528
146580	146583	146740
146741	146781	146783
146932	146969	146970
146971	147034	147282
147368	147369	147604
148642	148643	149033
149429	150752	

Applications for Extension of time

Applications for extension of time have been lodged. Objections must be lodged within 1 month from the date of this journal.

140880 **Col-Ven S.A.** Extension of time to extend a registration. Address for Service: Col-Ven S.A. Gral. Pacheco 231 Martinez BUENOS AIRES 1640 ARGENTINA

Subsequent Owners Registered

(The name in parentheses is that of the subsequent owner)

150487	(Namdin Holdings Pty Ltd) Workplace Supplies Licensing Pty Ltd
138478	(Standard Bank Asia Limited) Mustang Marine International Pty Ltd
157078	(Standard Bank Asia Limited) Mustang Marine International Pty Ltd

Subsequent Owners Registered

- 148597 **(Standard Bank Asia Limited)** Mustang Marine International Pty Ltd
- 142864 **(Standard Bank Asia Limited)** Mustang Marine International Pty Ltd
- 152489 **(Standard Bank Asia Limited)** Mustang Marine International Pty Ltd

Names Registered - Alterations and Amendments

(The name in parentheses is the new name of the proprietor)

- 148269 **(Clipsal Australia Pty Ltd)** Gerard Industries Pty Ltd
- 148270 **(Clipsal Australia Pty Ltd)** Gerard Industries Pty Ltd
- 148271 **(Clipsal Australia Pty Ltd)** Gerard Industries Pty Ltd

This Page Left Intentionally Blank

Proceedings under the Designs Act 2003.

This Page Left Intentionally Blank

Applications Lodged

Lodgement information is in the following order: **Applicant's Name**; International Classification, Name of Product, Lodgement Date and **Design Number**. If the applicant claims an earlier priority date under an International Convention, the Convention Country and the associated filing date are shown in parentheses before the Lodgement Date. Divisional information will also appear in parentheses before the Lodgement Date.

van Vliet, Gerald; 25-01K, Panel supporting element, (NZ, 03 Aug 2007) 04 Feb 2008	10543/2008	Angelovski, Steven; 15-01, The Nissan Rb30 series of petrol engine, 19 Feb 2008	10764/2008
A.G. Pulie Pty Ltd; 29-02, Protective cage, 12 Feb 2008	10609/2008	Angelovski, Steven; 15-01, The GM, alloytec V6 series of petrol engine, as found in VZ-onwards range of commondores, 19 Feb 2008	10765/2008
Action Japan Inc.; 30-04, Horse stirrup, (EM, 23 Aug 2007) 07 Feb 2008	10547/2008	Angelovski, Steven; 15-01, The Ford EF - BF series 6 cylinder petrol engines, 19 Feb 2008	10766/2008
Agabow Pty Ltd, Trading as Central Tablelands Commercial Industries; 23-02B, Toilet - shower partitioning, 06 Feb 2008	10496/2008	Bellnet Pty Ltd; 15-01, Otr growler, 18 Feb 2008	10740/2008
Aktiebolaget Electrolux; 07-06NES, 06-04NES, A bottle holder and components, 08 Feb 2008	10571/2008	Black & Decker Inc.; 15-05, Hand-held vacuum cleaner, (EM, 13 Aug 2007) 11 Feb 2008	10586/2008
All Pro Group NT Pty Ltd; 25-01K, An extrusion (case 2), 18 Feb 2008	10700/2008	Black & Decker, Inc.; 08-05N, A belt sander, (US, 23 Aug 2007) 07 Feb 2008	10548/2008
All Pro Group NT Pty Ltd; 25-01K, An extrusion (case 1), 18 Feb 2008	10744/2008	Black & Decker, Inc.; 08-05N, A belt sander, (US, 23 Aug 2007) 07 Feb 2008	10549/2008
All Pro Group NT Pty Ltd; 25-01K, An extrusion (case 3), 18 Feb 2008	10701/2008	Bosshard Pty Ltd; 99-00, Control box, 05 Feb 2008	10513/2008
All Pro Group NT Pty Ltd; 25-01K, An extrusion (case 4), 18 Feb 2008	10702/2008	Boud, Ian; Popenhagen, Murray; Mataric, Robert; 12-16B, A modular canopy consisting of several canopy components for all brands of utility service vehicles (UTE's) in the, automotive service industry, 15 Feb 2008	10661/2008
All Pro Group NT Pty Ltd; 25-01K, An extrusion (case 5), 18 Feb 2008	10703/2008	Bryne, Dorothy Rose; 99-00, , 19 Feb 2008	10760/2008
All Pro Group NT Pty Ltd; 25-01K, An extrusion (case 6), 18 Feb 2008	10704/2008	BISSELL Homecare, Inc.; 09-01K, Bottle, (US, 22 Aug 2007) 13 Feb 2008	10631/2008
All Pro Group NT Pty Ltd; 25-01K, An extrusion (case 7), 18 Feb 2008	10705/2008	B2B Fintech Ltd; 25-02C, Balustrade; Handrail support bracket and handrail, 18 Feb 2008	10665/2008
All Pro Group NT Pty Ltd; 25-01K, An extrusion (case 8), 18 Feb 2008	10706/2008	B2B Fintech Ltd; 25-02C, Balustrade; handrail support bracket and handrail, 18 Feb 2008	10666/2008
Alpha Archaeology Pty Ltd; 12-99, Mechanical sieve, 13 Feb 2008	10607/2008	B2B Fintech Ltd; 25-02C, Balustrade; handrail support bracket and handrail, 18 Feb 2008	10667/2008
Alver Pty Ltd; 23-03A, 23-04, Lighting, heating and venting unit, 15 Feb 2008	10691/2008	Calderwood, James A.; 08-03, A ripper tooth including a wide head insert, 04 Feb 2008	10487/2008
Alver Pty Ltd; 23-03A, 23-04, Lighting, heating and venting unit, 15 Feb 2008	10692/2008	Camara Clothing trading as Bardot; 02-02C, Straight leg denim jean with scratches and whiskers - light wash, 13 Feb 2008	10587/2008
Angelovski, Steven; 15-01, The nissan RB24 series of petrol engine, 19 Feb 2008	10761/2008	Camara Clothing trading as Bardot; 02-02C, Straight leg denim jean with sand blasting - dark wash, 13 Feb 2008	10588/2008
Angelovski, Steven; 15-01, The GM, L67 V6 series of petrol engine, as found in factory supercharged Holden V6's, 19 Feb 2008	10762/2008		
Angelovski, Steven; 15-01, The Holden V6 ecotec series of petrol engine., 19 Feb 2008	10763/2008		

Camara Clothing trading as Bardot; 02-02C, Boot leg denim jean with sand blasting at the back pocket and thigh - mid wash, 13 Feb 2008	10589/2008	Camec Pty Ltd; 08-06, Hinge component, 13 Feb 2008	10634/2008
Camara Clothing trading as Bardot; 02-02C, Bootleg denim jean with sand blasting at the thigh and back pocket - dark wash, 13 Feb 2008	10590/2008	Camec Pty Ltd; 25-02B, Dual door assembly, 13 Feb 2008	10635/2008
Camara Clothing trading as Bardot; 02-02C, Tapered leg denim jean with sand blasting grinding and scratches - dark blue wash, 13 Feb 2008	10591/2008	Camec Pty Ltd; 25-02B, Door, 13 Feb 2008	10636/2008
Camara Clothing trading as Bardot; 02-02C, Tapered leg denim jean with sandblasting whiskers and scratches, 13 Feb 2008	10592/2008	Camec Pty Ltd; 25-02B, Dual door assembly, 13 Feb 2008	10637/2008
Camara Clothing trading as Bardot; 02-02C, Tapered leg black denim jean with sand blasting and whiskers, 13 Feb 2008	10593/2008	Camec Pty Ltd; 25-02B, Door, 13 Feb 2008	10638/2008
Camara Clothing trading as Bardot; 02-02C, Straight leg denim jean with crystal transfer, sand blasting and whiskers - dark wash, 13 Feb 2008	10594/2008	Camec Pty Ltd; 25-02B, Dual door assembly, 13 Feb 2008	10639/2008
Camara Clothing trading as Bardot; 02-02C, Tapered leg and high waisted denim jean with sand blasting whiskers - dark wash, 13 Feb 2008	10595/2008	Camec Pty Ltd; 25-02B, Door, 13 Feb 2008	10640/2008
Camara Clothing trading as Bardot; 02-02C, Tapered leg denim jean with sand blasting whiskers and gold stitch "cc" pockets - dark wash, 13 Feb 2008	10596/2008	Carl Manufacturing Co., Ltd.; 19-99, Craft punch, (JP, 06 Aug 2007) 05 Feb 2008	10509/2008
Camara Clothing trading as Bardot; 02-02C, Straight leg denim jean with a rinse wash - raw denim, 13 Feb 2008	10597/2008	Carl Manufacturing Co., Ltd.; 19-99, Craft punch, (JP, 06 Aug 2007) 05 Feb 2008	10510/2008
Camara Clothing trading as Bardot; 02-02C, Tapered leg denim jean with sand blasting and grinding at front pocket/hem - dark wash, 13 Feb 2008	10598/2008	Caterpillar Inc.; 14-04, Display screen, (US, 30 Oct 2007) 12 Feb 2008	10613/2008
Camara Clothing trading as Bardot; 02-02C, Tapered leg denim jean with sandblasting, creases, scratching and grinding -laser wash, 13 Feb 2008	10599/2008	Caterpillar Inc.; 14-04, Display Screen, (US, 30 Oct 2007) 12 Feb 2008	10614/2008
Camara Clothing trading as Bardot; 02-02C, Bootleg denim jean with sandblasting, whiskers and gold thread pocket design, 13 Feb 2008	10600/2008	Caterpillar Inc.; 14-04, Display screen, (US, 30 Oct 2007) 12 Feb 2008	10612/2008
Camara Clothing trading as Bardot; 02-02C, Flannel check zip front dress, 13 Feb 2008	10601/2008	Caterpillar Technologies Singapore Pte. Ltd.; 15-04, Wheel loader, (CN, 16 Aug 2007) 15 Feb 2008	10695/2008
Camara Clothing trading as Bardot; 02-02NES, Stud front hooded fleece jacket, 13 Feb 2008	10602/2008	Caterpillar Technologies Singapore Pte. Ltd.; 15-04, Wheel loader, (CN, 16 Aug 2007) 15 Feb 2008	10696/2008
Camara Clothing trading as Bardot; 02-02C, Hooded zip front dress, 13 Feb 2008	10603/2008	Channel Panel Pty Ltd; 25-01K, Single sided modular display wall extruded aluminium profile, 12 Feb 2008	10577/2008
Camara Clothing trading as Bardot; 02-02NES, Stud front, double breasted fleece jacket, 13 Feb 2008	10604/2008	Chiang, Herman; 16-06, 21-02D, Swimming goggles, 08 Feb 2008	10769/2008
Camec Pty Ltd; 25-01K, Door frame extrusion, 13 Feb 2008	10633/2008	Claber S.p.A.; 23-01D, Watering pistol for gardening, 07 Feb 2008	10560/2008
		Claber S.p.A.; 23-01C, Hose fitting, 07 Feb 2008	10559/2008
		Coca-Cola Company, The; 09-01K, Bottle, (EM, 07 Sep 2007) 11 Feb 2008	10585/2008
		Commercial Teccia S.A.; 23-03NES, Column for displaying uv information, (CL, 17 Aug 2007) 18 Feb 2008	10729/2008
		Commercial Teccia S.A.; 23-03NES, Column for displaying uv information, (CL, 17 Aug 2007) 18 Feb 2008	10730/2008

Commercial Teccia S.A.; 23-03NES, Device for displaying uv information, (CL, 17 Aug 2007) 18 Feb 2008	10731/2008	Dunn, Marty Heath; 99-00, The website is the product. The website is a "home channel" world internet directory, 11 Feb 2008	10569/2008
Conrad, Suellen; Conrad, Glen; 03-03, Footings, pole designs and canopy, portability and held in place by weight, 27 Feb 2008	10361/2008	Dunn, Marty Heath; 99-00, The website is the product. It is a world wide Internet Directory and media channel, 11 Feb 2008	10570/2008
Conrad, Glen; Conrad, Suellen; 03-03, Footings, pole designs and canopy, portability and held in place by weight, 27 Feb 2008	10361/2008	E.D. Oates Pty Ltd; 07-05E, Dustpan, 07 Feb 2008	10550/2008
CQMS Pty Ltd; 08-07, A shackle, 08 Feb 2008	10565/2008	E.D. Oates Pty Ltd; 07-05E, Dustpan, 07 Feb 2008	10551/2008
D & D Group Pty Ltd; 08-07, Dropbolt, 05 Feb 2008	10514/2008	E.D. Oates Pty Ltd; 07-05E, Dustpan, 07 Feb 2008	10552/2008
D & D Group Pty Ltd; 08-06, Hinge, 05 Feb 2008	10515/2008	Egan, Kenneth John; 23-03E, Slow combustion wood heater, 12 Feb 2008	10621/2008
D & D Group Pty Ltd; 08-06, Hinge, 05 Feb 2008	10516/2008	Ekornes ASA; 06-03B, Table, (NO, 19 Oct 2007) 12 Feb 2008	10622/2008
D & D Group Pty Ltd; 08-07, Toggle latch, 05 Feb 2008	10517/2008	Ekornes ASA; 06-03B, Table, (NO, 19 Oct 2007) 12 Feb 2008	10623/2008
D & D Group Pty Ltd; 08-06, Hinge, 05 Feb 2008	10518/2008	EnterMo Limited; 14-99, Handheld computer case, 18 Feb 2008	10712/2008
D & D Group Pty Ltd; 08-06, Hinge, 05 Feb 2008	10519/2008	Everpads Co., Ltd.; 08-03, Chisel holder, 18 Feb 2008	10716/2008
D & D Group Pty Ltd; 08-06, Hinge, 05 Feb 2008	10520/2008	ELC Management LLC; 09-03L, Container, (US, 18 Oct 2007) 07 Feb 2008	10553/2008
Daikin Industries Ltd.; 23-04, Air-conditioner, 19 Feb 2008	10767/2008	ELC Management LLC; 28-02, Lipstick case, (US, 18 Oct 2007) 07 Feb 2008	10554/2008
Dale, Andrea; 02-02B, Knee and elbow protection garment, 08 Feb 2008	10566/2008	ELC Management LLC; 28-02, Compact, (US, 18 Oct 2007) 07 Feb 2008	10555/2008
Dalex Products Pty Ltd; 12-05, A cover for a winch with a removable side wall, 08 Feb 2008	10568/2008	Fiona Holdings Pty Ltd; 02-02C, 02-02NES, , 14 Feb 2008	10660/2008
Davidda Pty Ltd; 02-04C, Sock, 07 Feb 2008	10561/2008	Ford, Tom; Ford, Dan; 07-06D, Bottle opener, 27 Feb 2008	10915/2008
Davidda Pty Ltd; 02-04C, Sock, 07 Feb 2008	10562/2008	Ford, Dan; Ford, Tom; 07-06D, Bottle opener, 27 Feb 2008	10915/2008
Davidson, Andrew David; 07-02A, A wood oven, 04 Feb 2008	10488/2008	Fraisbon Foods Limited; 09-03M, A set of partitionable or partitioned liddable or lidded containers, (NZ, 15 Aug 2007) 11 Feb 2008	10572/2008
Davidson, Andrew David; 07-02A, A wood oven, 04 Feb 2008	10489/2008	Fraisbon Foods Limited; 09-03M, A set of partitionable or partitioned liddable or lidded containers, (NZ, 15 Aug 2007) 11 Feb 2008	10573/2008
Denmeade, Lindy; 06-06F, Bed, 11 Feb 2008	10576/2008	Fraisbon Foods Limited; 09-03NES, A set of partitionable or partitioned liddable or lidded containers, (NZ, 15 Aug 2007) 11 Feb 2008	10574/2008
Dexion (Australia) Pty Limited; 08-08L, Clip, 12 Feb 2008	10624/2008	Fraisbon Foods Limited; 09-03NES, A set of partitionable or partitioned liddable or lidded containers, (NZ, 15 Aug 2007) 11 Feb 2008	10575/2008
Dias Aluminium Products Pty. Ltd.; 08-08NES, Shower enclosure door end cap/door stop, 07 Feb 2008	10738/2008		
Dogan, Cigdem; 02-04NES, Footsea (soul design), 11 Feb 2008	10578/2008		
Droomer, Jack McKenzie; 25-02A, Column support, 12 Feb 2008	10615/2008		
Duff, Simon; 26-05B, Mushroom lamp, 19 Feb 2008	10743/2008		

Framelock Structures Pty Ltd; 25-02NES, Side element assembly for platform, 11 Feb 2008	10579/2008	Honda Motor Co., Ltd.; 26-06, A front combination lamp for an automobile, (JP, 22 Aug 2007) 13 Feb 2008	10645/2008
Framelock Structures Pty Ltd; 06-03C, Detachable counter, 11 Feb 2008	10580/2008	Hsu, Kuei-chih; 23-04, Electric fan, (HK, 29 Jan 2008) 05 Feb 2008	10500/2008
Framelock Structures Pty Ltd; 25-02C, 25-02NES, Barrier extension, 11 Feb 2008	10581/2008	Hunter Douglas Inc.; 25-01K, Headrail for architectural coverings, (US, 16 Aug 2007) 15 Feb 2008	10686/2008
Framelock Structures Pty Ltd; 25-02C, 25-02NES, Barrier assembly, 11 Feb 2008	10582/2008	J.H. Stephenson & Son Pty Limited; 08-08L, Purlin bridge bracket, 26 Feb 2008	10360/2008
Framelock Structures Pty Ltd; 25-01K, Metal section, 11 Feb 2008	10583/2008	Jeyes Group Limited; 28-99, Air freshener refill, 05 Feb 2008	10511/2008
Framelock Structures Pty Ltd; 25-02C, 25-02NES, Barrier corner assembly, 11 Feb 2008	10584/2008	Jeyes Group Limited; 28-99, Air freshener, 05 Feb 2008	10512/2008
Fujitsu General Limited; 23-04, Air conditioner, (JP, 07 Oct 2007) 15 Feb 2008	10672/2008	Jorgenson-Watts Pty Ltd; 25-02B, 25-02H, Door/window frame, 08 Feb 2008	10567/2008
Globe International Nominees Pty Ltd; 02-04B, Shoe sole, 15 Feb 2008	10694/2008	Jorgenson-Watts Pty Ltd; 25-02B, 25-02H, Door/window frame, 11 Feb 2008	10611/2008
GM Global Technology Operations, Inc.; 12-16A, Vehicle wheel, 06 Feb 2008	10532/2008	Keating, Geoffrey Francis; 06-03B, 06-04NES, Table, shelf, display unit, 08 Jun 2007	21585/2007
GM Global Technology Operations, Inc.; 12-16A, Vehicle wheel, 06 Feb 2008	10531/2008	Keating, Geoffrey Francis; 06-03B, 06-04NES, Table, shelf, display unit, 08 Jun 2007	21586/2007
GMCA Pty Ltd; 08-05N, Sander power tool, (GB, 22 Dec 2007) 06 Feb 2008	10530/2008	Keating, Geoffrey Francis; 06-03B, 06-04NES, Table, shelf, display unit, 08 Jun 2007	21587/2007
GMCA Pty Ltd; 08-05N, Sander power tool, (GB, 22 Dec 2007) 06 Feb 2008	10529/2008	Keating, Geoffrey Francis; 06-03B, 06-04NES, Table, display unit, shelf, 11 Sep 2007	10749/2008
GWR Pty Ltd, trading as Uniquip Industries; 13-03D, Switch and socket, 08 Feb 2008	10544/2008	Keating, Geoffrey Francis; 06-03B, 06-04NES, Table, shelf, display unit, 11 Sep 2007	10750/2008
GWR Pty Ltd, trading as Uniquip Industries; 13-03D, Switch, 08 Feb 2008	10545/2008	Keren-Black, Jonathan; 23-01G, Rainwater first flush diverter, 19 Feb 2008	10742/2008
GWR Pty Ltd, trading as Uniquip Industries; 13-03D, Socket, 08 Feb 2008	10546/2008	Kolex Pty Limited, as trustee for the Kolex Discretionary Trust; 13-03D, Mounting panel, 06 Feb 2008	10533/2008
Hermans, Ty Gerard; 25-02A, Plinth, 13 Feb 2008	10630/2008	Koninklijke Philips Electronics N.V.; Swarovski Akiengesellschaft; 09-05, Packaging for a USB stick, (EM, 31 Aug 2007) 19 Feb 2008	10757/2008
Hewson, Kate; 03-01A, Bag, 07 Feb 2008	10556/2008	Koninklijke Philips Electronics N.V.; 14-03NES, Parent unit for babyphone, (EM, 21 Aug 2007) 06 Feb 2008	10524/2008
Holtom, Shaye; 08-08NES, Tomato frame/cage - vegetable frame/cage - plant frame/cage, 19 Feb 2008	10741/2008	Koninklijke Philips Electronics N.V.; 14-03NES, Baby unit for babyphone, (EM, 21 Aug 2007) 06 Feb 2008	10525/2008
Honda Motor Co., Ltd.; 12-11, A motor scooter, (JP, 15 Aug 2007) 14 Feb 2008	10655/2008	Koninklijke Philips Electronics N.V.; 14-03NES, Parent unit for babyphone, (EM, 21 Aug 2007) 06 Feb 2008	10526/2008
Honda Motor Co., Ltd.; 26-06, A rear combination lamp for an automobile, (JP, 22 Aug 2007) 14 Feb 2008	10657/2008	Koninklijke Philips Electronics N.V.; 14-03NES, Baby unit for babyphone, (EM, 21 Aug 2007) 06 Feb 2008	10523/2008
Honda Motor Co., Ltd.; 26-06, A rear combination lamp for an automobile, (JP, 22 Aug 2007) 13 Feb 2008	10643/2008		
Honda Motor Co., Ltd.; 12-08, An automobile, (JP, 22 Aug 2007) 13 Feb 2008	10644/2008		

Korea Alphaline Co. Ltd; 07-01NES, Food storage container, (KR, 21 Sep 2007) 19 Feb 2008	10751/2008	Mearcat Auto Accessories; 12-16NES, Instrument/automotive gauge pod/holder, 19 Feb 2008	10707/2008
Korea Alphaline Co. Ltd; 07-01NES, Food storage container, (KR, 05 Oct 2007) 19 Feb 2008	10752/2008	Mearcat Auto Accessories; 12-16NES, Instrument/automotive gauge pod/holder, 19 Feb 2008	10708/2008
Kraft Foods Holdings, Inc.; 09-01NES, 09-03NES, Container, (US, 15 Aug 2007) 06 Feb 2008	10527/2008	Mearcat Auto Accessories; 12-16NES, Instrument/automotive gauge/holder, 19 Feb 2008	10709/2008
Kraft Foods Holdings, Inc.; 09-01NES, Container, (US, 15 Aug 2007) 06 Feb 2008	10528/2008	Middleton, Garth Felix; 07-06A, A holder for a liquid filled beverage carton, (ZA, 15 Aug 2007) 14 Feb 2008	10656/2008
Laird, Jeffrey Kenneth; 12-10, Luggage trailer, 14 Feb 2008	10654/2008	Mitsubishi Electronic Corporation; 15-05, 28-03NES, Hand dryer, (JP, 20 Aug 2007) 19 Feb 2008	10754/2008
Lee, Seo Ryung; 06-09, Cushion, 13 Feb 2008	10641/2008	Mohawk International Pty Ltd; 21-02D, 09-03NES, 08-99, Surfboard wax container, 27 Feb 2008	10920/2008
Lolitta Clothing Pty Ltd; 02-02C, , 12 Feb 2008	10618/2008	Multisteps Pty Ltd; 09-03F, A produce container, 19 Feb 2008	10755/2008
Lolitta Clothing Pty Ltd; 02-02C, 02-02NES, , 12 Feb 2008	10619/2008	Multisteps Pty Ltd; 09-03F, A produce container, 19 Feb 2008	10756/2008
Lolitta Clothing Pty Ltd; 02-02C, 02-02NES, , 12 Feb 2008	10620/2008	Nathan, Scott; 26-99, Light hatch, 05 Feb 2008	10499/2008
Lolitta Clothing Pty Ltd; 02-02C, 02-02NES, , 12 Feb 2008	10616/2008	National Ergonomics Pty. Ltd.; 06-06G, Chairs, 06 Feb 2008	10490/2008
Lolitta Clothing Pty Ltd; 02-02NES, , 12 Feb 2008	10617/2008	Newbill, Anthony James; 12-16NES, Spare tyre carrier assembly, (US, 20 Sep 2007) 08 Feb 2008	10564/2008
Louver-Life Limited; 25-01K, Extrusion, (EM, 20 Nov 2007) 13 Feb 2008	10606/2008	Nique Enterprises Pty Ltd; 06-01F, Wicker chair, 14 Feb 2008	10650/2008
LG Electronics, Inc.; 14-03E, Cellular phone, (KR, 16 Aug 2007) 06 Feb 2008	10522/2008	Nique Enterprises Pty Ltd; 06-03A, Table, 14 Feb 2008	10651/2008
LIVEN SPORTS MFG. (Xiamen) Co., LTD; 21-02F, Swing fitness device, 05 Feb 2008	10498/2008	Nique Enterprises Pty Ltd; 06-01F, Tub dining armchair, 14 Feb 2008	10652/2008
Mars, Incorporated; 09-05, Pouch packaging, (US, 17 Aug 2007) 15 Feb 2008	10687/2008	Nique Enterprises Pty Ltd; 06-01F, Wicker armchair, 14 Feb 2008	10653/2008
Mars, Incorporated; 09-05, Pouch packaging, (US, 17 Aug 2007) 15 Feb 2008	10688/2008	Obrist Closures Switzerland GmbH; Reckitt Benckiser Inc.; 09-01K, Bottle, (EM, 19 Sep 2007) 22 Feb 2008	10879/2008
Mars, Incorporated; 09-05, Pouch packaging, (US, 17 Aug 2007) 15 Feb 2008	10689/2008	Obrist Closures Switzerland GmbH; Reckitt Benckiser Inc.; 09-01K, Bottle, (EM, 19 Sep 2007) 25 Feb 2008	10904/2008
Mars, Incorporated; 09-05, Pouch packaging, (US, 17 Aug 2007) 15 Feb 2008	10690/2008	Obrist Closures Switzerland GmbH; Reckitt Benckiser Inc.; Reckitt Benckiser (UK) Limited; 09-01K, Bottle, (EM, 19 Sep 2007) 21 Feb 2008	10852/2008
Mary Kay, Inc.; 09-99, Container, (US, 14 Aug 2007) 06 Feb 2008	10536/2008	Obrist Closures Switzerland GmbH; Reckitt Benckiser Inc.; 09-01K, Bottle, (EM, 19 Sep 2007) 26 Feb 2008	10930/2008
Mataric, Robert; Popenhagen, Murray; Boud, Ian; 12-16B, A modular canopy consisting of several canopy components for all brands of utility service vehicles (UTE's) in the, automotive service industry, 15 Feb 2008	10661/2008	Obrist Closures Switzerland GmbH; Reckitt Benckiser Inc.; 09-01K, Bottle, (EM, 19 Sep 2007) 26 Feb 2008	10929/2008
McNeil-PPC, Inc.; 09-01A, Dispenser, (US, 24 Aug 2007) 13 Feb 2008	10642/2008	Obrist Closures Switzerland GmbH; Reckitt Benckiser Inc.; 09-01K, Bottle, (EM, 19 Sep 2007) 22 Feb 2008	10878/2008

Obrist Closures Switzerland GmbH; Reckitt Benckiser Inc.; 09-01K, Bottle, (EM, 19 Sep 2007) 26 Feb 2008	10928/2008	Reckitt Benckiser (UK) Limited; Reckitt Benckiser Inc.; Obrist Closures Switzerland GmbH; 09-01K, Bottle, (EM, 19 Sep 2007) 21 Feb 2008	10852/2008
Obrist Closures Switzerland GmbH; Reckitt Benckiser Inc.; 09-01K, Bottle, (EM, 19 Sep 2007) 19 Feb 2008	10759/2008	Reckitt Benckiser (UK) Limited; Reckitt Benckiser Inc.; Obrist Closures Switzerland GmbH; 09-01K, Bottle, (EM, 19 Sep 2007) 21 Feb 2008	10851/2008
Obrist Closures Switzerland GmbH; Reckitt Benckiser Inc.; Reckitt Benckiser (UK) Limited; 09-01K, Bottle, (EM, 19 Sep 2007) 21 Feb 2008	10851/2008	Reckitt Benckiser (UK) Limited; 23-02NES, 24-99, An eye bath, (EM, 17 Aug 2007) 15 Feb 2008	10670/2008
Obrist Closures Switzerland GmbH; Reckitt Benckiser Inc.; 09-01K, Bottle, (EM, 19 Sep 2007) 19 Feb 2008	10758/2008	Reckitt Benckiser (UK) Limited; 23-02NES, 24-99, An eye bath, (EM, 17 Aug 2007) 15 Feb 2008	10671/2008
Obrist Closures Switzerland GmbH; Reckitt Benckiser Inc.; Reckitt Benckiser (UK) Limited; 09-01K, Bottle, (EM, 19 Sep 2007) 21 Feb 2008	10850/2008	Reckitt Benckiser Healthcare (UK) Limited; 23-02NES, 24-99, An eye bath, (EM, 17 Aug 2007) 15 Feb 2008	10668/2008
OXBOW; 02-04NES, Shoe, (EM, 10 Aug 2007) 05 Feb 2008	10501/2008	Reckitt Benckiser Inc.; Reckitt Benckiser (UK) Limited; Obrist Closures Switzerland GmbH; 09-01K, Bottle, (EM, 19 Sep 2007) 21 Feb 2008	10851/2008
OXBOW; 02-04NES, Shoe, (EM, 10 Aug 2007) 05 Feb 2008	10502/2008	Reckitt Benckiser Inc.; Obrist Closures Switzerland GmbH; 09-01K, Bottle, (EM, 19 Sep 2007) 26 Feb 2008	10929/2008
Paton, Tony; 02-04NES, Shoe, 15 Feb 2008	10693/2008	Reckitt Benckiser Inc.; Obrist Closures Switzerland GmbH; 09-01K, Bottle, (EM, 19 Sep 2007) 22 Feb 2008	10879/2008
Perusahaan Otomobil Nasional SDN. BHD.; 12-08, A vehicle, (MY, 09 Aug 2007) 05 Feb 2008	10491/2008	Reckitt Benckiser Inc.; Obrist Closures Switzerland GmbH; 09-01K, Bottle, (EM, 19 Sep 2007) 26 Feb 2008	10930/2008
Perusahaan Otomobil Nasional SDN. BHD.; 12-16A, Wheel, (MY, 14 Aug 2007) 05 Feb 2008	10492/2008	Reckitt Benckiser Inc.; Obrist Closures Switzerland GmbH; 09-01K, Bottle, (EM, 19 Sep 2007) 25 Feb 2008	10904/2008
Perusahaan Otomobil Nasional SDN. BHD.; 12-16NES, Instrument panel, (MY, 14 Aug 2007) 05 Feb 2008	10493/2008	Reckitt Benckiser Inc.; Obrist Closures Switzerland GmbH; 09-01K, Bottle, (EM, 19 Sep 2007) 22 Feb 2008	10878/2008
Perusahaan Otomobil Nasional SDN. BHD.; 06-01D, A seat for vehicle, (MY, 14 Aug 2007) 05 Feb 2008	10494/2008	Reckitt Benckiser Inc.; Obrist Closures Switzerland GmbH; 09-01K, Bottle, (EM, 19 Sep 2007) 26 Feb 2008	10928/2008
Perusahaan Otomobil Nasional SDN. BHD.; 12-16NES, Floor console, (MY, 14 Aug 2007) 05 Feb 2008	10495/2008	Reckitt Benckiser Inc.; Reckitt Benckiser (UK) Limited; Obrist Closures Switzerland GmbH; 09-01K, Bottle, (EM, 19 Sep 2007) 21 Feb 2008	10852/2008
Phil and Teds Most Excellent Buggy Company Limited; 12-12, A buggy, (US, 13 Sep 2007) 19 Feb 2008	10745/2008	Reckitt Benckiser Inc.; Obrist Closures Switzerland GmbH; 09-01K, Bottle, (EM, 19 Sep 2007) 19 Feb 2008	10759/2008
Popenhagen, Murray; Boud, Ian; Mataric, Robert; 12-16B, A modular canopy consisting of several canopy components for all brands of utility service vehicles (UTE's) in the, automotive service industry, 15 Feb 2008	10661/2008	Reckitt Benckiser Inc.; Reckitt Benckiser (UK) Limited; Obrist Closures Switzerland GmbH; 09-01K, Bottle, (EM, 19 Sep 2007) 21 Feb 2008	10850/2008
Real Design & Marketing Ltd; 29-99, Child support and platform, (EM, 15 Aug 2007) 14 Feb 2008	10659/2008	Reckitt Benckiser Inc.; Obrist Closures Switzerland GmbH; 09-01K, Bottle, (EM, 19 Sep 2007) 19 Feb 2008	10758/2008
Reckitt Benckiser (UK) Limited; 23-02NES, 24-99, An eye bath, (EM, 17 Aug 2007) 15 Feb 2008	10669/2008	Reckitt Benckiser N.V.; 09-01K, Bottle, (EM, 09 Aug 2007) 05 Feb 2008	10503/2008
Reckitt Benckiser (UK) Limited; Reckitt Benckiser Inc.; Obrist Closures Switzerland GmbH; 09-01K, Bottle, (EM, 19 Sep 2007) 21 Feb 2008	10850/2008	Reckitt Benckiser N.V.; 09-01K, Bottle, (EM, 09 Aug 2007) 05 Feb 2008	10504/2008
		Reckitt Benckiser N.V.; 09-01K, Bottle, (EM, 09 Aug 2007) 05 Feb 2008	10505/2008

Reckitt Benckiser N.V.; 09-01K, Bottle, (EM, 09 Aug 2007) 05 Feb 2008	10506/2008	Speedo International Limited; 02-02A, Garments, (EM, 20 Aug 2007) 18 Feb 2008	10722/2008
Reckitt Benckiser N.V.; 09-01K, Bottle, (EM, 03 Dec 2007) 05 Feb 2008	10507/2008	Speedo International Limited; 02-02A, Garments, (EM, 20 Aug 2007) 18 Feb 2008	10723/2008
Reckitt Benckiser N.V.; 09-01K, Bottle, (EM, 03 Dec 2007) 05 Feb 2008	10508/2008	Speedo International Limited; 02-02A, Garments, (EM, 20 Aug 2007) 18 Feb 2008	10724/2008
ResMed Ltd; 24-01, Mark cushion, 18 Feb 2008	10717/2008	Speedo International Limited; 02-02A, Garments, (EM, 20 Aug 2007) 18 Feb 2008	10725/2008
ResMed Ltd; 24-01, Mask frame, 18 Feb 2008	10718/2008	Speedo International Limited; 02-02A, Garments, (EM, 20 Aug 2007) 18 Feb 2008	10726/2008
Review Australia Pty Ltd; 02-02C, 02-02NES, Ladies garments, 15 Feb 2008	10698/2008	Speedo International Limited; 02-02A, Garments, (EM, 07 Dec 2007) 18 Feb 2008	10363/2008
Rimes, Glenn; 07-01E, Drink dummy, 07 Feb 2008	10558/2008	Speedo International Limited; 02-02A, Garments, (EM, 07 Dec 2007) 18 Feb 2008	10727/2008
Roche, Glenn; 08-03, Blades, 21 Feb 2008	10770/2008	Speedo International Limited; 02-02A, Garments, (EM, 07 Dec 2007) 18 Feb 2008	10728/2008
Roche, Glenn; 18-02, Printing/Labeling apparatus, 21 Feb 2008	10771/2008	Speedo International Limited; 02-02A, Garments, (EM, 07 Dec 2007) 18 Feb 2008	10646/2008
Rohde & Schwarz SIT GmbH; 14-03E, Mobile phone, (EM, 08 Aug 2007) 06 Feb 2008	10521/2008	Speedo International Limited; 02-02A, Garments, (EM, 07 Dec 2007) 18 Feb 2008	10647/2008
RTA Roads & Transport Authority of NSW; 10-06, Electronic speed sign, 26 Feb 2008	10362/2008	Steelite International PLC; 07-01B, Plate, (EM, 17 Oct 2007) 14 Feb 2008	10648/2008
S.C. Johnson & Son Inc.; 09-05, Dispenser, (US, 17 Aug 2007) 15 Feb 2008	10673/2008	Steelite International PLC; 07-01B, Plate, (EM, 17 Oct 2007) 14 Feb 2008	10649/2008
Sensormatic Electronics Corporation; 10-05, Electronic article surveillance tag, (US, 20 Aug 2007) 19 Feb 2008	10753/2008	Steelite International PLC; 07-01B, Plate, (EM, 17 Oct 2007) 14 Feb 2008	10610/2008
Shirliff, Matthew Ian; 23-01H, Tapware, 21 Feb 2008	10772/2008	Stubbings, Henry; 11-02C, 08-08O, Tree stabiliser, 11 Feb 2008	10627/2008
Sistema Plastics Limited; 09-01NES, A container assembly, (NZ, 30 Aug 2007) 14 Feb 2008	10733/2008	Stubby King, The; 07-01NES, Champagne glass, 12 Feb 2008	10757/2008
Sistema Plastics Limited; 09-07NES, A base for a container, (NZ, 30 Aug 2007) 14 Feb 2008	10734/2008	Swarovski Akiengesellschaft; Koninklijke Philips Electronics N.V.; 09-05, Packaging for a USB stick, (EM, 31 Aug 2007) 19 Feb 2008	10768/2008
Sistema Plastics Limited; 09-01NES, A container, (NZ, 30 Aug 2007) 14 Feb 2008	10735/2008	The Chefs Toolbox Pty Ltd; 07-02P, Cake, chocolate and biscuit making moulds, 01 Nov 2007	10699/2008
Smith, Adrian; 07-06A, A support for a container such as a bottle, 19 Feb 2008	10713/2008	The Yokohama Rubber Co., Ltd.; 12-15A, Tread of an automobile tyre, (JP, 17 Aug 2007) 15 Feb 2008	10605/2008
Societe Des Produits Nestle S.A.; 01-01, Chocolate, 15 Feb 2008	10685/2008	Theresa Nguyen Pty Ltd; 25-03, "Healing" pyramid to be used for meditation and healing by energy transfer, 13 Feb 2008	10628/2008
Speedo International Limited; 02-02A, Garments, (EM, 20 Aug 2007) 18 Feb 2008	10719/2008	Thomas-Stewart, Jacqueline Ciel; 09-03B, 09-03M, Underwear and accessories, such as socks, bras, undies, ties, belts, stockings, shoes etc and baby items such as, nappies, clothing, booties, mittens, pacifiers etc and stationary etc, 13 Feb 2008	
Speedo International Limited; 02-02A, Garments, (EM, 20 Aug 2007) 18 Feb 2008	10720/2008		
Speedo International Limited; 02-02A, Garments, (EM, 20 Aug 2007) 18 Feb 2008	10721/2008		

Thomas-Stewart, Jacqueline Ciel; 09-03B, 09-03M, Underwear and accessories, such as socks, bras, undies, ties, belts, stockings, shoes etc and baby items such as, nappies, clothing, booties, mittens, pacifiers etc and stationary etc, 13 Feb 2008	10629/2008	TJMVM Pty Ltd; 08-02, Hammer breaker unit, 19 Feb 2008	10747/2008
Thorn Europhane; 26-05D, Lighting fixture, (EM, 17 Oct 2007) 08 Feb 2008	10563/2008	TJMVM Pty Ltd; 08-02, Hammer breaker unit, 19 Feb 2008	10748/2008
TomTom International B.V.; 14-99, Mount for navigation device, (US, 16 Aug 2007) 15 Feb 2008	10674/2008	Undercover Ads Pty Ltd; 09-03M, A box, 25 Aug 2004	10932/2008
TomTom International B.V.; 14-99, Holder for navigation device, (US, 16 Aug 2007) 15 Feb 2008	10675/2008	Unilever PLC; 09-01K, Part of a bottle, (GB, 17 Aug 2007) 14 Feb 2008	10658/2008
TomTom International B.V.; 14-03NES, Navigation device, (US, 16 Aug 2007) 15 Feb 2008	10676/2008	Unilever PLC; 09-01K, Bottle, (GB, 17 Aug 2007) 12 Feb 2008	10625/2008
TomTom International B.V.; 14-03NES, Navigation device, (US, 16 Aug 2007) 15 Feb 2008	10677/2008	USG Interiors, Inc; 08-08C, Perimeter clip useful for ceiling grid systems, (US, 01 Jan 2008) 15 Feb 2008	10697/2008
TomTom International B.V.; 14-03NES, Navigation device, (US, 16 Aug 2007) 15 Feb 2008	10678/2008	Ventrassist Pty Ltd; 14-02, Controller, 18 Feb 2008	10714/2008
TomTom International B.V.; 14-99, Mount for navigation device, (US, 16 Aug 2007) 15 Feb 2008	10679/2008	Ventrassist Pty Ltd; 14-02, Battery casing, 18 Feb 2008	10715/2008
TomTom International B.V.; 14-99, Holder for navigation device, (US, 16 Aug 2007) 15 Feb 2008	10680/2008	Villeroy & Boch AG.; 23-02C, Water closet, 13 Feb 2008	10632/2008
TomTom International B.V.; 14-99, Mount for navigation device, (US, 16 Aug 2007) 15 Feb 2008	10681/2008	Visy R & D Pty Ltd; 09-03M, Leak-proof box, 18 Feb 2008	10710/2008
TomTom International B.V.; 14-03NES, Navigation device, (US, 16 Aug 2007) 15 Feb 2008	10682/2008	Visy R & D Pty Ltd; 09-03M, Leak-proof box, 18 Feb 2008	10711/2008
TomTom International B.V.; 14-03NES, Navigation device, (US, 16 Aug 2007) 15 Feb 2008	10683/2008	Webber, Daniel James; 21-02D, Surfboard fin, 13 Feb 2008	10608/2008
TomTom International B.V.; 14-03NES, Navigation device, (US, 16 Aug 2007) 15 Feb 2008	10684/2008	Williams, Danny Russell; 12-16C, , 15 Feb 2008	10664/2008
Tube Home (M) SDN BHD; 06-02, Swallow Bed, 15 Feb 2008	10662/2008	Williams, Eric Charles; 27-03, Butt out bollard bin, 07 Feb 2008	10557/2008
Tube Home (M) SDN BHD; 06-06F, Swallow bed base, 15 Feb 2008	10663/2008	Wobben, Aloys; 12-06NES, Ship, (EM, 03 Sep 2007) 14 Feb 2008	10732/2008
TJMVM Pty Ltd; 08-02, Hammer breaker unit, 18 Feb 2008	10739/2008	Woodstock Percussion Pty Ltd; 25-01B, Lifting link, 15 Feb 2008	10736/2008
TJMVM Pty Ltd; 08-02, Hammer breaker unit, 19 Feb 2008	10746/2008	Woodstock Percussion Pty Ltd; 25-01B, Lifting link assembly, 15 Feb 2008	10737/2008
		Wrapping House, The; 05-06NES, Gift wrapping, 07 Feb 2008	10534/2008
		Wu, Cheng Shi; 11-99, A fountain, 07 Feb 2008	10535/2008
		Yerkovich, Shane; Yerkovich, Denise; 08-05NES, Tool holder, 05 Feb 2008	10497/2008
		Yerkovich, Denise; Yerkovich, Shane; 08-05NES, Tool holder, 05 Feb 2008	10497/2008

Applications Withdrawn

10901 / 2008

Applications Lapsed

10785 / 2005 (12-16A)

21347 / 2007 (08-07)

21385 / 2007 (08-07)

19461 / 2007 (19-04)

21384 / 2007 (08-07)

Designs Refused

15022 / 2005 (18-03)

Applications for Extension of time under Section 137

Applications under section 137 for extension of time have been lodged. Objections must be lodged within 1 month from the date of this journal.

13306/2006 **Robert Anthony Davies** Address for Service: R.A. Davies 10 Duke Avenue PARA HILLS SA 5096

13307/2006 **Robert Anthony Davies** Address for Service: R.A. Davies 10 Duke Avenue PARA HILLS SA 5096

13308/2006 **Robert Anthony Davies** Address for Service: R.A. Davies 10 Duke Avenue PARA HILLS SA 5096

13309/2006 **Robert Anthony Davies** Address for Service: R.A. Davies 10 Duke Avenue PARA HILLS SA 5096

13310/2006 **Robert Anthony Davies** Address for Service: R.A. Davies 10 Duke Avenue PARA HILLS SA 5096

13311/2006 **Robert Anthony Davies** Address for Service: R.A. Davies 10 Duke Avenue PARA HILLS SA 5096

13312/2006 **Robert Anthony Davies** Address for Service: R.A. Davies 10 Duke Avenue PARA HILLS SA 5096

13313/2006 **Robert Anthony Davies** Address for Service: R.A. Davies 10 Duke Avenue PARA HILLS SA 5096

13314/2006 **Robert Anthony Davies** Address for Service: R.A. Davies 10 Duke Avenue PARA HILLS SA 5096

Extensions of time granted under Section 137

Applications lodged under section 137 for extension of time have been granted.

311032 **Turner Broadcasting System, Inc.**

311093 **Turner Broadcasting System, Inc.**

311033 **Turner Broadcasting System, Inc.**

17035/2007 **Mi Concepts Pty Ltd**

17036/2007 **Mi Concepts Pty Ltd**

18930/2007 **Say Systems Ltd**

18931/2007 **Say Systems Ltd**

18932/2007 **Say Systems Ltd**

18996/2007 **Enviro Water Tanks Pty Ltd**

18997/2007 **Enviro Water Tanks Pty Ltd**

20804/2007 **Ablecrest Pty Ltd Trading as Phoenix Pool Equipment**

Subsequent Owners Registered

(The name in parentheses is that of the subsequent owner)

314980 (**Scapamanus Pty Ltd**) John David Callaghan

317466 (**Michael Cantone**) Westmix Pty Ltd

Corrigenda

Number 19562/2007

In Vol 22 , No 5 , page 440 under the heading **Applications Lapsed**; Design No. 19562/2007 should be deleted.

Certificate(s) of Examination

Examination of the following Design Registration(s) has been completed. Infringement proceedings may now be commenced.

302818	07-02E	29/02/2008	314768	06-10	28/02/2008
306032	10-06	29/02/2008	314777	24-02	06/03/2008
306179	24-04	05/03/2008	314778	24-02	06/03/2008
307210	14-01	25/02/2008	314894	24-04	29/02/2008
308033	25-02H	25/02/2008	314895	24-01	29/02/2008
308263	25-99	29/02/2008	314898	12-16NES	29/02/2008
308386	28-01	27/02/2008	314938	31-00	29/02/2008
308402	04-04	22/02/2008	314957	23-02C	25/02/2008
308461	07-01G	28/02/2008	315009	07-07B	25/02/2008
308626	28-01	27/02/2008	315100	15-05	22/02/2008
308832	24-02	25/02/2008	315118	03-01C	29/02/2008
308858	08-08L	27/02/2008	315173	23-01G	22/02/2008
309320	07-01NES	29/02/2008	315185	06-01H	28/02/2008
309766	07-01C	29/02/2008	315186	06-01H	28/02/2008
309767	13-03C	29/02/2008	315188	06-01H	28/02/2008
310231	08-07	29/02/2008	315190	06-01H	28/02/2008
311400	26-05C	05/03/2008	315191	06-03A	28/02/2008
311631	02-07B	25/02/2008	315225	14-03E	04/03/2008
312063	06-04NES	29/02/2008	315226	14-03E	04/03/2008
312064	06-04NES	29/02/2008	315345	21-03	22/02/2008
312097	28-03NES	22/02/2008	315346	21-03	22/02/2008
312102	23-01B	25/02/2008	315349	25-02NES	22/02/2008
312120	06-04NES	29/02/2008	315370	25-02NES	22/02/2008
312569	16-06	05/03/2008	315375	30-04	22/02/2008
312578	16-06	05/03/2008	315376	30-04	22/02/2008
312579	16-06	05/03/2008	315400	21-02NES	29/02/2008
312580	16-06	05/03/2008	315430	08-08A	29/02/2008
312581	16-06	05/03/2008	315431	14-03A	29/02/2008
312582	16-06	05/03/2008	315432	14-03A	29/02/2008
312877	13-01	28/02/2008	315433	14-03A	29/02/2008
312911	07-04	29/02/2008	315434	14-03A	29/02/2008
313057	12-16NES	28/02/2008	315435	14-03A	29/02/2008
313145	08-08NES	29/02/2008	315436	14-03A	29/02/2008
313311	02-07B	25/02/2008	315437	14-03A	29/02/2008
313312	02-07B	25/02/2008	315455	03-01D	29/02/2008
313314	02-07B	25/02/2008	315483	12-16A	25/02/2008
313315	02-07B	25/02/2008	315511	09-01B	22/02/2008
313519	02-04NES	29/02/2008	315512	09-01B	22/02/2008
313533	14-02	26/02/2008	315649	14-02	28/02/2008
313678	14-01	29/02/2008	315662	09-03NES	04/03/2008
313679	14-01	29/02/2008	315710	21-01L	02/03/2008
313737	08-07	26/02/2008	317905	12-16A	25/02/2008
313738	08-07	26/02/2008			
313828	23-01NES	05/03/2008			
313829	23-01NES	05/03/2008			
313830	23-01NES	05/03/2008			
313831	23-01NES	05/03/2008			
313832	23-01NES	05/03/2008			
313833	23-01NES	05/03/2008			
313891	01-01	29/02/2008			
313892	01-01	29/02/2008			
313965	12-16A	25/02/2008			
314214	07-05A	29/02/2008			
314233	28-03A	29/02/2008			
314289	06-01NES	28/02/2008			
314290	06-01NES	28/02/2008			
314365	07-05A	29/02/2008			
314379	13-03D	24/02/2008			
314380	13-03D	24/02/2008			
314381	13-03D	24/02/2008			
314382	13-03D	24/02/2008			
314685	28-03NES	22/02/2008			
314759	21-02C	28/02/2008			

Publication and Registration Proceedings

Designs Registered

This section provides a concordance between design number and registration number of Designs covered in this journal. It also shows the main class and registration date.

This section covers Registration numbers 318064 to 318316 .

The registration number shown below should be used in all future correspondence.

Design Number	Registration Number	International Classification Code (IDC)	Registration Date	Design Number	Registration Number	International Classification Code (IDC)	Registration Date
17035/2007	318177	23-01NES	29/02/2008	20484/2007	318097	12-16B	25/02/2008
17036/2007	318178	23-01NES	29/02/2008	20485/2007	318098	12-16B	25/02/2008
17090/2007	318227	12-08	03/03/2008	20486/2007	318099	09-07A	25/02/2008
17499/2007	318248	02-02NES	05/03/2008	20487/2007	318100	12-11	25/02/2008
17717/2007	318179	30-99	29/02/2008	20488/2007	318101	12-11	25/02/2008
18732/2007	318203	02-02C	29/02/2008	20489/2007	318133	03-01B	27/02/2008
18775/2007	318180	26-05NES	29/02/2008	20490/2007	318102	12-11	25/02/2008
18777/2007	318181	26-05NES	29/02/2008	20494/2007	318134	03-01B	27/02/2008
19698/2007	318199	23-02F	29/02/2008	20499/2007	318103	23-01F	25/02/2008
19712/2007	318210	23-02NES	29/02/2008	20500/2007	318104	23-01F	25/02/2008
19760/2007	318305	25-01B	05/03/2008	20504/2007	318105	09-03L	25/02/2008
19761/2007	318306	25-01B	05/03/2008	20505/2007	318106	09-03L	25/02/2008
19762/2007	318307	25-01B	05/03/2008	20506/2007	318135	04-02	27/02/2008
19765/2007	318195	02-02NES	29/02/2008	20507/2007	318136	04-02	27/02/2008
19862/2007	318200	06-03A	29/02/2008	20509/2007	318149	02-04NES	28/02/2008
19863/2007	318201	06-01C	29/02/2008	20510/2007	318150	02-04NES	28/02/2008
20000/2007	318308	07-07NES	05/03/2008	20511/2007	318151	02-04NES	28/02/2008
20046/2007	318131	28-03NES	27/02/2008	20512/2007	318152	02-04NES	28/02/2008
20151/2007	318249	15-99	05/03/2008	20513/2007	318153	02-04NES	28/02/2008
20161/2007	318309	14-01	05/03/2008	20514/2007	318154	02-04NES	28/02/2008
20198/2007	318291	02-02C	04/03/2008	20515/2007	318155	02-04NES	28/02/2008
20358/2007	318064	06-01E	27/02/2008	20516/2007	318156	02-04NES	28/02/2008
20359/2007	318065	06-03B	27/02/2008	20517/2007	318157	02-04NES	28/02/2008
20360/2007	318066	06-03B	27/02/2008	20518/2007	318158	02-04NES	28/02/2008
20361/2007	318067	06-01G	27/02/2008	20519/2007	318159	02-04NES	28/02/2008
20362/2007	318068	06-06NES	27/02/2008	20521/2007	318160	02-04NES	28/02/2008
20366/2007	318069	22-05	27/02/2008	20522/2007	318161	02-04NES	28/02/2008
20367/2007	318070	22-05	27/02/2008	20523/2007	318162	02-04NES	28/02/2008
20370/2007	318071	03-01B	27/02/2008	20524/2007	318163	02-04NES	28/02/2008
20374/2007	318072	15-04	27/02/2008	20525/2007	318164	02-04NES	28/02/2008
20375/2007	318073	15-04	27/02/2008	20526/2007	318165	02-04NES	28/02/2008
20376/2007	318074	15-04	27/02/2008	20527/2007	318166	02-04NES	28/02/2008
20377/2007	318075	15-04	27/02/2008	20528/2007	318167	02-04NES	28/02/2008
20378/2007	318076	15-04	27/02/2008	20529/2007	318168	02-04NES	28/02/2008
20379/2007	318077	15-04	27/02/2008	20530/2007	318169	02-04NES	28/02/2008
20380/2007	318078	26-02	27/02/2008	20531/2007	318170	02-04NES	28/02/2008
20381/2007	318079	26-02	27/02/2008	20533/2007	318171	02-04NES	28/02/2008
20382/2007	318080	26-02	27/02/2008	20534/2007	318137	23-01H	27/02/2008
20383/2007	318081	26-02	27/02/2008	20536/2007	318138	06-06E	27/02/2008
20387/2007	318082	25-01A	27/02/2008	20537/2007	318139	28-03D	27/02/2008
20388/2007	318083	12-15C	27/02/2008	20538/2007	318140	21-02NES	27/02/2008
20389/2007	318084	08-01	27/02/2008	20539/2007	318141	21-02NES	27/02/2008
20390/2007	318085	08-01	27/02/2008	20540/2007	318142	21-02NES	27/02/2008
20472/2007	318132	03-99	27/02/2008	20541/2007	318143	21-02NES	27/02/2008
20474/2007	318088	12-15C	25/02/2008	20544/2007	318182	06-02	29/02/2008
20476/2007	318089	09-03NES	25/02/2008	20546/2007	318107	08-05N	25/02/2008
20477/2007	318090	09-03NES	25/02/2008	20548/2007	318144	24-02	27/02/2008
20478/2007	318091	21-02F	25/02/2008	20549/2007	318145	06-10	27/02/2008
20479/2007	318092	12-11	25/02/2008	20552/2007	318146	07-02L	27/02/2008
20480/2007	318093	12-16B	25/02/2008	20554/2007	318147	13-03D	27/02/2008
20481/2007	318094	12-16B	25/02/2008	20556/2007	318148	21-03	27/02/2008
20482/2007	318095	12-16NES	25/02/2008	20561/2007	318183	08-09	29/02/2008
20483/2007	318096	12-11	25/02/2008	20568/2007	318184	09-03M	29/02/2008

Publication and Registration Proceedings - Designs Registered cont'd

Design Number	Registration Number	International Classification Code (IDC)	Registration Date	Design Number	Registration Number	International Classification Code (IDC)	Registration Date
20579/2007	318185	21-01NES	29/02/2008	20678/2007	318283	15-05	04/03/2008
20580/2007	318186	08-02	29/02/2008	20679/2007	318284	15-05	04/03/2008
20581/2007	318187	23-02F	29/02/2008	20680/2007	318285	15-05	04/03/2008
20582/2007	318188	23-02F	29/02/2008	20681/2007	318286	15-03B	04/03/2008
20584/2007	318189	25-01D	29/02/2008	20682/2007	318287	15-05	04/03/2008
20585/2007	318190	23-02E	29/02/2008	20683/2007	318288	15-05	04/03/2008
20589/2007	318191	07-04	29/02/2008	20684/2007	318289	15-05	04/03/2008
20590/2007	318192	14-01	29/02/2008	20685/2007	318290	23-02B	04/03/2008
20591/2007	318193	21-01L	29/02/2008	20686/2007	318310	14-03E	05/03/2008
20592/2007	318212	24-04	03/03/2008	20690/2007	318311	10-02	05/03/2008
20594/2007	318213	23-01K	03/03/2008	20691/2007	318312	26-05NES	05/03/2008
20596/2007	318214	14-02	03/03/2008	20692/2007	318313	15-04	05/03/2008
20597/2007	318228	26-04	03/03/2008	20693/2007	318314	07-01D	05/03/2008
20598/2007	318229	26-03	03/03/2008	20694/2007	318315	21-02D	05/03/2008
20599/2007	318230	07-04	03/03/2008	20705/2007	318316	15-05	05/03/2008
20602/2007	318215	09-03M	03/03/2008	20805/2007	318259	11-02B	05/03/2008
20603/2007	318216	15-05	03/03/2008	21072/2007	318086	15-04	27/02/2008
20605/2007	318217	09-01G	03/03/2008	21093/2007	318087	23-01NES	27/02/2008
20606/2007	318218	09-01G	03/03/2008	21136/2007	318202	02-01B	29/02/2008
20607/2007	318219	07-02E	03/03/2008	21187/2007	318174	12-16NES	28/02/2008
20609/2007	318172	26-05B	28/02/2008	21188/2007	318175	12-16NES	28/02/2008
20610/2007	318173	26-05B	28/02/2008	21189/2007	318176	15-01	28/02/2008
20614/2007	318220	09-02NES	03/03/2008	21286/2007	318108	06-03A	26/02/2008
20615/2007	318221	15-05	03/03/2008	21287/2007	318109	06-04F	26/02/2008
20617/2007	318222	20-02C	03/03/2008	21288/2007	318110	06-02	26/02/2008
20618/2007	318223	20-02C	03/03/2008	21289/2007	318111	06-04D	26/02/2008
20620/2007	318224	24-01	03/03/2008	21290/2007	318112	06-03A	26/02/2008
20621/2007	318225	24-01	03/03/2008	21291/2007	318113	06-07	26/02/2008
20624/2007	318226	14-02	03/03/2008	21292/2007	318114	06-04F	26/02/2008
20625/2007	318231	23-01F	03/03/2008	21293/2007	318115	06-03A	26/02/2008
20626/2007	318232	23-01F	03/03/2008	21294/2007	318116	06-03A	26/02/2008
20627/2007	318233	23-01NES	03/03/2008	21295/2007	318117	06-04NES	26/02/2008
20628/2007	318234	23-01NES	03/03/2008	21296/2007	318118	06-04D	26/02/2008
20630/2007	318235	06-03B	03/03/2008	21297/2007	318119	06-04D	26/02/2008
20638/2007	318236	25-01K	03/03/2008	21298/2007	318120	06-02	26/02/2008
20639/2007	318237	06-04B	03/03/2008	21299/2007	318121	06-03A	26/02/2008
20640/2007	318238	06-04B	03/03/2008	21300/2007	318122	06-04D	26/02/2008
20641/2007	318239	06-04B	03/03/2008	21301/2007	318123	06-04D	26/02/2008
20642/2007	318240	06-04B	03/03/2008	21302/2007	318124	06-03A	26/02/2008
20643/2007	318241	06-04B	03/03/2008	21303/2007	318125	06-03A	26/02/2008
20644/2007	318242	06-04B	03/03/2008	21304/2007	318126	06-04D	26/02/2008
20645/2007	318243	06-04B	03/03/2008	21305/2007	318127	06-02	26/02/2008
20646/2007	318244	06-04B	03/03/2008	21306/2007	318128	06-02	26/02/2008
20647/2007	318281	07-05D	04/03/2008	21307/2007	318129	06-03A	26/02/2008
20649/2007	318247	23-02A	03/03/2008	21308/2007	318130	23-01H	26/02/2008
20650/2007	318250	06-01G	05/03/2008	21386/2007	318292	02-02NES	04/03/2008
20656/2007	318245	15-05	03/03/2008	21387/2007	318293	02-02NES	04/03/2008
20657/2007	318246	15-05	03/03/2008	21388/2007	318294	02-02NES	04/03/2008
20660/2007	318253	09-03L	05/03/2008	21389/2007	318295	02-02NES	04/03/2008
20661/2007	318254	09-03L	05/03/2008	21390/2007	318296	02-02C	04/03/2008
20664/2007	318251	07-06D	05/03/2008	21391/2007	318297	02-02C	04/03/2008
20665/2007	318252	03-01D	05/03/2008	21392/2007	318298	02-02C	04/03/2008
20672/2007	318255	07-01C	05/03/2008	21393/2007	318299	02-02C	04/03/2008
20673/2007	318256	07-01C	05/03/2008	21394/2007	318196	02-02NES	29/02/2008
20674/2007	318211	09-05	29/02/2008	21395/2007	318197	02-02NES	29/02/2008
20675/2007	318257	15-05	05/03/2008	21396/2007	318198	02-02NES	29/02/2008
20676/2007	318258	15-05	05/03/2008	21397/2007	318204	02-02NES	29/02/2008
20677/2007	318282	15-05	04/03/2008	21398/2007	318205	02-02NES	29/02/2008

Publication and Registration Proceedings - Designs Registered cont'd

Design Number	Registration Number	International Classification Code (IDC)	Registration Date	Design Number	Registration Number	International Classification Code (IDC)	Registration Date
21399/2007	318206	02-02C	29/02/2008	10732/2008	318267	12-06NES	05/03/2008
21400/2007	318207	02-02C	29/02/2008	10742/2008	318194	23-01G	29/02/2008
21401/2007	318208	02-02C	29/02/2008	10758/2008	318268	09-01K	05/03/2008
21402/2007	318209	02-02C	29/02/2008	10759/2008	318269	09-01K	05/03/2008
21581/2007	318300	02-02C	04/03/2008	10850/2008	318270	09-01K	05/03/2008
21582/2007	318301	02-02C	04/03/2008	10851/2008	318271	09-01K	05/03/2008
10268/2008	318260	14-03NES	05/03/2008	10852/2008	318272	09-01K	05/03/2008
10275/2008	318261	14-03E	05/03/2008	10878/2008	318273	09-01K	05/03/2008
10302/2008	318302	07-02B	05/03/2008	10879/2008	318274	09-01K	05/03/2008
10303/2008	318303	07-02A	05/03/2008	10904/2008	318275	09-01K	05/03/2008
10367/2008	318304	08-99	05/03/2008	10915/2008	318276	07-06D	05/03/2008
10533/2008	318262	13-03D	05/03/2008	10920/2008	318277	21-02D	05/03/2008
10668/2008	318263	23-02NES	05/03/2008	10928/2008	318278	09-01K	05/03/2008
10669/2008	318264	23-02NES	05/03/2008	10929/2008	318279	09-01K	05/03/2008
10670/2008	318265	23-02NES	05/03/2008	10930/2008	318280	09-01K	05/03/2008
10671/2008	318266	23-02NES	05/03/2008				

Publication and Registration Proceedings
Class Listing of Designs Published or Registered

The following section shows an International Classification Code listing of the Registered or Published Designs covered in this supplement.

Classification	Registration Number	Design Number	Classification	Registration Number	Design Number
02-01 B	318202	21136/2007	06-01 G	318067	20361/2007
02-02 C	318203	18732/2007	06-01 G	318250	20650/2007
02-02 C	318206	21399/2007	06-02	318110	21288/2007
02-02 C	318207	21400/2007	06-02	318120	21298/2007
02-02 C	318208	21401/2007	06-02	318127	21305/2007
02-02 C	318209	21402/2007	06-02	318128	21306/2007
02-02 C	318291	20198/2007	06-02	318182	20544/2007
02-02 C	318296	21390/2007	06-03 A	318108	21286/2007
02-02 C	318297	21391/2007	06-03 A	318112	21290/2007
02-02 C	318298	21392/2007	06-03 A	318115	21293/2007
02-02 C	318299	21393/2007	06-03 A	318116	21294/2007
02-02 C	318300	21581/2007	06-03 A	318121	21299/2007
02-02 C	318301	21582/2007	06-03 A	318124	21302/2007
02-02 NES	318195	19765/2007	06-03 A	318125	21303/2007
02-02 NES	318196	21394/2007	06-03 A	318129	21307/2007
02-02 NES	318197	21395/2007	06-03 A	318200	19862/2007
02-02 NES	318198	21396/2007	06-03 B	318065	20359/2007
02-02 NES	318204	21397/2007	06-03 B	318066	20360/2007
02-02 NES	318205	21398/2007	06-03 B	318235	20630/2007
02-02 NES	318248	17499/2007	06-04 B	318237	20639/2007
02-02 NES	318292	21386/2007	06-04 B	318238	20640/2007
02-02 NES	318293	21387/2007	06-04 B	318239	20641/2007
02-02 NES	318294	21388/2007	06-04 B	318240	20642/2007
02-02 NES	318295	21389/2007	06-04 B	318241	20643/2007
02-04 NES	318149	20509/2007	06-04 B	318242	20644/2007
02-04 NES	318150	20510/2007	06-04 B	318243	20645/2007
02-04 NES	318151	20511/2007	06-04 B	318244	20646/2007
02-04 NES	318152	20512/2007	06-04 D	318111	21289/2007
02-04 NES	318153	20513/2007	06-04 D	318118	21296/2007
02-04 NES	318154	20514/2007	06-04 D	318119	21297/2007
02-04 NES	318155	20515/2007	06-04 D	318122	21300/2007
02-04 NES	318156	20516/2007	06-04 D	318123	21301/2007
02-04 NES	318157	20517/2007	06-04 D	318126	21304/2007
02-04 NES	318158	20518/2007	06-04 F	318109	21287/2007
02-04 NES	318159	20519/2007	06-04 F	318114	21292/2007
02-04 NES	318160	20521/2007	06-04 NES	318117	21295/2007
02-04 NES	318161	20522/2007	06-06 E	318138	20536/2007
02-04 NES	318162	20523/2007	06-06 NES	318068	20362/2007
02-04 NES	318163	20524/2007	06-07	318113	21291/2007
02-04 NES	318164	20525/2007	06-10	318145	20549/2007
02-04 NES	318165	20526/2007	07-01 C	318255	20672/2007
02-04 NES	318166	20527/2007	07-01 C	318256	20673/2007
02-04 NES	318167	20528/2007	07-01 D	318314	20693/2007
02-04 NES	318168	20529/2007	07-02 A	318303	10303/2008
02-04 NES	318169	20530/2007	07-02 B	318302	10302/2008
02-04 NES	318170	20531/2007	07-02 E	318219	20607/2007
02-04 NES	318171	20533/2007	07-02 L	318146	20552/2007
03-01 B	318071	20370/2007	07-04	318191	20589/2007
03-01 B	318133	20489/2007	07-04	318230	20599/2007
03-01 B	318134	20494/2007	07-05 D	318281	20647/2007
03-01 D	318252	20665/2007	07-06 D	318251	20664/2007
03-99	318132	20472/2007	07-06 D	318276	10915/2008
04-02	318135	20506/2007	07-07 NES	318308	20000/2007
04-02	318136	20507/2007	08-01	318084	20389/2007
06-01 C	318201	19863/2007	08-01	318085	20390/2007
06-01 E	318064	20358/2007	08-02	318186	20580/2007

Registration Proceedings - Class Listing of Designs Published or Registered cont'd

Classification	Registration Number	Design Number	Classification	Registration Number	Design Number
08-05 N	318107	20546/2007	15-01	318174	21187/2007
08-08 E	318304	10367/2008	15-01	318175	21188/2007
08-09	318183	20561/2007	15-01	318176	21189/2007
08-99	318277	10920/2008	15-03 B	318286	20681/2007
08-99	318304	10367/2008	15-04	318072	20374/2007
09-01 G	318217	20605/2007	15-04	318073	20375/2007
09-01 G	318218	20606/2007	15-04	318074	20376/2007
09-01 K	318268	10758/2008	15-04	318075	20377/2007
09-01 K	318269	10759/2008	15-04	318076	20378/2007
09-01 K	318270	10850/2008	15-04	318077	20379/2007
09-01 K	318271	10851/2008	15-04	318086	21072/2007
09-01 K	318272	10852/2008	15-04	318313	20692/2007
09-01 K	318273	10878/2008	15-05	318216	20603/2007
09-01 K	318274	10879/2008	15-05	318221	20615/2007
09-01 K	318275	10904/2008	15-05	318245	20656/2007
09-01 K	318278	10928/2008	15-05	318246	20657/2007
09-01 K	318279	10929/2008	15-05	318257	20675/2007
09-01 K	318280	10930/2008	15-05	318258	20676/2007
09-02 NES	318220	20614/2007	15-05	318282	20677/2007
09-03 L	318105	20504/2007	15-05	318283	20678/2007
09-03 L	318106	20505/2007	15-05	318284	20679/2007
09-03 L	318253	20660/2007	15-05	318285	20680/2007
09-03 L	318254	20661/2007	15-05	318286	20681/2007
09-03 M	318184	20568/2007	15-05	318287	20682/2007
09-03 M	318215	20602/2007	15-05	318288	20683/2007
09-03 NES	318089	20476/2007	15-05	318289	20684/2007
09-03 NES	318090	20477/2007	15-05	318316	20705/2007
09-03 NES	318277	10920/2008	15-99	318249	20151/2007
09-05	318211	20674/2007	16-06	318172	20609/2007
09-07 A	318099	20486/2007	16-06	318173	20610/2007
10-02	318311	20690/2007	18-03	318179	17717/2007
11-02 B	318259	20805/2007	20-02 C	318222	20617/2007
12-06 NES	318267	10732/2008	20-02 C	318223	20618/2007
12-08	318227	17090/2007	21-01 L	318193	20591/2007
12-11	318092	20479/2007	21-01 NES	318185	20579/2007
12-11	318096	20483/2007	21-02 D	318277	10920/2008
12-11	318100	20487/2007	21-02 D	318315	20694/2007
12-11	318101	20488/2007	21-02 F	318091	20478/2007
12-11	318102	20490/2007	21-02 NES	318140	20538/2007
12-13	318086	21072/2007	21-02 NES	318141	20539/2007
12-15 C	318083	20388/2007	21-02 NES	318142	20540/2007
12-15 C	318088	20474/2007	21-02 NES	318143	20541/2007
12-16 B	318093	20480/2007	21-03	318148	20556/2007
12-16 B	318094	20481/2007	22-05	318069	20366/2007
12-16 B	318097	20484/2007	22-05	318070	20367/2007
12-16 B	318098	20485/2007	23-01 F	318103	20499/2007
12-16 NES	318095	20482/2007	23-01 F	318104	20500/2007
12-16 NES	318174	21187/2007	23-01 F	318231	20625/2007
12-16 NES	318175	21188/2007	23-01 F	318232	20626/2007
12-16 NES	318176	21189/2007	23-01 G	318194	10742/2008
13-03 D	318147	20554/2007	23-01 H	318130	21308/2007
13-03 D	318262	10533/2008	23-01 H	318137	20534/2007
14-01	318192	20590/2007	23-01 K	318213	20594/2007
14-01	318309	20161/2007	23-01 NES	318087	21093/2007
14-02	318214	20596/2007	23-01 NES	318177	17035/2007
14-02	318226	20624/2007	23-01 NES	318178	17036/2007
14-03 E	318261	10275/2008	23-01 NES	318233	20627/2007
14-03 E	318310	20686/2007	23-01 NES	318234	20628/2007
14-03 NES	318260	10268/2008	23-02 A	318247	20649/2007

Registration Proceedings - Class Listing of Designs Published or Registered cont'd

Classification	Registration Number	Design Number	Classification	Registration Number	Design Number
23-02 B	318236	20638/2007	25-01 B	318306	19761/2007
23-02 B	318290	20685/2007	25-01 B	318307	19762/2007
23-02 E	318190	20585/2007	25-01 D	318189	20584/2007
23-02 F	318187	20581/2007	25-01 K	318236	20638/2007
23-02 F	318188	20582/2007	26-02	318078	20380/2007
23-02 F	318199	19698/2007	26-02	318079	20381/2007
23-02 NES	318210	19712/2007	26-02	318080	20382/2007
23-02 NES	318263	10668/2008	26-02	318081	20383/2007
23-02 NES	318264	10669/2008	26-03	318229	20598/2007
23-02 NES	318265	10670/2008	26-04	318228	20597/2007
23-02 NES	318266	10671/2008	26-05 B	318172	20609/2007
24-01	318224	20620/2007	26-05 B	318173	20610/2007
24-01	318225	20621/2007	26-05 NES	318180	18775/2007
24-02	318144	20548/2007	26-05 NES	318181	18777/2007
24-04	318212	20592/2007	26-05 NES	318312	20691/2007
24-99	318263	10668/2008	28-03 D	318139	20537/2007
24-99	318264	10669/2008	28-03 NES	318131	20046/2007
24-99	318265	10670/2008	28-03 NES	318214	20596/2007
24-99	318266	10671/2008	30-99	318179	17717/2007
25-01 A	318082	20387/2007			
25-01 B	318305	19760/2007			

- (21) Design Number: **20358/2007**
(22) Date of Filing Application: **23 October 2007**
(24) Date from which industrial property rights may have effect: **23 October 2007**
(54) Product in respect of which the design is registered: **Low Stool**
(51) International Design Classification: **06-01E**
(71) Name(s) and Address(s) of Applicant(s):

Paul White
77 Thirteenth Avenue Tauranga New Zealand

Isabel White
77 Thirteenth Avenue Tauranga New Zealand

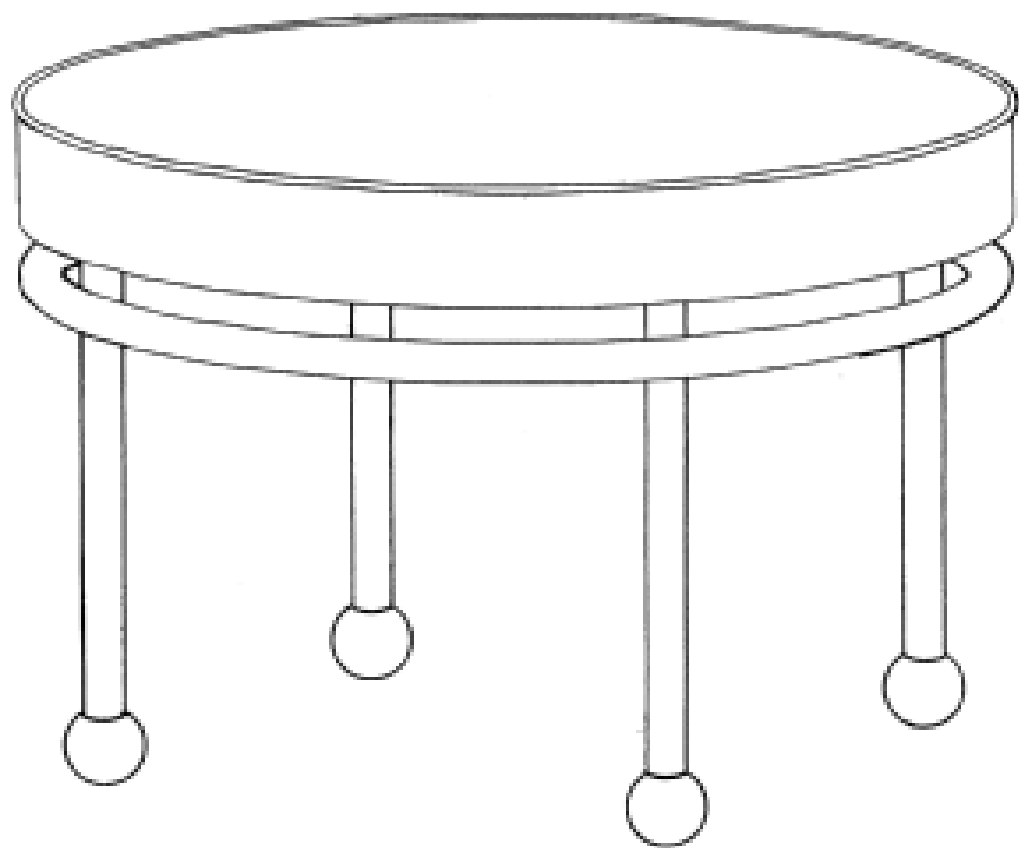
- (72) Name(s) of Designer(s): **Paul White**
(45) Registration Date: **27 February 2008**

(30) Convention priority data:

(31) Number	(32) Date	(33) Country
409722	26 Sep 2007	NEW ZEALAND

(56) Related Art Documents: **Not Applicable**

(57) Statement of Newness and Distinctiveness: **The design is to be applied to a stool and the distinctiveness and newness resides in the features of shape and configuration as shown in accompanying drawings.**



- (21) Design Number: **20359/2007**
(22) Date of Filing Application: **23 October 2007**
(24) Date from which industrial property rights may have effect: **23 October 2007**
(54) Product in respect of which the design is registered: **Table**
(51) International Design Classification: **06-03B**
(71) Name(s) and Address(s) of Applicant(s):

Paul White
77 Thirteenth Avenue Tauranga New Zealand

Isabel White
77 Thirteenth Avenue Tauranga New Zealand

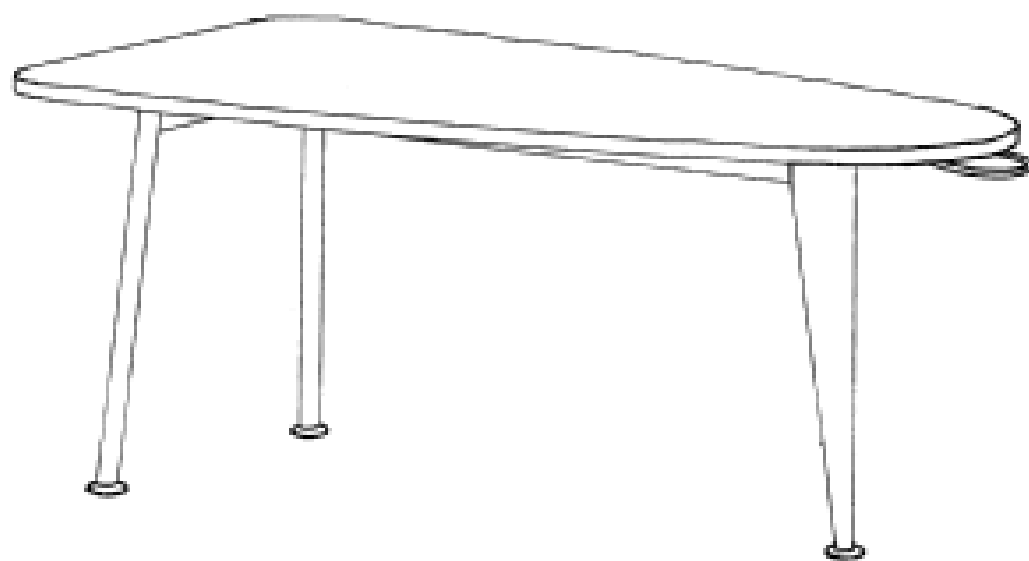
- (72) Name(s) of Designer(s): **Paul White**
(45) Registration Date: **27 February 2008**

(30) Convention priority data:

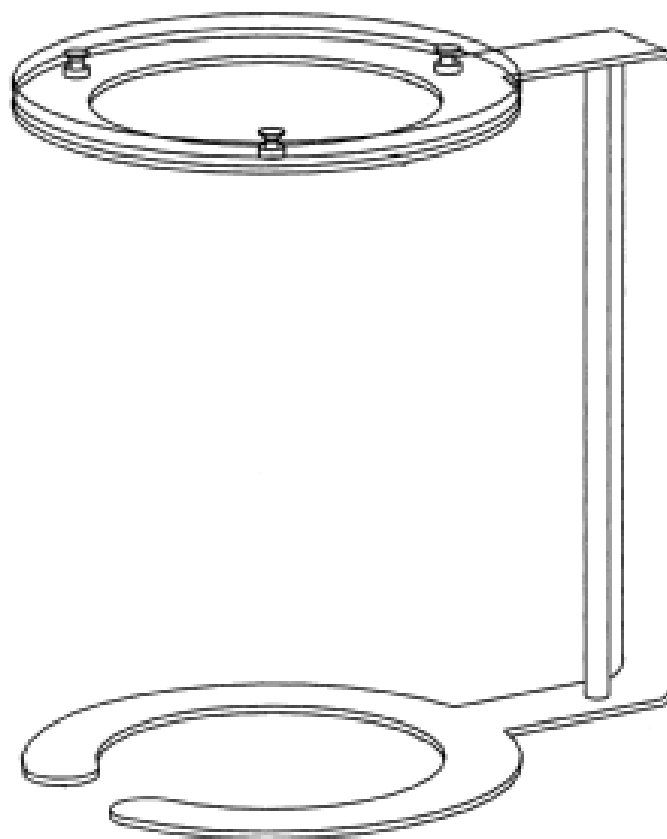
(31) Number	(32) Date	(33) Country
409723	26 Sep 2007	NEW ZEALAND

(56) Related Art Documents: **Not Applicable**

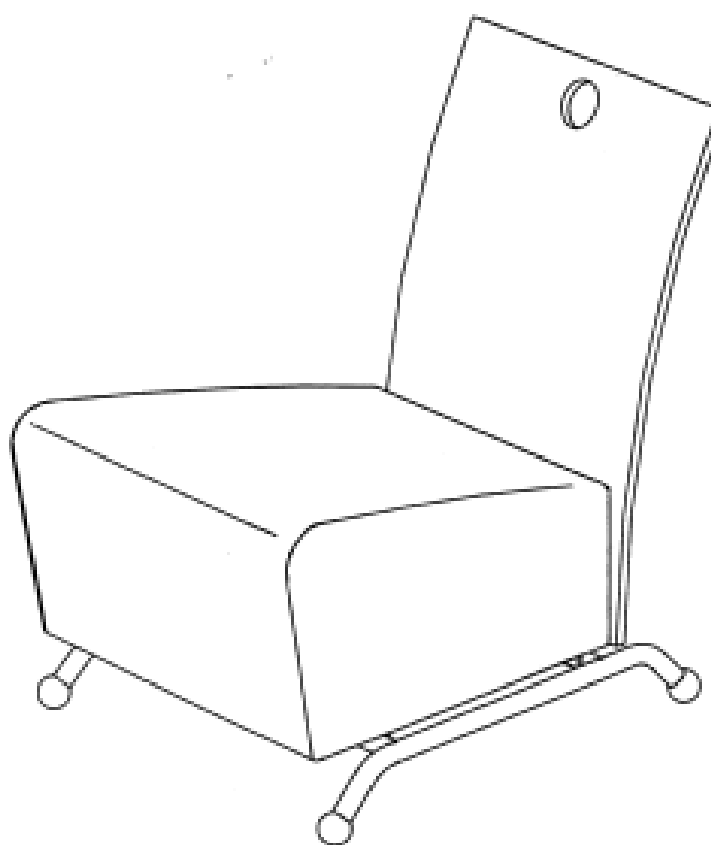
(57) Statement of Newness and Distinctiveness: **The design is to be applied to a stool and the distinctiveness and newness resides in the features of shape and configuration as shown in accompanying drawings.**



(21) Design Number: **20360/2007**
(22) Date of Filing Application: **23 October 2007**
(24) Date from which industrial property rights may have effect: **23 October 2007**
(54) Product in respect of which the design is registered: **Table**
(51) International Design Classification: **06-03B**
(71) Name(s) and Address(s) of Applicant(s):
Paul White
77 Thirteenth Avenue Tauranga New Zealand
Isabel White
77 Thirteenth Avenue Tauranga New Zealand
(72) Name(s) of Designer(s): **Paul White**
(45) Registration Date: **27 February 2008**
(30) Convention priority data:
(31) Number (32) Date (33) Country
409721 26 Sep 2007 NEW ZEALAND
(56) Related Art Documents: **Not Applicable**
(57) Statement of Newness and Distinctiveness: **The design is to be applied to a table and the distinctiveness and newness resides in the features of shape and configuration as shown in accompanying drawings.**



(21) Design Number: **20361/2007**
(22) Date of Filing Application: **23 October 2007**
(24) Date from which industrial property rights may have effect: **23 October 2007**
(54) Product in respect of which the design is registered: **Chair**
(51) International Design Classification: **06-01G**
(71) Name(s) and Address(s) of Applicant(s):
Paul White
77 Thirteenth Avenue Tauranga New Zealand
Isabel White
77 Thirteenth Avenue Tauranga New Zealand
(72) Name(s) of Designer(s): **Paul White**
(45) Registration Date: **27 February 2008**
(30) Convention priority data:
(31) Number (32) Date (33) Country
409725 26 Sep 2007 NEW ZEALAND
(56) Related Art Documents: **Not Applicable**
(57) Statement of Newness and Distinctiveness: **The design is to be applied to a chair and the distinctiveness and newness resides in the features of shape and configuration as shown in accompanying drawings.**



- (21) Design Number: **20362/2007**
- (22) Date of Filing Application: **23 October 2007**
- (24) Date from which industrial property rights may have effect: **23 October 2007**
- (54) Product in respect of which the design is registered: **Freestanding screen**
- (51) International Design Classification: **06-06NES**
- (71) Name(s) and Address(s) of Applicant(s):

Paul White
77 Thirteenth Avenue Tauranga New Zealand

Isabel White
77 Thirteenth Avenue Tauranga New Zealand

(72) Name(s) of Designer(s): **Paul White**

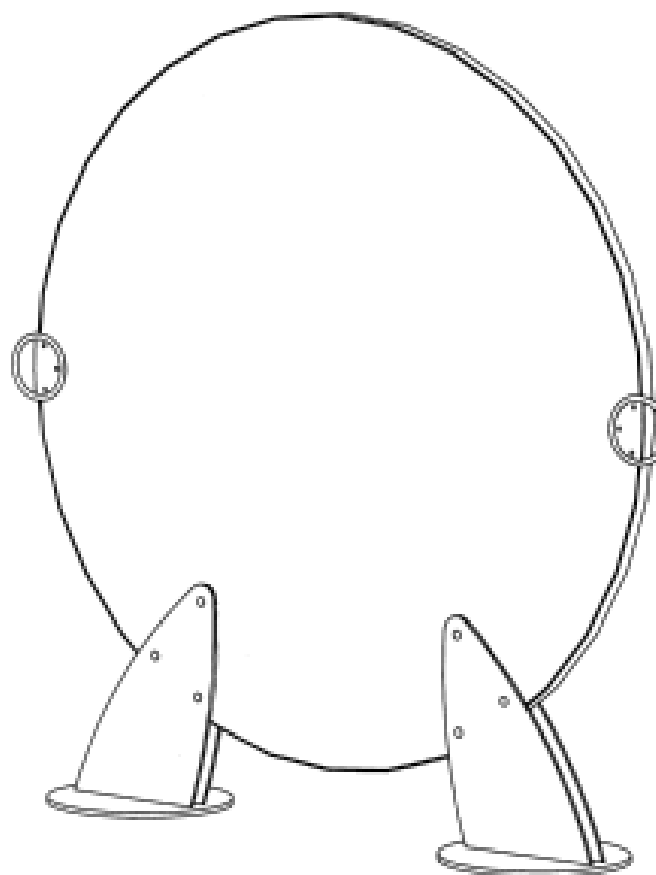
(45) Registration Date: **27 February 2008**

(30) Convention priority data:

(31) Number	(32) Date	(33) Country
409724	26 Sep 2007	NEW ZEALAND

(56) Related Art Documents: **Not Applicable**

(57) Statement of Newness and Distinctiveness: **The design is to be applied to a freestanding screen and the distinctiveness and newness resides in the features of shape and configuration as shown in accompanying drawings.**



- (21) Design Number: **20366/2007**
- (22) Date of Filing Application: **23 October 2007**
- (24) Date from which industrial property rights may have effect: **23 October 2007**
- (54) Product in respect of which the design is registered: **Fishing knives**
- (51) International Design Classification: **22-05**
- (71) Name(s) and Address(s) of Applicant(s):

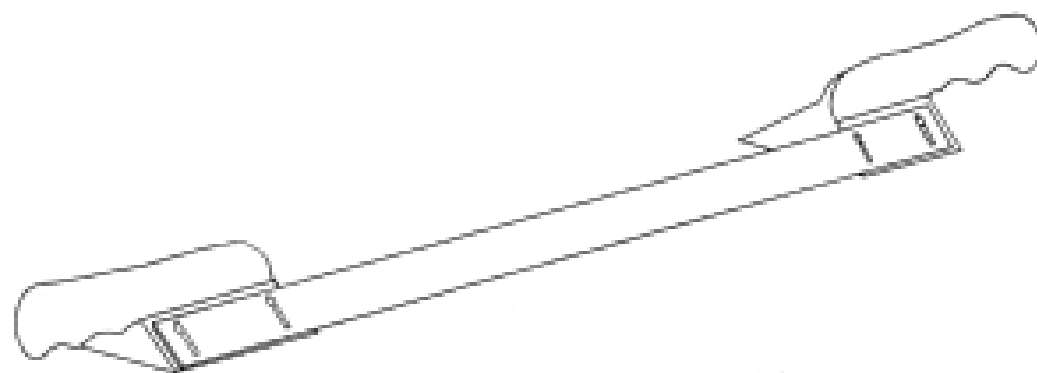
Gary Cann
4 Godwit Crescent Broome Western Australia 6725 Australia

(72) Name(s) of Designer(s): **Gary Cann**

(45) Registration Date: **27 February 2008**

(56) Related Art Documents: **Not Applicable**

(57) Statement of Newness and Distinctiveness: **The design is of a fish skinning knife that is made to hold the cutting blade not only at correct angle but also at the correct distance off the work bench.**



(21) Design Number: **20367/2007**

(22) Date of Filing Application: **23 October 2007**

(24) Date from which industrial property rights may have effect: **23 October 2007**

(54) Product in respect of which the design is registered: **Fishing knives**

(51) International Design Classification: **22-05**

(71) Name(s) and Address(s) of Applicant(s):

Gary Cann

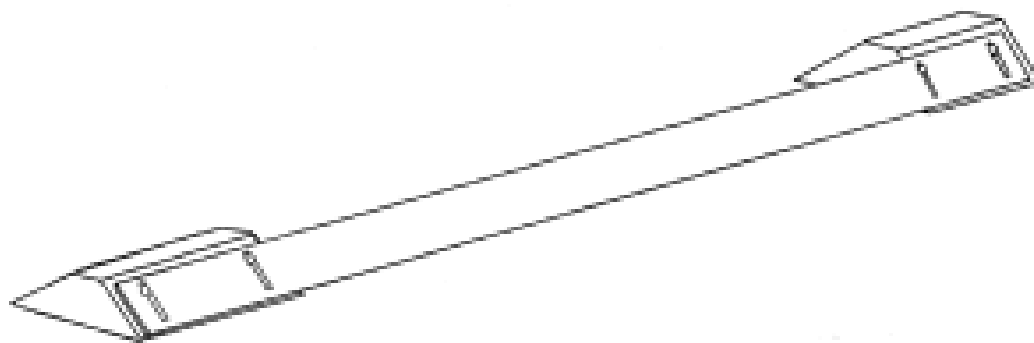
4 Godwit Crescent Broome Western Australia 6725 Australia

(72) Name(s) of Designer(s): **Gary Cann**

(45) Registration Date: **27 February 2008**

(56) Related Art Documents: **Not Applicable**

(57) Statement of Newness and Distinctiveness: **The design is of a fish skinning knife that is made to hold the cutting blade not only at correct angle but also at the correct distance off the work bench.**



(21) Design Number: **20370/2007**

(22) Date of Filing Application: **23 October 2007**

(24) Date from which industrial property rights may have effect: **23 October 2007**

(54) Product in respect of which the design is registered: **Key ring**

(51) International Design Classification: **03-01B**

(71) Name(s) and Address(s) of Applicant(s):

Amilia Tomic

PO Box 435 Maylands Western Australia 6051 Australia

(72) Name(s) of Designer(s): **Amilia Tomic**

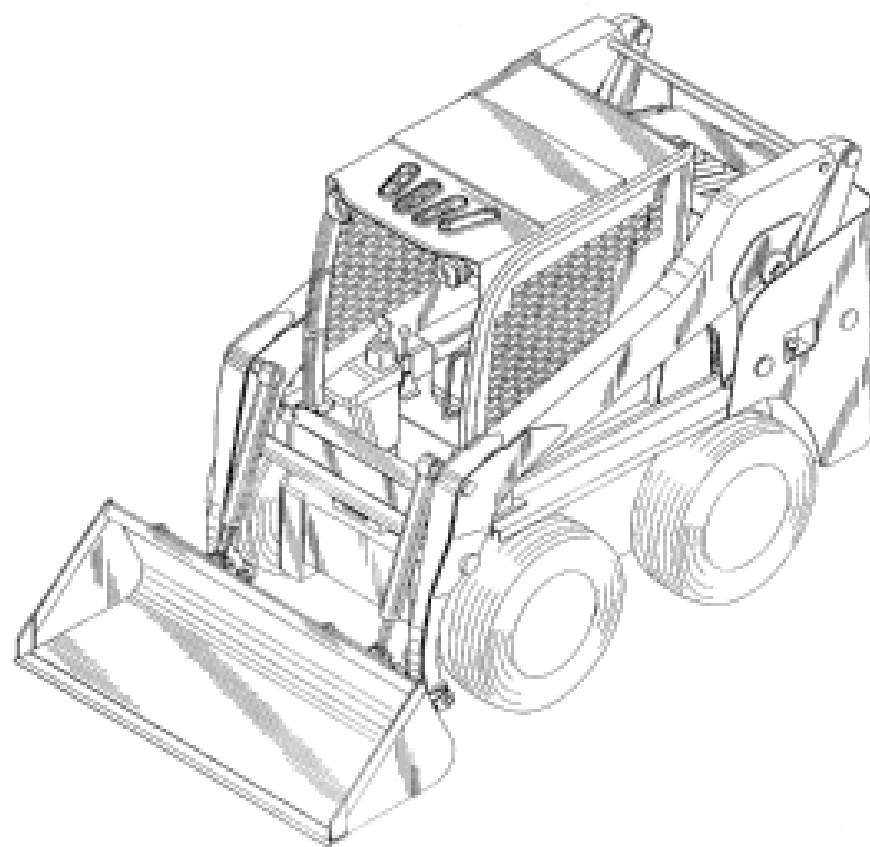
(45) Registration Date: **27 February 2008**

(56) Related Art Documents: **Not Applicable**

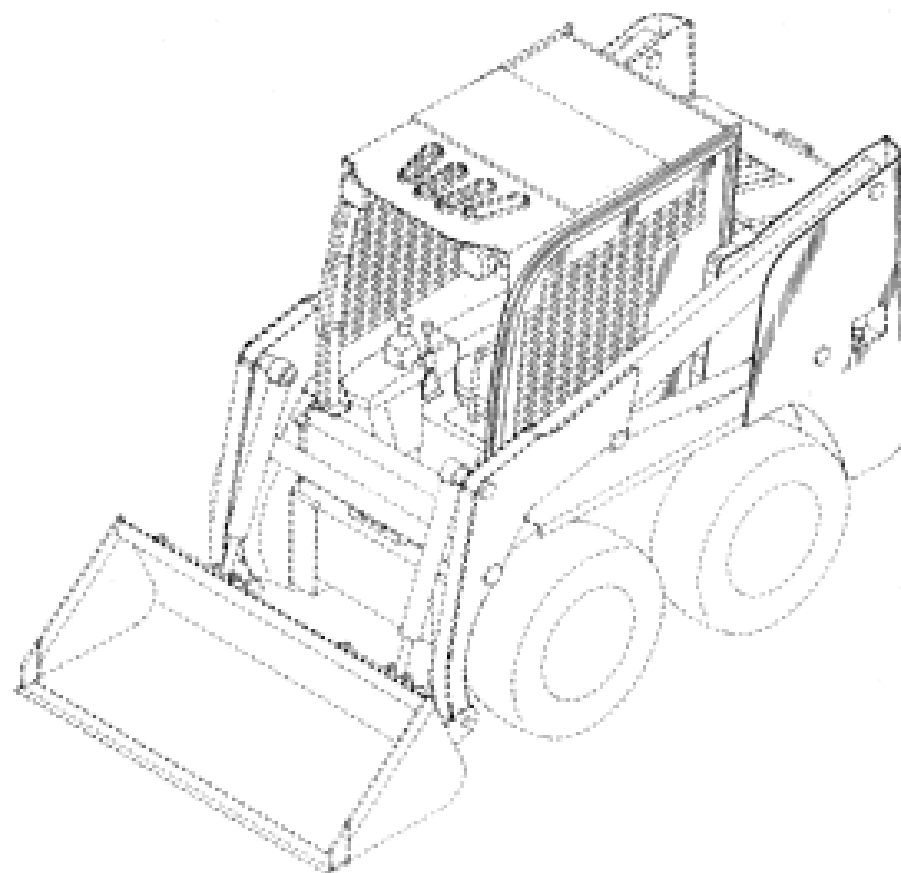
(57) Statement of Newness and Distinctiveness: **Nil**



- (21) Design Number: **20374/2007**
(22) Date of Filing Application: **23 October 2007**
(24) Date from which industrial property rights may have effect: **23 October 2007**
(54) Product in respect of which the design is registered: **Shovel loader**
(51) International Design Classification: **15-04**
(71) Name(s) and Address(s) of Applicant(s):
Kabushiki Kaisha Toyota Jidoshokki
2-1 Toyoda-Cho Kariya-Shi Aichi-Ken Japan
(72) Name(s) of Designer(s): **Naoto Kato**
(45) Registration Date: **27 February 2008**
(30) Convention priority data:
(31) Number (32) Date (33) Country
2007-011043 24 Apr 2007 JAPAN
(56) Related Art Documents: **Not Applicable**
(57) Statement of Newness and Distinctiveness: **The shape and configuration of the shovel loader is new and distinctive.**



- (21) Design Number: **20375/2007**
(22) Date of Filing Application: **23 October 2007**
(24) Date from which industrial property rights may have effect: **23 October 2007**
(54) Product in respect of which the design is registered: **Shovel loader**
(51) International Design Classification: **15-04**
(71) Name(s) and Address(s) of Applicant(s):
Kabushiki Kaisha Toyota Jidoshokki
2-1 Toyoda-Cho Kariya-Shi Aichi-Ken Japan
(72) Name(s) of Designer(s): **Naoto Kato**
(45) Registration Date: **27 February 2008**
(30) Convention priority data:
(31) Number (32) Date (33) Country
2007-011044 24 Apr 2007 JAPAN
(56) Related Art Documents: **Not Applicable**
(57) Statement of Newness and Distinctiveness: **The shape and configuration of those parts of the design shown in solid lines in the representations are new and distinctive. In considering the newness and distinctiveness of the design, the features shown in broken lines are to be disregarded.**



- (21) Design Number: **20376/2007**
(22) Date of Filing Application: **23 October 2007**
(24) Date from which industrial property rights may have effect: **23 October 2007**
(54) Product in respect of which the design is registered: **Shovel loader**
(51) International Design Classification: **15-04**
(71) Name(s) and Address(s) of Applicant(s):

**Kabushiki Kaisha Toyota Jidoshokki
2-1 Toyoda-Cho Kariya-Shi Aichi-Ken Japan**

(72) Name(s) of Designer(s): **Naoto Kato**

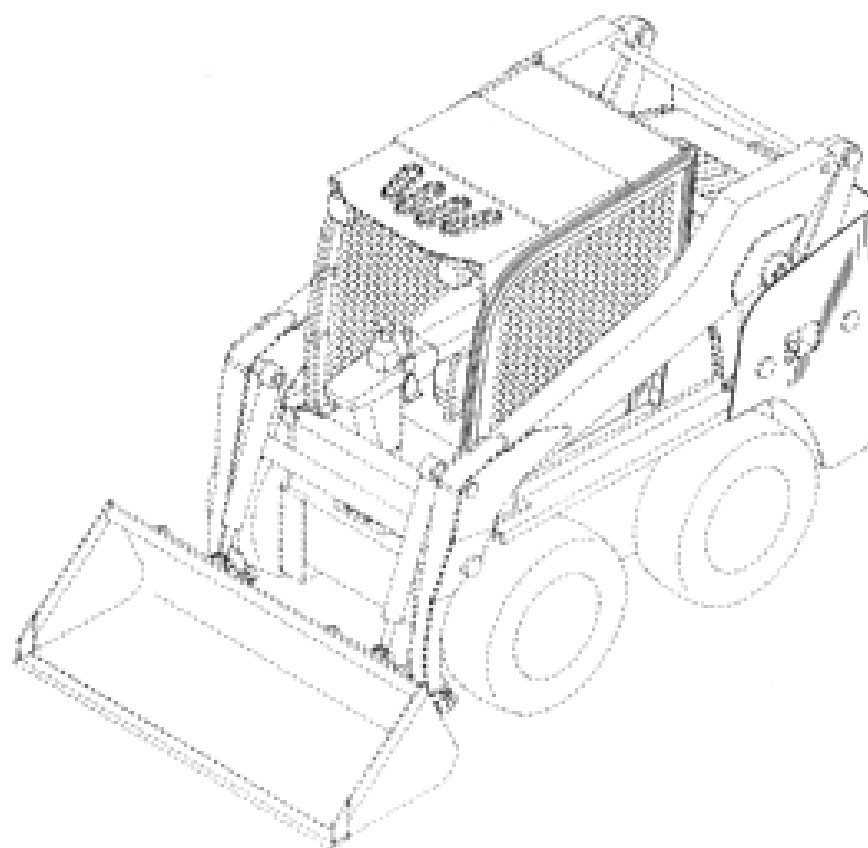
(45) Registration Date: **27 February 2008**

(30) Convention priority data:

(31) Number	(32) Date	(33) Country
2007-011045	24 Apr 2007	JAPAN

(56) Related Art Documents: **Not Applicable**

(57) Statement of Newness and Distinctiveness: **The shape and configuration of those parts of the design shown in solid lines in the representations are new and distinctive. In considering the newness and distinctiveness of the design, the features shown in broken lines are to be disregarded.**



- (21) Design Number: **20377/2007**
(22) Date of Filing Application: **23 October 2007**
(24) Date from which industrial property rights may have effect: **23 October 2007**
(54) Product in respect of which the design is registered: **Cabin for working vehicles**
(51) International Design Classification: **15-04**
(71) Name(s) and Address(s) of Applicant(s):

**Kabushiki Kaisha Toyota Jidoshokki
2-1 Toyoda-Cho Kariya-Shi Aichi-Ken Japan**

(72) Name(s) of Designer(s): **Naoto Kato**

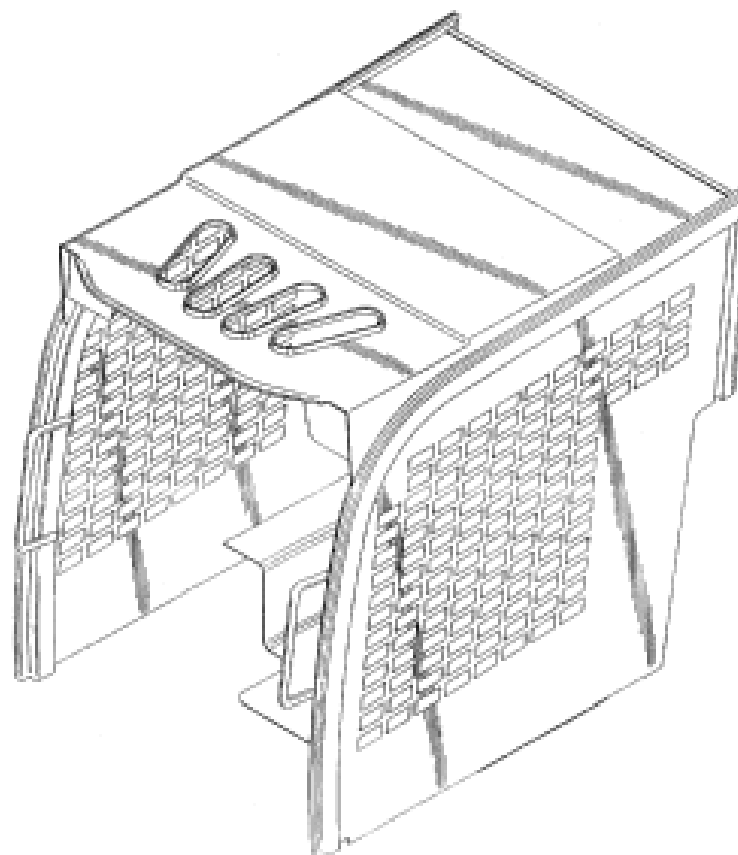
(45) Registration Date: **27 February 2008**

(30) Convention priority data:

(31) Number	(32) Date	(33) Country
2007-011046	24 Apr 2007	JAPAN

(56) Related Art Documents: **Not Applicable**

(57) Statement of Newness and Distinctiveness: **The shape and configuration of the cabin is new and distinctive.**



(21) Design Number: **20378/2007**

(22) Date of Filing Application: **23 October 2007**

(24) Date from which industrial property rights may have effect: **23 October 2007**

(54) Product in respect of which the design is registered: **Shovel loader**

(51) International Design Classification: **15-04**

(71) Name(s) and Address(s) of Applicant(s):

**Kabushiki Kaisha Toyota Jidoshokki
2-1 Toyoda-Cho Kariya-Shi Aichi-Ken Japan**

(72) Name(s) of Designer(s): **Naoto Kato**

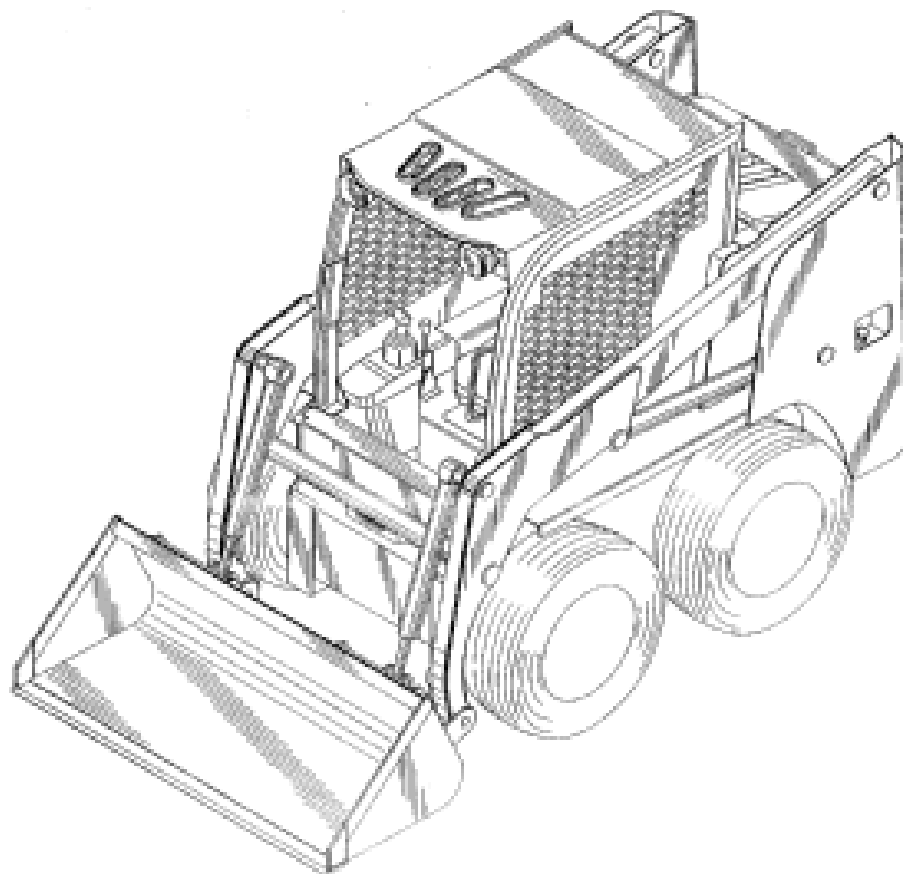
(45) Registration Date: **27 February 2008**

(30) Convention priority data:

(31) Number	(32) Date	(33) Country
2007-011042	24 Apr 2007	JAPAN

(56) Related Art Documents: **Not Applicable**

(57) Statement of Newness and Distinctiveness: **The shape and configuration of the shovel loader is new and distinctive.**



(21) Design Number: **20379/2007**

(22) Date of Filing Application: **23 October 2007**

(24) Date from which industrial property rights may have effect: **23 October 2007**

(54) Product in respect of which the design is registered: **Seat bar for working vehicles**

(51) International Design Classification: **15-04**

(71) Name(s) and Address(s) of Applicant(s):

**Kabushiki Kaisha Toyota Jidoshokki
2-1 Toyoda-Cho Kariya-Shi Aichi-Ken Japan**

(72) Name(s) of Designer(s): **Naoto Kato**

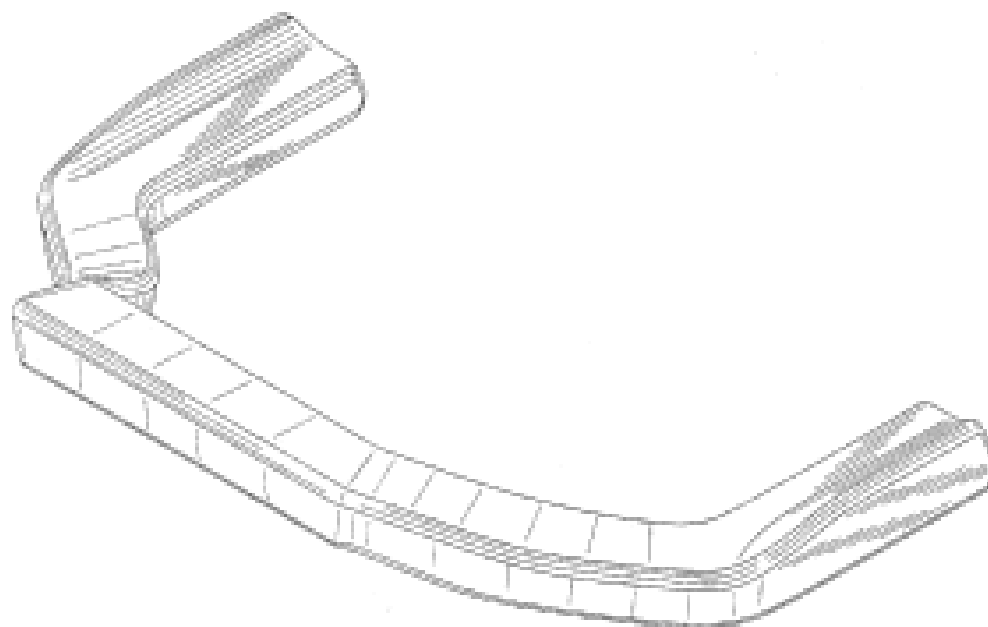
(45) Registration Date: **27 February 2008**

(30) Convention priority data:

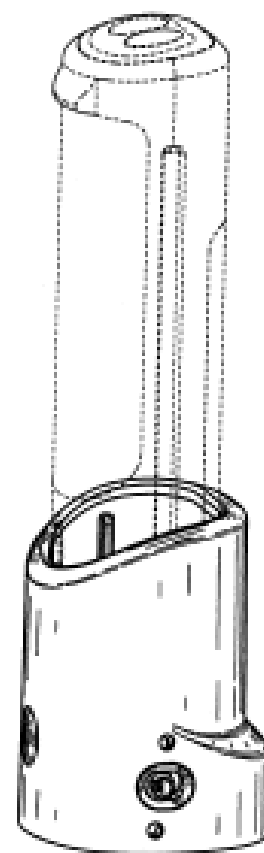
(31) Number	(32) Date	(33) Country
2007-011041	24 Apr 2007	JAPAN

(56) Related Art Documents: **Not Applicable**

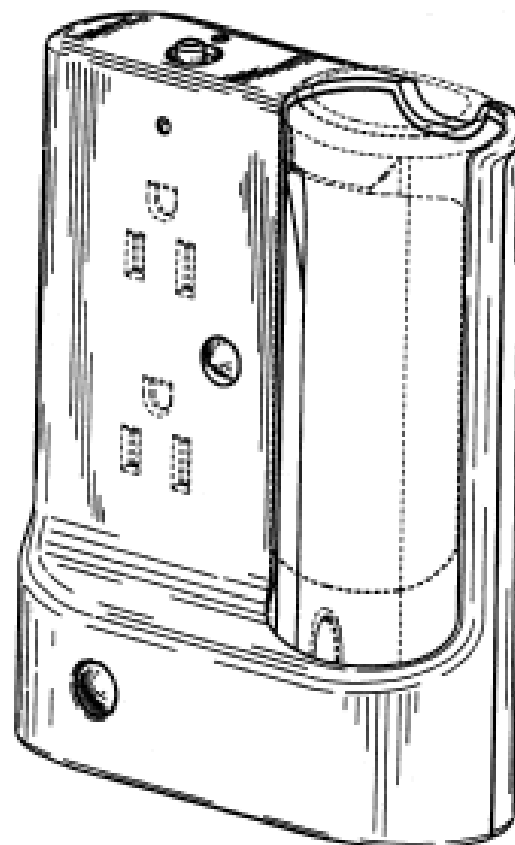
(57) Statement of Newness and Distinctiveness: **The shape and configuration of the seat bar is new and distinctive.**



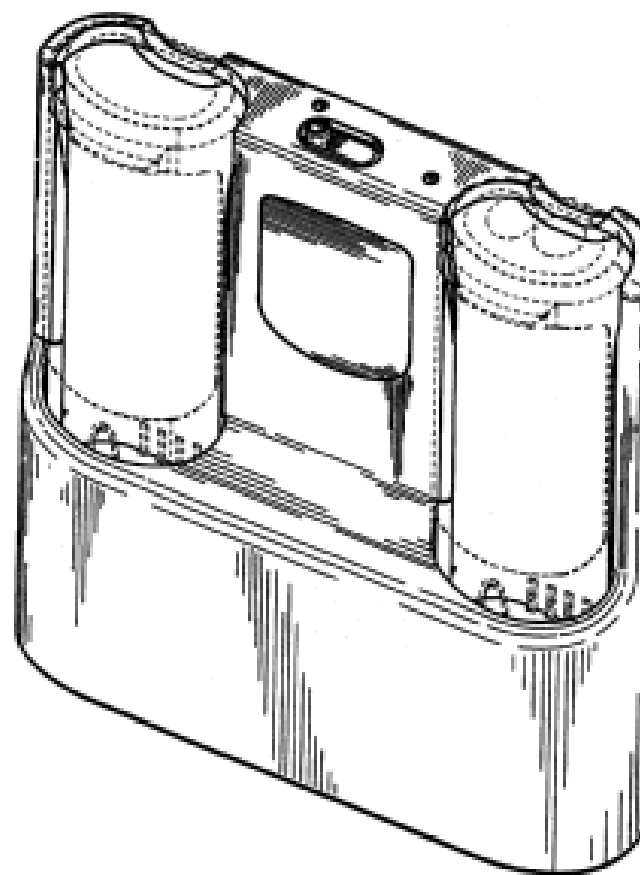
(21) Design Number: **20380/2007**
 (22) Date of Filing Application: **23 October 2007**
 (24) Date from which industrial property rights may have effect: **23 October 2007**
 (54) Product in respect of which the design is registered: **Lighting device**
 (51) International Design Classification: **26-02**
 (71) Name(s) and Address(s) of Applicant(s):
Eveready Battery Company, Inc.
533 Maryville University Drive St Louis Missouri 63141 United States of America
 (72) Name(s) of Designer(s): **Donwoong Kang and Ronald J. Kingston**
 (45) Registration Date: **27 February 2008**
 (30) Convention priority data:
 (31) Number (32) Date (33) Country
29/286608 14 May 2007 UNITED STATES OF AMERICA
 (56) Related Art Documents: **Not Applicable**
 (57) Statement of Newness and Distinctiveness: **Newness and distinctiveness is claimed in those visual features depicted in unbroken lines.**



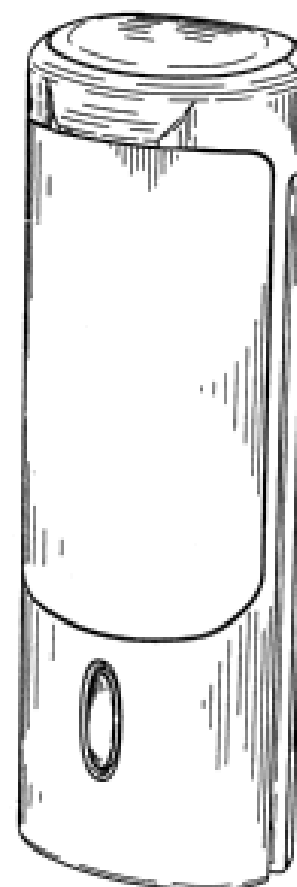
(21) Design Number: **20381/2007**
 (22) Date of Filing Application: **23 October 2007**
 (24) Date from which industrial property rights may have effect: **23 October 2007**
 (54) Product in respect of which the design is registered: **Lighting device**
 (51) International Design Classification: **26-02**
 (71) Name(s) and Address(s) of Applicant(s):
Eveready Battery Company, Inc.
533 Maryville University Drive St Louis Missouri 63141 United States of America
 (72) Name(s) of Designer(s): **Scott W. Osiecki and Donwoong Kang and Ronald J. Kingston**
 (45) Registration Date: **27 February 2008**
 (30) Convention priority data:
 (31) Number (32) Date (33) Country
29/286609 14 May 2007 UNITED STATES OF AMERICA
 (56) Related Art Documents: **Not Applicable**
 (57) Statement of Newness and Distinctiveness: **Newness and distinctiveness is claimed in those visual features depicted in unbroken lines.**



- (21) Design Number: **20382/2007**
(22) Date of Filing Application: **23 October 2007**
(24) Date from which industrial property rights may have effect: **23 October 2007**
(54) Product in respect of which the design is registered: **Lighting device**
(51) International Design Classification: **26-02**
(71) Name(s) and Address(s) of Applicant(s):
Eveready Battery Company, Inc.
533 Maryville University Drive St Louis Missouri 63141 United States of America
(72) Name(s) of Designer(s): **Scott W. Osiecki and Ronald J. Kingston**
(45) Registration Date: **27 February 2008**
(30) Convention priority data:
(31) Number (32) Date (33) Country
29/286610 14 May 2007 UNITED STATES OF AMERICA
(56) Related Art Documents: **Not Applicable**
(57) Statement of Newness and Distinctiveness: **Newness and distinctiveness is claimed in those visual features depicted in unbroken lines.**



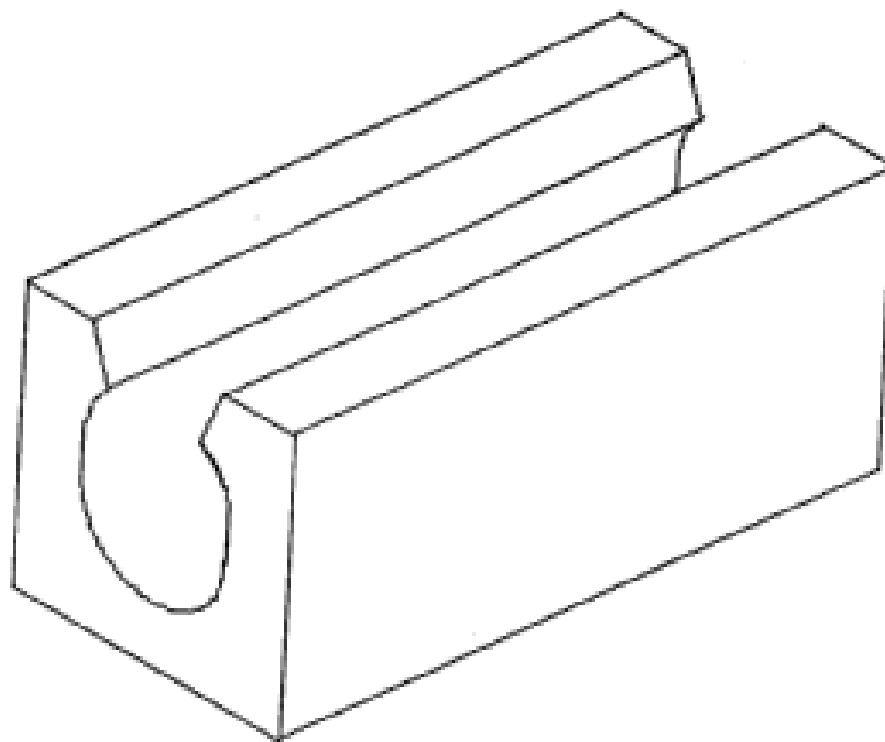
- (21) Design Number: **20383/2007**
(22) Date of Filing Application: **23 October 2007**
(24) Date from which industrial property rights may have effect: **23 October 2007**
(54) Product in respect of which the design is registered: **Lighting device**
(51) International Design Classification: **26-02**
(71) Name(s) and Address(s) of Applicant(s):
Eveready Battery Company, Inc.
533 Maryville University Drive St Louis Missouri 63141 United States of America
(72) Name(s) of Designer(s): **Scott W. Osiecki and Donwoong Kang and Ronald J. Kingston**
(45) Registration Date: **27 February 2008**
(30) Convention priority data:
(31) Number (32) Date (33) Country
29/286617 14 May 2007 UNITED STATES OF AMERICA
(56) Related Art Documents: **Not Applicable**
(57) Statement of Newness and Distinctiveness: **Nil**



- (21) Design Number: **20387/2007**
- (22) Date of Filing Application: **23 October 2007**
- (24) Date from which industrial property rights may have effect: **23 October 2007**
- (54) Product in respect of which the design is registered: **A brick**
- (51) International Design Classification: **25-01A**
- (71) Name(s) and Address(s) of Applicant(s):

Boral Masonry Limited
Clunies Ross Street Prospect New South Wales 2148 Australia

- (72) Name(s) of Designer(s): **Mark Dell**
- (45) Registration Date: **27 February 2008**
- (56) Related Art Documents: **Not Applicable**
- (57) Statement of Newness and Distinctiveness: **Newness and distinctiveness is claimed in the features of shape and/or configuration of the channel extending along the length of a brick as illustrated in the accompanying representations.**



- (21) Design Number: **20388/2007**
- (22) Date of Filing Application: **23 October 2007**
- (24) Date from which industrial property rights may have effect: **23 October 2007**
- (54) Product in respect of which the design is registered: **A tyre**
- (51) International Design Classification: **12-15C**
- (71) Name(s) and Address(s) of Applicant(s):

The Goodyear Tire & Rubber Company
1144 East Market Street Akron Ohio 44316-0001 United States of America

- (72) Name(s) of Designer(s): **Veronique Marie-Jose Herbeuval and Christian Labbe and William Urbano Villamizar and Frederic Wullens**
- (45) Registration Date: **27 February 2008**
- (30) Convention priority data:

(31) Number	(32) Date	(33) Country
29/286441	04 May 2007	UNITED STATES OF AMERICA

- (56) Related Art Documents: **Not Applicable**
- (57) Statement of Newness and Distinctiveness: **Newness and distinctiveness is claimed in those features of shape and/or configuration of the tread of a tyre illustrated in continuous lines in the accompanying representations, wherein the shape and/or configuration of the tread is repeated throughout the circumference of the tyre.**



(21) Design Number: **20389/2007**

(22) Date of Filing Application: **23 October 2007**

(24) Date from which industrial property rights may have effect: **23 October 2007**

(54) Product in respect of which the design is registered: **Garden spade**

(51) International Design Classification: **08-01**

(71) Name(s) and Address(s) of Applicant(s):

James Neill Holdings Limited
Atlas Way, Atlas North, Sheffield, S4 7QQ, England

(72) Name(s) of Designer(s): **Terence Kelly**

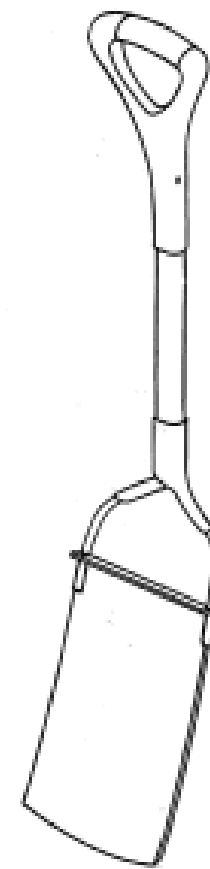
(45) Registration Date: **27 February 2008**

(30) Convention priority data:

(31) Number	(32) Date	(33) Country
4003270	20 Jun 2007	UNITED KINGDOM

(56) Related Art Documents: **Not Applicable**

(57) Statement of Newness and Distinctiveness: **Nil**



(21) Design Number: **20390/2007**

(22) Date of Filing Application: **23 October 2007**

(24) Date from which industrial property rights may have effect: **23 October 2007**

(54) Product in respect of which the design is registered: **Garden spade**

(51) International Design Classification: **08-01**

(71) Name(s) and Address(s) of Applicant(s):

James Neill Holdings Limited
Atlas Way, Atlas North, Sheffield, S4 7QQ, England

(72) Name(s) of Designer(s): **Terence Kelly**

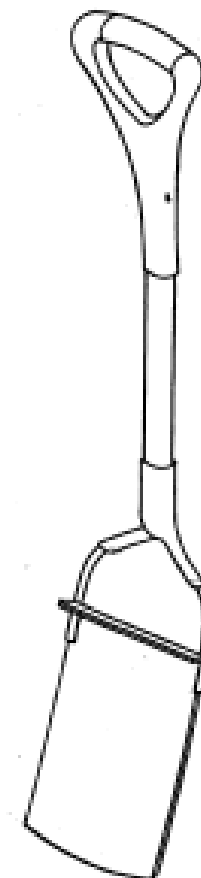
(45) Registration Date: **27 February 2008**

(30) Convention priority data:

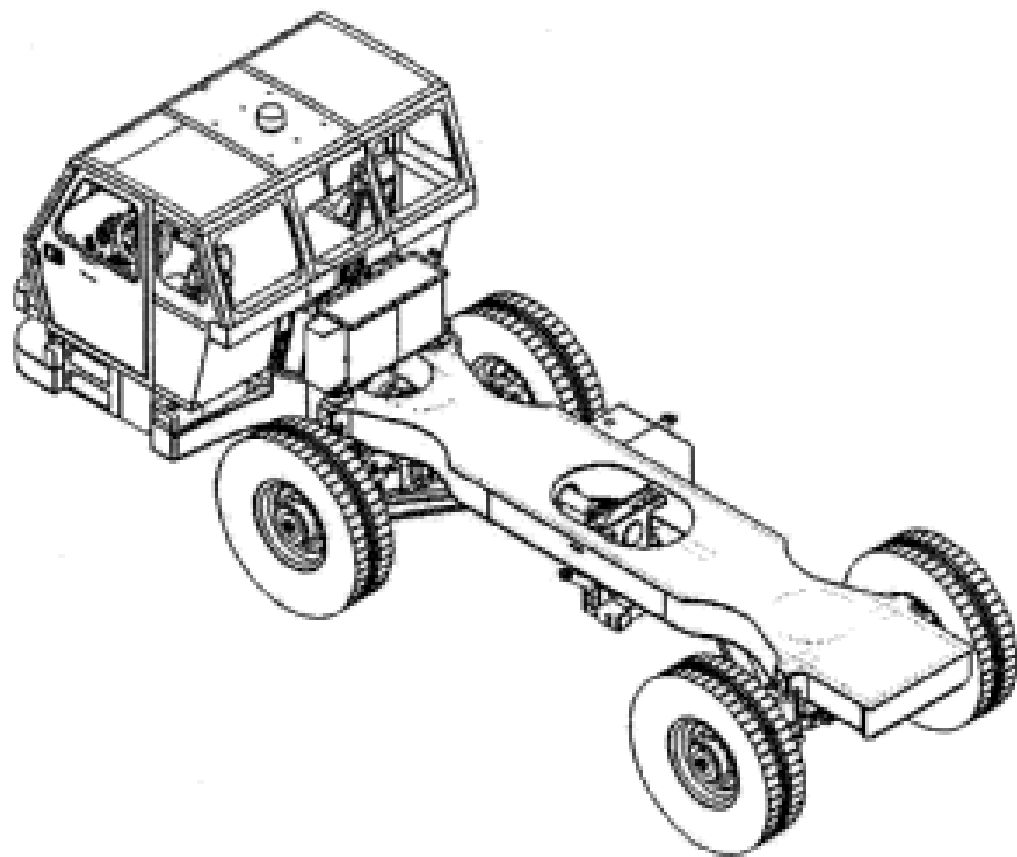
(31) Number	(32) Date	(33) Country
4003271	20 Jun 2007	UNITED KINGDOM

(56) Related Art Documents: **Not Applicable**

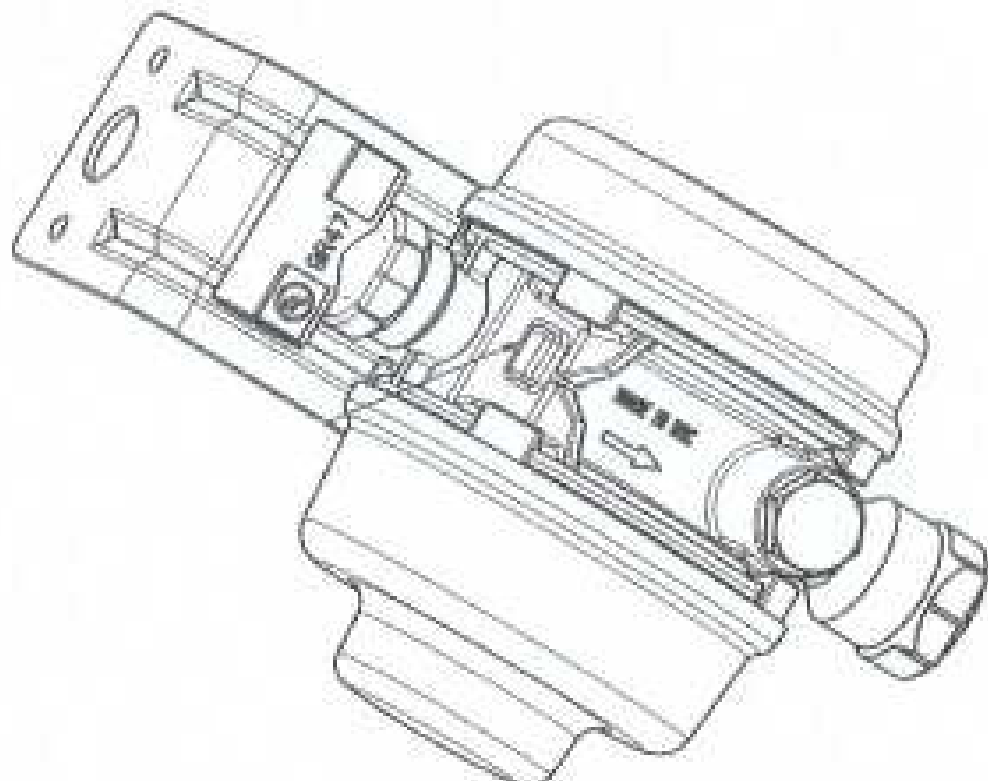
(57) Statement of Newness and Distinctiveness: **Nil**



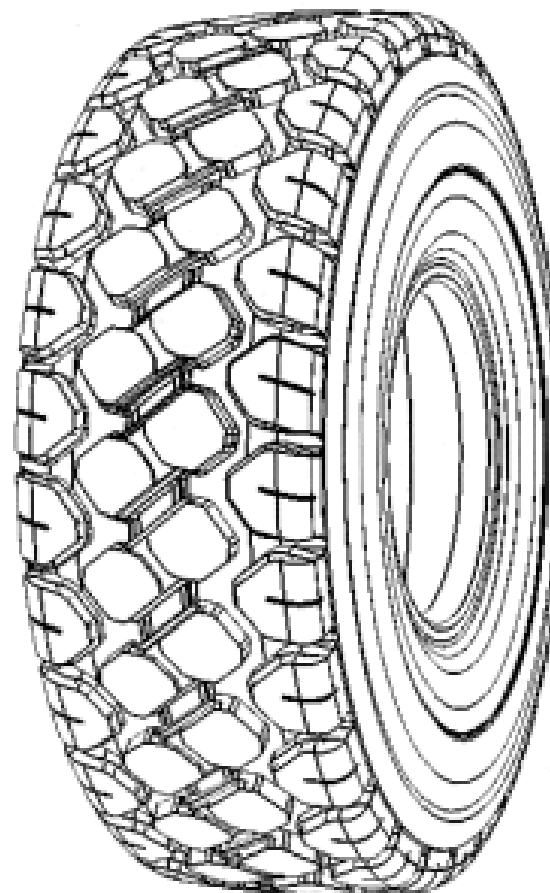
- (21) Design Number: **21072/2007**
(22) Date of Filing Application: **03 December 2007**
(24) Date from which industrial property rights may have effect: **03 December 2007**
(54) Product in respect of which the design is registered: **EMT 100 underground 6x4 wheel rigid chassis mining vehicle**
(51) International Design Classification: **15-04, 12-13**
(71) Name(s) and Address(s) of Applicant(s):
EMT Group Pty Ltd
10 Irvine Drive Malaga Western Australia 6090 Australia
(72) Name(s) of Designer(s): **Ivan Erceg and Marlon Erceg**
(45) Registration Date: **27 February 2008**
(56) Related Art Documents: **Not Applicable**
(57) Statement of Newness and Distinctiveness: **Nil**



- (21) Design Number: **21093/2007**
(22) Date of Filing Application: **05 December 2007**
(24) Date from which industrial property rights may have effect: **05 December 2007**
(54) Product in respect of which the design is registered: **Dual stage fold over LPG regulator**
(51) International Design Classification: **23-01NES**
(71) Name(s) and Address(s) of Applicant(s):
Bromic Pty Ltd
1 Suttor Street Silverwater New South Wales 2128 Australia
(72) Name(s) of Designer(s): **Giuliano Cavagna**
(45) Registration Date: **27 February 2008**
(56) Related Art Documents: **Not Applicable**
(57) Statement of Newness and Distinctiveness: **Fold over design creating a new "clam shell" appearance.**



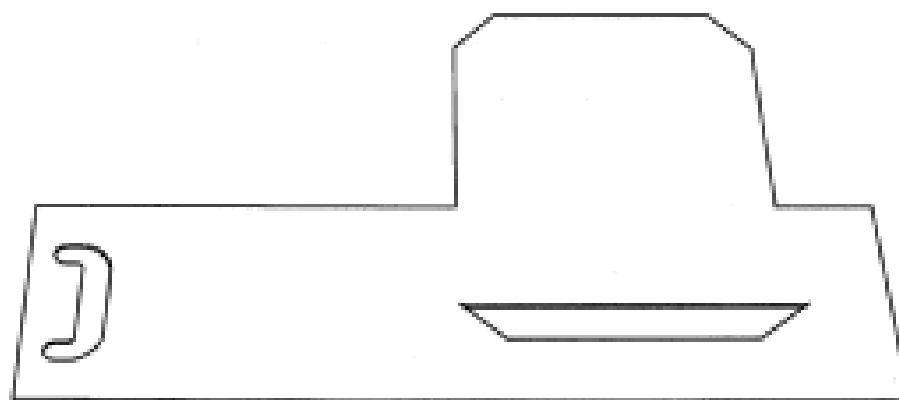
(21) Design Number: **20474/2007**
(22) Date of Filing Application: **26 October 2007**
(24) Date from which industrial property rights may have effect: **26 October 2007**
(54) Product in respect of which the design is registered: **Tyre profile**
(51) International Design Classification: **12-15C**
(71) Name(s) and Address(s) of Applicant(s):
Solideal Holding S.A.
23, Avenue Monterey, Luxembourg 2086, Luxembourg
(72) Name(s) of Designer(s): **Koenraad Pringiers**
(45) Registration Date: **25 February 2008**
(30) Convention priority data:
(31) Number (32) Date (33) Country
00719752-0001 08 May 2007 EUROPEAN COMMUNITY
(56) Related Art Documents: **Not Applicable**
(57) Statement of Newness and Distinctiveness: **Nil**



(21) Design Number: **20476/2007**
(22) Date of Filing Application: **26 October 2007**
(24) Date from which industrial property rights may have effect: **26 October 2007**
(54) Product in respect of which the design is registered: **Pet collar packaging**
(51) International Design Classification: **09-03NES**
(71) Name(s) and Address(s) of Applicant(s):
The KraMar Pet Company Pty Ltd
144 Hartley Road Smeaton Grange New South Wales 2567 Australia
(72) Name(s) of Designer(s): **Oliver Kratzer and Jon Berengut**
(45) Registration Date: **25 February 2008**
(56) Related Art Documents: **Not Applicable**
(57) Statement of Newness and Distinctiveness: **Nil**

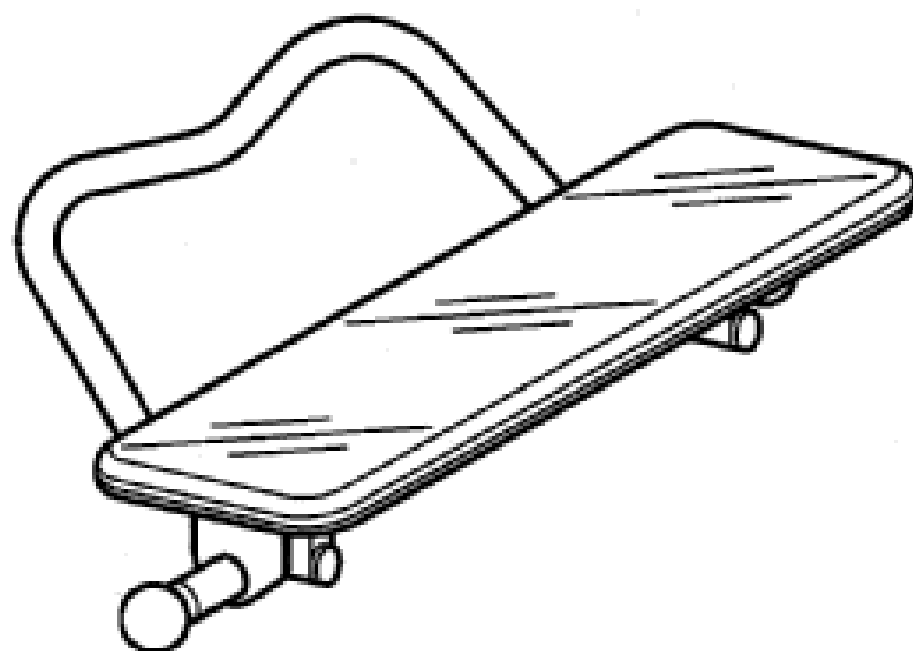


- (21) Design Number: **20477/2007**
- (22) Date of Filing Application: **26 October 2007**
- (24) Date from which industrial property rights may have effect: **26 October 2007**
- (54) Product in respect of which the design is registered: **Pet collar packaging**
- (51) International Design Classification: **09-03NES**
- (71) Name(s) and Address(s) of Applicant(s):
The KraMar Pet Company Pty Ltd
144 Hartley Road Smeaton Grange New South Wales 2567 Australia
- (72) Name(s) of Designer(s): **Oliver Kratzer and Jon Berengut**
- (45) Registration Date: **25 February 2008**
- (56) Related Art Documents: **Not Applicable**
- (57) Statement of Newness and Distinctiveness: **Nil**



- (21) Design Number: **20478/2007**
- (22) Date of Filing Application: **29 October 2007**
- (24) Date from which industrial property rights may have effect: **29 October 2007**
- (54) Product in respect of which the design is registered: **Abdominal exercise apparatus**
- (51) International Design Classification: **21-02F**
- (71) Name(s) and Address(s) of Applicant(s):
Engineering Fitness International Corp.
7755 Arjons Drive, San Diego, CA, 92126 United States of America
- (72) Name(s) of Designer(s): **Thomas J. Campanaro and Dan McCutcheon and Charles Joseph Mahon**
- (45) Registration Date: **25 February 2008**
- (30) Convention priority data:

(31) Number	(32) Date	(33) Country
29/280,314	23 May 2007	UNITED STATES OF AMERICA
- (56) Related Art Documents: **Not Applicable**
- (57) Statement of Newness and Distinctiveness: **Newness and distinctiveness is claimed in the shape and/or configuration of an abdominal exercise apparatus as illustrated in the representations.**



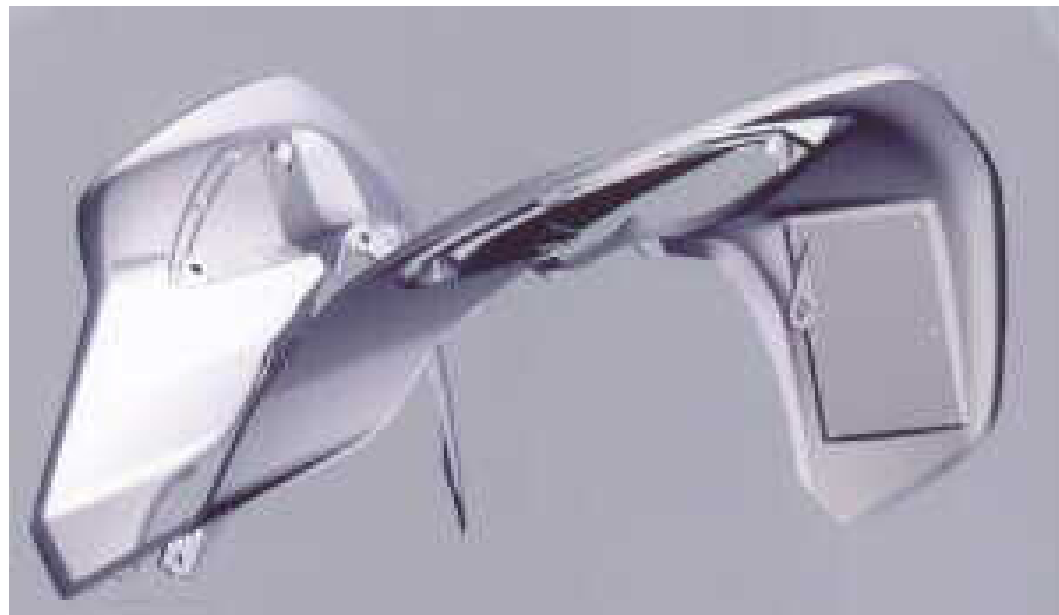
(21) Design Number: **20479/2007**
(22) Date of Filing Application: **26 October 2007**
(24) Date from which industrial property rights may have effect: **26 October 2007**
(54) Product in respect of which the design is registered: **An automobile**
(51) International Design Classification: **12-11**
(71) Name(s) and Address(s) of Applicant(s):
Honda Motor Co., Ltd.
1-1 Minami-Aoyama 2-Chome Minato-ku Tokyo Japan
(72) Name(s) of Designer(s): **Takao Mikami and Hideaki Yamazumi and Mike Chan**
(45) Registration Date: **25 February 2008**
(30) Convention priority data:
(31) Number (32) Date (33) Country
29/274471 26 Apr 2007 UNITED STATES OF AMERICA
(56) Related Art Documents: **Not Applicable**
(57) Statement of Newness and Distinctiveness: **Newness and distinctiveness is claimed in the features of shape and/or configuration of an automobile as illustrated in the accompanying representations.**



(21) Design Number: **20480/2007**
(22) Date of Filing Application: **26 October 2007**
(24) Date from which industrial property rights may have effect: **26 October 2007**
(54) Product in respect of which the design is registered: **A side cover of an automobile**
(51) International Design Classification: **12-16B**
(71) Name(s) and Address(s) of Applicant(s):
Honda Motor Co., Ltd.
1-1 Minami-Aoyama 2-Chome Minato-ku Tokyo Japan
(72) Name(s) of Designer(s): **Takao Mikami and Hideaki Yamazumi and Mike Chan**
(45) Registration Date: **25 February 2008**
(30) Convention priority data:
(31) Number (32) Date (33) Country
29/274470 26 Apr 2007 UNITED STATES OF AMERICA
(56) Related Art Documents: **Not Applicable**
(57) Statement of Newness and Distinctiveness: **Newness and distinctiveness is claimed in the features of shape and/or configuration of a side cover of an automobile as illustrated in the accompanying representations.**



- (21) Design Number: **20481/2007**
(22) Date of Filing Application: **26 October 2007**
(24) Date from which industrial property rights may have effect: **26 October 2007**
(54) Product in respect of which the design is registered: **A front fender of an automobile**
(51) International Design Classification: **12-16B**
(71) Name(s) and Address(s) of Applicant(s):
Honda Motor Co., Ltd.
1-1 Minami-Aoyama 2-Chome Minato-ku Tokyo Japan
(72) Name(s) of Designer(s): **Takao Mikami and Hideaki Yamazumi and Mike Chan**
(45) Registration Date: **25 February 2008**
(30) Convention priority data:
(31) Number (32) Date (33) Country
29/274469 26 Apr 2007 UNITED STATES OF AMERICA
(56) Related Art Documents: **Not Applicable**
(57) Statement of Newness and Distinctiveness: **Newness and distinctiveness is claimed in the features of shape and/or configuration of a front fender of an automobile as illustrated in the accompanying representations.**



- (21) Design Number: **20482/2007**
(22) Date of Filing Application: **26 October 2007**
(24) Date from which industrial property rights may have effect: **26 October 2007**
(54) Product in respect of which the design is registered: **An instrument panel for a truck vehicle**
(51) International Design Classification: **12-16NES**
(71) Name(s) and Address(s) of Applicant(s):
Honda Motor Co., Ltd.
1-1 Minami-Aoyama 2-Chome Minato-ku Tokyo Japan
(72) Name(s) of Designer(s): **Yukinori Kawaguchi and Mike Chan**
(45) Registration Date: **25 February 2008**
(30) Convention priority data:
(31) Number (32) Date (33) Country
29/274503 27 Apr 2007 UNITED STATES OF AMERICA
(56) Related Art Documents: **Not Applicable**
(57) Statement of Newness and Distinctiveness: **Newness and distinctiveness is claimed in the features of shape and/or configuration of an instrument panel for a truck vehicle as illustrated in the accompanying representations.**



- (21) Design Number: **20483/2007**
(22) Date of Filing Application: **26 October 2007**
(24) Date from which industrial property rights may have effect: **26 October 2007**
(54) Product in respect of which the design is registered: **A truck vehicle**
(51) International Design Classification: **12-11**
(71) Name(s) and Address(s) of Applicant(s):
Honda Motor Co., Ltd.
1-1 Minami-Aoyama 2-Chome Minato-ku Tokyo Japan
(72) Name(s) of Designer(s): **Yukinori Kawaguchi and Mike Chan**
(45) Registration Date: **25 February 2008**
(30) Convention priority data:
(31) Number (32) Date (33) Country
29/274502 27 Apr 2007 UNITED STATES OF AMERICA
(56) Related Art Documents: **Not Applicable**
(57) Statement of Newness and Distinctiveness: **Newness and distinctiveness is claimed in the features of shape and/or configuration of a truck vehicle as illustrated in the accompanying representations.**



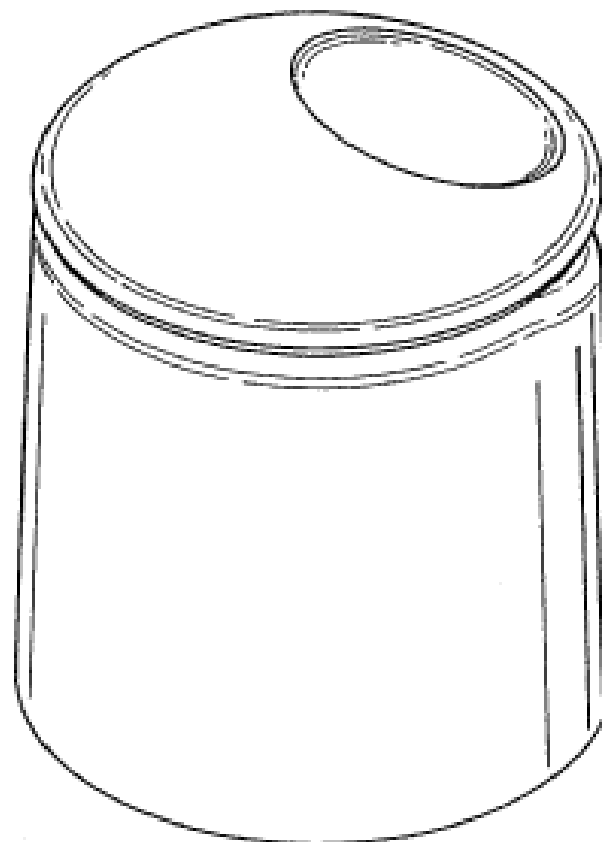
- (21) Design Number: **20484/2007**
(22) Date of Filing Application: **26 October 2007**
(24) Date from which industrial property rights may have effect: **26 October 2007**
(54) Product in respect of which the design is registered: **A rear gate for a truck vehicle**
(51) International Design Classification: **12-16B**
(71) Name(s) and Address(s) of Applicant(s):
Honda Motor Co., Ltd.
1-1 Minami-Aoyama 2-Chome Minato-ku Tokyo Japan
(72) Name(s) of Designer(s): **Yukinori Kawaguchi and Mike Chan**
(45) Registration Date: **25 February 2008**
(30) Convention priority data:
(31) Number (32) Date (33) Country
29/274512 27 Apr 2007 UNITED STATES OF AMERICA
(56) Related Art Documents: **Not Applicable**
(57) Statement of Newness and Distinctiveness: **Newness and distinctiveness is claimed in the features of shape and/or configuration of a rear gate for a truck vehicle as illustrated in the accompanying representations.**



- (21) Design Number: **20485/2007**
(22) Date of Filing Application: **26 October 2007**
(24) Date from which industrial property rights may have effect: **26 October 2007**
(54) Product in respect of which the design is registered: **A bonnet for a truck vehicle**
(51) International Design Classification: **12-16B**
(71) Name(s) and Address(s) of Applicant(s):
Honda Motor Co., Ltd.
1-1 Minami-Aoyama 2-Chome Minato-ku Tokyo Japan
(72) Name(s) of Designer(s): **Yukinori Kawaguchi and Mike Chan**
(45) Registration Date: **25 February 2008**
(30) Convention priority data:
(31) Number (32) Date (33) Country
29/274501 27 Apr 2007 UNITED STATES OF AMERICA
(56) Related Art Documents: **Not Applicable**
(57) Statement of Newness and Distinctiveness: **Newness and distinctiveness is claimed in the features of shape and/or configuration of a bonnet for a truck vehicle as illustrated in the accompanying representations.**



- (21) Design Number: **20486/2007**
(22) Date of Filing Application: **26 October 2007**
(24) Date from which industrial property rights may have effect: **26 October 2007**
(54) Product in respect of which the design is registered: **Dispensing closure**
(51) International Design Classification: **09-07A**
(71) Name(s) and Address(s) of Applicant(s):
Seaquist Closures, L.L.C.
711 Fox Street, Mukwonago, Wisconsin, 53149, United States of America
(72) Name(s) of Designer(s): **Timothy M. Mazurkiewicz and Corinne M. Blomdahl**
(45) Registration Date: **25 February 2008**
(30) Convention priority data:
(31) Number (32) Date (33) Country
29/286474 07 May 2007 UNITED STATES OF AMERICA
(56) Related Art Documents: **Not Applicable**
(57) Statement of Newness and Distinctiveness: **Newness and distinctiveness is claimed in the features of shape and/or configuration of at least the following parts of a dispensing closure as illustrated and labelled in the accompanying representations: flange at the top of the actuator button, which projects laterally above the wall of the closure body.**



- (21) Design Number: **20487/2007**
(22) Date of Filing Application: **26 October 2007**
(24) Date from which industrial property rights may have effect: **26 October 2007**
(54) Product in respect of which the design is registered: **Motorcycle**
(51) International Design Classification: **12-11**
(71) Name(s) and Address(s) of Applicant(s):
Honda Motor Co., Ltd.
1-1 Minamiaoyama 2-chome Minato-ku Tokyo Japan
(72) Name(s) of Designer(s): **Hayato Ohashi and Daisuke Takahashi and Paolo Cuccagna**
(45) Registration Date: **25 February 2008**
(30) Convention priority data:
(31) Number (32) Date (33) Country
2007-011395 26 Apr 2007 JAPAN
(56) Related Art Documents: **Not Applicable**
(57) Statement of Newness and Distinctiveness: **Newness and distinctiveness is claimed in the features of shape and/or configuration of the headlight and position light of a motorcycle as illustrated in the accompanying representations, wherein other parts of the motorcycle are shown in purple.**



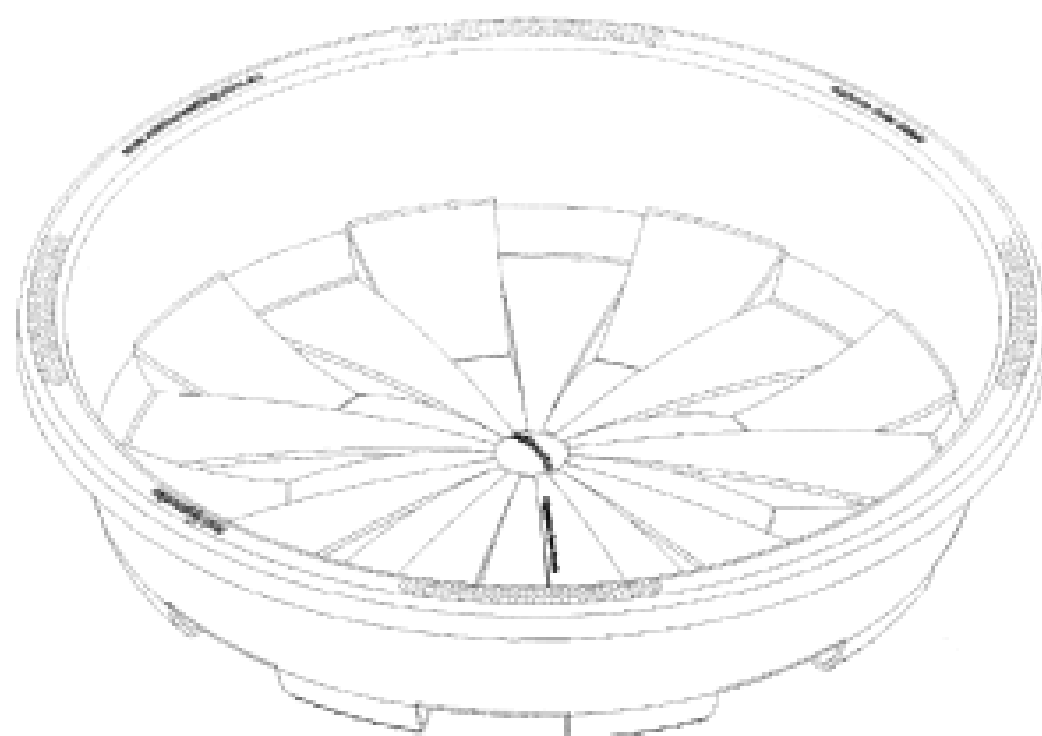
- (21) Design Number: **20488/2007**
(22) Date of Filing Application: **26 October 2007**
(24) Date from which industrial property rights may have effect: **26 October 2007**
(54) Product in respect of which the design is registered: **Motorcycle**
(51) International Design Classification: **12-11**
(71) Name(s) and Address(s) of Applicant(s):
Honda Motor Co., Ltd.
1-1 Minamiaoyama 2-chome Minato-ku Tokyo Japan
(72) Name(s) of Designer(s): **Kanya Takigawa and Daisuke Takahashi and Paolo Cuccagna**
(45) Registration Date: **25 February 2008**
(30) Convention priority data:
(31) Number (32) Date (33) Country
2007-011397 26 Apr 2007 JAPAN
(56) Related Art Documents: **Not Applicable**
(57) Statement of Newness and Distinctiveness: **Newness and distinctiveness is claimed in the features of shape and/or configuration of the wing part at the side of the front cowl of a motorcycle as illustrated in the accompanying representations, wherein other parts of the motorcycle are shown in purple.**



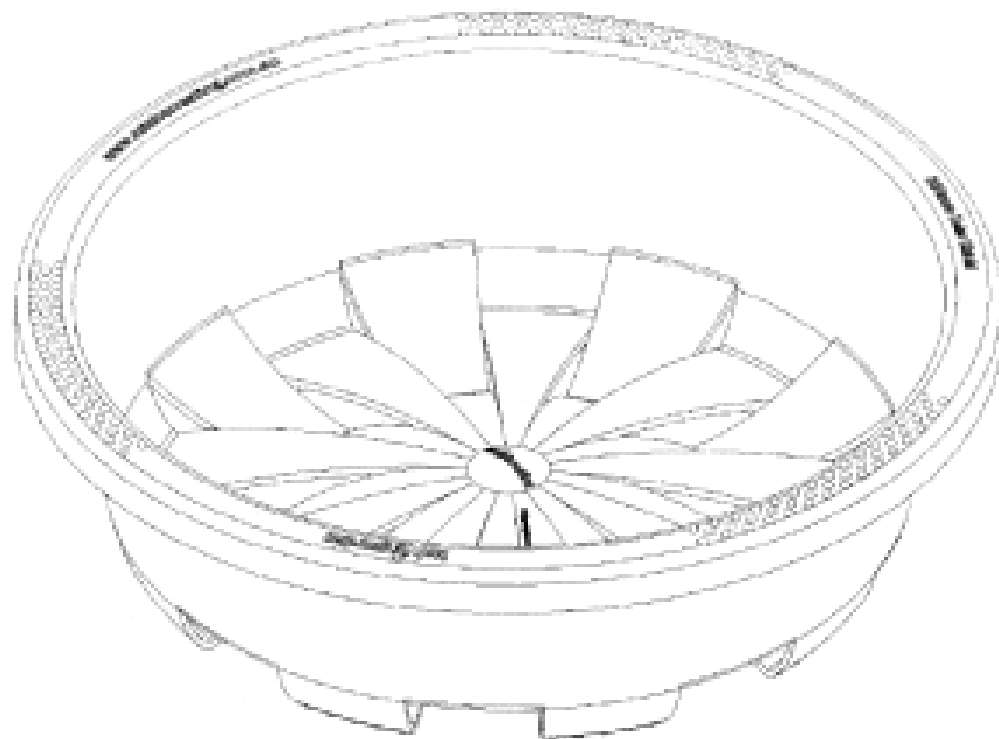
- (21) Design Number: **20490/2007**
(22) Date of Filing Application: **26 October 2007**
(24) Date from which industrial property rights may have effect: **26 October 2007**
(54) Product in respect of which the design is registered: **Motorcycle**
(51) International Design Classification: **12-11**
(71) Name(s) and Address(s) of Applicant(s):
Honda Motor Co., Ltd.
1-1 Minamiaoyama 2-chome Minato-ku Tokyo Japan
(72) Name(s) of Designer(s): **Kanya Takigawa and Daisuke Takahashi and Paolo Cuccagna**
(45) Registration Date: **25 February 2008**
(30) Convention priority data:
(31) Number (32) Date (33) Country
2007-011394 26 Apr 2007 JAPAN
(56) Related Art Documents: **Not Applicable**
(57) Statement of Newness and Distinctiveness: **Newness and distinctiveness is claimed in the features of shape and/or configuration of a motorcycle as illustrated in the accompanying representations.**



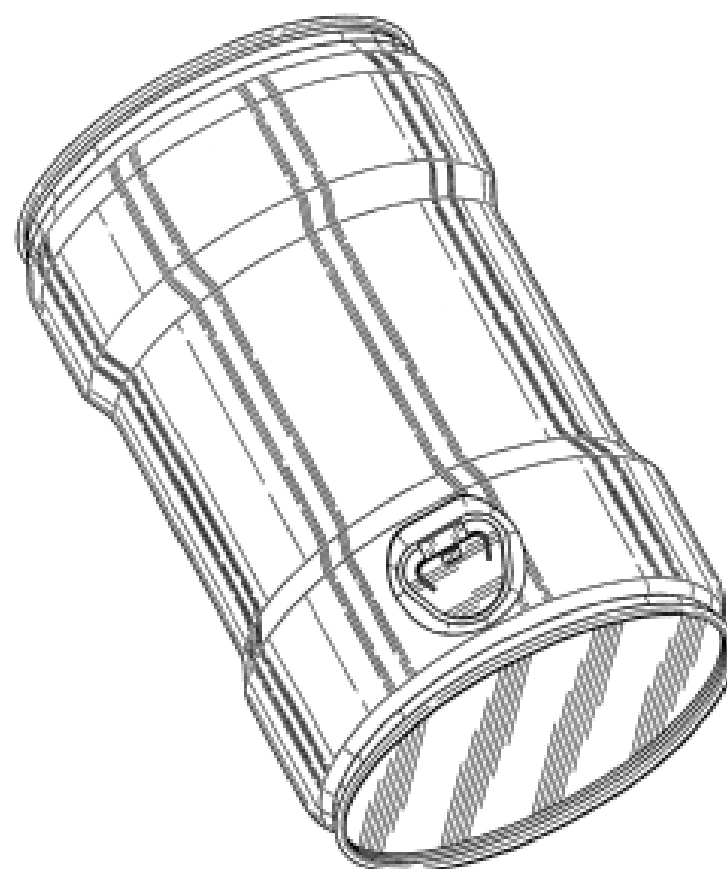
- (21) Design Number: **20499/2007**
(22) Date of Filing Application: **29 October 2007**
(24) Date from which industrial property rights may have effect: **29 October 2007**
(54) Product in respect of which the design is registered: **A tank inlet cover**
(51) International Design Classification: **23-01F**
(71) Name(s) and Address(s) of Applicant(s):
Rain Harvesting Pty Ltd
28-34 Reginald Street Rocklea Queensland 4106 Australia
(72) Name(s) of Designer(s): **Mayer Jung-Pugh**
(45) Registration Date: **25 February 2008**
(56) Related Art Documents: **Not Applicable**
(57) Statement of Newness and Distinctiveness: **In determining the newness and distinctiveness of the design, greater emphasis is to be given to the features of shape and configuration of the base area than the features of shape and configuration of the sidewall or outer rim. Any writing (including the teardrop shaped symbol) on the outer rim or elsewhere does not form part of the design.**



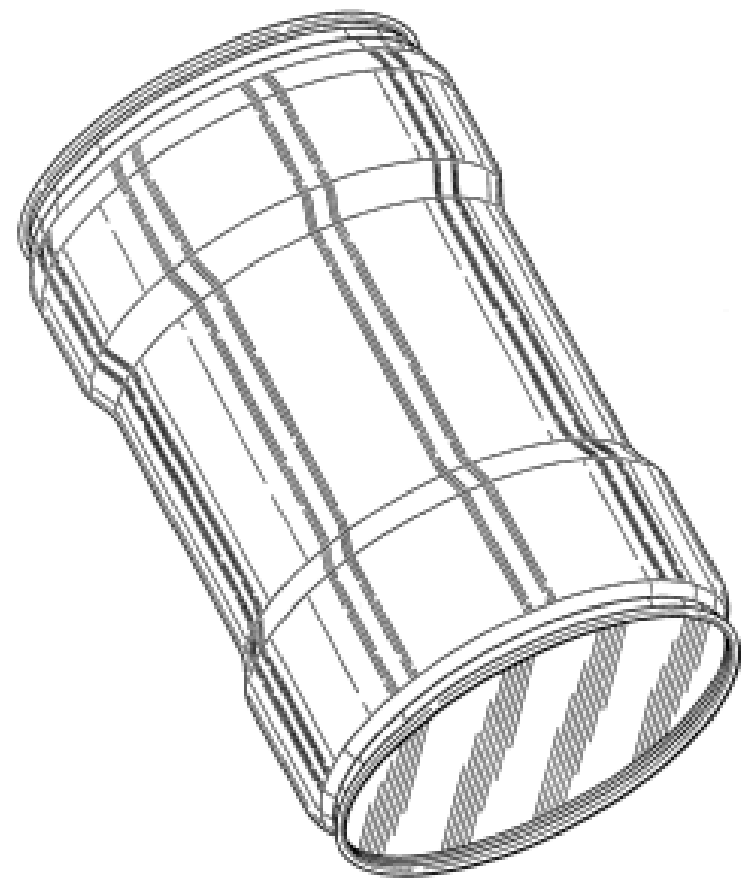
- (21) Design Number: **20500/2007**
(22) Date of Filing Application: **29 October 2007**
(24) Date from which industrial property rights may have effect: **29 October 2007**
(54) Product in respect of which the design is registered: **A tank inlet cover**
(51) International Design Classification: **23-01F**
(71) Name(s) and Address(s) of Applicant(s):
Rain Harvesting Pty Ltd
28-34 Reginald Street Rocklea Queensland 4106 Australia
(72) Name(s) of Designer(s): **Mayer Jung-Pugh**
(45) Registration Date: **25 February 2008**
(56) Related Art Documents: **Not Applicable**
(57) Statement of Newness and Distinctiveness: **In determining the newness and distinctiveness of the design, greater emphasis is to be given to the features of shape and configuration of the base area than the features of shape and configuration of the sidewall or outer rim. Any writing (including the teardrop shaped symbol) on the outer rim or elsewhere does not form part of the design.**



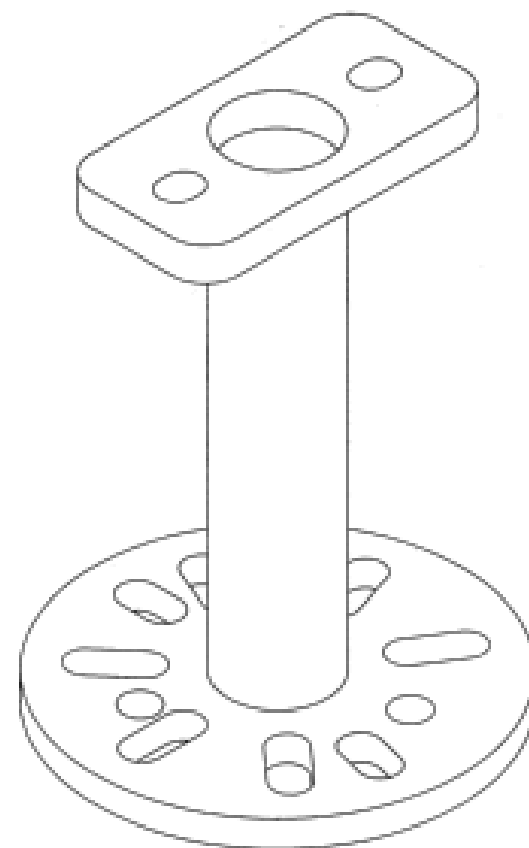
- (21) Design Number: **20504/2007**
(22) Date of Filing Application: **29 October 2007**
(24) Date from which industrial property rights may have effect: **29 October 2007**
(54) Product in respect of which the design is registered: **Beverage container**
(51) International Design Classification: **09-03L**
(71) Name(s) and Address(s) of Applicant(s):
Huber Packaging Group GmbH & Co. KG
Otto-Meister-Strasse 2 74613 Oehringen Germany
(72) Name(s) of Designer(s): **Philipp Kolon and Helmut Wiedmann**
(45) Registration Date: **25 February 2008**
(30) Convention priority data:
(31) Number (32) Date (33) Country
000717608 03 May 2007 EUROPEAN COMMUNITY
(56) Related Art Documents: **Not Applicable**
(57) Statement of Newness and Distinctiveness: **Nil**



(21) Design Number: **20505/2007**
(22) Date of Filing Application: **29 October 2007**
(24) Date from which industrial property rights may have effect: **29 October 2007**
(54) Product in respect of which the design is registered: **Beverage container**
(51) International Design Classification: **09-03L**
(71) Name(s) and Address(s) of Applicant(s):
Huber Packaging Group GmbH & Co. KG
Otto-Meister-Strasse 2 74613 Oehringen Germany
(72) Name(s) of Designer(s): **Philipp Kolon and Helmut Wiedmann**
(45) Registration Date: **25 February 2008**
(30) Convention priority data:
(31) Number (32) Date (33) Country
000717608 03 May 2007 EUROPEAN COMMUNITY
(56) Related Art Documents: **Not Applicable**
(57) Statement of Newness and Distinctiveness: **Nil**



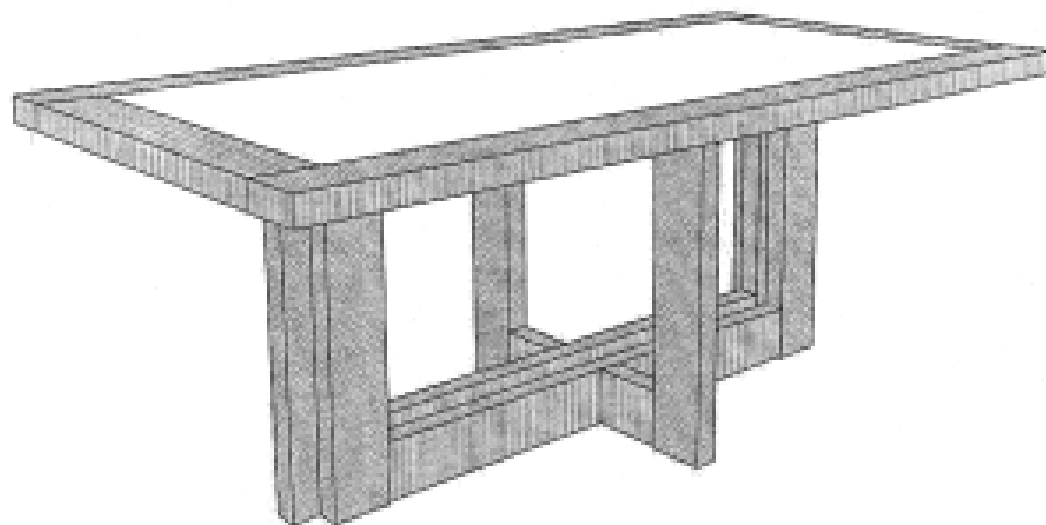
(21) Design Number: **20546/2007**
(22) Date of Filing Application: **26 October 2007**
(24) Date from which industrial property rights may have effect: **26 October 2007**
(54) Product in respect of which the design is registered: **Axle bearing press tool**
(51) International Design Classification: **08-05N**
(71) Name(s) and Address(s) of Applicant(s):
Glen Robert Duffy
Unit 3/20 Lancashire Street Acacia Ridge Queensland 4110 Australia
(72) Name(s) of Designer(s): **Glen Robert Duffy**
(45) Registration Date: **25 February 2008**
(56) Related Art Documents: **Not Applicable**
(57) Statement of Newness and Distinctiveness: **Nil**



- (21) Design Number: **21286/2007**
(22) Date of Filing Application: **12 December 2007**
(24) Date from which industrial property rights may have effect: **12 December 2007**
(54) Product in respect of which the design is registered: **Tables**
(51) International Design Classification: **06-03A**
(71) Name(s) and Address(s) of Applicant(s):

EM Export Limited
Nerine Chambers PO Box 905 Road Town Tortola British Virgin Islands

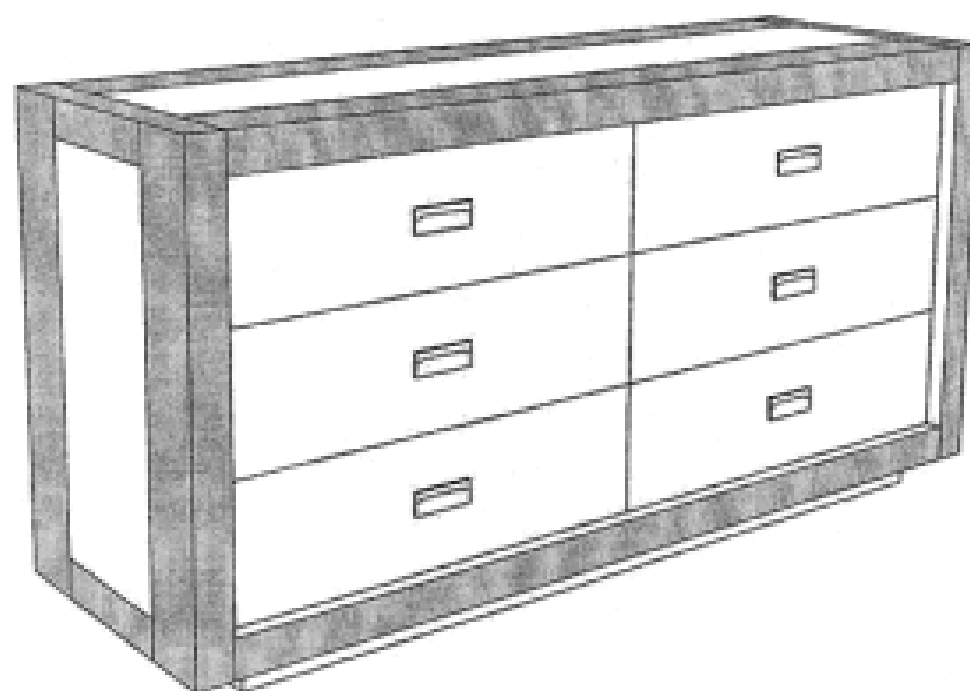
- (72) Name(s) of Designer(s): **Moshe Saraga and Reem Mayer**
(45) Registration Date: **26 February 2008**
(30) Convention priority data:
(31) Number (32) Date (33) Country
000741913-0054 12 Jun 2007 FRANCE
(56) Related Art Documents: **Not Applicable**
(57) Statement of Newness and Distinctiveness: **Nil**



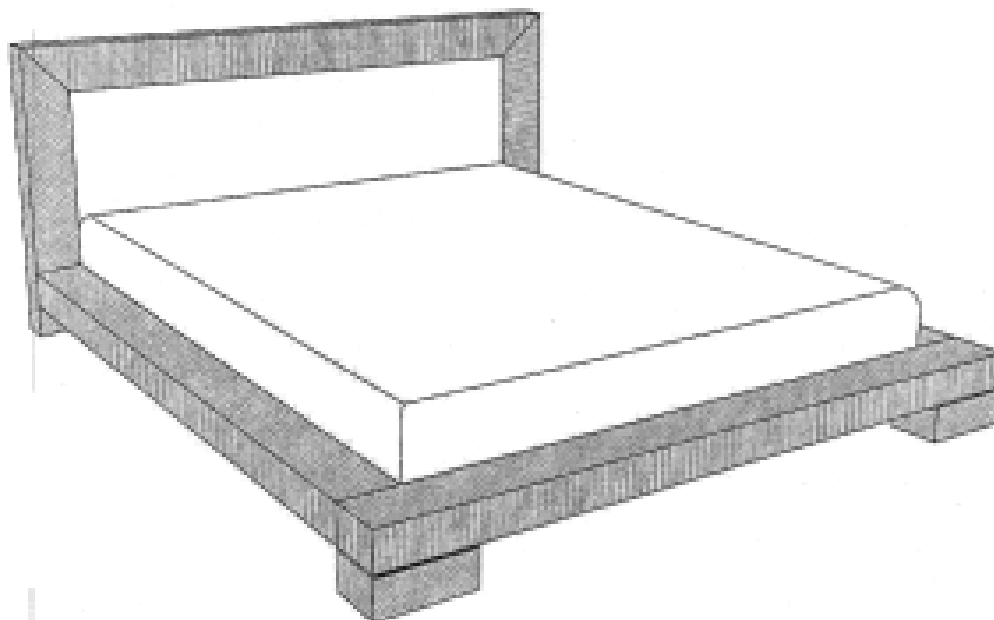
- (21) Design Number: **21287/2007**
(22) Date of Filing Application: **12 December 2007**
(24) Date from which industrial property rights may have effect: **12 December 2007**
(54) Product in respect of which the design is registered: **Chests**
(51) International Design Classification: **06-04F**
(71) Name(s) and Address(s) of Applicant(s):

EM Export Limited
Nerine Chambers PO Box 905 Road Town Tortola British Virgin Islands

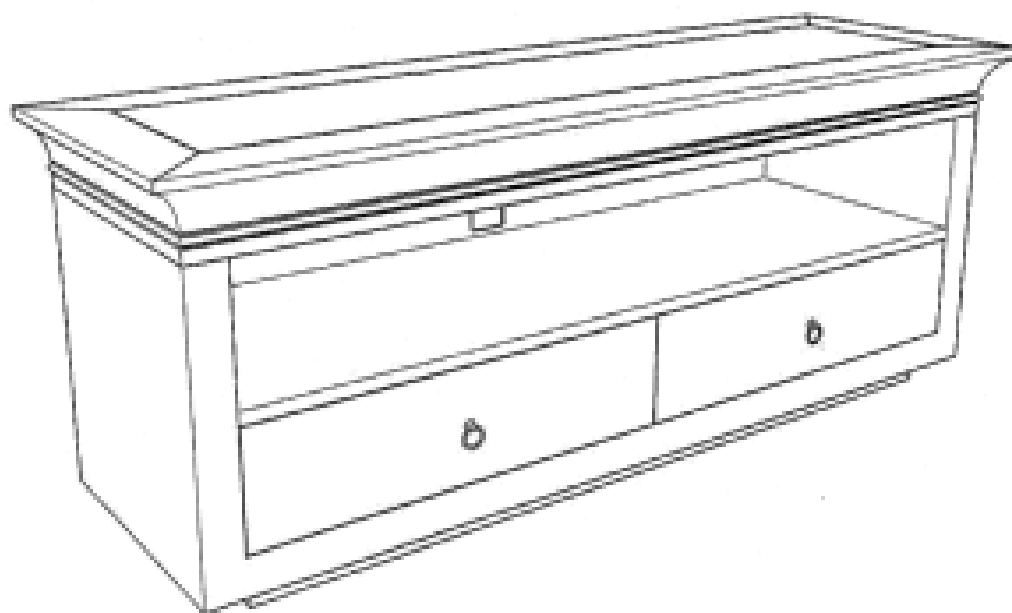
- (72) Name(s) of Designer(s): **Moshe Saraga and Reem Mayer**
(45) Registration Date: **26 February 2008**
(30) Convention priority data:
(31) Number (32) Date (33) Country
000741913-0052 12 Jun 2007 FRANCE
(56) Related Art Documents: **Not Applicable**
(57) Statement of Newness and Distinctiveness: **Nil**



(21) Design Number: **21288/2007**
(22) Date of Filing Application: **12 December 2007**
(24) Date from which industrial property rights may have effect: **12 December 2007**
(54) Product in respect of which the design is registered: **Beds**
(51) International Design Classification: **06-02**
(71) Name(s) and Address(s) of Applicant(s):
EM Export Limited
Nerine Chambers PO Box 905 Road Town Tortola British Virgin Islands
(72) Name(s) of Designer(s): **Moshe Saraga and Reem Mayer**
(45) Registration Date: **26 February 2008**
(30) Convention priority data:
(31) Number (32) Date (33) Country
000741913-0050 12 Jun 2007 FRANCE
(56) Related Art Documents: **Not Applicable**
(57) Statement of Newness and Distinctiveness: **Nil**



(21) Design Number: **21289/2007**
(22) Date of Filing Application: **12 December 2007**
(24) Date from which industrial property rights may have effect: **12 December 2007**
(54) Product in respect of which the design is registered: **Sideboards**
(51) International Design Classification: **06-04D**
(71) Name(s) and Address(s) of Applicant(s):
EM Export Limited
Nerine Chambers PO Box 905 Road Town Tortola British Virgin Islands
(72) Name(s) of Designer(s): **Moshe Saraga and Reem Mayer**
(45) Registration Date: **26 February 2008**
(30) Convention priority data:
(31) Number (32) Date (33) Country
000741913-0041 12 Jun 2007 FRANCE
(56) Related Art Documents: **Not Applicable**
(57) Statement of Newness and Distinctiveness: **Nil**



(21) Design Number: **21290/2007**
(22) Date of Filing Application: **12 December 2007**
(24) Date from which industrial property rights may have effect: **12 December 2007**
(54) Product in respect of which the design is registered: **Console tables**
(51) International Design Classification: **06-03A**
(71) Name(s) and Address(s) of Applicant(s):

EM Export Limited
Nerine Chambers PO Box 905 Road Town Tortola British Virgin Islands

(72) Name(s) of Designer(s): **Moshe Saraga and Reem Mayer**

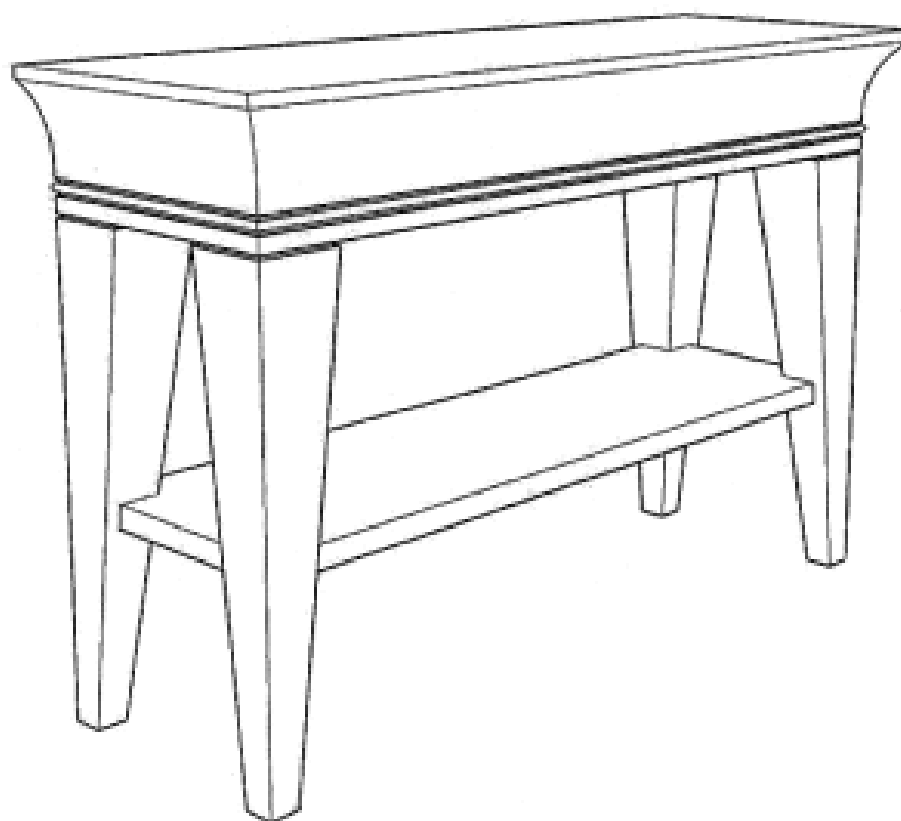
(45) Registration Date: **26 February 2008**

(30) Convention priority data:

(31) Number	(32) Date	(33) Country
000741913-0038	12 Jun 2007	FRANCE

(56) Related Art Documents: **Not Applicable**

(57) Statement of Newness and Distinctiveness: **Nil**



(21) Design Number: **21291/2007**
(22) Date of Filing Application: **12 December 2007**
(24) Date from which industrial property rights may have effect: **12 December 2007**
(54) Product in respect of which the design is registered: **Mirrors (furniture)**
(51) International Design Classification: **06-07**
(71) Name(s) and Address(s) of Applicant(s):

EM Export Limited
Nerine Chambers PO Box 905 Road Town Tortola British Virgin Islands

(72) Name(s) of Designer(s): **Moshe Saraga and Reem Mayer**

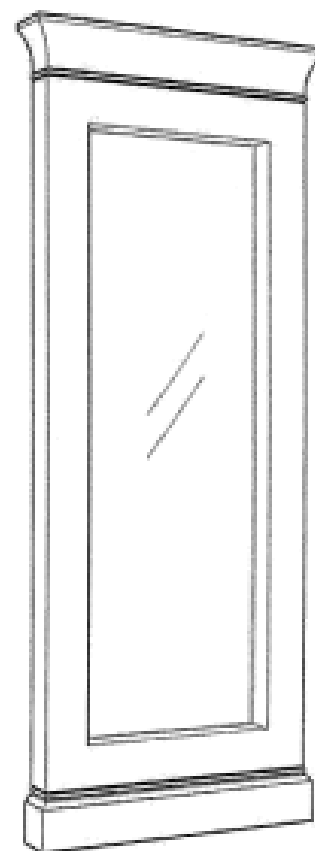
(45) Registration Date: **26 February 2008**

(30) Convention priority data:

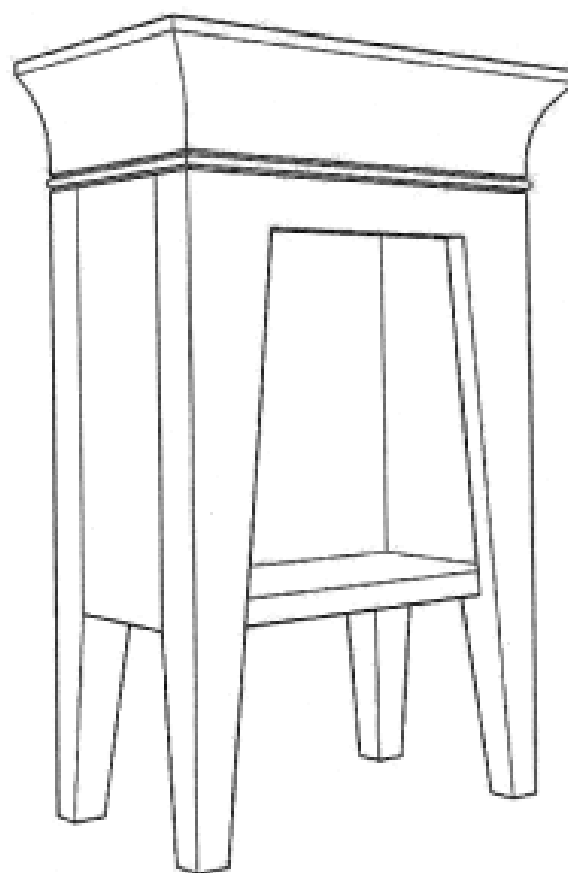
(31) Number	(32) Date	(33) Country
000741913-0036	12 Jun 2007	FRANCE

(56) Related Art Documents: **Not Applicable**

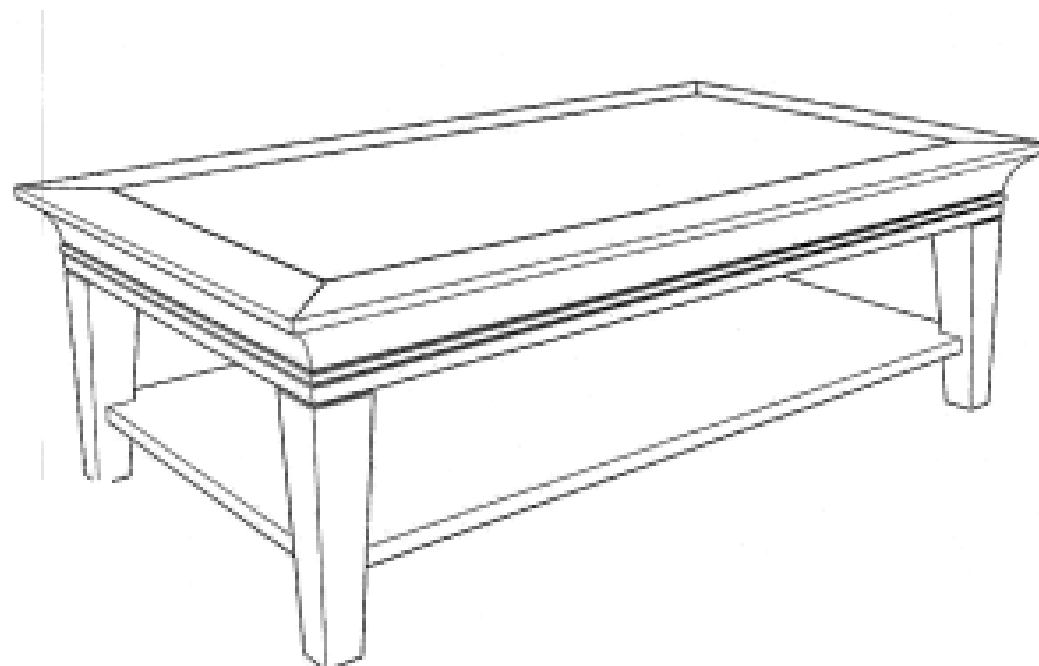
(57) Statement of Newness and Distinctiveness: **Nil**



(21) Design Number: **21292/2007**
(22) Date of Filing Application: **12 December 2007**
(24) Date from which industrial property rights may have effect: **12 December 2007**
(54) Product in respect of which the design is registered: **Bedside tables**
(51) International Design Classification: **06-04F**
(71) Name(s) and Address(s) of Applicant(s):
EM Export Limited
Nerine Chambers PO Box 905 Road Town Tortola British Virgin Islands
(72) Name(s) of Designer(s): **Moshe Saraga and Reem Mayer**
(45) Registration Date: **26 February 2008**
(30) Convention priority data:
(31) Number (32) Date (33) Country
000741913-0034 12 Jun 2007 FRANCE
(56) Related Art Documents: **Not Applicable**
(57) Statement of Newness and Distinctiveness: **Nil**



(21) Design Number: **21293/2007**
(22) Date of Filing Application: **12 December 2007**
(24) Date from which industrial property rights may have effect: **12 December 2007**
(54) Product in respect of which the design is registered: **Tables**
(51) International Design Classification: **06-03A**
(71) Name(s) and Address(s) of Applicant(s):
EM Export Limited
Nerine Chambers PO Box 905 Road Town Tortola British Virgin Islands
(72) Name(s) of Designer(s): **Moshe Saraga and Reem Mayer**
(45) Registration Date: **26 February 2008**
(30) Convention priority data:
(31) Number (32) Date (33) Country
000741913-0033 12 Jun 2007 FRANCE
(56) Related Art Documents: **Not Applicable**
(57) Statement of Newness and Distinctiveness: **Nil**



(21) Design Number: **21294/2007**
(22) Date of Filing Application: **12 December 2007**
(24) Date from which industrial property rights may have effect: **12 December 2007**
(54) Product in respect of which the design is registered: **Tables**
(51) International Design Classification: **06-03A**
(71) Name(s) and Address(s) of Applicant(s):

EM Export Limited
Nerine Chambers PO Box 905 Road Town Tortola British Virgin Islands

(72) Name(s) of Designer(s): **Moshe Saraga and Reem Mayer**

(45) Registration Date: **26 February 2008**

(30) Convention priority data:

(31) Number	(32) Date	(33) Country
000741913-0032	12 Jun 2007	FRANCE

(56) Related Art Documents: **Not Applicable**

(57) Statement of Newness and Distinctiveness: **Nil**



(21) Design Number: **21295/2007**
(22) Date of Filing Application: **12 December 2007**
(24) Date from which industrial property rights may have effect: **12 December 2007**
(54) Product in respect of which the design is registered: **Bookshelves**
(51) International Design Classification: **06-04NES**
(71) Name(s) and Address(s) of Applicant(s):

EM Export Limited
Nerine Chambers PO Box 905 Road Town Tortola British Virgin Islands

(72) Name(s) of Designer(s): **Moshe Saraga and Reem Mayer**

(45) Registration Date: **26 February 2008**

(30) Convention priority data:

(31) Number	(32) Date	(33) Country
000741913-0030	12 Jun 2007	FRANCE

(56) Related Art Documents: **Not Applicable**

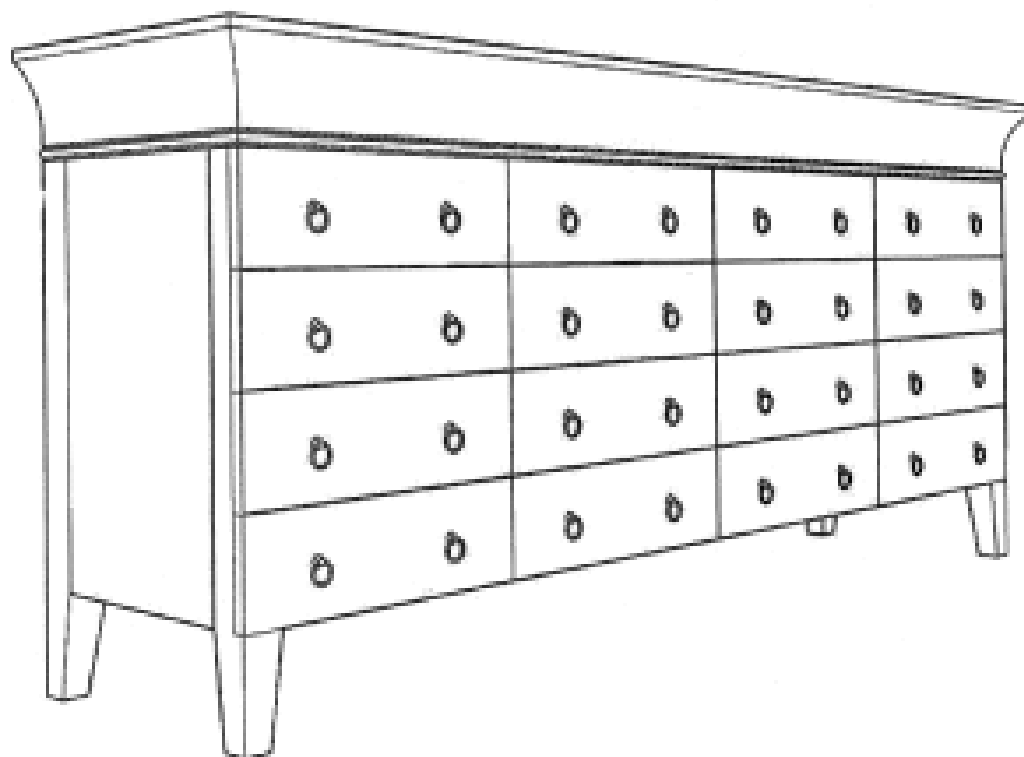
(57) Statement of Newness and Distinctiveness: **Nil**



- (21) Design Number: **21296/2007**
(22) Date of Filing Application: **12 December 2007**
(24) Date from which industrial property rights may have effect: **12 December 2007**
(54) Product in respect of which the design is registered: **Sideboards**
(51) International Design Classification: **06-04D**
(71) Name(s) and Address(s) of Applicant(s):

EM Export Limited
Nerine Chambers PO Box 905 Road Town Tortola British Virgin Islands

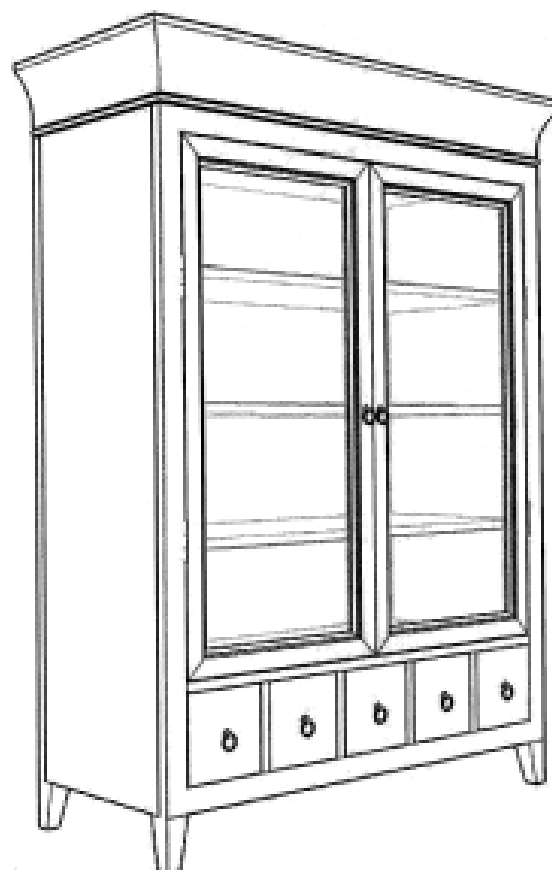
- (72) Name(s) of Designer(s): **Moshe Saraga and Reem Mayer**
(45) Registration Date: **26 February 2008**
(30) Convention priority data:
(31) Number (32) Date (33) Country
000741913-0028 12 Jun 2007 FRANCE
(56) Related Art Documents: **Not Applicable**
(57) Statement of Newness and Distinctiveness: **Nil**



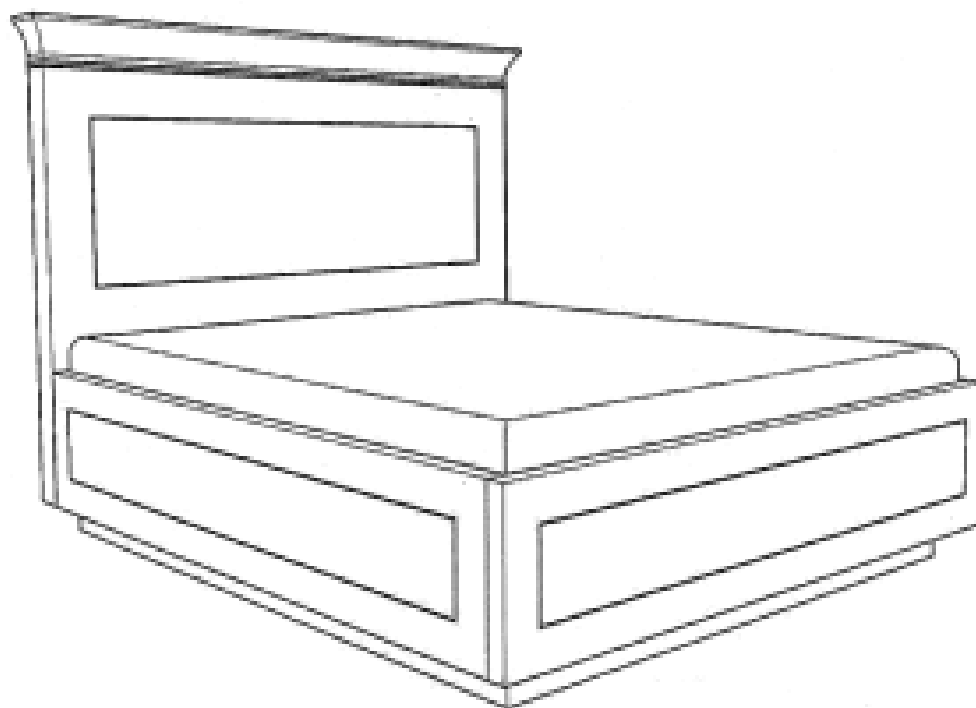
- (21) Design Number: **21297/2007**
(22) Date of Filing Application: **12 December 2007**
(24) Date from which industrial property rights may have effect: **12 December 2007**
(54) Product in respect of which the design is registered: **Glass cabinets**
(51) International Design Classification: **06-04D**
(71) Name(s) and Address(s) of Applicant(s):

EM Export Limited
Nerine Chambers PO Box 905 Road Town Tortola British Virgin Islands

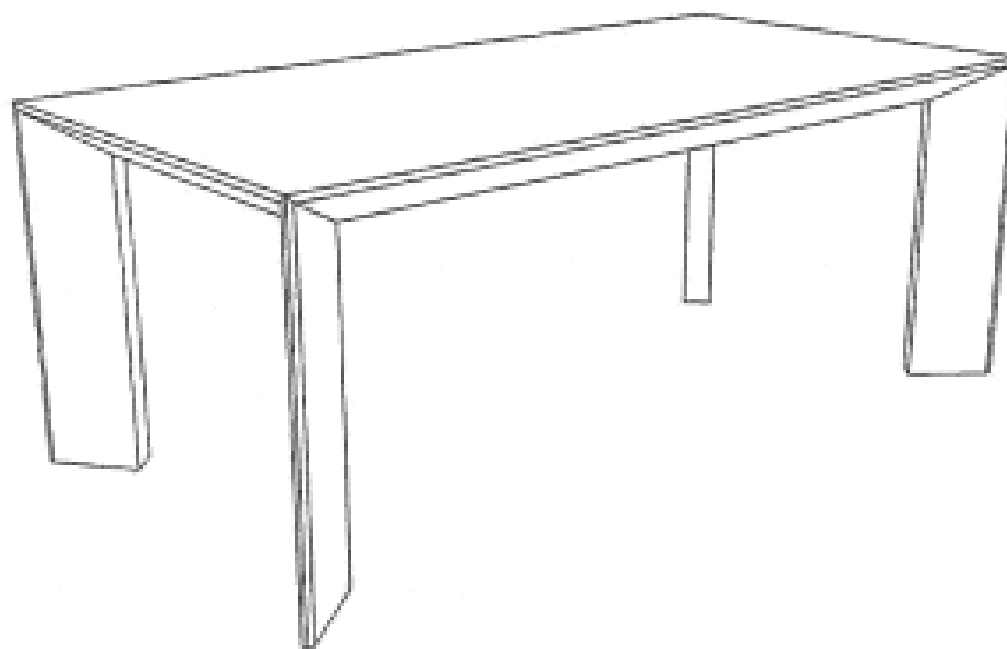
- (72) Name(s) of Designer(s): **Moshe Saraga and Reem Mayer**
(45) Registration Date: **26 February 2008**
(30) Convention priority data:
(31) Number (32) Date (33) Country
000741913-0027 12 Jun 2007 FRANCE
(56) Related Art Documents: **Not Applicable**
(57) Statement of Newness and Distinctiveness: **Nil**



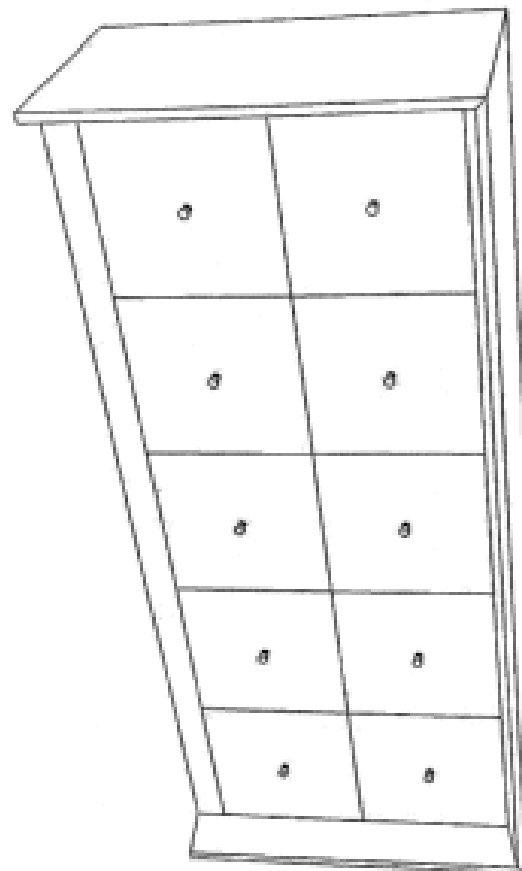
(21) Design Number: **21298/2007**
(22) Date of Filing Application: **12 December 2007**
(24) Date from which industrial property rights may have effect: **12 December 2007**
(54) Product in respect of which the design is registered: **Beds**
(51) International Design Classification: **06-02**
(71) Name(s) and Address(s) of Applicant(s):
EM Export Limited
Nerine Chambers PO Box 905 Road Town Tortola British Virgin Islands
(72) Name(s) of Designer(s): **Moshe Saraga and Reem Mayer**
(45) Registration Date: **26 February 2008**
(30) Convention priority data:
(31) Number (32) Date (33) Country
000741913-0023 12 Jun 2007 FRANCE
(56) Related Art Documents: **Not Applicable**
(57) Statement of Newness and Distinctiveness: **Nil**



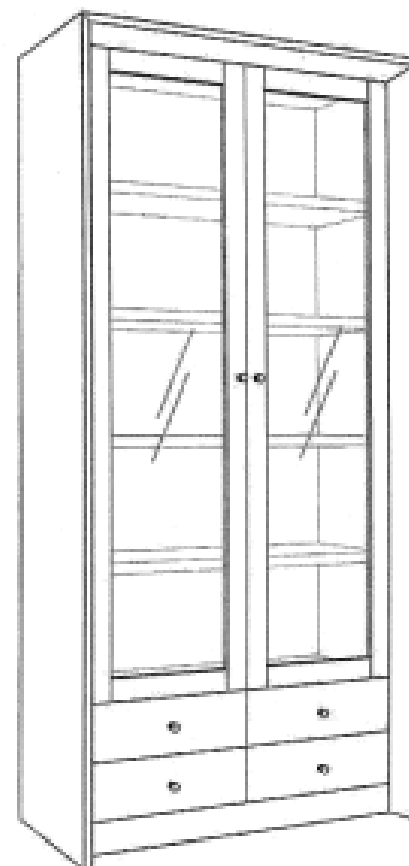
(21) Design Number: **21299/2007**
(22) Date of Filing Application: **12 December 2007**
(24) Date from which industrial property rights may have effect: **12 December 2007**
(54) Product in respect of which the design is registered: **Tables**
(51) International Design Classification: **06-03A**
(71) Name(s) and Address(s) of Applicant(s):
EM Export Limited
Nerine Chambers PO Box 905 Road Town Tortola British Virgin Islands
(72) Name(s) of Designer(s): **Moshe Saraga and Reem Mayer**
(45) Registration Date: **26 February 2008**
(30) Convention priority data:
(31) Number (32) Date (33) Country
000745781-0028 20 Jun 2007 FRANCE
(56) Related Art Documents: **Not Applicable**
(57) Statement of Newness and Distinctiveness: **Nil**



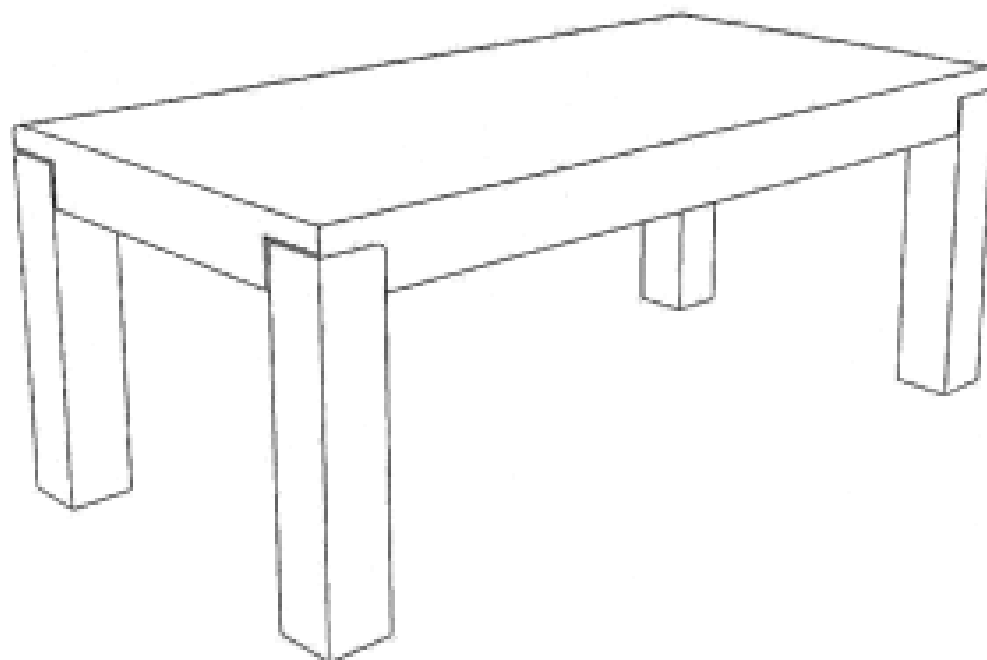
(21) Design Number: **21300/2007**
(22) Date of Filing Application: **12 December 2007**
(24) Date from which industrial property rights may have effect: **12 December 2007**
(54) Product in respect of which the design is registered: **Sideboards**
(51) International Design Classification: **06-04D**
(71) Name(s) and Address(s) of Applicant(s):
EM Export Limited
Nerine Chambers PO Box 905 Road Town Tortola British Virgin Islands
(72) Name(s) of Designer(s): **Moshe Saraga and Reem Mayer**
(45) Registration Date: **26 February 2008**
(30) Convention priority data:
(31) Number (32) Date (33) Country
000745781-0025 20 Jun 2007 FRANCE
(56) Related Art Documents: **Not Applicable**
(57) Statement of Newness and Distinctiveness: **Nil**



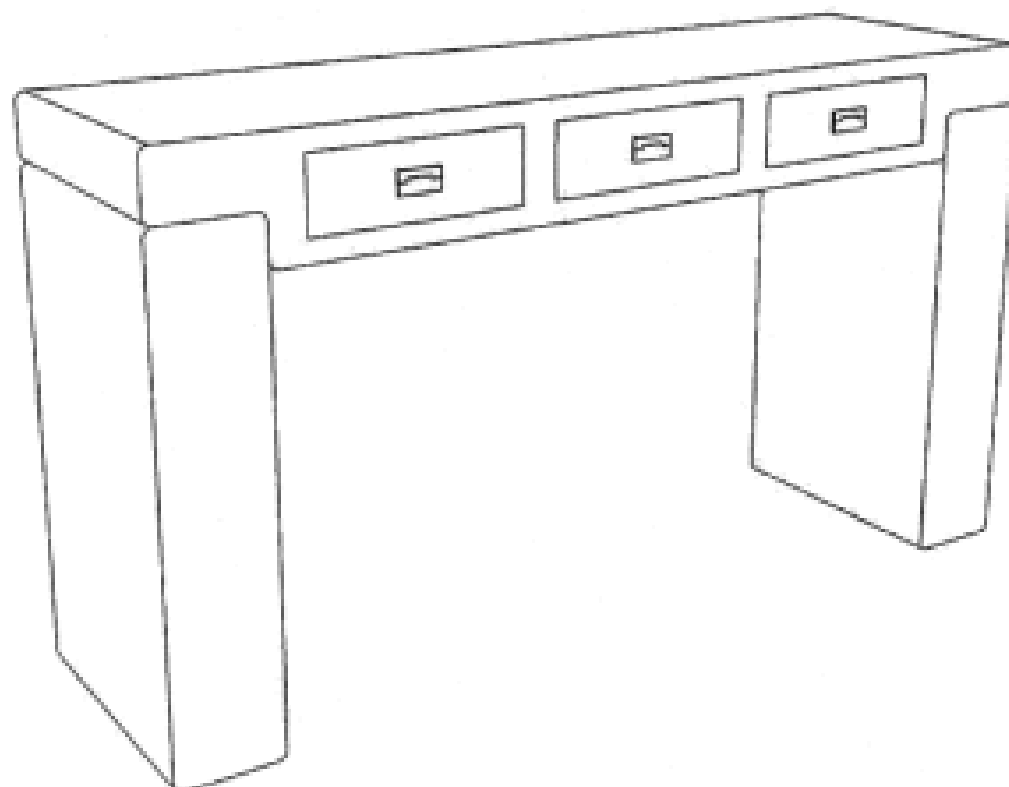
(21) Design Number: **21301/2007**
(22) Date of Filing Application: **12 December 2007**
(24) Date from which industrial property rights may have effect: **12 December 2007**
(54) Product in respect of which the design is registered: **Glass cabinets**
(51) International Design Classification: **06-04D**
(71) Name(s) and Address(s) of Applicant(s):
EM Export Limited
Nerine Chambers PO Box 905 Road Town Tortola British Virgin Islands
(72) Name(s) of Designer(s): **Moshe Saraga and Reem Mayer**
(45) Registration Date: **26 February 2008**
(30) Convention priority data:
(31) Number (32) Date (33) Country
000745781-0024 20 Jun 2007 FRANCE
(56) Related Art Documents: **Not Applicable**
(57) Statement of Newness and Distinctiveness: **Nil**



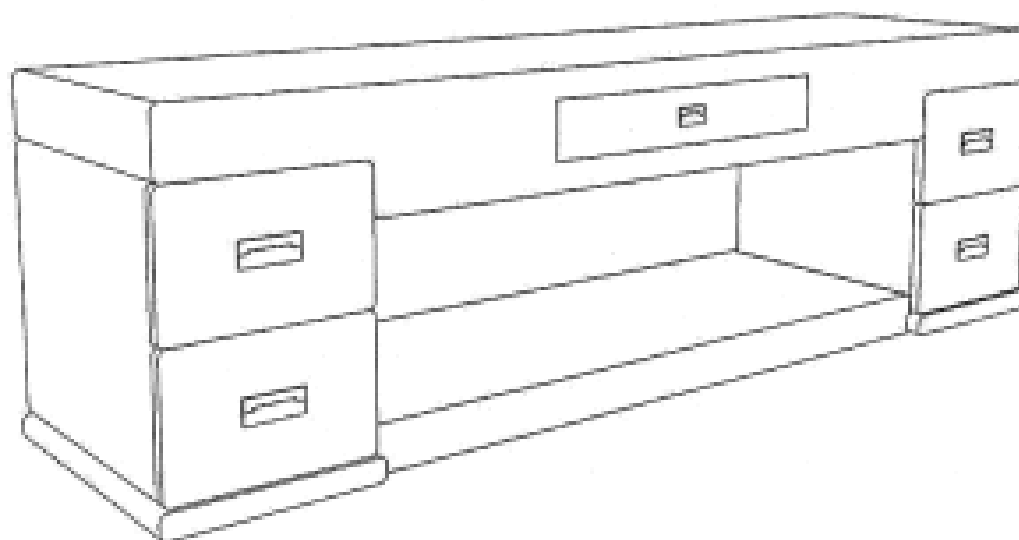
(21) Design Number: **21302/2007**
(22) Date of Filing Application: **12 December 2007**
(24) Date from which industrial property rights may have effect: **12 December 2007**
(54) Product in respect of which the design is registered: **Tables**
(51) International Design Classification: **06-03A**
(71) Name(s) and Address(s) of Applicant(s):
EM Export Limited
Nerine Chambers PO Box 905 Road Town Tortola British Virgin Islands
(72) Name(s) of Designer(s): **Moshe Saraga and Reem Mayer**
(45) Registration Date: **26 February 2008**
(30) Convention priority data:
(31) Number (32) Date (33) Country
000745781-0007 20 Jun 2007 FRANCE
(56) Related Art Documents: **Not Applicable**
(57) Statement of Newness and Distinctiveness: **Nil**



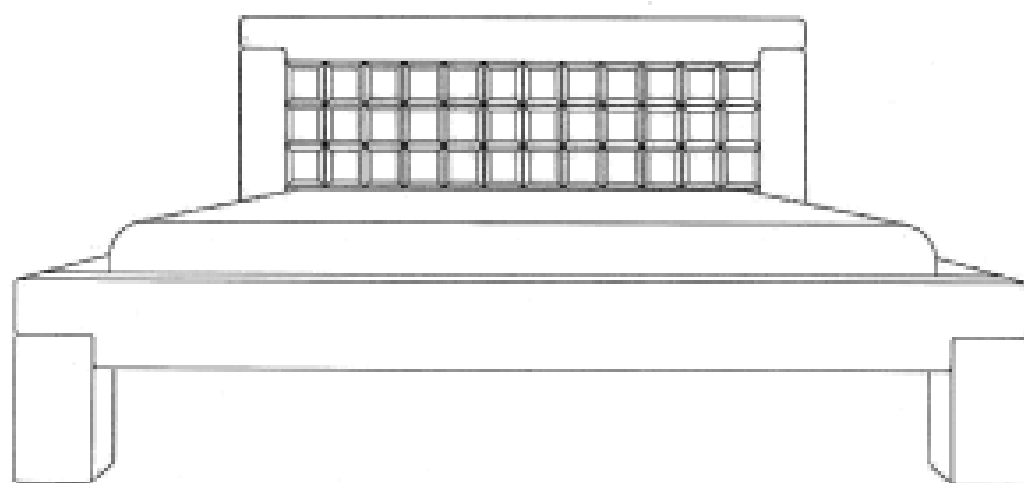
(21) Design Number: **21303/2007**
(22) Date of Filing Application: **12 December 2007**
(24) Date from which industrial property rights may have effect: **12 December 2007**
(54) Product in respect of which the design is registered: **Console tables**
(51) International Design Classification: **06-03A**
(71) Name(s) and Address(s) of Applicant(s):
EM Export Limited
Nerine Chambers PO Box 905 Road Town Tortola British Virgin Islands
(72) Name(s) of Designer(s): **Moshe Saraga and Reem Mayer**
(45) Registration Date: **26 February 2008**
(30) Convention priority data:
(31) Number (32) Date (33) Country
000745781-0005 20 Jun 2007 FRANCE
(56) Related Art Documents: **Not Applicable**
(57) Statement of Newness and Distinctiveness: **Nil**



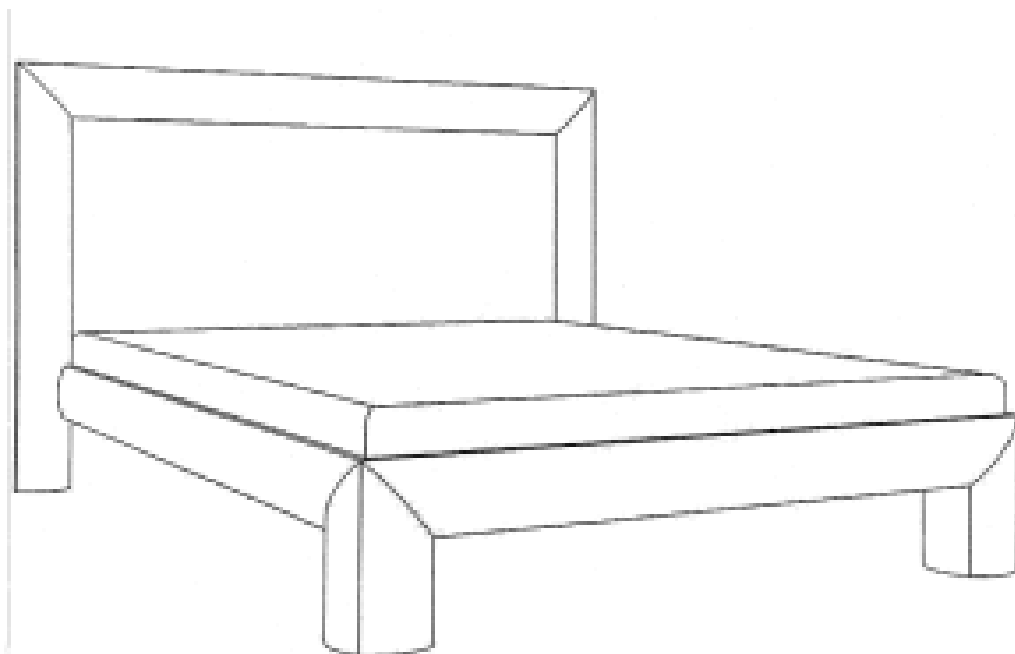
(21) Design Number: **21304/2007**
(22) Date of Filing Application: **12 December 2007**
(24) Date from which industrial property rights may have effect: **12 December 2007**
(54) Product in respect of which the design is registered: **Sideboards**
(51) International Design Classification: **06-04D**
(71) Name(s) and Address(s) of Applicant(s):
EM Export Limited
Nerine Chambers PO Box 905 Road Town Tortola British Virgin Islands
(72) Name(s) of Designer(s): **Moshe Saraga and Reem Mayer**
(45) Registration Date: **26 February 2008**
(30) Convention priority data:
(31) Number (32) Date (33) Country
000745781-0004 20 Jun 2007 FRANCE
(56) Related Art Documents: **Not Applicable**
(57) Statement of Newness and Distinctiveness: **Nil**



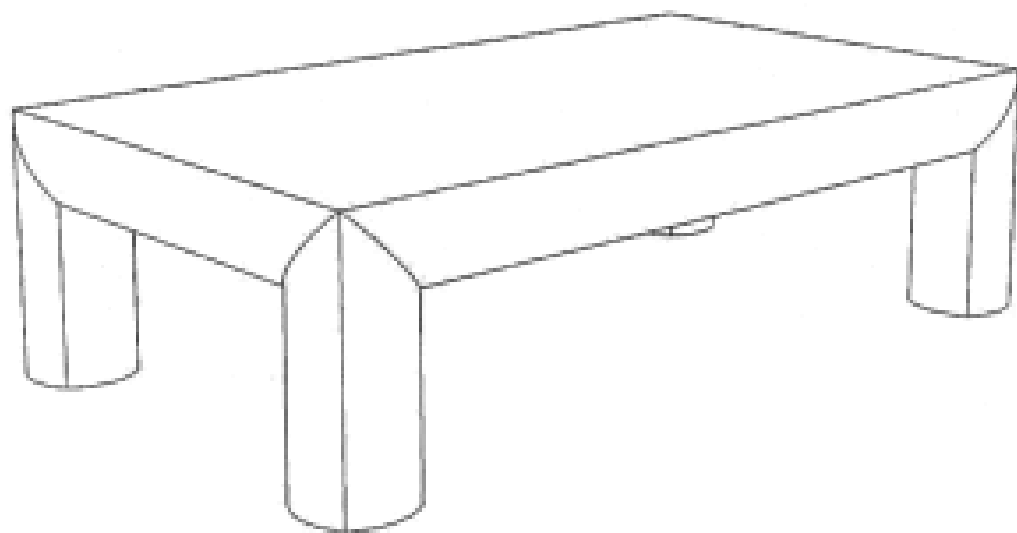
(21) Design Number: **21305/2007**
(22) Date of Filing Application: **12 December 2007**
(24) Date from which industrial property rights may have effect: **12 December 2007**
(54) Product in respect of which the design is registered: **Beds**
(51) International Design Classification: **06-02**
(71) Name(s) and Address(s) of Applicant(s):
EM Export Limited
Nerine Chambers PO Box 905 Road Town Tortola British Virgin Islands
(72) Name(s) of Designer(s): **Moshe Saraga and Reem Mayer**
(45) Registration Date: **26 February 2008**
(30) Convention priority data:
(31) Number (32) Date (33) Country
000745781-0001 20 Jun 2007 FRANCE
(56) Related Art Documents: **Not Applicable**
(57) Statement of Newness and Distinctiveness: **Nil**



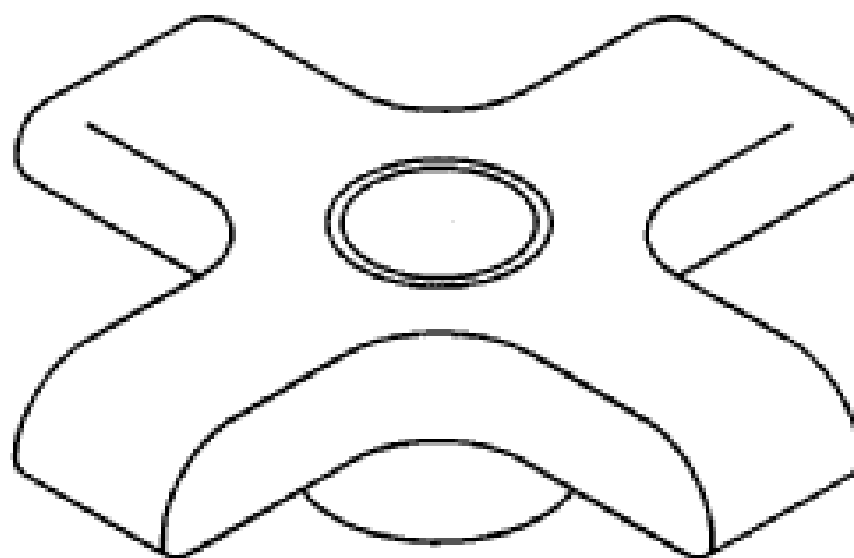
(21) Design Number: **21306/2007**
(22) Date of Filing Application: **12 December 2007**
(24) Date from which industrial property rights may have effect: **12 December 2007**
(54) Product in respect of which the design is registered: **Beds**
(51) International Design Classification: **06-02**
(71) Name(s) and Address(s) of Applicant(s):
EM Export Limited
Nerine Chambers PO Box 905 Road Town Tortola British Virgin Islands
(72) Name(s) of Designer(s): **Moshe Saraga and Reem Mayer**
(45) Registration Date: **26 February 2008**
(30) Convention priority data:
(31) Number (32) Date (33) Country
000745872-0021 15 Jun 2007 FRANCE
(56) Related Art Documents: **Not Applicable**
(57) Statement of Newness and Distinctiveness: **Nil**



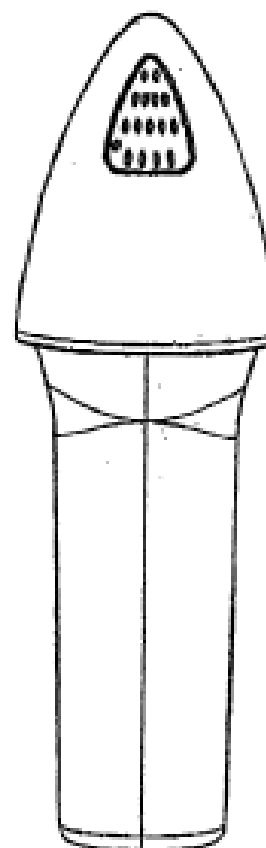
(21) Design Number: **21307/2007**
(22) Date of Filing Application: **12 December 2007**
(24) Date from which industrial property rights may have effect: **12 December 2007**
(54) Product in respect of which the design is registered: **Tables**
(51) International Design Classification: **06-03A**
(71) Name(s) and Address(s) of Applicant(s):
EM Export Limited
Nerine Chambers PO Box 905 Road Town Tortola British Virgin Islands
(72) Name(s) of Designer(s): **Moshe Saraga and Reem Mayer**
(45) Registration Date: **26 February 2008**
(30) Convention priority data:
(31) Number (32) Date (33) Country
000745872-0050 15 Jun 2007 FRANCE
(56) Related Art Documents: **Not Applicable**
(57) Statement of Newness and Distinctiveness: **Nil**



- (21) Design Number: **21308/2007**
(22) Date of Filing Application: **13 December 2007**
(24) Date from which industrial property rights may have effect: **13 December 2007**
(54) Product in respect of which the design is registered: **A tap handle**
(51) International Design Classification: **23-01H**
(71) Name(s) and Address(s) of Applicant(s):
Caroma Industries Limited
10 Market Street Brisbane Queensland 4000 Australia
(72) Name(s) of Designer(s): **Stephen John Cummings and David Giorgio**
(45) Registration Date: **26 February 2008**
(56) Related Art Documents: **Not Applicable**
(57) Statement of Newness and Distinctiveness: **Newness and distinctiveness is claimed in the features of shape and/or configuration of a tap handle as illustrated in the accompanying representations.**



- (21) Design Number: **20046/2007**
(22) Date of Filing Application: **02 October 2007**
(24) Date from which industrial property rights may have effect: **02 October 2007**
(54) Product in respect of which the design is registered: **Applicator**
(51) International Design Classification: **28-03NES**
(71) Name(s) and Address(s) of Applicant(s):
Joannis Michalis
Im Neusatz 13 D-88048 Friedrichshafen Germany
(72) Name(s) of Designer(s): **Joannis Michalis**
(45) Registration Date: **27 February 2008**
(56) Related Art Documents: **Not Applicable**
(57) Statement of Newness and Distinctiveness: **Nil**



(21) Design Number: **20472/2007**

(22) Date of Filing Application: **26 October 2007**

(24) Date from which industrial property rights may have effect: **26 October 2007**

(54) Product in respect of which the design is registered: **Joey sling, baby sling**

(51) International Design Classification: **03-99**

(71) Name(s) and Address(s) of Applicant(s):

Aynur Turker

PO Box 1490 Collingwood Victoria 3066 Australia

(72) Name(s) of Designer(s): **Aynur Turker**

(45) Registration Date: **27 February 2008**

(56) Related Art Documents: **Not Applicable**

(57) Statement of Newness and Distinctiveness: **Baby slings in reversible range of fashion prints and colours. Unique shape, ambidextrous pocket allows easy use when sling worn over either shoulder. Loop to hang light items. In-built leg padding which is hidden when sling is worn.**



(21) Design Number: **20489/2007**

(22) Date of Filing Application: **26 October 2007**

(24) Date from which industrial property rights may have effect: **26 October 2007**

(54) Product in respect of which the design is registered: **Joey sling purse**

(51) International Design Classification: **03-01B**

(71) Name(s) and Address(s) of Applicant(s):

Aynur Turker

PO Box 1490 Collingwood Victoria 3066 Australia

(72) Name(s) of Designer(s): **Aynur Turker**

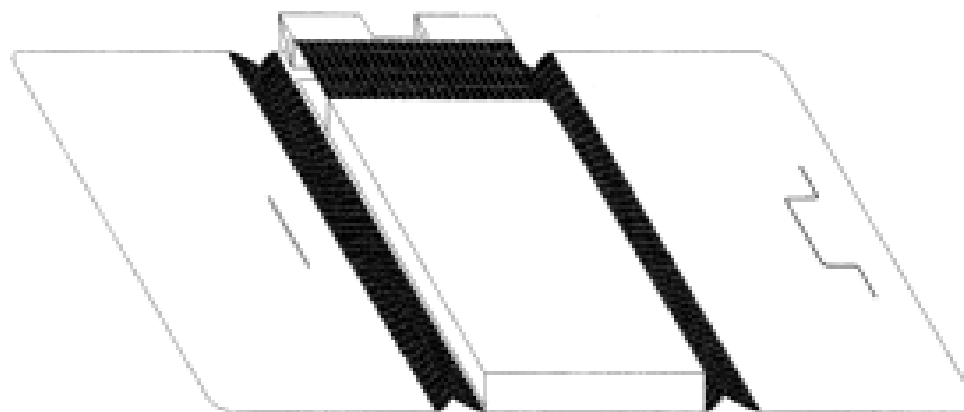
(45) Registration Date: **27 February 2008**

(56) Related Art Documents: **Not Applicable**

(57) Statement of Newness and Distinctiveness: **Convenient size purse allows room for keys, phone, cards and cash. Eyelet in corner for carabiner or other clips to clip onto joey sling or other items. Carabiner embossed with business website. Purse constructed from two contrasting fabrics with visible seam on both sides. Full range to match all joey slings.**



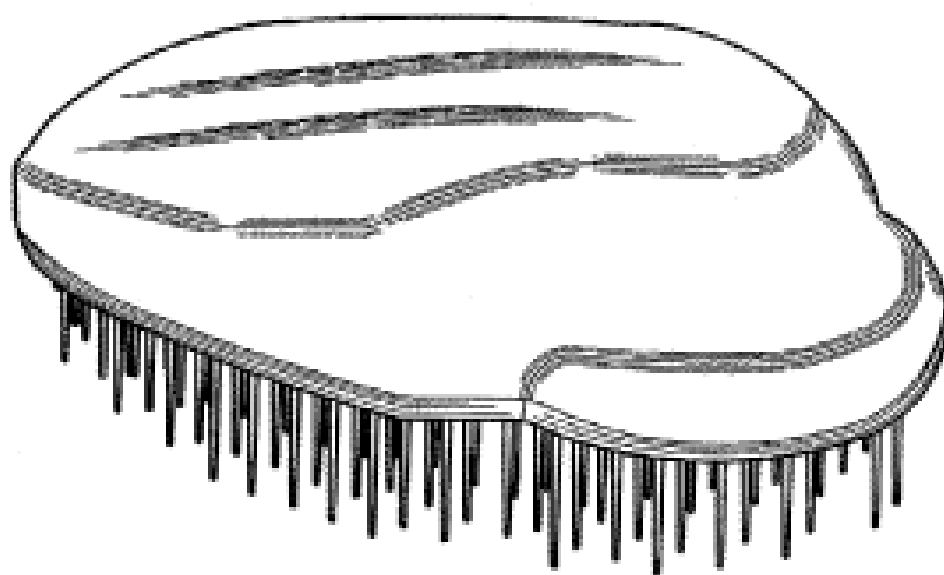
- (21) Design Number: **20494/2007**
(22) Date of Filing Application: **30 October 2007**
(24) Date from which industrial property rights may have effect: **30 October 2007**
(54) Product in respect of which the design is registered: **Wallet/money and card clip**
(51) International Design Classification: **03-01B**
(71) Name(s) and Address(s) of Applicant(s):
David Gregory Watts
113 Carabella Street Kirribilli New South Wales 2061 Australia
(72) Name(s) of Designer(s): **David Gregory Watts**
(45) Registration Date: **27 February 2008**
(56) Related Art Documents: **Not Applicable**
(57) Statement of Newness and Distinctiveness: **The design can be made from one piece of sheet metal.**



- (21) Design Number: **20506/2007**
(22) Date of Filing Application: **26 October 2007**
(24) Date from which industrial property rights may have effect: **26 October 2007**
(54) Product in respect of which the design is registered: **Hair brush**
(51) International Design Classification: **04-02**
(71) Name(s) and Address(s) of Applicant(s):
Shaun Pulfrey
Flat 93 Arlington Lodge Brixton Hill London SW2 1RF
(72) Name(s) of Designer(s): **Shaun Pulfrey**
(45) Registration Date: **27 February 2008**
(30) Convention priority data:

(31) Number	(32) Date	(33) Country
000717533	27 Apr 2007	EUROPEAN COMMUNITY

(56) Related Art Documents: **Not Applicable**
(57) Statement of Newness and Distinctiveness: **Nil**



(21) Design Number: **20507/2007**

(22) Date of Filing Application: **26 October 2007**

(24) Date from which industrial property rights may have effect: **26 October 2007**

(54) Product in respect of which the design is registered: **Hair brush bristles**

(51) International Design Classification: **04-02**

(71) Name(s) and Address(s) of Applicant(s):

Shaun Pulfrey

Flat 93 Arlington Lodge Brixton Hill London SW2 1RF

(72) Name(s) of Designer(s): **Shaun Pulfrey**

(45) Registration Date: **27 February 2008**

(30) Convention priority data:

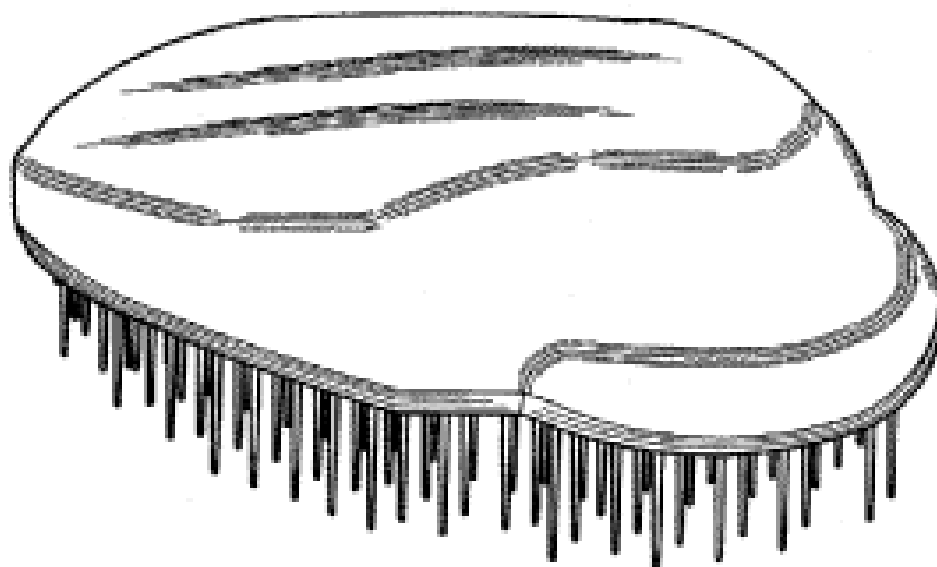
(31) Number
000717533

(32) Date
27 Apr 2007

(33) Country
EUROPEAN COMMUNITY

(56) Related Art Documents: **Not Applicable**

(57) Statement of Newness and Distinctiveness: **Newness and distinctiveness resides in the bristle pattern illustrated in the representations. The body of the hair brush does not form part of the design and is to be disregarded.**



(21) Design Number: **20534/2007**

(22) Date of Filing Application: **30 October 2007**

(24) Date from which industrial property rights may have effect: **30 October 2007**

(54) Product in respect of which the design is registered: **Mixing tap**

(51) International Design Classification: **23-01H**

(71) Name(s) and Address(s) of Applicant(s):

Gessi S.p.A.

Frazione Vintebbio Parco Gessi I-13037 Serravalle Sesia Vercelli Italy

(72) Name(s) of Designer(s): **Gian Luca Gessi**

(45) Registration Date: **27 February 2008**

(30) Convention priority data:

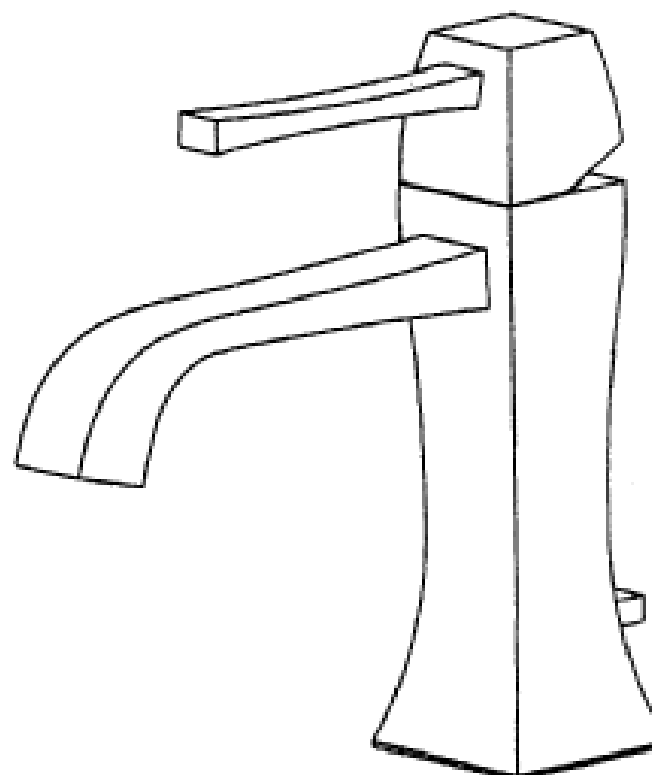
(31) Number
MI2007O000127

(32) Date
18 May 2007

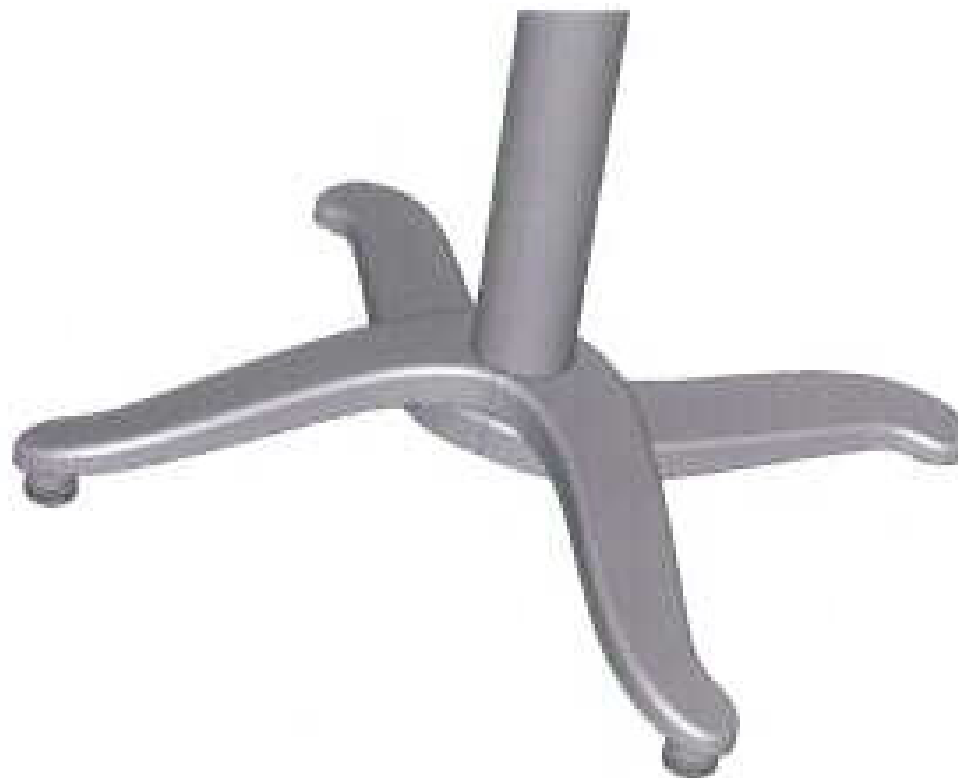
(33) Country
ITALY

(56) Related Art Documents: **Not Applicable**

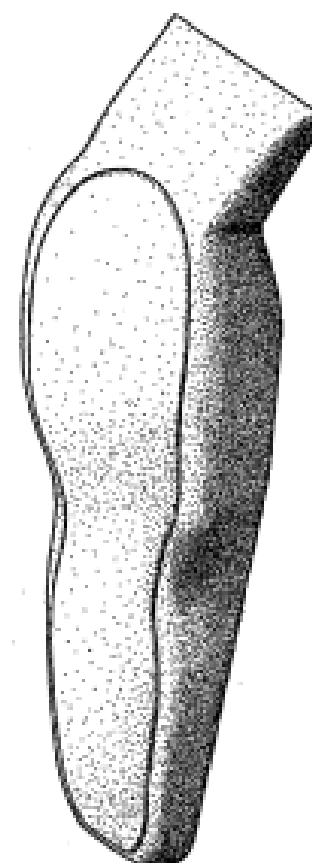
(57) Statement of Newness and Distinctiveness: **Nil**



(21) Design Number: **20536/2007**
(22) Date of Filing Application: **30 October 2007**
(24) Date from which industrial property rights may have effect: **30 October 2007**
(54) Product in respect of which the design is registered: **Leg of table for collectivity furniture**
(51) International Design Classification: **06-06E**
(71) Name(s) and Address(s) of Applicant(s):
SM France
47 avenue Victor-Louis Bachelar 17308 Rochefort Sur Mer France
(72) Name(s) of Designer(s): **Jean-Pierre Cuvilly**
(45) Registration Date: **27 February 2008**
(30) Convention priority data:
(31) Number (32) Date (33) Country
07 2264 07 May 2007 FRANCE
(56) Related Art Documents: **Not Applicable**
(57) Statement of Newness and Distinctiveness: **Nil**



(21) Design Number: **20537/2007**
(22) Date of Filing Application: **30 October 2007**
(24) Date from which industrial property rights may have effect: **30 October 2007**
(54) Product in respect of which the design is registered: **Housing portion for hair clipper**
(51) International Design Classification: **28-03D**
(71) Name(s) and Address(s) of Applicant(s):
Wahl Clipper Corporation
2900 North Locust Street Sterling Illinois 61081 United States of America
(72) Name(s) of Designer(s): **Jason M. Long and Michael Eddinger**
(45) Registration Date: **27 February 2008**
(30) Convention priority data:
(31) Number (32) Date (33) Country
29/288,759 21 Jun 2007 UNITED STATES OF AMERICA
(56) Related Art Documents: **Not Applicable**
(57) Statement of Newness and Distinctiveness: **Nil**



(21) Design Number: **20538/2007**

(22) Date of Filing Application: **30 October 2007**

(24) Date from which industrial property rights may have effect: **30 October 2007**

(54) Product in respect of which the design is registered: **Shin pad**

(51) International Design Classification: **21-02NES**

(71) Name(s) and Address(s) of Applicant(s):

**Task Force Properties & Investments Ltd
Millennium House Moss Road Witham Essex CM8 3UQ United
Kingdom**

(72) Name(s) of Designer(s): **Harald Scheffer and Robert Steed**

(45) Registration Date: **27 February 2008**

(30) Convention priority data:

(31) Number	(32) Date	(33) Country
000 715 297	30 Apr 2007	EUROPEAN COMMUNITY

(56) Related Art Documents: **Not Applicable**

(57) Statement of Newness and Distinctiveness: **Newness and distinctiveness is claimed in the features of shape and configuration of a shin pad as shown in the accompanying representations. The text in the representations does not form part of the new and distinct features and may be varied from that shown.**



(21) Design Number: **20539/2007**

(22) Date of Filing Application: **30 October 2007**

(24) Date from which industrial property rights may have effect: **30 October 2007**

(54) Product in respect of which the design is registered: **Shin pad strapping**

(51) International Design Classification: **21-02NES**

(71) Name(s) and Address(s) of Applicant(s):

**Task Force Properties & Investments Ltd
Millennium House Moss Road Witham Essex CM8 3UQ United
Kingdom**

(72) Name(s) of Designer(s): **Harald Scheffer and Robert Steed**

(45) Registration Date: **27 February 2008**

(30) Convention priority data:

(31) Number	(32) Date	(33) Country
000 715 297	30 Apr 2007	EUROPEAN COMMUNITY

(56) Related Art Documents: **Not Applicable**

(57) Statement of Newness and Distinctiveness: **Newness and distinctiveness is claimed in the features of shape and configuration of shin pad strapping as shown in the accompanying representations. The text in the representations does not form part of the new and distinct features and may be varied from that shown. The body parts shown in the representations are for illustration only and do not form part of design.**



- (21) Design Number: **20540/2007**
(22) Date of Filing Application: **30 October 2007**
(24) Date from which industrial property rights may have effect: **30 October 2007**
(54) Product in respect of which the design is registered: **Combined shin pad and strapping**
(51) International Design Classification: **21-02NES**
(71) Name(s) and Address(s) of Applicant(s):
Task Force Properties & Investments Ltd
Millennium House Moss Road Witham Essex CM8 3UQ United Kingdom
(72) Name(s) of Designer(s): **Harald Scheffer and Robert Steed**
(45) Registration Date: **27 February 2008**
(30) Convention priority data:
(31) Number (32) Date (33) Country
000 715 297 30 Apr 2007 EUROPEAN COMMUNITY
(56) Related Art Documents: **Not Applicable**
(57) Statement of Newness and Distinctiveness: **Newness and distinctiveness is claimed in the features of shape and configuration of a combined shin pad and strapping as shown in the accompanying representations. The text in the representations does not form part of the new and distinct features and may be varied from that shown. The body parts shown in the representations are for illustration only and do not form part of the design.**



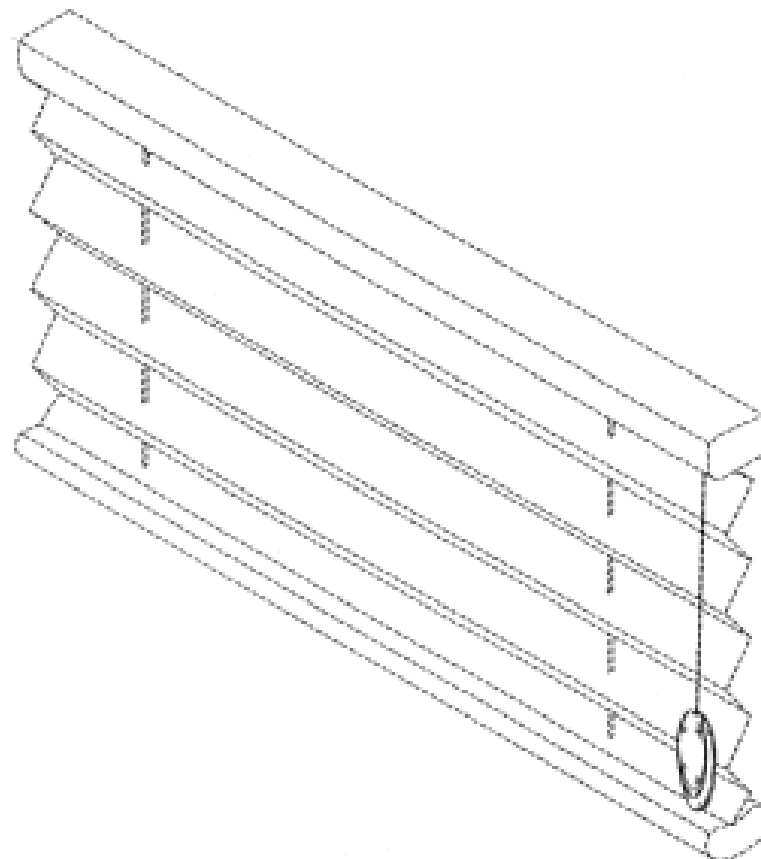
- (21) Design Number: **20541/2007**
(22) Date of Filing Application: **30 October 2007**
(24) Date from which industrial property rights may have effect: **30 October 2007**
(54) Product in respect of which the design is registered: **Shin pad decoration**
(51) International Design Classification: **21-02NES**
(71) Name(s) and Address(s) of Applicant(s):
Task Force Properties & Investments Ltd
Millennium House Moss Road Witham Essex CM8 3UQ United Kingdom
(72) Name(s) of Designer(s): **Harald Scheffer and Robert Steed**
(45) Registration Date: **27 February 2008**
(30) Convention priority data:
(31) Number (32) Date (33) Country
000 715 297 30 Apr 2007 EUROPEAN COMMUNITY
(56) Related Art Documents: **Not Applicable**
(57) Statement of Newness and Distinctiveness: **Newness and distinctiveness is claimed in the features of pattern and ornamentation of a shin pad as shown in the accompanying representations. The text in the representation does not form part of the new and distinct features and may be varied from that shown.**



(21) Design Number: **20548/2007**
(22) Date of Filing Application: **31 October 2007**
(24) Date from which industrial property rights may have effect: **31 October 2007**
(54) Product in respect of which the design is registered: **Handpiece for a medical device**
(51) International Design Classification: **24-02**
(71) Name(s) and Address(s) of Applicant(s):
Vascular Insights LLC
395 Boston Post Road Madison Connecticut 06443 United States of America
(72) Name(s) of Designer(s): **Michael Tal and John P. Marano Jr and Stanley O. Thompson and Chris Labak**
(45) Registration Date: **27 February 2008**
(30) Convention priority data:
(31) Number (32) Date (33) Country
29/279664 04 May 2007 UNITED STATES OF AMERICA
(56) Related Art Documents: **Not Applicable**
(57) Statement of Newness and Distinctiveness: **Newness and distinctiveness resides in the features of shape and/or configuration of a handpiece for a medical device as illustrated in the accompanying representations.**



(21) Design Number: **20549/2007**
(22) Date of Filing Application: **31 October 2007**
(24) Date from which industrial property rights may have effect: **31 October 2007**
(54) Product in respect of which the design is registered: **Tassel for coverings for architectural openings**
(51) International Design Classification: **06-10**
(71) Name(s) and Address(s) of Applicant(s):
Hunter Douglas Inc.
2 Park Way Upper Saddle River New Jersey 07458 United States of America
(72) Name(s) of Designer(s): **Paul K. Metaxatos and Mary Sarich and Kurt M. Maw and Steffen Koury and Eric Nichols**
(45) Registration Date: **27 February 2008**
(30) Convention priority data:
(31) Number (32) Date (33) Country
29/279447 01 May 2007 UNITED STATES OF AMERICA
(56) Related Art Documents: **Not Applicable**
(57) Statement of Newness and Distinctiveness: **Newness and distinctiveness resides in the shape and/or configuration of the tassel shown in the accompanying representations.**



(21) Design Number: **20552/2007**

(22) Date of Filing Application: **31 October 2007**

(24) Date from which industrial property rights may have effect: **31 October 2007**

(54) Product in respect of which the design is registered: **Ice coffee maker**

(51) International Design Classification: **07-02L**

(71) Name(s) and Address(s) of Applicant(s):

Pi-Design AG

Kantonsstrasse 100 Postfach 463 CH-6234 Triengen Switzerland

(72) Name(s) of Designer(s): **Jorgen Bodum**

(45) Registration Date: **27 February 2008**

(30) Convention priority data:

(31) Number

(32) Date

(33) Country

DA 2007

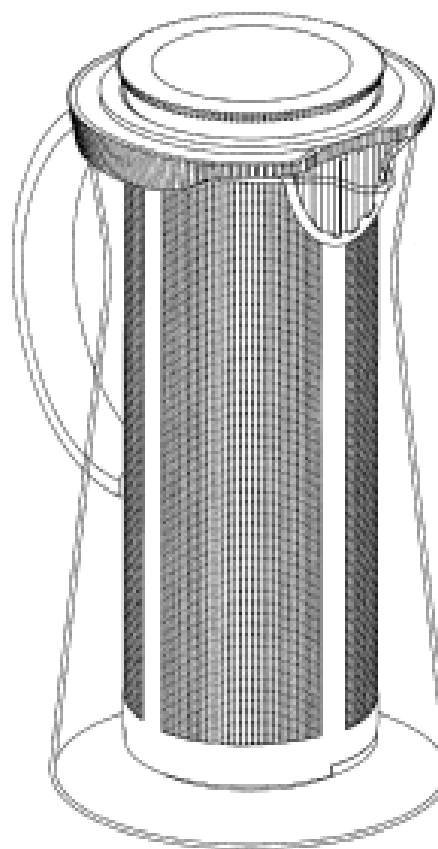
05 Oct 2007

DENMARK

00239

(56) Related Art Documents: **Not Applicable**

(57) Statement of Newness and Distinctiveness: **Nil**



(21) Design Number: **20554/2007**

(22) Date of Filing Application: **31 October 2007**

(24) Date from which industrial property rights may have effect: **31 October 2007**

(54) Product in respect of which the design is registered: **A power board**

(51) International Design Classification: **13-03D**

(71) Name(s) and Address(s) of Applicant(s):

Jackson Industries Pty Limited

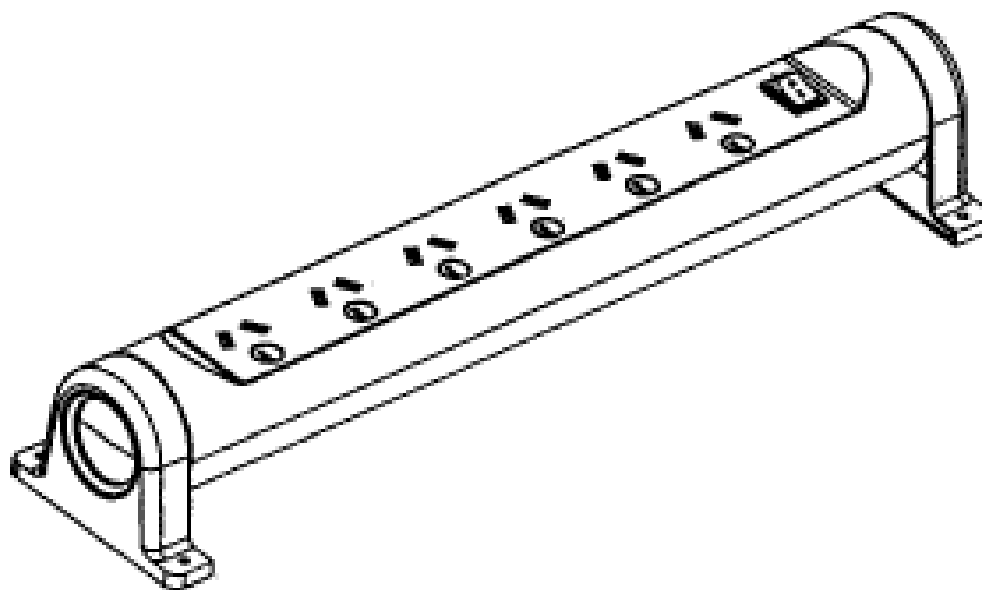
16 Brookhollow Avenue Norwest Business Park Baulkham Hills New South Wales 2153 Australia

(72) Name(s) of Designer(s): **Ross Alec Jackson**

(45) Registration Date: **27 February 2008**

(56) Related Art Documents: **Not Applicable**

(57) Statement of Newness and Distinctiveness: **Newness and distinctiveness is claimed in the features of shape and/or configuration of the curved shape and rotatable end brackets of a power board as illustrated in the accompanying representations.**



(21) Design Number: **20556/2007**

(22) Date of Filing Application: **31 October 2007**

(24) Date from which industrial property rights may have effect: **31 October 2007**

(54) Product in respect of which the design is registered: **Dunk tank**

(51) International Design Classification: **21-03**

(71) Name(s) and Address(s) of Applicant(s):

CMD Holdings Pty Ltd

34 Evan Street Braybrook Victoria 3019 Australia

(72) Name(s) of Designer(s): **Colin Davis and Robert Peters**

(45) Registration Date: **27 February 2008**

(56) Related Art Documents: **Not Applicable**

(57) Statement of Newness and Distinctiveness: **Nil**



(21) Design Number: **20509/2007**

(22) Date of Filing Application: **29 October 2007**

(24) Date from which industrial property rights may have effect: **29 October 2007**

(54) Product in respect of which the design is registered: **Shoe**

(51) International Design Classification: **02-04NES**

(71) Name(s) and Address(s) of Applicant(s):

Lacoste

8 rue de Castiglione Paris 75001 France

(72) Name(s) of Designer(s): **David Hickman**

(45) Registration Date: **28 February 2008**

(30) Convention priority data:

(31) Number

(32) Date

(33) Country

000785944

07 Sep 2007

EUROPEAN COMMUNITY

(56) Related Art Documents: **Not Applicable**

(57) Statement of Newness and Distinctiveness: **Nil**



- (21) Design Number: **20510/2007**
(22) Date of Filing Application: **29 October 2007**
(24) Date from which industrial property rights may have effect: **29 October 2007**
(54) Product in respect of which the design is registered: **Shoe**
(51) International Design Classification: **02-04NES**
(71) Name(s) and Address(s) of Applicant(s):

Lacoste
8 rue de Castiglione Paris 75001 France

(72) Name(s) of Designer(s): **Florence Weber**

(45) Registration Date: **28 February 2008**

(30) Convention priority data:

(31) Number	(32) Date	(33) Country
000785944	07 Sep 2007	EUROPEAN COMMUNITY

(56) Related Art Documents: **Not Applicable**

(57) Statement of Newness and Distinctiveness: **When determining whether the design 1 is substantially similar in overall impression to another design, no regard is to be had to the sole of the design shown in the accompanying drawings.**



- (21) Design Number: **20511/2007**
(22) Date of Filing Application: **29 October 2007**
(24) Date from which industrial property rights may have effect: **29 October 2007**
(54) Product in respect of which the design is registered: **Shoe**
(51) International Design Classification: **02-04NES**
(71) Name(s) and Address(s) of Applicant(s):

Lacoste
8 rue de Castiglione Paris 75001 France

(72) Name(s) of Designer(s): **Georgina James**

(45) Registration Date: **28 February 2008**

(30) Convention priority data:

(31) Number	(32) Date	(33) Country
000785944	07 Sep 2007	EUROPEAN COMMUNITY

(56) Related Art Documents: **Not Applicable**

(57) Statement of Newness and Distinctiveness: **When determining whether the design 1 is substantially similar in overall impression to another design, no regard is to be had to the sole of the design shown in the accompanying drawings.**



- (21) Design Number: **20512/2007**
(22) Date of Filing Application: **29 October 2007**
(24) Date from which industrial property rights may have effect: **29 October 2007**
(54) Product in respect of which the design is registered: **Shoe**
(51) International Design Classification: **02-04NES**
(71) Name(s) and Address(s) of Applicant(s):

Lacoste
8 rue de Castiglione Paris 75001 France

(72) Name(s) of Designer(s): **Georgina James**

(45) Registration Date: **28 February 2008**

(30) Convention priority data:

(31) Number	(32) Date	(33) Country
000785944	07 Sep 2007	EUROPEAN COMMUNITY

(56) Related Art Documents: **Not Applicable**

(57) Statement of Newness and Distinctiveness: **When determining whether the design 2 is substantially similar in overall impression to another design, regard is only to be had to the sole, and no regard is to be had to the upper of the shoe, as shown in the accompanying drawings.**



- (21) Design Number: **20513/2007**
(22) Date of Filing Application: **29 October 2007**
(24) Date from which industrial property rights may have effect: **29 October 2007**
(54) Product in respect of which the design is registered: **Shoe**
(51) International Design Classification: **02-04NES**
(71) Name(s) and Address(s) of Applicant(s):

Lacoste
8 rue de Castiglione Paris 75001 France

(72) Name(s) of Designer(s): **Florence Weber**

(45) Registration Date: **28 February 2008**

(30) Convention priority data:

(31) Number	(32) Date	(33) Country
000785944	07 Sep 2007	EUROPEAN COMMUNITY

(56) Related Art Documents: **Not Applicable**

(57) Statement of Newness and Distinctiveness: **When determining whether the design 1 is substantially similar in overall impression to another design, no regard is to be had to the sole of the design shown in the accompanying drawings.**



(21) Design Number: **20514/2007**
(22) Date of Filing Application: **29 October 2007**
(24) Date from which industrial property rights may have effect: **29 October 2007**
(54) Product in respect of which the design is registered: **Shoe**
(51) International Design Classification: **02-04NES**
(71) Name(s) and Address(s) of Applicant(s):

Lacoste
8 rue de Castiglione Paris 75001 France

(72) Name(s) of Designer(s): **Florence Weber**

(45) Registration Date: **28 February 2008**

(30) Convention priority data:

(31) Number	(32) Date	(33) Country
000785944	07 Sep 2007	EUROPEAN COMMUNITY

(56) Related Art Documents: **Not Applicable**

(57) Statement of Newness and Distinctiveness: **When determining whether the design 2 is substantially similar in overall impression to another design, regard is only to be had to the sole, and no regard is to be had to the upper of the shoe, as shown in the accompanying drawings.**



(21) Design Number: **20515/2007**
(22) Date of Filing Application: **29 October 2007**
(24) Date from which industrial property rights may have effect: **29 October 2007**
(54) Product in respect of which the design is registered: **Shoe**
(51) International Design Classification: **02-04NES**
(71) Name(s) and Address(s) of Applicant(s):

Lacoste
8 rue de Castiglione Paris 75001 France

(72) Name(s) of Designer(s): **Ryan Lamont**

(45) Registration Date: **28 February 2008**

(30) Convention priority data:

(31) Number	(32) Date	(33) Country
000785944	07 Sep 2007	EUROPEAN COMMUNITY

(56) Related Art Documents: **Not Applicable**

(57) Statement of Newness and Distinctiveness: **When determining whether the design 1 is substantially similar in overall impression to another design, no regard is to be had to the sole of the design shown in the accompanying drawings.**



(21) Design Number: **20516/2007**
(22) Date of Filing Application: **29 October 2007**
(24) Date from which industrial property rights may have effect: **29 October 2007**
(54) Product in respect of which the design is registered: **Shoe**
(51) International Design Classification: **02-04NES**
(71) Name(s) and Address(s) of Applicant(s):

Lacoste
8 rue de Castiglione Paris 75001 France

(72) Name(s) of Designer(s): **Ryan Lamont**

(45) Registration Date: **28 February 2008**

(30) Convention priority data:

(31) Number	(32) Date	(33) Country
000785944	07 Sep 2007	EUROPEAN COMMUNITY

(56) Related Art Documents: **Not Applicable**

(57) Statement of Newness and Distinctiveness: **When determining whether the design 2 is substantially similar in overall impression to another design, regard is only to be had to the sole, and no regard is to be had to the upper of the shoe, as shown in the accompanying drawings.**



(21) Design Number: **20517/2007**
(22) Date of Filing Application: **29 October 2007**
(24) Date from which industrial property rights may have effect: **29 October 2007**
(54) Product in respect of which the design is registered: **Shoe**
(51) International Design Classification: **02-04NES**
(71) Name(s) and Address(s) of Applicant(s):

Lacoste
8 rue de Castiglione Paris 75001 France

(72) Name(s) of Designer(s): **Kirsty Bradford**

(45) Registration Date: **28 February 2008**

(30) Convention priority data:

(31) Number	(32) Date	(33) Country
000785944	07 Sep 2007	EUROPEAN COMMUNITY

(56) Related Art Documents: **Not Applicable**

(57) Statement of Newness and Distinctiveness: **When determining whether the design 1 is substantially similar in overall impression to another design, no regard is to be had to the sole of the design shown in the accompanying drawings.**



- (21) Design Number: **20518/2007**
(22) Date of Filing Application: **29 October 2007**
(24) Date from which industrial property rights may have effect: **29 October 2007**
(54) Product in respect of which the design is registered: **Shoe**
(51) International Design Classification: **02-04NES**
(71) Name(s) and Address(s) of Applicant(s):

Lacoste
8 rue de Castiglione Paris 75001 France

(72) Name(s) of Designer(s): **Florence Weber**

(45) Registration Date: **28 February 2008**

(30) Convention priority data:

(31) Number	(32) Date	(33) Country
000785944	07 Sep 2007	EUROPEAN COMMUNITY

(56) Related Art Documents: **Not Applicable**

(57) Statement of Newness and Distinctiveness: **When determining whether the design 1 is substantially similar in overall impression to another design, no regard is to be had to the sole of the design shown in the accompanying drawings.**



- (21) Design Number: **20519/2007**
(22) Date of Filing Application: **29 October 2007**
(24) Date from which industrial property rights may have effect: **29 October 2007**
(54) Product in respect of which the design is registered: **Shoe**
(51) International Design Classification: **02-04NES**
(71) Name(s) and Address(s) of Applicant(s):

Lacoste
8 rue de Castiglione Paris 75001 France

(72) Name(s) of Designer(s): **Florence Weber**

(45) Registration Date: **28 February 2008**

(30) Convention priority data:

(31) Number	(32) Date	(33) Country
000785944	07 Sep 2007	EUROPEAN COMMUNITY

(56) Related Art Documents: **Not Applicable**

(57) Statement of Newness and Distinctiveness: **When determining whether the design 2 is substantially similar in overall impression to another design, regard is only to be had to the sole, and no regard is to be had to the upper of the shoe, as shown in the accompanying drawings.**



(21) Design Number: **20521/2007**
(22) Date of Filing Application: **29 October 2007**
(24) Date from which industrial property rights may have effect: **29 October 2007**
(54) Product in respect of which the design is registered: **Shoe**
(51) International Design Classification: **02-04NES**
(71) Name(s) and Address(s) of Applicant(s):

Lacoste
8 rue de Castiglione 75001 Paris France

(72) Name(s) of Designer(s): **Mark Walton**

(45) Registration Date: **28 February 2008**

(30) Convention priority data:

(31) Number	(32) Date	(33) Country
000785944	07 Sep 2007	EUROPEAN COMMUNITY

(56) Related Art Documents: **Not Applicable**

(57) Statement of Newness and Distinctiveness: **When determining whether the design 1 is substantially similiar in overall impression to another design, no regard is to be had to the sole of the design shown in the accompanying drawings**



(21) Design Number: **20522/2007**
(22) Date of Filing Application: **29 October 2007**
(24) Date from which industrial property rights may have effect: **29 October 2007**
(54) Product in respect of which the design is registered: **Shoe**
(51) International Design Classification: **02-04NES**
(71) Name(s) and Address(s) of Applicant(s):

Lacoste
8 rue de Castiglione 75001 Paris France

(72) Name(s) of Designer(s): **Mark Walton**

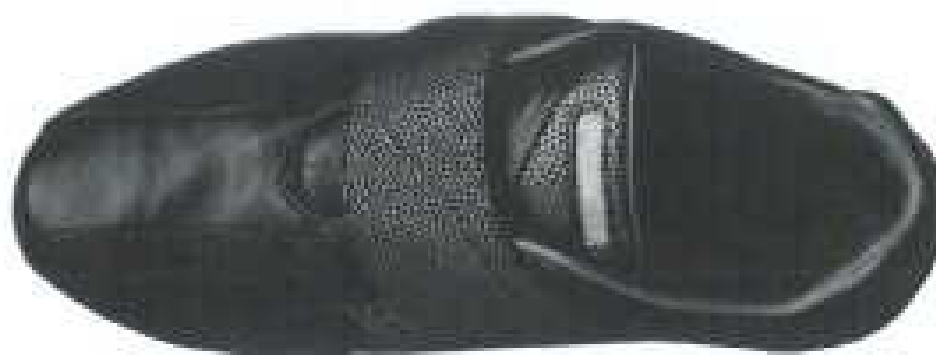
(45) Registration Date: **28 February 2008**

(30) Convention priority data:

(31) Number	(32) Date	(33) Country
000785944	07 Sep 2007	EUROPEAN COMMUNITY

(56) Related Art Documents: **Not Applicable**

(57) Statement of Newness and Distinctiveness: **When determining whether the design 2 is substantially similiar in overall impression to another design, regard only to be had to the sole, and no regard to be had to the upper of the shoe, as shown in the accompanying drawings**



(21) Design Number: **20523/2007**
(22) Date of Filing Application: **29 October 2007**
(24) Date from which industrial property rights may have effect: **29 October 2007**
(54) Product in respect of which the design is registered: **Shoe**
(51) International Design Classification: **02-04NES**
(71) Name(s) and Address(s) of Applicant(s):

Lacoste
8 rue de Castiglione 75001 Paris France

(72) Name(s) of Designer(s): **Yolanda Fuchs**

(45) Registration Date: **28 February 2008**

(30) Convention priority data:

(31) Number	(32) Date	(33) Country
000785944	07 Sep 2007	EUROPEAN COMMUNITY

(56) Related Art Documents: **Not Applicable**

(57) Statement of Newness and Distinctiveness: **When determining whether the design 1 is substantially similiar in overall impression to another design, no regard is to be had to the sole of the design shown in the accompanying drawings**



(21) Design Number: **20524/2007**
(22) Date of Filing Application: **29 October 2007**
(24) Date from which industrial property rights may have effect: **29 October 2007**
(54) Product in respect of which the design is registered: **Shoe**
(51) International Design Classification: **02-04NES**
(71) Name(s) and Address(s) of Applicant(s):

Lacoste
8 rue de Castiglione 75001 Paris France

(72) Name(s) of Designer(s): **Yolanda Fuchs**

(45) Registration Date: **28 February 2008**

(30) Convention priority data:

(31) Number	(32) Date	(33) Country
000785944	07 Sep 2007	EUROPEAN COMMUNITY

(56) Related Art Documents: **Not Applicable**

(57) Statement of Newness and Distinctiveness: **When determining whether the design 2 is substantially similiar in overall impression to another design, regard is only to be had to the sole , and no regard is to be had to the upper of the shoe, as shown in the accompanying drawings.**



- (21) Design Number: **20525/2007**
(22) Date of Filing Application: **29 October 2007**
(24) Date from which industrial property rights may have effect: **29 October 2007**
(54) Product in respect of which the design is registered: **Shoe**
(51) International Design Classification: **02-04NES**
(71) Name(s) and Address(s) of Applicant(s):
Lacoste
8 rue de Castiglione 75001 Paris France
(72) Name(s) of Designer(s): **Mark Walton**
(45) Registration Date: **28 February 2008**
(56) Related Art Documents: **Not Applicable**
(57) Statement of Newness and Distinctiveness: **When determining whether the design 1 is substantially similiar in overall impression to another design, no regard is to be had to the sole of the design shown in the accompanying drawings**



- (21) Design Number: **20526/2007**
(22) Date of Filing Application: **29 October 2007**
(24) Date from which industrial property rights may have effect: **29 October 2007**
(54) Product in respect of which the design is registered: **Shoe**
(51) International Design Classification: **02-04NES**
(71) Name(s) and Address(s) of Applicant(s):
Lacoste
8 rue de Castiglione 75001 Paris France
(72) Name(s) of Designer(s): **Mark Walton**
(45) Registration Date: **28 February 2008**
(30) Convention priority data:

(31) Number	(32) Date	(33) Country
000785944	07 Sep 2007	EUROPEAN COMMUNITY

(62) Divisional of: **318164**
(56) Related Art Documents: **Not Applicable**
(57) Statement of Newness and Distinctiveness: **When determining whether the design 2 is substantially similiar in overall impression to another design, regard is only to be had to the sole, and no regard is to be had to the upper of the shoe, as shown in accompanying drawings**



- (21) Design Number: **20527/2007**
(22) Date of Filing Application: **29 October 2007**
(24) Date from which industrial property rights may have effect: **29 October 2007**
(54) Product in respect of which the design is registered: **Shoe**
(51) International Design Classification: **02-04NES**
(71) Name(s) and Address(s) of Applicant(s):
Lacoste
8 rue de Castiglione 75001 Paris France
(72) Name(s) of Designer(s): **Steven Morris**
(45) Registration Date: **28 February 2008**
(30) Convention priority data:
(31) Number (32) Date (33) Country
000785944 07 Sep 2007 EUROPEAN COMMUNITY
(56) Related Art Documents: **Not Applicable**
(57) Statement of Newness and Distinctiveness: **When determining whether the design 2 is substantially similiar in overall impression to another design, no regard is to be had to the sole of the design shown in the accompanying drawings**



- (21) Design Number: **20528/2007**
(22) Date of Filing Application: **29 October 2007**
(24) Date from which industrial property rights may have effect: **29 October 2007**
(54) Product in respect of which the design is registered: **Shoe**
(51) International Design Classification: **02-04NES**
(71) Name(s) and Address(s) of Applicant(s):
Lacoste
8 rue de Castiglione 75001 Paris France
(72) Name(s) of Designer(s): **Steven Morris**
(45) Registration Date: **28 February 2008**
(30) Convention priority data:
(31) Number (32) Date (33) Country
000785944 07 Sep 2007 EUROPEAN COMMUNITY
(56) Related Art Documents: **Not Applicable**
(57) Statement of Newness and Distinctiveness: **When determining whether the design 2 is substantially similiar in overall impression to another design, regard is only to be had to the sole, and no regard is to be had to the upper of the shoe, as shown in the accompanying drawings**



- (21) Design Number: **20529/2007**
(22) Date of Filing Application: **29 October 2007**
(24) Date from which industrial property rights may have effect: **29 October 2007**
(54) Product in respect of which the design is registered: **Shoe**
(51) International Design Classification: **02-04NES**
(71) Name(s) and Address(s) of Applicant(s):
Lacoste
8 rue de Castiglione 75001 Paris France
(72) Name(s) of Designer(s): **Ryan Lamont**
(45) Registration Date: **28 February 2008**
(30) Convention priority data:
(31) Number (32) Date (33) Country
000785944 07 Sep 2007 EUROPEAN COMMUNITY
(56) Related Art Documents: **Not Applicable**
(57) Statement of Newness and Distinctiveness: **When determining whether the design 1 is substantially similiar in overall impression to another design, no regard is to be had to the sole of the design shown in the accompanying drawings**



- (21) Design Number: **20530/2007**
(22) Date of Filing Application: **29 October 2007**
(24) Date from which industrial property rights may have effect: **29 October 2007**
(54) Product in respect of which the design is registered: **Shoe**
(51) International Design Classification: **02-04NES**
(71) Name(s) and Address(s) of Applicant(s):
Lacoste
8 rue de Castiglione 75001 Paris France
(72) Name(s) of Designer(s): **Ryan Lamont**
(45) Registration Date: **28 February 2008**
(30) Convention priority data:
(31) Number (32) Date (33) Country
000785944 07 Sep 2007 EUROPEAN COMMUNITY
(56) Related Art Documents: **Not Applicable**
(57) Statement of Newness and Distinctiveness: **When determining whether the design 2 is substantially similiar in overall impression to another design, regard is only to be had to the sole, and no regard is to be had to the upper of the shoe, as shown in the accompanying drawings.**



- (21) Design Number: **20531/2007**
(22) Date of Filing Application: **29 October 2007**
(24) Date from which industrial property rights may have effect: **29 October 2007**
(54) Product in respect of which the design is registered: **Shoe**
(51) International Design Classification: **02-04NES**
(71) Name(s) and Address(s) of Applicant(s):
Lacoste
8 rue de Castiglione 75001 Paris France
(72) Name(s) of Designer(s): **Steven Morris**
(45) Registration Date: **28 February 2008**
(30) Convention priority data:
(31) Number (32) Date (33) Country
000785944 07 Sep 2007 EUROPEAN COMMUNITY
(56) Related Art Documents: **Not Applicable**
(57) Statement of Newness and Distinctiveness: **When determining whether the design 1 is substantially similiar in overall impression to another design, no regard is to be had to the sole of the design shown in the accompanying drawings.**



- (21) Design Number: **20533/2007**
(22) Date of Filing Application: **29 October 2007**
(24) Date from which industrial property rights may have effect: **29 October 2007**
(54) Product in respect of which the design is registered: **Shoe**
(51) International Design Classification: **02-04NES**
(71) Name(s) and Address(s) of Applicant(s):
Lacoste
8 rue de Castiglione Paris 75001 France
(72) Name(s) of Designer(s): **Steven Morris**
(45) Registration Date: **28 February 2008**
(30) Convention priority data:
(31) Number (32) Date (33) Country
000785944 07 Sep 2007 EUROPEAN COMMUNITY
(62) Divisional of: **318170**
(56) Related Art Documents: **Not Applicable**
(57) Statement of Newness and Distinctiveness: **When determining whether the design 2 is substantially similiar in overall impression to another design, regard is only to be had to the sole, and no regard is to be had to the upper of the shoe, as shown in the accompany drawings.**



(21) Design Number: **20609/2007**

(22) Date of Filing Application: **30 October 2007**

(24) Date from which industrial property rights may have effect: **30 October 2007**

(54) Product in respect of which the design is registered: **Magnifying lamp**

(51) International Design Classification: **26-05B, 16-06**

(71) Name(s) and Address(s) of Applicant(s):

The Daylight Company (Holdings) Limited
89-91 Scrubs Lane London NW10 6QU United Kingdom

(72) Name(s) of Designer(s): **Fraser Hodgson**

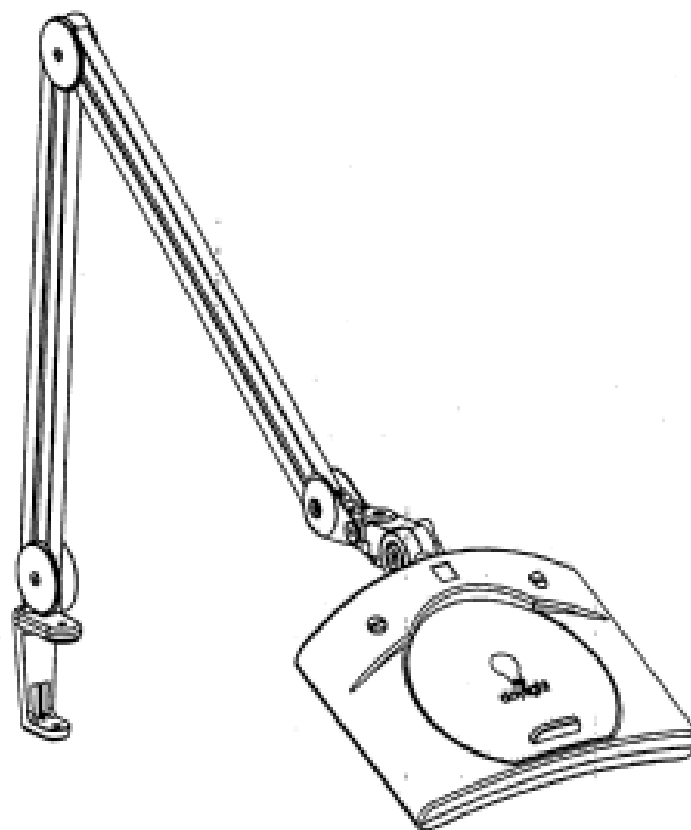
(45) Registration Date: **28 February 2008**

(30) Convention priority data:

(31) Number	(32) Date	(33) Country
000724174	11 May 2007	EUROPEAN COMMUNITY

(56) Related Art Documents: **Not Applicable**

(57) Statement of Newness and Distinctiveness: **Newness and distinctiveness is claimed in the shape and/or configuration of a magnifying lamp as illustrated by the unbroken lines in the accompanying representation/s.**



(21) Design Number: **20610/2007**

(22) Date of Filing Application: **30 October 2007**

(24) Date from which industrial property rights may have effect: **30 October 2007**

(54) Product in respect of which the design is registered: **Magnifying lamp**

(51) International Design Classification: **26-05B, 16-06**

(71) Name(s) and Address(s) of Applicant(s):

The Daylight Company (Holdings) Limited
89-91 Scrubs Lane London NW10 6QU United Kingdom

(72) Name(s) of Designer(s): **Fraser Hodgson**

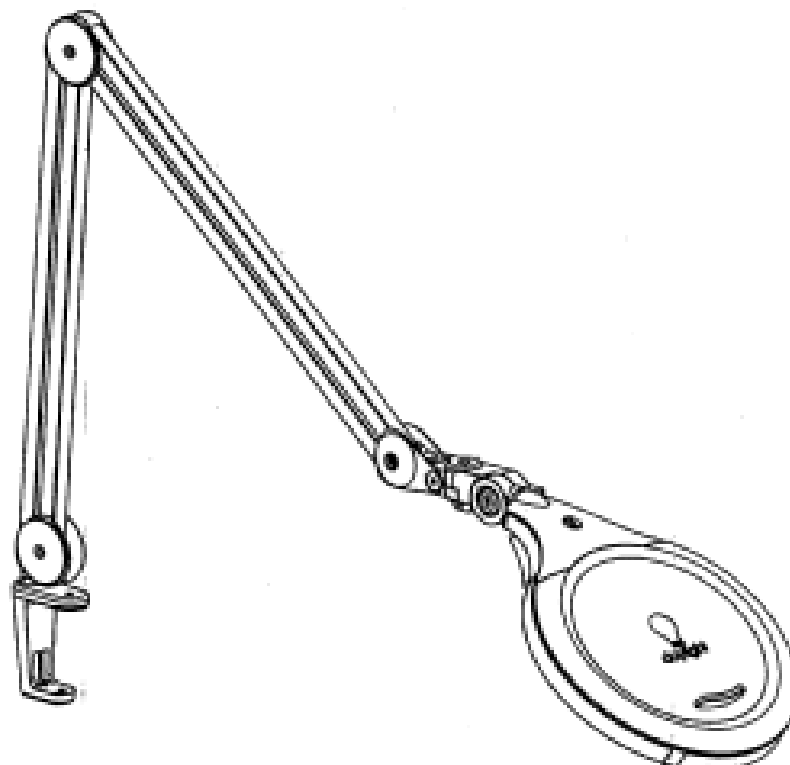
(45) Registration Date: **28 February 2008**

(30) Convention priority data:

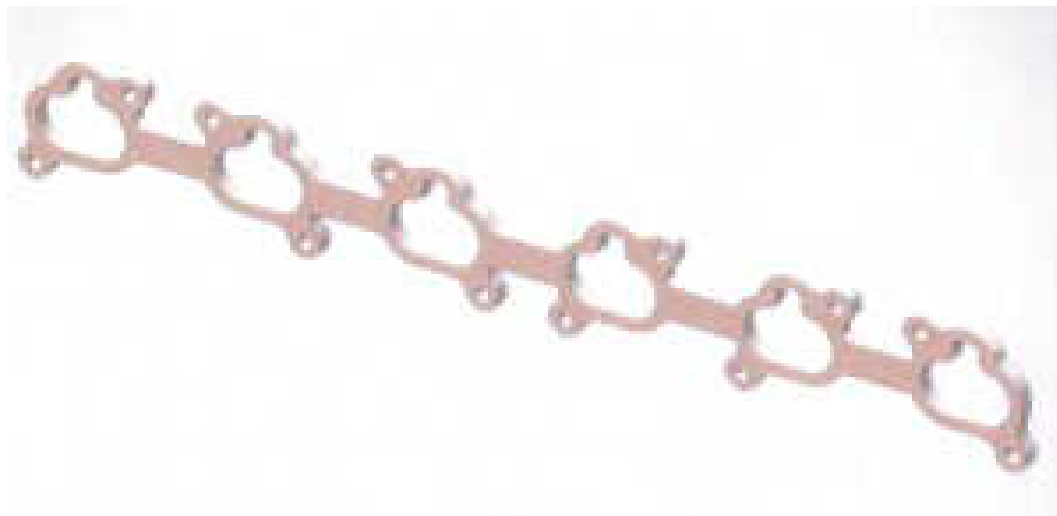
(31) Number	(32) Date	(33) Country
000724174	11 May 2007	EUROPEAN COMMUNITY

(56) Related Art Documents: **Not Applicable**

(57) Statement of Newness and Distinctiveness: **Newness and distinctiveness is claimed in the shape and/or configuration of a magnifying lamp as illustrated by the unbroken lines in the accompanying representation/s.**



- (21) Design Number: **21187/2007**
(22) Date of Filing Application: **07 December 2007**
(24) Date from which industrial property rights may have effect: **07 December 2007**
(54) Product in respect of which the design is registered: **Manifold insulator for Ford BA onwards.**
(51) International Design Classification: **12-16NES, 15-01**
(71) Name(s) and Address(s) of Applicant(s):
Steven Angelovski
1A East Court Lalor Victoria 3075 Australia
(72) Name(s) of Designer(s): **Steven Angelovski**
(45) Registration Date: **28 February 2008**
(56) Related Art Documents: **Not Applicable**
(57) Statement of Newness and Distinctiveness: **The uniqueness is within the shape and form.**



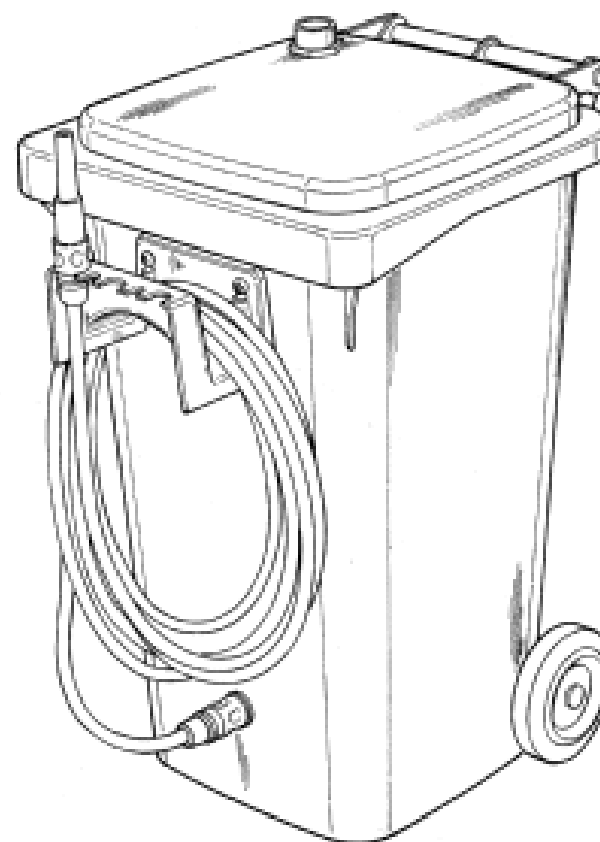
- (21) Design Number: **21188/2007**
(22) Date of Filing Application: **07 December 2007**
(24) Date from which industrial property rights may have effect: **07 December 2007**
(54) Product in respect of which the design is registered: **Manifold insulator for Ford EA to AU.**
(51) International Design Classification: **12-16NES, 15-01**
(71) Name(s) and Address(s) of Applicant(s):
Steven Angelovski
1A East Court Lalor Victoria 3075 Australia
(72) Name(s) of Designer(s): **Steven Angelovski**
(45) Registration Date: **28 February 2008**
(56) Related Art Documents: **Not Applicable**
(57) Statement of Newness and Distinctiveness: **The uniqueness is within the shape and form.**



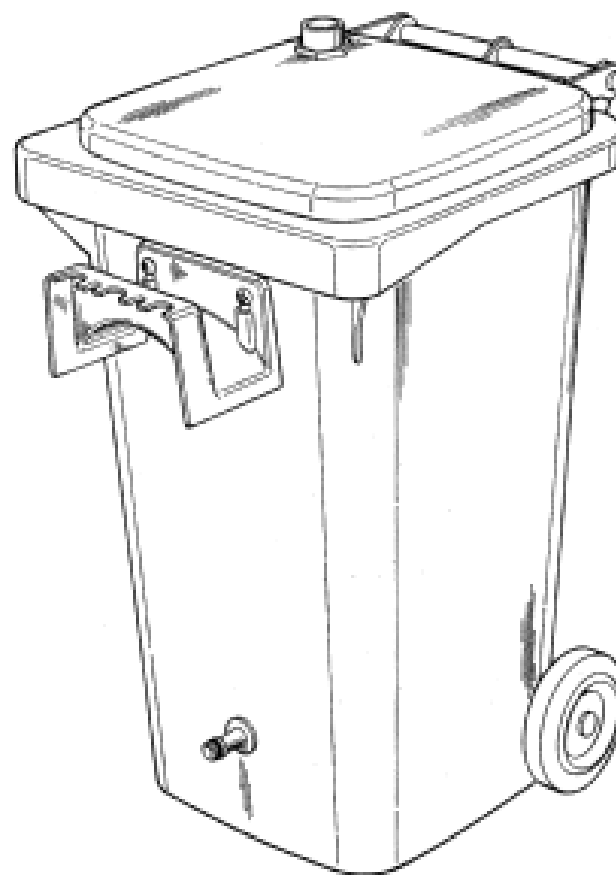
- (21) Design Number: **21189/2007**
(22) Date of Filing Application: **07 December 2007**
(24) Date from which industrial property rights may have effect: **07 December 2007**
(54) Product in respect of which the design is registered: **Manifold insulator for Nissan RB30 series.**
(51) International Design Classification: **15-01, 12-16NES**
(71) Name(s) and Address(s) of Applicant(s):
Steven Angelovski
1A East Court Lalor Victoria 3075 Australia
(72) Name(s) of Designer(s): **Steven Angelovski**
(45) Registration Date: **28 February 2008**
(56) Related Art Documents: **Not Applicable**
(57) Statement of Newness and Distinctiveness: **The uniqueness is within the shape and form.**



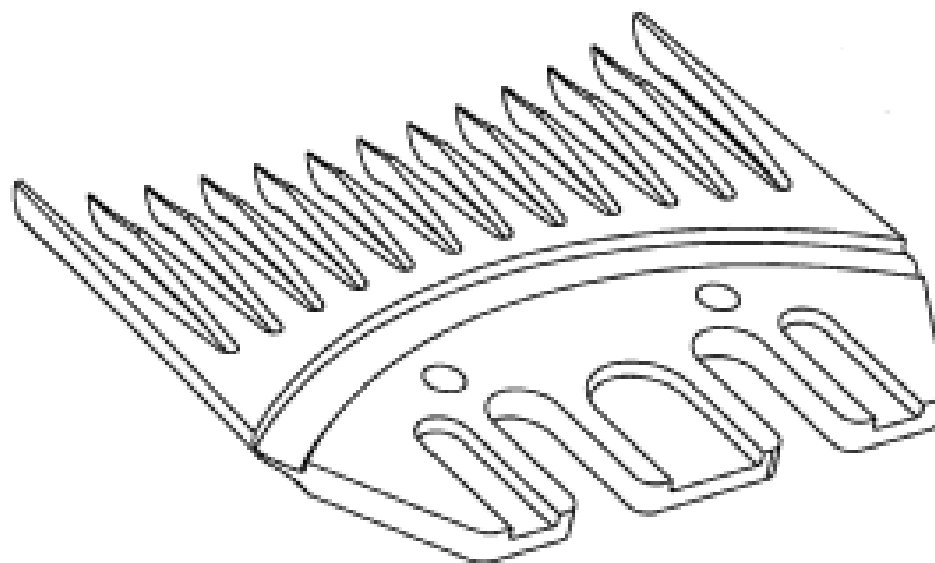
- (21) Design Number: **17035/2007**
(22) Date of Filing Application: **22 March 2007**
(24) Date from which industrial property rights may have effect: **22 March 2007**
(54) Product in respect of which the design is registered: **Mobile storage and distribution apparatus for fluids**
(51) International Design Classification: **23-01NES**
(71) Name(s) and Address(s) of Applicant(s):
Mi Concepts Pty Ltd
c/-Grant Thornton 35th Floor South Tower Rialto Towers 525 Collins Street Melbourne Victoria 3000 Australia
(72) Name(s) of Designer(s): **Wayne Nathan Mifsud and Marco Centofanti and Elvis Centofanti**
(45) Registration Date: **29 February 2008**
(56) Related Art Documents: **Not Applicable**
(57) Statement of Newness and Distinctiveness: **The electrical power cable depicted in some of the accompanying photographs forms not part of the design the subject of products 'A' and 'B'.**



- (21) Design Number: **17036/2007**
(22) Date of Filing Application: **22 March 2007**
(24) Date from which industrial property rights may have effect: **22 March 2007**
(54) Product in respect of which the design is registered: **Mobile storage and distribution apparatus for fluids**
(51) International Design Classification: **23-01NES**
(71) Name(s) and Address(s) of Applicant(s):
Mi Concepts Pty Ltd
c/-Grant Thornton 35th Floor South Tower Rialto Towers 525 Collins Street Melbourne Victoria 3000 Australia
(72) Name(s) of Designer(s): **Wayne Nathan Mifsud and Marco Centofanti and Elvis Centofanti**
(45) Registration Date: **29 February 2008**
(56) Related Art Documents: **Not Applicable**
(57) Statement of Newness and Distinctiveness: **The electrical power cable depicted in some of the accompanying photographs forms not part of the design the subject of products 'A' and 'B'.**



- (21) Design Number: **17717/2007**
(22) Date of Filing Application: **03 May 2007**
(24) Date from which industrial property rights may have effect: **03 May 2007**
(54) Product in respect of which the design is registered: **Shearing comb**
(51) International Design Classification: **30-99, 18-03**
(71) Name(s) and Address(s) of Applicant(s):
Heiniger Australia Pty Ltd
46 Miguel Road Bibra Lake Western Australia 6163 Australia
(72) Name(s) of Designer(s): **Philip David Jones**
(45) Registration Date: **29 February 2008**
(56) Related Art Documents: **Not Applicable**
(57) Statement of Newness and Distinctiveness: **Newness and distinctiveness is claimed in the features of shape and/or configuration of a shearing comb as shown in the attached representations, wherein a bottom surface of the shearing comb has recesses provided therein extending at least a portion of the teeth other than the outer rider teeth. It is to be understood that the total number of teeth provided on the shearing comb may vary.**



(21) Design Number: **18775/2007**

(22) Date of Filing Application: **09 July 2007**

(24) Date from which industrial property rights may have effect: **09 July 2007**

(54) Product in respect of which the design is registered: **Lighting assembly**

(51) International Design Classification: **26-05NES**

(71) Name(s) and Address(s) of Applicant(s):

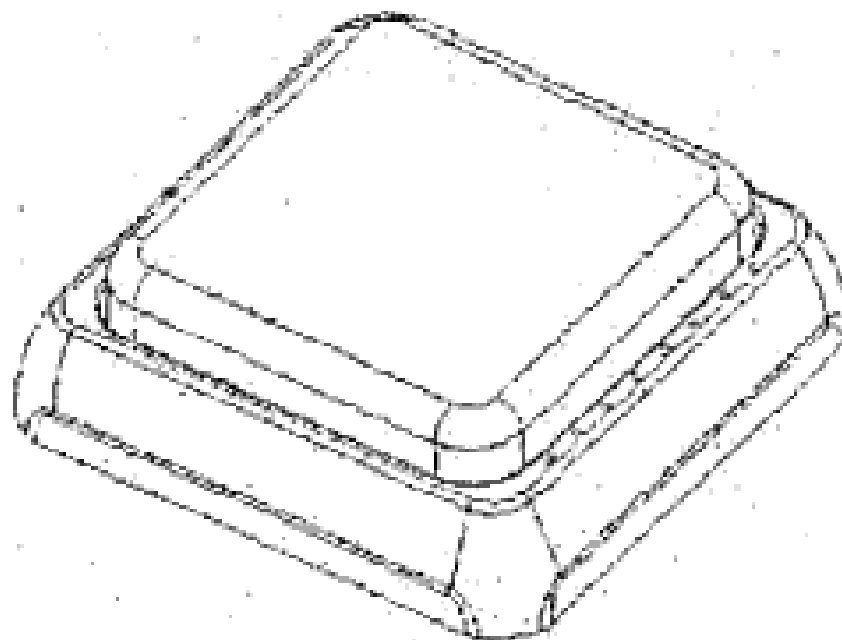
**Brite LED Tech Pty Ltd
PO Box 1005 Bayswater BC Victoria 3153 Australia**

(72) Name(s) of Designer(s): **Paul Sinclair**

(45) Registration Date: **29 February 2008**

(56) Related Art Documents: **Not Applicable**

(57) Statement of Newness and Distinctiveness: **Newness and distinctiveness is claimed in the features of shape and/or configuration of a lighting assembly as illustrated in the accompanying representations. When considering the newness and distinctiveness of the design, the shape of the screw-receiving projections labeled "A" may be disregarded.**



(21) Design Number: **18777/2007**

(22) Date of Filing Application: **09 July 2007**

(24) Date from which industrial property rights may have effect: **09 July 2007**

(54) Product in respect of which the design is registered: **Lighting assembly**

(51) International Design Classification: **26-05NES**

(71) Name(s) and Address(s) of Applicant(s):

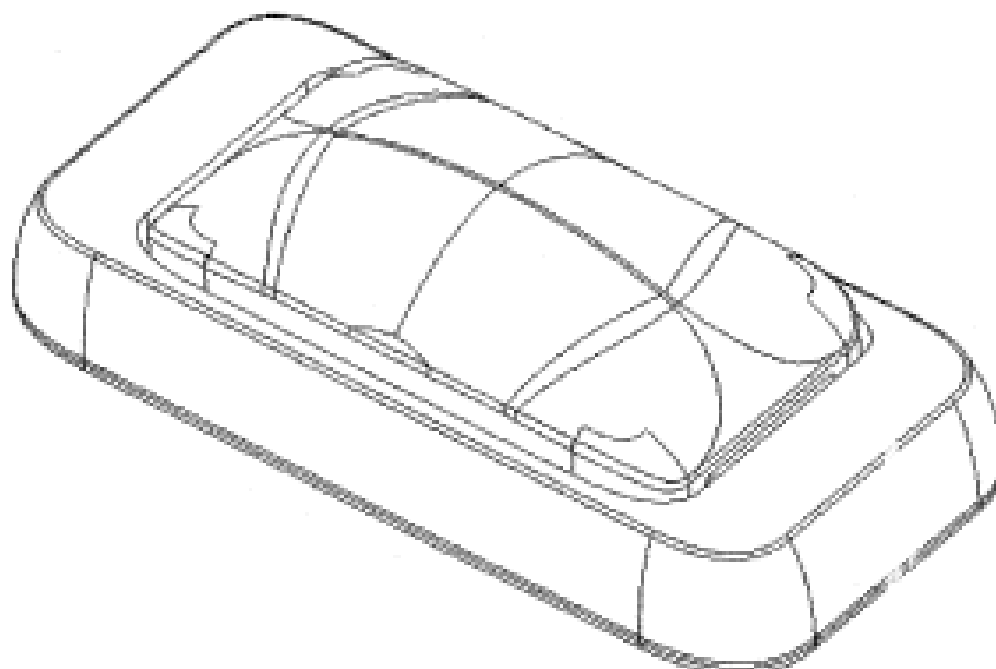
**Brite LED Tech Pty Ltd
PO Box 1005 Bayswater BC Victoria 3153 Australia**

(72) Name(s) of Designer(s): **Paul Sinclair**

(45) Registration Date: **29 February 2008**

(56) Related Art Documents: **Not Applicable**

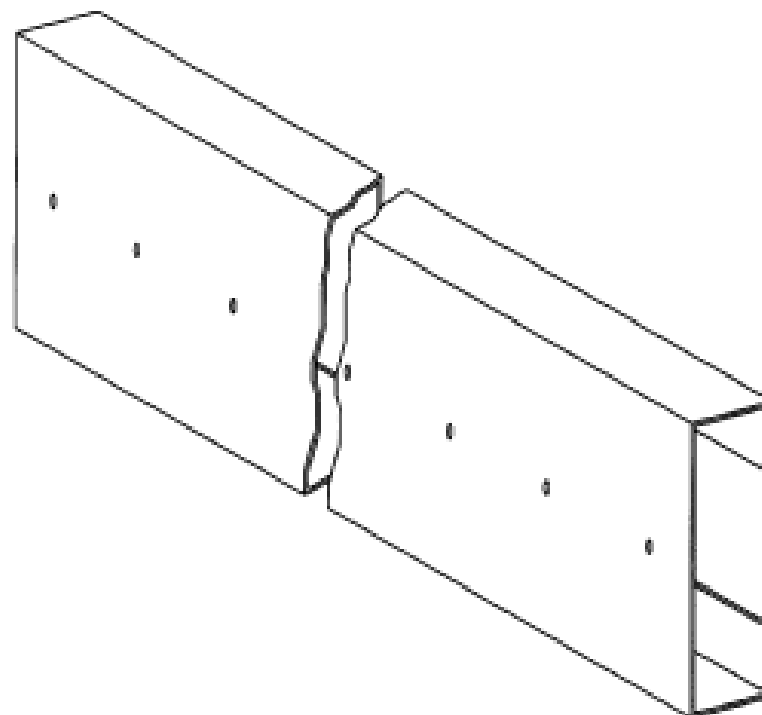
(57) Statement of Newness and Distinctiveness: **Newness and distinctiveness is claimed in the features of shape and/or configuration of a lighting assembly as illustrated in the accompanying representations. When considering the newness and distinctiveness of the design, the shape of the screw-receiving projections labeled "A" may be disregarded.**



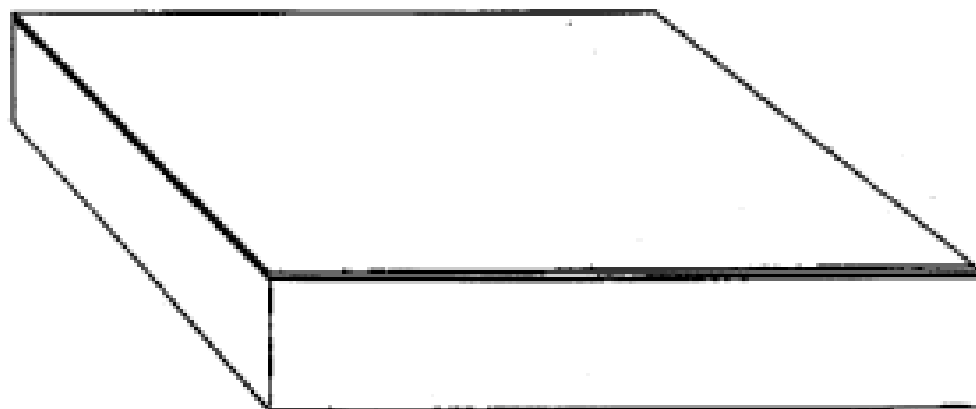
- (21) Design Number: **20544/2007**
(22) Date of Filing Application: **01 November 2007**
(24) Date from which industrial property rights may have effect: **01 November 2007**
(54) Product in respect of which the design is registered: **Bed**
(51) International Design Classification: **06-02**
(71) Name(s) and Address(s) of Applicant(s):
Olori Furniture Pty Ltd
19 John Street Lawson New South Wales 2783 Australia
(72) Name(s) of Designer(s): **Gerard Michael Van Horen and Stephen John Van Horen**
(45) Registration Date: **29 February 2008**
(56) Related Art Documents: **Not Applicable**
(57) Statement of Newness and Distinctiveness: **Nil**



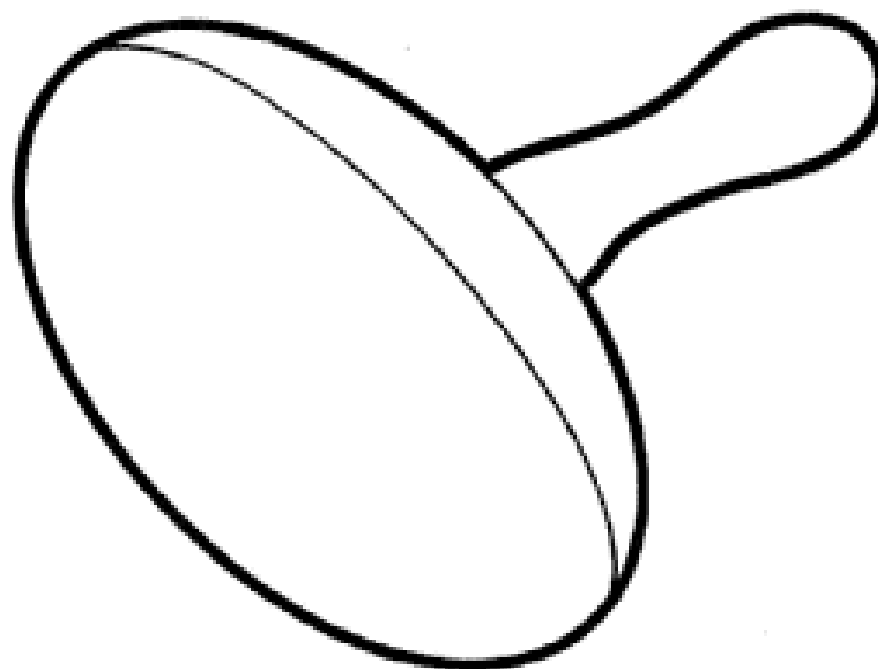
- (21) Design Number: **20561/2007**
(22) Date of Filing Application: **31 October 2007**
(24) Date from which industrial property rights may have effect: **31 October 2007**
(54) Product in respect of which the design is registered: **The joining sleeve will be used for making an adjustable sliding door pocket, for domestic and commercial building**
(51) International Design Classification: **08-09**
(71) Name(s) and Address(s) of Applicant(s):
D&K Home Security P/L
F4/6 Jesmond Road Croydon Victoria 3136 Australia
(72) Name(s) of Designer(s): **David Mackintosh**
(45) Registration Date: **29 February 2008**
(56) Related Art Documents: **Not Applicable**
(57) Statement of Newness and Distinctiveness: **Monopoly is claimed in the features and shape of the joining sleeve as shown in the attached drawings.**



- (21) Design Number: **20568/2007**
(22) Date of Filing Application: **01 November 2007**
(24) Date from which industrial property rights may have effect: **01 November 2007**
(54) Product in respect of which the design is registered: **Container erected from blank and having pop-out features in a fold-out panel**
(51) International Design Classification: **09-03M**
(71) Name(s) and Address(s) of Applicant(s):
Yellow Culture Limited
Crown Chambers Bridge Street Salisbury Wiltshire SP1 2LZ United Kingdom
(72) Name(s) of Designer(s): **Mark John Saunders and Louise Jane Rutten and Giscard Hubertus Theodoor Rutten**
(45) Registration Date: **29 February 2008**
(30) Convention priority data:
(31) Number (32) Date (33) Country
000719257 03 May 2007 EUROPEAN PATENT OFFICE (EPO)
(56) Related Art Documents: **Not Applicable**
(57) Statement of Newness and Distinctiveness: **The visual features at least substantially as shown in the representations. The particular form of the pop out feature(s) on that panel shown with pop outs is irrelevant.**



- (21) Design Number: **20579/2007**
(22) Date of Filing Application: **01 November 2007**
(24) Date from which industrial property rights may have effect: **01 November 2007**
(54) Product in respect of which the design is registered: **A rattle**
(51) International Design Classification: **21-01NES**
(71) Name(s) and Address(s) of Applicant(s):
Cyclops Enterprises Limited
7 Puriri Street Helensville Auckland 0800 New Zealand
(72) Name(s) of Designer(s): **Mark Gerard Wilson**
(45) Registration Date: **29 February 2008**
(30) Convention priority data:
(31) Number (32) Date (33) Country
409172 22 May 2007 NEW ZEALAND
(56) Related Art Documents: **Not Applicable**
(57) Statement of Newness and Distinctiveness: **Newness and distinctiveness resides in the shape and configuration of a rattle as shown in the accompanying representations.**



(21) Design Number: **20580/2007**
(22) Date of Filing Application: **01 November 2007**
(24) Date from which industrial property rights may have effect: **01 November 2007**
(54) Product in respect of which the design is registered: **Foldable driver tool**
(51) International Design Classification: **08-02**
(71) Name(s) and Address(s) of Applicant(s):

Loggerhead Tools LLC
8310 W. 127th Street Palos Park Illinois 60464 United States of America

(72) Name(s) of Designer(s): **Daniel P. Brown**

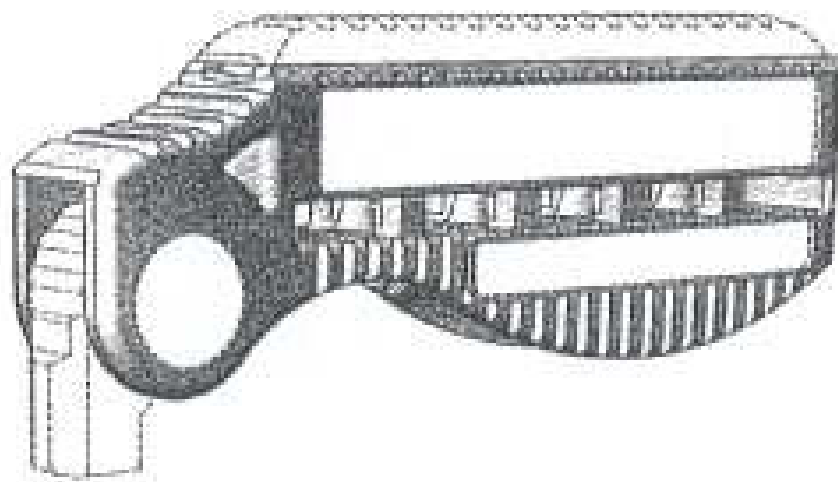
(45) Registration Date: **29 February 2008**

(30) Convention priority data:

(31) Number	(32) Date	(33) Country
29/279752	07 May 2007	UNITED STATES OF AMERICA

(56) Related Art Documents: **Not Applicable**

(57) Statement of Newness and Distinctiveness: **The newness and distinctiveness are provided by the shape and/or configuration of the design shown in the representations. The features shown in broken lines in the representations are for illustrative purposes only and should not be considered when construing visual features of the design.**



(21) Design Number: **20581/2007**
(22) Date of Filing Application: **01 November 2007**
(24) Date from which industrial property rights may have effect: **01 November 2007**
(54) Product in respect of which the design is registered: **Sink**
(51) International Design Classification: **23-02F**
(71) Name(s) and Address(s) of Applicant(s):

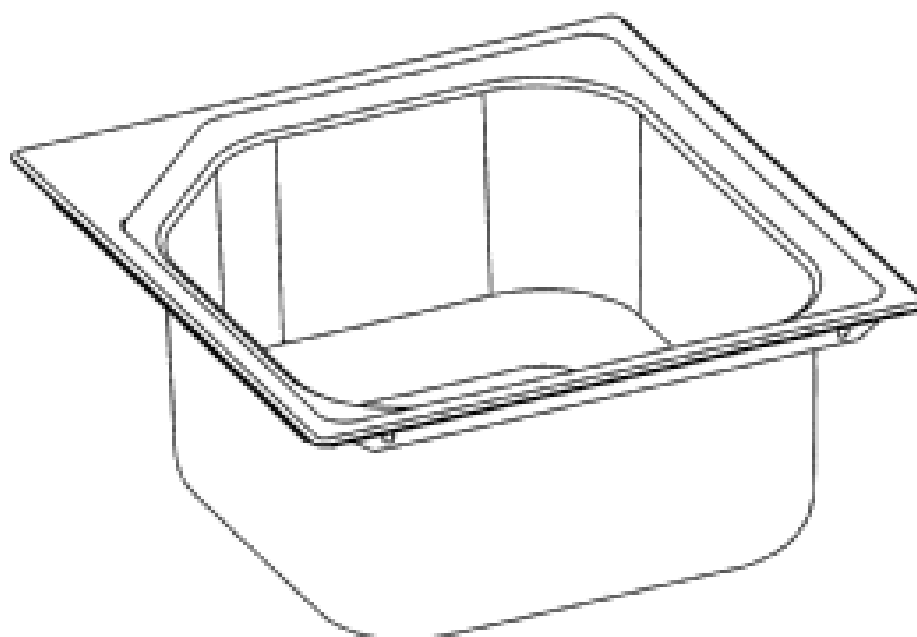
Tasman Sinkware Pty Ltd
51 Naweena Road Regency Park South Australia 5942 Australia

(72) Name(s) of Designer(s): **Andrew Mitchell and Jeremy Axton**

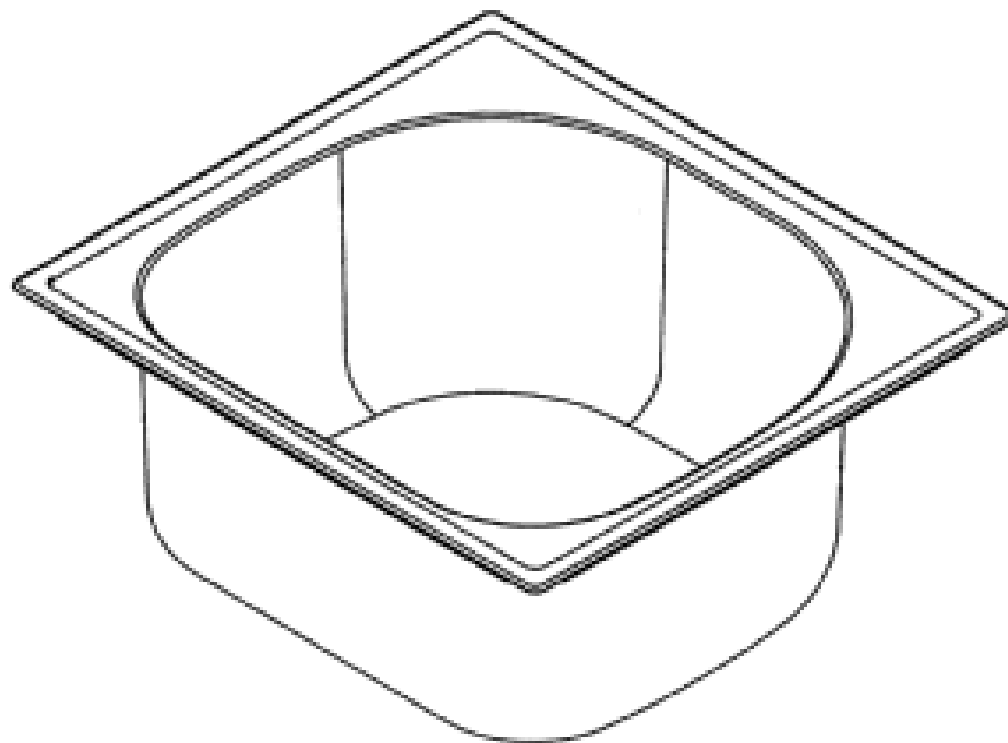
(45) Registration Date: **29 February 2008**

(56) Related Art Documents: **Not Applicable**

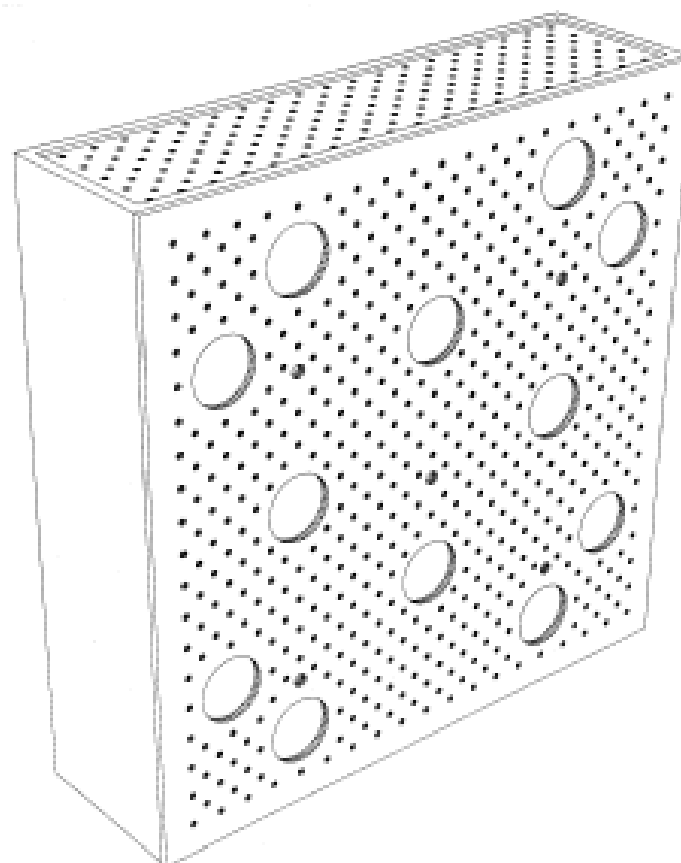
(57) Statement of Newness and Distinctiveness: **The newness and distinctiveness of the article resides in the shape and configuration of the sink as shown in the accompanying drawings. The drain hole shown in dashed outline in the representations does not form part of the design and may be varied from that shown.**



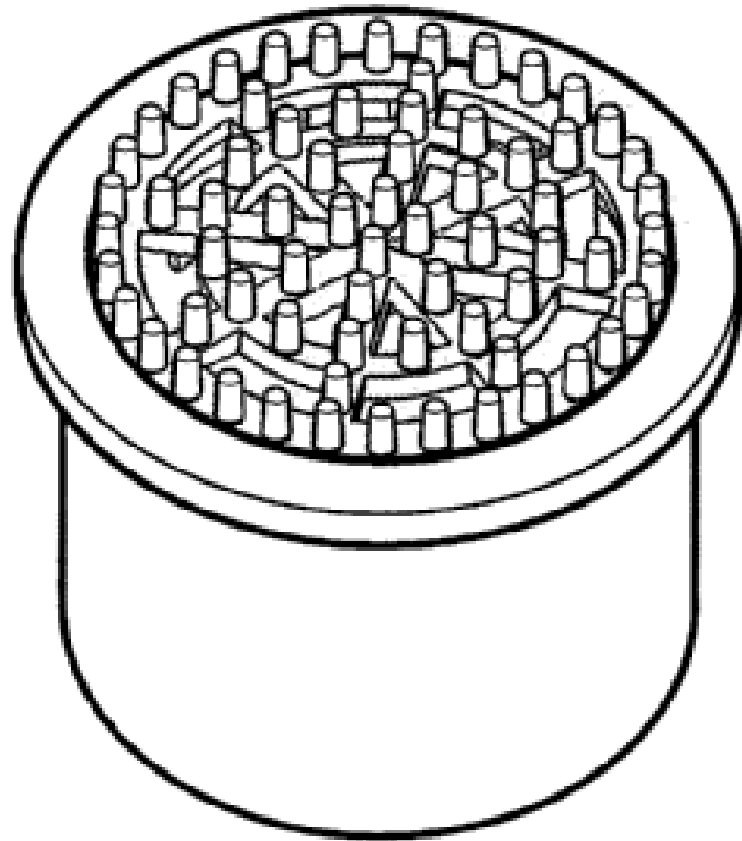
- (21) Design Number: **20582/2007**
(22) Date of Filing Application: **01 November 2007**
(24) Date from which industrial property rights may have effect: **01 November 2007**
(54) Product in respect of which the design is registered: **Sink**
(51) International Design Classification: **23-02F**
(71) Name(s) and Address(s) of Applicant(s):
Tasman Sinkware Pty Ltd
51 Naweena Road Regency Park South Australia 5942 Australia
(72) Name(s) of Designer(s): **Jeremy Axton and Bryant Walters**
(45) Registration Date: **29 February 2008**
(56) Related Art Documents: **Not Applicable**
(57) Statement of Newness and Distinctiveness: **The newness and distinctiveness of the article resides in the shape and configuration of the sink as shown in the accompanying drawings. The drain hole shown in dashed outline in the representations does not form part of the design and may be varied from that shown.**



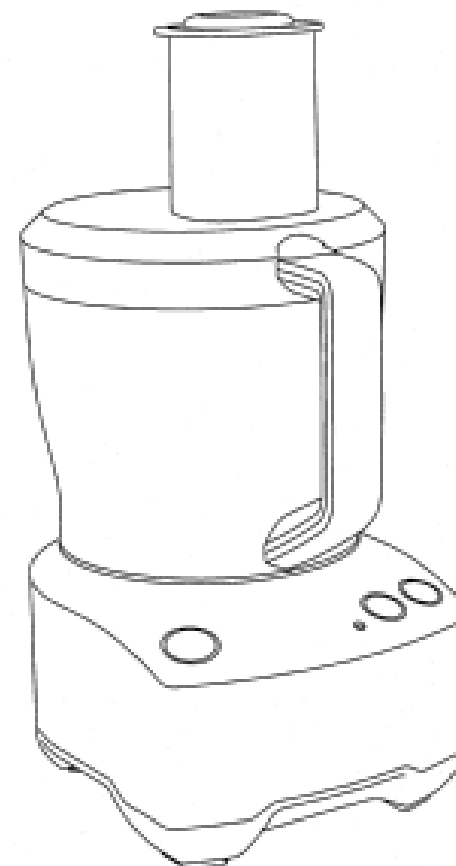
- (21) Design Number: **20584/2007**
(22) Date of Filing Application: **01 November 2007**
(24) Date from which industrial property rights may have effect: **01 November 2007**
(54) Product in respect of which the design is registered: **Wall cladding product**
(51) International Design Classification: **25-01D**
(71) Name(s) and Address(s) of Applicant(s):
Syrinx Environmental Pty Ltd
115 Fergie Street North Fitzroy Victoria 3068 Australia
(72) Name(s) of Designer(s): **Kathy Meney and Debbie Kuh**
(45) Registration Date: **29 February 2008**
(56) Related Art Documents: **Not Applicable**
(57) Statement of Newness and Distinctiveness: **Nil**



- (21) Design Number: **20585/2007**
(22) Date of Filing Application: **01 November 2007**
(24) Date from which industrial property rights may have effect: **01 November 2007**
(54) Product in respect of which the design is registered: **Drain inlet having brush facility**
(51) International Design Classification: **23-02E**
(71) Name(s) and Address(s) of Applicant(s):
Murray Norman Cook
52 Treave Street Cloverdale Western Australia 6105 Australia
(72) Name(s) of Designer(s): **Murray Norman Cook and Stephen E. Smith**
(45) Registration Date: **29 February 2008**
(56) Related Art Documents: **Not Applicable**
(57) Statement of Newness and Distinctiveness: **Newness resides in the features of shape and configuration of an article as depicted in the accompanying representations. Distinctiveness is claimed in the features of the design other than the particular bristle array shown.**



- (21) Design Number: **20589/2007**
(22) Date of Filing Application: **01 November 2007**
(24) Date from which industrial property rights may have effect: **01 November 2007**
(54) Product in respect of which the design is registered: **Food processor**
(51) International Design Classification: **07-04**
(71) Name(s) and Address(s) of Applicant(s):
Breville Pty Limited
Building 2 Port Air Industrial Estate 1A Hale St Botany New South Wales 2019 Australia
(72) Name(s) of Designer(s): **Garth Ryan**
(45) Registration Date: **29 February 2008**
(56) Related Art Documents: **Not Applicable**
(57) Statement of Newness and Distinctiveness: **Newness is claimed in the features of shape and configuration of the food processor as shown in the accompanying representations.**



- (21) Design Number: **20590/2007**
(22) Date of Filing Application: **01 November 2007**
(24) Date from which industrial property rights may have effect: **01 November 2007**
(54) Product in respect of which the design is registered: **Speaker grille**
(51) International Design Classification: **14-01**
(71) Name(s) and Address(s) of Applicant(s):

Kohler Company
444 Highland Drive Kohler WI 53404 United States of America

(72) Name(s) of Designer(s): **Rafael A. Rexach**

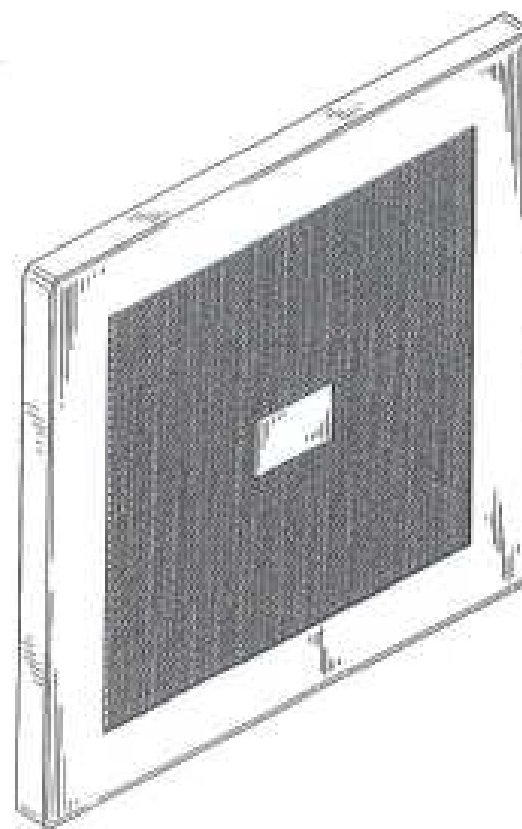
(45) Registration Date: **29 February 2008**

(30) Convention priority data:

(31) Number	(32) Date	(33) Country
29/279520	02 May 2007	UNITED STATES OF AMERICA

(56) Related Art Documents: **Not Applicable**

(57) Statement of Newness and Distinctiveness: **When determining whether the design 1 is substantially similar in overall impression to another design, no regard is to be had to those features shown in broken line in figure 5, which are provided for the purpose of illustration only, and form no part of the design.**



- (21) Design Number: **20591/2007**
(22) Date of Filing Application: **01 November 2007**
(24) Date from which industrial property rights may have effect: **01 November 2007**
(54) Product in respect of which the design is registered: **Dice**
(51) International Design Classification: **21-01L**
(71) Name(s) and Address(s) of Applicant(s):

Hugh Alexander Walker
3 Rignold Street Seaforth New South Wales 2092 Australia

(72) Name(s) of Designer(s): **Hugh Alexander Walker**

(45) Registration Date: **29 February 2008**

(56) Related Art Documents: **Not Applicable**

(57) Statement of Newness and Distinctiveness: **Newness and distinctiveness is claimed in the features of ornamentation of the dice shown in the representations, wherein the dice includes ornamentation on each face, as shown on the respective upwardly-oriented faces on the representations.**



(21) Design Number: **10742/2008**

(22) Date of Filing Application: **19 February 2008**

(24) Date from which industrial property rights may have effect: **19 February 2008**

(54) Product in respect of which the design is registered: **Rainwater first flush diverter**

(51) International Design Classification: **23-01G**

(71) Name(s) and Address(s) of Applicant(s):

Jonathan Keren-Black

3/924 Toorak Road CAMBERWELL VICTORIA AUSTRALIA 3124

(72) Name(s) of Designer(s): **Jonathan Keren-Black**

(45) Registration Date: **29 February 2008**

(56) Related Art Documents: **Not Applicable**

(57) Statement of Newness and Distinctiveness: **One integrated unit (wall mounted or free-standing) comprising; filters, means to minimise first flush from entering outflow, garden watering store and drainage systems.**



(21) Design Number: **19765/2007**

(22) Date of Filing Application: **14 September 2007**

(24) Date from which industrial property rights may have effect: **14 September 2007**

(54) Product in respect of which the design is registered: **A dress**

(51) International Design Classification: **02-02NES**

(71) Name(s) and Address(s) of Applicant(s):

Lolitta Clothing Pty Ltd

11 Albert Street Richmond Victoria 3121 Australia

(72) Name(s) of Designer(s): **Tamara Mond**

(45) Registration Date: **29 February 2008**

(56) Related Art Documents: **Not Applicable**

(57) Statement of Newness and Distinctiveness: **Nil**



(21) Design Number: **21394/2007**
(22) Date of Filing Application: **14 September 2007**
(24) Date from which industrial property rights may have effect: **14 September 2007**
(54) Product in respect of which the design is registered: **A dress**
(51) International Design Classification: **02-02NES**
(71) Name(s) and Address(s) of Applicant(s):
Lolitta Clothing Pty Ltd
11 Albert Street Richmond Victoria 3121 Australia
(72) Name(s) of Designer(s): **Tamara Mond**
(45) Registration Date: **29 February 2008**
(56) Related Art Documents: **Not Applicable**
(57) Statement of Newness and Distinctiveness: **Nil**



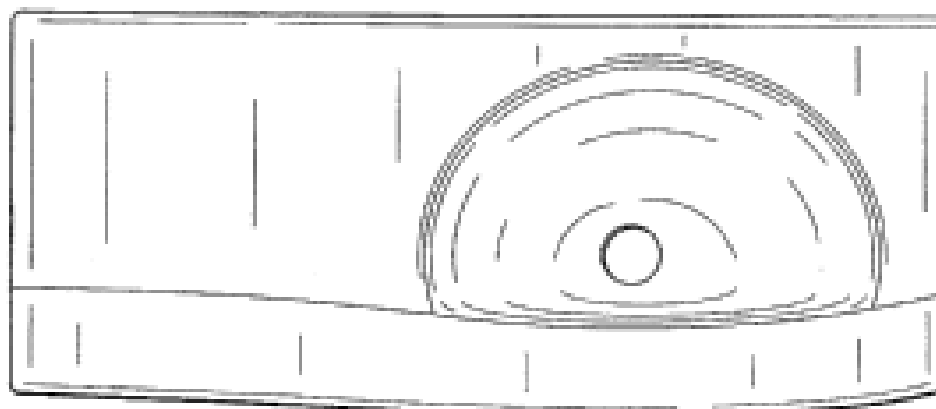
(21) Design Number: **21395/2007**
(22) Date of Filing Application: **14 September 2007**
(24) Date from which industrial property rights may have effect: **14 September 2007**
(54) Product in respect of which the design is registered: **A dress**
(51) International Design Classification: **02-02NES**
(71) Name(s) and Address(s) of Applicant(s):
Lolitta Clothing Pty Ltd
11 Albert Street Richmond Victoria 3121 Australia
(72) Name(s) of Designer(s): **Tamara Mond**
(45) Registration Date: **29 February 2008**
(56) Related Art Documents: **Not Applicable**
(57) Statement of Newness and Distinctiveness: **Nil**



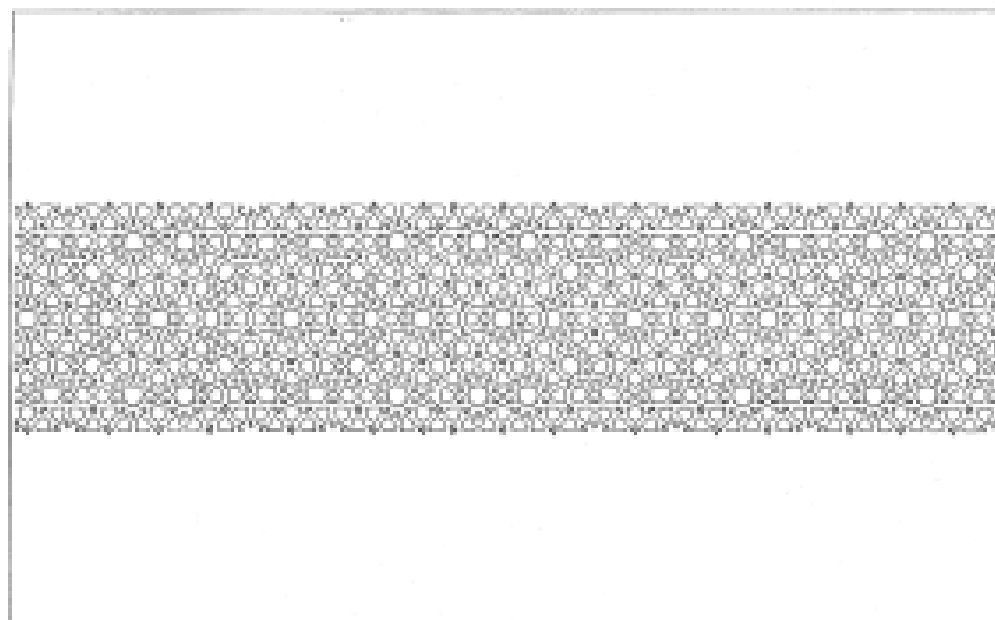
(21) Design Number: **21396/2007**
(22) Date of Filing Application: **14 September 2007**
(24) Date from which industrial property rights may have effect: **14 September 2007**
(54) Product in respect of which the design is registered: **A cardigan**
(51) International Design Classification: **02-02NES**
(71) Name(s) and Address(s) of Applicant(s):
Lolitta Clothing Pty Ltd
11 Albert Street Richmond Victoria 3121 Australia
(72) Name(s) of Designer(s): **Tamara Mond**
(45) Registration Date: **29 February 2008**
(56) Related Art Documents: **Not Applicable**
(57) Statement of Newness and Distinctiveness: **Nil**



(21) Design Number: **19698/2007**
(22) Date of Filing Application: **10 September 2007**
(24) Date from which industrial property rights may have effect: **10 September 2007**
(54) Product in respect of which the design is registered: **Sink**
(51) International Design Classification: **23-02F**
(71) Name(s) and Address(s) of Applicant(s):
Kohler France SAS
60 Rue De Turenne 75139 Paris Cedex 03 France
(72) Name(s) of Designer(s): **Francois Kergoet**
(45) Registration Date: **29 February 2008**
(30) Convention priority data:
(31) Number (32) Date (33) Country
000686043 09 Mar 2007 EUROPEAN COMMUNITY
(56) Related Art Documents: **Not Applicable**
(57) Statement of Newness and Distinctiveness: **Nil**



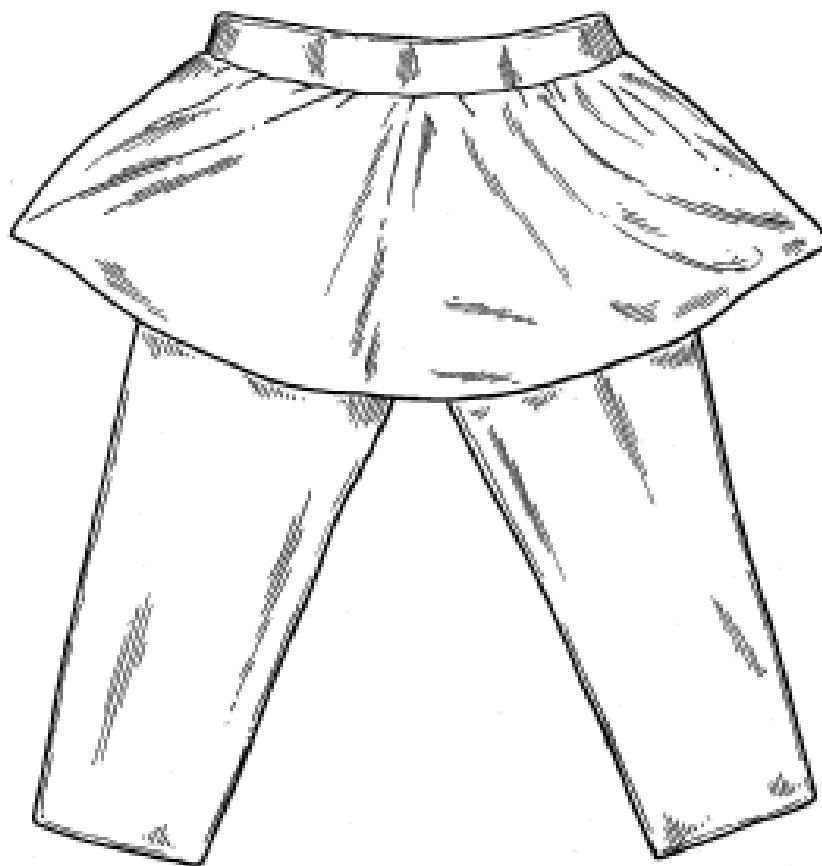
- (21) Design Number: **19862/2007**
(22) Date of Filing Application: **21 September 2007**
(24) Date from which industrial property rights may have effect: **21 September 2007**
(54) Product in respect of which the design is registered: **Table**
(51) International Design Classification: **06-03A**
(71) Name(s) and Address(s) of Applicant(s):
Tina Sudell
160 Amess Street Carlton North Victoria 3054 Australia
(72) Name(s) of Designer(s): **Tina Sudell**
(45) Registration Date: **29 February 2008**
(56) Related Art Documents: **Not Applicable**
(57) Statement of Newness and Distinctiveness: **Curved edges on short edge of table mimicking the drape of a tablecloth and laser cut pattern inserted in centre of table like a table runner.**



- (21) Design Number: **19863/2007**
(22) Date of Filing Application: **21 September 2007**
(24) Date from which industrial property rights may have effect: **21 September 2007**
(54) Product in respect of which the design is registered: **Bench Seat**
(51) International Design Classification: **06-01C**
(71) Name(s) and Address(s) of Applicant(s):
Tina Sudell
160 Amess Street Carlton North Victoria 3054 Australia
(72) Name(s) of Designer(s): **Tina Sudell**
(45) Registration Date: **29 February 2008**
(56) Related Art Documents: **Not Applicable**
(57) Statement of Newness and Distinctiveness: **Curved edges on long edges of bench seat mimicking the drape of tablecloth and laser cut pattern inserted in centre of bench like table runner.**



- (21) Design Number: **21136/2007**
(22) Date of Filing Application: **05 December 2007**
(24) Date from which industrial property rights may have effect: **05 December 2007**
(54) Product in respect of which the design is registered: **Pyjamas**
(51) International Design Classification: **02-01B**
(71) Name(s) and Address(s) of Applicant(s):
Janet Elizabeth Robertson
2/11 Hutchinson Crescent Jamisontown New South Wales 2570
Australia
(72) Name(s) of Designer(s): **Janet Elizabeth Robertson**
(45) Registration Date: **29 February 2008**
(56) Related Art Documents: **Not Applicable**
(57) Statement of Newness and Distinctiveness: **Newness and distinctiveness is claimed in the features of shape and/or configuration of the pyjamas as illustrated in the accompanying representations.**



- (21) Design Number: **18732/2007**
(22) Date of Filing Application: **06 July 2007**
(24) Date from which industrial property rights may have effect: **06 July 2007**
(54) Product in respect of which the design is registered: **A dress**
(51) International Design Classification: **02-02C**
(71) Name(s) and Address(s) of Applicant(s):
Review Australia Pty Ltd
25-31 Rokeby Street Collingwood Victoria 3066 Australia
(72) Name(s) of Designer(s): **Jayne Ellis**
(45) Registration Date: **29 February 2008**
(56) Related Art Documents: **Not Applicable**
(57) Statement of Newness and Distinctiveness: **Nil**



- (21) Design Number: **21397/2007**
(22) Date of Filing Application: **06 July 2007**
(24) Date from which industrial property rights may have effect: **06 July 2007**
(54) Product in respect of which the design is registered: **A top**
(51) International Design Classification: **02-02NES**
(71) Name(s) and Address(s) of Applicant(s):
 Review Australia Pty Ltd
 25-31 Rokeby Street Collingwood Victoria 3066 Australia
(72) Name(s) of Designer(s): **Jayne Ellis**
(45) Registration Date: **29 February 2008**
(56) Related Art Documents: **Not Applicable**
(57) Statement of Newness and Distinctiveness: **Nil**



- (21) Design Number: **21398/2007**
(22) Date of Filing Application: **06 July 2007**
(24) Date from which industrial property rights may have effect: **06 July 2007**
(54) Product in respect of which the design is registered: **A top**
(51) International Design Classification: **02-02NES**
(71) Name(s) and Address(s) of Applicant(s):
 Review Australia Pty Ltd
 25-31 Rokeby Street Collingwood Victoria 3066 Australia
(72) Name(s) of Designer(s): **Jayne Ellis**
(45) Registration Date: **29 February 2008**
(56) Related Art Documents: **Not Applicable**
(57) Statement of Newness and Distinctiveness: **Nil**



- (21) Design Number: **21399/2007**
- (22) Date of Filing Application: **06 July 2007**
- (24) Date from which industrial property rights may have effect: **06 July 2007**
- (54) Product in respect of which the design is registered: **A dress**
- (51) International Design Classification: **02-02C**
- (71) Name(s) and Address(s) of Applicant(s):
Review Australia Pty Ltd
25-31 Rokeby Street Collingwood Victoria 3066 Australia
- (72) Name(s) of Designer(s): **Jayne Ellis**
- (45) Registration Date: **29 February 2008**
- (56) Related Art Documents: **Not Applicable**
- (57) Statement of Newness and Distinctiveness: **Nil**



- (21) Design Number: **21400/2007**
- (22) Date of Filing Application: **06 July 2007**
- (24) Date from which industrial property rights may have effect: **06 July 2007**
- (54) Product in respect of which the design is registered: **A smock cardigan**
- (51) International Design Classification: **02-02C**
- (71) Name(s) and Address(s) of Applicant(s):
Review Australia Pty Ltd
25-31 Rokeby Street Collingwood Victoria 3066 Australia
- (72) Name(s) of Designer(s): **Jayne Ellis**
- (45) Registration Date: **29 February 2008**
- (56) Related Art Documents: **Not Applicable**
- (57) Statement of Newness and Distinctiveness: **Nil**



- (21) Design Number: **21401/2007**
(22) Date of Filing Application: **06 July 2007**
(24) Date from which industrial property rights may have effect: **06 July 2007**
(54) Product in respect of which the design is registered: **A dress**
(51) International Design Classification: **02-02C**
(71) Name(s) and Address(s) of Applicant(s):
Review Australia Pty Ltd
25-31 Rokeby Street Collingwood Victoria 3066 Australia
(72) Name(s) of Designer(s): **Jayne Ellis**
(45) Registration Date: **29 February 2008**
(56) Related Art Documents: **Not Applicable**
(57) Statement of Newness and Distinctiveness: **Nil**



- (21) Design Number: **21402/2007**
(22) Date of Filing Application: **06 July 2007**
(24) Date from which industrial property rights may have effect: **06 July 2007**
(54) Product in respect of which the design is registered: **A dress**
(51) International Design Classification: **02-02C**
(71) Name(s) and Address(s) of Applicant(s):
Review Australia Pty Ltd
25-31 Rokeby Street Collingwood Victoria 3066 Australia
(72) Name(s) of Designer(s): **Jayne Ellis**
(45) Registration Date: **29 February 2008**
(56) Related Art Documents: **Not Applicable**
(57) Statement of Newness and Distinctiveness: **Nil**

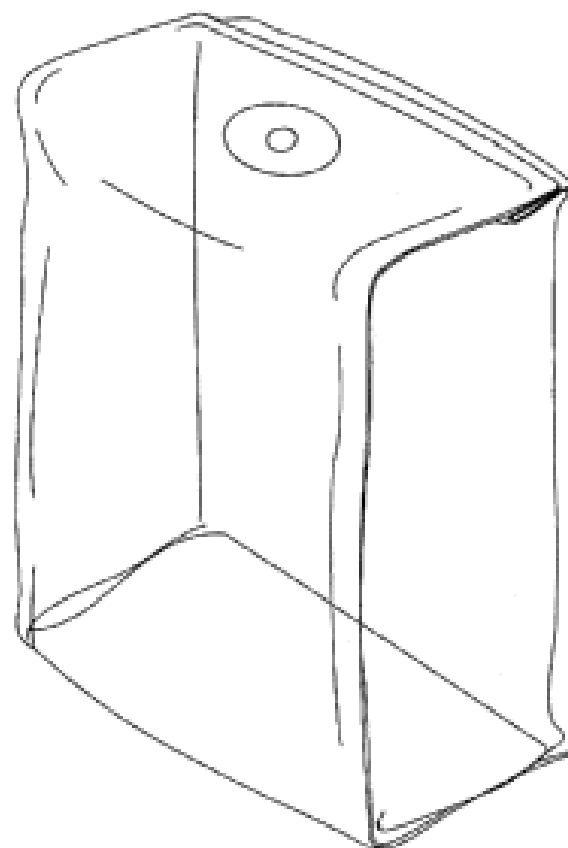


- (21) Design Number: **19712/2007**
- (22) Date of Filing Application: **13 September 2007**
- (24) Date from which industrial property rights may have effect: **13 September 2007**
- (54) Product in respect of which the design is registered: **Grate with adjustable locating stands**
- (51) International Design Classification: **23-02NES**
- (71) Name(s) and Address(s) of Applicant(s):
Leon Parry
52 Ourimbah Road Mosman New South Wales 2088 Australia
- (72) Name(s) of Designer(s): **Leon Parry**
- (45) Registration Date: **29 February 2008**
- (56) Related Art Documents: **Not Applicable**
- (57) Statement of Newness and Distinctiveness: **Monopoly is claimed in the shape and configuration of a grate with adjustable locating stands as shown in the representation.**

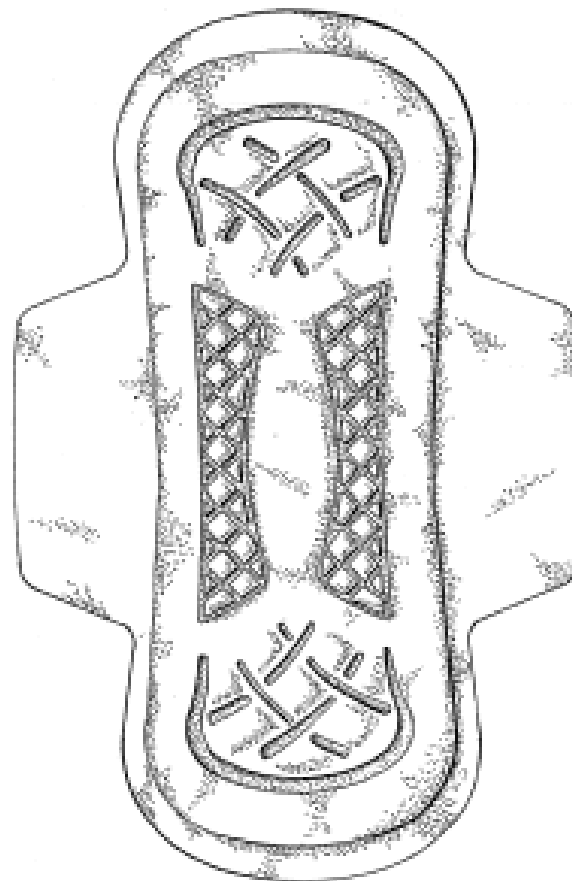


- (21) Design Number: **20674/2007**
- (22) Date of Filing Application: **08 November 2007**
- (24) Date from which industrial property rights may have effect: **08 November 2007**
- (54) Product in respect of which the design is registered: **Mini brick pouch with straw insert region**
- (51) International Design Classification: **09-05**
- (71) Name(s) and Address(s) of Applicant(s):
Ronald H. Berman
203 Agronne Avenue Bx 211 Long Beach CA 90803 United States of America
- (72) Name(s) of Designer(s): **Ronald H. Berman**
- (45) Registration Date: **29 February 2008**
- (30) Convention priority data:

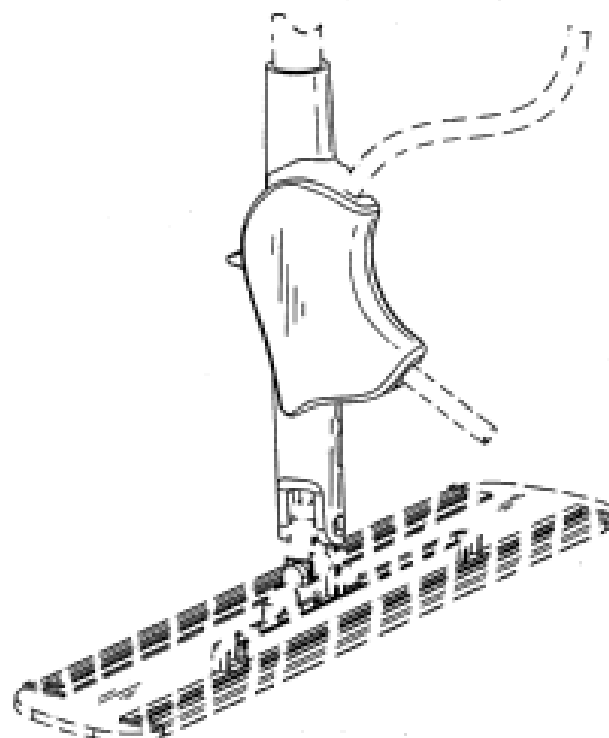
(31) Number	(32) Date	(33) Country
29/282113	11 Jul 2007	UNITED STATES OF AMERICA
- (56) Related Art Documents: **Not Applicable**
- (57) Statement of Newness and Distinctiveness: **Nil**



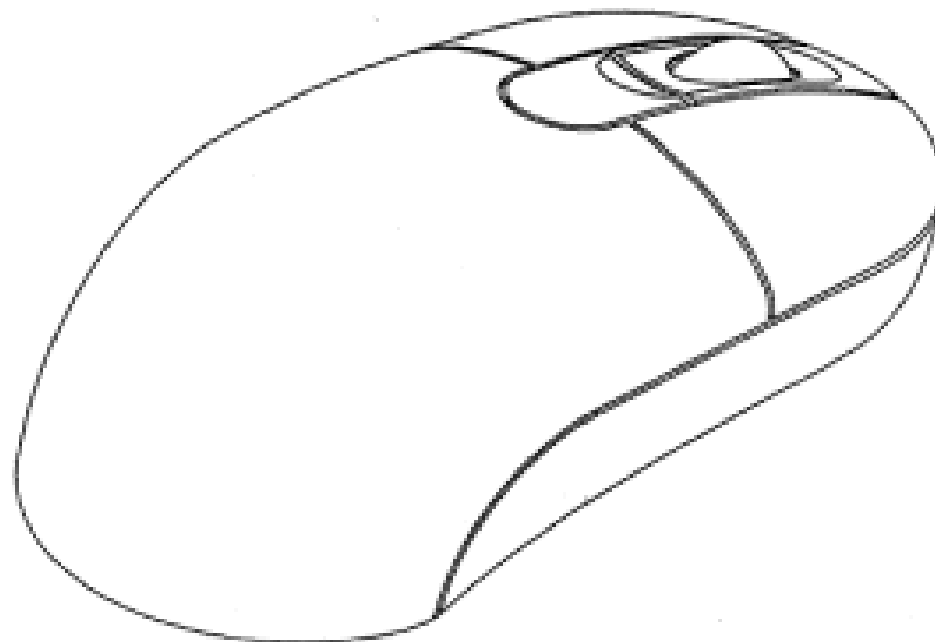
- (21) Design Number: **20592/2007**
(22) Date of Filing Application: **02 November 2007**
(24) Date from which industrial property rights may have effect: **02 November 2007**
(54) Product in respect of which the design is registered: **Sanitary napkin**
(51) International Design Classification: **24-04**
(71) Name(s) and Address(s) of Applicant(s):
McNeil-PPC, Inc.
199 Grandview Road Skillman New Jersey United States of America
(72) Name(s) of Designer(s): **Ana Maria Elena R. Marcelo and Maria Socorro F. Medina**
(45) Registration Date: **03 March 2008**
(30) Convention priority data:
(31) Number (32) Date (33) Country
29/279820 08 May 2007 UNITED STATES OF AMERICA
(56) Related Art Documents: **Not Applicable**
(57) Statement of Newness and Distinctiveness: **Newness and distinctiveness reside in the shape and configuration and/or pattern and ornamentation of the sanitary napkin as shown in the accompanying representations.**



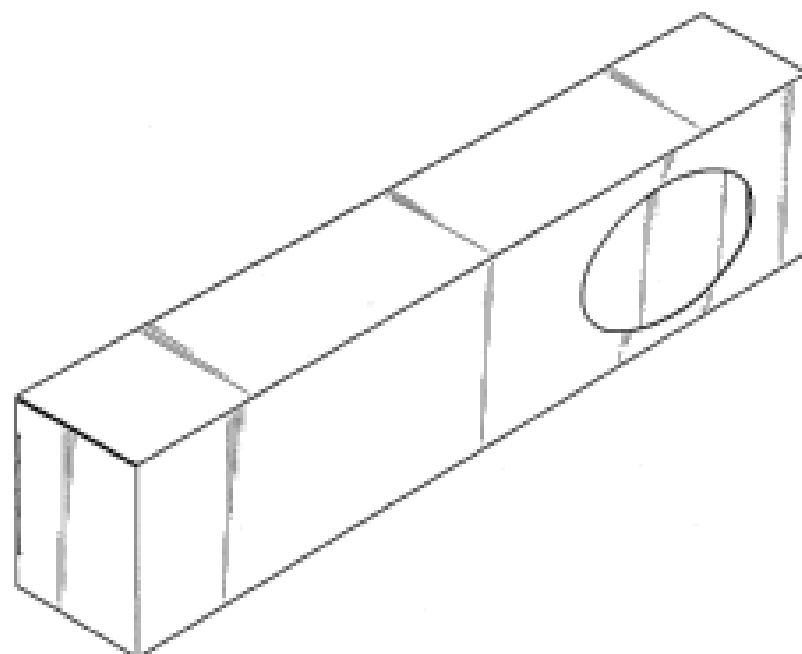
- (21) Design Number: **20594/2007**
(22) Date of Filing Application: **02 November 2007**
(24) Date from which industrial property rights may have effect: **02 November 2007**
(54) Product in respect of which the design is registered: **Valve assembly**
(51) International Design Classification: **23-01K**
(71) Name(s) and Address(s) of Applicant(s):
JohnsonDiversey, Inc.
8310 16th Street - M/S 509 Sturtevant Wisconsin 53177 United States of America
(72) Name(s) of Designer(s): **Charles A. Crawford and Andrew M. Bober and Craig Conner and Mark Cors and Nicholas Reback and Daniel Lee**
(45) Registration Date: **03 March 2008**
(30) Convention priority data:
(31) Number (32) Date (33) Country
29/279574 03 May 2007 UNITED STATES OF AMERICA
(56) Related Art Documents: **Not Applicable**
(57) Statement of Newness and Distinctiveness: **Newness and distinctiveness is claimed in those features of shape and/or configuration of a valve assembly illustrated in continuous lines in the accompanying representations.**



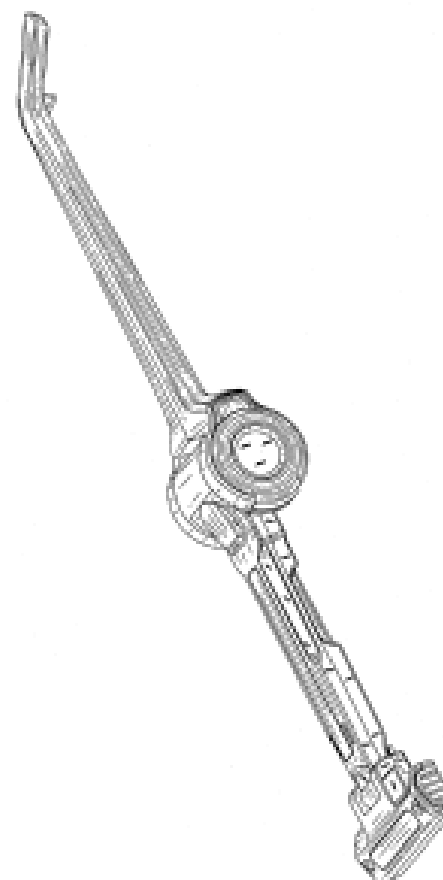
- (21) Design Number: **20596/2007**
(22) Date of Filing Application: **02 November 2007**
(24) Date from which industrial property rights may have effect: **02 November 2007**
(54) Product in respect of which the design is registered: **Computer mouse cosmetic case**
(51) International Design Classification: **14-02, 28-03NES**
(71) Name(s) and Address(s) of Applicant(s):
Angela Belle McSweeney
Suite 2 4A Tivoli Avenue Rose Bay New South Wales 2029 Australia
(72) Name(s) of Designer(s): **Henry Greaves and Angela Belle-McSweeney**
(45) Registration Date: **03 March 2008**
(56) Related Art Documents: **Not Applicable**
(57) Statement of Newness and Distinctiveness: **Newness and distinctiveness is claimed in the features of shape and/or configuration of a computer mouse pointing device, and particular regard is to be had to the mirror and cosmetic compartments, the bases of each of which being shown in fig. 16 in cross hatched format.**



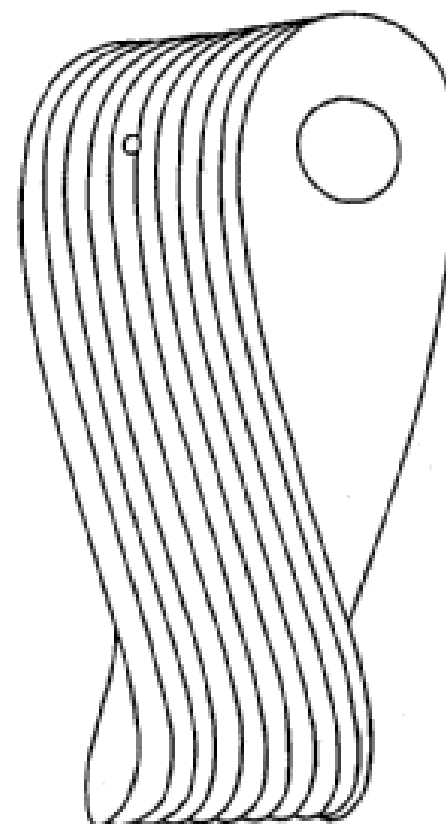
- (21) Design Number: **20602/2007**
(22) Date of Filing Application: **02 November 2007**
(24) Date from which industrial property rights may have effect: **02 November 2007**
(54) Product in respect of which the design is registered: **A carton**
(51) International Design Classification: **09-03M**
(71) Name(s) and Address(s) of Applicant(s):
Glaxo Group Limited
Glaxo Wellcome House Berkeley Avenue Greenford Middlesex UB6
0NN United Kingdom
(72) Name(s) of Designer(s): **Alan John Gilbody and Paul N. Leung and Kerry Louise O'Callaghan**
(45) Registration Date: **03 March 2008**
(30) Convention priority data:
(31) Number (32) Date (33) Country
4002621 04 May 2007 UNITED KINGDOM
(56) Related Art Documents: **Not Applicable**
(57) Statement of Newness and Distinctiveness: **Nil**



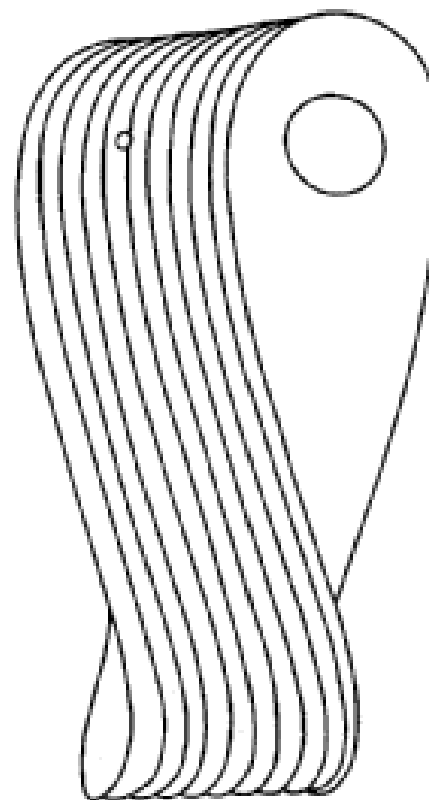
(21) Design Number: **20603/2007**
(22) Date of Filing Application: **02 November 2007**
(24) Date from which industrial property rights may have effect: **02 November 2007**
(54) Product in respect of which the design is registered: **A vacuum cleaner**
(51) International Design Classification: **15-05**
(71) Name(s) and Address(s) of Applicant(s):
Black & Decker, Inc.
1207 Drummond Plaza, Newark, Delaware, 19711, United States of America
(72) Name(s) of Designer(s): **Graeme Crawley**
(45) Registration Date: **03 March 2008**
(30) Convention priority data:
(31) Number (32) Date (33) Country
000716386 02 May 2007 EUROPEAN COMMUNITY
(56) Related Art Documents: **Not Applicable**
(57) Statement of Newness and Distinctiveness: **Nil**



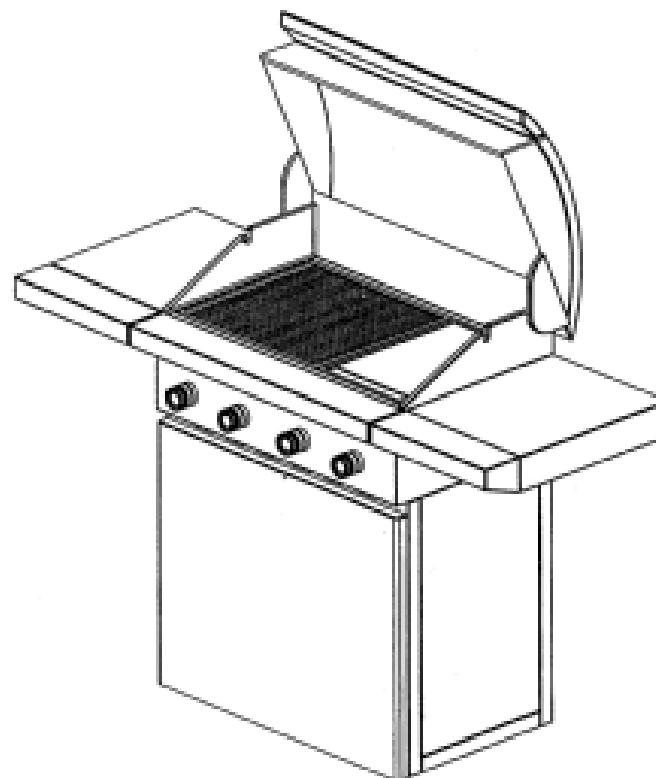
(21) Design Number: **20605/2007**
(22) Date of Filing Application: **02 November 2007**
(24) Date from which industrial property rights may have effect: **02 November 2007**
(54) Product in respect of which the design is registered: **Flask for perfumery products**
(51) International Design Classification: **09-01G**
(71) Name(s) and Address(s) of Applicant(s):
Kenzo
1, rue due Pont Neuf Paris 75001 France
(72) Name(s) of Designer(s): **Caroline Thorman**
(45) Registration Date: **03 March 2008**
(30) Convention priority data:
(31) Number (32) Date (33) Country
07 2137 04 May 2007 FRANCE
(56) Related Art Documents: **Not Applicable**
(57) Statement of Newness and Distinctiveness: **The shape, configuration, shape and configuration, pattern, ornamentation, pattern and ornamentation, of the design of the products are new and distinctive.**



- (21) Design Number: **20606/2007**
(22) Date of Filing Application: **02 November 2007**
(24) Date from which industrial property rights may have effect: **02 November 2007**
(54) Product in respect of which the design is registered: **Flask for perfumery products**
(51) International Design Classification: **09-01G**
(71) Name(s) and Address(s) of Applicant(s):
Kenzo
1, rue due Pont Neuf Paris 75001 France
(72) Name(s) of Designer(s): **Caroline Thorman**
(45) Registration Date: **03 March 2008**
(30) Convention priority data:
(31) Number (32) Date (33) Country
07 2137 04 May 2007 FRANCE
(56) Related Art Documents: **Not Applicable**
(57) Statement of Newness and Distinctiveness: **The shape, configuration, shape and configuration, pattern, ornamentation, pattern and ornamentation, of the design of the products are new and distinctive.**



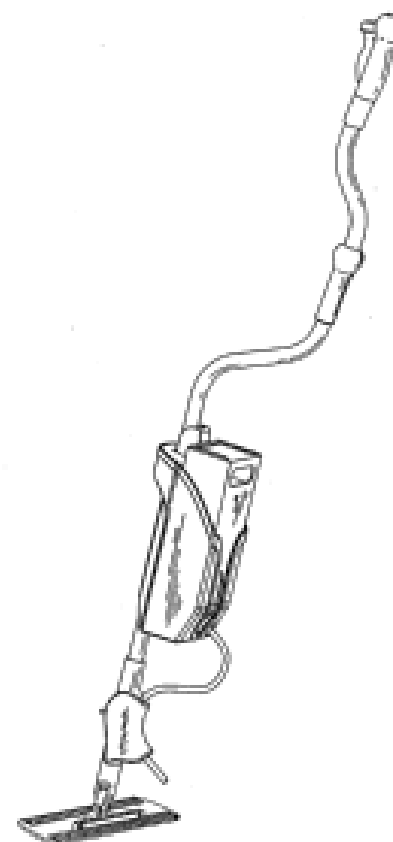
- (21) Design Number: **20607/2007**
(22) Date of Filing Application: **02 November 2007**
(24) Date from which industrial property rights may have effect: **02 November 2007**
(54) Product in respect of which the design is registered: **Barbecue**
(51) International Design Classification: **07-02E**
(71) Name(s) and Address(s) of Applicant(s):
Focus Lifestyle Products Pty Ltd
223-225 Governor Road Braeside Victoria 3195 Australia
(72) Name(s) of Designer(s): **Mark Andrew Stone and Ryan Owen**
(45) Registration Date: **03 March 2008**
(56) Related Art Documents: **Not Applicable**
(57) Statement of Newness and Distinctiveness: **Nil**



- (21) Design Number: **20614/2007**
(22) Date of Filing Application: **02 November 2007**
(24) Date from which industrial property rights may have effect: **02 November 2007**
(54) Product in respect of which the design is registered: **Reservoir**
(51) International Design Classification: **09-02NES**
(71) Name(s) and Address(s) of Applicant(s):
JohnsonDiversey, Inc.
8310 16th Street - M/S 509 Sturtevant Wisconsin 53177 United States of America
(72) Name(s) of Designer(s): **Charles A. Crawford and Andrew M. Bober and Craig Conner and Mark Cors and Nicholas Reback and Daniel Lee**
(45) Registration Date: **03 March 2008**
(30) Convention priority data:
(31) Number (32) Date (33) Country
29/279572 03 May 2007 UNITED STATES OF AMERICA
(56) Related Art Documents: **Not Applicable**
(57) Statement of Newness and Distinctiveness: **Newness and distinctiveness is claimed in those features of shape and/or configuration of a reservoir illustrated in continuous lines in the accompanying representations.**



- (21) Design Number: **20615/2007**
(22) Date of Filing Application: **02 November 2007**
(24) Date from which industrial property rights may have effect: **02 November 2007**
(54) Product in respect of which the design is registered: **Tool grip**
(51) International Design Classification: **15-05**
(71) Name(s) and Address(s) of Applicant(s):
JohnsonDiversey, Inc.
8310 16th Street - M/S 509 Sturtevant Wisconsin 53177 United States of America
(72) Name(s) of Designer(s): **Charles A. Crawford and Andrew M. Bober and Craig Conner and Mark Cors and Nicholas Reback and Daniel Lee**
(45) Registration Date: **03 March 2008**
(30) Convention priority data:
(31) Number (32) Date (33) Country
29/279581 03 May 2007 UNITED STATES OF AMERICA
(56) Related Art Documents: **Not Applicable**
(57) Statement of Newness and Distinctiveness: **Newness and distinctiveness is claimed in those features of shape and/or configuration of a tool grip illustrated in continuous lines in the accompanying representations.**



(21) Design Number: **20617/2007**
(22) Date of Filing Application: **02 November 2007**
(24) Date from which industrial property rights may have effect: **02 November 2007**
(54) Product in respect of which the design is registered: **Cold storage showcase**
(51) International Design Classification: **20-02C**
(71) Name(s) and Address(s) of Applicant(s):

Sanyo Electric Co., Ltd.
5-5 Keihanondori 2-chome Moriguchi-shi Osaka 570-8677 Japan

(72) Name(s) of Designer(s): **Ichiro Seki**

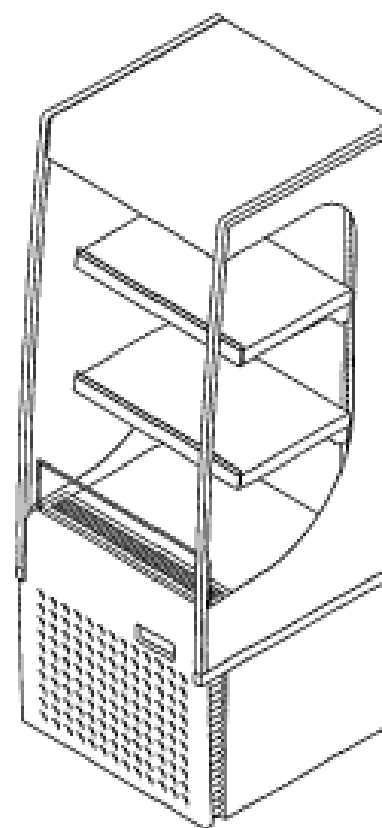
(45) Registration Date: **03 March 2008**

(30) Convention priority data:

(31) Number	(32) Date	(33) Country
2007-014499	31 May 2007	JAPAN

(56) Related Art Documents: **Not Applicable**

(57) Statement of Newness and Distinctiveness: **Nil**



(21) Design Number: **20618/2007**
(22) Date of Filing Application: **02 November 2007**
(24) Date from which industrial property rights may have effect: **02 November 2007**
(54) Product in respect of which the design is registered: **Cold storage showcase**
(51) International Design Classification: **20-02C**
(71) Name(s) and Address(s) of Applicant(s):

Sanyo Electric Co., Ltd.
5-5 Keihanondori 2-chome Moriguchi-shi Osaka 570-8677 Japan

(72) Name(s) of Designer(s): **Ichiro Seki**

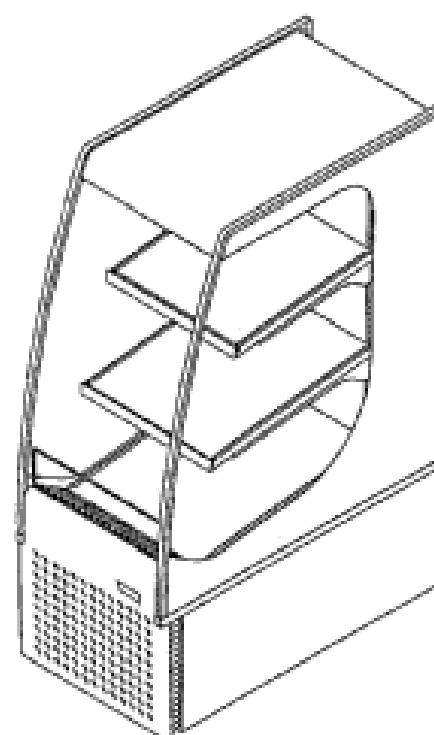
(45) Registration Date: **03 March 2008**

(30) Convention priority data:

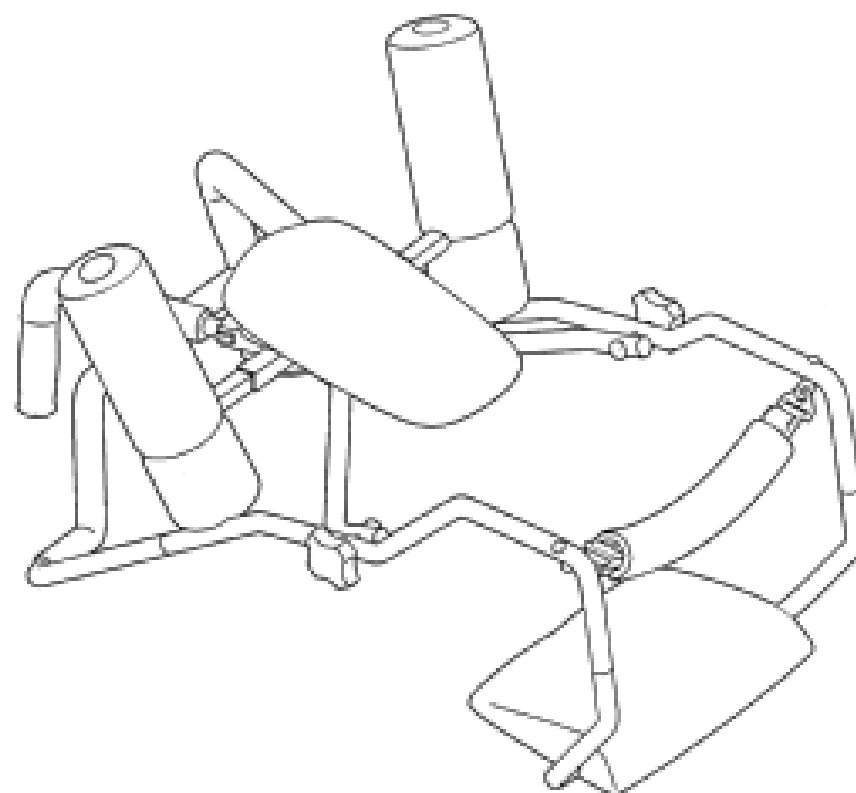
(31) Number	(32) Date	(33) Country
2007-014498	31 May 2007	JAPAN

(56) Related Art Documents: **Not Applicable**

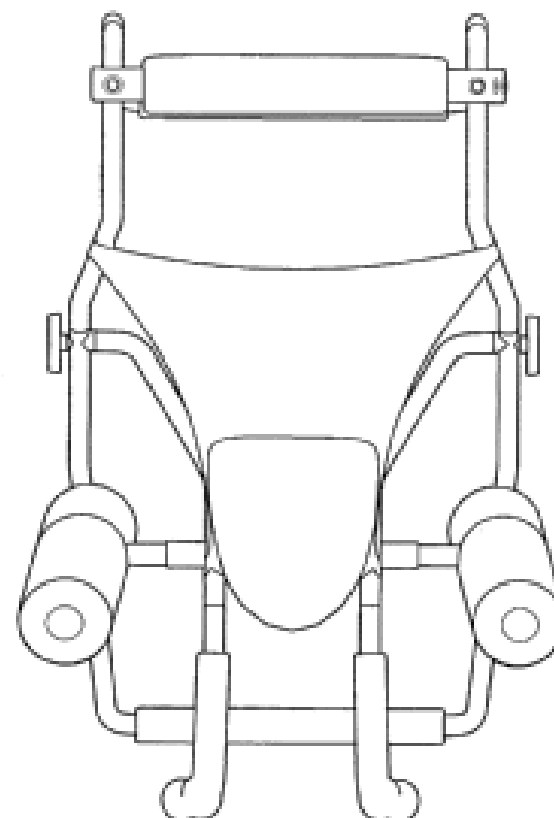
(57) Statement of Newness and Distinctiveness: **Nil**



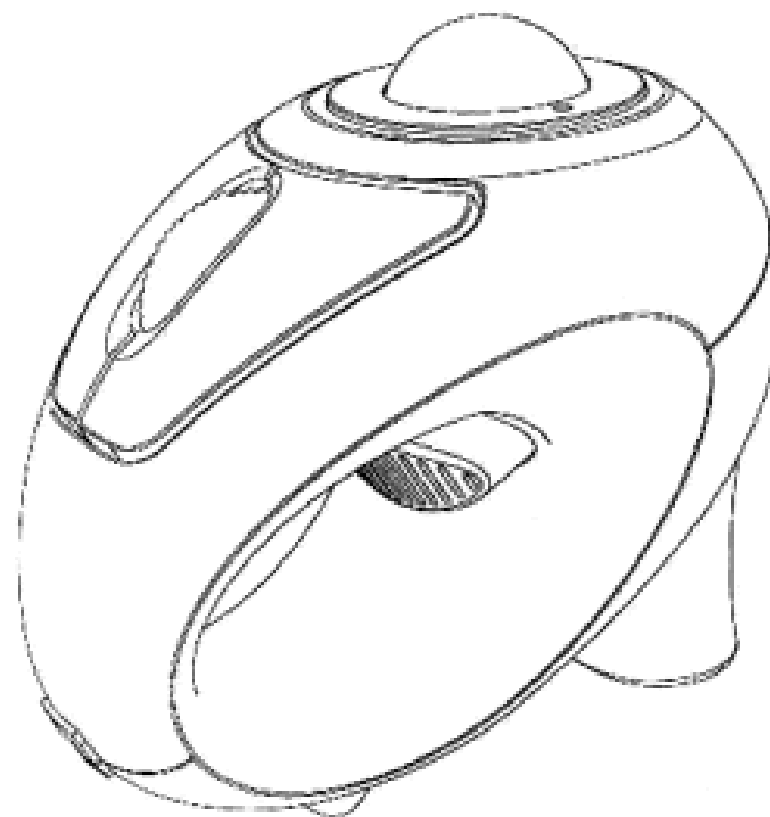
(21) Design Number: **20620/2007**
(22) Date of Filing Application: **02 November 2007**
(24) Date from which industrial property rights may have effect: **02 November 2007**
(54) Product in respect of which the design is registered: **Device for applying traction**
(51) International Design Classification: **24-01**
(71) Name(s) and Address(s) of Applicant(s):
R & R Therapeutic Pty Ltd
622 Newcastle Street Leederville Western Australia 6007 Australia
(72) Name(s) of Designer(s): **Ralph Andrew Moltoni**
(45) Registration Date: **03 March 2008**
(56) Related Art Documents: **Not Applicable**
(57) Statement of Newness and Distinctiveness: **Nil**



(21) Design Number: **20621/2007**
(22) Date of Filing Application: **02 November 2007**
(24) Date from which industrial property rights may have effect: **02 November 2007**
(54) Product in respect of which the design is registered: **Device for applying traction**
(51) International Design Classification: **24-01**
(71) Name(s) and Address(s) of Applicant(s):
R & R Therapeutic Pty Ltd
622 Newcastle Street Leederville Western Australia 6007 Australia
(72) Name(s) of Designer(s): **Ralph Andrew Moltoni**
(45) Registration Date: **03 March 2008**
(56) Related Art Documents: **Not Applicable**
(57) Statement of Newness and Distinctiveness: **Nil**



- (21) Design Number: **20624/2007**
(22) Date of Filing Application: **02 November 2007**
(24) Date from which industrial property rights may have effect: **02 November 2007**
(54) Product in respect of which the design is registered: **A computer mouse**
(51) International Design Classification: **14-02**
(71) Name(s) and Address(s) of Applicant(s):
Digi-Click International Limited
Level 1 360 Great North Road Henderson New Zealand
(72) Name(s) of Designer(s): **Bruce Bryant**
(45) Registration Date: **03 March 2008**
(30) Convention priority data:
(31) Number (32) Date (33) Country
NZ409817 04 Oct 2007 NEW ZEALAND
(56) Related Art Documents: **Not Applicable**
(57) Statement of Newness and Distinctiveness: **Newness and distinctiveness is claimed in the shape and/or configuration of a computer mouse as depicted in the attached representations.**



- (21) Design Number: **17090/2007**
(22) Date of Filing Application: **26 March 2007**
(24) Date from which industrial property rights may have effect: **26 March 2007**
(54) Product in respect of which the design is registered: **Automobile**
(51) International Design Classification: **12-08**
(71) Name(s) and Address(s) of Applicant(s):
Toyota Jidosha Kabushiki Kaisha
1 Toyota-cho Toyota-shi Aichi-ken 471-8571 Japan
(72) Name(s) of Designer(s): **Masaki Okue and Tatsuya Sonoda**
(45) Registration Date: **03 March 2008**
(30) Convention priority data:
(31) Number (32) Date (33) Country
2006#025885 27 Sep 2006 JAPAN
(56) Related Art Documents: **Not Applicable**
(57) Statement of Newness and Distinctiveness: **Those features of the automobile depicted in the representations that are new and distinctive are the shape and/or configuration.**



- (21) Design Number: **20597/2007**
- (22) Date of Filing Application: **05 November 2007**
- (24) Date from which industrial property rights may have effect: **05 November 2007**
- (54) Product in respect of which the design is registered: **Lighting fixture**
- (51) International Design Classification: **26-04**
- (71) Name(s) and Address(s) of Applicant(s):

Ruud Lighting, Inc.
9201 Washington Avenue Racine Wisconsin 53406 United States of America

- (72) Name(s) of Designer(s): **Brian L. Kinnune and Steven R. Walczak and Kurt S. Wilcox**

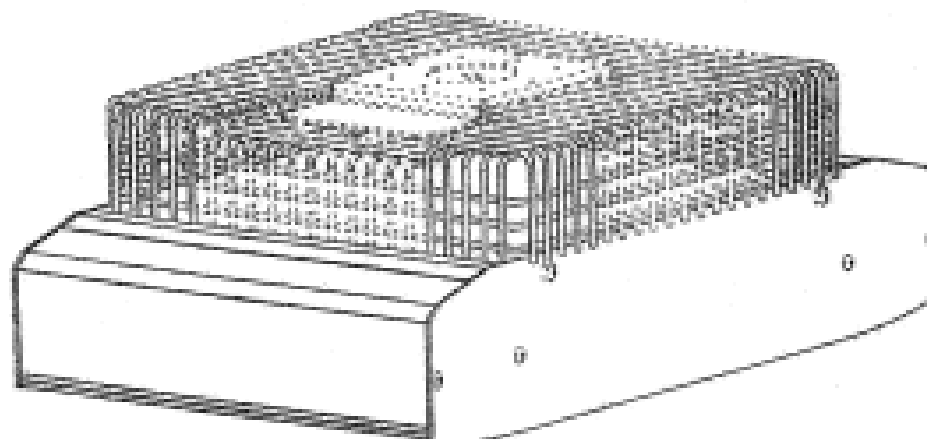
(45) Registration Date: **03 March 2008**

(30) Convention priority data:

(31) Number	(32) Date	(33) Country
29/279699	04 May 2007	UNITED STATES OF AMERICA

(56) Related Art Documents: **Not Applicable**

(57) Statement of Newness and Distinctiveness: **Newness and distinctiveness is claimed in the features of the shape and/or configuration of the lighting fixture as illustrated by solid lines in the accompanying representations.**



- (21) Design Number: **20598/2007**
- (22) Date of Filing Application: **05 November 2007**
- (24) Date from which industrial property rights may have effect: **05 November 2007**
- (54) Product in respect of which the design is registered: **Lighting fixture**
- (51) International Design Classification: **26-03**
- (71) Name(s) and Address(s) of Applicant(s):

Ruud Lighting, Inc.
9201 Washington Avenue Racine Wisconsin 53406 United States of America

- (72) Name(s) of Designer(s): **Alan J. Ruud and Eric Haugaard and Brian L. Kinnune**

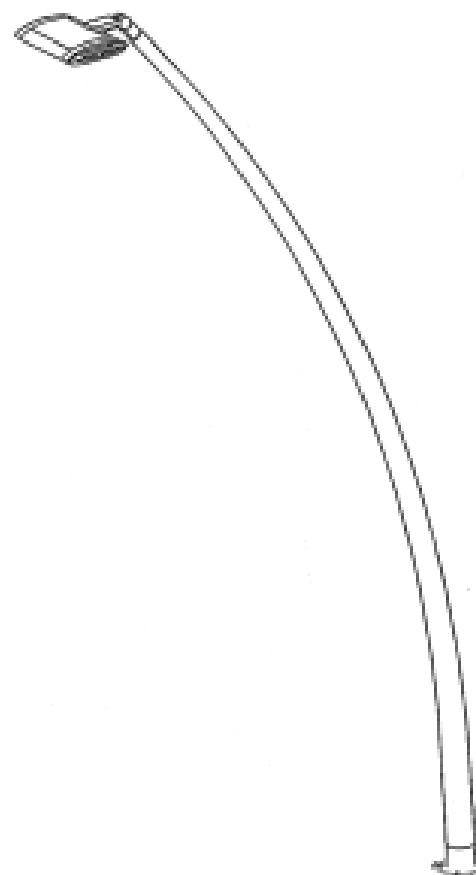
(45) Registration Date: **03 March 2008**

(30) Convention priority data:

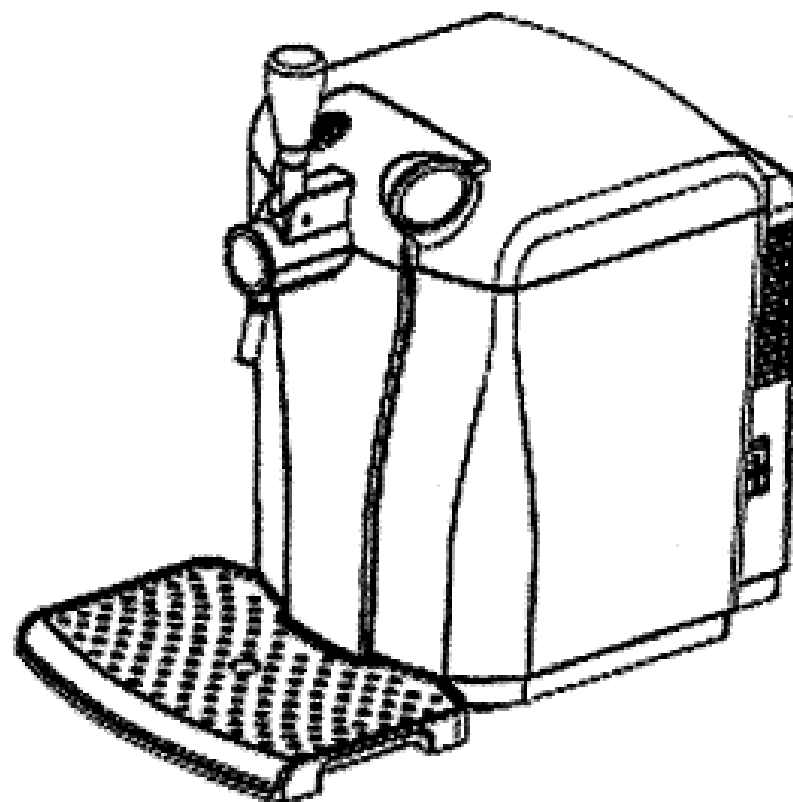
(31) Number	(32) Date	(33) Country
29/279658	04 May 2007	UNITED STATES OF AMERICA

(56) Related Art Documents: **Not Applicable**

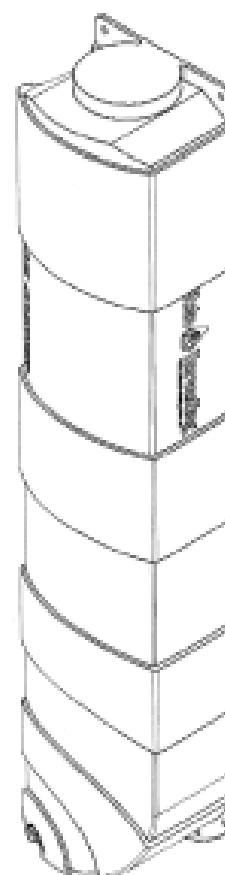
(57) Statement of Newness and Distinctiveness: **Newness and distinctiveness is claimed in the features of shape and/or configuration of a lighting fixture as illustrated in the accompanying representations.**



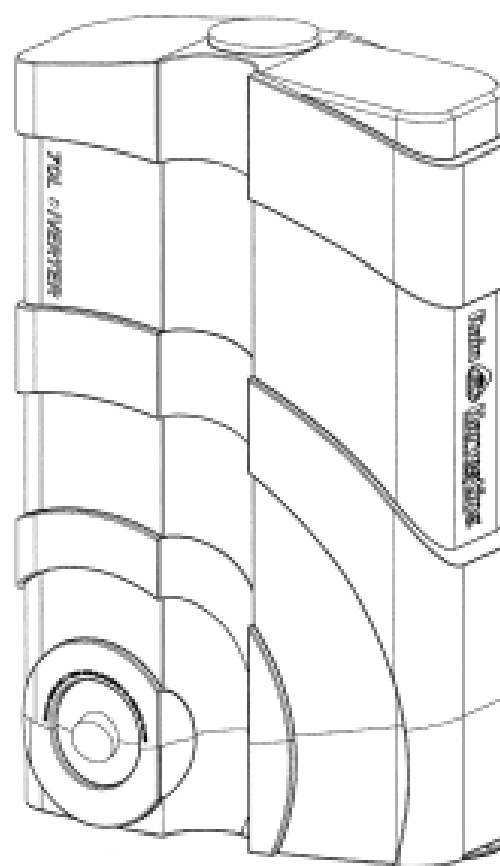
- (21) Design Number: **20599/2007**
(22) Date of Filing Application: **05 November 2007**
(24) Date from which industrial property rights may have effect: **05 November 2007**
(54) Product in respect of which the design is registered: **Beerkeg**
(51) International Design Classification: **07-04**
(71) Name(s) and Address(s) of Applicant(s):
Heineken Supply Chain B.V.
Burgemeester Smeetsweg 1 2382 PH Zoeterwoude The Netherlands
(72) Name(s) of Designer(s): **Robert Sluijter**
(45) Registration Date: **03 March 2008**
(30) Convention priority data:
(31) Number (32) Date (33) Country
773767 14 Aug 2007 EUROPEAN COMMUNITY
(56) Related Art Documents: **Not Applicable**
(57) Statement of Newness and Distinctiveness: **Newness and distinctiveness reside in the features of the design as shown in the representations.**



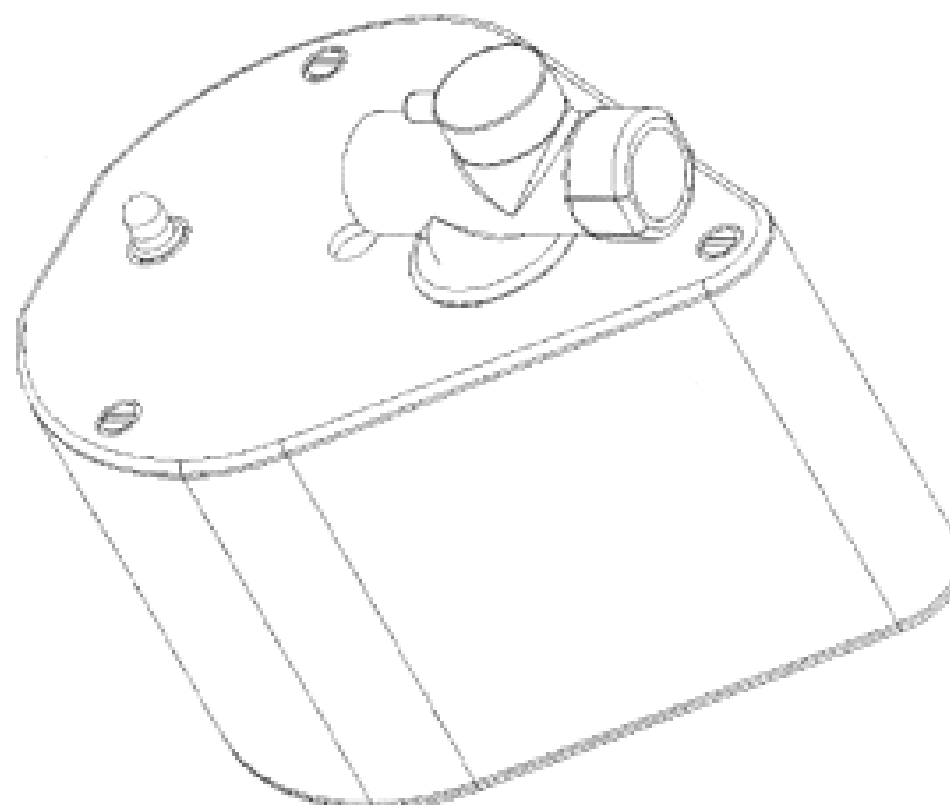
- (21) Design Number: **20625/2007**
(22) Date of Filing Application: **05 November 2007**
(24) Date from which industrial property rights may have effect: **05 November 2007**
(54) Product in respect of which the design is registered: **A tank**
(51) International Design Classification: **23-01F**
(71) Name(s) and Address(s) of Applicant(s):
Rain Harvesting Pty Ltd
28-34 Reginald Street Rocklea Queensland 4106 Australia
(72) Name(s) of Designer(s): **Mayer Jung-Pugh**
(45) Registration Date: **03 March 2008**
(56) Related Art Documents: **Not Applicable**
(57) Statement of Newness and Distinctiveness: **The features of shape and configuration of the tank are new and distinctive features. Any writing (including the teardrop shaped symbol) appearing anywhere on the tank does not form part of the design.**



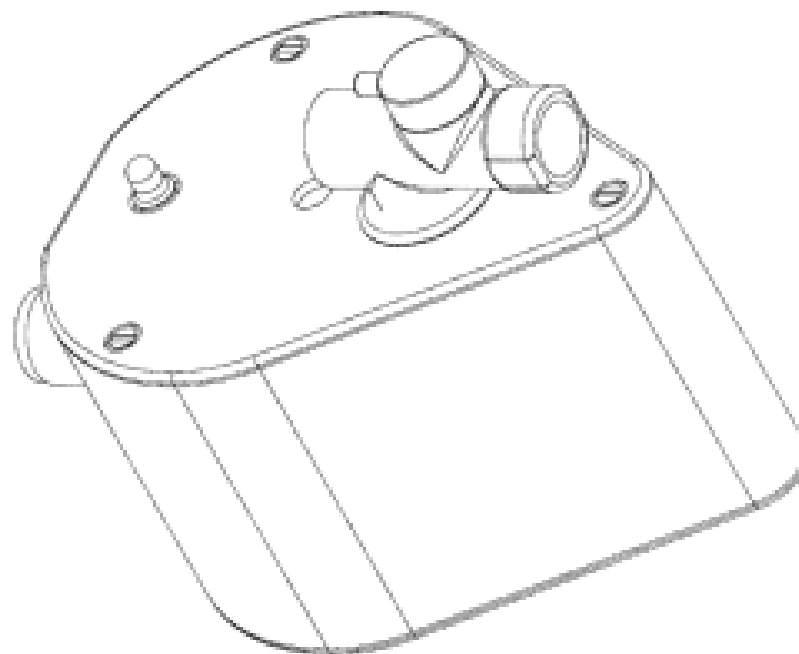
- (21) Design Number: **20626/2007**
(22) Date of Filing Application: **05 November 2007**
(24) Date from which industrial property rights may have effect: **05 November 2007**
(54) Product in respect of which the design is registered: **A tank**
(51) International Design Classification: **23-01F**
(71) Name(s) and Address(s) of Applicant(s):
Rain Harvesting Pty Ltd
28-34 Reginald Street Rocklea Queensland 4106 Australia
(72) Name(s) of Designer(s): **Mayer Jung-Pugh**
(45) Registration Date: **03 March 2008**
(56) Related Art Documents: **Not Applicable**
(57) Statement of Newness and Distinctiveness: **The features of shape and configuration of the tank are new and distinctive features. Any writing (including the teardrop shaped symbol) appearing anywhere on the tank does not form part of the design.**



- (21) Design Number: **20627/2007**
(22) Date of Filing Application: **05 November 2007**
(24) Date from which industrial property rights may have effect: **05 November 2007**
(54) Product in respect of which the design is registered: **A casing for products or components mounted to, or associated with, tanks**
(51) International Design Classification: **23-01NES**
(71) Name(s) and Address(s) of Applicant(s):
Rain Harvesting Pty Ltd
28-34 Reginald Street Rocklea Queensland 4106 Australia
(72) Name(s) of Designer(s): **Mayer Jung-Pugh**
(45) Registration Date: **03 March 2008**
(56) Related Art Documents: **Not Applicable**
(57) Statement of Newness and Distinctiveness: **The teardrop shape of the casing is new and distinctive, but the following are not essential features of the design: the T-piece like inlet tubing on the front face of the casing, the LED in the front face of the casing (shown below the T-piece like inlet tubing), and the outlet tube on the back face of the casing.**



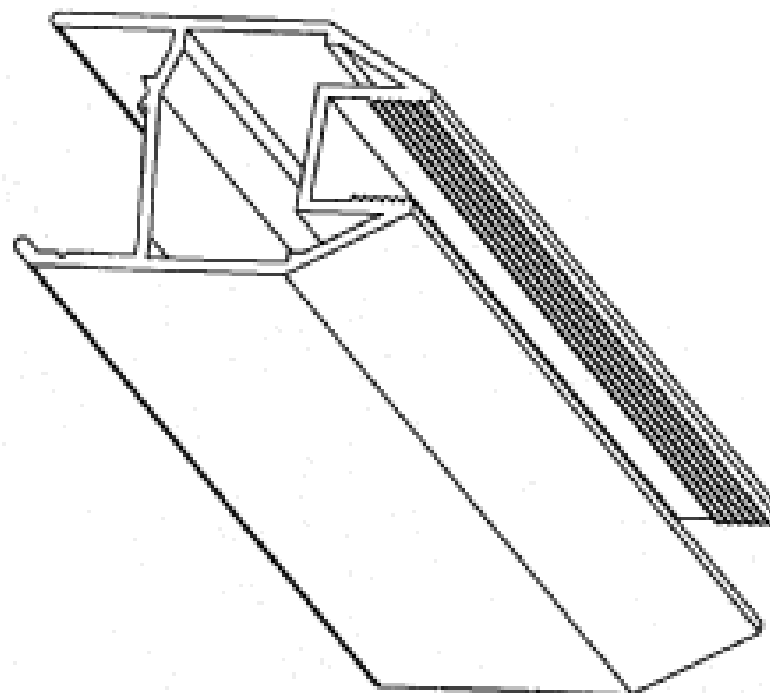
- (21) Design Number: **20628/2007**
(22) Date of Filing Application: **05 November 2007**
(24) Date from which industrial property rights may have effect: **05 November 2007**
(54) Product in respect of which the design is registered: **A casing for products or components mounted to, or associated with, tanks**
(51) International Design Classification: **23-01NES**
(71) Name(s) and Address(s) of Applicant(s):
Rain Harvesting Pty Ltd
28-34 Reginald Street Rocklea Queensland 4106 Australia
(72) Name(s) of Designer(s): **Mayer Jung-Pugh**
(45) Registration Date: **03 March 2008**
(56) Related Art Documents: **Not Applicable**
(57) Statement of Newness and Distinctiveness: **The teardrop shape of the casing is new and distinctive, but the following are not essential features of the design: the T-piece like inlet tubing on the front face of the casing, the LED in the front face of the casing (shown below the T-piece like inlet tubing), and the outlet tube on the back face of the casing.**



- (21) Design Number: **20630/2007**
(22) Date of Filing Application: **05 November 2007**
(24) Date from which industrial property rights may have effect: **05 November 2007**
(54) Product in respect of which the design is registered: **Bar table**
(51) International Design Classification: **06-03B**
(71) Name(s) and Address(s) of Applicant(s):
Hangzhou China Arts Economic & Trading Corp. Ltd
Building 25 Jindu New City 326 Wenyuan Road Hangzhou City
Zhejiang Province 310012 China
(72) Name(s) of Designer(s): **Ren Li**
(45) Registration Date: **03 March 2008**
(30) Convention priority data:
(31) Number (32) Date (33) Country
200730128666.6 20 Sep 2007 CHINA
(56) Related Art Documents: **Not Applicable**
(57) Statement of Newness and Distinctiveness: **Each feature of the design considered separately or in combination with any other feature or features. The scope of the design is not restricted to the colours appearing in the accompanying representations.**



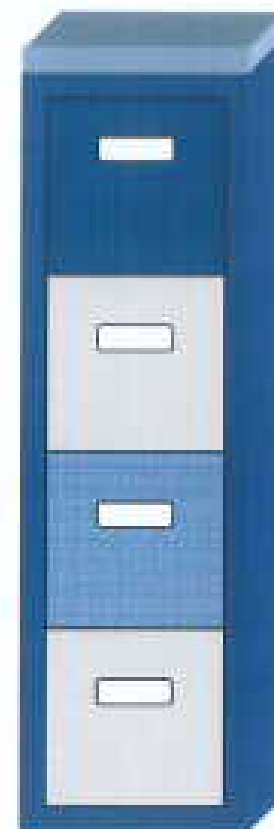
- (21) Design Number: **20638/2007**
(22) Date of Filing Application: **05 November 2007**
(24) Date from which industrial property rights may have effect: **05 November 2007**
(54) Product in respect of which the design is registered: **Frame section for shower screens/glass products**
(51) International Design Classification: **25-01K, 23-02B**
(71) Name(s) and Address(s) of Applicant(s):
Aluminium Industries Australia Pty Ltd
Cnr Carson Avenue & Cheltenham Road Keysborough Victoria 3173
Australia
(72) Name(s) of Designer(s): **Lee Brown**
(45) Registration Date: **03 March 2008**
(56) Related Art Documents: **Not Applicable**
(57) Statement of Newness and Distinctiveness: **As per attached drawings.**



- (21) Design Number: **20639/2007**
(22) Date of Filing Application: **05 November 2007**
(24) Date from which industrial property rights may have effect: **05 November 2007**
(54) Product in respect of which the design is registered: **Four drawer filing cabinet**
(51) International Design Classification: **06-04B**
(71) Name(s) and Address(s) of Applicant(s):
Ariana Fabris
PO Box 170 Heidelberg Victoria 3084 Australia
(72) Name(s) of Designer(s): **Ariana Fabris**
(45) Registration Date: **03 March 2008**
(56) Related Art Documents: **Not Applicable**
(57) Statement of Newness and Distinctiveness: **This design is new and distinctive because of its unique colour scheme (ornamentation): light blue on the back, two sides plus one drawer; dark blue on the top plus one drawer, and light grey on the two other drawers. The filing cabinet is therefore uniquely tri-coloured.**



- (21) Design Number: **20640/2007**
(22) Date of Filing Application: **05 November 2007**
(24) Date from which industrial property rights may have effect: **05 November 2007**
(54) Product in respect of which the design is registered: **Four drawer filing cabinet**
(51) International Design Classification: **06-04B**
(71) Name(s) and Address(s) of Applicant(s):
Ariana Fabris
PO Box 170 Heidelberg Victoria 3084 Australia
(72) Name(s) of Designer(s): **Ariana Fabris**
(45) Registration Date: **03 March 2008**
(56) Related Art Documents: **Not Applicable**
(57) Statement of Newness and Distinctiveness: **This design is new and distinctive because of its unique colour scheme (ornamentation): dark blue on the back, two sides plus one drawer; light blue on the top plus one drawer, and light grey on the two other drawers. The filing cabinet is therefore uniquely tri-coloured.**



- (21) Design Number: **20641/2007**
(22) Date of Filing Application: **05 November 2007**
(24) Date from which industrial property rights may have effect: **05 November 2007**
(54) Product in respect of which the design is registered: **Four drawer filing cabinet**
(51) International Design Classification: **06-04B**
(71) Name(s) and Address(s) of Applicant(s):
Ariana Fabris
PO Box 170 Heidelberg Victoria 3084 Australia
(72) Name(s) of Designer(s): **Ariana Fabris**
(45) Registration Date: **03 March 2008**
(56) Related Art Documents: **Not Applicable**
(57) Statement of Newness and Distinctiveness: **This design is new and distinctive because of its unique colour scheme (ornamentation): light green on the back, two sides plus one drawer; dark green on the top plus one drawer, and light grey on the two other drawers. The filing cabinet is therefore uniquely tri-coloured.**



- (21) Design Number: **20642/2007**
(22) Date of Filing Application: **05 November 2007**
(24) Date from which industrial property rights may have effect: **05 November 2007**
(54) Product in respect of which the design is registered: **Four drawer filing cabinet**
(51) International Design Classification: **06-04B**
(71) Name(s) and Address(s) of Applicant(s):
Ariana Fabris
PO Box 170 Heidelberg Victoria 3084 Australia
(72) Name(s) of Designer(s): **Ariana Fabris**
(45) Registration Date: **03 March 2008**
(56) Related Art Documents: **Not Applicable**
(57) Statement of Newness and Distinctiveness: **This design is new and distinctive because of its unique colour scheme (ornamentation): dark green on the back, two sides plus one drawer; light green on the top plus one drawer, and light grey on the two other drawers. The filing cabinet is therefore uniquely tri-coloured.**



- (21) Design Number: **20643/2007**
(22) Date of Filing Application: **05 November 2007**
(24) Date from which industrial property rights may have effect: **05 November 2007**
(54) Product in respect of which the design is registered: **Four drawer filing cabinet**
(51) International Design Classification: **06-04B**
(71) Name(s) and Address(s) of Applicant(s):
Ariana Fabris
PO Box 170 Heidelberg Victoria 3084 Australia
(72) Name(s) of Designer(s): **Ariana Fabris**
(45) Registration Date: **03 March 2008**
(56) Related Art Documents: **Not Applicable**
(57) Statement of Newness and Distinctiveness: **This design is new and distinctive because of its unique colour scheme (ornamentation): red on the back, two sides plus one drawer; grey on the top plus one drawer, and white on the other two drawers. The filing cabinet is therefore uniquely tri-coloured.**



(21) Design Number: **20644/2007**

(22) Date of Filing Application: **05 November 2007**

(24) Date from which industrial property rights may have effect: **05 November 2007**

(54) Product in respect of which the design is registered: **Four drawer filing cabinet**

(51) International Design Classification: **06-04B**

(71) Name(s) and Address(s) of Applicant(s):

Ariana Fabris

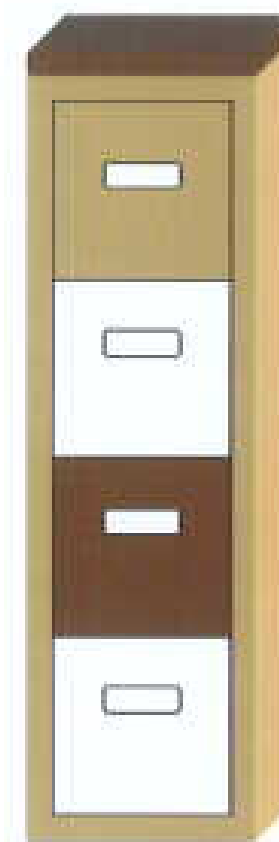
PO Box 170 Heidelberg Victoria 3084 Australia

(72) Name(s) of Designer(s): **Ariana Fabris**

(45) Registration Date: **03 March 2008**

(56) Related Art Documents: **Not Applicable**

(57) Statement of Newness and Distinctiveness: **This design is new and distinctive because of its unique colour scheme (ornamentation): light brown on the back, two sides plus one drawer; dark brown on the top plus one drawer, and white on the other two drawers. The filing cabinet is therefore uniquely tri-coloured.**



(21) Design Number: **20645/2007**

(22) Date of Filing Application: **05 November 2007**

(24) Date from which industrial property rights may have effect: **05 November 2007**

(54) Product in respect of which the design is registered: **Four drawer filing cabinet**

(51) International Design Classification: **06-04B**

(71) Name(s) and Address(s) of Applicant(s):

Ariana Fabris

PO Box 170 Heidelberg Victoria 3084 Australia

(72) Name(s) of Designer(s): **Ariana Fabris**

(45) Registration Date: **03 March 2008**

(56) Related Art Documents: **Not Applicable**

(57) Statement of Newness and Distinctiveness: **This design is new and distinctive because of its unique colour scheme (ornamentation): grey on the back, two sides plus one drawer; black on the top plus one drawer, and white on the other two drawers. The filing cabinet is therefore uniquely tri-coloured.**

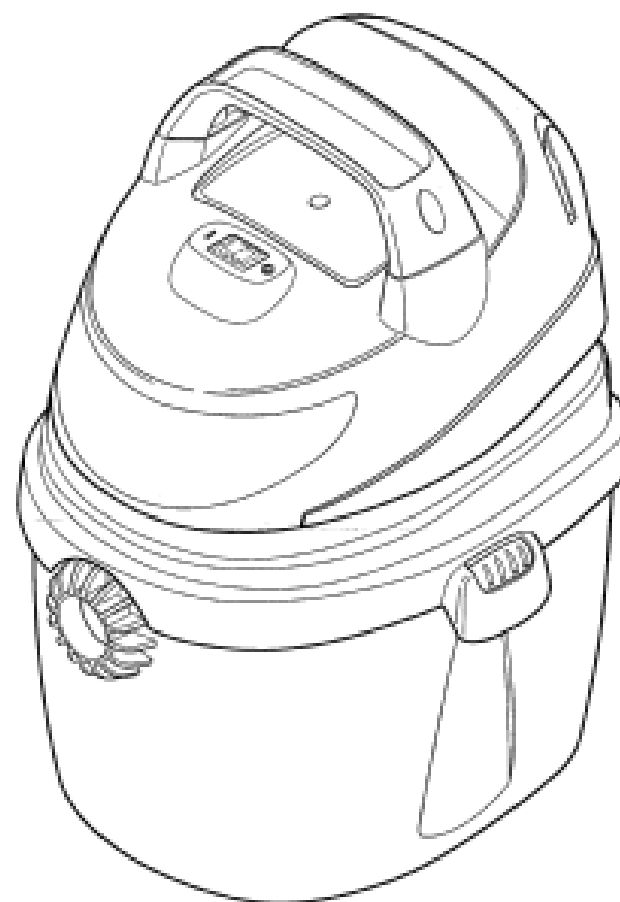


- (21) Design Number: **20646/2007**
- (22) Date of Filing Application: **05 November 2007**
- (24) Date from which industrial property rights may have effect: **05 November 2007**
- (54) Product in respect of which the design is registered: **Four drawer filing cabinet**
- (51) International Design Classification: **06-04B**
- (71) Name(s) and Address(s) of Applicant(s):
Ariana Fabris
PO Box 170 Heidelberg Victoria 3084 Australia
- (72) Name(s) of Designer(s): **Ariana Fabris**
- (45) Registration Date: **03 March 2008**
- (56) Related Art Documents: **Not Applicable**
- (57) Statement of Newness and Distinctiveness: **This design is new and distinctive because of its unique colour scheme (ornamentation): grey on the back, two sides plus one drawer; black on the top plus one drawer, and red on the other two drawers. The filing cabinet is therefore uniquely tri-coloured.**

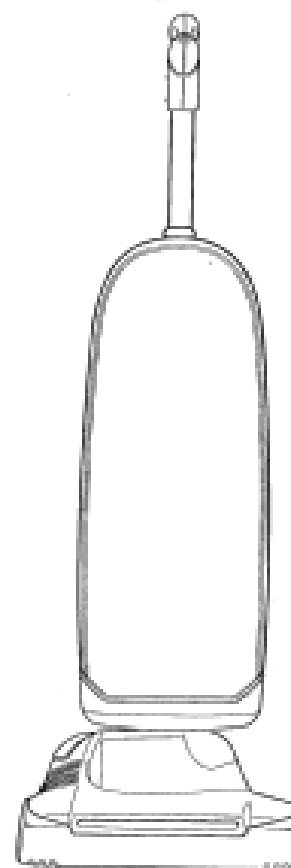


- (21) Design Number: **20656/2007**
- (22) Date of Filing Application: **06 November 2007**
- (24) Date from which industrial property rights may have effect: **06 November 2007**
- (54) Product in respect of which the design is registered: **Vacuum cleaner**
- (51) International Design Classification: **15-05**
- (71) Name(s) and Address(s) of Applicant(s):
Shop-Vac Corporation
2323 Reach Road Williamsport PA 17701 United States of America
- (72) Name(s) of Designer(s): **John Griffin and Robert Lent Crevling Jr. and Li H. Liu**
- (45) Registration Date: **03 March 2008**
- (30) Convention priority data:

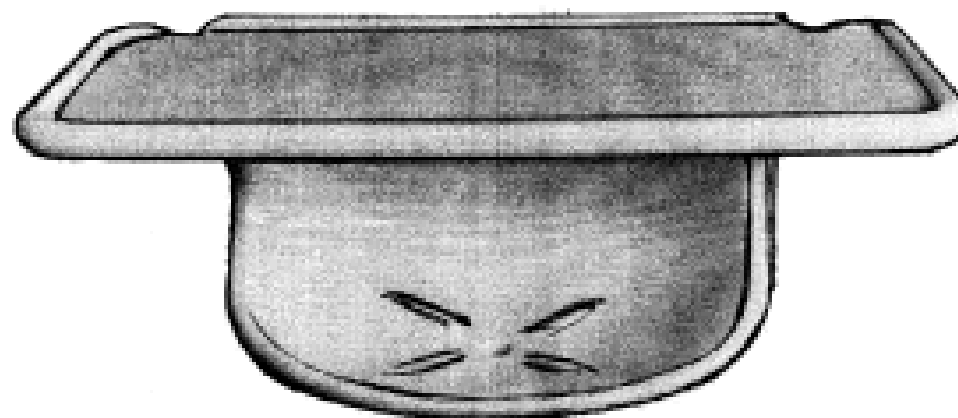
(31) Number	(32) Date	(33) Country
29/279957	11 May 2007	UNITED STATES OF AMERICA
- (56) Related Art Documents: **Not Applicable**
- (57) Statement of Newness and Distinctiveness: **When determining whether the design 1 is substantially similiar in overall impression to another design, no regard is to be had to the bottom of the vacuum cleaner and no regard is to be had to the features shown in broken line, which form no part of the design.**



- (21) Design Number: **20657/2007**
(22) Date of Filing Application: **06 November 2007**
(24) Date from which industrial property rights may have effect: **06 November 2007**
(54) Product in respect of which the design is registered: **Vacuum cleaner**
(51) International Design Classification: **15-05**
(71) Name(s) and Address(s) of Applicant(s):
Shop-Vac Corporation
2323 Reach Road Williamsport PA 17701 United States of America
(72) Name(s) of Designer(s): **John Griffin**
(45) Registration Date: **03 March 2008**
(30) Convention priority data:
(31) Number (32) Date (33) Country
29/279929 11 May 2007 UNITED STATES OF AMERICA
(56) Related Art Documents: **Not Applicable**
(57) Statement of Newness and Distinctiveness: **When determining whether the design 1 is substantially similiar in overall impression to another design, no regard is to be had to the bottom of the vacuum cleaner, which forms no part of the design.**



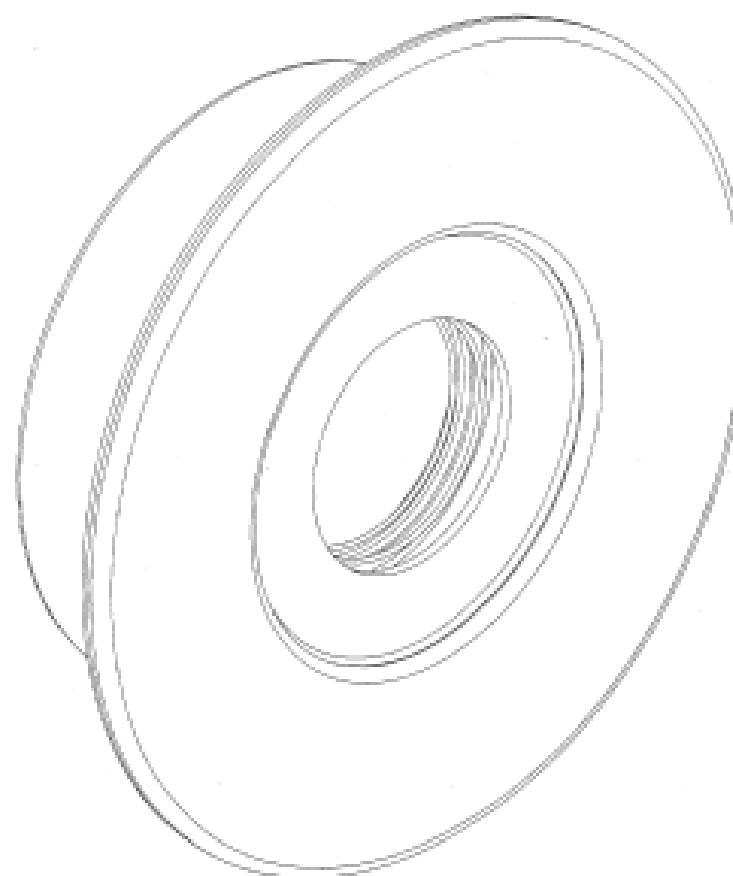
- (21) Design Number: **20649/2007**
(22) Date of Filing Application: **07 November 2007**
(24) Date from which industrial property rights may have effect: **07 November 2007**
(54) Product in respect of which the design is registered: **A soap holder, dual shelf, lower shelf as soap disc with small hold for draining, top shelf for small goods**
(51) International Design Classification: **23-02A**
(71) Name(s) and Address(s) of Applicant(s):
Liu Yan Hua
1 Collins Street Thomastown Victoria 3074 Australia
(72) Name(s) of Designer(s): **Liu Yan Hua**
(45) Registration Date: **03 March 2008**
(56) Related Art Documents: **Not Applicable**
(57) Statement of Newness and Distinctiveness: **Nil**



- (21) Design Number: **17499/2007**
- (22) Date of Filing Application: **20 April 2007**
- (24) Date from which industrial property rights may have effect: **20 April 2007**
- (54) Product in respect of which the design is registered: **A coat**
- (51) International Design Classification: **02-02NES**
- (71) Name(s) and Address(s) of Applicant(s):
Review Australia Pty Ltd
25-31 Rokeby Street Collingwood Victoria 3066 Australia
- (72) Name(s) of Designer(s): **Jayne Ellis**
- (45) Registration Date: **05 March 2008**
- (56) Related Art Documents: **Not Applicable**
- (57) Statement of Newness and Distinctiveness: **Nil**



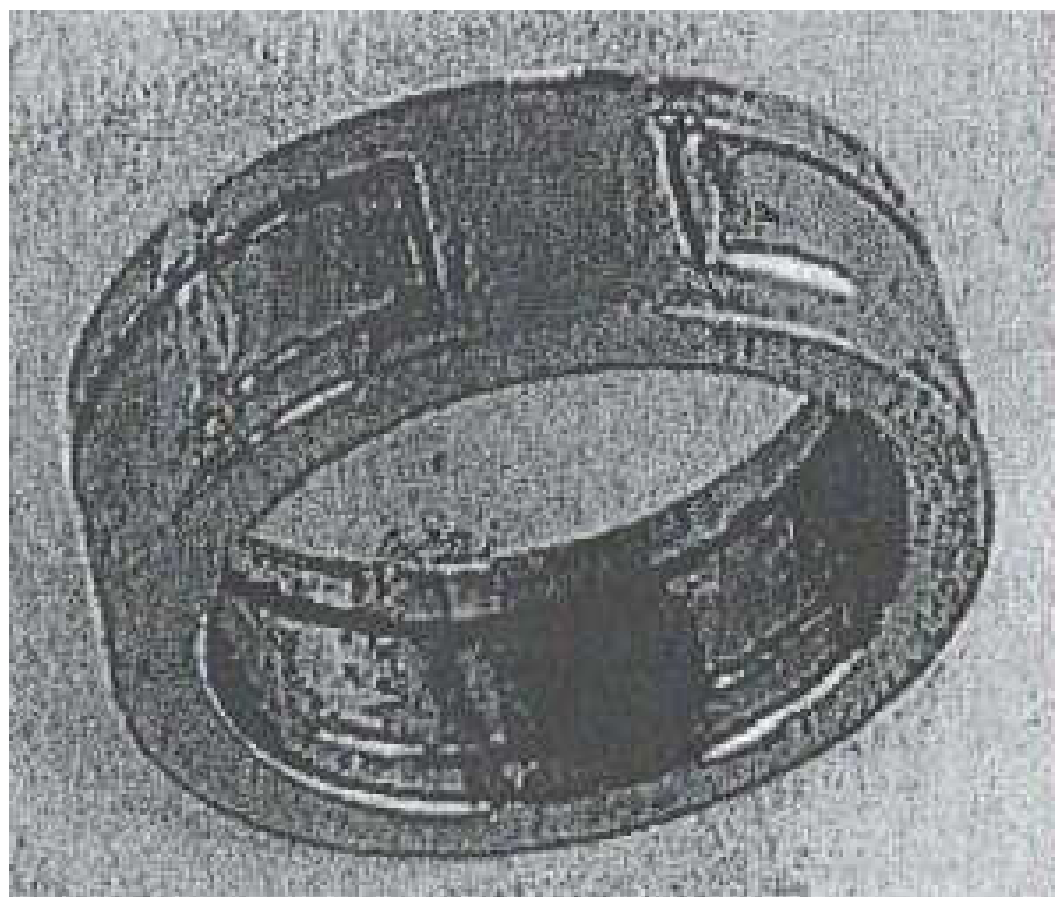
- (21) Design Number: **20151/2007**
- (22) Date of Filing Application: **08 October 2007**
- (24) Date from which industrial property rights may have effect: **08 October 2007**
- (54) Product in respect of which the design is registered: **Roller seal**
- (51) International Design Classification: **15-99**
- (71) Name(s) and Address(s) of Applicant(s):
NAK Australia Pty Limited
14 Donald Street Guilford New South Wales 2161 Australia
- (72) Name(s) of Designer(s): **Eileen Hsu**
- (45) Registration Date: **05 March 2008**
- (56) Related Art Documents: **Not Applicable**
- (57) Statement of Newness and Distinctiveness: **Nil**



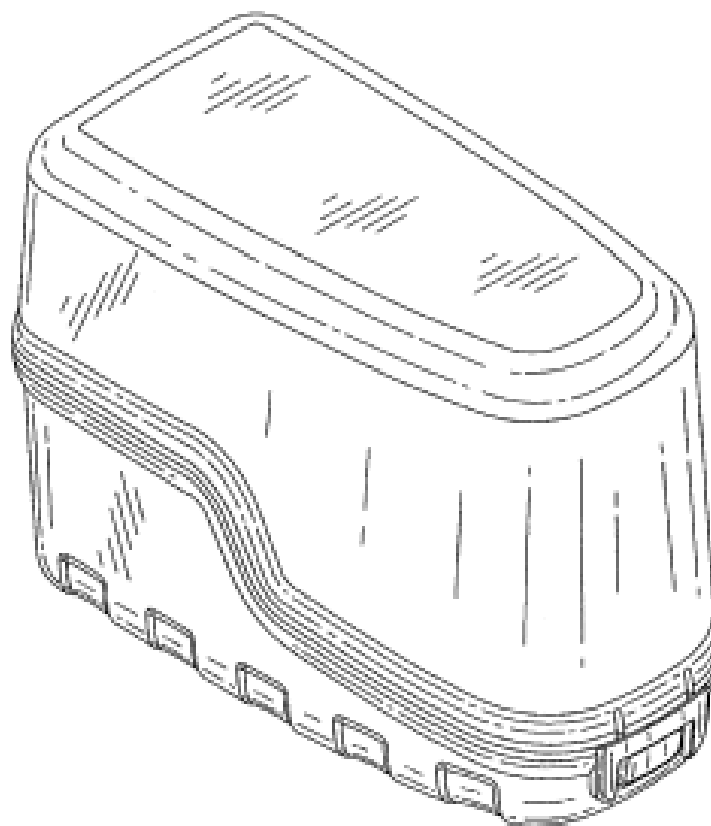
(21) Design Number: **20650/2007**
(22) Date of Filing Application: **07 November 2007**
(24) Date from which industrial property rights may have effect: **07 November 2007**
(54) Product in respect of which the design is registered: **Seat**
(51) International Design Classification: **06-01G**
(71) Name(s) and Address(s) of Applicant(s):
Jacqueline Lightfoot
48 St Albans Road Kingston upon Thames Surrey KT2 5HH United Kingdom
(72) Name(s) of Designer(s): **Jacqueline Lightfoot**
(45) Registration Date: **05 March 2008**
(30) Convention priority data:
(31) Number (32) Date (33) Country
4003156 14 Jun 2007 UNITED KINGDOM
(56) Related Art Documents: **Not Applicable**
(57) Statement of Newness and Distinctiveness: **Nil**



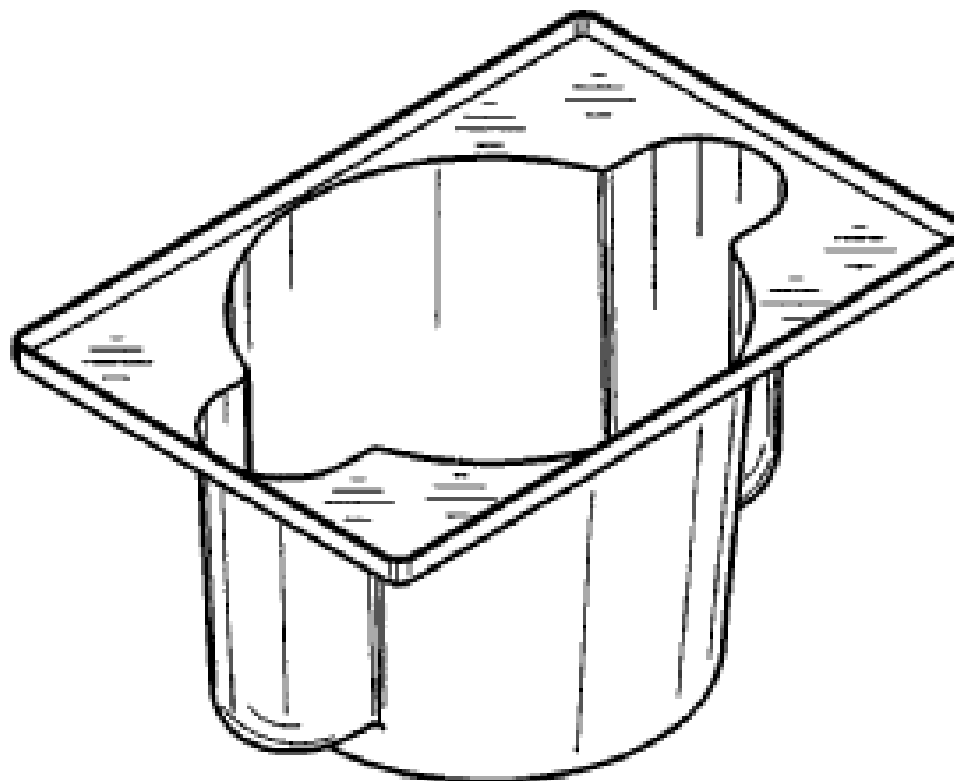
(21) Design Number: **20664/2007**
(22) Date of Filing Application: **07 November 2007**
(24) Date from which industrial property rights may have effect: **07 November 2007**
(54) Product in respect of which the design is registered: **Apparatus for removing a bottle cap**
(51) International Design Classification: **07-06D**
(71) Name(s) and Address(s) of Applicant(s):
Gerard Majella
65 Elmstree Road Kellyville Ridge New South Wales 2155 Australia
(72) Name(s) of Designer(s): **Gerard Majella**
(45) Registration Date: **05 March 2008**
(56) Related Art Documents: **Not Applicable**
(57) Statement of Newness and Distinctiveness: **Newness and distinctiveness is claimed in the visual features of shape and/or configuration of the ring.**



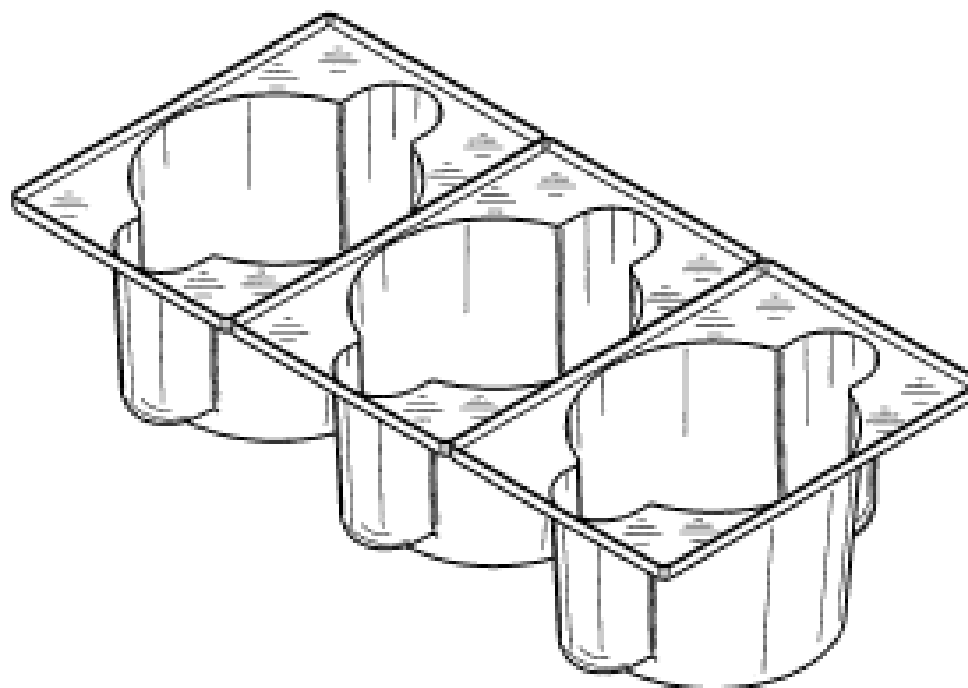
(21) Design Number: **20665/2007**
(22) Date of Filing Application: **07 November 2007**
(24) Date from which industrial property rights may have effect: **07 November 2007**
(54) Product in respect of which the design is registered: **Tool boxes**
(51) International Design Classification: **03-01D**
(71) Name(s) and Address(s) of Applicant(s):
Black & Decker, Inc.
1207 Drummond Plaza Newark Delaware 19711 United States of America
(72) Name(s) of Designer(s): **Stephen Houghton**
(45) Registration Date: **05 March 2008**
(30) Convention priority data:
(31) Number (32) Date (33) Country
000719554 08 May 2007 EUROPEAN COMMUNITY
(56) Related Art Documents: **Not Applicable**
(57) Statement of Newness and Distinctiveness: **Nil**



(21) Design Number: **20660/2007**
(22) Date of Filing Application: **07 November 2007**
(24) Date from which industrial property rights may have effect: **07 November 2007**
(54) Product in respect of which the design is registered: **Container**
(51) International Design Classification: **09-03L**
(71) Name(s) and Address(s) of Applicant(s):
Bruce N. Dreyer
Williamsville Road Curlwaa New South Wales 2648 Australia
Geoffrey G. Foxcroft
9 Milleara Road East Keilor Victoria 3033 Australia
(72) Name(s) of Designer(s): **Geoffrey G. Foxcroft**
(45) Registration Date: **05 March 2008**
(56) Related Art Documents: **Not Applicable**
(57) Statement of Newness and Distinctiveness: **Nil**



- (21) Design Number: **20661/2007**
(22) Date of Filing Application: **07 November 2007**
(24) Date from which industrial property rights may have effect: **07 November 2007**
(54) Product in respect of which the design is registered: **Container**
(51) International Design Classification: **09-03L**
(71) Name(s) and Address(s) of Applicant(s):
Bruce N. Dreyer
Williamsville Road Curlwaa New South Wales 2648 Australia
Geoffrey G. Foxcroft
9 Milleara Road East Keilor Victoria 3033 Australia
(72) Name(s) of Designer(s): **Geoffrey Foxcroft**
(45) Registration Date: **05 March 2008**
(56) Related Art Documents: **Not Applicable**
(57) Statement of Newness and Distinctiveness: **Nil**



- (21) Design Number: **20672/2007**
(22) Date of Filing Application: **08 November 2007**
(24) Date from which industrial property rights may have effect: **08 November 2007**
(54) Product in respect of which the design is registered: **Double wall glasses (2)**
(51) International Design Classification: **07-01C**
(71) Name(s) and Address(s) of Applicant(s):
Pi-Design AG
Kantonsstrasse 100 Postfach 463 CH-6234 Triengen Switzerland
(72) Name(s) of Designer(s): **Jorgen Bodum**
(45) Registration Date: **05 March 2008**
(30) Convention priority data:
(31) Number (32) Date (33) Country
DA 2007 08 May 2007 DENMARK
00120
(56) Related Art Documents: **Not Applicable**
(57) Statement of Newness and Distinctiveness: **The following visual features of the design are new and distinctive: The use of the tall inner shaped lining within this heat resistant, mouth-blown borosilicate glass creates a cushion of air between two inner and outer layers of mouth-blown glass creating a highly effective layer of insulation which keeps hot drinks hot and cold drinks cold; The inner and outer glass meet just below the top of the glass and form a single glass rim.**



(21) Design Number: **20673/2007**
 (22) Date of Filing Application: **08 November 2007**
 (24) Date from which industrial property rights may have effect: **08 November 2007**
 (54) Product in respect of which the design is registered: **Double wall glasses (2)**
 (51) International Design Classification: **07-01C**
 (71) Name(s) and Address(s) of Applicant(s):

Pi-Design AG
Kantonsstrasse 100 Postfach 463 CH-6234 Triengen Switzerland

(72) Name(s) of Designer(s): **Jorgen Bodum**

(45) Registration Date: **05 March 2008**

(30) Convention priority data:

(31) Number	(32) Date	(33) Country
DA 2007	08 May 2007	DENMARK
00120		

(56) Related Art Documents: **Not Applicable**

(57) Statement of Newness and Distinctiveness: **The following visual features of the design are new and distinctive: The use of the tall inner shaped lining within this heat resistant, mouth-blown borosilicate glass creates a cushion of air between two inner and outer layers of mouth-blown glass creating a highly effective layer of insulation which keeps hot drinks hot and cold drinks cold.**



(21) Design Number: **20675/2007**
 (22) Date of Filing Application: **08 November 2007**
 (24) Date from which industrial property rights may have effect: **08 November 2007**
 (54) Product in respect of which the design is registered: **Vacuum cleaner**
 (51) International Design Classification: **15-05**
 (71) Name(s) and Address(s) of Applicant(s):

Shop-Vac Corporation
2323 Reach Road Williamsport PA 17701 United States of America

(72) Name(s) of Designer(s): **John Griffin and Robert Lent Crevling Jr.**

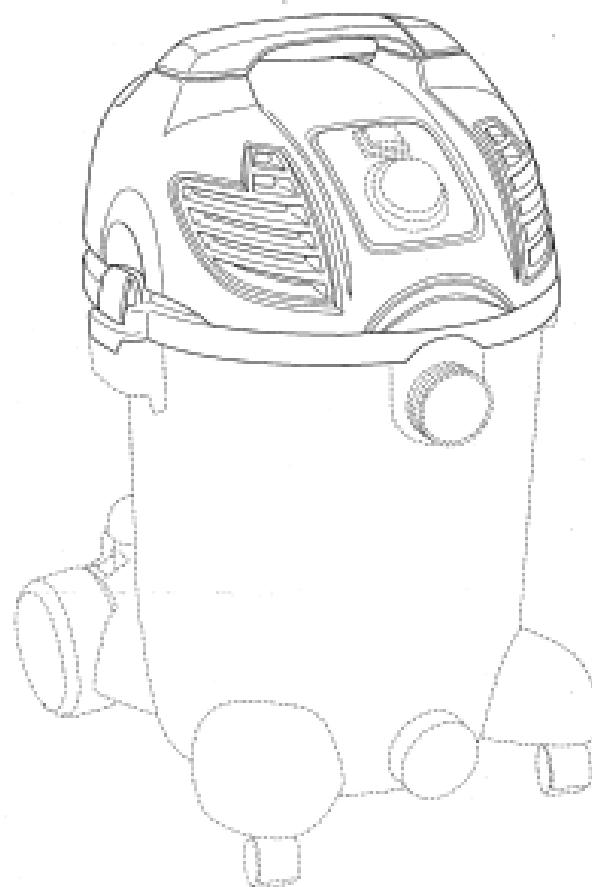
(45) Registration Date: **05 March 2008**

(30) Convention priority data:

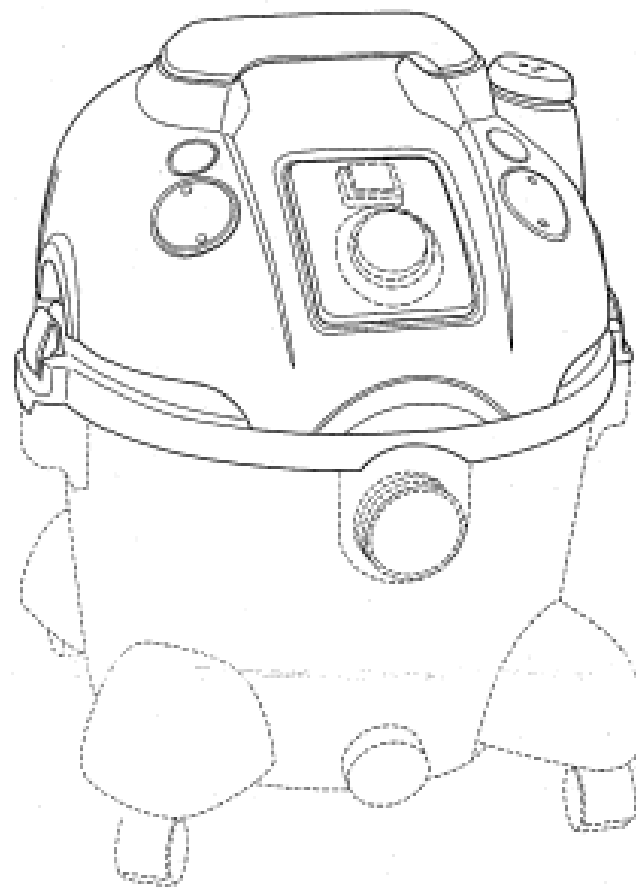
(31) Number	(32) Date	(33) Country
29/286567	11 May 2007	UNITED STATES OF AMERICA

(56) Related Art Documents: **Not Applicable**

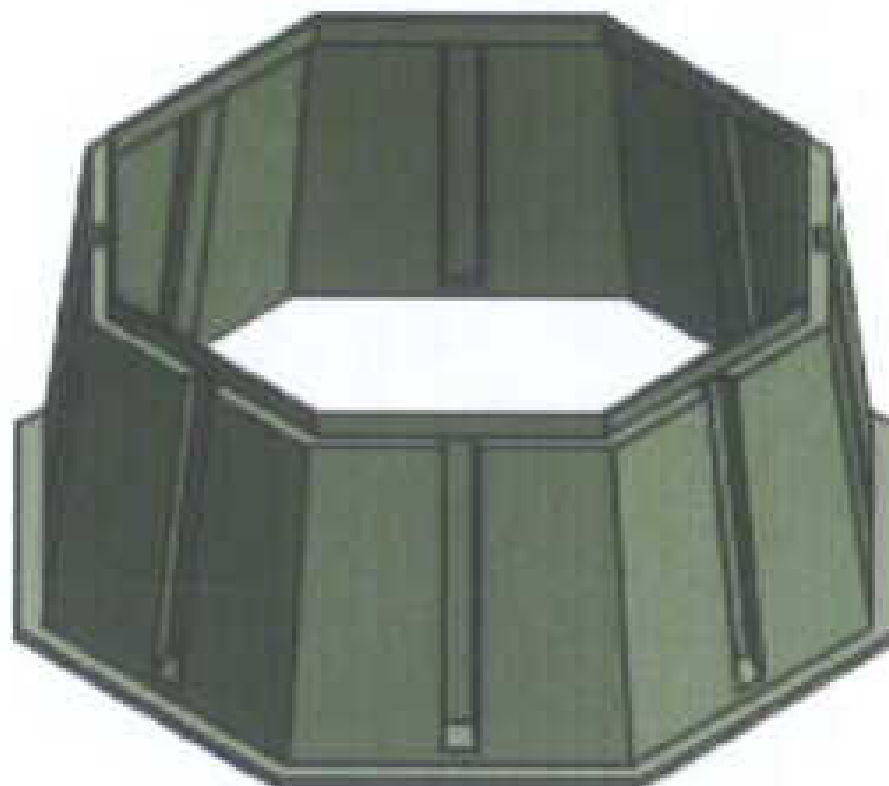
(57) Statement of Newness and Distinctiveness: **When determining whether the design 1 is substantially similar in overall impression to another design, no regard is to be had to the bottom/base of the vacuum cleaner as shown in dotted outline, which forms no part of the design.**



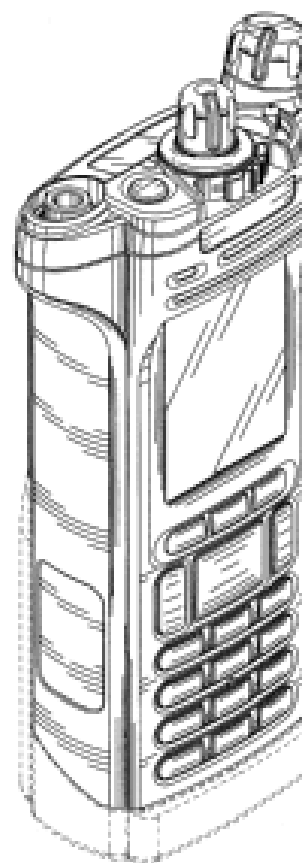
- (21) Design Number: **20676/2007**
(22) Date of Filing Application: **08 November 2007**
(24) Date from which industrial property rights may have effect: **08 November 2007**
(54) Product in respect of which the design is registered: **Vacuum cleaner**
(51) International Design Classification: **15-05**
(71) Name(s) and Address(s) of Applicant(s):
Shop-Vac Corporation
2323 Reach Road Williamsport PA 17701 United States of America
(72) Name(s) of Designer(s): **John Griffin and Robert Lent Crevling Jr.**
(45) Registration Date: **05 March 2008**
(30) Convention priority data:
(31) Number (32) Date (33) Country
29/286572 11 May 2007 UNITED STATES OF AMERICA
(56) Related Art Documents: **Not Applicable**
(57) Statement of Newness and Distinctiveness: **When determining whether the design 1 is substantially similar in overall impression to another design, no regard is to be had to the bottom/base of the vacuum cleaner as shown in the dotted outline, which forms no part of the design.**



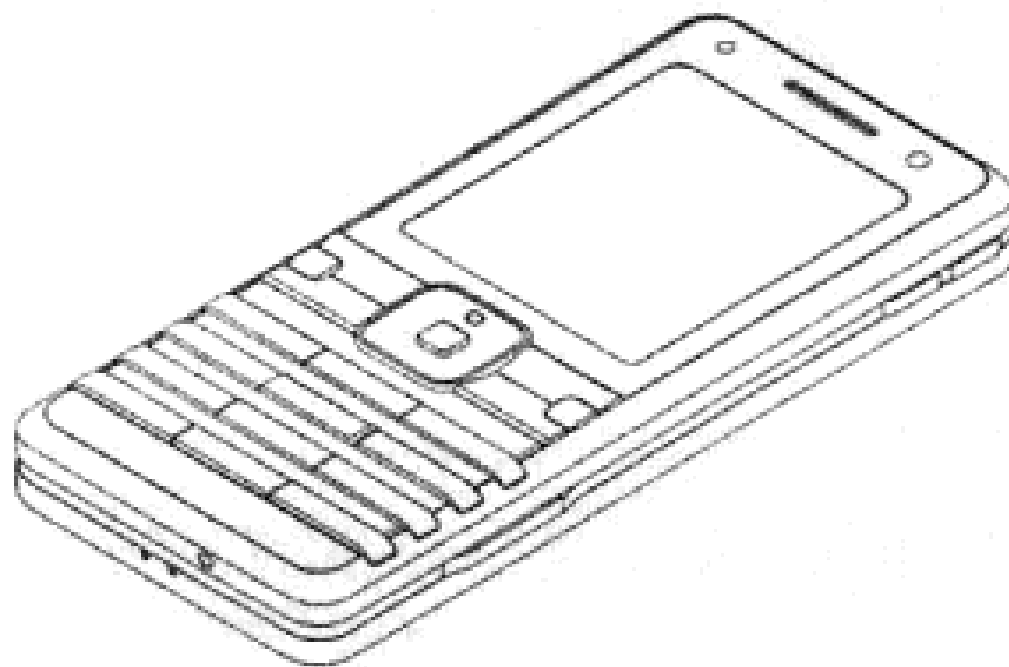
- (21) Design Number: **20805/2007**
(22) Date of Filing Application: **07 November 2007**
(24) Date from which industrial property rights may have effect: **07 November 2007**
(54) Product in respect of which the design is registered: **A root director**
(51) International Design Classification: **11-02B**
(71) Name(s) and Address(s) of Applicant(s):
Benjamin Douglas Gooden
PO Box 3133 Singleton DC New South Wales 2330 Australia
Rebecca Gooden
PO Box 3133 Singleton DC New South Wales 2330 Australia
Joseph Gooden
PO Box 3133 Singleton DC New South Wales 2330 Australia
Chester Gooden
PO Box 3133 Singleton DC New South Wales 2330 Australia
(72) Name(s) of Designer(s): **Benjamin Douglas Gooden**
(45) Registration Date: **05 March 2008**
(56) Related Art Documents: **Not Applicable**
(57) Statement of Newness and Distinctiveness: **Nil**



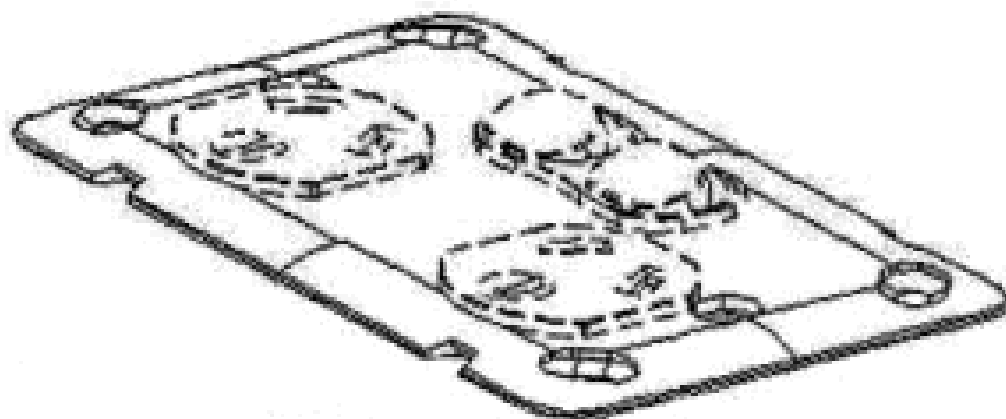
- (21) Design Number: **10268/2008**
(22) Date of Filing Application: **22 January 2008**
(24) Date from which industrial property rights may have effect: **22 January 2008**
(54) Product in respect of which the design is registered: **Housing for a communication device**
(51) International Design Classification: **14-03NES**
(71) Name(s) and Address(s) of Applicant(s):
Motorola, Inc.
1303 East Algonquin Road Schaumburg Illinois 60196 United States of America
(72) Name(s) of Designer(s): **Scott H. Richards and Bruce A. Claxton and Jorge L. Garcia**
(45) Registration Date: **05 March 2008**
(30) Convention priority data:
(31) Number (32) Date (33) Country
29/282949 02 Aug 2007 UNITED STATES OF AMERICA
(56) Related Art Documents: **Not Applicable**
(57) Statement of Newness and Distinctiveness: **Newness and distinctiveness is claimed in those visual features depicted in unbroken lines.**



- (21) Design Number: **10275/2008**
(22) Date of Filing Application: **22 January 2008**
(24) Date from which industrial property rights may have effect: **22 January 2008**
(54) Product in respect of which the design is registered: **Mobile phone**
(51) International Design Classification: **14-03E**
(71) Name(s) and Address(s) of Applicant(s):
Sony Ericsson Mobile Communications AB
Nya Vattentorget SE 221 88 Lund Sweden
(72) Name(s) of Designer(s): **Benjamin Fagnot**
(45) Registration Date: **05 March 2008**
(30) Convention priority data:
(31) Number (32) Date (33) Country
000765102-0001 27 Jul 2007 EUROPEAN COMMUNITY
(56) Related Art Documents: **Not Applicable**
(57) Statement of Newness and Distinctiveness: **Nil**



- (21) Design Number: **10533/2008**
- (22) Date of Filing Application: **06 February 2008**
- (24) Date from which industrial property rights may have effect: **06 February 2008**
- (54) Product in respect of which the design is registered: **Mounting panel**
- (51) International Design Classification: **13-03D**
- (71) Name(s) and Address(s) of Applicant(s):
Kolex Pty Limited as trustee for the Kolex Discretionary Trust
125 Albert Road Strathfield New South Wales 2135 Australia
- (72) Name(s) of Designer(s): **Paul Lin**
- (45) Registration Date: **05 March 2008**
- (56) Related Art Documents: **Not Applicable**
- (57) Statement of Newness and Distinctiveness: **Newness and distinctiveness lies in the shape and/or configuration of an electric switch and/or power socket mounting plate as illustrated in the accompanying representations. The features shown in broken lines do not form part of the design.**



- (21) Design Number: **10668/2008**
- (22) Date of Filing Application: **15 February 2008**
- (24) Date from which industrial property rights may have effect: **15 February 2008**
- (54) Product in respect of which the design is registered: **An eye bath**
- (51) International Design Classification: **23-02NES, 24-99**
- (71) Name(s) and Address(s) of Applicant(s):
Reckitt Benckiser Healthcare (UK) Limited
103-105 Bath Road Slough Berkshire SL1 3UH United Kingdom
- (72) Name(s) of Designer(s): **Mark Anthony Ian Gidlow and Gerrit Jan Stegeman**
- (45) Registration Date: **05 March 2008**
- (30) Convention priority data:

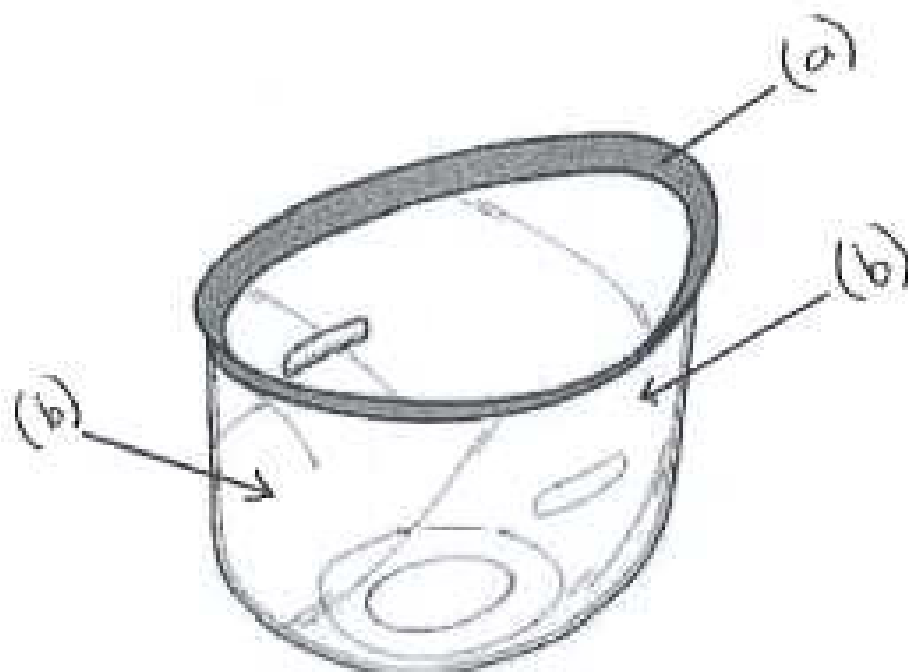
(31) Number	(32) Date	(33) Country
000775713	17 Aug 2007	EUROPEAN COMMUNITY
- (56) Related Art Documents: **Not Applicable**
- (57) Statement of Newness and Distinctiveness: **Newness and distinctiveness reside in the combination of the following features of the product: Overall transparency; colour as shown in the representations; the rubber fin or cuff designated as (a) in the representations; and the smooth, graduated "bow" and "stern" designated as (b) in the representations.**



(21) Design Number: **10669/2008**
 (22) Date of Filing Application: **15 February 2008**
 (24) Date from which industrial property rights may have effect: **15 February 2008**
 (54) Product in respect of which the design is registered: **An eye bath**
 (51) International Design Classification: **23-02NES, 24-99**
 (71) Name(s) and Address(s) of Applicant(s):
Reckitt Benckiser (UK) Limited
103-105 Bath Road Slough Berkshire SL1 3UH United Kingdom
 (72) Name(s) of Designer(s): **Mark Anthony Ian Gidlow and Gerrit Jan Stegeman**
 (45) Registration Date: **05 March 2008**
 (30) Convention priority data:
 (31) Number (32) Date (33) Country
000775713 17 Aug 2007 EUROPEAN COMMUNITY
 (56) Related Art Documents: **Not Applicable**
 (57) Statement of Newness and Distinctiveness: **Newness and distinctiveness reside in the combination of the following features of the product: Overall transparency; colour as shown in the representations; the rubber fin or cuff designated as (a) in the representations; and the smooth, graduated "bow" and "stern" designated as (b) in the representations.**



(21) Design Number: **10670/2008**
 (22) Date of Filing Application: **15 February 2008**
 (24) Date from which industrial property rights may have effect: **15 February 2008**
 (54) Product in respect of which the design is registered: **An eye bath**
 (51) International Design Classification: **23-02NES, 24-99**
 (71) Name(s) and Address(s) of Applicant(s):
Reckitt Benckiser (UK) Limited
103-105 Bath Road Slough Berkshire SL1 3UH United Kingdom
 (72) Name(s) of Designer(s): **Mark Anthony Ian Gidlow and Gerrit Jan Stegeman**
 (45) Registration Date: **05 March 2008**
 (30) Convention priority data:
 (31) Number (32) Date (33) Country
000775713 17 Aug 2007 EUROPEAN COMMUNITY
 (56) Related Art Documents: **Not Applicable**
 (57) Statement of Newness and Distinctiveness: **Newness and distinctiveness reside in the combination of the following features of the product: Overall transparency; colour as shown in the representations; the rubber fin or cuff designated as (a) in the representations; and the smooth, graduated "bow" and "stern" designated as (b) in the representations.**



(21) Design Number: **10671/2008**

(22) Date of Filing Application: **15 February 2008**

(24) Date from which industrial property rights may have effect: **15 February 2008**

(54) Product in respect of which the design is registered: **An eye bath**

(51) International Design Classification: **23-02NES, 24-99**

(71) Name(s) and Address(s) of Applicant(s):

Reckitt Benckiser (UK) Limited
103-105 Bath Road Slough Berkshire SL1 3UH United Kingdom

(72) Name(s) of Designer(s): **Mark Anthony Ian Gidlow and Gerrit Jan Stegeman**

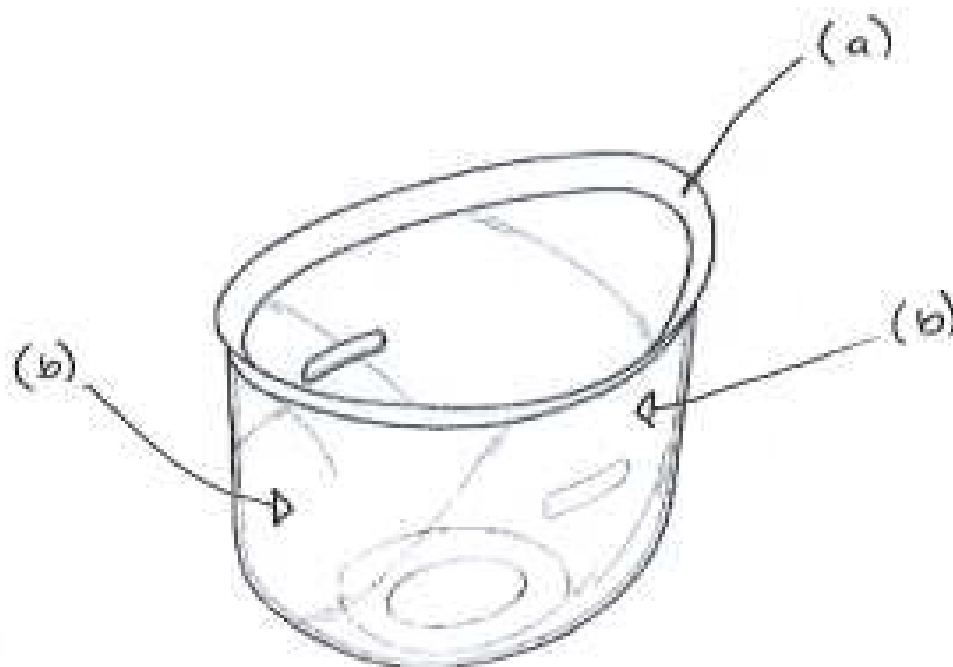
(45) Registration Date: **05 March 2008**

(30) Convention priority data:

(31) Number	(32) Date	(33) Country
000775713	17 Aug 2007	EUROPEAN COMMUNITY

(56) Related Art Documents: **Not Applicable**

(57) Statement of Newness and Distinctiveness: **Newness and distinctiveness reside in the combination of the following features of the product: Overall transparency; as shown in the representations; the rubber fin or cuff designated as (a) in the representations; and the smooth, graduated "bow" and "stern" designated as (b) in the representations.**



(21) Design Number: **10732/2008**

(22) Date of Filing Application: **14 February 2008**

(24) Date from which industrial property rights may have effect: **14 February 2008**

(54) Product in respect of which the design is registered: **Ship**

(51) International Design Classification: **12-06NES**

(71) Name(s) and Address(s) of Applicant(s):

Aloys Wobben
Argestrasse 19 Aurich D-26607 Germany

(72) Name(s) of Designer(s): **Aloys Wobben**

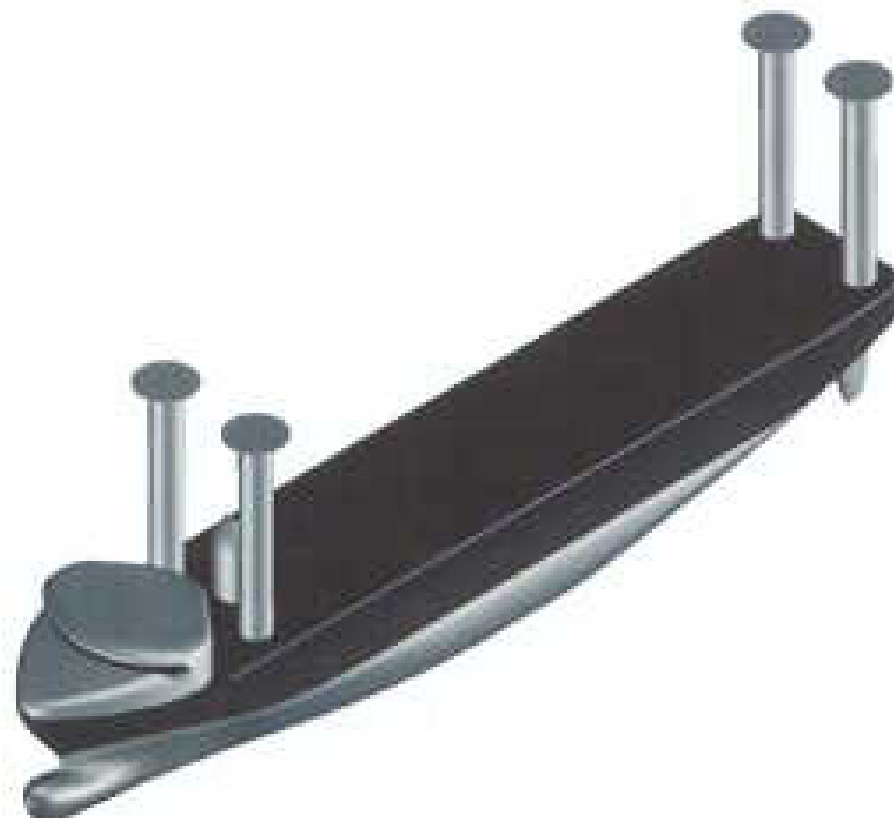
(45) Registration Date: **05 March 2008**

(30) Convention priority data:

(31) Number	(32) Date	(33) Country
783 733	03 Sep 2007	EUROPEAN COMMUNITY

(56) Related Art Documents: **Not Applicable**

(57) Statement of Newness and Distinctiveness: **Nil**



- (21) Design Number: **10758/2008**
(22) Date of Filing Application: **19 February 2008**
(24) Date from which industrial property rights may have effect: **19 February 2008**
(54) Product in respect of which the design is registered: **Bottle**
(51) International Design Classification: **09-01K**
(71) Name(s) and Address(s) of Applicant(s):
Reckitt Benckiser Inc.
Morris Corporate Center IV 399 Interpace Parkway Parsippany New Jersey 07054 United States of America
Obrist Closures Switzerland GmbH
Romer Strasse 83 4153 Reinach Switzerland
(72) Name(s) of Designer(s): **Christopher Brian King and Gerald M. Syrek and Christopher Robert Liston**
(45) Registration Date: **05 March 2008**
(30) Convention priority data:
(31) Number (32) Date (33) Country
000792528-0001 19 Sep 2007 EUROPEAN COMMUNITY
(56) Related Art Documents: **Not Applicable**
(57) Statement of Newness and Distinctiveness: **Newness and distinctiveness reside in the features of the design as shown in the representations.**



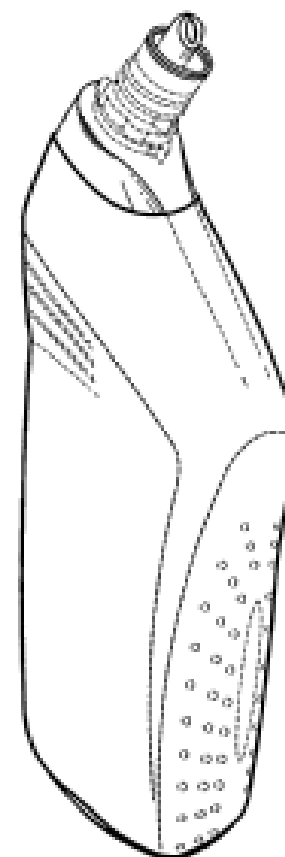
- (21) Design Number: **10759/2008**
(22) Date of Filing Application: **19 February 2008**
(24) Date from which industrial property rights may have effect: **19 February 2008**
(54) Product in respect of which the design is registered: **Bottle**
(51) International Design Classification: **09-01K**
(71) Name(s) and Address(s) of Applicant(s):
Reckitt Benckiser Inc.
Morris Corporate Center IV 399 Interpac Parkway Parsippany New Jersey 07054 United States of America
Obrist Closures Switzerland GmbH
Romer Strasse 83 4153 Reinach Switzerland
(72) Name(s) of Designer(s): **Christopher Brian King and Christopher Robert Liston and Gerald M. Syrek**
(45) Registration Date: **05 March 2008**
(30) Convention priority data:
(31) Number (32) Date (33) Country
000792528-0002 19 Sep 2007 EUROPEAN COMMUNITY
(56) Related Art Documents: **Not Applicable**
(57) Statement of Newness and Distinctiveness: **Newness and distinctiveness reside in the features of the design shown in solid lines in the representations excluding those features shown in broken lines.**



- (21) Design Number: **10850/2008**
(22) Date of Filing Application: **21 February 2008**
(24) Date from which industrial property rights may have effect: **21 February 2008**
(54) Product in respect of which the design is registered: **Bottle**
(51) International Design Classification: **09-01K**
(71) Name(s) and Address(s) of Applicant(s):
 Reckitt Benckiser Inc.
 Morris Corporate Center IV 399 Interpace Parkway Parsippany New
 Jersey 07054 United States of America
 Reckitt Benckiser (UK) Limited
 103-105 Bath Road Slough Berkshire SL1 3UH United Kingdom
 Obrist Closures Switzerland GmbH
 Romerstrasse 83 CH-4153 Reinach Switzerland
(72) Name(s) of Designer(s): **Christopher Brian King and Christopher Robert**
 Liston and Nicholas Pattison
(45) Registration Date: **05 March 2008**
(30) Convention priority data:
 (31) Number (32) Date (33) Country
 000792544-0001 19 Sep 2007 EUROPEAN COMMUNITY
(56) Related Art Documents: **Not Applicable**
(57) Statement of Newness and Distinctiveness: **Newness and distinctiveness**
 reside in the features of the design shown in solid lines in the
 representations excluding those features shown in broken lines.

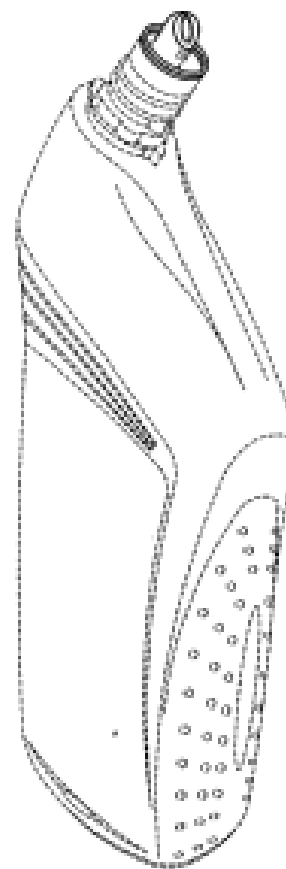


- (21) Design Number: **10851/2008**
(22) Date of Filing Application: **21 February 2008**
(24) Date from which industrial property rights may have effect: **21 February 2008**
(54) Product in respect of which the design is registered: **Bottle**
(51) International Design Classification: **09-01K**
(71) Name(s) and Address(s) of Applicant(s):
 Reckitt Benckiser Inc.
 Morris Corporate Center IV 399 Interpace Parkway Parsippany New
 Jersey 07054 United States of America
 Reckitt Benckiser (UK) Limited
 103-105 Bath Road Slough Berkshire SL1 3UH United Kingdom
 Obrist Closures Switzerland GmbH
 Romerstrasse 83 CH-4153 Reinach Switzerland
(72) Name(s) of Designer(s): **Christopher Brian King and Christopher Robert**
 Liston and Nicholas Pattison
(45) Registration Date: **05 March 2008**
(30) Convention priority data:
 (31) Number (32) Date (33) Country
 000792544-0002 19 Sep 2007 EUROPEAN COMMUNITY
(56) Related Art Documents: **Not Applicable**
(57) Statement of Newness and Distinctiveness: **Newness and distinctiveness**
 reside in the features of the design shown in solid lines in the
 representations excluding those features shown in broken lines.



- (21) Design Number: **10852/2008**
- (22) Date of Filing Application: **21 February 2008**
- (24) Date from which industrial property rights may have effect: **21 February 2008**
- (54) Product in respect of which the design is registered: **Bottle**
- (51) International Design Classification: **09-01K**
- (71) Name(s) and Address(s) of Applicant(s):
 - Reckitt Benckiser Inc.**
 - Morris Corporate Center IV 399 Interpace Parkway Parsippany New Jersey 07054 United States of America**
 - Reckitt Benckiser (UK) Limited**
 - 103-105 Bath Road Slough Berkshire SL1 3UH United Kingdom**
 - Obrist Closures Switzerland GmbH**
 - Romerstrasse 83 CH-4153 Reinach Switzerland**
- (72) Name(s) of Designer(s): **Christopher Brian King and Christopher Robert Liston and Nicholas Pattison**
- (45) Registration Date: **05 March 2008**
- (30) Convention priority data:

(31) Number	(32) Date	(33) Country
000792544-0003	19 Sep 2007	EUROPEAN COMMUNITY
- (56) Related Art Documents: **Not Applicable**
- (57) Statement of Newness and Distinctiveness: **Newness and distinctiveness reside in the features of the design shown in solid lines in the representations excluding those features shown in broken lines.**



- (21) Design Number: **10878/2008**
- (22) Date of Filing Application: **22 February 2008**
- (24) Date from which industrial property rights may have effect: **22 February 2008**
- (54) Product in respect of which the design is registered: **Bottle**
- (51) International Design Classification: **09-01K**
- (71) Name(s) and Address(s) of Applicant(s):
 - Reckitt Benckiser Inc.**
 - 1655 Valley Road Wayne New Jersey 07474 United States of America**
 - Obrist Closures Switzerland GmbH**
 - Romerstrasse 83 CH-4153 Reinach Switzerland**
- (72) Name(s) of Designer(s): **Christopher Brian King and Christopher Robert Liston and Gerald M. Syrek**
- (45) Registration Date: **05 March 2008**
- (30) Convention priority data:

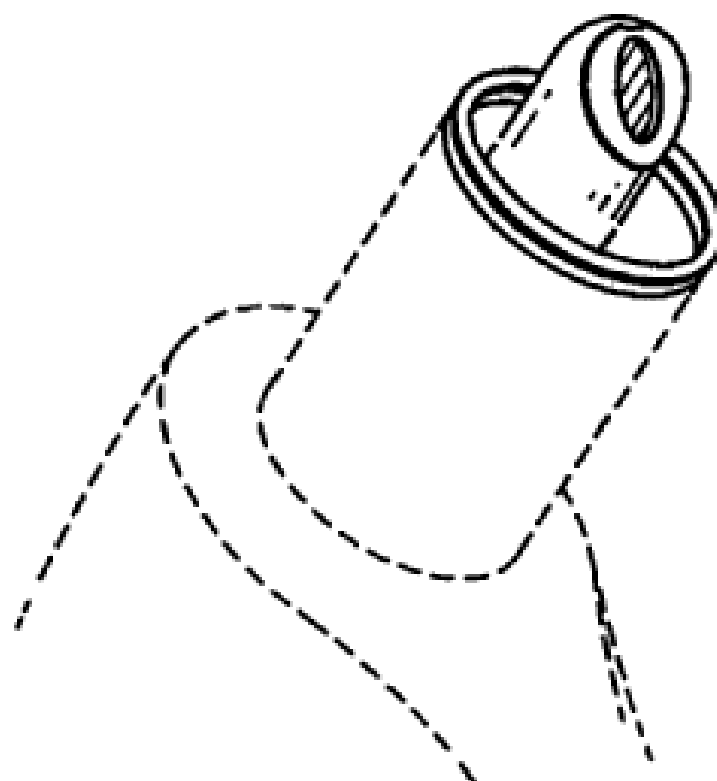
(31) Number	(32) Date	(33) Country
000792478-0001	19 Sep 2007	EUROPEAN COMMUNITY
- (56) Related Art Documents: **Not Applicable**
- (57) Statement of Newness and Distinctiveness: **Newness and distinctiveness reside in the features of the design shown in solid lines in the representations excluding those features shown in broken lines.**



(21) Design Number: **10879/2008**
 (22) Date of Filing Application: **22 February 2008**
 (24) Date from which industrial property rights may have effect: **22 February 2008**
 (54) Product in respect of which the design is registered: **Bottle**
 (51) International Design Classification: **09-01K**
 (71) Name(s) and Address(s) of Applicant(s):
Reckitt Benckiser Inc.
1655 Valley Road Wayne New Jersey 07474 United States of America
Obrist Closures Switzerland GmbH
Romerstrasse 83 CH-4153 Reinach Switzerland
 (72) Name(s) of Designer(s): **Christopher Brian King and Christopher Robert Liston and Gerald M. Syrek**
 (45) Registration Date: **05 March 2008**
 (30) Convention priority data:
 (31) Number (32) Date (33) Country
000792478-0002 19 Sep 2007 EUROPEAN COMMUNITY
 (56) Related Art Documents: **Not Applicable**
 (57) Statement of Newness and Distinctiveness: **Newness and distinctiveness reside in the features of the design shown in solid lines in the representation excluding those features shown in broken lines.**



(21) Design Number: **10904/2008**
 (22) Date of Filing Application: **25 February 2008**
 (24) Date from which industrial property rights may have effect: **25 February 2008**
 (54) Product in respect of which the design is registered: **Bottle**
 (51) International Design Classification: **09-01K**
 (71) Name(s) and Address(s) of Applicant(s):
Reckitt Benckiser Inc.
Morris Corporate Center IV 399 Interpace Parkway Parsippany New Jersey 07054 United States of America
Obrist Closures Switzerland GmbH
Romerstrasse 83 CH-4153 Reinach Switzerland
 (72) Name(s) of Designer(s): **Christopher Brian King and Christopher Robert Liston**
 (45) Registration Date: **05 March 2008**
 (30) Convention priority data:
 (31) Number (32) Date (33) Country
000792486-0001 19 Sep 2007 EUROPEAN COMMUNITY
 (56) Related Art Documents: **Not Applicable**
 (57) Statement of Newness and Distinctiveness: **Newness and distinctiveness reside in the features of the design shown in solid lines in the representations excluding those features shown in broken lines.**



- (21) Design Number: **10915/2008**
(22) Date of Filing Application: **27 February 2008**
(24) Date from which industrial property rights may have effect: **27 February 2008**
(54) Product in respect of which the design is registered: **Bottle opener**
(51) International Design Classification: **07-06D**
(71) Name(s) and Address(s) of Applicant(s):
 Dan Ford
 Bald Rock Tenterfield New South Wales 2372 Australia
 Tom Ford
 Bald Rock Tenterfield New South Wales 2372 Australia
(72) Name(s) of Designer(s): **Tom Ford**
(45) Registration Date: **05 March 2008**
(56) Related Art Documents: **Not Applicable**
(57) Statement of Newness and Distinctiveness: **The new features of the design are the use of a bolt as a hand lever and a nut as the opener.**

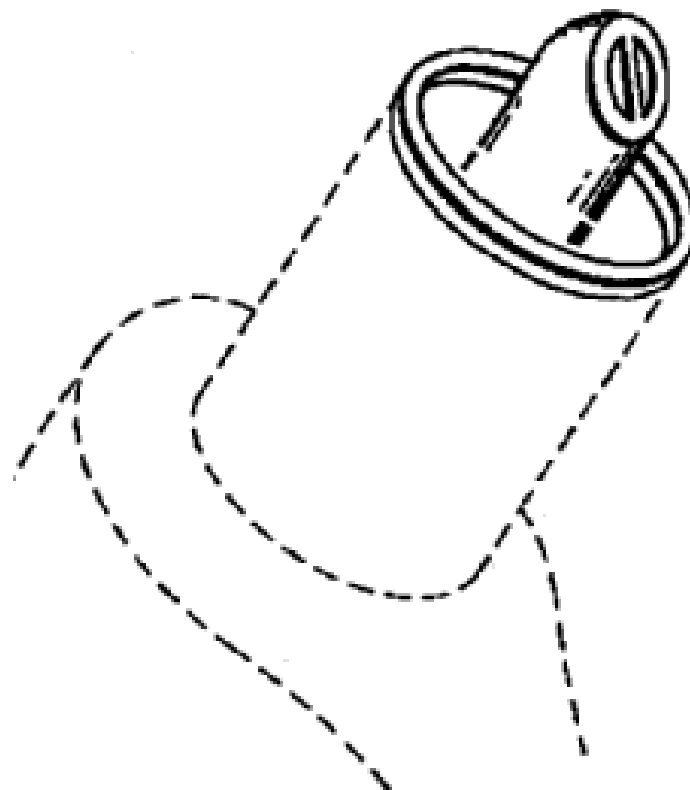


- (21) Design Number: **10920/2008**
(22) Date of Filing Application: **27 February 2008**
(24) Date from which industrial property rights may have effect: **27 February 2008**
(54) Product in respect of which the design is registered: **Surfboard wax container**
(51) International Design Classification: **21-02D, 09-03NES, 08-99**
(71) Name(s) and Address(s) of Applicant(s):
 Mohawk International Pty Ltd
 2/6 Duringan Street Currumbin Queensland 4223 Australia
(72) Name(s) of Designer(s): **Adrian Young**
(45) Registration Date: **05 March 2008**
(56) Related Art Documents: **Not Applicable**
(57) Statement of Newness and Distinctiveness: **The new features of the design are the pyramid style wax comb & scraper combination on the lid and storage compartment in the base.**



- (21) Design Number: **10928/2008**
- (22) Date of Filing Application: **26 February 2008**
- (24) Date from which industrial property rights may have effect: **26 February 2008**
- (54) Product in respect of which the design is registered: **Bottle**
- (51) International Design Classification: **09-01K**
- (71) Name(s) and Address(s) of Applicant(s):
 - Reckitt Benckiser Inc.**
 - Morris Corporate Center IV 399 Interpace Parkway Parsippany New Jersey 07054 United States of America**
 - Obrist Closures Switzerland GmbH**
 - Romerstrasse 83 CH-4153 Reinach Switzerland**
- (72) Name(s) of Designer(s): **Christopher Brian King and Christopher Robert Liston**
- (45) Registration Date: **05 March 2008**
- (30) Convention priority data:

(31) Number	(32) Date	(33) Country
000792569-0001	19 Sep 2007	EUROPEAN COMMUNITY
- (56) Related Art Documents: **Not Applicable**
- (57) Statement of Newness and Distinctiveness: **Newness and distinctiveness reside in the features of the design shown in solid lines in the representations excluding those features shown in broken lines. .**

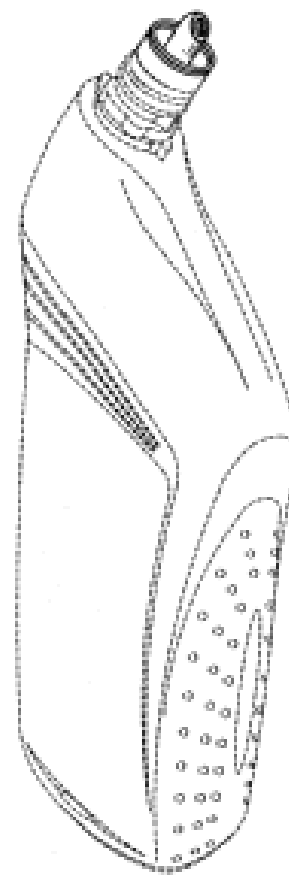


- (21) Design Number: **10929/2008**
- (22) Date of Filing Application: **26 February 2008**
- (24) Date from which industrial property rights may have effect: **26 February 2008**
- (54) Product in respect of which the design is registered: **Bottle**
- (51) International Design Classification: **09-01K**
- (71) Name(s) and Address(s) of Applicant(s):
 - Reckitt Benckiser Inc.**
 - Morris Corporate Center IV 399 Interpace Parkway Parsippany New Jersey 07054 United States of America**
 - Obrist Closures Switzerland GmbH**
 - Romerstrasse 83 CH-4153 Reinach Switzerland**
- (72) Name(s) of Designer(s): **Christopher Brian King and Christopher Robert Liston and Nicolas Pattison**
- (45) Registration Date: **05 March 2008**
- (30) Convention priority data:

(31) Number	(32) Date	(33) Country
000792502-0001	19 Sep 2007	EUROPEAN COMMUNITY
- (56) Related Art Documents: **Not Applicable**
- (57) Statement of Newness and Distinctiveness: **Newness and distinctiveness reside in the features of the design shown in solid lines in the representations excluding those features shown in broken lines. .**



- (21) Design Number: **10930/2008**
(22) Date of Filing Application: **26 February 2008**
(24) Date from which industrial property rights may have effect: **26 February 2008**
(54) Product in respect of which the design is registered: **Bottle**
(51) International Design Classification: **09-01K**
(71) Name(s) and Address(s) of Applicant(s):
Reckitt Benckiser Inc.
Morris Corporate Center IV 399 Interpace Parkway Parsippany New Jersey 07054 United States of America
Obrist Closures Switzerland GmbH
Romerstrasse 83 CH-4153 Reinach Switzerland
(72) Name(s) of Designer(s): **Christopher Brian King and Christopher Robert Liston and Nicholas Pattison**
(45) Registration Date: **05 March 2008**
(30) Convention priority data:
(31) Number (32) Date (33) Country
000792502-0002 19 Sep 2007 EUROPEAN COMMUNITY
(56) Related Art Documents: **Not Applicable**
(57) Statement of Newness and Distinctiveness: **Newness and distinctiveness reside in the features of the design shown in solid lines in the representations excluding those features shown in broken lines. .**



- (21) Design Number: **20647/2007**
(22) Date of Filing Application: **07 November 2007**
(24) Date from which industrial property rights may have effect: **07 November 2007**
(54) Product in respect of which the design is registered: **Clothes airer**
(51) International Design Classification: **07-05D**
(71) Name(s) and Address(s) of Applicant(s):
Happy Horse Holdings Pty Limited
112/20 Albert Road Strathfield New South Wales 2135 Australia
(72) Name(s) of Designer(s): **Jenny Robbie**
(45) Registration Date: **04 March 2008**
(56) Related Art Documents: **Not Applicable**
(57) Statement of Newness and Distinctiveness: **Extendable horizontal and vertical bars with the purpose of hanging clothing on hangers.**



(21) Design Number: **20677/2007**
(22) Date of Filing Application: **08 November 2007**
(24) Date from which industrial property rights may have effect: **08 November 2007**
(54) Product in respect of which the design is registered: **Vacuum cleaner**
(51) International Design Classification: **15-05**
(71) Name(s) and Address(s) of Applicant(s):

Shop-Vac Corporation
2323 Reach Road Williamsport PA 17701 United States of America

(72) Name(s) of Designer(s): **John Griffin**

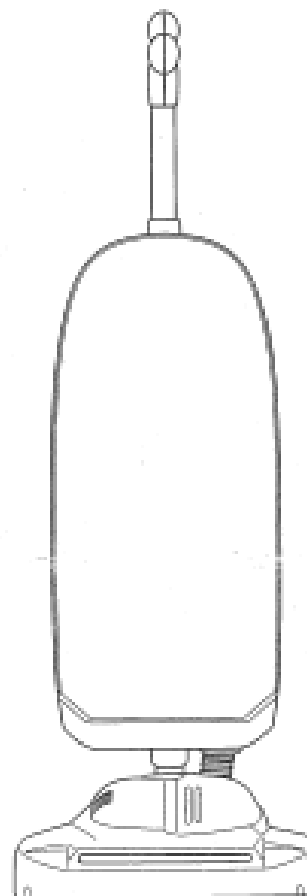
(45) Registration Date: **04 March 2008**

(30) Convention priority data:

(31) Number	(32) Date	(33) Country
29/286574	11 May 2007	UNITED STATES OF AMERICA

(56) Related Art Documents: **Not Applicable**

(57) Statement of Newness and Distinctiveness: **Nil**



(21) Design Number: **20678/2007**
(22) Date of Filing Application: **08 November 2007**
(24) Date from which industrial property rights may have effect: **08 November 2007**
(54) Product in respect of which the design is registered: **Vacuum cleaner**
(51) International Design Classification: **15-05**
(71) Name(s) and Address(s) of Applicant(s):

Shop-Vac Corporation
2323 Reach Road Williamsport PA 17701 United States of America

(72) Name(s) of Designer(s): **John Griffin**

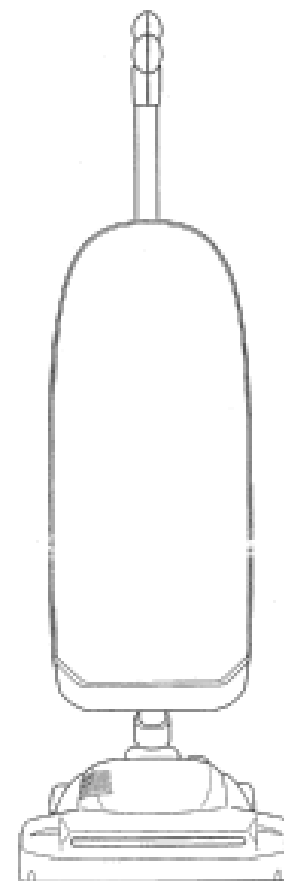
(45) Registration Date: **04 March 2008**

(30) Convention priority data:

(31) Number	(32) Date	(33) Country
29/286574	11 May 2007	UNITED STATES OF AMERICA

(56) Related Art Documents: **Not Applicable**

(57) Statement of Newness and Distinctiveness: **Nil**



- (21) Design Number: **20679/2007**
- (22) Date of Filing Application: **08 November 2007**
- (24) Date from which industrial property rights may have effect: **08 November 2007**
- (54) Product in respect of which the design is registered: **Vacuum cleaner**
- (51) International Design Classification: **15-05**
- (71) Name(s) and Address(s) of Applicant(s):

Shop-Vac Corporation
2323 Reach Road Williamsport PA 17701 United States of America

- (72) Name(s) of Designer(s): **John Griffin and Robert Lent Crevling Jr. and Li H. Liu**

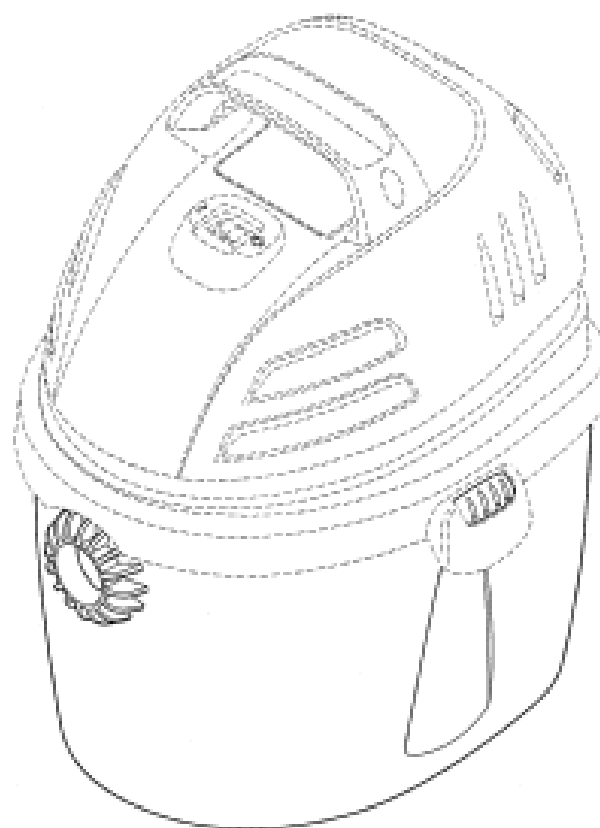
- (45) Registration Date: **04 March 2008**

- (30) Convention priority data:

(31) Number	(32) Date	(33) Country
29/279948	11 May 2007	UNITED STATES OF AMERICA

- (56) Related Art Documents: **Not Applicable**

- (57) Statement of Newness and Distinctiveness: **When determining whether the design 1 is substantially similar in overall impression to another design, no regard is to be had to the bottom of the vacuum cleaner and no regard is to be had to the features shown in broken line, which form no part of the design.**



- (21) Design Number: **20680/2007**
- (22) Date of Filing Application: **08 November 2007**
- (24) Date from which industrial property rights may have effect: **08 November 2007**
- (54) Product in respect of which the design is registered: **Vacuum cleaner**
- (51) International Design Classification: **15-05**
- (71) Name(s) and Address(s) of Applicant(s):

Shop-Vac Corporation
2323 Reach Road Williamsport PA 17701 United States of America

- (72) Name(s) of Designer(s): **John Griffin and Robert Lent Crevling Jr. and Li H. Liu**

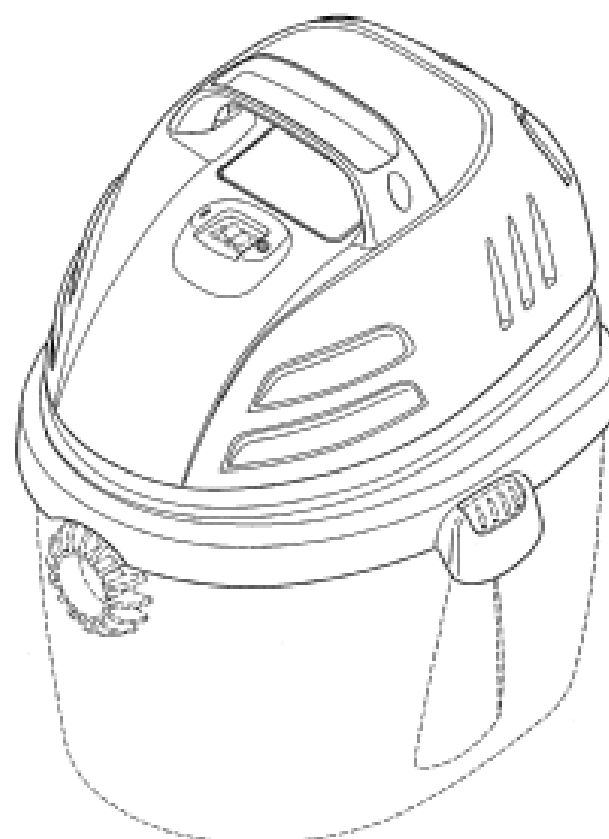
- (45) Registration Date: **04 March 2008**

- (30) Convention priority data:

(31) Number	(32) Date	(33) Country
29/279947	11 May 2007	UNITED STATES OF AMERICA

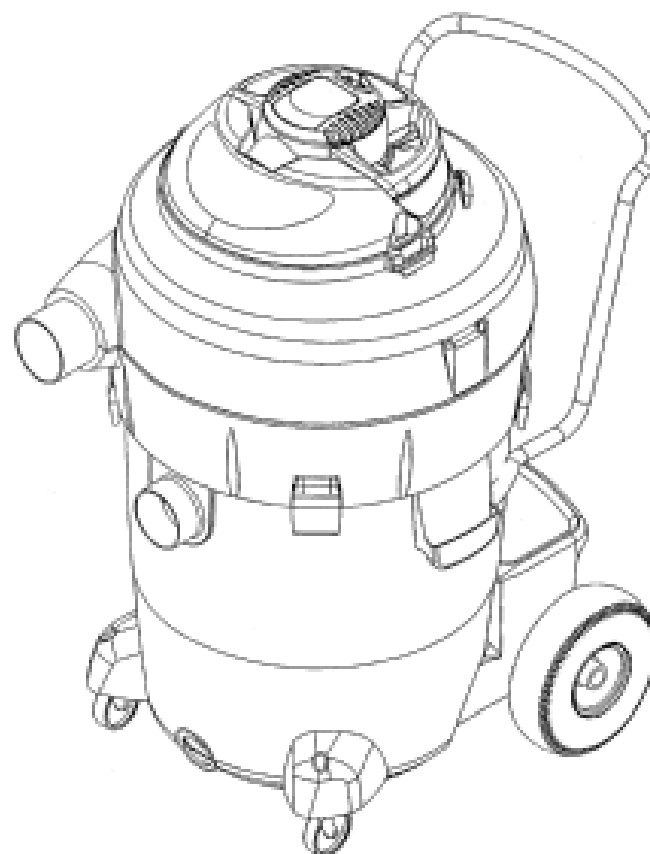
- (56) Related Art Documents: **Not Applicable**

- (57) Statement of Newness and Distinctiveness: **When determining whether the design 1 is substantially similar in overall impression to another design, no regard is to be had to the bottom of the vacuum cleaner and no regard is to be had to the features shown in broken line, which form no part of the design.**



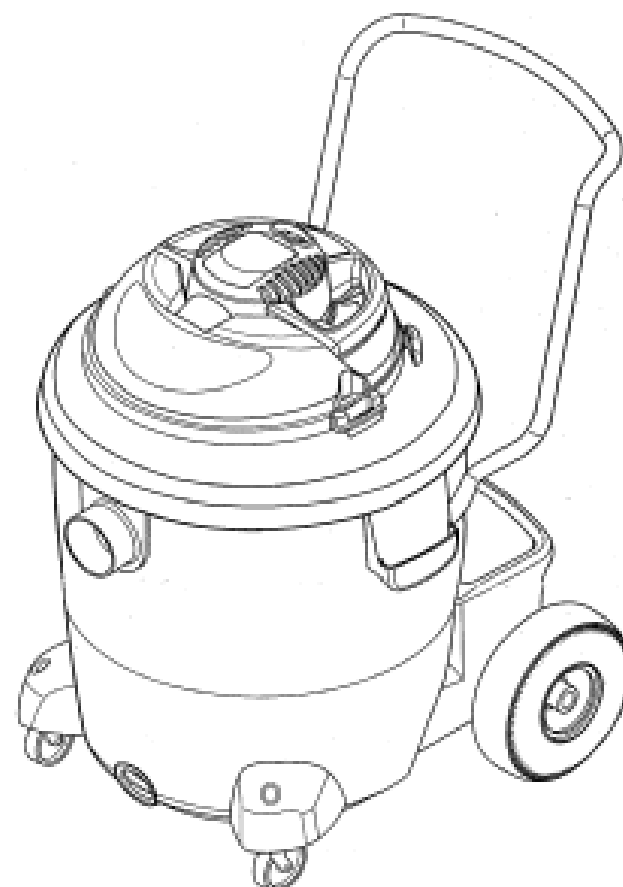
- (21) Design Number: **20681/2007**
- (22) Date of Filing Application: **08 November 2007**
- (24) Date from which industrial property rights may have effect: **08 November 2007**
- (54) Product in respect of which the design is registered: **Shredder/vacuum cleaner**
- (51) International Design Classification: **15-03B, 15-05**
- (71) Name(s) and Address(s) of Applicant(s):
Shop-Vac Corporation
2323 Reach Road Williamsport PA 17701 United States of America
- (72) Name(s) of Designer(s): **Robert Lent Crevling Jr. and Jason Gottschall**
- (45) Registration Date: **04 March 2008**
- (30) Convention priority data:

(31) Number	(32) Date	(33) Country
29/279947	11 May 2007	UNITED STATES OF AMERICA
- (56) Related Art Documents: **Not Applicable**
- (57) Statement of Newness and Distinctiveness: **When determining whether the design 1 is substantially similar in overall impression to another design, no regard is to be had to the bottom of the shredder/vacuum cleaner which forms no part of the design.**



- (21) Design Number: **20682/2007**
- (22) Date of Filing Application: **08 November 2007**
- (24) Date from which industrial property rights may have effect: **08 November 2007**
- (54) Product in respect of which the design is registered: **Vacuum cleaner**
- (51) International Design Classification: **15-05**
- (71) Name(s) and Address(s) of Applicant(s):
Shop-Vac Corporation
2323 Reach Road Williamsport PA 17701 United States of America
- (72) Name(s) of Designer(s): **Robert Lent Crevling Jr. and Jason Gottschall**
- (45) Registration Date: **04 March 2008**
- (30) Convention priority data:

(31) Number	(32) Date	(33) Country
29/279938	11 May 2007	UNITED STATES OF AMERICA
- (56) Related Art Documents: **Not Applicable**
- (57) Statement of Newness and Distinctiveness: **When determining whether the design 1 is substantially similar in overall impression to another design, no regard is to be had to the bottom of the vacuum cleaner which forms no part of the design.**



(21) Design Number: **20683/2007**
 (22) Date of Filing Application: **08 November 2007**
 (24) Date from which industrial property rights may have effect: **08 November 2007**
 (54) Product in respect of which the design is registered: **Vacuum**
 (51) International Design Classification: **15-05**
 (71) Name(s) and Address(s) of Applicant(s):

Shop-Vac Corporation
2323 Reach Road Williamsport PA 17701 United States of America

(72) Name(s) of Designer(s): **John Griffin**

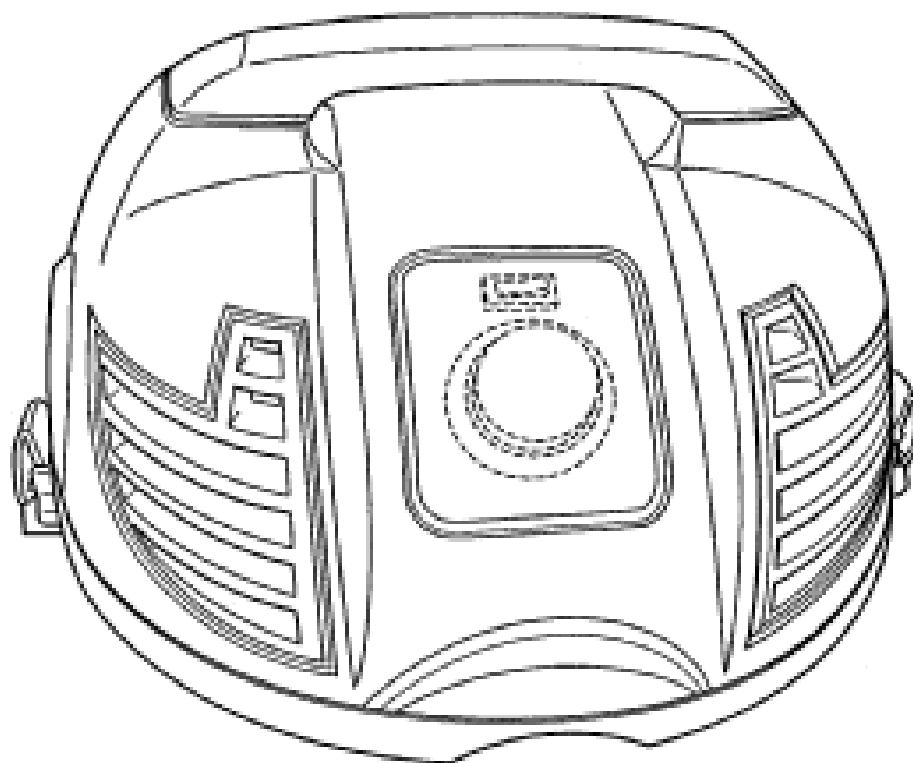
(45) Registration Date: **04 March 2008**

(30) Convention priority data:

(31) Number	(32) Date	(33) Country
29/279924	11 May 2007	UNITED STATES OF AMERICA

(56) Related Art Documents: **Not Applicable**

(57) Statement of Newness and Distinctiveness: **When determining whether the design 1 is substantially similar in overall impression to another design, no regard is to be had to those features shown in dotted outline.**



(21) Design Number: **20684/2007**
 (22) Date of Filing Application: **08 November 2007**
 (24) Date from which industrial property rights may have effect: **08 November 2007**
 (54) Product in respect of which the design is registered: **Vacuum cleaner**
 (51) International Design Classification: **15-05**
 (71) Name(s) and Address(s) of Applicant(s):

Shop-Vac Corporation
2323 Reach Road Williamsport PA 17701 United States of America

(72) Name(s) of Designer(s): **John Griffin and Robert Lent Crevling Jr. and Li H. Liu**

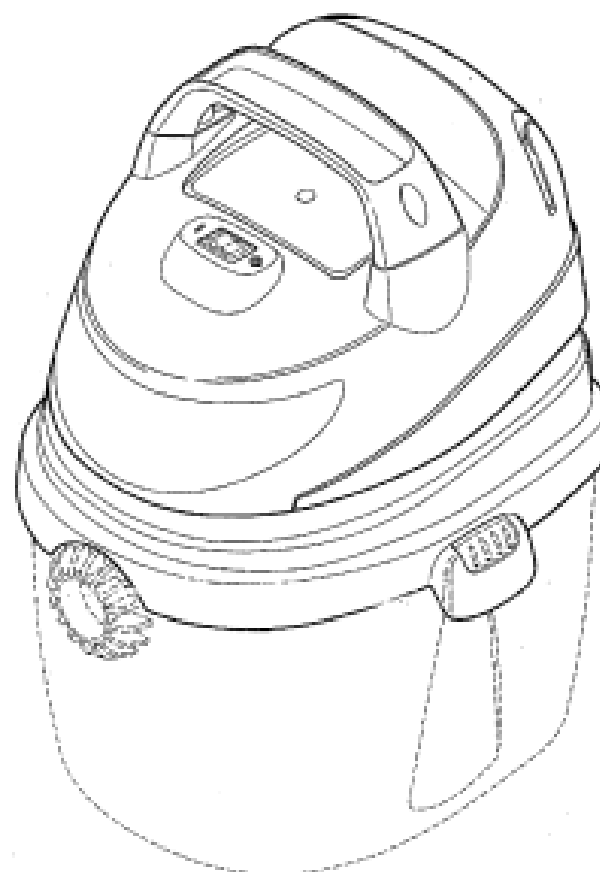
(45) Registration Date: **04 March 2008**

(30) Convention priority data:

(31) Number	(32) Date	(33) Country
29/279962	11 May 2007	UNITED STATES OF AMERICA

(56) Related Art Documents: **Not Applicable**

(57) Statement of Newness and Distinctiveness: **When determining whether the design 1 is substantially similar in overall impression to another design, no regard is to be had to the button, cord and tank as shown in dotted outline, which form no part of the design.**



(21) Design Number: **20685/2007**

(22) Date of Filing Application: **08 November 2007**

(24) Date from which industrial property rights may have effect: **08 November 2007**

(54) Product in respect of which the design is registered: **Shower head for safety showers as used in industry**

(51) International Design Classification: **23-02B**

(71) Name(s) and Address(s) of Applicant(s):

David Ashley

61 Sulman Road Wembley Downs Western Australia 6019 Australia

(72) Name(s) of Designer(s): **David Ashley**

(45) Registration Date: **04 March 2008**

(56) Related Art Documents: **Not Applicable**

(57) Statement of Newness and Distinctiveness: **Previously safety shower heads were hollow as the water was required to swirl internally to create an outside diameter of 500mm with a given amount of water. The washdown of chemicals was severely compromised under 120 litres/min. My shower head disperses the water at much lower pressure and volumes of water whilst complying with the Australian standards. No other design has come close in performance due to splitting the volume into 5 distinct vessels (heads) and filling the void of water within the 500mm diameter at a height of 60 inches as per the standards.**



(21) Design Number: **20198/2007**

(22) Date of Filing Application: **10 October 2007**

(24) Date from which industrial property rights may have effect: **10 October 2007**

(54) Product in respect of which the design is registered: **A dress**

(51) International Design Classification: **02-02C**

(71) Name(s) and Address(s) of Applicant(s):

Lolitta Clothing Pty Ltd

11 Albert Street Richmond Victoria 3121 Australia

(72) Name(s) of Designer(s): **Tamara Mond**

(45) Registration Date: **04 March 2008**

(56) Related Art Documents: **Not Applicable**

(57) Statement of Newness and Distinctiveness: **Nil**



(21) Design Number: **21386/2007**
(22) Date of Filing Application: **10 October 2007**
(24) Date from which industrial property rights may have effect: **10 October 2007**
(54) Product in respect of which the design is registered: **A jacket**
(51) International Design Classification: **02-02NES**
(71) Name(s) and Address(s) of Applicant(s):
Lolitta Clothing Pty Ltd
11 Albert Street Richmond Victoria 3121 Australia
(72) Name(s) of Designer(s): **Tamara Mond**
(45) Registration Date: **04 March 2008**
(56) Related Art Documents: **Not Applicable**
(57) Statement of Newness and Distinctiveness: **Nil**



(21) Design Number: **21387/2007**
(22) Date of Filing Application: **10 October 2007**
(24) Date from which industrial property rights may have effect: **10 October 2007**
(54) Product in respect of which the design is registered: **A jacket**
(51) International Design Classification: **02-02NES**
(71) Name(s) and Address(s) of Applicant(s):
Lolitta Clothing Pty Ltd
11 Albert Street Richmond Victoria 3121 Australia
(72) Name(s) of Designer(s): **Tamara Mond**
(45) Registration Date: **04 March 2008**
(56) Related Art Documents: **Not Applicable**
(57) Statement of Newness and Distinctiveness: **Nil**



- (21) Design Number: **21388/2007**
- (22) Date of Filing Application: **10 October 2007**
- (24) Date from which industrial property rights may have effect: **10 October 2007**
- (54) Product in respect of which the design is registered: **A shirt**
- (51) International Design Classification: **02-02NES**
- (71) Name(s) and Address(s) of Applicant(s):
Lolitta Clothing Pty Ltd
11 Albert Street Richmond Victoria 3121 Australia
- (72) Name(s) of Designer(s): **Tamara Mond**
- (45) Registration Date: **04 March 2008**
- (56) Related Art Documents: **Not Applicable**
- (57) Statement of Newness and Distinctiveness: **Nil**



- (21) Design Number: **21389/2007**
- (22) Date of Filing Application: **10 October 2007**
- (24) Date from which industrial property rights may have effect: **10 October 2007**
- (54) Product in respect of which the design is registered: **A top**
- (51) International Design Classification: **02-02NES**
- (71) Name(s) and Address(s) of Applicant(s):
Lolitta Clothing Pty Ltd
11 Albert Street Richmond Victoria 3121 Australia
- (72) Name(s) of Designer(s): **Tamara Mond**
- (45) Registration Date: **04 March 2008**
- (56) Related Art Documents: **Not Applicable**
- (57) Statement of Newness and Distinctiveness: **Nil**



- (21) Design Number: **21390/2007**
(22) Date of Filing Application: **10 October 2007**
(24) Date from which industrial property rights may have effect: **10 October 2007**
(54) Product in respect of which the design is registered: **A dress**
(51) International Design Classification: **02-02C**
(71) Name(s) and Address(s) of Applicant(s):
Lolitta Clothing Pty Ltd
11 Albert Street Richmond Victoria 3121 Australia
(72) Name(s) of Designer(s): **Tamara Mond**
(45) Registration Date: **04 March 2008**
(56) Related Art Documents: **Not Applicable**
(57) Statement of Newness and Distinctiveness: **Nil**



- (21) Design Number: **21391/2007**
(22) Date of Filing Application: **10 October 2007**
(24) Date from which industrial property rights may have effect: **10 October 2007**
(54) Product in respect of which the design is registered: **A dress**
(51) International Design Classification: **02-02C**
(71) Name(s) and Address(s) of Applicant(s):
Lolitta Clothing Pty Ltd
11 Albert Street Richmond Victoria 3121 Australia
(72) Name(s) of Designer(s): **Tamara Mond**
(45) Registration Date: **04 March 2008**
(56) Related Art Documents: **Not Applicable**
(57) Statement of Newness and Distinctiveness: **Nil**



- (21) Design Number: **21392/2007**
- (22) Date of Filing Application: **10 October 2007**
- (24) Date from which industrial property rights may have effect: **10 October 2007**
- (54) Product in respect of which the design is registered: **A dress**
- (51) International Design Classification: **02-02C**
- (71) Name(s) and Address(s) of Applicant(s):
Lolitta Clothing Pty Ltd
11 Albert Street Richmond Victoria 3121 Australia
- (72) Name(s) of Designer(s): **Tamara Mond**
- (45) Registration Date: **04 March 2008**
- (56) Related Art Documents: **Not Applicable**
- (57) Statement of Newness and Distinctiveness: **Nil**



- (21) Design Number: **21393/2007**
- (22) Date of Filing Application: **10 October 2007**
- (24) Date from which industrial property rights may have effect: **10 October 2007**
- (54) Product in respect of which the design is registered: **A dress**
- (51) International Design Classification: **02-02C**
- (71) Name(s) and Address(s) of Applicant(s):
Lolitta Clothing Pty Ltd
11 Albert Street Richmond Victoria 3121 Australia
- (72) Name(s) of Designer(s): **Tamara Mond**
- (45) Registration Date: **04 March 2008**
- (56) Related Art Documents: **Not Applicable**
- (57) Statement of Newness and Distinctiveness: **Nil**



(21) Design Number: **21581/2007**
(22) Date of Filing Application: **10 October 2007**
(24) Date from which industrial property rights may have effect: **10 October 2007**
(54) Product in respect of which the design is registered: **Pant**
(51) International Design Classification: **02-02C**
(71) Name(s) and Address(s) of Applicant(s):
Lolitta Clothing Pty Ltd
11 Albert Street Richmond Victoria 3121 Australia
(72) Name(s) of Designer(s): **Tamara Mond**
(45) Registration Date: **04 March 2008**
(56) Related Art Documents: **Not Applicable**
(57) Statement of Newness and Distinctiveness: **Nil**



(21) Design Number: **21582/2007**
(22) Date of Filing Application: **10 October 2007**
(24) Date from which industrial property rights may have effect: **10 October 2007**
(54) Product in respect of which the design is registered: **A dress**
(51) International Design Classification: **02-02C**
(71) Name(s) and Address(s) of Applicant(s):
Lolitta Clothing Pty Ltd
11 Albert Street Richmond Victoria 3121 Australia
(72) Name(s) of Designer(s): **Tamara Mond**
(45) Registration Date: **04 March 2008**
(56) Related Art Documents: **Not Applicable**
(57) Statement of Newness and Distinctiveness: **Nil**



(21) Design Number: **10302/2008**

(22) Date of Filing Application: **24 January 2008**

(24) Date from which industrial property rights may have effect: **24 January 2008**

(54) Product in respect of which the design is registered: **Microwave oven**

(51) International Design Classification: **07-02B**

(71) Name(s) and Address(s) of Applicant(s):

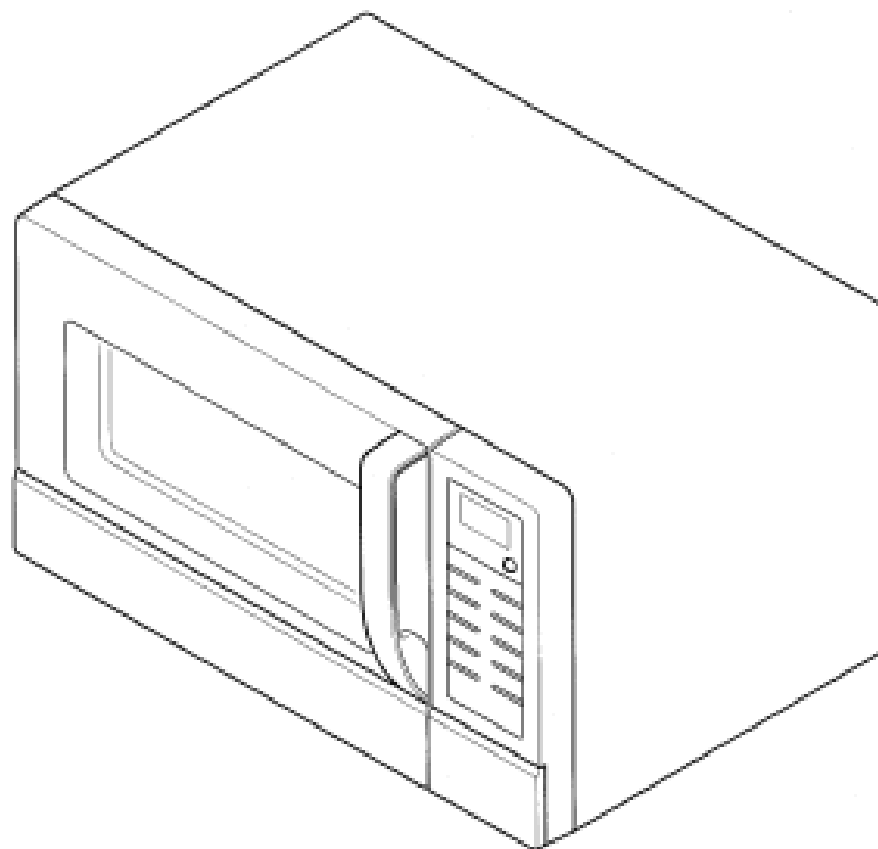
Samsung Electronics Co., Ltd.
416 Maetan-Dong Yeongtong-Gu Suwon-Si Gyeonggi-Do Republic of Korea

(72) Name(s) of Designer(s): **Kang Doo Kim**

(45) Registration Date: **05 March 2008**

(56) Related Art Documents: **Not Applicable**

(57) Statement of Newness and Distinctiveness: **Nil**



(21) Design Number: **10303/2008**

(22) Date of Filing Application: **24 January 2008**

(24) Date from which industrial property rights may have effect: **24 January 2008**

(54) Product in respect of which the design is registered: **Oven**

(51) International Design Classification: **07-02A**

(71) Name(s) and Address(s) of Applicant(s):

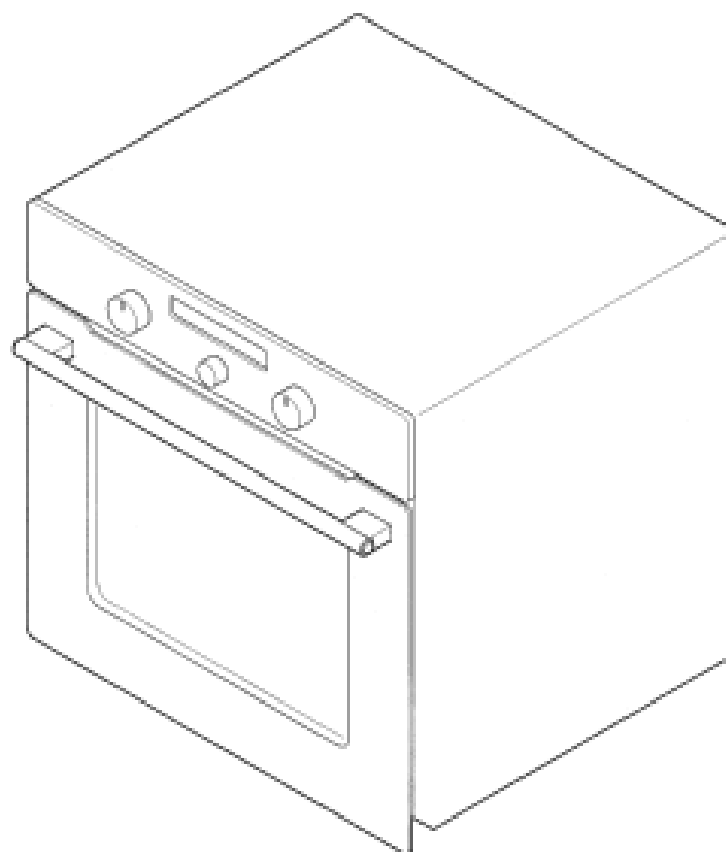
Samsung Electronics Co., Ltd.
416 Maetan-Dong Yeongtong-Gu Suwon-Si Gyeonggi-Do Republic of Korea

(72) Name(s) of Designer(s): **Kang Doo Kim**

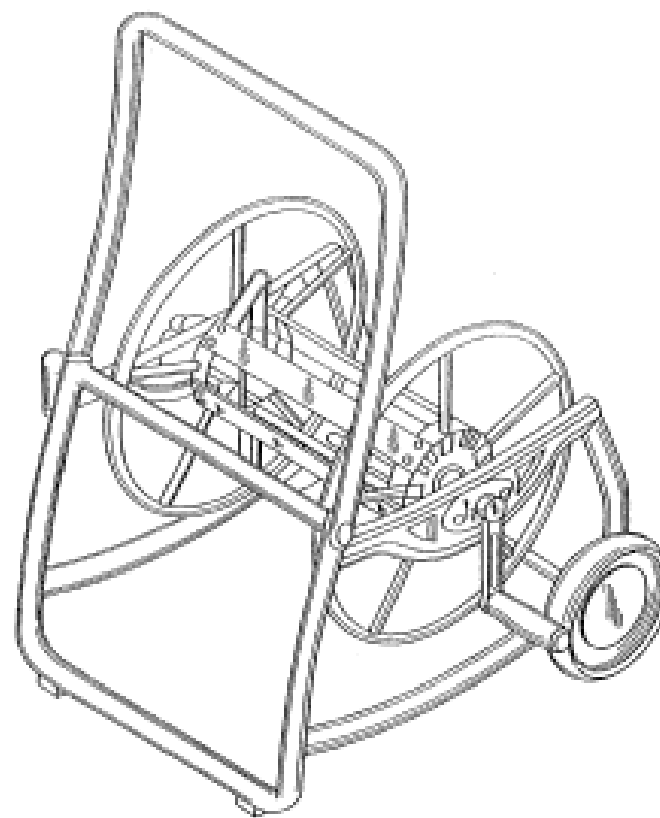
(45) Registration Date: **05 March 2008**

(56) Related Art Documents: **Not Applicable**

(57) Statement of Newness and Distinctiveness: **Nil**



- (21) Design Number: **10367/2008**
(22) Date of Filing Application: **29 January 2008**
(24) Date from which industrial property rights may have effect: **29 January 2008**
(54) Product in respect of which the design is registered: **Hose reel with tubular frame**
(51) International Design Classification: **08-99, 08-08E**
(71) Name(s) and Address(s) of Applicant(s):
Ames True Temper, Inc.
465 Railroad Avenue Camp Hill PA 17011 United States of America
(72) Name(s) of Designer(s): **Peter Arcati and Eric Hyp and Robert Soreo and Jeffrey Kalman and Robert Dorsey**
(45) Registration Date: **05 March 2008**
(30) Convention priority data:
(31) Number (32) Date (33) Country
29/291,058 13 Aug 2007 UNITED STATES OF AMERICA
(56) Related Art Documents: **Not Applicable**
(57) Statement of Newness and Distinctiveness: **Nil**



- (21) Design Number: **19760/2007**
(22) Date of Filing Application: **14 September 2007**
(24) Date from which industrial property rights may have effect: **14 September 2007**
(54) Product in respect of which the design is registered: **Ferrule chair**
(51) International Design Classification: **25-01B**
(71) Name(s) and Address(s) of Applicant(s):
Martin Randall
2A Wattle Avenue Biggera Waters Queensland 4216 Australia
(72) Name(s) of Designer(s): **Martin Randall**
(45) Registration Date: **05 March 2008**
(56) Related Art Documents: **Not Applicable**
(57) Statement of Newness and Distinctiveness: **Newness and distinctiveness resides in the shape and configuration of a ferrule chair as shown in figs. 1.1 to 1.7.**



(21) Design Number: **19761/2007**

(22) Date of Filing Application: **14 September 2007**

(24) Date from which industrial property rights may have effect: **14 September 2007**

(54) Product in respect of which the design is registered: **Stand for a ferrule chair**

(51) International Design Classification: **25-01B**

(71) Name(s) and Address(s) of Applicant(s):

Martin Randall

2A Wattle Avenue Biggera Waters Queensland 4216 Australia

(72) Name(s) of Designer(s): **Martin Randall**

(45) Registration Date: **05 March 2008**

(56) Related Art Documents: **Not Applicable**

(57) Statement of Newness and Distinctiveness: **Newness and distinctiveness resides in the shape and configuration of a stand for a ferrule chair as shown in figs. 2.1 to 2.7.**



(21) Design Number: **19762/2007**

(22) Date of Filing Application: **14 September 2007**

(24) Date from which industrial property rights may have effect: **14 September 2007**

(54) Product in respect of which the design is registered: **Support for ferrule chair**

(51) International Design Classification: **25-01B**

(71) Name(s) and Address(s) of Applicant(s):

Martin Randall

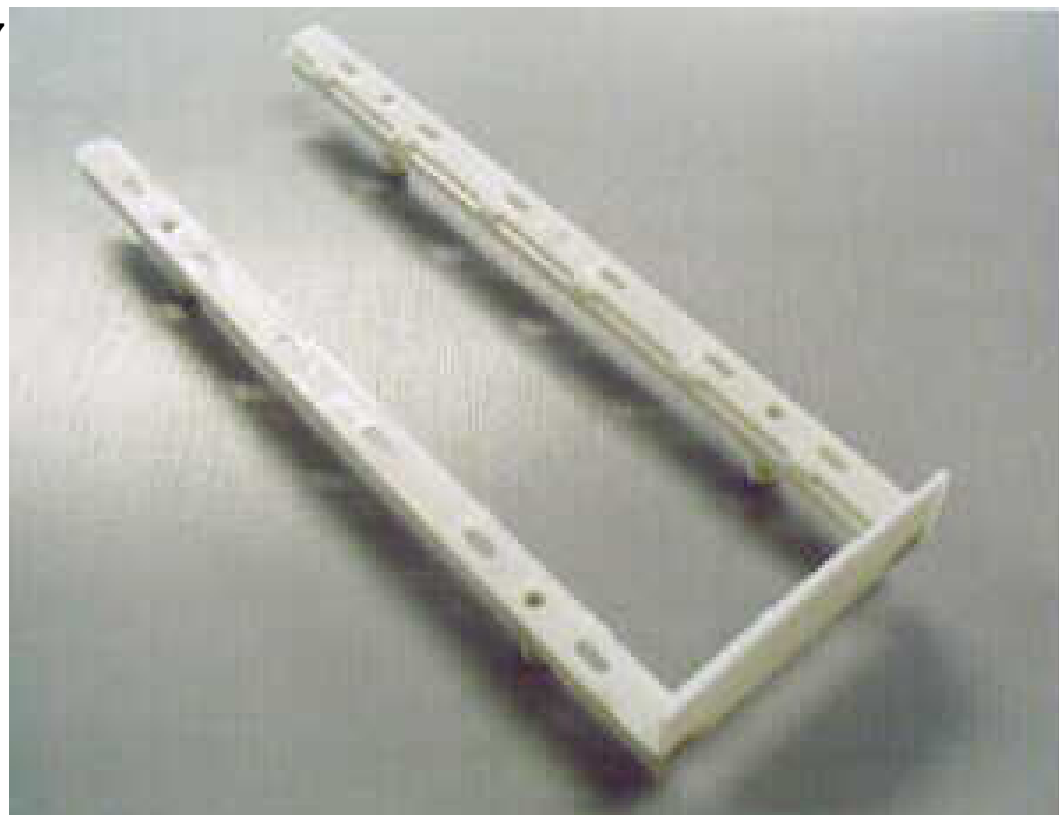
2A Wattle Avenue Biggera Waters Queensland 4216 Australia

(72) Name(s) of Designer(s): **Martin Randall**

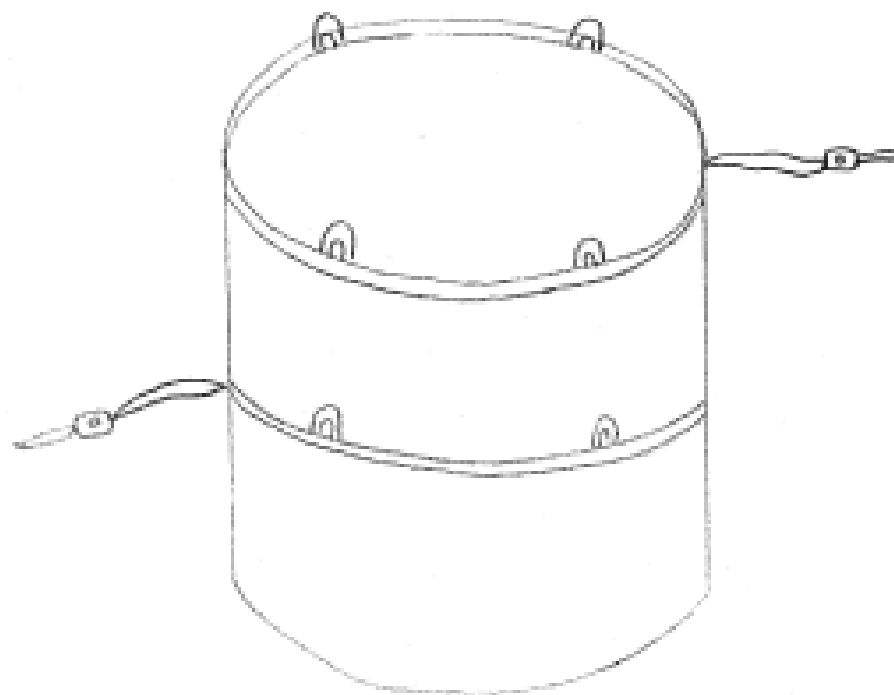
(45) Registration Date: **05 March 2008**

(56) Related Art Documents: **Not Applicable**

(57) Statement of Newness and Distinctiveness: **Newness and distinctiveness resides in the shape and configuration of a support for a ferrule chair as shown in figs. 3.1 to 1.5.**



- (21) Design Number: **20000/2007**
- (22) Date of Filing Application: **02 October 2007**
- (24) Date from which industrial property rights may have effect: **02 October 2007**
- (54) Product in respect of which the design is registered: **A laundry bag**
- (51) International Design Classification: **07-07NES**
- (71) Name(s) and Address(s) of Applicant(s):
Zafer Cevik
4 Birriwa Place Baulkham Hills New South Wales 2153 Australia
- (72) Name(s) of Designer(s): **Zafer Cevik**
- (45) Registration Date: **05 March 2008**
- (56) Related Art Documents: **Not Applicable**
- (57) Statement of Newness and Distinctiveness: **A dual purpose hanging laundry bag catering for multiple sized wash loads being operated by draw cord and lock, closure at partial capacity and full capacity.**



- (21) Design Number: **20161/2007**
- (22) Date of Filing Application: **09 October 2007**
- (24) Date from which industrial property rights may have effect: **09 October 2007**
- (54) Product in respect of which the design is registered: **Head set**
- (51) International Design Classification: **14-01**
- (71) Name(s) and Address(s) of Applicant(s):
Ty-Techtronics Pty Ltd
Level 27 101 Collins Street Melbourne Victoria 3000 Australia
- (72) Name(s) of Designer(s): **Ty Logan**
- (45) Registration Date: **05 March 2008**
- (56) Related Art Documents: **Not Applicable**
- (57) Statement of Newness and Distinctiveness: **Newness and distinctiveness in the design as applied to a head set reside in the shape and configuration as illustrated in the accompanying representations.**



(21) Design Number: **20686/2007**
(22) Date of Filing Application: **08 November 2007**
(24) Date from which industrial property rights may have effect: **08 November 2007**
(54) Product in respect of which the design is registered: **Handset**
(51) International Design Classification: **14-03E**
(71) Name(s) and Address(s) of Applicant(s):

Nokia Corporation
Keilalahdentie 4 FIN-02150 Espoo Finland

(72) Name(s) of Designer(s): **Jonne Harju and Crispian Tompkin**

(45) Registration Date: **05 March 2008**

(30) Convention priority data:

(31) Number	(32) Date	(33) Country
M20070092	11 May 2007	FINLAND

(56) Related Art Documents: **Not Applicable**

(57) Statement of Newness and Distinctiveness: **Nil**



(21) Design Number: **20690/2007**
(22) Date of Filing Application: **08 November 2007**
(24) Date from which industrial property rights may have effect: **08 November 2007**
(54) Product in respect of which the design is registered: **Watch**
(51) International Design Classification: **10-02**
(71) Name(s) and Address(s) of Applicant(s):

Omega SA (Omega AG) (Omega Ltd)
Jakob-Staempfli-Strasse 96 2502 Biel/Bienne Switzerland

(72) Name(s) of Designer(s): **Jean-Claude Monachon**

(45) Registration Date: **05 March 2008**

(30) Convention priority data:

(31) Number	(32) Date	(33) Country
DM/069 010	04 Jun 2007	WORLD INTELLECTUAL PROPERTY ORGANIZATION (WIPO)

(56) Related Art Documents: **Not Applicable**

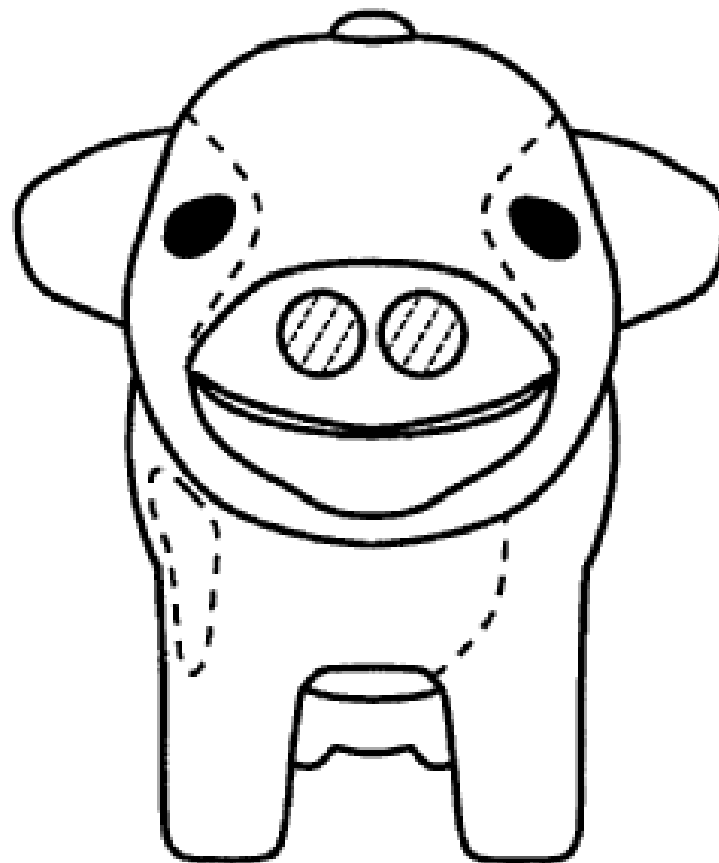
(57) Statement of Newness and Distinctiveness: **Nil**



- (21) Design Number: **20691/2007**
- (22) Date of Filing Application: **08 November 2007**
- (24) Date from which industrial property rights may have effect: **08 November 2007**
- (54) Product in respect of which the design is registered: **Keylight**
- (51) International Design Classification: **26-05NES**
- (71) Name(s) and Address(s) of Applicant(s):

Kikkerland Design, Inc.
423-427 West 127th Street New York New York 10027 United States of America

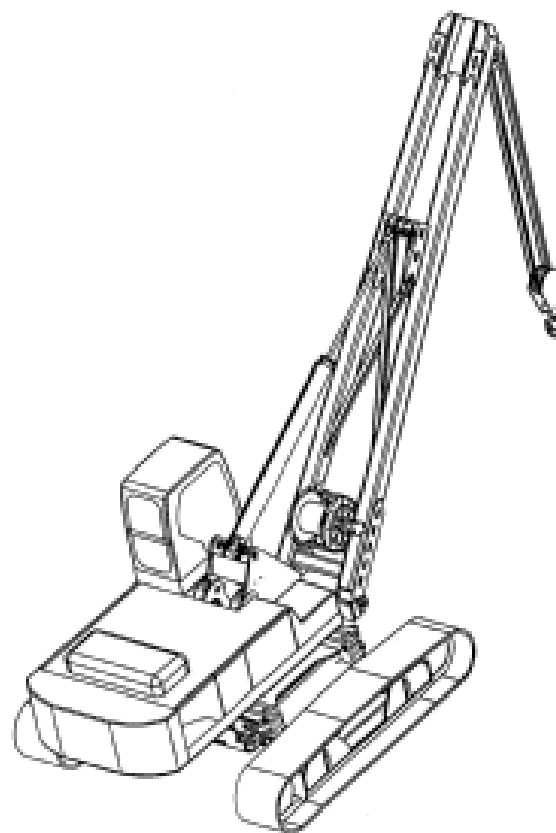
- (72) Name(s) of Designer(s): **Jan van der Lande**
- (45) Registration Date: **05 March 2008**
- (56) Related Art Documents: **Not Applicable**
- (57) Statement of Newness and Distinctiveness: **Newness and distinctiveness resides in the visual features of the cow shaped keylight depicted in the representations. The broken lines shown in the representations exemplify colouration areas of the product for illustrative purposes only and are not to be taken into account in determining the visual features of the design.**



- (21) Design Number: **20692/2007**
- (22) Date of Filing Application: **09 November 2007**
- (24) Date from which industrial property rights may have effect: **09 November 2007**
- (54) Product in respect of which the design is registered: **Pipelayer**
- (51) International Design Classification: **15-04**
- (71) Name(s) and Address(s) of Applicant(s):

Daniel E. Davis
PO Box 949 San Benito Texas 78586 United States of America

- (72) Name(s) of Designer(s): **Daniel E. Davis**
 - (45) Registration Date: **05 March 2008**
 - (30) Convention priority data:
- | | | |
|------------------|--------------------|---------------------------------|
| (31) Number | (32) Date | (33) Country |
| 11/746464 | 09 May 2007 | UNITED STATES OF AMERICA |
- (56) Related Art Documents: **Not Applicable**
 - (57) Statement of Newness and Distinctiveness: **Newness and distinctiveness is claimed in the features of shape and/or configuration of a pipelayer as illustrated in the accompanying representations.**



- (21) Design Number: **20693/2007**
(22) Date of Filing Application: **09 November 2007**
(24) Date from which industrial property rights may have effect: **09 November 2007**
(54) Product in respect of which the design is registered: **Double wall cup**
(51) International Design Classification: **07-01D**
(71) Name(s) and Address(s) of Applicant(s):

Pi-Design AG
Kantonsstrasse 100 Postfach 463 CH-6234 Triengen Switzerland

(72) Name(s) of Designer(s): **Jorgen Bodum**

(45) Registration Date: **05 March 2008**

(30) Convention priority data:

(31) Number	(32) Date	(33) Country
DA 2007 00122	11 May 2007	DENMARK

(56) Related Art Documents: **Not Applicable**

(57) Statement of Newness and Distinctiveness: **The following visual features of the design are new and distinctive: twin layers of this cup create a cushion of air between the inner and outer layer of mouth-blown glass; and the horse shoe curved shaped glass handle.**



- (21) Design Number: **20694/2007**
(22) Date of Filing Application: **09 November 2007**
(24) Date from which industrial property rights may have effect: **09 November 2007**
(54) Product in respect of which the design is registered: **Skin for a surfboard fin**
(51) International Design Classification: **21-02D**
(71) Name(s) and Address(s) of Applicant(s):

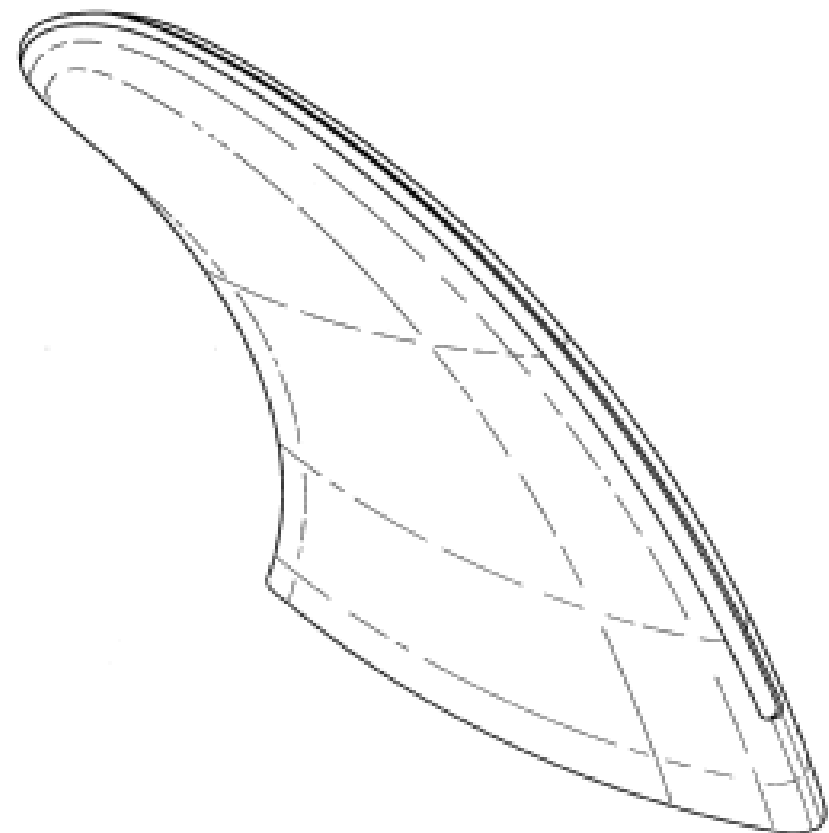
Michael Savill
45 Boronia Avenue Windang New South Wales 2528 Australia

(72) Name(s) of Designer(s): **Michael Savill**

(45) Registration Date: **05 March 2008**

(56) Related Art Documents: **Not Applicable**

(57) Statement of Newness and Distinctiveness: **Nil**



(21) Design Number: **20705/2007**

(22) Date of Filing Application: **09 November 2007**

(24) Date from which industrial property rights may have effect: **09 November 2007**

(54) Product in respect of which the design is registered: **Vacuum cleaner**

(51) International Design Classification: **15-05**

(71) Name(s) and Address(s) of Applicant(s):

Shop Vac Corporation
2323 Reach Road Williamsport PA 17701 United States of America

(72) Name(s) of Designer(s): **John Griffin and Robert Lent Crevling Jr. and Li H Liu**

(45) Registration Date: **05 March 2008**

(56) Related Art Documents: **Not Applicable**

(57) Statement of Newness and Distinctiveness: **When determining whether the design 1 is substantially similar in overall impression to another design, no regard is to be had to the button and cord as shown in dotted outline, or the bottom of the vacuum cleaner which form no part of the design.**

