



Australian Government

IP Australia

AUSTRALIAN OFFICIAL JOURNAL

OF

DESIGNS

Did you know a searchable version of this journal is now available online?

It's FREE and EASY to SEARCH.

Find it at

<http://pericles.ipaustralia.gov.au/ols/epublish/content/olsEpublications.jsp>
or using the "Online Journals" link on the IP Australia home page.

This Page Left Intentionally Blank

Contents

General Information & Notices

Proceedings Under the Designs Act 1906 preserved as a result of the provisions of Chapter 12 Part 2 of the Designs Act 2003

Extension of Period of Registration of Designs	692
Extensions of Time Granted	693
Registrations Ceased	692
Subsequent Owners Registered	693

Proceedings Under the Designs Act 2003

Applications Assigned	708
Applications Lapsed	707
Applications Lodged	697
Certificate of Examination	711
Corrigenda	710
Extension of Time Granted Under Section 137	708
Licences Registered	708
Publication and Registration Proceedings	
Designs Registered 318317 to 318564.....	712
Registrations Ceased	708
Subsequent Owners Registered	708

This Page Left Intentionally Blank

For information on the following please see our website www.ipaustralia.gov.au or contact our Customer Service Network on 1300651010

[Editorial enquiries](#)

[Contact information](#)

[Freedom of Information ACT](#)

[Professional Standards Board](#)

[Sales](#)

[Requests for Information under Section 194 \(c\)](#)

[Country Codes](#)

[Trade Mark and Designs Hearing Sessions](#)

[INID \(Internationally agreed Numbers for the Identification of Data\)](#)

“INID” NUMBERS in use on Australian Design Documents

“INID” is an acronym for “Internationally agreed Numbers for the Identification of Data”.

(10) Data concerning the registration/renewal

- (11) Serial number of the registration and/or number of the design document
- (12) Plain language designation of the kind of published document
- (19) Identification, using the two-letter code according to WIPO Standard ST.3, of the authority publishing or registering the industrial design

(20) Data concerning the application

- (21) Serial number of the application
- (22) Date of filing of the application
- (24) Date from which the industrial design right has effect

(30) Data relating to priority under the Paris Convention

- (31) Serial number assigned to the priority application
- (32) Date of filing of the priority application
- (33) Two-letter code, according to WIPO Standard ST.3, identifying the authority with which the priority application was made

(40) Date(s) of making information available to the public

- (45) Date of publication of the registered industrial design by printing or similar process, or making it available to the public by any other means

(50) Miscellaneous Information

- (51) International Classification for Industrial Designs (class and subclass of the Locarno Classification)
- (54) Designation of article(s) or product(s) covered by the industrial design or title of the industrial design
- (55) Reproduction of the industrial design (e.g., drawing, photograph) and explanations relating to the reproduction
- (56) List of prior art documents, if separate from descriptive text
- (57) Description of characteristic features of the industrial design including indication of colours

(60) References to other legally related application(s) and registration(s)

- (62) Serial number(s) and, if available, filing date(s) of application(s), registration(s) or document(s) related by division
- (66) Serial number(s) of the application, or the registration, of the design(s) which is (are) a variant(s) of the present one

(70) Identification of parties concerned with the application or registration

- (71) Name(s) and address(es) of the applicant(s)
- (72) Name(s) of the creator(s) if known to be such
- (74) Name(s) and address(es) of the representative(s)

This Page Left Intentionally Blank

Official Notice**Designs Act 2003
Amendments to Registered Designs at Examination**

The following amendments have been made to details previously published in the Australian Official Journal of Designs during the Examination process:

Registration Numbers	Amendment type	New details
308263	Classification	25-01K, 25-99
312063	Classification	06-04Z
312064	Classification	06-04Z
312120	Classification	06-04Z
314894	Classification	24-04
315118	Classification	03-01C
315400	Classification	21-02Z, 30-99
315455	Classification	03-01D

Contact: IP Australia
Phone: 1300 651 010
Fax: +61 2 6283 7999
E-Mail: assist@ipaustrialia.gov.au
Web: www.ipaustrialia.gov.au

This Page Left Intentionally Blank

**Proceedings under the Designs Act 1906 preserved as a
result of the provisions of Chapter 12 Part 2 of the Designs
Act 2003.**

This Page Left Intentionally Blank

Applications Lapsed

There were no Applications Lapsed under this section

Extension of Period of Registration of Designs

133270	133355	133362
134189	135240	137431

2nd Period (Section 27A(12))

147023	147024	147272
147273	147274	147275
147318	147319	147320
147388	147389	147410
147503	147504	147505
147506	147507	147508
147509	147510	147569
147587	147588	147879
147880	147881	147882
147883	147884	147885
147886	147887	147888
147909	147911	148051
148052	148193	148369
148370	148391	148394
148396	148418	148425
148445	148479	148523
148526	148632	148633
148650	148794	148974
148975	148976	148977
149058	149059	149386
149506	149620	149621
149622	149676	150133
150494	150634	150938
151781	151782	151783
151796	151797	151837
151838	151839	151840
151841	151932	152218
152286	152287	152288
152290	152291	152292
152293	152297	152298
152299	152300	152301
152302	152303	152321
152322	152356	152417
152521	152586	152607
152669	152800	152842
153361	154400	154401
155547	155761	155978
156205	157115	157116
157117	157118	157119
157120	157121	157122
157245	157246	157247
157248	157249	158216

3rd Period (Section 27A(13))

131277	131408	131409
131410	131411	131412
131413	131458	131525
131528	131531	131634
131644	131811	131877
131967	132107	132120
132168	132273	132672
132714	132745	133000
133001	133007	133163

Registrations Ceased

Note: Some of the following Registrations may have been previously advertised as ceased. In this instance, the previous advertisement still prevails.

113612	115218	115235
115245	115365	115367
115416	115417	115418
115419	115584	115585
115691	115693	115757
115799	116033	116165
116349	116468	116517
116713	117061	117352
117499	118160	119037
119051	119052	119053
119109	128660	128661
129488	129516	129789
129790	129791	129792
129816	129817	129818
129876	129877	129882
129883	129895	129916
130014	130095	130097
130180	130182	130183
130184	130210	130211
130227	130228	130267
130353	130478	130508
130589	130614	130935
133092	133481	133729
133730	134058	134663
134905	135043	136093
137209	145469	145600
145700	145701	146420
146424	146474	146475
146477	146478	146479
146480	146536	146537
146539	146540	146541
146542	146543	146584
146585	146586	146589
146629	146633	146635
146639	146723	146751
146752	146753	146845
146854	146855	146888
146889	146890	146891
146892	146934	147101
147227	147228	147337
147474	147547	148282
148541	148761	148762
148763	148764	148765
148786	148875	149024
149215	149265	149878
150156	150158	150894
151705		

Extensions of time granted

Applications lodged for extension of time have been granted.

147023 **Schneider Electric Industries SAS** An Extension of time to extend a registration has been granted to 10/12/2007

147024 **Schneider Electric Industries SAS** An Extension of time to extend a registration has been granted to 10/12/2007

Subsequent Owners Registered

(The name in parentheses is that of the subsequent owner)

- 133315 (**Lego A/S**) Interlego A.G.
- 133318 (**Lego A/S**) Interlego A.G.
- 133209 (**Lego A/S**) Interlego A.G.
- 133211 (**Lego A/S**) Interlego A.G.
- 133212 (**Lego A/S**) Interlego A.G.
- 133213 (**Lego A/S**) Interlego A.G.
- 133214 (**Lego A/S**) Interlego A.G.
- 133215 (**Lego A/S**) Interlego A.G.
- 133376 (**Lego A/S**) Interlego A.G.
- 133383 (**Lego A/S**) Interlego A.G.
- 133388 (**Lego A/S**) Interlego A.G.
- 133328 (**Lego A/S**) Interlego A.G.
- 133329 (**Lego A/S**) Interlego A.G.
- 133330 (**Lego A/S**) Interlego A.G.
- 133331 (**Lego A/S**) Interlego A.G.
- 133336 (**Lego A/S**) Interlego A.G.
- 137066 (**Lego A/S**) Interlego A.G.
- 137067 (**Lego A/S**) Interlego A.G.
- 137068 (**Lego A/S**) Interlego A.G.
- 137069 (**Lego A/S**) Interlego A.G.
- 137070 (**Lego A/S**) Interlego A.G.
- 137071 (**Lego A/S**) Interlego A.G.
- 136834 (**Impact International Pty Ltd**) Tubepack Limited
- 136835 (**Impact International Pty Ltd**) Tubepack Limited
- 136836 (**Impact International Pty Ltd**) Tubepack Limited
- 151683 (**Lego A/S**) Interlego A.G.
- 151682 (**Lego A/S**) Interlego A.G.
- 151680 (**Lego A/S**) Interlego A.G.
- 151681 (**Lego A/S**) Interlego A.G.
- 152039 (**Lego A/S**) Interlego A.G.
- 152038 (**Lego A/S**) Interlego A.G.
- 157947 (**Steelcase Inc.**) Steelcase Development Corporation

This Page Left Intentionally Blank

Proceedings under the Designs Act 2003.

This Page Left Intentionally Blank

Applications Lodged

Lodgement information is in the following order: **Applicant's Name**; International Classification, Name of Product, Lodgement Date and **Design Number**. If the applicant claims an earlier priority date under an International Convention, the Convention Country and the associated filing date are shown in parentheses before the Lodgement Date. Divisional information will also appear in parentheses before the Lodgement Date.

A/S Vestfrost; 15-07, A wine cooler, (EM, 29 Aug 2007) 29 Feb 2008	11009/2008	Apple Inc.; 09-03M, Packaging, (US, 05 Sep 2007) 05 Mar 2008	11087/2008
A/S Vestfrost; 15-07, A wine cooler, (EM, 29 Aug 2007) 29 Feb 2008	11010/2008	Apple Inc.; 14-02, Dock insert, (US, 05 Sep 2007) 05 Mar 2008	11096/2008
A/S Vestfrost; 15-07, A wine cooler, (EM, 29 Aug 2007) 29 Feb 2008	11011/2008	Apple Inc.; 14-02, Dock insert, (US, 05 Sep 2007) 05 Mar 2008	11097/2008
Adventures Plus Pty Ltd as Trustee for The Progress Trust; 12-06A, A hull, 21 Feb 2008	10845/2008	Apple Inc.; 14-02, Dock insert, (US, 05 Sep 2007) 05 Mar 2008	11098/2008
Alexander, Robert; 15-02, Oil filtration/transfer of oil any where oil is to be transferred, 28 Feb 2008	10962/2008	Apple Inc.; 14-02, Dock insert, (US, 05 Sep 2007) 05 Mar 2008	11099/2008
Alexander, Robert; 15-02, Oil filtration/transfer of oil any where oil is to be transferred, 28 Feb 2008	10963/2008	Apple Inc.; 09-03M, Packaging, (US, 05 Sep 2007) 05 Mar 2008	11083/2008
Aluminium Industries Australia Pty Ltd, Trading as Pivotech; 25-01K, 23-02B, Frame section for shower screens/glass products, 05 Mar 2008	11076/2008	Apple Inc.; 14-01, 14-02, Electronic device, (US, 31 Aug 2007) 21 Feb 2008	10826/2008
Amor, Grant Harold; Amor, Carl Denis; 26-05NES, A lighting assembly, 07 Mar 2008	11165/2008	Apple Inc.; 14-01, 14-02, Electronic device, (US, 31 Aug 2007) 21 Feb 2008	10827/2008
Amor, Carl Denis; Amor, Grant Harold; 26-05NES, A lighting assembly, 07 Mar 2008	11165/2008	Apple Inc.; 14-01, 14-02, Electronic device, (US, 31 Aug 2007) 21 Feb 2008	10828/2008
Amor, Grant Harold; Amor, Carl Denis; 26-05NES, A lighting assembly, 07 Mar 2008	11166/2008	Apple Inc.; 14-01, 14-02, Electronic device, (US, 31 Aug 2007) 21 Feb 2008	10829/2008
Amor, Carl Denis; Amor, Grant Harold; 26-05NES, A lighting assembly, 07 Mar 2008	11166/2008	Apple Inc.; 14-01, 14-02, Electronic device, (US, 31 Aug 2007) 21 Feb 2008	10810/2008
Amor, Grant Harold; Amor, Carl Denis; 26-05NES, A lighting assembly, 07 Mar 2008	11167/2008	Apple Inc.; 14-01, 14-02, Electronic device, (US, 31 Aug 2007) 21 Feb 2008	10830/2008
Amor, Carl Denis; Amor, Grant Harold; 26-05NES, A lighting assembly, 07 Mar 2008	11167/2008	Apple Inc.; 14-01, 14-02, Electronic device, (US, 31 Aug 2007) 21 Feb 2008	10831/2008
AmSafe, Inc.; 29-02, A buckle, (US, 05 Sep 2007) 04 Mar 2008	11080/2008	Apple Inc.; 14-01, 14-02, Electronic device, (US, 31 Aug 2007) 21 Feb 2008	10831/2008
Apple Inc.; 14-02, Dock insert, (US, 05 Sep 2007) 05 Mar 2008	11095/2008	Apple Inc.; 14-02, Electronic device, (US, 31 Aug 2007) 21 Feb 2008	10811/2008
Apple Inc.; 09-03M, Packaging, (US, 05 Sep 2007) 05 Mar 2008	11084/2008	Apple Inc.; 14-01, 14-02, Electronic device, (US, 31 Aug 2007) 21 Feb 2008	10832/2008
Apple Inc.; 09-03M, Packaging, (US, 05 Sep 2007) 05 Mar 2008	11085/2008	Apple Inc.; 14-01, 14-02, Electronic device, (US, 31 Aug 2007) 21 Feb 2008	10812/2008
Apple Inc.; 09-03M, Packaging, (US, 05 Sep 2007) 05 Mar 2008	11086/2008	Apple Inc.; 14-01, 14-02, Electronic device, (US, 31 Aug 2007) 21 Feb 2008	10813/2008

Apple Inc.; 14-01, 14-02, Electronic device, (US, 31 Aug 2007) 21 Feb 2008	10833/2008	Apple Inc.; 14-04, A display screen for an electronic device, (US, 04 Sep 2007) 04 Mar 2008	11044/2008
Apple Inc.; 14-01, 14-02, Electronic device, (US, 31 Aug 2007) 21 Feb 2008	10834/2008	Apple Inc.; 14-04, A display screen for an electronic device, (US, 04 Sep 2007) 04 Mar 2008	11045/2008
Apple Inc.; 14-01, 14-02, Electronic device, (US, 31 Aug 2007) 21 Feb 2008	10814/2008	Apple Inc.; 14-04, A display screen for an electronic device, (US, 04 Sep 2007) 04 Mar 2008	11046/2008
Apple Inc.; 14-01, 14-02, Electronic device, (US, 31 Aug 2007) 21 Feb 2008	10835/2008	Apple Inc.; 14-04, A display screen for an electronic device, (US, 04 Sep 2007) 04 Mar 2008	11047/2008
Apple Inc.; 14-01, 14-02, Electronic device, (US, 31 Aug 2007) 21 Feb 2008	10836/2008	Apple Inc.; 14-04, A display screen for an electronic device, (US, 04 Sep 2007) 04 Mar 2008	11048/2008
Apple Inc.; 14-01, 14-02, Electronic device, (US, 31 Aug 2007) 21 Feb 2008	10837/2008	Apple Inc.; 14-04, A display screen for an electronic device, (US, 04 Sep 2007) 04 Mar 2008	11049/2008
Apple Inc.; 14-01, 14-02, Electronic device, (US, 31 Aug 2007) 21 Feb 2008	10838/2008	Apple Inc.; 14-04, A display screen for an electronic device, (US, 04 Sep 2007) 04 Mar 2008	11050/2008
Apple Inc.; 14-01, 14-02, Electronic device, (US, 31 Aug 2007) 21 Feb 2008	10839/2008	Apple Inc.; 14-04, A display screen for an electronic device, (US, 04 Sep 2007) 04 Mar 2008	11051/2008
Apple Inc.; 14-01, 14-02, Electronic device, (US, 31 Aug 2007) 21 Feb 2008	10815/2008	Apple Inc.; 14-04, Electronic device, (US, 04 Sep 2007) 04 Mar 2008	11052/2008
Apple Inc.; 14-01, 14-02, Electronic device, (US, 31 Aug 2007) 21 Feb 2008	10816/2008	Apple Inc.; 14-04, Electronic device, (US, 04 Sep 2007) 04 Mar 2008	11053/2008
Apple Inc.; 14-01, 14-02, Electronic device, (US, 31 Aug 2007) 21 Feb 2008	10817/2008	Apple Inc.; 14-04, Electronic device, (US, 04 Sep 2007) 04 Mar 2008	11054/2008
Apple Inc.; 14-01, 14-02, Electronic device, (US, 31 Aug 2007) 21 Feb 2008	10818/2008	Apple Inc.; 14-04, Electronic device, (US, 04 Sep 2007) 04 Mar 2008	11055/2008
Apple Inc.; 14-01, 14-02, Electronic device, (US, 31 Aug 2007) 21 Feb 2008	10819/2008	Apple Inc.; 14-04, Electronic device, (US, 04 Sep 2007) 04 Mar 2008	11056/2008
Apple Inc.; 14-01, 14-02, Electronic device, (US, 31 Aug 2007) 21 Feb 2008	10820/2008	Apple Inc.; 14-04, Electronic device, (US, 04 Sep 2007) 04 Mar 2008	11057/2008
Apple Inc.; 14-02, Electronic device, (US, 31 Aug 2007) 21 Feb 2008	10801/2008	Apple Inc.; 14-04, Electronic device, (US, 04 Sep 2007) 04 Mar 2008	11058/2008
Apple Inc.; 14-02, Electronic device, (US, 31 Aug 2007) 29 Feb 2008	11015/2008	Apple Inc.; 14-04, Electronic device, (US, 04 Sep 2007) 04 Mar 2008	11059/2008
Apple Inc.; 14-02, Electronic device, (US, 31 Aug 2007) 21 Feb 2008	10802/2008	Apple Inc.; 14-04, Electronic device, (US, 04 Sep 2007) 04 Mar 2008	11060/2008
Apple Inc.; 14-04, A display screen for an electronic device, (US, 04 Sep 2007) 04 Mar 2008	11042/2008	Apple Inc.; 14-04, Electronic device, (US, 04 Sep 2007) 04 Mar 2008	11061/2008
Apple Inc.; 14-04, A display screen for an electronic device, (US, 04 Sep 2007) 04 Mar 2008	11043/2008	Apple Inc.; 14-02, Electronic device, (US, 31 Aug 2007) 21 Feb 2008	10803/2008

Apple Inc.; 14-02, Electronic device, (US, 31 Aug 2007) 21 Feb 2008	10804/2008	ASSA ABLOY Australia Pty Limited; 08-06, Handle, 26 Feb 2008	10925/2008
Apple Inc.; 14-02, Electronic device, (US, 31 Aug 2007) 21 Feb 2008	10805/2008	Baby Bjorn AB; 21-01NES, A toy, (EM, 28 Aug 2007) 20 Feb 2008	10796/2008
Apple Inc.; 14-02, Electronic device, (US, 31 Aug 2007) 21 Feb 2008	10806/2008	Bacon, Judith; 11-04, Crystal bridal bouquet - "Forever in Love", 10 Mar 2008	11168/2008
Apple Inc.; 14-02, Electronic device, (US, 31 Aug 2007) 21 Feb 2008	10807/2008	Bambinoz Pty Ltd; 06-01E, Portable highchair, supports to hold babies in a sitting position, 25 Feb 2008	10867/2008
Apple Inc.; 14-02, Electronic device, (US, 31 Aug 2007) 21 Feb 2008	10808/2008	Bang & Olufsen A/S; 14-01, A loudspeaker, (DK, 30 Aug 2007) 21 Feb 2008	10855/2008
Apple Inc.; 14-02, Electronic device, (US, 31 Aug 2007) 21 Feb 2008	10809/2008	Bardo, Robert Stoneham Andrew; 13-03D, Switch grid plates with surround, (ZA, 24 Aug 2007) 21 Feb 2008	10848/2008
Apple Inc.; 14-01, 14-02, Electronic device, (US, 31 Aug 2007) 21 Feb 2008	10821/2008	Bell, Stanley; Wilson, Anthony; 08-99, Mason's pointer, (EM, 31 Aug 2007) 29 Feb 2008	11012/2008
Apple Inc.; 14-01, 14-02, Electronic device, (US, 31 Aug 2007) 21 Feb 2008	10822/2008	Bellett Leasing Pty Ltd; 03-01NES, Carry case for a pacifier, (US, 06 Sep 2007) 04 Mar 2008	11072/2008
Apple Inc.; 14-01, 14-02, Electronic device, (US, 31 Aug 2007) 21 Feb 2008	10823/2008	Berckovich, Reuven; Meckier, Abraham; 09-01NES, Container dispenser, 27 Feb 2008	10945/2008
Apple Inc.; 14-01, 14-02, Electronic device, (US, 31 Aug 2007) 21 Feb 2008	10824/2008	Berckovich, Reuven; Meckier, Abraham; 09-01NES, Container dispenser, 27 Feb 2008	10944/2008
Apple Inc.; 14-01, 14-02, Electronic device, (US, 31 Aug 2007) 21 Feb 2008	10825/2008	Betta Industries Pty Ltd; 25-01K, Extrusion, 28 Feb 2008	10950/2008
Apple Inc.; 14-01, 14-02, Electronic device, (US, 31 Aug 2007) 21 Feb 2008	10825/2008	Betta Industries Pty Ltd; 25-01K, Extrusion, 28 Feb 2008	10951/2008
Armour Home Electronics Limited; 14-01, Loudspeaker, (EM, 09 Jan 2008) 06 Mar 2008	11147/2008	Black & Decker, Inc.; 08-01, A drill, (US, 31 Aug 2007) 21 Feb 2008	10843/2008
Art Plastics Pty Ltd; 23-01B, Plumbing fitting, 06 Mar 2008	11109/2008	Blade Electric Vehicles Pty Ltd; 15-01, 08-08NES, Mount of electric motor in Hyundai Getz, 21 Feb 2008	10787/2008
Austact Pty Ltd; 99-00, Tactile marker, 05 Mar 2008	11089/2008	Bromic Pty Ltd; 23-03B, Patio heater - control housing and air inlet assembly, 15 Feb 2008	10775/2008
Australian Intellectual Property Group Pty Ltd; 21-02D, Surfboards, body boards, 26 Feb 2008	10931/2008	Bromic Pty Ltd; 23-03B, Patio heater - cylinder cover, 15 Feb 2008	10774/2008
Automatic Technology (Australia) Pty Ltd; 08-07, Powered door operator, 27 Feb 2008	10939/2008	Building Solutions Pty Ltd; 25-01G, Roof panel, 03 Mar 2008	11037/2008
Automatic Technology (Australia) Pty Ltd; 08-07, Powered door operator, 22 Feb 2008	10873/2008	Caroma Industries Limited; 23-02C, A toilet pan, 26 Feb 2008	10938/2008
Avanti Corporation; 21-02C, Putter head, (JP, 25 Jan 2008) 29 Feb 2008	11006/2008	Caroma Industries Limited; 08-08L, A cistern support bracket, 28 Feb 2008	10990/2008
ASSA ABLOY Australia Pty Limited; 14-02, Remote controller, 26 Feb 2008	10921/2008	Caroma Industries Limited; 08-08L, A cistern support bracket, 28 Feb 2008	10991/2008
ASSA ABLOY Australia Pty Limited; 06-06NES, Furniture Plate, 26 Feb 2008	10922/2008	Caroma Industries Limited; 23-02C, A toilet pan, 26 Feb 2008	10937/2008
ASSA ABLOY Australia Pty Limited; 06-06NES, Furniture plate, 26 Feb 2008	10923/2008	Cheetah Medical Ltd.; 24-01, Electrode, (US, 30 Aug 2007) 28 Feb 2008	10974/2008
ASSA ABLOY Australia Pty Limited; 08-06, Handle, 26 Feb 2008	10924/2008		

Chippa Homes Pty Ltd as Trustee for Chippa Homes Unit Trust; Stylseal Pty Ltd as Trustee for KJF Discretionary Trust; 06-08, Shielded or protected coat hook system, 26 Feb 2008	10919/2008	Eveready Battery Company, Inc.; 13-02, Charger, (US, 25 May 2007) (Divisional of 20670/2007) 08 Nov 2007	11063/2008
Combotronic Limited; 13-03D, Voltage adapter, (HK, 28 Sep 2007) 05 Mar 2008	11094/2008	Eveready Battery Company, Inc.; 26-02, Lighting device, (US, 25 May 2007) (Divisional of 20719/2007) 12 Nov 2007	11064/2008
Cram, Jamie Robert; 08-99, Tool, 03 Mar 2008	11031/2008	Eveready Battery Company, Inc.; 13-02, Charger, (US, 25 May 2007) (Divisional of 20719/2007) 12 Nov 2007	11065/2008
Crane Distribution Limited; 23-02C, A toilet, 10 Mar 2008	11157/2008	Eveready Battery Company, Inc.; 13-02, A charger, (US, 29 May 2007) (Divisional of 20943/2007) 21 Nov 2007	11066/2008
Crane Distribution Limited; 23-02C, A toilet, 10 Mar 2008	11158/2008	Eveready Battery Company, Inc.; 13-02, A charger, (US, 29 May 2007) (Divisional of 20944/2007) 21 Nov 2007	11067/2008
Decor Corporation Pty Ltd, The; 09-03M, "Container base", 28 Feb 2008	10973/2008	Eveready Battery Company, Inc.; 26-02, Flashlight, (US, 20 Jun 2007) (Divisional of 21003/2007) 26 Nov 2007	11068/2008
Decor Corporation Pty Ltd, The; 09-07NES, 09-03M, "Container base", 28 Feb 2008	10992/2008	Fabris, Ariana; 06-03A, Coffee table, 27 Feb 2008	10916/2008
Decor Corporation Pty Ltd, The; 09-07NES, 09-03M, "Container base", 28 Feb 2008	10993/2008	Farnen, Thomas Scott; 09-03M, A box, 05 Mar 2008	11106/2008
Decor Corporation Pty Ltd, The; 09-07NES, 09-03M, "Container base", 28 Feb 2008	10994/2008	Finecard International Limited; 06-02, An article of bedding, 28 Feb 2008	11190/2008
Decor Corporation Pty Ltd, The; 09-07NES, 09-03M, "Container base", 28 Feb 2008	10995/2008	Finecard International Limited; 06-02, A article of bedding, 28 Feb 2008	11191/2008
Decor Corporation Pty Ltd, The; 09-07B, "Lid", 28 Feb 2008	10996/2008	FKA Distributing Co., doing business as HoMedics, Inc.; 10-04, Thermometer, (US, 10 Sep 2007) 07 Mar 2008	11135/2008
Desai, Reshmaben; 23-01F, Fluid storage and dispersion tank underground internal tank panel for inspection and maintenance, 22 Feb 2008	10881/2008	G. James Extrusion Co. Pty Ltd; 25-01K, A scaffold plank extrusion of indefinite length, 28 Feb 2008	10984/2008
Desai, Reshmaben; 23-01F, Fluid storage and dispersion tank underground internal tank panel, 22 Feb 2008	10882/2008	G. James Extrusion Co. Pty Ltd; 25-01K, An extrusion of indefinite length for a scaffold plank, 28 Feb 2008	10985/2008
Desai, Reshma Ben; 23-01E, Subsurface drainage application. In ground/roof gardens podium slabs, etc., 22 Feb 2008	10880/2008	G. James Extrusion Co. Pty Ltd; 25-01K, An endcap for a scaffold plank, 28 Feb 2008	10986/2008
Dixon, Richard; 28-03NES, "Foot fish" (foot washbrush), 04 Mar 2008	11020/2008	G. James Extrusion Co. Pty Ltd; 25-01K, A scaffold plank of indefinite length, 28 Feb 2008	10987/2008
Dyson Limited; 23-04, A fan, (GB, 06 Nov 2007) 05 Mar 2008	11105/2008	Gessi S.p.A.; 23-01H, Tap, (IT, 01 Oct 2007) 27 Feb 2008	10948/2008
Dyson Limited; 13-02, A battery charger, (GB, 12 Sep 2007) 10 Mar 2008	11139/2008	Godusa CC; 08-99, Road studs, 27 Feb 2008	10940/2008
Dyson Limited; 15-05, A head for a cleaning appliance, (GB, 14 Sep 2007) 10 Mar 2008	11140/2008	Gomes, Jane Katherine; 21-02F, An exercise device, 06 Mar 2008	11123/2008
Eveready Battery Company, Inc.; 13-02, Charger, (US, 27 Sep 2007) 25 Feb 2008	10908/2008	Greaves, Jennie; 06-08, , 11 Mar 2008	11169/2008
Eveready Battery Company, Inc.; 26-02, Lighting device, (US, 25 May 2007) (Divisional of 20670/2007) 08 Nov 2007	11062/2008	Guccio Gucci S.p.A.; 09-01G, A bottle, (EP, 06 Nov 2007) 07 Mar 2008	11131/2008
		Guerlain Societe Anonyme; 09-01G, Perfume bottle, (EM, 06 Sep 2007) 22 Feb 2008	10871/2008
		Guilford, Trevor; 23-02C, Commode (portable), 27 Feb 2008	10918/2008

Guntaliga, Muntanee; 09-05, Paper bags made from recycled newspapers and magazines, 07 Mar 2008	11138/2008	Hitch Enterprises Pty Ltd; 02-04NES, Soft soled baby shoes, socks, hair accessories, baby bibs, baby hats and accessories, 23 Feb 2008	10914/2008
GM Global Technology Operations, Inc; 12-16D, Badge, 28 Feb 2008	11019/2008	Honda Motor Co., Ltd.; 12-11, Motorcycle, (JP, 05 Sep 2007) 05 Mar 2008	11092/2008
GM Global Technology Operations, Inc; 12-16D, Badge, 28 Feb 2008	11018/2008	Honda Motor Co., Ltd.; 12-11, A motorcycle, (JP, 03 Sep 2007) 29 Feb 2008	11008/2008
Hager B & R Pty Ltd; 13-03A, Electrical wiring accessory surround, 03 Mar 2008	11027/2008	Honda Motor Co., Ltd.; 12-11, A motorcycle, (JP, 03 Sep 2007) 29 Feb 2008	11013/2008
Hareziak, Krzysztof Roman; 08-06, Tension lever handle, 03 Mar 2008	11017/2008	International Edge Inc.; 28-03NES, Foot micro file, (CN, 14 Sep 2007) 29 Feb 2008	11004/2008
Hayward, John; 06-01L, This design application is for a chair, 11 Mar 2008	11164/2008	International Edge Inc.; 28-03NES, Foot micro file and holder, (CN, 14 Sep 2007) 29 Feb 2008	11005/2008
Hermans, Ty Gerard; 25-02A, Plinth, 28 Feb 2008	10975/2008	James Hardie International Finance B.V.; 25-01K, Building element, 07 Mar 2008	11136/2008
Heuron Screenline Pty Ltd; 25-02H, Slat screening panel, 22 Feb 2008	10840/2008	James Hardie International Finance B.V.; 25-01K, Building element, 07 Mar 2008	11137/2008
Hill-Rom Services, Inc.; 06-06F, Headboard/footboard for an adjustable bed, (US, 10 Sep 2007) 10 Mar 2008	11141/2008	Jemella Group Limited; 28-03B, Hair styling apparatuses, (EM, 03 Sep 2007) 03 Mar 2008	11038/2008
Hill-Rom Services, Inc.; 06-06F, Headboard/footboard for an adjustable bed, (US, 10 Sep 2007) 10 Mar 2008	11142/2008	Jemella Group Limited; 28-03B, Hair styling apparatuses, (EM, 03 Oct 2007) 03 Mar 2008	11039/2008
Hill-Rom Services, Inc.; 06-06F, Headboard/footboard for an adjustable bed, (US, 10 Sep 2007) 10 Mar 2008	11143/2008	Jemella Group Limited; 28-03B, Hair styling apparatuses, 03 Mar 2008	11040/2008
Hill-Rom Services, Inc.; 06-02, Adjustable bed with headboard/footboard, (US, 10 Sep 2007) 10 Mar 2008	11144/2008	Jura Elektroapparate AG; 07-02L, Coffee maker, (CH, 11 Oct 2007) 27 Feb 2008	10941/2008
Hill-Rom Services, Inc.; 06-02, Adjustable bed with headboard/footboard, (US, 10 Sep 2007) 10 Mar 2008	11145/2008	Jura Elektroapparate AG; 07-02L, Coffee maker, (CH, 11 Oct 2007) 27 Feb 2008	10942/2008
Hill-Rom Services, Inc.; 06-02, Adjustable bed with headboard/footboard, (US, 10 Sep 2007) 10 Mar 2008	11146/2008	JMJ Designs Pty Ltd; 02-01B, Waist reduction device, 20 Feb 2008	10841/2008
Hitch Enterprises Pty Ltd; 02-04NES, Soft soled baby shoes, socks, hair accessories, baby bibs, baby hats and accessories, 23 Feb 2008	10910/2008	Kapoochi Australia Pty Ltd; 03-01A, Mini back pack bag, 11 Mar 2008	11153/2008
Hitch Enterprises Pty Ltd; 02-04NES, Soft soled baby shoes, hair accessories, baby bibs hats and accessories, 23 Feb 2008	10911/2008	Kapoochi Australia Pty Ltd; 03-01NES, Baby change wallet, 11 Mar 2008	11154/2008
Hitch Enterprises Pty Ltd; 02-04NES, Soft soled baby shoes, socks, hair accessories, baby bibs, baby hats and accessories, 23 Feb 2008	10912/2008	Kapoochi Australia Pty Ltd; 03-01B, Shoulder bag, 11 Mar 2008	11155/2008
Hitch Enterprises Pty Ltd; 02-04NES, Soft soled baby shoes, socks, hair accessories, baby bibs, baby hats and accessories, 23 Feb 2008	10913/2008	Kapoochi Australia Pty Ltd; 03-01B, Large handbag with two handles, 11 Mar 2008	11156/2008
Hitch Enterprises Pty Ltd; 02-04NES, Soft soled baby shoes, socks, hair accessories, baby bibs, baby hats and accessories, 23 Feb 2008	10913/2008	Karsten Manufacturing Corporation; 21-02C, Golf iron head, (US, 21 Nov 2007) 26 Feb 2008	10936/2008
Hitch Enterprises Pty Ltd; 02-04NES, Soft soled baby shoes, socks, hair accessories, baby bibs, baby hats and accessories, 23 Feb 2008	10913/2008	Kemps, Henricus Antonius; 03-01B, Card holder, 22 Feb 2008	10869/2008
		Kenwood Limited; 07-02NES, Stand for kitchen utensils, (EM, 12 Sep 2007) 25 Feb 2008	10902/2008

Kenwood Limited; 07-02NES, Stand for kitchen utensils, (EM, 12 Sep 2007) 25 Feb 2008	10903/2008	Livingstone International Pty Ltd; 24-01, Cervix brushes, 25 Feb 2008	10896/2008
Kimyee Furniture Sdn Bhd; 06-02, Speed car bed, 04 Mar 2008	11110/2008	Lolitta Clothing Pty Ltd; 02-02C, 02-02NES, , 21 Feb 2008	10788/2008
Kimyee Furniture Sdn Bhd; 06-02, Fire engine bed with trundle, 04 Mar 2008	11113/2008	Lolitta Clothing Pty Ltd; 02-02NES, , 21 Feb 2008	10789/2008
Kimyee Furniture Sdn Bhd; 06-02, Modern F1 car bed, 04 Mar 2008	11111/2008	Lolitta Clothing Pty Ltd; 02-02C, 02-02NES, , 21 Feb 2008	10790/2008
Kimyee Furniture Sdn Bhd; 06-02, Safari bus bunk bed, 04 Mar 2008	11112/2008	Louwer-Lite Limited; 08-08H, Roller blind control end, 04 Mar 2008	11077/2008
Knight, Rodney Paul; 23-02NES, Drain grate, (NZ, 30 Aug 2007) 28 Feb 2008	10999/2008	LED Technologies Pty Ltd; 26-05A, Lighting assembly, 20 Feb 2008	10785/2008
Knight, Rodney Paul; 23-02NES, Drain grate, (NZ, 30 Aug 2007) 28 Feb 2008	11000/2008	LG Electronics Inc.; 14-03E, Mobile telephone, (KR, 28 Aug 2007) 25 Feb 2008	10901/2008
Knight, Rodney Paul; 23-02B, Shower base, (NZ, 30 Aug 2007) 28 Feb 2008	11001/2008	LG Electronics Inc.; 14-03E, Mobile telephone, (KR, 28 Aug 2007) 28 Feb 2008	10966/2008
Knight, Rodney Paul; 23-02B, Shower base, (NZ, 30 Aug 2007) 28 Feb 2008	11002/2008	LG Electronics, Inc.; 15-05, Washing machine, (KR, 07 Sep 2007) 29 Feb 2008	11014/2008
Knight, Rodney Paul; 23-02B, Shower base, (NZ, 30 Aug 2007) 28 Feb 2008	11003/2008	LRC Products Limited; 02-04A, Ball-of-foot cushion, (EM, 22 Aug 2007) 22 Feb 2008	10870/2008
Kohler Co.; 15-01, Engine shroud, (US, 07 Sep 2007) 25 Feb 2008	10906/2008	LRC Products Limited; 02-04A, Ball-of-foot cushion, (EM, 22 Aug 2007) 22 Feb 2008	10872/2008
Kohler Co.; 15-01, Engine, (US, 07 Sep 2007) 25 Feb 2008	10907/2008	Magnets New Zealand Limited; 11-02NES, A set of magnetic supports (useable as fridge magnets for example), (NZ, 12 Feb 2008) 20 Feb 2008	10773/2008
Konami Australia Pty Ltd; 21-03, Gaming machine, 29 Feb 2008	11024/2008	Maniscalco, Robert; 02-02C, Ladies denim jeans, 04 Mar 2008	11021/2008
Konami Australia Pty Ltd; 21-03, Gaming machine, 29 Feb 2008	11025/2008	Maniscalco, Robert; 02-02C, Mens denim jeans, 04 Mar 2008	11022/2008
Koninklijke Philips Electronics N.V.; 06-07, 14-01, Digital photo frame, (EM, 17 Sep 2007) 03 Mar 2008	11032/2008	Mars, Incorporated; 09-03L, Click pack container, (EM, 06 Sep 2007) 06 Mar 2008	11120/2008
Koninklijke Philips Electronics N.V.; 06-07, 14-01, Digital photo frame, (EM, 17 Sep 2007) 03 Mar 2008	11033/2008	Martina of Sweden ApS; 11-01C, A bracelet, (EM, 30 Aug 2007) 29 Feb 2008	11007/2008
Kool BBQ Pty Limited; 07-02E, 12-10, Barbecue trailer unit, 03 Mar 2008	11026/2008	Master Cutlery Corporation; 07-99NES, Knife block, (EM, 06 Sep 2007) 05 Mar 2008	11090/2008
Kwik-Zip Pty Ltd; 08-99, "Centraliser segment", 05 Mar 2008	11103/2008	Master Cutlery Corporation; 07-99NES, Knife block, (EM, 06 Sep 2007) 05 Mar 2008	11091/2008
KCI Licensing Inc; 24-04, Wound therapy device, (US, 17 Sep 2007) 05 Mar 2008	11104/2008	Matsushita Electric Industrial Co., Ltd.; 13-02, Battery for personal computer, (JP, 11 Sep 2007) 10 Mar 2008	11162/2008
Laurysen, Gary Pierre; 24-03, Mammary prosthesis, (ZA, 07 Sep 2007) 06 Mar 2008	11130/2008	McDermott, Matthew Simeon; McDermott, Chris John; 09-03NES, A container, 25 Feb 2008	10905/2008
Lelox (Australia) Pty Ltd; 26-99, Side clearance light mount, 21 Feb 2008	10844/2008	McDermott, Chris John; McDermott, Matthew Simeon; 09-03NES, A container, 25 Feb 2008	10905/2008
Linak A/S; 15-99, A linear actuator, (DK, 01 Sep 2007) 21 Feb 2008	10849/2008	Meckier, Abraham; Berckovich, Reuven; 09-01NES, Container dispenser, 27 Feb 2008	10944/2008

Meckier, Abraham; Berckovich, Reuven; 09-01NES, Container dispenser, 27 Feb 2008	10945/2008	Nicolangela Pty Ltd; 02-02C, Unstructured free sizing evening wear dress, 29 Feb 2008	10960/2008
Megara (Australia) Pty Ltd; 26-05B, Lamp, 03 Mar 2008	11036/2008	Nicolangela Pty Ltd; 02-02C, Unstructured free sizing evening wear dress, 29 Feb 2008	10961/2008
Michael, Vicky; Stewart, Renate; 24-04, Neck protector, 07 Mar 2008	11134/2008	Nixon, Inc.; 10-02, Watch, (US, 23 Aug 2007) 04 Mar 2008	11079/2008
Microsoft Corporation; 13-03D, Adapter, (US, 24 Aug 2007) 22 Feb 2008	10859/2008	Nokia Corporation; 14-03A, A handset, (EM, 27 Aug 2007) 25 Feb 2008	10890/2008
Microsoft Corporation; 14-03NES, Remote controller, (US, 24 Aug 2007) 22 Feb 2008	10860/2008	Nokia Corporation; 14-03A, A handset, (EM, 27 Aug 2007) 25 Feb 2008	10891/2008
Microsoft Corporation; 13-03B, Cabe clip and a portion thereof, (US, 24 Aug 2007) 22 Feb 2008	10861/2008	Nokia Corporation; 14-03A, A set of keys for a handset, (EM, 27 Aug 2007) 25 Feb 2008	10892/2008
Microsoft Corporation; 14-01, Ear phones, (US, 24 Aug 2007) 22 Feb 2008	10862/2008	Nokia Corporation; 14-03A, A set of keys for a handset, (EM, 27 Aug 2007) 25 Feb 2008	10893/2008
Microsoft Corporation; 14-01, Ear phones, (US, 24 Aug 2007) 22 Feb 2008	10863/2008	Nokia Corporation; 14-03A, A set of keys for a handset, (EM, 27 Aug 2007) 25 Feb 2008	10894/2008
Microsoft Corporation; 14-02, Docking station, (US, 24 Aug 2007) 22 Feb 2008	10864/2008	Nokia Corporation; 14-03A, A front cover for a handset, (EM, 27 Aug 2007) 25 Feb 2008	10895/2008
Microsoft Corporation; 14-02, An input device and a portion thereof, (US, 24 Aug 2007) 22 Feb 2008	10865/2008	Oceania Forest Products Pty. Ltd.; 25-01D, Timber decking board, 04 Mar 2008	11078/2008
Microsoft Corporation; 13-02, Charger and a portion thereof, (US, 24 Aug 2007) 22 Feb 2008	10866/2008	Ohara, Nariko; Takamatsu, Kuniaki; 06-11, A mat, 06 Mar 2008	11118/2008
Mobileworld Communications Pty Ltd; 02-02B, Pocket, 20 Feb 2008	10776/2008	Olsson, Ashley Dean; Olsson, Ashley Norman; Olsson, Nathanael Dean; Olsson, Stafford James; Olsson, Kieran Blake; 08-07, A keeper for a fence post, 07 Mar 2008	11122/2008
Mobileworld Communications Pty Ltd; 02-02B, Pocket, 20 Feb 2008	10777/2008	Olsson, Ashley Norman; Olsson, Ashley Dean; Olsson, Nathanael Dean; Olsson, Stafford James; Olsson, Kieran Blake; 08-07, A keeper for a fence post, 07 Mar 2008	11122/2008
Mobileworld Communications Pty Ltd; 02-02B, Pcoket, 20 Feb 2008	10778/2008	Olsson, Nathanael Dean; Olsson, Ashley Dean; Olsson, Ashley Norman; Olsson, Stafford James; Olsson, Kieran Blake; 08-07, A keeper for a fence post, 07 Mar 2008	11122/2008
Mobileworld Communications Pty Ltd; 02-02B, Pocket, 20 Feb 2008	10779/2008	Olsson, Stafford James; Olsson, Ashley Dean; Olsson, Ashley Norman; Olsson, Nathanael Dean; Olsson, Kieran Blake; 08-07, A keeper for a fence post, 07 Mar 2008	11122/2008
Moore, Simon Timothy; Wilder, John; 15-99, A core tray, 06 Mar 2008	11088/2008	Otsuka Pharmaceutical Factory, Inc.; 24-01, Infusion solution bag, (JP, 26 Dec 2007) 26 Feb 2008	10917/2008
New Balance Athletic Shoe, Inc.; 02-04B, Shoe sole, (US, 06 Sep 2007) 06 Mar 2008	11119/2008	OPS - Formfittings Asia Pacific Pty Ltd; 13-03B, Unicon cable basket, 25 Feb 2008	10898/2008
Nicolangela Pty Ltd; 02-02C, Unstructured free sizing evening wear dress, 29 Feb 2008	10955/2008	Parfitt, Sandra; 12-16NES, The cone shaped vehicle cover to protect against hail and weather damage, 07 Mar 2008	11114/2008
Nicolangela Pty Ltd; 02-02C, Unstructured free sizing evening wear dress, 29 Feb 2008	10956/2008		
Nicolangela Pty Ltd; 02-02C, Unstructured free sizing evening wear dress, 29 Feb 2008	10957/2008		
Nicolangela Pty Ltd; 02-02C, Unstructured free sizing evening wear dress, 29 Feb 2008	10958/2008		
Nicolangela Pty Ltd; 02-02C, Unstructured free sizing evening wear dress, 29 Feb 2008	10959/2008		

Parry, Stuart; 21-01D, 11-02NES, Figurine, 03 Mar 2008	11035/2008	Schering-Plough Healthcare Products, Inc.; 09-05, Container for transporting a blister package, (US, 27 Aug 2007) 22 Feb 2008	10856/2008
Petilla, Moises; 21-01L, , 25 Feb 2008	10876/2008	Schering-Plough Healthcare Products, Inc.; 09-05, Container for transporting a blister package, (US, 27 Aug 2007) 22 Feb 2008	10857/2008
Pink Chilli Pty Ltd; 30-99, Clamps for animal leads, reins and tethers, 28 Feb 2008	10949/2008	Schering-Plough Healthcare Products, Inc.; 09-05, Container for transporting a blister package, (US, 27 Aug 2007) 22 Feb 2008	10858/2008
Plastic Glasses Company; 07-01C, Resort range tumblers, 28 Feb 2008	10998/2008	Shenzhen Shenchuang Electrical Appliance Co., Ltd.; 28-03B, Hair straightener (hair iron, flat iron, hair styler), 28 Feb 2008	11207/2008
Platinum Surgical Pty Ltd; 24-02, A surgical quiver, 20 Feb 2008	10791/2008	Shenzhen Shenchuang Electrical Appliance Co., Ltd.; 28-03B, Hair straightener (hair iron, flat iron, hair styler), 28 Feb 2008	11208/2008
Polyweld Pty Ltd; 08-08G, Closed loop J hook, 26 Feb 2008	10997/2008	Shenzhen Shenchuang Electrical Appliance Co., Ltd.; 28-03B, Hair straightener (hair iron, flat iron, hair styler), 28 Feb 2008	11209/2008
Pop Impact Pty Ltd; 20-02E, Dispensor, 03 Mar 2008	11034/2008	Shenzhen Shenchuang Electrical Appliance Co., Ltd.; 28-03B, Hair straightener (hair iron, flat iron, hair styler), 28 Feb 2008	11210/2008
Power Plate International Limited; 21-02F, MY3 exercise apparatus, 21 Feb 2008	10842/2008	Shenzhen Shenchuang Electrical Appliance Co., Ltd.; 28-03B, Hair straightener (hair iron, flat iron, hair styler), 28 Feb 2008	11211/2008
Puett III, Ralph Thomas; 02-03, Cap, 27 Feb 2008	10947/2008	Shenzhen Shenchuang Electrical Appliance Co., Ltd.; 28-03B, Hair straightener (hair iron, flat iron, hair styler), 28 Feb 2008	11212/2008
PJ Whit Pty Ltd; 21-02D, Surf board, 04 Mar 2008	11073/2008	Shenzhen Shenchuang Electrical Appliance Co., Ltd.; 28-03B, Hair straightener (hair iron, flat iron, hair styler), 28 Feb 2008	11213/2008
Radich, Gregory John; 29-02, Rewind able and reusable barricade tape, 06 Mar 2008	11100/2008	Shenzhen Shenchuang Electrical Appliance Co., Ltd.; 28-03B, Hair straightener (hair iron, flat iron, hair styler), 28 Feb 2008	11214/2008
ResMed Ltd; 24-01, Cushion for respiratory mask, 22 Feb 2008	10874/2008	Shenzhen Shenchuang Electrical Appliance Co., Ltd.; 28-03B, Hair straightener (hair iron, flat iron, hair styler), 28 Feb 2008	11215/2008
ResMed Ltd; 24-01, Cushion for respiratory mask, 22 Feb 2008	10875/2008	Shenzhen Shenchuang Electrical Appliance Co., Ltd.; 28-03B, Hair straightener (hair iron, flat iron, hair styler), 28 Feb 2008	11216/2008
Review Australia Pty Ltd; 02-02C, Ladies garments, 21 Sep 2007	10933/2008	Shenzhen Shenchuang Electrical Appliance Co., Ltd.; 28-03B, Hair straightener (hair iron, flat iron, hair styler), 28 Feb 2008	11217/2008
Review Australia Pty Ltd; 02-02C, 02-02NES, Ladies garments, 07 Mar 2008	11152/2008	Shriro Australia Pty Limited; 07-02E, A barbeque, 10 Mar 2008	11159/2008
Robert Welch Designs Limited; 07-03, Table knife, (EM, 07 Sep 2007) 07 Mar 2008	11163/2008	Shriro Australia Pty Limited; 07-02E, A barbeque, 10 Mar 2008	11160/2008
Robinson, Daniel Lee; 24-04, Ice brick/pack, 22 Feb 2008	10846/2008	Shriro Australia Pty Limited; 07-02E, A barbeque, 10 Mar 2008	11161/2008
Robinson, Daniel Lee; 24-04, Ice brick/pack, 22 Feb 2008	10847/2008	Siegfried Generics International AG; 24-04, Inhaler, (EM, 12 Sep 2007) 06 Mar 2008	11124/2008
Rynat Australia Pty Ltd; 25-01C, Support leg, 22 Feb 2008	10897/2008		
S.C. Johnson & Son Inc.; 09-07A, Actuator cap, (US, 24 Aug 2007) 22 Feb 2008	10886/2008		
S.C. Johnson & Son, Inc.; 09-01K, Bottle, (EP, 12 Sep 2007) 07 Mar 2008	11132/2008		
S.C. Johnson & Son, Inc.; 09-01K, Bottle, (EP, 12 Sep 2007) 07 Mar 2008	11133/2008		
Sands Innovations Pty Ltd; 09-05, Packaging, 15 Feb 2008	11357/2008		
Sanford, L.P.; 19-06, Marker, (US, 31 Aug 2007) 22 Feb 2008	10868/2008		

Siegfried Generics International AG; 24-04, Lidless inhaler, (EM, 12 Sep 2007) 06 Mar 2008	11125/2008	Stylseal Pty Ltd as Trustee for KJF Discretionary Trust; Chippa Homes Pty Ltd as Trustee for Chippa Homes Unit Trust; 06-08, Shielded or protected coat hook system, 26 Feb 2008	10919/2008
Siegfried Generics International AG; 24-04, Inhaler and detached lid, (EM, 12 Sep 2007) 06 Mar 2008	11126/2008	Sugar Steel Engineering Pty Ltd; 08-08NES, Retaining sleeve, 04 Mar 2008	11071/2008
Siegfried Generics International AG; 24-04, Inahler, (EM, 12 Sep 2007) 06 Mar 2008	11127/2008	Sunbeam Corporation Limited; 07-02L, Filter holder for an espresso coffee machine, 04 Mar 2008	11041/2008
Siegfried Generics International AG; 24-04, Lidless inhaler, (EM, 12 Sep 2007) 06 Mar 2008	11128/2008	Sunbeam Corporation Limited; 09-02C, Beer brewer, 05 Mar 2008	11093/2008
Siegfried Generics International AG; 24-04, Inhaler and detached lid, (EM, 12 Sep 2007) 06 Mar 2008	11129/2008	Swarovski Aktiengesellschaft; 11-02E, Ornamental object, (EM, 17 Sep 2007) 07 Mar 2008	11148/2008
Sistema Plastics Limited; 09-03M, A set of containers, (NZ, 30 Aug 2007) 27 Feb 2008	10926/2008	Swarovski Aktiengesellschaft; 11-02E, Ornamental object, (EM, 17 Sep 2007) 28 Feb 2008	10967/2008
Sistema Plastics Limited; 09-03NES, A set of containers, (NZ, 30 Aug 2007) 27 Feb 2008	10909/2008	Swarovski Aktiengesellschaft; 11-02E, Ornamental object, (EM, 17 Sep 2007) 28 Feb 2008	10968/2008
Skoot Logistics Australia Pty Limited; 09-03K, A container, 29 Feb 2008	11016/2008	Swarovski Aktiengesellschaft; 11-02E, Ornamental object, (EM, 17 Sep 2007) 28 Feb 2008	10969/2008
Smith, Scott Barry; 06-04NES, CD rack, 05 Mar 2008	11082/2008	Swarovski Aktiengesellschaft; 11-02E, Ornamental object, (EM, 17 Sep 2007) 28 Feb 2008	10970/2008
Societe des Produits Nestle S.A.; 15-07, Freezer, (CH, 28 Sep 2007) 26 Feb 2008	10934/2008	Swarovski Aktiengesellschaft; 11-02E, Ornamental object, (EM, 17 Sep 2007) 28 Feb 2008	10971/2008
Societe des Produits Nestle S.A.; 31-00, Beverage dispenser, (CH, 15 Oct 2007) 04 Mar 2008	11070/2008	Swarovski Aktiengesellschaft; 11-02E, Ornamental object, (EM, 17 Sep 2007) 28 Feb 2008	10972/2008
Societe des Produits Nestle S.A.; 15-07, Freezer, (CH, 28 Sep 2007) 26 Feb 2008	10935/2008	SCA Hygiene Products AB; 24-04, Panty Liner, (EM, 04 Sep 2007) 20 Feb 2008	10780/2008
Societe des Produits Nestle S.A.; 31-00, Beverage dispenser, (CH, 26 Oct 2007) 27 Feb 2008	10946/2008	SCA Hygiene Products AB; 24-04, Panty Liner, (EM, 04 Sep 2007) 20 Feb 2008	10781/2008
Sony Ericsson Mobile Communications AB; 14-03E, Mobile phone, (EM, 05 Sep 2007) 05 Mar 2008	11107/2008	SCA Hygiene Products AB; 24-04, Panty Liner, (EM, 04 Sep 2007) 20 Feb 2008	10782/2008
Sony Ericsson Mobile Communications AB; 14-03E, Mobile phone, (EM, 10 Sep 2007) 05 Mar 2008	11108/2008	SCA Hygiene Products AB; 24-04, Panty Liner, (EM, 04 Sep 2007) 20 Feb 2008	10783/2008
Speedo International Limited; 14-01, Digital audio player, (EM, 20 Dec 2007) 21 Feb 2008	10853/2008	SPL Wholesale Pty Ltd; 12-16NES, Ford motor vehicles, 29 Feb 2008	10952/2008
Speedo International Limited; 02-03, Swimming cap, (EM, 08 Jan 2008) 22 Feb 2008	10877/2008	Takamatsu, Kuniaki; Ohara, Nariko; 06-11, A mat, 06 Mar 2008	11118/2008
Spinal Integration, LLC; 24-01, Guide conduit for catheter, 07 Mar 2008	11151/2008	Techtronic Industries Company Limited; 23-01NES, Spray gun for pressure washer, (EM, 10 Dec 2007) 28 Feb 2008	10964/2008
Spyker Cars N.V.; 12-08, Automobile, 04 Mar 2008	11081/2008	Techtronic Industries Company Limited; 15-05, Pressure washer, (EM, 10 Dec 2007) 28 Feb 2008	10965/2008
Stewart, Renate; Michael, Vicky; 24-04, Neck protector, 07 Mar 2008	11134/2008	Tecpak Industries Limited; 11-02B, 09-03NES, Tub, (NZ, 18 Sep 2007) 20 Feb 2008	10784/2008

Tecpak Industries Limited; 11-02B, 09-03NES, Tub, (NZ, 18 Sep 2007) 20 Feb 2008	10786/2008	Toyota Jidosha Kabushiki Kaisha; 12-16C, Rear bumper for an automobile, (JP, 30 Aug 2007) 28 Feb 2008	10983/2008
Tente GmbH & Co. KG; 06-06C, Castor, (DE, 29 Jun 2007) 07 Dec 2007	11115/2008	Toyota Jidosha Kabushiki Kaisha; 26-06, Front combination lamp for an automobile, (JP, 30 Aug 2007) 28 Feb 2008	10981/2008
Tente GmbH & Co. KG; 06-06C, Castor, (DE, 22 May 2007) 26 Oct 2007	11278/2008	Toyota Jidosha Kabushiki Kaisha; 26-06, Rear combination lamp for an automobile, (JP, 30 Aug 2007) 28 Feb 2008	10982/2008
Tente GmbH & Co. KG; 06-06C, Castor, (DE, 29 Jun 2007) 07 Dec 2007	11116/2008	Toyota Jidosha Kabushiki Kaisha; 12-08, Automobile, (JP, 30 Aug 2007) 28 Feb 2008	10977/2008
The Coleman Company, Inc.; 26-02, Lantern, (US, 25 Oct 2007) 21 Feb 2008	10854/2008	Toyota Jidosha Kabushiki Kaisha; 12-16B, Grille for an automobile, 28 Feb 2008	10988/2008
The Goodyear Tire & Rubber Company; 12-15C, Automobile tyre, (JP, 30 Aug 2007) 20 Feb 2008	10793/2008	Toyota Jidosha Kabushiki Kaisha; 12-08, Automobile, 28 Feb 2008	10989/2008
The Goodyear Tire & Rubber Company; 12-15C, Automobile tyre, (US, 28 Aug 2007) 20 Feb 2008	10794/2008	Tsann Kuen (China) Enterprise Co., Ltd; 07-02N, Fryer and roaster appliance, (CN, 04 Sep 2007) 03 Mar 2008	11023/2008
The Goodyear Tire & Rubber Company; 12-15C, Automobile tyre, (JP, 30 Aug 2007) 20 Feb 2008	10795/2008	Varibase Agencies Pty Ltd; 23-01A, Join Rail, 20 Feb 2008	10799/2008
Tilt-Lift Equipment Pty Ltd; 08-99, Edge lifter, 07 Mar 2008	11149/2008	Varibase Agencies Pty Ltd; 25-01NES, Cover strip, 20 Feb 2008	10800/2008
Tilt-Lift Equipment Pty Ltd; 08-99, Shear bar, 07 Mar 2008	11150/2008	Waldemar S2 C2 Epina; 25-01A, Paver, 10 Mar 2008	11121/2008
Titanium Truck Technologies Pty Ltd; 08-99, Skateboard truck hanger, 27 Feb 2008	10943/2008	Watts Hardware Manufacturing Pty Ltd; 08-07, Lock bolt, 28 Feb 2008	10953/2008
TomTom International B.V.; 14-99, Mount for navigation device, (US, 29 Aug 2007) 22 Feb 2008	10883/2008	Watts Hardware Manufacturing Pty Ltd; 08-07, Door lock, 05 Mar 2008	11074/2008
TomTom International B.V.; 14-01, Navigation device, (US, 29 Aug 2007) 22 Feb 2008	10884/2008	Watts Hardware Manufacturing Pty Ltd; 08-07, Door lock, 05 Mar 2008	11075/2008
TomTom International B.V.; 14-99, Holder for navigation device, (US, 29 Aug 2007) 22 Feb 2008	10885/2008	Watts Hardware Manufacturing Pty Ltd; 25-02B, 25-02H, Door frames, window screen frames, screens in general, 28 Feb 2008	10954/2008
TomTom International B.V.; 14-01, Navigation device, (US, 29 Aug 2007) 22 Feb 2008	10887/2008	West, William J.; West, Leonie V.; 10-04, Two piece ruler with black guide, 03 Mar 2008	11028/2008
TomTom International B.V.; 14-01, Navigation device, (US, 29 Aug 2007) 22 Feb 2008	10888/2008	West, William J.; West, Leonie V.; 10-04, Two piece rectangular ruler with guide, 03 Mar 2008	11030/2008
Toyota Jidosha Kabushiki Kaisha; 12-08, Automobile, (JP, 30 Aug 2007) 28 Feb 2008	10976/2008	West, Leonie V.; West, William J.; 10-04, Two piece rectangular ruler with guide, 03 Mar 2008	11030/2008
Toyota Jidosha Kabushiki Kaisha; 12-08, Automobile, (JP, 30 Aug 2007) 28 Feb 2008	10978/2008	West, Leonie V.; West, William J.; 10-04, Two piece ruler with black guide, 03 Mar 2008	11028/2008
Toyota Jidosha Kabushiki Kaisha; 12-08, Automobile, (JP, 30 Aug 2007) 28 Feb 2008	10979/2008	West, William J.; West, Leonie V.; 10-04, Two piece triangular ruler with guide, 03 Mar 2008	11029/2008
Toyota Jidosha Kabushiki Kaisha; 12-08, Automobile, (JP, 30 Aug 2007) 28 Feb 2008	10980/2008	West, Leonie V.; West, William J.; 10-04, Two piece triangular ruler with guide, 03 Mar 2008	11029/2008
Toyota Jidosha Kabushiki Kaisha; 12-16C, Front bumper for an automobile, (JP, 30 Aug 2007) 28 Feb 2008	10980/2008	Wilder, John; Moore, Simon Timothy; 15-99, A core tray, 06 Mar 2008	11088/2008
		Wilson, Anthony; Bell, Stanley; 08-99, Mason's pointer, (EM, 31 Aug 2007) 29 Feb 2008	11012/2008

Wonderland Nurserygoods Co., Ltd.; 06-01E, High Chair, (EP, 28 Aug 2007) 20 Feb 2008	10797/2008	Ying, Er; 12-16NES, Motorcycle hand shield, (CN, 06 Sep 2007) 26 Feb 2008	10889/2008
Wonderland Nurserygoods Co., Ltd.; 02-07A, Buckle, (EP, 28 Aug 2007) 20 Feb 2008	10798/2008	Ying, Er; 12-11, Motorcycle frame cover, (CN, 31 Oct 2007) 26 Feb 2008	10899/2008
WR Metals Pty Ltd; 08-08L, Support bracket, 05 Mar 2008	11101/2008	Ying, Er; 12-11, Motorcycle frame, (CN, 08 Sep 2007) 26 Feb 2008	10900/2008
WR Metals Pty Ltd; 08-01, Cultivating tine, 05 Mar 2008	11102/2008	3M Innovative Properties Company; 05-99, Film wrap over a media cutting device, (US, 14 Sep 2007) 26 Feb 2008	10927/2008
Yao, Ji-Yong; 11-02B, Plant containers, stand for supporting indoor or outdoor ornamental articles, 21 Feb 2008	10792/2008		

Applications Lapsed

20157 / 2007 (08-08G)	20172 / 2007 (05-05NES)
20331 / 2007 (19-07)	20357 / 2007 (05-05NES)
20438 / 2007 (19-99)	

Registrations Ceased

309348 311663 315081

Extensions of time granted under Section 137

Applications lodged under section 137 for extension of time have been granted.

311353 **Prime Global Brands Ltd.**

311329 **Prime Global Brands Ltd.**

311355 **Prime Global Brands Ltd.**

311664 **Sony Computer Entertainment Inc.**

10457/2008 **Black & Decker, Inc.**

11079/2008 **Nixon, Inc.**

Licences Registered

303171 A licence has been granted to **Leatt Corporation Incorporated**

305138 A licence has been granted to **Leatt Corporation Incorporated**

Applications Assigned

(The name in parentheses is that of the subsequent applicant)

20064/2007 (**Nariko Ohara;Kuniaki Takamatsu;Yoshiaki Ito;Hideaki Kikuchi**) Nariko Ohara;Kuniaki Takamatsu;Yoshiaki Ito

20065/2007 (**Nariko Ohara;Kuniaki Takamatsu;Yoshiaki Ito;Hideaki Kikuchi**) Nariko Ohara;Kuniaki Takamatsu;Yoshiaki Ito

20274/2007 (**ADC GmbH**) ADC Communications (Australia) Pty Limited

Subsequent Owners Registered

(The name in parentheses is that of the subsequent owner)

300295 (**Lego A/S**) Interlego A.G.

300296 (**Lego A/S**) Interlego A.G.

300297 (**Lego A/S**) Interlego A.G.

300298 (**Lego A/S**) Interlego A.G.

300299 (**Lego A/S**) Interlego A.G.

300300 (**Lego A/S**) Interlego A.G.

300301 (**Lego A/S**) Interlego A.G.

300302 (**Lego A/S**) Interlego A.G.

300303 (**Lego A/S**) Interlego A.G.

301220 (**IPH International Pty Ltd**) IPH International Pty Ltd;Pacific Plastics (QLD) Pty Ltd

301477 (**Lego A/S**) Interlego A.G.

301478 (**Lego A/S**) Interlego A.G.

301479 (**Lego A/S**) Interlego A.G.

301480 (**Lego A/S**) Interlego A.G.

301481 (**Lego A/S**) Interlego A.G.

- 301482 (**Lego A/S**) Interlego A.G.
- 301483 (**Lego A/S**) Interlego A.G.
- 302043 (**IPH International Pty Ltd**) IPH International Pty
Ltd;Pacific Plastics (QLD) Pty Ltd
- 303840 (**Lego A/S**) Interlego A.G.
- 303841 (**Lego A/S**) Interlego A.G.
- 304305 (**Lego A/S**) Interlego A.G.
- 304306 (**Lego A/S**) Interlego A.G.
- 313375 (**Assa Abloy AB**) Assa Abloy Identification Technology
Group AB
- 314432 (**Mars, Incorporated**) Alcan Technology & Management
Ltd
- 314433 (**Mars, Incorporated**) Alcan Technology & Management
Ltd
- 318004 (**Noble Workwear Pty Ltd**) Waterlink Investments Pty
Ltd
- 303031 (**Steelcase Inc.**) Steelcase Development Corporation
- 303034 (**Steelcase Inc.**) Steelcase Development Corporation
- 303035 (**Steelcase Inc.**) Steelcase Development Corporation
- 303036 (**Steelcase Inc.**) Steelcase Development Corporation

Corrigenda

Number 21347/2007

In Vol 22 , No 6 , page 553 under the heading **Applications Lapsed**; Design Application No. 21347/2007 should be deleted.

Number 21384/2007

In Vol 22 , No 6 , page 553 under the heading **Applications Lapsed**; Design Application No. 21384/2007 should be deleted.

Number 21385/2007

In Vol 22 , No 6 , page 553 under the heading **Applications Lapsed**; Design Application No. 21385/2007 should be deleted.

Number 318164

In Vol 22 , No 6 , page 613 under the heading **Australian Registered Design**; (30) Convention priority data should read: (31) Number: 000785944 (32) Date: 7 September 2007 (33) Country: European Union.

Number 318304

In Vol 22 , No 6 , page 683 under the heading **Australian Registered Design**; (72) Name(s) of Designer(s) should read: Jeffery Kalman and Peter Arcati and Eric Hyp and Robert Soreo and Robert Dorsey.

Number 317759

In Vol 22 , No 3 , page 351 under the heading **Australian Registered Design**; (72) Name(s) of Design(s) should read: Meng Kai.

Number 317759

In Vol 22 , No 3 , page 351 under the heading **Australian Registered Design**; (54) Product in respect of which the design is registered should read: A tiling guide tool.

Certificate(s) of Examination

318295

02-02NES

19/03/2008

Examination of the following Design Registration(s) has been completed. Infringement proceedings may now be commenced.

304646	25-01K	25/03/2008
304842	13-03A	18/03/2008
304843	13-03A	18/03/2008
304894	25-01K	25/03/2008
305639	13-03B	18/03/2008
306720	13-03E	24/09/2007
306721	13-03E	24/09/2007
307894	03-01D	25/03/2008
308859	25-01NES	13/03/2008
309597	25-02C	18/03/2008
309598	25-02C	18/03/2008
309599	25-02C	18/03/2008
311329	26-06	25/03/2008
311353	26-06	25/03/2008
311355	26-06	25/03/2008
312932	24-04	25/03/2008
312934	24-04	25/03/2008
313380	28-99	17/03/2008
313823	08-03	13/03/2008
314307	21-02C	09/03/2008
314308	21-02C	09/03/2008
314326	21-02C	09/03/2008
314363	25-02B	25/03/2008
314377	25-02B	25/03/2008
314378	25-02B	25/03/2008
314517	12-16L	25/03/2008
314692	19-06	18/03/2008
314896	10-01	13/03/2008
315012	14-01	17/03/2008
315092	09-03M	25/03/2008
315099	25-02NES	25/03/2008
315135	23-01A	18/03/2008
315136	23-01A	18/03/2008
315179	10-04	17/03/2008
315189	06-01H	25/03/2008
315193	06-01H	17/03/2008
315194	06-01H	17/03/2008
315198	06-01H	17/03/2008
315199	06-01H	17/03/2008
315200	06-01F	25/03/2008
315201	06-03A	25/03/2008
315202	06-01F	25/03/2008
315203	06-01H	17/03/2008
315260	26-05B	14/03/2008
315275	26-05C	18/03/2008
315516	04-01	17/03/2008
315608	13-03NES	18/03/2008
315609	13-03NES	18/03/2008
315619	13-03NES	25/03/2008
315646	08-09	18/03/2008
315647	08-09	18/03/2008
315736	16-01	18/03/2008
315755	02-02NES	17/03/2008
315914	15-05	26/03/2008
315915	15-05	26/03/2008
316100	03-99	25/03/2008
316101	03-99	25/03/2008
316222	99-00	25/03/2008
316321	09-05	18/03/2008
316326	28-03NES	26/03/2008
317348	02-02C	25/03/2008
317349	02-02C	25/03/2008
318181	26-05NES	17/03/2008

Publication and Registration Proceedings

Designs Registered

This section provides a concordance between design number and registration number of Designs covered in this journal. It also shows the main class and registration date.

This section covers Registration numbers 318317 to 318564 .

The registration number shown below should be used in all future correspondence.

Design Number	Registration Number	International Classification Code (IDC)	Registration Date	Design Number	Registration Number	International Classification Code (IDC)	Registration Date
14065/2004	318345	09-03M	11/03/2008	20752/2007	318383	08-07	11/03/2008
18028/2007	318474	11-01A	14/03/2008	20753/2007	318384	08-07	11/03/2008
18029/2007	318475	11-02NES	14/03/2008	20754/2007	318385	08-07	11/03/2008
18323/2007	318347	06-03B	11/03/2008	20755/2007	318386	08-07	11/03/2008
19201/2007	318450	02-02C	14/03/2008	20756/2007	318387	08-07	11/03/2008
19340/2007	318542	09-01K	20/03/2008	20757/2007	318388	08-07	11/03/2008
19688/2007	318521	08-01	19/03/2008	20760/2007	318390	25-01E	11/03/2008
19704/2007	318351	06-03B	11/03/2008	20761/2007	318391	25-01E	11/03/2008
19792/2007	318522	04-01	19/03/2008	20762/2007	318392	25-01E	11/03/2008
19810/2007	318503	26-05C	19/03/2008	20763/2007	318389	28-99	11/03/2008
20004/2007	318523	24-04	19/03/2008	20769/2007	318334	24-04	11/03/2008
20005/2007	318524	24-04	19/03/2008	20770/2007	318394	24-04	12/03/2008
20007/2007	318525	24-04	19/03/2008	20771/2007	318415	09-03NES	18/03/2008
20016/2007	318526	24-04	19/03/2008	20772/2007	318395	30-01	12/03/2008
20143/2007	318543	09-01K	20/03/2008	20774/2007	318396	06-03A	12/03/2008
20228/2007	318530	08-01	25/03/2008	20775/2007	318397	07-02N	12/03/2008
20240/2007	318531	12-16L	25/03/2008	20777/2007	318416	06-01E	18/03/2008
20281/2007	318504	03-01A	19/03/2008	20778/2007	318430	22-05	14/03/2008
20282/2007	318505	03-01A	19/03/2008	20779/2007	318417	06-01E	18/03/2008
20283/2007	318506	03-01A	19/03/2008	20785/2007	318398	19-02	12/03/2008
20330/2007	318456	08-07	14/03/2008	20798/2007	318439	07-01G	14/03/2008
20413/2007	318532	25-04	25/03/2008	20803/2007	318471	12-15B	14/03/2008
20414/2007	318533	06-11	25/03/2008	20806/2007	318335	02-04NES	11/03/2008
20433/2007	318534	14-03E	25/03/2008	20807/2007	318336	02-04B	11/03/2008
20434/2007	318535	14-03E	25/03/2008	20808/2007	318337	02-04NES	11/03/2008
20437/2007	318536	08-05NES	25/03/2008	20809/2007	318338	02-04NES	11/03/2008
20473/2007	318527	09-01K	19/03/2008	20810/2007	318339	02-04NES	11/03/2008
20553/2007	318393	13-03D	12/03/2008	20811/2007	318340	02-04NES	11/03/2008
20601/2007	318514	07-02B	19/03/2008	20812/2007	318341	02-04NES	11/03/2008
20629/2007	318528	20-03C	19/03/2008	20813/2007	318342	02-04NES	11/03/2008
20706/2007	318317	23-04	13/03/2008	20814/2007	318343	02-04NES	11/03/2008
20707/2007	318318	15-05	13/03/2008	20815/2007	318344	02-04NES	11/03/2008
20708/2007	318319	15-05	13/03/2008	20816/2007	318418	02-04NES	18/03/2008
20709/2007	318320	15-05	13/03/2008	20817/2007	318419	02-04NES	18/03/2008
20710/2007	318321	15-05	13/03/2008	20818/2007	318420	02-04NES	18/03/2008
20712/2007	318322	19-01	13/03/2008	20819/2007	318421	02-04NES	18/03/2008
20714/2007	318323	14-03E	13/03/2008	20820/2007	318422	02-04B	18/03/2008
20715/2007	318325	06-01F	13/03/2008	20821/2007	318423	02-04B	18/03/2008
20716/2007	318324	07-02L	13/03/2008	20822/2007	318424	02-04NES	18/03/2008
20718/2007	318328	26-02	13/03/2008	20823/2007	318425	02-04NES	18/03/2008
20736/2007	318370	12-05	11/03/2008	20824/2007	318426	02-04B	18/03/2008
20739/2007	318371	13-03D	11/03/2008	20825/2007	318427	02-04B	18/03/2008
20740/2007	318372	13-03D	11/03/2008	20826/2007	318428	02-04NES	18/03/2008
20741/2007	318373	13-03E	11/03/2008	20830/2007	318399	06-04F	12/03/2008
20742/2007	318374	09-03E	11/03/2008	20831/2007	318400	06-04F	12/03/2008
20744/2007	318375	08-07	11/03/2008	20832/2007	318401	06-04F	12/03/2008
20745/2007	318376	08-07	11/03/2008	20833/2007	318402	06-06F	12/03/2008
20746/2007	318377	08-07	11/03/2008	20835/2007	318403	25-02A	12/03/2008
20747/2007	318378	08-07	11/03/2008	20836/2007	318404	14-03A	12/03/2008
20748/2007	318379	08-07	11/03/2008	20839/2007	318429	21-02C	18/03/2008
20749/2007	318380	08-07	11/03/2008	20841/2007	318405	08-08B	12/03/2008
20750/2007	318381	08-07	11/03/2008	20842/2007	318406	28-03NES	12/03/2008
20751/2007	318382	08-07	11/03/2008	20843/2007	318407	28-03NES	12/03/2008

Publication and Registration Proceedings - Designs Registered cont'd

Design Number	Registration Number	International Classification Code (IDC)	Registration Date	Design Number	Registration Number	International Classification Code (IDC)	Registration Date
20844/2007	318408	28-03NES	12/03/2008	20952/2007	318511	07-02L	19/03/2008
20845/2007	318409	28-03NES	12/03/2008	20953/2007	318512	07-02L	19/03/2008
20846/2007	318410	28-03NES	12/03/2008	20954/2007	318507	26-01	19/03/2008
20847/2007	318411	28-03NES	12/03/2008	20956/2007	318516	07-01C	19/03/2008
20848/2007	318412	14-02	12/03/2008	20957/2007	318517	07-01C	19/03/2008
20854/2007	318440	07-01C	14/03/2008	20958/2007	318518	07-01C	19/03/2008
20857/2007	318431	12-16C	14/03/2008	20959/2007	318519	07-01C	19/03/2008
20858/2007	318432	07-02E	14/03/2008	20960/2007	318520	07-02L	19/03/2008
20859/2007	318433	19-08	14/03/2008	20961/2007	318510	21-02F	19/03/2008
20860/2007	318434	25-01K	14/03/2008	20968/2007	318513	02-05	19/03/2008
20861/2007	318435	26-05NES	14/03/2008	20969/2007	318544	13-03C	20/03/2008
20862/2007	318436	26-05NES	14/03/2008	20971/2007	318545	26-02	20/03/2008
20863/2007	318437	26-05NES	14/03/2008	20972/2007	318546	13-03D	20/03/2008
20865/2007	318438	14-02	14/03/2008	20974/2007	318547	26-05A	20/03/2008
20866/2007	318441	09-03M	14/03/2008	20975/2007	318548	24-04	20/03/2008
20867/2007	318442	28-03NES	14/03/2008	20976/2007	318549	24-02	20/03/2008
20871/2007	318443	03-01B	14/03/2008	20989/2007	318538	10-06	25/03/2008
20876/2007	318444	09-01A	14/03/2008	21086/2007	318413	24-04	12/03/2008
20877/2007	318445	08-06	14/03/2008	21087/2007	318414	24-04	12/03/2008
20878/2007	318446	08-06	14/03/2008	21191/2007	318539	23-04	25/03/2008
20879/2007	318447	08-07	14/03/2008	21192/2007	318540	23-04	25/03/2008
20880/2007	318448	08-07	14/03/2008	21193/2007	318541	12-11	25/03/2008
20881/2007	318449	08-07	14/03/2008	21194/2007	318550	12-11	25/03/2008
20882/2007	318476	28-03A	14/03/2008	21195/2007	318551	12-11	25/03/2008
20883/2007	318477	28-03A	14/03/2008	21198/2007	318552	23-01F	25/03/2008
20884/2007	318478	28-03A	14/03/2008	21199/2007	318553	14-04	25/03/2008
20885/2007	318479	28-03A	14/03/2008	21200/2007	318554	24-02	25/03/2008
20886/2007	318480	28-03A	14/03/2008	21202/2007	318555	28-99	25/03/2008
20887/2007	318481	28-03A	14/03/2008	21203/2007	318556	02-04NES	25/03/2008
20888/2007	318482	28-03A	14/03/2008	21206/2007	318557	23-01A	25/03/2008
20889/2007	318483	28-03A	14/03/2008	21209/2007	318558	14-04	25/03/2008
20890/2007	318484	28-03A	14/03/2008	21210/2007	318559	15-04	25/03/2008
20891/2007	318485	28-03A	14/03/2008	21211/2007	318560	06-04D	25/03/2008
20892/2007	318457	14-03NES	14/03/2008	21212/2007	318561	06-02	25/03/2008
20893/2007	318458	25-04	14/03/2008	21213/2007	318562	06-04F	25/03/2008
20894/2007	318459	14-03NES	14/03/2008	21214/2007	318563	06-03B	25/03/2008
20897/2007	318460	09-07A	14/03/2008	21230/2007	318329	06-01F	13/03/2008
20898/2007	318461	09-07A	14/03/2008	21504/2007	318354	20-02E	11/03/2008
20899/2007	318462	09-07A	14/03/2008	21505/2007	318355	20-02E	11/03/2008
20900/2007	318463	29-02	14/03/2008	21506/2007	318356	20-02E	11/03/2008
20902/2007	318472	02-02NES	14/03/2008	21559/2007	318369	99-00	11/03/2008
20907/2007	318464	08-09	14/03/2008	21563/2007	318357	09-01NES	11/03/2008
20914/2007	318465	09-01B	14/03/2008	21569/2007	318492	12-10	14/03/2008
20915/2007	318466	09-01B	14/03/2008	21577/2007	318330	06-01F	13/03/2008
20916/2007	318467	14-03A	14/03/2008	21578/2007	318331	06-01F	13/03/2008
20917/2007	318468	14-01	14/03/2008	21579/2007	318332	06-01F	13/03/2008
20918/2007	318469	28-03NES	14/03/2008	21580/2007	318333	06-01F	13/03/2008
20919/2007	318537	03-01D	25/03/2008	21584/2007	318529	12-15D	19/03/2008
20920/2007	318470	24-01	14/03/2008	21585/2007	318348	06-03B	11/03/2008
20923/2007	318486	08-08L	14/03/2008	21586/2007	318349	06-03B	11/03/2008
20924/2007	318487	08-08L	14/03/2008	21587/2007	318350	06-03B	11/03/2008
20925/2007	318488	08-08L	14/03/2008	10150/2008	318451	02-02C	14/03/2008
20926/2007	318489	08-08L	14/03/2008	10151/2008	318452	02-02C	14/03/2008
20928/2007	318490	06-01G	14/03/2008	10152/2008	318453	02-02C	14/03/2008
20929/2007	318491	06-01G	14/03/2008	10153/2008	318454	02-02NES	14/03/2008
20941/2007	318509	13-03NES	19/03/2008	10154/2008	318455	02-02C	14/03/2008
20945/2007	318515	24-04	19/03/2008	10177/2008	318473	11-02E	14/03/2008
20946/2007	318508	24-04	19/03/2008	10185/2008	318326	06-06G	13/03/2008

Publication and Registration Proceedings - Designs Registered cont'd

Design Number	Registration Number	International Classification Code (IDC)	Registration Date	Design Number	Registration Number	International Classification Code (IDC)	Registration Date
10186/2008	318327	06-06G	13/03/2008	10258/2008	318366	25-01K	11/03/2008
10210/2008	318359	09-01K	11/03/2008	10324/2008	318367	07-99NES	11/03/2008
10211/2008	318360	09-01K	11/03/2008	10379/2008	318564	11-05	25/03/2008
10212/2008	318361	09-01K	11/03/2008	10610/2008	318368	11-02C	11/03/2008
10254/2008	318362	25-01K	11/03/2008	10626/2008	318358	09-01NES	11/03/2008
10255/2008	318363	25-01K	11/03/2008	10749/2008	318352	06-03B	11/03/2008
10256/2008	318364	25-01K	11/03/2008	10750/2008	318353	06-03B	11/03/2008
10257/2008	318365	25-01K	11/03/2008	10932/2008	318346	09-03M	11/03/2008

Publication and Registration Proceedings
Class Listing of Designs Published or Registered

The following section shows an International Classification Code listing of the Registered or Published Designs covered in this supplement.

Classification	Registration Number	Design Number	Classification	Registration Number	Design Number
02-02 C	318450	19201/2007	06-04 D	318560	21211/2007
02-02 C	318451	10150/2008	06-04 F	318399	20830/2007
02-02 C	318452	10151/2008	06-04 F	318400	20831/2007
02-02 C	318453	10152/2008	06-04 F	318401	20832/2007
02-02 C	318455	10154/2008	06-04 F	318562	21213/2007
02-02 NES	318454	10153/2008	06-04 NES	318347	18323/2007
02-02 NES	318472	20902/2007	06-04 NES	318348	21585/2007
02-04 B	318336	20807/2007	06-04 NES	318349	21586/2007
02-04 B	318422	20820/2007	06-04 NES	318350	21587/2007
02-04 B	318423	20821/2007	06-04 NES	318352	10749/2008
02-04 B	318426	20824/2007	06-04 NES	318353	10750/2008
02-04 B	318427	20825/2007	06-06 F	318402	20833/2007
02-04 NES	318335	20806/2007	06-06 G	318326	10185/2008
02-04 NES	318337	20808/2007	06-06 G	318327	10186/2008
02-04 NES	318338	20809/2007	06-11	318533	20414/2007
02-04 NES	318339	20810/2007	07-01 C	318440	20854/2007
02-04 NES	318340	20811/2007	07-01 C	318516	20956/2007
02-04 NES	318341	20812/2007	07-01 C	318517	20957/2007
02-04 NES	318342	20813/2007	07-01 C	318518	20958/2007
02-04 NES	318343	20814/2007	07-01 C	318519	20959/2007
02-04 NES	318344	20815/2007	07-01 G	318439	20798/2007
02-04 NES	318418	20816/2007	07-02 B	318514	20601/2007
02-04 NES	318419	20817/2007	07-02 E	318432	20858/2007
02-04 NES	318420	20818/2007	07-02 L	318324	20716/2007
02-04 NES	318421	20819/2007	07-02 L	318511	20952/2007
02-04 NES	318424	20822/2007	07-02 L	318512	20953/2007
02-04 NES	318425	20823/2007	07-02 L	318516	20956/2007
02-04 NES	318428	20826/2007	07-02 L	318517	20957/2007
02-04 NES	318556	21203/2007	07-02 L	318518	20958/2007
02-05	318513	20968/2007	07-02 L	318519	20959/2007
03-01 A	318504	20281/2007	07-02 L	318520	20960/2007
03-01 A	318505	20282/2007	07-02 N	318397	20775/2007
03-01 A	318506	20283/2007	07-07 NES	318367	10324/2008
03-01 B	318443	20871/2007	07-99 NES	318367	10324/2008
03-01 D	318537	20919/2007	08-01	318521	19688/2007
04-01	318522	19792/2007	08-01	318530	20228/2007
06-01 E	318416	20777/2007	08-05 NES	318536	20437/2007
06-01 E	318417	20779/2007	08-06	318445	20877/2007
06-01 F	318325	20715/2007	08-06	318446	20878/2007
06-01 F	318329	21230/2007	08-07	318375	20744/2007
06-01 F	318330	21577/2007	08-07	318376	20745/2007
06-01 F	318331	21578/2007	08-07	318377	20746/2007
06-01 F	318332	21579/2007	08-07	318378	20747/2007
06-01 F	318333	21580/2007	08-07	318379	20748/2007
06-01 G	318490	20928/2007	08-07	318380	20749/2007
06-01 G	318491	20929/2007	08-07	318381	20750/2007
06-02	318561	21212/2007	08-07	318382	20751/2007
06-03 A	318396	20774/2007	08-07	318383	20752/2007
06-03 B	318347	18323/2007	08-07	318384	20753/2007
06-03 B	318348	21585/2007	08-07	318385	20754/2007
06-03 B	318349	21586/2007	08-07	318386	20755/2007
06-03 B	318350	21587/2007	08-07	318387	20756/2007
06-03 B	318351	19704/2007	08-07	318388	20757/2007
06-03 B	318352	10749/2008	08-07	318447	20879/2007
06-03 B	318353	10750/2008	08-07	318448	20880/2007
06-03 B	318563	21214/2007	08-07	318449	20881/2007

Registration Proceedings - Class Listing of Designs Published or Registered cont'd

Classification	Registration Number	Design Number	Classification	Registration Number	Design Number
08-07	318456	20330/2007	14-03 NES	318459	20894/2007
08-08 B	318405	20841/2007	14-04	318553	21199/2007
08-08 L	318486	20923/2007	14-04	318558	21209/2007
08-08 L	318487	20924/2007	15-04	318559	21210/2007
08-08 L	318488	20925/2007	15-05	318318	20707/2007
08-08 L	318489	20926/2007	15-05	318319	20708/2007
08-08 O	318368	10610/2008	15-05	318320	20709/2007
08-09	318464	20907/2007	15-05	318321	20710/2007
09-01 A	318444	20876/2007	19-01	318322	20712/2007
09-01 B	318465	20914/2007	19-02	318398	20785/2007
09-01 B	318466	20915/2007	19-08	318433	20859/2007
09-01 K	318359	10210/2008	20-02 E	318354	21504/2007
09-01 K	318360	10211/2008	20-02 E	318355	21505/2007
09-01 K	318361	10212/2008	20-02 E	318356	21506/2007
09-01 K	318527	20473/2007	20-03 C	318528	20629/2007
09-01 K	318542	19340/2007	21-02 C	318429	20839/2007
09-01 K	318543	20143/2007	21-02 F	318510	20961/2007
09-01 NES	318357	21563/2007	22-05	318430	20778/2007
09-01 NES	318358	10626/2008	23-01 A	318557	21206/2007
09-03 E	318374	20742/2007	23-01 F	318552	21198/2007
09-03 M	318345	14065/2004	23-04	318317	20706/2007
09-03 M	318346	10932/2008	23-04	318539	21191/2007
09-03 M	318441	20866/2007	23-04	318540	21192/2007
09-03 NES	318415	20771/2007	24-01	318470	20920/2007
09-07 A	318460	20897/2007	24-02	318549	20976/2007
09-07 A	318461	20898/2007	24-02	318554	21200/2007
09-07 A	318462	20899/2007	24-04	318334	20769/2007
09-07 NES	318415	20771/2007	24-04	318394	20770/2007
10-06	318538	20989/2007	24-04	318413	21086/2007
11-01 A	318474	18028/2007	24-04	318414	21087/2007
11-02 C	318368	10610/2008	24-04	318508	20946/2007
11-02 E	318473	10177/2008	24-04	318515	20945/2007
11-02 NES	318475	18029/2007	24-04	318523	20004/2007
11-05	318564	10379/2008	24-04	318524	20005/2007
12-05	318370	20736/2007	24-04	318525	20007/2007
12-10	318492	21569/2007	24-04	318526	20016/2007
12-11	318541	21193/2007	24-04	318548	20975/2007
12-11	318550	21194/2007	25-01 E	318390	20760/2007
12-11	318551	21195/2007	25-01 E	318391	20761/2007
12-15 B	318471	20803/2007	25-01 E	318392	20762/2007
12-15 D	318529	21584/2007	25-01 K	318362	10254/2008
12-16 C	318431	20857/2007	25-01 K	318363	10255/2008
12-16 L	318531	20240/2007	25-01 K	318364	10256/2008
13-03 C	318544	20969/2007	25-01 K	318365	10257/2008
13-03 D	318371	20739/2007	25-01 K	318366	10258/2008
13-03 D	318372	20740/2007	25-01 K	318434	20860/2007
13-03 D	318393	20553/2007	25-02 A	318403	20835/2007
13-03 D	318546	20972/2007	25-04	318458	20893/2007
13-03 E	318373	20741/2007	25-04	318532	20413/2007
13-03 NES	318509	20941/2007	26-01	318507	20954/2007
14-01	318468	20917/2007	26-02	318328	20718/2007
14-02	318412	20848/2007	26-02	318545	20971/2007
14-02	318438	20865/2007	26-05 A	318547	20974/2007
14-03 A	318404	20836/2007	26-05 C	318328	20718/2007
14-03 A	318467	20916/2007	26-05 C	318503	19810/2007
14-03 E	318323	20714/2007	26-05 NES	318435	20861/2007
14-03 E	318534	20433/2007	26-05 NES	318436	20862/2007
14-03 E	318535	20434/2007	26-05 NES	318437	20863/2007
14-03 NES	318457	20892/2007	28-03 A	318476	20882/2007

Registration Proceedings - Class Listing of Designs Published or Registered cont'd

Classification	Registration Number	Design Number	Classification	Registration Number	Design Number
28-03 A	318477	20883/2007	28-03 NES	318409	20845/2007
28-03 A	318478	20884/2007	28-03 NES	318410	20846/2007
28-03 A	318479	20885/2007	28-03 NES	318411	20847/2007
28-03 A	318480	20886/2007	28-03 NES	318442	20867/2007
28-03 A	318481	20887/2007	28-03 NES	318469	20918/2007
28-03 A	318482	20888/2007	28-99	318389	20763/2007
28-03 A	318483	20889/2007	28-99	318555	21202/2007
28-03 A	318484	20890/2007	29-02	318463	20900/2007
28-03 A	318485	20891/2007	30-01	318395	20772/2007
28-03 NES	318406	20842/2007	99-00	318369	21559/2007
28-03 NES	318407	20843/2007			
28-03 NES	318408	20844/2007			

(21) Design Number: **20706/2007**
 (22) Date of Filing Application: **09 November 2007**
 (24) Date from which industrial property rights may have effect: **09 November 2007**
 (54) Product in respect of which the design is registered: **Air mover**
 (51) International Design Classification: **23-04**
 (71) Name(s) and Address(s) of Applicant(s):

Shop Vac Corporation
2323 Reach Road Williamsport PA 17701 United States of America

(72) Name(s) of Designer(s): **Robert Lent Crevling Jr. and David Martinez**

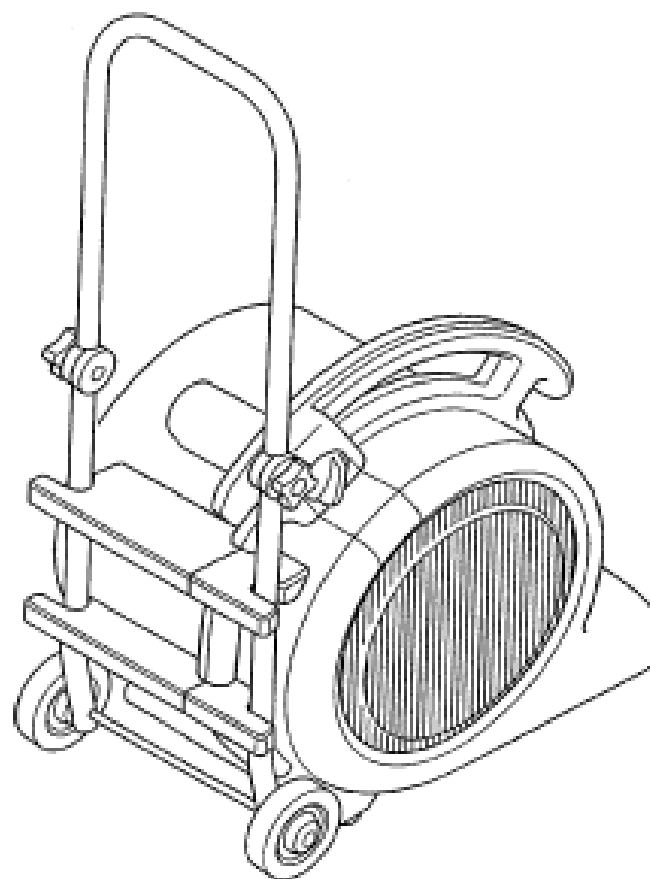
(45) Registration Date: **13 March 2008**

(30) Convention priority data:

(31) Number	(32) Date	(33) Country
29/286568	11 May 2007	UNITED STATES OF AMERICA

(56) Related Art Documents: **Not Applicable**

(57) Statement of Newness and Distinctiveness: **Nil**



(21) Design Number: **20707/2007**
 (22) Date of Filing Application: **09 November 2007**
 (24) Date from which industrial property rights may have effect: **09 November 2007**
 (54) Product in respect of which the design is registered: **Vacuum**
 (51) International Design Classification: **15-05**
 (71) Name(s) and Address(s) of Applicant(s):

Shop Vac Corporation
2323 Reach Road Williamsport PA 17701 United States of America

(72) Name(s) of Designer(s): **John Griffin and Robert Lent Crevling Jr. and Cory F Girton**

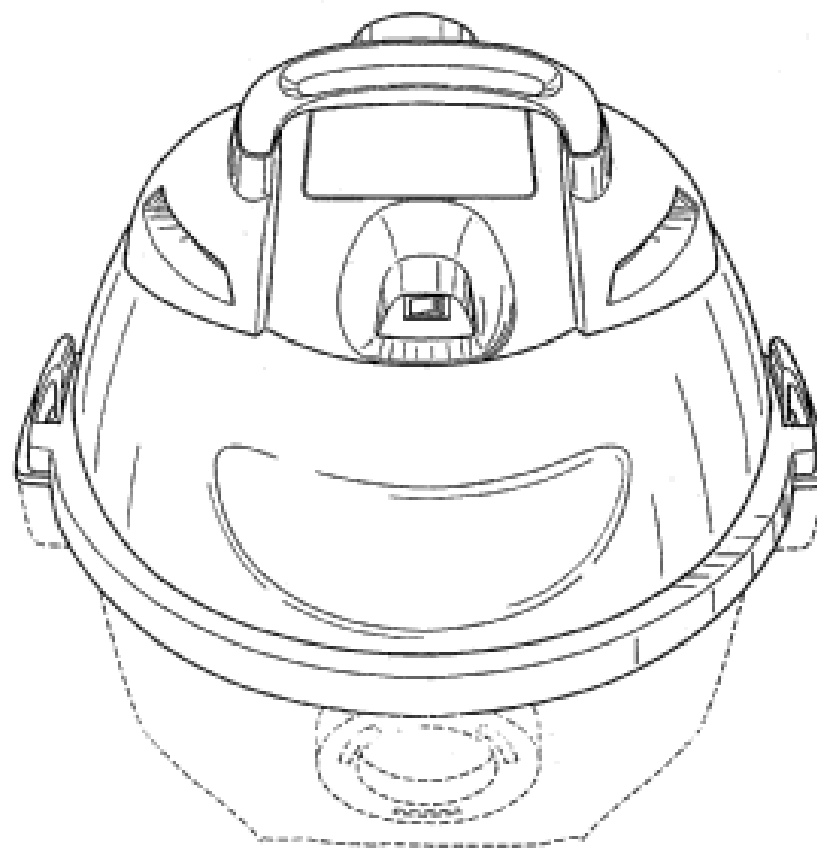
(45) Registration Date: **13 March 2008**

(30) Convention priority data:

(31) Number	(32) Date	(33) Country
29/279922	11 May 2007	UNITED STATES OF AMERICA

(56) Related Art Documents: **Not Applicable**

(57) Statement of Newness and Distinctiveness: **When determining whether the designs 1 or 2 are substantially similar in overall impression to another design, no regard is to be had to the tank as shown in dotted outline, which forms no part of the design.**



(21) Design Number: **20708/2007**
 (22) Date of Filing Application: **09 November 2007**
 (24) Date from which industrial property rights may have effect: **09 November 2007**
 (54) Product in respect of which the design is registered: **Vacuum**
 (51) International Design Classification: **15-05**
 (71) Name(s) and Address(s) of Applicant(s):
Shop Vac Corporation
2323 Reach Road Williamsport PA 17701 United States of America
 (72) Name(s) of Designer(s): **John Griffin and Robert Lent Crevling Jr. and Cory F Girton**
 (45) Registration Date: **13 March 2008**
 (30) Convention priority data:

(31) Number	(32) Date	(33) Country
29/279922	11 May 2007	UNITED STATES OF AMERICA

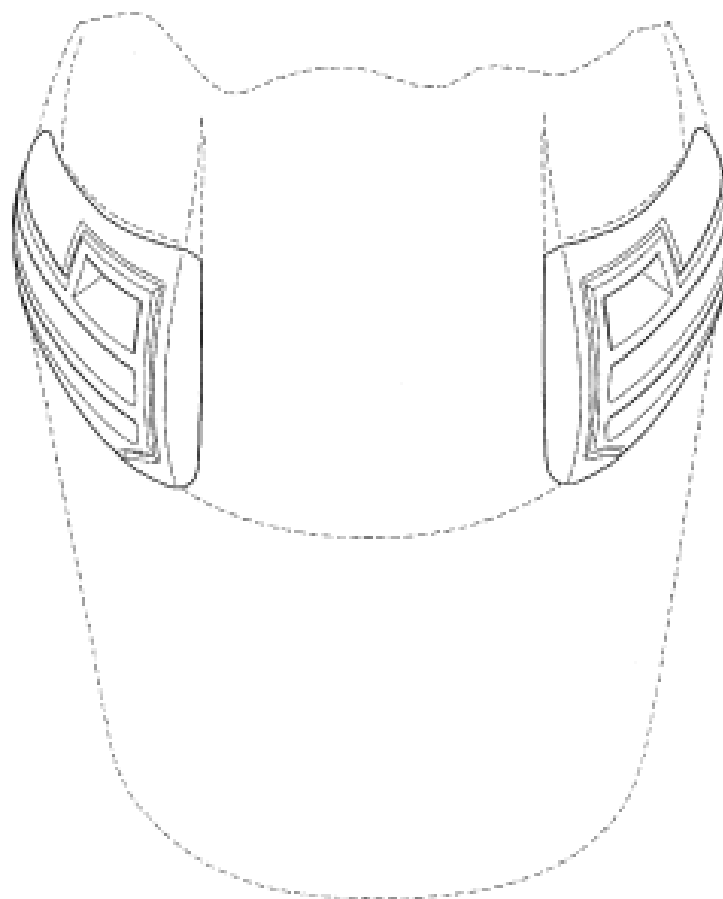
 (56) Related Art Documents: **Not Applicable**
 (57) Statement of Newness and Distinctiveness: **When determining whether the designs 1 or 2 are substantially similar in overall impression to another design, no regard is to be had to the tank as shown in dotted outline, which forms no part of the design.**



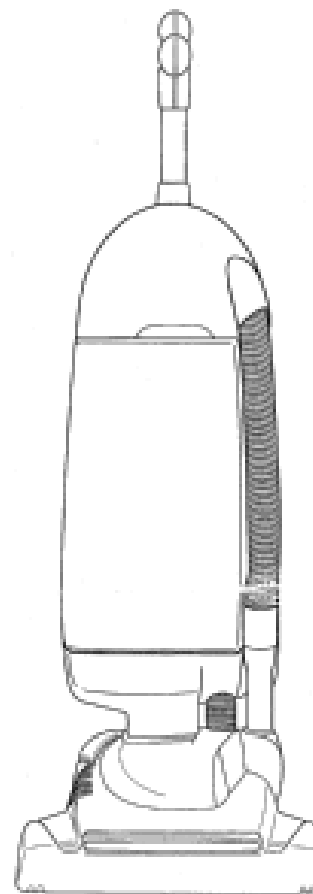
(21) Design Number: **20709/2007**
 (22) Date of Filing Application: **09 November 2007**
 (24) Date from which industrial property rights may have effect: **09 November 2007**
 (54) Product in respect of which the design is registered: **Vacuum cleaner**
 (51) International Design Classification: **15-05**
 (71) Name(s) and Address(s) of Applicant(s):
Shop Vac Corporation
2323 Reach Road Williamsport PA 17701 United States of America
 (72) Name(s) of Designer(s): **John Griffin**
 (45) Registration Date: **13 March 2008**
 (30) Convention priority data:

(31) Number	(32) Date	(33) Country
29/279921	11 May 2007	UNITED STATES OF AMERICA

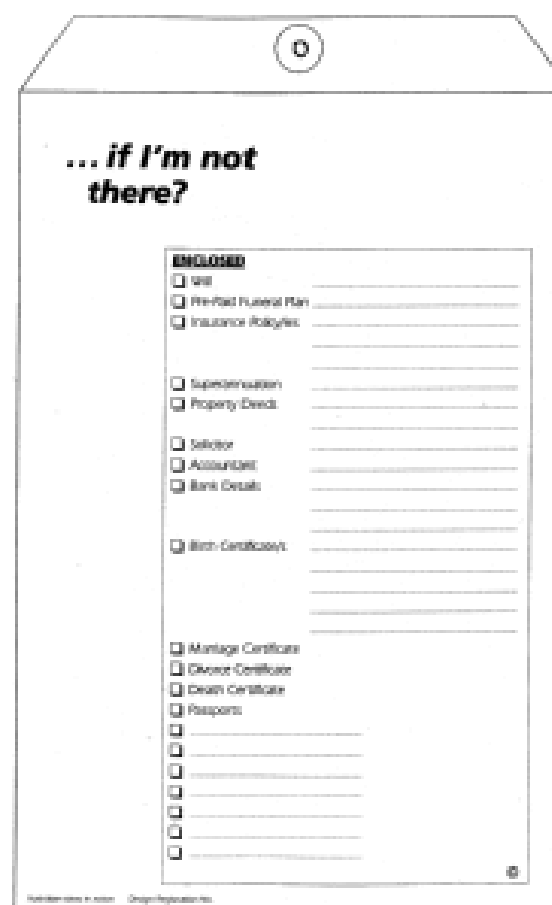
 (56) Related Art Documents: **Not Applicable**
 (57) Statement of Newness and Distinctiveness: **When determining whether the design 1 is substantially similar in overall impression to another design, no regard is to be had to the tank and other parts of the head as shown in dotted outline, which form no part of the design.**



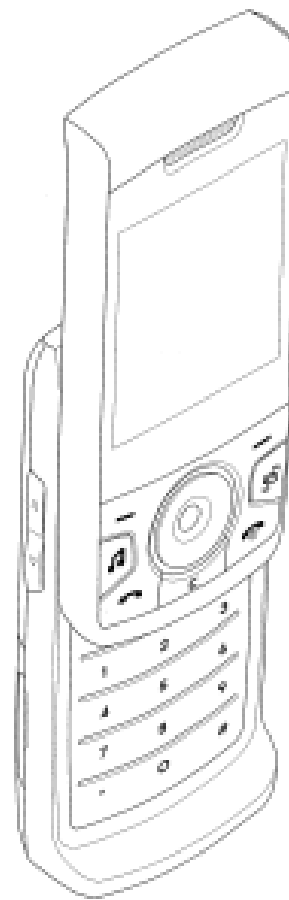
- (21) Design Number: **20710/2007**
(22) Date of Filing Application: **09 November 2007**
(24) Date from which industrial property rights may have effect: **09 November 2007**
(54) Product in respect of which the design is registered: **Vacuum cleaner**
(51) International Design Classification: **15-05**
(71) Name(s) and Address(s) of Applicant(s):
Shop Vac Corporation
2323 Reach Road Williamsport PA 17701 United States of America
(72) Name(s) of Designer(s): **John Griffin**
(45) Registration Date: **13 March 2008**
(30) Convention priority data:
(31) Number (32) Date (33) Country
29/279928 11 May 2007 UNITED STATES OF AMERICA
(56) Related Art Documents: **Not Applicable**
(57) Statement of Newness and Distinctiveness: **When determining whether the design 1 is substantially similar in overall impression to another design, no regard is to be had to the bottom of the vacuum cleaner, which forms no part of the design.**



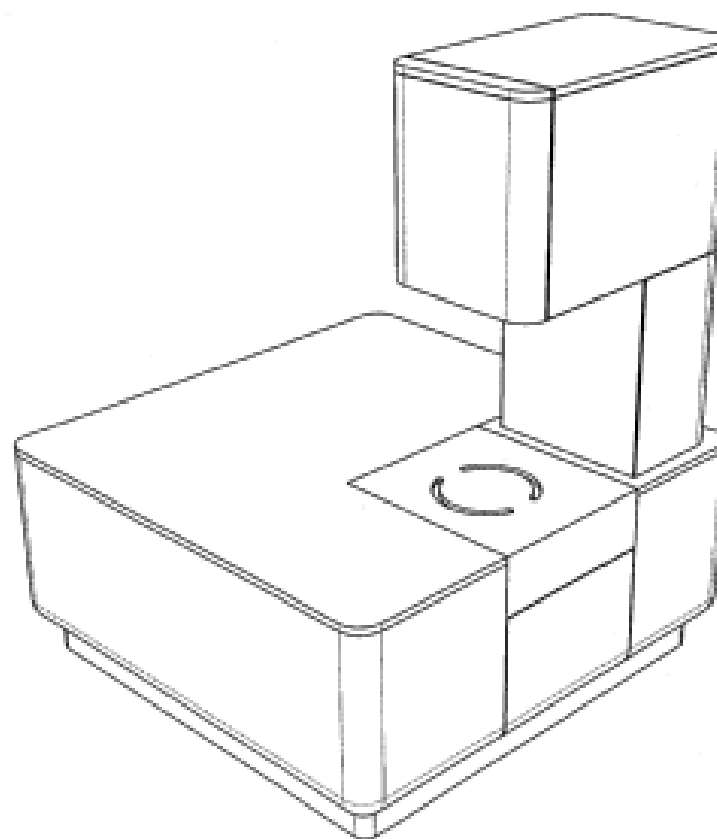
- (21) Design Number: **20712/2007**
(22) Date of Filing Application: **09 November 2007**
(24) Date from which industrial property rights may have effect: **09 November 2007**
(54) Product in respect of which the design is registered: **Non tearable expandable envelope**
(51) International Design Classification: **19-01**
(71) Name(s) and Address(s) of Applicant(s):
Robyn Materazzo
182 Wattlevalley Road Camberwell Victoria 3124 Australia
(72) Name(s) of Designer(s): **Robyn Materazzo**
(45) Registration Date: **13 March 2008**
(56) Related Art Documents: **Not Applicable**
(57) Statement of Newness and Distinctiveness: **Nil**



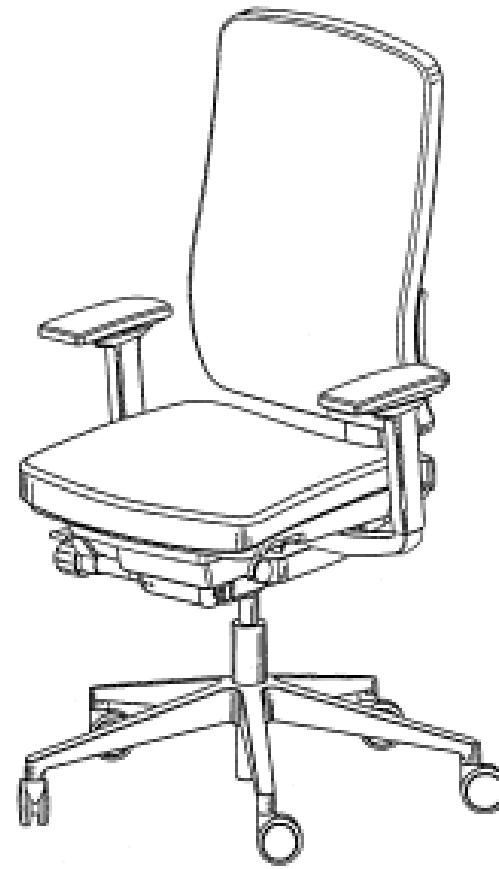
- (21) Design Number: **20714/2007**
(22) Date of Filing Application: **09 November 2007**
(24) Date from which industrial property rights may have effect: **09 November 2007**
(54) Product in respect of which the design is registered: **Mobile phone**
(51) International Design Classification: **14-03E**
(71) Name(s) and Address(s) of Applicant(s):
Samsung Electronics Co., Ltd.
416, Maetan-Dong Yeongtong-Gu Suwon-Si Gyeonggi-Do 443-742
Republic of Korea
(72) Name(s) of Designer(s): **Jei-Sung Park and Yoon-Young Cho and**
Chang-Soo Lee
(45) Registration Date: **13 March 2008**
(30) Convention priority data:
(31) Number (32) Date (33) Country
30-2007-0036618 28 Aug 2007 REPUBLIC OF KOREA
(56) Related Art Documents: **Not Applicable**
(57) Statement of Newness and Distinctiveness: **Nil**



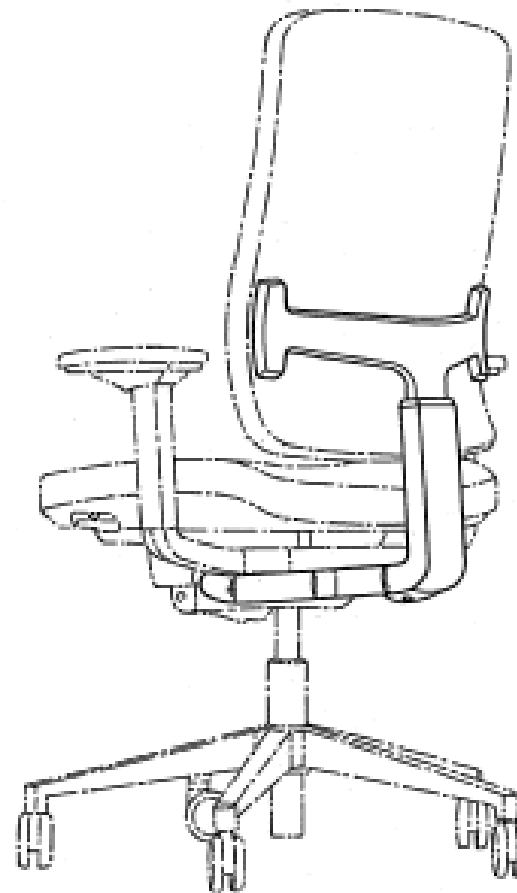
- (21) Design Number: **20716/2007**
(22) Date of Filing Application: **09 November 2007**
(24) Date from which industrial property rights may have effect: **09 November 2007**
(54) Product in respect of which the design is registered: **Coffee machine**
(51) International Design Classification: **07-02L**
(71) Name(s) and Address(s) of Applicant(s):
ILLYCAFFE' SpA con unico socio
Via Flavia 110 Trieste 34147 Italy
(72) Name(s) of Designer(s): **Alex Terzariol and Mario Varesco and Gunter**
Kuhn and Luciano Barberi
(45) Registration Date: **13 March 2008**
(30) Convention priority data:
(31) Number (32) Date (33) Country
722517 14 May 2007 EUROPEAN COMMUNITY
(56) Related Art Documents: **Not Applicable**
(57) Statement of Newness and Distinctiveness: **Nil**



- (21) Design Number: **20715/2007**
(22) Date of Filing Application: **09 November 2007**
(24) Date from which industrial property rights may have effect: **09 November 2007**
(54) Product in respect of which the design is registered: **Chair**
(51) International Design Classification: **06-01F**
(71) Name(s) and Address(s) of Applicant(s):
Steelcase SA
Espace Europeen de l'Entreprise, 1 Allee d'Oslo 67300 Schiltigheim
France
(72) Name(s) of Designer(s): **Simon Wilkinson and Roger Kappelhoff and**
Bryony Gaschy
(45) Registration Date: **13 March 2008**
(30) Convention priority data:
(31) Number (32) Date (33) Country
000722624-0001 14 May 2007 EUROPEAN COMMUNITY
(56) Related Art Documents: **Not Applicable**
(57) Statement of Newness and Distinctiveness: **Those features of the chair**
depicted in the representations that are new and distinctive are the
shape and/or configuration.



- (21) Design Number: **10185/2008**
(22) Date of Filing Application: **09 November 2007**
(24) Date from which industrial property rights may have effect: **09 November 2007**
(54) Product in respect of which the design is registered: **Seat backrest support**
(51) International Design Classification: **06-06G**
(71) Name(s) and Address(s) of Applicant(s):
Steelcase SA
Espace Europeen de l'Entreprise, 1 Allee d'Oslo 67300 Schiltigheim
France
(72) Name(s) of Designer(s): **Simon Wilkinson and Roger Kappelhoff and**
Bryony Gaschy
(45) Registration Date: **13 March 2008**
(30) Convention priority data:
(31) Number (32) Date (33) Country
000722624-0001 14 May 2007 EUROPEAN COMMUNITY
(56) Related Art Documents: **Not Applicable**
(57) Statement of Newness and Distinctiveness: **Those features of the seat**
backrest support depicted in the representations that are new and
distinctive are the shape and/or configuration. The features shown in
broken lines are not part of the design and are to be disregarded when
considering the overall impression of the design.



- (21) Design Number: **10186/2008**
- (22) Date of Filing Application: **09 November 2007**
- (24) Date from which industrial property rights may have effect: **09 November 2007**
- (54) Product in respect of which the design is registered: **Seat backrest support**
- (51) International Design Classification: **06-06G**
- (71) Name(s) and Address(s) of Applicant(s):

Steelcase SA
Espace Europeen de l'Entreprise, 1 Allee d'Oslo 67300 Schiltigheim
France

- (72) Name(s) of Designer(s): **Simon Wilkinson and Roger Kappelhoff and Bryony Gaschy**

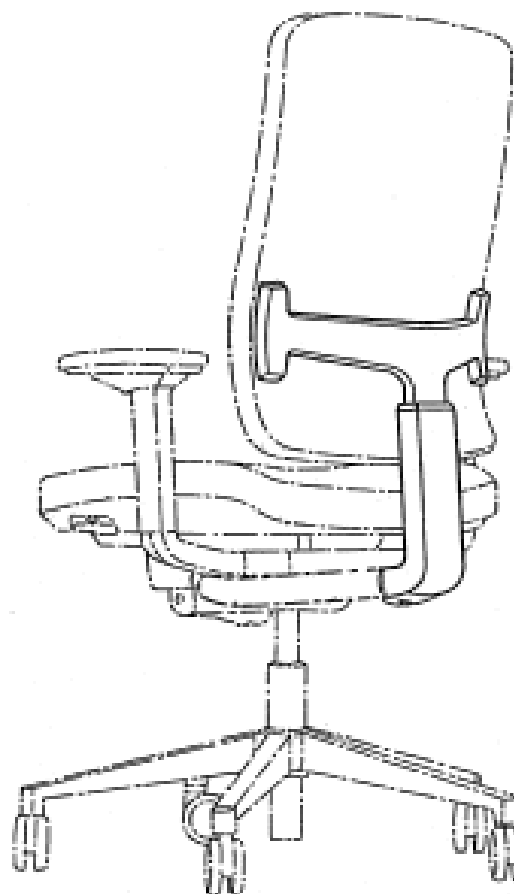
- (45) Registration Date: **13 March 2008**

- (30) Convention priority data:

(31) Number	(32) Date	(33) Country
000722624-0001	14 May 2007	EUROPEAN COMMUNITY

- (56) Related Art Documents: **Not Applicable**

- (57) Statement of Newness and Distinctiveness: **Those features of the seat backrest support depicted in the representations that are new and distinctive are the shape and/or configuration. The features shown in broken lines are not part of the design and are to be disregarded when considering the overall impression of the design.**



- (21) Design Number: **20718/2007**
- (22) Date of Filing Application: **12 November 2007**
- (24) Date from which industrial property rights may have effect: **12 November 2007**
- (54) Product in respect of which the design is registered: **Lighting device**
- (51) International Design Classification: **26-02, 26-05C**
- (71) Name(s) and Address(s) of Applicant(s):

Eveready Battery Company, Inc.
533 Maryville University Drive St Louis Missouri 63141 United States
of America

- (72) Name(s) of Designer(s): **Scott W. Osiecki and Ronald J. Kingston and Donwoong Kang**

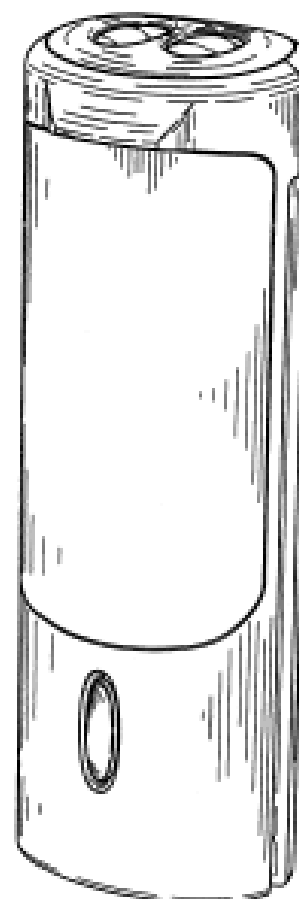
- (45) Registration Date: **13 March 2008**

- (30) Convention priority data:

(31) Number	(32) Date	(33) Country
29/288003	25 May 2007	UNITED STATES OF AMERICA

- (56) Related Art Documents: **Not Applicable**

- (57) Statement of Newness and Distinctiveness: **Newness and distinctiveness is claimed in those visual features depicted in unbroken lines.**



- (21) Design Number: **21230/2007**
(22) Date of Filing Application: **11 December 2007**
(24) Date from which industrial property rights may have effect: **11 December 2007**
(54) Product in respect of which the design is registered: **Chair**
(51) International Design Classification: **06-01F**
(71) Name(s) and Address(s) of Applicant(s):

Steelcase SA
Espace Europeen de l'Entreprise, 1 Allee d'Oslo 67300 Schiltigheim
France

- (72) Name(s) of Designer(s): **Simon Wilkinson and Rogier Kappelhoff and Bryony Gaschy**

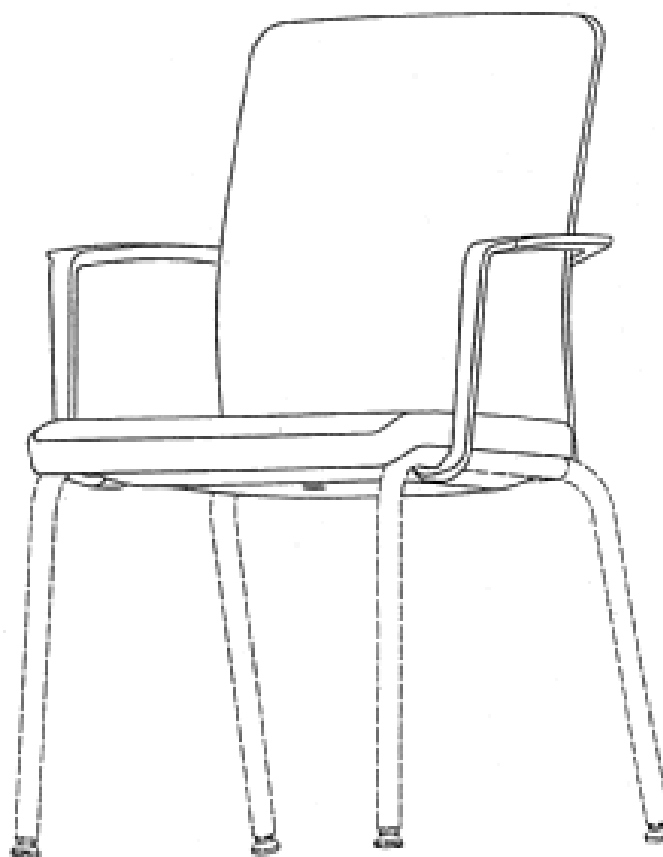
(45) Registration Date: **13 March 2008**

(30) Convention priority data:

(31) Number	(32) Date	(33) Country
756572	12 Jul 2007	EUROPEAN COMMUNITY

(56) Related Art Documents: **Not Applicable**

- (57) Statement of Newness and Distinctiveness: **Those features of the chair depicted in the representations that are new and distinctive are the shape and/or configuration. The features shown in broken lines are not part of the design and are to be disregarded when considering the overall impression of the design.**



- (21) Design Number: **21577/2007**
(22) Date of Filing Application: **11 December 2007**
(24) Date from which industrial property rights may have effect: **11 December 2007**
(54) Product in respect of which the design is registered: **Chair**
(51) International Design Classification: **06-01F**
(71) Name(s) and Address(s) of Applicant(s):

Steelcase SA
Espace Europeen de l'Entreprise, 1 Allee d'Oslo 67300 Schiltigheim
France

- (72) Name(s) of Designer(s): **Simon Wilkinson and Rogier Kappelhoff and Bryony Gaschy**

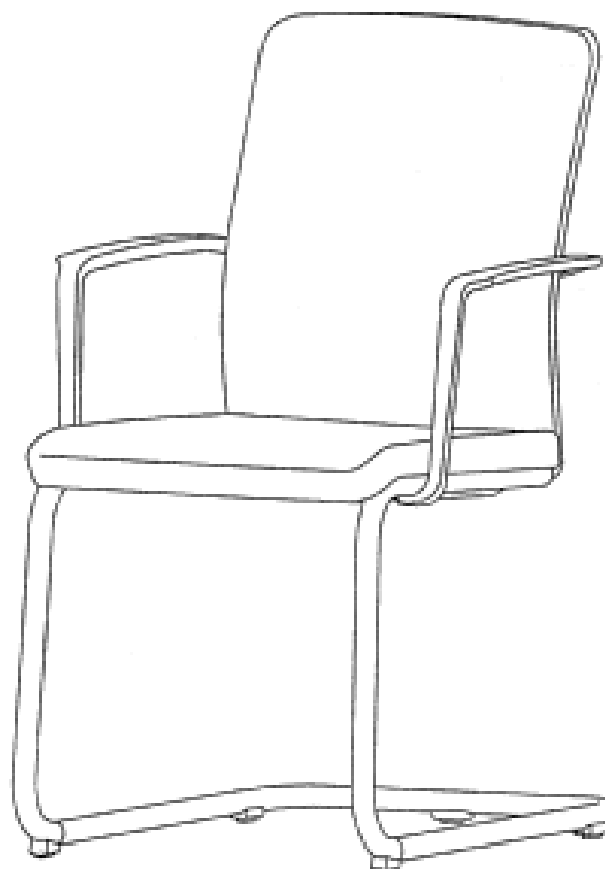
(45) Registration Date: **13 March 2008**

(30) Convention priority data:

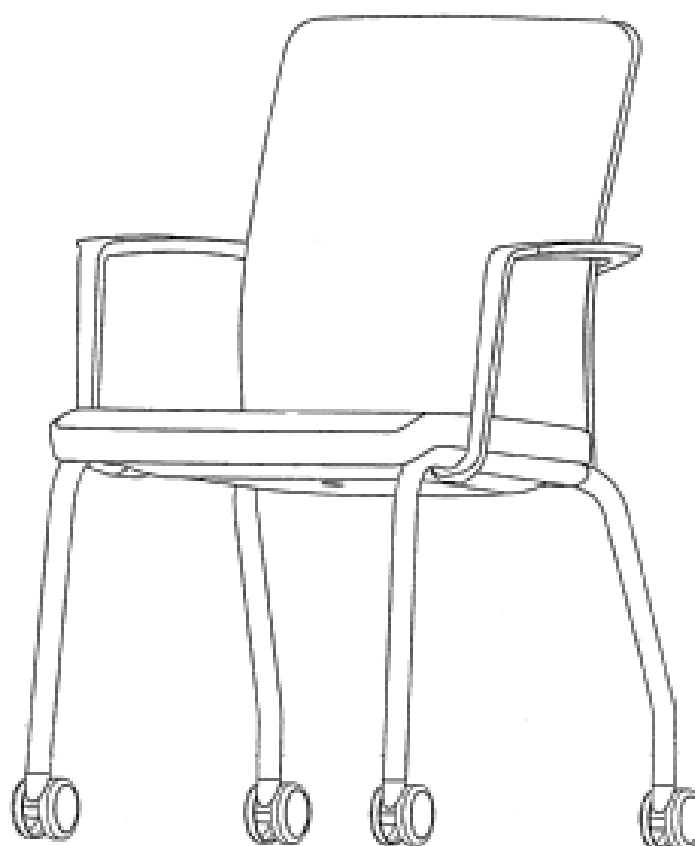
(31) Number	(32) Date	(33) Country
756572	12 Jul 2007	EUROPEAN COMMUNITY

(56) Related Art Documents: **Not Applicable**

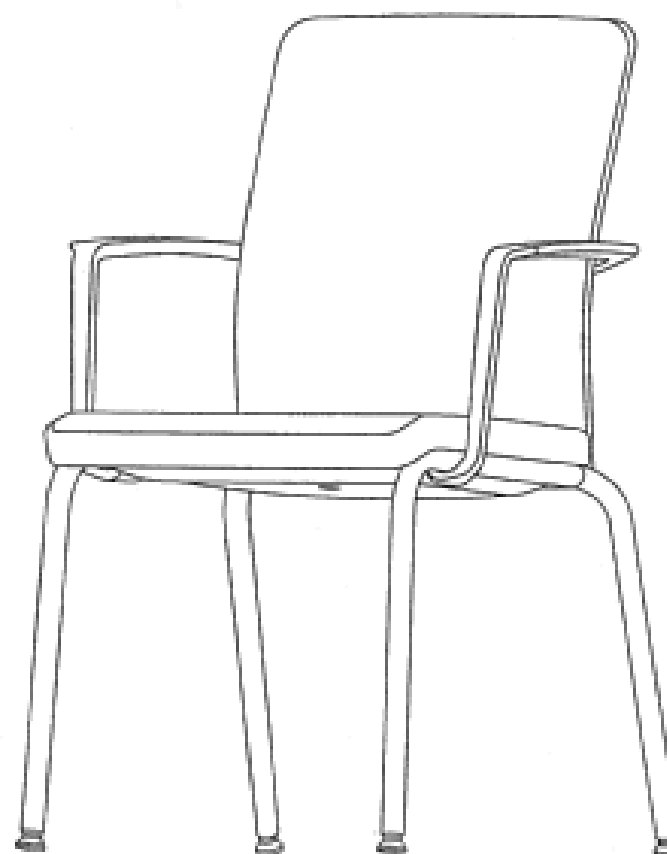
- (57) Statement of Newness and Distinctiveness: **Those features of the chair depicted in the representations that are new and distinctive are the shape and/or configuration.**



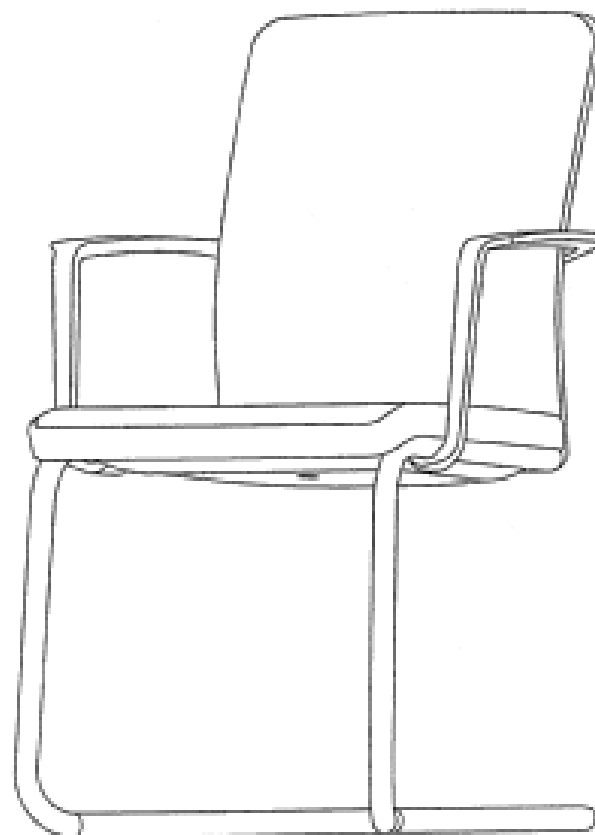
- (21) Design Number: **21578/2007**
(22) Date of Filing Application: **11 December 2007**
(24) Date from which industrial property rights may have effect: **11 December 2007**
(54) Product in respect of which the design is registered: **Chair**
(51) International Design Classification: **06-01F**
(71) Name(s) and Address(s) of Applicant(s):
Steelcase SA
Espace Europeen de l'Entreprise, 1 Allee d'Oslo 67300 Schiltigheim
France
(72) Name(s) of Designer(s): **Simon Wilkinson and Rogier Kappelhoff and**
Bryony Gaschy
(45) Registration Date: **13 March 2008**
(30) Convention priority data:
(31) Number (32) Date (33) Country
756572 12 Jul 2007 EUROPEAN COMMUNITY
(56) Related Art Documents: **Not Applicable**
(57) Statement of Newness and Distinctiveness: **Those features of the chair**
depicted in the representations that are new and distinctive are the
shape and/or configuration.



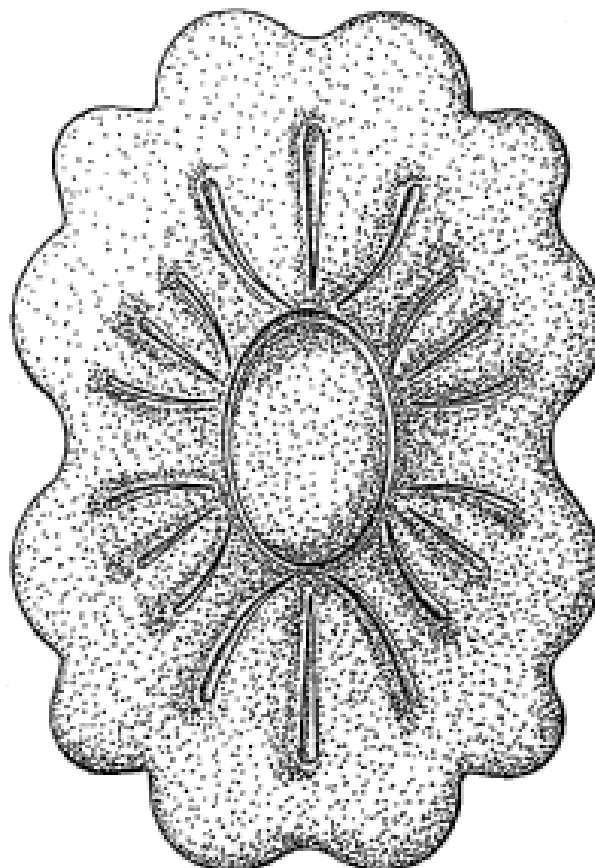
- (21) Design Number: **21579/2007**
(22) Date of Filing Application: **11 December 2007**
(24) Date from which industrial property rights may have effect: **11 December 2007**
(54) Product in respect of which the design is registered: **Chair**
(51) International Design Classification: **06-01F**
(71) Name(s) and Address(s) of Applicant(s):
Steelcase SA
Espace Europeen de l'Entreprise, 1 Allee d'Oslo 67300 Schiltigheim
France
(72) Name(s) of Designer(s): **Simon Wilkinson and Rogier Kappelhoff and**
Bryony Gaschy
(45) Registration Date: **13 March 2008**
(30) Convention priority data:
(31) Number (32) Date (33) Country
756572 12 Jul 2007 EUROPEAN COMMUNITY
(56) Related Art Documents: **Not Applicable**
(57) Statement of Newness and Distinctiveness: **Those features of the chair**
depicted in the representations that are new and distinctive are the
shape and/or configuration.



- (21) Design Number: **21580/2007**
(22) Date of Filing Application: **11 December 2007**
(24) Date from which industrial property rights may have effect: **11 December 2007**
(54) Product in respect of which the design is registered: **Chair**
(51) International Design Classification: **06-01F**
(71) Name(s) and Address(s) of Applicant(s):
Steelcase SA
Espace Europeen de l'Entreprise, 1 Allee d'Oslo 67300 Schiltigheim
France
(72) Name(s) of Designer(s): **Simon Wilkinson and Rogier Kappelhoff and**
Bryony Gaschy
(45) Registration Date: **13 March 2008**
(30) Convention priority data:
(31) Number (32) Date (33) Country
756572 12 Jul 2007 EUROPEAN COMMUNITY
(56) Related Art Documents: **Not Applicable**
(57) Statement of Newness and Distinctiveness: **Those features of the chair**
depicted in the representations that are new and distinctive are the
shape and/or configuration.



- (21) Design Number: **20769/2007**
(22) Date of Filing Application: **13 November 2007**
(24) Date from which industrial property rights may have effect: **13 November 2007**
(54) Product in respect of which the design is registered: **Sanitary absorbent**
article
(51) International Design Classification: **24-04**
(71) Name(s) and Address(s) of Applicant(s):
McNeil-PPC, Inc.
199 Grandview Road Skillman New Jersey 08558 United States of
America
(72) Name(s) of Designer(s): **Luiz Henrique Rachid and Rebeca Sanches da**
Costa Couto Gabrielli
(45) Registration Date: **11 March 2008**
(30) Convention priority data:
(31) Number (32) Date (33) Country
29/280102 16 May 2007 UNITED STATES OF AMERICA
(56) Related Art Documents: **Not Applicable**
(57) Statement of Newness and Distinctiveness: **Newness and distinctiveness**
reside in the shape and configuration and/or pattern and ornamentation
of the design for a sanitary absorbent article as shown in the
accompanying representations.



- (21) Design Number: **20806/2007**
- (22) Date of Filing Application: **14 November 2007**
- (24) Date from which industrial property rights may have effect: **14 November 2007**
- (54) Product in respect of which the design is registered: **Footwear upper**
- (51) International Design Classification: **02-04NES**
- (71) Name(s) and Address(s) of Applicant(s):
Wolverine World Wide, Inc.
9341 Courtland Drive NE Rockford Michigan 49351 United States of America
- (72) Name(s) of Designer(s): **Martin W.F. Dean and Julie St-Louis**
- (45) Registration Date: **11 March 2008**
- (30) Convention priority data:

(31) Number	(32) Date	(33) Country
29286723	17 May 2007	UNITED STATES OF AMERICA
- (56) Related Art Documents: **Not Applicable**
- (57) Statement of Newness and Distinctiveness: **Newness and distinctiveness is claimed in the visual features shown in the representations except for those shown in phantom lines.**



- (21) Design Number: **20807/2007**
- (22) Date of Filing Application: **14 November 2007**
- (24) Date from which industrial property rights may have effect: **14 November 2007**
- (54) Product in respect of which the design is registered: **Footwear sole**
- (51) International Design Classification: **02-04B**
- (71) Name(s) and Address(s) of Applicant(s):
Wolverine World Wide, Inc.
9341 Courtland Drive NE Rockford Michigan 49351 United States of America
- (72) Name(s) of Designer(s): **Gary J. Banik and Andrea Rinaldi**
- (45) Registration Date: **11 March 2008**
- (30) Convention priority data:

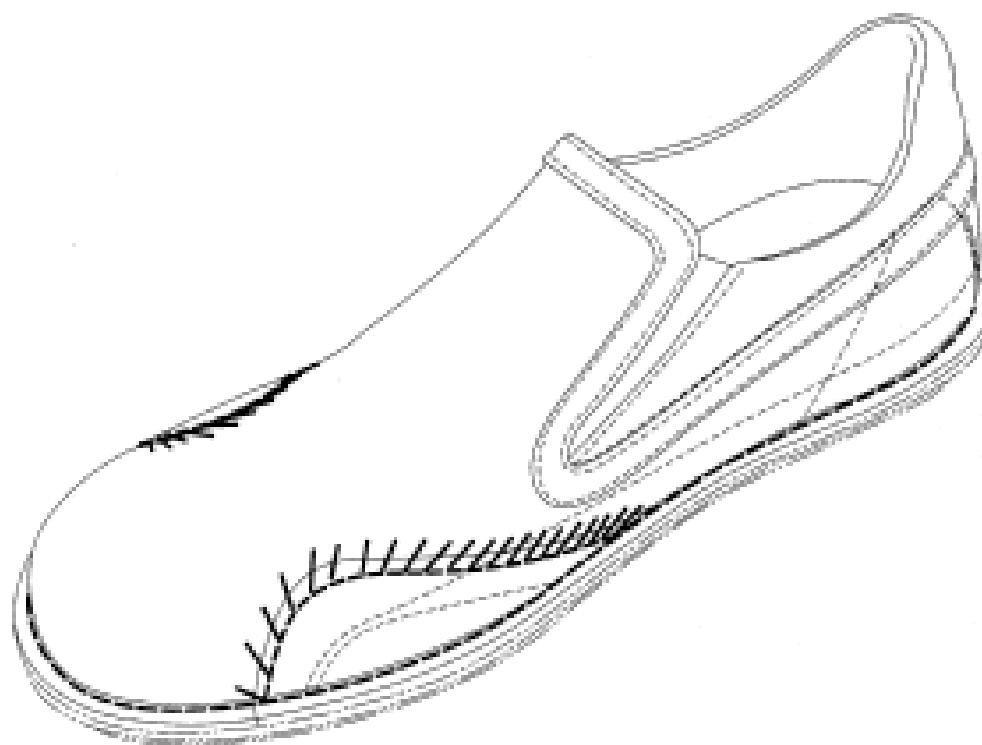
(31) Number	(32) Date	(33) Country
29286781	17 May 2007	UNITED STATES OF AMERICA
- (56) Related Art Documents: **Not Applicable**
- (57) Statement of Newness and Distinctiveness: **Newness and distinctiveness is claimed in the visual features shown in the representations except for those shown in phantom lines.**



- (21) Design Number: **20808/2007**
(22) Date of Filing Application: **14 November 2007**
(24) Date from which industrial property rights may have effect: **14 November 2007**
(54) Product in respect of which the design is registered: **Footwear upper**
(51) International Design Classification: **02-04NES**
(71) Name(s) and Address(s) of Applicant(s):
Wolverine World Wide, Inc.
9341 Courtland Drive NE Rockford Michigan 49351 United States of America
(72) Name(s) of Designer(s): **Julie St-Louis**
(45) Registration Date: **11 March 2008**
(30) Convention priority data:
(31) Number (32) Date (33) Country
29286763 17 May 2007 UNITED STATES OF AMERICA
(56) Related Art Documents: **Not Applicable**
(57) Statement of Newness and Distinctiveness: **Newness and distinctiveness is claimed in the visual features shown in the representations except for those shown in phantom lines.**



- (21) Design Number: **20809/2007**
(22) Date of Filing Application: **14 November 2007**
(24) Date from which industrial property rights may have effect: **14 November 2007**
(54) Product in respect of which the design is registered: **Footwear upper**
(51) International Design Classification: **02-04NES**
(71) Name(s) and Address(s) of Applicant(s):
Wolverine World Wide, Inc.
9341 Courtland Drive NE Rockford Michigan 49351 United States of America
(72) Name(s) of Designer(s): **Lester F. Horne and Martin W.F. Dean**
(45) Registration Date: **11 March 2008**
(30) Convention priority data:
(31) Number (32) Date (33) Country
29286771 17 May 2007 UNITED STATES OF AMERICA
(56) Related Art Documents: **Not Applicable**
(57) Statement of Newness and Distinctiveness: **Newness and distinctiveness is claimed in the visual features shown in the representations except for those shown in phantom lines.**



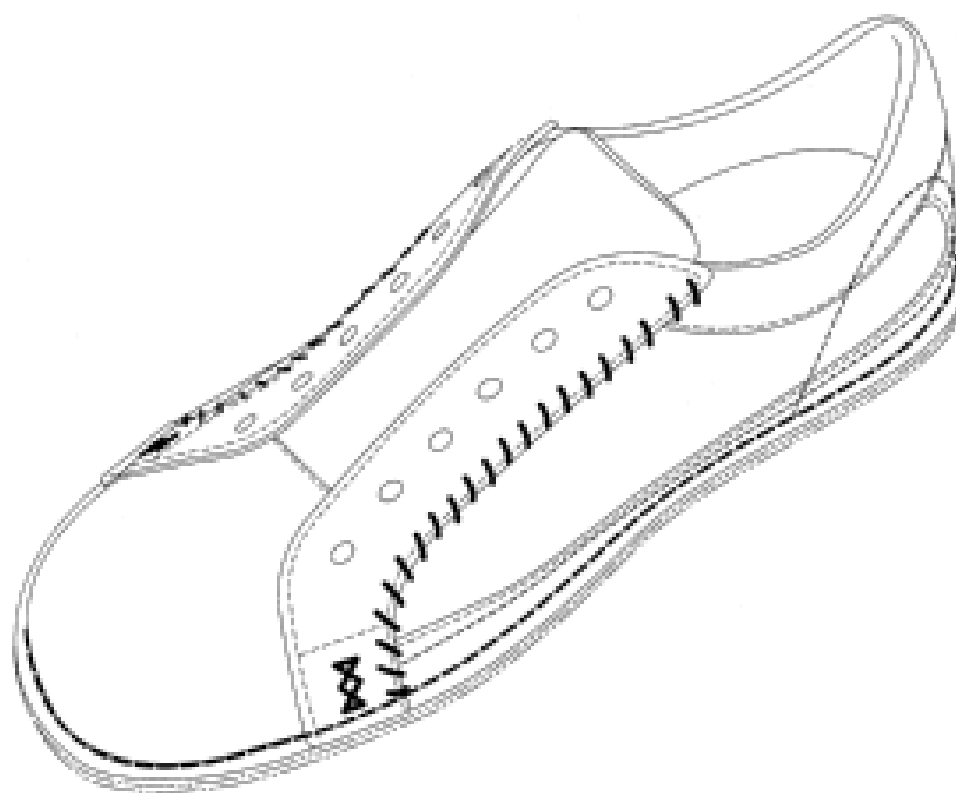
- (21) Design Number: **20810/2007**
- (22) Date of Filing Application: **14 November 2007**
- (24) Date from which industrial property rights may have effect: **14 November 2007**
- (54) Product in respect of which the design is registered: **Footwear upper**
- (51) International Design Classification: **02-04NES**
- (71) Name(s) and Address(s) of Applicant(s):
Wolverine World Wide, Inc.
9341 Courtland Drive NE Rockford Michigan 49351 United States of America
- (72) Name(s) of Designer(s): **Lester F. Horne and Martin W.F. Dean**
- (45) Registration Date: **11 March 2008**
- (30) Convention priority data:

(31) Number	(32) Date	(33) Country
29286753	17 May 2007	UNITED STATES OF AMERICA
- (56) Related Art Documents: **Not Applicable**
- (57) Statement of Newness and Distinctiveness: **Newness and distinctiveness is claimed in the visual features shown in the representations except for those shown in phantom lines.**



- (21) Design Number: **20811/2007**
- (22) Date of Filing Application: **14 November 2007**
- (24) Date from which industrial property rights may have effect: **14 November 2007**
- (54) Product in respect of which the design is registered: **Footwear upper**
- (51) International Design Classification: **02-04NES**
- (71) Name(s) and Address(s) of Applicant(s):
Wolverine World Wide, Inc.
9341 Courtland Drive NE Rockford Michigan 49351 United States of America
- (72) Name(s) of Designer(s): **Lester F. Horne and Martin W.F. Dean**
- (45) Registration Date: **11 March 2008**
- (30) Convention priority data:

(31) Number	(32) Date	(33) Country
29286764	17 May 2007	UNITED STATES OF AMERICA
- (56) Related Art Documents: **Not Applicable**
- (57) Statement of Newness and Distinctiveness: **Newness and distinctiveness is claimed in the visual features shown in the representations except for those shown in phantom lines.**



- (21) Design Number: **20812/2007**
- (22) Date of Filing Application: **14 November 2007**
- (24) Date from which industrial property rights may have effect: **14 November 2007**
- (54) Product in respect of which the design is registered: **Footwear upper**
- (51) International Design Classification: **02-04NES**
- (71) Name(s) and Address(s) of Applicant(s):

Wolverine World Wide, Inc.
9341 Courtland Drive NE Rockford Michigan 49351 United States of America

(72) Name(s) of Designer(s): **Julie St-Louis**

(45) Registration Date: **11 March 2008**

(30) Convention priority data:

(31) Number	(32) Date	(33) Country
29286756	17 May 2007	UNITED STATES OF AMERICA

(56) Related Art Documents: **Not Applicable**

(57) Statement of Newness and Distinctiveness: **Newness and distinctiveness is claimed in the visual features shown in the representations except for those shown in phantom lines.**



- (21) Design Number: **20813/2007**
- (22) Date of Filing Application: **14 November 2007**
- (24) Date from which industrial property rights may have effect: **14 November 2007**
- (54) Product in respect of which the design is registered: **Footwear upper**
- (51) International Design Classification: **02-04NES**
- (71) Name(s) and Address(s) of Applicant(s):

Wolverine World Wide, Inc.
9341 Courtland Drive NE Rockford Michigan 49351 United States of America

(72) Name(s) of Designer(s): **Mary L. Schoenborn**

(45) Registration Date: **11 March 2008**

(30) Convention priority data:

(31) Number	(32) Date	(33) Country
29286711	17 May 2007	UNITED STATES OF AMERICA

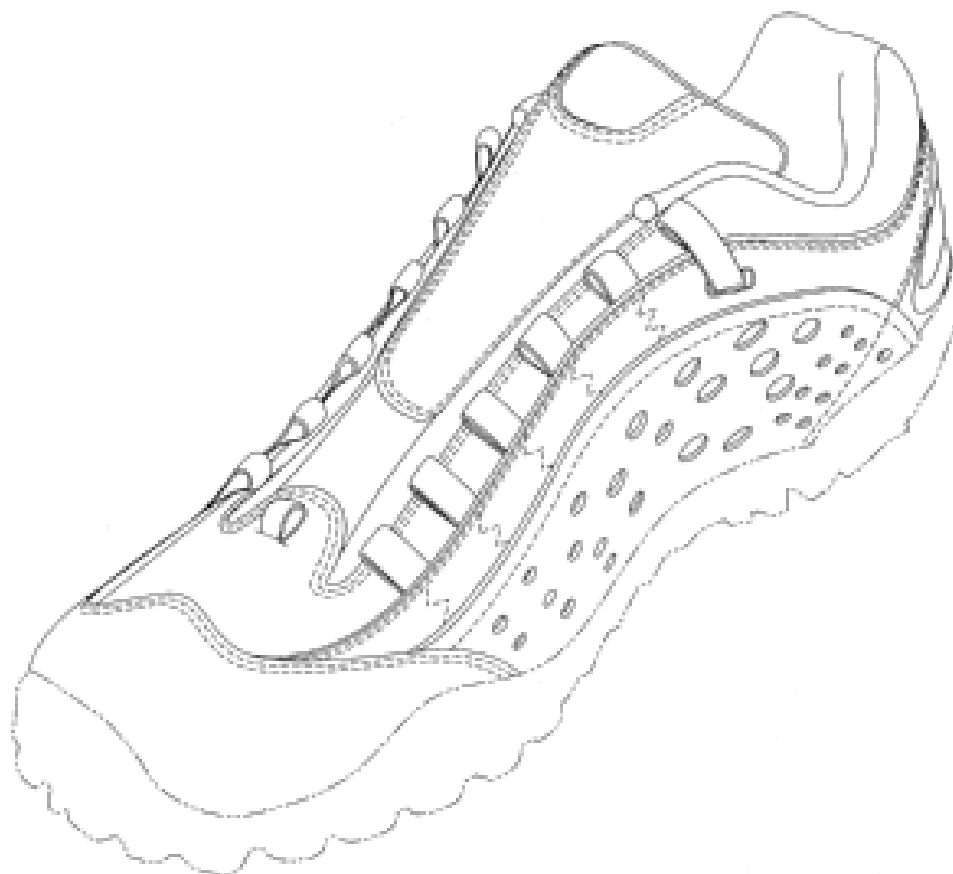
(56) Related Art Documents: **Not Applicable**

(57) Statement of Newness and Distinctiveness: **Newness and distinctiveness is claimed in the visual features shown in the representations except for those shown in phantom lines.**



- (21) Design Number: **20814/2007**
- (22) Date of Filing Application: **14 November 2007**
- (24) Date from which industrial property rights may have effect: **14 November 2007**
- (54) Product in respect of which the design is registered: **Footwear upper**
- (51) International Design Classification: **02-04NES**
- (71) Name(s) and Address(s) of Applicant(s):
Wolverine World Wide, Inc.
9341 Courtland Drive NE Rockford Michigan 49351 United States of America
- (72) Name(s) of Designer(s): **Manon Belley and Julie St-Louis and Martin W.F. Dean and Warren Malkin**
- (45) Registration Date: **11 March 2008**
- (30) Convention priority data:

(31) Number	(32) Date	(33) Country
29286695	17 May 2007	UNITED STATES OF AMERICA
- (56) Related Art Documents: **Not Applicable**
- (57) Statement of Newness and Distinctiveness: **Newness and distinctiveness is claimed in the visual features shown in the representations except for those shown in phantom lines.**



- (21) Design Number: **20815/2007**
- (22) Date of Filing Application: **14 November 2007**
- (24) Date from which industrial property rights may have effect: **14 November 2007**
- (54) Product in respect of which the design is registered: **Footwear upper**
- (51) International Design Classification: **02-04NES**
- (71) Name(s) and Address(s) of Applicant(s):
Wolverine World Wide, Inc.
9341 Courtland Drive NE Rockford Michigan 49351 United States of America
- (72) Name(s) of Designer(s): **Gary J. Banik**
- (45) Registration Date: **11 March 2008**
- (30) Convention priority data:

(31) Number	(32) Date	(33) Country
29286728	17 May 2007	UNITED STATES OF AMERICA
- (56) Related Art Documents: **Not Applicable**
- (57) Statement of Newness and Distinctiveness: **Newness and distinctiveness is claimed in the visual features shown in the representations except for those shown in phantom lines.**



(21) Design Number: **14065/2004**

(22) Date of Filing Application: **25 August 2004**

(24) Date from which industrial property rights may have effect: **23 June 2003**

(54) Product in respect of which the design is registered: **A box**

(51) International Design Classification: **09-03M**

(71) Name(s) and Address(s) of Applicant(s):

**Undercover Ads Pty Ltd
Suites 1 & 2 9th Floor 118 Queen Street Melbourne Victoria 3000
Australia**

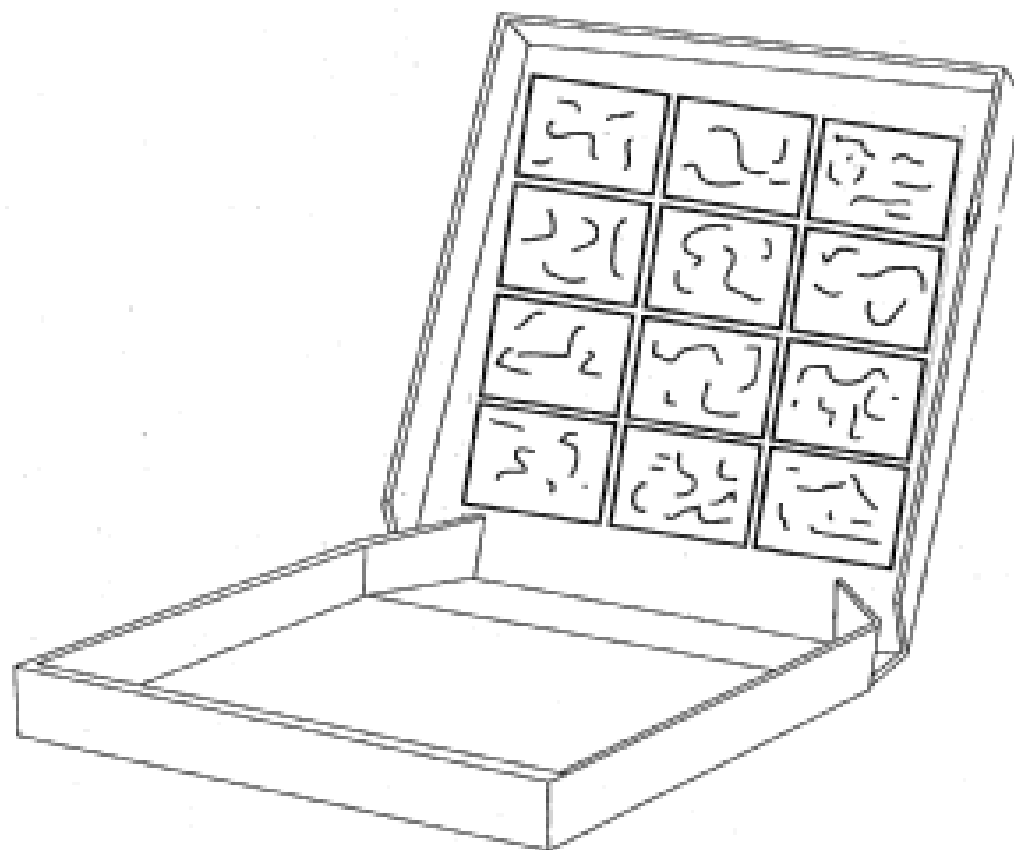
(72) Name(s) of Designer(s): **Rocco Sisinni**

(45) Registration Date: **11 March 2008**

(62) Divisional of: **156408**

(56) Related Art Documents: **Not Applicable**

(57) Statement of Newness and Distinctiveness: **Monopoly is claimed in the features of pattern or ornamentation applied to the inner surface of the lid of the box as illustrated in the accompanying representations. No monopoly is claimed in the features of shape or configuration of the box as illustrated. The squiggly lines do not form part of the design and should be disregarded when considering the scope of the monopoly.**



(21) Design Number: **10932/2008**

(22) Date of Filing Application: **25 August 2004**

(24) Date from which industrial property rights may have effect: **23 June 2003**

(54) Product in respect of which the design is registered: **A box**

(51) International Design Classification: **09-03M**

(71) Name(s) and Address(s) of Applicant(s):

**Undercover Ads Pty Ltd
Suites 1 & 2 9th Floor 118 Queen Street Melbourne Victoria 3000
Australia**

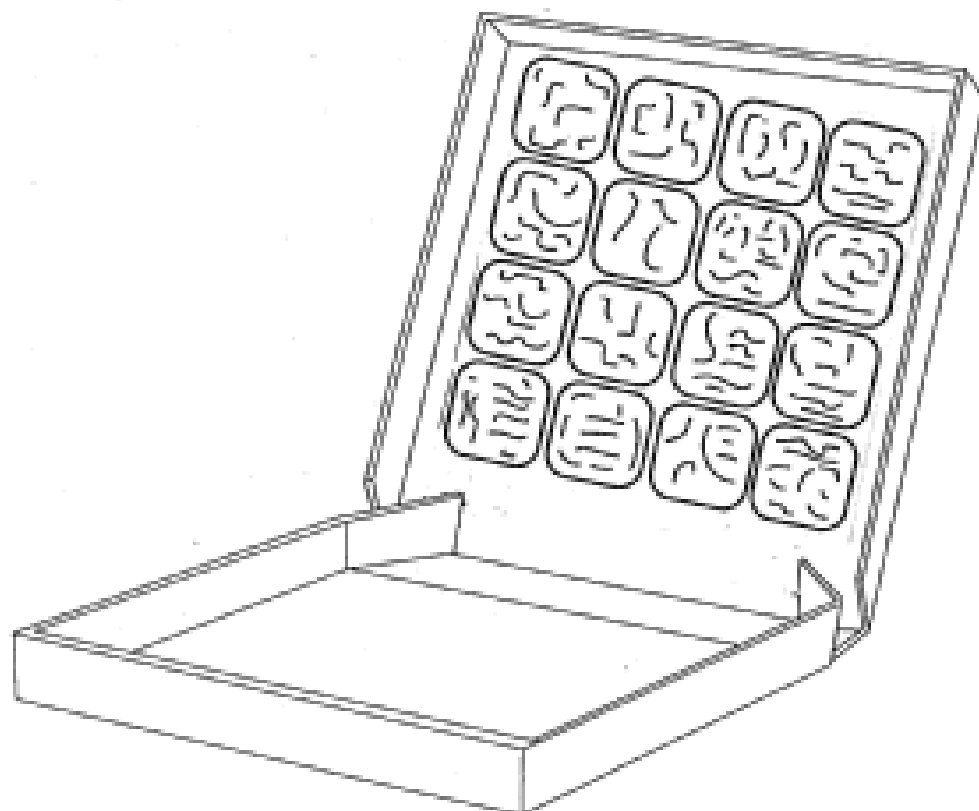
(72) Name(s) of Designer(s): **Rocco Sisinni**

(45) Registration Date: **11 March 2008**

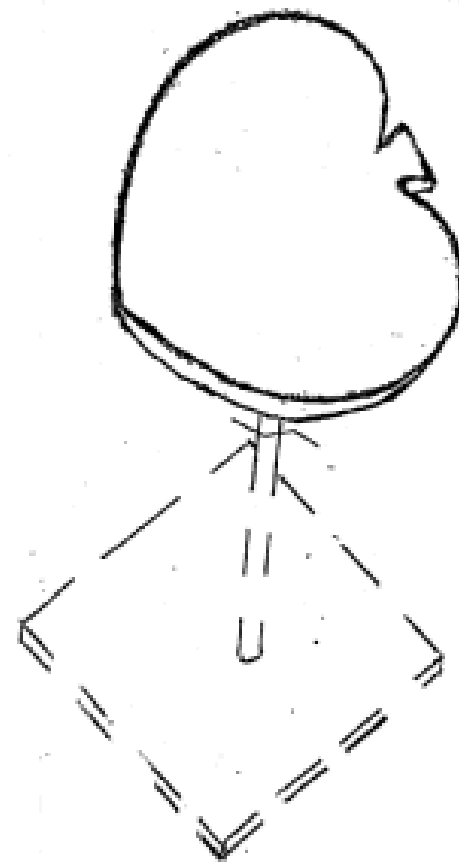
(62) Divisional of: **156408**

(56) Related Art Documents: **Not Applicable**

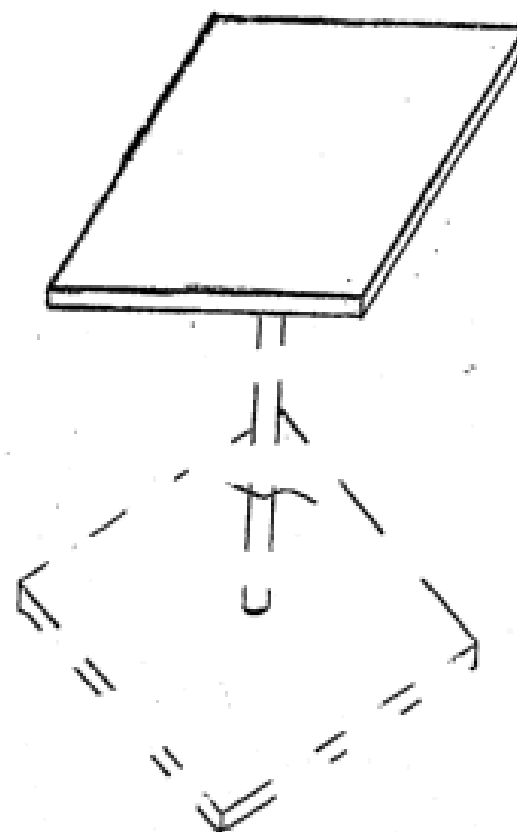
(57) Statement of Newness and Distinctiveness: **Monopoly is claimed in the features of pattern or ornamentation applied to the inner surface of the lid of the box as illustrated in the accompanying representations. No monopoly is claimed in the features of shape or configuration of the box as illustrated. The squiggly lines do not form part of the design and should be disregarded when considering the scope of the monopoly.**



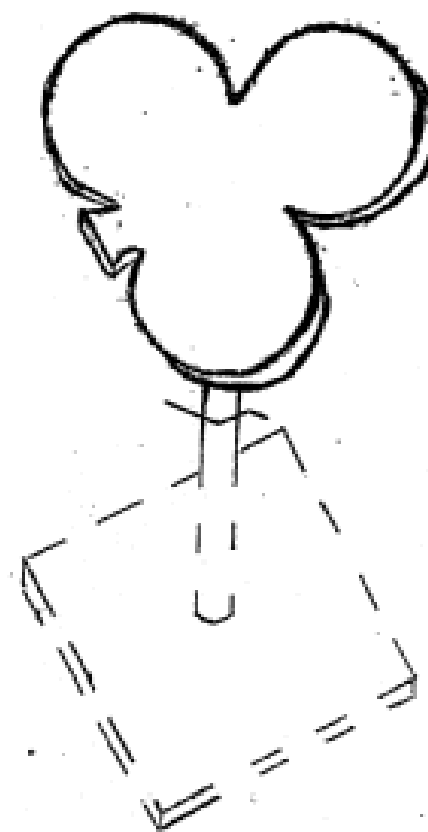
- (21) Design Number: **18323/2007**
- (22) Date of Filing Application: **08 June 2007**
- (24) Date from which industrial property rights may have effect: **08 June 2007**
- (54) Product in respect of which the design is registered: **Table, shelf, display unit**
- (51) International Design Classification: **06-03B, 06-04NES**
- (71) Name(s) and Address(s) of Applicant(s):
Geoffrey Francis Keating
67 Hampton Road Darch Western Australia 6065 Australia
- (72) Name(s) of Designer(s): **Geoffrey Francis Keating**
- (45) Registration Date: **11 March 2008**
- (56) Related Art Documents: **Not Applicable**
- (57) Statement of Newness and Distinctiveness: **Nil**



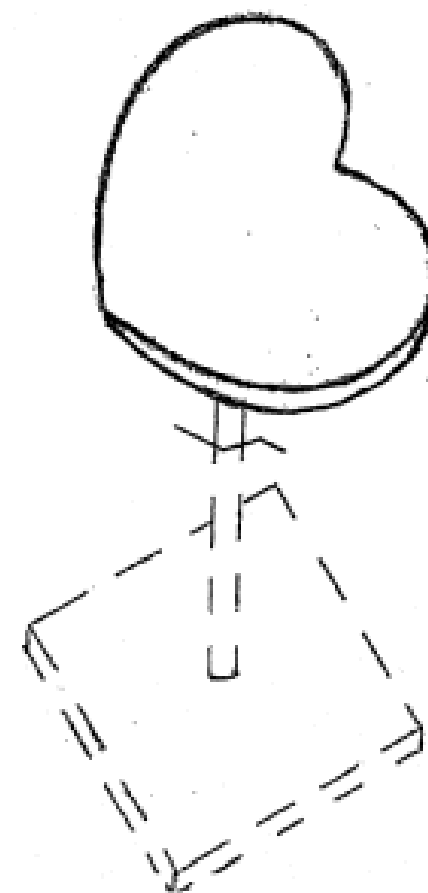
- (21) Design Number: **21585/2007**
- (22) Date of Filing Application: **08 June 2007**
- (24) Date from which industrial property rights may have effect: **08 June 2007**
- (54) Product in respect of which the design is registered: **Table, shelf, display unit**
- (51) International Design Classification: **06-03B, 06-04NES**
- (71) Name(s) and Address(s) of Applicant(s):
Geoffrey Francis Keating
67 Hampton Road Darch Western Australia 6065 Australia
- (72) Name(s) of Designer(s): **Geoffrey Francis Keating**
- (45) Registration Date: **11 March 2008**
- (56) Related Art Documents: **Not Applicable**
- (57) Statement of Newness and Distinctiveness: **Nil**



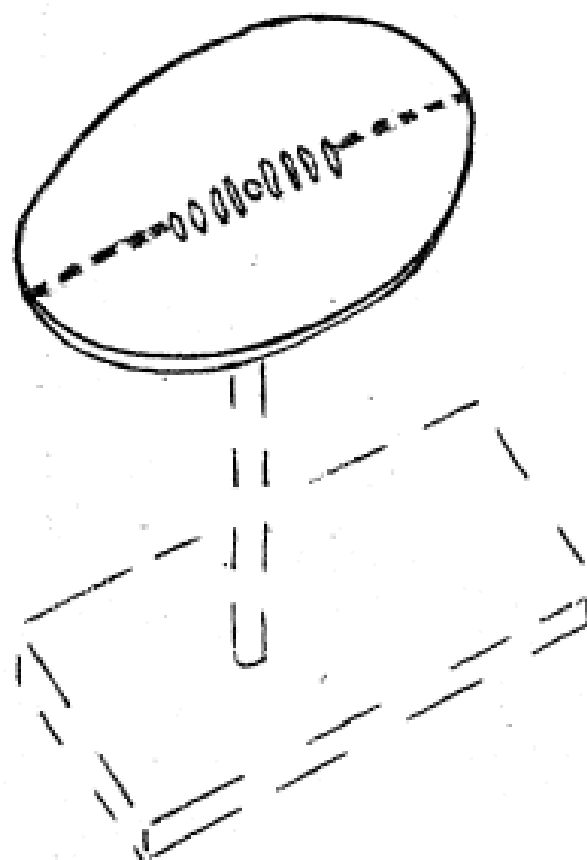
(21) Design Number: **21586/2007**
(22) Date of Filing Application: **08 June 2007**
(24) Date from which industrial property rights may have effect: **08 June 2007**
(54) Product in respect of which the design is registered: **Table, shelf, display unit**
(51) International Design Classification: **06-03B, 06-04NES**
(71) Name(s) and Address(s) of Applicant(s):
Geoffrey Francis Keating
67 Hampton Road Darch Western Australia 6065 Australia
(72) Name(s) of Designer(s): **Geoffrey Francis Keating**
(45) Registration Date: **11 March 2008**
(56) Related Art Documents: **Not Applicable**
(57) Statement of Newness and Distinctiveness: **Nil**



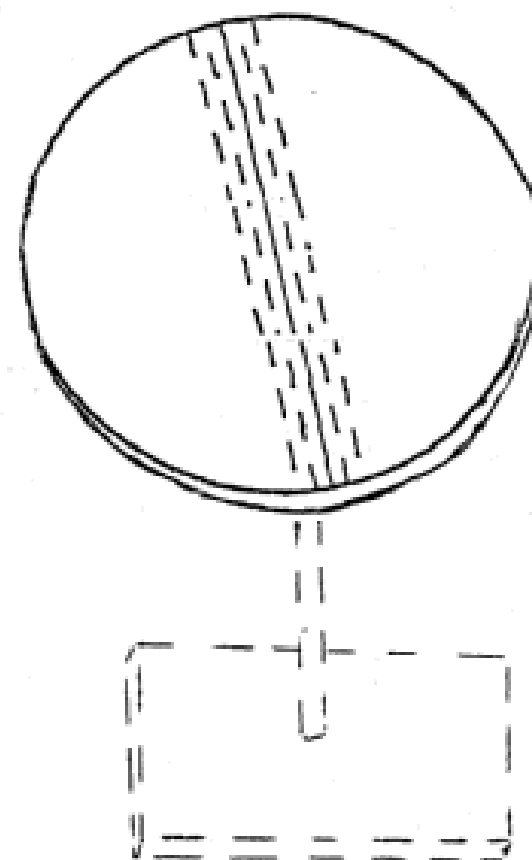
(21) Design Number: **21587/2007**
(22) Date of Filing Application: **08 June 2007**
(24) Date from which industrial property rights may have effect: **08 June 2007**
(54) Product in respect of which the design is registered: **Table, shelf, display unit**
(51) International Design Classification: **06-03B, 06-04NES**
(71) Name(s) and Address(s) of Applicant(s):
Geoffrey Francis Keating
67 Hampton Road Darch Western Australia 6065 Australia
(72) Name(s) of Designer(s): **Geoffrey Francis Keating**
(45) Registration Date: **11 March 2008**
(56) Related Art Documents: **Not Applicable**
(57) Statement of Newness and Distinctiveness: **Nil**



- (21) Design Number: **19704/2007**
- (22) Date of Filing Application: **11 September 2007**
- (24) Date from which industrial property rights may have effect: **11 September 2007**
- (54) Product in respect of which the design is registered: **Tables, shelevs, display unit**
- (51) International Design Classification: **06-03B**
- (71) Name(s) and Address(s) of Applicant(s):
Geoffrey Francis Keating
67 Hampton Road Darch Western Australia 6065 Australia
- (72) Name(s) of Designer(s): **Geoffrey Francis Keating**
- (45) Registration Date: **11 March 2008**
- (56) Related Art Documents: **Not Applicable**
- (57) Statement of Newness and Distinctiveness: **Newness and distinctiveness is claimed in the features of shape and configuration of the "football table/display unit" as illustrated in the accompanying representations. The parts shown in phantom are not part of the features claimed as new and distinctive.**



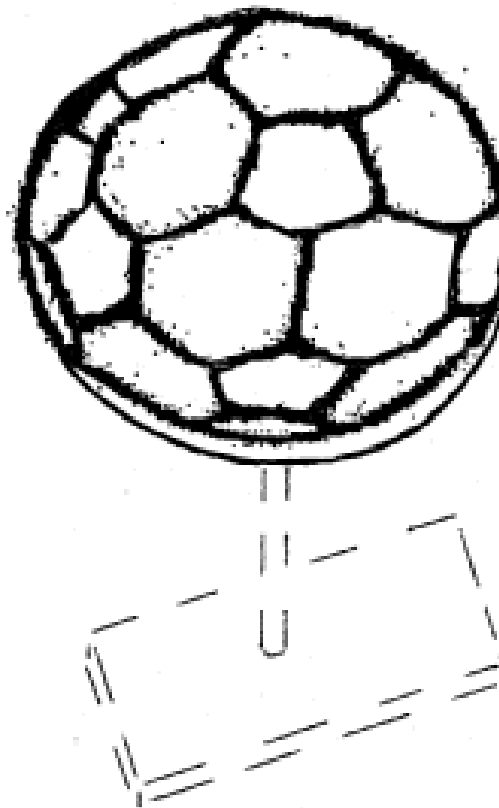
- (21) Design Number: **10749/2008**
- (22) Date of Filing Application: **11 September 2007**
- (24) Date from which industrial property rights may have effect: **11 September 2007**
- (54) Product in respect of which the design is registered: **Table, display unit, shelf**
- (51) International Design Classification: **06-03B, 06-04NES**
- (71) Name(s) and Address(s) of Applicant(s):
Geoffrey Francis Keating
67 Hampton Road Darch Western Australia 6065 Australia
- (72) Name(s) of Designer(s): **Geoffrey Francis Keating**
- (45) Registration Date: **11 March 2008**
- (56) Related Art Documents: **Not Applicable**
- (57) Statement of Newness and Distinctiveness: **Newness and distinctiveness is claimed in the features of shape and configuration of the "cricket ball table/display unit" as illustrated in the accompanying representations. The parts as shown in phantom are not part of the features claimed as new and distinctive.**



- (21) Design Number: **10750/2008**
- (22) Date of Filing Application: **11 September 2007**
- (24) Date from which industrial property rights may have effect: **11 September 2007**
- (54) Product in respect of which the design is registered: **Table, shelf, display unit**
- (51) International Design Classification: **06-03B, 06-04NES**
- (71) Name(s) and Address(s) of Applicant(s):

Geoffrey Francis Keating
67 Hampton Road Darch Western Australia 6065 Australia

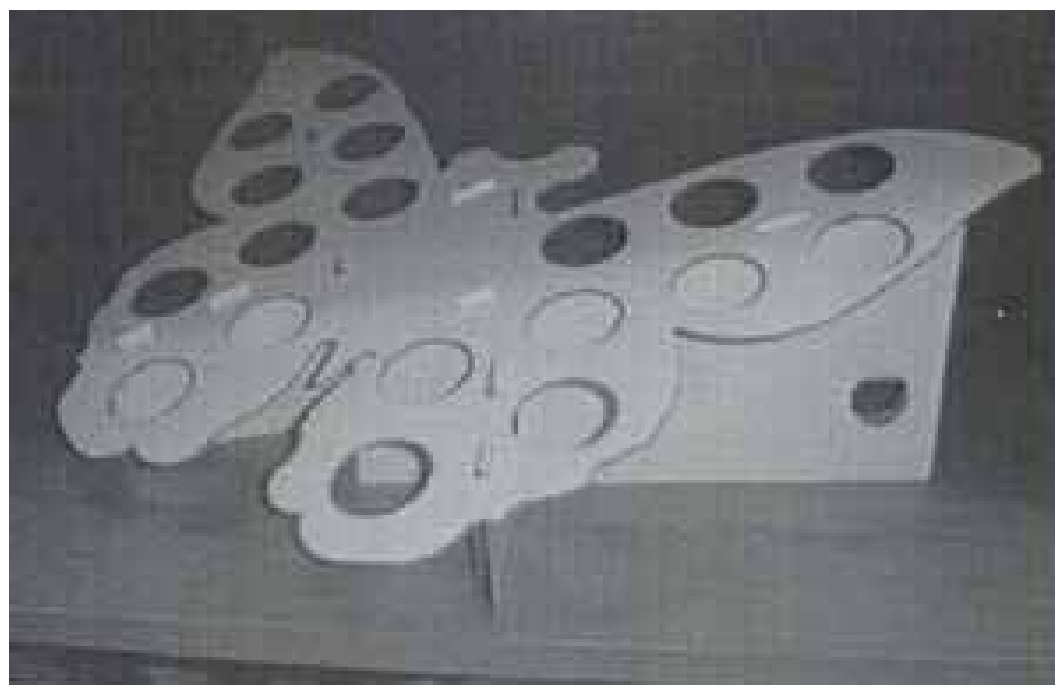
- (72) Name(s) of Designer(s): **Geoffrey Francis Keating**
- (45) Registration Date: **11 March 2008**
- (56) Related Art Documents: **Not Applicable**
- (57) Statement of Newness and Distinctiveness: **Newness and distinctiveness is claimed in the features of shape and configuration of the "soccer ball table/display unit" as illustrated in the accompanying representations. The parts as shown in phantom are not part of the features claimed as new and distinctive.**



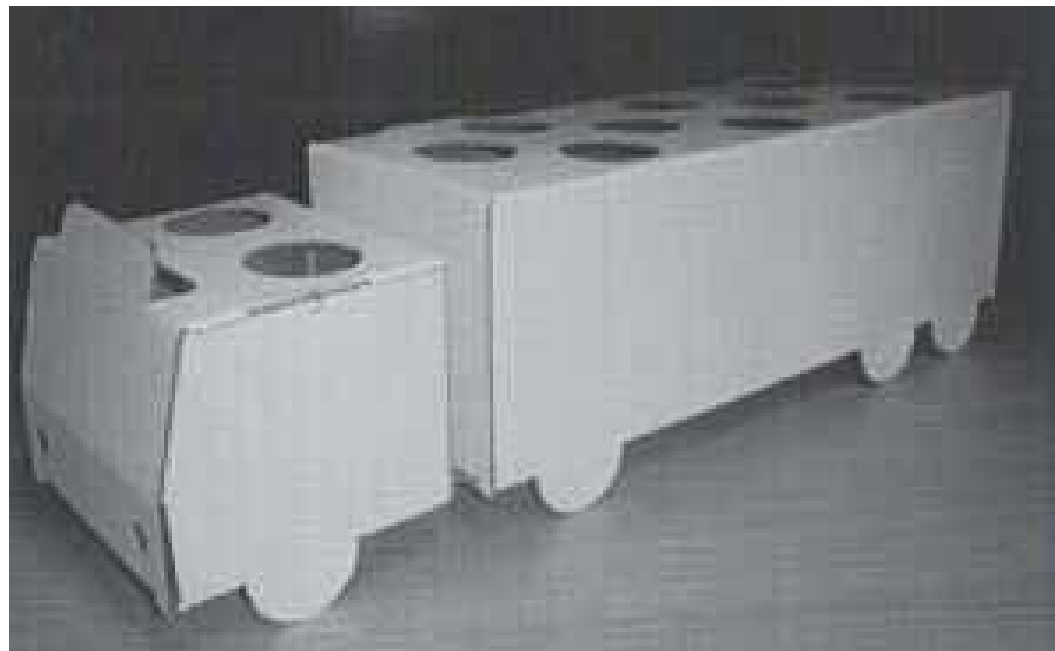
- (21) Design Number: **21504/2007**
- (22) Date of Filing Application: **21 December 2007**
- (24) Date from which industrial property rights may have effect: **21 December 2007**
- (54) Product in respect of which the design is registered: **Display**
- (51) International Design Classification: **20-02E**
- (71) Name(s) and Address(s) of Applicant(s):

Snowycold Pty Limited
9 Ferngrove Place South Granville New South Wales 2142 Australia

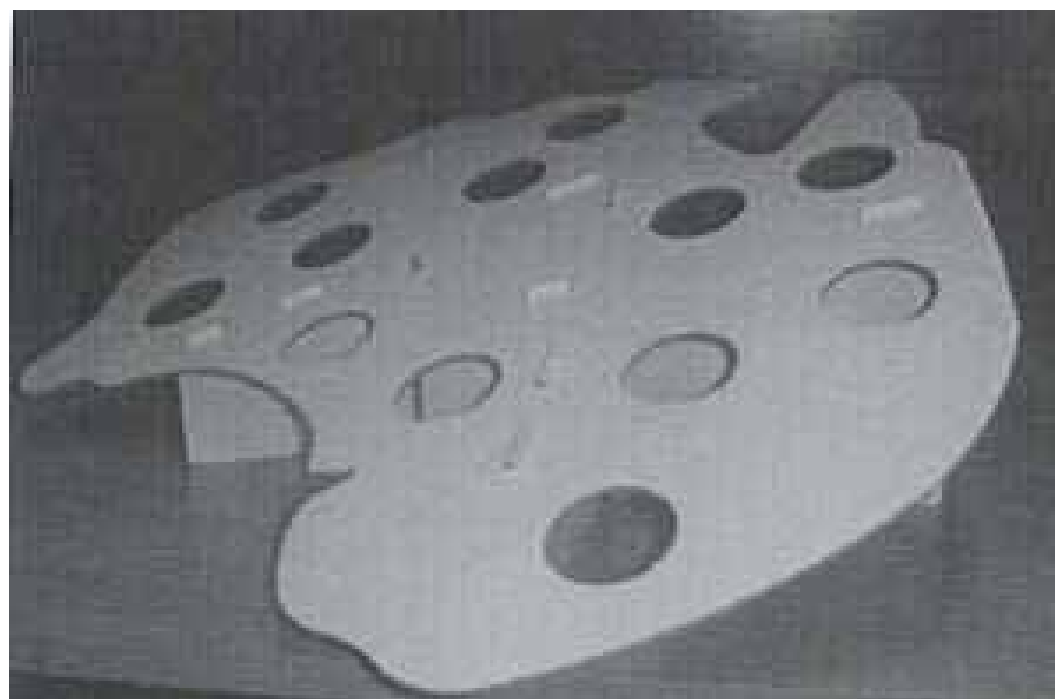
- (72) Name(s) of Designer(s): **Rick Carlino and Tamarra Barrett**
- (45) Registration Date: **11 March 2008**
- (56) Related Art Documents: **Not Applicable**
- (57) Statement of Newness and Distinctiveness: **When considering the visual features of the design, the circular holes into which items are placed for display and the holes for holding the display are to be disregarded.**



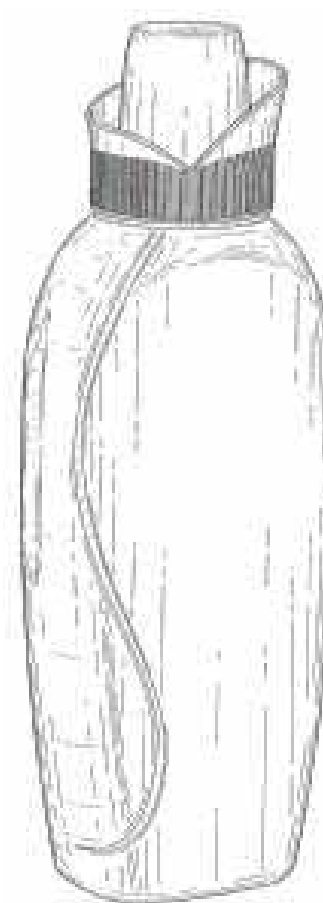
- (21) Design Number: **21505/2007**
(22) Date of Filing Application: **21 December 2007**
(24) Date from which industrial property rights may have effect: **21 December 2007**
(54) Product in respect of which the design is registered: **Display**
(51) International Design Classification: **20-02E**
(71) Name(s) and Address(s) of Applicant(s):
Snowycold Pty Limited
9 Ferngrove Place South Granville New South Wales 2142 Australia
(72) Name(s) of Designer(s): **Rick Carlino and Tamarra Barrett**
(45) Registration Date: **11 March 2008**
(56) Related Art Documents: **Not Applicable**
(57) Statement of Newness and Distinctiveness: **When considering the visual features of the design, the circular holes into which items are placed for display are to be disregarded.**



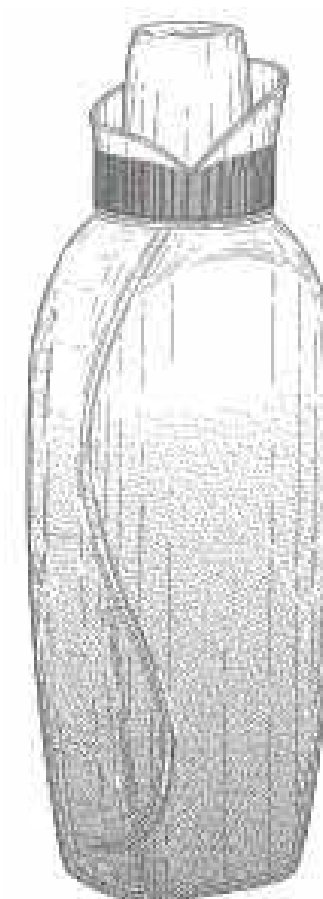
- (21) Design Number: **21506/2007**
(22) Date of Filing Application: **21 December 2007**
(24) Date from which industrial property rights may have effect: **21 December 2007**
(54) Product in respect of which the design is registered: **Display**
(51) International Design Classification: **20-02E**
(71) Name(s) and Address(s) of Applicant(s):
Snowycold Pty Limited
9 Ferngrove Place South Granville New South Wales 2142 Australia
(72) Name(s) of Designer(s): **Rick Carlino and Tamarra Barrett**
(45) Registration Date: **11 March 2008**
(56) Related Art Documents: **Not Applicable**
(57) Statement of Newness and Distinctiveness: **When considering the visual features of the design, the circular holes into which items are placed for display and the holes for holding the display are to be disregarded.**



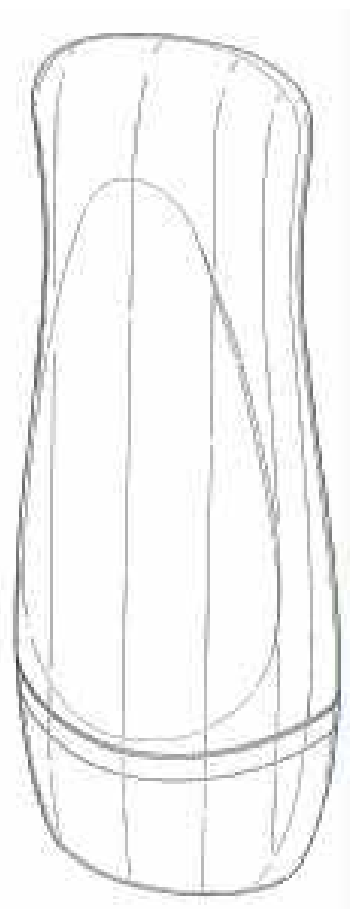
- (21) Design Number: **21563/2007**
(22) Date of Filing Application: **21 December 2007**
(24) Date from which industrial property rights may have effect: **21 December 2007**
(54) Product in respect of which the design is registered: **Container and closure**
(51) International Design Classification: **09-01NES**
(71) Name(s) and Address(s) of Applicant(s):
Colgate-Palmolive Company
300 Park Avenue New York New York 10022 United States of America
(72) Name(s) of Designer(s): **Pepijn Rutger van der Krogt and Fernando Muniz-Simas Moreira and Robert Monaghan and Bruce Cummings and Guillermo Weyland**
(45) Registration Date: **11 March 2008**
(30) Convention priority data:
(31) Number (32) Date (33) Country
29/281596 27 Jun 2007 UNITED STATES OF AMERICA
(56) Related Art Documents: **Not Applicable**
(57) Statement of Newness and Distinctiveness: **Newness and distinctiveness reside in the features of the design as shown in the representations.**



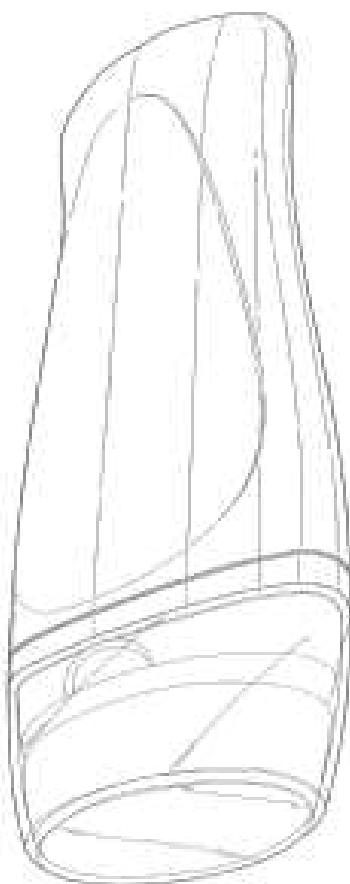
- (21) Design Number: **10626/2008**
(22) Date of Filing Application: **21 December 2007**
(24) Date from which industrial property rights may have effect: **21 December 2007**
(54) Product in respect of which the design is registered: **Container and closure**
(51) International Design Classification: **09-01NES**
(71) Name(s) and Address(s) of Applicant(s):
Colgate-Palmolive Company
300 Park Avenue New York New York 10022 United States of America
(72) Name(s) of Designer(s): **Pepijn Rutger van der Krogt and Fernando Muniz-Simas Moreira and Robert Monaghan and Bruce Cummings and Guillermo Weyland**
(45) Registration Date: **11 March 2008**
(30) Convention priority data:
(31) Number (32) Date (33) Country
29/281596 27 Jul 2007 UNITED STATES OF AMERICA
(56) Related Art Documents: **Not Applicable**
(57) Statement of Newness and Distinctiveness: **Newness and distinctiveness resides in the features of the design as shown in the representations.**



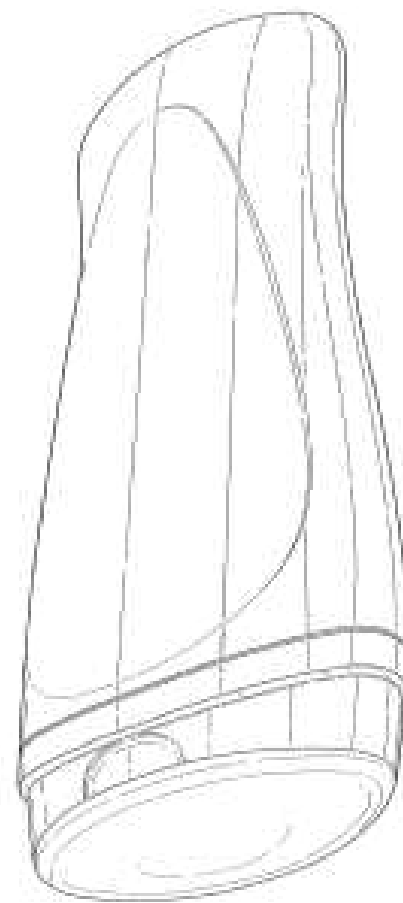
- (21) Design Number: **10210/2008**
(22) Date of Filing Application: **17 January 2008**
(24) Date from which industrial property rights may have effect: **17 January 2008**
(54) Product in respect of which the design is registered: **Bottle**
(51) International Design Classification: **09-01K**
(71) Name(s) and Address(s) of Applicant(s):
Reckitt Benckiser (UK) Limited
103-105 Bath Road Slough Berkshire SL1 3UH United Kingdom
(72) Name(s) of Designer(s): **John Cowan-Hughes and Carl Dibnah and Chris Padain and Matthew Wright**
(45) Registration Date: **11 March 2008**
(30) Convention priority data:
(31) Number (32) Date (33) Country
000761721-0001 20 Jul 2007 EUROPEAN COMMUNITY
(56) Related Art Documents: **Not Applicable**
(57) Statement of Newness and Distinctiveness: **Newness and distinctiveness reside in the features of the design as shown in the representations.**



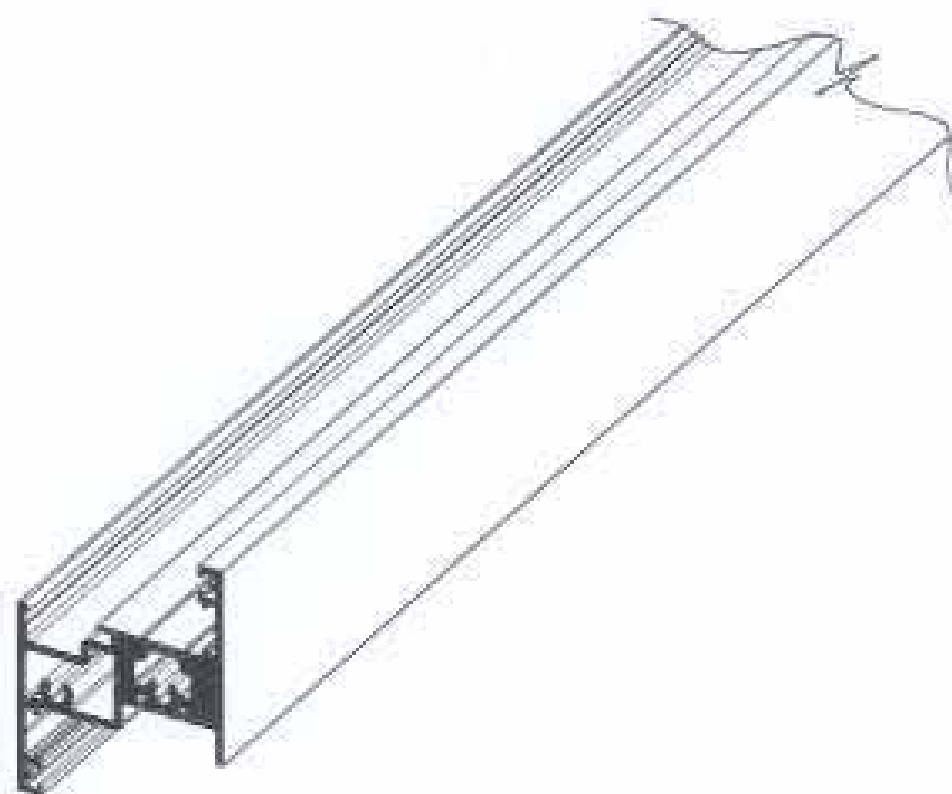
- (21) Design Number: **10211/2008**
(22) Date of Filing Application: **17 January 2008**
(24) Date from which industrial property rights may have effect: **17 January 2008**
(54) Product in respect of which the design is registered: **Bottle**
(51) International Design Classification: **09-01K**
(71) Name(s) and Address(s) of Applicant(s):
Reckitt Benckiser (UK) Limited
103-105 Bath Road Slough Berkshire SL1 3UH United Kingdom
(72) Name(s) of Designer(s): **John Cowan-Hughes and Carl Dibnah and Chris Padain and Matthew Wright**
(45) Registration Date: **11 March 2008**
(30) Convention priority data:
(31) Number (32) Date (33) Country
000761721-0002 20 Jul 2007 EUROPEAN COMMUNITY
(56) Related Art Documents: **Not Applicable**
(57) Statement of Newness and Distinctiveness: **Newness and distinctiveness reside in the features of the design as shown in the representations.**



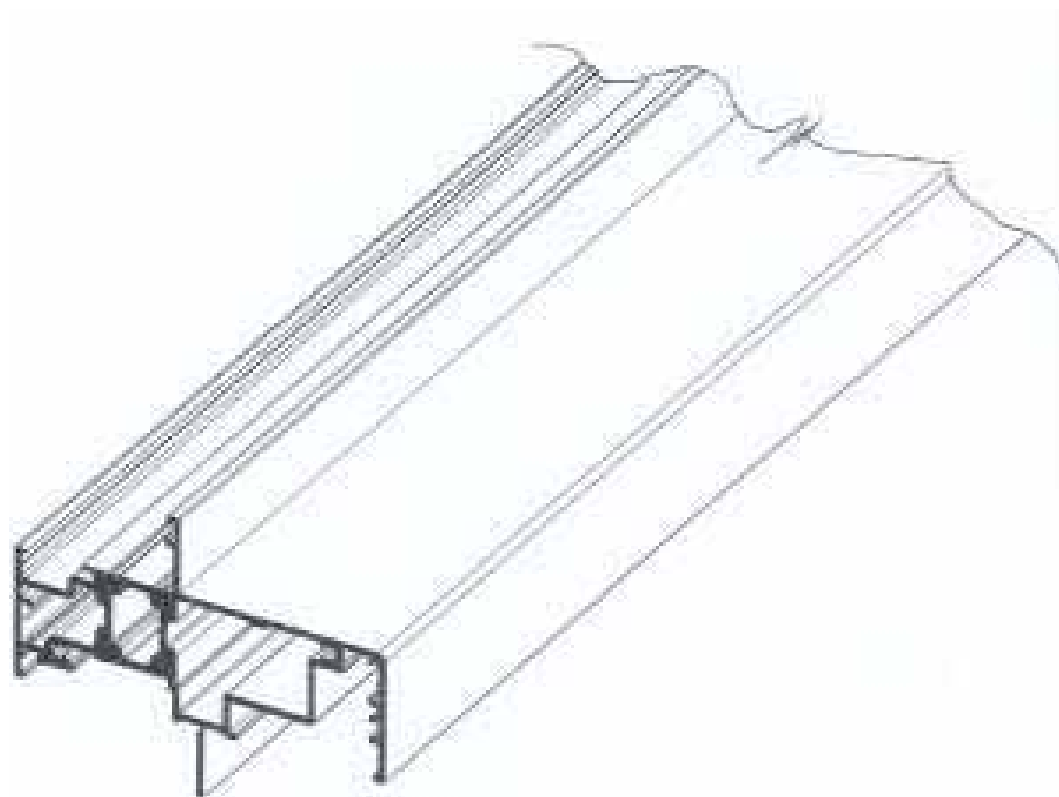
- (21) Design Number: **10212/2008**
(22) Date of Filing Application: **17 January 2008**
(24) Date from which industrial property rights may have effect: **17 January 2008**
(54) Product in respect of which the design is registered: **Bottle**
(51) International Design Classification: **09-01K**
(71) Name(s) and Address(s) of Applicant(s):
Reckitt Benckiser (UK) Limited
103-105 Bath Road Slough Berkshire SL1 3UH United Kingdom
(72) Name(s) of Designer(s): **John Cowan-Hughes and Carl Dibnah and Chris Padain and Matthew Wright**
(45) Registration Date: **11 March 2008**
(30) Convention priority data:
(31) Number (32) Date (33) Country
000761721-0003 20 Jul 2007 EUROPEAN COMMUNITY
(56) Related Art Documents: **Not Applicable**
(57) Statement of Newness and Distinctiveness: **Newness and distinctiveness reside in the features of the design as shown in the representations.**



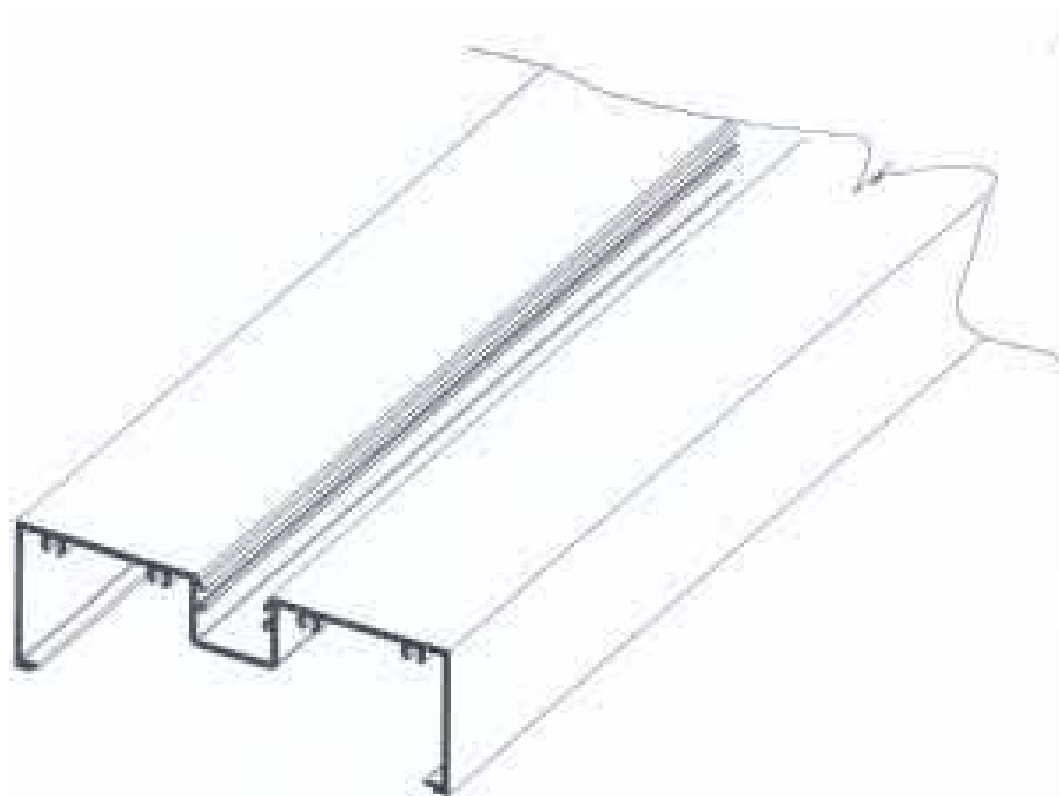
- (21) Design Number: **10254/2008**
(22) Date of Filing Application: **16 January 2008**
(24) Date from which industrial property rights may have effect: **16 January 2008**
(54) Product in respect of which the design is registered: **An extrusion**
(51) International Design Classification: **25-01K**
(71) Name(s) and Address(s) of Applicant(s):
Architectural Window Systems Pty Limited
76-78 Jemma Road Prestons New South Wales 2170 Australia
(72) Name(s) of Designer(s): **David John McCleary**
(45) Registration Date: **11 March 2008**
(56) Related Art Documents: **Not Applicable**
(57) Statement of Newness and Distinctiveness: **Newness and distinctiveness is claimed in the shape and/or configuration of an extrusion as illustrated by the unbroken lines in the accompanying representation/s.**



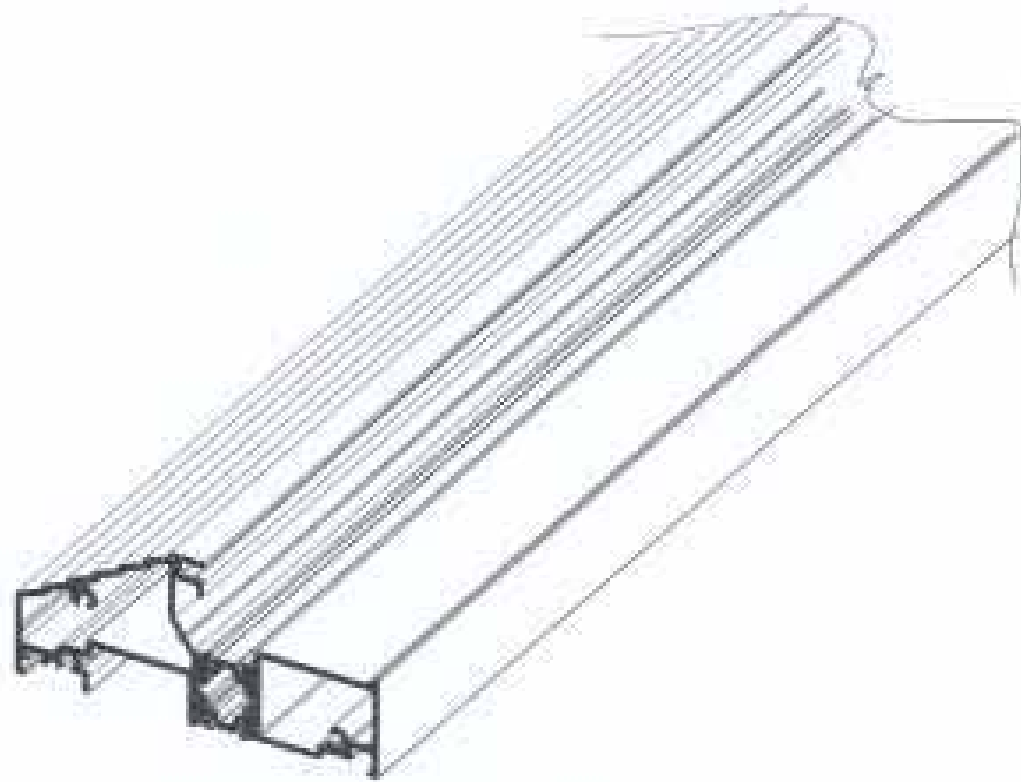
- (21) Design Number: **10255/2008**
(22) Date of Filing Application: **16 January 2008**
(24) Date from which industrial property rights may have effect: **16 January 2008**
(54) Product in respect of which the design is registered: **An extrusion**
(51) International Design Classification: **25-01K**
(71) Name(s) and Address(s) of Applicant(s):
Architectural Window Systems Pty Limited
76-78 Jemma Road Prestons New South Wales 2170 Australia
(72) Name(s) of Designer(s): **David John McCleary**
(45) Registration Date: **11 March 2008**
(56) Related Art Documents: **Not Applicable**
(57) Statement of Newness and Distinctiveness: **Newness and distinctiveness is claimed in the shape and/or configuration of an extrusion as illustrated by the unbroken lines in the accompanying representation/s.**



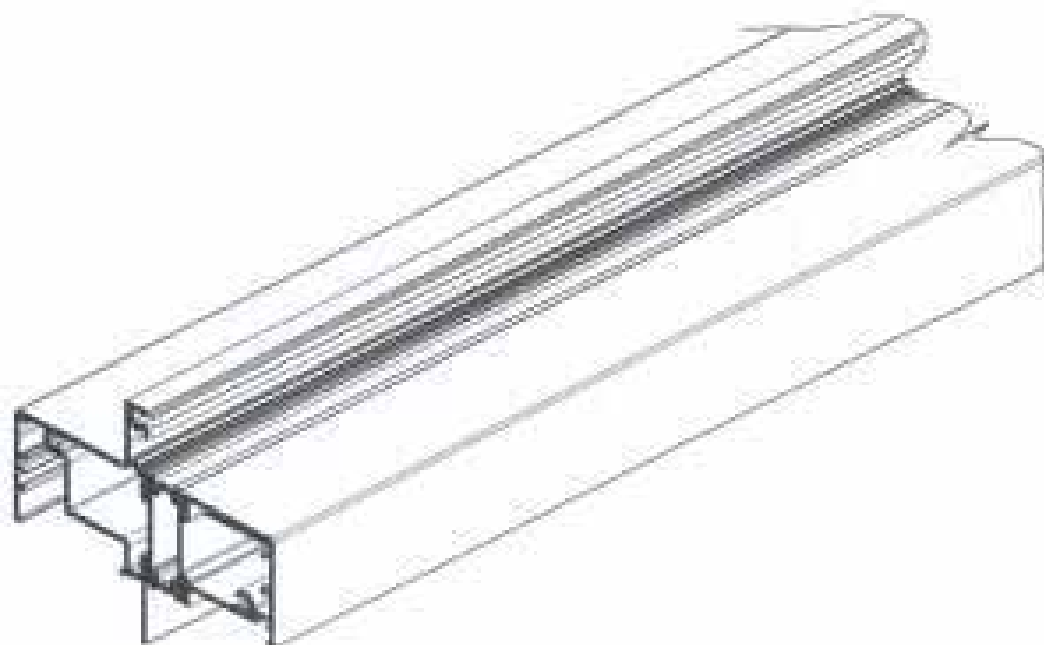
- (21) Design Number: **10256/2008**
(22) Date of Filing Application: **16 January 2008**
(24) Date from which industrial property rights may have effect: **16 January 2008**
(54) Product in respect of which the design is registered: **An extrusion**
(51) International Design Classification: **25-01K**
(71) Name(s) and Address(s) of Applicant(s):
Architectural Window Systems Pty Limited
76-78 Jemma Road Prestons New South Wales 2170 Australia
(72) Name(s) of Designer(s): **David John McCleary**
(45) Registration Date: **11 March 2008**
(56) Related Art Documents: **Not Applicable**
(57) Statement of Newness and Distinctiveness: **Newness and distinctiveness is claimed in the shape and/or configuration of an extrusion as illustrated by the unbroken lines in the accompanying representation/s.**



- (21) Design Number: **10257/2008**
(22) Date of Filing Application: **16 January 2008**
(24) Date from which industrial property rights may have effect: **16 January 2008**
(54) Product in respect of which the design is registered: **An extrusion**
(51) International Design Classification: **25-01K**
(71) Name(s) and Address(s) of Applicant(s):
Architectural Window Systems Pty Limited
76-78 Jemma Road Prestons New South Wales 2170 Australia
(72) Name(s) of Designer(s): **David John McCleary**
(45) Registration Date: **11 March 2008**
(56) Related Art Documents: **Not Applicable**
(57) Statement of Newness and Distinctiveness: **Newness and distinctiveness is claimed in the shape and/or configuration of an extrusion as illustrated by the unbroken lines in the accompanying representation/s.**



- (21) Design Number: **10258/2008**
(22) Date of Filing Application: **16 January 2008**
(24) Date from which industrial property rights may have effect: **16 January 2008**
(54) Product in respect of which the design is registered: **An extrusion**
(51) International Design Classification: **25-01K**
(71) Name(s) and Address(s) of Applicant(s):
Architectural Window Systems Pty Limited
76-78 Jemma Road Prestons New South Wales 2170 Australia
(72) Name(s) of Designer(s): **David John McCleary**
(45) Registration Date: **11 March 2008**
(56) Related Art Documents: **Not Applicable**
(57) Statement of Newness and Distinctiveness: **Newness and distinctiveness is claimed in the shape and/or configuration of an extrusion as illustrated by the unbroken lines in the accompanying representation/s.**



(21) Design Number: **10324/2008**

(22) Date of Filing Application: **23 January 2008**

(24) Date from which industrial property rights may have effect: **23 January 2008**

(54) Product in respect of which the design is registered: **Pouring spout attachment**

(51) International Design Classification: **07-99NES, 07-07NES**

(71) Name(s) and Address(s) of Applicant(s):

Garry Fricke

7 Seawind Chase Bonny Hills New South Wales 2445 Australia

(72) Name(s) of Designer(s): **Garry Fricke**

(45) Registration Date: **11 March 2008**

(56) Related Art Documents: **Not Applicable**

(57) Statement of Newness and Distinctiveness: **The new and distinctive features of the pouring spout attachment are as follows: The pouring spout in accordance with this invention comprises an attachment for fluid containers, having a spring loaded one piece contoured top and extended tail/opening tab that may be easily operated with the use of one finger; The pouring spout is a simple, easy to fit attachment, designed as a utensil for everyday use, to gain more control of the liquid being poured; The pouring spout is tapered, narrowing to the counter-levered tip, designed for easier pouring and helping to preventing spills, runs and drips; The other bonus this invention offers is a free turning threaded collar which enables the pouring spout to be rotated on the top of the fluid container and tightened in the ideal position; The free turning collar has four vertical protruding grip lugs combined with the knurled external wall surface, designed for easy grip when installing and removing the pouring spout.**



(21) Design Number: **10610/2008**

(22) Date of Filing Application: **11 February 2008**

(24) Date from which industrial property rights may have effect: **11 February 2008**

(54) Product in respect of which the design is registered: **Tree stabiliser**

(51) International Design Classification: **11-02C, 08-08O**

(71) Name(s) and Address(s) of Applicant(s):

Henry Stubbings

44 Magdalene Terrace Pasadena South Australia 5042 Australia

(72) Name(s) of Designer(s): **Henry Stubbings**

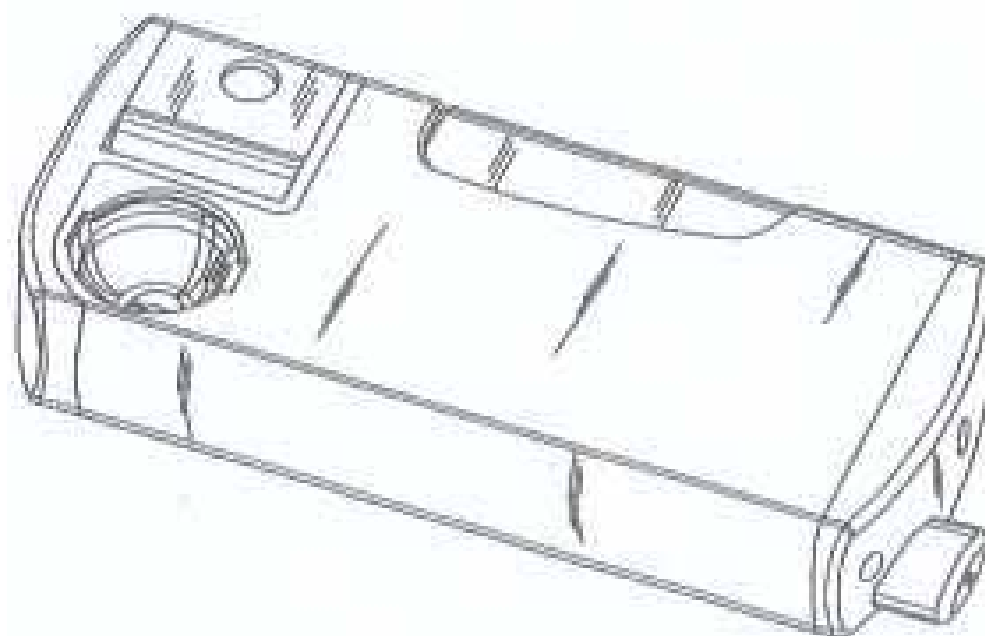
(45) Registration Date: **11 March 2008**

(56) Related Art Documents: **Not Applicable**

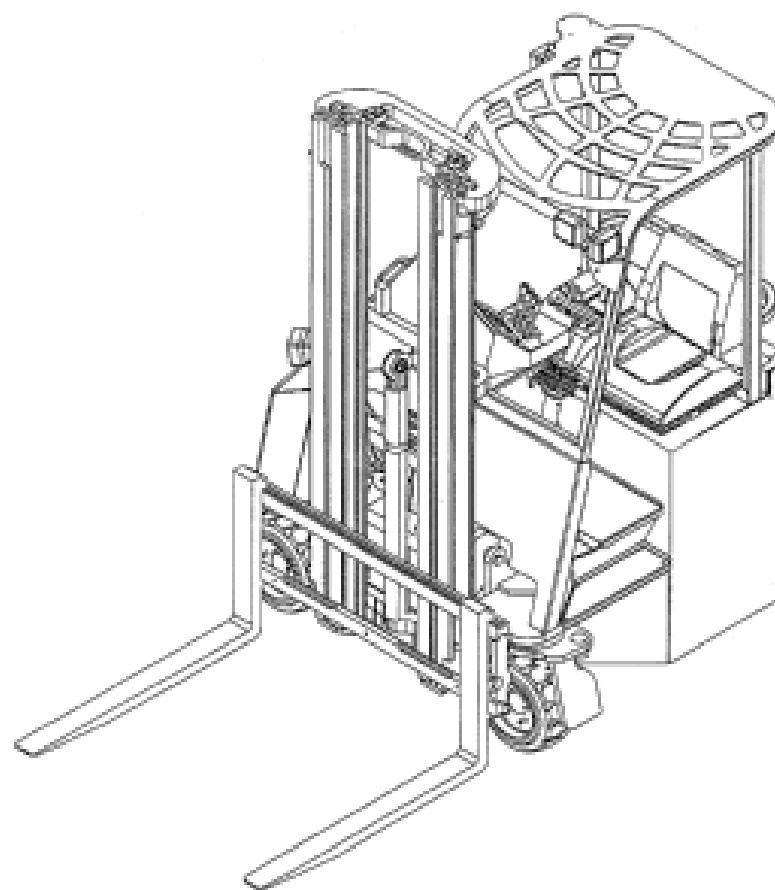
(57) Statement of Newness and Distinctiveness: **Direct support for young trees from framework or protective devise for trees.**



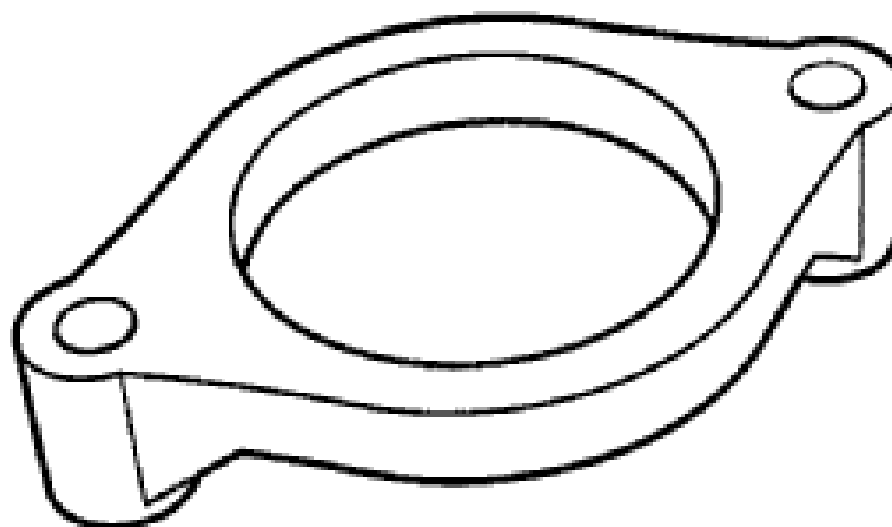
(21) Design Number: **21559/2007**
(22) Date of Filing Application: **24 December 2007**
(24) Date from which industrial property rights may have effect: **24 December 2007**
(54) Product in respect of which the design is registered: **Integrated smoking implement**
(51) International Design Classification: **99-00**
(71) Name(s) and Address(s) of Applicant(s):
Gary Bryman
16 Fleet Street #2 Venice CA 90292 United States of America
(72) Name(s) of Designer(s): **Gary Bryman and Jay Bendavid**
(45) Registration Date: **11 March 2008**
(30) Convention priority data:
(31) Number (32) Date (33) Country
29/284,182 31 Aug 2007 UNITED STATES OF AMERICA
(56) Related Art Documents: **Not Applicable**
(57) Statement of Newness and Distinctiveness: **Nil**



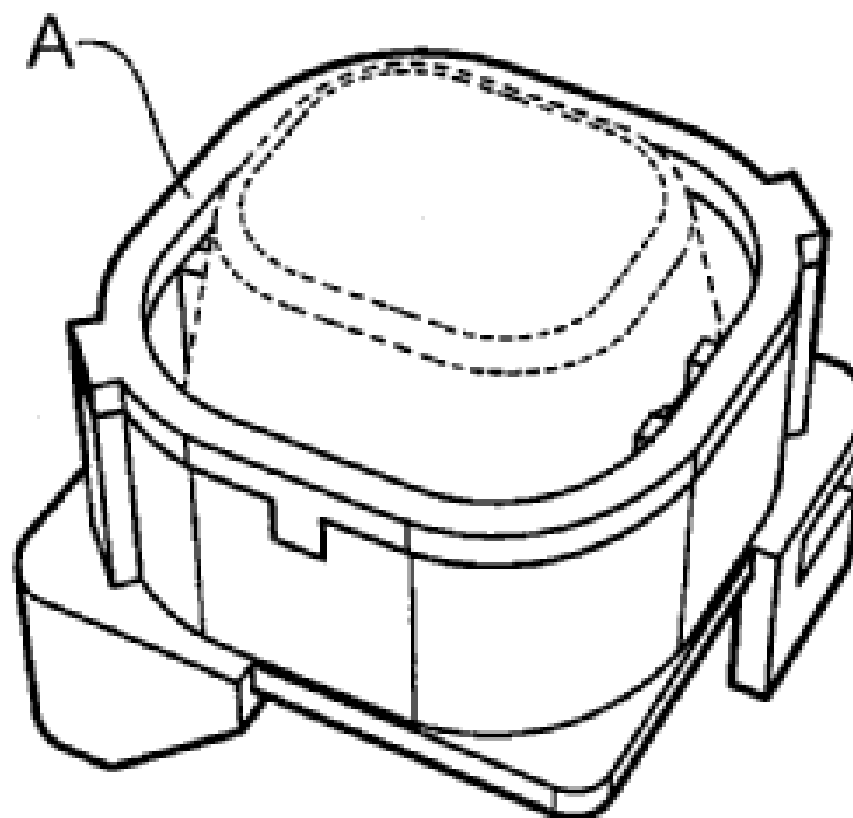
(21) Design Number: **20736/2007**
(22) Date of Filing Application: **12 November 2007**
(24) Date from which industrial property rights may have effect: **12 November 2007**
(54) Product in respect of which the design is registered: **Fork lift truck**
(51) International Design Classification: **12-05**
(71) Name(s) and Address(s) of Applicant(s):
Combi-Lift Limited
Gallinagh, Monaghan, County Monaghan, Ireland
(72) Name(s) of Designer(s): **Martin McVicar and Robert Moffett and Mark Whyte**
(45) Registration Date: **11 March 2008**
(30) Convention priority data:
(31) Number (32) Date (33) Country
000725668 18 May 2007 EUROPEAN COMMUNITY
(56) Related Art Documents: **Not Applicable**
(57) Statement of Newness and Distinctiveness: **Those features of the fork lift truck depicted in the representations that are new and distinctive are the shape and/or configuration.**



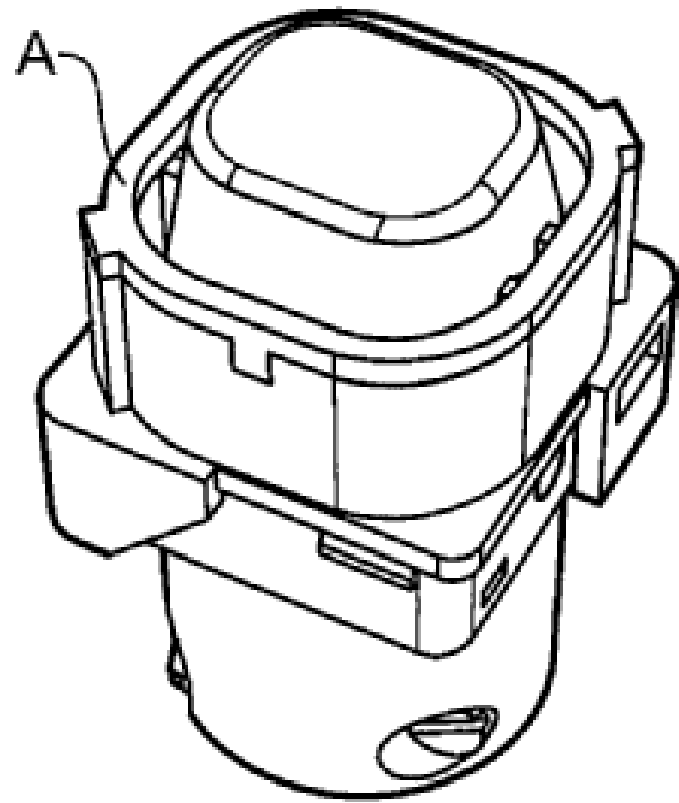
- (21) Design Number: **20739/2007**
- (22) Date of Filing Application: **12 November 2007**
- (24) Date from which industrial property rights may have effect: **12 November 2007**
- (54) Product in respect of which the design is registered: **Frame for an electric switch unit**
- (51) International Design Classification: **13-03D**
- (71) Name(s) and Address(s) of Applicant(s):
Clipsal Australia Pty Ltd
12 Park Terrace Bowden South Australia 5007 Australia
- (72) Name(s) of Designer(s): **Benjamin Keith Marsh**
- (45) Registration Date: **11 March 2008**
- (56) Related Art Documents: **Not Applicable**
- (57) Statement of Newness and Distinctiveness: **Nil**



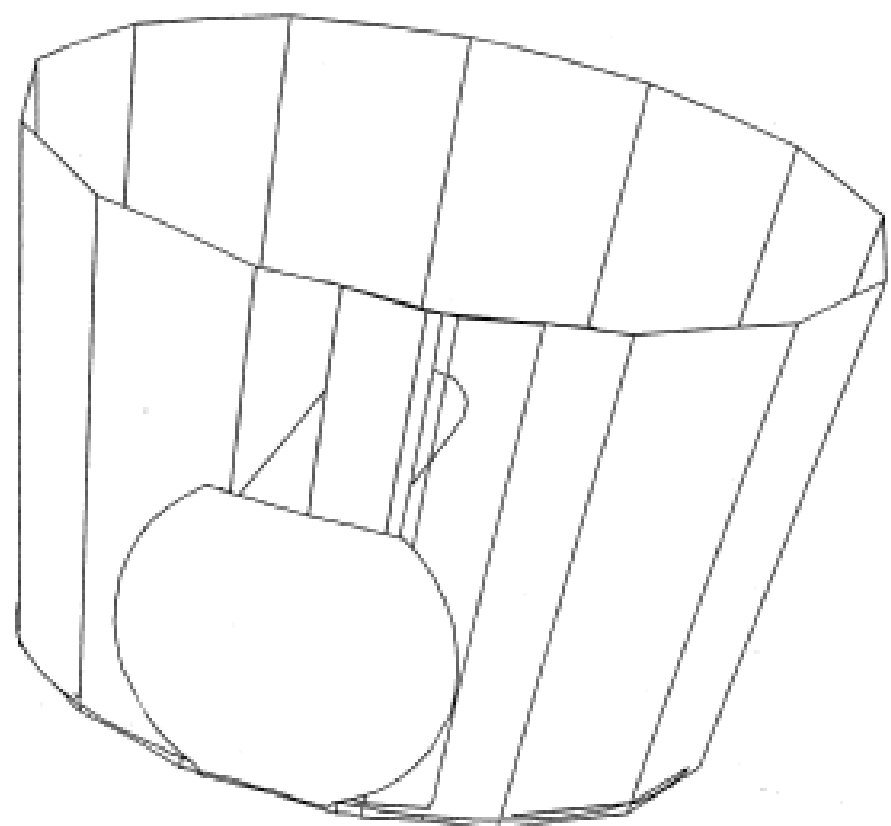
- (21) Design Number: **20740/2007**
- (22) Date of Filing Application: **12 November 2007**
- (24) Date from which industrial property rights may have effect: **12 November 2007**
- (54) Product in respect of which the design is registered: **Dolly switch housing**
- (51) International Design Classification: **13-03D**
- (71) Name(s) and Address(s) of Applicant(s):
Clipsal Australia Pty Ltd
12 Park Terrace Bowden South Australia 5007 Australia
- (72) Name(s) of Designer(s): **Benjamin Keith Marsh**
- (45) Registration Date: **11 March 2008**
- (56) Related Art Documents: **Not Applicable**
- (57) Statement of Newness and Distinctiveness: **Novelty resides in the integral seal on the dolly housing indicated as "A".**



- (21) Design Number: **20741/2007**
(22) Date of Filing Application: **12 November 2007**
(24) Date from which industrial property rights may have effect: **12 November 2007**
(54) Product in respect of which the design is registered: **Electric switch unit**
(51) International Design Classification: **13-03E**
(71) Name(s) and Address(s) of Applicant(s):
Clipsal Australia Pty Ltd
12 Park Terrace Bowden South Australia 5007 Australia
(72) Name(s) of Designer(s): **Benjamin Keith Marsh**
(45) Registration Date: **11 March 2008**
(56) Related Art Documents: **Not Applicable**
(57) Statement of Newness and Distinctiveness: **Novelty resides in the integral seal on the dolly housing indicated as "A".**



- (21) Design Number: **20742/2007**
(22) Date of Filing Application: **12 November 2007**
(24) Date from which industrial property rights may have effect: **12 November 2007**
(54) Product in respect of which the design is registered: **A carton and blank therefor**
(51) International Design Classification: **09-03E**
(71) Name(s) and Address(s) of Applicant(s):
Ancor Limited
679 Victoria Street Abbotsford Victoria 3067 Australia
(72) Name(s) of Designer(s): **George Wiraszka and Adam Garth and Mark Moore**
(45) Registration Date: **11 March 2008**
(56) Related Art Documents: **Not Applicable**
(57) Statement of Newness and Distinctiveness: **Nil**



- (21) Design Number: **20744/2007**
- (22) Date of Filing Application: **12 November 2007**
- (24) Date from which industrial property rights may have effect: **12 November 2007**
- (54) Product in respect of which the design is registered: **Shackle**
- (51) International Design Classification: **08-07**
- (71) Name(s) and Address(s) of Applicant(s):

Master Lock Company LLC
137 W. Forest Hill Avenue PO Box 927 Oak Creek Wisconsin 53154
United States of America

- (72) Name(s) of Designer(s): **Christopher Rohde and John Blomstrom and John Heppner and Glen P. Meekma**

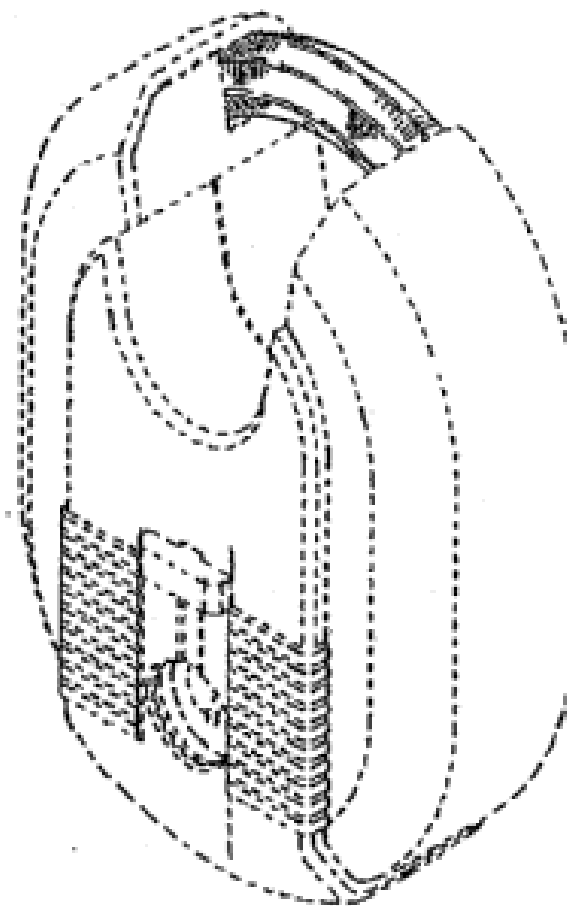
- (45) Registration Date: **11 March 2008**

- (30) Convention priority data:

(31) Number	(32) Date	(33) Country
29/279898	10 May 2007	UNITED STATES OF AMERICA

- (56) Related Art Documents: **Not Applicable**

- (57) Statement of Newness and Distinctiveness: **The newness and distinctiveness are provided by the shape and/or configuration of the design shown in the representations. The features shown in broken lines in the representations are for illustrative purposes only and should not be considered when construing visual features of the design.**



- (21) Design Number: **20745/2007**
- (22) Date of Filing Application: **12 November 2007**
- (24) Date from which industrial property rights may have effect: **12 November 2007**
- (54) Product in respect of which the design is registered: **Shackle**
- (51) International Design Classification: **08-07**
- (71) Name(s) and Address(s) of Applicant(s):

Master Lock Company LLC
137 W. Forest Hill Avenue PO Box 927 Oak Creek Wisconsin 53154
United States of America

- (72) Name(s) of Designer(s): **Christopher Rohde and John Blomstrom and John Heppner and Glenn P. Meekma**

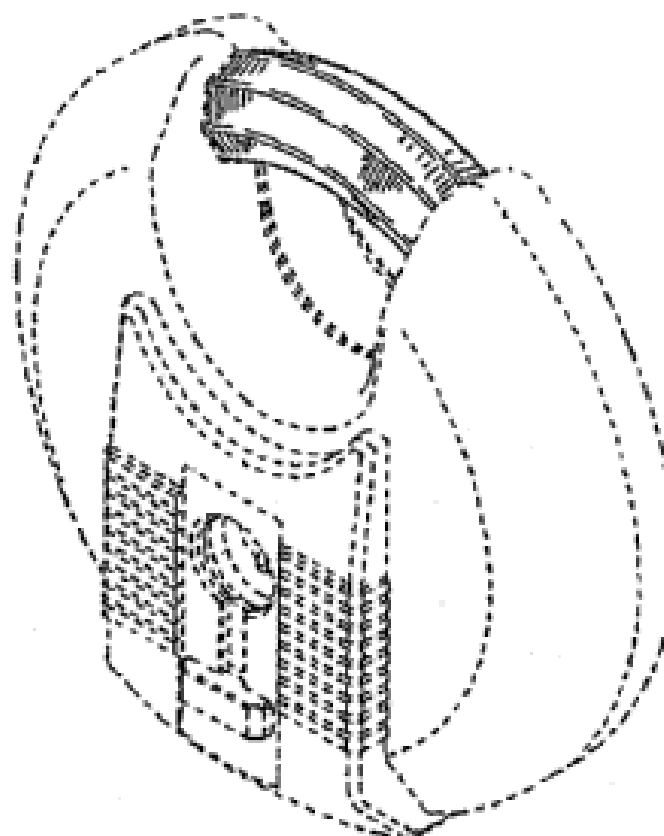
- (45) Registration Date: **11 March 2008**

- (30) Convention priority data:

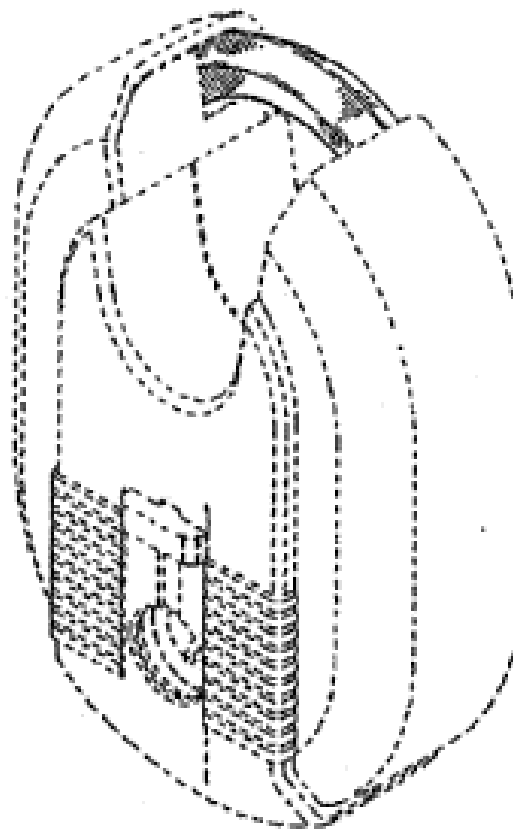
(31) Number	(32) Date	(33) Country
29/279898	10 May 2007	UNITED STATES OF AMERICA

- (56) Related Art Documents: **Not Applicable**

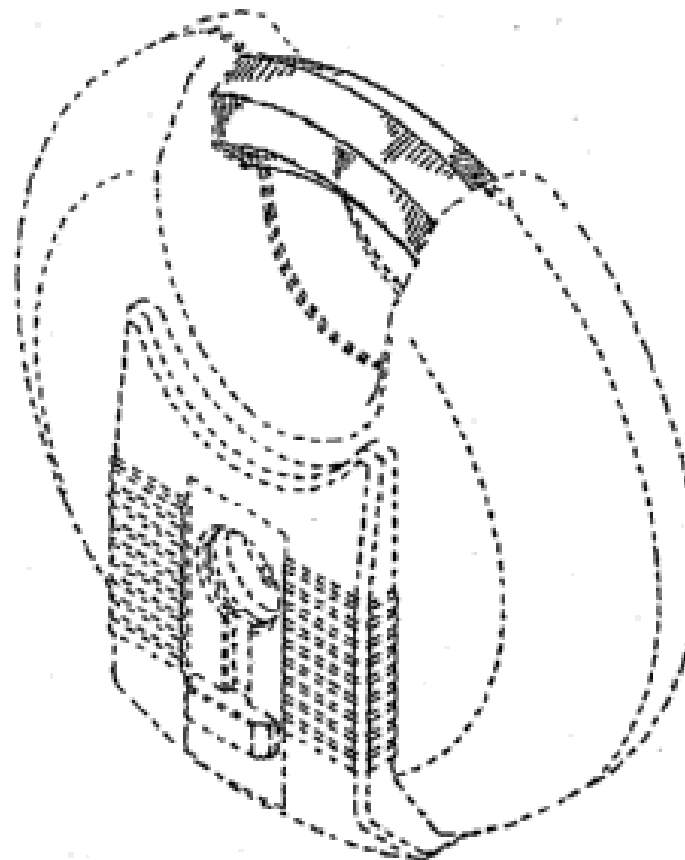
- (57) Statement of Newness and Distinctiveness: **The newness and distinctiveness are provided by the shape and/or configuration of the design shown in the representations. The features shown in broken lines in the representations are for illustrative purposes only and should not be considered when construing visual features of the design.**



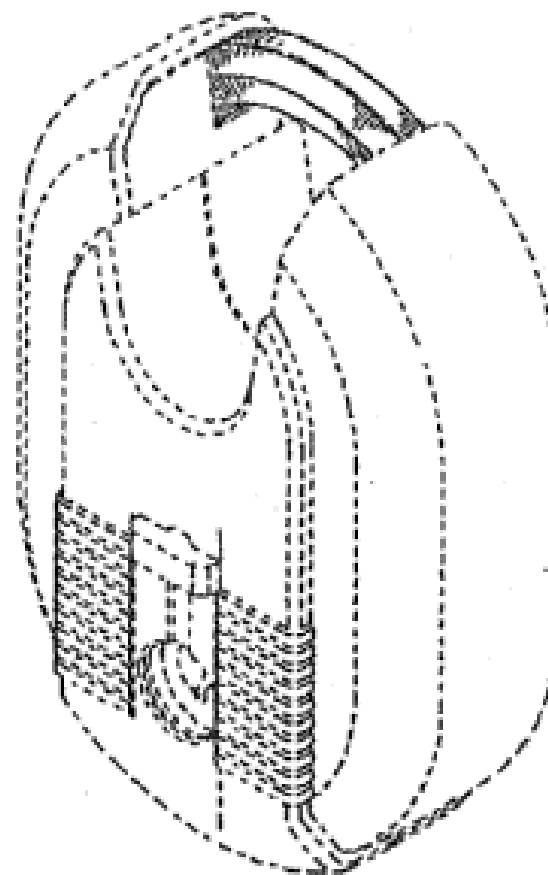
- (21) Design Number: **20746/2007**
(22) Date of Filing Application: **12 November 2007**
(24) Date from which industrial property rights may have effect: **12 November 2007**
(54) Product in respect of which the design is registered: **Shackle**
(51) International Design Classification: **08-07**
(71) Name(s) and Address(s) of Applicant(s):
Master Lock Company LLC
137 W. Forest Hill Avenue PO Box 927 Oak Creek Wisconsin 53154
United States of America
(72) Name(s) of Designer(s): **Christopher Rohde and John Blomstrom and John Heppner and Glenn P. Meekma**
(45) Registration Date: **11 March 2008**
(30) Convention priority data:
(31) Number (32) Date (33) Country
29/279896 10 May 2007 UNITED STATES OF AMERICA
(56) Related Art Documents: **Not Applicable**
(57) Statement of Newness and Distinctiveness: **The newness and distinctiveness are provided by the shape and/or configuration of the design shown in the representations. The features shown in broken lines in the representations are for illustrative purposes only and should not be considered when construing visual features of the design.**



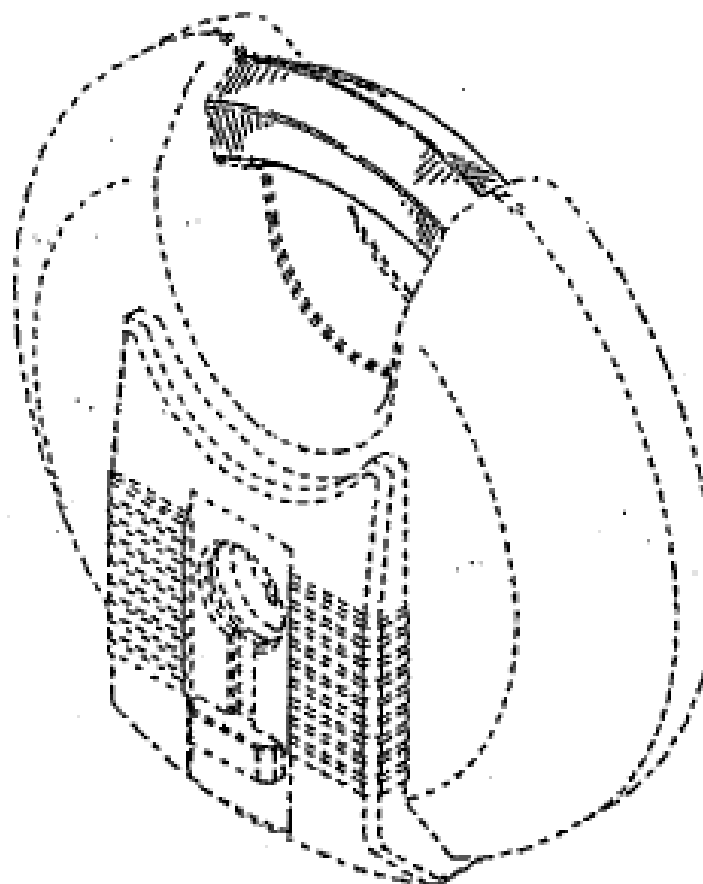
- (21) Design Number: **20747/2007**
(22) Date of Filing Application: **12 November 2007**
(24) Date from which industrial property rights may have effect: **12 November 2007**
(54) Product in respect of which the design is registered: **Shackle**
(51) International Design Classification: **08-07**
(71) Name(s) and Address(s) of Applicant(s):
Master Lock Company LLC
137 W. Forest Hill Avenue PO Box 927 Oak Creek Wisconsin 53154
United States of America
(72) Name(s) of Designer(s): **Christopher Rohde and John Blomstrom and John Heppner and Glenn P. Meekma**
(45) Registration Date: **11 March 2008**
(30) Convention priority data:
(31) Number (32) Date (33) Country
29/279888 10 May 2007 UNITED STATES OF AMERICA
(56) Related Art Documents: **Not Applicable**
(57) Statement of Newness and Distinctiveness: **The newness and distinctiveness are provided by the shape and/or configuration of the design shown in the representations. The features shown in broken lines in the representations are for illustrative purposes only and should not be considered when construing visual features of the design.**



- (21) Design Number: **20748/2007**
(22) Date of Filing Application: **12 November 2007**
(24) Date from which industrial property rights may have effect: **12 November 2007**
(54) Product in respect of which the design is registered: **Shackle**
(51) International Design Classification: **08-07**
(71) Name(s) and Address(s) of Applicant(s):
Master Lock Company LLC
137 W. Forest Hill Avenue PO Box 927 Oak Creek Wisconsin 53154
United States of America
(72) Name(s) of Designer(s): **Christopher Rohde and John Blomstrom and John Heppner and Glenn P. Meekma**
(45) Registration Date: **11 March 2008**
(30) Convention priority data:
(31) Number (32) Date (33) Country
29/279887 10 May 2007 UNITED STATES OF AMERICA
(56) Related Art Documents: **Not Applicable**
(57) Statement of Newness and Distinctiveness: **The newness and distinctiveness are provided by the shape and/or configuration of the design shown in the representations. The features shown in broken lines in the representations are for illustrative purposes only and should not be considered when construing visual features of the design.**



- (21) Design Number: **20749/2007**
(22) Date of Filing Application: **12 November 2007**
(24) Date from which industrial property rights may have effect: **12 November 2007**
(54) Product in respect of which the design is registered: **Shackle**
(51) International Design Classification: **08-07**
(71) Name(s) and Address(s) of Applicant(s):
Master Lock Company LLC
137 W. Forest Hill Avenue PO Box 927 Oak Creek Wisconsin 53154
United States of America
(72) Name(s) of Designer(s): **Christopher Rohde and John Blomstrom and John Heppner and Glenn P. Meekma**
(45) Registration Date: **11 March 2008**
(30) Convention priority data:
(31) Number (32) Date (33) Country
29/279890 10 May 2007 UNITED STATES OF AMERICA
(56) Related Art Documents: **Not Applicable**
(57) Statement of Newness and Distinctiveness: **The newness and distinctiveness are provided by the shape and/or configuration of the design shown in the representations. The features shown in broken lines in the representations are for illustrative purposes only and should not be considered when construing visual features of the design.**



- (21) Design Number: **20750/2007**
- (22) Date of Filing Application: **12 November 2007**
- (24) Date from which industrial property rights may have effect: **12 November 2007**
- (54) Product in respect of which the design is registered: **Shackle**
- (51) International Design Classification: **08-07**
- (71) Name(s) and Address(s) of Applicant(s):

Master Lock Company LLC
137 W. Forest Hill Avenue PO Box 927 Oak Creek Wisconsin 53154
United States of America

- (72) Name(s) of Designer(s): **Christopher Rohde and John Blomstrom and John Heppner and Glenn P. Meekma**

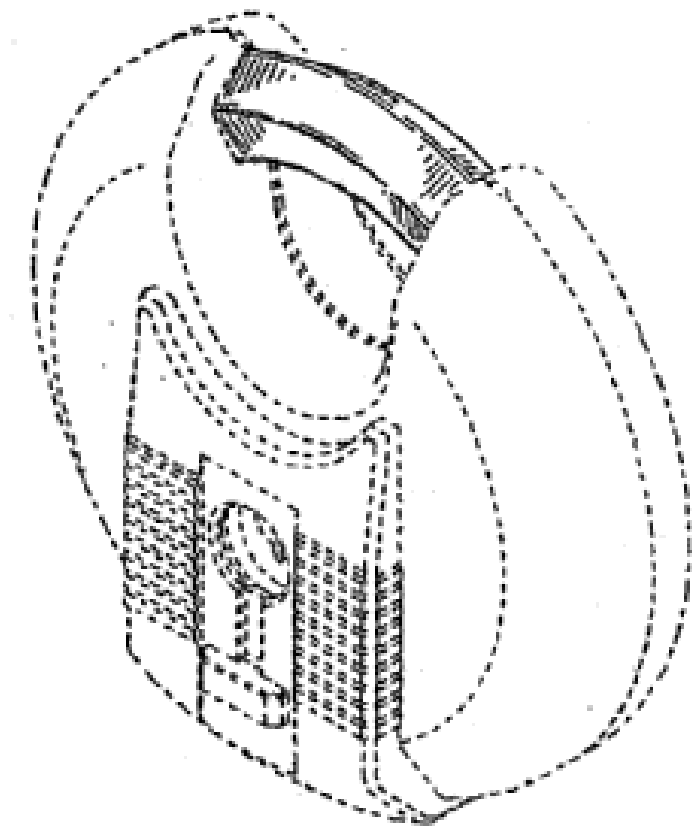
- (45) Registration Date: **11 March 2008**

- (30) Convention priority data:

(31) Number	(32) Date	(33) Country
29/279896	10 May 2007	UNITED STATES OF AMERICA

- (56) Related Art Documents: **Not Applicable**

- (57) Statement of Newness and Distinctiveness: **The newness and distinctiveness are provided by the shape and/or configuration of the design shown in the representations. The features shown in broken lines in the representations are for illustrative purposes only and should not be considered when construing visual features of the design.**



- (21) Design Number: **20751/2007**
- (22) Date of Filing Application: **12 November 2007**
- (24) Date from which industrial property rights may have effect: **12 November 2007**
- (54) Product in respect of which the design is registered: **Shackle**
- (51) International Design Classification: **08-07**
- (71) Name(s) and Address(s) of Applicant(s):

Master Lock Company LLC
137 W. Forest Hill Avenue PO Box 927 Oak Creek Wisconsin 53154
United States of America

- (72) Name(s) of Designer(s): **Christopher Rohde and John Blomstrom and John Heppner and Glenn P. Meekma**

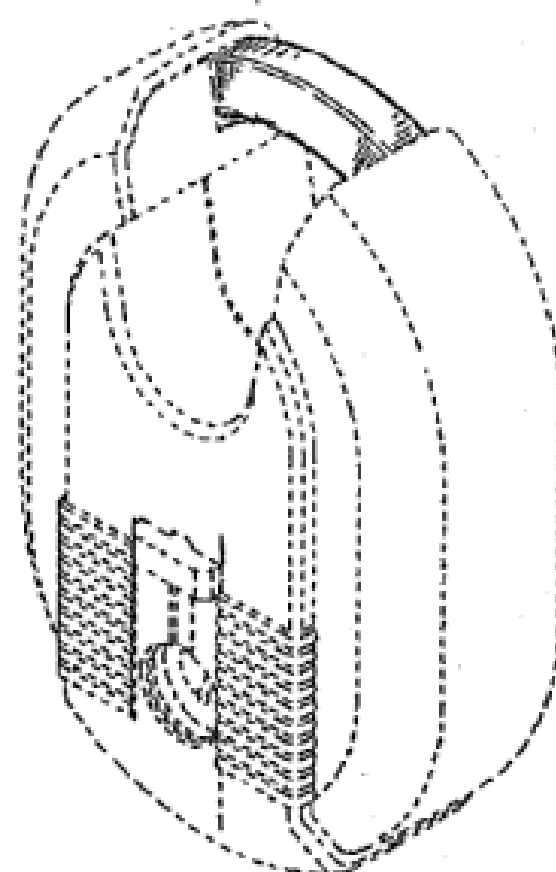
- (45) Registration Date: **11 March 2008**

- (30) Convention priority data:

(31) Number	(32) Date	(33) Country
29/279892	10 May 2007	UNITED STATES OF AMERICA

- (56) Related Art Documents: **Not Applicable**

- (57) Statement of Newness and Distinctiveness: **The newness and distinctiveness are provided by the shape and/or configuration of the design shown in the representations. The features shown in broken lines in the representations are for illustrative purposes only and should not be considered when construing visual features of the design.**



- (21) Design Number: **20752/2007**
- (22) Date of Filing Application: **12 November 2007**
- (24) Date from which industrial property rights may have effect: **12 November 2007**
- (54) Product in respect of which the design is registered: **Shackle**
- (51) International Design Classification: **08-07**
- (71) Name(s) and Address(s) of Applicant(s):

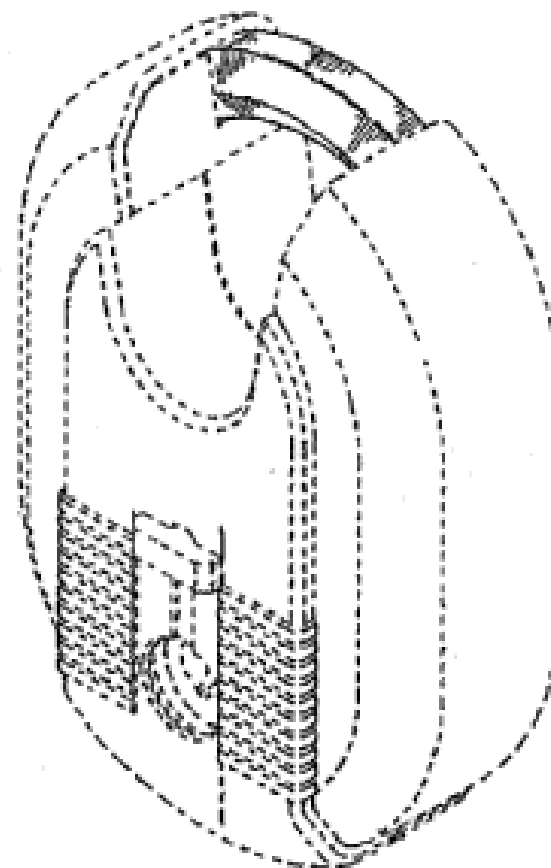
Master Lock Company LLC
137 W. Forest Hill Avenue PO Box 927 Oak Creek Wisconsin 53154
United States of America

- (72) Name(s) of Designer(s): **Christopher Rohde and John Blomstrom and John Heppner and Glenn P. Meekma**
- (45) Registration Date: **11 March 2008**

- (30) Convention priority data:

(31) Number	(32) Date	(33) Country
29/279889	10 May 2007	UNITED STATES OF AMERICA

- (56) Related Art Documents: **Not Applicable**
- (57) Statement of Newness and Distinctiveness: **The newness and distinctiveness are provided by the shape and/or configuration of the design shown in the representations. The features shown in broken lines in the representations are for illustrative purposes only and should not be considered when construing visual features of the design.**



- (21) Design Number: **20753/2007**
- (22) Date of Filing Application: **12 November 2007**
- (24) Date from which industrial property rights may have effect: **12 November 2007**
- (54) Product in respect of which the design is registered: **Shackle**
- (51) International Design Classification: **08-07**
- (71) Name(s) and Address(s) of Applicant(s):

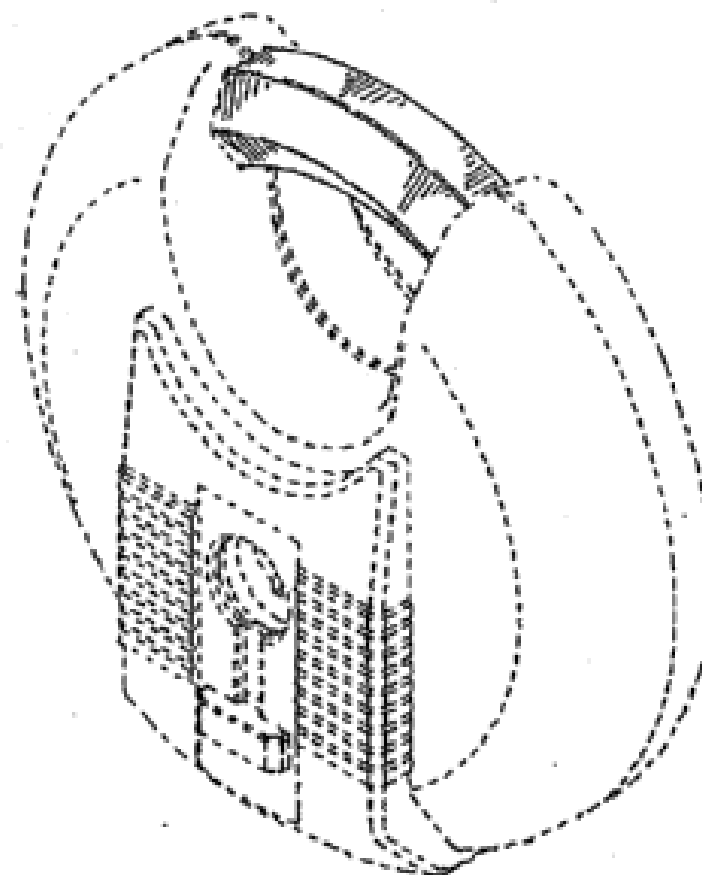
Master Lock Company LLC
137 W. Forest Hill Avenue PO Box 927 Oak Creek Wisconsin 53154
United States of America

- (72) Name(s) of Designer(s): **Christopher Rohde and John Blomstrom and John Heppner and Glenn P. Meekma**
- (45) Registration Date: **11 March 2008**

- (30) Convention priority data:

(31) Number	(32) Date	(33) Country
29/279889	10 May 2007	UNITED STATES OF AMERICA

- (56) Related Art Documents: **Not Applicable**
- (57) Statement of Newness and Distinctiveness: **The newness and distinctiveness are provided by the shape and/or configuration of the design shown in the representations. The features shown in broken lines in the representations are for illustrative purposes only and should not be considered when construing visual features of the design.**



- (21) Design Number: **20754/2007**
- (22) Date of Filing Application: **12 November 2007**
- (24) Date from which industrial property rights may have effect: **12 November 2007**
- (54) Product in respect of which the design is registered: **Shackle**
- (51) International Design Classification: **08-07**
- (71) Name(s) and Address(s) of Applicant(s):

Master Lock Company LLC
137 W. Forest Hill Avenue PO Box 927 Oak Creek Wisconsin 53154
United States of America

- (72) Name(s) of Designer(s): **Christopher Rohde and John Blomstrom and John Heppner and Glenn P. Meekma**

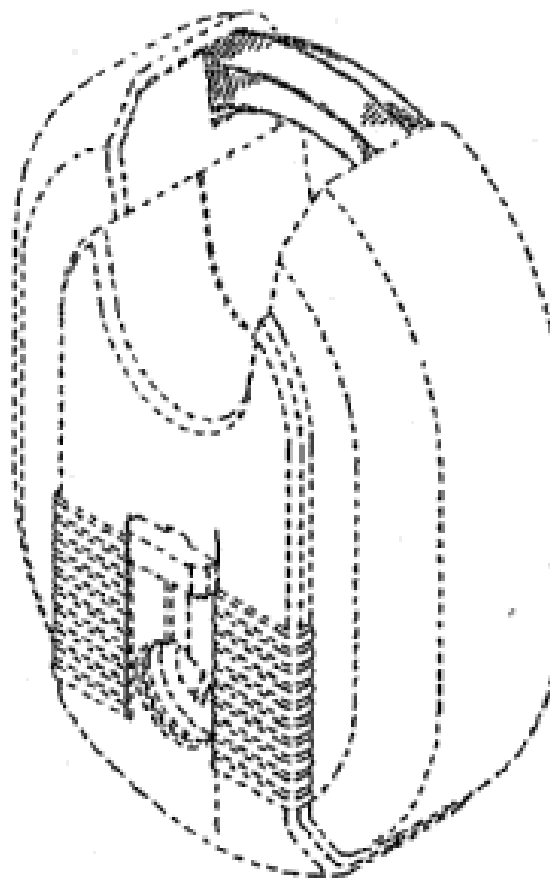
- (45) Registration Date: **11 March 2008**

- (30) Convention priority data:

(31) Number	(32) Date	(33) Country
29/279890	10 May 2007	UNITED STATES OF AMERICA

- (56) Related Art Documents: **Not Applicable**

- (57) Statement of Newness and Distinctiveness: **The newness and distinctiveness are provided by the shape and/or configuration of the design shown in the representations. The features shown in broken lines in the representations are for illustrative purposes only and should not be considered when construing visual features of the design.**



- (21) Design Number: **20755/2007**
- (22) Date of Filing Application: **12 November 2007**
- (24) Date from which industrial property rights may have effect: **12 November 2007**
- (54) Product in respect of which the design is registered: **Shackle**
- (51) International Design Classification: **08-07**
- (71) Name(s) and Address(s) of Applicant(s):

Master Lock Company LLC
137 W. Forest Hill Avenue PO Box 927 Oak Creek Wisconsin 53154
United States of America

- (72) Name(s) of Designer(s): **Christopher Rohde and John Blomstrom and John Heppner and Glenn P. Meekma**

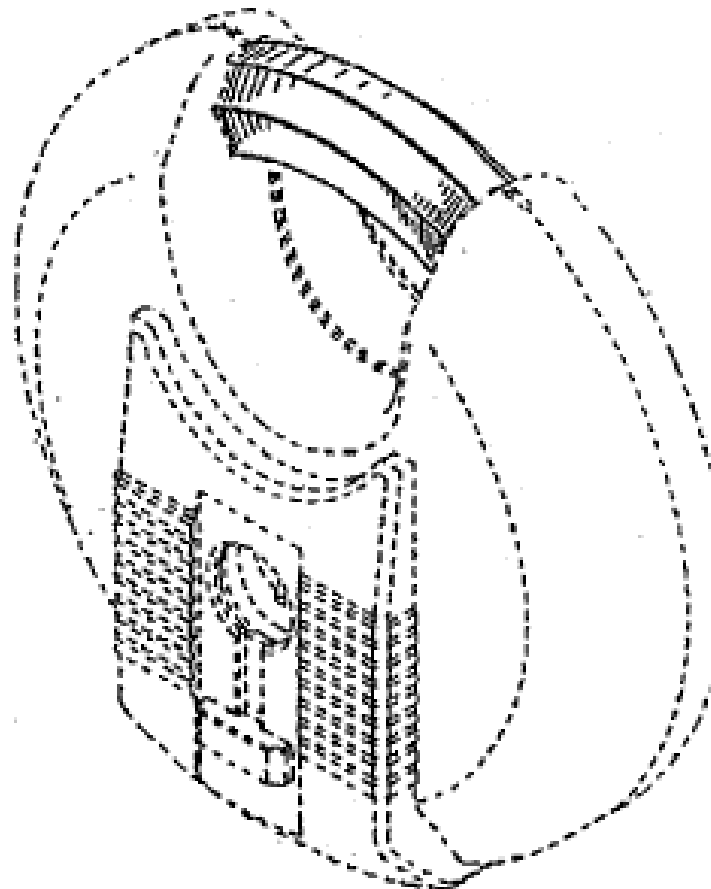
- (45) Registration Date: **11 March 2008**

- (30) Convention priority data:

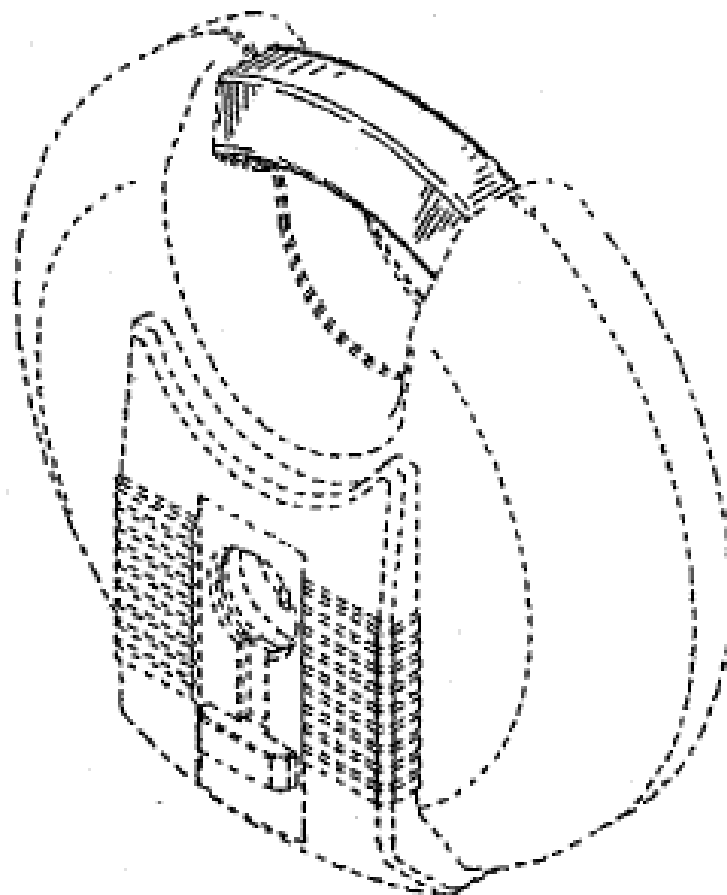
(31) Number	(32) Date	(33) Country
29/279887	10 May 2007	UNITED STATES OF AMERICA

- (56) Related Art Documents: **Not Applicable**

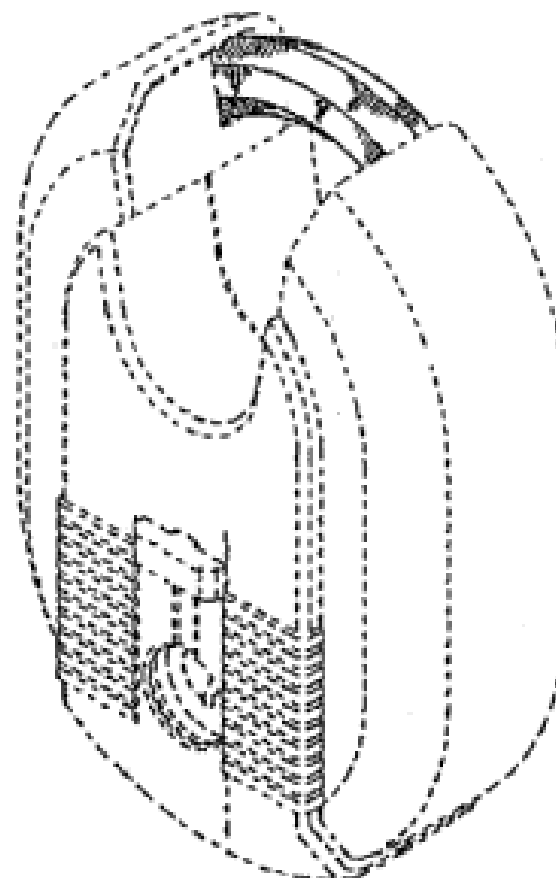
- (57) Statement of Newness and Distinctiveness: **The newness and distinctiveness are provided by the shape and/or configuration of the design shown in the representations. The features shown in broken lines in the representations are for illustrative purposes only and should not be considered when construing visual features of the design.**



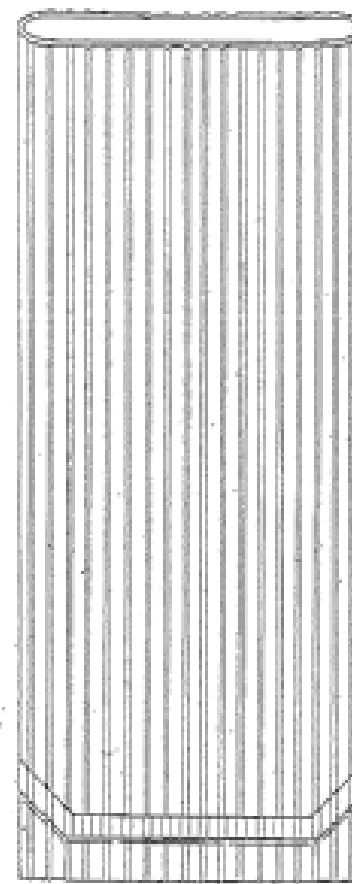
(21) Design Number: **20756/2007**
 (22) Date of Filing Application: **12 November 2007**
 (24) Date from which industrial property rights may have effect: **12 November 2007**
 (54) Product in respect of which the design is registered: **Shackle**
 (51) International Design Classification: **08-07**
 (71) Name(s) and Address(s) of Applicant(s):
Master Lock Company LLC
137 W. Forest Hill Avenue PO Box 927 Oak Creek Wisconsin 53154
United States of America
 (72) Name(s) of Designer(s): **Christopher Rohde and John Blomstrom and**
John Heppner and Glenn P. Meekma
 (45) Registration Date: **11 March 2008**
 (30) Convention priority data:
 (31) Number (32) Date (33) Country
29/279892 10 May 2007 UNITED STATES OF AMERICA
 (56) Related Art Documents: **Not Applicable**
 (57) Statement of Newness and Distinctiveness: **The newness and distinctiveness are provided by the shape and/or configuration of the design shown in the representations. The features shown in broken lines in the representations are for illustrative purposes only and should not be considered when construing visual features of the design.**



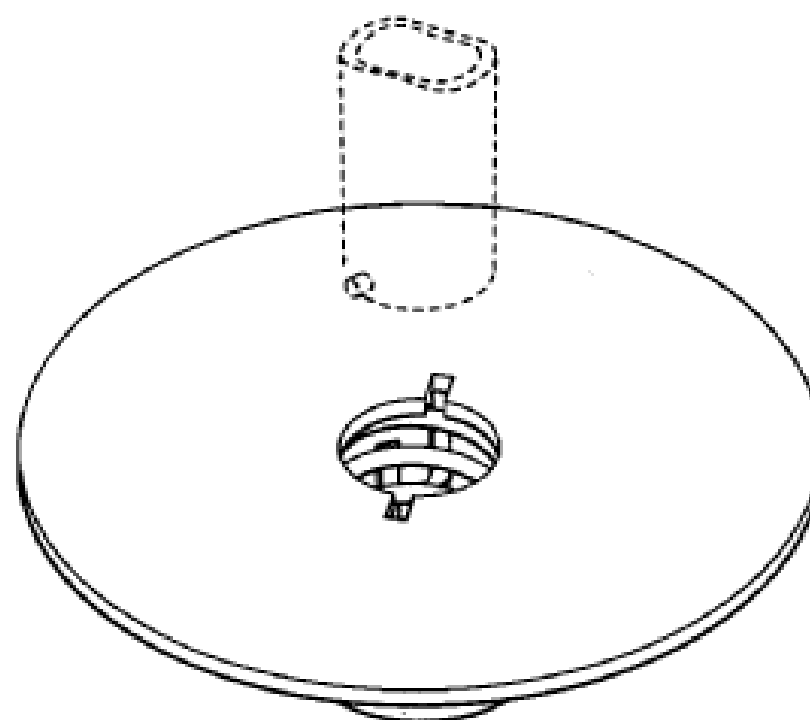
(21) Design Number: **20757/2007**
 (22) Date of Filing Application: **12 November 2007**
 (24) Date from which industrial property rights may have effect: **12 November 2007**
 (54) Product in respect of which the design is registered: **Shackle**
 (51) International Design Classification: **08-07**
 (71) Name(s) and Address(s) of Applicant(s):
Master Lock Company LLC
137 W. Forest Hill Avenue PO Box 927 Oak Creek Wisconsin 53154
United States of America
 (72) Name(s) of Designer(s): **Christopher Rohde and John Blomstrom and**
John Heppner and Glenn P. Meekma
 (45) Registration Date: **11 March 2008**
 (30) Convention priority data:
 (31) Number (32) Date (33) Country
29/279888 10 May 2007 UNITED STATES OF AMERICA
 (56) Related Art Documents: **Not Applicable**
 (57) Statement of Newness and Distinctiveness: **The newness and distinctiveness are provided by the shape and/or configuration of the design shown in the representations. The features shown in broken lines in the representations are for illustrative purposes only and should not be considered when construing visual features of the design.**



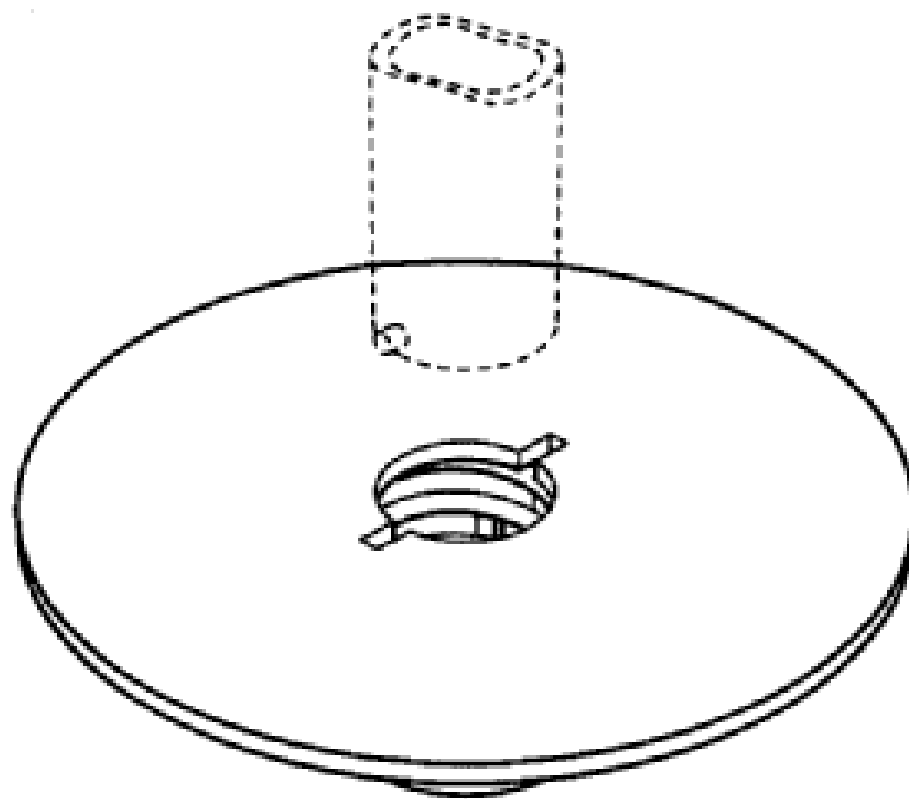
(21) Design Number: **20763/2007**
(22) Date of Filing Application: **12 November 2007**
(24) Date from which industrial property rights may have effect: **12 November 2007**
(54) Product in respect of which the design is registered: **Pill crusher pouch**
(51) International Design Classification: **28-99**
(71) Name(s) and Address(s) of Applicant(s):
Tiger Medical Products (US), Inc
17328 Ventura Boulevard #245 Encino CA 91316 United States of America
(72) Name(s) of Designer(s): **Mark Engel and Song Yang**
(45) Registration Date: **11 March 2008**
(30) Convention priority data:
(31) Number (32) Date (33) Country
29/288,276 06 Jun 2007 UNITED STATES OF AMERICA
(56) Related Art Documents: **Not Applicable**
(57) Statement of Newness and Distinctiveness: **Visual features of the design which are new and distinctive are the features of shape and configuration of the pill crusher pouch as illustrated in the representations.**



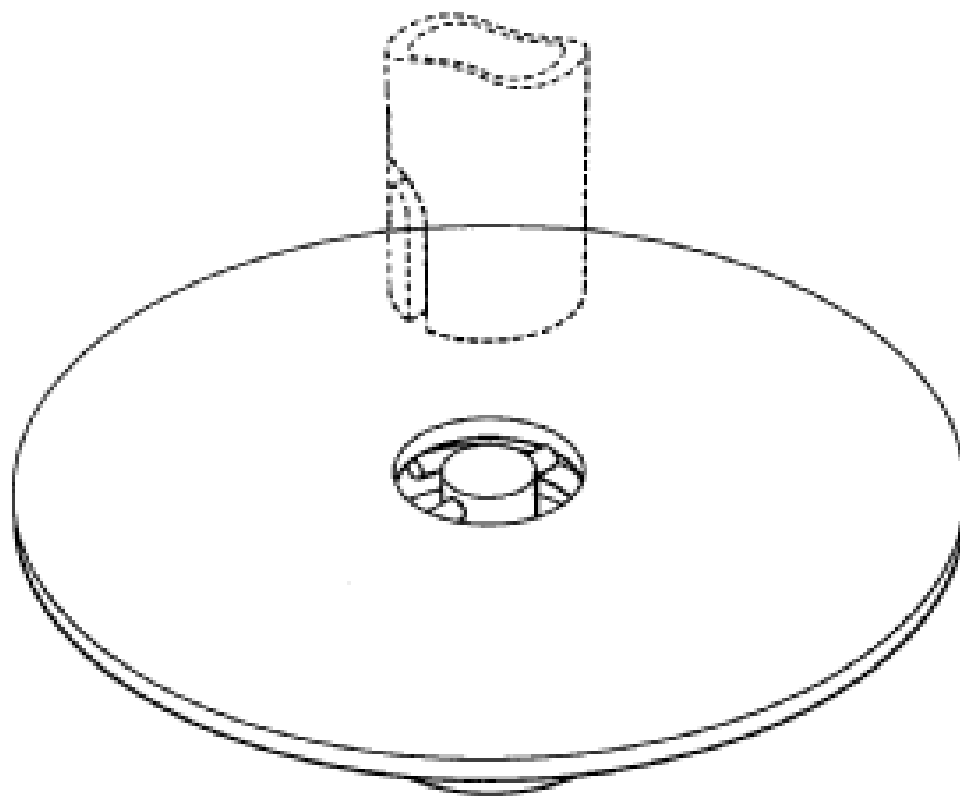
(21) Design Number: **20760/2007**
(22) Date of Filing Application: **09 November 2007**
(24) Date from which industrial property rights may have effect: **09 November 2007**
(54) Product in respect of which the design is registered: **A ground anchor for an upright**
(51) International Design Classification: **25-01E**
(71) Name(s) and Address(s) of Applicant(s):
Nikolaos Filaretos Bakopoulos
75 Quinton Court Pasadena South Australia 5042 Australia
(72) Name(s) of Designer(s): **Nikolaos Filaretos Bakopoulos**
(45) Registration Date: **11 March 2008**
(56) Related Art Documents: **Not Applicable**
(57) Statement of Newness and Distinctiveness: **Nil**



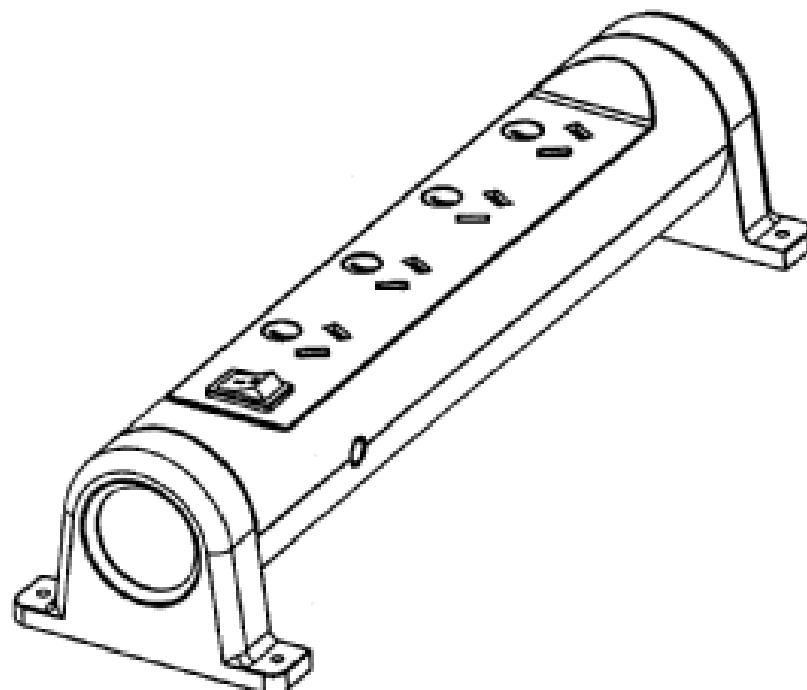
(21) Design Number: **20761/2007**
(22) Date of Filing Application: **09 November 2007**
(24) Date from which industrial property rights may have effect: **09 November 2007**
(54) Product in respect of which the design is registered: **A ground anchor for an upright**
(51) International Design Classification: **25-01E**
(71) Name(s) and Address(s) of Applicant(s):
Nikolaos Filaretos Bakopoulos
75 Quinton Court Pasadena South Australia 5042 Australia
(72) Name(s) of Designer(s): **Nikolaos Filaretos Bakopoulos**
(45) Registration Date: **11 March 2008**
(56) Related Art Documents: **Not Applicable**
(57) Statement of Newness and Distinctiveness: **Nil**



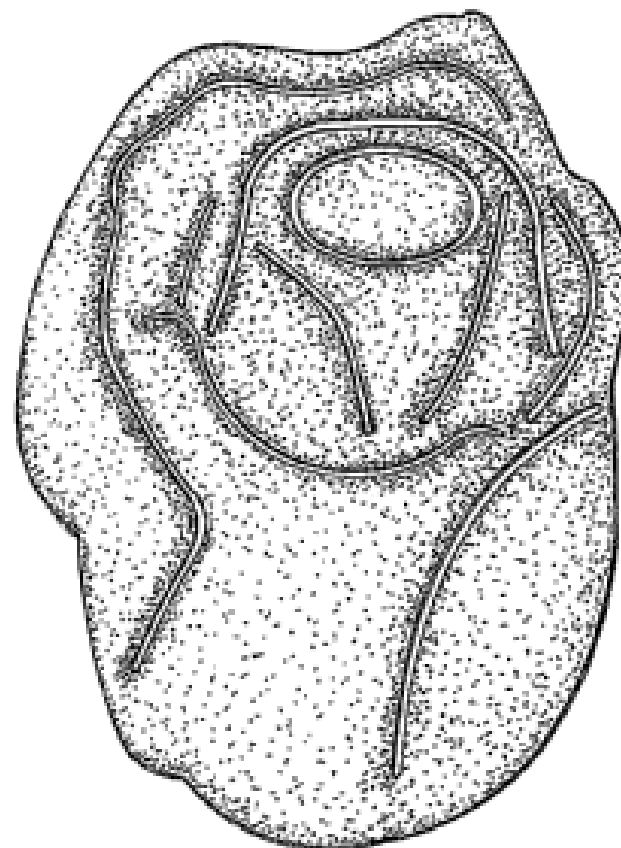
(21) Design Number: **20762/2007**
(22) Date of Filing Application: **09 November 2007**
(24) Date from which industrial property rights may have effect: **09 November 2007**
(54) Product in respect of which the design is registered: **A ground anchor for an upright**
(51) International Design Classification: **25-01E**
(71) Name(s) and Address(s) of Applicant(s):
Nikolaos Filaretos Bakopoulos
75 Quinton Court Pasadena South Australia 5042 Australia
(72) Name(s) of Designer(s): **Nikolaos Filaretos Bakopoulos**
(45) Registration Date: **11 March 2008**
(56) Related Art Documents: **Not Applicable**
(57) Statement of Newness and Distinctiveness: **Nil**



- (21) Design Number: **20553/2007**
(22) Date of Filing Application: **31 October 2007**
(24) Date from which industrial property rights may have effect: **31 October 2007**
(54) Product in respect of which the design is registered: **A power board**
(51) International Design Classification: **13-03D**
(71) Name(s) and Address(s) of Applicant(s):
Jackson Industries Pty Limited
16 Brookhollow Avenue Norwest Business Park Baulkham Hills New
South Wales 2153 Australia
(72) Name(s) of Designer(s): **Ross Alec Jackson**
(45) Registration Date: **12 March 2008**
(56) Related Art Documents: **Not Applicable**
(57) Statement of Newness and Distinctiveness: **Newness and distinctiveness is claimed in the features of shape and/or configuration of the curved shaped and rotatable end brackets of a power board as illustrated in the accompanying representations.**



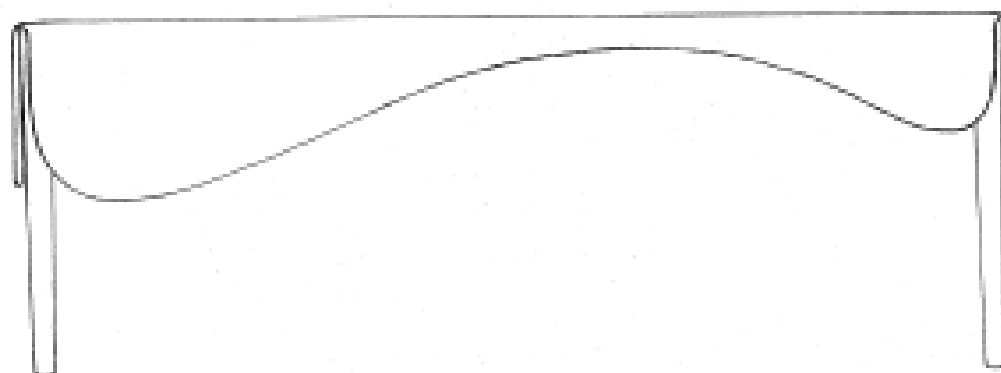
- (21) Design Number: **20770/2007**
(22) Date of Filing Application: **13 November 2007**
(24) Date from which industrial property rights may have effect: **13 November 2007**
(54) Product in respect of which the design is registered: **Sanitary absorbent article**
(51) International Design Classification: **24-04**
(71) Name(s) and Address(s) of Applicant(s):
McNeil-PPC, Inc.
199 Grandview Road Skillman New Jersey 08558 United States of
America
(72) Name(s) of Designer(s): **Luiz Henrique Rachid and Rebeca Sanches da**
Costa Couto Gabrielli
(45) Registration Date: **12 March 2008**
(30) Convention priority data:
(31) Number (32) Date (33) Country
29/280101 16 May 2007 UNITED STATES OF AMERICA
(56) Related Art Documents: **Not Applicable**
(57) Statement of Newness and Distinctiveness: **Newness and distinctiveness reside in the shape and configuration and/or pattern and ornamentation of the design for a sanitary absorbent article as shown in the representations.**



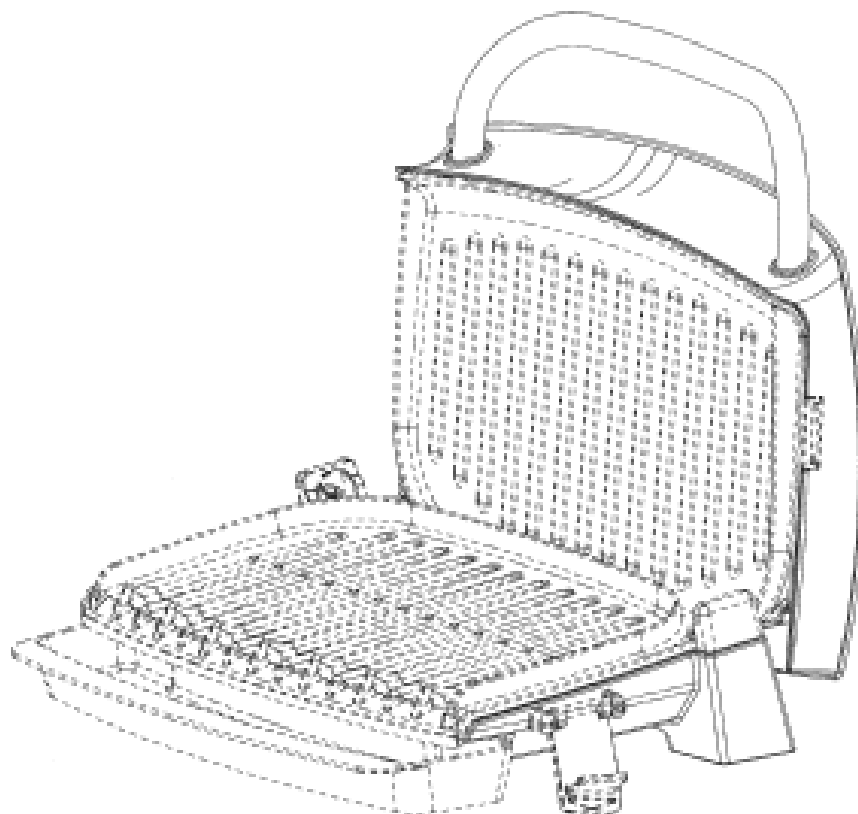
- (21) Design Number: **20772/2007**
(22) Date of Filing Application: **13 November 2007**
(24) Date from which industrial property rights may have effect: **13 November 2007**
(54) Product in respect of which the design is registered: **Horse rugs**
(51) International Design Classification: **30-01**
(71) Name(s) and Address(s) of Applicant(s):
Jillian Fookes
Lot 1 Holmwood Road Stoney Creek Queensland 4514 Australia
(72) Name(s) of Designer(s): **Jillian Fookes**
(45) Registration Date: **12 March 2008**
(56) Related Art Documents: **Not Applicable**
(57) Statement of Newness and Distinctiveness: **Elastic insert into neck of rug.**



- (21) Design Number: **20774/2007**
(22) Date of Filing Application: **13 November 2007**
(24) Date from which industrial property rights may have effect: **13 November 2007**
(54) Product in respect of which the design is registered: **Table**
(51) International Design Classification: **06-03A**
(71) Name(s) and Address(s) of Applicant(s):
Adam Phillips
6/25 Barkly Street St Kilda Melbourne Victoria 3182 Australia
(72) Name(s) of Designer(s): **Adam Phillips**
(45) Registration Date: **12 March 2008**
(56) Related Art Documents: **Not Applicable**
(57) Statement of Newness and Distinctiveness: **This table top design exhibits a distinctive curvilinear shape suggestive of cloth, yet contained within a unique system of balanced assymetrical opposites.**



- (21) Design Number: **20775/2007**
(22) Date of Filing Application: **13 November 2007**
(24) Date from which industrial property rights may have effect: **13 November 2007**
(54) Product in respect of which the design is registered: **Fryer and roaster**
(51) International Design Classification: **07-02N**
(71) Name(s) and Address(s) of Applicant(s):
Tsann Kuen (China) Enterprise Co., Ltd
No. 88 Xinglong Road Huli District Xiamen City Fujian Province China
(72) Name(s) of Designer(s): **Chunhung Li**
(45) Registration Date: **12 March 2008**
(30) Convention priority data:
(31) Number (32) Date (33) Country
200730139313.6 22 May 2007 CHINA
(56) Related Art Documents: **Not Applicable**
(57) Statement of Newness and Distinctiveness: **Each feature of the design considered separately or in combination with any other feature or features. The features shown in broken lines do not form a part of the design.**



- (21) Design Number: **20785/2007**
(22) Date of Filing Application: **13 November 2007**
(24) Date from which industrial property rights may have effect: **13 November 2007**
(54) Product in respect of which the design is registered: **Banknote sorter**
(51) International Design Classification: **19-02**
(71) Name(s) and Address(s) of Applicant(s):
De La Rue International Limited
De La Rue House Jays Close Basingstoke Hampshire RG22 4BS
United Kingdom
(72) Name(s) of Designer(s): **Sebastian Crawford Alastair Stoddart and Simon Wilkinson and Matthew Brown and David Robinson**
(45) Registration Date: **12 March 2008**
(30) Convention priority data:
(31) Number (32) Date (33) Country
000726005-0001 16 May 2007 EUROPEAN COMMUNITY
(56) Related Art Documents: **Not Applicable**
(57) Statement of Newness and Distinctiveness: **Newness and distinctiveness is claimed in the visual features shown in solid lines in the representations.**



(21) Design Number: **20830/2007**

(22) Date of Filing Application: **15 November 2007**

(24) Date from which industrial property rights may have effect: **15 November 2007**

(54) Product in respect of which the design is registered: **2-draw bedside chest**

(51) International Design Classification: **06-04F**

(71) Name(s) and Address(s) of Applicant(s):

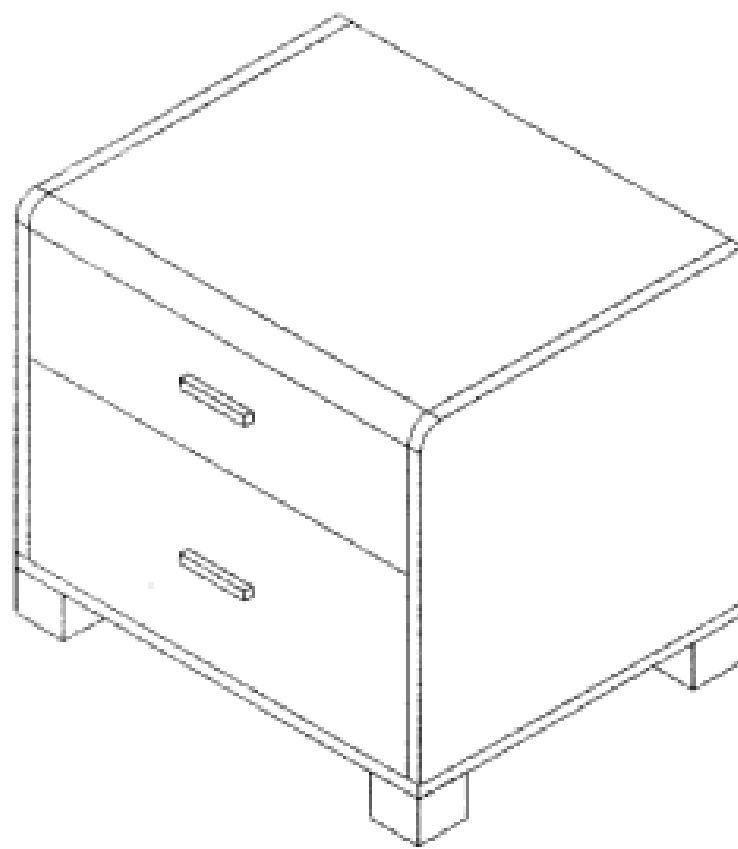
**Everbright International Pty Ltd
71 Broughton Street Concord New South Wales 2137 Australia**

(72) Name(s) of Designer(s): **Lianggen Wang**

(45) Registration Date: **12 March 2008**

(56) Related Art Documents: **Not Applicable**

(57) Statement of Newness and Distinctiveness: **The front side of the furniture top is contoured to fit curves of carcasses.**



(21) Design Number: **20831/2007**

(22) Date of Filing Application: **15 November 2007**

(24) Date from which industrial property rights may have effect: **15 November 2007**

(54) Product in respect of which the design is registered: **3-draw bedside chest**

(51) International Design Classification: **06-04F**

(71) Name(s) and Address(s) of Applicant(s):

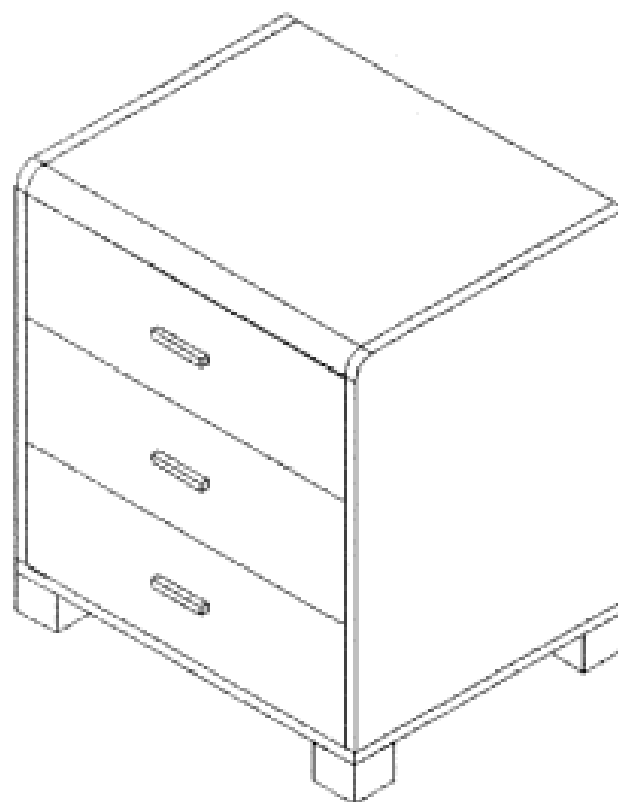
**Everbright International Pty Ltd
71 Broughton Street Concord New South Wales 2137 Australia**

(72) Name(s) of Designer(s): **Lianggen Wang**

(45) Registration Date: **12 March 2008**

(56) Related Art Documents: **Not Applicable**

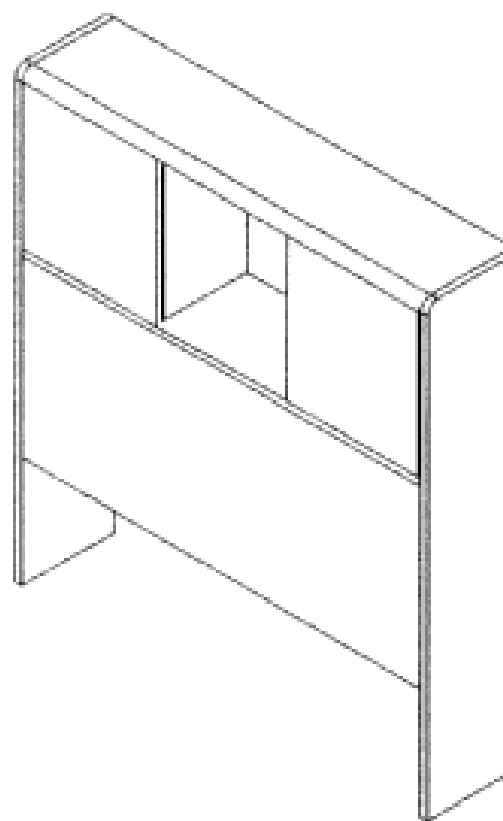
(57) Statement of Newness and Distinctiveness: **The front side of the furniture top is contoured to fit curves of carcasses.**



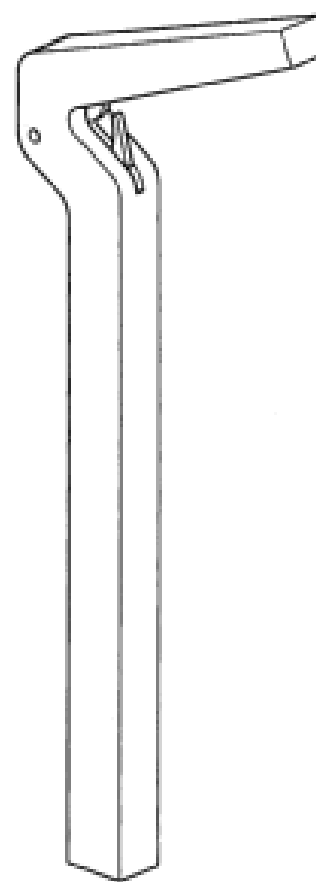
- (21) Design Number: **20832/2007**
(22) Date of Filing Application: **15 November 2007**
(24) Date from which industrial property rights may have effect: **15 November 2007**
(54) Product in respect of which the design is registered: **5-draw tallboy**
(51) International Design Classification: **06-04F**
(71) Name(s) and Address(s) of Applicant(s):
Everbright International Pty Ltd
71 Broughton Street Concord New South Wales 2137 Australia
(72) Name(s) of Designer(s): **Lianggen Wang**
(45) Registration Date: **12 March 2008**
(56) Related Art Documents: **Not Applicable**
(57) Statement of Newness and Distinctiveness: **The front side of the furniture top is contoured to fit curves of carcasses.**



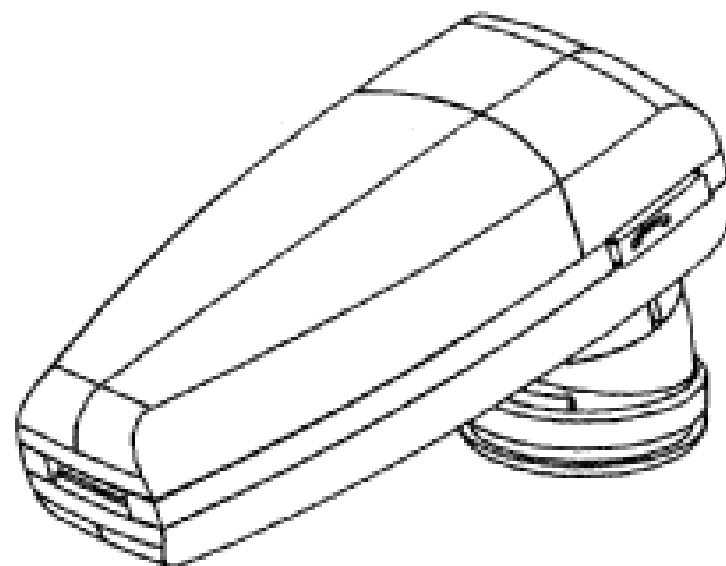
- (21) Design Number: **20833/2007**
(22) Date of Filing Application: **15 November 2007**
(24) Date from which industrial property rights may have effect: **15 November 2007**
(54) Product in respect of which the design is registered: **Bedhead**
(51) International Design Classification: **06-06F**
(71) Name(s) and Address(s) of Applicant(s):
Everbright International Pty Ltd
71 Broughton Street Concord New South Wales 2137 Australia
(72) Name(s) of Designer(s): **Lianggen Wang**
(45) Registration Date: **12 March 2008**
(56) Related Art Documents: **Not Applicable**
(57) Statement of Newness and Distinctiveness: **The front side of the furniture top is contoured to fit curves of carcasses.**



- (21) Design Number: **20835/2007**
(22) Date of Filing Application: **14 November 2007**
(24) Date from which industrial property rights may have effect: **14 November 2007**
(54) Product in respect of which the design is registered: **A post**
(51) International Design Classification: **25-02A**
(71) Name(s) and Address(s) of Applicant(s):
Cosset Industries Pty Ltd
313 Portrush Road Norwood South Australia 5067 Australia
(72) Name(s) of Designer(s): **Andrew Townsend and Nicholas Wotton and Andrew Rogers**
(45) Registration Date: **12 March 2008**
(56) Related Art Documents: **Not Applicable**
(57) Statement of Newness and Distinctiveness: **Newness is claimed in the locking arrangement in the post indicated by the letter "A".**



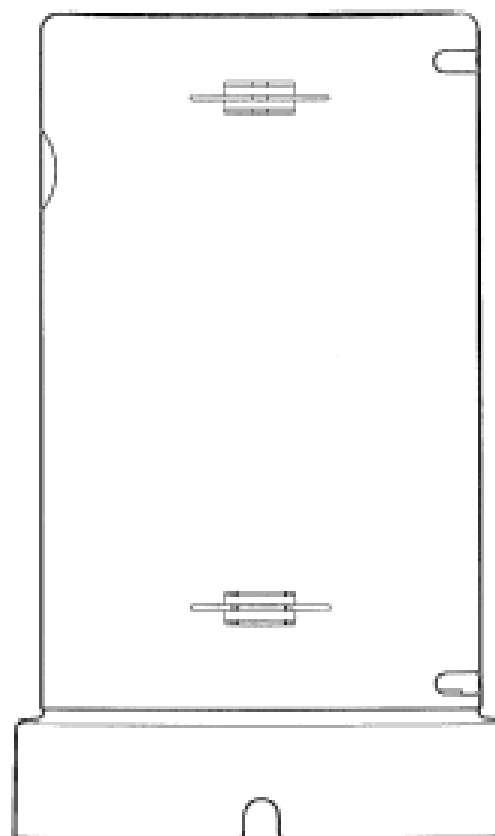
- (21) Design Number: **20836/2007**
(22) Date of Filing Application: **14 November 2007**
(24) Date from which industrial property rights may have effect: **14 November 2007**
(54) Product in respect of which the design is registered: **Headset**
(51) International Design Classification: **14-03A**
(71) Name(s) and Address(s) of Applicant(s):
GN A/S
Lautrupbjerg 7 DK-2750 Ballerup Denmark
(72) Name(s) of Designer(s): **Timothy Jacob Jensen and Jonas Gaarde**
(45) Registration Date: **12 March 2008**
(56) Related Art Documents: **Not Applicable**
(57) Statement of Newness and Distinctiveness: **Nil**



- (21) Design Number: **20841/2007**
(22) Date of Filing Application: **14 November 2007**
(24) Date from which industrial property rights may have effect: **14 November 2007**
(54) Product in respect of which the design is registered: **Rail screw**
(51) International Design Classification: **08-08B**
(71) Name(s) and Address(s) of Applicant(s):
Cold Forged Products No. 1 Pty Limited
27-31 Parraweena Road Taren Point New South Wales 2229 Australia
(72) Name(s) of Designer(s): **Clayton Leonard George**
(45) Registration Date: **12 March 2008**
(56) Related Art Documents: **Not Applicable**
(57) Statement of Newness and Distinctiveness: **Newness and distinctiveness reside in the features of the design as shown in the representations but excluding the 6 lobe head of the screw above the flange.**



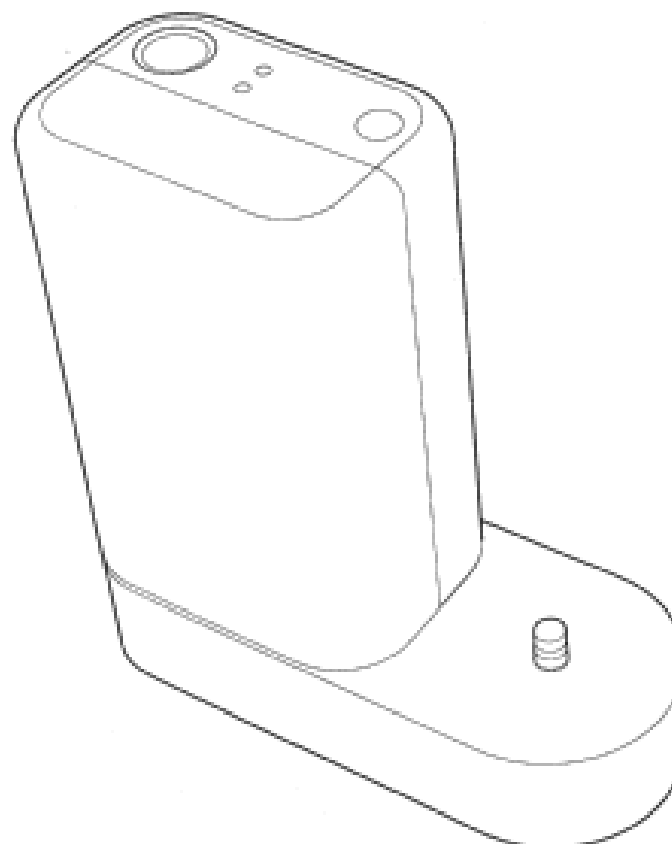
- (21) Design Number: **20842/2007**
(22) Date of Filing Application: **14 November 2007**
(24) Date from which industrial property rights may have effect: **14 November 2007**
(54) Product in respect of which the design is registered: **UV sanitizer for toothbrush head**
(51) International Design Classification: **28-03NES**
(71) Name(s) and Address(s) of Applicant(s):
Koninklijke Philips Electronics N.V.
Groenewoudseweg 1 5621 BA Eindhoven The Netherlands
(72) Name(s) of Designer(s): **Bart Johannes Masee**
(45) Registration Date: **12 March 2008**
(30) Convention priority data:
(31) Number (32) Date (33) Country
000728464-0001 24 May 2007 EUROPEAN COMMUNITY
(56) Related Art Documents: **Not Applicable**
(57) Statement of Newness and Distinctiveness: **Newness and distinctiveness reside in the features of the design as shown in the representations.**



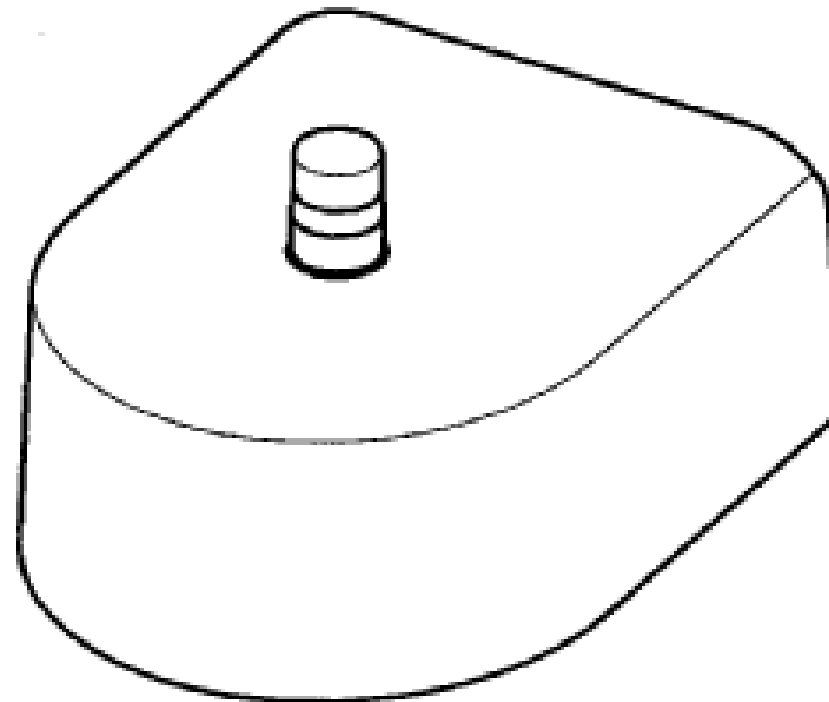
- (21) Design Number: **20843/2007**
(22) Date of Filing Application: **14 November 2007**
(24) Date from which industrial property rights may have effect: **14 November 2007**
(54) Product in respect of which the design is registered: **Toothbrush**
(51) International Design Classification: **28-03NES**
(71) Name(s) and Address(s) of Applicant(s):
Koninklijke Philips Electronics N.V.
Groenewoudseweg 1 5621 BA Eindhoven The Netherlands
(72) Name(s) of Designer(s): **Martyn Beedham**
(45) Registration Date: **12 March 2008**
(30) Convention priority data:
(31) Number (32) Date (33) Country
000728464-0002 24 May 2007 EUROPEAN COMMUNITY
(56) Related Art Documents: **Not Applicable**
(57) Statement of Newness and Distinctiveness: **Newness and distinctiveness reside in the features of the design as shown in the representations.**



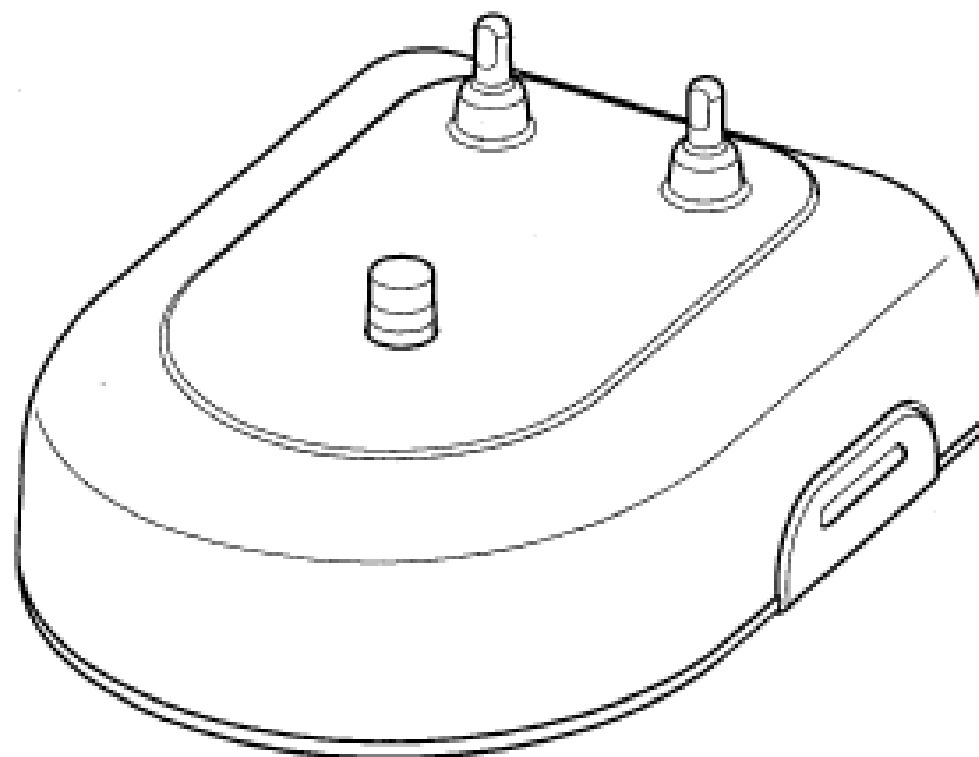
- (21) Design Number: **20844/2007**
(22) Date of Filing Application: **14 November 2007**
(24) Date from which industrial property rights may have effect: **14 November 2007**
(54) Product in respect of which the design is registered: **UV sanitizer**
(51) International Design Classification: **28-03NES**
(71) Name(s) and Address(s) of Applicant(s):
Koninklijke Philips Electronics N.V.
Groenewoudseweg 1 5621 BA Eindhoven The Netherlands
(72) Name(s) of Designer(s): **Marten Frans Elkerbout**
(45) Registration Date: **12 March 2008**
(30) Convention priority data:
(31) Number (32) Date (33) Country
000728464-0004 24 May 2007 EUROPEAN COMMUNITY
(56) Related Art Documents: **Not Applicable**
(57) Statement of Newness and Distinctiveness: **Newness and distinctiveness reside in the features of the design as shown in the representations.**



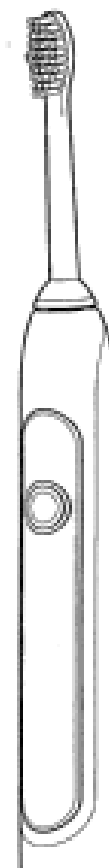
- (21) Design Number: **20845/2007**
(22) Date of Filing Application: **14 November 2007**
(24) Date from which industrial property rights may have effect: **14 November 2007**
(54) Product in respect of which the design is registered: **Mini charger for toothbrush**
(51) International Design Classification: **28-03NES**
(71) Name(s) and Address(s) of Applicant(s):
Koninklijke Philips Electronics N.V.
Groenewoudseweg 1 5621 BA Eindhoven The Netherlands
(72) Name(s) of Designer(s): **Martyn Beedham**
(45) Registration Date: **12 March 2008**
(30) Convention priority data:
(31) Number (32) Date (33) Country
000728464-0005 24 May 2007 EUROPEAN COMMUNITY
(56) Related Art Documents: **Not Applicable**
(57) Statement of Newness and Distinctiveness: **Newness and distinctiveness reside in the features of the design as shown in the representations.**



- (21) Design Number: **20846/2007**
(22) Date of Filing Application: **14 November 2007**
(24) Date from which industrial property rights may have effect: **14 November 2007**
(54) Product in respect of which the design is registered: **Charger for toothbrush**
(51) International Design Classification: **28-03NES**
(71) Name(s) and Address(s) of Applicant(s):
Koninklijke Philips Electronics N.V.
Groenewoudseweg 1 5621 BA Eindhoven The Netherlands
(72) Name(s) of Designer(s): **Martyn Beedham**
(45) Registration Date: **12 March 2008**
(30) Convention priority data:
(31) Number (32) Date (33) Country
000728464-0006 24 May 2007 EUROPEAN COMMUNITY
(56) Related Art Documents: **Not Applicable**
(57) Statement of Newness and Distinctiveness: **Newness and distinctiveness reside in the features of the design as shown in the representations.**



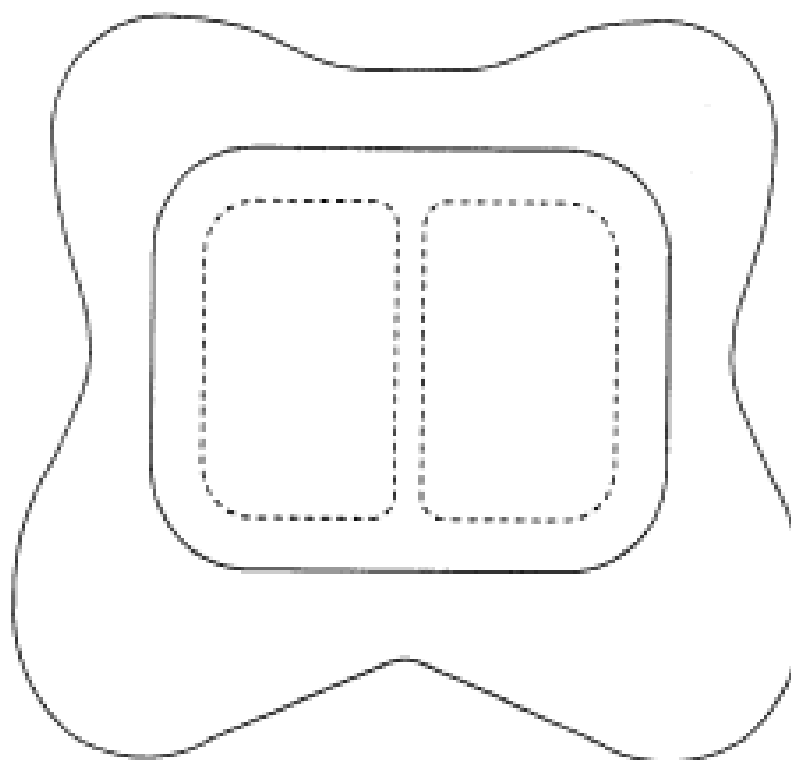
- (21) Design Number: **20847/2007**
(22) Date of Filing Application: **14 November 2007**
(24) Date from which industrial property rights may have effect: **14 November 2007**
(54) Product in respect of which the design is registered: **Toothbrush**
(51) International Design Classification: **28-03NES**
(71) Name(s) and Address(s) of Applicant(s):
Koninklijke Philips Electronics N.V.
Groenewoudseweg 1 5621 BA Eindhoven The Netherlands
(72) Name(s) of Designer(s): **Martyn Beedham**
(45) Registration Date: **12 March 2008**
(30) Convention priority data:
(31) Number (32) Date (33) Country
000728464-0003 24 May 2007 EUROPEAN COMMUNITY
(56) Related Art Documents: **Not Applicable**
(57) Statement of Newness and Distinctiveness: **Newness and distinctiveness reside in the features of the design as shown in the representations.**



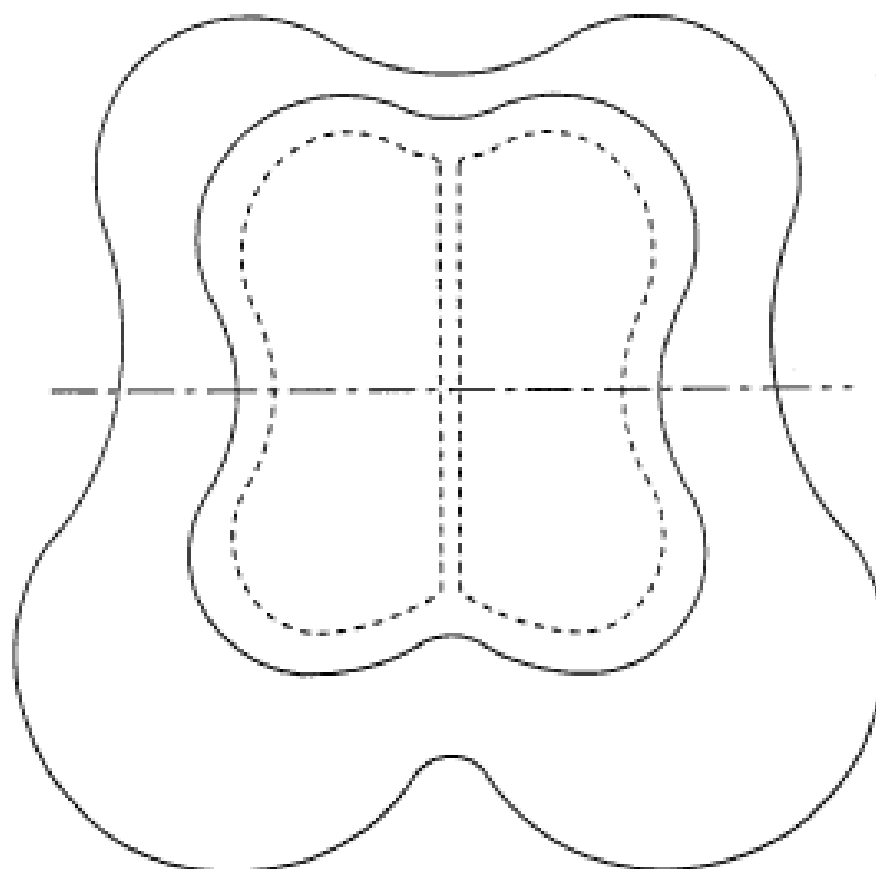
- (21) Design Number: **20848/2007**
(22) Date of Filing Application: **14 November 2007**
(24) Date from which industrial property rights may have effect: **14 November 2007**
(54) Product in respect of which the design is registered: **Recording medium**
(51) International Design Classification: **14-02**
(71) Name(s) and Address(s) of Applicant(s):
Kabushiki Kaisha Toshiba
1-1 Shibaura 1-chome Minato-ku Tokyo Japan
(72) Name(s) of Designer(s): **Hitoshi Otsuka**
(45) Registration Date: **12 March 2008**
(30) Convention priority data:
(31) Number (32) Date (33) Country
2007-014884 05 Jun 2007 JAPAN
(56) Related Art Documents: **Not Applicable**
(57) Statement of Newness and Distinctiveness: **The shape and configuration of the product is new and distinctive.**



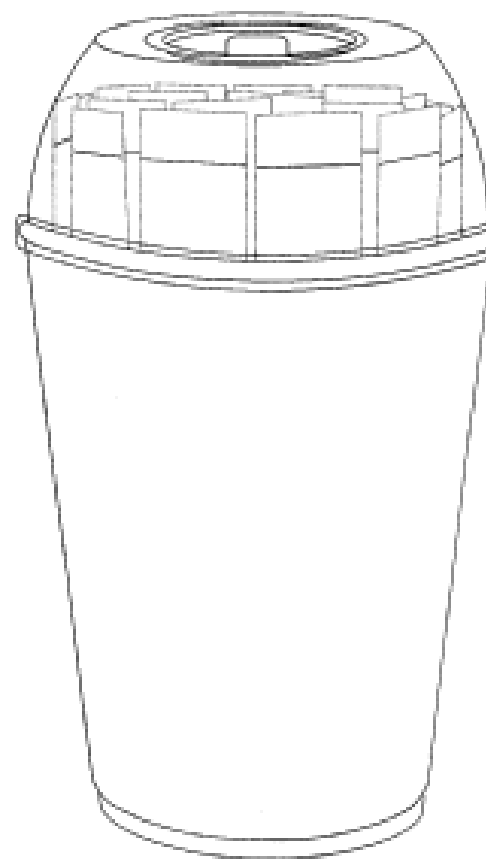
(21) Design Number: **21086/2007**
 (22) Date of Filing Application: **03 December 2007**
 (24) Date from which industrial property rights may have effect: **03 December 2007**
 (54) Product in respect of which the design is registered: **Wound dressing**
 (51) International Design Classification: **24-04**
 (71) Name(s) and Address(s) of Applicant(s):
Bristol-Myers Squibb Company
345 Park Avenue New York New York 10154 United States of America
 (72) Name(s) of Designer(s): **Jan Rogers and Bryony Lee**
 (45) Registration Date: **12 March 2008**
 (30) Convention priority data:
 (31) Number (32) Date (33) Country
000736533-0002 06 Jun 2007 EUROPEAN COMMUNITY
 (56) Related Art Documents: **Not Applicable**
 (57) Statement of Newness and Distinctiveness: **Those features of the wound dressing depicted in the representations that are new and distinctive are the shape and/or configuration.**



(21) Design Number: **21087/2007**
 (22) Date of Filing Application: **03 December 2007**
 (24) Date from which industrial property rights may have effect: **03 December 2007**
 (54) Product in respect of which the design is registered: **Wound dressing**
 (51) International Design Classification: **24-04**
 (71) Name(s) and Address(s) of Applicant(s):
Bristol-Myers Squibb Company
345 Park Avenue New York New York 10154 United States of America
 (72) Name(s) of Designer(s): **Jan Rogers and Bryony Lee**
 (45) Registration Date: **12 March 2008**
 (30) Convention priority data:
 (31) Number (32) Date (33) Country
000736533-0001 06 Jun 2007 EUROPEAN COMMUNITY
 (56) Related Art Documents: **Not Applicable**
 (57) Statement of Newness and Distinctiveness: **Those features of the wound dressing depicted in the representations that are new and distinctive are the shape and/or configuration.**



- (21) Design Number: **20771/2007**
(22) Date of Filing Application: **14 November 2007**
(24) Date from which industrial property rights may have effect: **14 November 2007**
(54) Product in respect of which the design is registered: **Dispenser pack**
(51) International Design Classification: **09-03NES, 09-07NES**
(71) Name(s) and Address(s) of Applicant(s):
Geoffrey Catherwood Stuart
32 Grose Road Faulconbridge New South Wales 2776 Australia
(72) Name(s) of Designer(s): **Geoffrey Catherwood Stuart**
(45) Registration Date: **18 March 2008**
(56) Related Art Documents: **Not Applicable**
(57) Statement of Newness and Distinctiveness: **The pack is a dispenser pack designed for stick type package forms, where the sticks are enclosed in the disposable cup. The dome lid operates as both a means of containing the packages inside, and also to show them visually. The central feature is the resealable lid closure, which acts as a dispenser device as illustrated.**



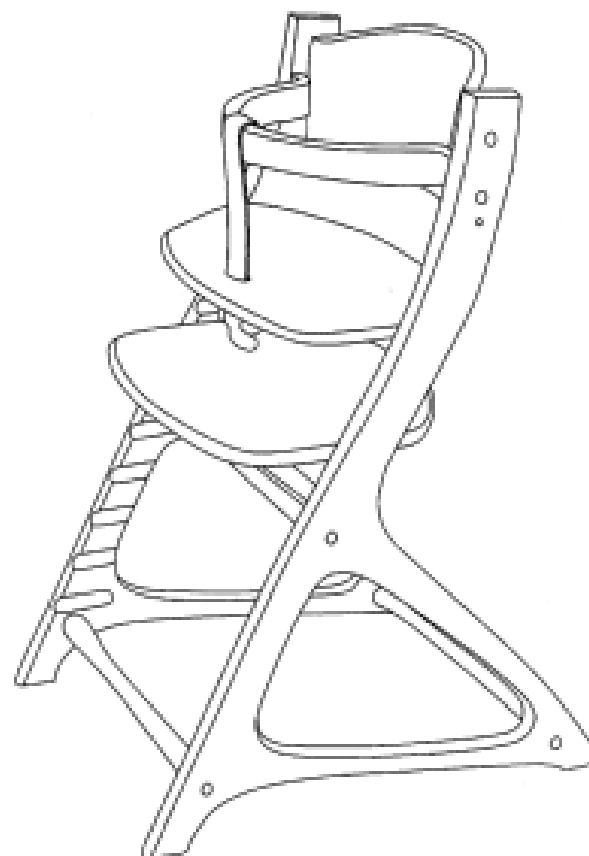
- (21) Design Number: **20777/2007**
(22) Date of Filing Application: **13 November 2007**
(24) Date from which industrial property rights may have effect: **13 November 2007**
(54) Product in respect of which the design is registered: **Baby chair**
(51) International Design Classification: **06-01E**
(71) Name(s) and Address(s) of Applicant(s):
Goumei-gaisha Yamatoya
12-31 Miyuki-honmachi Anjo-shi Aichi-Ken 446-0032 Japan
(72) Name(s) of Designer(s): **Noriyuki Ebina**
(45) Registration Date: **18 March 2008**
(30) Convention priority data:

(31) Number	(32) Date	(33) Country
2007-012567	14 May 2007	JAPAN

(56) Related Art Documents: **Not Applicable**
(57) Statement of Newness and Distinctiveness: **Nil**



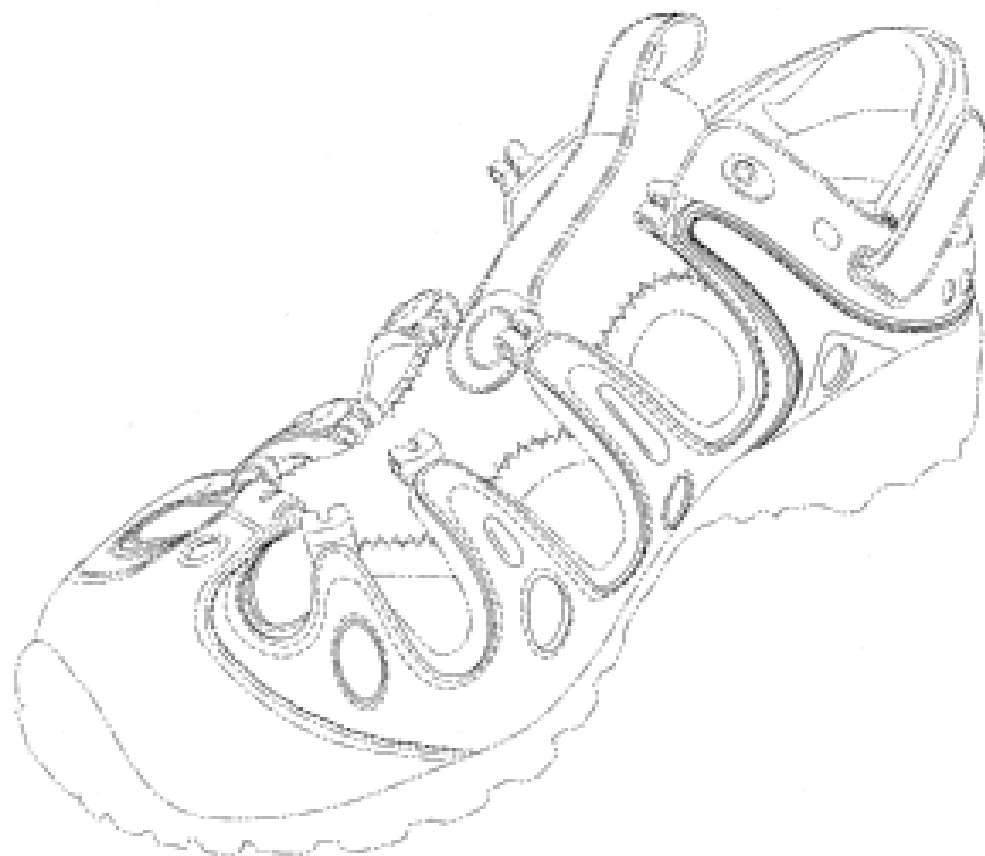
(21) Design Number: **20779/2007**
(22) Date of Filing Application: **13 November 2007**
(24) Date from which industrial property rights may have effect: **13 November 2007**
(54) Product in respect of which the design is registered: **Baby chair**
(51) International Design Classification: **06-01E**
(71) Name(s) and Address(s) of Applicant(s):
Goumei-gaisha Yamatoya
12-31 Miyuki-honmachi Anjo-shi Aichi-Ken 446-0032 Japan
(72) Name(s) of Designer(s): **Noriyuki Ebina**
(45) Registration Date: **18 March 2008**
(30) Convention priority data:
(31) Number (32) Date (33) Country
2007-012567 14 May 2007 JAPAN
(56) Related Art Documents: **Not Applicable**
(57) Statement of Newness and Distinctiveness: **Nil**



(21) Design Number: **20816/2007**
(22) Date of Filing Application: **14 November 2007**
(24) Date from which industrial property rights may have effect: **14 November 2007**
(54) Product in respect of which the design is registered: **Footwear upper**
(51) International Design Classification: **02-04NES**
(71) Name(s) and Address(s) of Applicant(s):
Wolverine World Wide, Inc.
9341 Courtland Drive NE Rockford Michigan 49351 United States of America
(72) Name(s) of Designer(s): **Gary J. Banik**
(45) Registration Date: **18 March 2008**
(30) Convention priority data:
(31) Number (32) Date (33) Country
29286746 17 May 2007 UNITED STATES OF AMERICA
(56) Related Art Documents: **Not Applicable**
(57) Statement of Newness and Distinctiveness: **Newness and distinctiveness is claimed in the visual features shown in the representations except for those shown in phantom lines.**



- (21) Design Number: **20817/2007**
(22) Date of Filing Application: **14 November 2007**
(24) Date from which industrial property rights may have effect: **14 November 2007**
(54) Product in respect of which the design is registered: **Footwear upper**
(51) International Design Classification: **02-04NES**
(71) Name(s) and Address(s) of Applicant(s):
Wolverine World Wide, Inc.
9341 Courtland Drive NE Rockford Michigan 49351 United States of America
(72) Name(s) of Designer(s): **Gary J. Banik**
(45) Registration Date: **18 March 2008**
(30) Convention priority data:
(31) Number (32) Date (33) Country
29286739 17 May 2007 UNITED STATES OF AMERICA
(56) Related Art Documents: **Not Applicable**
(57) Statement of Newness and Distinctiveness: **Newness and distinctiveness is claimed in the visual features shown in the representations except for those shown in phantom lines.**



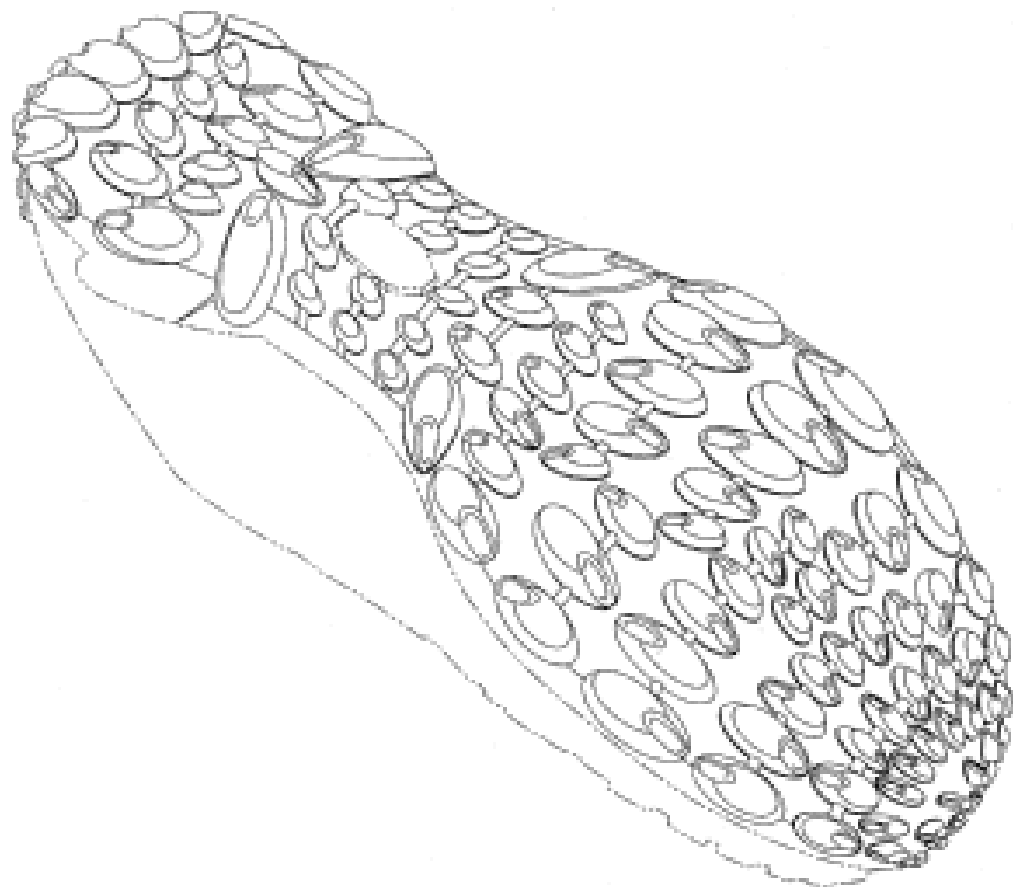
- (21) Design Number: **20818/2007**
(22) Date of Filing Application: **14 November 2007**
(24) Date from which industrial property rights may have effect: **14 November 2007**
(54) Product in respect of which the design is registered: **Footwear upper**
(51) International Design Classification: **02-04NES**
(71) Name(s) and Address(s) of Applicant(s):
Wolverine World Wide, Inc.
9341 Courtland Drive NE Rockford Michigan 49351 United States of America
(72) Name(s) of Designer(s): **Gary J. Banik**
(45) Registration Date: **18 March 2008**
(30) Convention priority data:
(31) Number (32) Date (33) Country
29286762 17 May 2007 UNITED STATES OF AMERICA
(56) Related Art Documents: **Not Applicable**
(57) Statement of Newness and Distinctiveness: **Newness and distinctiveness is claimed in the visual features shown in the representations except for those shown in phantom lines.**



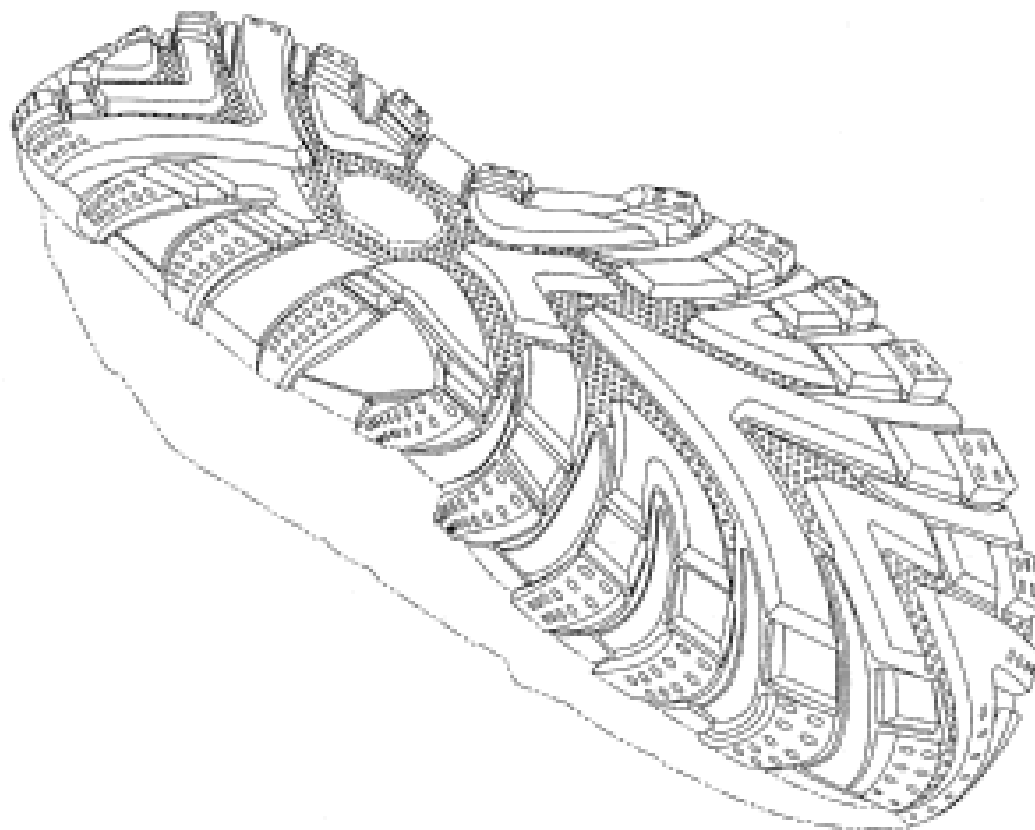
- (21) Design Number: **20819/2007**
(22) Date of Filing Application: **14 November 2007**
(24) Date from which industrial property rights may have effect: **14 November 2007**
(54) Product in respect of which the design is registered: **Footwear upper**
(51) International Design Classification: **02-04NES**
(71) Name(s) and Address(s) of Applicant(s):
Wolverine World Wide, Inc.
9341 Courtland Drive NE Rockford Michigan 49351 United States of America
(72) Name(s) of Designer(s): **Julie St-Louis**
(45) Registration Date: **18 March 2008**
(30) Convention priority data:
(31) Number (32) Date (33) Country
29286702 17 May 2007 UNITED STATES OF AMERICA
(56) Related Art Documents: **Not Applicable**
(57) Statement of Newness and Distinctiveness: **Newness and distinctiveness is claimed in the visual features shown in the representations except for those shown in phantom lines.**



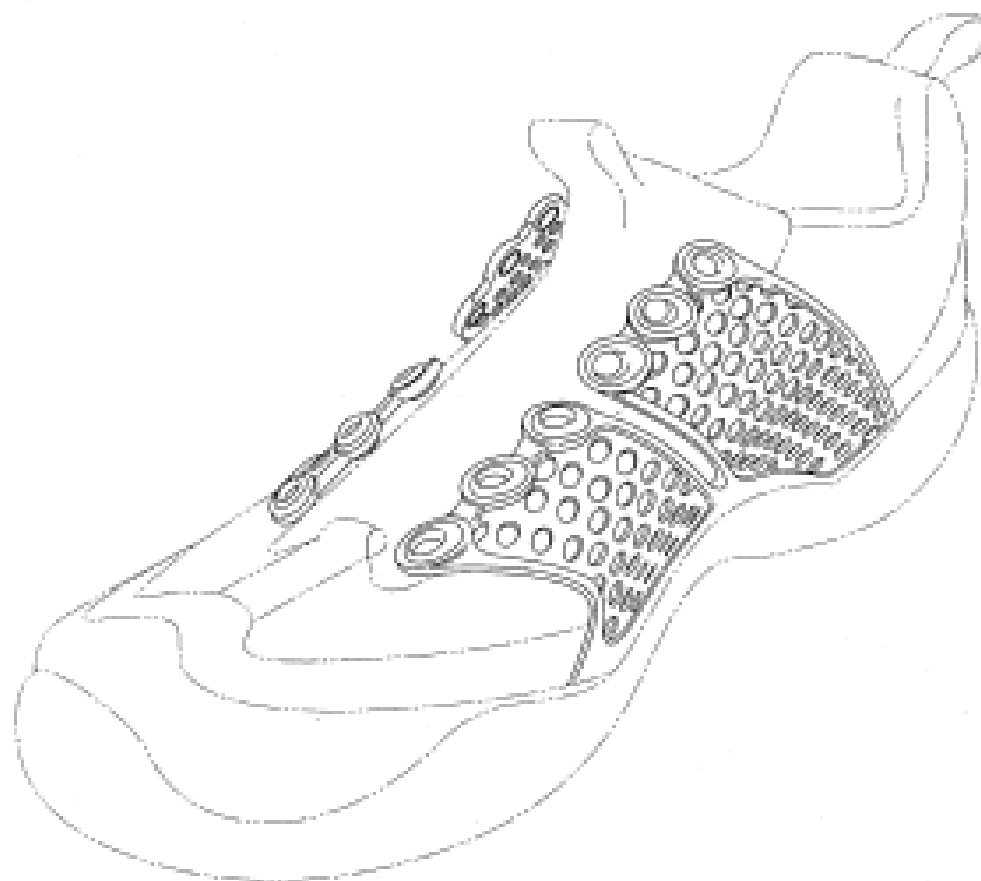
- (21) Design Number: **20820/2007**
(22) Date of Filing Application: **14 November 2007**
(24) Date from which industrial property rights may have effect: **14 November 2007**
(54) Product in respect of which the design is registered: **Footwear sole**
(51) International Design Classification: **02-04B**
(71) Name(s) and Address(s) of Applicant(s):
Wolverine World Wide, Inc.
9341 Courtland Drive NE Rockford Michigan 49351 United States of America
(72) Name(s) of Designer(s): **Manon Belley and Julie St-Louis and Grant A. Urie**
(45) Registration Date: **18 March 2008**
(30) Convention priority data:
(31) Number (32) Date (33) Country
29286782 17 May 2007 UNITED STATES OF AMERICA
(56) Related Art Documents: **Not Applicable**
(57) Statement of Newness and Distinctiveness: **Newness and distinctiveness is claimed in the visual features shown in the representations except for those shown in phantom lines.**



- (21) Design Number: **20821/2007**
(22) Date of Filing Application: **14 November 2007**
(24) Date from which industrial property rights may have effect: **14 November 2007**
(54) Product in respect of which the design is registered: **Footwear sole**
(51) International Design Classification: **02-04B**
(71) Name(s) and Address(s) of Applicant(s):
Wolverine World Wide, Inc.
9341 Courtland Drive NE Rockford Michigan 49351 United States of America
(72) Name(s) of Designer(s): **Manon Belley and Julie St-Louis and Defne Yalkut and Martin W.F. Dean and Warren Malkin**
(45) Registration Date: **18 March 2008**
(30) Convention priority data:
(31) Number (32) Date (33) Country
29286706 17 May 2007 UNITED STATES OF AMERICA
(56) Related Art Documents: **Not Applicable**
(57) Statement of Newness and Distinctiveness: **Newness and distinctiveness is claimed in the visual features shown in the representations except for those shown in phantom lines.**



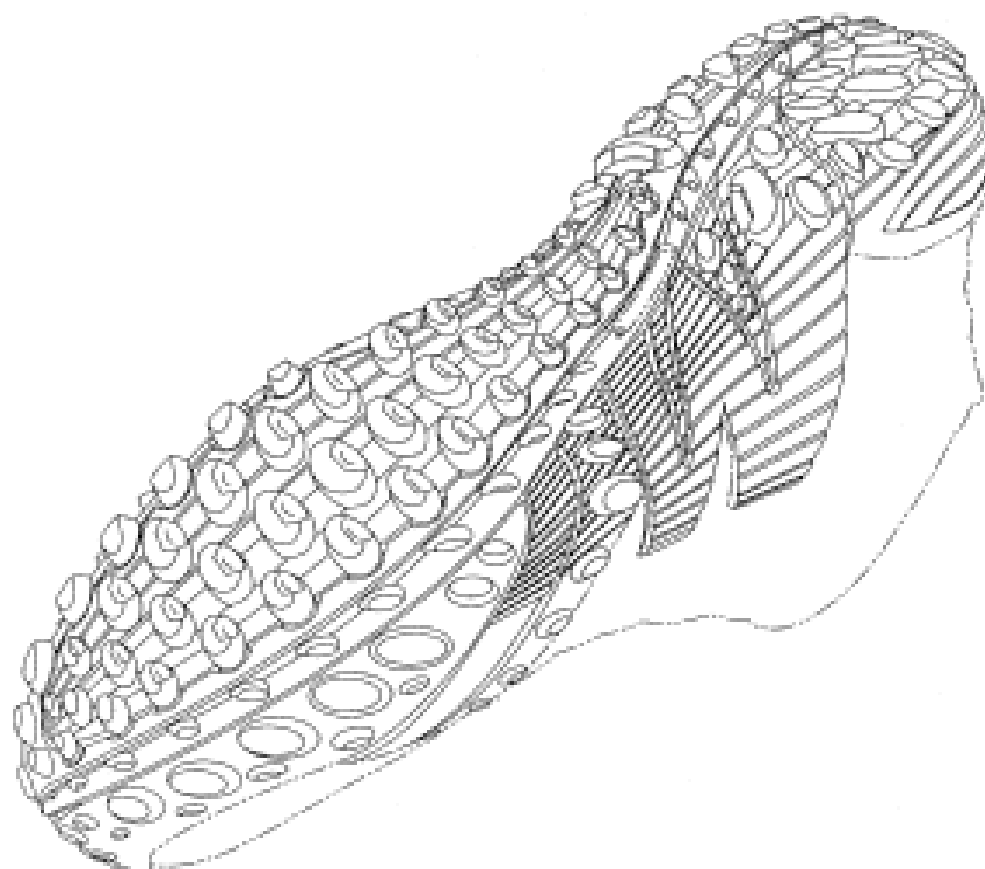
- (21) Design Number: **20822/2007**
(22) Date of Filing Application: **14 November 2007**
(24) Date from which industrial property rights may have effect: **14 November 2007**
(54) Product in respect of which the design is registered: **Footwear upper**
(51) International Design Classification: **02-04NES**
(71) Name(s) and Address(s) of Applicant(s):
Wolverine World Wide, Inc.
9341 Courtland Drive NE Rockford Michigan 49351 United States of America
(72) Name(s) of Designer(s): **Manon Belley and Julie St-Louis and Martin W.F. Dean**
(45) Registration Date: **18 March 2008**
(30) Convention priority data:
(31) Number (32) Date (33) Country
29286785 17 May 2007 UNITED STATES OF AMERICA
(56) Related Art Documents: **Not Applicable**
(57) Statement of Newness and Distinctiveness: **Newness and distinctiveness is claimed in the visual features shown in the representations except for those shown in phantom lines.**



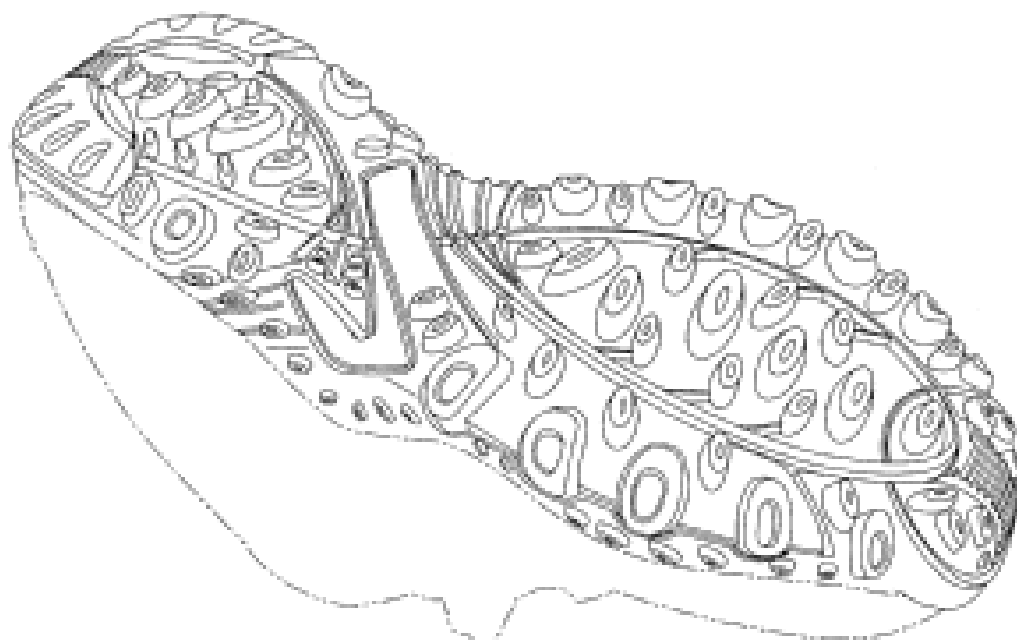
(21) Design Number: **20823/2007**
 (22) Date of Filing Application: **14 November 2007**
 (24) Date from which industrial property rights may have effect: **14 November 2007**
 (54) Product in respect of which the design is registered: **Footwear upper**
 (51) International Design Classification: **02-04NES**
 (71) Name(s) and Address(s) of Applicant(s):
Wolverine World Wide, Inc.
9341 Courtland Drive NE Rockford Michigan 49351 United States of America
 (72) Name(s) of Designer(s): **Julie St-Louis**
 (45) Registration Date: **18 March 2008**
 (30) Convention priority data:
 (31) Number (32) Date (33) Country
29286726 17 May 2007 UNITED STATES OF AMERICA
 (56) Related Art Documents: **Not Applicable**
 (57) Statement of Newness and Distinctiveness: **Newness and distinctiveness is claimed in the features of the footwear upper shown in solid lines in the representations.**



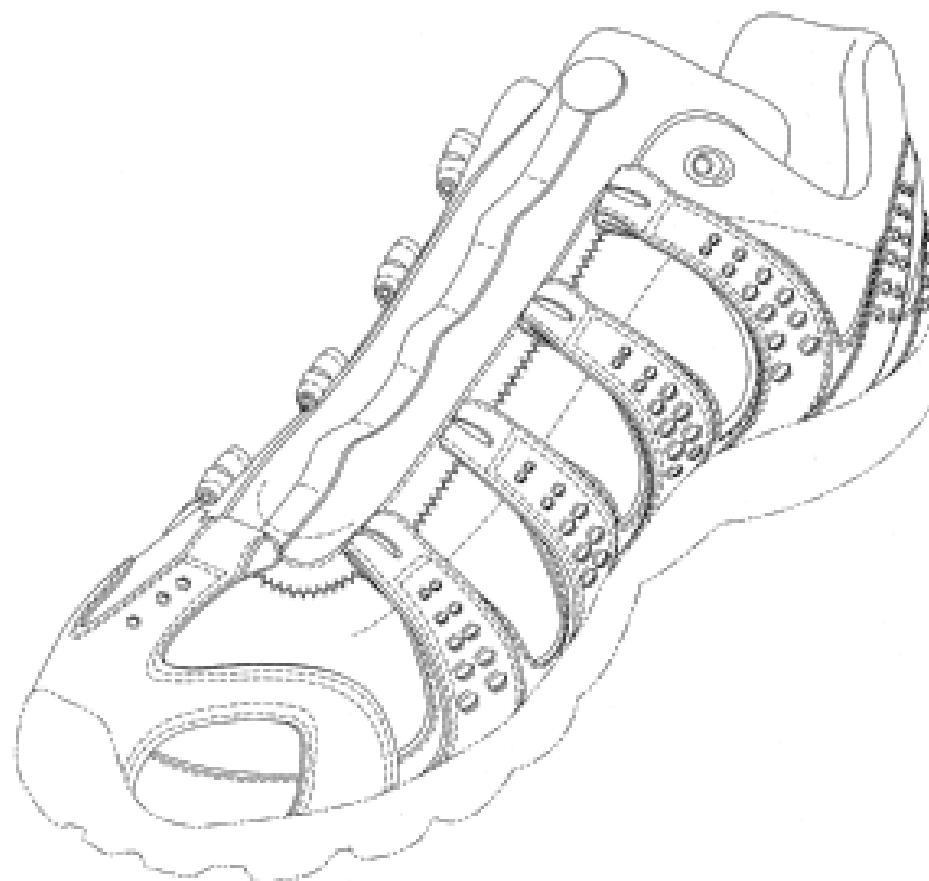
(21) Design Number: **20824/2007**
 (22) Date of Filing Application: **14 November 2007**
 (24) Date from which industrial property rights may have effect: **14 November 2007**
 (54) Product in respect of which the design is registered: **Footwear sole**
 (51) International Design Classification: **02-04B**
 (71) Name(s) and Address(s) of Applicant(s):
Wolverine World Wide, Inc.
9341 Courtland Drive NE Rockford Michigan 49351 United States of America
 (72) Name(s) of Designer(s): **Manon Belley and Julie St-Louis**
 (45) Registration Date: **18 March 2008**
 (30) Convention priority data:
 (31) Number (32) Date (33) Country
29286718 17 May 2007 UNITED STATES OF AMERICA
 (56) Related Art Documents: **Not Applicable**
 (57) Statement of Newness and Distinctiveness: **Newness and distinctiveness is claimed in the visual features shown in the representations except for those shown in phantom lines.**



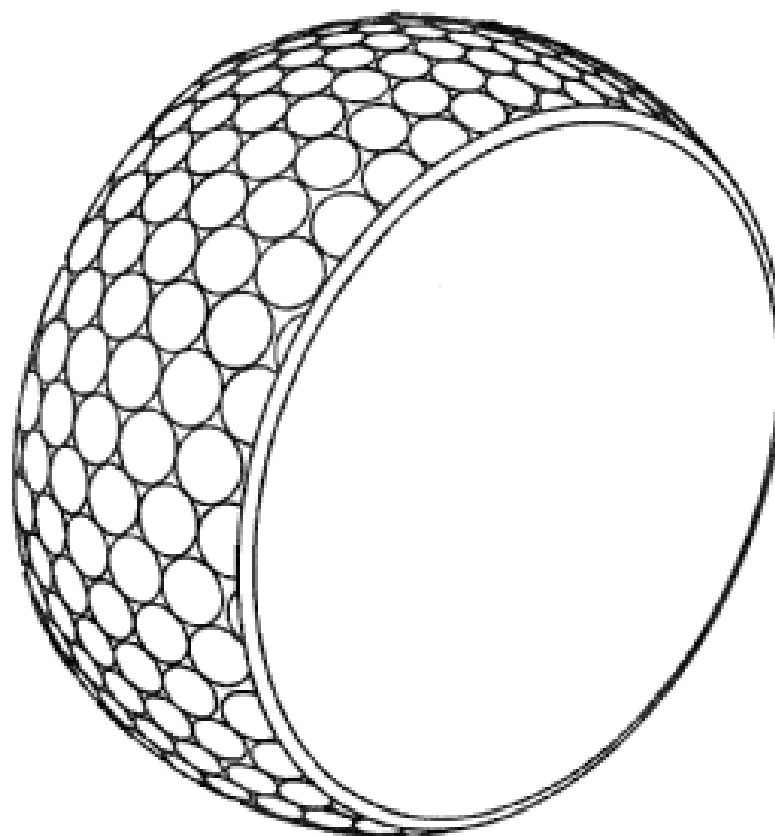
(21) Design Number: **20825/2007**
 (22) Date of Filing Application: **14 November 2007**
 (24) Date from which industrial property rights may have effect: **14 November 2007**
 (54) Product in respect of which the design is registered: **Footwear sole**
 (51) International Design Classification: **02-04B**
 (71) Name(s) and Address(s) of Applicant(s):
Wolverine World Wide, Inc.
9341 Courtland Drive NE Rockford Michigan 49351 United States of America
 (72) Name(s) of Designer(s): **Mary L. Schoenborn and Grant A. Urie**
 (45) Registration Date: **18 March 2008**
 (30) Convention priority data:
 (31) Number (32) Date (33) Country
29286742 17 May 2007 UNITED STATES OF AMERICA
 (56) Related Art Documents: **Not Applicable**
 (57) Statement of Newness and Distinctiveness: **Newness and distinctiveness is claimed in the visual features shown in the representations except for those shown in phantom lines.**



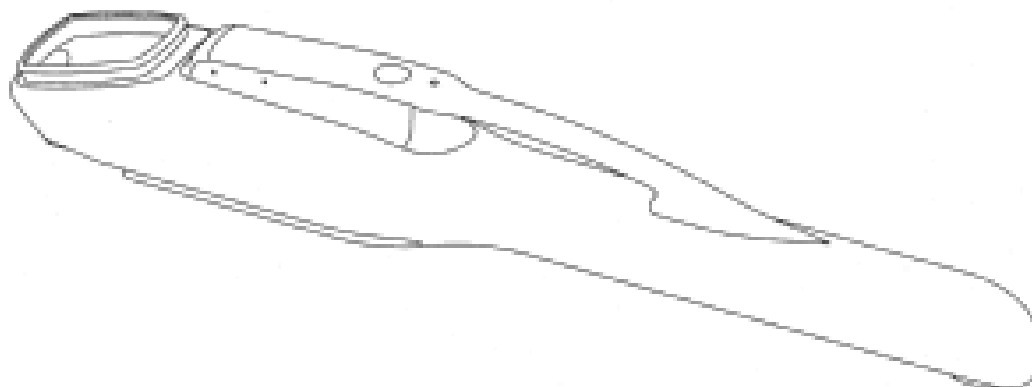
(21) Design Number: **20826/2007**
 (22) Date of Filing Application: **14 November 2007**
 (24) Date from which industrial property rights may have effect: **14 November 2007**
 (54) Product in respect of which the design is registered: **Footwear upper**
 (51) International Design Classification: **02-04NES**
 (71) Name(s) and Address(s) of Applicant(s):
Wolverine World Wide, Inc.
9341 Courtland Drive NE Rockford Michigan 49351 United States of America
 (72) Name(s) of Designer(s): **Julie St-Louis**
 (45) Registration Date: **18 March 2008**
 (30) Convention priority data:
 (31) Number (32) Date (33) Country
29286722 17 May 2007 UNITED STATES OF AMERICA
 (56) Related Art Documents: **Not Applicable**
 (57) Statement of Newness and Distinctiveness: **Newness and distinctiveness is claimed in the visual features shown in the representations except for those shown in phantom lines.**



- (21) Design Number: **20839/2007**
(22) Date of Filing Application: **14 November 2007**
(24) Date from which industrial property rights may have effect: **14 November 2007**
(54) Product in respect of which the design is registered: **Golf training device**
(51) International Design Classification: **21-02C**
(71) Name(s) and Address(s) of Applicant(s):
Chris Claremont
18 Cedar Street Normanhurst New South Wales 2076 Australia
(72) Name(s) of Designer(s): **Chris Claremont**
(45) Registration Date: **18 March 2008**
(56) Related Art Documents: **Not Applicable**
(57) Statement of Newness and Distinctiveness: **Newness and distinctiveness is claimed in the shape and/or configuration of a "golf training device" as illustrated in the representations.**



- (21) Design Number: **20778/2007**
(22) Date of Filing Application: **13 November 2007**
(24) Date from which industrial property rights may have effect: **13 November 2007**
(54) Product in respect of which the design is registered: **A line hauler**
(51) International Design Classification: **22-05**
(71) Name(s) and Address(s) of Applicant(s):
Seahorse Equipment Limited
28 Maesbury Close Papamoa New Zealand
(72) Name(s) of Designer(s): **Phillip Shane Scherer and Benn Leonard Scherer**
(45) Registration Date: **14 March 2008**
(56) Related Art Documents: **Not Applicable**
(57) Statement of Newness and Distinctiveness: **Nil**



(21) Design Number: **20857/2007**

(22) Date of Filing Application: **15 November 2007**

(24) Date from which industrial property rights may have effect: **15 November 2007**

(54) Product in respect of which the design is registered: **Front bumper for a vehicle**

(51) International Design Classification: **12-16C**

(71) Name(s) and Address(s) of Applicant(s):

Team Poly Pty Ltd

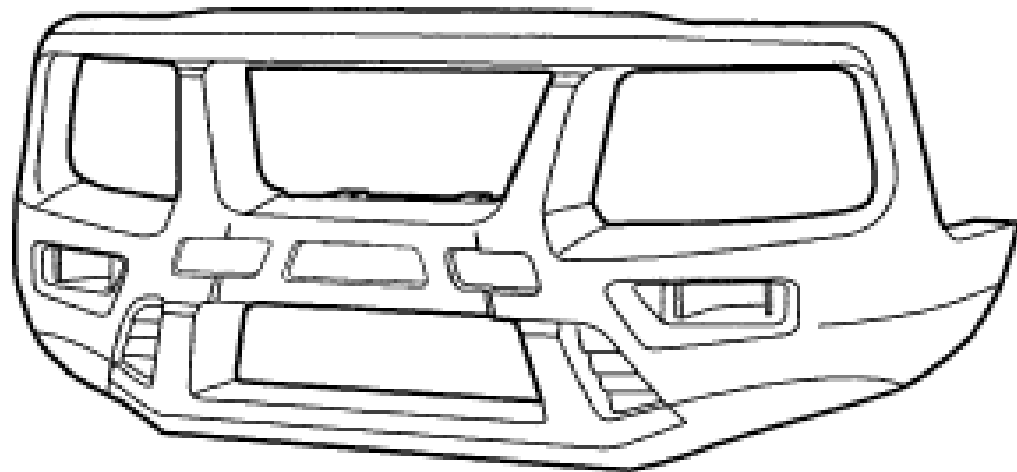
36 Waddikee Road Lonsdale South Australia 5160 Australia

(72) Name(s) of Designer(s): **Kieran Michael Jenkins**

(45) Registration Date: **14 March 2008**

(56) Related Art Documents: **Not Applicable**

(57) Statement of Newness and Distinctiveness: **Newness and distinctiveness is claimed in the features of shape and/or configuration of a front bumper for a vehicle as illustrated in the accompanying representations.**



(21) Design Number: **20858/2007**

(22) Date of Filing Application: **15 November 2007**

(24) Date from which industrial property rights may have effect: **15 November 2007**

(54) Product in respect of which the design is registered: **Barbecue stove**

(51) International Design Classification: **07-02E**

(71) Name(s) and Address(s) of Applicant(s):

Pro-Iroda Industries, Inc.

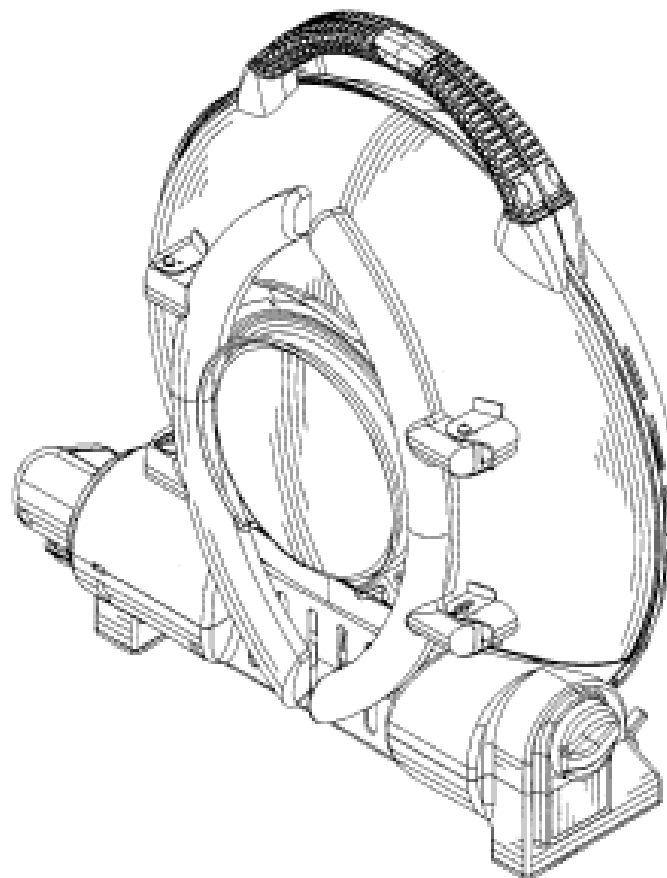
No. 68 Kung Yeh 32nd Road Industrial Park Taichung Taiwan

(72) Name(s) of Designer(s): **Jan-Nan Chen**

(45) Registration Date: **14 March 2008**

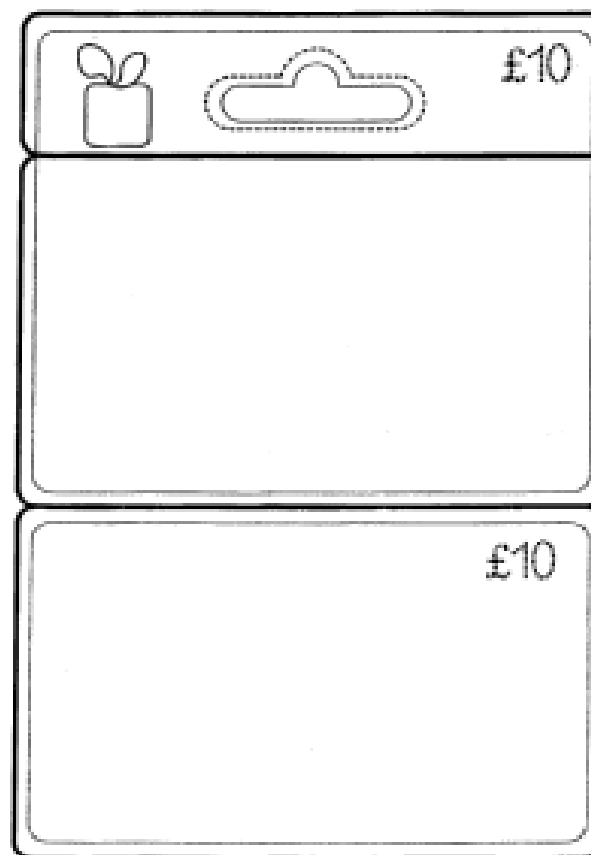
(56) Related Art Documents: **Not Applicable**

(57) Statement of Newness and Distinctiveness: **Nil**



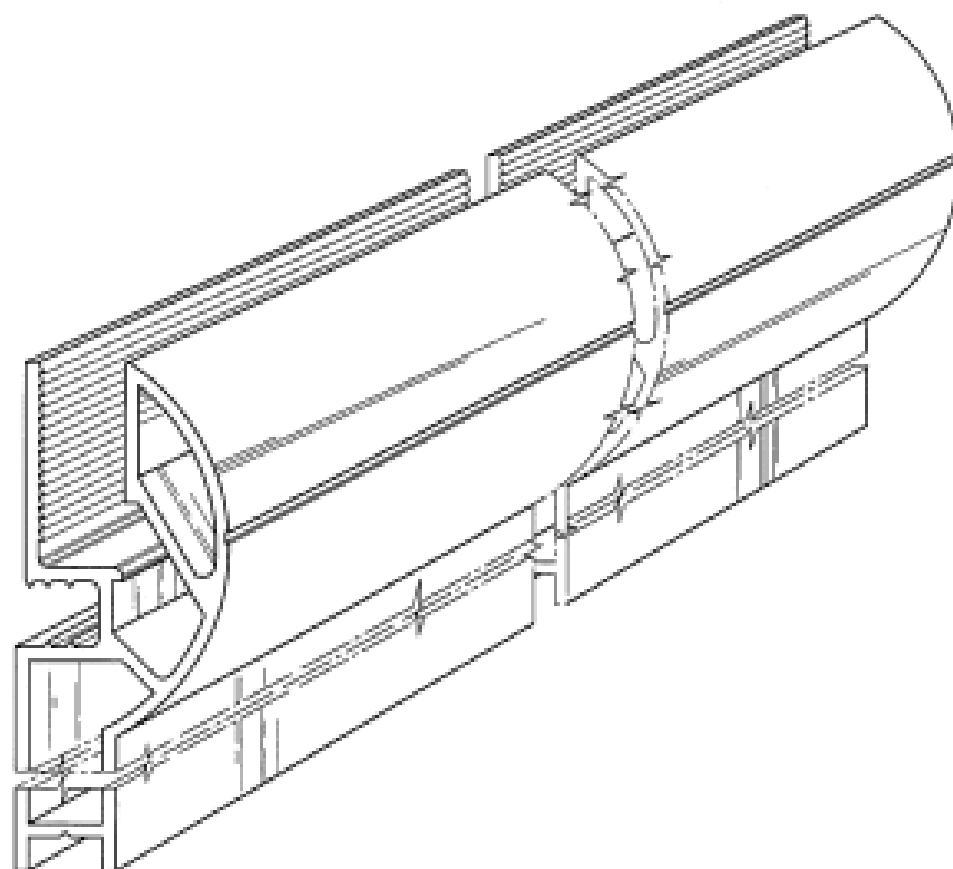
(19) AU

(21) Design Number: **20859/2007**
(22) Date of Filing Application: **15 November 2007**
(24) Date from which industrial property rights may have effect: **15 November 2007**
(54) Product in respect of which the design is registered: **Double snap card**
(51) International Design Classification: **19-08**
(71) Name(s) and Address(s) of Applicant(s):
e2interactive, Inc. doing business as e2Interactive, Inc.
250 Williams Street Suite M-100 Atlanta Georgia 30303 United States of America
(72) Name(s) of Designer(s): **John D. Guest**
(45) Registration Date: **14 March 2008**
(30) Convention priority data:
(31) Number (32) Date (33) Country
29/280787 07 Jun 2007 UNITED STATES OF AMERICA
(56) Related Art Documents: **Not Applicable**
(57) Statement of Newness and Distinctiveness: **Nil**



(19) AU

(21) Design Number: **20860/2007**
(22) Date of Filing Application: **15 November 2007**
(24) Date from which industrial property rights may have effect: **15 November 2007**
(54) Product in respect of which the design is registered: **Window frame extrusion**
(51) International Design Classification: **25-01K**
(71) Name(s) and Address(s) of Applicant(s):
Abra Products Pty Ltd
118-120 Freight Drive Somerton Victoria 3062 Australia
(72) Name(s) of Designer(s): **Don Allen**
(45) Registration Date: **14 March 2008**
(56) Related Art Documents: **Not Applicable**
(57) Statement of Newness and Distinctiveness: **Nil**



(21) Design Number: **20861/2007**

(22) Date of Filing Application: **15 November 2007**

(24) Date from which industrial property rights may have effect: **15 November 2007**

(54) Product in respect of which the design is registered: **Keylight**

(51) International Design Classification: **26-05NES**

(71) Name(s) and Address(s) of Applicant(s):

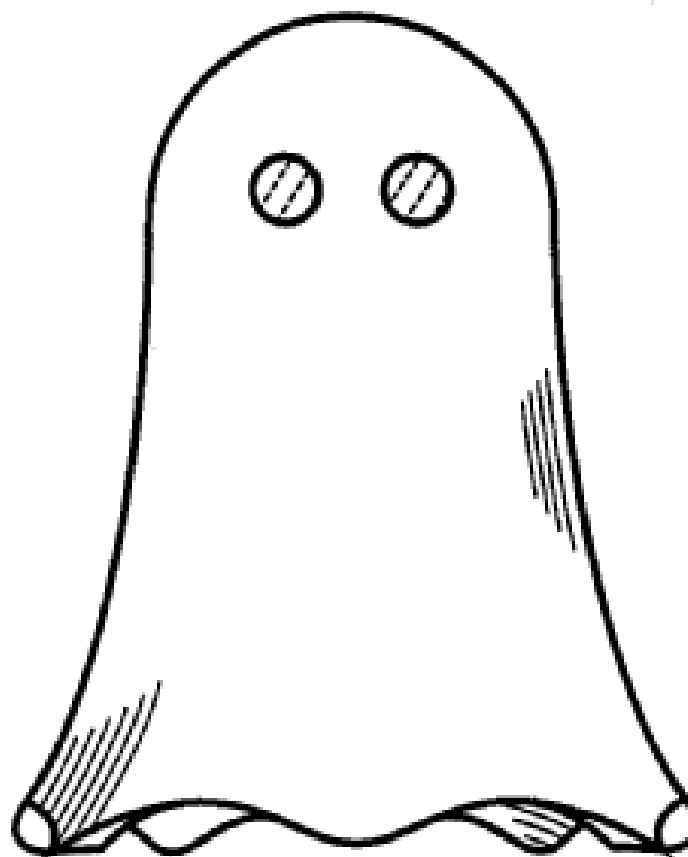
Kikkerland Design, Inc.
423-427 West 127th Street New York New York 10027 United States of America

(72) Name(s) of Designer(s): **Jan van der Lande**

(45) Registration Date: **14 March 2008**

(56) Related Art Documents: **Not Applicable**

(57) Statement of Newness and Distinctiveness: **Newness and distinctiveness resides in the visual features of the ghost shaped keylight depicted in the representations. The broken lines shown in the representations exemplify colouration areas of the product for illustrative purposes only and are not to be taken into account in determining the visual features of the design.**



(21) Design Number: **20862/2007**

(22) Date of Filing Application: **15 November 2007**

(24) Date from which industrial property rights may have effect: **15 November 2007**

(54) Product in respect of which the design is registered: **Keylight**

(51) International Design Classification: **26-05NES**

(71) Name(s) and Address(s) of Applicant(s):

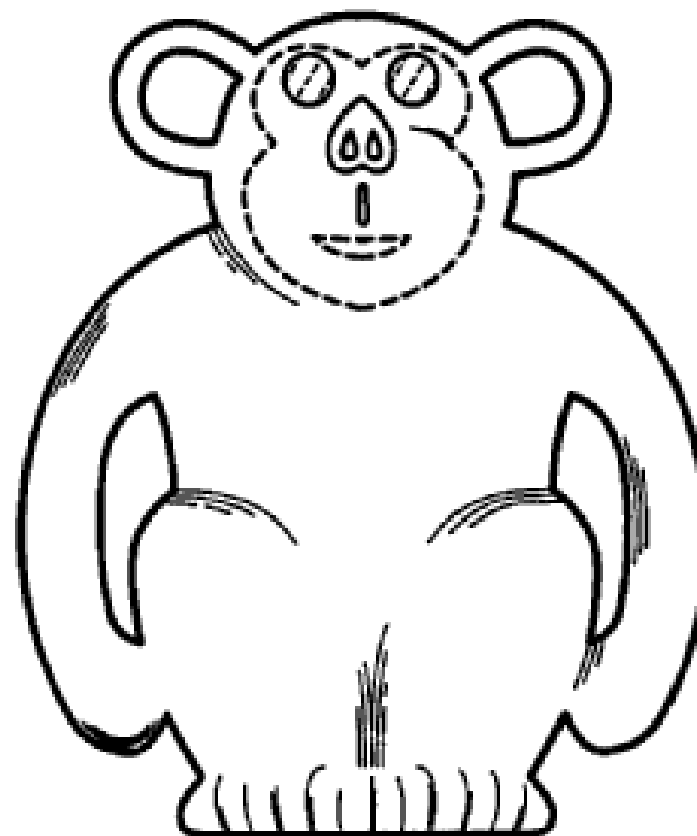
Kikkerland Design, Inc.
423-427 West 127th Street New York New York 10027 United States of America

(72) Name(s) of Designer(s): **Jan van der Lande**

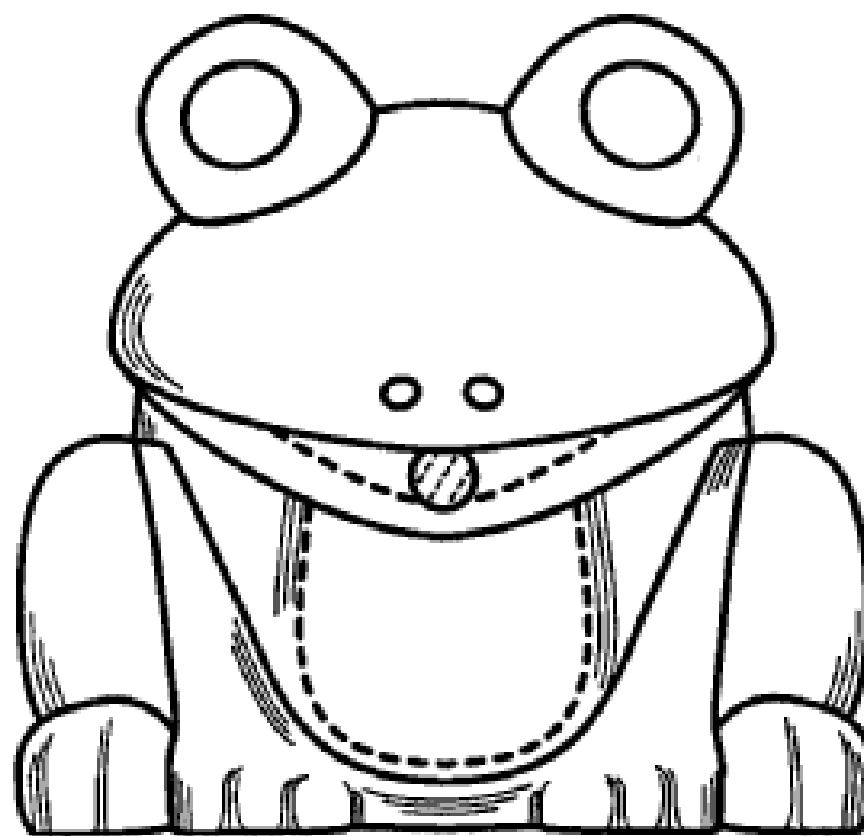
(45) Registration Date: **14 March 2008**

(56) Related Art Documents: **Not Applicable**

(57) Statement of Newness and Distinctiveness: **Newness and distinctiveness resides in the visual features of the monkey shaped keylight depicted in the representations. The broken lines shown in the representations exemplify colouration areas of the product for illustrative purposes only and are not to be taken into account in determining the visual features of the design.**



- (21) Design Number: **20863/2007**
(22) Date of Filing Application: **15 November 2007**
(24) Date from which industrial property rights may have effect: **15 November 2007**
(54) Product in respect of which the design is registered: **Keylight**
(51) International Design Classification: **26-05NES**
(71) Name(s) and Address(s) of Applicant(s):
Kikkerland Design, Inc.
423-427 West 127th Street New York New York 10027 United States of America
(72) Name(s) of Designer(s): **Jan van der Lande**
(45) Registration Date: **14 March 2008**
(56) Related Art Documents: **Not Applicable**
(57) Statement of Newness and Distinctiveness: **Newness and distinctiveness resides in the visual features of the frog shaped keylight depicted in the representations. The broken lines shown in the representations exemplify colouration areas of the product for illustrative purposes only and are not to be taken into account in determining the visual features of the design.**



- (21) Design Number: **20865/2007**
(22) Date of Filing Application: **15 November 2007**
(24) Date from which industrial property rights may have effect: **15 November 2007**
(54) Product in respect of which the design is registered: **Recording medium**
(51) International Design Classification: **14-02**
(71) Name(s) and Address(s) of Applicant(s):
Kabushiki Kaisha Toshiba
1-1 Shibaura 1-chome Minato-ku Tokyo Japan
(72) Name(s) of Designer(s): **Hitoshi Otsuka**
(45) Registration Date: **14 March 2008**
(30) Convention priority data:

(31) Number	(32) Date	(33) Country
2007-014885	05 Jun 2007	JAPAN

(56) Related Art Documents: **Not Applicable**
(57) Statement of Newness and Distinctiveness: **The shape and configuration of the product is new and distinctive.**



(21) Design Number: **20798/2007**
(22) Date of Filing Application: **16 November 2007**
(24) Date from which industrial property rights may have effect: **16 November 2007**
(54) Product in respect of which the design is registered: **Ice tea jug**
(51) International Design Classification: **07-01G**
(71) Name(s) and Address(s) of Applicant(s):
Pi-Design AG
Kantonsstrasse 100 Postfach 463 CH-6234 Triengen Switzerland
(72) Name(s) of Designer(s): **Jorgen Bodum**
(45) Registration Date: **14 March 2008**
(30) Convention priority data:
(31) Number (32) Date (33) Country
DA 2007 21 May 2007 DENMARK
00129
(56) Related Art Documents: **Not Applicable**
(57) Statement of Newness and Distinctiveness: **Nil**



(21) Design Number: **20854/2007**
(22) Date of Filing Application: **16 November 2007**
(24) Date from which industrial property rights may have effect: **16 November 2007**
(54) Product in respect of which the design is registered: **Ice tea glass**
(51) International Design Classification: **07-01C**
(71) Name(s) and Address(s) of Applicant(s):
Pi-Design AG
Kantonsstrasse 100 Postfach 463 CH-6234 Triengen Switzerland
(72) Name(s) of Designer(s): **Jorgen Bodum**
(45) Registration Date: **14 March 2008**
(30) Convention priority data:
(31) Number (32) Date (33) Country
DA 2007 21 May 2007 DENMARK
00129
(56) Related Art Documents: **Not Applicable**
(57) Statement of Newness and Distinctiveness: **Nil**



- (21) Design Number: **20866/2007**
(22) Date of Filing Application: **15 November 2007**
(24) Date from which industrial property rights may have effect: **15 November 2007**
(54) Product in respect of which the design is registered: **Packaging**
(51) International Design Classification: **09-03M**
(71) Name(s) and Address(s) of Applicant(s):

Soremartec S.A.
Dreve de l'Arc-en-ciel 102 B-6700 Schoppach Arlon Belgium

(72) Name(s) of Designer(s): **Giuseppe Terrasi**

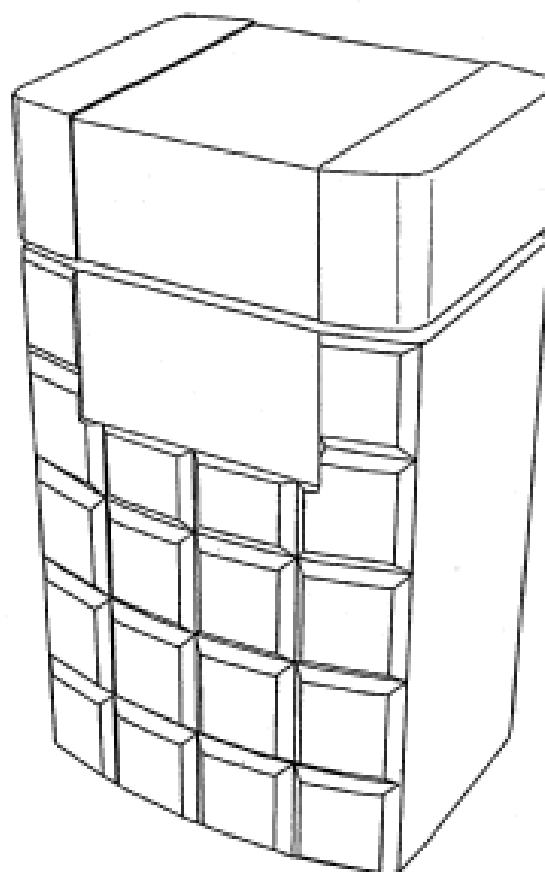
(45) Registration Date: **14 March 2008**

(30) Convention priority data:

(31) Number	(32) Date	(33) Country
000726567	22 May 2007	EUROPEAN COMMUNITY

(56) Related Art Documents: **Not Applicable**

(57) Statement of Newness and Distinctiveness: **Those features of the packaging depicted in the representations that are new and distinctive are the shape and/or configuration.**



- (21) Design Number: **20867/2007**
(22) Date of Filing Application: **16 November 2007**
(24) Date from which industrial property rights may have effect: **16 November 2007**
(54) Product in respect of which the design is registered: **Footbath**
(51) International Design Classification: **28-03NES**
(71) Name(s) and Address(s) of Applicant(s):

SPECWASHIP 2007 Ltd
Collins House 32-38 Station Rd Gerrards Cross Buckinghamshire SL9
8EL United Kingdom

(72) Name(s) of Designer(s): **Nigel Bromilow**

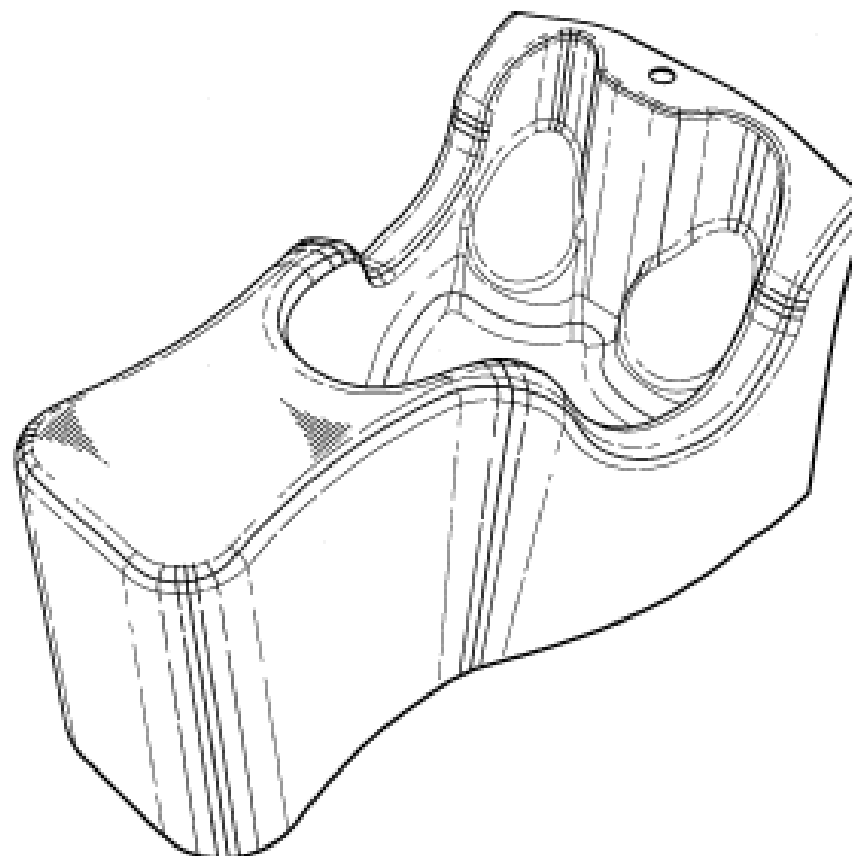
(45) Registration Date: **14 March 2008**

(30) Convention priority data:

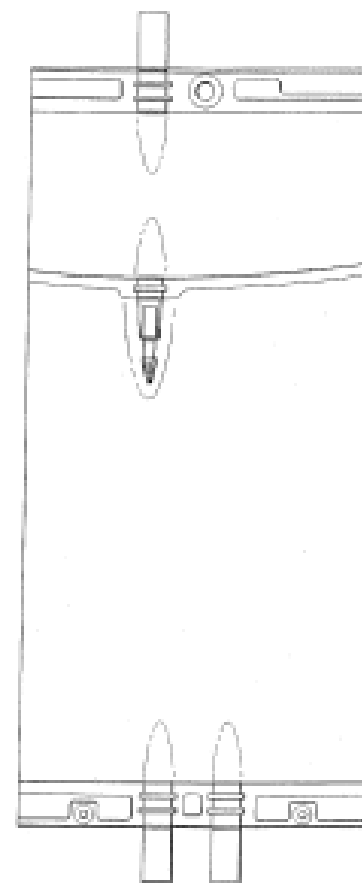
(31) Number	(32) Date	(33) Country
000728407-0001	18 May 2007	EUROPEAN COMMUNITY

(56) Related Art Documents: **Not Applicable**

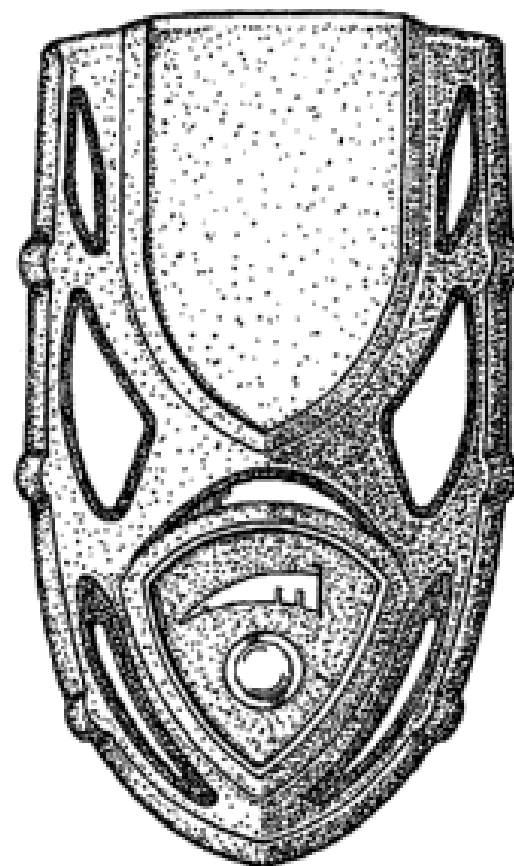
(57) Statement of Newness and Distinctiveness: **Nil**



- (21) Design Number: **20871/2007**
(22) Date of Filing Application: **16 November 2007**
(24) Date from which industrial property rights may have effect: **16 November 2007**
(54) Product in respect of which the design is registered: **Bag**
(51) International Design Classification: **03-01B**
(71) Name(s) and Address(s) of Applicant(s):
Bomac Research Limited
102 Wiri Station Road and Hobill Avenue Auckland New Zealand
(72) Name(s) of Designer(s): **Wayne Frederick Leech**
(45) Registration Date: **14 March 2008**
(30) Convention priority data:
(31) Number (32) Date (33) Country
409137 17 May 2007 NEW ZEALAND
(56) Related Art Documents: **Not Applicable**
(57) Statement of Newness and Distinctiveness: **Newness and distinctiveness resides in the shape and configuration of a bag as shown in the accompanying representations.**



- (21) Design Number: **20876/2007**
(22) Date of Filing Application: **16 November 2007**
(24) Date from which industrial property rights may have effect: **16 November 2007**
(54) Product in respect of which the design is registered: **Retainer for rust inhibitor**
(51) International Design Classification: **09-01A**
(71) Name(s) and Address(s) of Applicant(s):
WD-40 Company
1061 Cudahy Place San Diego California 92110 United States of America
(72) Name(s) of Designer(s): **Francois Duval and Ivan Brousseau and Graham P. Milner and Stephanie Barry and Paul Checklin**
(45) Registration Date: **14 March 2008**
(30) Convention priority data:
(31) Number (32) Date (33) Country
29/286,813 17 May 2007 UNITED STATES OF AMERICA
(56) Related Art Documents: **Not Applicable**
(57) Statement of Newness and Distinctiveness: **The newness and distinctiveness of the design resides in the shape and configuration of the retainer for rust inhibitor shown in the representations.**



(21) Design Number: **20877/2007**

(22) Date of Filing Application: **16 November 2007**

(24) Date from which industrial property rights may have effect: **16 November 2007**

(54) Product in respect of which the design is registered: **A hinge**

(51) International Design Classification: **08-06**

(71) Name(s) and Address(s) of Applicant(s):

**Wells Enterprises Australia Pty Ltd
PO Box 8600 Bargara Queensland 4670 Australia**

(72) Name(s) of Designer(s): **Adrian Wells**

(45) Registration Date: **14 March 2008**

(56) Related Art Documents: **Not Applicable**

(57) Statement of Newness and Distinctiveness: **The newness and distinctiveness of the design resides in the shape and/or configuration of a hinge shown in the representations.**



(21) Design Number: **20878/2007**

(22) Date of Filing Application: **16 November 2007**

(24) Date from which industrial property rights may have effect: **16 November 2007**

(54) Product in respect of which the design is registered: **A hinge**

(51) International Design Classification: **08-06**

(71) Name(s) and Address(s) of Applicant(s):

**Wells Enterprises Australia Pty Ltd
PO Box 8600 Bargara Queensland 4670 Australia**

(72) Name(s) of Designer(s): **Adrian Wells**

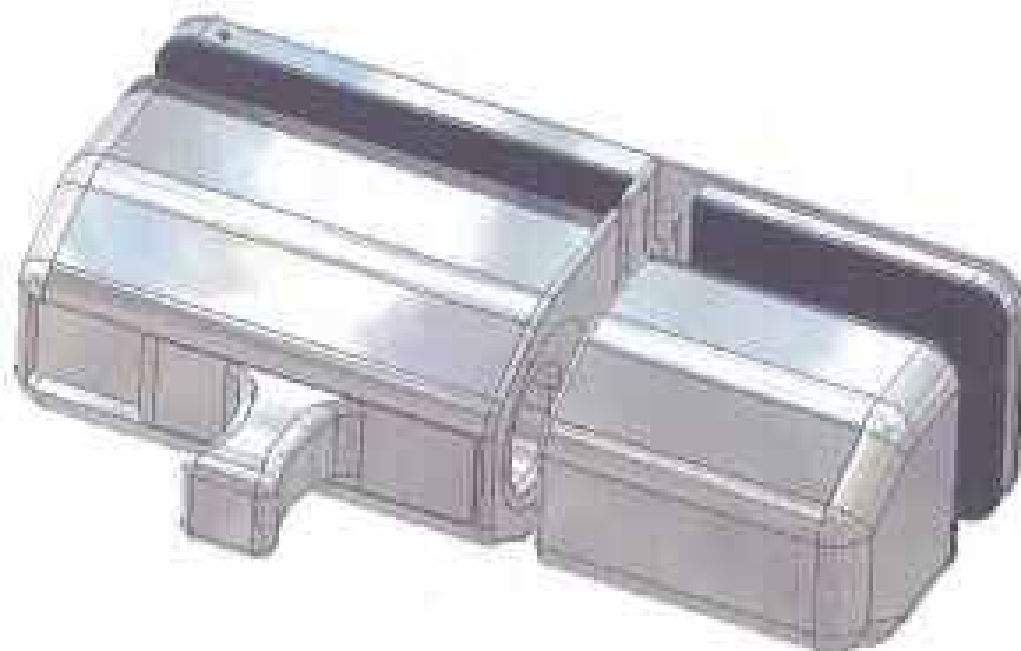
(45) Registration Date: **14 March 2008**

(56) Related Art Documents: **Not Applicable**

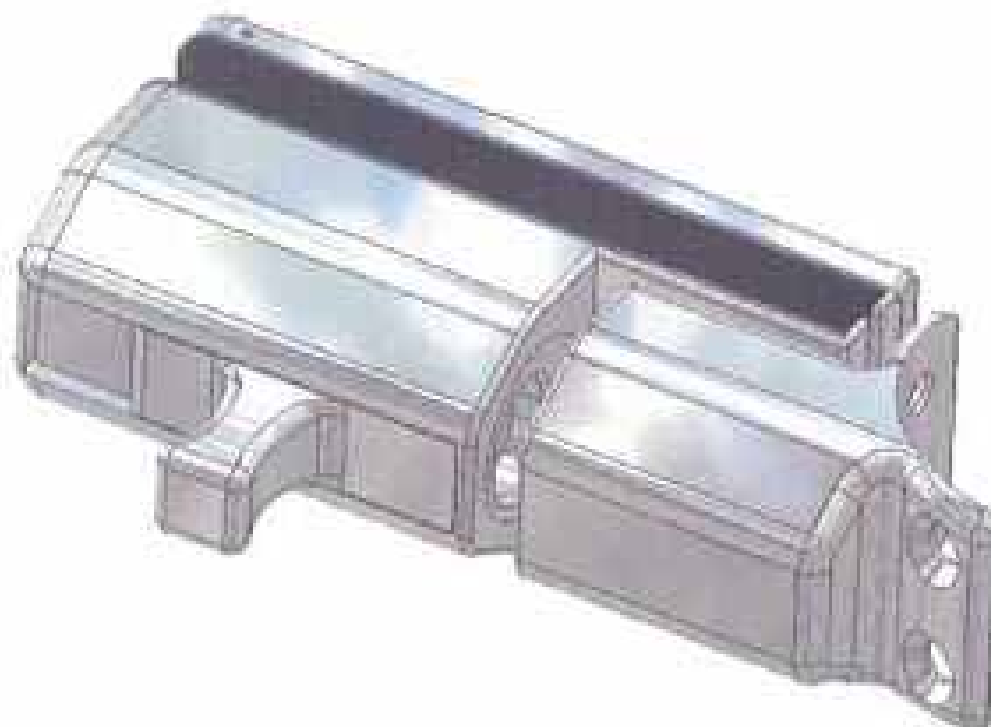
(57) Statement of Newness and Distinctiveness: **The newness and distinctiveness of the design resides in the shape and/or configuration of a hinge shown in the representations.**



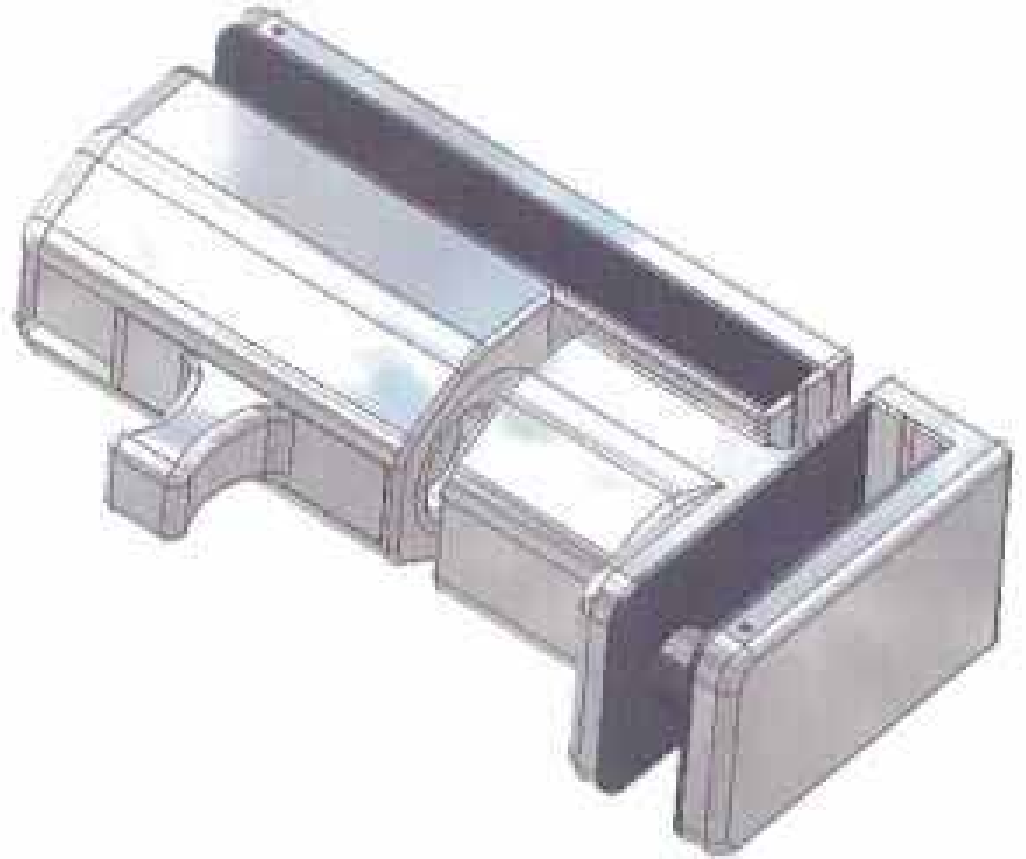
- (21) Design Number: **20879/2007**
(22) Date of Filing Application: **16 November 2007**
(24) Date from which industrial property rights may have effect: **16 November 2007**
(54) Product in respect of which the design is registered: **A latch**
(51) International Design Classification: **08-07**
(71) Name(s) and Address(s) of Applicant(s):
Wells Enterprises Australia Pty Ltd
PO Box 8600 Bargara Queensland 4670 Australia
(72) Name(s) of Designer(s): **Adrian Wells**
(45) Registration Date: **14 March 2008**
(56) Related Art Documents: **Not Applicable**
(57) Statement of Newness and Distinctiveness: **The newness and distinctiveness of the design resides in the shape and/or configuration of a latch shown in the representations.**



- (21) Design Number: **20880/2007**
(22) Date of Filing Application: **16 November 2007**
(24) Date from which industrial property rights may have effect: **16 November 2007**
(54) Product in respect of which the design is registered: **A latch**
(51) International Design Classification: **08-07**
(71) Name(s) and Address(s) of Applicant(s):
Wells Enterprises Australia Pty Ltd
PO Box 8600 Bargara Queensland 4670 Australia
(72) Name(s) of Designer(s): **Adrian Wells**
(45) Registration Date: **14 March 2008**
(56) Related Art Documents: **Not Applicable**
(57) Statement of Newness and Distinctiveness: **The newness and distinctiveness of the design resides in the shape and/or configuration of a latch shown in the representations.**



- (21) Design Number: **20881/2007**
(22) Date of Filing Application: **16 November 2007**
(24) Date from which industrial property rights may have effect: **16 November 2007**
(54) Product in respect of which the design is registered: **A latch**
(51) International Design Classification: **08-07**
(71) Name(s) and Address(s) of Applicant(s):
Wells Enterprises Australia Pty Ltd
PO Box 8600 Bargara Queensland 4670 Australia
(72) Name(s) of Designer(s): **Adrian Wells**
(45) Registration Date: **14 March 2008**
(56) Related Art Documents: **Not Applicable**
(57) Statement of Newness and Distinctiveness: **The newness and distinctiveness of the design resides in the shape and/or configuration of a latch shown in the representations.**



- (21) Design Number: **19201/2007**
(22) Date of Filing Application: **06 August 2007**
(24) Date from which industrial property rights may have effect: **06 August 2007**
(54) Product in respect of which the design is registered: **A bolero**
(51) International Design Classification: **02-02C**
(71) Name(s) and Address(s) of Applicant(s):
Review Australia Pty Ltd
25-31 Rokeby Street Collingwood Victoria 3066 Australia
(72) Name(s) of Designer(s): **Jayne Ellis**
(45) Registration Date: **14 March 2008**
(56) Related Art Documents: **Not Applicable**
(57) Statement of Newness and Distinctiveness: **Nil**



- (21) Design Number: **10150/2008**
(22) Date of Filing Application: **06 August 2007**
(24) Date from which industrial property rights may have effect: **06 August 2007**
(54) Product in respect of which the design is registered: **A dress**
(51) International Design Classification: **02-02C**
(71) Name(s) and Address(s) of Applicant(s):
Review Australia Pty Ltd
25-31 Rokeby Street Collingwood Victoria 3066 Australia
(72) Name(s) of Designer(s): **Jayne Ellis**
(45) Registration Date: **14 March 2008**
(56) Related Art Documents: **Not Applicable**
(57) Statement of Newness and Distinctiveness: **Nil**



- (21) Design Number: **10151/2008**
(22) Date of Filing Application: **06 August 2007**
(24) Date from which industrial property rights may have effect: **06 August 2007**
(54) Product in respect of which the design is registered: **A dress**
(51) International Design Classification: **02-02C**
(71) Name(s) and Address(s) of Applicant(s):
Review Australia Pty Ltd
25-31 Rokeby Street Collingwood Victoria 3066 Australia
(72) Name(s) of Designer(s): **Jayne Ellis**
(45) Registration Date: **14 March 2008**
(56) Related Art Documents: **Not Applicable**
(57) Statement of Newness and Distinctiveness: **Nil**



(21) Design Number: **10152/2008**

(22) Date of Filing Application: **06 August 2007**

(24) Date from which industrial property rights may have effect: **06 August 2007**

(54) Product in respect of which the design is registered: **A skirt**

(51) International Design Classification: **02-02C**

(71) Name(s) and Address(s) of Applicant(s):

**Review Australia Pty Ltd
25-31 Rokeby Street Collingwood Victoria 3066 Australia**

(72) Name(s) of Designer(s): **Jayne Ellis**

(45) Registration Date: **14 March 2008**

(56) Related Art Documents: **Not Applicable**

(57) Statement of Newness and Distinctiveness: **Nil**



(21) Design Number: **10153/2008**

(22) Date of Filing Application: **06 August 2007**

(24) Date from which industrial property rights may have effect: **06 August 2007**

(54) Product in respect of which the design is registered: **A top**

(51) International Design Classification: **02-02NES**

(71) Name(s) and Address(s) of Applicant(s):

**Review Australia Pty Ltd
25-31 Rokeby Street Collingwood Victoria 3066 Australia**

(72) Name(s) of Designer(s): **Jayne Ellis**

(45) Registration Date: **14 March 2008**

(56) Related Art Documents: **Not Applicable**

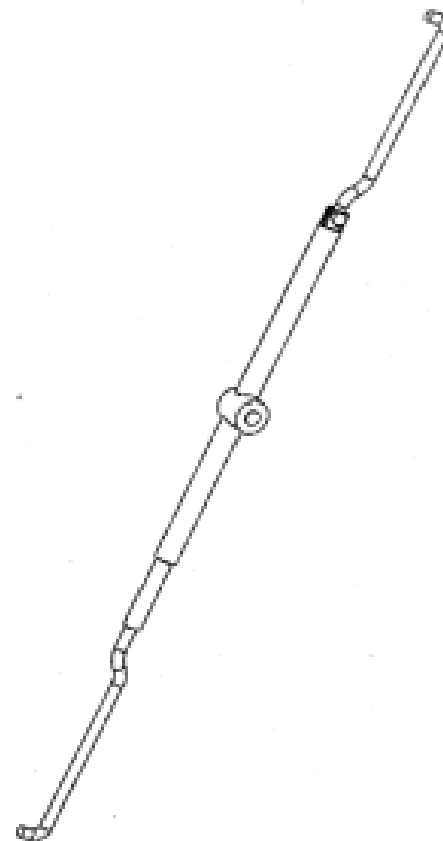
(57) Statement of Newness and Distinctiveness: **Nil**



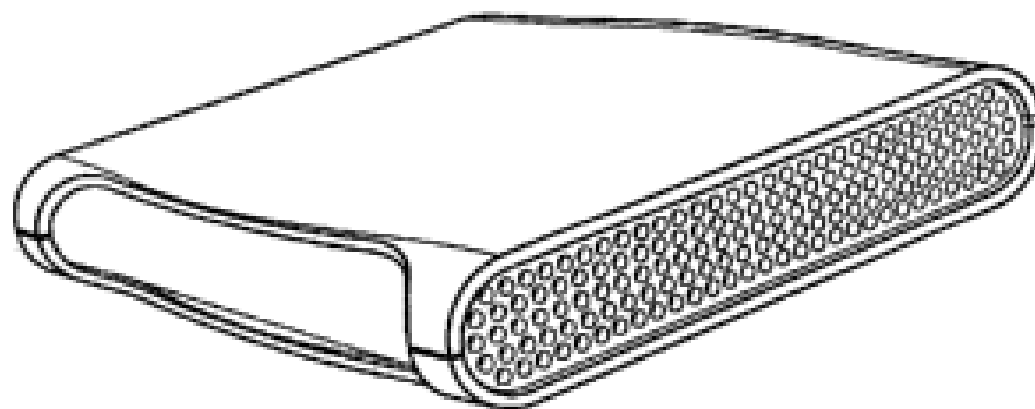
- (21) Design Number: **10154/2008**
(22) Date of Filing Application: **06 August 2007**
(24) Date from which industrial property rights may have effect: **06 August 2007**
(54) Product in respect of which the design is registered: **A dress**
(51) International Design Classification: **02-02C**
(71) Name(s) and Address(s) of Applicant(s):
Review Australia Pty Ltd
25-31 Rokeby Street Collingwood Victoria 3066 Australia
(72) Name(s) of Designer(s): **Jayne Ellis**
(45) Registration Date: **14 March 2008**
(56) Related Art Documents: **Not Applicable**
(57) Statement of Newness and Distinctiveness: **Nil**



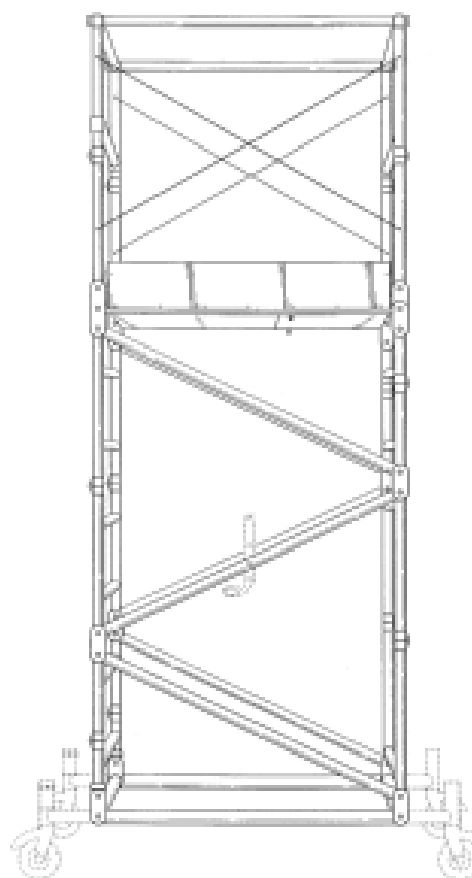
- (21) Design Number: **20330/2007**
(22) Date of Filing Application: **22 October 2007**
(24) Date from which industrial property rights may have effect: **22 October 2007**
(54) Product in respect of which the design is registered: **Adjustable drive member for a door lock**
(51) International Design Classification: **08-07**
(71) Name(s) and Address(s) of Applicant(s):
Watts Hardware Manufacturing Pty Ltd
8 Ross Street South Melbourne Victoria 3205 Australia
(72) Name(s) of Designer(s): **Brendan George and J Russell Watts**
(45) Registration Date: **14 March 2008**
(56) Related Art Documents: **Not Applicable**
(57) Statement of Newness and Distinctiveness: **Nil**



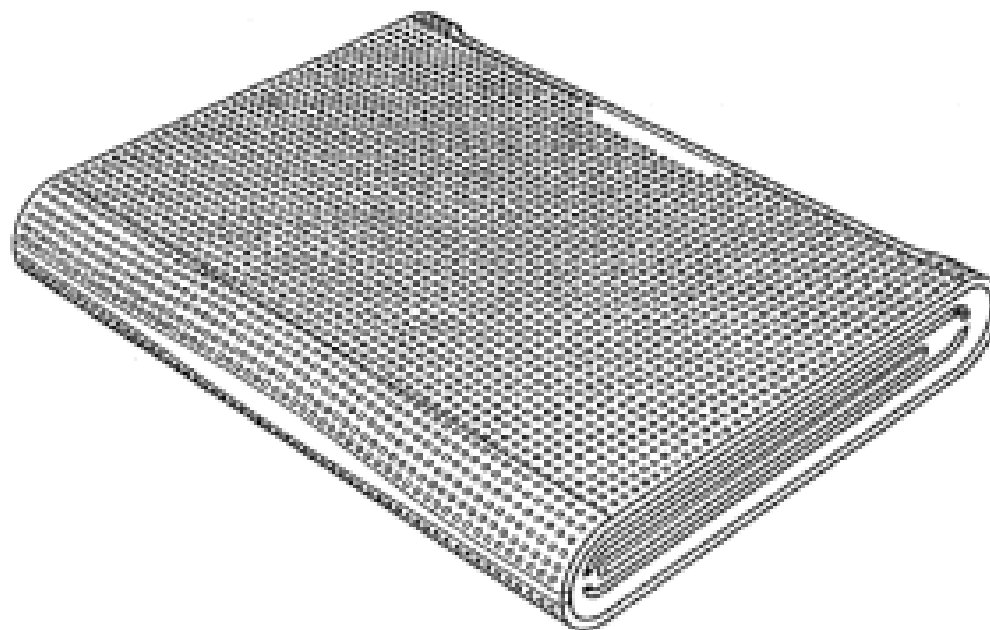
- (21) Design Number: **20892/2007**
(22) Date of Filing Application: **16 November 2007**
(24) Date from which industrial property rights may have effect: **16 November 2007**
(54) Product in respect of which the design is registered: **Data transmission device**
(51) International Design Classification: **14-03NES**
(71) Name(s) and Address(s) of Applicant(s):
British Sky Broadcasting Limited
Grant Way Isleworth Middlesex TW7 5QD United Kingdom
(72) Name(s) of Designer(s): **Ralf Eisfeldt and Andrew Wong and Nat Jarvis**
(45) Registration Date: **14 March 2008**
(30) Convention priority data:
(31) Number (32) Date (33) Country
000728225 18 May 2007 EUROPEAN COMMUNITY
(56) Related Art Documents: **Not Applicable**
(57) Statement of Newness and Distinctiveness: **Newness and distinctiveness resides in the features of shape and/or configuration of a data transmission device as illustrated in the accompanying representations.**



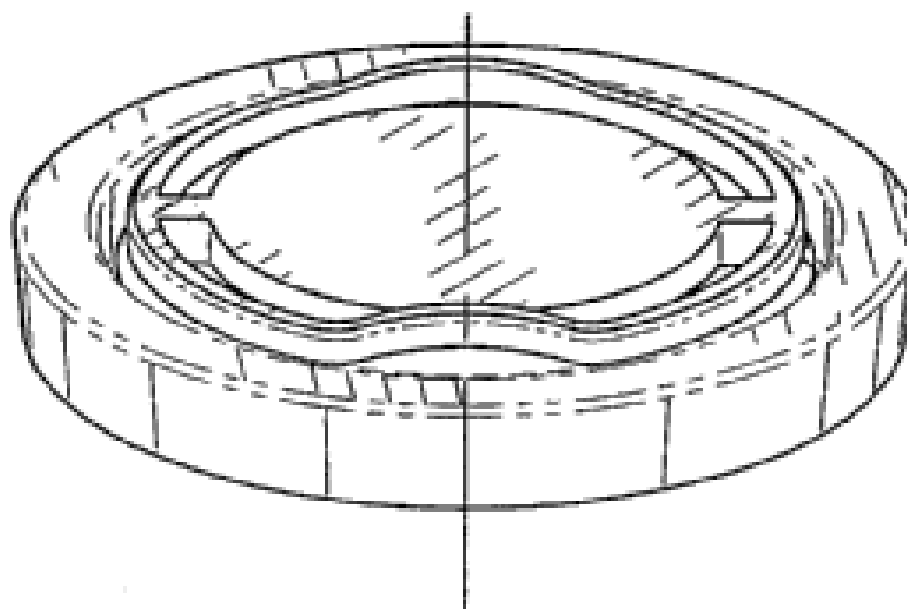
- (21) Design Number: **20893/2007**
(22) Date of Filing Application: **16 November 2007**
(24) Date from which industrial property rights may have effect: **16 November 2007**
(54) Product in respect of which the design is registered: **Access tower**
(51) International Design Classification: **25-04**
(71) Name(s) and Address(s) of Applicant(s):
John Timothy Stevens
The Coppice 1 Home Farm Close Abbots Ripton Huntingdon
Cambridgeshire PE28 2PT United Kingdom
(72) Name(s) of Designer(s): **John Timothy Stevens**
(45) Registration Date: **14 March 2008**
(30) Convention priority data:
(31) Number (32) Date (33) Country
000726211-0001 16 May 2007 EUROPEAN COMMUNITY
(56) Related Art Documents: **Not Applicable**
(57) Statement of Newness and Distinctiveness: **Newness and distinctiveness resides in the features of shape and/or configuration of an access tower as illustrated in the accompanying representations. The features shown in broken outline are for illustrative purposes only and do not form part of the design.**



(21) Design Number: **20894/2007**
(22) Date of Filing Application: **16 November 2007**
(24) Date from which industrial property rights may have effect: **16 November 2007**
(54) Product in respect of which the design is registered: **Data transmission device**
(51) International Design Classification: **14-03NES**
(71) Name(s) and Address(s) of Applicant(s):
British Sky Broadcasting Limited
Grant Way Isleworth Middlesex TW7 5QD United Kingdom
(72) Name(s) of Designer(s): **Ralf Eisfeldt and Andrew Wong and Nat Jarvis**
(45) Registration Date: **14 March 2008**
(30) Convention priority data:
(31) Number (32) Date (33) Country
000728225 18 May 2007 EUROPEAN COMMUNITY
(56) Related Art Documents: **Not Applicable**
(57) Statement of Newness and Distinctiveness: **Newness and distinctiveness resides in the features of shape and/or configuration of a data transmission device as illustrated in the accompanying representations.**



(21) Design Number: **20897/2007**
(22) Date of Filing Application: **16 November 2007**
(24) Date from which industrial property rights may have effect: **16 November 2007**
(54) Product in respect of which the design is registered: **Closing cap for container closure**
(51) International Design Classification: **09-07A**
(71) Name(s) and Address(s) of Applicant(s):
Rieke Corporation
500 West Seventh Street Auburn Indiana 46706 United States of America
(72) Name(s) of Designer(s): **Gary M. Baughman and Lynn A. Brooks**
(45) Registration Date: **14 March 2008**
(30) Convention priority data:
(31) Number (32) Date (33) Country
29/288160 31 May 2007 UNITED STATES OF AMERICA
(56) Related Art Documents: **Not Applicable**
(57) Statement of Newness and Distinctiveness: **Newness and distinctiveness is claimed in the features of shape and/or configuration of the following parts of a closing cap for a container closure as illustrated and labelled in the accompanying representations: raised portions of the bail handles (labelled "A" in the front elevational view); and outer retaining ring (labelled "B" in the front elevational view and the top plan view).**



(21) Design Number: **20898/2007**
 (22) Date of Filing Application: **16 November 2007**
 (24) Date from which industrial property rights may have effect: **16 November 2007**
 (54) Product in respect of which the design is registered: **Closing cap for a container closure**

(51) International Design Classification: **09-07A**

(71) Name(s) and Address(s) of Applicant(s):

Rieke Corporation
500 West Seventh Street Auburn Indiana 46706 United States of America

(72) Name(s) of Designer(s): **Gary M. Baughman and Lynn A. Brooks**

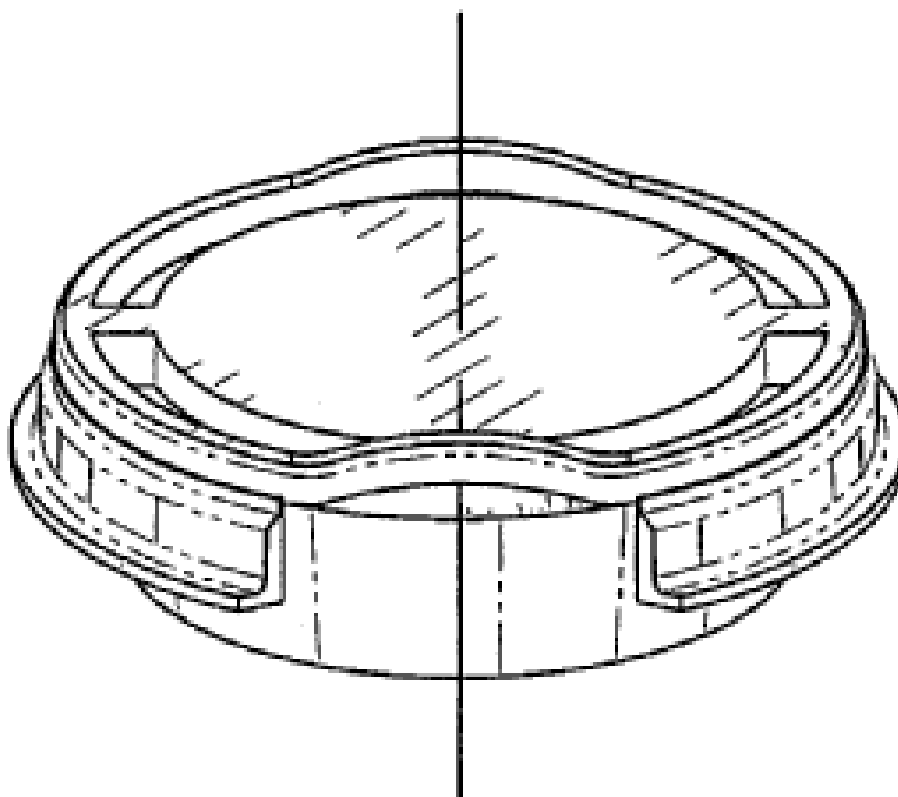
(45) Registration Date: **14 March 2008**

(30) Convention priority data:

(31) Number	(32) Date	(33) Country
29/288147	31 May 2007	UNITED STATES OF AMERICA

(56) Related Art Documents: **Not Applicable**

(57) Statement of Newness and Distinctiveness: **Newness and distinctiveness is claimed in the features of shape and/or configuration of the following parts of a closing cap for a container closure as illustrated and labelled in the accompanying representations: raised portions of the bail handles (labelled "A" in the front elevational view); segmented skirt (labelled "B" in the front elevational view); and horizontal lip (labelled "C" in the front elevational view).**



(21) Design Number: **20899/2007**
 (22) Date of Filing Application: **16 November 2007**
 (24) Date from which industrial property rights may have effect: **16 November 2007**
 (54) Product in respect of which the design is registered: **Closing cap**

(51) International Design Classification: **09-07A**

(71) Name(s) and Address(s) of Applicant(s):

Rieke Corporation
500 West Seventh Street Auburn Indiana 46706 United States of America

(72) Name(s) of Designer(s): **Gary M. Baughman and Lynn A. Brooks**

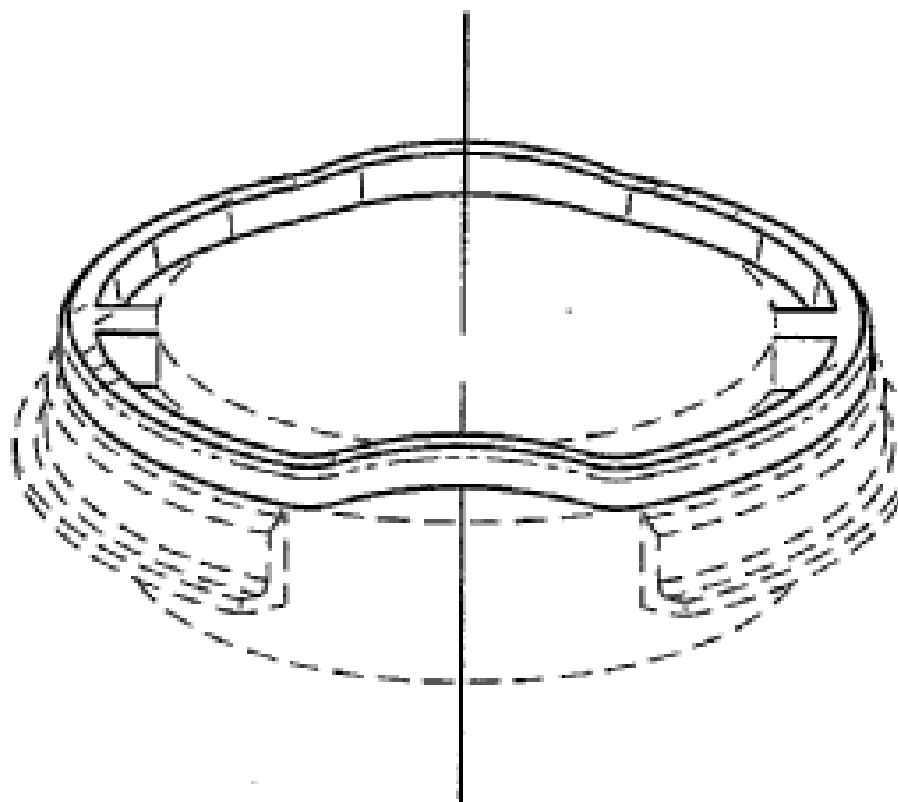
(45) Registration Date: **14 March 2008**

(30) Convention priority data:

(31) Number	(32) Date	(33) Country
29/288159	31 May 2007	UNITED STATES OF AMERICA

(56) Related Art Documents: **Not Applicable**

(57) Statement of Newness and Distinctiveness: **Newness and distinctiveness is claimed in the features of shape and/or configuration of the raised portions of the bail handles illustrated in continuous lines of the closing cap as illustrated in the accompanying representations.**



- (21) Design Number: **20900/2007**
(22) Date of Filing Application: **16 November 2007**
(24) Date from which industrial property rights may have effect: **16 November 2007**
(54) Product in respect of which the design is registered: **Child safety buckle**
(51) International Design Classification: **29-02**
(71) Name(s) and Address(s) of Applicant(s):

Armon Limited
17 rue du Cendrier 1211 Geneva 1 Switzerland

(72) Name(s) of Designer(s): **Kevin Daykin**

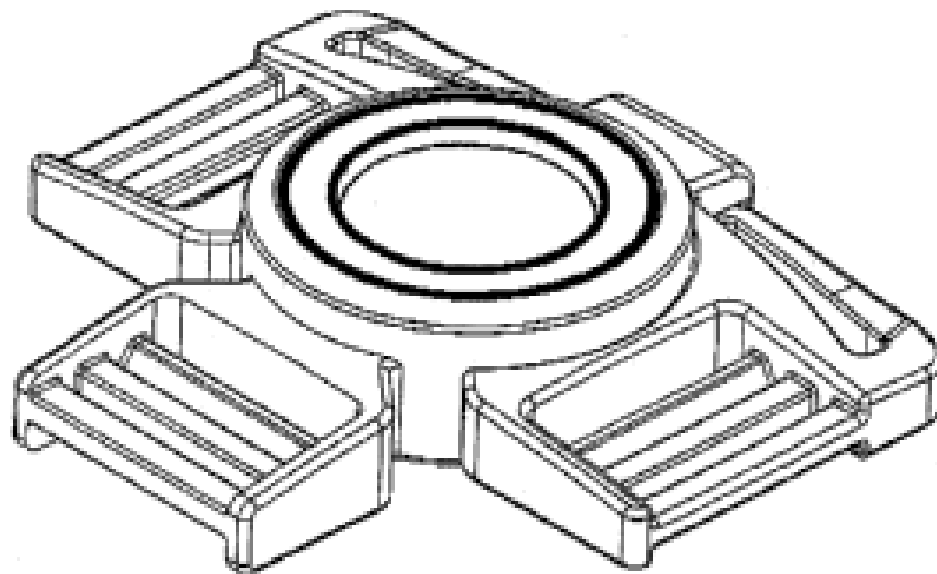
(45) Registration Date: **14 March 2008**

(30) Convention priority data:

(31) Number	(32) Date	(33) Country
000747738	27 Jun 2007	EUROPEAN COMMUNITY

(56) Related Art Documents: **Not Applicable**

(57) Statement of Newness and Distinctiveness: **Visual features of the design which are new and distinctive are the features of shape and configuration of a child safety buckle as illustrated in the representations.**



- (21) Design Number: **20907/2007**
(22) Date of Filing Application: **19 November 2007**
(24) Date from which industrial property rights may have effect: **19 November 2007**
(54) Product in respect of which the design is registered: **A door handling tool**
(51) International Design Classification: **08-09**
(71) Name(s) and Address(s) of Applicant(s):

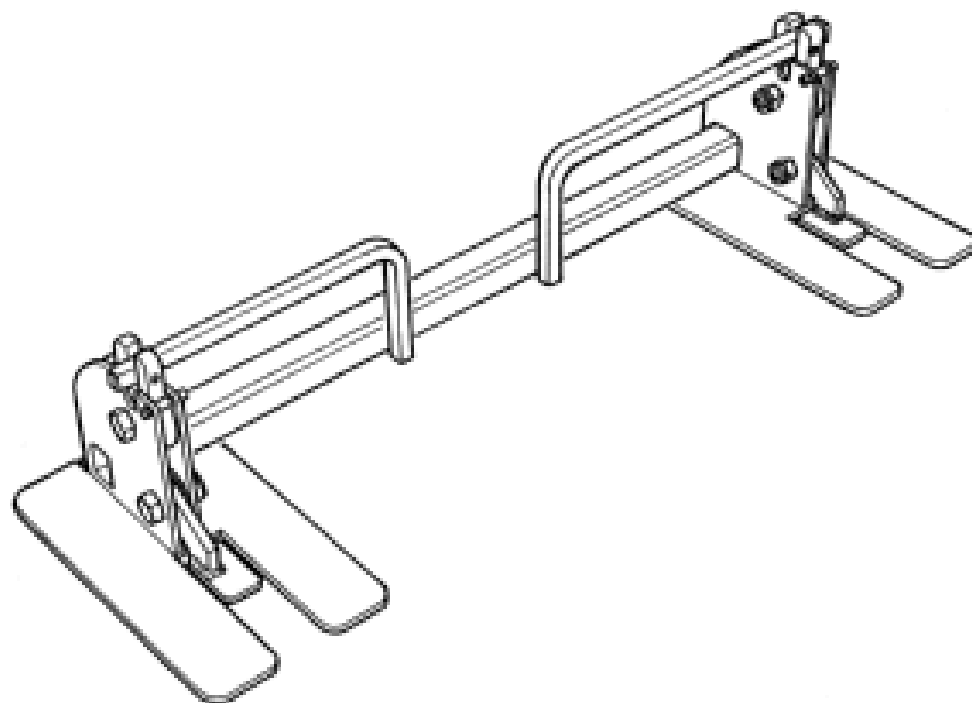
Warren Glenn Starr
46 Edward Beck Drive Sheidow Park South Australia 5158 Australia

(72) Name(s) of Designer(s): **Warren Glenn Starr**

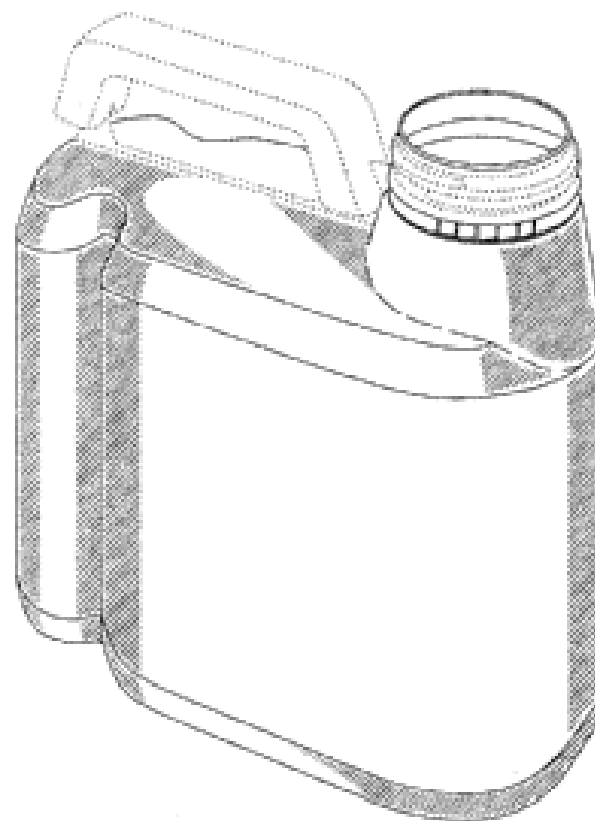
(45) Registration Date: **14 March 2008**

(56) Related Art Documents: **Not Applicable**

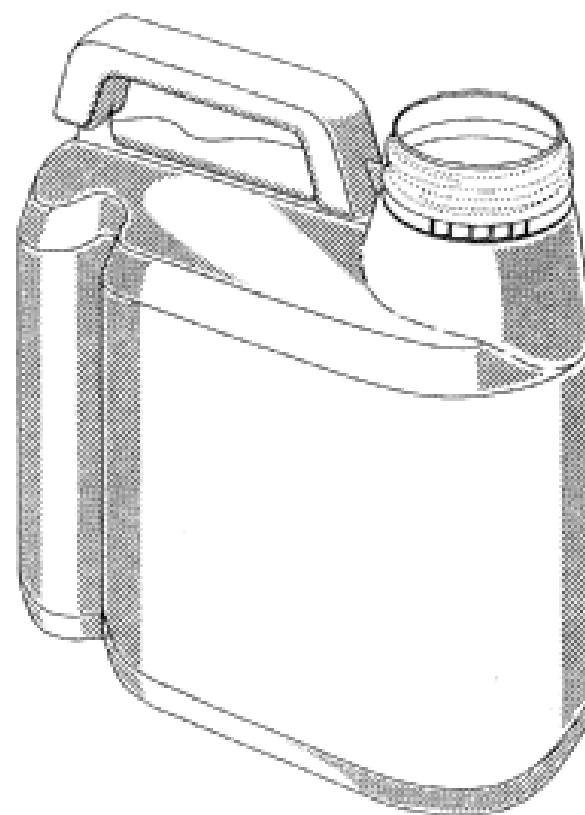
(57) Statement of Newness and Distinctiveness: **Newness and distinctiveness resides in the features of shape and configuration of a door handling tool as shown in the accompanying representations.**



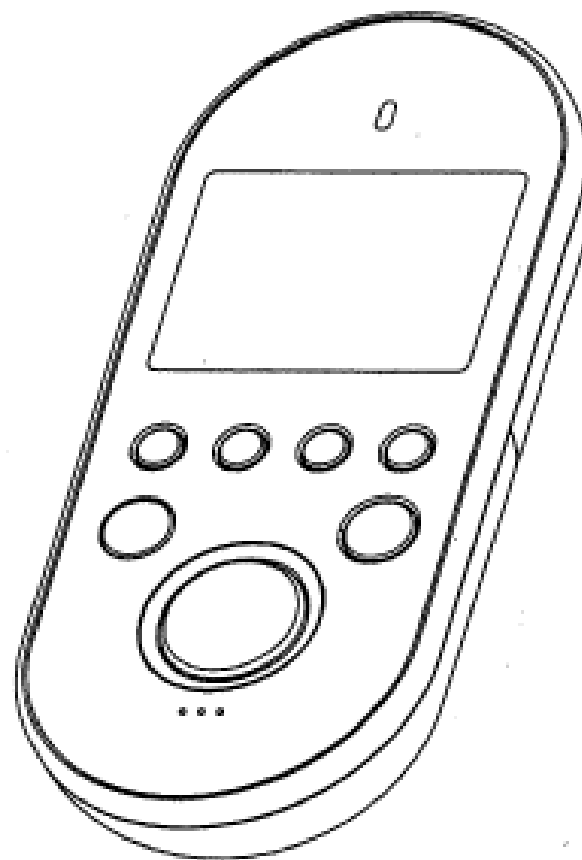
- (21) Design Number: **20914/2007**
(22) Date of Filing Application: **19 November 2007**
(24) Date from which industrial property rights may have effect: **19 November 2007**
(54) Product in respect of which the design is registered: **A container**
(51) International Design Classification: **09-01B**
(71) Name(s) and Address(s) of Applicant(s):
Syngenta Participations AG
Schwarzwaldallee 215 4058 Basel Switzerland
(72) Name(s) of Designer(s): **Brent Weber and Jason Monsees and Walter Mesiner and Leslie Burger and Lawrence Dull and Timothy Cotter**
(45) Registration Date: **14 March 2008**
(30) Convention priority data:
(31) Number (32) Date (33) Country
29280641 04 Jun 2007 UNITED STATES OF AMERICA
(56) Related Art Documents: **Not Applicable**
(57) Statement of Newness and Distinctiveness: **Newness and distinctiveness is claimed in the visual features shown in solid lines in the representations.**



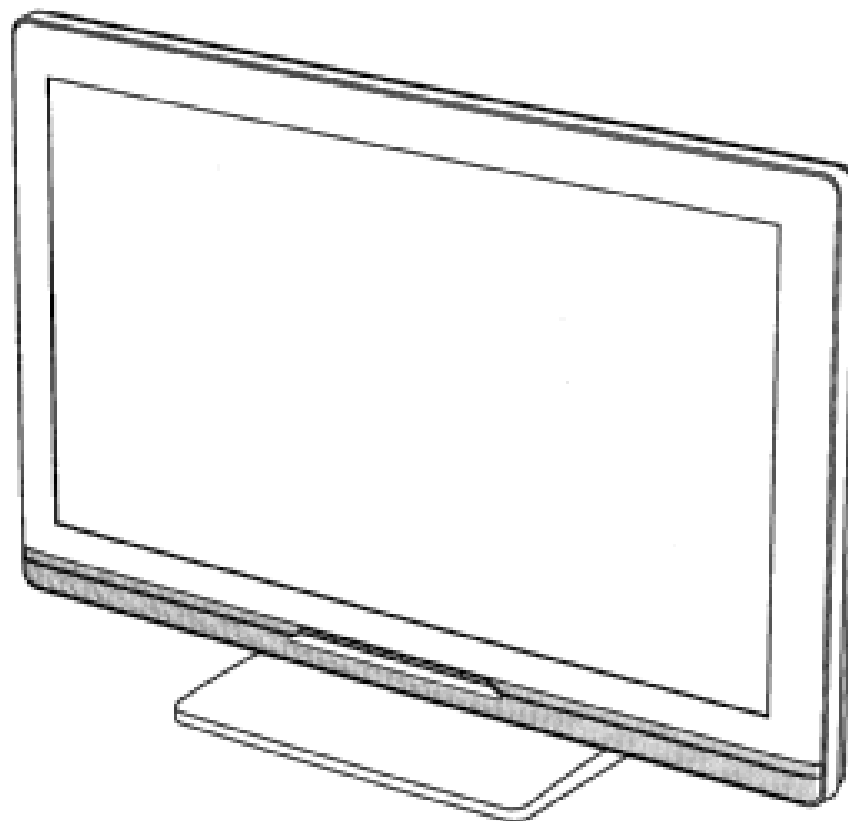
- (21) Design Number: **20915/2007**
(22) Date of Filing Application: **19 November 2007**
(24) Date from which industrial property rights may have effect: **19 November 2007**
(54) Product in respect of which the design is registered: **A container**
(51) International Design Classification: **09-01B**
(71) Name(s) and Address(s) of Applicant(s):
Syngenta Participations AG
Schwarzwaldallee 215 4058 Basel Switzerland
(72) Name(s) of Designer(s): **Brent Weber and Jason Monsees and Walter Meisner and Leslie Burger and Lawrence Dull and Timothy Cotter**
(45) Registration Date: **14 March 2008**
(30) Convention priority data:
(31) Number (32) Date (33) Country
29/280641 04 Jun 2007 UNITED STATES OF AMERICA
(56) Related Art Documents: **Not Applicable**
(57) Statement of Newness and Distinctiveness: **Newness and distinctiveness is claimed in the visual features shown in solid lines in the representations.**



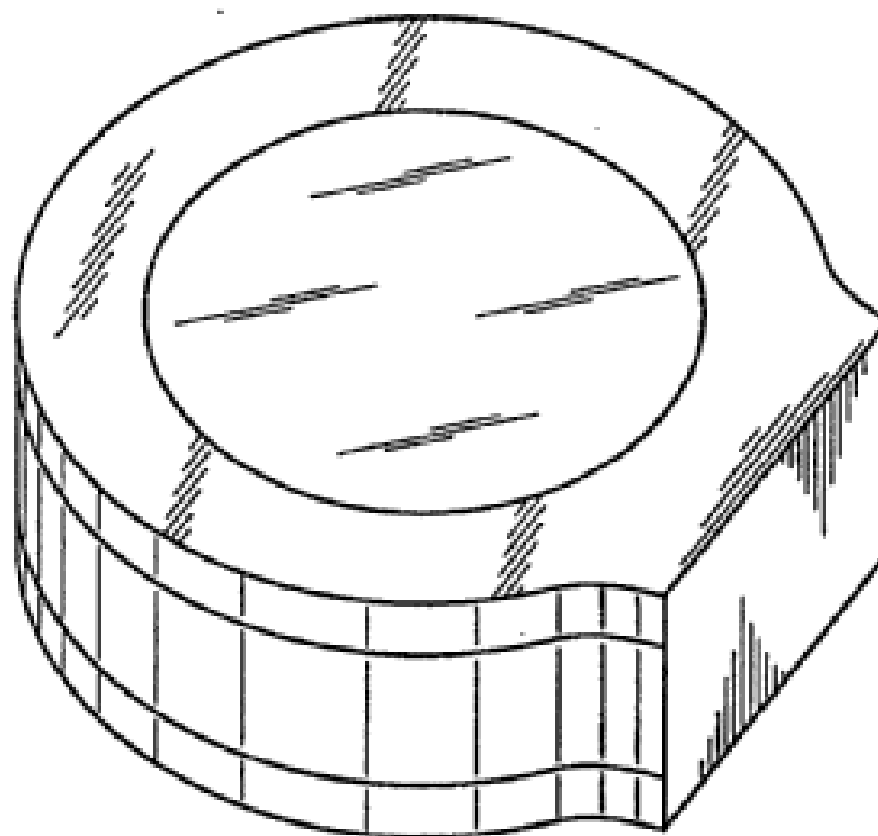
- (21) Design Number: **20916/2007**
(22) Date of Filing Application: **19 November 2007**
(24) Date from which industrial property rights may have effect: **19 November 2007**
(54) Product in respect of which the design is registered: **A portable intercom with a TV monitor**
(51) International Design Classification: **14-03A**
(71) Name(s) and Address(s) of Applicant(s):
Aiphone Co., Ltd
2-18 Jinno-cho Atsuta-ku Nagoya-shi Aichi-ken Japan
(72) Name(s) of Designer(s): **Manabu Yamada and Masanori Kumazawa**
(45) Registration Date: **14 March 2008**
(30) Convention priority data:
(31) Number (32) Date (33) Country
2007-13909 25 May 2007 JAPAN
(56) Related Art Documents: **Not Applicable**
(57) Statement of Newness and Distinctiveness: **Newness and distinctiveness resides in the visual features of shape and/or configuration of a portable intercom with a TV monitor as illustrated in the accompanying representations.**



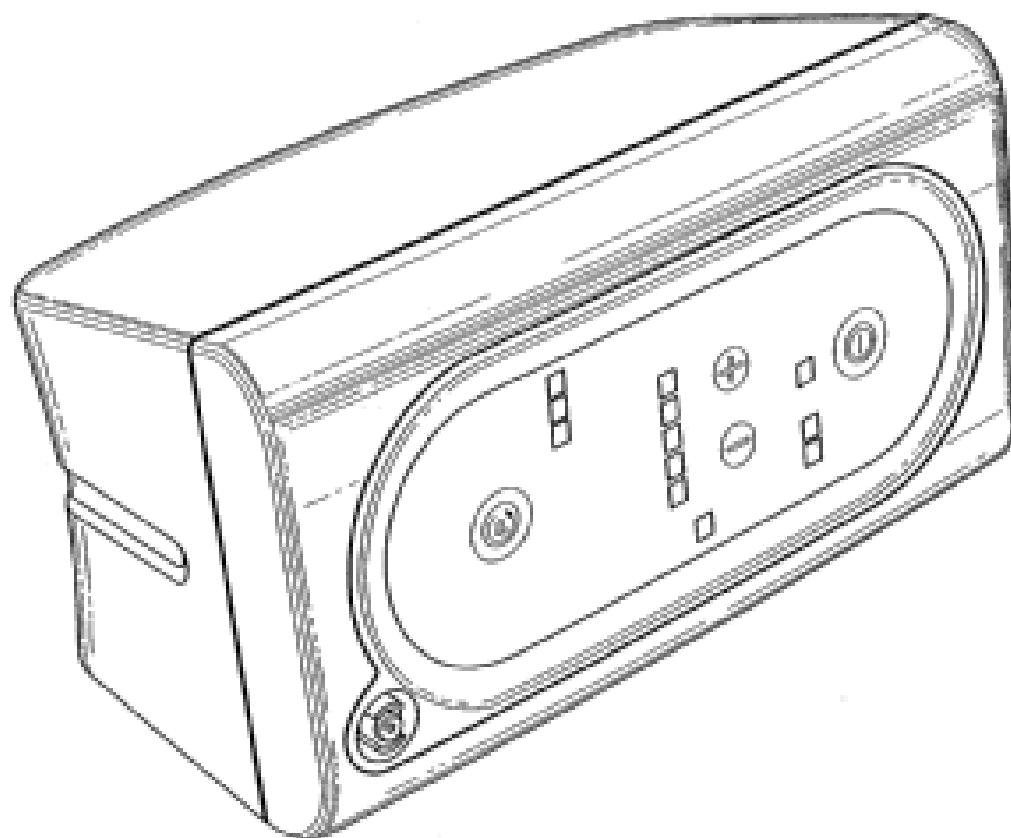
- (21) Design Number: **20917/2007**
(22) Date of Filing Application: **19 November 2007**
(24) Date from which industrial property rights may have effect: **19 November 2007**
(54) Product in respect of which the design is registered: **Television set**
(51) International Design Classification: **14-01**
(71) Name(s) and Address(s) of Applicant(s):
Kabushiki Kaisha Toshiba
1-1 Shibaura 1-chome Minato-ku Tokyo 105-8001 Japan
(72) Name(s) of Designer(s): **Masao Isshiki**
(45) Registration Date: **14 March 2008**
(30) Convention priority data:
(31) Number (32) Date (33) Country
2007-026768 01 Oct 2007 JAPAN
(56) Related Art Documents: **Not Applicable**
(57) Statement of Newness and Distinctiveness: **Nil**



(21) Design Number: **20918/2007**
(22) Date of Filing Application: **19 November 2007**
(24) Date from which industrial property rights may have effect: **19 November 2007**
(54) Product in respect of which the design is registered: **Cosmetic container**
(51) International Design Classification: **28-03NES**
(71) Name(s) and Address(s) of Applicant(s):
Physicians Formula Cosmetics, Inc.
1055 West Eighth Street Azusa California 91702 United States of America
(72) Name(s) of Designer(s): **Ingrid Jackel**
(45) Registration Date: **14 March 2008**
(30) Convention priority data:
(31) Number (32) Date (33) Country
29/292514 11 Oct 2007 UNITED STATES OF AMERICA
(56) Related Art Documents: **Not Applicable**
(57) Statement of Newness and Distinctiveness: **The shape and configuration of the cosmetic container are new and distinct.**



(21) Design Number: **20920/2007**
(22) Date of Filing Application: **19 November 2007**
(24) Date from which industrial property rights may have effect: **19 November 2007**
(54) Product in respect of which the design is registered: **Cuff pressure controller**
(51) International Design Classification: **24-01**
(71) Name(s) and Address(s) of Applicant(s):
International Patents Inc.
La Rosiere (Registered Agents & Trustees) Limited Maison la Rosiere Victoria Mahe Seychelles
(72) Name(s) of Designer(s): **Marc Walter Tanner and Marko Plevnik and Philip Biggs**
(45) Registration Date: **14 March 2008**
(30) Convention priority data:
(31) Number (32) Date (33) Country
4004288 12 Sep 2007 UNITED KINGDOM
(56) Related Art Documents: **Not Applicable**
(57) Statement of Newness and Distinctiveness: **Nil**



- (21) Design Number: **20803/2007**
(22) Date of Filing Application: **20 November 2007**
(24) Date from which industrial property rights may have effect: **20 November 2007**
(54) Product in respect of which the design is registered: **A tyre**
(51) International Design Classification: **12-15B**
(71) Name(s) and Address(s) of Applicant(s):
The Goodyear Tire & Rubber Company
1144 East Market Street Akron Ohio 44316-0001 United States of America
(72) Name(s) of Designer(s): **Takehiko Murata and Susumu Tanaka**
(45) Registration Date: **14 March 2008**
(30) Convention priority data:
(31) Number (32) Date (33) Country
2007-014187 29 May 2007 JAPAN
(56) Related Art Documents: **Not Applicable**
(57) Statement of Newness and Distinctiveness: **Newness and distinctiveness is claimed in those features of shape and/or configuration of the tread of a tyre illustrated in continuous lines in the accompanying representations, wherein the shape and/or configuration of the tread is repeated throughout the circumference of the tyre.**



- (21) Design Number: **20902/2007**
(22) Date of Filing Application: **20 November 2007**
(24) Date from which industrial property rights may have effect: **20 November 2007**
(54) Product in respect of which the design is registered: **Jacket**
(51) International Design Classification: **02-02NES**
(71) Name(s) and Address(s) of Applicant(s):
Laundry Athletics LLP
Unit 60 The Runnings Cheltenham GL51 9NW United Kingdom
(72) Name(s) of Designer(s): **James Holder**
(45) Registration Date: **14 March 2008**
(30) Convention priority data:
(31) Number (32) Date (33) Country
729660-0001 22 May 2007 EUROPEAN COMMUNITY
(56) Related Art Documents: **Not Applicable**
(57) Statement of Newness and Distinctiveness: **Nil**



(21) Design Number: **10177/2008**

(22) Date of Filing Application: **16 January 2008**

(24) Date from which industrial property rights may have effect: **16 January 2008**

(54) Product in respect of which the design is registered: **A sculpture**

(51) International Design Classification: **11-02E**

(71) Name(s) and Address(s) of Applicant(s):

Cheng Shi Wu

41 Lisbon Street Fairfield East New South Wales 2165 Australia

(72) Name(s) of Designer(s): **Cheng Shi Wu**

(45) Registration Date: **14 March 2008**

(56) Related Art Documents: **Not Applicable**

(57) Statement of Newness and Distinctiveness: **The cat standing up, two front feet lift, the tail touches the floor to support the body.**



(21) Design Number: **18028/2007**

(22) Date of Filing Application: **21 May 2007**

(24) Date from which industrial property rights may have effect: **21 May 2007**

(54) Product in respect of which the design is registered: **Ring**

(51) International Design Classification: **11-01A**

(71) Name(s) and Address(s) of Applicant(s):

Gregory Viana Castanarez

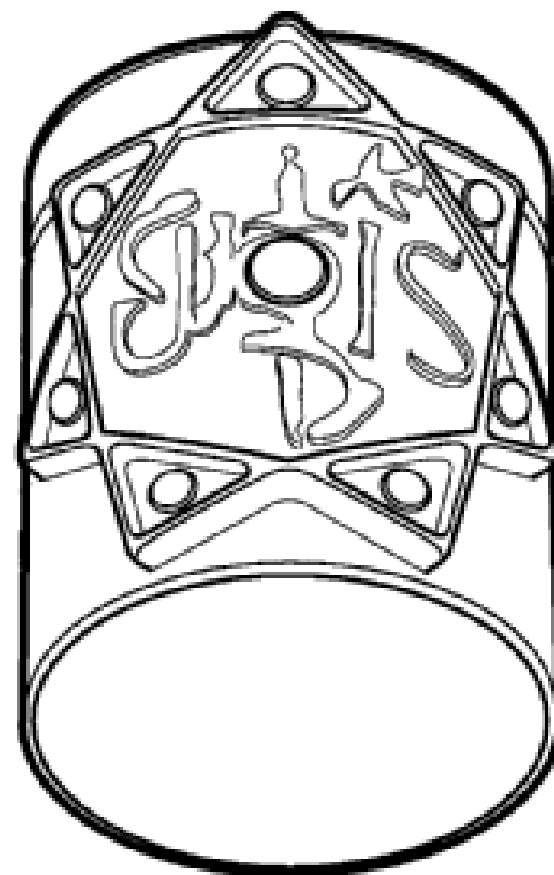
No.69 9th St. Comembo Fort Bonifacio Makati City Metro Manila 1200 Philippines

(72) Name(s) of Designer(s): **Gregory Viana Castanarez**

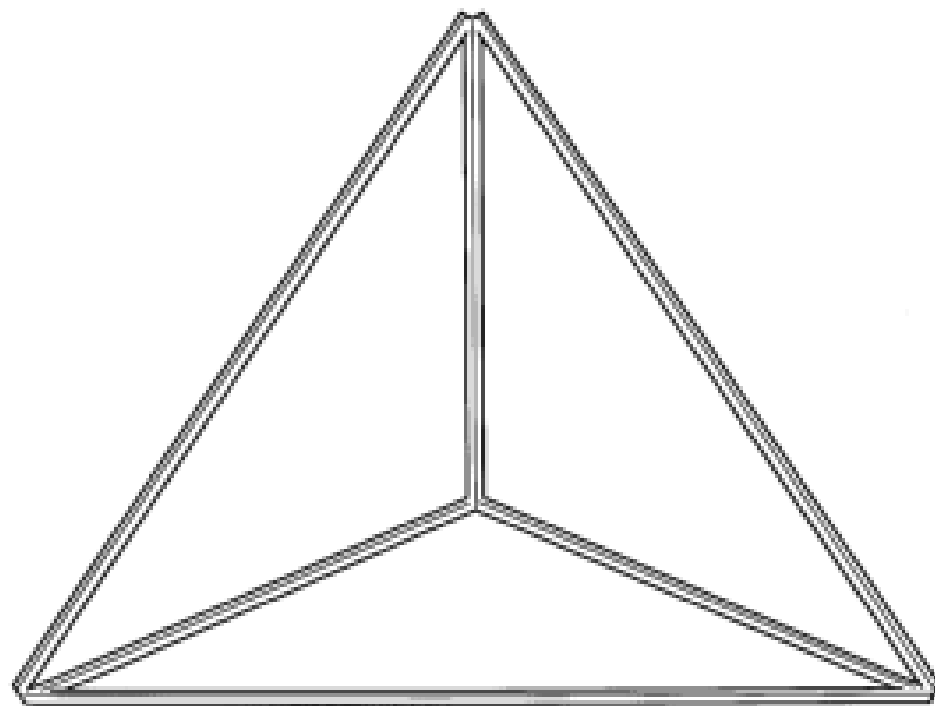
(45) Registration Date: **14 March 2008**

(56) Related Art Documents: **Not Applicable**

(57) Statement of Newness and Distinctiveness: **Newness and distinctiveness reside in the features of shape and configuration of a ring as depicted in the accompanying representations.**

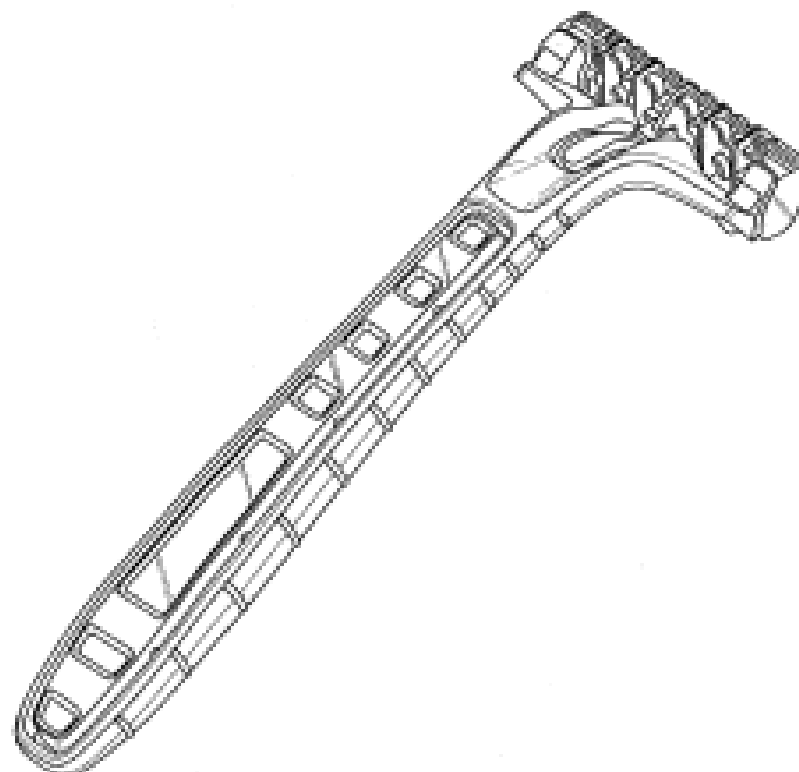


- (21) Design Number: **18029/2007**
- (22) Date of Filing Application: **21 May 2007**
- (24) Date from which industrial property rights may have effect: **21 May 2007**
- (54) Product in respect of which the design is registered: **Tetrahedral ornament**
- (51) International Design Classification: **11-02NES**
- (71) Name(s) and Address(s) of Applicant(s):
Gregory Viana Castanarez
No.69 9th St. Comembo Fort Bonifacio Makati City Metro Manila 1200
Philippines
- (72) Name(s) of Designer(s): **Gregory Viana Castanarez**
- (45) Registration Date: **14 March 2008**
- (56) Related Art Documents: **Not Applicable**
- (57) Statement of Newness and Distinctiveness: **Newness and distinctiveness reside in the features of shape and configuration of a tetrahedral ornament as depicted in the accompanying representations.**



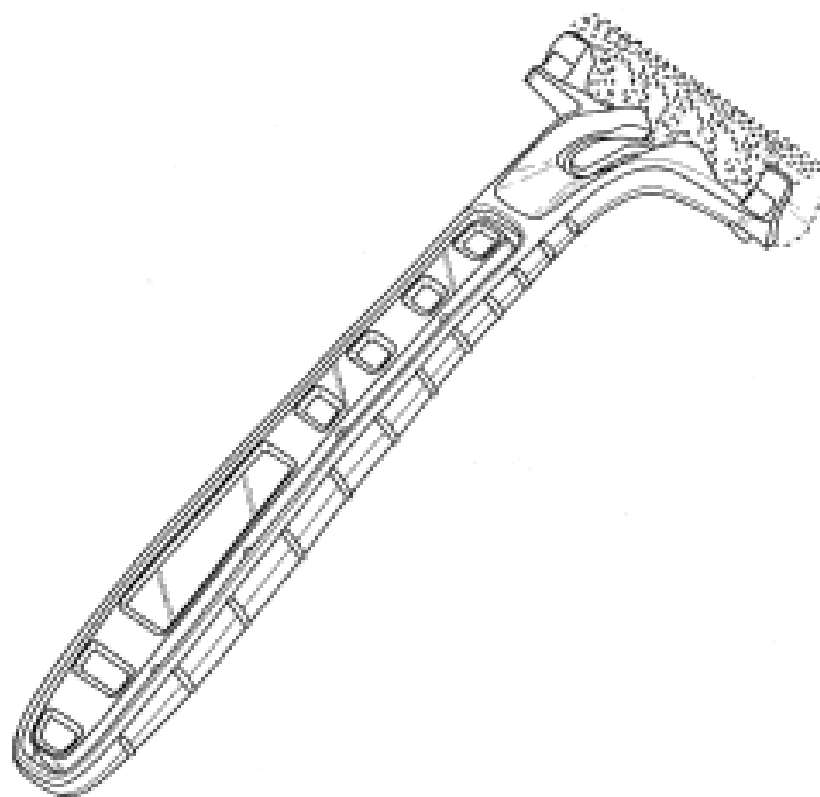
- (21) Design Number: **20882/2007**
- (22) Date of Filing Application: **16 November 2007**
- (24) Date from which industrial property rights may have effect: **16 November 2007**
- (54) Product in respect of which the design is registered: **Safety razor**
- (51) International Design Classification: **28-03A**
- (71) Name(s) and Address(s) of Applicant(s):
Eveready Battery Company, Inc.
533 Maryville University Drive St Louis Missouri 63141 United States
of America
- (72) Name(s) of Designer(s): **Wes Rhoad**
- (45) Registration Date: **14 March 2008**
- (30) Convention priority data:

(31) Number	(32) Date	(33) Country
29/289537	24 Jul 2007	UNITED STATES OF AMERICA
- (56) Related Art Documents: **Not Applicable**
- (57) Statement of Newness and Distinctiveness: **Nil**



- (21) Design Number: **20883/2007**
- (22) Date of Filing Application: **16 November 2007**
- (24) Date from which industrial property rights may have effect: **16 November 2007**
- (54) Product in respect of which the design is registered: **Safety razor handle**
- (51) International Design Classification: **28-03A**
- (71) Name(s) and Address(s) of Applicant(s):
Eveready Battery Company, Inc.
533 Maryville University Drive St Louis Missouri 63141 United States of America
- (72) Name(s) of Designer(s): **Wes Rhoad**
- (45) Registration Date: **14 March 2008**
- (30) Convention priority data:

(31) Number	(32) Date	(33) Country
29/289513	24 Jul 2007	UNITED STATES OF AMERICA
- (56) Related Art Documents: **Not Applicable**
- (57) Statement of Newness and Distinctiveness: **Newness and distinctiveness is claimed in those visual features depicted in unbroken lines.**



- (21) Design Number: **20884/2007**
- (22) Date of Filing Application: **16 November 2007**
- (24) Date from which industrial property rights may have effect: **16 November 2007**
- (54) Product in respect of which the design is registered: **Safety razor handle**
- (51) International Design Classification: **28-03A**
- (71) Name(s) and Address(s) of Applicant(s):
Eveready Battery Company, Inc.
533 Maryville University Drive St Louis Missouri 63141 United States of America
- (72) Name(s) of Designer(s): **Wes Rhoad**
- (45) Registration Date: **14 March 2008**
- (30) Convention priority data:

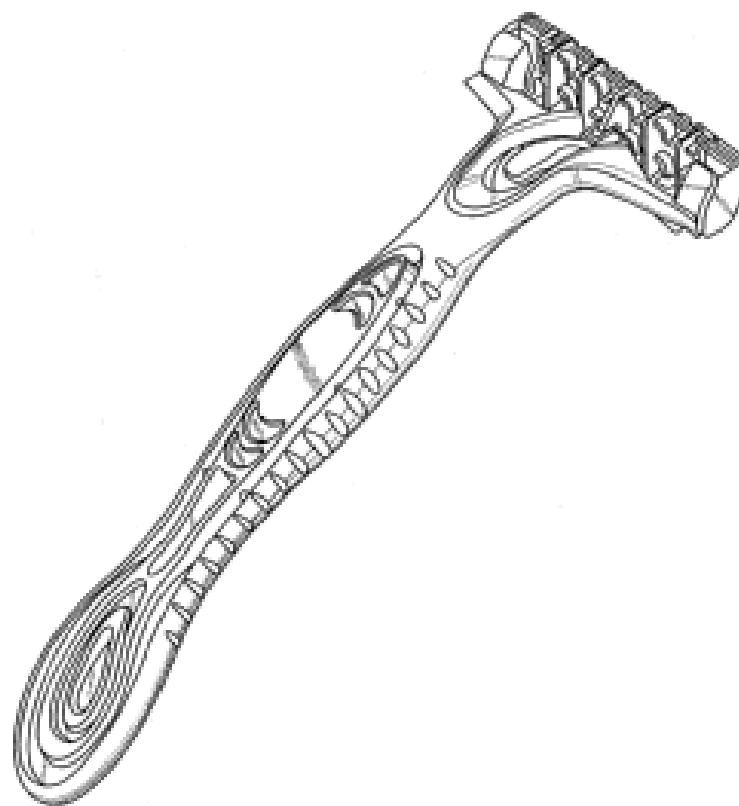
(31) Number	(32) Date	(33) Country
29/289523	24 Jul 2007	UNITED STATES OF AMERICA
- (56) Related Art Documents: **Not Applicable**
- (57) Statement of Newness and Distinctiveness: **Newness and distinctiveness is claimed in those visual features depicted in unbroken lines.**



(21) Design Number: **20885/2007**
 (22) Date of Filing Application: **16 November 2007**
 (24) Date from which industrial property rights may have effect: **16 November 2007**
 (54) Product in respect of which the design is registered: **Safety razor**
 (51) International Design Classification: **28-03A**
 (71) Name(s) and Address(s) of Applicant(s):
Eveready Battery Company, Inc.
533 Maryville University Drive St Louis Missouri 63141 United States of America
 (72) Name(s) of Designer(s): **Gregg A. Micinilio and Wes Rhoad**
 (45) Registration Date: **14 March 2008**
 (30) Convention priority data:

(31) Number	(32) Date	(33) Country
29/289515	24 Jul 2007	UNITED STATES OF AMERICA

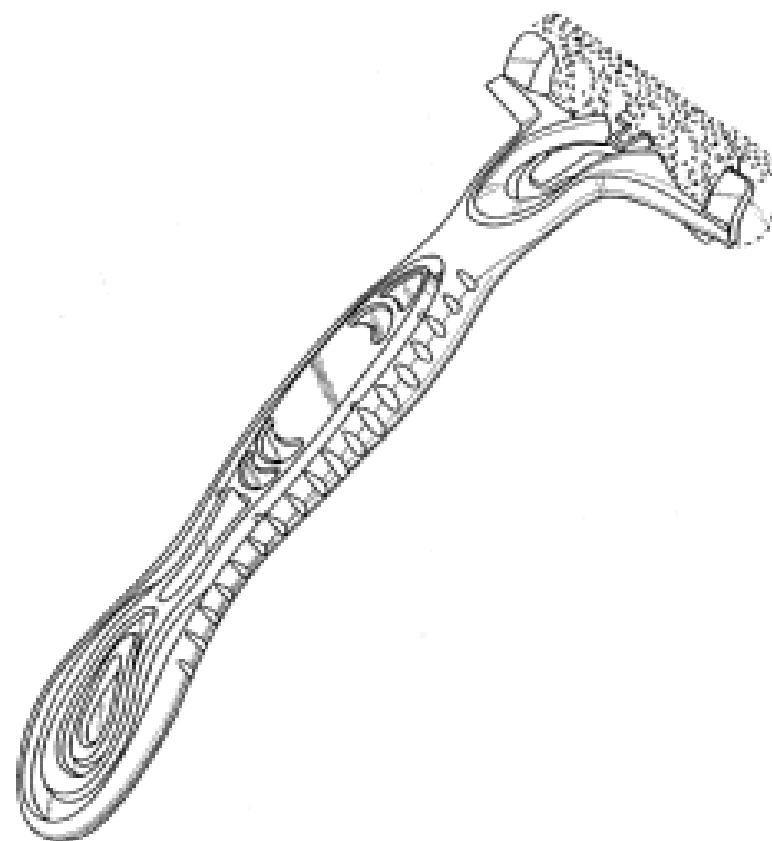
 (56) Related Art Documents: **Not Applicable**
 (57) Statement of Newness and Distinctiveness: **Nil**



(21) Design Number: **20886/2007**
 (22) Date of Filing Application: **16 November 2007**
 (24) Date from which industrial property rights may have effect: **16 November 2007**
 (54) Product in respect of which the design is registered: **Safety razor handle**
 (51) International Design Classification: **28-03A**
 (71) Name(s) and Address(s) of Applicant(s):
Eveready Battery Company, Inc.
533 Maryville University Drive St Louis Missouri 63141 United States of America
 (72) Name(s) of Designer(s): **Gregg A. Micinilio and Wes Rhoad**
 (45) Registration Date: **14 March 2008**
 (30) Convention priority data:

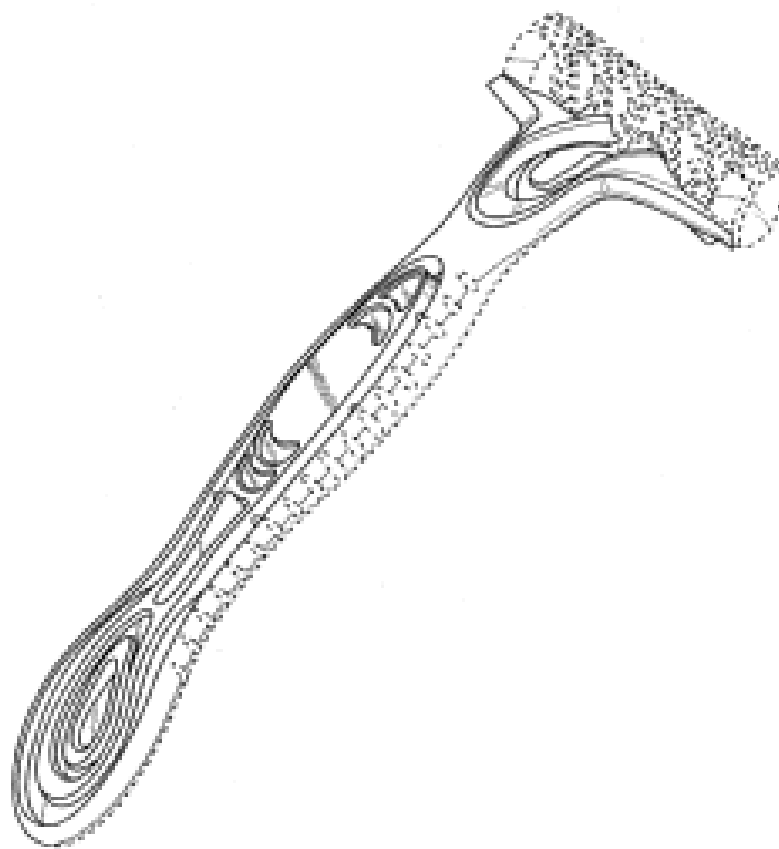
(31) Number	(32) Date	(33) Country
29/289535	24 Jul 2007	UNITED STATES OF AMERICA

 (56) Related Art Documents: **Not Applicable**
 (57) Statement of Newness and Distinctiveness: **Newness and distinctiveness is claimed in those visual features depicted in unbroken lines.**



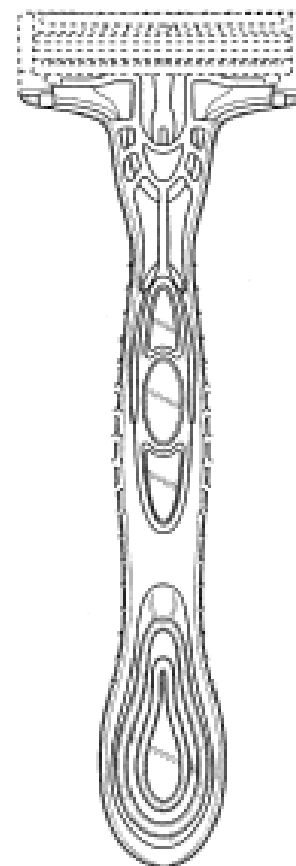
- (21) Design Number: **20887/2007**
- (22) Date of Filing Application: **16 November 2007**
- (24) Date from which industrial property rights may have effect: **16 November 2007**
- (54) Product in respect of which the design is registered: **Safety razor handle**
- (51) International Design Classification: **28-03A**
- (71) Name(s) and Address(s) of Applicant(s):
Eveready Battery Company, Inc.
533 Maryville University Drive St Louis Missouri 63141 United States of America
- (72) Name(s) of Designer(s): **Gregg A. Micinilio and Wes Rhoad**
- (45) Registration Date: **14 March 2008**
- (30) Convention priority data:

(31) Number	(32) Date	(33) Country
29/289536	24 Jul 2007	UNITED STATES OF AMERICA
- (56) Related Art Documents: **Not Applicable**
- (57) Statement of Newness and Distinctiveness: **Newness and distinctiveness is claimed in those visual features depicted in unbroken lines.**

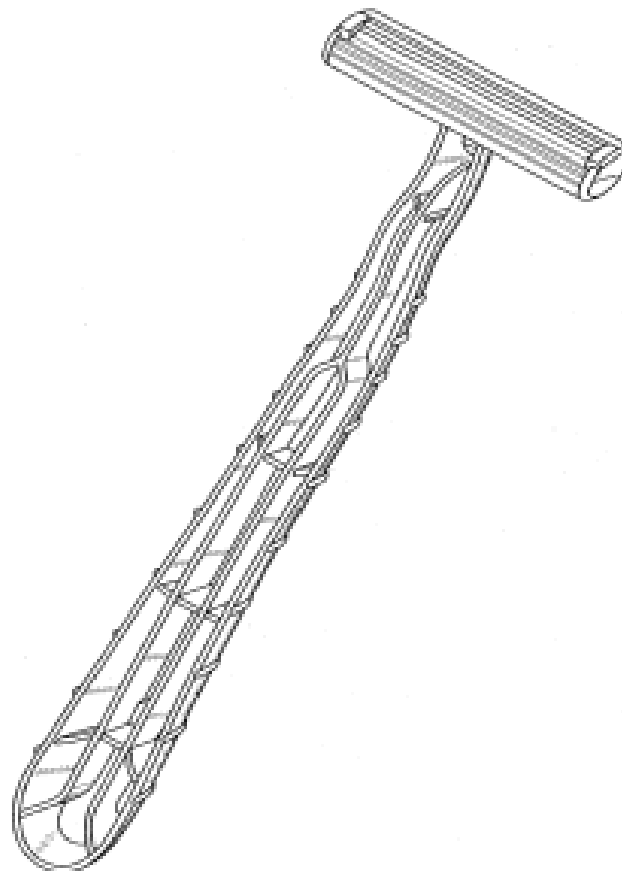


- (21) Design Number: **20888/2007**
- (22) Date of Filing Application: **16 November 2007**
- (24) Date from which industrial property rights may have effect: **16 November 2007**
- (54) Product in respect of which the design is registered: **Safety razor handle**
- (51) International Design Classification: **28-03A**
- (71) Name(s) and Address(s) of Applicant(s):
Eveready Battery Company, Inc.
533 Maryville University Drive St Louis Missouri 63141 United States of America
- (72) Name(s) of Designer(s): **Gregg A. Micinilio and Wes Rhoad**
- (45) Registration Date: **14 March 2008**
- (30) Convention priority data:

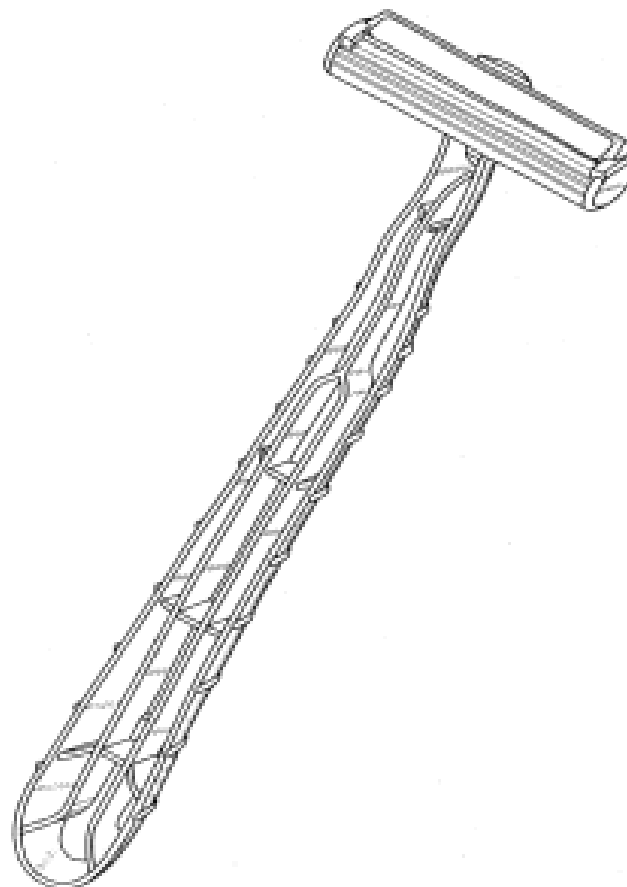
(31) Number	(32) Date	(33) Country
29/289514	24 Jul 2007	UNITED STATES OF AMERICA
- (56) Related Art Documents: **Not Applicable**
- (57) Statement of Newness and Distinctiveness: **Newness and distinctiveness is claimed in those visual features depicted in unbroken lines.**



(21) Design Number: **20889/2007**
(22) Date of Filing Application: **16 November 2007**
(24) Date from which industrial property rights may have effect: **16 November 2007**
(54) Product in respect of which the design is registered: **Safety razor**
(51) International Design Classification: **28-03A**
(71) Name(s) and Address(s) of Applicant(s):
Eveready Battery Company, Inc.
533 Maryville University Drive St Louis Missouri 63141 United States of America
(72) Name(s) of Designer(s): **Wes Rhoad and Jessica Jiang**
(45) Registration Date: **14 March 2008**
(30) Convention priority data:
(31) Number (32) Date (33) Country
29/291425 27 Aug 2007 UNITED STATES OF AMERICA
(56) Related Art Documents: **Not Applicable**
(57) Statement of Newness and Distinctiveness: **Nil**



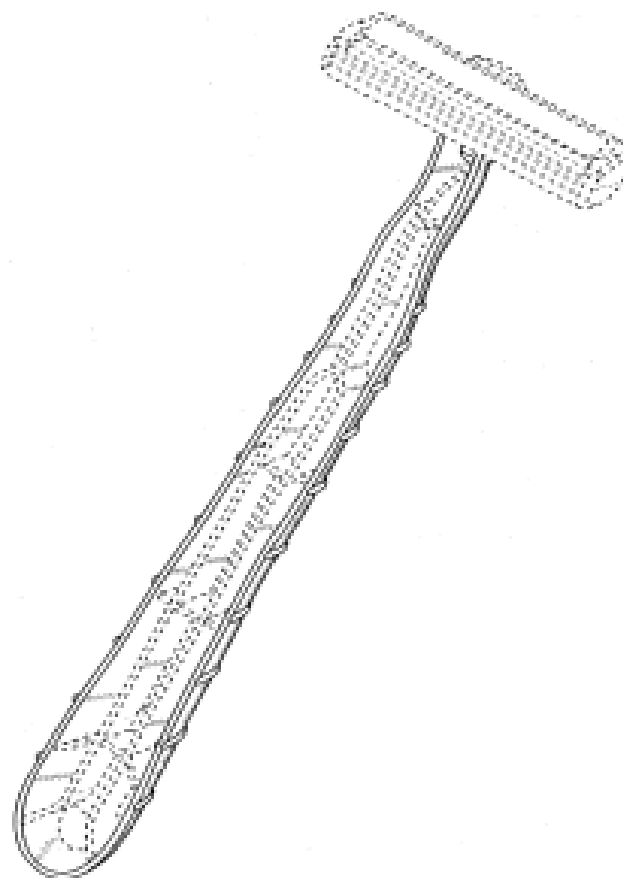
(21) Design Number: **20890/2007**
(22) Date of Filing Application: **16 November 2007**
(24) Date from which industrial property rights may have effect: **16 November 2007**
(54) Product in respect of which the design is registered: **Safety razor**
(51) International Design Classification: **28-03A**
(71) Name(s) and Address(s) of Applicant(s):
Eveready Battery Company, Inc.
533 Maryville University Drive St Louis Missouri 63141 United States of America
(72) Name(s) of Designer(s): **Wes Rhoad and Jessica Jiang**
(45) Registration Date: **14 March 2008**
(30) Convention priority data:
(31) Number (32) Date (33) Country
29/291423 27 Aug 2007 UNITED STATES OF AMERICA
(56) Related Art Documents: **Not Applicable**
(57) Statement of Newness and Distinctiveness: **Nil**



(19) AU

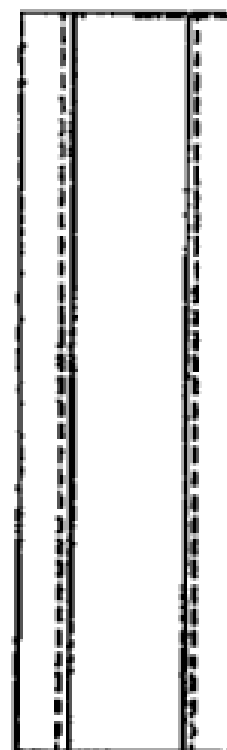
- (21) Design Number: **20891/2007**
- (22) Date of Filing Application: **16 November 2007**
- (24) Date from which industrial property rights may have effect: **16 November 2007**
- (54) Product in respect of which the design is registered: **Safety razor handle**
- (51) International Design Classification: **28-03A**
- (71) Name(s) and Address(s) of Applicant(s):
Eveready Battery Company, Inc.
533 Maryville University Drive St Louis Missouri 63141 United States of America
- (72) Name(s) of Designer(s): **Wes Rhoad and Jessica Jiang**
- (45) Registration Date: **14 March 2008**
- (30) Convention priority data:

(31) Number	(32) Date	(33) Country
29/291422	27 Aug 2007	UNITED STATES OF AMERICA
- (56) Related Art Documents: **Not Applicable**
- (57) Statement of Newness and Distinctiveness: **Newness and distinctiveness is claimed in those visual features depicted in unbroken lines.**

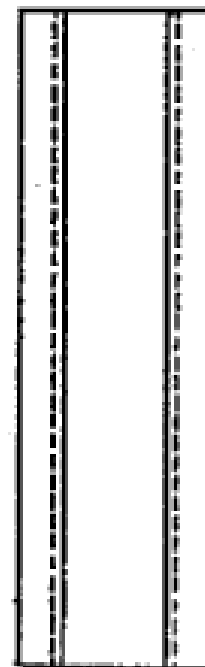


(19) AU

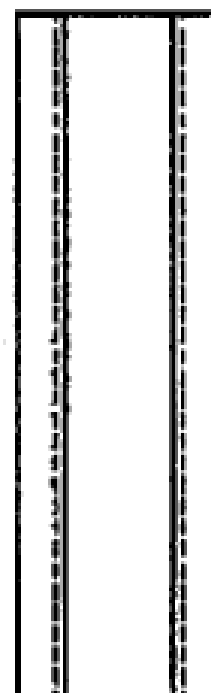
- (21) Design Number: **20923/2007**
- (22) Date of Filing Application: **20 November 2007**
- (24) Date from which industrial property rights may have effect: **20 November 2007**
- (54) Product in respect of which the design is registered: **Joist reinforcing bracket**
- (51) International Design Classification: **08-08L**
- (71) Name(s) and Address(s) of Applicant(s):
Paul Joseph Butterfield
91 Tiri Road Manly Whangaparaoa Auckland 0930 New Zealand
Karen Mary Butterfield
91 Tiri Road Manly Whangaparaoa Auckland 0930 New Zealand
John Rogers
15 Rushden Terrace Red Beach Auckland 0932 New Zealand
- (72) Name(s) of Designer(s): **Paul Joseph Butterfield and Kevin Grant Burrows**
- (45) Registration Date: **14 March 2008**
- (56) Related Art Documents: **Not Applicable**
- (57) Statement of Newness and Distinctiveness: **The novelty claimed for the design resides in features of shape and/or configuration all as shown in the representation.**



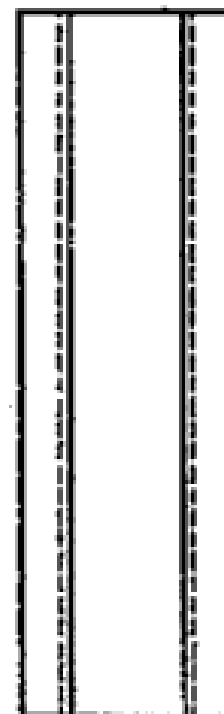
- (21) Design Number: **20924/2007**
(22) Date of Filing Application: **20 November 2007**
(24) Date from which industrial property rights may have effect: **20 November 2007**
(54) Product in respect of which the design is registered: **Joist reinforcing bracket**
(51) International Design Classification: **08-08L**
(71) Name(s) and Address(s) of Applicant(s):
Paul Joseph Butterfield
91 Tiri Road Manly Whangaparaoa Auckland 0930 New Zealand
Karen Mary Butterfield
91 Tiri Road Manly Whangaparaoa Auckland 0930 New Zealand
John Rogers
15 Rushden Terrace Red Beach Auckland 0932 New Zealand
(72) Name(s) of Designer(s): **Paul Joseph Butterfield and Kevin Grant Burrows**
(45) Registration Date: **14 March 2008**
(56) Related Art Documents: **Not Applicable**
(57) Statement of Newness and Distinctiveness: **The novelty claimed for the design resides in features of shape and/or configuration all as shown in the representation.**



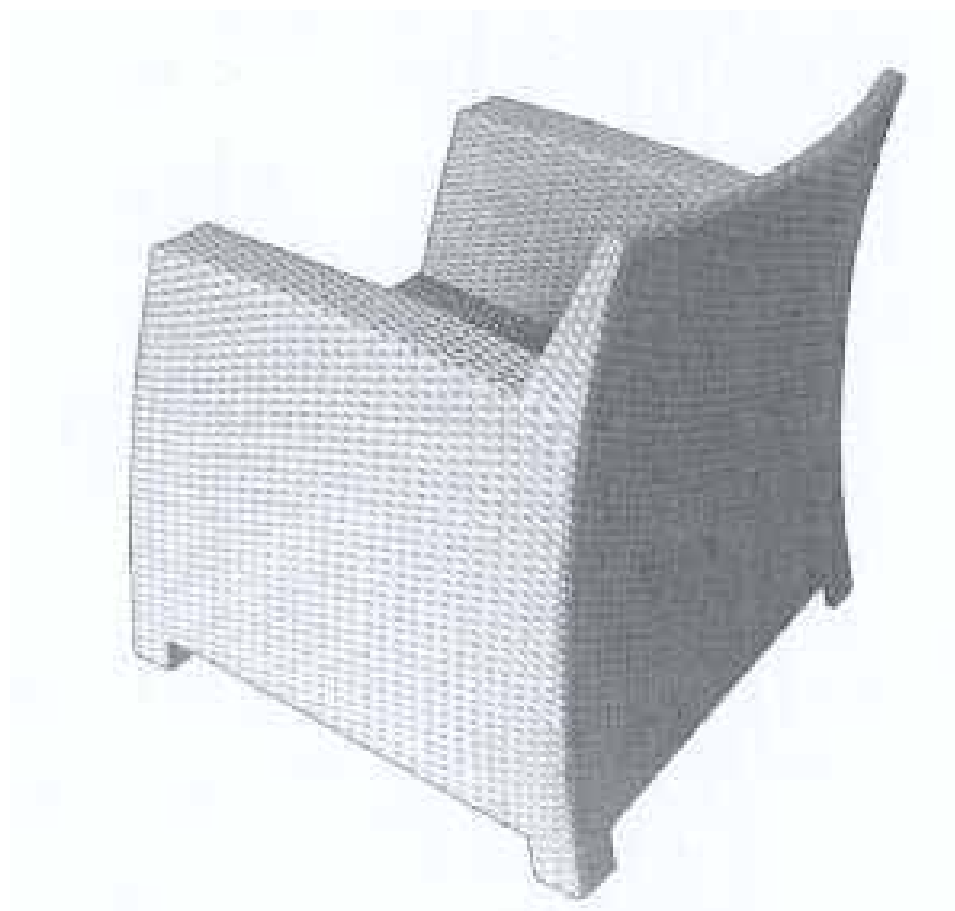
- (21) Design Number: **20925/2007**
(22) Date of Filing Application: **20 November 2007**
(24) Date from which industrial property rights may have effect: **20 November 2007**
(54) Product in respect of which the design is registered: **Joist reinforcing bracket**
(51) International Design Classification: **08-08L**
(71) Name(s) and Address(s) of Applicant(s):
Paul Joseph Butterfield
91 Tiri Road Manly Whangaparaoa Auckland 0930 New Zealand
Karen Mary Butterfield
91 Tiri Road Manly Whangaparaoa Auckland 0930 New Zealand
John Rogers
15 Rushden Terrace Red Beach Auckland 0932 New Zealand
(72) Name(s) of Designer(s): **Paul Joseph Butterfield and Kevin Grant Burrows**
(45) Registration Date: **14 March 2008**
(56) Related Art Documents: **Not Applicable**
(57) Statement of Newness and Distinctiveness: **The novelty claimed for the design resides in features of shape and/or configuration all as shown in the representation.**



- (21) Design Number: **20926/2007**
(22) Date of Filing Application: **20 November 2007**
(24) Date from which industrial property rights may have effect: **20 November 2007**
(54) Product in respect of which the design is registered: **Joist reinforcing bracket**
(51) International Design Classification: **08-08L**
(71) Name(s) and Address(s) of Applicant(s):
Paul Joseph Butterfield
91 Tiri Road Manly Whangaparaoa Auckland 0930 New Zealand
Karen Mary Butterfield
91 Tiri Road Manly Whangaparaoa Auckland 0930 New Zealand
John Rogers
15 Rushden Terrace Red Beach Auckland 0932 New Zealand
(72) Name(s) of Designer(s): **Paul Joseph Butterfield and Kevin Grant Burrows**
(45) Registration Date: **14 March 2008**
(56) Related Art Documents: **Not Applicable**
(57) Statement of Newness and Distinctiveness: **The novelty claimed for the design resides in features of shape and/or configuration all as shown in the representation.**



- (21) Design Number: **20928/2007**
(22) Date of Filing Application: **21 November 2007**
(24) Date from which industrial property rights may have effect: **21 November 2007**
(54) Product in respect of which the design is registered: **Armchair**
(51) International Design Classification: **06-01G**
(71) Name(s) and Address(s) of Applicant(s):
Xiaolin Peng
Factory 1 Nanyuan Ind. Area Nangang West Road Huangpu District
Guangzhou City People's Republic of China
(72) Name(s) of Designer(s): **Xiaolin Peng**
(45) Registration Date: **14 March 2008**
(30) Convention priority data:
(31) Number (32) Date (33) Country
000790282 14 Sep 2007 EUROPEAN COMMUNITY
(56) Related Art Documents: **Not Applicable**
(57) Statement of Newness and Distinctiveness: **Nil**



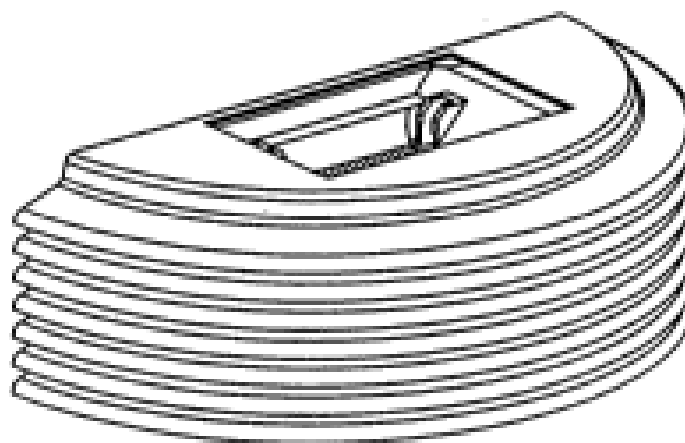
(21) Design Number: **20929/2007**
(22) Date of Filing Application: **21 November 2007**
(24) Date from which industrial property rights may have effect: **21 November 2007**
(54) Product in respect of which the design is registered: **Armchair**
(51) International Design Classification: **06-01G**
(71) Name(s) and Address(s) of Applicant(s):
Xiaolin Peng
Factory 1 Nanyuan Ind. Area Nangang West Road Huangpu District
Guangzhou City People's Republic of China
(72) Name(s) of Designer(s): **Xiaolin Peng**
(45) Registration Date: **14 March 2008**
(30) Convention priority data:
(31) Number (32) Date (33) Country
000732573 31 May 2007 EUROPEAN COMMUNITY
(56) Related Art Documents: **Not Applicable**
(57) Statement of Newness and Distinctiveness: **Nil**



(21) Design Number: **21569/2007**
(22) Date of Filing Application: **24 December 2007**
(24) Date from which industrial property rights may have effect: **24 December 2007**
(54) Product in respect of which the design is registered: **A trailer**
(51) International Design Classification: **12-10**
(71) Name(s) and Address(s) of Applicant(s):
Dean Michael Taylor
Unit 12 102 Greenhithe Road Greenhithe Auckland 0632 New Zealand
(72) Name(s) of Designer(s): **Dean Michael Taylor**
(45) Registration Date: **14 March 2008**
(56) Related Art Documents: **Not Applicable**
(57) Statement of Newness and Distinctiveness: **Novelty resides in the shape and configuration of the trailer.**



- (21) Design Number: **19810/2007**
(22) Date of Filing Application: **19 September 2007**
(24) Date from which industrial property rights may have effect: **19 September 2007**
(54) Product in respect of which the design is registered: **Lighting fixture**
(51) International Design Classification: **26-05C**
(71) Name(s) and Address(s) of Applicant(s):
Zumtobel Lighting GmbH & Co. KG
Grevenmarschstr. 74-78 32657 Lemgo Germany
(72) Name(s) of Designer(s): **Katharina Gotz-Schafer**
(45) Registration Date: **19 March 2008**
(30) Convention priority data:
(31) Number (32) Date (33) Country
000 691 969 21 Mar 2007 EUROPEAN COMMUNITY
(56) Related Art Documents: **Not Applicable**
(57) Statement of Newness and Distinctiveness: **Newness and distinctiveness is claimed in the features of shape and/or configuration of a lighting fixture as illustrated in the accompanying representations.**



- (21) Design Number: **20281/2007**
(22) Date of Filing Application: **17 October 2007**
(24) Date from which industrial property rights may have effect: **17 October 2007**
(54) Product in respect of which the design is registered: **Suitcase**
(51) International Design Classification: **03-01A**
(71) Name(s) and Address(s) of Applicant(s):
Sunload GmbH
Kantstrasse 150 10623 Berlin Germany
(72) Name(s) of Designer(s): **Georg Picard**
(45) Registration Date: **19 March 2008**
(30) Convention priority data:
(31) Number (32) Date (33) Country
407 02 253.8 24 Apr 2007 GERMANY
(56) Related Art Documents: **Not Applicable**
(57) Statement of Newness and Distinctiveness: **Those features of the suitcase depicted in the representations that are new and distinctive are the shape and/or configuration.**



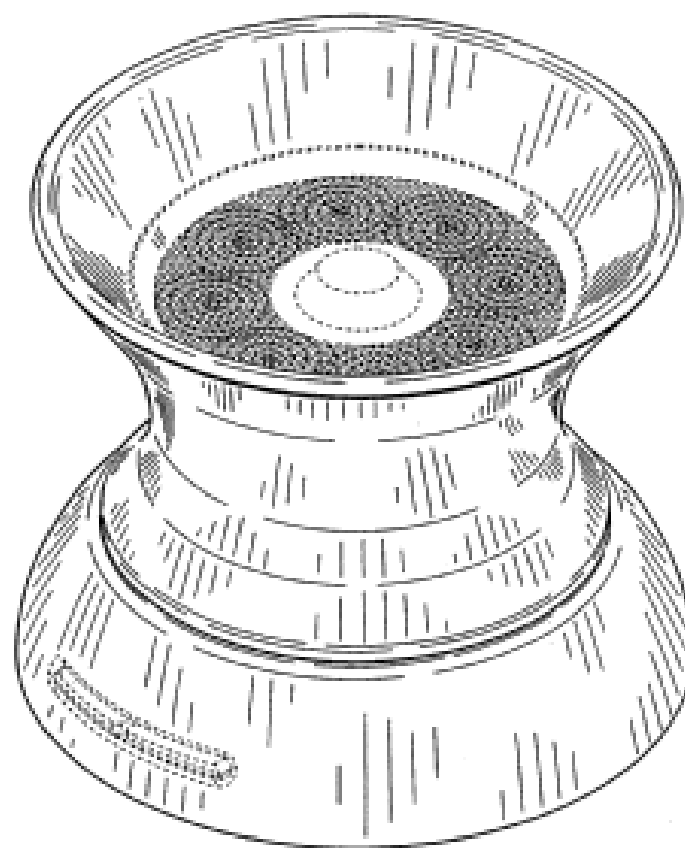
- (21) Design Number: **20282/2007**
(22) Date of Filing Application: **17 October 2007**
(24) Date from which industrial property rights may have effect: **17 October 2007**
(54) Product in respect of which the design is registered: **Suitcase**
(51) International Design Classification: **03-01A**
(71) Name(s) and Address(s) of Applicant(s):
Sunload GmbH
Kantstrasse 150 10623 Berlin Germany
(72) Name(s) of Designer(s): **Georg Picard**
(45) Registration Date: **19 March 2008**
(30) Convention priority data:
(31) Number (32) Date (33) Country
407 02 253.8 24 Apr 2007 GERMANY
(56) Related Art Documents: **Not Applicable**
(57) Statement of Newness and Distinctiveness: **Those features of the suitcase depicted in the representations that are new and distinctive are the shape and/or configuration.**



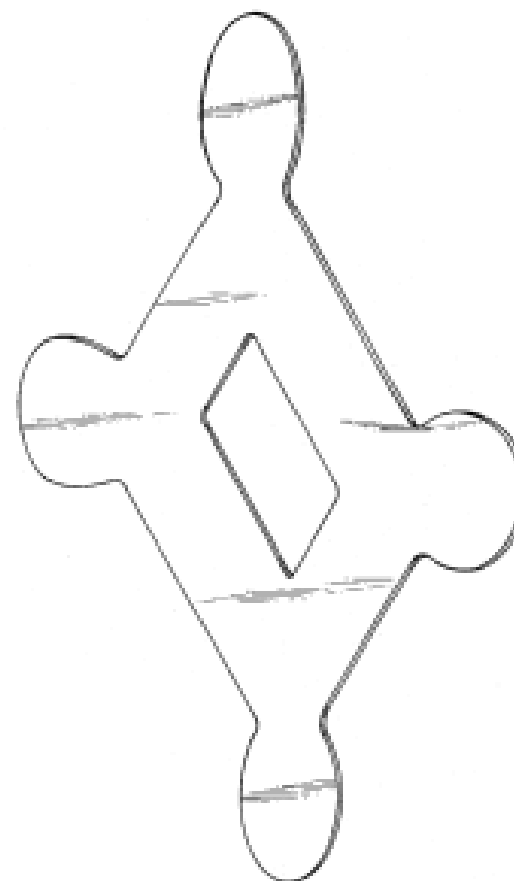
- (21) Design Number: **20283/2007**
(22) Date of Filing Application: **17 October 2007**
(24) Date from which industrial property rights may have effect: **17 October 2007**
(54) Product in respect of which the design is registered: **Attache case**
(51) International Design Classification: **03-01A**
(71) Name(s) and Address(s) of Applicant(s):
Sunload GmbH
Kantstrasse 150 10623 Berlin Germany
(72) Name(s) of Designer(s): **Dirk Lewin**
(45) Registration Date: **19 March 2008**
(30) Convention priority data:
(31) Number (32) Date (33) Country
407 02 253.8 24 Apr 2007 GERMANY
(56) Related Art Documents: **Not Applicable**
(57) Statement of Newness and Distinctiveness: **Those features of the attache case depicted in the representations that are new and distinctive are the shape and/or configuration.**



- (21) Design Number: **20954/2007**
(22) Date of Filing Application: **22 November 2007**
(24) Date from which industrial property rights may have effect: **22 November 2007**
(54) Product in respect of which the design is registered: **Decorative candleholder**
(51) International Design Classification: **26-01**
(71) Name(s) and Address(s) of Applicant(s):
S.C. Johnson & Son, Inc.
1525 Howe Street Racine Wisconsin 53403-2236 United States of America
(72) Name(s) of Designer(s): **Mary Beth Adams and Jesse D. Cotterman and Paul E. Furner and Chris A. Kubicek and Romuald Marie and Nathan R. Westphal and Rene Maurice Beland**
(45) Registration Date: **19 March 2008**
(30) Convention priority data:
(31) Number (32) Date (33) Country
29/280249 22 May 2007 UNITED STATES OF AMERICA
(56) Related Art Documents: **Not Applicable**
(57) Statement of Newness and Distinctiveness: **Newness and distinctiveness is claimed in those features of shape and/or configuration of a decorative candleholder as illustrated in continuous lines in the accompanying representations.**



- (21) Design Number: **20946/2007**
(22) Date of Filing Application: **21 November 2007**
(24) Date from which industrial property rights may have effect: **21 November 2007**
(54) Product in respect of which the design is registered: **Posture support**
(51) International Design Classification: **24-04**
(71) Name(s) and Address(s) of Applicant(s):
Ryan Joseph Kendrick
PO Box 498 Corindi Beach New South Wales 2456 Australia
(72) Name(s) of Designer(s): **Ryan Joseph Kendrick**
(45) Registration Date: **19 March 2008**
(56) Related Art Documents: **Not Applicable**
(57) Statement of Newness and Distinctiveness: **Nil**



- (21) Design Number: **20941/2007**
- (22) Date of Filing Application: **21 November 2007**
- (24) Date from which industrial property rights may have effect: **21 November 2007**
- (54) Product in respect of which the design is registered: **A control unit, especially for hospital and care beds**
- (51) International Design Classification: **13-03NES**
- (71) Name(s) and Address(s) of Applicant(s):

Linak A/S
Smedevaenget 8 Guderup DK-6430 Nordborg Denmark

(72) Name(s) of Designer(s): **Peter Boldsen Lund and John Landerholm**

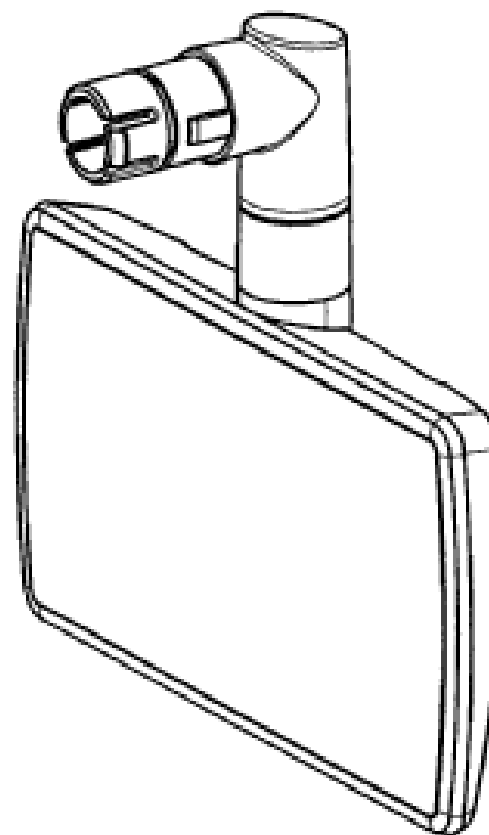
(45) Registration Date: **19 March 2008**

(30) Convention priority data:

(31) Number	(32) Date	(33) Country
DA 2007	21 May 2007	DENMARK
00131		

(56) Related Art Documents: **Not Applicable**

(57) Statement of Newness and Distinctiveness: **Newness and distinctiveness is claimed in the features of shape and/or configuration of a control unit, especially for hospital and care beds as illustrated in the accompanying representations.**



- (21) Design Number: **20961/2007**
- (22) Date of Filing Application: **22 November 2007**
- (24) Date from which industrial property rights may have effect: **22 November 2007**
- (54) Product in respect of which the design is registered: **Exercise device**
- (51) International Design Classification: **21-02F**
- (71) Name(s) and Address(s) of Applicant(s):

Wallace Brown
21 North Gate Road Mendham New Jersey 07945 United States of America

Robert W. Nelson
3010 Persimmon Place Rowlett Texas 75088 United States of America

(72) Name(s) of Designer(s): **Wallace Brown and Robert W. Nelson**

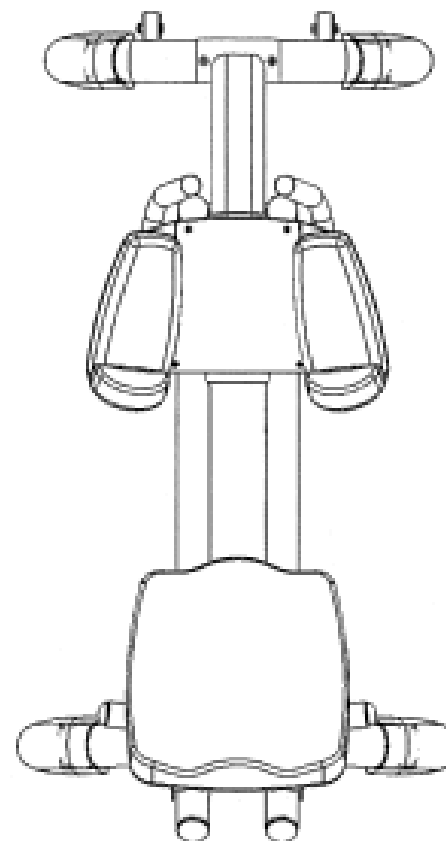
(45) Registration Date: **19 March 2008**

(30) Convention priority data:

(31) Number	(32) Date	(33) Country
29/288,044	29 May 2007	UNITED STATES OF AMERICA

(56) Related Art Documents: **Not Applicable**

(57) Statement of Newness and Distinctiveness: **Those features of the exercise device depicted in the representations that are new and distinctive are the shape and/or configuration.**



(21) Design Number: **20952/2007**
(22) Date of Filing Application: **22 November 2007**
(24) Date from which industrial property rights may have effect: **22 November 2007**
(54) Product in respect of which the design is registered: **Coffee press double wall in stainless steel**
(51) International Design Classification: **07-02L**
(71) Name(s) and Address(s) of Applicant(s):
Pi-Design AG
Kantonsstrasse 100 Postfach 463 CH-6234 Triengen Switzerland
(72) Name(s) of Designer(s): **Jorgen Bodum**
(45) Registration Date: **19 March 2008**
(30) Convention priority data:

(31) Number	(32) Date	(33) Country
DA 2007	23 May 2007	DENMARK
00133		

(56) Related Art Documents: **Not Applicable**
(57) Statement of Newness and Distinctiveness: **Nil**



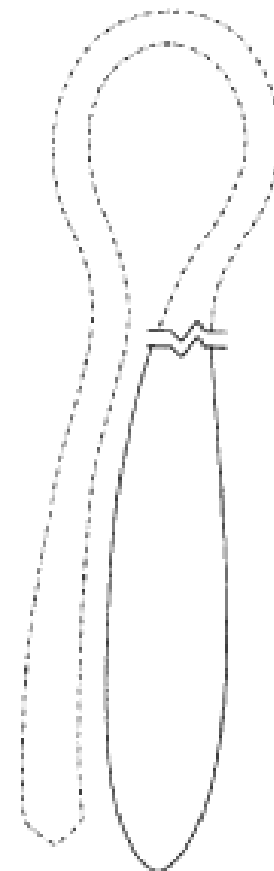
(21) Design Number: **20953/2007**
(22) Date of Filing Application: **22 November 2007**
(24) Date from which industrial property rights may have effect: **22 November 2007**
(54) Product in respect of which the design is registered: **Coffee press double wall in stainless steel**
(51) International Design Classification: **07-02L**
(71) Name(s) and Address(s) of Applicant(s):
Pi-Design AG
Kantonsstrasse 100 Postfach 463 CH-6234 Triengen Switzerland
(72) Name(s) of Designer(s): **Jorgen Bodum**
(45) Registration Date: **19 March 2008**
(30) Convention priority data:

(31) Number	(32) Date	(33) Country
DA 2007	08 Jun 2007	DENMARK
00142		

(56) Related Art Documents: **Not Applicable**
(57) Statement of Newness and Distinctiveness: **Nil**



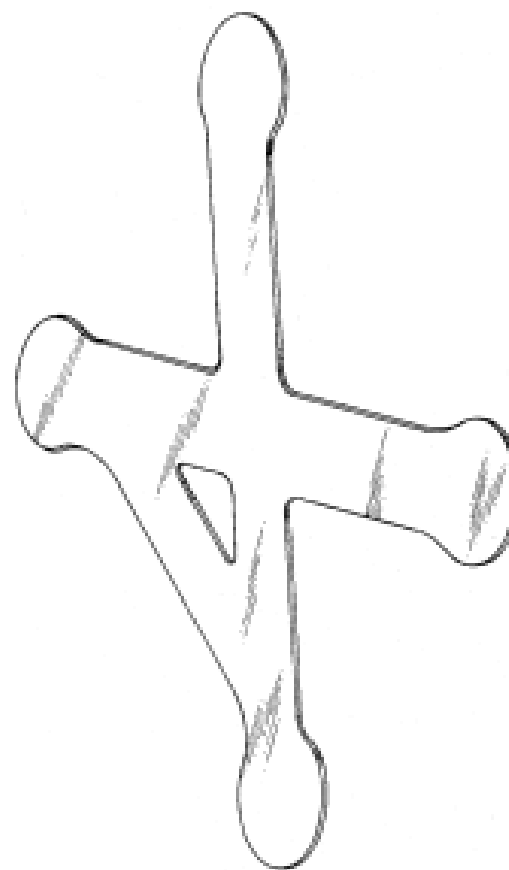
- (21) Design Number: **20968/2007**
(22) Date of Filing Application: **22 November 2007**
(24) Date from which industrial property rights may have effect: **22 November 2007**
(54) Product in respect of which the design is registered: **Neck tie**
(51) International Design Classification: **02-05**
(71) Name(s) and Address(s) of Applicant(s):
Philip Macken
88 Kentwell Road Allambie New South Wales 2100 Australia
(72) Name(s) of Designer(s): **Philip Macken**
(45) Registration Date: **19 March 2008**
(56) Related Art Documents: **Not Applicable**
(57) Statement of Newness and Distinctiveness: **Newness and distinctiveness are asserted in respect of the shape and configuration of a portion of the necktie representing a malibu-style surfboard. When considering the newness and distinctiveness of the design, features shown in broken lines are to be disregarded.**



- (21) Design Number: **20601/2007**
(22) Date of Filing Application: **05 November 2007**
(24) Date from which industrial property rights may have effect: **05 November 2007**
(54) Product in respect of which the design is registered: **ULM model 2357 induction cooktop**
(51) International Design Classification: **07-02B**
(71) Name(s) and Address(s) of Applicant(s):
John David Callaghan
PO Box 179 Lawnton Queensland Australia 4501
(72) Name(s) of Designer(s): **Angus McDonald**
(45) Registration Date: **19 March 2008**
(56) Related Art Documents: **Not Applicable**
(57) Statement of Newness and Distinctiveness: **Nil**



(21) Design Number: **20945/2007**
(22) Date of Filing Application: **21 November 2007**
(24) Date from which industrial property rights may have effect: **21 November 2007**
(54) Product in respect of which the design is registered: **Posture support**
(51) International Design Classification: **24-04**
(71) Name(s) and Address(s) of Applicant(s):
Ryan Joseph Kendrick
PO Box 498 Corindi Queensland 2456 Australia
(72) Name(s) of Designer(s): **Ryan Joseph Kendrick**
(45) Registration Date: **19 March 2008**
(56) Related Art Documents: **Not Applicable**
(57) Statement of Newness and Distinctiveness: **Nil**



(21) Design Number: **20956/2007**
(22) Date of Filing Application: **22 November 2007**
(24) Date from which industrial property rights may have effect: **22 November 2007**
(54) Product in respect of which the design is registered: **Mug press**
(51) International Design Classification: **07-01C, 07-02L**
(71) Name(s) and Address(s) of Applicant(s):
Pi-Design AG
Kantonsstrasse 100 Postfach 463 CH-6234 Triengen Switzerland
(72) Name(s) of Designer(s): **Jorgen Bodum**
(45) Registration Date: **19 March 2008**
(30) Convention priority data:
(31) Number (32) Date (33) Country
DA 2007 23 May 2007 DENMARK
00134
(56) Related Art Documents: **Not Applicable**
(57) Statement of Newness and Distinctiveness: **Nil**



(21) Design Number: **20957/2007**
(22) Date of Filing Application: **22 November 2007**
(24) Date from which industrial property rights may have effect: **22 November 2007**
(54) Product in respect of which the design is registered: **Mug press**
(51) International Design Classification: **07-01C, 07-02L**
(71) Name(s) and Address(s) of Applicant(s):

Pi-Design AG
Kantonsstrasse 100 Postfach 463 CH-6234 Triengen Switzerland

(72) Name(s) of Designer(s): **Jorgen Bodum**

(45) Registration Date: **19 March 2008**

(30) Convention priority data:

(31) Number	(32) Date	(33) Country
DA 2007 00134	23 May 2007	DENMARK

(56) Related Art Documents: **Not Applicable**

(57) Statement of Newness and Distinctiveness: **Nil**



(21) Design Number: **20958/2007**
(22) Date of Filing Application: **22 November 2007**
(24) Date from which industrial property rights may have effect: **22 November 2007**
(54) Product in respect of which the design is registered: **Mug press**
(51) International Design Classification: **07-01C, 07-02L**
(71) Name(s) and Address(s) of Applicant(s):

Pi-Design AG
Kantonsstrasse 100 Postfach 463 CH-6234 Triengen Switzerland

(72) Name(s) of Designer(s): **Jorgen Bodum**

(45) Registration Date: **19 March 2008**

(30) Convention priority data:

(31) Number	(32) Date	(33) Country
DA 2007 00134	23 May 2007	DENMARK

(56) Related Art Documents: **Not Applicable**

(57) Statement of Newness and Distinctiveness: **Nil**



(21) Design Number: **20959/2007**
(22) Date of Filing Application: **22 November 2007**
(24) Date from which industrial property rights may have effect: **22 November 2007**
(54) Product in respect of which the design is registered: **Mug press**
(51) International Design Classification: **07-01C, 07-02L**
(71) Name(s) and Address(s) of Applicant(s):

Pi-Design AG
Kantonsstrasse 100 Postfach 463 CH-6234 Triengen Switzerland

(72) Name(s) of Designer(s): **Jorgen Bodum**

(45) Registration Date: **19 March 2008**

(30) Convention priority data:

(31) Number	(32) Date	(33) Country
DA 2007 00134	23 May 2007	DENMARK

(56) Related Art Documents: **Not Applicable**

(57) Statement of Newness and Distinctiveness: **Nil**



(21) Design Number: **20960/2007**
(22) Date of Filing Application: **22 November 2007**
(24) Date from which industrial property rights may have effect: **22 November 2007**
(54) Product in respect of which the design is registered: **Beverage machine**
(51) International Design Classification: **07-02L**
(71) Name(s) and Address(s) of Applicant(s):

Societe des Produits Nestle S.A.
1800 Vevey Switzerland

(72) Name(s) of Designer(s): **Remy Jacquet and Sebastien Dassi and Pierre Struzka**

(45) Registration Date: **19 March 2008**

(30) Convention priority data:

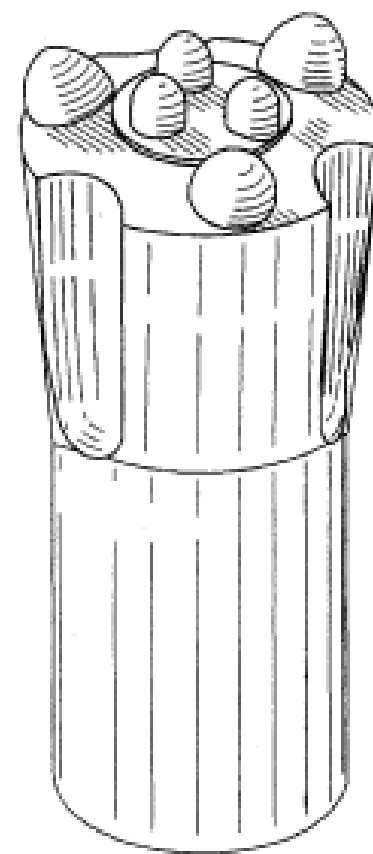
(31) Number	(32) Date	(33) Country
134107	12 Jul 2007	SWITZERLAND

(56) Related Art Documents: **Not Applicable**

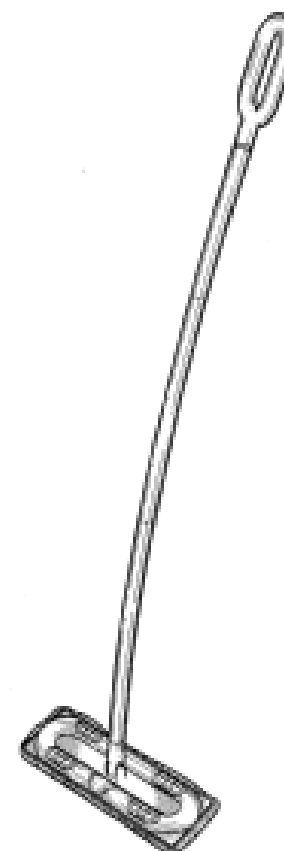
(57) Statement of Newness and Distinctiveness: **Nil**



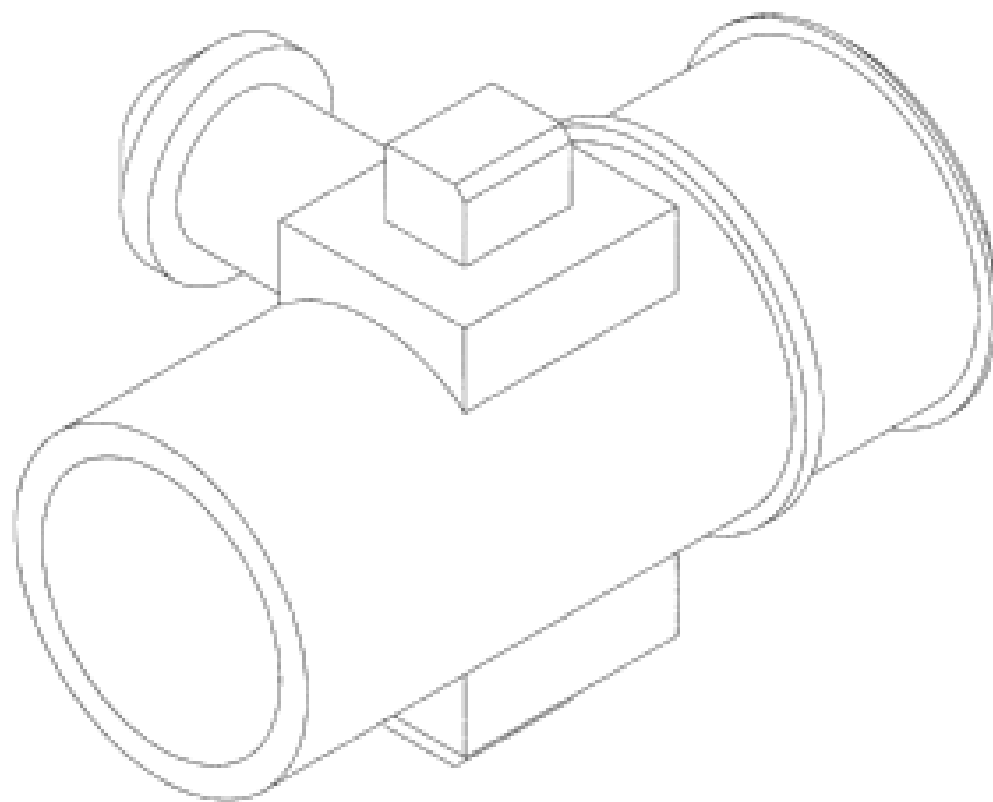
(21) Design Number: **19688/2007**
 (22) Date of Filing Application: **06 September 2007**
 (24) Date from which industrial property rights may have effect: **06 September 2007**
 (54) Product in respect of which the design is registered: **Hard rock percussion drill bit with paraboloid pcd inserts**
 (51) International Design Classification: **08-01**
 (71) Name(s) and Address(s) of Applicant(s):
William J. Brady
1767 Wishingwell Drive Creve Coeur Missouri 63141 United States of America
 (72) Name(s) of Designer(s): **William J. Brady**
 (45) Registration Date: **19 March 2008**
 (30) Convention priority data:
 (31) Number (32) Date (33) Country
29/277766 09 Mar 2007 UNITED STATES OF AMERICA
 (56) Related Art Documents: **Not Applicable**
 (57) Statement of Newness and Distinctiveness: **The newness and distinctiveness is claimed in that part of the product within circle A in Figure 1.**



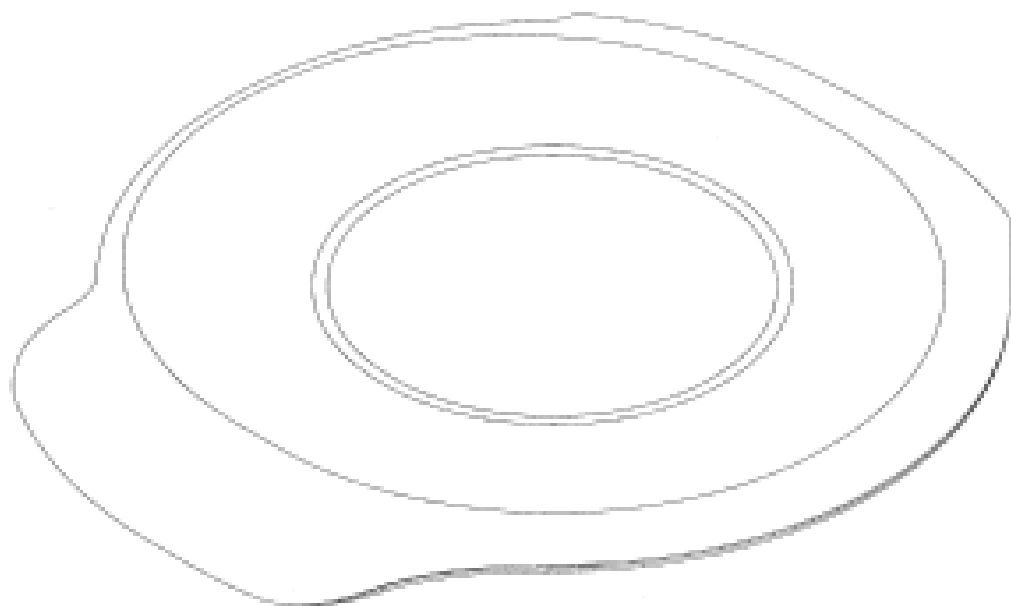
(21) Design Number: **19792/2007**
 (22) Date of Filing Application: **18 September 2007**
 (24) Date from which industrial property rights may have effect: **18 September 2007**
 (54) Product in respect of which the design is registered: **Mop**
 (51) International Design Classification: **04-01**
 (71) Name(s) and Address(s) of Applicant(s):
Method Products, Inc.
637 Commercial Street Suite 300 San Francisco 94111 CA United States of America
 (72) Name(s) of Designer(s): **Joshua Handy and Glenn May and Stefanie Hermsdorf and Karim Rashid**
 (45) Registration Date: **19 March 2008**
 (30) Convention priority data:
 (31) Number (32) Date (33) Country
29/278,189 21 Mar 2007 UNITED STATES OF AMERICA
 (56) Related Art Documents: **Not Applicable**
 (57) Statement of Newness and Distinctiveness: **Nil**



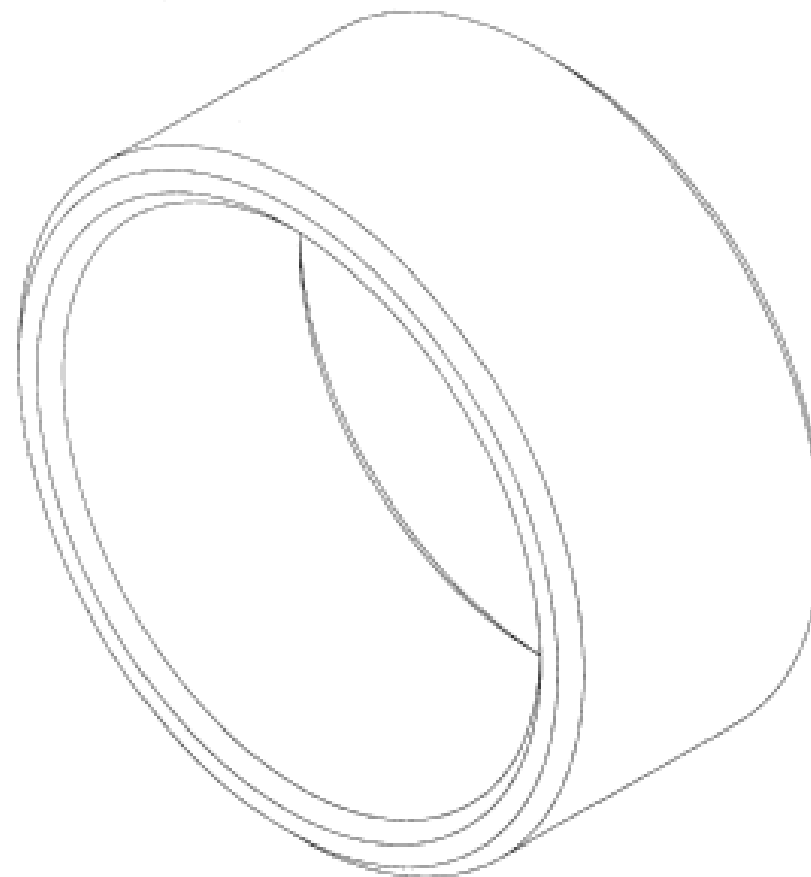
- (21) Design Number: **20004/2007**
(22) Date of Filing Application: **28 September 2007**
(24) Date from which industrial property rights may have effect: **28 September 2007**
(54) Product in respect of which the design is registered: **Spike of a multidose inhaler**
(51) International Design Classification: **24-04**
(71) Name(s) and Address(s) of Applicant(s):
Cipla Limited
289 Bellasis Road Mumbai Central Mumbai Maharashtra 400 008 India
(72) Name(s) of Designer(s): **Amar Lulla and Xerxes Rao**
(45) Registration Date: **19 March 2008**
(30) Convention priority data:
(31) Number (32) Date (33) Country
209120 28 Mar 2007 INDIA
(56) Related Art Documents: **Not Applicable**
(57) Statement of Newness and Distinctiveness: **Newness and distinctiveness is claimed in the features of shape and/or configuration of a spike of a multidose inhaler as illustrated in the accompanying representations.**



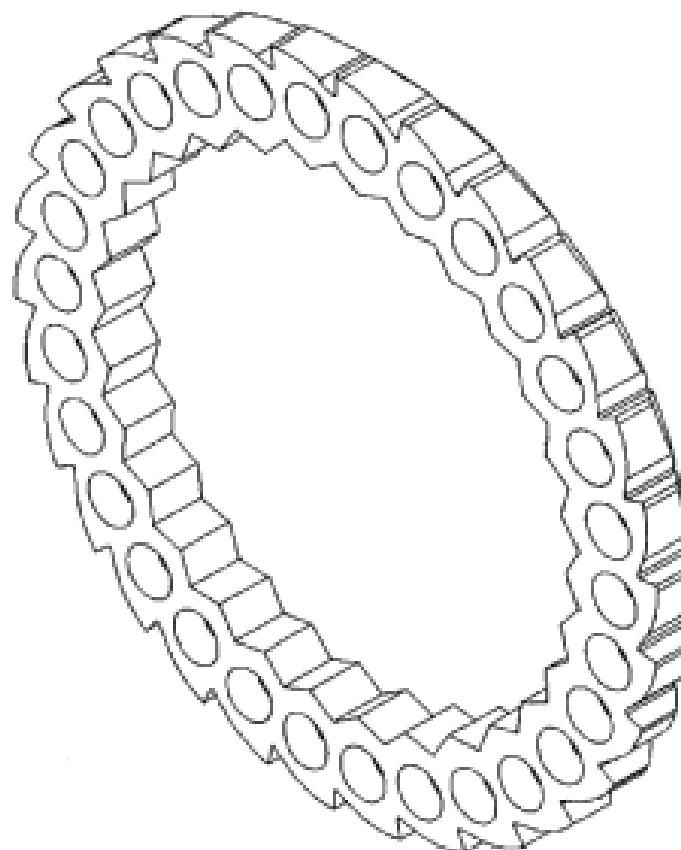
- (21) Design Number: **20005/2007**
(22) Date of Filing Application: **28 September 2007**
(24) Date from which industrial property rights may have effect: **28 September 2007**
(54) Product in respect of which the design is registered: **Top cover of a multidose inhaler**
(51) International Design Classification: **24-04**
(71) Name(s) and Address(s) of Applicant(s):
Cipla Limited
289 Bellasis Road Mumbai Central Mumbai Maharashtra 400 008 India
(72) Name(s) of Designer(s): **Amar Lulla and Xerxes Rao**
(45) Registration Date: **19 March 2008**
(30) Convention priority data:
(31) Number (32) Date (33) Country
209112 28 Mar 2007 INDIA
(56) Related Art Documents: **Not Applicable**
(57) Statement of Newness and Distinctiveness: **Newness and distinctiveness is claimed in the features of shape and/or configuration of a top cover of a multidose inhaler as illustrated in the accompanying representations.**



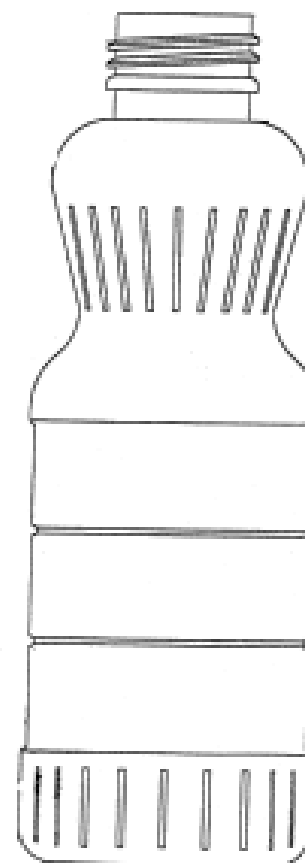
- (21) Design Number: **20007/2007**
(22) Date of Filing Application: **28 September 2007**
(24) Date from which industrial property rights may have effect: **28 September 2007**
(54) Product in respect of which the design is registered: **Roller for spike of a multidose inhaler**
(51) International Design Classification: **24-04**
(71) Name(s) and Address(s) of Applicant(s):
Cipla Limited
289 Bellasis Road Mumbai Central Mumbai Maharashtra 400 008 India
(72) Name(s) of Designer(s): **Amar Lulla and Xerxes Rao**
(45) Registration Date: **19 March 2008**
(30) Convention priority data:
(31) Number (32) Date (33) Country
209111 28 Mar 2007 INDIA
(56) Related Art Documents: **Not Applicable**
(57) Statement of Newness and Distinctiveness: **Newness and distinctiveness is claimed in the features of shape and/or configuration of a roller for spike of a multidose inhaler as illustrated in the accompanying representations.**



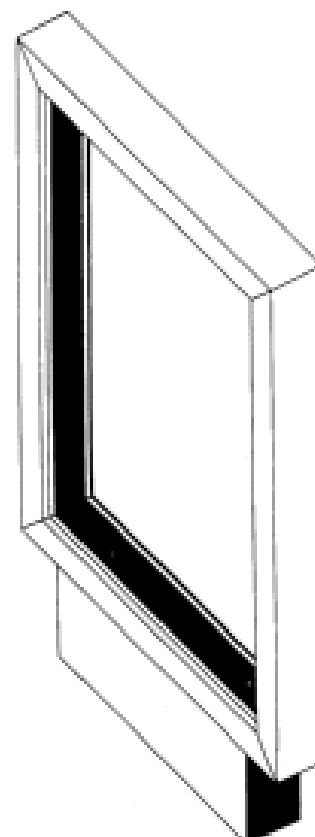
- (21) Design Number: **20016/2007**
(22) Date of Filing Application: **28 September 2007**
(24) Date from which industrial property rights may have effect: **28 September 2007**
(54) Product in respect of which the design is registered: **Cartridge for a multihose inhaler**
(51) International Design Classification: **24-04**
(71) Name(s) and Address(s) of Applicant(s):
Cipla Limited
289 Bellasis Road Mumbai Central Mumbai Maharashtra 400 008 India
(72) Name(s) of Designer(s): **Amar Lulla and Xerxes Rao**
(45) Registration Date: **19 March 2008**
(30) Convention priority data:
(31) Number (32) Date (33) Country
209115 28 Mar 2007 INDIA
(56) Related Art Documents: **Not Applicable**
(57) Statement of Newness and Distinctiveness: **Newness and distinctiveness is claimed in the features of shape and/or configuration of a cartridge for a multidose inhaler as illustrated in the accompanying representations.**



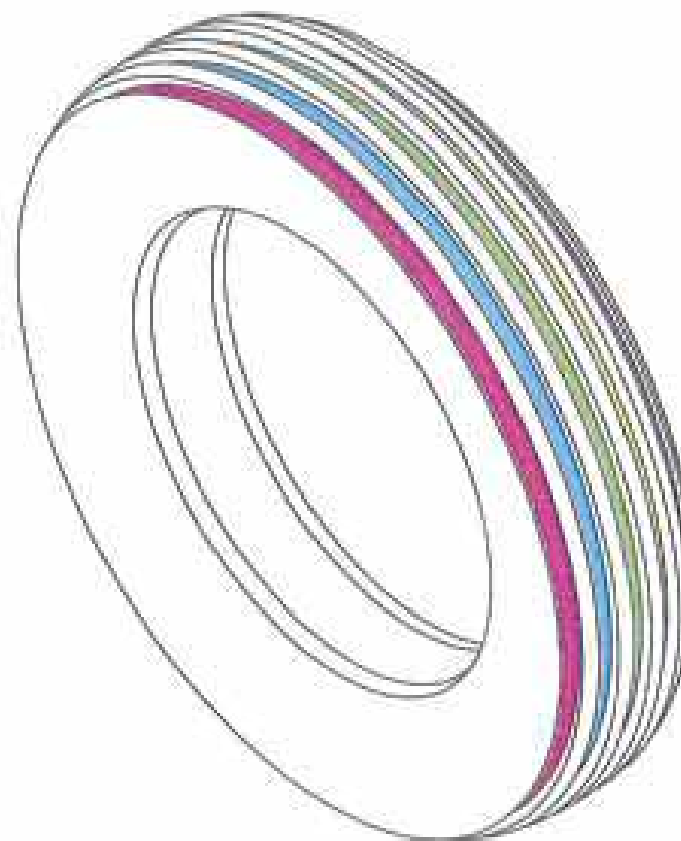
- (21) Design Number: **20473/2007**
- (22) Date of Filing Application: **26 October 2007**
- (24) Date from which industrial property rights may have effect: **26 October 2007**
- (54) Product in respect of which the design is registered: **Bottle**
- (51) International Design Classification: **09-01K**
- (71) Name(s) and Address(s) of Applicant(s):
Australiana Group Holdings Pty Ltd
21 Oxford Street Northcote Victoria 3070 Australia
- (72) Name(s) of Designer(s): **Frank Karan**
- (45) Registration Date: **19 March 2008**
- (56) Related Art Documents: **Not Applicable**
- (57) Statement of Newness and Distinctiveness: **Nil**



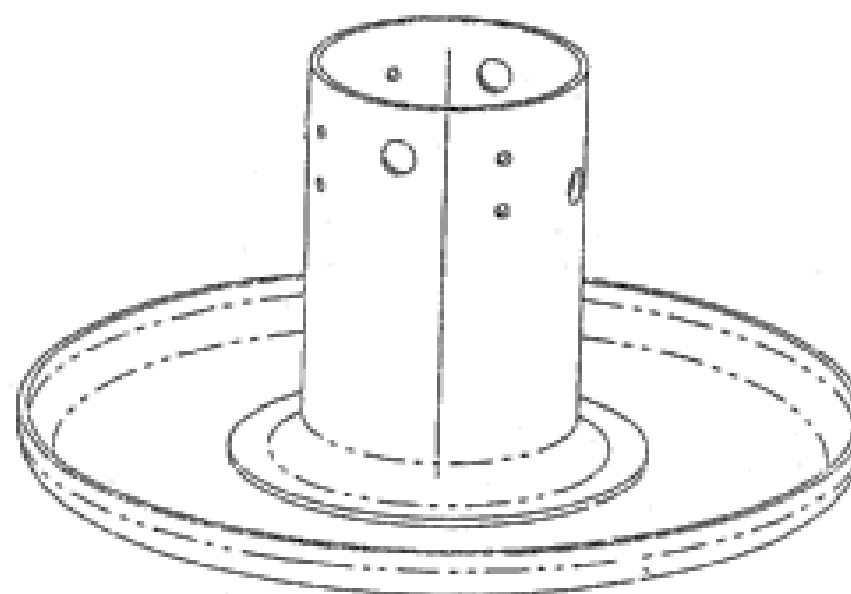
- (21) Design Number: **20629/2007**
- (22) Date of Filing Application: **06 November 2007**
- (24) Date from which industrial property rights may have effect: **06 November 2007**
- (54) Product in respect of which the design is registered: **Display sign**
- (51) International Design Classification: **20-03C**
- (71) Name(s) and Address(s) of Applicant(s):
Warren Lance Stewart Smith
82 Karawatha Drive Mooloolaba Queensland 4557 Australia
- (72) Name(s) of Designer(s): **Warren Lance Stewart Smith**
- (45) Registration Date: **19 March 2008**
- (56) Related Art Documents: **Not Applicable**
- (57) Statement of Newness and Distinctiveness: **Nil**



- (21) Design Number: **21584/2007**
(22) Date of Filing Application: **03 October 2007**
(24) Date from which industrial property rights may have effect: **03 October 2007**
(54) Product in respect of which the design is registered: **A tyre for a motorcycle**
(51) International Design Classification: **12-15D**
(71) Name(s) and Address(s) of Applicant(s):
Nariko Ohara
538-18 Ayameikeminami 7-chome Nara-shi Nara 631-0033 Japan
Kuniaki Takamatsu
55 Takamatsu Kaminoyama-shi Yamagata 999-3243 Japan
Yoshiaki Ito
10-21 Minamigaoka 1-chome Chikusa-ku Nagoya-shi Aichi 464-0042 Japan
Hideaki Kikuchi
25-25 Taishibashi 1-chome Asahi-ku Osaka-shi Osaka 535-0001 Japan
(72) Name(s) of Designer(s): **Nariko Ohara and Kuniaki Takamatsu**
(45) Registration Date: **19 March 2008**
(62) Divisional of: **20065/2007**
(56) Related Art Documents: **Not Applicable**
(57) Statement of Newness and Distinctiveness: **Nil**



- (21) Design Number: **20228/2007**
(22) Date of Filing Application: **12 October 2007**
(24) Date from which industrial property rights may have effect: **12 October 2007**
(54) Product in respect of which the design is registered: **Cap for screw piers**
(51) International Design Classification: **08-01**
(71) Name(s) and Address(s) of Applicant(s):
Heltech Industries Pty Ltd
60 Export Drive Molendinar Queensland 4214 Australia
(72) Name(s) of Designer(s): **Paul Camilleri**
(45) Registration Date: **25 March 2008**
(56) Related Art Documents: **Not Applicable**
(57) Statement of Newness and Distinctiveness: **Newness and distinctiveness resides in the shape and configuration of the cap for screw piers as shown in the accompanying drawings.**



(21) Design Number: **20240/2007**

(22) Date of Filing Application: **15 October 2007**

(24) Date from which industrial property rights may have effect: **15 October 2007**

(54) Product in respect of which the design is registered: **Connector assembly for box trailers, caravans, horse float, boat trailers and all types of trailers.**

(51) International Design Classification: **12-16L**

(71) Name(s) and Address(s) of Applicant(s):

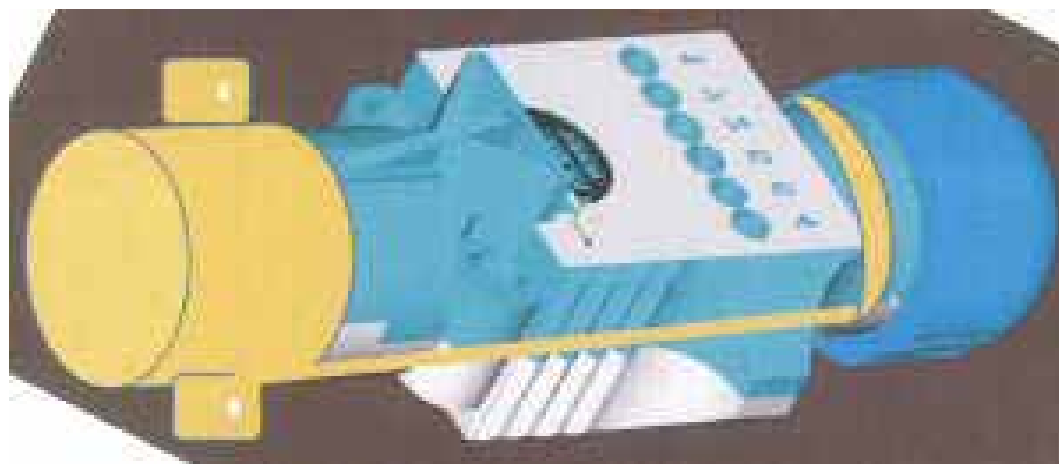
**Dennis Ronald Gravolin
271 River Street Maclean New South Wales 2463 Australia**

(72) Name(s) of Designer(s): **Dennis Ronald Gravolin and Sandra Lorraine Gravolin**

(45) Registration Date: **25 March 2008**

(56) Related Art Documents: **Not Applicable**

(57) Statement of Newness and Distinctiveness: **A special designed shape of the upper and lower main housing assembly which includes the following: This new innovated trailer plug design, has new and distinctive ripple side grips on either side of the plug housing which makes it easier to grip when pushing or pulling out of a mating socket. The rear of the plug housing has a new innovated and distinctiveness hexangular cable entry gland nut which makes it easier when tightening, together said upper and lower removable housings, both housings, cooperating defining a threaded inlet for a cable so that the hexangular gland nut about the thread is able to hold the first and second parts together to secure cable entry. The extended length of the cable entry is also new and distinctive this extra length supports the cable and the protective cover O ring. A plurality of electrical connecting members fast with the upper housing for connection to electrical circuits of a vehicle and a number of openings within the upper housing wherein the said housing bears markings to identify the corresponding openings. A new and distinctive removal protective cover for the electrical connecting members. An assembly substantially as described and illustrated herein with reference to the accompanying drawing.**



(21) Design Number: **20413/2007**

(22) Date of Filing Application: **24 October 2007**

(24) Date from which industrial property rights may have effect: **24 October 2007**

(54) Product in respect of which the design is registered: **One step ladder**

(51) International Design Classification: **25-04**

(71) Name(s) and Address(s) of Applicant(s):

**Soutitrans Pty Ltd
15A Hall Street Moonee Ponds Victoria 3039 Australia**

(72) Name(s) of Designer(s): **Patrick Salera**

(45) Registration Date: **25 March 2008**

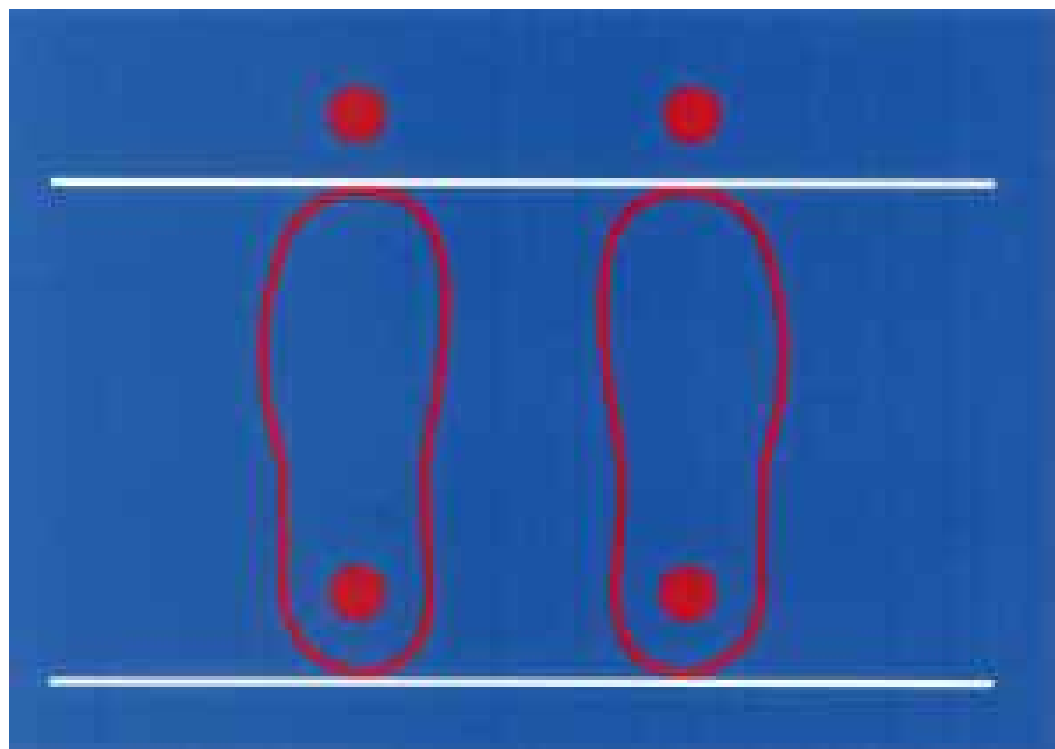
(56) Related Art Documents: **Not Applicable**

(57) Statement of Newness and Distinctiveness: **Novelty is claimed in the shape of the features and configuration of the article as illustrated by the accompanying representation.**



(19) AU

(21) Design Number: **20414/2007**
(22) Date of Filing Application: **24 October 2007**
(24) Date from which industrial property rights may have effect: **24 October 2007**
(54) Product in respect of which the design is registered: **A mat**
(51) International Design Classification: **06-11**
(71) Name(s) and Address(s) of Applicant(s):
Tom Nolan
Belgard House Kilcock Co. Kildare Ireland
Cera Nolan
1 Basin Street Naas Co. Kildare Ireland
(72) Name(s) of Designer(s): **Cera Nolan and Tom Nolan**
(45) Registration Date: **25 March 2008**
(30) Convention priority data:
(31) Number (32) Date (33) Country
000713060-001 24 Apr 2007 EUROPEAN COMMUNITY
(56) Related Art Documents: **Not Applicable**
(57) Statement of Newness and Distinctiveness: **The pattern and configuration of the mat shown in the representations is new and distinctive.**



(19) AU

(21) Design Number: **20433/2007**
(22) Date of Filing Application: **25 October 2007**
(24) Date from which industrial property rights may have effect: **25 October 2007**
(54) Product in respect of which the design is registered: **Handset**
(51) International Design Classification: **14-03E**
(71) Name(s) and Address(s) of Applicant(s):
Nokia Corporation
Keilalahdentie 4 FIN-02150 Espoo Finland
(72) Name(s) of Designer(s): **Jones He Wei**
(45) Registration Date: **25 March 2008**
(30) Convention priority data:
(31) Number (32) Date (33) Country
M20070085 25 Apr 2007 FINLAND
(56) Related Art Documents: **Not Applicable**
(57) Statement of Newness and Distinctiveness: **Nil**



(21) Design Number: **20434/2007**
 (22) Date of Filing Application: **25 October 2007**
 (24) Date from which industrial property rights may have effect: **25 October 2007**
 (54) Product in respect of which the design is registered: **Handset**
 (51) International Design Classification: **14-03E**
 (71) Name(s) and Address(s) of Applicant(s):

Nokia Corporation
Keilalahdentie 4 FIN-02150 Espoo Finland

(72) Name(s) of Designer(s): **Jones He Wei**

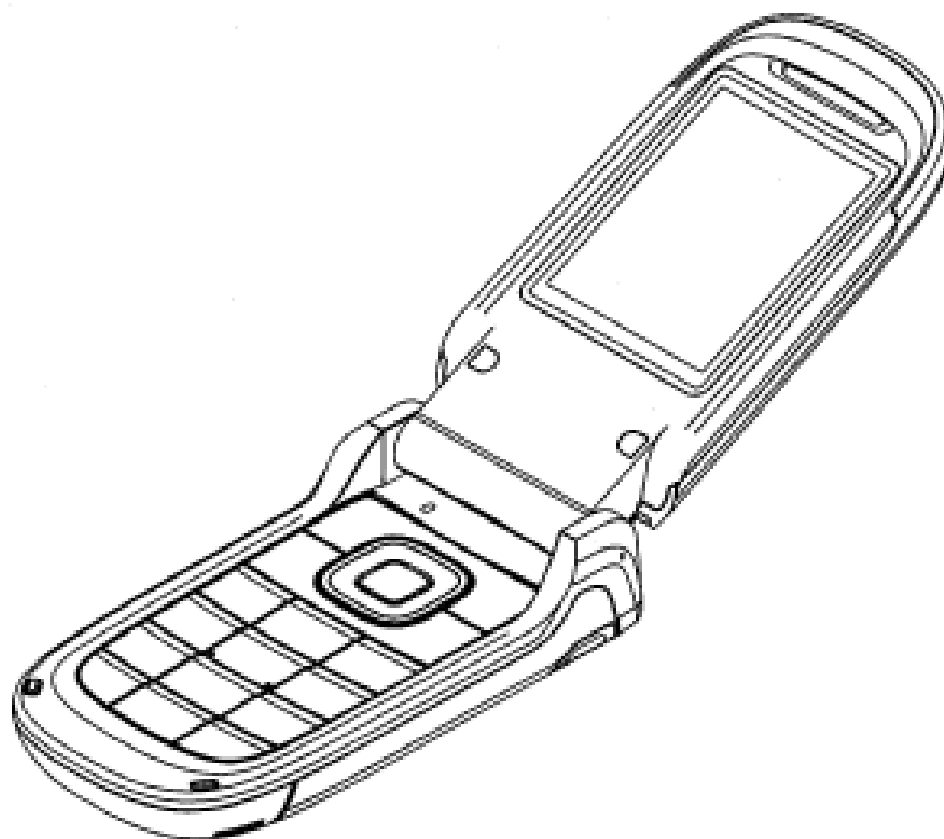
(45) Registration Date: **25 March 2008**

(30) Convention priority data:

(31) Number	(32) Date	(33) Country
M20070085	25 Apr 2007	FINLAND

(56) Related Art Documents: **Not Applicable**

(57) Statement of Newness and Distinctiveness: **Nil**



(21) Design Number: **20437/2007**
 (22) Date of Filing Application: **25 October 2007**
 (24) Date from which industrial property rights may have effect: **25 October 2007**
 (54) Product in respect of which the design is registered: **Air blower**
 (51) International Design Classification: **08-05NES**
 (71) Name(s) and Address(s) of Applicant(s):

WD-40 Company
1061 Cudahy Place, San Diego, California, 92110, United States of America

(72) Name(s) of Designer(s): **Gad Shaanan**

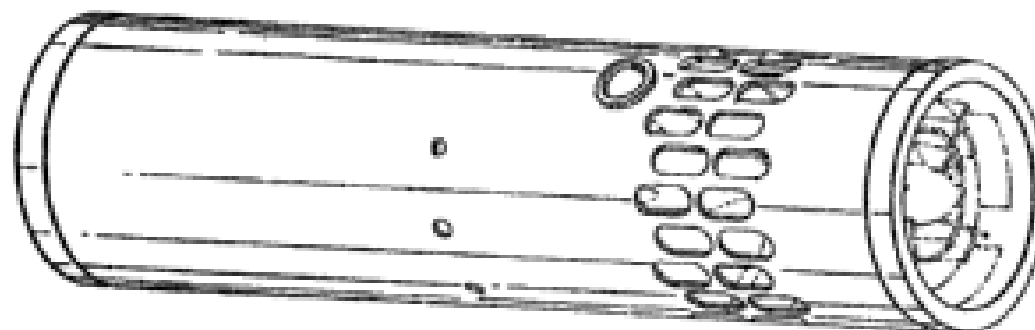
(45) Registration Date: **25 March 2008**

(30) Convention priority data:

(31) Number	(32) Date	(33) Country
29/286263	30 Apr 2007	UNITED STATES OF AMERICA

(56) Related Art Documents: **Not Applicable**

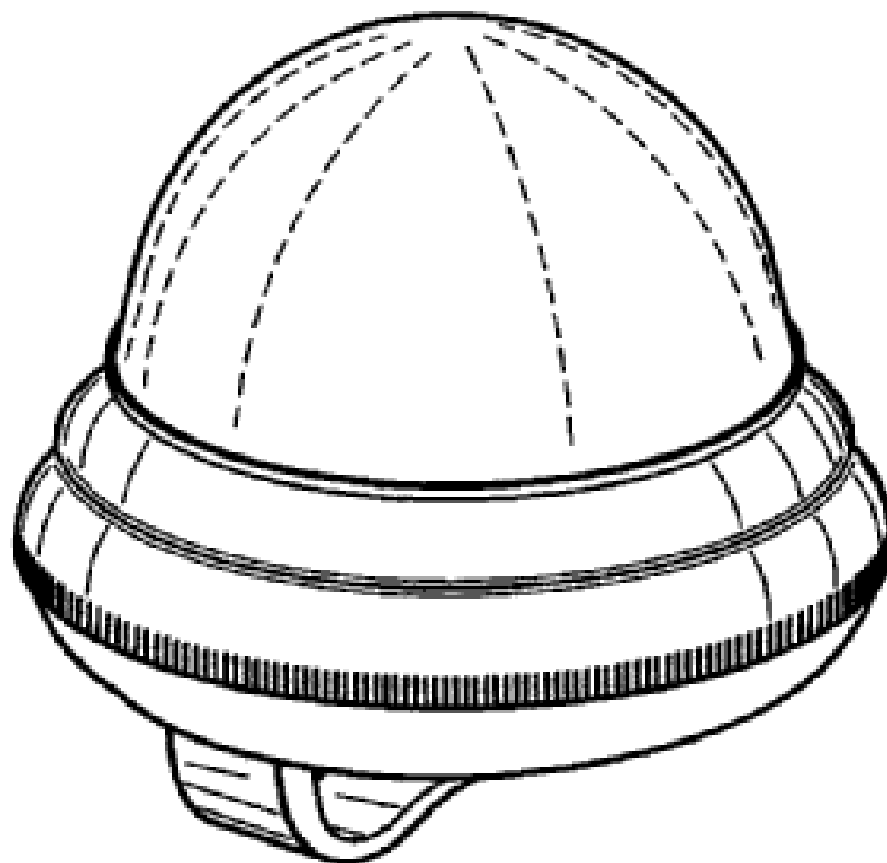
(57) Statement of Newness and Distinctiveness: **The newness and distinctiveness of the design resides in the shape and configuration of the air blower shown in the representations. In considering the scope of protection, the features shown in broken lines in the top perspective view are to be discounted.**



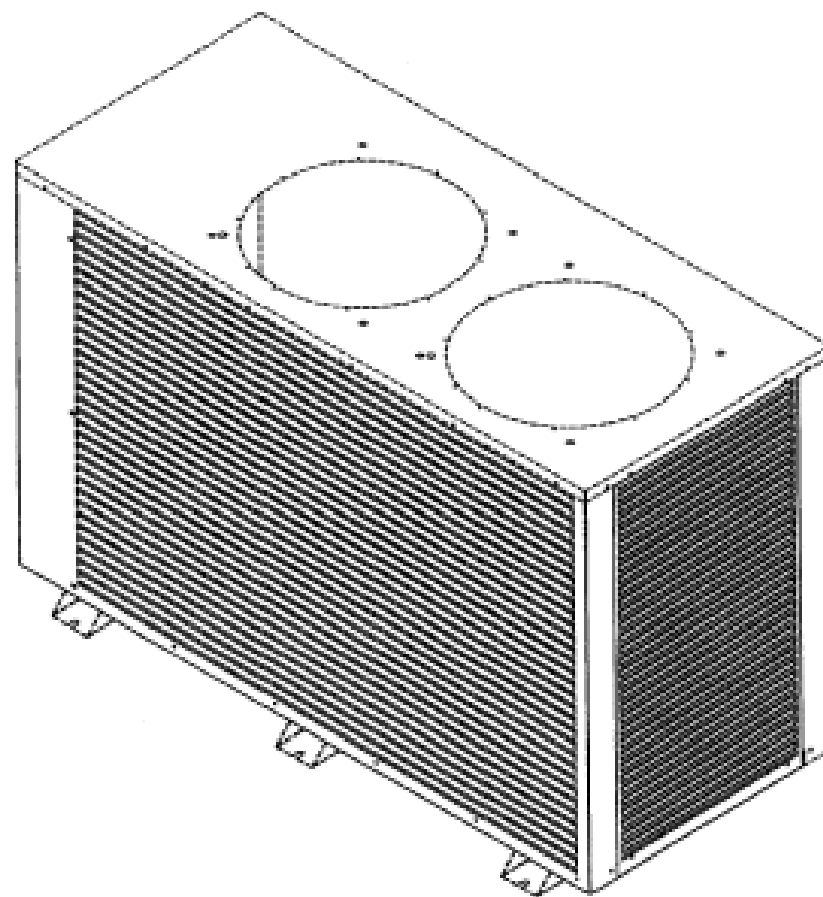
- (21) Design Number: **20919/2007**
- (22) Date of Filing Application: **19 November 2007**
- (24) Date from which industrial property rights may have effect: **19 November 2007**
- (54) Product in respect of which the design is registered: **Bag**
- (51) International Design Classification: **03-01D**
- (71) Name(s) and Address(s) of Applicant(s):
Urba Muse Pty Ltd
C/- Biag Occhino & Associates 3 Wedge Street Werribee Victoria 3030
Australia
- (72) Name(s) of Designer(s): **Katharine Costanzo**
- (45) Registration Date: **25 March 2008**
- (56) Related Art Documents: **Not Applicable**
- (57) Statement of Newness and Distinctiveness: **Three pocket storage compartments with fold over flap.**



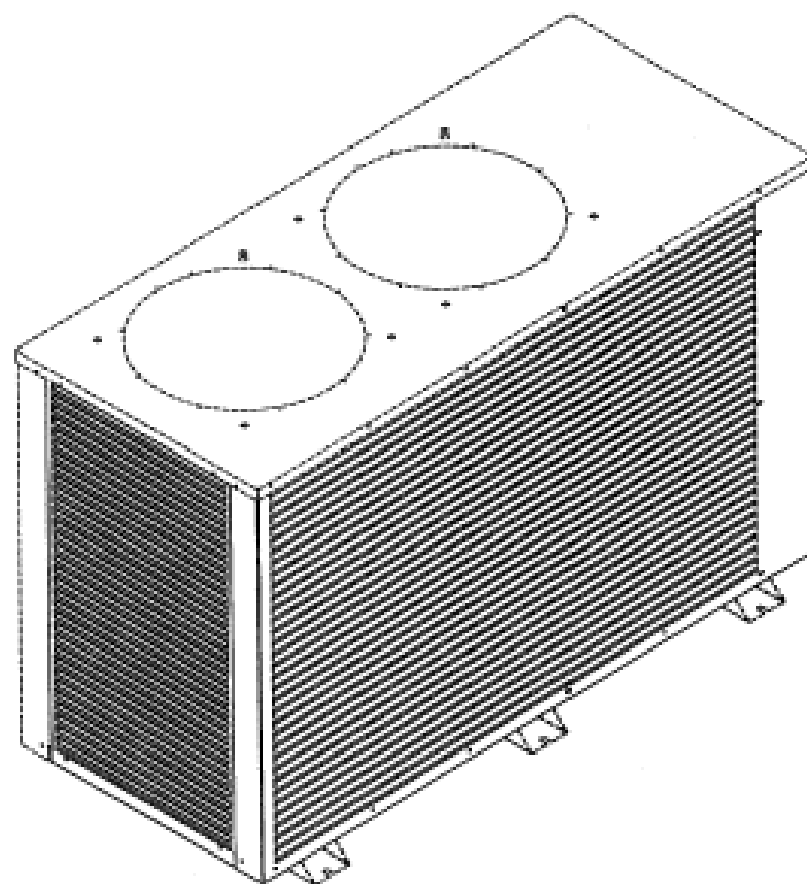
- (21) Design Number: **20989/2007**
- (22) Date of Filing Application: **26 November 2007**
- (24) Date from which industrial property rights may have effect: **26 November 2007**
- (54) Product in respect of which the design is registered: **"Bicycle horn with clip"**
- (51) International Design Classification: **10-06**
- (71) Name(s) and Address(s) of Applicant(s):
The Electric Bicycle Co. Pty Ltd
Factory 15 91-95 Tulip Street Cheltenham Victoria 3192 Australia
- (72) Name(s) of Designer(s): **Anthony Joseph Morgan**
- (45) Registration Date: **25 March 2008**
- (56) Related Art Documents: **Not Applicable**
- (57) Statement of Newness and Distinctiveness: **Newness and distinctiveness reside in the bicycle horn with clip as shown in the accompanying representations.**



- (21) Design Number: **21191/2007**
(22) Date of Filing Application: **07 December 2007**
(24) Date from which industrial property rights may have effect: **07 December 2007**
(54) Product in respect of which the design is registered: **Air conditioner with grilles**
(51) International Design Classification: **23-04**
(71) Name(s) and Address(s) of Applicant(s):
Actron Engineering Pty Limited
5 Irvine Place Bella Vista New South Wales 2153 Australia
(72) Name(s) of Designer(s): **Kevin Mundy**
(45) Registration Date: **25 March 2008**
(56) Related Art Documents: **Not Applicable**
(57) Statement of Newness and Distinctiveness: **Newness and distinctiveness is claimed in the arrangement of the front grille and the side grille. The dashed lines do not form part of the design.**



- (21) Design Number: **21192/2007**
(22) Date of Filing Application: **07 December 2007**
(24) Date from which industrial property rights may have effect: **07 December 2007**
(54) Product in respect of which the design is registered: **Air conditioner with grilles**
(51) International Design Classification: **23-04**
(71) Name(s) and Address(s) of Applicant(s):
Actron Engineering Pty Limited
5 Irvine Place Bella Vista New South Wales 2153 Australia
(72) Name(s) of Designer(s): **Kevin Mundy**
(45) Registration Date: **25 March 2008**
(56) Related Art Documents: **Not Applicable**
(57) Statement of Newness and Distinctiveness: **Newness and distinctiveness is claimed in the arrangement of the front grille and the side grille. The dashed lines do not form part of the design.**



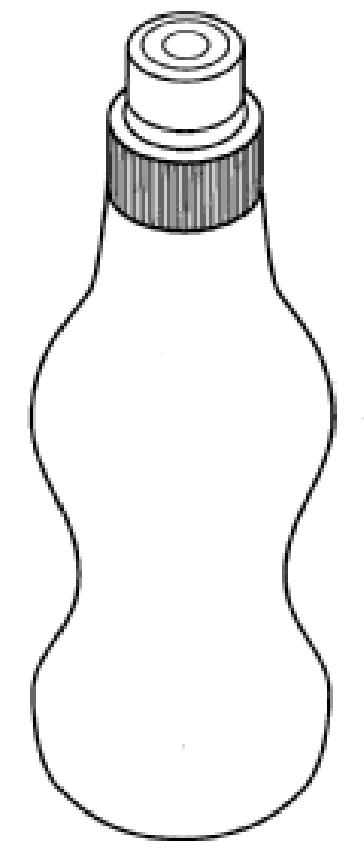
- (21) Design Number: **21193/2007**
(22) Date of Filing Application: **07 December 2007**
(24) Date from which industrial property rights may have effect: **07 December 2007**
(54) Product in respect of which the design is registered: **Motorcycle**
(51) International Design Classification: **12-11**
(71) Name(s) and Address(s) of Applicant(s):
Honda Motor Co., Ltd.
1-1 Minamiaoyama 2-chome Minato-ku Tokyo Japan
(72) Name(s) of Designer(s): **Tokumaru Watanabe and Arihide Tsujimoto**
(45) Registration Date: **25 March 2008**
(30) Convention priority data:
(31) Number (32) Date (33) Country
2007-015309 08 Jun 2007 JAPAN
(56) Related Art Documents: **Not Applicable**
(57) Statement of Newness and Distinctiveness: **Newness and distinctiveness is claimed in the features of shape and or configuration of a motorcycle as illustrated in the accompanying representations.**



- (21) Design Number: **19340/2007**
(22) Date of Filing Application: **14 August 2007**
(24) Date from which industrial property rights may have effect: **14 August 2007**
(54) Product in respect of which the design is registered: **Bottle**
(51) International Design Classification: **09-01K**
(71) Name(s) and Address(s) of Applicant(s):
Australiana Group Holdings Pty Ltd
21 Oxford Street Northcote Victoria 3070 Australia
(72) Name(s) of Designer(s): **Frank Karan**
(45) Registration Date: **20 March 2008**
(56) Related Art Documents: **Not Applicable**
(57) Statement of Newness and Distinctiveness: **Nil**

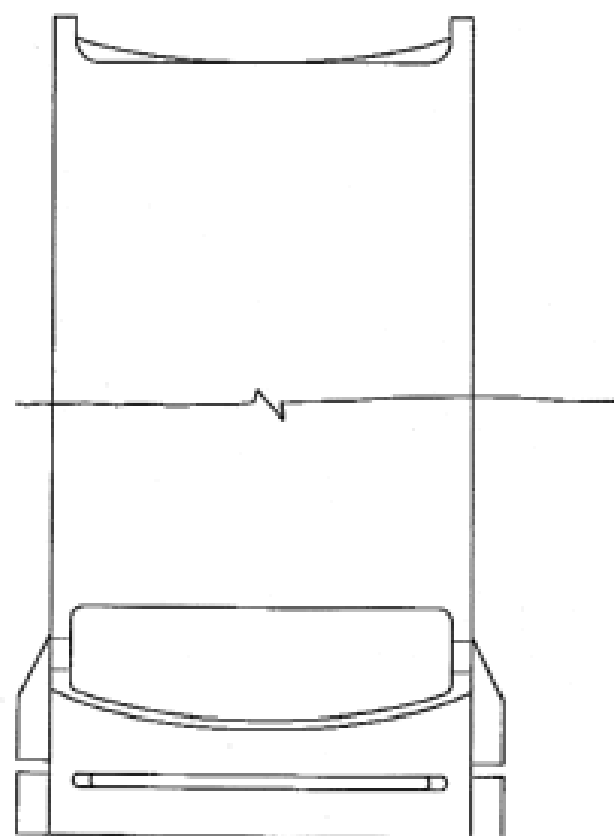


- (21) Design Number: **20143/2007**
- (22) Date of Filing Application: **09 October 2007**
- (24) Date from which industrial property rights may have effect: **09 October 2007**
- (54) Product in respect of which the design is registered: **Bottle with closure**
- (51) International Design Classification: **09-01K**
- (71) Name(s) and Address(s) of Applicant(s):
Australiana Group Holdings Pty Ltd
21 Oxford Street Northcote Victoria 3070 Australia
- (72) Name(s) of Designer(s): **Frank Karan**
- (45) Registration Date: **20 March 2008**
- (56) Related Art Documents: **Not Applicable**
- (57) Statement of Newness and Distinctiveness: **Nil**

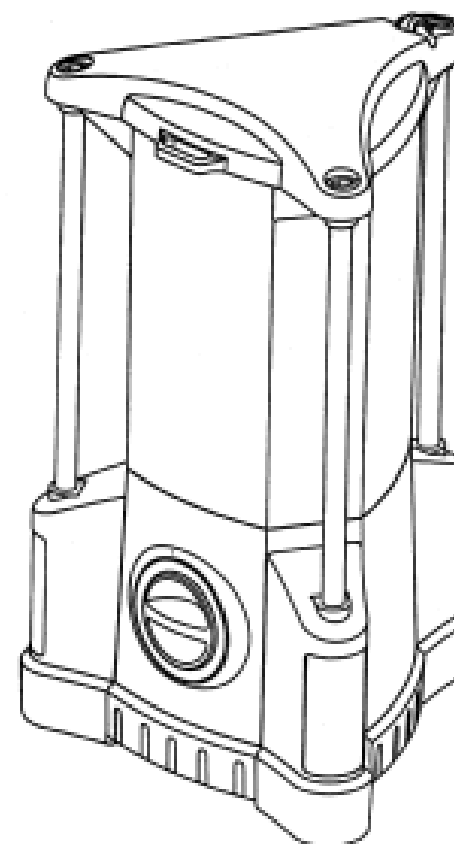


- (21) Design Number: **20969/2007**
- (22) Date of Filing Application: **23 November 2007**
- (24) Date from which industrial property rights may have effect: **23 November 2007**
- (54) Product in respect of which the design is registered: **Pillar box**
- (51) International Design Classification: **13-03C**
- (71) Name(s) and Address(s) of Applicant(s):
Transnet NZ Limited
20 Neilpark Drive East Tamaki Heights Auckland New Zealand
- (72) Name(s) of Designer(s): **Spencer George Winn**
- (45) Registration Date: **20 March 2008**
- (30) Convention priority data:

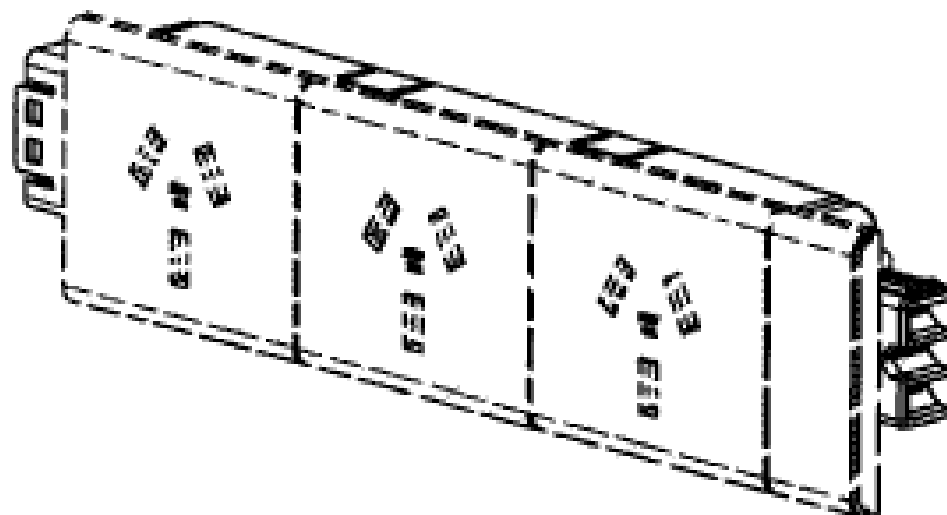
(31) Number	(32) Date	(33) Country
409276	12 Jun 2007	NEW ZEALAND
- (56) Related Art Documents: **Not Applicable**
- (57) Statement of Newness and Distinctiveness: **The novelty claimed for the design resides in the features of shape and/or configuration as shown in the representations.**



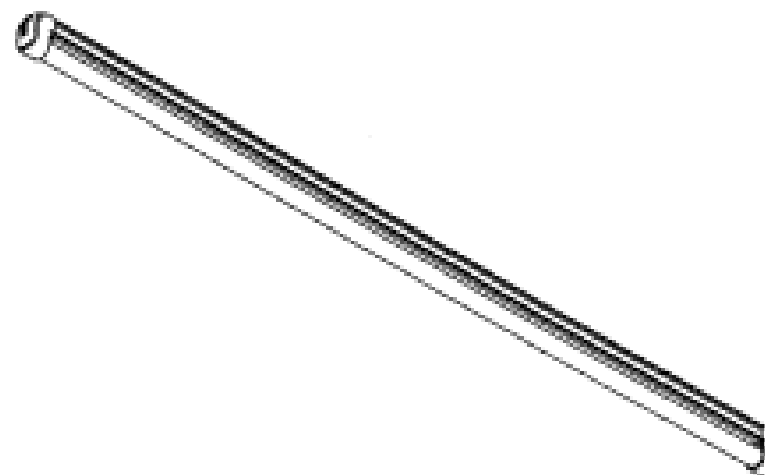
- (21) Design Number: **20971/2007**
(22) Date of Filing Application: **23 November 2007**
(24) Date from which industrial property rights may have effect: **23 November 2007**
(54) Product in respect of which the design is registered: **Lighting device**
(51) International Design Classification: **26-02**
(71) Name(s) and Address(s) of Applicant(s):
Eveready Battery Company, Inc.
533 Maryville University Drive St Louis Missouri 63141 United States of America
(72) Name(s) of Designer(s): **John R. Brown and Timothy Rugendyke and David Spartano**
(45) Registration Date: **20 March 2008**
(30) Convention priority data:
(31) Number (32) Date (33) Country
29/288262 06 Jun 2007 UNITED STATES OF AMERICA
(56) Related Art Documents: **Not Applicable**
(57) Statement of Newness and Distinctiveness: **Nil**



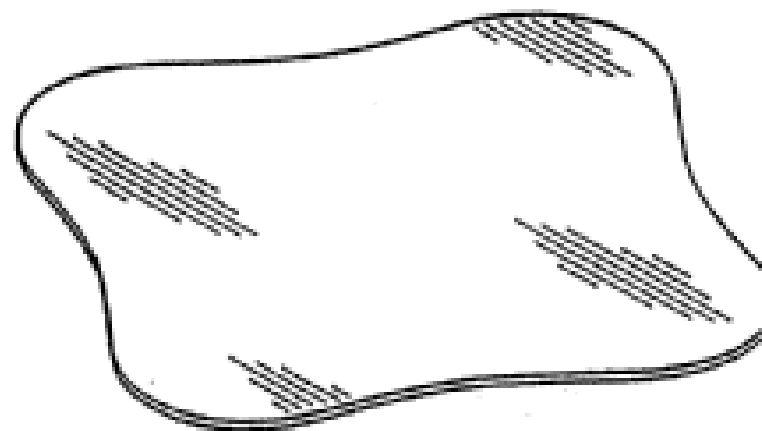
- (21) Design Number: **20972/2007**
(22) Date of Filing Application: **23 November 2007**
(24) Date from which industrial property rights may have effect: **23 November 2007**
(54) Product in respect of which the design is registered: **Electrical outlet**
(51) International Design Classification: **13-03D**
(71) Name(s) and Address(s) of Applicant(s):
Assembly Electronics Pty Ltd
Unit 3 29 Mitchell Road Brookvale New South Wales 2100 Australia
(72) Name(s) of Designer(s): **Jeremy Gray and John Schmidli**
(45) Registration Date: **20 March 2008**
(56) Related Art Documents: **Not Applicable**
(57) Statement of Newness and Distinctiveness: **The new and distinctive features of the design are the features of shape and configuration shown in the views without the cover. Features shown in broken line do not form part of the design.**



- (21) Design Number: **20974/2007**
(22) Date of Filing Application: **23 November 2007**
(24) Date from which industrial property rights may have effect: **23 November 2007**
(54) Product in respect of which the design is registered: **Luminaire (batten)**
(51) International Design Classification: **26-05A**
(71) Name(s) and Address(s) of Applicant(s):
Koninklijke Philips Electronics N.V.
Groenewoudseweg 1 5621 BA Eindhoven The Netherlands
(72) Name(s) of Designer(s): **Helen Qi**
(45) Registration Date: **20 March 2008**
(30) Convention priority data:
(31) Number (32) Date (33) Country
000732623-0001 31 May 2007 EUROPEAN COMMUNITY
(56) Related Art Documents: **Not Applicable**
(57) Statement of Newness and Distinctiveness: **Newness and distinctiveness reside in the features of the design as shown in the representations.**



- (21) Design Number: **20975/2007**
(22) Date of Filing Application: **23 November 2007**
(24) Date from which industrial property rights may have effect: **23 November 2007**
(54) Product in respect of which the design is registered: **Breast pad**
(51) International Design Classification: **24-04**
(71) Name(s) and Address(s) of Applicant(s):
Medela Holding AG
Lattichstrasse 4b 6340 Baar Switzerland
(72) Name(s) of Designer(s): **Timothy D. Killinger**
(45) Registration Date: **20 March 2008**
(30) Convention priority data:
(31) Number (32) Date (33) Country
29/288010 25 May 2007 UNITED STATES OF AMERICA
(56) Related Art Documents: **Not Applicable**
(57) Statement of Newness and Distinctiveness: **Newness and distinctiveness is claimed in the features of shape and/or configuration of a breast pad as illustrated in the accompanying representations.**



(21) Design Number: **20976/2007**

(22) Date of Filing Application: **23 November 2007**

(24) Date from which industrial property rights may have effect: **23 November 2007**

(54) Product in respect of which the design is registered: **Breast pump**

(51) International Design Classification: **24-02**

(71) Name(s) and Address(s) of Applicant(s):

**MAPA GmbH Gummi- und Plastikwerke
Industriestrasse 21-25 27404 Zeven Germany**

(72) Name(s) of Designer(s): **Bodo Warden and Ernst Wedekind and Reinhold Jager-Waldau**

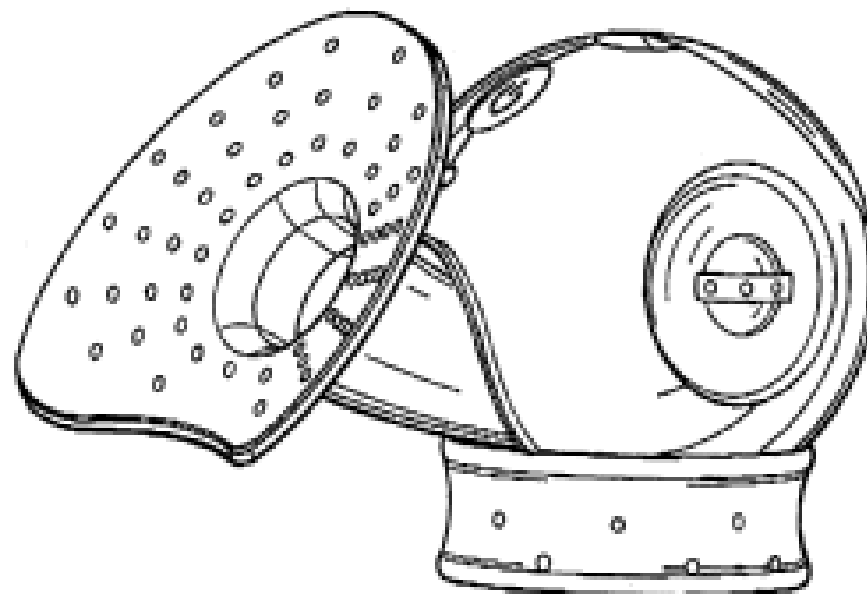
(45) Registration Date: **20 March 2008**

(30) Convention priority data:

(31) Number	(32) Date	(33) Country
000729637	25 May 2007	ECUADOR

(56) Related Art Documents: **Not Applicable**

(57) Statement of Newness and Distinctiveness: **Newness and distinctiveness is claimed in the features of shape and/or configuration of a breast pump as illustrated in the accompanying representations.**



(21) Design Number: **21194/2007**

(22) Date of Filing Application: **07 December 2007**

(24) Date from which industrial property rights may have effect: **07 December 2007**

(54) Product in respect of which the design is registered: **Front side cowl for a motorcycle**

(51) International Design Classification: **12-11**

(71) Name(s) and Address(s) of Applicant(s):

**Honda Motor Co., Ltd.
1-1 Minamiaoyama 2-chome Minato-ku Tokyo Japan**

(72) Name(s) of Designer(s): **Tokumaru Watanabe and Arihide Tsujimoto**

(45) Registration Date: **25 March 2008**

(30) Convention priority data:

(31) Number	(32) Date	(33) Country
2007-015310	08 Jun 2007	JAPAN

(56) Related Art Documents: **Not Applicable**

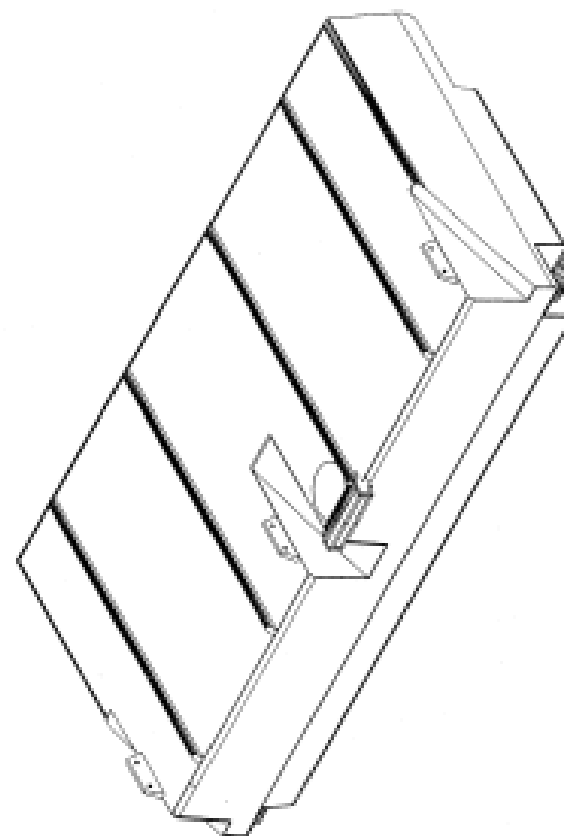
(57) Statement of Newness and Distinctiveness: **Newness and distinctiveness is claimed in the features of shape and/or configuration of a front side cowl for a motorcycle as illustrated in the accompanying representations.**



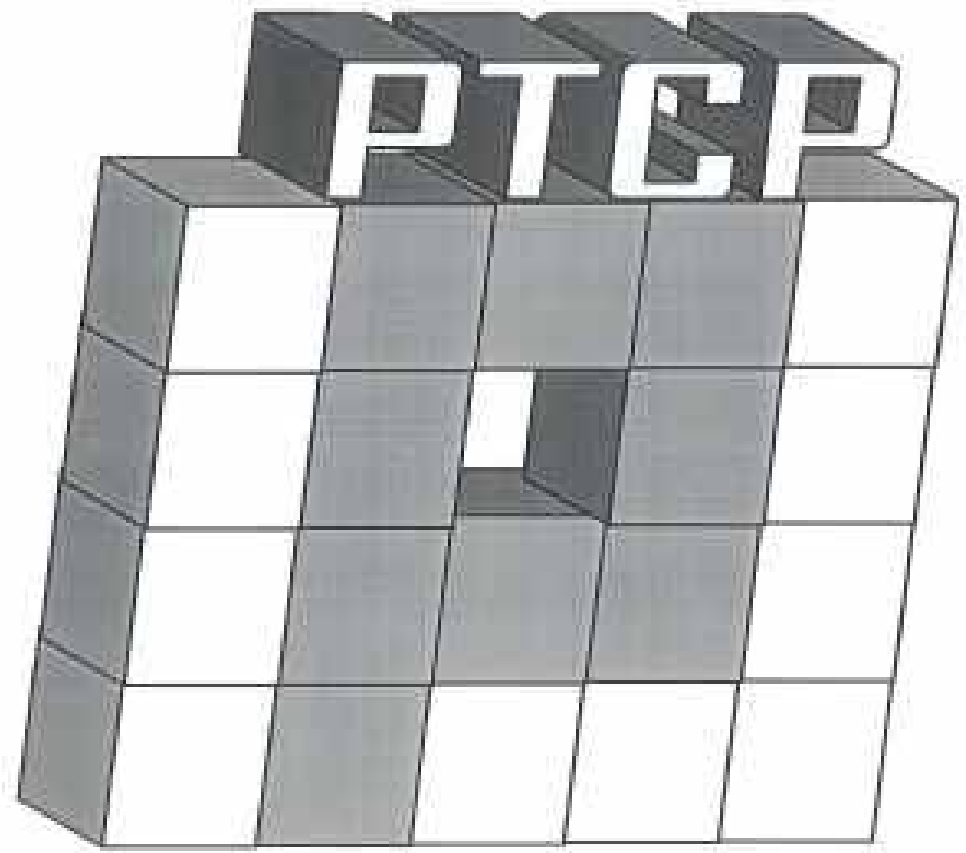
- (21) Design Number: **21195/2007**
(22) Date of Filing Application: **07 December 2007**
(24) Date from which industrial property rights may have effect: **07 December 2007**
(54) Product in respect of which the design is registered: **Tail lamp for motorcycle**
(51) International Design Classification: **12-11**
(71) Name(s) and Address(s) of Applicant(s):
Honda Motor Co., Ltd.
1-1 Minamiaoyama 2-chome Minato-ku Tokyo Japan
(72) Name(s) of Designer(s): **Tokumaru Watanabe and Arihide Tsujimoto**
(45) Registration Date: **25 March 2008**
(30) Convention priority data:
(31) Number (32) Date (33) Country
2007-015311 08 Jun 2007 JAPAN
(56) Related Art Documents: **Not Applicable**
(57) Statement of Newness and Distinctiveness: **Newness and distinctiveness is claimed in the features of shape and/or configuration of a tail lamp for motorcycle as illustrated in the accompanying representations.**



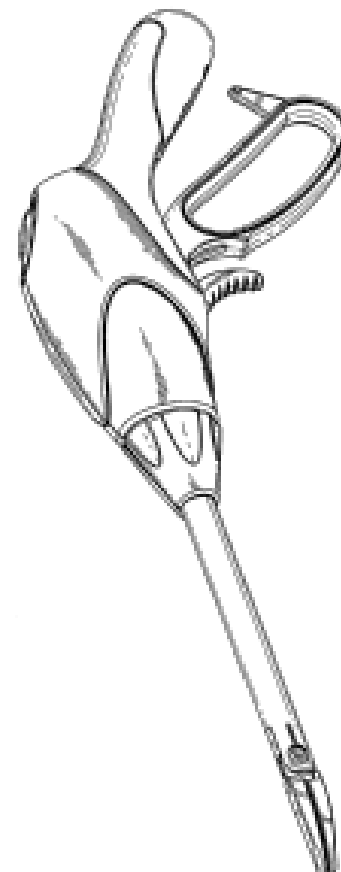
- (21) Design Number: **21198/2007**
(22) Date of Filing Application: **10 December 2007**
(24) Date from which industrial property rights may have effect: **10 December 2007**
(54) Product in respect of which the design is registered: **Water storage tank**
(51) International Design Classification: **23-01F**
(71) Name(s) and Address(s) of Applicant(s):
Jonathan Lachlan Ivett
21/62 Ocean Street Woollahra New South Wales 2025 Australia
(72) Name(s) of Designer(s): **Jonathan Lachlan Ivett**
(45) Registration Date: **25 March 2008**
(56) Related Art Documents: **Not Applicable**
(57) Statement of Newness and Distinctiveness: **Newness and distinctiveness is claimed in the shape and/or configuration of a water storage tank as shown in the accompanying representations.**



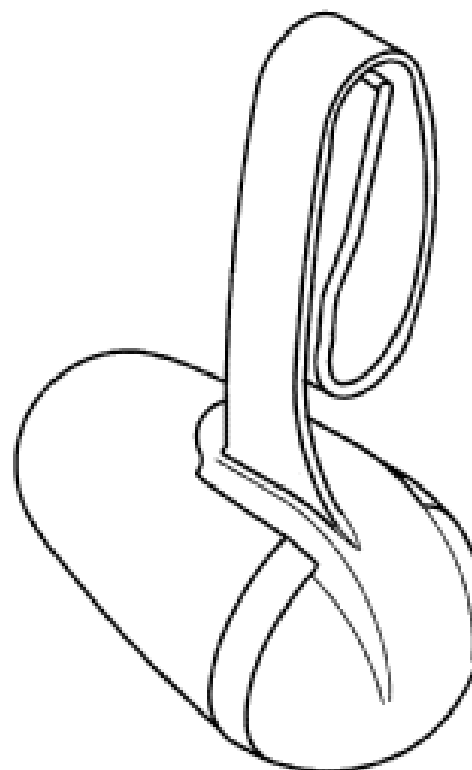
- (21) Design Number: **21199/2007**
(22) Date of Filing Application: **10 December 2007**
(24) Date from which industrial property rights may have effect: **10 December 2007**
(54) Product in respect of which the design is registered: **Icon**
(51) International Design Classification: **14-04**
(71) Name(s) and Address(s) of Applicant(s):
PENTAX Corporation
No. 36-9 Maeno-cho 2-chome Itabashi-ku Tokyo Japan
(72) Name(s) of Designer(s): **Tomomi Kurihara**
(45) Registration Date: **25 March 2008**
(56) Related Art Documents: **Not Applicable**
(57) Statement of Newness and Distinctiveness: **Nil**



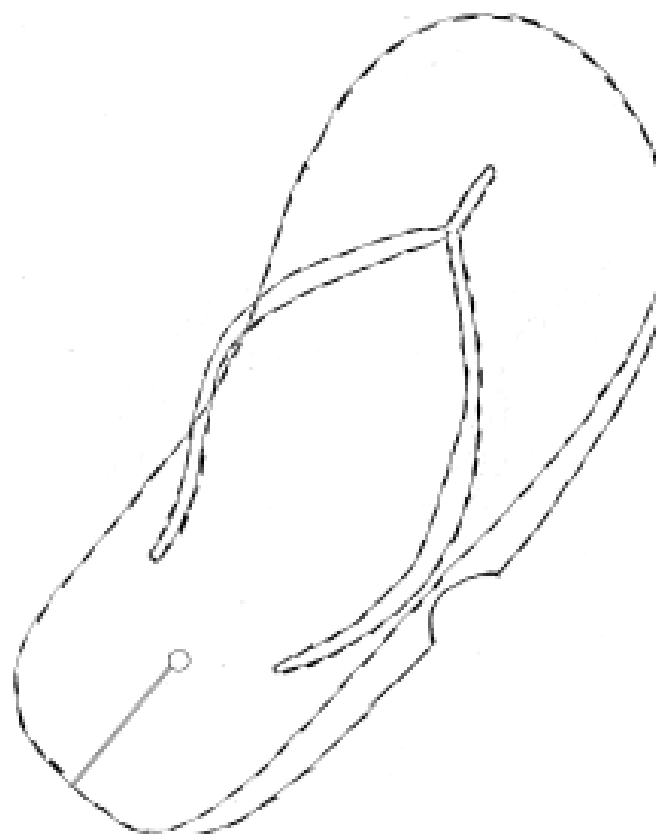
- (21) Design Number: **21200/2007**
(22) Date of Filing Application: **10 December 2007**
(24) Date from which industrial property rights may have effect: **10 December 2007**
(54) Product in respect of which the design is registered: **Vessel sealer**
(51) International Design Classification: **24-02**
(71) Name(s) and Address(s) of Applicant(s):
Tyco Healthcare Group, LP
C/- United States Surgical Legal 60 Middletown Avenue North Haven
Connecticut 06473 United States of America
(72) Name(s) of Designer(s): **David Hixson and Paul R. Romero and Luke Waaler**
(45) Registration Date: **25 March 2008**
(30) Convention priority data:
(31) Number (32) Date (33) Country
29/288472 12 Jun 2007 UNITED STATES OF AMERICA
(56) Related Art Documents: **Not Applicable**
(57) Statement of Newness and Distinctiveness: **Newness and distinctiveness is claimed in the features of shape and/or configuration of a vessel sealer as illustrated in the accompanying representations.**



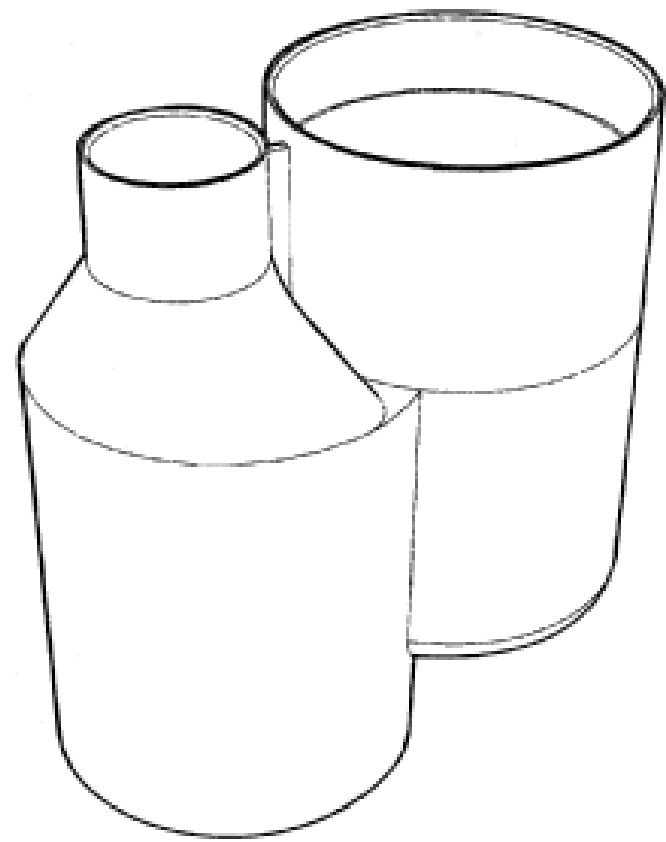
(21) Design Number: **21202/2007**
(22) Date of Filing Application: **10 December 2007**
(24) Date from which industrial property rights may have effect: **10 December 2007**
(54) Product in respect of which the design is registered: **Air deodorising apparatus**
(51) International Design Classification: **28-99**
(71) Name(s) and Address(s) of Applicant(s):
Samar, LLC
70 West Madison Chicago Illinois 60602 United States of America
(72) Name(s) of Designer(s): **Bjorn Weggelaar**
(45) Registration Date: **25 March 2008**
(30) Convention priority data:
(31) Number (32) Date (33) Country
000,772,5380001 09 Aug 2007 EUROPEAN COMMUNITY
(56) Related Art Documents: **Not Applicable**
(57) Statement of Newness and Distinctiveness: **Nil**



(21) Design Number: **21203/2007**
(22) Date of Filing Application: **10 December 2007**
(24) Date from which industrial property rights may have effect: **10 December 2007**
(54) Product in respect of which the design is registered: **Footwear**
(51) International Design Classification: **02-04NES**
(71) Name(s) and Address(s) of Applicant(s):
Anita Falieros
472 Moreland Road West Brunswick Victoria 3055 Australia
Peter Kahrmanis
472 Moreland Road West Brunswick Victoria 3055 Australia
Christina Falieros
472 Moreland Road West Brunswick Victoria 3055 Australia
(72) Name(s) of Designer(s): **Peter Kahrmanis and Christina Falieros and Anita Falieros**
(45) Registration Date: **25 March 2008**
(56) Related Art Documents: **Not Applicable**
(57) Statement of Newness and Distinctiveness: **No monopoly for dotted lines.**



- (21) Design Number: **21206/2007**
- (22) Date of Filing Application: **11 December 2007**
- (24) Date from which industrial property rights may have effect: **11 December 2007**
- (54) Product in respect of which the design is registered: **A one-piece moulded fitting for colinear transition of one pipe into two pipes**
- (51) International Design Classification: **23-01A**
- (71) Name(s) and Address(s) of Applicant(s):
White Water-Wall Pty Ltd
890 West Mooreville Road Burnie Tasmania 7320 Australia
- (72) Name(s) of Designer(s): **Andrew Stolp**
- (45) Registration Date: **25 March 2008**
- (56) Related Art Documents: **Not Applicable**
- (57) Statement of Newness and Distinctiveness: **The unique features of this pipe transition fitting are that 1) different pipe sizes can be accommodated for both inlet and outlets, 2) unlike standard "tee" fittings, the outlets are both in the same same direction as the inlet.**



- (21) Design Number: **21209/2007**
- (22) Date of Filing Application: **10 December 2007**
- (24) Date from which industrial property rights may have effect: **10 December 2007**
- (54) Product in respect of which the design is registered: **Device for displaying consumption of domestic utilities (water, electricity and gas)**
- (51) International Design Classification: **14-04**
- (71) Name(s) and Address(s) of Applicant(s):
Tayeco Limited
68 Hay Street Perth PH1 5HP United Kingdom
- (72) Name(s) of Designer(s): **Kenneth McCorkindale**
- (45) Registration Date: **25 March 2008**
- (30) Convention priority data:

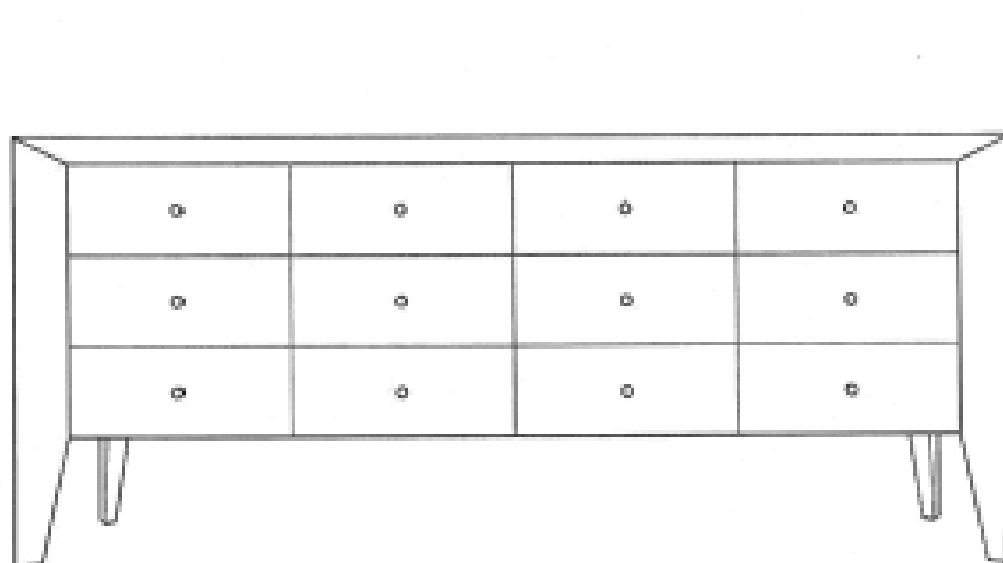
(31) Number	(32) Date	(33) Country
000737119	08 Jun 2007	EUROPEAN COMMUNITY
- (56) Related Art Documents: **Not Applicable**
- (57) Statement of Newness and Distinctiveness: **The visual features of the product which are new and distinctive are the shape and configuration thereof as shown in the representations.**



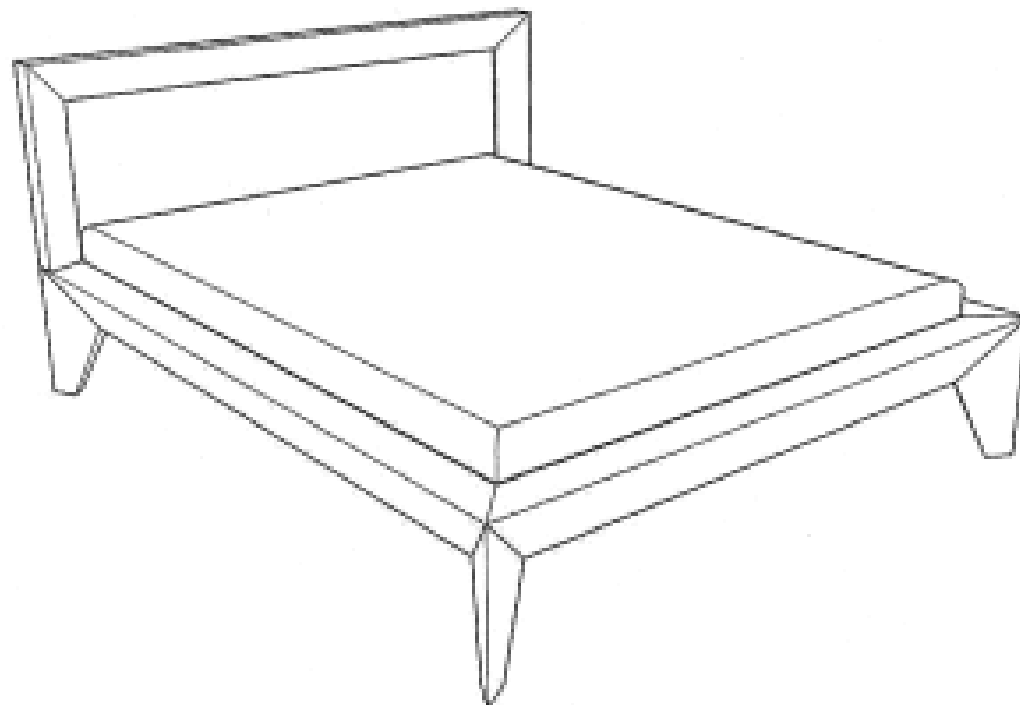
(21) Design Number: **21210/2007**
(22) Date of Filing Application: **12 December 2007**
(24) Date from which industrial property rights may have effect: **12 December 2007**
(54) Product in respect of which the design is registered: **An excavator bucket**
(51) International Design Classification: **15-04**
(71) Name(s) and Address(s) of Applicant(s):
SE Asset Holdings Pty Ltd
c/- 15 Patrick Street Aitkenvale Queensland 4814 Australia
(72) Name(s) of Designer(s): **Michael John Hilton**
(45) Registration Date: **25 March 2008**
(56) Related Art Documents: **Not Applicable**
(57) Statement of Newness and Distinctiveness: **Nil**



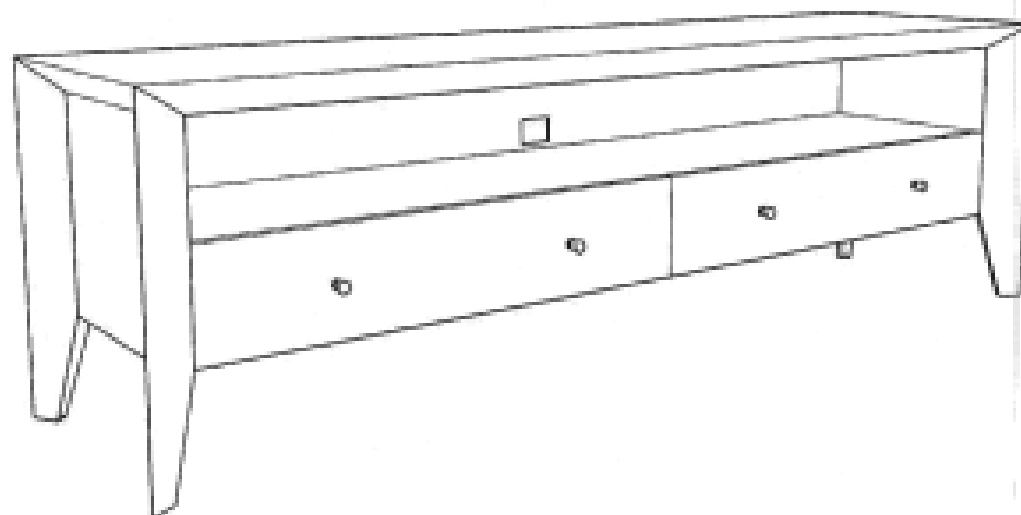
(21) Design Number: **21211/2007**
(22) Date of Filing Application: **11 December 2007**
(24) Date from which industrial property rights may have effect: **11 December 2007**
(54) Product in respect of which the design is registered: **Sideboards**
(51) International Design Classification: **06-04D**
(71) Name(s) and Address(s) of Applicant(s):
EM Export Limited
Nerine Chambers PO Box 905 Road Town Tortola British Virgin Islands
(72) Name(s) of Designer(s): **Moshe Saraga and Reem Mayer**
(45) Registration Date: **25 March 2008**
(30) Convention priority data:
(31) Number (32) Date (33) Country
000739933-0004 11 Jun 2007 FRANCE
(56) Related Art Documents: **Not Applicable**
(57) Statement of Newness and Distinctiveness: **Nil**



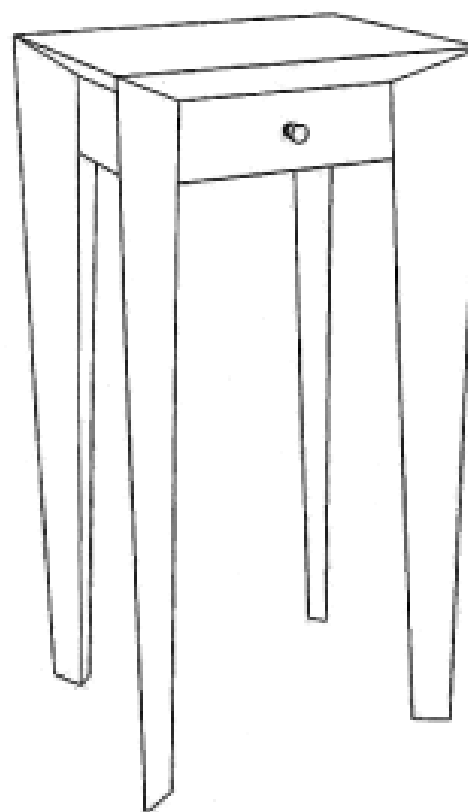
(21) Design Number: **21212/2007**
(22) Date of Filing Application: **11 December 2007**
(24) Date from which industrial property rights may have effect: **11 December 2007**
(54) Product in respect of which the design is registered: **Beds**
(51) International Design Classification: **06-02**
(71) Name(s) and Address(s) of Applicant(s):
EM Export Limited
Nerine Chambers PO Box 905 Road Town Tortola British Virgin Islands
(72) Name(s) of Designer(s): **Moshe Saraga and Reem Mayer**
(45) Registration Date: **25 March 2008**
(30) Convention priority data:
(31) Number (32) Date (33) Country
000739933-0001 11 Jun 2007 FRANCE
(56) Related Art Documents: **Not Applicable**
(57) Statement of Newness and Distinctiveness: **Nil**



(21) Design Number: **21213/2007**
(22) Date of Filing Application: **11 December 2007**
(24) Date from which industrial property rights may have effect: **11 December 2007**
(54) Product in respect of which the design is registered: **Furniture with drawers**
(51) International Design Classification: **06-04F**
(71) Name(s) and Address(s) of Applicant(s):
EM Export Limited
Nerine Chambers PO Box 905 Road Town Tortola British Virgin Islands
(72) Name(s) of Designer(s): **Moshe Saraga and Reem Mayer**
(45) Registration Date: **25 March 2008**
(30) Convention priority data:
(31) Number (32) Date (33) Country
000739933-0006 11 Jun 2007 FRANCE
(56) Related Art Documents: **Not Applicable**
(57) Statement of Newness and Distinctiveness: **Nil**



- (21) Design Number: **21214/2007**
(22) Date of Filing Application: **11 December 2007**
(24) Date from which industrial property rights may have effect: **11 December 2007**
(54) Product in respect of which the design is registered: **Pedestal tables**
(51) International Design Classification: **06-03B**
(71) Name(s) and Address(s) of Applicant(s):
EM Export Limited
Nerine Chambers PO Box 905 Road Town Tortola British Virgin Islands
(72) Name(s) of Designer(s): **Moshe Saraga and Reem Mayer**
(45) Registration Date: **25 March 2008**
(30) Convention priority data:
(31) Number (32) Date (33) Country
000739933-0007 11 Jun 2007 FRANCE
(56) Related Art Documents: **Not Applicable**
(57) Statement of Newness and Distinctiveness: **Nil**



- (21) Design Number: **10379/2008**
(22) Date of Filing Application: **30 January 2008**
(24) Date from which industrial property rights may have effect: **30 January 2008**
(54) Product in respect of which the design is registered: **Flag(s)**
(51) International Design Classification: **11-05**
(71) Name(s) and Address(s) of Applicant(s):
Antony Colin Burton
PO BOX 233 MILSONS POINT NSW AUSTRALIA 1565
(72) Name(s) of Designer(s): **Antony Colin Burton**
(45) Registration Date: **25 March 2008**
(56) Related Art Documents: **Not Applicable**
(57) Statement of Newness and Distinctiveness: **Distinctiveness and newness exist in this configuration and geometry of crosses and stars for the purpose of a flag, with stars representing the Southern Cross laid over a triple device representing various aspects of Australian history and symbolism - the sea, the land, the bush. The designer's intention is of a primary or preferred rendition in white stars on a blue cross, fimbriated firstly of yellow-gold, and then green, all on a white field. However variants, including of colour, by this designer of the same design and concept may be devised for the same and sole purpose of a flag.**

