



Australian Government

IP Australia

AUSTRALIAN OFFICIAL JOURNAL

OF

DESIGNS

Did you know a searchable version of this journal is now available online?

It's FREE and EASY to SEARCH.

Find it at

<http://pericles.ipaustralia.gov.au/ols/epublish/content/olsEpublications.jsp>
or using the "Online Journals" link on the IP Australia home page.

This Page Left Intentionally Blank

Contents

General Information & Notices

Proceedings Under the Designs Act 1906 preserved as a result of the provisions of Chapter 12 Part 2 of the Designs Act 2003

Extension of Period of Registration of Designs	838
Registrations Ceased	838
Subsequent Owners Registered	838

Proceedings Under the Designs Act 2003

Applications Assigned	850
Applications Lapsed	849
Applications Lodged	843
Applications Withdrawn	849
Certificate of Examination	852
Corrigenda	851
Extension of Time Granted Under Section 137	850
Publication and Registration Proceedings	
Designs Registered 318493 to 318785.....	853
Revocation of Design Registrations	850
Subsequent Owners Registered	850

This Page Left Intentionally Blank

For information on the following please see our website www.ipaustralia.gov.au or contact our Customer Service Network on 1300651010

[Editorial enquiries](#)

[Contact information](#)

[Freedom of Information ACT](#)

[Professional Standards Board](#)

[Sales](#)

[Requests for Information under Section 194 \(c\)](#)

[Country Codes](#)

[Trade Mark and Designs Hearing Sessions](#)

[INID \(Internationally agreed Numbers for the Identification of Data\)](#)

“INID” NUMBERS in use on Australian Design Documents

“INID” is an acronym for “Internationally agreed Numbers for the Identification of Data”.

(10) Data concerning the registration/renewal

- (11) Serial number of the registration and/or number of the design document
- (12) Plain language designation of the kind of published document
- (19) Identification, using the two-letter code according to WIPO Standard ST.3, of the authority publishing or registering the industrial design

(20) Data concerning the application

- (21) Serial number of the application
- (22) Date of filing of the application
- (24) Date from which the industrial design right has effect

(30) Data relating to priority under the Paris Convention

- (31) Serial number assigned to the priority application
- (32) Date of filing of the priority application
- (33) Two-letter code, according to WIPO Standard ST.3, identifying the authority with which the priority application was made

(40) Date(s) of making information available to the public

- (45) Date of publication of the registered industrial design by printing or similar process, or making it available to the public by any other means

(50) Miscellaneous Information

- (51) International Classification for Industrial Designs (class and subclass of the Locarno Classification)
- (54) Designation of article(s) or product(s) covered by the industrial design or title of the industrial design
- (55) Reproduction of the industrial design (e.g., drawing, photograph) and explanations relating to the reproduction
- (56) List of prior art documents, if separate from descriptive text
- (57) Description of characteristic features of the industrial design including indication of colours

(60) References to other legally related application(s) and registration(s)

- (62) Serial number(s) and, if available, filing date(s) of application(s), registration(s) or document(s) related by division
- (66) Serial number(s) of the application, or the registration, of the design(s) which is (are) a variant(s) of the present one

(70) Identification of parties concerned with the application or registration

- (71) Name(s) and address(es) of the applicant(s)
- (72) Name(s) of the creator(s) if known to be such
- (74) Name(s) and address(es) of the representative(s)

This Page Left Intentionally Blank

Official Notice**Missing Registrations**

The following 10 Design Registrations were not advertised in Vol. 22, No. 07 3 April 2008 under the heading Registration Proceedings in Registration number order sequence. The bibliographic information and representations for these designs are now advertised in this issue.

- (11) AU-S 318493
- (11) AU-S 318494
- (11) AU-S 318495
- (11) AU-S 318496
- (11) AU-S 318497
- (11) AU-S 318498
- (11) AU-S 318499
- (11) AU-S 318500
- (11) AU-S 318501
- (11) AU-S 318502

Please note:

The bibliographic information and representations were available from 27 March 2008 on the Australian Designs Data Searching (ADDS), and 17 April 2008 in the Designs Online Searchable Journal.

Contact: IP Australia
Phone: 1300 651 010
Fax: +61 2 6283 7999
E-Mail: assist@ipaustralia.gov.au
Web: www.ipaustralia.gov.au

Official Notice**Designs Act 2003
Amendments to Registered Designs at Examination**

The following amendments have been made to details previously published in the Australian Official Journal of Designs during the Examination process:

Registration Numbers	Amendment type	New details
304842	Classification	13-03A, 13-03D
304843	Classification	13-03A, 13-03D
307894	Classification	03-01D, 08-03
308510	Classification	09-07A
309597	Classification	25-01E, 25-02C
309598	Classification	25-01E, 25-02C
309599	Classification	25-01E, 25-02C
313823	Classification	08-03
314208	Classification	13-03Z, 25-02C
314209	Classification	13-03Z, 14-03Z
315187	Classification	06-01H
315189	Classification	06-01H
315192	Classification	06-01H
315193	Classification	06-01H
315194	Classification	06-01H
315195	Classification	06-01H
315196	Classification	06-01H
315197	Classification	06-01H
315198	Classification	06-01H
315199	Classification	06-01H
315200	Classification	06-01F, 06-01H
315202	Classification	06-01F, 06-01H
315203	Classification	06-01H

Contact: IP Australia
Phone: 1300 651 010
Fax: +61 2 6283 7999
E-Mail: assist@ipaustralia.gov.au
Web: www.ipaustralia.gov.au

Official Notice**Designs Act 2003
Amendments to Registered Designs at Examination**

The following amendments have been made to details previously published in the Australian Official Journal of Designs during the Examination process:

Registration Numbers	Amendment type	New details
308404	Classification	13-03C
308858	Classification	08-08L
315608	Classification	13-03D, 13-03Z
315609	Classification	13-03D, 13-03Z
315646	Classification	08-09, 25-01K
315647	Classification	08-09, 25-01K
315275	Classification	26-04, 26-05C
315755	Classification	02-02B, 02-02Z, 02-05
315801	Classification	23-01G
315802	Classification	23-01G
316244	Classification	07-02A, 23-03E, 23-03G

Contact: IP Australia
Phone: 1300 651 010
Fax: +61 2 6283 7999
E-Mail: assist@ipaustralia.gov.au
Web: www.ipaustralia.gov.au

This Page Left Intentionally Blank

**Proceedings under the Designs Act 1906 preserved as a
result of the provisions of Chapter 12 Part 2 of the Designs
Act 2003.**

This Page Left Intentionally Blank

Applications Lapsed

There were no Applications Lapsed under this section

Extension of Period of Registration of Designs

Note: Some of the following Registrations may have been previously advertised as ceased. In this instance, the previous advertisement still prevails.

2nd Period (Section 27A(12))

147390	147406	147872
147873	147874	148046
148156	148463	148505
148578	148579	148616
148654	148720	148721
148795	148796	148798
148801	148898	148903
148997	149101	149102
149106	149116	149201
149383	149407	149489
149614	149615	149616
149617	149618	149619
149673	149744	149782
149888	149889	150179
150275	150756	150878
150911	150912	150913
150914	150915	150916
150917	150974	151138
151175	151176	151177
151184	151399	151530
151821	152067	152441
152821	152822	152823
153171	153364	153645
153646	153725	153726
153966	155534	

114246	115249	115332
115391	115399	115401
115421	115472	115476
115514	115519	115692
115758	116071	116188
116910	117063	117992
118043	118044	118045
118337	118591	118607
118697	119233	128611
128634	129562	129974
130049	130135	130156
130170	130307	130590
130788	131170	131337
132425	132634	145601
146002	146590	146642
146643	146647	146650
146651	146655	146677
146785	146786	146787
146788	146789	146790
146791	146792	146825
146857	146858	146859
147108	147340	147371
147424	149222	149223
149224	149857	150753
150993	151092	151134
151135	151162	151163
151164	151165	151166
151396	158528	

3rd Period (Section 27A(13))

131534	131535	131537
131538	131540	131542
131663	131737	131777
131793	131912	131920
131992	132064	132115
132156	132162	132230
132269	132292	132327
132392	132415	132416
132417	132430	132520
132528	132594	132640
132671	132673	132675
132676	132780	132986
132987	133008	133445
133715	133716	133717
133718	133983	134026
134179	134228	134281
134282	134291	134297
134594	134595	134620
135162	135172	136037
136067	136100	136150
136261	136301	137093
138867	141036	141037

Subsequent Owners Registered

(The name in parentheses is that of the subsequent owner)

117327	(Lego A/S) Interlego A.G.
117362	(Lego A/S) Interlego A.G.
117372	(Lego A/S) Interlego A.G.
117374	(Lego A/S) Interlego A.G.
117381	(Lego A/S) Interlego A.G.
117382	(Lego A/S) Interlego A.G.
117383	(Lego A/S) Interlego A.G.
117452	(Lego A/S) Interlego A.G.
117453	(Lego A/S) Interlego A.G.
117454	(Lego A/S) Interlego A.G.
117456	(Lego A/S) Interlego A.G.
117457	(Lego A/S) Interlego A.G.
117458	(Lego A/S) Interlego A.G.
117459	(Lego A/S) Interlego A.G.
117460	(Lego A/S) Interlego A.G.
117461	(Lego A/S) Interlego A.G.
117462	(Lego A/S) Interlego A.G.
117463	(Lego A/S) Interlego A.G.
117469	(Lego A/S) Interlego A.G.
120157	(Lego A/S) Interlego A.G.

Registrations Ceased

Subsequent Owners Registered

120158 (**Lego A/S**) Interlego A.G.
 120160 (**Lego A/S**) Interlego A.G.
 120065 (**Lego A/S**) Interlego A.G.
 120036 (**Lego A/S**) Interlego A.G.
 120035 (**Lego A/S**) Interlego A.G.
 120171 (**Lego A/S**) Interlego A.G.
 120172 (**Lego A/S**) Interlego A.G.
 120173 (**Lego A/S**) Interlego A.G.
 120174 (**Lego A/S**) Interlego A.G.
 120032 (**Lego A/S**) Interlego A.G.
 120030 (**Lego A/S**) Interlego A.G.
 120029 (**Lego A/S**) Interlego A.G.
 120022 (**Lego A/S**) Interlego A.G.
 120021 (**Lego A/S**) Interlego A.G.
 120020 (**Lego A/S**) Interlego A.G.
 120132 (**Lego A/S**) Interlego A.G.
 120133 (**Lego A/S**) Interlego A.G.
 120134 (**Lego A/S**) Interlego A.G.
 123536 (**Lego A/S**) Interlego A.G.
 123535 (**Lego A/S**) Interlego A.G.
 123547 (**Lego A/S**) Interlego A.G.
 123551 (**Lego A/S**) Interlego A.G.
 123552 (**Lego A/S**) Interlego A.G.
 123554 (**Lego A/S**) Interlego A.G.
 123556 (**Lego A/S**) Interlego A.G.
 123540 (**Lego A/S**) Interlego A.G.
 123537 (**Lego A/S**) Interlego A.G.
 123451 (**Lego A/S**) Interlego A.G.
 123478 (**Lego A/S**) Interlego A.G.
 117361 (**Lego A/S**) Interlego A.G.
 150790 (**Ventrassist Pty Ltd**) Ventracor Ltd
 151291 (**Ventrassist Pty Ltd**) Ventracor Ltd
 152187 (**Ventrassist Pty Ltd**) Ventracor Ltd
 152190 (**Ventrassist Pty Ltd**) Ventracor Ltd
 123477 (**Lego A/S**) Interlego A.G.
 123476 (**Lego A/S**) Interlego A.G.
 123480 (**Lego A/S**) Interlego A.G.
 123489 (**Lego A/S**) Interlego A.G.
 123488 (**Lego A/S**) Interlego A.G.
 123487 (**Lego A/S**) Interlego A.G.
 123486 (**Lego A/S**) Interlego A.G.
 123485 (**Lego A/S**) Interlego A.G.
 123347 (**Lego A/S**) Interlego A.G.
 123348 (**Lego A/S**) Interlego A.G.
 123349 (**Lego A/S**) Interlego A.G.
 123350 (**Lego A/S**) Interlego A.G.
 123351 (**Lego A/S**) Interlego A.G.
 123352 (**Lego A/S**) Interlego A.G.
 123353 (**Lego A/S**) Interlego A.G.

Subsequent Owners Registered

123354 (**Lego A/S**) Interlego A.G.
 123355 (**Lego A/S**) Interlego A.G.
 123527 (**Lego A/S**) Interlego A.G.
 123320 (**Lego A/S**) Interlego A.G.
 123321 (**Lego A/S**) Interlego A.G.
 123568 (**Lego A/S**) Interlego A.G.
 123567 (**Lego A/S**) Interlego A.G.
 123570 (**Lego A/S**) Interlego A.G.
 123569 (**Lego A/S**) Interlego A.G.
 123573 (**Lego A/S**) Interlego A.G.
 126482 (**Lego A/S**) Interlego A.G.
 126485 (**Lego A/S**) Interlego A.G.
 126486 (**Lego A/S**) Interlego A.G.
 126557 (**Lego A/S**) Interlego A.G.
 126603 (**Lego A/S**) Interlego A.G.
 126563 (**Lego A/S**) Interlego A.G.
 126532 (**Lego A/S**) Interlego A.G.
 126533 (**Lego A/S**) Interlego A.G.
 126588 (**Lego A/S**) Interlego A.G.
 126584 (**Lego A/S**) Interlego A.G.
 126585 (**Lego A/S**) Interlego A.G.
 130181 (**Lego A/S**) Interlego A.G.
 130190 (**Lego A/S**) Interlego A.G.
 129888 (**Lego A/S**) Interlego A.G.
 129889 (**Lego A/S**) Interlego A.G.
 129890 (**Lego A/S**) Interlego A.G.
 130194 (**Lego A/S**) Interlego A.G.
 130196 (**Lego A/S**) Interlego A.G.
 130199 (**Lego A/S**) Interlego A.G.
 130200 (**Lego A/S**) Interlego A.G.
 130204 (**Lego A/S**) Interlego A.G.
 130212 (**Lego A/S**) Interlego A.G.
 130213 (**Lego A/S**) Interlego A.G.
 130215 (**Lego A/S**) Interlego A.G.
 130217 (**Lego A/S**) Interlego A.G.
 130218 (**Lego A/S**) Interlego A.G.
 130219 (**Lego A/S**) Interlego A.G.
 130220 (**Lego A/S**) Interlego A.G.
 130221 (**Lego A/S**) Interlego A.G.
 130222 (**Lego A/S**) Interlego A.G.
 130223 (**Lego A/S**) Interlego A.G.
 130224 (**Lego A/S**) Interlego A.G.
 133312 (**Lego A/S**) Interlego A.G.
 133313 (**Lego A/S**) Interlego A.G.
 133314 (**Lego A/S**) Interlego A.G.
 153751 (**Kableflags Pty Ltd**) Navisafe Corporation Pty Ltd
 155391 (**Kableflags Pty Ltd**) Navisafe Corporation Pty Ltd

This Page Left Intentionally Blank

Proceedings under the Designs Act 2003.

This Page Left Intentionally Blank

Applications Lodged

Lodgement information is in the following order: **Applicant's Name**; International Classification, Name of Product, Lodgement Date and **Design Number**. If the applicant claims an earlier priority date under an International Convention, the Convention Country and the associated filing date are shown in parentheses before the Lodgement Date. Divisional information will also appear in parentheses before the Lodgement Date.

Aktiebolaget Electrolux; 15-07, Appliance and appliance components, 17 Mar 2008	11324/2008	Bird Raptor S.r.l.; 21-01C, Aeroplane, (EM, 17 Oct 2007) 13 Mar 2008	11196/2008
Allen, Dan; 23-01G, Roof, 19 Mar 2008	11348/2008	Black & Decker, Inc.; 08-06, A handle for a saw, (US, 11 Oct 2007) 11 Mar 2008	11175/2008
Alza Corporation; 24-04, Drug delivery patch, (US, 12 Feb 2008) 18 Mar 2008	11335/2008	Boyer, Campbell; 14-99, Monitor stand, 11 Mar 2008	11184/2008
Ames True Temper, Inc.; 08-05A, Shrub rake, (US, 28 Sep 2007) 19 Mar 2008	11340/2008	Braun GmbH; 04-02, Toothbrush handle, (US, 24 Sep 2007) 19 Mar 2008	11341/2008
Ames True Temper, Inc.; 08-03, 08-05NES, Grips for a two-handed tool, (US, 18 Oct 2007) 26 Mar 2008	11451/2008	Braun GmbH; 04-02, Toothbrush handle, (US, 24 Sep 2007) 19 Mar 2008	11342/2008
Anzpac Services (Australia) Pty Limited; 09-03M, Box with bevel portion, 19 Mar 2008	11351/2008	Bucam Pty Ltd; 08-08NES, Ground anchor fluke, 19 Mar 2008	11378/2008
Anzpac Services (Australia) Pty Limited; 09-03M, Box with ellipse portion, 19 Mar 2008	11352/2008	BTI Holdings Pty Ltd; 15-09, All components are part of the fast form system for forming concrete walls to produce buildings and structures. Design, reference cont: Center Locker DSG - 01 to 05, 20 Mar 2008	11363/2008
Anzpac Services (Australia) Pty Limited; 09-03M, Box with stylised swirl portion, 19 Mar 2008	11353/2008	BTI Holdings Pty Ltd; 15-09, All components are part of the fast form system for forming concrete walls to produce buildings and structures. Design, reference cont: Segment DSG - 11 to 15, 20 Mar 2008	11364/2008
Aquakleen Pty Ltd; 15-05, A pool cleaner, 18 Mar 2008	11325/2008	BTI Holdings Pty Ltd; 15-09, All components are part of the fast form system for forming concrete walls to produce buildings and structures. Design, reference cont: U beam DSG - 11 to 15, 20 Mar 2008	11365/2008
Aquakleen Pty Ltd; 15-05, A pool cleaner body, 18 Mar 2008	11326/2008	BTI Holdings Pty Ltd; 15-09, All components are part of the fast form system for forming concrete walls to produce buildings and structures. Design, reference cont: External corner A - 14 - 01 to 05, 20 Mar 2008	11366/2008
Ashmont Holdings Limited; 24-01, Syringe cap, (NZ, 27 Sep 2007) 13 Mar 2008	11197/2008	BTI Holdings Pty Ltd; 15-09, All components are part of the fast form system for forming concrete walls to produce buildings and structures. Design, reference cont: Internal corner A - 15 - 01 to 05, 20 Mar 2008	11367/2008
Ashmont Holdings Limited; 24-01, Syringe with protective cap, (NZ, 27 Sep 2007) 13 Mar 2008	11198/2008	Carrier Corporation; 14-03A, Remote handset, (BR, 18 Sep 2007) 13 Mar 2008	11202/2008
ACCEZ; 06-08, Earring storage device, 18 Mar 2008	11431/2008	Carrier Corporation; 23-04, Front panel design for air conditioning unit, (BR, 18 Sep 2007) 13 Mar 2008	11203/2008
ADC Communications (Australia) Pty Limited; 13-03E, Connection module, 19 Mar 2008	11356/2008	Carrier Corporation; 23-04, Front panel design for air conditioning unit, (BR, 18 Sep 2007) 13 Mar 2008	11204/2008
Beachfoot International Pty Ltd; 06-13C, Beach towel, towels, 12 Mar 2008	11176/2008		
Biomed Technology Australia Pty Ltd; 24-04, It's designed to hold CPAP masks in place, 19 Mar 2008	11345/2008		
Biomed Technology Australia Pty Ltd; 24-04, It's designed to hold CPAP masks in place, 19 Mar 2008	11346/2008		
Biomed Technology Australia Pty Ltd; 24-04, It's designed to hold CPAP masks in place, 19 Mar 2008	11347/2008		
Biomed Technology Australia Pty Ltd; 24-04, It's designed to hold CPAP masks in place, 19 Mar 2008	11349/2008		

Casale Trim Co. Pty Ltd; 07-02E, Combination BBQ, cooktop and oven, 19 Mar 2008	11355/2008	Eighty Eight Investments Pty Ltd; 14-01, Headphone, 18 Mar 2008	11327/2008
Cavanagh, Jim; Priestly, Karl; 08-07, Anti theft device, 25 Mar 2008	11117/2008	England, Robert; 11-02D, Sculptural plaster casts (ornamental), 20 Mar 2008	11358/2008
Chill Flow Australia Pty Ltd; 06-04NES, Cabinet liner, 14 Mar 2008	11246/2008	England, Robert; 11-02D, Sculptural stone-plaster casts (ornamental), 20 Mar 2008	11359/2008
Combisafe International AB; 29-02, Safety net, (EM, 18 Sep 2007) 18 Mar 2008	11328/2008	England, Robert; 11-02D, Sculptural stone-plaster casts (ornamental), 20 Mar 2008	11360/2008
Crown Equipment Corporation; 12-05, Reach lift truck, (US, 13 Sep 2007) 11 Mar 2008	11172/2008	England, Robert; 11-02D, Sculptural stone-plaster casts (ornamental), 20 Mar 2008	11361/2008
Crown Equipment Corporation; 12-05, Reach lift truck, (US, 13 Sep 2007) 11 Mar 2008	11171/2008	Escape Fitness Limited; 06-11, A mat for sports, (EM, 25 Sep 2007) 18 Mar 2008	11332/2008
Daikin Industries Ltd.; 23-04, Outdoor unit of air-conditioner, 14 Mar 2008	11248/2008	Escape Fitness Limited; 06-11, A mat for sports, (EM, 25 Sep 2007) 18 Mar 2008	11333/2008
Daikin Industries Ltd.; 23-04, Air-conditioner, (JP, 23 Jan 2008) 14 Mar 2008	11249/2008	Escape Fitness Limited; 06-11, A mat for sports, (EM, 25 Sep 2007) 18 Mar 2008	11334/2008
Daikin Industries Ltd.; 23-04, Air-conditioner, (JP, 23 Jan 2008) 14 Mar 2008	11250/2008	Eveready Battery Company, Inc.; 13-02, Charger, (US, 31 Oct 2007) 11 Mar 2008	11179/2008
Daikin Industries Ltd.; 23-04, Air-conditioner, (JP, 23 Jan 2008) 14 Mar 2008	11251/2008	Feltonmix Limited; 07-05D, A towel rail, (NZ, 19 Sep 2007) 19 Mar 2008	11343/2008
Daikin Industries Ltd.; 23-04, Air-conditioner, 14 Mar 2008	11252/2008	Feltonmix Limited; 07-05D, A towel rail, (NZ, 19 Sep 2007) 19 Mar 2008	11344/2008
Daikin Industries Ltd.; 23-04, Air-conditioner, 14 Mar 2008	11253/2008	First Data Corporation; 14-02, Point of sale device, (US, 14 Sep 2007) 14 Mar 2008	11247/2008
Daikin Industries Ltd.; 23-04, Air-conditioner, 14 Mar 2008	11254/2008	Freudenberg Household Products LP; 04-01, Broom block, (US, 02 Nov 2007) 11 Mar 2008	11177/2008
Dasey, Peter Edward Wyandah; 07-99NES, Hang it all, 18 Mar 2008	11284/2008	Gattoni, Julie; 19-04, The design is intended for diary - specific audience Mums. The design is unique by its layout and format and titles, 11 Mar 2008	11369/2008
Dasey, Peter Edward Wyandah; 06-03NES, Versatable 'c' 2008, 25 Mar 2008	11429/2008	Glass Vice Holdings Limited; 08-08NES, A glass panel support, (NZ, 14 Sep 2007) 12 Mar 2008	11185/2008
Dauwalder, Juan; 06-11, A vehicle floor mat, 14 Mar 2008	11244/2008	Global Rotomoulding; 23-01NES, The connection of the 'riser' to the 'T module' to the 'dome spigot' create the 'pumpchamber' as shown, 17 Mar 2008	11234/2008
Dauwalder, Juan; 06-11, A vehicle floor mat, 14 Mar 2008	11245/2008	Global Rotomoulding; 23-01NES, The connection of a 'riser' and a 'T module' form a product used to inspect pipesystems and also allow water to enter, through inlets in 'riser'. The horizontal position of the 'T-module' is common, 17 Mar 2008	11235/2008
Dioptics Medical Products, Inc.; 16-06, Eyewear, (US, 20 Sep 2007) 20 Mar 2008	11372/2008	Global Rotomoulding; 23-01NES, 'Riser module', 17 Mar 2008	11236/2008
Dioptics Medical Products, Inc.; 16-06, Eyewear, (US, 20 Sep 2007) 20 Mar 2008	11373/2008	Global Rotomoulding; 23-01NES, 'T module' with vertical spigot and horizontal spigot, 17 Mar 2008	11237/2008
Dioptics Medical Products, Inc.; 16-06, Eyewear, (US, 20 Sep 2007) 20 Mar 2008	11374/2008		
Directa AB; 24-02, Dental instrument, (EM, 10 Oct 2007) 19 Mar 2008	11394/2008		
Dyer, John Raymond; 23-01D, Hand watering unit, 11 Mar 2008	11183/2008		

Global Rotomoulding; 23-01NES, 'Dome spigot', 17 Mar 2008	11238/2008	Hager B & R Pty Ltd; 13-03D, Quadruple switch, 19 Mar 2008	11391/2008
Global Rotomoulding; 23-01NES, 'Dome socket', 17 Mar 2008	11239/2008	Hager B & R Pty Ltd; 13-03D, Quintuple switch, 19 Mar 2008	11392/2008
Global Rotomoulding; 23-01NES, 90 degree bend, 17 Mar 2008	11240/2008	Hager B & R Pty Ltd; 13-03D, Sextuple switch, 19 Mar 2008	11393/2008
Global Rotomoulding; 23-01NES, 'Assembly Dome' includes pumpchamber, inspection chamber, 'T' module, dome spigot, dome socket, 17 Mar 2008	11241/2008	Hermans, Ty Gerard; 25-02A, Plinth, 25 Mar 2008	11435/2008
Global Rotomoulding; 23-01NES, Assembly-bend includes 'pumpchamber', 'inspection chamber', 'T module', dome spigot, dome socket and 90 degree bend, 17 Mar 2008	11242/2008	Honda Motor Co., Ltd; 12-08, Automobile, (JP, 21 Sep 2007) 20 Mar 2008	11375/2008
Goldman, Ruth; 05-05B, Fabric, 13 Mar 2008	11200/2008	Honda Motor Co., Ltd.; 12-16NES, Automobile instrument housing, (JP, 21 Sep 2007) 19 Mar 2008	11350/2008
Greaves, Jennie; 03-01A, Multi use bag with opening down side hollow tube top for hanging and carrying, 26 Mar 2008	11437/2008	Hua, Liu Yan; 08-08B, Polywasher, 13 Mar 2008	11226/2008
Greaves, Jennie; 08-08G, 06-08, Multi purpose hook hanger to fit over rails and clothes racks, 26 Mar 2008	11436/2008	Innovia Films Limited; 09-03A, Foils and film for packaging (cigarette packet), (EM, 14 Sep 2007) 07 Mar 2008	11181/2008
Groupe Marais; 15-04, Trench digging machine, (EM, 18 Sep 2007) 13 Mar 2008	11199/2008	Innovia Films Limited; 09-03A, Foils and film for packaging (cigarette packet), (EM, 14 Sep 2007) 07 Mar 2008	11182/2008
Hager B & R Pty Ltd; 13-03D, Single power point, 19 Mar 2008	11379/2008	Intellectual Property Development Corporation Pty Ltd; 09-01K, Container, 20 Mar 2008	11395/2008
Hager B & R Pty Ltd; 13-03D, Single power point, 19 Mar 2008	11380/2008	Intellectual Property Development Corporation Pty Ltd; 09-01K, Container, 20 Mar 2008	11396/2008
Hager B & R Pty Ltd; 13-03D, Single power point with one extra switch, 19 Mar 2008	11381/2008	James Hardie International Finance B.V.; 25-02NES, Moisture barrier, 20 Mar 2008	11416/2008
Hager B & R Pty Ltd; 13-03D, Single power point with two extra switches, 19 Mar 2008	11382/2008	James Hardie International Finance B.V.; 25-02NES, Moisture barrier, 20 Mar 2008	11417/2008
Hager B & R Pty Ltd; 13-03D, Single power point with one extra switch, 19 Mar 2008	11383/2008	James Hardie International Finance B.V.; 25-02NES, Moisture barrier, 20 Mar 2008	11418/2008
Hager B & R Pty Ltd; 13-03D, Single power point with two extra switches, 19 Mar 2008	11384/2008	James Hardie International Finance B.V.; 25-02NES, Moisture barrier, 20 Mar 2008	11419/2008
Hager B & R Pty Ltd; 13-03D, Double power point, 19 Mar 2008	11385/2008	JohnsonDiversey, Inc.; 31-00, Fluid dispenser, (US, 21 Sep 2007) 18 Mar 2008	11336/2008
Hager B & R Pty Ltd; 13-03D, Double power point with one extra switch, 19 Mar 2008	11386/2008	JohnsonDiversey, Inc.; 31-00, Fluid dispenser, (US, 21 Sep 2007) 18 Mar 2008	11337/2008
Hager B & R Pty Ltd; 13-03D, Double power point with one extra switch, 19 Mar 2008	11387/2008	Jorgenson-Watts Pty Ltd; 25-02B, 25-02H, Door frame, window frame, grill frame, shutter, barrier frame, 13 Mar 2008	11192/2008
Hager B & R Pty Ltd; 13-03D, Single switch, 19 Mar 2008	11388/2008	Just Rugs Australia Pty Ltd; 30-01, JR004 - 3 in 1 combination horse rug, 14 Mar 2008	11230/2008
Hager B & R Pty Ltd; 13-03D, Double switch, 19 Mar 2008	11389/2008	Kellogg, James Edward; 15-05, A pool cleaner, 11 Mar 2008	11189/2008
Hager B & R Pty Ltd; 13-03D, Triple switch, 19 Mar 2008	11390/2008	Ketola, Hannu; 23-02E, Water diverter and first flush device, 14 Mar 2008	11370/2008

Ketola, Hannu; 23-02E, Water diverter and first flush device, 14 Mar 2008	11371/2008	Millswest Pty Ltd, Trading as Paull and Mills Agencies; 02-02NES, Tie top with mesh overlay, 17 Mar 2008	11267/2008
Kikkerland Design, Inc.; 26-05NES, Keylight, 14 Mar 2008	11255/2008	Millswest Pty Ltd, Trading as Paull and Mills Agencies; 02-02NES, Cross-over mesh top with insert, 17 Mar 2008	11268/2008
Lisus Technology Pte Ltd; 08-05F, Clamp arm, 14 Mar 2008	11256/2008	Millswest Pty Ltd, Trading as Paull and Mills Agencies; 02-02C, Cross-over mesh dress with tie and buckle and insert, 17 Mar 2008	11269/2008
Lucima Pty Limited; 14-01, A programmable sound player, 20 Mar 2008	11424/2008	Millswest Pty Ltd, Trading as Paull and Mills Agencies; 02-02NES, Camisole with mesh tie top, 17 Mar 2008	11270/2008
Mass Technology (H.K.) Limited; 26-05A, Fluorescent lamp, (HK, 14 Sep 2007) 14 Mar 2008	11243/2008	Millswest Pty Ltd, Trading as Paull and Mills Agencies; 02-02C, Jean with angled pockets and button to left hand side, 17 Mar 2008	11271/2008
McNair, Jennifer Joan; 09-03E, Combination drink bottle/mobile phone/valuables carrier, 20 Mar 2008	11362/2008	Millswest Pty Ltd, Trading as Paull and Mills Agencies; 02-02C, Short jean with angled pockets and two buttons in the center, 17 Mar 2008	11272/2008
McNeil-PPC, Inc.; 28-03NES, Fragrance emitting patch, (US, 24 Sep 2007) 20 Mar 2008	11414/2008	Millswest Pty Ltd, Trading as Paull and Mills Agencies; 02-02C, Jean with rounded pocket and single button in center, 17 Mar 2008	11273/2008
McNeil-PPC, Inc.; 28-03NES, Fragrance emitting patch, (US, 24 Sep 2007) 20 Mar 2008	11415/2008	Millswest Pty Ltd, Trading as Paull and Mills Agencies; 02-02C, Jean with rounded pocket and two buttons in center, 17 Mar 2008	11274/2008
McNeil-PPC, Inc.; 28-03NES, Fragrance emitting patch and compact, (US, 24 Sep 2007) 20 Mar 2008	11420/2008	Millswest Pty Ltd, Trading as Paull and Mills Agencies; 02-02C, Jean with rounded pocket and single button in center, 17 Mar 2008	11275/2008
McNeil-PPC, Inc.; 28-03NES, Fragrance emitting patch and compact, (US, 24 Sep 2007) 20 Mar 2008	11421/2008	Millswest Pty Ltd, Trading as Paull and Mills Agencies; 02-02C, Skirt with mesh overlay on front, 17 Mar 2008	11276/2008
McNeil-PPC, Inc.; 28-03NES, Fragrance emitting patch and compact, (US, 24 Sep 2007) 20 Mar 2008	11422/2008	Millswest Pty Ltd, Trading as Paull and Mills Agencies; 02-02NES, Short sleeve pleated top with cross-over stitching and elastic arm band, 18 Mar 2008	11295/2008
Medical and Optical; 99-00, T-shirt graphic, 11 Mar 2008	11178/2008	Millswest Pty Ltd, Trading as Paull and Mills Agencies; 02-02NES, 3/4 sleeve (with split) collared top, 18 Mar 2008	11296/2008
Michelin Recherche et Technique S.A.; Societe De Technologie Michelin; 12-15B, Tyre tread, (US, 20 Sep 2007) 13 Mar 2008	11201/2008	Millswest Pty Ltd, Trading as Paull and Mills Agencies; 02-02NES, Layered look sleeveless top with beads, 18 Mar 2008	11297/2008
Microsoft Corporation; 14-99, Holder for an electronic device, (US, 28 Sep 2007) 25 Mar 2008	11428/2008	Millswest Pty Ltd, Trading as Paull and Mills Agencies; 02-02NES, Cap sleeve, layered cross-over top, 18 Mar 2008	11298/2008
Microsoft Corporation; 14-99, Holder for an electronic device, (US, 28 Sep 2007) 25 Mar 2008	11432/2008		
Microsoft Corporation; 14-99, Holder for an electronic device, (US, 28 Sep 2007) 25 Mar 2008	11433/2008		
Microsoft Corporation; 14-99, Holder for an electronic device, (US, 28 Sep 2007) 25 Mar 2008	11434/2008		
Millswest Pty Ltd, Trading as Paull and Mills Agencies; 02-02NES, Long layered mesh top (print or plain), 17 Mar 2008	11265/2008		
Millswest Pty Ltd, Trading as Paull and Mills Agencies; 02-02NES, Layered mesh top, 17 Mar 2008	11266/2008		

Millswest Pty Ltd, Trading as Paull and Mills Agencies; 02-02NES, Long cap sleeve top, 18 Mar 2008	11299/2008	Millswest Pty Ltd, Trading as Paull and Mills Agencies; 02-02NES, Camisole, 18 Mar 2008	11315/2008
Millswest Pty Ltd, Trading as Paull and Mills Agencies; 02-02C, 14 panel flared skirt, 18 Mar 2008	11300/2008	Millswest Pty Ltd, Trading as Paull and Mills Agencies; 02-02C, Skirt with mesh overlay, 18 Mar 2008	11316/2008
Millswest Pty Ltd, Trading as Paull and Mills Agencies; 02-02NES, Short sleeve layered top with buckle, 18 Mar 2008	11301/2008	Millswest Pty Ltd, Trading as Paull and Mills Agencies; 02-02C, Dress with belt insert, 18 Mar 2008	11317/2008
Millswest Pty Ltd, Trading as Paull and Mills Agencies; 02-02NES, Cap sleeve top with insert and mesh overlay, 18 Mar 2008	11302/2008	Millswest Pty Ltd, Trading as Paull and Mills Agencies; 02-02NES, Cap sleeve top with mesh insert, 18 Mar 2008	11318/2008
Millswest Pty Ltd, Trading as Paull and Mills Agencies; 02-02C, 3/4 length pant with gathered material on sides, 18 Mar 2008	11303/2008	Millswest Pty Ltd, Trading as Paull and Mills Agencies; 02-02NES, Top with material overlay, 18 Mar 2008	11319/2008
Millswest Pty Ltd, Trading as Paull and Mills Agencies; 02-02NES, Layered mesh top with black insert, 18 Mar 2008	11304/2008	Millswest Pty Ltd, Trading as Paull and Mills Agencies; 02-02C, Skirt, 18 Mar 2008	11320/2008
Millswest Pty Ltd, Trading as Paull and Mills Agencies; 02-02C, Pant with overlays, 18 Mar 2008	11305/2008	Millswest Pty Ltd, Trading as Paull and Mills Agencies; 02-02NES, Top with halter neck overlay, 18 Mar 2008	11321/2008
Millswest Pty Ltd, Trading as Paull and Mills Agencies; 02-02C, Mesh skirt with inserts, 18 Mar 2008	11306/2008	Millswest Pty Ltd, Trading as Paull and Mills Agencies; 02-02NES, V-neck top with mesh overlays, 18 Mar 2008	11322/2008
Millswest Pty Ltd, Trading as Paull and Mills Agencies; 02-02NES, Cross-over top with buckle insert, 18 Mar 2008	11307/2008	Millswest Pty Ltd, Trading as Paull and Mills Agencies; 02-02C, Skirt with mesh overlay, 18 Mar 2008	11323/2008
Millswest Pty Ltd, Trading as Paull and Mills Agencies; 02-02NES, Cross-over top, 18 Mar 2008	11308/2008	Millswest Pty Ltd, Trading as Paull and Mills Agencies; 02-02NES, Layered mesh top, 17 Mar 2008	11259/2008
Millswest Pty Ltd, Trading as Paull and Mills Agencies; 02-02C, Pant with layered mesh, 17 Mar 2008	11258/2008	Millswest Pty Ltd, Trading as Paull and Mills Agencies; 02-02NES, Layered mesh top with buckle in center, 17 Mar 2008	11260/2008
Millswest Pty Ltd, Trading as Paull and Mills Agencies; 02-02NES, Top with tie effect, 18 Mar 2008	11309/2008	Millswest Pty Ltd, Trading as Paull and Mills Agencies; 02-02NES, Camisole with mesh tie top, 17 Mar 2008	11261/2008
Millswest Pty Ltd, Trading as Paull and Mills Agencies; 02-02NES, Cross-over top, 18 Mar 2008	11310/2008	Millswest Pty Ltd, Trading as Paull and Mills Agencies; 02-02C, Pant with mesh overlay, 17 Mar 2008	11262/2008
Millswest Pty Ltd, Trading as Paull and Mills Agencies; 02-02NES, Cross-over top, 18 Mar 2008	11311/2008	Millswest Pty Ltd, Trading as Paull and Mills Agencies; 02-02NES, Layered mesh top with mesh inset, 17 Mar 2008	11263/2008
Millswest Pty Ltd, Trading as Paull and Mills Agencies; 02-02NES, Cross-over top with buckle, 18 Mar 2008	11312/2008	Millswest Pty Ltd, Trading as Paull and Mills Agencies; 02-02NES, Long layered mesh top (print or plain), 17 Mar 2008	11264/2008
Millswest Pty Ltd, Trading as Paull and Mills Agencies; 02-02C, Dress with buckle, 18 Mar 2008	11313/2008	Mullan, Alphonsus James; 15-01, -Air intake- for Holden Commodore, 17 Mar 2008	11229/2008
Millswest Pty Ltd, Trading as Paull and Mills Agencies; 02-02C, Mesh dress with tie effect, 18 Mar 2008	11314/2008	MRC Composite Products Co., Ltd.; 21-02C, Golf club shaft, (JP, 10 Sep 2007) 11 Mar 2008	11173/2008

MRC Composite Products Co., Ltd.; 21-02C, Golf club shaft, (JP, 10 Sep 2007) 11 Mar 2008	11174/2008	Reckitt Benckiser (UK) Limited; 28-99, Air freshener device, (EM, 18 Sep 2007) 17 Mar 2008	11287/2008
MTU Friedrichshafen GmbH; 12-16NES, Instrument panel and throttle, (DE, 27 Sep 2007) 11 Mar 2008	11180/2008	Reckitt Benckiser (UK) Limited; 28-99, Air freshener device, (EM, 18 Sep 2007) 17 Mar 2008	11288/2008
Nanotechnology Victoria; 24-01, Dispenser, 20 Mar 2008	11425/2008	Reckitt Benckiser (UK) Limited; 28-99, Air freshener device, (EM, 18 Sep 2007) 17 Mar 2008	11289/2008
Nanotechnology Victoria; 24-01, Dispenser, 20 Mar 2008	11426/2008	Reckitt Benckiser (UK) Limited; 28-99, Air freshener device, (EM, 18 Sep 2007) 17 Mar 2008	11290/2008
Nanotechnology Victoria; 24-01, Dispenser, 20 Mar 2008	11427/2008	Reckitt Benckiser (UK) Limited; 28-99, Air freshener device, (EM, 18 Sep 2007) 17 Mar 2008	11291/2008
Nokia Corporation; 14-03A, A handset, (EM, 17 Sep 2007) 17 Mar 2008	11279/2008	Reckitt Benckiser (UK) Limited; 28-99, Air freshener device, (EM, 18 Sep 2007) 17 Mar 2008	11291/2008
Notaras, John Arthur; Notaras, Angelo Lambrinos; 15-01, A carburettor inlet manifold, 14 Mar 2008	11206/2008	Reckitt Benckiser France; 23-02A, 23-02NES, Dispenser, (EM, 03 Oct 2007) 14 Mar 2008	11223/2008
Notaras, Angelo Lambrinos; Notaras, John Arthur; 15-01, A carburettor inlet manifold, 14 Mar 2008	11206/2008	Reckitt Benckiser France; 23-02A, 23-02NES, Dispenser, (EM, 03 Oct 2007) 14 Mar 2008	11224/2008
NEC Personal Products, Ltd.; 14-02, Computer, (JP, 29 Nov 2007) 25 Mar 2008	11439/2008	Reckitt Benckiser France; 23-02A, 23-02NES, Dispenser, (EM, 03 Oct 2007) 14 Mar 2008	11225/2008
Oberdorf, Jacqueline; 02-99, , 17 Mar 2008	11368/2008	Reckitt Benckiser France; 23-02A, 23-02NES, Dispenser, (EM, 03 Oct 2007) 14 Mar 2008	11222/2008
Pax Scientific, Inc.; 12-06C, Boat, (US, 18 Oct 2007) 21 Mar 2008	11397/2008	Reckitt Benckiser Inc.; 09-07A, Spray cap, (EM, 08 Oct 2007) 26 Mar 2008	11454/2008
Pepkor (Australia) Pty Limited; 06-08, Clothes hanger, 17 Mar 2008	11280/2008	Reckitt Benckiser N.V.; 09-01NES, Detergent dispensing device, (EM, 19 Sep 2007) 17 Mar 2008	11292/2008
Pepkor (Australia) Pty Limited; 06-08, Clothes hanger, 17 Mar 2008	11281/2008	Reckitt Benckiser N.V.; 09-07NES, Lid of detergent dispensing device, (EM, 19 Sep 2007) 17 Mar 2008	11293/2008
Pepkor (Australia) Pty Limited; 06-08, Clothes hanger, 17 Mar 2008	11282/2008	Reckitt Benckiser N.V.; 09-07NES, Lid of detergent dispensing device, (EM, 19 Sep 2007) 17 Mar 2008	11294/2008
Pepkor (Australia) Pty Limited; 06-08, Clothes hanger, 17 Mar 2008	11283/2008	Rennie, Elizabeth A.; 02-04NES, Baby shoes - soft sole, 14 Mar 2008	11231/2008
Peters, James Douglas; 11-01NES, Pyramid with 9 pyramid base cut into pyramid, 26 Mar 2008	11469/2008	Rennie, Elizabeth A.; 02-04NES, Baby shoes - soft sole, 14 Mar 2008	11232/2008
Pickard, Robert David; 08-08A, Wedge, (EM, 14 Sep 2007) 13 Mar 2008	11205/2008	Rennie, Elizabeth A.; 02-04NES, Baby shoes - soft sole, 14 Mar 2008	11233/2008
Plant, Michelle; 30-03, Wild bird feeding tray, 17 Mar 2008	11228/2008	Research In Motion Limited; 14-02, Hand-held electronic device, (US, 21 Sep 2007) 20 Mar 2008	11402/2008
Precast Bracing Systems Pty Ltd; 25-01K, Extruded brace, 18 Mar 2008	11329/2008	Research In Motion Limited; 14-02, Hand-held electronic device, (US, 21 Sep 2007) 20 Mar 2008	11403/2008
Precast Bracing Systems Pty Ltd; 25-01K, Extruded brace, 18 Mar 2008	11330/2008	Research In Motion Limited; 14-02, Hand-held electronic device, (US, 21 Sep 2007) 20 Mar 2008	11404/2008
Precast Bracing Systems Pty Ltd; 08-08L, Foot for a brace, 18 Mar 2008	11331/2008	Research In Motion Limited; 14-02, Hand-held electronic device, (US, 21 Sep 2007) 20 Mar 2008	11405/2008
Priestly, Karl; Cavanagh, Jim; 08-07, Anti theft device, 25 Mar 2008	11117/2008	Research In Motion Limited; 14-02, Hand-held electronic device, (US, 21 Sep 2007) 20 Mar 2008	11405/2008
Reckitt Benckiser (UK) Limited; 28-99, Air freshener device, (EM, 18 Sep 2007) 17 Mar 2008	11286/2008		

Research In Motion Limited; 14-02, Hand-held electronic device, (US, 21 Sep 2007) 20 Mar 2008	11406/2008	Societe De Technologie Michelin; Michelin Recherche et Technique S.A.; 12-15B, Tyre tread, (US, 20 Sep 2007) 13 Mar 2008	11201/2008
Research In Motion Limited; 14-02, Hand-held electronic device, (US, 21 Sep 2007) 20 Mar 2008	11407/2008	Toshiba Tec Kabushiki Kaisha; 14-02, Toner cartridge, (JP, 14 Sep 2007) 14 Mar 2008	11219/2008
Research In Motion Limited; 14-02, Hand-held electronic device, (US, 21 Sep 2007) 20 Mar 2008	11408/2008	Toshiba Tec Kabushiki Kaisha; 14-02, Toner cartridge, (JP, 14 Sep 2007) 14 Mar 2008	11220/2008
Research In Motion Limited; 14-02, Hand-held electronic device, (US, 21 Sep 2007) 20 Mar 2008	11409/2008	Unilever PLC; 09-01NES, Container for personal care compositions, (GB, 11 Oct 2007) 18 Mar 2008	11338/2008
Research In Motion Limited; 14-02, Hand-held electronic device, (US, 21 Sep 2007) 20 Mar 2008	11410/2008	Unilever PLC; 09-05, Sleeve, (GB, 21 Sep 2007) 18 Mar 2008	11339/2008
Research In Motion Limited; 14-02, Hand-held electronic device, (US, 21 Sep 2007) 20 Mar 2008	11411/2008	Vater, Lance Malcolm; 08-07, Shoot bolt, 20 Mar 2008	11430/2008
Review Australia Pty Ltd; 02-02C, 02-02NES, Ladies garments, 25 Mar 2008	11438/2008	Vehicle Components Pty Ltd; 12-16NES, An axle, 12 Mar 2008	11188/2008
Robert Bosch GmbH; 08-01, Power tool, (EM, 20 Dec 2007) 20 Mar 2008	11377/2008	Warin, Nigel Trevor; 23-01F, Tank, 14 Mar 2008	11193/2008
Rockbrook Holdings Limited; 02-04A, Orthotic device, 11 Mar 2008	11170/2008	Workpower Incorporated; 06-10, Plastic strip curtain, 13 Mar 2008	11194/2008
Rusnak, Joel; 02-04NES, Shoes, (US, 01 Aug 2007) 31 Mar 2008	11508/2008	Xinle Bathroom Products (Foshan) Co., Ltd.; 23-02C, A toilet suite, 14 Mar 2008	11257/2008
S.C. Johnson & Son, Inc.; 08-06, Handle, (US, 21 Sep 2007) 20 Mar 2008	11412/2008	Ying, Er; 26-06, Motorcycle front light, (CN, 31 Oct 2007) 13 Mar 2008	11227/2008
Sanford, L.P.; 19-02, Sorter, (US, 12 Sep 2007) 11 Mar 2008	11186/2008	Ying, Er; 26-06, Motorcycle rear light, (CN, 31 Oct 2007) 13 Mar 2008	11218/2008
Sanford, L.P.; 19-02, Sorter, (US, 12 Sep 2007) 11 Mar 2008	11187/2008	Young, Gregory Keith; 23-02NES, Toilet water displacement module, 20 Mar 2008	11423/2008
Shop-Vac Corporation; 15-05, Vacuum cleaner, (US, 25 Sep 2007) 14 Mar 2008	11221/2008	3M Innovative Properties Company; 08-03, Scissors, (US, 27 Sep 2007) 19 Mar 2008	11354/2008
Societe des Produits Nestle S.A.; 31-00, Beverage dispenser, (CH, 06 Nov 2007) 13 Mar 2008	11195/2008		

Applications Withdrawn

19963 / 2007 (15-05)

Applications Lapsed

13253 / 2004 (06-04F)	19483 / 2007 (21-02D)	20666 / 2007 (09-07B)	20767 / 2007 (21-03)
19934 / 2007 (12-11)	19935 / 2007 (12-11)	20827 / 2007 (24-02)	20828 / 2007 (24-02)
19936 / 2007 (99-00)	19968 / 2007 (12-08)	20829 / 2007 (24-02)	20853 / 2007 (03-01NES)
20402 / 2007 (09-07A)	20545 / 2007 (09-07B)	20927 / 2007 (21-03)	20930 / 2007 (99-00)
20547 / 2007 (20-02NES)	20631 / 2007 (09-07B)	10245 / 2008 (13-03D)	10473 / 2008 (99-00)

Revocation of Design Registrations

The following Design Registration(s) have been revoked and are taken never to have been registered:

302124 28-99
302125 28-99
303921 28-99
303922 28-99

Extensions of time granted under Section 137

Applications lodged under section 137 for extension of time have been granted.

20853/2007 **ANI Forest International**

Applications Assigned

(The name in parentheses is that of the subsequent applicant)

20545/2007 (**HB Closure Systems Pty Ltd**) CTECH Closure Systems Pty Ltd
20402/2007 (**HB Closure Systems Pty Ltd**) CTECH Closure Systems Pty Ltd

Subsequent Owners Registered

(The name in parentheses is that of the subsequent owner)

311283 (**HB Closure Systems Pty Ltd**) Ctech Closures Pty Ltd
300784 (**Persimmon Nominees Pty Ltd**) Mayne Industries Pty Ltd
304059 (**Gal Pal, Inc.**) Shannon Larkin;Courtney A. Rovira
305939 (**Rebecca Mowle**) Lorena Zanner
305940 (**Rebecca Mowle**) Lorena Zanner
311707 (**HB Closure Systems Pty Ltd**) CTECH Closures Pty Ltd
311775 (**HB Closure Systems Pty Ltd**) CTECH Closures Pty Ltd
312085 (**Persimmon Nominees Pty Ltd**) Mayne Industries Pty Ltd
318416 (**Yamatoya Co., Ltd**) Goumei-gaisha Yamatoya
318417 (**Yamatoya Co., Ltd**) Goumei-gaisha Yamatoya
305829 (**Sinclair Research Ltd**) Daka Research Inc.

Corrigenda

Number 20052/2007

In Vol 22 , No 1 , page 9 under the heading **Applications Lapsed**; Design No. 20052/2007(06-06NES) should be deleted.

Number 317095

In Vol 21 , No 25 , page 10939 under the heading **Australian Registered Design**; (72) Name(s) of Designer(s) should read: Michael Ferman and Oliver Clemens Robert Kratzer.

Certificate(s) of Examination

Examination of the following Design Registration(s) has been completed. Infringement proceedings may now be commenced.

304426	07-04	02/04/2008	315597	13-03NES	31/03/2008
307164	20-02NES	31/03/2008	315599	13-03NES	31/03/2008
307233	02-02C	27/03/2008	315600	26-02	28/03/2008
307252	02-02NES	27/03/2008	315601	06-13B	28/03/2008
307253	02-04C	27/03/2008	315603	13-03NES	31/03/2008
307254	02-04C	27/03/2008	315657	05-06NES	31/03/2008
307607	21-02C	27/03/2008	315712	12-16B	28/03/2008
308404	13-03C	31/03/2008	315713	12-16B	28/03/2008
308510	09-07A	28/03/2008	315714	12-16B	28/03/2008
308633	13-03D	28/03/2008	315801	23-01G	28/03/2008
310451	08-07	31/03/2008	315802	23-01G	28/03/2008
310988	02-02A	09/04/2008	315842	12-16L	31/03/2008
311419	21-01L	27/03/2008	315865	06-13C	31/03/2008
311457	09-03K	03/04/2008	315867	24-02	31/03/2008
312173	09-01H	31/03/2008	315868	24-02	31/03/2008
312616	02-02A	09/04/2008	315869	06-04NES	31/03/2008
312673	15-99	31/03/2008	315901	28-99	06/04/2008
313216	07-02L	31/03/2008	315908	14-03E	02/04/2008
314122	08-08NES	31/03/2008	315932	19-06	30/03/2008
314123	08-08NES	31/03/2008	316003	21-02F	31/03/2008
314124	08-08NES	31/03/2008	316102	19-04	28/03/2008
314125	08-08NES	31/03/2008	316111	15-03A	31/03/2008
314126	08-08NES	31/03/2008	316112	08-09	09/04/2008
314127	08-08NES	31/03/2008	316113	15-03B	09/04/2008
314128	08-08NES	31/03/2008	316124	25-01E	31/03/2008
314207	12-05	27/03/2008	316244	07-02A	01/04/2008
314208	25-02C	27/03/2008	316263	12-15C	01/04/2008
314209	14-03NES	27/03/2008	316322	09-01K	07/04/2008
314210	14-03NES	31/03/2008	316323	09-01K	07/04/2008
314211	14-03NES	31/03/2008	316324	09-01K	07/04/2008
314215	14-02	08/04/2008	316325	09-01A	07/04/2008
314216	14-03NES	31/03/2008	317240	06-01E	03/04/2008
314228	14-02	31/03/2008	317773	15-01	31/03/2008
314237	14-02	31/03/2008	317774	15-01	31/03/2008
314601	26-03	31/03/2008			
314610	08-05NES	28/03/2008			
314614	08-05NES	28/03/2008			
314638	08-06	31/03/2008			
314779	23-02B	31/03/2008			
314933	19-08	28/03/2008			
315052	25-99	28/03/2008			
315160	09-01K	02/04/2008			
315161	09-01K	02/04/2008			
315187	06-01H	28/03/2008			
315192	06-01H	28/03/2008			
315195	06-01H	28/03/2008			
315196	06-01H	25/03/2008			
315197	06-01H	25/03/2008			
315251	25-02A	28/03/2008			
315283	05-06NES	28/03/2008			
315286	15-99	28/03/2008			
315409	12-10	31/03/2008			
315506	14-03NES	28/03/2008			
315507	14-03NES	28/03/2008			
315508	14-03NES	28/03/2008			
315509	14-03NES	28/03/2008			
315522	23-01NES	28/03/2008			
315539	02-02C	28/03/2008			
315540	02-02C	28/03/2008			
315541	02-02C	28/03/2008			
315594	13-03NES	31/03/2008			
315595	13-03NES	31/03/2008			
315596	13-03NES	31/03/2008			

Publication and Registration Proceedings

Designs Registered

This section provides a concordance between design number and registration number of Designs covered in this journal. It also shows the main class and registration date.

This section covers Registration numbers 318493 to 318785 .

The registration number shown below should be used in all future correspondence.

Design Number	Registration Number	International Classification Code (IDC)	Registration Date	Design Number	Registration Number	International Classification Code (IDC)	Registration Date
17094/2007	318727	12-16B	08/04/2008	21006/2007	318610	12-16K	01/04/2008
18294/2007	318763	23-02B	08/04/2008	21010/2007	318611	12-05	01/04/2008
18618/2007	318609	13-03B	01/04/2008	21011/2007	318612	08-06	01/04/2008
18684/2007	318742	13-03E	08/04/2008	21012/2007	318579	21-03	28/03/2008
19472/2007	318684	02-02C	07/04/2008	21013/2007	318673	14-04	04/04/2008
19573/2007	318671	02-02C	04/04/2008	21014/2007	318580	26-05A	28/03/2008
19631/2007	318672	02-02C	04/04/2008	21015/2007	318581	26-05A	28/03/2008
20003/2007	318608	24-04	31/03/2008	21016/2007	318582	21-02C	28/03/2008
20006/2007	318591	24-04	31/03/2008	21017/2007	318583	21-02C	28/03/2008
20008/2007	318592	24-04	31/03/2008	21018/2007	318584	21-02C	28/03/2008
20009/2007	318593	24-04	31/03/2008	21019/2007	318585	21-02C	28/03/2008
20010/2007	318594	24-04	31/03/2008	21020/2007	318586	21-02C	28/03/2008
20012/2007	318595	24-04	31/03/2008	21021/2007	318587	09-07C	28/03/2008
20013/2007	318596	24-04	31/03/2008	21022/2007	318588	09-07C	28/03/2008
20014/2007	318597	24-04	31/03/2008	21023/2007	318613	06-01C	01/04/2008
20015/2007	318598	24-04	31/03/2008	21024/2007	318589	15-05	28/03/2008
20017/2007	318599	24-04	31/03/2008	21025/2007	318590	15-05	28/03/2008
20018/2007	318600	24-04	31/03/2008	21026/2007	318648	07-02L	03/04/2008
20064/2007	318576	12-15B	02/04/2008	21029/2007	318614	26-02	01/04/2008
20065/2007	318577	12-15D	02/04/2008	21030/2007	318615	26-02	01/04/2008
20197/2007	318728	12-10	08/04/2008	21032/2007	318711	25-01D	08/04/2008
20436/2007	318743	23-02F	08/04/2008	21033/2007	318616	02-04NES	01/04/2008
20595/2007	318764	23-01A	08/04/2008	21034/2007	318617	20-02E	01/04/2008
20612/2007	318729	25-02C	08/04/2008	21035/2007	318618	30-04	01/04/2008
20632/2007	318730	25-02C	08/04/2008	21036/2007	318619	20-02E	01/04/2008
20659/2007	318731	07-04	08/04/2008	21037/2007	318620	20-02E	01/04/2008
20662/2007	318601	13-03D	31/03/2008	21041/2007	318621	24-02	01/04/2008
20663/2007	318602	13-03D	31/03/2008	21042/2007	318622	09-09	01/04/2008
20671/2007	318765	26-05B	08/04/2008	21043/2007	318623	18-02	01/04/2008
20717/2007	318733	08-08B	08/04/2008	21048/2007	318624	02-02NES	01/04/2008
20759/2007	318732	25-01E	08/04/2008	21049/2007	318625	08-05NES	01/04/2008
20773/2007	318744	01-01	08/04/2008	21051/2007	318627	23-01B	01/04/2008
20776/2007	318734	02-01NES	08/04/2008	21052/2007	318628	13-03B	01/04/2008
20873/2007	318766	02-04B	08/04/2008	21053/2007	318629	13-03B	01/04/2008
20874/2007	318767	02-04B	08/04/2008	21054/2007	318630	07-01C	01/04/2008
20875/2007	318768	02-04B	08/04/2008	21056/2007	318631	07-04	01/04/2008
20931/2007	318497	15-05	27/03/2008	21057/2007	318632	08-08C	01/04/2008
20932/2007	318496	15-05	27/03/2008	21059/2007	318633	08-08L	01/04/2008
20933/2007	318495	15-05	27/03/2008	21060/2007	318634	19-06	01/04/2008
20934/2007	318494	15-05	27/03/2008	21061/2007	318626	26-05C	01/04/2008
20935/2007	318493	15-05	27/03/2008	21062/2007	318635	21-02C	01/04/2008
20936/2007	318498	07-99C	27/03/2008	21063/2007	318636	21-02C	01/04/2008
20937/2007	318499	04-01	27/03/2008	21065/2007	318637	12-16P	01/04/2008
20938/2007	318500	07-05E	27/03/2008	21066/2007	318638	26-99	01/04/2008
20939/2007	318501	04-01	27/03/2008	21067/2007	318639	23-01G	01/04/2008
20940/2007	318502	13-03NES	27/03/2008	21073/2007	318640	25-01C	01/04/2008
20970/2007	318745	26-02	08/04/2008	21074/2007	318641	25-01C	01/04/2008
20994/2007	318578	23-01H	28/03/2008	21075/2007	318642	13-03D	01/04/2008
20998/2007	318603	23-01H	31/03/2008	21076/2007	318643	13-03D	01/04/2008
20999/2007	318604	13-03B	31/03/2008	21077/2007	318644	11-01A	01/04/2008
21002/2007	318605	25-02C	31/03/2008	21078/2007	318645	21-02C	01/04/2008
21004/2007	318606	26-02	31/03/2008	21079/2007	318646	21-02C	01/04/2008
21005/2007	318607	26-02	31/03/2008	21080/2007	318647	21-02C	01/04/2008

Publication and Registration Proceedings - Designs Registered cont'd

Design Number	Registration Number	International Classification Code (IDC)	Registration Date	Design Number	Registration Number	International Classification Code (IDC)	Registration Date
21082/2007	318674	12-15A	04/04/2008	21223/2007	318689	09-04	07/04/2008
21083/2007	318649	12-15A	03/04/2008	21235/2007	318690	07-04	07/04/2008
21088/2007	318650	02-02C	03/04/2008	21236/2007	318691	07-04	07/04/2008
21089/2007	318651	02-02C	03/04/2008	21238/2007	318692	23-02A	07/04/2008
21090/2007	318652	02-02C	03/04/2008	21239/2007	318693	07-06NES	07/04/2008
21091/2007	318653	25-01A	03/04/2008	21240/2007	318694	09-07C	07/04/2008
21092/2007	318654	23-02B	03/04/2008	21241/2007	318695	07-04	07/04/2008
21095/2007	318655	12-10	03/04/2008	21242/2007	318696	14-02	07/04/2008
21096/2007	318656	13-02	03/04/2008	21249/2007	318697	06-03A	07/04/2008
21098/2007	318657	09-01G	03/04/2008	21250/2007	318698	06-04D	07/04/2008
21099/2007	318658	21-02C	03/04/2008	21251/2007	318699	06-04D	07/04/2008
21100/2007	318659	21-02C	03/04/2008	21252/2007	318700	06-04B	07/04/2008
21102/2007	318660	09-03M	03/04/2008	21253/2007	318701	06-04NES	07/04/2008
21103/2007	318661	09-03M	03/04/2008	21254/2007	318702	06-03B	07/04/2008
21104/2007	318662	09-03M	03/04/2008	21255/2007	318703	06-03B	07/04/2008
21106/2007	318675	08-08H	04/04/2008	21256/2007	318704	06-04F	07/04/2008
21107/2007	318676	08-08H	04/04/2008	21257/2007	318705	06-04D	07/04/2008
21108/2007	318677	15-07	04/04/2008	21258/2007	318706	06-03A	07/04/2008
21109/2007	318678	15-07	04/04/2008	21259/2007	318707	06-04B	07/04/2008
21110/2007	318679	15-07	04/04/2008	21260/2007	318708	06-04NES	07/04/2008
21111/2007	318680	22-05	04/04/2008	21309/2007	318752	08-05A	08/04/2008
21112/2007	318681	24-03	04/04/2008	21310/2007	318753	15-05	08/04/2008
21113/2007	318682	07-02E	04/04/2008	21312/2007	318709	09-99	07/04/2008
21114/2007	318683	07-02E	04/04/2008	21313/2007	318710	10-04	07/04/2008
21115/2007	318735	21-02C	08/04/2008	21315/2007	318754	16-06	08/04/2008
21116/2007	318736	14-03B	08/04/2008	21318/2007	318755	13-02	08/04/2008
21120/2007	318737	07-05A	08/04/2008	21352/2007	318663	06-03D	03/04/2008
21121/2007	318738	07-05A	08/04/2008	21353/2007	318776	24-01	08/04/2008
21122/2007	318739	07-05A	08/04/2008	21354/2007	318777	24-01	08/04/2008
21129/2007	318685	07-02R	07/04/2008	21355/2007	318778	24-01	08/04/2008
21130/2007	318686	07-02N	07/04/2008	21356/2007	318779	24-01	08/04/2008
21131/2007	318687	07-02R	07/04/2008	21357/2007	318780	24-01	08/04/2008
21132/2007	318688	07-02R	07/04/2008	21358/2007	318781	24-01	08/04/2008
21133/2007	318712	07-02N	08/04/2008	21359/2007	318782	24-01	08/04/2008
21135/2007	318713	06-03NES	08/04/2008	21360/2007	318783	25-01K	08/04/2008
21139/2007	318769	12-06C	08/04/2008	21361/2007	318784	25-01K	08/04/2008
21140/2007	318714	02-03	08/04/2008	21362/2007	318785	25-01K	08/04/2008
21141/2007	318715	12-16NES	08/04/2008	21380/2007	318740	15-01	08/04/2008
21142/2007	318716	12-16B	08/04/2008	21515/2007	318741	25-01D	08/04/2008
21143/2007	318717	12-16B	08/04/2008	10042/2008	318724	02-02NES	08/04/2008
21144/2007	318718	01-01	08/04/2008	10043/2008	318725	02-02NES	08/04/2008
21145/2007	318719	01-01	08/04/2008	10044/2008	318726	02-02C	08/04/2008
21146/2007	318720	01-01	08/04/2008	10388/2008	318664	02-02C	04/04/2008
21147/2007	318721	12-16NES	08/04/2008	10537/2008	318665	02-02NES	04/04/2008
21148/2007	318722	12-16NES	08/04/2008	10538/2008	318666	02-02NES	04/04/2008
21170/2007	318723	23-04	08/04/2008	10539/2008	318667	02-02C	04/04/2008
21172/2007	318770	13-02	08/04/2008	10540/2008	318668	02-02C	04/04/2008
21173/2007	318746	09-03M	08/04/2008	10541/2008	318669	02-02C	04/04/2008
21174/2007	318747	09-03M	08/04/2008	10542/2008	318670	02-02C	04/04/2008
21175/2007	318748	09-03M	08/04/2008	10955/2008	318756	02-02C	08/04/2008
21178/2007	318771	09-01K	08/04/2008	10956/2008	318757	02-02C	08/04/2008
21179/2007	318772	08-05L	08/04/2008	10957/2008	318758	02-02C	08/04/2008
21181/2007	318773	05-05NES	08/04/2008	10958/2008	318759	02-02C	08/04/2008
21182/2007	318774	05-05NES	08/04/2008	10959/2008	318760	02-02C	08/04/2008
21183/2007	318775	24-04	08/04/2008	10960/2008	318761	02-02C	08/04/2008
21184/2007	318749	23-02A	08/04/2008	10961/2008	318762	02-02C	08/04/2008
21185/2007	318750	09-03F	08/04/2008	11207/2008	318565	28-03B	02/04/2008
21190/2007	318751	02-04A	08/04/2008	11208/2008	318566	28-03B	02/04/2008

Publication and Registration Proceedings - Designs Registered cont'd

Design Number	Registration Number	International Classification Code (IDC)	Registration Date	Design Number	Registration Number	International Classification Code (IDC)	Registration Date
11209/2008	318567	28-03B	02/04/2008	11214/2008	318572	28-03B	02/04/2008
11210/2008	318568	28-03B	02/04/2008	11215/2008	318573	28-03B	02/04/2008
11211/2008	318569	28-03B	02/04/2008	11216/2008	318574	28-03B	02/04/2008
11212/2008	318570	28-03B	02/04/2008	11217/2008	318575	28-03B	02/04/2008
11213/2008	318571	28-03B	02/04/2008				

Publication and Registration Proceedings
Class Listing of Designs Published or Registered

The following section shows an International Classification Code listing of the Registered or Published Designs covered in this supplement.

Classification	Registration Number	Design Number	Classification	Registration Number	Design Number
01-01	318718	21144/2007	06-04 NES	318701	21253/2007
01-01	318719	21145/2007	06-04 NES	318708	21260/2007
01-01	318720	21146/2007	07-01 C	318630	21054/2007
01-01	318744	20773/2007	07-02 E	318682	21113/2007
02-01 NES	318734	20776/2007	07-02 E	318683	21114/2007
02-02 B	318751	21190/2007	07-02 L	318648	21026/2007
02-02 C	318650	21088/2007	07-02 N	318686	21130/2007
02-02 C	318651	21089/2007	07-02 N	318712	21133/2007
02-02 C	318652	21090/2007	07-02 R	318685	21129/2007
02-02 C	318664	10388/2008	07-02 R	318687	21131/2007
02-02 C	318667	10539/2008	07-02 R	318688	21132/2007
02-02 C	318668	10540/2008	07-04	318631	21056/2007
02-02 C	318669	10541/2008	07-04	318690	21235/2007
02-02 C	318670	10542/2008	07-04	318691	21236/2007
02-02 C	318671	19573/2007	07-04	318695	21241/2007
02-02 C	318672	19631/2007	07-04	318731	20659/2007
02-02 C	318684	19472/2007	07-05 A	318737	21120/2007
02-02 C	318726	10044/2008	07-05 A	318738	21121/2007
02-02 C	318756	10955/2008	07-05 A	318739	21122/2007
02-02 C	318757	10956/2008	07-05 E	318500	20938/2007
02-02 C	318758	10957/2008	07-05 NES	318771	21178/2007
02-02 C	318759	10958/2008	07-06 NES	318693	21239/2007
02-02 C	318760	10959/2008	07-07 A	318680	21111/2007
02-02 C	318761	10960/2008	07-99 C	318498	20936/2007
02-02 C	318762	10961/2008	08-05 A	318752	21309/2007
02-02 NES	318624	21048/2007	08-05 L	318772	21179/2007
02-02 NES	318665	10537/2008	08-05 NES	318625	21049/2007
02-02 NES	318666	10538/2008	08-06	318612	21011/2007
02-02 NES	318724	10042/2008	08-08 B	318733	20717/2007
02-02 NES	318725	10043/2008	08-08 C	318632	21057/2007
02-03	318714	21140/2007	08-08 H	318675	21106/2007
02-04 A	318751	21190/2007	08-08 H	318676	21107/2007
02-04 B	318766	20873/2007	08-08 L	318633	21059/2007
02-04 B	318767	20874/2007	08-08 NES	318732	20759/2007
02-04 B	318768	20875/2007	09-01 G	318657	21098/2007
02-04 NES	318616	21033/2007	09-01 K	318771	21178/2007
03-01 A	318748	21175/2007	09-03 F	318750	21185/2007
04-01	318499	20937/2007	09-03 M	318660	21102/2007
04-01	318501	20939/2007	09-03 M	318661	21103/2007
05-05 NES	318773	21181/2007	09-03 M	318662	21104/2007
05-05 NES	318774	21182/2007	09-03 M	318746	21173/2007
05-06 NES	318773	21181/2007	09-03 M	318747	21174/2007
05-06 NES	318774	21182/2007	09-03 M	318748	21175/2007
06-01 C	318613	21023/2007	09-04	318689	21223/2007
06-03 A	318697	21249/2007	09-07 C	318587	21021/2007
06-03 A	318706	21258/2007	09-07 C	318588	21022/2007
06-03 B	318702	21254/2007	09-07 C	318694	21240/2007
06-03 B	318703	21255/2007	09-09	318622	21042/2007
06-03 D	318663	21352/2007	09-99	318709	21312/2007
06-03 NES	318713	21135/2007	10-04	318615	21030/2007
06-04 B	318700	21252/2007	10-04	318710	21313/2007
06-04 B	318707	21259/2007	11-01 A	318644	21077/2007
06-04 D	318698	21250/2007	12-05	318611	21010/2007
06-04 D	318699	21251/2007	12-06 C	318769	21139/2007
06-04 D	318705	21257/2007	12-10	318655	21095/2007
06-04 F	318704	21256/2007	12-10	318728	20197/2007

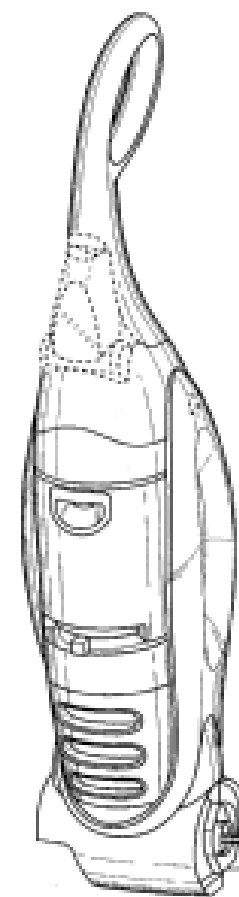
Registration Proceedings - Class Listing of Designs Published or Registered cont'd

Classification	Registration Number	Design Number	Classification	Registration Number	Design Number
12-15 A	318649	21083/2007	21-02 C	318647	21080/2007
12-15 A	318674	21082/2007	21-02 C	318658	21099/2007
12-15 B	318576	20064/2007	21-02 C	318659	21100/2007
12-15 D	318577	20065/2007	21-02 C	318735	21115/2007
12-16 B	318716	21142/2007	21-03	318579	21012/2007
12-16 B	318717	21143/2007	22-05	318680	21111/2007
12-16 B	318727	17094/2007	23-01 A	318764	20595/2007
12-16 K	318610	21006/2007	23-01 B	318627	21051/2007
12-16 NES	318715	21141/2007	23-01 G	318639	21067/2007
12-16 NES	318721	21147/2007	23-01 H	318578	20994/2007
12-16 NES	318722	21148/2007	23-01 H	318603	20998/2007
12-16 P	318637	21065/2007	23-01 NES	318772	21179/2007
13-01	318737	21120/2007	23-02 A	318692	21238/2007
13-01	318738	21121/2007	23-02 A	318749	21184/2007
13-02	318656	21096/2007	23-02 B	318654	21092/2007
13-02	318755	21318/2007	23-02 B	318763	18294/2007
13-02	318770	21172/2007	23-02 F	318743	20436/2007
13-03 B	318604	20999/2007	23-04	318723	21170/2007
13-03 B	318609	18618/2007	24-01	318776	21353/2007
13-03 B	318628	21052/2007	24-01	318777	21354/2007
13-03 B	318629	21053/2007	24-01	318778	21355/2007
13-03 D	318601	20662/2007	24-01	318779	21356/2007
13-03 D	318602	20663/2007	24-01	318780	21357/2007
13-03 D	318642	21075/2007	24-01	318781	21358/2007
13-03 D	318643	21076/2007	24-01	318782	21359/2007
13-03 E	318742	18684/2007	24-02	318621	21041/2007
13-03 NES	318502	20940/2007	24-03	318681	21112/2007
14-01	318673	21013/2007	24-04	318591	20006/2007
14-02	318696	21242/2007	24-04	318592	20008/2007
14-03 B	318736	21116/2007	24-04	318593	20009/2007
14-04	318673	21013/2007	24-04	318594	20010/2007
15-01	318740	21380/2007	24-04	318595	20012/2007
15-05	318493	20935/2007	24-04	318596	20013/2007
15-05	318494	20934/2007	24-04	318597	20014/2007
15-05	318495	20933/2007	24-04	318598	20015/2007
15-05	318496	20932/2007	24-04	318599	20017/2007
15-05	318497	20931/2007	24-04	318600	20018/2007
15-05	318589	21024/2007	24-04	318608	20003/2007
15-05	318590	21025/2007	24-04	318775	21183/2007
15-05	318753	21310/2007	25-01 A	318653	21091/2007
15-07	318677	21108/2007	25-01 C	318640	21073/2007
15-07	318678	21109/2007	25-01 C	318641	21074/2007
15-07	318679	21110/2007	25-01 D	318711	21032/2007
16-06	318754	21315/2007	25-01 D	318741	21515/2007
18-02	318623	21043/2007	25-01 E	318732	20759/2007
19-06	318634	21060/2007	25-01 K	318783	21360/2007
20-02 E	318617	21034/2007	25-01 K	318784	21361/2007
20-02 E	318619	21036/2007	25-01 K	318785	21362/2007
20-02 E	318620	21037/2007	25-02 C	318605	21002/2007
20-03 NES	318732	20759/2007	25-02 C	318729	20612/2007
21-02 C	318582	21016/2007	25-02 C	318730	20632/2007
21-02 C	318583	21017/2007	26-02	318606	21004/2007
21-02 C	318584	21018/2007	26-02	318607	21005/2007
21-02 C	318585	21019/2007	26-02	318614	21029/2007
21-02 C	318586	21020/2007	26-02	318615	21030/2007
21-02 C	318635	21062/2007	26-02	318745	20970/2007
21-02 C	318636	21063/2007	26-05 A	318580	21014/2007
21-02 C	318645	21078/2007	26-05 A	318581	21015/2007
21-02 C	318646	21079/2007	26-05 B	318765	20671/2007

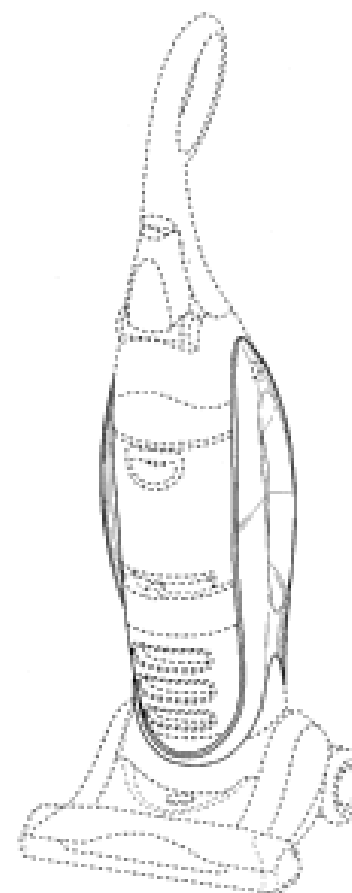
Registration Proceedings - Class Listing of Designs Published or Registered cont'd

Classification	Registration Number	Design Number	Classification	Registration Number	Design Number
26-05 C	318626	21061/2007	28-03 B	318570	11212/2008
26-06	318606	21004/2007	28-03 B	318571	11213/2008
26-06	318607	21005/2007	28-03 B	318572	11214/2008
26-99	318638	21066/2007	28-03 B	318573	11215/2008
28-03 B	318565	11207/2008	28-03 B	318574	11216/2008
28-03 B	318566	11208/2008	28-03 B	318575	11217/2008
28-03 B	318567	11209/2008	30-04	318618	21035/2007
28-03 B	318568	11210/2008	99-00	318625	21049/2007
28-03 B	318569	11211/2008			

(21) Design Number: **20935/2007**
 (22) Date of Filing Application: **22 November 2007**
 (24) Date from which industrial property rights may have effect: **22 November 2007**
 (54) Product in respect of which the design is registered: **Vacuum cleaner housing**
 (51) International Design Classification: **15-05**
 (71) Name(s) and Address(s) of Applicant(s):
Electrolux Home Care Products, Inc.
20445 Emerald Parkway South West Suite 250 Cleveland Ohio 44135
United States of America
 (72) Name(s) of Designer(s): **Apollo Paul Paredes and Randall Sandlin and Vincent Bobrosky**
 (45) Registration Date: **27 March 2008**
 (30) Convention priority data:
 (31) Number (32) Date (33) Country
29/280,659 04 Jun 2007 UNITED STATES OF AMERICA
 (56) Related Art Documents: **Not Applicable**
 (57) Statement of Newness and Distinctiveness: **Newness and distinctiveness reside in the features of shape and/or configuration of the vacuum cleaner housing, as shown in the representations. Newness and distinctiveness are not claimed in the features shown in broken lines in the representations. These features are shown for illustrative purposes only.**



(21) Design Number: **20934/2007**
 (22) Date of Filing Application: **22 November 2007**
 (24) Date from which industrial property rights may have effect: **22 November 2007**
 (54) Product in respect of which the design is registered: **Vacuum cleaner housing feature**
 (51) International Design Classification: **15-05**
 (71) Name(s) and Address(s) of Applicant(s):
Electrolux Home Care Products, Inc.
20445 Emerald Parkway South West Suite 250 Cleveland Ohio 44135
United States of America
 (72) Name(s) of Designer(s): **Apollo Paul Paredes and Randall Sandlin and Vincent Bobrosky**
 (45) Registration Date: **27 March 2008**
 (30) Convention priority data:
 (31) Number (32) Date (33) Country
29/280,658 04 Jun 2007 UNITED STATES OF AMERICA
 (56) Related Art Documents: **Not Applicable**
 (57) Statement of Newness and Distinctiveness: **Newness and distinctiveness reside in the features of shape and/or configuration of the vacuum cleaner housing feature, as shown in the representations. Newness and distinctiveness are not claimed in the features shown in broken lines in the representations. These features are shown for illustrative purposes only.**



(21) Design Number: **20933/2007**
 (22) Date of Filing Application: **22 November 2007**
 (24) Date from which industrial property rights may have effect: **22 November 2007**
 (54) Product in respect of which the design is registered: **Upright vacuum cleaner**
 (51) International Design Classification: **15-05**
 (71) Name(s) and Address(s) of Applicant(s):

Electrolux Home Care Products, Inc.
20445 Emerald Parkway South West Suite 250 Cleveland Ohio 44135
United States of America

(72) Name(s) of Designer(s): **Apollo Paul Paredes and Randall Sandlin and Vincent Bobrosky**

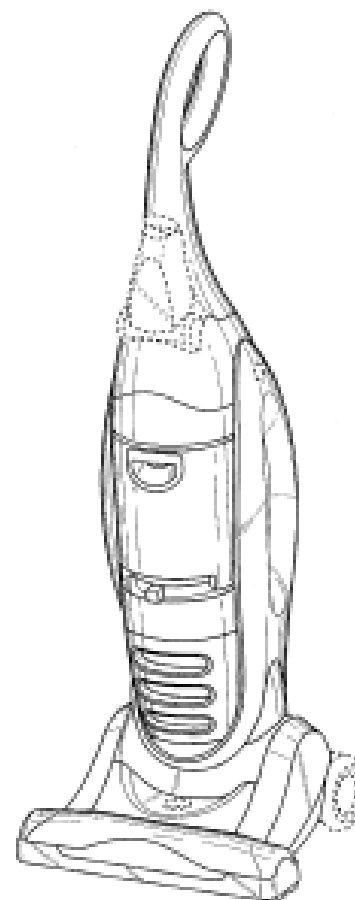
(45) Registration Date: **27 March 2008**

(30) Convention priority data:

(31) Number	(32) Date	(33) Country
29/280,655	04 Jun 2007	UNITED STATES OF AMERICA

(56) Related Art Documents: **Not Applicable**

(57) Statement of Newness and Distinctiveness: **Newness and distinctiveness reside in the features of shape and/or configuration of the upright vacuum cleaner, as shown in the representations. Newness and distinctiveness are not claimed in the features shown in broken lines in the representations. These features are shown for illustrative purposes only.**



(21) Design Number: **20932/2007**
 (22) Date of Filing Application: **22 November 2007**
 (24) Date from which industrial property rights may have effect: **22 November 2007**
 (54) Product in respect of which the design is registered: **Vacuum cleaner grille**
 (51) International Design Classification: **15-05**
 (71) Name(s) and Address(s) of Applicant(s):

Electrolux Home Care Products, Inc.
20445 Emerald Parkway South West Suite 250 Cleveland Ohio 44135
United States of America

(72) Name(s) of Designer(s): **Apollo Paul Paredes and Randall Sandlin and Vincent Bobrosky**

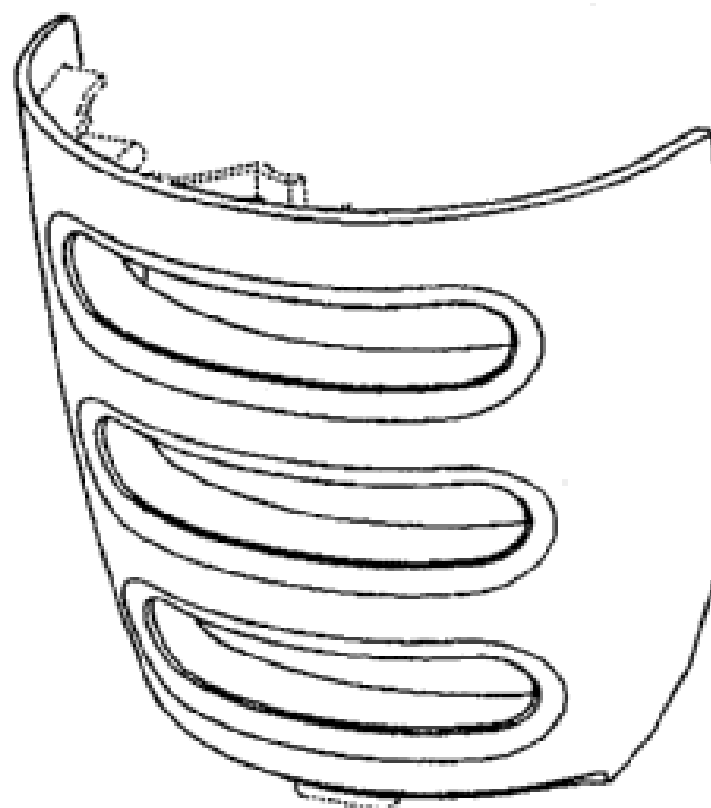
(45) Registration Date: **27 March 2008**

(30) Convention priority data:

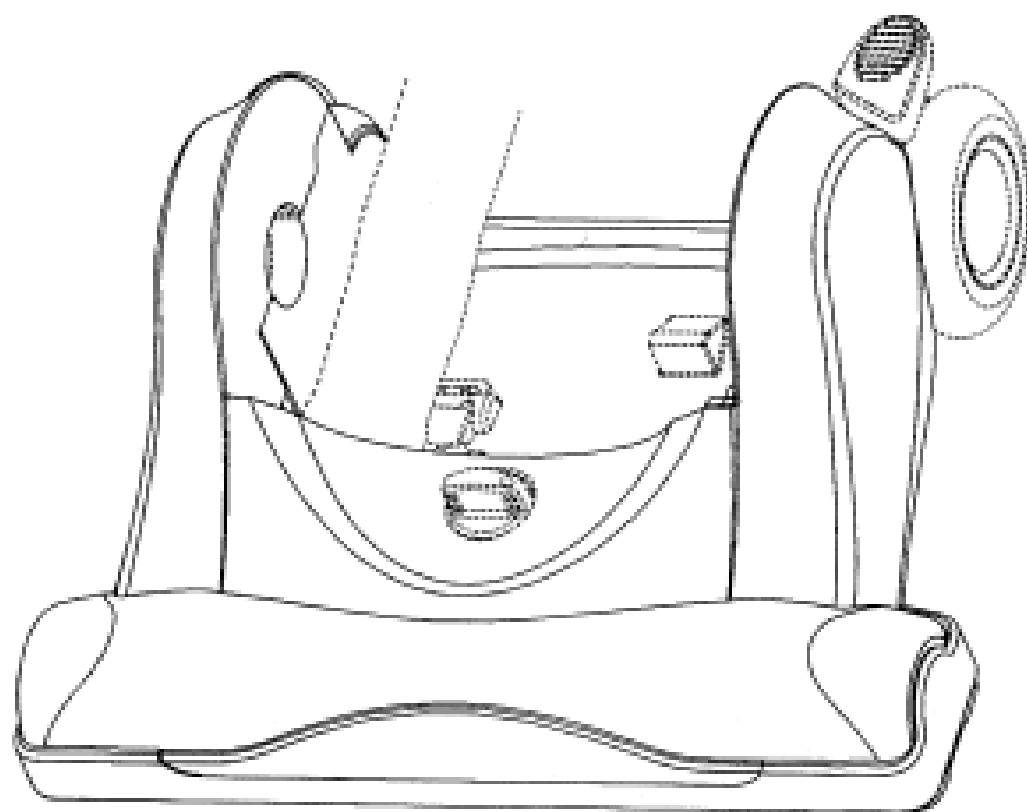
(31) Number	(32) Date	(33) Country
29/280,656	04 Jun 2007	UNITED STATES OF AMERICA

(56) Related Art Documents: **Not Applicable**

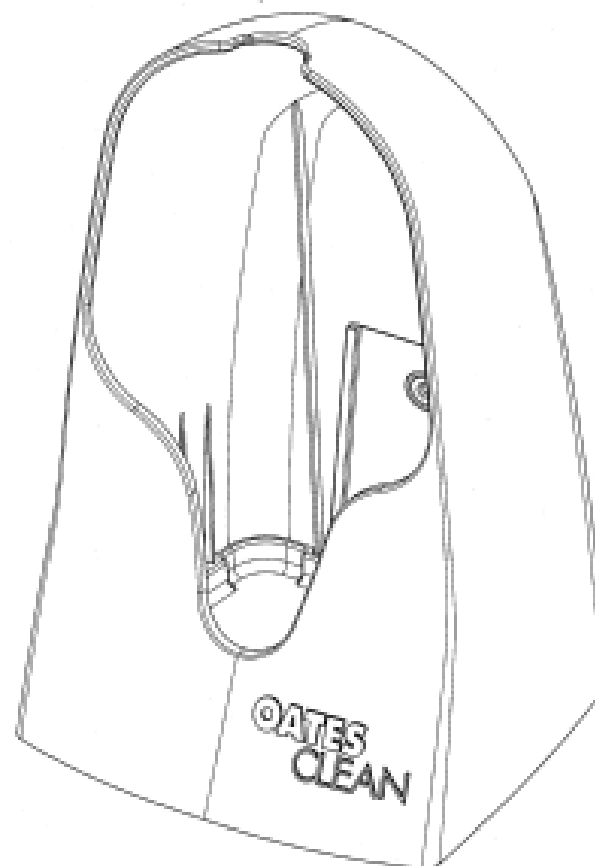
(57) Statement of Newness and Distinctiveness: **Newness and distinctiveness reside in the features of shape and/or configuration of the vacuum cleaner grille, as shown in the representations. Newness and distinctiveness are not claimed in the features shown in broken lines in the representations. These features are shown for illustrative purposes only.**



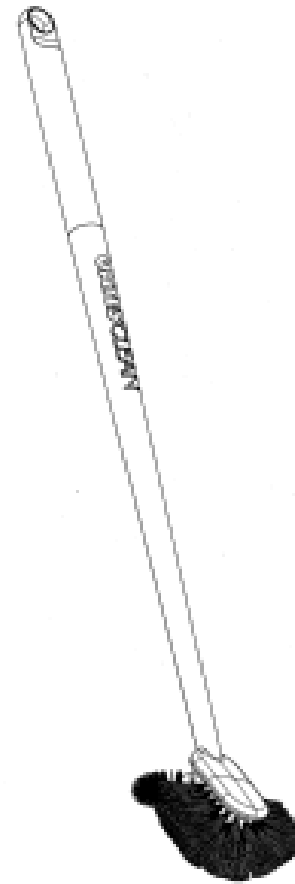
- (21) Design Number: **20931/2007**
(22) Date of Filing Application: **22 November 2007**
(24) Date from which industrial property rights may have effect: **22 November 2007**
(54) Product in respect of which the design is registered: **Vacuum cleaner base**
(51) International Design Classification: **15-05**
(71) Name(s) and Address(s) of Applicant(s):
Electrolux Home Care Products, Inc.
20445 Emerald Parkway South West Suite 250 Cleveland Ohio 44135
United States of America
(72) Name(s) of Designer(s): **Apollo Paul Paredes and Randall Sandlin and Vincent Bobrosky**
(45) Registration Date: **27 March 2008**
(30) Convention priority data:
(31) Number (32) Date (33) Country
29/280,653 04 Jun 2007 UNITED STATES OF AMERICA
(56) Related Art Documents: **Not Applicable**
(57) Statement of Newness and Distinctiveness: **Newness and distinctiveness reside in the features of shape and/or configuration of the vacuum cleaner base, as shown in the representations. Newness and distinctiveness are not claimed in the features shown in broken lines in the representations. These features are shown for illustrative purposes only.**



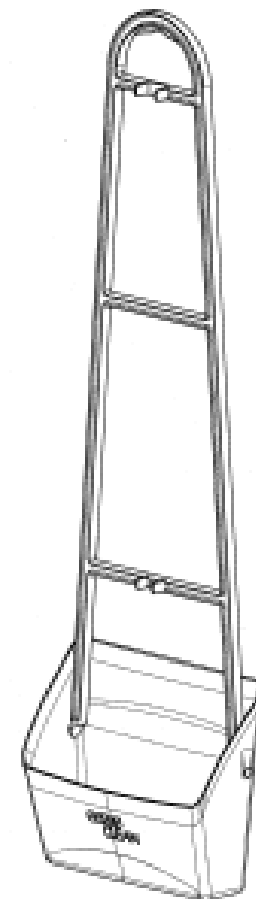
- (21) Design Number: **20936/2007**
(22) Date of Filing Application: **21 November 2007**
(24) Date from which industrial property rights may have effect: **21 November 2007**
(54) Product in respect of which the design is registered: **Caddy for cleaning implement**
(51) International Design Classification: **07-99C**
(71) Name(s) and Address(s) of Applicant(s):
E.D. Oates Pty Ltd
Maygar Boulevard Broadmeadows Victoria 3047 Australia
(72) Name(s) of Designer(s): **Ali Ersan and Allan Hooworth**
(45) Registration Date: **27 March 2008**
(56) Related Art Documents: **Not Applicable**
(57) Statement of Newness and Distinctiveness: **Newness and distinctiveness resides in the visual features of shape and/or configuration of a caddy for cleaning implement, as illustrated in the accompanying representations. The words "Oates Clean" do not form part of the design and are to be disregarded when considering the newness and distinctiveness of the design.**



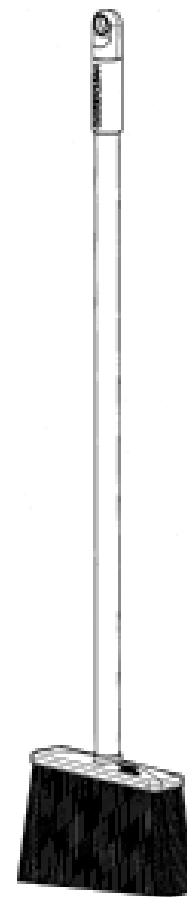
- (21) Design Number: **20937/2007**
(22) Date of Filing Application: **21 November 2007**
(24) Date from which industrial property rights may have effect: **21 November 2007**
(54) Product in respect of which the design is registered: **Cleaning brush**
(51) International Design Classification: **04-01**
(71) Name(s) and Address(s) of Applicant(s):
E.D. Oates Pty Ltd
Maygar Boulevard Broadmeadows Victoria 3047 Australia
(72) Name(s) of Designer(s): **Ali Ersan and Allan Hooworth**
(45) Registration Date: **27 March 2008**
(56) Related Art Documents: **Not Applicable**
(57) Statement of Newness and Distinctiveness: **Newness and distinctiveness resides in the visual features of shape and/or configuration of a cleaning brush as illustrated in the accompanying representations. The words "Oates Clean" do not form part of the design and are to be disregarded when considering the newness and distinctiveness of the design.**



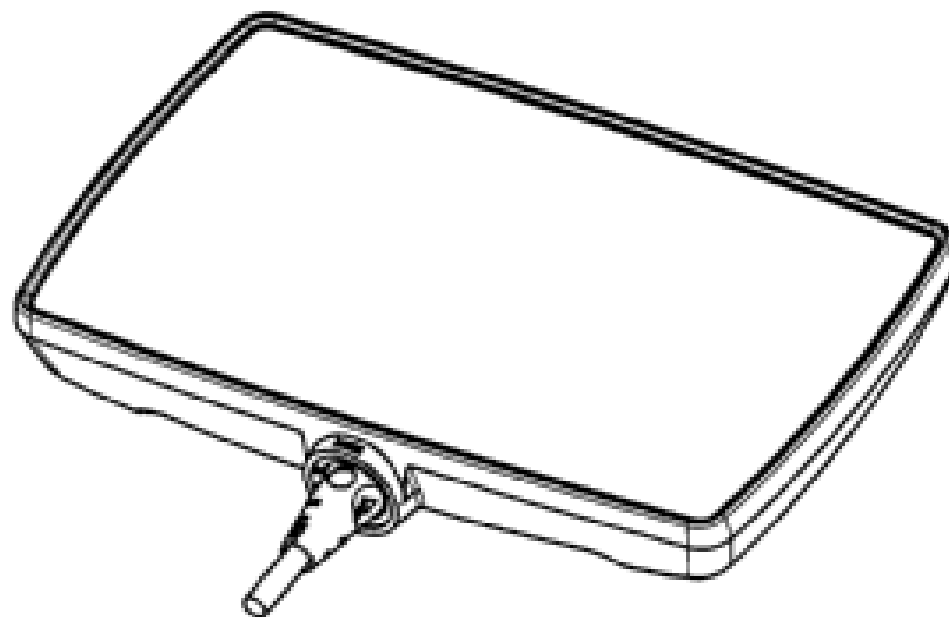
- (21) Design Number: **20938/2007**
(22) Date of Filing Application: **21 November 2007**
(24) Date from which industrial property rights may have effect: **21 November 2007**
(54) Product in respect of which the design is registered: **Dustpan**
(51) International Design Classification: **07-05E**
(71) Name(s) and Address(s) of Applicant(s):
E.D. Oates Pty Ltd
Maygar Boulevard Broadmeadows Victoria 3047 Australia
(72) Name(s) of Designer(s): **Jonathan Chan and Allan Hooworth**
(45) Registration Date: **27 March 2008**
(56) Related Art Documents: **Not Applicable**
(57) Statement of Newness and Distinctiveness: **Newness and distinctiveness resides in the visual features of shape and/or configuration of a dustpan as illustrated in the accompanying representations. The words "Oates Clean" do not form part of the design and are to be disregarded when considering the newness and distinctiveness of the design.**



- (21) Design Number: **20939/2007**
(22) Date of Filing Application: **21 November 2007**
(24) Date from which industrial property rights may have effect: **21 November 2007**
(54) Product in respect of which the design is registered: **Broom**
(51) International Design Classification: **04-01**
(71) Name(s) and Address(s) of Applicant(s):
E.D. Oates Pty Ltd
Maygar Boulevard Broadmeadows Victoria 3047 Australia
(72) Name(s) of Designer(s): **Jonathan Chan and Allan Hooworth**
(45) Registration Date: **27 March 2008**
(56) Related Art Documents: **Not Applicable**
(57) Statement of Newness and Distinctiveness: **Newness and distinctiveness resides in the visual features of shape and/or configuration of a broom as illustrated in the accompanying representations. The shape and/or configuration of the end cap and handle, and the words "Oates Clean" do not form part of the design and are to be disregarded when considering the newness and distinctiveness of the design.**



- (21) Design Number: **20940/2007**
(22) Date of Filing Application: **21 November 2007**
(24) Date from which industrial property rights may have effect: **21 November 2007**
(54) Product in respect of which the design is registered: **A control unit, especially for hospital and care beds**
(51) International Design Classification: **13-03NES**
(71) Name(s) and Address(s) of Applicant(s):
Linak A/S
Smedevaenget 8 Guderup DK-6430 Nordborg Denmark
(72) Name(s) of Designer(s): **Peter Boldsen Lund and John Landerholm**
(45) Registration Date: **27 March 2008**
(30) Convention priority data:
(31) Number (32) Date (33) Country
DA 2007 21 May 2007 DENMARK
00131
(56) Related Art Documents: **Not Applicable**
(57) Statement of Newness and Distinctiveness: **Newness and distinctiveness is claimed in the features of shape and/or configuration of a control unit, especially for hospital and care beds as illustrated in the accompanying representations.**



(21) Design Number: **11207/2008**

(22) Date of Filing Application: **28 February 2008**

(24) Date from which industrial property rights may have effect: **28 February 2008**

(54) Product in respect of which the design is registered: **Hair straightener (hair iron, flat iron, hair styler)**

(51) International Design Classification: **28-03B**

(71) Name(s) and Address(s) of Applicant(s):

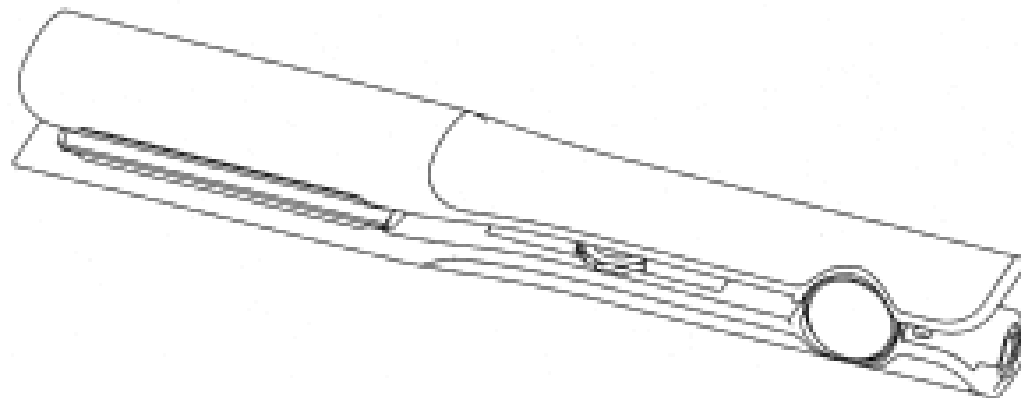
**Shenzhen Shenchuang Electrical Appliance Co., Ltd.
Bldg 15 Shaer Industrial Park Ditang Road Shajing Baoan Shenzhen
518104 China**

(72) Name(s) of Designer(s): **Yang Yanguo**

(45) Registration Date: **02 April 2008**

(56) Related Art Documents: **Not Applicable**

(57) Statement of Newness and Distinctiveness: **Nil**



(21) Design Number: **11208/2008**

(22) Date of Filing Application: **28 February 2008**

(24) Date from which industrial property rights may have effect: **28 February 2008**

(54) Product in respect of which the design is registered: **Hair straightener (hair iron, flat iron, hair styler)**

(51) International Design Classification: **28-03B**

(71) Name(s) and Address(s) of Applicant(s):

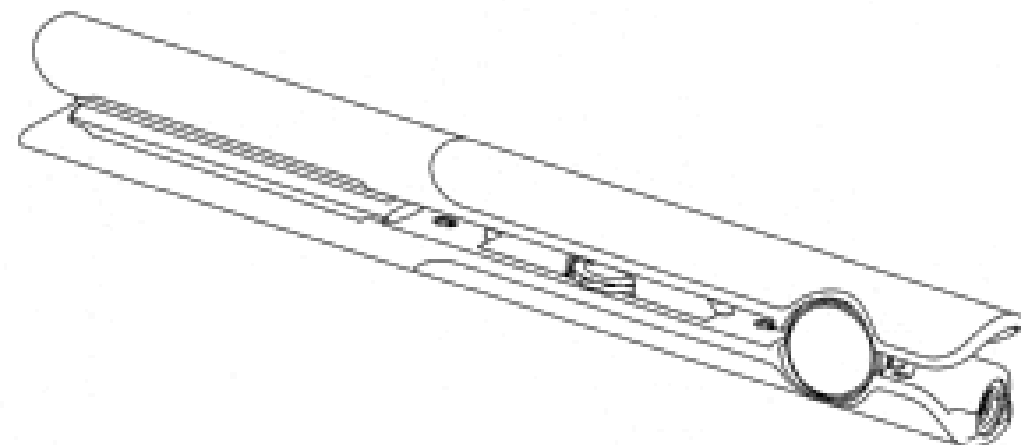
**Shenzhen Shenchuang Electrical Appliance Co., Ltd.
Bldg 15 Shaer Industrial Park Ditang Road Shajing Baoan Shenzhen
518104 China**

(72) Name(s) of Designer(s): **Yang Yanguo**

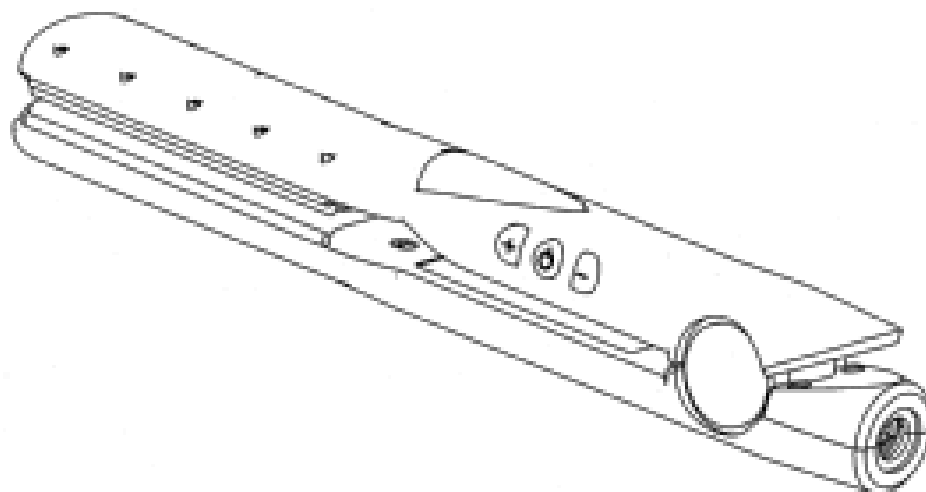
(45) Registration Date: **02 April 2008**

(56) Related Art Documents: **Not Applicable**

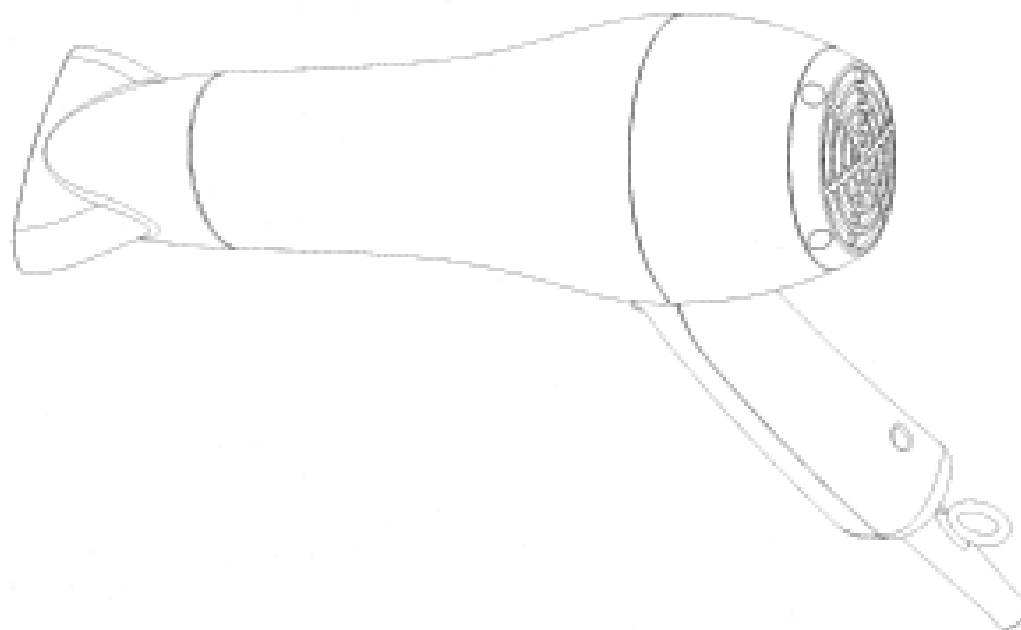
(57) Statement of Newness and Distinctiveness: **Nil**



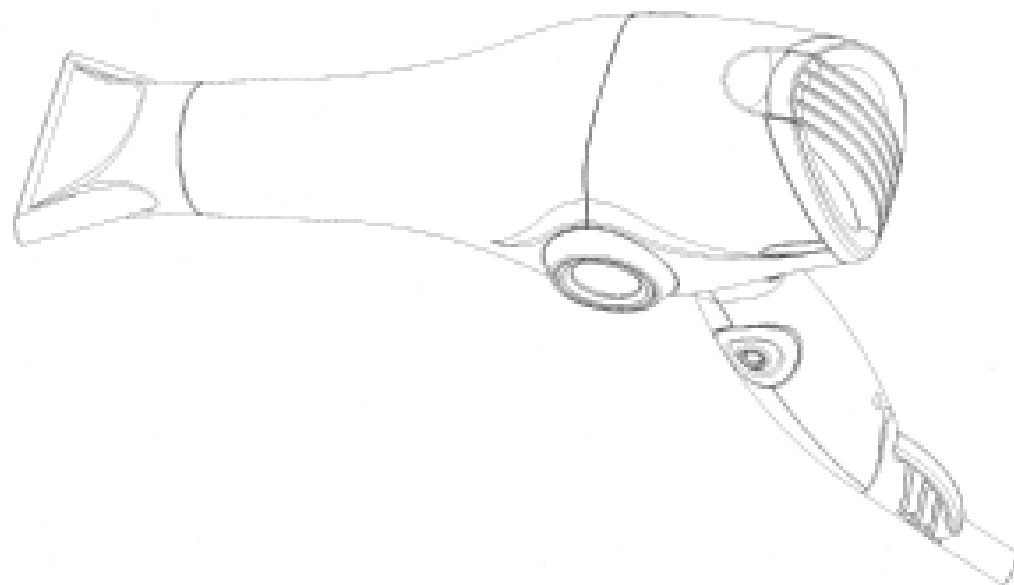
- (21) Design Number: **11209/2008**
- (22) Date of Filing Application: **28 February 2008**
- (24) Date from which industrial property rights may have effect: **28 February 2008**
- (54) Product in respect of which the design is registered: **Hair straightener (hair iron, flat iron, hair styler)**
- (51) International Design Classification: **28-03B**
- (71) Name(s) and Address(s) of Applicant(s):
Shenzhen Shenchuang Electrical Appliance Co., Ltd.
Bldg 15 Shaer Industrial Park Ditang Road Shajing Baoan Shenzhen
518104 China
- (72) Name(s) of Designer(s): **Yang Yanguo**
- (45) Registration Date: **02 April 2008**
- (56) Related Art Documents: **Not Applicable**
- (57) Statement of Newness and Distinctiveness: **Nil**



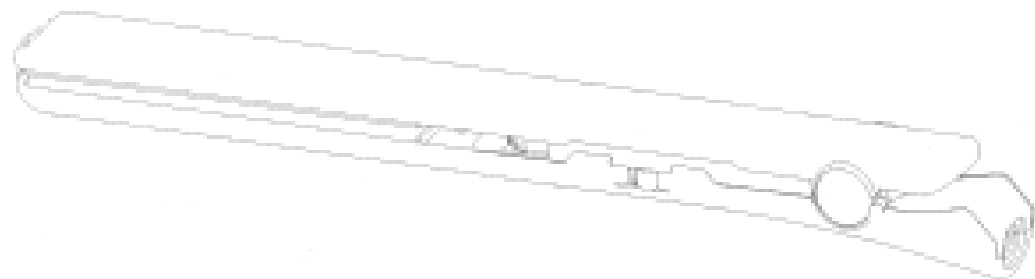
- (21) Design Number: **11210/2008**
- (22) Date of Filing Application: **28 February 2008**
- (24) Date from which industrial property rights may have effect: **28 February 2008**
- (54) Product in respect of which the design is registered: **Hair dryer (blow dryer, hair drier)**
- (51) International Design Classification: **28-03B**
- (71) Name(s) and Address(s) of Applicant(s):
Shenzhen Shenchuang Electrical Appliance Co., Ltd.
Bldg 15 Shaer Industrial Park Ditang Road Shajing Baoan Shenzhen
518104 China
- (72) Name(s) of Designer(s): **Yang Yanguo**
- (45) Registration Date: **02 April 2008**
- (56) Related Art Documents: **Not Applicable**
- (57) Statement of Newness and Distinctiveness: **Nil**



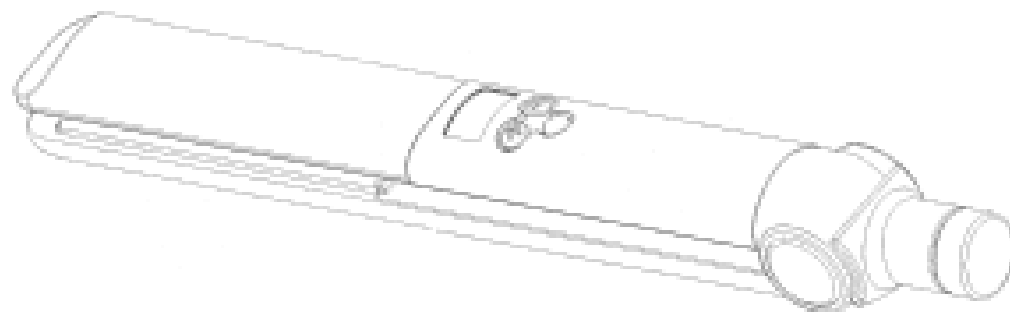
- (21) Design Number: **11211/2008**
- (22) Date of Filing Application: **28 February 2008**
- (24) Date from which industrial property rights may have effect: **28 February 2008**
- (54) Product in respect of which the design is registered: **Hair dryer (blow dryer, hair drier)**
- (51) International Design Classification: **28-03B**
- (71) Name(s) and Address(s) of Applicant(s):
Shenzhen Shenchuang Electrical Appliance Co., Ltd.
Bldg 15 Shaer Industrial Park Ditang Road Shajing Baoan Shenzhen
518104 China
- (72) Name(s) of Designer(s): **Yang Yanguo**
- (45) Registration Date: **02 April 2008**
- (56) Related Art Documents: **Not Applicable**
- (57) Statement of Newness and Distinctiveness: **Nil**



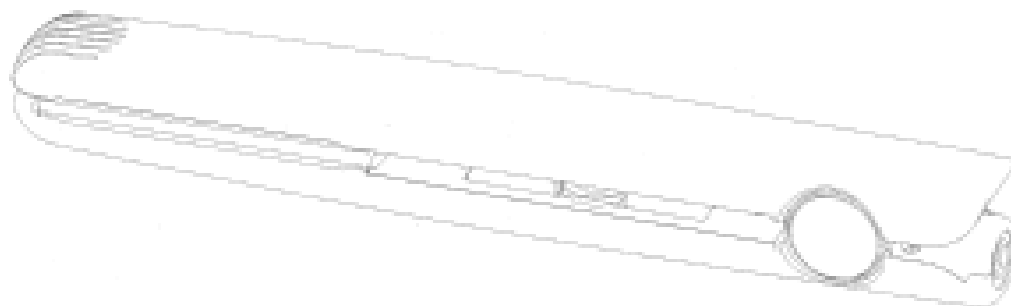
- (21) Design Number: **11212/2008**
- (22) Date of Filing Application: **28 February 2008**
- (24) Date from which industrial property rights may have effect: **28 February 2008**
- (54) Product in respect of which the design is registered: **Hair straightener (hair iron, flat iron, hair styler)**
- (51) International Design Classification: **28-03B**
- (71) Name(s) and Address(s) of Applicant(s):
Shenzhen Shenchuang Electrical Appliance Co., Ltd.
Bldg 15 Shaer Industrial Park Ditang Road Shajing Baoan Shenzhen
518104 China
- (72) Name(s) of Designer(s): **Yang Yanguo**
- (45) Registration Date: **02 April 2008**
- (56) Related Art Documents: **Not Applicable**
- (57) Statement of Newness and Distinctiveness: **Nil**



- (21) Design Number: **11213/2008**
(22) Date of Filing Application: **28 February 2008**
(24) Date from which industrial property rights may have effect: **28 February 2008**
(54) Product in respect of which the design is registered: **Hair straightener (hair iron, flat iron, hair styler)**
(51) International Design Classification: **28-03B**
(71) Name(s) and Address(s) of Applicant(s):
Shenzhen Shenchuang Electrical Appliance Co., Ltd.
Bldg 15 Shaer Industrial Park Ditang Road Shajing Baoan Shenzhen
518104 China
(72) Name(s) of Designer(s): **Yang Yanguo**
(45) Registration Date: **02 April 2008**
(56) Related Art Documents: **Not Applicable**
(57) Statement of Newness and Distinctiveness: **Nil**



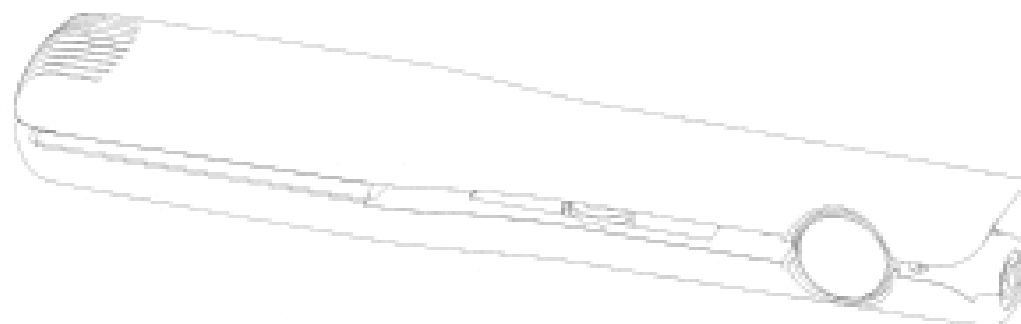
- (21) Design Number: **11214/2008**
(22) Date of Filing Application: **28 February 2008**
(24) Date from which industrial property rights may have effect: **28 February 2008**
(54) Product in respect of which the design is registered: **Hair straightener (hair iron, flat iron, hair styler)**
(51) International Design Classification: **28-03B**
(71) Name(s) and Address(s) of Applicant(s):
Shenzhen Shenchuang Electrical Appliance Co., Ltd.
Bldg 15 Shaer Industrial Park Ditang Road Shajing Baoan Shenzhen
518104 China
(72) Name(s) of Designer(s): **Yang Yanguo**
(45) Registration Date: **02 April 2008**
(56) Related Art Documents: **Not Applicable**
(57) Statement of Newness and Distinctiveness: **Nil**



- (21) Design Number: **11215/2008**
(22) Date of Filing Application: **28 February 2008**
(24) Date from which industrial property rights may have effect: **28 February 2008**
(54) Product in respect of which the design is registered: **Hair straightener (hair iron, flat iron, hair styler)**
(51) International Design Classification: **28-03B**
(71) Name(s) and Address(s) of Applicant(s):
Shenzhen Shenchuang Electrical Appliance Co., Ltd.
Bldg 15 Shaer Industrial Park Ditang Road Shajing Baoan Shenzhen
518104 China
(72) Name(s) of Designer(s): **Yang Yanguo**
(45) Registration Date: **02 April 2008**
(56) Related Art Documents: **Not Applicable**
(57) Statement of Newness and Distinctiveness: **Nil**



- (21) Design Number: **11216/2008**
(22) Date of Filing Application: **28 February 2008**
(24) Date from which industrial property rights may have effect: **28 February 2008**
(54) Product in respect of which the design is registered: **Hair straightener (hair iron, flat iron, hair styler)**
(51) International Design Classification: **28-03B**
(71) Name(s) and Address(s) of Applicant(s):
Shenzhen Shenchuang Electrical Appliance Co., Ltd.
Bldg 15 Shaer Industrial Park Ditang Road Shajing Baoan Shenzhen
518104 China
(72) Name(s) of Designer(s): **Yang Yanguo**
(45) Registration Date: **02 April 2008**
(56) Related Art Documents: **Not Applicable**
(57) Statement of Newness and Distinctiveness: **Nil**



(21) Design Number: **11217/2008**

(22) Date of Filing Application: **28 February 2008**

(24) Date from which industrial property rights may have effect: **28 February 2008**

(54) Product in respect of which the design is registered: **Hair clipper**

(51) International Design Classification: **28-03B**

(71) Name(s) and Address(s) of Applicant(s):

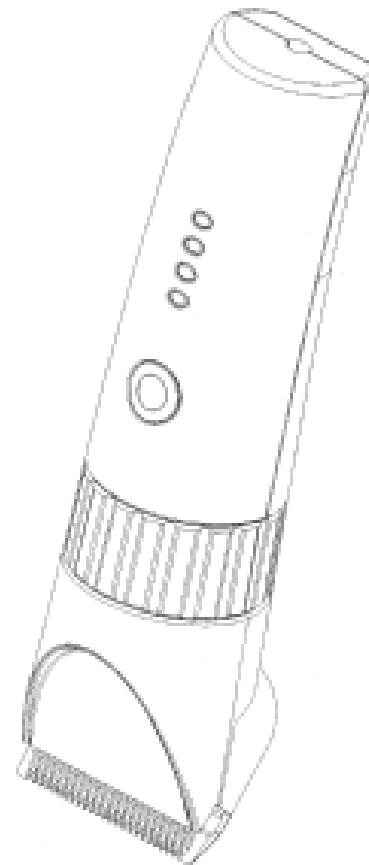
**Shenzhen Shenchuang Electrical Appliance Co., Ltd.
Bldg 15 Shaer Industrial Park Ditang Road Shajing Baoan Shenzhen
518104 China**

(72) Name(s) of Designer(s): **Yang Yanguo**

(45) Registration Date: **02 April 2008**

(56) Related Art Documents: **Not Applicable**

(57) Statement of Newness and Distinctiveness: **Nil**



(21) Design Number: **20064/2007**

(22) Date of Filing Application: **03 October 2007**

(24) Date from which industrial property rights may have effect: **03 October 2007**

(54) Product in respect of which the design is registered: **A tyre for automobile**

(51) International Design Classification: **12-15B**

(71) Name(s) and Address(s) of Applicant(s):

**Nariko Ohara
538-18 Ayameikeminami 7-chome Nara-shi Nara 631-0033 Japan**

**Kuniaki Takamatsu
55 Takamatsu Kaminoyama-shi Yamagata 999-3243 Japan**

**Yoshiaki Ito
10-21 Minamigaoka 1-chome Chikusa-ku Nagoya-shi Aichi 464-0042
Japan**

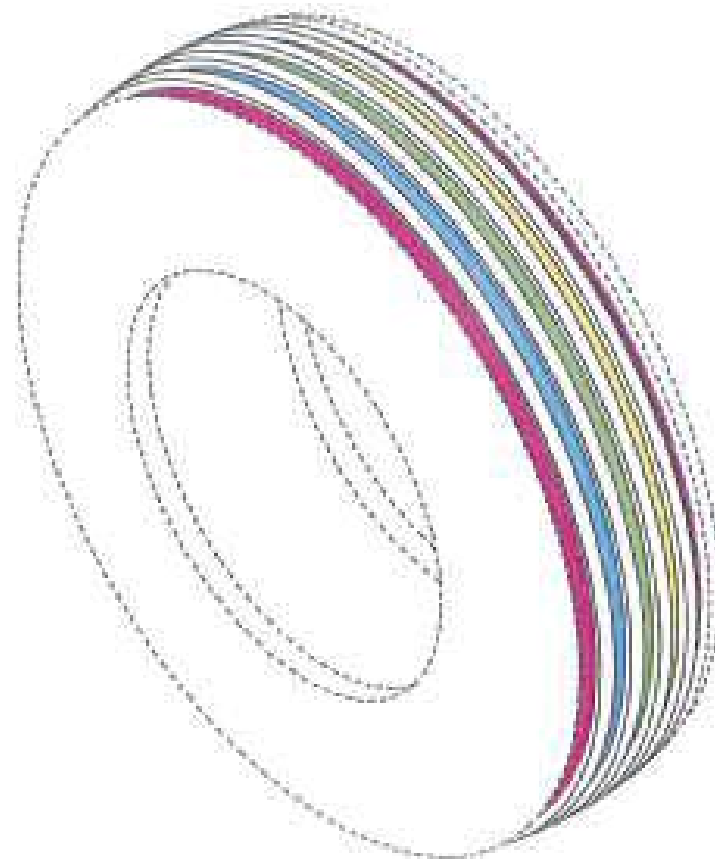
**Hideaki Kikuchi
25-25 Taishibashi 1-chome Asahi-ku Osaka-shi Osaka 535-0001 Japan**

(72) Name(s) of Designer(s): **Nariko Ohara and Kuniaki Takamatsu**

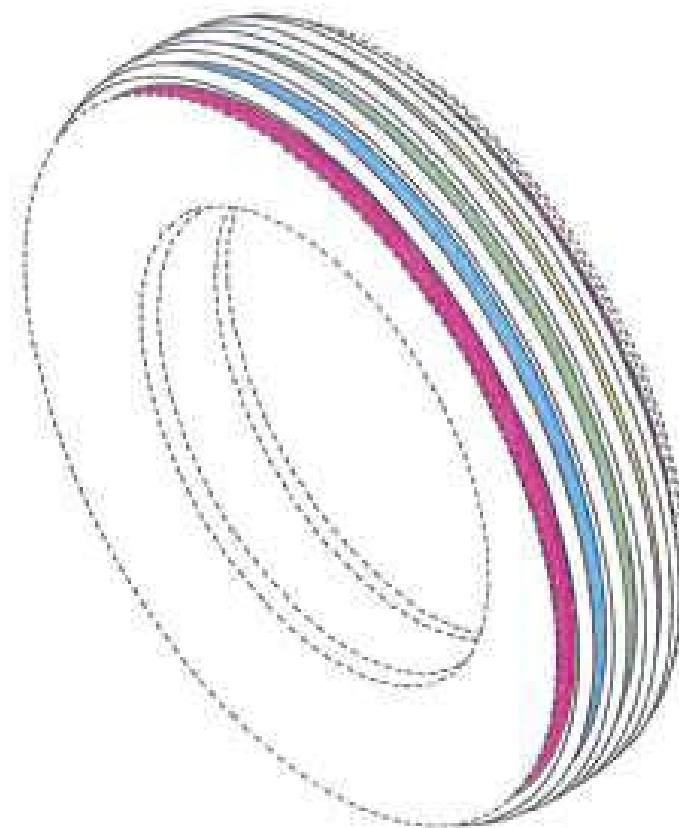
(45) Registration Date: **02 April 2008**

(56) Related Art Documents: **Not Applicable**

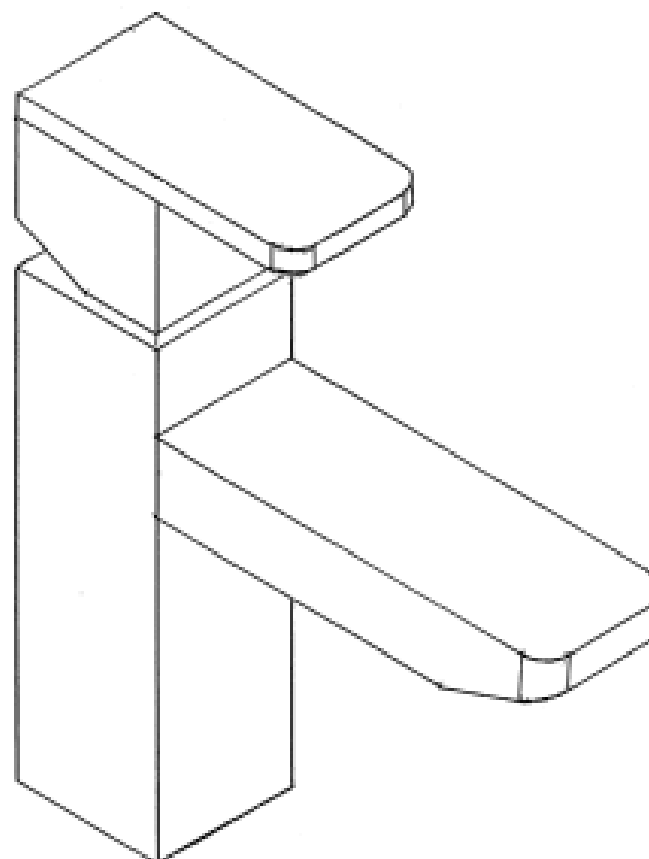
(57) Statement of Newness and Distinctiveness: **Newness and distinctiveness is claimed in the visual features shown in solid lines in the representations.**



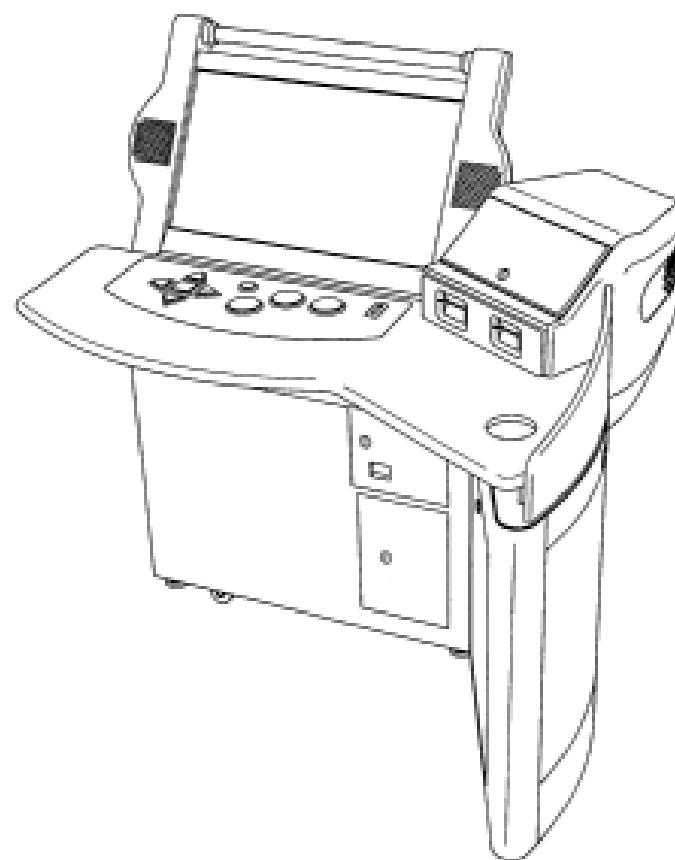
- (21) Design Number: **20065/2007**
(22) Date of Filing Application: **03 October 2007**
(24) Date from which industrial property rights may have effect: **03 October 2007**
(54) Product in respect of which the design is registered: **A tyre for motorcycle**
(51) International Design Classification: **12-15D**
(71) Name(s) and Address(s) of Applicant(s):
Nariko Ohara
538-18 Ayameikeminami 7-chome Nara-shi Nara 631-0033 Japan
Kuniaki Takamatsu
55 Takamatsu Kaminoyama-shi Yamagata 999-3243 Japan
Yoshiaki Ito
10-21 Minamigaoka 1-chome Chikusa-ku Nagoya-shi Aichi 464-0042 Japan
Hideaki Kikuchi
25-25 Taishibashi 1-chome Asahi-ku Osaka-shi Osaka 535-0001 Japan
(72) Name(s) of Designer(s): **Nariko Ohara and Kuniaki Takamatsu**
(45) Registration Date: **02 April 2008**
(56) Related Art Documents: **Not Applicable**
(57) Statement of Newness and Distinctiveness: **Newness and distinctiveness is claimed in the visual features shown in solid lines in the representations.**



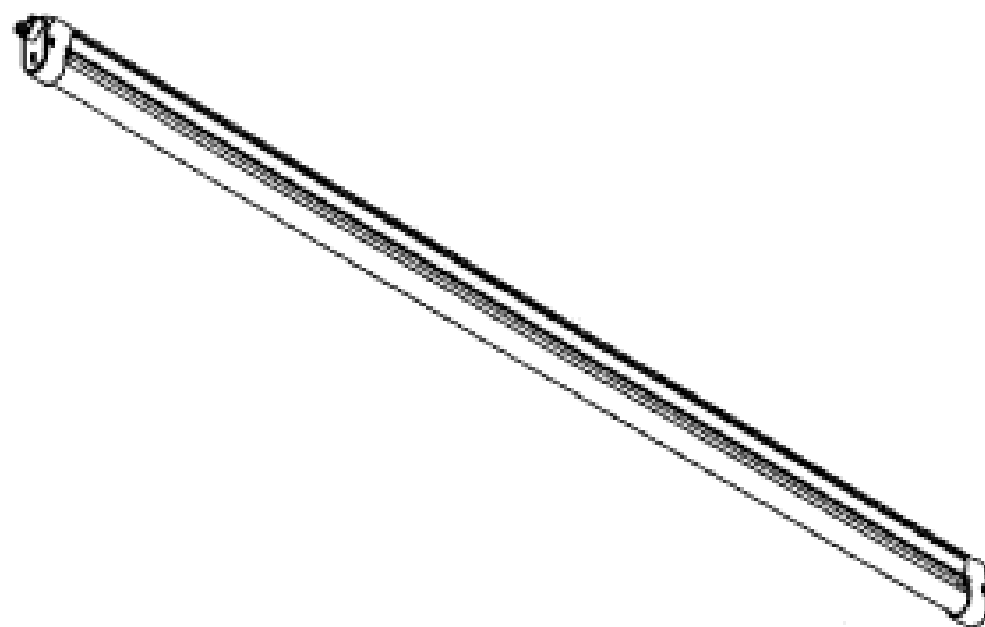
- (21) Design Number: **20994/2007**
(22) Date of Filing Application: **27 November 2007**
(24) Date from which industrial property rights may have effect: **27 November 2007**
(54) Product in respect of which the design is registered: **Tap**
(51) International Design Classification: **23-01H**
(71) Name(s) and Address(s) of Applicant(s):
Ian Peter Shirliff
45 Carlingford Road Epping New South Wales 2121 Australia
(72) Name(s) of Designer(s): **Ian Peter Shirliff**
(45) Registration Date: **28 March 2008**
(56) Related Art Documents: **Not Applicable**
(57) Statement of Newness and Distinctiveness: **Nil**



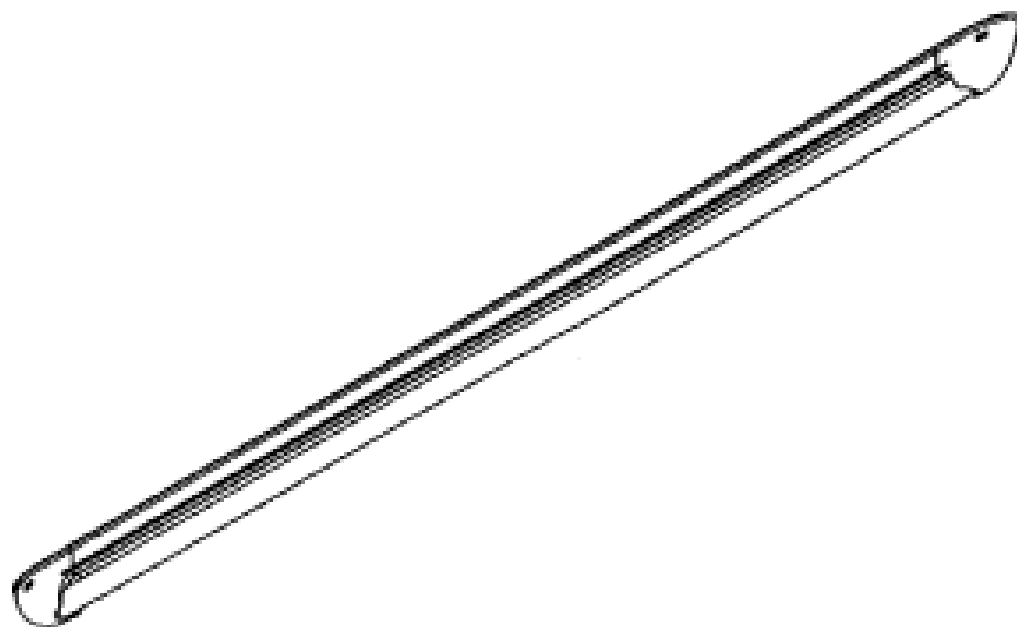
(21) Design Number: **21012/2007**
(22) Date of Filing Application: **27 November 2007**
(24) Date from which industrial property rights may have effect: **27 November 2007**
(54) Product in respect of which the design is registered: **Game device**
(51) International Design Classification: **21-03**
(71) Name(s) and Address(s) of Applicant(s):
Kabushiki Kaisha Sega
2-12 Haneda 1-chome Ohta-ku Tokyo 144-0043 Japan
(72) Name(s) of Designer(s): **Hiroki Nunokawa**
(45) Registration Date: **28 March 2008**
(30) Convention priority data:
(31) Number (32) Date (33) Country
2007-014018 28 May 2007 JAPAN
(56) Related Art Documents: **Not Applicable**
(57) Statement of Newness and Distinctiveness: **Newness and distinctiveness is claimed in the features of shape and/or configuration of a game device as illustrated in the accompanying representations.**



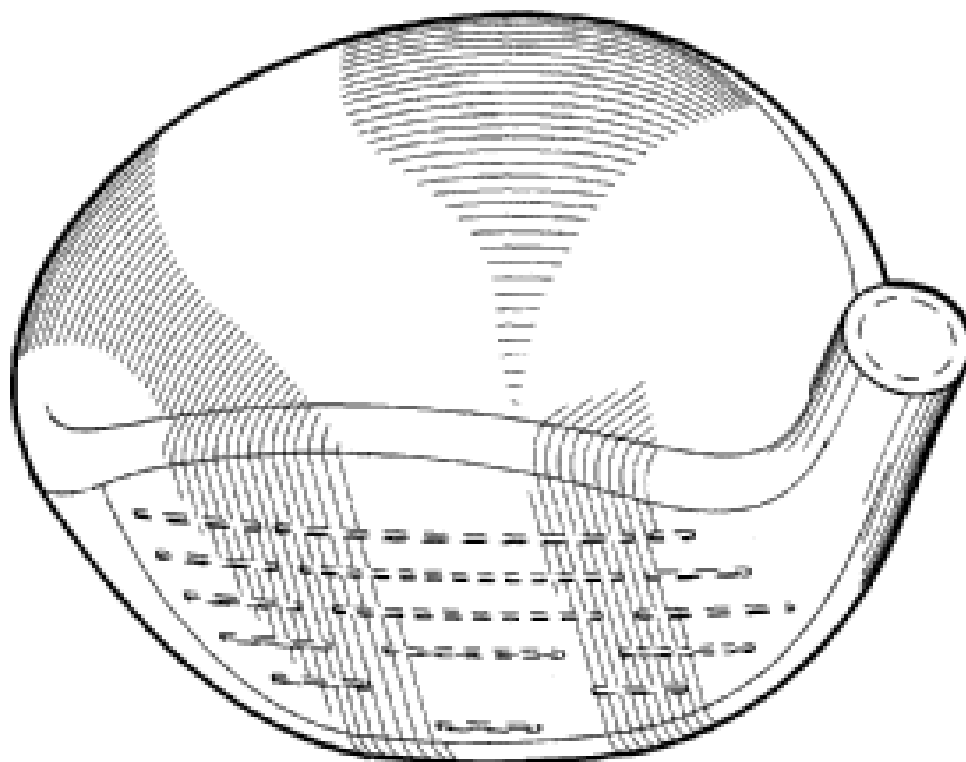
(21) Design Number: **21014/2007**
(22) Date of Filing Application: **27 November 2007**
(24) Date from which industrial property rights may have effect: **27 November 2007**
(54) Product in respect of which the design is registered: **Luminaire (batten)**
(51) International Design Classification: **26-05A**
(71) Name(s) and Address(s) of Applicant(s):
Koninklijke Philips Electronics N.V.
Groenewoudseweg 1 5621 BA Eindhoven The Netherlands
(72) Name(s) of Designer(s): **Helen Qi**
(45) Registration Date: **28 March 2008**
(30) Convention priority data:
(31) Number (32) Date (33) Country
000732623-0002 31 May 2007 EUROPEAN COMMUNITY
(56) Related Art Documents: **Not Applicable**
(57) Statement of Newness and Distinctiveness: **Newness and distinctiveness reside in the features of the design as shown in the representations.**



- (21) Design Number: **21015/2007**
(22) Date of Filing Application: **27 November 2007**
(24) Date from which industrial property rights may have effect: **27 November 2007**
(54) Product in respect of which the design is registered: **Luminaire (batten)**
(51) International Design Classification: **26-05A**
(71) Name(s) and Address(s) of Applicant(s):
Koninklijke Philips Electronics N.V.
Groenewoudseweg 1 5621 BA Eindhoven The Netherlands
(72) Name(s) of Designer(s): **Helen Qi**
(45) Registration Date: **28 March 2008**
(30) Convention priority data:
(31) Number (32) Date (33) Country
000732623-0003 31 May 2007 EUROPEAN COMMUNITY
(56) Related Art Documents: **Not Applicable**
(57) Statement of Newness and Distinctiveness: **Newness and distinctiveness reside in the features of the design as shown in the representations.**

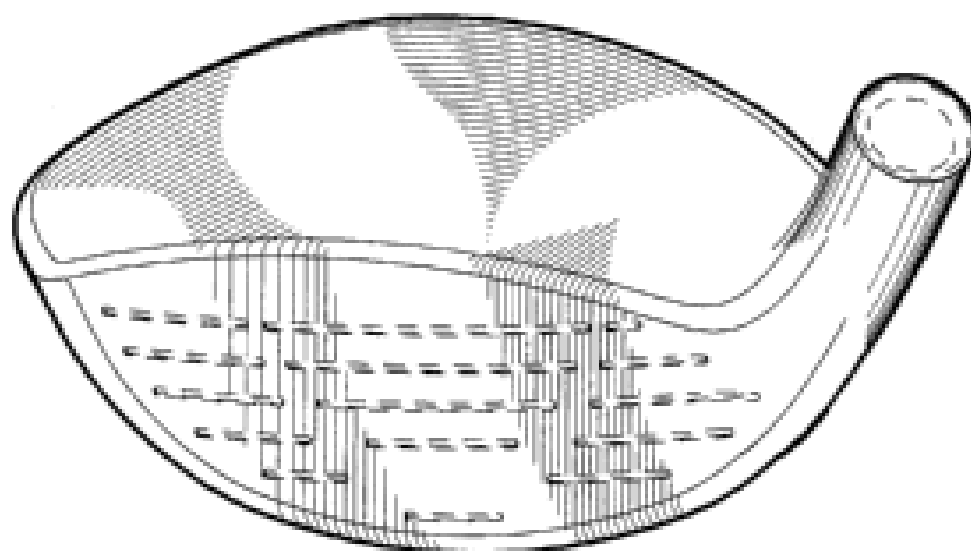


- (21) Design Number: **21016/2007**
(22) Date of Filing Application: **27 November 2007**
(24) Date from which industrial property rights may have effect: **27 November 2007**
(54) Product in respect of which the design is registered: **Golf club head**
(51) International Design Classification: **21-02C**
(71) Name(s) and Address(s) of Applicant(s):
Karsten Manufacturing Corporation
2201 West Desert Cove Phoenix Arizona 85029 United States of America
(72) Name(s) of Designer(s): **Richard R. Sanchez and Xiaojian Chen and Frank A. Quartarone**
(45) Registration Date: **28 March 2008**
(30) Convention priority data:
(31) Number (32) Date (33) Country
29/281303 20 Jun 2007 UNITED STATES OF AMERICA
(56) Related Art Documents: **Not Applicable**
(57) Statement of Newness and Distinctiveness: **Newness and distinctiveness is claimed in the visual features shown in solid lines in the representations.**



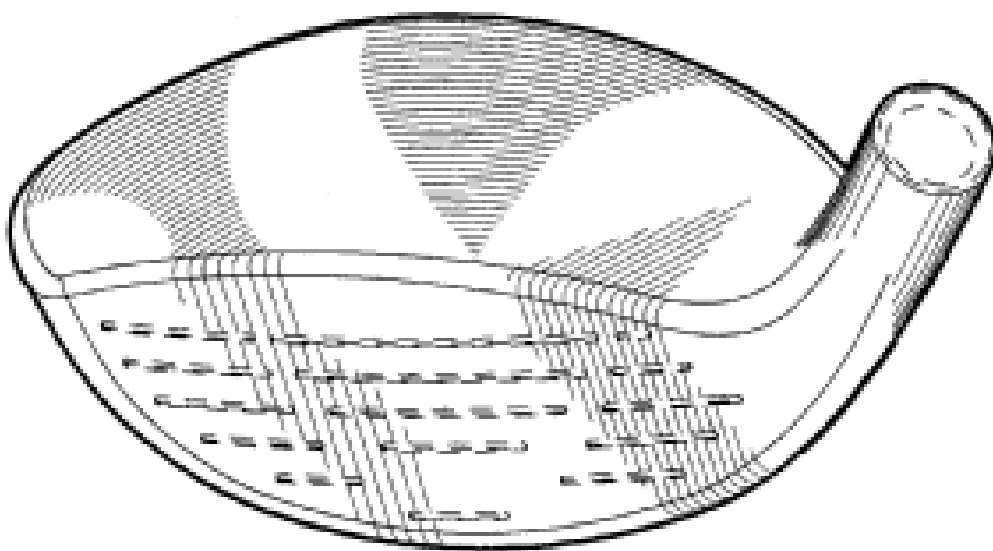
- (21) Design Number: **21017/2007**
- (22) Date of Filing Application: **27 November 2007**
- (24) Date from which industrial property rights may have effect: **27 November 2007**
- (54) Product in respect of which the design is registered: **Golf hybrid head**
- (51) International Design Classification: **21-02C**
- (71) Name(s) and Address(s) of Applicant(s):
Karsten Manufacturing Corporation
2201 West Desert Cove Phoenix Arizona 85029 United States of America
- (72) Name(s) of Designer(s): **Richard R. Sanchez and Xiaojian Chen and Frank A. Quartarone**
- (45) Registration Date: **28 March 2008**
- (30) Convention priority data:

(31) Number	(32) Date	(33) Country
29/281316	20 Jun 2007	UNITED STATES OF AMERICA
- (56) Related Art Documents: **Not Applicable**
- (57) Statement of Newness and Distinctiveness: **Newness and distinctiveness is claimed in the visual features shown in solid lines in the representations.**



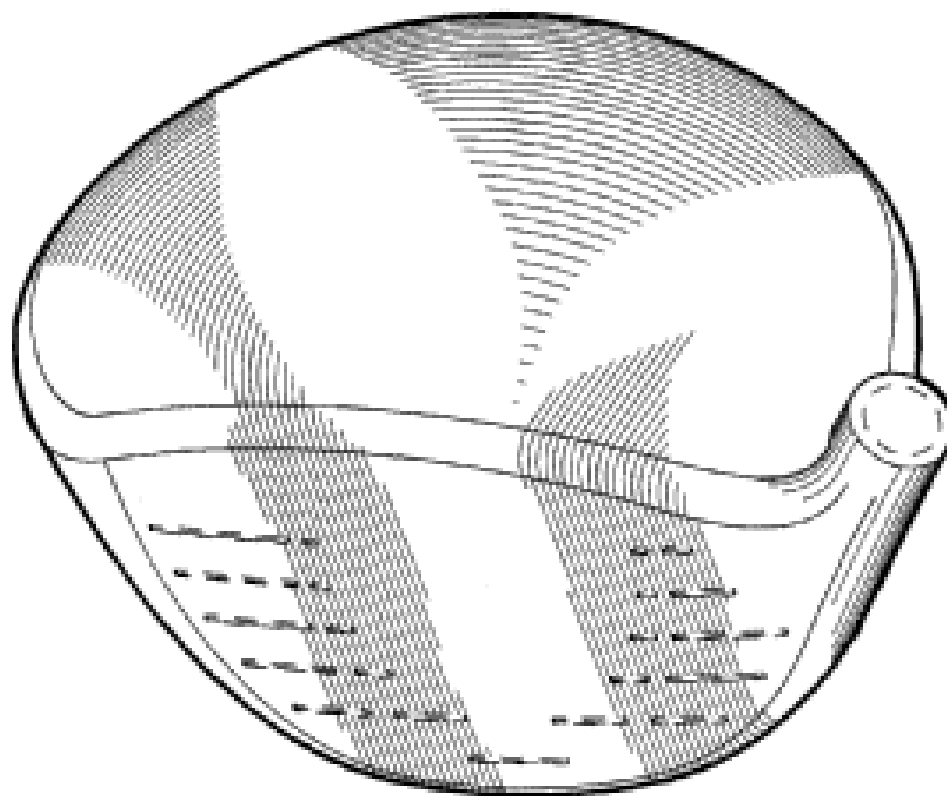
- (21) Design Number: **21018/2007**
- (22) Date of Filing Application: **27 November 2007**
- (24) Date from which industrial property rights may have effect: **27 November 2007**
- (54) Product in respect of which the design is registered: **Golf hybrid head**
- (51) International Design Classification: **21-02C**
- (71) Name(s) and Address(s) of Applicant(s):
Karsten Manufacturing Corporation
2201 West Desert Cove Phoenix Arizona 85029 United States of America
- (72) Name(s) of Designer(s): **Richard R. Sanchez and Xiaojian Chen and Frank A. Quartarone**
- (45) Registration Date: **28 March 2008**
- (30) Convention priority data:

(31) Number	(32) Date	(33) Country
29/281320	20 Jun 2007	UNITED STATES OF AMERICA
- (56) Related Art Documents: **Not Applicable**
- (57) Statement of Newness and Distinctiveness: **Newness and distinctiveness is claimed in the visual features shown in solid lines in the representations.**



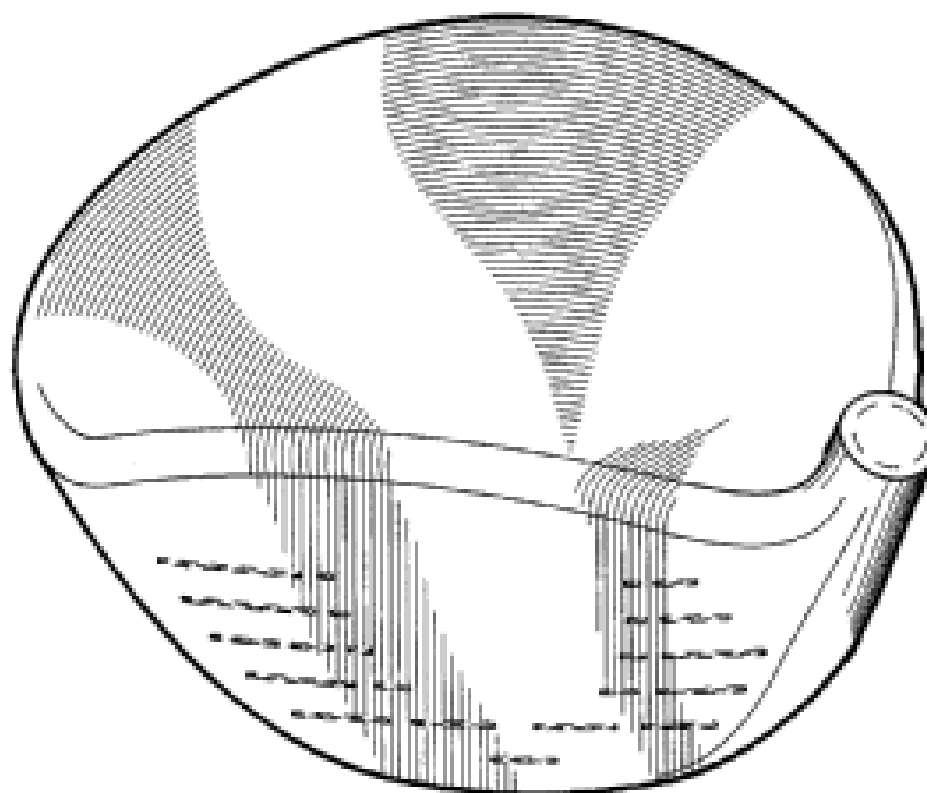
- (21) Design Number: **21019/2007**
- (22) Date of Filing Application: **27 November 2007**
- (24) Date from which industrial property rights may have effect: **27 November 2007**
- (54) Product in respect of which the design is registered: **Golf driver head**
- (51) International Design Classification: **21-02C**
- (71) Name(s) and Address(s) of Applicant(s):
Karsten Manufacturing Corporation
2201 West Desert Cove Phoenix Arizona 85029 United States of America
- (72) Name(s) of Designer(s): **Richard R. Sanchez and Xiaojian Chen and Frank A. Quartarone**
- (45) Registration Date: **28 March 2008**
- (30) Convention priority data:

(31) Number	(32) Date	(33) Country
29/281325	20 Jun 2007	UNITED STATES OF AMERICA
- (56) Related Art Documents: **Not Applicable**
- (57) Statement of Newness and Distinctiveness: **Newness and distinctiveness is claimed in the visual features shown in solid lines in the representations.**

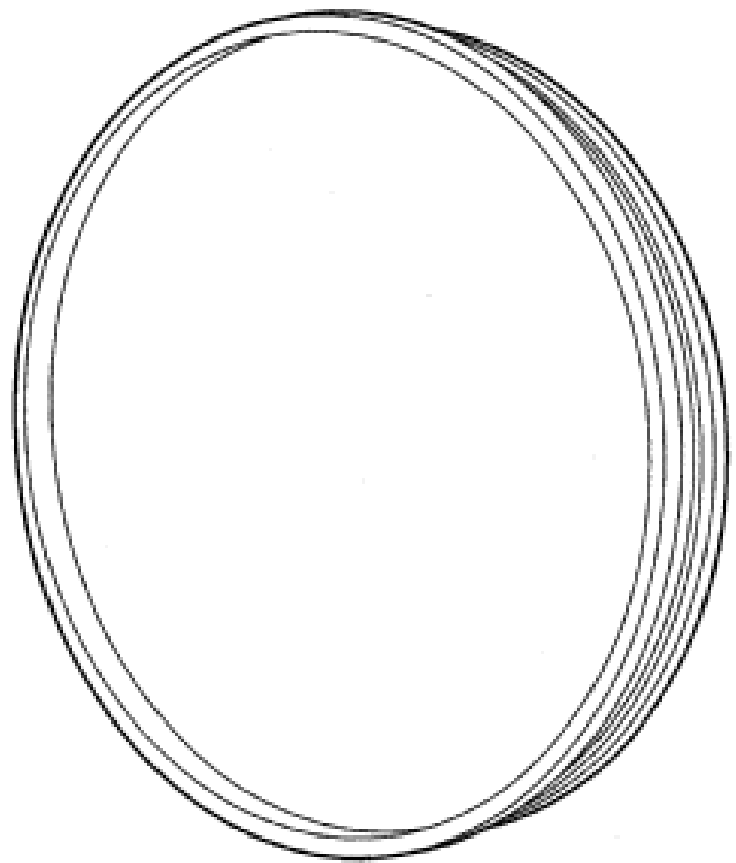


- (21) Design Number: **21020/2007**
- (22) Date of Filing Application: **27 November 2007**
- (24) Date from which industrial property rights may have effect: **27 November 2007**
- (54) Product in respect of which the design is registered: **Golf driver head**
- (51) International Design Classification: **21-02C**
- (71) Name(s) and Address(s) of Applicant(s):
Karsten Manufacturing Corporation
2201 West Desert Cove Phoenix Arizona 85029 United States of America
- (72) Name(s) of Designer(s): **Richard R. Sanchez and Xiaojian Chen and Frank A. Quartarone**
- (45) Registration Date: **28 March 2008**
- (30) Convention priority data:

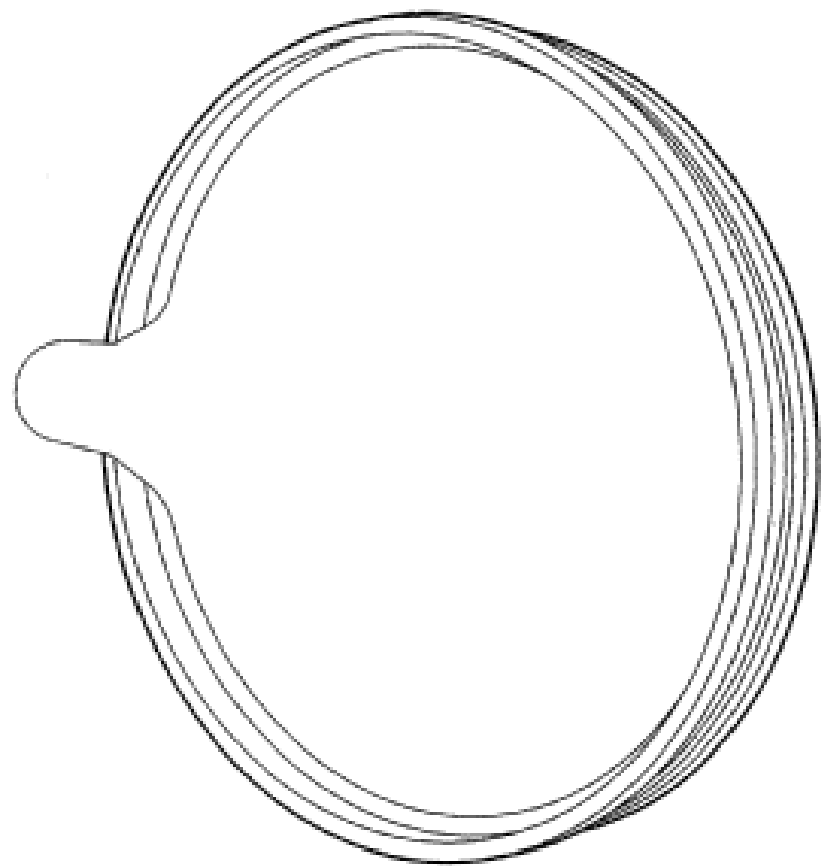
(31) Number	(32) Date	(33) Country
29/281293	20 Jun 2007	UNITED STATES OF AMERICA
- (56) Related Art Documents: **Not Applicable**
- (57) Statement of Newness and Distinctiveness: **Newness and distinctiveness is claimed in the visual features shown in solid lines in the representations.**



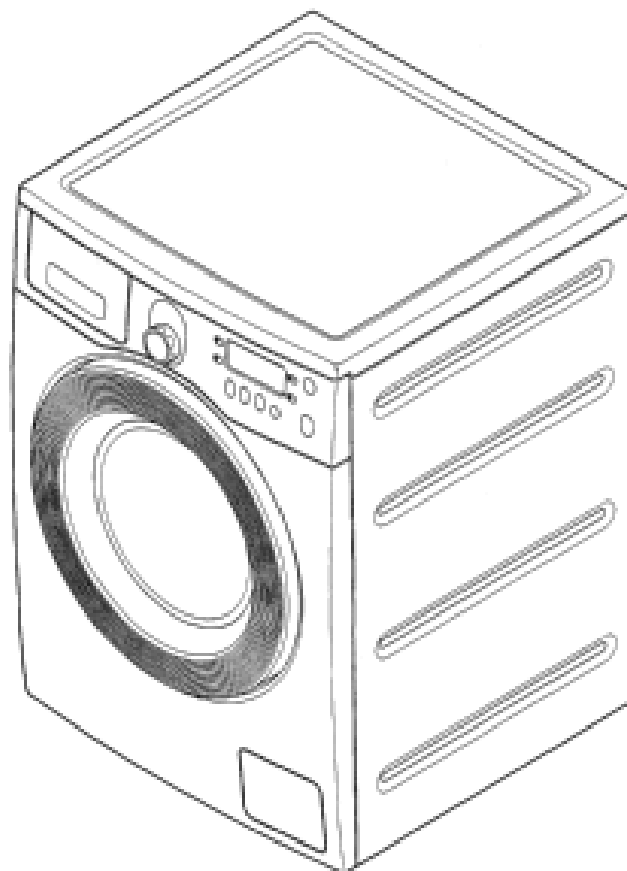
- (21) Design Number: **21021/2007**
(22) Date of Filing Application: **27 November 2007**
(24) Date from which industrial property rights may have effect: **27 November 2007**
(54) Product in respect of which the design is registered: **Closure**
(51) International Design Classification: **09-07C**
(71) Name(s) and Address(s) of Applicant(s):
Irwin and Sheehan Pty Ltd
Cnr Joynton & O'Dea Avenue Waterloo New South Wales 2017
Australia
(72) Name(s) of Designer(s): **John Seymour Irwin**
(45) Registration Date: **28 March 2008**
(56) Related Art Documents: **Not Applicable**
(57) Statement of Newness and Distinctiveness: **Newness and distinctiveness is claimed in the visual features shown in solid lines in the representations.**



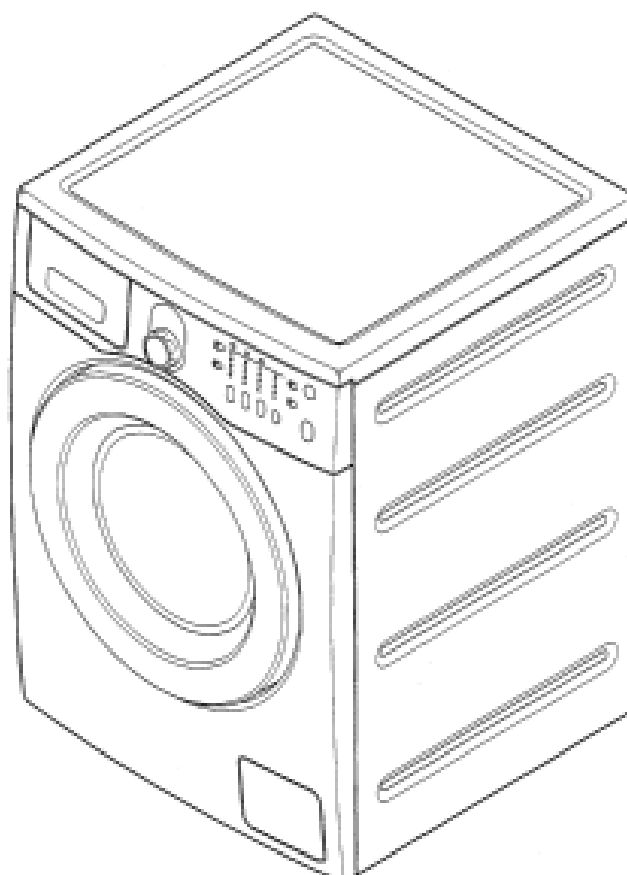
- (21) Design Number: **21022/2007**
(22) Date of Filing Application: **27 November 2007**
(24) Date from which industrial property rights may have effect: **27 November 2007**
(54) Product in respect of which the design is registered: **Closure**
(51) International Design Classification: **09-07C**
(71) Name(s) and Address(s) of Applicant(s):
Irwin and Sheehan Pty Ltd
Cnr Joynton & O'Dea Avenue Waterloo New South Wales 2017
Australia
(72) Name(s) of Designer(s): **John Seymour Irwin**
(45) Registration Date: **28 March 2008**
(56) Related Art Documents: **Not Applicable**
(57) Statement of Newness and Distinctiveness: **Newness and distinctiveness is claimed in the visual features shown in solid lines in the representations.**



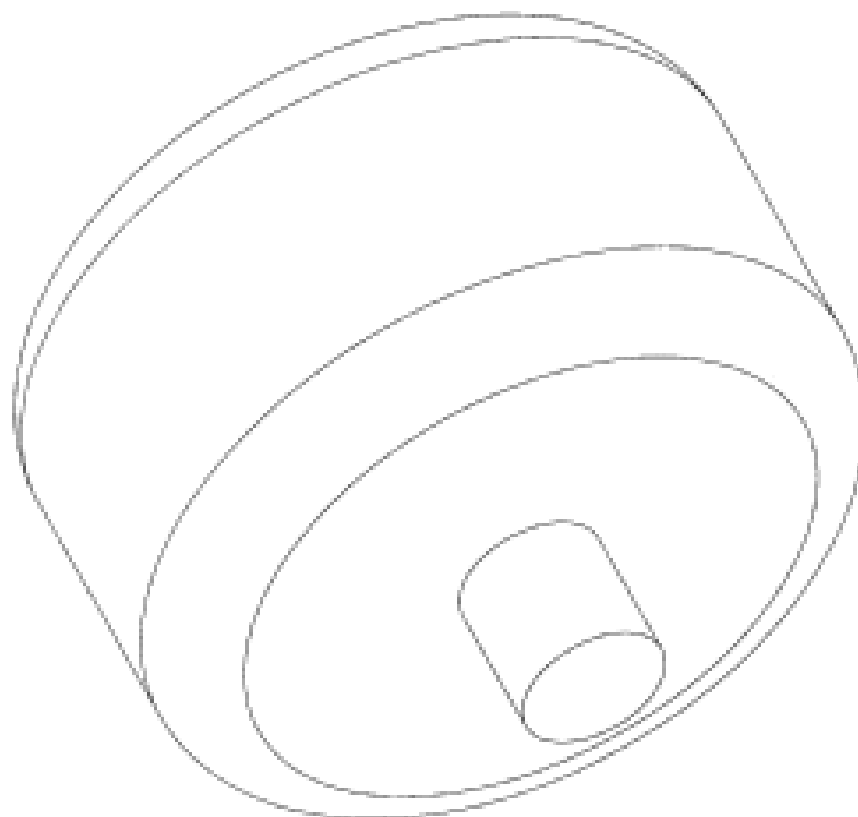
- (21) Design Number: **21024/2007**
(22) Date of Filing Application: **27 November 2007**
(24) Date from which industrial property rights may have effect: **27 November 2007**
(54) Product in respect of which the design is registered: **Drum type washing machine**
(51) International Design Classification: **15-05**
(71) Name(s) and Address(s) of Applicant(s):
Samsung Electronics Co., Ltd.
416 Maetan-Dong Yeongtong-Gu Suwon-City Kyungki-Do Republic of Korea
(72) Name(s) of Designer(s): **Gyoo Sang Choi**
(45) Registration Date: **28 March 2008**
(56) Related Art Documents: **Not Applicable**
(57) Statement of Newness and Distinctiveness: **Nil**



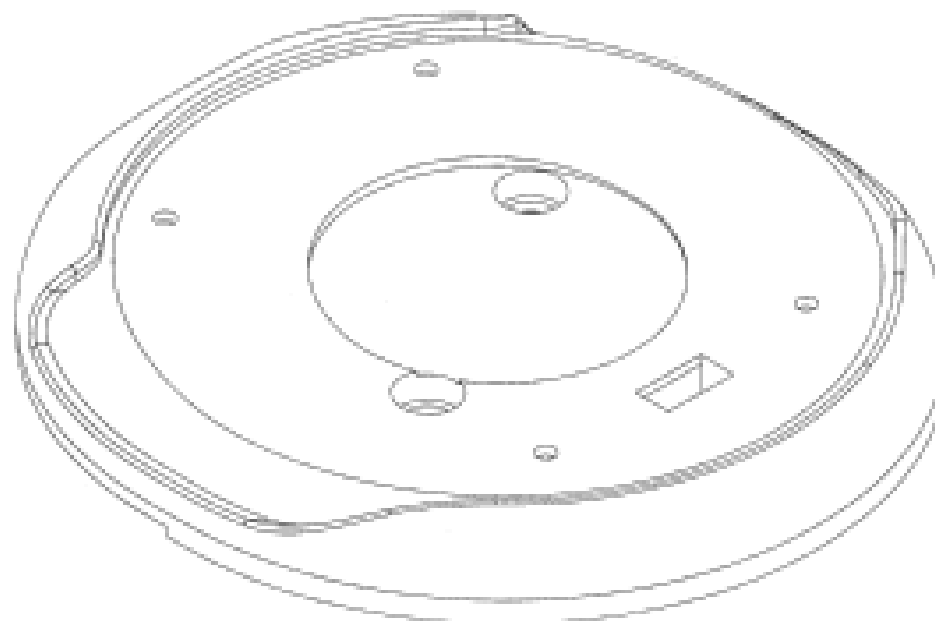
- (21) Design Number: **21025/2007**
(22) Date of Filing Application: **27 November 2007**
(24) Date from which industrial property rights may have effect: **27 November 2007**
(54) Product in respect of which the design is registered: **Drum type washing machine**
(51) International Design Classification: **15-05**
(71) Name(s) and Address(s) of Applicant(s):
Samsung Electronics Co., Ltd.
416 Maetan-Dong Yeongtong-Gu Suwon-City Kyungki-Do Republic of Korea
(72) Name(s) of Designer(s): **Gyoo Sang Choi**
(45) Registration Date: **28 March 2008**
(56) Related Art Documents: **Not Applicable**
(57) Statement of Newness and Distinctiveness: **Nil**



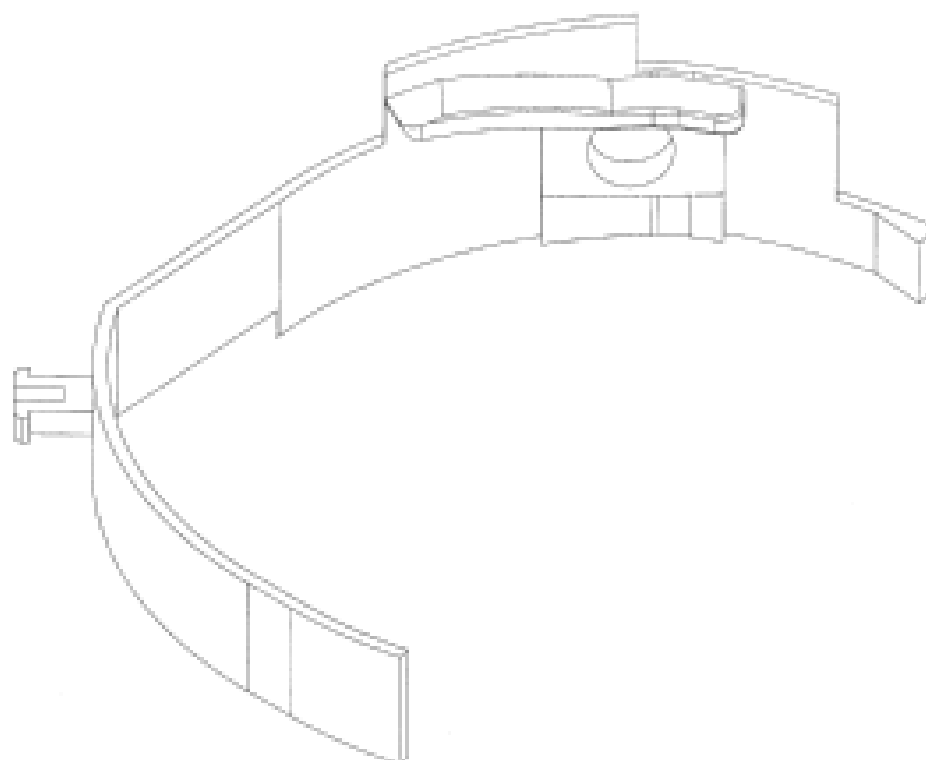
- (21) Design Number: **20006/2007**
(22) Date of Filing Application: **28 September 2007**
(24) Date from which industrial property rights may have effect: **28 September 2007**
(54) Product in respect of which the design is registered: **Roller for cartridge centering mechanism of a multidose inhaler**
(51) International Design Classification: **24-04**
(71) Name(s) and Address(s) of Applicant(s):
Cipla Limited
289 Bellasis Road Mumbai Central Mumbai Maharashtra 400 008 India
(72) Name(s) of Designer(s): **Amar Lulla and Xerxes Rao**
(45) Registration Date: **31 March 2008**
(30) Convention priority data:
(31) Number (32) Date (33) Country
209122 28 Mar 2007 INDIA
(56) Related Art Documents: **Not Applicable**
(57) Statement of Newness and Distinctiveness: **Newness and distinctiveness is claimed in the features of shape and/or configuration of a roller for cartridge centering mechanism of a multidose inhaler as illustrated in the accompanying representations.**



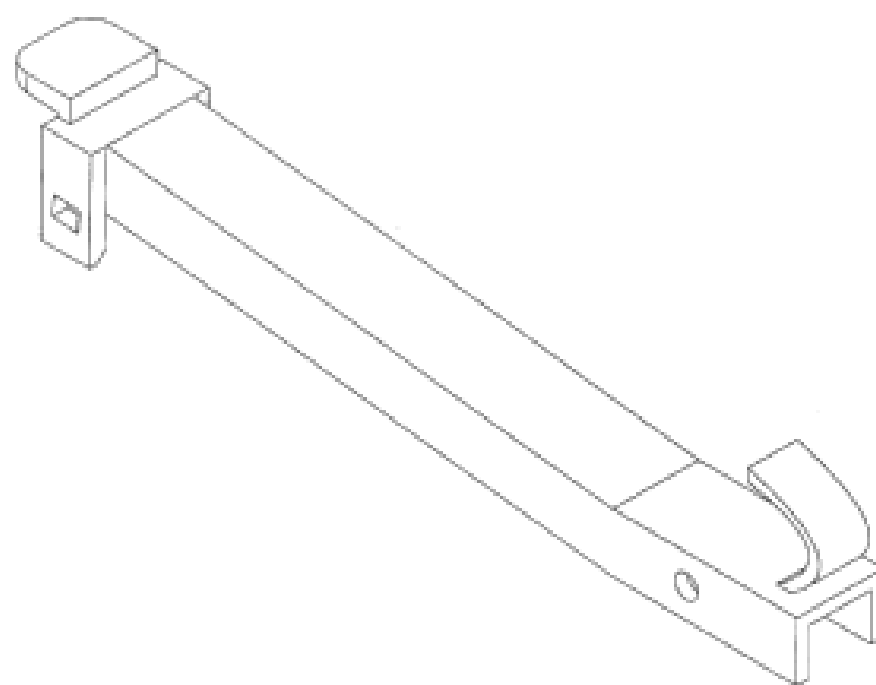
- (21) Design Number: **20008/2007**
(22) Date of Filing Application: **28 September 2007**
(24) Date from which industrial property rights may have effect: **28 September 2007**
(54) Product in respect of which the design is registered: **Middle cover of a multidose inhaler**
(51) International Design Classification: **24-04**
(71) Name(s) and Address(s) of Applicant(s):
Cipla Limited
289 Bellasis Road Mumbai Central Mumbai Maharashtra 400 008 India
(72) Name(s) of Designer(s): **Amar Lulla and Xerxes Rao**
(45) Registration Date: **31 March 2008**
(30) Convention priority data:
(31) Number (32) Date (33) Country
209124 28 Mar 2007 INDIA
(56) Related Art Documents: **Not Applicable**
(57) Statement of Newness and Distinctiveness: **Newness and distinctiveness is claimed in the features of shape and/or configuration of a middle cover of a multidose inhaler as illustrated in the accompanying representations.**



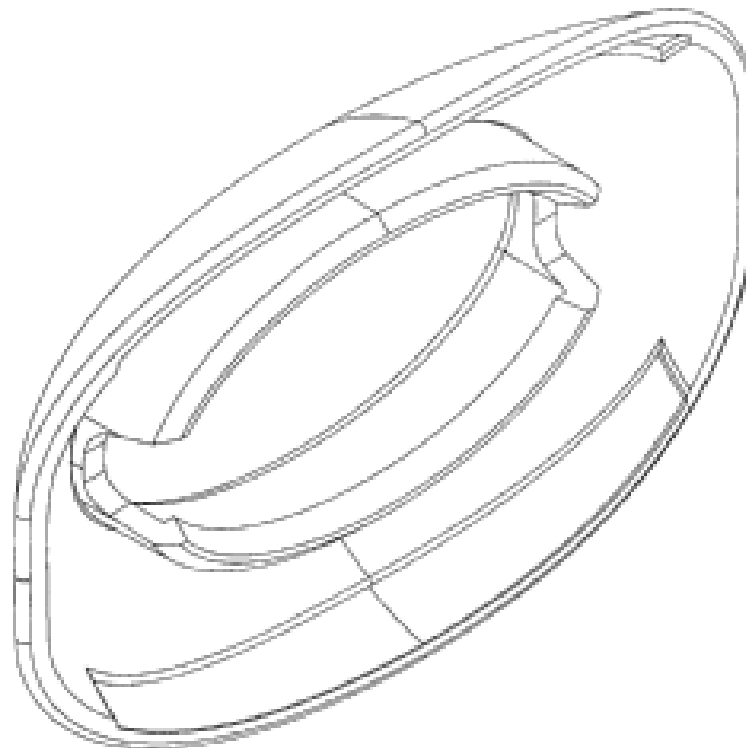
(21) Design Number: **20009/2007**
(22) Date of Filing Application: **28 September 2007**
(24) Date from which industrial property rights may have effect: **28 September 2007**
(54) Product in respect of which the design is registered: **Cam strip of a multidose inhaler**
(51) International Design Classification: **24-04**
(71) Name(s) and Address(s) of Applicant(s):
Cipla Limited
289 Bellasis Road Mumbai Central Mumbai Maharashtra 400 008 India
(72) Name(s) of Designer(s): **Amar Lulla and Xerxes Rao**
(45) Registration Date: **31 March 2008**
(30) Convention priority data:
(31) Number (32) Date (33) Country
209119 28 Mar 2007 INDIA
(56) Related Art Documents: **Not Applicable**
(57) Statement of Newness and Distinctiveness: **Newness and distinctiveness is claimed in the features of shape and/or configuration of a cam strip of a multidose inhaler as illustrated in the accompanying representations.**



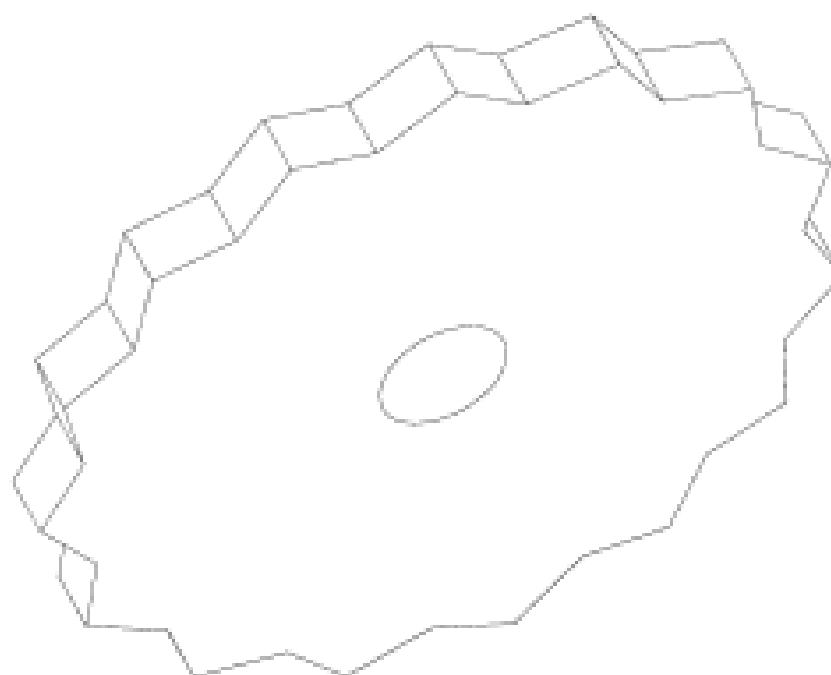
(21) Design Number: **20010/2007**
(22) Date of Filing Application: **28 September 2007**
(24) Date from which industrial property rights may have effect: **28 September 2007**
(54) Product in respect of which the design is registered: **Rocker of a multidose inhaler**
(51) International Design Classification: **24-04**
(71) Name(s) and Address(s) of Applicant(s):
Cipla Limited
289 Bellasis Road Mumbai Central Mumbai Maharashtra 400 008 India
(72) Name(s) of Designer(s): **Amar Lulla and Xerxes Rao**
(45) Registration Date: **31 March 2008**
(30) Convention priority data:
(31) Number (32) Date (33) Country
209118 28 Mar 2007 INDIA
(56) Related Art Documents: **Not Applicable**
(57) Statement of Newness and Distinctiveness: **Newness and distinctiveness is claimed in the features of shape and/or configuration of a rocker of a multidose inhaler as illustrated in the accompanying representations.**



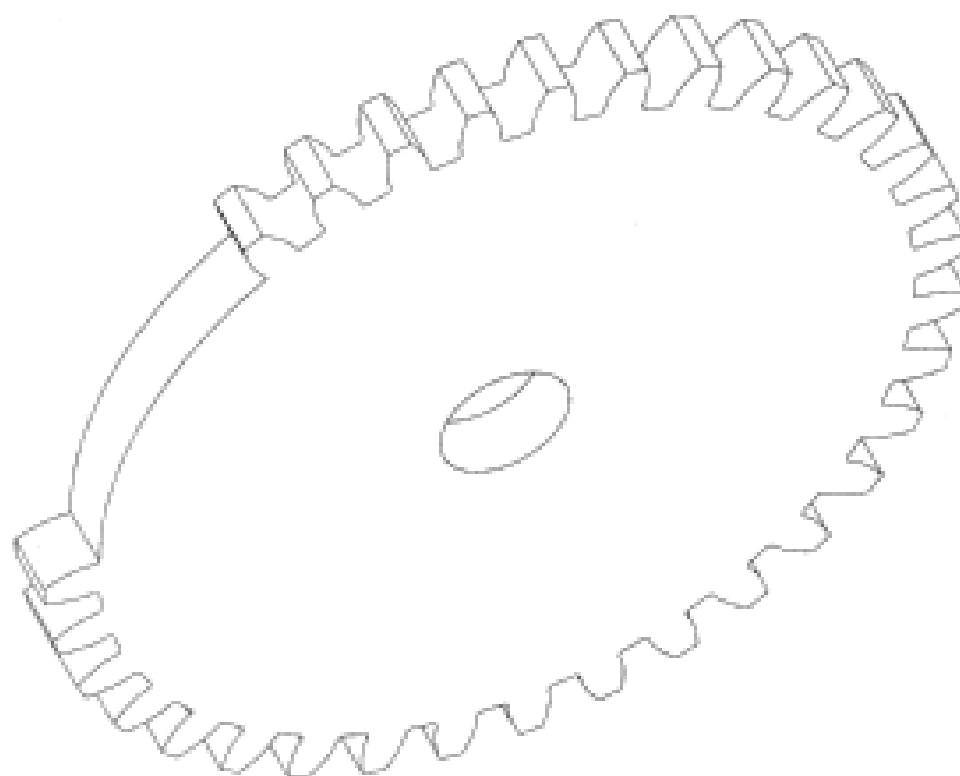
- (21) Design Number: **20012/2007**
(22) Date of Filing Application: **28 September 2007**
(24) Date from which industrial property rights may have effect: **28 September 2007**
(54) Product in respect of which the design is registered: **Mouth piece of a multidose inhaler**
(51) International Design Classification: **24-04**
(71) Name(s) and Address(s) of Applicant(s):
Cipla Limited
289 Bellasis Road Mumbai Central Mumbai Maharashtra 400 008 India
(72) Name(s) of Designer(s): **Amar Lulla and Xerxes Rao**
(45) Registration Date: **31 March 2008**
(30) Convention priority data:
(31) Number (32) Date (33) Country
209123 28 Mar 2007 INDIA
(56) Related Art Documents: **Not Applicable**
(57) Statement of Newness and Distinctiveness: **Newness and distinctiveness is claimed in the features of shape and/or configuration of a mouth piece of a multidose inhaler as illustrated in the accompanying representations.**



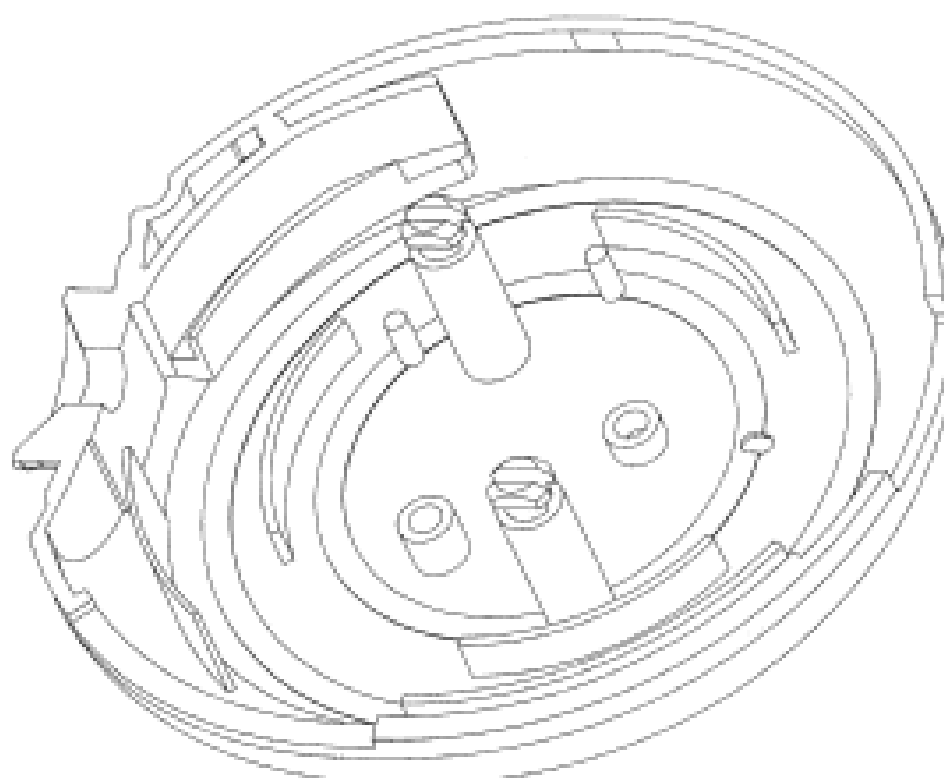
- (21) Design Number: **20013/2007**
(22) Date of Filing Application: **28 September 2007**
(24) Date from which industrial property rights may have effect: **28 September 2007**
(54) Product in respect of which the design is registered: **Drive gear for dose counter of a multidose inhaler**
(51) International Design Classification: **24-04**
(71) Name(s) and Address(s) of Applicant(s):
Cipla Limited
289 Bellasis Road Mumbai Central Mumbai Maharashtra 400 008 India
(72) Name(s) of Designer(s): **Amar Lulla and Xerxes Rao**
(45) Registration Date: **31 March 2008**
(30) Convention priority data:
(31) Number (32) Date (33) Country
209116 28 Mar 2007 INDIA
(56) Related Art Documents: **Not Applicable**
(57) Statement of Newness and Distinctiveness: **Newness and distinctiveness is claimed in the features of shape and/or configuration of a drive gear for dose counter of a multidose inhaler as illustrated in the accompanying representations.**



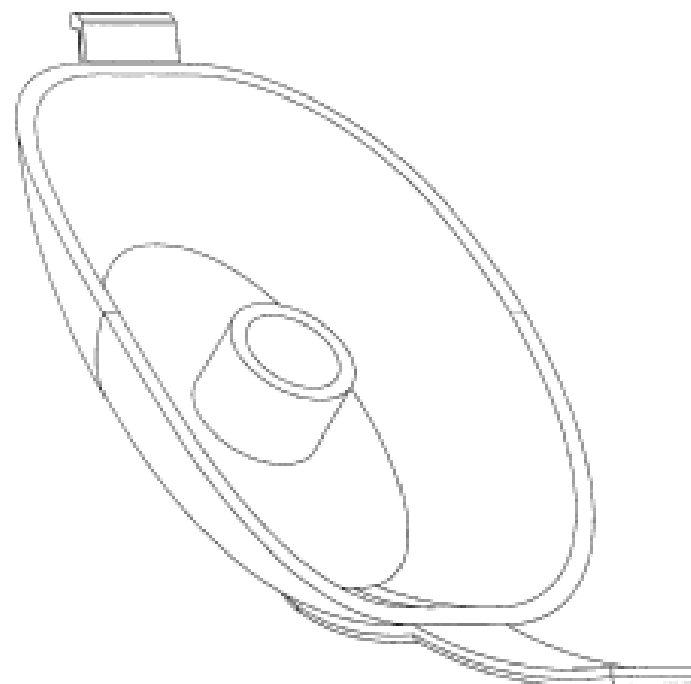
- (21) Design Number: **20014/2007**
(22) Date of Filing Application: **28 September 2007**
(24) Date from which industrial property rights may have effect: **28 September 2007**
(54) Product in respect of which the design is registered: **Dose counter of a multidose inhaler**
(51) International Design Classification: **24-04**
(71) Name(s) and Address(s) of Applicant(s):
Cipla Limited
289 Bellasis Road Mumbai Central Mumbai Maharashtra 400 008 India
(72) Name(s) of Designer(s): **Amar Lulla and Xerxes Rao**
(45) Registration Date: **31 March 2008**
(30) Convention priority data:
(31) Number (32) Date (33) Country
209113 28 Mar 2007 INDIA
(56) Related Art Documents: **Not Applicable**
(57) Statement of Newness and Distinctiveness: **Newness and distinctiveness is claimed in the features of shape and/or configuration of a dose counter of a multidose inhaler as illustrated in the accompanying representations.**



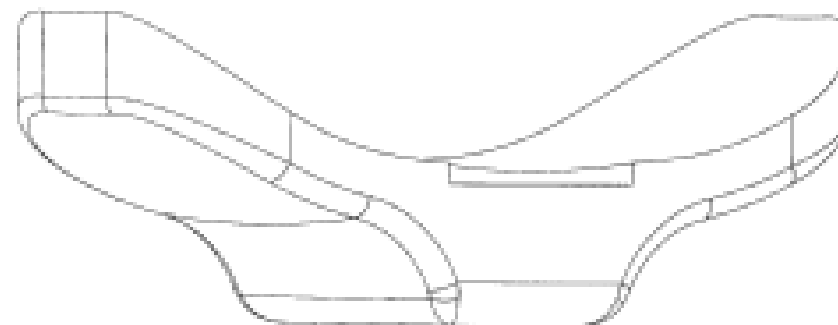
- (21) Design Number: **20015/2007**
(22) Date of Filing Application: **28 September 2007**
(24) Date from which industrial property rights may have effect: **28 September 2007**
(54) Product in respect of which the design is registered: **Base of a multidose inhaler**
(51) International Design Classification: **24-04**
(71) Name(s) and Address(s) of Applicant(s):
Cipla Limited
289 Bellasis Road Mumbai Central Mumbai Maharashtra 400 008 India
(72) Name(s) of Designer(s): **Amar Lulla and Xerxes Rao**
(45) Registration Date: **31 March 2008**
(30) Convention priority data:
(31) Number (32) Date (33) Country
209114 28 Mar 2007 INDIA
(56) Related Art Documents: **Not Applicable**
(57) Statement of Newness and Distinctiveness: **Newness and distinctiveness is claimed in the features of shape and/or configuration of a base of a multidose inhaler as illustrated in the accompanying representations.**



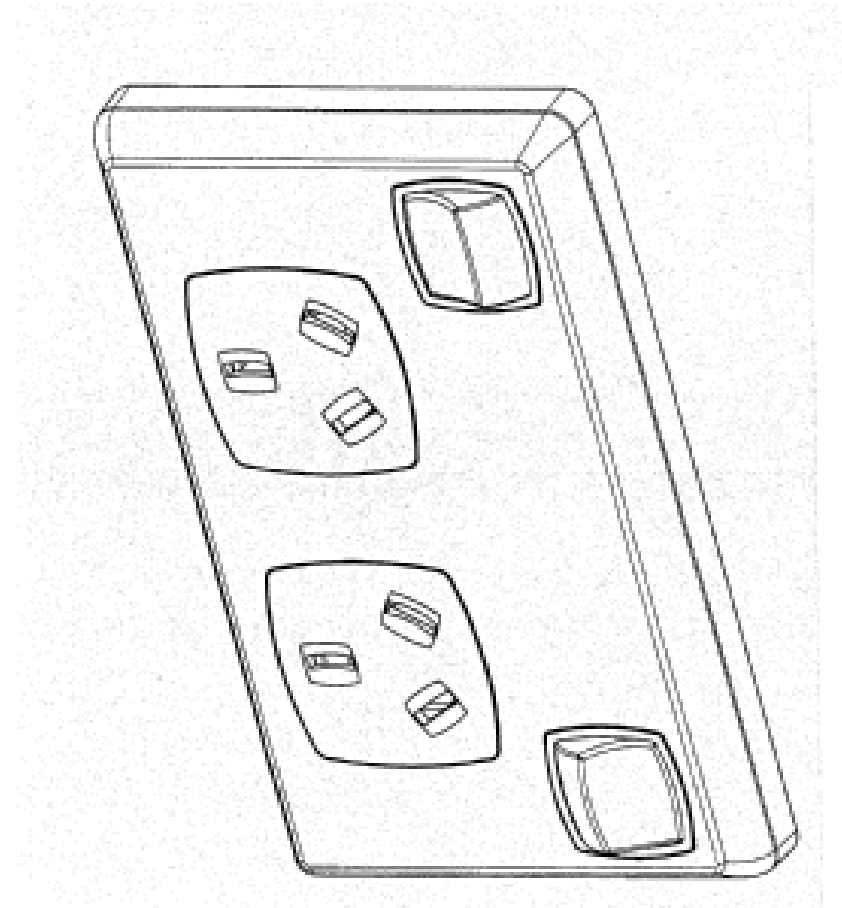
- (21) Design Number: **20017/2007**
(22) Date of Filing Application: **28 September 2007**
(24) Date from which industrial property rights may have effect: **28 September 2007**
(54) Product in respect of which the design is registered: **Dust cap of a multidose inhaler**
(51) International Design Classification: **24-04**
(71) Name(s) and Address(s) of Applicant(s):
Cipla Limited
289 Bellasis Road Mumbai Central Mumbai Maharashtra 400 008 India
(72) Name(s) of Designer(s): **Amar Lulla and Xerxes Rao**
(45) Registration Date: **31 March 2008**
(30) Convention priority data:
(31) Number (32) Date (33) Country
209125 28 Mar 2007 INDIA
(56) Related Art Documents: **Not Applicable**
(57) Statement of Newness and Distinctiveness: **Newness and distinctiveness is claimed in the features of shape and/or configuration of a dust cap of a multidose inhaler as illustrated in the accompanying representations.**



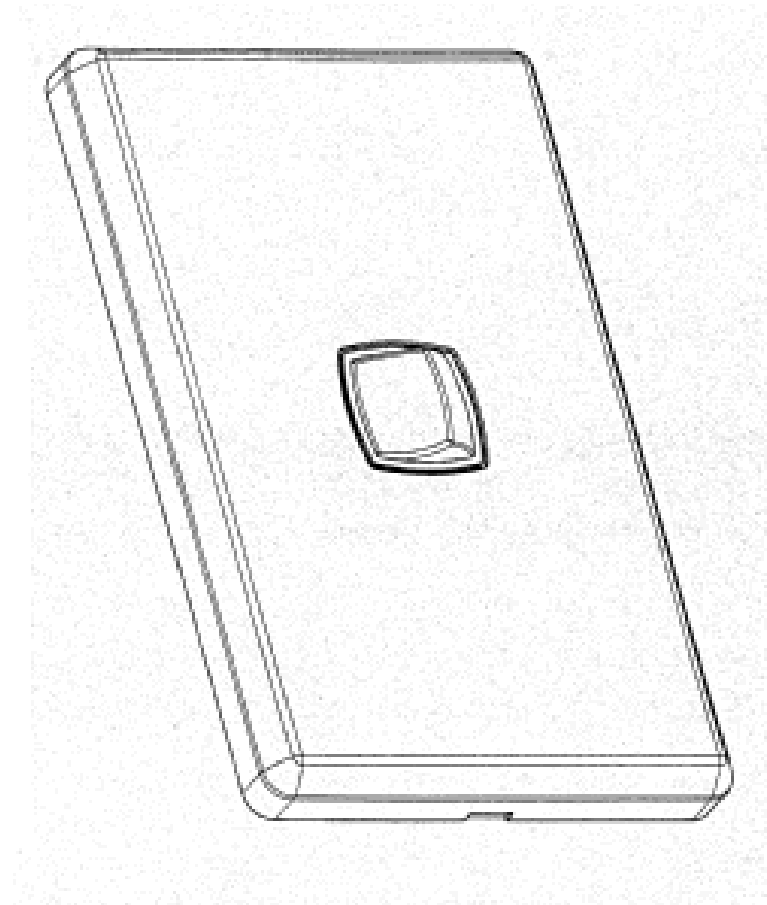
- (21) Design Number: **20018/2007**
(22) Date of Filing Application: **28 September 2007**
(24) Date from which industrial property rights may have effect: **28 September 2007**
(54) Product in respect of which the design is registered: **Knob for a multidose inhaler**
(51) International Design Classification: **24-04**
(71) Name(s) and Address(s) of Applicant(s):
Cipla Limited
289 Bellasis Road Mumbai Central Mumbai Maharashtra 400 008 India
(72) Name(s) of Designer(s): **Amar Lulla and Xerxes Rao**
(45) Registration Date: **31 March 2008**
(30) Convention priority data:
(31) Number (32) Date (33) Country
209126 28 Mar 2007 INDIA
(56) Related Art Documents: **Not Applicable**
(57) Statement of Newness and Distinctiveness: **Newness and distinctiveness is claimed in the features of shape and/or configuration of a knob for a multidose inhaler as illustrated in the accompanying representations.**



- (21) Design Number: **20662/2007**
- (22) Date of Filing Application: **08 November 2007**
- (24) Date from which industrial property rights may have effect: **08 November 2007**
- (54) Product in respect of which the design is registered: **Double power point**
- (51) International Design Classification: **13-03D**
- (71) Name(s) and Address(s) of Applicant(s):
 - Lawrence Bensusan**
 - 6 Dupain Court Dianella Western Australia 6059 Australia**
 - AAED Pty Ltd**
 - 6 Dupain Court Dianella Western Australia 6059 Australia**
- (72) Name(s) of Designer(s): **Ashley Welke**
- (45) Registration Date: **31 March 2008**
- (56) Related Art Documents: **Not Applicable**
- (57) Statement of Newness and Distinctiveness: **Rectangle flanges on terminals, different edges, unique back part, shape of wall plates shape of switches.**



- (21) Design Number: **20663/2007**
- (22) Date of Filing Application: **08 November 2007**
- (24) Date from which industrial property rights may have effect: **08 November 2007**
- (54) Product in respect of which the design is registered: **Light switch and mechanism**
- (51) International Design Classification: **13-03D**
- (71) Name(s) and Address(s) of Applicant(s):
 - Lawrence Bensusan**
 - 6 Dupain Court Dianella Western Australia 6059 Australia**
 - AAED Pty Ltd**
 - 6 Dupain Court Dianella Western Australia 6059 Australia**
- (72) Name(s) of Designer(s): **Ashley Welke**
- (45) Registration Date: **31 March 2008**
- (56) Related Art Documents: **Not Applicable**
- (57) Statement of Newness and Distinctiveness: **Edges, shape of parts, back part unique safety design.**



(21) Design Number: **20998/2007**
(22) Date of Filing Application: **26 November 2007**
(24) Date from which industrial property rights may have effect: **26 November 2007**
(54) Product in respect of which the design is registered: **Mixing tap**
(51) International Design Classification: **23-01H**
(71) Name(s) and Address(s) of Applicant(s):

Hansa Metallwerke AG
Sigmaringer Str. 107 D-70567 Stuttgart Germany

(72) Name(s) of Designer(s): **Michael Lammel and Michael Zeisel**

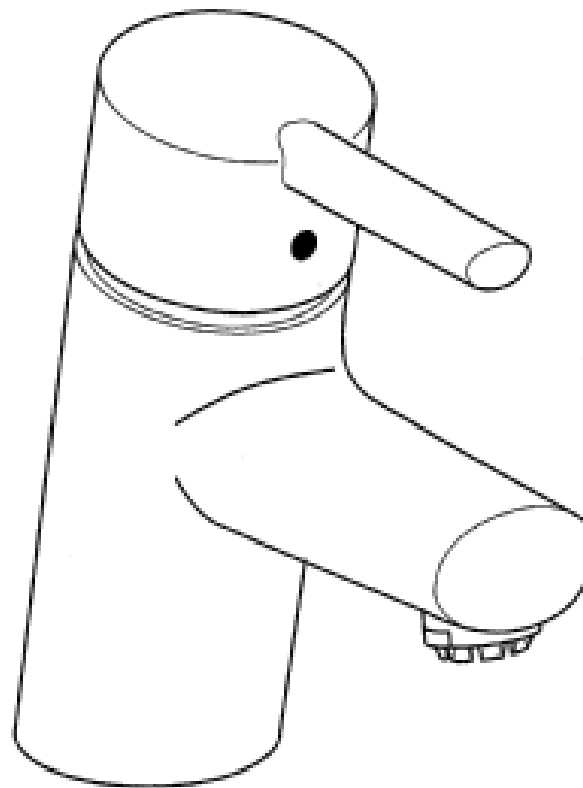
(45) Registration Date: **31 March 2008**

(30) Convention priority data:

(31) Number	(32) Date	(33) Country
000730890	29 May 2007	EUROPEAN COMMUNITY

(56) Related Art Documents: **Not Applicable**

(57) Statement of Newness and Distinctiveness: **Nil**



(21) Design Number: **20999/2007**
(22) Date of Filing Application: **26 November 2007**
(24) Date from which industrial property rights may have effect: **26 November 2007**
(54) Product in respect of which the design is registered: **Cable holder**
(51) International Design Classification: **13-03B**
(71) Name(s) and Address(s) of Applicant(s):

Nokia Corporation
Keilalahdentie 4 FIN-02150 Espoo Finland

(72) Name(s) of Designer(s): **Osmo Knuuttila**

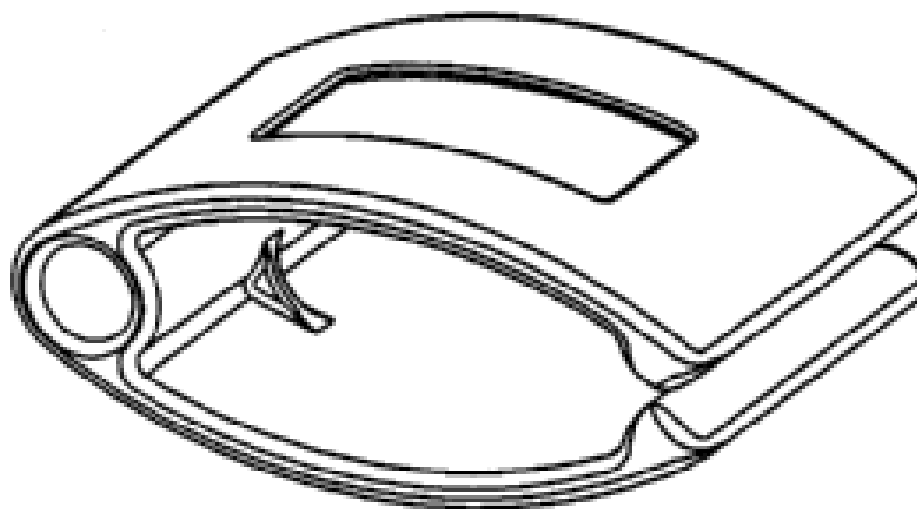
(45) Registration Date: **31 March 2008**

(30) Convention priority data:

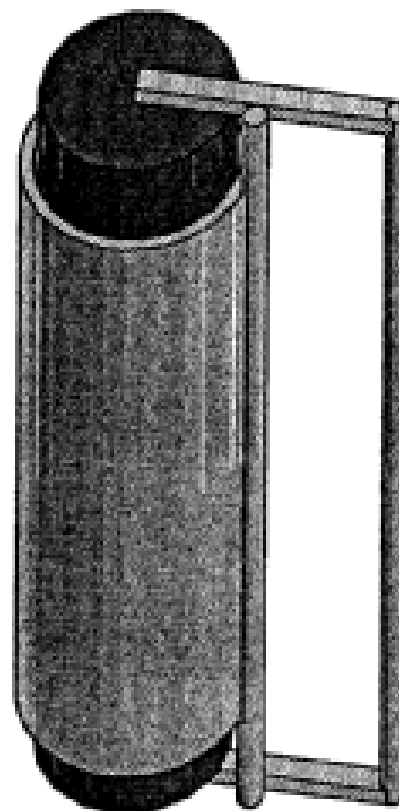
(31) Number	(32) Date	(33) Country
M20070101	25 May 2007	FINLAND

(56) Related Art Documents: **Not Applicable**

(57) Statement of Newness and Distinctiveness: **Nil**



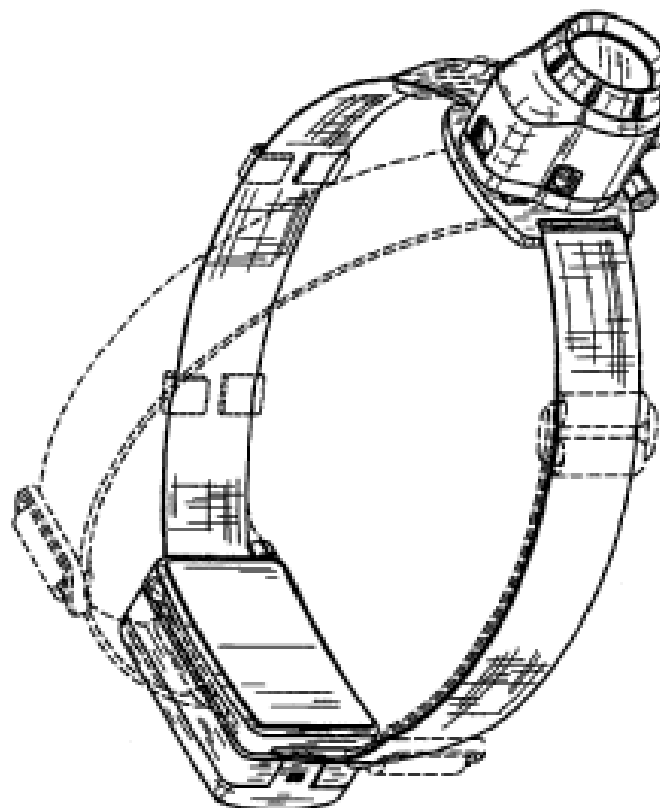
(21) Design Number: **21002/2007**
 (22) Date of Filing Application: **26 November 2007**
 (24) Date from which industrial property rights may have effect: **26 November 2007**
 (54) Product in respect of which the design is registered: **Portable fence**
 (51) International Design Classification: **25-02C**
 (71) Name(s) and Address(s) of Applicant(s):
Christopher Anthony Jones
Brotherony Condobolin New South Wales 2877 Australia
 (72) Name(s) of Designer(s): **Christopher Anthony Jones**
 (45) Registration Date: **31 March 2008**
 (56) Related Art Documents: **Not Applicable**
 (57) Statement of Newness and Distinctiveness: **Newness and distinctiveness is claimed in the features of shape and/or configuration of a portable fence as illustrated in the accompanying representations.**



(21) Design Number: **21004/2007**
 (22) Date of Filing Application: **26 November 2007**
 (24) Date from which industrial property rights may have effect: **26 November 2007**
 (54) Product in respect of which the design is registered: **Headlamp**
 (51) International Design Classification: **26-02, 26-06**
 (71) Name(s) and Address(s) of Applicant(s):
Eveready Battery Company, Inc.
533 Maryville University Drive St Louis Missouri 63141 United States of America
 (72) Name(s) of Designer(s): **David A. Spartano and Angelo Kotsis**
 (45) Registration Date: **31 March 2008**
 (30) Convention priority data:

(31) Number	(32) Date	(33) Country
29/281276	20 Jun 2007	UNITED STATES OF AMERICA

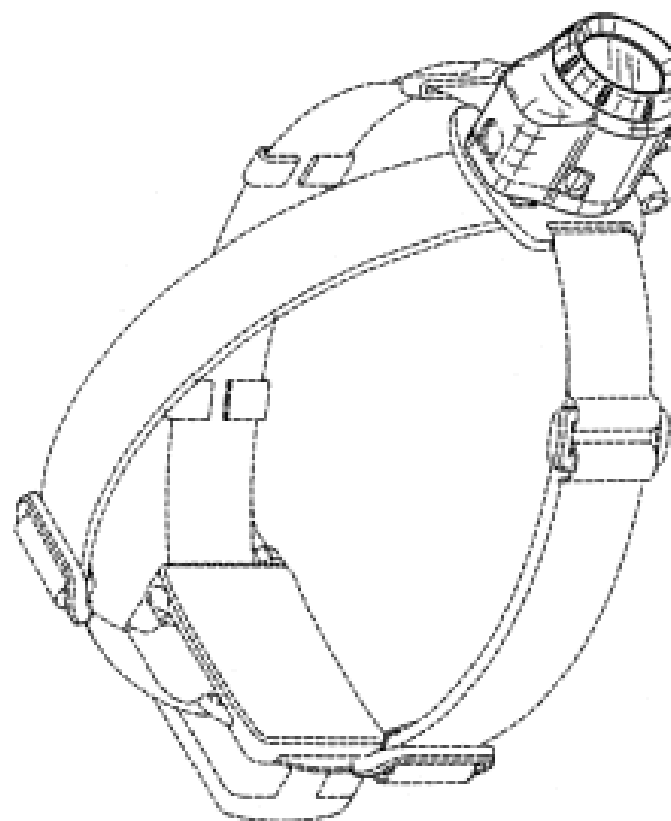
 (56) Related Art Documents: **Not Applicable**
 (57) Statement of Newness and Distinctiveness: **Newness and distinctiveness is claimed in those visual features depicted in unbroken lines.**



(21) Design Number: **21005/2007**
 (22) Date of Filing Application: **26 November 2007**
 (24) Date from which industrial property rights may have effect: **26 November 2007**
 (54) Product in respect of which the design is registered: **Headlamp**
 (51) International Design Classification: **26-02, 26-06**
 (71) Name(s) and Address(s) of Applicant(s):
Eveready Battery Company, Inc.
533 Maryville University Drive St Louis Missouri 63141 United States of America
 (72) Name(s) of Designer(s): **David A. Spartano and Angelo Kotsis**
 (45) Registration Date: **31 March 2008**
 (30) Convention priority data:

(31) Number	(32) Date	(33) Country
29/281279	20 Jun 2007	UNITED STATES OF AMERICA

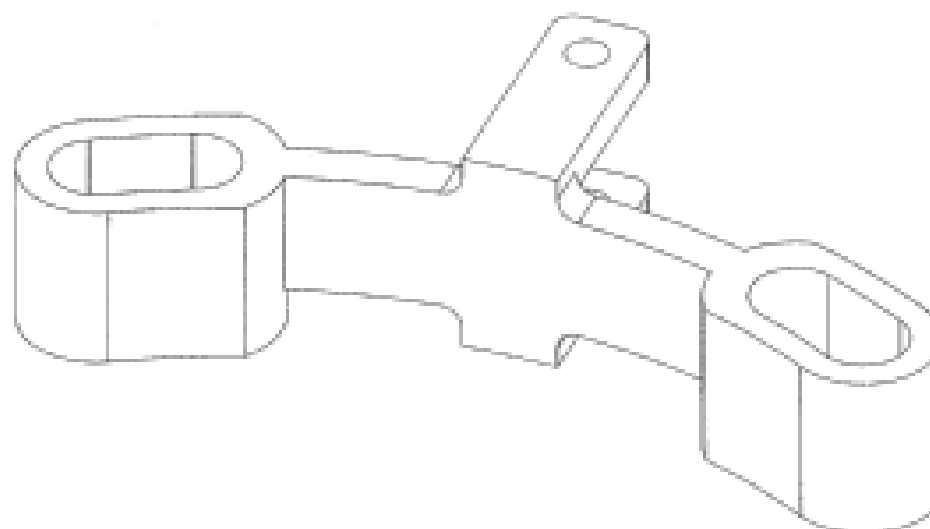
 (56) Related Art Documents: **Not Applicable**
 (57) Statement of Newness and Distinctiveness: **Newness and distinctiveness is claimed in those visual features depicted in unbroken lines.**



(21) Design Number: **20003/2007**
 (22) Date of Filing Application: **28 September 2007**
 (24) Date from which industrial property rights may have effect: **28 September 2007**
 (54) Product in respect of which the design is registered: **Cartridge centering mechanism of a multidose inhaler**
 (51) International Design Classification: **24-04**
 (71) Name(s) and Address(s) of Applicant(s):
Cipla Limited
289 Bellasis Road Mumbai Central Mumbai Maharashtra 400 008 India
 (72) Name(s) of Designer(s): **Amar Lulla and Xerxes Rao**
 (45) Registration Date: **31 March 2008**
 (30) Convention priority data:

(31) Number	(32) Date	(33) Country
209121	28 Mar 2007	INDIA

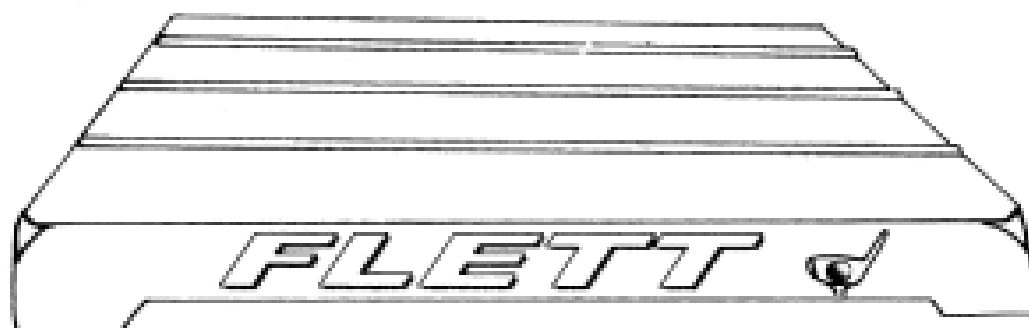
 (56) Related Art Documents: **Not Applicable**
 (57) Statement of Newness and Distinctiveness: **Newness and distinctiveness is claimed in the features of shape and/or configuration of a cartridge centering mechanism of a multidose inhaler as illustrated in the accompanying representations.**



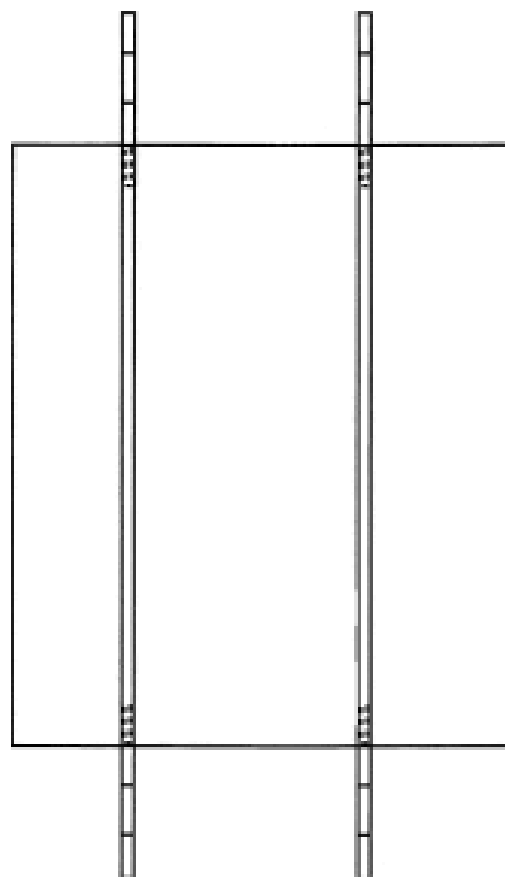
- (21) Design Number: **18618/2007**
(22) Date of Filing Application: **28 June 2007**
(24) Date from which industrial property rights may have effect: **28 June 2007**
(54) Product in respect of which the design is registered: **A connector**
(51) International Design Classification: **13-03B**
(71) Name(s) and Address(s) of Applicant(s):
Emecorp Pty Ltd
1 Pronger Parade Glanmire Queensland 4570 Australia
(72) Name(s) of Designer(s): **Adam Bernard Gleeson**
(45) Registration Date: **01 April 2008**
(56) Related Art Documents: **Not Applicable**
(57) Statement of Newness and Distinctiveness: **Nil**



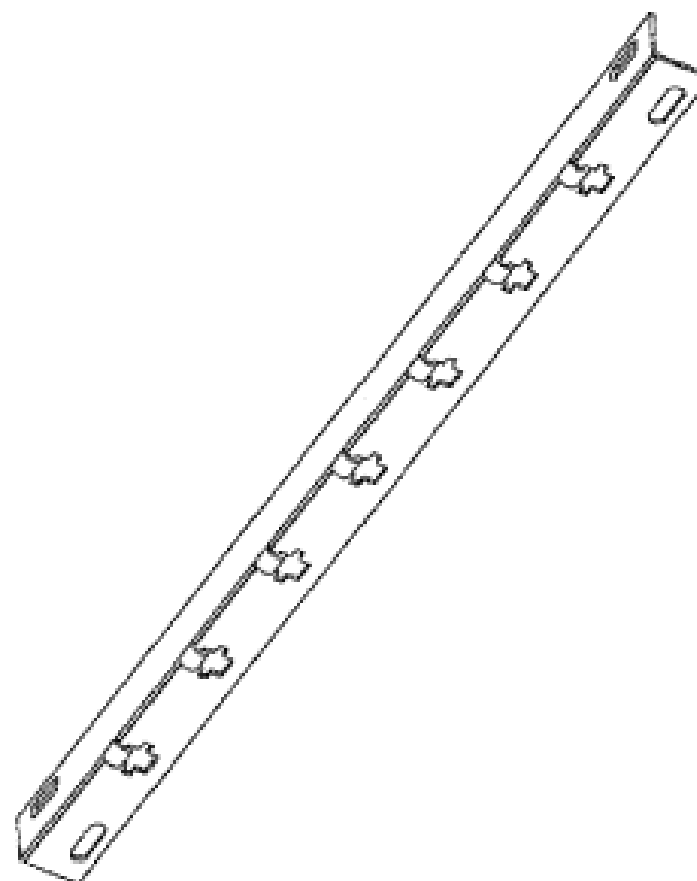
- (21) Design Number: **21006/2007**
(22) Date of Filing Application: **28 November 2007**
(24) Date from which industrial property rights may have effect: **28 November 2007**
(54) Product in respect of which the design is registered: **Universal roof golf club storage carrier**
(51) International Design Classification: **12-16K**
(71) Name(s) and Address(s) of Applicant(s):
Geoff Flett
60 Micalo Road Micalo Island New South Wales 2464 Australia
(72) Name(s) of Designer(s): **Geoff Flett**
(45) Registration Date: **01 April 2008**
(56) Related Art Documents: **Not Applicable**
(57) Statement of Newness and Distinctiveness: **Newness and distinctiveness is claimed as a new and innovative design in the visual features of shape and configuration as illustrated in the accompanying illustrations, representations and has a distinct feature of the name "FLETT" with golf ball and club identification markings on front and rear doors.**



- (21) Design Number: **21010/2007**
(22) Date of Filing Application: **28 November 2007**
(24) Date from which industrial property rights may have effect: **28 November 2007**
(54) Product in respect of which the design is registered: **Slide and turn hoist top sheet**
(51) International Design Classification: **12-05**
(71) Name(s) and Address(s) of Applicant(s):
Pelican Manufacturing Pty, Ltd.
7 Ruse Street Osborne Park Western Australia 6017 Australia
(72) Name(s) of Designer(s): **John Bromberger**
(45) Registration Date: **01 April 2008**
(56) Related Art Documents: **Not Applicable**
(57) Statement of Newness and Distinctiveness: **The sheet extends both sides of the hoist straps.**



- (21) Design Number: **21011/2007**
(22) Date of Filing Application: **27 November 2007**
(24) Date from which industrial property rights may have effect: **27 November 2007**
(54) Product in respect of which the design is registered: **Hinge element**
(51) International Design Classification: **08-06**
(71) Name(s) and Address(s) of Applicant(s):
Gryffin EPSS Pty Ltd
8 Bessemer Road Bayswater Victoria 3153 Australia
(72) Name(s) of Designer(s): **Stephen King and John Mythen**
(45) Registration Date: **01 April 2008**
(56) Related Art Documents: **Not Applicable**
(57) Statement of Newness and Distinctiveness: **Newness and distinctiveness is claimed in features of shape and/or configuration of a hinge element as illustrated in figures 1 to 3. In considering which features are new and distinctive, no regard is to be had to the bolt holes shown in dotted lines. The spacing and number of apertures as well as the corresponding fingers is to be understood as being variable. In addition, the design is of indefinite length as indicated by the broken lines extending across the hinge element as shown in figures 1 to 3. Thus the design is of indefinite length and may have four, five, six or more apertures for receiving corresponding fingers. Without limiting the scope of the design, an exemplary arrangement is shown in figure 4.**

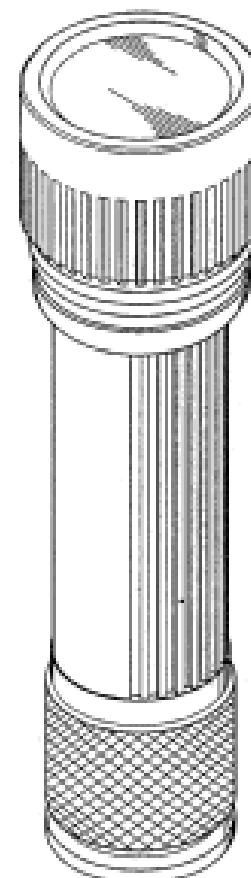


- (21) Design Number: **21023/2007**
- (22) Date of Filing Application: **28 November 2007**
- (24) Date from which industrial property rights may have effect: **28 November 2007**
- (54) Product in respect of which the design is registered: **Seat**
- (51) International Design Classification: **06-01C**
- (71) Name(s) and Address(s) of Applicant(s):
Mark Alan Stuart Cox
44A Joiner Street Melville Western Australia 6156 Australia
- (72) Name(s) of Designer(s): **Mark Alan Stuart Cox**
- (45) Registration Date: **01 April 2008**
- (56) Related Art Documents: **Not Applicable**
- (57) Statement of Newness and Distinctiveness: **Distinctiveness is claimed in the features of shape or configuration of the seat as illustrated in the representations.**

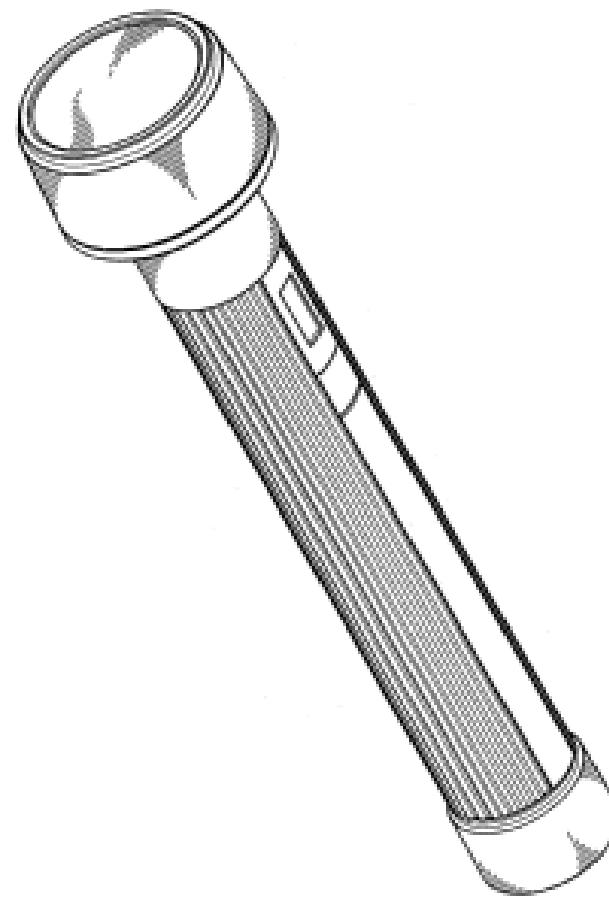


- (21) Design Number: **21029/2007**
- (22) Date of Filing Application: **26 November 2007**
- (24) Date from which industrial property rights may have effect: **26 November 2007**
- (54) Product in respect of which the design is registered: **Flashlight**
- (51) International Design Classification: **26-02**
- (71) Name(s) and Address(s) of Applicant(s):
Yun-Zhao Liu
No. 3 2nd Street Hsinfeng Road Huangpu Township Zhongshan City
Guangdong Province P.R. China
- (72) Name(s) of Designer(s): **Yun-Zhao Liu**
- (45) Registration Date: **01 April 2008**
- (30) Convention priority data:

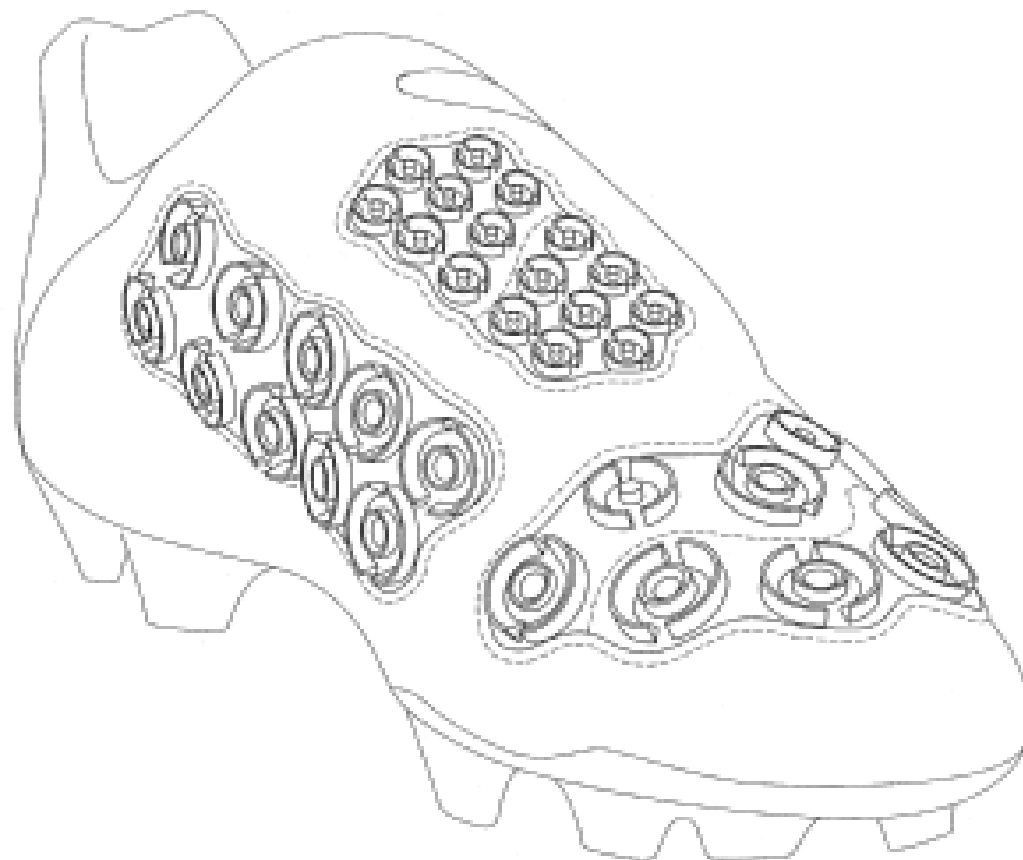
(31) Number	(32) Date	(33) Country
200730310494.4	18 Sep 2007	CHINA
- (56) Related Art Documents: **Not Applicable**
- (57) Statement of Newness and Distinctiveness: **Nil**



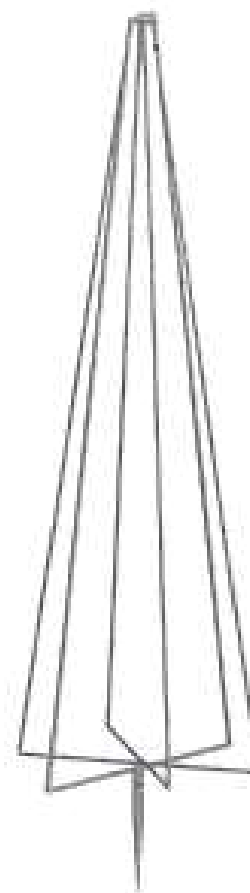
- (21) Design Number: **21030/2007**
(22) Date of Filing Application: **26 November 2007**
(24) Date from which industrial property rights may have effect: **26 November 2007**
(54) Product in respect of which the design is registered: **Flashlight**
(51) International Design Classification: **26-02, 10-04**
(71) Name(s) and Address(s) of Applicant(s):
Yun-Zhao Liu
No. 3 2nd Street Hsinfeng Road Huangpu Township Zhongshan City
Guangdong Province P.R. China
(72) Name(s) of Designer(s): **Yun-Zhao Liu**
(45) Registration Date: **01 April 2008**
(56) Related Art Documents: **Not Applicable**
(57) Statement of Newness and Distinctiveness: **Nil**



- (21) Design Number: **21033/2007**
(22) Date of Filing Application: **28 November 2007**
(24) Date from which industrial property rights may have effect: **28 November 2007**
(54) Product in respect of which the design is registered: **"Sports shoe"**
(51) International Design Classification: **02-04NES**
(71) Name(s) and Address(s) of Applicant(s):
Whiteheart Licensing Pty Ltd
37 Wattle Grove Reservoir Victoria 3073 Australia
(72) Name(s) of Designer(s): **Konstantinos Hatzilias**
(45) Registration Date: **01 April 2008**
(56) Related Art Documents: **Not Applicable**
(57) Statement of Newness and Distinctiveness: **Newness and distinctiveness resides in features of shape and configuration of the protrusion containing sections of the footwear upper as shown in the accompanying representations. When considering whether the design is substantially similar in overall impression to another design, no regard is to be given to those features of the design which reside outside of these protrusion containing sections.**



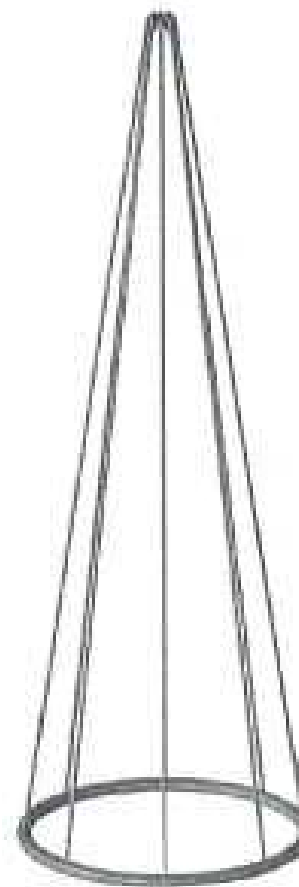
- (21) Design Number: **21034/2007**
(22) Date of Filing Application: **28 November 2007**
(24) Date from which industrial property rights may have effect: **28 November 2007**
(54) Product in respect of which the design is registered: **A display stand**
(51) International Design Classification: **20-02E**
(71) Name(s) and Address(s) of Applicant(s):
Arlec Australia Limited
272-274 Maroondah Highway Chirnside Park Victoria 3116 Australia
(72) Name(s) of Designer(s): **Olesia Rudakova**
(45) Registration Date: **01 April 2008**
(56) Related Art Documents: **Not Applicable**
(57) Statement of Newness and Distinctiveness: **Nil**



- (21) Design Number: **21035/2007**
(22) Date of Filing Application: **28 November 2007**
(24) Date from which industrial property rights may have effect: **28 November 2007**
(54) Product in respect of which the design is registered: **A pair of stirrup bars**
(51) International Design Classification: **30-04**
(71) Name(s) and Address(s) of Applicant(s):
Hammersmith Nominees Pty Ltd
430 Newcastle Street West Perth Western Australia 6005 Australia
(72) Name(s) of Designer(s): **Kenneth John Bates**
(45) Registration Date: **01 April 2008**
(56) Related Art Documents: **Not Applicable**
(57) Statement of Newness and Distinctiveness: **Newness and distinctiveness is claimed in the shape and configuration of the recessed portion marked "A" of the front face of each of the stirrup bars of the pair as shown in the representations.**



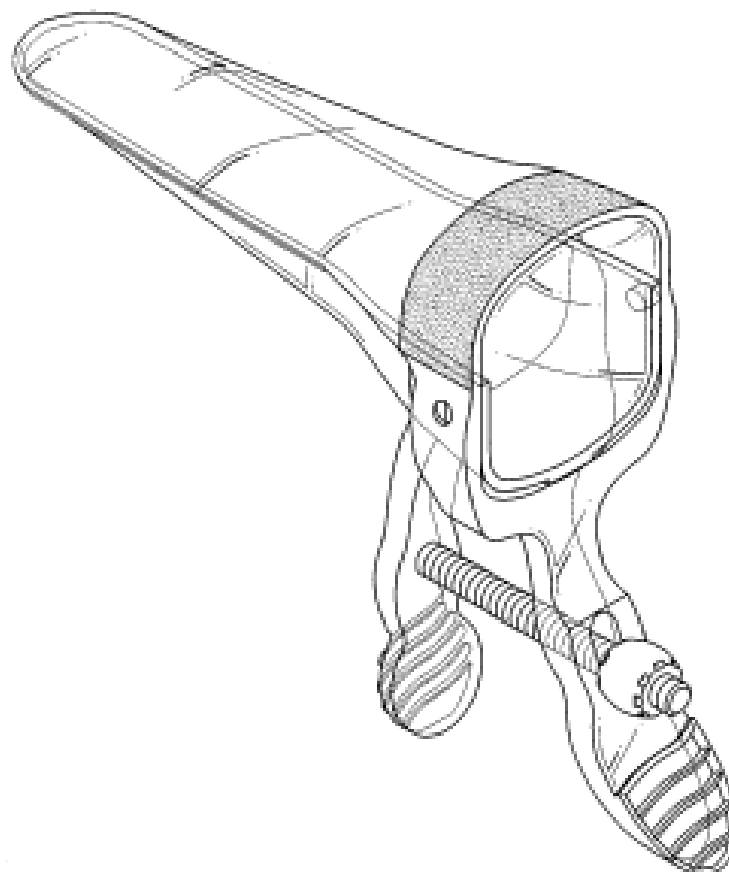
- (21) Design Number: **21036/2007**
- (22) Date of Filing Application: **28 November 2007**
- (24) Date from which industrial property rights may have effect: **28 November 2007**
- (54) Product in respect of which the design is registered: **A display stand**
- (51) International Design Classification: **20-02E**
- (71) Name(s) and Address(s) of Applicant(s):
Arlec Australia Limited
272-274 Maroondah Highway Chirnside Park Victoria 3116 Australia
- (72) Name(s) of Designer(s): **Olesia Rudakova**
- (45) Registration Date: **01 April 2008**
- (56) Related Art Documents: **Not Applicable**
- (57) Statement of Newness and Distinctiveness: **Nil**



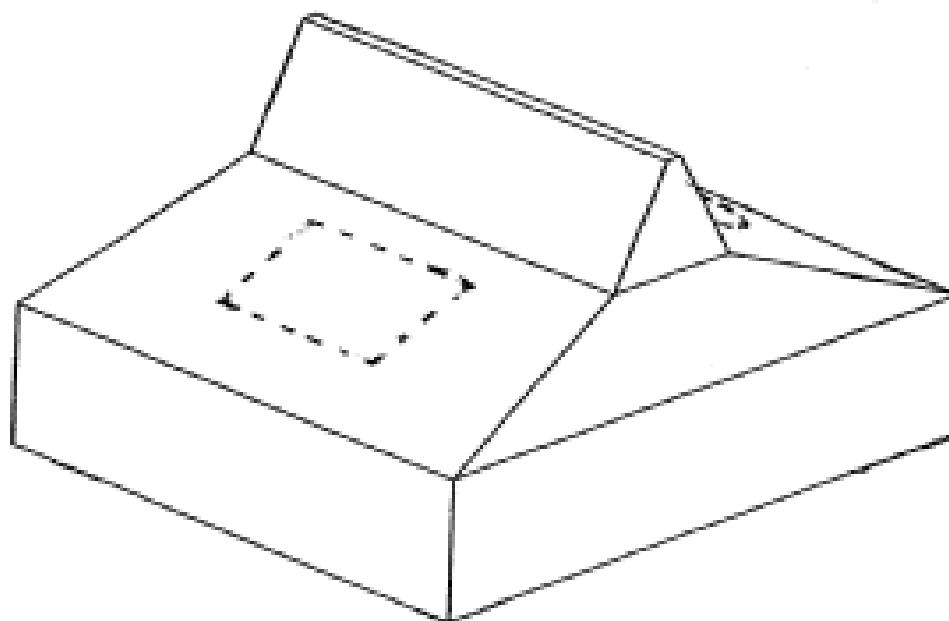
- (21) Design Number: **21037/2007**
- (22) Date of Filing Application: **28 November 2007**
- (24) Date from which industrial property rights may have effect: **28 November 2007**
- (54) Product in respect of which the design is registered: **A display stand**
- (51) International Design Classification: **20-02E**
- (71) Name(s) and Address(s) of Applicant(s):
Arlec Australia Limited
272-274 Maroondah Highway Chirnside Park Victoria 3116 Australia
- (72) Name(s) of Designer(s): **Olesia Rudakova**
- (45) Registration Date: **01 April 2008**
- (56) Related Art Documents: **Not Applicable**
- (57) Statement of Newness and Distinctiveness: **Nil**



- (21) Design Number: **21041/2007**
(22) Date of Filing Application: **28 November 2007**
(24) Date from which industrial property rights may have effect: **28 November 2007**
(54) Product in respect of which the design is registered: **Vaginal speculum**
(51) International Design Classification: **24-02**
(71) Name(s) and Address(s) of Applicant(s):
Yih-Chiou Tsai
No. 20-8 Lane 252 Tungchi St Taichang Li Tung Shin Chen Taichung
Hsien Taiwan R.O.C.
(72) Name(s) of Designer(s): **Yih-Chiou Tsai**
(45) Registration Date: **01 April 2008**
(56) Related Art Documents: **Not Applicable**
(57) Statement of Newness and Distinctiveness: **Newness and distinctiveness resides in the shape and configuration of a vaginal speculum as shown in the accompanying representations.**



- (21) Design Number: **21042/2007**
(22) Date of Filing Application: **28 November 2007**
(24) Date from which industrial property rights may have effect: **28 November 2007**
(54) Product in respect of which the design is registered: **A blank for a cover for a refuse receptacle**
(51) International Design Classification: **09-09**
(71) Name(s) and Address(s) of Applicant(s):
Anthony Hope
7 Altoft Street Kuraby Queensland 4127 Australia
(72) Name(s) of Designer(s): **Anthony Hope**
(45) Registration Date: **01 April 2008**
(56) Related Art Documents: **Not Applicable**
(57) Statement of Newness and Distinctiveness: **The newness and distinctiveness resides in the shape and configuration of a blank for a cover for a refuse receptacle as shown in the accompanying representations.**



(21) Design Number: **21043/2007**
(22) Date of Filing Application: **28 November 2007**
(24) Date from which industrial property rights may have effect: **28 November 2007**
(54) Product in respect of which the design is registered: **Ink cartridge**
(51) International Design Classification: **18-02**
(71) Name(s) and Address(s) of Applicant(s):

Seiko Epson Corporation
4-1 Nishishinjuku 2-chome Shinjuku-ku Tokyo 163-0811 Japan

(72) Name(s) of Designer(s): **Taku Ishizawa**

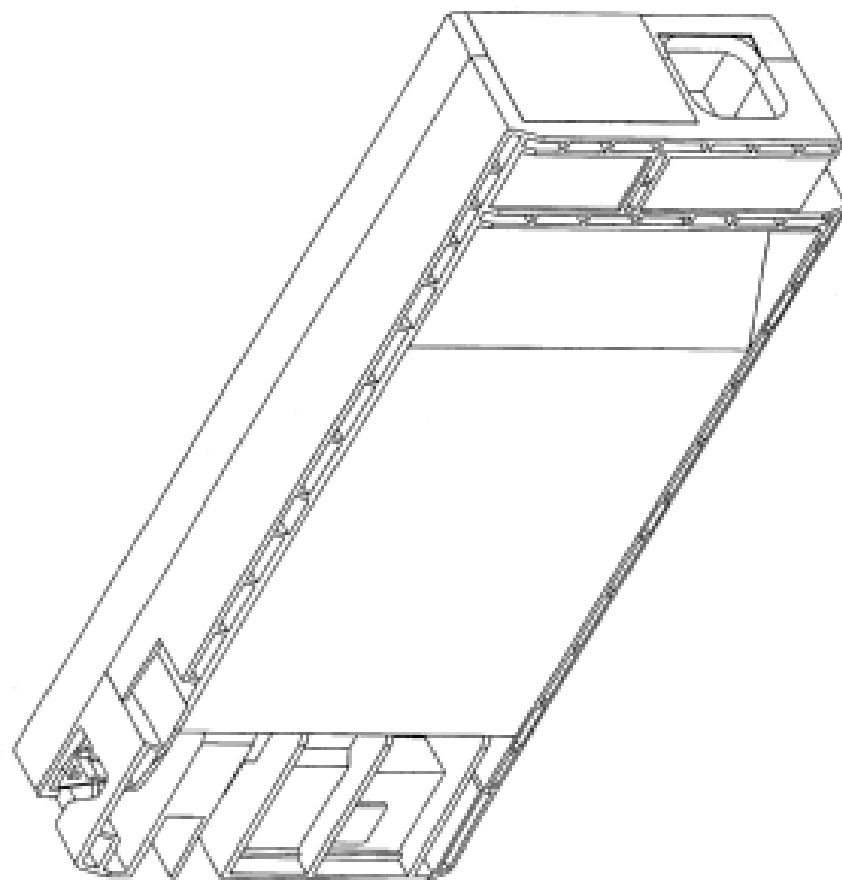
(45) Registration Date: **01 April 2008**

(30) Convention priority data:

(31) Number	(32) Date	(33) Country
2007-025687	21 Sep 2007	JAPAN

(56) Related Art Documents: **Not Applicable**

(57) Statement of Newness and Distinctiveness: **Newness and distinctiveness is claimed in the features of shape and/or configuration of the following parts of an ink cartridge as illustrated in the accompanying representations: an arrangement of an ink outlet labelled "A", IC substrate labelled "B"; compressed air inlet labelled "C", and guide pin cavity labelled "D".**



(21) Design Number: **21048/2007**
(22) Date of Filing Application: **29 November 2007**
(24) Date from which industrial property rights may have effect: **29 November 2007**
(54) Product in respect of which the design is registered: **A heat vest**
(51) International Design Classification: **02-02NES**
(71) Name(s) and Address(s) of Applicant(s):

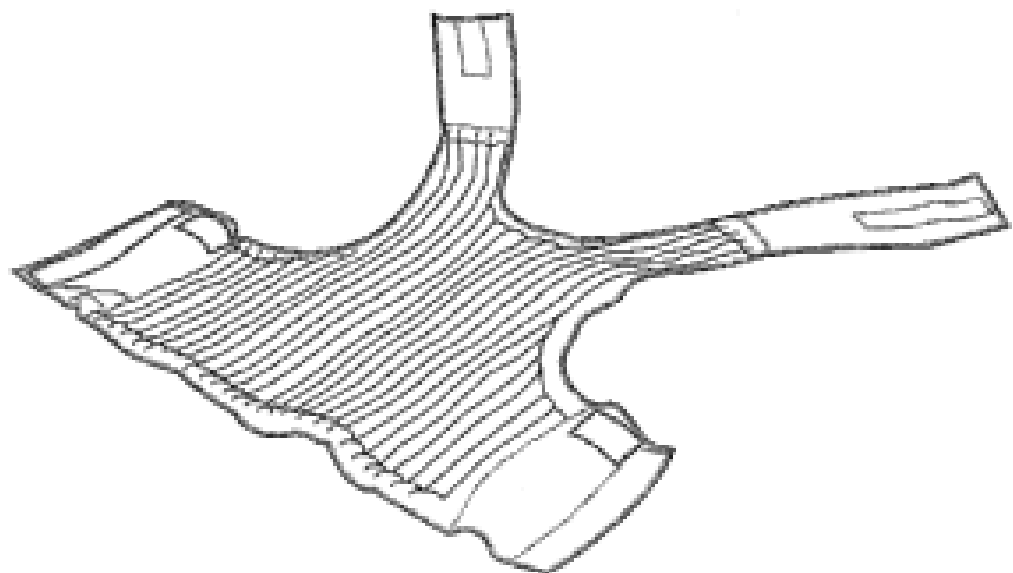
Annette Herbert
23 Wilson Street Plympton Park South Australia 5038 Australia

(72) Name(s) of Designer(s): **Annette Herbert**

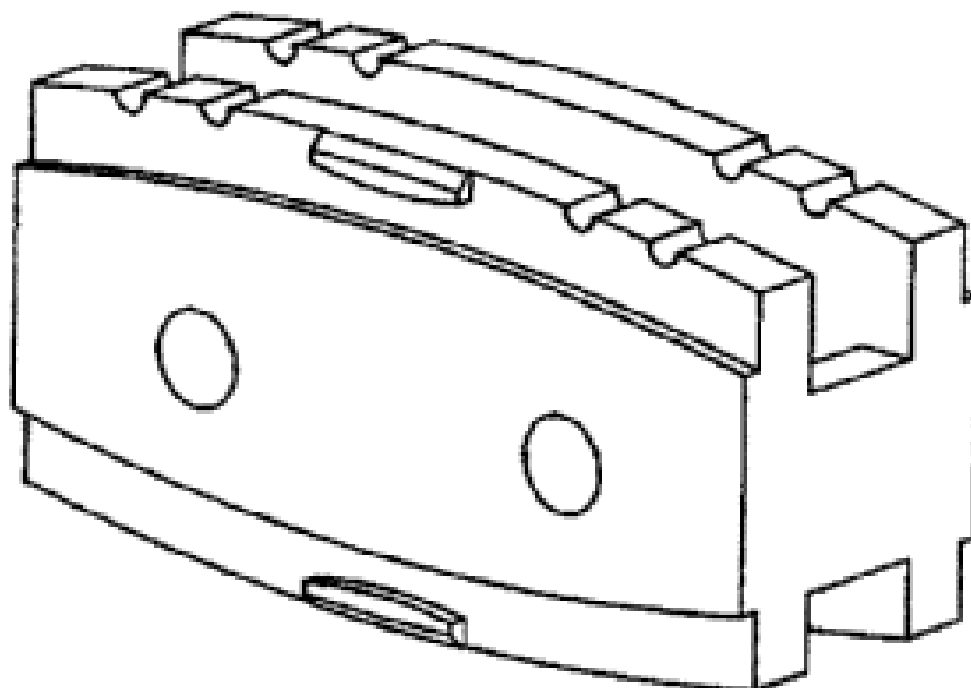
(45) Registration Date: **01 April 2008**

(56) Related Art Documents: **Not Applicable**

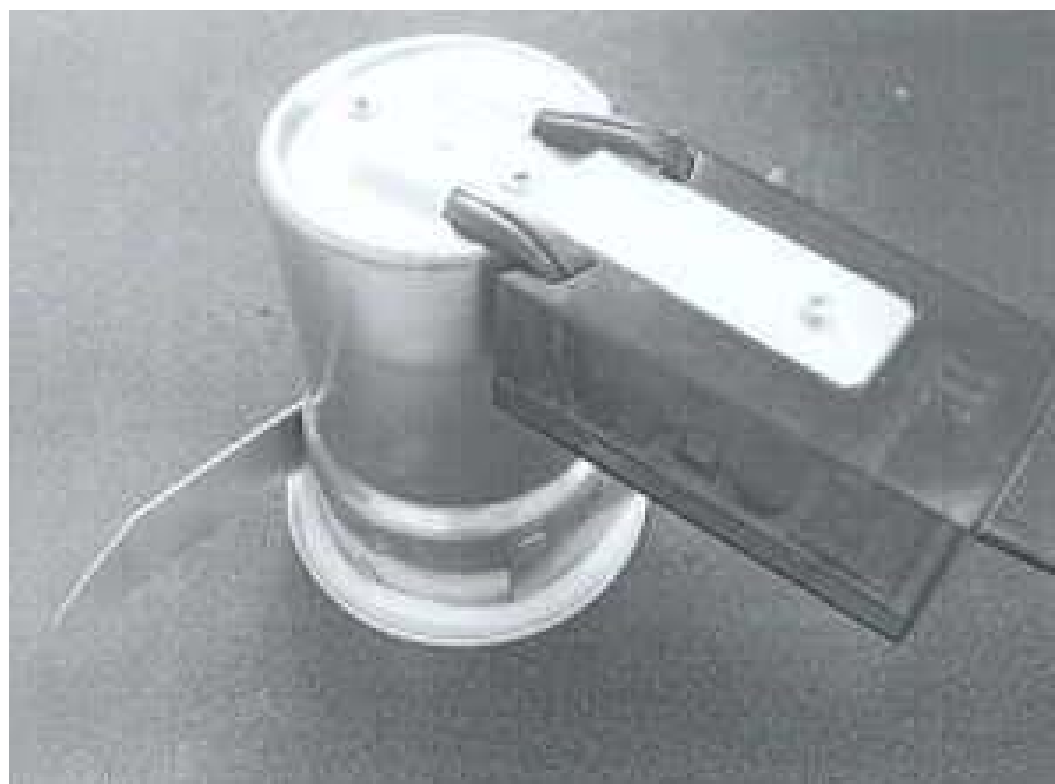
(57) Statement of Newness and Distinctiveness: **Nil**



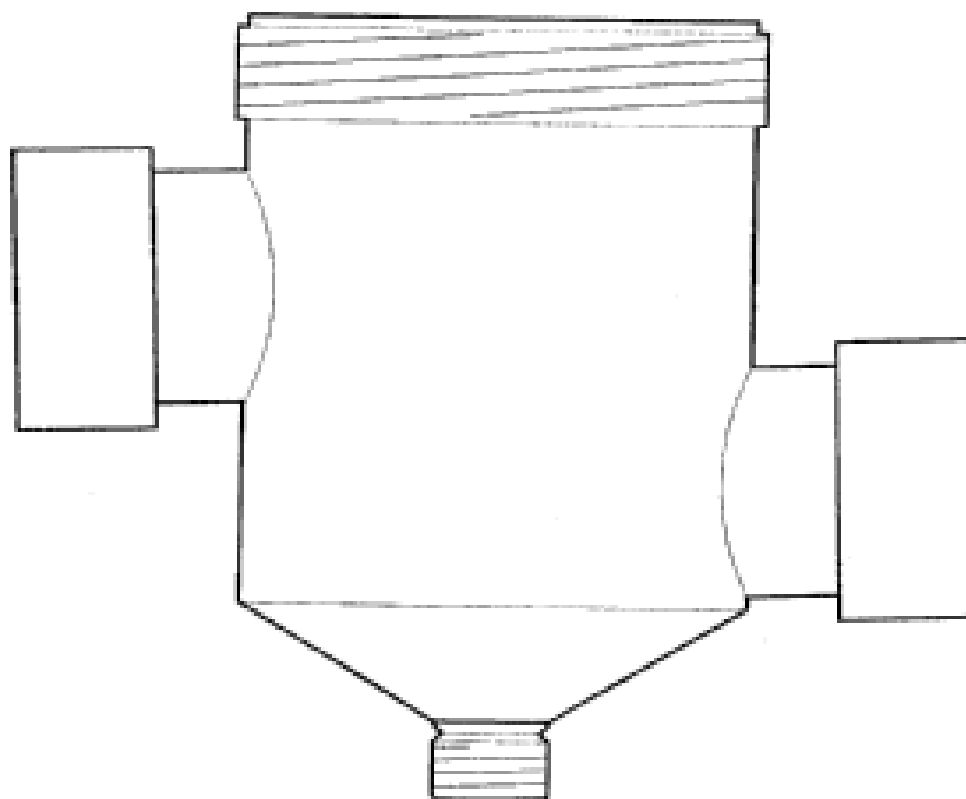
- (21) Design Number: **21049/2007**
(22) Date of Filing Application: **29 November 2007**
(24) Date from which industrial property rights may have effect: **29 November 2007**
(54) Product in respect of which the design is registered: **Roller assembly**
(51) International Design Classification: **08-05NES, 99-00**
(71) Name(s) and Address(s) of Applicant(s):
Mammoth International Pty Ltd
6 Mercedes Drive Thomastown Victoria 3074 Australia
(72) Name(s) of Designer(s): **Anthony Fiscaro**
(45) Registration Date: **01 April 2008**
(56) Related Art Documents: **Not Applicable**
(57) Statement of Newness and Distinctiveness: **In considering the newness or distinctiveness of the design, regard is to be given to the overall shape and/or configuration of a roller assembly as shown in the representations.**



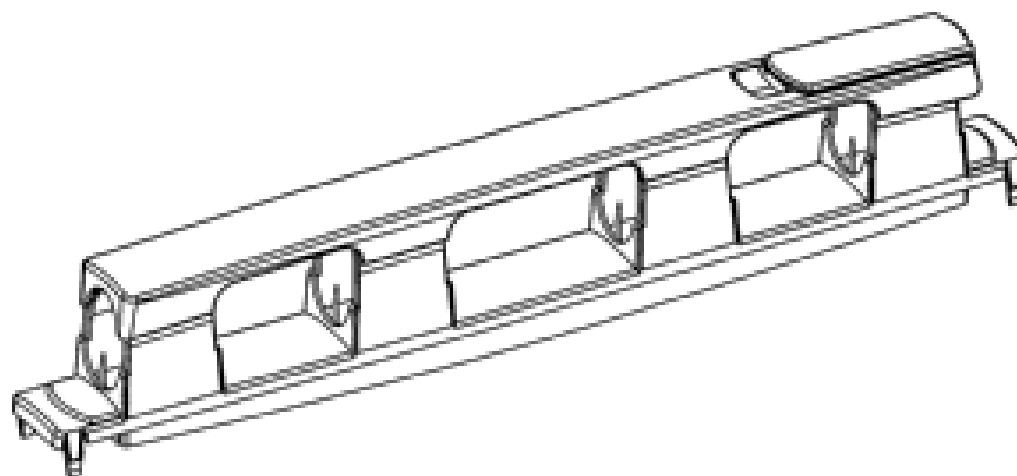
- (21) Design Number: **21061/2007**
(22) Date of Filing Application: **30 November 2007**
(24) Date from which industrial property rights may have effect: **30 November 2007**
(54) Product in respect of which the design is registered: **A ceiling light**
(51) International Design Classification: **26-05C**
(71) Name(s) and Address(s) of Applicant(s):
Intram Barwell Limited
Unit C60 Barwell Business Park Leatherhead Road Chessington KT9
2NY United Kingdom
(72) Name(s) of Designer(s): **Edward John Henderson and Derek Matthews and Alistair David Nigel Smith**
(45) Registration Date: **01 April 2008**
(30) Convention priority data:
(31) Number (32) Date (33) Country
000731674 30 May 2007 EUROPEAN COMMUNITY
(56) Related Art Documents: **Not Applicable**
(57) Statement of Newness and Distinctiveness: **Newness and distinctiveness is claimed in the features of shape and/or configuration of the following parts of a ceiling light as illustrated in the accompanying representations: the box located towards the top; the removable internal reflector; and the projecting arms.**



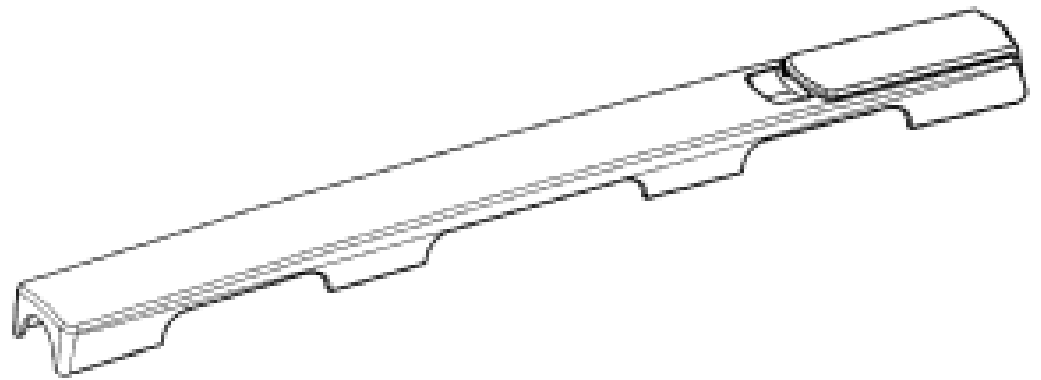
- (21) Design Number: **21051/2007**
(22) Date of Filing Application: **30 November 2007**
(24) Date from which industrial property rights may have effect: **30 November 2007**
(54) Product in respect of which the design is registered: **UPVC plumbing fitting**
(51) International Design Classification: **23-01B**
(71) Name(s) and Address(s) of Applicant(s):
Nicolas G. Pyner
43 Wheeler Parade Dee Why New South Wales 2099 Australia
(72) Name(s) of Designer(s): **Nicolas G. Pyner**
(45) Registration Date: **01 April 2008**
(56) Related Art Documents: **Not Applicable**
(57) Statement of Newness and Distinctiveness: **Reduces PVC DWV drain to small bore copper, provides overflow to PVC DWV pipe and allows inspection and clean-out.**



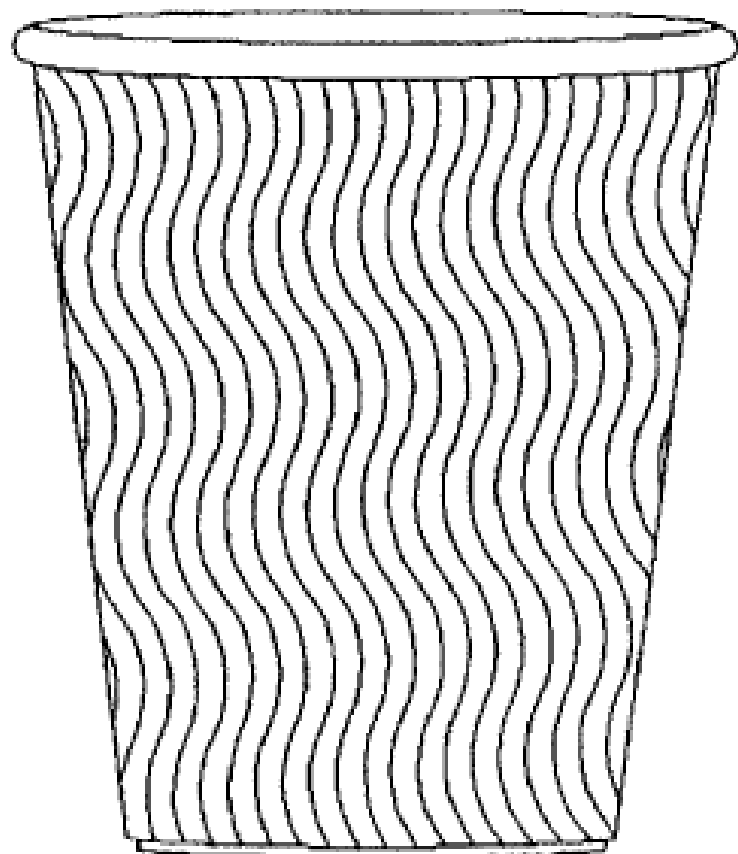
- (21) Design Number: **21052/2007**
(22) Date of Filing Application: **29 November 2007**
(24) Date from which industrial property rights may have effect: **29 November 2007**
(54) Product in respect of which the design is registered: **Cable management rack**
(51) International Design Classification: **13-03B**
(71) Name(s) and Address(s) of Applicant(s):
Clipsal Australia Pty Ltd
12 Park Terrace Bowden South Australia 5007 Australia
(72) Name(s) of Designer(s): **Kenneth Basil Gransbury**
(45) Registration Date: **01 April 2008**
(56) Related Art Documents: **Not Applicable**
(57) Statement of Newness and Distinctiveness: **Newness and distinctiveness resides in the shape and configuration of a cable management rack as shown in the accompanying representations. Those portions shown in dotted lines form no part of the design and are to be disregarded.**



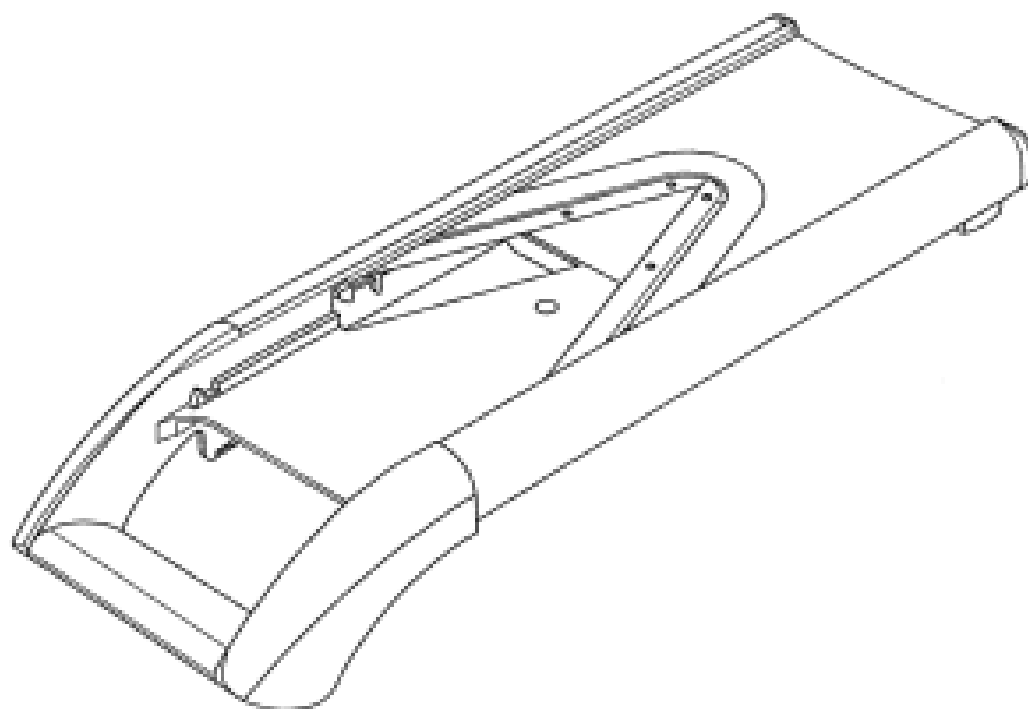
- (21) Design Number: **21053/2007**
(22) Date of Filing Application: **29 November 2007**
(24) Date from which industrial property rights may have effect: **29 November 2007**
(54) Product in respect of which the design is registered: **Cable management rack cover**
(51) International Design Classification: **13-03B**
(71) Name(s) and Address(s) of Applicant(s):
Clipsal Australia Pty Ltd
12 Park Terrace Bowden South Australia 5007 Australia
(72) Name(s) of Designer(s): **Kenneth Basil Gransbury**
(45) Registration Date: **01 April 2008**
(56) Related Art Documents: **Not Applicable**
(57) Statement of Newness and Distinctiveness: **Newness and distinctiveness resides in the shape and configuration of a cable management rack cover as shown in the accompanying representations.**



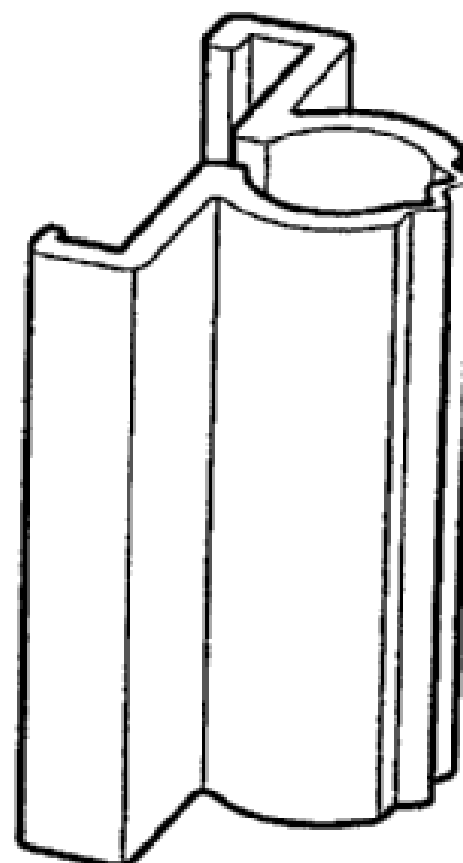
- (21) Design Number: **21054/2007**
(22) Date of Filing Application: **29 November 2007**
(24) Date from which industrial property rights may have effect: **29 November 2007**
(54) Product in respect of which the design is registered: **Drink glass**
(51) International Design Classification: **07-01C**
(71) Name(s) and Address(s) of Applicant(s):
PT Glopac Indonesia
Jl. Akasia 11 Blok AE No. 19 Delta Silicon L.C. Sukaresmi Cikarang
Selatan Bekasi Indonesia
(72) Name(s) of Designer(s): **Susanto Widjaya Lioe**
(45) Registration Date: **01 April 2008**
(56) Related Art Documents: **Not Applicable**
(57) Statement of Newness and Distinctiveness: **The shape and configuration of the drink glass in the attached representations are the new and distinctive features.**



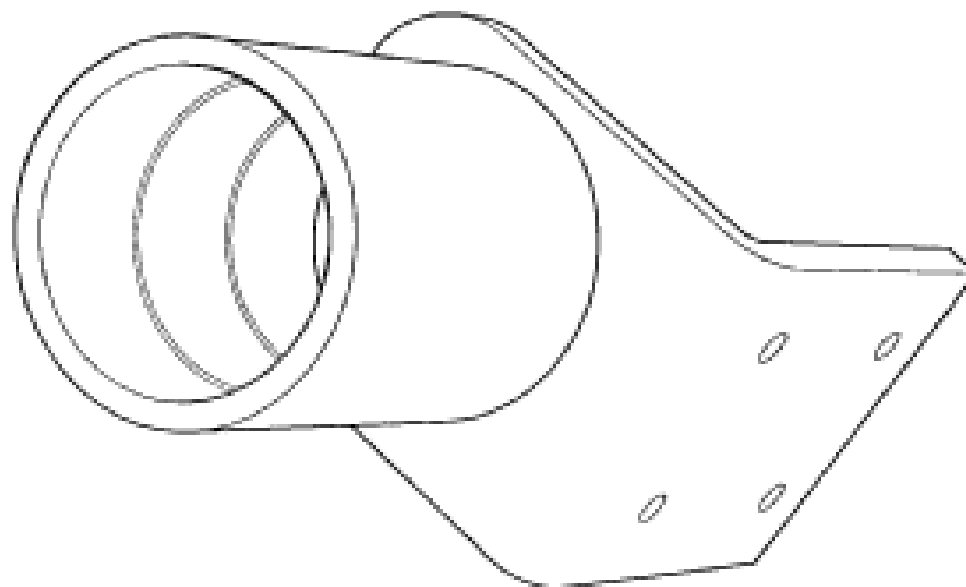
(21) Design Number: **21056/2007**
(22) Date of Filing Application: **29 November 2007**
(24) Date from which industrial property rights may have effect: **29 November 2007**
(54) Product in respect of which the design is registered: **Kitchen slicer**
(51) International Design Classification: **07-04**
(71) Name(s) and Address(s) of Applicant(s):
Boerner Kunststoff-und Metallwarenfabrik GmbH
Industriegebiet Boerner 1 D-54526 Landscheid-Neiderkail Germany
(72) Name(s) of Designer(s): **Juergen Boerner**
(45) Registration Date: **01 April 2008**
(30) Convention priority data:
(31) Number (32) Date (33) Country
407 03 236.3 18 Jun 2007 GERMANY
(56) Related Art Documents: **Not Applicable**
(57) Statement of Newness and Distinctiveness: **Nil**



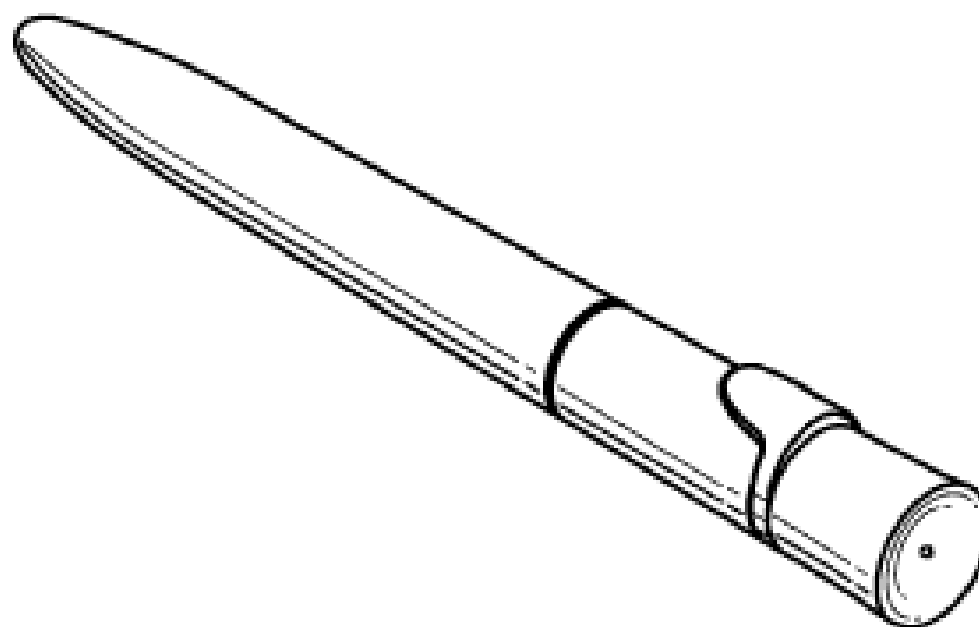
(21) Design Number: **21057/2007**
(22) Date of Filing Application: **29 November 2007**
(24) Date from which industrial property rights may have effect: **29 November 2007**
(54) Product in respect of which the design is registered: **Clip for monitor**
(51) International Design Classification: **08-08C**
(71) Name(s) and Address(s) of Applicant(s):
Koninklijke Philips Electronics N.V.
Groenewoudseweg 1 5621 BA Eindhoven The Netherlands
(72) Name(s) of Designer(s): **Kevin Yu-Jui Chou and Ted Chien-Hung Lee**
(45) Registration Date: **01 April 2008**
(30) Convention priority data:
(31) Number (32) Date (33) Country
000732631 31 May 2007 EUROPEAN COMMUNITY
(56) Related Art Documents: **Not Applicable**
(57) Statement of Newness and Distinctiveness: **Newness and distinctiveness reside in the features of the design as shown in the representations.**



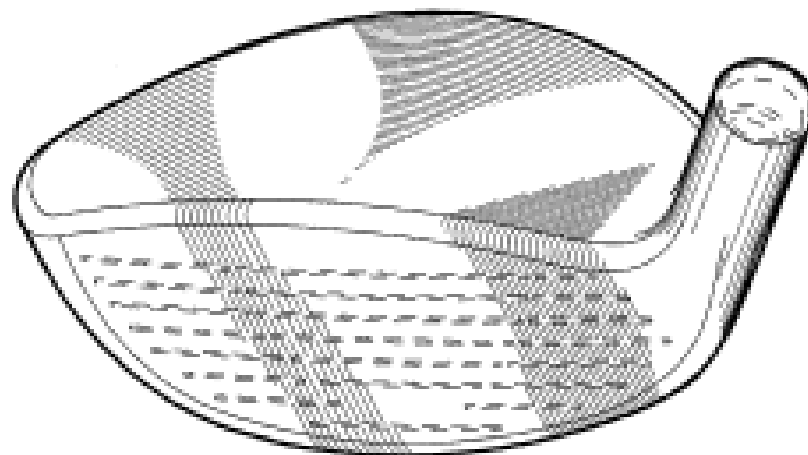
(21) Design Number: **21059/2007**
(22) Date of Filing Application: **28 November 2007**
(24) Date from which industrial property rights may have effect: **28 November 2007**
(54) Product in respect of which the design is registered: **90 degree angled bracket and antenna tube holder**
(51) International Design Classification: **08-08L**
(71) Name(s) and Address(s) of Applicant(s):
Robert Stanley Ayles
34 Gladstone Road Brighton South Australia 5048 Australia
(72) Name(s) of Designer(s): **Robert Stanley Ayles**
(45) Registration Date: **01 April 2008**
(56) Related Art Documents: **Not Applicable**
(57) Statement of Newness and Distinctiveness: **Nil**



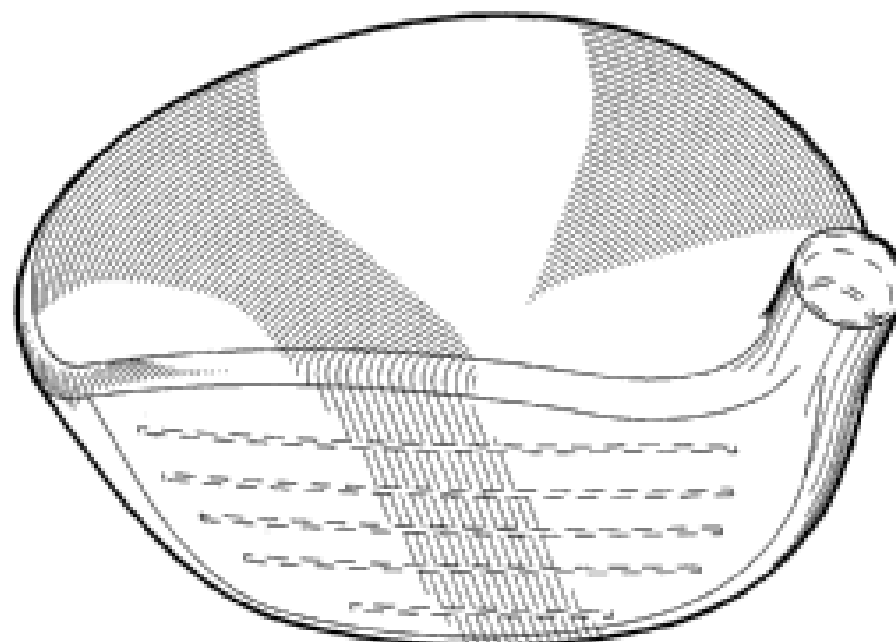
(21) Design Number: **21060/2007**
(22) Date of Filing Application: **27 November 2007**
(24) Date from which industrial property rights may have effect: **27 November 2007**
(54) Product in respect of which the design is registered: **Ballpoint pen**
(51) International Design Classification: **19-06**
(71) Name(s) and Address(s) of Applicant(s):
Shachihata Inc
No. 69 4-chome Amazuka-cho Nishi-ku Nagoya Aichi 451-0021 Japan
(72) Name(s) of Designer(s): **Fumie Shibata and Shingo Niwa**
(45) Registration Date: **01 April 2008**
(30) Convention priority data:
(31) Number (32) Date (33) Country
2007-015787 14 Jun 2007 JAPAN
(56) Related Art Documents: **Not Applicable**
(57) Statement of Newness and Distinctiveness: **Nil**



- (21) Design Number: **21062/2007**
(22) Date of Filing Application: **30 November 2007**
(24) Date from which industrial property rights may have effect: **30 November 2007**
(54) Product in respect of which the design is registered: **Golf hybrid head**
(51) International Design Classification: **21-02C**
(71) Name(s) and Address(s) of Applicant(s):
Karsten Manufacturing Corporation
2201 West Desert Cove Phoenix Arizona 85029 United States of America
(72) Name(s) of Designer(s): **Xiaojian Chen and Anthony D. Serrano**
(45) Registration Date: **01 April 2008**
(30) Convention priority data:
(31) Number (32) Date (33) Country
29/282171 12 Jul 2007 UNITED STATES OF AMERICA
(56) Related Art Documents: **Not Applicable**
(57) Statement of Newness and Distinctiveness: **Newness and distinctiveness is claimed in the visual features shown in solid lines in the representations.**



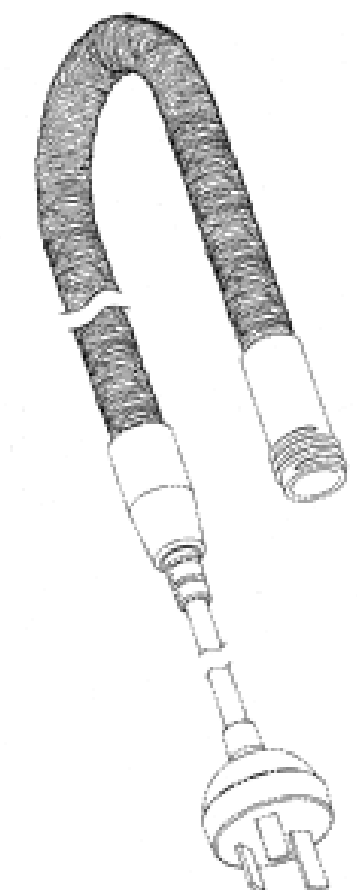
- (21) Design Number: **21063/2007**
(22) Date of Filing Application: **30 November 2007**
(24) Date from which industrial property rights may have effect: **30 November 2007**
(54) Product in respect of which the design is registered: **Golf club head**
(51) International Design Classification: **21-02C**
(71) Name(s) and Address(s) of Applicant(s):
Karsten Manufacturing Corporation
2201 West Desert Cove Phoenix Arizona 85029 United States of America
(72) Name(s) of Designer(s): **Xiaojian Chen and Anthony D. Serrano**
(45) Registration Date: **01 April 2008**
(30) Convention priority data:
(31) Number (32) Date (33) Country
29/282165 12 Jul 2007 UNITED STATES OF AMERICA
(56) Related Art Documents: **Not Applicable**
(57) Statement of Newness and Distinctiveness: **Newness and distinctiveness is claimed in the visual features shown in solid lines in the representations.**



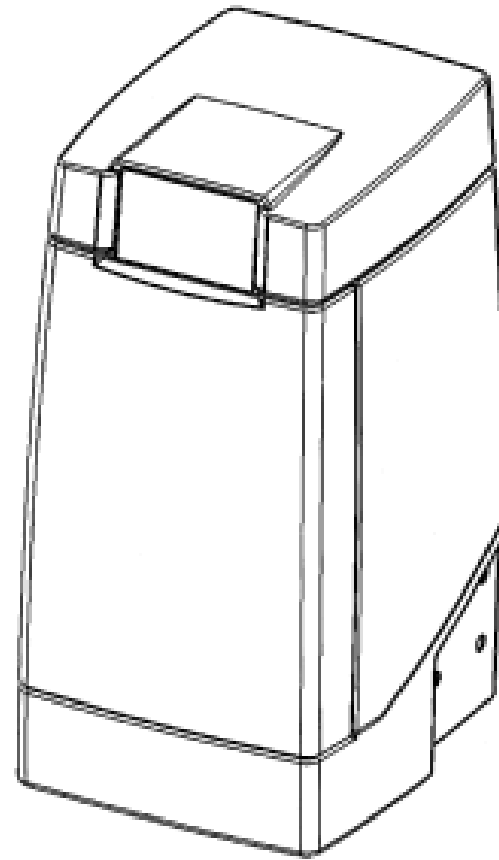
- (21) Design Number: **21065/2007**
(22) Date of Filing Application: **03 December 2007**
(24) Date from which industrial property rights may have effect: **03 December 2007**
(54) Product in respect of which the design is registered: **Boat anchors**
(51) International Design Classification: **12-16P**
(71) Name(s) and Address(s) of Applicant(s):
Cooper Anchors Pty Ltd
1 Tradewind Close River Heads Hervey Bay Queensland 4655
Australia
(72) Name(s) of Designer(s): **Larry Douglas Cooper**
(45) Registration Date: **01 April 2008**
(56) Related Art Documents: **Not Applicable**
(57) Statement of Newness and Distinctiveness: **Monopoly is claimed in the shape and configuration of an anchor as shown in the representations, with particular regard to the small blade highlighted in yellow.**



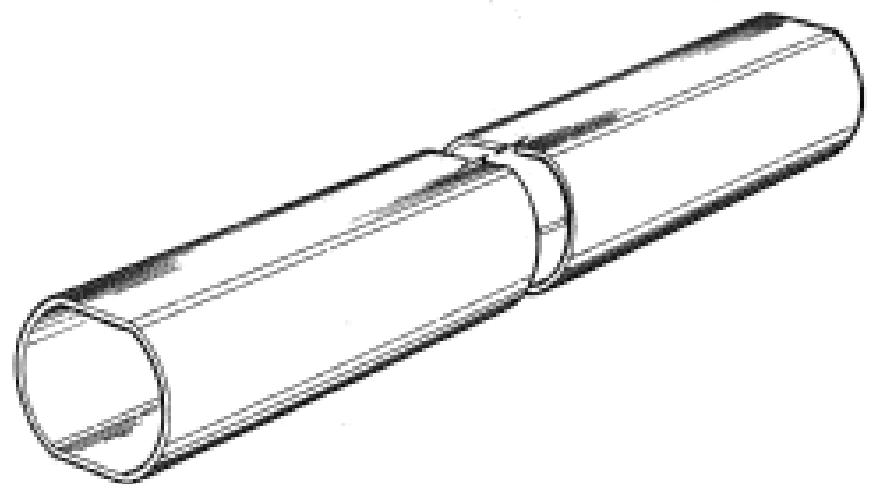
- (21) Design Number: **21066/2007**
(22) Date of Filing Application: **30 November 2007**
(24) Date from which industrial property rights may have effect: **30 November 2007**
(54) Product in respect of which the design is registered: **End to end extendable rope light**
(51) International Design Classification: **26-99**
(71) Name(s) and Address(s) of Applicant(s):
Mort Bay Traders Pty Ltd
191 Darling Street Balmain New South Wales 2041 Australia
(72) Name(s) of Designer(s): **Simon Grigg**
(45) Registration Date: **01 April 2008**
(56) Related Art Documents: **Not Applicable**
(57) Statement of Newness and Distinctiveness: **Newness and distinctiveness reside in the features of the shape and configuration of the design of the end to end extendable rope light of indefinite length, as shown in solid lines in the representations, excluding those features shown in broken lines. The shape and configuration of the end connectors of the rope light are not considered part of the design.**



- (21) Design Number: **21067/2007**
(22) Date of Filing Application: **30 November 2007**
(24) Date from which industrial property rights may have effect: **30 November 2007**
(54) Product in respect of which the design is registered: **Water purifier**
(51) International Design Classification: **23-01G**
(71) Name(s) and Address(s) of Applicant(s):
Danfoss A/S
Nordborgvej 81 DK-6430 Nordborg Denmark
(72) Name(s) of Designer(s): **Michael Laursen**
(45) Registration Date: **01 April 2008**
(56) Related Art Documents: **Not Applicable**
(57) Statement of Newness and Distinctiveness: **Nil**



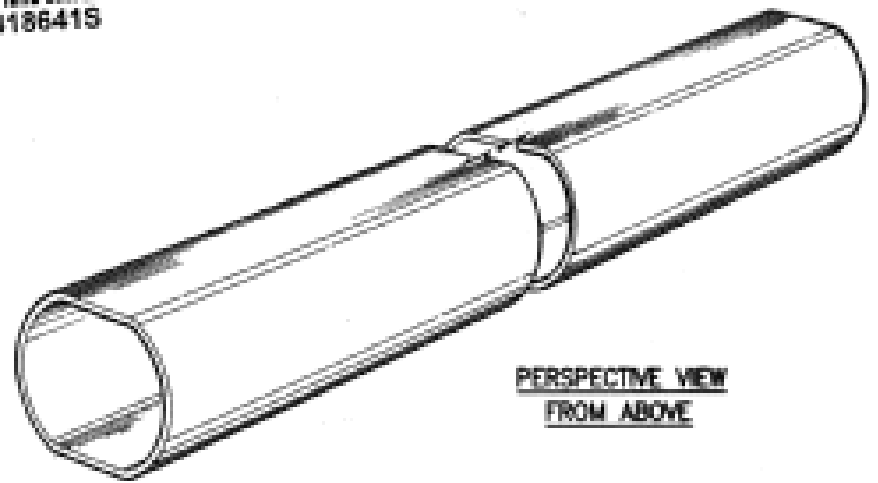
- (21) Design Number: **21073/2007**
(22) Date of Filing Application: **03 December 2007**
(24) Date from which industrial property rights may have effect: **03 December 2007**
(54) Product in respect of which the design is registered: **Structural member**
(51) International Design Classification: **25-01C**
(71) Name(s) and Address(s) of Applicant(s):
BlueScope Steel Limited
Level 11 120 Collins Street Melbourne Victoria 3000 Australia
(72) Name(s) of Designer(s): **John Barrett**
(45) Registration Date: **01 April 2008**
(56) Related Art Documents: **Not Applicable**
(57) Statement of Newness and Distinctiveness: **When determining whether the design is substantially similar in overall impression to another design, particular regard is to be had to flat regions of the design as best shown in the perspective and end views of the design.**



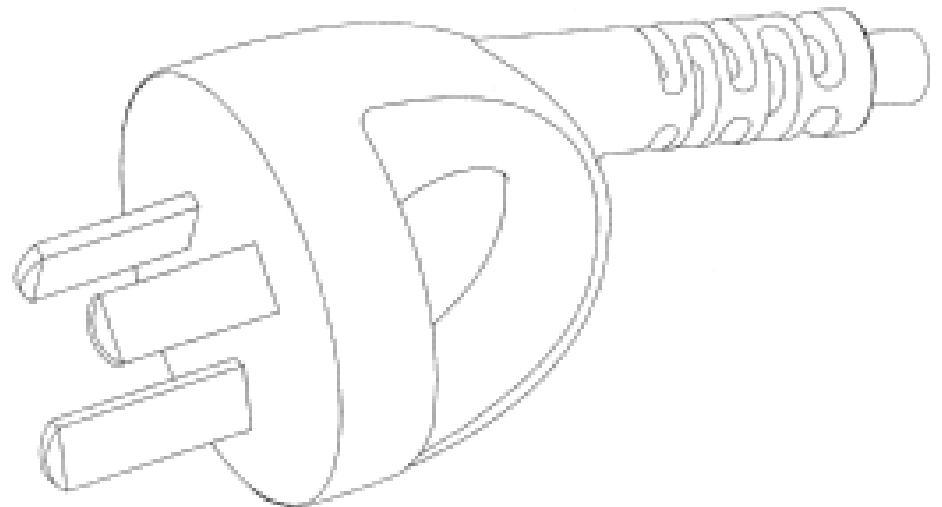
- (21) Design Number: **21074/2007**
(22) Date of Filing Application: **03 December 2007**
(24) Date from which industrial property rights may have effect: **03 December 2007**
(54) Product in respect of which the design is registered: **Structural member**
(51) International Design Classification: **25-01C**
(71) Name(s) and Address(s) of Applicant(s):
BlueScope Steel Limited
Level 11 120 Collins Street Melbourne Victoria 3000 Australia
(72) Name(s) of Designer(s): **John Barrett**
(45) Registration Date: **01 April 2008**
(56) Related Art Documents: **Not Applicable**
(57) Statement of Newness and Distinctiveness: **Nil**



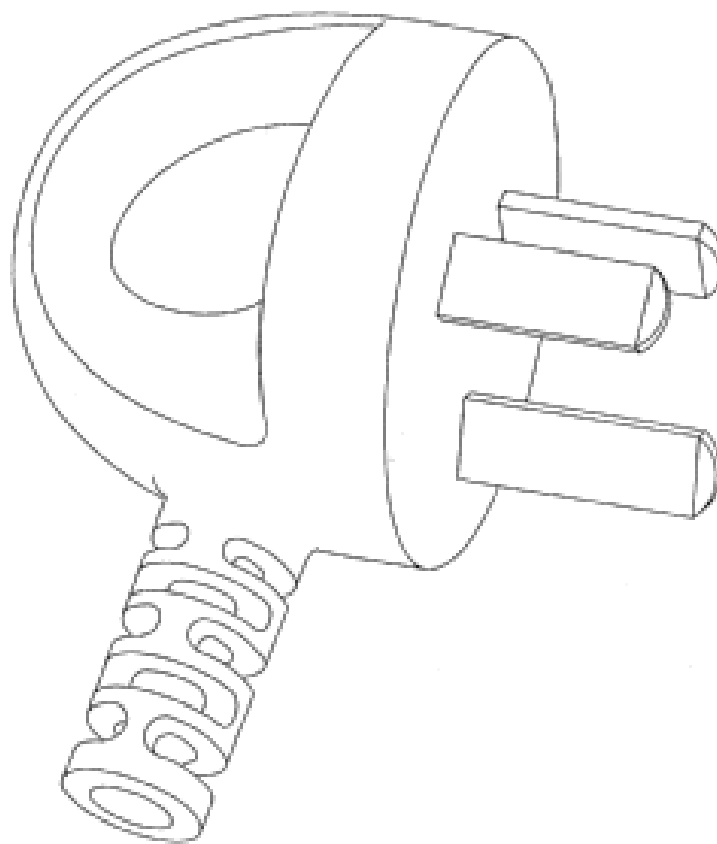
1/1



- (21) Design Number: **21075/2007**
(22) Date of Filing Application: **03 December 2007**
(24) Date from which industrial property rights may have effect: **03 December 2007**
(54) Product in respect of which the design is registered: **Electrical plug**
(51) International Design Classification: **13-03D**
(71) Name(s) and Address(s) of Applicant(s):
Sunbeam Corporation Limited
Units 5 & 6 13 Lord Street Botany New South Wales 2019 Australia
(72) Name(s) of Designer(s): **Mark Thomas**
(45) Registration Date: **01 April 2008**
(56) Related Art Documents: **Not Applicable**
(57) Statement of Newness and Distinctiveness: **Newness and distinctiveness in the design is claimed in the features of shape and/or configuration of an electrical plug as illustrated in the accompany drawings.**



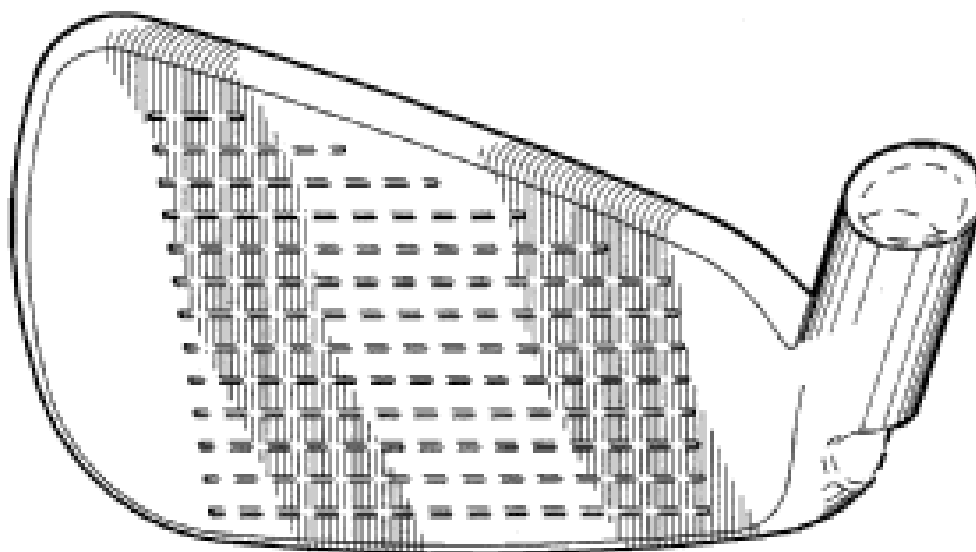
- (21) Design Number: **21076/2007**
(22) Date of Filing Application: **03 December 2007**
(24) Date from which industrial property rights may have effect: **03 December 2007**
(54) Product in respect of which the design is registered: **Electrical plug**
(51) International Design Classification: **13-03D**
(71) Name(s) and Address(s) of Applicant(s):
Sunbeam Corporation Limited
Units 5 & 6 13 Lord Street Botany New South Wales 2019 Australia
(72) Name(s) of Designer(s): **Mark Thomas**
(45) Registration Date: **01 April 2008**
(56) Related Art Documents: **Not Applicable**
(57) Statement of Newness and Distinctiveness: **Newness and distinctiveness in the design is claimed in the features of shape and/or configuration of an electrical plug as illustrated in the accompany drawings.**



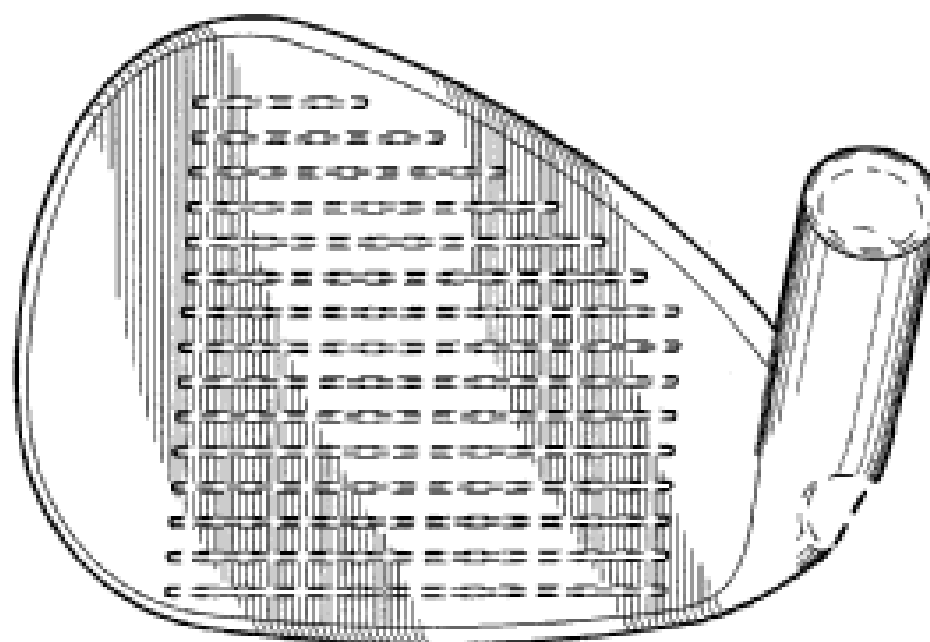
- (21) Design Number: **21077/2007**
(22) Date of Filing Application: **03 December 2007**
(24) Date from which industrial property rights may have effect: **03 December 2007**
(54) Product in respect of which the design is registered: **Ladies dress ring containing precious and semi-precious stones arranged in a multi tiered design**
(51) International Design Classification: **11-01A**
(71) Name(s) and Address(s) of Applicant(s):
Julia Denes
C/- 130 Military Road Dover Heights New South Wales 2030 Australia
(72) Name(s) of Designer(s): **Julia Denes**
(45) Registration Date: **01 April 2008**
(56) Related Art Documents: **Not Applicable**
(57) Statement of Newness and Distinctiveness: **Precious and semi precious stones tied together in a floral pattern using base metal/silver/gold/platinum wire.**



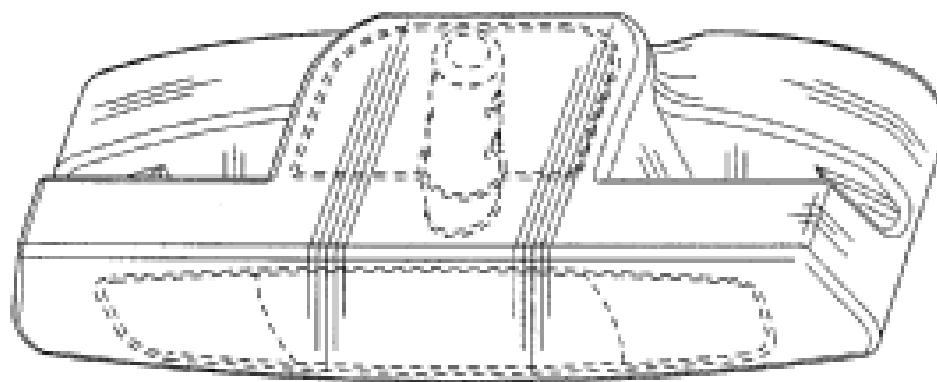
(21) Design Number: **21078/2007**
 (22) Date of Filing Application: **03 December 2007**
 (24) Date from which industrial property rights may have effect: **03 December 2007**
 (54) Product in respect of which the design is registered: **Golf iron head**
 (51) International Design Classification: **21-02C**
 (71) Name(s) and Address(s) of Applicant(s):
Karsten Manufacturing Corporation
2201 West Desert Cove Phoenix Arizona 85029 United States of America
 (72) Name(s) of Designer(s): **Michael R. Nicolette and Bradley D. Schweigert and Marty R. Jertson and John A. Solheim**
 (45) Registration Date: **01 April 2008**
 (30) Convention priority data:
 (31) Number (32) Date (33) Country
29/282626 25 Jul 2007 UNITED STATES OF AMERICA
 (56) Related Art Documents: **Not Applicable**
 (57) Statement of Newness and Distinctiveness: **Newness and distinctiveness is claimed in the visual features shown in solid lines in the representations.**



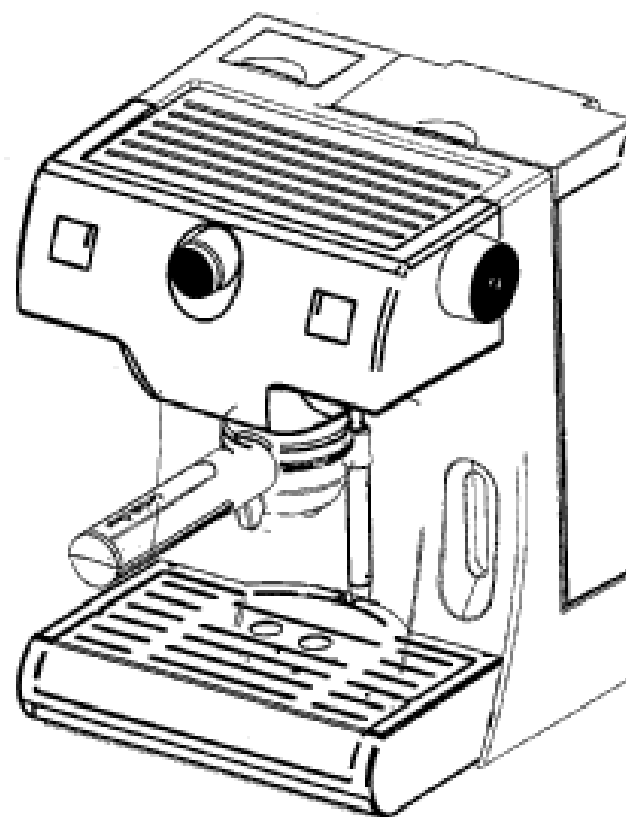
(21) Design Number: **21079/2007**
 (22) Date of Filing Application: **03 December 2007**
 (24) Date from which industrial property rights may have effect: **03 December 2007**
 (54) Product in respect of which the design is registered: **Golf iron head**
 (51) International Design Classification: **21-02C**
 (71) Name(s) and Address(s) of Applicant(s):
Karsten Manufacturing Corporation
2201 West Desert Cove Phoenix Arizona 85029 United States of America
 (72) Name(s) of Designer(s): **Michael R. Nicolette and Bradley D. Schweigert and Marty R. Jertson and John A. Solheim**
 (45) Registration Date: **01 April 2008**
 (30) Convention priority data:
 (31) Number (32) Date (33) Country
29/282628 25 Jul 2007 UNITED STATES OF AMERICA
 (56) Related Art Documents: **Not Applicable**
 (57) Statement of Newness and Distinctiveness: **Newness and distinctiveness is claimed in the visual features shown in solid lines in the representations.**



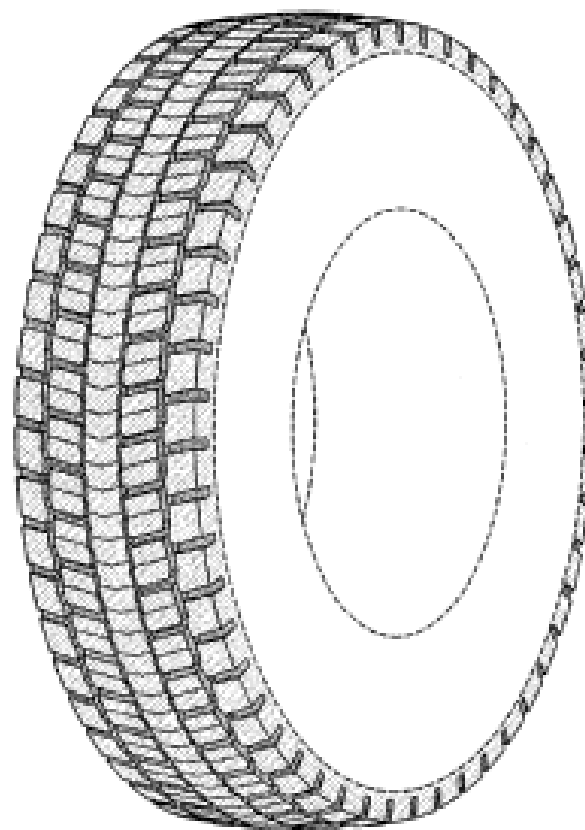
- (21) Design Number: **21080/2007**
(22) Date of Filing Application: **03 December 2007**
(24) Date from which industrial property rights may have effect: **03 December 2007**
(54) Product in respect of which the design is registered: **Golf putter head**
(51) International Design Classification: **21-02C**
(71) Name(s) and Address(s) of Applicant(s):
Karsten Manufacturing Corporation
2201 West Desert Cove Phoenix Arizona 85029 United States of America
(72) Name(s) of Designer(s): **David D. Jones and Xiaojian Chen**
(45) Registration Date: **01 April 2008**
(30) Convention priority data:
(31) Number (32) Date (33) Country
29/282458 20 Jul 2007 UNITED STATES OF AMERICA
(56) Related Art Documents: **Not Applicable**
(57) Statement of Newness and Distinctiveness: **Newness and distinctiveness is claimed in the visual features shown in solid lines in the representations.**



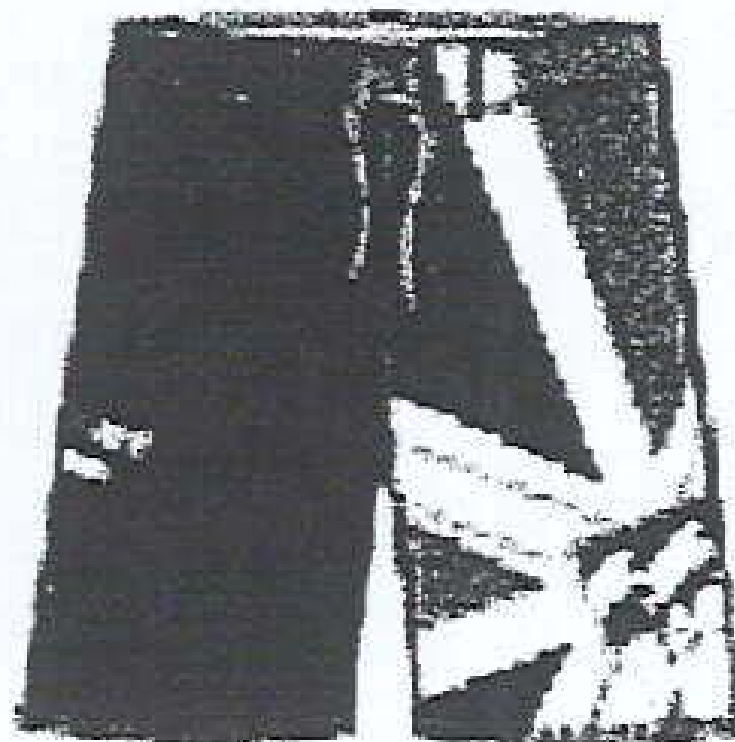
- (21) Design Number: **21026/2007**
(22) Date of Filing Application: **27 November 2007**
(24) Date from which industrial property rights may have effect: **27 November 2007**
(54) Product in respect of which the design is registered: **Coffee maker**
(51) International Design Classification: **07-02L**
(71) Name(s) and Address(s) of Applicant(s):
Celaya Empananza Y Galdos Internacional S.A.
Artapadura 11 E-01013 Vitoria (Alava) Spain
(72) Name(s) of Designer(s): **Luis Moreno Jordana**
(45) Registration Date: **03 April 2008**
(30) Convention priority data:
(31) Number (32) Date (33) Country
000730015-0001 28 May 2007 EUROPEAN COMMUNITY
(56) Related Art Documents: **Not Applicable**
(57) Statement of Newness and Distinctiveness: **Those features of the coffee maker depicted in the representations that are new and distinctive are the shape and/or configuration. The textual matter, electrical plug and cord are not part of the design and are to be disregarded when considering the overall impression of the design.**



- (21) Design Number: **21083/2007**
(22) Date of Filing Application: **03 December 2007**
(24) Date from which industrial property rights may have effect: **03 December 2007**
(54) Product in respect of which the design is registered: **A tyre**
(51) International Design Classification: **12-15A**
(71) Name(s) and Address(s) of Applicant(s):
The Goodyear Tire & Rubber Company
1144 East Market Street Akron Ohio 44316-0001 United States of America
(72) Name(s) of Designer(s): **Daniel Scheuren and Samuel Blanc and Herve Marcel Henri Beauguitte and Patrick Michel Philippe Demaret**
(45) Registration Date: **03 April 2008**
(30) Convention priority data:
(31) Number (32) Date (33) Country
29/288588 15 Jun 2007 UNITED STATES OF AMERICA
(56) Related Art Documents: **Not Applicable**
(57) Statement of Newness and Distinctiveness: **Newness and distinctiveness is claimed in the features of shape and/or configuration of the tread of a tyre illustrated in continuous lines in the accompanying representations, wherein the shape and/or configuration of the tread is repeated throughout the circumference of the tyre.**



- (21) Design Number: **21088/2007**
(22) Date of Filing Application: **03 December 2007**
(24) Date from which industrial property rights may have effect: **03 December 2007**
(54) Product in respect of which the design is registered: **Clothing article**
(51) International Design Classification: **02-02C**
(71) Name(s) and Address(s) of Applicant(s):
GSM (Operations) Pty Ltd
1 Billabong Place Burleigh Heads Queensland 4220 Australia
(72) Name(s) of Designer(s): **Aaron Hennings**
(45) Registration Date: **03 April 2008**
(30) Convention priority data:
(31) Number (32) Date (33) Country
29/287241 12 Jul 2007 UNITED STATES OF AMERICA
(56) Related Art Documents: **Not Applicable**
(57) Statement of Newness and Distinctiveness: **The features of patent and ornamentation as applied to a clothing article as shown in the attached representations are the new and distinctive features. The following features do not form part of the design: the particular shape of the boardshorts; the shape and positioning of the pocket on the boardshorts; the particular stitching pattern used on the boardshorts; the shape and position of the drawstring; the word "Billabong"; and the wave device.**



- (21) Design Number: **21089/2007**
(22) Date of Filing Application: **03 December 2007**
(24) Date from which industrial property rights may have effect: **03 December 2007**
(54) Product in respect of which the design is registered: **Clothing article**
(51) International Design Classification: **02-02C**
(71) Name(s) and Address(s) of Applicant(s):

GSM (Operations) Pty Ltd
1 Billabong Place Burleigh Heads Queensland 4220 Australia

(72) Name(s) of Designer(s): **Beau Campi**

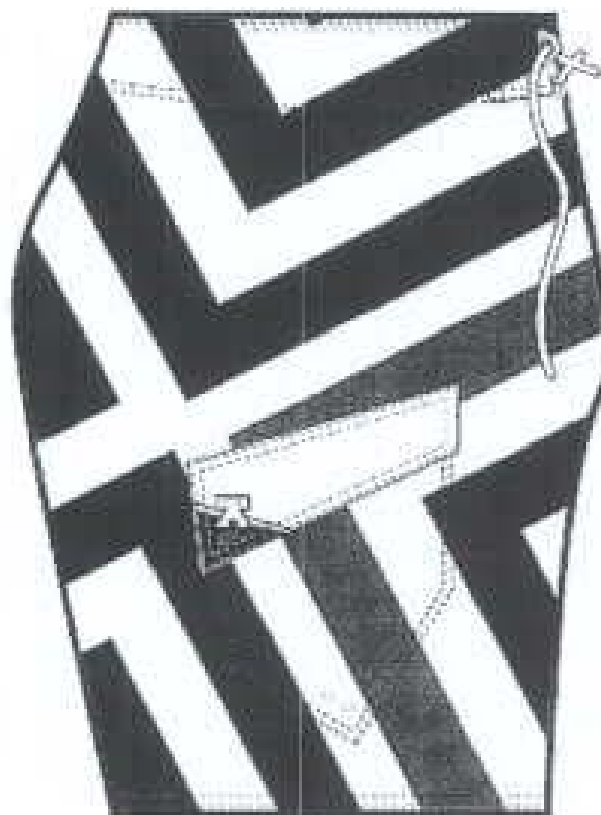
(45) Registration Date: **03 April 2008**

(30) Convention priority data:

(31) Number	(32) Date	(33) Country
29/287239	12 Jul 2007	UNITED STATES OF AMERICA

(56) Related Art Documents: **Not Applicable**

(57) Statement of Newness and Distinctiveness: **The features of patent and ornamentation as applied to a clothing article as shown in the attached representations are the new and distinctive features. The following features do not form part of the design: the particular shape of the boardshorts; the shape and positioning of the pocket on the boardshorts; the particular stitching pattern used on the boardshorts; the shape and position of the drawstring; the word "Billabong"; and the wave device.**



- (21) Design Number: **21090/2007**
(22) Date of Filing Application: **03 December 2007**
(24) Date from which industrial property rights may have effect: **03 December 2007**
(54) Product in respect of which the design is registered: **Clothing article**
(51) International Design Classification: **02-02C**
(71) Name(s) and Address(s) of Applicant(s):

GSM (Operations) Pty Ltd
1 Billabong Place Burleigh Heads Queensland 4220 Australia

(72) Name(s) of Designer(s): **Aaron Hennings**

(45) Registration Date: **03 April 2008**

(30) Convention priority data:

(31) Number	(32) Date	(33) Country
29/287240	12 Jul 2007	UNITED STATES OF AMERICA

(56) Related Art Documents: **Not Applicable**

(57) Statement of Newness and Distinctiveness: **The features of patent and ornamentation as applied to a clothing article as shown in the attached representations are the new and distinctive features. The following features do not form part of the design: the particular shape of the boardshorts; the shape and positioning of the pocket on the boardshorts; the particular stitching pattern used on the boardshorts; the shape and position of the drawstring; the word "Billabong"; and the wave device.**



(21) Design Number: **21091/2007**

(22) Date of Filing Application: **03 December 2007**

(24) Date from which industrial property rights may have effect: **03 December 2007**

(54) Product in respect of which the design is registered: **Paving block**

(51) International Design Classification: **25-01A**

(71) Name(s) and Address(s) of Applicant(s):

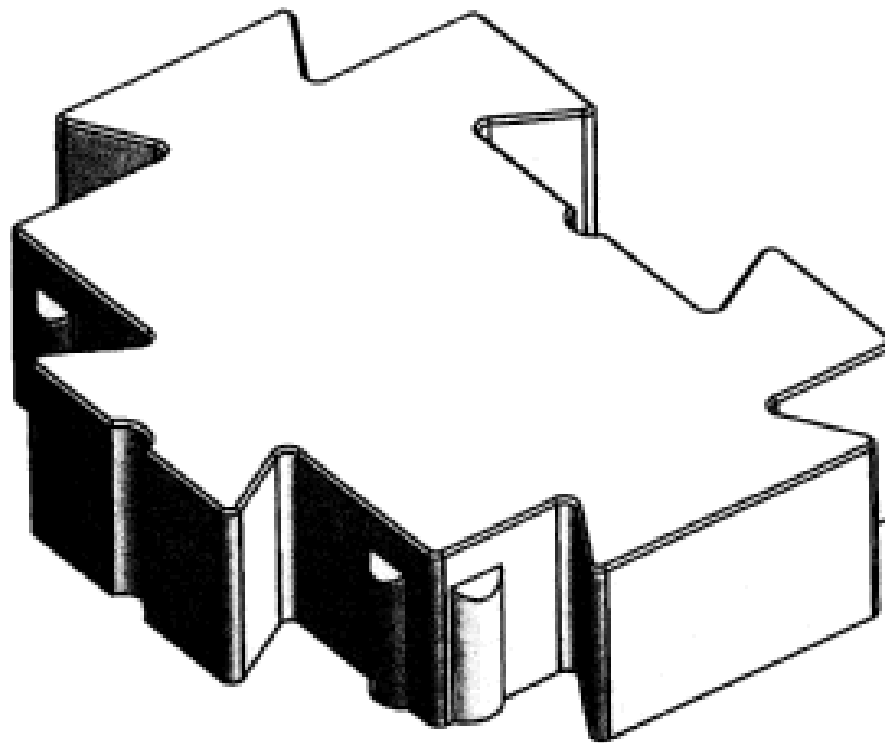
**Hanson Building Products Pty Ltd
85 Christensen Road Stapylton Queensland 4207 Australia**

(72) Name(s) of Designer(s): **Mark Wilson and Arlene Nardone**

(45) Registration Date: **03 April 2008**

(56) Related Art Documents: **Not Applicable**

(57) Statement of Newness and Distinctiveness: **The newness and distinctiveness of the design resides in the shape and/or configuration of the paving block shown in the representations.**



(21) Design Number: **21092/2007**

(22) Date of Filing Application: **03 December 2007**

(24) Date from which industrial property rights may have effect: **03 December 2007**

(54) Product in respect of which the design is registered: **Shower door spray flap adaptor**

(51) International Design Classification: **23-02B**

(71) Name(s) and Address(s) of Applicant(s):

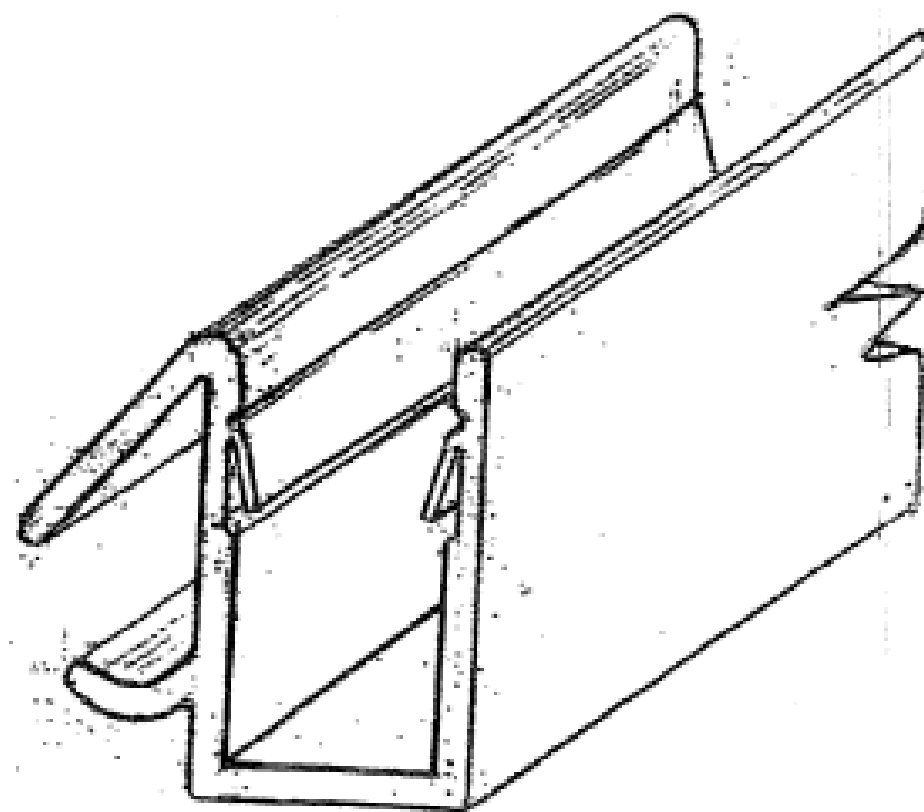
**Dias Aluminium Products Pty. Ltd.
201-205 Browns Road Noble Park Victoria 3174 Australia**

(72) Name(s) of Designer(s): **Ian David Paterson**

(45) Registration Date: **03 April 2008**

(56) Related Art Documents: **Not Applicable**

(57) Statement of Newness and Distinctiveness: **Nil**



- (21) Design Number: **21095/2007**
- (22) Date of Filing Application: **04 December 2007**
- (24) Date from which industrial property rights may have effect: **04 December 2007**
- (54) Product in respect of which the design is registered: **A boat trailer**
- (51) International Design Classification: **12-10**
- (71) Name(s) and Address(s) of Applicant(s):

Jens Gravlev
11 Seagrass Place Redland Bay Queensland 4165 Australia

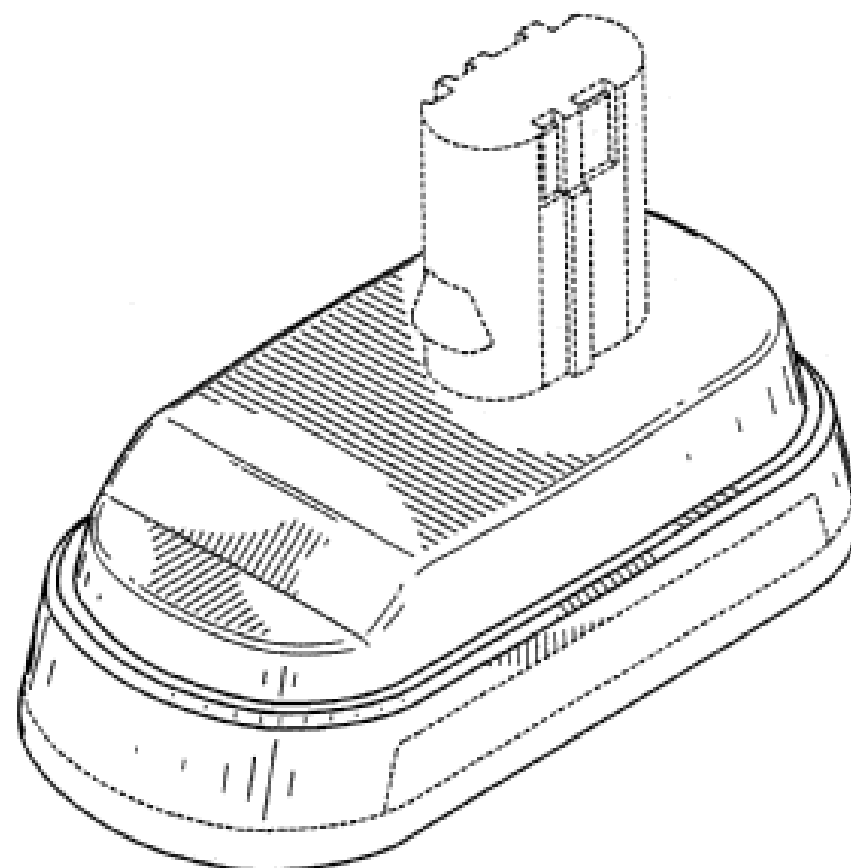
- (72) Name(s) of Designer(s): **Jens Gravlev**
- (45) Registration Date: **03 April 2008**
- (56) Related Art Documents: **Not Applicable**
- (57) Statement of Newness and Distinctiveness: **Monopoly is claimed for the use of a boat loading centering guide on the back, (loading end) of the trailer. Monopoly is not claimed for the balance of the trailer construction. Monopoly is therefore claimed in the features of shape and configuration of the centering guides as defined within the dotted lines and illustrated in the accompanying representations. No monopoly is claimed for the balance of the trailer.**



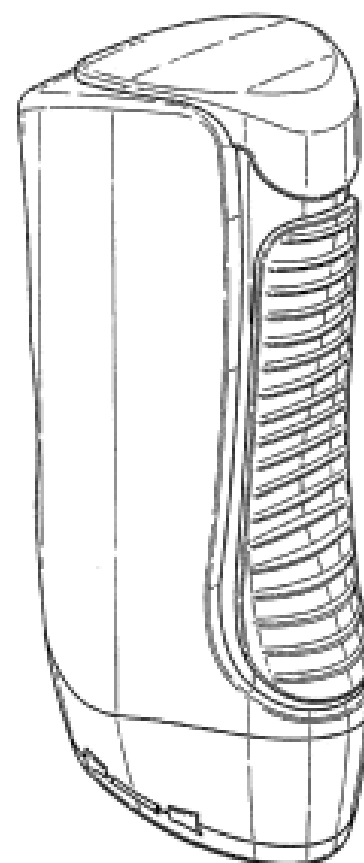
- (21) Design Number: **21096/2007**
- (22) Date of Filing Application: **04 December 2007**
- (24) Date from which industrial property rights may have effect: **04 December 2007**
- (54) Product in respect of which the design is registered: **A battery pack**
- (51) International Design Classification: **13-02**
- (71) Name(s) and Address(s) of Applicant(s):

Jinding Group Co., Ltd.
No.689 Beijing East Road Eastern Tower, 9th Floor Shanghai 200001 China

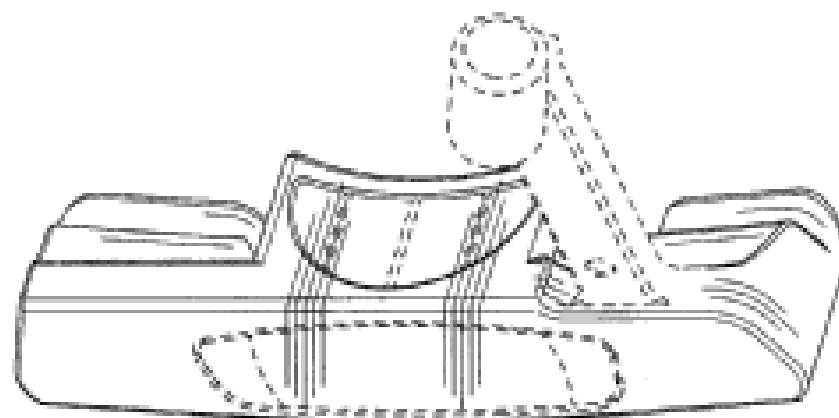
- (72) Name(s) of Designer(s): **Rients Mathijs Bakker and Geert Martin Ensing**
 - (45) Registration Date: **03 April 2008**
 - (30) Convention priority data:
- | | | |
|-------------------|--------------------|---------------------------------|
| (31) Number | (32) Date | (33) Country |
| 29/297,144 | 05 Nov 2007 | UNITED STATES OF AMERICA |
- (56) Related Art Documents: **Not Applicable**
 - (57) Statement of Newness and Distinctiveness: **The newness and distinctiveness of the design resides in the features of pattern, ornamentation, shape and/or configuration shown in unbroken lines in the accompanying representations.**



(21) Design Number: **21098/2007**
(22) Date of Filing Application: **04 December 2007**
(24) Date from which industrial property rights may have effect: **04 December 2007**
(54) Product in respect of which the design is registered: **Bottle**
(51) International Design Classification: **09-01G**
(71) Name(s) and Address(s) of Applicant(s):
Unilever PLC
Unilever House Blackfriars London EC4P 4BQ United Kingdom
(72) Name(s) of Designer(s): **Nikolas Eilken and Jorg Ratzlaff**
(45) Registration Date: **03 April 2008**
(30) Convention priority data:
(31) Number (32) Date (33) Country
4003197 18 Jun 2007 UNITED KINGDOM
(56) Related Art Documents: **Not Applicable**
(57) Statement of Newness and Distinctiveness: **Nil**



(21) Design Number: **21099/2007**
(22) Date of Filing Application: **04 December 2007**
(24) Date from which industrial property rights may have effect: **04 December 2007**
(54) Product in respect of which the design is registered: **Golf putter head**
(51) International Design Classification: **21-02C**
(71) Name(s) and Address(s) of Applicant(s):
Karsten Manufacturing Corporation
2201 West Desert Cove Phoenix Arizona 85029 United States of America
(72) Name(s) of Designer(s): **David D. Jones and Xiaojian Chen**
(45) Registration Date: **03 April 2008**
(30) Convention priority data:
(31) Number (32) Date (33) Country
29/282459 20 Jul 2007 UNITED STATES OF AMERICA
(56) Related Art Documents: **Not Applicable**
(57) Statement of Newness and Distinctiveness: **Newness and distinctiveness is claimed in the visual features shown in solid lines in the representations.**



(21) Design Number: **21100/2007**

(22) Date of Filing Application: **04 December 2007**

(24) Date from which industrial property rights may have effect: **04 December 2007**

(54) Product in respect of which the design is registered: **Golf putter head**

(51) International Design Classification: **21-02C**

(71) Name(s) and Address(s) of Applicant(s):

**Karsten Manufacturing Corporation
2201 West Desert Cove Phoenix Arizona 85029 United States of
America**

(72) Name(s) of Designer(s): **David D. Jones and Xiaojian Chen**

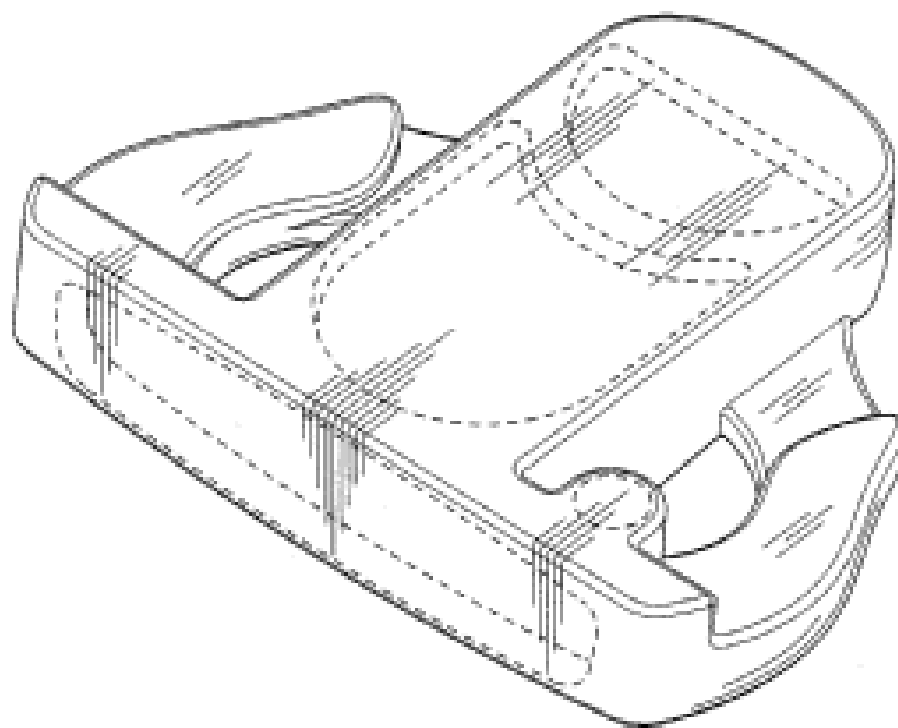
(45) Registration Date: **03 April 2008**

(30) Convention priority data:

(31) Number	(32) Date	(33) Country
29/282461	20 Jul 2007	UNITED STATES OF AMERICA

(56) Related Art Documents: **Not Applicable**

(57) Statement of Newness and Distinctiveness: **Newness and distinctiveness is claimed in the visual features shown in solid lines in the representations.**



(21) Design Number: **21102/2007**

(22) Date of Filing Application: **04 December 2007**

(24) Date from which industrial property rights may have effect: **04 December 2007**

(54) Product in respect of which the design is registered: **Container and a blank therefor**

(51) International Design Classification: **09-03M**

(71) Name(s) and Address(s) of Applicant(s):

**Alexir Packaging Ltd
Faraday Road Crawley West Sussex RH10 9UR United Kingdom**

(72) Name(s) of Designer(s): **Stephen King**

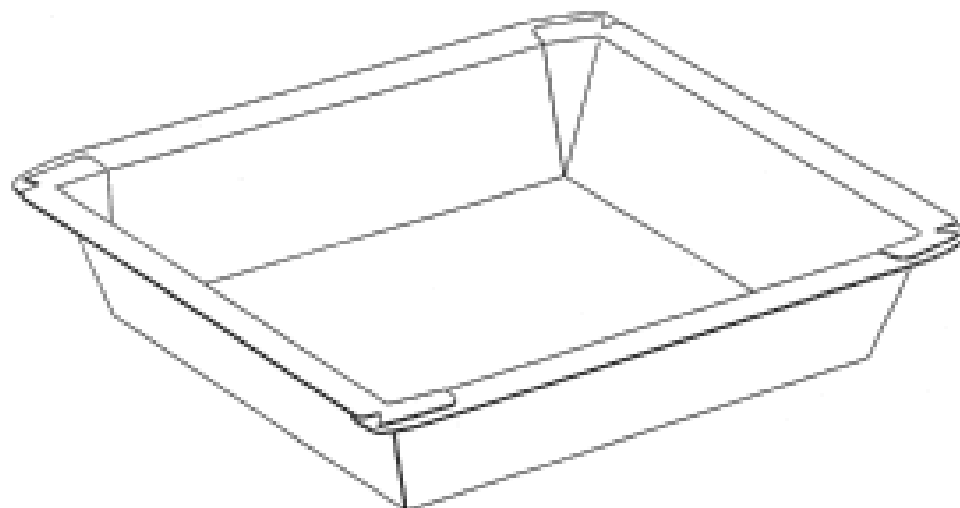
(45) Registration Date: **03 April 2008**

(30) Convention priority data:

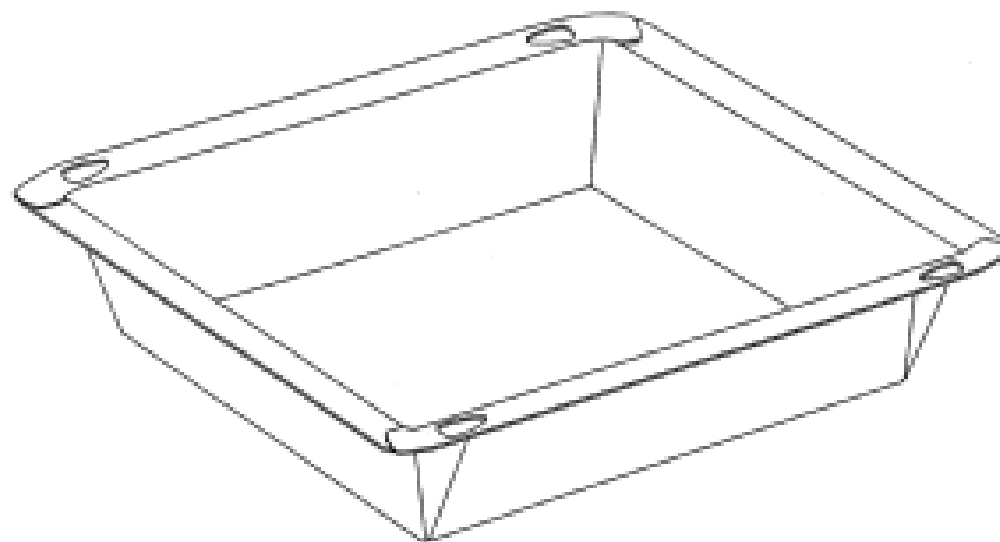
(31) Number	(32) Date	(33) Country
000733969-0001	04 Jun 2007	EUROPEAN COMMUNITY

(56) Related Art Documents: **Not Applicable**

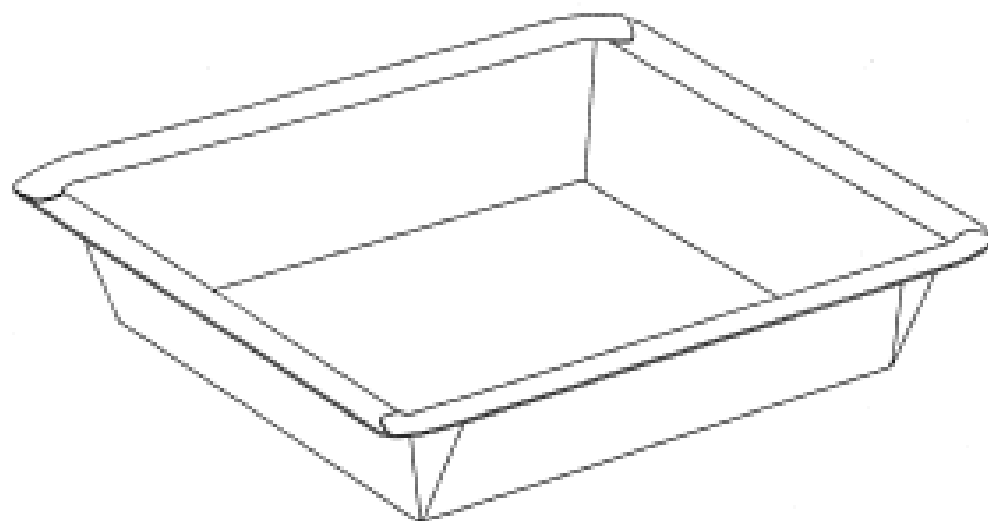
(57) Statement of Newness and Distinctiveness: **Those features of the container and a blank therefor depicted in the representations that are new and distinctive are the shape and/or configuration.**



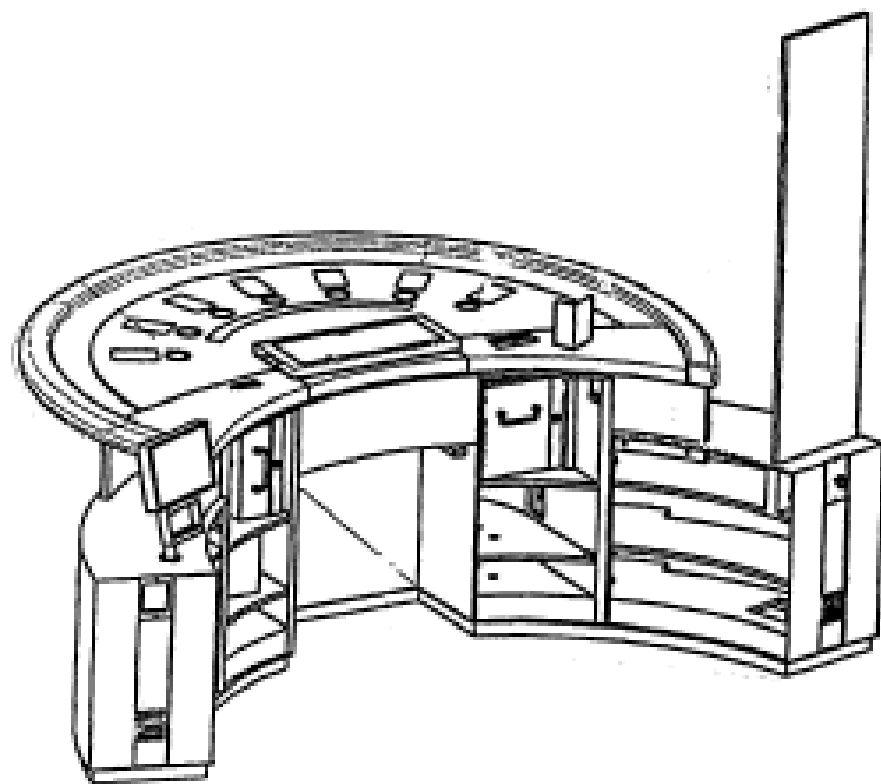
- (21) Design Number: **21103/2007**
(22) Date of Filing Application: **04 December 2007**
(24) Date from which industrial property rights may have effect: **04 December 2007**
(54) Product in respect of which the design is registered: **Container and a blank therefor**
(51) International Design Classification: **09-03M**
(71) Name(s) and Address(s) of Applicant(s):
Alexir Packaging Ltd
Faraday Road Crawley West Sussex RH10 9UR United Kingdom
(72) Name(s) of Designer(s): **Stephen King**
(45) Registration Date: **03 April 2008**
(30) Convention priority data:
(31) Number (32) Date (33) Country
000733969-0002 04 Jun 2007 EUROPEAN COMMUNITY
(56) Related Art Documents: **Not Applicable**
(57) Statement of Newness and Distinctiveness: **Those features of the container and a blank therefor depicted in the representations that are new and distinctive are the shape and/or configuration.**



- (21) Design Number: **21104/2007**
(22) Date of Filing Application: **04 December 2007**
(24) Date from which industrial property rights may have effect: **04 December 2007**
(54) Product in respect of which the design is registered: **Container and a blank therefor**
(51) International Design Classification: **09-03M**
(71) Name(s) and Address(s) of Applicant(s):
Alexir Packaging Ltd
Faraday Road Crawley West Sussex RH10 9UR United Kingdom
(72) Name(s) of Designer(s): **Stephen King**
(45) Registration Date: **03 April 2008**
(30) Convention priority data:
(31) Number (32) Date (33) Country
000733969-0001 04 Jun 2007 EUROPEAN COMMUNITY
(56) Related Art Documents: **Not Applicable**
(57) Statement of Newness and Distinctiveness: **Those features of the container and a blank therefor depicted in the representations that are new and distinctive are the shape and/or configuration.**



(21) Design Number: **21352/2007**
(22) Date of Filing Application: **14 December 2007**
(24) Date from which industrial property rights may have effect: **14 December 2007**
(54) Product in respect of which the design is registered: **Caribbean stud table**
(51) International Design Classification: **06-03D**
(71) Name(s) and Address(s) of Applicant(s):
Crown Melbourne Limited
8 Whiteman Street Southbank Victoria 3006 Australia
(72) Name(s) of Designer(s): **Joe Angele and Colin Edwards and Dean Holmes**
(45) Registration Date: **03 April 2008**
(56) Related Art Documents: **Not Applicable**
(57) Statement of Newness and Distinctiveness: **Nil**



(21) Design Number: **10388/2008**
(22) Date of Filing Application: **29 August 2007**
(24) Date from which industrial property rights may have effect: **29 August 2007**
(54) Product in respect of which the design is registered: **A dress**
(51) International Design Classification: **02-02C**
(71) Name(s) and Address(s) of Applicant(s):
Review Australia Pty Ltd
25-31 Rokeby Street Collingwood Victoria 3066 Australia
(72) Name(s) of Designer(s): **Jayne Ellis**
(45) Registration Date: **04 April 2008**
(56) Related Art Documents: **Not Applicable**
(57) Statement of Newness and Distinctiveness: **Nil**



- (21) Design Number: **10537/2008**
(22) Date of Filing Application: **04 September 2007**
(24) Date from which industrial property rights may have effect: **04 September 2007**
(54) Product in respect of which the design is registered: **A top**
(51) International Design Classification: **02-02NES**
(71) Name(s) and Address(s) of Applicant(s):
Review Australia Pty Ltd
25-31 Rokeby Street Collingwood Victoria 3066 Australia
(72) Name(s) of Designer(s): **Jayne Ellis**
(45) Registration Date: **04 April 2008**
(56) Related Art Documents: **Not Applicable**
(57) Statement of Newness and Distinctiveness: **Nil**



- (21) Design Number: **10538/2008**
(22) Date of Filing Application: **04 September 2007**
(24) Date from which industrial property rights may have effect: **04 September 2007**
(54) Product in respect of which the design is registered: **A top**
(51) International Design Classification: **02-02NES**
(71) Name(s) and Address(s) of Applicant(s):
Review Australia Pty Ltd
25-31 Rokeby Street Collingwood Victoria 3066 Australia
(72) Name(s) of Designer(s): **Jayne Ellis**
(45) Registration Date: **04 April 2008**
(56) Related Art Documents: **Not Applicable**
(57) Statement of Newness and Distinctiveness: **Nil**



- (21) Design Number: **10539/2008**
(22) Date of Filing Application: **04 September 2007**
(24) Date from which industrial property rights may have effect: **04 September 2007**
(54) Product in respect of which the design is registered: **A dress**
(51) International Design Classification: **02-02C**
(71) Name(s) and Address(s) of Applicant(s):
Review Australia Pty Ltd
25-31 Rokeby Street Collingwood Victoria 3066 Australia
(72) Name(s) of Designer(s): **Jayne Ellis**
(45) Registration Date: **04 April 2008**
(56) Related Art Documents: **Not Applicable**
(57) Statement of Newness and Distinctiveness: **Nil**



- (21) Design Number: **10540/2008**
(22) Date of Filing Application: **04 September 2007**
(24) Date from which industrial property rights may have effect: **04 September 2007**
(54) Product in respect of which the design is registered: **A dress**
(51) International Design Classification: **02-02C**
(71) Name(s) and Address(s) of Applicant(s):
Review Australia Pty Ltd
25-31 Rokeby Street Collingwood Victoria 3066 Australia
(72) Name(s) of Designer(s): **Jayne Ellis**
(45) Registration Date: **04 April 2008**
(56) Related Art Documents: **Not Applicable**
(57) Statement of Newness and Distinctiveness: **Nil**



- (21) Design Number: **10541/2008**
(22) Date of Filing Application: **04 September 2007**
(24) Date from which industrial property rights may have effect: **04 September 2007**
(54) Product in respect of which the design is registered: **A dress**
(51) International Design Classification: **02-02C**
(71) Name(s) and Address(s) of Applicant(s):
Review Australia Pty Ltd
25-31 Rokeby Street Collingwood Victoria 3066 Australia
(72) Name(s) of Designer(s): **Jayne Ellis**
(45) Registration Date: **04 April 2008**
(56) Related Art Documents: **Not Applicable**
(57) Statement of Newness and Distinctiveness: **Nil**



- (21) Design Number: **10542/2008**
(22) Date of Filing Application: **04 September 2007**
(24) Date from which industrial property rights may have effect: **04 September 2007**
(54) Product in respect of which the design is registered: **A tunic**
(51) International Design Classification: **02-02C**
(71) Name(s) and Address(s) of Applicant(s):
Review Australia Pty Ltd
25-31 Rokeby Street Collingwood Victoria 3066 Australia
(72) Name(s) of Designer(s): **Jayne Ellis**
(45) Registration Date: **04 April 2008**
(56) Related Art Documents: **Not Applicable**
(57) Statement of Newness and Distinctiveness: **Nil**



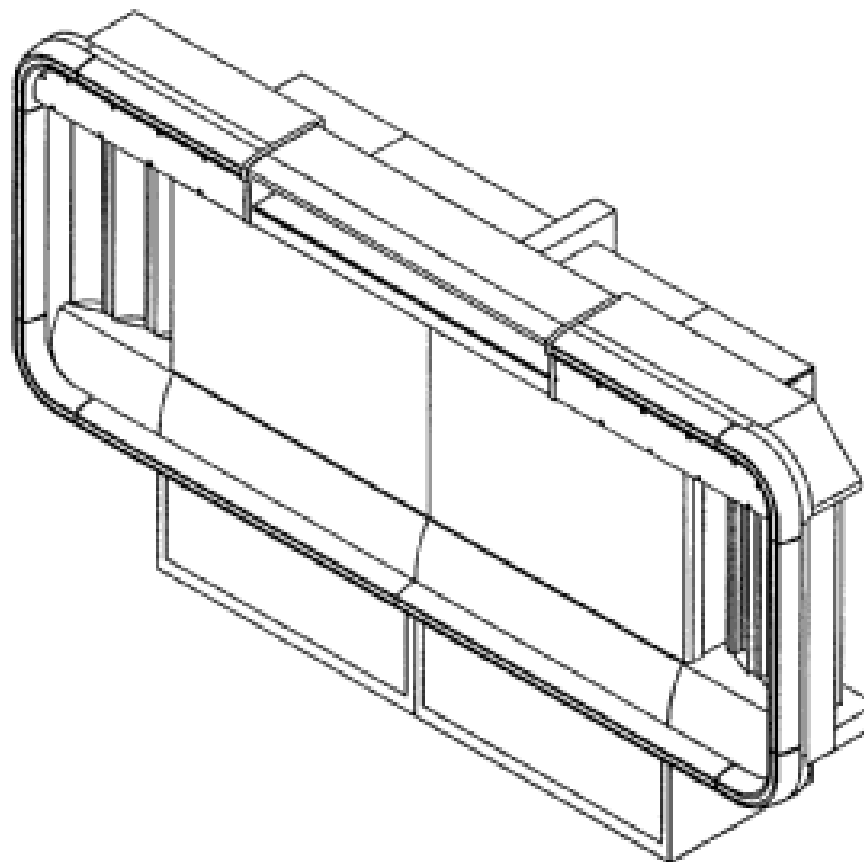
- (21) Design Number: **19573/2007**
(22) Date of Filing Application: **29 August 2007**
(24) Date from which industrial property rights may have effect: **29 August 2007**
(54) Product in respect of which the design is registered: **A dress**
(51) International Design Classification: **02-02C**
(71) Name(s) and Address(s) of Applicant(s):
Review Australia Pty Ltd
25-31 Rokeby Street Collingwood Victoria 3066 Australia
(72) Name(s) of Designer(s): **Jayne Ellis**
(45) Registration Date: **04 April 2008**
(56) Related Art Documents: **Not Applicable**
(57) Statement of Newness and Distinctiveness: **Nil**



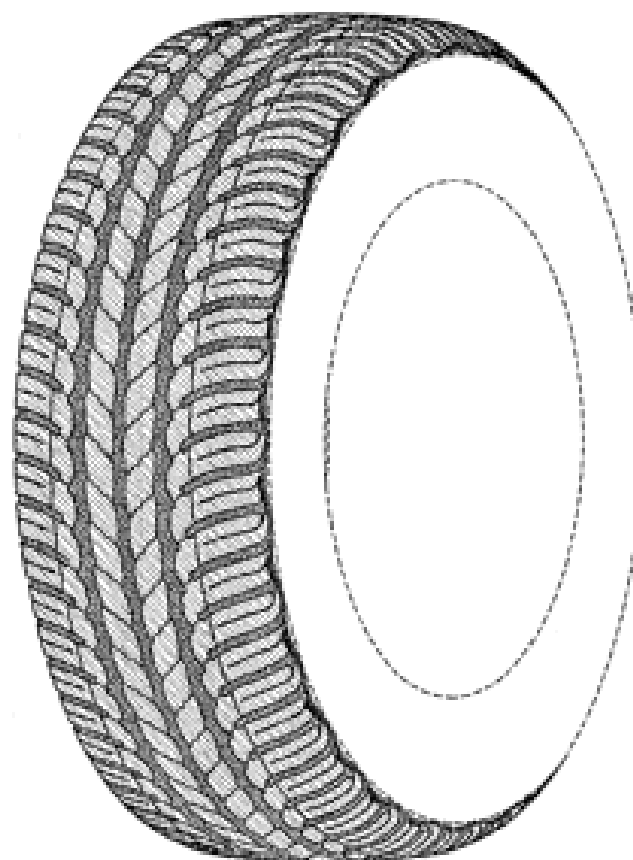
- (21) Design Number: **19631/2007**
(22) Date of Filing Application: **04 September 2007**
(24) Date from which industrial property rights may have effect: **04 September 2007**
(54) Product in respect of which the design is registered: **A dress**
(51) International Design Classification: **02-02C**
(71) Name(s) and Address(s) of Applicant(s):
Review Australia Pty Ltd
25-31 Rokeby Street Collingwood Victoria 3066 Australia
(72) Name(s) of Designer(s): **Jayne Ellis**
(45) Registration Date: **04 April 2008**
(56) Related Art Documents: **Not Applicable**
(57) Statement of Newness and Distinctiveness: **Nil**



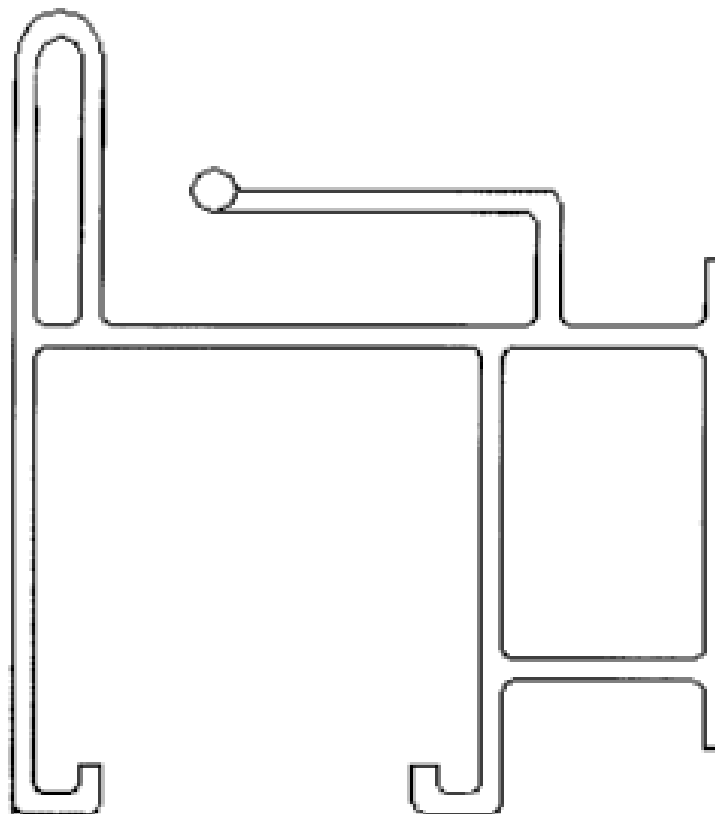
- (21) Design Number: **21013/2007**
(22) Date of Filing Application: **27 November 2007**
(24) Date from which industrial property rights may have effect: **27 November 2007**
(54) Product in respect of which the design is registered: **Image display device**
(51) International Design Classification: **14-04, 14-01**
(71) Name(s) and Address(s) of Applicant(s):
Kabushiki Kaisha Sega
2-12 Haneda 1-chome Ohta-ku Tokyo 144-0043 Japan
(72) Name(s) of Designer(s): **Hiroki Nunokawa**
(45) Registration Date: **04 April 2008**
(30) Convention priority data:
(31) Number (32) Date (33) Country
2007-014021 28 May 2007 JAPAN
(56) Related Art Documents: **Not Applicable**
(57) Statement of Newness and Distinctiveness: **Newness and distinctiveness is claimed in the features of shape and/or configuration of an image display device as illustrated in the accompanying representations.**



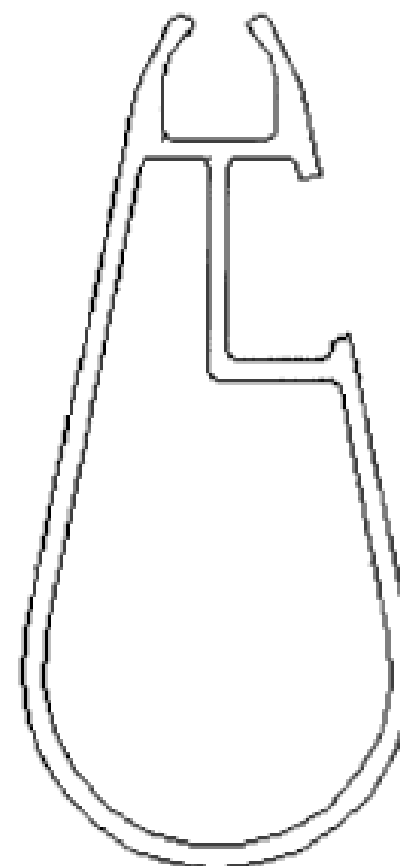
- (21) Design Number: **21082/2007**
(22) Date of Filing Application: **03 December 2007**
(24) Date from which industrial property rights may have effect: **03 December 2007**
(54) Product in respect of which the design is registered: **A tyre**
(51) International Design Classification: **12-15A**
(71) Name(s) and Address(s) of Applicant(s):
The Goodyear Tire & Rubber Company
1144 East Market Street Akron Ohio 44316-0001 United States of America
(72) Name(s) of Designer(s): **Sebastien Willy Fontaine and Anne-France Gabrielle Jeanne-Marie Cambron and Bruno Pierre Maitre and Michel Jean Yves Windeshausen and Frank Pierre Severens**
(45) Registration Date: **04 April 2008**
(30) Convention priority data:
(31) Number (32) Date (33) Country
29/288563 15 Jun 2007 UNITED STATES OF AMERICA
(56) Related Art Documents: **Not Applicable**
(57) Statement of Newness and Distinctiveness: **Newness and distinctiveness is claimed in these features of shape and/or configuration of the tread of a tyre illustrated in continuous lines in the accompanying representations, wherein the shape and/or configuration of the tread is repeated throughout the circumference of the tyre.**



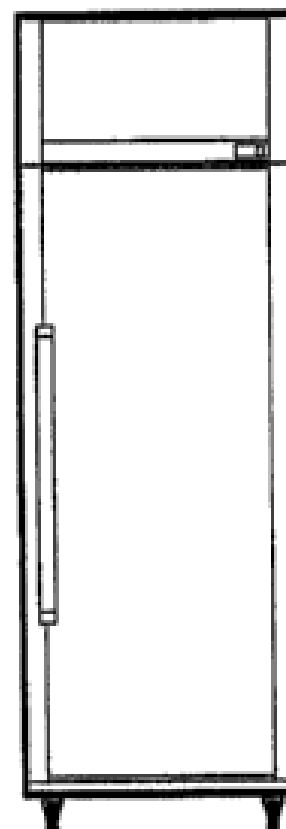
- (21) Design Number: **21106/2007**
(22) Date of Filing Application: **05 December 2007**
(24) Date from which industrial property rights may have effect: **05 December 2007**
(54) Product in respect of which the design is registered: **A window blind component**
(51) International Design Classification: **08-08H**
(71) Name(s) and Address(s) of Applicant(s):
SPP Industries Holdings Pty Ltd
6 Jaybel Street Salisbury Queensland 4107 Australia
(72) Name(s) of Designer(s): **Henk Dogger and Donald Craig Hailes**
(45) Registration Date: **04 April 2008**
(56) Related Art Documents: **Not Applicable**
(57) Statement of Newness and Distinctiveness: **The representation shows the cross-section of the window blind component. The window blind component is of indefinite length, but the cross-section remains constant along the entire length. The features of shape and configuration of the cross-section are new and distinctive.**



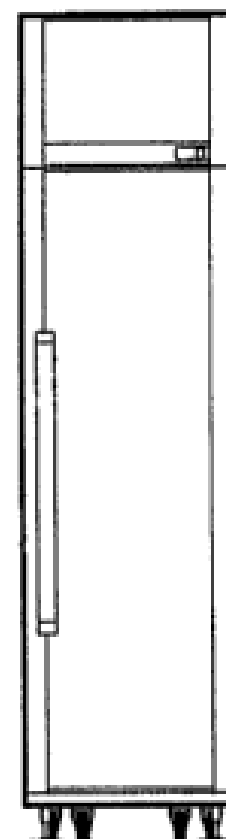
- (21) Design Number: **21107/2007**
(22) Date of Filing Application: **05 December 2007**
(24) Date from which industrial property rights may have effect: **05 December 2007**
(54) Product in respect of which the design is registered: **A window blind component**
(51) International Design Classification: **08-08H**
(71) Name(s) and Address(s) of Applicant(s):
SPP Industries Holdings Pty Ltd
6 Jaybel Street Salisbury Queensland 4107 Australia
(72) Name(s) of Designer(s): **Chris Hart and Henk Dogger**
(45) Registration Date: **04 April 2008**
(56) Related Art Documents: **Not Applicable**
(57) Statement of Newness and Distinctiveness: **The representation shows the cross-section of the window blind component. The window blind component is of indefinite length, but the cross-section remains constant along the entire length. The features of shape and configuration of the cross-section are new and distinctive.**



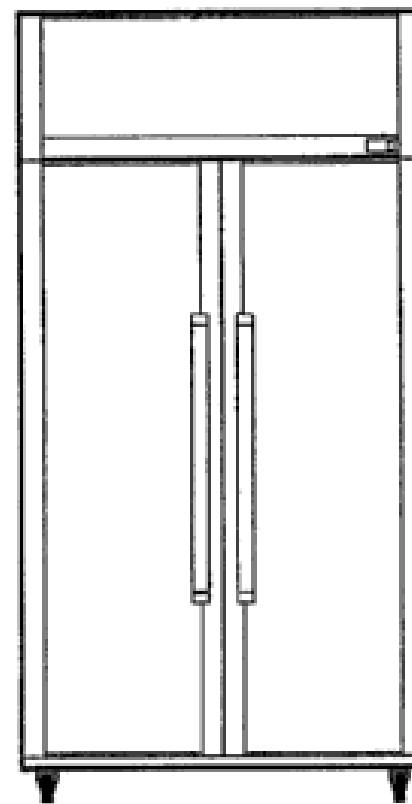
- (21) Design Number: **21108/2007**
(22) Date of Filing Application: **05 December 2007**
(24) Date from which industrial property rights may have effect: **05 December 2007**
(54) Product in respect of which the design is registered: **A refrigeration apparatus**
(51) International Design Classification: **15-07**
(71) Name(s) and Address(s) of Applicant(s):
Skope Industries Limited
66 Princess Street Christchurch New Zealand
(72) Name(s) of Designer(s): **Michael Woods**
(45) Registration Date: **04 April 2008**
(30) Convention priority data:
(31) Number (32) Date (33) Country
409272 12 Jun 2007 NEW ZEALAND
(56) Related Art Documents: **Not Applicable**
(57) Statement of Newness and Distinctiveness: **The newness and distinctiveness resides in the shape and configuration of a refrigeration apparatus as shown in the accompanying representations.**



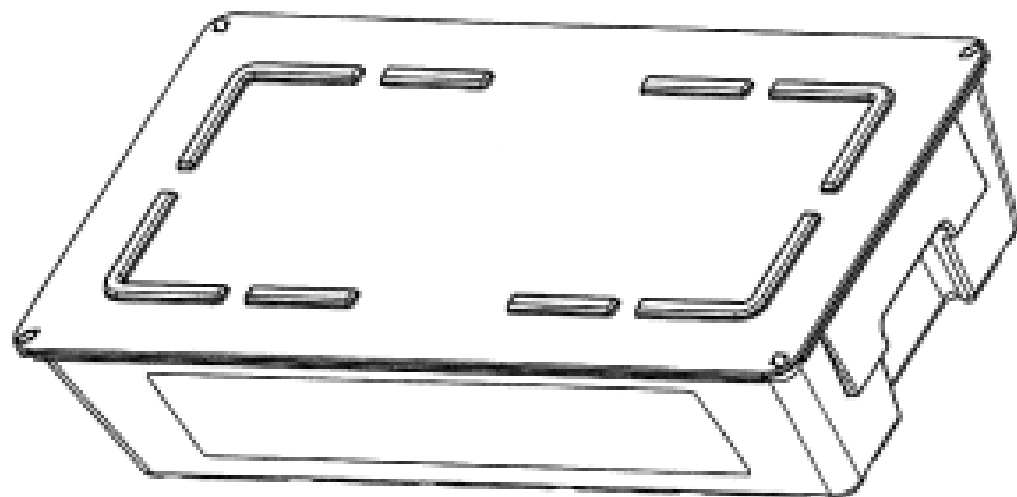
- (21) Design Number: **21109/2007**
(22) Date of Filing Application: **05 December 2007**
(24) Date from which industrial property rights may have effect: **05 December 2007**
(54) Product in respect of which the design is registered: **A refrigeration apparatus**
(51) International Design Classification: **15-07**
(71) Name(s) and Address(s) of Applicant(s):
Skope Industries Limited
66 Princess Street Christchurch New Zealand
(72) Name(s) of Designer(s): **Michael Woods**
(45) Registration Date: **04 April 2008**
(30) Convention priority data:
(31) Number (32) Date (33) Country
409271 12 Jun 2007 NEW ZEALAND
(56) Related Art Documents: **Not Applicable**
(57) Statement of Newness and Distinctiveness: **The newness and distinctiveness resides in the shape and configuration of a refrigeration apparatus as shown in the accompanying representations.**



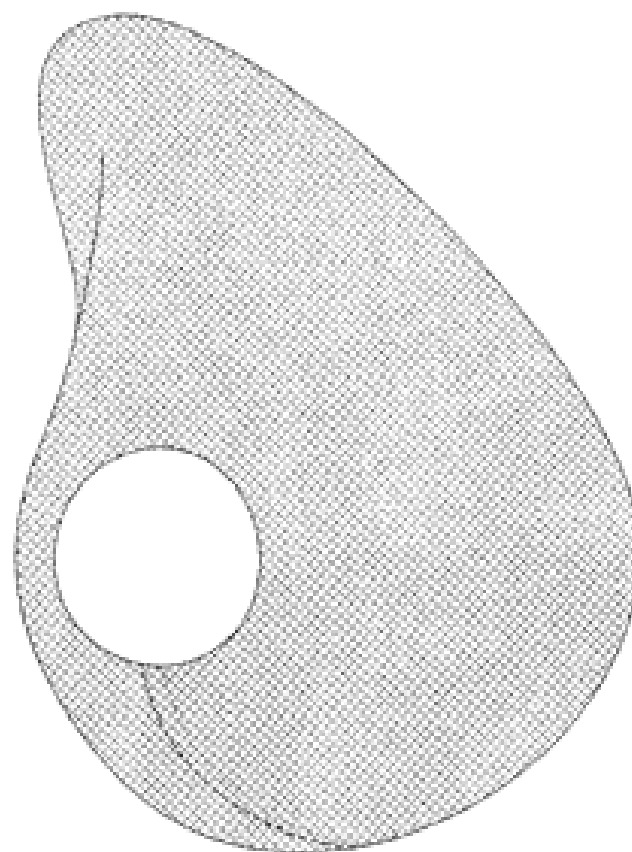
(21) Design Number: **21110/2007**
(22) Date of Filing Application: **05 December 2007**
(24) Date from which industrial property rights may have effect: **05 December 2007**
(54) Product in respect of which the design is registered: **A refrigeration apparatus**
(51) International Design Classification: **15-07**
(71) Name(s) and Address(s) of Applicant(s):
Skope Industries Limited
66 Princess Street Christchurch New Zealand
(72) Name(s) of Designer(s): **Michael Woods**
(45) Registration Date: **04 April 2008**
(30) Convention priority data:
(31) Number (32) Date (33) Country
409270 12 Jun 2007 NEW ZEALAND
(56) Related Art Documents: **Not Applicable**
(57) Statement of Newness and Distinctiveness: **The newness and distinctiveness resides in the shape and configuration of a refrigeration apparatus as shown in the accompanying representations.**



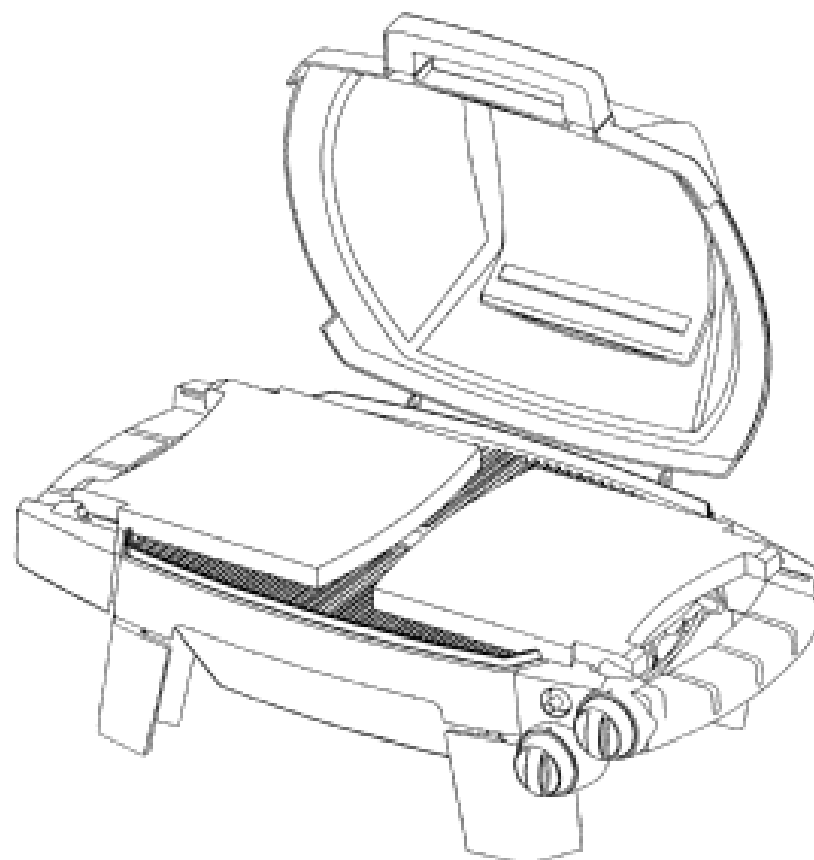
(21) Design Number: **21111/2007**
(22) Date of Filing Application: **05 December 2007**
(24) Date from which industrial property rights may have effect: **05 December 2007**
(54) Product in respect of which the design is registered: **Cool box for fish**
(51) International Design Classification: **22-05, 07-07A**
(71) Name(s) and Address(s) of Applicant(s):
Coolblue Box Company Ltd
Office G4 Innovation Centre Innovation Way Grimsby NE Lincolnshire
DN37 9TT United Kingdom
(72) Name(s) of Designer(s): **Scott William Masterton and Stephen Andrew Moore**
(45) Registration Date: **04 April 2008**
(30) Convention priority data:
(31) Number (32) Date (33) Country
000799853 01 Oct 2007 EUROPEAN COMMUNITY
(56) Related Art Documents: **Not Applicable**
(57) Statement of Newness and Distinctiveness: **The newness and distinctiveness of the design resides in the shape and/or configuration of a cool box for fish shown in the representations. The dotted lines indicate elements to which the present design is not limited and for which no protection is sought.**



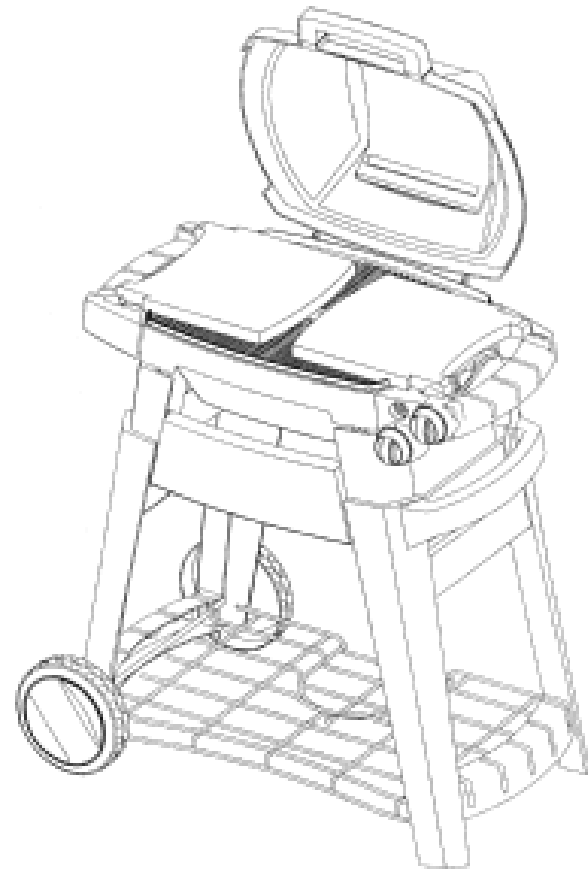
- (21) Design Number: **21112/2007**
(22) Date of Filing Application: **05 December 2007**
(24) Date from which industrial property rights may have effect: **05 December 2007**
(54) Product in respect of which the design is registered: **Mammary prosthesis**
(51) International Design Classification: **24-03**
(71) Name(s) and Address(s) of Applicant(s):
Gary Pierre Laurysen
373 Bally James Duff Crescent Randjiesfontein Gauteng 1083 South Africa
(72) Name(s) of Designer(s): **Gary Pierre Laurysen**
(45) Registration Date: **04 April 2008**
(30) Convention priority data:
(31) Number (32) Date (33) Country
F2007/01055 06 Jun 2007 SOUTH AFRICA
(56) Related Art Documents: **Not Applicable**
(57) Statement of Newness and Distinctiveness: **Newness and distinctiveness is claimed in the shape and/or configuration of a mammary prosthesis as shown in the accompanying representations.**



- (21) Design Number: **21113/2007**
(22) Date of Filing Application: **05 December 2007**
(24) Date from which industrial property rights may have effect: **05 December 2007**
(54) Product in respect of which the design is registered: **Barbeque**
(51) International Design Classification: **07-02E**
(71) Name(s) and Address(s) of Applicant(s):
Sunbeam Corporation Limited
Units 5 & 6 13 Lord Street Botany New South Wales 2019 Australia
(72) Name(s) of Designer(s): **Mark Thomas**
(45) Registration Date: **04 April 2008**
(30) Convention priority data:
(31) Number (32) Date (33) Country
409274 12 Jun 2007 NEW ZEALAND
(56) Related Art Documents: **Not Applicable**
(57) Statement of Newness and Distinctiveness: **Newness and distinctiveness in the design as applied to a barbeque resides in the shape and/or configuration thereof as illustrated in the accompanying drawings.**



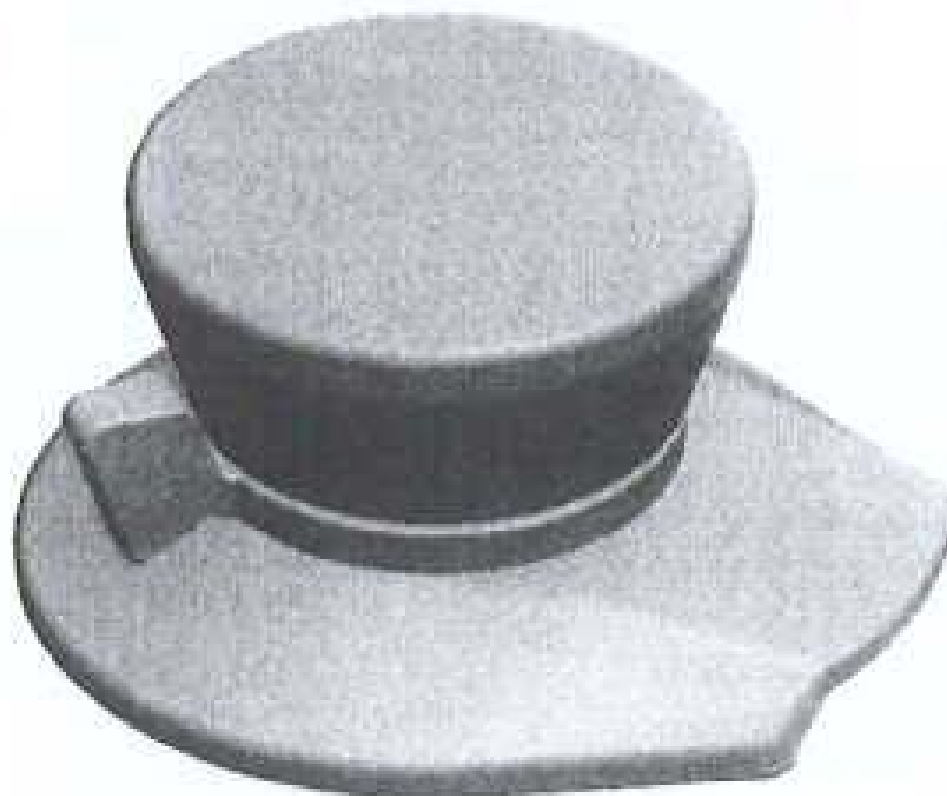
- (21) Design Number: **21114/2007**
(22) Date of Filing Application: **05 December 2007**
(24) Date from which industrial property rights may have effect: **05 December 2007**
(54) Product in respect of which the design is registered: **Barbeque with stand**
(51) International Design Classification: **07-02E**
(71) Name(s) and Address(s) of Applicant(s):
Sunbeam Corporation Limited
Units 5 & 6 13 Lord Street Botany New South Wales 2019 Australia
(72) Name(s) of Designer(s): **Mark Thomas**
(45) Registration Date: **04 April 2008**
(30) Convention priority data:
(31) Number (32) Date (33) Country
409273 12 Jun 2007 NEW ZEALAND
(56) Related Art Documents: **Not Applicable**
(57) Statement of Newness and Distinctiveness: **Newness and distinctiveness in the design as applied to a barbeque resides in the shape and/or configuration thereof as illustrated in the accompanying drawings.**



- (21) Design Number: **19472/2007**
(22) Date of Filing Application: **22 August 2007**
(24) Date from which industrial property rights may have effect: **22 August 2007**
(54) Product in respect of which the design is registered: **Jeans**
(51) International Design Classification: **02-02C**
(71) Name(s) and Address(s) of Applicant(s):
Becon Pty Ltd
196 Wells Street South Melbourne Victoria 3205 Australia
(72) Name(s) of Designer(s): **Grant Mackintosh**
(45) Registration Date: **07 April 2008**
(56) Related Art Documents: **Not Applicable**
(57) Statement of Newness and Distinctiveness: **Size, positioning and placement of protective lining to a pair of pants and location of stitching to attach such protective lining along the side seams.**



- (21) Design Number: **21129/2007**
(22) Date of Filing Application: **06 December 2007**
(24) Date from which industrial property rights may have effect: **06 December 2007**
(54) Product in respect of which the design is registered: **Knob for cooking utensil (performance range)**
(51) International Design Classification: **07-02R**
(71) Name(s) and Address(s) of Applicant(s):
TEFAL
Z.I. des Granges 74150 Rumilly France
(72) Name(s) of Designer(s): **Olivier Coudurier**
(45) Registration Date: **07 April 2008**
(30) Convention priority data:
(31) Number (32) Date (33) Country
07 2667 08 Jun 2007 FRANCE
(56) Related Art Documents: **Not Applicable**
(57) Statement of Newness and Distinctiveness: **In considering the newness or distinctiveness of the design, regard is to be given to the overall shape and/or configuration of a knob for a cooking utensil as shown in the representations.**



- (21) Design Number: **21130/2007**
(22) Date of Filing Application: **06 December 2007**
(24) Date from which industrial property rights may have effect: **06 December 2007**
(54) Product in respect of which the design is registered: **Steam knob for cooking utensil (evidence range)**
(51) International Design Classification: **07-02N**
(71) Name(s) and Address(s) of Applicant(s):
TEFAL
Z.I. des Granges 74150 Rumilly France
(72) Name(s) of Designer(s): **Pascal Cuillery**
(45) Registration Date: **07 April 2008**
(30) Convention priority data:
(31) Number (32) Date (33) Country
07 2667 08 Jun 2007 FRANCE
(56) Related Art Documents: **Not Applicable**
(57) Statement of Newness and Distinctiveness: **In considering the newness or distinctiveness of the design, regard is to be given to the overall shape and/or configuration of a steam knob for a cooking utensil as shown in the representations.**



(21) Design Number: **21131/2007**

(22) Date of Filing Application: **06 December 2007**

(24) Date from which industrial property rights may have effect: **06 December 2007**

(54) Product in respect of which the design is registered: **Side handle for cooking utensil (preference range)**

(51) International Design Classification: **07-02R**

(71) Name(s) and Address(s) of Applicant(s):

TEFAL

Z.I. des Granges 74150 Rumilly France

(72) Name(s) of Designer(s): **Stephane Plichon**

(45) Registration Date: **07 April 2008**

(30) Convention priority data:

(31) Number
07 2667

(32) Date
08 Jun 2007

(33) Country
FRANCE

(56) Related Art Documents: **Not Applicable**

(57) Statement of Newness and Distinctiveness: **In considering the newness or distinctiveness of the design, regard is to be given to the overall shape and/or configuration of a side handle for a cooking utensil as shown in the representations.**



(21) Design Number: **21132/2007**

(22) Date of Filing Application: **06 December 2007**

(24) Date from which industrial property rights may have effect: **06 December 2007**

(54) Product in respect of which the design is registered: **Side handle for cooking utensil (elegance range)**

(51) International Design Classification: **07-02R**

(71) Name(s) and Address(s) of Applicant(s):

TEFAL

Z.I. des Granges 74150 Rumilly France

(72) Name(s) of Designer(s): **Guy Magnouloux**

(45) Registration Date: **07 April 2008**

(30) Convention priority data:

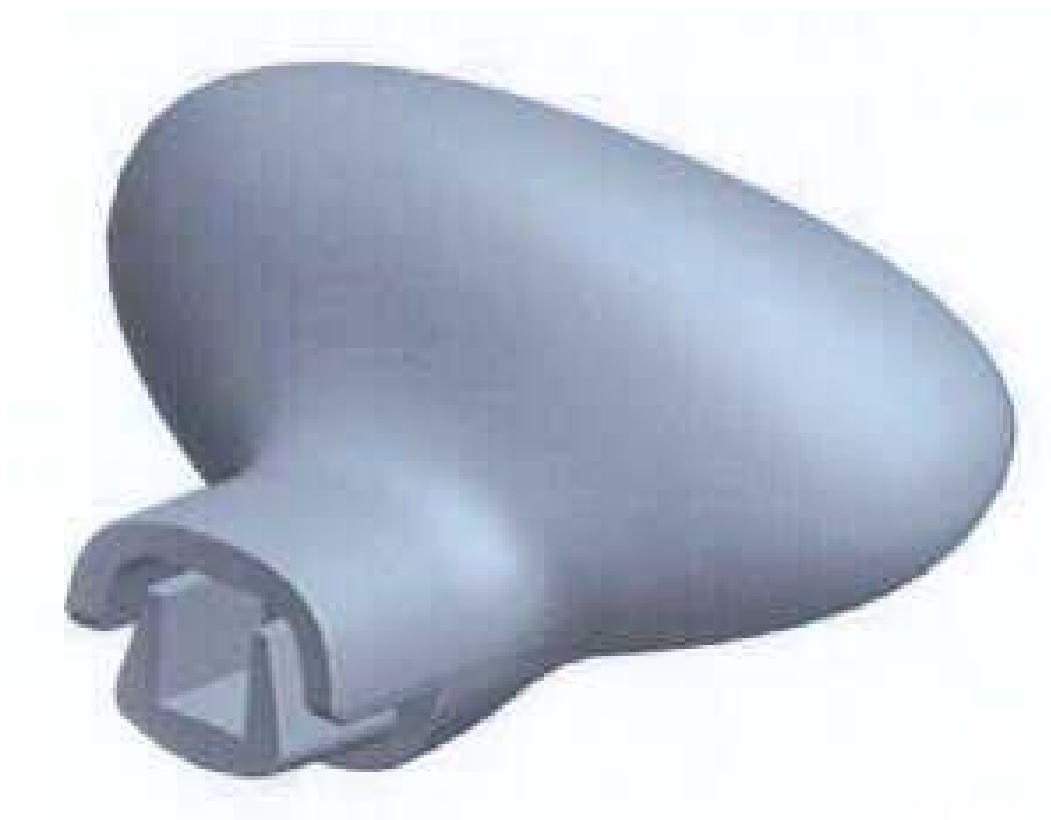
(31) Number
07 2667

(32) Date
08 Jun 2007

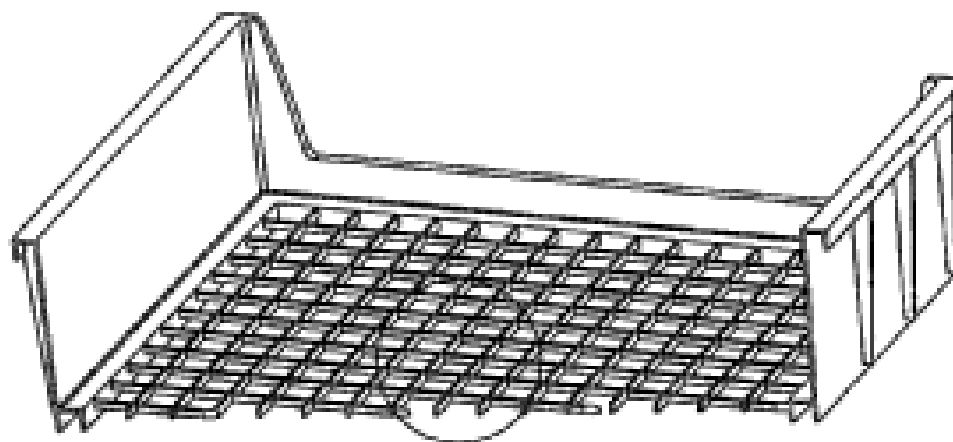
(33) Country
FRANCE

(56) Related Art Documents: **Not Applicable**

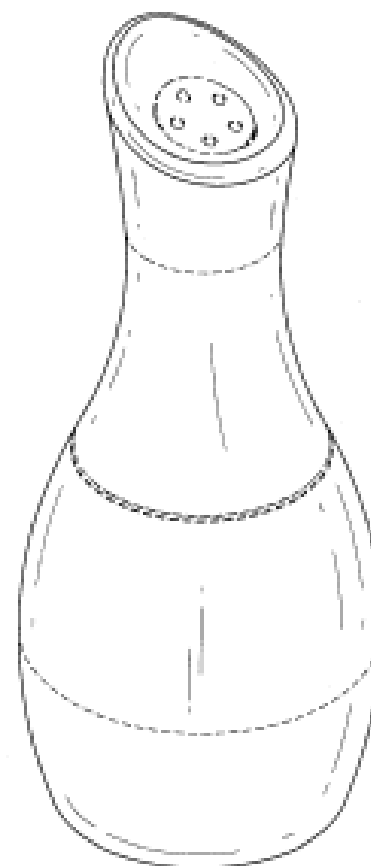
(57) Statement of Newness and Distinctiveness: **In considering the newness or distinctiveness of the design, regard is to be given to the overall shape and/or configuration of a side handle for a cooking utensil as shown in the representations.**



(21) Design Number: **21223/2007**
(22) Date of Filing Application: **12 December 2007**
(24) Date from which industrial property rights may have effect: **12 December 2007**
(54) Product in respect of which the design is registered: **Flat crate for shelf merchandising**
(51) International Design Classification: **09-04**
(71) Name(s) and Address(s) of Applicant(s):
Checkmate International Pty Ltd
9-11 Railway Avenue Huntingdale Victoria 3166 Australia
(72) Name(s) of Designer(s): **John Leahy and John Oretti**
(45) Registration Date: **07 April 2008**
(56) Related Art Documents: **Not Applicable**
(57) Statement of Newness and Distinctiveness: **Nil**



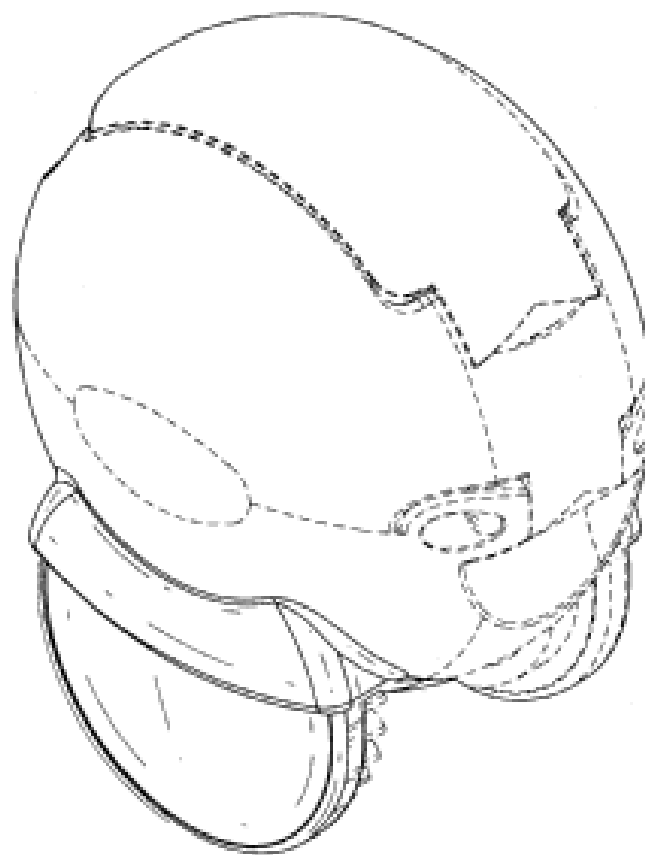
(21) Design Number: **21235/2007**
(22) Date of Filing Application: **11 December 2007**
(24) Date from which industrial property rights may have effect: **11 December 2007**
(54) Product in respect of which the design is registered: **Condiment grinder**
(51) International Design Classification: **07-04**
(71) Name(s) and Address(s) of Applicant(s):
Chef'n Corporation
1520 4th Avenue 3rd Floor Seattle Washington 98101 United States of America
(72) Name(s) of Designer(s): **Jonah S. Griffith and David A. Holcomb**
(45) Registration Date: **07 April 2008**
(30) Convention priority data:
(31) Number (32) Date (33) Country
29282402 19 Jul 2007 UNITED STATES OF AMERICA
(56) Related Art Documents: **Not Applicable**
(57) Statement of Newness and Distinctiveness: **Newness and distinctiveness is claimed in the visual features shown in solid lines in the representations.**



(21) Design Number: **21236/2007**
 (22) Date of Filing Application: **11 December 2007**
 (24) Date from which industrial property rights may have effect: **11 December 2007**
 (54) Product in respect of which the design is registered: **Food processor**
 (51) International Design Classification: **07-04**
 (71) Name(s) and Address(s) of Applicant(s):
Chef'n Corporation
1520 4th Avenue 3rd Floor Seattle Washington 98101 United States of America
 (72) Name(s) of Designer(s): **Adam A. Jossem and David A. Holcomb**
 (45) Registration Date: **07 April 2008**
 (30) Convention priority data:

(31) Number	(32) Date	(33) Country
29282965	02 Aug 2007	UNITED STATES OF AMERICA

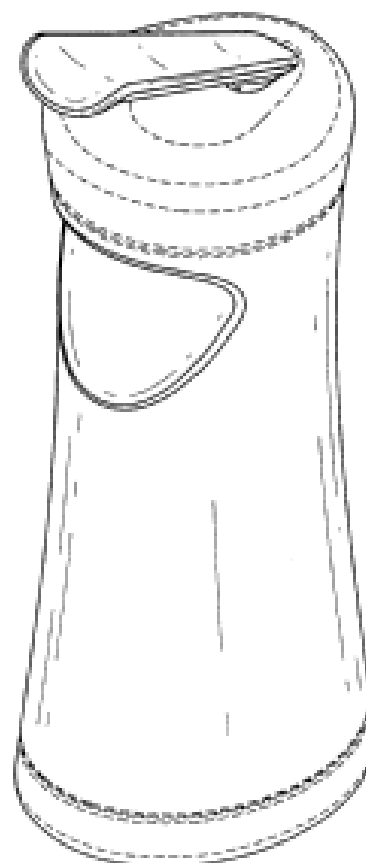
 (56) Related Art Documents: **Not Applicable**
 (57) Statement of Newness and Distinctiveness: **Newness and distinctiveness is claimed in the visual features shown in solid lines in the representations.**



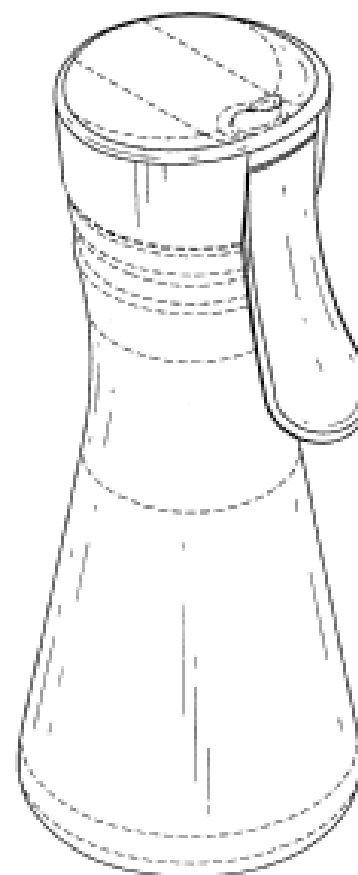
(21) Design Number: **21238/2007**
 (22) Date of Filing Application: **11 December 2007**
 (24) Date from which industrial property rights may have effect: **11 December 2007**
 (54) Product in respect of which the design is registered: **Soap dispenser**
 (51) International Design Classification: **23-02A**
 (71) Name(s) and Address(s) of Applicant(s):
Chef'n Corporation
1520 4th Avenue 3rd Floor Seattle Washington 98101 United States of America
 (72) Name(s) of Designer(s): **Matthew Krus**
 (45) Registration Date: **07 April 2008**
 (30) Convention priority data:

(31) Number	(32) Date	(33) Country
29295054	20 Sep 2007	UNITED STATES OF AMERICA

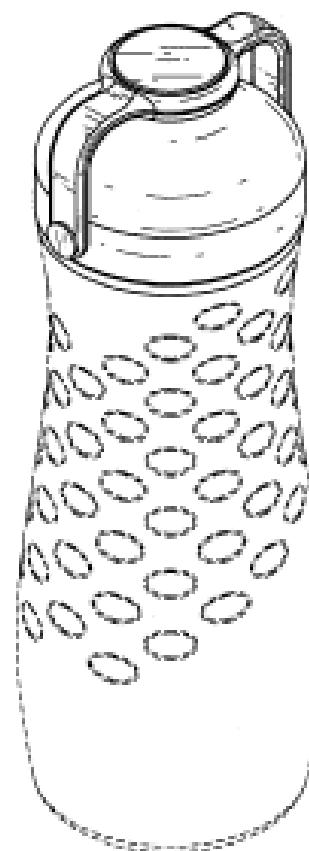
 (56) Related Art Documents: **Not Applicable**
 (57) Statement of Newness and Distinctiveness: **Newness and distinctiveness is claimed in the visual features shown in solid lines in the representations.**



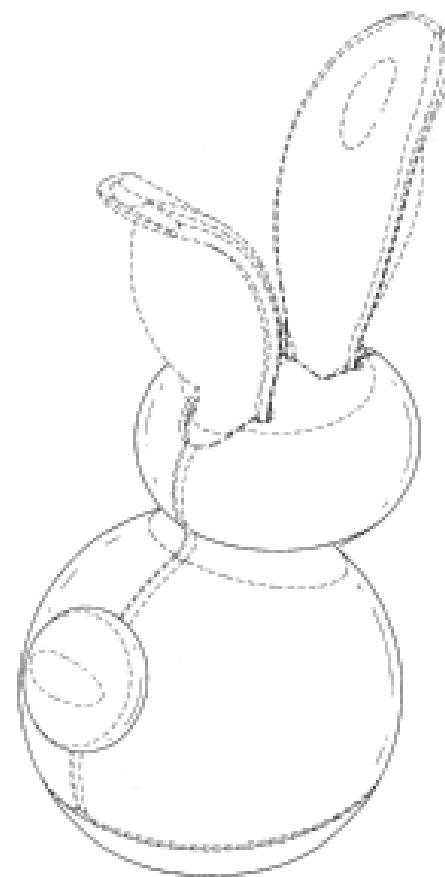
(21) Design Number: **21239/2007**
(22) Date of Filing Application: **11 December 2007**
(24) Date from which industrial property rights may have effect: **11 December 2007**
(54) Product in respect of which the design is registered: **Emulsifier**
(51) International Design Classification: **07-06NES**
(71) Name(s) and Address(s) of Applicant(s):
Chef'n Corporation
1520 4th Avenue 3rd Floor Seattle Washington 98101 United States of America
(72) Name(s) of Designer(s): **David A. Holcomb and Matthew Krus**
(45) Registration Date: **07 April 2008**
(30) Convention priority data:
(31) Number (32) Date (33) Country
29296084 12 Oct 2007 UNITED STATES OF AMERICA
(56) Related Art Documents: **Not Applicable**
(57) Statement of Newness and Distinctiveness: **Newness and distinctiveness is claimed in the visual features shown in solid lines in the representations.**



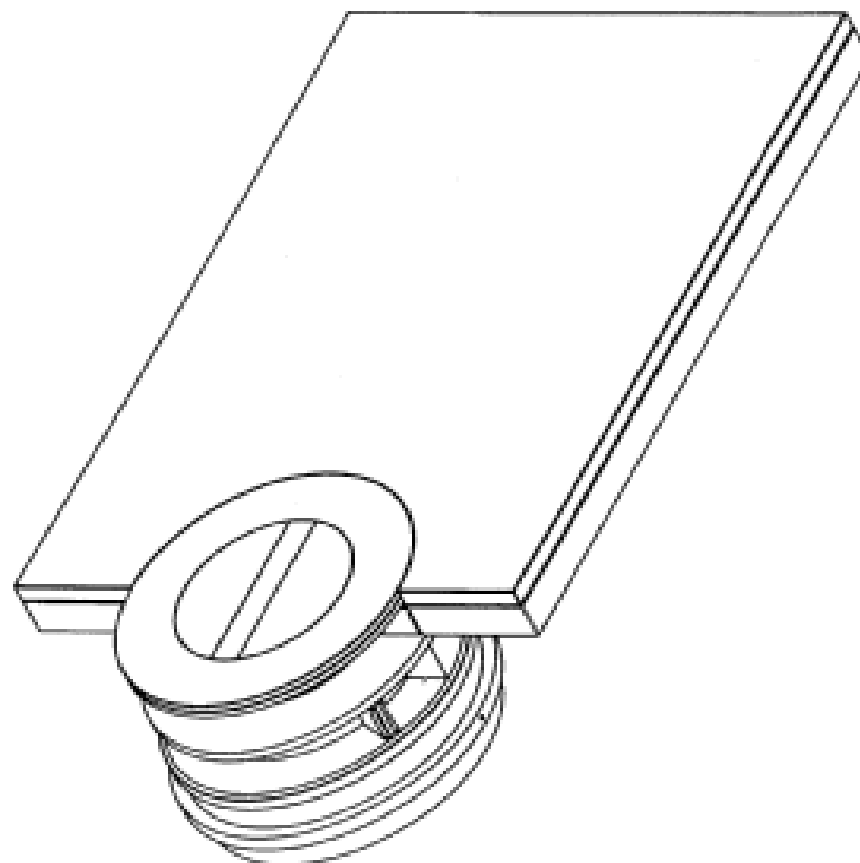
(21) Design Number: **21240/2007**
(22) Date of Filing Application: **11 December 2007**
(24) Date from which industrial property rights may have effect: **11 December 2007**
(54) Product in respect of which the design is registered: **Lid for a water bottle**
(51) International Design Classification: **09-07C**
(71) Name(s) and Address(s) of Applicant(s):
Chef'n Corporation
1520 4th Avenue 3rd Floor Seattle Washington 98101 United States of America
(72) Name(s) of Designer(s): **Jason O. Germany**
(45) Registration Date: **07 April 2008**
(30) Convention priority data:
(31) Number (32) Date (33) Country
29296083 12 Oct 2007 UNITED STATES OF AMERICA
(56) Related Art Documents: **Not Applicable**
(57) Statement of Newness and Distinctiveness: **Newness and distinctiveness is claimed in the visual features shown in solid lines in the representations.**



- (21) Design Number: **21241/2007**
(22) Date of Filing Application: **11 December 2007**
(24) Date from which industrial property rights may have effect: **11 December 2007**
(54) Product in respect of which the design is registered: **Condiment grinder**
(51) International Design Classification: **07-04**
(71) Name(s) and Address(s) of Applicant(s):
Chef'n Corporation
1520 4th Avenue 3rd Floor Seattle Washington 98101 United States of America
(72) Name(s) of Designer(s): **Adam A. Jossem and David A. Holcomb**
(45) Registration Date: **07 April 2008**
(30) Convention priority data:
(31) Number (32) Date (33) Country
29282358 17 Jul 2007 UNITED STATES OF AMERICA
(56) Related Art Documents: **Not Applicable**
(57) Statement of Newness and Distinctiveness: **Newness and distinctiveness is claimed in the visual features shown in solid lines in the representations.**



- (21) Design Number: **21242/2007**
(22) Date of Filing Application: **11 December 2007**
(24) Date from which industrial property rights may have effect: **11 December 2007**
(54) Product in respect of which the design is registered: **An audiovisual terminal**
(51) International Design Classification: **14-02**
(71) Name(s) and Address(s) of Applicant(s):
Bang & Olufsen A/S
Peter Bangs VEJ 15 Postboks 40 7600 Struer Denmark
(72) Name(s) of Designer(s): **Anders Hermansen**
(45) Registration Date: **07 April 2008**
(30) Convention priority data:
(31) Number (32) Date (33) Country
DA 2007 11 Jun 2007 DENMARK
00143
(56) Related Art Documents: **Not Applicable**
(57) Statement of Newness and Distinctiveness: **Nil**



- (21) Design Number: **21249/2007**
(22) Date of Filing Application: **12 December 2007**
(24) Date from which industrial property rights may have effect: **12 December 2007**
(54) Product in respect of which the design is registered: **Tables**
(51) International Design Classification: **06-03A**
(71) Name(s) and Address(s) of Applicant(s):

EM Export Limited
Nerine Chambers PO Box 905 Road Town Tortola British Virgin Islands

- (72) Name(s) of Designer(s): **Moshe Saraga and Reem Mayer**

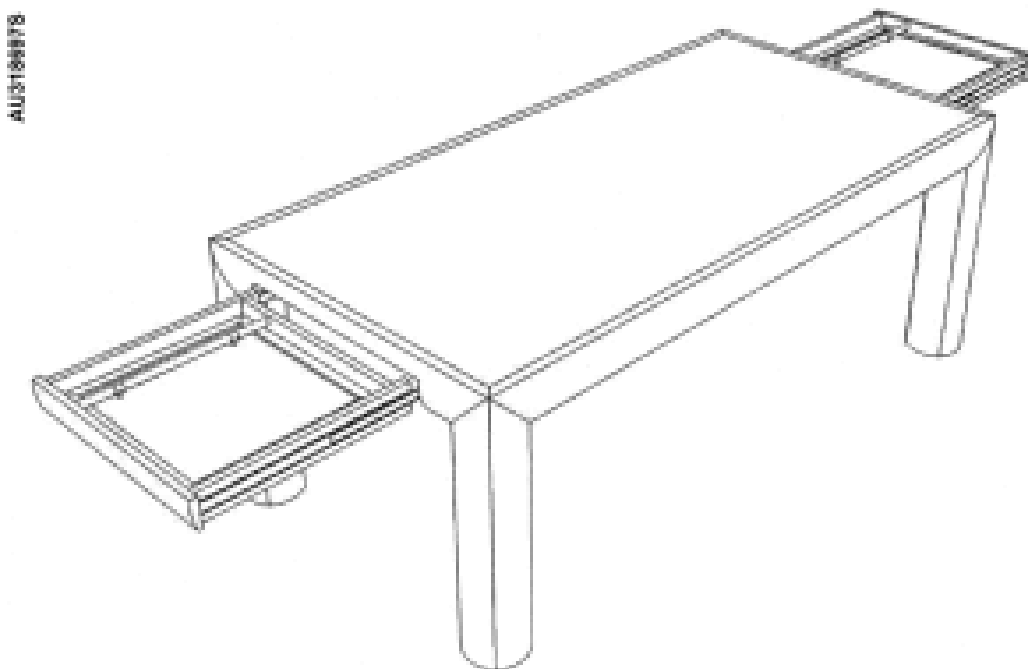
- (45) Registration Date: **07 April 2008**

- (30) Convention priority data:

(31) Number	(32) Date	(33) Country
000745872-0048	15 Jun 2007	FRANCE

- (56) Related Art Documents: **Not Applicable**

- (57) Statement of Newness and Distinctiveness: **Nil**



- (21) Design Number: **21250/2007**
(22) Date of Filing Application: **12 December 2007**
(24) Date from which industrial property rights may have effect: **12 December 2007**
(54) Product in respect of which the design is registered: **Sideboards**
(51) International Design Classification: **06-04D**
(71) Name(s) and Address(s) of Applicant(s):

EM Export Limited
Nerine Chambers PO Box 905 Road Town Tortola British Virgin Islands

- (72) Name(s) of Designer(s): **Moshe Saraga and Reem Mayer**

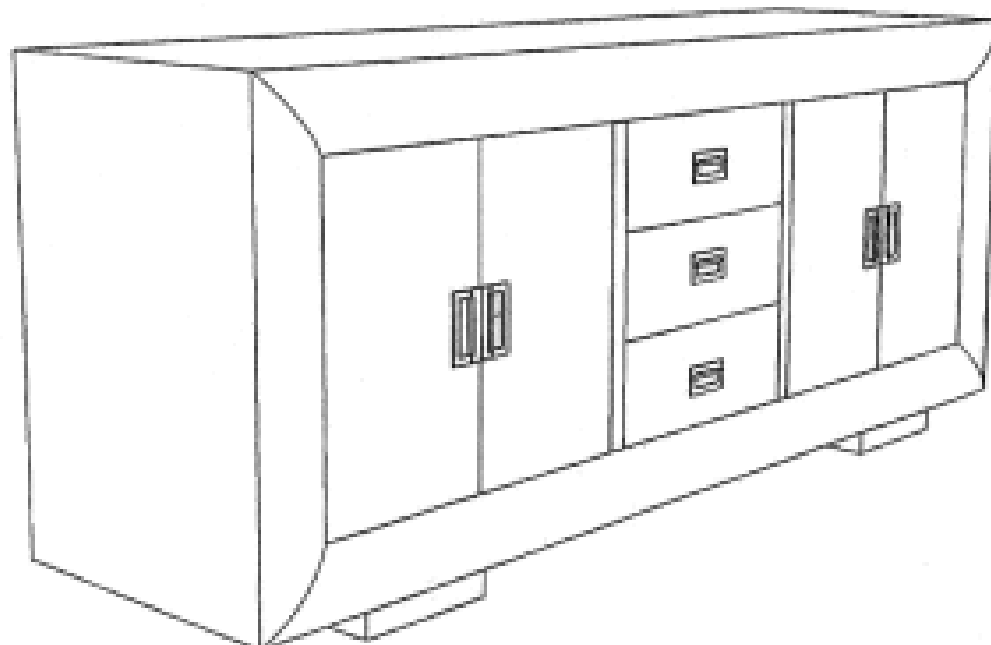
- (45) Registration Date: **07 April 2008**

- (30) Convention priority data:

(31) Number	(32) Date	(33) Country
000745872-0045	15 Jun 2007	FRANCE

- (56) Related Art Documents: **Not Applicable**

- (57) Statement of Newness and Distinctiveness: **Nil**



- (21) Design Number: **21251/2007**
- (22) Date of Filing Application: **12 December 2007**
- (24) Date from which industrial property rights may have effect: **12 December 2007**
- (54) Product in respect of which the design is registered: **Sideboards**
- (51) International Design Classification: **06-04D**
- (71) Name(s) and Address(s) of Applicant(s):

EM Export Limited
Nerine Chambers PO Box 905 Road Town Tortola British Virgin Islands

- (72) Name(s) of Designer(s): **Moshe Saraga and Reem Mayer**

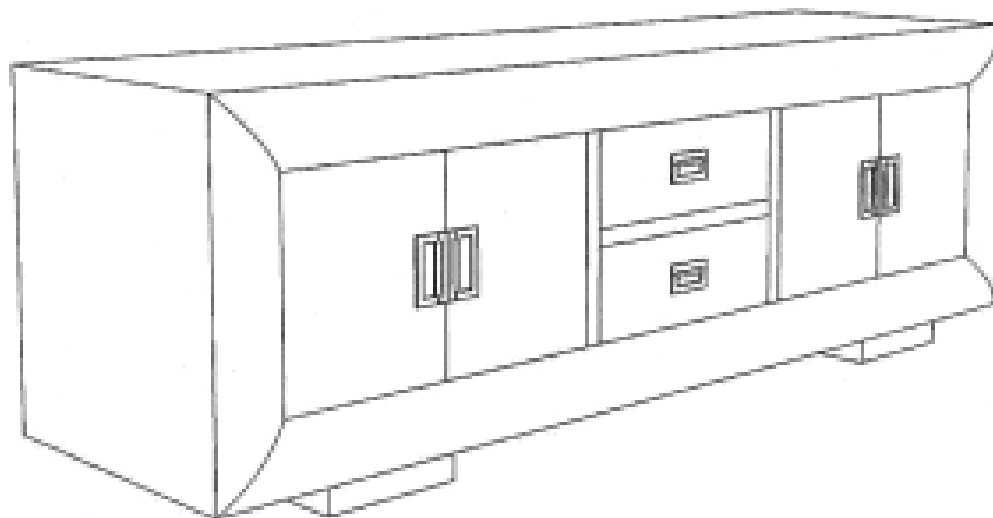
- (45) Registration Date: **07 April 2008**

- (30) Convention priority data:

(31) Number	(32) Date	(33) Country
000745872-0044	15 Jun 2007	FRANCE

- (56) Related Art Documents: **Not Applicable**

- (57) Statement of Newness and Distinctiveness: **Nil**



- (21) Design Number: **21252/2007**
- (22) Date of Filing Application: **12 December 2007**
- (24) Date from which industrial property rights may have effect: **12 December 2007**
- (54) Product in respect of which the design is registered: **Glass cabinets**
- (51) International Design Classification: **06-04B**
- (71) Name(s) and Address(s) of Applicant(s):

EM Export Limited
Nerine Chambers PO Box 905 Road Town Tortola British Virgin Islands

- (72) Name(s) of Designer(s): **Moshe Saraga and Reem Mayer**

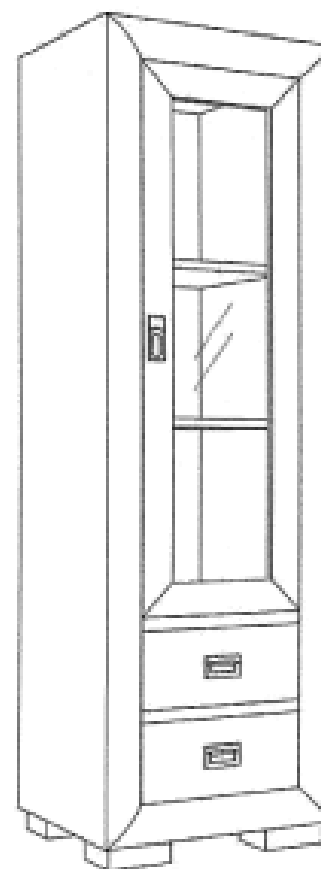
- (45) Registration Date: **07 April 2008**

- (30) Convention priority data:

(31) Number	(32) Date	(33) Country
000745872-0042	15 Jun 2007	FRANCE

- (56) Related Art Documents: **Not Applicable**

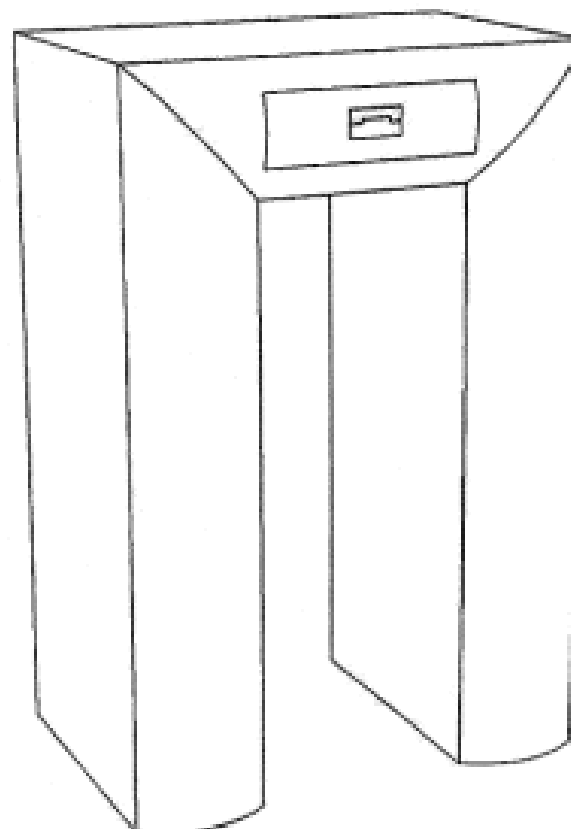
- (57) Statement of Newness and Distinctiveness: **Nil**



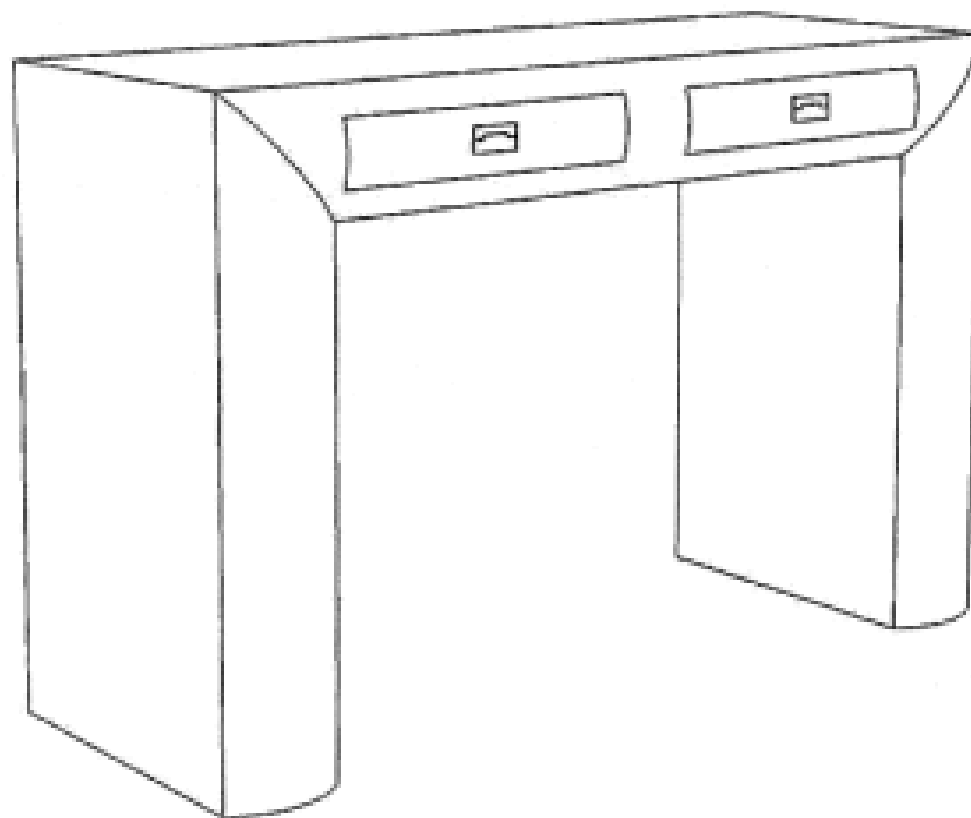
(21) Design Number: **21253/2007**
(22) Date of Filing Application: **12 December 2007**
(24) Date from which industrial property rights may have effect: **12 December 2007**
(54) Product in respect of which the design is registered: **Glass cabinets**
(51) International Design Classification: **06-04NES**
(71) Name(s) and Address(s) of Applicant(s):
EM Export Limited
Nerine Chambers PO Box 905 Road Town Tortola British Virgin Islands
(72) Name(s) of Designer(s): **Moshe Saraga and Reem Mayer**
(45) Registration Date: **07 April 2008**
(30) Convention priority data:
(31) Number (32) Date (33) Country
000745872-0041 15 Jun 2007 FRANCE
(56) Related Art Documents: **Not Applicable**
(57) Statement of Newness and Distinctiveness: **Nil**



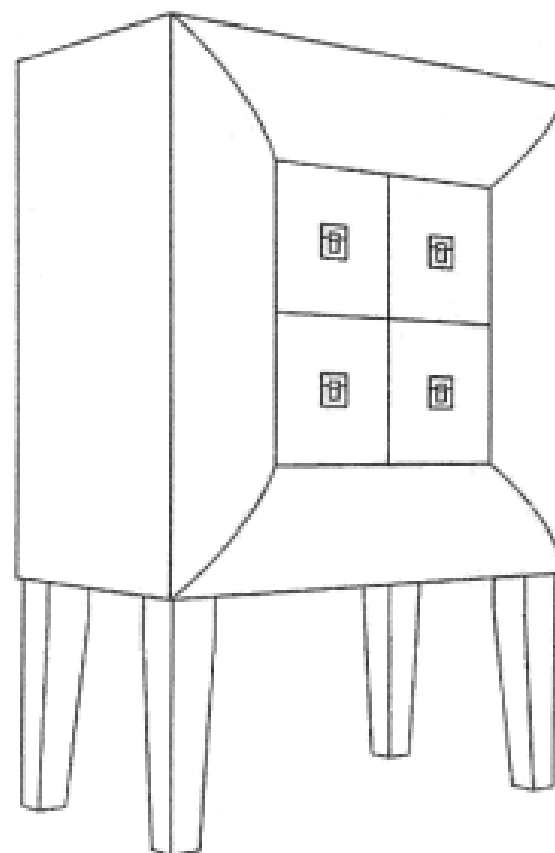
(21) Design Number: **21254/2007**
(22) Date of Filing Application: **12 December 2007**
(24) Date from which industrial property rights may have effect: **12 December 2007**
(54) Product in respect of which the design is registered: **Console tables**
(51) International Design Classification: **06-03B**
(71) Name(s) and Address(s) of Applicant(s):
EM Export Limited
Nerine Chambers PO Box 905 Road Town Tortola British Virgin Islands
(72) Name(s) of Designer(s): **Moshe Saraga and Reem Mayer**
(45) Registration Date: **07 April 2008**
(30) Convention priority data:
(31) Number (32) Date (33) Country
000745872-0037 15 Jun 2007 FRANCE
(56) Related Art Documents: **Not Applicable**
(57) Statement of Newness and Distinctiveness: **Nil**



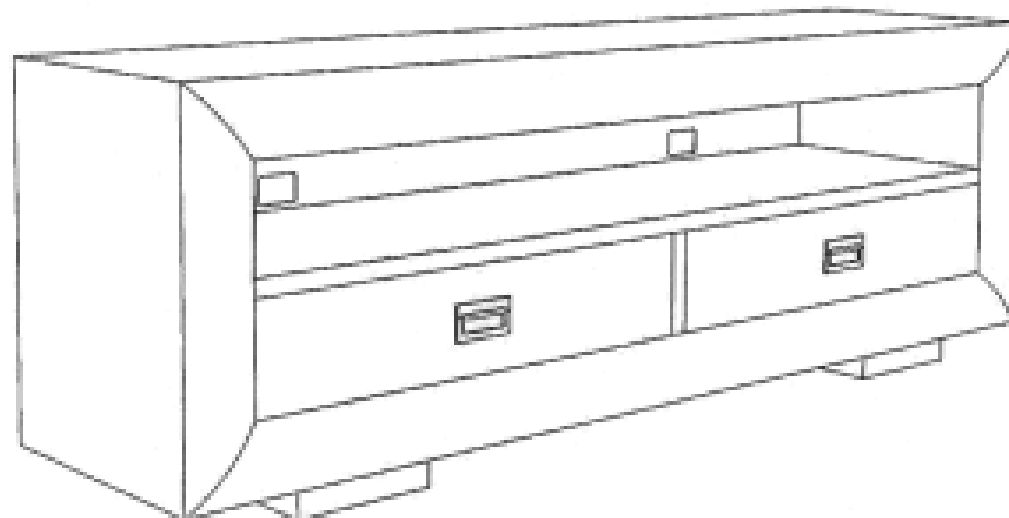
(21) Design Number: **21255/2007**
(22) Date of Filing Application: **12 December 2007**
(24) Date from which industrial property rights may have effect: **12 December 2007**
(54) Product in respect of which the design is registered: **Console tables**
(51) International Design Classification: **06-03B**
(71) Name(s) and Address(s) of Applicant(s):
EM Export Limited
Nerine Chambers PO Box 905 Road Town Tortola British Virgin Islands
(72) Name(s) of Designer(s): **Moshe Saraga and Reem Mayer**
(45) Registration Date: **07 April 2008**
(30) Convention priority data:
(31) Number (32) Date (33) Country
000745872-0036 15 Jun 2007 FRANCE
(56) Related Art Documents: **Not Applicable**
(57) Statement of Newness and Distinctiveness: **Nil**



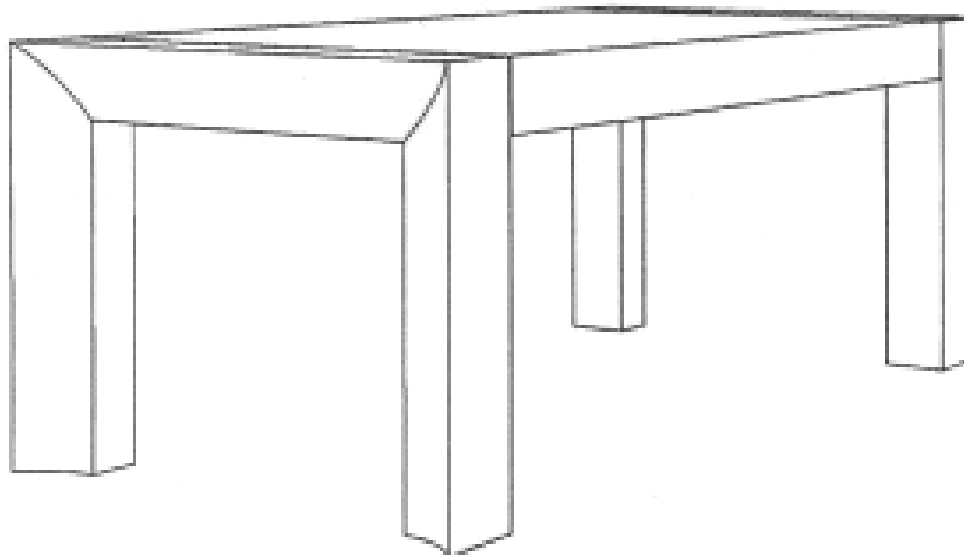
(21) Design Number: **21256/2007**
(22) Date of Filing Application: **12 December 2007**
(24) Date from which industrial property rights may have effect: **12 December 2007**
(54) Product in respect of which the design is registered: **Storage furniture for discs**
(51) International Design Classification: **06-04F**
(71) Name(s) and Address(s) of Applicant(s):
EM Export Limited
Nerine Chambers PO Box 905 Road Town Tortola British Virgin Islands
(72) Name(s) of Designer(s): **Moshe Saraga and Reem Mayer**
(45) Registration Date: **07 April 2008**
(30) Convention priority data:
(31) Number (32) Date (33) Country
000745872-0009 15 Jun 2007 FRANCE
(56) Related Art Documents: **Not Applicable**
(57) Statement of Newness and Distinctiveness: **Nil**



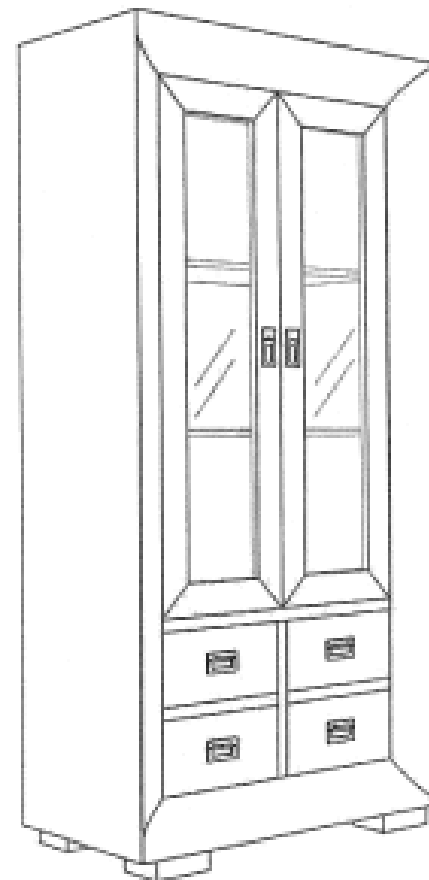
(21) Design Number: **21257/2007**
(22) Date of Filing Application: **12 December 2007**
(24) Date from which industrial property rights may have effect: **12 December 2007**
(54) Product in respect of which the design is registered: **Sideboards**
(51) International Design Classification: **06-04D**
(71) Name(s) and Address(s) of Applicant(s):
EM Export Limited
Nerine Chambers PO Box 905 Road Town Tortola British Virgin Islands
(72) Name(s) of Designer(s): **Moshe Saraga and Reem Mayer**
(45) Registration Date: **07 April 2008**
(30) Convention priority data:
(31) Number (32) Date (33) Country
000745872-0030 15 Jun 2007 FRANCE
(56) Related Art Documents: **Not Applicable**
(57) Statement of Newness and Distinctiveness: **Nil**



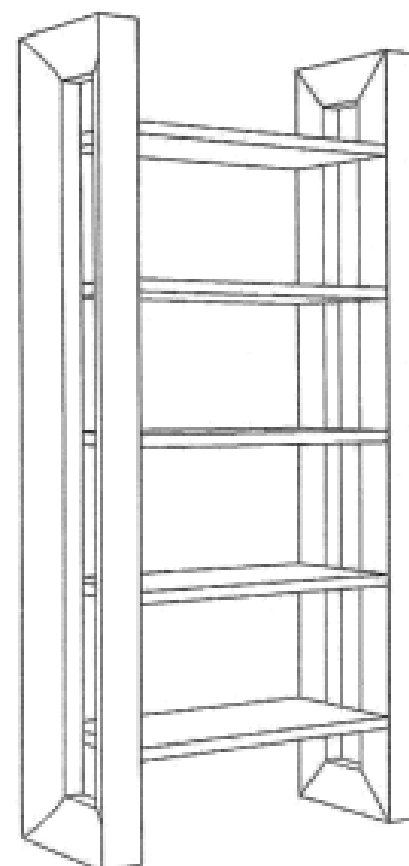
(21) Design Number: **21258/2007**
(22) Date of Filing Application: **12 December 2007**
(24) Date from which industrial property rights may have effect: **12 December 2007**
(54) Product in respect of which the design is registered: **Tables**
(51) International Design Classification: **06-03A**
(71) Name(s) and Address(s) of Applicant(s):
EM Export Limited
Nerine Chambers PO Box 905 Road Town Tortola British Virgin Islands
(72) Name(s) of Designer(s): **Moshe Saraga and Reem Mayer**
(45) Registration Date: **07 April 2008**
(30) Convention priority data:
(31) Number (32) Date (33) Country
000745872-0018 15 Jun 2007 FRANCE
(56) Related Art Documents: **Not Applicable**
(57) Statement of Newness and Distinctiveness: **Nil**



- (21) Design Number: **21259/2007**
(22) Date of Filing Application: **12 December 2007**
(24) Date from which industrial property rights may have effect: **12 December 2007**
(54) Product in respect of which the design is registered: **Glass cabinets**
(51) International Design Classification: **06-04B**
(71) Name(s) and Address(s) of Applicant(s):
EM Export Limited
Nerine Chambers PO Box 905 Road Town Tortola British Virgin Islands
(72) Name(s) of Designer(s): **Moshe Saraga and Reem Mayer**
(45) Registration Date: **07 April 2008**
(30) Convention priority data:
(31) Number (32) Date (33) Country
000745872-0017 15 Jun 2007 FRANCE
(56) Related Art Documents: **Not Applicable**
(57) Statement of Newness and Distinctiveness: **Nil**



- (21) Design Number: **21260/2007**
(22) Date of Filing Application: **12 December 2007**
(24) Date from which industrial property rights may have effect: **12 December 2007**
(54) Product in respect of which the design is registered: **Bookshelves**
(51) International Design Classification: **06-04NES**
(71) Name(s) and Address(s) of Applicant(s):
EM Export Limited
Nerine Chambers PO Box 905 Road Town Tortola British Virgin Islands
(72) Name(s) of Designer(s): **Moshe Saraga and Reem Mayer**
(45) Registration Date: **07 April 2008**
(30) Convention priority data:
(31) Number (32) Date (33) Country
000745872-0014 15 Jun 2007 FRANCE
(56) Related Art Documents: **Not Applicable**
(57) Statement of Newness and Distinctiveness: **Nil**



(21) Design Number: **21312/2007**

(22) Date of Filing Application: **12 December 2007**

(24) Date from which industrial property rights may have effect: **12 December 2007**

(54) Product in respect of which the design is registered: **Storage device for earphones and headphones**

(51) International Design Classification: **09-99**

(71) Name(s) and Address(s) of Applicant(s):

Jane Davies

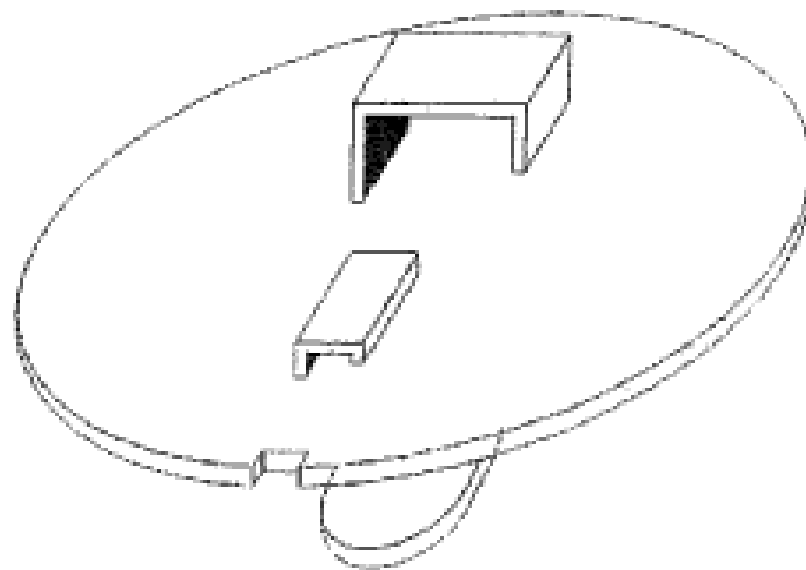
141 Brighton Road Richmond Victoria 3121 Australia

(72) Name(s) of Designer(s): **Jane Davies**

(45) Registration Date: **07 April 2008**

(56) Related Art Documents: **Not Applicable**

(57) Statement of Newness and Distinctiveness: **Nil**



(21) Design Number: **21313/2007**

(22) Date of Filing Application: **12 December 2007**

(24) Date from which industrial property rights may have effect: **12 December 2007**

(54) Product in respect of which the design is registered: **Automatic leveling laser marking instrument**

(51) International Design Classification: **10-04**

(71) Name(s) and Address(s) of Applicant(s):

Sokkia Co., Ltd.

260-63 Hase Atsugi-shi Kanagawa-ken Japan

(72) Name(s) of Designer(s): **Yasuyuki Banba and Steven Qi**

(45) Registration Date: **07 April 2008**

(30) Convention priority data:

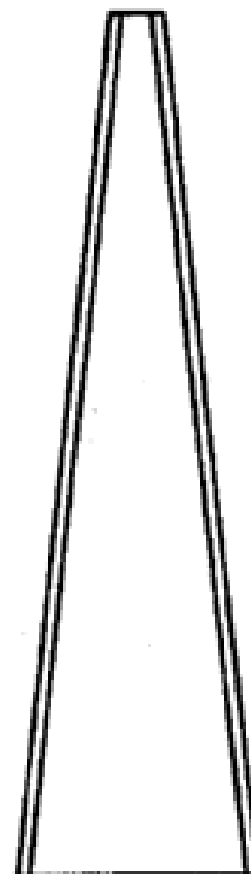
(31) Number	(32) Date	(33) Country
2007-016308	19 Jun 2007	JAPAN

(56) Related Art Documents: **Not Applicable**

(57) Statement of Newness and Distinctiveness: **The shape, configuration and ornamentation of the product are new and distinctive.**



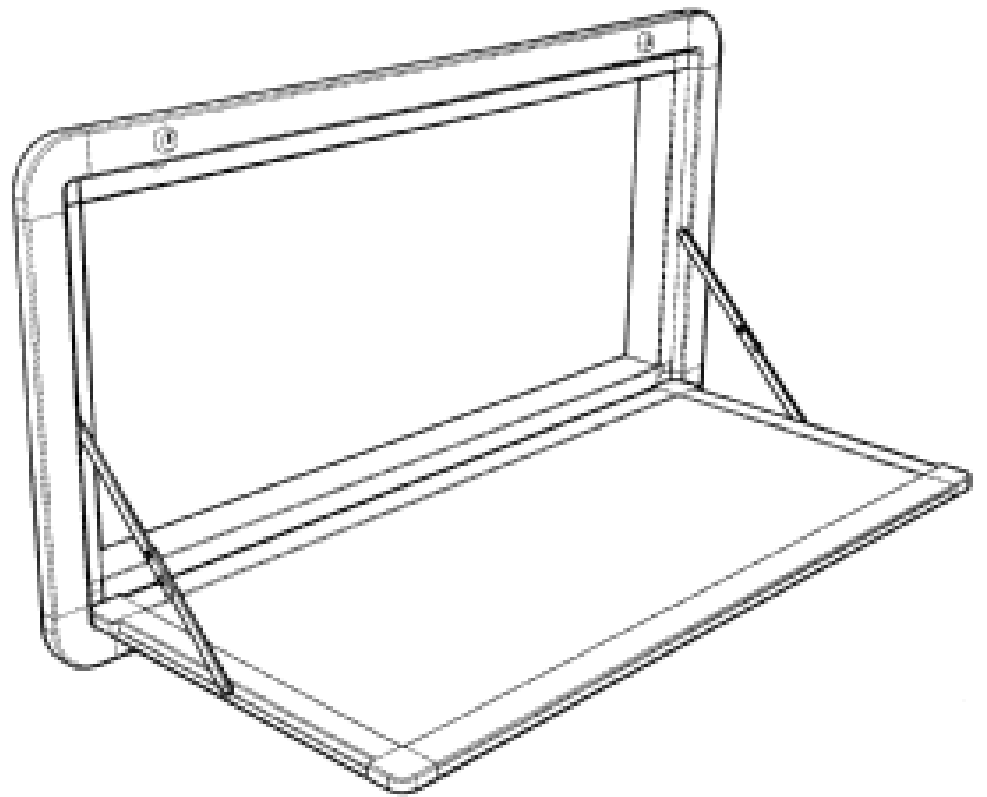
- (21) Design Number: **21032/2007**
(22) Date of Filing Application: **27 November 2007**
(24) Date from which industrial property rights may have effect: **27 November 2007**
(54) Product in respect of which the design is registered: **Basic building panel**
(51) International Design Classification: **25-01D**
(71) Name(s) and Address(s) of Applicant(s):
Farzad Shirazi
378A Hillsborough Road Hillsborough Auckland 1042 New Zealand
(72) Name(s) of Designer(s): **Farzad Shirazi**
(45) Registration Date: **08 April 2008**
(56) Related Art Documents: **Not Applicable**
(57) Statement of Newness and Distinctiveness: **By assembling a number of this basic element panel alternately front to back on a circular base a conical structure with an opening on the tip for skylight will be accomplished.**



- (21) Design Number: **21133/2007**
(22) Date of Filing Application: **06 December 2007**
(24) Date from which industrial property rights may have effect: **06 December 2007**
(54) Product in respect of which the design is registered: **Knob for cooking utensil (elegance range)**
(51) International Design Classification: **07-02N**
(71) Name(s) and Address(s) of Applicant(s):
TEFAL
Z.I. des Granges 74150 Rumilly France
(72) Name(s) of Designer(s): **Guy Magnouloux**
(45) Registration Date: **08 April 2008**
(30) Convention priority data:
(31) Number (32) Date (33) Country
07 2667 08 Jun 2007 FRANCE
(56) Related Art Documents: **Not Applicable**
(57) Statement of Newness and Distinctiveness: **In considering the newness or distinctiveness of the design, regard is to be given to the overall shape and/or configuration of a knob for a cooking utensil as shown in the representations.**



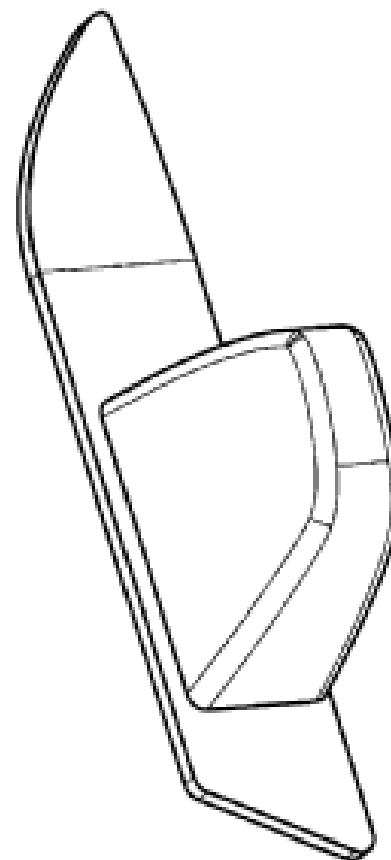
- (21) Design Number: **21135/2007**
(22) Date of Filing Application: **06 December 2007**
(24) Date from which industrial property rights may have effect: **06 December 2007**
(54) Product in respect of which the design is registered: **A fold down table that attaches to the exterior wall of a caravan or motorhome. The same unit can also be used as an**
(51) International Design Classification: **06-03NES**
(71) Name(s) and Address(s) of Applicant(s):
Nomadic Solutions Pty Ltd
PO Box 492 Wynyard Tasmania 7325 Australia
(72) Name(s) of Designer(s): **Andrew Stolp**
(45) Registration Date: **08 April 2008**
(56) Related Art Documents: **Not Applicable**
(57) Statement of Newness and Distinctiveness: **The unique features are 1) The camlocks are located on the wall mounting frame, not in the table flap, 2) smooth lines and rounded corners, 3) the construction method and materials used allow for different overall sizes and proportions, 4) the closed unit has a very small profile when mounted to an outside wall.**



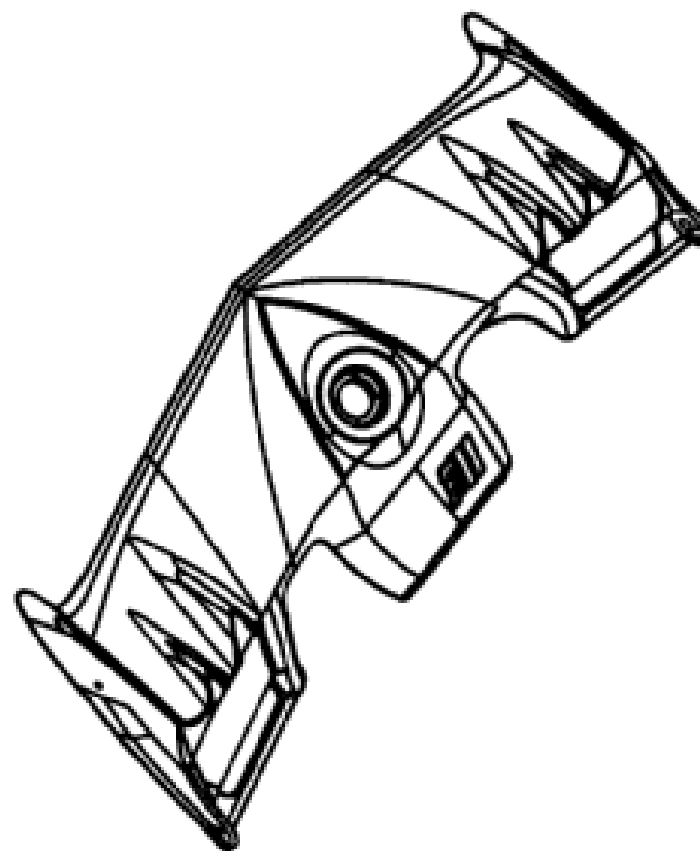
- (21) Design Number: **21140/2007**
(22) Date of Filing Application: **06 December 2007**
(24) Date from which industrial property rights may have effect: **06 December 2007**
(54) Product in respect of which the design is registered: **A mask**
(51) International Design Classification: **02-03**
(71) Name(s) and Address(s) of Applicant(s):
Judith Elizabeth Toon
C/- 15 Patrick Street Aitkenvale Queensland 4814 Australia
(72) Name(s) of Designer(s): **Judith Elizabeth Toon**
(45) Registration Date: **08 April 2008**
(56) Related Art Documents: **Not Applicable**
(57) Statement of Newness and Distinctiveness: **Nil**



- (21) Design Number: **21141/2007**
(22) Date of Filing Application: **06 December 2007**
(24) Date from which industrial property rights may have effect: **06 December 2007**
(54) Product in respect of which the design is registered: **A vehicle ski**
(51) International Design Classification: **12-16NES**
(71) Name(s) and Address(s) of Applicant(s):
 F11 Pty Ltd
 17 Madden Grove Richmond Victoria 3121 Australia
(72) Name(s) of Designer(s): **Wayne Robert Draper**
(45) Registration Date: **08 April 2008**
(56) Related Art Documents: **Not Applicable**
(57) Statement of Newness and Distinctiveness: **Newness and distinctiveness are claimed in the shape and configuration of the vehicle ski depicted in the accompanying illustrations.**



- (21) Design Number: **21142/2007**
(22) Date of Filing Application: **06 December 2007**
(24) Date from which industrial property rights may have effect: **06 December 2007**
(54) Product in respect of which the design is registered: **A vehicle front wing**
(51) International Design Classification: **12-16B**
(71) Name(s) and Address(s) of Applicant(s):
 F11 Pty Ltd
 17 Madden Grove Richmond Victoria 3121 Australia
(72) Name(s) of Designer(s): **Wayne Robert Draper**
(45) Registration Date: **08 April 2008**
(56) Related Art Documents: **Not Applicable**
(57) Statement of Newness and Distinctiveness: **Newness and distinctiveness are claimed in the shape and configuration of the vehicle front wing depicted in the accompanying illustrations.**



- (21) Design Number: **21143/2007**
- (22) Date of Filing Application: **06 December 2007**
- (24) Date from which industrial property rights may have effect: **06 December 2007**
- (54) Product in respect of which the design is registered: **A vehicle body**
- (51) International Design Classification: **12-16B**
- (71) Name(s) and Address(s) of Applicant(s):
F11 Pty Ltd
17 Madden Grove Richmond Victoria 3121 Australia
- (72) Name(s) of Designer(s): **Wayne Robert Draper**
- (45) Registration Date: **08 April 2008**
- (56) Related Art Documents: **Not Applicable**
- (57) Statement of Newness and Distinctiveness: **Newness and distinctiveness are claimed in the shape and configuration of the vehicle body depicted in the accompanying illustrations.**



- (21) Design Number: **21144/2007**
- (22) Date of Filing Application: **06 December 2007**
- (24) Date from which industrial property rights may have effect: **06 December 2007**
- (54) Product in respect of which the design is registered: **Chocolate**
- (51) International Design Classification: **01-01**
- (71) Name(s) and Address(s) of Applicant(s):
Societe des Produits Nestle S.A.
1800 Vevey Switzerland
- (72) Name(s) of Designer(s): **Thierry Martin**
- (45) Registration Date: **08 April 2008**
- (30) Convention priority data:

(31) Number	(32) Date	(33) Country
134144	18 Jul 2007	SWITZERLAND
- (56) Related Art Documents: **Not Applicable**
- (57) Statement of Newness and Distinctiveness: **Nil**



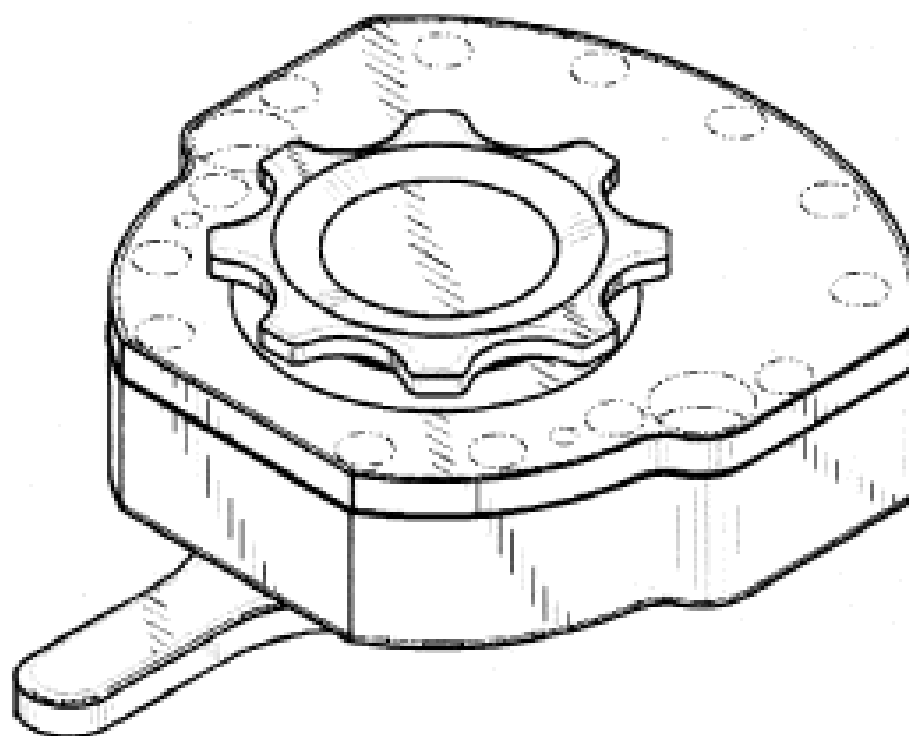
(21) Design Number: **21145/2007**
(22) Date of Filing Application: **06 December 2007**
(24) Date from which industrial property rights may have effect: **06 December 2007**
(54) Product in respect of which the design is registered: **Chocolate**
(51) International Design Classification: **01-01**
(71) Name(s) and Address(s) of Applicant(s):
Societe des Produits Nestle S.A.
1800 Vevey Switzerland
(72) Name(s) of Designer(s): **Thierry Martin**
(45) Registration Date: **08 April 2008**
(30) Convention priority data:
(31) Number (32) Date (33) Country
134144 18 Jul 2007 SWITZERLAND
(56) Related Art Documents: **Not Applicable**
(57) Statement of Newness and Distinctiveness: **Nil**



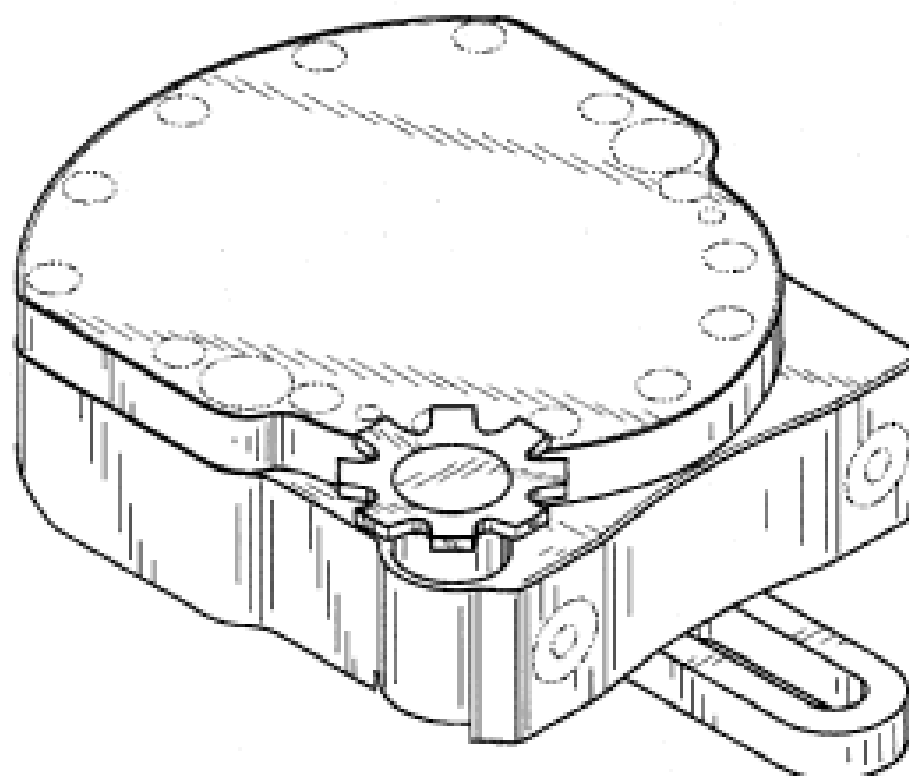
(21) Design Number: **21146/2007**
(22) Date of Filing Application: **06 December 2007**
(24) Date from which industrial property rights may have effect: **06 December 2007**
(54) Product in respect of which the design is registered: **Chocolate**
(51) International Design Classification: **01-01**
(71) Name(s) and Address(s) of Applicant(s):
Societe des Produits Nestle S.A.
1800 Vevey Switzerland
(72) Name(s) of Designer(s): **Thierry Martin**
(45) Registration Date: **08 April 2008**
(30) Convention priority data:
(31) Number (32) Date (33) Country
134144 18 Jul 2007 SWITZERLAND
(56) Related Art Documents: **Not Applicable**
(57) Statement of Newness and Distinctiveness: **Nil**



(21) Design Number: **21147/2007**
 (22) Date of Filing Application: **06 December 2007**
 (24) Date from which industrial property rights may have effect: **06 December 2007**
 (54) Product in respect of which the design is registered: **Stabilizer for motorcycle steering**
 (51) International Design Classification: **12-16NES**
 (71) Name(s) and Address(s) of Applicant(s):
Ralph S. Norman
8715 Dead Stick Road San Diego California 92154 United States of America
 (72) Name(s) of Designer(s): **Ralph S. Norman**
 (45) Registration Date: **08 April 2008**
 (30) Convention priority data:
 (31) Number (32) Date (33) Country
29/288,469 11 Jun 2007 UNITED STATES OF AMERICA
 (56) Related Art Documents: **Not Applicable**
 (57) Statement of Newness and Distinctiveness: **Newness and distinctiveness resides in the visual features of shape and/or configuration of a stabilizer for motorcycle steering as illustrated in the accompanying representations.**



(21) Design Number: **21148/2007**
 (22) Date of Filing Application: **06 December 2007**
 (24) Date from which industrial property rights may have effect: **06 December 2007**
 (54) Product in respect of which the design is registered: **Stabilizer for motorcycle steering**
 (51) International Design Classification: **12-16NES**
 (71) Name(s) and Address(s) of Applicant(s):
Ralph S. Norman
8715 Dead Stick Road San Diego California 92154 United States of America
 (72) Name(s) of Designer(s): **Ralph S. Norman**
 (45) Registration Date: **08 April 2008**
 (30) Convention priority data:
 (31) Number (32) Date (33) Country
29/288,468 11 Jun 2007 UNITED STATES OF AMERICA
 (56) Related Art Documents: **Not Applicable**
 (57) Statement of Newness and Distinctiveness: **Newness and distinctiveness resides in the visual features of shape and/or configuration of a stabilizer for motorcycle steering as illustrated in the accompanying representations.**



(21) Design Number: **21170/2007**

(22) Date of Filing Application: **06 December 2007**

(24) Date from which industrial property rights may have effect: **06 December 2007**

(54) Product in respect of which the design is registered: **A diffuser**

(51) International Design Classification: **23-04**

(71) Name(s) and Address(s) of Applicant(s):

**Holyoake Industries Limited
67 Greenmount Drive East Tamaki Auckland New Zealand**

(72) Name(s) of Designer(s): **Scott Noel Holyoake**

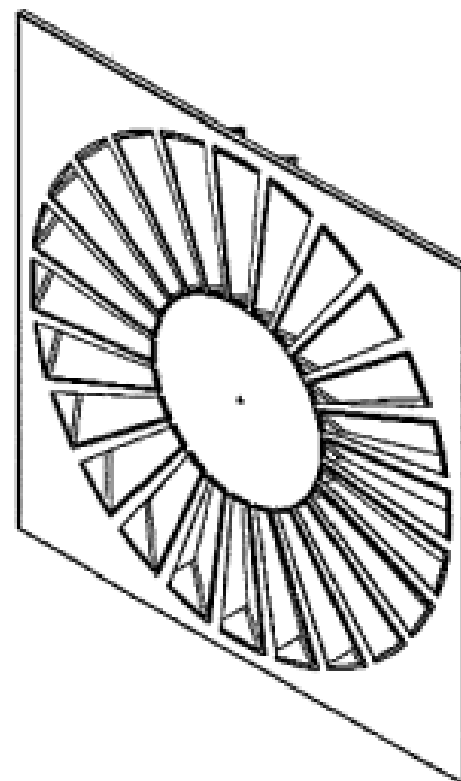
(45) Registration Date: **08 April 2008**

(30) Convention priority data:

(31) Number	(32) Date	(33) Country
409718	21 Sep 2007	NEW ZEALAND

(56) Related Art Documents: **Not Applicable**

(57) Statement of Newness and Distinctiveness: **Newness and distinctiveness is claimed in the features of shape and configuration of a diffuser, as shown in the accompanying representations.**



(21) Design Number: **10042/2008**

(22) Date of Filing Application: **03 January 2008**

(24) Date from which industrial property rights may have effect: **03 January 2008**

(54) Product in respect of which the design is registered: **Ladies garment with crochet neck band and cuff**

(51) International Design Classification: **02-02NES**

(71) Name(s) and Address(s) of Applicant(s):

**Camara Clothing Pty Ltd
63 Victoria Crescent Abbotsford Victoria 3067 Australia**

(72) Name(s) of Designer(s): **Hannah Gaunt**

(45) Registration Date: **08 April 2008**

(56) Related Art Documents: **Not Applicable**

(57) Statement of Newness and Distinctiveness: **Crochet design at sleeve cuff and neckband. Gathering at neckline and cuff. Polyester yoryu fabric. Belt and belt loops at waist.**



(21) Design Number: **10043/2008**

(22) Date of Filing Application: **03 January 2008**

(24) Date from which industrial property rights may have effect: **03 January 2008**

(54) Product in respect of which the design is registered: **Fleece jacket with de-tatchable hood and staggered centre front buttons**

(51) International Design Classification: **02-02NES**

(71) Name(s) and Address(s) of Applicant(s):

**Camara Clothing Pty Ltd
63 Victoria Crescent Abbotsford Victoria 3067 Australia**

(72) Name(s) of Designer(s): **Hannah Gaunt**

(45) Registration Date: **08 April 2008**

(56) Related Art Documents: **Not Applicable**

(57) Statement of Newness and Distinctiveness: **Stitching detail at hemband. Pockets and belt. Detachable hood. Staggered buttons at front placket. Gathering at hem band. Pleats at front yoke seam.**



(21) Design Number: **10044/2008**

(22) Date of Filing Application: **03 January 2008**

(24) Date from which industrial property rights may have effect: **03 January 2008**

(54) Product in respect of which the design is registered: **Gathered yoryu shirt dress with eyelet and press stud detail**

(51) International Design Classification: **02-02C**

(71) Name(s) and Address(s) of Applicant(s):

**Camara Clothing Pty Ltd
63 Victoria Crescent Abbotsford Victoria 3067 Australia**

(72) Name(s) of Designer(s): **Hannah Gaunt**

(45) Registration Date: **08 April 2008**

(56) Related Art Documents: **Not Applicable**

(57) Statement of Newness and Distinctiveness: **Eyelets at neckband and sleeve cuff. Press studs at front placket. Gathering at neckband and sleeve cuff. Belt and belt loops at waist.**



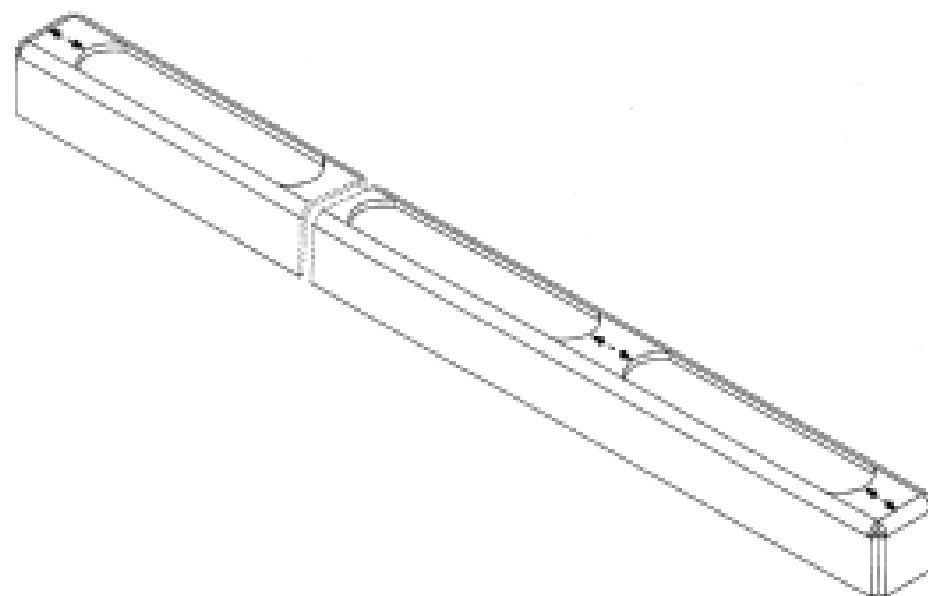
- (21) Design Number: **17094/2007**
(22) Date of Filing Application: **26 March 2007**
(24) Date from which industrial property rights may have effect: **26 March 2007**
(54) Product in respect of which the design is registered: **Front grille for automobile**
(51) International Design Classification: **12-16B**
(71) Name(s) and Address(s) of Applicant(s):
Toyota Jidosha Kabushiki Kaisha
1 Toyota-cho Toyota-shi Aichi-ken 471-8571 Japan
(72) Name(s) of Designer(s): **Masao Saito**
(45) Registration Date: **08 April 2008**
(30) Convention priority data:
(31) Number (32) Date (33) Country
2006#025889 27 Sep 2006 JAPAN
(56) Related Art Documents: **Not Applicable**
(57) Statement of Newness and Distinctiveness: **Those features of the front grille for automobile depicted in the representations that are new and distinctive are the shape and/or configuration.**



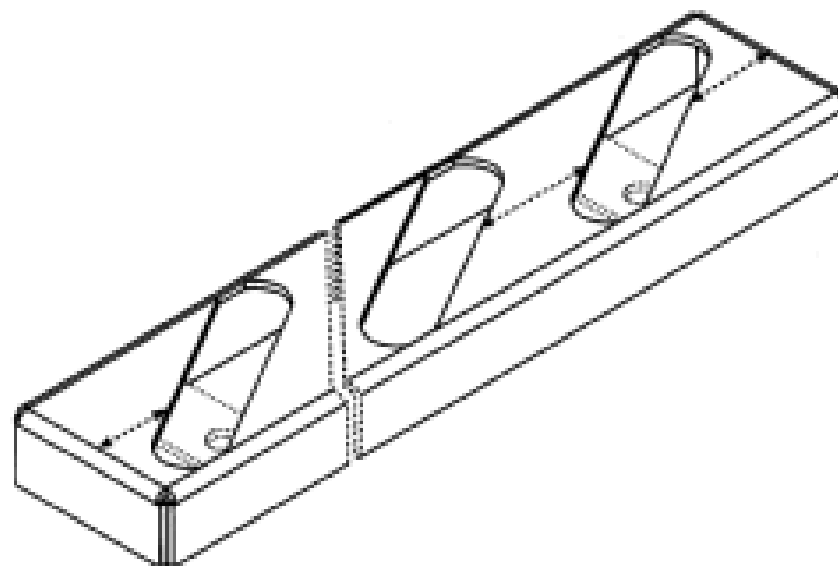
- (21) Design Number: **20197/2007**
(22) Date of Filing Application: **10 October 2007**
(24) Date from which industrial property rights may have effect: **10 October 2007**
(54) Product in respect of which the design is registered: **Tipper tray for dump truck**
(51) International Design Classification: **12-10**
(71) Name(s) and Address(s) of Applicant(s):
SE Asset Holdings Pty Ltd
c/- 15 Patrick Street Aitkenvale Queensland 4814 Australia
(72) Name(s) of Designer(s): **Michael John Hilton**
(45) Registration Date: **08 April 2008**
(56) Related Art Documents: **Not Applicable**
(57) Statement of Newness and Distinctiveness: **Nil**



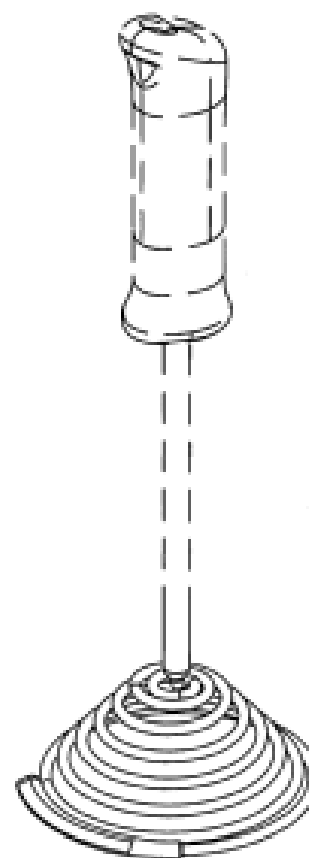
- (21) Design Number: **20612/2007**
(22) Date of Filing Application: **02 November 2007**
(24) Date from which industrial property rights may have effect: **02 November 2007**
(54) Product in respect of which the design is registered: **Fencing element**
(51) International Design Classification: **25-02C**
(71) Name(s) and Address(s) of Applicant(s):
Hide-Away Industries Pty Ltd
41 Terrigal Crescent Kilsyth Victoria 3137 Australia
(72) Name(s) of Designer(s): **Michael Hutchinson**
(45) Registration Date: **08 April 2008**
(56) Related Art Documents: **Not Applicable**
(57) Statement of Newness and Distinctiveness: **Newness and distinctiveness is claimed in features of shape and/or configuration of a building component for a privacy screen or fence as illustrated in figures 1 to 4. In considering which features are new and distinctive no regard is to be had to the features shown in dotted lines. The spacing and number of apertures is to be understood as being variable. This is shown by the three dashed spacing arrows and the broken lines extending across the building component as shown in figures 1 and 2. Consequently the design is to be understood as being of indefinite length and may have three, four, five or more apertures. Without limiting the scope of the design, an exemplary embodiment and arrangement is shown in figures 5 and 6.**



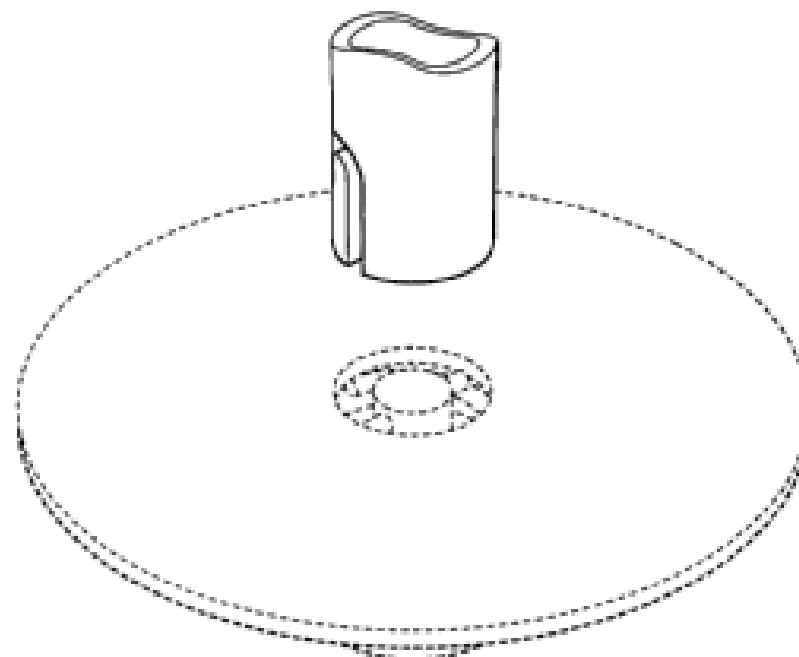
- (21) Design Number: **20632/2007**
(22) Date of Filing Application: **02 November 2007**
(24) Date from which industrial property rights may have effect: **02 November 2007**
(54) Product in respect of which the design is registered: **Fencing element**
(51) International Design Classification: **25-02C**
(71) Name(s) and Address(s) of Applicant(s):
Hide-Away Industries Pty Ltd
41 Terrigal Crescent Kilsyth Victoria 3137 Australia
(72) Name(s) of Designer(s): **Michael Hutchinson**
(45) Registration Date: **08 April 2008**
(56) Related Art Documents: **Not Applicable**
(57) Statement of Newness and Distinctiveness: **Newness and distinctiveness is claimed in features of shape and/or configuration of a building component for a privacy screen or fence as illustrated in figure 1 to 4. In considering which features are new and distinctive no regard is to be had to the features shown in dotted lines. The spacing and number of apertures is to be understood as being variable. This is shown by the three dashed spacing arrows and the broken lines extending across the building component as shown in figures 1 and 2. Consequently the design is to be understood as being of indefinite length and may have three, four, five or more apertures. Without limiting the scope of the design, an exemplary embodiment and arrangement is shown in figures 5 and 6.**



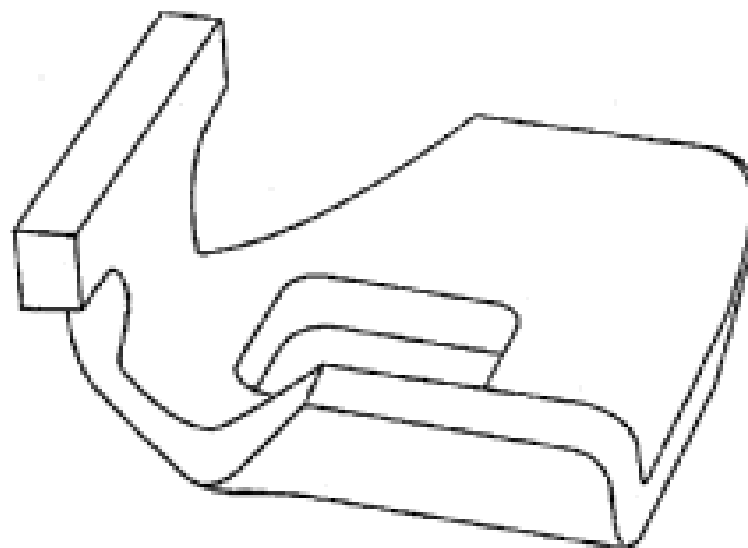
- (21) Design Number: **20659/2007**
- (22) Date of Filing Application: **05 November 2007**
- (24) Date from which industrial property rights may have effect: **05 November 2007**
- (54) Product in respect of which the design is registered: **Food masher**
- (51) International Design Classification: **07-04**
- (71) Name(s) and Address(s) of Applicant(s):
The Dream Farm Pty Ltd
15 Yallourn Street Fyshwick ACT 2609 Australia
- (72) Name(s) of Designer(s): **Alexander Gransbury**
- (45) Registration Date: **08 April 2008**
- (56) Related Art Documents: **Not Applicable**
- (57) Statement of Newness and Distinctiveness: **Newness and distinctiveness is claimed in the visual features of shape and configuration of the food masher shown in unbroken lines in the accompanying representations.**



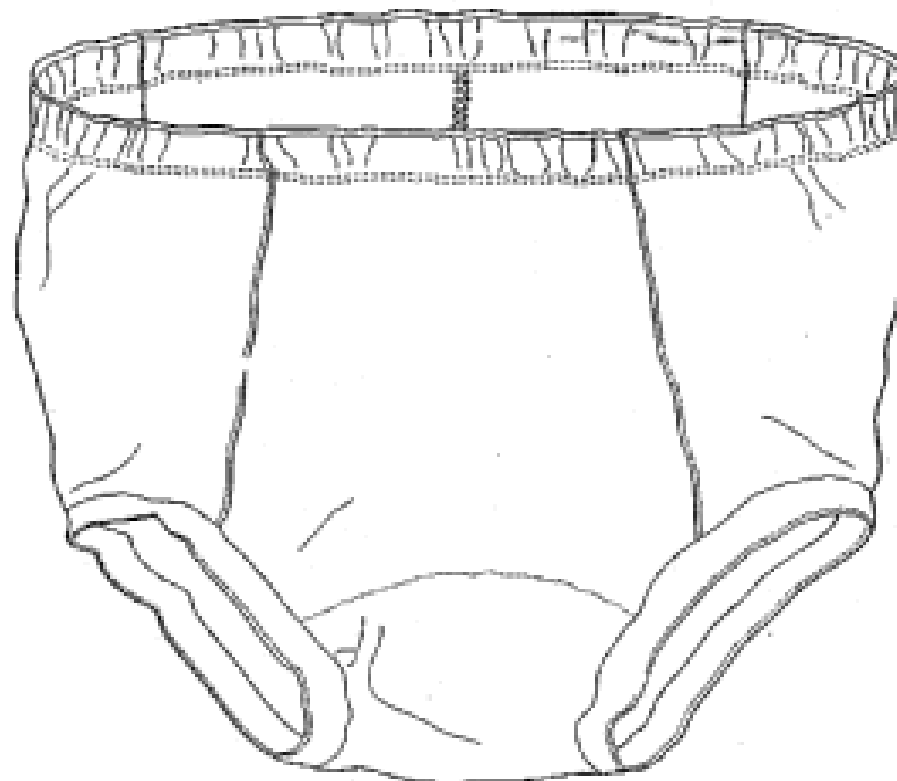
- (21) Design Number: **20759/2007**
- (22) Date of Filing Application: **09 November 2007**
- (24) Date from which industrial property rights may have effect: **09 November 2007**
- (54) Product in respect of which the design is registered: **An upright, including but not limited to an upright for an umbrella, sign or post having an attachment portion**
- (51) International Design Classification: **25-01E, 08-08NES, 20-03NES**
- (71) Name(s) and Address(s) of Applicant(s):
Nikolaos Filaretos Bakopoulos
75 Quinton Court Pasadena South Australia 5042 Australia
- (72) Name(s) of Designer(s): **Nikolaos Filaretos Bakopoulos**
- (45) Registration Date: **08 April 2008**
- (56) Related Art Documents: **Not Applicable**
- (57) Statement of Newness and Distinctiveness: **Nil**



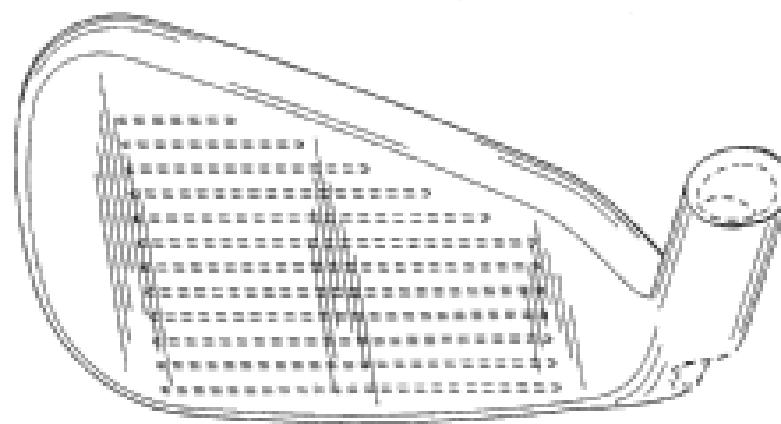
- (21) Design Number: **20717/2007**
(22) Date of Filing Application: **09 November 2007**
(24) Date from which industrial property rights may have effect: **09 November 2007**
(54) Product in respect of which the design is registered: **Washer element**
(51) International Design Classification: **08-08B**
(71) Name(s) and Address(s) of Applicant(s):
Gryffin EPSS Pty Ltd
8 Bessemer Road Bayswater Victoria 3153 Australia
(72) Name(s) of Designer(s): **John Mythen and Stephen King**
(45) Registration Date: **08 April 2008**
(56) Related Art Documents: **Not Applicable**
(57) Statement of Newness and Distinctiveness: **In considering the newness or distinctiveness of the design, regard is to be given to the overall shape and/or configuration of a washer element as shown in the representations.**



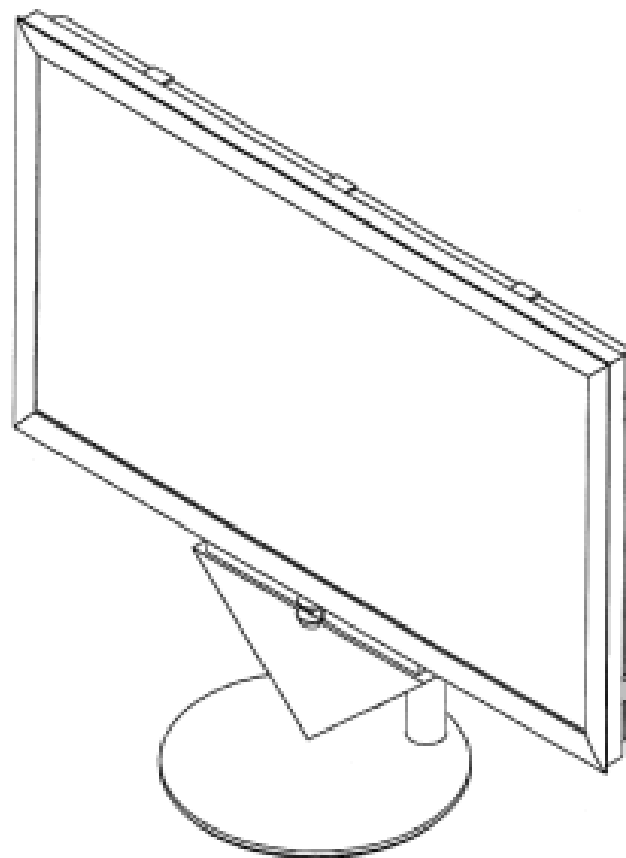
- (21) Design Number: **20776/2007**
(22) Date of Filing Application: **13 November 2007**
(24) Date from which industrial property rights may have effect: **13 November 2007**
(54) Product in respect of which the design is registered: **Undergarment**
(51) International Design Classification: **02-01NES**
(71) Name(s) and Address(s) of Applicant(s):
Louise Brown
505 Far East Consortium Bldg 121 Des Voeux Road Central Hong Kong
(72) Name(s) of Designer(s): **Louise Brown**
(45) Registration Date: **08 April 2008**
(56) Related Art Documents: **Not Applicable**
(57) Statement of Newness and Distinctiveness: **Nil**



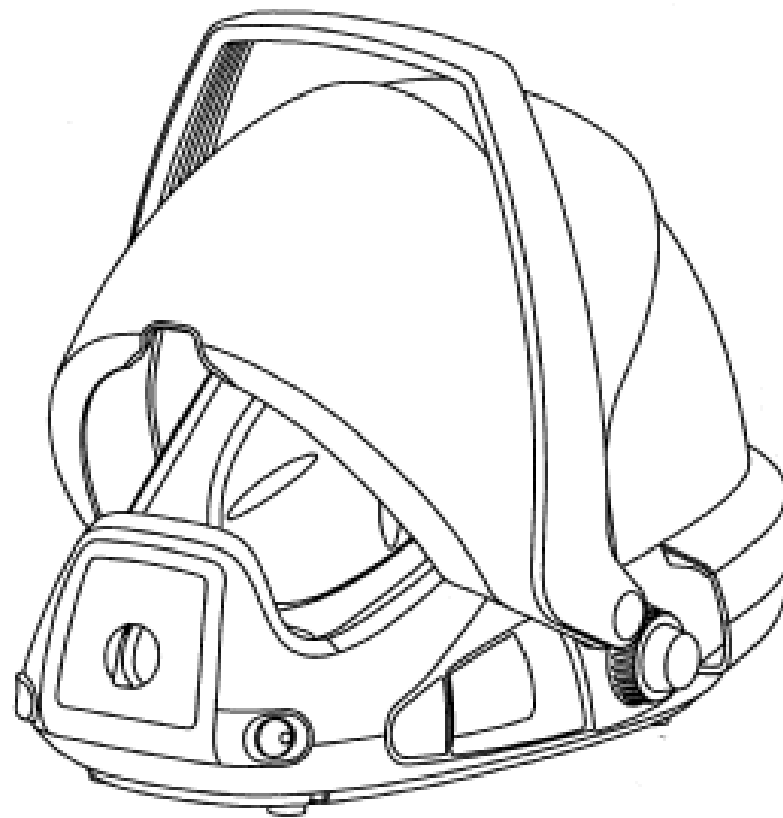
- (21) Design Number: **21115/2007**
(22) Date of Filing Application: **05 December 2007**
(24) Date from which industrial property rights may have effect: **05 December 2007**
(54) Product in respect of which the design is registered: **Golf iron head**
(51) International Design Classification: **21-02C**
(71) Name(s) and Address(s) of Applicant(s):
Karsten Manufacturing Corporation
2201 West Desert Cove Phoenix Arizona 85029 United States of America
(72) Name(s) of Designer(s): **Bradley D. Schweigert and Xiaojian Chen**
(45) Registration Date: **08 April 2008**
(30) Convention priority data:
(31) Number (32) Date (33) Country
29/282632 25 Jul 2007 UNITED STATES OF AMERICA
(56) Related Art Documents: **Not Applicable**
(57) Statement of Newness and Distinctiveness: **Newness and distinctiveness is claimed in the visual features shown in solid lines in the representations.**



- (21) Design Number: **21116/2007**
(22) Date of Filing Application: **05 December 2007**
(24) Date from which industrial property rights may have effect: **05 December 2007**
(54) Product in respect of which the design is registered: **A television**
(51) International Design Classification: **14-03B**
(71) Name(s) and Address(s) of Applicant(s):
Bang & Olufsen A/S
Peter Bangs VEJ 15 Postboks 40 7600 Struer Denmark
(72) Name(s) of Designer(s): **David Lewis**
(45) Registration Date: **08 April 2008**
(30) Convention priority data:
(31) Number (32) Date (33) Country
DA2007 19 Nov 2007 DENMARK
00274
(56) Related Art Documents: **Not Applicable**
(57) Statement of Newness and Distinctiveness: **Nil**



- (21) Design Number: **21120/2007**
(22) Date of Filing Application: **05 December 2007**
(24) Date from which industrial property rights may have effect: **05 December 2007**
(54) Product in respect of which the design is registered: **Steam generating base for laundry iron**
(51) International Design Classification: **07-05A, 13-01**
(71) Name(s) and Address(s) of Applicant(s):
Calor
Place Ambroise Courtois Lyon 69008 France
(72) Name(s) of Designer(s): **Fabrice Renault**
(45) Registration Date: **08 April 2008**
(30) Convention priority data:
(31) Number (32) Date (33) Country
07 2934 26 Jun 2007 FRANCE
(56) Related Art Documents: **Not Applicable**
(57) Statement of Newness and Distinctiveness: **The shape and configuration of the product is new and distinctive.**



- (21) Design Number: **21121/2007**
(22) Date of Filing Application: **05 December 2007**
(24) Date from which industrial property rights may have effect: **05 December 2007**
(54) Product in respect of which the design is registered: **Steam generating base for laundry iron**
(51) International Design Classification: **07-05A, 13-01**
(71) Name(s) and Address(s) of Applicant(s):
Calor
Place Ambroise Courtois Lyon 69008 France
(72) Name(s) of Designer(s): **Fabrice Renault**
(45) Registration Date: **08 April 2008**
(30) Convention priority data:
(31) Number (32) Date (33) Country
07 2933 26 Jun 2007 FRANCE
(56) Related Art Documents: **Not Applicable**
(57) Statement of Newness and Distinctiveness: **The shape and configuration of the product is new and distinctive.**



- (21) Design Number: **21122/2007**
- (22) Date of Filing Application: **05 December 2007**
- (24) Date from which industrial property rights may have effect: **05 December 2007**
- (54) Product in respect of which the design is registered: **Laundry iron**
- (51) International Design Classification: **07-05A**
- (71) Name(s) and Address(s) of Applicant(s):

Calor
Place Ambroise Courtois Lyon 69008 France

(72) Name(s) of Designer(s): **Fabrice Renault**

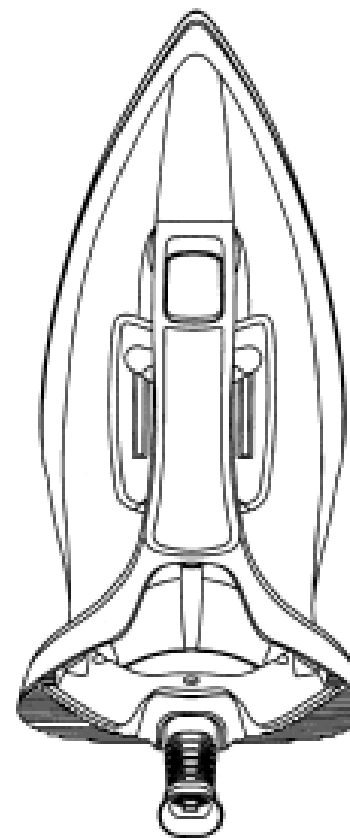
(45) Registration Date: **08 April 2008**

(30) Convention priority data:

(31) Number	(32) Date	(33) Country
07 2932	26 Jun 2007	FRANCE

(56) Related Art Documents: **Not Applicable**

(57) Statement of Newness and Distinctiveness: **The shape and configuration of the product is new and distinctive.**



- (21) Design Number: **21380/2007**
- (22) Date of Filing Application: **14 December 2007**
- (24) Date from which industrial property rights may have effect: **14 December 2007**
- (54) Product in respect of which the design is registered: **Sprocket**
- (51) International Design Classification: **15-01**
- (71) Name(s) and Address(s) of Applicant(s):

The Gates Corporation
1551 Wewatta Street Denver Colorado 80202 United States of America

(72) Name(s) of Designer(s): **Arthur Jack Clarke**

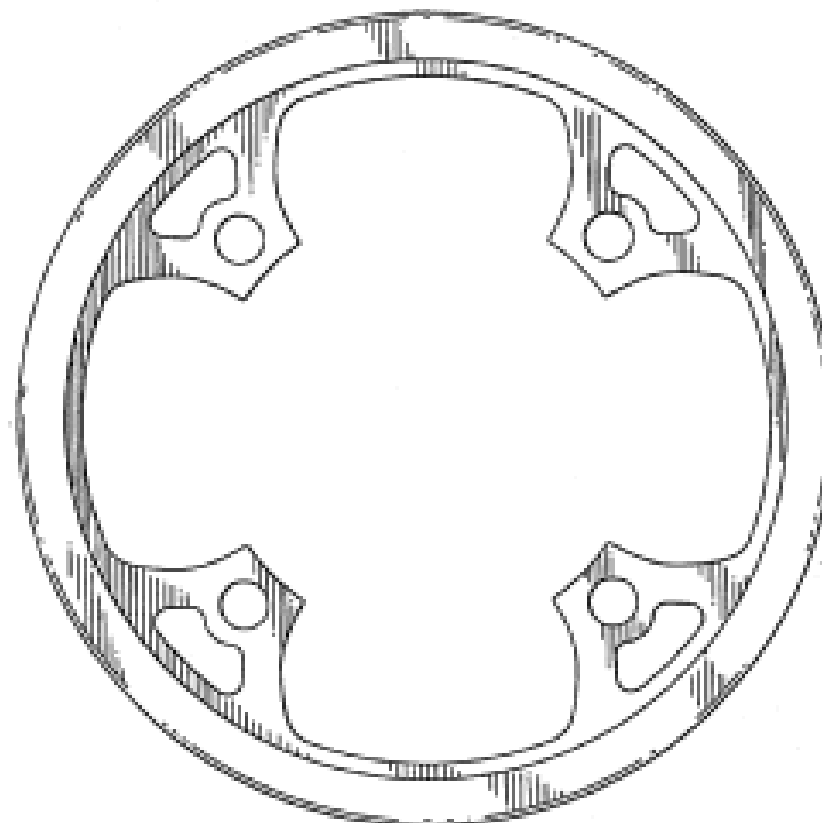
(45) Registration Date: **08 April 2008**

(30) Convention priority data:

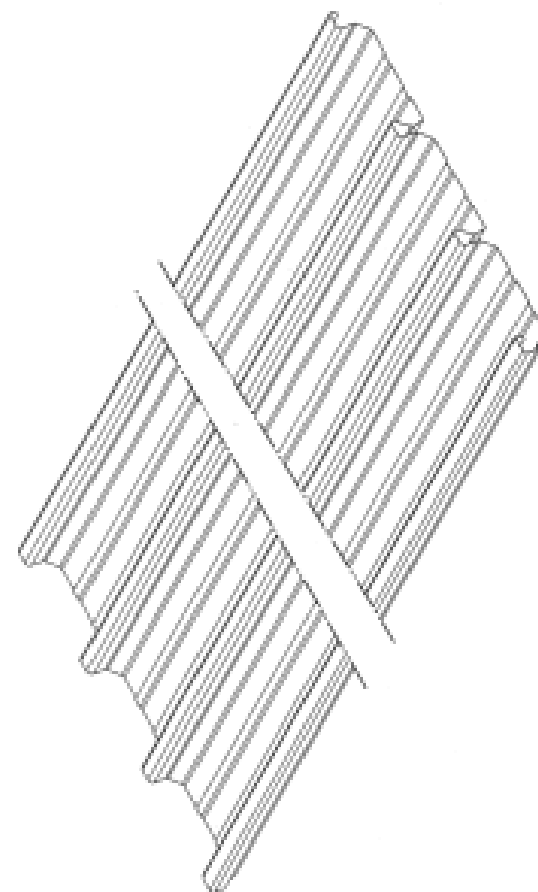
(31) Number	(32) Date	(33) Country
29/289,358	17 Jul 2007	UNITED STATES OF AMERICA

(56) Related Art Documents: **Not Applicable**

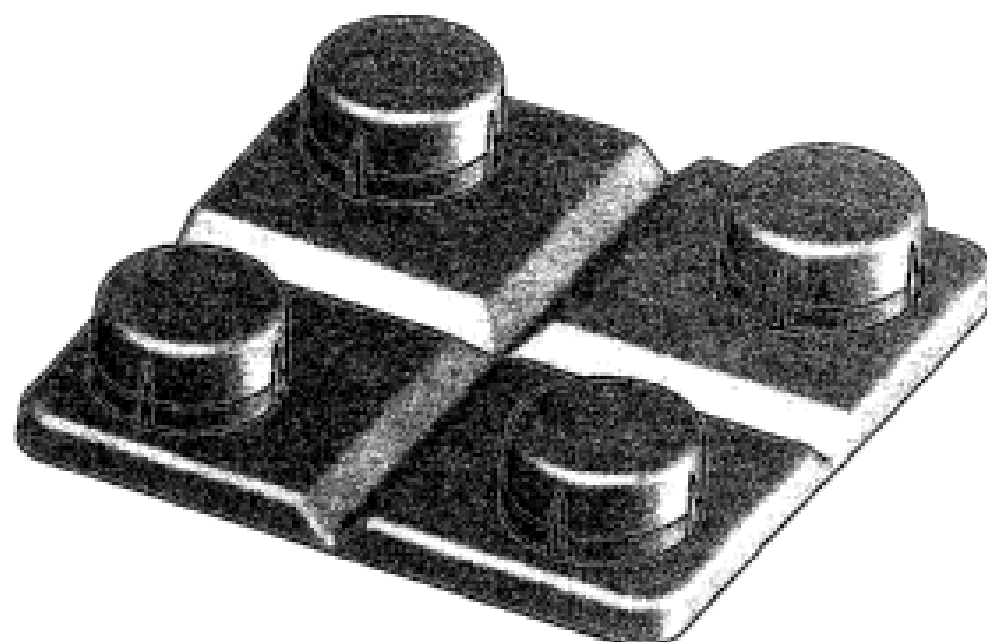
(57) Statement of Newness and Distinctiveness: **Those features of the sprocket depicted in the representations that are new and distinctive are the shape and/or configuration.**



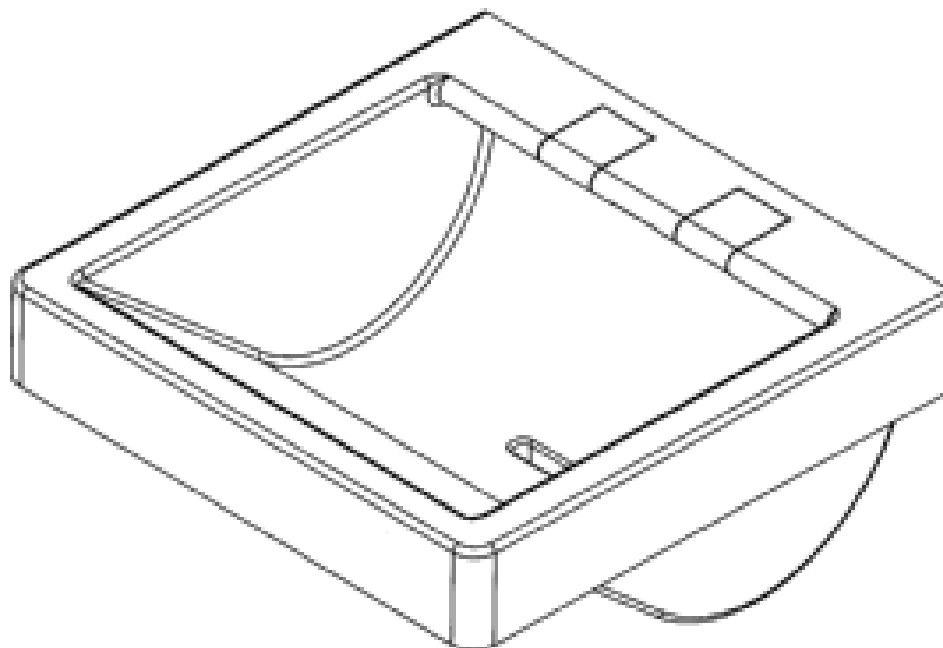
- (21) Design Number: **21515/2007**
(22) Date of Filing Application: **21 December 2007**
(24) Date from which industrial property rights may have effect: **21 December 2007**
(54) Product in respect of which the design is registered: **Panel**
(51) International Design Classification: **25-01D**
(71) Name(s) and Address(s) of Applicant(s):
Stramit Corporation Pty Limited
Level 5 Tower A Zenith Centre 821 Pacific Highway Chatswood New
South Wales 2067 Australia
(72) Name(s) of Designer(s): **Subodhini Gowripalan and John Philip**
McLanders and Christopher Lee Healy
(45) Registration Date: **08 April 2008**
(56) Related Art Documents: **Not Applicable**
(57) Statement of Newness and Distinctiveness: **Newness and distinctiveness is**
claimed in the shape and/or configuration of a PANEL as shown in the
accompanying representations._The panel may be of any length.



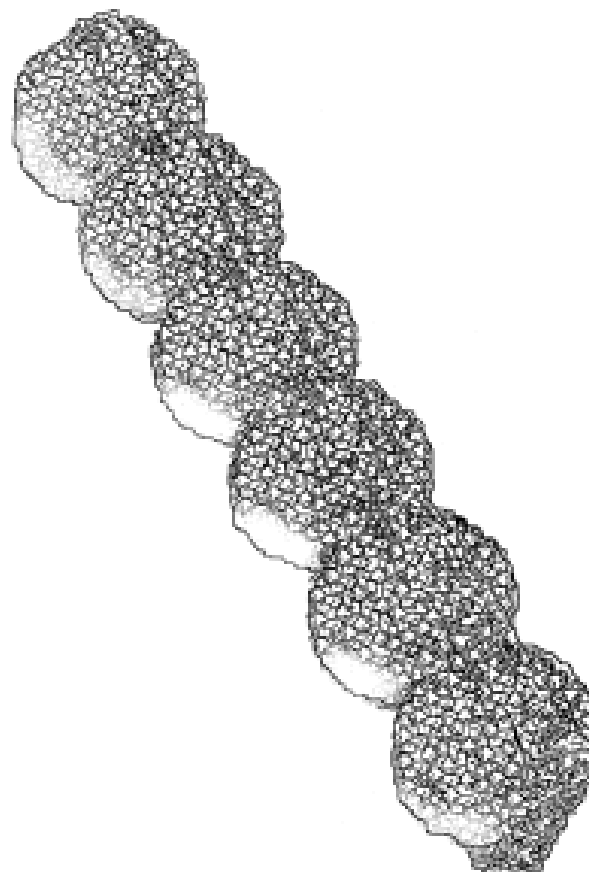
- (21) Design Number: **18684/2007**
(22) Date of Filing Application: **03 July 2007**
(24) Date from which industrial property rights may have effect: **03 July 2007**
(54) Product in respect of which the design is registered: **A connector**
(51) International Design Classification: **13-03E**
(71) Name(s) and Address(s) of Applicant(s):
Emecorp Pty Ltd
1 Pronger Parade Glanmire Queensland 4570 Australia
(72) Name(s) of Designer(s): **Adam Bernard Gleeson**
(45) Registration Date: **08 April 2008**
(56) Related Art Documents: **Not Applicable**
(57) Statement of Newness and Distinctiveness: **Nil**



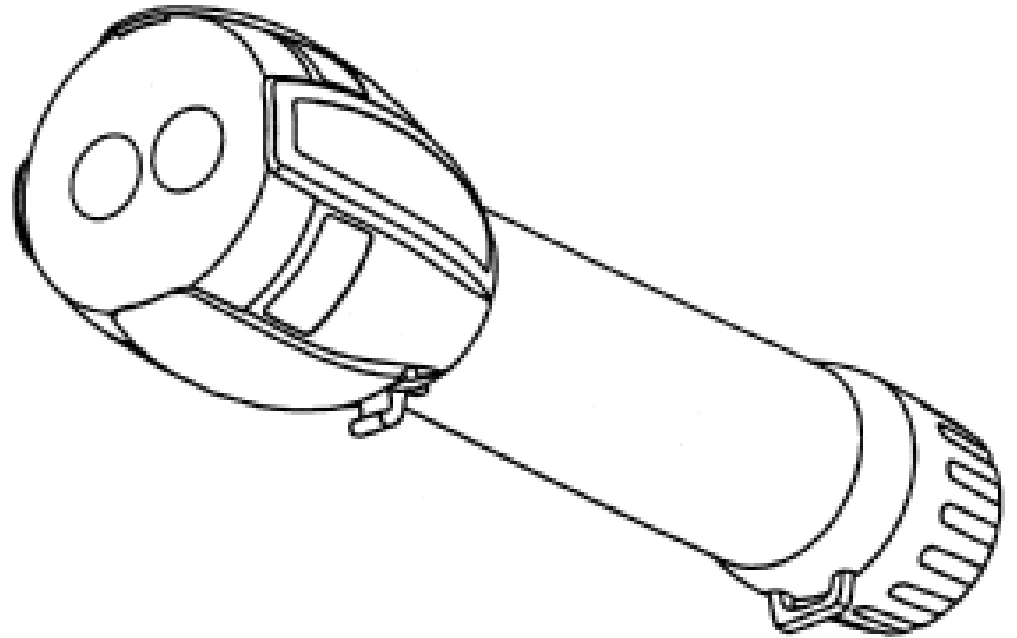
(21) Design Number: **20436/2007**
(22) Date of Filing Application: **26 October 2007**
(24) Date from which industrial property rights may have effect: **26 October 2007**
(54) Product in respect of which the design is registered: **Basin with integral taps**
(51) International Design Classification: **23-02F**
(71) Name(s) and Address(s) of Applicant(s):
Marc Philipp Veenendaal
6/47 Wyanabah Road Cronulla New South Wales 2230 Australia
(72) Name(s) of Designer(s): **Marc Philipp Veenendaal**
(45) Registration Date: **08 April 2008**
(56) Related Art Documents: **Not Applicable**
(57) Statement of Newness and Distinctiveness: **Newness and distinctiveness is claimed in the shape and/or configuration of a basin with integral taps as illustrated in the representations.**



(21) Design Number: **20773/2007**
(22) Date of Filing Application: **13 November 2007**
(24) Date from which industrial property rights may have effect: **13 November 2007**
(54) Product in respect of which the design is registered: **Confectionery**
(51) International Design Classification: **01-01**
(71) Name(s) and Address(s) of Applicant(s):
Soremartec S.A.
Dreve de l'Arc-en-Ciel 102 B-6700 Schoppach Arlon Belgium
(72) Name(s) of Designer(s): **Mario Scavino**
(45) Registration Date: **08 April 2008**
(30) Convention priority data:
(31) Number (32) Date (33) Country
000726583 22 May 2007 EUROPEAN COMMUNITY
(56) Related Art Documents: **Not Applicable**
(57) Statement of Newness and Distinctiveness: **Those features of the confectionery depicted in the representations that are new and distinctive are the shape and/or configuration.**



- (21) Design Number: **20970/2007**
(22) Date of Filing Application: **23 November 2007**
(24) Date from which industrial property rights may have effect: **23 November 2007**
(54) Product in respect of which the design is registered: **Lighting device**
(51) International Design Classification: **26-02**
(71) Name(s) and Address(s) of Applicant(s):
Eveready Battery Company, Inc.
533 Maryville University Drive St Louis Missouri 63141 United States of America
(72) Name(s) of Designer(s): **Michael S. Squires and Peter McMillan and David Spartano**
(45) Registration Date: **08 April 2008**
(30) Convention priority data:
(31) Number (32) Date (33) Country
29/288280 06 Jun 2007 UNITED STATES OF AMERICA
(56) Related Art Documents: **Not Applicable**
(57) Statement of Newness and Distinctiveness: **Nil**



- (21) Design Number: **21173/2007**
(22) Date of Filing Application: **07 December 2007**
(24) Date from which industrial property rights may have effect: **07 December 2007**
(54) Product in respect of which the design is registered: **Packaging**
(51) International Design Classification: **09-03M**
(71) Name(s) and Address(s) of Applicant(s):
Megara Australia Pty Ltd
908-920 Mountain Highway Bayswater Victoria 3153 Australia
(72) Name(s) of Designer(s): **Zita Watkin**
(45) Registration Date: **08 April 2008**
(56) Related Art Documents: **Not Applicable**
(57) Statement of Newness and Distinctiveness: **The newness and distinctiveness of the package is in the twisted panels of each of the packages and vertical sides. When the panels are fully twisted to a locked position, a second separate compartment is created at the top of the package.**



- (21) Design Number: **21174/2007**
(22) Date of Filing Application: **07 December 2007**
(24) Date from which industrial property rights may have effect: **07 December 2007**
(54) Product in respect of which the design is registered: **Packaging**
(51) International Design Classification: **09-03M**
(71) Name(s) and Address(s) of Applicant(s):
Megara Australia Pty Ltd
908-920 Mountain Highway Bayswater Victoria 3153 Australia
(72) Name(s) of Designer(s): **Zita Watkin**
(45) Registration Date: **08 April 2008**
(56) Related Art Documents: **Not Applicable**
(57) Statement of Newness and Distinctiveness: **The newness and distinctiveness in the package is in the 6 vertical panels, which when twisted anticlock-wise, join in the centre forming a separate base compartment, with a flower shaped lid.**



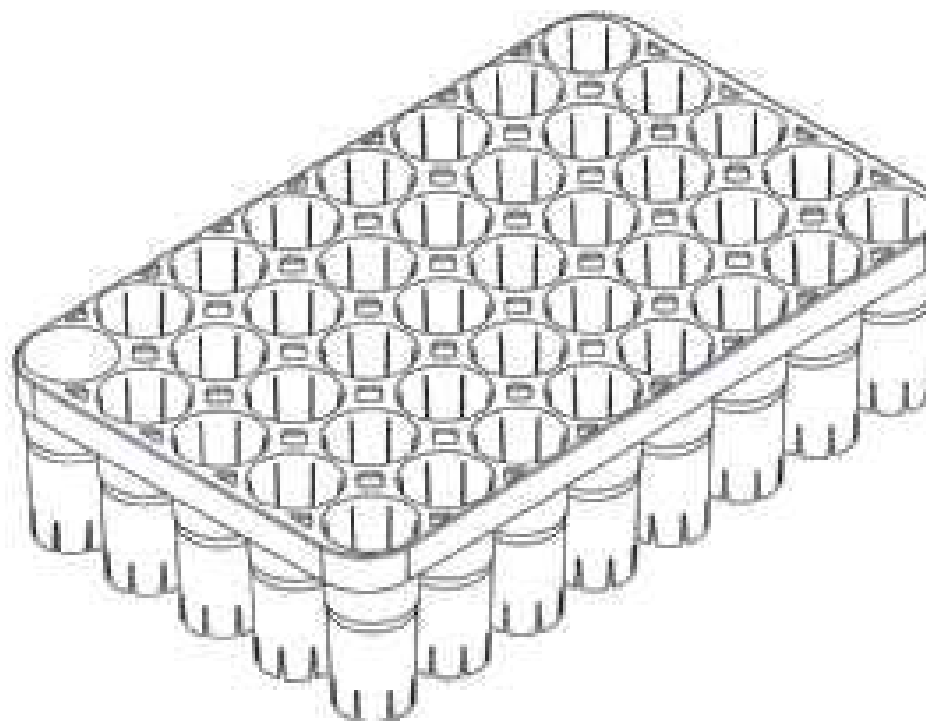
- (21) Design Number: **21175/2007**
(22) Date of Filing Application: **07 December 2007**
(24) Date from which industrial property rights may have effect: **07 December 2007**
(54) Product in respect of which the design is registered: **Packaging**
(51) International Design Classification: **09-03M, 03-01A**
(71) Name(s) and Address(s) of Applicant(s):
Megara Australia Pty Ltd
908-920 Mountain Highway Bayswater Victoria 3153 Australia
(72) Name(s) of Designer(s): **Stephen Wallace**
(45) Registration Date: **08 April 2008**
(56) Related Art Documents: **Not Applicable**
(57) Statement of Newness and Distinctiveness: **The newness and distinctiveness of the package, is in the carry bag with a handle, which has a gravity feed dispenser in the bottom.**



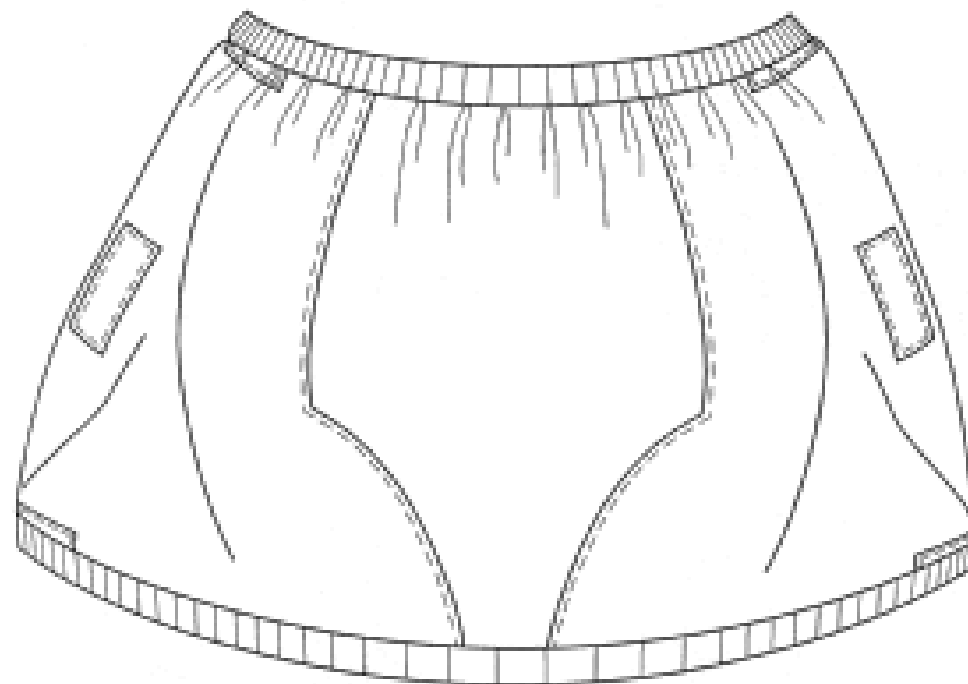
(21) Design Number: **21184/2007**
(22) Date of Filing Application: **07 December 2007**
(24) Date from which industrial property rights may have effect: **07 December 2007**
(54) Product in respect of which the design is registered: **Plug for paper roll**
(51) International Design Classification: **23-02A**
(71) Name(s) and Address(s) of Applicant(s):
SCA Hygiene Products AB
S-405 03 Goteborg Sweden
(72) Name(s) of Designer(s): **Erik Hjort and Per Moller**
(45) Registration Date: **08 April 2008**
(30) Convention priority data:
(31) Number (32) Date (33) Country
000742267-1-2 08 Jun 2007 EUROPEAN COMMUNITY
(56) Related Art Documents: **Not Applicable**
(57) Statement of Newness and Distinctiveness: **Nil**



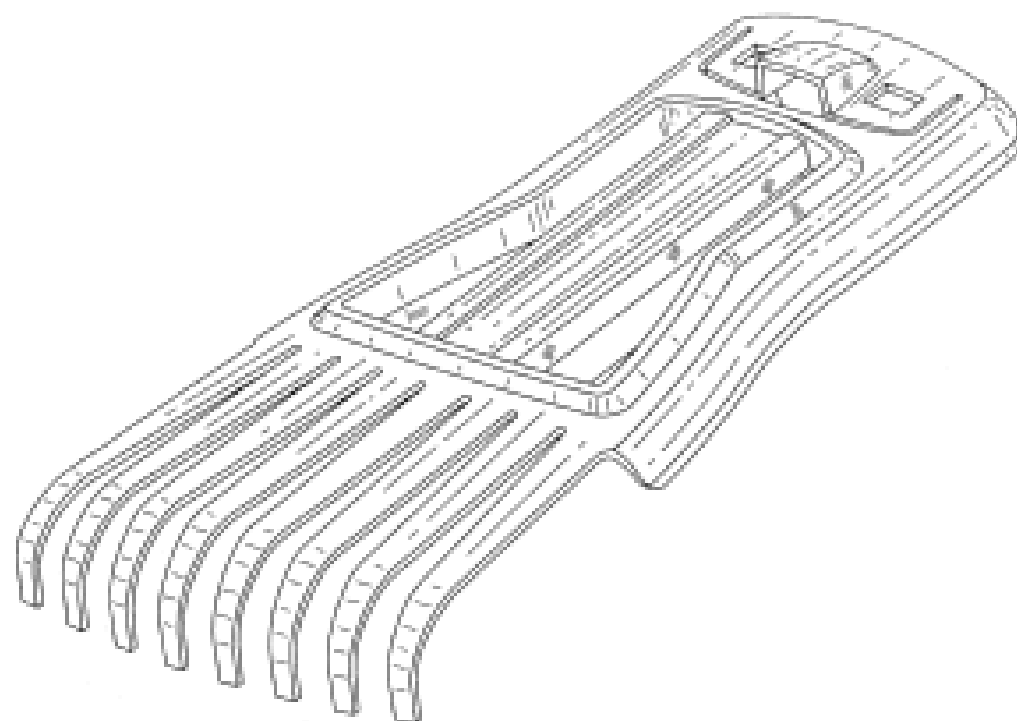
(21) Design Number: **21185/2007**
(22) Date of Filing Application: **07 December 2007**
(24) Date from which industrial property rights may have effect: **07 December 2007**
(54) Product in respect of which the design is registered: **A tray for seedlings and cuttings**
(51) International Design Classification: **09-03F**
(71) Name(s) and Address(s) of Applicant(s):
Alan Rogers
63 Enterprise Avenue Berwick Victoria 3806 Australia
(72) Name(s) of Designer(s): **Alan Rogers**
(45) Registration Date: **08 April 2008**
(56) Related Art Documents: **Not Applicable**
(57) Statement of Newness and Distinctiveness: **Newness and distinctiveness is claimed in the shape and configuration of the cells of the tray shown in the representations.**



- (21) Design Number: **21190/2007**
(22) Date of Filing Application: **07 December 2007**
(24) Date from which industrial property rights may have effect: **07 December 2007**
(54) Product in respect of which the design is registered: **Protective garment**
(51) International Design Classification: **02-04A, 02-02B**
(71) Name(s) and Address(s) of Applicant(s):
Lenore Douglas
6 Second Ridge Road Smiths Lake New South Wales 2428 Australia
(72) Name(s) of Designer(s): **Lenore Douglas**
(45) Registration Date: **08 April 2008**
(56) Related Art Documents: **Not Applicable**
(57) Statement of Newness and Distinctiveness: **Newness and distinctiveness reside in the features of the design as shown in the representations.**



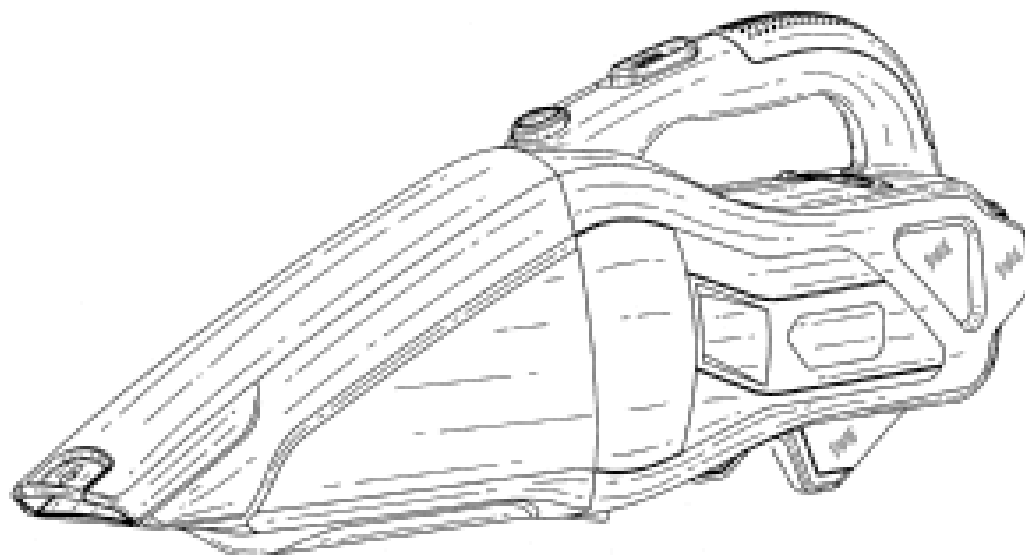
- (21) Design Number: **21309/2007**
(22) Date of Filing Application: **12 December 2007**
(24) Date from which industrial property rights may have effect: **12 December 2007**
(54) Product in respect of which the design is registered: **Rake attachment for a blower vacuum**
(51) International Design Classification: **08-05A**
(71) Name(s) and Address(s) of Applicant(s):
Black & Decker Inc
1207 Drummond Plaza Newark Delaware 19711 United States of America
(72) Name(s) of Designer(s): **David Barker and Benjamin Strutt**
(45) Registration Date: **08 April 2008**
(30) Convention priority data:
(31) Number (32) Date (33) Country
000749320 29 Jun 2007 EUROPEAN COMMUNITY
(56) Related Art Documents: **Not Applicable**
(57) Statement of Newness and Distinctiveness: **Nil**



(19) AU

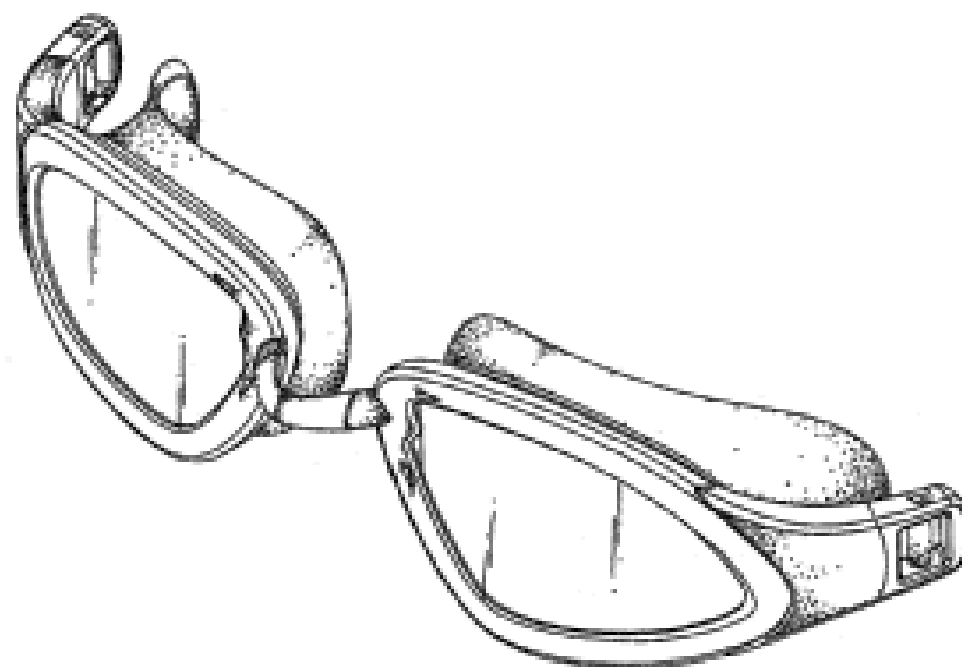
- (21) Design Number: **21310/2007**
- (22) Date of Filing Application: **12 December 2007**
- (24) Date from which industrial property rights may have effect: **12 December 2007**
- (54) Product in respect of which the design is registered: **Hand held vacuum cleaner**
- (51) International Design Classification: **15-05**
- (71) Name(s) and Address(s) of Applicant(s):
Black & Decker Inc
1207 Drummond Plaza Newark Delaware 19711 United States of America
- (72) Name(s) of Designer(s): **Graeme Crawley**
- (45) Registration Date: **08 April 2008**
- (30) Convention priority data:

(31) Number	(32) Date	(33) Country
000743406	20 Jun 2007	EUROPEAN COMMUNITY
- (56) Related Art Documents: **Not Applicable**
- (57) Statement of Newness and Distinctiveness: **Nil**



(19) AU

- (21) Design Number: **21315/2007**
- (22) Date of Filing Application: **12 December 2007**
- (24) Date from which industrial property rights may have effect: **12 December 2007**
- (54) Product in respect of which the design is registered: **Swimming goggles**
- (51) International Design Classification: **16-06**
- (71) Name(s) and Address(s) of Applicant(s):
Herman Chiang
11F-2 No. 634-9 Ching-Ping Rd Chung-Ho City Taipei Hsien Taiwan
- (72) Name(s) of Designer(s): **Herman Chiang**
- (45) Registration Date: **08 April 2008**
- (56) Related Art Documents: **Not Applicable**
- (57) Statement of Newness and Distinctiveness: **Nil**



(21) Design Number: **21318/2007**
(22) Date of Filing Application: **13 December 2007**
(24) Date from which industrial property rights may have effect: **13 December 2007**
(54) Product in respect of which the design is registered: **A battery pack**
(51) International Design Classification: **13-02**
(71) Name(s) and Address(s) of Applicant(s):

Jinding Group Co., Ltd.
No.689 Beijing East Road Eastern Tower, 9th Floor Shanghai 200001
China

(72) Name(s) of Designer(s): **Rients Mathijs Bakker and Geert Martin Ensing**

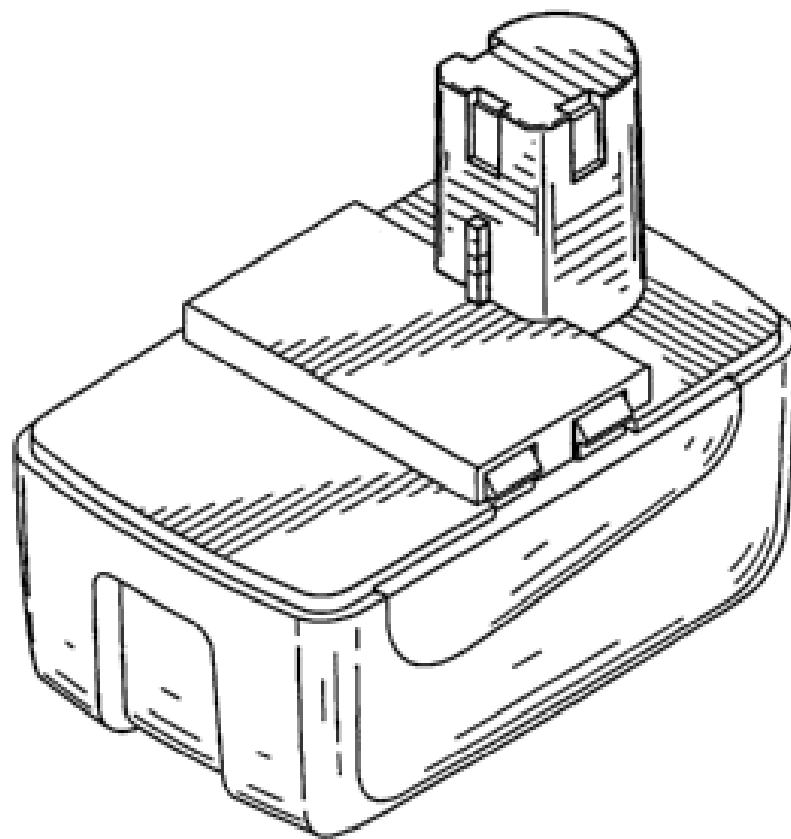
(45) Registration Date: **08 April 2008**

(30) Convention priority data:

(31) Number	(32) Date	(33) Country
29/297,139	05 Nov 2007	UNITED STATES OF AMERICA

(56) Related Art Documents: **Not Applicable**

(57) Statement of Newness and Distinctiveness: **Nil**



(21) Design Number: **10955/2008**
(22) Date of Filing Application: **29 February 2008**
(24) Date from which industrial property rights may have effect: **29 February 2008**
(54) Product in respect of which the design is registered: **Unstructured free sizing evening wear dress**
(51) International Design Classification: **02-02C**
(71) Name(s) and Address(s) of Applicant(s):

Nicolangela Pty Ltd
123 Greville Street Prahran Victoria 3181 Australia

(72) Name(s) of Designer(s): **Nicole Williams**

(45) Registration Date: **08 April 2008**

(56) Related Art Documents: **Not Applicable**

(57) Statement of Newness and Distinctiveness: **The above referred to designs are new and distinctive because they contain elements not previously intergrated into one design, such as, but not limited to; an unstructured nature, a unique half circle cut, open sides draw string neck and waist band.**



(21) Design Number: **10956/2008**

(22) Date of Filing Application: **29 February 2008**

(24) Date from which industrial property rights may have effect: **29 February 2008**

(54) Product in respect of which the design is registered: **Unstructured free sizing evening wear dress**

(51) International Design Classification: **02-02C**

(71) Name(s) and Address(s) of Applicant(s):

Nicolangela Pty Ltd

123 Greville Street Prahran Victoria 3181 Australia

(72) Name(s) of Designer(s): **Nicole Williams**

(45) Registration Date: **08 April 2008**

(56) Related Art Documents: **Not Applicable**

(57) Statement of Newness and Distinctiveness: **The above referred to designs are new and distinctive because they contain elements not previously intergrated into one design, such as, but not limited to; an unstructured nature, a unique half circle cut, open sides draw string neck and waist band.**



(21) Design Number: **10957/2008**

(22) Date of Filing Application: **29 February 2008**

(24) Date from which industrial property rights may have effect: **29 February 2008**

(54) Product in respect of which the design is registered: **Unstructured free sizing evening wear dress**

(51) International Design Classification: **02-02C**

(71) Name(s) and Address(s) of Applicant(s):

Nicolangela Pty Ltd

123 Greville Street Prahran Victoria 3181 Australia

(72) Name(s) of Designer(s): **Nicole Williams**

(45) Registration Date: **08 April 2008**

(56) Related Art Documents: **Not Applicable**

(57) Statement of Newness and Distinctiveness: **The above referred to designs are new and distinctive because they contain elements not previously intergrated into one as, but not limited to; an unstructured nature, a unique half circle cut, open sides draw string neck and waist band.**



(21) Design Number: **10958/2008**

(22) Date of Filing Application: **29 February 2008**

(24) Date from which industrial property rights may have effect: **29 February 2008**

(54) Product in respect of which the design is registered: **Unstructured free sizing evening wear dress**

(51) International Design Classification: **02-02C**

(71) Name(s) and Address(s) of Applicant(s):

Nicolangela Pty Ltd

123 Greville Street Prahran Victoria 3181 Australia

(72) Name(s) of Designer(s): **Nicole Williams**

(45) Registration Date: **08 April 2008**

(56) Related Art Documents: **Not Applicable**

(57) Statement of Newness and Distinctiveness: **The above referred to designs are new and distinctive because they contain elements not previously intergrated into one design, such as, but not limited to; an unstructured nature, a unique half circle cut, open sides draw string neck and waist band.**



(21) Design Number: **10959/2008**

(22) Date of Filing Application: **29 February 2008**

(24) Date from which industrial property rights may have effect: **29 February 2008**

(54) Product in respect of which the design is registered: **Unstructured free sizing evening wear dress**

(51) International Design Classification: **02-02C**

(71) Name(s) and Address(s) of Applicant(s):

Nicolangela Pty Ltd

123 Greville Street Prahran Victoria 3181 Australia

(72) Name(s) of Designer(s): **Nicole Williams**

(45) Registration Date: **08 April 2008**

(56) Related Art Documents: **Not Applicable**

(57) Statement of Newness and Distinctiveness: **The above referred to designs are new and distinctive because they contain elements not previously intergrated into one as, but not limited to; an unstructured nature, a unique half circle cut, open sides draw string neck and waist band.**



(21) Design Number: **10960/2008**

(22) Date of Filing Application: **29 February 2008**

(24) Date from which industrial property rights may have effect: **29 February 2008**

(54) Product in respect of which the design is registered: **Unstructured free sizing evening wear dress**

(51) International Design Classification: **02-02C**

(71) Name(s) and Address(s) of Applicant(s):

Nicolangela Pty Ltd

123 Greville Street Prahran Victoria 3181 Australia

(72) Name(s) of Designer(s): **Nicole Williams**

(45) Registration Date: **08 April 2008**

(56) Related Art Documents: **Not Applicable**

(57) Statement of Newness and Distinctiveness: **The above referred to designs are new and distinctive because they contain elements not previously intergrated into one design, such as, but not limited to; an unstructured nature, a unique half circle cut, open sides draw string neck and waist band.**



(21) Design Number: **10961/2008**

(22) Date of Filing Application: **29 February 2008**

(24) Date from which industrial property rights may have effect: **29 February 2008**

(54) Product in respect of which the design is registered: **Unstructured free sizing evening wear dress**

(51) International Design Classification: **02-02C**

(71) Name(s) and Address(s) of Applicant(s):

Nicolangela Pty Ltd

123 Greville Street Prahran Victoria 3181 Australia

(72) Name(s) of Designer(s): **Nicole Williams**

(45) Registration Date: **08 April 2008**

(56) Related Art Documents: **Not Applicable**

(57) Statement of Newness and Distinctiveness: **The above referred to designs are new and distinctive because they contain elements not previously intergrated into one as, but not limited to; an unstructured nature, a unique half circle cut, open sides draw string neck and waist band.**



(21) Design Number: **18294/2007**

(22) Date of Filing Application: **06 June 2007**

(24) Date from which industrial property rights may have effect: **06 June 2007**

(54) Product in respect of which the design is registered: **Ceramic tub**

(51) International Design Classification: **23-02B**

(71) Name(s) and Address(s) of Applicant(s):

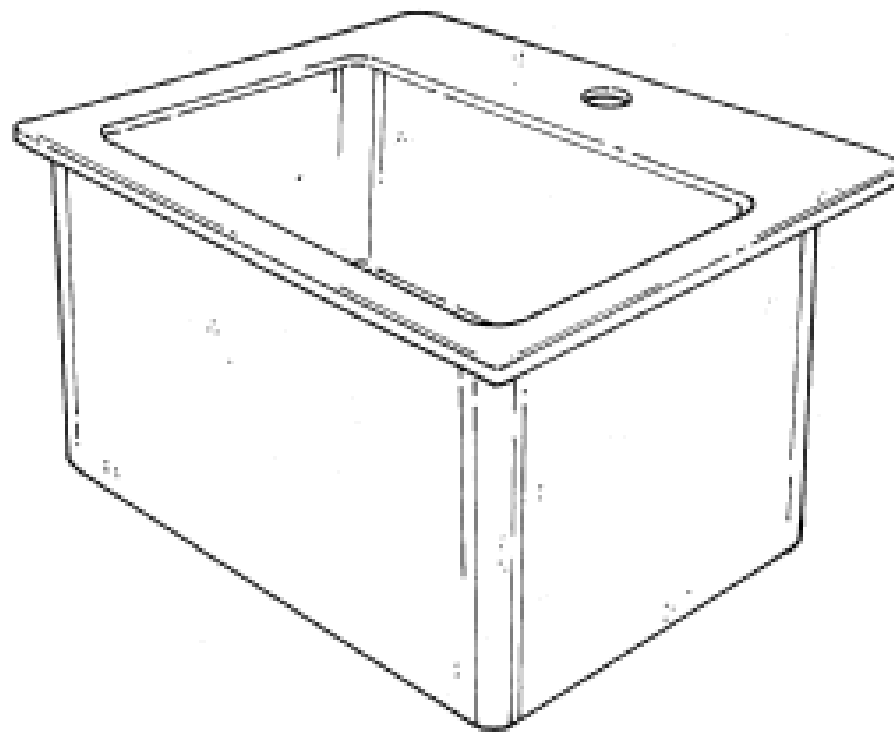
**Novetec Building Products Pty Ltd
Deacons 39 Bankwest Tower 108 St Georges Terrace Perth Western
Australia 6000 Australia**

(72) Name(s) of Designer(s): **Armando Rigo**

(45) Registration Date: **08 April 2008**

(56) Related Art Documents: **Not Applicable**

(57) Statement of Newness and Distinctiveness: **Nil**



(21) Design Number: **20595/2007**

(22) Date of Filing Application: **02 November 2007**

(24) Date from which industrial property rights may have effect: **02 November 2007**

(54) Product in respect of which the design is registered: **A toilet waste connector**

(51) International Design Classification: **23-01A**

(71) Name(s) and Address(s) of Applicant(s):

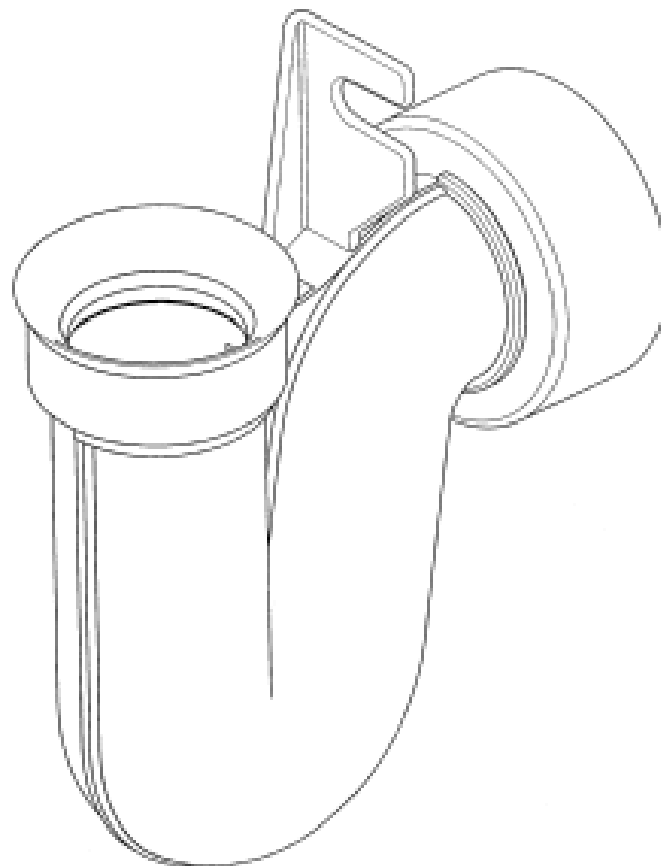
**Caroma Industries Limited
10 Market Street Brisbane Queensland 4000 Australia**

(72) Name(s) of Designer(s): **Luke Anthony Di Michiel and Stephen John Cummings**

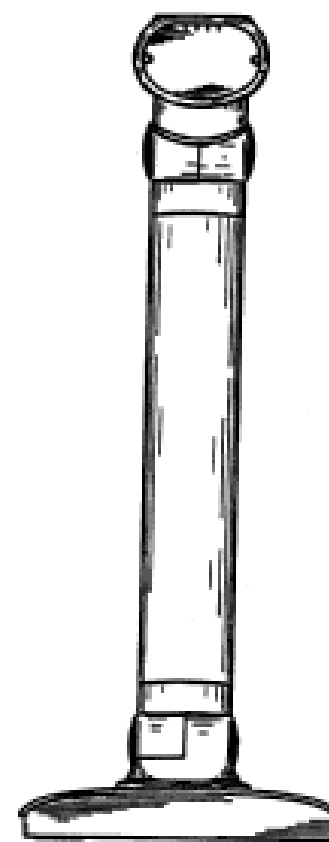
(45) Registration Date: **08 April 2008**

(56) Related Art Documents: **Not Applicable**

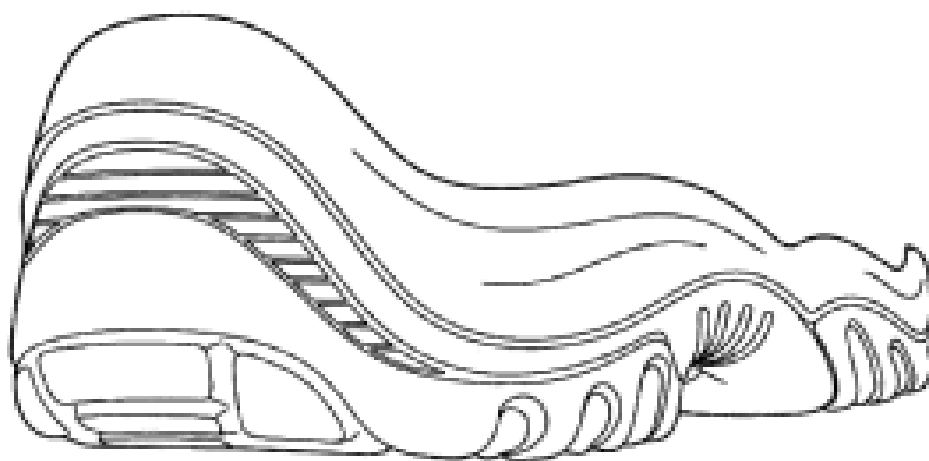
(57) Statement of Newness and Distinctiveness: **Newness and distinctiveness is claimed in the features of a toilet waste connector as illustrated in the accompanying representations.**



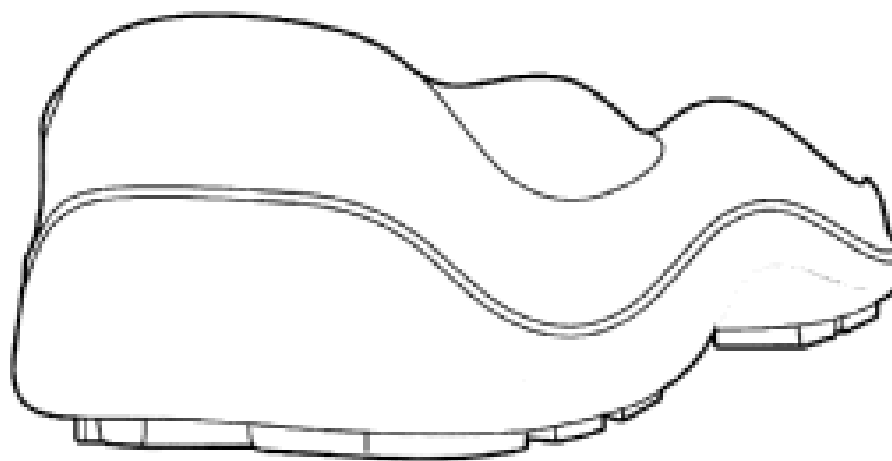
- (21) Design Number: **20671/2007**
(22) Date of Filing Application: **08 November 2007**
(24) Date from which industrial property rights may have effect: **08 November 2007**
(54) Product in respect of which the design is registered: **Lighting device**
(51) International Design Classification: **26-05B**
(71) Name(s) and Address(s) of Applicant(s):
Eveready Battery Company, Inc.
533 Maryville University Drive St Louis Missouri 63141 United States of America
(72) Name(s) of Designer(s): **Peter C. Castelluci and Ronald J. Kingston and Donwoong Kang and Scott W. Osiecki**
(45) Registration Date: **08 April 2008**
(30) Convention priority data:
(31) Number (32) Date (33) Country
29/288019 25 May 2007 UNITED STATES OF AMERICA
(56) Related Art Documents: **Not Applicable**
(57) Statement of Newness and Distinctiveness: **Newness and distinctiveness is claimed in those visual features depicted in unbroken lines.**



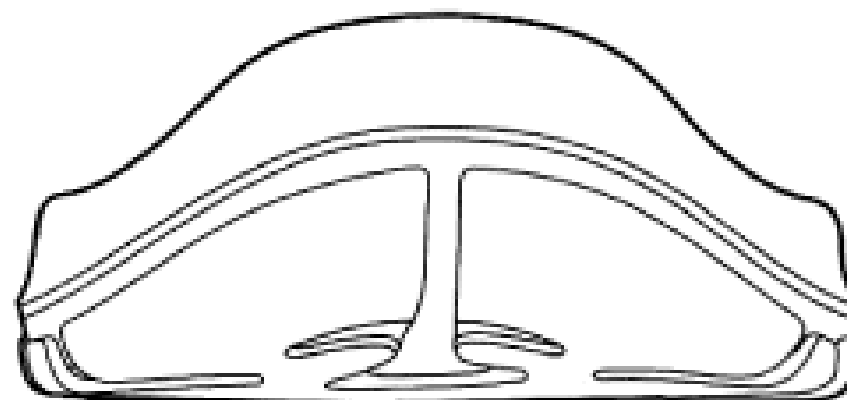
- (21) Design Number: **20873/2007**
(22) Date of Filing Application: **16 November 2007**
(24) Date from which industrial property rights may have effect: **16 November 2007**
(54) Product in respect of which the design is registered: **Shoe sole**
(51) International Design Classification: **02-04B**
(71) Name(s) and Address(s) of Applicant(s):
JAL Group Italia s.r.l.
Via per Borgomanero, 50, I-28040 Paruzzaro (NO) Italy
(72) Name(s) of Designer(s): **Nicola Mongelli**
(45) Registration Date: **08 April 2008**
(30) Convention priority data:
(31) Number (32) Date (33) Country
2007-00717 27 Jul 2007 SWITZERLAND
(56) Related Art Documents: **Not Applicable**
(57) Statement of Newness and Distinctiveness: **Nil**



(21) Design Number: **20874/2007**
(22) Date of Filing Application: **16 November 2007**
(24) Date from which industrial property rights may have effect: **16 November 2007**
(54) Product in respect of which the design is registered: **Shoe sole**
(51) International Design Classification: **02-04B**
(71) Name(s) and Address(s) of Applicant(s):
JAL Group Italia s.r.l.
Via per Borgomanero, 50, I-28040 Paruzzaro (NO) Italy
(72) Name(s) of Designer(s): **Nicola Mongelli**
(45) Registration Date: **08 April 2008**
(30) Convention priority data:
(31) Number (32) Date (33) Country
2007-00717 27 Jul 2007 SWITZERLAND
(56) Related Art Documents: **Not Applicable**
(57) Statement of Newness and Distinctiveness: **Nil**



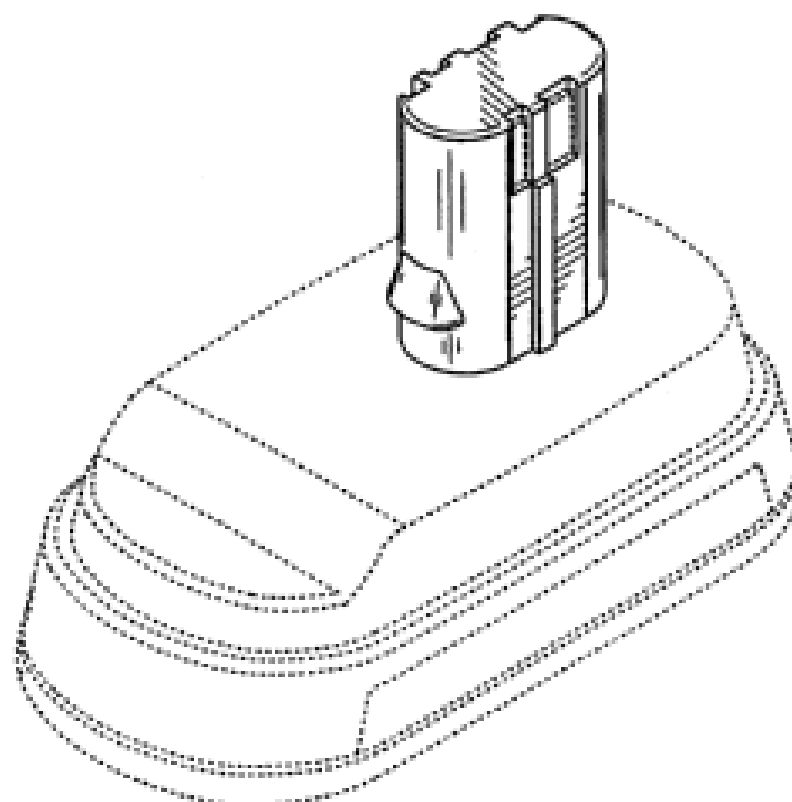
(21) Design Number: **20875/2007**
(22) Date of Filing Application: **16 November 2007**
(24) Date from which industrial property rights may have effect: **16 November 2007**
(54) Product in respect of which the design is registered: **Shoe sole**
(51) International Design Classification: **02-04B**
(71) Name(s) and Address(s) of Applicant(s):
JAL Group Italia s.r.l.
Via per Borgomanero, 50, I-28040 Paruzzaro (NO) Italy
(72) Name(s) of Designer(s): **Nicola Mongelli**
(45) Registration Date: **08 April 2008**
(30) Convention priority data:
(31) Number (32) Date (33) Country
2007-00717 27 Jul 2007 SWITZERLAND
(56) Related Art Documents: **Not Applicable**
(57) Statement of Newness and Distinctiveness: **Nil**



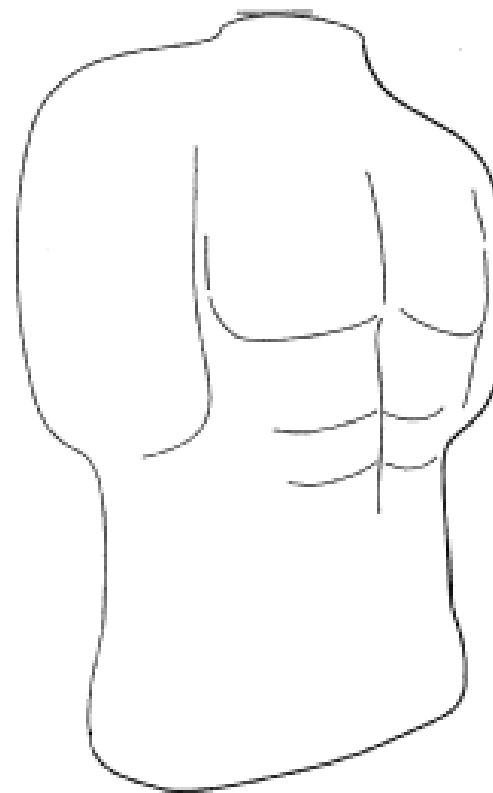
- (21) Design Number: **21139/2007**
(22) Date of Filing Application: **07 December 2007**
(24) Date from which industrial property rights may have effect: **07 December 2007**
(54) Product in respect of which the design is registered: **Kayak**
(51) International Design Classification: **12-06C**
(71) Name(s) and Address(s) of Applicant(s):
Viking Kayak International Pty Ltd
108 Enterprise Street Kunda Park Queensland 4556 Australia
(72) Name(s) of Designer(s): **Michael Bennett**
(45) Registration Date: **08 April 2008**
(56) Related Art Documents: **Not Applicable**
(57) Statement of Newness and Distinctiveness: **Distinctive top view features.**



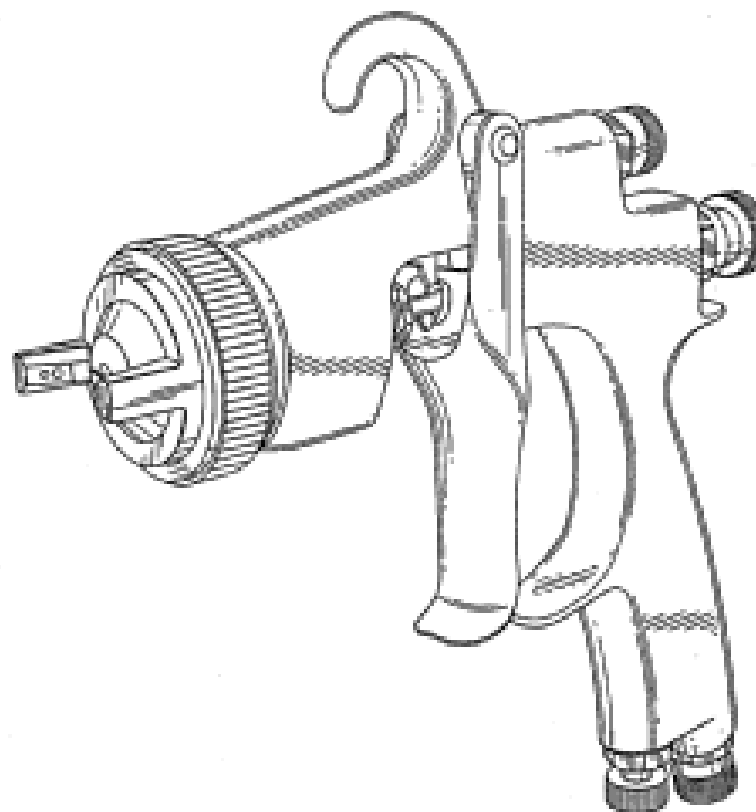
- (21) Design Number: **21172/2007**
(22) Date of Filing Application: **07 December 2007**
(24) Date from which industrial property rights may have effect: **07 December 2007**
(54) Product in respect of which the design is registered: **A battery pack**
(51) International Design Classification: **13-02**
(71) Name(s) and Address(s) of Applicant(s):
Jinding Group Co., Ltd.
No.689 Beijing East Road Eastern Tower, 9th Floor Shanghai 200001
China
(72) Name(s) of Designer(s): **Rients Mathijs Bakker and Geert Martin Ensing**
(45) Registration Date: **08 April 2008**
(30) Convention priority data:
(31) Number (32) Date (33) Country
29/297,140 05 Nov 2007 UNITED STATES OF AMERICA
(56) Related Art Documents: **Not Applicable**
(57) Statement of Newness and Distinctiveness: **The newness and distinctiveness of the design resides in the features of pattern, ornamentation, shape and/or configuration shown in unbroken lines in the accompanying representations.**



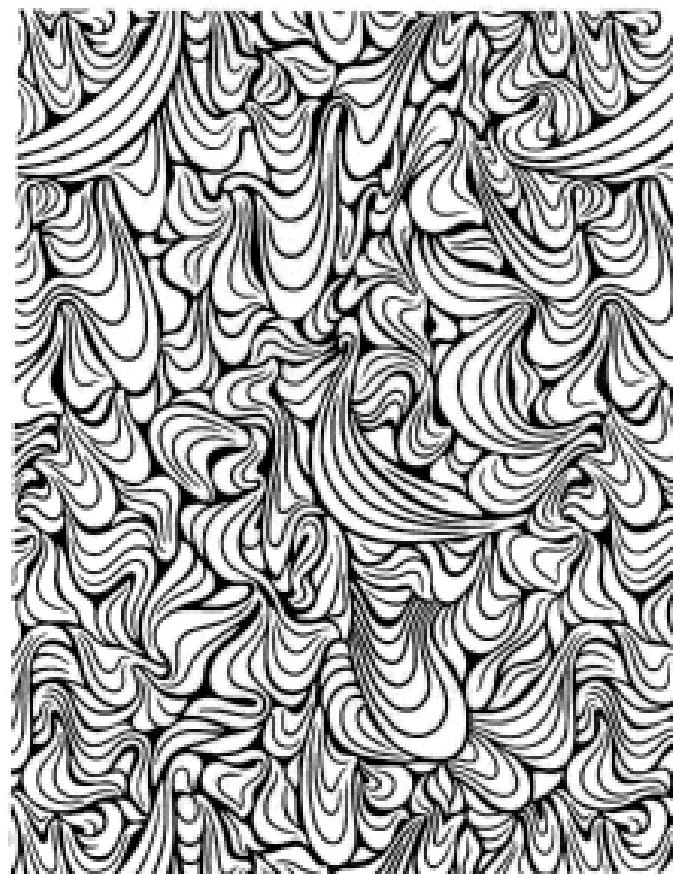
- (21) Design Number: **21178/2007**
(22) Date of Filing Application: **07 December 2007**
(24) Date from which industrial property rights may have effect: **07 December 2007**
(54) Product in respect of which the design is registered: **A container**
(51) International Design Classification: **09-01K, 07-05NES**
(71) Name(s) and Address(s) of Applicant(s):
Gibcol Solutions Ltd
Level 1 34 Barry's Point Road Auckland New Zealand
(72) Name(s) of Designer(s): **Simon Gibson**
(45) Registration Date: **08 April 2008**
(30) Convention priority data:
(31) Number (32) Date (33) Country
409262 08 Jun 2007 NEW ZEALAND
(56) Related Art Documents: **Not Applicable**
(57) Statement of Newness and Distinctiveness: **The feature of the container shown above the axis X-X in the representations are not features to be taken into account when considering the design for novelty and distinctiveness or for infringement purposes.**



- (21) Design Number: **21179/2007**
(22) Date of Filing Application: **07 December 2007**
(24) Date from which industrial property rights may have effect: **07 December 2007**
(54) Product in respect of which the design is registered: **Spray gun**
(51) International Design Classification: **08-05L, 23-01NES**
(71) Name(s) and Address(s) of Applicant(s):
Hsing-Tzu Wang
No. 80 Ta-Hsin Street Hsi District Taichung City Taiwan (ROC)
(72) Name(s) of Designer(s): **Hsing-Tzu Wang**
(45) Registration Date: **08 April 2008**
(56) Related Art Documents: **Not Applicable**
(57) Statement of Newness and Distinctiveness: **Those features of the spray gun depicted in the representations that are new and distinctive are the shape and/or configuration.**



(21) Design Number: **21181/2007**
(22) Date of Filing Application: **07 December 2007**
(24) Date from which industrial property rights may have effect: **07 December 2007**
(54) Product in respect of which the design is registered: **Embossed sheet material**
(51) International Design Classification: **05-05NES, 05-06NES**
(71) Name(s) and Address(s) of Applicant(s):
SCA Hygiene Products AB
S-405 03 Goteborg Sweden
(72) Name(s) of Designer(s): **Jurgen Sauter and Erich Bayerbach**
(45) Registration Date: **08 April 2008**
(30) Convention priority data:
(31) Number (32) Date (33) Country
000 759 105 06 Jul 2007 EUROPEAN COMMUNITY
(56) Related Art Documents: **Not Applicable**
(57) Statement of Newness and Distinctiveness: **Nil**



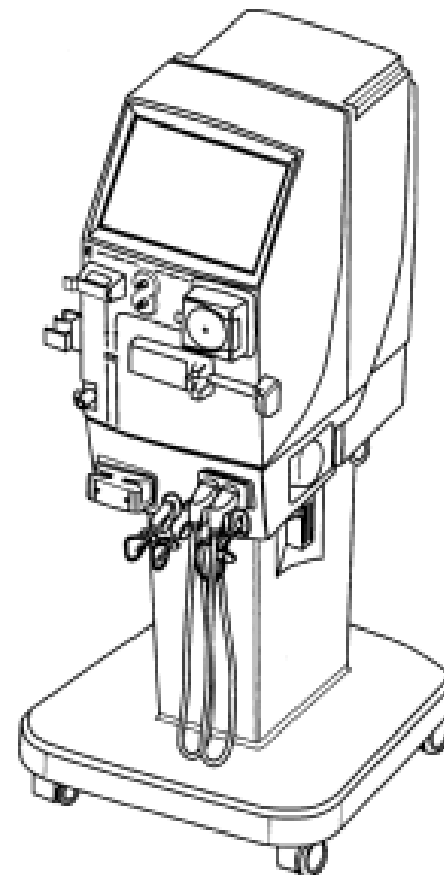
(21) Design Number: **21182/2007**
(22) Date of Filing Application: **07 December 2007**
(24) Date from which industrial property rights may have effect: **07 December 2007**
(54) Product in respect of which the design is registered: **Embossed sheet material**
(51) International Design Classification: **05-05NES, 05-06NES**
(71) Name(s) and Address(s) of Applicant(s):
SCA Hygiene Products AB
S-405 03 Goteborg Sweden
(72) Name(s) of Designer(s): **Jurgen Sauter and Erich Bayerbach**
(45) Registration Date: **08 April 2008**
(30) Convention priority data:
(31) Number (32) Date (33) Country
000 759 105 06 Jul 2007 EUROPEAN COMMUNITY
(56) Related Art Documents: **Not Applicable**
(57) Statement of Newness and Distinctiveness: **Nil**



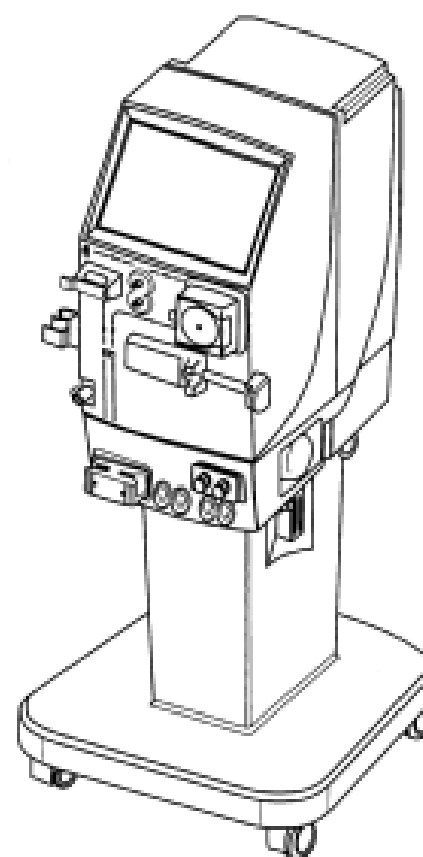
(21) Design Number: **21183/2007**
(22) Date of Filing Application: **07 December 2007**
(24) Date from which industrial property rights may have effect: **07 December 2007**
(54) Product in respect of which the design is registered: **Tampon**
(51) International Design Classification: **24-04**
(71) Name(s) and Address(s) of Applicant(s):
SCA Hygiene Products AB
S-405 03 Goteborg Sweden
(72) Name(s) of Designer(s): **Trudy Balchin and Danielle Marganis and Craig Doyle and Oscar Lipschutz**
(45) Registration Date: **08 April 2008**
(30) Convention priority data:
(31) Number (32) Date (33) Country
000755483-0001 11 Jul 2007 EUROPEAN COMMUNITY
(56) Related Art Documents: **Not Applicable**
(57) Statement of Newness and Distinctiveness: **Nil**



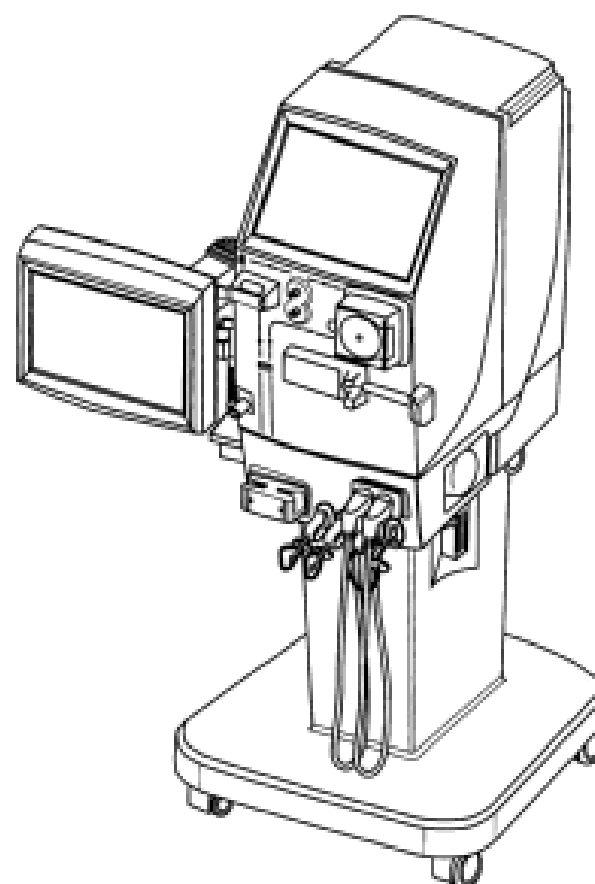
(21) Design Number: **21353/2007**
(22) Date of Filing Application: **14 December 2007**
(24) Date from which industrial property rights may have effect: **14 December 2007**
(54) Product in respect of which the design is registered: **Dialysis machine**
(51) International Design Classification: **24-01**
(71) Name(s) and Address(s) of Applicant(s):
Gambro Lundia AB
Magistratsvagen 16 SE-226 43 Lund Sweden
(72) Name(s) of Designer(s): **Hakan Olsson**
(45) Registration Date: **08 April 2008**
(30) Convention priority data:
(31) Number (32) Date (33) Country
000747811-001 19 Jun 2007 EUROPEAN COMMUNITY
(56) Related Art Documents: **Not Applicable**
(57) Statement of Newness and Distinctiveness: **Nil**



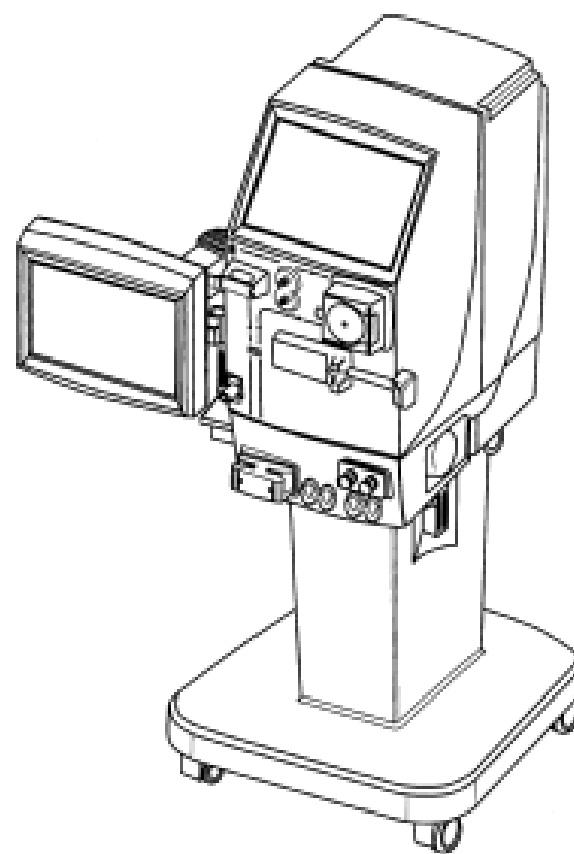
(21) Design Number: **21354/2007**
(22) Date of Filing Application: **14 December 2007**
(24) Date from which industrial property rights may have effect: **14 December 2007**
(54) Product in respect of which the design is registered: **Dialysis machine**
(51) International Design Classification: **24-01**
(71) Name(s) and Address(s) of Applicant(s):
Gambro Lundia AB
Magistratsvagen 16 SE-226 43 Lund Sweden
(72) Name(s) of Designer(s): **Hakan Olsson**
(45) Registration Date: **08 April 2008**
(30) Convention priority data:
(31) Number (32) Date (33) Country
000747811-002 19 Jun 2007 EUROPEAN COMMUNITY
(56) Related Art Documents: **Not Applicable**
(57) Statement of Newness and Distinctiveness: **Nil**



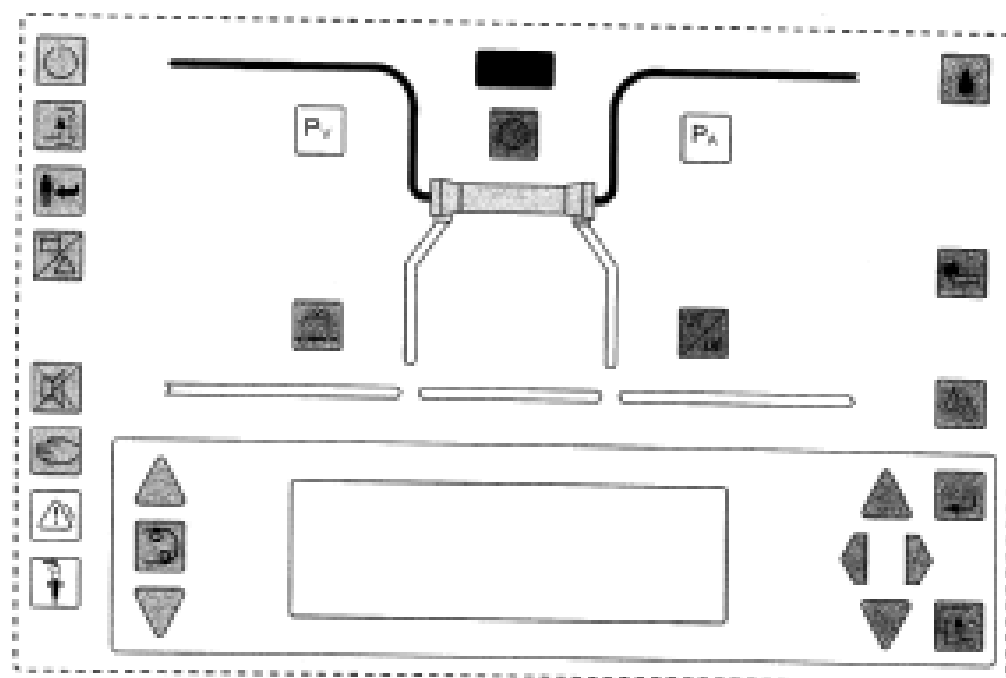
(21) Design Number: **21355/2007**
(22) Date of Filing Application: **14 December 2007**
(24) Date from which industrial property rights may have effect: **14 December 2007**
(54) Product in respect of which the design is registered: **Dialysis machine**
(51) International Design Classification: **24-01**
(71) Name(s) and Address(s) of Applicant(s):
Gambro Lundia AB
Magistratsvagen 16 SE-226 43 Lund Sweden
(72) Name(s) of Designer(s): **Hakan Olsson**
(45) Registration Date: **08 April 2008**
(30) Convention priority data:
(31) Number (32) Date (33) Country
000747811-003 19 Jun 2007 EUROPEAN COMMUNITY
(56) Related Art Documents: **Not Applicable**
(57) Statement of Newness and Distinctiveness: **Nil**



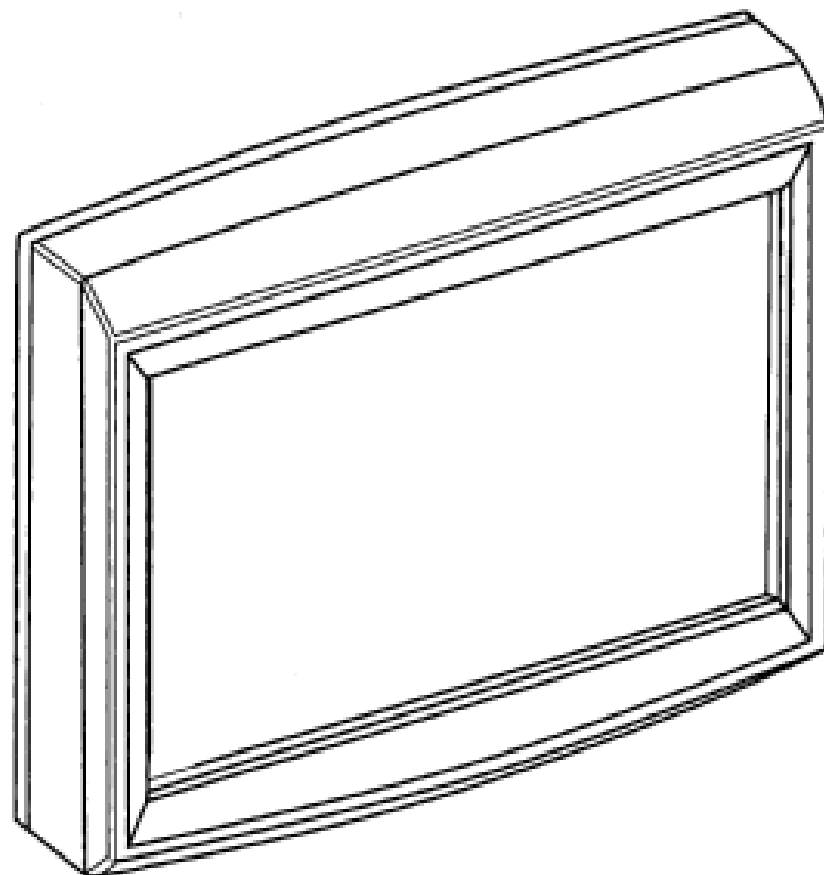
(21) Design Number: **21356/2007**
(22) Date of Filing Application: **14 December 2007**
(24) Date from which industrial property rights may have effect: **14 December 2007**
(54) Product in respect of which the design is registered: **Dialysis machine**
(51) International Design Classification: **24-01**
(71) Name(s) and Address(s) of Applicant(s):
Gambro Lundia AB
Magistratsvagen 16 SE-226 43 Lund Sweden
(72) Name(s) of Designer(s): **Hakan Olsson**
(45) Registration Date: **08 April 2008**
(30) Convention priority data:
(31) Number (32) Date (33) Country
000747811-004 19 Jun 2007 EUROPEAN COMMUNITY
(56) Related Art Documents: **Not Applicable**
(57) Statement of Newness and Distinctiveness: **Nil**



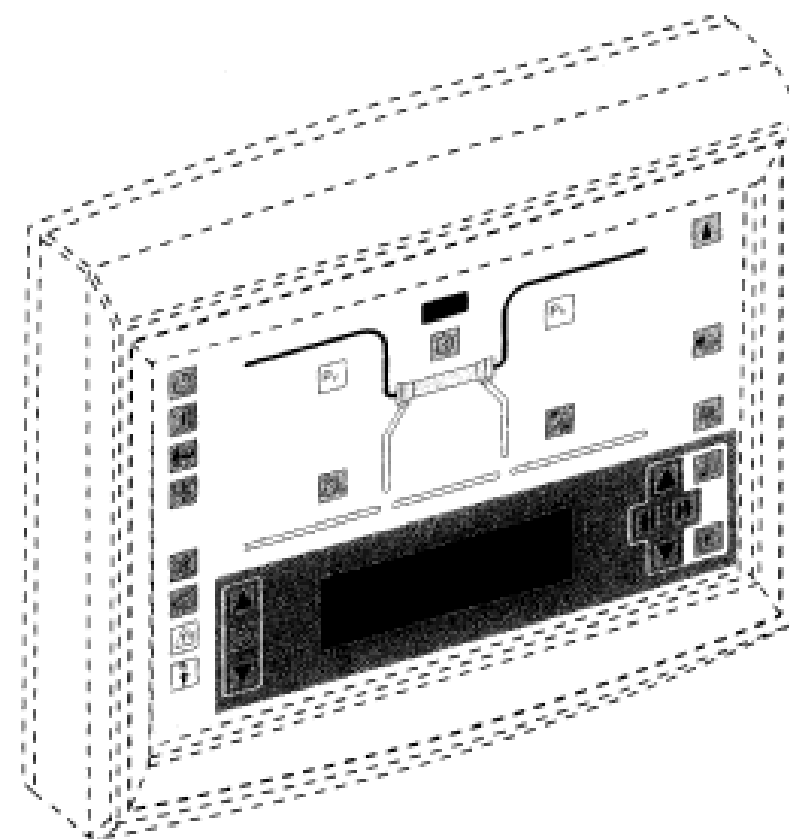
(21) Design Number: **21357/2007**
(22) Date of Filing Application: **14 December 2007**
(24) Date from which industrial property rights may have effect: **14 December 2007**
(54) Product in respect of which the design is registered: **Control panel layout**
(51) International Design Classification: **24-01**
(71) Name(s) and Address(s) of Applicant(s):
Gambro Lundia AB
Magistratsvagen 16 SE-226 43 Lund Sweden
(72) Name(s) of Designer(s): **Hakan Olsson**
(45) Registration Date: **08 April 2008**
(30) Convention priority data:
(31) Number (32) Date (33) Country
000747811-005 19 Jun 2007 EUROPEAN COMMUNITY
(56) Related Art Documents: **Not Applicable**
(57) Statement of Newness and Distinctiveness: **The design resides in the new and distinctive features of the control panel layout; features shown by means of broken lines illustrate an example of a control panel only and do not contribute to the new and distinctive features of the control panel layout design.**



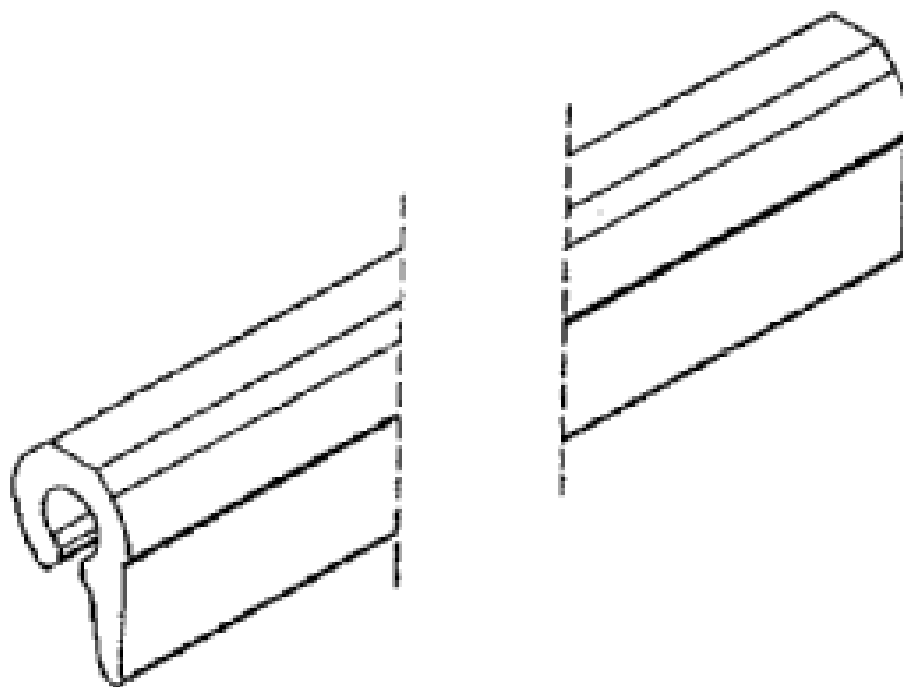
(21) Design Number: **21358/2007**
(22) Date of Filing Application: **14 December 2007**
(24) Date from which industrial property rights may have effect: **14 December 2007**
(54) Product in respect of which the design is registered: **Control panel**
(51) International Design Classification: **24-01**
(71) Name(s) and Address(s) of Applicant(s):
Gambro Lundia AB
Magistratsvagen 16 SE-226 43 Lund Sweden
(72) Name(s) of Designer(s): **Hakan Olsson**
(45) Registration Date: **08 April 2008**
(30) Convention priority data:
(31) Number (32) Date (33) Country
000747811-006 19 Jun 2007 EUROPEAN COMMUNITY
(56) Related Art Documents: **Not Applicable**
(57) Statement of Newness and Distinctiveness: **Nil**



(21) Design Number: **21359/2007**
(22) Date of Filing Application: **14 December 2007**
(24) Date from which industrial property rights may have effect: **14 December 2007**
(54) Product in respect of which the design is registered: **Control panel layout**
(51) International Design Classification: **24-01**
(71) Name(s) and Address(s) of Applicant(s):
Gambro Lundia AB
Magistratsvagen 16 SE-226 43 Lund Sweden
(72) Name(s) of Designer(s): **Hakan Olsson**
(45) Registration Date: **08 April 2008**
(30) Convention priority data:
(31) Number (32) Date (33) Country
000747811-007 19 Jun 2007 EUROPEAN COMMUNITY
(56) Related Art Documents: **Not Applicable**
(57) Statement of Newness and Distinctiveness: **The design resides in the new and distinctive features of the control panel layout; features shown by means of broken lines illustrate an example of a control panel only and do not contribute to the new and distinctive features of the control panel layout design.**



(21) Design Number: **21360/2007**
(22) Date of Filing Application: **14 December 2007**
(24) Date from which industrial property rights may have effect: **14 December 2007**
(54) Product in respect of which the design is registered: **Part of a dust sealing profile**
(51) International Design Classification: **25-01K**
(71) Name(s) and Address(s) of Applicant(s):
Sandvik Intellectual Property AB
Sandviken SE-811 81 Sweden
(72) Name(s) of Designer(s): **Mats Malmberg**
(45) Registration Date: **08 April 2008**
(30) Convention priority data:
(31) Number (32) Date (33) Country
000740832 15 Jun 2007 EUROPEAN COMMUNITY
(56) Related Art Documents: **Not Applicable**
(57) Statement of Newness and Distinctiveness: **The shape and configuration of the product is new and distinctive.**



(21) Design Number: **21361/2007**
(22) Date of Filing Application: **14 December 2007**
(24) Date from which industrial property rights may have effect: **14 December 2007**
(54) Product in respect of which the design is registered: **Part of a dust dealing profile**
(51) International Design Classification: **25-01K**
(71) Name(s) and Address(s) of Applicant(s):
Sandvik Intellectual Property AB
Sandviken SE-811 81 Sweden
(72) Name(s) of Designer(s): **Mats Malmberg**
(45) Registration Date: **08 April 2008**
(30) Convention priority data:
(31) Number (32) Date (33) Country
000740832 15 Jun 2007 EUROPEAN COMMUNITY
(56) Related Art Documents: **Not Applicable**
(57) Statement of Newness and Distinctiveness: **The shape and configuration of the product is new and distinctive.**



(21) Design Number: **21362/2007**

(22) Date of Filing Application: **14 December 2007**

(24) Date from which industrial property rights may have effect: **14 December 2007**

(54) Product in respect of which the design is registered: **Part of a dust sealing profile**

(51) International Design Classification: **25-01K**

(71) Name(s) and Address(s) of Applicant(s):

**Sandvik Intellectual Property AB
Sandviken SE-811 81 Sweden**

(72) Name(s) of Designer(s): **Mats Malmberg**

(45) Registration Date: **08 April 2008**

(30) Convention priority data:

(31) Number
000740832

(32) Date
15 Jun 2007

(33) Country
EUROPEAN COMMUNITY

(56) Related Art Documents: **Not Applicable**

(57) Statement of Newness and Distinctiveness: **The shape and configuration of the product is new and distinctive.**

