



**Australian Government**

---

**IP Australia**

**AUSTRALIAN OFFICIAL JOURNAL**

**OF**

**DESIGNS**

Did you know a searchable version of this journal is now available online?

It's FREE and EASY to SEARCH.

Find it at

<http://pericles.ipaustralia.gov.au/ols/epublish/content/olsEpublications.jsp>  
or using the "Online Journals" link on the IP Australia home page.

This Page Left Intentionally Blank

**Contents**

**General Information & Notices**

**Proceedings Under the Designs Act 1906 preserved as a result of the provisions of Chapter 12  
Part 2 of the Designs Act 2003**

<b>Extension of Period of Registration of Designs .....</b>	<b>976</b>
<b>Extensions of Time Granted .....</b>	<b>976</b>
<b>Names Registered - Alterations and Amendments .....</b>	<b>976</b>
<b>Registrations Ceased .....</b>	<b>976</b>
<b>Subsequent Owners Registered .....</b>	<b>976</b>

**Proceedings Under the Designs Act 2003**

<b>Applications Lapsed .....</b>	<b>987</b>
<b>Applications Lodged .....</b>	<b>981</b>
<b>Applications Withdrawn .....</b>	<b>987</b>
<b>Certificate of Examination .....</b>	<b>989</b>
<b>Extension of Time Granted Under Section 137 .....</b>	<b>988</b>
<b>Publication and Registration Proceedings</b>	
<b>Designs Registered 318786 to 318978.....</b>	<b>990</b>
<b>Subsequent Owners Registered .....</b>	<b>988</b>

This Page Left Intentionally Blank

For information on the following please see our website [www.ipaustralia.gov.au](http://www.ipaustralia.gov.au) or contact our Customer Service Network on 1300651010

[Editorial enquiries](#)

[Contact information](#)

[Freedom of Information ACT](#)

[Professional Standards Board](#)

[Sales](#)

[Requests for Information under Section 194 \(c\)](#)

[Country Codes](#)

[Trade Mark and Designs Hearing Sessions](#)

[INID \(Internationally agreed Numbers for the Identification of Data\)](#)

## “INID” NUMBERS in use on Australian Design Documents

“INID” is an acronym for “Internationally agreed Numbers for the Identification of Data”.

### (10) Data concerning the registration/renewal

- (11) Serial number of the registration and/or number of the design document
- (12) Plain language designation of the kind of published document
- (19) Identification, using the two-letter code according to WIPO Standard ST.3, of the authority publishing or registering the industrial design

### (20) Data concerning the application

- (21) Serial number of the application
- (22) Date of filing of the application
- (24) Date from which the industrial design right has effect

### (30) Data relating to priority under the Paris Convention

- (31) Serial number assigned to the priority application
- (32) Date of filing of the priority application
- (33) Two-letter code, according to WIPO Standard ST.3, identifying the authority with which the priority application was made

### (40) Date(s) of making information available to the public

- (45) Date of publication of the registered industrial design by printing or similar process, or making it available to the public by any other means

### (50) Miscellaneous Information

- (51) International Classification for Industrial Designs (class and subclass of the Locarno Classification)
- (54) Designation of article(s) or product(s) covered by the industrial design or title of the industrial design
- (55) Reproduction of the industrial design (e.g., drawing, photograph) and explanations relating to the reproduction
- (56) List of prior art documents, if separate from descriptive text
- (57) Description of characteristic features of the industrial design including indication of colours

### (60) References to other legally related application(s) and registration(s)

- (62) Serial number(s) and, if available, filing date(s) of application(s), registration(s) or document(s) related by division
- (66) Serial number(s) of the application, or the registration, of the design(s) which is (are) a variant(s) of the present one

### (70) Identification of parties concerned with the application or registration

- (71) Name(s) and address(es) of the applicant(s)
- (72) Name(s) of the creator(s) if known to be such
- (74) Name(s) and address(es) of the representative(s)

This Page Left Intentionally Blank

This Page Left Intentionally Blank

**Proceedings under the Designs Act 1906 preserved as a result of the provisions of Chapter 12 Part 2 of the Designs Act 2003.**



This Page Left Intentionally Blank

**Applications Lapsed**

There were no Applications Lapsed under this section

**Extension of Period of Registration of Designs**

**2nd Period (Section 27A(12))**

140880	147889	147890
147891	147912	147972
148214	148215	148481
148501	148522	148653
148659	148697	148781
148818	148985	149078
149103	149104	149160
149208	149209	149238
149269	149299	149300
149301	149302	149303
149304	149636	149746
149823	149824	149845
149891	149935	150046
150047	150143	150650
150692	150693	150694
150695	150696	150697
150698	150699	150700
150701	150757	150758
151174	151565	151815
151820	151823	151921
151994	152189	152546
152707	152954	154247

**3rd Period (Section 27A(13))**

131273	131374	131488
131740	131774	131785
131787	131788	131968
131970	131973	132089
132100	132617	132618
132642	132715	133095
133165	133844	134395
135124	135125	135552
135648	135704	135705
136302		

**Registrations Ceased**

Note: Some of the following Registrations may have been previously advertised as ceased. In this instance, the previous advertisement still prevails.

115458	115473	115492
115512	115529	115544
115545	115631	115640
115652	115653	115655
115848	115996	116014
116145	116212	116321
116322	116323	116324
116327	116328	116329
116387	117210	117687
118007	118943	119242
119265	119305	122048
127864	128384	129232

130059	130253	130254
130255	130257	130276
130277	130293	130294
130295	130296	130297
130310	130315	130316
130562	130563	130564
130592	130839	130840
130841	130842	130975
131247	131427	131428
131579	131580	131581
133286	133859	133860
134061	134201	134241
135491	135492	135493
135494	145703	145762
145763	145811	145916
146682	146683	146684
146754	146793	146794
146795	146796	146801
146805	146827	146846
146866	146895	146913
146935	146972	146973
147038	147039	147341
147480	147482	147675
147764	147765	147850
147851	148019	148131
148686	149792	150374
150375	150376	150377
150378	150379	150380
150381	150382	150873
150874		

**Extensions of time granted**

Applications lodged for extension of time have been granted.

140880 **Col-Ven S.A.** An Extension of time to extend a registration has been granted to 20/11/2007

**Subsequent Owners Registered**

(The name in parentheses is that of the subsequent owner)

131973	( <b>Weeks Holdings Pty Ltd</b> ) Weeks Peacock Quality Homes Pty Ltd
--------	---

**Names Registered - Alterations and Amendments**

(The name in parentheses is the new name of the proprietor)

134011	( <b>Viscount Plastics (NZ) Limited</b> ) Reese Viscount Limited
143154	( <b>Viscount Plastics (NZ) Limited</b> ) Reese Viscount Limited
128542	( <b>Viscount Plastics (NZ) Limited</b> ) Reese Plastics Limited
128555	( <b>Viscount Plastics (NZ) Limited</b> ) Reese Plastics Limited
128554	( <b>Viscount Plastics (NZ) Limited</b> ) Reese Plastics Limited
128667	( <b>Viscount Plastics (NZ) Limited</b> ) Reese Plastics

Limited  
130563 ( **Viscount Plastics (NZ) Limited** ) Reese Plastics  
Limited  
130131 ( **Viscount Plastics (NSW) Ltd** ) Nally Limited  
143425 ( **Viscount Plastics (NZ) Limited** ) Reese Viscount  
Limited

This Page Left Intentionally Blank

**Proceedings under the Designs Act 2003.**

This Page Left Intentionally Blank

**Applications Lodged**

Lodgement information is in the following order: **Applicant's Name**; International Classification, Name of Product, Lodgement Date and **Design Number**. If the applicant claims an earlier priority date under an International Convention, the Convention Country and the associated filing date are shown in parentheses before the Lodgement Date. Divisional information will also appear in parentheses before the Lodgement Date.

<b>A.A.P. Industries Pty Ltd;</b> 23-01C, Hose cock connector, 02 Apr 2008	<b>11550/2008</b>	<b>Azor Industries Pty Ltd;</b> 25-01B, A support base, foundation or slab for various types and kinds of equipment or products, 31 Mar 2008	<b>11513/2008</b>
<b>Aktiebolaget Electrolux;</b> 04-01, 15-05, Multi tool, (EM, 14 Jan 2008) 09 Apr 2008	<b>11663/2008</b>	<b>ADC Communications (Australia) Pty Limited;</b> 13-03C, Cable housing, 02 Apr 2008	<b>11552/2008</b>
<b>Aktiebolaget Electrolux;</b> 07-02A, A stove, (BR, 05 Oct 2007) 07 Apr 2008	<b>11642/2008</b>	<b>Black &amp; Decker, Inc.;</b> 13-02, An inverter, (US, 15 Oct 2007) 28 Mar 2008	<b>11496/2008</b>
<b>Aktiebolaget Electrolux;</b> 07-06NES, A trivet, 04 Apr 2008	<b>11618/2008</b>	<b>Black &amp; Decker, Inc.;</b> 13-02, A portion of a battery pack, (US, 16 Oct 2007) 07 Apr 2008	<b>11626/2008</b>
<b>Aluminium Industries of Australia Pty Ltd;</b> 20-03NES, Aluminium banner pole for application in display fixed signage and flexible banners, 25 Mar 2008	<b>11449/2008</b>	<b>Black &amp; Decker, Inc.;</b> 13-02, A portion of a battery pack, (US, 16 Oct 2007) 07 Apr 2008	<b>11627/2008</b>
<b>Amie Design Limited;</b> 02-02C, Infant attire articles, (NZ, 07 Jun 2007) 05 Dec 2007	<b>11791/2008</b>	<b>Black &amp; Decker, Inc.;</b> 13-02, A portion of a battery pack, (US, 16 Oct 2007) 07 Apr 2008	<b>11628/2008</b>
<b>Amie Design Limited;</b> 02-02C, Infant attire articles, (NZ, 07 Jun 2007) 05 Dec 2007	<b>11792/2008</b>	<b>Black &amp; Decker, Inc.;</b> 13-02, A battery pack, (US, 16 Oct 2007) 07 Apr 2008	<b>11629/2008</b>
<b>Amie Design Limited;</b> 02-02C, Infant attire articles, (NZ, 07 Jun 2007) 05 Dec 2007	<b>11793/2008</b>	<b>Black &amp; Decker, Inc.;</b> 13-02, A portion of a battery pack, (US, 16 Oct 2007) 07 Apr 2008	<b>11630/2008</b>
<b>Amie Design Limited;</b> 02-02C, Infant attire articles, (NZ, 07 Jun 2007) 05 Dec 2007	<b>11794/2008</b>	<b>Black &amp; Decker, Inc.;</b> 13-02, A portion of a battery pack, (US, 16 Oct 2007) 07 Apr 2008	<b>11625/2008</b>
<b>Amie Design Limited;</b> 02-02C, Infant attire articles, (NZ, 07 Jun 2007) 05 Dec 2007	<b>11795/2008</b>	<b>Brennan, Katherine;</b> 25-02H, Decorative screens, 09 Apr 2008	<b>11651/2008</b>
<b>Amie Design Limited;</b> 02-02C, Infant attire articles, (NZ, 07 Jun 2007) 05 Dec 2007	<b>11796/2008</b>	<b>Brennan, Katherine;</b> 25-02H, Decorative screens, 09 Apr 2008	<b>11652/2008</b>
<b>Amie Design Limited;</b> 02-02C, Infant attire articles, (NZ, 07 Jun 2007) 05 Dec 2007	<b>11797/2008</b>	<b>Breville Pty Limited;</b> 07-02H, Toaster oven, 28 Mar 2008	<b>11500/2008</b>
<b>Amie Design Limited;</b> 02-02C, Infant attire articles, (NZ, 07 Jun 2007) 05 Dec 2007	<b>11798/2008</b>	<b>Brite LED Tech Pty Ltd;</b> 26-05NES, Lighting assembly, 20 Mar 2008	<b>11398/2008</b>
<b>Amie Design Limited;</b> 02-02C, Infant attire articles, (NZ, 07 Jun 2007) 05 Dec 2007	<b>11799/2008</b>	<b>Brite LED Tech Pty Ltd;</b> 26-05NES, Lighting assembly, 20 Mar 2008	<b>11399/2008</b>
<b>Amie Design Limited;</b> 02-02C, Infant attire articles, (NZ, 07 Jun 2007) 05 Dec 2007	<b>11799/2008</b>	<b>Brite LED Tech Pty Ltd;</b> 26-05NES, Lighting assembly, 20 Mar 2008	<b>11400/2008</b>
<b>Araven, S.L.;</b> 03-01A, Set of baskets, (EM, 08 Oct 2007) 08 Apr 2008	<b>11650/2008</b>	<b>By the Glass, LLC;</b> 07-01C, Wine glass, (US, 01 Nov 2007) 04 Apr 2008	<b>11622/2008</b>
<b>Australia Services Combined Pty. Ltd.;</b> 99-00, Company image logo to be used in all stationary and website correspondence - i.e. company image logo, 08 Apr 2008	<b>11631/2008</b>	<b>Caleidoscopio Pty Ltd;</b> 19-02, Hole punching tool, 03 Apr 2008	<b>11568/2008</b>
<b>Australian Rural Industries Pty Ltd;</b> 08-08K, An electric fence support, 09 Apr 2008	<b>11664/2008</b>	<b>Camec Pty Ltd;</b> 25-02H, Flyscreen, 26 Mar 2008	<b>11443/2008</b>
		<b>Camec Pty Ltd;</b> 08-08C, Ratchet clip, 26 Mar 2008	<b>11444/2008</b>
		<b>Camec Pty Ltd;</b> 08-09, Hatch lifting mechanism, 26 Mar 2008	<b>11445/2008</b>



<b>Camec Pty Ltd;</b> 08-09, Hatch assembly, 26 Mar 2008	<b>11446/2008</b>	<b>Decor Corporation Pty Ltd, The;</b> 09-03M, Container, 04 Apr 2008	<b>11597/2008</b>
<b>Caroma Industries Limited;</b> 23-01H, A mixer tap, 26 Mar 2008	<b>11459/2008</b>	<b>Decor Corporation Pty Ltd, The;</b> 07-01NES, Container, 04 Apr 2008	<b>11598/2008</b>
<b>Changzhou Gardensun Co., Ltd.;</b> 23-03B, Patio heater (triangle), (CN, 30 Oct 2007) 25 Mar 2008	<b>11694/2008</b>	<b>Decor Corporation Pty Ltd, The;</b> 07-01NES, Lid for container, 04 Apr 2008	<b>11599/2008</b>
<b>Chen, Henry;</b> 09-03F, Frozen fingerfood and snackfood, 01 Apr 2008	<b>11516/2008</b>	<b>Decor Corporation Pty Ltd, The;</b> 07-01NES, Lid for container, 04 Apr 2008	<b>11600/2008</b>
<b>Chiayo Electronics Co., Ltd.;</b> 14-03NES, Amplifier, 26 Mar 2008	<b>11506/2008</b>	<b>Decor Corporation Pty Ltd, The;</b> 07-01NES, Lid for container, 04 Apr 2008	<b>11601/2008</b>
<b>Civic Project Seating Pty Ltd;</b> 06-03NES, Writing tablet, 09 Apr 2008	<b>11674/2008</b>	<b>Decor Corporation Pty Ltd, The;</b> 09-03M, Container, 04 Apr 2008	<b>11596/2008</b>
<b>Climastar Global Company, S.L.;</b> 23-03A, A radiator for heating, (EM, 01 Oct 2007) 31 Mar 2008	<b>11548/2008</b>	<b>Denigan, Michael James;</b> 03-01B, Keyring, 28 Mar 2008	<b>11467/2008</b>
<b>Colonial Castings Pty. Ltd.;</b> 25-02C, A panel, 01 Apr 2008	<b>11535/2008</b>	<b>Designed Blinds Australia Pty Ltd;</b> 08-08H, Roller blind bracket, 09 Apr 2008	<b>11665/2008</b>
<b>Cook, David George;</b> 21-04, Tent peg remover, 07 Apr 2008	<b>11615/2008</b>	<b>Designed Blinds Australia Pty Ltd;</b> 08-08H, Roller blind bracket, 09 Apr 2008	<b>11666/2008</b>
<b>Crowley, Keith Patrick;</b> 08-08NES, Stand support member, (NZ, 15 Oct 2007) 28 Mar 2008	<b>11499/2008</b>	<b>Designed Blinds Australia Pty Ltd;</b> 08-08H, Roller blind bracket, 09 Apr 2008	<b>11667/2008</b>
<b>CSP Technologies, Inc.;</b> 09-03L, Flip-top sample container, (EM, 13 Mar 2008) 03 Apr 2008	<b>11583/2008</b>	<b>Designed Blinds Australia Pty Ltd;</b> 08-08H, Roller blind bracket, 09 Apr 2008	<b>11668/2008</b>
<b>CSP Technologies, Inc.;</b> 09-03L, Flip-top sample container with a piercable sampling septum, (EM, 13 Mar 2008) 03 Apr 2008	<b>11584/2008</b>	<b>Designed Blinds Australia Pty Ltd;</b> 08-08H, Roller blind bracket, 09 Apr 2008	<b>11669/2008</b>
<b>CTEK Sweden AB;</b> 99-00, Contacts, (EM, 03 Oct 2007) 02 Apr 2008	<b>11554/2008</b>	<b>Diagnostica Stago;</b> 24-01, Laboratory analysis apparatus, (EM, 15 Oct 2007) 28 Mar 2008	<b>11494/2008</b>
<b>CTEK Sweden AB;</b> 99-00, Contacts, (EM, 03 Oct 2007) 02 Apr 2008	<b>11555/2008</b>	<b>Discovery Clothing Company Pty Ltd, The;</b> 02-02NES, Clothing/apparel, 28 Mar 2008	<b>11517/2008</b>
<b>CTEK Sweden AB;</b> 99-00, Contacts, (EM, 03 Oct 2007) 02 Apr 2008	<b>11556/2008</b>	<b>Discovery Clothing Company Pty Ltd, The;</b> 02-02C, Clothing apparel, 28 Mar 2008	<b>11518/2008</b>
<b>CTEK Sweden AB;</b> 99-00, Contacts, (EM, 03 Oct 2007) 02 Apr 2008	<b>11557/2008</b>	<b>Discovery Clothing Company Pty Ltd, The;</b> 02-02C, Clothing/apparel, 28 Mar 2008	<b>11519/2008</b>
<b>CTEK Sweden AB;</b> 99-00, Contacts, (EM, 03 Oct 2007) 02 Apr 2008	<b>11558/2008</b>	<b>Discovery Clothing Company Pty Ltd, The;</b> 02-02NES, Clothing/apparel, 28 Mar 2008	<b>11520/2008</b>
<b>CTEK Sweden AB;</b> 99-00, Contacts, (EM, 03 Oct 2007) 02 Apr 2008	<b>11559/2008</b>	<b>Discovery Clothing Company Pty Ltd, The;</b> 02-02C, Clothing/apparel, 28 Mar 2008	<b>11521/2008</b>
<b>Daikin Industries Ltd.;</b> 23-04, Air-conditioner, (JP, 03 Dec 2007) 26 Mar 2008	<b>11472/2008</b>	<b>Discovery Clothing Company Pty Ltd, The;</b> 02-02C, Clothing/apparel, 28 Mar 2008	<b>11522/2008</b>
<b>Danson, Robert John;</b> 25-01E, A fence post, 04 Apr 2008	<b>11660/2008</b>	<b>Discovery Clothing Company Pty Ltd, The;</b> 02-02NES, Clothing/apparel, 28 Mar 2008	<b>11523/2008</b>
<b>Dart Industries Inc;</b> 07-04, Mixer, (US, 25 Oct 2007) 28 Mar 2008	<b>11497/2008</b>	<b>Discovery Clothing Company Pty Ltd, The;</b> 02-02C, Clothing/apparel, 28 Mar 2008	<b>11524/2008</b>
<b>Decor Corporation Pty Ltd, The;</b> 09-01K, "Sauce bottle", 31 Mar 2008	<b>11507/2008</b>	<b>Discovery Clothing Company Pty Ltd, The;</b> 02-02NES, Clothing/apparel, 28 Mar 2008	<b>11525/2008</b>
		<b>Dsatco Pty Ltd;</b> 09-05, Packaging bag, 07 Apr 2008	<b>11634/2008</b>
		<b>Ellarjay Trading and Consulting (Pty) Ltd;</b> 02-02C, Jeans, (ZA, 27 Sep 2007) 28 Mar 2008	<b>11504/2008</b>

<b>Ethicon Endo-Surgery, Inc.;</b> 24-02, Handle assembly for surgical instrument, (US, 05 Oct 2007) 02 Apr 2008	<b>11562/2008</b>	<b>Global Design Solutions Limited;</b> 26-05C, Light fitting, (EM, 26 Oct 2007) 07 Apr 2008	<b>11649/2008</b>
<b>Ethicon Endo-Surgery, Inc.;</b> 24-02, Handle assembly for surgical instrument, (US, 05 Oct 2007) 02 Apr 2008	<b>11563/2008</b>	<b>Golfit Ltd.;</b> 12-02, A vehicle, (IL, 24 Sep 2007) 27 Mar 2008	<b>11462/2008</b>
<b>Eveready Battery Company, Inc.;</b> 13-02, Charger, (US, 31 Oct 2007) 01 Apr 2008	<b>11542/2008</b>	<b>Gordon-Ewing, Julie;</b> 14-02, USB memory drive resembling a penis, (US, 01 Nov 2007) 07 Apr 2008	<b>11635/2008</b>
<b>Eveready Battery Company, Inc.;</b> 13-02, Charger, (US, 31 Oct 2007) 01 Apr 2008	<b>11543/2008</b>	<b>GMCA Pty Ltd;</b> 08-03, Saw power tool, (GB, 06 Nov 2007) 01 Apr 2008	<b>11537/2008</b>
<b>Ezidek Trust;</b> 25-02NES, Lightweight concrete suspended floor system, 04 Apr 2008	<b>11620/2008</b>	<b>Hadaway, Robert John;</b> 25-02NES, Tilting bollard, 31 Mar 2008	<b>11505/2008</b>
<b>EM Export Limited;</b> 08-06, 06-05, Handles for furniture, (FR, 20 Jun 2007) 12 Dec 2007	<b>11716/2008</b>	<b>Hallam, Shirley Louise; Hallam, Jeffrey John;</b> 08-05P, Spanner for fire hose couplings, 02 Apr 2008	<b>11545/2008</b>
<b>Fifth P Pty Ltd, The;</b> 20-02E, McPhersons destination unit display system aka Lady Jayne and Manicare pop system, 20 Mar 2008	<b>11450/2008</b>	<b>Hallam, Jeffrey John; Hallam, Shirley Louise;</b> 08-05P, Spanner for fire hose couplings, 02 Apr 2008	<b>11545/2008</b>
<b>Flosspik Pty Ltd;</b> 28-03NES, Oral hygiene device, 28 Mar 2008	<b>11544/2008</b>	<b>Hebe Studio Limited;</b> 07-02NES, Barbecue sword, (EM, 18 Dec 2007) 04 Apr 2008	<b>11616/2008</b>
<b>Fourtounis, Dimitrios (Jim);</b> 15-09, Ho2, 02 Apr 2008	<b>11549/2008</b>	<b>Hebe Studio Limited;</b> 07-02NES, Barbecue sword, (EM, 18 Dec 2007) 04 Apr 2008	<b>11617/2008</b>
<b>FSP Holdings Pty Ltd;</b> 08-99, Hose reel, 03 Apr 2008	<b>11589/2008</b>	<b>Hermans, Ty Gerard;</b> 25-02A, Plinth, 04 Apr 2008	<b>11624/2008</b>
<b>Gershwin Pty Ltd;</b> 25-02B, Security french door adaptor, 07 Apr 2008	<b>11606/2008</b>	<b>Hinkler Books Pty Ltd;</b> 19-04, Book with integrated media holder, 28 Mar 2008	<b>11464/2008</b>
<b>Gershwin Pty Ltd;</b> 25-01K, Security door cross brace extrusion, 07 Apr 2008	<b>11607/2008</b>	<b>Hochiki Corporation;</b> 29-01, Fire detector, (JP, 05 Oct 2007) 02 Apr 2008	<b>11567/2008</b>
<b>Gershwin Pty Ltd;</b> 25-01K, Security door frame extrusion, 07 Apr 2008	<b>11608/2008</b>	<b>Honda Motor Co., Ltd.;</b> 12-08, An automobile, (JP, 28 Sep 2007) 28 Mar 2008	<b>11475/2008</b>
<b>Gershwin Pty Ltd;</b> 25-01K, Security door frame extrusion, 07 Apr 2008	<b>11609/2008</b>	<b>Honda Motor Co., Ltd.;</b> 26-06, A rear combination lamp for an automobile, (JP, 28 Sep 2007) 28 Mar 2008	<b>11476/2008</b>
<b>Gershwin Pty Ltd;</b> 25-01K, Security door frame extrusion, 07 Apr 2008	<b>11610/2008</b>	<b>Honda Motor Co., Ltd.;</b> 26-06, A front combination lamp for an automobile, (JP, 28 Sep 2007) 28 Mar 2008	<b>11474/2008</b>
<b>Gershwin Pty Ltd;</b> 25-01K, Security window frame extrusion, 07 Apr 2008	<b>11611/2008</b>	<b>Hutchens, Ross Manton;</b> 08-05NES, A tool component, 08 Apr 2008	<b>11653/2008</b>
<b>Gershwin Pty Ltd;</b> 25-01K, Security window frame extrusion, 07 Apr 2008	<b>11612/2008</b>	<b>Hutcheson, Julie; Littlehales, Stuart;</b> 21-01K, Set of playing cards, known as iNCOMMUNiCARD0, 25 Mar 2008	<b>11452/2008</b>
<b>Gershwin Pty Ltd;</b> 25-01K, Security window frame extrusion, 07 Apr 2008	<b>11613/2008</b>	<b>Intellect Products Pty Ltd;</b> 15-09, A mill rear housing, 07 Apr 2008	<b>11644/2008</b>
<b>Gershwin Pty Ltd;</b> 25-01K, Security window frame extrusion, 07 Apr 2008	<b>11614/2008</b>	<b>Intellect Products Pty Ltd;</b> 15-09, A mill front housing, 07 Apr 2008	<b>11645/2008</b>
<b>Global Design Solutions Limited;</b> 26-05C, Light fitting, (EM, 26 Oct 2007) 07 Apr 2008	<b>11648/2008</b>	<b>Intellect Products Pty Ltd;</b> 15-09, A mill rotor, 07 Apr 2008	<b>11646/2008</b>
		<b>Intellect Products Pty Ltd;</b> 15-09, A mill housing, 07 Apr 2008	<b>11647/2008</b>

<b>International Patents Inc.;</b> 24-01, Endotracheal tubes, (EM, 25 Oct 2007) 26 Mar 2008	<b>11460/2008</b>	<b>Littlehales, Stuart; Hutcheson, Julie;</b> 21-01K, Set of playing cards, known as iNCOMMUNiCARDO, 25 Mar 2008	<b>11452/2008</b>
<b>Intide Pty Ltd;</b> 06-02, A bed valance, 27 Mar 2008	<b>11481/2008</b>	<b>Lock Focus Pty Ltd;</b> 26-99, Door lock light assembly, 26 Mar 2008	<b>11471/2008</b>
<b>Ivett, Jonathan Lachlan;</b> 23-01F, Water storage tank, 28 Mar 2008	<b>11473/2008</b>	<b>Lock Focus Pty Ltd;</b> 08-06, Outer door handle assembly, 26 Mar 2008	<b>11470/2008</b>
<b>Julian Austin Group Pty Ltd, The;</b> 12-11, The design is to be applied to the motor vehicle pictured, 28 Mar 2008	<b>11466/2008</b>	<b>Lokkii Australia Pty Ltd;</b> 30-99, Dog waste collection container with detachable scoop tab, 04 Apr 2008	<b>11569/2008</b>
<b>Kabushiki Kaisha Toshiba also Trading as Toshiba Corporation;</b> 14-01, Recording media, (JP, 12 Nov 2007) 28 Mar 2008	<b>11479/2008</b>	<b>Lolitta Clothing;</b> 02-02C, 02-02NES, , 28 Mar 2008	<b>11488/2008</b>
<b>Kabushiki Kaisha Toshiba also Trading as Toshiba Corporation;</b> 14-01, A video server, (JP, 31 Oct 2007) 28 Mar 2008	<b>11480/2008</b>	<b>Lolitta Clothing;</b> 02-02C, 02-02NES, , 28 Mar 2008	<b>11489/2008</b>
<b>Kalnin Corporation Pty. Ltd.;</b> 12-12, Rollator/walker/transporter, 04 Apr 2008	<b>11619/2008</b>	<b>Lolitta Clothing;</b> 02-02C, 02-02NES, , 28 Mar 2008	<b>11491/2008</b>
<b>Kapman AB;</b> 08-06, Hack saw handle, (EM, 12 Dec 2007) 02 Apr 2008	<b>11565/2008</b>	<b>Long, Simon Andrew Richard;</b> 12-16B, Front motorcycle fairing for Honda CBR 250 RR MC22, 04 Apr 2008	<b>11590/2008</b>
<b>Kapman AB;</b> 08-06, Hack saw handle, (EM, 12 Dec 2007) 02 Apr 2008	<b>11566/2008</b>	<b>Long, Simon Andrew Richard;</b> 12-16B, Rear motorcycle fairing for Honda CBR 250 R MC 19, 04 Apr 2008	<b>11591/2008</b>
<b>Karsten Manufacturing Corporation;</b> 21-02C, Configuration for a golf club head, (US, 12 Jul 2007) (Divisional of 21064/2007) 30 Nov 2007	<b>11778/2008</b>	<b>Long, Simon Andrew Richard;</b> 12-16B, Rear motorcycle fairing for Honda CBR 250 RR MC 22, 04 Apr 2008	<b>11592/2008</b>
<b>Kikkerland Design, Inc.;</b> 26-05NES, Keylight, 04 Apr 2008	<b>11602/2008</b>	<b>LG Electronics Inc.;</b> 14-03E, Cellular phone, (KR, 18 Oct 2007) 07 Apr 2008	<b>11643/2008</b>
<b>Kimyee Furniture Sdn Bhd;</b> 06-02, Single bed, 02 Apr 2008	<b>11748/2008</b>	<b>LG Electronics, Inc.;</b> 15-05, Washing machine, (KR, 29 Oct 2007) 09 Apr 2008	<b>11672/2008</b>
<b>Kinnunen, Lasse;</b> 23-02B, Bath tub, 02 Apr 2008	<b>11536/2008</b>	<b>LM Australasia;</b> 02-01B, Seamless control bum lifter, 03 Apr 2008	<b>11573/2008</b>
<b>Kohler Co.;</b> 23-02B, Showerhead, (US, 08 Oct 2007) 08 Apr 2008	<b>11656/2008</b>	<b>LM Australasia;</b> 02-01B, Seamless control bum leggings, 03 Apr 2008	<b>11574/2008</b>
<b>Komvoort innovatie B.V.;</b> 29-01, Fire extinguisher, (EM, 05 Oct 2007) 04 Apr 2008	<b>11658/2008</b>	<b>LM Australasia;</b> 02-01B, Seamless control waist definer, 03 Apr 2008	<b>11575/2008</b>
<b>Komvoort innovatie B.V.;</b> 29-01, Fire extinguisher, (EM, 05 Oct 2007) 04 Apr 2008	<b>11659/2008</b>	<b>LM Australasia;</b> 02-02C, Seamless wide band culotte, 03 Apr 2008	<b>11576/2008</b>
<b>Koninklijke Philips Electronics N.V.;</b> 07-05A, Electric steam iron, (EM, 16 Oct 2007) 08 Apr 2008	<b>11655/2008</b>	<b>LM Australasia;</b> 02-02NES, Seamless smock cami, 03 Apr 2008	<b>11577/2008</b>
<b>Le Gros, Paul Donald; Whalley, Robin;</b> 08-08C, A clip fastener, (NZ, 03 Dec 2007) 26 Mar 2008	<b>11447/2008</b>	<b>LM Australasia;</b> 02-02NES, Seamless natural cotton racerback, 03 Apr 2008	<b>11578/2008</b>
<b>Lenobel, Lisa;</b> 02-07A, Belted bag, 07 Apr 2008	<b>11641/2008</b>	<b>LM Australasia;</b> 02-02C, Seamless waist tie dress, 03 Apr 2008	<b>11579/2008</b>
<b>Les Robinets Presto, Societe Anonyme;</b> 23-02B, Shower panel, (EM, 22 Oct 2007) 31 Mar 2008	<b>11509/2008</b>	<b>LM Australasia;</b> 02-02C, Seamless mock denim mini, 03 Apr 2008	<b>11580/2008</b>
<b>Linear Systems International Pty Ltd;</b> 08-08NES, A support stand, 23 Oct 2007	<b>11750/2008</b>	<b>LM Australasia;</b> 02-02C, Seamless jacquard dress, 03 Apr 2008	<b>11581/2008</b>

<b>LRC Products Limited;</b> 02-04A, Ball-of-foot cushions, (EM, 02 Oct 2007) 02 Apr 2008	<b>11564/2008</b>	<b>Nique Enterprises Pty Ltd;</b> 06-03A, A table, 31 Mar 2008	<b>11510/2008</b>
<b>LRC Products Limited;</b> 09-03M, A container, (EM, 26 Sep 2007) 25 Mar 2008	<b>11440/2008</b>	<b>Nique Enterprises Pty Ltd;</b> 06-01G, A chair, 31 Mar 2008	<b>11511/2008</b>
<b>LRC Products Limited;</b> 09-03M, A container, (EM, 26 Sep 2007) 25 Mar 2008	<b>11441/2008</b>	<b>Olsson, Ashley Dean; Olsson, Ashley Norman; Olsson, Kieran Blake; Olsson, Nathanael Dean; Olsson, Stafford James;</b> 25-02C, A mesh fence panel, 31 Mar 2008	<b>11514/2008</b>
<b>LRC Products Limited;</b> 09-03M, A container, (EM, 26 Sep 2007) 25 Mar 2008	<b>11442/2008</b>	<b>Olsson, Ashley Norman; Olsson, Ashley Dean; Olsson, Kieran Blake; Olsson, Nathanael Dean; Olsson, Stafford James;</b> 25-02C, A mesh fence panel, 31 Mar 2008	<b>11515/2008</b>
<b>Malone, Michael;</b> 12-05, , 27 Mar 2008	<b>11468/2008</b>	<b>Olsson, Kieran Blake; Olsson, Ashley Dean; Olsson, Ashley Norman; Olsson, Nathanael Dean; Olsson, Stafford James;</b> 25-02C, A mesh fence panel, 31 Mar 2008	<b>11515/2008</b>
<b>Martin, Mary Patricia;</b> 06-04C, Wishrobe wardrobe, 25 Mar 2008	<b>11571/2008</b>	<b>Olsson, Nathanael Dean; Olsson, Ashley Dean; Olsson, Ashley Norman; Olsson, Kieran Blake; Olsson, Stafford James;</b> 25-02C, A mesh fence panel, 31 Mar 2008	<b>11515/2008</b>
<b>Matsushita Electric Industrial Co., Ltd.;</b> 14-02, Portable computer, (JP, 01 Feb 2008) 01 Apr 2008	<b>11528/2008</b>	<b>Olsson, Nathanael Dean; Olsson, Ashley Dean; Olsson, Ashley Norman; Olsson, Kieran Blake; Olsson, Stafford James;</b> 25-02C, A mesh fence panel, 31 Mar 2008	<b>11515/2008</b>
<b>Matsushita Electric Industrial Co., Ltd.;</b> 14-02, Portable computer, (JP, 01 Feb 2008) 01 Apr 2008	<b>11529/2008</b>	<b>Olsson, Stafford James; Olsson, Ashley Dean; Olsson, Ashley Norman; Olsson, Kieran Blake; Olsson, Nathanael Dean;</b> 25-02C, A mesh fence panel, 31 Mar 2008	<b>11515/2008</b>
<b>Matsushita Electric Industrial Co., Ltd.;</b> 13-02, Battery for portable computer, (JP, 01 Feb 2008) 01 Apr 2008	<b>11532/2008</b>	<b>Olsson, Ashley Norman; Olsson, Ashley Dean; Olsson, Kieran Blake; Olsson, Nathanael Dean; Olsson, Stafford James;</b> 25-02C, A mesh fence panel, 31 Mar 2008	<b>11514/2008</b>
<b>Matsushita Electric Industrial Co., Ltd.;</b> 14-02, Portable computer, (JP, 01 Feb 2008) 01 Apr 2008	<b>11533/2008</b>	<b>Olsson, Kieran Blake; Olsson, Ashley Dean; Olsson, Ashley Norman; Olsson, Nathanael Dean; Olsson, Stafford James;</b> 25-02C, A mesh fence panel, 31 Mar 2008	<b>11514/2008</b>
<b>Matsushita Electric Industrial Co., Ltd.;</b> 14-02, Portable computer, (JP, 01 Feb 2008) 01 Apr 2008	<b>11534/2008</b>	<b>Olsson, Nathanael Dean; Olsson, Ashley Dean; Olsson, Ashley Norman; Olsson, Kieran Blake; Olsson, Stafford James;</b> 25-02C, A mesh fence panel, 31 Mar 2008	<b>11514/2008</b>
<b>Meacher, Wendy;</b> 11-01NES, Poligems, 31 Mar 2008	<b>11512/2008</b>	<b>Olsson, Nathanael Dean; Olsson, Ashley Dean; Olsson, Ashley Norman; Olsson, Kieran Blake; Olsson, Stafford James;</b> 25-02C, A mesh fence panel, 31 Mar 2008	<b>11514/2008</b>
<b>Melrose, David Murray;</b> 09-01K, A container, (NZ, 12 Oct 2007) 02 Apr 2008	<b>11551/2008</b>	<b>Olsson, Stafford James; Olsson, Ashley Dean; Olsson, Ashley Norman; Olsson, Kieran Blake; Olsson, Nathanael Dean;</b> 25-02C, A mesh fence panel, 31 Mar 2008	<b>11514/2008</b>
<b>Miabella Designs Pty Ltd;</b> 02-02C, Body suit, 09 Apr 2008	<b>11673/2008</b>	<b>Olsson, Ashley Dean; Olsson, Ashley Norman; Olsson, Kieran Blake; Olsson, Stafford James;</b> 25-02C, A mesh fence panel, 31 Mar 2008	<b>11515/2008</b>
<b>Michelin Recherche et Technique S.A.;</b> <b>Societe De Technologie Michelin;</b> 12-15C, A pneumatic tyre, (FR, 04 Oct 2007) 27 Mar 2008	<b>11465/2008</b>	<b>P.S.A.;</b> 15-02, 23-03NES, Heat pump for swimming pools, (EM, 17 Oct 2007) 28 Mar 2008	<b>11501/2008</b>
<b>Microsoft Corporation;</b> 14-99, Holder for an electronic device, (US, 28 Sep 2007) 26 Mar 2008	<b>11461/2008</b>	<b>Palogix International (Pty) Limited;</b> 07-07A, Insulated container, 03 Apr 2008	<b>11570/2008</b>
<b>Missoni S.p.A.;</b> 09-01G, Bottle(s) and caps, (US, 05 Nov 2007) 09 Apr 2008	<b>11671/2008</b>	<b>Pearce, David Eric;</b> 06-02, Bed, 27 Mar 2008	<b>11453/2008</b>
<b>Mitsubishi Pencil Co., Ltd.;</b> 19-06, Pen, (JP, 28 Sep 2007) 28 Mar 2008	<b>11493/2008</b>	<b>Peer Intellectual Properties Pty Ltd;</b> 25-01C, A wall stud, 03 Apr 2008	<b>11585/2008</b>
<b>Nevin, Donna Maria;</b> 12-16NES, Product will be adheised or magneted to every vehicle's doors and panels worldwide (ecessory) to prevent minor, accidents and dents, 26 Mar 2008	<b>11572/2008</b>	<b>Peer Intellectual Properties Pty Ltd;</b> 25-01C, A wall stud, 03 Apr 2008	<b>11586/2008</b>
<b>Nexus Technologies Pty Ltd;</b> 14-02, Table mount and wall mount iPod docking station, 26 Mar 2008	<b>11448/2008</b>	<b>Peer Intellectual Properties Pty Ltd;</b> 25-01C, A wall stud, 03 Apr 2008	<b>11587/2008</b>
		<b>Peer Intellectual Properties Pty Ltd;</b> 25-01C, A wall stud, 03 Apr 2008	<b>11588/2008</b>

<b>Powers Fasteners Australasia Pty Ltd;</b> 08-08B, Fastener head, 09 Apr 2008	<b>11670/2008</b>	<b>Skacej Colls Pty Ltd, Trading as Aludean Sculpture;</b> 25-02H, Decorative screen, 28 Mar 2008	<b>11483/2008</b>
<b>Pritchard, Heather;</b> 21-02D, Aquatic device, 03 Apr 2008	<b>11582/2008</b>	<b>Skacej Colls Pty Ltd, Trading as Aludean Sculpture;</b> 25-02H, Decorative screen, 28 Mar 2008	<b>11484/2008</b>
<b>Reckitt Benckiser Inc.;</b> 09-07A, Spray cap, (EM, 08 Oct 2007) 01 Apr 2008	<b>11538/2008</b>	<b>Skacej Colls Pty Ltd, Trading as Aludean Sculpture;</b> 25-02H, Decorative screen, 28 Mar 2008	<b>11485/2008</b>
<b>Reckitt Benckiser Inc.;</b> 09-07A, Spray cap, (EM, 08 Oct 2007) 01 Apr 2008	<b>11539/2008</b>	<b>Skacej Colls Pty Ltd, Trading as Aludean Sculpture;</b> 25-02H, Decorative screen, 28 Mar 2008	<b>11486/2008</b>
<b>Reckitt Benckiser Inc.;</b> 09-07A, Spray cap, (EM, 08 Oct 2007) 01 Apr 2008	<b>11540/2008</b>	<b>Skacej Colls Pty Ltd, Trading as Aludean Sculpture;</b> 25-02H, Decorative screen, 28 Mar 2008	<b>11487/2008</b>
<b>Reckitt Benckiser Inc.;</b> 09-07A, Spray cap, (EM, 08 Oct 2007) 01 Apr 2008	<b>11541/2008</b>	<b>Skope Industries Limited;</b> 07-05D, Towel rail, (NZ, 12 Oct 2007) 09 Apr 2008	<b>11675/2008</b>
<b>S.C. Johnson &amp; Son, Inc.;</b> 04-01, Cleaning assembly, (US, 21 Sep 2007) 20 Mar 2008	<b>11401/2008</b>	<b>Skope Industries Limited;</b> 07-05D, Towel rail, (NZ, 12 Oct 2007) 09 Apr 2008	<b>11676/2008</b>
<b>S.C. Johnson &amp; Son, Inc.;</b> 04-01, Cleaning head, (US, 21 Sep 2007) 20 Mar 2008	<b>11413/2008</b>	<b>Societe De Technologie Michelin; Michelin Recherche et Technique S.A.;</b> 12-15C, A pneumatic tyre, (FR, 04 Oct 2007) 27 Mar 2008	<b>11465/2008</b>
<b>Sanford, L.P.;</b> 19-06, Clip and grip for a writing instrument, (US, 26 Apr 2007) 25 Oct 2007	<b>11720/2008</b>	<b>Tailored Packaging Pty Ltd;</b> 07-01C, Cup, 27 Mar 2008	<b>11463/2008</b>
<b>Sanford, L.P.;</b> 19-06, Clip and grip for a writing instrument, (US, 26 Apr 2007) 25 Oct 2007	<b>11721/2008</b>	<b>Tait Electronics Limited;</b> 13-02, A battery, (NZ, 10 Oct 2007) 09 Apr 2008	<b>11677/2008</b>
<b>Sanyo Electric Co., Ltd.;</b> 15-07, Refrigerator, (JP, 17 Oct 2007) 26 Mar 2008	<b>11455/2008</b>	<b>Touchstone Accent Lighting, Inc.;</b> 26-03, Outdoor marketing light, (US, 02 Oct 2007) 02 Apr 2008	<b>11560/2008</b>
<b>Sanyo Electric Co., Ltd.;</b> 15-07, Refrigerator, (JP, 17 Oct 2007) 26 Mar 2008	<b>11456/2008</b>	<b>Toyota Jidosha Kabushiki Kaisha;</b> 12-08, Automobile, (JP, 09 Oct 2007) 04 Apr 2008	<b>11621/2008</b>
<b>Shady Lady Beer Pty Ltd;</b> 09-01H, Bottle, 26 Mar 2008	<b>11457/2008</b>	<b>TreeTank;</b> 23-01F, Plant water storage and disbursement, 04 Apr 2008	<b>11595/2008</b>
<b>Shamoon, Ellis N.;</b> 07-04, Cutting board with snap-in pop strainer, (US, 19 Sep 2007) 17 Mar 2008	<b>11285/2008</b>	<b>TreeTank;</b> 23-01F, Plant water storage and disbursement, 04 Apr 2008	<b>11593/2008</b>
<b>Shriro Australia Pty Limited;</b> 07-02E, A barbeque, 08 Apr 2008	<b>11654/2008</b>	<b>TreeTank;</b> 23-01F, Plant water storage and disbursement, 04 Apr 2008	<b>11594/2008</b>
<b>Silhouette International Schmied AG;</b> 16-06, Glasses, (EM, 04 Dec 2007) 07 Apr 2008	<b>11639/2008</b>	<b>TAC AB;</b> 13-03C, Housing, (EM, 15 Jan 2008) 28 Mar 2008	<b>11715/2008</b>
<b>Silhouette International Schmied AG;</b> 16-06, Glasses, (EM, 04 Dec 2007) 07 Apr 2008	<b>11640/2008</b>	<b>TAC AB;</b> 13-03C, Housings, (EM, 15 Jan 2008) 28 Mar 2008	<b>11498/2008</b>
<b>Silhouette International Schmied AG;</b> 16-06, Goggles, (EM, 04 Dec 2007) 07 Apr 2008	<b>11636/2008</b>	<b>Unilever PLC;</b> 09-01K, Bottle, (GB, 18 Oct 2007) 09 Apr 2008	<b>11661/2008</b>
<b>Silhouette International Schmied AG;</b> 16-06, Glasses, (EM, 04 Dec 2007) 07 Apr 2008	<b>11637/2008</b>	<b>Unilever PLC;</b> 09-01K, Bottle, (GB, 18 Oct 2007) 09 Apr 2008	<b>11662/2008</b>
<b>Silhouette International Schmied AG;</b> 16-06, Glasses, (EM, 04 Dec 2007) 07 Apr 2008	<b>11638/2008</b>	<b>Unilever PLC;</b> 04-02, Brush, (US, 03 Oct 2007) 26 Mar 2008	<b>11458/2008</b>

<b>Vapotherm, Inc.;</b> 24-01, Hyperthermic humidification system, (US, 05 Oct 2007) 02 Apr 2008	<b>11553/2008</b>	<b>Wenner, Henry;</b> 11-05, A flag, 27 Mar 2008	<b>11482/2008</b>
<b>Vater, Lance Malcolm;</b> 08-08L, Metal frame corner support and/or reinforcement bracket, 31 Mar 2008	<b>11546/2008</b>	<b>Whalley, Robin; Le Gros, Paul Donald;</b> 08-08C, A clip fastener, (NZ, 03 Dec 2007) 26 Mar 2008	<b>11447/2008</b>
<b>Vater, Lance Malcolm;</b> 08-08L, Metal frame support and/or reinforcement bracket, 31 Mar 2008	<b>11547/2008</b>	<b>Wilson, Hugh;</b> 06-06G, A grooved seat pad, 28 Mar 2008	<b>11503/2008</b>
<b>Vita-Mix Corporation;</b> 09-07A, Cover for a container, (US, 11 Oct 2007) 28 Mar 2008	<b>11495/2008</b>	<b>WMF Wurttembergische Metallwarenfabrik AG;</b> 07-02L, Coffee machine, (DE, 04 Feb 2008) 04 Apr 2008	<b>11623/2008</b>
<b>VKR Holding A/S;</b> 99-00, Protective cover, (EM, 04 Jan 2008) 04 Apr 2008	<b>11603/2008</b>	<b>Xinle Bathroom Products (Foshan) Co., Ltd.;</b> 23-02C, A toilet suite, 28 Mar 2008	<b>11477/2008</b>
<b>VKR Holding A/S;</b> 99-00, Protective cover, (EM, 04 Jan 2008) 04 Apr 2008	<b>11604/2008</b>	<b>Xinle Bathroom Products (Foshan) Co., Ltd.;</b> 23-02C, A toilet suite, 28 Mar 2008	<b>11478/2008</b>
<b>VKR Holding A/S;</b> 99-00, Protective cover, (EM, 04 Jan 2008) 04 Apr 2008	<b>11605/2008</b>	<b>Zumtobel Lighting GmbH;</b> 26-05C, Lighting fixture, (EM, 16 Oct 2007) 01 Apr 2008	<b>11530/2008</b>
<b>Wang, Hsing-Tzu;</b> 08-05L, Paint spray gun, 28 Mar 2008	<b>11492/2008</b>	<b>Zumtobel Lighting GmbH;</b> 26-05C, Lighting fixture, (EM, 16 Oct 2007) 01 Apr 2008	<b>11531/2008</b>
<b>Watkins Manufacturing Corporation;</b> 06-09, Spa shell pillow, (US, 04 Oct 2007) 28 Mar 2008	<b>11502/2008</b>	<b>3M Innovative Properties Company;</b> Wall mountable jewellery rack assembly, (US, 24 Oct 2007) 15 Apr 2008	<b>11779/2008</b>
<b>Wenatex FBE GmbH;</b> 21-01A, Soft toy, (EM, 08 Feb 2008) 07 Apr 2008	<b>11657/2008</b>		

**Applications Withdrawn**

20349 / 2007 (25-01E)	21125 / 2007 (09-03K)	10914 / 2008 (02-04NES)
21126 / 2007 (09-03K)	21127 / 2007 (09-03K)	
21128 / 2007 (09-03K)	21348 / 2007 (09-03K)	
10910 / 2008 (02-04NES)	10913 / 2008 (02-04NES)	

**Applications Lapsed**

20043 / 2007 (09-03F)	20063 / 2007 (12-06A)
20120 / 2007 (20-02NES)	20158 / 2007 (02-02C)
20637 / 2007 (99-00)	20687 / 2007 (08-08K)
20765 / 2007 (06-03NES)	20988 / 2007 (13-02)

**Extensions of time granted under Section 137**

Applications lodged under section 137 for extension of time have been granted.

310455 **Connected Group Australia Pty Limited**

310456 **Connected Group Australia Pty Limited**

13306/2006 **Robert Anthony Davies**

13307/2006 **Robert Anthony Davies**

13308/2006 **Robert Anthony Davies**

13309/2006 **Robert Anthony Davies**

13310/2006 **Robert Anthony Davies**

13311/2006 **Robert Anthony Davies**

13312/2006 **Robert Anthony Davies**

13313/2006 **Robert Anthony Davies**

13314/2006 **Robert Anthony Davies**

20172/2007 **Centrotex (Aust) Pty Ltd**

20357/2007 **Centrotex (Aust) Pty Ltd**

10252/2008 **C.E. Niehoff & Co.**

**Subsequent Owners Registered**

(The name in parentheses is that of the subsequent owner)

301875        **( Sinclair Research Ltd )** Daka Research Inc.

312806        **( Dalian Talent Gift Co., Ltd. )** Li-qun Wang

**Certificate(s) of Examination**

Examination of the following Design Registration(s) has been completed. Infringement proceedings may now be commenced.

300074	21-04	11/04/2008
300328	28-99	23/04/2008
302126	28-99	23/04/2008
302127	28-99	23/04/2008
303978	09-01K	22/04/2008
303986	28-99	23/04/2008
303987	28-99	23/04/2008
304540	09-01K	22/04/2008
304541	09-01A	22/04/2008
310058	21-02B	17/04/2008
310059	21-02B	17/04/2008
310060	21-02B	17/04/2008
310061	21-02B	17/04/2008
310062	21-02B	17/04/2008
310080	21-02B	17/04/2008
310345	21-02B	17/04/2008
310365	21-02B	17/04/2008
310455	13-03D	22/04/2008
310456	13-03D	22/04/2008
312167	21-01B	22/04/2008
312168	21-01B	22/04/2008
312177	21-01A	22/04/2008
312178	21-01B	22/04/2008
313041	09-03L	16/04/2008
313154	12-16B	21/04/2008
313155	12-16B	21/04/2008
314372	09-01G	18/04/2008
314373	09-01G	18/04/2008
315008	06-13B	23/04/2008
315129	07-02B	11/04/2008
315259	09-01H	10/04/2008
315427	09-01G	18/04/2008
315639	14-02	17/04/2008
315640	14-02	17/04/2008
315641	14-02	17/04/2008
315642	14-02	17/04/2008
315906	09-03L	18/04/2008
315907	09-03L	18/04/2008
316066	14-02	24/04/2008
316103	08-08B	18/04/2008
316160	13-02	24/04/2008
316185	25-02F	18/04/2008
316192	19-06	22/04/2008
316193	19-06	22/04/2008
316194	19-06	22/04/2008
316245	22-05	20/04/2008
316246	22-05	20/04/2008
316611	14-02	18/04/2008
316612	23-04	18/04/2008
316658	25-03	24/04/2008
316756	06-01F	23/04/2008
316757	06-01K	23/04/2008



**Publication and Registration Proceedings**

**Designs Registered**

This section provides a concordance between design number and registration number of Designs covered in this journal. It also shows the main class and registration date.

This section covers Registration numbers 318786 to 318978 .

The registration number shown below should be used in all future correspondence.

Design Number	Registration Number	International Classification Code (IDC)	Registration Date	Design Number	Registration Number	International Classification Code (IDC)	Registration Date
18517/2007	318854	09-01B	16/04/2008	21233/2007	318892	07-06NES	17/04/2008
19562/2007	318824	08-08L	16/04/2008	21234/2007	318893	07-04	17/04/2008
19975/2007	318960	25-03	21/04/2008	21261/2007	318848	06-03B	15/04/2008
20125/2007	318825	21-02C	16/04/2008	21262/2007	318849	06-04D	15/04/2008
20399/2007	318826	12-07	16/04/2008	21263/2007	318850	06-04D	15/04/2008
20491/2007	318834	08-06	15/04/2008	21264/2007	318851	06-02	15/04/2008
20497/2007	318913	25-01A	17/04/2008	21265/2007	318852	06-03A	15/04/2008
20498/2007	318914	25-01A	17/04/2008	21266/2007	318853	06-04D	15/04/2008
20558/2007	318916	07-02P	17/04/2008	21267/2007	318806	06-04D	11/04/2008
20559/2007	318917	07-02P	17/04/2008	21268/2007	318807	06-04D	11/04/2008
20562/2007	318827	06-03B	16/04/2008	21269/2007	318808	06-04D	11/04/2008
20600/2007	318865	25-03	16/04/2008	21270/2007	318809	06-03B	11/04/2008
20616/2007	318828	15-05	16/04/2008	21271/2007	318810	06-03A	11/04/2008
20619/2007	318835	24-01	15/04/2008	21272/2007	318811	06-04D	11/04/2008
20711/2007	318836	25-02NES	15/04/2008	21273/2007	318812	06-03A	11/04/2008
20764/2007	318866	06-06G	16/04/2008	21274/2007	318813	06-04F	11/04/2008
20768/2007	318837	30-01	15/04/2008	21275/2007	318814	06-04D	11/04/2008
20840/2007	318838	10-04	15/04/2008	21276/2007	318815	06-03B	11/04/2008
20855/2007	318867	12-16F	16/04/2008	21277/2007	318816	06-07	11/04/2008
20870/2007	318829	25-01A	16/04/2008	21278/2007	318817	06-04D	11/04/2008
20942/2007	318839	26-02	15/04/2008	21279/2007	318818	06-02	11/04/2008
20949/2007	318946	13-03E	21/04/2008	21280/2007	318819	06-01F	11/04/2008
20950/2007	318947	13-03E	21/04/2008	21282/2007	318820	08-06	11/04/2008
20951/2007	318948	13-03E	21/04/2008	21283/2007	318821	06-03B	11/04/2008
20983/2007	318840	23-01K	15/04/2008	21284/2007	318822	06-04D	11/04/2008
20984/2007	318841	24-04	15/04/2008	21285/2007	318823	06-07	11/04/2008
20985/2007	318842	23-01K	15/04/2008	21321/2007	318786	03-01A	11/04/2008
20987/2007	318843	24-04	15/04/2008	21323/2007	318787	13-03NES	11/04/2008
20993/2007	318868	29-99	16/04/2008	21324/2007	318788	13-01	11/04/2008
20997/2007	318869	23-01H	16/04/2008	21326/2007	318789	06-01F	11/04/2008
21028/2007	318830	21-01A	16/04/2008	21327/2007	318790	06-02	11/04/2008
21046/2007	318872	16-05	16/04/2008	21328/2007	318791	06-04D	11/04/2008
21055/2007	318831	03-01A	16/04/2008	21329/2007	318792	06-04D	11/04/2008
21117/2007	318844	25-01K	15/04/2008	21330/2007	318793	06-04D	11/04/2008
21118/2007	318845	25-01K	15/04/2008	21331/2007	318794	06-02	11/04/2008
21171/2007	318832	25-02H	16/04/2008	21346/2007	318870	21-03	16/04/2008
21176/2007	318833	28-02	16/04/2008	21350/2007	318871	06-03D	16/04/2008
21177/2007	318846	14-03A	15/04/2008	21364/2007	318949	29-02	21/04/2008
21186/2007	318847	08-03	15/04/2008	21367/2007	318795	23-03B	11/04/2008
21215/2007	318876	06-04F	17/04/2008	21368/2007	318796	08-08H	11/04/2008
21216/2007	318877	06-03A	17/04/2008	21369/2007	318797	08-08H	11/04/2008
21217/2007	318878	06-04D	17/04/2008	21370/2007	318798	08-08H	11/04/2008
21218/2007	318880	06-04D	17/04/2008	21371/2007	318799	08-08H	11/04/2008
21219/2007	318881	06-03A	17/04/2008	21372/2007	318800	08-08H	11/04/2008
21220/2007	318882	06-03A	17/04/2008	21374/2007	318801	14-03A	11/04/2008
21221/2007	318884	06-03A	17/04/2008	21375/2007	318802	14-03A	11/04/2008
21222/2007	318885	06-03A	17/04/2008	21376/2007	318803	14-03E	11/04/2008
21225/2007	318886	08-07	17/04/2008	21377/2007	318804	14-03E	11/04/2008
21226/2007	318887	08-07	17/04/2008	21378/2007	318855	14-03A	16/04/2008
21227/2007	318888	08-07	17/04/2008	21379/2007	318805	14-03E	11/04/2008
21228/2007	318889	08-07	17/04/2008	21406/2007	318856	25-01B	16/04/2008
21229/2007	318890	13-03NES	17/04/2008	21408/2007	318857	20-01	16/04/2008
21232/2007	318891	07-04	17/04/2008	21410/2007	318873	10-03	16/04/2008

Publication and Registration Proceedings - Designs Registered cont'd

Design Number	Registration Number	International Classification Code (IDC)	Registration Date	Design Number	Registration Number	International Classification Code (IDC)	Registration Date
21411/2007	318858	06-13B	16/04/2008	21503/2007	318953	15-05	21/04/2008
21412/2007	318859	06-13B	16/04/2008	21508/2007	318954	14-03A	21/04/2008
21413/2007	318860	04-02	16/04/2008	21509/2007	318955	14-03A	21/04/2008
21414/2007	318861	04-02	16/04/2008	21510/2007	318956	14-03A	21/04/2008
21417/2007	318862	23-02B	16/04/2008	21511/2007	318957	14-03A	21/04/2008
21418/2007	318863	07-02L	16/04/2008	21516/2007	318958	14-02	21/04/2008
21419/2007	318864	07-02L	16/04/2008	21517/2007	318959	23-01H	21/04/2008
21420/2007	318874	20-02C	16/04/2008	21519/2007	318966	09-03M	21/04/2008
21421/2007	318875	08-05N	16/04/2008	21520/2007	318967	09-03M	21/04/2008
21425/2007	318932	11-02NES	18/04/2008	21521/2007	318968	14-01	21/04/2008
21427/2007	318933	19-06	18/04/2008	21522/2007	318969	14-03A	21/04/2008
21428/2007	318934	09-03A	18/04/2008	21523/2007	318970	14-03A	21/04/2008
21429/2007	318935	14-03B	18/04/2008	21524/2007	318971	14-03A	21/04/2008
21430/2007	318936	15-05	18/04/2008	21525/2007	318972	14-03A	21/04/2008
21431/2007	318937	15-05	18/04/2008	21526/2007	318973	14-03A	21/04/2008
21432/2007	318938	15-05	18/04/2008	21527/2007	318974	14-03A	21/04/2008
21433/2007	318939	15-05	18/04/2008	21528/2007	318975	14-03A	21/04/2008
21434/2007	318940	12-16C	18/04/2008	21529/2007	318976	14-03A	21/04/2008
21435/2007	318941	06-01E	18/04/2008	21530/2007	318977	14-03A	21/04/2008
21436/2007	318942	06-01F	18/04/2008	21531/2007	318978	14-03A	21/04/2008
21437/2007	318943	08-08B	18/04/2008	21583/2007	318894	12-15B	17/04/2008
21438/2007	318944	09-01NES	18/04/2008	10768/2008	318915	07-02P	17/04/2008
21444/2007	318961	09-03M	21/04/2008	10871/2008	318879	09-01G	17/04/2008
21445/2007	318962	09-03M	21/04/2008	11107/2008	318883	14-03E	17/04/2008
21446/2007	318963	09-03M	21/04/2008	11108/2008	318895	14-03E	22/04/2008
21447/2007	318964	09-03M	21/04/2008	11202/2008	318896	14-03A	22/04/2008
21448/2007	318965	09-03M	21/04/2008	11222/2008	318897	09-05	22/04/2008
21449/2007	318918	21-01A	18/04/2008	11223/2008	318898	09-05	22/04/2008
21450/2007	318919	21-01A	18/04/2008	11224/2008	318899	09-05	22/04/2008
21451/2007	318920	21-01A	18/04/2008	11225/2008	318900	09-05	22/04/2008
21452/2007	318921	21-01A	18/04/2008	11286/2008	318901	28-99	22/04/2008
21469/2007	318945	20-02NES	18/04/2008	11287/2008	318902	28-99	22/04/2008
21487/2007	318922	21-01A	18/04/2008	11288/2008	318903	28-99	22/04/2008
21488/2007	318923	21-01A	18/04/2008	11289/2008	318904	28-99	22/04/2008
21489/2007	318924	21-01A	18/04/2008	11290/2008	318905	28-99	22/04/2008
21490/2007	318925	21-01A	18/04/2008	11291/2008	318906	28-99	22/04/2008
21491/2007	318926	21-01A	18/04/2008	11292/2008	318907	09-01NES	22/04/2008
21492/2007	318927	21-01A	18/04/2008	11293/2008	318908	09-07NES	22/04/2008
21495/2007	318928	21-01A	18/04/2008	11294/2008	318909	09-07NES	22/04/2008
21496/2007	318929	21-01A	18/04/2008	11340/2008	318910	08-05A	22/04/2008
21497/2007	318930	21-01A	18/04/2008	11451/2008	318911	08-03	22/04/2008
21498/2007	318931	21-01A	18/04/2008	11454/2008	318912	09-07A	22/04/2008
21499/2007	318950	99-00	21/04/2008				
21501/2007	318951	15-05	21/04/2008				
21502/2007	318952	15-05	21/04/2008				

**Publication and Registration Proceedings**  
**Class Listing of Designs Published or Registered**

The following section shows an International Classification Code listing of the Registered or Published Designs covered in this supplement.

<b>Classification</b>	<b>Registration Number</b>	<b>Design Number</b>	<b>Classification</b>	<b>Registration Number</b>	<b>Design Number</b>
03-01 A	318786	21321/2007	06-10	318832	21171/2007
03-01 A	318831	21055/2007	06-13 B	318858	21411/2007
04-02	318860	21413/2007	06-13 B	318859	21412/2007
04-02	318861	21414/2007	07-02 L	318863	21418/2007
06-01 E	318941	21435/2007	07-02 L	318864	21419/2007
06-01 F	318789	21326/2007	07-02 P	318915	10768/2008
06-01 F	318819	21280/2007	07-02 P	318916	20558/2007
06-01 F	318942	21436/2007	07-02 P	318917	20559/2007
06-02	318790	21327/2007	07-04	318891	21232/2007
06-02	318794	21331/2007	07-04	318893	21234/2007
06-02	318818	21279/2007	07-05 NES	318907	11292/2008
06-02	318851	21264/2007	07-05 NES	318908	11293/2008
06-03 A	318810	21271/2007	07-05 NES	318909	11294/2008
06-03 A	318812	21273/2007	07-06 NES	318892	21233/2007
06-03 A	318852	21265/2007	08-03	318847	21186/2007
06-03 A	318877	21216/2007	08-03	318911	11451/2008
06-03 A	318881	21219/2007	08-05 A	318910	11340/2008
06-03 A	318882	21220/2007	08-05 N	318875	21421/2007
06-03 A	318884	21221/2007	08-05 NES	318911	11451/2008
06-03 A	318885	21222/2007	08-06	318820	21282/2007
06-03 B	318809	21270/2007	08-06	318834	20491/2007
06-03 B	318815	21276/2007	08-07	318886	21225/2007
06-03 B	318821	21283/2007	08-07	318887	21226/2007
06-03 B	318827	20562/2007	08-07	318888	21227/2007
06-03 B	318848	21261/2007	08-07	318889	21228/2007
06-03 D	318871	21350/2007	08-08 B	318943	21437/2007
06-03 NES	318809	21270/2007	08-08 H	318796	21368/2007
06-03 NES	318810	21271/2007	08-08 H	318797	21369/2007
06-03 NES	318815	21276/2007	08-08 H	318798	21370/2007
06-03 NES	318821	21283/2007	08-08 H	318799	21371/2007
06-04 D	318791	21328/2007	08-08 H	318800	21372/2007
06-04 D	318792	21329/2007	08-08 L	318824	19562/2007
06-04 D	318793	21330/2007	08-08 NES	318949	21364/2007
06-04 D	318806	21267/2007	08-08 NES	318950	21499/2007
06-04 D	318807	21268/2007	09-01 B	318854	18517/2007
06-04 D	318808	21269/2007	09-01 G	318879	10871/2008
06-04 D	318811	21272/2007	09-01 NES	318907	11292/2008
06-04 D	318814	21275/2007	09-01 NES	318944	21438/2007
06-04 D	318817	21278/2007	09-03 A	318934	21428/2007
06-04 D	318822	21284/2007	09-03 M	318961	21444/2007
06-04 D	318849	21262/2007	09-03 M	318962	21445/2007
06-04 D	318850	21263/2007	09-03 M	318963	21446/2007
06-04 D	318853	21266/2007	09-03 M	318964	21447/2007
06-04 D	318877	21216/2007	09-03 M	318965	21448/2007
06-04 D	318878	21217/2007	09-03 M	318966	21519/2007
06-04 D	318880	21218/2007	09-03 M	318967	21520/2007
06-04 F	318813	21274/2007	09-05	318897	11222/2008
06-04 F	318814	21275/2007	09-05	318898	11223/2008
06-04 F	318876	21215/2007	09-05	318899	11224/2008
06-04 NES	318811	21272/2007	09-05	318900	11225/2008
06-04 NES	318817	21278/2007	09-07 A	318912	11454/2008
06-05	318820	21282/2007	09-07 NES	318908	11293/2008
06-06 G	318866	20764/2007	09-07 NES	318909	11294/2008
06-07	318816	21277/2007	10-03	318873	21410/2007
06-07	318823	21285/2007	10-04	318838	20840/2007
06-09	318818	21279/2007	11-02 NES	318932	21425/2007

Registration Proceedings - Class Listing of Designs Published or Registered cont'd

Classification	Registration Number	Design Number	Classification	Registration Number	Design Number
12-05	318868	20993/2007	21-01 A	318922	21487/2007
12-07	318826	20399/2007	21-01 A	318923	21488/2007
12-15 B	318894	21583/2007	21-01 A	318924	21489/2007
12-16 C	318940	21434/2007	21-01 A	318925	21490/2007
12-16 F	318867	20855/2007	21-01 A	318926	21491/2007
13-01	318788	21324/2007	21-01 A	318927	21492/2007
13-03 E	318946	20949/2007	21-01 A	318928	21495/2007
13-03 E	318947	20950/2007	21-01 A	318929	21496/2007
13-03 E	318948	20951/2007	21-01 A	318930	21497/2007
13-03 NES	318787	21323/2007	21-01 A	318931	21498/2007
13-03 NES	318890	21229/2007	21-02 C	318825	20125/2007
14-01	318968	21521/2007	21-03	318870	21346/2007
14-02	318958	21516/2007	23-01 E	318959	21517/2007
14-03 A	318801	21374/2007	23-01 H	318869	20997/2007
14-03 A	318802	21375/2007	23-01 H	318959	21517/2007
14-03 A	318846	21177/2007	23-01 K	318840	20983/2007
14-03 A	318855	21378/2007	23-01 K	318842	20985/2007
14-03 A	318896	11202/2008	23-02 A	318907	11292/2008
14-03 A	318954	21508/2007	23-02 A	318908	11293/2008
14-03 A	318955	21509/2007	23-02 A	318909	11294/2008
14-03 A	318956	21510/2007	23-02 B	318862	21417/2007
14-03 A	318957	21511/2007	23-02 NES	318897	11222/2008
14-03 A	318968	21521/2007	23-02 NES	318898	11223/2008
14-03 A	318969	21522/2007	23-02 NES	318899	11224/2008
14-03 A	318970	21523/2007	23-02 NES	318900	11225/2008
14-03 A	318971	21524/2007	23-03 B	318795	21367/2007
14-03 A	318972	21525/2007	24-01	318835	20619/2007
14-03 A	318973	21526/2007	24-04	318841	20984/2007
14-03 A	318974	21527/2007	24-04	318843	20987/2007
14-03 A	318975	21528/2007	25-01 A	318829	20870/2007
14-03 A	318976	21529/2007	25-01 A	318913	20497/2007
14-03 A	318977	21530/2007	25-01 A	318914	20498/2007
14-03 A	318978	21531/2007	25-01 B	318856	21406/2007
14-03 B	318935	21429/2007	25-01 K	318844	21117/2007
14-03 E	318803	21376/2007	25-01 K	318845	21118/2007
14-03 E	318804	21377/2007	25-02 H	318832	21171/2007
14-03 E	318805	21379/2007	25-02 NES	318836	20711/2007
14-03 E	318883	11107/2008	25-03	318865	20600/2007
14-03 E	318895	11108/2008	25-03	318960	19975/2007
14-03 NES	318846	21177/2007	26-02	318839	20942/2007
14-03 NES	318958	21516/2007	28-02	318833	21176/2007
15-05	318828	20616/2007	28-03 NES	318897	11222/2008
15-05	318936	21430/2007	28-03 NES	318898	11223/2008
15-05	318937	21431/2007	28-03 NES	318899	11224/2008
15-05	318938	21432/2007	28-03 NES	318900	11225/2008
15-05	318939	21433/2007	28-99	318901	11286/2008
15-05	318951	21501/2007	28-99	318902	11287/2008
15-05	318952	21502/2007	28-99	318903	11288/2008
15-05	318953	21503/2007	28-99	318904	11289/2008
16-05	318872	21046/2007	28-99	318905	11290/2008
19-06	318933	21427/2007	28-99	318906	11291/2008
20-01	318857	21408/2007	29-02	318949	21364/2007
20-02 C	318874	21420/2007	29-99	318868	20993/2007
20-02 NES	318945	21469/2007	30-01	318837	20768/2007
21-01 A	318830	21028/2007	99-00	318950	21499/2007
21-01 A	318918	21449/2007			
21-01 A	318919	21450/2007			
21-01 A	318920	21451/2007			
21-01 A	318921	21452/2007			

**Registration Proceedings - Class Listing of Designs Published or Registered cont'd**

(21) Design Number: **21321/2007**

(22) Date of Filing Application: **13 December 2007**

(24) Date from which industrial property rights may have effect: **13 December 2007**

(54) Product in respect of which the design is registered: **Bag**

(51) International Design Classification: **03-01A**

(71) Name(s) and Address(s) of Applicant(s):

**Sunload GmbH**

**Kantstrasse 150 10623 Berlin Germany**

(72) Name(s) of Designer(s): **Georg Picard**

(45) Registration Date: **11 April 2008**

(30) Convention priority data:

(31) Number

(32) Date

(33) Country

**407 03 511.7**

**06 Jul 2007**

**GERMANY**

(56) Related Art Documents: **Not Applicable**

(57) Statement of Newness and Distinctiveness: **Those features of the bag depicted in the representations that are new and distinctive are the shape and/or configuration.**



(21) Design Number: **21323/2007**

(22) Date of Filing Application: **13 December 2007**

(24) Date from which industrial property rights may have effect: **13 December 2007**

(54) Product in respect of which the design is registered: **Door operator electrics unit**

(51) International Design Classification: **13-03NES**

(71) Name(s) and Address(s) of Applicant(s):

**Smart Openers Pty Ltd**

**Suite 3 1-3 Albert Street Blackburn Victoria 3130 Australia**

(72) Name(s) of Designer(s): **Benjamin James Flemming and Eric Vallerie and Glen Edward Flemming and Jack Leivenzon**

(45) Registration Date: **11 April 2008**

(56) Related Art Documents: **Not Applicable**

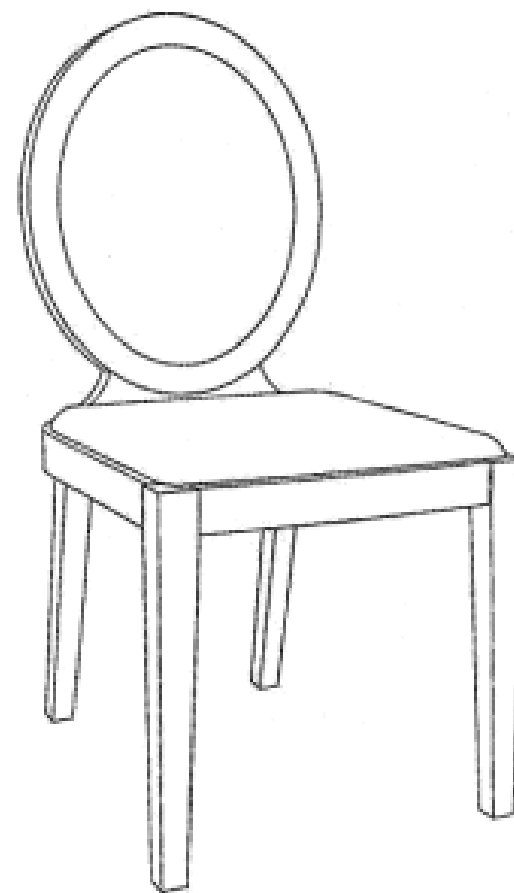
(57) Statement of Newness and Distinctiveness: **Nil**



(21) Design Number: **21324/2007**  
(22) Date of Filing Application: **13 December 2007**  
(24) Date from which industrial property rights may have effect: **13 December 2007**  
(54) Product in respect of which the design is registered: **Door operator with motor unit and electrics unit coupled thereto**  
(51) International Design Classification: **13-01**  
(71) Name(s) and Address(s) of Applicant(s):  
**Smart Openers Pty Ltd**  
**Suite 3 1-3 Albert Street Blackburn Victoria 3130 Australia**  
(72) Name(s) of Designer(s): **Benjamin James Flemming and Eric Vallerie and Glen Edward Flemming and Jack Leivenzon**  
(45) Registration Date: **11 April 2008**  
(56) Related Art Documents: **Not Applicable**  
(57) Statement of Newness and Distinctiveness: **Nil**



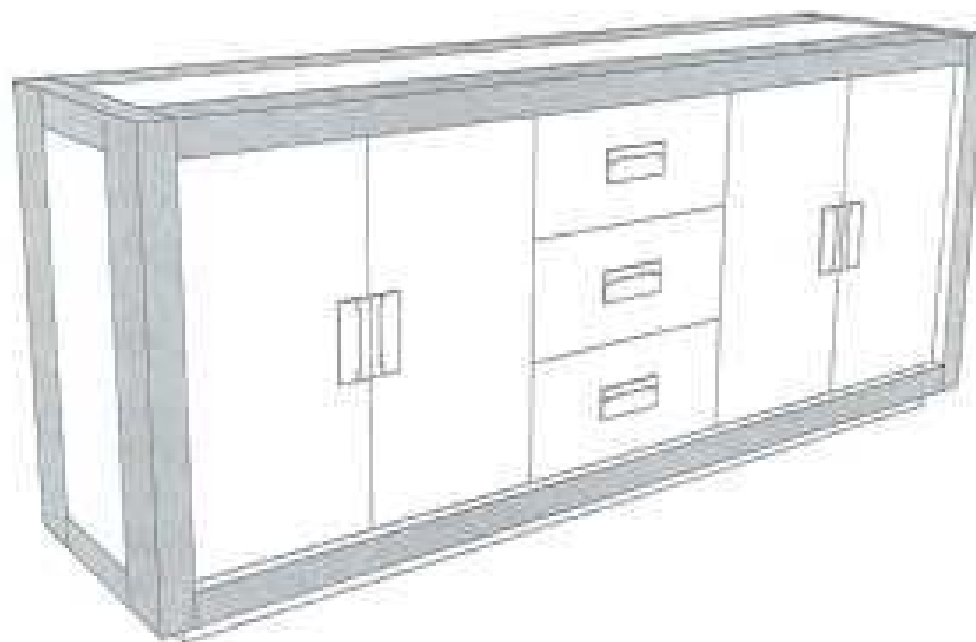
(21) Design Number: **21326/2007**  
(22) Date of Filing Application: **13 December 2007**  
(24) Date from which industrial property rights may have effect: **13 December 2007**  
(54) Product in respect of which the design is registered: **Chairs (seats)**  
(51) International Design Classification: **06-01F**  
(71) Name(s) and Address(s) of Applicant(s):  
**EM Export Limited**  
**Nerine Chambers PO Box 905 Road Town Tortola British Virgin Islands**  
(72) Name(s) of Designer(s): **Moshe Saraga and Reem Mayer**  
(45) Registration Date: **11 April 2008**  
(30) Convention priority data:  
(31) Number (32) Date (33) Country  
**000823950-0006 09 Nov 2007 FRANCE**  
(56) Related Art Documents: **Not Applicable**  
(57) Statement of Newness and Distinctiveness: **Nil**



(21) Design Number: **21327/2007**  
(22) Date of Filing Application: **13 December 2007**  
(24) Date from which industrial property rights may have effect: **13 December 2007**  
(54) Product in respect of which the design is registered: **Beds**  
(51) International Design Classification: **06-02**  
(71) Name(s) and Address(s) of Applicant(s):  
**EM Export Limited**  
**Nerine Chambers PO Box 905 Road Town Tortola British Virgin Islands**  
(72) Name(s) of Designer(s): **Moshe Saraga and Reem Mayer**  
(45) Registration Date: **11 April 2008**  
(30) Convention priority data:  
(31) Number (32) Date (33) Country  
**0008-23950-0005 09 Nov 2007 FRANCE**  
(56) Related Art Documents: **Not Applicable**  
(57) Statement of Newness and Distinctiveness: **Nil**



(21) Design Number: **21328/2007**  
(22) Date of Filing Application: **13 December 2007**  
(24) Date from which industrial property rights may have effect: **13 December 2007**  
(54) Product in respect of which the design is registered: **Sideboards**  
(51) International Design Classification: **06-04D**  
(71) Name(s) and Address(s) of Applicant(s):  
**EM Export Limited**  
**Nerine Chambers PO Box 905 Road Town Tortola British Virgin Islands**  
(72) Name(s) of Designer(s): **Moshe Saraga and Reem Mayer**  
(45) Registration Date: **11 April 2008**  
(30) Convention priority data:  
(31) Number (32) Date (33) Country  
**000823950-0004 09 Nov 2007 FRANCE**  
(56) Related Art Documents: **Not Applicable**  
(57) Statement of Newness and Distinctiveness: **Nil**





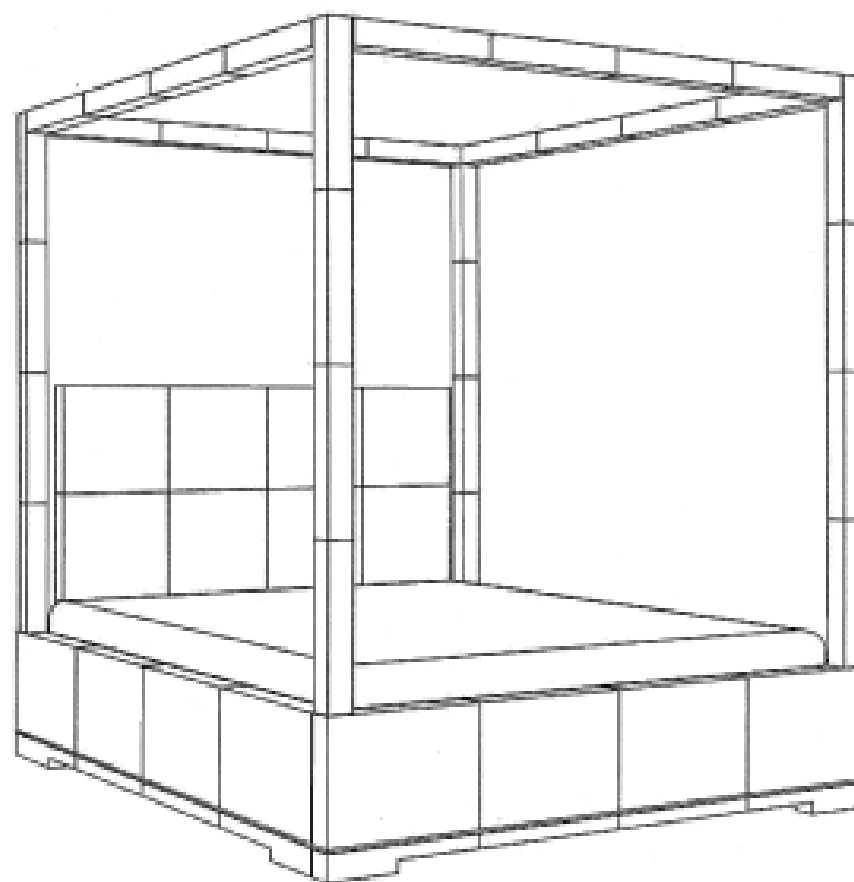
- (21) Design Number: **21329/2007**  
(22) Date of Filing Application: **13 December 2007**  
(24) Date from which industrial property rights may have effect: **13 December 2007**  
(54) Product in respect of which the design is registered: **Glass cabinets**  
(51) International Design Classification: **06-04D**  
(71) Name(s) and Address(s) of Applicant(s):  
**EM Export Limited**  
**Nerine Chambers PO Box 905 Road Town Tortola British Virgin Islands**  
(72) Name(s) of Designer(s): **Moshe Saraga and Reem Mayer**  
(45) Registration Date: **11 April 2008**  
(30) Convention priority data:  
(31) Number      (32) Date      (33) Country  
**000823950-0003    09 Nov 2007      FRANCE**  
(56) Related Art Documents: **Not Applicable**  
(57) Statement of Newness and Distinctiveness: **Nil**



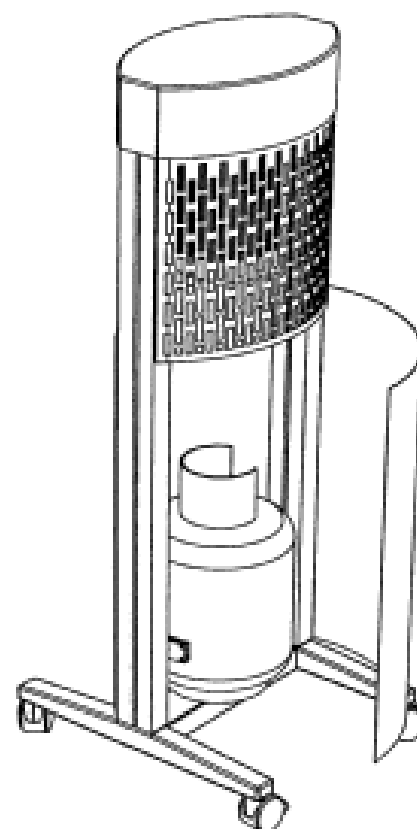
- (21) Design Number: **21330/2007**  
(22) Date of Filing Application: **13 December 2007**  
(24) Date from which industrial property rights may have effect: **13 December 2007**  
(54) Product in respect of which the design is registered: **Glass cabinets**  
(51) International Design Classification: **06-04D**  
(71) Name(s) and Address(s) of Applicant(s):  
**EM Export Limited**  
**Nerine Chambers PO Box 905 Road Town Tortola British Virgin Islands**  
(72) Name(s) of Designer(s): **Moshe Saraga and Reem Mayer**  
(45) Registration Date: **11 April 2008**  
(30) Convention priority data:  
(31) Number      (32) Date      (33) Country  
**000823950-0002    09 Nov 2007      FRANCE**  
(56) Related Art Documents: **Not Applicable**  
(57) Statement of Newness and Distinctiveness: **Nil**



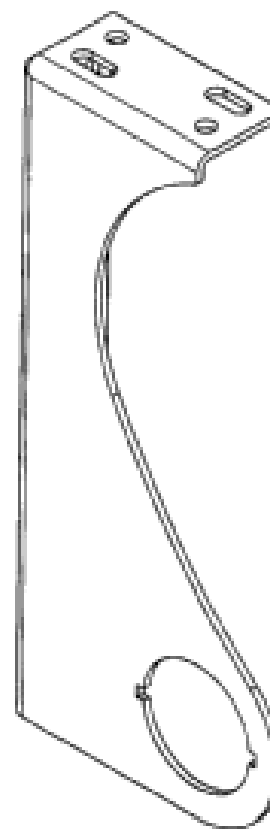
- (21) Design Number: **21331/2007**  
(22) Date of Filing Application: **13 December 2007**  
(24) Date from which industrial property rights may have effect: **13 December 2007**  
(54) Product in respect of which the design is registered: **Beds**  
(51) International Design Classification: **06-02**  
(71) Name(s) and Address(s) of Applicant(s):  
**EM Export Limited**  
**Nerine Chambers PO Box 905 Road Town Tortola British Virgin Islands**  
(72) Name(s) of Designer(s): **Moshe Saraga and Reem Mayer and Alex Meitlis**  
(45) Registration Date: **11 April 2008**  
(30) Convention priority data:  
(31) Number (32) Date (33) Country  
**000823950-0001 09 Nov 2007 FRANCE**  
(56) Related Art Documents: **Not Applicable**  
(57) Statement of Newness and Distinctiveness: **Nil**



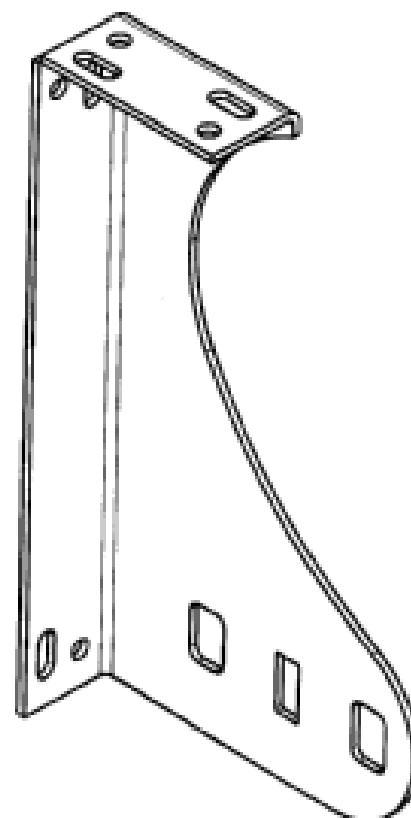
- (21) Design Number: **21367/2007**  
(22) Date of Filing Application: **14 December 2007**  
(24) Date from which industrial property rights may have effect: **14 December 2007**  
(54) Product in respect of which the design is registered: **Gas heater**  
(51) International Design Classification: **23-03B**  
(71) Name(s) and Address(s) of Applicant(s):  
**Focus Lifestyle Products Pty Ltd**  
**223-225 Governor Road Braeside Victoria 3195 Australia**  
(72) Name(s) of Designer(s): **Mark Stone and Ryan Owen**  
(45) Registration Date: **11 April 2008**  
(56) Related Art Documents: **Not Applicable**  
(57) Statement of Newness and Distinctiveness: **Newness and distinctiveness resides in the shape and configuration of a gas heater as shown in the drawings. The gas bottle appearing in the drawing "perspective view door open" does not form part of the design.**



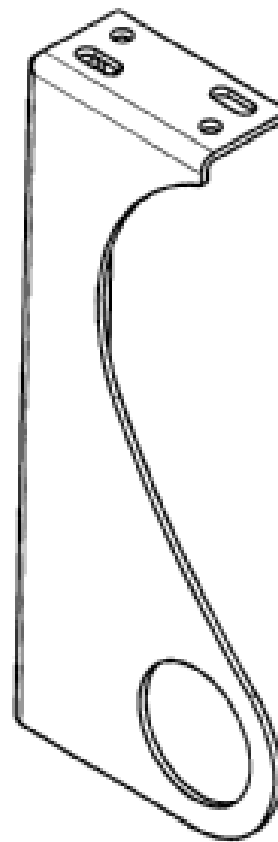
- (21) Design Number: **21368/2007**  
(22) Date of Filing Application: **14 December 2007**  
(24) Date from which industrial property rights may have effect: **14 December 2007**  
(54) Product in respect of which the design is registered: **Roller blind bracket**  
(51) International Design Classification: **08-08H**  
(71) Name(s) and Address(s) of Applicant(s):  
**Designed Blinds Australia Pty Ltd**  
**1507 Centre Road Clayton Victoria 3168 Australia**  
(72) Name(s) of Designer(s): **Kevin Clarke**  
(45) Registration Date: **11 April 2008**  
(56) Related Art Documents: **Not Applicable**  
(57) Statement of Newness and Distinctiveness: **Nil**



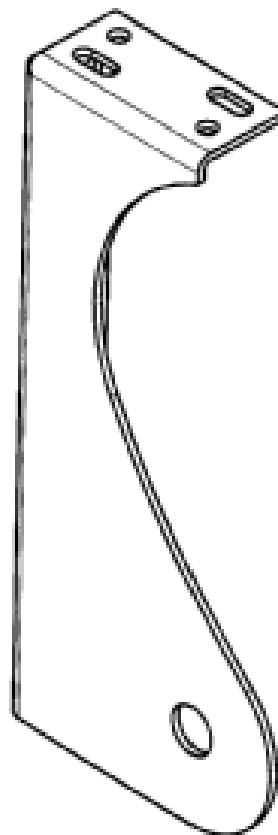
- (21) Design Number: **21369/2007**  
(22) Date of Filing Application: **14 December 2007**  
(24) Date from which industrial property rights may have effect: **14 December 2007**  
(54) Product in respect of which the design is registered: **Roller blind bracket**  
(51) International Design Classification: **08-08H**  
(71) Name(s) and Address(s) of Applicant(s):  
**Designed Blinds Australia Pty Ltd**  
**1507 Centre Road Clayton Victoria 3168 Australia**  
(72) Name(s) of Designer(s): **Kevin Clarke**  
(45) Registration Date: **11 April 2008**  
(56) Related Art Documents: **Not Applicable**  
(57) Statement of Newness and Distinctiveness: **Nil**



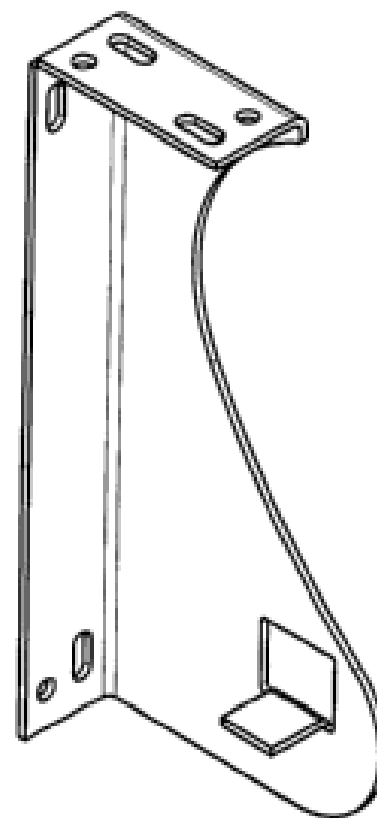
- (21) Design Number: **21370/2007**  
(22) Date of Filing Application: **14 December 2007**  
(24) Date from which industrial property rights may have effect: **14 December 2007**  
(54) Product in respect of which the design is registered: **Roller blind bracket**  
(51) International Design Classification: **08-08H**  
(71) Name(s) and Address(s) of Applicant(s):  
**Designed Blinds Australia Pty Ltd**  
**1507 Centre Road Clayton Victoria 3168 Australia**  
(72) Name(s) of Designer(s): **Kevin Clarke**  
(45) Registration Date: **11 April 2008**  
(56) Related Art Documents: **Not Applicable**  
(57) Statement of Newness and Distinctiveness: **Nil**



- (21) Design Number: **21371/2007**  
(22) Date of Filing Application: **14 December 2007**  
(24) Date from which industrial property rights may have effect: **14 December 2007**  
(54) Product in respect of which the design is registered: **Roller blind bracket**  
(51) International Design Classification: **08-08H**  
(71) Name(s) and Address(s) of Applicant(s):  
**Designed Blinds Australia Pty Ltd**  
**1507 Centre Road Clayton Victoria 3168 Australia**  
(72) Name(s) of Designer(s): **Kevin Clarke**  
(45) Registration Date: **11 April 2008**  
(56) Related Art Documents: **Not Applicable**  
(57) Statement of Newness and Distinctiveness: **Nil**



(21) Design Number: **21372/2007**  
(22) Date of Filing Application: **14 December 2007**  
(24) Date from which industrial property rights may have effect: **14 December 2007**  
(54) Product in respect of which the design is registered: **Roller blind bracket**  
(51) International Design Classification: **08-08H**  
(71) Name(s) and Address(s) of Applicant(s):  
**Designed Blinds Australia Pty Ltd**  
**1507 Centre Road Clayton Victoria 3168 Australia**  
(72) Name(s) of Designer(s): **Kevin Clarke**  
(45) Registration Date: **11 April 2008**  
(56) Related Art Documents: **Not Applicable**  
(57) Statement of Newness and Distinctiveness: **Nil**



(21) Design Number: **21374/2007**  
(22) Date of Filing Application: **14 December 2007**  
(24) Date from which industrial property rights may have effect: **14 December 2007**  
(54) Product in respect of which the design is registered: **Headset**  
(51) International Design Classification: **14-03A**  
(71) Name(s) and Address(s) of Applicant(s):  
**Nokia Corporation**  
**Keilalahdentie 4 FIN-02150 Espoo Finland**  
(72) Name(s) of Designer(s): **Simon Bradford and Sami Lehtovaara**  
(45) Registration Date: **11 April 2008**  
(30) Convention priority data:  

(31) Number	(32) Date	(33) Country
<b>M20070118</b>	<b>14 Jun 2007</b>	<b>FINLAND</b>

  
(56) Related Art Documents: **Not Applicable**  
(57) Statement of Newness and Distinctiveness: **Nil**



(21) Design Number: **21375/2007**  
(22) Date of Filing Application: **14 December 2007**  
(24) Date from which industrial property rights may have effect: **14 December 2007**  
(54) Product in respect of which the design is registered: **Headset**  
(51) International Design Classification: **14-03A**  
(71) Name(s) and Address(s) of Applicant(s):

**Nokia Corporation**  
**Keilalahdentie 4 FIN-02150 Espoo Finland**

(72) Name(s) of Designer(s): **Simon Bradford and Sami Lehtovaara**

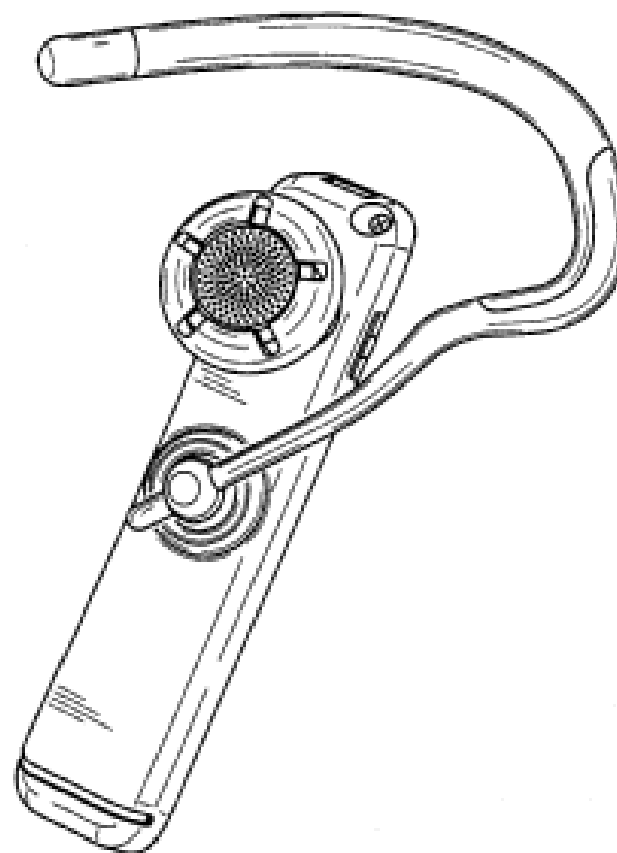
(45) Registration Date: **11 April 2008**

(30) Convention priority data:

(31) Number	(32) Date	(33) Country
<b>M20070118</b>	<b>14 Jun 2007</b>	<b>FINLAND</b>

(56) Related Art Documents: **Not Applicable**

(57) Statement of Newness and Distinctiveness: **Nil**



(21) Design Number: **21376/2007**  
(22) Date of Filing Application: **14 December 2007**  
(24) Date from which industrial property rights may have effect: **14 December 2007**  
(54) Product in respect of which the design is registered: **Handset**  
(51) International Design Classification: **14-03E**  
(71) Name(s) and Address(s) of Applicant(s):

**Nokia Corporation**  
**Keilalahdentie 4 FIN-02150 Espoo Finland**

(72) Name(s) of Designer(s): **Lee Irvine and Damian Mycroft and Nicol Boyd**

(45) Registration Date: **11 April 2008**

(30) Convention priority data:

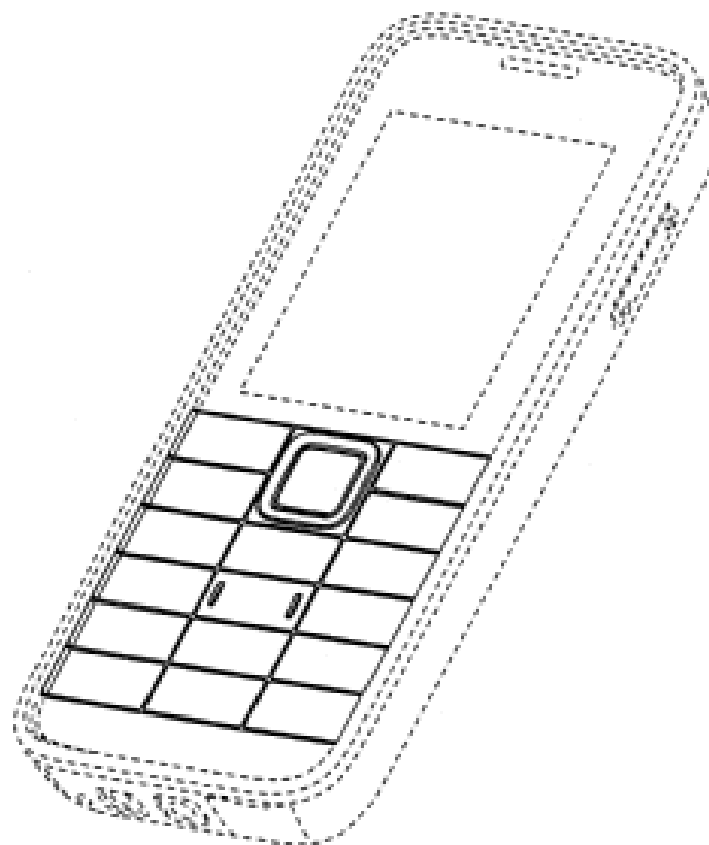
(31) Number	(32) Date	(33) Country
<b>M20070117</b>	<b>14 Jun 2007</b>	<b>FINLAND</b>

(56) Related Art Documents: **Not Applicable**

(57) Statement of Newness and Distinctiveness: **Nil**



- (21) Design Number: **21377/2007**  
(22) Date of Filing Application: **14 December 2007**  
(24) Date from which industrial property rights may have effect: **14 December 2007**  
(54) Product in respect of which the design is registered: **Set of key buttons for a handset**  
(51) International Design Classification: **14-03E**  
(71) Name(s) and Address(s) of Applicant(s):  
**Nokia Corporation**  
**Keilalahdentie 4 FIN-02150 Espoo Finland**  
(72) Name(s) of Designer(s): **Lee Irvine and Damian Mycroft and Nicol Boyd**  
(45) Registration Date: **11 April 2008**  
(30) Convention priority data:  
(31) Number (32) Date (33) Country  
**M20070117 14 Jun 2007 FINLAND**  
(56) Related Art Documents: **Not Applicable**  
(57) Statement of Newness and Distinctiveness: **Newness and distinctiveness is claimed in the visual features shown in solid lines in the representations.**



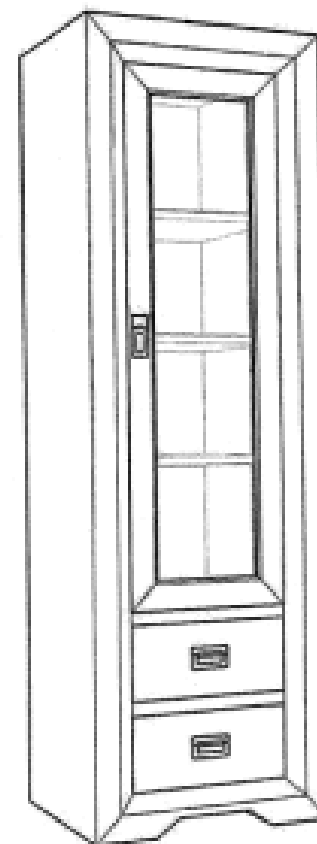
- (21) Design Number: **21379/2007**  
(22) Date of Filing Application: **14 December 2007**  
(24) Date from which industrial property rights may have effect: **14 December 2007**  
(54) Product in respect of which the design is registered: **Front cover for a handset**  
(51) International Design Classification: **14-03E**  
(71) Name(s) and Address(s) of Applicant(s):  
**Nokia Corporation**  
**Keilalahdentie 4 FIN-02150 Espoo Finland**  
(72) Name(s) of Designer(s): **Lee Irvine and Damian Mycroft and Nicol Boyd**  
(45) Registration Date: **11 April 2008**  
(30) Convention priority data:  
(31) Number (32) Date (33) Country  
**M20070117 14 Jun 2007 FINLAND**  
(56) Related Art Documents: **Not Applicable**  
(57) Statement of Newness and Distinctiveness: **Nil**



- (21) Design Number: **21267/2007**  
(22) Date of Filing Application: **12 December 2007**  
(24) Date from which industrial property rights may have effect: **12 December 2007**  
(54) Product in respect of which the design is registered: **Glass cabinets**  
(51) International Design Classification: **06-04D**  
(71) Name(s) and Address(s) of Applicant(s):

**EM Export Limited**  
**Nerine Chambers PO Box 905 Road Town Tortola British Virgin Islands**

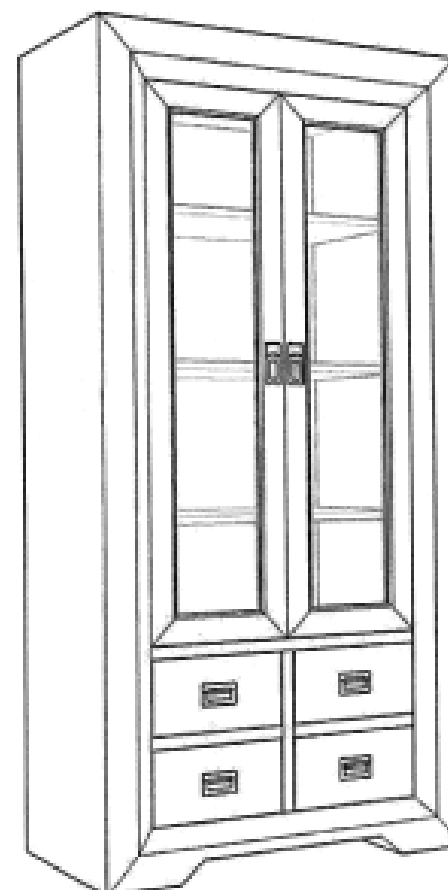
- (72) Name(s) of Designer(s): **Moshe Saraga and Reem Mayer**  
(45) Registration Date: **11 April 2008**  
(30) Convention priority data:  
(31) Number      (32) Date      (33) Country  
**000741913-0017   12 Jun 2007      FRANCE**  
(56) Related Art Documents: **Not Applicable**  
(57) Statement of Newness and Distinctiveness: **Nil**



- (21) Design Number: **21268/2007**  
(22) Date of Filing Application: **12 December 2007**  
(24) Date from which industrial property rights may have effect: **12 December 2007**  
(54) Product in respect of which the design is registered: **Glass cabinets**  
(51) International Design Classification: **06-04D**  
(71) Name(s) and Address(s) of Applicant(s):

**EM Export Limited**  
**Nerine Chambers PO Box 905 Road Town Tortola British Virgin Islands**

- (72) Name(s) of Designer(s): **Moshe Saraga and Reem Mayer**  
(45) Registration Date: **11 April 2008**  
(30) Convention priority data:  
(31) Number      (32) Date      (33) Country  
**000741913-0016   12 Jun 2007      FRANCE**  
(56) Related Art Documents: **Not Applicable**  
(57) Statement of Newness and Distinctiveness: **Nil**

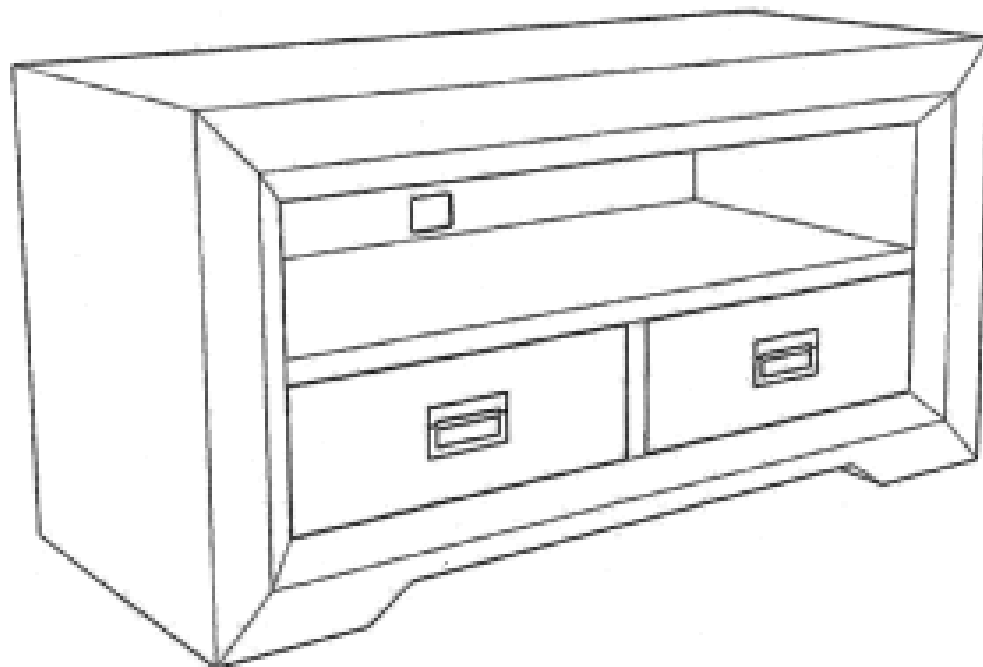




- (21) Design Number: **21269/2007**  
(22) Date of Filing Application: **12 December 2007**  
(24) Date from which industrial property rights may have effect: **12 December 2007**  
(54) Product in respect of which the design is registered: **Sideboards**  
(51) International Design Classification: **06-04D**  
(71) Name(s) and Address(s) of Applicant(s):

**EM Export Limited**  
**Nerine Chambers PO Box 905 Road Town Tortola British Virgin Islands**

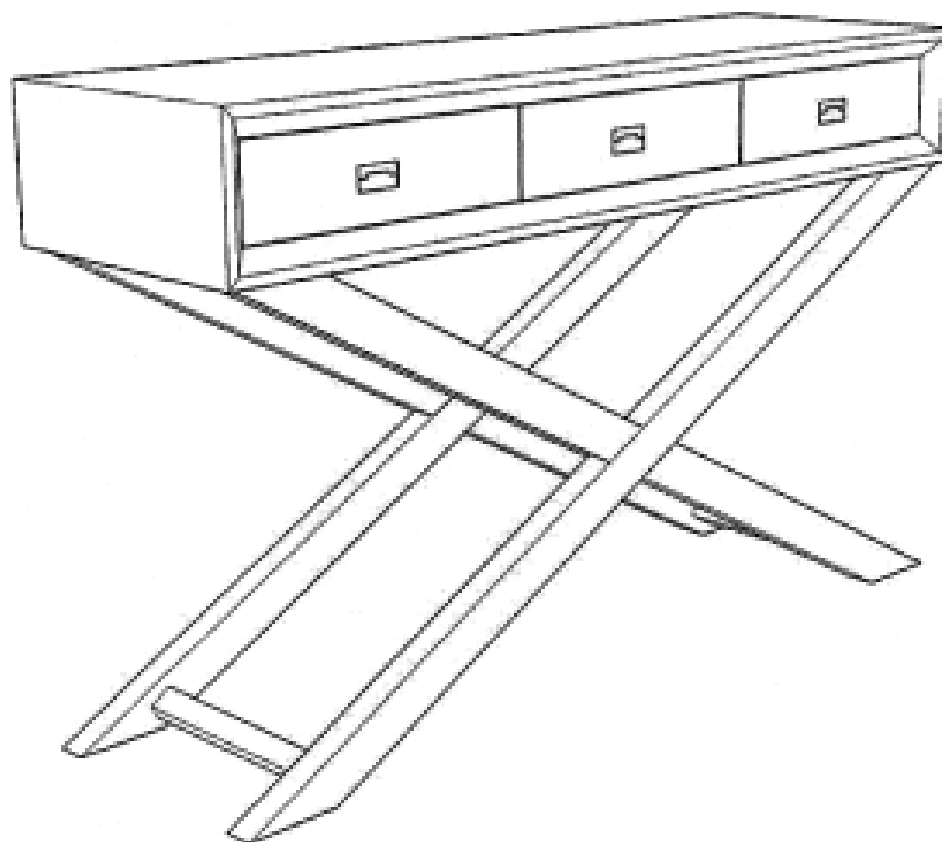
- (72) Name(s) of Designer(s): **Moshe Saraga and Reem Mayer**  
(45) Registration Date: **11 April 2008**  
(30) Convention priority data:  
(31) Number (32) Date (33) Country  
**000741913-0013 12 Jun 2007 FRANCE**  
(56) Related Art Documents: **Not Applicable**  
(57) Statement of Newness and Distinctiveness: **Nil**



- (21) Design Number: **21270/2007**  
(22) Date of Filing Application: **12 December 2007**  
(24) Date from which industrial property rights may have effect: **12 December 2007**  
(54) Product in respect of which the design is registered: **Console tables**  
(51) International Design Classification: **06-03B, 06-03NES**  
(71) Name(s) and Address(s) of Applicant(s):

**EM Export Limited**  
**Nerine Chambers PO Box 905 Road Town Tortola British Virgin Islands**

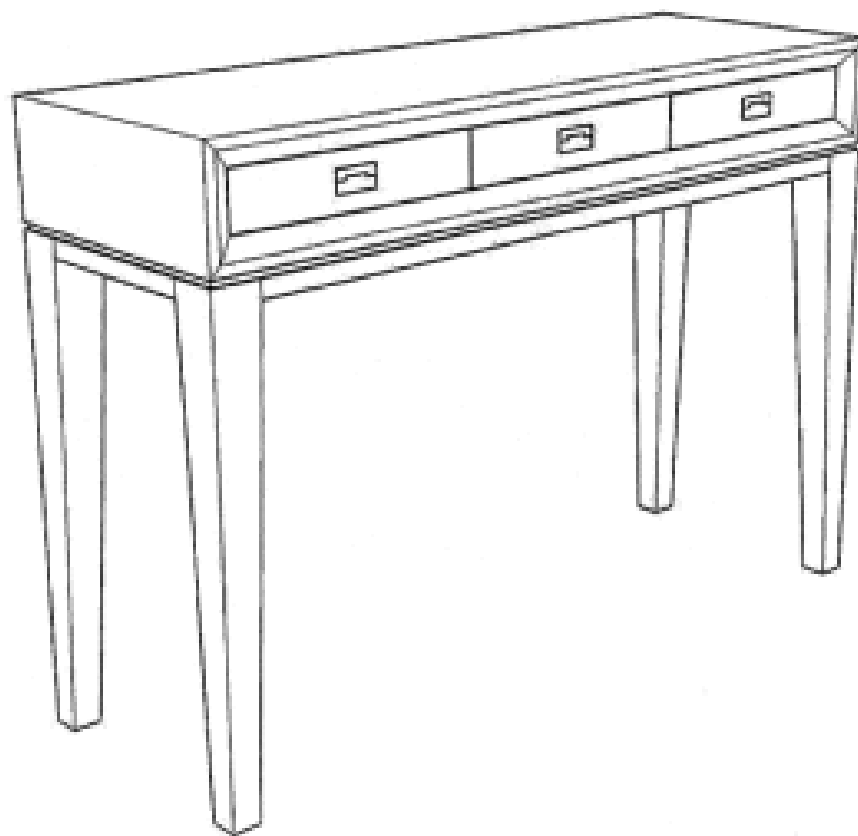
- (72) Name(s) of Designer(s): **Moshe Saraga and Reem Mayer**  
(45) Registration Date: **11 April 2008**  
(30) Convention priority data:  
(31) Number (32) Date (33) Country  
**000741913-0008 12 Jun 2007 FRANCE**  
(56) Related Art Documents: **Not Applicable**  
(57) Statement of Newness and Distinctiveness: **Nil**



- (21) Design Number: **21271/2007**  
(22) Date of Filing Application: **12 December 2007**  
(24) Date from which industrial property rights may have effect: **12 December 2007**  
(54) Product in respect of which the design is registered: **Console tables**  
(51) International Design Classification: **06-03A, 06-03NES**  
(71) Name(s) and Address(s) of Applicant(s):

**EM Export Limited**  
**Nerine Chambers PO Box 905 Road Town Tortola British Virgin Islands**

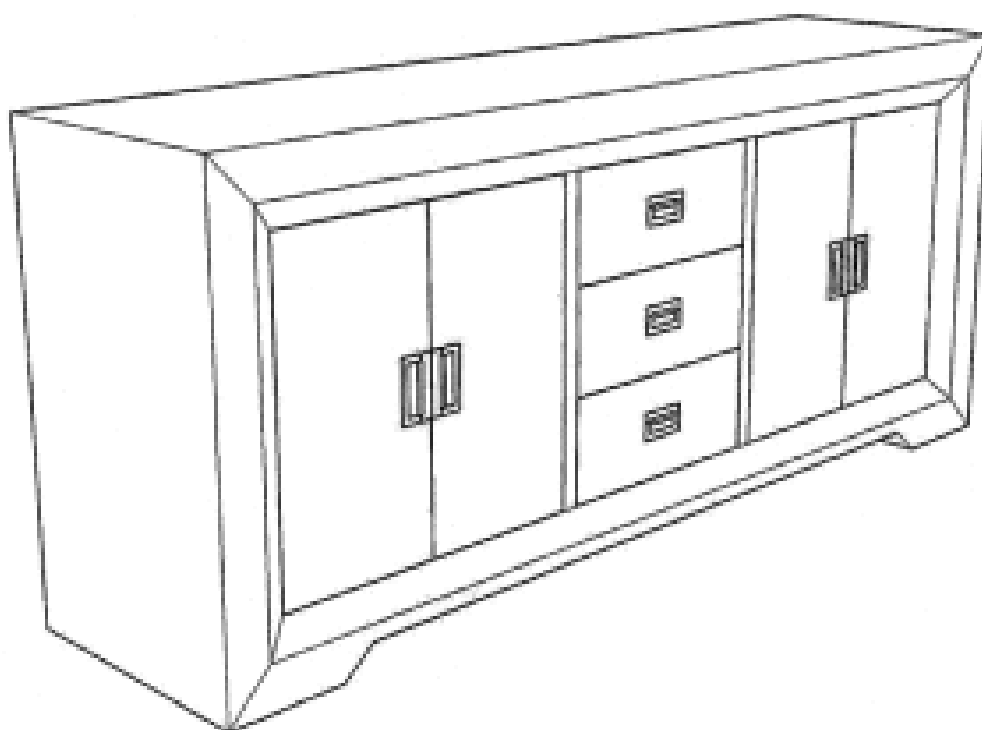
- (72) Name(s) of Designer(s): **Moshe Saraga and Reem Mayer**  
(45) Registration Date: **11 April 2008**  
(30) Convention priority data:  
(31) Number      (32) Date      (33) Country  
**000741913-0006    12 Jun 2007      FRANCE**  
(56) Related Art Documents: **Not Applicable**  
(57) Statement of Newness and Distinctiveness: **Nil**



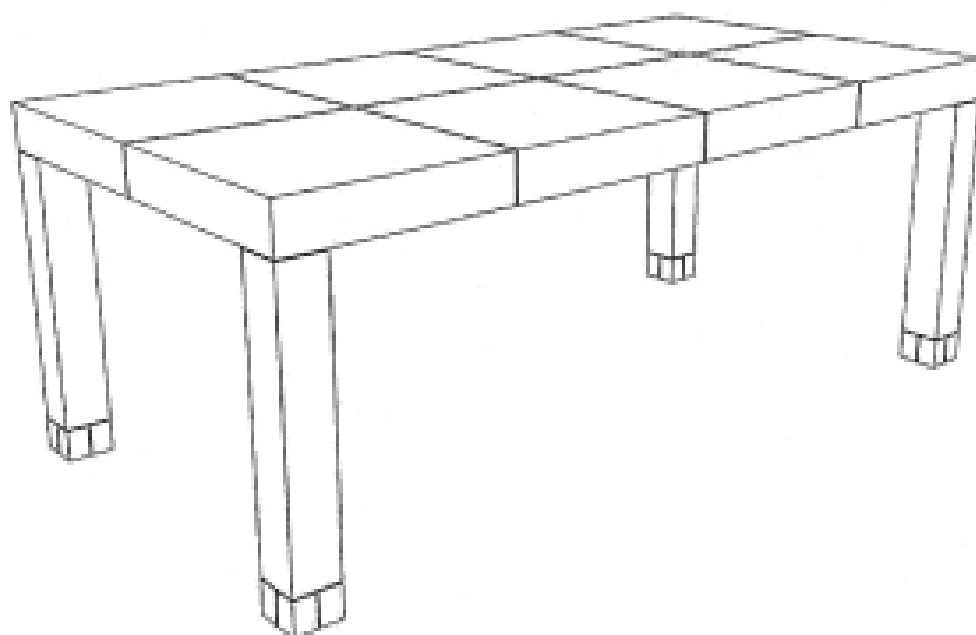
- (21) Design Number: **21272/2007**  
(22) Date of Filing Application: **12 December 2007**  
(24) Date from which industrial property rights may have effect: **12 December 2007**  
(54) Product in respect of which the design is registered: **Sideboards**  
(51) International Design Classification: **06-04D, 06-04NES**  
(71) Name(s) and Address(s) of Applicant(s):

**EM Export Limited**  
**Nerine Chambers PO Box 905 Road Town Tortola British Virgin Islands**

- (72) Name(s) of Designer(s): **Moshe Saraga and Reem Mayer**  
(45) Registration Date: **11 April 2008**  
(30) Convention priority data:  
(31) Number      (32) Date      (33) Country  
**000741913-0005    12 Jun 2007      FRANCE**  
(56) Related Art Documents: **Not Applicable**  
(57) Statement of Newness and Distinctiveness: **Nil**



(21) Design Number: **21273/2007**  
(22) Date of Filing Application: **12 December 2007**  
(24) Date from which industrial property rights may have effect: **12 December 2007**  
(54) Product in respect of which the design is registered: **Tables**  
(51) International Design Classification: **06-03A**  
(71) Name(s) and Address(s) of Applicant(s):  
**EM Export Limited**  
**Nerine Chambers PO Box 905 Road Town Tortola British Virgin Islands**  
(72) Name(s) of Designer(s): **Moshe Saraga and Reem Mayer and Alex Meitlis**  
(45) Registration Date: **11 April 2008**  
(30) Convention priority data:  
(31) Number (32) Date (33) Country  
**000761309-0026 19 Jul 2007 FRANCE**  
(56) Related Art Documents: **Not Applicable**  
(57) Statement of Newness and Distinctiveness: **Nil**



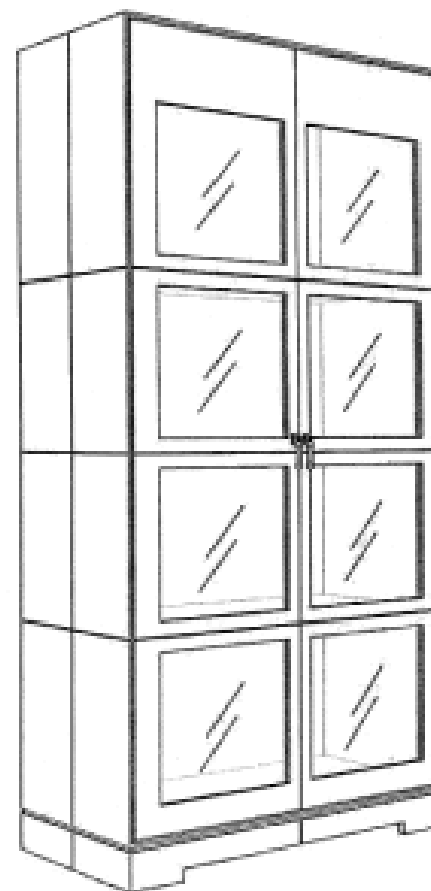
(21) Design Number: **21274/2007**  
(22) Date of Filing Application: **12 December 2007**  
(24) Date from which industrial property rights may have effect: **12 December 2007**  
(54) Product in respect of which the design is registered: **Furniture with drawers**  
(51) International Design Classification: **06-04F**  
(71) Name(s) and Address(s) of Applicant(s):  
**EM Export Limited**  
**Nerine Chambers PO Box 905 Road Town Tortola British Virgin Islands**  
(72) Name(s) of Designer(s): **Moshe Saraga and Reem Mayer and Alex Meitlis**  
(45) Registration Date: **11 April 2008**  
(30) Convention priority data:  
(31) Number (32) Date (33) Country  
**000761309-0025 19 Jul 2007 FRANCE**  
(56) Related Art Documents: **Not Applicable**  
(57) Statement of Newness and Distinctiveness: **Nil**



- (21) Design Number: **21275/2007**  
(22) Date of Filing Application: **12 December 2007**  
(24) Date from which industrial property rights may have effect: **12 December 2007**  
(54) Product in respect of which the design is registered: **Glass cabinets**  
(51) International Design Classification: **06-04D, 06-04F**  
(71) Name(s) and Address(s) of Applicant(s):

**EM Export Limited**  
**Nerine Chambers PO Box 905 Road Town Tortola British Virgin Islands**

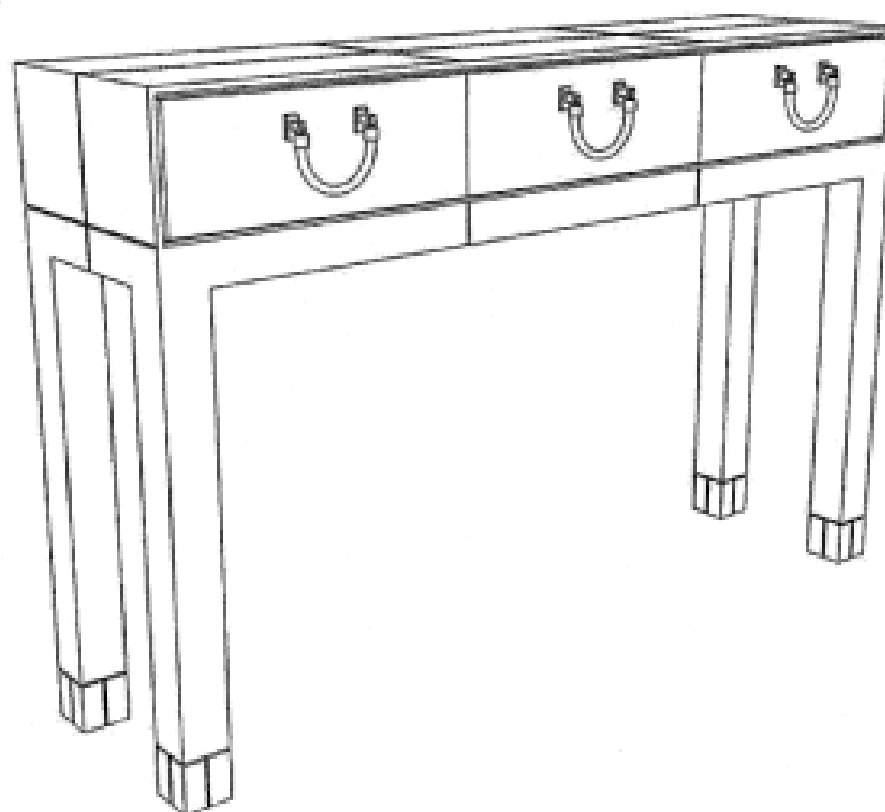
- (72) Name(s) of Designer(s): **Moshe Saraga and Reem Mayer and Alex Meitlis**  
(45) Registration Date: **11 April 2008**  
(30) Convention priority data:  
(31) Number      (32) Date      (33) Country  
**000761309-0024 19 Jul 2007 FRANCE**  
(56) Related Art Documents: **Not Applicable**  
(57) Statement of Newness and Distinctiveness: **Nil**



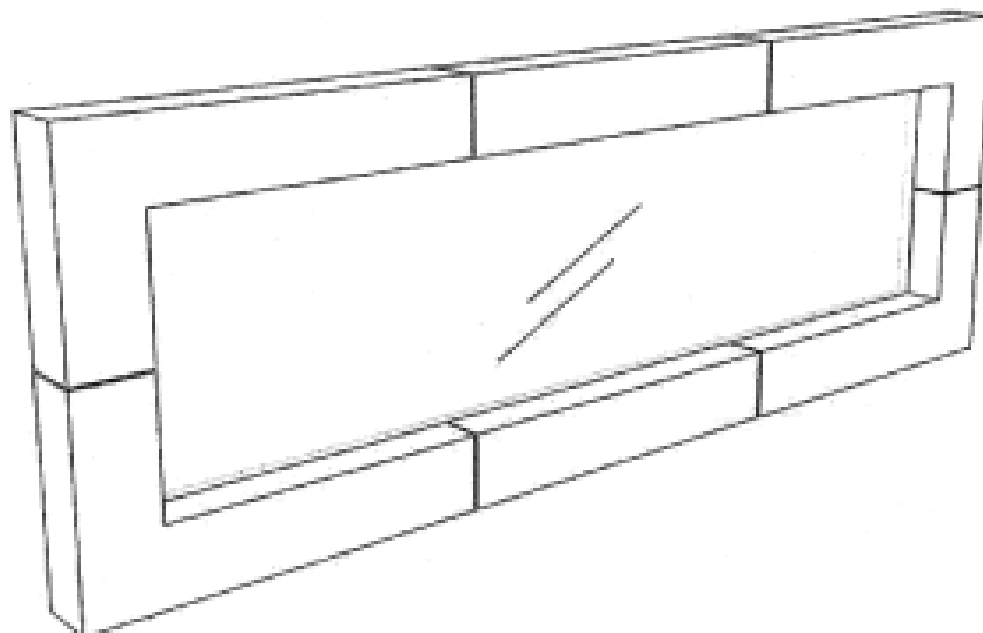
- (21) Design Number: **21276/2007**  
(22) Date of Filing Application: **12 December 2007**  
(24) Date from which industrial property rights may have effect: **12 December 2007**  
(54) Product in respect of which the design is registered: **Console tables**  
(51) International Design Classification: **06-03B, 06-03NES**  
(71) Name(s) and Address(s) of Applicant(s):

**EM Export Limited**  
**Nerine Chambers PO Box 905 Road Town Tortola British Virgin Islands**

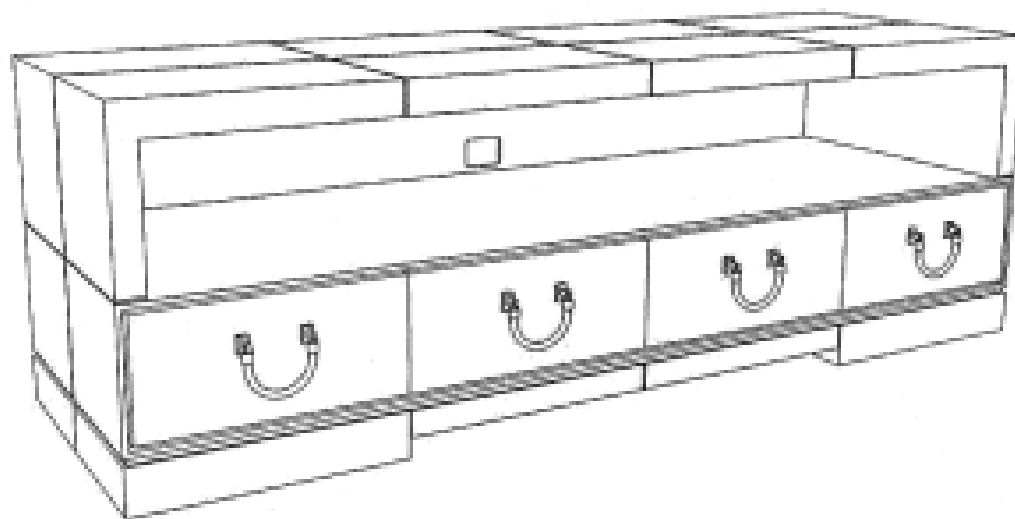
- (72) Name(s) of Designer(s): **Moshe Saraga and Reem Mayer and Alex Meitlis**  
(45) Registration Date: **11 April 2008**  
(30) Convention priority data:  
(31) Number      (32) Date      (33) Country  
**000761309-0022 19 Jul 2007 FRANCE**  
(56) Related Art Documents: **Not Applicable**  
(57) Statement of Newness and Distinctiveness: **Nil**



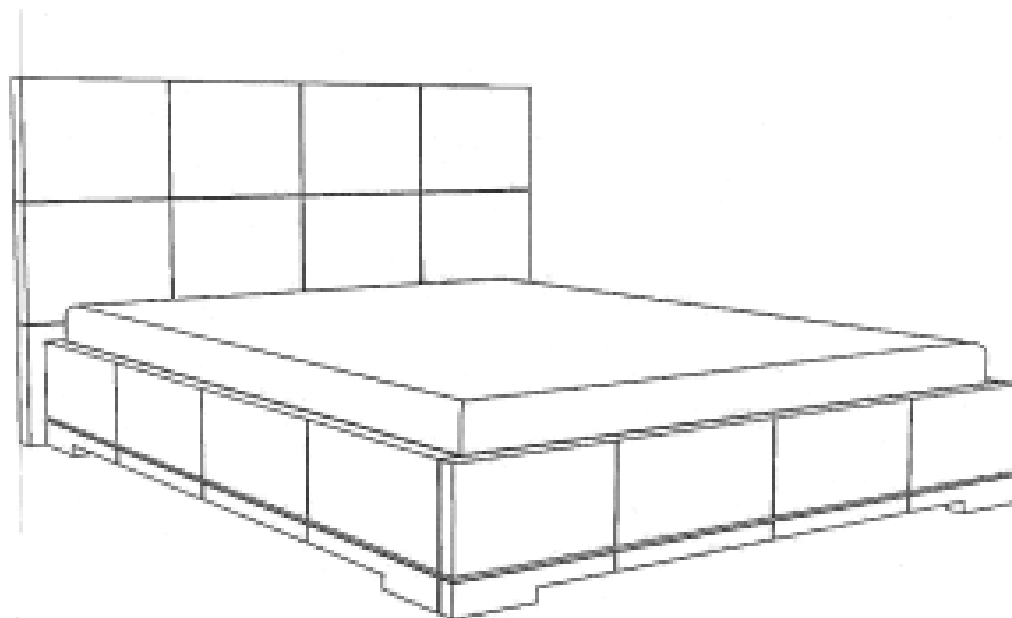
(21) Design Number: **21277/2007**  
(22) Date of Filing Application: **12 December 2007**  
(24) Date from which industrial property rights may have effect: **12 December 2007**  
(54) Product in respect of which the design is registered: **Mirrors (furniture)**  
(51) International Design Classification: **06-07**  
(71) Name(s) and Address(s) of Applicant(s):  
**EM Export Limited**  
**Nerine Chambers PO Box 905 Road Town Tortola British Virgin Islands**  
(72) Name(s) of Designer(s): **Moshe Saraga and Reem Mayer and Alex Meitlis**  
(45) Registration Date: **11 April 2008**  
(30) Convention priority data:  
(31) Number (32) Date (33) Country  
**000761309-0018 19 Jul 2007 FRANCE**  
(56) Related Art Documents: **Not Applicable**  
(57) Statement of Newness and Distinctiveness: **Nil**



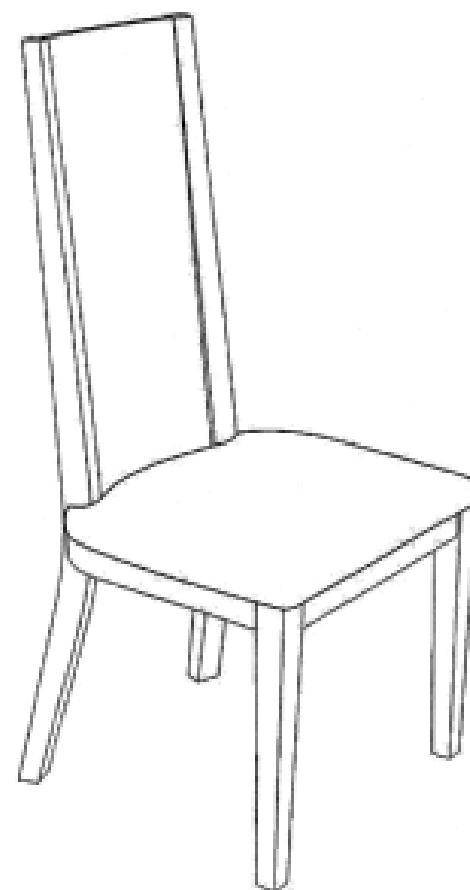
(21) Design Number: **21278/2007**  
(22) Date of Filing Application: **12 December 2007**  
(24) Date from which industrial property rights may have effect: **12 December 2007**  
(54) Product in respect of which the design is registered: **Sideboards**  
(51) International Design Classification: **06-04D, 06-04NES**  
(71) Name(s) and Address(s) of Applicant(s):  
**EM Export Limited**  
**Nerine Chambers PO Box 905 Road Town Tortola British Virgin Islands**  
(72) Name(s) of Designer(s): **Moshe Saraga and Reem Mayer and Alex Meitlis**  
(45) Registration Date: **11 April 2008**  
(30) Convention priority data:  
(31) Number (32) Date (33) Country  
**000761309-0020 19 Jul 2007 FRANCE**  
(56) Related Art Documents: **Not Applicable**  
(57) Statement of Newness and Distinctiveness: **Nil**



(21) Design Number: **21279/2007**  
(22) Date of Filing Application: **12 December 2007**  
(24) Date from which industrial property rights may have effect: **12 December 2007**  
(54) Product in respect of which the design is registered: **Beds**  
(51) International Design Classification: **06-02, 06-09**  
(71) Name(s) and Address(s) of Applicant(s):  
**EM Export Limited**  
**Nerine Chambers PO Box 905 Road Town Tortola British Virgin Islands**  
(72) Name(s) of Designer(s): **Moshe Saraga and Reem Mayer and Alex Meitlis**  
(45) Registration Date: **11 April 2008**  
(30) Convention priority data:  
(31) Number (32) Date (33) Country  
**000761309-0015 19 Jul 2007 FRANCE**  
(56) Related Art Documents: **Not Applicable**  
(57) Statement of Newness and Distinctiveness: **Nil**



(21) Design Number: **21280/2007**  
(22) Date of Filing Application: **12 December 2007**  
(24) Date from which industrial property rights may have effect: **12 December 2007**  
(54) Product in respect of which the design is registered: **Chairs**  
(51) International Design Classification: **06-01F**  
(71) Name(s) and Address(s) of Applicant(s):  
**EM Export Limited**  
**Nerine Chambers PO Box 905 Road Town Tortola British Virgin Islands**  
(72) Name(s) of Designer(s): **Moshe Saraga and Reem Mayer**  
(45) Registration Date: **11 April 2008**  
(30) Convention priority data:  
(31) Number (32) Date (33) Country  
**000745781-0009 20 Jun 2007 FRANCE**  
(56) Related Art Documents: **Not Applicable**  
(57) Statement of Newness and Distinctiveness: **Nil**



(21) Design Number: **21282/2007**  
(22) Date of Filing Application: **12 December 2007**  
(24) Date from which industrial property rights may have effect: **12 December 2007**  
(54) Product in respect of which the design is registered: **Handles for furniture**  
(51) International Design Classification: **08-06, 06-05**  
(71) Name(s) and Address(s) of Applicant(s):

**EM Export Limited**  
**Nerine Chambers PO Box 905 Road Town Tortola British Virgin Islands**

(72) Name(s) of Designer(s): **Moshe Saraga and Reem Mayer**

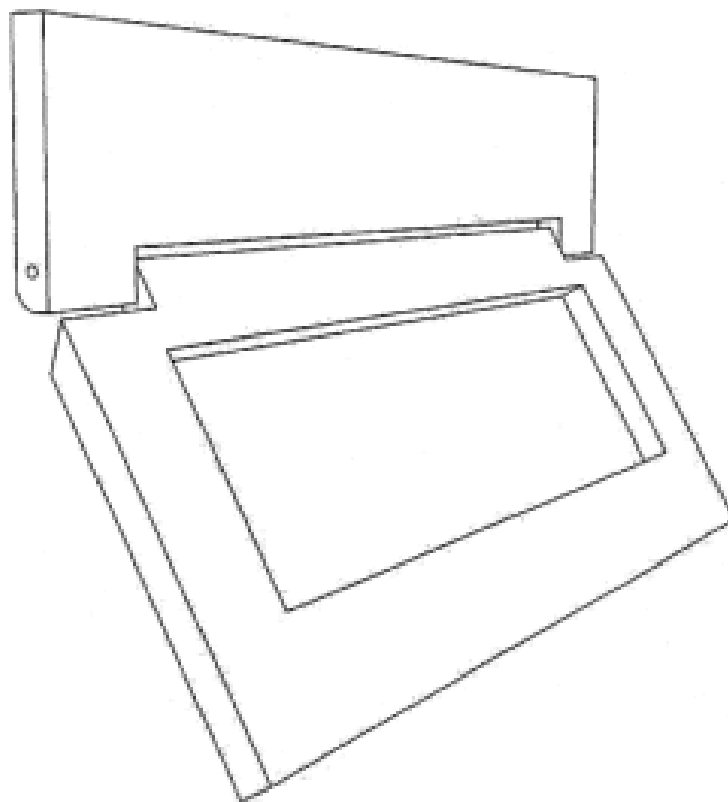
(45) Registration Date: **11 April 2008**

(30) Convention priority data:

(31) Number	(32) Date	(33) Country
<b>000754114-0001</b>	<b>20 Jun 2007</b>	<b>FRANCE</b>

(56) Related Art Documents: **Not Applicable**

(57) Statement of Newness and Distinctiveness: **Nil**



(21) Design Number: **21283/2007**  
(22) Date of Filing Application: **12 December 2007**  
(24) Date from which industrial property rights may have effect: **12 December 2007**  
(54) Product in respect of which the design is registered: **Console tables**  
(51) International Design Classification: **06-03B, 06-03NES**  
(71) Name(s) and Address(s) of Applicant(s):

**EM Export Limited**  
**Nerine Chambers PO Box 905 Road Town Tortola British Virgin Islands**

(72) Name(s) of Designer(s): **Moshe Saraga and Reem Mayer**

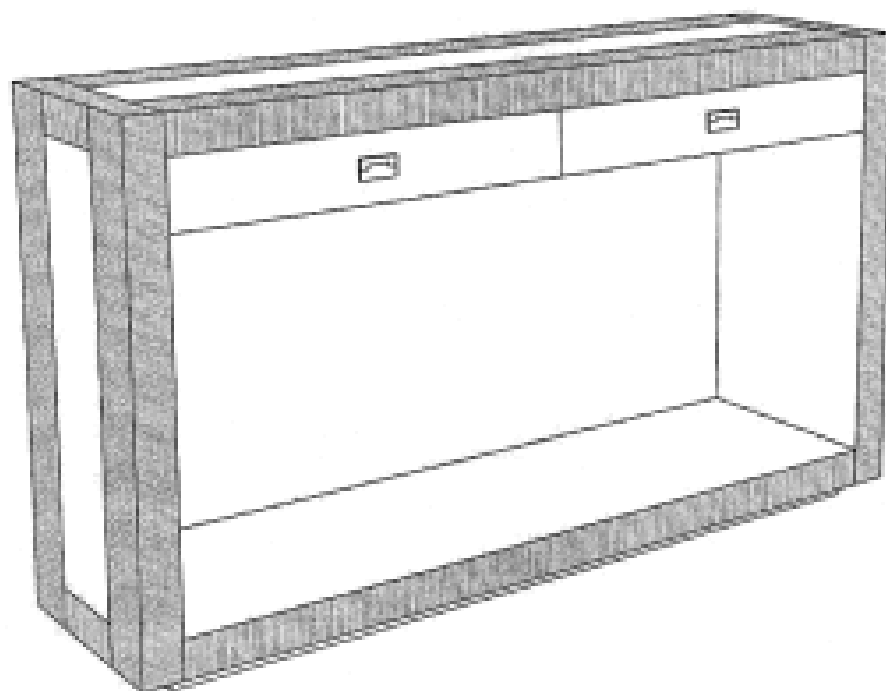
(45) Registration Date: **11 April 2008**

(30) Convention priority data:

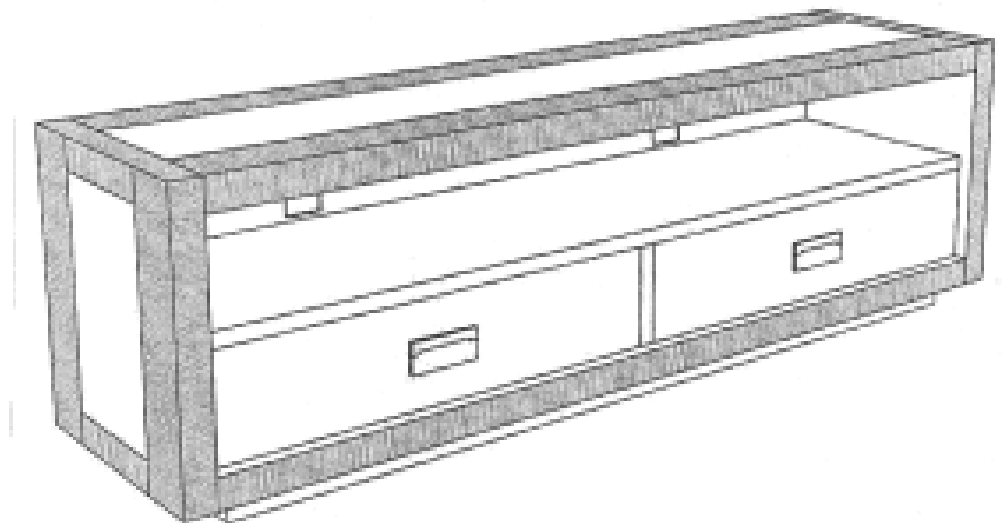
(31) Number	(32) Date	(33) Country
<b>000741913-0064</b>	<b>12 Jun 2007</b>	<b>FRANCE</b>

(56) Related Art Documents: **Not Applicable**

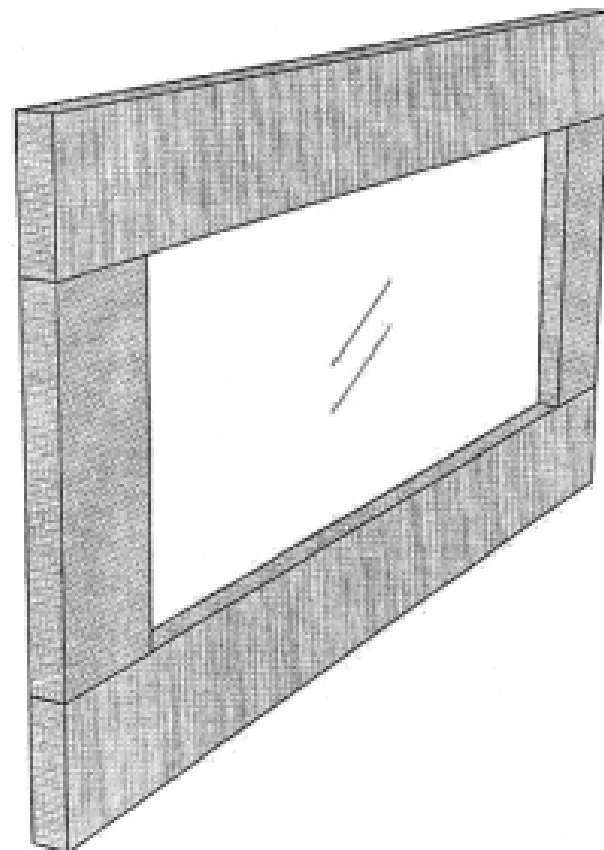
(57) Statement of Newness and Distinctiveness: **Nil**



- (21) Design Number: **21284/2007**  
(22) Date of Filing Application: **12 December 2007**  
(24) Date from which industrial property rights may have effect: **12 December 2007**  
(54) Product in respect of which the design is registered: **Sideboards**  
(51) International Design Classification: **06-04D**  
(71) Name(s) and Address(s) of Applicant(s):  
**EM Export Limited**  
**Nerine Chambers PO Box 905 Road Town Tortola British Virgin Islands**  
(72) Name(s) of Designer(s): **Moshe Saraga and Reem Mayer**  
(45) Registration Date: **11 April 2008**  
(30) Convention priority data:  
(31) Number (32) Date (33) Country  
**000741913-0062 12 Jun 2007 FRANCE**  
(56) Related Art Documents: **Not Applicable**  
(57) Statement of Newness and Distinctiveness: **Nil**



- (21) Design Number: **21285/2007**  
(22) Date of Filing Application: **12 December 2007**  
(24) Date from which industrial property rights may have effect: **12 December 2007**  
(54) Product in respect of which the design is registered: **Mirrors (furniture)**  
(51) International Design Classification: **06-07**  
(71) Name(s) and Address(s) of Applicant(s):  
**EM Export Limited**  
**Nerine Chambers PO Box 905 Road Town Tortola British Virgin Islands**  
(72) Name(s) of Designer(s): **Moshe Saraga and Reem Mayer**  
(45) Registration Date: **11 April 2008**  
(30) Convention priority data:  
(31) Number (32) Date (33) Country  
**000741913-0058 12 Jun 2007 FRANCE**  
(56) Related Art Documents: **Not Applicable**  
(57) Statement of Newness and Distinctiveness: **Nil**





(21) Design Number: **19562/2007**

(22) Date of Filing Application: **29 August 2007**

(24) Date from which industrial property rights may have effect: **29 August 2007**

(54) Product in respect of which the design is registered: **Swivel connector for a caravan table**

(51) International Design Classification: **08-08L**

(71) Name(s) and Address(s) of Applicant(s):

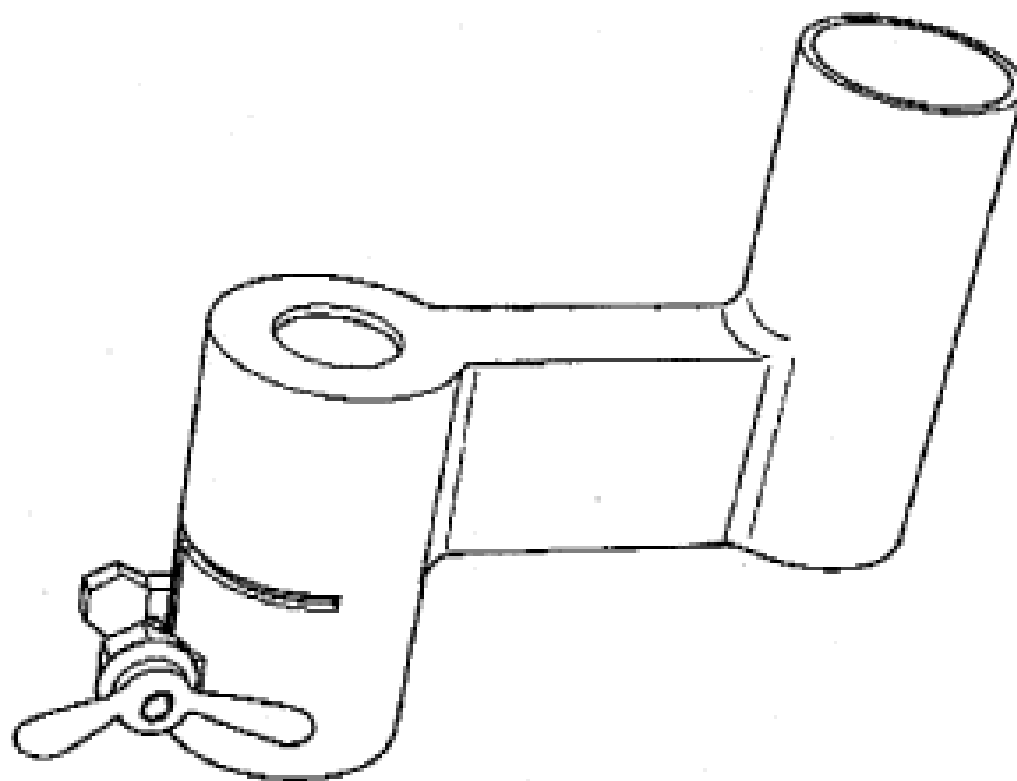
**Jack Kirsopp Patterson**  
**5 Stanley Street Clare South Australia 5453 Australia**

(72) Name(s) of Designer(s): **Jack Kirsopp Patterson**

(45) Registration Date: **16 April 2008**

(56) Related Art Documents: **Not Applicable**

(57) Statement of Newness and Distinctiveness: **Nil**



(21) Design Number: **20125/2007**

(22) Date of Filing Application: **08 October 2007**

(24) Date from which industrial property rights may have effect: **08 October 2007**

(54) Product in respect of which the design is registered: **Golf swing training aid**

(51) International Design Classification: **21-02C**

(71) Name(s) and Address(s) of Applicant(s):

**Dulux Golf Products, LLC**  
**11762 Lassiter Drive, Cincinnati, OH45240, United States of America**

(72) Name(s) of Designer(s): **Jack Eno**

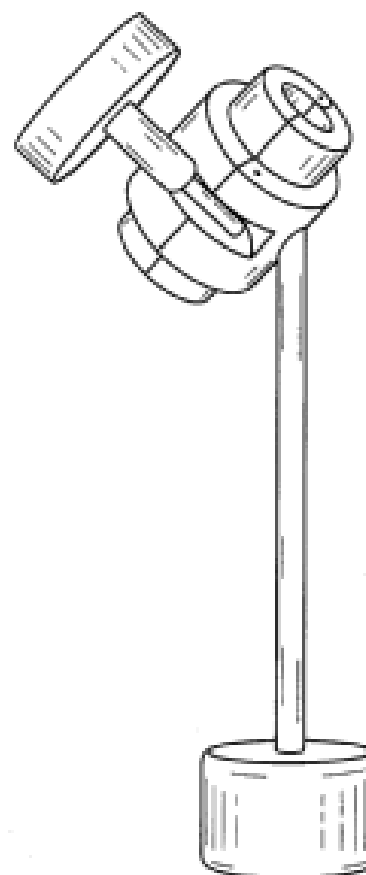
(45) Registration Date: **16 April 2008**

(30) Convention priority data:

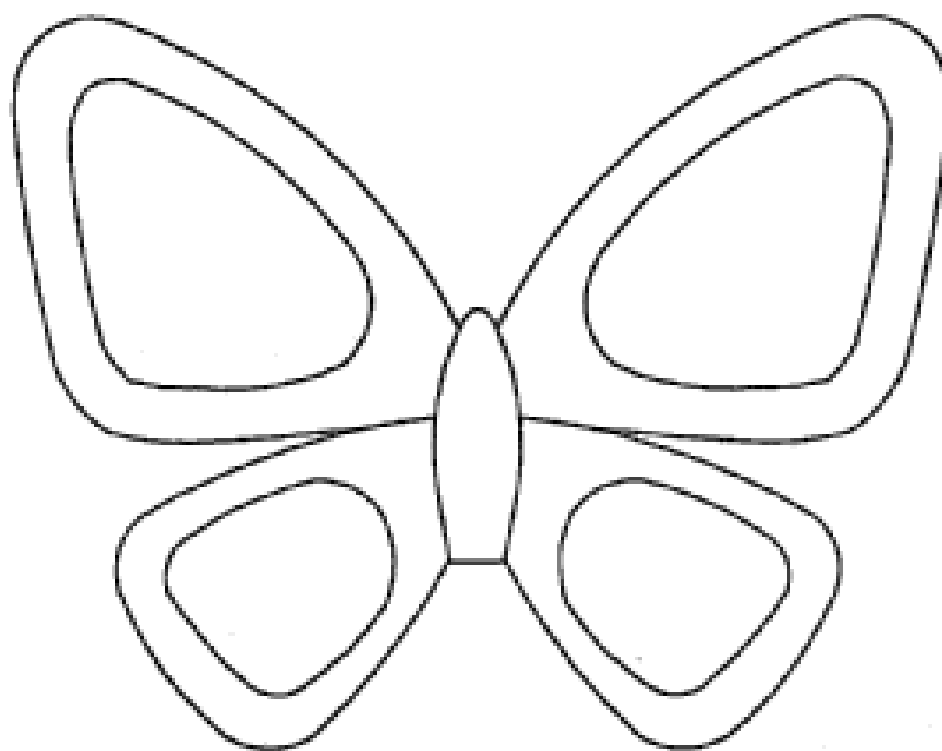
(31) Number	(32) Date	(33) Country
<b>29/288851</b>	<b>25 Jun 2007</b>	<b>UNITED STATES OF AMERICA</b>

(56) Related Art Documents: **Not Applicable**

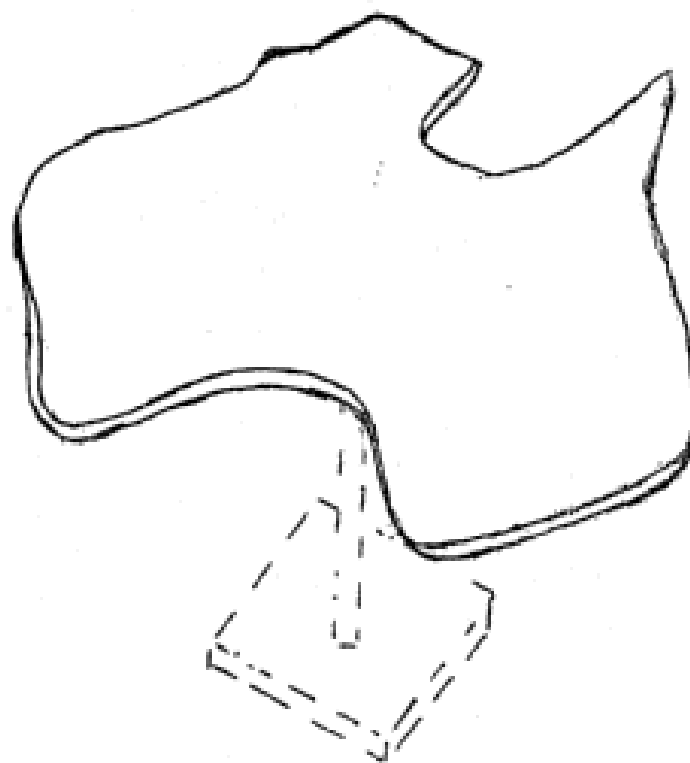
(57) Statement of Newness and Distinctiveness: **Nil**



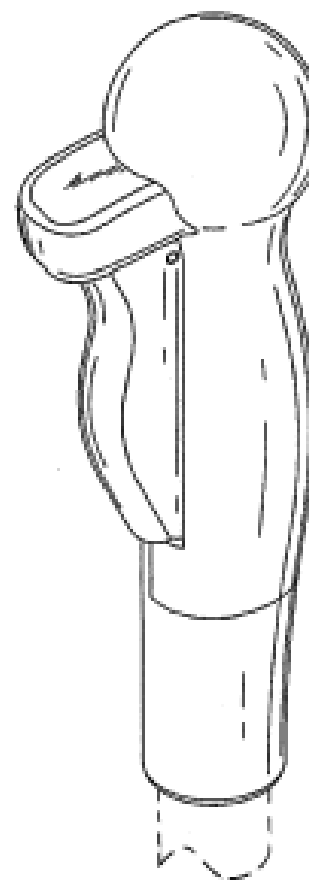
- (21) Design Number: **20399/2007**  
(22) Date of Filing Application: **23 October 2007**  
(24) Date from which industrial property rights may have effect: **23 October 2007**  
(54) Product in respect of which the design is registered: **Aircraft**  
(51) International Design Classification: **12-07**  
(71) Name(s) and Address(s) of Applicant(s):  
**Zeming Yang**  
**Room 2702, No.17, Lane 789 Ling Ling Road, Xuhui District, Shanghai**  
**200030 China**  
**Yingye Li**  
**Room 2702, No.17, Lane 789 Ling Ling Road, Xuhui District, Shanghai**  
**200030 China**  
**Jiashuo Yang**  
**Room 2702, No. 17, Lane 789 Ling Ling Road, Xuhui District Shanghai**  
**200030 CHINA**  
(72) Name(s) of Designer(s): **Zeming Yang and Yingye Li and Jiashuo Yang**  
(45) Registration Date: **16 April 2008**  
(30) Convention priority data:  
(31) Number      (32) Date      (33) Country  
**200730074923.2    23 Apr 2007      CHINA**  
(56) Related Art Documents: **Not Applicable**  
(57) Statement of Newness and Distinctiveness: **Those features of the aircraft depicted in the representations that are new and distinctive are the shape and/or configuration.**



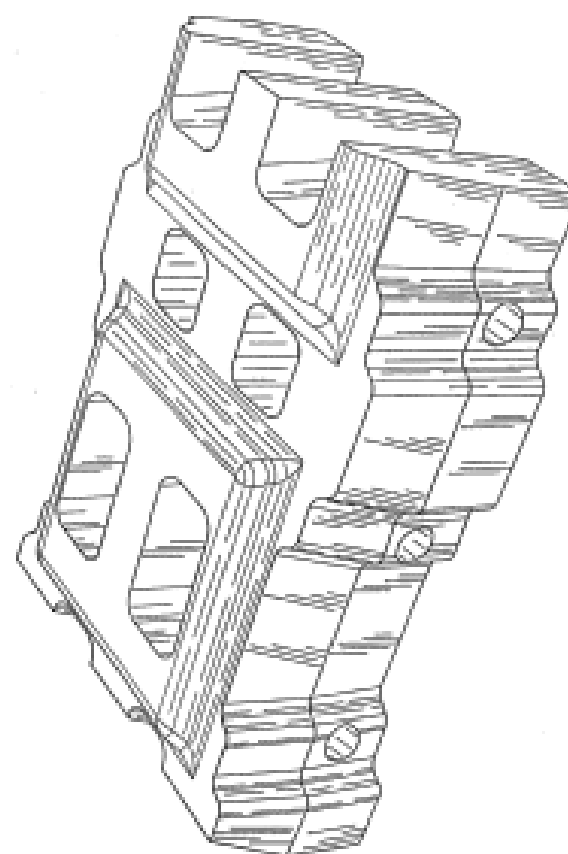
- (21) Design Number: **20562/2007**  
(22) Date of Filing Application: **31 October 2007**  
(24) Date from which industrial property rights may have effect: **31 October 2007**  
(54) Product in respect of which the design is registered: **Table, shelf, plant stands**  
(51) International Design Classification: **06-03B**  
(71) Name(s) and Address(s) of Applicant(s):  
**Geoffrey Francis Keating**  
**67 Hampton Road Darch Western Australia 6065 Australia**  
(72) Name(s) of Designer(s): **Geoffrey Francis Keating**  
(45) Registration Date: **16 April 2008**  
(56) Related Art Documents: **Not Applicable**  
(57) Statement of Newness and Distinctiveness: **Newness and distinctiveness are claimed in the features of shape and configuration of the "Australia tabletops, shelves and plant stands" as illustrated in the accompanying representations. The parts shown in phantom are not so claimed.**



(21) Design Number: **20616/2007**  
 (22) Date of Filing Application: **02 November 2007**  
 (24) Date from which industrial property rights may have effect: **02 November 2007**  
 (54) Product in respect of which the design is registered: **Handle for floor maintenance tool**  
 (51) International Design Classification: **15-05**  
 (71) Name(s) and Address(s) of Applicant(s):  
**JohnsonDiversey, Inc.**  
**8310 16th Street - M/S 509 Sturtevant Wisconsin 53177 United States of America**  
 (72) Name(s) of Designer(s): **Charles A. Crawford and Andrew M. Bober and Craig Conner and Mark Cors and Nicholas Reback and Daniel Lee**  
 (45) Registration Date: **16 April 2008**  
 (30) Convention priority data:  
 (31) Number (32) Date (33) Country  
**29/279581 03 May 2007 UNITED STATES OF AMERICA**  
 (56) Related Art Documents: **Not Applicable**  
 (57) Statement of Newness and Distinctiveness: **Newness and distinctiveness is claimed in those features of shape and/or configuration of a handle for floor maintenance tool illustrated in continuous lines in the accompanying representations.**



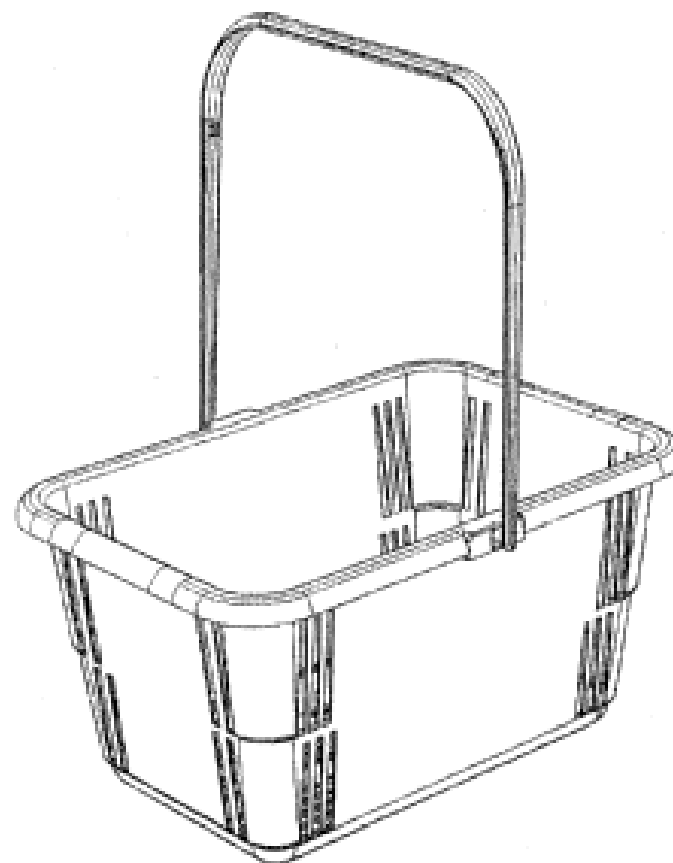
(21) Design Number: **20870/2007**  
 (22) Date of Filing Application: **16 November 2007**  
 (24) Date from which industrial property rights may have effect: **16 November 2007**  
 (54) Product in respect of which the design is registered: **Revetment block**  
 (51) International Design Classification: **25-01A**  
 (71) Name(s) and Address(s) of Applicant(s):  
**Armortec, LLC**  
**9025 Centre Pointe Drive Suite 400 West Chester Ohio 45069 United States of America**  
 (72) Name(s) of Designer(s): **Joseph V Salerno**  
 (45) Registration Date: **16 April 2008**  
 (30) Convention priority data:  
 (31) Number (32) Date (33) Country  
**29/280,952 11 Jun 2007 UNITED STATES OF AMERICA**  
 (56) Related Art Documents: **Not Applicable**  
 (57) Statement of Newness and Distinctiveness: **Those features of the revetment blocks depicted in the representations that are new and distinctive are the shape and/or configuration.**



- (21) Design Number: **21028/2007**  
(22) Date of Filing Application: **27 November 2007**  
(24) Date from which industrial property rights may have effect: **27 November 2007**  
(54) Product in respect of which the design is registered: **Kangaroo soft toy with red boxing gloves, shorts and helmet**  
(51) International Design Classification: **21-01A**  
(71) Name(s) and Address(s) of Applicant(s):  
**Andogen Pty Ltd**  
**12 Fourth Avenue Sunshine Victoria 3020 Australia**  
(72) Name(s) of Designer(s): **Tony Jian Hua Sun**  
(45) Registration Date: **16 April 2008**  
(56) Related Art Documents: **Not Applicable**  
(57) Statement of Newness and Distinctiveness: **The new features of the design are the shape and configuration of the kangaroo soft toy.**



- (21) Design Number: **21055/2007**  
(22) Date of Filing Application: **29 November 2007**  
(24) Date from which industrial property rights may have effect: **29 November 2007**  
(54) Product in respect of which the design is registered: **A shopping basket**  
(51) International Design Classification: **03-01A**  
(71) Name(s) and Address(s) of Applicant(s):  
**Redbus Outdoor Limited**  
**3-8 Carburton Street London W1W 5AJ United Kingdom**  
(72) Name(s) of Designer(s): **Antony Joseph Ceravolo**  
(45) Registration Date: **16 April 2008**  
(30) Convention priority data:  
(31) Number      (32) Date      (33) Country  
**000734751      31 May 2007      EUROPEAN COMMUNITY**  
(56) Related Art Documents: **Not Applicable**  
(57) Statement of Newness and Distinctiveness: **Nil**



- (21) Design Number: **21171/2007**  
(22) Date of Filing Application: **04 December 2007**  
(24) Date from which industrial property rights may have effect: **04 December 2007**  
(54) Product in respect of which the design is registered: **Base roller for interior roller blinds**  
(51) International Design Classification: **25-02H, 06-10**  
(71) Name(s) and Address(s) of Applicant(s):  
**Birk Developments Pty Ltd**  
**Factory 2 - 55 Northgate Drive Thomastown Victoria 3074 Australia**  
(72) Name(s) of Designer(s): **Darren Burke**  
(45) Registration Date: **16 April 2008**  
(56) Related Art Documents: **Not Applicable**  
(57) Statement of Newness and Distinctiveness: **Nil**



- (21) Design Number: **21176/2007**  
(22) Date of Filing Application: **10 December 2007**  
(24) Date from which industrial property rights may have effect: **10 December 2007**  
(54) Product in respect of which the design is registered: **Lip balm**  
(51) International Design Classification: **28-02**  
(71) Name(s) and Address(s) of Applicant(s):  
**Snog International Pty Ltd**  
**737 New Canterbury Road Hurlstone Park New South Wales 2193 Australia**  
(72) Name(s) of Designer(s): **Malcolm Flinn and Travis Pagel**  
(45) Registration Date: **16 April 2008**  
(56) Related Art Documents: **Not Applicable**  
(57) Statement of Newness and Distinctiveness: **The new features of the design are the size and shape of the lip balm container and cap.**



- (21) Design Number: **20491/2007**  
(22) Date of Filing Application: **30 October 2007**  
(24) Date from which industrial property rights may have effect: **30 October 2007**  
(54) Product in respect of which the design is registered: **Pedestrian handrail for traffic signal posts**  
(51) International Design Classification: **08-06**  
(71) Name(s) and Address(s) of Applicant(s):  
**RTA Road & Transport Authority**  
**129A Orchardleigh Street Yennora New South Wales 2161 Australia**  
(72) Name(s) of Designer(s): **Graeme Pattison and Enrique Esquirel**  
(45) Registration Date: **15 April 2008**  
(56) Related Art Documents: **Not Applicable**  
(57) Statement of Newness and Distinctiveness: **Nil**



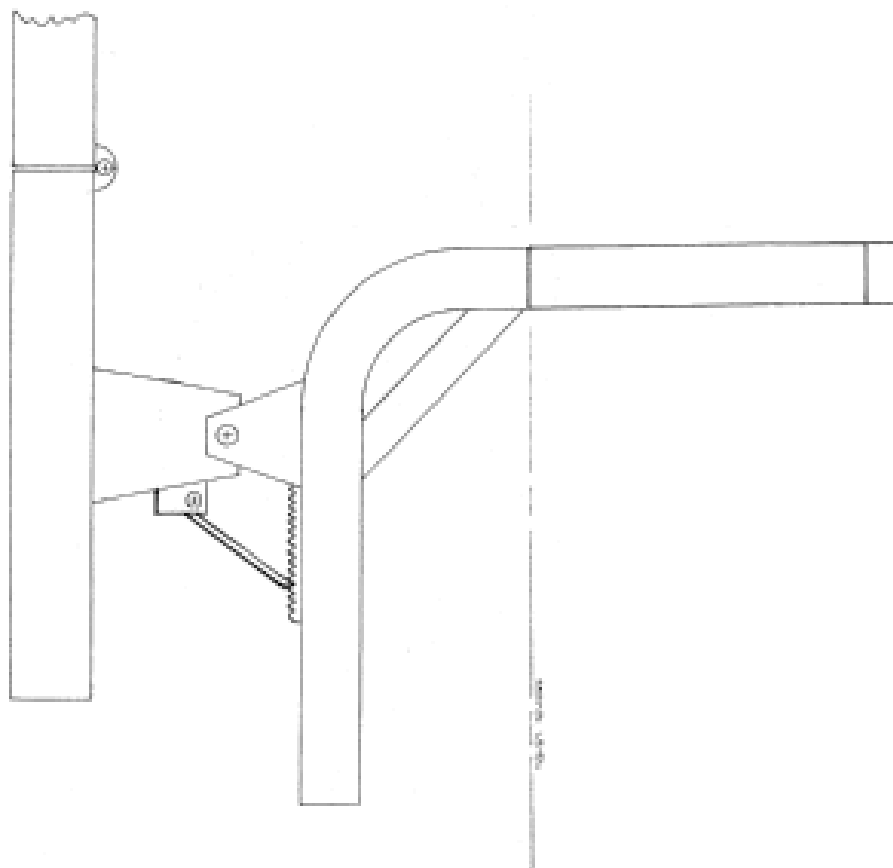
- (21) Design Number: **20619/2007**  
(22) Date of Filing Application: **02 November 2007**  
(24) Date from which industrial property rights may have effect: **02 November 2007**  
(54) Product in respect of which the design is registered: **Medical apparatus**  
(51) International Design Classification: **24-01**  
(71) Name(s) and Address(s) of Applicant(s):  
**Bio Medico GmbH**  
**Hardtring 35 78333 Stockach Germany**  
(72) Name(s) of Designer(s): **Gunther Hoge**  
(45) Registration Date: **15 April 2008**  
(30) Convention priority data:  

(31) Number	(32) Date	(33) Country
<b>40702391.7</b>	<b>02 May 2007</b>	<b>GERMANY</b>

  
(56) Related Art Documents: **Not Applicable**  
(57) Statement of Newness and Distinctiveness: **Newness and distinctiveness is claimed in those visual features of the design other than the keypad with buttons and display within the region bounded by the broken lines in a plan view of the representations.**



- (21) Design Number: **20711/2007**  
(22) Date of Filing Application: **12 November 2007**  
(24) Date from which industrial property rights may have effect: **12 November 2007**  
(54) Product in respect of which the design is registered: **Tilting security bollard**  
(51) International Design Classification: **25-02NES**  
(71) Name(s) and Address(s) of Applicant(s):  
**Robert John Hadaway**  
**419 Grand Promenade Dianella Western Australia 6059 Australia**  
(72) Name(s) of Designer(s): **Robert John Hadaway**  
(45) Registration Date: **15 April 2008**  
(56) Related Art Documents: **Not Applicable**  
(57) Statement of Newness and Distinctiveness: **A tilting security bollard. Monopoly is claimed in the features of shape and configuration with a ratchet bar keeping the embodiment in the ready to operate position. The embodiment is of indefinite dimensions.**



- (21) Design Number: **20768/2007**  
(22) Date of Filing Application: **14 November 2007**  
(24) Date from which industrial property rights may have effect: **14 November 2007**  
(54) Product in respect of which the design is registered: **Dog bandana**  
(51) International Design Classification: **30-01**  
(71) Name(s) and Address(s) of Applicant(s):  
**Cindy Hodson**  
**PO Box 558 New Farm Queensland 4005 Australia**  
(72) Name(s) of Designer(s): **Cindy Hodson and Serena Hodson**  
(45) Registration Date: **15 April 2008**  
(56) Related Art Documents: **Not Applicable**  
(57) Statement of Newness and Distinctiveness: **Currently in the market place you are only to buy one bandana style for your dogs a typical triangle style in a singular fabric that either ties or clips into place. We have designed a new bandana pattern that is unique for dogs. Our bandana has been devised in order to provide an improved simpler style that can be altered to the particular dogs neck and fits firmly like a collar. 1: The bandana has a band - made of double hardwearing fabric that has three industrial domes at various intervals to fit the dog's neck. The band is double stitched on the outside and can vary in different fabrics and designs that can include: eyelets, buttons, domes, jewellery, diamantes, chain, screen printed logo or various taglines. 2: The triangular piece of fabric is double fabric with a top stitch that is attached inside the band with double stitching. This triangle can vary in designs. Eg, have another triangle of different fabric in the middle, have various motifs, jewellery, badges, leather, logo or various taglines screen printed, etc. 3: On the inside of the bandana is a pocket that again is double fabric and stitched into the main triangle. The pocket has two industrial domes which are attached to the inside and cannot be seen from the front of the bandana. A top stitch is stitched over the top. This pocket may appear on some designs. This pocket can vary in our bandana styles and may include a strap from the band to the top of the pocket and an industrial dome on the end of the strap as seen in figure 2. Alternatively a towel can be sewn into the back of the band and fits into the triangular pocket, which then closes with the strap and dome. (See figure 2 and 3) The bandana can be made of various fabrics that can include, hardwearing fabric, parker, denim, drill, satin, polyester etc. They can also be made using various bindings and embellishments that may include: ribbon, satin binding, tassels, diamantes, etc. See attached photographs of**



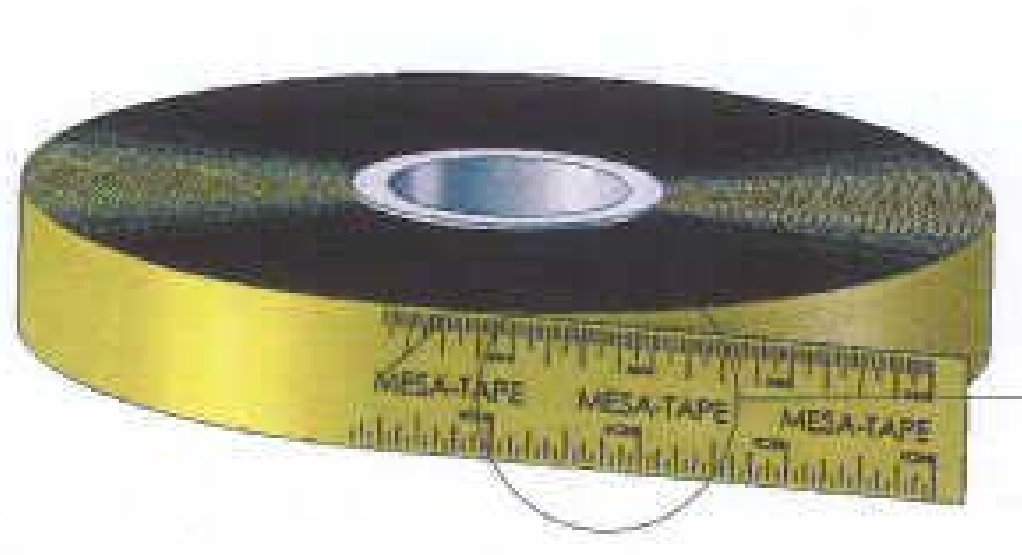
bandanas. The bandana style may change according to societies culture but the pattern will remain the same in all sizes to include all shapes of dogs.

---

**(12) AUSTRALIAN REGISTERED DESIGN**  
**(19) AU**

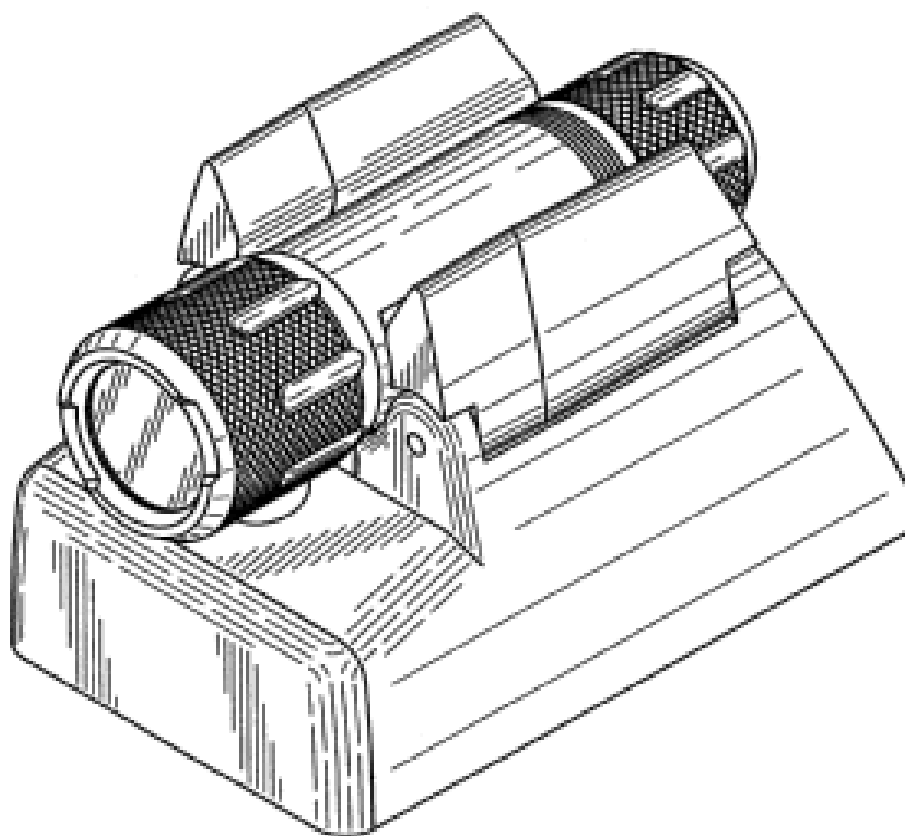
**(11) AU-S- 318838**

- 
- (21) Design Number: **20840/2007**  
(22) Date of Filing Application: **14 November 2007**  
(24) Date from which industrial property rights may have effect: **14 November 2007**  
(54) Product in respect of which the design is registered: **Sticky tape**  
(51) International Design Classification: **10-04**  
(71) Name(s) and Address(s) of Applicant(s):  
**Damian Richard Jedrzejczyk**  
**14 Steen Street Mackay Queensland 4740 Australia**  
(72) Name(s) of Designer(s): **Damian Jedrzejczyk**  
(45) Registration Date: **15 April 2008**  
(56) Related Art Documents: **Not Applicable**  
(57) Statement of Newness and Distinctiveness: **This design; a sticky tape that has scaled markings on its readable face.**

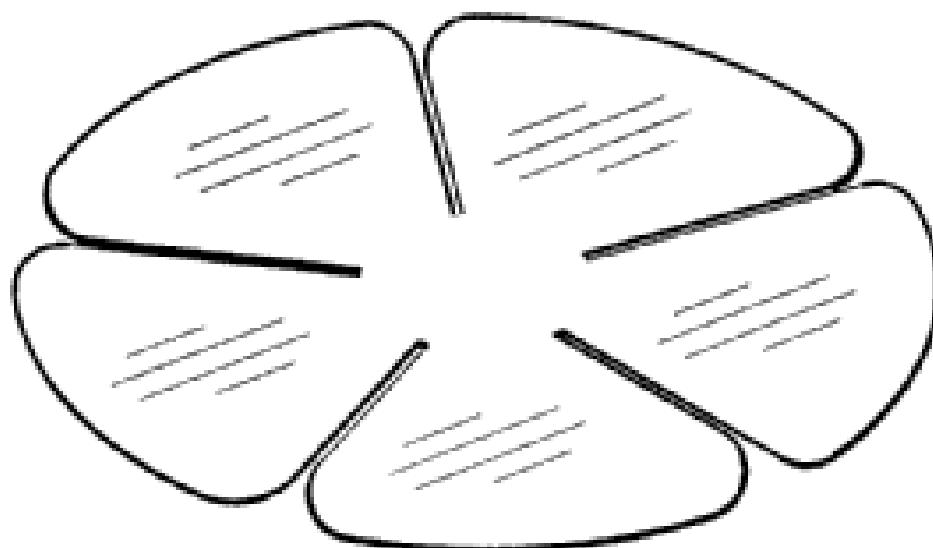




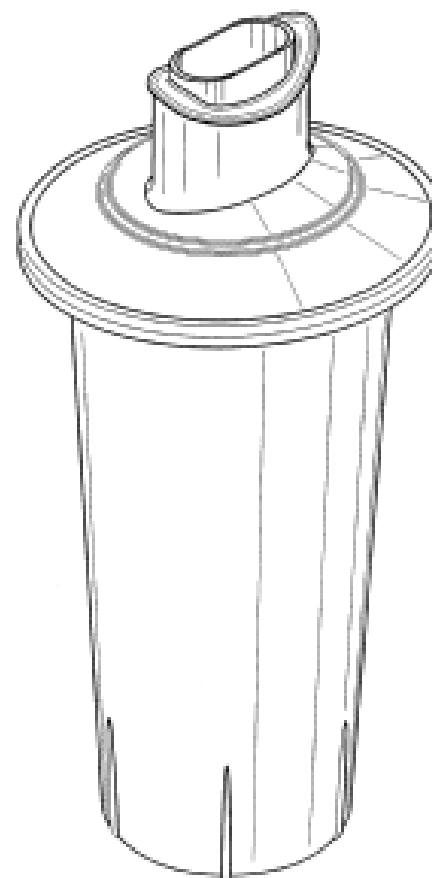
- (21) Design Number: **20942/2007**  
(22) Date of Filing Application: **21 November 2007**  
(24) Date from which industrial property rights may have effect: **21 November 2007**  
(54) Product in respect of which the design is registered: **A flashlight/charger combination**  
(51) International Design Classification: **26-02**  
(71) Name(s) and Address(s) of Applicant(s):  
**Eveready Battery Company, Inc.**  
**533 Maryville University Drive St Louis Missouri 63141 United States of America**  
(72) Name(s) of Designer(s): **Joseph P. Gardner and John R. Brown and Timothy Rugendyke and Angelo Kotsis and Michael S. Squires**  
(45) Registration Date: **15 April 2008**  
(30) Convention priority data:  
(31) Number (32) Date (33) Country  
**29/288069 29 May 2007 UNITED STATES OF AMERICA**  
(56) Related Art Documents: **Not Applicable**  
(57) Statement of Newness and Distinctiveness: **Newness and distinctiveness is claimed in those visual features depicted in unbroken lines.**



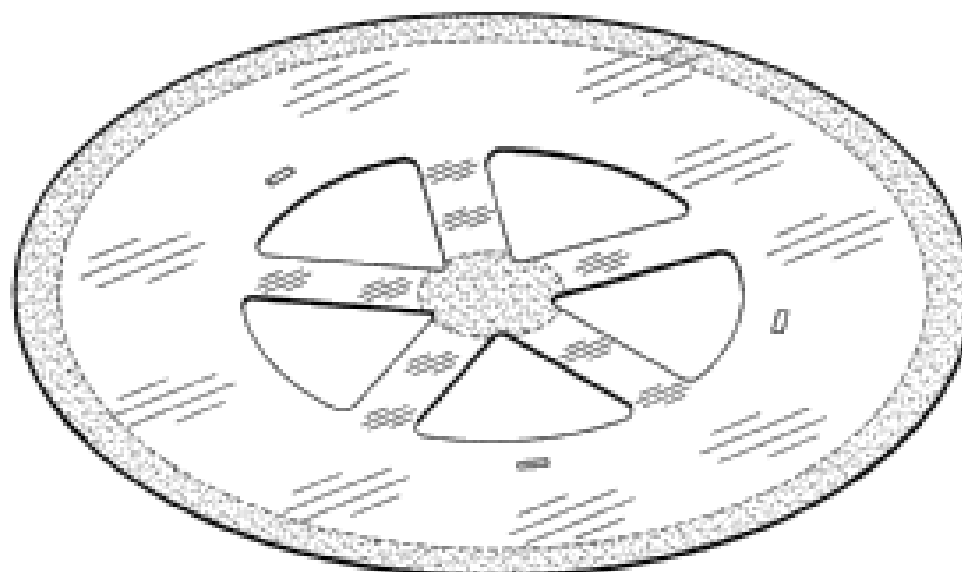
- (21) Design Number: **20983/2007**  
(22) Date of Filing Application: **23 November 2007**  
(24) Date from which industrial property rights may have effect: **23 November 2007**  
(54) Product in respect of which the design is registered: **Valve flap**  
(51) International Design Classification: **23-01K**  
(71) Name(s) and Address(s) of Applicant(s):  
**Bird Healthcare Pty Ltd**  
**11 Sabre Drive Port Melbourne Victoria 3206 Australia**  
(72) Name(s) of Designer(s): **Robert James Bird and Vicki Kathleen Bird and Jonathon James Bird and Nicholas James Bird**  
(45) Registration Date: **15 April 2008**  
(56) Related Art Documents: **Not Applicable**  
(57) Statement of Newness and Distinctiveness: **We submit a Statement of Newness and Distinctiveness (set out below) in respect of particular visual features of "the design", but in so doing do not imply that other visual features of the design lack newness or distinctiveness. STATEMENT OF NEWNESS AND DISTINCTIVENESS The shape, configuration, shape and configuration, pattern, ornamentation, pattern and ornamentation, of the design of the product is new and distinctive.**



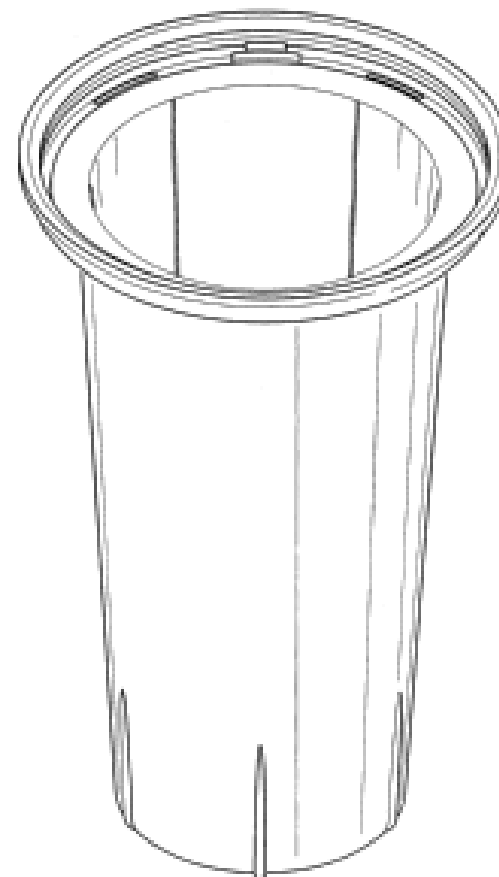
- (21) Design Number: **20984/2007**  
(22) Date of Filing Application: **23 November 2007**  
(24) Date from which industrial property rights may have effect: **23 November 2007**  
(54) Product in respect of which the design is registered: **Inhalation device**  
(51) International Design Classification: **24-04**  
(71) Name(s) and Address(s) of Applicant(s):  
**Bird Healthcare Pty Ltd**  
**11 Sabre Drive Port Melbourne Victoria 3206 Australia**  
(72) Name(s) of Designer(s): **Robert James Bird and Vicki Kathleen Bird and Jonathon James Bird and Nicholas James Bird**  
(45) Registration Date: **15 April 2008**  
(56) Related Art Documents: **Not Applicable**  
(57) Statement of Newness and Distinctiveness: **We submit a Statement of Newness and Distinctiveness (set out below) in respect of particular visual features of "the design", but in so doing do not imply that other visual features of the design lack newness or distinctiveness. STATEMENT OF NEWNESS AND DISTINCTIVENESS The shape, configuration, shape and configuration, pattern, ornamentation, pattern and ornamentation, of the design of the product is new and distinctive.**



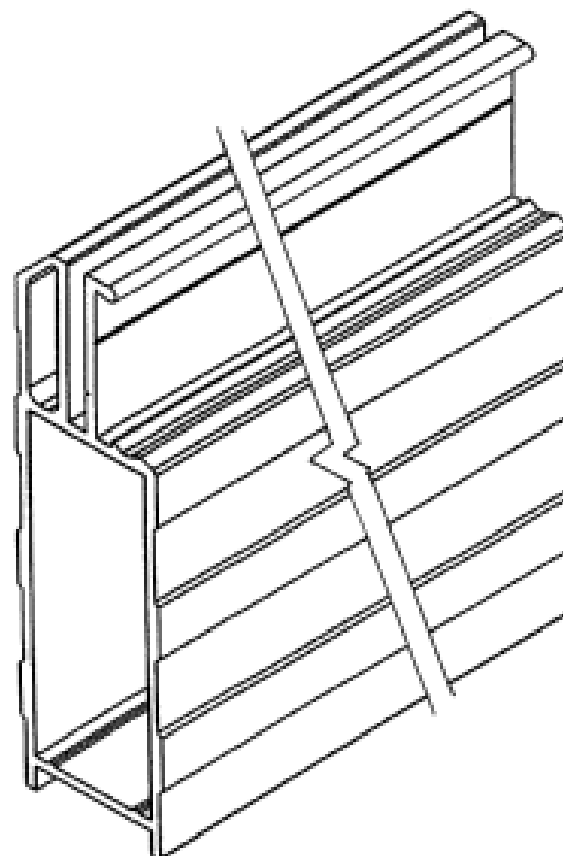
- (21) Design Number: **20985/2007**  
(22) Date of Filing Application: **23 November 2007**  
(24) Date from which industrial property rights may have effect: **23 November 2007**  
(54) Product in respect of which the design is registered: **Valve seat**  
(51) International Design Classification: **23-01K**  
(71) Name(s) and Address(s) of Applicant(s):  
**Bird Healthcare Pty Ltd**  
**11 Sabre Drive Port Melbourne Victoria 3206 Australia**  
(72) Name(s) of Designer(s): **Robert James Bird and Vicki Kathleen Bird and Jonathon James Bird and Nicholas James Bird**  
(45) Registration Date: **15 April 2008**  
(56) Related Art Documents: **Not Applicable**  
(57) Statement of Newness and Distinctiveness: **We submit a Statement of Newness and Distinctiveness (set out below) in respect of particular visual features of "the design", but in so doing do not imply that other visual features of the design lack newness or distinctiveness. STATEMENT OF NEWNESS AND DISTINCTIVENESS The shape, configuration, shape and configuration, pattern, ornamentation, pattern and ornamentation, of the design of the product is new and distinctive.**



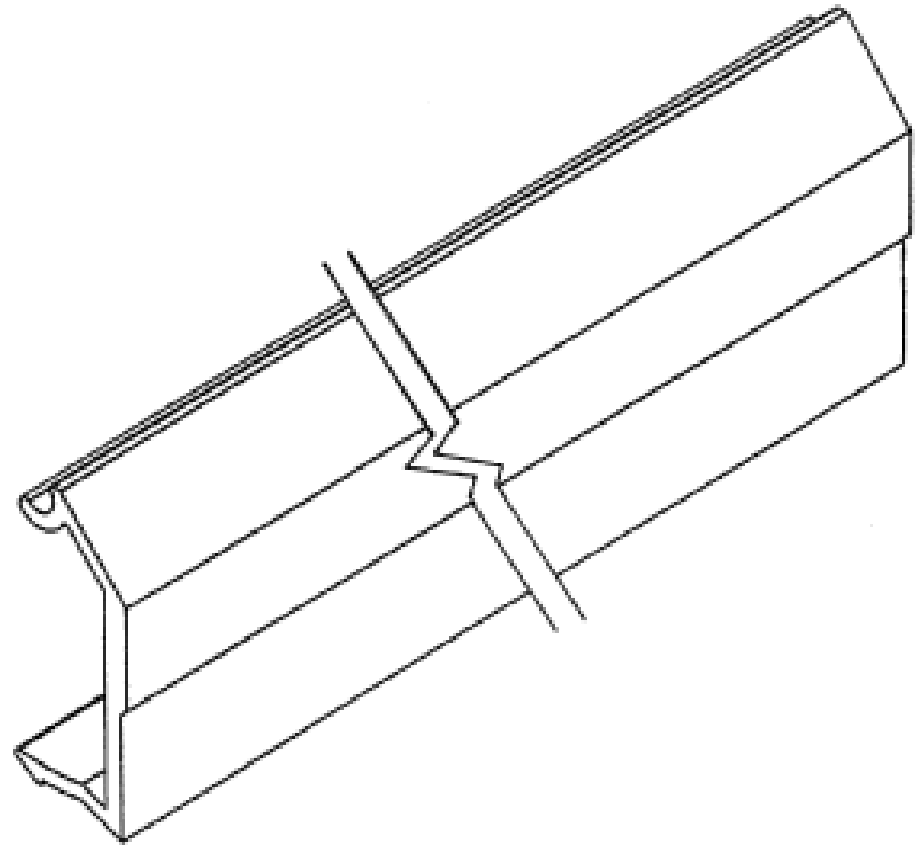
- (21) Design Number: **20987/2007**  
(22) Date of Filing Application: **23 November 2007**  
(24) Date from which industrial property rights may have effect: **23 November 2007**  
(54) Product in respect of which the design is registered: **Inhaler**  
(51) International Design Classification: **24-04**  
(71) Name(s) and Address(s) of Applicant(s):  
**Bird Healthcare Pty Ltd**  
**11 Sabre Drive Port Melbourne Victoria 3206 Australia**  
(72) Name(s) of Designer(s): **Robert James Bird and Vicki Kathleen Bird and Jonathon James Bird and Nicholas James Bird**  
(45) Registration Date: **15 April 2008**  
(56) Related Art Documents: **Not Applicable**  
(57) Statement of Newness and Distinctiveness: **We submit a Statement of Newness and Distinctiveness (set out below) in respect of particular visual features of "the design", but in so doing do not imply that other visual features of the design lack newness or distinctiveness. STATEMENT OF NEWNESS AND DISTINCTIVENESS The shape, configuration, shape and configuration, pattern, ornamentation, pattern and ornamentation, of the design of the product is new and distinctive.**



- (21) Design Number: **21117/2007**  
(22) Date of Filing Application: **05 December 2007**  
(24) Date from which industrial property rights may have effect: **05 December 2007**  
(54) Product in respect of which the design is registered: **Extrusion**  
(51) International Design Classification: **25-01K**  
(71) Name(s) and Address(s) of Applicant(s):  
**Locker Group Pty Ltd**  
**42 Fitzpatrick Street Revesby New South Wales 2212 Australia**  
(72) Name(s) of Designer(s): **Aaron Harvey Sheen and Derek Boden**  
(45) Registration Date: **15 April 2008**  
(56) Related Art Documents: **Not Applicable**  
(57) Statement of Newness and Distinctiveness: **Newness and distinctiveness reside in the features of shape and configuration of an extrusion of indefinite length as shown in the accompanying drawings.**



- (21) Design Number: **21118/2007**  
(22) Date of Filing Application: **05 December 2007**  
(24) Date from which industrial property rights may have effect: **05 December 2007**  
(54) Product in respect of which the design is registered: **Extrusion**  
(51) International Design Classification: **25-01K**  
(71) Name(s) and Address(s) of Applicant(s):  
**Locker Group Pty Ltd**  
**42 Fitzpatrick Street Revesby New South Wales 2212 Australia**  
(72) Name(s) of Designer(s): **Aaron Harvey Sheen and Derek Boden**  
(45) Registration Date: **15 April 2008**  
(56) Related Art Documents: **Not Applicable**  
(57) Statement of Newness and Distinctiveness: **Newness and distinctiveness reside in the features of shape and configuration of an extrusion of indefinite length as shown in the accompanying drawings.**



- (21) Design Number: **21177/2007**  
(22) Date of Filing Application: **10 December 2007**  
(24) Date from which industrial property rights may have effect: **10 December 2007**  
(54) Product in respect of which the design is registered: **A personal response unit**  
(51) International Design Classification: **14-03A, 14-03NES**  
(71) Name(s) and Address(s) of Applicant(s):  
**Chiptech Limited**  
**11a Settlers Crescent Ferrymead Christchurch New Zealand**  
(72) Name(s) of Designer(s): **Graeme John Moore**  
(45) Registration Date: **15 April 2008**  
(30) Convention priority data:  

(31) Number	(32) Date	(33) Country
<b>409357</b>	<b>04 Jul 2007</b>	<b>NEW ZEALAND</b>

  
(56) Related Art Documents: **Not Applicable**  
(57) Statement of Newness and Distinctiveness: **Nil**



(21) Design Number: **21186/2007**  
(22) Date of Filing Application: **07 December 2007**  
(24) Date from which industrial property rights may have effect: **07 December 2007**  
(54) Product in respect of which the design is registered: **Cordless-multi-cutter**  
(51) International Design Classification: **08-03**  
(71) Name(s) and Address(s) of Applicant(s):

**Robert Bosch GmbH**  
**Postfach 30 02 20 D-70442 Stuttgart Germany**

(72) Name(s) of Designer(s): **Hans-Peter Aglassinger**

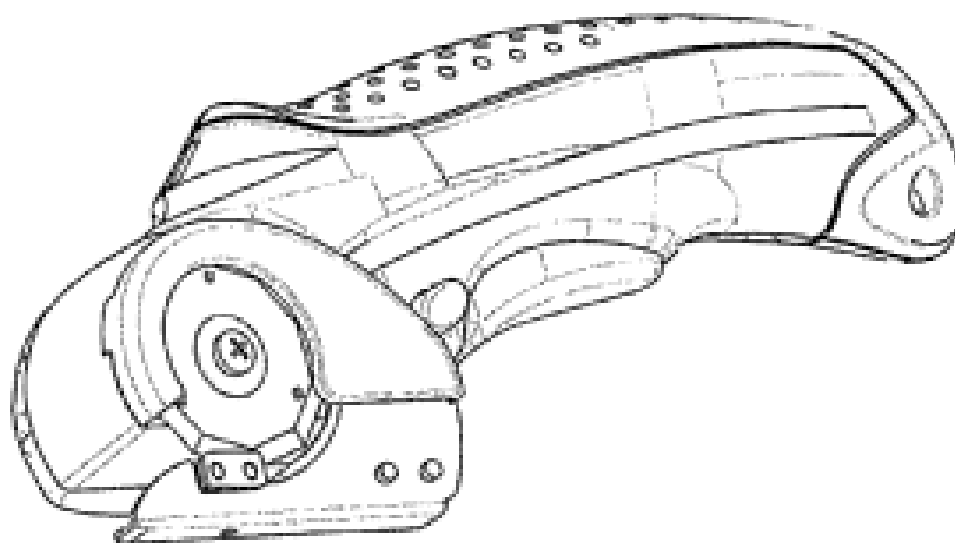
(45) Registration Date: **15 April 2008**

(30) Convention priority data:

(31) Number	(32) Date	(33) Country
<b>000773437</b>	<b>13 Aug 2007</b>	<b>EUROPEAN COMMUNITY</b>

(56) Related Art Documents: **Not Applicable**

(57) Statement of Newness and Distinctiveness: **Nil**



(21) Design Number: **21261/2007**  
(22) Date of Filing Application: **12 December 2007**  
(24) Date from which industrial property rights may have effect: **12 December 2007**  
(54) Product in respect of which the design is registered: **Console tables**  
(51) International Design Classification: **06-03B**  
(71) Name(s) and Address(s) of Applicant(s):

**EM Export Limited**  
**Nerine Chambers PO Box 905 Road Town Tortola British Virgin Islands**

(72) Name(s) of Designer(s): **Moshe Saraga and Reem Mayer**

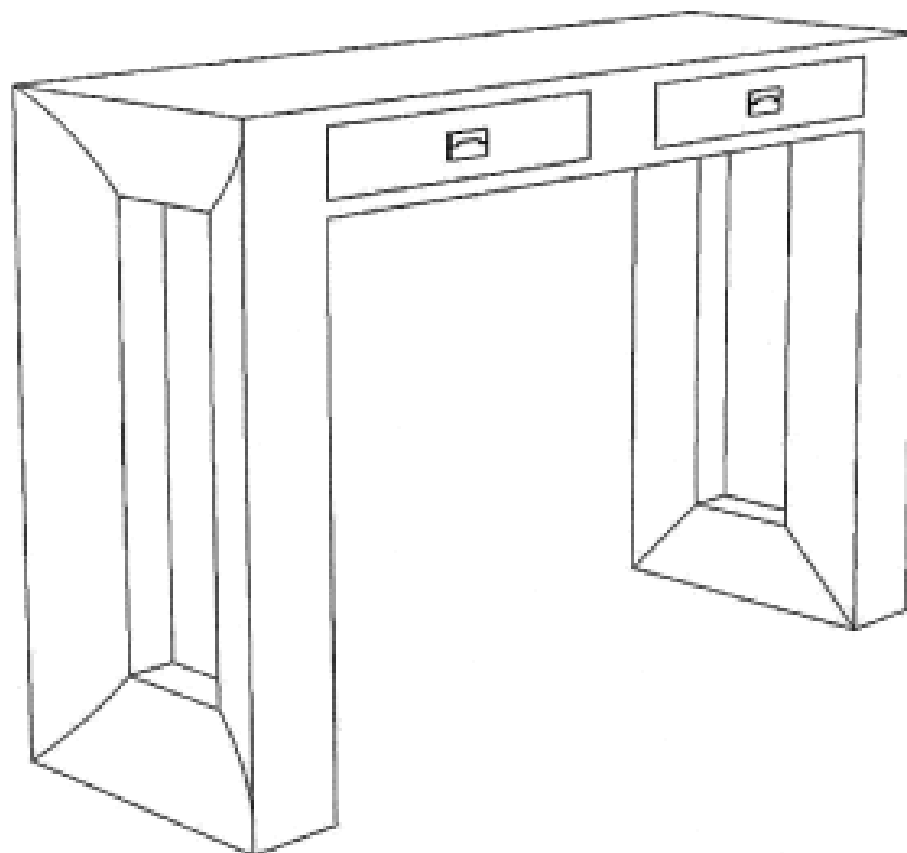
(45) Registration Date: **15 April 2008**

(30) Convention priority data:

(31) Number	(32) Date	(33) Country
<b>000745872-0011</b>	<b>15 Jun 2007</b>	<b>FRANCE</b>

(56) Related Art Documents: **Not Applicable**

(57) Statement of Newness and Distinctiveness: **Nil**



(21) Design Number: **21262/2007**  
(22) Date of Filing Application: **12 December 2007**  
(24) Date from which industrial property rights may have effect: **12 December 2007**  
(54) Product in respect of which the design is registered: **Sideboards**  
(51) International Design Classification: **06-04D**  
(71) Name(s) and Address(s) of Applicant(s):

**EM Export Limited**  
**Nerine Chambers PO Box 905 Road Town Tortola British Virgin Islands**

(72) Name(s) of Designer(s): **Moshe Saraga and Reem Mayer**

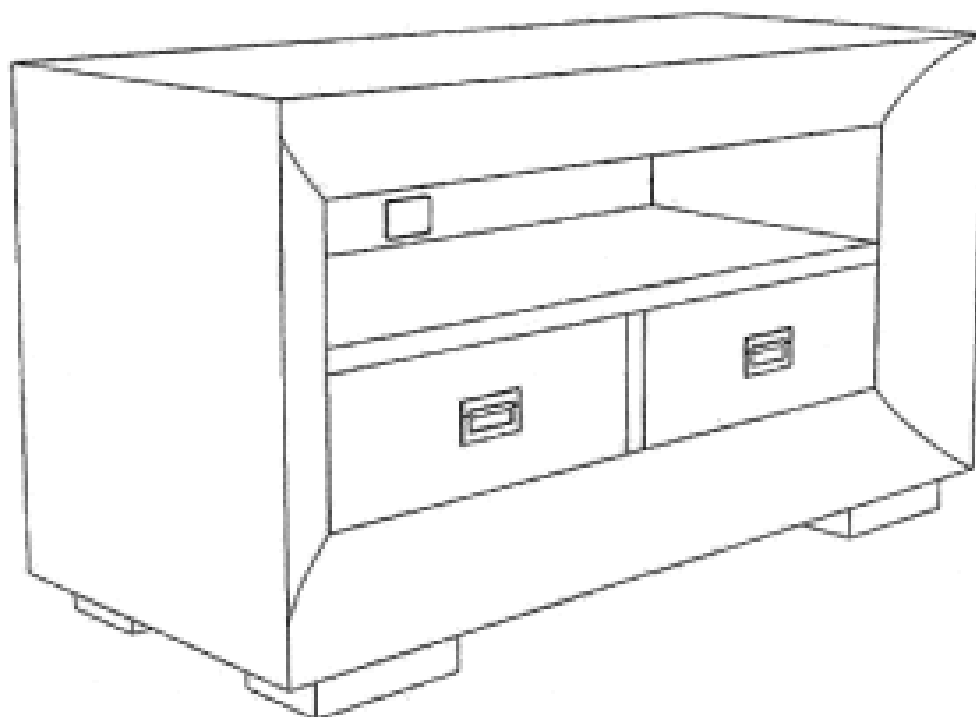
(45) Registration Date: **15 April 2008**

(30) Convention priority data:

(31) Number	(32) Date	(33) Country
<b>000745872-0006</b>	<b>15 Jun 2007</b>	<b>FRANCE</b>

(56) Related Art Documents: **Not Applicable**

(57) Statement of Newness and Distinctiveness: **Nil**



(21) Design Number: **21263/2007**  
(22) Date of Filing Application: **12 December 2007**  
(24) Date from which industrial property rights may have effect: **12 December 2007**  
(54) Product in respect of which the design is registered: **Sideboards**  
(51) International Design Classification: **06-04D**  
(71) Name(s) and Address(s) of Applicant(s):

**EM Export Limited**  
**Nerine Chambers PO Box 905 Road Town Tortola British Virgin Islands**

(72) Name(s) of Designer(s): **Moshe Saraga and Reem Mayer**

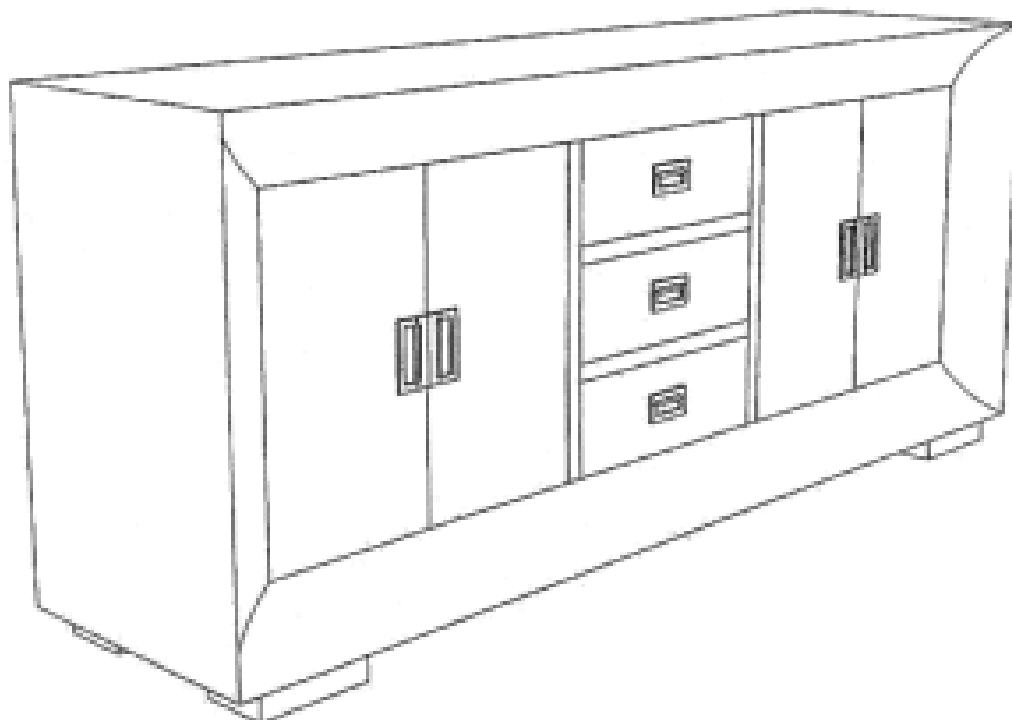
(45) Registration Date: **15 April 2008**

(30) Convention priority data:

(31) Number	(32) Date	(33) Country
<b>000745872-0005</b>	<b>15 Jun 2007</b>	<b>FRANCE</b>

(56) Related Art Documents: **Not Applicable**

(57) Statement of Newness and Distinctiveness: **Nil**



(21) Design Number: **21264/2007**  
(22) Date of Filing Application: **12 December 2007**  
(24) Date from which industrial property rights may have effect: **12 December 2007**  
(54) Product in respect of which the design is registered: **Beds**  
(51) International Design Classification: **06-02**  
(71) Name(s) and Address(s) of Applicant(s):

**EM Export Limited**  
**Nerine Chambers PO Box 905 Road Town Tortola British Virgin Islands**

(72) Name(s) of Designer(s): **Moshe Saraga and Reem Mayer**

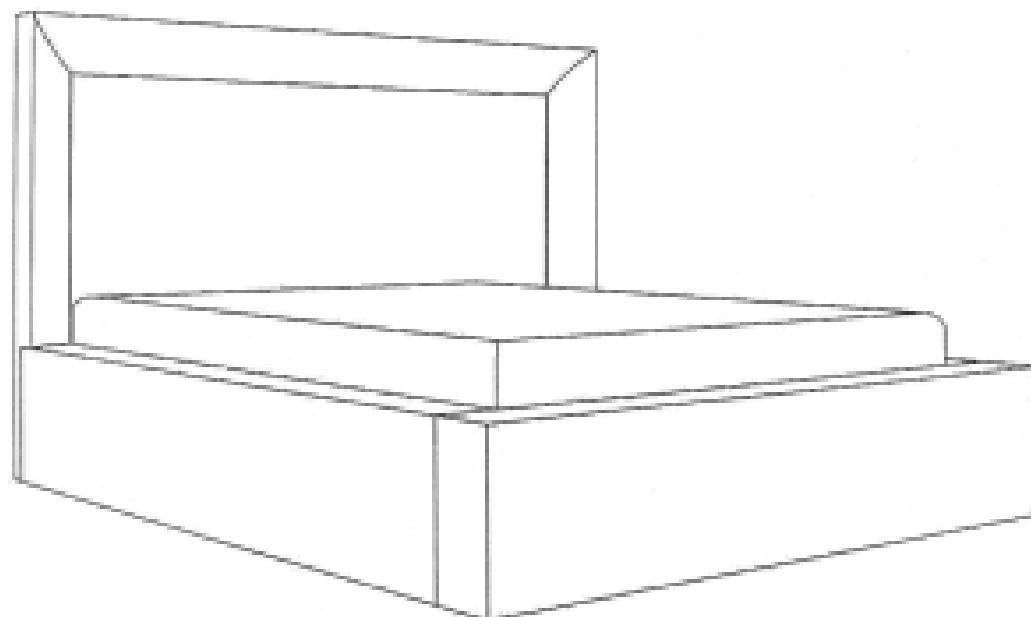
(45) Registration Date: **15 April 2008**

(30) Convention priority data:

(31) Number	(32) Date	(33) Country
<b>000745872-0001</b>	<b>15 Jun 2007</b>	<b>FRANCE</b>

(56) Related Art Documents: **Not Applicable**

(57) Statement of Newness and Distinctiveness: **Nil**



(21) Design Number: **21265/2007**  
(22) Date of Filing Application: **12 December 2007**  
(24) Date from which industrial property rights may have effect: **12 December 2007**  
(54) Product in respect of which the design is registered: **Tables**  
(51) International Design Classification: **06-03A**  
(71) Name(s) and Address(s) of Applicant(s):

**EM Export Limited**  
**Nerine Chambers PO Box 905 Road Town Tortola British Virgin Islands**

(72) Name(s) of Designer(s): **Moshe Saraga and Reem Mayer**

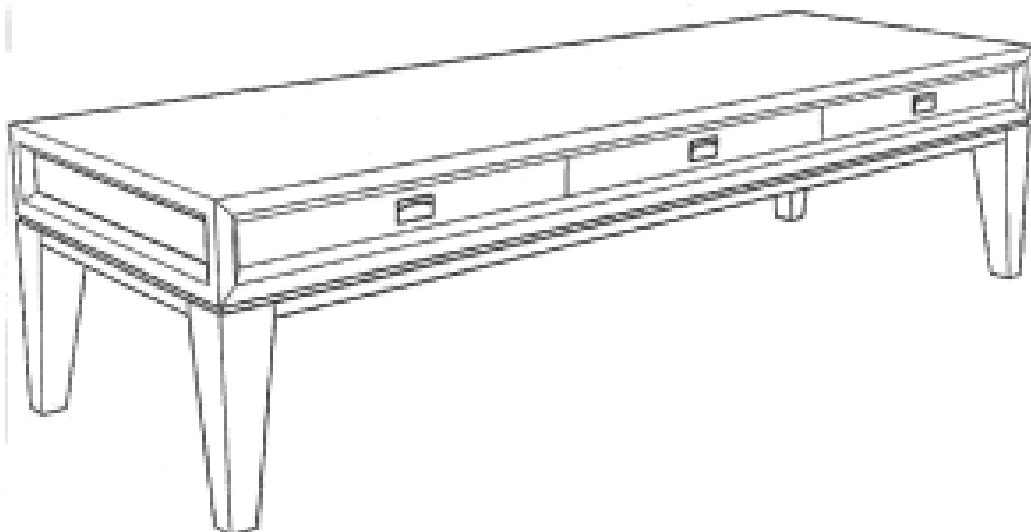
(45) Registration Date: **15 April 2008**

(30) Convention priority data:

(31) Number	(32) Date	(33) Country
<b>000741913-0020</b>	<b>12 Jun 2007</b>	<b>FRANCE</b>

(56) Related Art Documents: **Not Applicable**

(57) Statement of Newness and Distinctiveness: **Nil**



(21) Design Number: **21266/2007**  
(22) Date of Filing Application: **12 December 2007**  
(24) Date from which industrial property rights may have effect: **12 December 2007**  
(54) Product in respect of which the design is registered: **Sideboards**  
(51) International Design Classification: **06-04D**  
(71) Name(s) and Address(s) of Applicant(s):

**EM Export Limited**  
**Nerine Chambers PO Box 905 Road Town Tortola British Virgin Islands**

(72) Name(s) of Designer(s): **Moshe Saraga and Reem Mayer**

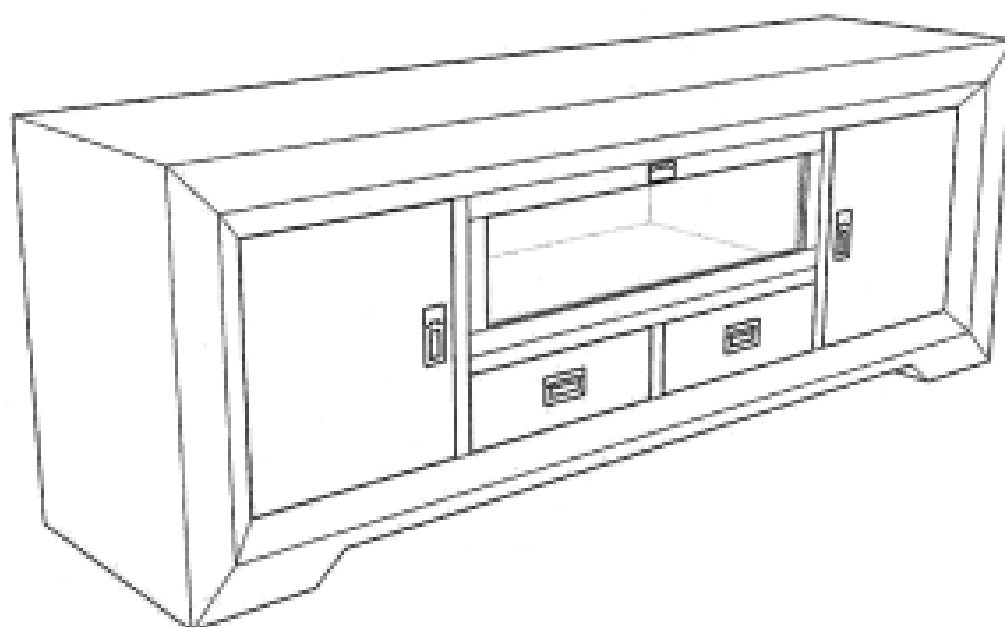
(45) Registration Date: **15 April 2008**

(30) Convention priority data:

(31) Number	(32) Date	(33) Country
<b>000741913-0018</b>	<b>12 Jun 2007</b>	<b>FRANCE</b>

(56) Related Art Documents: **Not Applicable**

(57) Statement of Newness and Distinctiveness: **Nil**



(21) Design Number: **18517/2007**  
(22) Date of Filing Application: **20 June 2007**  
(24) Date from which industrial property rights may have effect: **20 June 2007**  
(54) Product in respect of which the design is registered: **Consumables container**  
(51) International Design Classification: **09-01B**  
(71) Name(s) and Address(s) of Applicant(s):

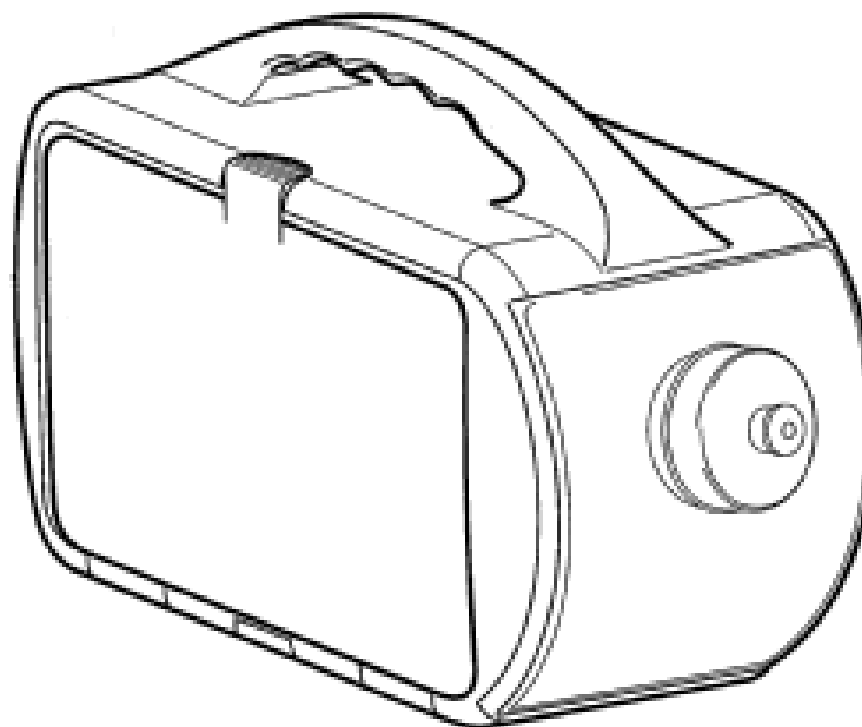
**I.C. Pals Pty Ltd**  
**C/- ARR Consulting Trust House 31 Townsend Road Subiaco Western Australia 6008 Australia**

(72) Name(s) of Designer(s): **Boris Bilich**

(45) Registration Date: **16 April 2008**

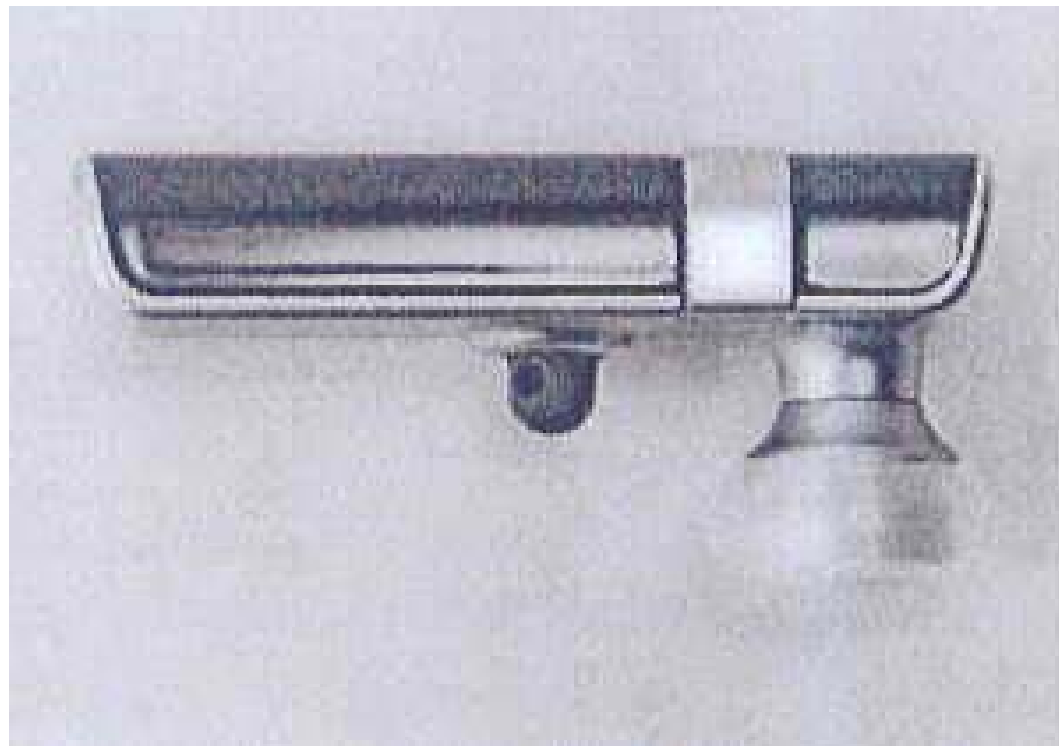
(56) Related Art Documents: **Not Applicable**

(57) Statement of Newness and Distinctiveness: **Newness and distinctiveness is claimed in the features of shape and/or configuration as shown in the accompanying representations.**

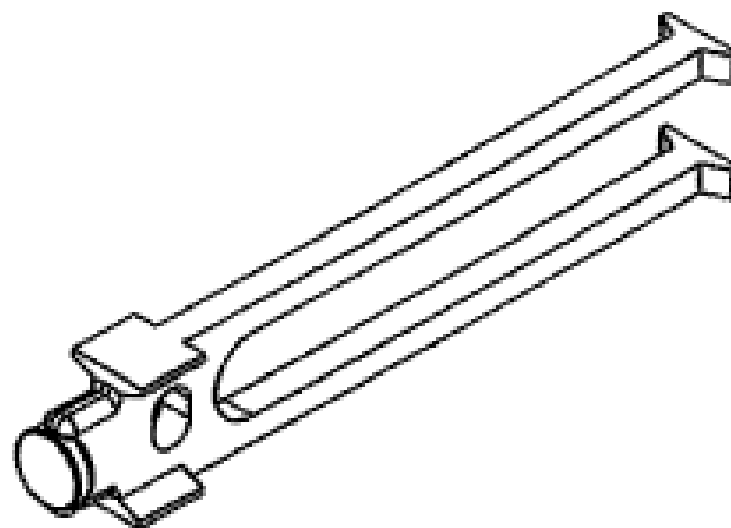




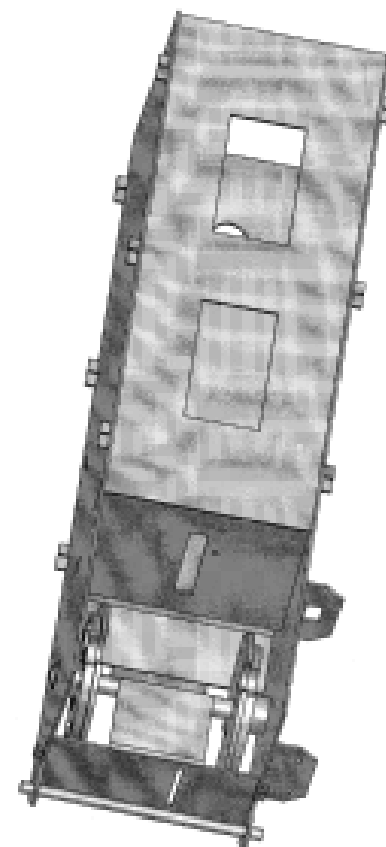
(21) Design Number: **21378/2007**  
(22) Date of Filing Application: **14 December 2007**  
(24) Date from which industrial property rights may have effect: **14 December 2007**  
(54) Product in respect of which the design is registered: **Headset**  
(51) International Design Classification: **14-03A**  
(71) Name(s) and Address(s) of Applicant(s):  
**Nokia Corporation**  
**Keilalahdentie 4 FIN-02150 Espoo Finland**  
(72) Name(s) of Designer(s): **Simon Bradford and Sami Lehtovaara**  
(45) Registration Date: **16 April 2008**  
(30) Convention priority data:  
(31) Number (32) Date (33) Country  
**M20070118 14 Jun 2007 FINLAND**  
(56) Related Art Documents: **Not Applicable**  
(57) Statement of Newness and Distinctiveness: **Nil**



(21) Design Number: **21406/2007**  
(22) Date of Filing Application: **17 December 2007**  
(24) Date from which industrial property rights may have effect: **17 December 2007**  
(54) Product in respect of which the design is registered: **Anchor**  
(51) International Design Classification: **25-01B**  
(71) Name(s) and Address(s) of Applicant(s):  
**ITW New Zealand Limited**  
**7 Charann Place Avondale Auckland New Zealand**  
(72) Name(s) of Designer(s): **Roydon John Gilmour**  
(45) Registration Date: **16 April 2008**  
(30) Convention priority data:  
(31) Number (32) Date (33) Country  
**409335 27 Jun 2007 NEW ZEALAND**  
(56) Related Art Documents: **Not Applicable**  
(57) Statement of Newness and Distinctiveness: **Nil**

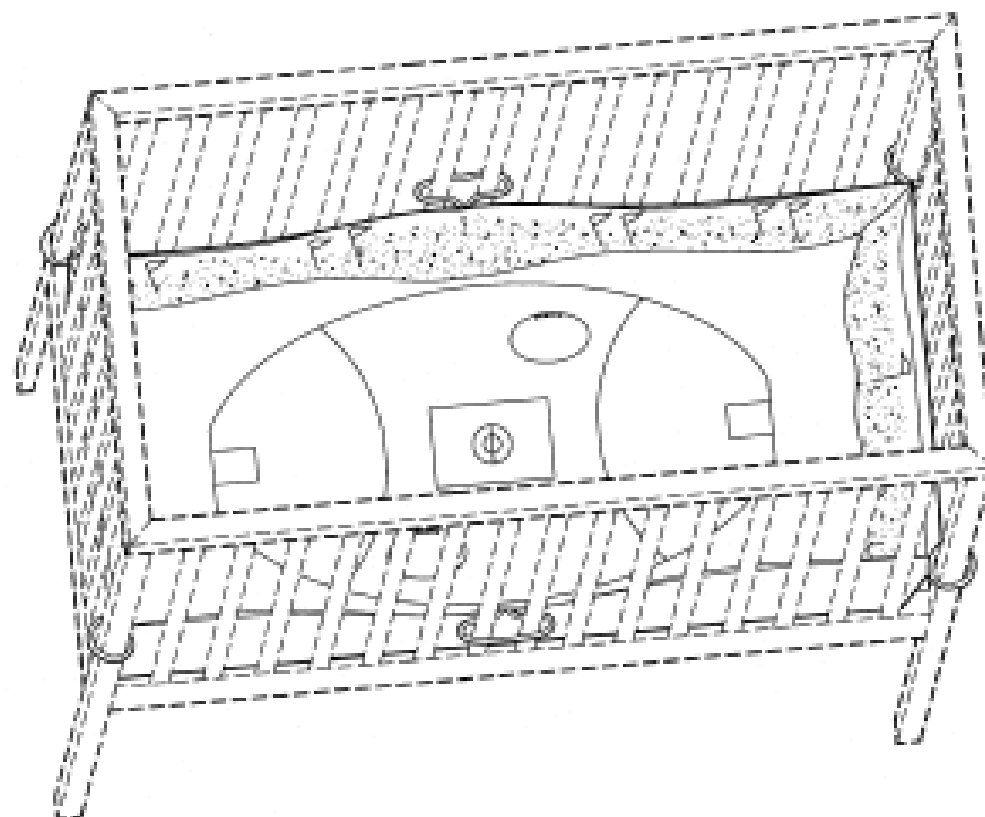


- (21) Design Number: **21408/2007**
- (22) Date of Filing Application: **18 December 2007**
- (24) Date from which industrial property rights may have effect: **18 December 2007**
- (54) Product in respect of which the design is registered: **Vending machine product dispenser**
- (51) International Design Classification: **20-01**
- (71) Name(s) and Address(s) of Applicant(s):  
**Peter Charles Coleman**  
**2/107 Enterprise Street Kunda Park Queensland 4556 Australia**
- (72) Name(s) of Designer(s): **Peter Charles Coleman**
- (45) Registration Date: **16 April 2008**
- (56) Related Art Documents: **Not Applicable**
- (57) Statement of Newness and Distinctiveness: **Dispenser gear is cam shaped with a step causing it to actuate the remaining product in chute as it turns to dispense one product.**



- (21) Design Number: **21411/2007**
- (22) Date of Filing Application: **17 December 2007**
- (24) Date from which industrial property rights may have effect: **17 December 2007**
- (54) Product in respect of which the design is registered: **Baby bedding assembly**
- (51) International Design Classification: **06-13B**
- (71) Name(s) and Address(s) of Applicant(s):  
**Fiddy-Fo, Inc.**  
**14755 Caminito Porta Del Gada Del Mar CA 92014 United States of America**
- (72) Name(s) of Designer(s): **Billy Ray Smith Jr**
- (45) Registration Date: **16 April 2008**
- (30) Convention priority data:  

(31) Number	(32) Date	(33) Country
<b>29/296,987</b>	<b>31 Oct 2007</b>	<b>UNITED STATES OF AMERICA</b>
- (56) Related Art Documents: **Not Applicable**
- (57) Statement of Newness and Distinctiveness: **Newness and distinctiveness is claimed in the shape and/or configuration and/or pattern and/or ornamentation of a baby bedding assembly as illustrated in the representations. No regard is to be had to the features of shape and/or configuration or pattern and/or ornamentation of the elements depicted in broken lines.**



- (21) Design Number: **21412/2007**
- (22) Date of Filing Application: **17 December 2007**
- (24) Date from which industrial property rights may have effect: **17 December 2007**
- (54) Product in respect of which the design is registered: **Baby bedding assembly**
- (51) International Design Classification: **06-13B**
- (71) Name(s) and Address(s) of Applicant(s):

**Fiddy-Fo, Inc.**  
**14755 Caminito Porta Del Gada Del Mar CA 92014 United States of America**

(72) Name(s) of Designer(s): **Billy Ray Smith Jr**

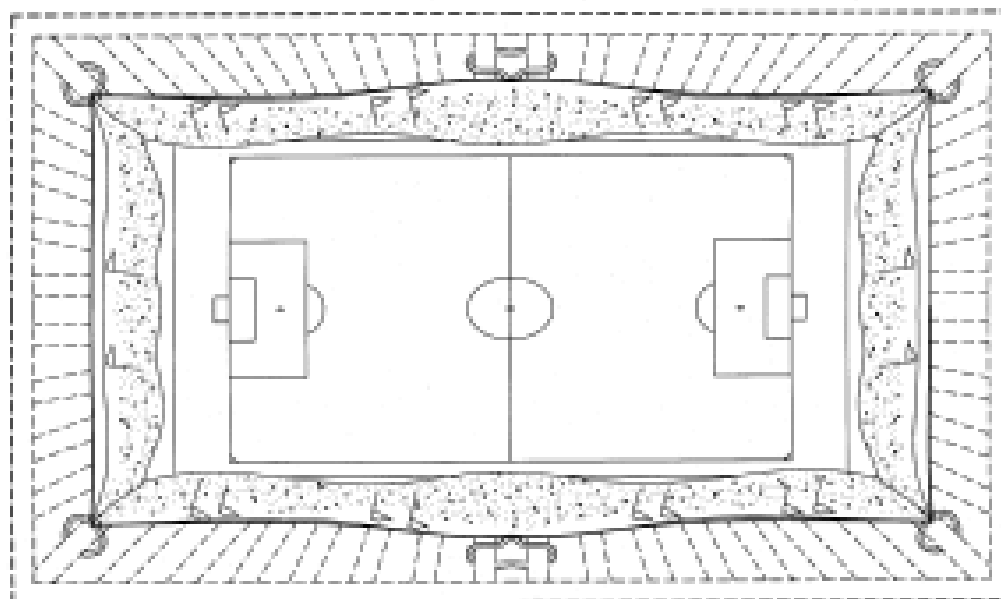
(45) Registration Date: **16 April 2008**

(30) Convention priority data:

(31) Number	(32) Date	(33) Country
<b>29/296,987</b>	<b>31 Oct 2007</b>	<b>UNITED STATES OF AMERICA</b>

(56) Related Art Documents: **Not Applicable**

(57) Statement of Newness and Distinctiveness: **Newness and distinctiveness is claimed in the shape and/or configuration and/or pattern and/or ornamentation of a baby bedding assembly as illustrated in the representations. No regard is to be had to the features of shape and/or configuration or pattern and/or ornamentation of the elements depicted in broken lines.**



- (21) Design Number: **21413/2007**
- (22) Date of Filing Application: **17 December 2007**
- (24) Date from which industrial property rights may have effect: **17 December 2007**
- (54) Product in respect of which the design is registered: **Power toothbrush handle**
- (51) International Design Classification: **04-02**
- (71) Name(s) and Address(s) of Applicant(s):

**The Gillette Company**  
**Prudential Tower Building Boston Massachusetts 02199 United States of America**

(72) Name(s) of Designer(s): **Longsheng Yu and Jose Tadeo Vergara Decastro**

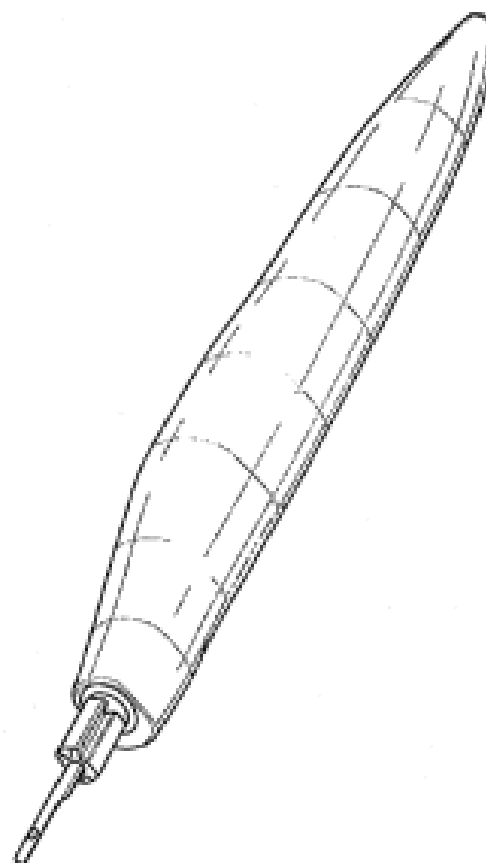
(45) Registration Date: **16 April 2008**

(30) Convention priority data:

(31) Number	(32) Date	(33) Country
<b>29/288,643</b>	<b>18 Jun 2007</b>	<b>UNITED STATES OF AMERICA</b>

(56) Related Art Documents: **Not Applicable**

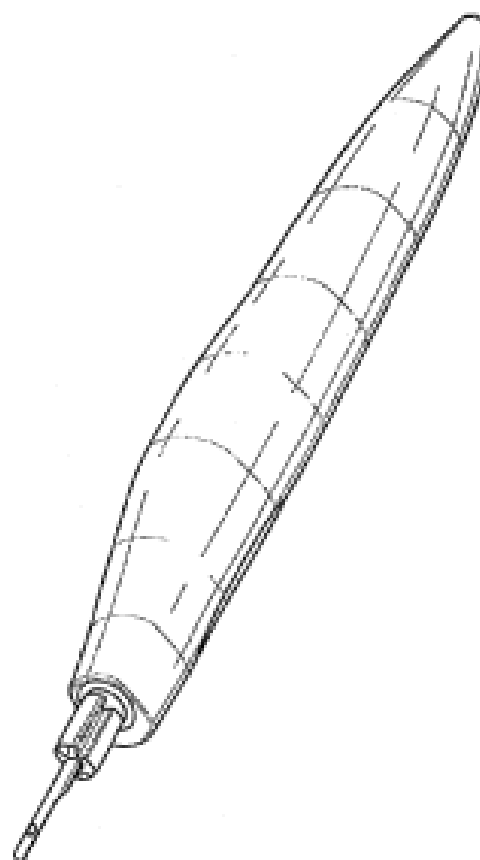
(57) Statement of Newness and Distinctiveness: **Newness and distinctiveness reside in the features of shape and/or configuration of the power toothbrush handle, as shown in the representations. Newness and distinctiveness are not claimed in respect of the parts shown in broken lines on the power toothbrush handle. These parts are shown for illustrative purposes only.**



(21) Design Number: **21414/2007**  
 (22) Date of Filing Application: **17 December 2007**  
 (24) Date from which industrial property rights may have effect: **17 December 2007**  
 (54) Product in respect of which the design is registered: **Power toothbrush handle**  
 (51) International Design Classification: **04-02**  
 (71) Name(s) and Address(s) of Applicant(s):  
**The Gillette Company**  
**Prudential Tower Building Boston Massachusetts 02199 United States of America**  
 (72) Name(s) of Designer(s): **Longsheng Yu and Jose Tadeo Vergara Decastro**  
 (45) Registration Date: **16 April 2008**  
 (30) Convention priority data:  

(31) Number	(32) Date	(33) Country
<b>29/288,643</b>	<b>18 Jun 2007</b>	<b>UNITED STATES OF AMERICA</b>

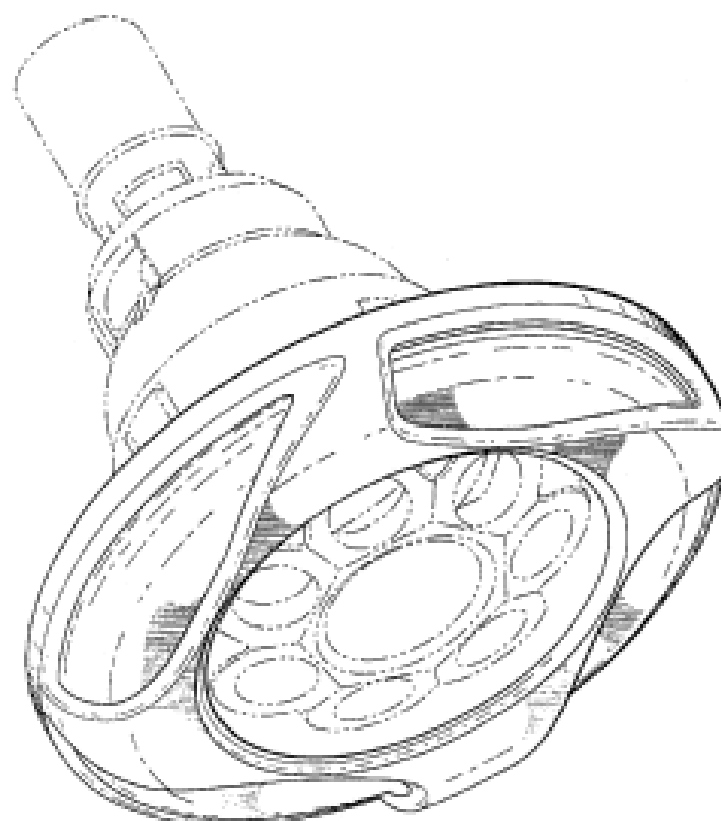
 (56) Related Art Documents: **Not Applicable**  
 (57) Statement of Newness and Distinctiveness: **Newness and distinctiveness reside in the features of shape and/or configuration of the power toothbrush handle, as shown in the representations.**



(21) Design Number: **21417/2007**  
 (22) Date of Filing Application: **17 December 2007**  
 (24) Date from which industrial property rights may have effect: **17 December 2007**  
 (54) Product in respect of which the design is registered: **Spa/pool fixture**  
 (51) International Design Classification: **23-02B**  
 (71) Name(s) and Address(s) of Applicant(s):  
**B & S Plastics, Inc. doing business as Waterway Plastics**  
**2200 East Sturgis Road Oxnard California 93030 United States of America**  
 (72) Name(s) of Designer(s): **Michael D. Holtsnider and Raymundo Colin**  
 (45) Registration Date: **16 April 2008**  
 (30) Convention priority data:  

(31) Number	(32) Date	(33) Country
<b>29/288890</b>	<b>25 Jun 2007</b>	<b>UNITED STATES OF AMERICA</b>

 (56) Related Art Documents: **Not Applicable**  
 (57) Statement of Newness and Distinctiveness: **Newness and distinctiveness is claimed in the visual features of shape and configuration as shown in the representations. In considering the extent of monopoly it should be noted that the broken lines are for illustrative purposes only and form no part of the claimed design.**



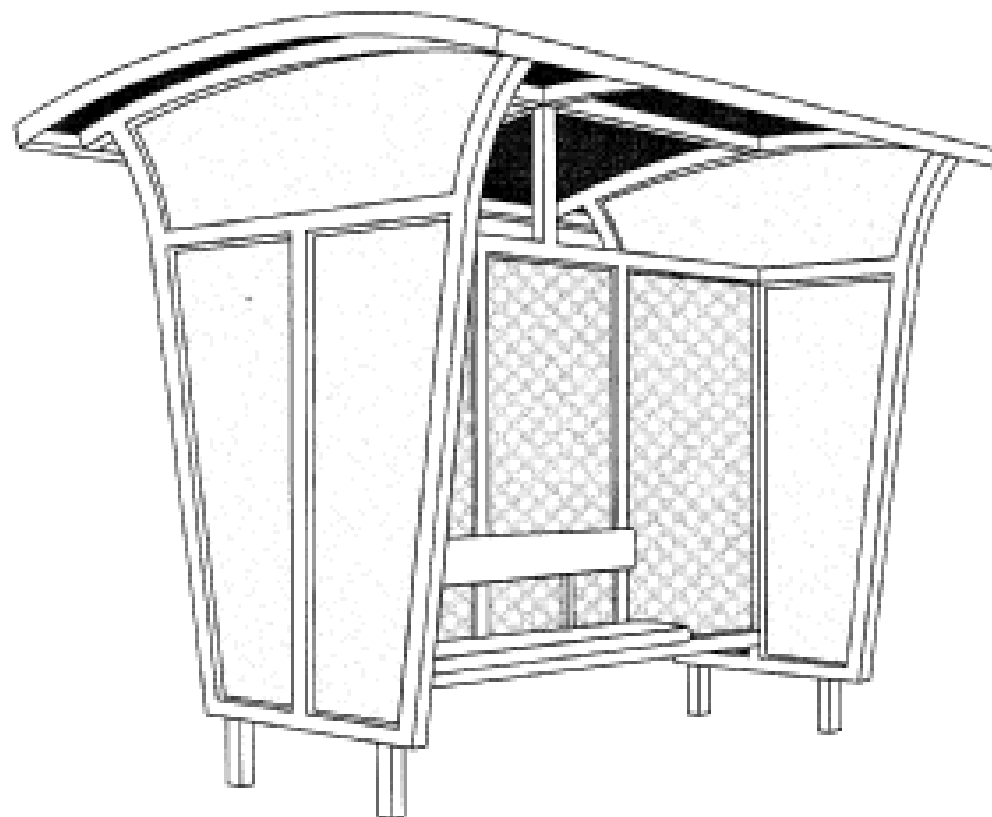
(21) Design Number: **21418/2007**  
(22) Date of Filing Application: **17 December 2007**  
(24) Date from which industrial property rights may have effect: **17 December 2007**  
(54) Product in respect of which the design is registered: **Coffee press**  
(51) International Design Classification: **07-02L**  
(71) Name(s) and Address(s) of Applicant(s):  
**Pi-Design AG**  
**Kantonsstrasse 100 Postfach 463 CH-6234 Triengen Switzerland**  
(72) Name(s) of Designer(s): **Jorgen Bodum**  
(45) Registration Date: **16 April 2008**  
(30) Convention priority data:  
(31) Number (32) Date (33) Country  
**DA 2007 18 Jun 2007 DENMARK**  
**00149**  
(56) Related Art Documents: **Not Applicable**  
(57) Statement of Newness and Distinctiveness: **Nil**



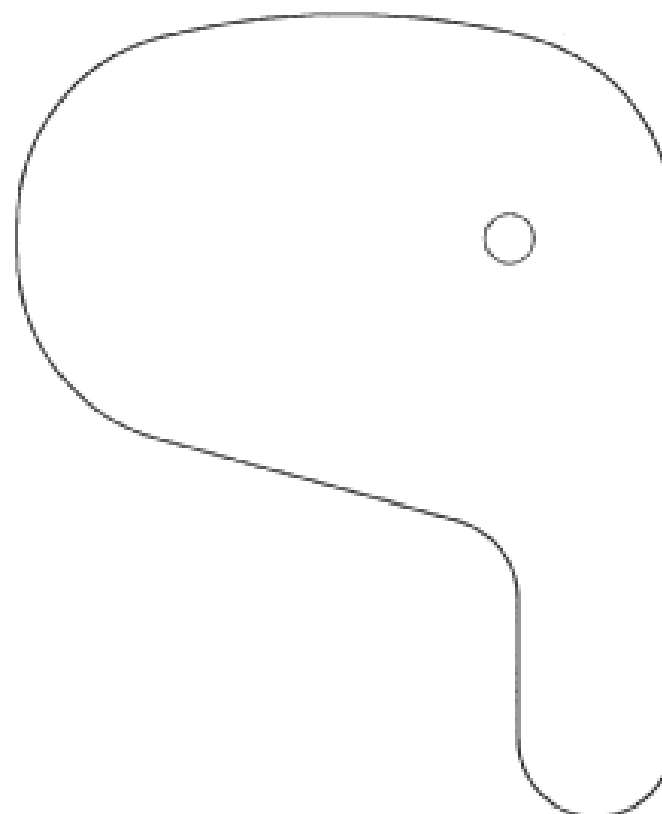
(21) Design Number: **21419/2007**  
(22) Date of Filing Application: **17 December 2007**  
(24) Date from which industrial property rights may have effect: **17 December 2007**  
(54) Product in respect of which the design is registered: **Coffee press**  
(51) International Design Classification: **07-02L**  
(71) Name(s) and Address(s) of Applicant(s):  
**Pi-Design AG**  
**Kantonsstrasse 100 Postfach 463 CH-6234 Triengen Switzerland**  
(72) Name(s) of Designer(s): **Jorgen Bodum**  
(45) Registration Date: **16 April 2008**  
(56) Related Art Documents: **Not Applicable**  
(57) Statement of Newness and Distinctiveness: **Nil**



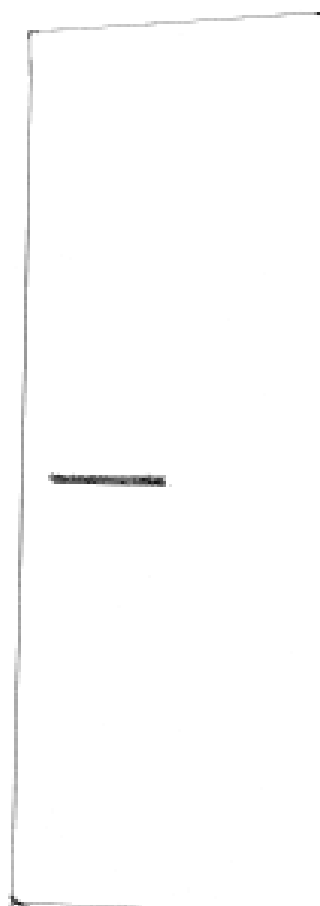
- (21) Design Number: **20600/2007**  
(22) Date of Filing Application: **06 November 2007**  
(24) Date from which industrial property rights may have effect: **06 November 2007**  
(54) Product in respect of which the design is registered: **Bus shelter**  
(51) International Design Classification: **25-03**  
(71) Name(s) and Address(s) of Applicant(s):  
**John Clive Churchill**  
**93 Canning Road Kalamunda Western Australia 6076 Australia**  
(72) Name(s) of Designer(s): **John Clive Churchill**  
(45) Registration Date: **16 April 2008**  
(56) Related Art Documents: **Not Applicable**  
(57) Statement of Newness and Distinctiveness: **Nil**



- (21) Design Number: **20764/2007**  
(22) Date of Filing Application: **12 November 2007**  
(24) Date from which industrial property rights may have effect: **12 November 2007**  
(54) Product in respect of which the design is registered: **Tablet for lecture seating**  
(51) International Design Classification: **06-06G**  
(71) Name(s) and Address(s) of Applicant(s):  
**Douglas Pattenden**  
**1/2 Walton Street Kew VICTORIA AUSTRALIA 3101**  
**Dennis Payne**  
**1/2 Walton Street Kew VICTORIA AUSTRALIA 3101**  
(72) Name(s) of Designer(s): **Douglas Pattenden and Dennis Payne**  
(45) Registration Date: **16 April 2008**  
(56) Related Art Documents: **Not Applicable**  
(57) Statement of Newness and Distinctiveness: **The shape, size and dimensions of the tablet is the distinctive element.**



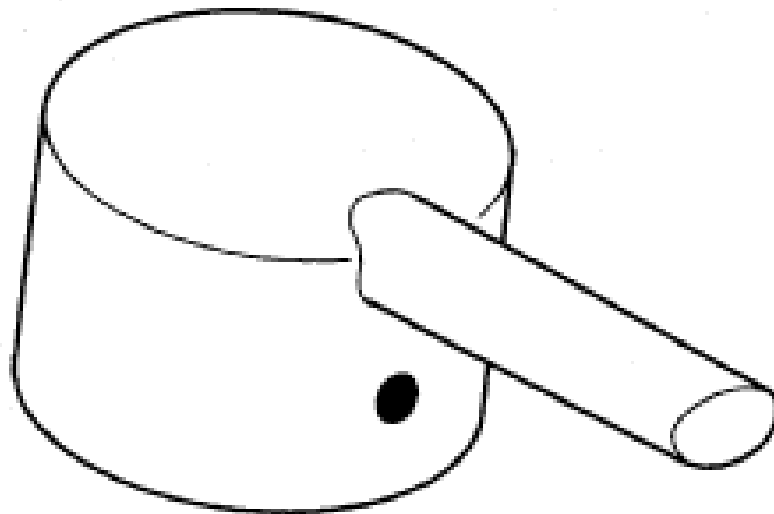
- (21) Design Number: **20855/2007**  
(22) Date of Filing Application: **16 November 2007**  
(24) Date from which industrial property rights may have effect: **16 November 2007**  
(54) Product in respect of which the design is registered: **Extension for car sun visor**  
(51) International Design Classification: **12-16F**  
(71) Name(s) and Address(s) of Applicant(s):  
**Dimitrios (Jim) Fourtounis**  
**29 Latvia Avenue Greenare New South Wales 2190 Australia**  
(72) Name(s) of Designer(s): **Dimitrios (Jim) Fourtounis**  
(45) Registration Date: **16 April 2008**  
(56) Related Art Documents: **Not Applicable**  
(57) Statement of Newness and Distinctiveness: **Nil**



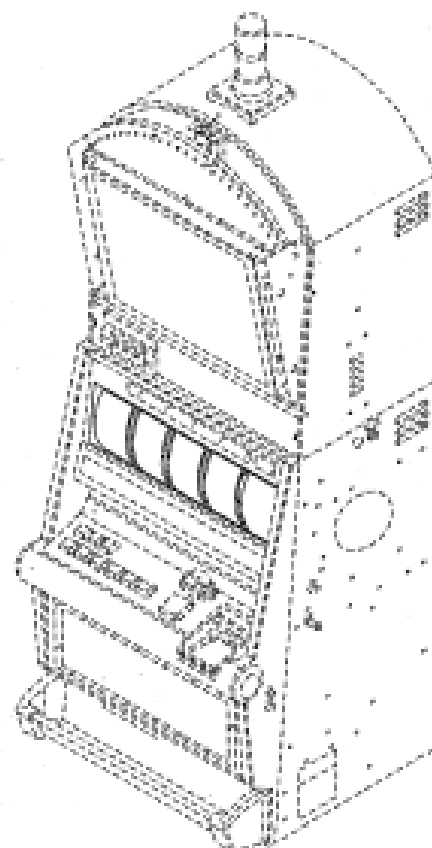
- (21) Design Number: **20993/2007**  
(22) Date of Filing Application: **27 November 2007**  
(24) Date from which industrial property rights may have effect: **27 November 2007**  
(54) Product in respect of which the design is registered: **Salvage air cushion**  
(51) International Design Classification: **29-99, 12-05**  
(71) Name(s) and Address(s) of Applicant(s):  
**Barry Lewis**  
**Goulburn Valley Highway Wunghnu Victoria 3635 Australia**  
(72) Name(s) of Designer(s): **Barry Lewis**  
(45) Registration Date: **16 April 2008**  
(56) Related Art Documents: **Not Applicable**  
(57) Statement of Newness and Distinctiveness: **Separate bags to distribute weight. System to connect into one large unit when required with a 3 into 1 manifold to blow cushions up.**



(21) Design Number: **20997/2007**  
(22) Date of Filing Application: **26 November 2007**  
(24) Date from which industrial property rights may have effect: **26 November 2007**  
(54) Product in respect of which the design is registered: **Control lever of a mixing tap**  
(51) International Design Classification: **23-01H**  
(71) Name(s) and Address(s) of Applicant(s):  
**Hansa Metallwerke AG**  
**Sigmaringer Str. 107 D-70567 Stuttgart Germany**  
(72) Name(s) of Designer(s): **Michael Lammel and Michael Zeisel**  
(45) Registration Date: **16 April 2008**  
(30) Convention priority data:  
(31) Number (32) Date (33) Country  
**000730890 29 May 2007 EUROPEAN COMMUNITY**  
(56) Related Art Documents: **Not Applicable**  
(57) Statement of Newness and Distinctiveness: **Nil**

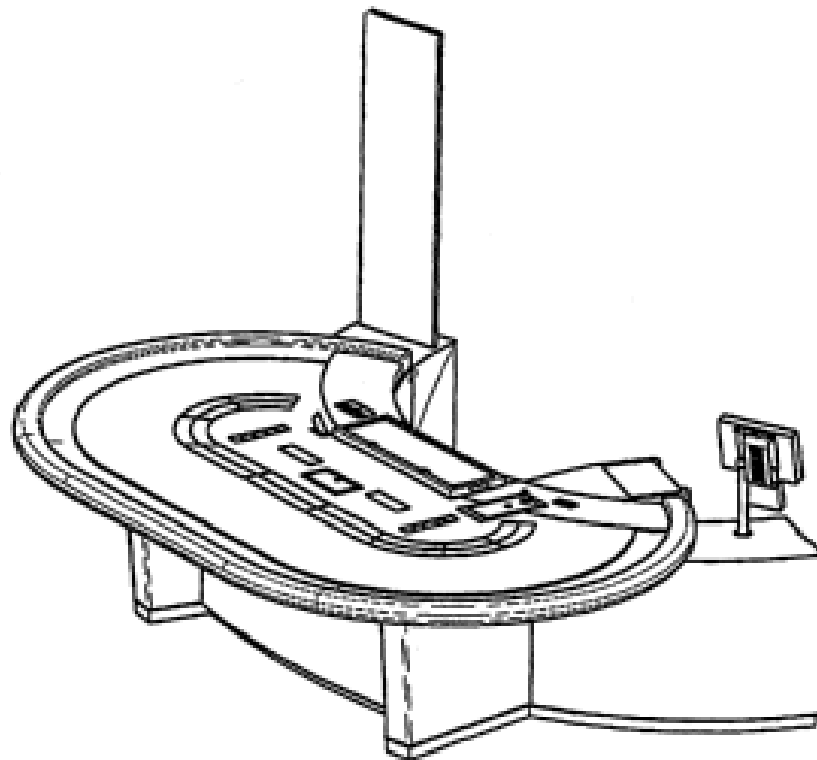


(21) Design Number: **21346/2007**  
(22) Date of Filing Application: **12 December 2007**  
(24) Date from which industrial property rights may have effect: **12 December 2007**  
(54) Product in respect of which the design is registered: **Slot machine reels**  
(51) International Design Classification: **21-03**  
(71) Name(s) and Address(s) of Applicant(s):  
**Konami Gaming, Inc.**  
**585 Trade Center Drive Las Vegas NV 89119 United States of America**  
(72) Name(s) of Designer(s): **Toshiaki Shimizu and Takashi Nishitsuji**  
(45) Registration Date: **16 April 2008**  
(30) Convention priority data:  
(31) Number (32) Date (33) Country  
**29/288,504 13 Jun 2007 UNITED STATES OF AMERICA**  
(56) Related Art Documents: **Not Applicable**  
(57) Statement of Newness and Distinctiveness: **In considering the extent of the monopoly sought, those visual features shown in phantom are to be disregarded.**

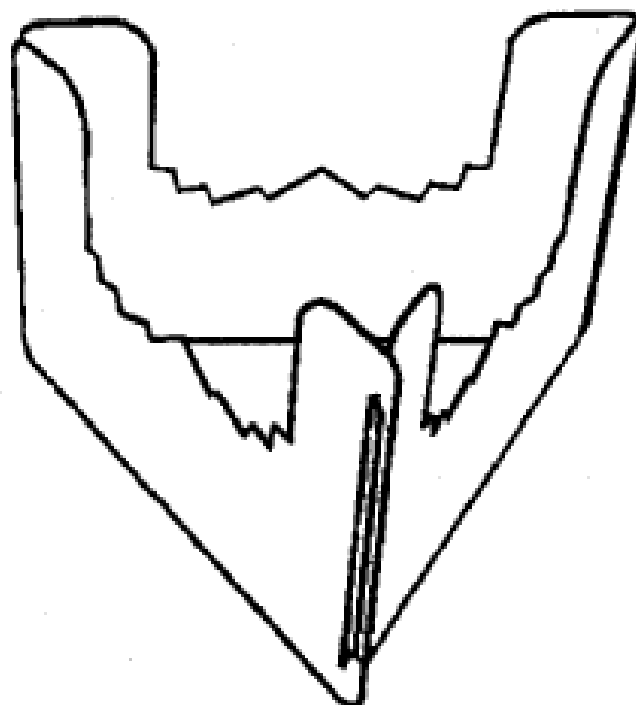




- (21) Design Number: **21350/2007**  
(22) Date of Filing Application: **14 December 2007**  
(24) Date from which industrial property rights may have effect: **14 December 2007**  
(54) Product in respect of which the design is registered: **Baccarat table**  
(51) International Design Classification: **06-03D**  
(71) Name(s) and Address(s) of Applicant(s):  
**Crown Melbourne Limited**  
**8 Whiteman Street Southbank Victoria 3006 Australia**  
(72) Name(s) of Designer(s): **Joe Angele and Colin Edwards and Dean Holmes**  
(45) Registration Date: **16 April 2008**  
(56) Related Art Documents: **Not Applicable**  
(57) Statement of Newness and Distinctiveness: **Nil**



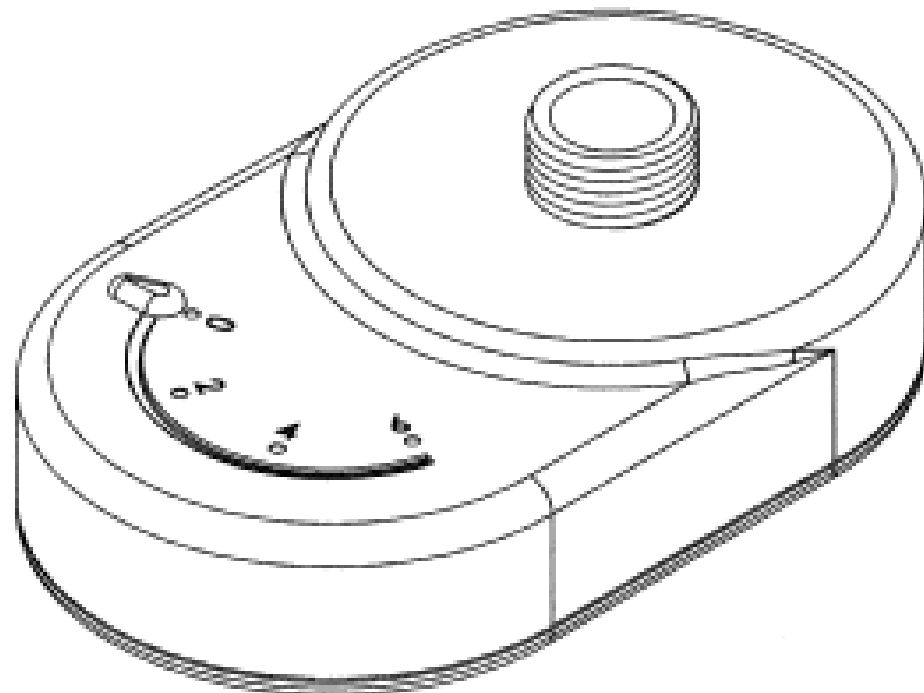
- (21) Design Number: **21046/2007**  
(22) Date of Filing Application: **29 November 2007**  
(24) Date from which industrial property rights may have effect: **29 November 2007**  
(54) Product in respect of which the design is registered: **FOZI tripod - a plastic, folding device for supporting cameras, mobile phones and media players in multiple**  
(51) International Design Classification: **16-05**  
(71) Name(s) and Address(s) of Applicant(s):  
**Timetale Pty. Ltd**  
**PO Box 975 Brookvale New South Wales 2100 Australia**  
(72) Name(s) of Designer(s): **Ian Rowatt**  
(45) Registration Date: **16 April 2008**  
(56) Related Art Documents: **Not Applicable**  
(57) Statement of Newness and Distinctiveness: **Credit card dimensions, material flexible plastic, folds to two dimensional shape for carrying, three dimensions when ready for use. Firm clip or join mechanism to hold in normal working shape. Supports compact electronic appliances.**



(21) Design Number: **21410/2007**  
(22) Date of Filing Application: **18 December 2007**  
(24) Date from which industrial property rights may have effect: **18 December 2007**  
(54) Product in respect of which the design is registered: **Shower timer**  
(51) International Design Classification: **10-03**  
(71) Name(s) and Address(s) of Applicant(s):

**Katherine Watson**  
**102a Elizabeth Street Richmond Victoria 3121 Australia**

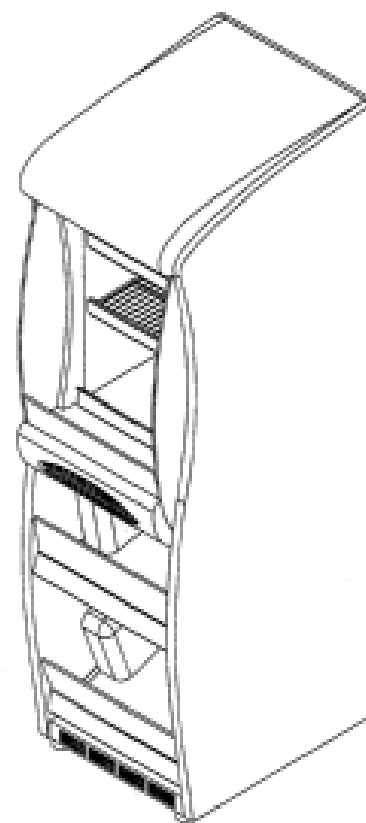
(72) Name(s) of Designer(s): **Katherine Watson**  
(45) Registration Date: **16 April 2008**  
(56) Related Art Documents: **Not Applicable**  
(57) Statement of Newness and Distinctiveness: **Nil**



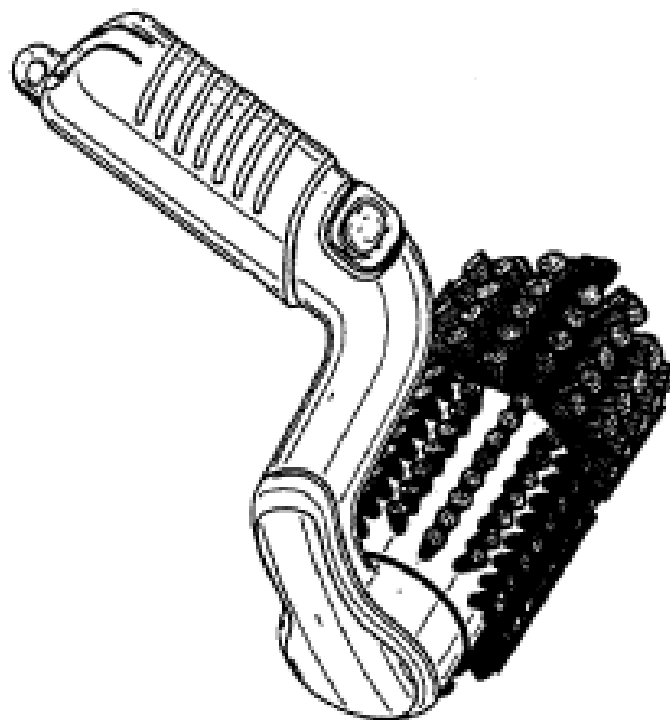
(21) Design Number: **21420/2007**  
(22) Date of Filing Application: **18 December 2007**  
(24) Date from which industrial property rights may have effect: **18 December 2007**  
(54) Product in respect of which the design is registered: **Refrigerated display counter**  
(51) International Design Classification: **20-02C**  
(71) Name(s) and Address(s) of Applicant(s):

**Red Bull GmbH**  
**Am Brunnen 1 5330 Fusch1 am See Austria**

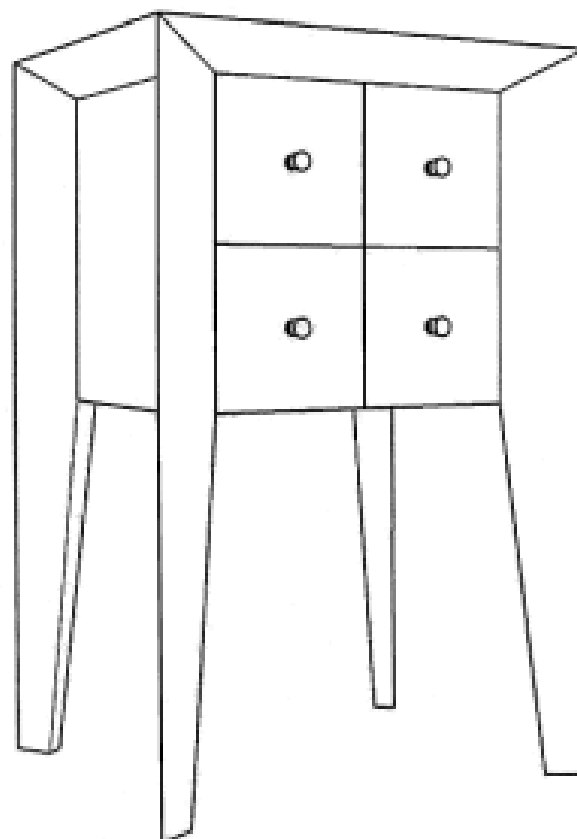
(72) Name(s) of Designer(s): **Steven Howell**  
(45) Registration Date: **16 April 2008**  
(30) Convention priority data:  
(31) Number      (32) Date      (33) Country  
**000748470-0001    22 Jun 2007      EUROPEAN COMMUNITY**  
(56) Related Art Documents: **Not Applicable**  
(57) Statement of Newness and Distinctiveness: **Nil**



(21) Design Number: **21421/2007**  
(22) Date of Filing Application: **18 December 2007**  
(24) Date from which industrial property rights may have effect: **18 December 2007**  
(54) Product in respect of which the design is registered: **Power scrubber**  
(51) International Design Classification: **08-05N**  
(71) Name(s) and Address(s) of Applicant(s):  
**Black & Decker, Inc.**  
**1207 Drummond Plaza Newark Delaware 19711 United States of America**  
(72) Name(s) of Designer(s): **Christopher J. Murray**  
(45) Registration Date: **16 April 2008**  
(30) Convention priority data:  
(31) Number (32) Date (33) Country  
**29/288944 27 Jun 2007 UNITED STATES OF AMERICA**  
(56) Related Art Documents: **Not Applicable**  
(57) Statement of Newness and Distinctiveness: **Nil**



(21) Design Number: **21215/2007**  
(22) Date of Filing Application: **11 December 2007**  
(24) Date from which industrial property rights may have effect: **11 December 2007**  
(54) Product in respect of which the design is registered: **Storage furniture for discs**  
(51) International Design Classification: **06-04F**  
(71) Name(s) and Address(s) of Applicant(s):  
**EM Export Limited**  
**Nerine Chambers PO Box 905 Road Town Tortola British Virgin Islands**  
(72) Name(s) of Designer(s): **Moshe Saraga and Reem Mayer**  
(45) Registration Date: **17 April 2008**  
(30) Convention priority data:  
(31) Number (32) Date (33) Country  
**000739933-0010 11 Jun 2007 FRANCE**  
(56) Related Art Documents: **Not Applicable**  
(57) Statement of Newness and Distinctiveness: **Nil**



- (21) Design Number: **21216/2007**  
(22) Date of Filing Application: **11 December 2007**  
(24) Date from which industrial property rights may have effect: **11 December 2007**  
(54) Product in respect of which the design is registered: **Console tables**  
(51) International Design Classification: **06-03A, 06-04D**  
(71) Name(s) and Address(s) of Applicant(s):

**EM Export Limited**  
**Nerine Chambers PO Box 905 Road Town Tortola British Virgin Islands**

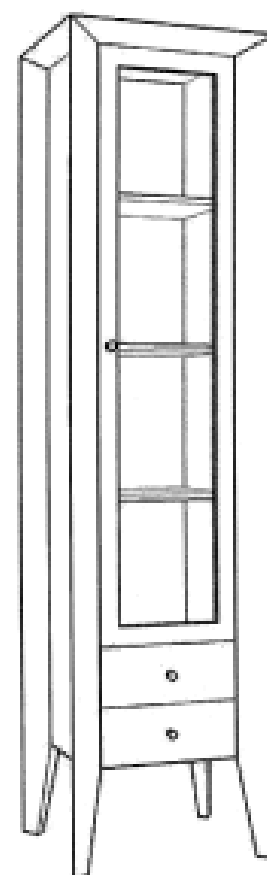
- (72) Name(s) of Designer(s): **Moshe Saraga and Reem Mayer**  
(45) Registration Date: **17 April 2008**  
(30) Convention priority data:  
(31) Number      (32) Date      (33) Country  
**000739933-0012 11 Jun 2007 FRANCE**  
(56) Related Art Documents: **Not Applicable**  
(57) Statement of Newness and Distinctiveness: **Nil**



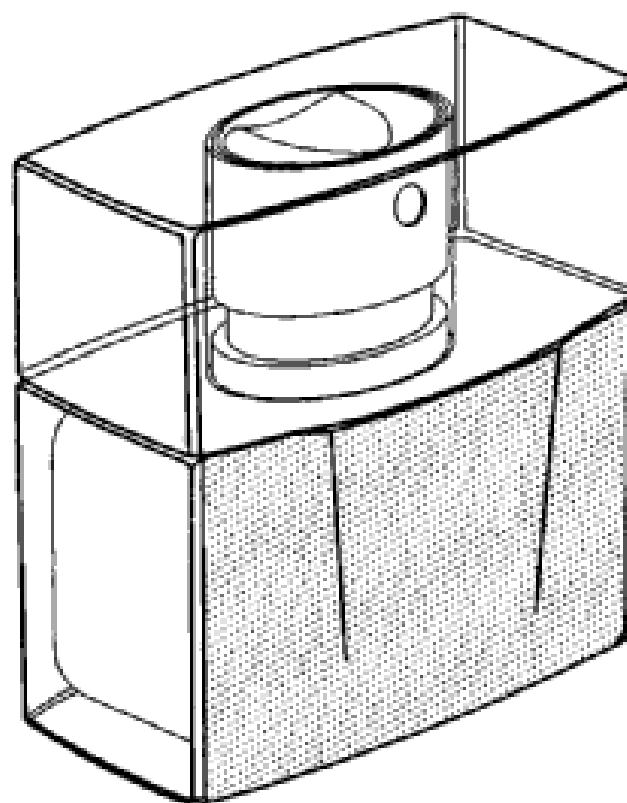
- (21) Design Number: **21217/2007**  
(22) Date of Filing Application: **11 December 2007**  
(24) Date from which industrial property rights may have effect: **11 December 2007**  
(54) Product in respect of which the design is registered: **Storage furniture**  
(51) International Design Classification: **06-04D**  
(71) Name(s) and Address(s) of Applicant(s):

**EM Export Limited**  
**Nerine Chambers PO Box 905 Road Town Tortola British Virgin Islands**

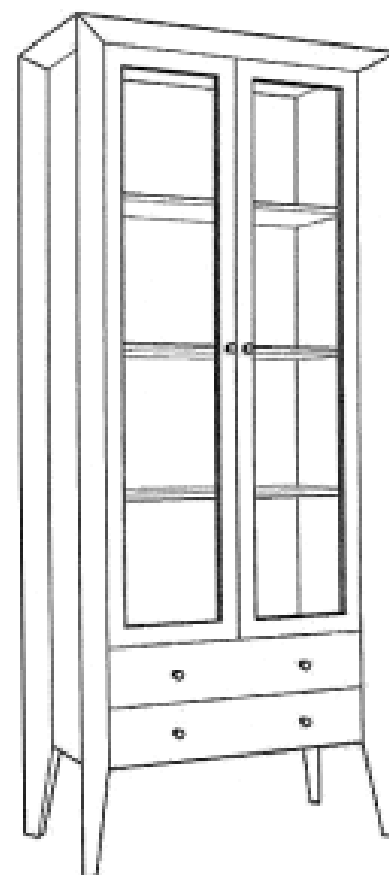
- (72) Name(s) of Designer(s): **Moshe Saraga and Reem Mayer**  
(45) Registration Date: **17 April 2008**  
(30) Convention priority data:  
(31) Number      (32) Date      (33) Country  
**000739933-0014 11 Jun 2007 FRANCE**  
(56) Related Art Documents: **Not Applicable**  
(57) Statement of Newness and Distinctiveness: **Nil**



(21) Design Number: **10871/2008**  
(22) Date of Filing Application: **22 February 2008**  
(24) Date from which industrial property rights may have effect: **22 February 2008**  
(54) Product in respect of which the design is registered: **Perfume bottle**  
(51) International Design Classification: **09-01G**  
(71) Name(s) and Address(s) of Applicant(s):  
**Guerlain Societe Anonyme**  
**68 Avenue des Champs Elysees Paris 75008 France**  
(72) Name(s) of Designer(s): **Paolo Pininfarina**  
(45) Registration Date: **17 April 2008**  
(30) Convention priority data:  
(31) Number (32) Date (33) Country  
**000785365-0002 06 Sep 2007 EUROPEAN COMMUNITY**  
(56) Related Art Documents: **Not Applicable**  
(57) Statement of Newness and Distinctiveness: **Nil**



(21) Design Number: **21218/2007**  
(22) Date of Filing Application: **11 December 2007**  
(24) Date from which industrial property rights may have effect: **11 December 2007**  
(54) Product in respect of which the design is registered: **Storage furniture**  
(51) International Design Classification: **06-04D**  
(71) Name(s) and Address(s) of Applicant(s):  
**EM Export Limited**  
**Nerine Chambers PO Box 905 Road Town Tortola British Virgin Islands**  
(72) Name(s) of Designer(s): **Moshe Saraga and Reem Mayer**  
(45) Registration Date: **17 April 2008**  
(30) Convention priority data:  
(31) Number (32) Date (33) Country  
**000739933-0015 11 Jun 2007 FRANCE**  
(56) Related Art Documents: **Not Applicable**  
(57) Statement of Newness and Distinctiveness: **Nil**



(21) Design Number: **21219/2007**  
(22) Date of Filing Application: **11 December 2007**  
(24) Date from which industrial property rights may have effect: **11 December 2007**  
(54) Product in respect of which the design is registered: **Tables**  
(51) International Design Classification: **06-03A**  
(71) Name(s) and Address(s) of Applicant(s):

**EM Export Limited**  
**Nerine Chambers PO Box 905 Road Town Tortola British Virgin Islands**

(72) Name(s) of Designer(s): **Moshe Saraga and Reem Mayer**

(45) Registration Date: **17 April 2008**

(30) Convention priority data:

(31) Number	(32) Date	(33) Country
<b>000739933-0016</b>	<b>11 Jun 2007</b>	<b>FRANCE</b>

(56) Related Art Documents: **Not Applicable**

(57) Statement of Newness and Distinctiveness: **Nil**



(21) Design Number: **21220/2007**  
(22) Date of Filing Application: **11 December 2007**  
(24) Date from which industrial property rights may have effect: **11 December 2007**  
(54) Product in respect of which the design is registered: **Tables**  
(51) International Design Classification: **06-03A**  
(71) Name(s) and Address(s) of Applicant(s):

**EM Export Limited**  
**Nerine Chambers PO Box 905 Road Town Tortola British Virgin Islands**

(72) Name(s) of Designer(s): **Moshe Saraga and Reem Mayer**

(45) Registration Date: **17 April 2008**

(30) Convention priority data:

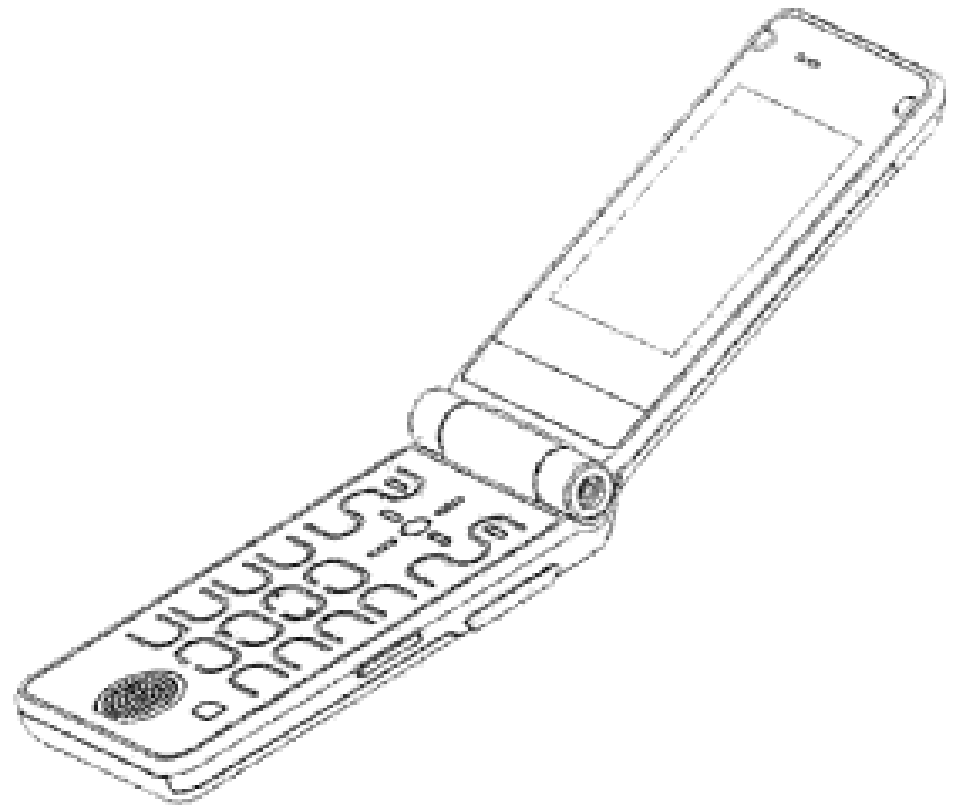
(31) Number	(32) Date	(33) Country
<b>000739933-0017</b>	<b>11 Jun 2007</b>	<b>FRANCE</b>

(56) Related Art Documents: **Not Applicable**

(57) Statement of Newness and Distinctiveness: **Nil**



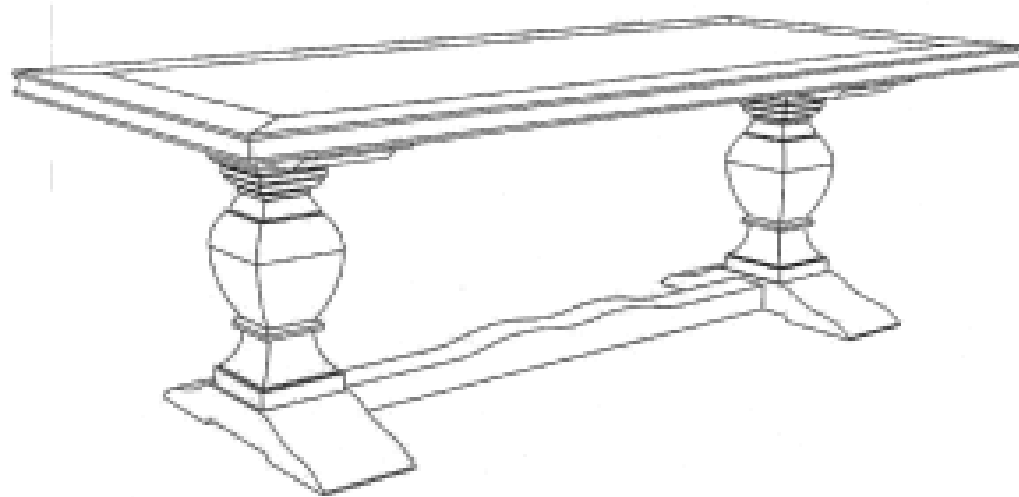
(21) Design Number: **11107/2008**  
(22) Date of Filing Application: **05 March 2008**  
(24) Date from which industrial property rights may have effect: **05 March 2008**  
(54) Product in respect of which the design is registered: **Mobile phone**  
(51) International Design Classification: **14-03E**  
(71) Name(s) and Address(s) of Applicant(s):  
**Sony Ericsson Mobile Communications AB**  
**Nya Vattentorget SE 221 88 Lund Sweden**  
(72) Name(s) of Designer(s): **Hirano Shimpei**  
(45) Registration Date: **17 April 2008**  
(30) Convention priority data:  
(31) Number (32) Date (33) Country  
**000784152-0001 05 Sep 2007 EUROPEAN COMMUNITY**  
(56) Related Art Documents: **Not Applicable**  
(57) Statement of Newness and Distinctiveness: **Nil**



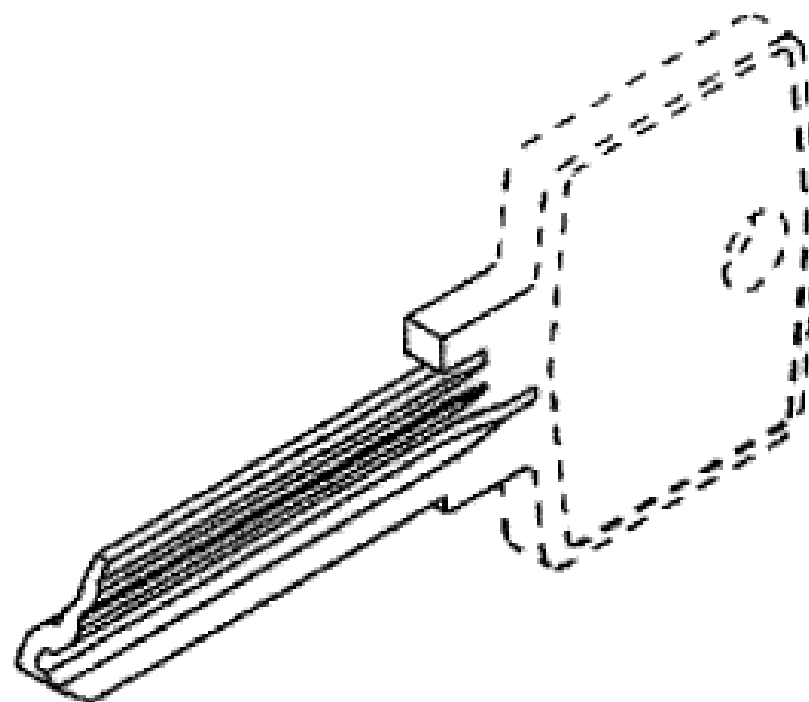
(21) Design Number: **21221/2007**  
(22) Date of Filing Application: **11 December 2007**  
(24) Date from which industrial property rights may have effect: **11 December 2007**  
(54) Product in respect of which the design is registered: **Console tables**  
(51) International Design Classification: **06-03A**  
(71) Name(s) and Address(s) of Applicant(s):  
**EM Export Limited**  
**Nerine Chambers PO Box 905 Road Town Tortola British Virgin Islands**  
(72) Name(s) of Designer(s): **Moshe Saraga and Reem Mayer**  
(45) Registration Date: **17 April 2008**  
(30) Convention priority data:  
(31) Number (32) Date (33) Country  
**000739933-0018 11 Jun 2007 FRANCE**  
(56) Related Art Documents: **Not Applicable**  
(57) Statement of Newness and Distinctiveness: **Nil**



(21) Design Number: **21222/2007**  
(22) Date of Filing Application: **11 December 2007**  
(24) Date from which industrial property rights may have effect: **11 December 2007**  
(54) Product in respect of which the design is registered: **Tables**  
(51) International Design Classification: **06-03A**  
(71) Name(s) and Address(s) of Applicant(s):  
**EM Export Limited**  
**Nerine Chambers PO Box 905 Road Town Tortola British Virgin Islands**  
(72) Name(s) of Designer(s): **Moshe Saraga and Reem Mayer**  
(45) Registration Date: **17 April 2008**  
(30) Convention priority data:  
(31) Number (32) Date (33) Country  
**000739933-0020 11 Jun 2007 FRANCE**  
(56) Related Art Documents: **Not Applicable**  
(57) Statement of Newness and Distinctiveness: **Nil**

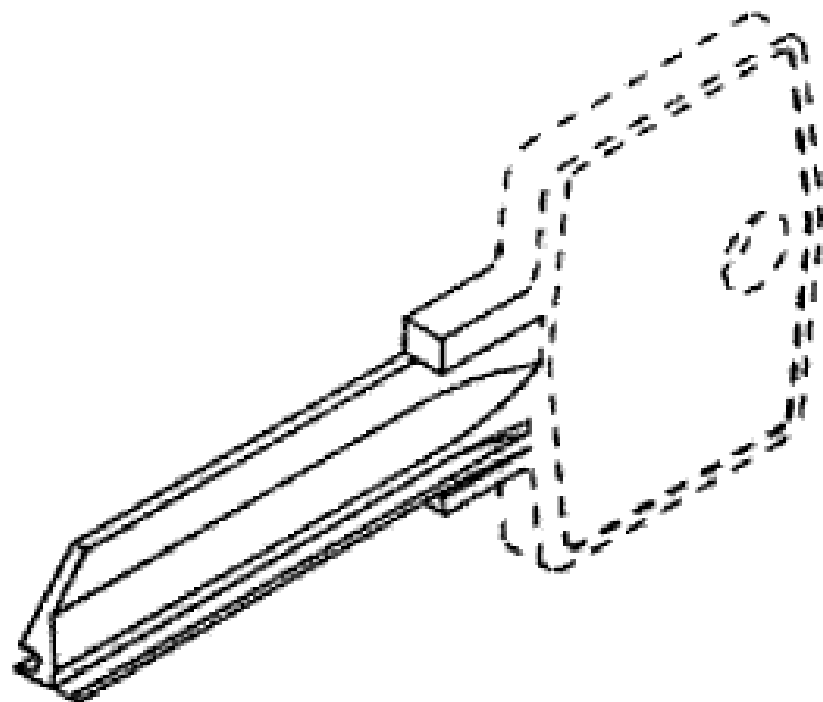


(21) Design Number: **21225/2007**  
(22) Date of Filing Application: **11 December 2007**  
(24) Date from which industrial property rights may have effect: **11 December 2007**  
(54) Product in respect of which the design is registered: **Key blank**  
(51) International Design Classification: **08-07**  
(71) Name(s) and Address(s) of Applicant(s):  
**Australian Lock Company Pty Ltd**  
**17 Doyle Avenue Unanderra New South Wales 2526 Australia**  
(72) Name(s) of Designer(s): **Brian Hiscocks**  
(45) Registration Date: **17 April 2008**  
(56) Related Art Documents: **Not Applicable**  
(57) Statement of Newness and Distinctiveness: **Newness and distinctiveness is claimed in the features of shape and configuration of the key blade. No monopoly is claimed in respect of the key head.**

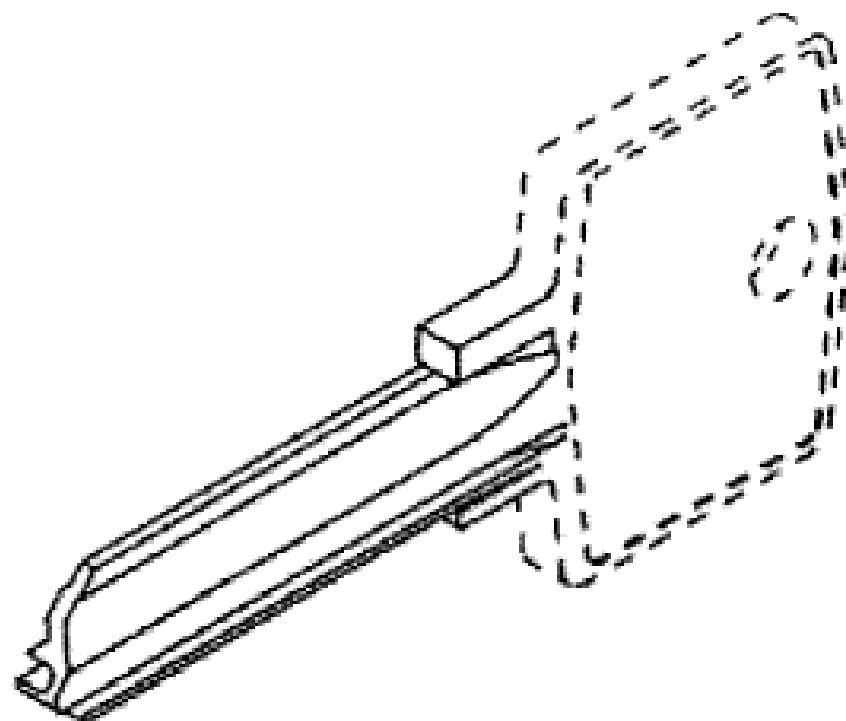




- (21) Design Number: **21226/2007**  
(22) Date of Filing Application: **11 December 2007**  
(24) Date from which industrial property rights may have effect: **11 December 2007**  
(54) Product in respect of which the design is registered: **Key blank**  
(51) International Design Classification: **08-07**  
(71) Name(s) and Address(s) of Applicant(s):  
**Australian Lock Company Pty Ltd**  
**17 Doyle Avenue Unanderra New South Wales 2526 Australia**  
(72) Name(s) of Designer(s): **Andrew Larkin**  
(45) Registration Date: **17 April 2008**  
(56) Related Art Documents: **Not Applicable**  
(57) Statement of Newness and Distinctiveness: **Newness and distinctiveness is claimed in the features of shape and configuration of the key blade. No monopoly is claimed in respect of the key head.**



- (21) Design Number: **21227/2007**  
(22) Date of Filing Application: **11 December 2007**  
(24) Date from which industrial property rights may have effect: **11 December 2007**  
(54) Product in respect of which the design is registered: **Key blank**  
(51) International Design Classification: **08-07**  
(71) Name(s) and Address(s) of Applicant(s):  
**Australian Lock Company Pty Ltd**  
**17 Doyle Avenue Unanderra New South Wales 2526 Australia**  
(72) Name(s) of Designer(s): **Brian Hiscocks**  
(45) Registration Date: **17 April 2008**  
(56) Related Art Documents: **Not Applicable**  
(57) Statement of Newness and Distinctiveness: **Newness and distinctiveness is claimed in the features of shape and configuration of the key blade. No monopoly is claimed in respect of the key head.**



(21) Design Number: **21228/2007**

(22) Date of Filing Application: **11 December 2007**

(24) Date from which industrial property rights may have effect: **11 December 2007**

(54) Product in respect of which the design is registered: **Key blank**

(51) International Design Classification: **08-07**

(71) Name(s) and Address(s) of Applicant(s):

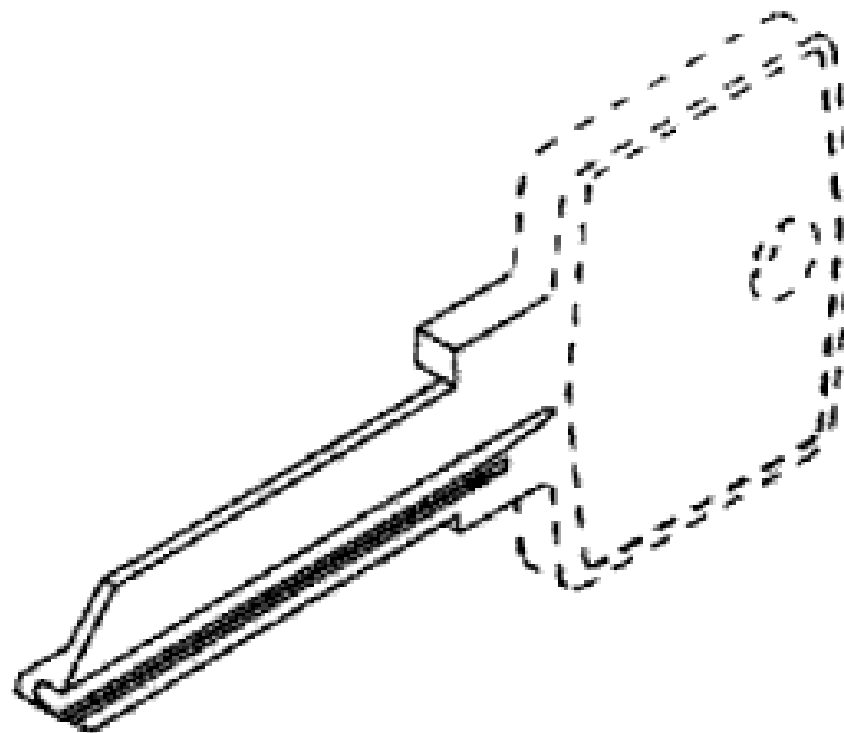
**Australian Lock Company Pty Ltd  
17 Doyle Avenue Unanderra New South Wales 2526 Australia**

(72) Name(s) of Designer(s): **Andrew Larkin**

(45) Registration Date: **17 April 2008**

(56) Related Art Documents: **Not Applicable**

(57) Statement of Newness and Distinctiveness: **Newness and distinctiveness is claimed in the features of shape and configuration of the key blade. No monopoly is claimed in respect of the key head.**



(21) Design Number: **21229/2007**

(22) Date of Filing Application: **11 December 2007**

(24) Date from which industrial property rights may have effect: **11 December 2007**

(54) Product in respect of which the design is registered: **Signal splitter device**

(51) International Design Classification: **13-03NES**

(71) Name(s) and Address(s) of Applicant(s):

**Schneider Electric Industries SAS  
89 boulevard Franklin Roosevelt 92500 Rueil-Malmaison France**

(72) Name(s) of Designer(s): **Dominique Masse**

(45) Registration Date: **17 April 2008**

(30) Convention priority data:

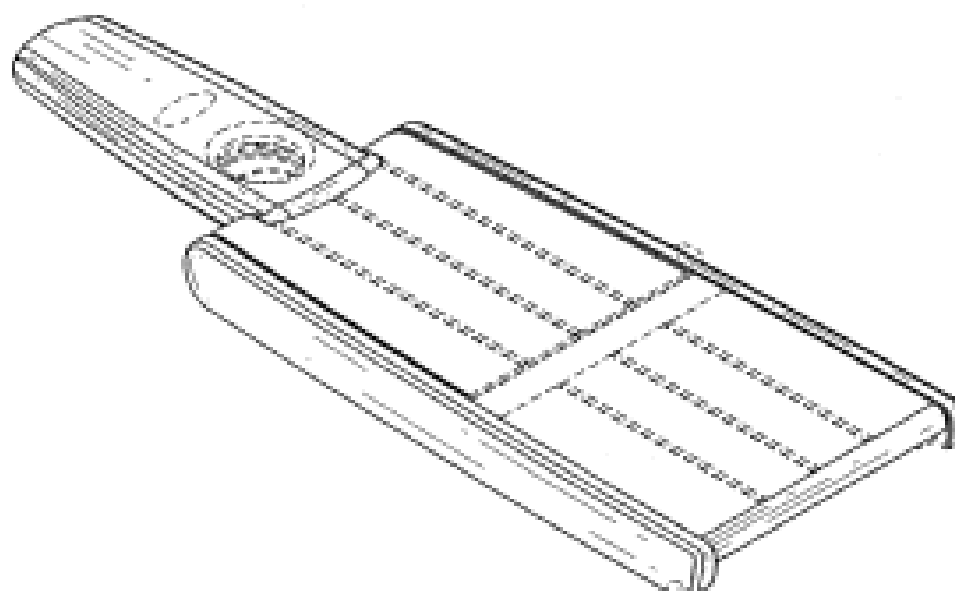
(31) Number	(32) Date	(33) Country
<b>000740899</b>	<b>14 Jun 2007</b>	<b>EUROPEAN COMMUNITY</b>

(56) Related Art Documents: **Not Applicable**

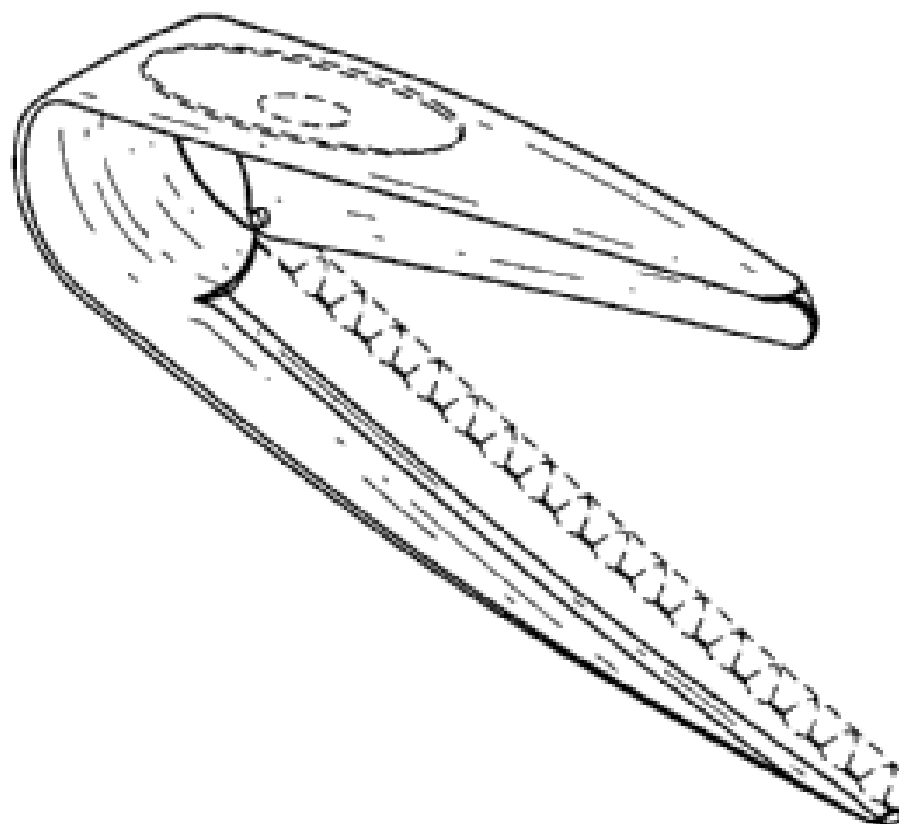
(57) Statement of Newness and Distinctiveness: **Nil**



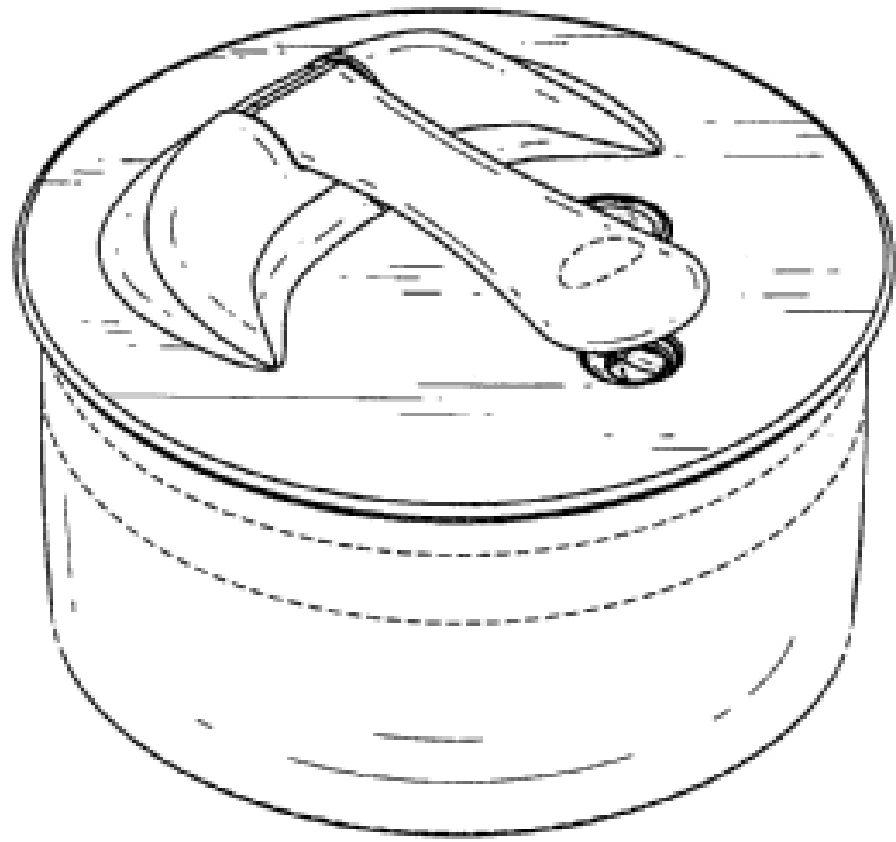
(21) Design Number: **21232/2007**  
(22) Date of Filing Application: **11 December 2007**  
(24) Date from which industrial property rights may have effect: **11 December 2007**  
(54) Product in respect of which the design is registered: **Mandolin slicer**  
(51) International Design Classification: **07-04**  
(71) Name(s) and Address(s) of Applicant(s):  
**Chef'n Corporation**  
**1520 4th Avenue 3rd Floor Seattle Washington 98101 United States of America**  
(72) Name(s) of Designer(s): **David Hull**  
(45) Registration Date: **17 April 2008**  
(30) Convention priority data:  
(31) Number (32) Date (33) Country  
**29296086 12 Oct 2007 UNITED STATES OF AMERICA**  
(56) Related Art Documents: **Not Applicable**  
(57) Statement of Newness and Distinctiveness: **Newness and distinctiveness is claimed in the visual features shown in solid lines in the representations.**



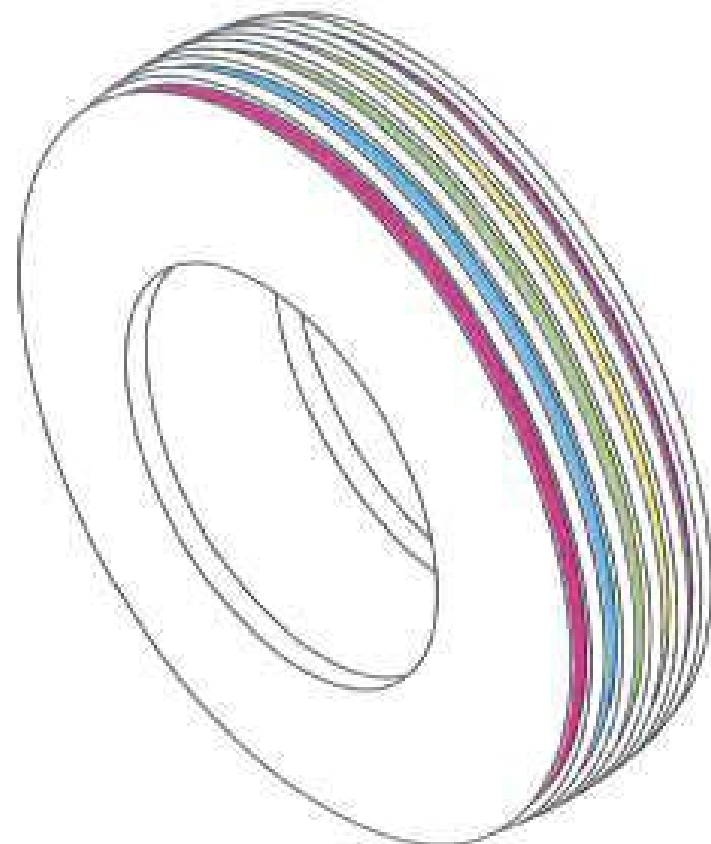
(21) Design Number: **21233/2007**  
(22) Date of Filing Application: **11 December 2007**  
(24) Date from which industrial property rights may have effect: **11 December 2007**  
(54) Product in respect of which the design is registered: **Salad shears**  
(51) International Design Classification: **07-06NES**  
(71) Name(s) and Address(s) of Applicant(s):  
**Chef'n Corporation**  
**1520 4th Avenue 3rd Floor Seattle Washington 98101 United States of America**  
(72) Name(s) of Designer(s): **David A. Holcomb and David Hull**  
(45) Registration Date: **17 April 2008**  
(30) Convention priority data:  
(31) Number (32) Date (33) Country  
**29295053 20 Sep 2007 UNITED STATES OF AMERICA**  
(56) Related Art Documents: **Not Applicable**  
(57) Statement of Newness and Distinctiveness: **Newness and distinctiveness is claimed in the visual features shown in solid lines in the representations.**



- (21) Design Number: **21234/2007**  
(22) Date of Filing Application: **11 December 2007**  
(24) Date from which industrial property rights may have effect: **11 December 2007**  
(54) Product in respect of which the design is registered: **Salad spinner**  
(51) International Design Classification: **07-04**  
(71) Name(s) and Address(s) of Applicant(s):  
**Chef'n Corporation**  
**1520 4th Avenue 3rd Floor Seattle Washington 98101 United States of America**  
(72) Name(s) of Designer(s): **Adam A. Jossem and David A. Holcomb**  
(45) Registration Date: **17 April 2008**  
(30) Convention priority data:  
(31) Number (32) Date (33) Country  
**29282964 02 Aug 2007 UNITED STATES OF AMERICA**  
(56) Related Art Documents: **Not Applicable**  
(57) Statement of Newness and Distinctiveness: **Newness and distinctiveness is claimed in the visual features shown in solid lines in the representations.**



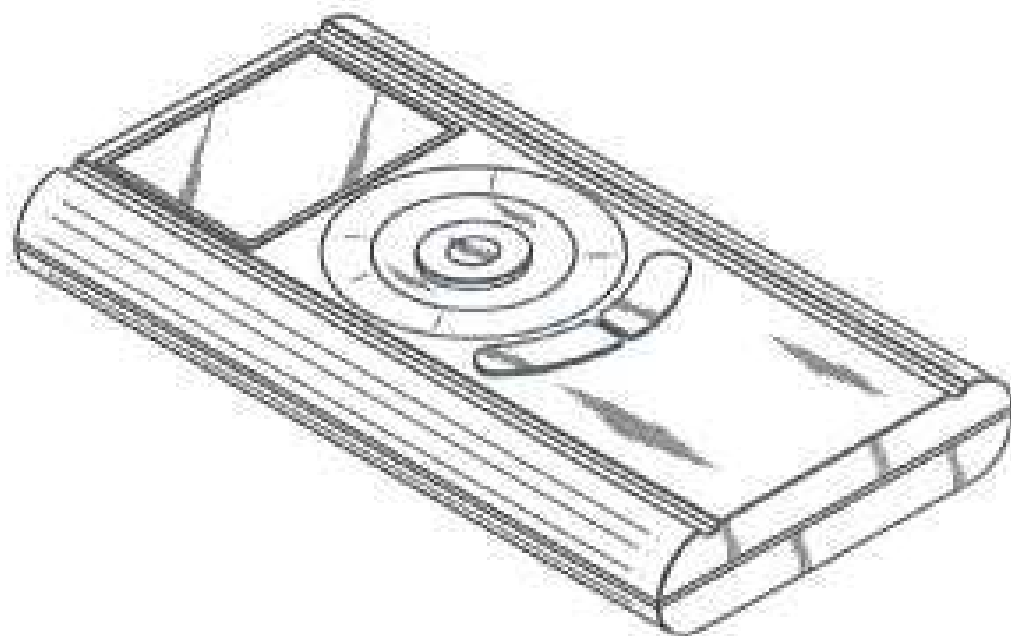
- (21) Design Number: **21583/2007**  
(22) Date of Filing Application: **03 October 2007**  
(24) Date from which industrial property rights may have effect: **03 October 2007**  
(54) Product in respect of which the design is registered: **A tyre for an automobile**  
(51) International Design Classification: **12-15B**  
(71) Name(s) and Address(s) of Applicant(s):  
**Nariko Ohara**  
**538-18 Ayameikeminami 7-chome Nara-shi Nara 631-0033 Japan**  
**Kuniaki Takamatsu**  
**55 Takamatsu Kaminoyama-shi Yamagata 999-3243 Japan**  
**Yoshiaki Ito**  
**10-21 Minamigaoka 1-chome Chikusa-ku Nagoya-shi Aichi 464-0042 Japan**  
**Hideaki Kikuchi**  
**25-25 Taishibashi 1-chome Asahi-ku Osaka-shi Osaka 535-0001 Japan**  
(72) Name(s) of Designer(s): **Nariko Ohara and Kuniaki Takamatsu**  
(45) Registration Date: **17 April 2008**  
(62) Divisional of: **318576**  
(56) Related Art Documents: **Not Applicable**  
(57) Statement of Newness and Distinctiveness: **Nil**



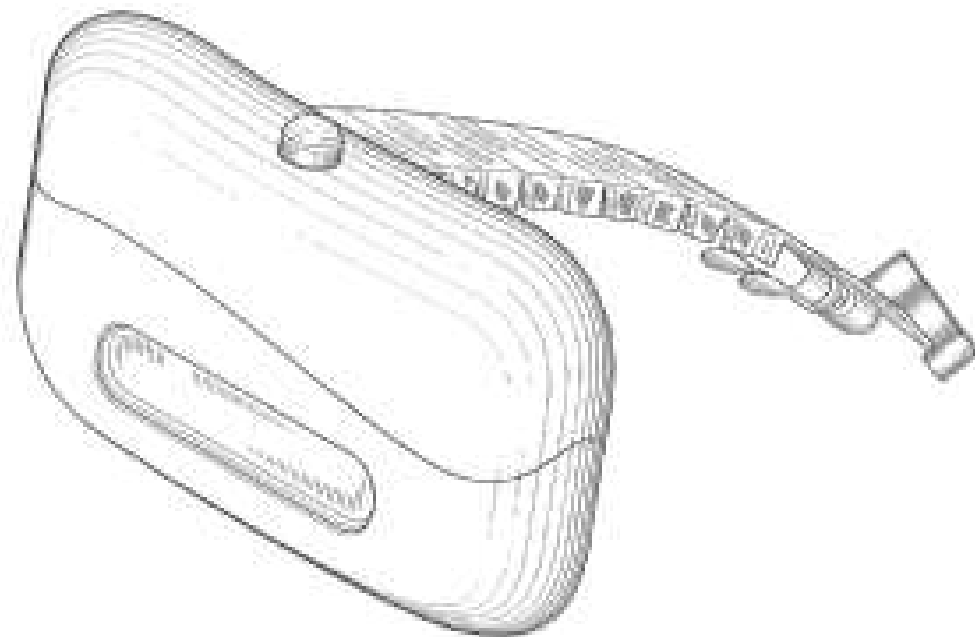
(21) Design Number: **11108/2008**  
(22) Date of Filing Application: **05 March 2008**  
(24) Date from which industrial property rights may have effect: **05 March 2008**  
(54) Product in respect of which the design is registered: **Mobile phone**  
(51) International Design Classification: **14-03E**  
(71) Name(s) and Address(s) of Applicant(s):  
**Sony Ericsson Mobile Communications AB**  
**Nya Vattentorget SE 221 88 Lund Sweden**  
(72) Name(s) of Designer(s): **Sang Beom Kim**  
(45) Registration Date: **22 April 2008**  
(30) Convention priority data:  
(31) Number (32) Date (33) Country  
**000786678-0001 10 Sep 2007 EUROPEAN COMMUNITY**  
(56) Related Art Documents: **Not Applicable**  
(57) Statement of Newness and Distinctiveness: **Nil**



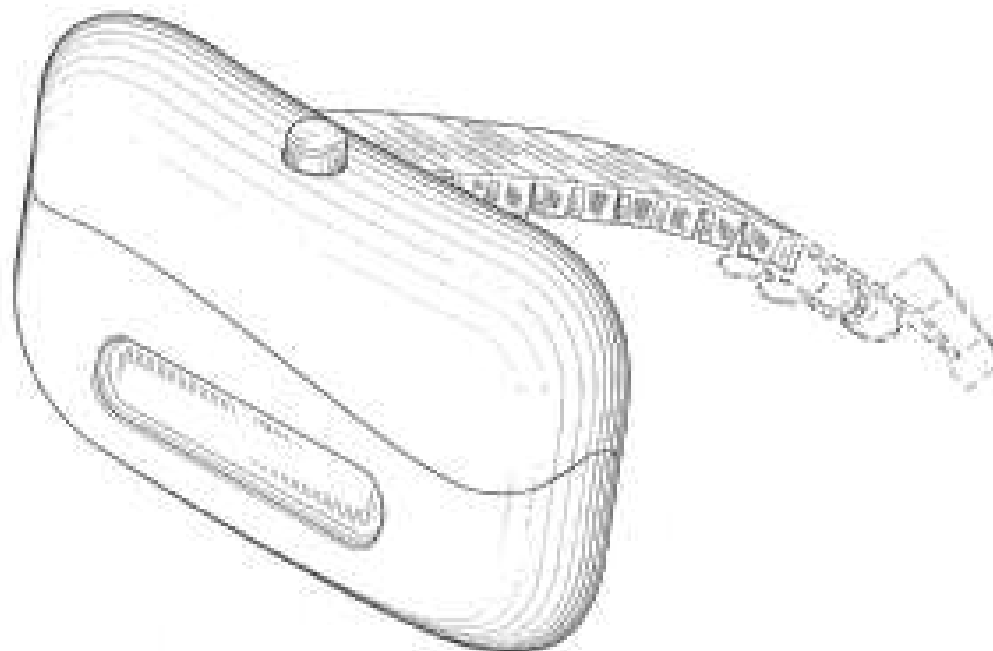
(21) Design Number: **11202/2008**  
(22) Date of Filing Application: **13 March 2008**  
(24) Date from which industrial property rights may have effect: **13 March 2008**  
(54) Product in respect of which the design is registered: **Remote handset**  
(51) International Design Classification: **14-03A**  
(71) Name(s) and Address(s) of Applicant(s):  
**Carrier Corporation**  
**One Carrier Place Farmington CT 06034 United States of America**  
(72) Name(s) of Designer(s): **Luciano Da Luz Moraes and Rafael Schabbach**  
**and Regis Silva and Julio Cezar Kalata**  
(45) Registration Date: **22 April 2008**  
(30) Convention priority data:  
(31) Number (32) Date (33) Country  
**DI6702774-1 18 Sep 2007 BRAZIL**  
(56) Related Art Documents: **Not Applicable**  
(57) Statement of Newness and Distinctiveness: **Nil**



- (21) Design Number: **11222/2008**  
(22) Date of Filing Application: **14 March 2008**  
(24) Date from which industrial property rights may have effect: **14 March 2008**  
(54) Product in respect of which the design is registered: **Dispenser**  
(51) International Design Classification: **09-05, 23-02NES, 28-03NES**  
(71) Name(s) and Address(s) of Applicant(s):  
**Reckitt Benckiser France**  
**15 rue Ampere BP 83 91301 Massy Cedex France**  
(72) Name(s) of Designer(s): **Bruno Lablaine and Renaud Lachery**  
(45) Registration Date: **22 April 2008**  
(30) Convention priority data:  
(31) Number (32) Date (33) Country  
**000801568-0001 03 Oct 2007 EUROPEAN COMMUNITY**  
(56) Related Art Documents: **Not Applicable**  
(57) Statement of Newness and Distinctiveness: **Newness and distinctiveness reside in the features of the design as shown in the representations.**



- (21) Design Number: **11223/2008**  
(22) Date of Filing Application: **14 March 2008**  
(24) Date from which industrial property rights may have effect: **14 March 2008**  
(54) Product in respect of which the design is registered: **Dispenser**  
(51) International Design Classification: **09-05, 23-02NES, 28-03NES**  
(71) Name(s) and Address(s) of Applicant(s):  
**Reckitt Benckiser France**  
**15 rue Ampere BP 83 91301 Massy Cedex France**  
(72) Name(s) of Designer(s): **Bruno Lablaine and Renaud Lachery**  
(45) Registration Date: **22 April 2008**  
(30) Convention priority data:  
(31) Number (32) Date (33) Country  
**000801568-0002 03 Oct 2007 EUROPEAN COMMUNITY**  
(56) Related Art Documents: **Not Applicable**  
(57) Statement of Newness and Distinctiveness: **Newness and distinctiveness reside in the features of the design shown in solid lines in the representations excluding those features shown in broken lines.**



- (21) Design Number: **11224/2008**  
(22) Date of Filing Application: **14 March 2008**  
(24) Date from which industrial property rights may have effect: **14 March 2008**  
(54) Product in respect of which the design is registered: **Dispenser**  
(51) International Design Classification: **09-05, 23-02NES, 28-03NES**  
(71) Name(s) and Address(s) of Applicant(s):

**Reckitt Benckiser France**  
**15 rue Ampere BP 83 91301 Massy Cedex France**

- (72) Name(s) of Designer(s): **Bruno Lablaine and Renaud Lachery**

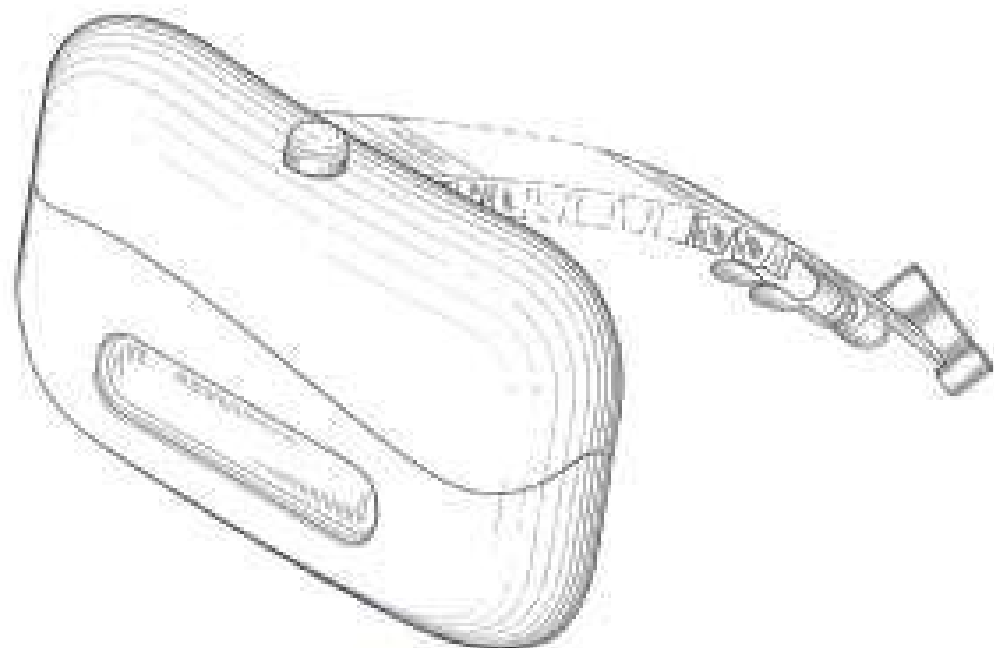
- (45) Registration Date: **22 April 2008**

- (30) Convention priority data:

(31) Number	(32) Date	(33) Country
<b>000801568-0003</b>	<b>03 Oct 2007</b>	<b>EUROPEAN COMMUNITY</b>

- (56) Related Art Documents: **Not Applicable**

- (57) Statement of Newness and Distinctiveness: **Newness and distinctiveness reside in the features of the design shown in solid lines in the representations excluding those features shown in broken lines.**



- (21) Design Number: **11225/2008**  
(22) Date of Filing Application: **14 March 2008**  
(24) Date from which industrial property rights may have effect: **14 March 2008**  
(54) Product in respect of which the design is registered: **Dispenser**  
(51) International Design Classification: **09-05, 23-02NES, 28-03NES**  
(71) Name(s) and Address(s) of Applicant(s):

**Reckitt Benckiser France**  
**15 rue Ampere BP 83 91301 Massy Cedex France**

- (72) Name(s) of Designer(s): **Bruno Lablaine and Renaud Lachery**

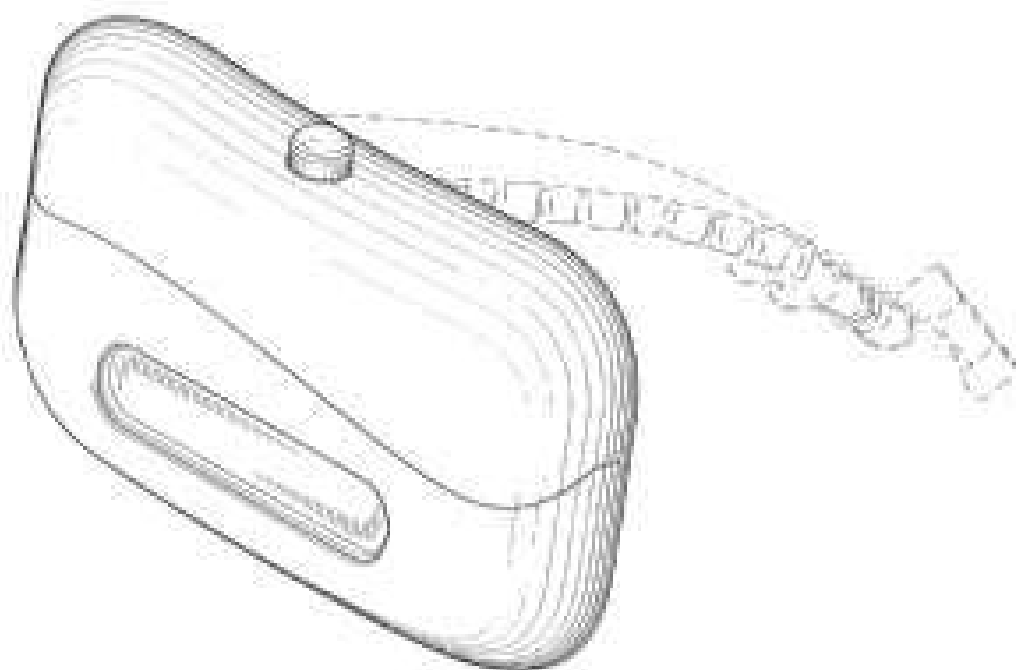
- (45) Registration Date: **22 April 2008**

- (30) Convention priority data:

(31) Number	(32) Date	(33) Country
<b>000801568-0004</b>	<b>03 Oct 2007</b>	<b>EUROPEAN COMMUNITY</b>

- (56) Related Art Documents: **Not Applicable**

- (57) Statement of Newness and Distinctiveness: **Newness and distinctiveness reside in the features of the design shown in solid lines in the representations excluding those features shown in broken lines.**





(21) Design Number: **11286/2008**

(22) Date of Filing Application: **17 March 2008**

(24) Date from which industrial property rights may have effect: **17 March 2008**

(54) Product in respect of which the design is registered: **Air freshener device**

(51) International Design Classification: **28-99**

(71) Name(s) and Address(s) of Applicant(s):

**Reckitt Benckiser (UK) Limited**  
**103-105 Bath Road Slough Berkshire SL1 3UH United Kingdom**

(72) Name(s) of Designer(s): **Peter Kay and Dai Sanders and Miles Rudling and Dan Tyce**

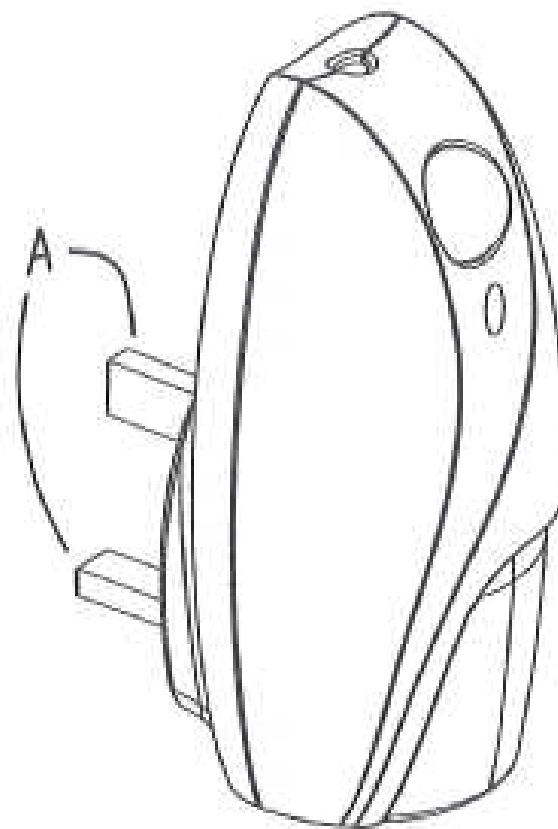
(45) Registration Date: **22 April 2008**

(30) Convention priority data:

(31) Number	(32) Date	(33) Country
<b>000792692-0001</b>	<b>18 Sep 2007</b>	<b>EUROPEAN COMMUNITY</b>

(56) Related Art Documents: **Not Applicable**

(57) Statement of Newness and Distinctiveness: **Newness and distinctiveness reside in the features of the design as shown in the representations excluding the plug marked as "A".**



(21) Design Number: **11287/2008**

(22) Date of Filing Application: **17 March 2008**

(24) Date from which industrial property rights may have effect: **17 March 2008**

(54) Product in respect of which the design is registered: **Air freshener device**

(51) International Design Classification: **28-99**

(71) Name(s) and Address(s) of Applicant(s):

**Reckitt Benckiser (UK) Limited**  
**103-105 Bath Road Slough Berkshire SL1 3UH United Kingdom**

(72) Name(s) of Designer(s): **Peter Kay and Miles Rudling and Dai Sanders and Dan Tyce**

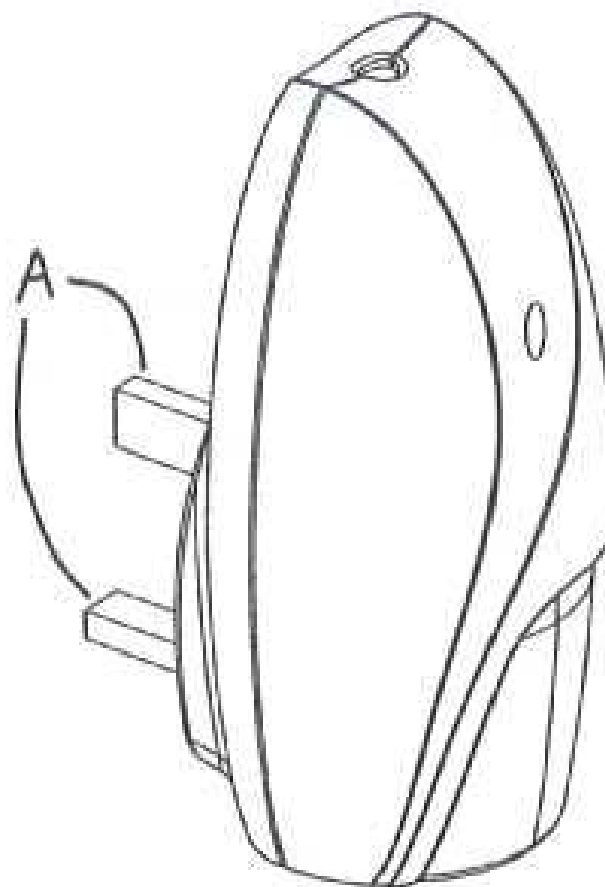
(45) Registration Date: **22 April 2008**

(30) Convention priority data:

(31) Number	(32) Date	(33) Country
<b>000792692-0002</b>	<b>18 Sep 2007</b>	<b>EUROPEAN COMMUNITY</b>

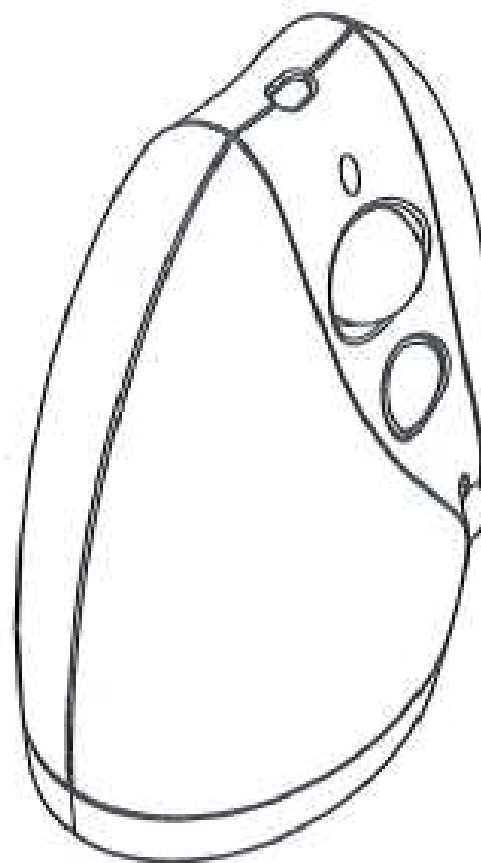
(56) Related Art Documents: **Not Applicable**

(57) Statement of Newness and Distinctiveness: **Newness and distinctiveness reside in the features of the design as shown in the representations excluding the plug marked as "A".**

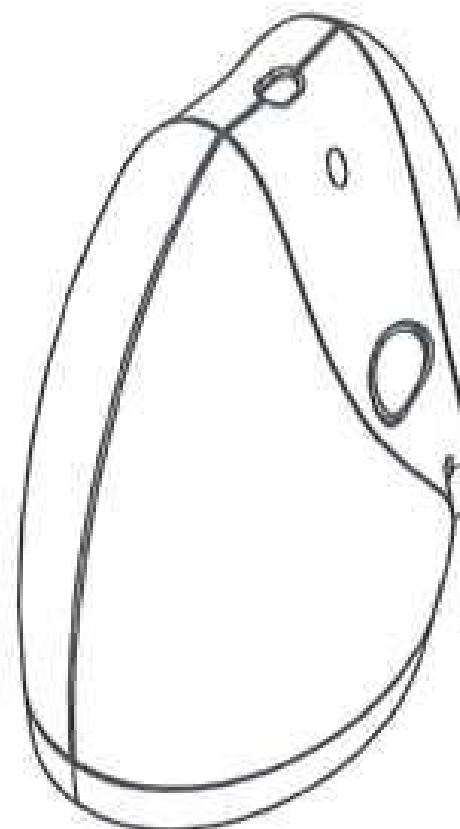




- (21) Design Number: **11288/2008**
- (22) Date of Filing Application: **17 March 2008**
- (24) Date from which industrial property rights may have effect: **17 March 2008**
- (54) Product in respect of which the design is registered: **Air freshener device**
- (51) International Design Classification: **28-99**
- (71) Name(s) and Address(s) of Applicant(s):  
**Reckitt Benckiser (UK) Limited**  
**103-105 Bath Road Slough Berkshire SL1 3UH United Kingdom**
- (72) Name(s) of Designer(s): **Peter Kay and Dai Sanders and Miles Rudling and Dan Tyce**
- (45) Registration Date: **22 April 2008**
- (30) Convention priority data:
  - (31) Number      (32) Date      (33) Country
  - 000792692-0003   18 Sep 2007      EUROPEAN COMMUNITY**
- (56) Related Art Documents: **Not Applicable**
- (57) Statement of Newness and Distinctiveness: **Newness and distinctiveness reside in the features of the design as shown in the representations.**



- (21) Design Number: **11289/2008**
- (22) Date of Filing Application: **17 March 2008**
- (24) Date from which industrial property rights may have effect: **17 March 2008**
- (54) Product in respect of which the design is registered: **Air freshener device**
- (51) International Design Classification: **28-99**
- (71) Name(s) and Address(s) of Applicant(s):  
**Reckitt Benckiser (UK) Limited**  
**103-105 Bath Road Slough Berkshire SL1 3UH United Kingdom**
- (72) Name(s) of Designer(s): **Peter Kay and Miles Rudling and Dai Sanders and Dan Tye**
- (45) Registration Date: **22 April 2008**
- (30) Convention priority data:
  - (31) Number      (32) Date      (33) Country
  - 000792692-0004   18 Sep 2007      EUROPEAN COMMUNITY**
- (56) Related Art Documents: **Not Applicable**
- (57) Statement of Newness and Distinctiveness: **Newness and distinctiveness reside in the features of the design as shown in the representations.**



(21) Design Number: **11290/2008**

(22) Date of Filing Application: **17 March 2008**

(24) Date from which industrial property rights may have effect: **17 March 2008**

(54) Product in respect of which the design is registered: **Air freshener device**

(51) International Design Classification: **28-99**

(71) Name(s) and Address(s) of Applicant(s):

**Reckitt Benckiser (UK) Limited**  
**103-105 Bath Road Slough Berkshire SL1 3UH United Kingdom**

(72) Name(s) of Designer(s): **Peter Kay and Miles Rudling and Dai Sanders and Dan Tye**

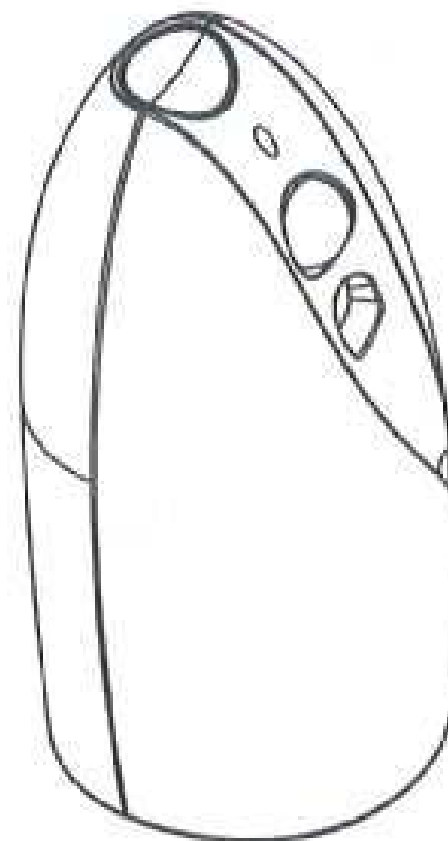
(45) Registration Date: **22 April 2008**

(30) Convention priority data:

(31) Number	(32) Date	(33) Country
<b>000792692-0005</b>	<b>18 Sep 2007</b>	<b>EUROPEAN COMMUNITY</b>

(56) Related Art Documents: **Not Applicable**

(57) Statement of Newness and Distinctiveness: **Newness and distinctiveness reside in the features of the design as shown in the representations.**



(21) Design Number: **11291/2008**

(22) Date of Filing Application: **17 March 2008**

(24) Date from which industrial property rights may have effect: **17 March 2008**

(54) Product in respect of which the design is registered: **Air freshener device**

(51) International Design Classification: **28-99**

(71) Name(s) and Address(s) of Applicant(s):

**Reckitt Benckiser (UK) Limited**  
**103-105 Bath Road Slough Berkshire SL1 3UH United Kingdom**

(72) Name(s) of Designer(s): **Peter Kay and Miles Rudling and Dai Sanders and Dan Tye**

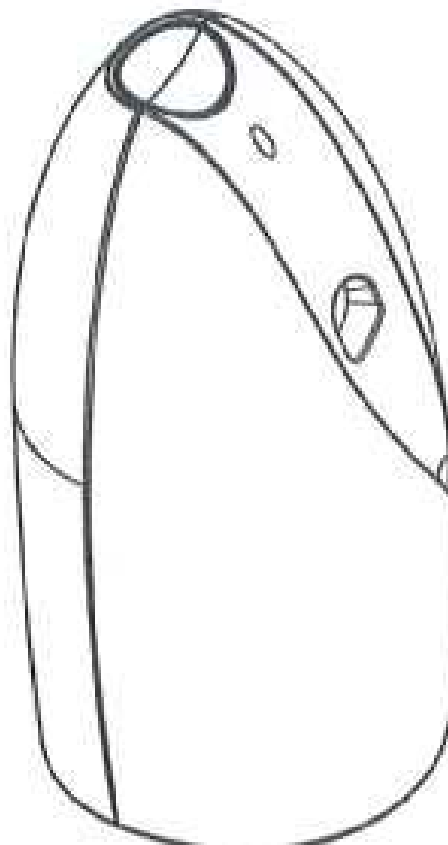
(45) Registration Date: **22 April 2008**

(30) Convention priority data:

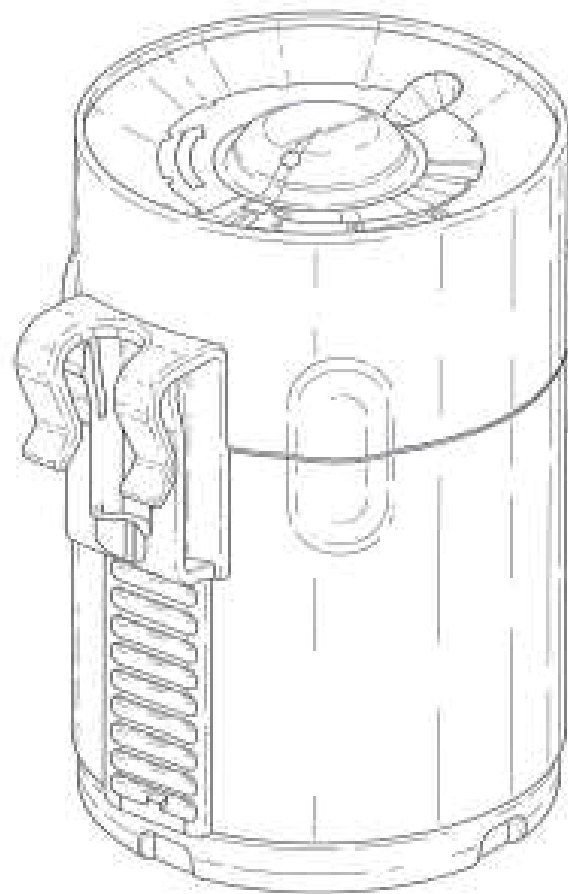
(31) Number	(32) Date	(33) Country
<b>000792692-0006</b>	<b>18 Sep 2007</b>	<b>EUROPEAN COMMUNITY</b>

(56) Related Art Documents: **Not Applicable**

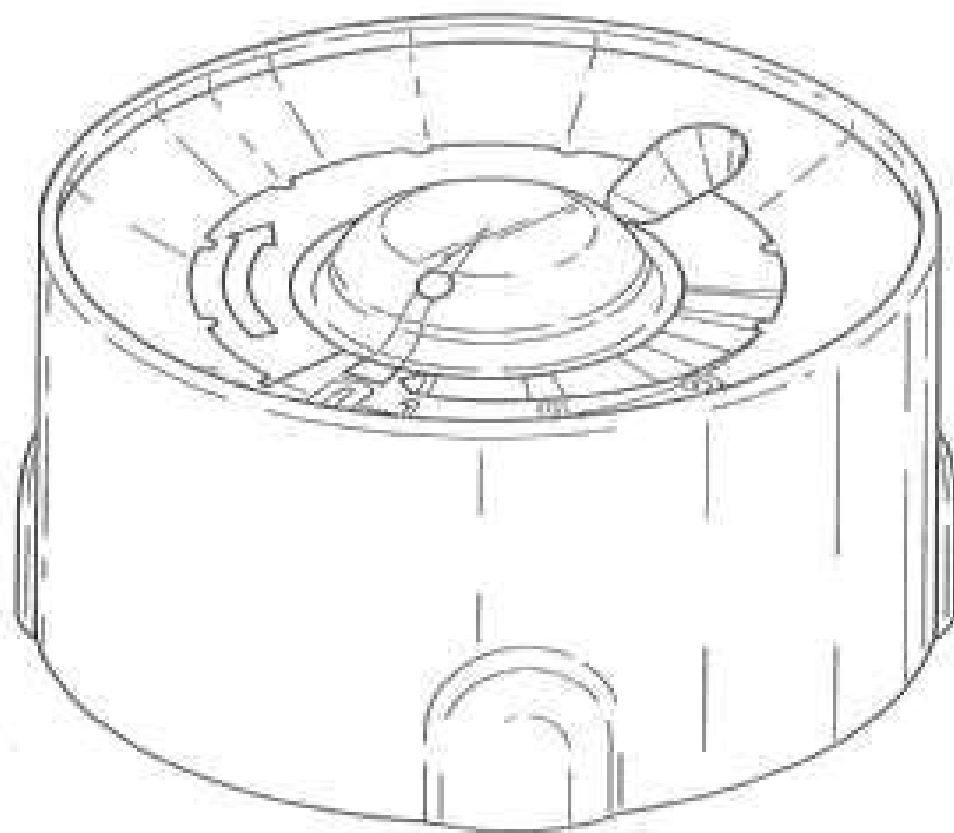
(57) Statement of Newness and Distinctiveness: **Newness and distinctiveness reside in the features of the design as shown in the representations.**



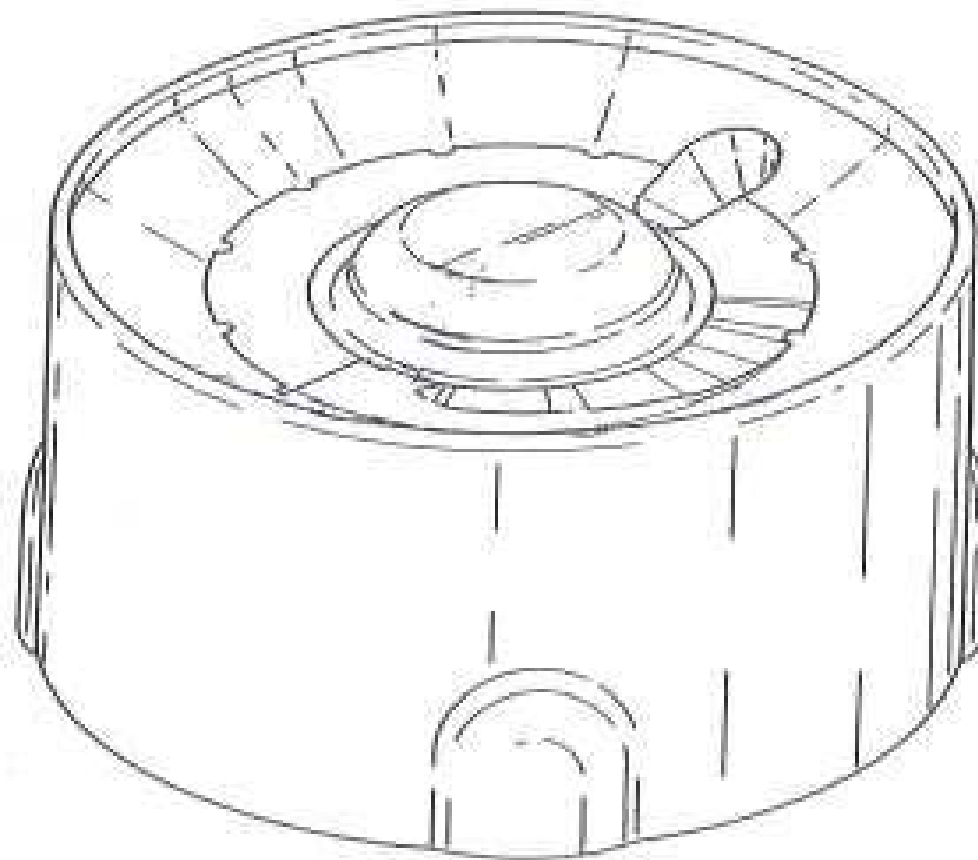
- (21) Design Number: **11292/2008**  
(22) Date of Filing Application: **17 March 2008**  
(24) Date from which industrial property rights may have effect: **17 March 2008**  
(54) Product in respect of which the design is registered: **Detergent dispensing device**  
(51) International Design Classification: **09-01NES, 07-05NES, 23-02A**  
(71) Name(s) and Address(s) of Applicant(s):  
**Reckitt Benckiser N.V.**  
**Siriusdreef 14 NL-2132 WT Hoofddorp The Netherlands**  
(72) Name(s) of Designer(s): **Stefan Gaa and Chris Efstahios Housmekerides**  
(45) Registration Date: **22 April 2008**  
(30) Convention priority data:  
(31) Number (32) Date (33) Country  
**000792999-0001 19 Sep 2007 EUROPEAN COMMUNITY**  
(56) Related Art Documents: **Not Applicable**  
(57) Statement of Newness and Distinctiveness: **Newness and distinctiveness reside in the features of the design as shown in the representations.**



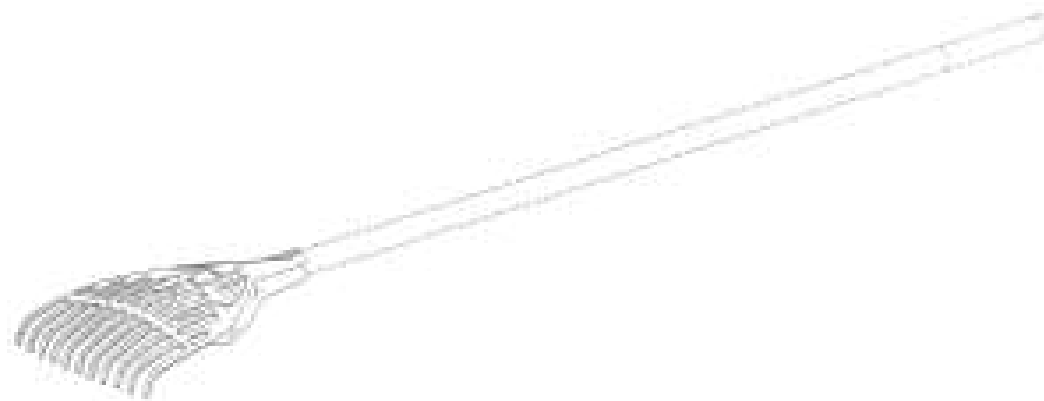
- (21) Design Number: **11293/2008**  
(22) Date of Filing Application: **17 March 2008**  
(24) Date from which industrial property rights may have effect: **17 March 2008**  
(54) Product in respect of which the design is registered: **Lid of detergent dispensing device**  
(51) International Design Classification: **09-07NES, 07-05NES, 23-02A**  
(71) Name(s) and Address(s) of Applicant(s):  
**Reckitt Benckiser N.V.**  
**Siriusdreef 14 NL-2132 WT Hoofddorp The Netherlands**  
(72) Name(s) of Designer(s): **Stefan Gaa and Chris Efstahios Housmekerides**  
(45) Registration Date: **22 April 2008**  
(30) Convention priority data:  
(31) Number (32) Date (33) Country  
**000792999-0002 19 Sep 2007 EUROPEAN COMMUNITY**  
(56) Related Art Documents: **Not Applicable**  
(57) Statement of Newness and Distinctiveness: **Newness and distinctiveness reside in the features of the design as shown in the representations.**



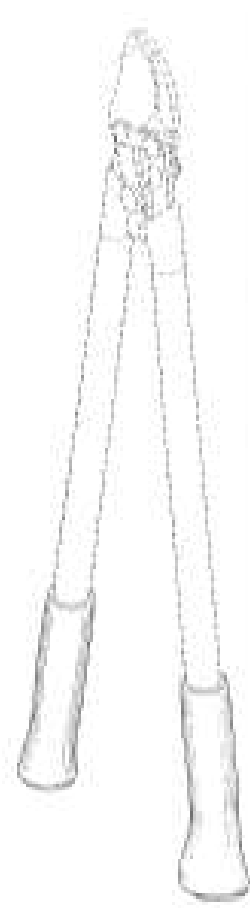
(21) Design Number: **11294/2008**  
(22) Date of Filing Application: **17 March 2008**  
(24) Date from which industrial property rights may have effect: **17 March 2008**  
(54) Product in respect of which the design is registered: **Lid of detergent dispensing device**  
(51) International Design Classification: **09-07NES, 07-05NES, 23-02A**  
(71) Name(s) and Address(s) of Applicant(s):  
**Reckitt Benckiser N.V.**  
**Siriusdreef 14 NL-2132 WT Hoofddorp The Netherlands**  
(72) Name(s) of Designer(s): **Stefan Gaa and Chris Efstahios Housmekerides**  
(45) Registration Date: **22 April 2008**  
(30) Convention priority data:  
(31) Number (32) Date (33) Country  
**000792999-0002 19 Sep 2007 EUROPEAN COMMUNITY**  
(56) Related Art Documents: **Not Applicable**  
(57) Statement of Newness and Distinctiveness: **Newness and distinctiveness reside in the features of the design as shown in the representations.**



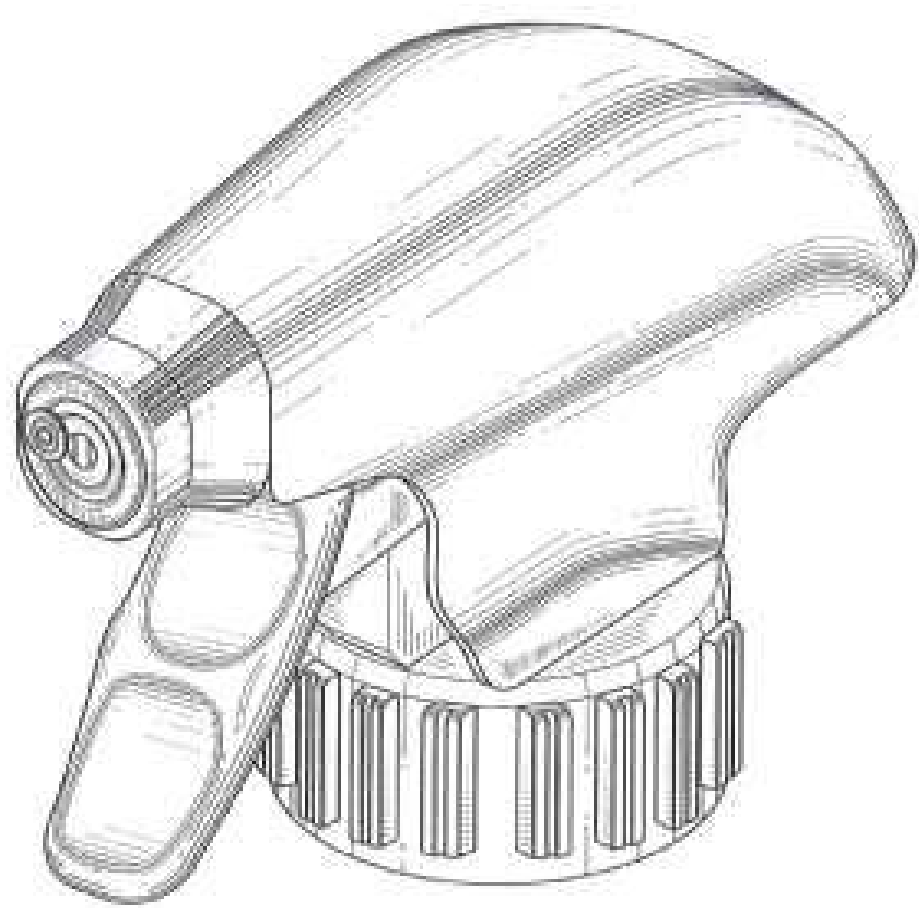
(21) Design Number: **11340/2008**  
(22) Date of Filing Application: **19 March 2008**  
(24) Date from which industrial property rights may have effect: **19 March 2008**  
(54) Product in respect of which the design is registered: **Shrub rake**  
(51) International Design Classification: **08-05A**  
(71) Name(s) and Address(s) of Applicant(s):  
**Ames True Temper, Inc.**  
**465 Railroad Avenue Camp Hill PA 17011 United States of America**  
(72) Name(s) of Designer(s): **Jeffrey M. Norton and Theresa M. Shoemaker**  
(45) Registration Date: **22 April 2008**  
(30) Convention priority data:  
(31) Number (32) Date (33) Country  
**29/292,112 28 Sep 2007 UNITED STATES OF AMERICA**  
(56) Related Art Documents: **Not Applicable**  
(57) Statement of Newness and Distinctiveness: **Nil**



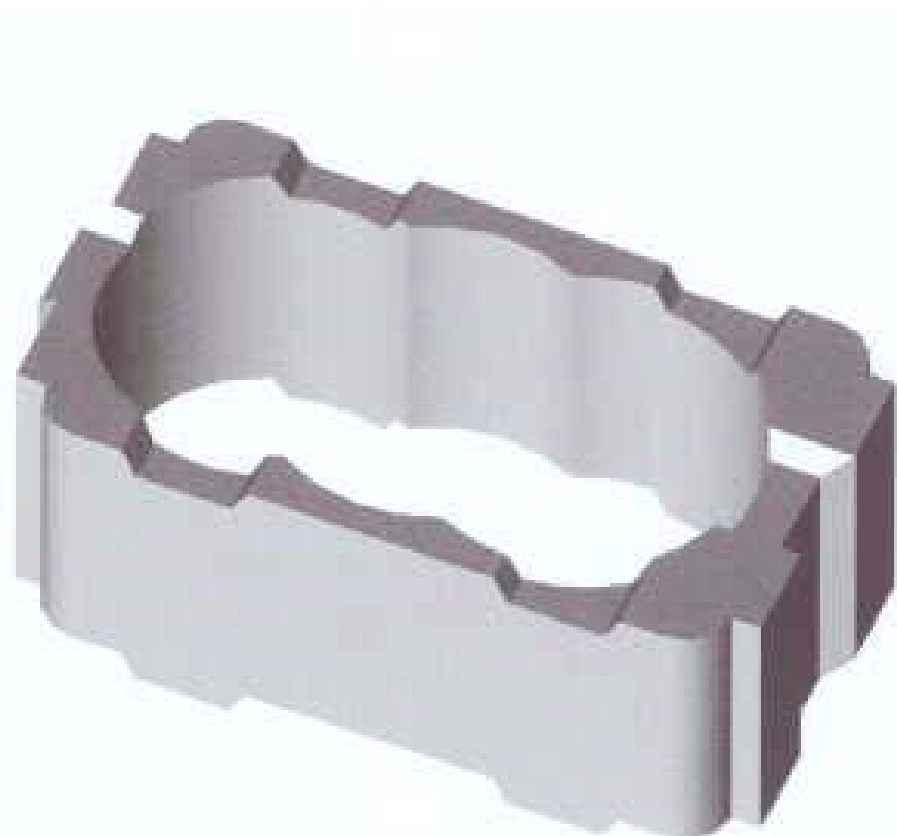
(21) Design Number: **11451/2008**  
 (22) Date of Filing Application: **26 March 2008**  
 (24) Date from which industrial property rights may have effect: **26 March 2008**  
 (54) Product in respect of which the design is registered: **Grips for a two-handed tool**  
 (51) International Design Classification: **08-03, 08-05NES**  
 (71) Name(s) and Address(s) of Applicant(s):  
**Ames True Temper, Inc.**  
**465 Railroad Avenue Camp Hill PA 17011 United States of America**  
 (72) Name(s) of Designer(s): **Michael Nellenbach and Curtis Bailey and David Wilson**  
 (45) Registration Date: **22 April 2008**  
 (30) Convention priority data:  
 (31) Number (32) Date (33) Country  
**29/292,594 18 Oct 2007 UNITED STATES OF AMERICA**  
 (56) Related Art Documents: **Not Applicable**  
 (57) Statement of Newness and Distinctiveness: **Nil**



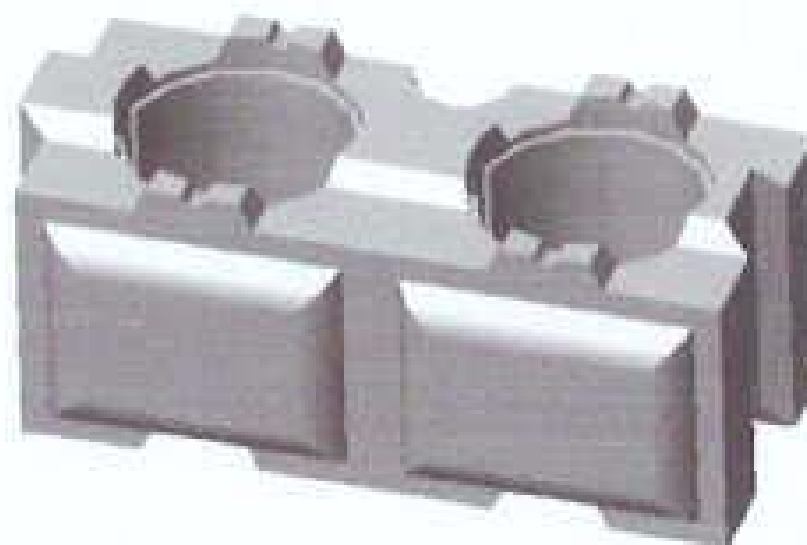
(21) Design Number: **11454/2008**  
 (22) Date of Filing Application: **26 March 2008**  
 (24) Date from which industrial property rights may have effect: **26 March 2008**  
 (54) Product in respect of which the design is registered: **Spray cap**  
 (51) International Design Classification: **09-07A**  
 (71) Name(s) and Address(s) of Applicant(s):  
**Reckitt Benckiser Inc.**  
**Morris Corporate Center IV 399 Interpace Parkway Parsippany New Jersey 07054 United States of America**  
 (72) Name(s) of Designer(s): **Alex Cantoni and Mario Alexander Turchi**  
 (45) Registration Date: **22 April 2008**  
 (30) Convention priority data:  
 (31) Number (32) Date (33) Country  
**000803317-0001 08 Oct 2007 EUROPEAN COMMUNITY**  
 (56) Related Art Documents: **Not Applicable**  
 (57) Statement of Newness and Distinctiveness: **Newness and distinctiveness reside in the features of the design as shown in the representations.**



(21) Design Number: **20497/2007**  
(22) Date of Filing Application: **28 October 2007**  
(24) Date from which industrial property rights may have effect: **28 October 2007**  
(54) Product in respect of which the design is registered: **Interlocking masonry blocks building products**  
(51) International Design Classification: **25-01A**  
(71) Name(s) and Address(s) of Applicant(s):  
**Ludwig Indrawan**  
**24 Lilardia Avenue Maribyrnong Victoria 3032 Australia**  
(72) Name(s) of Designer(s): **Ludwig Indrawan**  
(45) Registration Date: **17 April 2008**  
(30) Convention priority data:  
(31) Number      (32) Date      (33) Country  
**A002007-01598    01 May 2007      INDONESIA**  
(56) Related Art Documents: **Not Applicable**  
(57) Statement of Newness and Distinctiveness: **Nil**

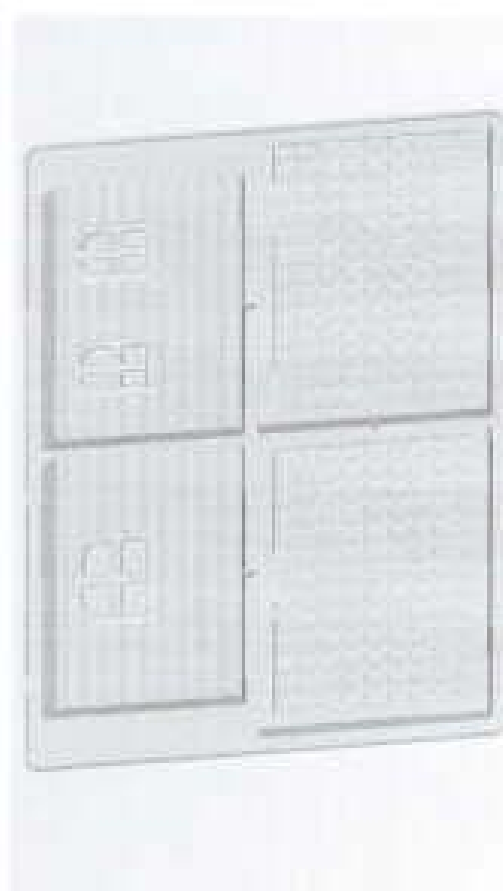


(21) Design Number: **20498/2007**  
(22) Date of Filing Application: **28 October 2007**  
(24) Date from which industrial property rights may have effect: **28 October 2007**  
(54) Product in respect of which the design is registered: **Interlocking masonry blocks (building products)**  
(51) International Design Classification: **25-01A**  
(71) Name(s) and Address(s) of Applicant(s):  
**Ludwig Indrawan**  
**24 Lilardia Avenue Maribyrnong Victoria 3032 Australia**  
(72) Name(s) of Designer(s): **Ludwig Indrawan**  
(45) Registration Date: **17 April 2008**  
(30) Convention priority data:  
(31) Number      (32) Date      (33) Country  
**A00200701599    01 May 2007      INDONESIA**  
(56) Related Art Documents: **Not Applicable**  
(57) Statement of Newness and Distinctiveness: **Nil**

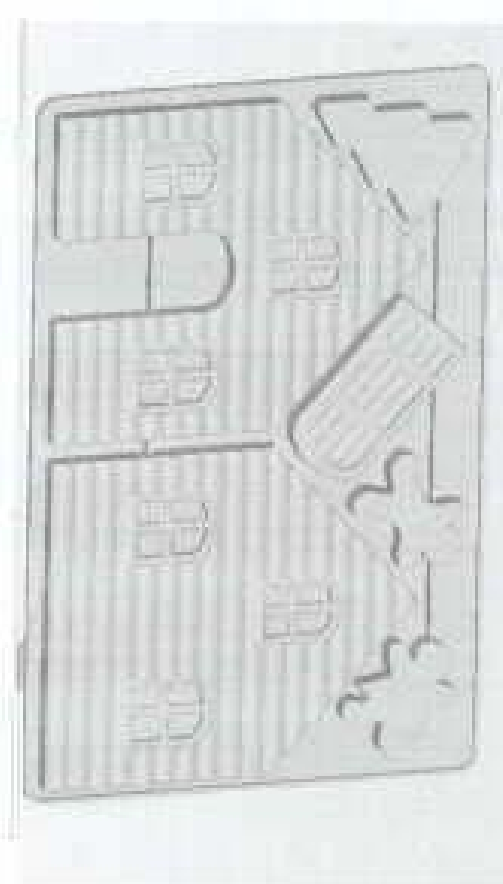




- (21) Design Number: **10768/2008**  
(22) Date of Filing Application: **01 November 2007**  
(24) Date from which industrial property rights may have effect: **01 November 2007**  
(54) Product in respect of which the design is registered: **Cake, chocolate and biscuit making moulds**  
(51) International Design Classification: **07-02P**  
(71) Name(s) and Address(s) of Applicant(s):  
**The Chefs Toolbox Pty Ltd**  
**PO Box 6191 Alexandria New South Wales 2015 Australia**  
(72) Name(s) of Designer(s): **Christine Chandler**  
(45) Registration Date: **17 April 2008**  
(56) Related Art Documents: **Not Applicable**  
(57) Statement of Newness and Distinctiveness: **Newness and distinctiveness is claimed in the features of the baking, chocolate and biscuit making mould as shown in the accompanying representation.**



- (21) Design Number: **20558/2007**  
(22) Date of Filing Application: **01 November 2007**  
(24) Date from which industrial property rights may have effect: **01 November 2007**  
(54) Product in respect of which the design is registered: **Cake, chocolate, and biscuit making moulds**  
(51) International Design Classification: **07-02P**  
(71) Name(s) and Address(s) of Applicant(s):  
**The Chefs Toolbox Pty Ltd**  
**PO Box 6191 Alexandria New South Wales 2015 Australia**  
(72) Name(s) of Designer(s): **Christine Chandler**  
(45) Registration Date: **17 April 2008**  
(56) Related Art Documents: **Not Applicable**  
(57) Statement of Newness and Distinctiveness: **Newness and distinctiveness is claimed in the features of the baking, chocolate and biscuit making mould as shown in the accompanying representation.**



(21) Design Number: **20559/2007**

(22) Date of Filing Application: **01 November 2007**

(24) Date from which industrial property rights may have effect: **01 November 2007**

(54) Product in respect of which the design is registered: **Egg forming mould**

(51) International Design Classification: **07-02P**

(71) Name(s) and Address(s) of Applicant(s):

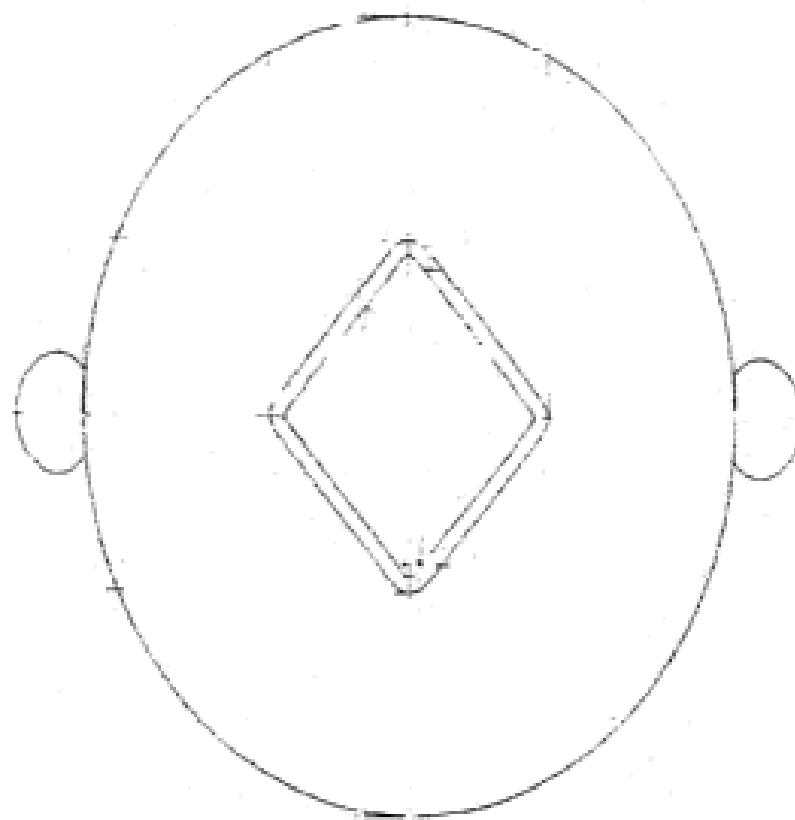
**The Chefs Toolbox Pty Ltd  
PO Box 6191 Alexandria New South Wales 2015 Australia**

(72) Name(s) of Designer(s): **Christine Chandler**

(45) Registration Date: **17 April 2008**

(56) Related Art Documents: **Not Applicable**

(57) Statement of Newness and Distinctiveness: **Newness and distinctiveness is claimed in the features of the egg forming mould as shown in the accompanying representation.**



(21) Design Number: **21449/2007**

(22) Date of Filing Application: **19 December 2007**

(24) Date from which industrial property rights may have effect: **19 December 2007**

(54) Product in respect of which the design is registered: **A toy**

(51) International Design Classification: **21-01A**

(71) Name(s) and Address(s) of Applicant(s):

**Spin Master Ltd  
450 Front Street West Toronto M5V 1B6 Ontario Canada**

(72) Name(s) of Designer(s): **Wataru Sato and Noriyoshi Matsumura**

(45) Registration Date: **18 April 2008**

(30) Convention priority data:

(31) Number	(32) Date	(33) Country
<b>2007-16301</b>	<b>19 Jun 2007</b>	<b>JAPAN</b>

(56) Related Art Documents: **Not Applicable**

(57) Statement of Newness and Distinctiveness: **Newness and distinctiveness resides in the shape and configuration of a toy as shown in the accompanying representations.**





- (21) Design Number: **21450/2007**  
(22) Date of Filing Application: **19 December 2007**  
(24) Date from which industrial property rights may have effect: **19 December 2007**  
(54) Product in respect of which the design is registered: **A toy**  
(51) International Design Classification: **21-01A**  
(71) Name(s) and Address(s) of Applicant(s):

**Spin Master Ltd**  
**450 Front Street West Toronto M5V 1B6 Ontario Canada**

- (72) Name(s) of Designer(s): **Wataru Sato and Noriyoshi Matsumura**

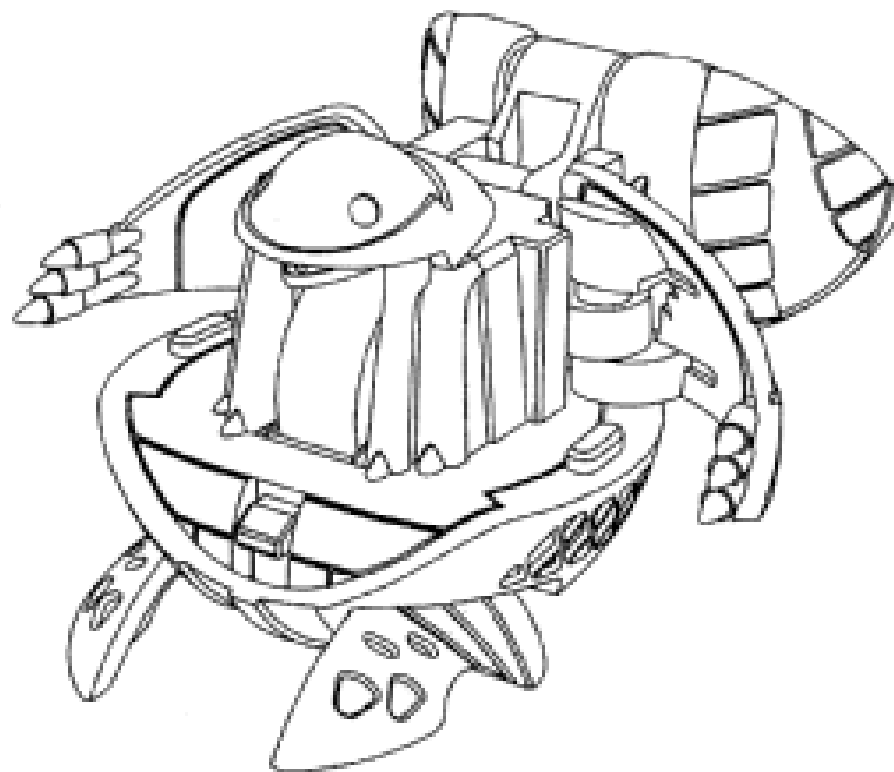
- (45) Registration Date: **18 April 2008**

- (30) Convention priority data:

(31) Number	(32) Date	(33) Country
<b>2007-16306</b>	<b>19 Jun 2007</b>	<b>JAPAN</b>

- (56) Related Art Documents: **Not Applicable**

- (57) Statement of Newness and Distinctiveness: **Newness and distinctiveness resides in the shape and configuration of a toy as shown in the accompanying representations.**



- (21) Design Number: **21451/2007**  
(22) Date of Filing Application: **19 December 2007**  
(24) Date from which industrial property rights may have effect: **19 December 2007**  
(54) Product in respect of which the design is registered: **A toy**  
(51) International Design Classification: **21-01A**  
(71) Name(s) and Address(s) of Applicant(s):

**Spin Master Ltd**  
**450 Front Street West Toronto M5V 1B6 Ontario Canada**

- (72) Name(s) of Designer(s): **Wataru Sato and Noriyoshi Matsumura**

- (45) Registration Date: **18 April 2008**

- (30) Convention priority data:

(31) Number	(32) Date	(33) Country
<b>2007-16297</b>	<b>19 Jun 2007</b>	<b>JAPAN</b>

- (56) Related Art Documents: **Not Applicable**

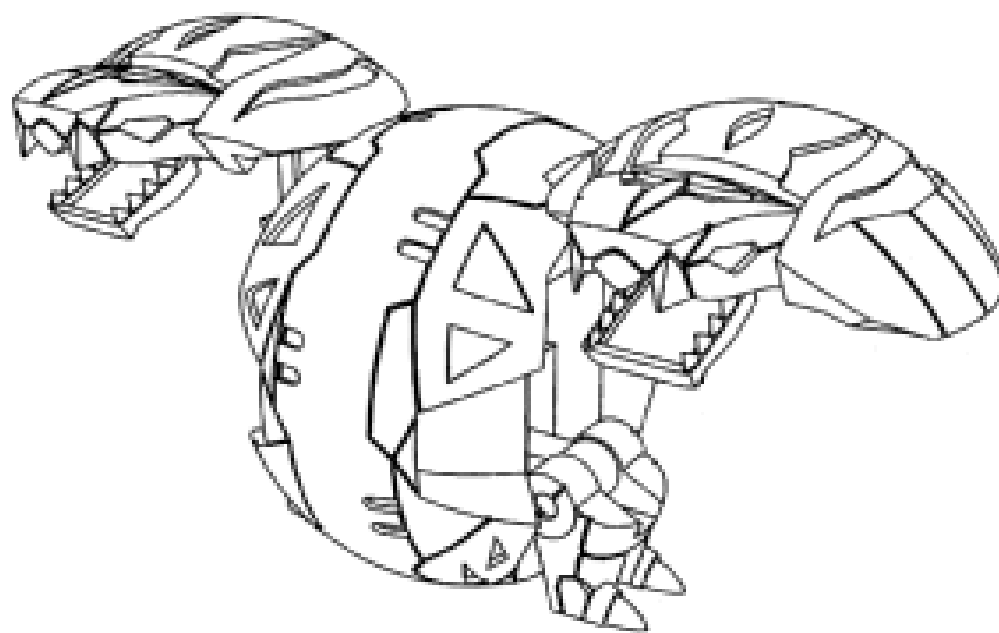
- (57) Statement of Newness and Distinctiveness: **Newness and distinctiveness resides in the shape and configuration of a toy as shown in the accompanying representations.**



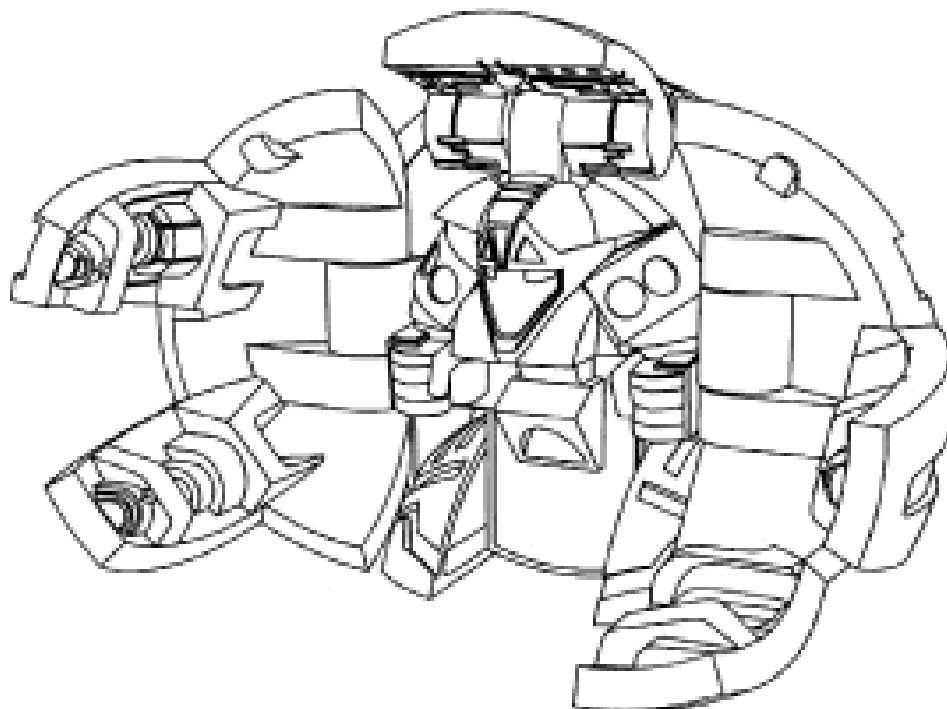
- (21) Design Number: **21452/2007**  
(22) Date of Filing Application: **19 December 2007**  
(24) Date from which industrial property rights may have effect: **19 December 2007**  
(54) Product in respect of which the design is registered: **A toy**  
(51) International Design Classification: **21-01A**  
(71) Name(s) and Address(s) of Applicant(s):  
**Spin Master Ltd**  
**450 Front Street West Toronto M5V 1B6 Ontario Canada**  
(72) Name(s) of Designer(s): **Wataru Sato and Noriyoshi Matsumura**  
(45) Registration Date: **18 April 2008**  
(30) Convention priority data:  
(31) Number      (32) Date      (33) Country  
**2007-16305      19 Jun 2007      JAPAN**  
(56) Related Art Documents: **Not Applicable**  
(57) Statement of Newness and Distinctiveness: **Newness and distinctiveness resides in the shape and configuration of a toy as shown in the accompanying representations.**



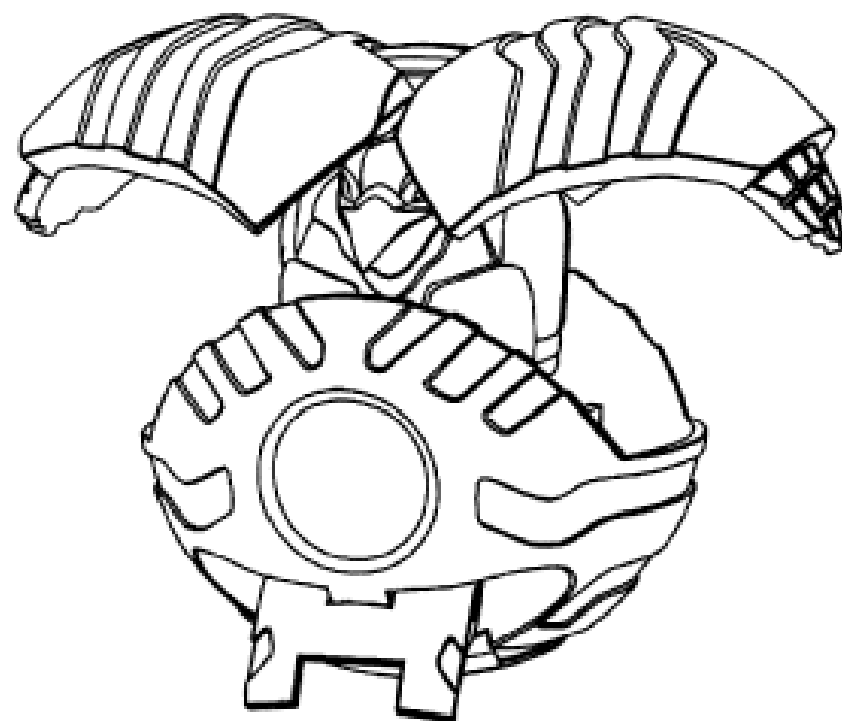
- (21) Design Number: **21487/2007**  
(22) Date of Filing Application: **20 December 2007**  
(24) Date from which industrial property rights may have effect: **20 December 2007**  
(54) Product in respect of which the design is registered: **A toy**  
(51) International Design Classification: **21-01A**  
(71) Name(s) and Address(s) of Applicant(s):  
**Spin Master Ltd**  
**450 Front Street West Toronto M5V 1B6 Ontario Canada**  
(72) Name(s) of Designer(s): **Wataru Sato and Noriyoshi Matsumura**  
(45) Registration Date: **18 April 2008**  
(56) Related Art Documents: **Not Applicable**  
(57) Statement of Newness and Distinctiveness: **Newness and distinctiveness resides in the shape and configuration of a toy as shown in the accompanying representations.**



- (21) Design Number: **21488/2007**  
(22) Date of Filing Application: **20 December 2007**  
(24) Date from which industrial property rights may have effect: **20 December 2007**  
(54) Product in respect of which the design is registered: **A toy**  
(51) International Design Classification: **21-01A**  
(71) Name(s) and Address(s) of Applicant(s):  
**Spin Master Ltd**  
**450 Front Street West Toronto M5V 1B6 Ontario Canada**  
(72) Name(s) of Designer(s): **Wataru Sato and Noriyoshi Matsumura**  
(45) Registration Date: **18 April 2008**  
(56) Related Art Documents: **Not Applicable**  
(57) Statement of Newness and Distinctiveness: **Newness and distinctiveness resides in the shape and configuration of a toy as shown in the accompanying representations.**



- (21) Design Number: **21489/2007**  
(22) Date of Filing Application: **20 December 2007**  
(24) Date from which industrial property rights may have effect: **20 December 2007**  
(54) Product in respect of which the design is registered: **A toy**  
(51) International Design Classification: **21-01A**  
(71) Name(s) and Address(s) of Applicant(s):  
**Spin Master Ltd**  
**450 Front Street West Toronto M5V 1B6 Ontario Canada**  
(72) Name(s) of Designer(s): **Wataru Sato and Noriyoshi Matsumura**  
(45) Registration Date: **18 April 2008**  
(56) Related Art Documents: **Not Applicable**  
(57) Statement of Newness and Distinctiveness: **Newness and distinctiveness resides in the shape and configuration of a toy as shown in the accompanying representations.**



- (21) Design Number: **21490/2007**  
(22) Date of Filing Application: **20 December 2007**  
(24) Date from which industrial property rights may have effect: **20 December 2007**  
(54) Product in respect of which the design is registered: **A toy**  
(51) International Design Classification: **21-01A**  
(71) Name(s) and Address(s) of Applicant(s):

**Spin Master Ltd**  
**450 Front Street West Toronto M5V 1B6 Ontario Canada**

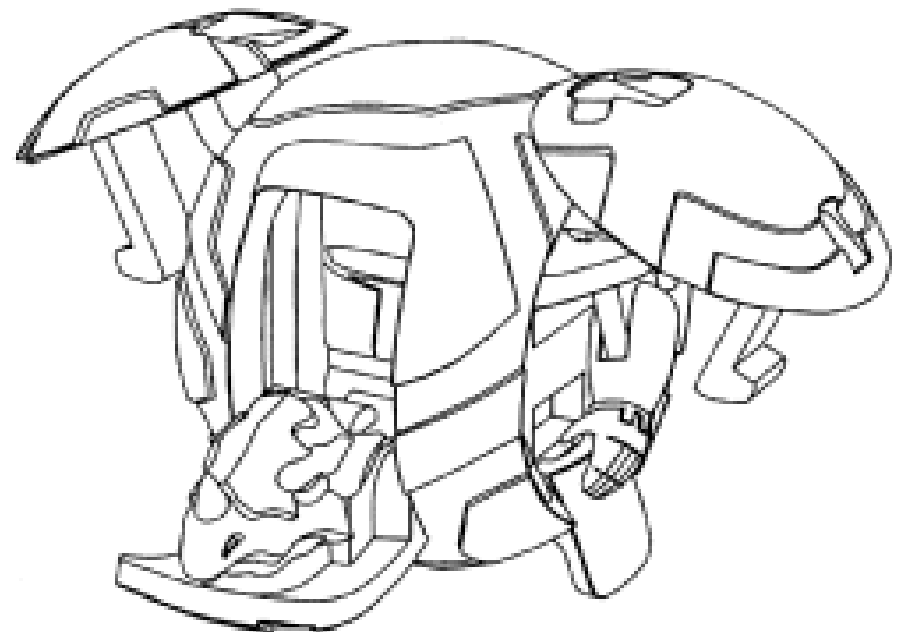
- (72) Name(s) of Designer(s): **Wataru Sato and Noriyoshi Matsumura**  
(45) Registration Date: **18 April 2008**  
(56) Related Art Documents: **Not Applicable**  
(57) Statement of Newness and Distinctiveness: **Newness and distinctiveness resides in the shape and configuration of a toy as shown in the accompanying representations.**



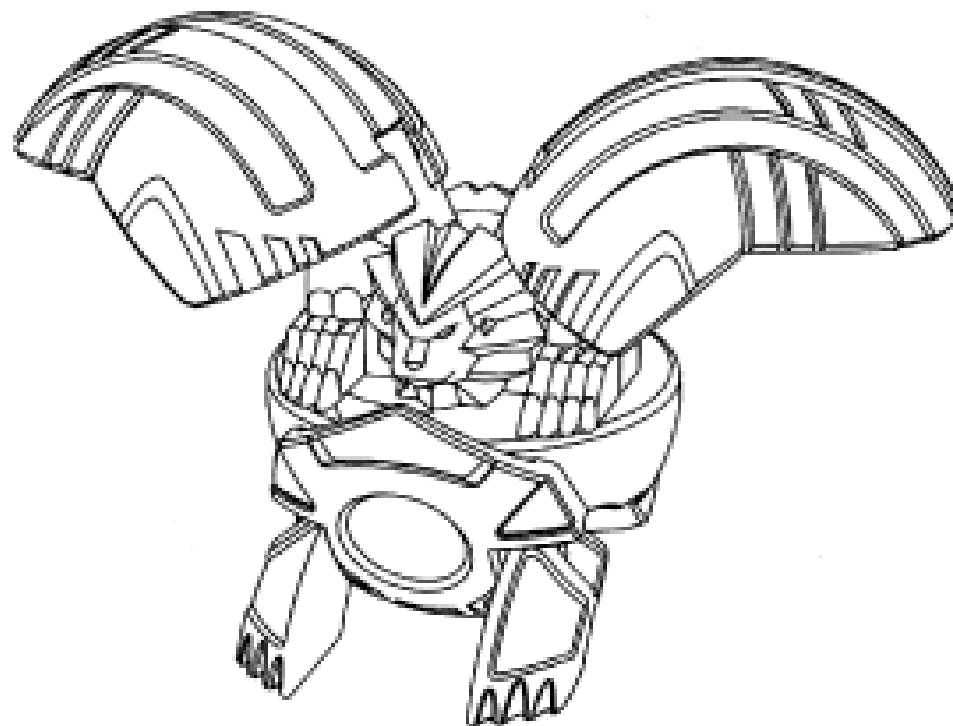
- (21) Design Number: **21491/2007**  
(22) Date of Filing Application: **20 December 2007**  
(24) Date from which industrial property rights may have effect: **20 December 2007**  
(54) Product in respect of which the design is registered: **A toy**  
(51) International Design Classification: **21-01A**  
(71) Name(s) and Address(s) of Applicant(s):

**Spin Master Ltd**  
**450 Front Street West Toronto M5V 1B6 Ontario Canada**

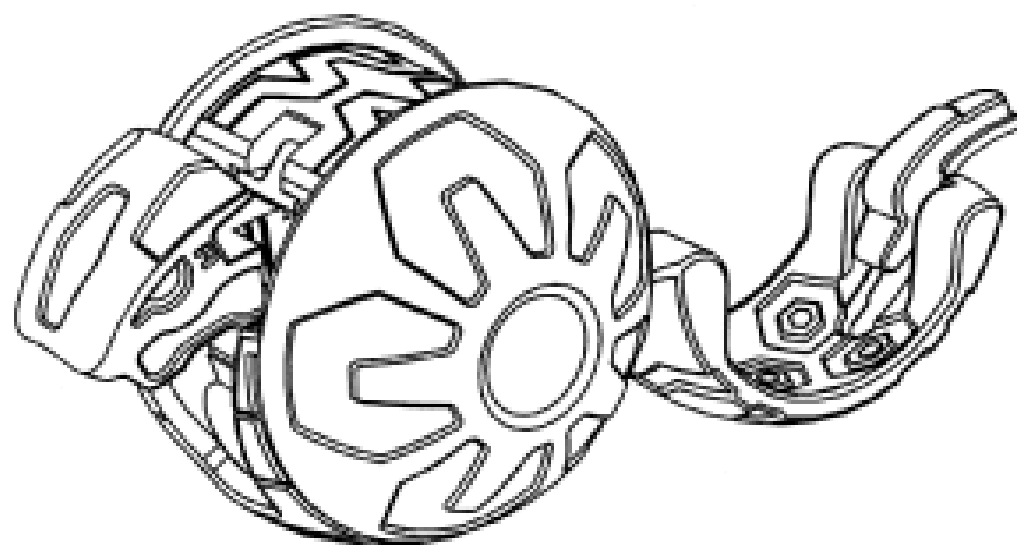
- (72) Name(s) of Designer(s): **Wataru Sato and Noriyoshi Matsumura**  
(45) Registration Date: **18 April 2008**  
(56) Related Art Documents: **Not Applicable**  
(57) Statement of Newness and Distinctiveness: **Newness and distinctiveness resides in the shape and configuration of a toy as shown in the accompanying representations.**



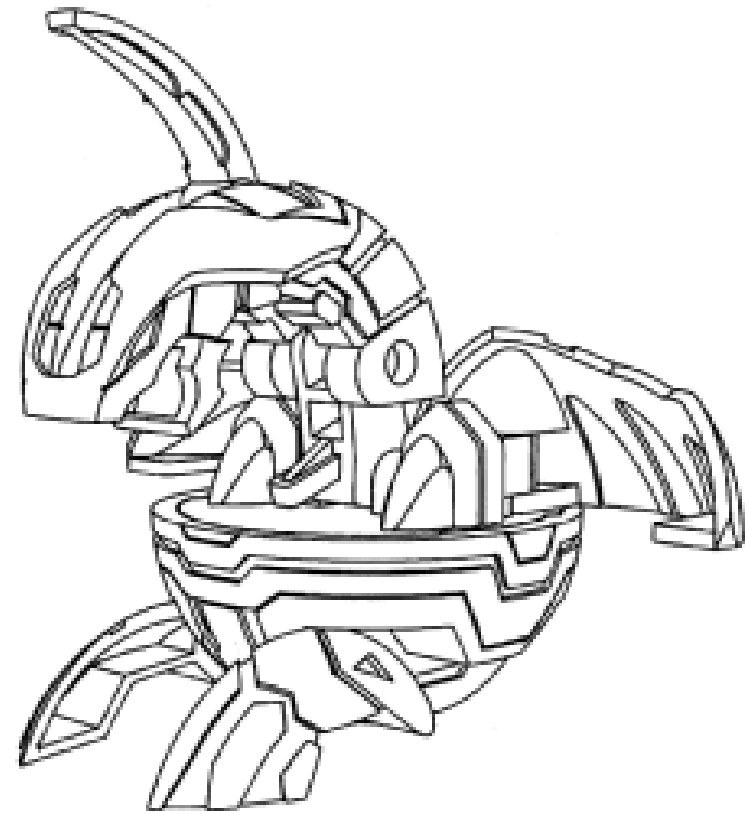
- (21) Design Number: **21492/2007**  
(22) Date of Filing Application: **20 December 2007**  
(24) Date from which industrial property rights may have effect: **20 December 2007**  
(54) Product in respect of which the design is registered: **A toy**  
(51) International Design Classification: **21-01A**  
(71) Name(s) and Address(s) of Applicant(s):  
**Spin Master Ltd**  
**450 Front Street West Toronto M5V 1B6 Ontario Canada**  
(72) Name(s) of Designer(s): **Wataru Sato and Noriyoshi Matsumura**  
(45) Registration Date: **18 April 2008**  
(56) Related Art Documents: **Not Applicable**  
(57) Statement of Newness and Distinctiveness: **Newness and distinctiveness resides in the shape and configuration of a toy as shown in the accompanying representations.**



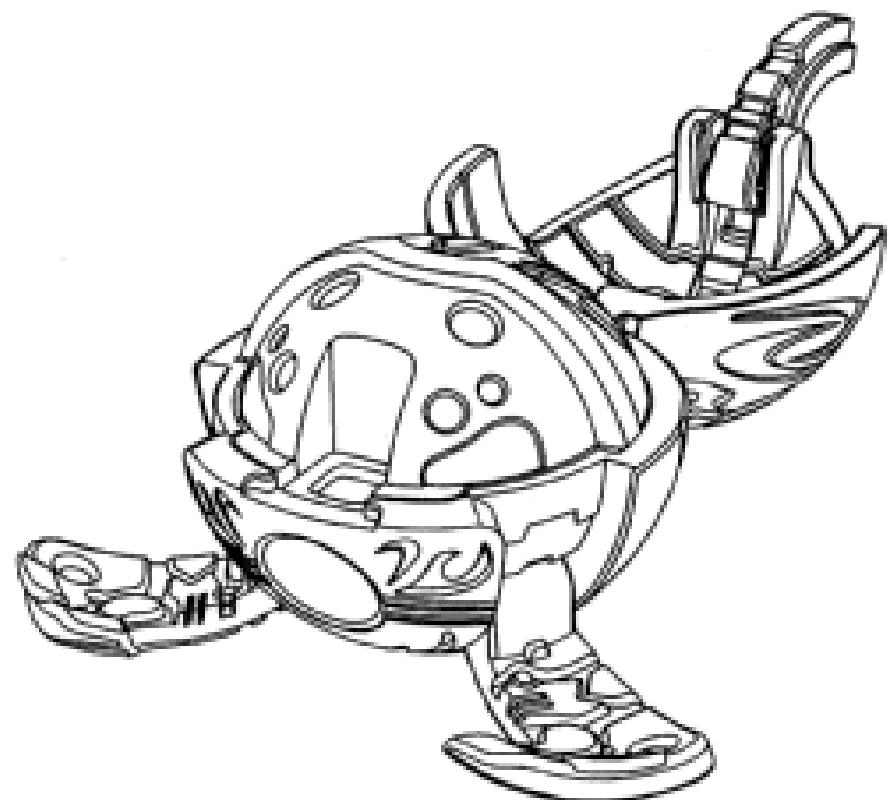
- (21) Design Number: **21495/2007**  
(22) Date of Filing Application: **20 December 2007**  
(24) Date from which industrial property rights may have effect: **20 December 2007**  
(54) Product in respect of which the design is registered: **A toy**  
(51) International Design Classification: **21-01A**  
(71) Name(s) and Address(s) of Applicant(s):  
**Spin Master Ltd**  
**450 Front Street West Toronto M5V 1B6 Ontario Canada**  
(72) Name(s) of Designer(s): **Wataru Sato and Noriyoshi Matsumura**  
(45) Registration Date: **18 April 2008**  
(56) Related Art Documents: **Not Applicable**  
(57) Statement of Newness and Distinctiveness: **Newness and distinctiveness resides in the shape and configuration of a toy as shown in the accompanying representations.**



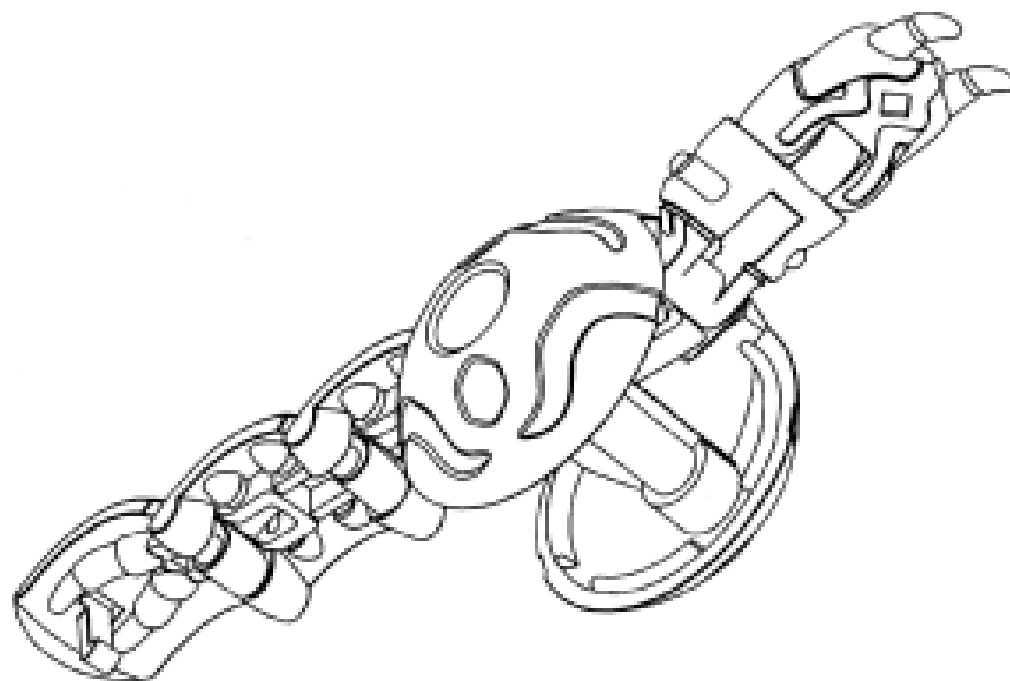
- (21) Design Number: **21496/2007**  
(22) Date of Filing Application: **20 December 2007**  
(24) Date from which industrial property rights may have effect: **20 December 2007**  
(54) Product in respect of which the design is registered: **A toy**  
(51) International Design Classification: **21-01A**  
(71) Name(s) and Address(s) of Applicant(s):  
**Spin Master Ltd**  
**450 Front Street West Toronto M5V 1B6 Ontario Canada**  
(72) Name(s) of Designer(s): **Wataru Sato and Noriyoshi Matsumura**  
(45) Registration Date: **18 April 2008**  
(56) Related Art Documents: **Not Applicable**  
(57) Statement of Newness and Distinctiveness: **Newness and distinctiveness resides in the shape and configuration of a toy as shown in the accompanying representations.**



- (21) Design Number: **21497/2007**  
(22) Date of Filing Application: **20 December 2007**  
(24) Date from which industrial property rights may have effect: **20 December 2007**  
(54) Product in respect of which the design is registered: **A toy**  
(51) International Design Classification: **21-01A**  
(71) Name(s) and Address(s) of Applicant(s):  
**Spin Master Ltd**  
**450 Front Street West Toronto M5V 1B6 Ontario Canada**  
(72) Name(s) of Designer(s): **Wataru Sato and Noriyoshi Matsumura**  
(45) Registration Date: **18 April 2008**  
(56) Related Art Documents: **Not Applicable**  
(57) Statement of Newness and Distinctiveness: **Newness and distinctiveness resides in the shape and configuration of a toy as shown in the accompanying representations.**



- (21) Design Number: **21498/2007**  
(22) Date of Filing Application: **20 December 2007**  
(24) Date from which industrial property rights may have effect: **20 December 2007**  
(54) Product in respect of which the design is registered: **A toy**  
(51) International Design Classification: **21-01A**  
(71) Name(s) and Address(s) of Applicant(s):  
**Spin Master Ltd**  
**450 Front Street West Toronto M5V 1B6 Ontario Canada**  
(72) Name(s) of Designer(s): **Wataru Sato and Noriyoshi Matsumura**  
(45) Registration Date: **18 April 2008**  
(56) Related Art Documents: **Not Applicable**  
(57) Statement of Newness and Distinctiveness: **Newness and distinctiveness resides in the shape and configuration of a toy as shown in the accompanying representations.**

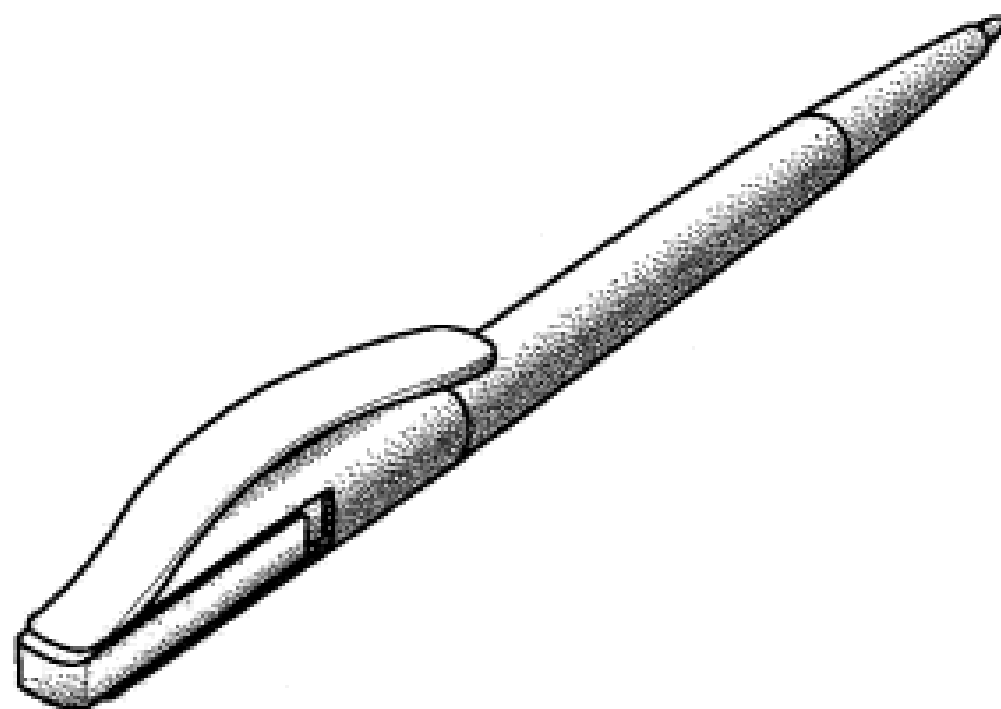


- (21) Design Number: **21425/2007**  
(22) Date of Filing Application: **18 December 2007**  
(24) Date from which industrial property rights may have effect: **18 December 2007**  
(54) Product in respect of which the design is registered: **Ornament**  
(51) International Design Classification: **11-02NES**  
(71) Name(s) and Address(s) of Applicant(s):  
**Adam Troy Wood**  
**PO Box 108 Noble Park Victoria 3174 Australia**  
(72) Name(s) of Designer(s): **Adam Troy Wood**  
(45) Registration Date: **18 April 2008**  
(56) Related Art Documents: **Not Applicable**  
(57) Statement of Newness and Distinctiveness: **Monopoly is contained in the shape and configuration of the bullet shaped ornament with the capacity to engrave a name on the right elevation as illustrated in the accompanying representations.**



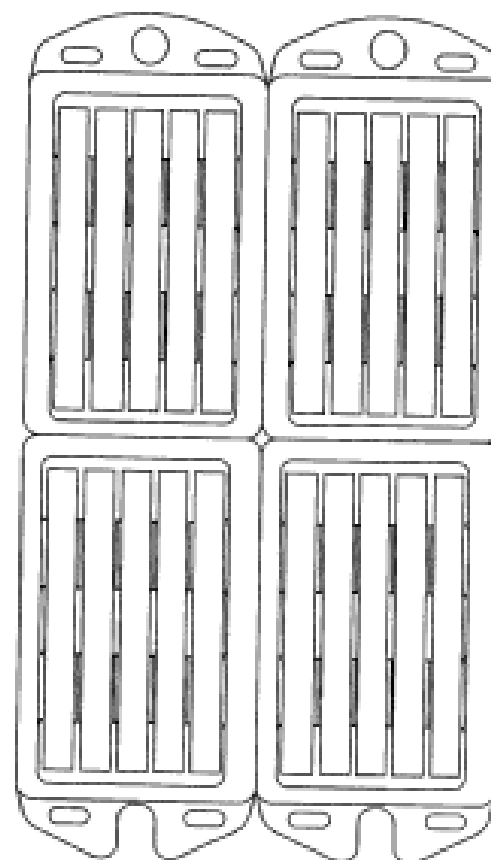
(19) AU

- (21) Design Number: **21427/2007**  
(22) Date of Filing Application: **18 December 2007**  
(24) Date from which industrial property rights may have effect: **18 December 2007**  
(54) Product in respect of which the design is registered: **Writing instrument**  
(51) International Design Classification: **19-06**  
(71) Name(s) and Address(s) of Applicant(s):  
    **Prodir SA**  
    **6814 Cadempino Switzerland**  
(72) Name(s) of Designer(s): **Christoph Schnug**  
(45) Registration Date: **18 April 2008**  
(30) Convention priority data:  
    (31) Number      (32) Date      (33) Country  
    **2007-01041      12 Nov 2007      SWITZERLAND**  
(56) Related Art Documents: **Not Applicable**  
(57) Statement of Newness and Distinctiveness: **The novelty of the design resides in the features of shape and configuration as depicted in the attached representations.**



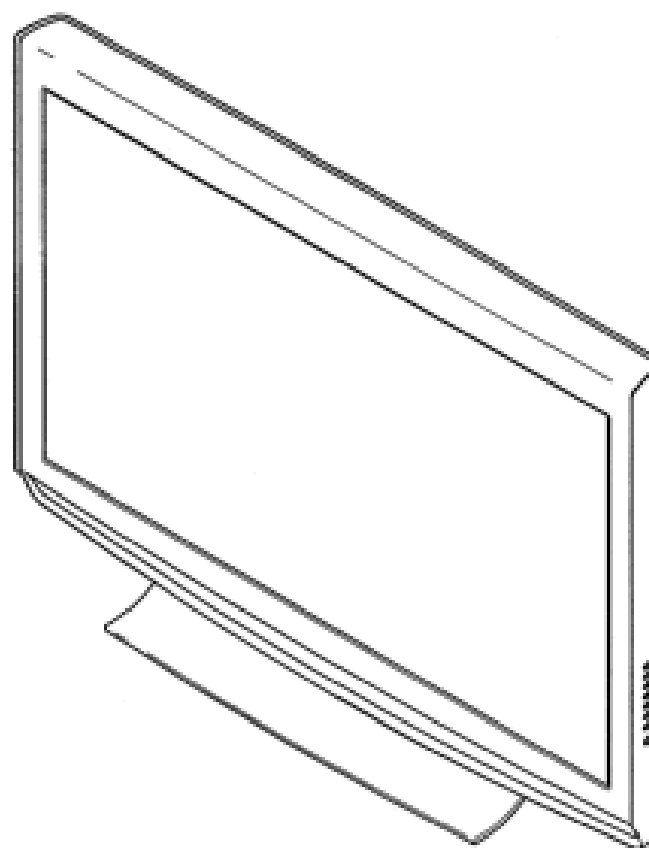
(19) AU

- (21) Design Number: **21428/2007**  
(22) Date of Filing Application: **18 December 2007**  
(24) Date from which industrial property rights may have effect: **18 December 2007**  
(54) Product in respect of which the design is registered: **Cigarette packet**  
(51) International Design Classification: **09-03A**  
(71) Name(s) and Address(s) of Applicant(s):  
    **British American Tobacco (Investments) Ltd**  
    **Globe House 1 Water Street London WC2R 3LA United Kingdom**  
(72) Name(s) of Designer(s): **Yuichi Kosaka and Dan Tabrah**  
(45) Registration Date: **18 April 2008**  
(30) Convention priority data:  
    (31) Number      (32) Date      (33) Country  
    **000745278      19 Jun 2007      EUROPEAN COMMUNITY**  
(56) Related Art Documents: **Not Applicable**  
(57) Statement of Newness and Distinctiveness: **Newness and distinctiveness resides in the shape and configuration of a cigarette packet as illustrated in the accompanying representations.**

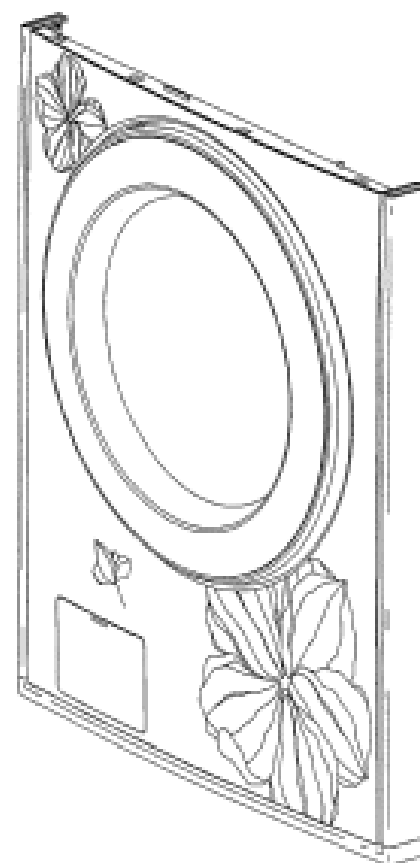




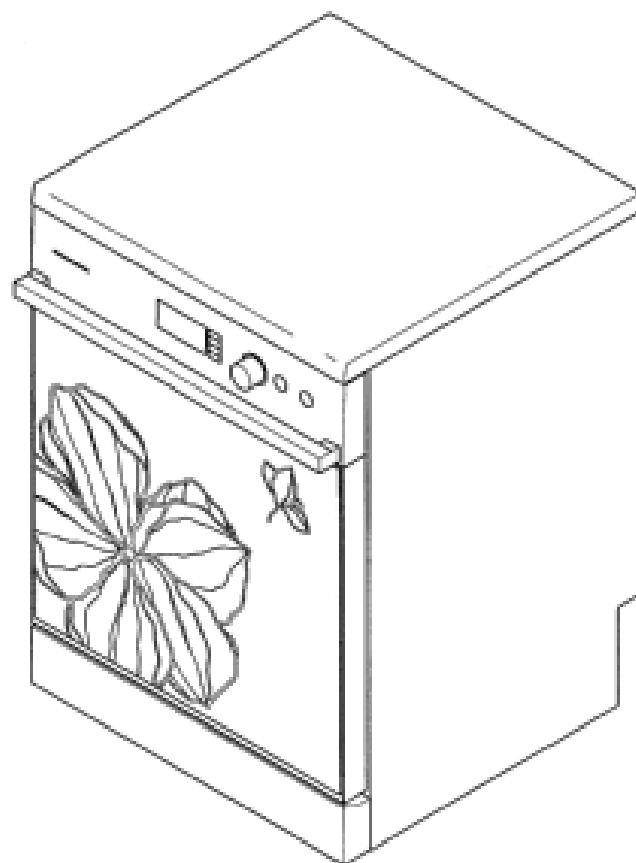
(21) Design Number: **21429/2007**  
(22) Date of Filing Application: **18 December 2007**  
(24) Date from which industrial property rights may have effect: **18 December 2007**  
(54) Product in respect of which the design is registered: **Television**  
(51) International Design Classification: **14-03B**  
(71) Name(s) and Address(s) of Applicant(s):  
**LG Electronics Inc.**  
**20 Yeouido-dong Yeongdeungpo-gu Seoul 150-721 Republic of Korea**  
(72) Name(s) of Designer(s): **Tae Uk Kim and Seung Ho Oh**  
(45) Registration Date: **18 April 2008**  
(30) Convention priority data:  
(31) Number (32) Date (33) Country  
**30-2007-0026279 19 Jun 2007 REPUBLIC OF KOREA**  
(56) Related Art Documents: **Not Applicable**  
(57) Statement of Newness and Distinctiveness: **Newness and distinctiveness in the design as applied to a television resides in the shape and/or configuration thereof as is illustrated in the accompanying representations.**



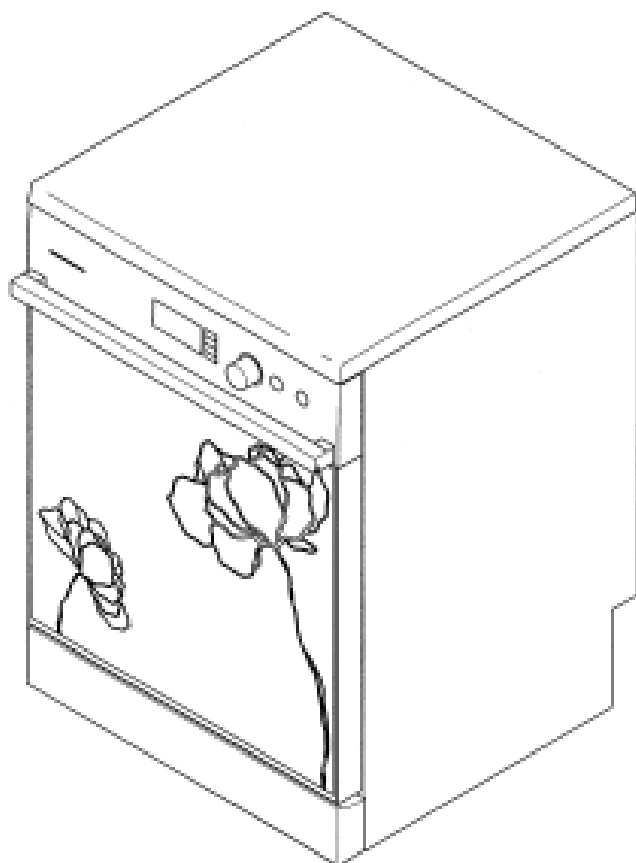
(21) Design Number: **21430/2007**  
(22) Date of Filing Application: **18 December 2007**  
(24) Date from which industrial property rights may have effect: **18 December 2007**  
(54) Product in respect of which the design is registered: **Front panel for drum washing machine**  
(51) International Design Classification: **15-05**  
(71) Name(s) and Address(s) of Applicant(s):  
**LG Electronics, Inc.**  
**20 Yeouido-dong Yeongdeungpo-gu Seoul 150-721 Republic of Korea**  
(72) Name(s) of Designer(s): **Myung Shik Kim and Soon Uk Kwon**  
(45) Registration Date: **18 April 2008**  
(30) Convention priority data:  
(31) Number (32) Date (33) Country  
**30-2007-0026745 21 Jun 2007 REPUBLIC OF KOREA**  
(56) Related Art Documents: **Not Applicable**  
(57) Statement of Newness and Distinctiveness: **Nil**



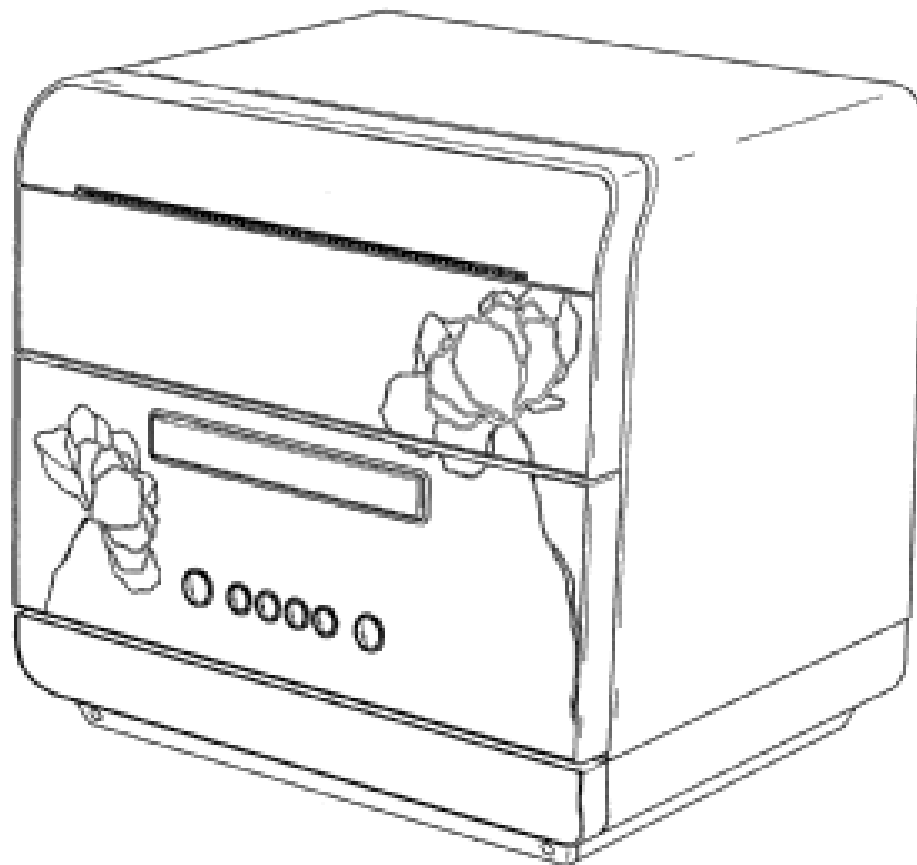
(21) Design Number: **21431/2007**  
(22) Date of Filing Application: **18 December 2007**  
(24) Date from which industrial property rights may have effect: **18 December 2007**  
(54) Product in respect of which the design is registered: **Dish washer**  
(51) International Design Classification: **15-05**  
(71) Name(s) and Address(s) of Applicant(s):  
**LG Electronics, Inc.**  
**20 Yeouido-dong Yeongdeungpo-gu Seoul 150-721 Republic of Korea**  
(72) Name(s) of Designer(s): **Yun Tae Jung and Ha Young Kim and Min Dong**  
(45) Registration Date: **18 April 2008**  
(30) Convention priority data:  
(31) Number (32) Date (33) Country  
**30-2007-0026746 21 Jun 2007 REPUBLIC OF KOREA**  
(56) Related Art Documents: **Not Applicable**  
(57) Statement of Newness and Distinctiveness: **Nil**



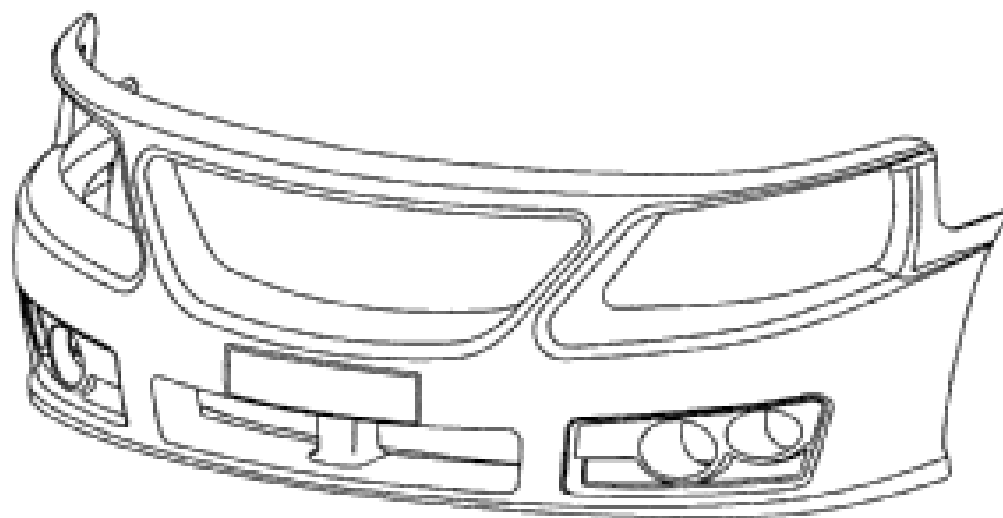
(21) Design Number: **21432/2007**  
(22) Date of Filing Application: **18 December 2007**  
(24) Date from which industrial property rights may have effect: **18 December 2007**  
(54) Product in respect of which the design is registered: **Dish washer**  
(51) International Design Classification: **15-05**  
(71) Name(s) and Address(s) of Applicant(s):  
**LG Electronics, Inc.**  
**20 Yeouido-dong Yeongdeungpo-gu Seoul 150-721 Republic of Korea**  
(72) Name(s) of Designer(s): **Yun Tae Jung and Ha Young Kim and Min Dong**  
(45) Registration Date: **18 April 2008**  
(30) Convention priority data:  
(31) Number (32) Date (33) Country  
**30-2007-0026290 19 Jun 2007 REPUBLIC OF KOREA**  
(56) Related Art Documents: **Not Applicable**  
(57) Statement of Newness and Distinctiveness: **Nil**



(21) Design Number: **21433/2007**  
(22) Date of Filing Application: **18 December 2007**  
(24) Date from which industrial property rights may have effect: **18 December 2007**  
(54) Product in respect of which the design is registered: **Dish washer**  
(51) International Design Classification: **15-05**  
(71) Name(s) and Address(s) of Applicant(s):  
**LG Electronics, Inc.**  
**20 Yeouido-dong Yeongdeungpo-gu Seoul 150-721 Republic of Korea**  
(72) Name(s) of Designer(s): **Yun Tae Jung and Ha Young Kim and Min Dong**  
(45) Registration Date: **18 April 2008**  
(30) Convention priority data:  
(31) Number (32) Date (33) Country  
**30-2007-0027509 26 Jun 2007 REPUBLIC OF KOREA**  
(56) Related Art Documents: **Not Applicable**  
(57) Statement of Newness and Distinctiveness: **Nil**



(21) Design Number: **21434/2007**  
(22) Date of Filing Application: **18 December 2007**  
(24) Date from which industrial property rights may have effect: **18 December 2007**  
(54) Product in respect of which the design is registered: **Front bumper for a vehicle**  
(51) International Design Classification: **12-16C**  
(71) Name(s) and Address(s) of Applicant(s):  
**Team Poly Pty Ltd**  
**36 Waddikee Road Lonsdale South Australia 5160 Australia**  
(72) Name(s) of Designer(s): **Joshua Luke Wundersitz**  
(45) Registration Date: **18 April 2008**  
(56) Related Art Documents: **Not Applicable**  
(57) Statement of Newness and Distinctiveness: **Newness and distinctiveness is claimed in the features of shape and/or configuration of a front bumper for a vehicle as illustrated in the accompanying representations.**



(21) Design Number: **21435/2007**

(22) Date of Filing Application: **18 December 2007**

(24) Date from which industrial property rights may have effect: **18 December 2007**

(54) Product in respect of which the design is registered: **This design applies to stools with identical design features, manufactured at varying heights and diameters,**

(51) International Design Classification: **06-01E**

(71) Name(s) and Address(s) of Applicant(s):

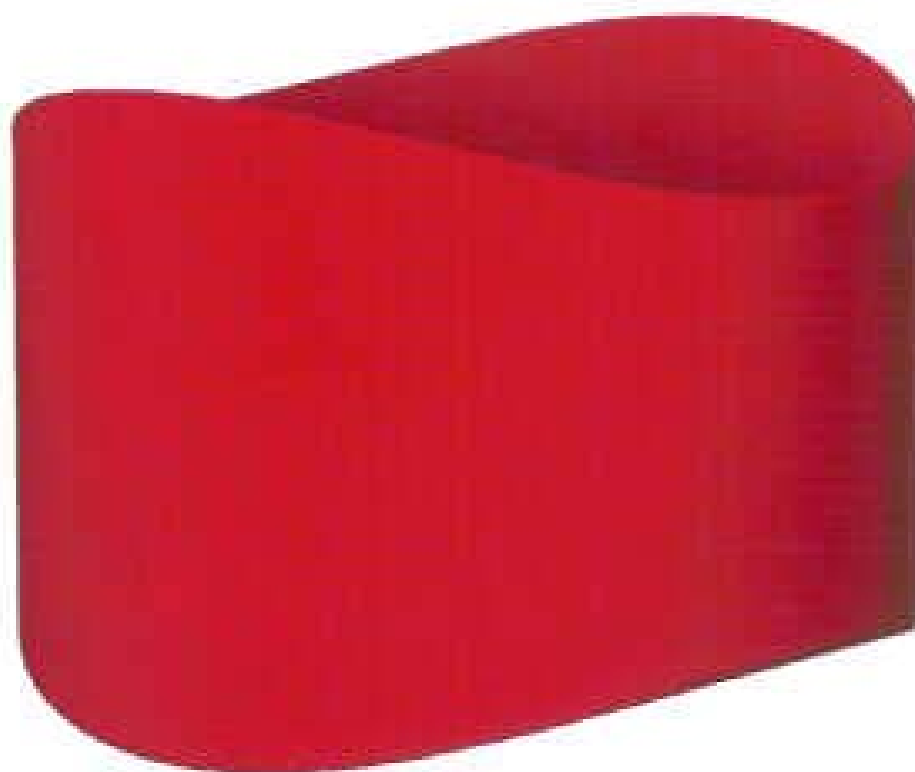
**Keith Melbourne**  
**64 Shakespeare Street Mount Hawthorn Perth Western Australia 6016**  
**Australia**

(72) Name(s) of Designer(s): **Keith Melbourne**

(45) Registration Date: **18 April 2008**

(56) Related Art Documents: **Not Applicable**

(57) Statement of Newness and Distinctiveness: **Tara - Stool. The unique Tara stool shape: The body of stool is a vertical cylinder. The top surface is formed by cutting the cylinder with a curved plane, where the curvature of the plane is a portion of a circle. The bottom surface is formed by cutting with the same plane, following a rotation of the plane through 90 degrees on a vertical axis. The resulting form simultaneously provides: Curved top seating surface to aid comfort. Curved bottom surface oriented so as to provide backwards and forwards rocking motion. Unique and distinctive form where the curved top and bottom surfaces produce and gradually increasing and decreasing wall height to the cylinder body of the stool. Note - feet or a base may be fitted to provide a stable version of the stool.**



(21) Design Number: **21436/2007**

(22) Date of Filing Application: **18 December 2007**

(24) Date from which industrial property rights may have effect: **18 December 2007**

(54) Product in respect of which the design is registered: **This design applies to chairs with identical design features, manufactured in varying sizes and heights**

(51) International Design Classification: **06-01F**

(71) Name(s) and Address(s) of Applicant(s):

**Keith Melbourne**  
**64 Shakespeare Street Mount Hawthorn Perth Western Australia 6016**  
**Australia**

(72) Name(s) of Designer(s): **Keith Melbourne**

(45) Registration Date: **18 April 2008**

(56) Related Art Documents: **Not Applicable**

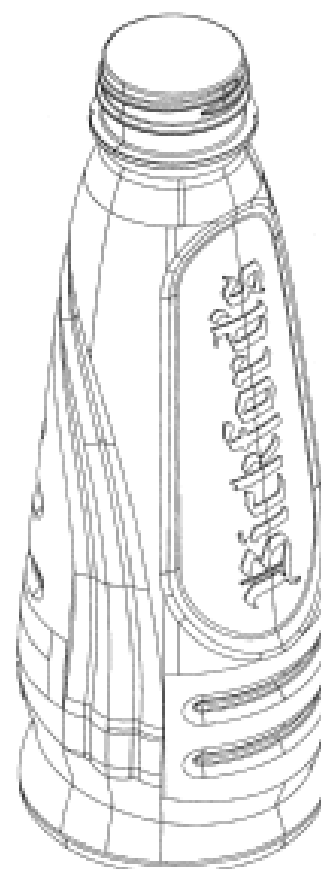
(57) Statement of Newness and Distinctiveness: **No5 - Chair. The unique No5 chair body shape: Body of chair is formed by extruding a profile sideways. Large radius outer face at intersection of backrest and seat pan. Chair body is thickest at this point. Chair body reduces in thickness along the seat pan and up the backrest. Each side of the chair/extrusion is sliced off by a flat plane, where the plane is pivoted about the front and rear/top corners of the chair, and rotated outwards such that the chair gets wider towards the corner section. A radius cut is applied to the corners creating a continuous border/face around the chair. The unique No5 chair base: The chair is mounted on a pedestal/column. The column is placed towards the rear of the chair body, adjacent to the bottom of the outside curvature.**



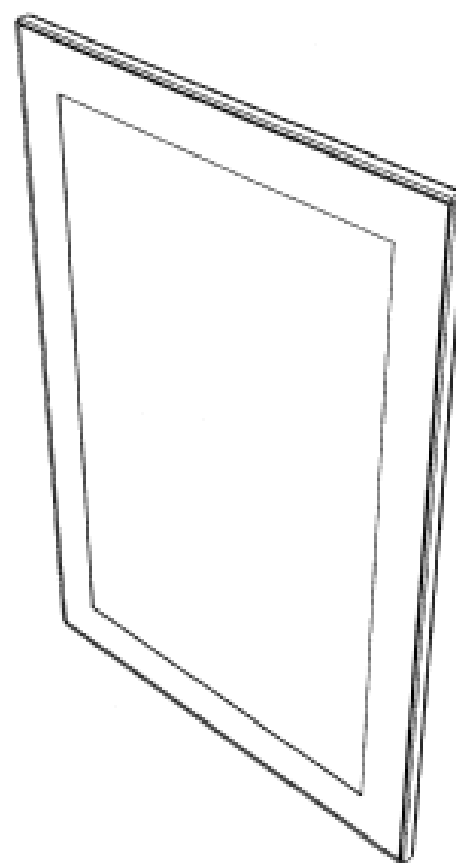
(21) Design Number: **21437/2007**  
(22) Date of Filing Application: **18 December 2007**  
(24) Date from which industrial property rights may have effect: **18 December 2007**  
(54) Product in respect of which the design is registered: **Shoot bolt**  
(51) International Design Classification: **08-08B**  
(71) Name(s) and Address(s) of Applicant(s):  
**Eltrak International & Staff Pty Ltd**  
**C/- Mamson Collison 1st Floor 176 Fullarton Road Dulwich South**  
**Australia 5065 Australia**  
(72) Name(s) of Designer(s): **Kevin Ivison**  
(45) Registration Date: **18 April 2008**  
(56) Related Art Documents: **Not Applicable**  
(57) Statement of Newness and Distinctiveness: **Nil**



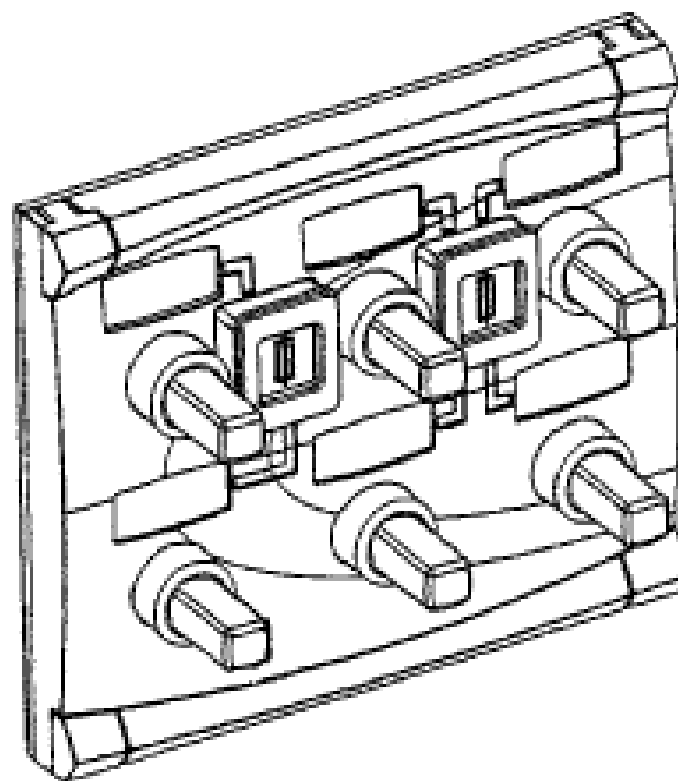
(21) Design Number: **21438/2007**  
(22) Date of Filing Application: **20 December 2007**  
(24) Date from which industrial property rights may have effect: **20 December 2007**  
(54) Product in respect of which the design is registered: **A bottle**  
(51) International Design Classification: **09-01NES**  
(71) Name(s) and Address(s) of Applicant(s):  
**Bickford's Australia Pty Ltd**  
**162 Cross Keys Road Salisbury South South Australia 5106 Australia**  
(72) Name(s) of Designer(s): **David Melrose**  
(45) Registration Date: **18 April 2008**  
(56) Related Art Documents: **Not Applicable**  
(57) Statement of Newness and Distinctiveness: **Nil**



- (21) Design Number: **21469/2007**  
(22) Date of Filing Application: **20 December 2007**  
(24) Date from which industrial property rights may have effect: **20 December 2007**  
(54) Product in respect of which the design is registered: **A leaflet/poster holder system for wall mounting**  
(51) International Design Classification: **20-02NES**  
(71) Name(s) and Address(s) of Applicant(s):  
**Neals Yard Pty Ltd**  
**Unit 1/42 William Street Botany New South Wales 2019 Australia**  
(72) Name(s) of Designer(s): **Neal Karpas**  
(45) Registration Date: **18 April 2008**  
(56) Related Art Documents: **Not Applicable**  
(57) Statement of Newness and Distinctiveness: **The unique features of this leaflet/poster holder system are that 1) the leaflet cover is held in place by magnetic tape in a thin metal frame giving a visually thin edge, 2) the design is available in various size and proportions.**



- (21) Design Number: **20949/2007**  
(22) Date of Filing Application: **23 November 2007**  
(24) Date from which industrial property rights may have effect: **23 November 2007**  
(54) Product in respect of which the design is registered: **Switch panel**  
(51) International Design Classification: **13-03E**  
(71) Name(s) and Address(s) of Applicant(s):  
**BEP Marine Limited**  
**13 Tarndale Grove Albany 1310 New Zealand**  
(72) Name(s) of Designer(s): **Ross Gregory Pratt**  
(45) Registration Date: **21 April 2008**  
(30) Convention priority data:  
(31) Number      (32) Date      (33) Country  
**409445      18 Jul 2007      NEW ZEALAND**  
(56) Related Art Documents: **Not Applicable**  
(57) Statement of Newness and Distinctiveness: **The design is to be applied to a switch panel and the novelty resides in the features of shape and configuration of the front of the switch panel as shown in the accompanying representations. No novelty is claimed for the features of shape and configuration of the back of the switch panel.**



- (21) Design Number: **20950/2007**  
(22) Date of Filing Application: **23 November 2007**  
(24) Date from which industrial property rights may have effect: **23 November 2007**  
(54) Product in respect of which the design is registered: **Switch panel**  
(51) International Design Classification: **13-03E**  
(71) Name(s) and Address(s) of Applicant(s):

**BEP Marine Limited**  
**13 Tarndale Grove Albany 1310 New Zealand**

(72) Name(s) of Designer(s): **Ross Gregory Pratt**

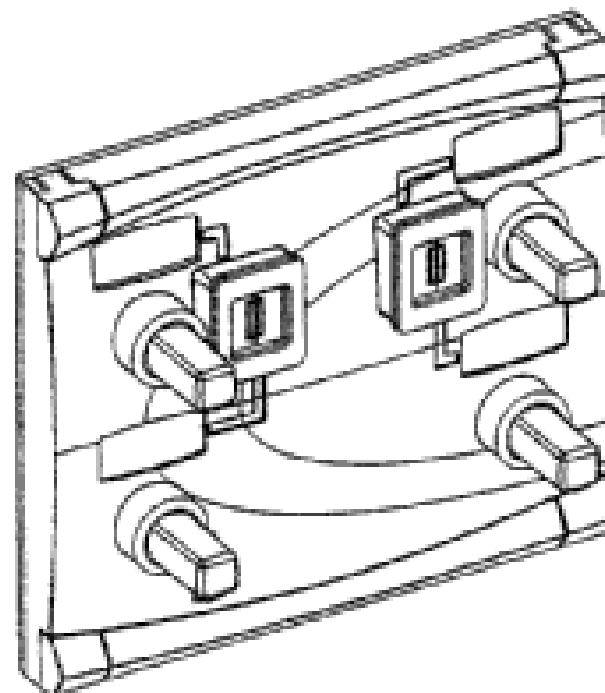
(45) Registration Date: **21 April 2008**

(30) Convention priority data:

(31) Number	(32) Date	(33) Country
<b>409446</b>	<b>18 Jul 2007</b>	<b>NEW ZEALAND</b>

(56) Related Art Documents: **Not Applicable**

(57) Statement of Newness and Distinctiveness: **The design is to be applied to a switch panel and the novelty resides in the features of shape and configuration of the front of the switch panel as shown in the accompanying representations. No novelty is claimed for the features of shape and configuration of the back of the switch panel.**



- (21) Design Number: **20951/2007**  
(22) Date of Filing Application: **23 November 2007**  
(24) Date from which industrial property rights may have effect: **23 November 2007**  
(54) Product in respect of which the design is registered: **Switch panel**  
(51) International Design Classification: **13-03E**  
(71) Name(s) and Address(s) of Applicant(s):

**BEP Marine Limited**  
**13 Tarndale Grove Auckland 1310 New Zealand**

(72) Name(s) of Designer(s): **Ross Gregory Pratt**

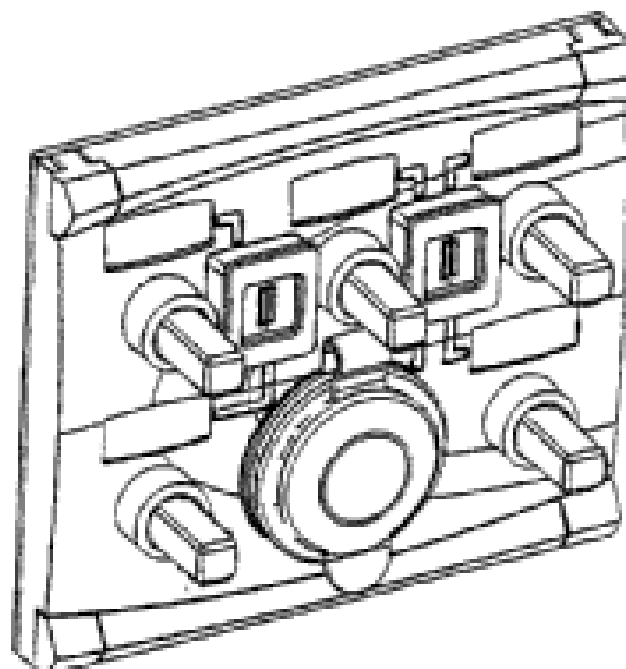
(45) Registration Date: **21 April 2008**

(30) Convention priority data:

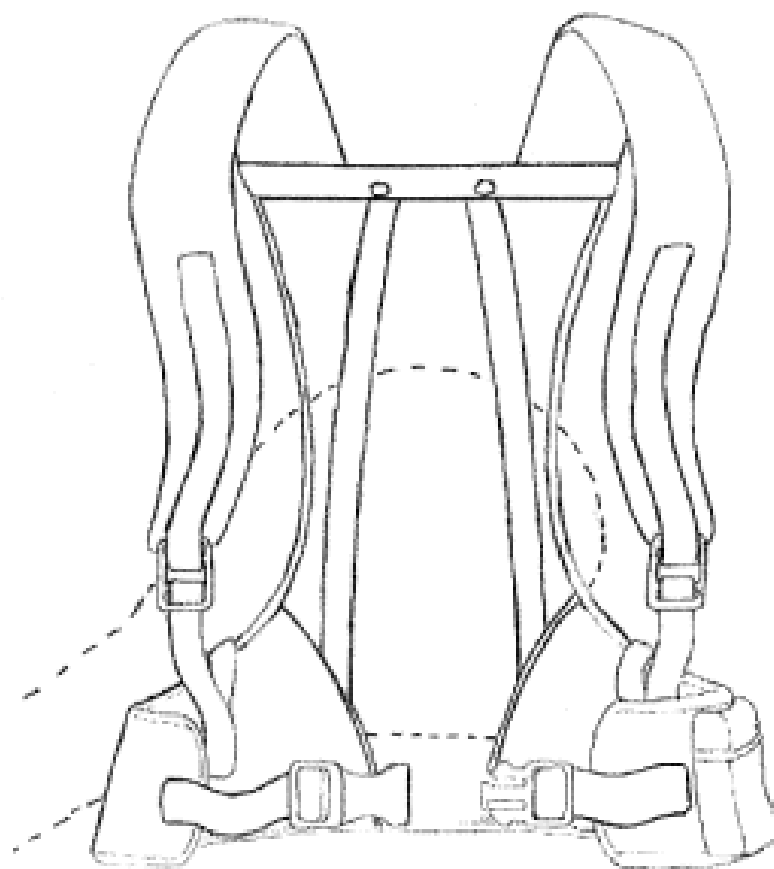
(31) Number	(32) Date	(33) Country
<b>409444</b>	<b>18 Jul 2007</b>	<b>NEW ZEALAND</b>

(56) Related Art Documents: **Not Applicable**

(57) Statement of Newness and Distinctiveness: **The design is to be applied to a switch panel and the novelty resides in the features of shape and configuration of the front of the switch panel as shown in the accompanying representations. No novelty is claimed for the features of shape and configuration of the back of the switch panel.**



(21) Design Number: **21364/2007**  
(22) Date of Filing Application: **14 December 2007**  
(24) Date from which industrial property rights may have effect: **14 December 2007**  
(54) Product in respect of which the design is registered: **Harness for power tool**  
(51) International Design Classification: **29-02, 08-08NES**  
(71) Name(s) and Address(s) of Applicant(s):  
**MTD Products Inc**  
**5903 Grafton Road Valley City OH 44280 United States of America**  
(72) Name(s) of Designer(s): **Mark Hunter Basenberg Jr and Benjamin Edward Vierck**  
(45) Registration Date: **21 April 2008**  
(30) Convention priority data:  
(31) Number (32) Date (33) Country  
**29/289,171 10 Jul 2007 UNITED STATES OF AMERICA**  
(56) Related Art Documents: **Not Applicable**  
(57) Statement of Newness and Distinctiveness: **The shape, configuration, shape and configuration, pattern, ornamentation, pattern and ornamentation, of the product is new and distinctive. The features shown in phantom line are for illustrative purposes only and forms no part of the design.**



(21) Design Number: **21499/2007**  
(22) Date of Filing Application: **20 December 2007**  
(24) Date from which industrial property rights may have effect: **20 December 2007**  
(54) Product in respect of which the design is registered: **Foot operated motor drive mount system**  
(51) International Design Classification: **99-00, 08-08NES**  
(71) Name(s) and Address(s) of Applicant(s):  
**E Motion Pty Ltd.**  
**55 West Thebarton Road Thebarton South Australia 5031 Australia**  
(72) Name(s) of Designer(s): **John Packer**  
(45) Registration Date: **21 April 2008**  
(56) Related Art Documents: **Not Applicable**  
(57) Statement of Newness and Distinctiveness: **Curved foot pedal and release pedal. Design allowing ease of use.**





- (21) Design Number: **21501/2007**
- (22) Date of Filing Application: **21 December 2007**
- (24) Date from which industrial property rights may have effect: **21 December 2007**
- (54) Product in respect of which the design is registered: **Vacuum cleaner**
- (51) International Design Classification: **15-05**
- (71) Name(s) and Address(s) of Applicant(s):

**Electrolux Home Care Products Inc.**  
**20445 Emerald Parkway Sout West Suite 250 Cleveland Ohio**  
**44135-0920 United States of America**

(72) Name(s) of Designer(s): **Gregory W. Luebbering**

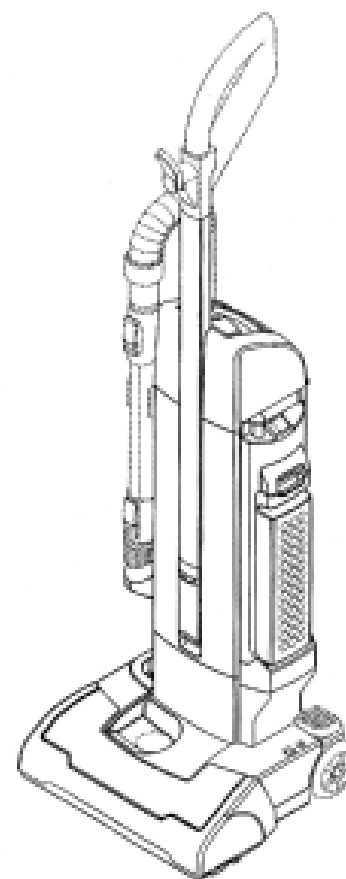
(45) Registration Date: **21 April 2008**

(30) Convention priority data:

(31) Number	(32) Date	(33) Country
<b>29/281,766</b>	<b>29 Jun 2007</b>	<b>UNITED STATES OF AMERICA</b>

(56) Related Art Documents: **Not Applicable**

(57) Statement of Newness and Distinctiveness: **Newness and distinctiveness reside in the features of shape and/or configuration of the vacuum cleaner, as shown in the representations. Newness and distinctiveness are not claimed in the features shown in broken lines in the representations. These features are shown for illustrative purposes only.**



- (21) Design Number: **21502/2007**
- (22) Date of Filing Application: **21 December 2007**
- (24) Date from which industrial property rights may have effect: **21 December 2007**
- (54) Product in respect of which the design is registered: **Vacuum cleaner housing**
- (51) International Design Classification: **15-05**
- (71) Name(s) and Address(s) of Applicant(s):

**Electrolux Home Care Products Inc.**  
**20445 Emerald Parkway Sout West Suite 250 Cleveland Ohio**  
**44135-0920 United States of America**

(72) Name(s) of Designer(s): **Gregory W. Luebbering**

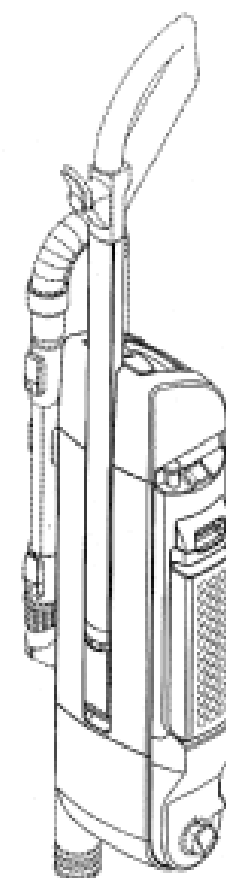
(45) Registration Date: **21 April 2008**

(30) Convention priority data:

(31) Number	(32) Date	(33) Country
<b>29/281,768</b>	<b>29 Jun 2007</b>	<b>UNITED STATES OF AMERICA</b>

(56) Related Art Documents: **Not Applicable**

(57) Statement of Newness and Distinctiveness: **Newness and distinctiveness reside in the features of shape and/or configuration of the vacuum cleaner housing, as shown in the representations. Newness and distinctiveness are not claimed in the features shown in broken lines in the representations. These features are shown for illustrative purposes only.**



(21) Design Number: **21503/2007**  
(22) Date of Filing Application: **21 December 2007**  
(24) Date from which industrial property rights may have effect: **21 December 2007**  
(54) Product in respect of which the design is registered: **Vacuum cleaner base**  
(51) International Design Classification: **15-05**  
(71) Name(s) and Address(s) of Applicant(s):

**Electrolux Home Care Products Inc.**  
**20445 Emerald Parkway Sout West Suite 250 Cleveland Ohio**  
**44135-0920 United States of America**

(72) Name(s) of Designer(s): **Gregory W. Luebbering**

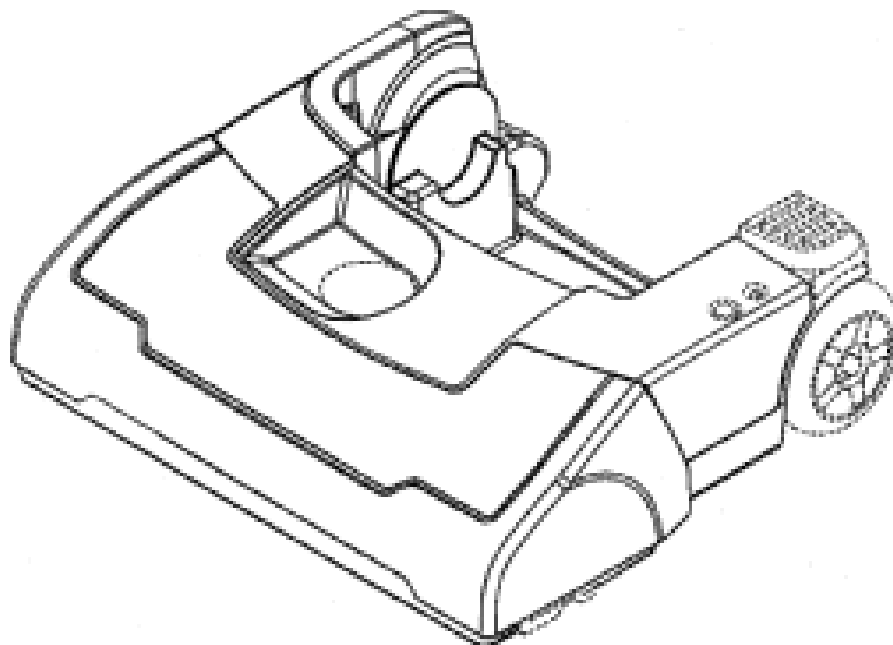
(45) Registration Date: **21 April 2008**

(30) Convention priority data:

(31) Number	(32) Date	(33) Country
<b>29/281,770</b>	<b>29 Jun 2007</b>	<b>UNITED STATES OF AMERICA</b>

(56) Related Art Documents: **Not Applicable**

(57) Statement of Newness and Distinctiveness: **Newness and distinctiveness reside in the features of shape and/or configuration of the vacuum cleaner base, as shown in the representations. Newness and distinctiveness are not claimed in the features shown in broken lines in the representations. These features are shown for illustrative purposes only.**



(21) Design Number: **21508/2007**  
(22) Date of Filing Application: **20 December 2007**  
(24) Date from which industrial property rights may have effect: **20 December 2007**  
(54) Product in respect of which the design is registered: **Front cover and key buttons for a handset**  
(51) International Design Classification: **14-03A**  
(71) Name(s) and Address(s) of Applicant(s):

**Nokia Corporation**  
**Keilalahdentie 4 FIN-02150 Espoo Finland**

(72) Name(s) of Designer(s): **Luke Miles and Rachael Sleight**

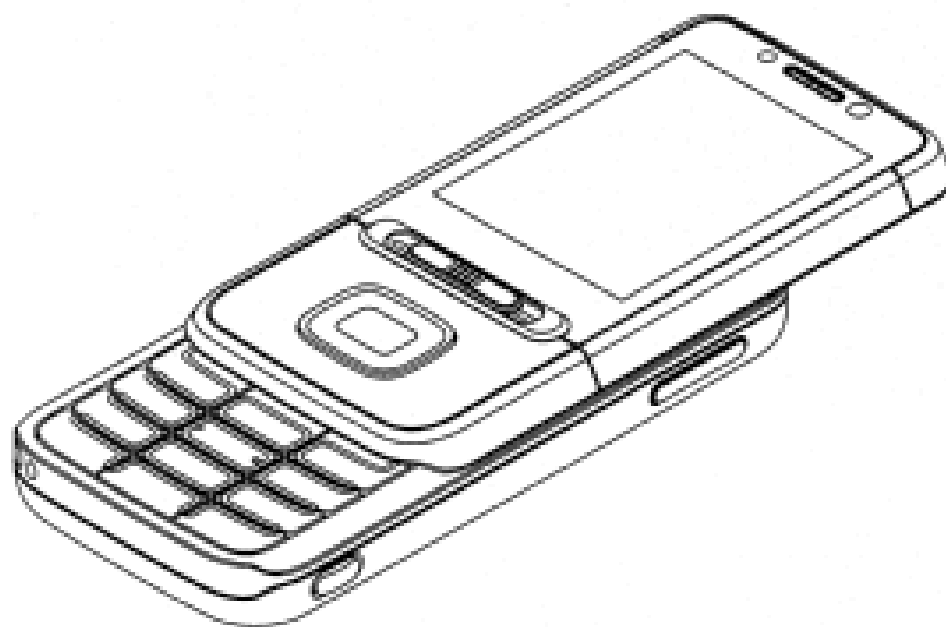
(45) Registration Date: **21 April 2008**

(30) Convention priority data:

(31) Number	(32) Date	(33) Country
<b>M20070121</b>	<b>20 Jun 2007</b>	<b>FINLAND</b>

(56) Related Art Documents: **Not Applicable**

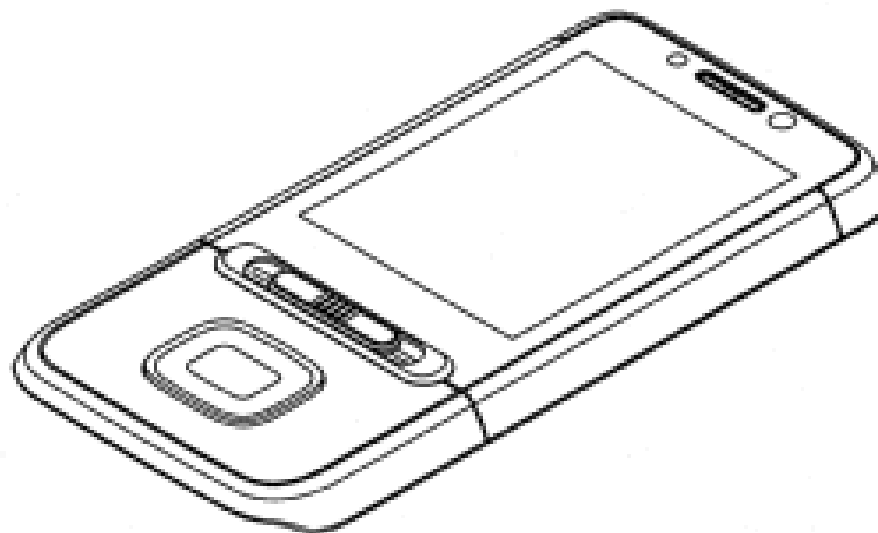
(57) Statement of Newness and Distinctiveness: **Nil**



- (21) Design Number: **21509/2007**  
(22) Date of Filing Application: **20 December 2007**  
(24) Date from which industrial property rights may have effect: **20 December 2007**  
(54) Product in respect of which the design is registered: **Front cover for a handset**  
(51) International Design Classification: **14-03A**  
(71) Name(s) and Address(s) of Applicant(s):  
**Nokia Corporation**  
**Keilalahdentie 4 FIN-02150 Espoo Finland**  
(72) Name(s) of Designer(s): **Luke Miles and Rachael Sleight**  
(45) Registration Date: **21 April 2008**  
(30) Convention priority data:  

(31) Number	(32) Date	(33) Country
<b>M20070121</b>	<b>20 Jun 2007</b>	<b>FINLAND</b>

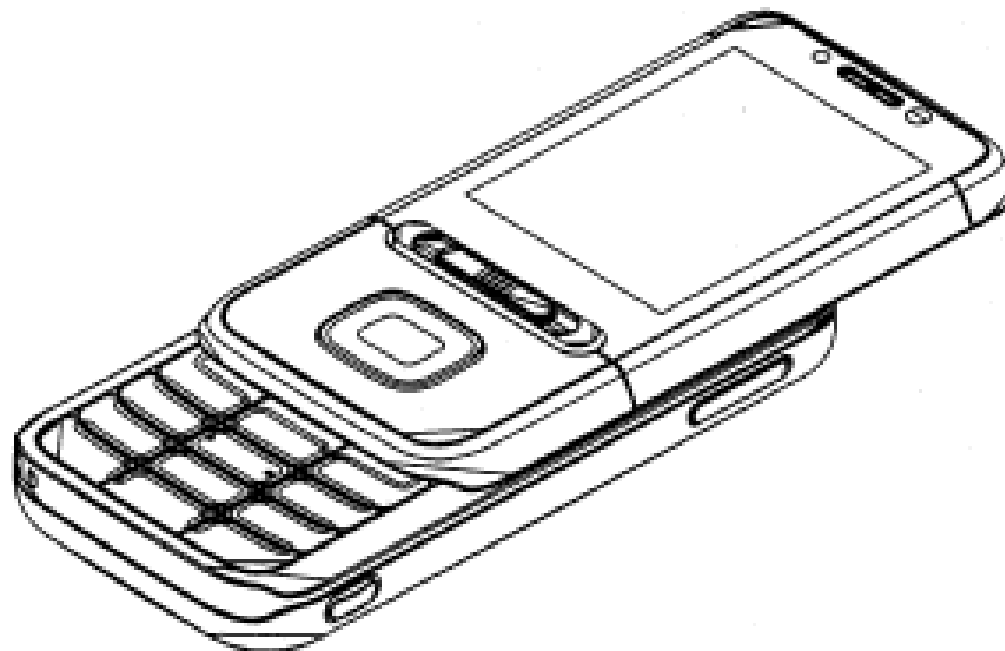
  
(56) Related Art Documents: **Not Applicable**  
(57) Statement of Newness and Distinctiveness: **Nil**



- (21) Design Number: **21510/2007**  
(22) Date of Filing Application: **20 December 2007**  
(24) Date from which industrial property rights may have effect: **20 December 2007**  
(54) Product in respect of which the design is registered: **Handset**  
(51) International Design Classification: **14-03A**  
(71) Name(s) and Address(s) of Applicant(s):  
**Nokia Corporation**  
**Keilalahdentie 4 FIN-02150 Espoo Finland**  
(72) Name(s) of Designer(s): **Luke Miles and Rachael Sleight**  
(45) Registration Date: **21 April 2008**  
(30) Convention priority data:  

(31) Number	(32) Date	(33) Country
<b>M20070121</b>	<b>20 Jun 2007</b>	<b>FINLAND</b>

  
(56) Related Art Documents: **Not Applicable**  
(57) Statement of Newness and Distinctiveness: **Nil**



- (21) Design Number: **21511/2007**  
(22) Date of Filing Application: **20 December 2007**  
(24) Date from which industrial property rights may have effect: **20 December 2007**  
(54) Product in respect of which the design is registered: **Handset**  
(51) International Design Classification: **14-03A**  
(71) Name(s) and Address(s) of Applicant(s):

**Nokia Corporation**  
**Keilalahdentie 4 FIN-02150 Espoo Finland**

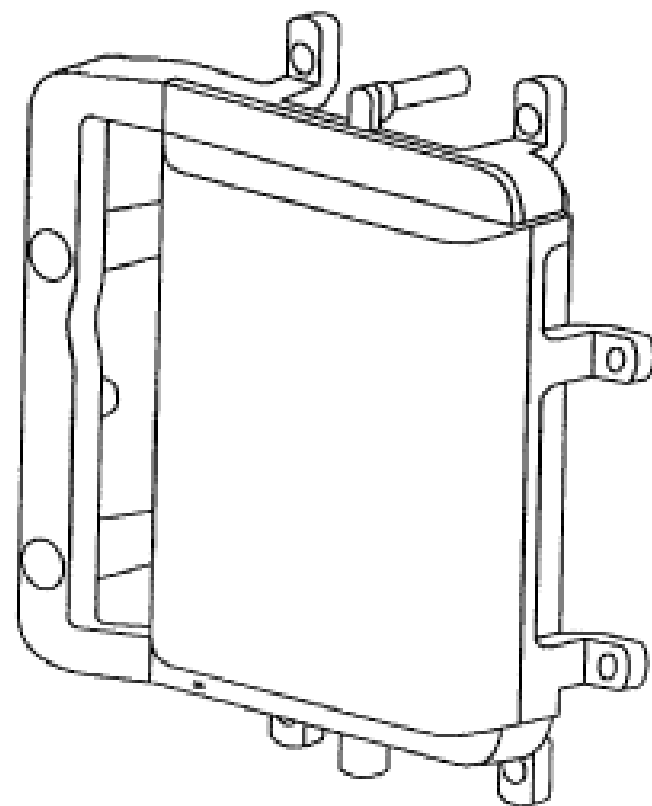
- (72) Name(s) of Designer(s): **Luke Miles and Rachael Sleight**  
(45) Registration Date: **21 April 2008**  
(30) Convention priority data:  
(31) Number      (32) Date      (33) Country  
**M20070121      20 Jun 2007      FINLAND**  
(56) Related Art Documents: **Not Applicable**  
(57) Statement of Newness and Distinctiveness: **Nil**



- (21) Design Number: **21516/2007**  
(22) Date of Filing Application: **21 December 2007**  
(24) Date from which industrial property rights may have effect: **21 December 2007**  
(54) Product in respect of which the design is registered: **Transmitting and receiving apparatus for data communication**  
(51) International Design Classification: **14-02, 14-03NES**  
(71) Name(s) and Address(s) of Applicant(s):

**NEC Corporation**  
**7-1 Shiba 5-Chome Minato-ku Tokyo Japan**

- (72) Name(s) of Designer(s): **Yukihiko Yokoyama and Mitsuhiro Okabe**  
(45) Registration Date: **21 April 2008**  
(30) Convention priority data:  
(31) Number      (32) Date      (33) Country  
**2007-023356      29 Aug 2007      JAPAN**  
(56) Related Art Documents: **Not Applicable**  
(57) Statement of Newness and Distinctiveness: **Nil**



(21) Design Number: **21517/2007**

(22) Date of Filing Application: **20 December 2007**

(24) Date from which industrial property rights may have effect: **20 December 2007**

(54) Product in respect of which the design is registered: **Spray head**

(51) International Design Classification: **23-01H, 23-01E**

(71) Name(s) and Address(s) of Applicant(s):

**Munster Simms Engineering Limited**  
**Old Belfast Road Bangor County Down BT19 1LT United Kingdom**

(72) Name(s) of Designer(s): **Stephen McGilloway and Edward J. Gilmore**

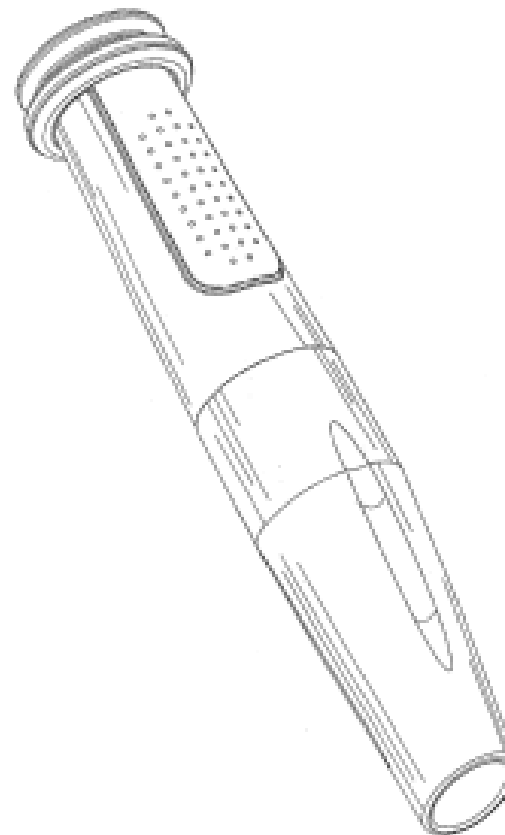
(45) Registration Date: **21 April 2008**

(30) Convention priority data:

(31) Number	(32) Date	(33) Country
<b>000805957-0001</b>	<b>10 Oct 2007</b>	<b>EUROPEAN COMMUNITY</b>

(56) Related Art Documents: **Not Applicable**

(57) Statement of Newness and Distinctiveness: **The shape and configuration of the spray head shown in the representations is new and distinctive.**



(21) Design Number: **19975/2007**

(22) Date of Filing Application: **28 September 2007**

(24) Date from which industrial property rights may have effect: **28 September 2007**

(54) Product in respect of which the design is registered: **Mobile stand**

(51) International Design Classification: **25-03**

(71) Name(s) and Address(s) of Applicant(s):

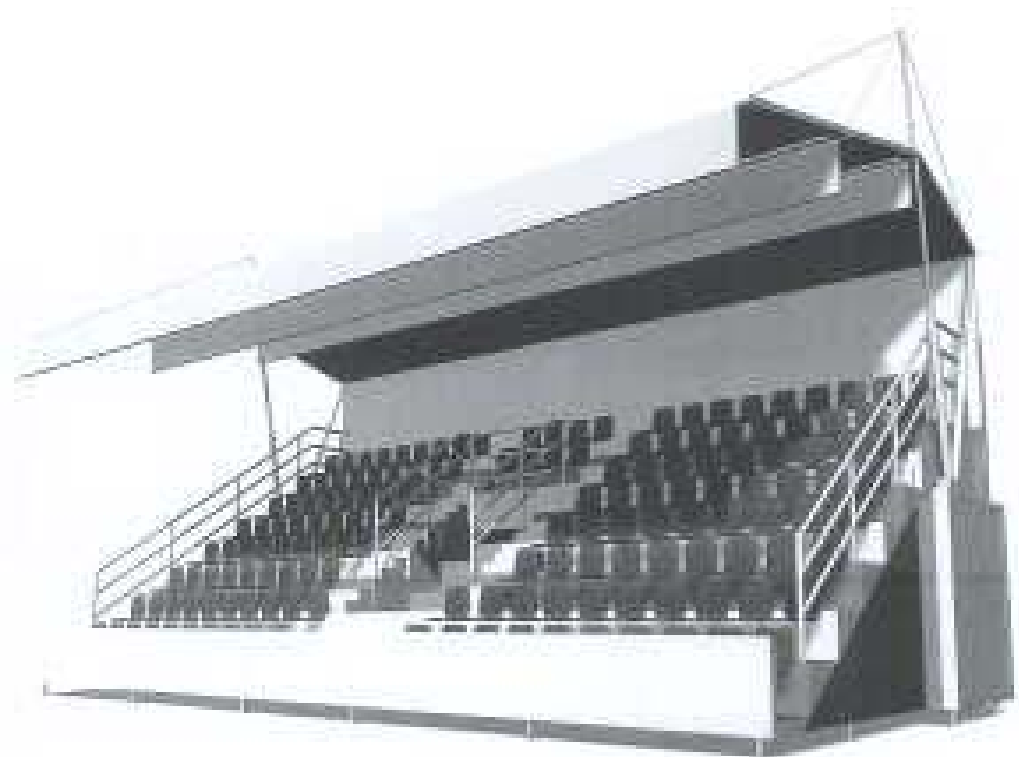
**FG Tribunes B.V.**  
**Hooge Zijde 1 5626 DC Eindhoven The Netherlands**

(72) Name(s) of Designer(s): **Frank Geerdink**

(45) Registration Date: **21 April 2008**

(56) Related Art Documents: **Not Applicable**

(57) Statement of Newness and Distinctiveness: **Nil**



- (21) Design Number: **21444/2007**  
(22) Date of Filing Application: **20 December 2007**  
(24) Date from which industrial property rights may have effect: **20 December 2007**  
(54) Product in respect of which the design is registered: **Medicinal container**  
(51) International Design Classification: **09-03M**  
(71) Name(s) and Address(s) of Applicant(s):

**The Procter & Gamble Company**  
**One Procter & Gamble Plaza Cincinnati Ohio 45202 United States of America**

(72) Name(s) of Designer(s): **Donghyun Seol and Dale Doyle**

(45) Registration Date: **21 April 2008**

(30) Convention priority data:

(31) Number	(32) Date	(33) Country
<b>29/288,847</b>	<b>22 Jun 2007</b>	<b>UNITED STATES OF AMERICA</b>

(56) Related Art Documents: **Not Applicable**

(57) Statement of Newness and Distinctiveness: **Newness and distinctiveness reside in the features of pattern and/or ornament of the medicinal container, as shown in the representations. The pattern and/or ornament can be in colour, but not a particular colour. Newness and distinctiveness are not claimed for any colour and are not claimed in relation to the features shown in broken lines in the representations.**



- (21) Design Number: **21445/2007**  
(22) Date of Filing Application: **20 December 2007**  
(24) Date from which industrial property rights may have effect: **20 December 2007**  
(54) Product in respect of which the design is registered: **Medicinal container**  
(51) International Design Classification: **09-03M**  
(71) Name(s) and Address(s) of Applicant(s):

**The Procter & Gamble Company**  
**One Procter & Gamble Plaza Cincinnati Ohio 45202 United States of America**

(72) Name(s) of Designer(s): **Donghyun Seol and Dale Doyle**

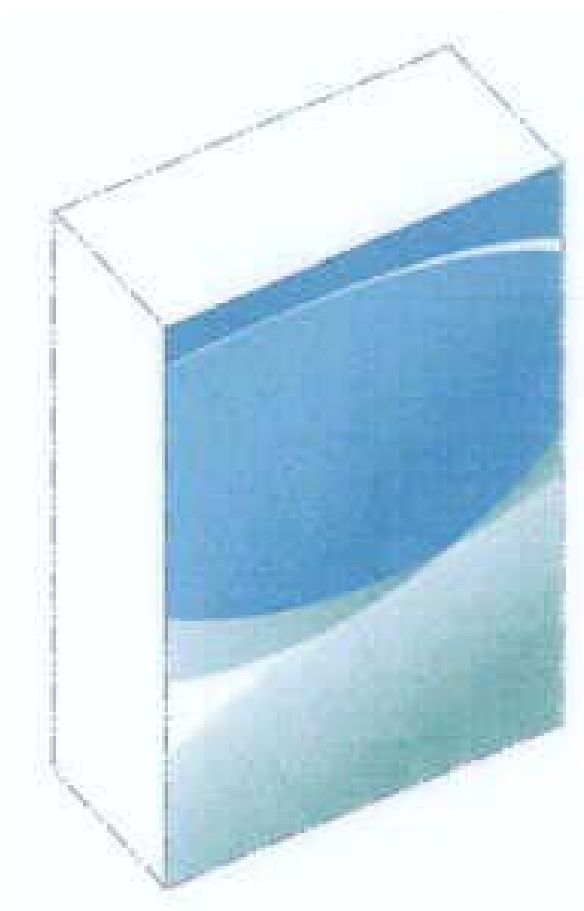
(45) Registration Date: **21 April 2008**

(30) Convention priority data:

(31) Number	(32) Date	(33) Country
<b>29/288,844</b>	<b>22 Jun 2007</b>	<b>UNITED STATES OF AMERICA</b>

(56) Related Art Documents: **Not Applicable**

(57) Statement of Newness and Distinctiveness: **Newness and distinctiveness reside in the features of pattern and/or ornament of the medicinal container, as shown in the representations. The pattern and/or ornament can be in colour, but not a particular colour. Newness and distinctiveness are not claimed for any colour and are not claimed in relation to the features shown in broken lines in the representations.**



- (21) Design Number: **21446/2007**  
(22) Date of Filing Application: **20 December 2007**  
(24) Date from which industrial property rights may have effect: **20 December 2007**  
(54) Product in respect of which the design is registered: **Medicinal container**  
(51) International Design Classification: **09-03M**  
(71) Name(s) and Address(s) of Applicant(s):

**The Procter & Gamble Company**  
**One Procter & Gamble Plaza Cincinnati Ohio 45202 United States of America**

- (72) Name(s) of Designer(s): **Donghyun Seol and Dale Doyle**

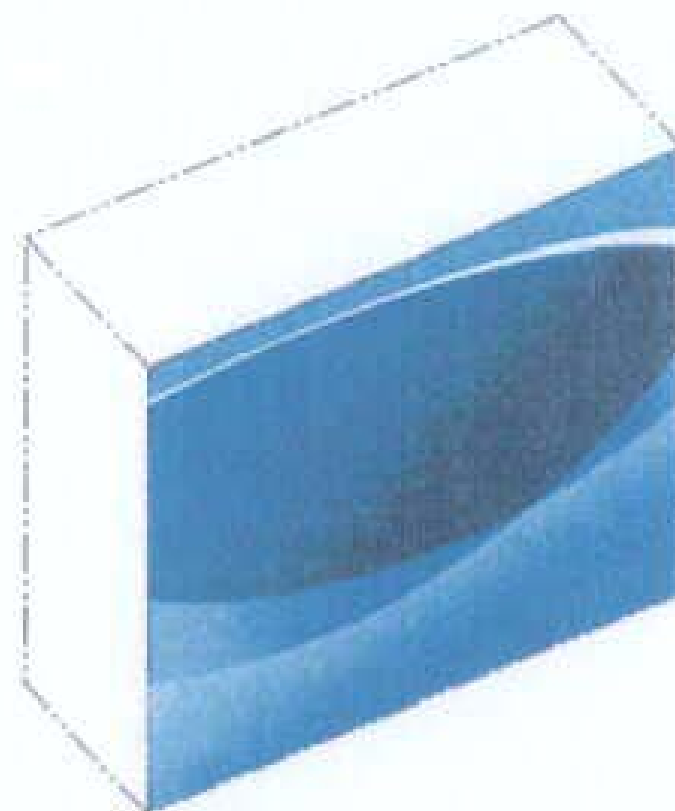
- (45) Registration Date: **21 April 2008**

- (30) Convention priority data:

(31) Number	(32) Date	(33) Country
<b>29/288,846</b>	<b>22 Jun 2007</b>	<b>UNITED STATES OF AMERICA</b>

- (56) Related Art Documents: **Not Applicable**

- (57) Statement of Newness and Distinctiveness: **Newness and distinctiveness reside in the features of pattern and/or ornament of the medicinal container, as shown in the representations. The pattern and/or ornament can be in colour, but not a particular colour. Newness and distinctiveness are not claimed for any colour and are not claimed in relation to the features shown in broken lines in the representations.**



- (21) Design Number: **21447/2007**  
(22) Date of Filing Application: **20 December 2007**  
(24) Date from which industrial property rights may have effect: **20 December 2007**  
(54) Product in respect of which the design is registered: **Medicinal container**  
(51) International Design Classification: **09-03M**  
(71) Name(s) and Address(s) of Applicant(s):

**The Procter & Gamble Company**  
**One Procter & Gamble Plaza Cincinnati Ohio 45202 United States of America**

- (72) Name(s) of Designer(s): **Donghyun Seol and Dale Doyle**

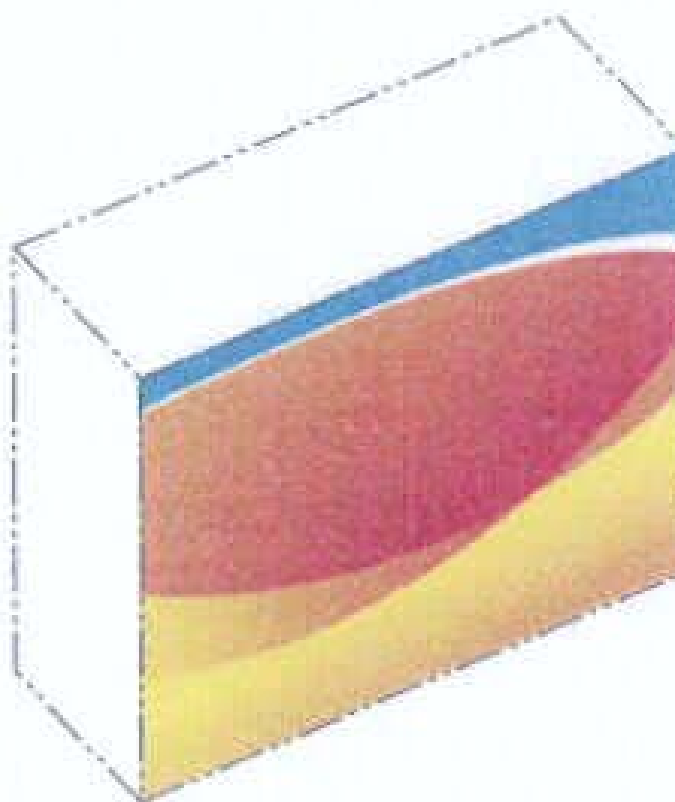
- (45) Registration Date: **21 April 2008**

- (30) Convention priority data:

(31) Number	(32) Date	(33) Country
<b>29/288,845</b>	<b>22 Jun 2007</b>	<b>UNITED STATES OF AMERICA</b>

- (56) Related Art Documents: **Not Applicable**

- (57) Statement of Newness and Distinctiveness: **Newness and distinctiveness reside in the features of pattern and/or ornament of the medicinal container, as shown in the representations. The pattern and/or ornament can be in colour, but not a particular colour. Newness and distinctiveness are not claimed for any colour and are not claimed in relation to the features shown in broken lines in the representations.**



(19) AU

(21) Design Number: **21448/2007**  
 (22) Date of Filing Application: **20 December 2007**  
 (24) Date from which industrial property rights may have effect: **20 December 2007**  
 (54) Product in respect of which the design is registered: **Medicinal container**  
 (51) International Design Classification: **09-03M**  
 (71) Name(s) and Address(s) of Applicant(s):

**The Procter & Gamble Company**  
**One Procter & Gamble Plaza Cincinnati Ohio 45202 United States of America**

(72) Name(s) of Designer(s): **Donghyun Seol and Dale Doyle**

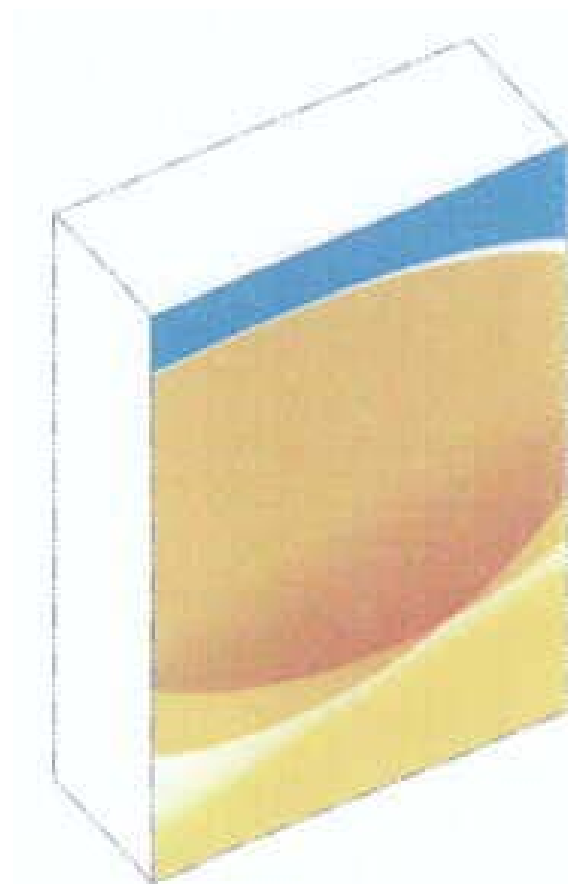
(45) Registration Date: **21 April 2008**

(30) Convention priority data:

(31) Number	(32) Date	(33) Country
<b>29/288,843</b>	<b>22 Jun 2007</b>	<b>UNITED STATES OF AMERICA</b>

(56) Related Art Documents: **Not Applicable**

(57) Statement of Newness and Distinctiveness: **Newness and distinctiveness reside in the features of pattern and/or ornament of the medicinal container, as shown in the representations. The pattern and/or ornament can be in colour, but not a particular colour. Newness and distinctiveness are not claimed for any colour and are not claimed in relation to the features shown in broken lines in the representations.**



(19) AU

(21) Design Number: **21519/2007**  
 (22) Date of Filing Application: **21 December 2007**  
 (24) Date from which industrial property rights may have effect: **21 December 2007**  
 (54) Product in respect of which the design is registered: **Packaging**  
 (51) International Design Classification: **09-03M**  
 (71) Name(s) and Address(s) of Applicant(s):

**Apple Inc.**  
**1 Infinite Loop Cupertino California 95014 United States of America**

(72) Name(s) of Designer(s): **Bartley K. Andre and Daniel J. Coster and Daniele De Iullis and Richard P. Howarth and Jonathan P. Ive and Steve Jobs and Duncan Robert Kerr and Shin Nishibori and Matthew Dean Rohrbach and Peter Russell-Clarke and Douglas B. Satzger and Calvin Q. Seid and Christopher J. Stringer and Eugene Antony Whang and Rico Zorkendorfer**

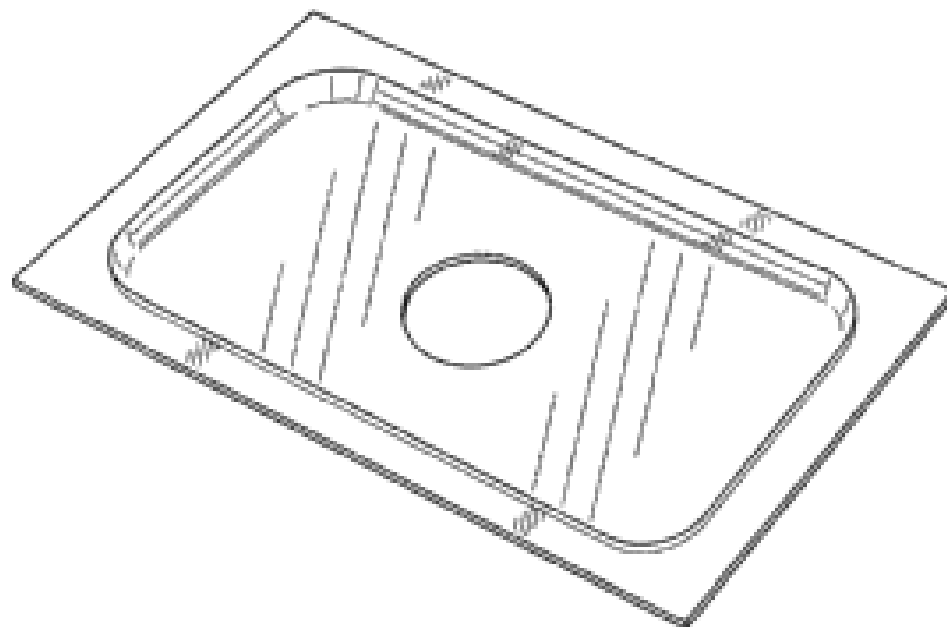
(45) Registration Date: **21 April 2008**

(30) Convention priority data:

(31) Number	(32) Date	(33) Country
<b>29/281505</b>	<b>25 Jun 2007</b>	<b>UNITED STATES OF AMERICA</b>

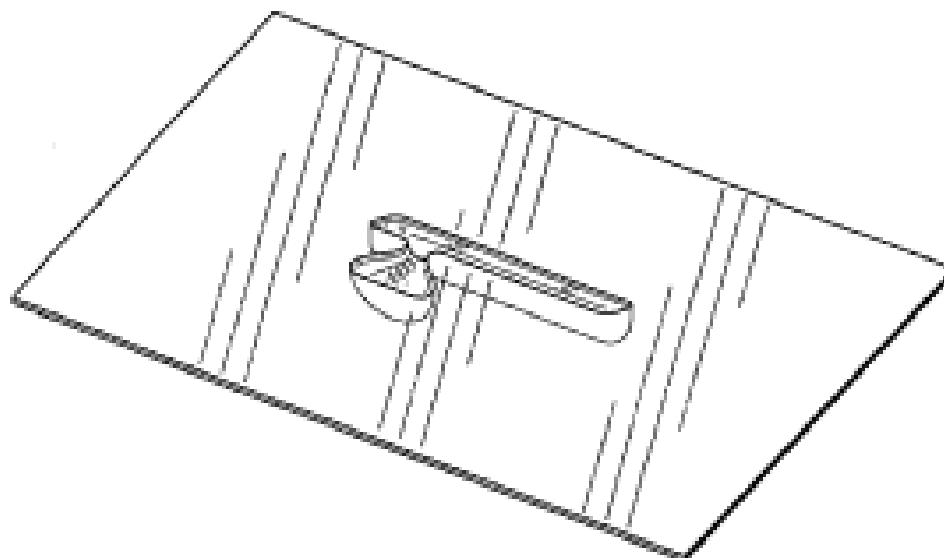
(56) Related Art Documents: **Not Applicable**

(57) Statement of Newness and Distinctiveness: **Nil**

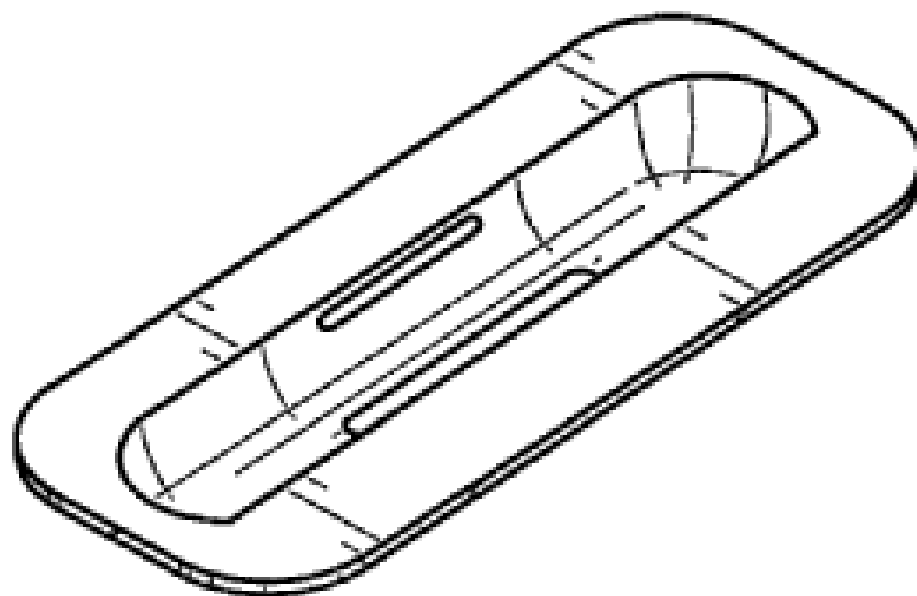




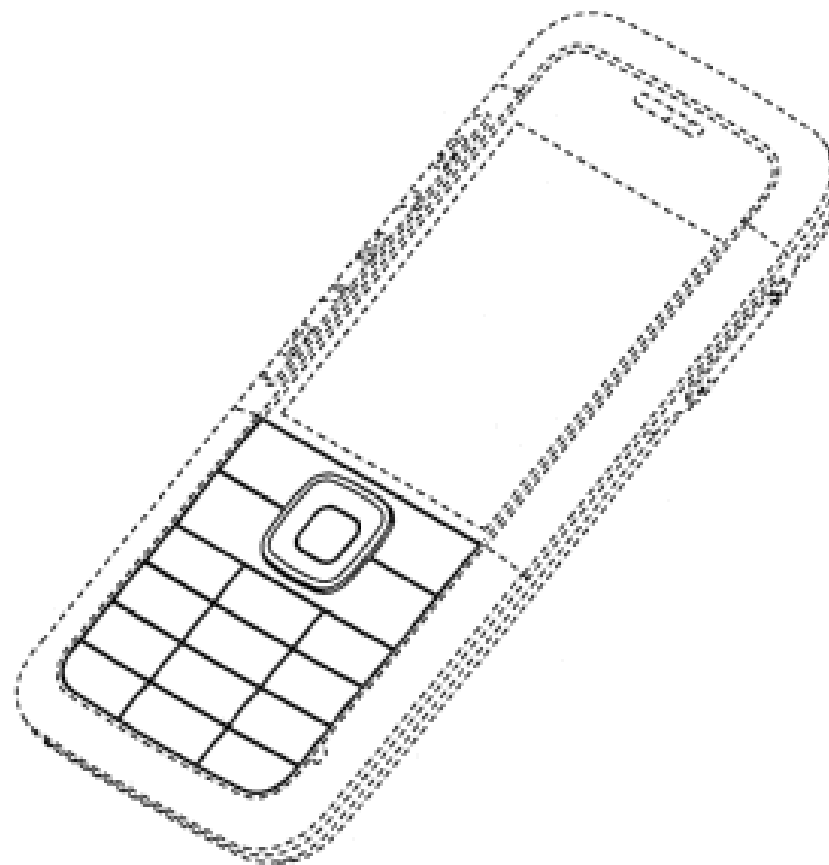
(21) Design Number: **21520/2007**  
(22) Date of Filing Application: **21 December 2007**  
(24) Date from which industrial property rights may have effect: **21 December 2007**  
(54) Product in respect of which the design is registered: **Packaging**  
(51) International Design Classification: **09-03M**  
(71) Name(s) and Address(s) of Applicant(s):  
**Apple Inc.**  
**1 Infinite Loop Cupertino California 95014 United States of America**  
(72) Name(s) of Designer(s): **Bartley K. Andre and Daniel J. Coster and Daniele De Iuliis and Richard P. Howarth and Jonathan P. Ive and Steve Jobs and Duncan Robert Kerr and Shin Nishibori and Matthew Dean Rohrbach and Peter Russell-Clarke and Douglas B. Satzger and Calvin Q. Seid and Christopher J. Stringer and Eugene Antony Whang and Rico Zorkendorfer**  
(45) Registration Date: **21 April 2008**  
(30) Convention priority data:  
(31) Number (32) Date (33) Country  
**29/281505 25 Jun 2007 UNITED STATES OF AMERICA**  
(56) Related Art Documents: **Not Applicable**  
(57) Statement of Newness and Distinctiveness: **Nil**



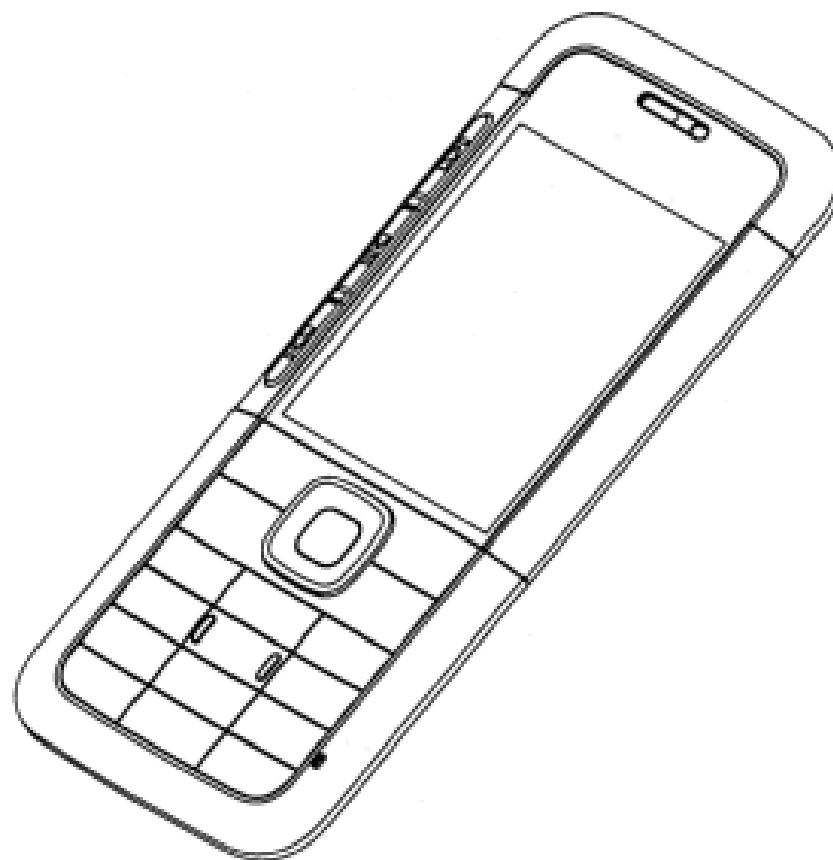
(21) Design Number: **21521/2007**  
(22) Date of Filing Application: **21 December 2007**  
(24) Date from which industrial property rights may have effect: **21 December 2007**  
(54) Product in respect of which the design is registered: **Dock insert**  
(51) International Design Classification: **14-01, 14-03A**  
(71) Name(s) and Address(s) of Applicant(s):  
**Apple Inc.**  
**1 Infinite Loop Cupertino California 95014 United States of America**  
(72) Name(s) of Designer(s): **Bartley K. Andre and Daniel J. Coster and Daniele De Iuliis and Richard P. Howarth and Jonathan P. Ive and Duncan Robert Kerr and Shin Nishibori and Matthew Dean Rohrbach and Peter Russell-Clarke and Douglas B. Satzger and Calvin Q. Seid and Christopher J. Stringer and Eugene Antony Whang and Rico Zorkendorfer**  
(45) Registration Date: **21 April 2008**  
(30) Convention priority data:  
(31) Number (32) Date (33) Country  
**29/281495 25 Jun 2007 UNITED STATES OF AMERICA**  
(56) Related Art Documents: **Not Applicable**  
(57) Statement of Newness and Distinctiveness: **Nil**



- (21) Design Number: **21522/2007**  
(22) Date of Filing Application: **20 December 2007**  
(24) Date from which industrial property rights may have effect: **20 December 2007**  
(54) Product in respect of which the design is registered: **Key buttons for a handset**  
(51) International Design Classification: **14-03A**  
(71) Name(s) and Address(s) of Applicant(s):  
**Nokia Corporation**  
**Keilalahdentie 4 FIN-02150 Espoo Finland**  
(72) Name(s) of Designer(s): **Adam Stone**  
(45) Registration Date: **21 April 2008**  
(30) Convention priority data:  
(31) Number (32) Date (33) Country  
**M20070120 20 Jun 2007 FINLAND**  
(56) Related Art Documents: **Not Applicable**  
(57) Statement of Newness and Distinctiveness: **Newness and distinctiveness is claimed in the visual features shown in solid lines in the representations.**



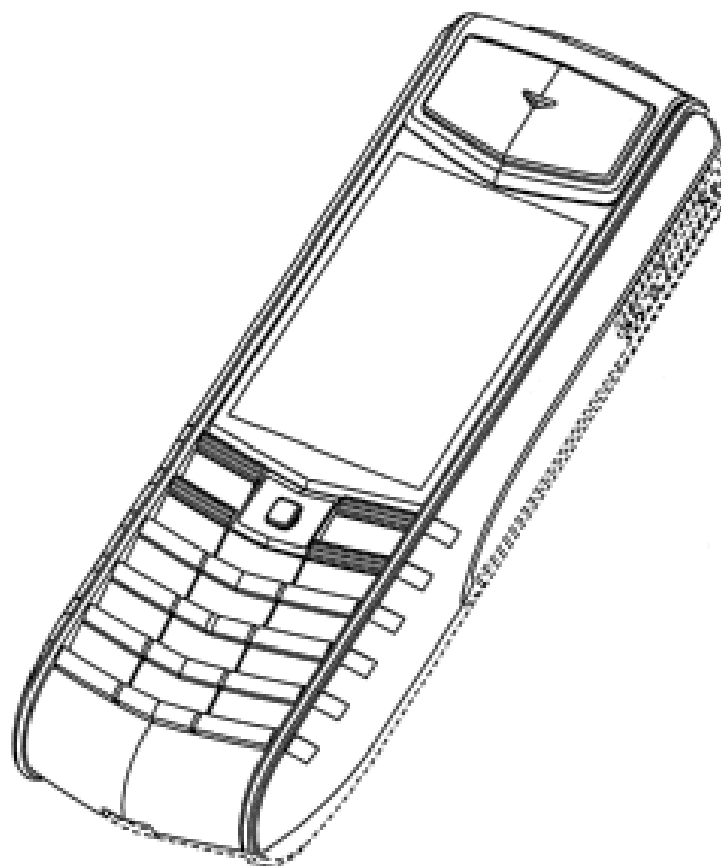
- (21) Design Number: **21523/2007**  
(22) Date of Filing Application: **20 December 2007**  
(24) Date from which industrial property rights may have effect: **20 December 2007**  
(54) Product in respect of which the design is registered: **Front cover for a handset**  
(51) International Design Classification: **14-03A**  
(71) Name(s) and Address(s) of Applicant(s):  
**Nokia Corporation**  
**Keilalahdentie 4 FIN-02150 Espoo Finland**  
(72) Name(s) of Designer(s): **Adam Stone**  
(45) Registration Date: **21 April 2008**  
(30) Convention priority data:  
(31) Number (32) Date (33) Country  
**M20070120 20 Jun 2007 FINLAND**  
(56) Related Art Documents: **Not Applicable**  
(57) Statement of Newness and Distinctiveness: **Newness and distinctiveness is claimed in the visual features shown in solid lines in the representations.**



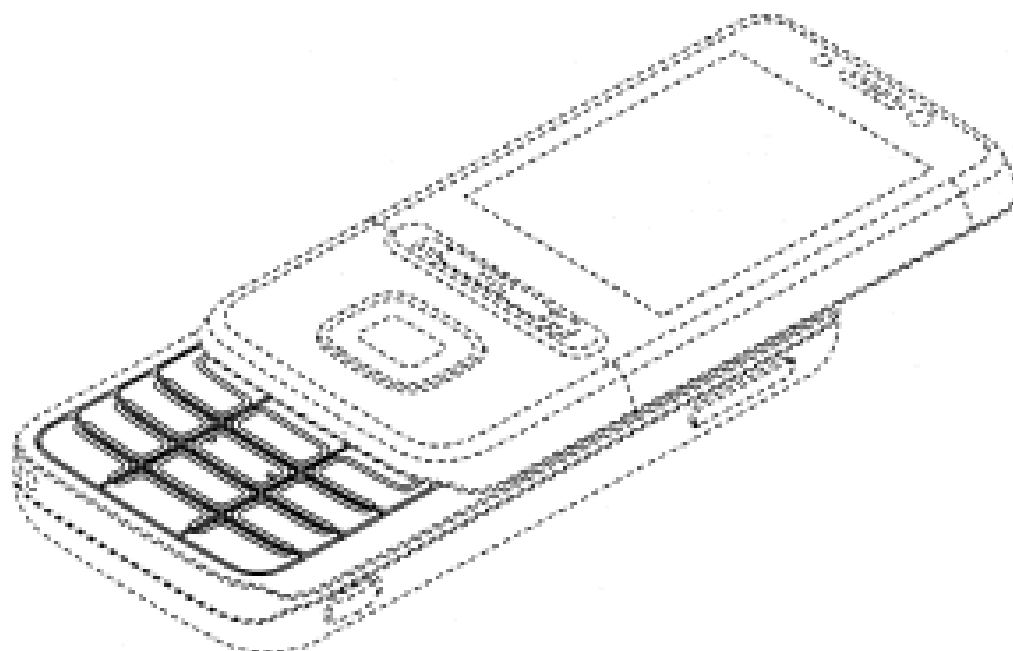
(21) Design Number: **21524/2007**  
(22) Date of Filing Application: **20 December 2007**  
(24) Date from which industrial property rights may have effect: **20 December 2007**  
(54) Product in respect of which the design is registered: **Handset**  
(51) International Design Classification: **14-03A**  
(71) Name(s) and Address(s) of Applicant(s):  
**Nokia Corporation**  
**Keilalahdentie 4 FIN-02150 Espoo Finland**  
(72) Name(s) of Designer(s): **Adam Stone**  
(45) Registration Date: **21 April 2008**  
(30) Convention priority data:  
(31) Number (32) Date (33) Country  
**M20070120 20 Jun 2007 FINLAND**  
(56) Related Art Documents: **Not Applicable**  
(57) Statement of Newness and Distinctiveness: **Nil**



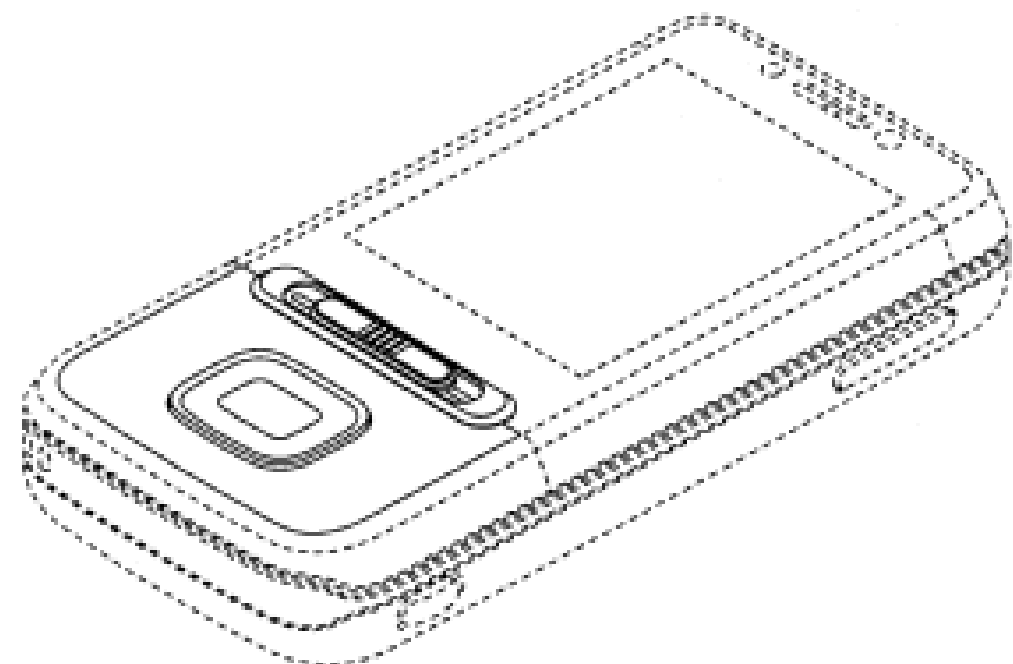
(21) Design Number: **21525/2007**  
(22) Date of Filing Application: **20 December 2007**  
(24) Date from which industrial property rights may have effect: **20 December 2007**  
(54) Product in respect of which the design is registered: **A front cover portion of a handset**  
(51) International Design Classification: **14-03A**  
(71) Name(s) and Address(s) of Applicant(s):  
**Nokia Corporation**  
**Keilalahdentie 4 FIN-02150 Espoo Finland**  
(72) Name(s) of Designer(s): **Frank Nuovo**  
(45) Registration Date: **21 April 2008**  
(30) Convention priority data:  
(31) Number (32) Date (33) Country  
**29/281278 20 Jun 2007 UNITED STATES OF AMERICA**  
(56) Related Art Documents: **Not Applicable**  
(57) Statement of Newness and Distinctiveness: **Newness and distinctiveness is claimed in the visual features of the front cover portion shown in solid lines in the representations.**



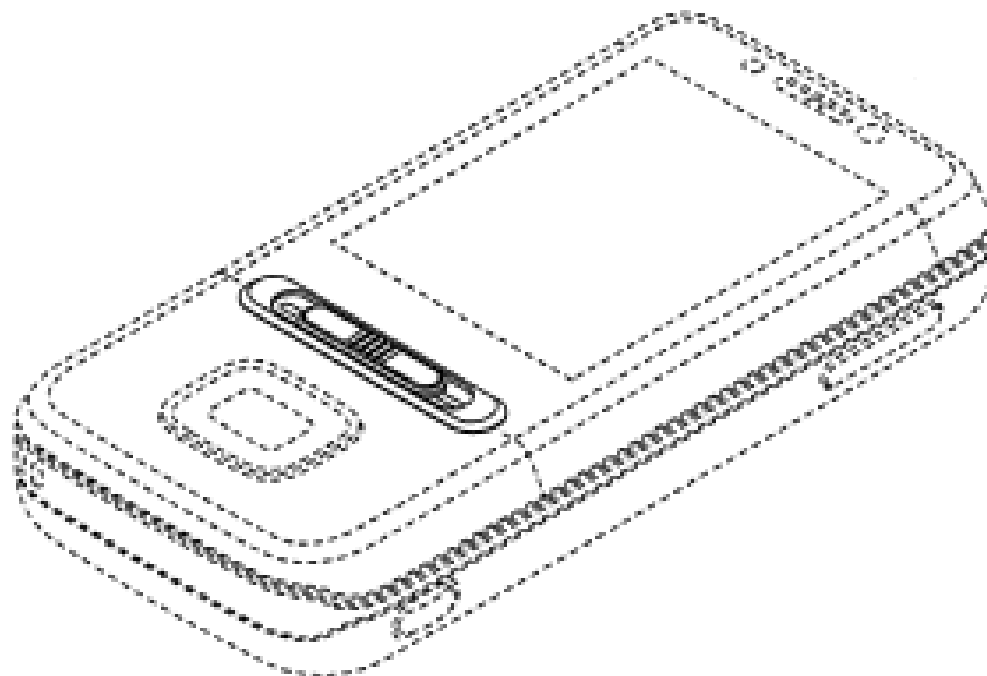
- (21) Design Number: **21526/2007**  
(22) Date of Filing Application: **20 December 2007**  
(24) Date from which industrial property rights may have effect: **20 December 2007**  
(54) Product in respect of which the design is registered: **Handset**  
(51) International Design Classification: **14-03A**  
(71) Name(s) and Address(s) of Applicant(s):  
**Nokia Corporation**  
**Keilalahdentie 4 FIN-02150 Espoo Finland**  
(72) Name(s) of Designer(s): **Luke Miles and Rachael Sleight**  
(45) Registration Date: **21 April 2008**  
(30) Convention priority data:  
(31) Number (32) Date (33) Country  
**M20070121 20 Jun 2007 FINLAND**  
(56) Related Art Documents: **Not Applicable**  
(57) Statement of Newness and Distinctiveness: **Newness and distinctiveness is claimed in the visual features shown in solid lines in the representations.**



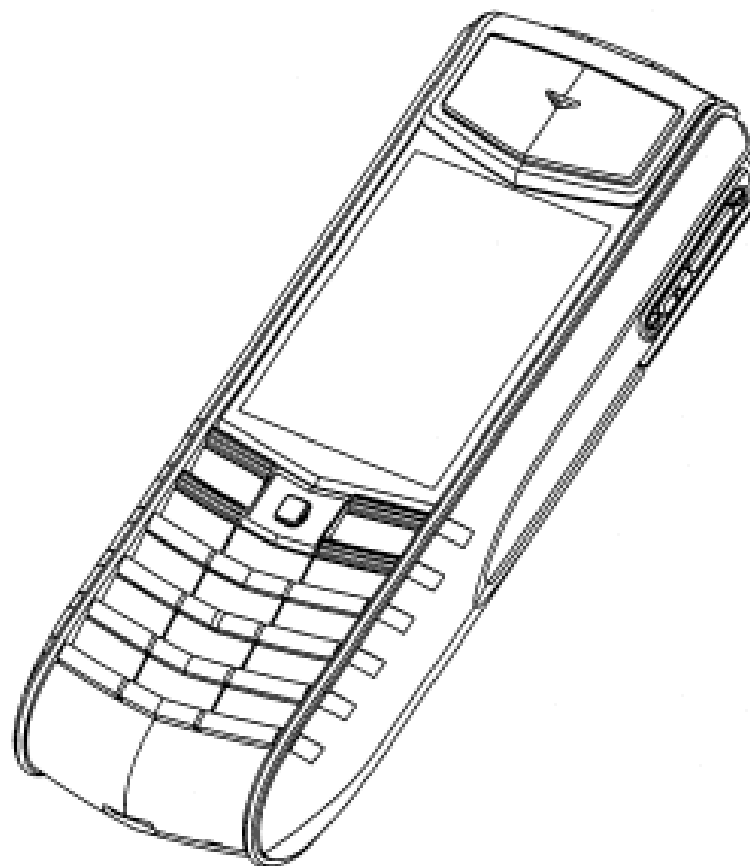
- (21) Design Number: **21527/2007**  
(22) Date of Filing Application: **20 December 2007**  
(24) Date from which industrial property rights may have effect: **20 December 2007**  
(54) Product in respect of which the design is registered: **Handset**  
(51) International Design Classification: **14-03A**  
(71) Name(s) and Address(s) of Applicant(s):  
**Nokia Corporation**  
**Keilalahdentie 4 FIN-02150 Espoo Finland**  
(72) Name(s) of Designer(s): **Luke Miles and Rachael Sleight**  
(45) Registration Date: **21 April 2008**  
(30) Convention priority data:  
(31) Number (32) Date (33) Country  
**M20070121 20 Jun 2007 FINLAND**  
(56) Related Art Documents: **Not Applicable**  
(57) Statement of Newness and Distinctiveness: **Newness and distinctiveness is claimed in the visual features shown in solid lines in the representations.**



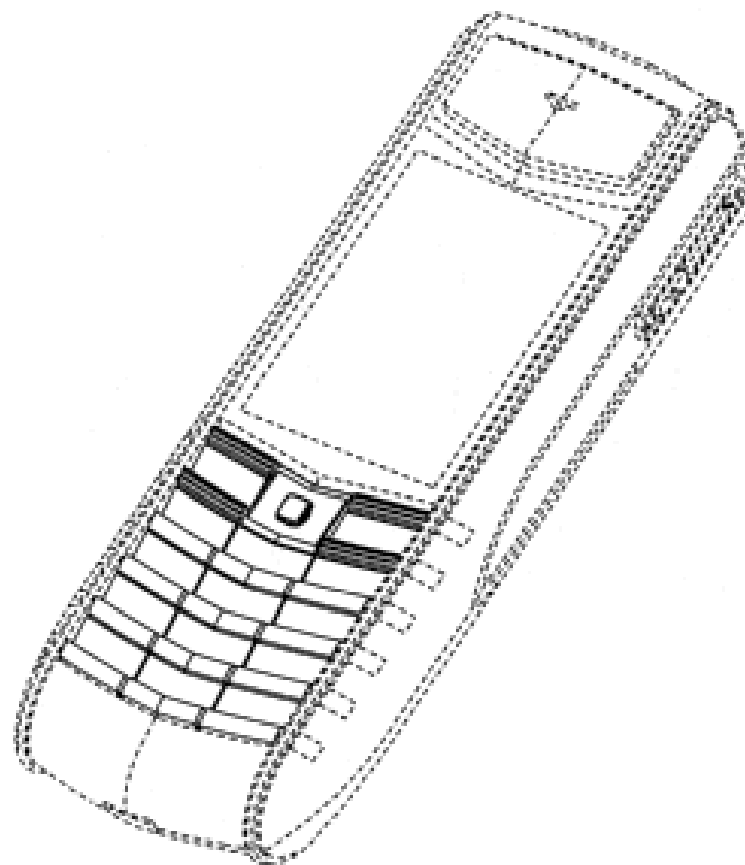
- (21) Design Number: **21528/2007**  
(22) Date of Filing Application: **20 December 2007**  
(24) Date from which industrial property rights may have effect: **20 December 2007**  
(54) Product in respect of which the design is registered: **Button for a handset**  
(51) International Design Classification: **14-03A**  
(71) Name(s) and Address(s) of Applicant(s):  
**Nokia Corporation**  
**Keilalahdentie 4 FIN-02150 Espoo Finland**  
(72) Name(s) of Designer(s): **Luke Miles and Rachael Sleight**  
(45) Registration Date: **21 April 2008**  
(30) Convention priority data:  
(31) Number (32) Date (33) Country  
**M20070121 20 Jun 2007 FINLAND**  
(56) Related Art Documents: **Not Applicable**  
(57) Statement of Newness and Distinctiveness: **Newness and distinctiveness is claimed in the visual features of the buttons shown in solid lines in the representations.**



- (21) Design Number: **21529/2007**  
(22) Date of Filing Application: **20 December 2007**  
(24) Date from which industrial property rights may have effect: **20 December 2007**  
(54) Product in respect of which the design is registered: **Handset**  
(51) International Design Classification: **14-03A**  
(71) Name(s) and Address(s) of Applicant(s):  
**Nokia Corporation**  
**Keilalahdentie 4 FIN-02150 Espoo Finland**  
(72) Name(s) of Designer(s): **Frank Nuovo**  
(45) Registration Date: **21 April 2008**  
(30) Convention priority data:  
(31) Number (32) Date (33) Country  
**29/281278 20 Jun 2007 UNITED STATES OF AMERICA**  
(56) Related Art Documents: **Not Applicable**  
(57) Statement of Newness and Distinctiveness: **Nil**



- (21) Design Number: **21530/2007**  
(22) Date of Filing Application: **20 December 2007**  
(24) Date from which industrial property rights may have effect: **20 December 2007**  
(54) Product in respect of which the design is registered: **Key buttons for a handset**  
(51) International Design Classification: **14-03A**  
(71) Name(s) and Address(s) of Applicant(s):  
**Nokia Corporation**  
**Keilalahdentie 4 FIN-02150 Espoo Finland**  
(72) Name(s) of Designer(s): **Frank Nuovo**  
(45) Registration Date: **21 April 2008**  
(30) Convention priority data:  
(31) Number (32) Date (33) Country  
**29/281278 20 Jun 2007 UNITED STATES OF AMERICA**  
(56) Related Art Documents: **Not Applicable**  
(57) Statement of Newness and Distinctiveness: **Newness and distinctiveness is claimed in the visual features of the key buttons shown in solid lines in the representations.**



- (21) Design Number: **21531/2007**  
(22) Date of Filing Application: **20 December 2007**  
(24) Date from which industrial property rights may have effect: **20 December 2007**  
(54) Product in respect of which the design is registered: **Key buttons for a handset**  
(51) International Design Classification: **14-03A**  
(71) Name(s) and Address(s) of Applicant(s):  
**Nokia Corporation**  
**Keilalahdentie 4 FIN-02150 Espoo Finland**  
(72) Name(s) of Designer(s): **Frank Nuovo**  
(45) Registration Date: **21 April 2008**  
(30) Convention priority data:  
(31) Number (32) Date (33) Country  
**29/281278 20 Jun 2007 UNITED STATES OF AMERICA**  
(56) Related Art Documents: **Not Applicable**  
(57) Statement of Newness and Distinctiveness: **Newness and distinctiveness is claimed in the visual features of the key buttons shown in solid lines in the representations.**

