



Australian Government

IP Australia

AUSTRALIAN OFFICIAL JOURNAL

OF

DESIGNS

Did you know a searchable version of this journal is now available online?

It's FREE and EASY to SEARCH.

Find it at

<http://pericles.ipaustralia.gov.au/ols/epublish/content/olsEpublications.jsp>
or using the "Online Journals" link on the IP Australia home page.

This Page Left Intentionally Blank

Contents

General Information & Notices

**Proceedings Under the Designs Act 1906 preserved as a result of the provisions of Chapter 12
Part 2 of the Designs Act 2003**

Names Registered - Alterations and Amendments	1094
Registrations Ceased	1094
Subsequent Owners Registered	1094

Proceedings Under the Designs Act 2003

Applications Assigned	1102
Applications Lapsed	1101
Applications Lodged	1099
Applications Withdrawn	1101
Certificate of Examination	1105
Corrigenda	1104
Extension of Time Granted Under Section 137	1102
Names Registered - Alterations and Amendments	1102
Publication and Registration Proceedings	
Designs Registered 318979 to 319124.....	1106
Registrations Ceased	1102
Subsequent Owners Registered	1102

This Page Left Intentionally Blank

For information on the following please see our website www.ipaustralia.gov.au or contact our Customer Service Network on 1300651010

[Editorial enquiries](#)

[Contact information](#)

[Freedom of Information ACT](#)

[Professional Standards Board](#)

[Sales](#)

[Requests for Information under Section 194 \(c\)](#)

[Country Codes](#)

[Trade Mark and Designs Hearing Sessions](#)

[INID \(Internationally agreed Numbers for the Identification of Data\)](#)

“INID” NUMBERS in use on Australian Design Documents

“INID” is an acronym for “Internationally agreed Numbers for the Identification of Data”.

(10) Data concerning the registration/renewal

- (11) Serial number of the registration and/or number of the design document
- (12) Plain language designation of the kind of published document
- (19) Identification, using the two-letter code according to WIPO Standard ST.3, of the authority publishing or registering the industrial design

(20) Data concerning the application

- (21) Serial number of the application
- (22) Date of filing of the application
- (24) Date from which the industrial design right has effect

(30) Data relating to priority under the Paris Convention

- (31) Serial number assigned to the priority application
- (32) Date of filing of the priority application
- (33) Two-letter code, according to WIPO Standard ST.3, identifying the authority with which the priority application was made

(40) Date(s) of making information available to the public

- (45) Date of publication of the registered industrial design by printing or similar process, or making it available to the public by any other means

(50) Miscellaneous Information

- (51) International Classification for Industrial Designs (class and subclass of the Locarno Classification)
- (54) Designation of article(s) or product(s) covered by the industrial design or title of the industrial design
- (55) Reproduction of the industrial design (e.g., drawing, photograph) and explanations relating to the reproduction
- (56) List of prior art documents, if separate from descriptive text
- (57) Description of characteristic features of the industrial design including indication of colours

(60) References to other legally related application(s) and registration(s)

- (62) Serial number(s) and, if available, filing date(s) of application(s), registration(s) or document(s) related by division
- (66) Serial number(s) of the application, or the registration, of the design(s) which is (are) a variant(s) of the present one

(70) Identification of parties concerned with the application or registration

- (71) Name(s) and address(es) of the applicant(s)
- (72) Name(s) of the creator(s) if known to be such
- (74) Name(s) and address(es) of the representative(s)

This Page Left Intentionally Blank

Official Notice**Designs Act 2003
Amendments to Registered Designs at Examination**

The following amendments have been made to details previously published in the Australian Official Journal of Designs during the Examination process:

Registration Numbers	Amendment type	New details
313179	Classification	15-01, 12-11
315182	Classification	19-02, 19-06
315842	Classification	12-16L, 13-03Z
316160	Classification	13-02
316756	Classification	06-01F, 06-01H
316757	Classification	06-01K, 06-01H

Contact: IP Australia
Phone: 1300 651 010
Fax: +61 2 6283 7999
E-Mail: assist@ipaustralia.gov.au
Web: www.ipaustralia.gov.au

Official Notice**Designs Act 2003
Amendments to Registered Designs at Examination**

The following amendments have been made to details previously published in the Australian Official Journal of Designs during the Examination process:

Registration Numbers	Amendment type	New details
303978	Product Name	Bottle having the surface appearance shown in the representations
304540	Product Name	Bottle having the colour shown in the representations
304541	Product Name	Trigger bottle having the colours shown in the representations

Contact: IP Australia
Phone: 1300 651 010
Fax: +61 2 6283 7999
E-Mail: assist@ipaaustralia.gov.au
Web: www.ipaustralia.gov.au

**Proceedings under the Designs Act 1906 preserved as a
result of the provisions of Chapter 12 Part 2 of the Designs
Act 2003.**

This Page Left Intentionally Blank

Applications Lapsed

There were no Applications Lapsed under this section

Registrations Ceased

Note: Some of the following Registrations may have been previously advertised as ceased. In this instance, the previous advertisement still prevails.

115462	115617	115633
115663	115664	115665
115666	115710	115724
115759	115864	115865
115866	116056	116057
116162	116351	116440
116930	116976	117141
117354	118063	118735
118791	118878	118879
118942	118977	119006
119083	119115	119243
119301	121771	128592
128970	130333	130334
130355	130364	130391
130392	130393	130394
130395	130396	130398
130446	130468	130469
130646	130647	130705
130706	130767	130860
130861	131005	131289
131582	131956	134242
135103	135104	139729
139730	143228	143895
145871	146036	146037
146431	146901	146912
146980	146981	146987
146991	146992	147043
147047	147048	147049
147050	147051	147052
147054	147122	147124
147125	147126	147127
147131	147245	147246
147247	147248	147249
147250	147251	147252
147253	147254	147255
147256	147257	147258
147259	147260	147261
147262	147263	147264
147265	147266	147267
147268	147298	147342
147343	147426	147520
147705	147752	148069
148315	149597	149838
151706	154103	

Subsequent Owners Registered

	Netherlands) BV) Van Doorn International Sports Management B.V.
140605	(SSG Winton Pty Limited) Allen House Mirror & Glass Pty Ltd
140606	(SSG Winton Pty Limited) Allen House Mirror & Glass Pty Ltd
140607	(SSG Winton Pty Limited) Allen House Mirror & Glass Pty Ltd
143521	(Woods Furniture Pty Ltd) Lyn Egan;Matthew Egan
136984	(Woods Furniture Pty Ltd) Lyn Egan;Matthew Egan
143522	(Woods Furniture Pty Ltd) Lyn Egan;Matthew Egan
146687	(Woods Furniture Pty Ltd) Lyn Egan;Matthew Egan
135232	(Intarcia Therapeutics, Inc.) Alza Corporation

Names Registered - Alterations and Amendments

(The name in parentheses is the new name of the proprietor)

150757	(Daimler AG) DaimlerChrysler AG
150758	(Daimler AG) DaimlerChrysler AG
158162	(Daimler AG) DaimlerChrysler AG
158224	(Daimler AG) DaimlerChrysler AG
158225	(Daimler AG) DaimlerChrysler AG
158009	(Daimler AG) DaimlerChrysler AG
158010	(Daimler AG) DaimlerChrysler AG
158011	(Daimler AG) DaimlerChrysler AG
157825	(Daimler AG) DaimlerChrysler AG
157928	(Daimler AG) DaimlerChrysler AG
154931	(Daimler AG) DaimlerChrysler AG
154874	(Daimler AG) DaimlerChrysler AG
154876	(Daimler AG) DaimlerChrysler AG
154877	(Daimler AG) DaimlerChrysler AG
154878	(Daimler AG) DaimlerChrysler AG
158226	(Daimler AG) DaimlerChrysler A.G.

Subsequent Owners Registered

(The name in parentheses is that of the subsequent owner)

153069	(A1 Noblewater Pty Ltd) Bill Doyle as Trustee of the Bill and Julie Doyle Family Trust;Julie Doyle as Trustee of the Bill and Julie Doyle Family Trust
155138	(Global Business & Communications (The

This Page Left Intentionally Blank

Proceedings under the Designs Act 2003.

This Page Left Intentionally Blank

Applications Lodged

Lodgement information is in the following order: **Applicant's Name**; International Classification, Name of Product, Lodgement Date and **Design Number**. If the applicant claims an earlier priority date under an International Convention, the Convention Country and the associated filing date are shown in parentheses before the Lodgement Date. Divisional information will also appear in parentheses before the Lodgement Date.

Almonte Diamond Pty Ltd; 08-99, Drill core holder, 09 Apr 2008	11697/2008	Electrolux Home Products Corporation N.V.; 25-02B, Door panel, (EM, 05 Oct 2007) 04 Apr 2008	11718/2008
Almonte Diamond Pty Ltd; 08-99, Drill core holder, 09 Apr 2008	11698/2008	Elkington, Michael; O'Keefe, Fraser; 08-03, Pipe cutter, 11 Apr 2008	11692/2008
Aquatechnics Europe GmbH; 26-04, Light, (EP, 12 Oct 2007) 11 Apr 2008	11742/2008	ELC Management LLC; 09-01G, Bottle, (US, 18 Oct 2007) 10 Apr 2008	11705/2008
Aquatechnics Europe GmbH; 26-04, 26-05A, Light, (EP, 12 Oct 2007) 11 Apr 2008	11743/2008	ESET, spol. s r.o.; 09-05, Disc container, (EM, 22 Oct 2007) 21 Apr 2008	11944/2008
Aquatechnics Europe GmbH; 26-04, 26-05A, Light, (EP, 12 Oct 2007) 11 Apr 2008	11744/2008	ESET, spol. s r.o.; 09-05, Disc holder, (EM, 22 Oct 2007) 21 Apr 2008	11945/2008
ADC Communications (Australia) Pty Limited; 13-03E, "Electrical connector", 10 Apr 2008	11699/2008	ESET, spol. s r.o.; 09-05, Disc container, (EM, 22 Oct 2007) 21 Apr 2008	11946/2008
Black & Decker, Inc.; 13-02, A battery charger, (US, 17 Oct 2007) 10 Apr 2008	11700/2008	Fossilo, Alexander; 06-01F, Mantis chair - lightweight timber chair, 11 Apr 2008	11693/2008
Black & Decker, Inc.; 26-02, Flashlight, (US, 24 Oct 2007) 14 Apr 2008	11752/2008	Grow Point Co. Ltd; 07-99D, 07-06D, Multi-opener, (EM, 12 Oct 2007) 11 Apr 2008	11729/2008
Carroll, Graham; 08-07, 08-99, Shackle, 15 Apr 2008	11753/2008	Grow Point Co. Ltd; 07-04, 07-06NES, Butter curler, (EM, 12 Oct 2007) 11 Apr 2008	11730/2008
Creative Technology Ltd; 14-01, Media player, (US, 07 Jan 2008) 14 Apr 2008	11756/2008	Grow Point Co. Ltd; 07-04, Cheese slicer, (EM, 12 Oct 2007) 11 Apr 2008	11731/2008
Creative Technology Ltd; 14-01, Media player, (US, 07 Jan 2008) 14 Apr 2008	11757/2008	Grow Point Co. Ltd; 07-06NES, Nut cracker, (EM, 12 Oct 2007) 11 Apr 2008	11732/2008
Creative Technology Ltd; 14-01, Docking loudspeaker for media player, (US, 21 Dec 2007) 14 Apr 2008	11758/2008	Grow Point Co. Ltd; 07-99NES, Ice-cream scoop, (EM, 12 Oct 2007) 11 Apr 2008	11733/2008
Creative Technology Ltd; 14-03A, 14-03NES, Apparatus for communications, (US, 25 Oct 2007) 14 Apr 2008	11759/2008	Grow Point Co. Ltd; 07-99NES, Pizza cutter, (EM, 12 Oct 2007) 11 Apr 2008	11734/2008
Creative Technology Ltd; 14-01, 14-99, Dock for media player, (US, 07 Jan 2008) 14 Apr 2008	11760/2008	Grow Point Co. Ltd; 07-04, Chopper, (EM, 12 Oct 2007) 11 Apr 2008	11735/2008
Crocker, Geoffrey Robert; 12-10, A self steering trailer, 15 Apr 2008	11754/2008	Grow Point Co. Ltd; 07-04, Juicer, (EM, 12 Oct 2007) 11 Apr 2008	11736/2008
Dale Importers (Australia) Pty Ltd; 29-02, Child harness, 10 Apr 2008	11701/2008	Grow Point Co. Ltd; 07-04, Nylon slotted turner, (EM, 12 Oct 2007) 11 Apr 2008	11737/2008
Dale Importers (Australia) Pty Ltd; 29-02, Child harness, 10 Apr 2008	11702/2008	Grow Point Co. Ltd; 07-06D, Auto corkscrew, (EM, 12 Oct 2007) 11 Apr 2008	11738/2008
Dale Importers (Australia) Pty Ltd; 29-02, Child harness, 10 Apr 2008	11703/2008	Guozhi, Qiao; 06-01E, Bar stool, ABS seat with metal chrome base height adjustable, (EM, 15 Mar 2008) 02 Apr 2008	11723/2008

Guozhi, Qiao; 06-01E, Bar table, ABS table with metal chrome base height adjustable, (EM, 15 Mar 2008) 02 Apr 2008	11724/2008	Lamanna Bananas Pty Ltd; 09-03K, 09-05, Packaging system, 10 Apr 2008	11709/2008
Guozhi, Qiao; 06-01E, Bar stool, ABS seat with metal chrome base height adjustable, (EM, 15 Mar 2008) 02 Apr 2008	11722/2008	Lamanna Bananas Pty Ltd; 09-03K, 09-05, Base of packaging system, 10 Apr 2008	11710/2008
Horsfall, Harvey David; Horsfall, Sue-Ellen; 12-05, Pal-evator with opening top, 10 Apr 2008	11695/2008	Lamanna Bananas Pty Ltd; 09-03K, 09-05, Side panel of a packaging system, 10 Apr 2008	11711/2008
Horsfall, Sue-Ellen; Horsfall, Harvey David; 12-05, Pal-evator with opening top, 10 Apr 2008	11695/2008	Lamanna Bananas Pty Ltd; 09-03K, 09-05, Side panel of a packaging system, 10 Apr 2008	11712/2008
ITI Scotland Limited; 14-03NES, An antenna, (EM, 12 Oct 2007) 10 Apr 2008	11682/2008	Lamanna Bananas Pty Ltd; 09-03K, 09-05, Packaging system of variable height, 10 Apr 2008	11713/2008
ITI Scotland Limited; 14-03NES, An antenna, (EM, 12 Oct 2007) 10 Apr 2008	11683/2008	O'Keefe, Fraser; Elkington, Michael; 08-03, Pipe cutter, 11 Apr 2008	11692/2008
ITI Scotland Limited; 14-03NES, An antenna, (EM, 12 Oct 2007) 10 Apr 2008	11684/2008	Osram GmbH; 26-05NES, Luminaire for outdoor use, (DE, 18 Oct 2007) 10 Apr 2008	11708/2008
ITI Scotland Limited; 14-03NES, An antenna, (EM, 12 Oct 2007) 10 Apr 2008	11685/2008	Proact Medical Systems Pty Ltd; 24-01, PVC single use laryngeal masks, 10 Apr 2008	11680/2008
ITI Scotland Limited; 14-03NES, An antenna, (EM, 12 Oct 2007) 10 Apr 2008	11686/2008	Proact Medical Systems Pty Ltd; 24-01, Proact pro-breathe single use silicone laryngeal mask, 14 Apr 2008	11747/2008
ITI Scotland Limited; 14-03NES, An antenna, (EM, 12 Oct 2007) 10 Apr 2008	11687/2008	Proact Medical Systems Pty Ltd; 24-01, Nasopharyngeal airway, 10 Apr 2008	11679/2008
ITI Scotland Limited; 14-03NES, An antenna, (EM, 12 Oct 2007) 10 Apr 2008	11688/2008	Procter & Gamble Company, The; 09-01K, Bottle, (US, 12 Oct 2007) 10 Apr 2008	11696/2008
ITI Scotland Limited; 14-03NES, An antenna, (EM, 12 Oct 2007) 10 Apr 2008	11689/2008	Rado Uhren AG (Rado Watch Co Ltd) (Montres Rado SA); 10-02, Wristwatch, (IB, 27 Nov 2007) 10 Apr 2008	11706/2008
ITI Scotland Limited; 14-03NES, An antenna, (EM, 12 Oct 2007) 10 Apr 2008	11690/2008	Rado Uhren AG (Rado Watch Co Ltd) (Montres Rado SA); 10-02, Wristwatch, (IB, 27 Nov 2007) 10 Apr 2008	11707/2008
ITI Scotland Limited; 14-03NES, An antenna, (EM, 12 Oct 2007) 10 Apr 2008	11691/2008	Reckitt Benckiser (UK) Limited; 28-99, Air freshener device, 18 Apr 2008	11858/2008
ITI Scotland Limited; 14-03NES, An antenna, (EM, 12 Oct 2007) 10 Apr 2008	11681/2008	Reckitt Benckiser (UK) Limited; 07-04, Spatula, (EM, 01 Nov 2007) 23 Apr 2008	11911/2008
Joh. Friedrich Behrens AG; 12-05, Tacker, (EP, 05 Nov 2007) 14 Apr 2008	11755/2008	Reckitt Benckiser (UK) Limited; 09-01C, Container, (EM, 01 Nov 2007) 24 Apr 2008	11938/2008
Koninklijke Philips Electronics N.V.; 26-04, 26-03, Solid state lighting spot, (EM, 19 Oct 2007) 14 Apr 2008	11761/2008	Reckitt Benckiser (UK) Limited; 09-01K, Bottle, (EM, 05 Nov 2007) 24 Apr 2008	11940/2008
Koninklijke Philips Electronics N.V.; 26-03, 26-04, 26-05A, Solid state lighting spot, (EM, 19 Oct 2007) 14 Apr 2008	11762/2008	Reckitt Benckiser (UK) Limited; 28-99, Air freshener device, (EM, 05 Nov 2007) 24 Apr 2008	11941/2008
Koninklijke Philips Electronics N.V.; 26-03, 26-04, Solid state lighting spot, (EM, 19 Oct 2007) 11 Apr 2008	11739/2008	Reckitt Benckiser (UK) Limited; 28-99, Air freshener device, (EM, 05 Nov 2007) 24 Apr 2008	11942/2008
Koninklijke Philips Electronics N.V.; 26-03, 26-04, Solid state lighting spot, (EM, 19 Oct 2007) 11 Apr 2008	11740/2008	Reckitt Benckiser (UK) Limited; 28-99, Air freshener device, 18 Apr 2008	11859/2008
		Reckitt Benckiser (UK) Limited; 07-01NES, 09-01C, 09-03L, Lidded pot, (EM, 01 Nov 2007) 23 Apr 2008	11908/2008

Reckitt Benckiser (UK) Limited; 07-01NES, 09-01C, 09-03L, Lidded container, (EM, 01 Nov 2007) 23 Apr 2008	11909/2008	Schreder; 26-05D, 26-03, A lighting fixture for outdoor lighting, (EM, 16 Oct 2007) 14 Apr 2008	11751/2008
Reckitt Benckiser (UK) Limited; 07-01NES, Container with spatula, (EM, 01 Nov 2007) 23 Apr 2008	11910/2008	Sheridan, Ryan; 20-02NES, Tackle shield, (EM, 29 Oct 2007) 10 Apr 2008	11714/2008
Red Door China Pty Ltd; 25-02NES, Manhole cover frame, 04 Apr 2008	11717/2008	Vinco Hardware Products Pty Ltd; 23-01E, Architectural drainage system, 10 Apr 2008	11678/2008
Ren International Pty Ltd; 26-06, A combination lamp, 11 Apr 2008	11725/2008	Vivatvanit, Somjai; 07-99NES, 08-05NES, Bulb changer, (TH, 15 Oct 2007) 11 Apr 2008	11745/2008
Ren International Pty Ltd; 26-06, A single tail lamp, 11 Apr 2008	11726/2008	Wainwright, David Brian; 99-00, Cane tip, (US, 11 Oct 2007) 11 Apr 2008	11741/2008
Ren International Pty Ltd; 26-06, A combination lamp, 11 Apr 2008	11727/2008	Wood, John; 06-13C, A towel, (GB, 11 Oct 2007) 11 Apr 2008	11746/2008
Ren International Pty Ltd; 26-06, A clearance light, 11 Apr 2008	11728/2008		
Samsung Electronics Co., Ltd.; 14-03E, Mobile phone, (KR, 14 Dec 2007) 10 Apr 2008	11704/2008		

Applications Withdrawn

10088 / 2008 (03-01B)

Applications Lapsed

20229 / 2007 (19-01)	20257 / 2007 (12-16NES)
20424 / 2007 (15-07)	20439 / 2007 (02-02C)
21204 / 2007 (02-04NES)	10569 / 2008 (99-00)
10570 / 2008 (99-00)	

Registrations Ceased

310772

Extensions of time granted under Section 137

Applications lodged under section 137 for extension of time have been granted.

19934/2007 **Dold Industries Limited**

19935/2007 **Dold Industries Limited**

19936/2007 **JAWS Holdings Limited**

11504/2008 **Ellarjay Trading and Consulting (Pty) Ltd**

Applications Assigned

(The name in parentheses is that of the subsequent applicant)

18602/2007 (**Easy Grill-Cleaner Rights ApS**) T.G. Management ApS

Subsequent Owners Registered

(The name in parentheses is that of the subsequent owner)

305302 (**Nokia Siemens Networks GmbH & Co. KG**) Siemens Aktiengesellschaft

Names Registered - Alterations and Amendments

(The name in parentheses is that of the subsequent applicant)

309489 (**RPC Bramlage DHS B.V.**) Raytec B.V.
 301972 (**Daimler AG**) DaimlerChrysler AG
 301973 (**Daimler AG**) DaimlerChrysler AG
 301974 (**Daimler AG**) DaimlerChrysler AG
 312047 (**Daimler AG**) DaimlerChrysler AG
 312198 (**Daimler AG**) DaimlerChrysler AG
 312199 (**Daimler AG**) DaimlerChrysler AG
 312200 (**Daimler AG**) DaimlerChrysler AG
 312201 (**Daimler AG**) DaimlerChrysler AG
 312230 (**Daimler AG**) DaimlerChrysler AG
 312231 (**Daimler AG**) DaimlerChrysler AG
 314679 (**Daimler AG**) DaimlerChrysler AG
 314680 (**Daimler AG**) DaimlerChrysler AG
 314681 (**Daimler AG**) DaimlerChrysler AG
 317743 (**Daimler AG**) DaimlerChrysler AG
 317744 (**Daimler AG**) DaimlerChrysler AG
 317745 (**Daimler AG**) DaimlerChrysler AG
 317746 (**Daimler AG**) DaimlerChrysler AG
 317747 (**Daimler AG**) DaimlerChrysler AG
 317748 (**Daimler AG**) DaimlerChrysler AG
 317749 (**Daimler AG**) DaimlerChrysler AG
 317750 (**Daimler AG**) DaimlerChrysler AG

317751 (Daimler AG) DaimlerChrysler AG

Corrigenda

Number 318326

In Vol 22 , No 7 , page 722 under the heading **Australian Registered Design**; (30) Convention priority data should read: (31) Number: 000722624-0002 (32) Date: 14 May 2007 (33) Country: European Community.

Number 318327

In Vol 22 , No 7 , page 723 under the heading **Australian Registered Design**; (30) Convention priority data should read: (31) Number: 000722624-0003 (32) Date: 14 May 2007 (33) Country: European Community.

Certificate(s) of Examination

Examination of the following Design Registration(s) has been completed. Infringement proceedings may now be commenced.

305122	06-01F	30/04/2008
306831	25-01K	29/04/2008
308736	15-06	30/04/2008
311957	24-04	07/05/2008
311958	24-04	07/05/2008
313179	12-11	28/04/2008
313180	12-11	28/04/2008
313743	25-01G	30/04/2008
314356	14-02	30/04/2008
314616	14-01	30/04/2008
314765	25-02B	30/04/2008
314766	25-02E	30/04/2008
314767	25-02E	30/04/2008
315053	12-05	30/04/2008
315054	12-05	30/04/2008
315055	12-05	30/04/2008
315174	28-03NES	30/04/2008
315182	19-06	29/04/2008
315475	14-03E	30/04/2008
315513	09-01G	06/05/2008
315555	08-99	30/04/2008
315711	19-06	30/04/2008
315864	15-01	28/04/2008
316015	14-02	30/04/2008
316016	14-02	30/04/2008
316051	14-02	30/04/2008
316052	14-02	30/04/2008
316065	14-02	28/04/2008
316098	25-01K	30/04/2008
316121	23-01NES	29/04/2008
316198	23-02A	29/04/2008
316270	14-01	30/04/2008
316359	14-02	28/04/2008
316407	09-01NES	30/04/2008
316408	09-01NES	30/04/2008
316409	09-01NES	30/04/2008
316410	09-01NES	30/04/2008
316411	09-01NES	30/04/2008
316466	08-05NES	30/04/2008
316625	08-05P	30/04/2008
316727	14-03E	29/04/2008
316729	15-02	29/04/2008
316754	15-02	30/04/2008
316807	08-08M	30/04/2008
316808	08-08M	30/04/2008
316827	08-08M	30/04/2008
316828	08-08M	30/04/2008
316829	08-08M	30/04/2008
316833	08-08M	30/04/2008
316839	25-01K	30/04/2008
316914	19-06	30/04/2008
316933	09-01K	30/04/2008
316936	09-01NES	30/04/2008
316938	09-01NES	30/04/2008
317009	14-02	05/05/2008
317010	14-02	05/05/2008
317059	03-03	06/05/2008
317123	12-16NES	07/05/2008
317124	12-16NES	07/05/2008
317160	09-03F	04/05/2008
318297	02-02C	29/04/2008
318638	26-99	01/05/2008

Publication and Registration Proceedings

Designs Registered

This section provides a concordance between design number and registration number of Designs covered in this journal. It also shows the main class and registration date.

This section covers Registration numbers 318979 to 319124 .

The registration number shown below should be used in all future correspondence.

Design Number	Registration Number	International Classification Code (IDC)	Registration Date	Design Number	Registration Number	International Classification Code (IDC)	Registration Date
18578/2007	319108	02-04B	06/05/2008	21246/2007	319031	07-02B	30/04/2008
18579/2007	319109	02-04B	06/05/2008	21247/2007	319061	06-02	05/05/2008
18776/2007	319089	26-05NES	05/05/2008	21373/2007	319094	09-01K	06/05/2008
18778/2007	319090	26-05NES	05/05/2008	21403/2007	319063	23-01F	01/05/2008
20172/2007	319011	05-05NES	30/04/2008	21404/2007	319064	23-01F	01/05/2008
20357/2007	319012	05-05NES	30/04/2008	21405/2007	319065	23-01F	01/05/2008
20435/2007	319034	23-02F	30/04/2008	21407/2007	319093	09-02A	05/05/2008
20508/2007	319035	23-02NES	30/04/2008	21455/2007	318988	07-02B	29/04/2008
20532/2007	318980	02-02NES	29/04/2008	21459/2007	318989	12-16B	29/04/2008
20550/2007	319082	28-04	05/05/2008	21460/2007	318990	08-08L	29/04/2008
20551/2007	319052	28-04	05/05/2008	21466/2007	318991	23-01G	29/04/2008
20652/2007	319036	15-02	30/04/2008	21467/2007	318992	23-01B	29/04/2008
20653/2007	319037	23-01G	30/04/2008	21472/2007	319066	19-03	01/05/2008
20654/2007	319038	15-02	30/04/2008	21473/2007	318993	07-02L	29/04/2008
20655/2007	319039	15-02	30/04/2008	21474/2007	318994	07-01C	29/04/2008
20658/2007	319053	15-01	05/05/2008	21475/2007	319067	23-02A	01/05/2008
20670/2007	319054	26-05B	05/05/2008	21476/2007	318995	07-02L	29/04/2008
20713/2007	319055	09-07A	05/05/2008	21477/2007	318996	12-15B	29/04/2008
20719/2007	319056	26-02	05/05/2008	21478/2007	319015	26-01	29/04/2008
20721/2007	319110	25-01D	06/05/2008	21479/2007	318997	26-01	29/04/2008
20722/2007	319111	25-01D	06/05/2008	21484/2007	318998	07-02L	29/04/2008
20723/2007	319112	25-01D	06/05/2008	21485/2007	318999	07-01G	29/04/2008
20724/2007	319113	25-01D	06/05/2008	21486/2007	319000	07-01G	29/04/2008
20725/2007	319114	25-01D	06/05/2008	21532/2007	319062	14-03A	05/05/2008
20726/2007	319115	25-01D	06/05/2008	21533/2007	319001	11-01A	29/04/2008
20727/2007	319116	25-01D	06/05/2008	21534/2007	319002	11-01A	29/04/2008
20728/2007	319117	25-01D	06/05/2008	21535/2007	319003	11-01A	29/04/2008
20729/2007	319118	25-01D	06/05/2008	21542/2007	319043	21-01N	30/04/2008
20730/2007	319119	25-01D	06/05/2008	21546/2007	319016	09-05	29/04/2008
20731/2007	319120	25-01D	06/05/2008	21547/2007	319017	09-05	29/04/2008
20732/2007	319121	25-01D	06/05/2008	21548/2007	319018	09-05	29/04/2008
20733/2007	319122	25-01D	06/05/2008	21549/2007	319019	09-05	29/04/2008
20734/2007	319123	25-01D	06/05/2008	21550/2007	319020	09-05	29/04/2008
20735/2007	319124	25-01D	06/05/2008	21551/2007	319021	09-05	29/04/2008
20908/2007	318981	03-99	29/04/2008	21552/2007	319022	24-04	29/04/2008
20909/2007	318982	03-99	29/04/2008	21553/2007	319023	15-05	29/04/2008
20910/2007	318983	03-99	29/04/2008	21555/2007	319095	99-00	06/05/2008
20911/2007	318984	03-99	29/04/2008	21556/2007	319096	99-00	06/05/2008
20921/2007	319040	09-01G	30/04/2008	21557/2007	319097	99-00	06/05/2008
20943/2007	319057	26-02	05/05/2008	21564/2007	319032	06-06G	30/04/2008
20944/2007	319058	26-02	05/05/2008	21565/2007	319033	06-06G	30/04/2008
20986/2007	319059	24-04	05/05/2008	21566/2007	319068	23-01F	01/05/2008
20990/2007	319041	19-01	30/04/2008	21568/2007	319098	11-02A	06/05/2008
20995/2007	318985	12-16B	29/04/2008	21572/2007	319099	04-02	06/05/2008
20996/2007	318986	12-16B	29/04/2008	21573/2007	319100	09-03M	06/05/2008
21003/2007	319060	26-02	05/05/2008	21574/2007	319101	09-03M	06/05/2008
21008/2007	319013	25-01A	30/04/2008	21575/2007	319102	09-03M	06/05/2008
21009/2007	319014	25-01A	30/04/2008	21576/2007	319103	09-03M	06/05/2008
21081/2007	319042	21-02C	30/04/2008	10004/2008	319104	06-08	06/05/2008
21097/2007	318987	08-08M	29/04/2008	10006/2008	319105	25-01K	06/05/2008
21243/2007	319028	07-02B	30/04/2008	10007/2008	319106	25-01K	06/05/2008
21244/2007	319029	07-02B	30/04/2008	10009/2008	319107	14-03E	06/05/2008
21245/2007	319030	07-02B	30/04/2008	10020/2008	319091	09-01NES	05/05/2008

Publication and Registration Proceedings - Designs Registered cont'd

Design Number	Registration Number	International Classification Code (IDC)	Registration Date	Design Number	Registration Number	International Classification Code (IDC)	Registration Date
10021/2008	319092	09-01NES	05/05/2008	11068/2008	319050	26-02	05/05/2008
10276/2008	319088	09-01K	05/05/2008	11069/2008	319051	26-02	05/05/2008
10279/2008	319024	13-01	30/04/2008	11339/2008	319071	09-05	05/05/2008
10285/2008	319025	13-01	30/04/2008	11399/2008	319069	26-05NES	01/05/2008
10286/2008	319026	13-01	30/04/2008	11400/2008	319070	26-05NES	01/05/2008
10287/2008	319027	13-01	30/04/2008	11502/2008	319083	06-09	05/05/2008
10361/2008	319004	03-03	29/04/2008	11538/2008	319084	09-07A	05/05/2008
10601/2008	319008	02-02C	30/04/2008	11539/2008	319085	09-07A	05/05/2008
10602/2008	319007	02-02NES	30/04/2008	11540/2008	319086	09-07A	05/05/2008
10603/2008	319006	02-02C	30/04/2008	11541/2008	319087	09-07A	05/05/2008
10604/2008	319005	02-02NES	30/04/2008	11858/2008	319072	28-99	05/05/2008
10740/2008	318979	12-16B	29/04/2008	11859/2008	319073	28-99	05/05/2008
10755/2008	319009	09-03F	30/04/2008	11908/2008	319074	07-01NES	05/05/2008
10756/2008	319010	09-03F	30/04/2008	11909/2008	319075	07-01NES	05/05/2008
11062/2008	319044	26-02	05/05/2008	11910/2008	319076	07-01NES	05/05/2008
11063/2008	319045	13-02	05/05/2008	11911/2008	319077	07-04	05/05/2008
11064/2008	319046	26-02	05/05/2008	11938/2008	319078	09-01C	05/05/2008
11065/2008	319047	13-02	05/05/2008	11940/2008	319079	09-01K	05/05/2008
11066/2008	319048	13-02	05/05/2008	11941/2008	319080	28-99	05/05/2008
11067/2008	319049	13-02	05/05/2008	11942/2008	319081	28-99	05/05/2008

Publication and Registration Proceedings
Class Listing of Designs Published or Registered

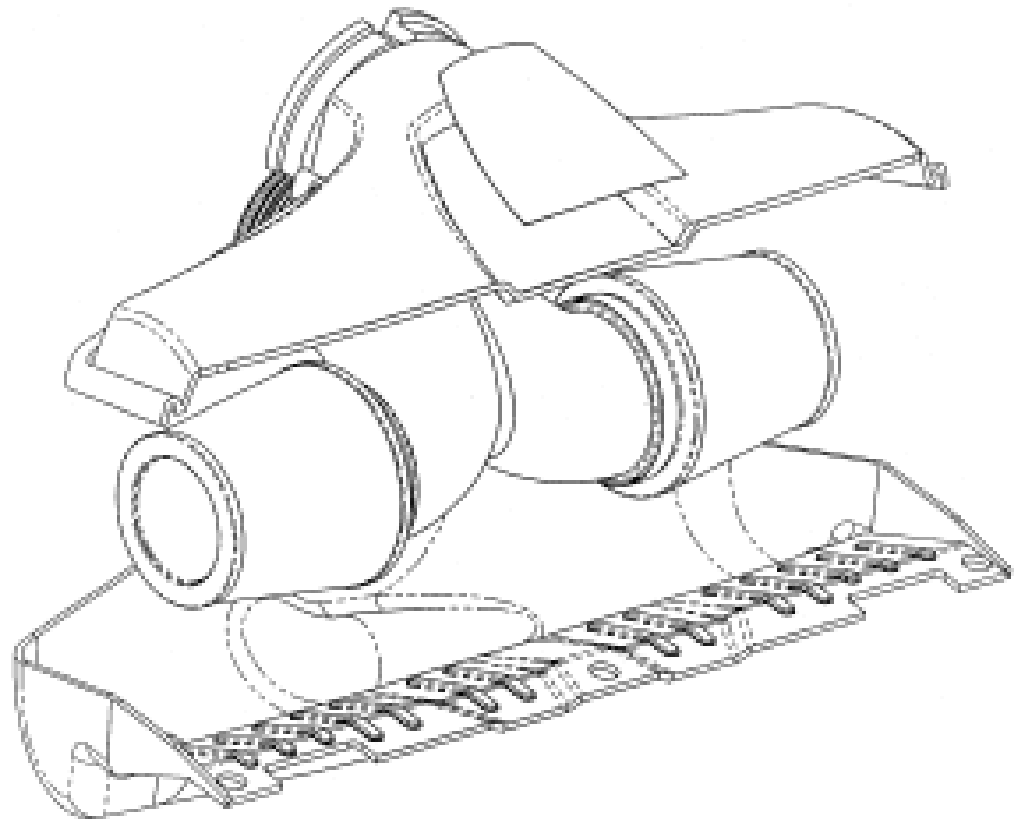
The following section shows an International Classification Code listing of the Registered or Published Designs covered in this supplement.

Classification	Registration Number	Design Number	Classification	Registration Number	Design Number
02-02 C	319006	10603/2008	09-03 M	319101	21574/2007
02-02 C	319008	10601/2008	09-03 M	319102	21575/2007
02-02 NES	318980	20532/2007	09-03 M	319103	21576/2007
02-02 NES	319005	10604/2008	09-05	319016	21546/2007
02-02 NES	319007	10602/2008	09-05	319017	21547/2007
02-04 B	319108	18578/2007	09-05	319018	21548/2007
02-04 B	319109	18579/2007	09-05	319019	21549/2007
03-03	319004	10361/2008	09-05	319020	21550/2007
03-99	318981	20908/2007	09-05	319021	21551/2007
03-99	318982	20909/2007	09-05	319071	11339/2008
03-99	318983	20910/2007	09-07 A	319055	20713/2007
03-99	318984	20911/2007	09-07 A	319084	11538/2008
04-02	319099	21572/2007	09-07 A	319085	11539/2008
05-05 NES	319011	20172/2007	09-07 A	319086	11540/2008
05-05 NES	319012	20357/2007	09-07 A	319087	11541/2008
06-02	319061	21247/2007	11-01 A	319001	21533/2007
06-06 G	319032	21564/2007	11-01 A	319002	21534/2007
06-06 G	319033	21565/2007	11-01 A	319003	21535/2007
06-08	319104	10004/2008	11-02 A	319098	21568/2007
06-09	319083	11502/2008	12-15 B	318996	21477/2007
07-01 C	318994	21474/2007	12-16 B	318979	10740/2008
07-01 G	318999	21485/2007	12-16 B	318985	20995/2007
07-01 G	319000	21486/2007	12-16 B	318986	20996/2007
07-01 NES	319074	11908/2008	12-16 B	318989	21459/2007
07-01 NES	319075	11909/2008	12-16 NES	318979	10740/2008
07-01 NES	319076	11910/2008	12-16 NES	318985	20995/2007
07-02 B	318988	21455/2007	12-16 NES	318986	20996/2007
07-02 B	319028	21243/2007	13-01	319024	10279/2008
07-02 B	319029	21244/2007	13-01	319025	10285/2008
07-02 B	319030	21245/2007	13-01	319026	10286/2008
07-02 B	319031	21246/2007	13-01	319027	10287/2008
07-02 L	318993	21473/2007	13-02	319045	11063/2008
07-02 L	318994	21474/2007	13-02	319047	11065/2008
07-02 L	318995	21476/2007	13-02	319048	11066/2008
07-02 L	318998	21484/2007	13-02	319049	11067/2008
07-04	319077	11911/2008	13-99	319024	10279/2008
08-08 L	318990	21460/2007	13-99	319025	10285/2008
08-08 M	318987	21097/2007	13-99	319026	10286/2008
08-08 NES	318987	21097/2007	13-99	319027	10287/2008
09-01 C	319074	11908/2008	14-03 A	319062	21532/2007
09-01 C	319075	11909/2008	14-03 E	319107	10009/2008
09-01 C	319078	11938/2008	15-01	319053	20658/2007
09-01 G	319040	20921/2007	15-02	319036	20652/2007
09-01 K	319079	11940/2008	15-02	319038	20654/2007
09-01 K	319088	10276/2008	15-02	319039	20655/2007
09-01 K	319094	21373/2007	15-05	319023	21553/2007
09-01 NES	319091	10020/2008	19-01	319041	20990/2007
09-01 NES	319092	10021/2008	19-03	319066	21472/2007
09-02 A	319093	21407/2007	21-01 N	319043	21542/2007
09-03 F	319009	10755/2008	21-02 C	319042	21081/2007
09-03 F	319010	10756/2008	23-01 B	318992	21467/2007
09-03 K	319009	10755/2008	23-01 F	319063	21403/2007
09-03 K	319010	10756/2008	23-01 F	319064	21404/2007
09-03 L	319074	11908/2008	23-01 F	319065	21405/2007
09-03 L	319075	11909/2008	23-01 F	319068	21566/2007
09-03 M	319100	21573/2007	23-01 G	318991	21466/2007

Registration Proceedings - Class Listing of Designs Published or Registered cont'd

Classification	Registration Number	Design Number	Classification	Registration Number	Design Number
23-01 G	319037	20653/2007	26-02	319044	11062/2008
23-02 A	319067	21475/2007	26-02	319046	11064/2008
23-02 F	319034	20435/2007	26-02	319050	11068/2008
23-02 NES	319035	20508/2007	26-02	319051	11069/2008
24-04	319022	21552/2007	26-02	319056	20719/2007
24-04	319059	20986/2007	26-02	319057	20943/2007
25-01 A	319013	21008/2007	26-02	319058	20944/2007
25-01 A	319014	21009/2007	26-02	319060	21003/2007
25-01 D	319110	20721/2007	26-05 A	319069	11399/2008
25-01 D	319111	20722/2007	26-05 A	319070	11400/2008
25-01 D	319112	20723/2007	26-05 B	319054	20670/2007
25-01 D	319113	20724/2007	26-05 C	319056	20719/2007
25-01 D	319114	20725/2007	26-05 NES	319069	11399/2008
25-01 D	319115	20726/2007	26-05 NES	319070	11400/2008
25-01 D	319116	20727/2007	26-05 NES	319089	18776/2007
25-01 D	319117	20728/2007	26-05 NES	319090	18778/2007
25-01 D	319118	20729/2007	28-04	319052	20551/2007
25-01 D	319119	20730/2007	28-04	319082	20550/2007
25-01 D	319120	20731/2007	28-99	319072	11858/2008
25-01 D	319121	20732/2007	28-99	319073	11859/2008
25-01 D	319122	20733/2007	28-99	319080	11941/2008
25-01 D	319123	20734/2007	28-99	319081	11942/2008
25-01 D	319124	20735/2007	99-00	319095	21555/2007
25-01 K	319105	10006/2008	99-00	319096	21556/2007
25-01 K	319106	10007/2008	99-00	319097	21557/2007
26-01	318997	21479/2007			
26-01	319015	21478/2007			

- (21) Design Number: **10740/2008**
(22) Date of Filing Application: **18 February 2008**
(24) Date from which industrial property rights may have effect: **18 February 2008**
(54) Product in respect of which the design is registered: **Cool air induction unit**
(51) International Design Classification: **12-16B, 12-16NES**
(71) Name(s) and Address(s) of Applicant(s):
Bellnet Pty Ltd
1/76 Blanck Street Ormeau Queensland 4208 Australia
(72) Name(s) of Designer(s): **Kevin Hoverd**
(45) Registration Date: **29 April 2008**
(56) Related Art Documents: **Not Applicable**
(57) Statement of Newness and Distinctiveness: **Nil**



- (21) Design Number: **20532/2007**
(22) Date of Filing Application: **30 October 2007**
(24) Date from which industrial property rights may have effect: **30 October 2007**
(54) Product in respect of which the design is registered: **A bolero**
(51) International Design Classification: **02-02NES**
(71) Name(s) and Address(s) of Applicant(s):
Review Australia Pty Ltd
25-31 Rokeby Street Collingwood Victoria 3066 Australia
(72) Name(s) of Designer(s): **Jayne Ellis**
(45) Registration Date: **29 April 2008**
(56) Related Art Documents: **Not Applicable**
(57) Statement of Newness and Distinctiveness: **Nil**



- (21) Design Number: **20908/2007**
(22) Date of Filing Application: **19 November 2007**
(24) Date from which industrial property rights may have effect: **19 November 2007**
(54) Product in respect of which the design is registered: **Bag for a breastpump**
(51) International Design Classification: **03-99**
(71) Name(s) and Address(s) of Applicant(s):

Medela Holding AG
Lattichstrasse 4b 6340 Baar Switzerland

- (72) Name(s) of Designer(s): **Sona N. Patadia and Lisa A. Yanz**

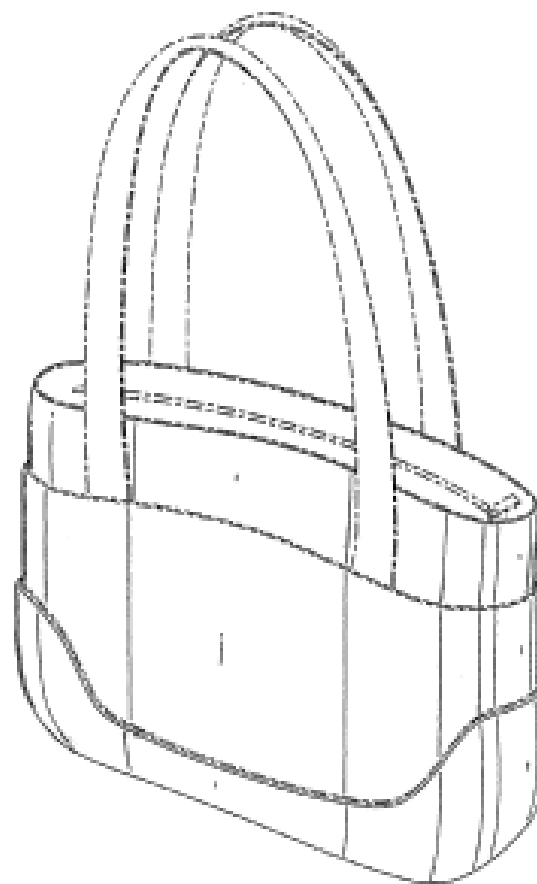
- (45) Registration Date: **29 April 2008**

- (30) Convention priority data:

(31) Number	(32) Date	(33) Country
29/280174	18 May 2007	UNITED STATES OF AMERICA

- (56) Related Art Documents: **Not Applicable**

- (57) Statement of Newness and Distinctiveness: **Newness and distinctiveness is claimed in the features of shape and/or configuration of a bag for a breastpump as illustrated in continuous lines in the accompanying representations.**



- (21) Design Number: **20909/2007**
(22) Date of Filing Application: **19 November 2007**
(24) Date from which industrial property rights may have effect: **19 November 2007**
(54) Product in respect of which the design is registered: **Bag for a breastpump**
(51) International Design Classification: **03-99**
(71) Name(s) and Address(s) of Applicant(s):

Medela Holding AG
Lattichstrasse 4b 6340 Baar Switzerland

- (72) Name(s) of Designer(s): **Sona N. Patadia and Lisa A. Yanz**

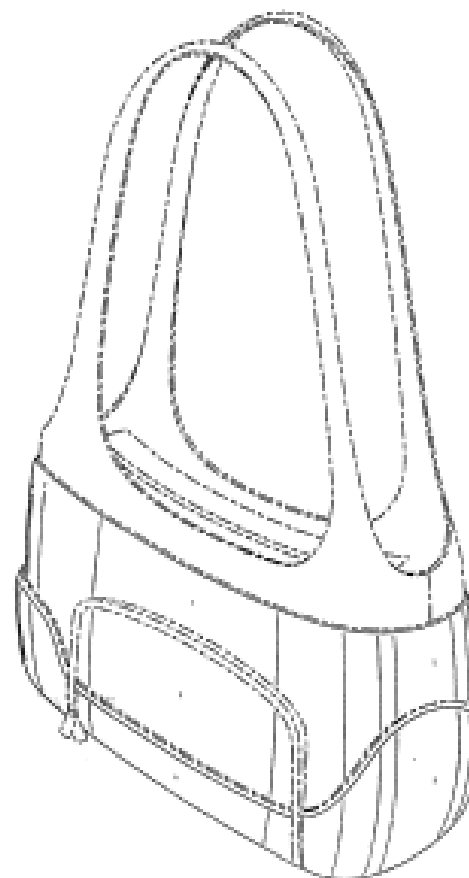
- (45) Registration Date: **29 April 2008**

- (30) Convention priority data:

(31) Number	(32) Date	(33) Country
29/280174	18 May 2007	UNITED STATES OF AMERICA

- (56) Related Art Documents: **Not Applicable**

- (57) Statement of Newness and Distinctiveness: **Newness and distinctiveness is claimed in the features of shape and/or configuration of a bag for a breastpump as illustrated in continuous lines in the accompanying representations.**



- (21) Design Number: **20910/2007**
- (22) Date of Filing Application: **19 November 2007**
- (24) Date from which industrial property rights may have effect: **19 November 2007**
- (54) Product in respect of which the design is registered: **Bag for a breastpump**
- (51) International Design Classification: **03-99**
- (71) Name(s) and Address(s) of Applicant(s):

Medela Holding AG
Lattichstrasse 4b 6340 Baar Switzerland

- (72) Name(s) of Designer(s): **Sona N. Patadia and Lisa A. Yanz**

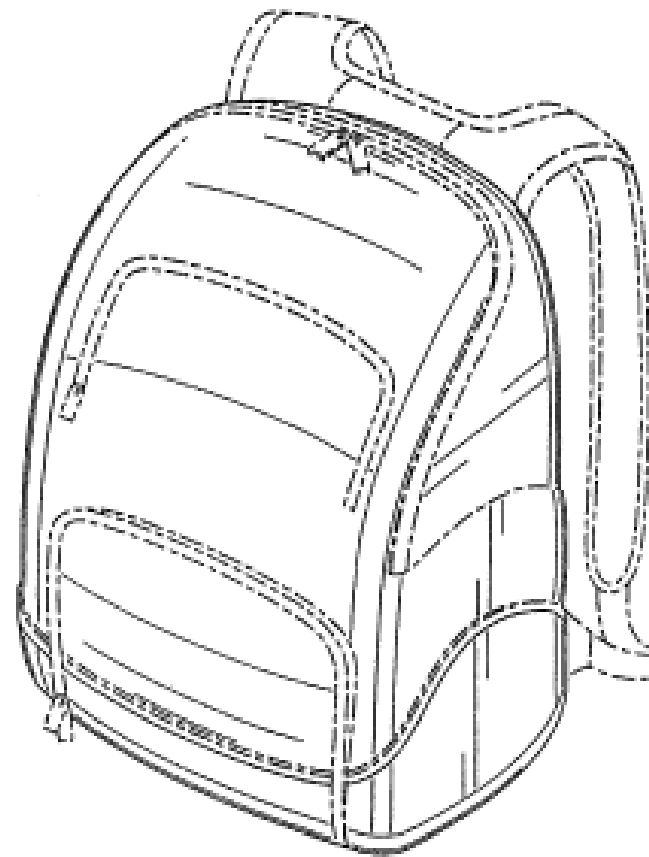
- (45) Registration Date: **29 April 2008**

- (30) Convention priority data:

(31) Number	(32) Date	(33) Country
29/280174	18 May 2007	UNITED STATES OF AMERICA

- (56) Related Art Documents: **Not Applicable**

- (57) Statement of Newness and Distinctiveness: **Newness and distinctiveness is claimed in the features of shape and/or configuration of a bag for a breastpump as illustrated in continuous lines in the accompanying representations.**



- (21) Design Number: **20911/2007**
- (22) Date of Filing Application: **19 November 2007**
- (24) Date from which industrial property rights may have effect: **19 November 2007**
- (54) Product in respect of which the design is registered: **Bag for a breastpump**
- (51) International Design Classification: **03-99**
- (71) Name(s) and Address(s) of Applicant(s):

Medela Holding AG
Lattichstrasse 4b 6340 Baar Switzerland

- (72) Name(s) of Designer(s): **Sona N. Patadia and Lisa A. Yanz**

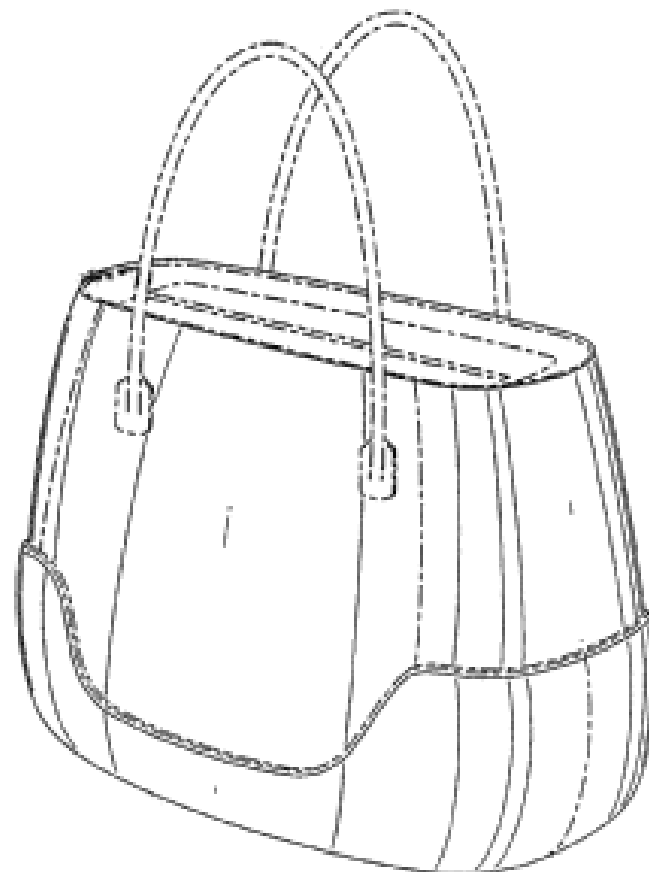
- (45) Registration Date: **29 April 2008**

- (30) Convention priority data:

(31) Number	(32) Date	(33) Country
29/280174	18 May 2007	UNITED STATES OF AMERICA

- (56) Related Art Documents: **Not Applicable**

- (57) Statement of Newness and Distinctiveness: **Newness and distinctiveness is claimed in the features of shape and/or configuration of a bag for a breastpump as illustrated in continuous lines in the accompanying representations.**



(21) Design Number: **20995/2007**

(22) Date of Filing Application: **27 November 2007**

(24) Date from which industrial property rights may have effect: **27 November 2007**

(54) Product in respect of which the design is registered: **intake pipe**

(51) International Design Classification: **12-16B, 12-16NES**

(71) Name(s) and Address(s) of Applicant(s):

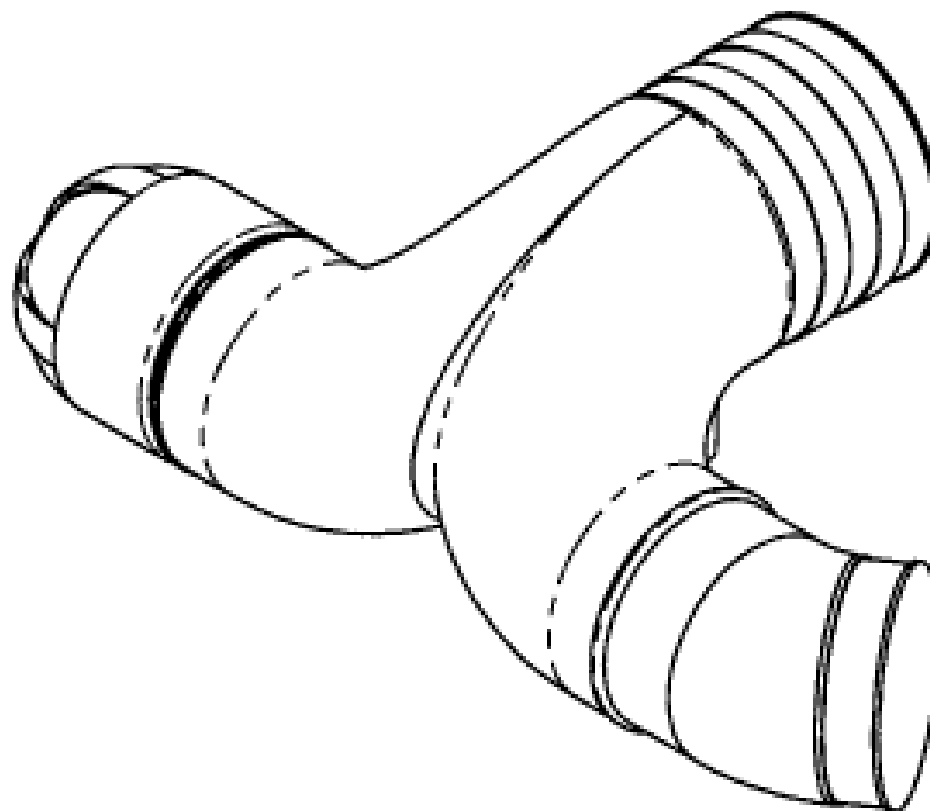
Bellnet Pty Ltd
1/76 Blanck Street Ormeau Queensland 4208 Australia

(72) Name(s) of Designer(s): **Kevin Hoverd**

(45) Registration Date: **29 April 2008**

(56) Related Art Documents: **Not Applicable**

(57) Statement of Newness and Distinctiveness: **Nil**



(21) Design Number: **20996/2007**

(22) Date of Filing Application: **27 November 2007**

(24) Date from which industrial property rights may have effect: **27 November 2007**

(54) Product in respect of which the design is registered: **OTR intake pipe**

(51) International Design Classification: **12-16B, 12-16NES**

(71) Name(s) and Address(s) of Applicant(s):

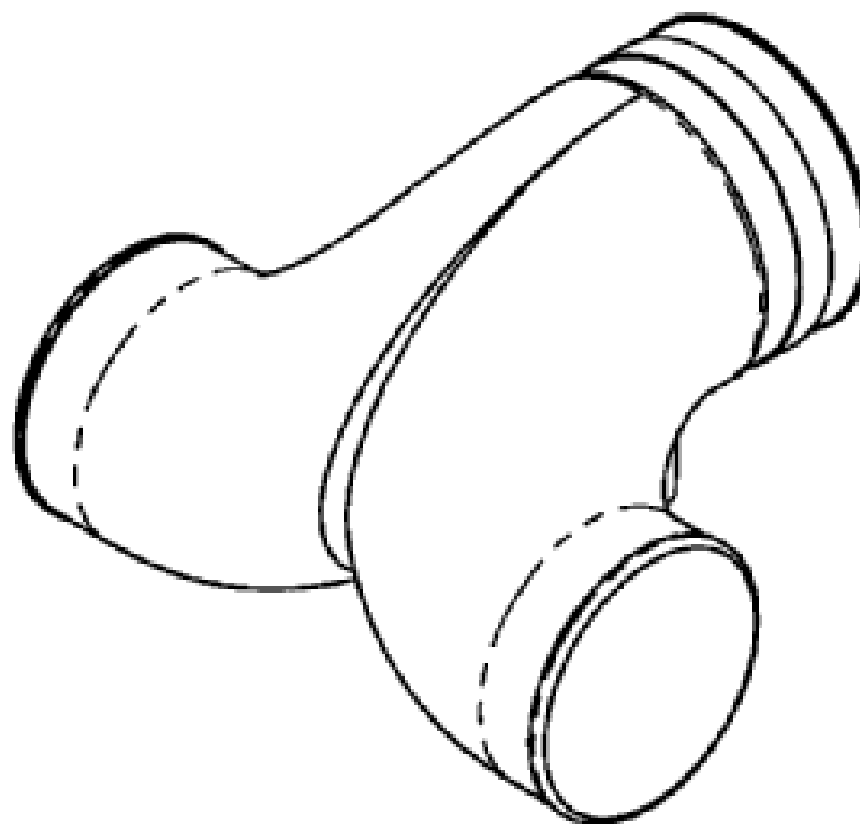
Bellnet Pty Ltd
1/76 Blanck Street Ormeau Queensland 4208 Australia

(72) Name(s) of Designer(s): **Kevin Hoverd**

(45) Registration Date: **29 April 2008**

(56) Related Art Documents: **Not Applicable**

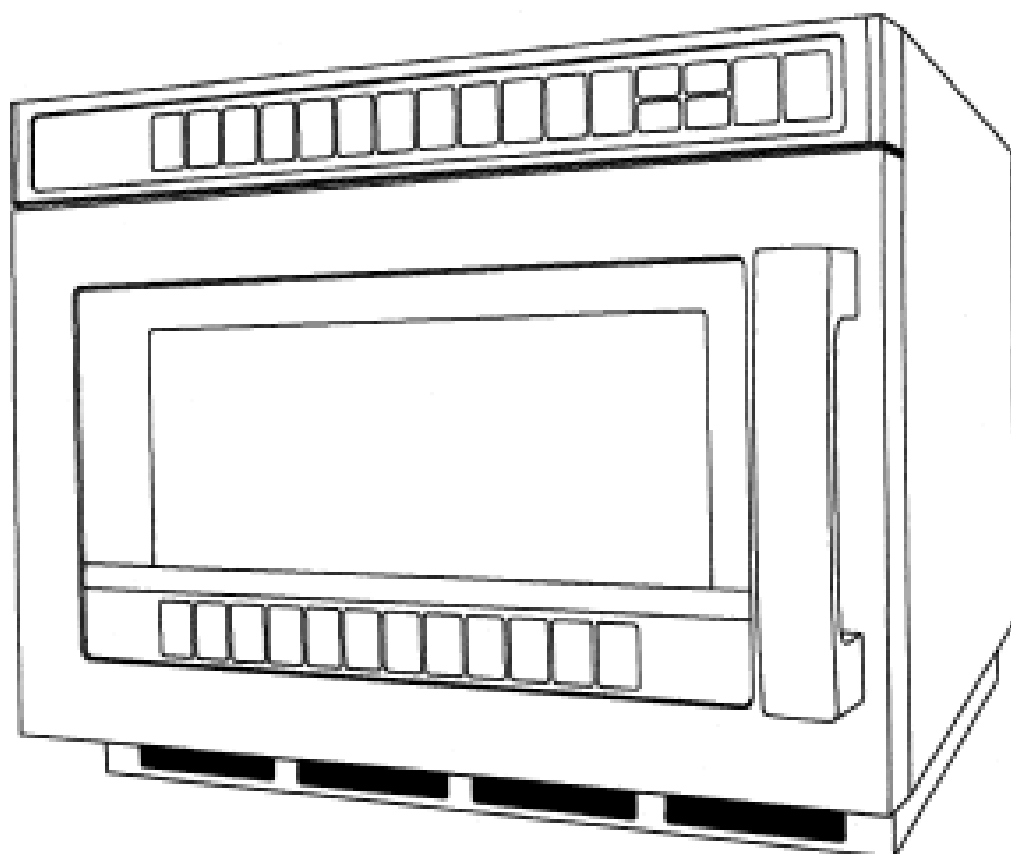
(57) Statement of Newness and Distinctiveness: **Nil**



- (21) Design Number: **21097/2007**
(22) Date of Filing Application: **04 December 2007**
(24) Date from which industrial property rights may have effect: **04 December 2007**
(54) Product in respect of which the design is registered: **A batten**
(51) International Design Classification: **08-08M, 08-08NES**
(71) Name(s) and Address(s) of Applicant(s):
Team Lagardere
121 avenue de Malakoff 75116 Paris France
(72) Name(s) of Designer(s): **Christian Miller and Daniel Vaniche**
(45) Registration Date: **29 April 2008**
(30) Convention priority data:
(31) Number (32) Date (33) Country
733845 04 Jun 2007 EUROPEAN COMMUNITY
(56) Related Art Documents: **Not Applicable**
(57) Statement of Newness and Distinctiveness: **Newness and distinctiveness in the design as applied to a batten resides in the shape and/or configuration thereof as illustrated in the accompanying drawings.**



- (21) Design Number: **21455/2007**
(22) Date of Filing Application: **19 December 2007**
(24) Date from which industrial property rights may have effect: **19 December 2007**
(54) Product in respect of which the design is registered: **Microwave oven**
(51) International Design Classification: **07-02B**
(71) Name(s) and Address(s) of Applicant(s):
Sharp Kabushiki Kaisha
22-22 Nagaike-cho Abeno-ku Osaka Japan
(72) Name(s) of Designer(s): **Fumitoshi Sakata**
(45) Registration Date: **29 April 2008**
(30) Convention priority data:
(31) Number (32) Date (33) Country
2007-016674 22 Jun 2007 JAPAN
(56) Related Art Documents: **Not Applicable**
(57) Statement of Newness and Distinctiveness: **Newness and distinctiveness is claimed in the visual features shown in solid lines in the representations.**



- (21) Design Number: **21459/2007**
(22) Date of Filing Application: **19 December 2007**
(24) Date from which industrial property rights may have effect: **19 December 2007**
(54) Product in respect of which the design is registered: **Vehicle grill**
(51) International Design Classification: **12-16B**
(71) Name(s) and Address(s) of Applicant(s):

Gregory Donald Biggs
3 Hadleywood Drive Wattle Downs Auckland New Zealand

(72) Name(s) of Designer(s): **Gregory Donald Biggs**

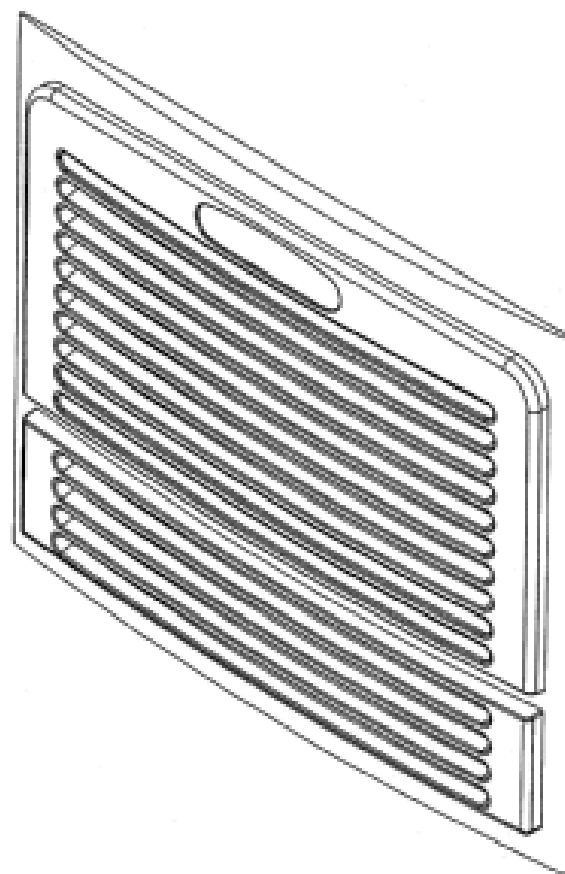
(45) Registration Date: **29 April 2008**

(30) Convention priority data:

(31) Number	(32) Date	(33) Country
NZ 409336	27 Jun 2007	NEW ZEALAND

(56) Related Art Documents: **Not Applicable**

(57) Statement of Newness and Distinctiveness: **Newness and distinctiveness is claimed in the features of shape and/or configuration of a vehicle grill as shown in the accompanying representations.**



- (21) Design Number: **21460/2007**
(22) Date of Filing Application: **19 December 2007**
(24) Date from which industrial property rights may have effect: **19 December 2007**
(54) Product in respect of which the design is registered: **Gutter bracket**
(51) International Design Classification: **08-08L**
(71) Name(s) and Address(s) of Applicant(s):

Kenneth Lever Mack trading as Mack Bros.
1054-1058 Glenhuntly Road Caulfield Victoria 3162 Australia

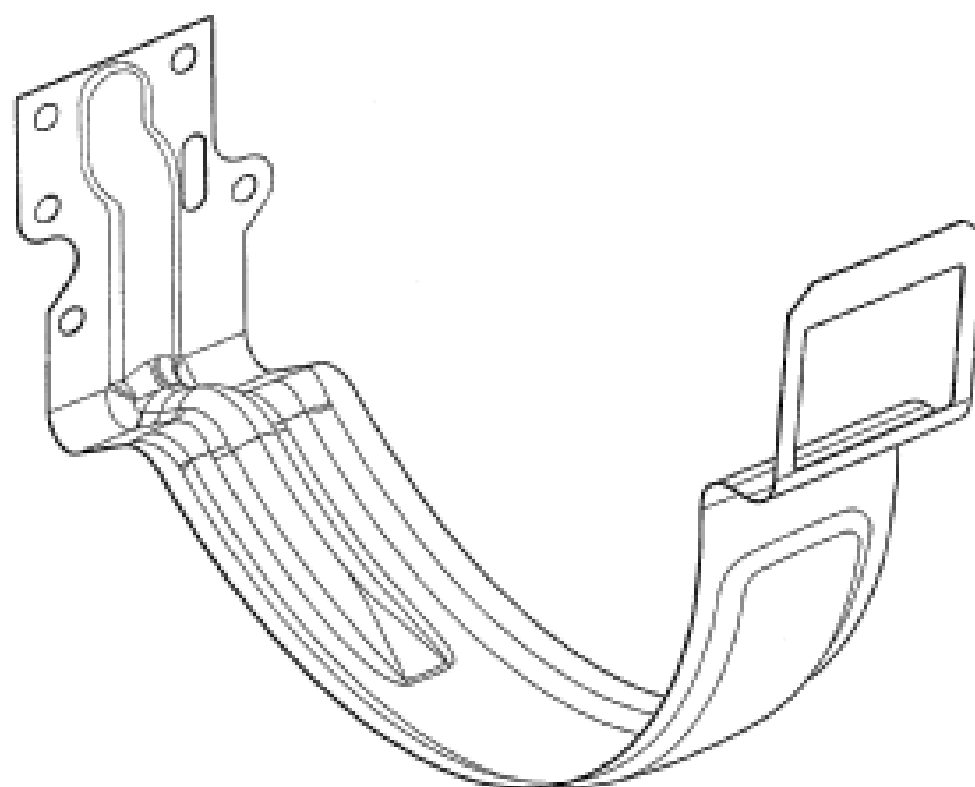
Lawrence Horner Mack trading as Mack Bros.
1054-1058 Glenhuntly Road Caulfield Victoria 3162 Australia

(72) Name(s) of Designer(s): **Wayne Lawrence Mack and Ian Charles Mack**

(45) Registration Date: **29 April 2008**

(56) Related Art Documents: **Not Applicable**

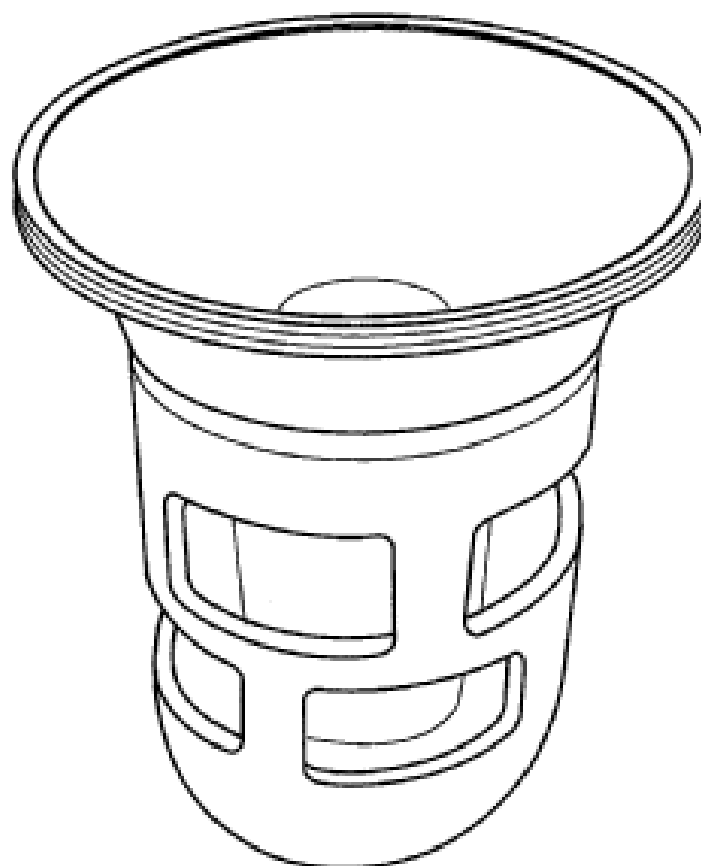
(57) Statement of Newness and Distinctiveness: **Those features of the gutter bracket depicted in the representations that are new and distinctive are the shape and/or configuration. The shape of the end section marked "A" is to be disregarded when considering the overall impression of the design.**



- (21) Design Number: **21466/2007**
(22) Date of Filing Application: **19 December 2007**
(24) Date from which industrial property rights may have effect: **19 December 2007**
(54) Product in respect of which the design is registered: **Down pipe screen device**
(51) International Design Classification: **23-01G**
(71) Name(s) and Address(s) of Applicant(s):
John Andrew Bailey
27 Dyson Street Aldershot Queensland 4650 Australia
(72) Name(s) of Designer(s): **John Andrew Bailey**
(45) Registration Date: **29 April 2008**
(56) Related Art Documents: **Not Applicable**
(57) Statement of Newness and Distinctiveness: **The newness and distinctiveness of the design resides in the shape and/or configuration of the down pipe screen device shown in the representations. The writing on the lower portion of the design is an element to which the present design is not limited and for which no protection is sought.**



- (21) Design Number: **21467/2007**
(22) Date of Filing Application: **19 December 2007**
(24) Date from which industrial property rights may have effect: **19 December 2007**
(54) Product in respect of which the design is registered: **A drain fitting**
(51) International Design Classification: **23-01B**
(71) Name(s) and Address(s) of Applicant(s):
Trilaur Pty Ltd
547 Oyster Cove Promenade Oyster Cove Queensland 4212 Australia
(72) Name(s) of Designer(s): **Lawrence James Evans**
(45) Registration Date: **29 April 2008**
(56) Related Art Documents: **Not Applicable**
(57) Statement of Newness and Distinctiveness: **The newness and distinctiveness of the design resides in the shape and/or configuration of the drain fitting shown in the representations.**



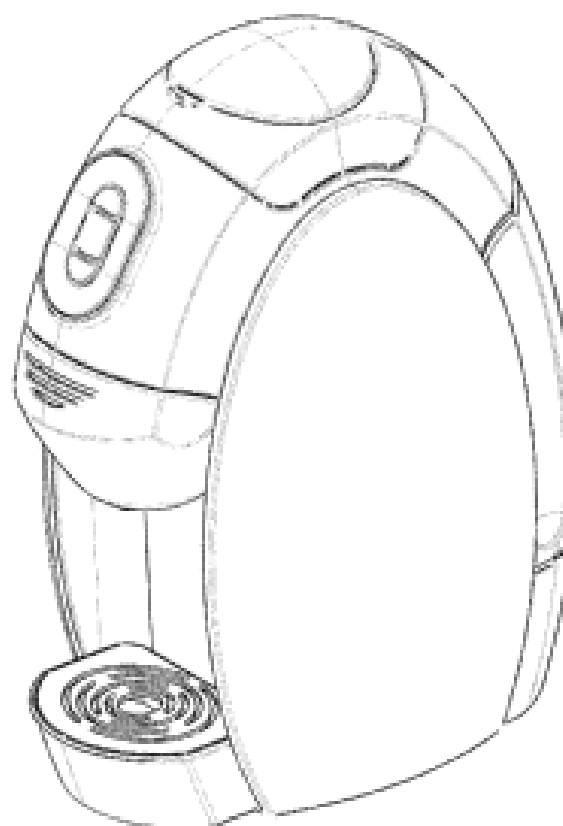
(21) Design Number: **21473/2007**
(22) Date of Filing Application: **20 December 2007**
(24) Date from which industrial property rights may have effect: **20 December 2007**
(54) Product in respect of which the design is registered: **Filter**
(51) International Design Classification: **07-02L**
(71) Name(s) and Address(s) of Applicant(s):
Pi-Design AG
Kantonsstrasse 100 Postfach 463 CH-6234 Triengen Switzerland
(72) Name(s) of Designer(s): **Jorgen Bodum**
(45) Registration Date: **29 April 2008**
(30) Convention priority data:
(31) Number (32) Date (33) Country
DA 2007 27 Jun 2007 DENMARK
00158
(56) Related Art Documents: **Not Applicable**
(57) Statement of Newness and Distinctiveness: **Nil**



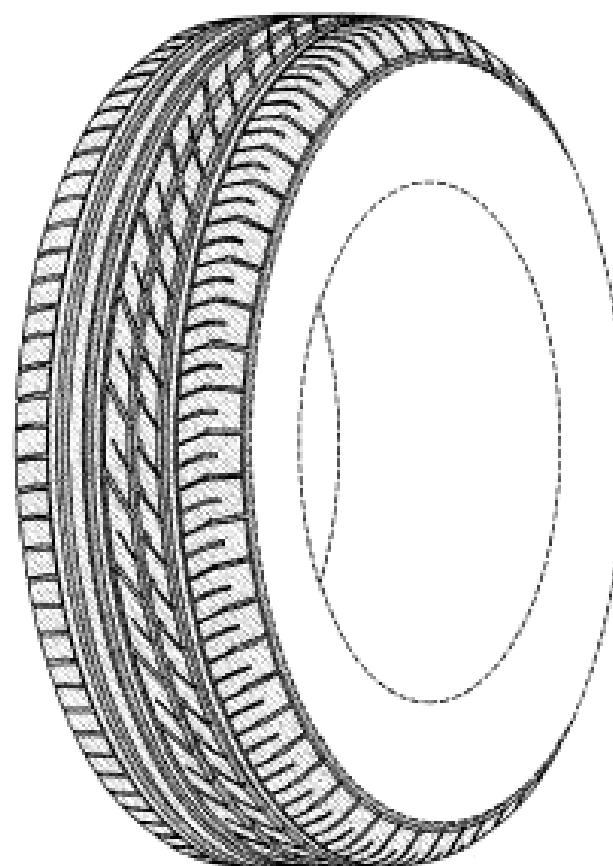
(21) Design Number: **21474/2007**
(22) Date of Filing Application: **20 December 2007**
(24) Date from which industrial property rights may have effect: **20 December 2007**
(54) Product in respect of which the design is registered: **Cup with filter**
(51) International Design Classification: **07-01C, 07-02L**
(71) Name(s) and Address(s) of Applicant(s):
Pi-Design AG
Kantonsstrasse 100 Postfach 463 CH-6234 Triengen Switzerland
(72) Name(s) of Designer(s): **Jorgen Bodum**
(45) Registration Date: **29 April 2008**
(30) Convention priority data:
(31) Number (32) Date (33) Country
DA 2007 27 Jun 2007 DENMARK
00158
(56) Related Art Documents: **Not Applicable**
(57) Statement of Newness and Distinctiveness: **Nil**



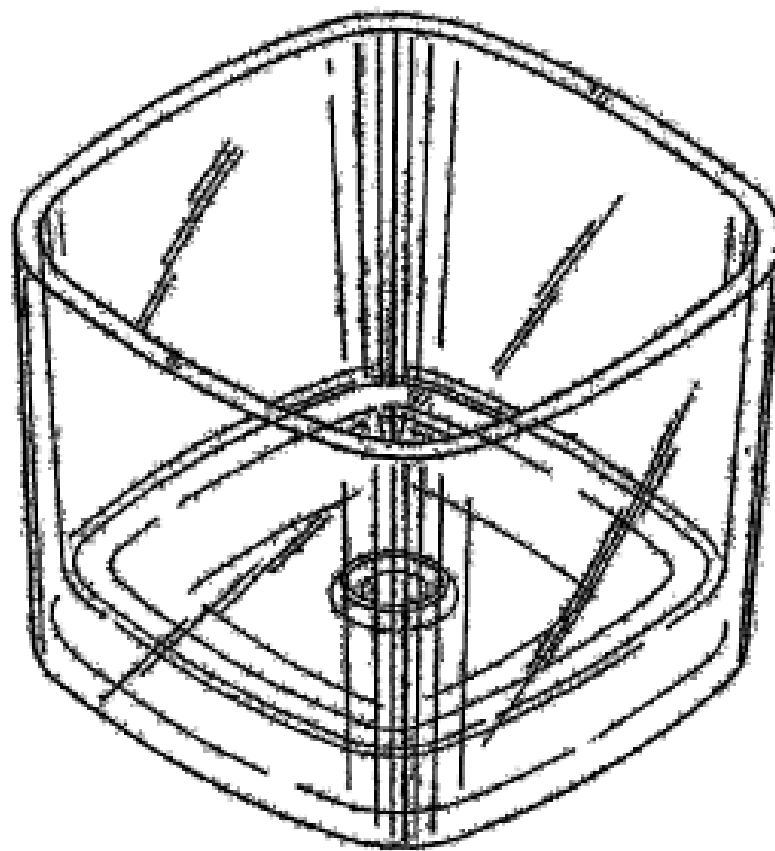
- (21) Design Number: **21476/2007**
(22) Date of Filing Application: **20 December 2007**
(24) Date from which industrial property rights may have effect: **20 December 2007**
(54) Product in respect of which the design is registered: **Coffee machine**
(51) International Design Classification: **07-02L**
(71) Name(s) and Address(s) of Applicant(s):
Societe Des Produits Nestle S.A.
1800 Vevey Switzerland
(72) Name(s) of Designer(s): **Remy Jacquet and Yves Marmier and Pierre Struzka and Sebastien Dassi**
(45) Registration Date: **29 April 2008**
(30) Convention priority data:
(31) Number (32) Date (33) Country
134023 29 Jun 2007 SWITZERLAND
(56) Related Art Documents: **Not Applicable**
(57) Statement of Newness and Distinctiveness: **Newness and distinctiveness reside in the shape and/or configuration of the coffee machine shown in the accompanying representations.**



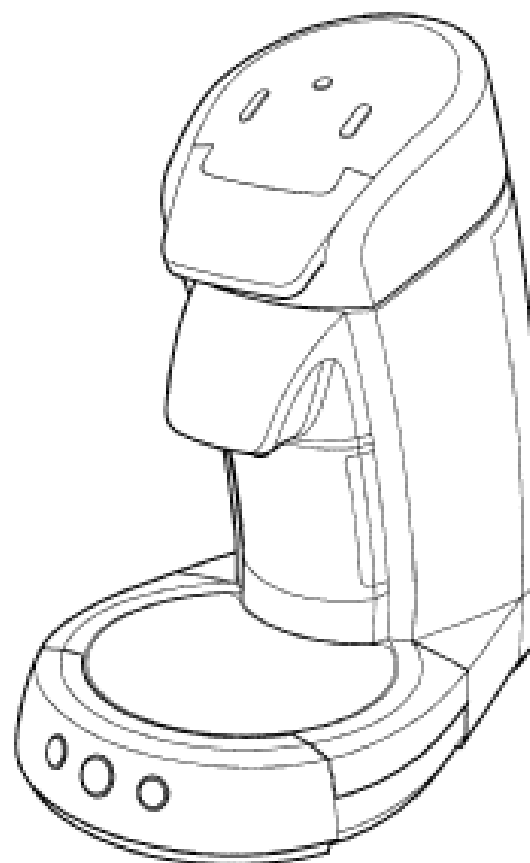
- (21) Design Number: **21477/2007**
(22) Date of Filing Application: **20 December 2007**
(24) Date from which industrial property rights may have effect: **20 December 2007**
(54) Product in respect of which the design is registered: **A tyre**
(51) International Design Classification: **12-15B**
(71) Name(s) and Address(s) of Applicant(s):
The Goodyear Tire & Rubber Company
1144 East Market Street Akron Ohio 44316-0001 United States of America
(72) Name(s) of Designer(s): **Yoshitaka Iwai**
(45) Registration Date: **29 April 2008**
(30) Convention priority data:
(31) Number (32) Date (33) Country
2007-017957 03 Jul 2007 JAPAN
(56) Related Art Documents: **Not Applicable**
(57) Statement of Newness and Distinctiveness: **Newness and distinctiveness is claimed in those features of shape and/or configuration of the tread of a tyre illustrated in continuous lines in the accompanying representations, wherein the shape and/or configuration of the tread is repeated throughout the circumference of the tyre.**



- (21) Design Number: **21479/2007**
(22) Date of Filing Application: **20 December 2007**
(24) Date from which industrial property rights may have effect: **20 December 2007**
(54) Product in respect of which the design is registered: **Candle holder**
(51) International Design Classification: **26-01**
(71) Name(s) and Address(s) of Applicant(s):
S.C. Johnson & Son, Inc.
1525 Howe Street Racine Wisconsin 53403-2236 United States of America
(72) Name(s) of Designer(s): **Chris A. Kubicek**
(45) Registration Date: **29 April 2008**
(30) Convention priority data:
(31) Number (32) Date (33) Country
29/281708 29 Jun 2007 UNITED STATES OF AMERICA
(56) Related Art Documents: **Not Applicable**
(57) Statement of Newness and Distinctiveness: **Newness and distinctiveness is claimed in the features of shape and/or configuration of a candle holder as illustrated in the accompanying representations.**



- (21) Design Number: **21484/2007**
(22) Date of Filing Application: **20 December 2007**
(24) Date from which industrial property rights may have effect: **20 December 2007**
(54) Product in respect of which the design is registered: **Coffee maker**
(51) International Design Classification: **07-02L**
(71) Name(s) and Address(s) of Applicant(s):
Koninklijke Philips Electronics N.V.
Groenewoudseweg 1 5621 BA Eindhoven The Netherlands
Sara Lee/DE N.V.
Vleutensevaart 100 3532 AD Utrecht The Netherlands
(72) Name(s) of Designer(s): **Saski Henrica Petronella Maria Dingelstad**
(45) Registration Date: **29 April 2008**
(30) Convention priority data:
(31) Number (32) Date (33) Country
000757869 16 Jul 2007 EUROPEAN COMMUNITY
(56) Related Art Documents: **Not Applicable**
(57) Statement of Newness and Distinctiveness: **Newness and distinctiveness reside in the features of the design as shown in the representations.**



(21) Design Number: **21485/2007**
(22) Date of Filing Application: **20 December 2007**
(24) Date from which industrial property rights may have effect: **20 December 2007**
(54) Product in respect of which the design is registered: **Tea pots (2)**
(51) International Design Classification: **07-01G**
(71) Name(s) and Address(s) of Applicant(s):

Pi-Design AG
Kantonsstrasse 100 Postfach 463 CH-6234 Triengen Switzerland

(72) Name(s) of Designer(s): **Jorgen Bodum**

(45) Registration Date: **29 April 2008**

(30) Convention priority data:

(31) Number	(32) Date	(33) Country
DA 2007	04 Jul 2007	DENMARK
00162		

(56) Related Art Documents: **Not Applicable**

(57) Statement of Newness and Distinctiveness: **Nil**



(21) Design Number: **21486/2007**
(22) Date of Filing Application: **20 December 2007**
(24) Date from which industrial property rights may have effect: **20 December 2007**
(54) Product in respect of which the design is registered: **Tea pots (2)**
(51) International Design Classification: **07-01G**
(71) Name(s) and Address(s) of Applicant(s):

Pi-Design AG
Kantonsstrasse 100 Postfach 463 CH-6234 Triengen Switzerland

(72) Name(s) of Designer(s): **Jorgen Bodum**

(45) Registration Date: **29 April 2008**

(30) Convention priority data:

(31) Number	(32) Date	(33) Country
DA 2007	04 Jul 2007	DENMARK
00162		

(56) Related Art Documents: **Not Applicable**

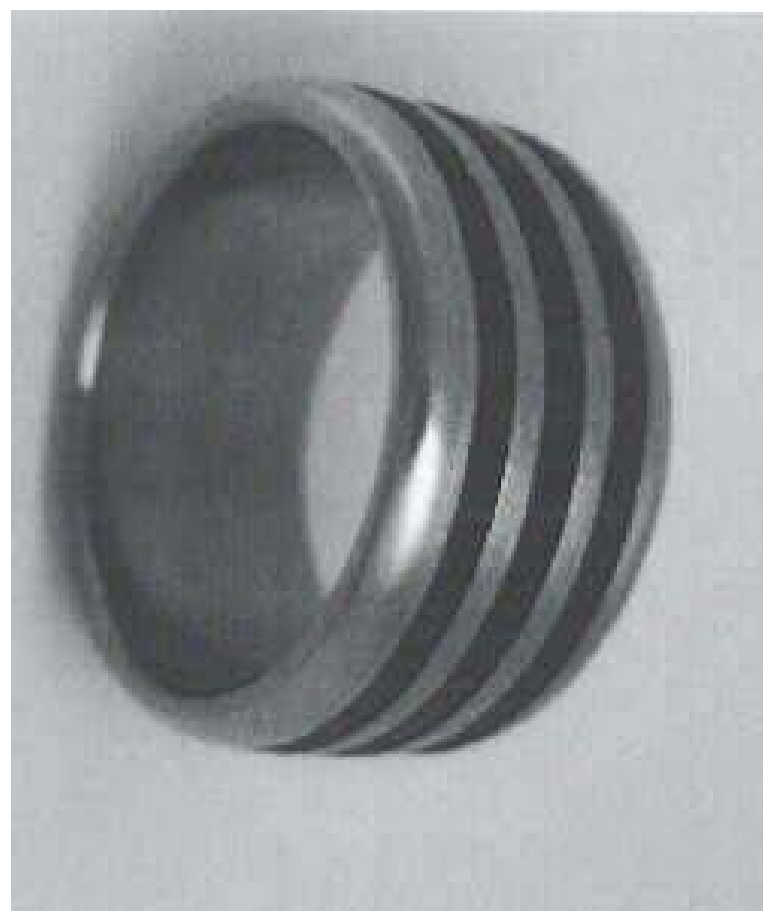
(57) Statement of Newness and Distinctiveness: **Nil**



(21) Design Number: **21533/2007**
(22) Date of Filing Application: **21 December 2007**
(24) Date from which industrial property rights may have effect: **21 December 2007**
(54) Product in respect of which the design is registered: **Jewellery item**
(51) International Design Classification: **11-01A**
(71) Name(s) and Address(s) of Applicant(s):
Vernon White
237 Florida Road Morningside Durban 4001 South Africa
(72) Name(s) of Designer(s): **Vernon White**
(45) Registration Date: **29 April 2008**
(30) Convention priority data:
(31) Number (32) Date (33) Country
A2007/01137 02 Jul 2007 SOUTH AFRICA
(56) Related Art Documents: **Not Applicable**
(57) Statement of Newness and Distinctiveness: **Newness and distinctiveness resides in the visual features of shape and/or configuration of a jewellery item as illustrated in the accompanying representation.**



(21) Design Number: **21534/2007**
(22) Date of Filing Application: **21 December 2007**
(24) Date from which industrial property rights may have effect: **21 December 2007**
(54) Product in respect of which the design is registered: **Jewellery item**
(51) International Design Classification: **11-01A**
(71) Name(s) and Address(s) of Applicant(s):
Vernon White
237 Florida Road Morningside Durban 4001 South Africa
(72) Name(s) of Designer(s): **Vernon White**
(45) Registration Date: **29 April 2008**
(30) Convention priority data:
(31) Number (32) Date (33) Country
A2007/01137 02 Jul 2007 SOUTH AFRICA
(56) Related Art Documents: **Not Applicable**
(57) Statement of Newness and Distinctiveness: **Newness and distinctiveness resides in the visual features of shape and/or configuration of a jewellery item as illustrated in the accompanying representation.**



- (21) Design Number: **21535/2007**
(22) Date of Filing Application: **21 December 2007**
(24) Date from which industrial property rights may have effect: **21 December 2007**
(54) Product in respect of which the design is registered: **Jewellery item**
(51) International Design Classification: **11-01A**
(71) Name(s) and Address(s) of Applicant(s):
Vernon White
237 Florida Road Morningside Durban 4001 South Africa
(72) Name(s) of Designer(s): **Vernon White**
(45) Registration Date: **29 April 2008**
(30) Convention priority data:
(31) Number (32) Date (33) Country
A2007/01137 02 Jul 2007 SOUTH AFRICA
(56) Related Art Documents: **Not Applicable**
(57) Statement of Newness and Distinctiveness: **Newness and distinctiveness resides in the visual features of shape and/or configuration of a jewellery item as illustrated in the accompanying representation.**



- (21) Design Number: **10361/2008**
(22) Date of Filing Application: **27 February 2008**
(24) Date from which industrial property rights may have effect: **27 February 2008**
(54) Product in respect of which the design is registered: **Sun and hail protector**
(51) International Design Classification: **03-03**
(71) Name(s) and Address(s) of Applicant(s):
Suellen Conrad
13 Ealing Court Nerang Queensland 4211 Australia
Glen Conrad
13 Ealing Court Nerang Queensland 4211 Australia
(72) Name(s) of Designer(s): **Suellen Conrad**
(45) Registration Date: **29 April 2008**
(56) Related Art Documents: **Not Applicable**
(57) Statement of Newness and Distinctiveness: **Portability footings, poles and canopy.**



(21) Design Number: **10604/2008**

(22) Date of Filing Application: **13 February 2008**

(24) Date from which industrial property rights may have effect: **13 February 2008**

(54) Product in respect of which the design is registered: **Stud front, double breasted fleece jacket**

(51) International Design Classification: **02-02NES**

(71) Name(s) and Address(s) of Applicant(s):

**Camara Clothing trading as Bardot
63 Victoria Crescent Abbotsford Victoria 3067 Australia**

(72) Name(s) of Designer(s): **Hannah Gaunt**

(45) Registration Date: **30 April 2008**

(56) Related Art Documents: **Not Applicable**

(57) Statement of Newness and Distinctiveness: **Staggered rim snap eyelets at front placket (studs). De-tatchable hood. Stitching detail at hem band, pockets and sleeve cuff. Fleece fabric.**



(21) Design Number: **10603/2008**

(22) Date of Filing Application: **13 February 2008**

(24) Date from which industrial property rights may have effect: **13 February 2008**

(54) Product in respect of which the design is registered: **Hooded zip front dress**

(51) International Design Classification: **02-02C**

(71) Name(s) and Address(s) of Applicant(s):

**Camara Clothing trading as Bardot
63 Victoria Crescent Abbotsford Victoria 3067 Australia**

(72) Name(s) of Designer(s): **Hannah Gaunt**

(45) Registration Date: **30 April 2008**

(56) Related Art Documents: **Not Applicable**

(57) Statement of Newness and Distinctiveness: **Center front zip. Slouch style sleeve and cuff. Tab at shoulder. Hood. Wide waistband. Side front welt pockets. Gathering at upper waistband.**



(21) Design Number: **10602/2008**

(22) Date of Filing Application: **13 February 2008**

(24) Date from which industrial property rights may have effect: **13 February 2008**

(54) Product in respect of which the design is registered: **Stud front hooded fleece jacket**

(51) International Design Classification: **02-02NES**

(71) Name(s) and Address(s) of Applicant(s):

**Camara Clothing trading as Bardot
63 Victoria Crescent Abbotsford Victoria 3067 Australia**

(72) Name(s) of Designer(s): **Hannah Gaunt**

(45) Registration Date: **30 April 2008**

(56) Related Art Documents: **Not Applicable**

(57) Statement of Newness and Distinctiveness: **De-tachable hood. Shirt style hem. Collar tab at front breast. Studs at front placket and sleeve cuff. Box pleat at back yoke. Belt and loops. Fleece fabric.**



(21) Design Number: **10601/2008**

(22) Date of Filing Application: **13 February 2008**

(24) Date from which industrial property rights may have effect: **13 February 2008**

(54) Product in respect of which the design is registered: **Flannel check zip front dress**

(51) International Design Classification: **02-02C**

(71) Name(s) and Address(s) of Applicant(s):

**Camara Clothing trading as Bardot
63 Victoria Crescent Abbotsford Victoria 3067 Australia**

(72) Name(s) of Designer(s): **Hannah Gaunt**

(45) Registration Date: **30 April 2008**

(56) Related Art Documents: **Not Applicable**

(57) Statement of Newness and Distinctiveness: **Checked flannel fabric. Centre front zip. Front breast pleated pocket. Metal pyramid shank buttons inside sleeve tab. Shoulder tab.**



(21) Design Number: **10755/2008**

(22) Date of Filing Application: **19 February 2008**

(24) Date from which industrial property rights may have effect: **19 February 2008**

(54) Product in respect of which the design is registered: **A produce container**

(51) International Design Classification: **09-03F, 09-03K**

(71) Name(s) and Address(s) of Applicant(s):

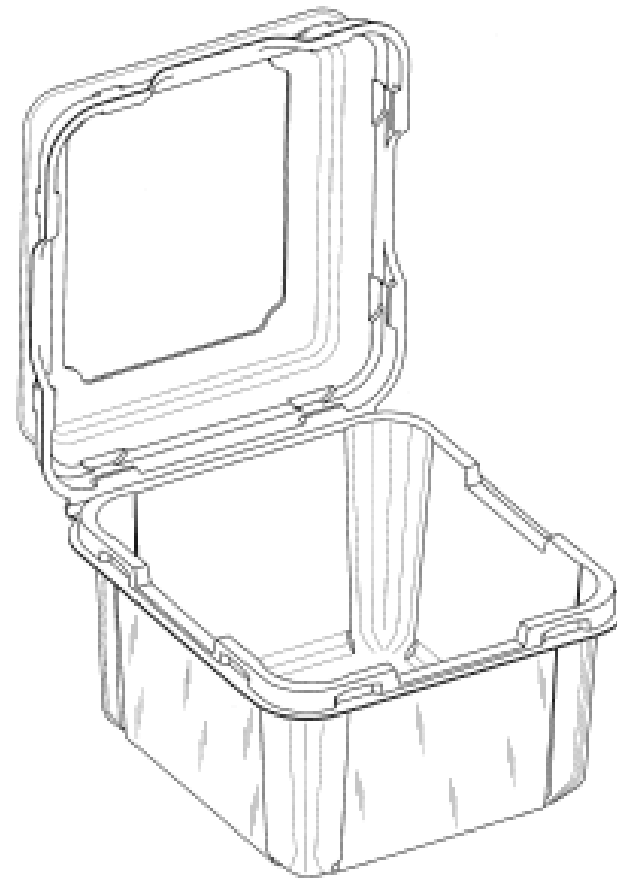
Multisteps Pty Ltd
Unit 1 & 2/4 Richmond Road Homebush West New South Wales 2140
Australia

(72) Name(s) of Designer(s): **John Lam**

(45) Registration Date: **30 April 2008**

(56) Related Art Documents: **Not Applicable**

(57) Statement of Newness and Distinctiveness: **Newness and distinctiveness reside in the features of the design as shown in the representations.**



(21) Design Number: **10756/2008**

(22) Date of Filing Application: **19 February 2008**

(24) Date from which industrial property rights may have effect: **19 February 2008**

(54) Product in respect of which the design is registered: **A produce container**

(51) International Design Classification: **09-03F, 09-03K**

(71) Name(s) and Address(s) of Applicant(s):

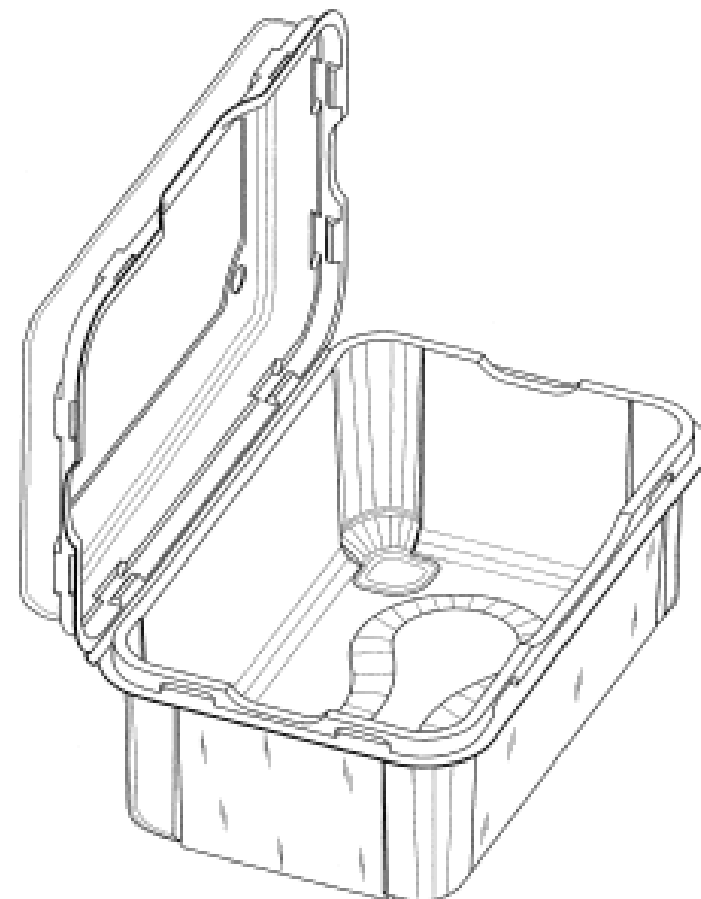
Multisteps Pty Ltd
Unit 1 & 2/4 Richmond Road Homebush West New South Wales 2140
Australia

(72) Name(s) of Designer(s): **John Lam**

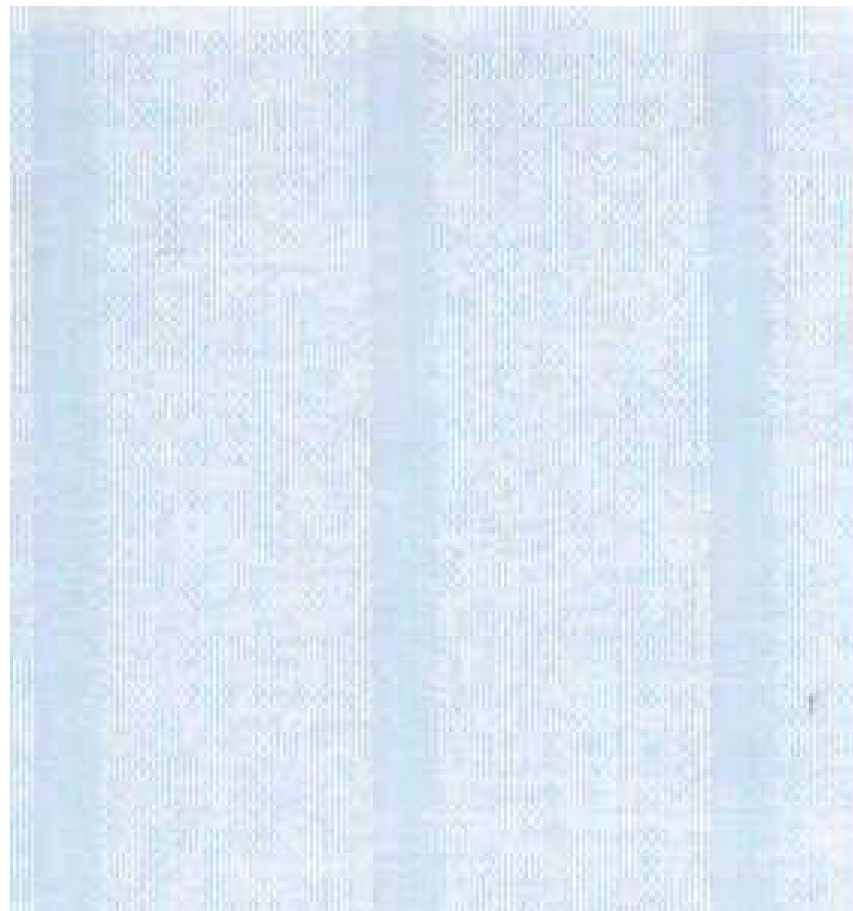
(45) Registration Date: **30 April 2008**

(56) Related Art Documents: **Not Applicable**

(57) Statement of Newness and Distinctiveness: **Newness and distinctiveness reside in the features of the design as shown in the representations.**



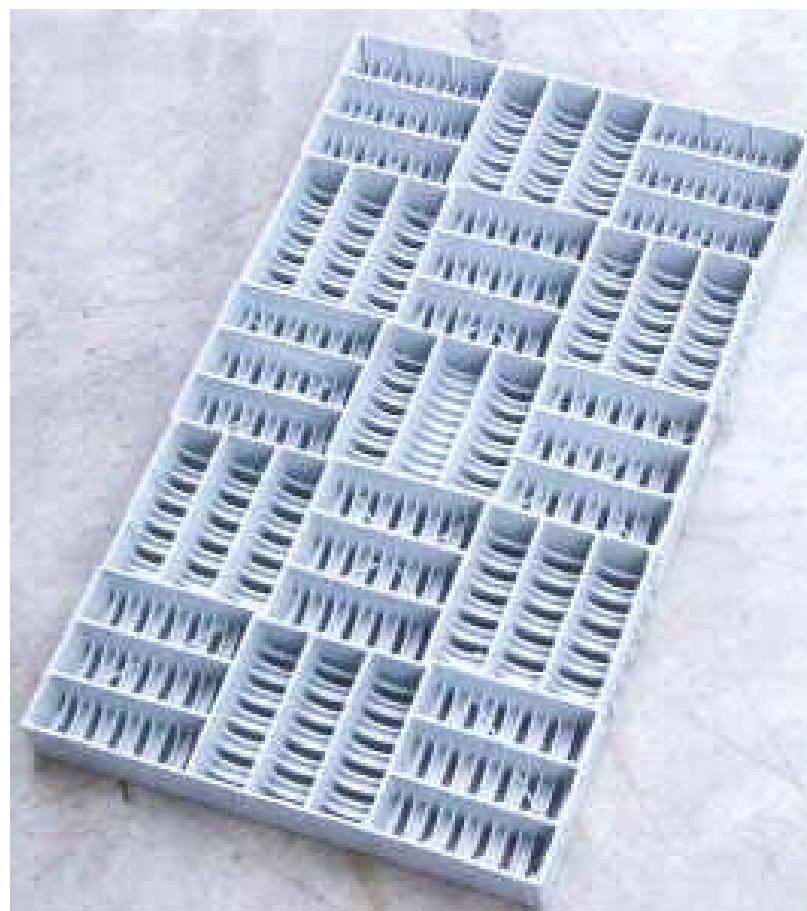
-
- (21) Design Number: **20172/2007**
(22) Date of Filing Application: **12 October 2007**
(24) Date from which industrial property rights may have effect: **12 October 2007**
(54) Product in respect of which the design is registered: **Textile pattern**
(51) International Design Classification: **05-05NES**
(71) Name(s) and Address(s) of Applicant(s):
 Centrotex (Aust) Pty Ltd
 36-40 Halloran Street Lilyfield New South Wales 2040 Australia
(72) Name(s) of Designer(s): **Darren Collins**
(45) Registration Date: **30 April 2008**
(56) Related Art Documents: **Not Applicable**
(57) Statement of Newness and Distinctiveness: **Nil**



-
- (21) Design Number: **20357/2007**
(22) Date of Filing Application: **12 October 2007**
(24) Date from which industrial property rights may have effect: **12 October 2007**
(54) Product in respect of which the design is registered: **Textile pattern**
(51) International Design Classification: **05-05NES**
(71) Name(s) and Address(s) of Applicant(s):
 Centrotex (Aust) Pty Ltd
 36-40 Halloran Street Lilyfield New South Wales 2040 Australia
(72) Name(s) of Designer(s): **Darren Collins**
(45) Registration Date: **30 April 2008**
(56) Related Art Documents: **Not Applicable**
(57) Statement of Newness and Distinctiveness: **Nil**



- (21) Design Number: **21008/2007**
(22) Date of Filing Application: **28 November 2007**
(24) Date from which industrial property rights may have effect: **28 November 2007**
(54) Product in respect of which the design is registered: **Paver**
(51) International Design Classification: **25-01A**
(71) Name(s) and Address(s) of Applicant(s):
Astral Property Pty Limited
Unit 3 19-21 Gibbes Street Chatswood New South Wales 2067
Australia
(72) Name(s) of Designer(s): **Humberto Urriola**
(45) Registration Date: **30 April 2008**
(56) Related Art Documents: **Not Applicable**
(57) Statement of Newness and Distinctiveness: **The newness and distinctiveness in respect of the design is claimed in the features of shape and configuration of the paver, as illustrated in the accompanying representations.**



- (21) Design Number: **21009/2007**
(22) Date of Filing Application: **28 November 2007**
(24) Date from which industrial property rights may have effect: **28 November 2007**
(54) Product in respect of which the design is registered: **Paver**
(51) International Design Classification: **25-01A**
(71) Name(s) and Address(s) of Applicant(s):
Astral Property Pty Limited
Unit 3 19-21 Gibbes Street Chatswood New South Wales 2067
Australia
(72) Name(s) of Designer(s): **Humberto Urriola**
(45) Registration Date: **30 April 2008**
(56) Related Art Documents: **Not Applicable**
(57) Statement of Newness and Distinctiveness: **The newness and distinctiveness in respect of the design is claimed in the features of shape and configuration of the top surface and side walls of the paver, as illustrated in the accompanying representations.**



(21) Design Number: **21478/2007**

(22) Date of Filing Application: **20 December 2007**

(24) Date from which industrial property rights may have effect: **20 December 2007**

(54) Product in respect of which the design is registered: **Melting plate for a decorative candle holder**

(51) International Design Classification: **26-01**

(71) Name(s) and Address(s) of Applicant(s):

**S.C. Johnson & Son, Inc.
1525 Howe Street Racine Wisconsin 53403-2236 United States of America**

(72) Name(s) of Designer(s): **Nicholas W. Binetti and Mary Beth Adams and Chris A. Kubicek and Nathan R. Westphal**

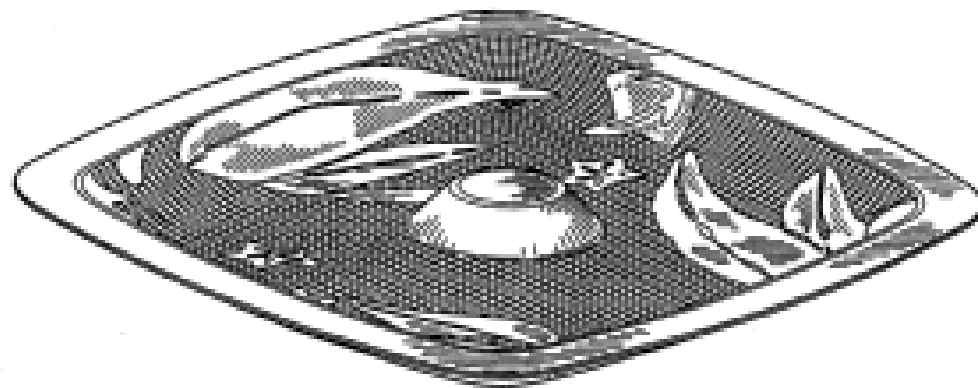
(45) Registration Date: **29 April 2008**

(30) Convention priority data:

(31) Number	(32) Date	(33) Country
29/288988	29 Jun 2007	UNITED STATES OF AMERICA

(56) Related Art Documents: **Not Applicable**

(57) Statement of Newness and Distinctiveness: **Newness and distinctiveness is claimed in the features of shape and/or configuration of a melting plate for a decorative candle holder as illustrated in the accompanying representations.**



(21) Design Number: **21546/2007**

(22) Date of Filing Application: **24 December 2007**

(24) Date from which industrial property rights may have effect: **24 December 2007**

(54) Product in respect of which the design is registered: **A package**

(51) International Design Classification: **09-05**

(71) Name(s) and Address(s) of Applicant(s):

**Societe des Produits Nestle S.A.
1800 Vevey Switzerland**

(72) Name(s) of Designer(s): **Scott Bremner**

(45) Registration Date: **29 April 2008**

(56) Related Art Documents: **Not Applicable**

(57) Statement of Newness and Distinctiveness: **The visual features of the package depicted in the representation(s) that are new and distinctive are the pattern and/or ornamentation. The features shown in broken lines are not part of the design and should be disregarded when considering the overall impression of the design. The pattern and/or ornamentation can be in colour, but is not restricted to a particular colour or colours.**



- (21) Design Number: **21547/2007**
(22) Date of Filing Application: **24 December 2007**
(24) Date from which industrial property rights may have effect: **24 December 2007**
(54) Product in respect of which the design is registered: **A package**
(51) International Design Classification: **09-05**
(71) Name(s) and Address(s) of Applicant(s):
Societe des Produits Nestle S.A.
1800 Vevey Switzerland
(72) Name(s) of Designer(s): **Scott Bremner**
(45) Registration Date: **29 April 2008**
(56) Related Art Documents: **Not Applicable**
(57) Statement of Newness and Distinctiveness: **The visual features of the package depicted in the representation(s) that are new and distinctive are the pattern and/or ornamentation. The features shown in broken lines are not part of the design and should be disregarded when considering the overall impression of the design. The pattern and/or ornamentation can be in colour, but is not restricted to a particular colour or colours.**



- (21) Design Number: **21548/2007**
(22) Date of Filing Application: **24 December 2007**
(24) Date from which industrial property rights may have effect: **24 December 2007**
(54) Product in respect of which the design is registered: **A package**
(51) International Design Classification: **09-05**
(71) Name(s) and Address(s) of Applicant(s):
Societe des Produits Nestle S.A.
1800 Vevey Switzerland
(72) Name(s) of Designer(s): **Scott Bremner**
(45) Registration Date: **29 April 2008**
(56) Related Art Documents: **Not Applicable**
(57) Statement of Newness and Distinctiveness: **The visual features of the package depicted in the representation(s) that are new and distinctive are the pattern and/or ornamentation. The features shown in broken lines are not part of the design and should be disregarded when considering the overall impression of the design. The pattern and/or ornamentation can be in colour, but is not restricted to a particular colour or colours.**



- (21) Design Number: **21549/2007**
(22) Date of Filing Application: **24 December 2007**
(24) Date from which industrial property rights may have effect: **24 December 2007**
(54) Product in respect of which the design is registered: **A package**
(51) International Design Classification: **09-05**
(71) Name(s) and Address(s) of Applicant(s):
Societe des Produits Nestle S.A.
1800 Vevey Switzerland
(72) Name(s) of Designer(s): **Scott Bremner**
(45) Registration Date: **29 April 2008**
(56) Related Art Documents: **Not Applicable**
(57) Statement of Newness and Distinctiveness: **The visual features of the package depicted in the representation(s) that are new and distinctive are the pattern and/or ornamentation. The features shown in broken lines are not part of the design and should be disregarded when considering the overall impression of the design. The pattern and/or ornamentation can be in colour, but is not restricted to a particular colour or colours.**



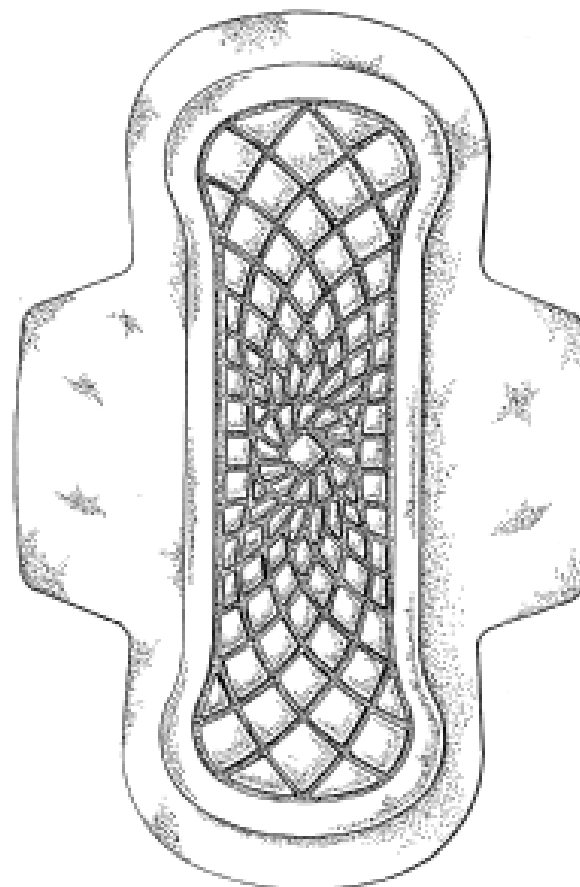
- (21) Design Number: **21550/2007**
(22) Date of Filing Application: **24 December 2007**
(24) Date from which industrial property rights may have effect: **24 December 2007**
(54) Product in respect of which the design is registered: **A package**
(51) International Design Classification: **09-05**
(71) Name(s) and Address(s) of Applicant(s):
Societe des Produits Nestle S.A.
1800 Vevey Switzerland
(72) Name(s) of Designer(s): **Scott Bremner**
(45) Registration Date: **29 April 2008**
(56) Related Art Documents: **Not Applicable**
(57) Statement of Newness and Distinctiveness: **The visual features of the package depicted in the representation(s) that are new and distinctive are the pattern and/or ornamentation. The features shown in broken lines are not part of the design and should be disregarded when considering the overall impression of the design. The pattern and/or ornamentation can be in colour, but is not restricted to a particular colour or colours.**



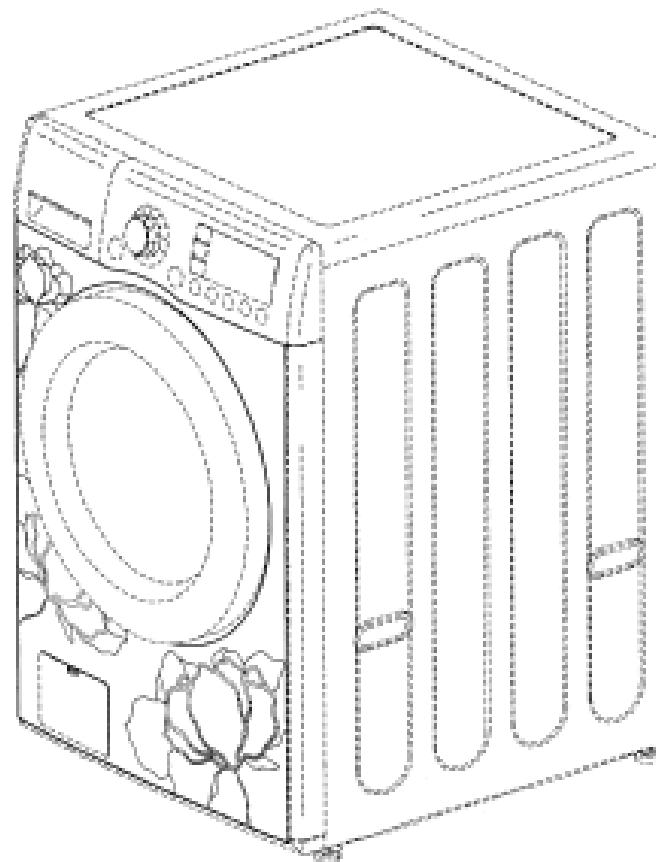
- (21) Design Number: **21551/2007**
(22) Date of Filing Application: **24 December 2007**
(24) Date from which industrial property rights may have effect: **24 December 2007**
(54) Product in respect of which the design is registered: **A package**
(51) International Design Classification: **09-05**
(71) Name(s) and Address(s) of Applicant(s):
Societe des Produits Nestle S.A.
1800 Vevey Switzerland
(72) Name(s) of Designer(s): **Scott Bremner**
(45) Registration Date: **29 April 2008**
(56) Related Art Documents: **Not Applicable**
(57) Statement of Newness and Distinctiveness: **The visual features of the package depicted in the representation(s) that are new and distinctive are the pattern and/or ornamentation. The features shown in broken lines are not part of the design and should be disregarded when considering the overall impression of the design. The pattern and/or ornamentation can be in colour, but is not restricted to a particular colour or colours.**



- (21) Design Number: **21552/2007**
(22) Date of Filing Application: **24 December 2007**
(24) Date from which industrial property rights may have effect: **24 December 2007**
(54) Product in respect of which the design is registered: **Embossed absorbent article**
(51) International Design Classification: **24-04**
(71) Name(s) and Address(s) of Applicant(s):
McNeil-PPC, Inc.
199 Grandview Road Skillman New Jersey 08558 United States of America
(72) Name(s) of Designer(s): **Julie Francoeur and Francisco Javier Valdivia Hernandez and Yi Zhang**
(45) Registration Date: **29 April 2008**
(30) Convention priority data:
(31) Number (32) Date (33) Country
29/281822 03 Jul 2007 UNITED STATES OF AMERICA
(56) Related Art Documents: **Not Applicable**
(57) Statement of Newness and Distinctiveness: **Newness and distinctiveness reside in the shape and configuration and/or pattern and ornamentation of the design for an embossed absorbent article as shown in the drawings. When considering the scope of the monopoly claimed these sections of the design bounded by broken line are illustrative only and do not form part of the design.**



(21) Design Number: **21553/2007**
(22) Date of Filing Application: **24 December 2007**
(24) Date from which industrial property rights may have effect: **24 December 2007**
(54) Product in respect of which the design is registered: **Washing machine**
(51) International Design Classification: **15-05**
(71) Name(s) and Address(s) of Applicant(s):
LG Electronics Inc.
20 Yeouido-dong Yeongdeungpo-gu Seoul 150-721 Republic of Korea
(72) Name(s) of Designer(s): **Ye Ji Um**
(45) Registration Date: **29 April 2008**
(30) Convention priority data:
(31) Number (32) Date (33) Country
30-2007-0028589 02 Jul 2007 REPUBLIC OF KOREA
(56) Related Art Documents: **Not Applicable**
(57) Statement of Newness and Distinctiveness: **Newness and distinctiveness resides in the visual features of pattern and/or ornament shown in solid lines applied to a washing machine as illustrated in the accompanying representations.**



(21) Design Number: **10279/2008**
(22) Date of Filing Application: **23 January 2008**
(24) Date from which industrial property rights may have effect: **23 January 2008**
(54) Product in respect of which the design is registered: **Wind turbine rotor hub with blades**
(51) International Design Classification: **13-01, 13-99**
(71) Name(s) and Address(s) of Applicant(s):
Aloys Wobben
Argestrasse 19 Aurich D-26607 Germany
(72) Name(s) of Designer(s): **Aloys Wobben**
(45) Registration Date: **30 April 2008**
(30) Convention priority data:
(31) Number (32) Date (33) Country
762 729 23 Jul 2007 EUROPEAN COMMUNITY
(56) Related Art Documents: **Not Applicable**
(57) Statement of Newness and Distinctiveness: **Nil**



(21) Design Number: **10285/2008**
(22) Date of Filing Application: **23 January 2008**
(24) Date from which industrial property rights may have effect: **23 January 2008**
(54) Product in respect of which the design is registered: **Wind turbine rotor hub**
(51) International Design Classification: **13-01, 13-99**
(71) Name(s) and Address(s) of Applicant(s):
Aloys Wobben
Argestrasse 19 Aurich D-26607 Germany
(72) Name(s) of Designer(s): **Aloys Wobben**
(45) Registration Date: **30 April 2008**
(30) Convention priority data:
(31) Number (32) Date (33) Country
762 729 23 Jul 2007 EUROPEAN COMMUNITY
(56) Related Art Documents: **Not Applicable**
(57) Statement of Newness and Distinctiveness: **Nil**



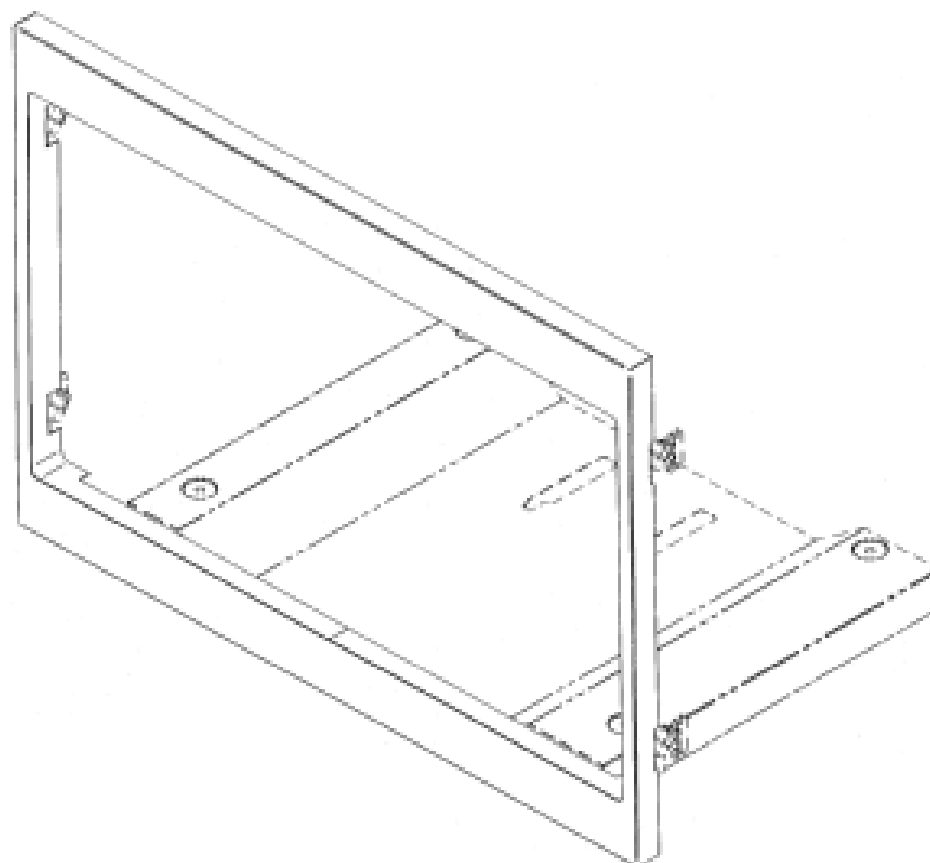
(21) Design Number: **10286/2008**
(22) Date of Filing Application: **23 January 2008**
(24) Date from which industrial property rights may have effect: **23 January 2008**
(54) Product in respect of which the design is registered: **Wind turbine**
(51) International Design Classification: **13-01, 13-99**
(71) Name(s) and Address(s) of Applicant(s):
Aloys Wobben
Argestrasse 19 Aurich D-26607 Germany
(72) Name(s) of Designer(s): **Aloys Wobben**
(45) Registration Date: **30 April 2008**
(30) Convention priority data:
(31) Number (32) Date (33) Country
762 729 23 Jul 2007 EUROPEAN COMMUNITY
(56) Related Art Documents: **Not Applicable**
(57) Statement of Newness and Distinctiveness: **Nil**



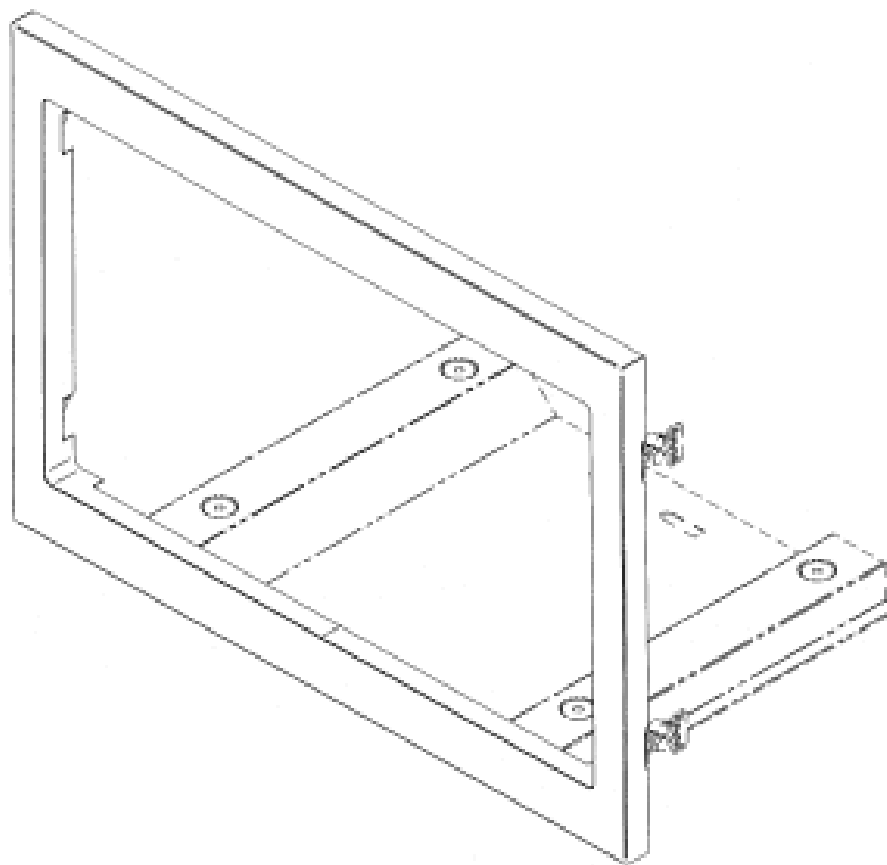
(21) Design Number: **10287/2008**
(22) Date of Filing Application: **23 January 2008**
(24) Date from which industrial property rights may have effect: **23 January 2008**
(54) Product in respect of which the design is registered: **Wind turbine rotor hub**
(51) International Design Classification: **13-01, 13-99**
(71) Name(s) and Address(s) of Applicant(s):
Aloys Wobben
Argestrasse 19 Aurich D-26607 Germany
(72) Name(s) of Designer(s): **Aloys Wobben**
(45) Registration Date: **30 April 2008**
(30) Convention priority data:
(31) Number (32) Date (33) Country
762 729 23 Jul 2007 EUROPEAN COMMUNITY
(56) Related Art Documents: **Not Applicable**
(57) Statement of Newness and Distinctiveness: **Nil**



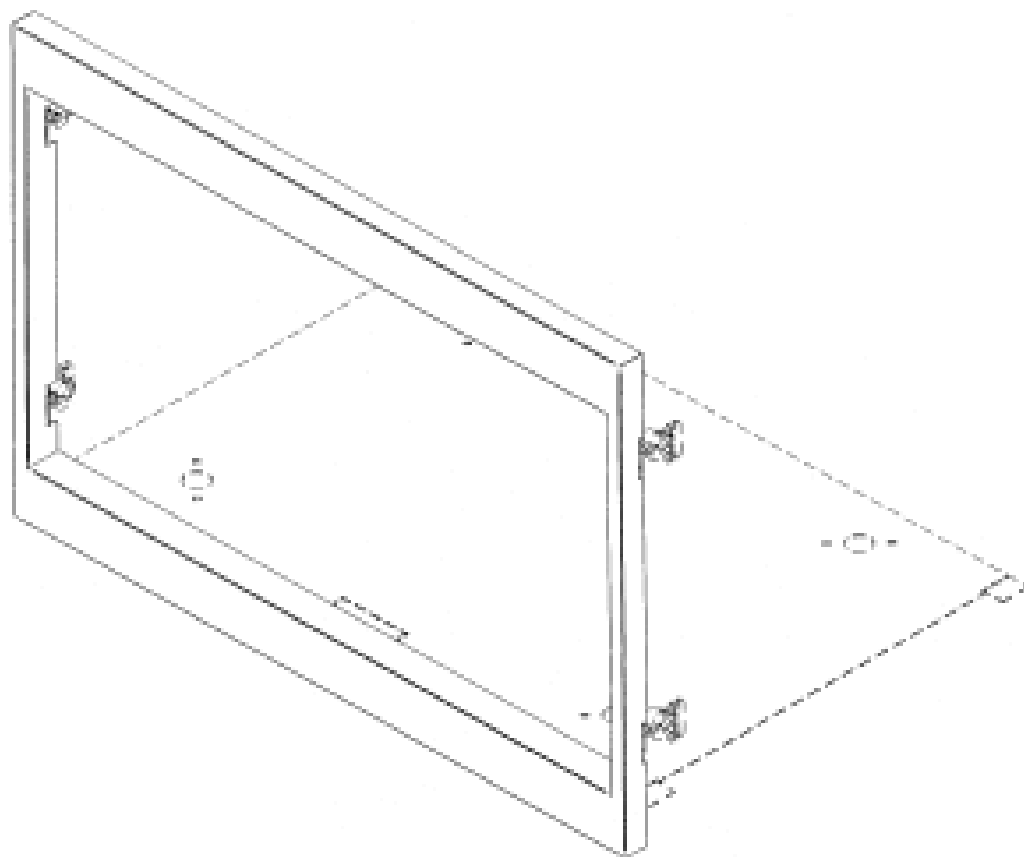
(21) Design Number: **21243/2007**
(22) Date of Filing Application: **11 December 2007**
(24) Date from which industrial property rights may have effect: **11 December 2007**
(54) Product in respect of which the design is registered: **Microwave trim kit**
(51) International Design Classification: **07-02B**
(71) Name(s) and Address(s) of Applicant(s):
Sapphire Sail Pty. Ltd.
25 Lawson Road Temora New South Wales 2666 Australia
(72) Name(s) of Designer(s): **John Smith**
(45) Registration Date: **30 April 2008**
(56) Related Art Documents: **Not Applicable**
(57) Statement of Newness and Distinctiveness: **Newness is claimed in the features of shape and configuration of the fascia of the microwave trim kit as shown in the accompanying representations.**



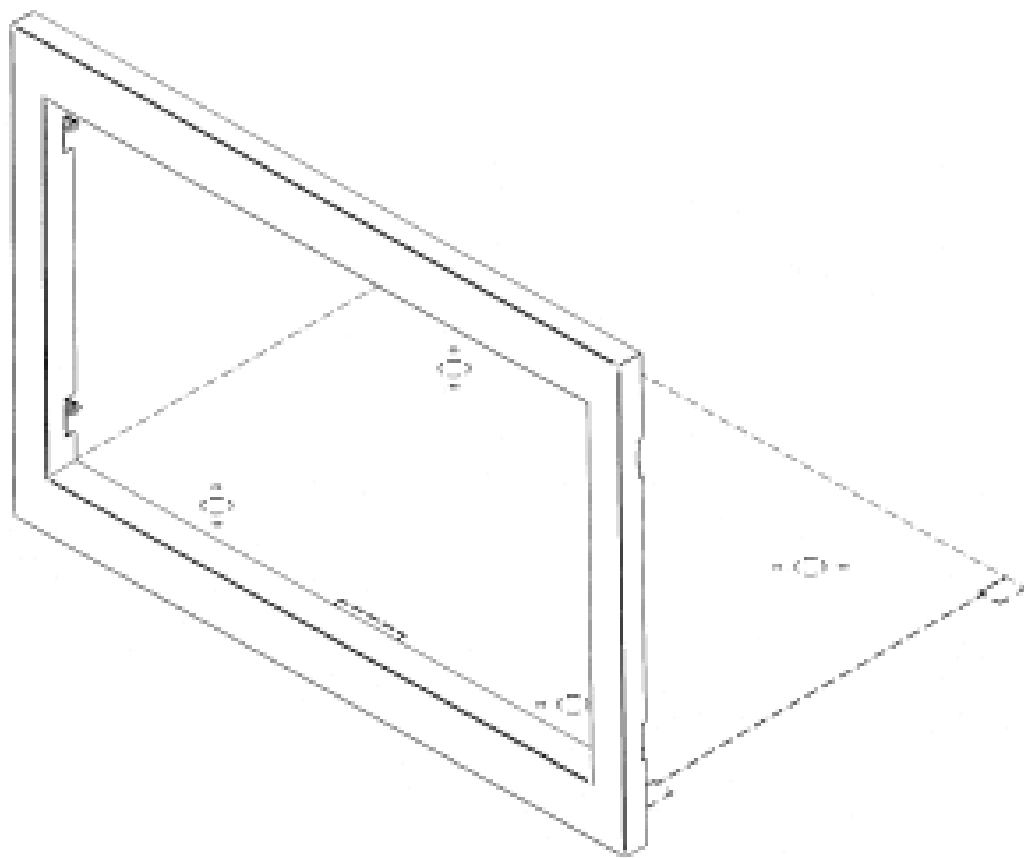
- (21) Design Number: **21244/2007**
(22) Date of Filing Application: **11 December 2007**
(24) Date from which industrial property rights may have effect: **11 December 2007**
(54) Product in respect of which the design is registered: **Microwave trim kit**
(51) International Design Classification: **07-02B**
(71) Name(s) and Address(s) of Applicant(s):
Sapphire Sail Pty. Ltd.
25 Lawson Road Temora New South Wales 2666 Australia
(72) Name(s) of Designer(s): **John Smith**
(45) Registration Date: **30 April 2008**
(56) Related Art Documents: **Not Applicable**
(57) Statement of Newness and Distinctiveness: **Newness is claimed in the features of shape and configuration of the fascia of the microwave trim kit as shown in the accompanying representations.**



- (21) Design Number: **21245/2007**
(22) Date of Filing Application: **11 December 2007**
(24) Date from which industrial property rights may have effect: **11 December 2007**
(54) Product in respect of which the design is registered: **Microwave trim kit**
(51) International Design Classification: **07-02B**
(71) Name(s) and Address(s) of Applicant(s):
Sapphire Sail Pty. Ltd.
25 Lawson Road Temora New South Wales 2666 Australia
(72) Name(s) of Designer(s): **John Smith**
(45) Registration Date: **30 April 2008**
(56) Related Art Documents: **Not Applicable**
(57) Statement of Newness and Distinctiveness: **Newness is claimed in the features of shape and configuration of the fascia of the microwave trim kit as shown in the accompanying representations.**



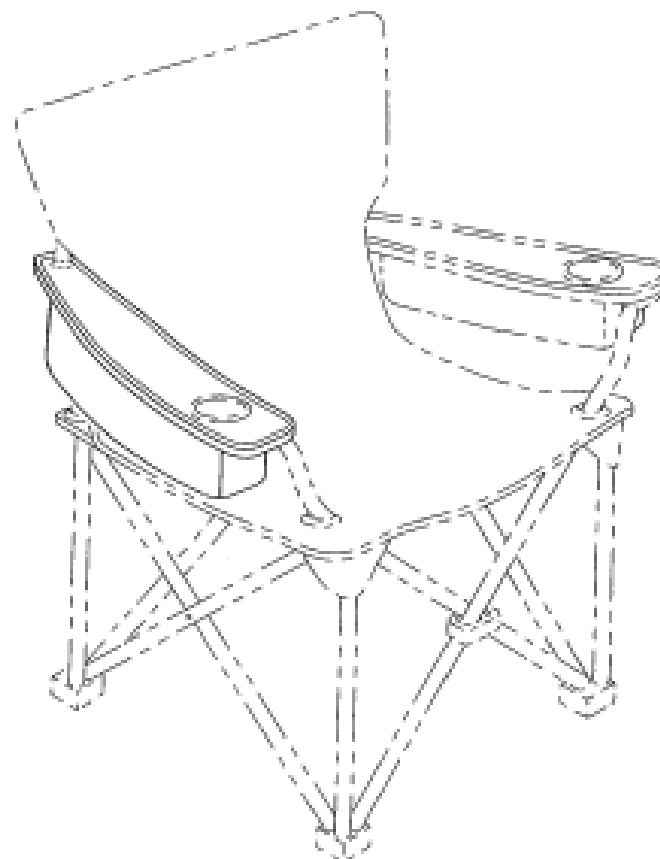
(21) Design Number: **21246/2007**
 (22) Date of Filing Application: **11 December 2007**
 (24) Date from which industrial property rights may have effect: **11 December 2007**
 (54) Product in respect of which the design is registered: **Microwave trim kit**
 (51) International Design Classification: **07-02B**
 (71) Name(s) and Address(s) of Applicant(s):
Sapphire Sail Pty. Ltd.
25 Lawson Road Temora New South Wales 2666 Australia
 (72) Name(s) of Designer(s): **John Smith**
 (45) Registration Date: **30 April 2008**
 (56) Related Art Documents: **Not Applicable**
 (57) Statement of Newness and Distinctiveness: **Newness is claimed in the features of shape and configuration of the fascia of the microwave trim kit as shown in the accompanying representations.**



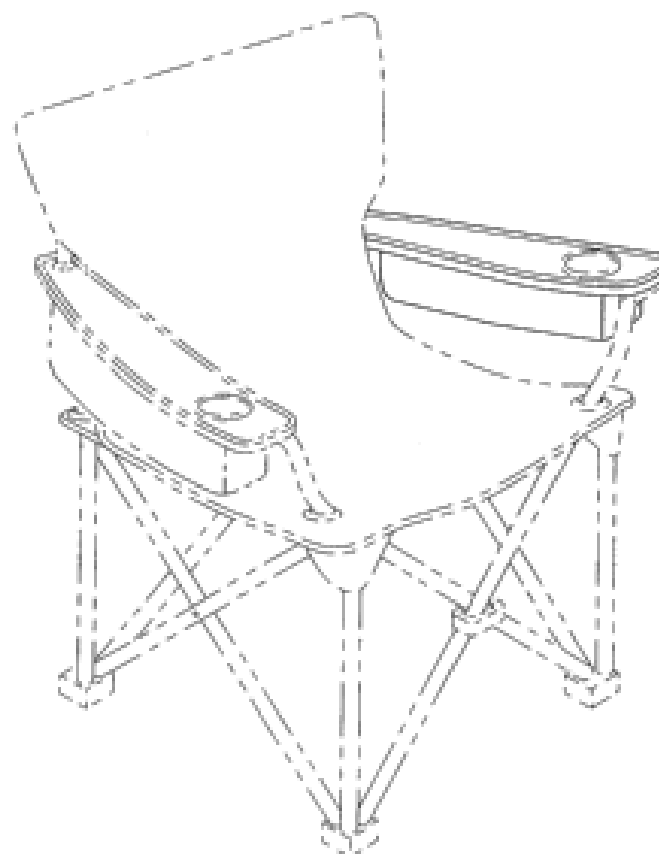
(21) Design Number: **21564/2007**
 (22) Date of Filing Application: **21 December 2007**
 (24) Date from which industrial property rights may have effect: **21 December 2007**
 (54) Product in respect of which the design is registered: **Armrest for folding chair**
 (51) International Design Classification: **06-06G**
 (71) Name(s) and Address(s) of Applicant(s):
The Coleman Company, Inc.
3600 North Hydraulic Wichita KS 67219 United States of America
 (72) Name(s) of Designer(s): **Gail R. Matheus and Luke E. Kelly**
 (45) Registration Date: **30 April 2008**
 (30) Convention priority data:

(31) Number	(32) Date	(33) Country
29/281589	26 Jun 2007	UNITED STATES OF AMERICA

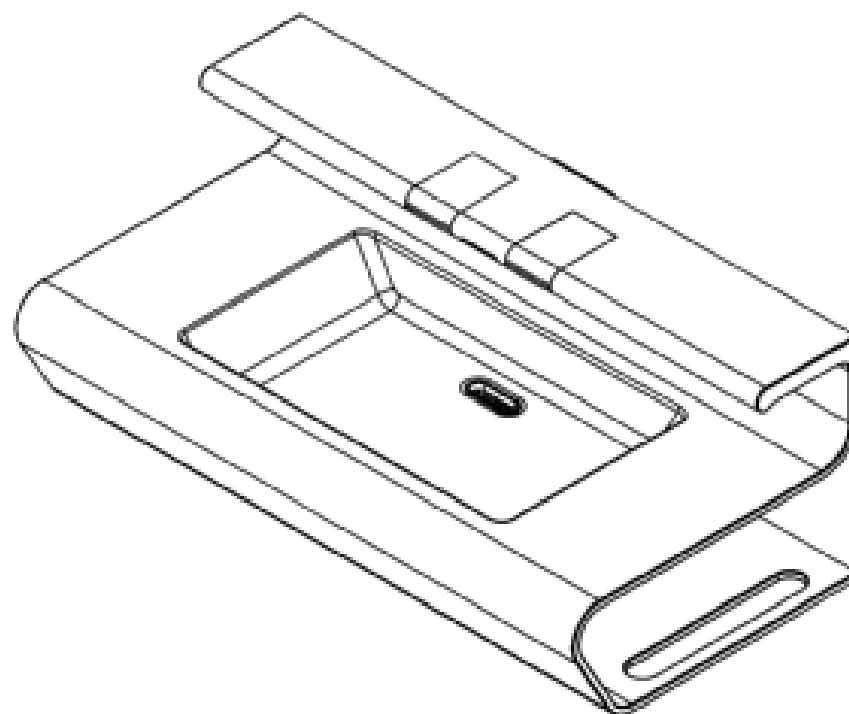
 (56) Related Art Documents: **Not Applicable**
 (57) Statement of Newness and Distinctiveness: **When determining whether the designs 1 or 2 are substantially similar in overall impression to another design, no regard is to be had to those features shown in dotted outline in the accompanying drawings.**



- (21) Design Number: **21565/2007**
(22) Date of Filing Application: **21 December 2007**
(24) Date from which industrial property rights may have effect: **21 December 2007**
(54) Product in respect of which the design is registered: **Armrest for folding chair**
(51) International Design Classification: **06-06G**
(71) Name(s) and Address(s) of Applicant(s):
The Coleman Company, Inc.
3600 North Hydraulic Wichita KS 67219 United States of America
(72) Name(s) of Designer(s): **Gail R. Matheus and Luke E. Kelly**
(45) Registration Date: **30 April 2008**
(30) Convention priority data:
(31) Number (32) Date (33) Country
29/281589 26 Jun 2007 UNITED STATES OF AMERICA
(56) Related Art Documents: **Not Applicable**
(57) Statement of Newness and Distinctiveness: **When determining whether the designs 1 or 2 are substantially similar in overall impression to another design, no regard is to be had to those features shown in dotted outline in the accompanying drawings.**



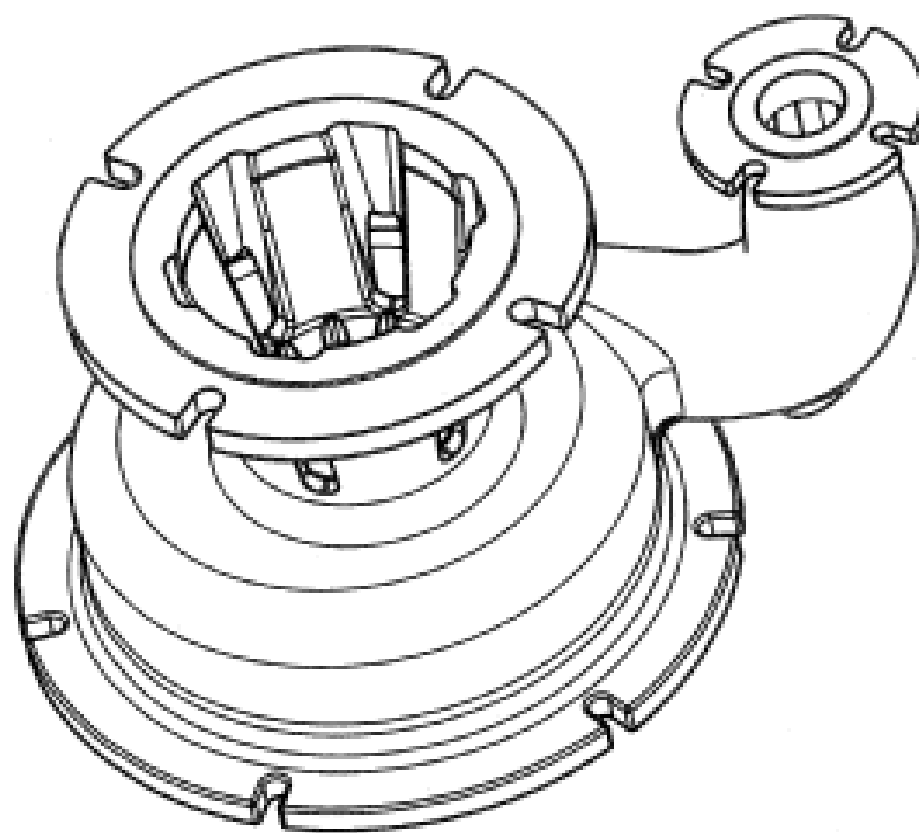
- (21) Design Number: **20435/2007**
(22) Date of Filing Application: **26 October 2007**
(24) Date from which industrial property rights may have effect: **26 October 2007**
(54) Product in respect of which the design is registered: **Basin with taps integral in shelf**
(51) International Design Classification: **23-02F**
(71) Name(s) and Address(s) of Applicant(s):
Marc Philipp Veenendaal
6/47 Wyanabah Road Cronulla New South Wales 2230 Australia
(72) Name(s) of Designer(s): **Marc Philipp Veenendaal**
(45) Registration Date: **30 April 2008**
(56) Related Art Documents: **Not Applicable**
(57) Statement of Newness and Distinctiveness: **Newness and distinctiveness is claimed in the shape and/or configuration of a basin with taps integral with shelf as illustrated in the representations.**



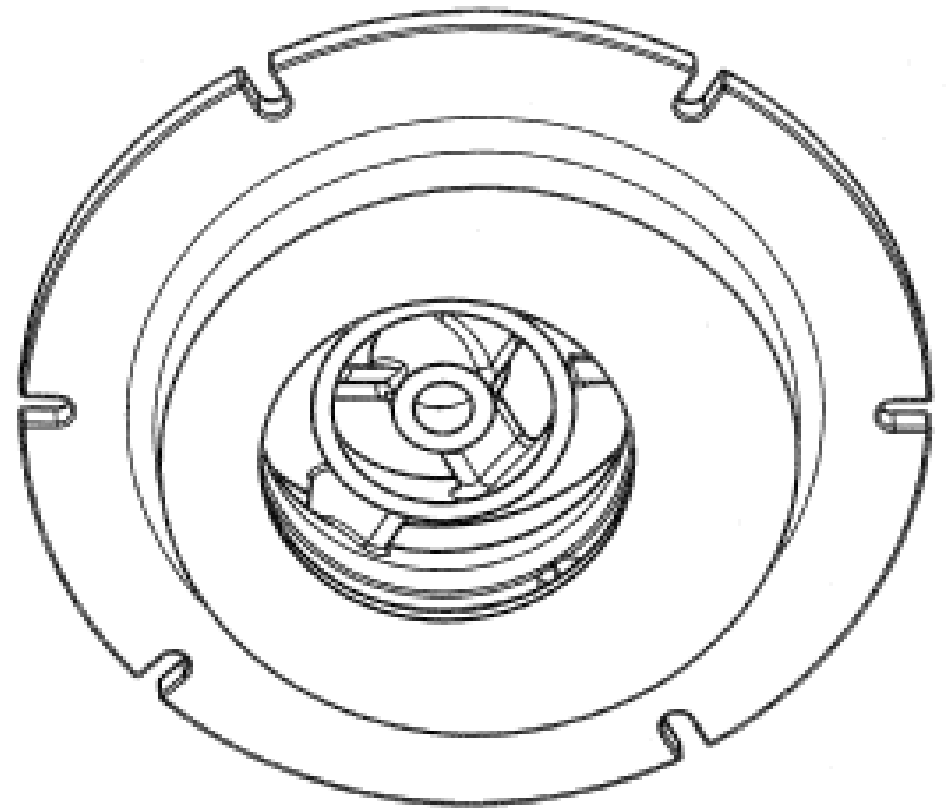
(21) Design Number: **20508/2007**
(22) Date of Filing Application: **26 October 2007**
(24) Date from which industrial property rights may have effect: **26 October 2007**
(54) Product in respect of which the design is registered: **Shower and bathroom waste**
(51) International Design Classification: **23-02NES**
(71) Name(s) and Address(s) of Applicant(s):
John Foster
1 Rosemount Street Sinnamon Park Queensland 4073 Australia
(72) Name(s) of Designer(s): **John Foster**
(45) Registration Date: **30 April 2008**
(56) Related Art Documents: **Not Applicable**
(57) Statement of Newness and Distinctiveness: **Newness and distinctiveness resides in the shape and configuration of the shower and bathroom waste as shown in the accompanying drawing.**



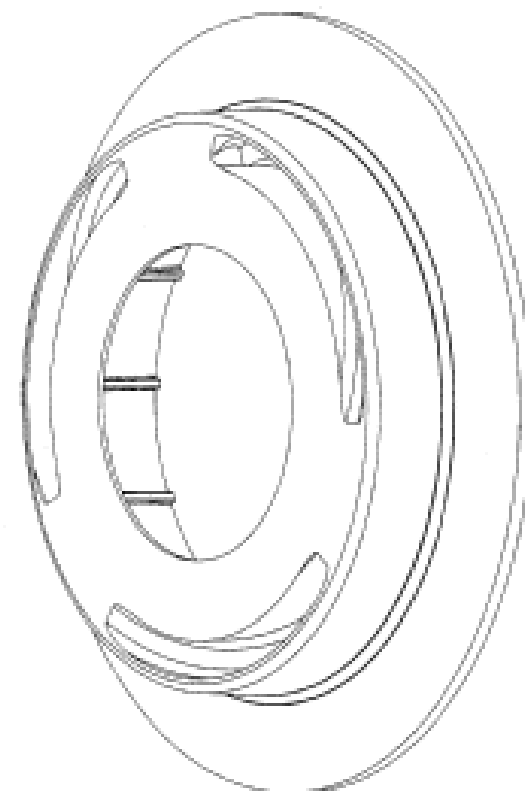
(21) Design Number: **20652/2007**
(22) Date of Filing Application: **06 November 2007**
(24) Date from which industrial property rights may have effect: **06 November 2007**
(54) Product in respect of which the design is registered: **Pump casing**
(51) International Design Classification: **15-02**
(71) Name(s) and Address(s) of Applicant(s):
Weir Minerals Australia Ltd
1 Marden Street Artarmon New South Wales 2064 Australia
(72) Name(s) of Designer(s): **Garth Norman Cantrill and Ana Milian**
(45) Registration Date: **30 April 2008**
(56) Related Art Documents: **Not Applicable**
(57) Statement of Newness and Distinctiveness: **Nil**



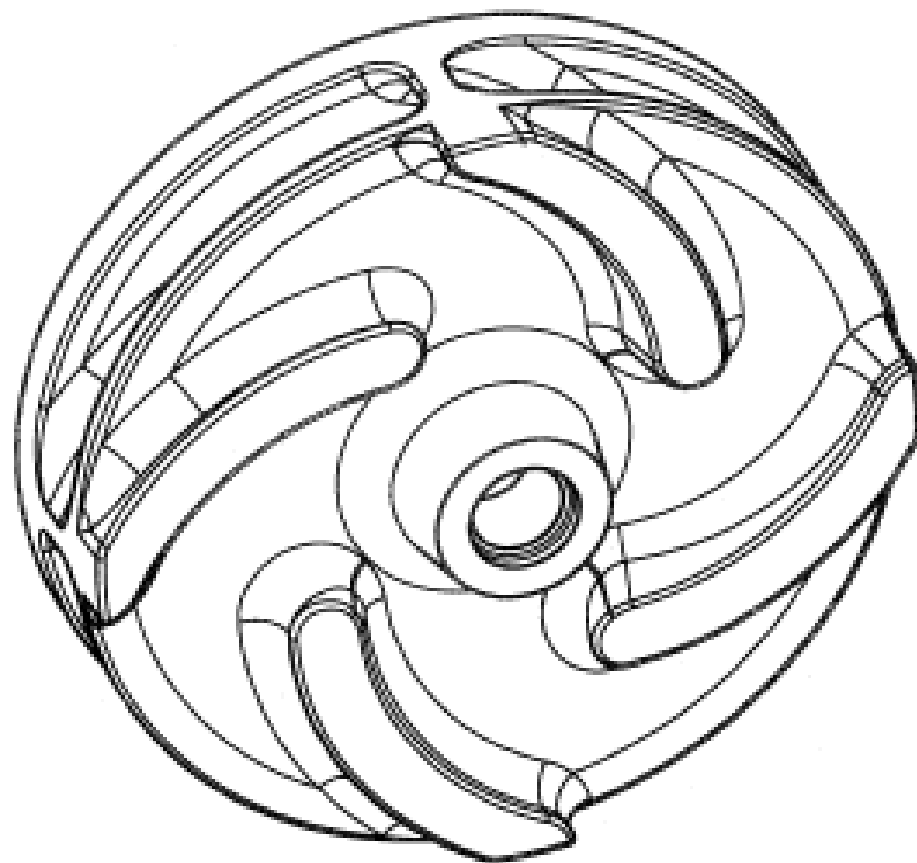
- (21) Design Number: **20653/2007**
(22) Date of Filing Application: **06 November 2007**
(24) Date from which industrial property rights may have effect: **06 November 2007**
(54) Product in respect of which the design is registered: **Pump inlet flow strainer**
(51) International Design Classification: **23-01G**
(71) Name(s) and Address(s) of Applicant(s):
Weir Minerals Australia Ltd
1 Marden Street Artarmon New South Wales 2064 Australia
(72) Name(s) of Designer(s): **Garth Norman Cantrill and Ana Milian**
(45) Registration Date: **30 April 2008**
(56) Related Art Documents: **Not Applicable**
(57) Statement of Newness and Distinctiveness: **Nil**



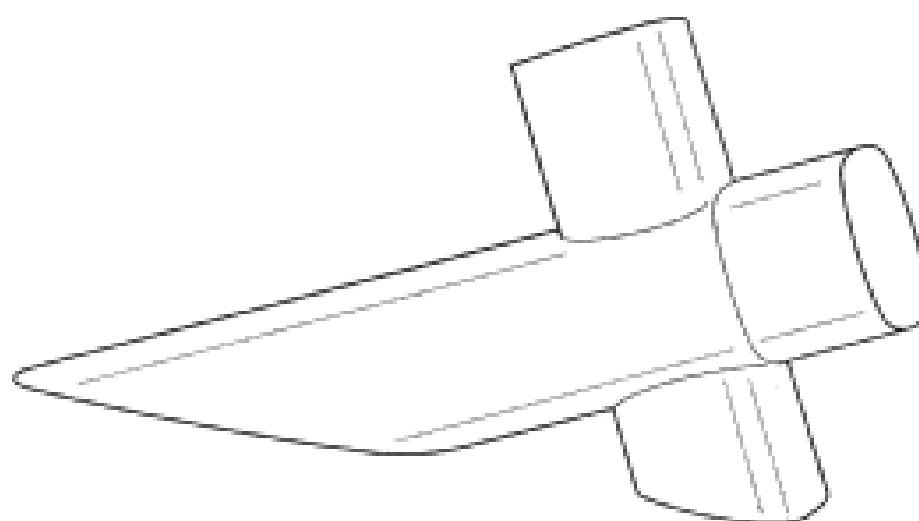
- (21) Design Number: **20654/2007**
(22) Date of Filing Application: **06 November 2007**
(24) Date from which industrial property rights may have effect: **06 November 2007**
(54) Product in respect of which the design is registered: **Air diffuser for a mechanically sealed pump**
(51) International Design Classification: **15-02**
(71) Name(s) and Address(s) of Applicant(s):
Weir Minerals Australia Ltd
1 Marden Street Artarmon New South Wales 2064 Australia
(72) Name(s) of Designer(s): **Michael Christopher Foreman**
(45) Registration Date: **30 April 2008**
(56) Related Art Documents: **Not Applicable**
(57) Statement of Newness and Distinctiveness: **Nil**



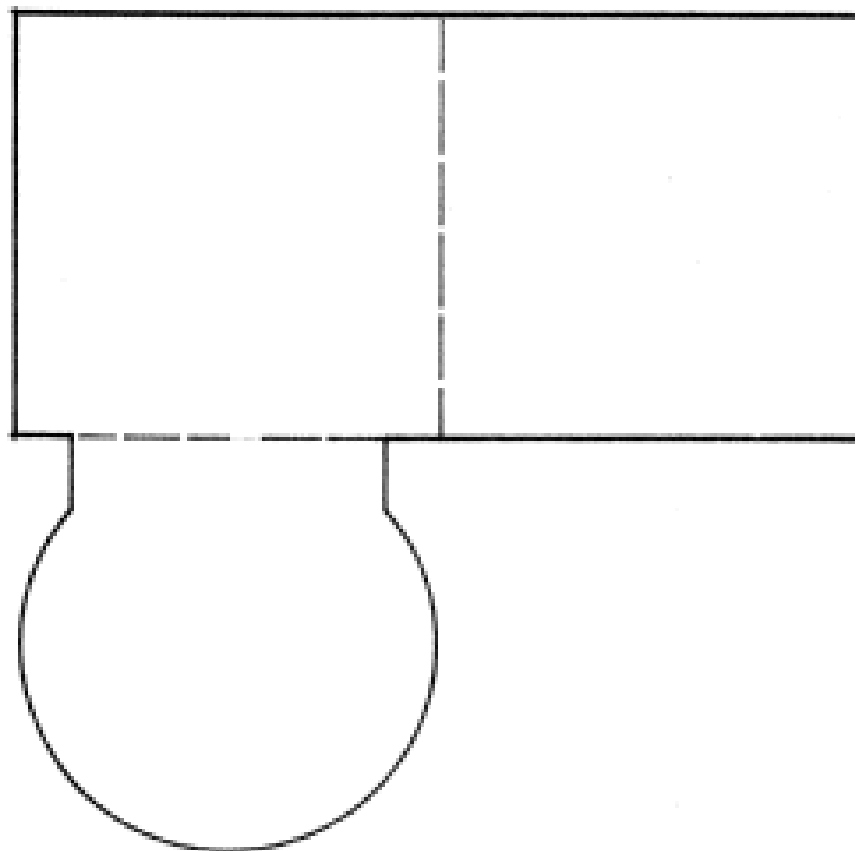
- (21) Design Number: **20655/2007**
(22) Date of Filing Application: **06 November 2007**
(24) Date from which industrial property rights may have effect: **06 November 2007**
(54) Product in respect of which the design is registered: **Pump impeller**
(51) International Design Classification: **15-02**
(71) Name(s) and Address(s) of Applicant(s):
Weir Minerals Australia Ltd
1 Marden Street Artarmon New South Wales 2064 Australia
(72) Name(s) of Designer(s): **Garth Norman Cantrill and Ana Milian**
(45) Registration Date: **30 April 2008**
(56) Related Art Documents: **Not Applicable**
(57) Statement of Newness and Distinctiveness: **Nil**



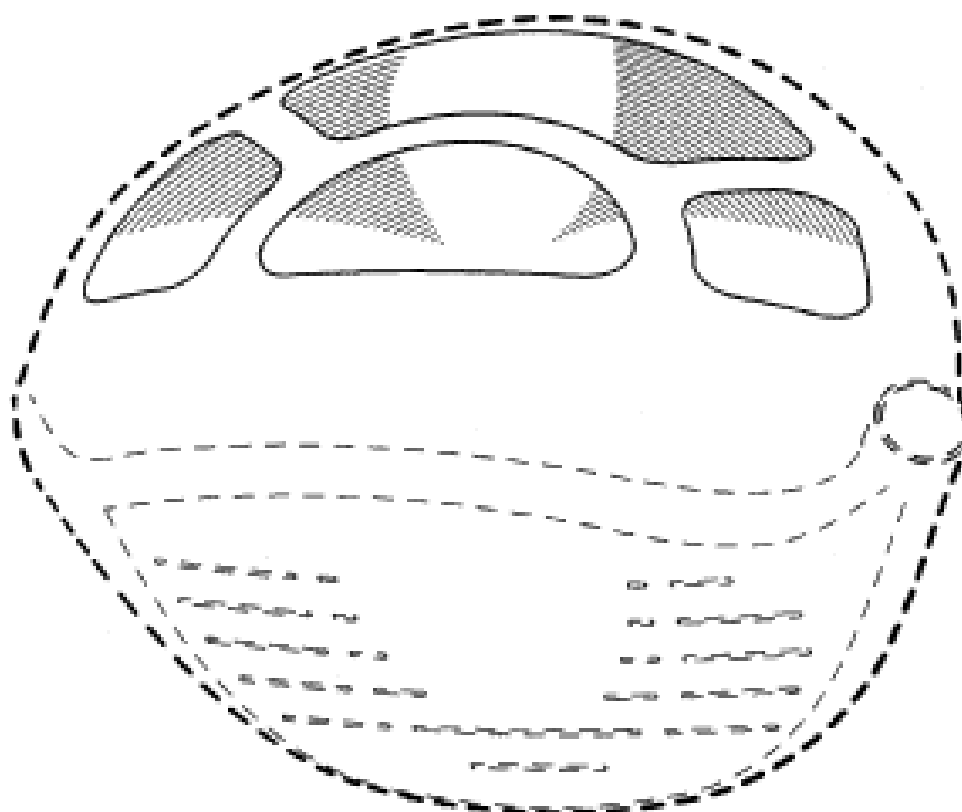
- (21) Design Number: **20921/2007**
(22) Date of Filing Application: **19 November 2007**
(24) Date from which industrial property rights may have effect: **19 November 2007**
(54) Product in respect of which the design is registered: **Bottle**
(51) International Design Classification: **09-01G**
(71) Name(s) and Address(s) of Applicant(s):
Isaias Florenca
19 Stiller Street Hamilton Hill Western Australia 6163 Australia
(72) Name(s) of Designer(s): **Isaias Florenca**
(45) Registration Date: **30 April 2008**
(56) Related Art Documents: **Not Applicable**
(57) Statement of Newness and Distinctiveness: **The shape and configuration of those parts of the product shown other than by means of dashed lines in the representations are new and distinctive.**



(21) Design Number: **20990/2007**
 (22) Date of Filing Application: **26 November 2007**
 (24) Date from which industrial property rights may have effect: **26 November 2007**
 (54) Product in respect of which the design is registered: **Interactive postcard**
 (51) International Design Classification: **19-01**
 (71) Name(s) and Address(s) of Applicant(s):
Diana Hargraves
100 Elizabeth Street Urangan Queensland 4655 Australia
George Rouvas
100 Elizabeth Street Urangan Queensland 4655 Australia
 (72) Name(s) of Designer(s): **Diana Hargraves and George Rouvas**
 (45) Registration Date: **30 April 2008**
 (56) Related Art Documents: **Not Applicable**
 (57) Statement of Newness and Distinctiveness: **The new and distinctive feature is the designed shape of the postcard which folds to encase a disk for postage and handling.**



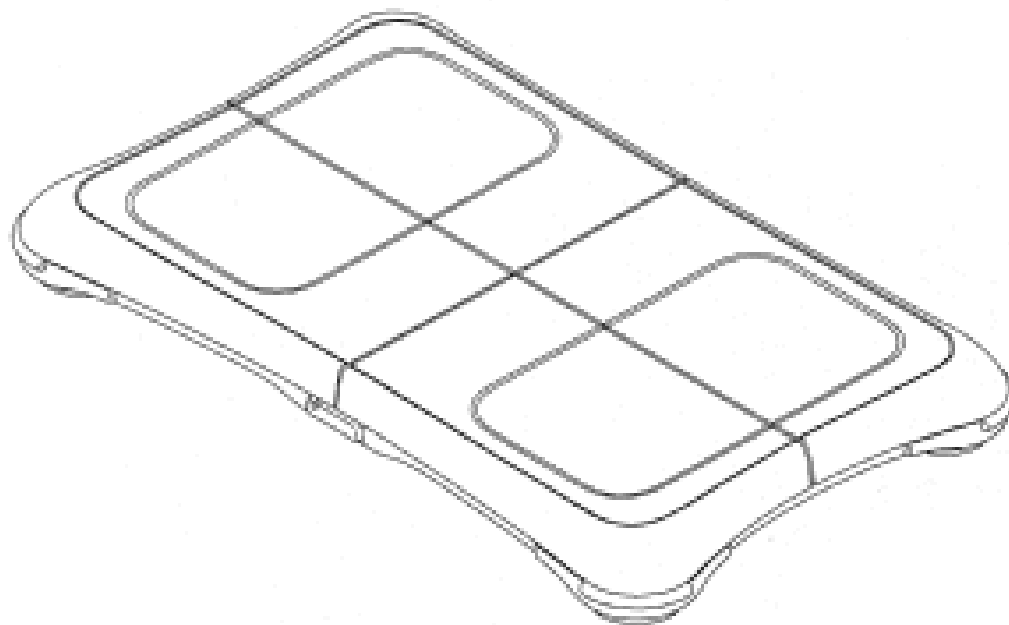
(21) Design Number: **21081/2007**
 (22) Date of Filing Application: **03 December 2007**
 (24) Date from which industrial property rights may have effect: **03 December 2007**
 (54) Product in respect of which the design is registered: **Golf club head**
 (51) International Design Classification: **21-02C**
 (71) Name(s) and Address(s) of Applicant(s):
Karsten Manufacturing Corporation
2201 West Desert Cove Phoenix Arizona 85029 United States of America
 (72) Name(s) of Designer(s): **Eric J. Morales and Anthony D. Serrano and Marty R. Jertson**
 (45) Registration Date: **30 April 2008**
 (30) Convention priority data:
 (31) Number (32) Date (33) Country
29/282273 16 Jul 2007 UNITED STATES OF AMERICA
 (56) Related Art Documents: **Not Applicable**
 (57) Statement of Newness and Distinctiveness: **Newness and distinctiveness is claimed in the visual features shown in solid lines in the representations.**



(21) Design Number: **21542/2007**
 (22) Date of Filing Application: **21 December 2007**
 (24) Date from which industrial property rights may have effect: **21 December 2007**
 (54) Product in respect of which the design is registered: **A controller**
 (51) International Design Classification: **21-01N**
 (71) Name(s) and Address(s) of Applicant(s):
Nintendo Co., Ltd.
11-1 Hokotate-cho Kamitoba Minami-ku Kyoto-shi Kyoto Japan
 (72) Name(s) of Designer(s): **Shinji Yamamoto and Hideo Nagata and Yasuhisa Kitano and Akiko Suga and Daisuke Kumazaki**
 (45) Registration Date: **30 April 2008**
 (30) Convention priority data:

(31) Number	(32) Date	(33) Country
2007-016644	22 Jun 2007	JAPAN

 (56) Related Art Documents: **Not Applicable**
 (57) Statement of Newness and Distinctiveness: **Nil**



(21) Design Number: **11062/2008**
 (22) Date of Filing Application: **08 November 2007**
 (24) Date from which industrial property rights may have effect: **08 November 2007**
 (54) Product in respect of which the design is registered: **Lighting device**
 (51) International Design Classification: **26-02**
 (71) Name(s) and Address(s) of Applicant(s):
Eveready Battery Company, Inc.
533 Maryville University Drive St Louis Missouri 63141 United States of America
 (72) Name(s) of Designer(s): **Peter C. Castelluci and Scott W. Osiecki**
 (45) Registration Date: **05 May 2008**
 (30) Convention priority data:

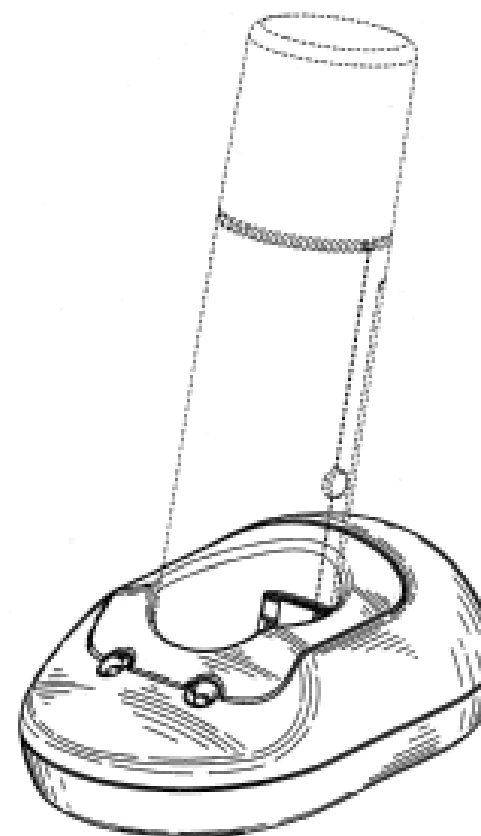
(31) Number	(32) Date	(33) Country
29/288042	25 May 2007	UNITED STATES OF AMERICA

 (62) Divisional of: **319054**
 (56) Related Art Documents: **Not Applicable**
 (57) Statement of Newness and Distinctiveness: **Newness and distinctiveness is claimed in those visual features depicted in unbroken lines.**



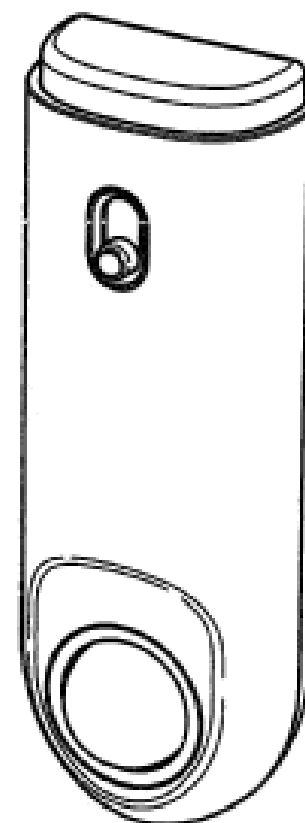
- (21) Design Number: **11063/2008**
- (22) Date of Filing Application: **08 November 2007**
- (24) Date from which industrial property rights may have effect: **08 November 2007**
- (54) Product in respect of which the design is registered: **Charger**
- (51) International Design Classification: **13-02**
- (71) Name(s) and Address(s) of Applicant(s):
Eveready Battery Company, Inc.
533 Maryville University Drive St Louis Missouri 63141 United States of America
- (72) Name(s) of Designer(s): **Peter C. Castelluci and Scott W. Osiecki**
- (45) Registration Date: **05 May 2008**
- (30) Convention priority data:

(31) Number	(32) Date	(33) Country
29/288042	25 May 2007	UNITED STATES OF AMERICA
- (62) Divisional of: **319054**
- (56) Related Art Documents: **Not Applicable**
- (57) Statement of Newness and Distinctiveness: **Newness and distinctiveness is claimed in those visual features depicted in unbroken lines.**



- (21) Design Number: **11064/2008**
- (22) Date of Filing Application: **12 November 2007**
- (24) Date from which industrial property rights may have effect: **12 November 2007**
- (54) Product in respect of which the design is registered: **Lighting device**
- (51) International Design Classification: **26-02**
- (71) Name(s) and Address(s) of Applicant(s):
Eveready Battery Company, Inc.
533 Maryville University Drive St Louis Missouri 63141 United States of America
- (72) Name(s) of Designer(s): **Scott W. Osiecki and Todd B. Abernethy**
- (45) Registration Date: **05 May 2008**
- (30) Convention priority data:

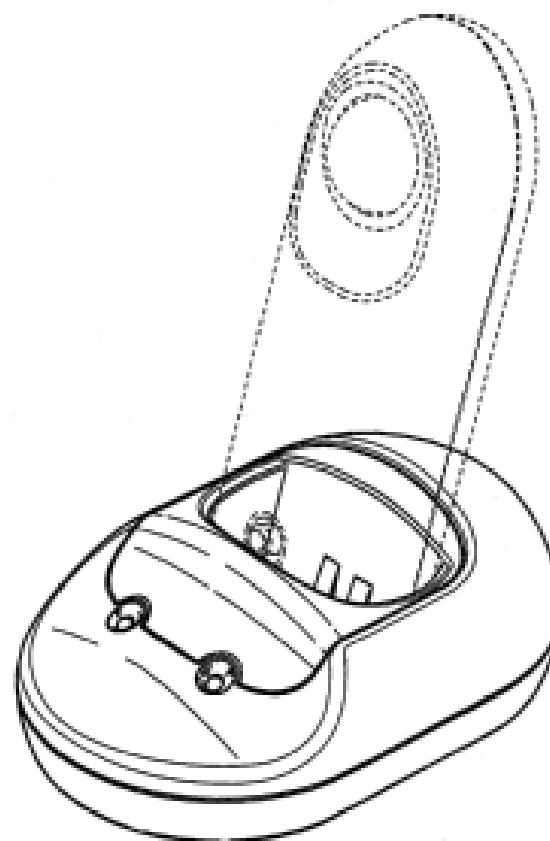
(31) Number	(32) Date	(33) Country
29/288005	25 May 2007	UNITED STATES OF AMERICA
- (62) Divisional of: **319056**
- (56) Related Art Documents: **Not Applicable**
- (57) Statement of Newness and Distinctiveness: **Newness and distinctiveness is claimed in those visual features depicted in unbroken lines.**



(21) Design Number: **11065/2008**
 (22) Date of Filing Application: **12 November 2007**
 (24) Date from which industrial property rights may have effect: **12 November 2007**
 (54) Product in respect of which the design is registered: **Charger**
 (51) International Design Classification: **13-02**
 (71) Name(s) and Address(s) of Applicant(s):
Eveready Battery Company, Inc.
533 Maryville University Drive St Louis Missouri 63141 United States of America
 (72) Name(s) of Designer(s): **Scott W. Osiecki and Todd B. Abernethy**
 (45) Registration Date: **05 May 2008**
 (30) Convention priority data:

(31) Number	(32) Date	(33) Country
29/288005	25 May 2007	UNITED STATES OF AMERICA

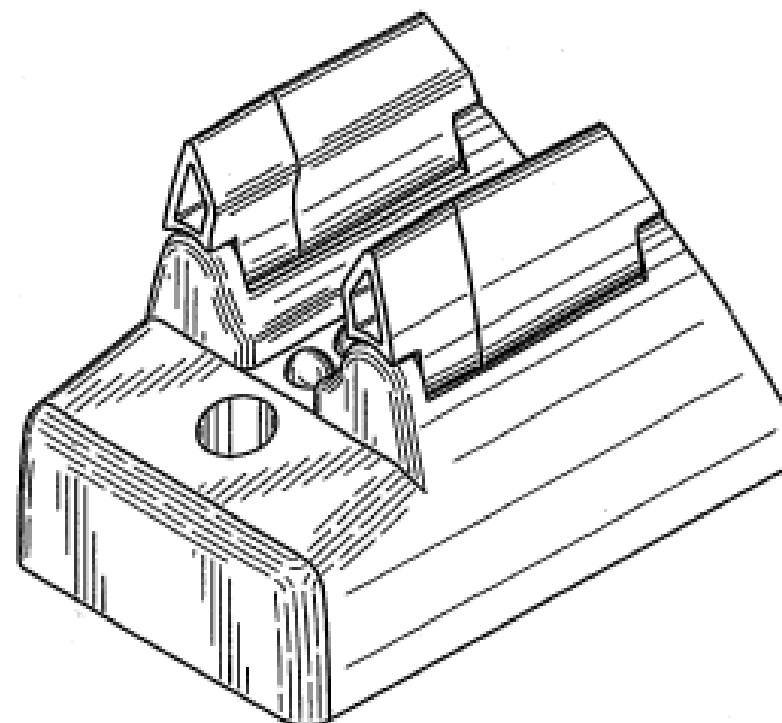
 (62) Divisional of: **319056**
 (56) Related Art Documents: **Not Applicable**
 (57) Statement of Newness and Distinctiveness: **Newness and distinctiveness is claimed in those visual features depicted in unbroken lines.**



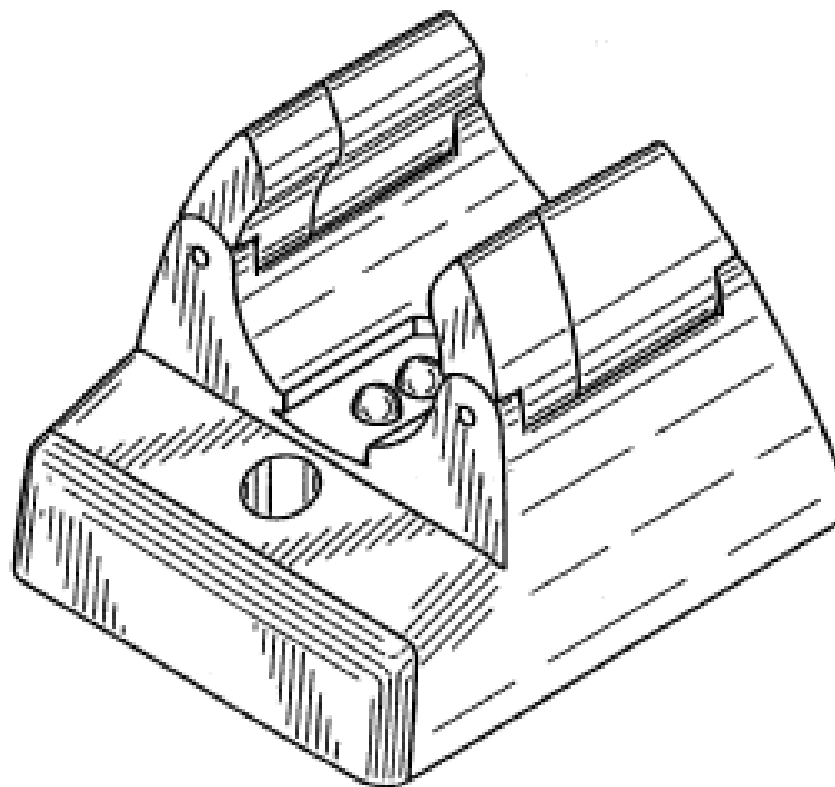
(21) Design Number: **11066/2008**
 (22) Date of Filing Application: **21 November 2007**
 (24) Date from which industrial property rights may have effect: **21 November 2007**
 (54) Product in respect of which the design is registered: **A charger**
 (51) International Design Classification: **13-02**
 (71) Name(s) and Address(s) of Applicant(s):
Eveready Battery Company, Inc.
533 Maryville University Drive St Louis Missouri 63141 United States of America
 (72) Name(s) of Designer(s): **Joseph P. Gardner and John R. Brown and Timothy Rugendyke and Angelo Kotsis and Michael S. Squires**
 (45) Registration Date: **05 May 2008**
 (30) Convention priority data:

(31) Number	(32) Date	(33) Country
29/288068	29 May 2007	UNITED STATES OF AMERICA

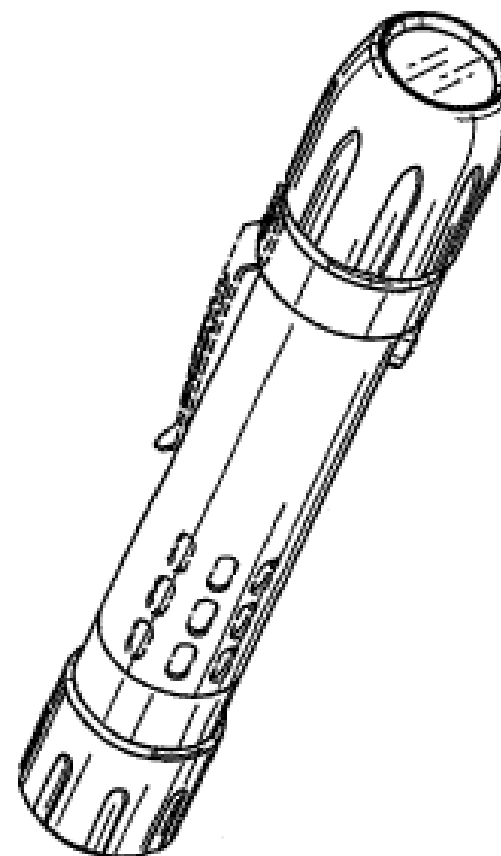
 (62) Divisional of: **319057**
 (56) Related Art Documents: **Not Applicable**
 (57) Statement of Newness and Distinctiveness: **Newness and distinctiveness is claimed in those visual features depicted in unbroken lines.**



- (21) Design Number: **11067/2008**
(22) Date of Filing Application: **21 November 2007**
(24) Date from which industrial property rights may have effect: **21 November 2007**
(54) Product in respect of which the design is registered: **A charger**
(51) International Design Classification: **13-02**
(71) Name(s) and Address(s) of Applicant(s):
Eveready Battery Company, Inc.
533 Maryville University Drive St Louis Missouri 63141 United States of America
(72) Name(s) of Designer(s): **Joseph P. Gardner and John R. Brown and Timothy Rugendyke and Angelo Kotsis and Michael S. Squires**
(45) Registration Date: **05 May 2008**
(30) Convention priority data:
(31) Number (32) Date (33) Country
29/288067 29 May 2007 UNITED STATES OF AMERICA
(62) Divisional of: **319058**
(56) Related Art Documents: **Not Applicable**
(57) Statement of Newness and Distinctiveness: **Newness and distinctiveness is claimed in those visual features depicted in unbroken lines.**

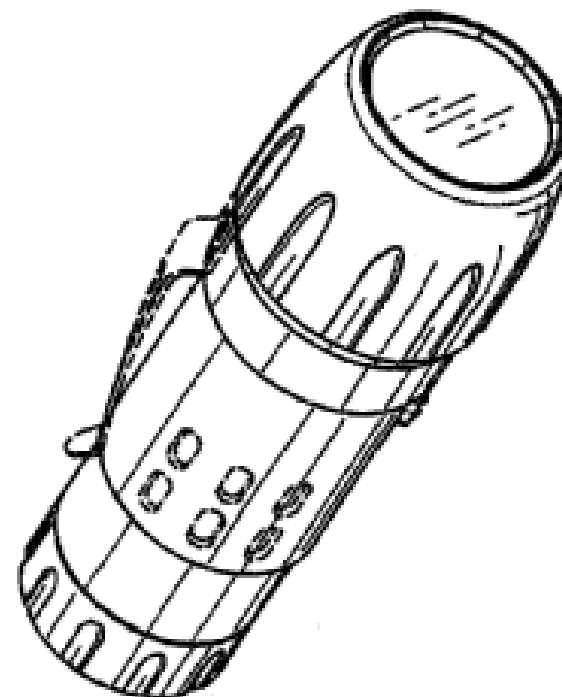


- (21) Design Number: **11068/2008**
(22) Date of Filing Application: **26 November 2007**
(24) Date from which industrial property rights may have effect: **26 November 2007**
(54) Product in respect of which the design is registered: **Flashlight**
(51) International Design Classification: **26-02**
(71) Name(s) and Address(s) of Applicant(s):
Eveready Battery Company, Inc.
533 Maryville University Drive St Louis Missouri 63141 United States of America
(72) Name(s) of Designer(s): **David A. Spartano and John Brown and Tim Rugendyke**
(45) Registration Date: **05 May 2008**
(30) Convention priority data:
(31) Number (32) Date (33) Country
29/281286 20 Jun 2007 UNITED STATES OF AMERICA
(62) Divisional of: **319060**
(56) Related Art Documents: **Not Applicable**
(57) Statement of Newness and Distinctiveness: **Newness and distinctiveness is claimed in those visual features depicted in unbroken lines.**



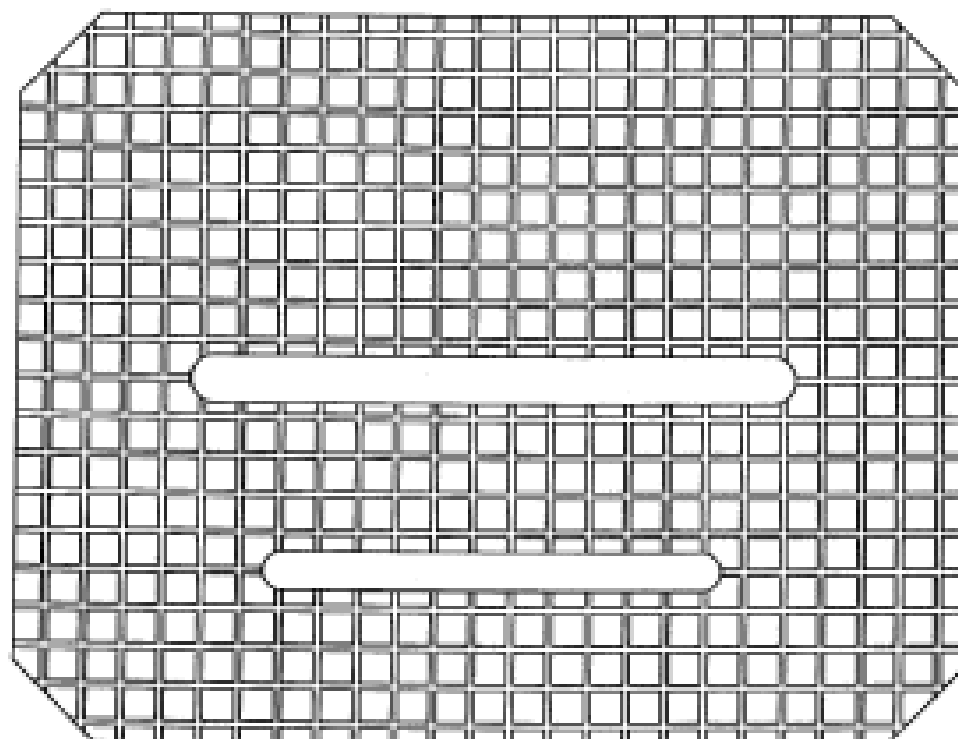
- (21) Design Number: **11069/2008**
- (22) Date of Filing Application: **26 November 2007**
- (24) Date from which industrial property rights may have effect: **26 November 2007**
- (54) Product in respect of which the design is registered: **Flashlight**
- (51) International Design Classification: **26-02**
- (71) Name(s) and Address(s) of Applicant(s):
Eveready Battery Company, Inc.
533 Maryville University Drive St Louis Missouri 63141 United States of America
- (72) Name(s) of Designer(s): **David A. Spartano and John Brown and Tim Rugendyke**
- (45) Registration Date: **05 May 2008**
- (30) Convention priority data:

(31) Number	(32) Date	(33) Country
29/281286	20 Jun 2007	UNITED STATES OF AMERICA
- (62) Divisional of: **319060**
- (56) Related Art Documents: **Not Applicable**
- (57) Statement of Newness and Distinctiveness: **Newness and distinctiveness is claimed in those visual features depicted in unbroken lines.**



- (21) Design Number: **20551/2007**
- (22) Date of Filing Application: **31 October 2007**
- (24) Date from which industrial property rights may have effect: **31 October 2007**
- (54) Product in respect of which the design is registered: **Base sheet of an apparatus for fixing a wig**
- (51) International Design Classification: **28-04**
- (71) Name(s) and Address(s) of Applicant(s):
Aderans Holdings Co. Ltd.
6-3 Shinjuku 1-chome Shinjuku-ku Tokyo 160-8429 Japan
- (72) Name(s) of Designer(s): **Mayumi Toba**
- (45) Registration Date: **05 May 2008**
- (30) Convention priority data:

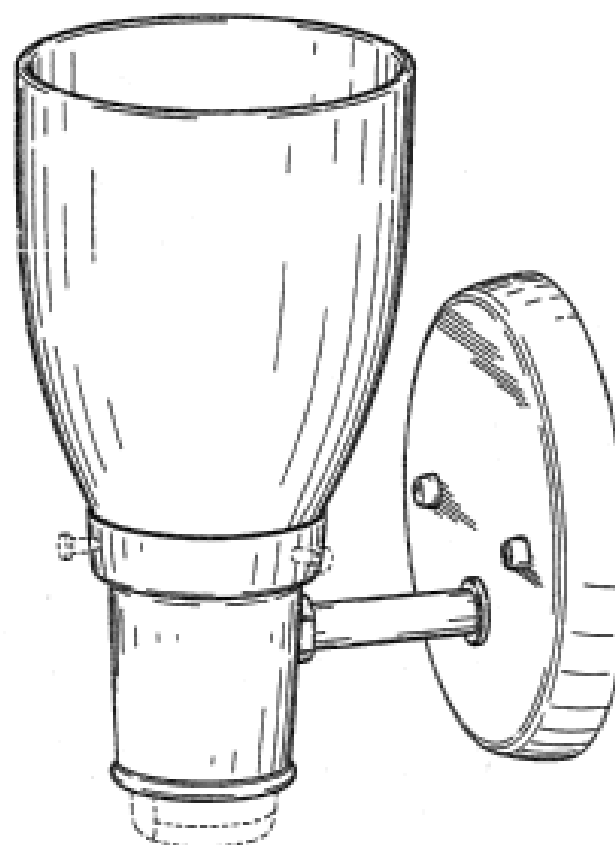
(31) Number	(32) Date	(33) Country
2007-14200	29 May 2007	JAPAN
- (56) Related Art Documents: **Not Applicable**
- (57) Statement of Newness and Distinctiveness: **Newness and distinctiveness reside in the features of the design as shown in the representations.**



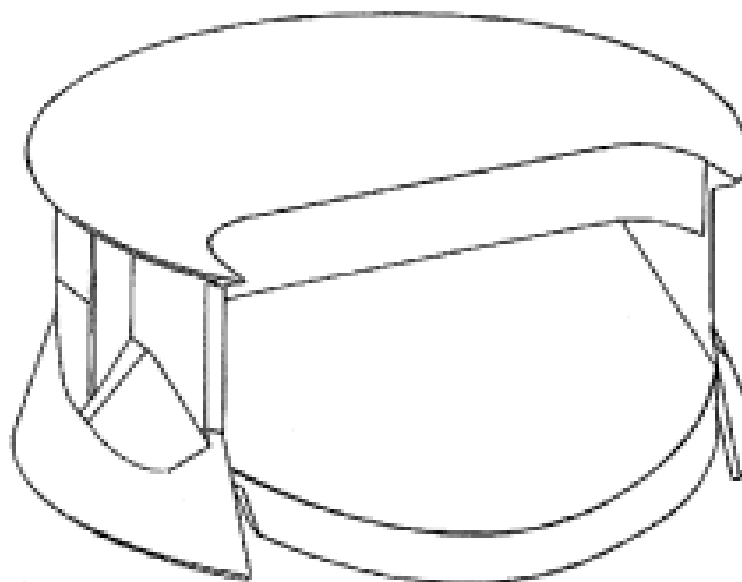
- (21) Design Number: **20658/2007**
(22) Date of Filing Application: **07 November 2007**
(24) Date from which industrial property rights may have effect: **07 November 2007**
(54) Product in respect of which the design is registered: **An internal-combustion engine**
(51) International Design Classification: **15-01**
(71) Name(s) and Address(s) of Applicant(s):
Honda Motor Co., Ltd.
1-1 Minami-Aoyama 2-Chome Minato-ku Tokyo Japan
(72) Name(s) of Designer(s): **Joji Maeda**
(45) Registration Date: **05 May 2008**
(30) Convention priority data:
(31) Number (32) Date (33) Country
2007-012227 10 May 2007 JAPAN
(56) Related Art Documents: **Not Applicable**
(57) Statement of Newness and Distinctiveness: **Newness and distinctiveness is claimed in the features of shape and/or configuration of an internal-combustion engine as illustrated in the accompanying representations.**



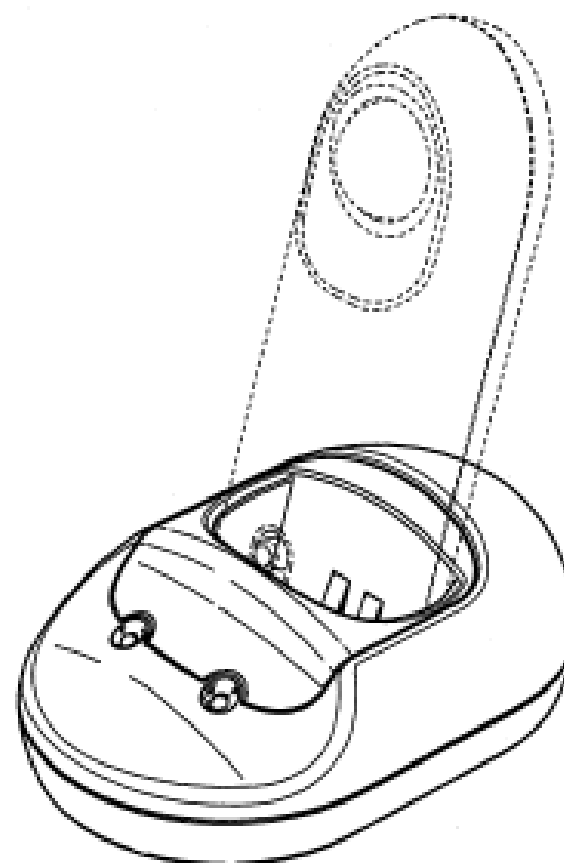
- (21) Design Number: **20670/2007**
(22) Date of Filing Application: **08 November 2007**
(24) Date from which industrial property rights may have effect: **08 November 2007**
(54) Product in respect of which the design is registered: **Wall apparatus for a lighting device**
(51) International Design Classification: **26-05B**
(71) Name(s) and Address(s) of Applicant(s):
Eveready Battery Company, Inc.
533 Maryville University Drive St Louis Missouri 63141 United States of America
(72) Name(s) of Designer(s): **Peter C. Castelluci and Scott W. Osiecki**
(45) Registration Date: **05 May 2008**
(30) Convention priority data:
(31) Number (32) Date (33) Country
29/288042 25 May 2007 UNITED STATES OF AMERICA
(56) Related Art Documents: **Not Applicable**
(57) Statement of Newness and Distinctiveness: **Newness and distinctiveness is claimed in those visual features depicted in unbroken lines.**



(21) Design Number: **20713/2007**
(22) Date of Filing Application: **09 November 2007**
(24) Date from which industrial property rights may have effect: **09 November 2007**
(54) Product in respect of which the design is registered: **Dispenser**
(51) International Design Classification: **09-07A**
(71) Name(s) and Address(s) of Applicant(s):
Logidos Aps
Moelleaparken 6, DK-6200 Aabenraa, Denmark
(72) Name(s) of Designer(s): **Keld Krogh Nielsen**
(45) Registration Date: **05 May 2008**
(30) Convention priority data:
(31) Number (32) Date (33) Country
000720073 09 May 2007 EUROPEAN COMMUNITY
(56) Related Art Documents: **Not Applicable**
(57) Statement of Newness and Distinctiveness: **Nil**

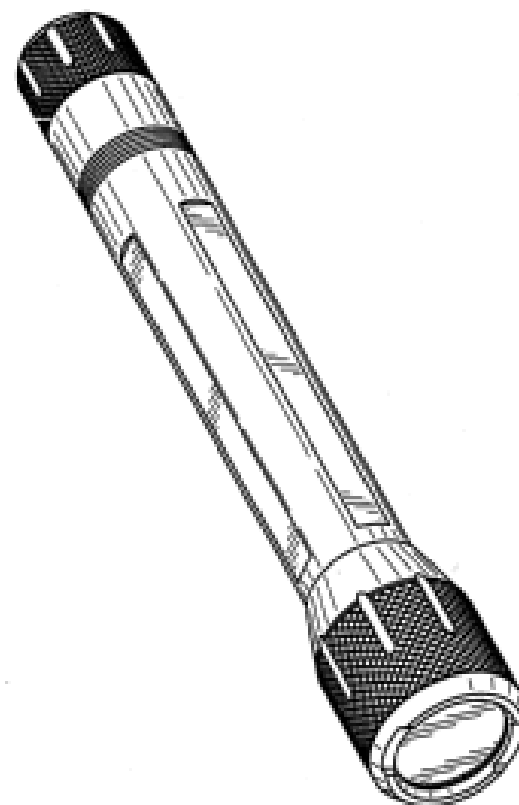


(21) Design Number: **20719/2007**
(22) Date of Filing Application: **12 November 2007**
(24) Date from which industrial property rights may have effect: **12 November 2007**
(54) Product in respect of which the design is registered: **A diffuser for a lighting device**
(51) International Design Classification: **26-02, 26-05C**
(71) Name(s) and Address(s) of Applicant(s):
Eveready Battery Company, Inc.
533 Maryville University Drive St Louis Missouri 63141 United States of America
(72) Name(s) of Designer(s): **Scott W. Osiecki and Todd B. Abernethy**
(45) Registration Date: **05 May 2008**
(30) Convention priority data:
(31) Number (32) Date (33) Country
29/288005 25 May 2007 UNITED STATES OF AMERICA
(56) Related Art Documents: **Not Applicable**
(57) Statement of Newness and Distinctiveness: **Newness and distinctiveness is claimed in those visual features depicted in unbroken lines.**



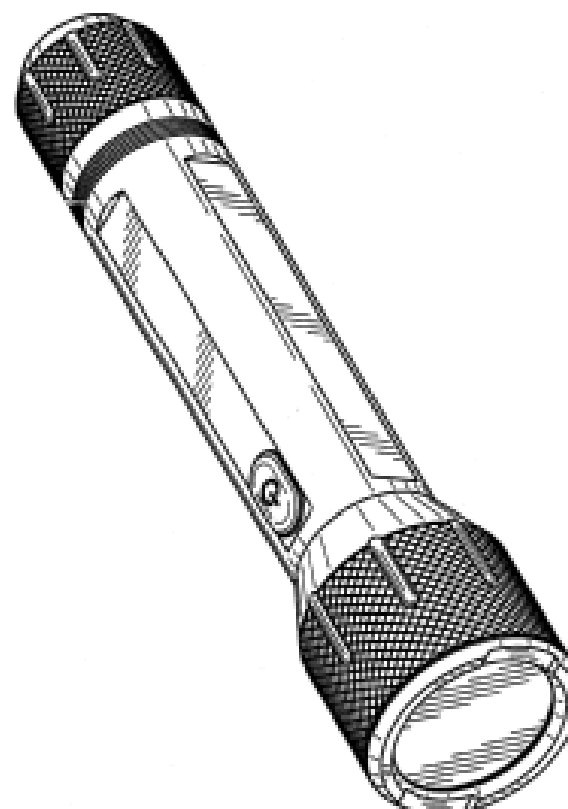
- (21) Design Number: **20943/2007**
- (22) Date of Filing Application: **21 November 2007**
- (24) Date from which industrial property rights may have effect: **21 November 2007**
- (54) Product in respect of which the design is registered: **A flashlight**
- (51) International Design Classification: **26-02**
- (71) Name(s) and Address(s) of Applicant(s):
Eveready Battery Company, Inc.
533 Maryville University Drive St Louis Missouri 63141 United States of America
- (72) Name(s) of Designer(s): **Joseph P. Gardner and John R. Brown and Timothy Rugendyke and Angelo Kotsis and Michael S. Squires**
- (45) Registration Date: **05 May 2008**
- (30) Convention priority data:

(31) Number	(32) Date	(33) Country
29/288068	29 May 2007	UNITED STATES OF AMERICA
- (56) Related Art Documents: **Not Applicable**
- (57) Statement of Newness and Distinctiveness: **Newness and distinctiveness is claimed in those visual features depicted in unbroken lines.**

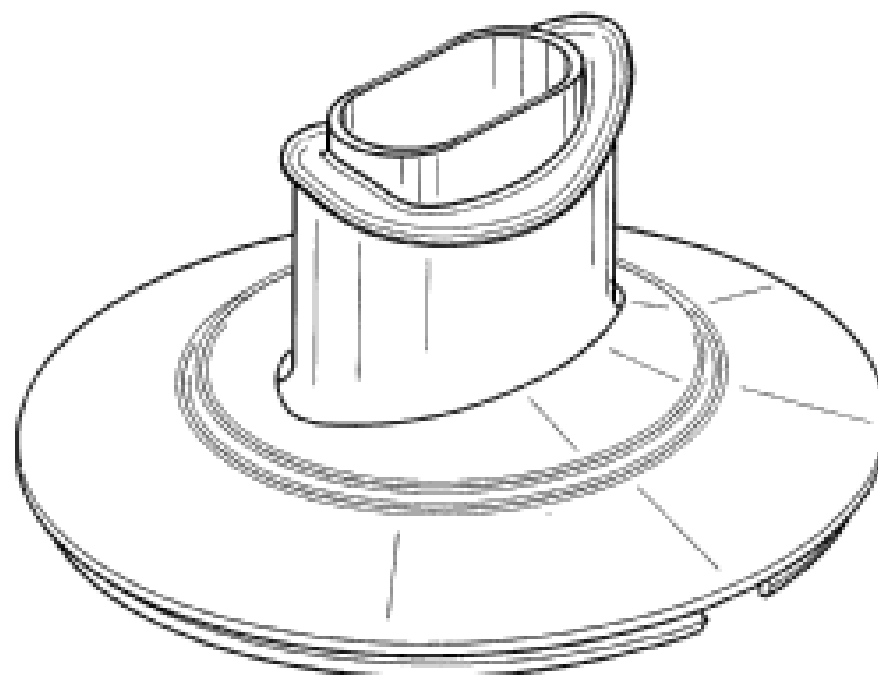


- (21) Design Number: **20944/2007**
- (22) Date of Filing Application: **21 November 2007**
- (24) Date from which industrial property rights may have effect: **21 November 2007**
- (54) Product in respect of which the design is registered: **A flashlight**
- (51) International Design Classification: **26-02**
- (71) Name(s) and Address(s) of Applicant(s):
Eveready Battery Company, Inc.
533 Maryville University Drive St Louis Missouri 63141 United States of America
- (72) Name(s) of Designer(s): **Joseph P. Gardner and John R. Brown and Timothy Rugendyke and Angelo Kotsis and Michael S. Squires**
- (45) Registration Date: **05 May 2008**
- (30) Convention priority data:

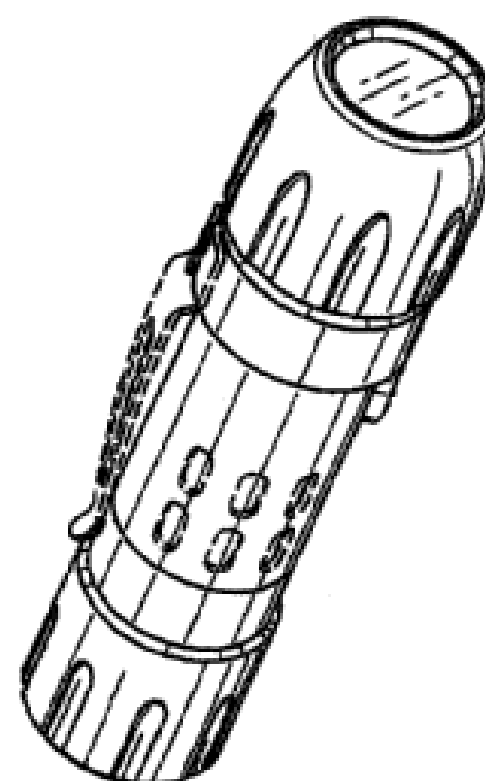
(31) Number	(32) Date	(33) Country
29/288067	29 May 2007	UNITED STATES OF AMERICA
- (56) Related Art Documents: **Not Applicable**
- (57) Statement of Newness and Distinctiveness: **Newness and distinctiveness is claimed in those visual features depicted in unbroken lines.**



- (21) Design Number: **20986/2007**
(22) Date of Filing Application: **23 November 2007**
(24) Date from which industrial property rights may have effect: **23 November 2007**
(54) Product in respect of which the design is registered: **Mouthpiece for an inhaler**
(51) International Design Classification: **24-04**
(71) Name(s) and Address(s) of Applicant(s):
Bird Healthcare Pty Ltd
11 Sabre Drive Port Melbourne Victoria 3206 Australia
(72) Name(s) of Designer(s): **Robert James Bird and Vicki Kathleen Bird and Jonathon James Bird and Nicholas James Bird**
(45) Registration Date: **05 May 2008**
(56) Related Art Documents: **Not Applicable**
(57) Statement of Newness and Distinctiveness: **We submit a Statement of Newness and Distinctiveness (set out below) in respect of particular visual features of "the design", but in so doing do not imply that other visual features of the design lack newness or distinctiveness. STATEMENT OF NEWNESS AND DISTINCTIVENESS The shape, configuration, shape and configuration, pattern, ornamentation, pattern and ornamentation, of the design of the product is new and distinctive.**



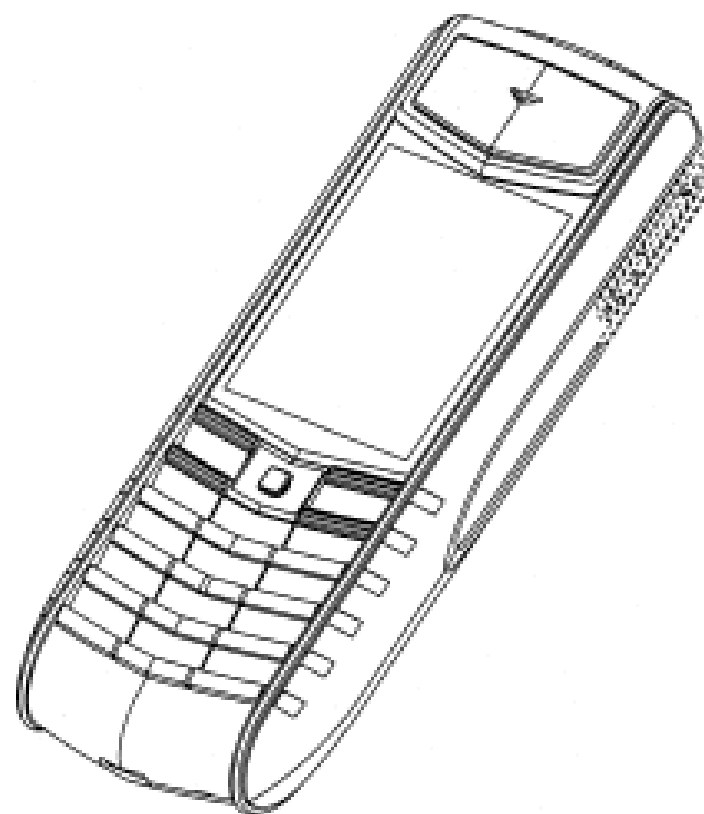
- (21) Design Number: **21003/2007**
(22) Date of Filing Application: **26 November 2007**
(24) Date from which industrial property rights may have effect: **26 November 2007**
(54) Product in respect of which the design is registered: **Flashlight**
(51) International Design Classification: **26-02**
(71) Name(s) and Address(s) of Applicant(s):
Eveready Battery Company, Inc.
533 Maryville University Drive St Louis Missouri 63141 United States of America
(72) Name(s) of Designer(s): **David A. Spartano and John Brown and Tim Rugendyke**
(45) Registration Date: **05 May 2008**
(30) Convention priority data:
(31) Number (32) Date (33) Country
29/281286 20 Jun 2007 UNITED STATES OF AMERICA
(56) Related Art Documents: **Not Applicable**
(57) Statement of Newness and Distinctiveness: **Newness and distinctiveness is claimed in those visual features depicted in unbroken lines.**



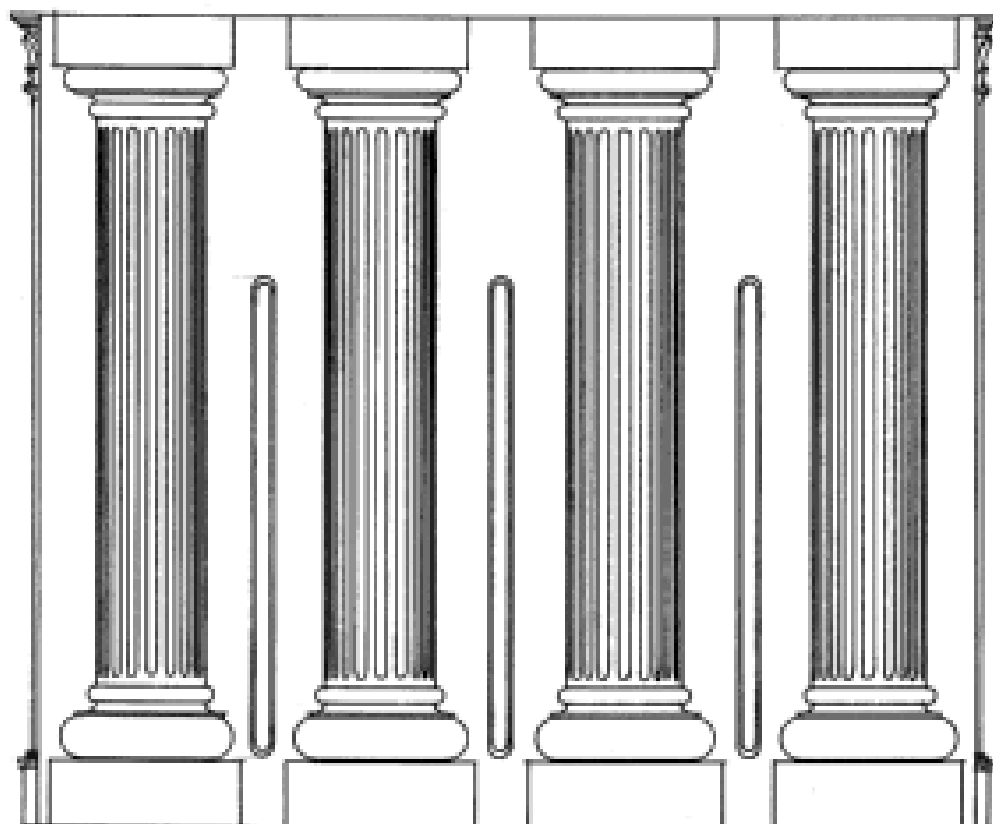
- (21) Design Number: **21247/2007**
(22) Date of Filing Application: **11 December 2007**
(24) Date from which industrial property rights may have effect: **11 December 2007**
(54) Product in respect of which the design is registered: **Funky classic car bed**
(51) International Design Classification: **06-02**
(71) Name(s) and Address(s) of Applicant(s):
Kimyee Furniture Sdn Bhd
58A Jalan Parit Kangkong Bukit Pasir Batu Pahat Johor 83050
Malaysia
(72) Name(s) of Designer(s): **Aw Gan Kian**
(45) Registration Date: **05 May 2008**
(56) Related Art Documents: **Not Applicable**
(57) Statement of Newness and Distinctiveness: **Nil**



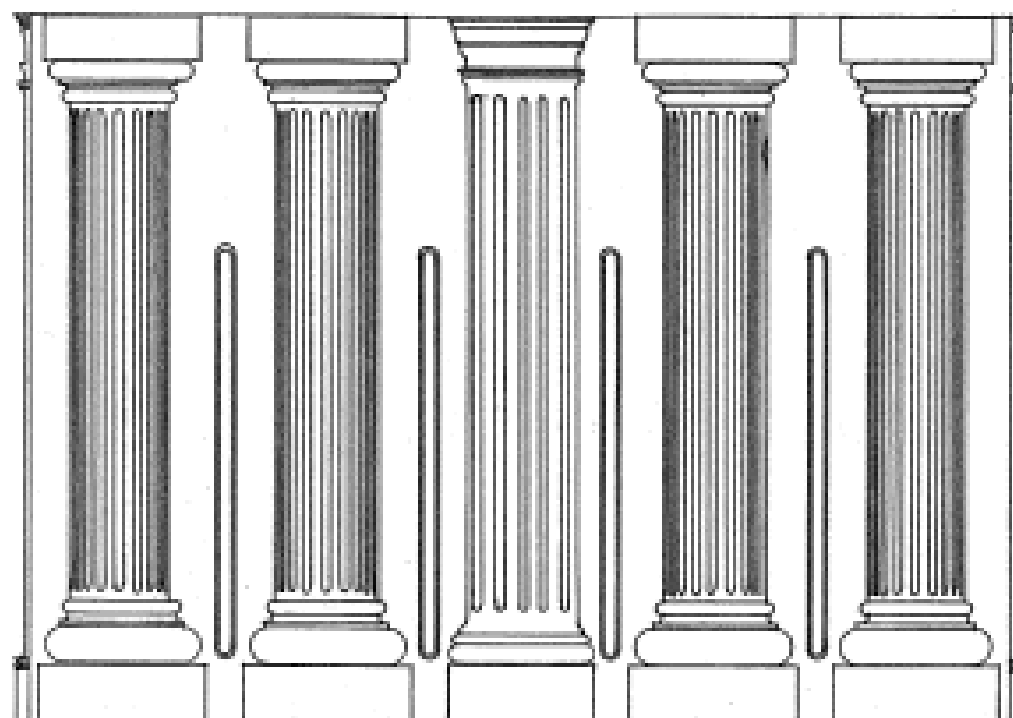
- (21) Design Number: **21532/2007**
(22) Date of Filing Application: **20 December 2007**
(24) Date from which industrial property rights may have effect: **20 December 2007**
(54) Product in respect of which the design is registered: **Portion of a handset**
(51) International Design Classification: **14-03A**
(71) Name(s) and Address(s) of Applicant(s):
Nokia Corporation
Keilalahdentie 4 FIN-02150 Espoo Finland
(72) Name(s) of Designer(s): **Frank Nuovo**
(45) Registration Date: **05 May 2008**
(30) Convention priority data:
(31) Number (32) Date (33) Country
29/281278 20 Jun 2007 UNITED STATES OF AMERICA
(56) Related Art Documents: **Not Applicable**
(57) Statement of Newness and Distinctiveness: **Newness and distinctiveness is claimed in the visual features of the handset portion shown in solid lines in the representations.**



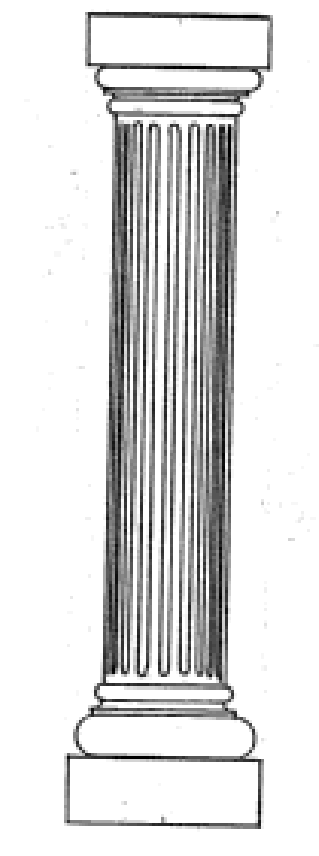
- (21) Design Number: **21403/2007**
- (22) Date of Filing Application: **17 December 2007**
- (24) Date from which industrial property rights may have effect: **17 December 2007**
- (54) Product in respect of which the design is registered: **Water tank**
- (51) International Design Classification: **23-01F**
- (71) Name(s) and Address(s) of Applicant(s):
Peter Hertling
1A Ely Street Athol Park South Australia 5012 Australia
- (72) Name(s) of Designer(s): **Peter Hertling**
- (45) Registration Date: **01 May 2008**
- (56) Related Art Documents: **Not Applicable**
- (57) Statement of Newness and Distinctiveness: **We claim distinctiveness in the design of a water tank with features on it's faces which represent architectural columns of any shape, size, number of, permentation or combination of said features.**



- (21) Design Number: **21404/2007**
- (22) Date of Filing Application: **17 December 2007**
- (24) Date from which industrial property rights may have effect: **17 December 2007**
- (54) Product in respect of which the design is registered: **Water tank**
- (51) International Design Classification: **23-01F**
- (71) Name(s) and Address(s) of Applicant(s):
Peter Hertling
1A Ely Street Athol Park South Australia 5012 Australia
- (72) Name(s) of Designer(s): **Peter Hertling**
- (45) Registration Date: **01 May 2008**
- (56) Related Art Documents: **Not Applicable**
- (57) Statement of Newness and Distinctiveness: **We claim distinctiveness in the design of a water tank with features on it faces which represent architectural columns of any shape, size, number of, permentation or combination of said features.**



- (21) Design Number: **21405/2007**
- (22) Date of Filing Application: **17 December 2007**
- (24) Date from which industrial property rights may have effect: **17 December 2007**
- (54) Product in respect of which the design is registered: **Water tank**
- (51) International Design Classification: **23-01F**
- (71) Name(s) and Address(s) of Applicant(s):
Peter Hertling
1A Ely Street Athol Park South Australia 5012 Australia
- (72) Name(s) of Designer(s): **Peter Hertling**
- (45) Registration Date: **01 May 2008**
- (56) Related Art Documents: **Not Applicable**
- (57) Statement of Newness and Distinctiveness: **We claim distinctiveness in the design of a water tank which represents a round architectural column of any size or shape.**



- (21) Design Number: **21472/2007**
- (22) Date of Filing Application: **21 December 2007**
- (24) Date from which industrial property rights may have effect: **21 December 2007**
- (54) Product in respect of which the design is registered: **Design 1 - calendar/desk caddy**
- (51) International Design Classification: **19-03**
- (71) Name(s) and Address(s) of Applicant(s):
Megara (Australia) Pty. Ltd.
908-920 Mountain Highway Bayswater Victoria 3153 Australia
- (72) Name(s) of Designer(s): **Simon Tesoriero**
- (45) Registration Date: **01 May 2008**
- (56) Related Art Documents: **Not Applicable**
- (57) Statement of Newness and Distinctiveness: **The newness and distinctiveness in the design, is in the "one part" which when folded and tabbed together, forms a "truncated conical" container.**



(21) Design Number: **21475/2007**

(22) Date of Filing Application: **21 December 2007**

(24) Date from which industrial property rights may have effect: **21 December 2007**

(54) Product in respect of which the design is registered: **Toilet roll holder**

(51) International Design Classification: **23-02A**

(71) Name(s) and Address(s) of Applicant(s):

Saverio Monaco

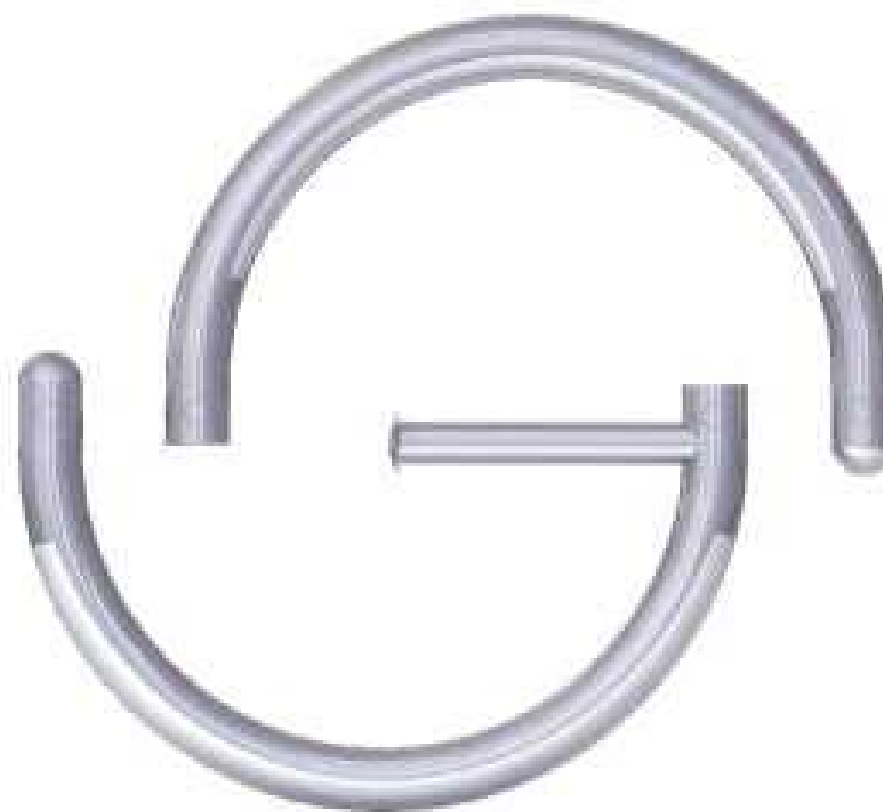
83 Sherbrook Road Asquith New South Wales 2077 Australia

(72) Name(s) of Designer(s): **Saverio Monaco**

(45) Registration Date: **01 May 2008**

(56) Related Art Documents: **Not Applicable**

(57) Statement of Newness and Distinctiveness: **In addition to functioning as a toilet roll holder this design can also be used as an aid (support) to help the less mobile get up from the toilet. It can also be used as a hook to place handbag or a cap etc. One half only needs to be manufactured as the other half is the exact same.**



(21) Design Number: **21566/2007**

(22) Date of Filing Application: **21 December 2007**

(24) Date from which industrial property rights may have effect: **21 December 2007**

(54) Product in respect of which the design is registered: **Rainwater tank**

(51) International Design Classification: **23-01F**

(71) Name(s) and Address(s) of Applicant(s):

Rodney David Bird

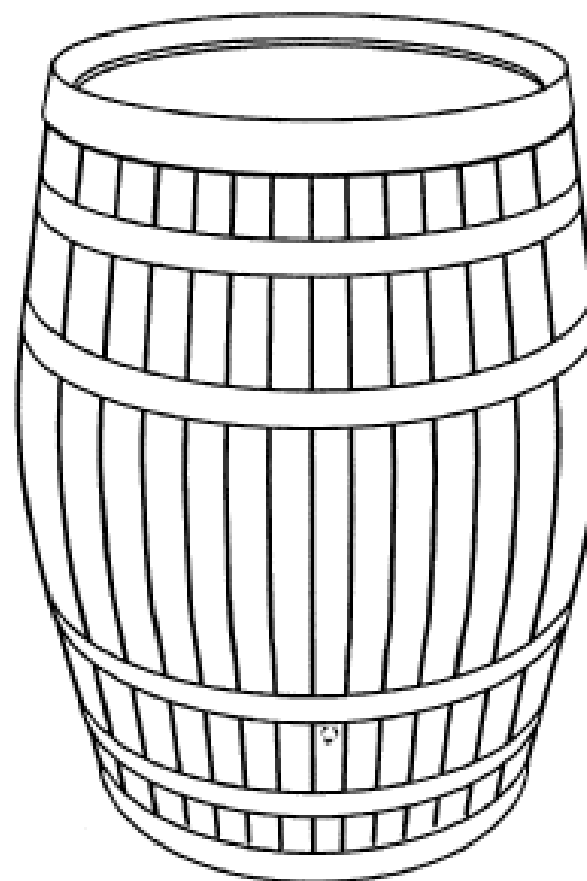
2 Hollylea Road Leumeah New South Wales 2560 Australia

(72) Name(s) of Designer(s): **Rodney David Bird**

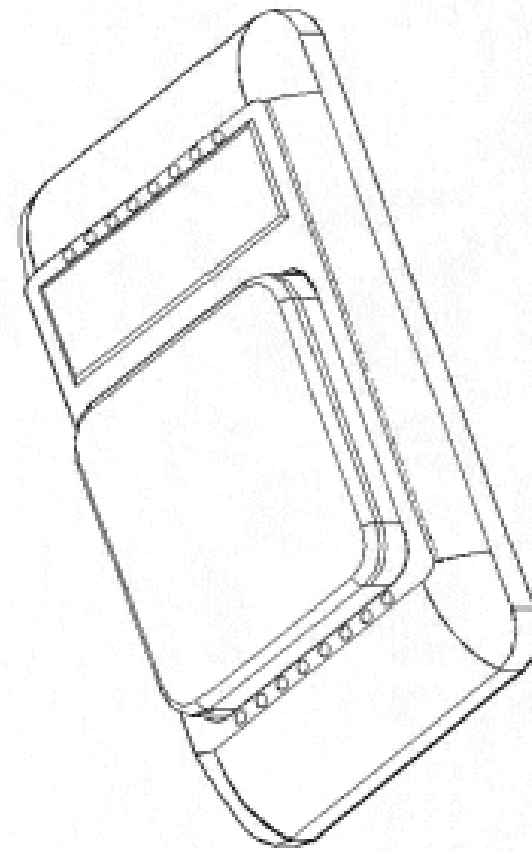
(45) Registration Date: **01 May 2008**

(56) Related Art Documents: **Not Applicable**

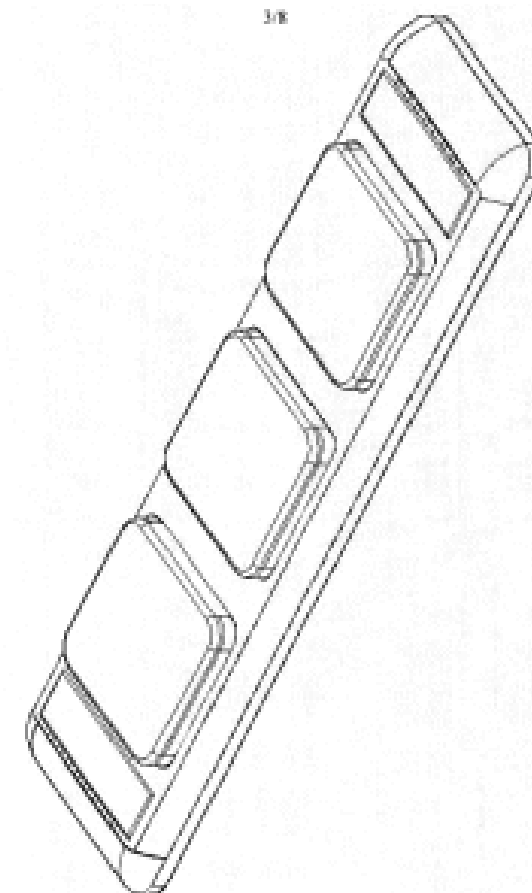
(57) Statement of Newness and Distinctiveness: **Newness and distinctiveness is claimed in those features of shape and/or configuration of a rainwater tank illustrated in continuous lines in the accompanying representations.**



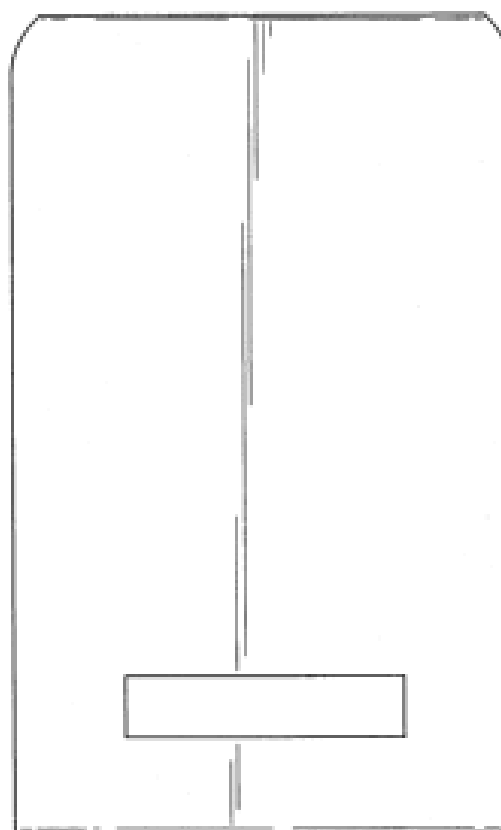
- (21) Design Number: **11399/2008**
- (22) Date of Filing Application: **20 March 2008**
- (24) Date from which industrial property rights may have effect: **20 March 2008**
- (54) Product in respect of which the design is registered: **Lighting assembly**
- (51) International Design Classification: **26-05NES, 26-05A**
- (71) Name(s) and Address(s) of Applicant(s):
Brite LED Tech Pty Ltd
PO Box 1005 Bayswater BC Victoria 3153 Australia
- (72) Name(s) of Designer(s): **Paul Sinclair**
- (45) Registration Date: **01 May 2008**
- (56) Related Art Documents: **Not Applicable**
- (57) Statement of Newness and Distinctiveness: **Newness and distinctiveness is claimed in the features of shape and/or configuration of a lighting assembly as illustrated in the accompanying representations.**



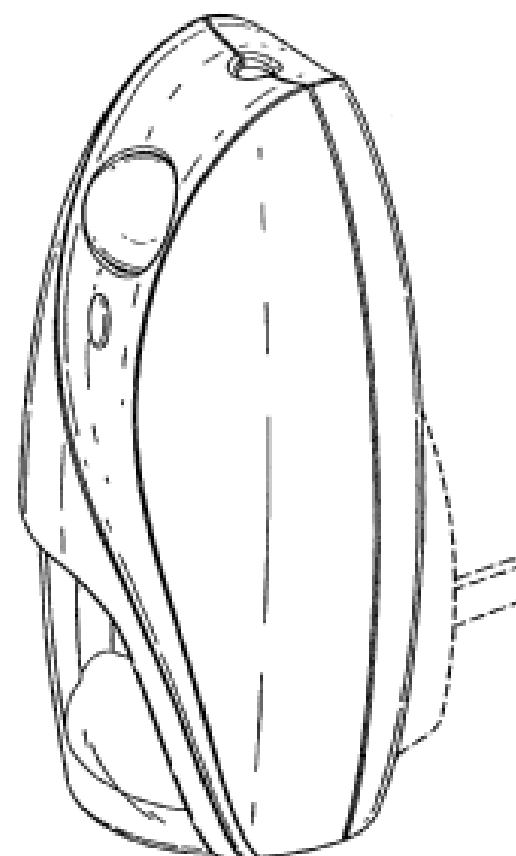
- (21) Design Number: **11400/2008**
- (22) Date of Filing Application: **20 March 2008**
- (24) Date from which industrial property rights may have effect: **20 March 2008**
- (54) Product in respect of which the design is registered: **Lighting assembly**
- (51) International Design Classification: **26-05NES, 26-05A**
- (71) Name(s) and Address(s) of Applicant(s):
Brite LED Tech Pty Ltd
PO Box 1005 Bayswater BC Victoria 3153 Australia
- (72) Name(s) of Designer(s): **Paul Sinclair**
- (45) Registration Date: **01 May 2008**
- (56) Related Art Documents: **Not Applicable**
- (57) Statement of Newness and Distinctiveness: **Newness and distinctiveness is claimed in the features of shape and/or configuration of a lighting assembly as illustrated in the accompanying representations.**



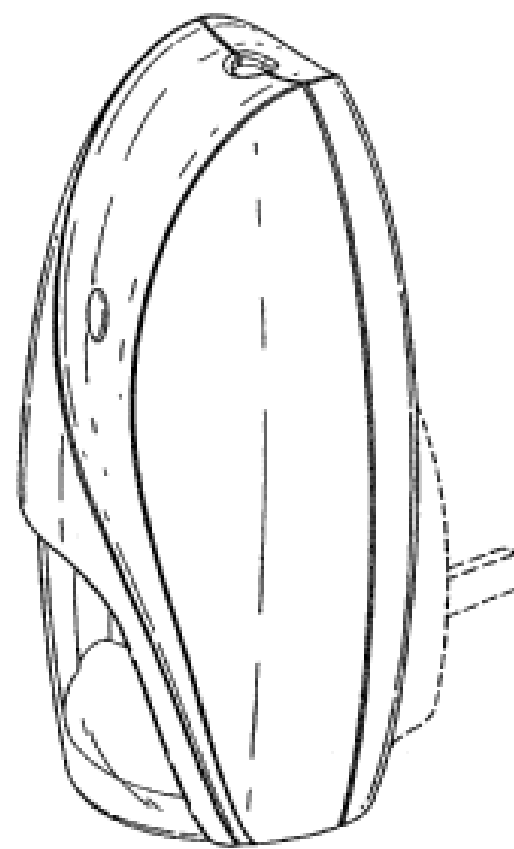
(21) Design Number: **11339/2008**
(22) Date of Filing Application: **18 March 2008**
(24) Date from which industrial property rights may have effect: **18 March 2008**
(54) Product in respect of which the design is registered: **Sleeve**
(51) International Design Classification: **09-05**
(71) Name(s) and Address(s) of Applicant(s):
Unilever PLC
Unilever House Blackfriars London EC4P 4BQ United Kingdom
(72) Name(s) of Designer(s): **Ilka Piepenburg and Wolfgang Wagner**
(45) Registration Date: **05 May 2008**
(30) Convention priority data:
(31) Number (32) Date (33) Country
4004387 21 Sep 2007 UNITED KINGDOM
(56) Related Art Documents: **Not Applicable**
(57) Statement of Newness and Distinctiveness: **Newness and distinctiveness is claimed in the visual features shown in solid lines in the representations.**



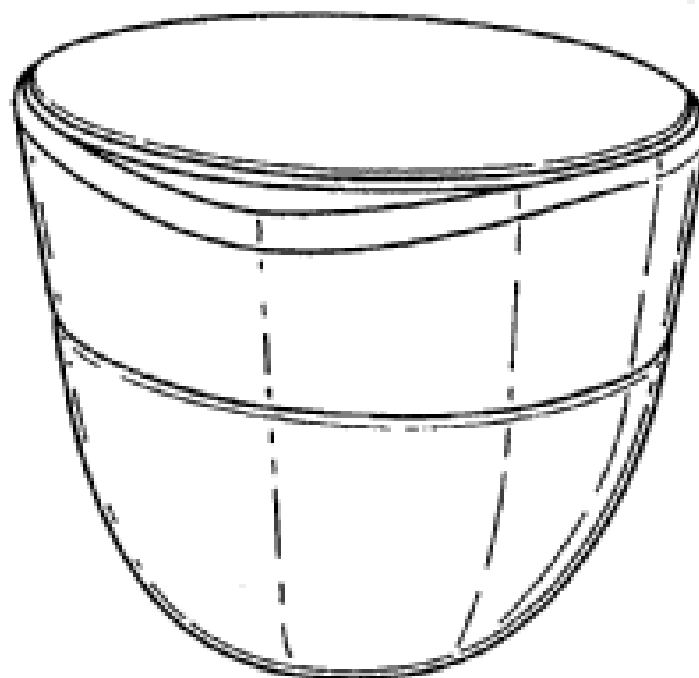
(21) Design Number: **11858/2008**
(22) Date of Filing Application: **18 April 2008**
(24) Date from which industrial property rights may have effect: **18 April 2008**
(54) Product in respect of which the design is registered: **Air freshener device**
(51) International Design Classification: **28-99**
(71) Name(s) and Address(s) of Applicant(s):
Reckitt Benckiser (UK) Limited
103-105 Bath Road Slough Berkshire SL1 3UH United Kingdom
(72) Name(s) of Designer(s): **Peter Kay and Miles Rudling and Dai Sanders and Dan Tyce**
(45) Registration Date: **05 May 2008**
(56) Related Art Documents: **Not Applicable**
(57) Statement of Newness and Distinctiveness: **Newness and distinctiveness reside in the features of the design shown in solid lines in the representations excluding those features shown in broken lines.**



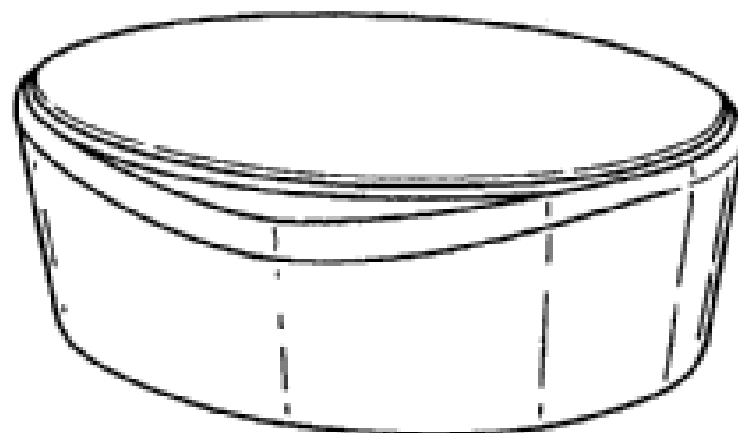
- (21) Design Number: **11859/2008**
(22) Date of Filing Application: **18 April 2008**
(24) Date from which industrial property rights may have effect: **18 April 2008**
(54) Product in respect of which the design is registered: **Air freshener device**
(51) International Design Classification: **28-99**
(71) Name(s) and Address(s) of Applicant(s):
Reckitt Benckiser (UK) Limited
103-105 Bath Road Slough Berkshire SL1 3UH United Kingdom
(72) Name(s) of Designer(s): **Peter Kay and Miles Rudling and Dai Sanders and Dan Tyce**
(45) Registration Date: **05 May 2008**
(56) Related Art Documents: **Not Applicable**
(57) Statement of Newness and Distinctiveness: **Newness and distinctiveness reside in the features of the design shown in solid lines in the representations excluding those features shown in broken lines.**



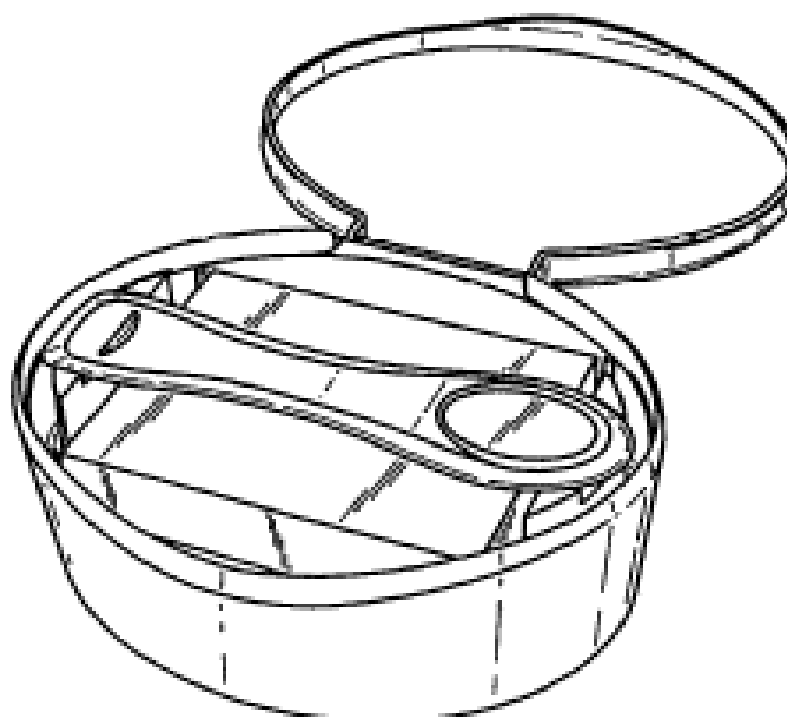
- (21) Design Number: **11908/2008**
(22) Date of Filing Application: **23 April 2008**
(24) Date from which industrial property rights may have effect: **23 April 2008**
(54) Product in respect of which the design is registered: **Lidded pot**
(51) International Design Classification: **07-01NES, 09-01C, 09-03L**
(71) Name(s) and Address(s) of Applicant(s):
Reckitt Benckiser (UK) Limited
103-105 Bath Road Slough Berkshire SL1 3UH United Kingdom
(72) Name(s) of Designer(s): **Carl Dibnah and Chris Padain and Tom Walker and Craig Wightman**
(45) Registration Date: **05 May 2008**
(30) Convention priority data:
(31) Number (32) Date (33) Country
000818851-0001 01 Nov 2007 EUROPEAN COMMUNITY
(56) Related Art Documents: **Not Applicable**
(57) Statement of Newness and Distinctiveness: **Newness and distinctiveness reside in the features of the design as shown in the representations.**



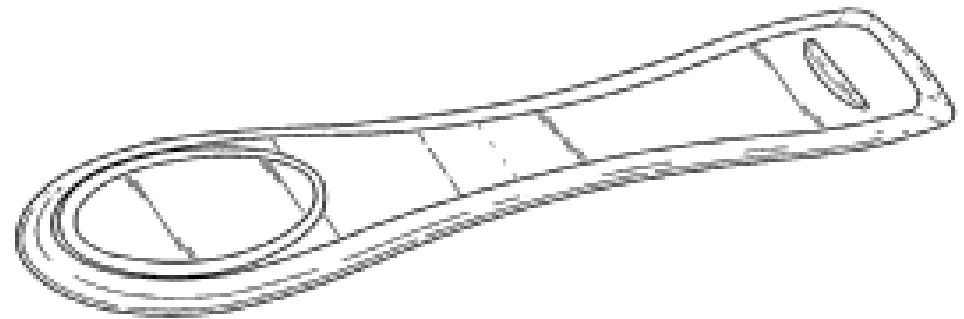
- (21) Design Number: **11909/2008**
(22) Date of Filing Application: **23 April 2008**
(24) Date from which industrial property rights may have effect: **23 April 2008**
(54) Product in respect of which the design is registered: **Lidded container**
(51) International Design Classification: **07-01NES, 09-01C, 09-03L**
(71) Name(s) and Address(s) of Applicant(s):
Reckitt Benckiser (UK) Limited
103-105 Bath Road Slough Berkshire SL1 3UH United Kingdom
(72) Name(s) of Designer(s): **Carl Dibnah and Chris Padain and Tom Walker and Craig Wightman**
(45) Registration Date: **05 May 2008**
(30) Convention priority data:
(31) Number (32) Date (33) Country
000818851-0003 01 Nov 2007 EUROPEAN COMMUNITY
(56) Related Art Documents: **Not Applicable**
(57) Statement of Newness and Distinctiveness: **Newness and distinctiveness reside in the features of the design as shown in the representations.**



- (21) Design Number: **11910/2008**
(22) Date of Filing Application: **23 April 2008**
(24) Date from which industrial property rights may have effect: **23 April 2008**
(54) Product in respect of which the design is registered: **Container with spatula**
(51) International Design Classification: **07-01NES**
(71) Name(s) and Address(s) of Applicant(s):
Reckitt Benckiser (UK) Limited
103-105 Bath Road Slough Berkshire SL1 3UH United Kingdom
(72) Name(s) of Designer(s): **Carl Dibnah and Chris Padain and Tom Walker and Craig Wightman**
(45) Registration Date: **05 May 2008**
(30) Convention priority data:
(31) Number (32) Date (33) Country
000818851-0004 01 Nov 2007 EUROPEAN COMMUNITY
(56) Related Art Documents: **Not Applicable**
(57) Statement of Newness and Distinctiveness: **Newness and distinctiveness reside in the features of the design as shown in the representations.**



- (21) Design Number: **11911/2008**
(22) Date of Filing Application: **23 April 2008**
(24) Date from which industrial property rights may have effect: **23 April 2008**
(54) Product in respect of which the design is registered: **Spatula**
(51) International Design Classification: **07-04**
(71) Name(s) and Address(s) of Applicant(s):
Reckitt Benckiser (UK) Limited
103-105 Bath Road Slough Berkshire SL1 3UH United Kingdom
(72) Name(s) of Designer(s): **Carl Dibnah and Chris Padain and Tom Walker and Craig Wightman**
(45) Registration Date: **05 May 2008**
(30) Convention priority data:
(31) Number (32) Date (33) Country
000818851-0005 01 Nov 2007 EUROPEAN COMMUNITY
(56) Related Art Documents: **Not Applicable**
(57) Statement of Newness and Distinctiveness: **Newness and distinctiveness reside in the features of the design as shown in the representations.**



- (21) Design Number: **11938/2008**
(22) Date of Filing Application: **24 April 2008**
(24) Date from which industrial property rights may have effect: **24 April 2008**
(54) Product in respect of which the design is registered: **Container**
(51) International Design Classification: **09-01C**
(71) Name(s) and Address(s) of Applicant(s):
Reckitt Benckiser (UK) Limited
103-105 Bath Road Slough Berkshire SL1 3UH United Kingdom
(72) Name(s) of Designer(s): **Carl Dibnah and Chris Padain and Tom Walker and Craig Wightman**
(45) Registration Date: **05 May 2008**
(30) Convention priority data:
(31) Number (32) Date (33) Country
000818851-0002 01 Nov 2007 EUROPEAN COMMUNITY
(56) Related Art Documents: **Not Applicable**
(57) Statement of Newness and Distinctiveness: **Newness and distinctiveness reside in the features of the design shown in solid lines in the representations excluding those features shown in broken lines.**



(21) Design Number: **11940/2008**

(22) Date of Filing Application: **24 April 2008**

(24) Date from which industrial property rights may have effect: **24 April 2008**

(54) Product in respect of which the design is registered: **Bottle**

(51) International Design Classification: **09-01K**

(71) Name(s) and Address(s) of Applicant(s):

Reckitt Benckiser (UK) Limited
103-105 Bath Road Slough Berkshire SL1 3UH United Kingdom

(72) Name(s) of Designer(s): **Kate Langley and Mark Thomas**

(45) Registration Date: **05 May 2008**

(30) Convention priority data:

(31) Number	(32) Date	(33) Country
000820782-0001	05 Nov 2007	EUROPEAN COMMUNITY

(56) Related Art Documents: **Not Applicable**

(57) Statement of Newness and Distinctiveness: **Newness and distinctiveness reside in the features of the design as shown in the representations.**



(21) Design Number: **11941/2008**

(22) Date of Filing Application: **24 April 2008**

(24) Date from which industrial property rights may have effect: **24 April 2008**

(54) Product in respect of which the design is registered: **Air freshener device**

(51) International Design Classification: **28-99**

(71) Name(s) and Address(s) of Applicant(s):

Reckitt Benckiser (UK) Limited
103-105 Bath Road Slough Berkshire SL1 3UH United Kingdom

(72) Name(s) of Designer(s): **Kate Langley and Mark Thomas and Matthew Copeman**

(45) Registration Date: **05 May 2008**

(30) Convention priority data:

(31) Number	(32) Date	(33) Country
000867890-0001	05 Nov 2007	EUROPEAN COMMUNITY

(56) Related Art Documents: **Not Applicable**

(57) Statement of Newness and Distinctiveness: **Newness and distinctiveness reside in the features of the design shown in solid lines in the representations excluding those features shown in broken lines.**



(21) Design Number: **11942/2008**

(22) Date of Filing Application: **24 April 2008**

(24) Date from which industrial property rights may have effect: **24 April 2008**

(54) Product in respect of which the design is registered: **Air freshener device**

(51) International Design Classification: **28-99**

(71) Name(s) and Address(s) of Applicant(s):

Reckitt Benckiser (UK) Limited
103-105 Bath Road Slough Berkshire SL1 3UH United Kingdom

(72) Name(s) of Designer(s): **Kate Langley and Mark Thomas and Matthew Copeman**

(45) Registration Date: **05 May 2008**

(30) Convention priority data:

(31) Number	(32) Date	(33) Country
000867890-0002	05 Nov 2007	EUROPEAN COMMUNITY

(56) Related Art Documents: **Not Applicable**

(57) Statement of Newness and Distinctiveness: **Newness and distinctiveness reside in the features of the design shown in solid lines in the representations excluding those features shown in broken lines.**



(21) Design Number: **20550/2007**

(22) Date of Filing Application: **31 October 2007**

(24) Date from which industrial property rights may have effect: **31 October 2007**

(54) Product in respect of which the design is registered: **Apparatus for fixing a wig**

(51) International Design Classification: **28-04**

(71) Name(s) and Address(s) of Applicant(s):

Aderans Holdings Co. Ltd.
6-3 Shinjuku 1-chome Shinjuku-ku Tokyo 160-8429 Japan

(72) Name(s) of Designer(s): **Mayumi Toba**

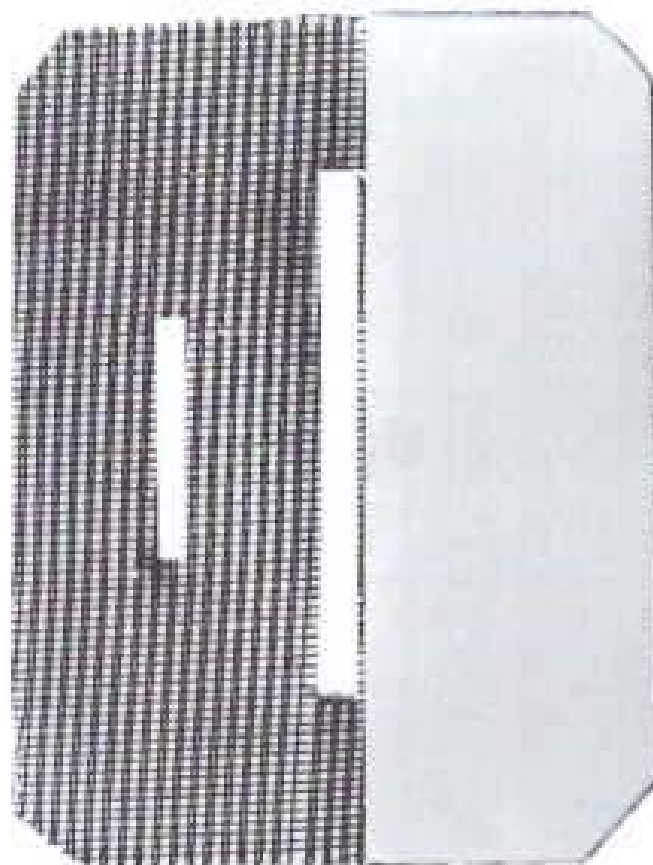
(45) Registration Date: **05 May 2008**

(30) Convention priority data:

(31) Number	(32) Date	(33) Country
2007-13840	25 May 2007	JAPAN

(56) Related Art Documents: **Not Applicable**

(57) Statement of Newness and Distinctiveness: **Newness and distinctiveness reside in the features of the design as shown in the representations.**



(21) Design Number: **11502/2008**

(22) Date of Filing Application: **28 March 2008**

(24) Date from which industrial property rights may have effect: **28 March 2008**

(54) Product in respect of which the design is registered: **Spa shell pillow**

(51) International Design Classification: **06-09**

(71) Name(s) and Address(s) of Applicant(s):

**Watkins Manufacturing Corporation
1280 Park Center Drive Vista California 92081 United States of
America**

(72) Name(s) of Designer(s): **Christopher C. Larsen**

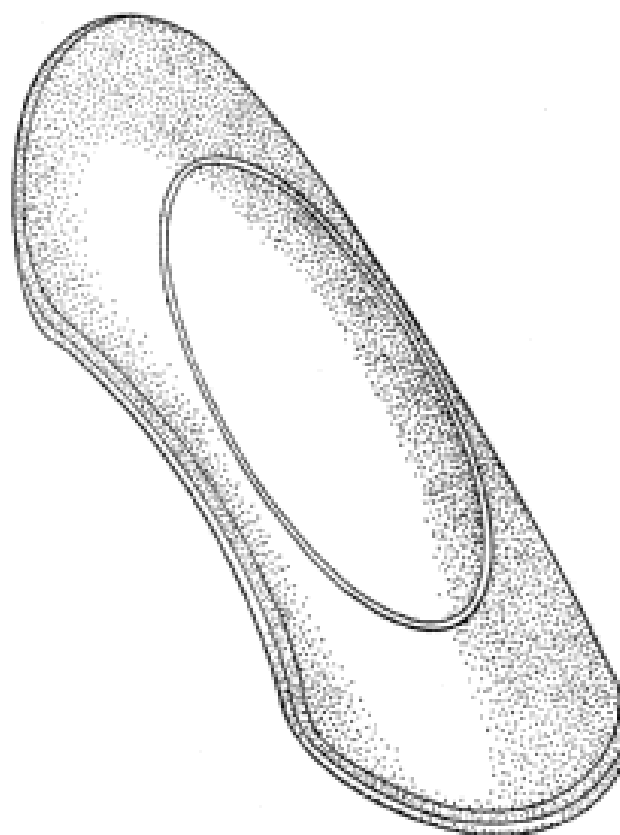
(45) Registration Date: **05 May 2008**

(30) Convention priority data:

(31) Number	(32) Date	(33) Country
29/295737	04 Oct 2007	UNITED STATES OF AMERICA

(56) Related Art Documents: **Not Applicable**

(57) Statement of Newness and Distinctiveness: **Newness and distinctiveness
reside in the features of the design as shown in the representations.**



(21) Design Number: **11538/2008**

(22) Date of Filing Application: **01 April 2008**

(24) Date from which industrial property rights may have effect: **01 April 2008**

(54) Product in respect of which the design is registered: **Spray cap**

(51) International Design Classification: **09-07A**

(71) Name(s) and Address(s) of Applicant(s):

**Reckitt Benckiser Inc.
Morris Corporate Center IV 399 Interpace Parkway Parsippany New
Jersey 07054 United States of America**

(72) Name(s) of Designer(s): **Mario Alexander Turchi**

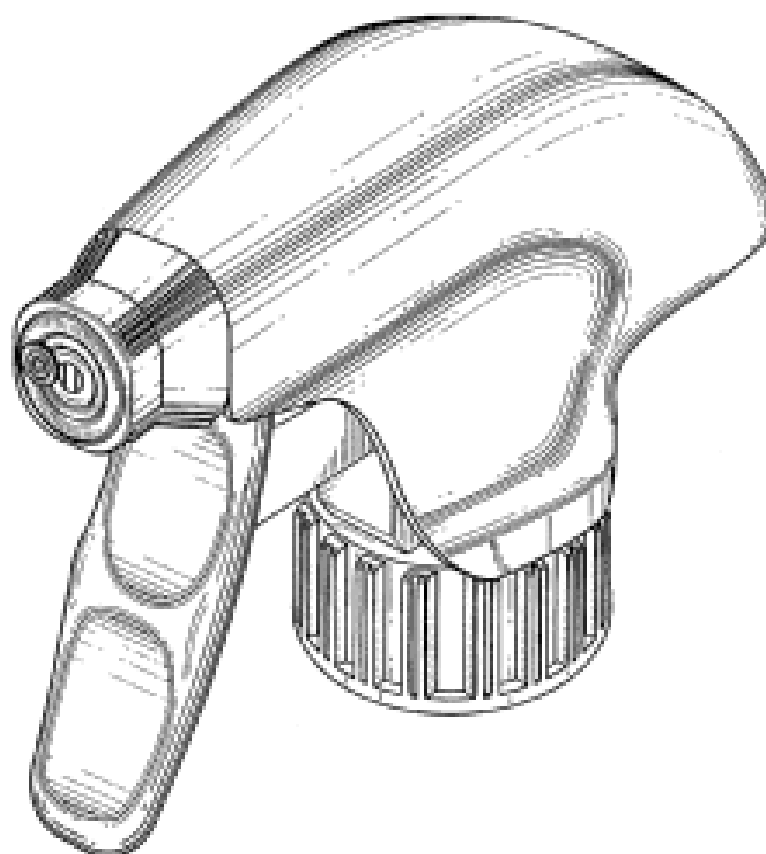
(45) Registration Date: **05 May 2008**

(30) Convention priority data:

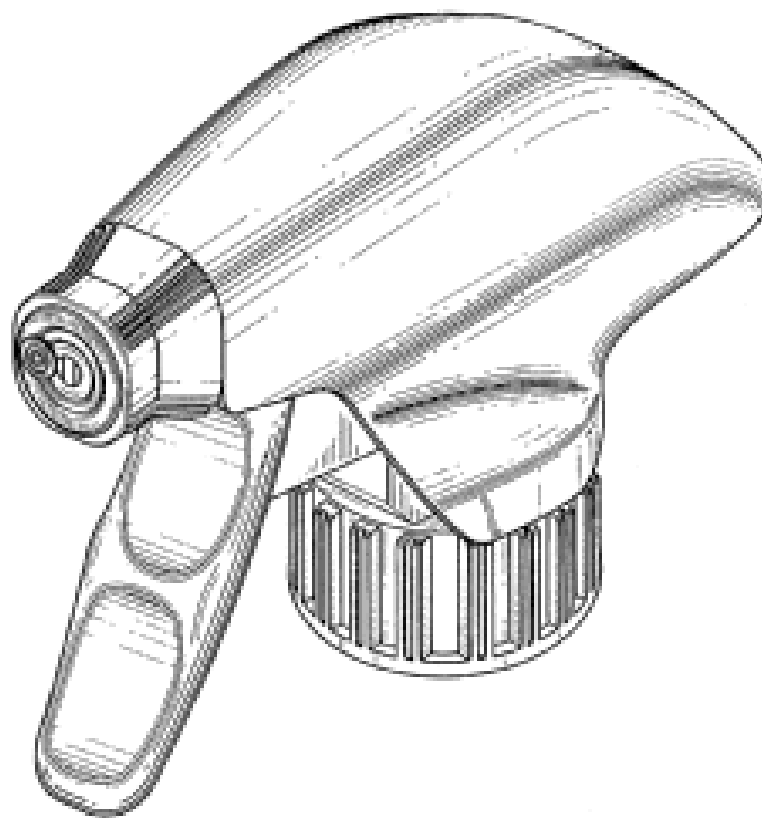
(31) Number	(32) Date	(33) Country
000803366-0001	08 Oct 2007	EUROPEAN COMMUNITY

(56) Related Art Documents: **Not Applicable**

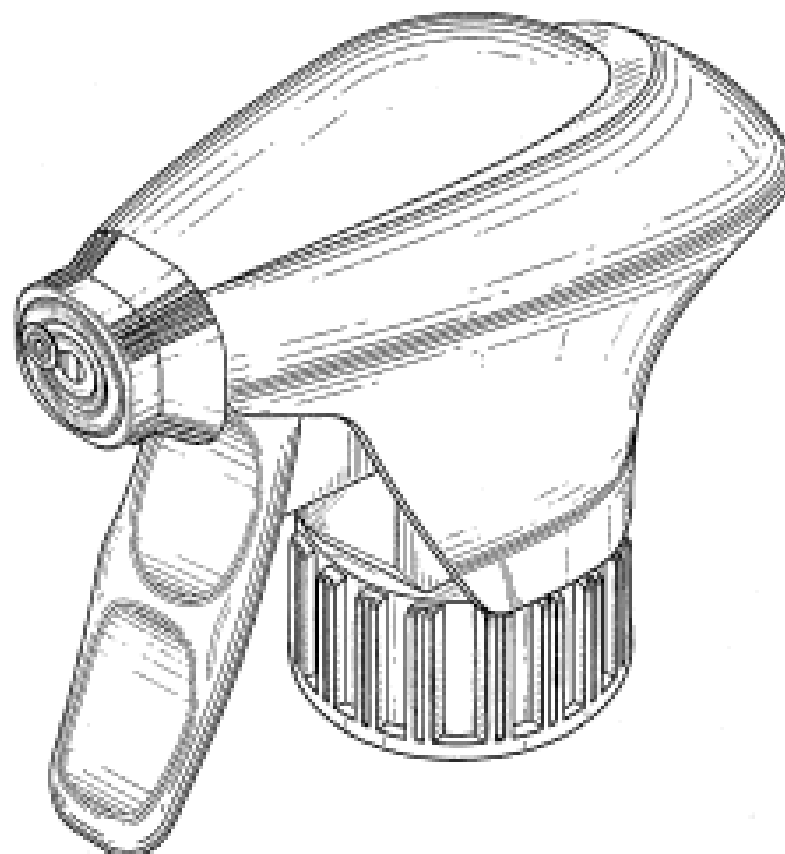
(57) Statement of Newness and Distinctiveness: **Newness and distinctiveness
reside in the features of the design as shown in the representations.**



- (21) Design Number: **11539/2008**
(22) Date of Filing Application: **01 April 2008**
(24) Date from which industrial property rights may have effect: **01 April 2008**
(54) Product in respect of which the design is registered: **Spray cap**
(51) International Design Classification: **09-07A**
(71) Name(s) and Address(s) of Applicant(s):
Reckitt Benckiser Inc.
Morris Corporate Center IV 399 Interpace Parkway Parsippany New Jersey 07054 United States of America
(72) Name(s) of Designer(s): **Mario Alexander Turchi**
(45) Registration Date: **05 May 2008**
(30) Convention priority data:
(31) Number (32) Date (33) Country
000803374-0001 08 Oct 2007 EUROPEAN COMMUNITY
(56) Related Art Documents: **Not Applicable**
(57) Statement of Newness and Distinctiveness: **Newness and distinctiveness reside in the features of the design shown in solid lines in the representations excluding those features shown in broken lines.**



- (21) Design Number: **11540/2008**
(22) Date of Filing Application: **01 April 2008**
(24) Date from which industrial property rights may have effect: **01 April 2008**
(54) Product in respect of which the design is registered: **Spray cap**
(51) International Design Classification: **09-07A**
(71) Name(s) and Address(s) of Applicant(s):
Reckitt Benckiser Inc.
Morris Corporate Center IV 399 Interpace Parkway Parsippany New Jersey 07054 United States of America
(72) Name(s) of Designer(s): **Alex Cantoni**
(45) Registration Date: **05 May 2008**
(30) Convention priority data:
(31) Number (32) Date (33) Country
000803341-0001 08 Oct 2007 EUROPEAN COMMUNITY
(56) Related Art Documents: **Not Applicable**
(57) Statement of Newness and Distinctiveness: **Newness and distinctiveness reside in the features of the design as shown in the representations.**



(21) Design Number: **11541/2008**

(22) Date of Filing Application: **01 April 2008**

(24) Date from which industrial property rights may have effect: **01 April 2008**

(54) Product in respect of which the design is registered: **Spray cap**

(51) International Design Classification: **09-07A**

(71) Name(s) and Address(s) of Applicant(s):

Reckitt Benckiser Inc.

Morris Corporate Center IV 399 Interpace Parkway Parsippany New Jersey 07054 United States of America

(72) Name(s) of Designer(s): **Alex Cantoni and Mario Alexander Turchi**

(45) Registration Date: **05 May 2008**

(30) Convention priority data:

(31) Number

(32) Date

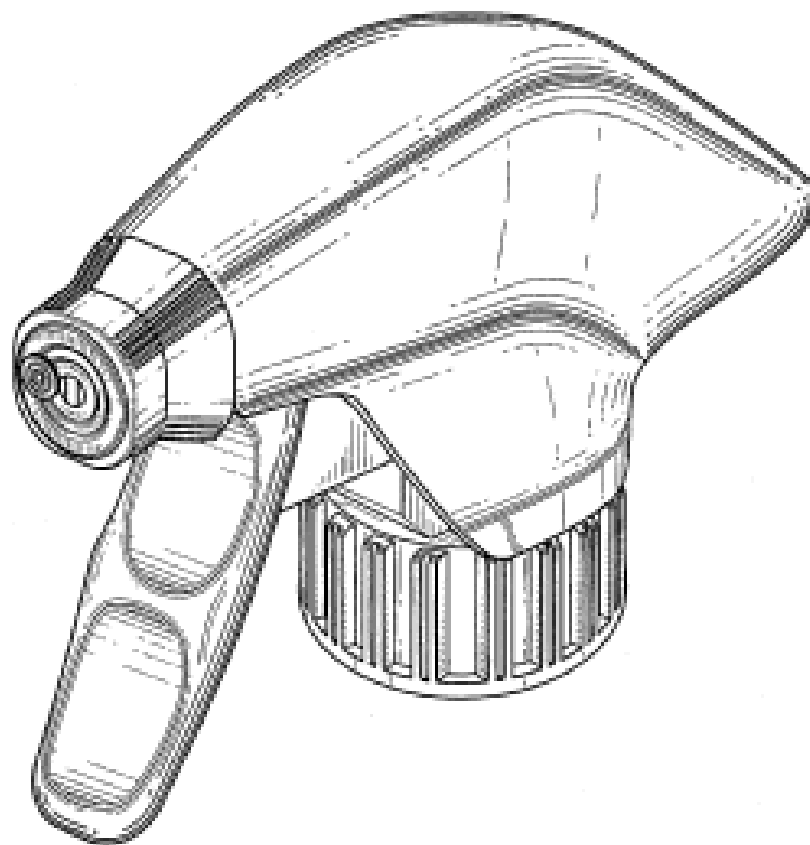
(33) Country

000803333-0001 08 Oct 2007

EUROPEAN COMMUNITY

(56) Related Art Documents: **Not Applicable**

(57) Statement of Newness and Distinctiveness: **Newness and distinctiveness reside in the features of the design as shown in the representations.**



(21) Design Number: **10276/2008**

(22) Date of Filing Application: **23 January 2008**

(24) Date from which industrial property rights may have effect: **23 January 2008**

(54) Product in respect of which the design is registered: **Bottle**

(51) International Design Classification: **09-01K**

(71) Name(s) and Address(s) of Applicant(s):

William Grant & Sons Limited

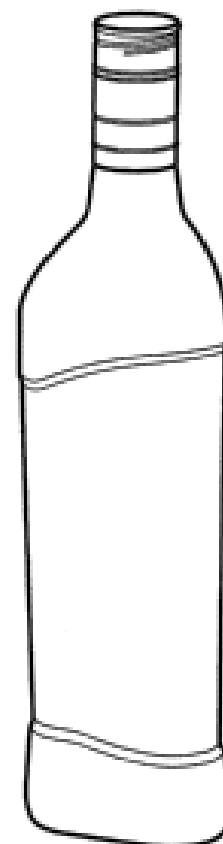
The Glenfiddich Distillery Dufftown Banffshire Scotland United Kingdom

(72) Name(s) of Designer(s): **Ian Smith**

(45) Registration Date: **05 May 2008**

(56) Related Art Documents: **Not Applicable**

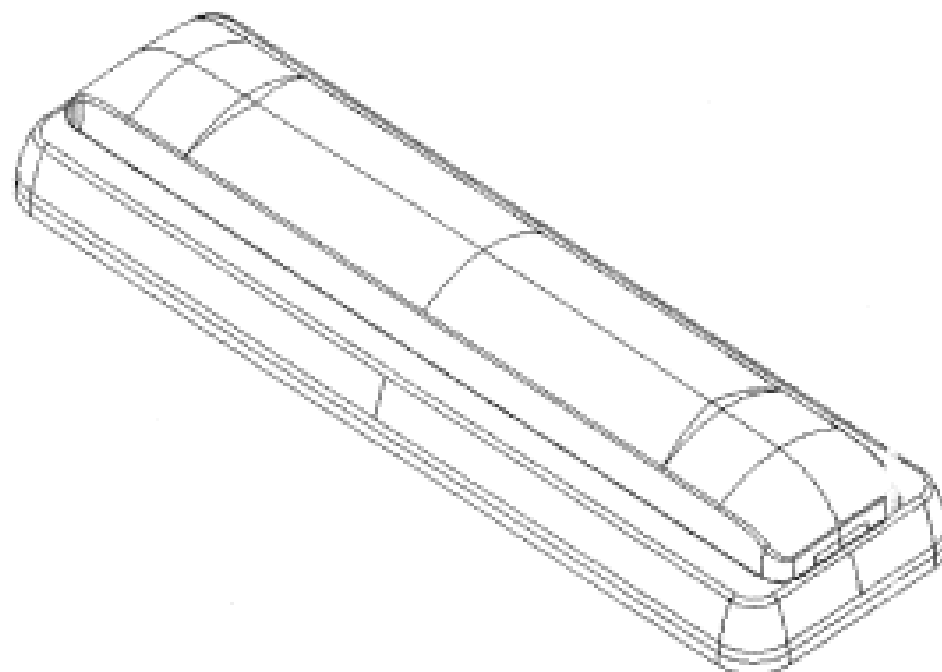
(57) Statement of Newness and Distinctiveness: **The visual features of the product which are new and distinctive are the shape and configuration thereof as shown in the representations.**



- (21) Design Number: **18776/2007**
(22) Date of Filing Application: **09 July 2007**
(24) Date from which industrial property rights may have effect: **09 July 2007**
(54) Product in respect of which the design is registered: **Lighting assembly**
(51) International Design Classification: **26-05NES**
(71) Name(s) and Address(s) of Applicant(s):

Brite LED Tech Pty Ltd
PO Box 1005 Bayswater BC Victoria 3153 Australia

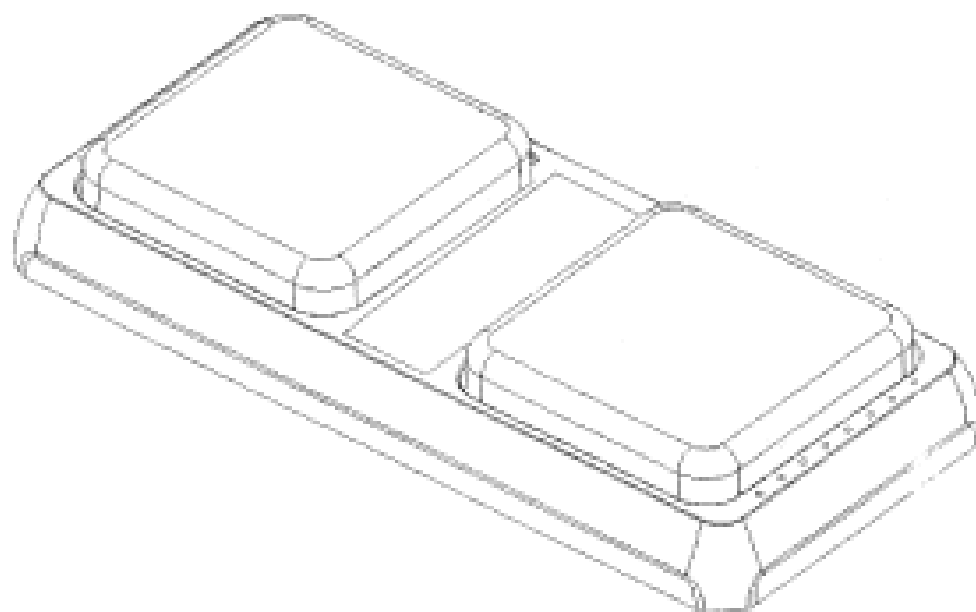
- (72) Name(s) of Designer(s): **Paul Sinclair**
(45) Registration Date: **05 May 2008**
(56) Related Art Documents: **Not Applicable**
(57) Statement of Newness and Distinctiveness: **Newness and distinctiveness is claimed in the features of shape and/or configuration of a lighting assembly as illustrated in the accompanying representations. When considering the newness and distinctiveness of the design, the shape of the screw-receiving projections labeled "A" may be disregarded.**



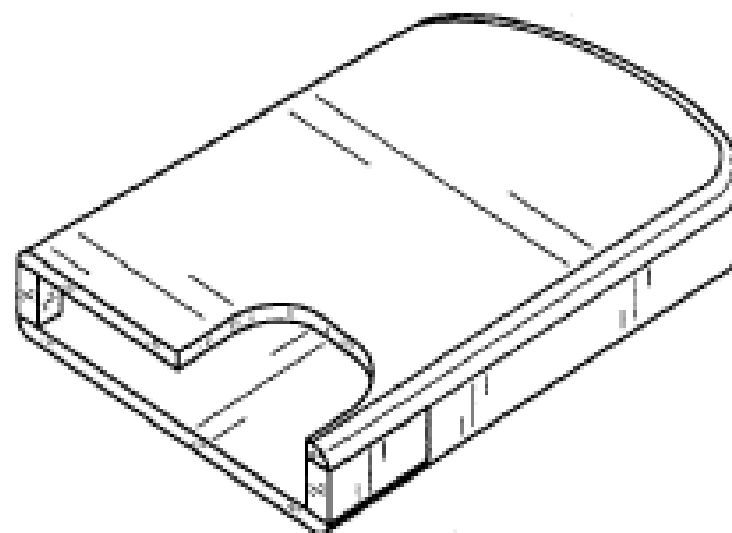
- (21) Design Number: **18778/2007**
(22) Date of Filing Application: **09 July 2007**
(24) Date from which industrial property rights may have effect: **09 July 2007**
(54) Product in respect of which the design is registered: **Lighting assembly**
(51) International Design Classification: **26-05NES**
(71) Name(s) and Address(s) of Applicant(s):

Brite LED Tech Pty Ltd
PO Box 1005 Bayswater BC Victoria 3153 Australia

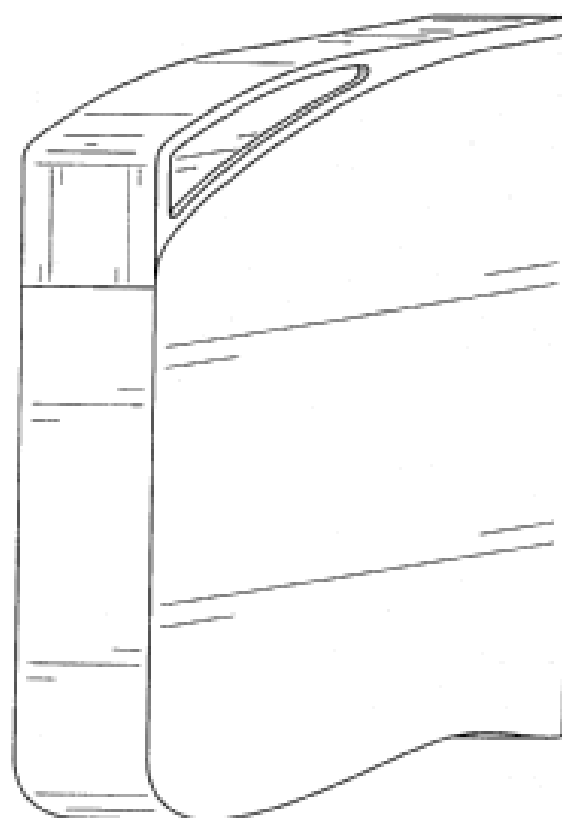
- (72) Name(s) of Designer(s): **Paul Sinclair**
(45) Registration Date: **05 May 2008**
(56) Related Art Documents: **Not Applicable**
(57) Statement of Newness and Distinctiveness: **Newness and distinctiveness is claimed in the features of shape and/or configuration of a lighting assembly as illustrated in the accompanying representations. When considering the newness and distinctiveness of the design, the shape of the screw-receiving projections labeled "A" and the pattern on the central panel labeled "B" may be disregarded.**



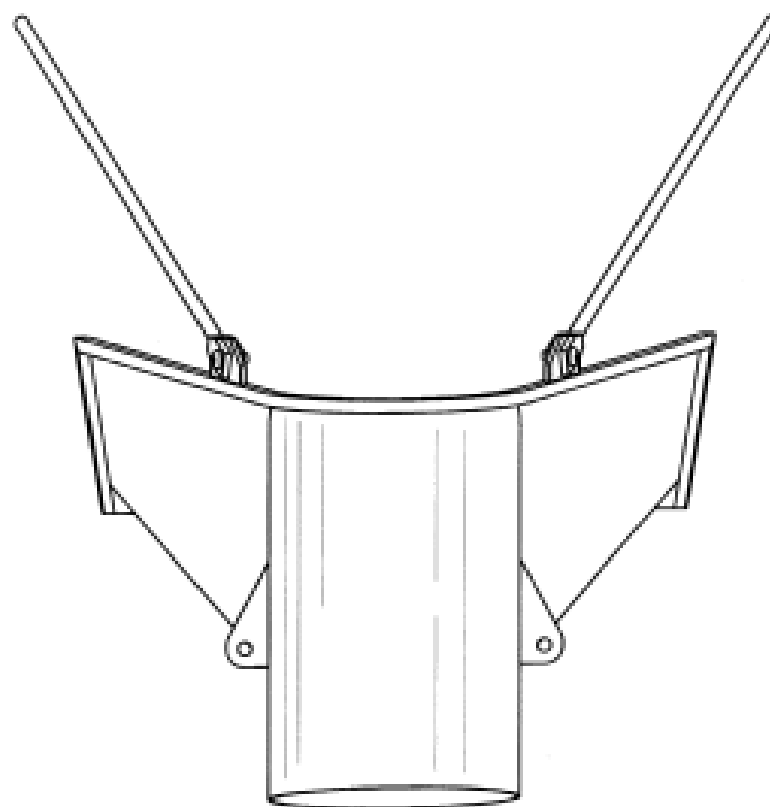
(21) Design Number: **10020/2008**
(22) Date of Filing Application: **02 January 2008**
(24) Date from which industrial property rights may have effect: **02 January 2008**
(54) Product in respect of which the design is registered: **Container**
(51) International Design Classification: **09-01NES**
(71) Name(s) and Address(s) of Applicant(s):
Purdue Pharma L.P.
One Stamford Forum Stamford Connecticut 06901 United States of America
(72) Name(s) of Designer(s): **Martin Short and Robert Croft**
(45) Registration Date: **05 May 2008**
(30) Convention priority data:
(31) Number (32) Date (33) Country
29281816 02 Jul 2007 UNITED STATES OF AMERICA
(56) Related Art Documents: **Not Applicable**
(57) Statement of Newness and Distinctiveness: **Nil**



(21) Design Number: **10021/2008**
(22) Date of Filing Application: **02 January 2008**
(24) Date from which industrial property rights may have effect: **02 January 2008**
(54) Product in respect of which the design is registered: **Container**
(51) International Design Classification: **09-01NES**
(71) Name(s) and Address(s) of Applicant(s):
Purdue Pharma L.P.
One Stamford Forum Stamford Connecticut 06901 United States of America
(72) Name(s) of Designer(s): **Martin Short and Robert Croft**
(45) Registration Date: **05 May 2008**
(30) Convention priority data:
(31) Number (32) Date (33) Country
29281813 02 Jul 2007 UNITED STATES OF AMERICA
(56) Related Art Documents: **Not Applicable**
(57) Statement of Newness and Distinctiveness: **Nil**



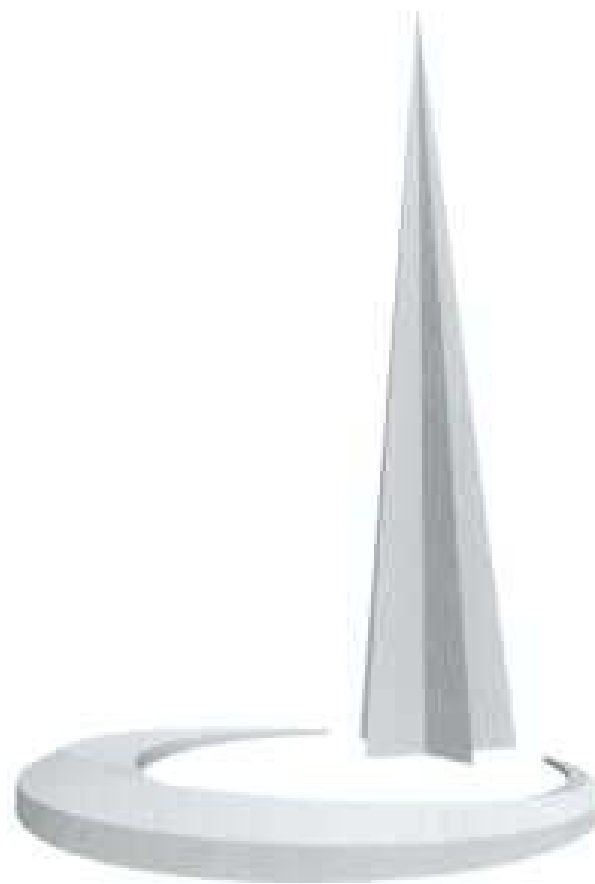
- (21) Design Number: **21407/2007**
(22) Date of Filing Application: **17 December 2007**
(24) Date from which industrial property rights may have effect: **17 December 2007**
(54) Product in respect of which the design is registered: **A hopper**
(51) International Design Classification: **09-02A**
(71) Name(s) and Address(s) of Applicant(s):
Robert John Evans
4 Hickman Road Silver Sands Western Australia 6210 Australia
(72) Name(s) of Designer(s): **Robert John Evans**
(45) Registration Date: **05 May 2008**
(56) Related Art Documents: **Not Applicable**
(57) Statement of Newness and Distinctiveness: **Monopoly is claimed in the shape and configuration of a hopper as illustrated in the accompanying representations.**



- (21) Design Number: **21373/2007**
(22) Date of Filing Application: **14 December 2007**
(24) Date from which industrial property rights may have effect: **14 December 2007**
(54) Product in respect of which the design is registered: **Container**
(51) International Design Classification: **09-01K**
(71) Name(s) and Address(s) of Applicant(s):
Wilhelm Reuss GmbH & Co. KG Lebensmittelwerk
Sonnenallee 227 Berlin 12057 Germany
(72) Name(s) of Designer(s): **Martin Riepe**
(45) Registration Date: **06 May 2008**
(30) Convention priority data:
(31) Number (32) Date (33) Country
000742739 19 Jun 2007 EUROPEAN COMMUNITY
(56) Related Art Documents: **Not Applicable**
(57) Statement of Newness and Distinctiveness: **Newness and distinctiveness is claimed in the feature of shape and configuration of the container.**



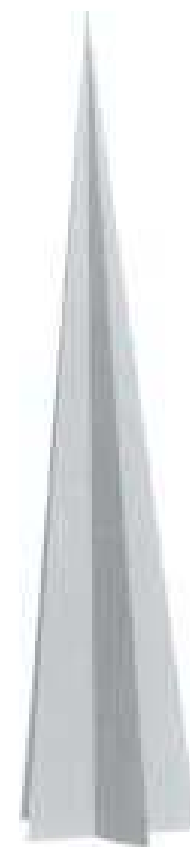
- (21) Design Number: **21555/2007**
(22) Date of Filing Application: **24 December 2007**
(24) Date from which industrial property rights may have effect: **24 December 2007**
(54) Product in respect of which the design is registered: **Structure**
(51) International Design Classification: **99-00**
(71) Name(s) and Address(s) of Applicant(s):
 Charlie Bazouni
 Nil
 Joseph Zady
 Nil
(72) Name(s) of Designer(s): **Charlie Bazouni and Joseph Zady**
(45) Registration Date: **06 May 2008**
(56) Related Art Documents: **Not Applicable**
(57) Statement of Newness and Distinctiveness: **Nil**



- (21) Design Number: **21556/2007**
(22) Date of Filing Application: **24 December 2007**
(24) Date from which industrial property rights may have effect: **24 December 2007**
(54) Product in respect of which the design is registered: **Structure**
(51) International Design Classification: **99-00**
(71) Name(s) and Address(s) of Applicant(s):
 Charlie Bazouni
 Nil
 Joseph Zady
 Nil
(72) Name(s) of Designer(s): **Charlie Bazouni and Joseph Zady**
(45) Registration Date: **06 May 2008**
(56) Related Art Documents: **Not Applicable**
(57) Statement of Newness and Distinctiveness: **Nil**



- (21) Design Number: **21557/2007**
(22) Date of Filing Application: **24 December 2007**
(24) Date from which industrial property rights may have effect: **24 December 2007**
(54) Product in respect of which the design is registered: **Structure**
(51) International Design Classification: **99-00**
(71) Name(s) and Address(s) of Applicant(s):
 Charlie Bazouni
 Nil
 Joseph Zady
 Nil
(72) Name(s) of Designer(s): **Charlie Bazouni and Joseph Zady**
(45) Registration Date: **06 May 2008**
(56) Related Art Documents: **Not Applicable**
(57) Statement of Newness and Distinctiveness: **Nil**

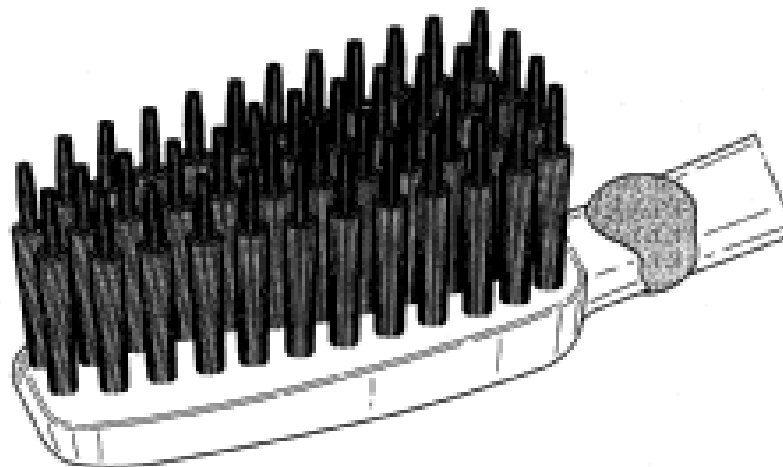


- (21) Design Number: **21568/2007**
(22) Date of Filing Application: **24 December 2007**
(24) Date from which industrial property rights may have effect: **24 December 2007**
(54) Product in respect of which the design is registered: **Vase**
(51) International Design Classification: **11-02A**
(71) Name(s) and Address(s) of Applicant(s):
 T.H.& E. Design Group Ltd.
 16 Sharet Street Tel Aviv 62092 Israel
(72) Name(s) of Designer(s): **Tzvi Nachumzon and Chagai Strauss and Eythan Nordman**
(45) Registration Date: **06 May 2008**
(30) Convention priority data:
 (31) Number (32) Date (33) Country
 44412 27 Jun 2007 ISRAEL
(56) Related Art Documents: **Not Applicable**
(57) Statement of Newness and Distinctiveness: **The shape and configuration of the design is new and distinctive.**



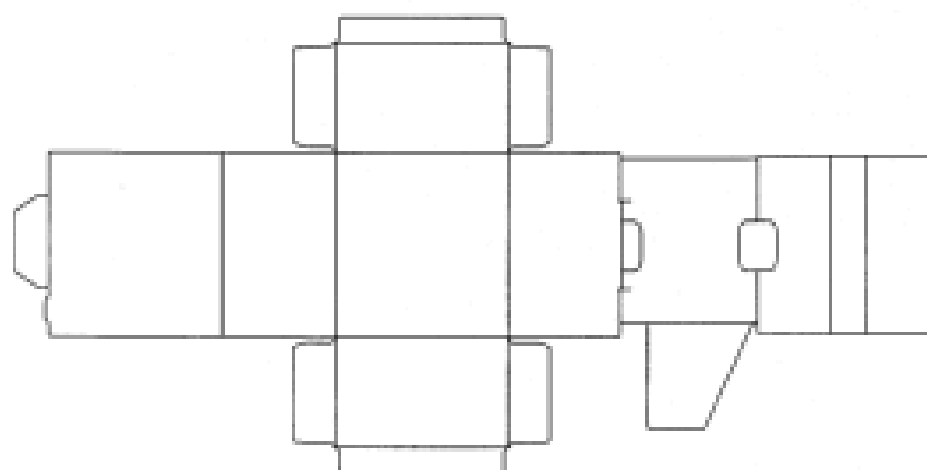
- (21) Design Number: **21572/2007**
- (22) Date of Filing Application: **24 December 2007**
- (24) Date from which industrial property rights may have effect: **24 December 2007**
- (54) Product in respect of which the design is registered: **Toothbrush bristles/toothbrush head with bristles**
- (51) International Design Classification: **04-02**
- (71) Name(s) and Address(s) of Applicant(s):
GlaxoSmithKline Consumer Healthcare GmbH & Co. KG
Bussmatten 1 Buehl (Baden) 77815 Germany
- (72) Name(s) of Designer(s): **Christoph Geiberger**
- (45) Registration Date: **06 May 2008**
- (30) Convention priority data:

(31) Number	(32) Date	(33) Country
4003408	28 Jun 2007	UNITED KINGDOM
- (56) Related Art Documents: **Not Applicable**
- (57) Statement of Newness and Distinctiveness: **Newness and distinctiveness is claimed in the shape and configuration of the toothbrush bristles as shown in the representations.**



- (21) Design Number: **21573/2007**
- (22) Date of Filing Application: **24 December 2007**
- (24) Date from which industrial property rights may have effect: **24 December 2007**
- (54) Product in respect of which the design is registered: **Box blank**
- (51) International Design Classification: **09-03M**
- (71) Name(s) and Address(s) of Applicant(s):
Nokia Corporation
Keilalahdentie 4 FIN-02150 Espoo Finland
- (72) Name(s) of Designer(s): **Birgir Magnusson**
- (45) Registration Date: **06 May 2008**
- (30) Convention priority data:

(31) Number	(32) Date	(33) Country
M20070127	25 Jun 2007	FINLAND
- (56) Related Art Documents: **Not Applicable**
- (57) Statement of Newness and Distinctiveness: **Nil**



(21) Design Number: **21574/2007**
 (22) Date of Filing Application: **24 December 2007**
 (24) Date from which industrial property rights may have effect: **24 December 2007**
 (54) Product in respect of which the design is registered: **Box blank**
 (51) International Design Classification: **09-03M**
 (71) Name(s) and Address(s) of Applicant(s):

Nokia Corporation
Keilalahdentie 4 FIN-02150 Espoo Finland

(72) Name(s) of Designer(s): **Birgir Magnusson**

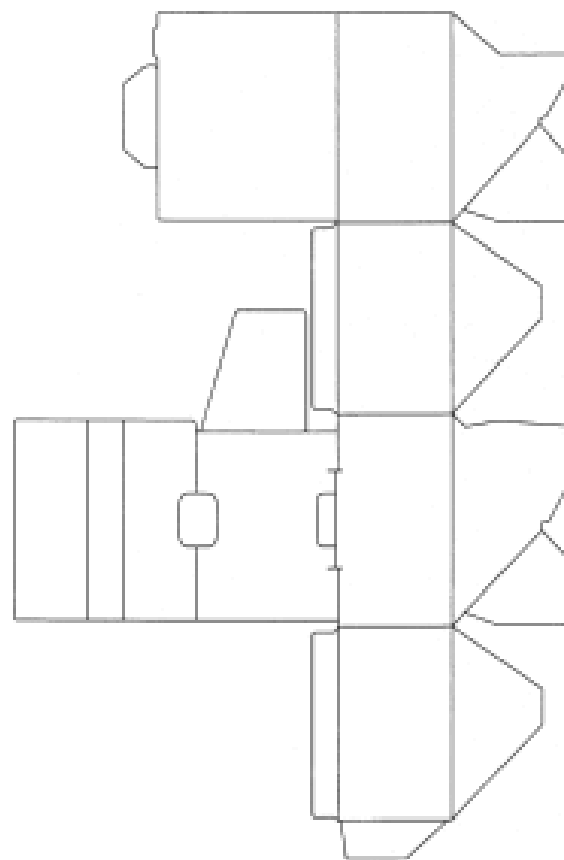
(45) Registration Date: **06 May 2008**

(30) Convention priority data:

(31) Number	(32) Date	(33) Country
M20070127	25 Jun 2007	FINLAND

(56) Related Art Documents: **Not Applicable**

(57) Statement of Newness and Distinctiveness: **Nil**



(21) Design Number: **21575/2007**
 (22) Date of Filing Application: **24 December 2007**
 (24) Date from which industrial property rights may have effect: **24 December 2007**
 (54) Product in respect of which the design is registered: **Box blank**
 (51) International Design Classification: **09-03M**
 (71) Name(s) and Address(s) of Applicant(s):

Nokia Corporation
Keilalahdentie 4 FIN-02150 Espoo Finland

(72) Name(s) of Designer(s): **Birgir Magnusson**

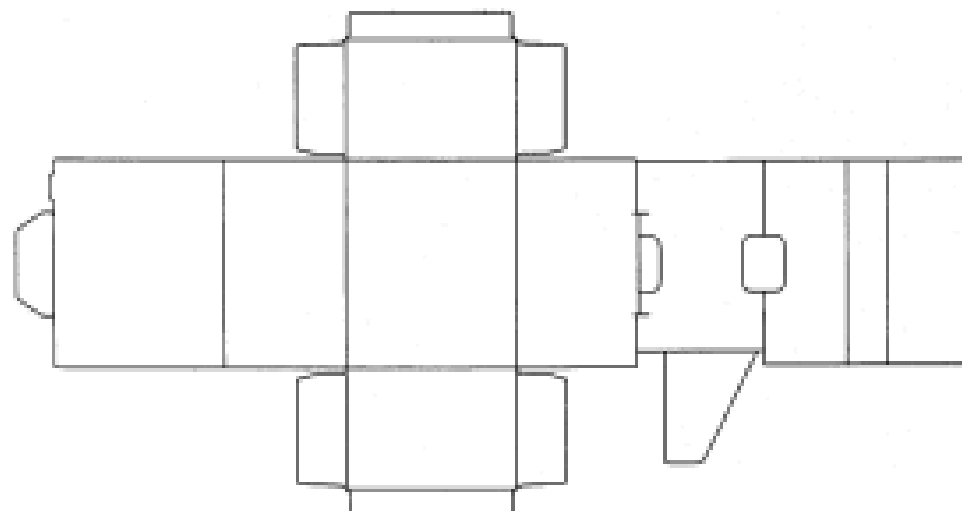
(45) Registration Date: **06 May 2008**

(30) Convention priority data:

(31) Number	(32) Date	(33) Country
M20070127	25 Jun 2007	FINLAND

(56) Related Art Documents: **Not Applicable**

(57) Statement of Newness and Distinctiveness: **Nil**



(21) Design Number: **21576/2007**
(22) Date of Filing Application: **24 December 2007**
(24) Date from which industrial property rights may have effect: **24 December 2007**
(54) Product in respect of which the design is registered: **Box blank**
(51) International Design Classification: **09-03M**
(71) Name(s) and Address(s) of Applicant(s):

Nokia Corporation
Keilalahdentie 4 FIN-02150 Espoo Finland

(72) Name(s) of Designer(s): **Birgir Magnusson**

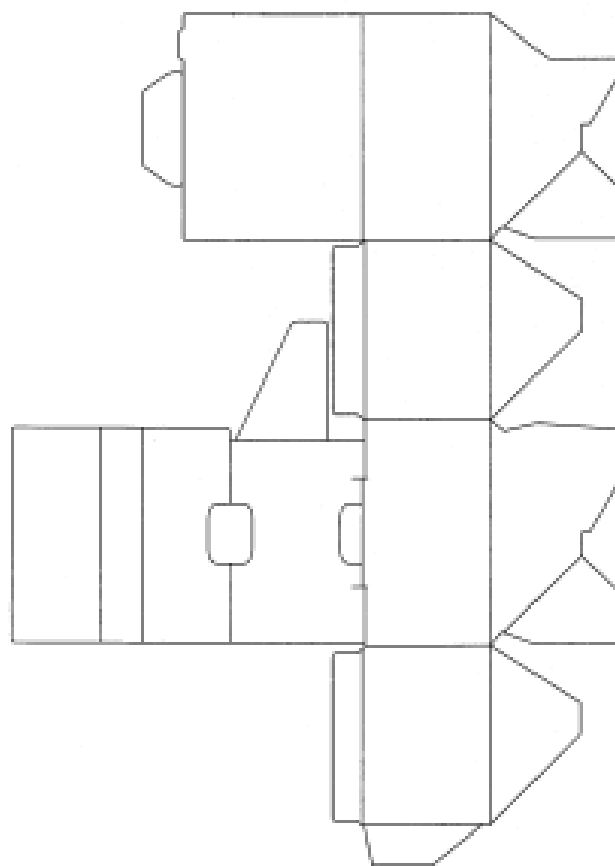
(45) Registration Date: **06 May 2008**

(30) Convention priority data:

(31) Number	(32) Date	(33) Country
M20070127	25 Jun 2007	FINLAND

(56) Related Art Documents: **Not Applicable**

(57) Statement of Newness and Distinctiveness: **Nil**



(21) Design Number: **10004/2008**
(22) Date of Filing Application: **02 January 2008**
(24) Date from which industrial property rights may have effect: **02 January 2008**
(54) Product in respect of which the design is registered: **Clothes hanger**
(51) International Design Classification: **06-08**
(71) Name(s) and Address(s) of Applicant(s):

Grant Olver Investments Pty Ltd trading as Pilgrim Clothing
2 Vale Street St Kilda Victoria 3182 Australia

(72) Name(s) of Designer(s): **Grant Olver**

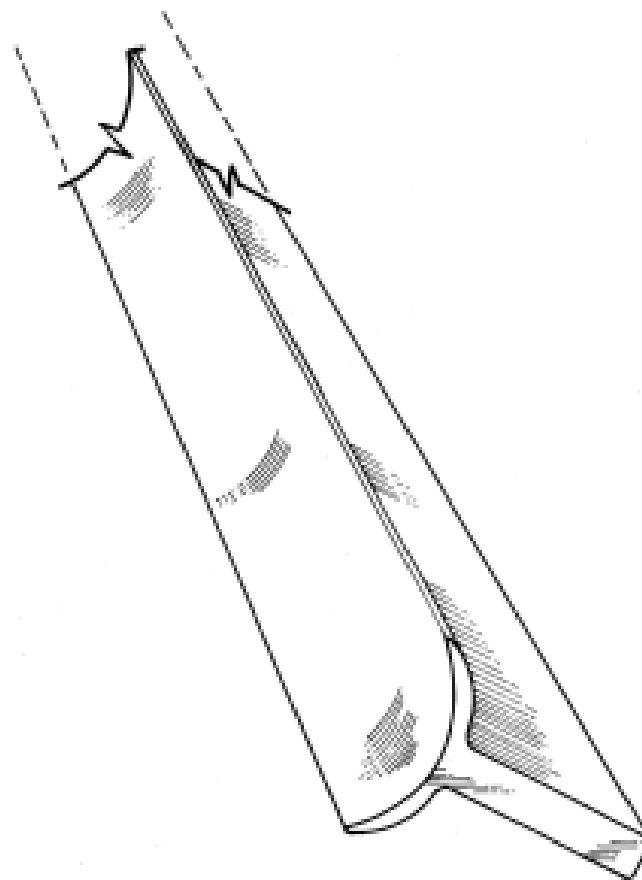
(45) Registration Date: **06 May 2008**

(56) Related Art Documents: **Not Applicable**

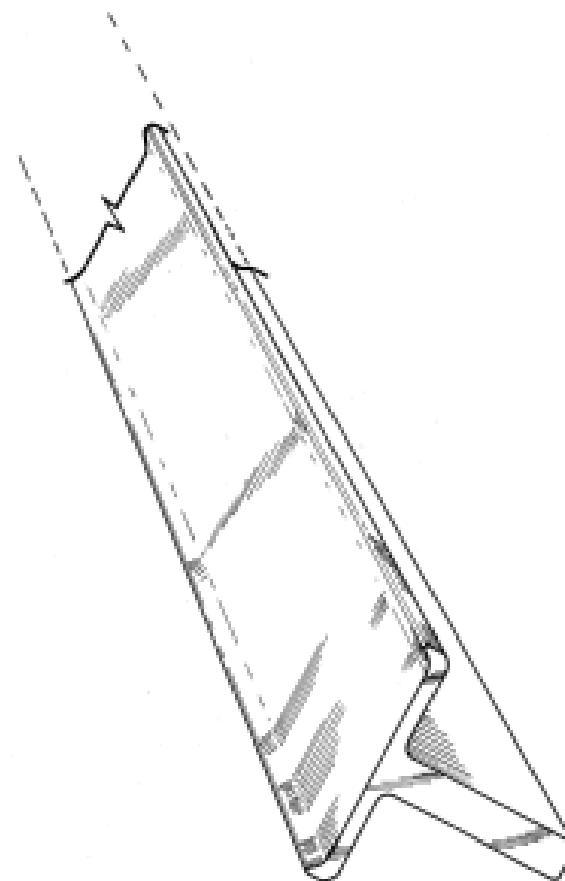
(57) Statement of Newness and Distinctiveness: **Nil**



- (21) Design Number: **10006/2008**
- (22) Date of Filing Application: **02 January 2008**
- (24) Date from which industrial property rights may have effect: **02 January 2008**
- (54) Product in respect of which the design is registered: **Extrusion**
- (51) International Design Classification: **25-01K**
- (71) Name(s) and Address(s) of Applicant(s):
Dunn and Farrugia Pty Ltd
44 Preston Street Penrith New South Wales 2750 Australia
- (72) Name(s) of Designer(s): **Max Dunn**
- (45) Registration Date: **06 May 2008**
- (56) Related Art Documents: **Not Applicable**
- (57) Statement of Newness and Distinctiveness: **The newness and distinctiveness resides in the shape and configuration of the extrusion of indefinite length.**



- (21) Design Number: **10007/2008**
- (22) Date of Filing Application: **02 January 2008**
- (24) Date from which industrial property rights may have effect: **02 January 2008**
- (54) Product in respect of which the design is registered: **Extrusion**
- (51) International Design Classification: **25-01K**
- (71) Name(s) and Address(s) of Applicant(s):
Dunn and Farrugia Pty Ltd
44 Preston Street Penrith New South Wales 2750 Australia
- (72) Name(s) of Designer(s): **Max Dunn**
- (45) Registration Date: **06 May 2008**
- (56) Related Art Documents: **Not Applicable**
- (57) Statement of Newness and Distinctiveness: **The newness and distinctiveness resides in the shape and configuration of the extrusion of indefinite length.**



(21) Design Number: **10009/2008**

(22) Date of Filing Application: **02 January 2008**

(24) Date from which industrial property rights may have effect: **02 January 2008**

(54) Product in respect of which the design is registered: **Cellular phone**

(51) International Design Classification: **14-03E**

(71) Name(s) and Address(s) of Applicant(s):

LG Electronics, Inc.

20 Yeouido-dong Yeongdeungpo-gu Seoul 150-721 Republic of Korea

(72) Name(s) of Designer(s): **Yoo Seok Cho and Seung Il Lee and Jae Boem Im**

(45) Registration Date: **06 May 2008**

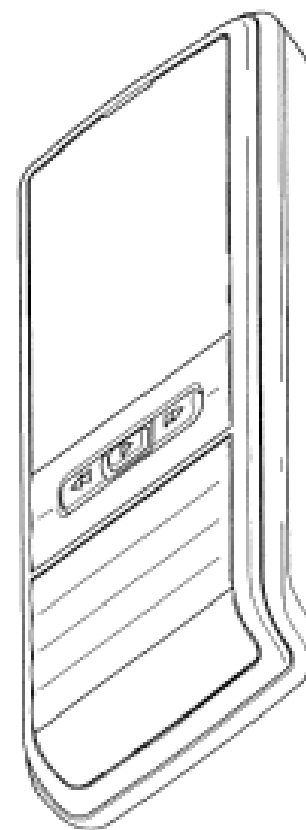
(30) Convention priority data:

(31) Number (32) Date
30-2007-0029659 09 Jul 2007

(33) Country
REPUBLIC OF KOREA

(56) Related Art Documents: **Not Applicable**

(57) Statement of Newness and Distinctiveness: **Newness and distinctiveness in the design as applied to a cellular phone resides in the shape and/or configuration thereof as is illustrated in the accompanying representations.**



(21) Design Number: **18578/2007**

(22) Date of Filing Application: **25 June 2007**

(24) Date from which industrial property rights may have effect: **25 June 2007**

(54) Product in respect of which the design is registered: **Footwear sole**

(51) International Design Classification: **02-04B**

(71) Name(s) and Address(s) of Applicant(s):

O & S Holdings (Vic) Pty Ltd

Cnr Prest & Humffray Streets Ballarat Victoria 3350 Australia

(72) Name(s) of Designer(s): **Andrew Wilson Oliver**

(45) Registration Date: **06 May 2008**

(56) Related Art Documents: **Not Applicable**

(57) Statement of Newness and Distinctiveness: **Those features of the footwear sole depicted in the representations that are new and distinctive are the shape and/or configuration. The shoe upper is not part of the design and is to be disregarded when considering the overall impression of the design.**



(21) Design Number: **18579/2007**

(22) Date of Filing Application: **25 June 2007**

(24) Date from which industrial property rights may have effect: **25 June 2007**

(54) Product in respect of which the design is registered: **Footwear sole**

(51) International Design Classification: **02-04B**

(71) Name(s) and Address(s) of Applicant(s):

**O & S Holdings (Vic) Pty Ltd
Cnr Prest & Humffray Streets Ballarat Victoria 3350 Australia**

(72) Name(s) of Designer(s): **Andrew Wilson Oliver**

(45) Registration Date: **06 May 2008**

(56) Related Art Documents: **Not Applicable**

(57) Statement of Newness and Distinctiveness: **Those features of the footwear sole depicted in the representations that are new and distinctive are the shape and/or configuration. The shoe upper is not part of the design and is to be disregarded when considering the overall impression of the design.**



(21) Design Number: **20721/2007**

(22) Date of Filing Application: **12 November 2007**

(24) Date from which industrial property rights may have effect: **12 November 2007**

(54) Product in respect of which the design is registered: **Veneer panel**

(51) International Design Classification: **25-01D**

(71) Name(s) and Address(s) of Applicant(s):

**HD Wood Technologies Limited
7 Frederick Street VLT03 Valletta Malta**

(72) Name(s) of Designer(s): **Michael Engel and Hans-Joachim Danzer**

(45) Registration Date: **06 May 2008**

(56) Related Art Documents: **Not Applicable**

(57) Statement of Newness and Distinctiveness: **Nil**



- (21) Design Number: **20722/2007**
(22) Date of Filing Application: **12 November 2007**
(24) Date from which industrial property rights may have effect: **12 November 2007**
(54) Product in respect of which the design is registered: **Veneer panel**
(51) International Design Classification: **25-01D**
(71) Name(s) and Address(s) of Applicant(s):
HD Wood Technologies Limited
7 Frederick Street VLT03 Valletta Malta
(72) Name(s) of Designer(s): **Michael Engel and Hans-Joachim Danzer**
(45) Registration Date: **06 May 2008**
(56) Related Art Documents: **Not Applicable**
(57) Statement of Newness and Distinctiveness: **Nil**



- (21) Design Number: **20723/2007**
(22) Date of Filing Application: **12 November 2007**
(24) Date from which industrial property rights may have effect: **12 November 2007**
(54) Product in respect of which the design is registered: **Veneer panel**
(51) International Design Classification: **25-01D**
(71) Name(s) and Address(s) of Applicant(s):
HD Wood Technologies Limited
7 Frederick Street VLT03 Valletta Malta
(72) Name(s) of Designer(s): **Michael Engel and Hans-Joachim Danzer**
(45) Registration Date: **06 May 2008**
(56) Related Art Documents: **Not Applicable**
(57) Statement of Newness and Distinctiveness: **Nil**



- (21) Design Number: **20724/2007**
(22) Date of Filing Application: **12 November 2007**
(24) Date from which industrial property rights may have effect: **12 November 2007**
(54) Product in respect of which the design is registered: **Veneer panel**
(51) International Design Classification: **25-01D**
(71) Name(s) and Address(s) of Applicant(s):
HD Wood Technologies Limited
7 Frederick Street VLT03 Valletta Malta
(72) Name(s) of Designer(s): **Michael Engel and Hans-Joachim Danzer**
(45) Registration Date: **06 May 2008**
(56) Related Art Documents: **Not Applicable**
(57) Statement of Newness and Distinctiveness: **Nil**



- (21) Design Number: **20725/2007**
(22) Date of Filing Application: **12 November 2007**
(24) Date from which industrial property rights may have effect: **12 November 2007**
(54) Product in respect of which the design is registered: **Veneer panel**
(51) International Design Classification: **25-01D**
(71) Name(s) and Address(s) of Applicant(s):
HD Wood Technologies Limited
7 Frederick Street VLT03 Valletta Malta
(72) Name(s) of Designer(s): **Michael Engel and Hans-Joachim Danzer**
(45) Registration Date: **06 May 2008**
(56) Related Art Documents: **Not Applicable**
(57) Statement of Newness and Distinctiveness: **Nil**



- (21) Design Number: **20726/2007**
(22) Date of Filing Application: **12 November 2007**
(24) Date from which industrial property rights may have effect: **12 November 2007**
(54) Product in respect of which the design is registered: **Veneer panel**
(51) International Design Classification: **25-01D**
(71) Name(s) and Address(s) of Applicant(s):
HD Wood Technologies Limited
7 Frederick Street VLT03 Valletta Malta
(72) Name(s) of Designer(s): **Michael Engel and Hans-Joachim Danzer**
(45) Registration Date: **06 May 2008**
(56) Related Art Documents: **Not Applicable**
(57) Statement of Newness and Distinctiveness: **Nil**



- (21) Design Number: **20727/2007**
(22) Date of Filing Application: **12 November 2007**
(24) Date from which industrial property rights may have effect: **12 November 2007**
(54) Product in respect of which the design is registered: **Veneer panel**
(51) International Design Classification: **25-01D**
(71) Name(s) and Address(s) of Applicant(s):
HD Wood Technologies Limited
7 Frederick Street VLT03 Valletta Malta
(72) Name(s) of Designer(s): **Michael Engel and Hans-Joachim Danzer**
(45) Registration Date: **06 May 2008**
(56) Related Art Documents: **Not Applicable**
(57) Statement of Newness and Distinctiveness: **Nil**



- (21) Design Number: **20728/2007**
(22) Date of Filing Application: **12 November 2007**
(24) Date from which industrial property rights may have effect: **12 November 2007**
(54) Product in respect of which the design is registered: **Veneer panel**
(51) International Design Classification: **25-01D**
(71) Name(s) and Address(s) of Applicant(s):
HD Wood Technologies Limited
7 Frederick Street VLT03 Valletta Malta
(72) Name(s) of Designer(s): **Michael Engel and Hans-Joachim Danzer**
(45) Registration Date: **06 May 2008**
(56) Related Art Documents: **Not Applicable**
(57) Statement of Newness and Distinctiveness: **Nil**



- (21) Design Number: **20729/2007**
(22) Date of Filing Application: **12 November 2007**
(24) Date from which industrial property rights may have effect: **12 November 2007**
(54) Product in respect of which the design is registered: **Veneer panel**
(51) International Design Classification: **25-01D**
(71) Name(s) and Address(s) of Applicant(s):
HD Wood Technologies Limited
7 Frederick Street VLT03 Valletta Malta
(72) Name(s) of Designer(s): **Michael Engel and Hans-Joachim Danzer**
(45) Registration Date: **06 May 2008**
(56) Related Art Documents: **Not Applicable**
(57) Statement of Newness and Distinctiveness: **Nil**



- (21) Design Number: **20730/2007**
(22) Date of Filing Application: **12 November 2007**
(24) Date from which industrial property rights may have effect: **12 November 2007**
(54) Product in respect of which the design is registered: **Veneer panel**
(51) International Design Classification: **25-01D**
(71) Name(s) and Address(s) of Applicant(s):
HD Wood Technologies Limited
7 Frederick Street VLT03 Valletta Malta
(72) Name(s) of Designer(s): **Michael Engel and Hans-Joachim Danzer**
(45) Registration Date: **06 May 2008**
(56) Related Art Documents: **Not Applicable**
(57) Statement of Newness and Distinctiveness: **Nil**



- (21) Design Number: **20731/2007**
(22) Date of Filing Application: **12 November 2007**
(24) Date from which industrial property rights may have effect: **12 November 2007**
(54) Product in respect of which the design is registered: **Veneer panel**
(51) International Design Classification: **25-01D**
(71) Name(s) and Address(s) of Applicant(s):
HD Wood Technologies Limited
7 Frederick Street VLT03 Valletta Malta
(72) Name(s) of Designer(s): **Michael Engel and Hans-Joachim Danzer**
(45) Registration Date: **06 May 2008**
(56) Related Art Documents: **Not Applicable**
(57) Statement of Newness and Distinctiveness: **Nil**



- (21) Design Number: **20732/2007**
(22) Date of Filing Application: **12 November 2007**
(24) Date from which industrial property rights may have effect: **12 November 2007**
(54) Product in respect of which the design is registered: **Veneer panel**
(51) International Design Classification: **25-01D**
(71) Name(s) and Address(s) of Applicant(s):
HD Wood Technologies Limited
7 Frederick Street VLT03 Valletta Malta
(72) Name(s) of Designer(s): **Michael Engel and Hans-Joachim Danzer**
(45) Registration Date: **06 May 2008**
(56) Related Art Documents: **Not Applicable**
(57) Statement of Newness and Distinctiveness: **Nil**



- (21) Design Number: **20733/2007**
(22) Date of Filing Application: **12 November 2007**
(24) Date from which industrial property rights may have effect: **12 November 2007**
(54) Product in respect of which the design is registered: **Veneer panel**
(51) International Design Classification: **25-01D**
(71) Name(s) and Address(s) of Applicant(s):
HD Wood Technologies Limited
7 Frederick Street VLT03 Valletta Malta
(72) Name(s) of Designer(s): **Michael Engel and Hans-Joachim Danzer**
(45) Registration Date: **06 May 2008**
(56) Related Art Documents: **Not Applicable**
(57) Statement of Newness and Distinctiveness: **Nil**



- (21) Design Number: **20734/2007**
- (22) Date of Filing Application: **12 November 2007**
- (24) Date from which industrial property rights may have effect: **12 November 2007**
- (54) Product in respect of which the design is registered: **Veneer panel**
- (51) International Design Classification: **25-01D**
- (71) Name(s) and Address(s) of Applicant(s):
HD Wood Technologies Limited
7 Frederick Street VLT03 Valletta Malta
- (72) Name(s) of Designer(s): **Michael Engel and Hans-Joachim Danzer**
- (45) Registration Date: **06 May 2008**
- (56) Related Art Documents: **Not Applicable**
- (57) Statement of Newness and Distinctiveness: **Nil**



- (21) Design Number: **20735/2007**
- (22) Date of Filing Application: **12 November 2007**
- (24) Date from which industrial property rights may have effect: **12 November 2007**
- (54) Product in respect of which the design is registered: **Veneer panel**
- (51) International Design Classification: **25-01D**
- (71) Name(s) and Address(s) of Applicant(s):
HD Wood Technologies Limited
7 Frederick Street VLT03 Valletta Malta
- (72) Name(s) of Designer(s): **Michael Engel and Hans-Joachim Danzer**
- (45) Registration Date: **06 May 2008**
- (56) Related Art Documents: **Not Applicable**
- (57) Statement of Newness and Distinctiveness: **Nil**

