



Australian Government

IP Australia

AUSTRALIAN OFFICIAL JOURNAL

OF

DESIGNS

Did you know a searchable version of this journal is now available online?

It's FREE and EASY to SEARCH.

Find it at

<http://pericles.ipaustralia.gov.au/ols/epublish/content/olsEpublications.jsp>
or using the "Online Journals" link on the IP Australia home page.

This Page Left Intentionally Blank

Contents

General Information & Notices

Proceedings Under the Designs Act 1906 preserved as a result of the provisions of Chapter 12 Part 2 of the Designs Act 2003

Applications for Extension of Time	1185
Extension of Period of Registration of Designs	1184
Names Registered - Alterations and Amendments	1185
Registrations Ceased	1184
Subsequent Owners Registered	1185

Proceedings Under the Designs Act 2003

Applications Lapsed	1199
Applications Lodged	1189
Applications Withdrawn	1199
Certificate of Examination	1204
Corrigenda	1203
Extension of Time Granted Under Section 137	1201
Names Registered - Alterations and Amendments	1201
Publication and Registration Proceedings	
Designs Registered 319125 to 319430.....	1205
Registrations Ceased	1201
Revocation of Design Registrations	1201
Subsequent Owners Registered	1201

This Page Left Intentionally Blank

For information on the following please see our website www.ipaustralia.gov.au or contact our Customer Service Network on 1300651010

[Editorial enquiries](#)

[Contact information](#)

[Freedom of Information ACT](#)

[Professional Standards Board](#)

[Sales](#)

[Requests for Information under Section 194 \(c\)](#)

[Country Codes](#)

[Trade Mark and Designs Hearing Sessions](#)

[INID \(Internationally agreed Numbers for the Identification of Data\)](#)

“INID” NUMBERS in use on Australian Design Documents

“INID” is an acronym for “Internationally agreed Numbers for the Identification of Data”.

(10) Data concerning the registration/renewal

- (11) Serial number of the registration and/or number of the design document
- (12) Plain language designation of the kind of published document
- (19) Identification, using the two-letter code according to WIPO Standard ST.3, of the authority publishing or registering the industrial design

(20) Data concerning the application

- (21) Serial number of the application
- (22) Date of filing of the application
- (24) Date from which the industrial design right has effect

(30) Data relating to priority under the Paris Convention

- (31) Serial number assigned to the priority application
- (32) Date of filing of the priority application
- (33) Two-letter code, according to WIPO Standard ST.3, identifying the authority with which the priority application was made

(40) Date(s) of making information available to the public

- (45) Date of publication of the registered industrial design by printing or similar process, or making it available to the public by any other means

(50) Miscellaneous Information

- (51) International Classification for Industrial Designs (class and subclass of the Locarno Classification)
- (54) Designation of article(s) or product(s) covered by the industrial design or title of the industrial design
- (55) Reproduction of the industrial design (e.g., drawing, photograph) and explanations relating to the reproduction
- (56) List of prior art documents, if separate from descriptive text
- (57) Description of characteristic features of the industrial design including indication of colours

(60) References to other legally related application(s) and registration(s)

- (62) Serial number(s) and, if available, filing date(s) of application(s), registration(s) or document(s) related by division
- (66) Serial number(s) of the application, or the registration, of the design(s) which is (are) a variant(s) of the present one

(70) Identification of parties concerned with the application or registration

- (71) Name(s) and address(es) of the applicant(s)
- (72) Name(s) of the creator(s) if known to be such
- (74) Name(s) and address(es) of the representative(s)

This Page Left Intentionally Blank

Official Notice**Designs Act 2003
Amendments to Registered Designs at Examination**

The following amendments have been made to details previously published in the Australian Official Journal of Designs during the Examination process:

Registration Numbers	Amendment type	New details
311957	Classification	24-02, 24-04
311958	Classification	24-02, 24-04
315174	Classification	28-03Z
316098	Classification	25-01K, 25-02H
316466	Classification	08-05Z, 22-02
316638	Classification	26-04, 26-99
319919	Classification	10-03, 29-03Z
316933	Classification	09-01K, 09-01Z
316936	Classification	09-01Z
316937	Classification	09-01Z
316938	Classification	09-01Z
317123	Classification	12-16Z, 13-01, 15-99
317124	Classification	12-16Z, 13-01, 15-99

Contact: IP Australia
Phone: 1300 651 010
Fax: +61 2 6283 7999
E-Mail: assist@ipaustralia.gov.au
Web: www.ipaustralia.gov.au

Official Notice**Designs Act 2003
Amendments to Registered Designs at Examination**

The following amendments have been made to details previously published in the Australian Official Journal of Designs during the Examination process:

Registration Numbers	Amendment type	New details
300328	Product Name	Coloured tablet

Contact: IP Australia
Phone: 1300 651 010
Fax: +61 2 6283 7999
E-Mail: assist@ipaustralia.gov.au
Web: www.ipaustralia.gov.au

Proceedings under the Designs Act 1906 preserved as a result of the provisions of Chapter 12 Part 2 of the Designs Act 2003.

This Page Left Intentionally Blank

Applications Lapsed

There were no Applications Lapsed under this section

Extension of Period of Registration of Designs

2nd Period (Section 27A(12))

147855	147892	148216
148365	148399	148551
148702	148723	148820
148853	148930	148931
148932	148933	148934
148937	148938	148988
148989	148990	148991
148992	148993	148996
148998	149001	149008
149009	149019	149030
149055	149056	149064
149065	149066	149067
149068	149085	149105
149162	149166	149200
149203	149239	149249
149250	149266	149308
149309	149315	149389
149421	149443	149468
149504	149531	149539
149634	149664	149685
149727	149728	149772
149779	149780	149781
149887	149915	149936
150014	150015	150016
150017	150134	150136
150137	150164	150166
150180	150240	150241
150262	150263	150591
150592	150671	150896
151140	151178	151179
151180	151232	151364
151365	151373	151485
151588	151606	151966
152006	152007	152008
152009	152060	152124
152125	152126	152217
152252	152253	152254
152255	152294	152324
152547	152548	152549
152550	152551	152688
152843	152844	152861
152862	152863	152864
152890	152933	153170
153281	153381	153405
153549	153649	153887
153928	153937	154083
154105	154301	154325
154413	154502	154572
155218	157912	

3rd Period (Section 27A(13))

130692	130961	131794
131795	131821	132023

132051	132116	132166
132172	132177	132180
132510	132512	132513
132601	132616	132698
132716	132717	132820
132946	132965	132985
133116	133417	133432
133447	133508	133539
133692	133719	133740
133863	133866	133942
134060	134340	134568
135335	135497	135498
135591	135606	136122
136224	136481	136629
136822	137541	137575
137684	138437	140314
141018	149736	154763
154764	154765	

Registrations Ceased

Note: Some of the following Registrations may have been previously advertised as ceased. In this instance, the previous advertisement still prevails.

115600	115668	115669
115670	115695	115701
115831	116190	116215
116225	116261	116350
116389	116638	116808
116822	116927	116928
117074	117856	118022
118425	118765	118990
119389	119398	119525
120223	120983	130420
130457	130472	130496
130546	130903	130940
131069	131583	131584
131585	131586	131587
131588	131589	131590
131591	131592	131593
131594	131595	131596
131597	131693	131694
131695	131696	132136
133219	134220	134624
134907	135045	135220
135221	135222	135718
135719	146669	146812
146995	146996	146997
146998	147063	147064
147135	147137	147192
147195	147196	147197
147198	147344	147345
147346	147347	147446
147493	147521	147522
147523	147639	147640
147641	147642	148316
148493	148494	148542

148543	148590	148591	151672	(Apple Inc.) Apple Computer Inc.
148592	148787	149026	151671	(Apple Inc.) Apple Computer Inc.
149036	149037	149038	151859	(Apple Inc.) Apple Computer Inc.
149039	149040	149041	151860	(Apple Inc.) Apple Computer Inc.
149042	149043	149044	151670	(Apple Inc.) Apple Computer Inc.
149045	149260	149377	151669	(Apple Inc.) Apple Computer Inc.
149378	149387	149478	151668	(Apple Inc.) Apple Computer Inc.
149671	150446	150447	151667	(Apple Inc.) Apple Computer Inc.
150448	150449	150450	151665	(Apple Inc.) Apple Computer Inc.
150451	150452	150453	151664	(Apple Inc.) Apple Computer Inc.
150454	150455	150456	151663	(Apple Inc.) Apple Computer Inc.
150457	150458	150459	146189	(Apple Inc.) Apple Computer Inc.
150460	150461	150528	147136	(Apple Inc.) Apple Computer Inc.
150529	150530	150531	152417	(Apple Inc.) Apple Computer Inc.
150532	150533	150534	152303	(Apple Inc.) Apple Computer Inc.
150535	150536	150537	152301	(Apple Inc.) Apple Computer Inc.
150538	150539	150540	152302	(Apple Inc.) Apple Computer Inc.
150541	150542	150543	152300	(Apple Inc.) Apple Computer Inc.
151051	151223	151224	152288	(Apple Inc.) Apple Computer Inc.
151225	151226	151227	152297	(Apple Inc.) Apple Computer Inc.
151228	151229	151230	152298	(Apple Inc.) Apple Computer Inc.
151231	151242	151243	152289	(Apple Inc.) Apple Computer Inc.
151244	151245	151246	152290	(Apple Inc.) Apple Computer Inc.
151247	151248	151249	152586	(Apple Inc.) Apple Computer Inc.
151257	151294	151312	152291	(Apple Inc.) Apple Computer Inc.
151313	151458	151912	152293	(Apple Inc.) Apple Computer Inc.
152047	152118	152316	152299	(Apple Inc.) Apple Computer Inc.
			152286	(Apple Inc.) Apple Computer Inc.
			152292	(Apple Inc.) Apple Computer Inc.
			152287	(Apple Inc.) Apple Computer Inc.
			158517	(Apple Inc.) Apple Computer Inc.
			149816	(GE Healthcare Bio-Sciences AB) Biacore A.B.

Applications for Extension of time

Applications for extension of time have been lodged.
Objections must be lodged within 1 month from the date of this journal.

144016 **Raymond Joseph Palmer** Extension of time to extend a registration. Address for Service: R.J. Palmer PO Box 872 THURINGOWA CENTRAL QLD 4817

Subsequent Owners Registered

(The name in parentheses is that of the subsequent owner)

134378	(Nylex Corporation Pty Ltd) Jackelen Developments Pty Ltd
137615	(Traffic Technologies Signal & Hardware Division Pty Ltd) Clearsonics Pty Ltd
137616	(Traffic Technologies Signal & Hardware Division Pty Ltd) Clearsonics Pty Ltd

Names Registered - Alterations and Amendments

(The name in parentheses is the new name of the proprietor)

154932	(Daimler AG) DaimlerChrysler AG
151666	(Apple Inc.) Apple Computer Inc.
151676	(Apple Inc.) Apple Computer Inc.
151675	(Apple Inc.) Apple Computer Inc.
151674	(Apple Inc.) Apple Computer Inc.
151673	(Apple Inc.) Apple Computer Inc.

This Page Left Intentionally Blank

Proceedings under the Designs Act 2003.

This Page Left Intentionally Blank

Applications Lodged

Lodgement information is in the following order: **Applicant's Name**; International Classification, Name of Product, Lodgement Date and **Design Number**. If the applicant claims an earlier priority date under an International Convention, the Convention Country and the associated filing date are shown in parentheses before the Lodgement Date. Divisional information will also appear in parentheses before the Lodgement Date.

spa parts pty ltd; SPA PARTS PTY.LTD.; 23-02B, Modular spa pool, 14 Apr 2008	11766/2008	Bambach Saddle Seat Pty Ltd, The; 06-01F, Seat, 22 Apr 2008	11894/2008
Aktiebolaget Electrolux; 12-16A, Wheels, (EM, 27 Nov 2007) 07 May 2008	12196/2008	Bemi, Darren; 19-06, Miniature easel display system, 14 Apr 2008	11767/2008
Aktiebolaget Electrolux; 15-05, Vacuum Cleaner, (EM, 27 Nov 2007) 18 Jan 2008	12131/2008	Bennett, Wayne; 17-02, , 06 May 2008	12183/2008
Aktiebolaget Electrolux; 15-05, Vacuum cleaner, (SE, 27 Jun 2007) (Divisional of 21480/2007) 20 Dec 2007	21592/2007	Berkana Holdings Pty Ltd; 08-08G, Scaffolding hook, 14 Apr 2008	11820/2008
Aktiebolaget Electrolux; 15-05, Vacuum cleaner, (EM, 21 Dec 2007) 30 Apr 2008	12010/2008	Better Energy Systems, Ltd.; 14-03A, Solar-powered headset, (US, 15 Oct 2007) 15 Apr 2008	11782/2008
Aktiebolaget Electrolux; 15-05, Vacuum cleaner, (SE, 27 Jun 2007) 20 Dec 2007	12051/2008	Bettess, Stephen; 14-02, Computer mouse pad glove with velcro, 17 Apr 2008	11838/2008
Aktiebolaget Electrolux; 15-05, Vacuum cleaner, (EM, 20 Feb 2008) 30 Apr 2008	12011/2008	Bettess, Stephen; 14-02, Computer mouse pad glove with velcro, 17 Apr 2008	11839/2008
Alcan International Limited; 23-01A, 23-01NES, Siphon nozzle for metal tapping, (US, 02 Apr 2008) 16 Apr 2008	11817/2008	Bickford's Australia Pty Ltd; 09-01K, A bottle, 06 May 2008	12133/2008
Alcan International Limited; 23-01A, 23-01NES, Siphon nozzle for metal tapping, (US, 02 Apr 2008) 16 Apr 2008	11816/2008	Billington, Oliver; 11-02NES, Modular wall covering consisting of a series of repeated shapes. When assembled, it creates a three dimensional, covering held together by overlapping joints. It is attached to a wall using a series of wall attachment fittings., 07 May 2008	12187/2008
AmSafe, Inc.; 29-02, A buckle, (US, 06 Nov 2007) 22 Apr 2008	11892/2008	Black & Decker Inc.; 08-03, Cutsaw, (US, 24 Oct 2007) 23 Apr 2008	11915/2008
Anna Thomas Pty Ltd; 02-02C, 02-02NES, 02-04NES, Ladies garments, 24 Apr 2008	11932/2008	Black & Decker, Inc.; 03-01D, A tool package with display, (US, 19 Nov 2007) 22 Apr 2008	11893/2008
Antelco Pty Ltd; 23-01E, A spike dripper, 07 May 2008	12211/2008	Borne Cult Pty Ltd.; 03-01B, Handbag liner, 30 Apr 2008	12132/2008
Antelco Pty Ltd; 23-01E, A pinch dripper, 07 May 2008	12212/2008	Brado S.P.A.; 06-01F, Chair, 17 Apr 2008	11886/2008
Antelco Pty Ltd; 23-01E, A tube support stake, 07 May 2008	12210/2008	Brado S.P.A.; 06-01F, Chair, 17 Apr 2008	11829/2008
Archer, Jillian Nola; 07-99B, Hot water bottle, 08 May 2008	12229/2008	Braun GmbH; 28-03A, Cleaning device for an electric shaver, (DE, 12 Dec 2007) 30 Apr 2008	12016/2008
Atomiq Pty Ltd A.T.F.; 21-03, Wheelchair swing (carriage), 29 Apr 2008	11968/2008	Braun GmbH; 28-03A, Cleaning device for an electric shaver, (DE, 10 Dec 2007) 30 Apr 2008	12017/2008
Australian Postal Corporation; 25-03, Multi-compartment mailbox unit with sliding concealable common access door, 15 Apr 2008	11788/2008	Braun GmbH; 28-03A, Electric shaver, (DE, 10 Dec 2007) 30 Apr 2008	12018/2008
AC DC Motorized Solutions Pty Ltd; 08-08L, 08-08NES, Joining slat for roller shutter, 15 Apr 2008	11763/2008	Braun GmbH; 28-03A, Electric shaver, (DE, 12 Dec 2007) 30 Apr 2008	12019/2008

British American Tobacco (Investments) Limited; 27-01, Smoking article, (Divisional of 10380/2008) 30 Jan 2008	12003/2008	Camara Clothing Pty Ltd; 02-02C, Ladies multi frill maxi dress, 30 Apr 2008	11990/2008
British American Tobacco (Investments) Limited; 27-01, Smoking article, (Divisional of 10380/2008) 30 Jan 2008	12004/2008	Cartier Creation Studio SA; 26-05A, 26-05C, A perfume bottle, (EM, 16 Oct 2007) 16 Apr 2008	11810/2008
British American Tobacco (Investments) Limited; 27-01, Smoking article, (Divisional of 10380/2008) 30 Jan 2008	12005/2008	Cawthorne, Barry Colin; 23-02NES, Multipart lid or cover for arrestor or grease trap, 29 Apr 2008	11991/2008
British American Tobacco (Investments) Limited; 27-01, Smoking article, (Divisional of 10380/2008) 30 Jan 2008	12006/2008	Cawthorne, Barry Colin; 23-02NES, Multipart lid or cover for arrestor or grease trap, 29 Apr 2008	11992/2008
British American Tobacco (Investments) Limited; 27-01, Smoking article, (Divisional of 10380/2008) 30 Jan 2008	12007/2008	Chef'n Corporation; 07-02NES, Utensil and holder, (US, 02 Aug 2007) (Divisional of 21237/2007) 11 Dec 2007	12040/2008
British American Tobacco (Investments) Limited; 27-01, Smoking article, (Divisional of 10380/2008) 30 Jan 2008	12008/2008	Chemtura Corporation; 12-15A, A tyre, (US, 10 Dec 2007) 22 Apr 2008	11898/2008
British American Tobacco (Investments) Limited; 27-01, Smoking article, (Divisional of 10380/2008) 30 Jan 2008	12009/2008	Chemtura Corporation; 12-15A, A tyre, (US, 26 Oct 2007) 22 Apr 2008	11897/2008
British American Tobacco (Investments) Limited; 27-01, Smoking article, (Divisional of 10380/2008) 30 Jan 2008	11969/2008	Chizle Brands Pty Ltd; 02-03, Helmet, 09 May 2008	12230/2008
British American Tobacco (Investments) Limited; 09-03A, Cigarette packet, (EF, 01 Nov 2007) 29 Apr 2008	12225/2008	Clark, Rochelle Leigh; Dawson, John; 08-06, A set of articles of, or resulting from assembly of, a hinge kit, (NZ, 13 Nov 2007) 07 May 2008	12189/2008
British American Tobacco (Investments) Limited; 09-03A, Cigarette packet, (Divisional of 10381/2008) 09 May 2008	11970/2008	Clark, Rochelle Leigh; Dawson, John; 08-06, A set of articles of, or resulting from assembly of, a hinge kit, (NZ, 13 Nov 2007) 07 May 2008	12188/2008
British American Tobacco (Investments) Limited; 09-03A, Cigarette packet, (EF, 01 Nov 2007) 29 Apr 2008	12185/2008	Clark, Rochelle Leigh; Dawson, John; 08-06, A set of articles of, or resulting from assembly of, a hinge kit, (NZ, 13 Nov 2007) 07 May 2008	12190/2008
Bye, Dean; 22-05, Fishing lure, 05 May 2008	11973/2008	Colleran, Robert James; Colleran, Peter John; 25-01D, 25-01K, Interlocking panel, 05 May 2008	12078/2008
Callaway Golf Company; 21-02C, Golf club head, (US, 29 Oct 2007) 29 Apr 2008	11976/2008	Colleran, Peter John; Colleran, Robert James; 25-01D, 25-01K, Interlocking panel, 05 May 2008	12078/2008
Callaway Golf Company; 21-02C, Golf club head, (US, 29 Oct 2007) 29 Apr 2008	11985/2008	Comvita Limited; 07-01NES, 09-03H, A container, (NZ, 19 Oct 2007) 18 Apr 2008	11842/2008
Camara Clothing Pty Ltd; 02-02C, Ladies chiffon floral print dress, 30 Apr 2008	11986/2008	Crocs, Inc.; 02-04NES, Footwear, (US, 06 Nov 2007) 05 May 2008	12119/2008
Camara Clothing Pty Ltd; 02-02NES, Ladies silk frill cami, 30 Apr 2008	11987/2008	Croucher, David John; 08-08H, Curtain track mounting bracket/clip, 16 Apr 2008	11790/2008
Camara Clothing Pty Ltd; 02-02C, Ladies printed tunic dress, 30 Apr 2008	11988/2008	Cullen, Barry; 22-05, , 06 May 2008	12130/2008
Camara Clothing Pty Ltd; 02-02NES, Ladies zip front floral print top, 30 Apr 2008	11989/2008	CQMS Pty Ltd; 08-08A, A locking pin for an excavator wear assembly, 28 Apr 2008	11961/2008
Camara Clothing Pty Ltd; 02-02NES, Ladies multi frill top, 30 Apr 2008		D P Groves Pty Ltd; 26-05NES, 16-05, Camera/light assembly, 23 Apr 2008	11916/2008

Dairy Crest Limited; 07-01F, Container, (EM, 25 Jan 2008) 05 May 2008	12112/2008	Eddy Brewer (Sales) Pty Ltd; 23-01H, Bathroom tap, 05 May 2008	12104/2008
Daka Research Inc.; 31-00, Support and storage box food processor, (US, 16 Jan 2008) 15 Apr 2008	11768/2008	Eddy Brewer (Sales) Pty Ltd; 23-01H, Bathroom tap, 05 May 2008	12105/2008
Daka Research Inc.; 31-00, Leg supported food processor, (US, 17 Jan 2008) 15 Apr 2008	11769/2008	Electrolux Home Products Corporation N.V.; 15-05, Part of a dish rack for a dishwasher, 23 Apr 2008	11914/2008
Daka Research Inc.; 31-00, Food processor, (US, 16 Jan 2008) 15 Apr 2008	11770/2008	Electrolux Home Products Corporation N.V.; 15-05, Part of a dish rack for a dishwasher, 23 Apr 2008	11913/2008
Daka Research Inc.; 07-99D, Mini can opener, (US, 15 Jan 2008) 15 Apr 2008	11771/2008	Elly Mae Enterprises Pty Ltd; 02-02NES, Article of clothing, 28 Apr 2008	11959/2008
Danfoss A/S; 23-01G, Water purifier, 22 Apr 2008	11889/2008	Elmich (Australia) Pty Ltd; 23-01F, Drainage cell, 17 Apr 2008	11835/2008
Dart Industries Inc.; 07-06C, 07-04, Food mill, (US, 09 Nov 2007) 16 Apr 2008	11806/2008	Esselte Australia Pty Ltd; 09-03M, Container, 05 May 2008	12108/2008
Dart Industries Inc.; 07-07NES, Ice cube tray, (US, 09 Nov 2007) 16 Apr 2008	11807/2008	Esselte Australia Pty Ltd; 19-02, Tray for drawer, 05 May 2008	12109/2008
Das Werk Pty Ltd; 23-04, Ceiling fan, 22 Apr 2008	11899/2008	Esselte Australia Pty Ltd; 19-02, Card holder, 05 May 2008	12110/2008
Das Werk Pty Ltd; 23-04, Celing fan, 22 Apr 2008	11900/2008	Esselte Australia Pty Ltd; 19-02, Tray, 05 May 2008	12111/2008
Dawson, John; Clark, Rochelle Leigh; 08-06, A set of articles of, or resulting from assembly of, a hinge kit, (NZ, 13 Nov 2007) 07 May 2008	12190/2008	Eveready Battery Company, Inc.; Streamlight Inc.; 26-02, Flashlight, (US, 06 Nov 2007) 30 Apr 2008	12012/2008
Dawson, John; Clark, Rochelle Leigh; 08-06, A set of articles of, or resulting from assembly of, a hinge kit, (NZ, 13 Nov 2007) 07 May 2008	12188/2008	Eveready Battery Company, Inc.; Streamlight Inc.; 26-02, Flashlight, (US, 06 Nov 2007) 30 Apr 2008	12013/2008
Dawson, John; Clark, Rochelle Leigh; 08-06, A set of articles of, or resulting from assembly of, a hinge kit, (NZ, 13 Nov 2007) 07 May 2008	12189/2008	Everpads Co., Ltd.; 08-03, Chisel, 29 Apr 2008	11975/2008
Decor Corporation Pty Ltd, The; 04-01, Grout brush, 24 Apr 2008	11931/2008	ELC Management LLC; 09-01G, Bottle, (US, 18 Oct 2007) 10 Apr 2008	12090/2008
Denigan, Michael James; 05-04, Hat accessory, bag accessory, 29 Apr 2008	11982/2008	ELC Management LLC; 28-03NES, Applicator, (US, 10 Mar 2008) 24 Apr 2008	11933/2008
Dogg Pty Ltd; 19-99, 99-00, Dogg mono stunt bike - seating angle, 21 Apr 2008	11844/2008	ERCO Leuchten GmbH; 26-05A, Spotlight, (EM, 18 Oct 2007) 16 Apr 2008	11809/2008
Dogg Pty Ltd; 07-99NES, 20-02D, 03-01C, Dogg mono stunt bike - rear extension - known as dogg tail, 21 Apr 2008	11845/2008	ESET, spol. s r.o.; 03-01C, 09-05, Disc container, (EM, 22 Oct 2007) 21 Apr 2008	11947/2008
Drug Enhancement Company of America, LLC; 24-04, Medicant dispenser, (US, 31 Oct 2007) 29 Apr 2008	11981/2008	ESET, spol. s r.o.; 03-01C, 09-05, Disc holder, (EM, 22 Oct 2007) 21 Apr 2008	11948/2008
Dulmison Pty Ltd; 99-00, Cover cap, 29 Apr 2008	11993/2008	ESET, spol. s r.o.; 03-01C, 09-05, Disc container, (EM, 22 Oct 2007) 21 Apr 2008	11949/2008
Ecopouch Pty Ltd; 03-01B, Bag, carry, 02 May 2008	12129/2008	ESET, spol. s r.o.; 03-01C, 09-05, Disc holder, (EM, 22 Oct 2007) 21 Apr 2008	11950/2008
		Firth, Vanessa; 03-01B, 03-01NES, Lunch bag, 16 Apr 2008	11772/2008
		Firth, Vanessa; 03-01B, 03-01NES, Lunch bag, 16 Apr 2008	11773/2008

Fluid Fashions Pty Ltd; 09-01K, A container, 01 May 2008	12036/2008	GMCA Pty Ltd; 08-01, A power tool, (EM, 31 Mar 2008) 01 May 2008	12039/2008
Fluid Fashions Pty Ltd; 09-01K, A container with a clip, 01 May 2008	12037/2008	H.P.M. Industries Pty Ltd; 08-08L, Adjustable bracket, 18 Apr 2008	11836/2008
Formentin, Cornelio Lorenzo; 07-99NES, 07-04, Multibladed pizza knife/cutter, 16 Apr 2008	11789/2008	H.P.M. Industries Pty Ltd; 08-08L, 08-08NES, Adjustable bracket, 30 Apr 2008	12014/2008
Formentin, Cornelio Lorenzo; 07-99NES, 07-04, Du-o blade pizza cutter, 16 Apr 2008	11840/2008	H.P.M. Industries Pty Ltd; 13-03D, Low profile powerpoint, 30 Apr 2008	12015/2008
Garth Living Pty Ltd; 07-02E, Cooking apparatus, 30 Apr 2008	11997/2008	Hankook Tire Co., Ltd.; 12-15B, Automobile tire, (KR, 30 Oct 2007) 30 Apr 2008	12001/2008
Georgiou, George; 21-01K, Playing card for sports card game, 01 May 2008	12044/2008	Hankook Tire Co., Ltd.; 12-15B, Automobile tire, (KR, 30 Oct 2007) 30 Apr 2008	12002/2008
Georgiou, George; 21-01L, Playing board for sports card game., 01 May 2008	12045/2008	Heltech Industries Pty Ltd; 25-01B, Floor panel, 18 Apr 2008	11849/2008
GlassFence.com; 25-02C, Glass balustrading and fencing, 16 Apr 2008	11808/2008	Heltech Industries Pty Ltd; 25-01B, Concrete slab, 18 Apr 2008	11850/2008
Go-Anywhere Mobile Bar & Bbq Pty Ltd; 12-10, Trailer, 22 Apr 2008	11896/2008	Hickey, Andrew Xavier; 21-02NES, Gambling/gaming via roulette/golf. The roulette wheel. Secondary product is a professional golf tournament/golf, tour, 30 Apr 2008	12209/2008
Grant Olver Investments Pty Ltd trading as Pilgrim Clothing; 02-02C, Winter/Spring, 08 May 2008	12186/2008	Hochiki Corporation; 10-05, Fire detector, (JP, 21 Dec 2007) 22 Apr 2008	11890/2008
Great Ideas In Nutrition Pty Ltd; 07-01A, Plates, 30 Apr 2008	11962/2008	Honda Motor Co., Ltd.; 15-01, An engine cover of an outboard motor for a vessel, (JP, 25 Oct 2007) 23 Apr 2008	11912/2008
Great Ideas In Nutrition Pty Ltd; 07-01A, Plates, 30 Apr 2008	11963/2008	Husqvarna Professional Outdoor Products Inc.; 08-08NES, Drill stand, (US, 02 Nov 2007) 01 May 2008	12030/2008
Gruber, Peter; 12-16NES, Gearshift assembly, 17 Apr 2008	11800/2008	Husqvarna Professional Outdoor Products Inc.; 08-08NES, Drill stand, (US, 02 Nov 2007) 01 May 2008	12035/2008
Gurcinoski, Zoran; 21-02NES, Ball inflation needle, 02 May 2008	12082/2008	Husqvarna Professional Outdoor Products Inc.; 08-08NES, Drill stand, (US, 02 Nov 2007) 01 May 2008	12031/2008
Gurcinoski, Zoran; 21-02NES, Ball inflation needle, 02 May 2008	12083/2008	Husqvarna Professional Outdoor Products Inc.; 08-08NES, Drill stand anchor base, (US, 02 Nov 2007) 01 May 2008	12032/2008
Gurcinoski, Zoran; 21-02NES, Ball inflation needle, 02 May 2008	12084/2008	Husqvarna Professional Outdoor Products Inc.; 08-08NES, Drill stand back support, (US, 02 Nov 2007) 01 May 2008	12033/2008
Gurcinoski, Zoran; 21-02NES, Ball inflation needle, 02 May 2008	12085/2008	Husqvarna Professional Outdoor Products Inc.; 08-08NES, Drill stand carriage, (US, 02 Nov 2007) 01 May 2008	12034/2008
Gurcinoski, Zoran; 21-02NES, Ball inflation needle, 02 May 2008	12086/2008	Ianno, Angela; 09-03NES, 09-05, An insert for the bottom of a box for storage of brassieres, 23 Apr 2008	11928/2008
Gurcinoski, Zoran; 21-02NES, Ball inflation needle, 02 May 2008	12087/2008		
Gush Creative Pty Ltd; 20-02NES, Cosmetic merchandise, 24 Apr 2008	11929/2008		
GM Global Technology Operations, Inc.; 12-16A, Vehicle wheel, 21 Apr 2008	11871/2008		
GM Global Technology Operations, Inc.; 12-16A, Vehicle wheel, 21 Apr 2008	11872/2008		
GMCA Pty Ltd; 15-09, A powered planer tool, (GB, 23 Feb 2008) 01 May 2008	12038/2008		

Insurance Australia Limited; 08-08L, Left bracket, 18 Apr 2008	11856/2008	Karsten Manufacturing Corporation; 21-02C, Golf club head, (US, 19 Dec 2007) 24 Apr 2008	11937/2008
Insurance Australia Limited; 08-08L, Right bracket, 18 Apr 2008	11857/2008	Kent Holdings International Limited; 16-06, 16-99, Lens, 30 Apr 2008	12023/2008
International Truck Intellectual Property Company, LLC; 12-16C, Fender extension of a truck vehicle, (US, 16 Oct 2007) 15 Apr 2008	11783/2008	Koden Pty Ltd; 08-99, Attachment for camping/outdoor item, 02 May 2008	12061/2008
International Truck Intellectual Property Company, LLC; 12-16B, Grille of a truck vehicle, (US, 23 Oct 2007) 15 Apr 2008	11784/2008	Kohler Co.; 23-02B, Bathing tub, (US, 09 Nov 2007) 23 Apr 2008	11907/2008
International Truck Intellectual Property Company, LLC; 26-06, Head light of a truck vehicle, (US, 23 Oct 2007) 15 Apr 2008	11785/2008	Kohler Co.; 23-02B, Bathing tub, (US, 09 Nov 2007) 23 Apr 2008	11906/2008
International Truck Intellectual Property Company, LLC; 23-04, Air cleaner of a truck vehicle, (US, 23 Oct 2007) 15 Apr 2008	11786/2008	Leech, Mark Ian; 25-01NES, Roof valley protector, 11 Apr 2008	11819/2008
International Truck Intellectual Property Company, LLC; 26-06, Air cleaner light bar of a truck vehicle, (US, 23 Oct 2007) 15 Apr 2008	11787/2008	Lelox (Australia) Pty Ltd; 12-16B, Mudguard mounting bracket cover, 01 May 2008	12042/2008
Invention Holdings Pty Ltd; 08-08L, A bracket, 18 Apr 2008	11847/2008	Lelox (Australia) Pty Ltd; 12-16B, Mudguard mounting bracket cover, 01 May 2008	12043/2008
Inverness Medical Switzerland GmbH; 24-01, Diagnostic test device, (GB, 23 Oct 2007) 22 Apr 2008	11895/2008	Linak A/S; 12-05, A lifting column, especially for hospital and care beds, (DK, 02 Nov 2007) 29 Apr 2008	11974/2008
J B Sales International Limited; 15-04, A coupler, (NZ, 18 Oct 2007) 17 Apr 2008	11828/2008	Linak A/S; 15-99, Motor operator for switchgear, (DK, 31 Oct 2007) 29 Apr 2008	11977/2008
J Bloch Pty Ltd; 02-04NES, Dance shoe upper, 18 Apr 2008	11821/2008	Linak A/S; 15-99, Motor operator for a switchgear, (DK, 31 Oct 2007) 29 Apr 2008	11978/2008
J Bloch Pty Ltd; 02-04B, Dance shoe sole, toe pad, 18 Apr 2008	11822/2008	Lolitta Clothing; 02-02NES, , 09 May 2008	12232/2008
J Bloch Pty Ltd; 02-04B, Dance shoe sole, heel pad, 18 Apr 2008	11823/2008	Lolitta Clothing Pty Ltd; 02-02NES, , 29 Apr 2008	11979/2008
J Bloch Pty Ltd; 02-04NES, Dance shoe upper, 18 Apr 2008	11824/2008	Lorimark Pty. Ltd.; 06-01F, 06-01H, Indoor and outdoor furniture. Design of a chair., 01 May 2008	12028/2008
J Bloch Pty Ltd; 02-04B, Dance shoe sole, toe pad, 18 Apr 2008	11825/2008	Loyer, Jacques; 27-03, Urban ashtray double face, (WO, 04 Feb 2008) 23 Apr 2008	11905/2008
J Bloch Pty Ltd; 02-04B, Dance shoe sole, heel pad, 18 Apr 2008	11826/2008	Loyer, Jacques; 27-03, Urban ashtray simple face, (WO, 04 Feb 2008) 23 Apr 2008	11904/2008
Joe's Wrought Iron and Aluminium Pty Ltd; 25-02A, Foot plate for a post, 12 Oct 2007	21590/2007	Lucidity Enterprise Co., Ltd.; 26-05D, Sidemarker lamp, 28 Apr 2008	12024/2008
Johnson Electric S.A.; 08-03, Shredder ring in a food waste disposal unit, 16 Apr 2008	11818/2008	LG Electronics Inc.; 15-05, Washing machine, (KR, 01 Nov 2007) 24 Apr 2008	11935/2008
Junkeer, Nicola Gail; 11-02B, Planter, 21 Apr 2008	11873/2008	LG Electronics Inc.; 15-05, Washing machine, (KR, 15 Nov 2007) 05 May 2008	12114/2008
Kapman AB; 08-03, Saw handle, (EM, 19 Oct 2007) 15 Apr 2008	11781/2008	LG Electronics Inc.; 15-05, Washing machine, (KR, 15 Nov 2007) 05 May 2008	12115/2008
		LG Electronics Inc.; 15-05, Washing machine, (KR, 15 Nov 2007) 05 May 2008	12116/2008

LG Electronics Inc.; 15-05, Washing machine, (KR, 15 Nov 2007) 05 May 2008	12117/2008	Martino, Francesco Antonio; 25-01D, A wall panel of indefinite length, 02 May 2008	12077/2008
LG Electronics Inc.; 15-05, Washing machine, (KR, 01 Nov 2007) 24 Apr 2008	11936/2008	Mary Kay Inc.; 09-01G, 28-03NES, Containers, (US, 15 Nov 2007) 29 Apr 2008	11966/2008
LG Electronics, Inc.; 15-05, Washing machine, (KR, 01 Nov 2007) 24 Apr 2008	11934/2008	Mary Kay Inc.; 28-03NES, Container, (US, 19 Nov 2007) 29 Apr 2008	11967/2008
M.M. & R. Products, Inc.; 28-03B, Brush with rotatable cylinder, (US, 12 Feb 2008) 29 Apr 2008	11972/2008	McNeil-PPC, Inc.; 24-04, Sanitary napkin, (US, 30 Oct 2007) 28 Apr 2008	11951/2008
Madsen, James Borsting; 06-02, Bed, 06 May 2008	12098/2008	McNeil-PPC, Inc.; 24-04, Sanitary napkin, (US, 30 Oct 2007) 28 Apr 2008	11952/2008
Madsen, James Borsting; 06-03A, Coffee table, 06 May 2008	12099/2008	McNeil-PPC, Inc.; 24-04, Sanitary napkin, (US, 30 Oct 2007) 28 Apr 2008	11953/2008
Madsen, James Borsting; 06-04NES, Entertainment unit, 06 May 2008	12100/2008	McNeil-PPC, Inc.; 24-04, Sanitary napkin, (US, 30 Oct 2007) 28 Apr 2008	11954/2008
Madsen, James Borsting; 06-04NES, Entertainment unit, 06 May 2008	12101/2008	Melro Distributors Pty Ltd; 02-02C, 02-02NES, Ladies clothing, 02 May 2008	12062/2008
Madsen, James Borsting; 06-04NES, Entertainment unit, 06 May 2008	12102/2008	Methven Limited; 07-99NES, Dispenser cartridge, (NZ, 16 Oct 2007) 16 Apr 2008	11813/2008
Magnor Pty Limited; 15-05, A head for a vacuum head assembly, 08 May 2008	12197/2008	Methven Limited; 07-99NES, A dispenser, (NZ, 16 Oct 2007) 16 Apr 2008	11814/2008
Magnor Pty Limited; 15-05, A vacuum head assembly, 08 May 2008	12198/2008	Methven Limited; 07-99NES, Shower dispenser cartridge, (NZ, 16 Oct 2007) 16 Apr 2008	11812/2008
Martino, Francesco Antonio; 25-01K, An extrusion, 02 May 2008	12063/2008	Michelin Recherche et Technique S.A.; Societe De Technologie Michelin; 12-15A, 12-15B, A tyre, 18 Apr 2008	11853/2008
Martino, Francesco Antonio; 25-01K, An extrusion, 02 May 2008	12064/2008	Missoni S.p.A.; 09-01G, Bottle with cap, (US, 05 Nov 2007) 28 Apr 2008	12091/2008
Martino, Francesco Antonio; 25-01K, An extrusion, 02 May 2008	12065/2008	Missoni S.p.A.; 09-01G, Bottle with cap, (US, 05 Nov 2007) 28 Apr 2008	12092/2008
Martino, Francesco Antonio; 25-01K, An extrusion, 02 May 2008	12066/2008	Mokum Textiles Limited; 07-99NES, 20-02D, 03-01C, Sample holder, (NZ, 19 Oct 2007) 18 Apr 2008	11846/2008
Martino, Francesco Antonio; 25-01K, An extrusion, 02 May 2008	12067/2008	Morphlight Pty Ltd; 25-01K, Groovelight GL200 & Groovelight GL100, 09 May 2008	12226/2008
Martino, Francesco Antonio; 25-01K, An extrusion, 02 May 2008	12068/2008	Murray, Toni; 07-07A, Wine glass cooler, 29 Apr 2008	11965/2008
Martino, Francesco Antonio; 25-01K, An extrusion, 02 May 2008	12069/2008	MHJ (UK) Limited; 07-07A, Bags; coolboxes; cooler bags, (EM, 18 Oct 2007) 18 Apr 2008	11841/2008
Martino, Francesco Antonio; 25-01K, An extrusion, 02 May 2008	12070/2008	MYKKO, naamloze vennootschap; 03-99, 12-12, Travel cot, (EM, 22 Oct 2007) 21 Apr 2008	11863/2008
Martino, Francesco Antonio; 25-01K, An extrusion, 02 May 2008	12071/2008	MYKKO, naamloze vennootschap; 03-99, 12-12, Travel cot cover, (EM, 22 Oct 2007) 21 Apr 2008	11864/2008
Martino, Francesco Antonio; 25-01D, A profiled panel of indefinite length and width, 02 May 2008	12072/2008		
Martino, Francesco Antonio; 25-01K, An extrusion, 02 May 2008	12073/2008		
Martino, Francesco Antonio; 25-01K, An extrusion, 02 May 2008	12074/2008		
Martino, Francesco Antonio; 25-01K, An extrusion, 02 May 2008	12075/2008		
Martino, Francesco Antonio; 25-01K, An extrusion, 02 May 2008	12076/2008		

Nanotechnology Victoria; 24-01, Diagnostic device, 21 Apr 2008	11901/2008	Petranovic, Linda; 02-05, Necktie, 21 Apr 2008	11879/2008
Nanotechnology Victoria; 24-01, Diagnostic device, 21 Apr 2008	11903/2008	Petranovic, Linda; 02-05, Necktie, 21 Apr 2008	11880/2008
Nanotechnology Victoria; 24-01, Diagnostic device, 21 Apr 2008	11902/2008	Petranovic, Linda; 02-05, Necktie, 21 Apr 2008	11881/2008
Neals Yard Pty Ltd; 20-02NES, A leaflet/poster holder system for table top locations., 20 Dec 2007	21591/2007	Petranovic, Linda; 02-05, Necktie, 21 Apr 2008	11882/2008
Nilsson, Amelia Anne Bristed; 02-01B, A set of infant attire articles, (NZ, 17 Oct 2007) 15 Apr 2008	11777/2008	Petranovic, Linda; 02-05, Necktie, 21 Apr 2008	11883/2008
Nixon, Inc.; 10-02, Watch, (US, 23 Aug 2007) 04 Mar 2008	12088/2008	Petranovic, Linda; 02-05, Necktie, 21 Apr 2008	11884/2008
Norbrook Laboratories Ltd; 23-03NES, A heating device, (EM, 20 Jul 2007) (Divisional of 10082/2008) 08 Jan 2008	12041/2008	Petranovic, Linda; 02-05, Necktie, 21 Apr 2008	11885/2008
NEC Corporation; 13-02, Charging unit for robot, (JP, 05 Dec 2007) 16 Apr 2008	11811/2008	Pidial, Richard; 21-01L, A board game with 64 numbers arranged in rows around the sides of the board and with a space in the middle, 30 Apr 2008	11983/2008
Olsson, Ashley Dean; Olsson, Ashley Norman; Olsson, Nathanael Dean; Olsson, Stafford James; Olsson, Kieran Blake; 25-01E, Fence post, 28 Apr 2008	11960/2008	Piling Contractors Pty Ltd; 25-02NES, Pile plate, 30 Apr 2008	12020/2008
Olsson, Ashley Norman; Olsson, Ashley Dean; Olsson, Nathanael Dean; Olsson, Stafford James; Olsson, Kieran Blake; 25-01E, Fence post, 28 Apr 2008	11960/2008	Piling Contractors Pty Ltd; 25-02NES, Pile plate, 30 Apr 2008	12021/2008
Olsson, Nathanael Dean; Olsson, Ashley Dean; Olsson, Ashley Norman; Olsson, Stafford James; Olsson, Kieran Blake; 25-01E, Fence post, 28 Apr 2008	11960/2008	Pindan Flags; 25-01E, Star picket flag, 29 Apr 2008	12089/2008
Olsson, Stafford James; Olsson, Ashley Dean; Olsson, Ashley Norman; Olsson, Nathanael Dean; Olsson, Kieran Blake; 25-01E, Fence post, 28 Apr 2008	11960/2008	Poynton, Denis Vincent; 07-04, Chopping board, 02 May 2008	12113/2008
Olsson, Kieran Blake; Olsson, Ashley Dean; Olsson, Ashley Norman; Olsson, Nathanael Dean; Olsson, Stafford James; 25-01E, Fence post, 28 Apr 2008	11960/2008	Press Metal Aluminium (Australia) Pty Ltd; 25-01K, 25-02NES, An extension clip, 21 Apr 2008	11874/2008
Onesteel Reinforcing Pty Ltd; 25-02C, Reinforcing mesh, 02 May 2008	12055/2008	Press Metal Aluminium (Australia) Pty Ltd; 25-01K, An extension, 21 Apr 2008	11875/2008
Onesteel Reinforcing Pty Ltd; 25-02C, Reinforcing mesh, 02 May 2008	12056/2008	Press Metal Aluminium (Australia) Pty Ltd; 25-01K, 25-02NES, A threshold, 21 Apr 2008	11876/2008
Onesteel Reinforcing Pty Ltd; 25-02C, Reinforcing mesh, 02 May 2008	12057/2008	Press Metal Aluminium (Australia) Pty Ltd; 25-01E, 25-01K, A post, 21 Apr 2008	11877/2008
Onesteel Reinforcing Pty Ltd; 25-02C, Reinforcing mesh, 02 May 2008	12058/2008	Preston, John Clement; 25-02NES, 29-02, A barrier panel, 30 Apr 2008	11996/2008
Onesteel Reinforcing Pty Ltd; 25-02C, Reinforcing mesh, 02 May 2008	12059/2008	Prodrome Designs Pty Ltd; 25-01K, 25-02C, A balustrade post extrusion, 21 Apr 2008	11865/2008
Onesteel Reinforcing Pty Ltd; 25-02C, Reinforcing mesh, 02 May 2008	12060/2008	PI-Design AG; 07-01B, Serving tray, (CH, 14 Dec 2007) 07 May 2008	12192/2008
Orayo Pty Ltd; 09-03M, Tampon case, 15 Apr 2008	11764/2008	PI-Design AG; 07-01B, Serving tray, (CH, 14 Dec 2007) 07 May 2008	12194/2008
Orayo Pty Ltd; 09-03M, Tampon case, 15 Apr 2008	11765/2008	PI-Design AG; 07-02L, Filter insert for a coffee maker, (SE, 05 Nov 2007) 02 May 2008	12052/2008
Petranovic, Linda; 02-05, Necktie, 21 Apr 2008	11878/2008	PI-Design AG; 07-02L, Coffee maker, (SE, 05 Nov 2007) 02 May 2008	12053/2008
		PI-Design AG; 07-02L, Coffee maker, (SE, 05 Nov 2007) 02 May 2008	12054/2008

Randall, Martin; 25-01B, Ferrule chair with loops and gussets, 24 Apr 2008	11943/2008	S.C. Johnson & Son, Inc.; 28-99, Diffuser with light source, (US, 29 Oct 2007) 28 Apr 2008	11957/2008
Randall, Martin; 25-01B, 06-01F, Bar chair, 16 Apr 2008	11837/2008	S.C. Johnson & Son, Inc.; 28-99, Diffuser with light source, (US, 29 Oct 2007) 28 Apr 2008	11955/2008
Raven Products Pty Ltd; 07-05E, Professional window cleaner (handle), 05 May 2008	12093/2008	S.C. Johnson & Son, Inc.; 28-99, Diffuser inner vase, (US, 29 Oct 2007) 28 Apr 2008	11956/2008
Raven Products Pty Ltd; 25-99, Door perimeter seal, 05 May 2008	12094/2008	S.C. Johnson & Son, Inc., Wisconsin; 28-99, Diffuser inner vase, (US, 29 Oct 2007) 28 Apr 2008	11958/2008
Reckitt Benckiser Inc.; 09-07A, Dispensing pump head, (EM, 30 Nov 2007) 29 Apr 2008	11971/2008	S&M NuTec, LLC; 30-99, Pet chew, (US, 08 Nov 2007) 08 May 2008	12213/2008
Red Bull GmbH; 99-00, A gate for an air race, (EM, 19 Oct 2007) 17 Apr 2008	11834/2008	S&M NuTec, LLC; 30-99, Pet chew, (US, 08 Nov 2007) 08 May 2008	12214/2008
Red Bull GmbH; 99-00, A gate for an air race, (EM, 19 Oct 2007) 17 Apr 2008	11833/2008	S&M NuTec, LLC; 30-99, Pet chew, (US, 08 Nov 2007) 08 May 2008	12215/2008
Redback Engineering and Sales Pty Ltd; 12-05, Rear compartment passenger seating restraint safety drop bar and guards for PJ Berriman and SMV man transport mining, vehicles, 16 Apr 2008	11776/2008	S&M NuTec, LLC; 30-99, Pet chew, (US, 08 Nov 2007) 08 May 2008	12216/2008
Reilly, Nicole; 02-04A, Orthotic/insert for high-heeled shoes, 08 May 2008	12227/2008	S&M NuTec, LLC; 30-99, Pet chew, 08 May 2008	12217/2008
Review Australia Pty Ltd; 02-02C, Ladies garments, 28 Nov 2007	12049/2008	S&M NuTec, LLC; 30-99, Pet chew, 08 May 2008	12218/2008
Review Australia Pty Ltd; 02-02C, Ladies garments, 28 Nov 2007	12050/2008	Sanford, L.P.; 19-06, Writing instrument, (US, 05 Nov 2007) 01 May 2008	12046/2008
Roman Camping Equipment Pty Ltd; 26-05NES, 14-03NES, A tent, 30 Apr 2008	12025/2008	Sanford, L.P.; 19-06, Writing instrument, (US, 05 Nov 2007) 01 May 2008	12047/2008
Roman Camping Equipment Pty Ltd; 14-03NES, 26-05NES, A tent, 30 Apr 2008	12029/2008	Sanford, L.P.; 19-06, Writing instrument, (US, 05 Nov 2007) 01 May 2008	12048/2008
Roman Camping Equipment Pty Ltd; 21-04, A swag, 30 Apr 2008	12022/2008	Schneider Electric New Zealand Holdings Limited; 13-03D, An electrical fitting, (NZ, 15 Apr 2008) 05 May 2008	12103/2008
Royal Appliance Mfg. Co.; 15-05, 07-05NES, Portable cleaning device, (US, 24 Oct 2007) 24 Apr 2008	11930/2008	Seer Corporation Pty Ltd; 03-01A, A bag, 18 Apr 2008	11860/2008
Rutgers, Peter John; Rutgers, Diane Lee; 25-02K, Louvre blade, 08 May 2008	12220/2008	Seer Corporation Pty Ltd; 03-01A, A bag, 18 Apr 2008	11861/2008
Rutgers, Diane Lee; Rutgers, Peter John; 25-02K, Louvre blade, 08 May 2008	12220/2008	Seer Corporation Pty Ltd; 03-01A, A bag, 18 Apr 2008	11862/2008
Ruud Lighting, Inc.; 26-03, Floodlight fixture, (US, 07 Nov 2007) 18 Apr 2008	11854/2008	Shachihata Inc.; 19-06, Marking pen, (JP, 02 Nov 2007) 01 May 2008	12026/2008
RD Europe Limited; 26-05C, A light fitting, (EM, 02 Nov 2007) 30 Apr 2008	11998/2008	Shachihata Inc.; 19-02, Stamp, (JP, 14 Nov 2007) 01 May 2008	12027/2008
RD Europe Limited; 26-05C, A light fitting, (EM, 02 Nov 2007) 30 Apr 2008	11999/2008	Shrives, Johnathon Edward; 07-99NES, Dispenser, 16 Apr 2008	11815/2008
RD Europe Limited; 26-05C, A light fitting, (EM, 02 Nov 2007) 30 Apr 2008	12000/2008	Shuffle Master, Inc.; 21-01L, Gaming tabletop surface, (US, 09 Nov 2007) 24 Apr 2008	11917/2008
S & P Technologies Pty Ltd; 08-08NES, Support for a tool, 17 Apr 2008	11831/2008		

Sichuan Wenjun Spirits Company Limited; 09-01K, Bottle, (CN, 08 Nov 2007) 02 May 2008	12079/2008	Southchain Conveying Systems N.Z. Limited; 08-99, Chain link, 18 Apr 2008	11887/2008
Sichuan Wenjun Spirits Company Limited; 09-01K, Bottle, (CN, 08 Nov 2007) 02 May 2008	12080/2008	Spalding, Glen; 12-10, Horse float roof top camper, 30 Apr 2008	11984/2008
Silferskiold, Krister L.; 06-99, Furniture, 06 May 2008	12120/2008	Specialised Sales & Marketing Limited; 23-03A, A heater, (NZ, 03 Mar 2008) 15 Apr 2008	11848/2008
Silferskiold, Krister L.; 06-99, Furniture, 06 May 2008	12121/2008	Sportsgirl Pty Ltd; 02-02NES, , 09 May 2008	12231/2008
Silferskiold, Krister L.; 06-99, Furniture, 06 May 2008	12122/2008	Sportsgirl Pty Ltd; 02-02C, 02-02NES, Various garments, 05 May 2008	12128/2008
Silferskiold, Krister L.; 06-99, Furniture, 06 May 2008	12123/2008	Streamlight Inc.; Eveready Battery Company, Inc.; 26-02, Flashlight, (US, 06 Nov 2007) 30 Apr 2008	12012/2008
Silferskiold, Krister L.; 06-99, Furniture, 06 May 2008	12124/2008	Streamlight Inc.; Eveready Battery Company, Inc.; 26-02, Flashlight, (US, 06 Nov 2007) 30 Apr 2008	12013/2008
Silferskiold, Krister L.; 06-99, Furniture, 06 May 2008	12125/2008	SPA PARTS PTY.LTD.; spa parts pty ltd; 23-02B, Modular spa pool, 14 Apr 2008	11766/2008
Silferskiold, Krister L.; 06-99, Furniture, 06 May 2008	12126/2008	Templedale Pty Ltd; 25-02A, Building, 16 Apr 2008	11802/2008
Silferskiold, Krister L.; 06-99, Furniture, 06 May 2008	12127/2008	Tesla electrical components; 13-03D, Double GPO (double power point), 05 May 2008	12184/2008
Siman-Tov, Jacob Trading as Lili Diamonds; Siman-Tov, Itzhak Trading as Lili Diamonds; Siman-Tov, Avraham Trading as Lili Diamonds; 11-01NES, Gemstone, (IL, 08 Nov 2007) 05 May 2008	12118/2008	The Decor Corporation Pty Ltd; 07-99NES, 23-01NES, Funnel, 18 Apr 2008	11851/2008
Siman-Tov, Itzhak Trading as Lili Diamonds; Siman-Tov, Jacob Trading as Lili Diamonds; Siman-Tov, Avraham Trading as Lili Diamonds; 11-01NES, Gemstone, (IL, 08 Nov 2007) 05 May 2008	12118/2008	The Decor Corporation Pty Ltd; 07-01F, Jug, 21 Apr 2008	11866/2008
Siman-Tov, Avraham Trading as Lili Diamonds; Siman-Tov, Jacob Trading as Lili Diamonds; Siman-Tov, Itzhak Trading as Lili Diamonds; 11-01NES, Gemstone, (IL, 08 Nov 2007) 05 May 2008	12118/2008	The Decor Corporation Pty Ltd; 07-01NES, 09-07B, Container lid, 21 Apr 2008	11867/2008
Siman-Tov, Avraham Trading as Lili Diamonds; Siman-Tov, Jacob Trading as Lili Diamonds; Siman-Tov, Itzhak Trading as Lili Diamonds; 11-01NES, Gemstone, (IL, 08 Nov 2007) 05 May 2008	12118/2008	The Decor Corporation Pty Ltd; 07-01NES, 09-07B, Container lid, 21 Apr 2008	11868/2008
Siman-Tov, Avraham Trading as Lili Diamonds; Siman-Tov, Jacob Trading as Lili Diamonds; Siman-Tov, Itzhak Trading as Lili Diamonds; 11-01NES, Gemstone, (IL, 08 Nov 2007) 05 May 2008	12118/2008	The Decor Corporation Pty Ltd; 07-01NES, Container, 21 Apr 2008	11869/2008
Siman-Tov, Jacob Trading as Lili Diamonds; Siman-Tov, Itzhak Trading as Lili Diamonds; Siman-Tov, Avraham Trading as Lili Diamonds; 07-01NES, Gemstone, 18 Apr 2008	11852/2008	The Decor Corporation Pty Ltd; 07-01NES, Container, 21 Apr 2008	11870/2008
Siman-Tov, Jacob Trading as Lili Diamonds; Siman-Tov, Itzhak Trading as Lili Diamonds; Siman-Tov, Avraham Trading as Lili Diamonds; 07-01NES, Gemstone, 18 Apr 2008	11852/2008	Tyre Research Institute of Shanghai Tyre & Rubber Co., Ltd, The; 12-15B, 12-15C, Tyre, (CN, 31 Jan 2008) 16 Apr 2008	11805/2008
Siman-Tov, Itzhak Trading as Lili Diamonds; Siman-Tov, Jacob Trading as Lili Diamonds; Siman-Tov, Avraham Trading as Lili Diamonds; 07-01NES, Gemstone, 18 Apr 2008	11852/2008	Unistraw Patent Holdings Limited (Company No LL 03919); 07-06NES, Drinking straw, 05 May 2008	12097/2008
Siman-Tov, Avraham Trading as Lili Diamonds; Siman-Tov, Jacob Trading as Lili Diamonds; Siman-Tov, Itzhak Trading as Lili Diamonds; 07-01NES, Gemstone, 18 Apr 2008	11852/2008	United Trolleys Australia Pty Ltd; 12-02, Trolley, 24 Apr 2008	11939/2008
Siman-Tov, Avraham Trading as Lili Diamonds; Siman-Tov, Jacob Trading as Lili Diamonds; Siman-Tov, Itzhak Trading as Lili Diamonds; 07-01NES, Gemstone, 18 Apr 2008	11852/2008	Uturn Auto Pty Ltd; 26-05NES, Auto LED lights, 29 Apr 2008	11964/2008
Smith, Raymond James; 02-07C, 02-02NES, Necktie, 17 Apr 2008	11827/2008	Verdon-Roe, Gay Mary; 24-01, Chin rest, (GB, 08 Apr 2008) 05 May 2008	12107/2008
Societe De Technologie Michelin; Michelin Recherche et Technique S.A.; 12-15A, 12-15B, A tyre, 18 Apr 2008	11853/2008	Vic-Mack Worldwide Pty Ltd; 12-02, Trolley, 14 Apr 2008	11830/2008

Villeroy & Boch AG.; 07-01A, Plate, (EM, 24 Oct 2007) 23 Apr 2008	11918/2008	Wolverine World Wide, Inc.; 02-04B, A footwear sole, (US, 07 Nov 2007) 06 May 2008	12169/2008
Villeroy & Boch AG.; 07-01A, Plate, (EM, 24 Oct 2007) 23 Apr 2008	11919/2008	Wolverine World Wide, Inc.; 02-04B, A footwear sole, (US, 07 Nov 2007) 06 May 2008	12170/2008
Villeroy & Boch AG.; 07-01A, Plate, (EM, 24 Oct 2007) 23 Apr 2008	11920/2008	Wolverine World Wide, Inc.; 02-04B, A footwear sole, (US, 07 Nov 2007) 06 May 2008	12171/2008
Villeroy & Boch AG.; 07-01A, Plate, (EM, 24 Oct 2007) 23 Apr 2008	11921/2008	Wolverine World Wide, Inc.; 02-04B, A footwear sole, (US, 07 Nov 2007) 06 May 2008	12172/2008
Villeroy & Boch AG.; 07-01B, Bowl, (EM, 24 Oct 2007) 23 Apr 2008	11922/2008	Wolverine World Wide, Inc.; 02-04B, A footwear sole, (US, 07 Nov 2007) 06 May 2008	12173/2008
Villeroy & Boch AG.; 07-01B, Bowl, (EM, 24 Oct 2007) 23 Apr 2008	11923/2008	Wolverine World Wide, Inc.; 02-04NES, A footwear upper, (US, 07 Nov 2007) 06 May 2008	12174/2008
Vinco Hardware Products Pty Ltd; 08-07, 08-08B, Flush bolt, 17 Apr 2008	11801/2008	Wolverine World Wide, Inc.; 02-04B, A footwear sole, (US, 07 Nov 2007) 06 May 2008	12175/2008
Visa U.S.A. Inc.; 19-08, Braille financial transaction card, (US, 13 Feb 2008) 06 May 2008	12182/2008	Wolverine World Wide, Inc.; 02-04NES, A footwear upper, (US, 07 Nov 2007) 06 May 2008	12176/2008
VIP Plastic Packaging Pty Ltd; 09-01K, A bottle, 02 May 2008	12081/2008	Wolverine World Wide, Inc.; 02-04NES, A footwear upper, (US, 07 Nov 2007) 06 May 2008	12177/2008
VIP Plastic Packaging Pty Ltd; 09-01K, A bottle, 08 May 2008	12219/2008	Wolverine World Wide, Inc.; 02-04NES, A footwear upper, (US, 07 Nov 2007) 06 May 2008	12178/2008
Watts Hardware Manufacturing Pty Ltd; 08-07, Lock bolt, 28 Apr 2008	11994/2008	Wolverine World Wide, Inc.; 02-04NES, A footwear upper, (US, 07 Nov 2007) 06 May 2008	12179/2008
Webasto AG; 12-16F, 12-16NES, Twin vent sunroof, (US, 06 Dec 2007) 22 Apr 2008	11891/2008	Wolverine World Wide, Inc.; 02-04NES, A footwear upper, (US, 07 Nov 2007) 06 May 2008	12180/2008
Webber, Daniel James; 21-02D, Surfboard fin, 16 Apr 2008	11774/2008	Wolverine World Wide, Inc.; 02-04NES, A footwear upper, (US, 07 Nov 2007) 06 May 2008	12181/2008
Webber, Daniel James; 21-02D, Surfboard fin, 16 Apr 2008	11775/2008	Wolverine World Wide, Inc.; 02-04NES, A footwear upper, (US, 07 Nov 2007) 06 May 2008	12134/2008
White, Vernon; 11-01A, Jewellery item, (ZA, 02 Jul 2007) 02 Jan 2008	12191/2008	Wolverine World Wide, Inc.; 02-04NES, A footwear upper, (US, 07 Nov 2007) 06 May 2008	12135/2008
Wolverine World Wide, Inc.; 02-04NES, A footwear upper, (US, 07 Nov 2007) 06 May 2008	12161/2008	Wolverine World Wide, Inc.; 02-04NES, A footwear upper, (US, 07 Nov 2007) 06 May 2008	12136/2008
Wolverine World Wide, Inc.; 02-04NES, A footwear upper, (US, 07 Nov 2007) 06 May 2008	12162/2008	Wolverine World Wide, Inc.; 02-04NES, A footwear upper, (US, 07 Nov 2007) 06 May 2008	12137/2008
Wolverine World Wide, Inc.; 02-04NES, A footwear upper, (US, 07 Nov 2007) 06 May 2008	12163/2008	Wolverine World Wide, Inc.; 02-04NES, A footwear upper, (US, 07 Nov 2007) 06 May 2008	12138/2008
Wolverine World Wide, Inc.; 02-04NES, A footwear upper, (US, 07 Nov 2007) 06 May 2008	12164/2008	Wolverine World Wide, Inc.; 02-04B, A footwear sole, (US, 07 Nov 2007) 06 May 2008	12139/2008
Wolverine World Wide, Inc.; 02-04NES, A footwear upper, (US, 07 Nov 2007) 06 May 2008	12165/2008	Wolverine World Wide, Inc.; 02-07B, A strap of a footwear upper, (US, 07 Nov 2007) 06 May 2008	
Wolverine World Wide, Inc.; 02-04NES, A footwear upper, (US, 07 Nov 2007) 06 May 2008	12166/2008	Wolverine World Wide, Inc.; 02-04B, A footwear sole, (US, 07 Nov 2007) 06 May 2008	
Wolverine World Wide, Inc.; 02-04NES, A footwear upper, (US, 07 Nov 2007) 06 May 2008	12167/2008	Wolverine World Wide, Inc.; 02-04B, A footwear sole, (US, 07 Nov 2007) 06 May 2008	
Wolverine World Wide, Inc.; 02-04NES, A footwear sole, (US, 07 Nov 2007) 06 May 2008	12168/2008		

Wolverine World Wide, Inc.; 02-04B, A footwear sole, (US, 07 Nov 2007) 06 May 2008	12140/2008	Wolverine World Wide, Inc.; 02-04NES, A footwear upper, (US, 07 Nov 2007) 06 May 2008	12154/2008
Wolverine World Wide, Inc.; 02-04NES, A footwear upper, (US, 07 Nov 2007) 06 May 2008	12141/2008	Wolverine World Wide, Inc.; 02-04NES, A footwear upper, (US, 07 Nov 2007) 06 May 2008	12155/2008
Wolverine World Wide, Inc.; 02-04NES, A footwear upper, (US, 07 Nov 2007) 06 May 2008	12142/2008	Wolverine World Wide, Inc.; 02-04NES, A footwear upper, (US, 07 Nov 2007) 06 May 2008	12156/2008
Wolverine World Wide, Inc.; 02-04A, A footwear sole, (US, 07 Nov 2007) 06 May 2008	12143/2008	Wolverine World Wide, Inc.; 02-04NES, A footwear upper, (US, 07 Nov 2007) 06 May 2008	12157/2008
Wolverine World Wide, Inc.; 02-04NES, A footwear upper, (US, 07 Nov 2007) 06 May 2008	12144/2008	Wolverine World Wide, Inc.; 02-04NES, A footwear upper, (US, 07 Nov 2007) 06 May 2008	12158/2008
Wolverine World Wide, Inc.; 02-04NES, A footwear upper, (US, 07 Nov 2007) 06 May 2008	12145/2008	Wolverine World Wide, Inc.; 02-04NES, A footwear upper, (US, 07 Nov 2007) 06 May 2008	12159/2008
Wolverine World Wide, Inc.; 02-04NES, A footwear upper, (US, 07 Nov 2007) 06 May 2008	12146/2008	Wolverine World Wide, Inc.; 02-04NES, A footwear upper, (US, 07 Nov 2007) 06 May 2008	12160/2008
Wolverine World Wide, Inc.; 02-04NES, A footwear upper, (US, 07 Nov 2007) 06 May 2008	12147/2008	Woodward Overseas Agencies Limited; 13-03D, 13-03NES, An electric blanket control unit, 24 Apr 2008	11924/2008
Wolverine World Wide, Inc.; 02-04NES, A footwear upper, (US, 07 Nov 2007) 06 May 2008	12148/2008	Woodward Overseas Agencies Limited; 13-03D, 13-03NES, An electric blanket controller, 24 Apr 2008	11925/2008
Wolverine World Wide, Inc.; 02-04NES, A footwear upper, (US, 07 Nov 2007) 06 May 2008	12149/2008	Woodward Overseas Agencies Limited; 14-03NES, A set of remote control units, 24 Apr 2008	11926/2008
Wolverine World Wide, Inc.; 02-04NES, A footwear upper, (US, 07 Nov 2007) 06 May 2008	12150/2008	Woodward Overseas Agencies Limited; 13-03B, A set of electrical connectors, 24 Apr 2008	11927/2008
Wolverine World Wide, Inc.; 02-04NES, A footwear upper, (US, 07 Nov 2007) 06 May 2008	12151/2008	Yokohama Rubber Co., Ltd., The; 12-15B, Tread of an automobile tyre, (JP, 30 Oct 2007) 29 Apr 2008	11980/2008
Wolverine World Wide, Inc.; 02-04NES, A footwear upper, (US, 07 Nov 2007) 06 May 2008	12152/2008	3M Innovative Properties Company; 08-08G, Wall mountable hook assembly, (US, 24 Oct 2007) 15 Apr 2008	11780/2008
Wolverine World Wide, Inc.; 02-04NES, A footwear upper, (US, 07 Nov 2007) 06 May 2008	12153/2008	3M Innovative Properties Company; 19-02, Wall mountable desk organiser, (US, 24 Oct 2007) 22 Apr 2008	11888/2008

Applications Withdrawn

12193 / 2008	12195 / 2008
12293 / 2008	12294 / 2008
12295 / 2008	

Applications Lapsed

20492 / 2007 (23-02C)	20493 / 2007 (23-02C)	20651 / 2007 (02-02C)	20667 / 2007 (06-01NES)
20555 / 2007 (02-02C)	20588 / 2007 (25-01K)	20720 / 2007 (02-02C)	20804 / 2007 (23-03NES)

20872 / 2007 (25-01C)
21383 / 2007 (99-00)

21045 / 2007 (21-01H)

Revocation of Design Registrations

The following Design Registration(s) have been revoked and are taken never to have been registered:

- 302155 28-99
- 302156 28-99

Registrations Ceased

- | | | |
|--------|--------|--------|
| 308080 | 308470 | 308575 |
| 308576 | 308577 | 308578 |
| 308579 | 309589 | |

Extensions of time granted under Section 137

Applications lodged under section 137 for extension of time have been granted.

- 312713 **Lutron Electronics Co., Inc.**
- 312736 **Lutron Electronics Co., Inc.**
- 312737 **Lutron Electronics Co., Inc.**
- 20229/2007 **Bernard Joseph Omodei**

Subsequent Owners Registered

(The name in parentheses is that of the subsequent owner)

- 302976 (**Fruit Holdings (Aust) Pty Ltd**) BHW and Partners Pty Ltd
- 308991 (**C.I.V. Consorzio Interprovinciale Vini - Societa Cooperativa Agricola**) Euroglass S.P.A.
- 318559 (**Swift Assets Pty Ltd**) SE Asset Holdings Pty Ltd
- 318728 (**Swift Assets Pty Ltd**) SE Asset Holdings Pty Ltd

Names Registered - Alterations and Amendments

(The name in parentheses is that of the subsequent applicant)

- 301966 (**Daimler AG**) DaimlerChrysler AG
- 301967 (**Daimler AG**) DaimlerChrysler AG
- 301969 (**Daimler AG**) DaimlerChrysler AG
- 301970 (**Daimler AG**) DaimlerChrysler AG
- 301971 (**Daimler AG**) DaimlerChrysler AG
- 301968 (**Daimler AG**) DaimlerChrysler AG
- 304747 (**Apple Inc.**) Apple Computer, Inc.
- 306463 (**Apple Inc.**) Apple Computer, Inc.
- 306464 (**Apple Inc.**) Apple Computer, Inc.
- 306465 (**Apple Inc.**) Apple Computer, Inc.
- 306466 (**Apple Inc.**) Apple Computer, Inc.
- 306467 (**Apple Inc.**) Apple Computer, Inc.
- 306468 (**Apple Inc.**) Apple Computer, Inc.
- 307209 (**Apple Inc.**) Apple Computer, Inc.
- 307210 (**Apple Inc.**) Apple Computer, Inc.
- 307429 (**Apple Inc.**) Apple Computer, Inc.
- 307430 (**Apple Inc.**) Apple Computer, Inc.
- 307974 (**Apple Inc.**) Apple Computer, Inc.
- 308301 (**Apple Inc.**) Apple Computer, Inc.
- 308302 (**Apple Inc.**) Apple Computer, Inc.
- 312320 (**Apple Inc.**) Apple Computer, Inc.
- 312321 (**Apple Inc.**) Apple Computer, Inc.
- 313678 (**Apple Inc.**) Apple Computer, Inc.

313679 (**Apple Inc.**) Apple Computer, Inc.
313855 (**Apple Inc.**) Apple Computer, Inc.
313856 (**Apple Inc.**) Apple Computer, Inc.
313857 (**Apple Inc.**) Apple Computer, Inc.
313858 (**Apple Inc.**) Apple Computer, Inc.
314105 (**Apple Inc.**) Apple Computer, Inc.
313874 (**Apple Inc.**) Apple Computer, Inc.
313875 (**Apple Inc.**) Apple Computer, Inc.
313876 (**Apple Inc.**) Apple Computer, Inc.
313877 (**Apple Inc.**) Apple Computer, Inc.

Corrigenda

Number 20257/2007

In Vol 22 , No 10 , page 1101 under the heading **Applications Lapsed**; Design No. 20257/2007 (12-16NES) should be deleted.

Certificate(s) of Examination

Examination of the following Design Registration(s) has been completed. Infringement proceedings may now be commenced.

307358	06-13B	09/05/2008
313610	02-02B	08/05/2008
313612	02-02B	08/05/2008
313754	03-01C	18/05/2008
313874	09-03K	16/05/2008
313875	09-03K	16/05/2008
313876	09-03K	16/05/2008
314449	19-04	20/05/2008
314460	19-04	16/05/2008
314489	14-01	16/05/2008
315763	15-99	13/05/2008
315783	27-99	14/05/2008
316340	08-08NES	13/05/2008
316405	09-01NES	19/05/2008
316406	09-01NES	19/05/2008
316537	09-07A	20/05/2008
316632	25-01B	21/05/2008
316633	25-01B	21/05/2008
316735	19-06	19/05/2008
316737	19-06	19/05/2008
316738	19-06	19/05/2008
316840	09-03NES	16/05/2008
316841	09-03NES	19/05/2008
316842	09-07NES	16/05/2008
316919	28-03NES	09/05/2008
316937	09-01NES	08/05/2008
317011	12-09	09/05/2008
317012	12-09	09/05/2008
317013	08-06	09/05/2008
317091	14-02	13/05/2008
317101	24-02	16/05/2008
317102	24-02	16/05/2008
317103	24-02	16/05/2008
317104	24-02	16/05/2008
317105	24-02	16/05/2008
317164	25-01NES	20/05/2008
317165	25-01NES	20/05/2008
317202	15-05	08/05/2008
317203	15-05	08/05/2008
317514	12-02	19/05/2008
317519	07-02L	20/05/2008
317520	07-02L	20/05/2008
317521	07-02L	20/05/2008
317522	07-02L	20/05/2008
317523	07-02L	20/05/2008
317524	07-02L	20/05/2008
317649	28-99	13/05/2008
317650	28-99	13/05/2008

Publication and Registration Proceedings

Designs Registered

This section provides a concordance between design number and registration number of Designs covered in this journal. It also shows the main class and registration date.

This section covers Registration numbers 319125 to 319430 .

The registration number shown below should be used in all future correspondence.

Design Number	Registration Number	International Classification Code (IDC)	Registration Date	Design Number	Registration Number	International Classification Code (IDC)	Registration Date
18026/2007	319179	11-99	14/05/2008	10025/2008	319129	09-01NES	09/05/2008
18818/2007	319292	06-08	15/05/2008	10026/2008	319130	09-01NES	09/05/2008
18819/2007	319293	06-99	15/05/2008	10027/2008	319131	09-01NES	09/05/2008
18820/2007	319294	06-08	15/05/2008	10028/2008	319132	12-16C	09/05/2008
18996/2007	319180	23-01F	14/05/2008	10030/2008	319133	12-16NES	09/05/2008
18997/2007	319181	23-01F	14/05/2008	10031/2008	319134	12-05	09/05/2008
19825/2007	319382	23-01F	20/05/2008	10033/2008	319135	13-03D	09/05/2008
19887/2007	319418	08-05NES	20/05/2008	10034/2008	319136	13-03D	09/05/2008
20241/2007	319272	07-01NES	19/05/2008	10037/2008	319137	08-08L	09/05/2008
20258/2007	319383	21-02NES	20/05/2008	10038/2008	319138	20-03NES	09/05/2008
20372/2007	319268	06-01L	19/05/2008	10041/2008	319140	16-03	09/05/2008
20397/2007	319273	08-08NES	19/05/2008	10045/2008	319157	07-05E	14/05/2008
20430/2007	319269	19-06	19/05/2008	10046/2008	319220	04-01	14/05/2008
20448/2007	319275	06-06C	19/05/2008	10047/2008	319221	04-01	14/05/2008
20604/2007	319182	14-03C	14/05/2008	10048/2008	319222	07-02C	14/05/2008
20613/2007	319183	09-01K	14/05/2008	10049/2008	319223	07-02C	14/05/2008
20622/2007	319184	21-02NES	14/05/2008	10050/2008	319224	07-02C	14/05/2008
20695/2007	319212	24-01	13/05/2008	10051/2008	319225	06-04NES	14/05/2008
20696/2007	319213	24-01	13/05/2008	10053/2008	319226	14-03A	14/05/2008
20697/2007	319214	24-01	13/05/2008	10054/2008	319227	15-05	14/05/2008
20698/2007	319215	24-01	13/05/2008	10055/2008	319228	15-05	14/05/2008
20699/2007	319266	24-01	15/05/2008	10056/2008	319229	15-05	14/05/2008
20700/2007	319267	24-01	15/05/2008	10058/2008	319295	06-01F	16/05/2008
20701/2007	319216	24-01	13/05/2008	10059/2008	319296	07-02L	16/05/2008
20702/2007	319217	24-01	13/05/2008	10060/2008	319297	14-03A	16/05/2008
20703/2007	319185	24-01	14/05/2008	10061/2008	319298	14-01	16/05/2008
20704/2007	319218	24-01	13/05/2008	10062/2008	319299	14-01	16/05/2008
20758/2007	319368	25-01E	20/05/2008	10068/2008	319141	07-02L	09/05/2008
20780/2007	319191	12-07	13/05/2008	10069/2008	319142	25-03	09/05/2008
20781/2007	319192	12-07	13/05/2008	10070/2008	319143	09-03M	09/05/2008
20782/2007	319193	12-07	13/05/2008	10072/2008	319144	07-02NES	09/05/2008
20783/2007	319194	06-01D	13/05/2008	10075/2008	319145	13-03E	09/05/2008
20837/2007	319195	06-02	13/05/2008	10076/2008	319146	13-03E	09/05/2008
20838/2007	319196	06-02	13/05/2008	10077/2008	319147	13-03E	09/05/2008
20912/2007	319197	08-03	13/05/2008	10078/2008	319148	26-05C	09/05/2008
20913/2007	319198	08-03	13/05/2008	10079/2008	319149	26-05C	09/05/2008
20947/2007	319419	13-03D	20/05/2008	10080/2008	319150	09-01B	09/05/2008
21000/2007	319420	11-01A	20/05/2008	10081/2008	319151	08-03	09/05/2008
21064/2007	319277	21-02C	19/05/2008	10084/2008	319158	09-03L	14/05/2008
21180/2007	319190	06-06C	13/05/2008	10087/2008	319159	15-99	14/05/2008
21365/2007	319290	21-01C	15/05/2008	10089/2008	319160	20-03NES	14/05/2008
21366/2007	319291	21-01C	15/05/2008	10092/2008	319161	23-04	14/05/2008
21415/2007	319219	06-02	13/05/2008	10093/2008	319162	23-04	14/05/2008
21439/2007	319231	13-03D	14/05/2008	10094/2008	319163	13-03NES	09/05/2008
21457/2007	319421	15-07	20/05/2008	10095/2008	319164	13-03NES	09/05/2008
21465/2007	319422	24-04	20/05/2008	10096/2008	319165	13-03NES	09/05/2008
21470/2007	319423	25-01K	20/05/2008	10097/2008	319166	13-03NES	09/05/2008
21507/2007	319199	28-03NES	13/05/2008	10098/2008	319167	13-03NES	09/05/2008
10016/2008	319139	09-99	09/05/2008	10099/2008	319168	13-03NES	09/05/2008
10019/2008	319125	12-08	09/05/2008	10100/2008	319169	13-03NES	09/05/2008
10022/2008	319126	09-01NES	09/05/2008	10101/2008	319170	13-03NES	09/05/2008
10023/2008	319127	09-01NES	09/05/2008	10102/2008	319171	13-03NES	09/05/2008
10024/2008	319128	09-01NES	09/05/2008	10103/2008	319172	13-03NES	09/05/2008

Publication and Registration Proceedings - Designs Registered cont'd

Design Number	Registration Number	International Classification Code (IDC)	Registration Date	Design Number	Registration Number	International Classification Code (IDC)	Registration Date
10104/2008	319173	13-03NES	09/05/2008	10204/2008	319325	14-02	19/05/2008
10105/2008	319174	13-03NES	09/05/2008	10205/2008	319307	09-07C	16/05/2008
10106/2008	319175	13-03NES	09/05/2008	10206/2008	319308	06-04NES	16/05/2008
10107/2008	319176	13-03NES	09/05/2008	10207/2008	319309	23-04	16/05/2008
10108/2008	319177	13-03NES	09/05/2008	10208/2008	319310	21-02C	16/05/2008
10109/2008	319178	13-03NES	09/05/2008	10209/2008	319311	21-02C	16/05/2008
10112/2008	319186	23-04	14/05/2008	10213/2008	319312	24-04	16/05/2008
10116/2008	319200	24-99	13/05/2008	10222/2008	319313	08-03	16/05/2008
10117/2008	319201	24-01	13/05/2008	10223/2008	319314	08-03	16/05/2008
10118/2008	319202	24-01	13/05/2008	10224/2008	319315	08-03	16/05/2008
10119/2008	319203	24-01	13/05/2008	10227/2008	319300	12-16K	16/05/2008
10120/2008	319204	24-01	13/05/2008	10230/2008	319326	15-05	19/05/2008
10121/2008	319205	24-01	13/05/2008	10231/2008	319316	23-01E	16/05/2008
10122/2008	319206	14-03A	13/05/2008	10232/2008	319317	23-01E	16/05/2008
10123/2008	319207	14-03A	13/05/2008	10233/2008	319318	23-01E	16/05/2008
10126/2008	319208	20-02NES	13/05/2008	10234/2008	319319	23-01E	16/05/2008
10127/2008	319209	20-02NES	13/05/2008	10235/2008	319320	23-01E	16/05/2008
10128/2008	319210	16-01	13/05/2008	10236/2008	319321	21-02C	16/05/2008
10129/2008	319211	20-02NES	13/05/2008	10237/2008	319322	21-02C	16/05/2008
10130/2008	319187	14-02	14/05/2008	10239/2008	319301	18-01	16/05/2008
10131/2008	319233	15-99	14/05/2008	10241/2008	319302	07-07A	16/05/2008
10132/2008	319234	15-99	14/05/2008	10242/2008	319303	07-07A	16/05/2008
10133/2008	319235	15-99	14/05/2008	10244/2008	319304	15-05	16/05/2008
10135/2008	319236	07-02B	14/05/2008	10247/2008	319327	13-03E	19/05/2008
10136/2008	319237	09-03A	14/05/2008	10248/2008	319328	14-03NES	19/05/2008
10137/2008	319238	09-03A	14/05/2008	10249/2008	319329	14-03NES	19/05/2008
10139/2008	319239	23-01D	14/05/2008	10251/2008	319330	24-02	19/05/2008
10140/2008	319152	07-02L	14/05/2008	10253/2008	319331	25-02C	19/05/2008
10141/2008	319153	07-02L	14/05/2008	10261/2008	319332	26-06	19/05/2008
10142/2008	319154	07-02L	14/05/2008	10262/2008	319333	26-06	19/05/2008
10143/2008	319155	07-02L	14/05/2008	10263/2008	319334	26-06	19/05/2008
10144/2008	319156	07-02L	14/05/2008	10264/2008	319335	26-06	19/05/2008
10149/2008	319240	29-02	14/05/2008	10265/2008	319336	12-08	19/05/2008
10161/2008	319241	31-00	14/05/2008	10266/2008	319337	12-08	19/05/2008
10162/2008	319279	09-07A	15/05/2008	10267/2008	319338	26-02	19/05/2008
10163/2008	319280	09-07A	15/05/2008	10269/2008	319339	09-01K	19/05/2008
10164/2008	319242	21-02C	14/05/2008	10270/2008	319340	07-06C	19/05/2008
10165/2008	319243	24-04	14/05/2008	10271/2008	319341	15-04	19/05/2008
10166/2008	319244	24-04	14/05/2008	10278/2008	319344	12-05	19/05/2008
10168/2008	319245	24-04	14/05/2008	10282/2008	319345	31-00	19/05/2008
10169/2008	319246	24-04	14/05/2008	10283/2008	319346	02-03	19/05/2008
10170/2008	319247	24-04	14/05/2008	10284/2008	319347	01-06	19/05/2008
10173/2008	319248	24-04	14/05/2008	10291/2008	319348	23-01H	19/05/2008
10174/2008	319249	08-05L	14/05/2008	10292/2008	319342	03-01NES	19/05/2008
10178/2008	319232	21-02C	14/05/2008	10293/2008	319343	13-03D	19/05/2008
10179/2008	319250	12-16B	15/05/2008	10294/2008	319349	25-01C	19/05/2008
10180/2008	319251	12-09	15/05/2008	10295/2008	319350	25-01C	19/05/2008
10182/2008	319281	12-16C	15/05/2008	10296/2008	319351	25-01C	19/05/2008
10183/2008	319282	25-01K	15/05/2008	10297/2008	319352	25-01C	19/05/2008
10184/2008	319283	07-06C	15/05/2008	10298/2008	319353	25-01C	19/05/2008
10187/2008	319284	15-99	15/05/2008	10299/2008	319354	25-01C	19/05/2008
10188/2008	319285	09-03M	15/05/2008	10300/2008	319355	25-01C	19/05/2008
10198/2008	319286	14-02	15/05/2008	10301/2008	319356	25-01C	19/05/2008
10199/2008	319287	06-04NES	15/05/2008	10305/2008	319357	09-01K	19/05/2008
10200/2008	319288	02-06	15/05/2008	10307/2008	319358	21-02F	20/05/2008
10201/2008	319289	02-06	15/05/2008	10308/2008	319359	21-02F	20/05/2008
10202/2008	319305	14-02	16/05/2008	10309/2008	319360	14-02	20/05/2008
10203/2008	319306	14-02	16/05/2008	10310/2008	319361	21-02F	20/05/2008

Publication and Registration Proceedings - Designs Registered cont'd

Design Number	Registration Number	International Classification Code (IDC)	Registration Date	Design Number	Registration Number	International Classification Code (IDC)	Registration Date
10311/2008	319362	21-02F	20/05/2008	10420/2008	319384	23-04	20/05/2008
10312/2008	319324	21-02F	20/05/2008	10421/2008	319385	21-02C	20/05/2008
10313/2008	319363	21-02F	20/05/2008	10422/2008	319386	09-03L	20/05/2008
10314/2008	319364	21-02F	20/05/2008	10423/2008	319387	23-01H	20/05/2008
10315/2008	319365	02-04NES	20/05/2008	10424/2008	319388	23-01H	20/05/2008
10316/2008	319366	02-04NES	20/05/2008	10425/2008	319389	23-01H	20/05/2008
10317/2008	319367	02-04NES	20/05/2008	10426/2008	319390	23-01H	20/05/2008
10318/2008	319369	25-03	20/05/2008	10427/2008	319391	23-01H	20/05/2008
10319/2008	319370	25-03	20/05/2008	10428/2008	319392	23-01H	20/05/2008
10320/2008	319371	25-03	20/05/2008	10429/2008	319393	23-01H	20/05/2008
10335/2008	319372	23-02C	20/05/2008	10430/2008	319394	23-01H	20/05/2008
10336/2008	319373	07-04	20/05/2008	10431/2008	319395	23-01H	20/05/2008
10337/2008	319374	07-04	20/05/2008	10432/2008	319396	23-01H	20/05/2008
10338/2008	319375	08-08O	20/05/2008	10433/2008	319397	23-01H	20/05/2008
10341/2008	319376	02-04NES	20/05/2008	10434/2008	319398	23-01H	20/05/2008
10342/2008	319377	15-04	20/05/2008	10435/2008	319399	23-02B	20/05/2008
10343/2008	319378	15-04	20/05/2008	10436/2008	319400	23-01H	20/05/2008
10344/2008	319379	23-02C	20/05/2008	10437/2008	319401	14-99	20/05/2008
10345/2008	319380	23-02C	20/05/2008	10587/2008	319252	02-02C	15/05/2008
10346/2008	319381	23-02C	20/05/2008	10588/2008	319253	02-02C	15/05/2008
10347/2008	319424	14-03B	20/05/2008	10589/2008	319254	02-02C	15/05/2008
10348/2008	319425	14-03B	20/05/2008	10590/2008	319255	02-02C	15/05/2008
10349/2008	319426	14-03B	20/05/2008	10591/2008	319256	02-02C	15/05/2008
10366/2008	319427	22-01	20/05/2008	10592/2008	319257	02-02C	15/05/2008
10375/2008	319428	06-04NES	20/05/2008	10593/2008	319258	02-02C	15/05/2008
10378/2008	319429	19-06	20/05/2008	10594/2008	319259	02-02C	15/05/2008
10382/2008	319430	12-12	20/05/2008	10595/2008	319260	02-02C	15/05/2008
10383/2008	319402	30-03	20/05/2008	10596/2008	319261	02-02C	15/05/2008
10384/2008	319403	30-03	20/05/2008	10597/2008	319262	02-02C	15/05/2008
10385/2008	319404	06-11	20/05/2008	10598/2008	319263	02-02C	15/05/2008
10386/2008	319405	09-05	20/05/2008	10599/2008	319264	02-02C	15/05/2008
10387/2008	319406	09-05	20/05/2008	10600/2008	319265	02-02C	15/05/2008
10397/2008	319407	13-03D	20/05/2008	11071/2008	319230	08-08B	14/05/2008
10398/2008	319408	13-03D	20/05/2008	11115/2008	319188	06-06C	13/05/2008
10399/2008	319409	13-03D	20/05/2008	11116/2008	319189	06-06C	13/05/2008
10400/2008	319410	13-03D	20/05/2008	11278/2008	319276	06-06C	19/05/2008
10411/2008	319411	23-02A	20/05/2008	11720/2008	319270	19-06	19/05/2008
10412/2008	319412	09-01K	20/05/2008	11721/2008	319271	19-06	19/05/2008
10413/2008	319413	23-02NES	20/05/2008	11750/2008	319274	08-08NES	19/05/2008
10414/2008	319414	23-04	20/05/2008	11778/2008	319278	21-02C	19/05/2008
10415/2008	319415	09-01K	20/05/2008				
10416/2008	319416	23-02A	20/05/2008				
10418/2008	319417	07-05A	20/05/2008				
10419/2008	319323	09-03A	16/05/2008				

Publication and Registration Proceedings
Class Listing of Designs Published or Registered

The following section shows an International Classification Code listing of the Registered or Published Designs covered in this supplement.

Classification	Registration Number	Design Number	Classification	Registration Number	Design Number
01-06	319347	10284/2008	07-02 L	319153	10141/2008
02-02 C	319252	10587/2008	07-02 L	319154	10142/2008
02-02 C	319253	10588/2008	07-02 L	319155	10143/2008
02-02 C	319254	10589/2008	07-02 L	319156	10144/2008
02-02 C	319255	10590/2008	07-02 L	319296	10059/2008
02-02 C	319256	10591/2008	07-02 NES	319144	10072/2008
02-02 C	319257	10592/2008	07-04	319373	10336/2008
02-02 C	319258	10593/2008	07-04	319374	10337/2008
02-02 C	319259	10594/2008	07-05 A	319417	10418/2008
02-02 C	319260	10595/2008	07-05 E	319157	10045/2008
02-02 C	319261	10596/2008	07-06 C	319283	10184/2008
02-02 C	319262	10597/2008	07-06 C	319340	10270/2008
02-02 C	319263	10598/2008	07-07 A	319302	10241/2008
02-02 C	319264	10599/2008	07-07 A	319303	10242/2008
02-02 C	319265	10600/2008	08-03	319151	10081/2008
02-03	319346	10283/2008	08-03	319197	20912/2007
02-04 NES	319365	10315/2008	08-03	319198	20913/2007
02-04 NES	319366	10316/2008	08-03	319313	10222/2008
02-04 NES	319367	10317/2008	08-03	319314	10223/2008
02-04 NES	319376	10341/2008	08-03	319315	10224/2008
02-06	319288	10200/2008	08-05 L	319249	10174/2008
02-06	319289	10201/2008	08-05 NES	319418	19887/2007
03-01 C	319321	10236/2008	08-08 B	319230	11071/2008
03-01 NES	319342	10292/2008	08-08 L	319137	10037/2008
03-03	319142	10069/2008	08-08 N	319308	10206/2008
04-01	319220	10046/2008	08-08 NES	319230	11071/2008
04-01	319221	10047/2008	08-08 NES	319273	20397/2007
06-01 D	319194	20783/2007	08-08 NES	319274	11750/2008
06-01 F	319295	10058/2008	08-08 NES	319308	10206/2008
06-01 L	319268	20372/2007	08-08 O	319375	10338/2008
06-02	319195	20837/2007	09-01 B	319150	10080/2008
06-02	319196	20838/2007	09-01 K	319183	20613/2007
06-02	319219	21415/2007	09-01 K	319339	10269/2008
06-04 NES	319225	10051/2008	09-01 K	319357	10305/2008
06-04 NES	319287	10199/2008	09-01 K	319412	10412/2008
06-04 NES	319308	10206/2008	09-01 K	319415	10415/2008
06-04 NES	319428	10375/2008	09-01 NES	319126	10022/2008
06-06 C	319188	11115/2008	09-01 NES	319127	10023/2008
06-06 C	319189	11116/2008	09-01 NES	319128	10024/2008
06-06 C	319190	21180/2007	09-01 NES	319129	10025/2008
06-06 C	319275	20448/2007	09-01 NES	319130	10026/2008
06-06 C	319276	11278/2008	09-01 NES	319131	10027/2008
06-06 F	319195	20837/2007	09-03 A	319237	10136/2008
06-06 F	319196	20838/2007	09-03 A	319238	10137/2008
06-08	319292	18818/2007	09-03 A	319323	10419/2008
06-08	319293	18819/2007	09-03 L	319158	10084/2008
06-08	319294	18820/2007	09-03 L	319386	10422/2008
06-11	319404	10385/2008	09-03 M	319143	10070/2008
06-99	319293	18819/2007	09-03 M	319285	10188/2008
07-01 NES	319272	20241/2007	09-05	319405	10386/2008
07-02 B	319236	10135/2008	09-05	319406	10387/2008
07-02 C	319222	10048/2008	09-07 A	319279	10162/2008
07-02 C	319223	10049/2008	09-07 A	319280	10163/2008
07-02 C	319224	10050/2008	09-07 C	319307	10205/2008
07-02 L	319141	10068/2008	09-99	319139	10016/2008
07-02 L	319152	10140/2008	11-01 A	319420	21000/2007

Registration Proceedings - Class Listing of Designs Published or Registered cont'd

Classification	Registration Number	Design Number	Classification	Registration Number	Design Number
11-02 NES	319179	18026/2007	14-02	319325	10204/2008
11-99	319179	18026/2007	14-02	319360	10309/2008
12-05	319134	10031/2008	14-03 A	319206	10122/2008
12-05	319344	10278/2008	14-03 A	319207	10123/2008
12-07	319191	20780/2007	14-03 A	319226	10053/2008
12-07	319192	20781/2007	14-03 A	319297	10060/2008
12-07	319193	20782/2007	14-03 A	319298	10061/2008
12-08	319125	10019/2008	14-03 A	319299	10062/2008
12-08	319336	10265/2008	14-03 B	319424	10347/2008
12-08	319337	10266/2008	14-03 B	319425	10348/2008
12-09	319251	10180/2008	14-03 B	319426	10349/2008
12-12	319430	10382/2008	14-03 C	319182	20604/2007
12-16 B	319250	10179/2008	14-03 NES	319328	10248/2008
12-16 C	319132	10028/2008	14-03 NES	319329	10249/2008
12-16 C	319281	10182/2008	14-99	319401	10437/2008
12-16 K	319300	10227/2008	15-01	319133	10030/2008
12-16 NES	319133	10030/2008	15-04	319341	10271/2008
13-02	319135	10033/2008	15-04	319377	10342/2008
13-02	319136	10034/2008	15-04	319378	10343/2008
13-02	319304	10244/2008	15-05	319227	10054/2008
13-03 D	319135	10033/2008	15-05	319228	10055/2008
13-03 D	319136	10034/2008	15-05	319229	10056/2008
13-03 D	319145	10075/2008	15-05	319304	10244/2008
13-03 D	319146	10076/2008	15-05	319326	10230/2008
13-03 D	319231	21439/2007	15-07	319421	21457/2007
13-03 D	319343	10293/2008	15-99	319159	10087/2008
13-03 D	319407	10397/2008	15-99	319233	10131/2008
13-03 D	319408	10398/2008	15-99	319234	10132/2008
13-03 D	319409	10399/2008	15-99	319235	10133/2008
13-03 D	319410	10400/2008	15-99	319284	10187/2008
13-03 D	319419	20947/2007	16-01	319210	10128/2008
13-03 E	319145	10075/2008	16-03	319140	10041/2008
13-03 E	319146	10076/2008	18-01	319301	10239/2008
13-03 E	319147	10077/2008	19-06	319269	20430/2007
13-03 E	319327	10247/2008	19-06	319270	11720/2008
13-03 NES	319163	10094/2008	19-06	319271	11721/2008
13-03 NES	319164	10095/2008	19-06	319429	10378/2008
13-03 NES	319165	10096/2008	20-02 E	319208	10126/2008
13-03 NES	319166	10097/2008	20-02 E	319209	10127/2008
13-03 NES	319167	10098/2008	20-02 NES	319187	10130/2008
13-03 NES	319168	10099/2008	20-02 NES	319208	10126/2008
13-03 NES	319169	10100/2008	20-02 NES	319209	10127/2008
13-03 NES	319170	10101/2008	20-02 NES	319211	10129/2008
13-03 NES	319171	10102/2008	20-03 NES	319138	10038/2008
13-03 NES	319172	10103/2008	20-03 NES	319160	10089/2008
13-03 NES	319173	10104/2008	21-01 C	319290	21365/2007
13-03 NES	319174	10105/2008	21-01 C	319291	21366/2007
13-03 NES	319175	10106/2008	21-01 D	319369	10318/2008
13-03 NES	319176	10107/2008	21-01 D	319370	10319/2008
13-03 NES	319177	10108/2008	21-01 D	319371	10320/2008
13-03 NES	319178	10109/2008	21-02 C	319232	10178/2008
14-01	319298	10061/2008	21-02 C	319242	10164/2008
14-01	319299	10062/2008	21-02 C	319277	21064/2007
14-02	319187	10130/2008	21-02 C	319278	11778/2008
14-02	319208	10126/2008	21-02 C	319310	10208/2008
14-02	319209	10127/2008	21-02 C	319311	10209/2008
14-02	319286	10198/2008	21-02 C	319321	10236/2008
14-02	319305	10202/2008	21-02 C	319322	10237/2008
14-02	319306	10203/2008	21-02 C	319385	10421/2008

Registration Proceedings - Class Listing of Designs Published or Registered cont'd

Classification	Registration Number	Design Number	Classification	Registration Number	Design Number
21-02 F	319324	10312/2008	24-01	319204	10120/2008
21-02 F	319358	10307/2008	24-01	319205	10121/2008
21-02 F	319359	10308/2008	24-01	319212	20695/2007
21-02 F	319361	10310/2008	24-01	319213	20696/2007
21-02 F	319362	10311/2008	24-01	319214	20697/2007
21-02 F	319363	10313/2008	24-01	319215	20698/2007
21-02 F	319364	10314/2008	24-01	319216	20701/2007
21-02 NES	319184	20622/2007	24-01	319217	20702/2007
21-02 NES	319208	10126/2008	24-01	319218	20704/2007
21-02 NES	319209	10127/2008	24-01	319266	20699/2007
21-02 NES	319383	20258/2007	24-01	319267	20700/2007
22-01	319427	10366/2008	24-02	319330	10251/2008
23-01 D	319239	10139/2008	24-04	319243	10165/2008
23-01 E	319316	10231/2008	24-04	319244	10166/2008
23-01 E	319317	10232/2008	24-04	319245	10168/2008
23-01 E	319318	10233/2008	24-04	319246	10169/2008
23-01 E	319319	10234/2008	24-04	319247	10170/2008
23-01 E	319320	10235/2008	24-04	319248	10173/2008
23-01 F	319180	18996/2007	24-04	319312	10213/2008
23-01 F	319181	18997/2007	24-04	319422	21465/2007
23-01 F	319382	19825/2007	24-99	319139	10016/2008
23-01 H	319348	10291/2008	24-99	319200	10116/2008
23-01 H	319387	10423/2008	25-01 C	319349	10294/2008
23-01 H	319388	10424/2008	25-01 C	319350	10295/2008
23-01 H	319389	10425/2008	25-01 C	319351	10296/2008
23-01 H	319390	10426/2008	25-01 C	319352	10297/2008
23-01 H	319391	10427/2008	25-01 C	319353	10298/2008
23-01 H	319392	10428/2008	25-01 C	319354	10299/2008
23-01 H	319393	10429/2008	25-01 C	319355	10300/2008
23-01 H	319394	10430/2008	25-01 C	319356	10301/2008
23-01 H	319395	10431/2008	25-01 E	319368	20758/2007
23-01 H	319396	10432/2008	25-01 K	319282	10183/2008
23-01 H	319397	10433/2008	25-01 K	319423	21470/2007
23-01 H	319398	10434/2008	25-02 C	319331	10253/2008
23-01 H	319400	10436/2008	25-03	319142	10069/2008
23-02 A	319411	10411/2008	25-03	319369	10318/2008
23-02 A	319416	10416/2008	25-03	319370	10319/2008
23-02 B	319399	10435/2008	25-03	319371	10320/2008
23-02 C	319372	10335/2008	26-02	319338	10267/2008
23-02 C	319379	10344/2008	26-05 C	319148	10078/2008
23-02 C	319380	10345/2008	26-05 C	319149	10079/2008
23-02 C	319381	10346/2008	26-06	319332	10261/2008
23-02 NES	319411	10411/2008	26-06	319333	10262/2008
23-02 NES	319413	10413/2008	26-06	319334	10263/2008
23-04	319161	10092/2008	26-06	319335	10264/2008
23-04	319162	10093/2008	28-03 NES	319199	21507/2007
23-04	319186	10112/2008	29-02	319240	10149/2008
23-04	319309	10207/2008	30-03	319402	10383/2008
23-04	319384	10420/2008	30-03	319403	10384/2008
23-04	319414	10414/2008	31-00	319241	10161/2008
24-01	319185	20703/2007	31-00	319345	10282/2008
24-01	319200	10116/2008			
24-01	319201	10117/2008			
24-01	319202	10118/2008			
24-01	319203	10119/2008			

(21) Design Number: **10019/2008**
(22) Date of Filing Application: **02 January 2008**
(24) Date from which industrial property rights may have effect: **02 January 2008**
(54) Product in respect of which the design is registered: **All-terrain vehicle**
(51) International Design Classification: **12-08**
(71) Name(s) and Address(s) of Applicant(s):

Husqvarna AB
SE-561 82 Huskvarna Sweden

(72) Name(s) of Designer(s): **Rajinder Mehra**

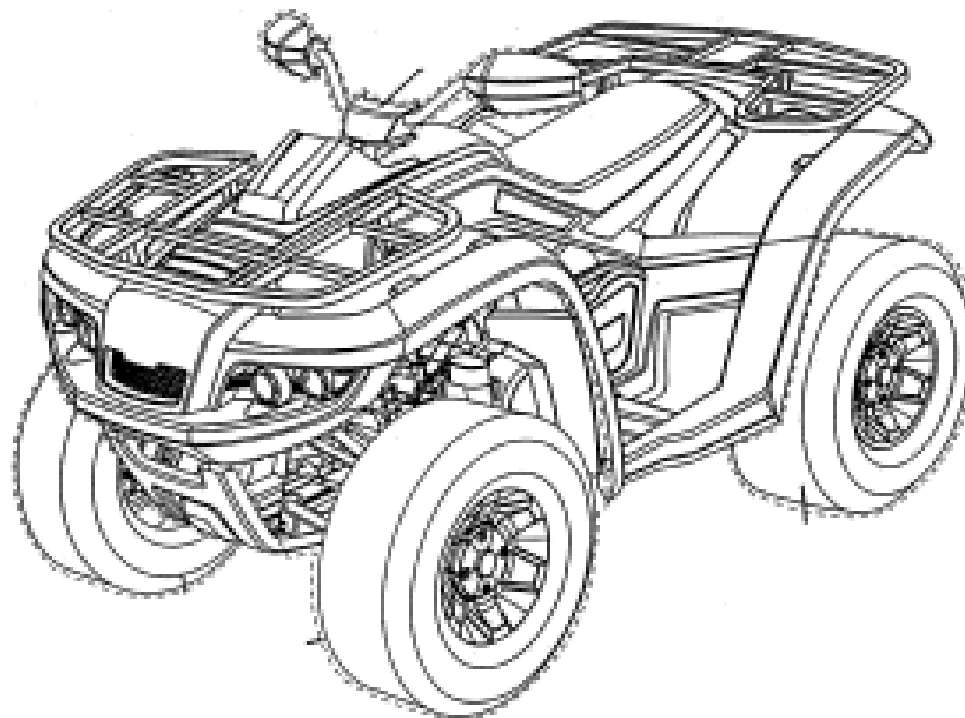
(45) Registration Date: **09 May 2008**

(30) Convention priority data:

(31) Number	(32) Date	(33) Country
000751201	03 Jul 2007	EUROPEAN COMMUNITY

(56) Related Art Documents: **Not Applicable**

(57) Statement of Newness and Distinctiveness: **Newness and distinctiveness is claimed in the features of shape and/or configuration of an all-terrain vehicle as illustrated in the accompanying representations, apart from the features located within the phantom lines on the accompanying perspective view, and labelled as A, B and C where A is the front wheel assembly, B is the rear wheel assembly and C is the handle assembly.**



(21) Design Number: **10022/2008**
(22) Date of Filing Application: **02 January 2008**
(24) Date from which industrial property rights may have effect: **02 January 2008**
(54) Product in respect of which the design is registered: **Container**
(51) International Design Classification: **09-01NES**
(71) Name(s) and Address(s) of Applicant(s):

Purdue Pharma L.P.
One Stamford Forum Stamford Connecticut 06901 United States of America

(72) Name(s) of Designer(s): **Martin Short and Robert Croft**

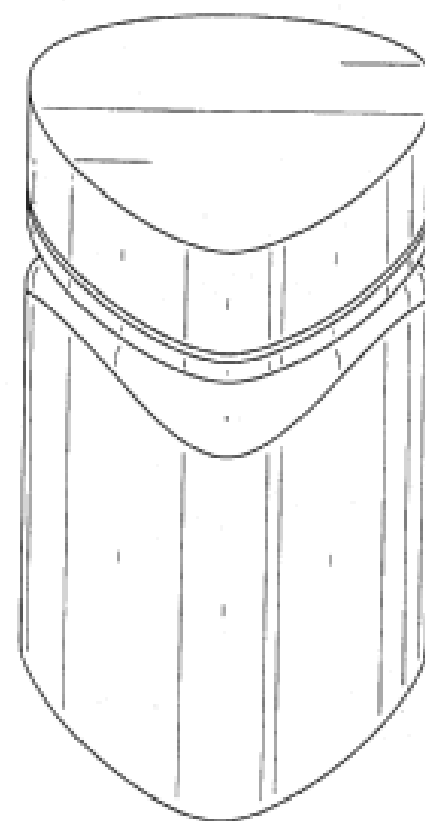
(45) Registration Date: **09 May 2008**

(30) Convention priority data:

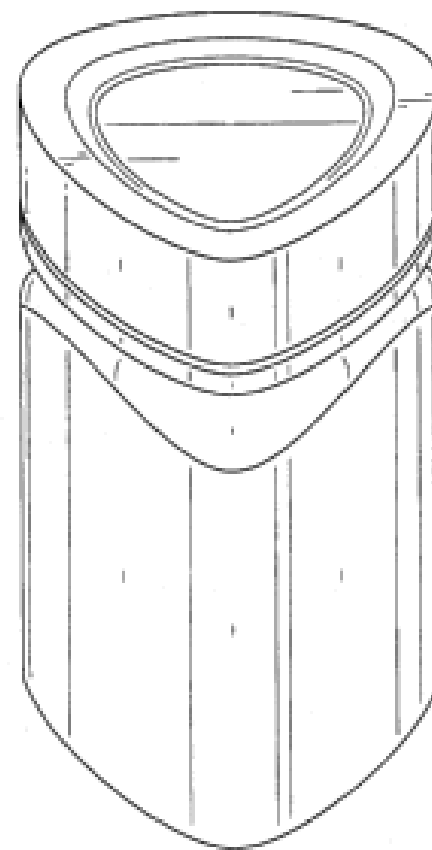
(31) Number	(32) Date	(33) Country
29281814	02 Jul 2007	UNITED STATES OF AMERICA

(56) Related Art Documents: **Not Applicable**

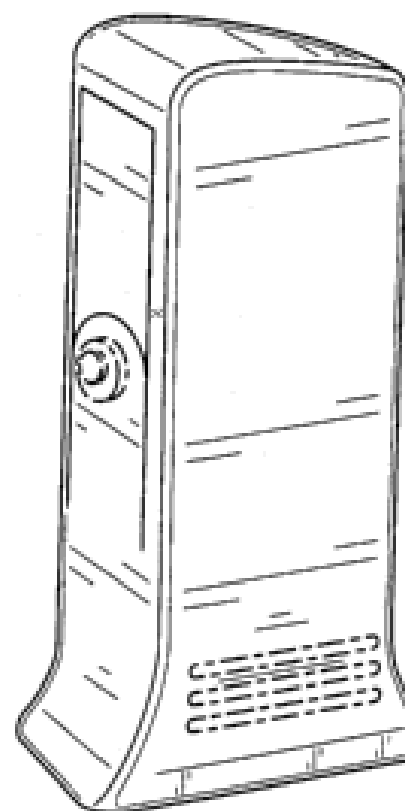
(57) Statement of Newness and Distinctiveness: **Nil**



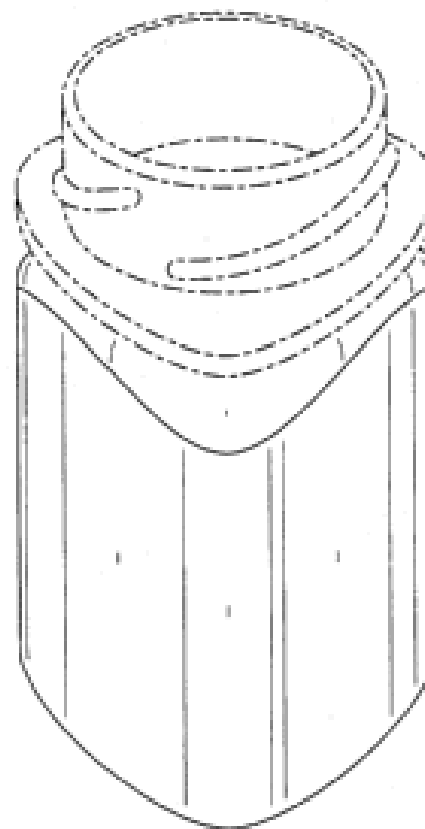
(21) Design Number: **10023/2008**
(22) Date of Filing Application: **02 January 2008**
(24) Date from which industrial property rights may have effect: **02 January 2008**
(54) Product in respect of which the design is registered: **Container**
(51) International Design Classification: **09-01NES**
(71) Name(s) and Address(s) of Applicant(s):
Purdue Pharma L.P.
One Stamford Forum Stamford Connecticut 06901 United States of America
(72) Name(s) of Designer(s): **Martin Short and Robert Croft**
(45) Registration Date: **09 May 2008**
(30) Convention priority data:
(31) Number (32) Date (33) Country
29281814 02 Jul 2007 UNITED STATES OF AMERICA
(56) Related Art Documents: **Not Applicable**
(57) Statement of Newness and Distinctiveness: **Nil**



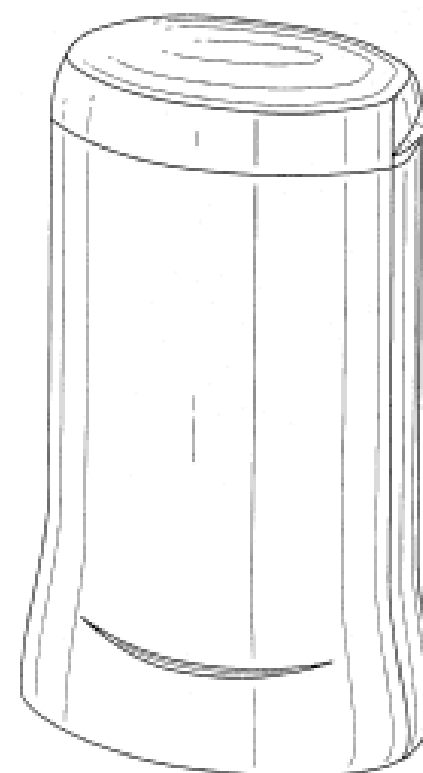
(21) Design Number: **10024/2008**
(22) Date of Filing Application: **02 January 2008**
(24) Date from which industrial property rights may have effect: **02 January 2008**
(54) Product in respect of which the design is registered: **Container**
(51) International Design Classification: **09-01NES**
(71) Name(s) and Address(s) of Applicant(s):
Purdue Pharma L.P.
One Stamford Forum Stamford Connecticut 06901 United States of America
(72) Name(s) of Designer(s): **Martin Short and Robert Croft**
(45) Registration Date: **09 May 2008**
(30) Convention priority data:
(31) Number (32) Date (33) Country
29281815 02 Jul 2007 UNITED STATES OF AMERICA
(56) Related Art Documents: **Not Applicable**
(57) Statement of Newness and Distinctiveness: **Newness and distinctiveness is claimed in the visual features shown in solid lines in the representations.**



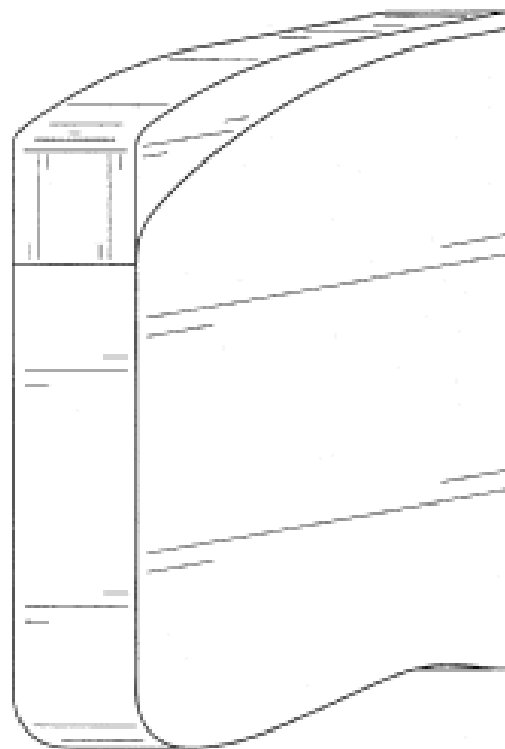
(21) Design Number: **10025/2008**
(22) Date of Filing Application: **02 January 2008**
(24) Date from which industrial property rights may have effect: **02 January 2008**
(54) Product in respect of which the design is registered: **Container**
(51) International Design Classification: **09-01NES**
(71) Name(s) and Address(s) of Applicant(s):
Purdue Pharma L.P.
One Stamford Forum Stamford Connecticut 06901 United States of America
(72) Name(s) of Designer(s): **Martin Short and Robert Croft**
(45) Registration Date: **09 May 2008**
(30) Convention priority data:
(31) Number (32) Date (33) Country
29281814 02 Jul 2007 UNITED STATES OF AMERICA
(56) Related Art Documents: **Not Applicable**
(57) Statement of Newness and Distinctiveness: **Nil**



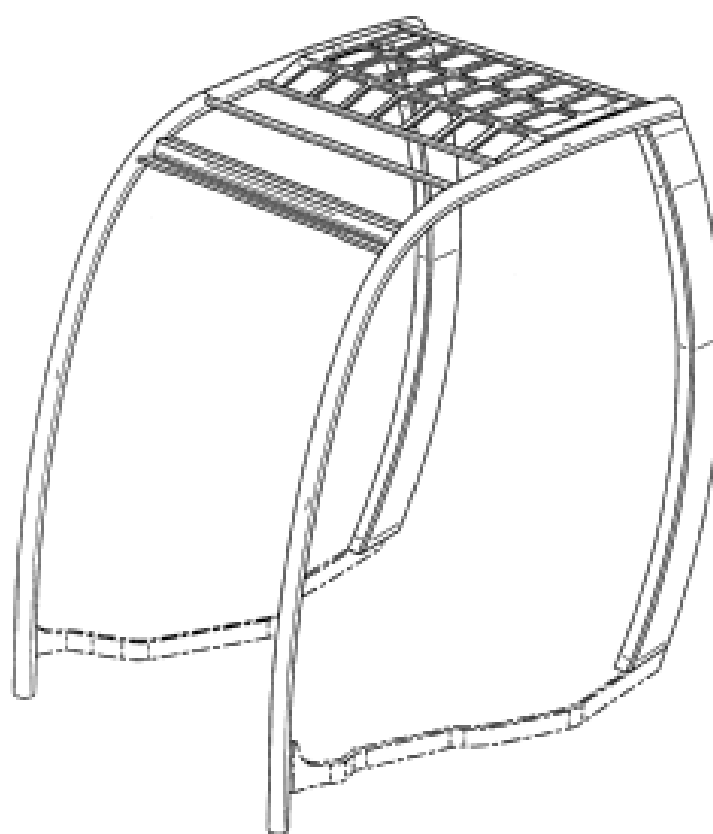
(21) Design Number: **10026/2008**
(22) Date of Filing Application: **02 January 2008**
(24) Date from which industrial property rights may have effect: **02 January 2008**
(54) Product in respect of which the design is registered: **Container**
(51) International Design Classification: **09-01NES**
(71) Name(s) and Address(s) of Applicant(s):
Purdue Pharma L.P.
One Stamford Forum Stamford Connecticut 06901 United States of America
(72) Name(s) of Designer(s): **Martin Short and Robert Croft**
(45) Registration Date: **09 May 2008**
(30) Convention priority data:
(31) Number (32) Date (33) Country
29281817 02 Jul 2007 UNITED STATES OF AMERICA
(56) Related Art Documents: **Not Applicable**
(57) Statement of Newness and Distinctiveness: **Nil**



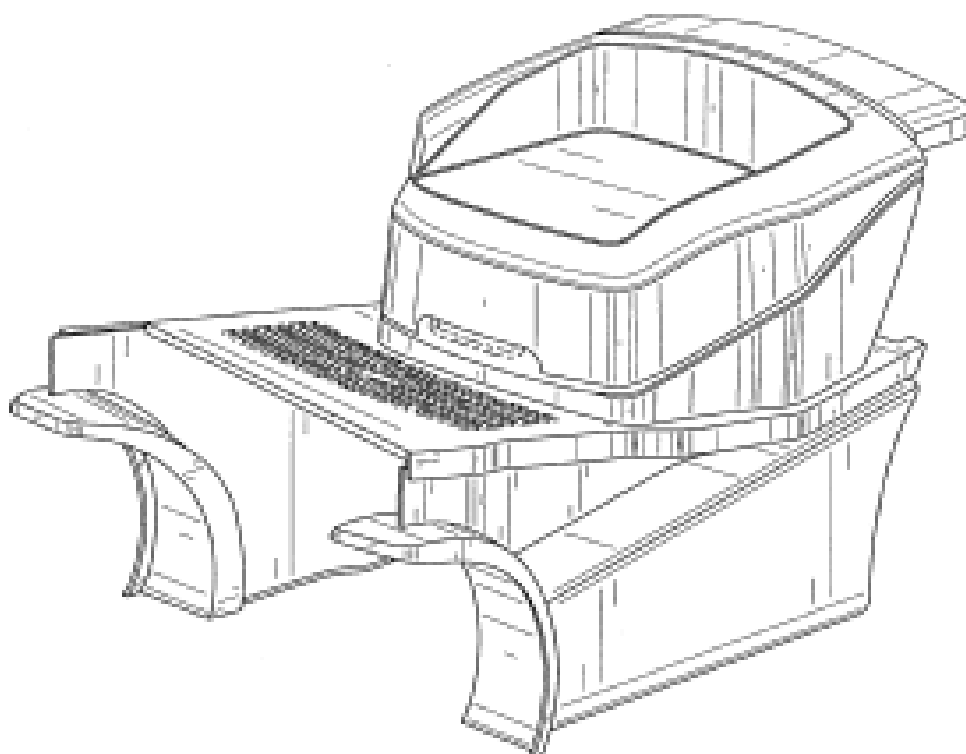
(21) Design Number: **10027/2008**
(22) Date of Filing Application: **02 January 2008**
(24) Date from which industrial property rights may have effect: **02 January 2008**
(54) Product in respect of which the design is registered: **Container**
(51) International Design Classification: **09-01NES**
(71) Name(s) and Address(s) of Applicant(s):
Purdue Pharma L.P.
One Stamford Forum Stamford Connecticut 06901 United States of America
(72) Name(s) of Designer(s): **Martin Short and Robert Croft**
(45) Registration Date: **09 May 2008**
(30) Convention priority data:
(31) Number (32) Date (33) Country
29281813 02 Jul 2007 UNITED STATES OF AMERICA
(56) Related Art Documents: **Not Applicable**
(57) Statement of Newness and Distinctiveness: **Nil**



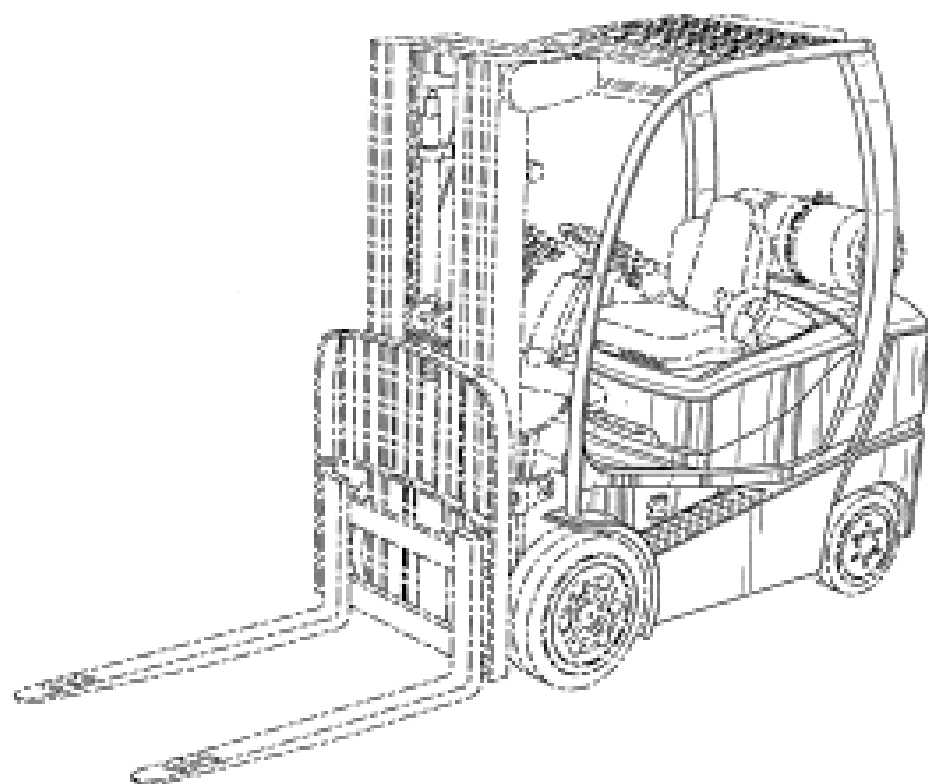
(21) Design Number: **10028/2008**
(22) Date of Filing Application: **02 January 2008**
(24) Date from which industrial property rights may have effect: **02 January 2008**
(54) Product in respect of which the design is registered: **Overhead guard for a fork lift truck**
(51) International Design Classification: **12-16C**
(71) Name(s) and Address(s) of Applicant(s):
Crown Equipment Corporation
40 South Washington Street New Bremen OH 45869 United States of America
(72) Name(s) of Designer(s): **Juergen Buchmann and Dean E. Davis and Michael P. Gallagher and John P. Jones and Jeffrey T. Mauch and Henry J. Rahn and Adam M. Ruppert and Rainer B. Teufel**
(45) Registration Date: **09 May 2008**
(30) Convention priority data:
(31) Number (32) Date (33) Country
29/281,941 06 Jul 2007 UNITED STATES OF AMERICA
(56) Related Art Documents: **Not Applicable**
(57) Statement of Newness and Distinctiveness: **The shape and configuration of those parts of the product shown other than by means of broken lines in the representations are new and distinctive.**



- (21) Design Number: **10030/2008**
(22) Date of Filing Application: **02 January 2008**
(24) Date from which industrial property rights may have effect: **02 January 2008**
(54) Product in respect of which the design is registered: **Power unit for a fork lift truck**
(51) International Design Classification: **12-16NES, 15-01**
(71) Name(s) and Address(s) of Applicant(s):
Crown Equipment Corporation
40 South Washington Street New Bremen OH 45869 United States of America
(72) Name(s) of Designer(s): **Keith G. Bornhorst and Dean E. Davis and Michael P. Gallagher and Henry J. Rahn and Patrick A. Soder and Rainer B. Teufel**
(45) Registration Date: **09 May 2008**
(30) Convention priority data:
(31) Number (32) Date (33) Country
29/281,943 06 Jul 2007 UNITED STATES OF AMERICA
(56) Related Art Documents: **Not Applicable**
(57) Statement of Newness and Distinctiveness: **The shape and configuration of those parts of the product shown other than by means of broken lines in the representations are new and distinctive.**



- (21) Design Number: **10031/2008**
(22) Date of Filing Application: **02 January 2008**
(24) Date from which industrial property rights may have effect: **02 January 2008**
(54) Product in respect of which the design is registered: **Fork lift truck**
(51) International Design Classification: **12-05**
(71) Name(s) and Address(s) of Applicant(s):
Crown Equipment Corporation
40 South Washington Street New Bremen OH 45869 United States of America
(72) Name(s) of Designer(s): **Juergen Buchmann and Dean E. Davis and Michael P. Gallagher and John P. Jones and Henry J. Rahn and Rainer B. Teufel**
(45) Registration Date: **09 May 2008**
(30) Convention priority data:
(31) Number (32) Date (33) Country
29/281,940 06 Jul 2007 UNITED STATES OF AMERICA
(56) Related Art Documents: **Not Applicable**
(57) Statement of Newness and Distinctiveness: **The shape and configuration of those parts of the product shown other than by means of broken lines in the representations are new and distinctive.**



(21) Design Number: **10033/2008**

(22) Date of Filing Application: **03 January 2008**

(24) Date from which industrial property rights may have effect: **03 January 2008**

(54) Product in respect of which the design is registered: **DC booster**

(51) International Design Classification: **13-03D, 13-02**

(71) Name(s) and Address(s) of Applicant(s):

Combotronic Limited

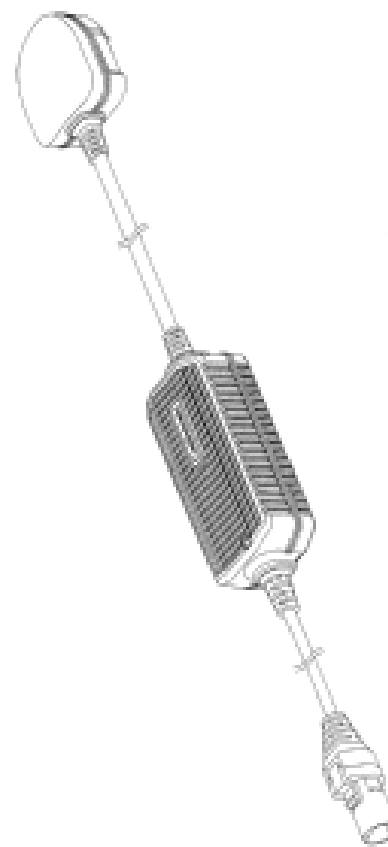
**10/F Flat A Hop Lung Factory Building 1 Mong Lung Street Shaukiwan
Hong Kong**

(72) Name(s) of Designer(s): **So Kam Wah**

(45) Registration Date: **09 May 2008**

(56) Related Art Documents: **Not Applicable**

(57) Statement of Newness and Distinctiveness: **Newness and distinctiveness resides in the shape and configuration of a DC booster having cords of indefinite length, as illustrated in the accompanying representations. When considering the newness and distinctiveness, indicia in the form of letters, numbers and symbols are to be disregarded.**



(21) Design Number: **10034/2008**

(22) Date of Filing Application: **03 January 2008**

(24) Date from which industrial property rights may have effect: **03 January 2008**

(54) Product in respect of which the design is registered: **Power adapter/charger**

(51) International Design Classification: **13-03D, 13-02**

(71) Name(s) and Address(s) of Applicant(s):

Combotronic Limited

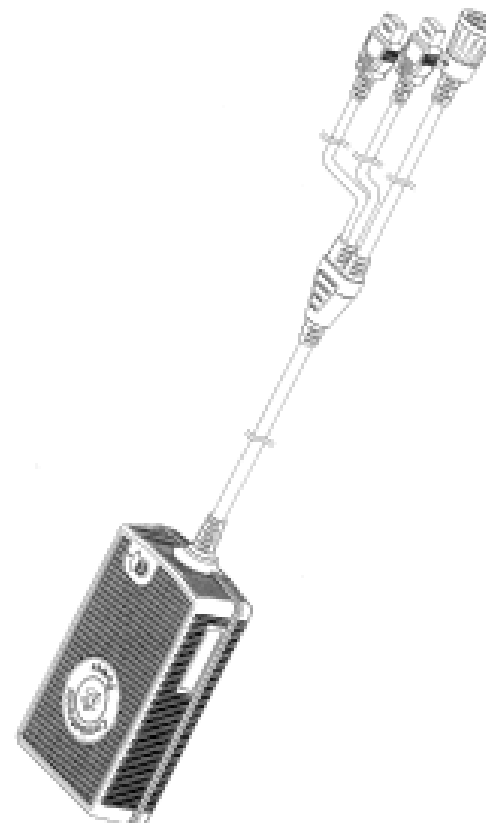
**10/F Flat A Hop Lung Factory Building 1 Mong Lung Street Shaukiwan
Hong Kong**

(72) Name(s) of Designer(s): **So Kam Wah**

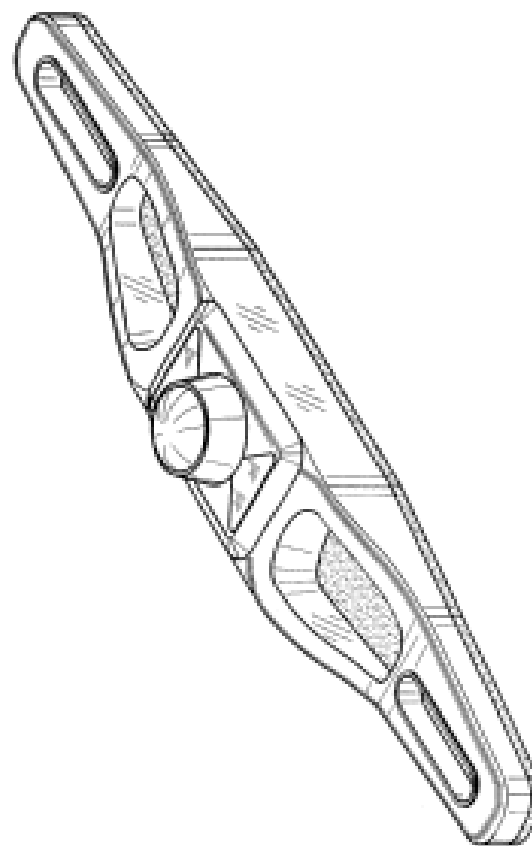
(45) Registration Date: **09 May 2008**

(56) Related Art Documents: **Not Applicable**

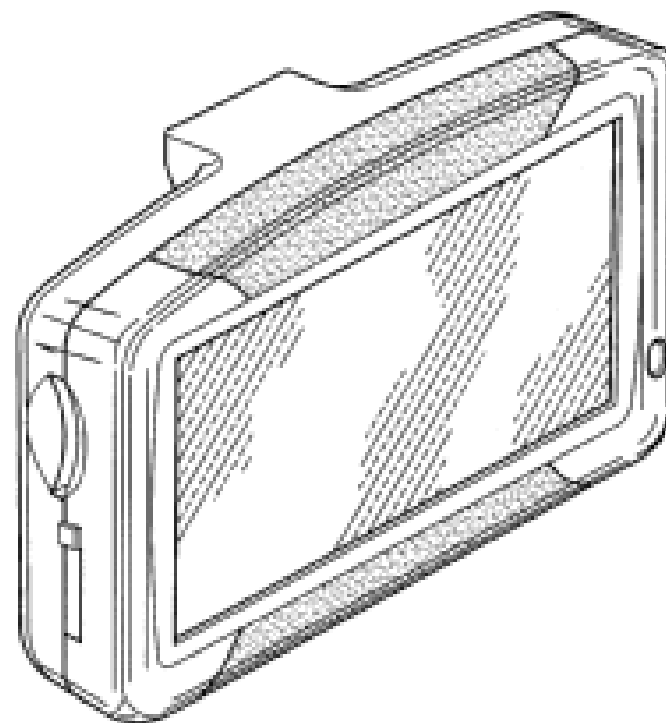
(57) Statement of Newness and Distinctiveness: **Newness and distinctiveness resides in the shape and configuration of a power adapter/charger having cords of indefinite length, as illustrated in the accompanying representations. When considering the newness and distinctiveness, indicia in the form of letters, numbers and symbols are to be disregarded.**



- (21) Design Number: **10037/2008**
(22) Date of Filing Application: **03 January 2008**
(24) Date from which industrial property rights may have effect: **03 January 2008**
(54) Product in respect of which the design is registered: **Mounting bracket for an information display unit**
(51) International Design Classification: **08-08L**
(71) Name(s) and Address(s) of Applicant(s):
Augusto Tucci
78 Mills Road Braeside Victoria 3195 Australia
(72) Name(s) of Designer(s): **Augusto Tucci**
(45) Registration Date: **09 May 2008**
(56) Related Art Documents: **Not Applicable**
(57) Statement of Newness and Distinctiveness: **The shape, configuration, shape and configuration, pattern, ornamentation, pattern and ornamentation, etc. of the design are new and distinctive.**



- (21) Design Number: **10038/2008**
(22) Date of Filing Application: **03 January 2008**
(24) Date from which industrial property rights may have effect: **03 January 2008**
(54) Product in respect of which the design is registered: **Display unit**
(51) International Design Classification: **20-03NES**
(71) Name(s) and Address(s) of Applicant(s):
Augusto Tucci
78 Mills Road Braeside Victoria 3195 Australia
(72) Name(s) of Designer(s): **Augusto Tucci**
(45) Registration Date: **09 May 2008**
(56) Related Art Documents: **Not Applicable**
(57) Statement of Newness and Distinctiveness: **The shape, configuration, shape and configuration, pattern, ornamentation, pattern and ornamentation, etc. of the design are new and distinctive.**



(21) Design Number: **10016/2008**

(22) Date of Filing Application: **02 January 2008**

(24) Date from which industrial property rights may have effect: **02 January 2008**

(54) Product in respect of which the design is registered: **Bag**

(51) International Design Classification: **09-99, 24-99**

(71) Name(s) and Address(s) of Applicant(s):

Smith & Nephew PLC
15 Adam Street London WC2N 6LA United Kingdom

(72) Name(s) of Designer(s): **Andy Duncan Pidgeon and Richard Mann**

(45) Registration Date: **09 May 2008**

(30) Convention priority data:

(31) Number	(32) Date	(33) Country
000750120	02 Jul 2007	EUROPEAN COMMUNITY

(56) Related Art Documents: **Not Applicable**

(57) Statement of Newness and Distinctiveness: **Newness and distinctiveness reside in the features of the design as shown in the representations.**



(21) Design Number: **10041/2008**

(22) Date of Filing Application: **03 January 2008**

(24) Date from which industrial property rights may have effect: **03 January 2008**

(54) Product in respect of which the design is registered: **Electronic copying machine**

(51) International Design Classification: **16-03**

(71) Name(s) and Address(s) of Applicant(s):

Toshiba Tec Kabushiki Kaisha
2-17-2 Higashigotanda Shinagawa-ku Tokyo 141-8664 Japan

(72) Name(s) of Designer(s): **Hisaya Ishio and Katsuhiro Yoshida**

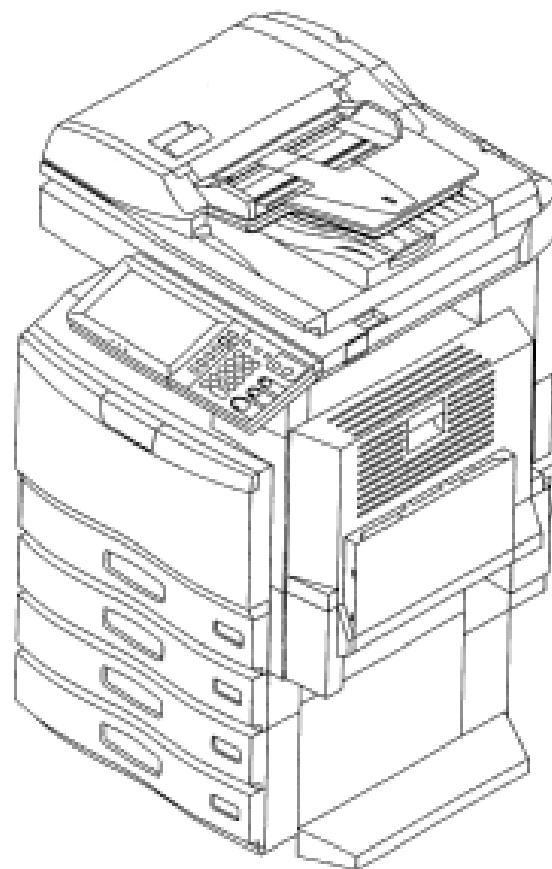
(45) Registration Date: **09 May 2008**

(30) Convention priority data:

(31) Number	(32) Date	(33) Country
2007-019679	19 Jul 2007	JAPAN

(56) Related Art Documents: **Not Applicable**

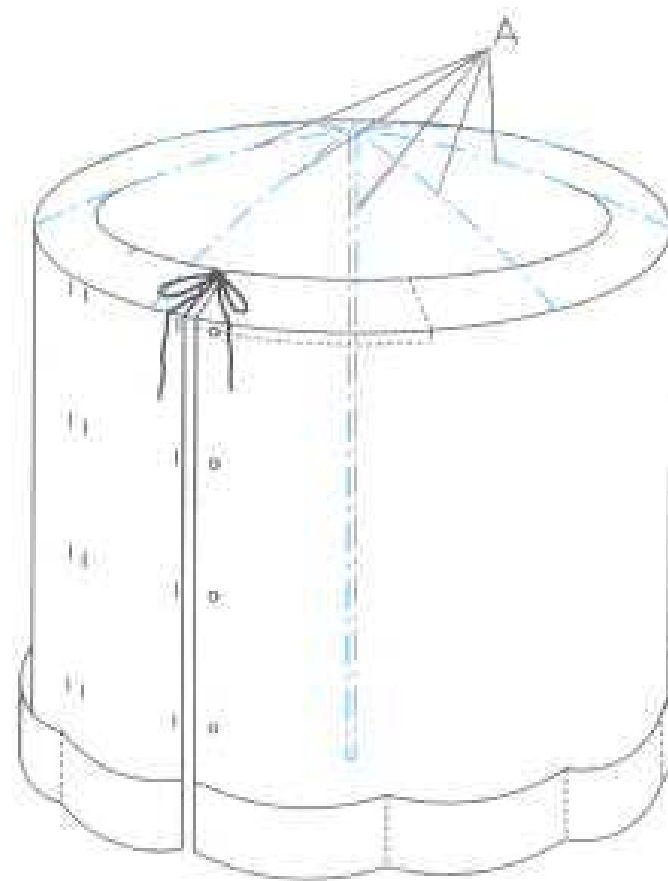
(57) Statement of Newness and Distinctiveness: **The shape and configuration of the product are new and distinctive.**



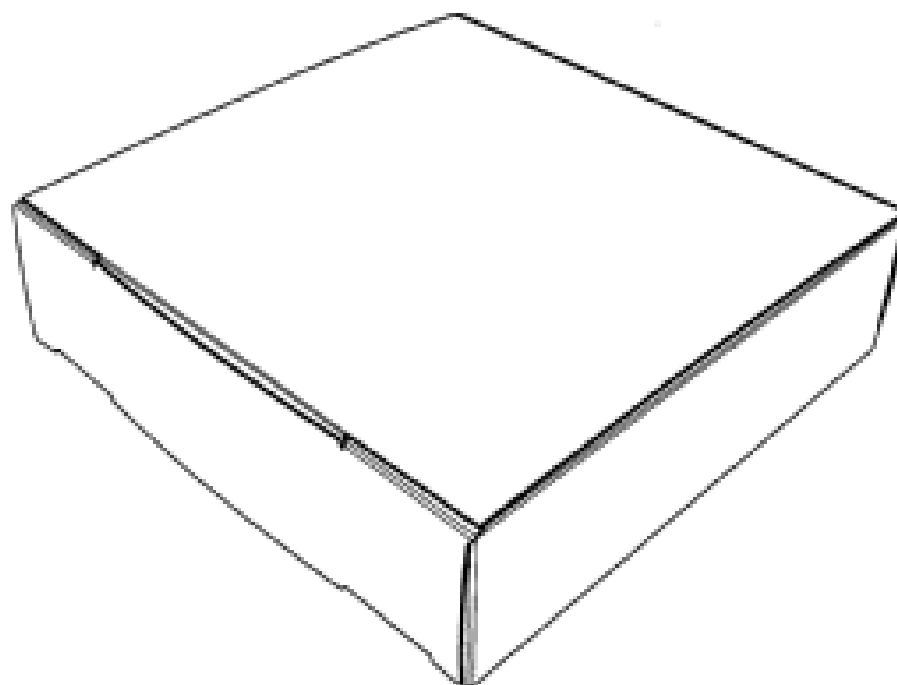
- (21) Design Number: **10068/2008**
(22) Date of Filing Application: **07 January 2008**
(24) Date from which industrial property rights may have effect: **07 January 2008**
(54) Product in respect of which the design is registered: **Coffee press double wall in stainless steel**
(51) International Design Classification: **07-02L**
(71) Name(s) and Address(s) of Applicant(s):
Pi-Design AG
Kantonsstrasse 100 Postfach 463 CH-6234 Triengen Switzerland
(72) Name(s) of Designer(s): **Jorgen Bodum**
(45) Registration Date: **09 May 2008**
(30) Convention priority data:
(31) Number (32) Date (33) Country
DA 2007 06 Jul 2007 DENMARK
00163
(56) Related Art Documents: **Not Applicable**
(57) Statement of Newness and Distinctiveness: **Nil**



- (21) Design Number: **10069/2008**
(22) Date of Filing Application: **07 January 2008**
(24) Date from which industrial property rights may have effect: **07 January 2008**
(54) Product in respect of which the design is registered: **A shelter attachment**
(51) International Design Classification: **25-03, 03-03**
(71) Name(s) and Address(s) of Applicant(s):
Charmaine Ruth Veronica Hill
1382 Yankees Gap Road Bemboka New South Wales 2550 Australia
Daniel Stephen Archbold
1382 Yankees Gap Road Bemboka New South Wales 2550 Australia
(72) Name(s) of Designer(s): **Daniel Stephen Archbold**
(45) Registration Date: **09 May 2008**
(56) Related Art Documents: **Not Applicable**
(57) Statement of Newness and Distinctiveness: **Newness and distinctiveness is claimed in the visual features of the shelter attachment shown in an installed position attached to umbrellas of differing diameters in figures 1 and 2, and shown in an unrolled position in figure 3. In any assessment of the newness and distinctiveness of the shelter attachment, all umbrella posts and spokes, including those shown in broken lines indicated by A of figures 1 and 2 are to be disregarded.**



(21) Design Number: **10070/2008**
(22) Date of Filing Application: **07 January 2008**
(24) Date from which industrial property rights may have effect: **07 January 2008**
(54) Product in respect of which the design is registered: **Box**
(51) International Design Classification: **09-03M**
(71) Name(s) and Address(s) of Applicant(s):
Nokia Corporation
Keilalahdentie 4 FIN-02150 Espoo Finland
(72) Name(s) of Designer(s): **Hanna Lukka**
(45) Registration Date: **09 May 2008**
(30) Convention priority data:
(31) Number (32) Date (33) Country
M20070135 06 Jul 2007 FINLAND
(56) Related Art Documents: **Not Applicable**
(57) Statement of Newness and Distinctiveness: **Nil**



(21) Design Number: **10072/2008**
(22) Date of Filing Application: **08 January 2008**
(24) Date from which industrial property rights may have effect: **08 January 2008**
(54) Product in respect of which the design is registered: **Tea filter**
(51) International Design Classification: **07-02NES**
(71) Name(s) and Address(s) of Applicant(s):
Tea-Cha Teaware Pty. Ltd
105 Roseville Avenue Roseville New South Wales 2069 Australia
(72) Name(s) of Designer(s): **Ian Bersten**
(45) Registration Date: **09 May 2008**
(56) Related Art Documents: **Not Applicable**
(57) Statement of Newness and Distinctiveness: **Newness and distinctiveness resides in the features of the solid base and the hole located in the base of the tea filter as shown in the accompanying representations.**



(21) Design Number: **10075/2008**

(22) Date of Filing Application: **08 January 2008**

(24) Date from which industrial property rights may have effect: **08 January 2008**

(54) Product in respect of which the design is registered: **Electrical connector**

(51) International Design Classification: **13-03E, 13-03D**

(71) Name(s) and Address(s) of Applicant(s):

Julius Blum GmbH
Industriestrasse 1 6973 Hochst Austria

(72) Name(s) of Designer(s): **Mathias Grimm**

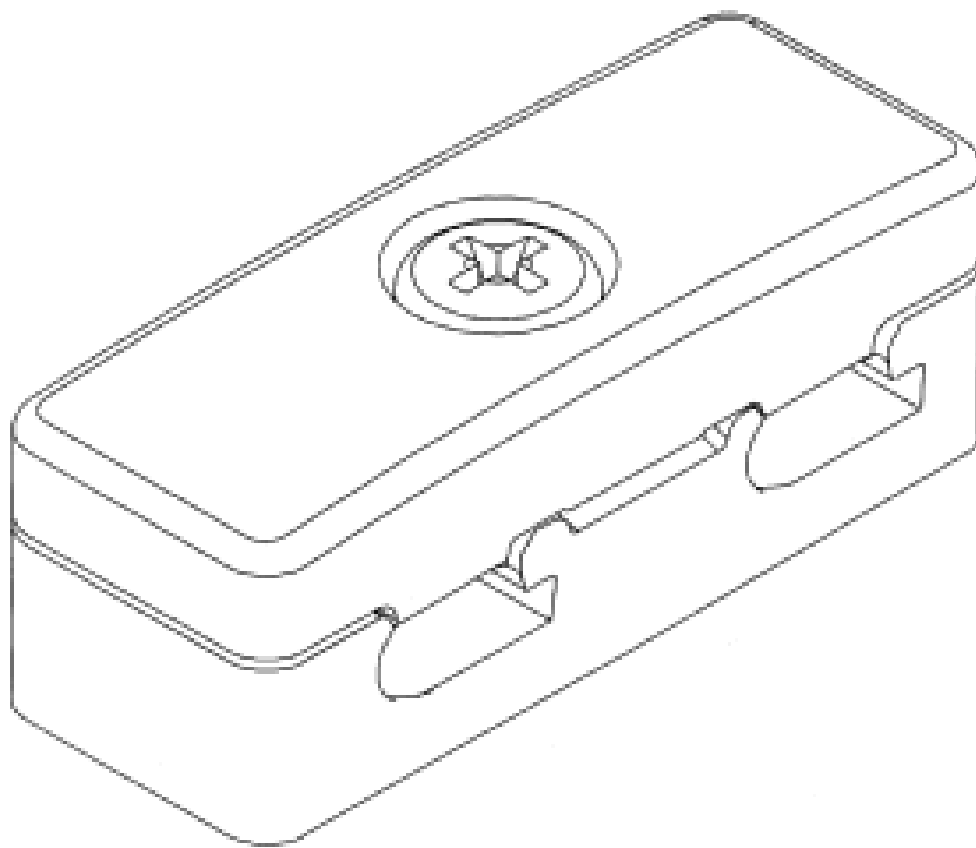
(45) Registration Date: **09 May 2008**

(30) Convention priority data:

(31) Number	(32) Date	(33) Country
757281-0001	13 Jul 2007	EUROPEAN COMMUNITY

(56) Related Art Documents: **Not Applicable**

(57) Statement of Newness and Distinctiveness: **Nil**



(21) Design Number: **10076/2008**

(22) Date of Filing Application: **08 January 2008**

(24) Date from which industrial property rights may have effect: **08 January 2008**

(54) Product in respect of which the design is registered: **Electrical connector**

(51) International Design Classification: **13-03E, 13-03D**

(71) Name(s) and Address(s) of Applicant(s):

Julius Blum GmbH
Industriestrasse 1 6973 Hochst Austria

(72) Name(s) of Designer(s): **Mathias Grimm**

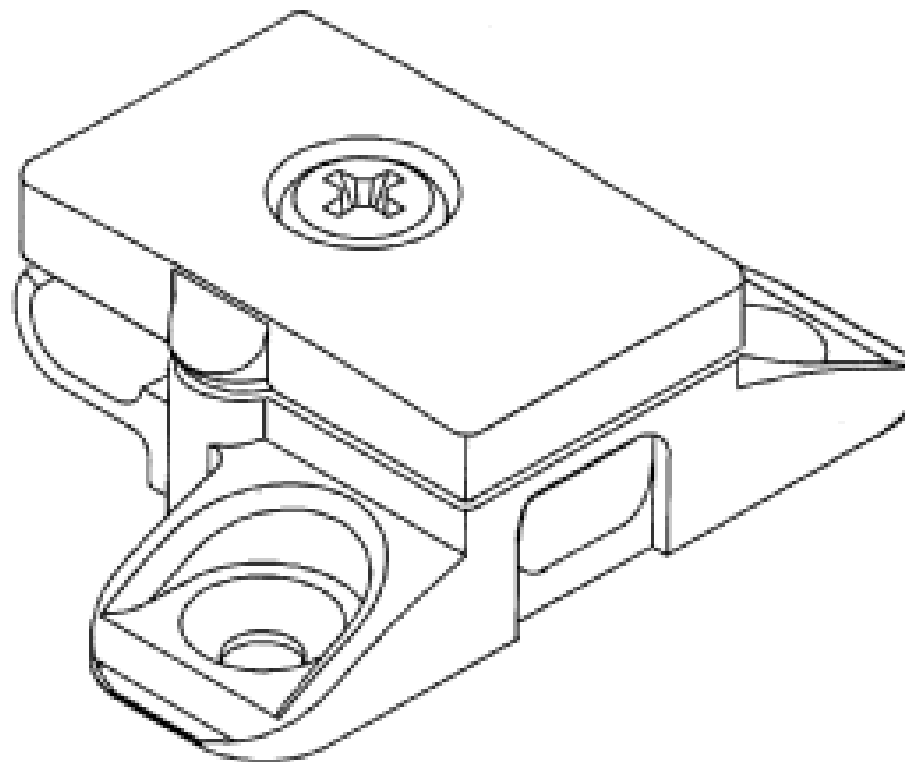
(45) Registration Date: **09 May 2008**

(30) Convention priority data:

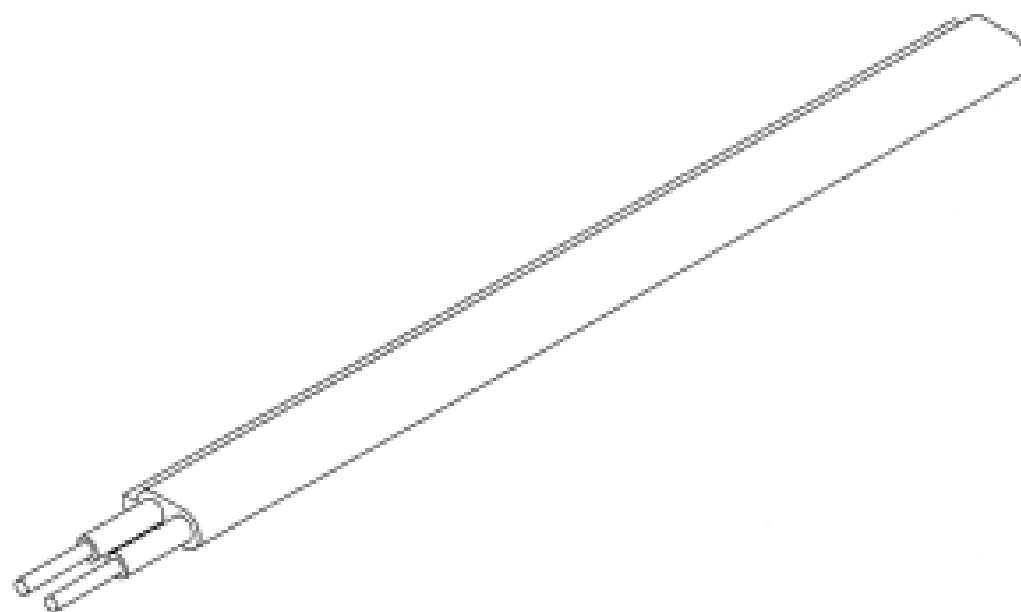
(31) Number	(32) Date	(33) Country
757281-0002	13 Jul 2007	EUROPEAN COMMUNITY

(56) Related Art Documents: **Not Applicable**

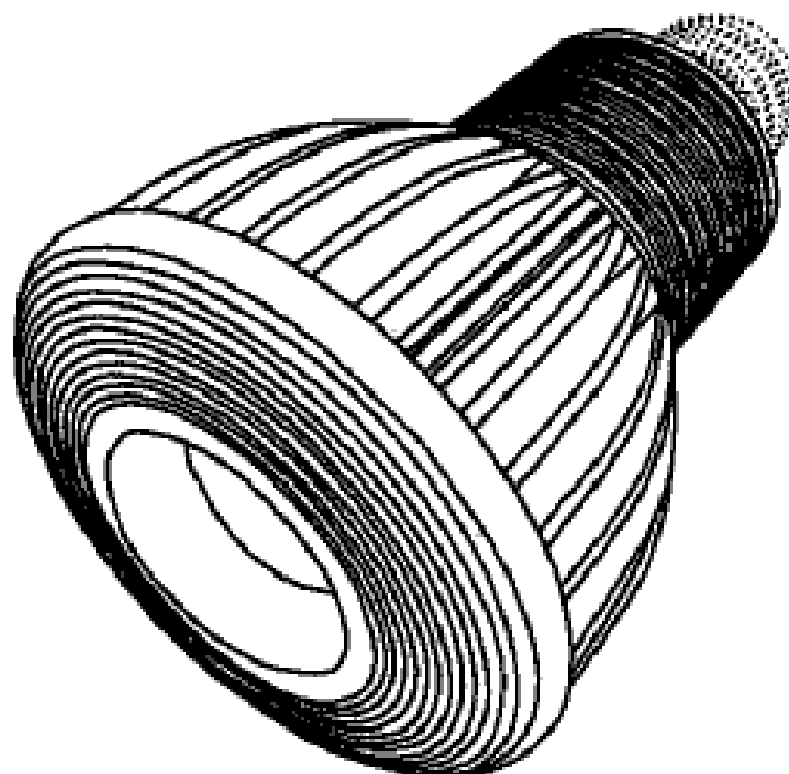
(57) Statement of Newness and Distinctiveness: **Nil**



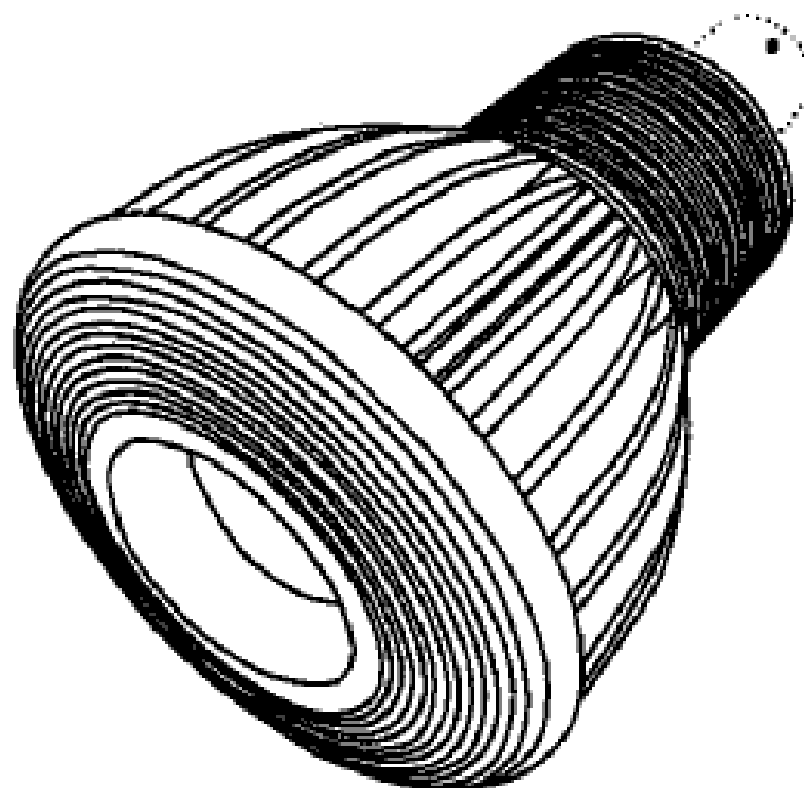
- (21) Design Number: **10077/2008**
(22) Date of Filing Application: **08 January 2008**
(24) Date from which industrial property rights may have effect: **08 January 2008**
(54) Product in respect of which the design is registered: **Electrical cable**
(51) International Design Classification: **13-03E**
(71) Name(s) and Address(s) of Applicant(s):
Julius Blum GmbH
Industriestrasse 1 6973 Hochst Austria
(72) Name(s) of Designer(s): **Mathias Grimm**
(45) Registration Date: **09 May 2008**
(30) Convention priority data:
(31) Number (32) Date (33) Country
757281-0003 13 Jul 2007 EUROPEAN COMMUNITY
(56) Related Art Documents: **Not Applicable**
(57) Statement of Newness and Distinctiveness: **Nil**



- (21) Design Number: **10078/2008**
(22) Date of Filing Application: **08 January 2008**
(24) Date from which industrial property rights may have effect: **08 January 2008**
(54) Product in respect of which the design is registered: **A lamp**
(51) International Design Classification: **26-05C**
(71) Name(s) and Address(s) of Applicant(s):
Arlec Australia Limited
Maroondah Highway Mooroolbark Victoria 3138 Australia
(72) Name(s) of Designer(s): **John Montagnat and Balu Jeganathan**
(45) Registration Date: **09 May 2008**
(56) Related Art Documents: **Not Applicable**
(57) Statement of Newness and Distinctiveness: **Newness and distinctiveness is claimed in the features of shape and configuration as shown in solid lines in the representations, and not including the connection fitting shown in broken lines in the representations.**



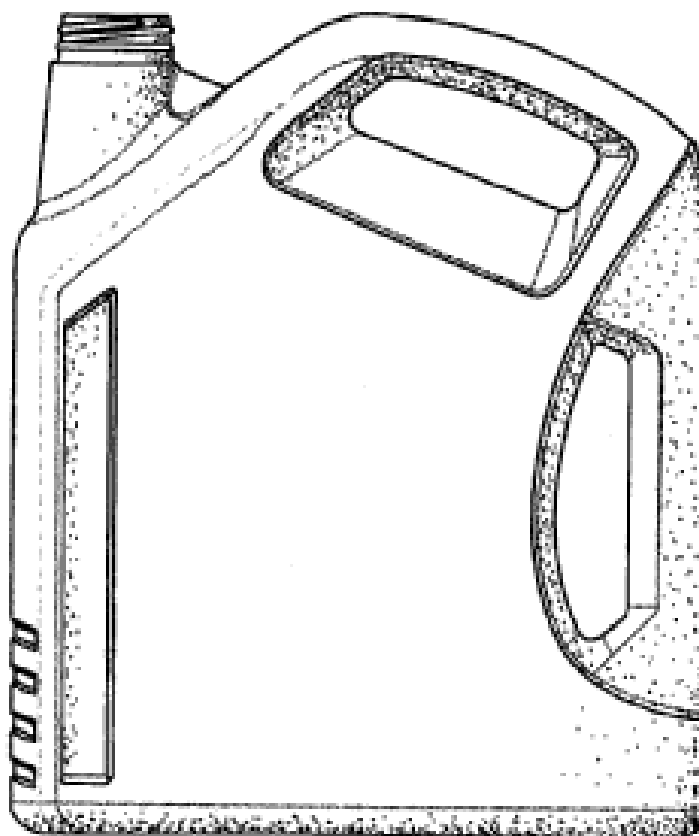
- (21) Design Number: **10079/2008**
(22) Date of Filing Application: **08 January 2008**
(24) Date from which industrial property rights may have effect: **08 January 2008**
(54) Product in respect of which the design is registered: **A lamp**
(51) International Design Classification: **26-05C**
(71) Name(s) and Address(s) of Applicant(s):
Arlec Australia Limited
Maroondah Highway Mooroolbark Victoria 3138 Australia
(72) Name(s) of Designer(s): **John Montagnat and Balu Jeganathan**
(45) Registration Date: **09 May 2008**
(56) Related Art Documents: **Not Applicable**
(57) Statement of Newness and Distinctiveness: **Newness and distinctiveness is claimed in the features of shape and configuration as shown in solid lines in the representations, and not including the connection fitting shown in broken lines in the representations.**



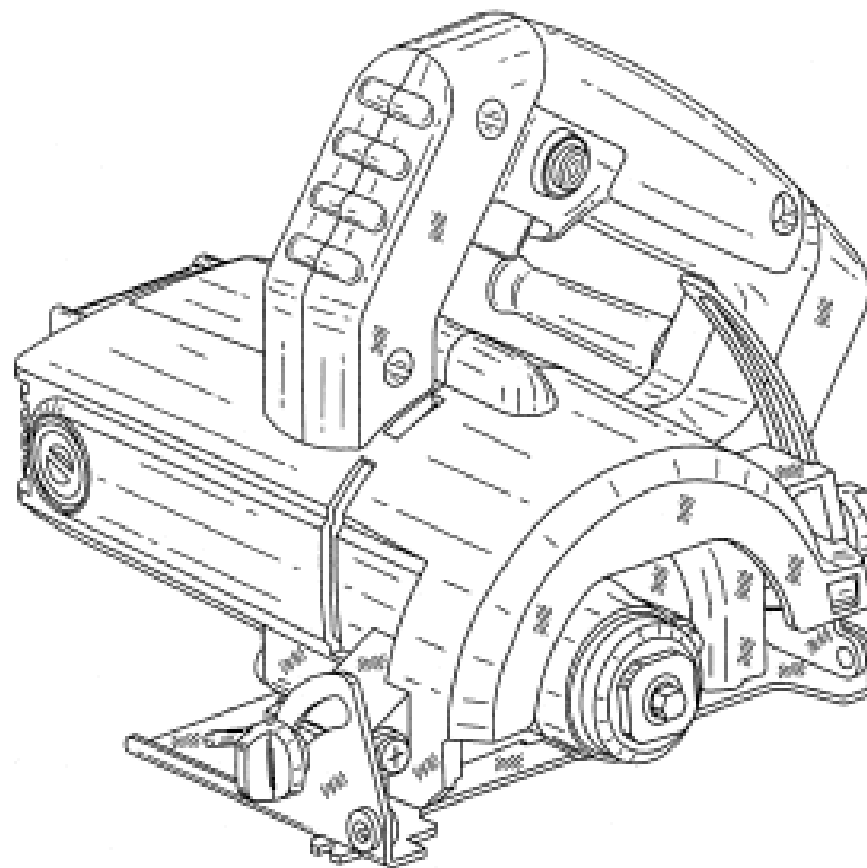
- (21) Design Number: **10080/2008**
(22) Date of Filing Application: **08 January 2008**
(24) Date from which industrial property rights may have effect: **08 January 2008**
(54) Product in respect of which the design is registered: **Container for lubricants**
(51) International Design Classification: **09-01B**
(71) Name(s) and Address(s) of Applicant(s):
Shell Brands International AG
Baarermatte 6340 Baar Switzerland
(72) Name(s) of Designer(s): **Guy Anthony Williams and Timothy Peter James**
(45) Registration Date: **09 May 2008**
(30) Convention priority data:

(31) Number	(32) Date	(33) Country
4004018	16 Aug 2007	UNITED KINGDOM

(56) Related Art Documents: **Not Applicable**
(57) Statement of Newness and Distinctiveness: **Nil**



(21) Design Number: **10081/2008**
(22) Date of Filing Application: **08 January 2008**
(24) Date from which industrial property rights may have effect: **08 January 2008**
(54) Product in respect of which the design is registered: **Tile cutter**
(51) International Design Classification: **08-03**
(71) Name(s) and Address(s) of Applicant(s):
Black & Decker, Inc.
1207 Drummond Plaza Newark Delaware 19711 United States of America
(72) Name(s) of Designer(s): **Stuart J. Wright and Michael Stirm**
(45) Registration Date: **09 May 2008**
(30) Convention priority data:
(31) Number (32) Date (33) Country
000783204 04 Sep 2007 EUROPEAN COMMUNITY
(56) Related Art Documents: **Not Applicable**
(57) Statement of Newness and Distinctiveness: **Nil**



(21) Design Number: **10140/2008**
(22) Date of Filing Application: **14 January 2008**
(24) Date from which industrial property rights may have effect: **14 January 2008**
(54) Product in respect of which the design is registered: **Coffee press (5)**
(51) International Design Classification: **07-02L**
(71) Name(s) and Address(s) of Applicant(s):
Pi-Design AG
Kantonsstrasse 100 Postfach 463 CH-6234 Triengen Switzerland
(72) Name(s) of Designer(s): **Jorgen Bodum**
(45) Registration Date: **14 May 2008**
(30) Convention priority data:
(31) Number (32) Date (33) Country
DA 2007 16 Jul 2007 DENMARK
00175
(56) Related Art Documents: **Not Applicable**
(57) Statement of Newness and Distinctiveness: **Nil**



(21) Design Number: **10141/2008**
(22) Date of Filing Application: **14 January 2008**
(24) Date from which industrial property rights may have effect: **14 January 2008**
(54) Product in respect of which the design is registered: **Coffee press (5)**
(51) International Design Classification: **07-02L**
(71) Name(s) and Address(s) of Applicant(s):
Pi-Design AG
Kantonsstrasse 100 Postfach 463 CH-6234 Triengen Switzerland
(72) Name(s) of Designer(s): **Jorgen Bodum**
(45) Registration Date: **14 May 2008**
(30) Convention priority data:
(31) Number (32) Date (33) Country
DA 2007 16 Jul 2007 DENMARK
00175
(56) Related Art Documents: **Not Applicable**
(57) Statement of Newness and Distinctiveness: **Nil**



(21) Design Number: **10142/2008**
(22) Date of Filing Application: **14 January 2008**
(24) Date from which industrial property rights may have effect: **14 January 2008**
(54) Product in respect of which the design is registered: **Coffee press (5)**
(51) International Design Classification: **07-02L**
(71) Name(s) and Address(s) of Applicant(s):
Pi-Design AG
Kantonsstrasse 100 Postfach 463 CH-6234 Triengen Switzerland
(72) Name(s) of Designer(s): **Jorgen Bodum**
(45) Registration Date: **14 May 2008**
(30) Convention priority data:
(31) Number (32) Date (33) Country
DA 2007 16 Jul 2007 DENMARK
00175
(56) Related Art Documents: **Not Applicable**
(57) Statement of Newness and Distinctiveness: **Nil**



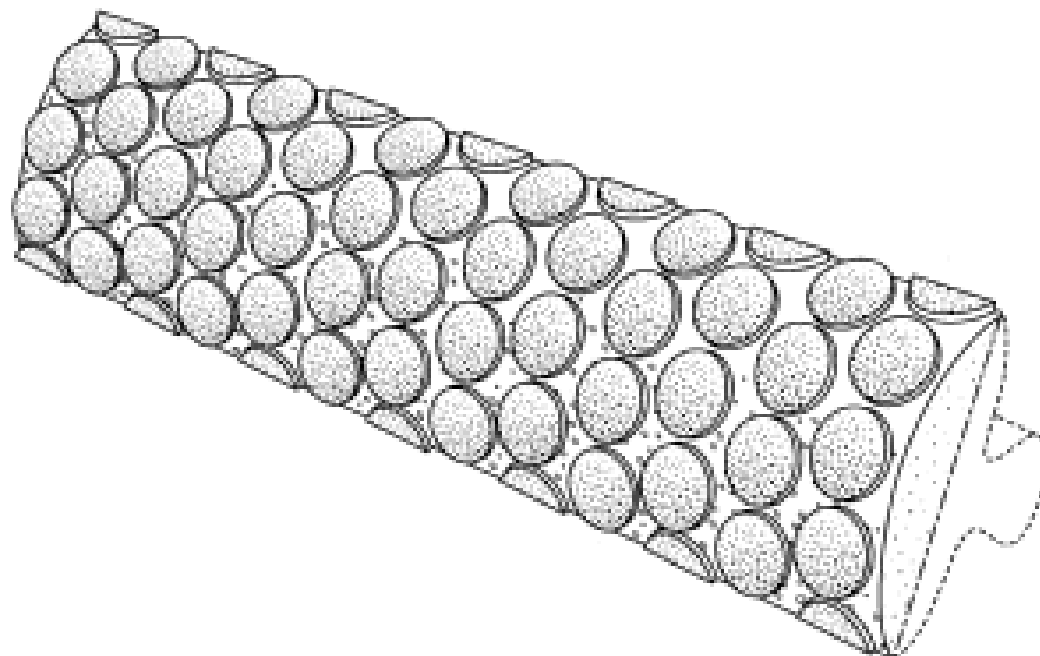
(21) Design Number: **10143/2008**
(22) Date of Filing Application: **14 January 2008**
(24) Date from which industrial property rights may have effect: **14 January 2008**
(54) Product in respect of which the design is registered: **Coffee Press (5)**
(51) International Design Classification: **07-02L**
(71) Name(s) and Address(s) of Applicant(s):
Pi-Design AG
Kantonsstrasse 100 Postfach 463 CH-6234 Triengen Switzerland
(72) Name(s) of Designer(s): **Jorgen Bodum**
(45) Registration Date: **14 May 2008**
(30) Convention priority data:
(31) Number (32) Date (33) Country
DA 2007 16 Jul 2007 DENMARK
00175
(56) Related Art Documents: **Not Applicable**
(57) Statement of Newness and Distinctiveness: **Nil**



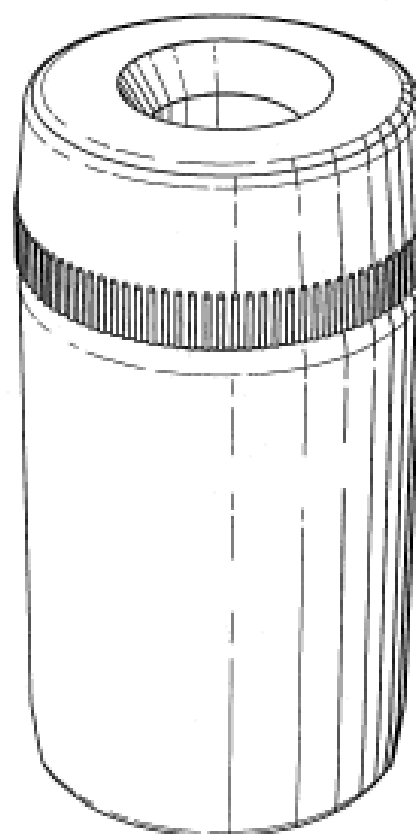
(21) Design Number: **10144/2008**
(22) Date of Filing Application: **14 January 2008**
(24) Date from which industrial property rights may have effect: **14 January 2008**
(54) Product in respect of which the design is registered: **Coffee press (5)**
(51) International Design Classification: **07-02L**
(71) Name(s) and Address(s) of Applicant(s):
Pi-Design AG
Kantonsstrasse 100 Postfach 463 CH-6234 Triengen Switzerland
(72) Name(s) of Designer(s): **Jorgen Bodum**
(45) Registration Date: **14 May 2008**
(30) Convention priority data:
(31) Number (32) Date (33) Country
DA 2007 16 Jul 2007 DENMARK
00175
(56) Related Art Documents: **Not Applicable**
(57) Statement of Newness and Distinctiveness: **Nil**



(21) Design Number: **10045/2008**
(22) Date of Filing Application: **04 January 2008**
(24) Date from which industrial property rights may have effect: **04 January 2008**
(54) Product in respect of which the design is registered: **Portion of a mop head**
(51) International Design Classification: **07-05E**
(71) Name(s) and Address(s) of Applicant(s):
The Libman Company
220 North Sheldon Arcola Illinois 61910 United States of America
(72) Name(s) of Designer(s): **Robert J. Libman and Enzo Berti**
(45) Registration Date: **14 May 2008**
(30) Convention priority data:
(31) Number (32) Date (33) Country
29/298434 05 Dec 2007 UNITED STATES OF AMERICA
(56) Related Art Documents: **Not Applicable**
(57) Statement of Newness and Distinctiveness: **Newness and distinctiveness reside in the shape and/or configuration of a portion of a mop head illustrated by solid lines in the accompanying representations. The features shown in broken outline are for illustrative purposes only and do not form part of the design.**



(21) Design Number: **10084/2008**
(22) Date of Filing Application: **08 January 2008**
(24) Date from which industrial property rights may have effect: **08 January 2008**
(54) Product in respect of which the design is registered: **Container**
(51) International Design Classification: **09-03L**
(71) Name(s) and Address(s) of Applicant(s):
Norbrook Laboratories Ltd
105 Armagh Road Newry County Down BT35 6PU United Kingdom
(72) Name(s) of Designer(s): **Stuart Hunter**
(45) Registration Date: **14 May 2008**
(30) Convention priority data:
(31) Number (32) Date (33) Country
000763198 20 Jul 2007 EUROPEAN COMMUNITY
(56) Related Art Documents: **Not Applicable**
(57) Statement of Newness and Distinctiveness: **Nil**



- (21) Design Number: **10087/2008**
- (22) Date of Filing Application: **08 January 2008**
- (24) Date from which industrial property rights may have effect: **08 January 2008**
- (54) Product in respect of which the design is registered: **A linear actuator**
- (51) International Design Classification: **15-99**
- (71) Name(s) and Address(s) of Applicant(s):

Linak A/S
Smedevaenget 8 Guderup DK-6430 Nordborg Denmark

(72) Name(s) of Designer(s): **Peter Boldsen Lund and John Landerholm**

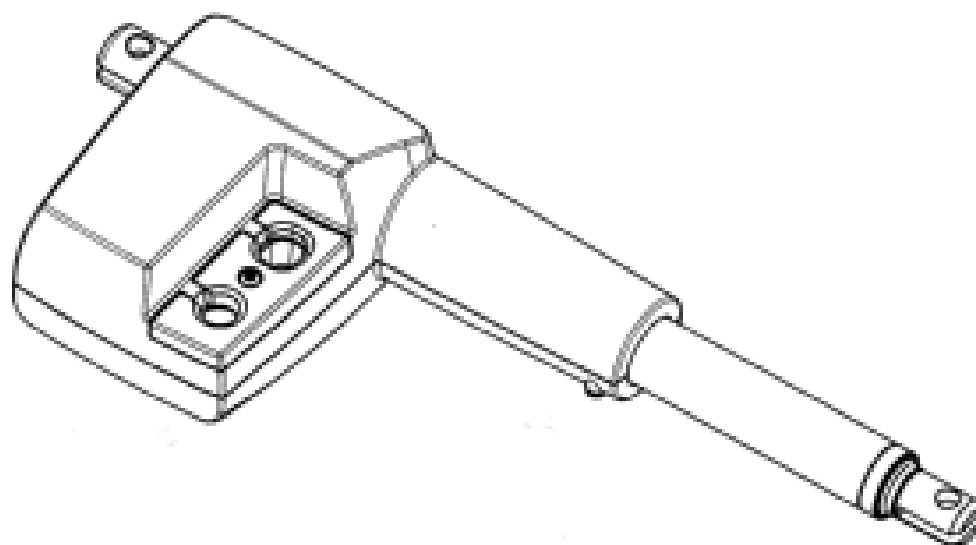
(45) Registration Date: **14 May 2008**

(30) Convention priority data:

(31) Number	(32) Date	(33) Country
DA 2007	09 Jul 2007	DENMARK
00165		

(56) Related Art Documents: **Not Applicable**

(57) Statement of Newness and Distinctiveness: **Newness and distinctiveness is claimed in the features of shape and/or configuration of a linear actuator as illustrated in the accompanying representations.**



- (21) Design Number: **10089/2008**
- (22) Date of Filing Application: **09 January 2008**
- (24) Date from which industrial property rights may have effect: **09 January 2008**
- (54) Product in respect of which the design is registered: **A sign for a drinking vessel**
- (51) International Design Classification: **20-03NES**
- (71) Name(s) and Address(s) of Applicant(s):

Leycolm Pty Ltd
42 Hurtle Square Adelaide South Australia 5000 Australia

(72) Name(s) of Designer(s): **Densley Mills**

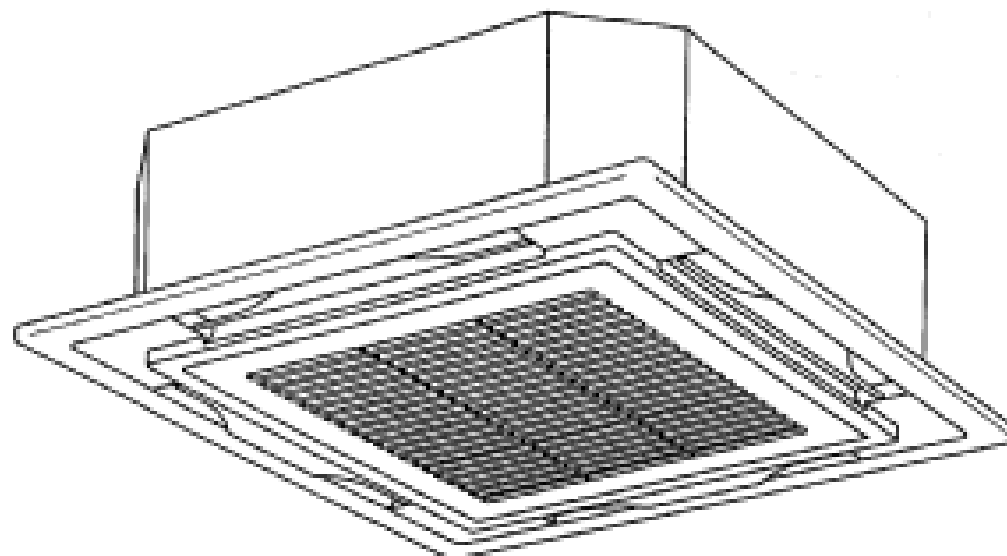
(45) Registration Date: **14 May 2008**

(56) Related Art Documents: **Not Applicable**

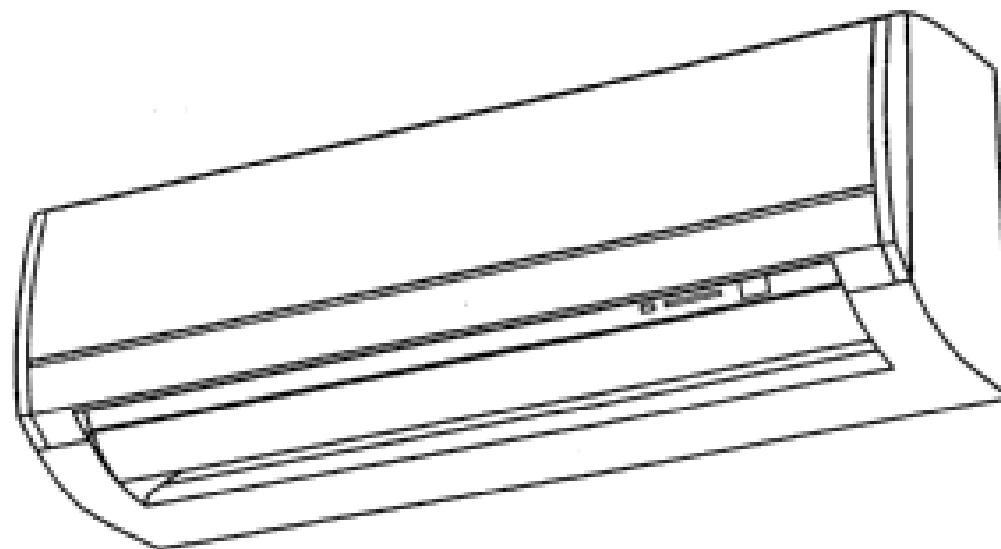
(57) Statement of Newness and Distinctiveness: **Nil**



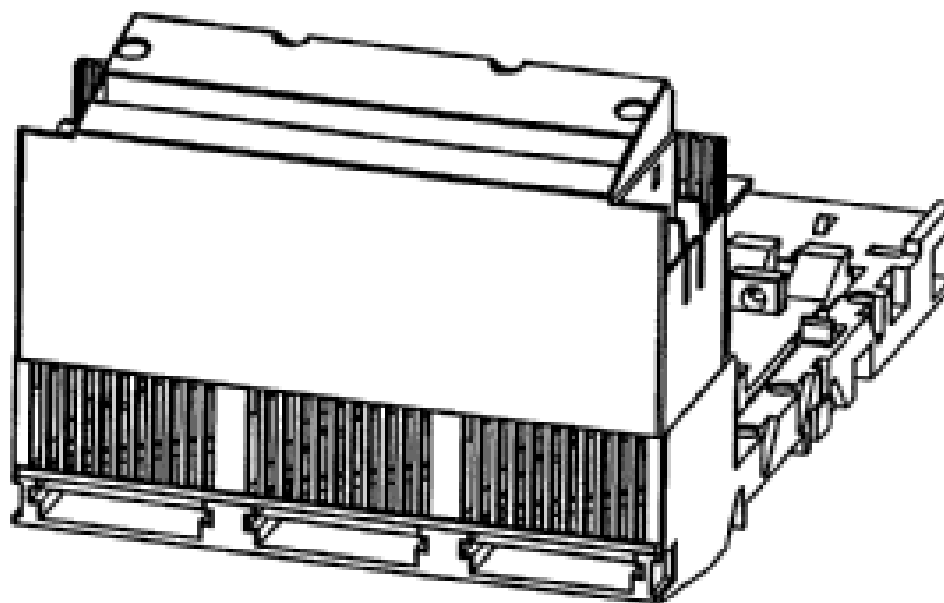
(21) Design Number: **10092/2008**
(22) Date of Filing Application: **09 January 2008**
(24) Date from which industrial property rights may have effect: **09 January 2008**
(54) Product in respect of which the design is registered: **Air conditioner**
(51) International Design Classification: **23-04**
(71) Name(s) and Address(s) of Applicant(s):
Toshiba Carrier Corporation
1-1 Shibaura 1-chome Minato-ku Tokyo Japan
(72) Name(s) of Designer(s): **Tomiaki Ishihara**
(45) Registration Date: **14 May 2008**
(30) Convention priority data:
(31) Number (32) Date (33) Country
2007-018979 12 Jul 2007 JAPAN
(56) Related Art Documents: **Not Applicable**
(57) Statement of Newness and Distinctiveness: **Newness and distinctiveness is claimed in the features of shape and/or configuration of an air conditioner as illustrated in the accompanying representations.**



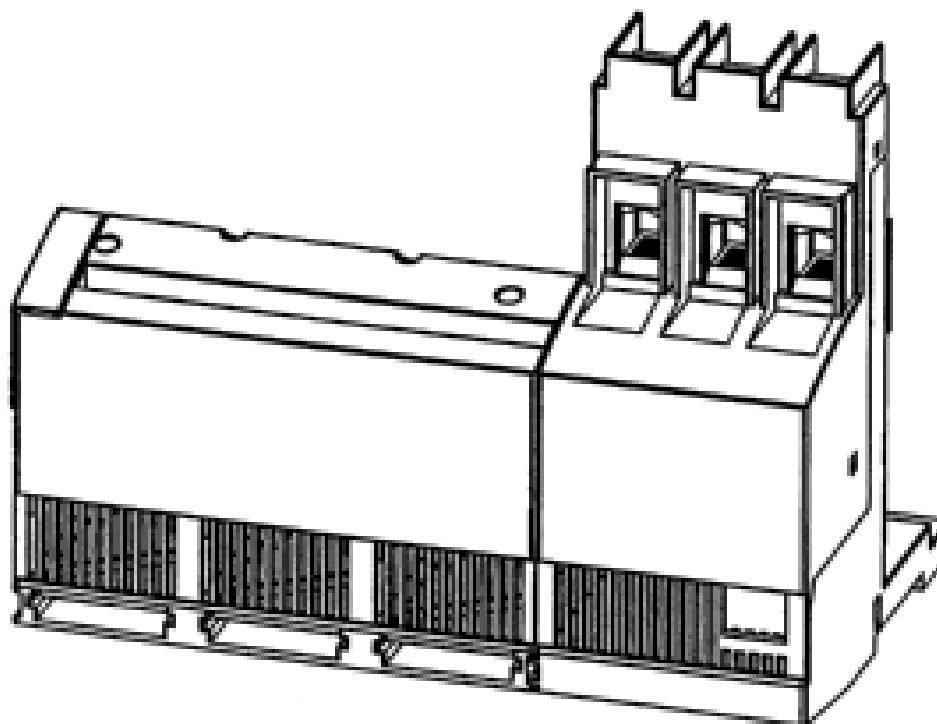
(21) Design Number: **10093/2008**
(22) Date of Filing Application: **09 January 2008**
(24) Date from which industrial property rights may have effect: **09 January 2008**
(54) Product in respect of which the design is registered: **Air conditioner**
(51) International Design Classification: **23-04**
(71) Name(s) and Address(s) of Applicant(s):
Toshiba Carrier Corporation
1-1 Shibaura 1-chome Minato-ku Tokyo Japan
(72) Name(s) of Designer(s): **Tomiaki Ishihara and Takashi Asanuma**
(45) Registration Date: **14 May 2008**
(30) Convention priority data:
(31) Number (32) Date (33) Country
2007-018726 10 Jul 2007 JAPAN
(56) Related Art Documents: **Not Applicable**
(57) Statement of Newness and Distinctiveness: **Newness and distinctiveness is claimed in the features of shape and/or configuration of an air conditioner as illustrated in the accompanying representations.**



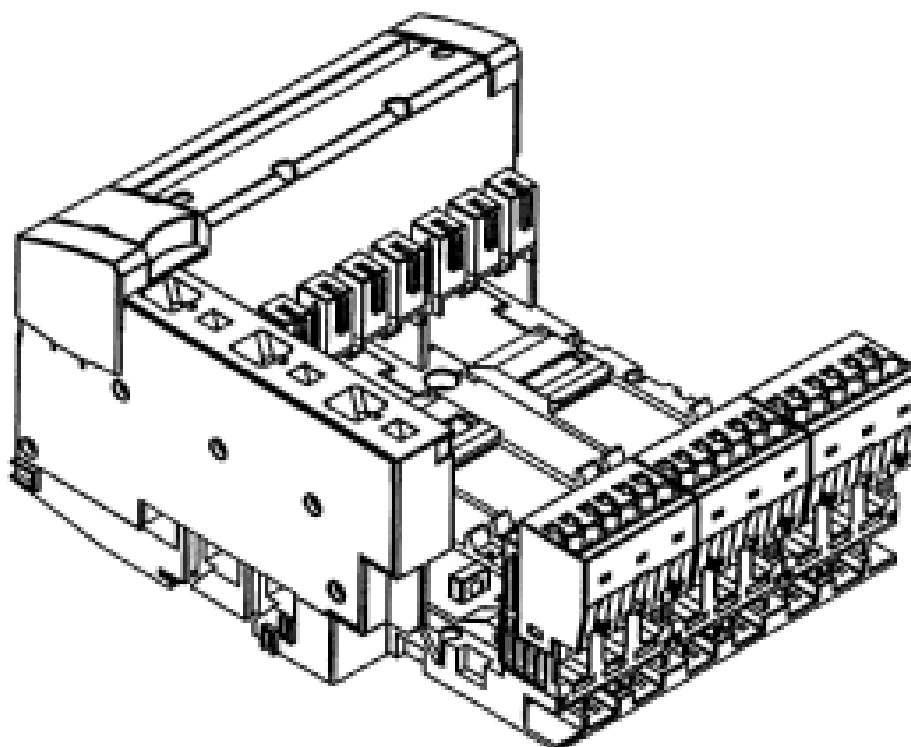
- (21) Design Number: **10094/2008**
(22) Date of Filing Application: **09 January 2008**
(24) Date from which industrial property rights may have effect: **09 January 2008**
(54) Product in respect of which the design is registered: **Basic block for mounting of installation devices**
(51) International Design Classification: **13-03NES**
(71) Name(s) and Address(s) of Applicant(s):
Siemens Aktiengesellschaft
Wittelsbacherplatz 2 80333 Munchen Germany
(72) Name(s) of Designer(s): **Martin Bodenmeier and Thomas Detemple and Manuela Luftl and Peter Trautwein**
(45) Registration Date: **09 May 2008**
(30) Convention priority data:
(31) Number (32) Date (33) Country
000777461 06 Aug 2007 EUROPEAN COMMUNITY
(56) Related Art Documents: **Not Applicable**
(57) Statement of Newness and Distinctiveness: **Newness and distinctiveness is claimed in the features of shape and/or configuration of a basic block for mounting of installation devices as illustrated in the accompanying representations.**



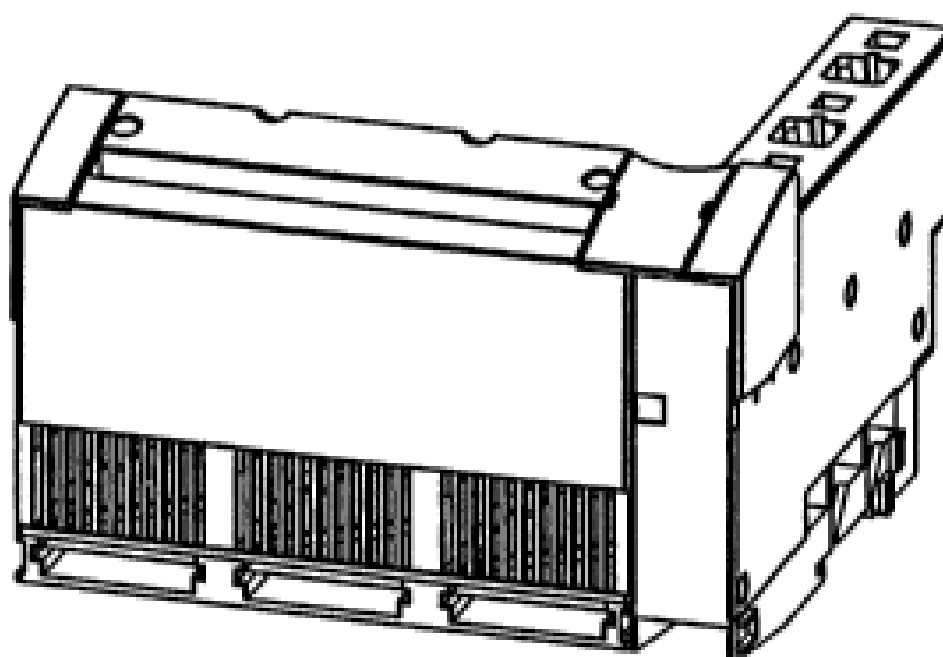
- (21) Design Number: **10095/2008**
(22) Date of Filing Application: **09 January 2008**
(24) Date from which industrial property rights may have effect: **09 January 2008**
(54) Product in respect of which the design is registered: **Basic block for mounting of installation devices**
(51) International Design Classification: **13-03NES**
(71) Name(s) and Address(s) of Applicant(s):
Siemens Aktiengesellschaft
Wittelsbacherplatz 2 80333 Munchen Germany
(72) Name(s) of Designer(s): **Martin Bodenmeier and Thomas Detemple and Manuela Luftl and Peter Trautwein**
(45) Registration Date: **09 May 2008**
(30) Convention priority data:
(31) Number (32) Date (33) Country
000777461 06 Aug 2007 EUROPEAN COMMUNITY
(56) Related Art Documents: **Not Applicable**
(57) Statement of Newness and Distinctiveness: **Newness and distinctiveness is claimed in the features of shape and/or configuration of a basic block for mounting of installation devices as illustrated in the accompanying representations.**



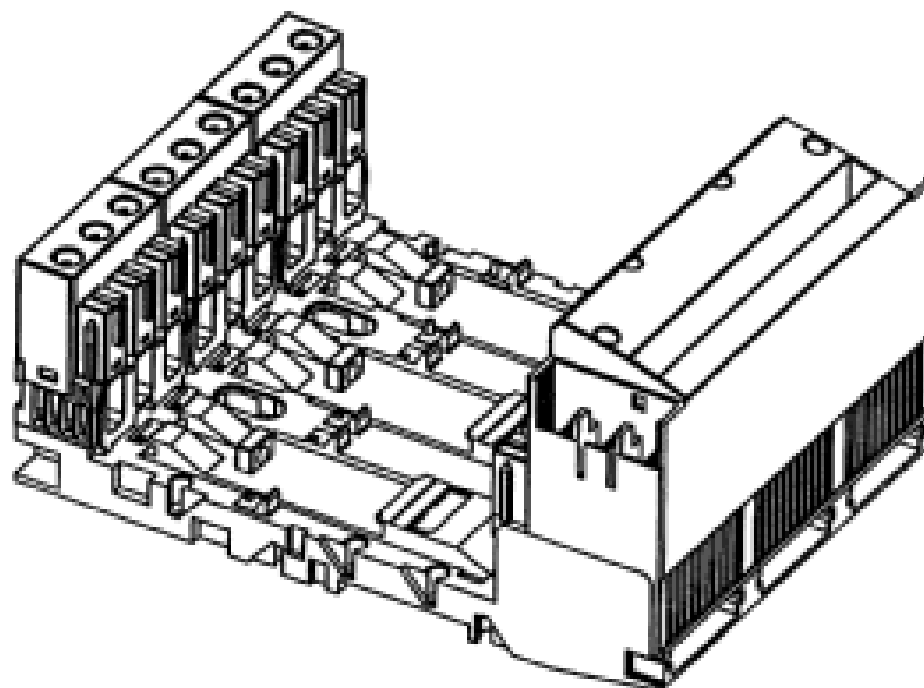
- (21) Design Number: **10096/2008**
(22) Date of Filing Application: **09 January 2008**
(24) Date from which industrial property rights may have effect: **09 January 2008**
(54) Product in respect of which the design is registered: **Basic block for mounting of installation devices**
(51) International Design Classification: **13-03NES**
(71) Name(s) and Address(s) of Applicant(s):
Siemens Aktiengesellschaft
Wittelsbacherplatz 2 80333 Munchen Germany
(72) Name(s) of Designer(s): **Martin Bodenmeier and Thomas Detemple and Manuela Luftl and Peter Trautwein**
(45) Registration Date: **09 May 2008**
(30) Convention priority data:
(31) Number (32) Date (33) Country
000777461 06 Aug 2007 EUROPEAN COMMUNITY
(56) Related Art Documents: **Not Applicable**
(57) Statement of Newness and Distinctiveness: **Newness and distinctiveness is claimed in the features of shape and/or configuration of a basic block for mounting of installation devices as illustrated in the accompanying representations.**



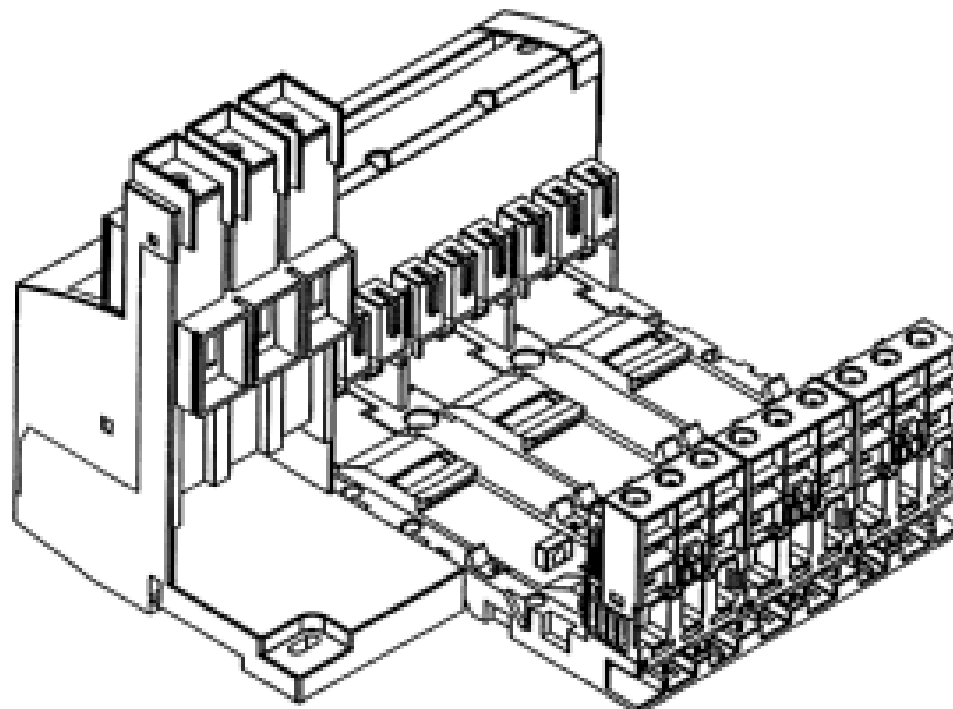
- (21) Design Number: **10097/2008**
(22) Date of Filing Application: **09 January 2008**
(24) Date from which industrial property rights may have effect: **09 January 2008**
(54) Product in respect of which the design is registered: **Basic block for mounting of installation devices**
(51) International Design Classification: **13-03NES**
(71) Name(s) and Address(s) of Applicant(s):
Siemens Aktiengesellschaft
Wittelsbacherplatz 2 80333 Munchen Germany
(72) Name(s) of Designer(s): **Martin Bodenmeier and Thomas Detemple and Manuela Luftl and Peter Trautwein**
(45) Registration Date: **09 May 2008**
(30) Convention priority data:
(31) Number (32) Date (33) Country
000777461 06 Aug 2007 EUROPEAN COMMUNITY
(56) Related Art Documents: **Not Applicable**
(57) Statement of Newness and Distinctiveness: **Newness and distinctiveness is claimed in the features of shape and/or configuration of a basic block for mounting of installation devices as illustrated in the accompanying representations.**



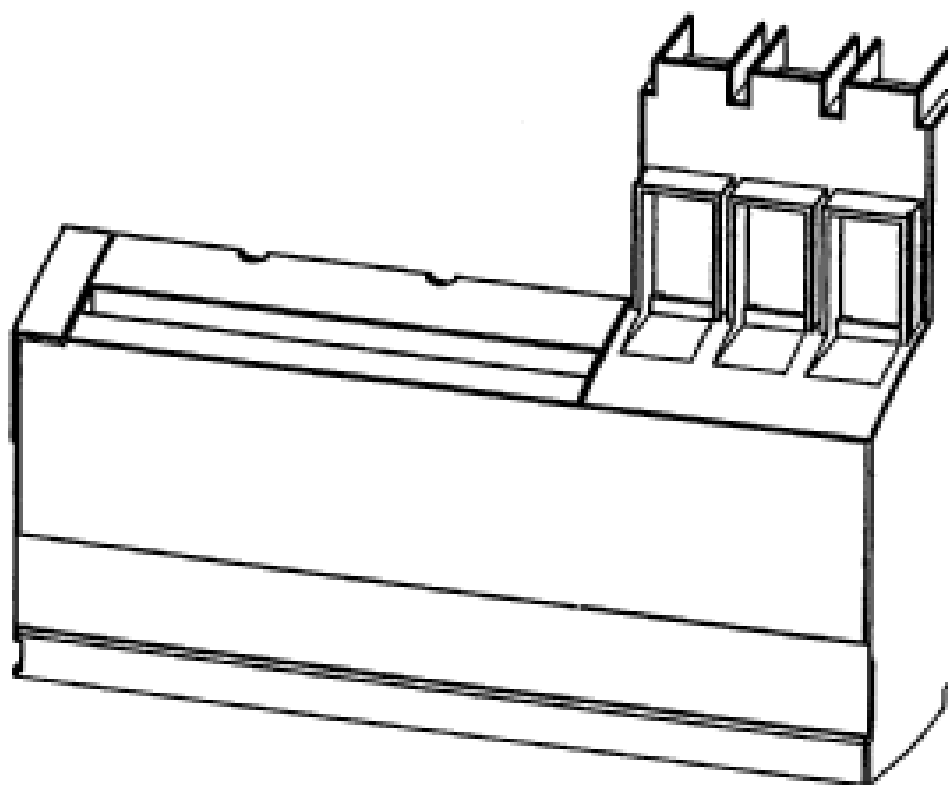
- (21) Design Number: **10098/2008**
(22) Date of Filing Application: **09 January 2008**
(24) Date from which industrial property rights may have effect: **09 January 2008**
(54) Product in respect of which the design is registered: **Basic block for mounting of installation devices**
(51) International Design Classification: **13-03NES**
(71) Name(s) and Address(s) of Applicant(s):
Siemens Aktiengesellschaft
Wittelsbacherplatz 2 80333 Munchen Germany
(72) Name(s) of Designer(s): **Martin Bodenmeier and Thomas Detemple and Manuela Luftl and Peter Trautwein**
(45) Registration Date: **09 May 2008**
(30) Convention priority data:
(31) Number (32) Date (33) Country
000777461 06 Aug 2007 EUROPEAN COMMUNITY
(56) Related Art Documents: **Not Applicable**
(57) Statement of Newness and Distinctiveness: **Newness and distinctiveness is claimed in the features of shape and/or configuration of a basic block for mounting of installation devices as illustrated in the accompanying representations.**



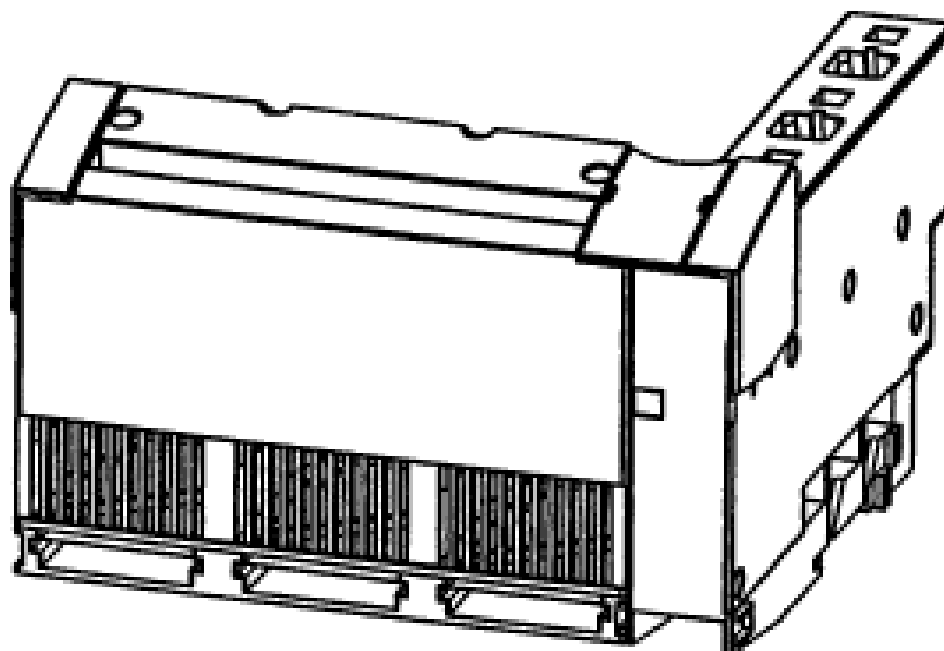
- (21) Design Number: **10099/2008**
(22) Date of Filing Application: **09 January 2008**
(24) Date from which industrial property rights may have effect: **09 January 2008**
(54) Product in respect of which the design is registered: **Basic block for mounting of installation devices**
(51) International Design Classification: **13-03NES**
(71) Name(s) and Address(s) of Applicant(s):
Siemens Aktiengesellschaft
Wittelsbacherplatz 2 80333 Munchen Germany
(72) Name(s) of Designer(s): **Martin Bodenmeier and Thomas Detemple and Manuela Luftl and Peter Trautwein**
(45) Registration Date: **09 May 2008**
(30) Convention priority data:
(31) Number (32) Date (33) Country
000777461 06 Aug 2007 EUROPEAN COMMUNITY
(56) Related Art Documents: **Not Applicable**
(57) Statement of Newness and Distinctiveness: **Newness and distinctiveness is claimed in the features of shape and/or configuration of a basic block for mounting of installation devices as illustrated in the accompanying representations.**



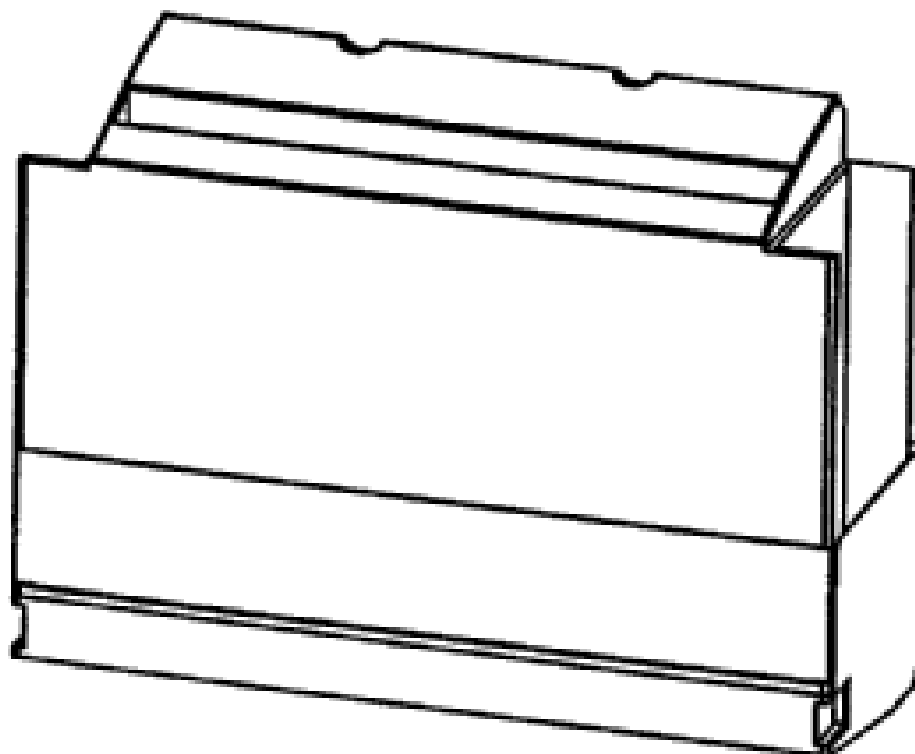
- (21) Design Number: **10100/2008**
(22) Date of Filing Application: **09 January 2008**
(24) Date from which industrial property rights may have effect: **09 January 2008**
(54) Product in respect of which the design is registered: **Basic block for mounting of installation devices**
(51) International Design Classification: **13-03NES**
(71) Name(s) and Address(s) of Applicant(s):
Siemens Aktiengesellschaft
Wittelsbacherplatz 2 80333 Munchen Germany
(72) Name(s) of Designer(s): **Martin Bodenmeier and Thomas Detemple and Manuela Luftl and Peter Trautwein**
(45) Registration Date: **09 May 2008**
(30) Convention priority data:
(31) Number (32) Date (33) Country
000777461 06 Aug 2007 EUROPEAN COMMUNITY
(56) Related Art Documents: **Not Applicable**
(57) Statement of Newness and Distinctiveness: **Newness and distinctiveness is claimed in the features of shape and/or configuration of a basic block for mounting of installation devices as illustrated in the accompanying representations.**



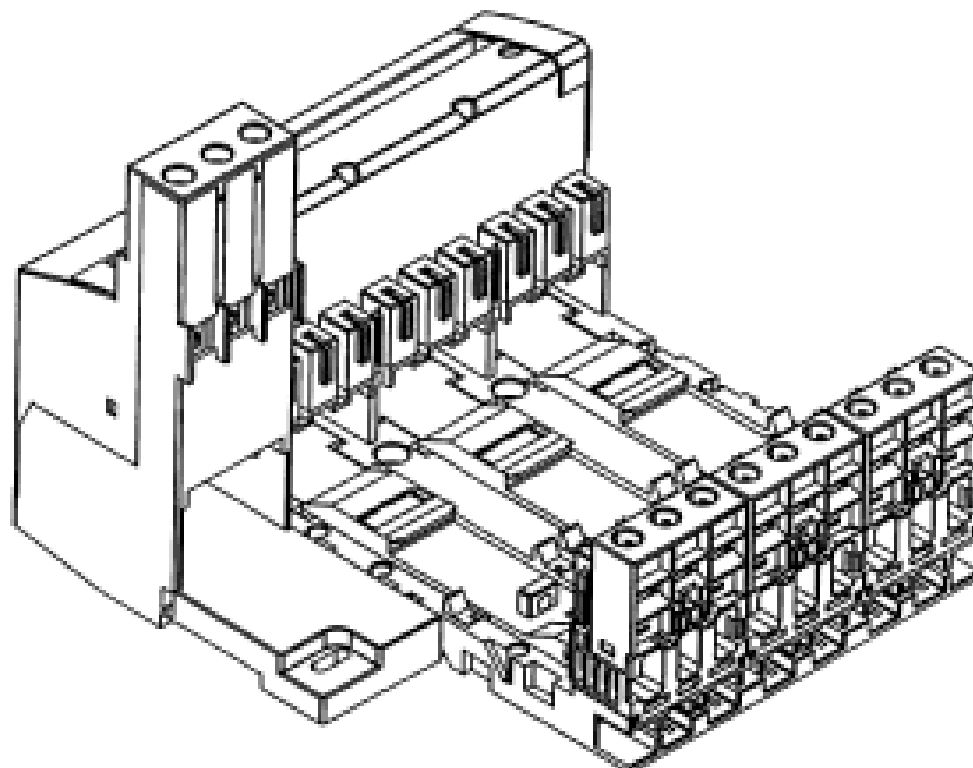
- (21) Design Number: **10101/2008**
(22) Date of Filing Application: **09 January 2008**
(24) Date from which industrial property rights may have effect: **09 January 2008**
(54) Product in respect of which the design is registered: **Basic block for mounting of installation devices**
(51) International Design Classification: **13-03NES**
(71) Name(s) and Address(s) of Applicant(s):
Siemens Aktiengesellschaft
Wittelsbacherplatz 2 80333 Munchen Germany
(72) Name(s) of Designer(s): **Martin Bodenmeier and Thomas Detemple and Manuela Luftl and Peter Trautwein**
(45) Registration Date: **09 May 2008**
(30) Convention priority data:
(31) Number (32) Date (33) Country
000777461 06 Aug 2007 EUROPEAN COMMUNITY
(56) Related Art Documents: **Not Applicable**
(57) Statement of Newness and Distinctiveness: **Newness and distinctiveness is claimed in the features of shape and/or configuration of a basic block for mounting of installation devices as illustrated in the accompanying representations.**



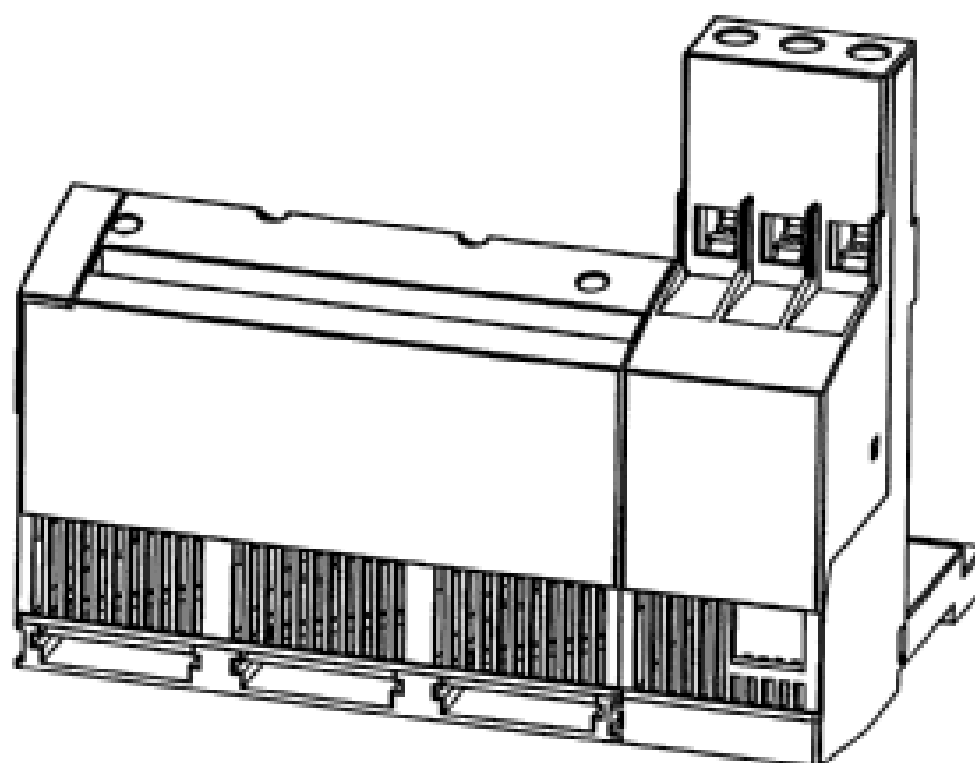
- (21) Design Number: **10102/2008**
(22) Date of Filing Application: **09 January 2008**
(24) Date from which industrial property rights may have effect: **09 January 2008**
(54) Product in respect of which the design is registered: **Basic block for mounting of installation devices**
(51) International Design Classification: **13-03NES**
(71) Name(s) and Address(s) of Applicant(s):
Siemens Aktiengesellschaft
Wittelsbacherplatz 2 80333 Munchen Germany
(72) Name(s) of Designer(s): **Martin Bodenmeier and Thomas Detemple and Manuela Luftl and Peter Trautwein**
(45) Registration Date: **09 May 2008**
(30) Convention priority data:
(31) Number (32) Date (33) Country
000777461 06 Aug 2007 EUROPEAN COMMUNITY
(56) Related Art Documents: **Not Applicable**
(57) Statement of Newness and Distinctiveness: **Newness and distinctiveness is claimed in the features of shape and/or configuration of a basic block for mounting of installation devices as illustrated in the accompanying representations.**



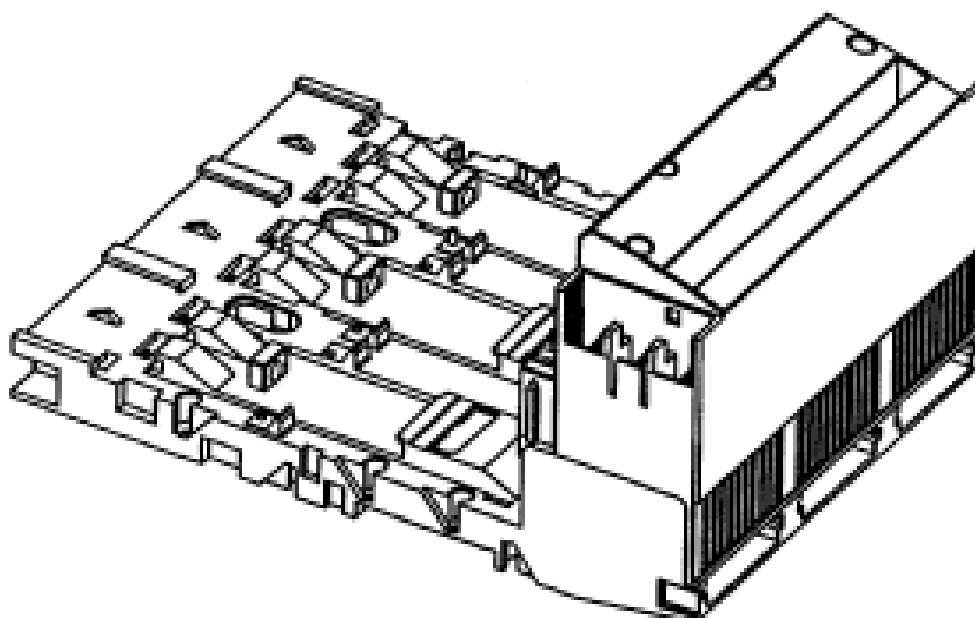
- (21) Design Number: **10103/2008**
(22) Date of Filing Application: **09 January 2008**
(24) Date from which industrial property rights may have effect: **09 January 2008**
(54) Product in respect of which the design is registered: **Basic block for mounting of installation devices**
(51) International Design Classification: **13-03NES**
(71) Name(s) and Address(s) of Applicant(s):
Siemens Aktiengesellschaft
Wittelsbacherplatz 2 80333 Munchen Germany
(72) Name(s) of Designer(s): **Martin Bodenmeier and Thomas Detemple and Manuela Luftl and Peter Trautwein**
(45) Registration Date: **09 May 2008**
(30) Convention priority data:
(31) Number (32) Date (33) Country
000777461 06 Aug 2007 EUROPEAN COMMUNITY
(56) Related Art Documents: **Not Applicable**
(57) Statement of Newness and Distinctiveness: **Newness and distinctiveness is claimed in the features of shape and/or configuration of a basic block for mounting of installation devices as illustrated in the accompanying representations.**



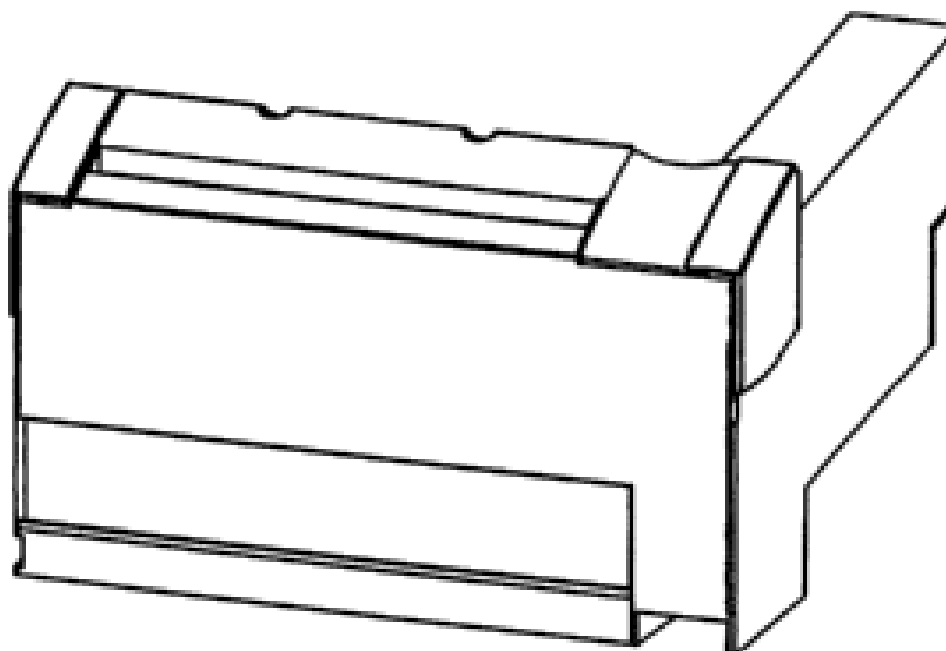
- (21) Design Number: **10104/2008**
(22) Date of Filing Application: **09 January 2008**
(24) Date from which industrial property rights may have effect: **09 January 2008**
(54) Product in respect of which the design is registered: **Basic block for mounting of installation devices**
(51) International Design Classification: **13-03NES**
(71) Name(s) and Address(s) of Applicant(s):
Siemens Aktiengesellschaft
Wittelsbacherplatz 2 80333 Munchen Germany
(72) Name(s) of Designer(s): **Martin Bodenmeier and Thomas Detemple and Manuela Luftl and Peter Trautwein**
(45) Registration Date: **09 May 2008**
(30) Convention priority data:
(31) Number (32) Date (33) Country
000777461 06 Aug 2007 EUROPEAN COMMUNITY
(56) Related Art Documents: **Not Applicable**
(57) Statement of Newness and Distinctiveness: **Newness and distinctiveness is claimed in the features of shape and/or configuration of a basic block for mounting of installation devices as illustrated in the accompanying representations.**



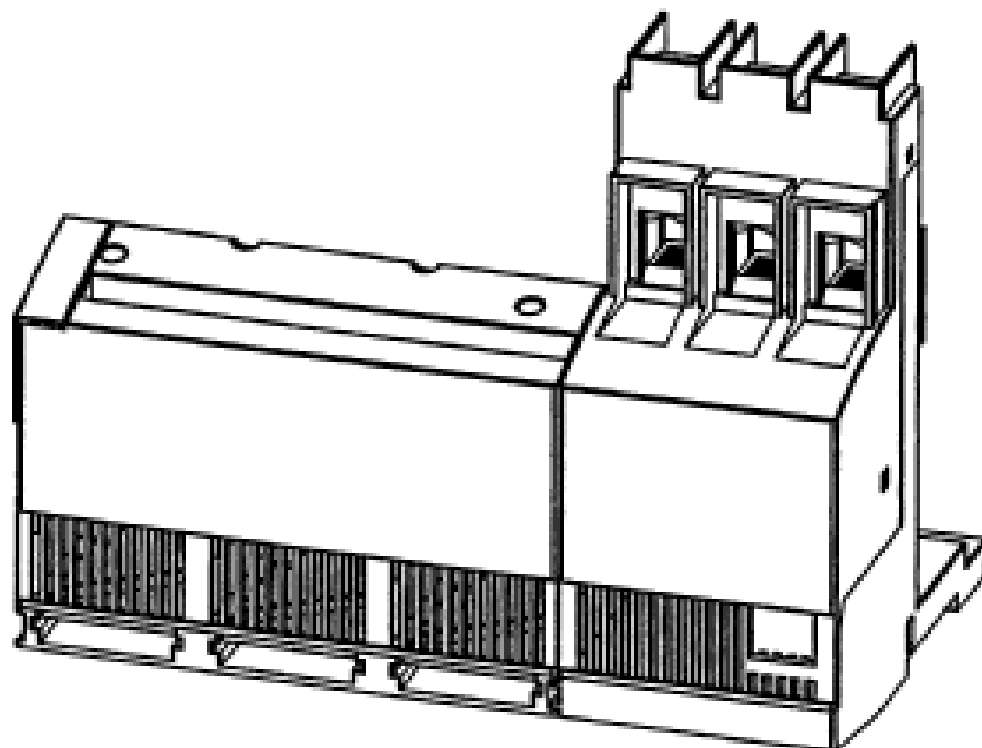
- (21) Design Number: **10105/2008**
(22) Date of Filing Application: **09 January 2008**
(24) Date from which industrial property rights may have effect: **09 January 2008**
(54) Product in respect of which the design is registered: **Basic block for mounting of installation devices**
(51) International Design Classification: **13-03NES**
(71) Name(s) and Address(s) of Applicant(s):
Siemens Aktiengesellschaft
Wittelsbacherplatz 2 80333 Munchen Germany
(72) Name(s) of Designer(s): **Martin Bodenmeier and Thomas Detemple and Manuela Luftl and Peter Trautwein**
(45) Registration Date: **09 May 2008**
(30) Convention priority data:
(31) Number (32) Date (33) Country
000777461 06 Aug 2007 EUROPEAN COMMUNITY
(56) Related Art Documents: **Not Applicable**
(57) Statement of Newness and Distinctiveness: **Newness and distinctiveness is claimed in the features of shape and/or configuration of a basic block for mounting of installation devices as illustrated in the accompanying representations.**



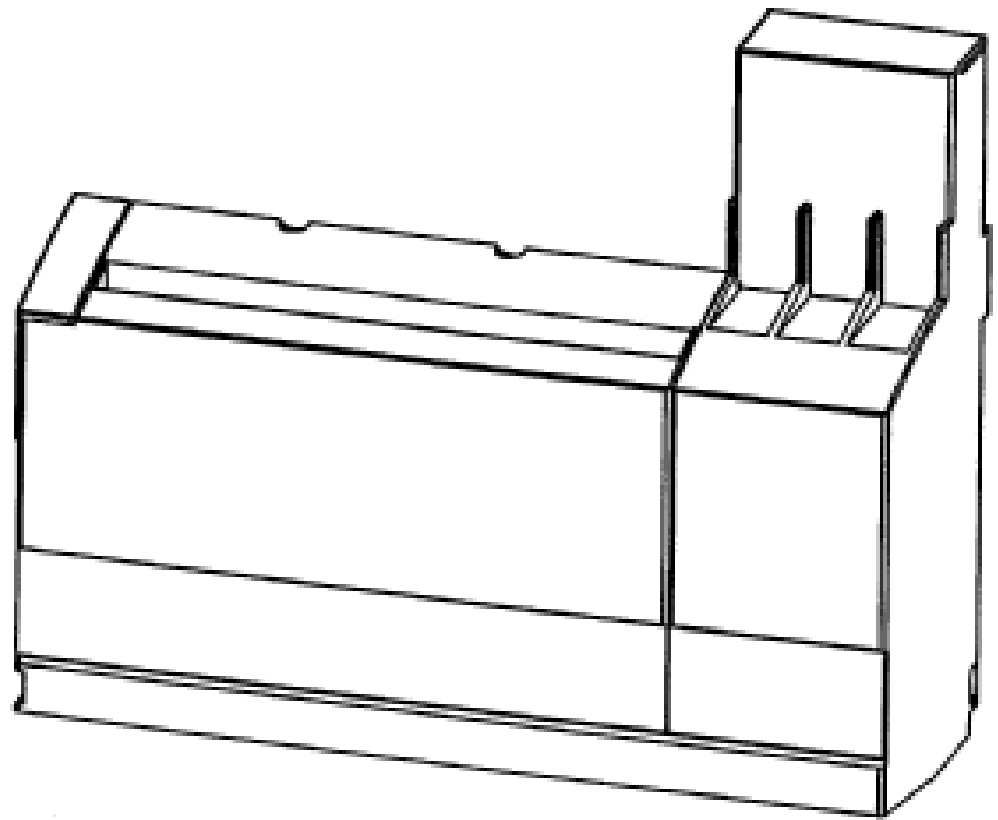
- (21) Design Number: **10106/2008**
(22) Date of Filing Application: **09 January 2008**
(24) Date from which industrial property rights may have effect: **09 January 2008**
(54) Product in respect of which the design is registered: **Basic block for mounting of installation devices**
(51) International Design Classification: **13-03NES**
(71) Name(s) and Address(s) of Applicant(s):
Siemens Aktiengesellschaft
Wittelsbacherplatz 2 80333 Munchen Germany
(72) Name(s) of Designer(s): **Martin Bodenmeier and Thomas Detemple and Manuela Luftl and Peter Trautwein**
(45) Registration Date: **09 May 2008**
(30) Convention priority data:
(31) Number (32) Date (33) Country
000777461 06 Aug 2007 EUROPEAN COMMUNITY
(56) Related Art Documents: **Not Applicable**
(57) Statement of Newness and Distinctiveness: **Newness and distinctiveness is claimed in the features of shape and/or configuration of a basic block for mounting of installation devices as illustrated in the accompanying representations.**



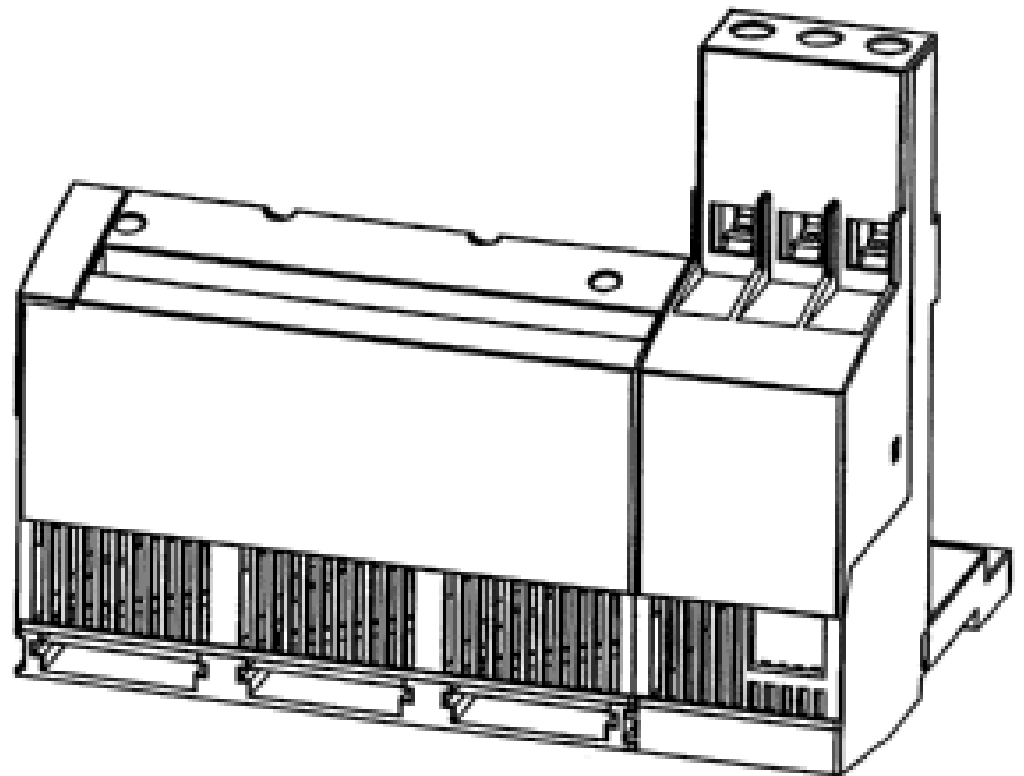
- (21) Design Number: **10107/2008**
(22) Date of Filing Application: **09 January 2008**
(24) Date from which industrial property rights may have effect: **09 January 2008**
(54) Product in respect of which the design is registered: **Basic block for mounting of installation devices**
(51) International Design Classification: **13-03NES**
(71) Name(s) and Address(s) of Applicant(s):
Siemens Aktiengesellschaft
Wittelsbacherplatz 2 80333 Munchen Germany
(72) Name(s) of Designer(s): **Martin Bodenmeier and Thomas Detemple and Manuela Luftl and Peter Trautwein**
(45) Registration Date: **09 May 2008**
(30) Convention priority data:
(31) Number (32) Date (33) Country
000777461 06 Aug 2007 EUROPEAN COMMUNITY
(56) Related Art Documents: **Not Applicable**
(57) Statement of Newness and Distinctiveness: **Newness and distinctiveness is claimed in the features of shape and/or configuration of a basic block for mounting of installation devices as illustrated in the accompanying representations.**



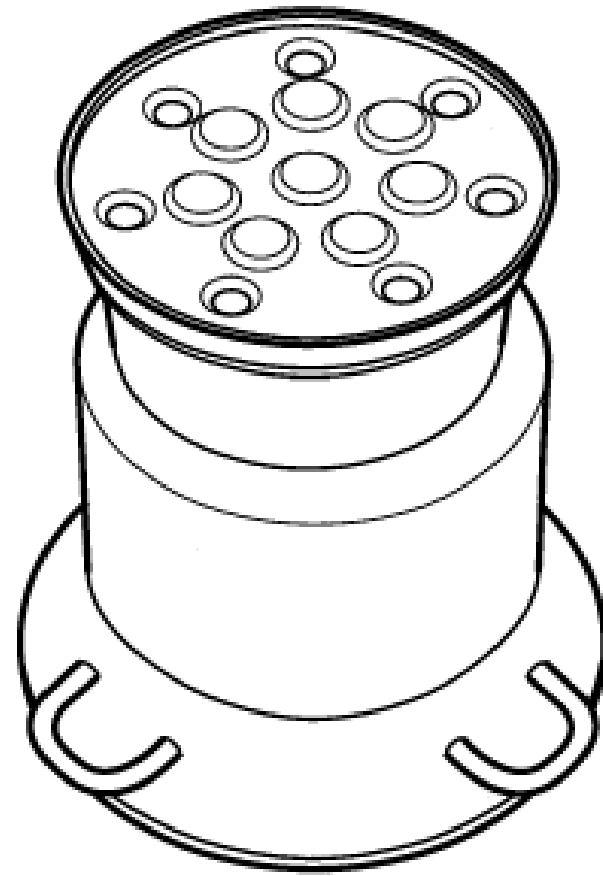
- (21) Design Number: **10108/2008**
(22) Date of Filing Application: **09 January 2008**
(24) Date from which industrial property rights may have effect: **09 January 2008**
(54) Product in respect of which the design is registered: **Basic block for mounting of installation devices**
(51) International Design Classification: **13-03NES**
(71) Name(s) and Address(s) of Applicant(s):
Siemens Aktiengesellschaft
Wittelsbacherplatz 2 80333 Munchen Germany
(72) Name(s) of Designer(s): **Martin Bodenmeier and Thomas Detemple and Manuela Luftl and Peter Trautwein**
(45) Registration Date: **09 May 2008**
(30) Convention priority data:
(31) Number (32) Date (33) Country
000777461 06 Aug 2007 EUROPEAN COMMUNITY
(56) Related Art Documents: **Not Applicable**
(57) Statement of Newness and Distinctiveness: **Newness and distinctiveness is claimed in the features of shape and/or configuration of a basic block for mounting of installation devices as illustrated in the accompanying representations.**



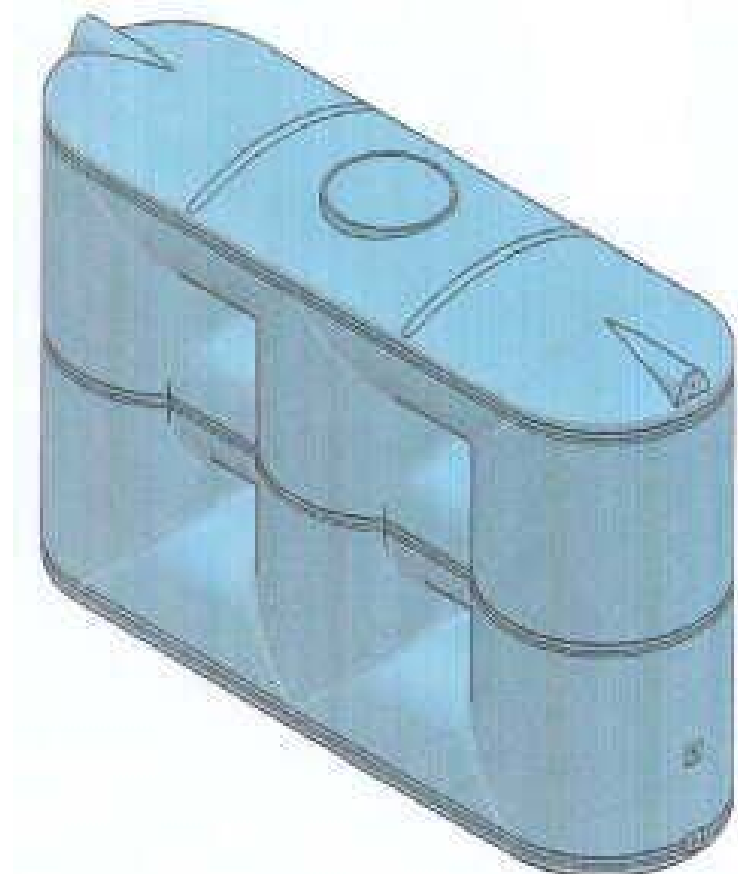
- (21) Design Number: **10109/2008**
(22) Date of Filing Application: **09 January 2008**
(24) Date from which industrial property rights may have effect: **09 January 2008**
(54) Product in respect of which the design is registered: **Basic block for mounting of installation devices**
(51) International Design Classification: **13-03NES**
(71) Name(s) and Address(s) of Applicant(s):
Siemens Aktiengesellschaft
Wittelsbacherplatz 2 80333 Munchen Germany
(72) Name(s) of Designer(s): **Martin Bodenmeier and Thomas Detemple and Manuela Luftl and Peter Trautwein**
(45) Registration Date: **09 May 2008**
(30) Convention priority data:
(31) Number (32) Date (33) Country
000777461 06 Aug 2007 EUROPEAN COMMUNITY
(56) Related Art Documents: **Not Applicable**
(57) Statement of Newness and Distinctiveness: **Newness and distinctiveness is claimed in the features of shape and/or configuration of a basic block for mounting of installation devices as illustrated in the accompanying representations.**



- (21) Design Number: **18026/2007**
(22) Date of Filing Application: **21 May 2007**
(24) Date from which industrial property rights may have effect: **21 May 2007**
(54) Product in respect of which the design is registered: **Ornamental column for spiritual activities.**
(51) International Design Classification: **11-99, 11-02NES**
(71) Name(s) and Address(s) of Applicant(s):
Gregory Viana Castanarez
No.69 9th St. Comembo Fort Bonifacio Makati City Metro Manila 1200 Philippines
(72) Name(s) of Designer(s): **Gregory Viana Castanarez**
(45) Registration Date: **14 May 2008**
(56) Related Art Documents: **Not Applicable**
(57) Statement of Newness and Distinctiveness: **Newness and distinctiveness reside in the features of shape and configuration of an ornamental column as depicted in the accompanying representations.**



- (21) Design Number: **18996/2007**
(22) Date of Filing Application: **23 July 2007**
(24) Date from which industrial property rights may have effect: **23 July 2007**
(54) Product in respect of which the design is registered: **Slimline water tanks**
(51) International Design Classification: **23-01F**
(71) Name(s) and Address(s) of Applicant(s):
Enviro Water Tanks Pty Ltd
23-25 Walker Street South Windsor New South Wales 2756 Australia
(72) Name(s) of Designer(s): **Raymond Woldhuis**
(45) Registration Date: **14 May 2008**
(56) Related Art Documents: **Not Applicable**
(57) Statement of Newness and Distinctiveness: **The yellow highlighted areas represent the newness and distinctiveness of these designs over others. This being the two (2) distinctive ridges over the top and the three (3) distinctive ridges around the outside of these water tanks.**

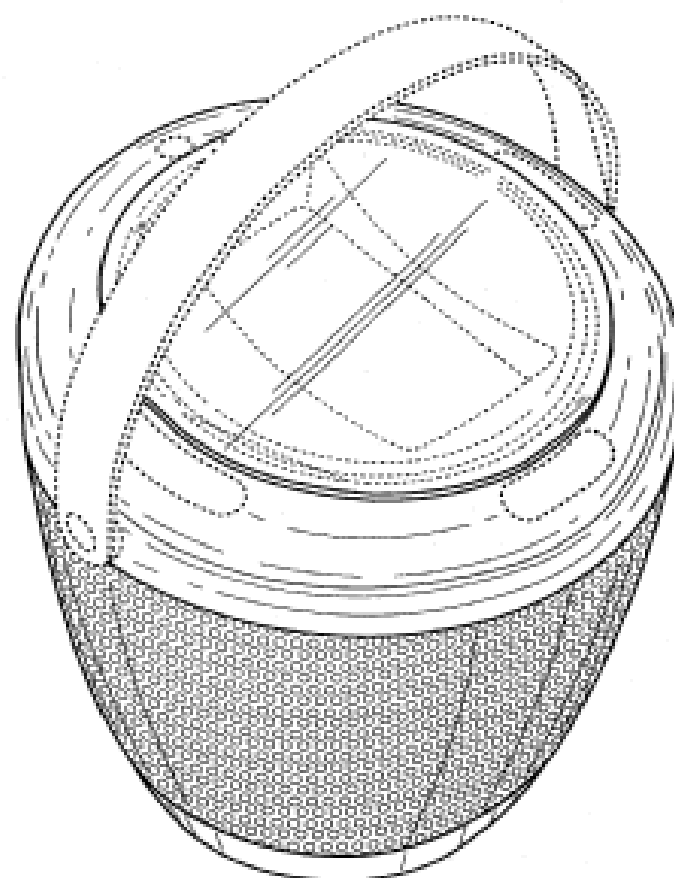


- (21) Design Number: **18997/2007**
- (22) Date of Filing Application: **23 July 2007**
- (24) Date from which industrial property rights may have effect: **23 July 2007**
- (54) Product in respect of which the design is registered: **Round water tank**
- (51) International Design Classification: **23-01F**
- (71) Name(s) and Address(s) of Applicant(s):
Enviro Water Tanks Pty Ltd
23-25 Walker Street South Windsor New South Wales 2756 Australia
- (72) Name(s) of Designer(s): **Raymond Woldhuis**
- (45) Registration Date: **14 May 2008**
- (56) Related Art Documents: **Not Applicable**
- (57) Statement of Newness and Distinctiveness: **The yellow highlighted areas represent the newness and distinctiveness of these designs over others. This being on the top of the water tank. The cross section with the circle in the middle.**

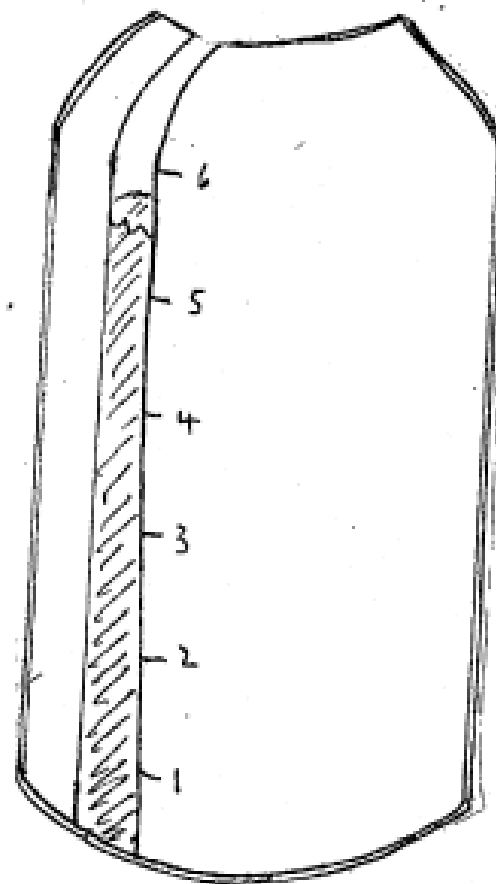


- (21) Design Number: **20604/2007**
- (22) Date of Filing Application: **02 November 2007**
- (24) Date from which industrial property rights may have effect: **02 November 2007**
- (54) Product in respect of which the design is registered: **A speaker for an audio player**
- (51) International Design Classification: **14-03C**
- (71) Name(s) and Address(s) of Applicant(s):
Brookstone Purchasing, Inc.
One Innovation Way Merrimack New Hampshire 030504 United States of America
- (72) Name(s) of Designer(s): **David Laituri and James Termerr**
- (45) Registration Date: **14 May 2008**
- (30) Convention priority data:

(31) Number	(32) Date	(33) Country
29286417	04 May 2007	UNITED STATES OF AMERICA
- (56) Related Art Documents: **Not Applicable**
- (57) Statement of Newness and Distinctiveness: **Newness and distinctiveness is claimed in the visual features shown in solid lines in the representations.**

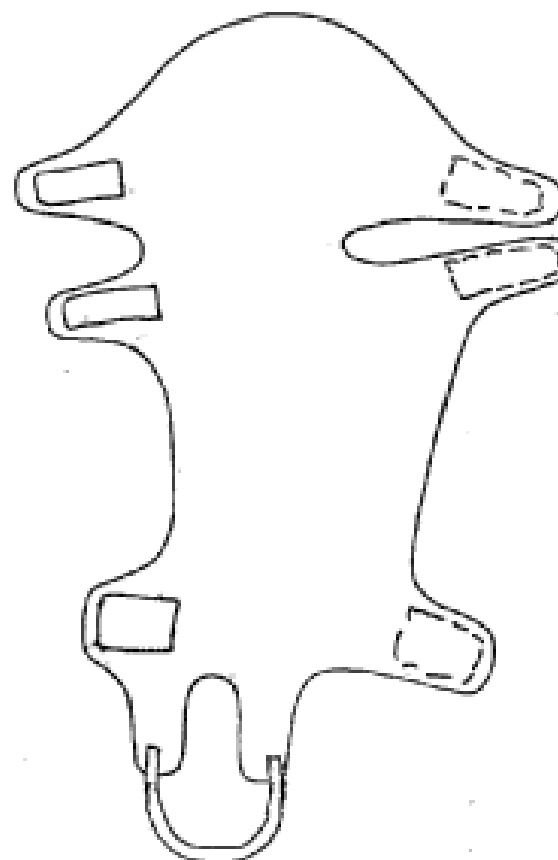


- (21) Design Number: **20613/2007**
- (22) Date of Filing Application: **02 November 2007**
- (24) Date from which industrial property rights may have effect: **02 November 2007**
- (54) Product in respect of which the design is registered: **Smash resistant sleeve for bottles.**
- (51) International Design Classification: **09-01K**
- (71) Name(s) and Address(s) of Applicant(s):
Lomb Scientific (Aust) Pty Ltd
26 Atkinson Road Taren Point New South Wales 2229 Australia
- (72) Name(s) of Designer(s): **Greg Welsh**
- (45) Registration Date: **14 May 2008**
- (56) Related Art Documents: **Not Applicable**
- (57) Statement of Newness and Distinctiveness: **Transparent viewing section on smash resistant sleeve for glass and plastic bottles. The transparent section (with or without scale) in padded heat shrink bottles is new.**

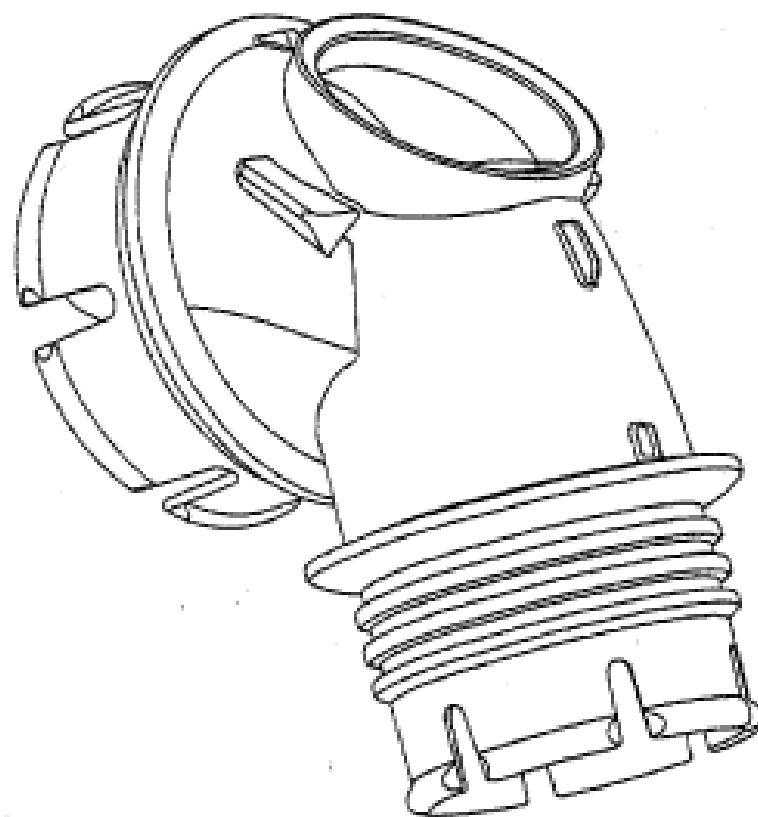


- (21) Design Number: **20622/2007**
- (22) Date of Filing Application: **02 November 2007**
- (24) Date from which industrial property rights may have effect: **02 November 2007**
- (54) Product in respect of which the design is registered: **A set of protective articles**
- (51) International Design Classification: **21-02NES**
- (71) Name(s) and Address(s) of Applicant(s):
Kevin Bruce Walmsley
24 Ring Terrace St Mary's Bay Auckland 1011 New Zealand
Maurits Evert van Hall
24 Ring Terrace St Mary's Bay Auckland 1011 New Zealand
- (72) Name(s) of Designer(s): **Kevin Bruce Walmsley**
- (45) Registration Date: **14 May 2008**
- (30) Convention priority data:

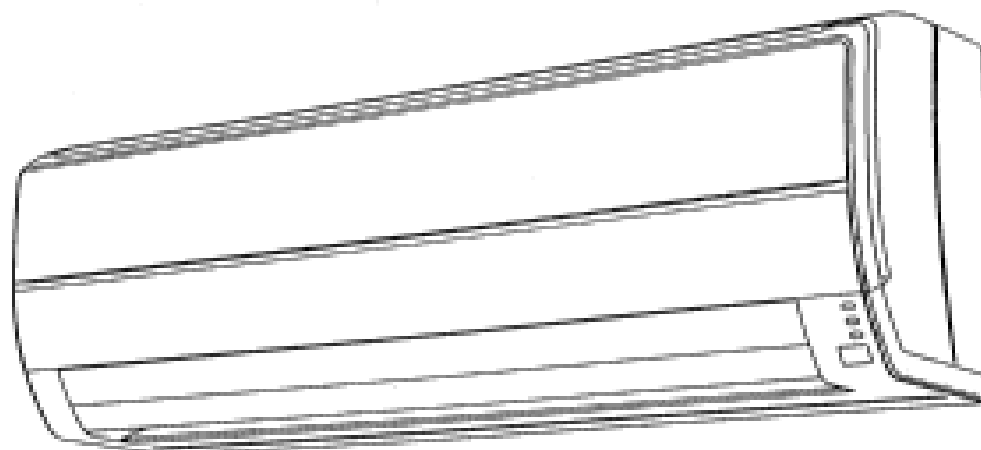
(31) Number	(32) Date	(33) Country
409081	02 May 2007	NEW ZEALAND
- (56) Related Art Documents: **Not Applicable**
- (57) Statement of Newness and Distinctiveness: **Newness and distinctiveness is claimed in the features of the shape and/or configuration of the set of protective articles shown in the representations.**



- (21) Design Number: **20703/2007**
(22) Date of Filing Application: **09 November 2007**
(24) Date from which industrial property rights may have effect: **09 November 2007**
(54) Product in respect of which the design is registered: **Respiratory mask elbow without swivel or vent cover**
(51) International Design Classification: **24-01**
(71) Name(s) and Address(s) of Applicant(s):
ResMed Ltd
1 Elizabeth Macarthur Drive Bella Vista New South Wales 2153
Australia
(72) Name(s) of Designer(s): **Scott Alexander Howard and Aaron Samuel Davidson and Lemmy Nga and Amal Shirley Amarasinghe**
(45) Registration Date: **14 May 2008**
(30) Convention priority data:
(31) Number (32) Date (33) Country
29/274635 10 May 2007 UNITED STATES OF AMERICA
(56) Related Art Documents: **Not Applicable**
(57) Statement of Newness and Distinctiveness: **Nil**



- (21) Design Number: **10112/2008**
(22) Date of Filing Application: **10 January 2008**
(24) Date from which industrial property rights may have effect: **10 January 2008**
(54) Product in respect of which the design is registered: **Air conditioner**
(51) International Design Classification: **23-04**
(71) Name(s) and Address(s) of Applicant(s):
Fujitsu General Limited
1116 Sue naga Takatsu-Ku Kawasaki-Shi Kanagawa-Ken Japan
(72) Name(s) of Designer(s): **Hiroshi Kobayashi and Shintaro Ueno and Hajime Kuge**
(45) Registration Date: **14 May 2008**
(30) Convention priority data:
(31) Number (32) Date (33) Country
2007-018823 11 Jul 2007 JAPAN
(56) Related Art Documents: **Not Applicable**
(57) Statement of Newness and Distinctiveness: **Newness and distinctiveness is claimed in the features of shape and/or configuration of the following parts of an air conditioner as illustrated in the accompanying representations: a) the edge regions located generally between the front face and the side faces: b) the edge region located generally between the front face and the top face: and c) the thin horizontally extending air inlet located generally at the centre of the front face.**



(21) Design Number: **10130/2008**

(22) Date of Filing Application: **11 January 2008**

(24) Date from which industrial property rights may have effect: **11 January 2008**

(54) Product in respect of which the design is registered: **Cradle**

(51) International Design Classification: **14-02, 20-02NES**

(71) Name(s) and Address(s) of Applicant(s):

Augusto Tucci

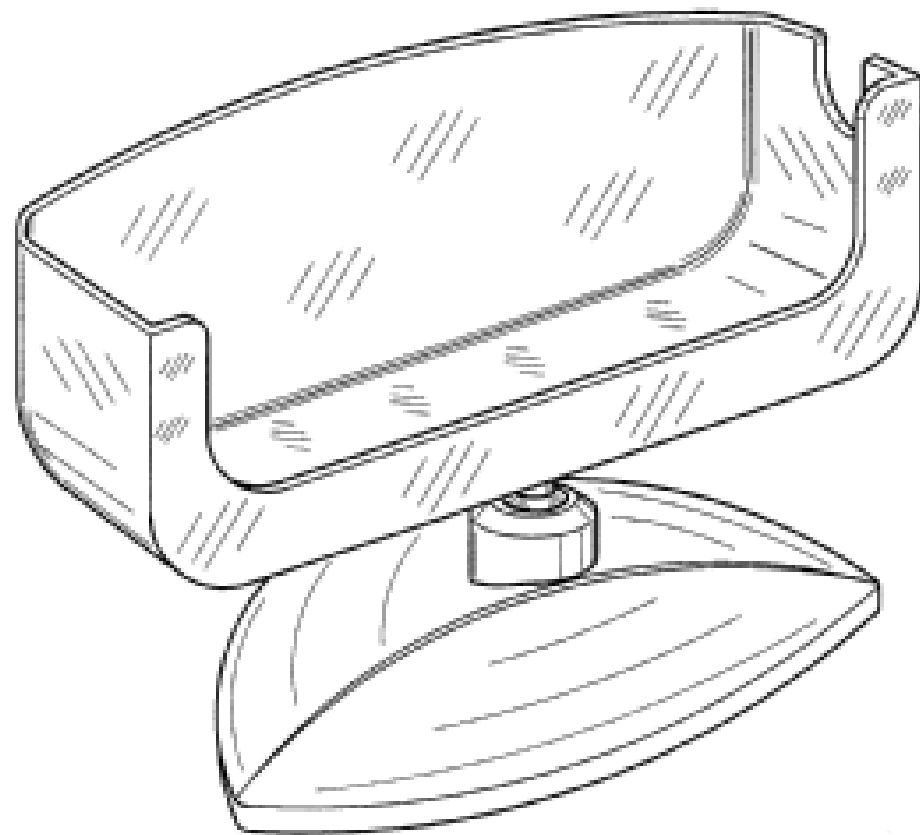
78 Mills Road Braeside Victoria 3195 Australia

(72) Name(s) of Designer(s): **Augusto Tucci**

(45) Registration Date: **14 May 2008**

(56) Related Art Documents: **Not Applicable**

(57) Statement of Newness and Distinctiveness: **The shape, configuration, shape and configuration, pattern, ornamentation, pattern and ornamentation of the design are new and distinctive.**



(21) Design Number: **11115/2008**

(22) Date of Filing Application: **07 December 2007**

(24) Date from which industrial property rights may have effect: **07 December 2007**

(54) Product in respect of which the design is registered: **Castor**

(51) International Design Classification: **06-06C**

(71) Name(s) and Address(s) of Applicant(s):

Tente GmbH & Co. KG

Herrlinghausen 75 42929 Wermelskirchen Germany

(72) Name(s) of Designer(s): **Detlef Rhein and Till Garthoff**

(45) Registration Date: **13 May 2008**

(30) Convention priority data:

(31) Number

(32) Date

(33) Country

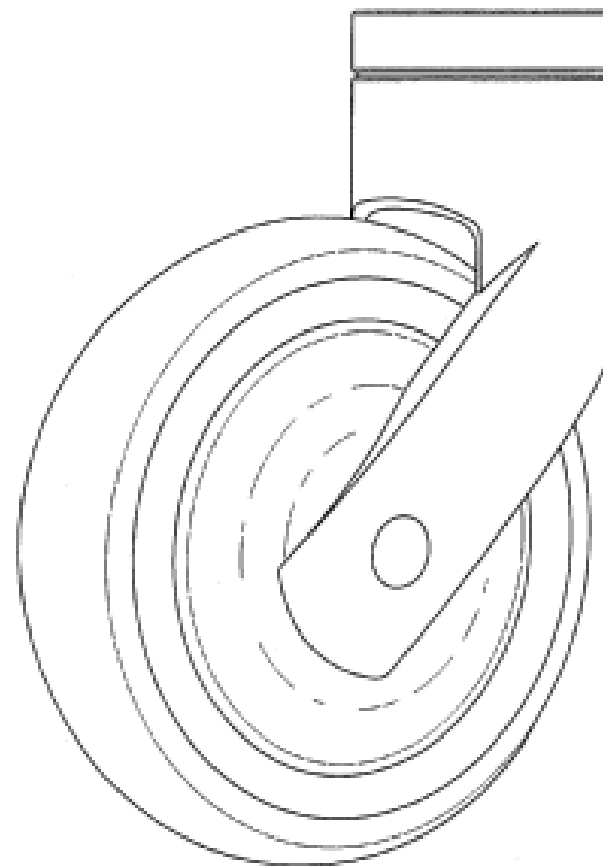
40703380.7

29 Jun 2007

GERMANY

(56) Related Art Documents: **Not Applicable**

(57) Statement of Newness and Distinctiveness: **Those features of the castor depicted in the representations that are new and distinctive are the shape and/or configuration.**



- (21) Design Number: **11116/2008**
(22) Date of Filing Application: **07 December 2007**
(24) Date from which industrial property rights may have effect: **07 December 2007**
(54) Product in respect of which the design is registered: **Castor**
(51) International Design Classification: **06-06C**
(71) Name(s) and Address(s) of Applicant(s):

Tente GmbH & Co. KG
Herrlinghausen 75 42929 Wermelskirchen Germany

- (72) Name(s) of Designer(s): **Detlef Rhein and Till Garthoff**

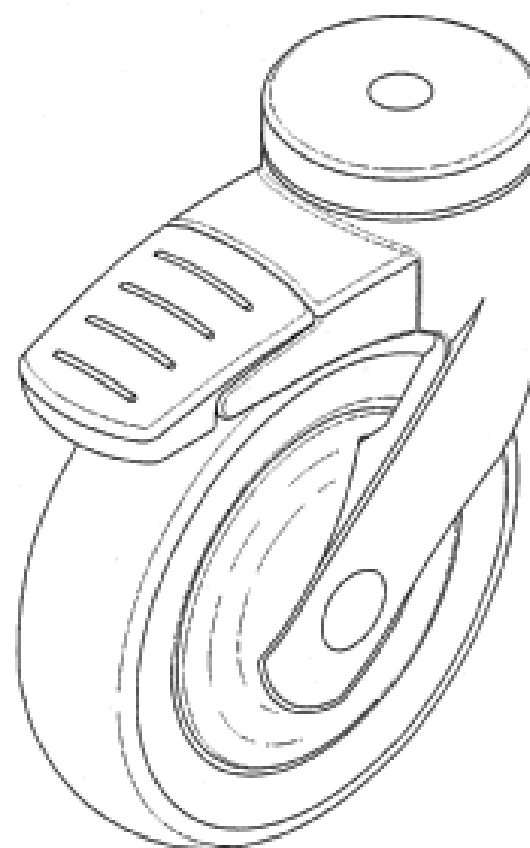
- (45) Registration Date: **13 May 2008**

- (30) Convention priority data:

(31) Number	(32) Date	(33) Country
40703380.7	29 Jun 2007	GERMANY

- (56) Related Art Documents: **Not Applicable**

- (57) Statement of Newness and Distinctiveness: **Those features of the castor depicted in the representations that are new and distinctive are the shape and/or configuration.**



- (21) Design Number: **21180/2007**
(22) Date of Filing Application: **07 December 2007**
(24) Date from which industrial property rights may have effect: **07 December 2007**
(54) Product in respect of which the design is registered: **Castor**
(51) International Design Classification: **06-06C**
(71) Name(s) and Address(s) of Applicant(s):

Tente GmbH & Co. KG
Herrlinghausen 75 42929 Wermelskirchen Germany

- (72) Name(s) of Designer(s): **Detlef Rhein and Till Garthoff**

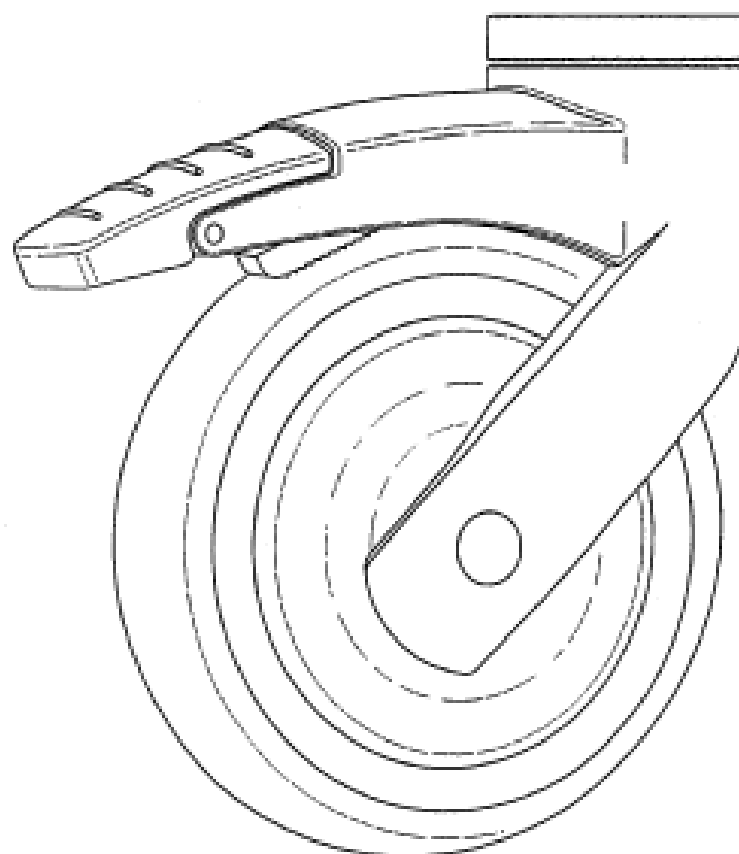
- (45) Registration Date: **13 May 2008**

- (30) Convention priority data:

(31) Number	(32) Date	(33) Country
40703380.7	29 Jun 2007	GERMANY

- (56) Related Art Documents: **Not Applicable**

- (57) Statement of Newness and Distinctiveness: **Those features of the castor depicted in the representations that are new and distinctive are the shape and/or configuration.**



(19) AU

(21) Design Number: **20780/2007**
(22) Date of Filing Application: **13 November 2007**
(24) Date from which industrial property rights may have effect: **13 November 2007**
(54) Product in respect of which the design is registered: **Cabin plane (inside)**
(51) International Design Classification: **12-07**
(71) Name(s) and Address(s) of Applicant(s):
Astrium SAS
6 rue Laurent Pichat Paris 75016 France
(72) Name(s) of Designer(s): **Marc Newson and Valery Auger and Jerome Bertrand and Christian Verny and Dominique Bechet**
(45) Registration Date: **13 May 2008**
(30) Convention priority data:
(31) Number (32) Date (33) Country
000722657 14 May 2007 EUROPEAN COMMUNITY
(56) Related Art Documents: **Not Applicable**
(57) Statement of Newness and Distinctiveness: **Nil**



(19) AU

(21) Design Number: **20781/2007**
(22) Date of Filing Application: **13 November 2007**
(24) Date from which industrial property rights may have effect: **13 November 2007**
(54) Product in respect of which the design is registered: **Plane**
(51) International Design Classification: **12-07**
(71) Name(s) and Address(s) of Applicant(s):
Astrium SAS
6 rue Laurent Pichat Paris 75016 France
(72) Name(s) of Designer(s): **Christian Chesne and Robert Abadie-Lahaille and Valery Auger and Marco Prampolini and Jean Claude Paulat and Jerome Bertrand**
(45) Registration Date: **13 May 2008**
(30) Convention priority data:
(31) Number (32) Date (33) Country
000722657 14 May 2007 EUROPEAN COMMUNITY
(56) Related Art Documents: **Not Applicable**
(57) Statement of Newness and Distinctiveness: **Nil**



(21) Design Number: **20782/2007**
(22) Date of Filing Application: **13 November 2007**
(24) Date from which industrial property rights may have effect: **13 November 2007**
(54) Product in respect of which the design is registered: **Plane**
(51) International Design Classification: **12-07**
(71) Name(s) and Address(s) of Applicant(s):
Astrium SAS
6 rue Laurent Pichat Paris 75016 France
(72) Name(s) of Designer(s): **Philippe Matharan and Oliver Poulain and Valery Auger and Hughes Laporte-Weywada and Christophe Chavagnac and Jerome Bertrand**
(45) Registration Date: **13 May 2008**
(30) Convention priority data:
(31) Number (32) Date (33) Country
000722657 14 May 2007 EUROPEAN COMMUNITY
(56) Related Art Documents: **Not Applicable**
(57) Statement of Newness and Distinctiveness: **Nil**



(21) Design Number: **20783/2007**
(22) Date of Filing Application: **13 November 2007**
(24) Date from which industrial property rights may have effect: **13 November 2007**
(54) Product in respect of which the design is registered: **Plane seat**
(51) International Design Classification: **06-01D**
(71) Name(s) and Address(s) of Applicant(s):
Astrium SAS
6 rue Laurent Pichat Paris 75016 France
(72) Name(s) of Designer(s): **Christian Verny and Dominique Bechet and Marc Newson**
(45) Registration Date: **13 May 2008**
(30) Convention priority data:
(31) Number (32) Date (33) Country
000722459-0001 14 May 2007 EUROPEAN COMMUNITY
(56) Related Art Documents: **Not Applicable**
(57) Statement of Newness and Distinctiveness: **Nil**



(21) Design Number: **20837/2007**
(22) Date of Filing Application: **14 November 2007**
(24) Date from which industrial property rights may have effect: **14 November 2007**
(54) Product in respect of which the design is registered: **Bed frame clip**
(51) International Design Classification: **06-02, 06-06F**
(71) Name(s) and Address(s) of Applicant(s):
Bico AG
Biltnerstrasse 42 8718 Schanis Switzerland
(72) Name(s) of Designer(s): **Raffael Konrad and Kurt Bamert and Oliver Spies**
(45) Registration Date: **13 May 2008**
(56) Related Art Documents: **Not Applicable**
(57) Statement of Newness and Distinctiveness: **Nil**



(21) Design Number: **20838/2007**
(22) Date of Filing Application: **14 November 2007**
(24) Date from which industrial property rights may have effect: **14 November 2007**
(54) Product in respect of which the design is registered: **Bed frame clip**
(51) International Design Classification: **06-02, 06-06F**
(71) Name(s) and Address(s) of Applicant(s):
Bico AG
Biltnerstrasse 42 8718 Schanis Switzerland
(72) Name(s) of Designer(s): **Raffael Konrad and Kurt Bamert and Oliver Spies**
(45) Registration Date: **13 May 2008**
(56) Related Art Documents: **Not Applicable**
(57) Statement of Newness and Distinctiveness: **Nil**



(19) AU

- (21) Design Number: **20912/2007**
- (22) Date of Filing Application: **19 November 2007**
- (24) Date from which industrial property rights may have effect: **19 November 2007**
- (54) Product in respect of which the design is registered: **Cutter tooth**
- (51) International Design Classification: **08-03**
- (71) Name(s) and Address(s) of Applicant(s):

Attachment Technologies Incorporated
5825 Council Street Cedar Rapids Iowa 52402 United States of America

(72) Name(s) of Designer(s): **John W. Edwards**

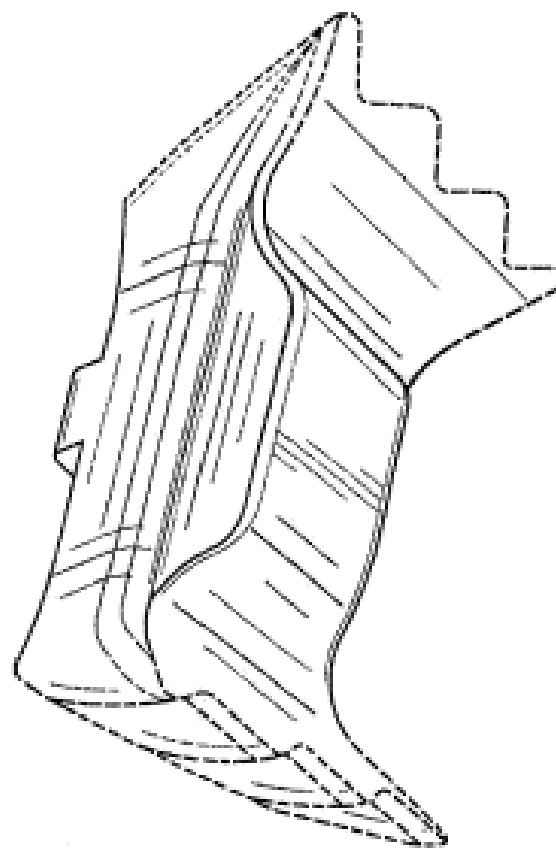
(45) Registration Date: **13 May 2008**

(30) Convention priority data:

(31) Number	(32) Date	(33) Country
29/274728	18 May 2007	UNITED STATES OF AMERICA

(56) Related Art Documents: **Not Applicable**

(57) Statement of Newness and Distinctiveness: **Newness and distinctiveness reside in the shape and/or configuration of the design for a cutter tooth as shown in the accompanying representations. Those features shown in broken line are for illustrative purposes only and do not form part of the design.**



(19) AU

- (21) Design Number: **20913/2007**
- (22) Date of Filing Application: **19 November 2007**
- (24) Date from which industrial property rights may have effect: **19 November 2007**
- (54) Product in respect of which the design is registered: **Cutter tooth**
- (51) International Design Classification: **08-03**
- (71) Name(s) and Address(s) of Applicant(s):

Attachment Technologies Incorporated
5825 Council Street Cedar Rapids Iowa 52402 United States of America

(72) Name(s) of Designer(s): **John W. Edwards**

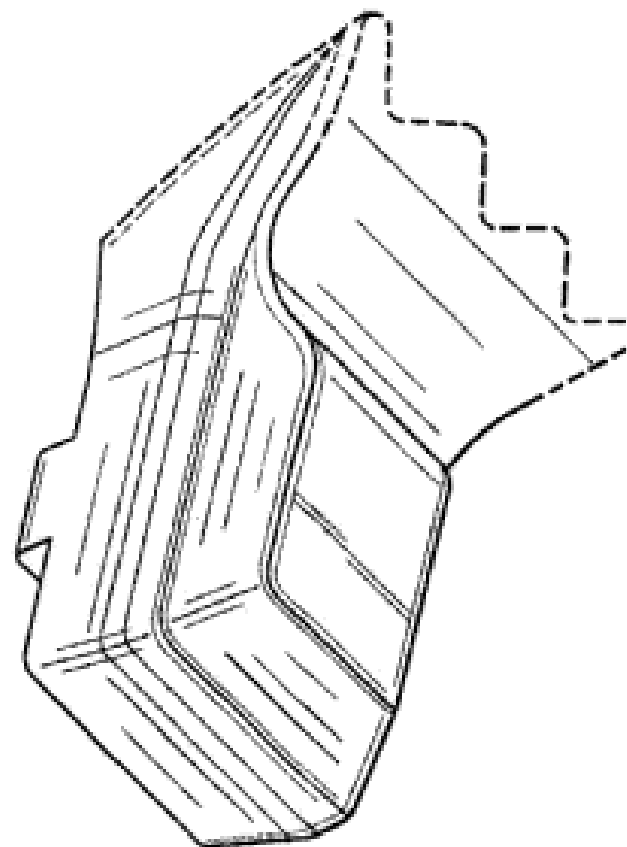
(45) Registration Date: **13 May 2008**

(30) Convention priority data:

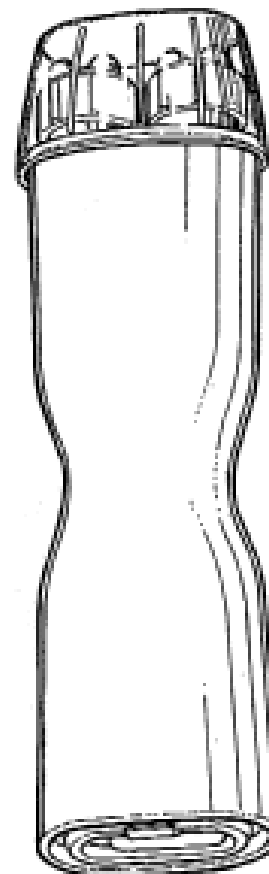
(31) Number	(32) Date	(33) Country
29/274728	18 May 2007	UNITED STATES OF AMERICA

(56) Related Art Documents: **Not Applicable**

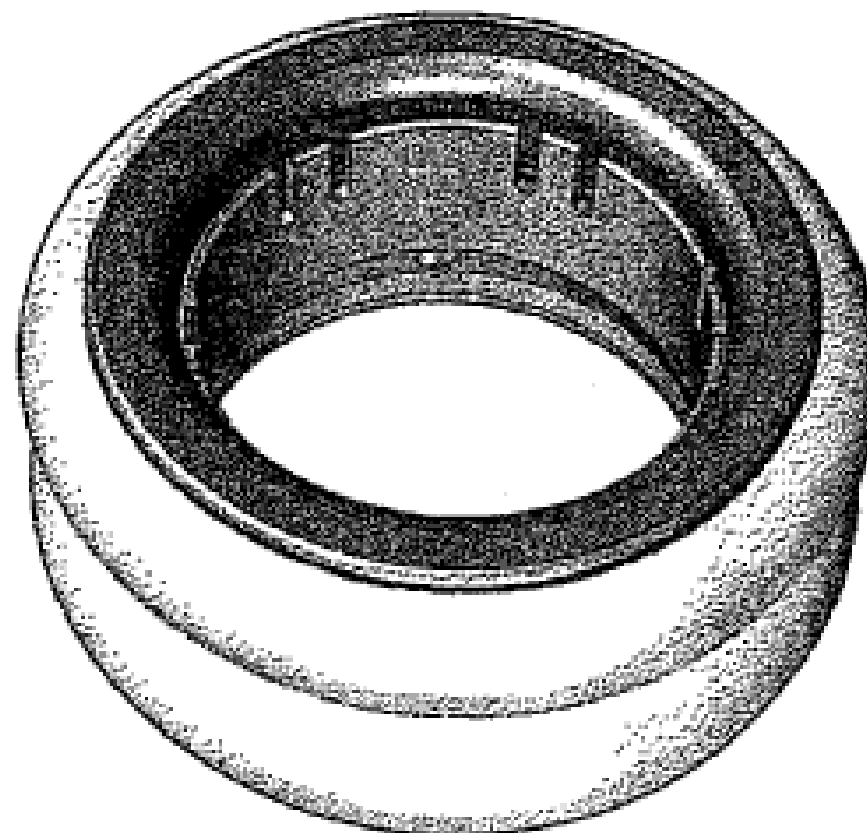
(57) Statement of Newness and Distinctiveness: **Newness and distinctiveness reside in the shape and/or configuration of the design for a cutter tooth shown in the accompanying representations. The features shown in broken line are for illustrative purposes and do not form part of the design.**



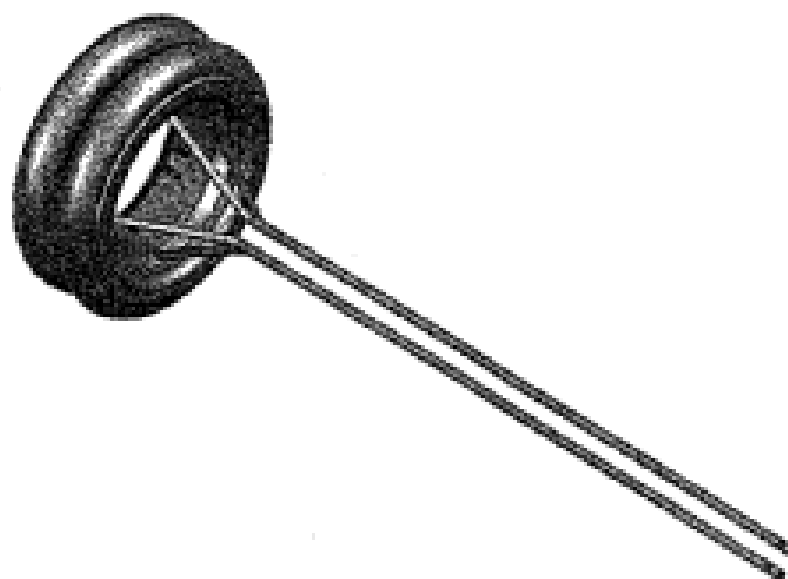
(21) Design Number: **21507/2007**
(22) Date of Filing Application: **18 December 2007**
(24) Date from which industrial property rights may have effect: **18 December 2007**
(54) Product in respect of which the design is registered: **Cosmetic device**
(51) International Design Classification: **28-03NES**
(71) Name(s) and Address(s) of Applicant(s):
Crystal Clear International Limited
34 Rodney Street Liverpool L9 1EH United Kingdom
(72) Name(s) of Designer(s): **Sharon Hilditch**
(45) Registration Date: **13 May 2008**
(30) Convention priority data:
(31) Number (32) Date (33) Country
000817739 30 Oct 2007 EUROPEAN COMMUNITY
(56) Related Art Documents: **Not Applicable**
(57) Statement of Newness and Distinctiveness: **Nil**



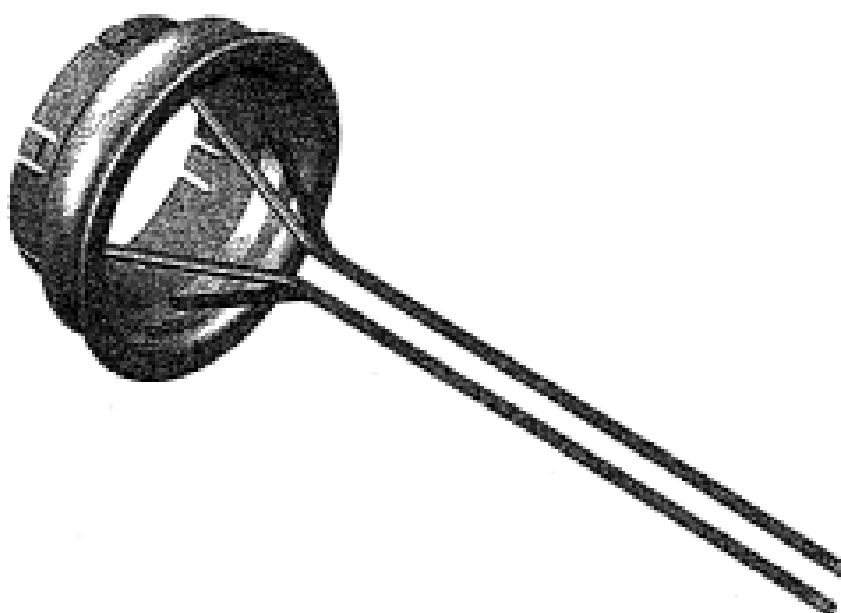
(21) Design Number: **10116/2008**
(22) Date of Filing Application: **11 January 2008**
(24) Date from which industrial property rights may have effect: **11 January 2008**
(54) Product in respect of which the design is registered: **Anastomosis rings with o-rings**
(51) International Design Classification: **24-99, 24-01**
(71) Name(s) and Address(s) of Applicant(s):
Carponovum AB
Kyrkogatan 19 Lund SE-222 22 Sweden
(72) Name(s) of Designer(s): **Mats Gronberg**
(45) Registration Date: **13 May 2008**
(30) Convention priority data:
(31) Number (32) Date (33) Country
000757489 13 Jul 2007 EUROPEAN COMMUNITY
(56) Related Art Documents: **Not Applicable**
(57) Statement of Newness and Distinctiveness: **Nil**



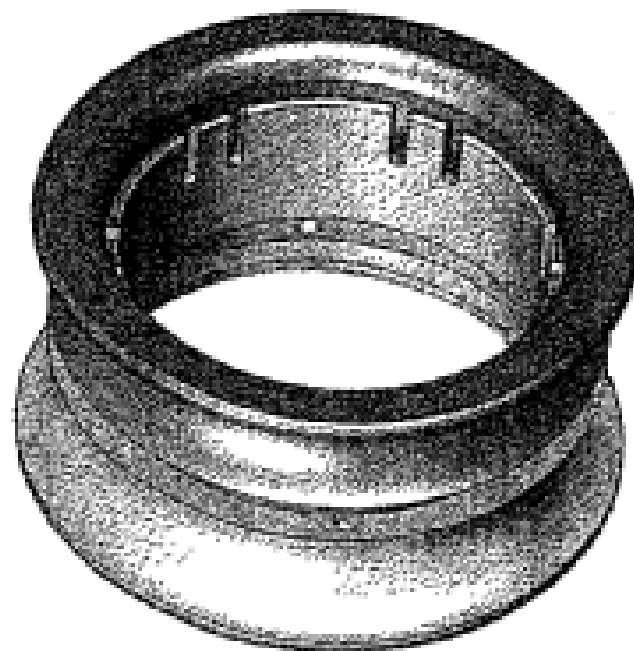
(21) Design Number: **10117/2008**
(22) Date of Filing Application: **11 January 2008**
(24) Date from which industrial property rights may have effect: **11 January 2008**
(54) Product in respect of which the design is registered: **Anastomosis device**
(51) International Design Classification: **24-01**
(71) Name(s) and Address(s) of Applicant(s):
Carponovum AB
Kyrkogatan 19 Lund SE-222 22 Sweden
(72) Name(s) of Designer(s): **Mats Gronberg**
(45) Registration Date: **13 May 2008**
(30) Convention priority data:
(31) Number (32) Date (33) Country
000757489 13 Jul 2007 EUROPEAN COMMUNITY
(56) Related Art Documents: **Not Applicable**
(57) Statement of Newness and Distinctiveness: **Nil**



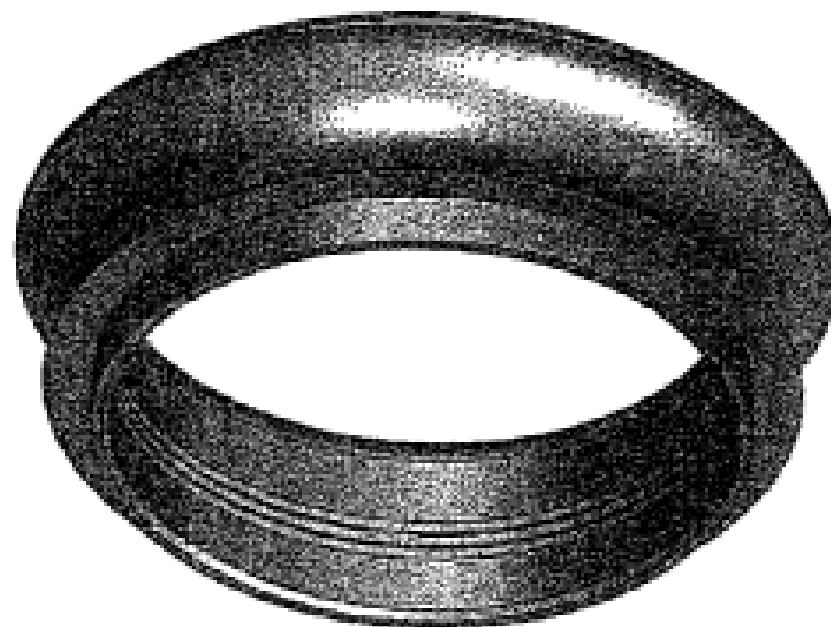
(21) Design Number: **10118/2008**
(22) Date of Filing Application: **11 January 2008**
(24) Date from which industrial property rights may have effect: **11 January 2008**
(54) Product in respect of which the design is registered: **Anastomosis device**
(51) International Design Classification: **24-01**
(71) Name(s) and Address(s) of Applicant(s):
Carponovum AB
Kyrkogatan 19 Lund SE-222 22 Sweden
(72) Name(s) of Designer(s): **Mats Gronberg**
(45) Registration Date: **13 May 2008**
(30) Convention priority data:
(31) Number (32) Date (33) Country
000757489 13 Jul 2007 EUROPEAN COMMUNITY
(56) Related Art Documents: **Not Applicable**
(57) Statement of Newness and Distinctiveness: **Nil**



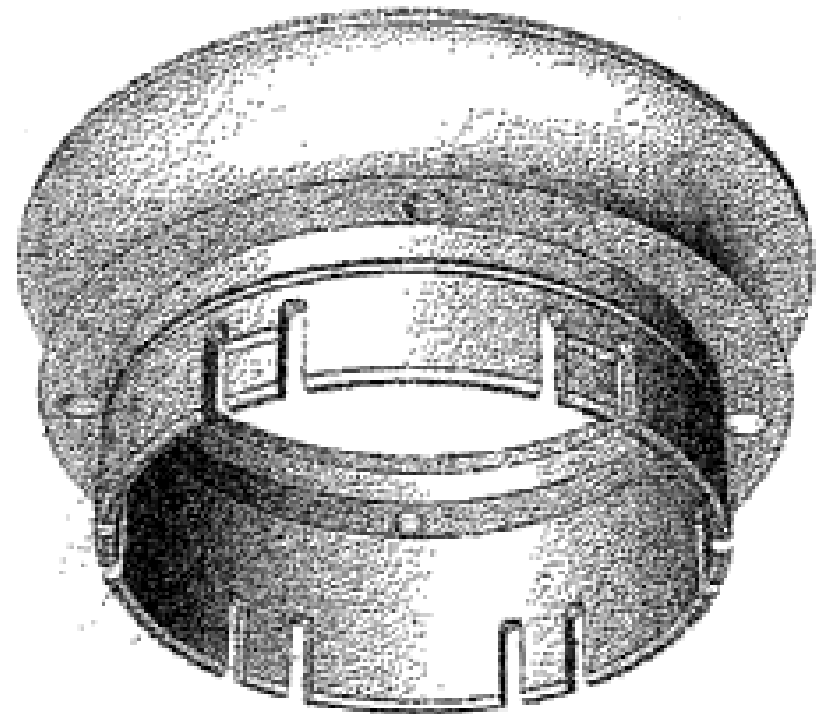
(21) Design Number: **10119/2008**
(22) Date of Filing Application: **11 January 2008**
(24) Date from which industrial property rights may have effect: **11 January 2008**
(54) Product in respect of which the design is registered: **Anastomosis rings**
(51) International Design Classification: **24-01**
(71) Name(s) and Address(s) of Applicant(s):
Carponovum AB
Kyrkogatan 19 Lund SE-222 22 Sweden
(72) Name(s) of Designer(s): **Mats Gronberg**
(45) Registration Date: **13 May 2008**
(30) Convention priority data:
(31) Number (32) Date (33) Country
000757489 **13 Jul 2007** **EUROPEAN COMMUNITY**
(56) Related Art Documents: **Not Applicable**
(57) Statement of Newness and Distinctiveness: **Nil**



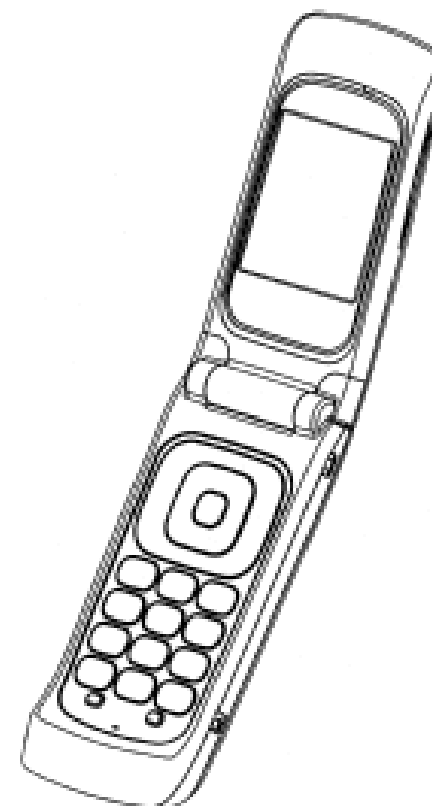
(21) Design Number: **10120/2008**
(22) Date of Filing Application: **11 January 2008**
(24) Date from which industrial property rights may have effect: **11 January 2008**
(54) Product in respect of which the design is registered: **Female part of an anastomosis ring**
(51) International Design Classification: **24-01**
(71) Name(s) and Address(s) of Applicant(s):
Carponovum AB
Kyrkogatan 19 Lund SE-222 22 Sweden
(72) Name(s) of Designer(s): **Mats Gronberg**
(45) Registration Date: **13 May 2008**
(30) Convention priority data:
(31) Number (32) Date (33) Country
000757489 **13 Jul 2007** **EUROPEAN COMMUNITY**
(56) Related Art Documents: **Not Applicable**
(57) Statement of Newness and Distinctiveness: **Nil**



(21) Design Number: **10121/2008**
(22) Date of Filing Application: **11 January 2008**
(24) Date from which industrial property rights may have effect: **11 January 2008**
(54) Product in respect of which the design is registered: **Male part of an anastomosis ring**
(51) International Design Classification: **24-01**
(71) Name(s) and Address(s) of Applicant(s):
Carponovum AB
Kyrkogatan 19 Lund SE-222 22 Sweden
(72) Name(s) of Designer(s): **Mats Gronberg**
(45) Registration Date: **13 May 2008**
(30) Convention priority data:
(31) Number (32) Date (33) Country
000757489 13 Jul 2007 EUROPEAN COMMUNITY
(56) Related Art Documents: **Not Applicable**
(57) Statement of Newness and Distinctiveness: **Nil**



(21) Design Number: **10122/2008**
(22) Date of Filing Application: **11 January 2008**
(24) Date from which industrial property rights may have effect: **11 January 2008**
(54) Product in respect of which the design is registered: **A handset**
(51) International Design Classification: **14-03A**
(71) Name(s) and Address(s) of Applicant(s):
Nokia Corporation
Keilalahdentie 4 FIN-02150 Espoo Finland
(72) Name(s) of Designer(s): **Justin Lyles**
(45) Registration Date: **13 May 2008**
(30) Convention priority data:
(31) Number (32) Date (33) Country
29282162 12 Jul 2007 UNITED STATES OF AMERICA
(56) Related Art Documents: **Not Applicable**
(57) Statement of Newness and Distinctiveness: **Nil**



(21) Design Number: **10123/2008**

(22) Date of Filing Application: **11 January 2008**

(24) Date from which industrial property rights may have effect: **11 January 2008**

(54) Product in respect of which the design is registered: **Key buttons for a handset**

(51) International Design Classification: **14-03A**

(71) Name(s) and Address(s) of Applicant(s):

Nokia Corporation

Keilalahdentie 4 FIN-02150 Espoo Finland

(72) Name(s) of Designer(s): **Justin Lyles**

(45) Registration Date: **13 May 2008**

(30) Convention priority data:

(31) Number

(32) Date

(33) Country

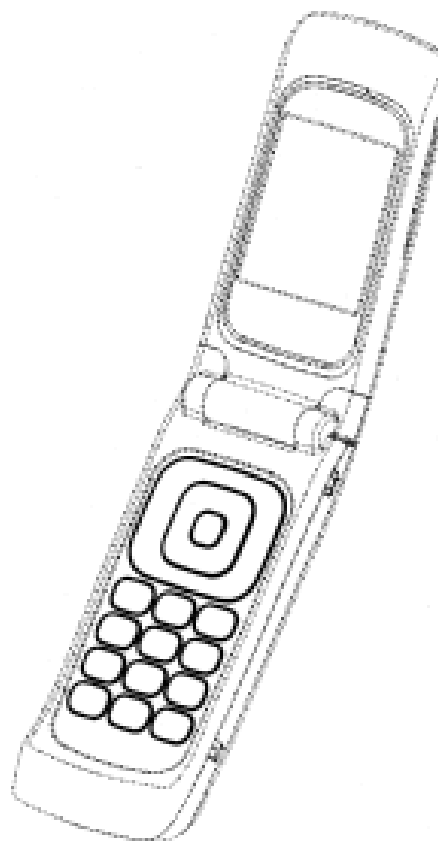
29282162

12 Jul 2007

UNITED STATES OF AMERICA

(56) Related Art Documents: **Not Applicable**

(57) Statement of Newness and Distinctiveness: **Newness and distinctiveness is claimed in the visual features shown in solid lines in the representations.**



(21) Design Number: **10126/2008**

(22) Date of Filing Application: **11 January 2008**

(24) Date from which industrial property rights may have effect: **11 January 2008**

(54) Product in respect of which the design is registered: **Information display unit**

(51) International Design Classification: **20-02NES, 20-02E, 21-02NES, 14-02**

(71) Name(s) and Address(s) of Applicant(s):

Augusto Tucci

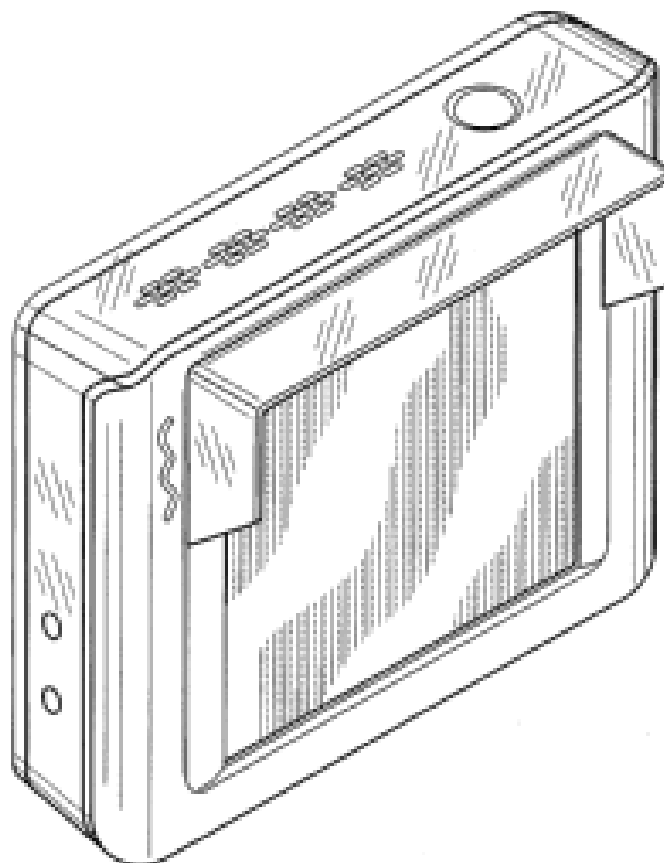
78 Mills Road Braeside Victoria 3195 Australia

(72) Name(s) of Designer(s): **Augusto Tucci**

(45) Registration Date: **13 May 2008**

(56) Related Art Documents: **Not Applicable**

(57) Statement of Newness and Distinctiveness: **The shape, configuration, shape and configuration, pattern, ornamentation, pattern and ornamentation of the design are new and distinctive.**



(21) Design Number: **10127/2008**

(22) Date of Filing Application: **11 January 2008**

(24) Date from which industrial property rights may have effect: **11 January 2008**

(54) Product in respect of which the design is registered: **Information display unit**

(51) International Design Classification: **20-02NES, 20-02E, 21-02NES, 14-02**

(71) Name(s) and Address(s) of Applicant(s):

Augusto Tucci

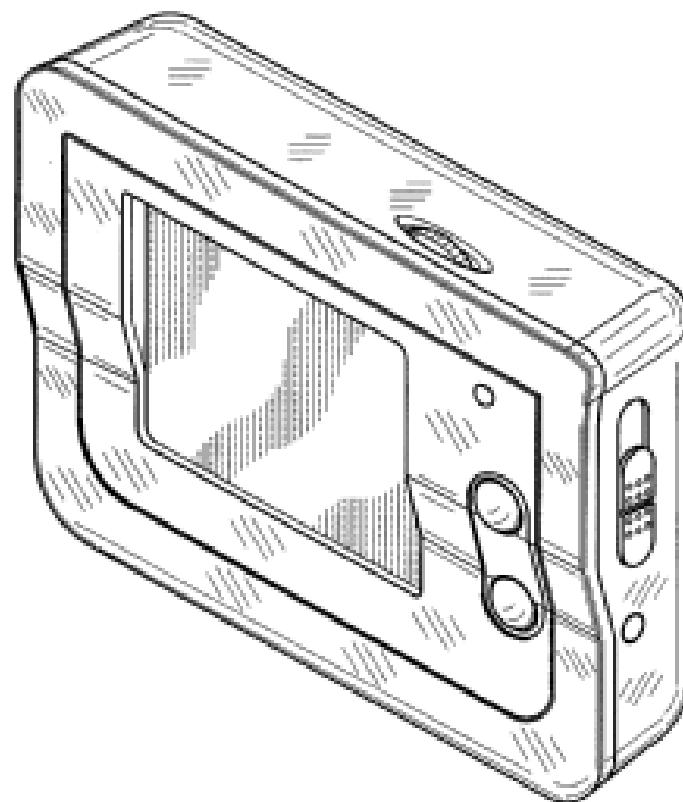
78 Mills Road Braeside Victoria 3195 Australia

(72) Name(s) of Designer(s): **Augusto Tucci**

(45) Registration Date: **13 May 2008**

(56) Related Art Documents: **Not Applicable**

(57) Statement of Newness and Distinctiveness: **The shape, configuration, shape and configuration, pattern, ornamentation, pattern and ornamentation of the design are new and distinctive.**



(21) Design Number: **10128/2008**

(22) Date of Filing Application: **11 January 2008**

(24) Date from which industrial property rights may have effect: **11 January 2008**

(54) Product in respect of which the design is registered: **Camera assembly**

(51) International Design Classification: **16-01**

(71) Name(s) and Address(s) of Applicant(s):

Augusto Tucci

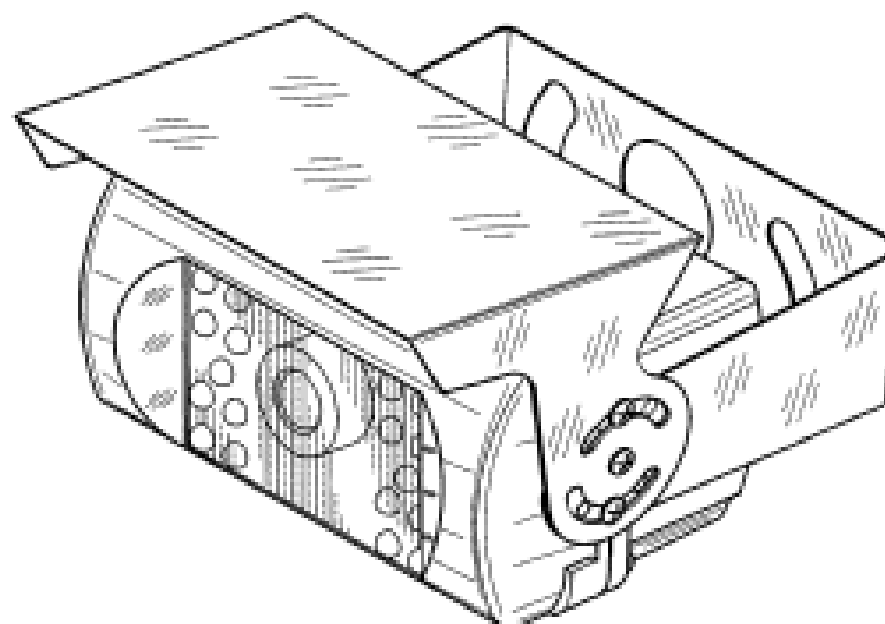
78 Mills Road Braeside Victoria 3195 Australia

(72) Name(s) of Designer(s): **Augusto Tucci**

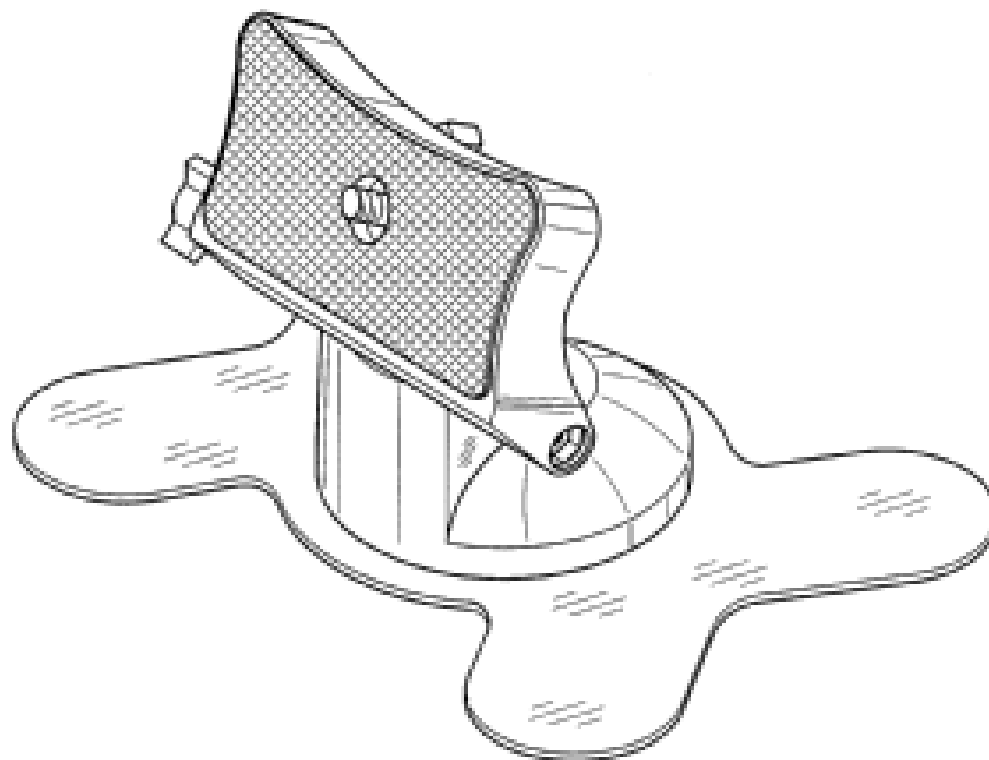
(45) Registration Date: **13 May 2008**

(56) Related Art Documents: **Not Applicable**

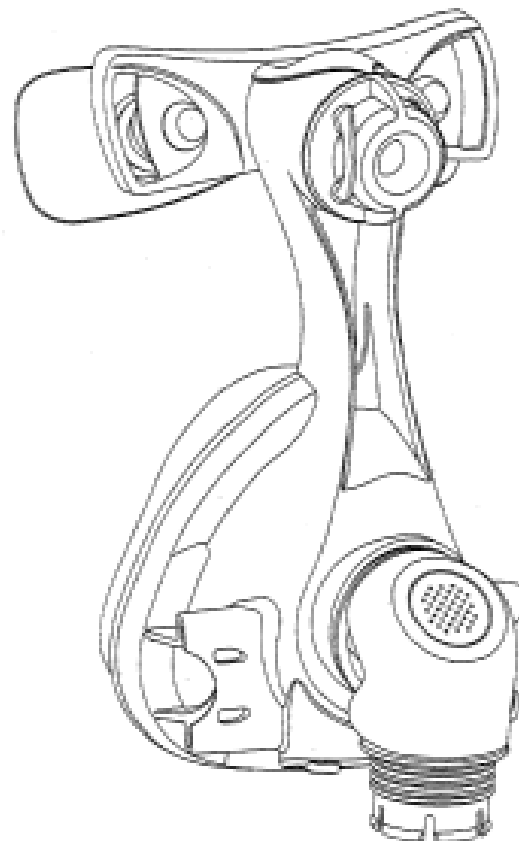
(57) Statement of Newness and Distinctiveness: **The shape, configuration, shape and configuration, pattern, ornamentation, pattern and ornamentation of the design are new and distinctive.**



(21) Design Number: **10129/2008**
(22) Date of Filing Application: **11 January 2008**
(24) Date from which industrial property rights may have effect: **11 January 2008**
(54) Product in respect of which the design is registered: **Mounting stand**
(51) International Design Classification: **20-02NES**
(71) Name(s) and Address(s) of Applicant(s):
Augusto Tucci
78 Mills Road Braeside Victoria 3195 Australia
(72) Name(s) of Designer(s): **Augusto Tucci**
(45) Registration Date: **13 May 2008**
(56) Related Art Documents: **Not Applicable**
(57) Statement of Newness and Distinctiveness: **The shape, configuration, shape and configuration, pattern, ornamentation, pattern and ornamentation of the design are new and distinctive.**

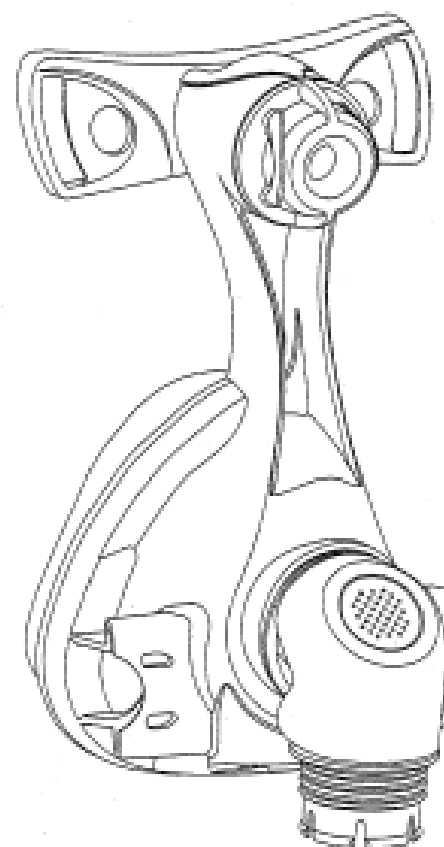


(21) Design Number: **20695/2007**
(22) Date of Filing Application: **09 November 2007**
(24) Date from which industrial property rights may have effect: **09 November 2007**
(54) Product in respect of which the design is registered: **Respiratory mask assembly**
(51) International Design Classification: **24-01**
(71) Name(s) and Address(s) of Applicant(s):
ResMed Ltd
1 Elizabeth Macarthur Drive Bella Vista New South Wales 2153 Australia
(72) Name(s) of Designer(s): **Michael John Reid and Aaron Samuel Davidson and Scott Alexander Howard**
(45) Registration Date: **13 May 2008**
(30) Convention priority data:
(31) Number (32) Date (33) Country
29/274635 10 May 2007 UNITED STATES OF AMERICA
(56) Related Art Documents: **Not Applicable**
(57) Statement of Newness and Distinctiveness: **Nil**



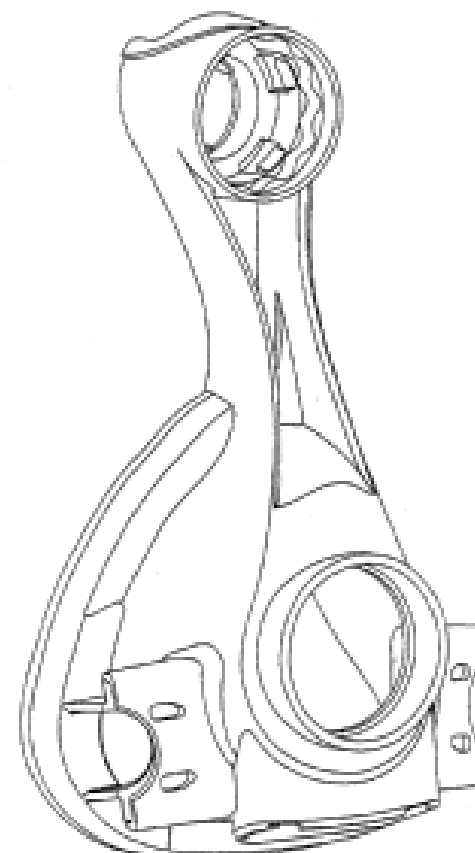
- (21) Design Number: **20696/2007**
- (22) Date of Filing Application: **09 November 2007**
- (24) Date from which industrial property rights may have effect: **09 November 2007**
- (54) Product in respect of which the design is registered: **Respiratory mask assembly without forehead pad**
- (51) International Design Classification: **24-01**
- (71) Name(s) and Address(s) of Applicant(s):
ResMed Ltd
1 Elizabeth Macarthur Drive Bella Vista New South Wales 2153
Australia
- (72) Name(s) of Designer(s): **Aaron Samuel Davidson and Lemmy Nga and Michael John Reid and Angelene Marie Ozolins and Scott Alexander Howard and Amal Shirley Amarasinghe and Dimitri Marco Maurer**
- (45) Registration Date: **13 May 2008**
- (30) Convention priority data:

(31) Number	(32) Date	(33) Country
29/274635	10 May 2007	UNITED STATES OF AMERICA
- (56) Related Art Documents: **Not Applicable**
- (57) Statement of Newness and Distinctiveness: **Nil**

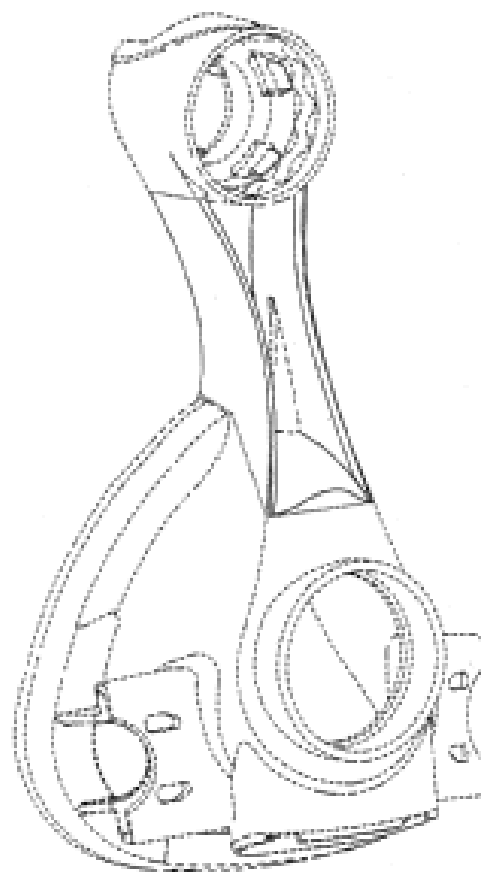


- (21) Design Number: **20697/2007**
- (22) Date of Filing Application: **09 November 2007**
- (24) Date from which industrial property rights may have effect: **09 November 2007**
- (54) Product in respect of which the design is registered: **Respiratory mask frame**
- (51) International Design Classification: **24-01**
- (71) Name(s) and Address(s) of Applicant(s):
ResMed Ltd
1 Elizabeth Macarthur Drive Bella Vista New South Wales 2153
Australia
- (72) Name(s) of Designer(s): **Lemmy Nga and Aaron Samuel Davidson and Michael John Reid and Amal Shirley Amarasinghe and Dimitri Marco Maurer and Bart Jeremy Caffin**
- (45) Registration Date: **13 May 2008**
- (30) Convention priority data:

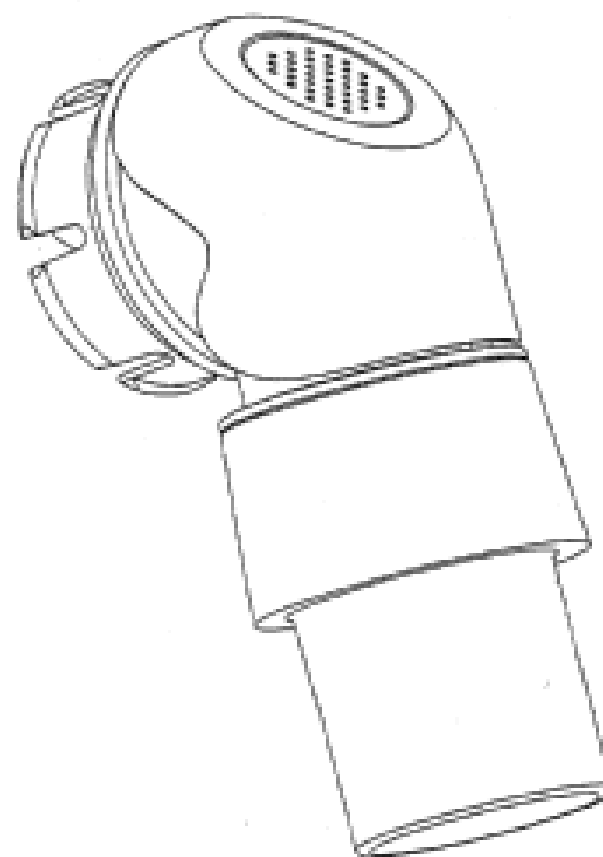
(31) Number	(32) Date	(33) Country
29/274635	10 May 2007	UNITED STATES OF AMERICA
- (56) Related Art Documents: **Not Applicable**
- (57) Statement of Newness and Distinctiveness: **Nil**



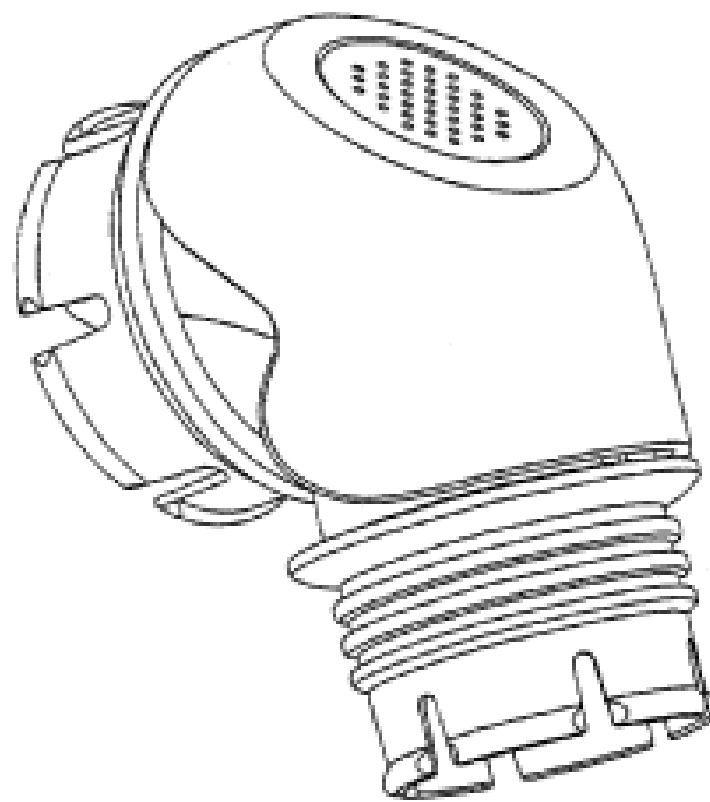
- (21) Design Number: **20698/2007**
(22) Date of Filing Application: **09 November 2007**
(24) Date from which industrial property rights may have effect: **09 November 2007**
(54) Product in respect of which the design is registered: **Respiratory mask frame**
(51) International Design Classification: **24-01**
(71) Name(s) and Address(s) of Applicant(s):
ResMed Ltd
1 Elizabeth Macarthur Drive Bella Vista New South Wales 2153
Australia
(72) Name(s) of Designer(s): **Lemmy Nga and Aaron Samuel Davidson and Michael John Reid and Amal Shirley Amarasinghe and Dimitri Marco Maurer and Bart Jeremy Caffin**
(45) Registration Date: **13 May 2008**
(30) Convention priority data:
(31) Number (32) Date (33) Country
29/274635 10 May 2007 UNITED STATES OF AMERICA
(56) Related Art Documents: **Not Applicable**
(57) Statement of Newness and Distinctiveness: **Newness and distinctiveness is claimed in those features depicted in unbroken lines.**



- (21) Design Number: **20701/2007**
(22) Date of Filing Application: **09 November 2007**
(24) Date from which industrial property rights may have effect: **09 November 2007**
(54) Product in respect of which the design is registered: **Respiratory mask elbow with swivel**
(51) International Design Classification: **24-01**
(71) Name(s) and Address(s) of Applicant(s):
ResMed Ltd
1 Elizabeth Macarthur Drive Bella Vista New South Wales 2153
Australia
(72) Name(s) of Designer(s): **Scott Alexander Howard and Aaron Samuel Davidson and Lemmy Nga and Amal Shirley Amarasinghe**
(45) Registration Date: **13 May 2008**
(30) Convention priority data:
(31) Number (32) Date (33) Country
29/274635 10 May 2007 UNITED STATES OF AMERICA
(56) Related Art Documents: **Not Applicable**
(57) Statement of Newness and Distinctiveness: **Nil**



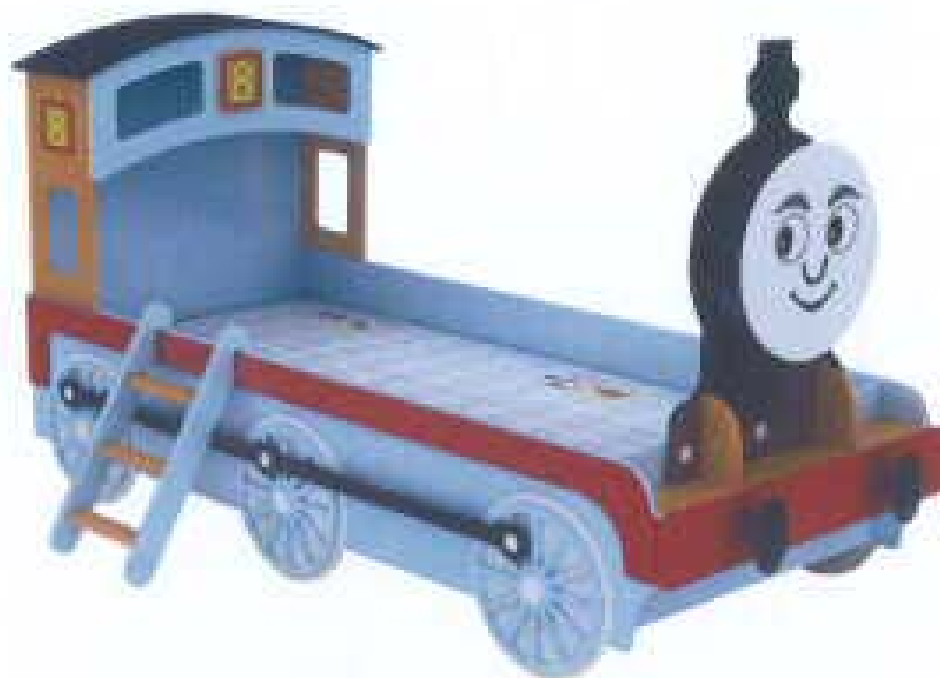
(21) Design Number: **20702/2007**
(22) Date of Filing Application: **09 November 2007**
(24) Date from which industrial property rights may have effect: **09 November 2007**
(54) Product in respect of which the design is registered: **Respiratory mask elbow without swivel**
(51) International Design Classification: **24-01**
(71) Name(s) and Address(s) of Applicant(s):
ResMed Ltd
1 Elizabeth Macarthur Drive Bella Vista New South Wales 2153
Australia
(72) Name(s) of Designer(s): **Scott Alexander Howard and Aaron Samuel Davidson and Lemmy Nga and Amal Shirley Amarasinghe**
(45) Registration Date: **13 May 2008**
(30) Convention priority data:
(31) Number (32) Date (33) Country
29/274635 10 May 2007 UNITED STATES OF AMERICA
(56) Related Art Documents: **Not Applicable**
(57) Statement of Newness and Distinctiveness: **Nil**



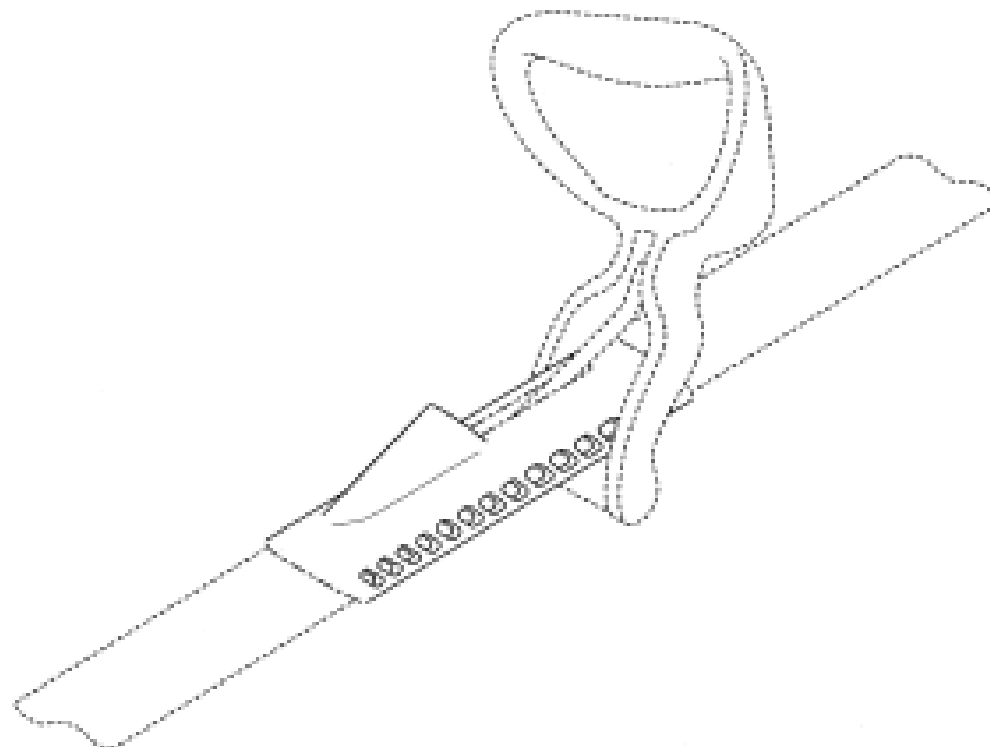
(21) Design Number: **20704/2007**
(22) Date of Filing Application: **09 November 2007**
(24) Date from which industrial property rights may have effect: **09 November 2007**
(54) Product in respect of which the design is registered: **Respiratory mask vent cover**
(51) International Design Classification: **24-01**
(71) Name(s) and Address(s) of Applicant(s):
ResMed Ltd
1 Elizabeth Macarthur Drive Bella Vista New South Wales 2153
Australia
(72) Name(s) of Designer(s): **Scott Alexander Howard and Aaron Samuel Davidson and Lemmy Nga and Amal Shirley Amarasinghe**
(45) Registration Date: **13 May 2008**
(30) Convention priority data:
(31) Number (32) Date (33) Country
29/274635 10 May 2007 UNITED STATES OF AMERICA
(56) Related Art Documents: **Not Applicable**
(57) Statement of Newness and Distinctiveness: **Nil**



- (21) Design Number: **21415/2007**
(22) Date of Filing Application: **14 December 2007**
(24) Date from which industrial property rights may have effect: **14 December 2007**
(54) Product in respect of which the design is registered: **Train bed**
(51) International Design Classification: **06-02**
(71) Name(s) and Address(s) of Applicant(s):
Kimyee Furniture Sdn Bhd
58A Jalan Parit Kangkong Bukit Pasir Batu Pahat Johor 83050
Malaysia
(72) Name(s) of Designer(s): **Aw Gan Kian**
(45) Registration Date: **13 May 2008**
(56) Related Art Documents: **Not Applicable**
(57) Statement of Newness and Distinctiveness: **Nil**



- (21) Design Number: **10046/2008**
(22) Date of Filing Application: **04 January 2008**
(24) Date from which industrial property rights may have effect: **04 January 2008**
(54) Product in respect of which the design is registered: **Portion of a mop handle**
(51) International Design Classification: **04-01**
(71) Name(s) and Address(s) of Applicant(s):
The Libman Company
220 North Sheldon Arcola Illinois 61910 United States of America
(72) Name(s) of Designer(s): **Robert J. Libman and Enzo Berti**
(45) Registration Date: **14 May 2008**
(30) Convention priority data:
(31) Number (32) Date (33) Country
29/298435 02 Dec 2007 UNITED STATES OF AMERICA
(56) Related Art Documents: **Not Applicable**
(57) Statement of Newness and Distinctiveness: **Newness and distinctiveness reside in the shape and/or configuration of a portion of a mop handle illustrated by solid lines in the accompanying representations. The features shown in broken outline are for illustrative purposes only and do not form part of the design.**

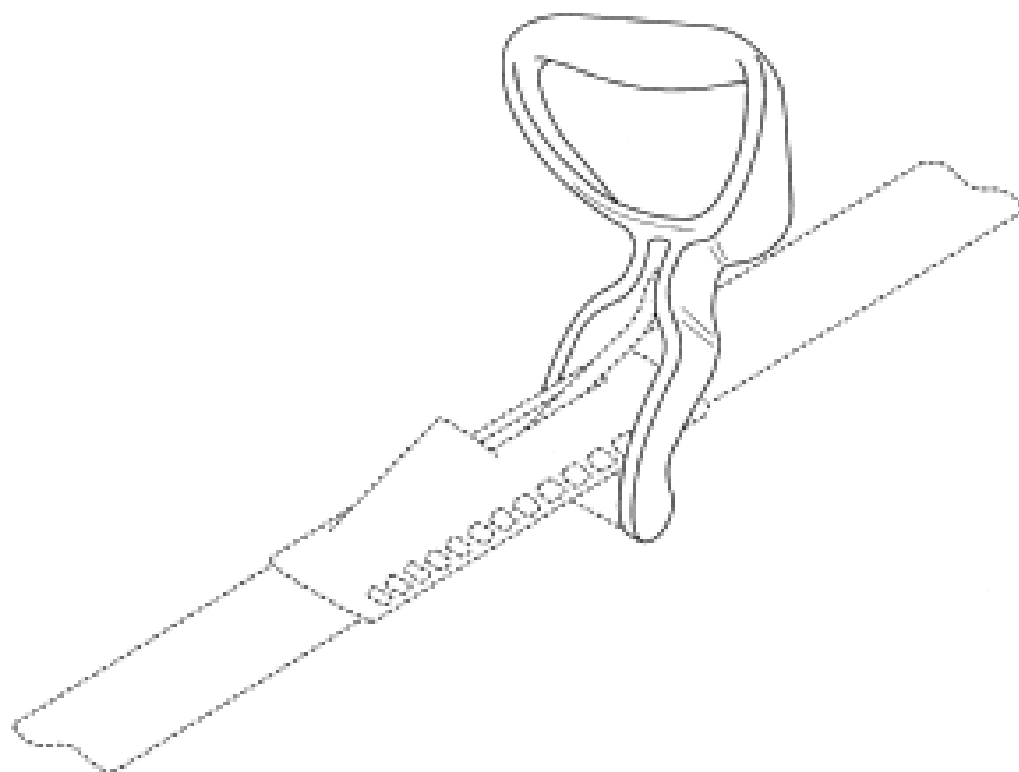


- (21) Design Number: **10047/2008**
- (22) Date of Filing Application: **04 January 2008**
- (24) Date from which industrial property rights may have effect: **04 January 2008**
- (54) Product in respect of which the design is registered: **Portion of a mop handle**
- (51) International Design Classification: **04-01**
- (71) Name(s) and Address(s) of Applicant(s):

The Libman Company
220 North Sheldon Arcola Illinois 61910 United States of America

- (72) Name(s) of Designer(s): **Robert J. Libman and Enzo Berti**
 - (45) Registration Date: **14 May 2008**
 - (30) Convention priority data:
- | | | |
|------------------|--------------------|---------------------------------|
| (31) Number | (32) Date | (33) Country |
| 29/298440 | 05 Dec 2007 | UNITED STATES OF AMERICA |

- (56) Related Art Documents: **Not Applicable**
- (57) Statement of Newness and Distinctiveness: **Newness and distinctiveness reside in the shape and/or configuration of a portion of a mop handle illustrated by solid lines in the accompanying representations. The features shown in broken outline are for illustrative purposes only and do not form part of the design.**

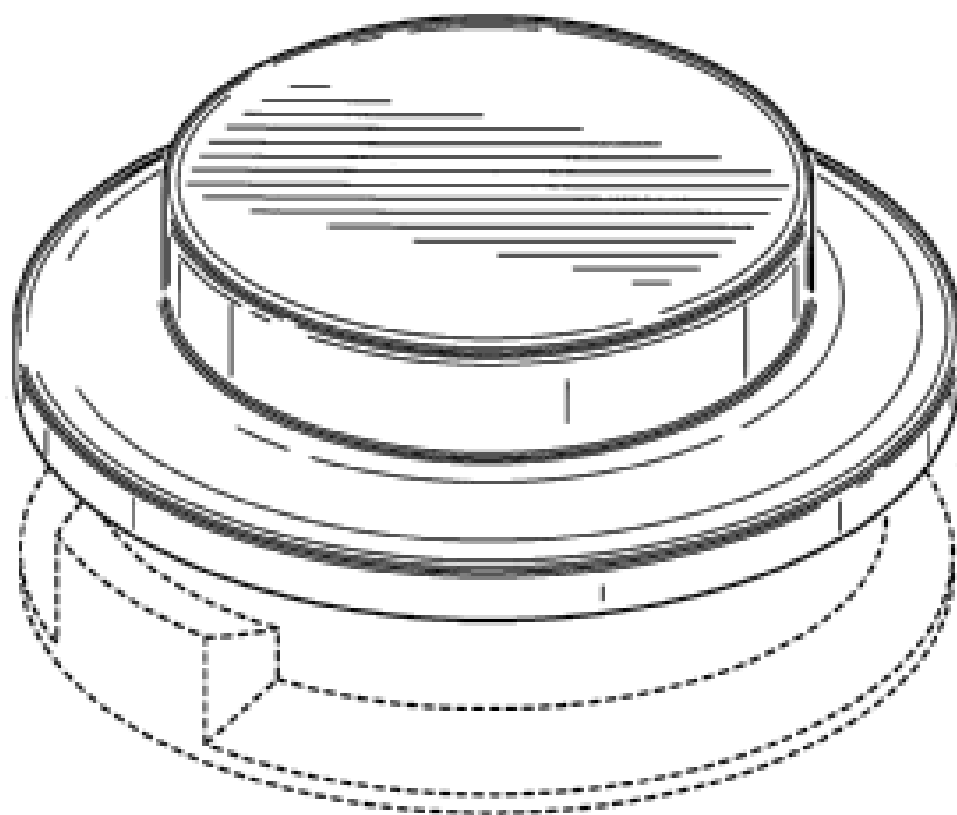


- (21) Design Number: **10048/2008**
- (22) Date of Filing Application: **04 January 2008**
- (24) Date from which industrial property rights may have effect: **04 January 2008**
- (54) Product in respect of which the design is registered: **Portion of a burner cap**
- (51) International Design Classification: **07-02C**
- (71) Name(s) and Address(s) of Applicant(s):

Electrolux Home Products, Inc.
20445 Emerald Parkway SW Suite 250 Cleveland Ohio 44135 United States of America

- (72) Name(s) of Designer(s): **William Michael Pryor**
 - (45) Registration Date: **14 May 2008**
 - (30) Convention priority data:
- | | | |
|------------------|--------------------|---------------------------------|
| (31) Number | (32) Date | (33) Country |
| 29/284245 | 04 Sep 2007 | UNITED STATES OF AMERICA |

- (56) Related Art Documents: **Not Applicable**
- (57) Statement of Newness and Distinctiveness: **Newness and distinctiveness reside in the shape and/or configuration of a portion of a burner cap illustrated by solid lines in the accompanying representations. The features shown in broken outline are for illustrative purposes only and do not form part of the design.**



(21) Design Number: **10049/2008**
 (22) Date of Filing Application: **04 January 2008**
 (24) Date from which industrial property rights may have effect: **04 January 2008**
 (54) Product in respect of which the design is registered: **Portion of a burner cap**
 (51) International Design Classification: **07-02C**
 (71) Name(s) and Address(s) of Applicant(s):

Electrolux Home Products, Inc.
20445 Emerald Parkway SW Suite 250 Cleveland Ohio 44135 United States of America

(72) Name(s) of Designer(s): **William Michael Pryor**

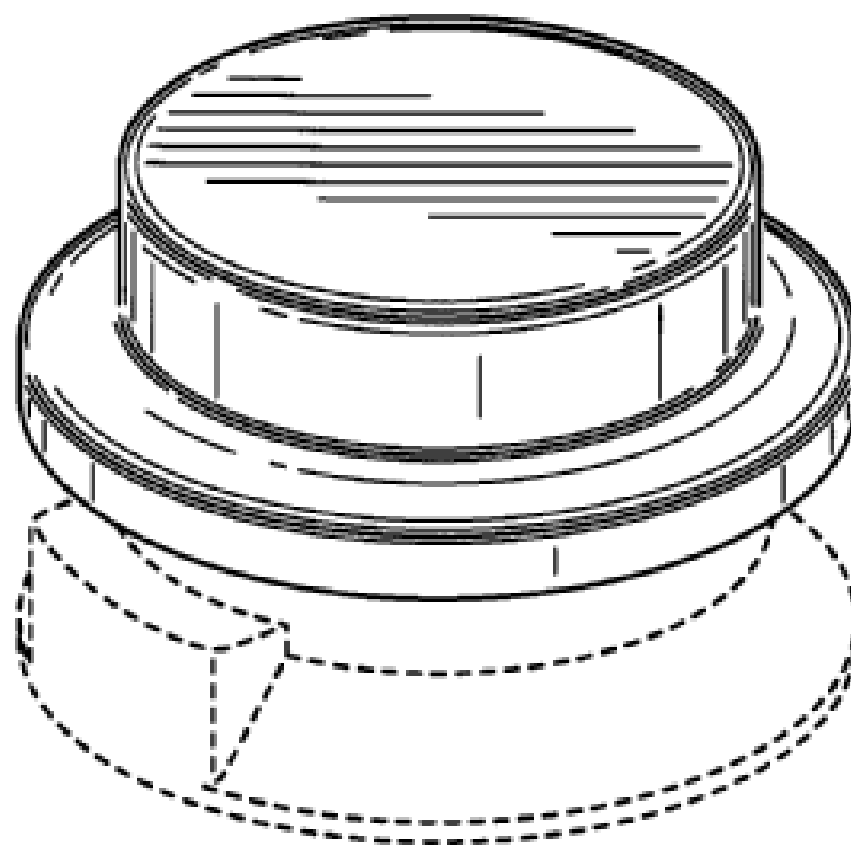
(45) Registration Date: **14 May 2008**

(30) Convention priority data:

(31) Number	(32) Date	(33) Country
29/284247	04 Sep 2007	UNITED STATES OF AMERICA

(56) Related Art Documents: **Not Applicable**

(57) Statement of Newness and Distinctiveness: **Newness and distinctiveness reside in the shape and/or configuration of a portion of a burner cap illustrated by solid lines in the accompanying representations. The features shown in broken outline are for illustrative purposes only and do not form part of the design.**



(21) Design Number: **10050/2008**
 (22) Date of Filing Application: **04 January 2008**
 (24) Date from which industrial property rights may have effect: **04 January 2008**
 (54) Product in respect of which the design is registered: **Portion of a burner cap**
 (51) International Design Classification: **07-02C**
 (71) Name(s) and Address(s) of Applicant(s):

Electrolux Home Products, Inc.
20445 Emerald Parkway SW Suite 250 Cleveland Ohio 44135 United States of America

(72) Name(s) of Designer(s): **William Michael Pryor**

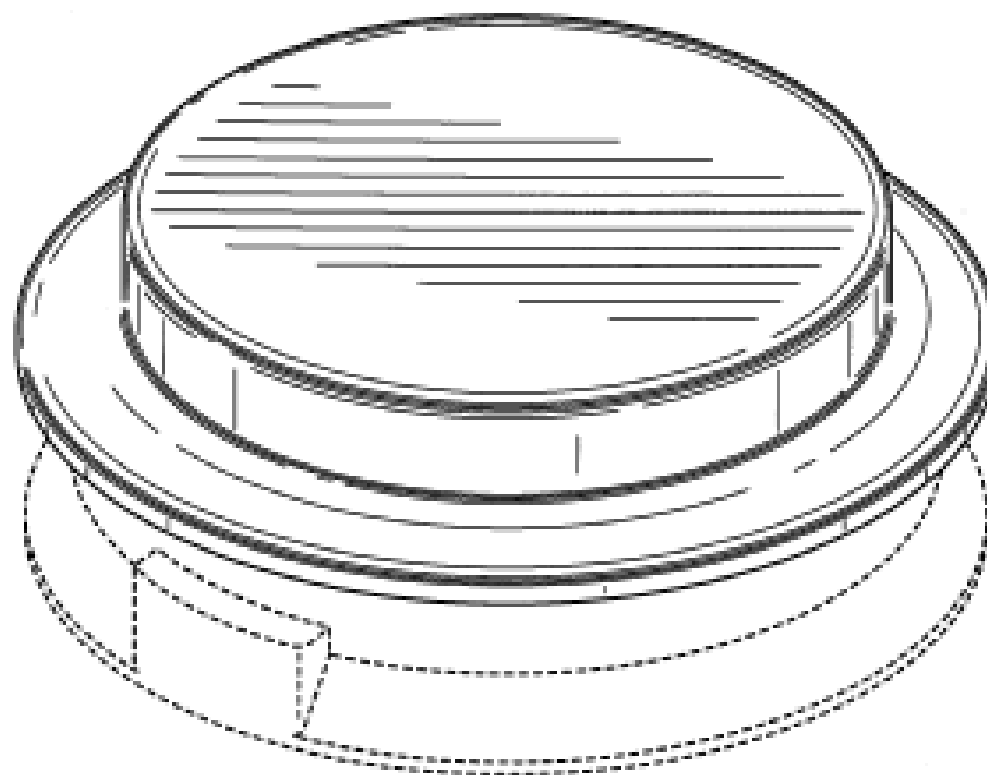
(45) Registration Date: **14 May 2008**

(30) Convention priority data:

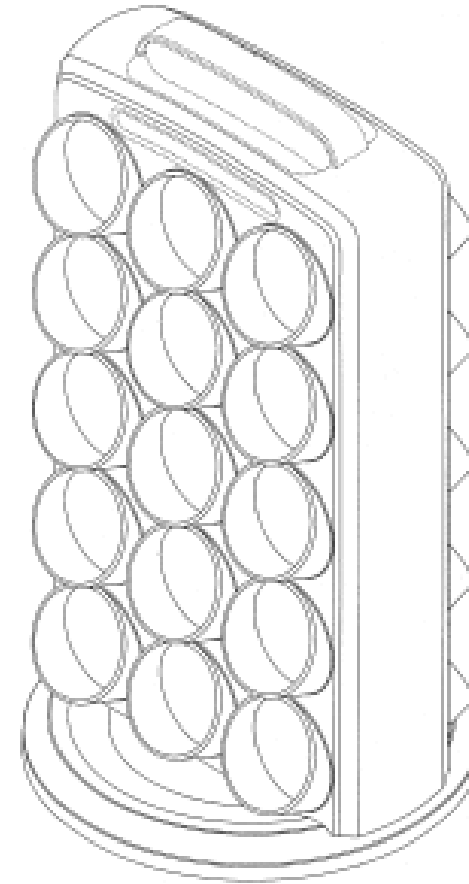
(31) Number	(32) Date	(33) Country
29/284244	04 Sep 2007	UNITED STATES OF AMERICA

(56) Related Art Documents: **Not Applicable**

(57) Statement of Newness and Distinctiveness: **Newness and distinctiveness reside in the shape and/or configuration of a portion of a burner cap illustrated by solid lines in the accompanying representations. The features shown in broken outline are for illustrative purposes only and do not form part of the design.**

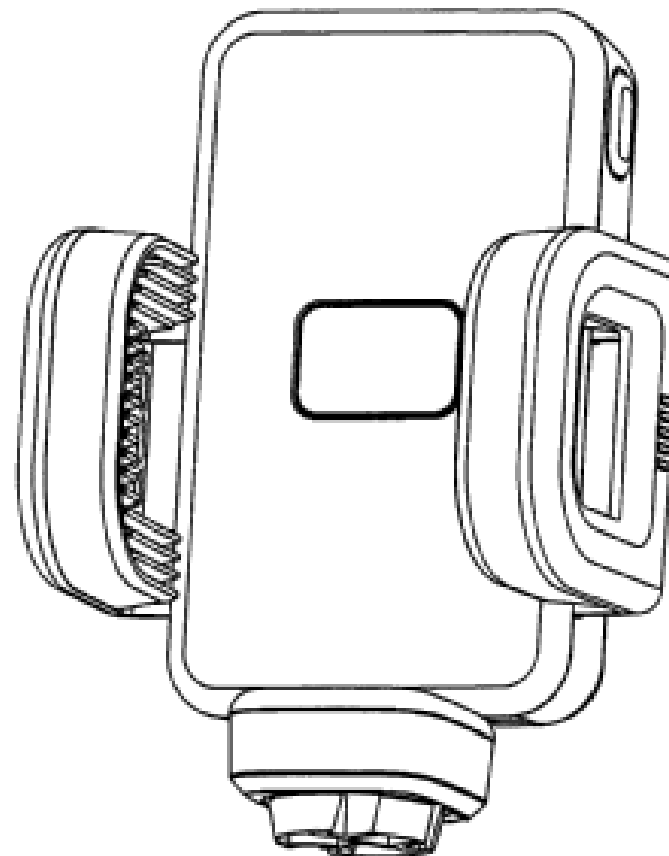


- (21) Design Number: **10051/2008**
- (22) Date of Filing Application: **04 January 2008**
- (24) Date from which industrial property rights may have effect: **04 January 2008**
- (54) Product in respect of which the design is registered: **Storage rack**
- (51) International Design Classification: **06-04NES**
- (71) Name(s) and Address(s) of Applicant(s):
Breville Pty Limited
Building 2 Port Air Industrial Estate 1A Hale St Botany New South
Wales 2019 Australia
- (72) Name(s) of Designer(s): **Keith James Hensel**
- (45) Registration Date: **14 May 2008**
- (56) Related Art Documents: **Not Applicable**
- (57) Statement of Newness and Distinctiveness: **Newness is claimed in the features of shape and configuration of the storage rack as shown in the accompanying representations. The broken lines in the drawings are for illustrative purposes only and form no part of the claimed design.**



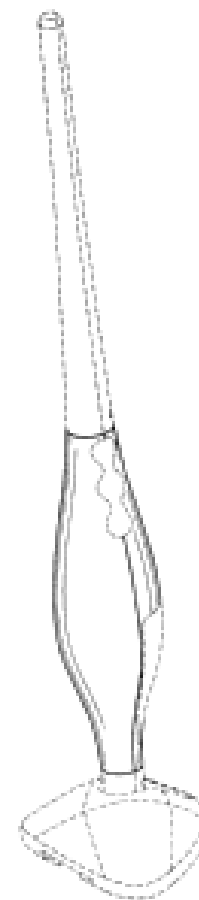
- (21) Design Number: **10053/2008**
- (22) Date of Filing Application: **04 January 2008**
- (24) Date from which industrial property rights may have effect: **04 January 2008**
- (54) Product in respect of which the design is registered: **Holder for a handset**
- (51) International Design Classification: **14-03A**
- (71) Name(s) and Address(s) of Applicant(s):
Nokia Corporation
Keilalahdentie 4 FIN-02150 Espoo Finland
- (72) Name(s) of Designer(s): **Jan Kettula and Mika Moilanen and Sami Lehtovaara**
- (45) Registration Date: **14 May 2008**
- (30) Convention priority data:

(31) Number	(32) Date	(33) Country
M20070132	04 Jul 2007	FINLAND
- (56) Related Art Documents: **Not Applicable**
- (57) Statement of Newness and Distinctiveness: **Nil**



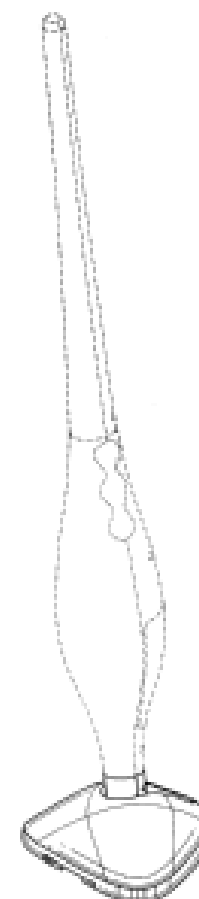
- (21) Design Number: **10054/2008**
- (22) Date of Filing Application: **04 January 2008**
- (24) Date from which industrial property rights may have effect: **04 January 2008**
- (54) Product in respect of which the design is registered: **Handle for stick vacuum cleaner**
- (51) International Design Classification: **15-05**
- (71) Name(s) and Address(s) of Applicant(s):
Royal Appliance Mfg. Co.
7005 Cochran Road Glenwillow OH 44139 United States of America
- (72) Name(s) of Designer(s): **Matthew Joseph Doerfler and David Khalil and Karim Rashid and David Matthew Collins and Susanne Ponikvar and Jack W. Gee_II**
- (45) Registration Date: **14 May 2008**
- (30) Convention priority data:

(31) Number	(32) Date	(33) Country
29/289727	30 Jul 2007	UNITED STATES OF AMERICA
- (56) Related Art Documents: **Not Applicable**
- (57) Statement of Newness and Distinctiveness: **The shape, configuration, shape and configuration, pattern, ornamentation, pattern and ornamentation, etc. of those parts of the product shown other than by means of dashed lines in the representations are new and distinctive.**

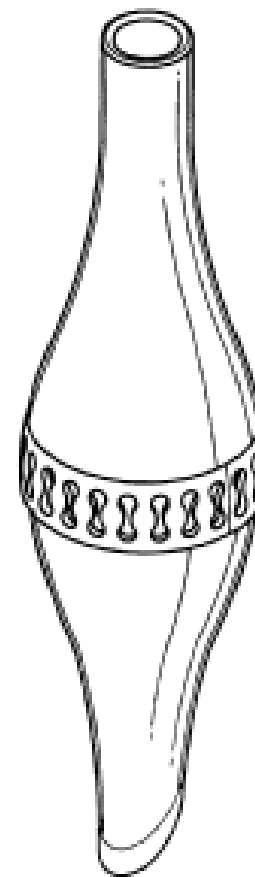


- (21) Design Number: **10055/2008**
- (22) Date of Filing Application: **04 January 2008**
- (24) Date from which industrial property rights may have effect: **04 January 2008**
- (54) Product in respect of which the design is registered: **Base for stick vacuum cleaner**
- (51) International Design Classification: **15-05**
- (71) Name(s) and Address(s) of Applicant(s):
Royal Appliance Mfg. Co.
7005 Cochran Road Glenwillow OH 44139 United States of America
- (72) Name(s) of Designer(s): **David Matthew Collins and David Khalil and Karim Rashid and Matthew Joseph Doerfler and Jack W. Gee_II and Susanne Ponikvar**
- (45) Registration Date: **14 May 2008**
- (30) Convention priority data:

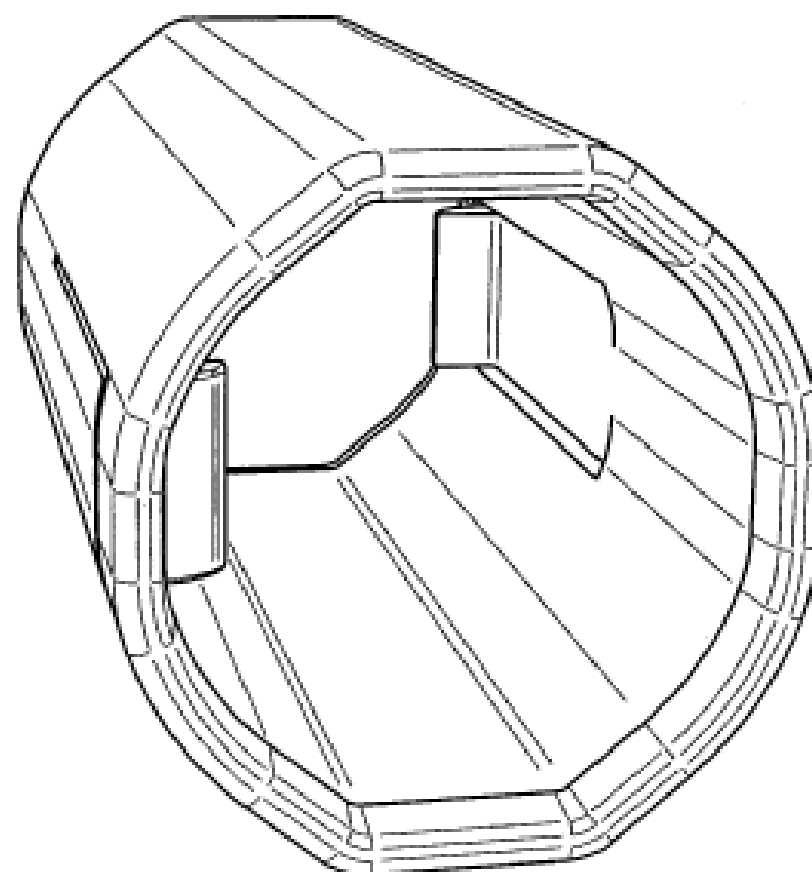
(31) Number	(32) Date	(33) Country
29/289721	31 Jul 2007	UNITED STATES OF AMERICA
- (56) Related Art Documents: **Not Applicable**
- (57) Statement of Newness and Distinctiveness: **The shape, configuration, shape and configuration, pattern, ornamentation, pattern and ornamentation, etc. of those parts of the product shown other than by means of dashed lines in the representations are new and distinctive.**



- (21) Design Number: **10056/2008**
(22) Date of Filing Application: **04 January 2008**
(24) Date from which industrial property rights may have effect: **04 January 2008**
(54) Product in respect of which the design is registered: **Hand held vacuum body**
(51) International Design Classification: **15-05**
(71) Name(s) and Address(s) of Applicant(s):
Royal Appliance Mfg. Co.
7005 Cochran Road Glenwillow OH 44139 United States of America
(72) Name(s) of Designer(s): **Matthew Joseph Doerfler and Karim Rashid and Cm Ho and David Khalil and David Matthew Collins and Jack W. Gee_II**
(45) Registration Date: **14 May 2008**
(30) Convention priority data:
(31) Number (32) Date (33) Country
29/291504 31 Aug 2007 UNITED STATES OF AMERICA
(56) Related Art Documents: **Not Applicable**
(57) Statement of Newness and Distinctiveness: **The shape, configuration, shape and configuration, pattern, ornamentation, pattern and ornamentation, etc. of those parts of the product shown other than by means of dashed lines in the representations are new and distinctive.**



- (21) Design Number: **11071/2008**
(22) Date of Filing Application: **04 March 2008**
(24) Date from which industrial property rights may have effect: **04 March 2008**
(54) Product in respect of which the design is registered: **Retaining sleeve**
(51) International Design Classification: **08-08B, 08-08NES**
(71) Name(s) and Address(s) of Applicant(s):
Sugar Steel Engineering Pty Ltd
Suite 205 Grenville House 177-185 William Street Sydney New South Wales 2010 Australia
(72) Name(s) of Designer(s): **Ernest Comerford and Mark Rankin**
(45) Registration Date: **14 May 2008**
(56) Related Art Documents: **Not Applicable**
(57) Statement of Newness and Distinctiveness: **Nil**



(19) AU

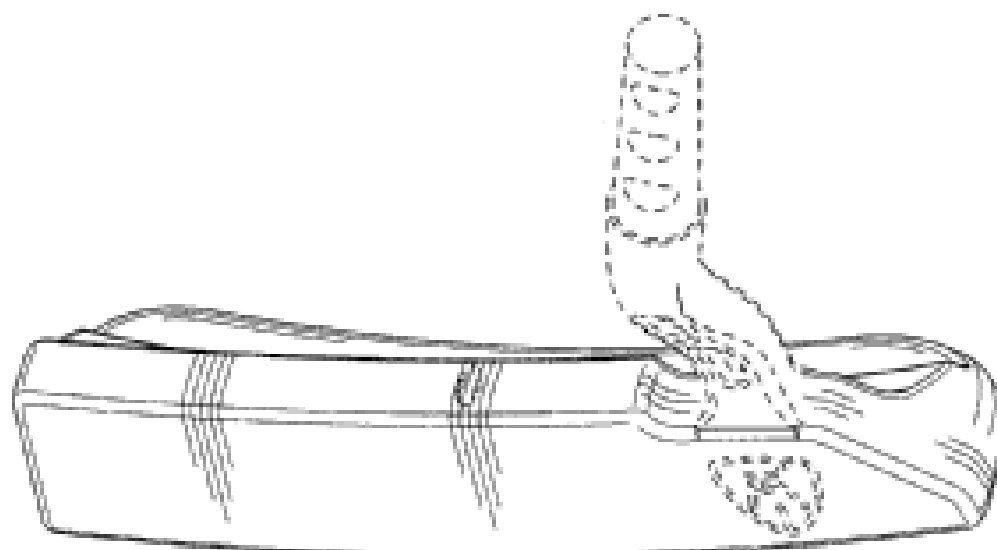
- (21) Design Number: **21439/2007**
- (22) Date of Filing Application: **19 December 2007**
- (24) Date from which industrial property rights may have effect: **19 December 2007**
- (54) Product in respect of which the design is registered: **P0410/410L slimline electrical switch**
- (51) International Design Classification: **13-03D**
- (71) Name(s) and Address(s) of Applicant(s):
Connected Group Australia Pty Ltd
U19/1 Bayside Terrace Cabarita New South Wales 2137 Australia
- (72) Name(s) of Designer(s): **Dean Lucantonio**
- (45) Registration Date: **14 May 2008**
- (56) Related Art Documents: **Not Applicable**
- (57) Statement of Newness and Distinctiveness: **Monopoly is claimed for in respect of the shape and configuration of the "backing plates" as seen in the original representations files. The shape of these plates is both new and distinct and monopoly of the shape is relevant regardless of the configuration of the switches and switching mechanisms seen.**



(19) AU

- (21) Design Number: **10178/2008**
- (22) Date of Filing Application: **15 January 2008**
- (24) Date from which industrial property rights may have effect: **15 January 2008**
- (54) Product in respect of which the design is registered: **Golf putter head**
- (51) International Design Classification: **21-02C**
- (71) Name(s) and Address(s) of Applicant(s):
Karsten Manufacturing Corporation
2201 West Desert Cove Phoenix Arizona 85029 United States of America
- (72) Name(s) of Designer(s): **Michael R. Nicolette and Bradley D. Schweigert and Marty R. Jertson and David D. Jones**
- (45) Registration Date: **14 May 2008**
- (30) Convention priority data:

(31) Number	(32) Date	(33) Country
29/283495	15 Aug 2007	UNITED STATES OF AMERICA
- (56) Related Art Documents: **Not Applicable**
- (57) Statement of Newness and Distinctiveness: **Newness and distinctiveness is claimed in the visual features shown in solid lines in the representations.**



(21) Design Number: **10131/2008**

(22) Date of Filing Application: **11 January 2008**

(24) Date from which industrial property rights may have effect: **11 January 2008**

(54) Product in respect of which the design is registered: **Gear box module**

(51) International Design Classification: **15-99**

(71) Name(s) and Address(s) of Applicant(s):

Smart Openers Pty Ltd
Suite 3 1-3 Albert Street Blackburn Victoria 3130 Australia

(72) Name(s) of Designer(s): **Eric Vallerie and Glen Edward Flemming and Jack Leivenzon**

(45) Registration Date: **14 May 2008**

(56) Related Art Documents: **Not Applicable**

(57) Statement of Newness and Distinctiveness: **Nil**



(21) Design Number: **10132/2008**

(22) Date of Filing Application: **11 January 2008**

(24) Date from which industrial property rights may have effect: **11 January 2008**

(54) Product in respect of which the design is registered: **Gear box module**

(51) International Design Classification: **15-99**

(71) Name(s) and Address(s) of Applicant(s):

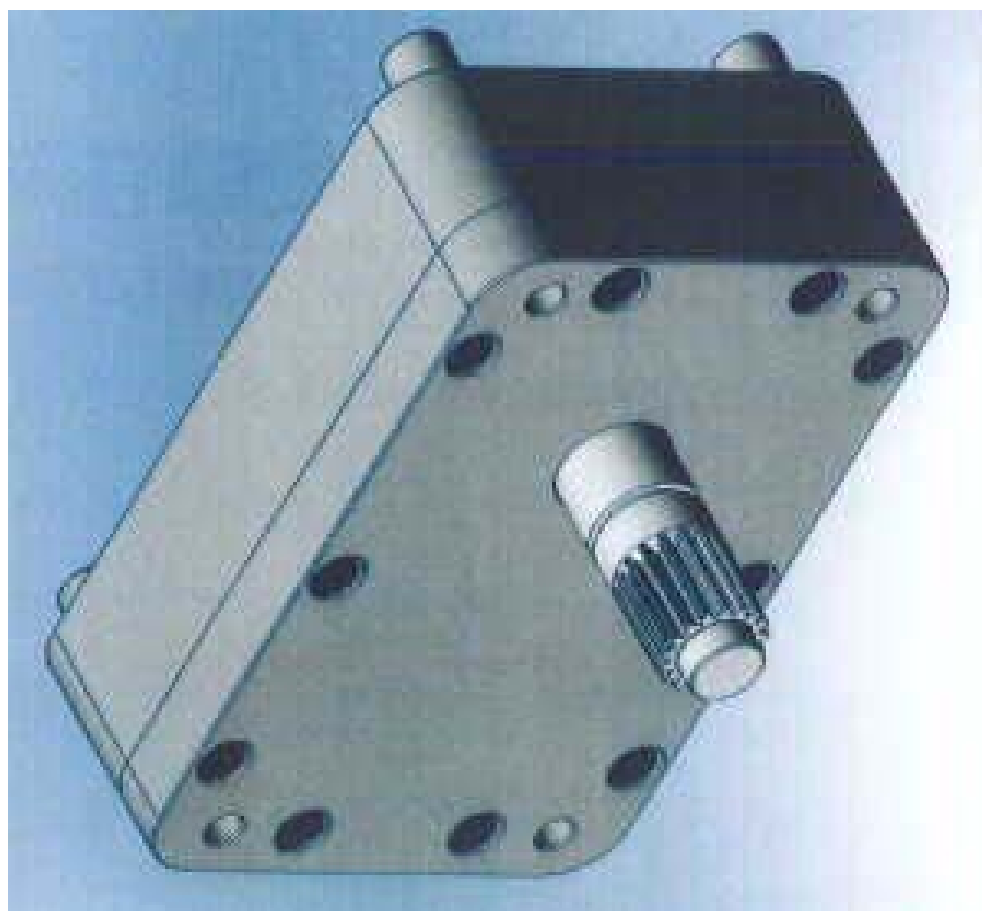
Smart Openers Pty Ltd
Suite 3 1-3 Albert Street Blackburn Victoria 3130 Australia

(72) Name(s) of Designer(s): **Eric Vallerie and Glen Edward Flemming and Jack Leivenzon**

(45) Registration Date: **14 May 2008**

(56) Related Art Documents: **Not Applicable**

(57) Statement of Newness and Distinctiveness: **Nil**



(21) Design Number: **10133/2008**

(22) Date of Filing Application: **11 January 2008**

(24) Date from which industrial property rights may have effect: **11 January 2008**

(54) Product in respect of which the design is registered: **Gear box module**

(51) International Design Classification: **15-99**

(71) Name(s) and Address(s) of Applicant(s):

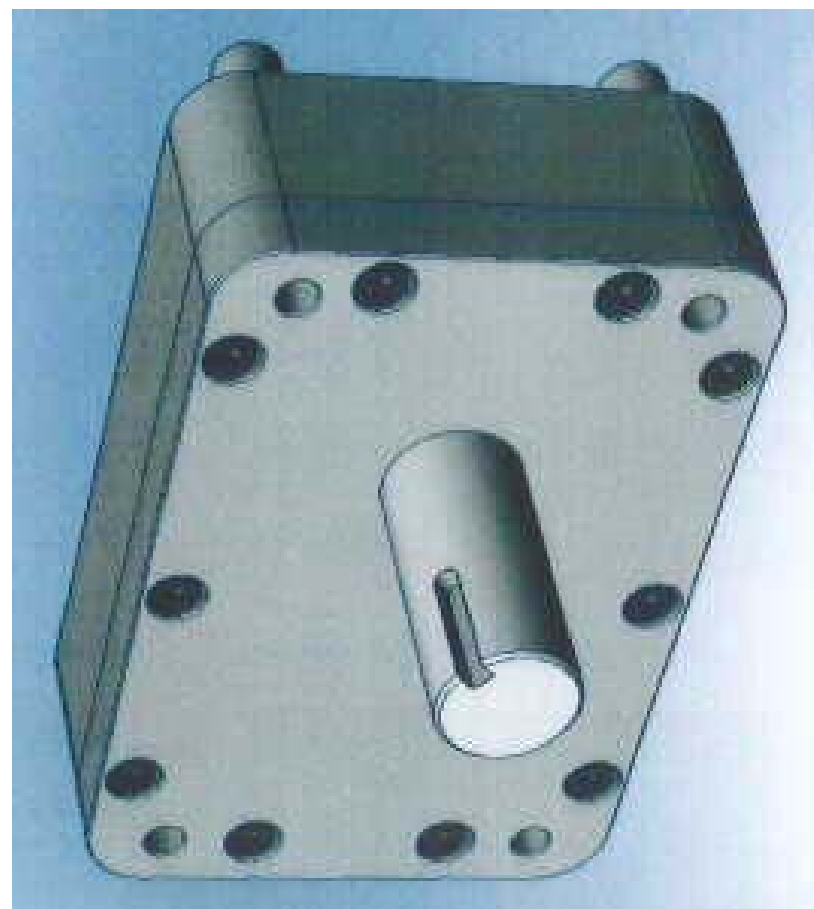
Smart Openers Pty Ltd
Suite 3 1-3 Albert Street Blackburn Victoria 3130 Australia

(72) Name(s) of Designer(s): **Eric Vallerie and Glen Edward Flemming and Jack Leivenzon**

(45) Registration Date: **14 May 2008**

(56) Related Art Documents: **Not Applicable**

(57) Statement of Newness and Distinctiveness: **Nil**



(21) Design Number: **10135/2008**

(22) Date of Filing Application: **11 January 2008**

(24) Date from which industrial property rights may have effect: **11 January 2008**

(54) Product in respect of which the design is registered: **Microwave oven**

(51) International Design Classification: **07-02B**

(71) Name(s) and Address(s) of Applicant(s):

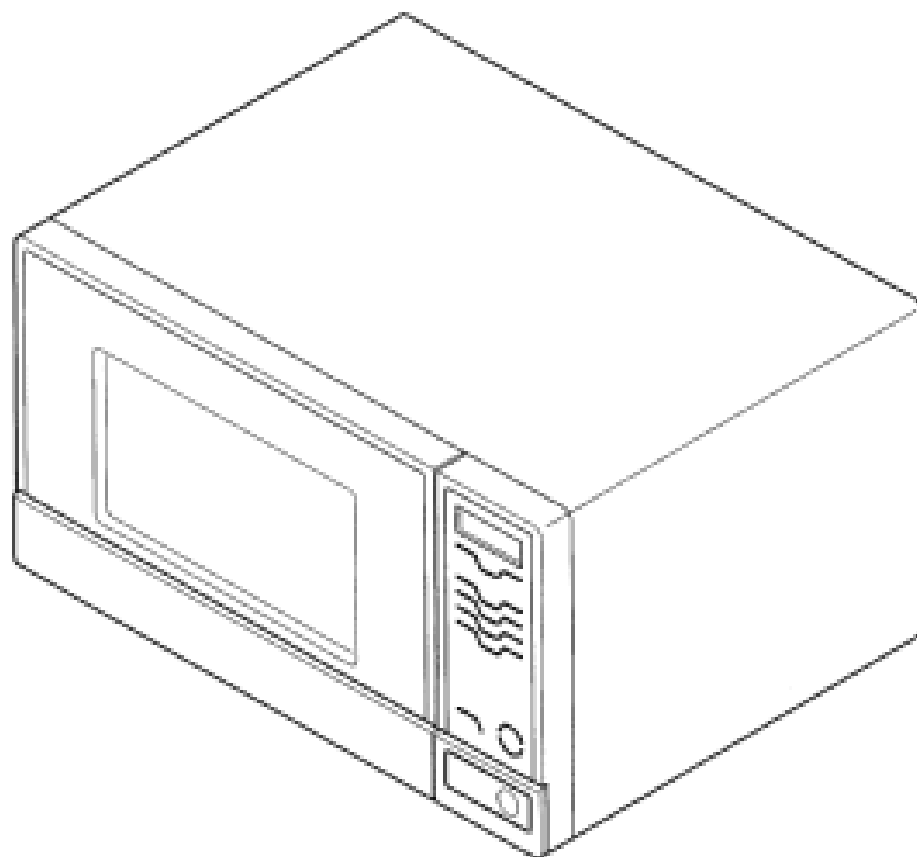
Samsung Electronics Co., Ltd.
416 Maetan-Dong Yeongtong-Gu Suwon-City Kyungki-Do Republic of Korea

(72) Name(s) of Designer(s): **Kang Doo Kim**

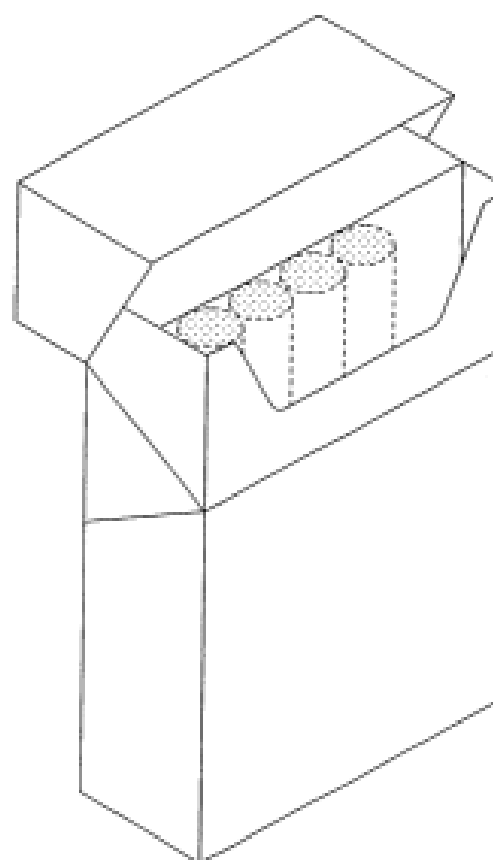
(45) Registration Date: **14 May 2008**

(56) Related Art Documents: **Not Applicable**

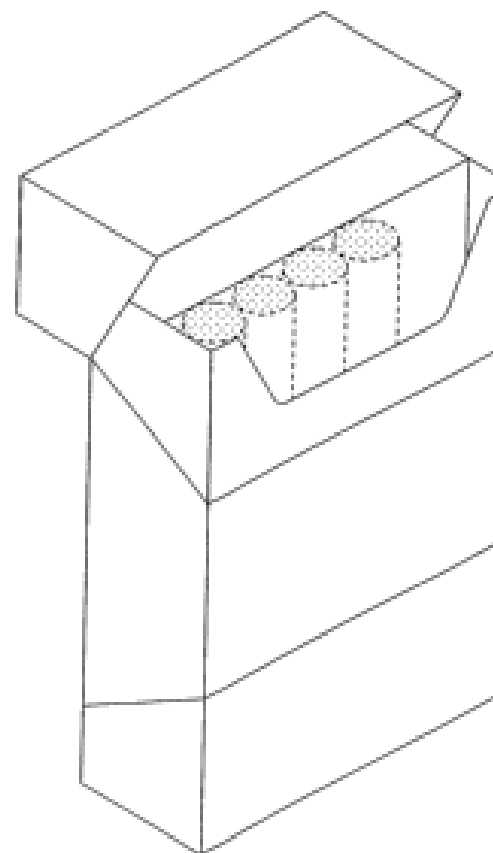
(57) Statement of Newness and Distinctiveness: **The newness and distinctiveness of the design resides in the features of shape and/or configuration of the microwave oven shown in unbroken lines in the accompanying representations.**



- (21) Design Number: **10136/2008**
(22) Date of Filing Application: **11 January 2008**
(24) Date from which industrial property rights may have effect: **11 January 2008**
(54) Product in respect of which the design is registered: **Cigarette packet**
(51) International Design Classification: **09-03A**
(71) Name(s) and Address(s) of Applicant(s):
British American Tobacco (Investments) Limited
Globe House 1 Water Street London WC2R 3LA United Kingdom
(72) Name(s) of Designer(s): **Bruce Hannant**
(45) Registration Date: **14 May 2008**
(30) Convention priority data:
(31) Number (32) Date (33) Country
000760277 13 Jul 2007 EUROPEAN COMMUNITY
(56) Related Art Documents: **Not Applicable**
(57) Statement of Newness and Distinctiveness: **Newness and distinctiveness resides in the features of shape and configuration of a cigarette packet as illustrated in the accompanying representations. The features represented by dashed lines are shown for illustrative purposes only and do not form part of the design.**



- (21) Design Number: **10137/2008**
(22) Date of Filing Application: **11 January 2008**
(24) Date from which industrial property rights may have effect: **11 January 2008**
(54) Product in respect of which the design is registered: **Cigarette packet**
(51) International Design Classification: **09-03A**
(71) Name(s) and Address(s) of Applicant(s):
British American Tobacco (Investments) Limited
Globe House 1 Water Street London WC2R 3LA United Kingdom
(72) Name(s) of Designer(s): **Bruce Hannant**
(45) Registration Date: **14 May 2008**
(30) Convention priority data:
(31) Number (32) Date (33) Country
000760277 13 Jul 2007 EUROPEAN COMMUNITY
(56) Related Art Documents: **Not Applicable**
(57) Statement of Newness and Distinctiveness: **Newness and distinctiveness resides in the features of shape and configuration of a cigarette packet as illustrated in the accompanying representations. The features represented by dashed lines are shown for illustrative purposes only and do not form part of the design.**



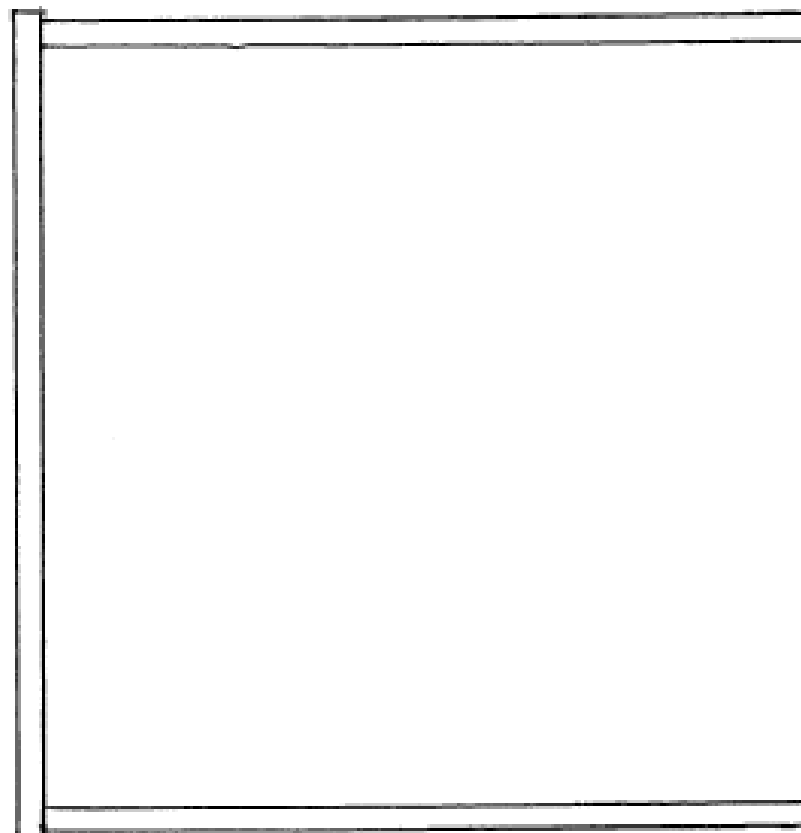
(21) Design Number: **10139/2008**
(22) Date of Filing Application: **11 January 2008**
(24) Date from which industrial property rights may have effect: **11 January 2008**
(54) Product in respect of which the design is registered: **Watering unit**
(51) International Design Classification: **23-01D**
(71) Name(s) and Address(s) of Applicant(s):
John Raymond Dyer
5 Powell Court West Lakes South Australia 5021 Australia
(72) Name(s) of Designer(s): **John Raymond Dyer**
(45) Registration Date: **14 May 2008**
(56) Related Art Documents: **Not Applicable**
(57) Statement of Newness and Distinctiveness: **Nil**



(21) Design Number: **10149/2008**
(22) Date of Filing Application: **15 January 2008**
(24) Date from which industrial property rights may have effect: **15 January 2008**
(54) Product in respect of which the design is registered: **The design is to be applied to a pedestrian control device**
(51) International Design Classification: **29-02**
(71) Name(s) and Address(s) of Applicant(s):
Rex Robert Brady
7 Ambala Way Ngaio Wellington New Zealand
(72) Name(s) of Designer(s): **Rex Robert Brady**
(45) Registration Date: **14 May 2008**
(30) Convention priority data:

(31) Number	(32) Date	(33) Country
409895	24 Oct 2007	NEW ZEALAND

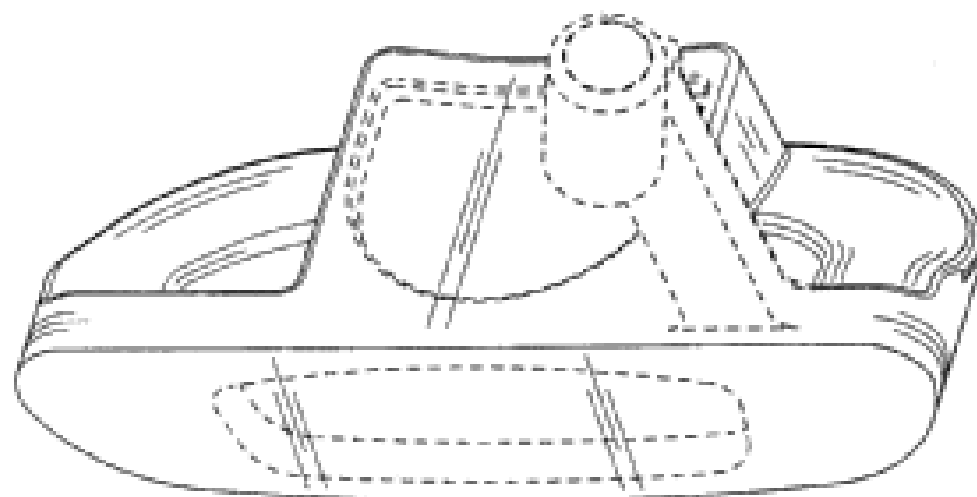
(56) Related Art Documents: **Not Applicable**
(57) Statement of Newness and Distinctiveness: **The novelty resides in the features of shape and configuration as shown on the accompanying representations (drawings) in particular the staggered configuration of the arms.**



(21) Design Number: **10161/2008**
(22) Date of Filing Application: **15 January 2008**
(24) Date from which industrial property rights may have effect: **15 January 2008**
(54) Product in respect of which the design is registered: **Soft ice dispenser**
(51) International Design Classification: **31-00**
(71) Name(s) and Address(s) of Applicant(s):
Societe des Produits Nestle S.A.
1800 Vevey Switzerland
(72) Name(s) of Designer(s): **Emmanuel Bourrousse**
(45) Registration Date: **14 May 2008**
(30) Convention priority data:
(31) Number (32) Date (33) Country
134099 24 Jul 2007 SWITZERLAND
(56) Related Art Documents: **Not Applicable**
(57) Statement of Newness and Distinctiveness: **Nil**



(21) Design Number: **10164/2008**
(22) Date of Filing Application: **14 January 2008**
(24) Date from which industrial property rights may have effect: **14 January 2008**
(54) Product in respect of which the design is registered: **Golf putter head**
(51) International Design Classification: **21-02C**
(71) Name(s) and Address(s) of Applicant(s):
Karsten Manufacturing Corporation
2201 West Desert Cove Phoenix Arizona 85029 United States of America
(72) Name(s) of Designer(s): **David D. Jones**
(45) Registration Date: **14 May 2008**
(30) Convention priority data:
(31) Number (32) Date (33) Country
29/283348 10 Aug 2007 UNITED STATES OF AMERICA
(56) Related Art Documents: **Not Applicable**
(57) Statement of Newness and Distinctiveness: **Newness and distinctiveness is claimed in the visual features shown in solid lines in the representations.**



- (21) Design Number: **10165/2008**
(22) Date of Filing Application: **14 January 2008**
(24) Date from which industrial property rights may have effect: **14 January 2008**
(54) Product in respect of which the design is registered: **Cam strip**
(51) International Design Classification: **24-04**
(71) Name(s) and Address(s) of Applicant(s):

Cipla Limited
289 Bellasis Road Mumbai Central Mumbai- 400 008 Maharashtra
India

(72) Name(s) of Designer(s): **Amar Lulla and Xerxes Rao**

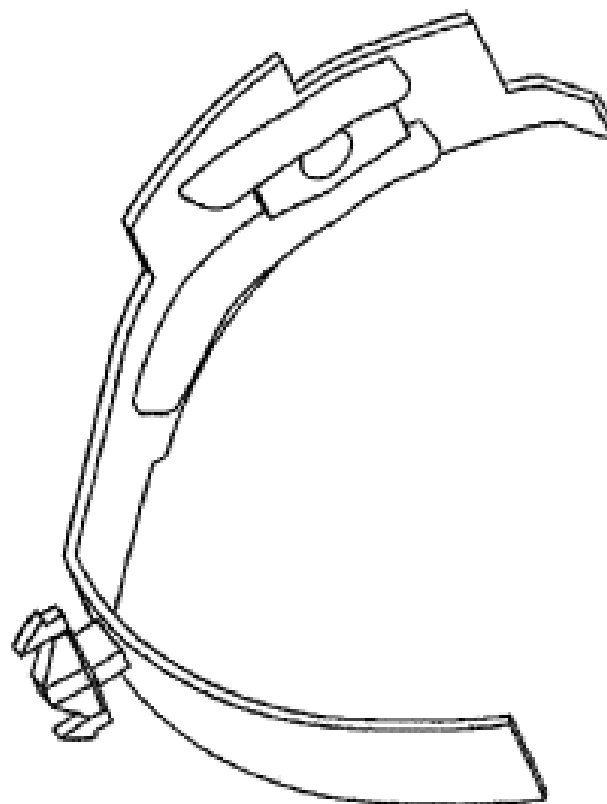
(45) Registration Date: **14 May 2008**

(30) Convention priority data:

(31) Number	(32) Date	(33) Country
211210	13 Jul 2007	INDIA

(56) Related Art Documents: **Not Applicable**

(57) Statement of Newness and Distinctiveness: **Newness and distinctiveness is claimed in the features of shape and/or configuration of a cam strip as illustrated in the accompanying representations.**



- (21) Design Number: **10166/2008**
(22) Date of Filing Application: **14 January 2008**
(24) Date from which industrial property rights may have effect: **14 January 2008**
(54) Product in respect of which the design is registered: **Mouth piece**
(51) International Design Classification: **24-04**
(71) Name(s) and Address(s) of Applicant(s):

Cipla Limited
289 Bellasis Road Mumbai Central Mumbai- 400 008 Maharashtra
India

(72) Name(s) of Designer(s): **Amar Lulla and Xerxes Rao**

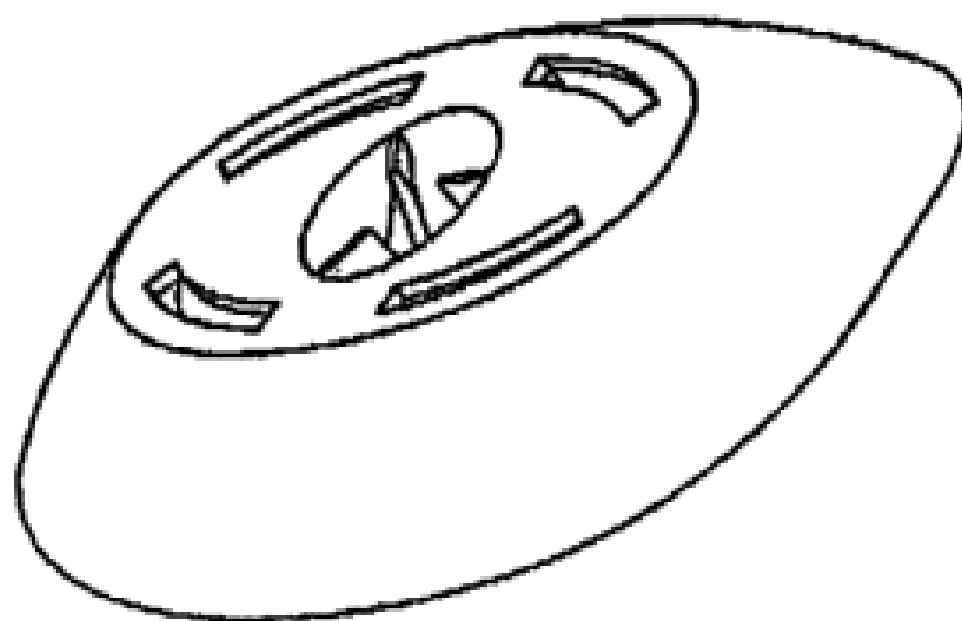
(45) Registration Date: **14 May 2008**

(30) Convention priority data:

(31) Number	(32) Date	(33) Country
211221	13 Jul 2007	INDIA

(56) Related Art Documents: **Not Applicable**

(57) Statement of Newness and Distinctiveness: **Newness and distinctiveness is claimed in the features of shape and/or configuration of a mouth piece as illustrated in the accompanying representations.**



- (21) Design Number: **10168/2008**
(22) Date of Filing Application: **14 January 2008**
(24) Date from which industrial property rights may have effect: **14 January 2008**
(54) Product in respect of which the design is registered: **Multidose inhaler**
(51) International Design Classification: **24-04**
(71) Name(s) and Address(s) of Applicant(s):

Cipla Limited
289 Bellasis Road Mumbai Central Mumbai- 400 008 Maharashtra
India

(72) Name(s) of Designer(s): **Amar Lulla and Xerxes Rao**

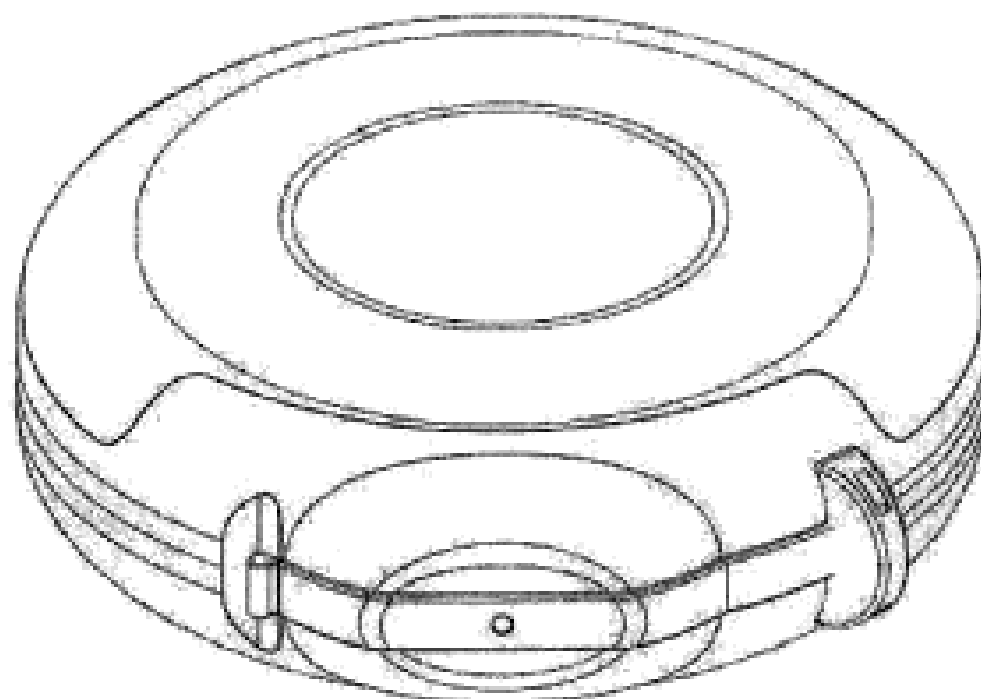
(45) Registration Date: **14 May 2008**

(30) Convention priority data:

(31) Number	(32) Date	(33) Country
211208	13 Jul 2007	INDIA

(56) Related Art Documents: **Not Applicable**

(57) Statement of Newness and Distinctiveness: **Newness and distinctiveness is claimed in the features of shape and/or configuration of a multidose inhaler as illustrated in the accompanying representations.**



- (21) Design Number: **10169/2008**
(22) Date of Filing Application: **14 January 2008**
(24) Date from which industrial property rights may have effect: **14 January 2008**
(54) Product in respect of which the design is registered: **Dust cap**
(51) International Design Classification: **24-04**
(71) Name(s) and Address(s) of Applicant(s):

Cipla Limited
289 Bellasis Rd Mumbai Central Mumbai Maharashtra 400 008 India

(72) Name(s) of Designer(s): **Amar Lulla and Xerxes Rao**

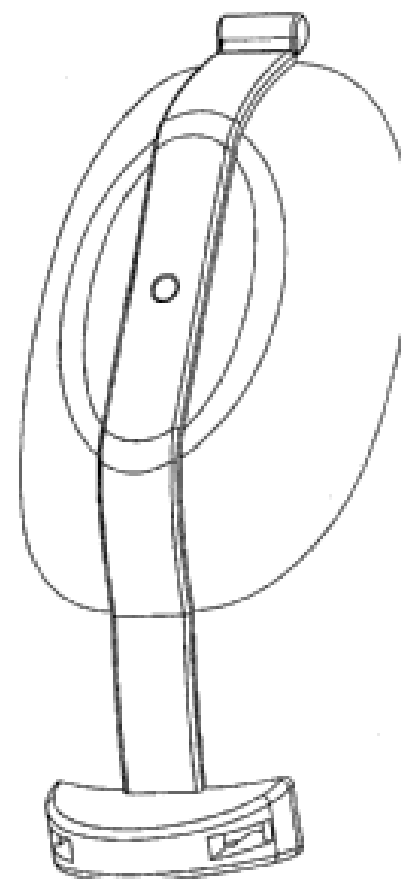
(45) Registration Date: **14 May 2008**

(30) Convention priority data:

(31) Number	(32) Date	(33) Country
211212	13 Jul 2007	INDIA

(56) Related Art Documents: **Not Applicable**

(57) Statement of Newness and Distinctiveness: **Newness and distinctiveness is claimed in the features of shape and/or configuration of a dust cap as illustrated in the accompanying representations.**



(21) Design Number: **10170/2008**

(22) Date of Filing Application: **14 January 2008**

(24) Date from which industrial property rights may have effect: **14 January 2008**

(54) Product in respect of which the design is registered: **Dose counter**

(51) International Design Classification: **24-04**

(71) Name(s) and Address(s) of Applicant(s):

Cipla Limited

289 Bellasis Rd Mumbai Central Mumbai Maharashtra 400 008 India

(72) Name(s) of Designer(s): **Amar Lulla and Xerxes Rao**

(45) Registration Date: **14 May 2008**

(30) Convention priority data:

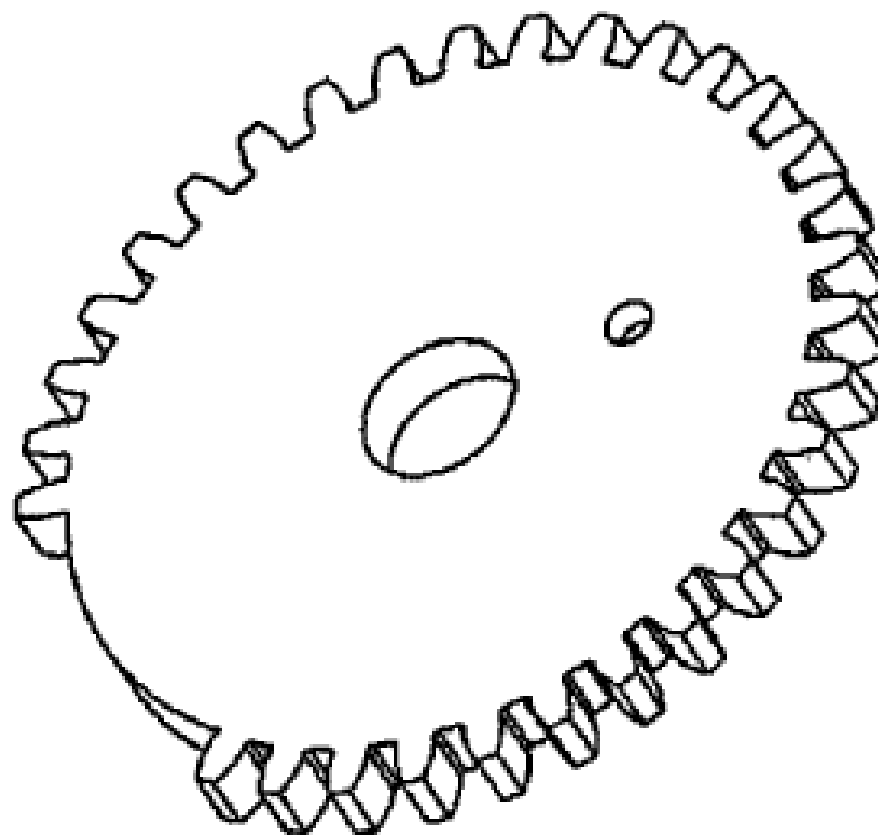
(31) Number
211211

(32) Date
13 Jul 2007

(33) Country
INDIA

(56) Related Art Documents: **Not Applicable**

(57) Statement of Newness and Distinctiveness: **Newness and distinctiveness is claimed in the features of shape and/or configuration of a dose counter as illustrated in the accompanying representations.**



(21) Design Number: **10173/2008**

(22) Date of Filing Application: **14 January 2008**

(24) Date from which industrial property rights may have effect: **14 January 2008**

(54) Product in respect of which the design is registered: **Roller for cartridge lock**

(51) International Design Classification: **24-04**

(71) Name(s) and Address(s) of Applicant(s):

Cipla Limited

289 Bellasis Rd Mumbai Central Mumbai Maharashtra 400 008 India

(72) Name(s) of Designer(s): **Amar Lulla and Xerxes Rao**

(45) Registration Date: **14 May 2008**

(30) Convention priority data:

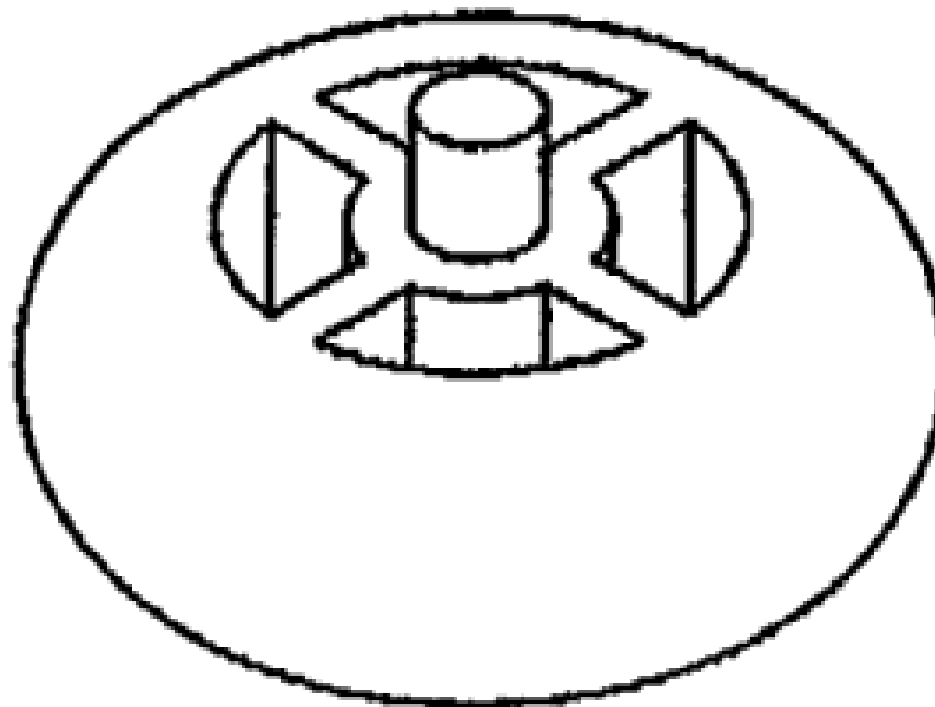
(31) Number
211215

(32) Date
13 Jul 2007

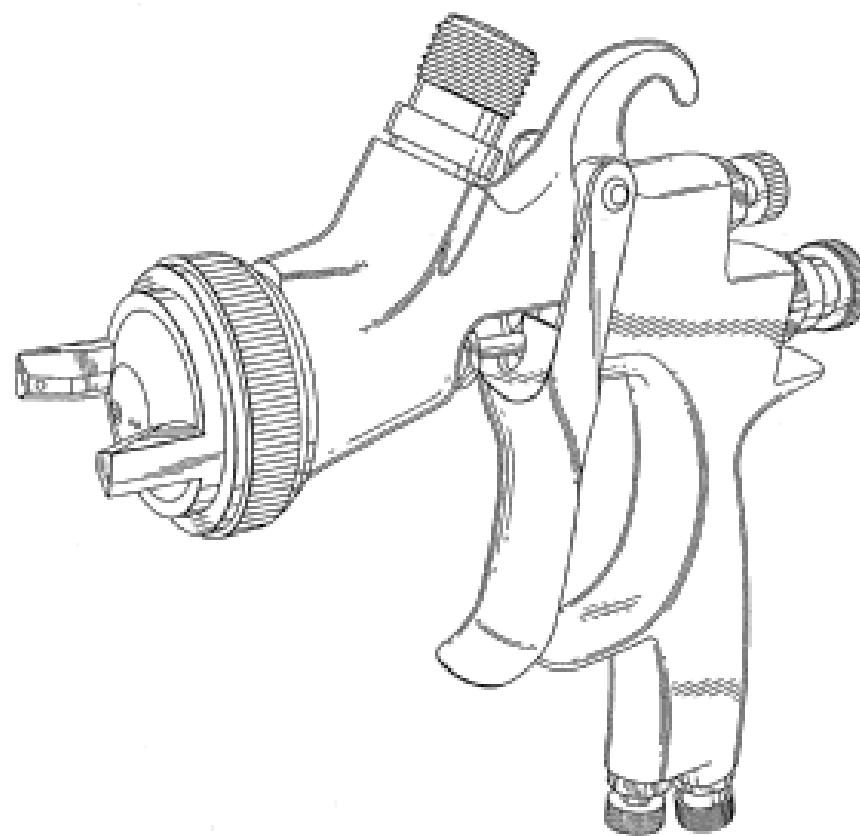
(33) Country
INDIA

(56) Related Art Documents: **Not Applicable**

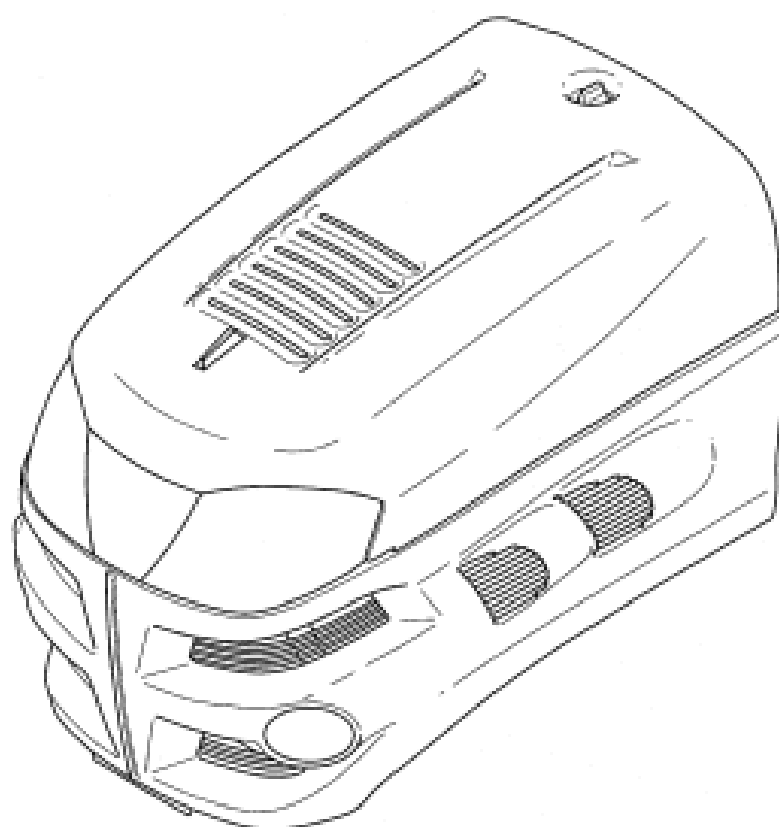
(57) Statement of Newness and Distinctiveness: **Newness and distinctiveness is claimed in the features of shape and/or configuration of a roller for cartridge lock as illustrated in the accompanying representations.**



- (21) Design Number: **10174/2008**
(22) Date of Filing Application: **14 January 2008**
(24) Date from which industrial property rights may have effect: **14 January 2008**
(54) Product in respect of which the design is registered: **Paint spray gun**
(51) International Design Classification: **08-05L**
(71) Name(s) and Address(s) of Applicant(s):
Hsing-Tzu Wang
No. 80 Ta-Hsin Street Hsi District Taichung City Taiwan
(72) Name(s) of Designer(s): **Hsing-Tzu Wang**
(45) Registration Date: **14 May 2008**
(56) Related Art Documents: **Not Applicable**
(57) Statement of Newness and Distinctiveness: **Newness and distinctiveness resides in the shape and configuration of the paint spray gun as illustrated in the representations.**



- (21) Design Number: **10179/2008**
(22) Date of Filing Application: **15 January 2008**
(24) Date from which industrial property rights may have effect: **15 January 2008**
(54) Product in respect of which the design is registered: **Bonnet for agricultural working machine**
(51) International Design Classification: **12-16B**
(71) Name(s) and Address(s) of Applicant(s):
Yanmar Co., Ltd.
1-32 Chayamachi Kita-ku Osaka-shi Osaka 530-0013 Japan
(72) Name(s) of Designer(s): **Kunihiko Matsumoto and Junko Shibaoka**
(45) Registration Date: **15 May 2008**
(30) Convention priority data:
(31) Number (32) Date (33) Country
2007-28830 19 Oct 2007 JAPAN
(56) Related Art Documents: **Not Applicable**
(57) Statement of Newness and Distinctiveness: **Newness and distinctiveness reside in the features of the design shown in solid lines in the representations excluding those features shown in broken lines.**



(21) Design Number: **10180/2008**

(22) Date of Filing Application: **15 January 2008**

(24) Date from which industrial property rights may have effect: **15 January 2008**

(54) Product in respect of which the design is registered: **Tractor**

(51) International Design Classification: **12-09**

(71) Name(s) and Address(s) of Applicant(s):

Yanmar Co., Ltd.

1-32 Chayamachi Kita-ku Osaka-shi Osaka 530-0013 Japan

(72) Name(s) of Designer(s): **Kunihiko Matsumoto and Toshikazu Matsubayashi and Naoki Yamamoto and Junko Shibaoka**

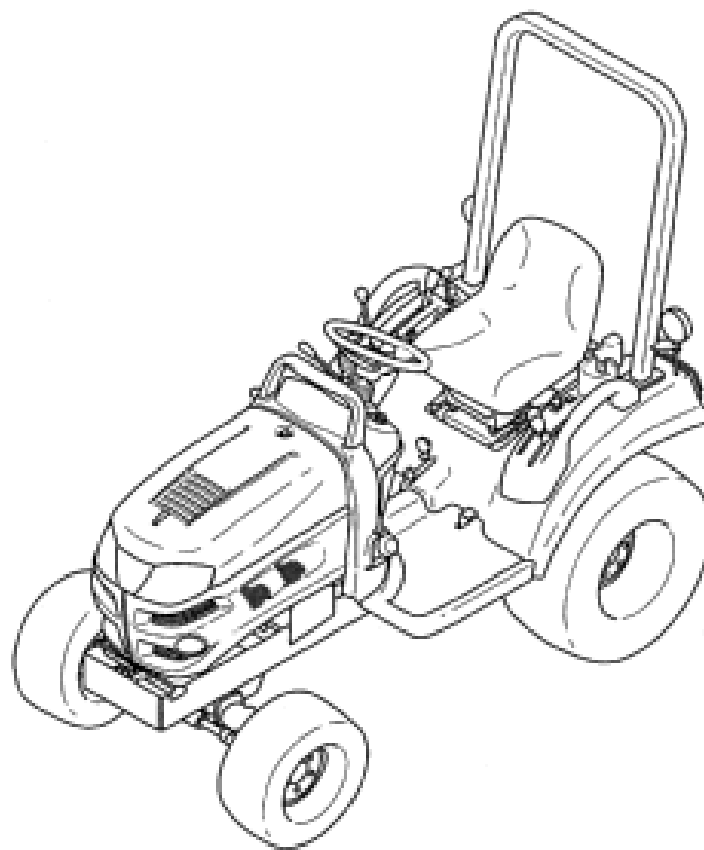
(45) Registration Date: **15 May 2008**

(30) Convention priority data:

(31) Number	(32) Date	(33) Country
2007-28829	19 Oct 2007	JAPAN

(56) Related Art Documents: **Not Applicable**

(57) Statement of Newness and Distinctiveness: **Newness and distinctiveness reside in the features of the design as shown in the representations.**



(21) Design Number: **10587/2008**

(22) Date of Filing Application: **13 February 2008**

(24) Date from which industrial property rights may have effect: **13 February 2008**

(54) Product in respect of which the design is registered: **Straight leg denim jean with scratches and whiskers - light wash**

(51) International Design Classification: **02-02C**

(71) Name(s) and Address(s) of Applicant(s):

Camara Clothing Pty Ltd

63 Victoria Crescent Abbotsford Victoria 3067 Australia

(72) Name(s) of Designer(s): **Carol Skoufis**

(45) Registration Date: **15 May 2008**

(56) Related Art Documents: **Not Applicable**

(57) Statement of Newness and Distinctiveness: **"CC" back pocket - binding construction. Sand blasting at back pockets and thighs. Whiskers at the front and scratches at the side front pocket, under back pocket and hem.**



- (21) Design Number: **10588/2008**
(22) Date of Filing Application: **13 February 2008**
(24) Date from which industrial property rights may have effect: **13 February 2008**
(54) Product in respect of which the design is registered: **Straight leg denim jean with sand blasting - dark wash**
(51) International Design Classification: **02-02C**
(71) Name(s) and Address(s) of Applicant(s):
Camara Clothing Pty Ltd
63 Victoria Crescent Abbotsford Victoria 3067 Australia
(72) Name(s) of Designer(s): **Carol Skoufis**
(45) Registration Date: **15 May 2008**
(56) Related Art Documents: **Not Applicable**
(57) Statement of Newness and Distinctiveness: **"CC" back pockets - binding construction. Sand blasting over back pockets and thigh grinding over front pocket and back pocket.**



- (21) Design Number: **10589/2008**
(22) Date of Filing Application: **13 February 2008**
(24) Date from which industrial property rights may have effect: **13 February 2008**
(54) Product in respect of which the design is registered: **Boot leg denim jean with sand blasting at the back pocket and thigh - mid wash**
(51) International Design Classification: **02-02C**
(71) Name(s) and Address(s) of Applicant(s):
Camara Clothing Pty Ltd
63 Victoria Crescent Abbotsford Victoria 3067 Australia
(72) Name(s) of Designer(s): **Carol Skoufis**
(45) Registration Date: **15 May 2008**
(56) Related Art Documents: **Not Applicable**
(57) Statement of Newness and Distinctiveness: **"CC" back pockets - binding construction. Sand blasting at the thigh and back pockets. Grinding at the front and back pocket and hem.**



(21) Design Number: **10590/2008**

(22) Date of Filing Application: **13 February 2008**

(24) Date from which industrial property rights may have effect: **13 February 2008**

(54) Product in respect of which the design is registered: **Bootleg denim jean with sand blasting at the thigh and back pocket - dark wash**

(51) International Design Classification: **02-02C**

(71) Name(s) and Address(s) of Applicant(s):

**Camara Clothing Pty Ltd
63 Victoria Crescent Abbotsford Victoria 3067 Australia**

(72) Name(s) of Designer(s): **Carol Skoufis**

(45) Registration Date: **15 May 2008**

(56) Related Art Documents: **Not Applicable**

(57) Statement of Newness and Distinctiveness: **"CC" back pockets - binding construction sand blasting at the thigh and back pockets grinding at the front pockets and hem.**



(21) Design Number: **10591/2008**

(22) Date of Filing Application: **13 February 2008**

(24) Date from which industrial property rights may have effect: **13 February 2008**

(54) Product in respect of which the design is registered: **Tapered leg denim jean with sand blasting grinding and scratches - dark blue wash**

(51) International Design Classification: **02-02C**

(71) Name(s) and Address(s) of Applicant(s):

**Camara Clothing Pty Ltd
63 Victoria Crescent Abbotsford Victoria 3067 Australia**

(72) Name(s) of Designer(s): **Carol Skoufis**

(45) Registration Date: **15 May 2008**

(56) Related Art Documents: **Not Applicable**

(57) Statement of Newness and Distinctiveness: **"CC" back pockets - binding construction sand blasting at the thigh and back pocket scratches at the thigh, knee, under back pocket and on back pocket. Grinding at front pocket and hem.**



(21) Design Number: **10592/2008**

(22) Date of Filing Application: **13 February 2008**

(24) Date from which industrial property rights may have effect: **13 February 2008**

(54) Product in respect of which the design is registered: **Tapered leg denim jean with sandblasting whiskers and scratches**

(51) International Design Classification: **02-02C**

(71) Name(s) and Address(s) of Applicant(s):

**Camara Clothing Pty Ltd
63 Victoria Crescent Abbotsford Victoria 3067 Australia**

(72) Name(s) of Designer(s): **Carol Skoufis**

(45) Registration Date: **15 May 2008**

(56) Related Art Documents: **Not Applicable**

(57) Statement of Newness and Distinctiveness: **"CC" back pockets - binding construction sand blasting at the thigh and back pockets whiskers at the front pockets and scratches at the thigh, knee, and below back pocket.**



(21) Design Number: **10593/2008**

(22) Date of Filing Application: **13 February 2008**

(24) Date from which industrial property rights may have effect: **13 February 2008**

(54) Product in respect of which the design is registered: **Tapered leg black denim jean with sand blasting and whiskers**

(51) International Design Classification: **02-02C**

(71) Name(s) and Address(s) of Applicant(s):

**Camara Clothing Pty Ltd
63 Victoria Crescent Abbotsford Victoria 3067 Australia**

(72) Name(s) of Designer(s): **Carol Skoufis**

(45) Registration Date: **15 May 2008**

(56) Related Art Documents: **Not Applicable**

(57) Statement of Newness and Distinctiveness: **"CC" back pockets - binding construction sand blasting on thighs and back pocket whiskers at the front. Grinding at front pockets, hem and binding on pockets.**



- (21) Design Number: **10594/2008**
(22) Date of Filing Application: **13 February 2008**
(24) Date from which industrial property rights may have effect: **13 February 2008**
(54) Product in respect of which the design is registered: **Straight leg denim jean with crystal transfer, sand blasting and whiskers - dark wash**
(51) International Design Classification: **02-02C**
(71) Name(s) and Address(s) of Applicant(s):
Camara Clothing Pty Ltd
63 Victoria Crescent Abbotsford Victoria 3067 Australia
(72) Name(s) of Designer(s): **Carol Skoufis**
(45) Registration Date: **15 May 2008**
(56) Related Art Documents: **Not Applicable**
(57) Statement of Newness and Distinctiveness: **"CC" crystal transfer sand blasting front thigh and back pockets whiskers at the inner leg.**



- (21) Design Number: **10595/2008**
(22) Date of Filing Application: **13 February 2008**
(24) Date from which industrial property rights may have effect: **13 February 2008**
(54) Product in respect of which the design is registered: **Tapered leg and high waisted denim jean with sand blasting whiskers - dark wash**
(51) International Design Classification: **02-02C**
(71) Name(s) and Address(s) of Applicant(s):
Camara Clothing Pty Ltd
63 Victoria Crescent Abbotsford Victoria 3067 Australia
(72) Name(s) of Designer(s): **Carol Skoufis**
(45) Registration Date: **15 May 2008**
(56) Related Art Documents: **Not Applicable**
(57) Statement of Newness and Distinctiveness: **"CC" back pocket - binding construction. Sandblasting front/back thigh. Whiskers at front pocket/under back pocket and hem at front/back.**



- (21) Design Number: **10596/2008**
(22) Date of Filing Application: **13 February 2008**
(24) Date from which industrial property rights may have effect: **13 February 2008**
(54) Product in respect of which the design is registered: **Tapered leg denim jean with sand blasting whiskers and gold stitch "cc" pockets - dark wash**
(51) International Design Classification: **02-02C**
(71) Name(s) and Address(s) of Applicant(s):
Camara Clothing Pty Ltd
63 Victoria Crescent Abbotsford Victoria 3067 Australia
(72) Name(s) of Designer(s): **Carol Skoufis**
(45) Registration Date: **15 May 2008**
(56) Related Art Documents: **Not Applicable**
(57) Statement of Newness and Distinctiveness: **"CC" gold thread stitching detail sand blasting at the front thigh and back thigh. Whiskers at inner leg/front pockets/hem.**



- (21) Design Number: **10597/2008**
(22) Date of Filing Application: **13 February 2008**
(24) Date from which industrial property rights may have effect: **13 February 2008**
(54) Product in respect of which the design is registered: **Straight leg denim jean with a rinse wash - raw denim**
(51) International Design Classification: **02-02C**
(71) Name(s) and Address(s) of Applicant(s):
Camara Clothing Pty Ltd
63 Victoria Crescent Abbotsford Victoria 3067 Australia
(72) Name(s) of Designer(s): **Carol Skoufis**
(45) Registration Date: **15 May 2008**
(56) Related Art Documents: **Not Applicable**
(57) Statement of Newness and Distinctiveness: **"CC" back pockets - binding construction.**



- (21) Design Number: **10598/2008**
(22) Date of Filing Application: **13 February 2008**
(24) Date from which industrial property rights may have effect: **13 February 2008**
(54) Product in respect of which the design is registered: **Tapered leg denim jean with sand blasting and grinding at front pocket/hem - dark wash**
(51) International Design Classification: **02-02C**
(71) Name(s) and Address(s) of Applicant(s):
Camara Clothing Pty Ltd
63 Victoria Crescent Abbotsford Victoria 3067 Australia
(72) Name(s) of Designer(s): **Carol Skoufis**
(45) Registration Date: **15 May 2008**
(56) Related Art Documents: **Not Applicable**
(57) Statement of Newness and Distinctiveness: **"CC" back pockets - binding construction. Sand blasting at thigh and back pockets grinding at front pockets and hem.**



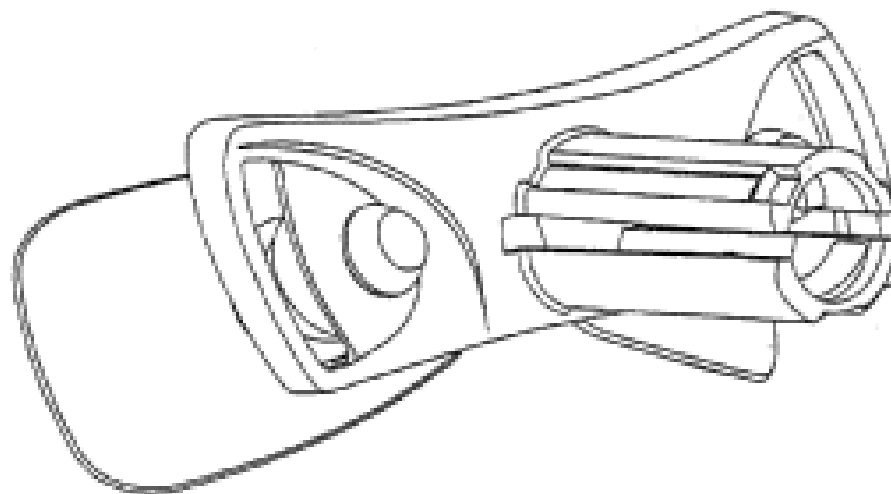
- (21) Design Number: **10599/2008**
(22) Date of Filing Application: **13 February 2008**
(24) Date from which industrial property rights may have effect: **13 February 2008**
(54) Product in respect of which the design is registered: **Tapered leg denim jean with sandblasting, creases, scratching and grinding -laser wash**
(51) International Design Classification: **02-02C**
(71) Name(s) and Address(s) of Applicant(s):
Camara Clothing Pty Ltd
63 Victoria Crescent Abbotsford Victoria 3067 Australia
(72) Name(s) of Designer(s): **Carol Skoufis**
(45) Registration Date: **15 May 2008**
(56) Related Art Documents: **Not Applicable**
(57) Statement of Newness and Distinctiveness: **"CC" back pockets - binding construction. Creases under front pockets. Scratches at upper thigh/back pockets. Grinding at front pockets and hem.**



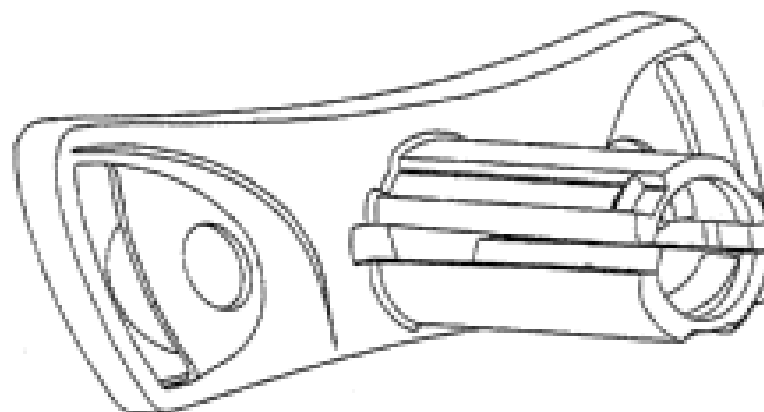
- (21) Design Number: **10600/2008**
(22) Date of Filing Application: **13 February 2008**
(24) Date from which industrial property rights may have effect: **13 February 2008**
(54) Product in respect of which the design is registered: **Bootleg denim jean with sandblasting, whiskers and gold thread pocket design**
(51) International Design Classification: **02-02C**
(71) Name(s) and Address(s) of Applicant(s):
Camara Clothing Pty Ltd
63 Victoria Crescent Abbotsford Victoria 3067 Australia
(72) Name(s) of Designer(s): **Carol Skoufis**
(45) Registration Date: **15 May 2008**
(56) Related Art Documents: **Not Applicable**
(57) Statement of Newness and Distinctiveness: **"CC" gold thread stitching detail sand blasting at the thigh and back pocket. Whiskers at the front pocket, inner leg and hem.**



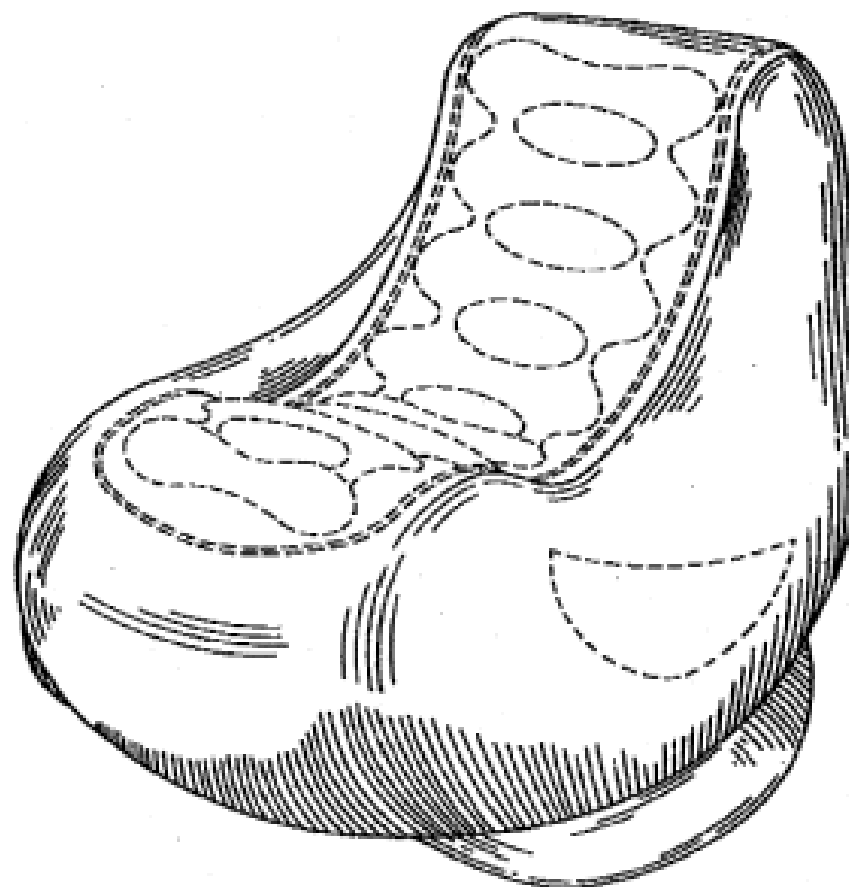
- (21) Design Number: **20699/2007**
(22) Date of Filing Application: **09 November 2007**
(24) Date from which industrial property rights may have effect: **09 November 2007**
(54) Product in respect of which the design is registered: **Respiratory mask forehead support and pad assembly**
(51) International Design Classification: **24-01**
(71) Name(s) and Address(s) of Applicant(s):
ResMed Ltd
1 Elizabeth Macarthur Drive Bella Vista New South Wales 2153 Australia
(72) Name(s) of Designer(s): **Angelene Marie Ozolins and Aaron Samuel Davidson**
(45) Registration Date: **15 May 2008**
(30) Convention priority data:
(31) Number (32) Date (33) Country
29/274635 10 May 2007 UNITED STATES OF AMERICA
(56) Related Art Documents: **Not Applicable**
(57) Statement of Newness and Distinctiveness: **Nil**



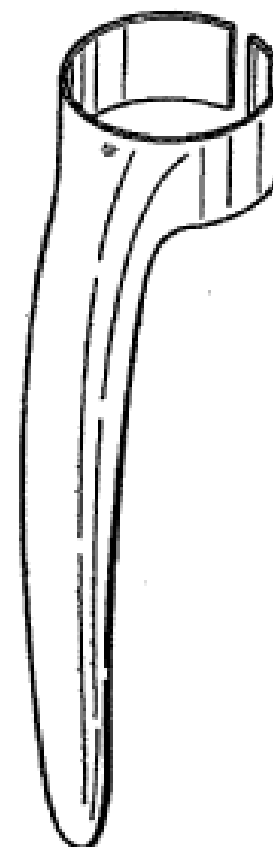
- (21) Design Number: **20700/2007**
(22) Date of Filing Application: **09 November 2007**
(24) Date from which industrial property rights may have effect: **09 November 2007**
(54) Product in respect of which the design is registered: **Respiratory mask forehead support**
(51) International Design Classification: **24-01**
(71) Name(s) and Address(s) of Applicant(s):
ResMed Ltd
1 Elizabeth Macarthur Drive Bella Vista New South Wales 2153
Australia
(72) Name(s) of Designer(s): **Angelene Marie Ozolins and Aaron Samuel Davidson**
(45) Registration Date: **15 May 2008**
(30) Convention priority data:
(31) Number (32) Date (33) Country
29/274635 10 May 2007 UNITED STATES OF AMERICA
(56) Related Art Documents: **Not Applicable**
(57) Statement of Newness and Distinctiveness: **Nil**



- (21) Design Number: **20372/2007**
(22) Date of Filing Application: **22 October 2007**
(24) Date from which industrial property rights may have effect: **22 October 2007**
(54) Product in respect of which the design is registered: **Inflatable chair**
(51) International Design Classification: **06-01L**
(71) Name(s) and Address(s) of Applicant(s):
Aero Products International, Inc.
1834 Walden Office Square, Third floor, Schaumburg, Illinois, 60173
United States of America
(72) Name(s) of Designer(s): **Tim Austen and Brian Coleman and Michael Prince and Vincent Wen**
(45) Registration Date: **19 May 2008**
(30) Convention priority data:
(31) Number (32) Date (33) Country
29/286265 30 Apr 2007 UNITED STATES OF AMERICA
(56) Related Art Documents: **Not Applicable**
(57) Statement of Newness and Distinctiveness: **Newness and distinctiveness is claimed in the visual features shown in solid lines in the representations. The broken lines in the drawings are for illustrative purposes and do not form part of the design.**



- (21) Design Number: **20430/2007**
(22) Date of Filing Application: **25 October 2007**
(24) Date from which industrial property rights may have effect: **25 October 2007**
(54) Product in respect of which the design is registered: **Clip and grip for a writing instrument**
(51) International Design Classification: **19-06**
(71) Name(s) and Address(s) of Applicant(s):
Sanford, L.P.
2707 Butterfield Road Oak Brook IL 60523 United States of America
(72) Name(s) of Designer(s): **Matthew J. Gerules and Frank J. Peterson**
(45) Registration Date: **19 May 2008**
(30) Convention priority data:
(31) Number (32) Date (33) Country
29/286,180 26 Apr 2007 UNITED STATES OF AMERICA
(56) Related Art Documents: **Not Applicable**
(57) Statement of Newness and Distinctiveness: **Nil**



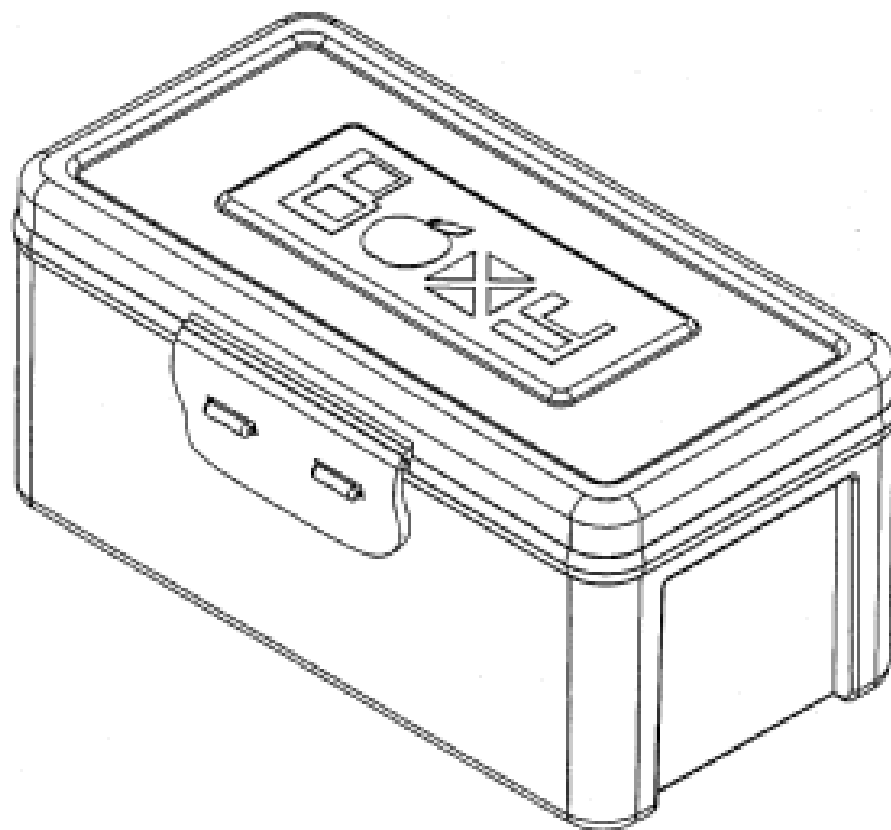
- (21) Design Number: **11720/2008**
(22) Date of Filing Application: **25 October 2007**
(24) Date from which industrial property rights may have effect: **25 October 2007**
(54) Product in respect of which the design is registered: **Clip and grip for a writing instrument**
(51) International Design Classification: **19-06**
(71) Name(s) and Address(s) of Applicant(s):
Sanford, L.P.
2707 Butterfield Road Oak Brook IL 60523 United States of America
(72) Name(s) of Designer(s): **Matthew J. Gerules and Frank J. Peterson**
(45) Registration Date: **19 May 2008**
(30) Convention priority data:
(31) Number (32) Date (33) Country
29/286,180 26 Apr 2007 UNITED STATES OF AMERICA
(56) Related Art Documents: **Not Applicable**
(57) Statement of Newness and Distinctiveness: **The newness and distinctiveness of the design resides in the features of shape, configuration, pattern and/or ornamentation of the clip and grip for a writing instrument shown in the accompanying representations, in considering the newness and distinctiveness of the design no consideration should be given to the features shown in dashed outline as they are for illustrative purposes and form no part of the design.**



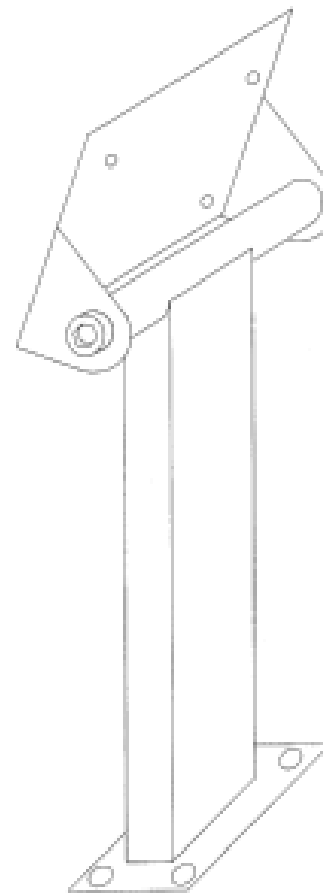
- (21) Design Number: **11721/2008**
(22) Date of Filing Application: **25 October 2007**
(24) Date from which industrial property rights may have effect: **25 October 2007**
(54) Product in respect of which the design is registered: **Clip and grip for a writing instrument**
(51) International Design Classification: **19-06**
(71) Name(s) and Address(s) of Applicant(s):
Sanford, L.P.
2707 Butterfield Road Oak Brook IL 60523 United States of America
(72) Name(s) of Designer(s): **Matthew J. Gerules and Frank J. Peterson**
(45) Registration Date: **19 May 2008**
(30) Convention priority data:
(31) Number (32) Date (33) Country
29/286,180 26 Apr 2007 UNITED STATES OF AMERICA
(56) Related Art Documents: **Not Applicable**
(57) Statement of Newness and Distinctiveness: **The newness and distinctiveness of the design resides in the features of shape, configuration, pattern and/or ornamentation of the clip and grip for a writing instrument shown in the accompanying representations, in considering the newness and distinctiveness of the design no consideration should be given to the features shown in dashed outline as they are for illustrative purposes and form no part of the design.**



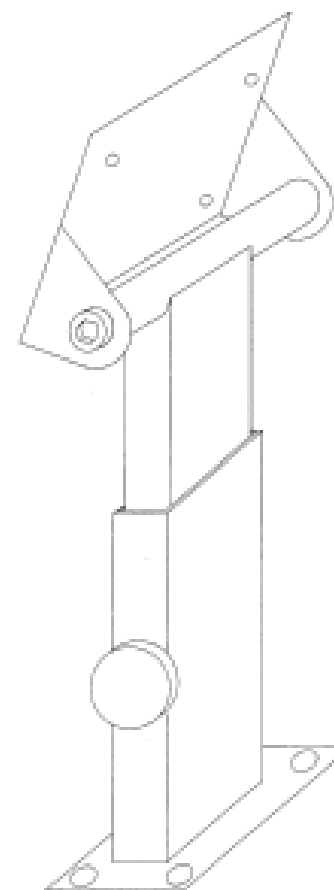
- (21) Design Number: **20241/2007**
(22) Date of Filing Application: **16 October 2007**
(24) Date from which industrial property rights may have effect: **16 October 2007**
(54) Product in respect of which the design is registered: **Lunch box**
(51) International Design Classification: **07-01NES**
(71) Name(s) and Address(s) of Applicant(s):
Boxy Design Pty Ltd
94 Wellington Street Richmond Victoria 3121 Australia
(72) Name(s) of Designer(s): **Kathryn Seelen**
(45) Registration Date: **19 May 2008**
(56) Related Art Documents: **Not Applicable**
(57) Statement of Newness and Distinctiveness: **This lunch box is new and distinctive by its airtightness, therefore no need for wrappers. It's two liquid spill proof removable containers. It's designed to fit whole fruit.**



- (21) Design Number: **20397/2007**
(22) Date of Filing Application: **23 October 2007**
(24) Date from which industrial property rights may have effect: **23 October 2007**
(54) Product in respect of which the design is registered: **A support stand**
(51) International Design Classification: **08-08NES**
(71) Name(s) and Address(s) of Applicant(s):
Linear Systems International Pty Ltd
Suite 6 272 Pacific Highway New South Wales 2065 Australia
(72) Name(s) of Designer(s): **John Hodges**
(45) Registration Date: **19 May 2008**
(56) Related Art Documents: **Not Applicable**
(57) Statement of Newness and Distinctiveness: **The particular visual features of the design which the applicant hereby identifies as new and distinctive are as follows: a support stand article as illustrated in the accompanying drawings.**



- (21) Design Number: **11750/2008**
(22) Date of Filing Application: **23 October 2007**
(24) Date from which industrial property rights may have effect: **23 October 2007**
(54) Product in respect of which the design is registered: **A support stand**
(51) International Design Classification: **08-08NES**
(71) Name(s) and Address(s) of Applicant(s):
Linear Systems International Pty Ltd
Suite 6 272 Pacific Highway New South Wales 2065 Australia
(72) Name(s) of Designer(s): **John Hodges**
(45) Registration Date: **19 May 2008**
(56) Related Art Documents: **Not Applicable**
(57) Statement of Newness and Distinctiveness: **The particular visual features of the design which the applicant hereby identifies as new and distinctiveness are as follows: a support stand article as illustrated in the accompanying drawings.**



- (21) Design Number: **20448/2007**
- (22) Date of Filing Application: **26 October 2007**
- (24) Date from which industrial property rights may have effect: **26 October 2007**
- (54) Product in respect of which the design is registered: **Castor**
- (51) International Design Classification: **06-06C**
- (71) Name(s) and Address(s) of Applicant(s):

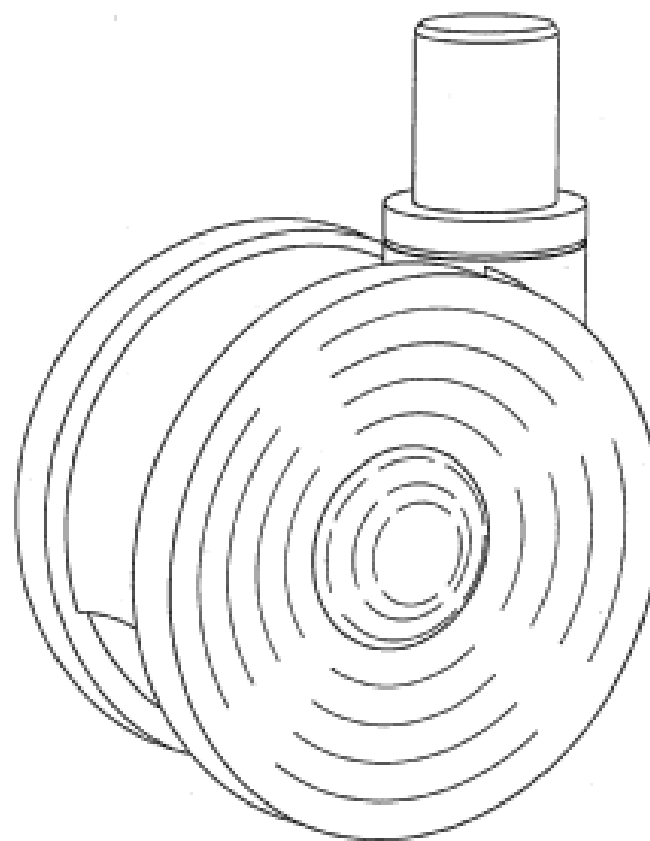
Tente GmbH & Co. KG
Herrlinghausen 75, 42929 Wermelskirchen, Germany

- (72) Name(s) of Designer(s): **Winfried Venne and Gabriele Graffunder**
- (45) Registration Date: **19 May 2008**

(30) Convention priority data:

(31) Number	(32) Date	(33) Country
40702754.8	22 May 2007	GERMANY

- (56) Related Art Documents: **Not Applicable**
- (57) Statement of Newness and Distinctiveness: **Those features of the castor depicted in the representations that are new and distinctive are the shape and/or configuration.**



- (21) Design Number: **11278/2008**
- (22) Date of Filing Application: **26 October 2007**
- (24) Date from which industrial property rights may have effect: **26 October 2007**
- (54) Product in respect of which the design is registered: **Castor**
- (51) International Design Classification: **06-06C**
- (71) Name(s) and Address(s) of Applicant(s):

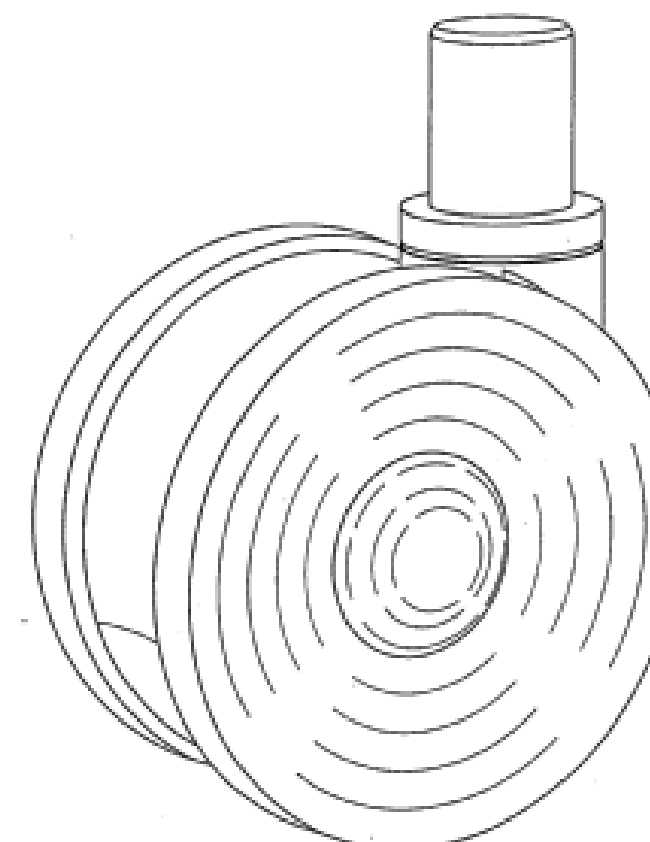
Tente GmbH & Co. KG
Herrlinghausen 75 42929 Wermelskirchen Germany

- (72) Name(s) of Designer(s): **Gabriele Graffunder and Winfried Venne**
- (45) Registration Date: **19 May 2008**

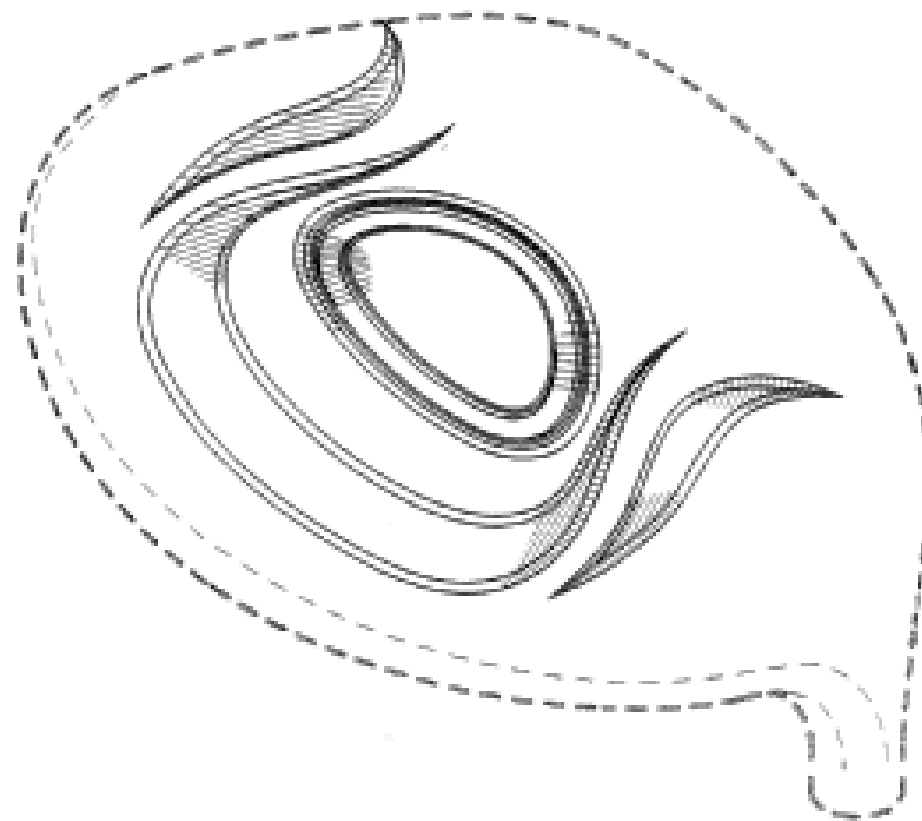
(30) Convention priority data:

(31) Number	(32) Date	(33) Country
40702754.8	22 May 2007	GERMANY

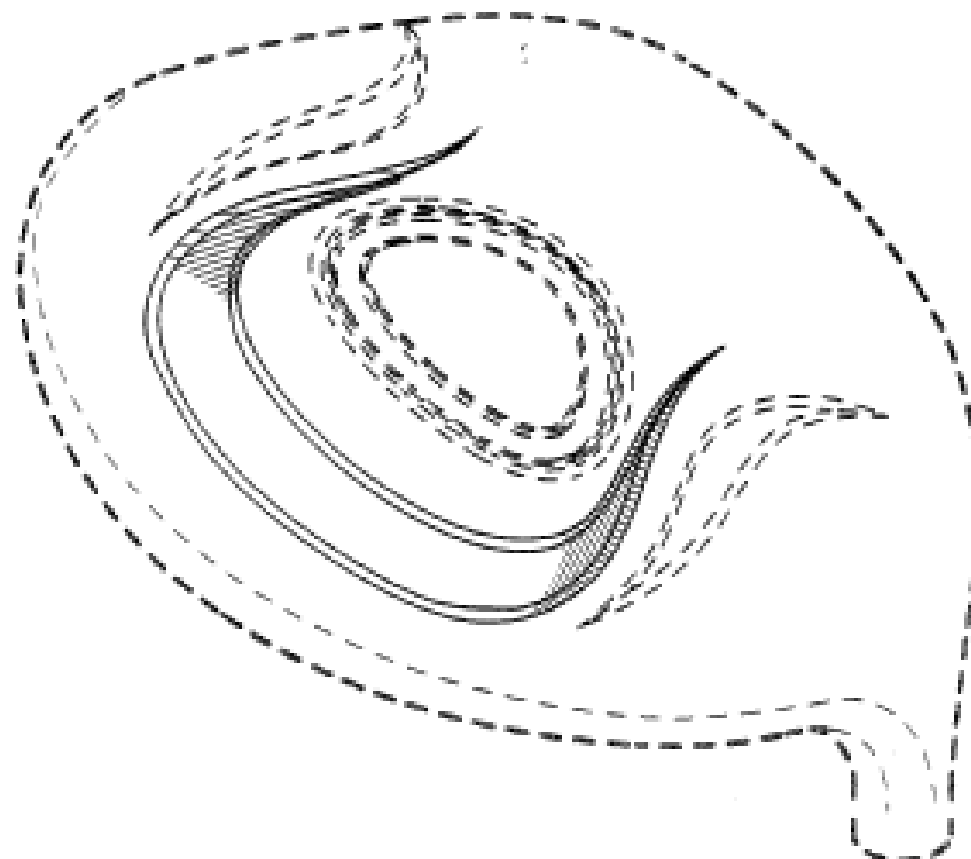
- (56) Related Art Documents: **Not Applicable**
- (57) Statement of Newness and Distinctiveness: **Those features of the castor depicted in the representations that are new and distinctive are the shape and/or configuration.**



(21) Design Number: **21064/2007**
(22) Date of Filing Application: **30 November 2007**
(24) Date from which industrial property rights may have effect: **30 November 2007**
(54) Product in respect of which the design is registered: **Configuration for a golf club head**
(51) International Design Classification: **21-02C**
(71) Name(s) and Address(s) of Applicant(s):
Karsten Manufacturing Corporation
2201 West Desert Cove Phoenix Arizona 85029 United States of America
(72) Name(s) of Designer(s): **Xiaojian Chen and Anthony D. Serrano**
(45) Registration Date: **19 May 2008**
(30) Convention priority data:
(31) Number (32) Date (33) Country
29/282178 12 Jul 2007 UNITED STATES OF AMERICA
(56) Related Art Documents: **Not Applicable**
(57) Statement of Newness and Distinctiveness: **Newness and distinctiveness is claimed in the visual features shown in solid lines in the representations.**



(21) Design Number: **11778/2008**
(22) Date of Filing Application: **30 November 2007**
(24) Date from which industrial property rights may have effect: **30 November 2007**
(54) Product in respect of which the design is registered: **Configuration for a golf club head**
(51) International Design Classification: **21-02C**
(71) Name(s) and Address(s) of Applicant(s):
Karsten Manufacturing Corporation
2201 West Desert Cove Phoenix Arizona 85029 United States of America
(72) Name(s) of Designer(s): **Xiaojian Chen and Anthony D. Serrano**
(45) Registration Date: **19 May 2008**
(30) Convention priority data:
(31) Number (32) Date (33) Country
29/282178 12 Jul 2007 UNITED STATES OF AMERICA
(62) Divisional of: **319277**
(56) Related Art Documents: **Not Applicable**
(57) Statement of Newness and Distinctiveness: **Newness and distinctiveness is claimed in the visual features shown in solid lines in the representations.**



(21) Design Number: **10162/2008**

(22) Date of Filing Application: **14 January 2008**

(24) Date from which industrial property rights may have effect: **14 January 2008**

(54) Product in respect of which the design is registered: **Closure**

(51) International Design Classification: **09-07A**

(71) Name(s) and Address(s) of Applicant(s):

**Seaquist-Loffler Kunststoffwerk GmbH
Lofflerstrasse 1 94078 Freyung Germany**

(72) Name(s) of Designer(s): **Bernd Zupan**

(45) Registration Date: **15 May 2008**

(30) Convention priority data:

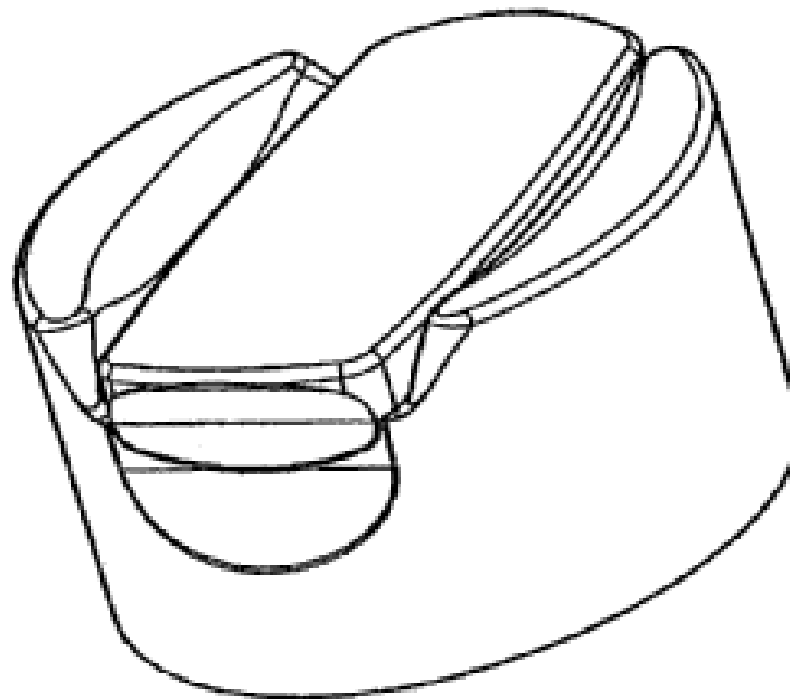
(31) Number
000758727

(32) Date
16 Jul 2007

(33) Country
**EUROPEAN PATENT OFFICE
(EPO)**

(56) Related Art Documents: **Not Applicable**

(57) Statement of Newness and Distinctiveness: **Newness and distinctiveness reside in the features of the design as shown in the representations.**



(21) Design Number: **10163/2008**

(22) Date of Filing Application: **14 January 2008**

(24) Date from which industrial property rights may have effect: **14 January 2008**

(54) Product in respect of which the design is registered: **Closure**

(51) International Design Classification: **09-07A**

(71) Name(s) and Address(s) of Applicant(s):

**Seaquist-Loffler Kunststoffwerk GmbH
Lofflerstrasse 1 94078 Freyung Germany**

(72) Name(s) of Designer(s): **Bernd Zupan**

(45) Registration Date: **15 May 2008**

(30) Convention priority data:

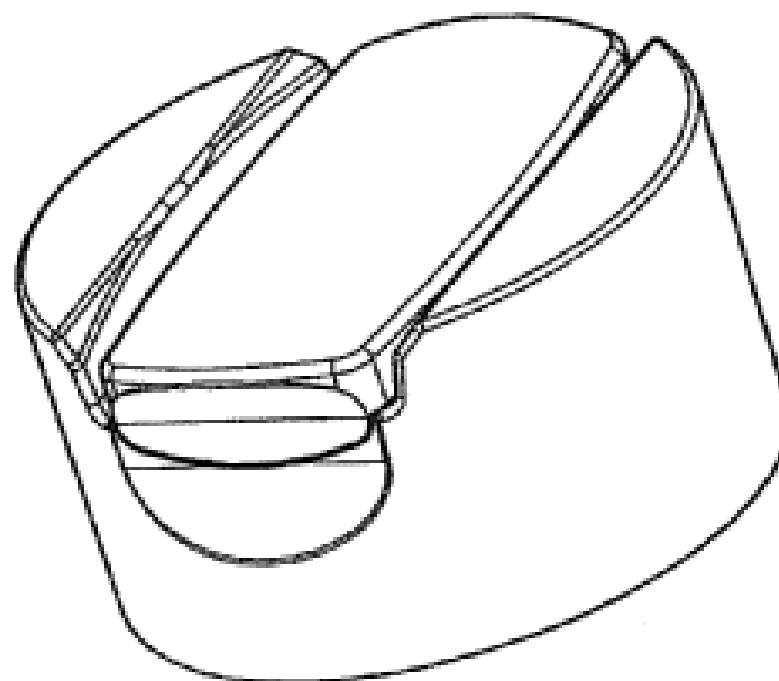
(31) Number
000758727

(32) Date
16 Jul 2007

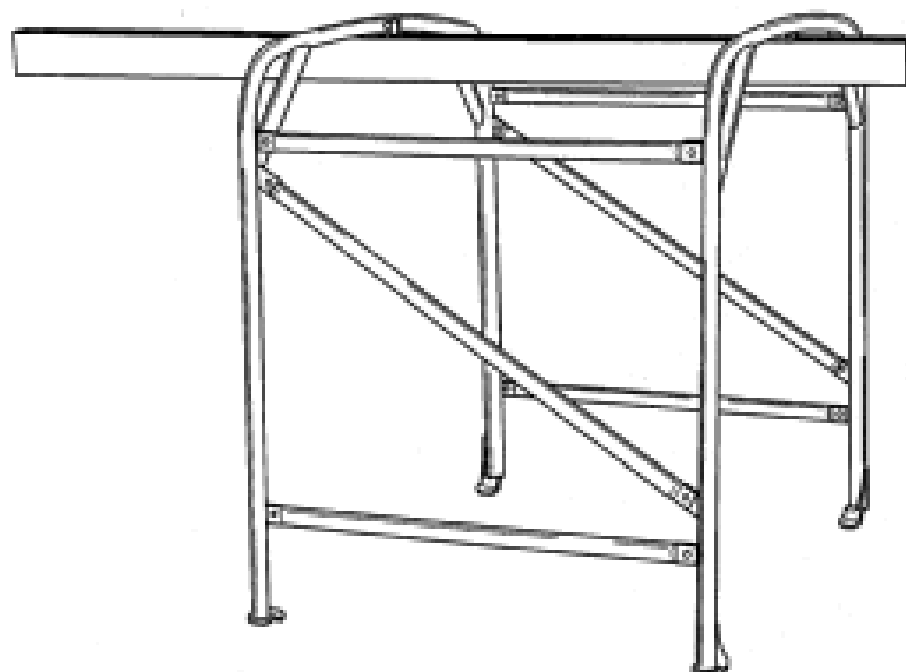
(33) Country
**EUROPEAN PATENT OFFICE
(EPO)**

(56) Related Art Documents: **Not Applicable**

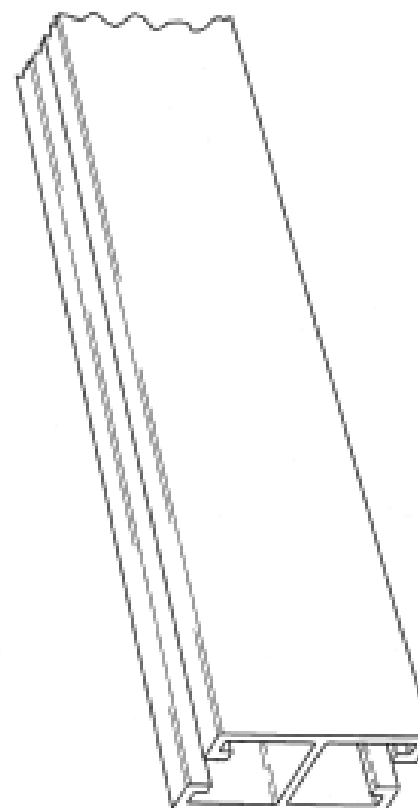
(57) Statement of Newness and Distinctiveness: **Newness and distinctiveness reside in the features of the design as shown in the representations.**



- (21) Design Number: **10182/2008**
(22) Date of Filing Application: **16 January 2008**
(24) Date from which industrial property rights may have effect: **16 January 2008**
(54) Product in respect of which the design is registered: **Vehicle roll cage and loading boom**
(51) International Design Classification: **12-16C**
(71) Name(s) and Address(s) of Applicant(s):
PTD Pty Ltd
98 Plover Drive Yangebup Western Australia 6164 Australia
(72) Name(s) of Designer(s): **Peter John Stagg**
(45) Registration Date: **15 May 2008**
(56) Related Art Documents: **Not Applicable**
(57) Statement of Newness and Distinctiveness: **Nil**



- (21) Design Number: **10183/2008**
(22) Date of Filing Application: **16 January 2008**
(24) Date from which industrial property rights may have effect: **16 January 2008**
(54) Product in respect of which the design is registered: **Extrusion**
(51) International Design Classification: **25-01K**
(71) Name(s) and Address(s) of Applicant(s):
PTD Pty Ltd
98 Plover Drive Yangebup Western Australia 6164 Australia
(72) Name(s) of Designer(s): **Peter John Stagg**
(45) Registration Date: **15 May 2008**
(56) Related Art Documents: **Not Applicable**
(57) Statement of Newness and Distinctiveness: **Nil**



(21) Design Number: **10184/2008**

(22) Date of Filing Application: **16 January 2008**

(24) Date from which industrial property rights may have effect: **16 January 2008**

(54) Product in respect of which the design is registered: **Condiment mill**

(51) International Design Classification: **07-06C**

(71) Name(s) and Address(s) of Applicant(s):

Dart Industries Inc

14901 S. Orange Blossom Trail Orlando Florida 32837 United States of America

(72) Name(s) of Designer(s): **Jan-Hendrik de Groot**

(45) Registration Date: **15 May 2008**

(30) Convention priority data:

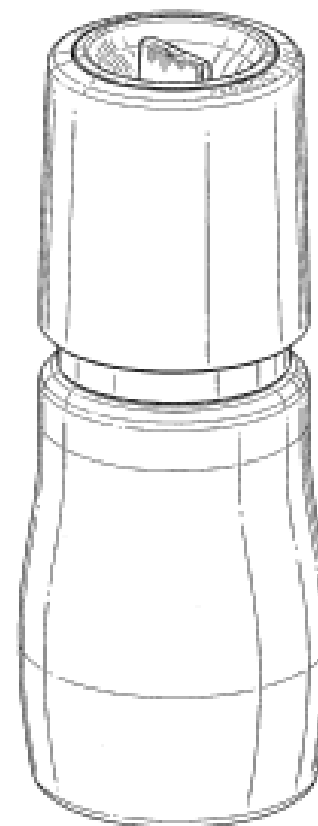
(31) Number
29/287,566

(32) Date
23 Aug 2007

(33) Country
UNITED STATES OF AMERICA

(56) Related Art Documents: **Not Applicable**

(57) Statement of Newness and Distinctiveness: **Those features of the condiment mill depicted in the representations that are new and distinctive are the shape and/or configuration.**



(21) Design Number: **10187/2008**

(22) Date of Filing Application: **16 January 2008**

(24) Date from which industrial property rights may have effect: **16 January 2008**

(54) Product in respect of which the design is registered: **A feed inlet for a hydrocyclone**

(51) International Design Classification: **15-99**

(71) Name(s) and Address(s) of Applicant(s):

Ludowici Technologies Pty Ltd

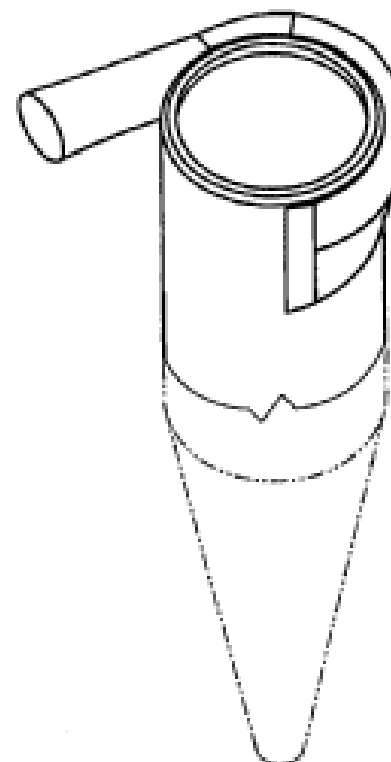
67 Randle Road Pinkenba Queensland 4008 Australia

(72) Name(s) of Designer(s): **Maurice Ross Munro**

(45) Registration Date: **15 May 2008**

(56) Related Art Documents: **Not Applicable**

(57) Statement of Newness and Distinctiveness: **The newness and distinctiveness of the design resides in the shape and/or configuration of a feed inlet for a hydrocyclone shown in the representations.**



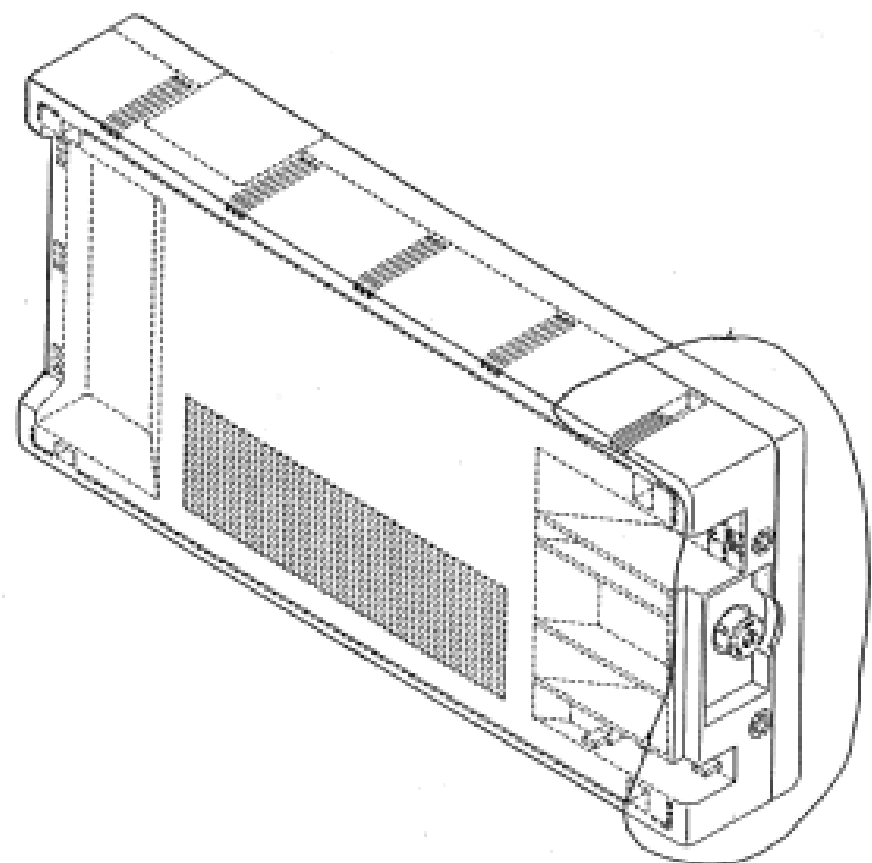
- (21) Design Number: **10188/2008**
(22) Date of Filing Application: **16 January 2008**
(24) Date from which industrial property rights may have effect: **16 January 2008**
(54) Product in respect of which the design is registered: **Ice cream packaging**
(51) International Design Classification: **09-03M**
(71) Name(s) and Address(s) of Applicant(s):
Binggrae Co. Ltd
#334-3 Dongong-Dong Namyangju-Si Kyeonggi-Do Republic of Korea
(72) Name(s) of Designer(s): **Sa Kyung Ham**
(45) Registration Date: **15 May 2008**
(56) Related Art Documents: **Not Applicable**
(57) Statement of Newness and Distinctiveness: **Nil**



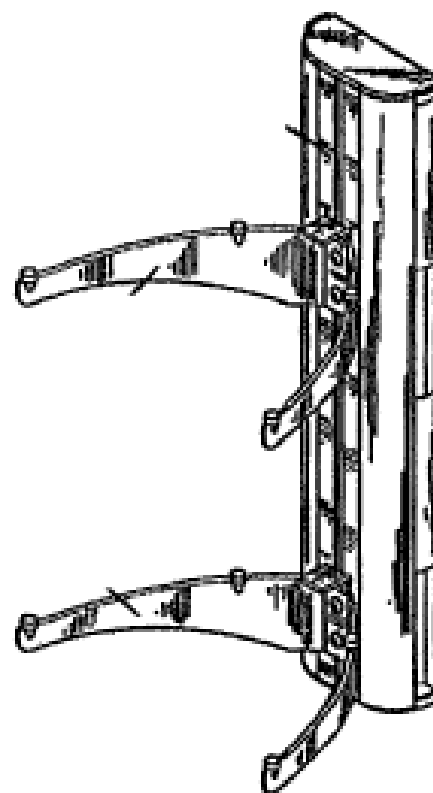
- (21) Design Number: **10198/2008**
(22) Date of Filing Application: **17 January 2008**
(24) Date from which industrial property rights may have effect: **17 January 2008**
(54) Product in respect of which the design is registered: **Ink cartridge**
(51) International Design Classification: **14-02**
(71) Name(s) and Address(s) of Applicant(s):
Seiko Epson Corporation
4-1 Nishishinjuku 2-chome Shinjuku-ku Tokyo 163-0811 Japan
(72) Name(s) of Designer(s): **Hitoshi Matsumoto**
(45) Registration Date: **15 May 2008**
(30) Convention priority data:

(31) Number	(32) Date	(33) Country
2007-032509	27 Nov 2007	JAPAN

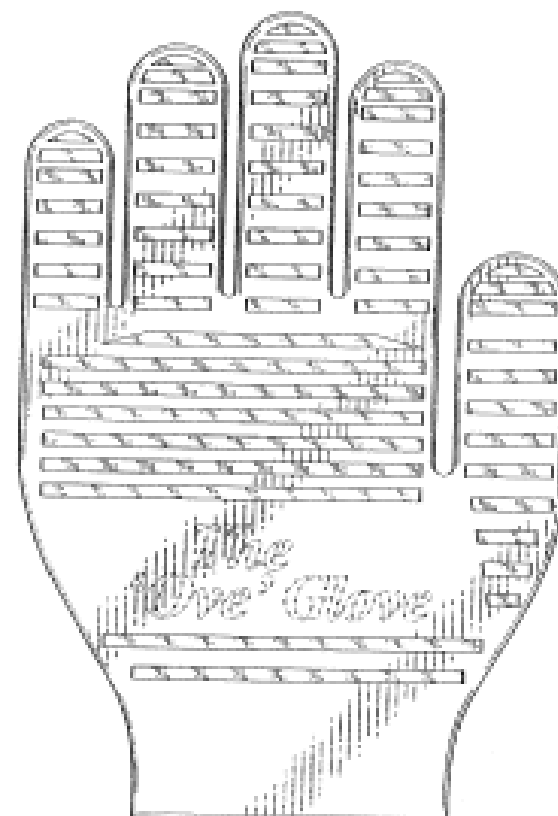
(56) Related Art Documents: **Not Applicable**
(57) Statement of Newness and Distinctiveness: **Newness and distinctiveness is claimed in those features of shape and/or configuration of an ink cartridge as illustrated in continuous lines and labelled "A" in the accompanying representations.**



(21) Design Number: **10199/2008**
 (22) Date of Filing Application: **17 January 2008**
 (24) Date from which industrial property rights may have effect: **17 January 2008**
 (54) Product in respect of which the design is registered: **Wall mountable shelf unit for electronic equipment**
 (51) International Design Classification: **06-04NES**
 (71) Name(s) and Address(s) of Applicant(s):
CSAV, Inc.
8401 Eagle Creek Parkway Savage Minnesota 55378 United States of America
 (72) Name(s) of Designer(s): **Scott Russell and Dominic Grey and Jim Wohlford**
 (45) Registration Date: **15 May 2008**
 (30) Convention priority data:
 (31) Number (32) Date (33) Country
29/282348 17 Jul 2007 UNITED STATES OF AMERICA
 (56) Related Art Documents: **Not Applicable**
 (57) Statement of Newness and Distinctiveness: **Newness and distinctiveness is claimed in the features of shape and/or configuration of the following parts of a wall mountable shelf unit for electronic equipment as illustrated in continuous lines and as labelled in the accompanying representations: shelf support labelled "A"; and wall support column labelled "B".**



(21) Design Number: **10200/2008**
 (22) Date of Filing Application: **17 January 2008**
 (24) Date from which industrial property rights may have effect: **17 January 2008**
 (54) Product in respect of which the design is registered: **A glove**
 (51) International Design Classification: **02-06**
 (71) Name(s) and Address(s) of Applicant(s):
Winds of Trade, LLC
3763 Howard Hughes Parkway Hughes Center Suite 170-A Las Vegas Nevada 89109 United States of America
 (72) Name(s) of Designer(s): **Jean-Camille Raymond**
 (45) Registration Date: **15 May 2008**
 (30) Convention priority data:
 (31) Number (32) Date (33) Country
29/282340 17 Jul 2007 UNITED STATES OF AMERICA
 (56) Related Art Documents: **Not Applicable**
 (57) Statement of Newness and Distinctiveness: **Newness and distinctiveness is claimed in those features of shape and/or configuration and pattern and/or ornamentation of a glove illustrated in continuous lines in the accompanying representations.**



(19) AU

(21) Design Number: 10201/2008

(22) Date of Filing Application: 17 January 2008

(24) Date from which industrial property rights may have effect: 17 January 2008

(54) Product in respect of which the design is registered: A glove

(51) International Design Classification: 02-06

(71) Name(s) and Address(s) of Applicant(s):

Winds of Trade, LLC
3763 Howard Hughes Parkway Hughes Center Suite 170-A Las Vegas
Nevada 89109 United States of America

(72) Name(s) of Designer(s): Jean-Camille Raymond

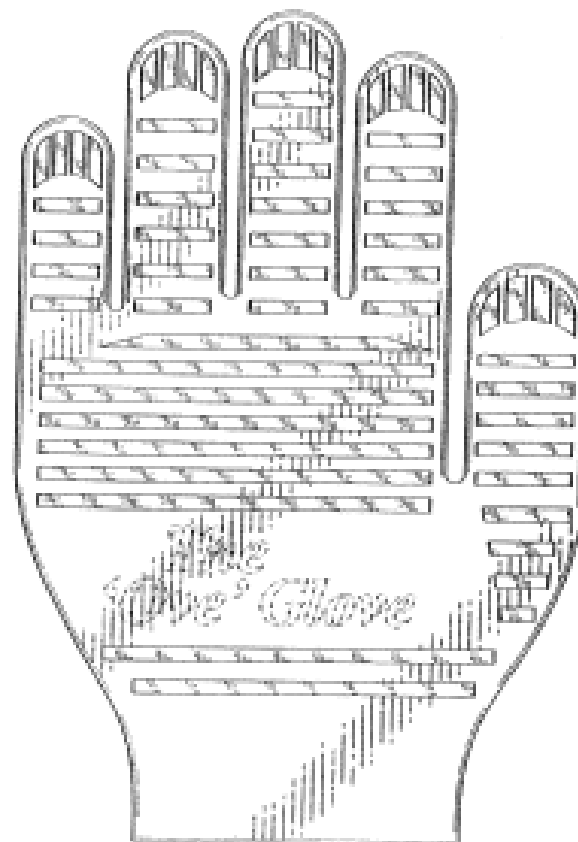
(45) Registration Date: 15 May 2008

(30) Convention priority data:

(31) Number	(32) Date	(33) Country
29/282340	17 Jul 2007	UNITED STATES OF AMERICA

(56) Related Art Documents: Not Applicable

(57) Statement of Newness and Distinctiveness: **Newness and distinctiveness is claimed in those features of shape and/or configuration and pattern and/or ornamentation of a glove illustrated in continuous lines in the accompanying representations.**



(19) AU

(21) Design Number: 21365/2007

(22) Date of Filing Application: 14 December 2007

(24) Date from which industrial property rights may have effect: 14 December 2007

(54) Product in respect of which the design is registered: A motor vehicle and a model vehicle

(51) International Design Classification: 21-01C

(71) Name(s) and Address(s) of Applicant(s):

GM Global Technology Operations, Inc
300 Renaissance Center Detroit Michigan 48265-3000 United States of
America

(72) Name(s) of Designer(s): Antony Stolfo

(45) Registration Date: 15 May 2008

(56) Related Art Documents: Not Applicable

(57) Statement of Newness and Distinctiveness: **Newness and distinctiveness is claimed in the pattern or ornamentation of a motor vehicle and a model vehicle as shown in the representations.**

MOTOR VEHICLE



MODEL VEHICLE



- (21) Design Number: **21366/2007**
- (22) Date of Filing Application: **14 December 2007**
- (24) Date from which industrial property rights may have effect: **14 December 2007**
- (54) Product in respect of which the design is registered: **A motor vehicle and a model vehicle**
- (51) International Design Classification: **21-01C**
- (71) Name(s) and Address(s) of Applicant(s):
GM Global Technology Operations, Inc
300 Renaissance Center Detroit Michigan 48265-3000 United States of America
- (72) Name(s) of Designer(s): **Antony Stolfo**
- (45) Registration Date: **15 May 2008**
- (56) Related Art Documents: **Not Applicable**
- (57) Statement of Newness and Distinctiveness: **Newness and distinctiveness is claimed in the pattern or ornamentation of a motor vehicle and a model vehicle as shown in the representations.**

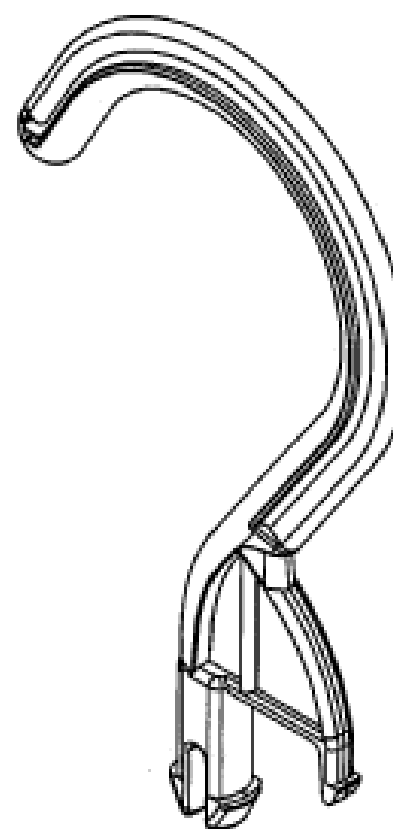
MOTOR VEHICLE



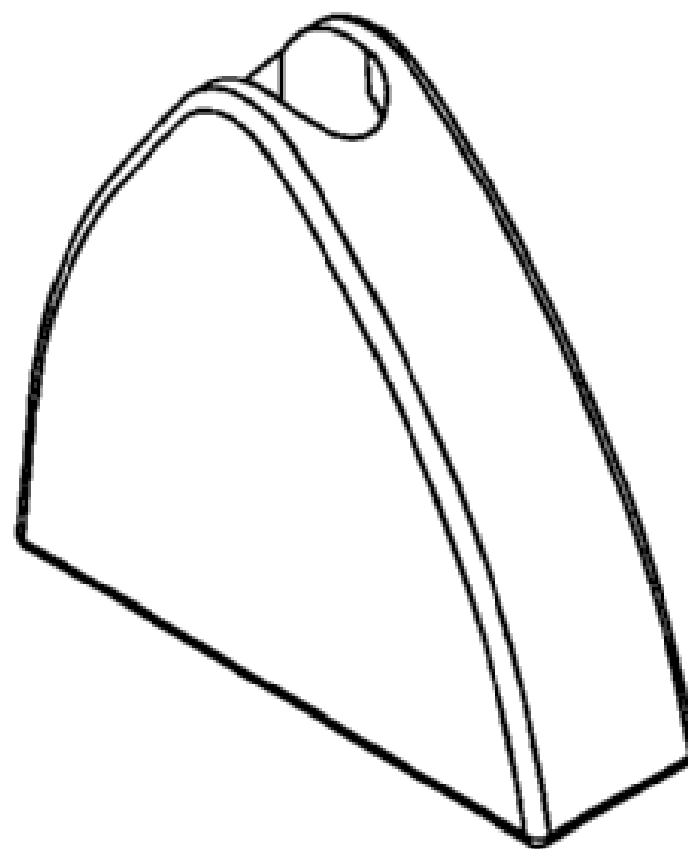
MODEL VEHICLE



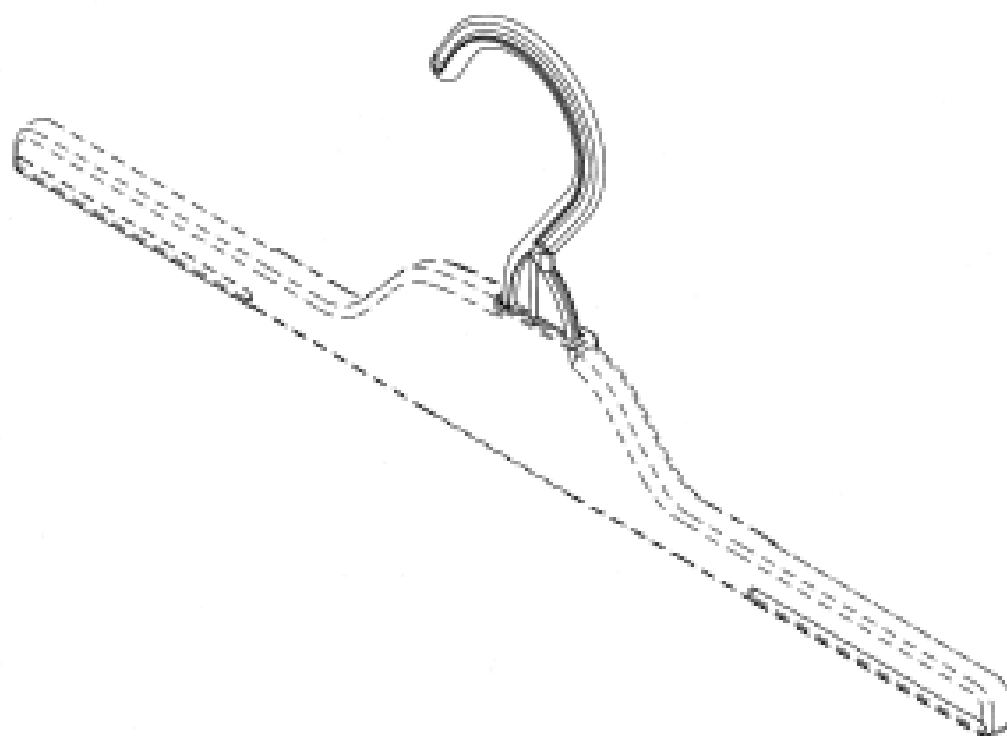
- (21) Design Number: **18818/2007**
- (22) Date of Filing Application: **11 July 2007**
- (24) Date from which industrial property rights may have effect: **11 July 2007**
- (54) Product in respect of which the design is registered: **Garment hanger hook**
- (51) International Design Classification: **06-08**
- (71) Name(s) and Address(s) of Applicant(s):
TIC Group Pty Ltd
214-228 Blackshaws Road Altona North Victoria 3025 Australia
- (72) Name(s) of Designer(s): **Mario Matkovich**
- (45) Registration Date: **15 May 2008**
- (56) Related Art Documents: **Not Applicable**
- (57) Statement of Newness and Distinctiveness: **Those features of the garment hanger hook depicted in the representations that are new and distinctive are the shape and/or configuration.**



- (21) Design Number: **18819/2007**
(22) Date of Filing Application: **11 July 2007**
(24) Date from which industrial property rights may have effect: **11 July 2007**
(54) Product in respect of which the design is registered: **Garment hanger sizing indicator**
(51) International Design Classification: **06-99, 06-08**
(71) Name(s) and Address(s) of Applicant(s):
TIC Group Pty Ltd
214-228 Blackshaws Road Altona North Victoria 3025 Australia
(72) Name(s) of Designer(s): **Mario Matkovich**
(45) Registration Date: **15 May 2008**
(56) Related Art Documents: **Not Applicable**
(57) Statement of Newness and Distinctiveness: **Those features of the garment hanger sizing indicator depicted in the representations that are new and distinctive are the shape and/or configuration.**



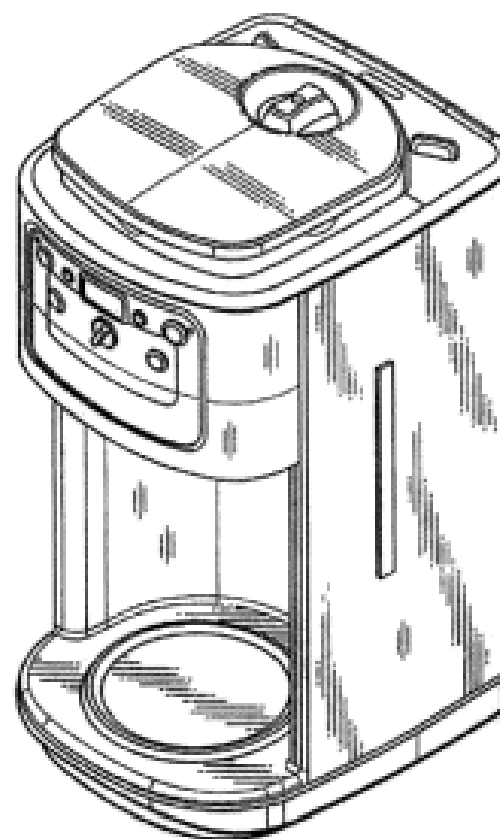
- (21) Design Number: **18820/2007**
(22) Date of Filing Application: **11 July 2007**
(24) Date from which industrial property rights may have effect: **11 July 2007**
(54) Product in respect of which the design is registered: **Garment hanger**
(51) International Design Classification: **06-08**
(71) Name(s) and Address(s) of Applicant(s):
TIC Group Pty Ltd
214-228 Blackshaws Road Altona North Victoria 3025 Australia
(72) Name(s) of Designer(s): **Mario Matkovich**
(45) Registration Date: **15 May 2008**
(56) Related Art Documents: **Not Applicable**
(57) Statement of Newness and Distinctiveness: **Those features of the garment hanger depicted in the representations that are new and distinctive are the shape and/or configuration. The features shown in broken line are not part of the design and are to be disregarded when considering the overall impression of the design.**



- (21) Design Number: **10058/2008**
(22) Date of Filing Application: **04 January 2008**
(24) Date from which industrial property rights may have effect: **04 January 2008**
(54) Product in respect of which the design is registered: **Chair**
(51) International Design Classification: **06-01F**
(71) Name(s) and Address(s) of Applicant(s):
SHC Technology Co., Ltd
No. 8 Industrial North 2nd Nankang Industrial Park Nantou City
Nantou Hsien Taiwan
(72) Name(s) of Designer(s): **Simon Liao**
(45) Registration Date: **16 May 2008**
(56) Related Art Documents: **Not Applicable**
(57) Statement of Newness and Distinctiveness: **Nil**



- (21) Design Number: **10059/2008**
(22) Date of Filing Application: **04 January 2008**
(24) Date from which industrial property rights may have effect: **04 January 2008**
(54) Product in respect of which the design is registered: **Coffee maker**
(51) International Design Classification: **07-02L**
(71) Name(s) and Address(s) of Applicant(s):
Conair Corporation
One Cummings Point Road Stamford Connecticut 06902 United States
of America
(72) Name(s) of Designer(s): **Devin Lee Moore**
(45) Registration Date: **16 May 2008**
(30) Convention priority data:
(31) Number (32) Date (33) Country
29/289192 11 Jul 2007 UNITED STATES OF AMERICA
(56) Related Art Documents: **Not Applicable**
(57) Statement of Newness and Distinctiveness: **Newness and distinctiveness is claimed in those features of shape and/or configuration of a coffee maker as illustrated in continuous lines in the accompanying representations.**



(21) Design Number: **10060/2008**
(22) Date of Filing Application: **04 January 2008**
(24) Date from which industrial property rights may have effect: **04 January 2008**
(54) Product in respect of which the design is registered: **Headphone assembly**
(51) International Design Classification: **14-03A**
(71) Name(s) and Address(s) of Applicant(s):

Kabushiki Kaisha Audio-Technica
2206 Naruse Machida-shi Tokyo Japan

(72) Name(s) of Designer(s): **Kyohei Oguro**

(45) Registration Date: **16 May 2008**

(30) Convention priority data:

(31) Number	(32) Date	(33) Country
2007-032339	26 Nov 2007	JAPAN

(56) Related Art Documents: **Not Applicable**

(57) Statement of Newness and Distinctiveness: **Newness and distinctiveness is claimed in the features of shape and/or configuration and pattern and/or ornamentation of a headphone assembly as illustrated in the accompanying representations, and particular regard is to be had to the woodgrain appearance associated with the headphone units which are rotatable for storage, wherein the cord and connector plug are to be disregarded.**



(21) Design Number: **10061/2008**
(22) Date of Filing Application: **04 January 2008**
(24) Date from which industrial property rights may have effect: **04 January 2008**
(54) Product in respect of which the design is registered: **Headphone**
(51) International Design Classification: **14-01, 14-03A**
(71) Name(s) and Address(s) of Applicant(s):

Kabushiki Kaisha Audio-Technica
2206 Naruse Machida-shi Tokyo Japan

(72) Name(s) of Designer(s): **Hiroyasu Suzuki**

(45) Registration Date: **16 May 2008**

(30) Convention priority data:

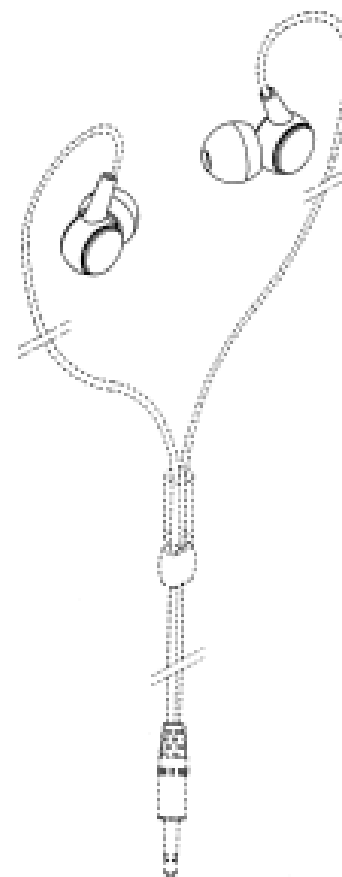
(31) Number	(32) Date	(33) Country
2007/032338	26 Nov 2007	JAPAN

(56) Related Art Documents: **Not Applicable**

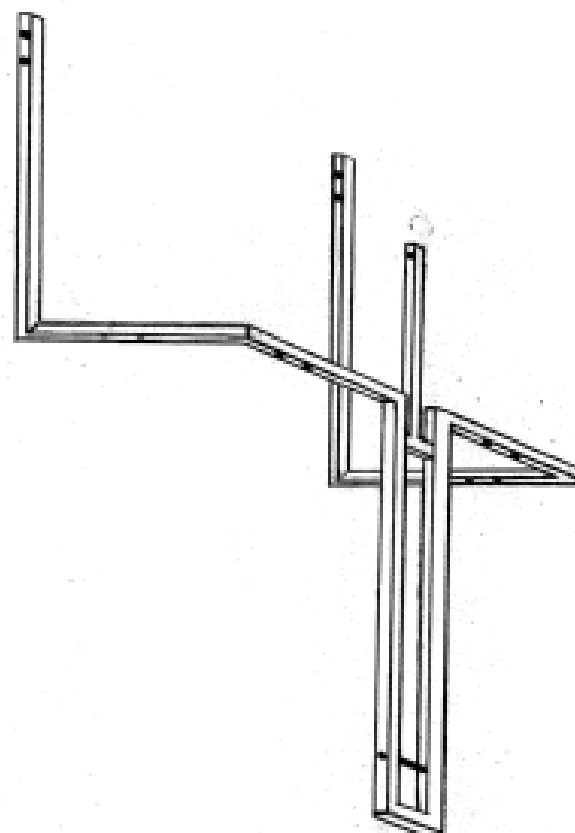
(57) Statement of Newness and Distinctiveness: **Newness and distinctiveness is claimed in the features of shape and/or configuration of a headphone as illustrated in the accompanying representations.**



- (21) Design Number: **10062/2008**
(22) Date of Filing Application: **04 January 2008**
(24) Date from which industrial property rights may have effect: **04 January 2008**
(54) Product in respect of which the design is registered: **Headphone**
(51) International Design Classification: **14-01, 14-03A**
(71) Name(s) and Address(s) of Applicant(s):
Kabushiki Kaisha Audio-Technica
2206 Naruse Machida-shi Tokyo Japan
(72) Name(s) of Designer(s): **Kozo Ando**
(45) Registration Date: **16 May 2008**
(30) Convention priority data:
(31) Number (32) Date (33) Country
2007-032337 26 Nov 2007 JAPAN
(56) Related Art Documents: **Not Applicable**
(57) Statement of Newness and Distinctiveness: **Newness and distinctiveness is claimed in the features of shape and/or configuration of a headphone as illustrated in solid lines in the accompanying representations.**



- (21) Design Number: **10227/2008**
(22) Date of Filing Application: **21 January 2008**
(24) Date from which industrial property rights may have effect: **21 January 2008**
(54) Product in respect of which the design is registered: **Bicycle to pram towing frame**
(51) International Design Classification: **12-16K**
(71) Name(s) and Address(s) of Applicant(s):
Greg Parcheta
3 Orcaades Street Sunrise Beach Queensland 4567 Australia
(72) Name(s) of Designer(s): **Greg Parcheta**
(45) Registration Date: **16 May 2008**
(56) Related Art Documents: **Not Applicable**
(57) Statement of Newness and Distinctiveness: **Nil**



(21) Design Number: **10239/2008**

(22) Date of Filing Application: **18 January 2008**

(24) Date from which industrial property rights may have effect: **18 January 2008**

(54) Product in respect of which the design is registered: **Electronic calculator**

(51) International Design Classification: **18-01**

(71) Name(s) and Address(s) of Applicant(s):

Casio Keisanki Kabushiki Kaisha doing business as Casio Computer Co., Ltd.

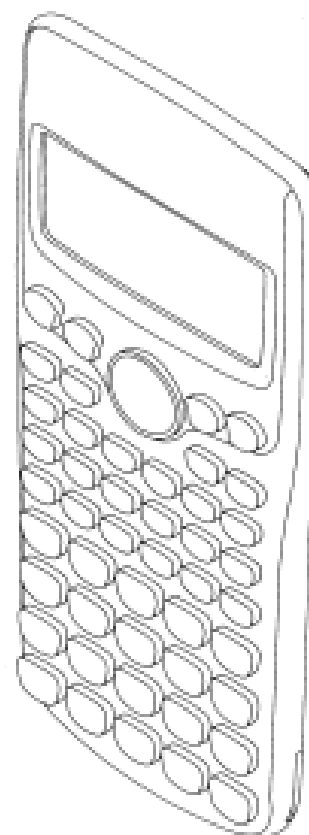
6-2 Hon-machi 1-chome Shibuya-ku Tokyo Japan

(72) Name(s) of Designer(s): **Junichi Ono and Makoto Matsuda**

(45) Registration Date: **16 May 2008**

(56) Related Art Documents: **Not Applicable**

(57) Statement of Newness and Distinctiveness: **Nil**



(21) Design Number: **10241/2008**

(22) Date of Filing Application: **18 January 2008**

(24) Date from which industrial property rights may have effect: **18 January 2008**

(54) Product in respect of which the design is registered: **Ice bucket**

(51) International Design Classification: **07-07A**

(71) Name(s) and Address(s) of Applicant(s):

Polmos Zyrardow SP. ZO. O

ul. Mickiewicza 1-3 96-300 Zyrardow Poland

(72) Name(s) of Designer(s): **Kai Zimmerman**

(45) Registration Date: **16 May 2008**

(30) Convention priority data:

(31) Number

(32) Date

(33) Country

000 761

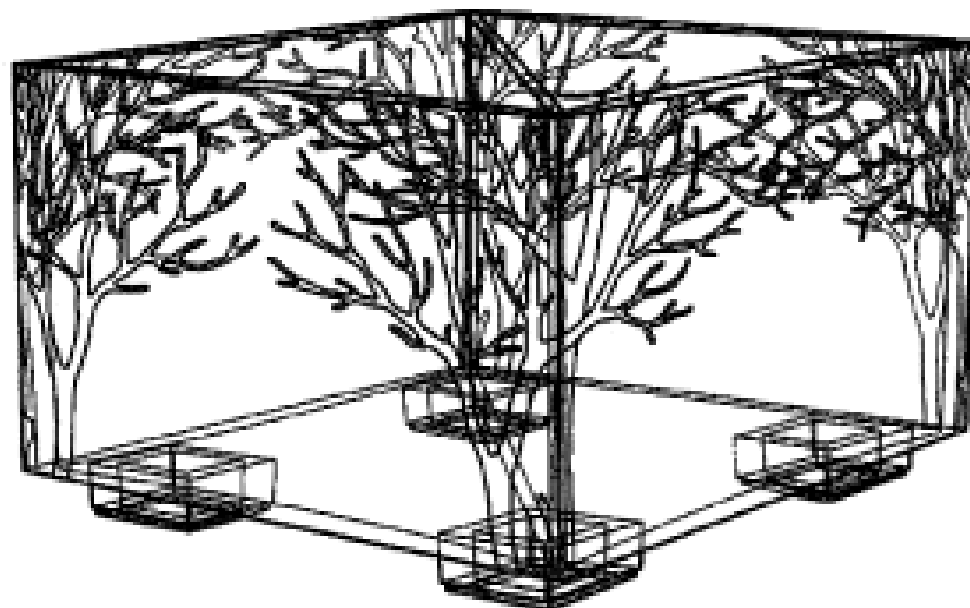
20 Jul 2007

EUROPEAN COMMUNITY

7390001

(56) Related Art Documents: **Not Applicable**

(57) Statement of Newness and Distinctiveness: **The following visual features of the design are new and distinctive: The shape and configuration of an ice bucket as shown in the accompanying drawings.**



(19) AU

(21) Design Number: **10242/2008**

(22) Date of Filing Application: **18 January 2008**

(24) Date from which industrial property rights may have effect: **18 January 2008**

(54) Product in respect of which the design is registered: **Ice buckets**

(51) International Design Classification: **07-07A**

(71) Name(s) and Address(s) of Applicant(s):

Polmos Zyrardow SP. ZO. O
ul. Mickiewicza 1-3 96-300 Zyrardow Poland

(72) Name(s) of Designer(s): **Kai Zimmerman**

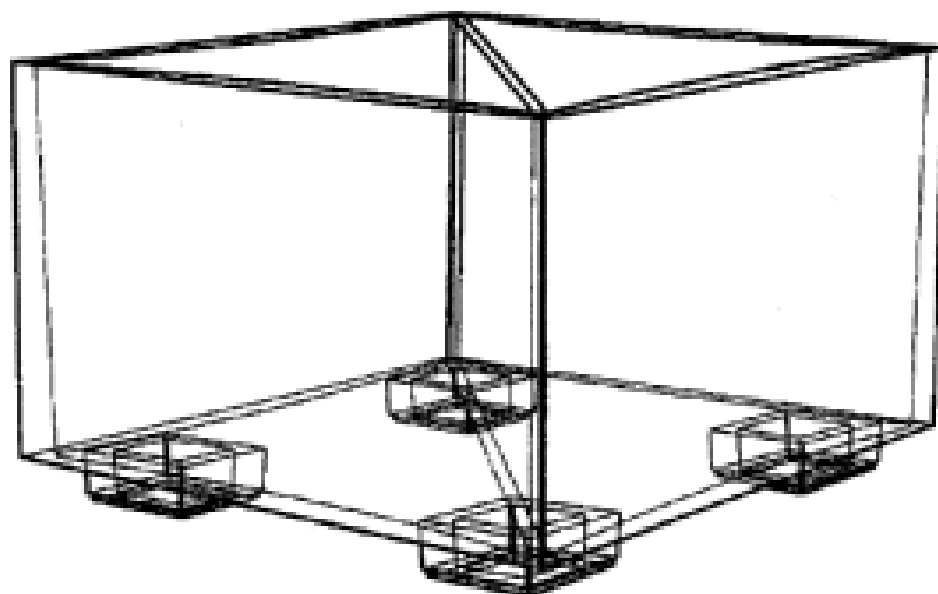
(45) Registration Date: **16 May 2008**

(30) Convention priority data:

(31) Number	(32) Date	(33) Country
000 761	20 Jul 2007	EUROPEAN COMMUNITY
7390002		

(56) Related Art Documents: **Not Applicable**

(57) Statement of Newness and Distinctiveness: **The following visual features of the design are new and distinctive: The shape and configuration of an ice bucket as shown in the accompanying drawings.**



(19) AU

(21) Design Number: **10244/2008**

(22) Date of Filing Application: **18 January 2008**

(24) Date from which industrial property rights may have effect: **18 January 2008**

(54) Product in respect of which the design is registered: **Charger base for a vacuum cleaner**

(51) International Design Classification: **15-05, 13-02**

(71) Name(s) and Address(s) of Applicant(s):

Black & Decker Inc
1207 Drummond Plaza Newark Delaware 19711 United States of America

(72) Name(s) of Designer(s): **Graeme Crawley**

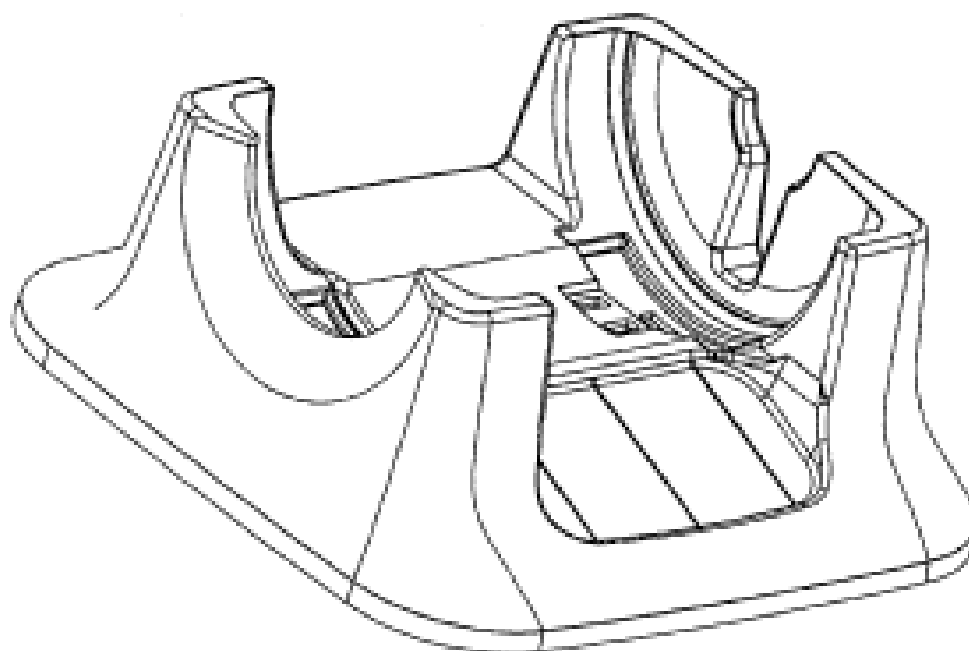
(45) Registration Date: **16 May 2008**

(30) Convention priority data:

(31) Number	(32) Date	(33) Country
000762745-0001	24 Jul 2007	EUROPEAN COMMUNITY

(56) Related Art Documents: **Not Applicable**

(57) Statement of Newness and Distinctiveness: **Nil**



- (21) Design Number: **10202/2008**
- (22) Date of Filing Application: **17 January 2008**
- (24) Date from which industrial property rights may have effect: **17 January 2008**
- (54) Product in respect of which the design is registered: **Ink cartridge**
- (51) International Design Classification: **14-02**
- (71) Name(s) and Address(s) of Applicant(s):

Seiko Epson Corporation
4-1 Nishishinjuku 2-chome Shinjuku-ku Tokyo 163-0811 Japan

(72) Name(s) of Designer(s): **Hitoshi Matsumoto**

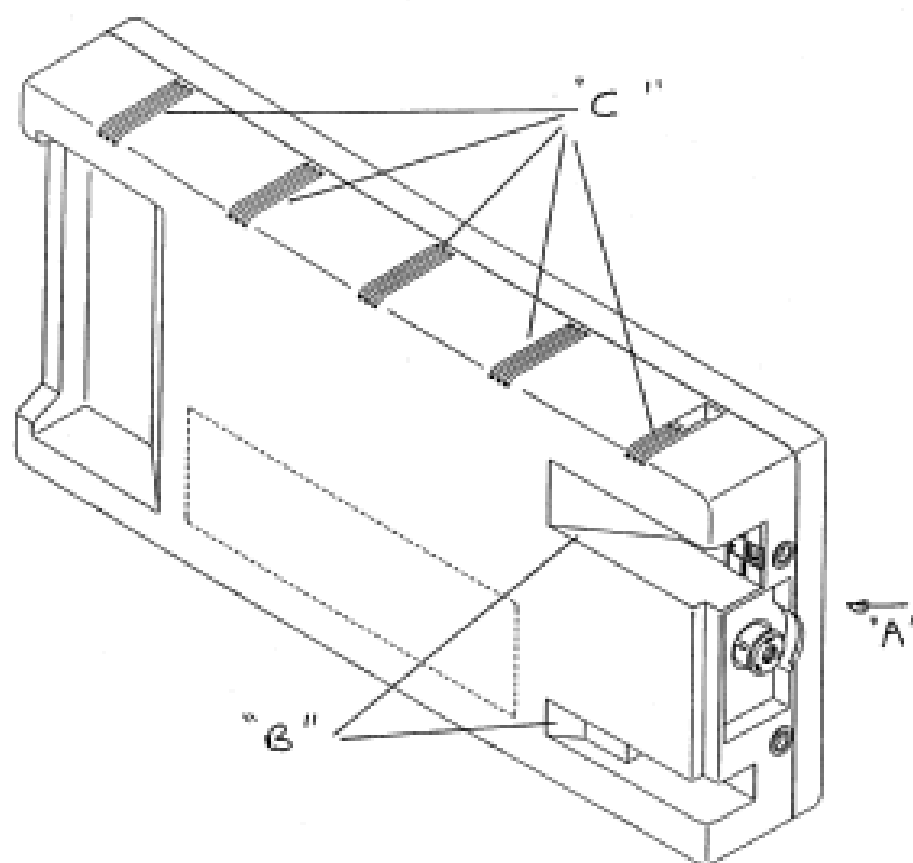
(45) Registration Date: **16 May 2008**

(30) Convention priority data:

(31) Number	(32) Date	(33) Country
2007-032508	27 Nov 2007	JAPAN

(56) Related Art Documents: **Not Applicable**

(57) Statement of Newness and Distinctiveness: **Newness and distinctiveness is claimed in those features of shape and/or configuration of the following parts of an ink cartridge as illustrated in continuous lines as labelled in the accompanying representations: layout of the right side labelled "A"; shape of slots labelled "B"; and grooves labelled "C".**



- (21) Design Number: **10203/2008**
- (22) Date of Filing Application: **17 January 2008**
- (24) Date from which industrial property rights may have effect: **17 January 2008**
- (54) Product in respect of which the design is registered: **Ink cartridge**
- (51) International Design Classification: **14-02**
- (71) Name(s) and Address(s) of Applicant(s):

Seiko Epson Corporation
4-1 Nishishinjuku 2-chome Shinjuku-ku Tokyo 163-0811 Japan

(72) Name(s) of Designer(s): **Hitoshi Matsumoto**

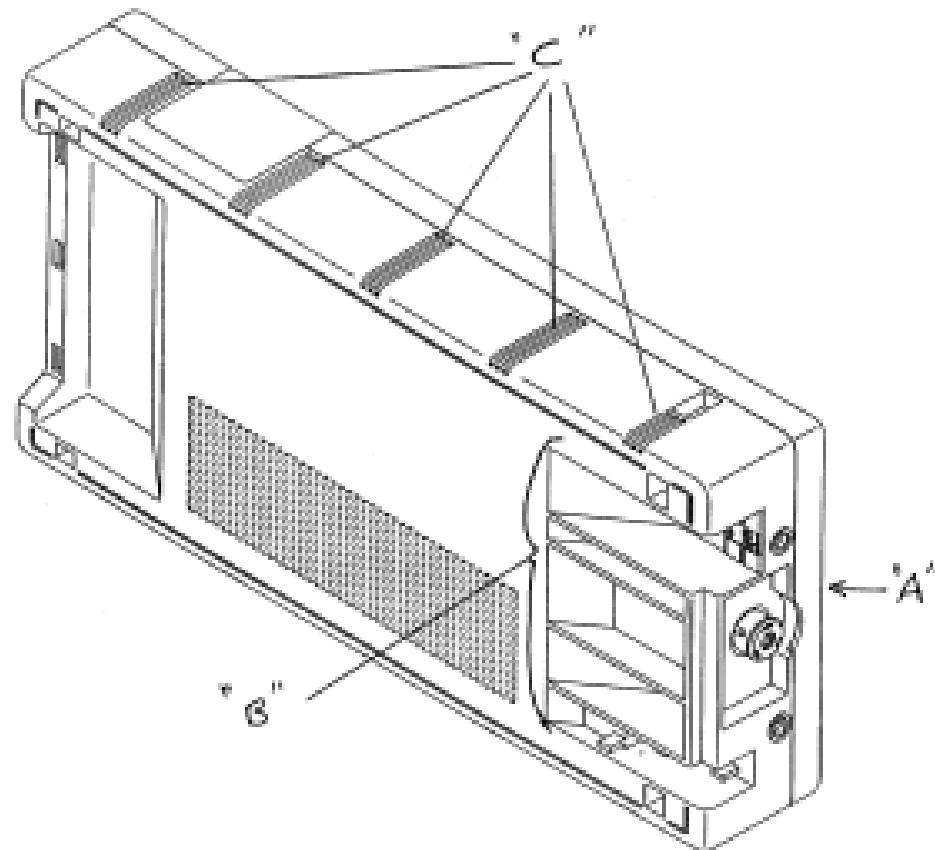
(45) Registration Date: **16 May 2008**

(30) Convention priority data:

(31) Number	(32) Date	(33) Country
2007-032507	27 Nov 2007	JAPAN

(56) Related Art Documents: **Not Applicable**

(57) Statement of Newness and Distinctiveness: **Newness and distinctiveness is claimed in those features of shape and/or configuration of the following parts of an ink cartridge as illustrated in continuous lines and labelled in the accompanying representations: layout of the right side labelled "A"; shape of slots labelled "B"; and grooves labelled "C".**



(19) AU

- (21) Design Number: **10205/2008**
- (22) Date of Filing Application: **17 January 2008**
- (24) Date from which industrial property rights may have effect: **17 January 2008**
- (54) Product in respect of which the design is registered: **Plug with overcap**
- (51) International Design Classification: **09-07C**
- (71) Name(s) and Address(s) of Applicant(s):

Rieke Corporation
500 West Seventh Street Auburn Indiana 46706 United States of America

(72) Name(s) of Designer(s): **Gary M. Baughman**

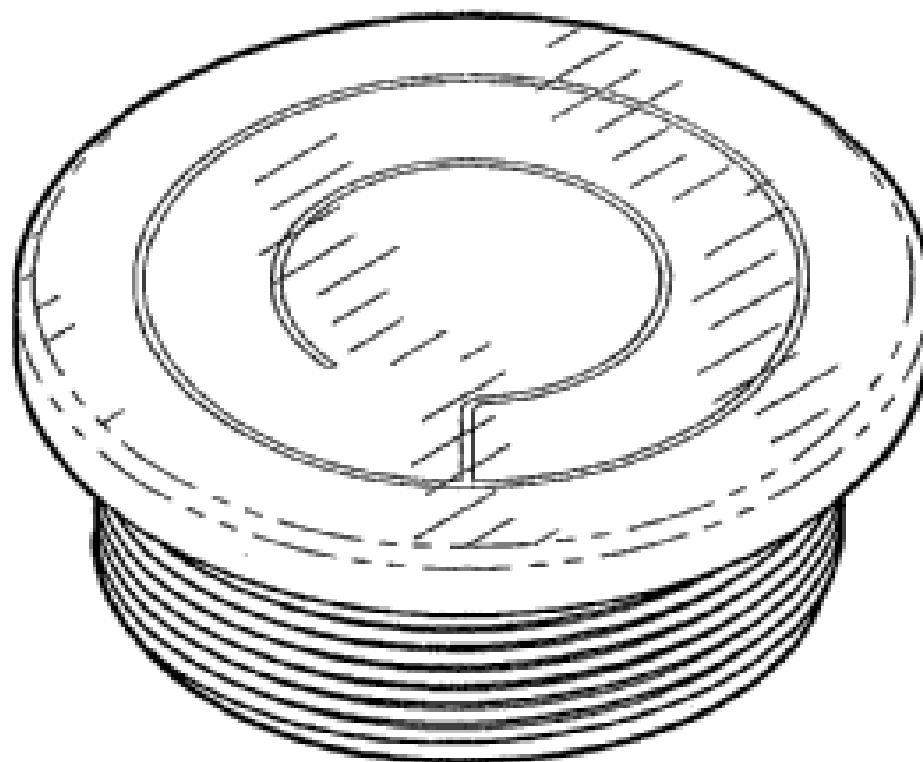
(45) Registration Date: **16 May 2008**

(30) Convention priority data:

(31) Number	(32) Date	(33) Country
29/289352	17 Jul 2007	UNITED STATES OF AMERICA

(56) Related Art Documents: **Not Applicable**

(57) Statement of Newness and Distinctiveness: **Newness and distinctiveness is claimed in the features of shape and/or configuration of the following parts of a plug with overcap as illustrated in the accompanying representations: the upper portion of the plug with overcap, including the smooth and flat top panel and the curved edge leading to the annular sidewall; the concave recesses (scallops) of the plug and the overcap interfit into those recesses; and the punch-in pull ring score lines in the top panel.**



(19) AU

- (21) Design Number: **10206/2008**
- (22) Date of Filing Application: **17 January 2008**
- (24) Date from which industrial property rights may have effect: **17 January 2008**
- (54) Product in respect of which the design is registered: **Wall mountable shelf system for electronic equipment**
- (51) International Design Classification: **06-04NES, 08-08N, 08-08NES**
- (71) Name(s) and Address(s) of Applicant(s):

CSAV, Inc.
8401 Eagle Creek Parkway Savage Minnesota 55378 United States of America

(72) Name(s) of Designer(s): **Scott Russell and Jim Wohlford and Dominic Grey**

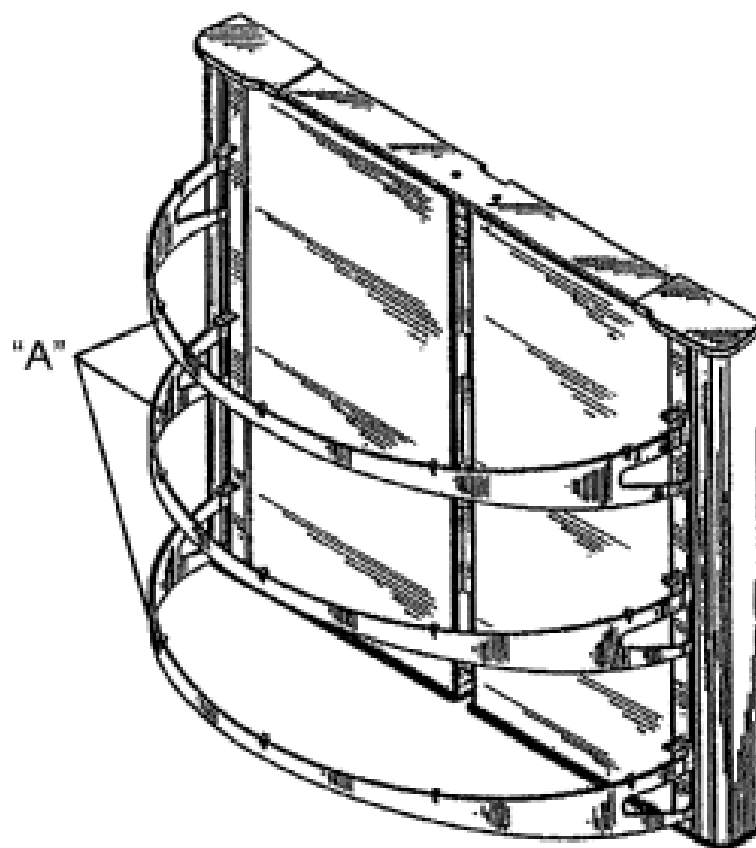
(45) Registration Date: **16 May 2008**

(30) Convention priority data:

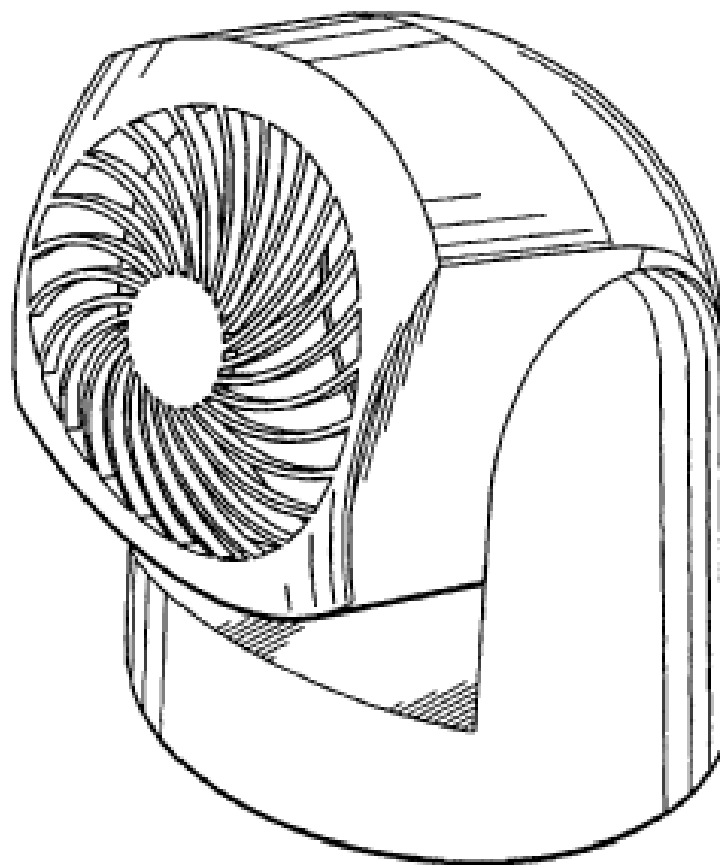
(31) Number	(32) Date	(33) Country
29/282349	17 Jul 2007	UNITED STATES OF AMERICA

(56) Related Art Documents: **Not Applicable**

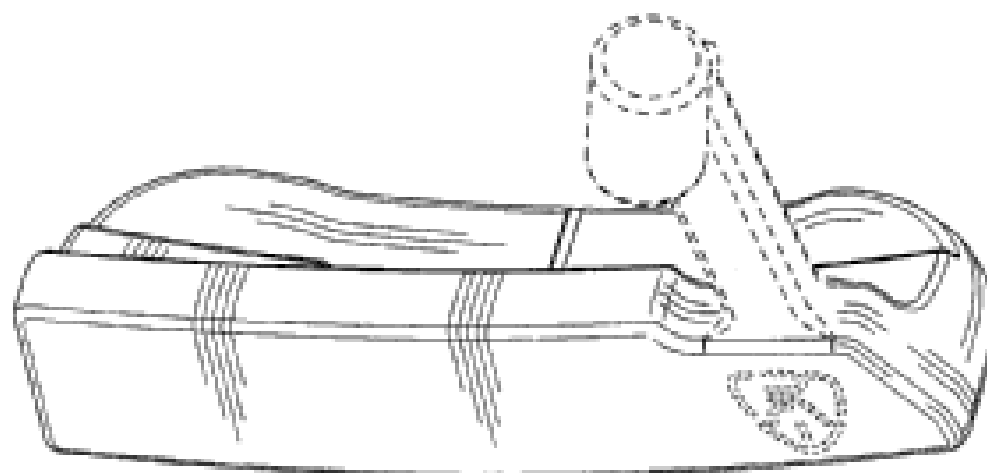
(57) Statement of Newness and Distinctiveness: **Newness and distinctiveness is claimed in the features of shape and/or configuration of shelf supports (labelled "A") of a wall mountable shelf system for electronic components as illustrated in continuous lines in the accompanying representations.**



- (21) Design Number: **10207/2008**
(22) Date of Filing Application: **17 January 2008**
(24) Date from which industrial property rights may have effect: **17 January 2008**
(54) Product in respect of which the design is registered: **Fan**
(51) International Design Classification: **23-04**
(71) Name(s) and Address(s) of Applicant(s):
Vornado Air Circulation Systems, Inc.
415 East 13th Street Andover Kansas 67002 United States of America
(72) Name(s) of Designer(s): **Pascual J.L. Wawoe and James J. Girard and Glen W. Ediger and Matthew L. Rice and Gary P. Israel**
(45) Registration Date: **16 May 2008**
(30) Convention priority data:
(31) Number (32) Date (33) Country
29/289455 20 Jul 2007 UNITED STATES OF AMERICA
(56) Related Art Documents: **Not Applicable**
(57) Statement of Newness and Distinctiveness: **Newness and distinctiveness in the design as applied to a fan resides in the shape and/or configuration thereof as illustrated in the accompanying representations.**



- (21) Design Number: **10208/2008**
(22) Date of Filing Application: **17 January 2008**
(24) Date from which industrial property rights may have effect: **17 January 2008**
(54) Product in respect of which the design is registered: **Golf putter head**
(51) International Design Classification: **21-02C**
(71) Name(s) and Address(s) of Applicant(s):
Karsten Manufacturing Corporation
2201 West Desert Cove Phoenix Arizona 85029 United States of America
(72) Name(s) of Designer(s): **Michael R. Nicolette and Bradley D. Schweigert and David D. Jones and Marty R. Jertson**
(45) Registration Date: **16 May 2008**
(30) Convention priority data:
(31) Number (32) Date (33) Country
29/283494 15 Aug 2007 UNITED STATES OF AMERICA
(56) Related Art Documents: **Not Applicable**
(57) Statement of Newness and Distinctiveness: **Newness and distinctiveness is claimed in the visual features shown in solid lines in the representations.**



(21) Design Number: **10209/2008**

(22) Date of Filing Application: **17 January 2008**

(24) Date from which industrial property rights may have effect: **17 January 2008**

(54) Product in respect of which the design is registered: **Golf putter head**

(51) International Design Classification: **21-02C**

(71) Name(s) and Address(s) of Applicant(s):

**Karsten Manufacturing Corporation
2201 West Desert Cove Phoenix Arizona 85029 United States of
America**

(72) Name(s) of Designer(s): **Michael R. Nicolette and Bradley D. Schweigert
and David D. Jones and Marty R. Jertson**

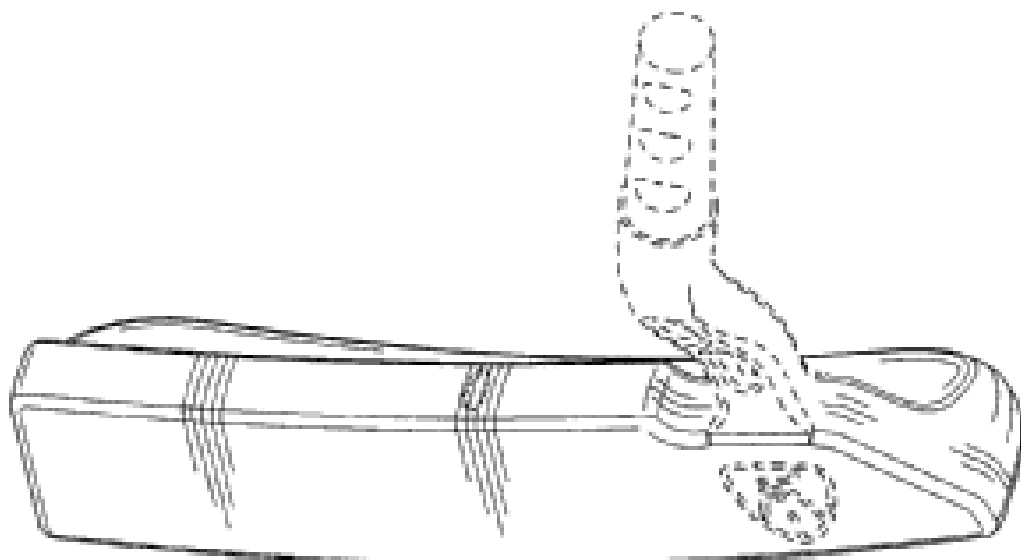
(45) Registration Date: **16 May 2008**

(30) Convention priority data:

(31) Number	(32) Date	(33) Country
29/283497	15 Aug 2007	UNITED STATES OF AMERICA

(56) Related Art Documents: **Not Applicable**

(57) Statement of Newness and Distinctiveness: **Newness and distinctiveness is
claimed in the visual features shown in solid lines in the representations.**



(21) Design Number: **10213/2008**

(22) Date of Filing Application: **17 January 2008**

(24) Date from which industrial property rights may have effect: **17 January 2008**

(54) Product in respect of which the design is registered: **Dental device**

(51) International Design Classification: **24-04**

(71) Name(s) and Address(s) of Applicant(s):

**Fluorinex Active Ltd.
PO Box 43 Industry Zone 20692 Yokneam Ilit Israel**

(72) Name(s) of Designer(s): **Kamal Khawaled and David Tavor and Otman
Zuabi**

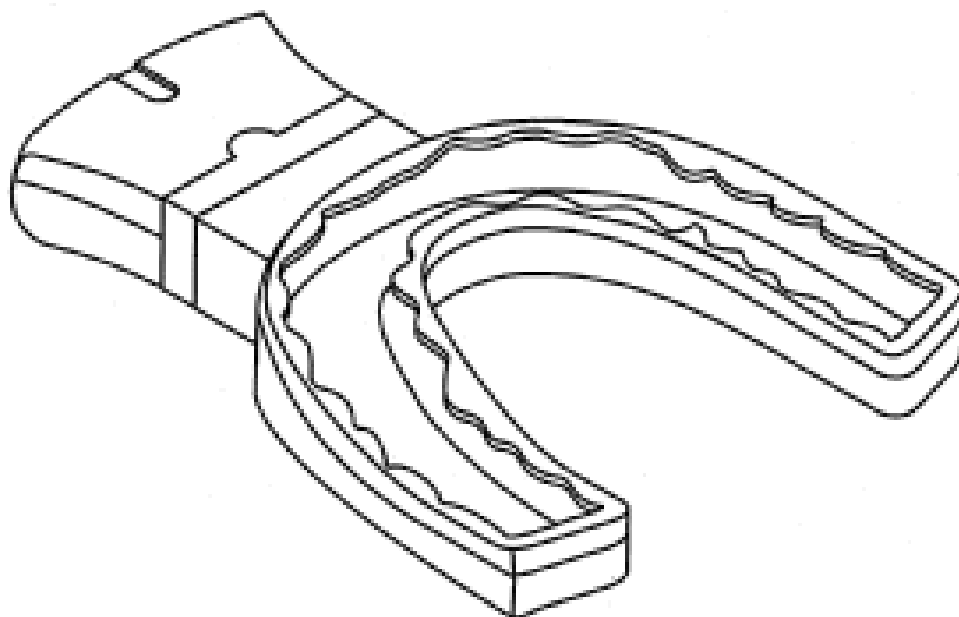
(45) Registration Date: **16 May 2008**

(30) Convention priority data:

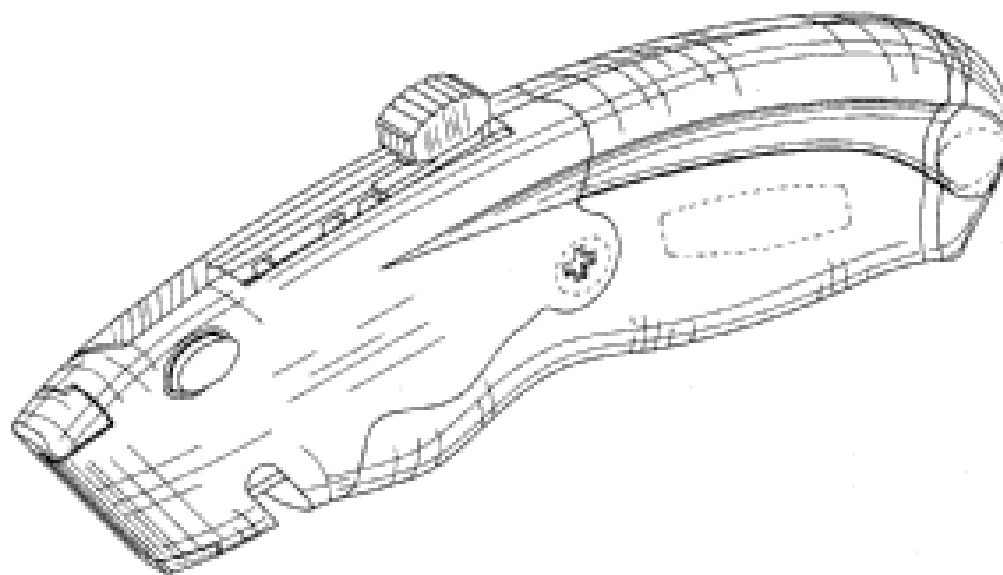
(31) Number	(32) Date	(33) Country
29/287,273	18 Jul 2007	UNITED STATES OF AMERICA

(56) Related Art Documents: **Not Applicable**

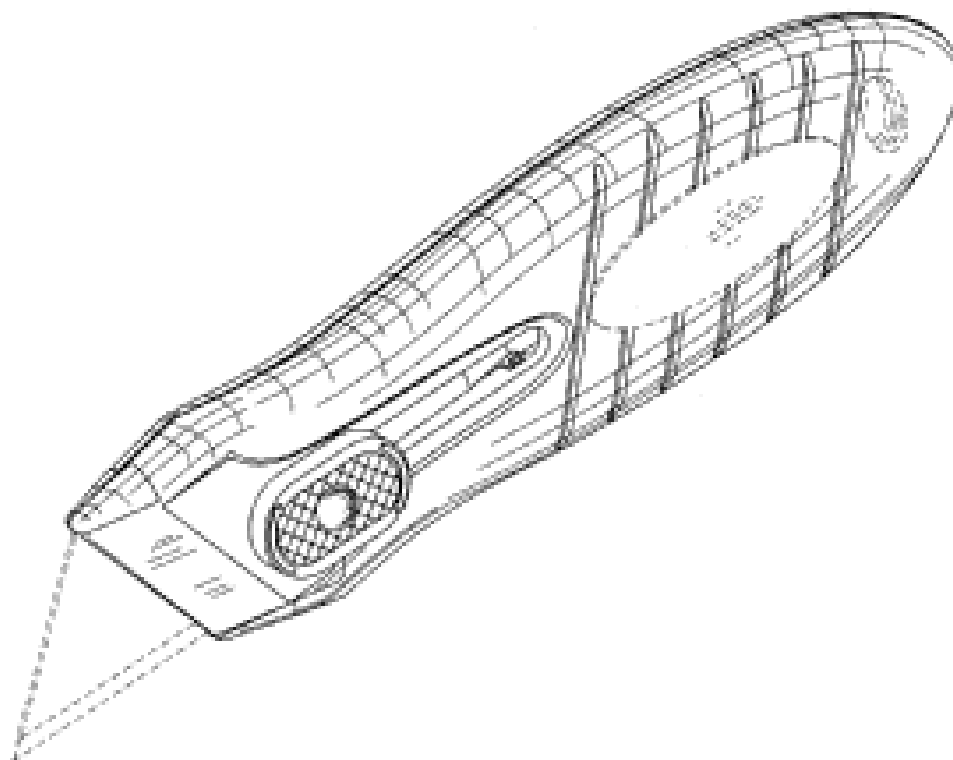
(57) Statement of Newness and Distinctiveness: **Newness and distinctiveness
resides in the features of shape and/or configuration of a dental device
as shown in the accompanying representations.**



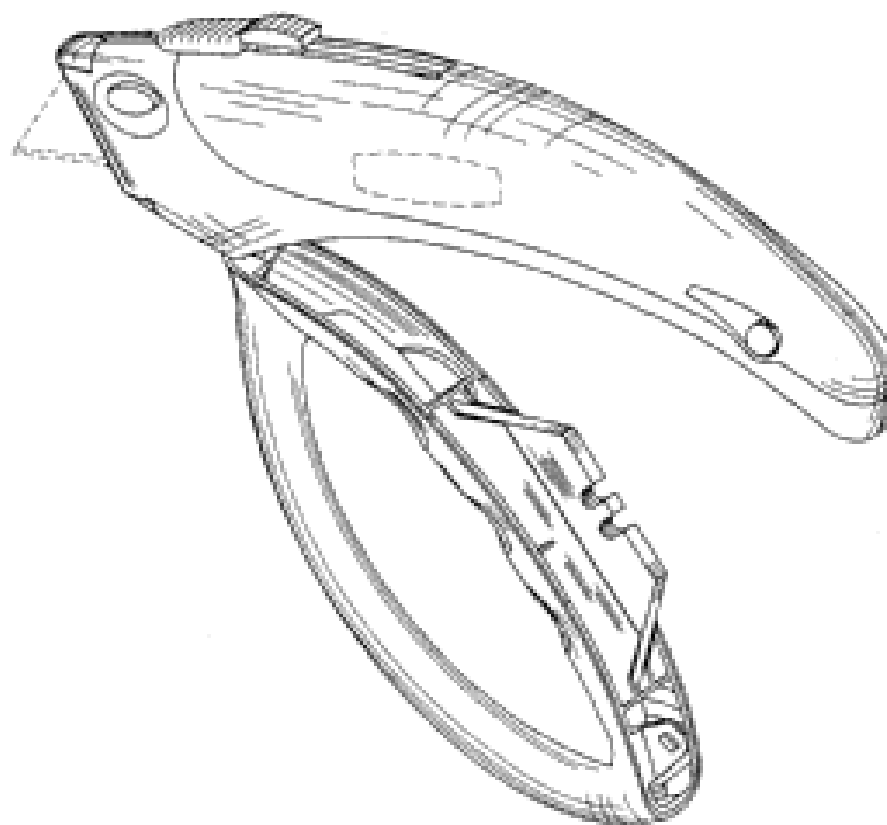
- (21) Design Number: **10222/2008**
(22) Date of Filing Application: **18 January 2008**
(24) Date from which industrial property rights may have effect: **18 January 2008**
(54) Product in respect of which the design is registered: **Carpenter knife**
(51) International Design Classification: **08-03**
(71) Name(s) and Address(s) of Applicant(s):
Yuewei Wu
Ningbo Xingwei Plastic Product Co., Ltd. Industrial Zone of Xidian
Ninghai Zhejiang 315613 People's Republic of China
(72) Name(s) of Designer(s): **Yuewei Wu**
(45) Registration Date: **16 May 2008**
(56) Related Art Documents: **Not Applicable**
(57) Statement of Newness and Distinctiveness: **Nil**



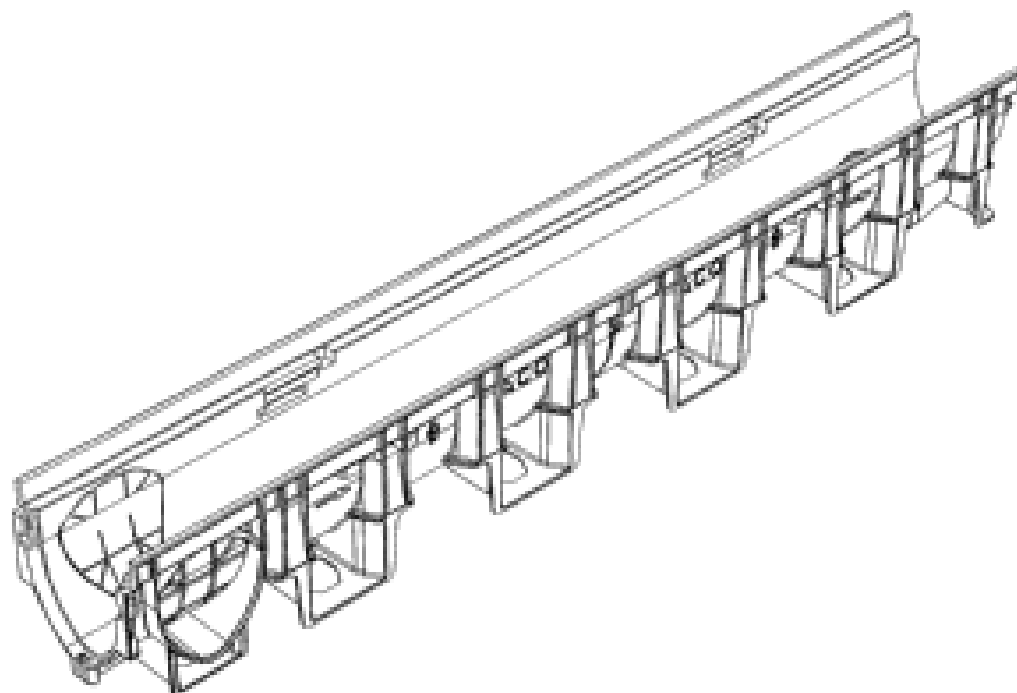
- (21) Design Number: **10223/2008**
(22) Date of Filing Application: **18 January 2008**
(24) Date from which industrial property rights may have effect: **18 January 2008**
(54) Product in respect of which the design is registered: **Carpenter knife with locking means**
(51) International Design Classification: **08-03**
(71) Name(s) and Address(s) of Applicant(s):
Yuewei Wu
Ningbo Xingwei Plastic Product Co., Ltd. Industrial Zone of Xidian
Ninghai Zhejiang 315613 People's Republic of China
(72) Name(s) of Designer(s): **Yuewei Wu**
(45) Registration Date: **16 May 2008**
(56) Related Art Documents: **Not Applicable**
(57) Statement of Newness and Distinctiveness: **Nil**



- (21) Design Number: **10224/2008**
(22) Date of Filing Application: **18 January 2008**
(24) Date from which industrial property rights may have effect: **18 January 2008**
(54) Product in respect of which the design is registered: **Carpenter knife**
(51) International Design Classification: **08-03**
(71) Name(s) and Address(s) of Applicant(s):
Yuewei Wu
Ningbo Xingwei Plastic Product Co., Ltd. Industrial Zone of Xidian
Ninghai Zhejiang 315613 People's Republic of China
(72) Name(s) of Designer(s): **Yuewei Wu**
(45) Registration Date: **16 May 2008**
(56) Related Art Documents: **Not Applicable**
(57) Statement of Newness and Distinctiveness: **Nil**



- (21) Design Number: **10231/2008**
(22) Date of Filing Application: **18 January 2008**
(24) Date from which industrial property rights may have effect: **18 January 2008**
(54) Product in respect of which the design is registered: **Drainage channel**
(51) International Design Classification: **23-01E**
(71) Name(s) and Address(s) of Applicant(s):
ACO Severin Ahlmann GmbH & Co. KG
Am Ahlmannkai 24768 Rendsburg Germany
(72) Name(s) of Designer(s): **Arne Stoltenberg and James Canney**
(45) Registration Date: **16 May 2008**
(56) Related Art Documents: **Not Applicable**
(57) Statement of Newness and Distinctiveness: **Newness and distinctiveness is claimed in the features of shape and/or configuration of a drainage channel as illustrated in the accompanying representations.**



(21) Design Number: **10232/2008**

(22) Date of Filing Application: **18 January 2008**

(24) Date from which industrial property rights may have effect: **18 January 2008**

(54) Product in respect of which the design is registered: **Drainage channel**

(51) International Design Classification: **23-01E**

(71) Name(s) and Address(s) of Applicant(s):

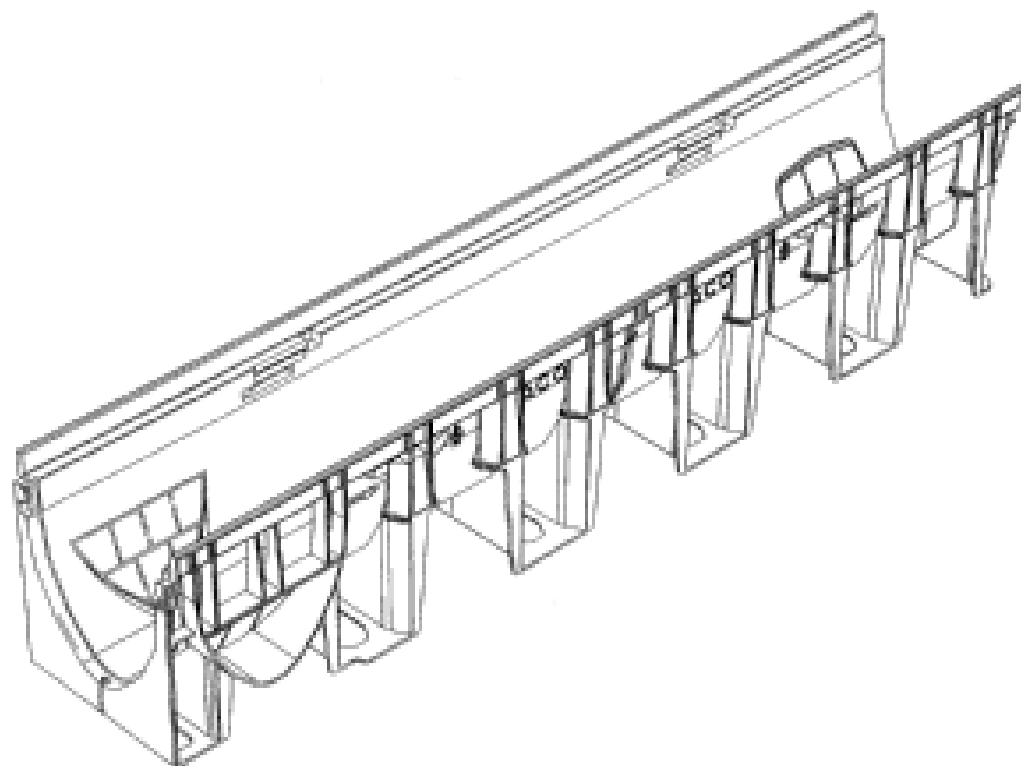
**ACO Severin Ahlmann GmbH & Co. KG
Am Ahlmannkai 24768 Rendsburg Germany**

(72) Name(s) of Designer(s): **Arne Stoltenberg and James Canney**

(45) Registration Date: **16 May 2008**

(56) Related Art Documents: **Not Applicable**

(57) Statement of Newness and Distinctiveness: **Newness and distinctiveness is claimed in the features of shape and/or configuration of a drainage channel as illustrated in the accompanying representations.**



(21) Design Number: **10233/2008**

(22) Date of Filing Application: **18 January 2008**

(24) Date from which industrial property rights may have effect: **18 January 2008**

(54) Product in respect of which the design is registered: **Drainage channel**

(51) International Design Classification: **23-01E**

(71) Name(s) and Address(s) of Applicant(s):

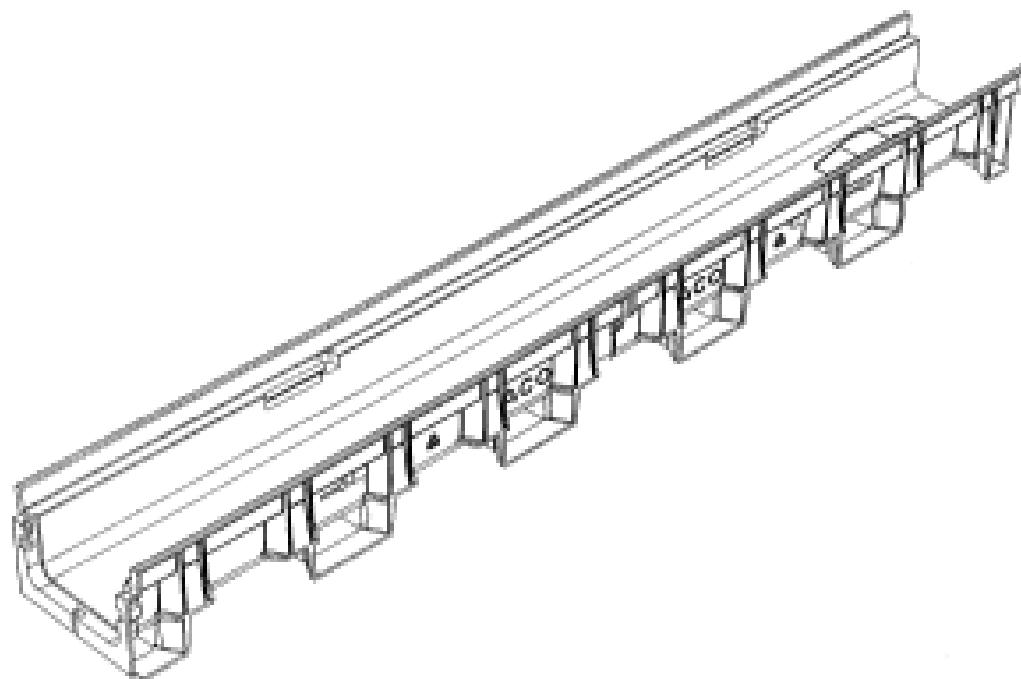
**ACO Severin Ahlmann GmbH & Co. KG
Am Ahlmannkai 24768 Rendsburg Germany**

(72) Name(s) of Designer(s): **Arne Stoltenberg and James Canney**

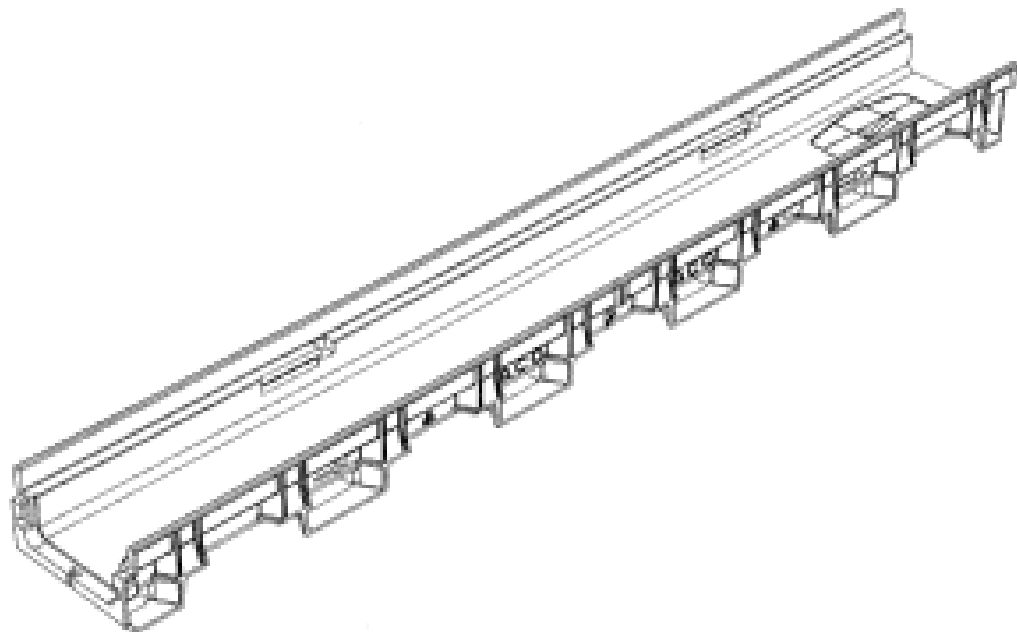
(45) Registration Date: **16 May 2008**

(56) Related Art Documents: **Not Applicable**

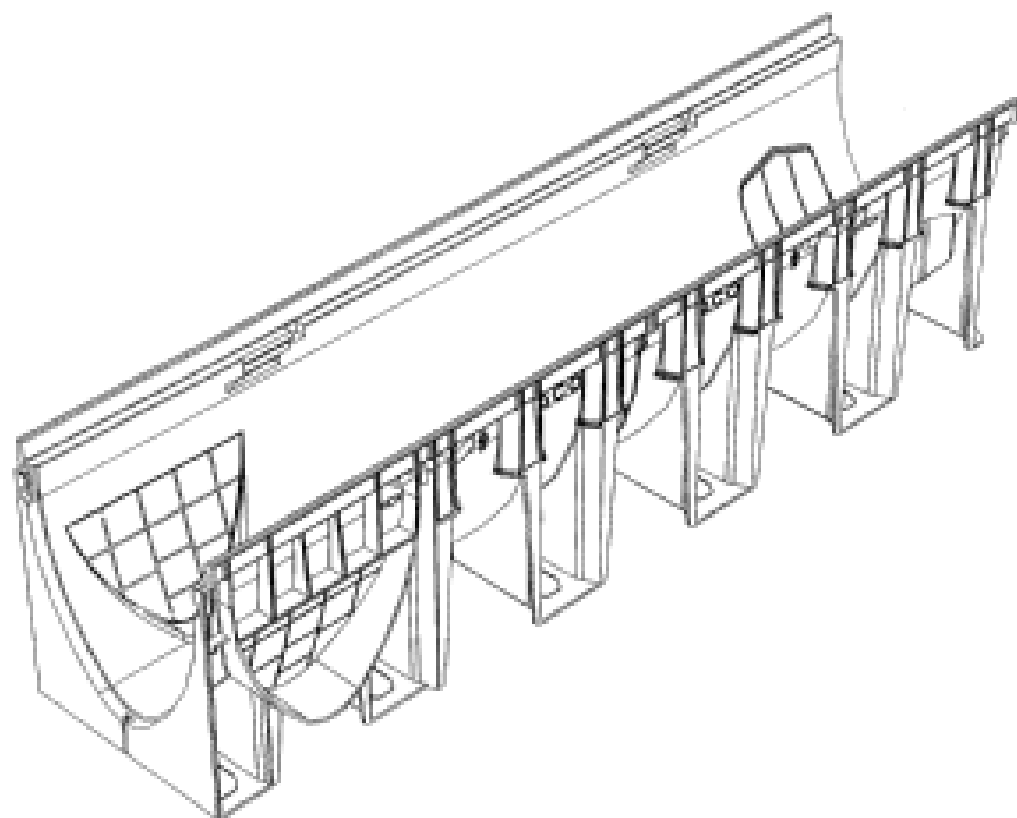
(57) Statement of Newness and Distinctiveness: **Newness and distinctiveness is claimed in the features of shape and/or configuration of a drainage channel as illustrated in the accompanying representations.**



- (21) Design Number: **10234/2008**
(22) Date of Filing Application: **18 January 2008**
(24) Date from which industrial property rights may have effect: **18 January 2008**
(54) Product in respect of which the design is registered: **Drainage channel**
(51) International Design Classification: **23-01E**
(71) Name(s) and Address(s) of Applicant(s):
ACO Severin Ahlmann GmbH & Co. KG
Am Ahlmannkai 24768 Rendsburg Germany
(72) Name(s) of Designer(s): **Arne Stoltenberg and James Canney**
(45) Registration Date: **16 May 2008**
(56) Related Art Documents: **Not Applicable**
(57) Statement of Newness and Distinctiveness: **Newness and distinctiveness is claimed in the features of shape and/or configuration of a drainage channel as illustrated in the accompanying representations.**



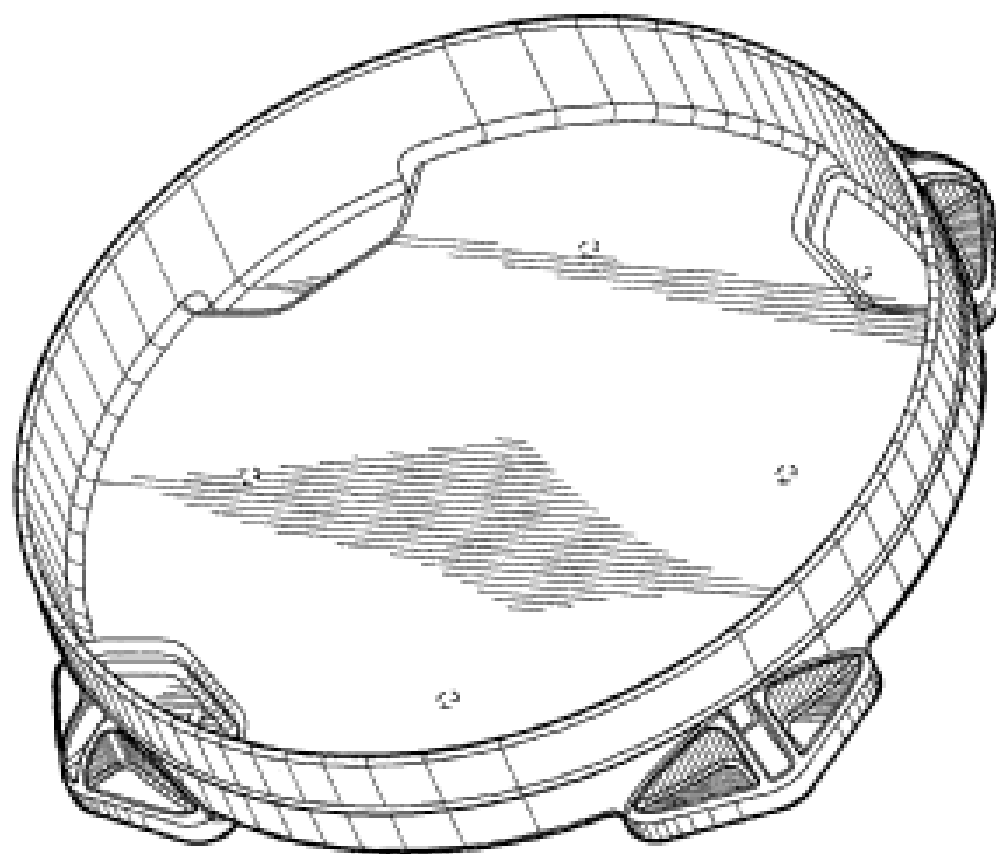
- (21) Design Number: **10235/2008**
(22) Date of Filing Application: **18 January 2008**
(24) Date from which industrial property rights may have effect: **18 January 2008**
(54) Product in respect of which the design is registered: **Drainage channel**
(51) International Design Classification: **23-01E**
(71) Name(s) and Address(s) of Applicant(s):
ACO Severin Ahlmann GmbH & Co. KG
Am Ahlmannkai 24768 Rendsburg Germany
(72) Name(s) of Designer(s): **Arne Stoltenberg and James Canney**
(45) Registration Date: **16 May 2008**
(56) Related Art Documents: **Not Applicable**
(57) Statement of Newness and Distinctiveness: **Newness and distinctiveness is claimed in the features of shape and/or configuration of a drainage channel as illustrated in the accompanying representations.**



(21) Design Number: **10236/2008**
 (22) Date of Filing Application: **18 January 2008**
 (24) Date from which industrial property rights may have effect: **18 January 2008**
 (54) Product in respect of which the design is registered: **Golf bag bottom**
 (51) International Design Classification: **21-02C, 03-01C**
 (71) Name(s) and Address(s) of Applicant(s):
Karsten Manufacturing Corporation
2201 West Desert Cove Phoenix Arizona 85029 United States of America
 (72) Name(s) of Designer(s): **Douglas W. Anderson and Frank A. Quartarone**
 (45) Registration Date: **16 May 2008**
 (30) Convention priority data:

(31) Number	(32) Date	(33) Country
29/283986	28 Aug 2007	UNITED STATES OF AMERICA

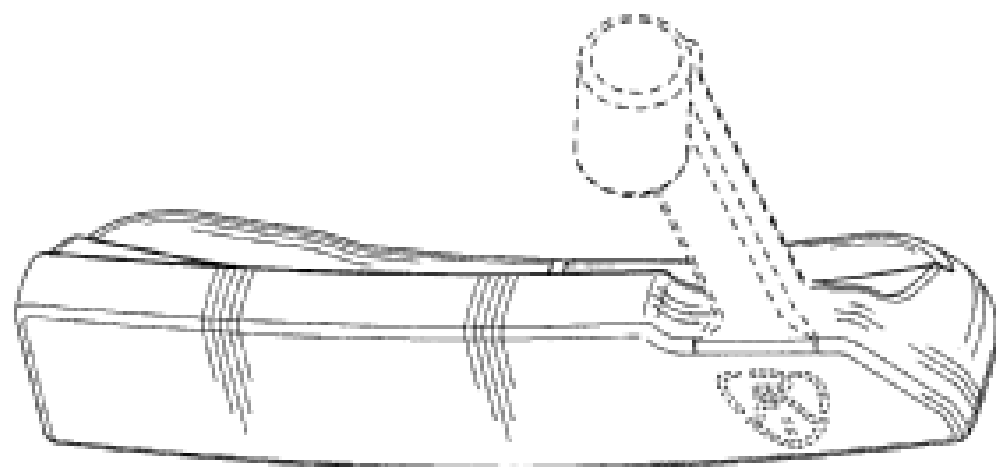
 (56) Related Art Documents: **Not Applicable**
 (57) Statement of Newness and Distinctiveness: **Nil**



(21) Design Number: **10237/2008**
 (22) Date of Filing Application: **18 January 2008**
 (24) Date from which industrial property rights may have effect: **18 January 2008**
 (54) Product in respect of which the design is registered: **Golf putter head**
 (51) International Design Classification: **21-02C**
 (71) Name(s) and Address(s) of Applicant(s):
Karsten Manufacturing Corporation
2201 West Desert Cove Phoenix Arizona 85029 United States of America
 (72) Name(s) of Designer(s): **Michael R. Nicolette and Bradley D. Schweigert and David D. Jones and Marty R. Jertson**
 (45) Registration Date: **16 May 2008**
 (30) Convention priority data:

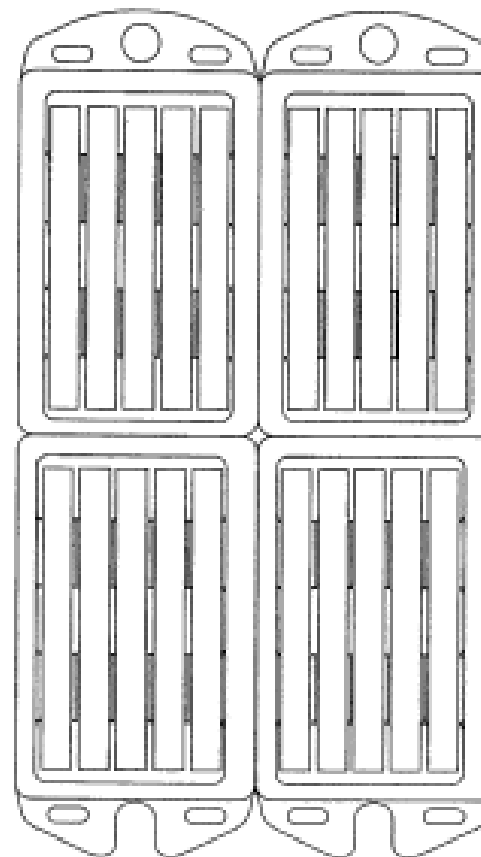
(31) Number	(32) Date	(33) Country
29/283496	15 Aug 2007	UNITED STATES OF AMERICA

 (56) Related Art Documents: **Not Applicable**
 (57) Statement of Newness and Distinctiveness: **Newness and distinctiveness is claimed in the visual features shown in solid lines in the representations.**



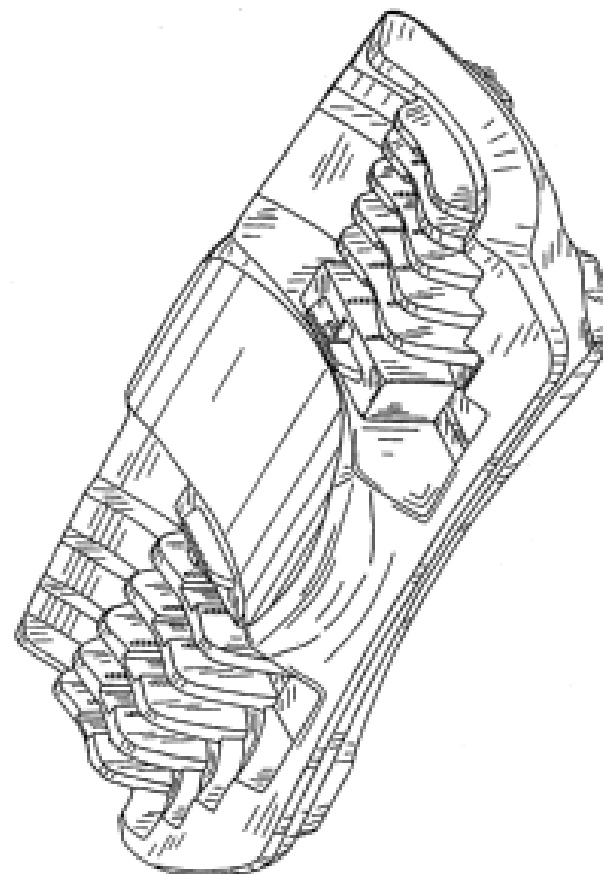
(19) AU

- (21) Design Number: **10419/2008**
(22) Date of Filing Application: **18 December 2007**
(24) Date from which industrial property rights may have effect: **18 December 2007**
(54) Product in respect of which the design is registered: **Cigarette packet**
(51) International Design Classification: **09-03A**
(71) Name(s) and Address(s) of Applicant(s):
British American Tobacco (Investments) Ltd
Globe House 1 Water Street London WC2R 3LA United Kingdom
(72) Name(s) of Designer(s): **Yuichi Kosaka and Dan Tabrah**
(45) Registration Date: **16 May 2008**
(30) Convention priority data:
(31) Number (32) Date (33) Country
000745278 19 Jun 2007 EUROPEAN COMMUNITY
(62) Divisional of: **318934**
(56) Related Art Documents: **Not Applicable**
(57) Statement of Newness and Distinctiveness: **Newness and distinctiveness resides in the features of shape and configuration of a cigarette packet as illustrated in the accompanying representations.**



(19) AU

- (21) Design Number: **10312/2008**
(22) Date of Filing Application: **24 January 2008**
(24) Date from which industrial property rights may have effect: **24 January 2008**
(54) Product in respect of which the design is registered: **Dumbbell base**
(51) International Design Classification: **21-02F**
(71) Name(s) and Address(s) of Applicant(s):
Nautilus, Inc.
2200 N.E. 65th Avenue Vancouver Washington 98661 United States of America
(72) Name(s) of Designer(s): **Jeffrey A. Gettle**
(45) Registration Date: **20 May 2008**
(56) Related Art Documents: **Not Applicable**
(57) Statement of Newness and Distinctiveness: **Newness and distinctiveness is claimed in those features of shape and/or configuration of a dumbbell base as illustrated in continuous lines in the accompanying representations.**



- (21) Design Number: **10204/2008**
- (22) Date of Filing Application: **17 January 2008**
- (24) Date from which industrial property rights may have effect: **17 January 2008**
- (54) Product in respect of which the design is registered: **Ink cartridge**
- (51) International Design Classification: **14-02**
- (71) Name(s) and Address(s) of Applicant(s):

Seiko Epson Corporation
4-1 Nishishinjuku 2-chome Shinjuku-ku Tokyo 163-0811 Japan

(72) Name(s) of Designer(s): **Takeshi Iwamuro**

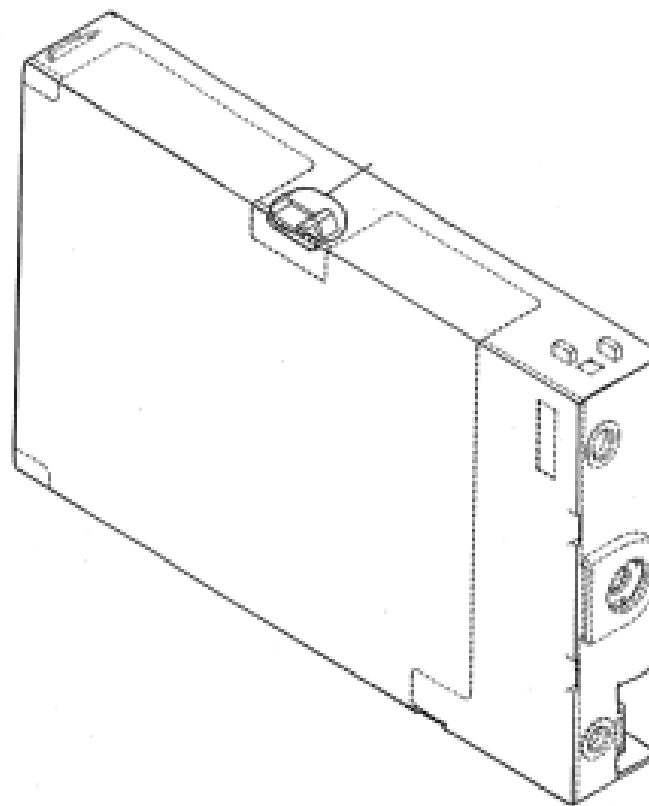
(45) Registration Date: **19 May 2008**

(30) Convention priority data:

(31) Number	(32) Date	(33) Country
2007-032584	28 Nov 2007	JAPAN

(56) Related Art Documents: **Not Applicable**

(57) Statement of Newness and Distinctiveness: **Newness and distinctiveness is claimed in those features of shape and/or configuration of an ink cartridge as illustrated in continuous lines labelled "A" in the accompanying representations.**



- (21) Design Number: **10230/2008**
- (22) Date of Filing Application: **18 January 2008**
- (24) Date from which industrial property rights may have effect: **18 January 2008**
- (54) Product in respect of which the design is registered: **Floor finish applicator**
- (51) International Design Classification: **15-05**
- (71) Name(s) and Address(s) of Applicant(s):

JohnsonDiversey, Inc.
8310 16th Street - M/S 509 Sturtevant Wisconsin 53177 United States of America

(72) Name(s) of Designer(s): **Douglas S. Rodenkirch and Scott I. Biba and Craig P. Conner and Daniel R. Nett and Nicholas S. Reback**

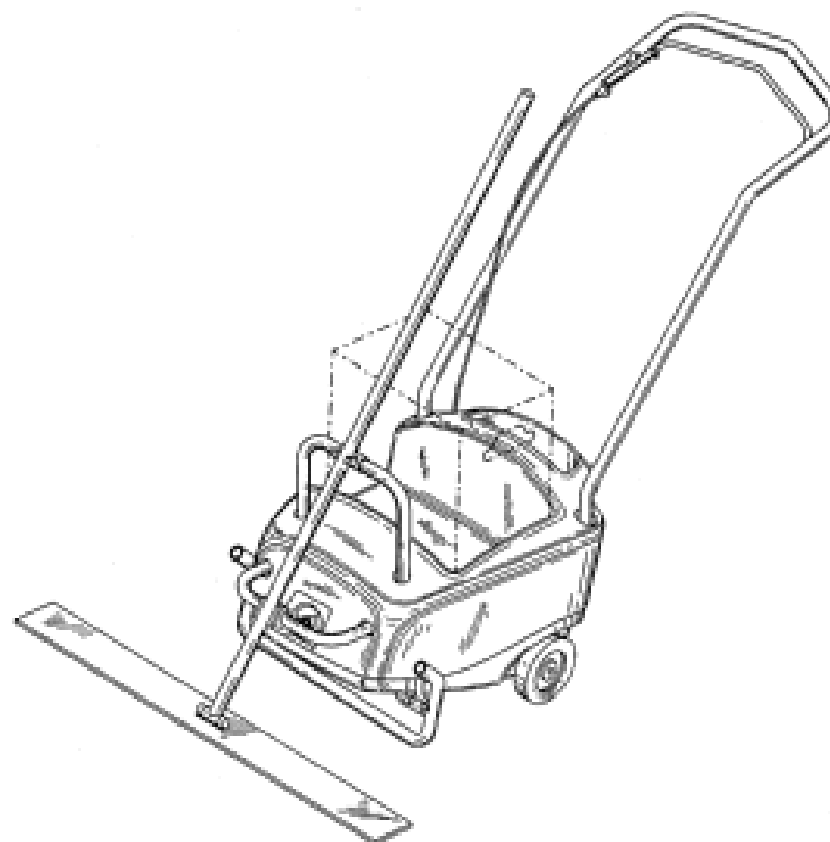
(45) Registration Date: **19 May 2008**

(30) Convention priority data:

(31) Number	(32) Date	(33) Country
29/282454	20 Jul 2007	UNITED STATES OF AMERICA

(56) Related Art Documents: **Not Applicable**

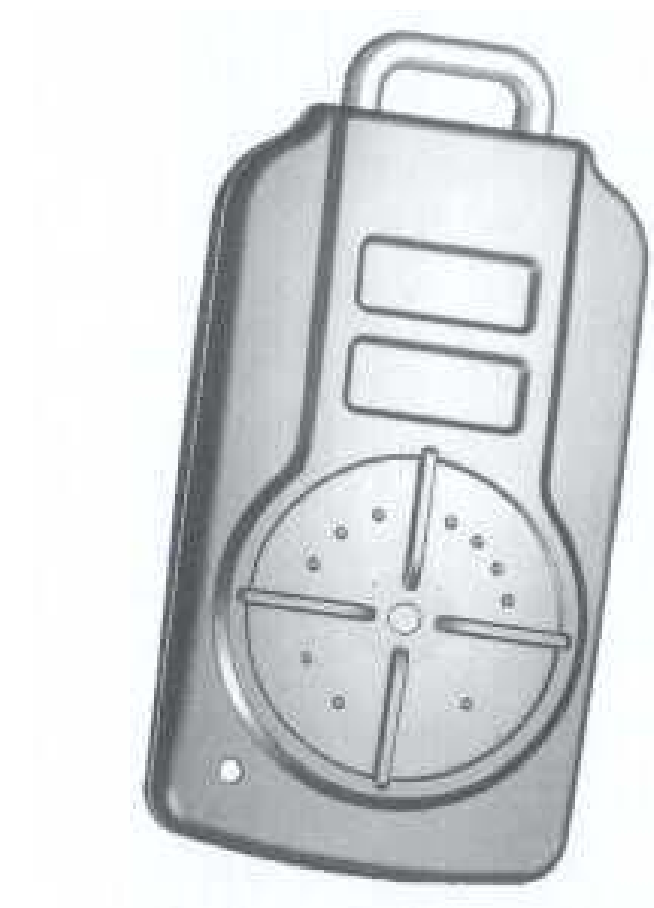
(57) Statement of Newness and Distinctiveness: **Newness and distinctiveness is claimed in those features of shape and/or configuration of a floor finish applicator as illustrated in continuous lines in the accompanying representations.**



- (21) Design Number: **10247/2008**
(22) Date of Filing Application: **21 January 2008**
(24) Date from which industrial property rights may have effect: **21 January 2008**
(54) Product in respect of which the design is registered: **Wall-mounted control unit**
(51) International Design Classification: **13-03E**
(71) Name(s) and Address(s) of Applicant(s):
Automatic Technology (Australia) Pty Ltd
6-8 Fiveways Boulevard Keysborough Victoria 3173 Australia
(72) Name(s) of Designer(s): **Travis Smith**
(45) Registration Date: **19 May 2008**
(56) Related Art Documents: **Not Applicable**
(57) Statement of Newness and Distinctiveness: **Newness and distinctiveness resides in the visual features of shape and/or configuration of a wall-mounted control unit as illustrated in the accompanying representation.**



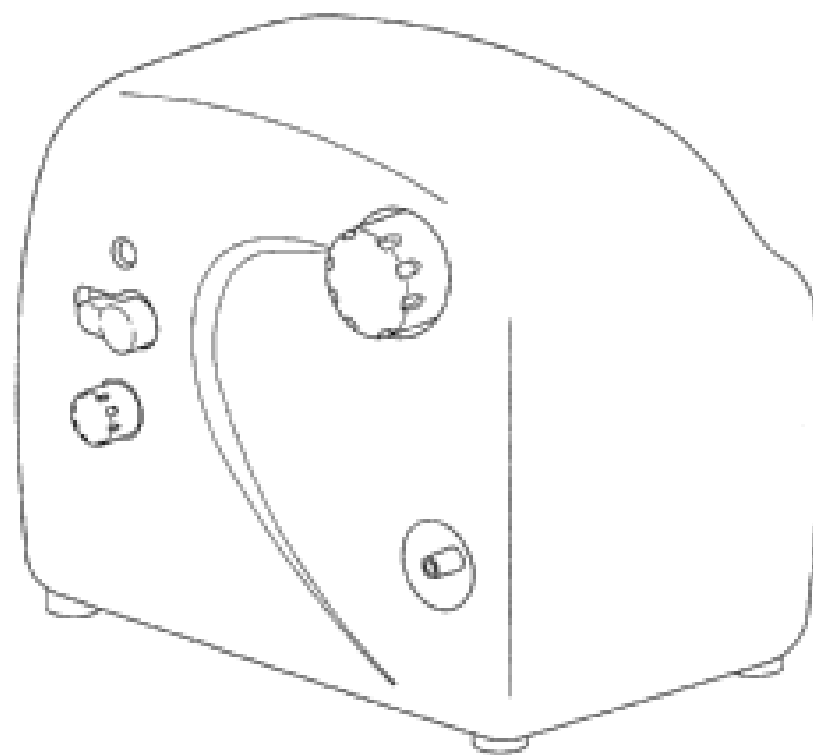
- (21) Design Number: **10248/2008**
(22) Date of Filing Application: **21 January 2008**
(24) Date from which industrial property rights may have effect: **21 January 2008**
(54) Product in respect of which the design is registered: **Remote control transmitter**
(51) International Design Classification: **14-03NES**
(71) Name(s) and Address(s) of Applicant(s):
Automatic Technology (Australia) Pty Ltd
6-8 Fiveways Boulevard Keysborough Victoria 3173 Australia
(72) Name(s) of Designer(s): **Travis Smith**
(45) Registration Date: **19 May 2008**
(56) Related Art Documents: **Not Applicable**
(57) Statement of Newness and Distinctiveness: **Newness and distinctiveness resides in the visual features of shape and/or configuration of a remote control transmitter as illustrated in the accompanying representation.**



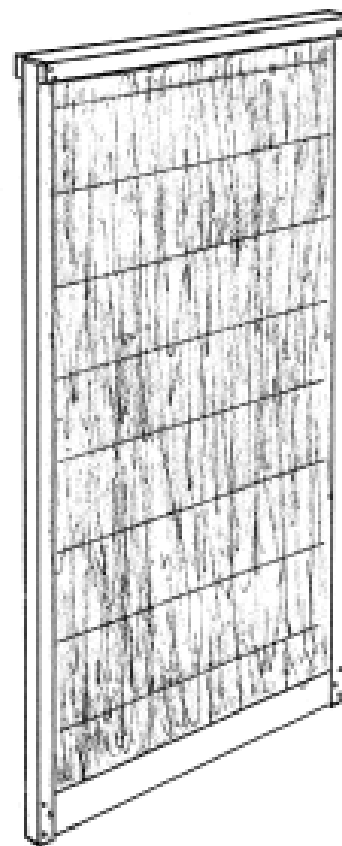
- (21) Design Number: **10249/2008**
(22) Date of Filing Application: **21 January 2008**
(24) Date from which industrial property rights may have effect: **21 January 2008**
(54) Product in respect of which the design is registered: **Remote control unit**
(51) International Design Classification: **14-03NES**
(71) Name(s) and Address(s) of Applicant(s):
Automatic Technology (Australia) Pty Ltd
6-8 Fiveways Boulevard Keysborough Victoria 3173 Australia
(72) Name(s) of Designer(s): **Toan Dang**
(45) Registration Date: **19 May 2008**
(56) Related Art Documents: **Not Applicable**
(57) Statement of Newness and Distinctiveness: **Newness and distinctiveness resides in the visual features of shape and/or configuration of a remote control unit as illustrated in the accompanying representation.**



- (21) Design Number: **10251/2008**
(22) Date of Filing Application: **21 January 2008**
(24) Date from which industrial property rights may have effect: **21 January 2008**
(54) Product in respect of which the design is registered: **Breast pump**
(51) International Design Classification: **24-02**
(71) Name(s) and Address(s) of Applicant(s):
Pigeon Corporation
4-4 Nihonbashi Hisamatsu-cho Chuo-ku Tokyo Japan
(72) Name(s) of Designer(s): **Risa Ohno and Yoshio Toyoda and Shinichi Kataoka and Mitsuo Tashiro**
(45) Registration Date: **19 May 2008**
(30) Convention priority data:
(31) Number (32) Date (33) Country
2007-029892 30 Oct 2007 JAPAN
(56) Related Art Documents: **Not Applicable**
(57) Statement of Newness and Distinctiveness: **Newness and distinctiveness resides in the features of shape and/or configuration of a breast pump as illustrated in the accompanying representations.**



- (21) Design Number: **10253/2008**
(22) Date of Filing Application: **21 January 2008**
(24) Date from which industrial property rights may have effect: **21 January 2008**
(54) Product in respect of which the design is registered: **A fence gate panel**
(51) International Design Classification: **25-02C**
(71) Name(s) and Address(s) of Applicant(s):
Ausbrush Panels Pty Ltd
23 Pangari Drive Fairview Park South Australia 5126 Australia
(72) Name(s) of Designer(s): **Hague Showell**
(45) Registration Date: **19 May 2008**
(56) Related Art Documents: **Not Applicable**
(57) Statement of Newness and Distinctiveness: **Nil**



- (21) Design Number: **10261/2008**
(22) Date of Filing Application: **22 January 2008**
(24) Date from which industrial property rights may have effect: **22 January 2008**
(54) Product in respect of which the design is registered: **Front combination lamp for automobile**
(51) International Design Classification: **26-06**
(71) Name(s) and Address(s) of Applicant(s):
Honda Motor Co., Ltd.
1-1 Minamiaoyama 2-chome Minato-ku Tokyo Japan
(72) Name(s) of Designer(s): **Shuji Koman**
(45) Registration Date: **19 May 2008**
(30) Convention priority data:
(31) Number (32) Date (33) Country
2007-021162 02 Aug 2007 JAPAN
(56) Related Art Documents: **Not Applicable**
(57) Statement of Newness and Distinctiveness: **Newness and distinctiveness is claimed in the features of shape and/or configuration of a front combination lamp for automobile as illustrated in the accompanying representations.**



- (21) Design Number: **10262/2008**
(22) Date of Filing Application: **22 January 2008**
(24) Date from which industrial property rights may have effect: **22 January 2008**
(54) Product in respect of which the design is registered: **Rear combination lamp for automobile**
(51) International Design Classification: **26-06**
(71) Name(s) and Address(s) of Applicant(s):
Honda Motor Co., Ltd.
1-1 Minamiaoyama 2-chome Minato-ku Tokyo Japan
(72) Name(s) of Designer(s): **Shuji Koman**
(45) Registration Date: **19 May 2008**
(30) Convention priority data:
(31) Number (32) Date (33) Country
2007-021163 02 Aug 2007 JAPAN
(56) Related Art Documents: **Not Applicable**
(57) Statement of Newness and Distinctiveness: **Newness and distinctiveness is claimed in the features of shape and/or configuration of a rear combination lamp for automobile as illustrated in the accompanying representations.**



- (21) Design Number: **10263/2008**
(22) Date of Filing Application: **22 January 2008**
(24) Date from which industrial property rights may have effect: **22 January 2008**
(54) Product in respect of which the design is registered: **Rear combination lamp for automobile**
(51) International Design Classification: **26-06**
(71) Name(s) and Address(s) of Applicant(s):
Honda Motor Co., Ltd.
1-1 Minamiaoyama 2-chome Minato-ku Tokyo Japan
(72) Name(s) of Designer(s): **Takahiro Suzuki**
(45) Registration Date: **19 May 2008**
(30) Convention priority data:
(31) Number (32) Date (33) Country
2007-021165 02 Aug 2007 JAPAN
(56) Related Art Documents: **Not Applicable**
(57) Statement of Newness and Distinctiveness: **Newness and distinctiveness is claimed in the features of shape and/or configuration of a rear combination lamp for automobile as illustrated in the accompanying representations.**



(19) AU

- (21) Design Number: **10264/2008**
(22) Date of Filing Application: **22 January 2008**
(24) Date from which industrial property rights may have effect: **22 January 2008**
(54) Product in respect of which the design is registered: **Rear combination lamp for automobile**
(51) International Design Classification: **26-06**
(71) Name(s) and Address(s) of Applicant(s):
Honda Motor Co., Ltd.
1-1 Minamiaoyama 2-chome Minato-ku Tokyo Japan
(72) Name(s) of Designer(s): **Takahiro Suzuki**
(45) Registration Date: **19 May 2008**
(30) Convention priority data:
(31) Number (32) Date (33) Country
2007-021164 02 Aug 2007 JAPAN
(56) Related Art Documents: **Not Applicable**
(57) Statement of Newness and Distinctiveness: **Newness and distinctiveness is claimed in the features of shape and/or configuration of a rear combination lamp for automobile as illustrated in the accompanying representations.**



(19) AU

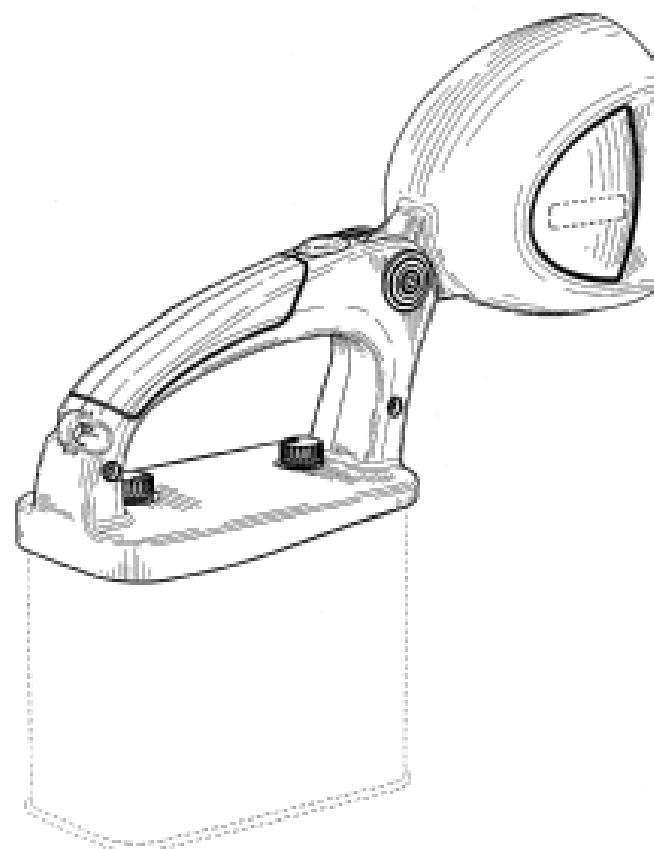
- (21) Design Number: **10265/2008**
(22) Date of Filing Application: **22 January 2008**
(24) Date from which industrial property rights may have effect: **22 January 2008**
(54) Product in respect of which the design is registered: **Automobile**
(51) International Design Classification: **12-08**
(71) Name(s) and Address(s) of Applicant(s):
Honda Motor Co., Ltd.
1-1 Minamiaoyama 2-chome Minato-ku Tokyo Japan
(72) Name(s) of Designer(s): **Toshinobu Minami**
(45) Registration Date: **19 May 2008**
(30) Convention priority data:
(31) Number (32) Date (33) Country
2007-021204 03 Aug 2007 JAPAN
(56) Related Art Documents: **Not Applicable**
(57) Statement of Newness and Distinctiveness: **Newness and distinctiveness is claimed in the features of shape and/or configuration of an automobile as illustrated in the accompanying representations.**



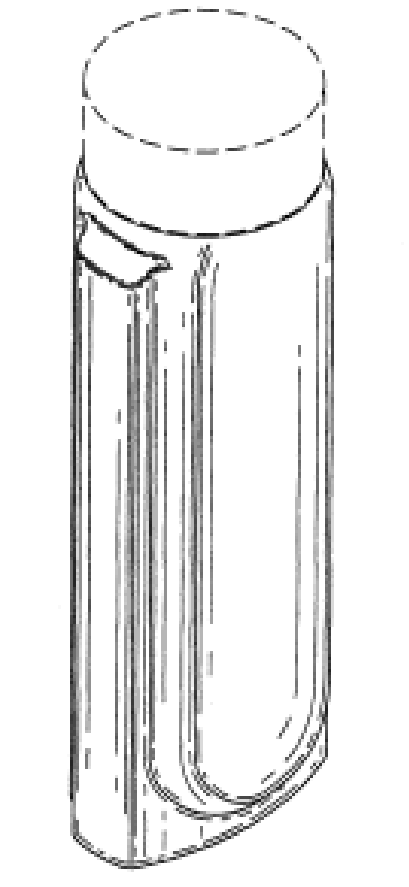
- (21) Design Number: **10266/2008**
(22) Date of Filing Application: **22 January 2008**
(24) Date from which industrial property rights may have effect: **22 January 2008**
(54) Product in respect of which the design is registered: **Automobile**
(51) International Design Classification: **12-08**
(71) Name(s) and Address(s) of Applicant(s):
Honda Motor Co., Ltd.
1-1 Minamiaoyama 2-chome Minato-ku Tokyo Japan
(72) Name(s) of Designer(s): **Jarad Hall and Shuji Koman**
(45) Registration Date: **19 May 2008**
(30) Convention priority data:
(31) Number (32) Date (33) Country
2007-021203 03 Aug 2007 JAPAN
(56) Related Art Documents: **Not Applicable**
(57) Statement of Newness and Distinctiveness: **Newness and distinctiveness is claimed in the features of shape and/or configuration of an automobile as illustrated in the accompanying representations.**



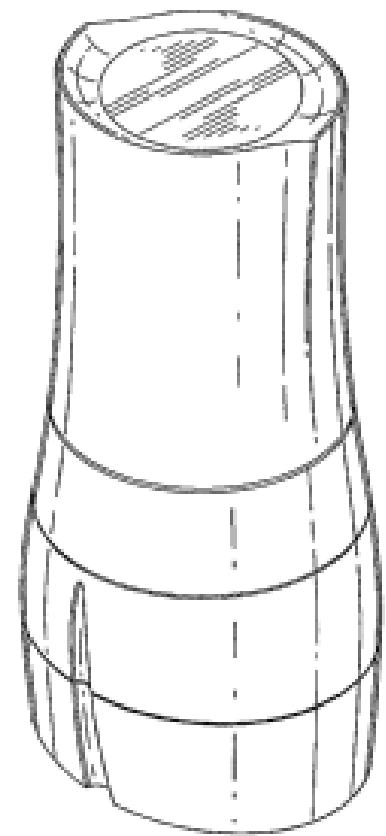
- (21) Design Number: **10267/2008**
(22) Date of Filing Application: **22 January 2008**
(24) Date from which industrial property rights may have effect: **22 January 2008**
(54) Product in respect of which the design is registered: **Lighting device**
(51) International Design Classification: **26-02**
(71) Name(s) and Address(s) of Applicant(s):
Eveready Battery Company, Inc.
533 Maryville University Drive St Louis Missouri 63141 United States of America
(72) Name(s) of Designer(s): **Ronald J. Kingston and Scott W. Osiecki and Tyler T. Watson**
(45) Registration Date: **19 May 2008**
(30) Convention priority data:
(31) Number (32) Date (33) Country
29/291265 22 Aug 2007 UNITED STATES OF AMERICA
(56) Related Art Documents: **Not Applicable**
(57) Statement of Newness and Distinctiveness: **Newness and distinctiveness is claimed in those visual features depicted in unbroken lines.**



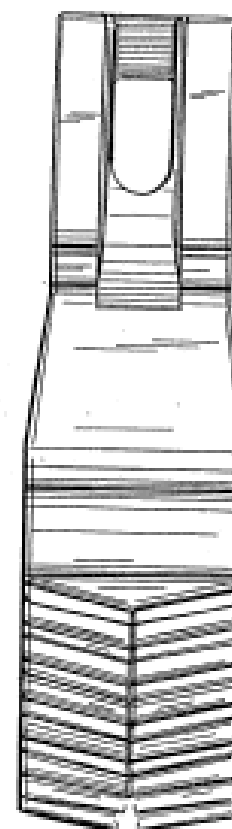
(21) Design Number: **10269/2008**
(22) Date of Filing Application: **22 January 2008**
(24) Date from which industrial property rights may have effect: **22 January 2008**
(54) Product in respect of which the design is registered: **Bottle**
(51) International Design Classification: **09-01K**
(71) Name(s) and Address(s) of Applicant(s):
Unilever PLC
Unilever House Blackfriars London EC4P 4BQ United Kingdom
(72) Name(s) of Designer(s): **Michael James Webster and Gilbert Rodney Balam and Adrian Barclay Caroen and Lori Brazil Gery and Gareth Frederick Jones and Richard Paul McNabb and Paula Lynn Record**
(45) Registration Date: **19 May 2008**
(30) Convention priority data:
(31) Number (32) Date (33) Country
29/289860 03 Aug 2007 UNITED STATES OF AMERICA
(56) Related Art Documents: **Not Applicable**
(57) Statement of Newness and Distinctiveness: **Newness and distinctiveness is claimed in the visual features shown in solid lines in the representations.**



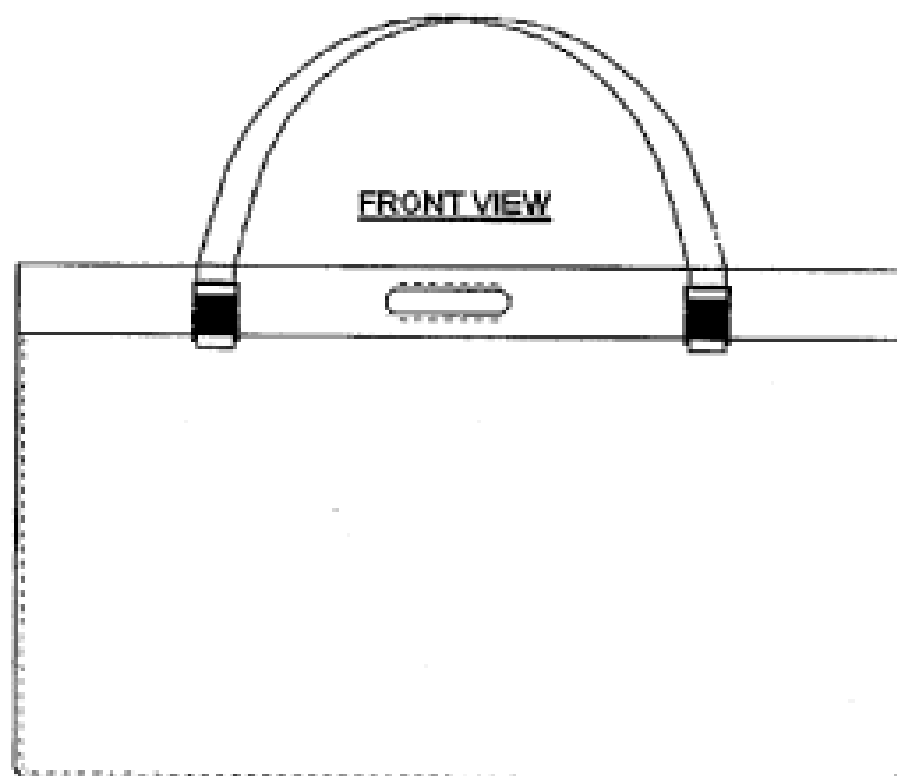
(21) Design Number: **10270/2008**
(22) Date of Filing Application: **22 January 2008**
(24) Date from which industrial property rights may have effect: **22 January 2008**
(54) Product in respect of which the design is registered: **Duo condiment mill**
(51) International Design Classification: **07-06C**
(71) Name(s) and Address(s) of Applicant(s):
DKB Household UK Limited
Bridge House Eelmoor Road Farnborough Hampshire GU14 7UE
United Kingdom
(72) Name(s) of Designer(s): **Daniel Kestenbaum**
(45) Registration Date: **19 May 2008**
(30) Convention priority data:
(31) Number (32) Date (33) Country
000771951-0001 06 Aug 2007 EUROPEAN COMMUNITY
(56) Related Art Documents: **Not Applicable**
(57) Statement of Newness and Distinctiveness: **Nil**



- (21) Design Number: **10271/2008**
(22) Date of Filing Application: **22 January 2008**
(24) Date from which industrial property rights may have effect: **22 January 2008**
(54) Product in respect of which the design is registered: **Lip shroud**
(51) International Design Classification: **15-04**
(71) Name(s) and Address(s) of Applicant(s):
H&L Tooth Company
10055 East 56th Street North Tulsa Oklahoma 74117-4016 United States of America
(72) Name(s) of Designer(s): **Charles Clendenning and Russell N. Drake**
(45) Registration Date: **19 May 2008**
(30) Convention priority data:
(31) Number (32) Date (33) Country
29/289,501 23 Jul 2007 UNITED STATES OF AMERICA
(56) Related Art Documents: **Not Applicable**
(57) Statement of Newness and Distinctiveness: **Visual features of the design which are new and distinctive are the features of shape and configuration of a lip shroud as illustrated in the representations.**



- (21) Design Number: **10292/2008**
(22) Date of Filing Application: **22 January 2008**
(24) Date from which industrial property rights may have effect: **22 January 2008**
(54) Product in respect of which the design is registered: **Art folio bag**
(51) International Design Classification: **03-01NES**
(71) Name(s) and Address(s) of Applicant(s):
Cameron Scott Earl
244 Wentworths Road Inverleigh Victoria 3321 Australia
(72) Name(s) of Designer(s): **Cameron Scott Earl**
(45) Registration Date: **19 May 2008**
(56) Related Art Documents: **Not Applicable**
(57) Statement of Newness and Distinctiveness: **Nil**



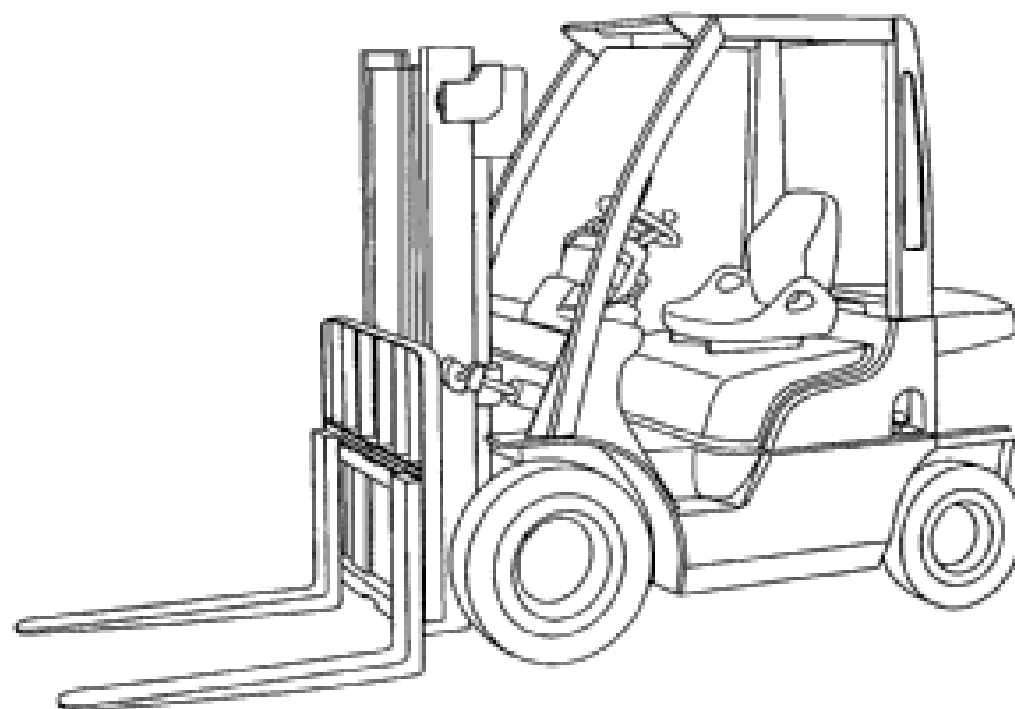
- (21) Design Number: **10293/2008**
(22) Date of Filing Application: **22 January 2008**
(24) Date from which industrial property rights may have effect: **22 January 2008**
(54) Product in respect of which the design is registered: **Power saver**
(51) International Design Classification: **13-03D**
(71) Name(s) and Address(s) of Applicant(s):
Auscha Corporation Pty Ltd
Unit D1 46-62 Maddox Street Alexandria New South Wales 2015
Australia
(72) Name(s) of Designer(s): **Raj N. Rajkumar**
(45) Registration Date: **19 May 2008**
(56) Related Art Documents: **Not Applicable**
(57) Statement of Newness and Distinctiveness: **Power saver unit with power indicator.**



- (21) Design Number: **10278/2008**
(22) Date of Filing Application: **23 January 2008**
(24) Date from which industrial property rights may have effect: **23 January 2008**
(54) Product in respect of which the design is registered: **Forklift truck**
(51) International Design Classification: **12-05**
(71) Name(s) and Address(s) of Applicant(s):
Nissan Jidosha Kabushiki Kaisha
No. 2 Takaracho Kanagawa-ku Yokohama-shi Kanagawa-Ken Japan
(72) Name(s) of Designer(s): **Ryoichi Kuraoka and Yoshinaka Tanaka**
(45) Registration Date: **19 May 2008**
(30) Convention priority data:

(31) Number	(32) Date	(33) Country
2007-021885	10 Aug 2007	JAPAN

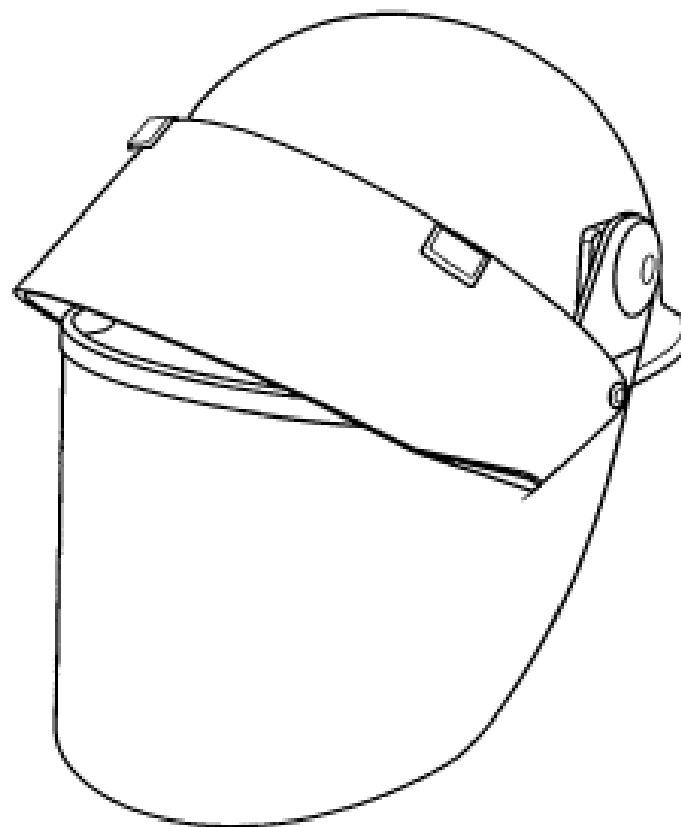
(56) Related Art Documents: **Not Applicable**
(57) Statement of Newness and Distinctiveness: **Nil**



(21) Design Number: **10282/2008**
(22) Date of Filing Application: **23 January 2008**
(24) Date from which industrial property rights may have effect: **23 January 2008**
(54) Product in respect of which the design is registered: **Blender**
(51) International Design Classification: **31-00**
(71) Name(s) and Address(s) of Applicant(s):
Kenwood Limited
New Lane Havant Hampshire PO9 2NH England
(72) Name(s) of Designer(s): **Chris Christou**
(45) Registration Date: **19 May 2008**
(30) Convention priority data:
(31) Number (32) Date (33) Country
000768932-0001 03 Aug 2007 EUROPEAN COMMUNITY
(56) Related Art Documents: **Not Applicable**
(57) Statement of Newness and Distinctiveness: **Nil**



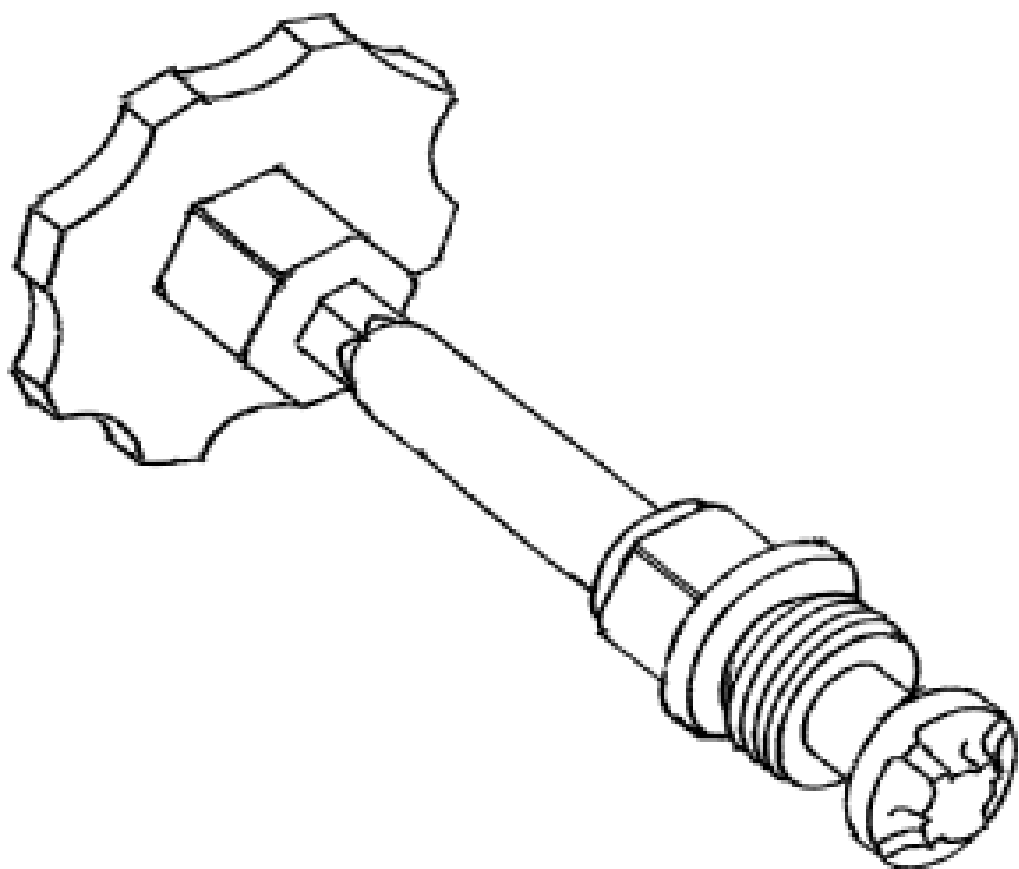
(21) Design Number: **10283/2008**
(22) Date of Filing Application: **24 January 2008**
(24) Date from which industrial property rights may have effect: **24 January 2008**
(54) Product in respect of which the design is registered: **A helmet**
(51) International Design Classification: **02-03**
(71) Name(s) and Address(s) of Applicant(s):
Pacific Helmets NZ Limited
315 Heads Road Balgownie Wanganui New Zealand
(72) Name(s) of Designer(s): **David Bennett**
(45) Registration Date: **19 May 2008**
(30) Convention priority data:
(31) Number (32) Date (33) Country
409466 24 Jul 2007 NEW ZEALAND
(56) Related Art Documents: **Not Applicable**
(57) Statement of Newness and Distinctiveness: **Nil**



- (21) Design Number: **10284/2008**
(22) Date of Filing Application: **23 January 2008**
(24) Date from which industrial property rights may have effect: **23 January 2008**
(54) Product in respect of which the design is registered: **Pet chew**
(51) International Design Classification: **01-06**
(71) Name(s) and Address(s) of Applicant(s):
Mars Incorporated
6885 Elm Street McLean Virginia 22101-3883 United States of America
(72) Name(s) of Designer(s): **David A. Wylie**
(45) Registration Date: **19 May 2008**
(30) Convention priority data:
(31) Number (32) Date (33) Country
000830583-0001 22 Nov 2007 EUROPEAN COMMUNITY
(56) Related Art Documents: **Not Applicable**
(57) Statement of Newness and Distinctiveness: **The novelty of the design resides on the features of shape and configuration as depicted in the representations attached.**



- (21) Design Number: **10291/2008**
(22) Date of Filing Application: **22 January 2008**
(24) Date from which industrial property rights may have effect: **22 January 2008**
(54) Product in respect of which the design is registered: **Tap seat reforming tool**
(51) International Design Classification: **23-01H**
(71) Name(s) and Address(s) of Applicant(s):
Brian Ashford
60 Beaumaris Drive Menai New South Wales 2234 Australia
(72) Name(s) of Designer(s): **Brian Ashford**
(45) Registration Date: **19 May 2008**
(56) Related Art Documents: **Not Applicable**
(57) Statement of Newness and Distinctiveness: **The new and distinctive feature of the design is the shape, profile and configuration of the cutting head of the cutting tool as illustrated in the accompanying drawings.**



(21) Design Number: **10294/2008**

(22) Date of Filing Application: **24 January 2008**

(24) Date from which industrial property rights may have effect: **24 January 2008**

(54) Product in respect of which the design is registered: **A wall stud**

(51) International Design Classification: **25-01C**

(71) Name(s) and Address(s) of Applicant(s):

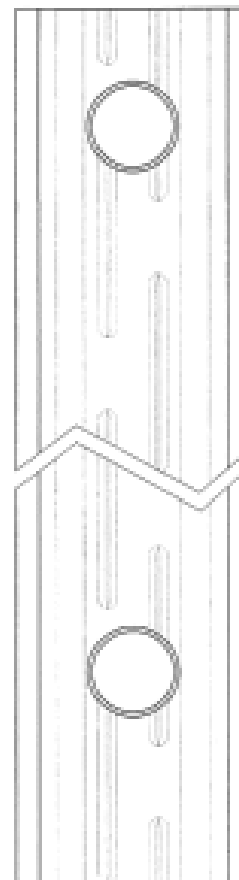
**Peer Intellectual Properties Pty Ltd
Cnr Quindus St & Spanns Road Beenleigh Queensland 4207 Australia**

(72) Name(s) of Designer(s): **Stephen Charles Bean**

(45) Registration Date: **19 May 2008**

(56) Related Art Documents: **Not Applicable**

(57) Statement of Newness and Distinctiveness: **The features of shape and configuration of the wall stud are new and distinctive. However, the one or more circular holes are optional and are not an essential feature of the design. If present, the hole(s) may accommodate cabling and the like in the wall and the positioning of the hole(s) in the stud may be altered to suit the particular application. The design is of indefinite length.**



(21) Design Number: **10295/2008**

(22) Date of Filing Application: **24 January 2008**

(24) Date from which industrial property rights may have effect: **24 January 2008**

(54) Product in respect of which the design is registered: **A wall stud**

(51) International Design Classification: **25-01C**

(71) Name(s) and Address(s) of Applicant(s):

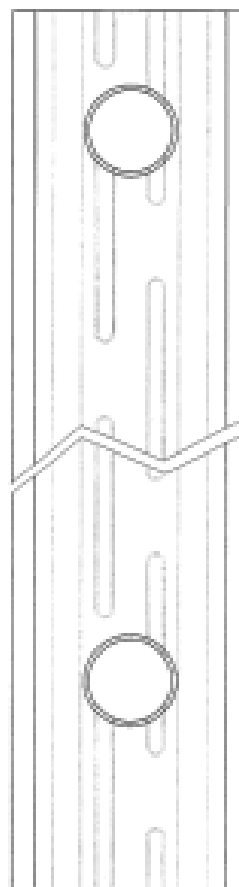
**Peer Intellectual Properties Pty Ltd
Cnr Quindus St & Spanns Road Beenleigh Queensland 4207 Australia**

(72) Name(s) of Designer(s): **Stephen Charles Bean**

(45) Registration Date: **19 May 2008**

(56) Related Art Documents: **Not Applicable**

(57) Statement of Newness and Distinctiveness: **The features of shape and configuration of the wall stud are new and distinctive. However, the one or more circular holes are optional and are not an essential feature of the design. If present, the hole(s) may accommodate cabling and the like in the wall and the positioning of the hole(s) in the stud may be altered to suit the particular application. The design is of indefinite length.**



(21) Design Number: **10296/2008**

(22) Date of Filing Application: **24 January 2008**

(24) Date from which industrial property rights may have effect: **24 January 2008**

(54) Product in respect of which the design is registered: **A wall stud**

(51) International Design Classification: **25-01C**

(71) Name(s) and Address(s) of Applicant(s):

Peer Intellectual Properties Pty Ltd

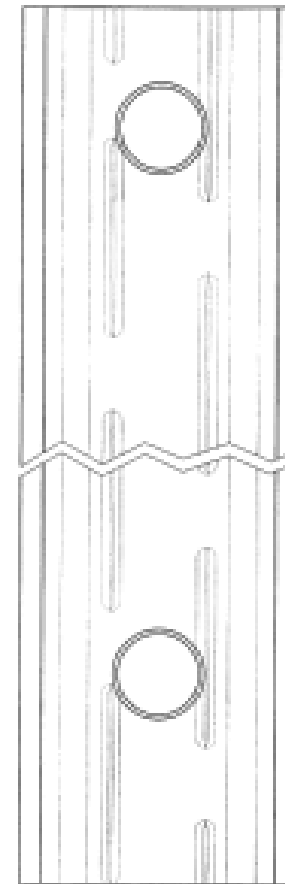
Cnr Quindus St & Spanns Road Beenleigh Queensland 4207 Australia

(72) Name(s) of Designer(s): **Stephen Charles Bean**

(45) Registration Date: **19 May 2008**

(56) Related Art Documents: **Not Applicable**

(57) Statement of Newness and Distinctiveness: **The features of shape and configuration of the wall stud are new and distinctive. However, the one or more circular holes are optional and are not an essential feature of the design. If present, the hole(s) may accommodate cabling and the like in the wall and the positioning of the hole(s) in the stud may be altered to suit the particular application. The design is of indefinite length.**



(21) Design Number: **10297/2008**

(22) Date of Filing Application: **24 January 2008**

(24) Date from which industrial property rights may have effect: **24 January 2008**

(54) Product in respect of which the design is registered: **A wall stud**

(51) International Design Classification: **25-01C**

(71) Name(s) and Address(s) of Applicant(s):

Peer Intellectual Properties Pty Ltd

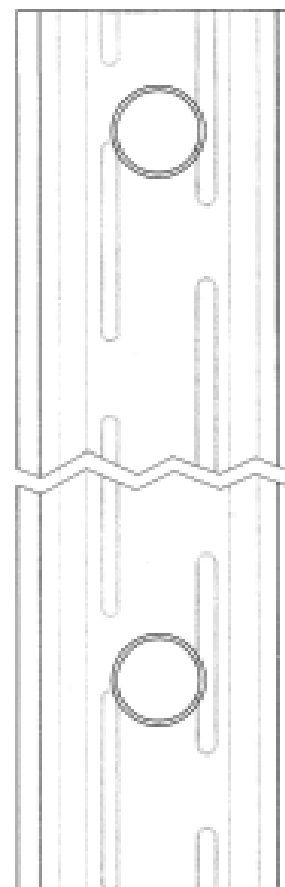
Cnr Quindus St & Spanns Road Beenleigh Queensland 4207 Australia

(72) Name(s) of Designer(s): **Stephen Charles Bean**

(45) Registration Date: **19 May 2008**

(56) Related Art Documents: **Not Applicable**

(57) Statement of Newness and Distinctiveness: **The features of shape and configuration of the wall stud are new and distinctive. However, the one or more circular holes are optional and are not an essential feature of the design. If present, the hole(s) may accommodate cabling and the like in the wall and the positioning of the hole(s) in the stud may be altered to suit the particular application. The design is of indefinite length.**



(21) Design Number: **10298/2008**

(22) Date of Filing Application: **24 January 2008**

(24) Date from which industrial property rights may have effect: **24 January 2008**

(54) Product in respect of which the design is registered: **A wall stud**

(51) International Design Classification: **25-01C**

(71) Name(s) and Address(s) of Applicant(s):

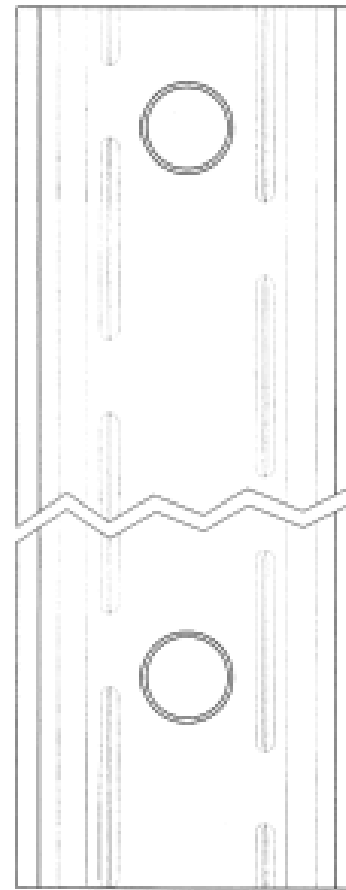
**Peer Intellectual Properties Pty Ltd
Cnr Quindus St & Spanns Road Beenleigh Queensland 4207 Australia**

(72) Name(s) of Designer(s): **Stephen Charles Bean**

(45) Registration Date: **19 May 2008**

(56) Related Art Documents: **Not Applicable**

(57) Statement of Newness and Distinctiveness: **The features of shape and configuration of the wall stud are new and distinctive. However, the one or more circular holes are optional and are not an essential feature of the design. If present, the hole(s) may accommodate cabling and the like in the wall and the positioning of the hole(s) in the stud may be altered to suit the particular application. The design is of indefinite length.**



(21) Design Number: **10299/2008**

(22) Date of Filing Application: **24 January 2008**

(24) Date from which industrial property rights may have effect: **24 January 2008**

(54) Product in respect of which the design is registered: **A wall stud**

(51) International Design Classification: **25-01C**

(71) Name(s) and Address(s) of Applicant(s):

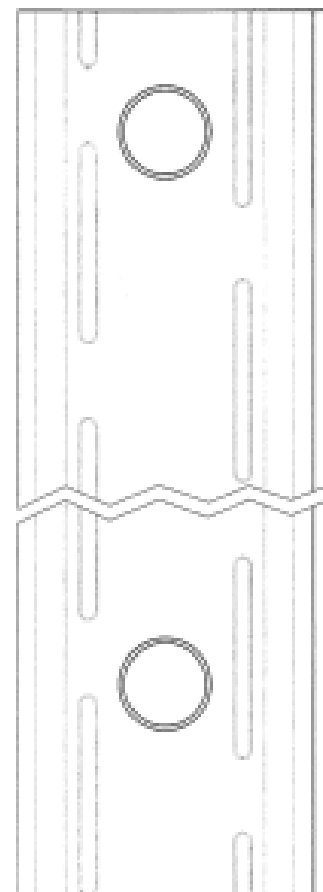
**Peer Intellectual Properties Pty Ltd
Cnr Quindus St & Spanns Road Beenleigh Queensland 4207 Australia**

(72) Name(s) of Designer(s): **Stephen Charles Bean**

(45) Registration Date: **19 May 2008**

(56) Related Art Documents: **Not Applicable**

(57) Statement of Newness and Distinctiveness: **The features of shape and configuration of the wall stud are new and distinctive. However, the one or more circular holes are optional and are not an essential feature of the design. If present, the hole(s) may accommodate cabling and the like in the wall and the positioning of the hole(s) in the stud may be altered to suit the particular application. The design is of indefinite length.**



(21) Design Number: **10300/2008**

(22) Date of Filing Application: **24 January 2008**

(24) Date from which industrial property rights may have effect: **24 January 2008**

(54) Product in respect of which the design is registered: **A wall stud**

(51) International Design Classification: **25-01C**

(71) Name(s) and Address(s) of Applicant(s):

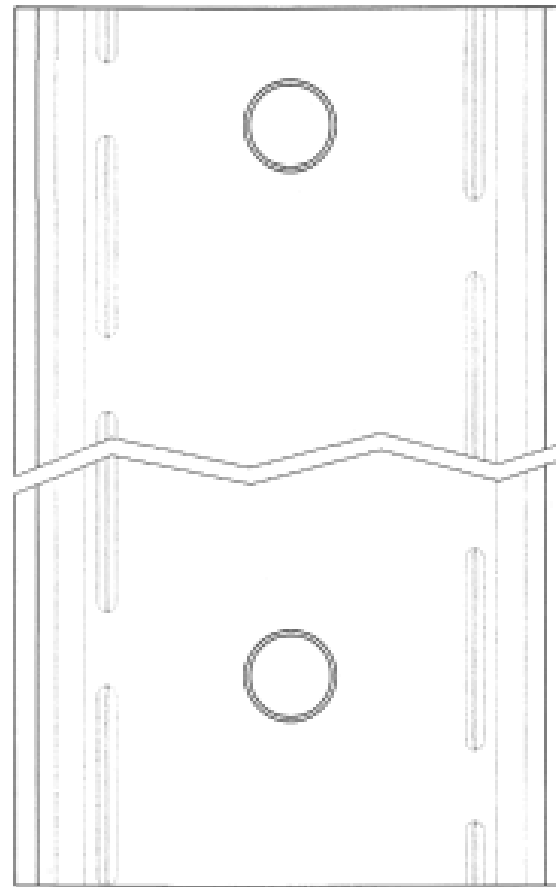
**Peer Intellectual Properties Pty Ltd
Cnr Quindus St & Spanns Road Beenleigh Queensland 4207 Australia**

(72) Name(s) of Designer(s): **Stephen Charles Bean**

(45) Registration Date: **19 May 2008**

(56) Related Art Documents: **Not Applicable**

(57) Statement of Newness and Distinctiveness: **The features of shape and configuration of the wall stud are new and distinctive. However, the one or more circular holes are optional and are not an essential feature of the design. If present, the hole(s) may accommodate cabling and the like in the wall and the positioning of the hole(s) in the stud may be altered to suit the particular application. The design is of indefinite length.**



(21) Design Number: **10301/2008**

(22) Date of Filing Application: **24 January 2008**

(24) Date from which industrial property rights may have effect: **24 January 2008**

(54) Product in respect of which the design is registered: **A wall stud**

(51) International Design Classification: **25-01C**

(71) Name(s) and Address(s) of Applicant(s):

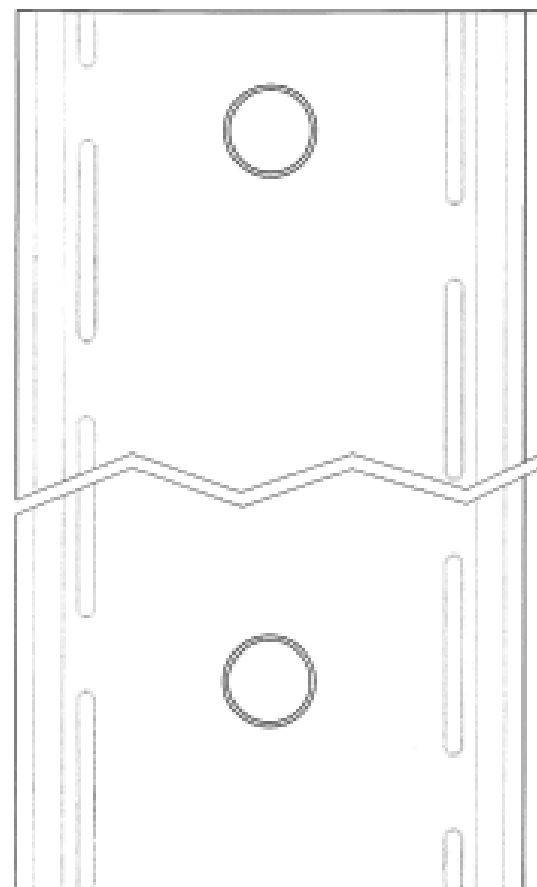
**Peer Intellectual Properties Pty Ltd
Cnr Quindus St & Spanns Road Beenleigh Queensland 4207 Australia**

(72) Name(s) of Designer(s): **Stephen Charles Bean**

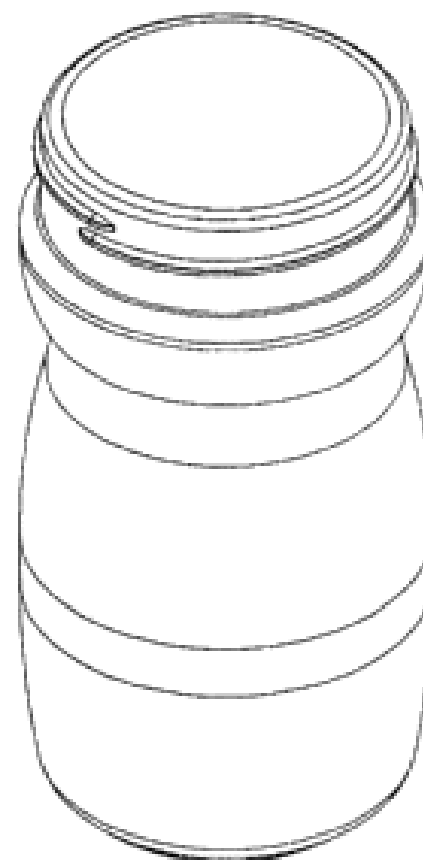
(45) Registration Date: **19 May 2008**

(56) Related Art Documents: **Not Applicable**

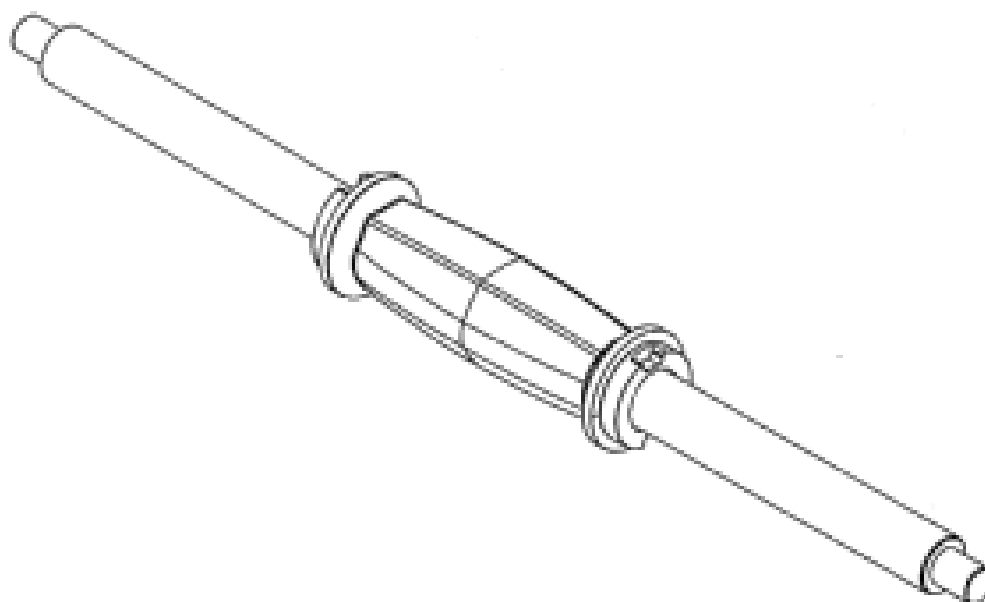
(57) Statement of Newness and Distinctiveness: **The features of shape and configuration of the wall stud are new and distinctive. However, the one or more circular holes are optional and are not an essential feature of the design. If present, the hole(s) may accommodate cabling and the like in the wall and the positioning of the hole(s) in the stud may be altered to suit the particular application. The design is of indefinite length.**



(21) Design Number: **10305/2008**
(22) Date of Filing Application: **24 January 2008**
(24) Date from which industrial property rights may have effect: **24 January 2008**
(54) Product in respect of which the design is registered: **A bottle**
(51) International Design Classification: **09-01K**
(71) Name(s) and Address(s) of Applicant(s):
Societe des Produits Nestle S.A.
1800 Vevey Switzerland
(72) Name(s) of Designer(s): **Loic Faulon**
(45) Registration Date: **19 May 2008**
(30) Convention priority data:
(31) Number (32) Date (33) Country
134396 24 Sep 2007 SWITZERLAND
(56) Related Art Documents: **Not Applicable**
(57) Statement of Newness and Distinctiveness: **Nil**



(21) Design Number: **10307/2008**
(22) Date of Filing Application: **24 January 2008**
(24) Date from which industrial property rights may have effect: **24 January 2008**
(54) Product in respect of which the design is registered: **Dumbbell handle**
(51) International Design Classification: **21-02F**
(71) Name(s) and Address(s) of Applicant(s):
Nautilus, Inc.
2200 N.E. 65th Avenue Vancouver Washington 98661 United States of America
(72) Name(s) of Designer(s): **Eric D. Golesh and Edward L. Flick and Brent Christopher and Jeffrey A. Nitta**
(45) Registration Date: **20 May 2008**
(30) Convention priority data:
(31) Number (32) Date (33) Country
29/302708 23 Jan 2008 UNITED STATES OF AMERICA
(56) Related Art Documents: **Not Applicable**
(57) Statement of Newness and Distinctiveness: **Newness and distinctiveness is claimed in the features of shape and/or configuration of a dumbbell handle as illustrated in the accompanying representations.**



(19) AU

(21) Design Number: 10308/2008

(22) Date of Filing Application: 24 January 2008

(24) Date from which industrial property rights may have effect: 24 January 2008

(54) Product in respect of which the design is registered: Dumbbell

(51) International Design Classification: 21-02F

(71) Name(s) and Address(s) of Applicant(s):

Nautilus, Inc.

2200 N.E. 65th Avenue Vancouver Washington 98661 United States of America

(72) Name(s) of Designer(s): Eric D. Golesh and Edward L. Flick and Brent Christopher and Jeffrey A. Nitta

(45) Registration Date: 20 May 2008

(30) Convention priority data:

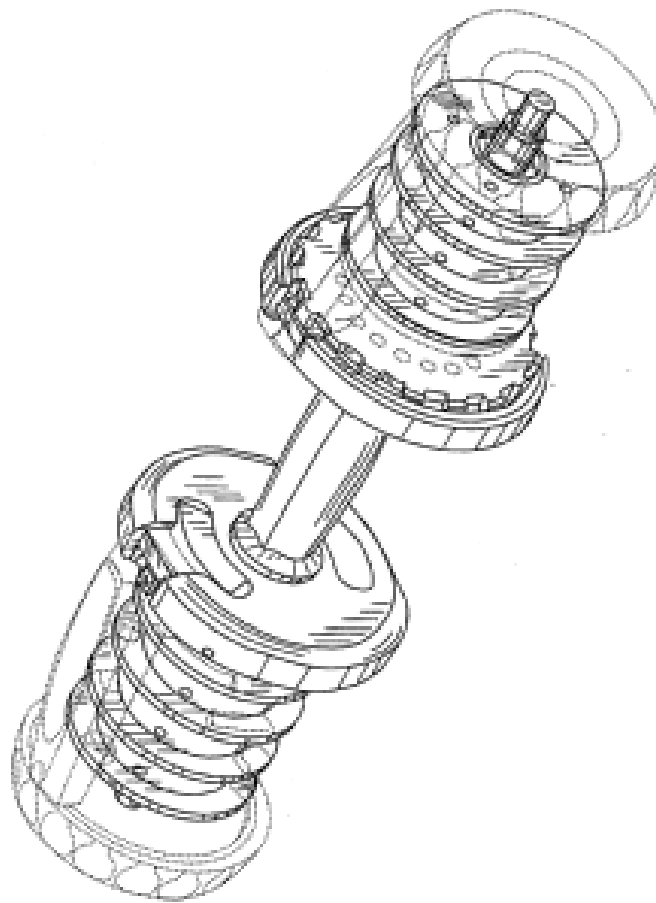
(31) Number
29/302708

(32) Date
23 Jan 2008

(33) Country
UNITED STATES OF AMERICA

(56) Related Art Documents: Not Applicable

(57) Statement of Newness and Distinctiveness: Newness and distinctiveness is claimed in those features of shape and/or configuration of a dumbbell as illustrated in continuous lines in the accompanying representations.



(19) AU

(21) Design Number: 10309/2008

(22) Date of Filing Application: 24 January 2008

(24) Date from which industrial property rights may have effect: 24 January 2008

(54) Product in respect of which the design is registered: Ink cartridge

(51) International Design Classification: 14-02

(71) Name(s) and Address(s) of Applicant(s):

Seiko Epson Corporation

4-1 Nishi-Shinjuku 2-chome Shinjuku-ku Tokyo 163-0811 Japan

(72) Name(s) of Designer(s): Izumi Nozawa

(45) Registration Date: 20 May 2008

(30) Convention priority data:

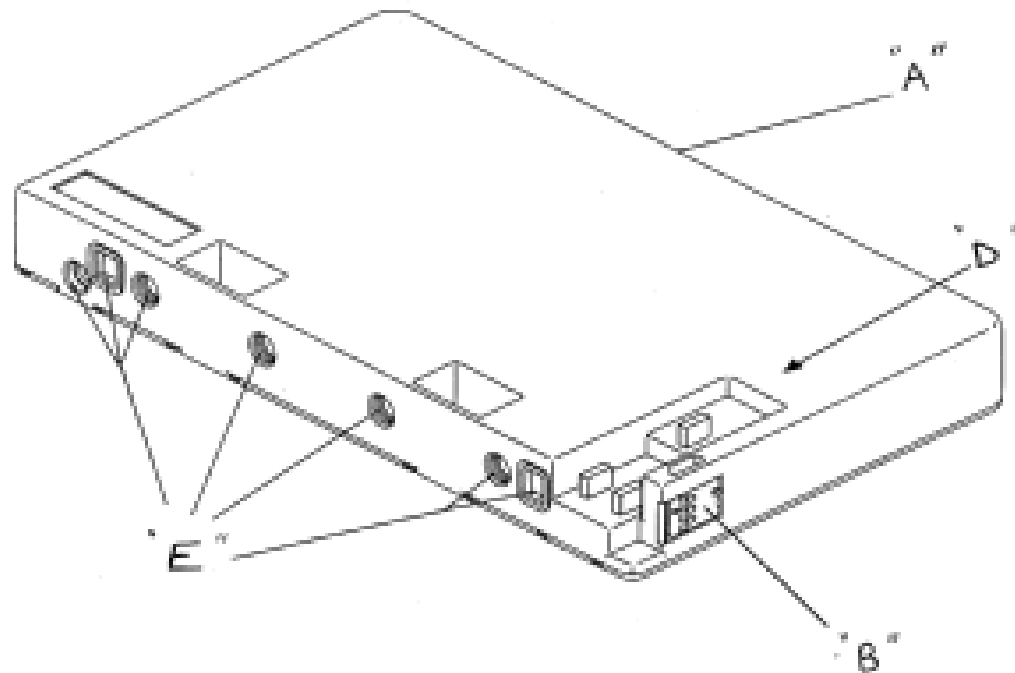
(31) Number
2007-022266

(32) Date
15 Aug 2007

(33) Country
JAPAN

(56) Related Art Documents: Not Applicable

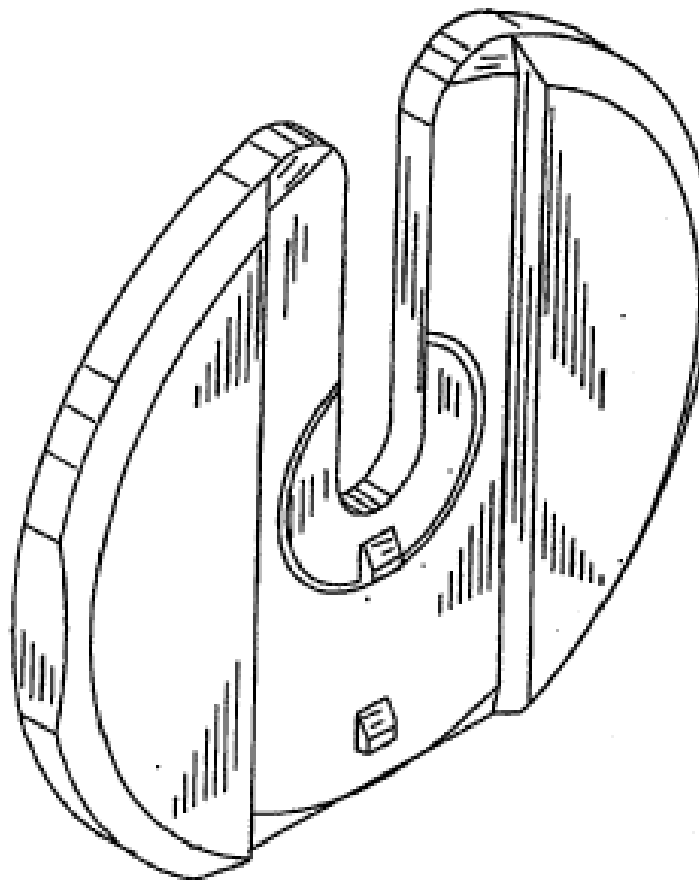
(57) Statement of Newness and Distinctiveness: Newness and distinctiveness is claimed in those features of shape and/or configuration of the following parts of an ink cartridge as illustrated and labelled in the accompanying representations: a housing forming a quadrangular prism labelled "A"; an IC module labelled "B"; recesses on the housing labelled "C"; recess with step surface on the housing labelled "D"; and openings on the housing labelled "E".



(21) Design Number: **10310/2008**
 (22) Date of Filing Application: **24 January 2008**
 (24) Date from which industrial property rights may have effect: **24 January 2008**
 (54) Product in respect of which the design is registered: **Dumbbell weight plate**
 (51) International Design Classification: **21-02F**
 (71) Name(s) and Address(s) of Applicant(s):
Nautilus, Inc.
2200 N.E. 65th Avenue Vancouver Washington 98661 United States of America
 (72) Name(s) of Designer(s): **Eric D. Golesh and Jeffrey A. Nitta**
 (45) Registration Date: **20 May 2008**
 (30) Convention priority data:

(31) Number	(32) Date	(33) Country
29/302699	23 Jan 2008	UNITED STATES OF AMERICA

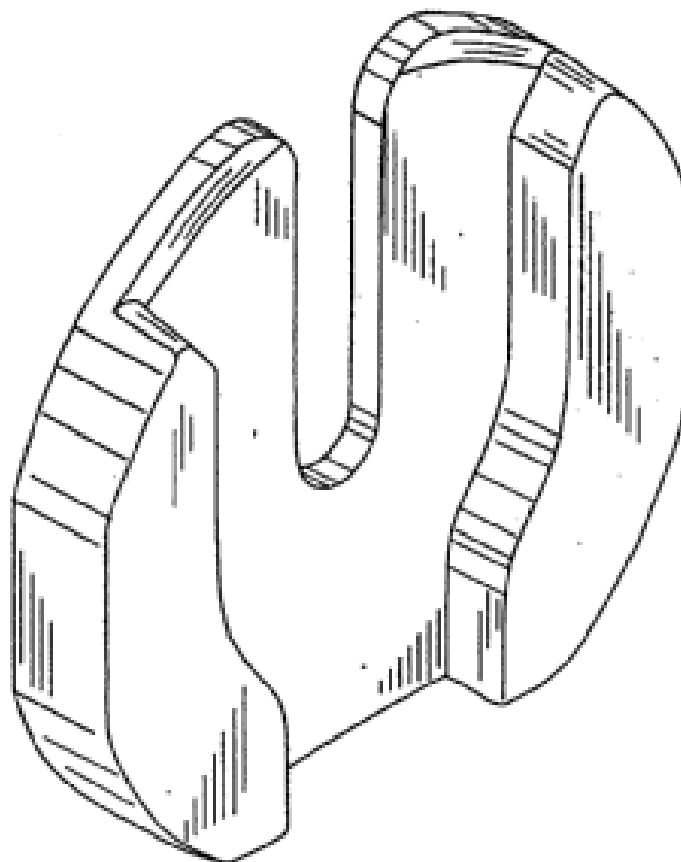
 (56) Related Art Documents: **Not Applicable**
 (57) Statement of Newness and Distinctiveness: **Newness and distinctiveness is claimed in the features of shape and/or configuration of a dumbbell weight plate as illustrated in the accompanying representations.**



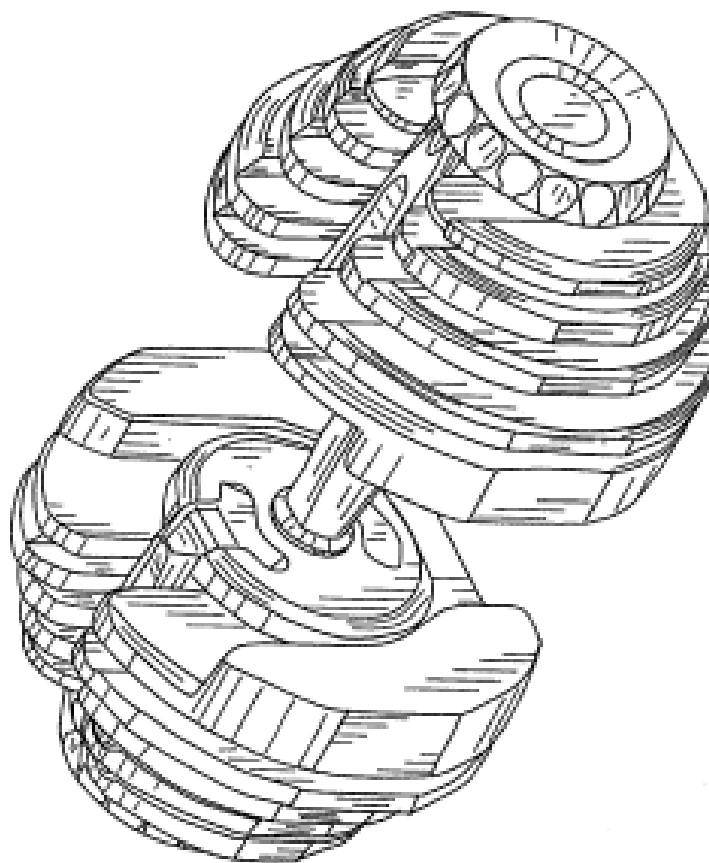
(21) Design Number: **10311/2008**
 (22) Date of Filing Application: **24 January 2008**
 (24) Date from which industrial property rights may have effect: **24 January 2008**
 (54) Product in respect of which the design is registered: **Dumbbell weight plate**
 (51) International Design Classification: **21-02F**
 (71) Name(s) and Address(s) of Applicant(s):
Nautilus, Inc.
2200 N.E. 65th Avenue Vancouver Washington 98661 United States of America
 (72) Name(s) of Designer(s): **Eric D. Golesh and Jeffrey A. Nitta**
 (45) Registration Date: **20 May 2008**
 (30) Convention priority data:

(31) Number	(32) Date	(33) Country
29/302700	23 Jan 2008	UNITED STATES OF AMERICA

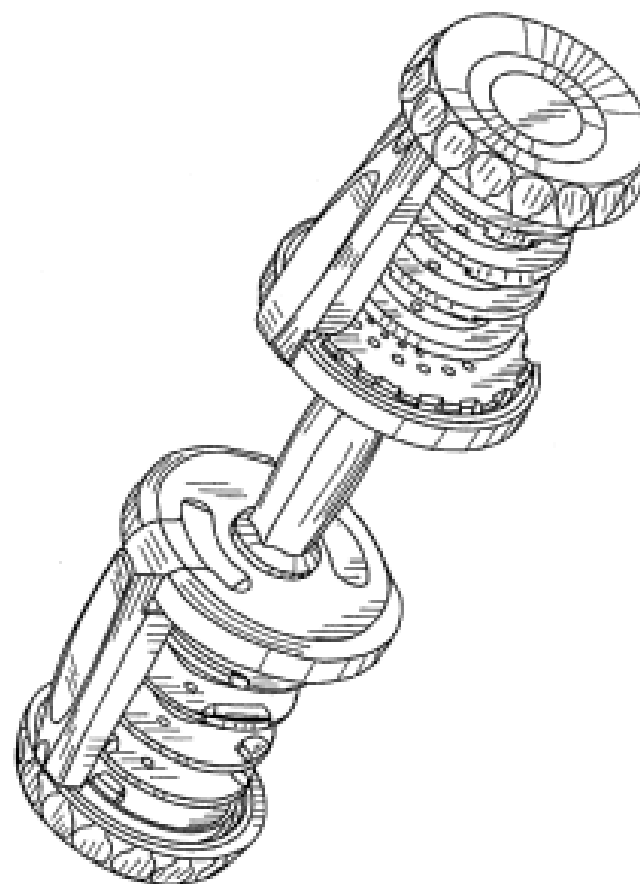
 (56) Related Art Documents: **Not Applicable**
 (57) Statement of Newness and Distinctiveness: **Newness and distinctiveness is claimed in the features of shape and/or configuration of a dumbbell weight plate as illustrated in the accompanying representations.**



(21) Design Number: **10313/2008**
 (22) Date of Filing Application: **24 January 2008**
 (24) Date from which industrial property rights may have effect: **24 January 2008**
 (54) Product in respect of which the design is registered: **Dumbbell**
 (51) International Design Classification: **21-02F**
 (71) Name(s) and Address(s) of Applicant(s):
Nautilus, Inc.
2200 N.E. 65th Avenue Vancouver Washington 98661 United States of America
 (72) Name(s) of Designer(s): **Eric D. Golesh and Edward L. Flick and Brent Christopher and Jeffrey A. Nitta**
 (45) Registration Date: **20 May 2008**
 (30) Convention priority data:
 (31) Number (32) Date (33) Country
29/302708 23 Jan 2008 UNITED STATES OF AMERICA
 (56) Related Art Documents: **Not Applicable**
 (57) Statement of Newness and Distinctiveness: **Newness and distinctiveness is claimed in those features of shape and/or configuration of a dumbbell as illustrated in continuous lines in the accompanying representations.**



(21) Design Number: **10314/2008**
 (22) Date of Filing Application: **24 January 2008**
 (24) Date from which industrial property rights may have effect: **24 January 2008**
 (54) Product in respect of which the design is registered: **Dumbbell**
 (51) International Design Classification: **21-02F**
 (71) Name(s) and Address(s) of Applicant(s):
Nautilus, Inc.
2200 N.E. 65th Avenue Vancouver Washington 98661 United States of America
 (72) Name(s) of Designer(s): **Eric D. Golesh and Edward L. Flick and Brent Christopher and Jeffrey A. Nitta**
 (45) Registration Date: **20 May 2008**
 (30) Convention priority data:
 (31) Number (32) Date (33) Country
29/302708 23 Jan 2008 UNITED STATES OF AMERICA
 (56) Related Art Documents: **Not Applicable**
 (57) Statement of Newness and Distinctiveness: **Newness and distinctiveness is claimed in the features of shape and/or configuration of a dumbbell as illustrated in the accompanying representations.**



- (21) Design Number: **10315/2008**
(22) Date of Filing Application: **24 January 2008**
(24) Date from which industrial property rights may have effect: **24 January 2008**
(54) Product in respect of which the design is registered: **Footwear**
(51) International Design Classification: **02-04NES**
(71) Name(s) and Address(s) of Applicant(s):
Crocs, Inc.
6273 Monarch Park Place Niwot Colorado 80503 United States of America
(72) Name(s) of Designer(s): **Stefano Del Biondi and Marianna Zuin**
(45) Registration Date: **20 May 2008**
(30) Convention priority data:
(31) Number (32) Date (33) Country
29/282751 27 Jul 2007 UNITED STATES OF AMERICA
(56) Related Art Documents: **Not Applicable**
(57) Statement of Newness and Distinctiveness: **Newness and distinctiveness resides in the features of shape and configuration of the footwear shown in the representations but not in the Crocs trade mark and logo, nor in the tread pattern and other indicia on the sole, nor in the raised bump pattern of the footbed.**



- (21) Design Number: **10316/2008**
(22) Date of Filing Application: **24 January 2008**
(24) Date from which industrial property rights may have effect: **24 January 2008**
(54) Product in respect of which the design is registered: **Footwear**
(51) International Design Classification: **02-04NES**
(71) Name(s) and Address(s) of Applicant(s):
Crocs, Inc.
6328 Monarch Park Place Niwot Colorado 80503 United States of America
(72) Name(s) of Designer(s): **Stefano del Biondi and Alessio Zagallo**
(45) Registration Date: **20 May 2008**
(30) Convention priority data:
(31) Number (32) Date (33) Country
29/282760 27 Jul 2007 UNITED STATES OF AMERICA
(56) Related Art Documents: **Not Applicable**
(57) Statement of Newness and Distinctiveness: **Newness and distinctiveness resides in the features of shape and configuration of the footwear shown in the representations but not in the crocodile logo, nor in the tread pattern and other indicia on the sole, not in the raised bump pattern on the footbed.**



(21) Design Number: **10317/2008**
 (22) Date of Filing Application: **24 January 2008**
 (24) Date from which industrial property rights may have effect: **24 January 2008**
 (54) Product in respect of which the design is registered: **Footwear**
 (51) International Design Classification: **02-04NES**
 (71) Name(s) and Address(s) of Applicant(s):
Crocs, Inc.
6328 Monarch Park Place Niwot Colorado 80503 United States of America
 (72) Name(s) of Designer(s): **Stefano del Biondi and Marianna Zuin**
 (45) Registration Date: **20 May 2008**
 (30) Convention priority data:

(31) Number	(32) Date	(33) Country
29/282761	27 Jul 2007	UNITED STATES OF AMERICA

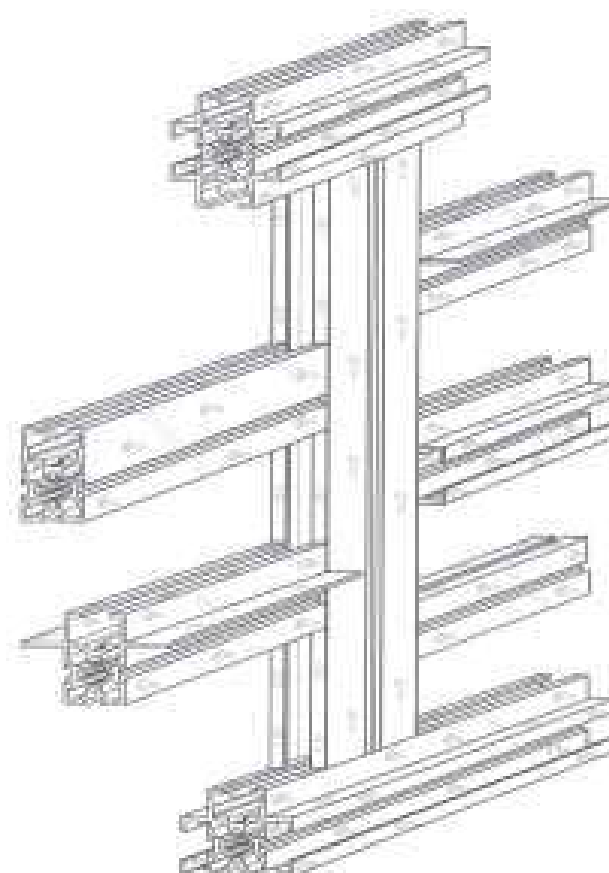
 (56) Related Art Documents: **Not Applicable**
 (57) Statement of Newness and Distinctiveness: **The newness and distinctiveness resides in the features of shape and configuration of footwear shown in the representations but not in the Crocs trademark and logo, nor in the tread pattern of the sole, nor the raised bump pattern on the footbed.**



(21) Design Number: **20758/2007**
 (22) Date of Filing Application: **12 November 2007**
 (24) Date from which industrial property rights may have effect: **12 November 2007**
 (54) Product in respect of which the design is registered: **A single set of rail post components for a frame system with couplers.**
 (51) International Design Classification: **25-01E**
 (71) Name(s) and Address(s) of Applicant(s):
Ian Howe
19 Ryan Road Pakenham Victoria 3810 Australia
R. William Perry
1807 Holiday Road Newport Beach C.A. 92660 United States of America
 (72) Name(s) of Designer(s): **Ian Howe and R. William Perry**
 (45) Registration Date: **20 May 2008**
 (30) Convention priority data:

(31) Number	(32) Date	(33) Country
29/282,857	31 Jul 2007	UNITED STATES OF AMERICA

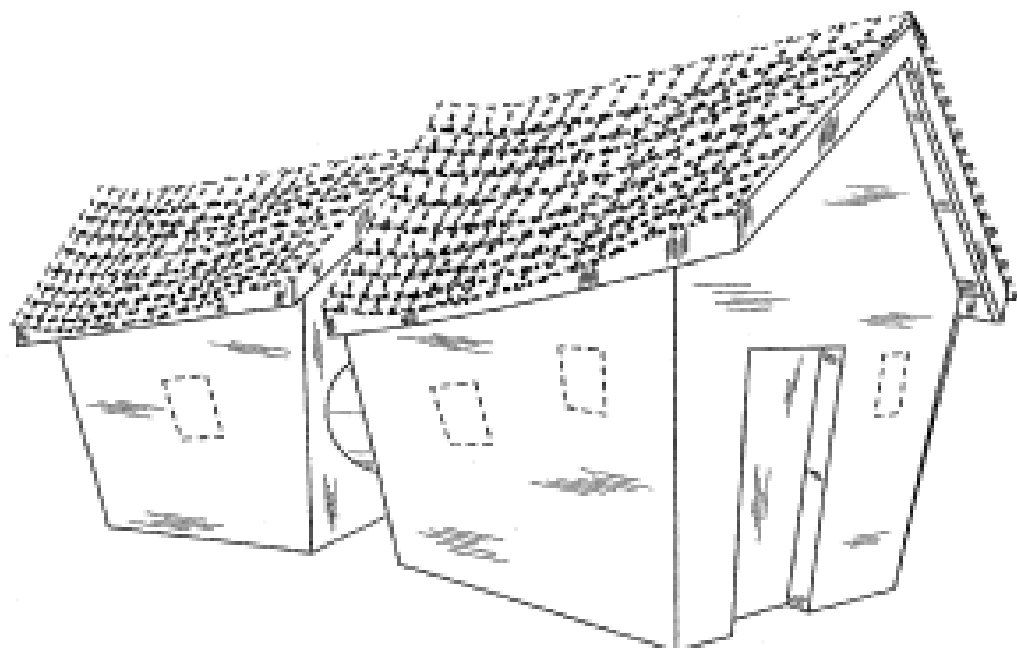
 (56) Related Art Documents: **Not Applicable**
 (57) Statement of Newness and Distinctiveness: **The ornamental design for a rail or post component for a frame system with couplers as shown and described.**



(21) Design Number: **10318/2008**
 (22) Date of Filing Application: **24 January 2008**
 (24) Date from which industrial property rights may have effect: **24 January 2008**
 (54) Product in respect of which the design is registered: **Playhouse**
 (51) International Design Classification: **25-03, 21-01D**
 (71) Name(s) and Address(s) of Applicant(s):
Glen H. Halliday
C/- Kids Crooked House 5 Walter Partridge Road Windham ME 04062
United States of America
Jeffery L. Leighton
C/- Kids Crooked House 5 Walter Partridge Road Windham ME 04062
United States of America
 (72) Name(s) of Designer(s): **Glen H. Halliday and Jeffery L. Leighton**
 (45) Registration Date: **20 May 2008**
 (30) Convention priority data:

(31) Number	(32) Date	(33) Country
29/287,326	24 Jul 2007	UNITED STATES OF AMERICA

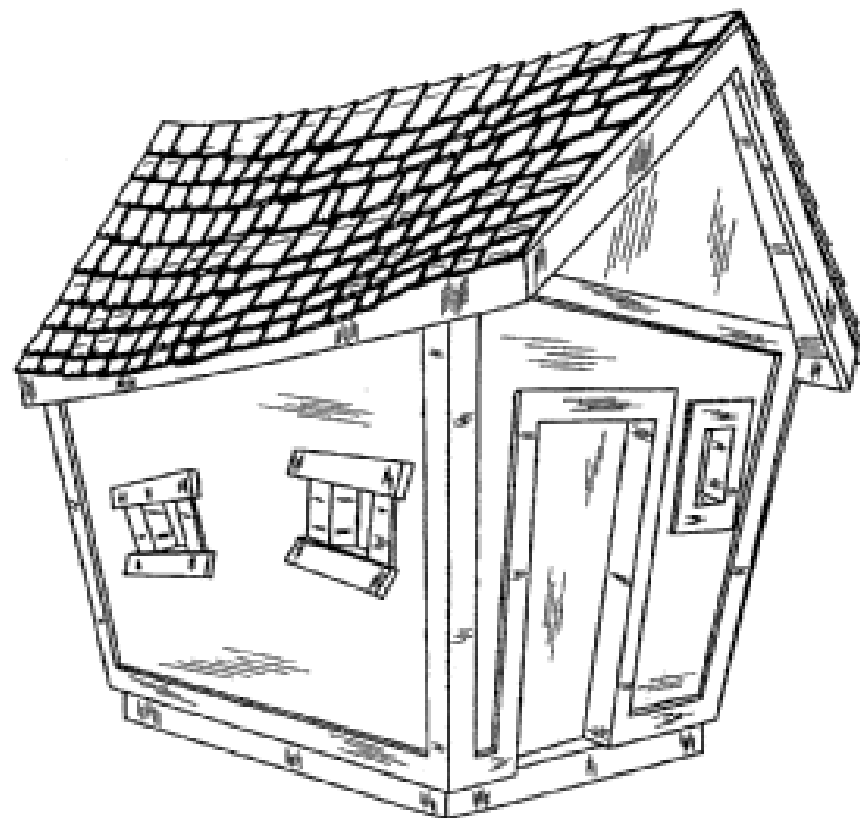
 (56) Related Art Documents: **Not Applicable**
 (57) Statement of Newness and Distinctiveness: **Nil**



(21) Design Number: **10319/2008**
 (22) Date of Filing Application: **24 January 2008**
 (24) Date from which industrial property rights may have effect: **24 January 2008**
 (54) Product in respect of which the design is registered: **Playhouse**
 (51) International Design Classification: **25-03, 21-01D**
 (71) Name(s) and Address(s) of Applicant(s):
Glen H. Halliday
C/- Kids Crooked House 5 Walter Partridge Road Windham ME 04062
United States of America
Jeffery L. Leighton
C/- Kids Crooked House 5 Walter Partridge Road Windham ME 04062
United States of America
 (72) Name(s) of Designer(s): **Glen H. Halliday and Jeffery L. Leighton**
 (45) Registration Date: **20 May 2008**
 (30) Convention priority data:

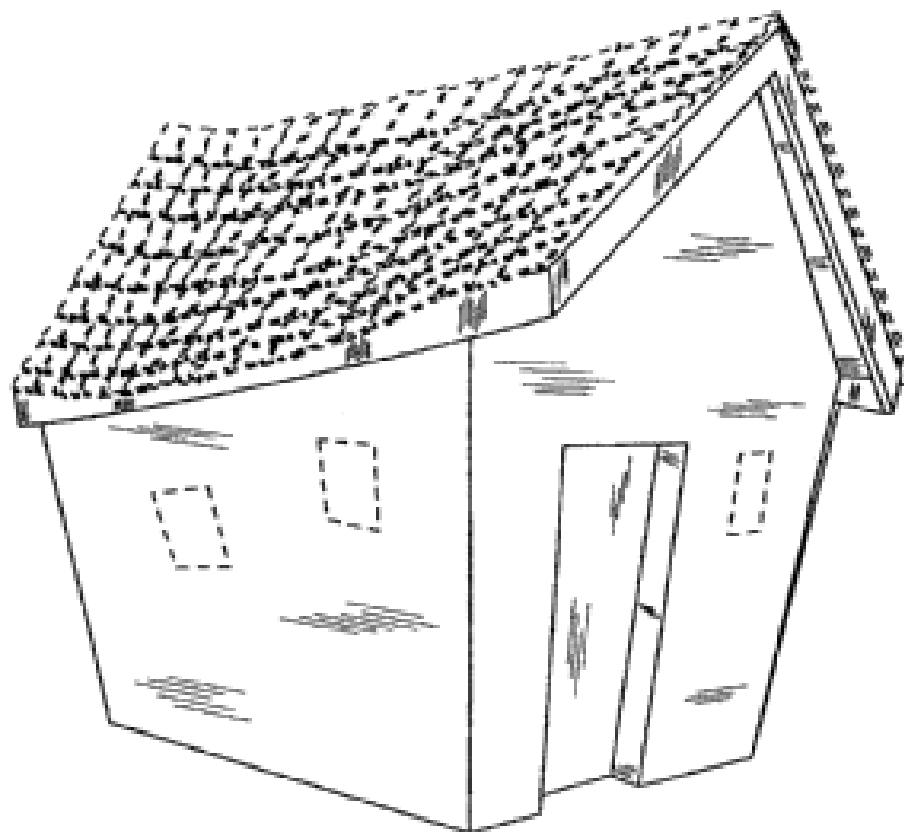
(31) Number	(32) Date	(33) Country
29/287,327	24 Jul 2007	UNITED STATES OF AMERICA

 (56) Related Art Documents: **Not Applicable**
 (57) Statement of Newness and Distinctiveness: **Nil**



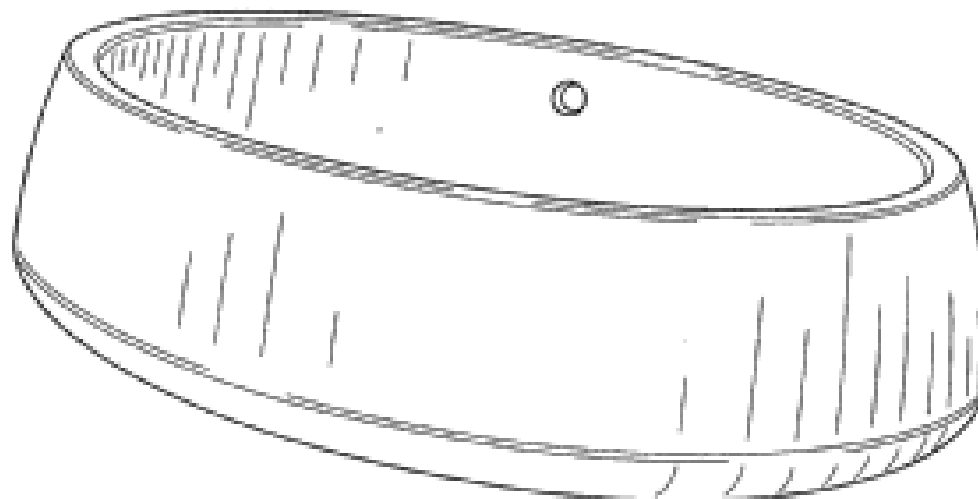
(19) AU

(21) Design Number: **10320/2008**
 (22) Date of Filing Application: **24 January 2008**
 (24) Date from which industrial property rights may have effect: **24 January 2008**
 (54) Product in respect of which the design is registered: **Playhouse**
 (51) International Design Classification: **25-03, 21-01D**
 (71) Name(s) and Address(s) of Applicant(s):
Glen H. Halliday
C/- Kids Crooked House 5 Walter Partridge Road Windham ME 04062
United States of America
Jeffery L. Leighton
C/- Kids Crooked House 5 Walter Partridge Road Windham ME 04062
United States of America
 (72) Name(s) of Designer(s): **Glen H. Halliday and Jeffery L. Leighton**
 (45) Registration Date: **20 May 2008**
 (30) Convention priority data:
 (31) Number (32) Date (33) Country
29/287,328 24 Jul 2007 UNITED STATES OF AMERICA
 (56) Related Art Documents: **Not Applicable**
 (57) Statement of Newness and Distinctiveness: **Nil**

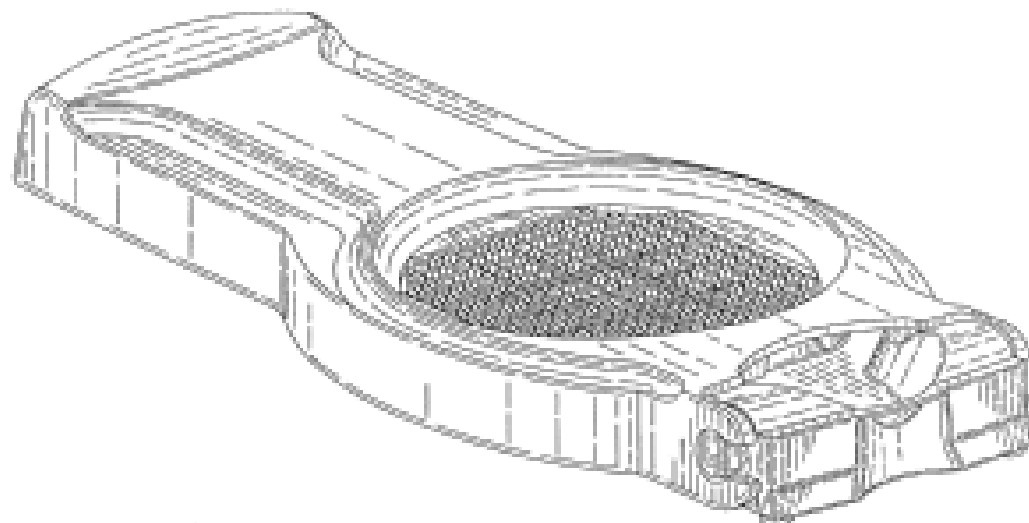


(19) AU

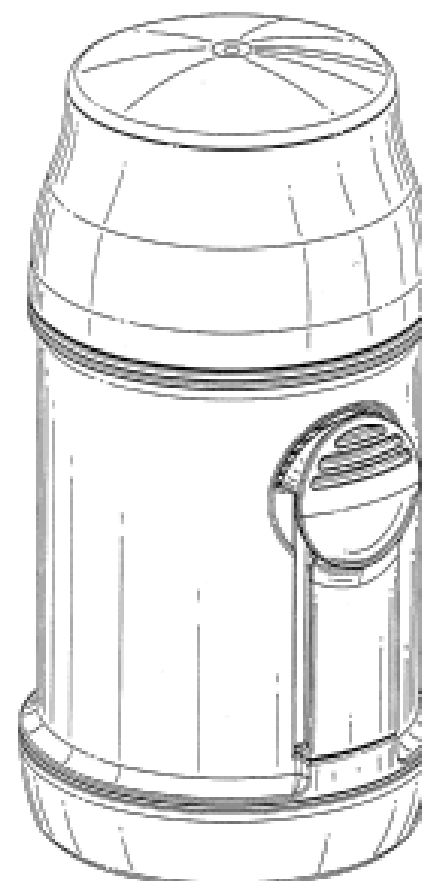
(21) Design Number: **10335/2008**
 (22) Date of Filing Application: **25 January 2008**
 (24) Date from which industrial property rights may have effect: **25 January 2008**
 (54) Product in respect of which the design is registered: **Lavatory**
 (51) International Design Classification: **23-02C**
 (71) Name(s) and Address(s) of Applicant(s):
Kohler China Investment Co., Ltd.
19/F Shanghai Square 138 Hua Hai Road Shanghai 200021 China
 (72) Name(s) of Designer(s): **Mimi Jiang**
 (45) Registration Date: **20 May 2008**
 (30) Convention priority data:
 (31) Number (32) Date (33) Country
200730161659.6 27 Jul 2007 UNITED STATES OF AMERICA
 (56) Related Art Documents: **Not Applicable**
 (57) Statement of Newness and Distinctiveness: **When determining whether the design 1 is substantially similar in overall impression to another registered design, no regard is to be had to those features shown in dotted outline in the accompanying drawings.**



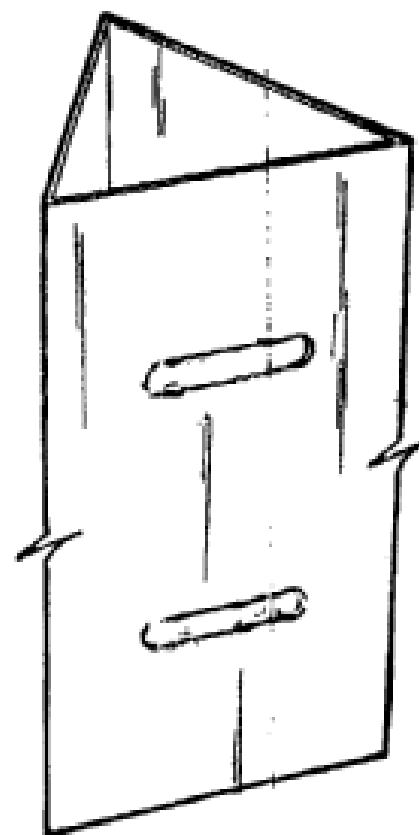
(21) Design Number: **10336/2008**
 (22) Date of Filing Application: **25 January 2008**
 (24) Date from which industrial property rights may have effect: **25 January 2008**
 (54) Product in respect of which the design is registered: **Vegetable dicer**
 (51) International Design Classification: **07-04**
 (71) Name(s) and Address(s) of Applicant(s):
Dart Industries Inc
14901 S. Orange Blossom Trail Orlando Florida 32837 United States of America
 (72) Name(s) of Designer(s): **Christian Olivari**
 (45) Registration Date: **20 May 2008**
 (30) Convention priority data:
 (31) Number (32) Date (33) Country
29/291,438 29 Aug 2007 UNITED STATES OF AMERICA
 (56) Related Art Documents: **Not Applicable**
 (57) Statement of Newness and Distinctiveness: **Those features of the vegetable dicer depicted in the representations that are new and distinctive are the shape and/or configuration.**



(21) Design Number: **10337/2008**
 (22) Date of Filing Application: **25 January 2008**
 (24) Date from which industrial property rights may have effect: **25 January 2008**
 (54) Product in respect of which the design is registered: **Grater**
 (51) International Design Classification: **07-04**
 (71) Name(s) and Address(s) of Applicant(s):
Dart Industries Inc
14901 S. Orange Blossom Trail Orlando Florida 32837 United States of America
 (72) Name(s) of Designer(s): **Jan-Hendrik de Groot**
 (45) Registration Date: **20 May 2008**
 (30) Convention priority data:
 (31) Number (32) Date (33) Country
29/287,569 24 Aug 2007 UNITED STATES OF AMERICA
 (56) Related Art Documents: **Not Applicable**
 (57) Statement of Newness and Distinctiveness: **Those features of the grater depicted in the representations that are new and distinctive are the shape and/or configuration.**



- (21) Design Number: **10338/2008**
(22) Date of Filing Application: **25 January 2008**
(24) Date from which industrial property rights may have effect: **25 January 2008**
(54) Product in respect of which the design is registered: **A plant guard**
(51) International Design Classification: **08-08O**
(71) Name(s) and Address(s) of Applicant(s):
Gro-Guard Australia Pty Ltd
7 Vernon Smith Court Ottoway South Australia 5013 Australia
(72) Name(s) of Designer(s): **Graham Richard Due**
(45) Registration Date: **20 May 2008**
(56) Related Art Documents: **Not Applicable**
(57) Statement of Newness and Distinctiveness: **Each feature of the triangulated plant guard of indeterminate length having slots for receiving a supporting stake. The stake shown in phantom does not form part of the design.**

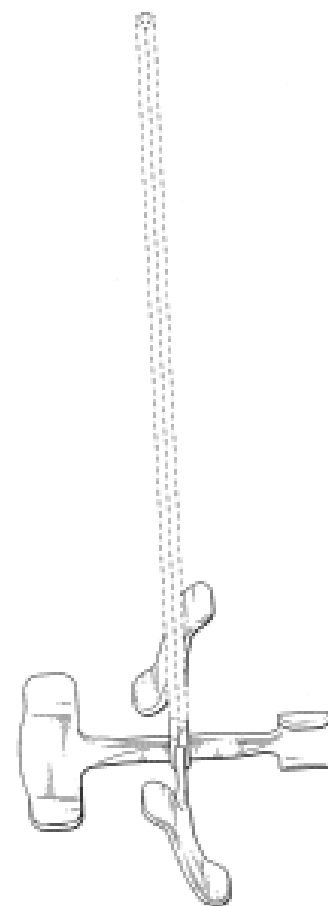


- (21) Design Number: **10341/2008**
(22) Date of Filing Application: **25 January 2008**
(24) Date from which industrial property rights may have effect: **25 January 2008**
(54) Product in respect of which the design is registered: **Footwear**
(51) International Design Classification: **02-04NES**
(71) Name(s) and Address(s) of Applicant(s):
Crocs, Inc.
6328 Monarch Park Place Niwot Colorado 80503 United States of America
(72) Name(s) of Designer(s): **Stefano del Biondi and Alessio Zagallo**
(45) Registration Date: **20 May 2008**
(30) Convention priority data:
(31) Number (32) Date (33) Country
29/282762 27 Jul 2007 UNITED STATES OF AMERICA
(56) Related Art Documents: **Not Applicable**
(57) Statement of Newness and Distinctiveness: **Newness and distinctiveness resides in the features of shape and configuration of the moulded lower portion of the upper between the sole and the boundary adjacent the first stitch line above the sole, ie. the portion of the upper indicated by the A side of the blue lines shown in the second set of attached representations A-G, but not in the Crocs trade mark and logo, nor in the tread pattern and other indicia on the sole, nor in the raised bump pattern of the footbed.**



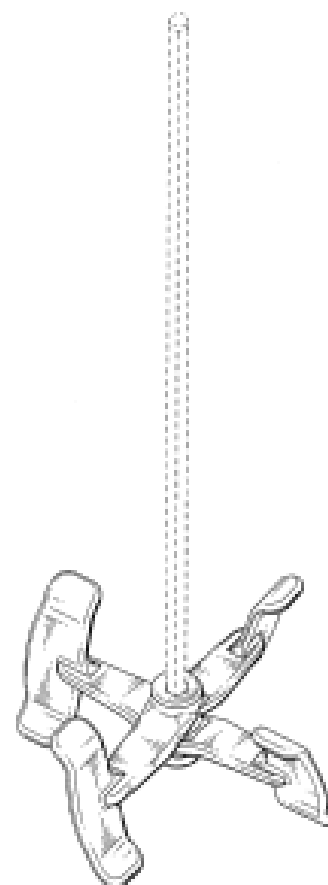
- (21) Design Number: **10342/2008**
- (22) Date of Filing Application: **29 January 2008**
- (24) Date from which industrial property rights may have effect: **29 January 2008**
- (54) Product in respect of which the design is registered: **Mixer for viscous materials**
- (51) International Design Classification: **15-04**
- (71) Name(s) and Address(s) of Applicant(s):
United States Gypsum Company
550 West Adams Street Chicago 60661-3676 IL United States of America
- (72) Name(s) of Designer(s): **Aaron Charles Rosso and Matthew Earle Myers and Joseph Z. Wascow and Brian A. Retzke and Salvatore C. Immordino Jr. and Terry L. Rosenstiel**
- (45) Registration Date: **20 May 2008**
- (30) Convention priority data:

(31) Number	(32) Date	(33) Country
29/289,753	31 Jul 2007	UNITED STATES OF AMERICA
- (56) Related Art Documents: **Not Applicable**
- (57) Statement of Newness and Distinctiveness: **The new and distinct features are the features of shape and configuration of a mixer for viscous materials as shown in the representations. The features shown in broken lines in the representations are not new or distinctive.**

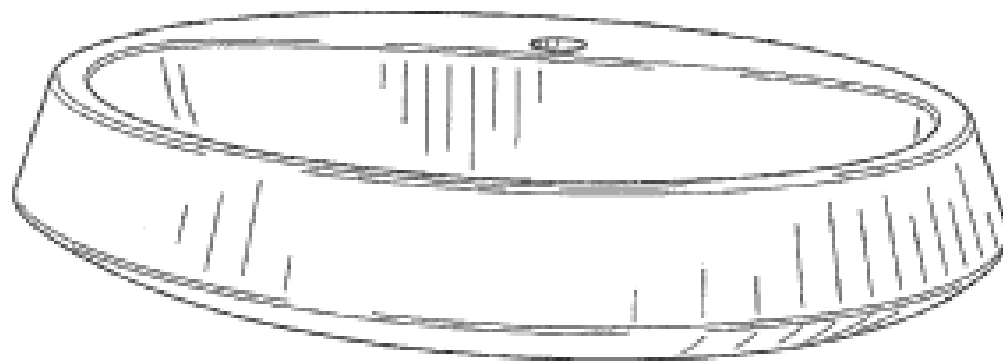


- (21) Design Number: **10343/2008**
- (22) Date of Filing Application: **29 January 2008**
- (24) Date from which industrial property rights may have effect: **29 January 2008**
- (54) Product in respect of which the design is registered: **Mixer for viscous materials**
- (51) International Design Classification: **15-04**
- (71) Name(s) and Address(s) of Applicant(s):
United States Gypsum Company
550 West Adams Street Chicago 60661-3676 IL United States of America
- (72) Name(s) of Designer(s): **Aaron Charles Rosso and Matthew Earle Myers and Joseph Z. Wascow and Brian A. Retzke and Salvatore C. Immordino Jr. and Terry L. Rosenstiel and Scott Fong**
- (45) Registration Date: **20 May 2008**
- (30) Convention priority data:

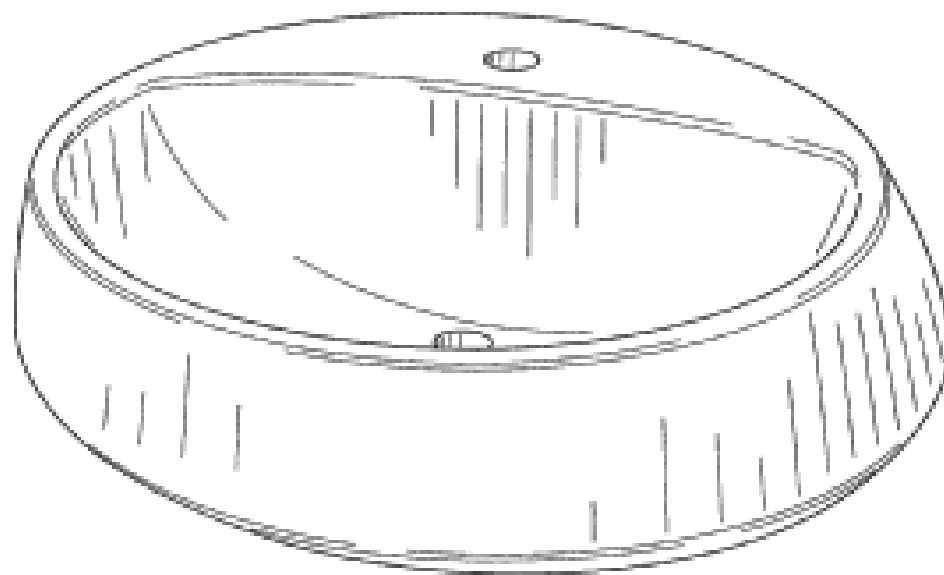
(31) Number	(32) Date	(33) Country
29/289,750	31 Jul 2007	UNITED STATES OF AMERICA
- (56) Related Art Documents: **Not Applicable**
- (57) Statement of Newness and Distinctiveness: **The new and distinct features are the features of shape and configuration of a mixer for viscous materials as shown in the representations. The features shown in broken lines in the representations are not new or distinctive.**



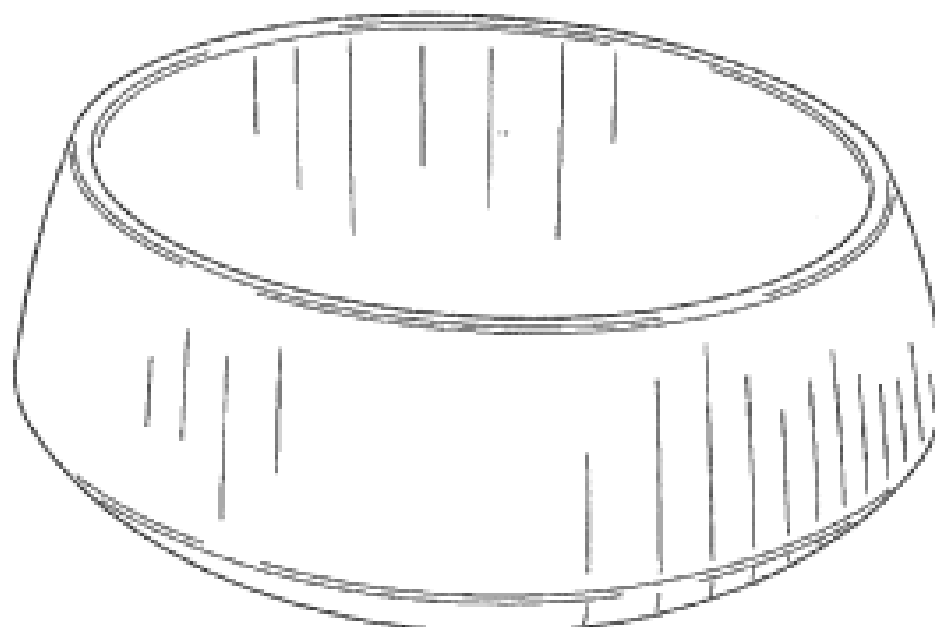
- (21) Design Number: **10344/2008**
(22) Date of Filing Application: **29 January 2008**
(24) Date from which industrial property rights may have effect: **29 January 2008**
(54) Product in respect of which the design is registered: **Lavatory**
(51) International Design Classification: **23-02C**
(71) Name(s) and Address(s) of Applicant(s):
Kohler China Investment Co., Ltd.
19/F Shanghai Square 138 Hua Hai Road Shanghai 200021 China
(72) Name(s) of Designer(s): **Mimi Jiang**
(45) Registration Date: **20 May 2008**
(30) Convention priority data:
(31) Number (32) Date (33) Country
200730161658.1 27 Jul 2007 CHINA
(56) Related Art Documents: **Not Applicable**
(57) Statement of Newness and Distinctiveness: **When determining whether the design 1 is substantially similar in overall impression to another registered design, no regard is to be had to the dotted outline shown in figure 6 of the accompanying drawings.**



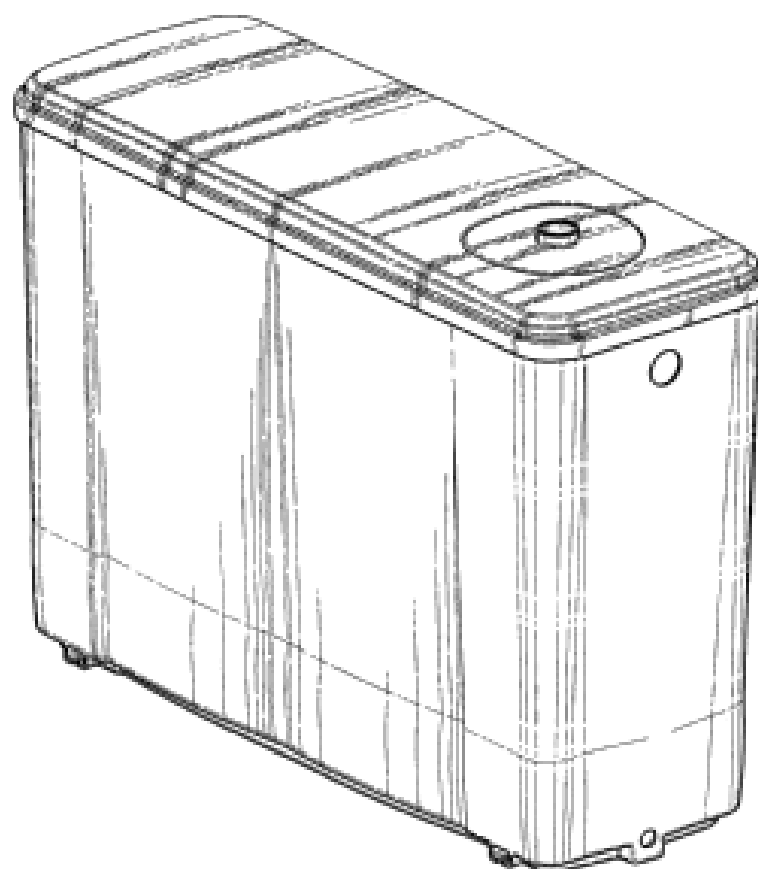
- (21) Design Number: **10345/2008**
(22) Date of Filing Application: **29 January 2008**
(24) Date from which industrial property rights may have effect: **29 January 2008**
(54) Product in respect of which the design is registered: **Lavatory**
(51) International Design Classification: **23-02C**
(71) Name(s) and Address(s) of Applicant(s):
Kohler China Investment Co., Ltd.
19/F Shanghai Square 138 Hua Hai Road Shanghai 200021 China
(72) Name(s) of Designer(s): **Mimi Jiang**
(45) Registration Date: **20 May 2008**
(30) Convention priority data:
(31) Number (32) Date (33) Country
200730161660.9 27 Jul 2007 CHINA
(56) Related Art Documents: **Not Applicable**
(57) Statement of Newness and Distinctiveness: **When determining whether the design 1 is substantially similar in overall impression to another registered design, no regard is to be had to the dotted outline shown in figure 5 of the accompanying drawings.**



- (21) Design Number: **10346/2008**
(22) Date of Filing Application: **29 January 2008**
(24) Date from which industrial property rights may have effect: **29 January 2008**
(54) Product in respect of which the design is registered: **Lavatory**
(51) International Design Classification: **23-02C**
(71) Name(s) and Address(s) of Applicant(s):
Kohler China Investment Co., Ltd.
19/F Shanghai Square 138 Hua Hai Road Shanghai 200021 China
(72) Name(s) of Designer(s): **Mimi Jiang**
(45) Registration Date: **20 May 2008**
(30) Convention priority data:
(31) Number (32) Date (33) Country
200730161661.3 27 Jul 2007 CHINA
(56) Related Art Documents: **Not Applicable**
(57) Statement of Newness and Distinctiveness: **When determining whether the design 1 is substantially similar in overall impression to another registered design, no regard is to be had to the dotted outline shown in figure 4 of the accompanying drawings.**



- (21) Design Number: **19825/2007**
(22) Date of Filing Application: **21 September 2007**
(24) Date from which industrial property rights may have effect: **21 September 2007**
(54) Product in respect of which the design is registered: **Rainwater tank**
(51) International Design Classification: **23-01F**
(71) Name(s) and Address(s) of Applicant(s):
ReIn Pty Ltd
14 Williamson Road Ingleburn New South Wales 2565 Australia
(72) Name(s) of Designer(s): **Owen Edward Luke and Nigel Natrass**
(45) Registration Date: **20 May 2008**
(56) Related Art Documents: **Not Applicable**
(57) Statement of Newness and Distinctiveness: **Nil**



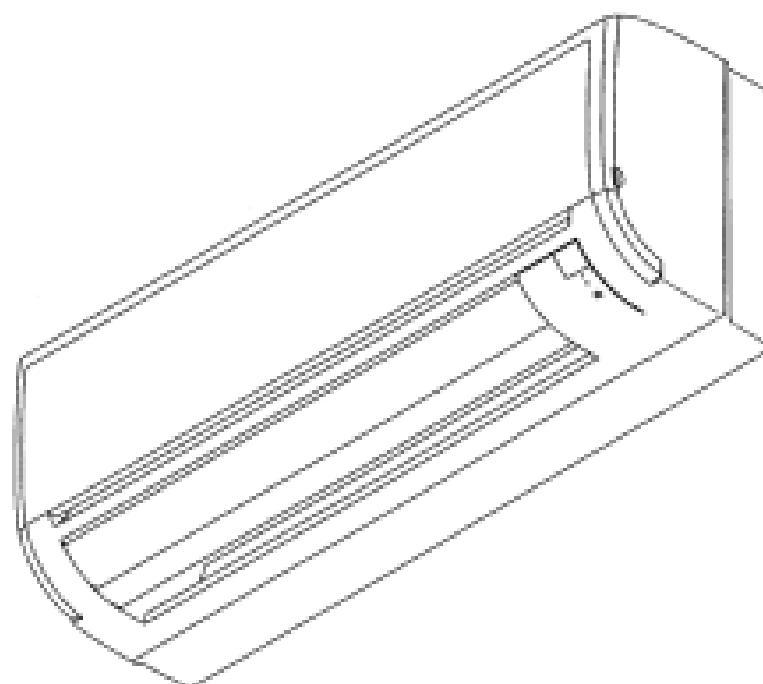
(21) Design Number: **20258/2007**
(22) Date of Filing Application: **09 October 2007**
(24) Date from which industrial property rights may have effect: **09 October 2007**
(54) Product in respect of which the design is registered: **Resilient pads for use on pedals of fitness or physiotherapy devices**
(51) International Design Classification: **21-02NES**
(71) Name(s) and Address(s) of Applicant(s):
Hilda Elisabeth Fransisca Janssen
Idenburgplein 20 3332HL Zwijndrecht Netherlands
(72) Name(s) of Designer(s): **H.E.F. Janssen**
(45) Registration Date: **20 May 2008**
(56) Related Art Documents: **Not Applicable**
(57) Statement of Newness and Distinctiveness: **Nil**



(21) Design Number: **10420/2008**
(22) Date of Filing Application: **01 February 2008**
(24) Date from which industrial property rights may have effect: **01 February 2008**
(54) Product in respect of which the design is registered: **Air conditioner**
(51) International Design Classification: **23-04**
(71) Name(s) and Address(s) of Applicant(s):
Mitsubishi Electric Corporation
7-3 Marunouchi 2-chome Chiyoda-ku Tokyo 100-8310 Japan
(72) Name(s) of Designer(s): **Masataka Nagahori and So Nakai**
(45) Registration Date: **20 May 2008**
(30) Convention priority data:

(31) Number	(32) Date	(33) Country
2007-022465	20 Aug 2007	JAPAN

(56) Related Art Documents: **Not Applicable**
(57) Statement of Newness and Distinctiveness: **Nil**



(21) Design Number: **10421/2008**

(22) Date of Filing Application: **01 February 2008**

(24) Date from which industrial property rights may have effect: **01 February 2008**

(54) Product in respect of which the design is registered: **Golf driver head**

(51) International Design Classification: **21-02C**

(71) Name(s) and Address(s) of Applicant(s):

**Karsten Manufacturing Corporation
2201 West Desert Cove Phoenix Arizona 85029 United States of
America**

(72) Name(s) of Designer(s): **Xiaojian Chen and Anthony D. Serrano**

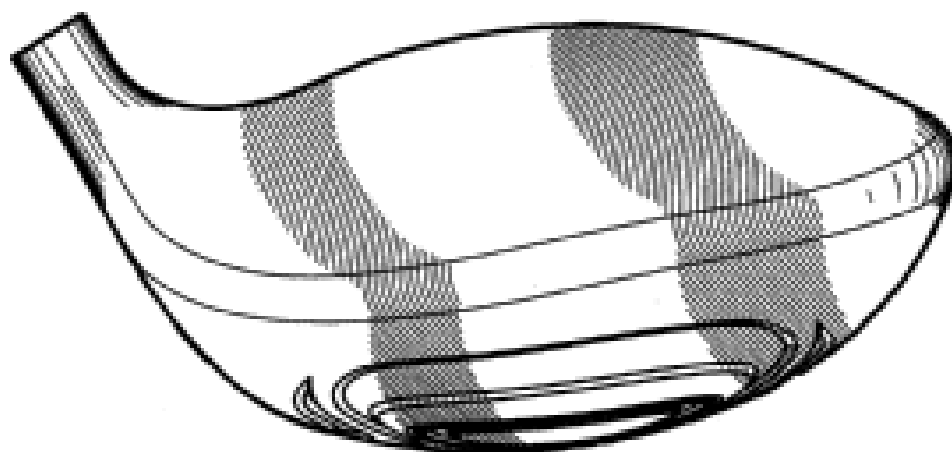
(45) Registration Date: **20 May 2008**

(30) Convention priority data:

(31) Number	(32) Date	(33) Country
29/282135	12 Jul 2007	UNITED STATES OF AMERICA

(56) Related Art Documents: **Not Applicable**

(57) Statement of Newness and Distinctiveness: **Newness and distinctiveness is claimed in the visual features shown in solid lines in the representations.**



(21) Design Number: **10422/2008**

(22) Date of Filing Application: **01 February 2008**

(24) Date from which industrial property rights may have effect: **01 February 2008**

(54) Product in respect of which the design is registered: **Container**

(51) International Design Classification: **09-03L**

(71) Name(s) and Address(s) of Applicant(s):

**Unilever PLC
Unilever House Blackfriars London EC4P 4BQ United Kingdom**

(72) Name(s) of Designer(s): **Michael James Webster and Gilbert Rodney Balam and Adrian Barclay Caroen and Lori Brazil Gery and Gareth Frederick Jones and Richard Paul McNabb and Ellen Rinaldi**

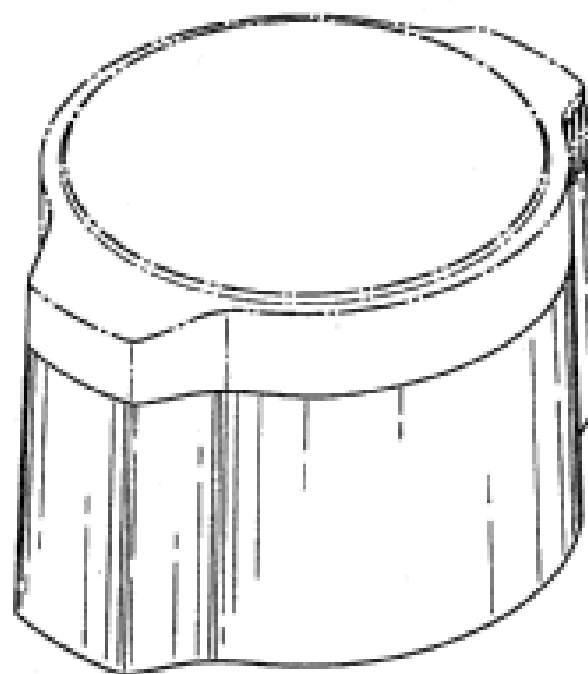
(45) Registration Date: **20 May 2008**

(30) Convention priority data:

(31) Number	(32) Date	(33) Country
29/289869	03 Aug 2007	UNITED STATES OF AMERICA

(56) Related Art Documents: **Not Applicable**

(57) Statement of Newness and Distinctiveness: **Newness and distinctiveness is claimed in the visual features shown in solid lines in the representations.**



(21) Design Number: **10423/2008**

(22) Date of Filing Application: **01 February 2008**

(24) Date from which industrial property rights may have effect: **01 February 2008**

(54) Product in respect of which the design is registered: **A tap handle assembly**

(51) International Design Classification: **23-01H**

(71) Name(s) and Address(s) of Applicant(s):

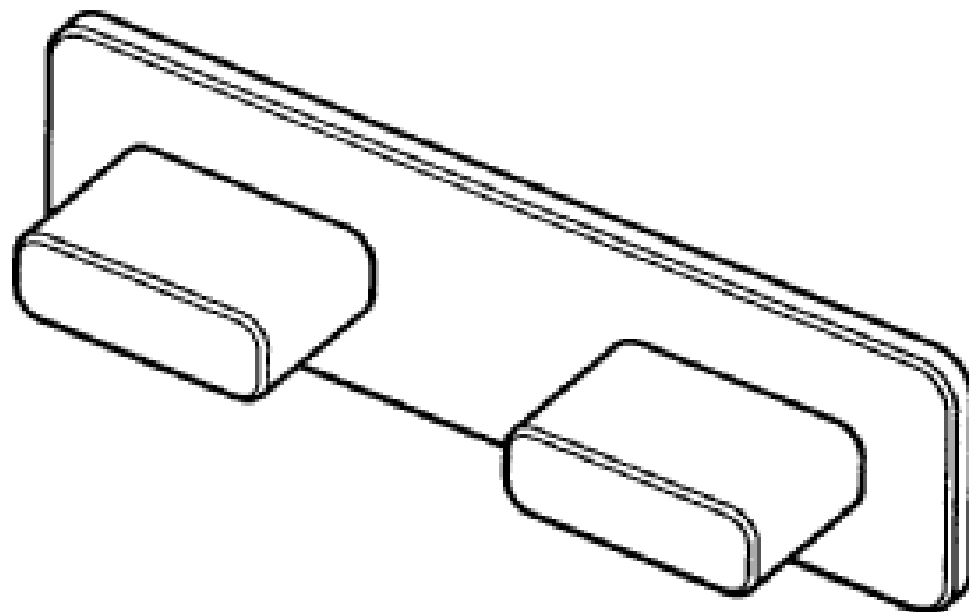
Caroma Industries Limited
10 Market Street Brisbane Queensland 4000 Australia

(72) Name(s) of Designer(s): **Stephen John Cummings and David Giorgio**

(45) Registration Date: **20 May 2008**

(56) Related Art Documents: **Not Applicable**

(57) Statement of Newness and Distinctiveness: **Newness and distinctiveness is claimed in the features of shape and/or configuration of a tap handle assembly as illustrated in the accompanying representations.**



(21) Design Number: **10424/2008**

(22) Date of Filing Application: **01 February 2008**

(24) Date from which industrial property rights may have effect: **01 February 2008**

(54) Product in respect of which the design is registered: **A tap handle and spout assembly**

(51) International Design Classification: **23-01H**

(71) Name(s) and Address(s) of Applicant(s):

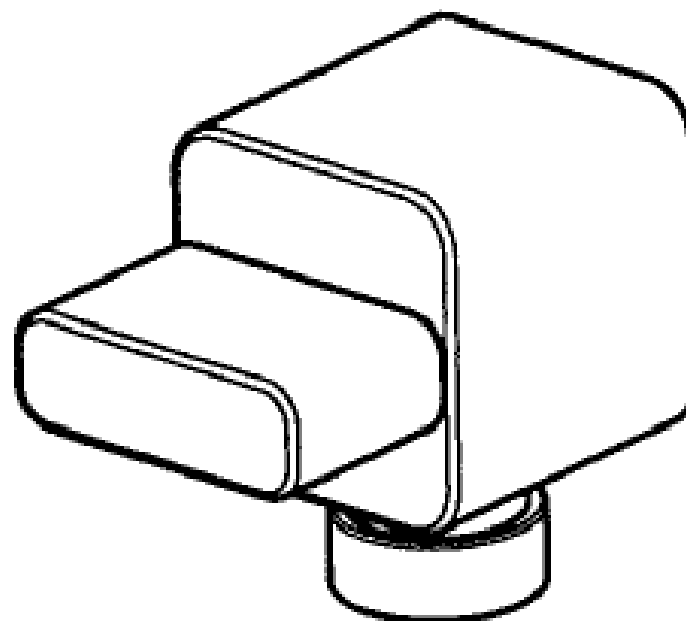
Caroma Industries Limited
10 Market Street Brisbane Queensland 4000 Australia

(72) Name(s) of Designer(s): **Stephen John Cummings and David Giorgio**

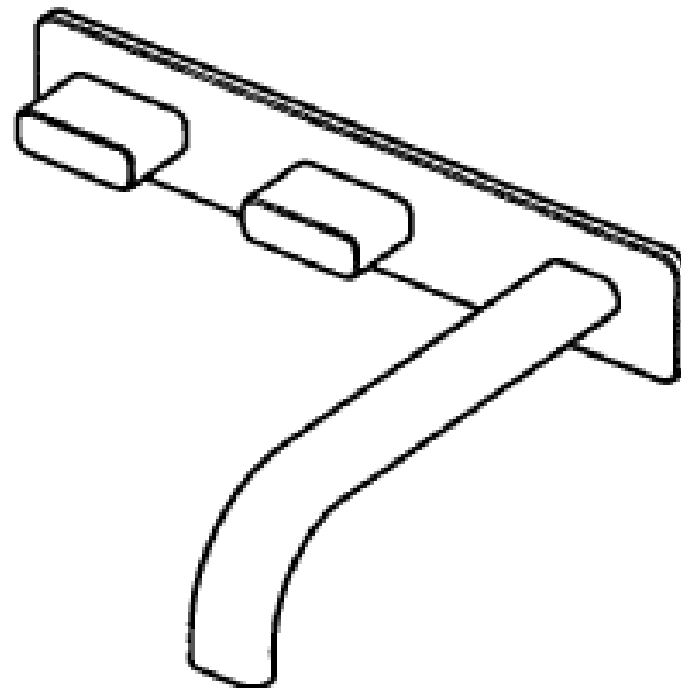
(45) Registration Date: **20 May 2008**

(56) Related Art Documents: **Not Applicable**

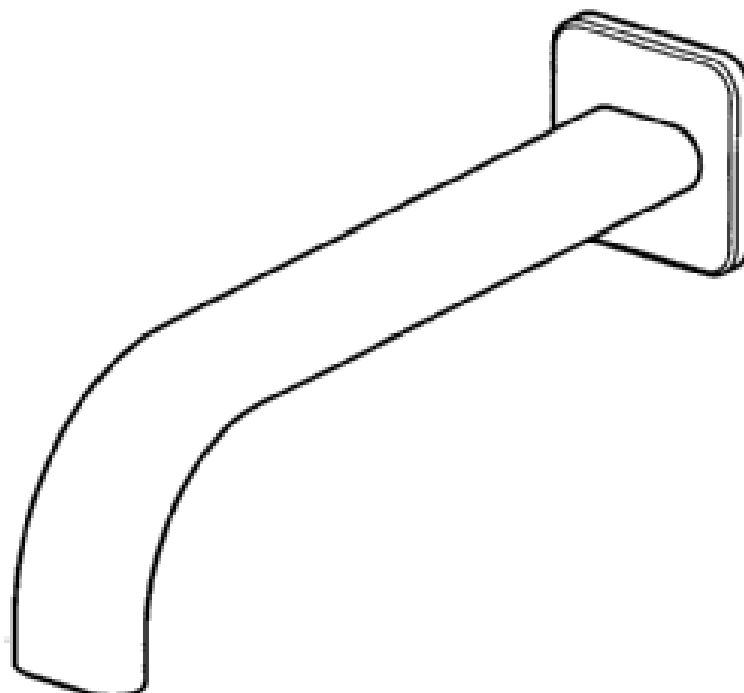
(57) Statement of Newness and Distinctiveness: **Newness and distinctiveness is claimed in the features of shape and/or configuration of a tap handle and spout assembly as illustrated in the accompanying representations.**



- (21) Design Number: **10425/2008**
(22) Date of Filing Application: **01 February 2008**
(24) Date from which industrial property rights may have effect: **01 February 2008**
(54) Product in respect of which the design is registered: **A tap handle and spout assembly**
(51) International Design Classification: **23-01H**
(71) Name(s) and Address(s) of Applicant(s):
Caroma Industries Limited
10 Market Street Brisbane Queensland 4000 Australia
(72) Name(s) of Designer(s): **Stephen John Cummings and David Giorgio**
(45) Registration Date: **20 May 2008**
(56) Related Art Documents: **Not Applicable**
(57) Statement of Newness and Distinctiveness: **Newness and distinctiveness is claimed in the features of shape and/or configuration of a tap handle and spout assembly as illustrated in the accompanying representations.**



- (21) Design Number: **10426/2008**
(22) Date of Filing Application: **01 February 2008**
(24) Date from which industrial property rights may have effect: **01 February 2008**
(54) Product in respect of which the design is registered: **A spout**
(51) International Design Classification: **23-01H**
(71) Name(s) and Address(s) of Applicant(s):
Caroma Industries Limited
10 Market Street Brisbane Queensland 4000 Australia
(72) Name(s) of Designer(s): **Stephen John Cummings and David Giorgio**
(45) Registration Date: **20 May 2008**
(56) Related Art Documents: **Not Applicable**
(57) Statement of Newness and Distinctiveness: **Newness and distinctiveness is claimed in the features of shape and/or configuration of a spout as illustrated in the accompanying representations.**



(21) Design Number: **10427/2008**

(22) Date of Filing Application: **01 February 2008**

(24) Date from which industrial property rights may have effect: **01 February 2008**

(54) Product in respect of which the design is registered: **A tap handle and spout assembly**

(51) International Design Classification: **23-01H**

(71) Name(s) and Address(s) of Applicant(s):

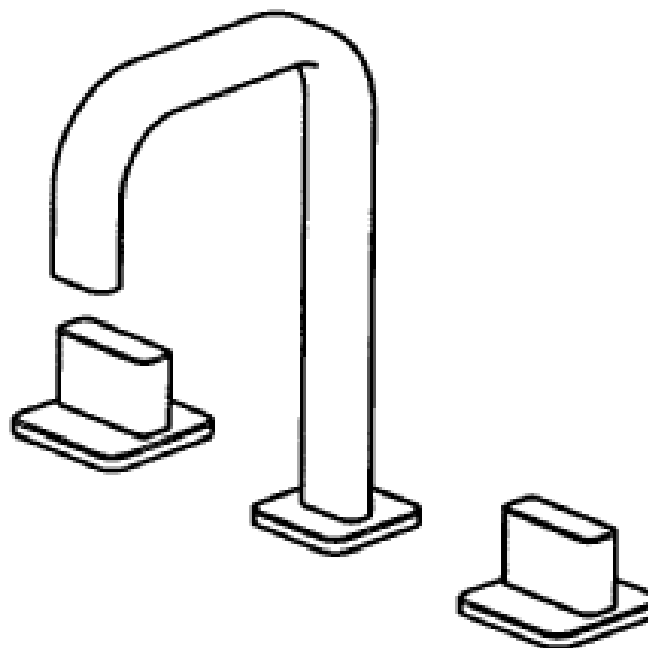
Caroma Industries Limited
10 Market Street Brisbane Queensland 4000 Australia

(72) Name(s) of Designer(s): **Stephen John Cummings and David Giorgio**

(45) Registration Date: **20 May 2008**

(56) Related Art Documents: **Not Applicable**

(57) Statement of Newness and Distinctiveness: **Newness and distinctiveness is claimed in the features of shape and/or configuration of a tap handle and spout assembly as illustrated in the accompanying representations.**



(21) Design Number: **10428/2008**

(22) Date of Filing Application: **01 February 2008**

(24) Date from which industrial property rights may have effect: **01 February 2008**

(54) Product in respect of which the design is registered: **A tap handle and spout assembly**

(51) International Design Classification: **23-01H**

(71) Name(s) and Address(s) of Applicant(s):

Caroma Industries Limited
10 Market Street Brisbane Queensland 4000 Australia

(72) Name(s) of Designer(s): **Stephen John Cummings and David Giorgio**

(45) Registration Date: **20 May 2008**

(56) Related Art Documents: **Not Applicable**

(57) Statement of Newness and Distinctiveness: **Newness and distinctiveness is claimed in the features of shape and/or configuration of a tap handle and spout assembly as illustrated in the accompanying representations.**



(21) Design Number: **10429/2008**

(22) Date of Filing Application: **01 February 2008**

(24) Date from which industrial property rights may have effect: **01 February 2008**

(54) Product in respect of which the design is registered: **A tap mixer assembly**

(51) International Design Classification: **23-01H**

(71) Name(s) and Address(s) of Applicant(s):

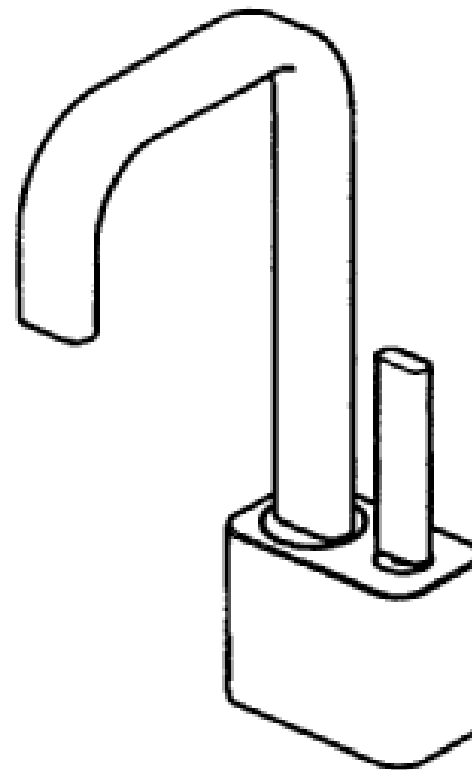
Caroma Industries Limited
10 Market Street Brisbane Queensland 4000 Australia

(72) Name(s) of Designer(s): **Stephen John Cummings and David Giorgio**

(45) Registration Date: **20 May 2008**

(56) Related Art Documents: **Not Applicable**

(57) Statement of Newness and Distinctiveness: **Newness and distinctiveness is claimed in the features of shape and/or configuration of a tap mixer assembly as illustrated in the accompanying representations.**



(21) Design Number: **10430/2008**

(22) Date of Filing Application: **01 February 2008**

(24) Date from which industrial property rights may have effect: **01 February 2008**

(54) Product in respect of which the design is registered: **A tap mixer assembly**

(51) International Design Classification: **23-01H**

(71) Name(s) and Address(s) of Applicant(s):

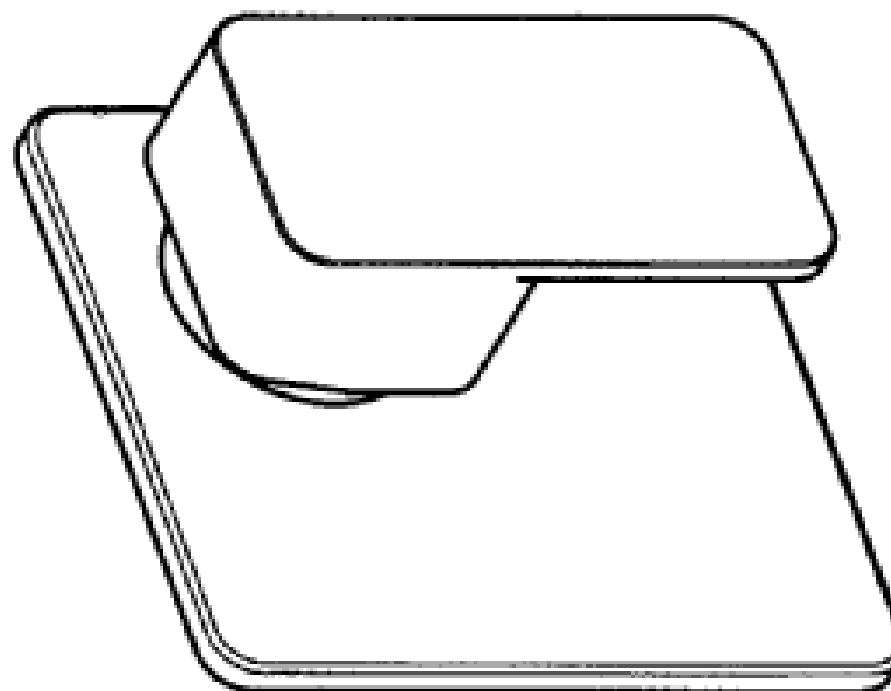
Caroma Industries Limited
10 Market Street Brisbane Queensland 4000 Australia

(72) Name(s) of Designer(s): **Stephen John Cummings and David Giorgio**

(45) Registration Date: **20 May 2008**

(56) Related Art Documents: **Not Applicable**

(57) Statement of Newness and Distinctiveness: **Newness and distinctiveness is claimed in the features of shape and/or configuration of a tap mixer assembly as illustrated in the accompanying representations.**



(21) Design Number: **10431/2008**

(22) Date of Filing Application: **01 February 2008**

(24) Date from which industrial property rights may have effect: **01 February 2008**

(54) Product in respect of which the design is registered: **A tap mixer assembly**

(51) International Design Classification: **23-01H**

(71) Name(s) and Address(s) of Applicant(s):

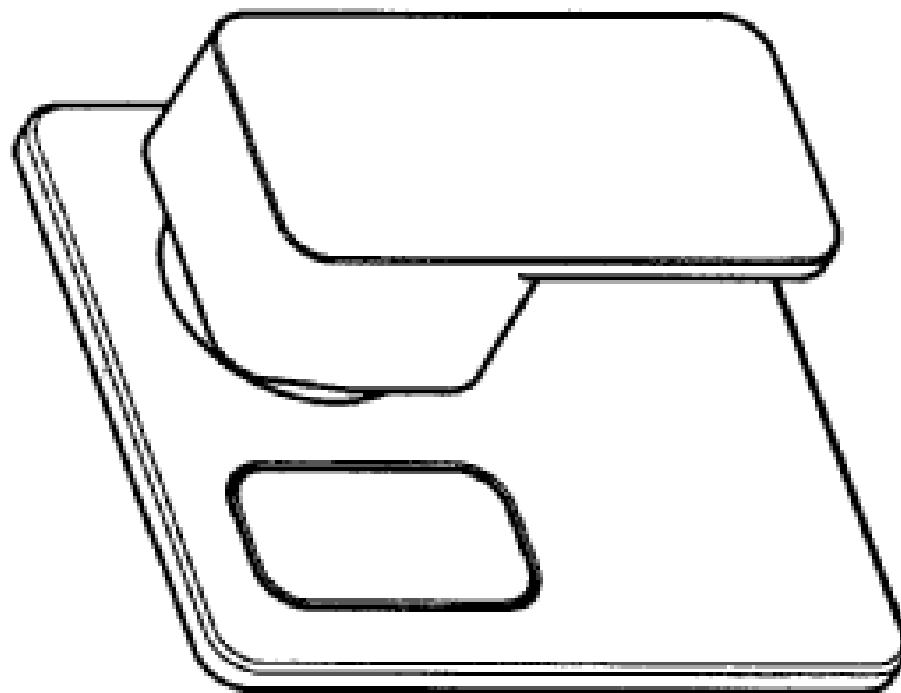
Caroma Industries Limited
10 Market Street Brisbane Queensland 4000 Australia

(72) Name(s) of Designer(s): **Stephen John Cummings and David Giorgio**

(45) Registration Date: **20 May 2008**

(56) Related Art Documents: **Not Applicable**

(57) Statement of Newness and Distinctiveness: **Newness and distinctiveness is claimed in the features of shape and/or configuration of a tap mixer assembly as illustrated in the accompanying representations.**



(21) Design Number: **10432/2008**

(22) Date of Filing Application: **01 February 2008**

(24) Date from which industrial property rights may have effect: **01 February 2008**

(54) Product in respect of which the design is registered: **A tap handle and spout assembly**

(51) International Design Classification: **23-01H**

(71) Name(s) and Address(s) of Applicant(s):

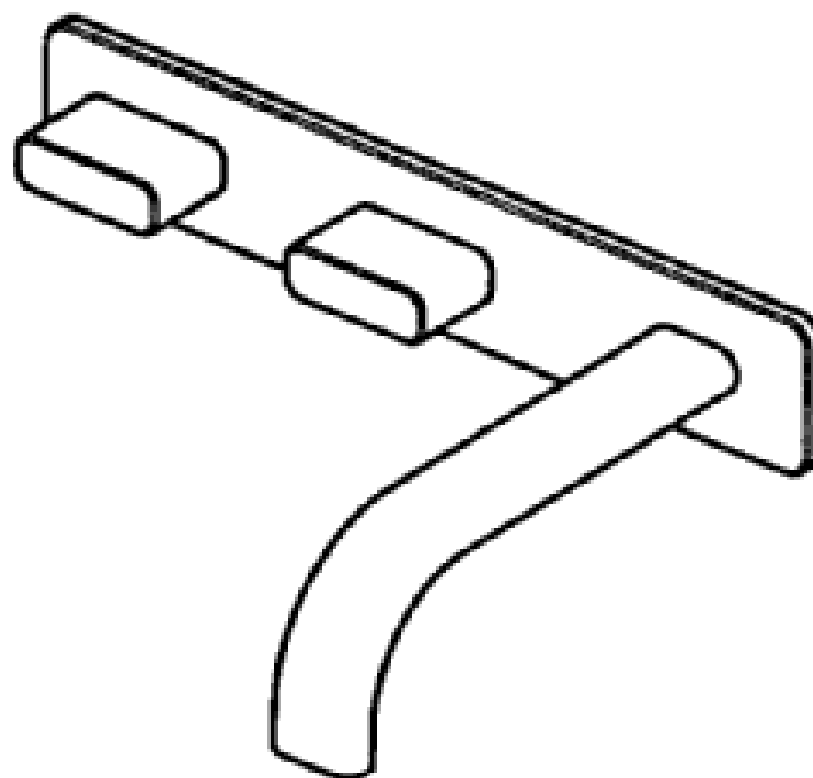
Caroma Industries Limited
10 Market Street Brisbane Queensland 4000 Australia

(72) Name(s) of Designer(s): **Stephen John Cummings and David Giorgio**

(45) Registration Date: **20 May 2008**

(56) Related Art Documents: **Not Applicable**

(57) Statement of Newness and Distinctiveness: **Newness and distinctiveness is claimed in the features of shape and/or configuration of a tap handle and spout assembly as illustrated in the accompanying representations.**



(21) Design Number: **10433/2008**

(22) Date of Filing Application: **01 February 2008**

(24) Date from which industrial property rights may have effect: **01 February 2008**

(54) Product in respect of which the design is registered: **A tap mixer assembly**

(51) International Design Classification: **23-01H**

(71) Name(s) and Address(s) of Applicant(s):

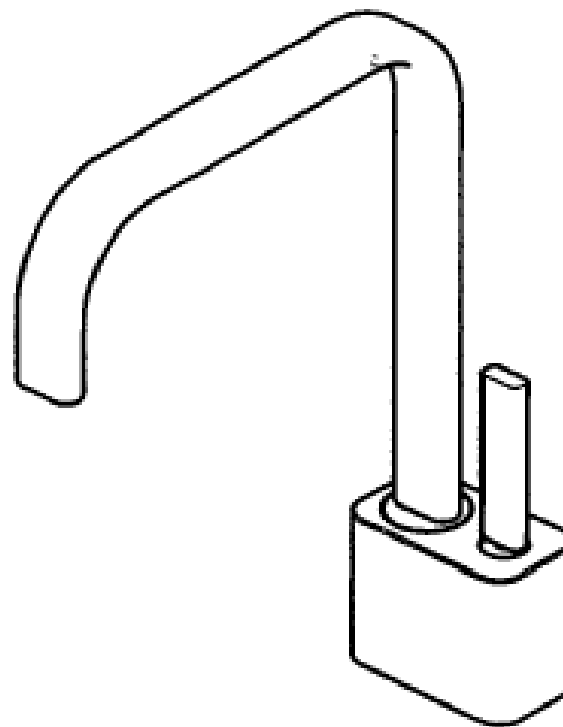
Caroma Industries Limited
10 Market Street Brisbane Queensland 4000 Australia

(72) Name(s) of Designer(s): **Stephen John Cummings and David Giorgio**

(45) Registration Date: **20 May 2008**

(56) Related Art Documents: **Not Applicable**

(57) Statement of Newness and Distinctiveness: **Newness and distinctiveness is claimed in the features of shape and/or configuration of a tap mixer assembly as illustrated in the accompanying representations.**



(21) Design Number: **10434/2008**

(22) Date of Filing Application: **01 February 2008**

(24) Date from which industrial property rights may have effect: **01 February 2008**

(54) Product in respect of which the design is registered: **A tap handle and spout assembly**

(51) International Design Classification: **23-01H**

(71) Name(s) and Address(s) of Applicant(s):

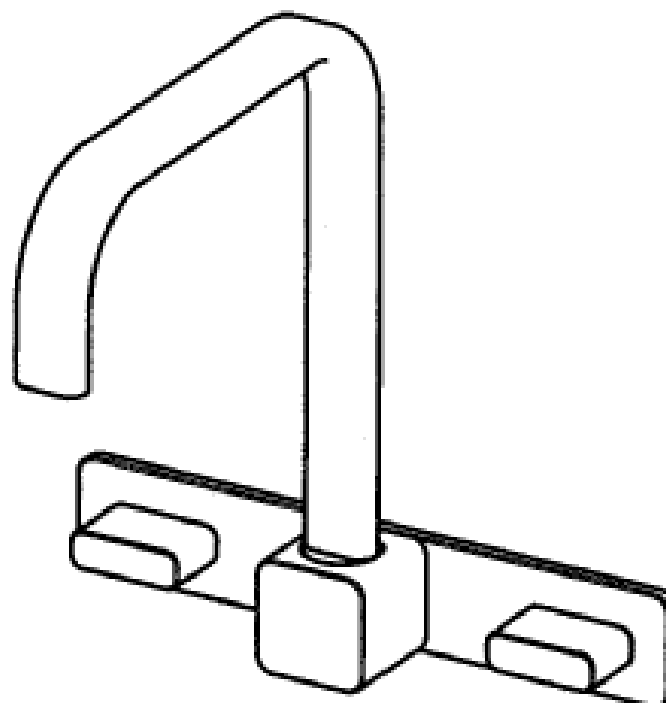
Caroma Industries Limited
10 Market Street Brisbane Queensland 4000 Australia

(72) Name(s) of Designer(s): **Stephen John Cummings and David Giorgio**

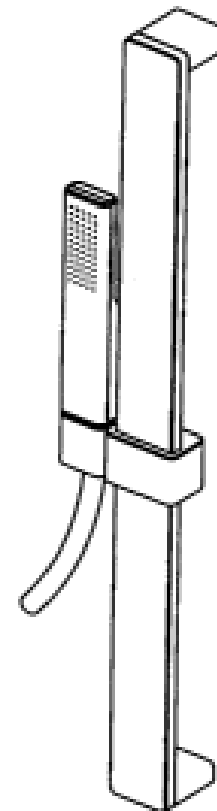
(45) Registration Date: **20 May 2008**

(56) Related Art Documents: **Not Applicable**

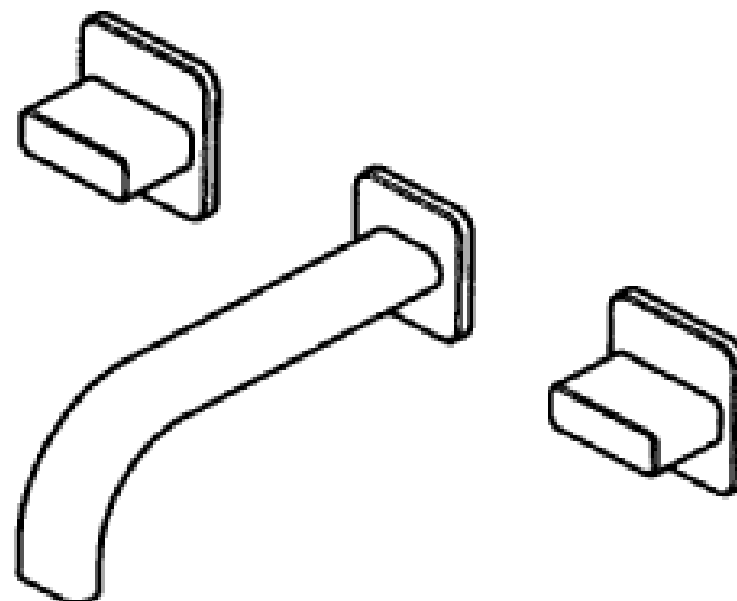
(57) Statement of Newness and Distinctiveness: **Newness and distinctiveness is claimed in the features of shape and/or configuration of a tap handle and spout assembly as illustrated in the accompanying representations.**



- (21) Design Number: **10435/2008**
- (22) Date of Filing Application: **01 February 2008**
- (24) Date from which industrial property rights may have effect: **01 February 2008**
- (54) Product in respect of which the design is registered: **A shower**
- (51) International Design Classification: **23-02B**
- (71) Name(s) and Address(s) of Applicant(s):
Caroma Industries Limited
10 Market Street Brisbane Queensland 4000 Australia
- (72) Name(s) of Designer(s): **Stephen John Cummings and David Giorgio**
- (45) Registration Date: **20 May 2008**
- (56) Related Art Documents: **Not Applicable**
- (57) Statement of Newness and Distinctiveness: **Newness and distinctiveness is claimed in the features of shape and/or configuration of a shower as illustrated in the accompanying representations.**



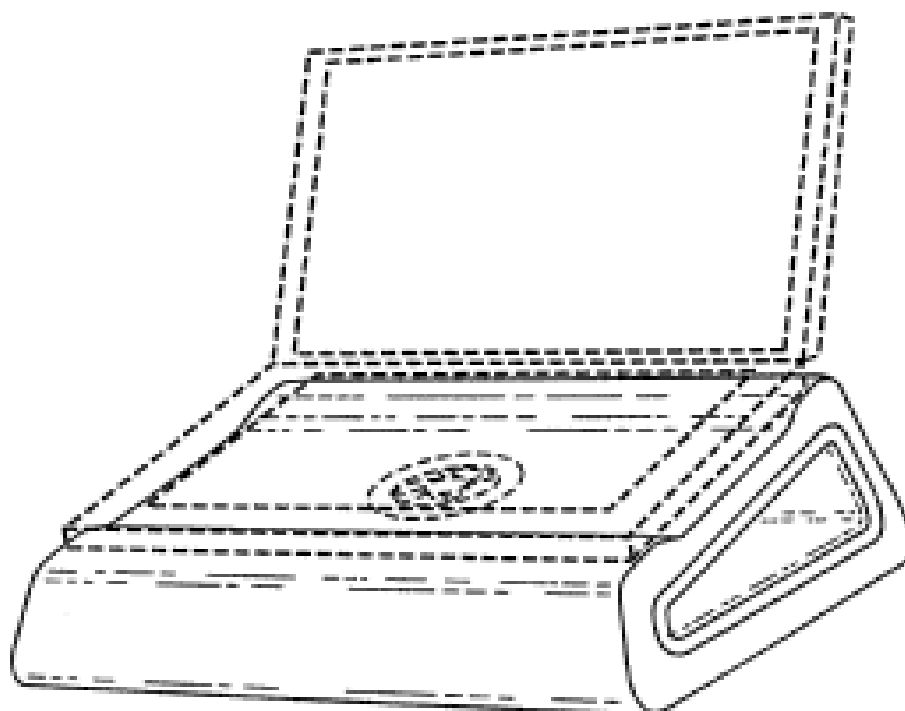
- (21) Design Number: **10436/2008**
- (22) Date of Filing Application: **01 February 2008**
- (24) Date from which industrial property rights may have effect: **01 February 2008**
- (54) Product in respect of which the design is registered: **A tap handle and spout assembly**
- (51) International Design Classification: **23-01H**
- (71) Name(s) and Address(s) of Applicant(s):
Caroma Industries Limited
10 Market Street Brisbane Queensland 4000 Australia
- (72) Name(s) of Designer(s): **Stephen John Cummings and David Giorgio**
- (45) Registration Date: **20 May 2008**
- (56) Related Art Documents: **Not Applicable**
- (57) Statement of Newness and Distinctiveness: **Newness and distinctiveness is claimed in the features of shape and/or configuration of a tap handle and spout assembly as illustrated in the accompanying representations.**



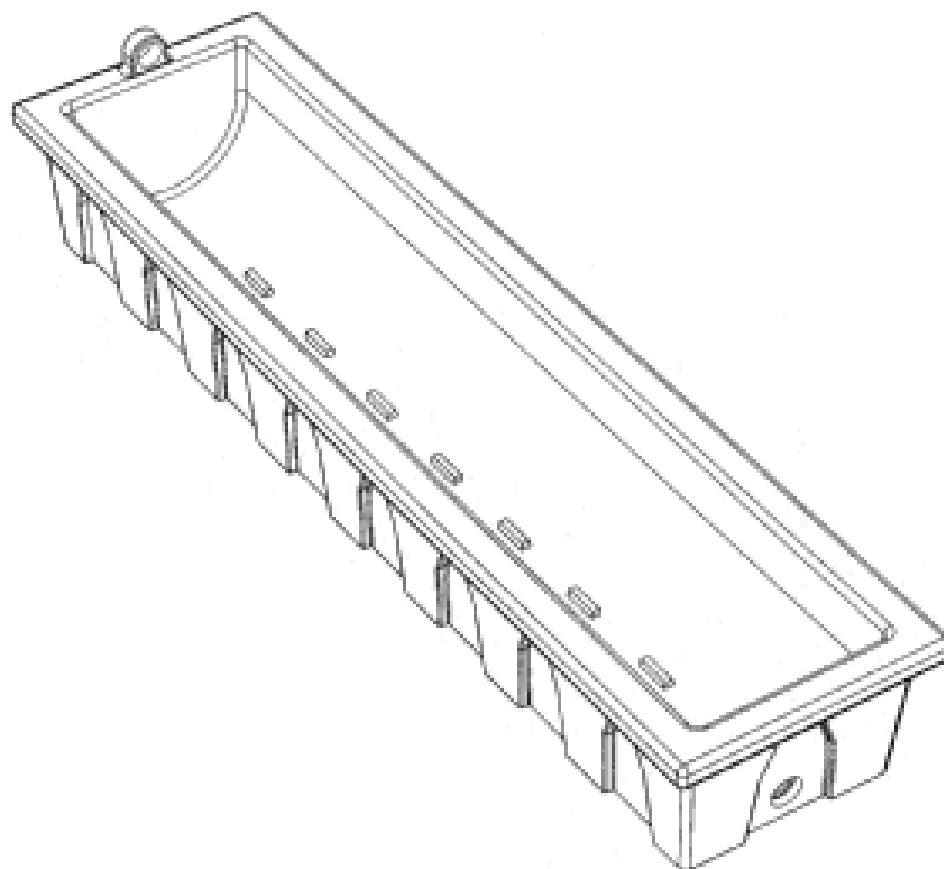
(21) Design Number: **10437/2008**
 (22) Date of Filing Application: **01 February 2008**
 (24) Date from which industrial property rights may have effect: **01 February 2008**
 (54) Product in respect of which the design is registered: **A support for a laptop computer**
 (51) International Design Classification: **14-99**
 (71) Name(s) and Address(s) of Applicant(s):
Belkin International, Inc.
501 W. Walnut Street Compton California 90220 United States of America
 (72) Name(s) of Designer(s): **Barry Sween and Jamie Elgie**
 (45) Registration Date: **20 May 2008**
 (30) Convention priority data:

(31) Number	(32) Date	(33) Country
29/289811	01 Aug 2007	UNITED STATES OF AMERICA

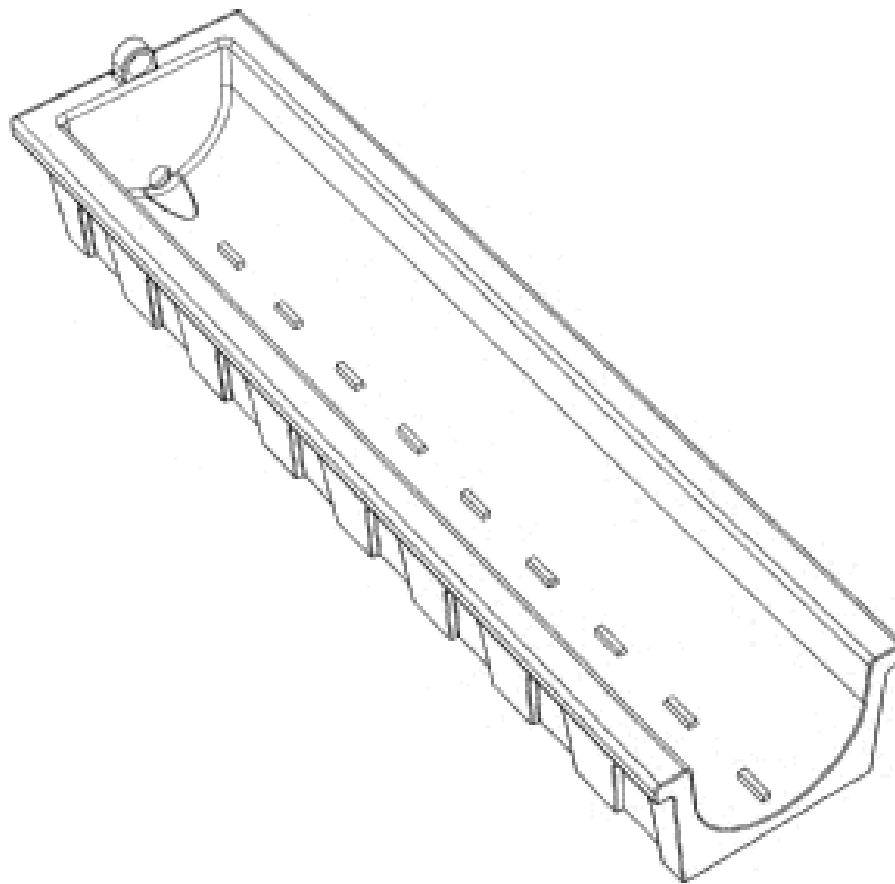
(56) Related Art Documents: **Not Applicable**
 (57) Statement of Newness and Distinctiveness: **Newness and distinctiveness is asserted in the features of shape and/or configuration of a support for a laptop computer as illustrated in the accompanying drawings, and when considering newness and distinctiveness, particular regard is to be had to the shape and/or configuration of the top surface and the hollow interior which is open to either side, whereas the laptop computer seen in figs. 3 and 7, the fan seen in figs. 1, 2 and 7, all shown in regular dashed lines, and the screw holes and screw hole indentations seen in figs. 6 and 8 shown in dotted lines, are to be disregarded, whereas the irregularly broken lines are representative of curved surfaces of the support.**



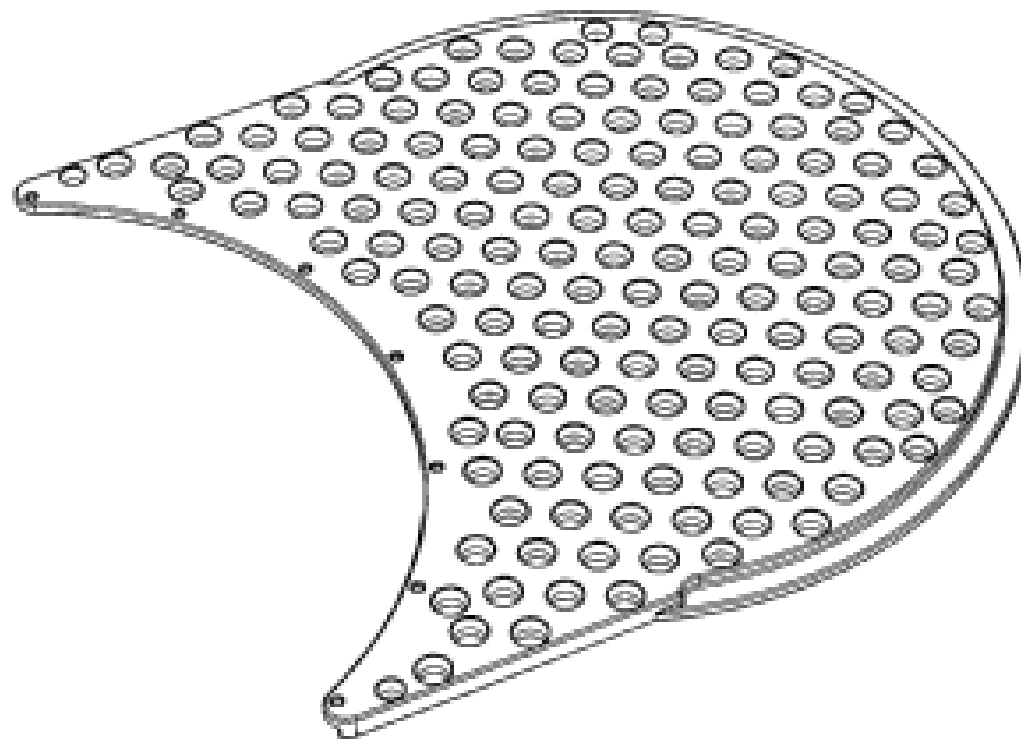
(21) Design Number: **10383/2008**
 (22) Date of Filing Application: **31 January 2008**
 (24) Date from which industrial property rights may have effect: **31 January 2008**
 (54) Product in respect of which the design is registered: **Animal trough**
 (51) International Design Classification: **30-03**
 (71) Name(s) and Address(s) of Applicant(s):
Simon John Gough
833 Ingham Road Bohle Townsville Queensland 4814 Australia
 (72) Name(s) of Designer(s): **David Hollier and Simon Gough and Andrew Gough**
 (45) Registration Date: **20 May 2008**
 (56) Related Art Documents: **Not Applicable**
 (57) Statement of Newness and Distinctiveness: **Newness and distinctiveness resides in the features of shape and configuration of an animal trough as shown in the accompanying representations.**



- (21) Design Number: **10384/2008**
(22) Date of Filing Application: **31 January 2008**
(24) Date from which industrial property rights may have effect: **31 January 2008**
(54) Product in respect of which the design is registered: **Animal trough**
(51) International Design Classification: **30-03**
(71) Name(s) and Address(s) of Applicant(s):
Simon John Gough
833 Ingham Road Bohle Townsville Queensland 4814 Australia
(72) Name(s) of Designer(s): **David Hollier and Simon Gough and Andrew Gough**
(45) Registration Date: **20 May 2008**
(56) Related Art Documents: **Not Applicable**
(57) Statement of Newness and Distinctiveness: **Newness and distinctiveness resides in the features of shape and configuration of an animal trough as shown in the accompanying representations. In particular the open, flat end for joining multiple troughs.**



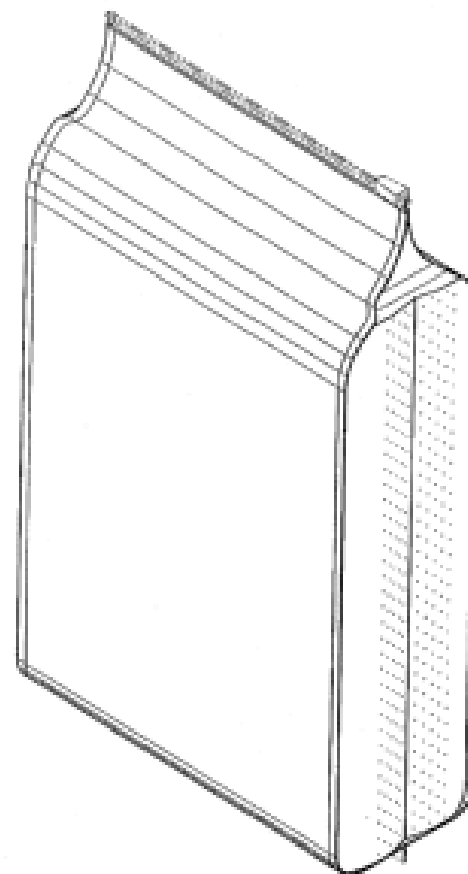
- (21) Design Number: **10385/2008**
(22) Date of Filing Application: **31 January 2008**
(24) Date from which industrial property rights may have effect: **31 January 2008**
(54) Product in respect of which the design is registered: **Trail pad**
(51) International Design Classification: **06-11**
(71) Name(s) and Address(s) of Applicant(s):
Andrew Gough
833 Ingham Road Bohle Townsville Queensland 4814 Australia
(72) Name(s) of Designer(s): **David Hollier and Andrew Gough**
(45) Registration Date: **20 May 2008**
(56) Related Art Documents: **Not Applicable**
(57) Statement of Newness and Distinctiveness: **Nil**



(19) AU

- (21) Design Number: **10386/2008**
- (22) Date of Filing Application: **30 January 2008**
- (24) Date from which industrial property rights may have effect: **30 January 2008**
- (54) Product in respect of which the design is registered: **Side-gusseted bag**
- (51) International Design Classification: **09-05**
- (71) Name(s) and Address(s) of Applicant(s):
The IAMS Company
7250 Poe Avenue Dayton Ohio 45414 United States of America
- (72) Name(s) of Designer(s): **George Scott Kerr and Lawrence Andrew Schumacher and Barry Stanley Shantz**
- (45) Registration Date: **20 May 2008**
- (30) Convention priority data:

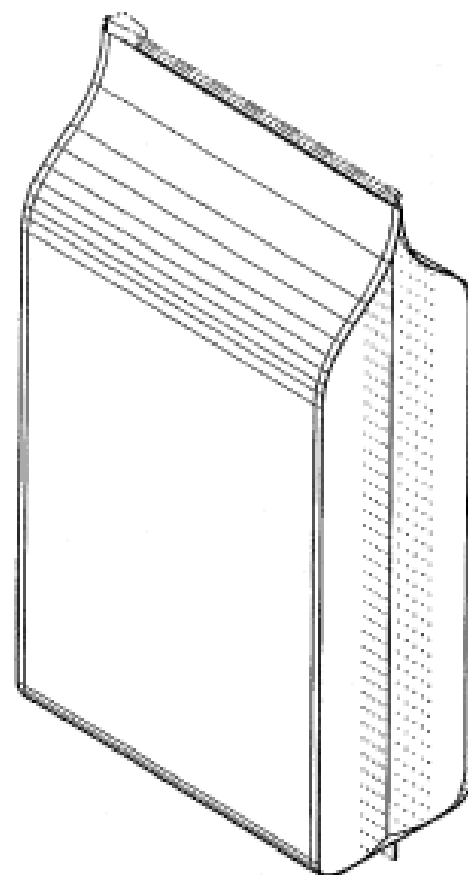
(31) Number	(32) Date	(33) Country
29/289,821	02 Aug 2007	UNITED STATES OF AMERICA
- (56) Related Art Documents: **Not Applicable**
- (57) Statement of Newness and Distinctiveness: **Newness and distinctiveness reside in the features of shape and/or configuration of the side-gusseted bag, as shown in the representations. Newness and distinctiveness are not claimed in the features shown in broken lines in the representations. These features are shown for illustrative purposes only. All views are shown with the side-gusseted bag in an expanded or filled form.**



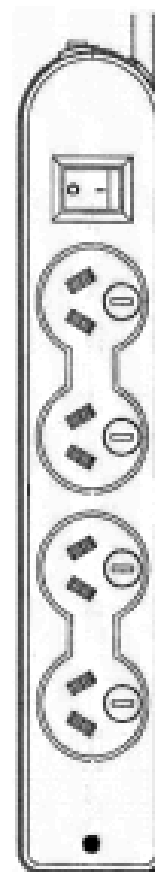
(19) AU

- (21) Design Number: **10387/2008**
- (22) Date of Filing Application: **30 January 2008**
- (24) Date from which industrial property rights may have effect: **30 January 2008**
- (54) Product in respect of which the design is registered: **Side-gusseted bag**
- (51) International Design Classification: **09-05**
- (71) Name(s) and Address(s) of Applicant(s):
The IAMS Company
7250 Poe Avenue Dayton Ohio 45414 United States of America
- (72) Name(s) of Designer(s): **George Scott Kerr and Lawrence Andrew Schumacher and Barry Stanley Shantz**
- (45) Registration Date: **20 May 2008**
- (30) Convention priority data:

(31) Number	(32) Date	(33) Country
29/289,830	02 Aug 2007	UNITED STATES OF AMERICA
- (56) Related Art Documents: **Not Applicable**
- (57) Statement of Newness and Distinctiveness: **Newness and distinctiveness reside in the features of shape and/or configuration of the side-gusseted bag, as shown in the representations. Newness and distinctiveness are not claimed in the features shown in broken lines in the representations. These features are shown for illustrative purposes only. All views are shown with the side-gusseted bag in an expanded or filled form.**



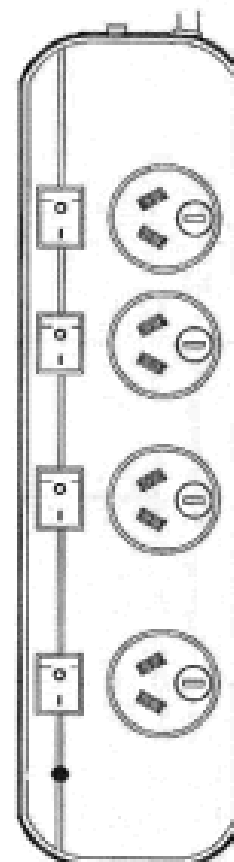
- (21) Design Number: **10397/2008**
- (22) Date of Filing Application: **31 January 2008**
- (24) Date from which industrial property rights may have effect: **31 January 2008**
- (54) Product in respect of which the design is registered: **Power board**
- (51) International Design Classification: **13-03D**
- (71) Name(s) and Address(s) of Applicant(s):
Sansai Australia Pty Ltd
3 Fiveways Boulevard Keysborough Victoria 3173 Australia
- (72) Name(s) of Designer(s): **Tony Chen**
- (45) Registration Date: **20 May 2008**
- (56) Related Art Documents: **Not Applicable**
- (57) Statement of Newness and Distinctiveness: **Newness and distinctiveness is claimed in the features of shape and configuration of a power board as illustrated in the accompanying representations.**



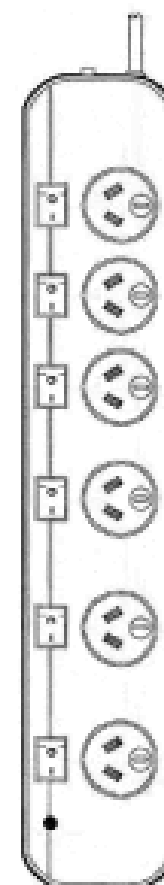
- (21) Design Number: **10398/2008**
- (22) Date of Filing Application: **31 January 2008**
- (24) Date from which industrial property rights may have effect: **31 January 2008**
- (54) Product in respect of which the design is registered: **Power board**
- (51) International Design Classification: **13-03D**
- (71) Name(s) and Address(s) of Applicant(s):
Sansai Australia Pty Ltd
3 Fiveways Boulevard Keysborough Victoria 3173 Australia
- (72) Name(s) of Designer(s): **Tony Chen**
- (45) Registration Date: **20 May 2008**
- (56) Related Art Documents: **Not Applicable**
- (57) Statement of Newness and Distinctiveness: **Newness and distinctiveness is claimed in the features of shape and configuration of a power board as illustrated in the accompanying representations.**



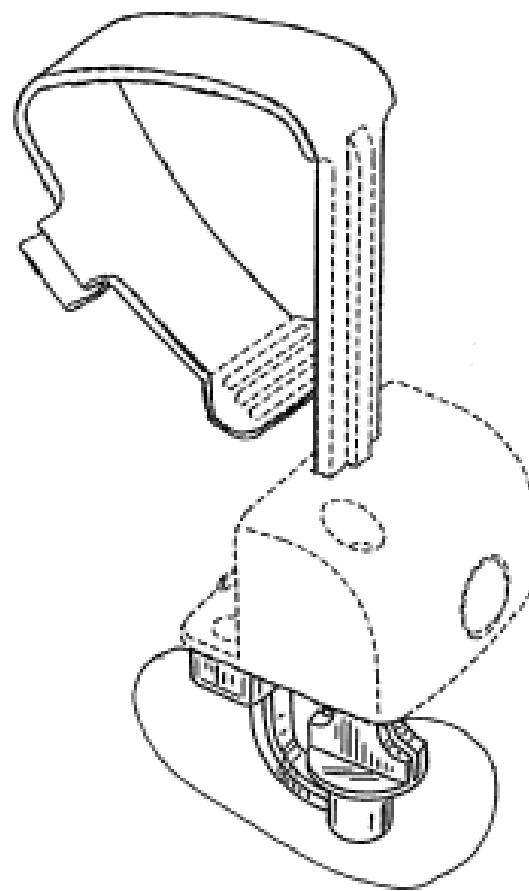
- (21) Design Number: **10399/2008**
- (22) Date of Filing Application: **31 January 2008**
- (24) Date from which industrial property rights may have effect: **31 January 2008**
- (54) Product in respect of which the design is registered: **Power board**
- (51) International Design Classification: **13-03D**
- (71) Name(s) and Address(s) of Applicant(s):
Sansai Australia Pty Ltd
3 Fiveways Boulevard Keysborough Victoria 3173 Australia
- (72) Name(s) of Designer(s): **Tony Chen**
- (45) Registration Date: **20 May 2008**
- (56) Related Art Documents: **Not Applicable**
- (57) Statement of Newness and Distinctiveness: **Newness and distinctiveness is claimed in the features of shape and configuration of a power board as illustrated in the accompanying representations.**



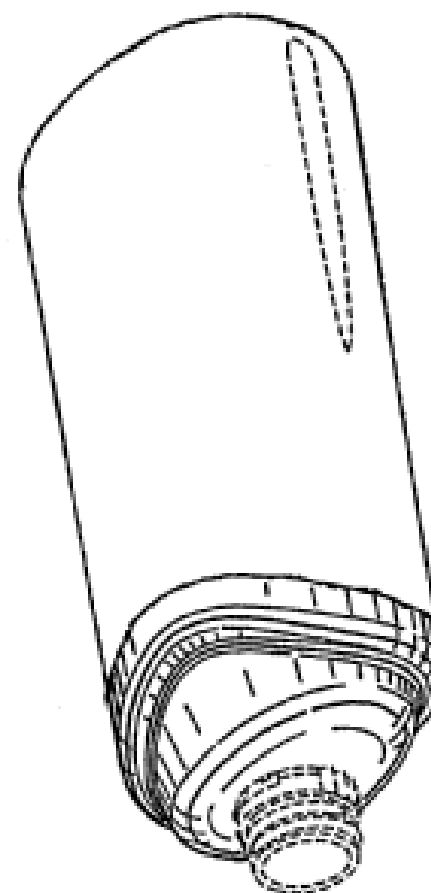
- (21) Design Number: **10400/2008**
- (22) Date of Filing Application: **31 January 2008**
- (24) Date from which industrial property rights may have effect: **31 January 2008**
- (54) Product in respect of which the design is registered: **Power board**
- (51) International Design Classification: **13-03D**
- (71) Name(s) and Address(s) of Applicant(s):
Sansai Australia Pty Ltd
3 Fiveways Boulevard Keysborough Victoria 3173 Australia
- (72) Name(s) of Designer(s): **Tony Chen**
- (45) Registration Date: **20 May 2008**
- (56) Related Art Documents: **Not Applicable**
- (57) Statement of Newness and Distinctiveness: **Newness and distinctiveness is claimed in the features of shape and configuration of a power board as illustrated in the accompanying representations.**



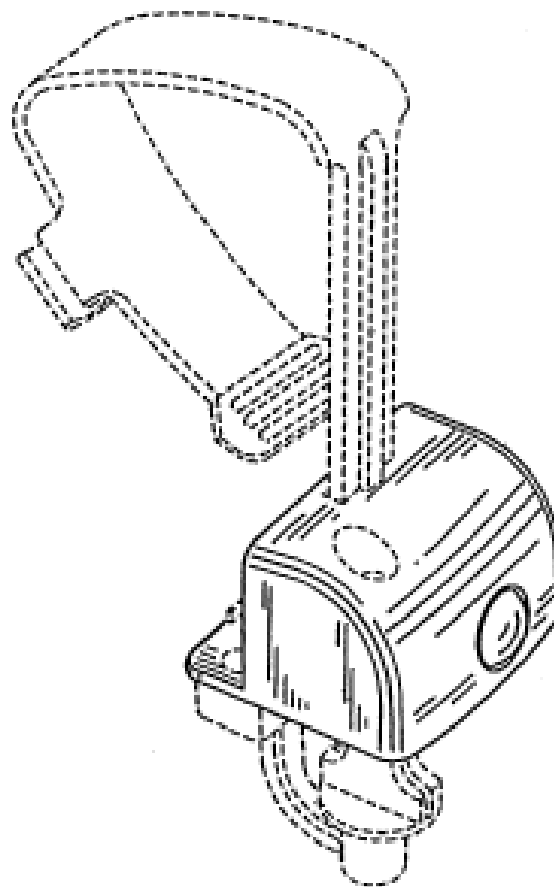
(21) Design Number: **10411/2008**
 (22) Date of Filing Application: **31 January 2008**
 (24) Date from which industrial property rights may have effect: **31 January 2008**
 (54) Product in respect of which the design is registered: **Dispenser mounting device**
 (51) International Design Classification: **23-02A, 23-02NES**
 (71) Name(s) and Address(s) of Applicant(s):
S.C. Johnson & Son, Inc.
1525 Howe Street Racine Wisconsin 53403-2236 United States of America
 (72) Name(s) of Designer(s): **Stephen B. Leonard and Timothy R. Ordiway and Jeffrey L. Crull and Jonathan M. Mick**
 (45) Registration Date: **20 May 2008**
 (30) Convention priority data:
 (31) Number (32) Date (33) Country
29/289754 31 Jul 2007 UNITED STATES OF AMERICA
 (56) Related Art Documents: **Not Applicable**
 (57) Statement of Newness and Distinctiveness: **Newness and distinctiveness is claimed in those features of shape and/or configuration of a dispenser mounting device as illustrated in continuous lines and labelled "A" in the accompanying representations.**



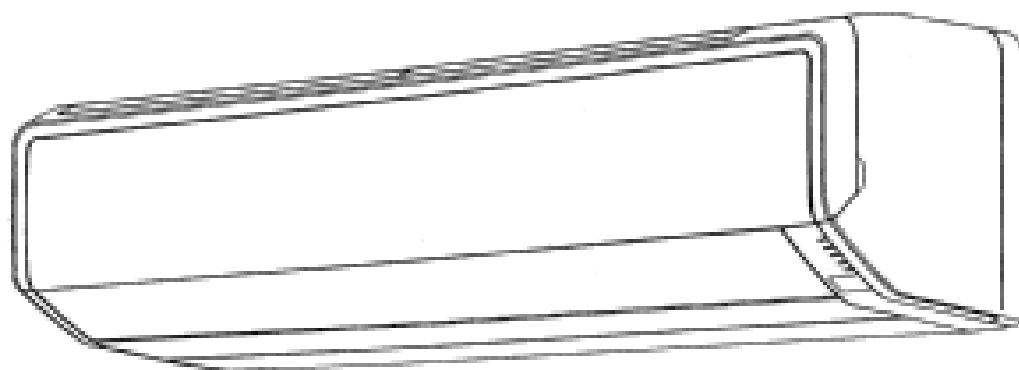
(21) Design Number: **10412/2008**
 (22) Date of Filing Application: **31 January 2008**
 (24) Date from which industrial property rights may have effect: **31 January 2008**
 (54) Product in respect of which the design is registered: **Bottle**
 (51) International Design Classification: **09-01K**
 (71) Name(s) and Address(s) of Applicant(s):
S.C. Johnson & Son, Inc.
1525 Howe Street Racine Wisconsin 53403-2236 United States of America
 (72) Name(s) of Designer(s): **Evan A. Sparks and Timothy R. Ordiway and Brad P. Baranowski and Jeffrey L. Crull**
 (45) Registration Date: **20 May 2008**
 (30) Convention priority data:
 (31) Number (32) Date (33) Country
29/302687 22 Jan 2008 UNITED STATES OF AMERICA
 (56) Related Art Documents: **Not Applicable**
 (57) Statement of Newness and Distinctiveness: **Newness and distinctiveness is claimed in those features of shape and/or configuration of a bottle as illustrated in continuous lines and labelled "A" in the accompanying representations.**



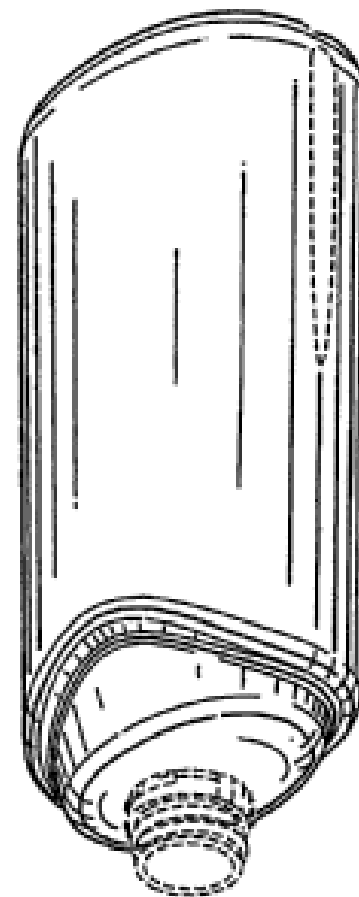
- (21) Design Number: **10413/2008**
(22) Date of Filing Application: **31 January 2008**
(24) Date from which industrial property rights may have effect: **31 January 2008**
(54) Product in respect of which the design is registered: **Dispenser mounting device**
(51) International Design Classification: **23-02NES**
(71) Name(s) and Address(s) of Applicant(s):
S.C. Johnson & Son, Inc.
1525 Howe Street Racine Wisconsin 53403-2236 United States of America
(72) Name(s) of Designer(s): **Stephen B. Leonard and Timothy R. Ordiway and Jeffrey L. Crull and Jonathan M. Mick**
(45) Registration Date: **20 May 2008**
(30) Convention priority data:
(31) Number (32) Date (33) Country
29/289754 31 Jul 2007 UNITED STATES OF AMERICA
(56) Related Art Documents: **Not Applicable**
(57) Statement of Newness and Distinctiveness: **Newness and distinctiveness is claimed in those features of shape and/or configuration of a dispenser mounting device as illustrated in continuous lines in the accompanying representations.**



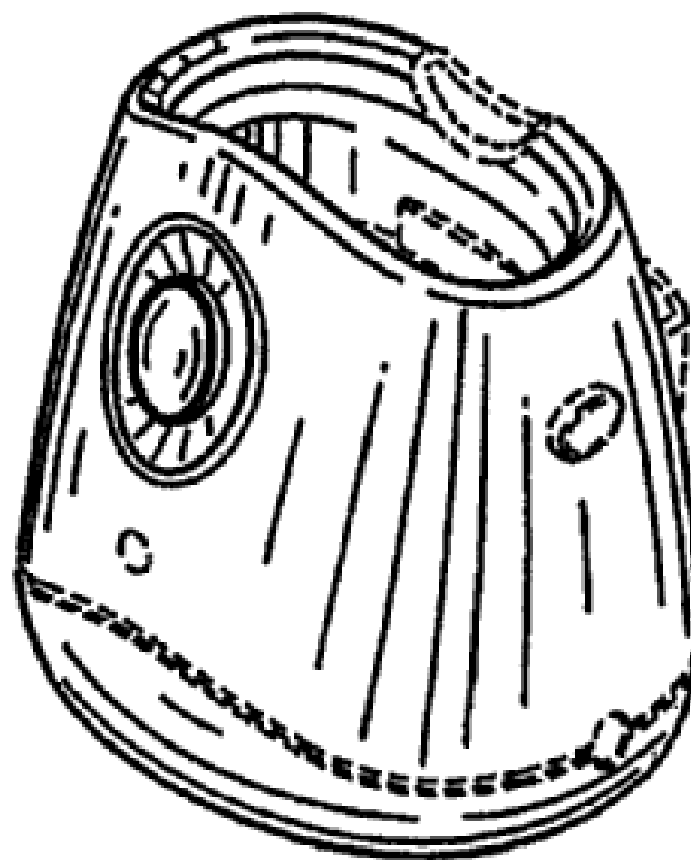
- (21) Design Number: **10414/2008**
(22) Date of Filing Application: **31 January 2008**
(24) Date from which industrial property rights may have effect: **31 January 2008**
(54) Product in respect of which the design is registered: **Air conditioner**
(51) International Design Classification: **23-04**
(71) Name(s) and Address(s) of Applicant(s):
Fujitsu General Limited
1116 Suen aga Takatsu-Ku Kawasaki-Shi Kanagawa-Ken Japan
(72) Name(s) of Designer(s): **Hajime Yamamoto**
(45) Registration Date: **20 May 2008**
(30) Convention priority data:
(31) Number (32) Date (33) Country
2007-023538 30 Aug 2007 JAPAN
(56) Related Art Documents: **Not Applicable**
(57) Statement of Newness and Distinctiveness: **Newness and distinctiveness is claimed in the features of shape and/or configuration of the following parts of an air conditioner illustrated in the accompanying representations; the overall form which has a depth, extending between the front and back, which is greater than its height extending between the top and bottom; the inverted U shaped plate which substantially covers the front and bottom surfaces; when not in operation, as shown in the first perspective view, the inlet is concealed; and during operation, as shown in the second perspective view, the opening panel A opens and closes, and the wind direction flap B opens making the sensor C visible.**



(21) Design Number: **10415/2008**
 (22) Date of Filing Application: **31 January 2008**
 (24) Date from which industrial property rights may have effect: **31 January 2008**
 (54) Product in respect of which the design is registered: **Bottle**
 (51) International Design Classification: **09-01K**
 (71) Name(s) and Address(s) of Applicant(s):
S.C. Johnson & Son, Inc.
1525 Howe Street Racine Wisconsin 53403-2236 United States of America
 (72) Name(s) of Designer(s): **Evan A. Sparks and Timothy R. Ordiway and Brad P. Baranowski and Jeffrey L. Crull**
 (45) Registration Date: **20 May 2008**
 (30) Convention priority data:
 (31) Number (32) Date (33) Country
29/289755 31 Jul 2007 UNITED STATES OF AMERICA
 (56) Related Art Documents: **Not Applicable**
 (57) Statement of Newness and Distinctiveness: **Newness and distinctiveness is claimed in those features of shape and/or configuration of a bottle as illustrated in continuous lines in the accompanying representations.**



(21) Design Number: **10416/2008**
 (22) Date of Filing Application: **31 January 2008**
 (24) Date from which industrial property rights may have effect: **31 January 2008**
 (54) Product in respect of which the design is registered: **Bottle holder**
 (51) International Design Classification: **23-02A**
 (71) Name(s) and Address(s) of Applicant(s):
S.C. Johnson & Son, Inc.
1525 Howe Street Racine Wisconsin 53403-2236 United States of America
 (72) Name(s) of Designer(s): **Evan A. Sparks and Timothy R. Ordiway and Stephen B. Leonard and Douglas James Birkholz and Jeffrey L. Crull**
 (45) Registration Date: **20 May 2008**
 (30) Convention priority data:
 (31) Number (32) Date (33) Country
29/289752 31 Jul 2007 UNITED STATES OF AMERICA
 (56) Related Art Documents: **Not Applicable**
 (57) Statement of Newness and Distinctiveness: **Newness and distinctiveness is claimed in those features of shape and/or configuration of a bottle holder as illustrated in continuous lines in the accompanying representations.**



(21) Design Number: **10418/2008**

(22) Date of Filing Application: **31 January 2008**

(24) Date from which industrial property rights may have effect: **31 January 2008**

(54) Product in respect of which the design is registered: **Iron with steam generator**

(51) International Design Classification: **07-05A**

(71) Name(s) and Address(s) of Applicant(s):

**Koninklijke Philips Electronics N.V.
Groenewoudseweg 1 5621 BA Eindhoven The Netherlands**

(72) Name(s) of Designer(s): **Francis Wa Chu**

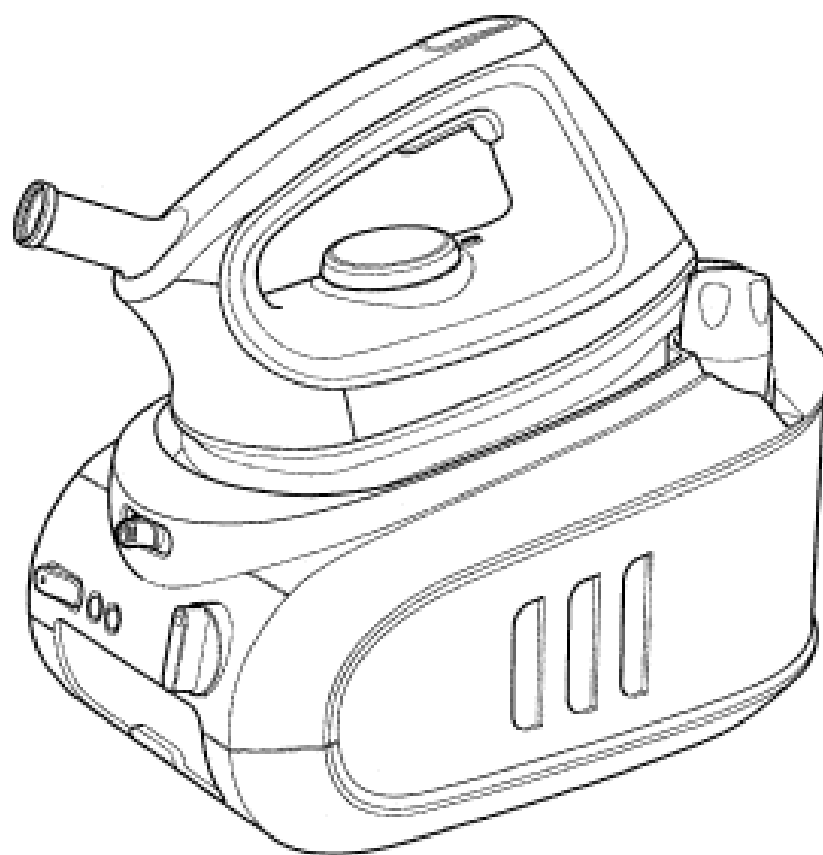
(45) Registration Date: **20 May 2008**

(30) Convention priority data:

(31) Number	(32) Date	(33) Country
000776638	21 Aug 2007	EUROPEAN COMMUNITY

(56) Related Art Documents: **Not Applicable**

(57) Statement of Newness and Distinctiveness: **Newness and distinctiveness reside in the features of the design as shown in the representations.**



(21) Design Number: **19887/2007**

(22) Date of Filing Application: **24 September 2007**

(24) Date from which industrial property rights may have effect: **24 September 2007**

(54) Product in respect of which the design is registered: **Machine for crimping and testing of cables**

(51) International Design Classification: **08-05NES**

(71) Name(s) and Address(s) of Applicant(s):

**Cable Quip Pty Ltd
53 Morehead Street Bungalow Queensland 4870 Australia**

(72) Name(s) of Designer(s): **Adam Craven-Sands**

(45) Registration Date: **20 May 2008**

(56) Related Art Documents: **Not Applicable**

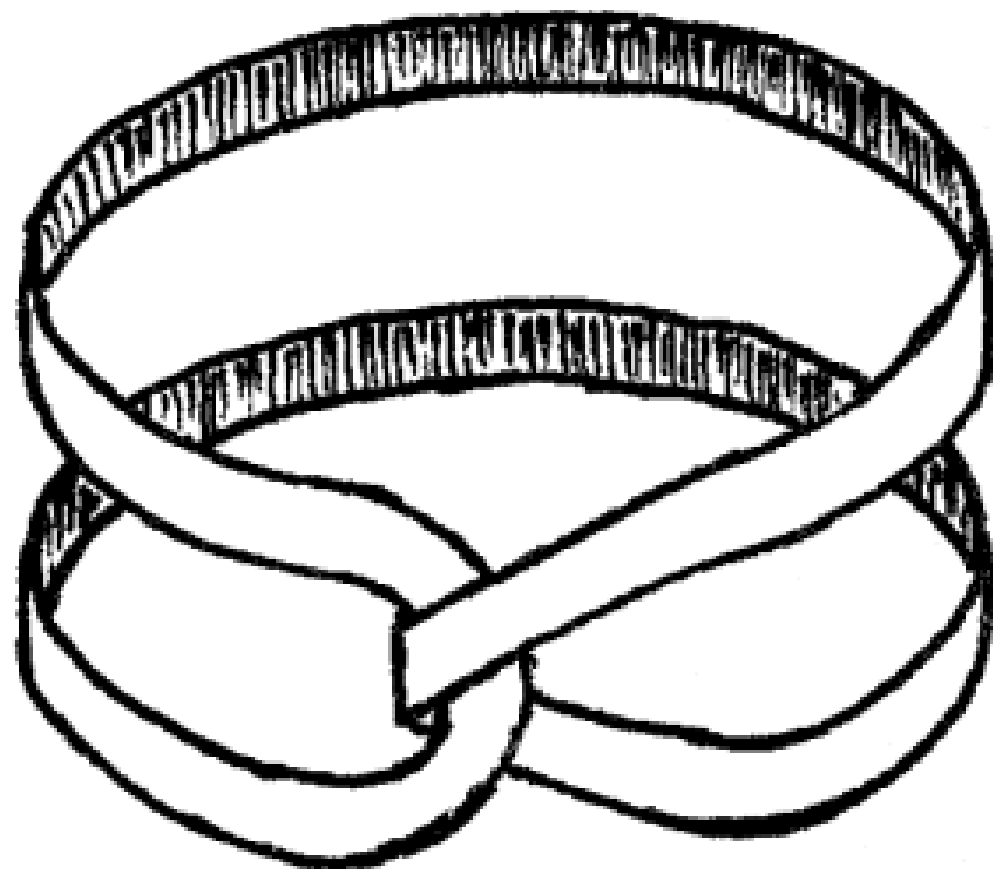
(57) Statement of Newness and Distinctiveness: **This machine incorporates both crimping and testing.**



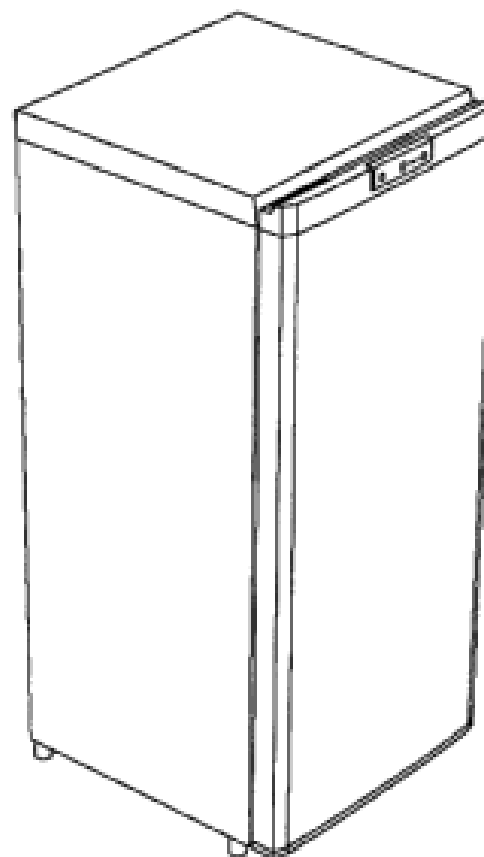
- (21) Design Number: **20947/2007**
(22) Date of Filing Application: **22 November 2007**
(24) Date from which industrial property rights may have effect: **22 November 2007**
(54) Product in respect of which the design is registered: **Electric switch housing**
(51) International Design Classification: **13-03D**
(71) Name(s) and Address(s) of Applicant(s):
Connected Group Australia Pty Ltd
U19/1 Bayside Terrace Cabarita New South Wales 2137 Australia
(72) Name(s) of Designer(s): **Dean Lucantonio**
(45) Registration Date: **20 May 2008**
(56) Related Art Documents: **Not Applicable**
(57) Statement of Newness and Distinctiveness: **Monopoly is claimed for in respect of the shape and configuration of the "backing plates" as seen in the original representations files. The shape of these plates is both new and distinctive and monopoly of the shape is relevant regardless of the configuration of the switches and switching mechanisms seen.**



- (21) Design Number: **21000/2007**
(22) Date of Filing Application: **26 November 2007**
(24) Date from which industrial property rights may have effect: **26 November 2007**
(54) Product in respect of which the design is registered: **Jewellery ring: ouroboros**
(51) International Design Classification: **11-01A**
(71) Name(s) and Address(s) of Applicant(s):
Samuel Charles Ziegler
7/198 Alma Road St Kilda East Victoria 3183 Australia
(72) Name(s) of Designer(s): **Samuel Charles Ziegler**
(45) Registration Date: **20 May 2008**
(56) Related Art Documents: **Not Applicable**
(57) Statement of Newness and Distinctiveness: **This ring is of a mobius topology, entangled so as to create a flattened recurved loop with mutually interlocked ends; indicative of the figure of the Ouroboros.**



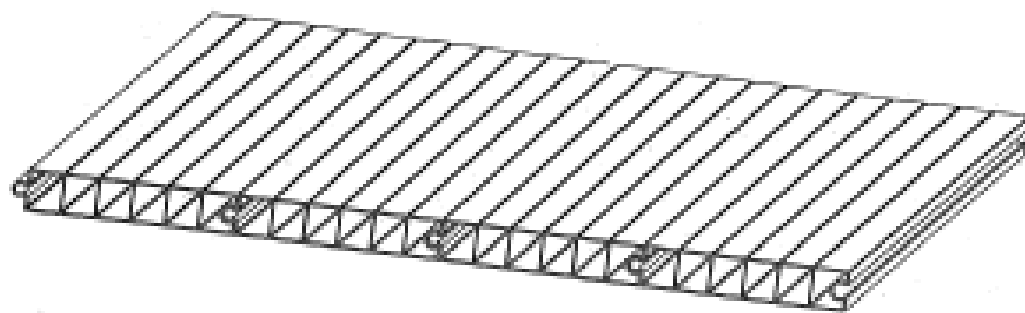
- (21) Design Number: **21457/2007**
(22) Date of Filing Application: **19 December 2007**
(24) Date from which industrial property rights may have effect: **19 December 2007**
(54) Product in respect of which the design is registered: **Freezer**
(51) International Design Classification: **15-07**
(71) Name(s) and Address(s) of Applicant(s):
Mitsubishi Electric Corporation
7-3 Marunouchi 2-chome Chiyoda-ku Tokyo 100-8310 Japan
(72) Name(s) of Designer(s): **Toshiaki Kikuta and Yumiko Moriyama and Yukinori Mochizuki and Masayoshi Yamawaki**
(45) Registration Date: **20 May 2008**
(30) Convention priority data:
(31) Number (32) Date (33) Country
2007-017510 29 Jun 2007 JAPAN
(56) Related Art Documents: **Not Applicable**
(57) Statement of Newness and Distinctiveness: **Nil**



- (21) Design Number: **21465/2007**
(22) Date of Filing Application: **19 December 2007**
(24) Date from which industrial property rights may have effect: **19 December 2007**
(54) Product in respect of which the design is registered: **Ankle protector**
(51) International Design Classification: **24-04**
(71) Name(s) and Address(s) of Applicant(s):
Task Force Properties & Investments Ltd
Millennium House Moss Road Witham Essex CM8 3UQ United Kingdom
(72) Name(s) of Designer(s): **Harald Scheffer and Robert Steed**
(45) Registration Date: **20 May 2008**
(30) Convention priority data:
(31) Number (32) Date (33) Country
000 751 144 03 Jul 2007 EUROPEAN COMMUNITY
(56) Related Art Documents: **Not Applicable**
(57) Statement of Newness and Distinctiveness: **Newness and distinctiveness is claimed in the features of shape and configuration of an ankle protector as shown in the accompanying representations. The body parts shown in the representations are for illustration purposes only and do not form part of the design.**



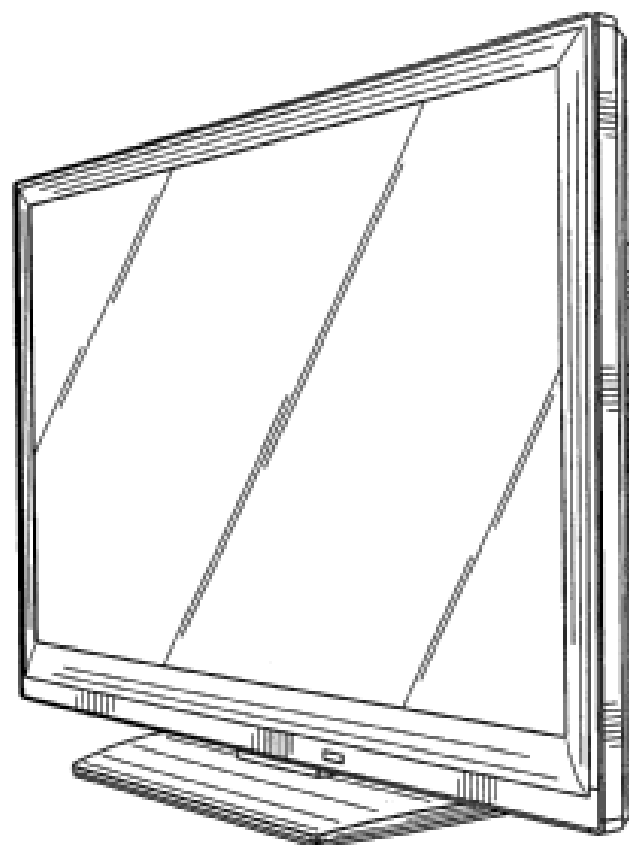
- (21) Design Number: **21470/2007**
(22) Date of Filing Application: **20 December 2007**
(24) Date from which industrial property rights may have effect: **20 December 2007**
(54) Product in respect of which the design is registered: **Partition extrusion**
(51) International Design Classification: **25-01K**
(71) Name(s) and Address(s) of Applicant(s):
Polynex Pty Ltd
Lot 5 Robson Street Clontarf Queensland 4019 Australia
(72) Name(s) of Designer(s): **Daniel Wos**
(45) Registration Date: **20 May 2008**
(56) Related Art Documents: **Not Applicable**
(57) Statement of Newness and Distinctiveness: **Nil**



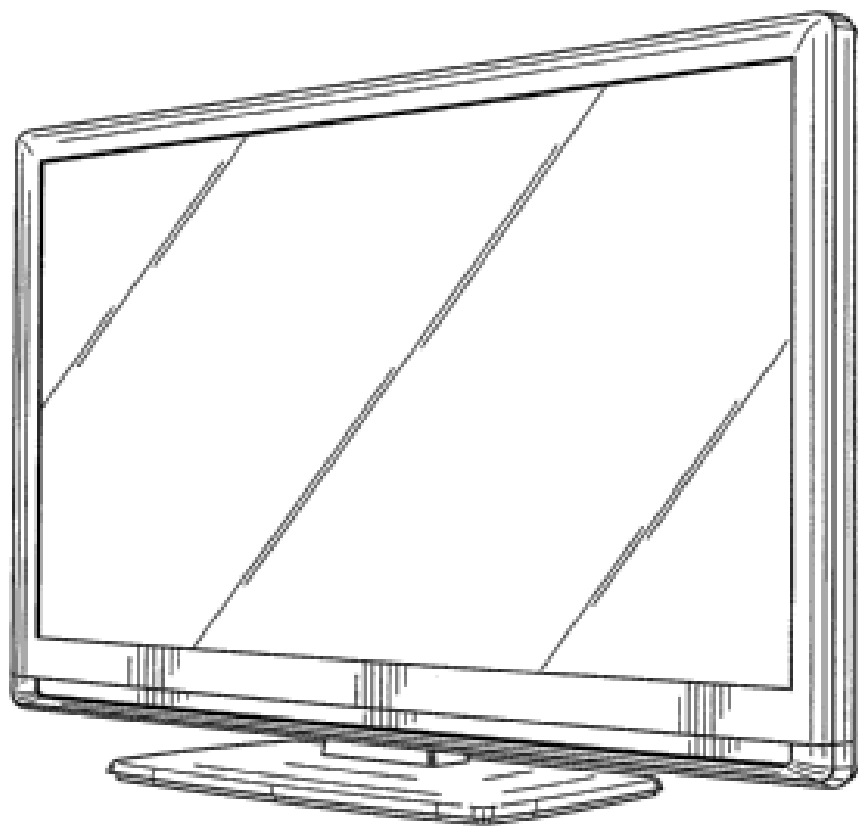
- (21) Design Number: **10347/2008**
(22) Date of Filing Application: **29 January 2008**
(24) Date from which industrial property rights may have effect: **29 January 2008**
(54) Product in respect of which the design is registered: **A television receiver**
(51) International Design Classification: **14-03B**
(71) Name(s) and Address(s) of Applicant(s):
Kabushiki Kaisha Toshiba also trading as Toshiba Corporation
1-1 Shibaura 1-chome Minato-ku Tokyo Japan
(72) Name(s) of Designer(s): **Takeshi Suzuki**
(45) Registration Date: **20 May 2008**
(30) Convention priority data:

(31) Number	(32) Date	(33) Country
2007-032422	27 Nov 2007	JAPAN

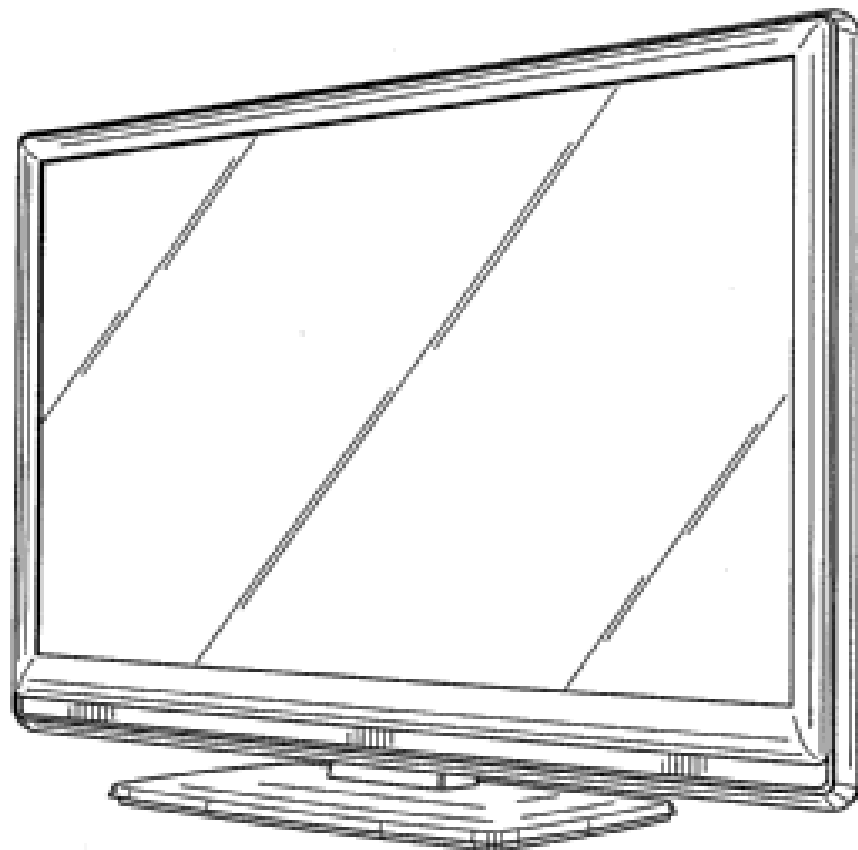
(56) Related Art Documents: **Not Applicable**
(57) Statement of Newness and Distinctiveness: **Nil**



- (21) Design Number: **10348/2008**
(22) Date of Filing Application: **29 January 2008**
(24) Date from which industrial property rights may have effect: **29 January 2008**
(54) Product in respect of which the design is registered: **A television receiver**
(51) International Design Classification: **14-03B**
(71) Name(s) and Address(s) of Applicant(s):
Kabushiki Kaisha Toshiba also trading as Toshiba Corporation
1-1 Shibaura 1-chome Minato-ku Tokyo Japan
(72) Name(s) of Designer(s): **Takeshi Suzuki and Masazumi Shiraki and Hideto Shimizu**
(45) Registration Date: **20 May 2008**
(30) Convention priority data:
(31) Number (32) Date (33) Country
2007-032424 27 Nov 2007 JAPAN
(56) Related Art Documents: **Not Applicable**
(57) Statement of Newness and Distinctiveness: **Nil**



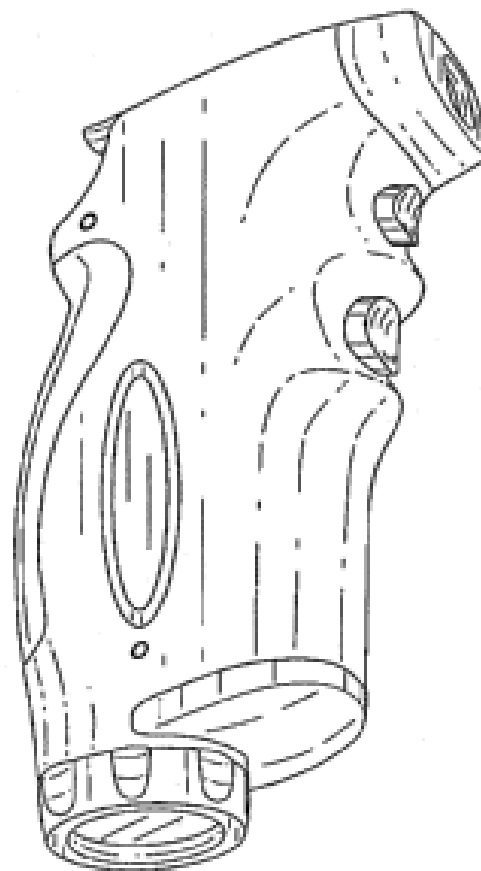
- (21) Design Number: **10349/2008**
(22) Date of Filing Application: **29 January 2008**
(24) Date from which industrial property rights may have effect: **29 January 2008**
(54) Product in respect of which the design is registered: **A television receiver**
(51) International Design Classification: **14-03B**
(71) Name(s) and Address(s) of Applicant(s):
Kabushiki Kaisha Toshiba also trading as Toshiba Corporation
1-1 Shibaura 1-chome Minato-ku Tokyo Japan
(72) Name(s) of Designer(s): **Takeshi Suzuki and Hideto Shimizu**
(45) Registration Date: **20 May 2008**
(30) Convention priority data:
(31) Number (32) Date (33) Country
2007-032423 27 Nov 2007 JAPAN
(56) Related Art Documents: **Not Applicable**
(57) Statement of Newness and Distinctiveness: **Nil**



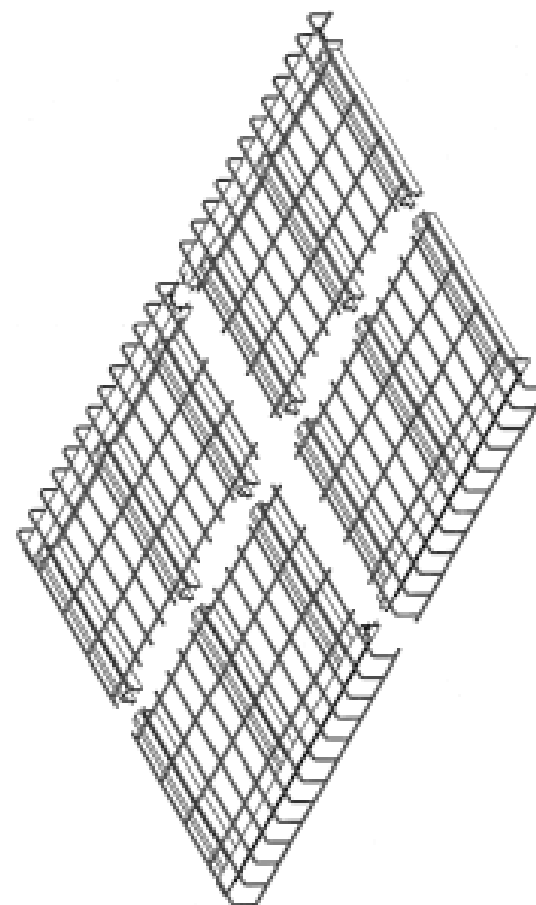
- (21) Design Number: **10366/2008**
(22) Date of Filing Application: **29 January 2008**
(24) Date from which industrial property rights may have effect: **29 January 2008**
(54) Product in respect of which the design is registered: **Personal defence device**
(51) International Design Classification: **22-01**
(71) Name(s) and Address(s) of Applicant(s):
Tigerlight Inc.
473 West 910 South Heber City Utah 84032 United States of America
(72) Name(s) of Designer(s): **Michael Teig**
(45) Registration Date: **20 May 2008**
(30) Convention priority data:

(31) Number	(32) Date	(33) Country
29/282697	26 Jul 2007	UNITED STATES OF AMERICA

(56) Related Art Documents: **Not Applicable**
(57) Statement of Newness and Distinctiveness: **Newness and distinctiveness is claimed in the shape and/or configuration of a personal defence device as illustrated by the unbroken lines in the accompanying representations.**



- (21) Design Number: **10375/2008**
(22) Date of Filing Application: **30 January 2008**
(24) Date from which industrial property rights may have effect: **30 January 2008**
(54) Product in respect of which the design is registered: **Shelf for a storage rack**
(51) International Design Classification: **06-04NES**
(71) Name(s) and Address(s) of Applicant(s):
Acerack Pty Limited
131 Chisolm Crescent Kewdale Western Australia 6105 Australia
(72) Name(s) of Designer(s): **Stephen Richard Heynes Pembshaw**
(45) Registration Date: **20 May 2008**
(56) Related Art Documents: **Not Applicable**
(57) Statement of Newness and Distinctiveness: **Newness and distinctiveness is claimed in the features of shape and configuration of a shelf for a storage rack as illustrated in the accompanying representations. The shelf is of indefinite length and indefinite depth in the regions illustrated by breaks. In the region illustrated by breaks, the grid spacing forming the top surface of the shelf repeats in the same regular pattern.**



(21) Design Number: **10378/2008**

(22) Date of Filing Application: **30 January 2008**

(24) Date from which industrial property rights may have effect: **30 January 2008**

(54) Product in respect of which the design is registered: **Pen**

(51) International Design Classification: **19-06**

(71) Name(s) and Address(s) of Applicant(s):

Mitsubishi Pencil Co., Ltd
23-37 5 Chome Higashi-Ohi Shinagawa-Ku Tokyo Japan

(72) Name(s) of Designer(s): **Kazuhiko Takanashi**

(45) Registration Date: **20 May 2008**

(30) Convention priority data:

(31) Number	(32) Date	(33) Country
2007-020865	31 Jul 2007	JAPAN

(56) Related Art Documents: **Not Applicable**

(57) Statement of Newness and Distinctiveness: **The shape and configuration of the product is new and distinctive.**



(21) Design Number: **10382/2008**

(22) Date of Filing Application: **30 January 2008**

(24) Date from which industrial property rights may have effect: **30 January 2008**

(54) Product in respect of which the design is registered: **Buggy**

(51) International Design Classification: **12-12**

(71) Name(s) and Address(s) of Applicant(s):

Nuna International B.V.
Paasheuvelweg 26 NL-1105 BJ Amsterdam The Netherlands

(72) Name(s) of Designer(s): **Imre Jacobs**

(45) Registration Date: **20 May 2008**

(56) Related Art Documents: **Not Applicable**

(57) Statement of Newness and Distinctiveness: **Newness and distinctiveness resides in the features of shape and configuration of a buggy as illustrated in the accompanying representations.**

