



Australian Government

IP Australia

AUSTRALIAN OFFICIAL JOURNAL

OF

DESIGNS

Did you know a searchable version of this journal is now available online?

It's FREE and EASY to SEARCH.

Find it at

<http://pericles.ipaustralia.gov.au/ols/epublish/content/olsEpublications.jsp>
or using the "Online Journals" link on the IP Australia home page.

This Page Left Intentionally Blank

Contents

General Information & Notices

Proceedings Under the Designs Act 1906 preserved as a result of the provisions of Chapter 12 Part 2 of the Designs Act 2003

Applications for Extension of Time	1366
Extension of Period of Registration of Designs	1366
Names Registered - Alterations and Amendments	1367
Registrations Ceased	1366
Subsequent Owners Registered	1366

Proceedings Under the Designs Act 2003

Applications Lapsed	1373
Applications Lodged	1371
Applications Withdrawn	1373
Certificate of Examination	1376
Corrigenda	1375
Extension of Period of Registration of Design	1374
Extension of Time Granted Under Section 137	1374
Names Registered - Alterations and Amendments	1374
Publication and Registration Proceedings	
Designs Registered 319431 to 319848.....	1377
Registrations Ceased	1374
Revocation of Design Registrations	1374
Subsequent Owners Registered	1374

This Page Left Intentionally Blank

For information on the following please see our website www.ipaustralia.gov.au or contact our Customer Service Network on 1300651010

[Editorial enquiries](#)

[Contact information](#)

[Freedom of Information ACT](#)

[Professional Standards Board](#)

[Sales](#)

[Requests for Information under Section 194 \(c\)](#)

[Country Codes](#)

[Trade Mark and Designs Hearing Sessions](#)

[INID \(Internationally agreed Numbers for the Identification of Data\)](#)

“INID” NUMBERS in use on Australian Design Documents

“INID” is an acronym for “Internationally agreed Numbers for the Identification of Data”.

(10) Data concerning the registration/renewal

- (11) Serial number of the registration and/or number of the design document
- (12) Plain language designation of the kind of published document
- (19) Identification, using the two-letter code according to WIPO Standard ST.3, of the authority publishing or registering the industrial design

(20) Data concerning the application

- (21) Serial number of the application
- (22) Date of filing of the application
- (24) Date from which the industrial design right has effect

(30) Data relating to priority under the Paris Convention

- (31) Serial number assigned to the priority application
- (32) Date of filing of the priority application
- (33) Two-letter code, according to WIPO Standard ST.3, identifying the authority with which the priority application was made

(40) Date(s) of making information available to the public

- (45) Date of publication of the registered industrial design by printing or similar process, or making it available to the public by any other means

(50) Miscellaneous Information

- (51) International Classification for Industrial Designs (class and subclass of the Locarno Classification)
- (54) Designation of article(s) or product(s) covered by the industrial design or title of the industrial design
- (55) Reproduction of the industrial design (e.g., drawing, photograph) and explanations relating to the reproduction
- (56) List of prior art documents, if separate from descriptive text
- (57) Description of characteristic features of the industrial design including indication of colours

(60) References to other legally related application(s) and registration(s)

- (62) Serial number(s) and, if available, filing date(s) of application(s), registration(s) or document(s) related by division
- (66) Serial number(s) of the application, or the registration, of the design(s) which is (are) a variant(s) of the present one

(70) Identification of parties concerned with the application or registration

- (71) Name(s) and address(es) of the applicant(s)
- (72) Name(s) of the creator(s) if known to be such
- (74) Name(s) and address(es) of the representative(s)

This Page Left Intentionally Blank

Official Notice**Designs Act 2003
Amendments to Registered Designs at Examination**

The following amendments have been made to details previously published in the Australian Official Journal of Designs during the Examination process:

Registration Numbers	Amendment type	New details
313754	Classification	03-01C, 12-02, 21-02Z
313874	Classification	09-03K, 09-03M
313875	Classification	09-03K, 09-03M
313876	Classification	09-03K, 09-03M
314489	Classification	14-01, 14-03Z
314619	Classification	02-04Z, 21-02Z
315763	Classification	15-99
316340	Classification	08-08K, 08-08Z, 25-01E
316537	Classification	09-07A
316811	Classification	08-09
317013	Classification	08-06, 12-09, 12-16B, 12-16C
317164	Classification	25-01Z
317165	Classification	25-01Z

Contact: IP Australia
Phone: 1300 651 010
Fax: +61 2 6283 7999
E-Mail: assist@ipaustralia.gov.au
Web: www.ipaustralia.gov.au

This Page Left Intentionally Blank

Proceedings under the Designs Act 1906 preserved as a result of the provisions of Chapter 12 Part 2 of the Designs Act 2003.

This Page Left Intentionally Blank

Applications Lapsed

There were no Applications Lapsed under this section

Extension of Period of Registration of Designs

2nd Period (Section 27A(12))

148302	148483	148553
148619	149014	149015
149016	149157	149164
149180	149217	149241
149242	149243	149244
149246	149251	149426
149445	149447	149484
149493	149522	149524
149674	149675	149677
149760	149866	150070
150321	150688	150977
151054	151221	151393
151394	151484	151853
152587	153221	153222
153383	153652	153891
153989	154044	154045
154625	155190	156198

3rd Period (Section 27A(13))

130674	130675	131098
131278	132238	132274
132275	132276	132360
132651	132838	133164
134541	135906	135947
136020	136823	137003
137881	139054	139207
156198		

Registrations Ceased

Note: Some of the following Registrations may have been previously advertised as ceased. In this instance, the previous advertisement still prevails.

115607	115608	115609
115630	115734	115803
115849	115882	115935
116148	116149	116150
116152	116167	116168
116526	116643	117095
117983	119493	119651
121094	129076	129081
130441	130519	130594
130654	130676	130677
130708	130888	131009
131010	131113	131761
132261	132749	132750
132751	132752	132753
132754	132755	132756
132757	132758	132759
132760	134805	135005
146310	146371	147269
147352	147353	147354

147381	147382	147428
147452	147495	147527
147768	147782	147794
147812	147852	147853
147901	147933	147962
148032	148248	148249
148319	148320	148410
148411	148412	148545
148788	149225	149860
150044	150490	150631
151345	151468	151504
151737	152213	152276
152336		

Applications for Extension of time

Applications for extension of time have been lodged. Objections must be lodged within 1 month from the date of this journal.

127909 **FSP Holdings Pty Ltd** Extension of time to extend a registration. Address for Service: F B Rice & Co Level 23 44 Market Street SYDNEY NSW 2000

Subsequent Owners Registered

(The name in parentheses is that of the subsequent owner)

156943	(Plastec Australia Pty Ltd) Maureen Irwin
122320	(Healthy Gain Investments Limited) The Hoover Company
136609	(Healthy Gain Investments Limited) The Hoover Company
126696	(Healthy Gain Investments Limited) The Hoover Company
149025	(Healthy Gain Investments Limited) The Hoover Company
149287	(Glass Block Constructions (Aust) Pty Ltd) W. Loftus & Co. Pty Ltd;Glass Block Constructions (Aust) Pty Ltd
149288	(Glass Block Constructions (Aust) Pty Ltd) W. Loftus & Co. Pty Ltd;Glass Block Constructions (Aust) Pty Ltd
125029	(Glass Block Constructions (Aust) Pty Ltd) W. Loftus & Co. Pty Ltd;Glass Block Constructions (Aust) Pty Ltd
124978	(Glass Block Constructions (Aust) Pty Ltd) W. Loftus & Co. Pty Ltd;Glass Block Constructions (Aust) Pty Ltd
153361	(Glass Block Constructions (Aust) Pty Ltd) W. Loftus & Co. Pty Ltd;Glass Block Constructions (Aust) Pty Ltd
156205	(Glass Block Constructions (Aust) Pty Ltd) W. Loftus & Co. Pty Ltd;Glass Block Constructions (Aust) Pty Ltd
131525	(HP Packaging (Australia) Pty Ltd) Amcor Limited
125028	(Glass Block Constructions (Aust) Pty Ltd) W. Loftus & Co. Pty Ltd;Glass Block Constructions (Aust) Pty Ltd
125030	(Glass Block Constructions (Aust) Pty Ltd) W. Loftus & Co. Pty Ltd;Glass Block Constructions (Aust) Pty Ltd
150153	(Glass Block Constructions (Aust) Pty Ltd) W. Loftus & Co. Pty Ltd;Glass Block Constructions (Aust) Pty Ltd
150234	(Glass Block Constructions (Aust) Pty Ltd) W. Loftus & Co. Pty Ltd;Glass Block Constructions (Aust) Pty Ltd
151623	(Glass Block Constructions (Aust) Pty Ltd) W. Loftus

Subsequent Owners Registered

- 149289 & Co. Pty Ltd;Glass Block Constructions (Aust) Pty Ltd
(Glass Block Constructions (Aust) Pty Ltd) W. Loftus & Co. Pty Ltd;Glass Block Constructions (Aust) Pty Ltd
- 150315 **(D & D Group Pty Ltd)** Invention Holdings Pty Ltd
- 152084 **(D & D Group Pty Ltd)** Invention Holdings Pty Ltd
- 152435 **(American Sterilizer Company)** Steris Inc.
- 151728 **(American Sterilizer Company)** Steris Inc.
- 136571 **(MEGATOY PLAY SYSTEMS PTY LTD)** Megatoy Play Systems Pty Ltd
- 136635 **(MEGATOY PLAY SYSTEMS PTY LTD)** Megatoy Play Systems Pty Ltd
- 147224 **(MEGATOY PLAY SYSTEMS PTY LTD)** Megatoy Play Systems Pty Ltd
- 154365 **(MEGATOY PLAY SYSTEMS PTY LTD)** Megatoy Play Systems Pty Ltd
- 154364 **(MEGATOY PLAY SYSTEMS PTY LTD)** Megatoy Play Systems Pty Ltd
- 136572 **(MEGATOY PLAY SYSTEMS PTY LTD)** Megatoy Play Systems Pty Ltd
- 154844 **(Freshfield Properties Pty Ltd)** JLV Industries Pty Ltd
- 120477 **(Key Plastics Pty Ltd)** A.L.M. Industries Pty Limited
- 128909 **(Key Plastics Pty Ltd)** A.L.M. Industries Pty Limited
- 153439 **(Key Plastics Pty Ltd)** A.L.M. Industries Pty Limited
- 153438 **(Key Plastics Pty Ltd)** A.L.M. Industries Pty Limited
- 154196 **(Key Plastics Pty Ltd)** A.L.M. Industries Pty Limited

Names Registered - Alterations and Amendments

(The name in parentheses is the new name of the proprietor)

- 120659 **(CEMEX Australia Pty Ltd)** Rinker Australia Pty Limited
- 124602 **(CEMEX Australia Pty Ltd)** Rinker Australia Pty Limited
- 124601 **(CEMEX Australia Pty Ltd)** Rinker Australia Pty Limited
- 149014 **(Clipsal Australia Pty Ltd)** Gerard Industries Pty Ltd
- 149015 **(Clipsal Australia Pty Ltd)** Gerard Industries Pty Ltd
- 149016 **(Clipsal Australia Pty Ltd)** Gerard Industries Pty Ltd
- 155651 **(Elmich (Australia) Pty Ltd)** Elmich Australia Pty Ltd
- 153839 **(Bayer Schering Pharma Oy)** Schering OY

This Page Left Intentionally Blank

Proceedings under the Designs Act 2003.

This Page Left Intentionally Blank

Applications Lodged

Lodgement information is in the following order: **Applicant's Name**; International Classification, Name of Product, Lodgement Date and **Design Number**. If the applicant claims an earlier priority date under an International Convention, the Convention Country and the associated filing date are shown in parentheses before the Lodgement Date. Divisional information will also appear in parentheses before the Lodgement Date.

Advance Scaffold Solutions Pty Ltd; 25-04, Frame sizes, frame tube, aluminium spigot, fully tig welded frame, brace hooks, braces length, deck hooks, deck, extrusion, ladder hooks, adjustable thread and nut, 12 May 2008	12260/2008	Bayly, Karen; Spencer, Gregory; Mabb, Michelle; 07-07A, 15-07, A refrigerator/drinks cooler, 08 May 2008	12264/2008
Advance Scaffold Solutions Pty Ltd; 25-04, Alscaf speedy fibreglass fold scaffolding, 13 May 2008	12281/2008	Bickerton, Rodney John; 12-06A, Speed boat, 26 May 2008	12515/2008
Advance Scaffold Solutions Pty Ltd; 25-01K, Aluminium spandek, 13 May 2008	12282/2008	Bickerton, Rodney John; 12-06A, Speed boat, 26 May 2008	12516/2008
Advance Scaffold Solutions Pty Ltd; 25-04, Aluminium scaffold ladder, 13 May 2008	12283/2008	Bickerton, Rodney John; 12-06A, Speed boat, 26 May 2008	12517/2008
Advance Scaffold Solutions Pty Ltd; 25-04, Fibreglass scaffold ladder, 13 May 2008	12284/2008	BISSELL Homecare, Inc.; 09-07A, Aerosol cap, (US, 12 Dec 2007) 13 May 2008	12292/2008
Advance Scaffold Solutions Pty Ltd; 25-04, Alscaf speedy aluminium fold scaffold, 13 May 2008	12280/2008	Cagliuso, Giuseppe; 09-01NES, A beverage bottle, 12 May 2008	12241/2008
Advance Scaffold Solutions Pty Ltd; 25-04, Ledger length, spigot, fully tig welded, star arrangement., 12 May 2008	12261/2008	Cagliuso, Giuseppe; 09-01NES, A beverage bottle, 12 May 2008	12242/2008
Advance Scaffold Solutions Pty Ltd; 25-04, Braces length, braces hooks, platform length, platform extrusion, frame sizes, spigots, adjustable thread and nut., 12 May 2008	12262/2008	Caller, Sascha Joseph; Wierzbowski, Adam Marek; 20-03NES, 19-01, Slide out business card, 14 May 2008	12268/2008
Advance Scaffold Solutions Pty Ltd; 25-04, Brace length, brace hook, deck hook, deck profile, spigot, fibreglass tube., 12 May 2008	12263/2008	DECE Holdings Pty Ltd; 10-06, Pin portion of a tactile indicator strip, 16 May 2008	12357/2008
Alto Packaging Limited; 09-03F, A set of trays, 19 Nov 2007	21588/2007	DKB Household UK Limited; 07-04, 07-06C, Mill for culinary purposes, (EM, 19 Nov 2007) 21 May 2008	12401/2008
Alto Packaging Limited; 09-03F, A set of trays, 19 Nov 2007	21589/2007	EnterMo Limited; 14-02, Hand-held computer case, 12 May 2008	12253/2008
Assa Abloy Australia Pty Limited; 08-07, Sliding door furniture, 13 May 2008	12289/2008	EnterMo Limited; 14-02, Hand-held computer case, 12 May 2008	12254/2008
Assa Abloy Australia Pty Limited; 08-07, Sliding door furniture, 13 May 2008	12290/2008	EnterMo Limited; 13-02, Hand-held computer charger, 12 May 2008	12255/2008
Assa Abloy Australia Pty Limited; 08-07, Sliding door furniture, 13 May 2008	12291/2008	EnterMo Limited; 14-02, Belt clip for hand-held computer case, 12 May 2008	12256/2008
Avery Dennison Corporation; 19-08, Larger desktop-printable return address label sheet, (Divisional of 10113/2008) 10 Jan 2008	12423/2008	EnterMo Limited; 14-02, Hand-held computer case, 12 May 2008	12252/2008
ALUKOV HZ Spol.s.r.o.; 25-01K, Architectural section, (EM, 13 Nov 2007) 13 May 2008	12278/2008	Eveready Battery Company, Inc.; 13-02, Charger, (US, 28 Nov 2007) 09 May 2008	12233/2008
Baker's doz. Pty Ltd; 19-01, Bottle neck tag with detachable business card "Snappytag", 13 May 2008	12239/2008	Felk Trailers Pty Ltd; 12-16C, 12-16NES, Torsion axles inner star shaped bar, 14 May 2008	12269/2008
		Fu, David; 02-04NES, Footwear, (HK, 13 Nov 2007) 12 May 2008	12251/2008
		Henkel AG & Co. KGaA; 09-01K, Container, (EM, 13 Dec 2007) 12 May 2008	12249/2008

Henkel AG & Co. KGaA; 09-01K, Container, (EM, 13 Dec 2007) 12 May 2008	12250/2008	Pacific Market International, LLC; 09-01NES, 07-01F, Container with beverage infuser, (US, 13 Nov 2007) 13 May 2008	12277/2008
Hunter Douglas Industries B.V.; 08-08H, Cord weight, (EF, 20 Nov 2007) 13 May 2008	12285/2008	Park, Rin-Soon; 08-03, Cutting blade, (KR, 12 Nov 2007) 12 May 2008	12248/2008
Impulse Instore Marketing; 20-02NES, Checkout dividers, to separate groceries at a supermarket checkout belt, also to tell customer register is closed., 08 May 2008	12224/2008	Patterson, Roy; 25-01D, 25-01NES, A building component, (ZA, 20 Dec 2007) 13 May 2008	12287/2008
Jozzies Australia; 21-01A, A soft toy puppet, 13 May 2008	12240/2008	Pi-Design AG; 11-02B, Flower pot with saucer, (CH, 12 Dec 2007) 13 May 2008	12296/2008
JB Attachments Limited; 15-04, A coupler assembly and/or combined components thereof, (NZ, 01 May 2008) 12 May 2008	12243/2008	Pi-Design AG; 11-02B, Flower pot with saucer, (CH, 12 Dec 2007) 13 May 2008	12297/2008
JB Attachments Limited; 15-08, A draw pin slide for a coupler, (NZ, 01 May 2008) 12 May 2008	12244/2008	Pi-Design AG; 11-02B, Flower pot with saucer, (CH, 12 Dec 2007) 13 May 2008	12298/2008
JB Attachments Limited; 15-04, A coupler, (NZ, 16 Nov 2007) 12 May 2008	12245/2008	Robinhood Limited; 07-05B, Laundry cabinet, 13 May 2008	12275/2008
JB Attachments Limited; 15-04, A coupler, (NZ, 16 Nov 2007) 12 May 2008	12246/2008	Robinhood Limited; 07-05B, Laundry cabinet, 13 May 2008	12276/2008
JB Attachments Limited; 15-04, A coupler, (NZ, 16 Nov 2007) 12 May 2008	12247/2008	Robinhood Limited; 07-05B, Laundry cabinet, 13 May 2008	12271/2008
Knog Pty Ltd; 26-06, Bicycle light, 28 May 2008	12541/2008	Robinhood Limited; 07-05B, Laundry cabinet, 13 May 2008	12272/2008
Mabb, Michelle; Spencer, Gregory; Bayly, Karen; 07-07A, 15-07, A refrigerator/drinks cooler, 08 May 2008	12264/2008	Robinson, Daniel Lee; 07-07A, Refreezable ice brick/pack, 09 May 2008	12234/2008
Marangoni, Giovanni; 28-03C, , 07 May 2008	12223/2008	Robinson, Daniel Lee; 07-07A, Refreezable ice brick/pack, 09 May 2008	12235/2008
Mars Australia Pty Ltd; 01-01, Confectionery, 14 May 2008	12299/2008	Robinson, Daniel Lee; 07-07A, Refreezable ice brick/pack, 09 May 2008	12236/2008
Mediate Pty Ltd; 14-02, Docking station, 14 May 2008	12270/2008	Robinson, Daniel Lee; 07-07A, Refreezable ice brick/pack, 09 May 2008	12237/2008
Miller, Kylie; 06-11, Baby massage mat, 04 Feb 2008	12267/2008	Robinson, Daniel Lee; 07-07A, Refreezable ice brick/pack, 09 May 2008	12238/2008
Mitsubishi Electric Corporation; 15-05, Hand dryer, (JP, 13 Nov 2007) 08 May 2008	12221/2008	Schneider Electric New Zealand Holdings Limited; 13-03D, A set of switch modules, (NZ, 13 Nov 2007) 13 May 2008	12273/2008
Mitsubishi Electric Corporation; 15-05, Hand dryer, (JP, 13 Nov 2007) 08 May 2008	12222/2008	Schneider Electric New Zealand Holdings Limited; 19-99, An adhesive label, (NZ, 13 Nov 2007) 13 May 2008	12274/2008
Nokia Corporation; 14-03A, A handset, (US, 13 Nov 2007) 12 May 2008	12257/2008	Sony Computer Entertainment Inc.; 14-99, Supporting base for a portable electronic device, (JP, 26 Dec 2007) 13 May 2008	12288/2008
Nokia Corporation; 14-03A, Key buttons for a handset, (US, 13 Nov 2007) 12 May 2008	12258/2008	Spencer, Gregory; Bayly, Karen; Mabb, Michelle; 07-07A, 15-07, A refrigerator/drinks cooler, 08 May 2008	12264/2008
Nokia Corporation; 14-03A, A handset, (US, 13 Nov 2007) 12 May 2008	12259/2008	Stampoultzis, Anastasios; 30-01, Animal visor blank, 13 May 2008	12279/2008

Turnils AB; 12286/2008
 08-08H, Slat core, (EF, 20 Nov 2007) 13 May 2008

Yates, Robin Leslie; 12324/2008
 11-02E, Full size anatomically correct thoroughbred stallion mannequin, 16 May 2008

Wierzbowski, Adam Marek; Caller, Sascha Joseph; 12268/2008
 20-03NES, 19-01, Slide out business card, 14 May 2008

Applications Withdrawn

10514 / 2008 (08-07)	10515 / 2008 (08-06)	11594 / 2008 (23-01F)	11595 / 2008 (23-01F)
10516 / 2008 (08-06)	10517 / 2008 (08-07)		
10518 / 2008 (08-06)	10519 / 2008 (08-06)		
10520 / 2008 (08-06)	11082 / 2008 (06-04NES)		

Applications Lapsed

20868 / 2007 (02-02C)	20869 / 2007 (02-02C)
21068 / 2007 (08-07)	21560 / 2007 (99-00)
10002 / 2008 (07-02C)	11258 / 2008 (02-02C)
11259 / 2008 (02-02NES)	11260 / 2008 (02-02NES)
11261 / 2008 (02-02NES)	11262 / 2008 (02-02C)
11263 / 2008 (02-02NES)	11264 / 2008 (02-02NES)
11265 / 2008 (02-02NES)	11266 / 2008 (02-02NES)
11267 / 2008 (02-02NES)	11268 / 2008 (02-02NES)
11269 / 2008 (02-02C)	11270 / 2008 (02-02NES)
11271 / 2008 (02-02C)	11272 / 2008 (02-02C)
11273 / 2008 (02-02C)	11274 / 2008 (02-02C)
11275 / 2008 (02-02C)	11276 / 2008 (02-02C)
11277 / 2008 (02-02C)	11295 / 2008 (02-02NES)
11296 / 2008 (02-02NES)	11297 / 2008 (02-02NES)
11298 / 2008 (02-02NES)	11299 / 2008 (02-02NES)
11300 / 2008 (02-02C)	11301 / 2008 (02-02NES)
11302 / 2008 (02-02NES)	11303 / 2008 (02-02C)
11304 / 2008 (02-02NES)	11305 / 2008 (02-02C)
11306 / 2008 (02-02C)	11307 / 2008 (02-02NES)
11308 / 2008 (02-02NES)	11309 / 2008 (02-02NES)
11310 / 2008 (02-02NES)	11311 / 2008 (02-02NES)
11312 / 2008 (02-02NES)	11313 / 2008 (02-02C)
11314 / 2008 (02-02C)	11315 / 2008 (02-02NES)
11316 / 2008 (02-02C)	11317 / 2008 (02-02C)
11318 / 2008 (02-02NES)	11319 / 2008 (02-02NES)
11320 / 2008 (02-02C)	11321 / 2008 (02-02NES)
11322 / 2008 (02-02NES)	11323 / 2008 (02-02C)

Extension of Period of Registration of Designs

300050

Revocation of Design Registrations

The following Design Registration(s) have been revoked and are taken never to have been registered:

303049 28-01

Registrations Ceased

303213

Extensions of time granted under Section 137

Applications lodged under section 137 for extension of time have been granted.

10473/2008 **LG Electronics Inc.**

12401/2008 **DKB Household UK Limited**

12421/2008 **Les Robinets Presto, Societe Anonyme**

Subsequent Owners Registered

(The name in parentheses is that of the subsequent owner)

- 310619 (**Neo-Inhalation Products Limited**) Neo-Inhalation Technologies Limited
- 311116 (**Neo-Inhalation Products Limited**) Neo-Inhalation Technologies Limited
- 311117 (**Neo-Inhalation Products Limited**) Neo-Inhalation Technologies Limited
- 311118 (**Neo-Inhalation Products Limited**) Neo-Inhalation Technologies Limited
- 303874 (**Grip Technology AG**) Simon Skirrow
- 310831 (**American Sterilizer Company**) Steris Inc.
- 310922 (**American Sterilizer Company**) Steris Inc.
- 303845 (**MEGAToy PLAY SYSTEMS PTY LTD**) Megatoy Play Systems Pty Ltd
- 303846 (**MEGAToy PLAY SYSTEMS PTY LTD**) Megatoy Play Systems Pty Ltd
- 303847 (**MEGAToy PLAY SYSTEMS PTY LTD**) Megatoy Play Systems Pty Ltd
- 314708 (**MEGAToy PLAY SYSTEMS PTY LTD**) Megatoy Play Systems Pty Ltd
- 312114 (**DiversiOnary Therapy Technologies Pty Ltd**) Australasian CRC for Interaction Design Pty Ltd
- 312537 (**DiversiOnary Therapy Technologies Pty Ltd**) Australasian CRC for Interaction Design Pty Ltd
- 302931 (**Freshfield Properties Pty Ltd**) JLV Industries Pty Ltd

Names Registered - Alterations and Amendments

(The name in parentheses is that of the subsequent applicant)

- 305103 (**Elmich (Australia) Pty Ltd**) Elmich Australia Pty Ltd
- 305104 (**Elmich (Australia) Pty Ltd**) Elmich Australia Pty Ltd
- 319006 (**Bardot Pty Ltd**) Camara Clothing trading as Bardot
- 319007 (**Bardot Pty Ltd**) Camara Clothing trading as Bardot
- 319005 (**Bardot Pty Ltd**) Camara Clothing trading as Bardot
- 319008 (**Bardot Pty Ltd**) Camara Clothing trading as Bardot

Corrigenda

Number 20930/2007

In Vol 22 , No 8 , page 849 under the heading **Applications Lapsed**; Design No. 20930/2007 (99-00) should be deleted.

Certificate(s) of Examination

Examination of the following Design Registration(s) has been completed. Infringement proceedings may now be commenced.

302318	07-01NES	30/05/2008	317526	14-03E	29/05/2008
302398	07-01NES	30/05/2008	317529	09-01NES	29/05/2008
302399	07-01NES	30/05/2008	317531	02-04NES	29/05/2008
307997	06-01L	30/05/2008	317538	09-01B	30/05/2008
307998	06-01L	30/05/2008	317539	09-01B	30/05/2008
311123	25-01K	30/05/2008	317585	13-03NES	04/06/2008
311124	25-01K	30/05/2008	317586	13-03NES	04/06/2008
311125	25-99	30/05/2008	317705	07-99C	03/06/2008
311126	25-01K	30/05/2008	318195	02-02NES	30/05/2008
313221	05-99	30/05/2008	318725	02-02NES	30/05/2008
313564	06-06NES	30/05/2008	319063	23-01F	22/05/2008
313565	06-06NES	30/05/2008	319065	23-01F	22/05/2008
313566	06-06NES	30/05/2008			
313647	06-03NES	30/05/2008			
313945	02-03	26/05/2008			
314023	25-04	30/05/2008			
314573	15-05	02/06/2008			
314591	02-04A	02/06/2008			
314619	02-04NES	25/05/2008			
314842	09-03L	30/05/2008			
314843	09-03L	30/05/2008			
314844	09-03L	30/05/2008			
315403	09-01K	29/05/2008			
315724	23-01A	30/05/2008			
316357	13-02	30/05/2008			
316358	13-02	30/05/2008			
316494	23-01A	30/05/2008			
316495	23-01A	30/05/2008			
316561	04-01	30/05/2008			
316581	12-06NES	30/05/2008			
316582	12-06NES	30/05/2008			
316616	25-01F	30/05/2008			
316617	25-01F	30/05/2008			
316618	25-01F	30/05/2008			
316622	21-02D	30/05/2008			
316637	09-07A	30/05/2008			
316736	19-06	30/05/2008			
316809	08-09	30/05/2008			
316810	08-09	30/05/2008			
316811	08-09	26/05/2008			
316812	08-09	26/05/2008			
316826	08-09	30/05/2008			
316830	25-01K	30/05/2008			
316831	08-09	30/05/2008			
316832	25-01K	30/05/2008			
316963	23-01G	30/05/2008			
317016	14-03E	29/05/2008			
317042	23-01F	30/05/2008			
317060	03-03	30/05/2008			
317159	12-15C	29/05/2008			
317172	09-01K	30/05/2008			
317173	09-01K	30/05/2008			
317310	12-15C	30/05/2008			
317394	10-06	30/05/2008			
317395	14-03NES	30/05/2008			
317396	10-05	30/05/2008			
317397	14-02	30/05/2008			
317465	23-02C	30/05/2008			
317515	09-07A	30/05/2008			
317516	09-07A	30/05/2008			
317517	09-07A	30/05/2008			
317518	09-07A	30/05/2008			
317525	09-01NES	29/05/2008			

Publication and Registration Proceedings

Designs Registered

This section provides a concordance between design number and registration number of Designs covered in this journal. It also shows the main class and registration date.

This section covers Registration numbers 319431 to 319848 .

The registration number shown below should be used in all future correspondence.

Design Number	Registration Number	International Classification Code (IDC)	Registration Date	Design Number	Registration Number	International Classification Code (IDC)	Registration Date
13306/2006	319585	08-05E	28/05/2008	21382/2007	319672	14-02	29/05/2008
13307/2006	319586	08-05E	28/05/2008	21384/2007	319464	08-08L	23/05/2008
13308/2006	319587	08-05E	28/05/2008	21385/2007	319462	08-08L	23/05/2008
13309/2006	319588	08-05N	28/05/2008	21409/2007	319442	23-01H	23/05/2008
13310/2006	319589	08-05E	28/05/2008	21426/2007	319519	09-03B	27/05/2008
13311/2006	319590	08-05E	28/05/2008	21453/2007	319712	07-01B	30/05/2008
13312/2006	319591	08-05E	28/05/2008	21454/2007	319713	07-06NES	30/05/2008
13313/2006	319592	08-05E	28/05/2008	21461/2007	319739	08-08L	03/06/2008
13314/2006	319593	08-05E	28/05/2008	21462/2007	319740	08-08L	03/06/2008
18027/2007	319465	11-02NES	26/05/2008	21463/2007	319741	08-08L	03/06/2008
18602/2007	319695	07-02E	30/05/2008	21518/2007	319453	23-01H	22/05/2008
18839/2007	319696	26-05C	30/05/2008	21538/2007	319466	08-08B	26/05/2008
19021/2007	319575	08-08B	27/05/2008	21539/2007	319709	21-01N	30/05/2008
19194/2007	319449	30-99	22/05/2008	21540/2007	319710	21-01N	30/05/2008
19222/2007	319450	29-02	22/05/2008	21541/2007	319711	21-01N	30/05/2008
19325/2007	319594	08-08NES	28/05/2008	21543/2007	319714	02-07A	30/05/2008
19326/2007	319595	08-08NES	28/05/2008	21558/2007	319643	12-08	28/05/2008
19327/2007	319596	08-08NES	28/05/2008	21567/2007	319644	15-09	28/05/2008
19328/2007	319597	08-08NES	28/05/2008	21570/2007	319520	12-02	27/05/2008
19329/2007	319598	08-07	28/05/2008	21590/2007	319699	25-02A	30/05/2008
20206/2007	319700	25-02A	30/05/2008	10003/2008	319454	02-03	23/05/2008
20257/2007	319697	12-16NES	30/05/2008	10008/2008	319501	01-01	27/05/2008
20563/2007	319457	08-08L	23/05/2008	10010/2008	319467	08-08B	26/05/2008
20564/2007	319458	08-08L	23/05/2008	10015/2008	319701	24-01	30/05/2008
20565/2007	319459	25-01NES	23/05/2008	10017/2008	319715	24-99	30/05/2008
20566/2007	319460	25-01D	23/05/2008	10018/2008	319702	09-99	30/05/2008
20567/2007	319461	25-01NES	23/05/2008	10032/2008	319835	11-01A	03/06/2008
20853/2007	319451	03-01NES	22/05/2008	10039/2008	319468	14-03NES	26/05/2008
20856/2007	319637	11-01NES	28/05/2008	10040/2008	319469	14-99	26/05/2008
20901/2007	319452	13-03C	22/05/2008	10063/2008	319625	03-01NES	28/05/2008
20973/2007	319544	08-09	02/06/2008	10064/2008	319658	25-02C	29/05/2008
20978/2007	319546	13-03NES	02/06/2008	10065/2008	319837	26-04	03/06/2008
20979/2007	319545	13-03NES	02/06/2008	10066/2008	319838	26-04	03/06/2008
21044/2007	319576	02-02C	27/05/2008	10071/2008	319626	09-03M	28/05/2008
21084/2007	319517	11-05	27/05/2008	10074/2008	319502	26-05B	27/05/2008
21085/2007	319518	11-05	27/05/2008	10082/2008	319659	23-03NES	29/05/2008
21124/2007	319624	02-02C	28/05/2008	10083/2008	319703	09-03L	30/05/2008
21138/2007	319577	08-07	27/05/2008	10110/2008	319455	08-08L	23/05/2008
21281/2007	319562	08-06	02/06/2008	10124/2008	319470	04-01	26/05/2008
21311/2007	319431	14-03E	23/05/2008	10134/2008	319645	21-03	29/05/2008
21314/2007	319432	15-07	23/05/2008	10148/2008	319756	07-04	03/06/2008
21316/2007	319433	19-99	23/05/2008	10155/2008	319548	13-02	02/06/2008
21325/2007	319434	13-01	23/05/2008	10156/2008	319549	13-02	02/06/2008
21333/2007	319435	23-02C	23/05/2008	10157/2008	319550	13-02	02/06/2008
21334/2007	319436	23-02C	23/05/2008	10158/2008	319551	13-02	02/06/2008
21335/2007	319437	23-02C	23/05/2008	10159/2008	319552	13-02	02/06/2008
21336/2007	319438	23-02C	23/05/2008	10160/2008	319553	13-02	02/06/2008
21337/2007	319439	23-02C	23/05/2008	10167/2008	319639	24-04	28/05/2008
21338/2007	319440	23-02F	23/05/2008	10176/2008	319503	06-07	27/05/2008
21339/2007	319441	23-02F	23/05/2008	10181/2008	319538	19-06	26/05/2008
21347/2007	319463	08-08L	23/05/2008	10190/2008	319563	19-04	27/05/2008
21363/2007	319638	20-02NES	28/05/2008	10192/2008	319564	19-04	27/05/2008
21381/2007	319698	06-03A	30/05/2008	10194/2008	319742	25-01B	03/06/2008

Publication and Registration Proceedings - Designs Registered cont'd

Design Number	Registration Number	International Classification Code (IDC)	Registration Date	Design Number	Registration Number	International Classification Code (IDC)	Registration Date
10195/2008	319780	25-01B	03/06/2008	10475/2008	319488	09-01G	26/05/2008
10196/2008	319781	25-01B	03/06/2008	10476/2008	319489	09-01C	26/05/2008
10197/2008	319782	25-01B	03/06/2008	10477/2008	319490	09-01G	26/05/2008
10215/2008	319500	09-01G	27/05/2008	10478/2008	319491	13-02	26/05/2008
10217/2008	319504	08-08K	27/05/2008	10479/2008	319492	13-02	26/05/2008
10218/2008	319757	06-06G	03/06/2008	10481/2008	319493	08-08C	26/05/2008
10219/2008	319758	06-06G	03/06/2008	10482/2008	319494	14-02	26/05/2008
10220/2008	319759	06-06G	03/06/2008	10483/2008	319495	18-02	26/05/2008
10221/2008	319760	06-06G	03/06/2008	10484/2008	319496	06-13B	26/05/2008
10225/2008	319505	11-02A	27/05/2008	10485/2008	319679	24-01	29/05/2008
10226/2008	319506	11-02A	27/05/2008	10486/2008	319680	24-01	29/05/2008
10228/2008	319507	09-07NES	27/05/2008	10487/2008	319497	08-03	26/05/2008
10252/2008	319623	13-03NES	28/05/2008	10488/2008	319498	07-02A	26/05/2008
10259/2008	319456	25-03	23/05/2008	10489/2008	319499	07-02A	26/05/2008
10277/2008	319647	08-06	29/05/2008	10491/2008	319443	12-08	22/05/2008
10288/2008	319508	18-99	27/05/2008	10492/2008	319444	12-16A	22/05/2008
10289/2008	319509	18-99	27/05/2008	10493/2008	319510	12-16NES	27/05/2008
10290/2008	319565	09-01K	27/05/2008	10494/2008	319445	06-01D	22/05/2008
10306/2008	319566	04-02	27/05/2008	10495/2008	319511	12-16NES	27/05/2008
10321/2008	319567	12-08	27/05/2008	10496/2008	319628	25-01K	28/05/2008
10322/2008	319568	12-08	27/05/2008	10498/2008	319446	21-02F	22/05/2008
10333/2008	319569	06-01G	27/05/2008	10499/2008	319447	26-99	22/05/2008
10339/2008	319795	07-04	03/06/2008	10500/2008	319512	23-04	27/05/2008
10360/2008	319809	08-08L	04/06/2008	10501/2008	319810	02-04NES	04/06/2008
10363/2008	319673	02-02A	29/05/2008	10502/2008	319811	02-04NES	04/06/2008
10369/2008	319539	08-08H	26/05/2008	10509/2008	319513	19-99	27/05/2008
10370/2008	319570	25-01K	27/05/2008	10510/2008	319514	19-99	27/05/2008
10371/2008	319540	25-01K	26/05/2008	10511/2008	319515	28-99	27/05/2008
10372/2008	319541	08-08H	26/05/2008	10512/2008	319516	28-99	27/05/2008
10373/2008	319542	08-08H	26/05/2008	10513/2008	319707	13-03NES	30/05/2008
10374/2008	319543	08-08H	26/05/2008	10521/2008	319554	14-03E	02/06/2008
10380/2008	319704	27-01	30/05/2008	10522/2008	319555	14-03E	02/06/2008
10381/2008	319783	09-03A	03/06/2008	10527/2008	319556	09-01D	02/06/2008
10396/2008	319481	19-08	26/05/2008	10528/2008	319557	09-01K	02/06/2008
10401/2008	319627	07-02D	28/05/2008	10529/2008	319558	08-05N	02/06/2008
10410/2008	319705	30-99	30/05/2008	10530/2008	319559	08-05N	02/06/2008
10417/2008	319640	09-03L	28/05/2008	10531/2008	319648	12-16A	29/05/2008
10439/2008	319471	08-03	26/05/2008	10534/2008	319839	19-01	03/06/2008
10441/2008	319472	09-03B	26/05/2008	10535/2008	319521	11-99	26/05/2008
10442/2008	319706	28-99	30/05/2008	10543/2008	319448	25-01K	22/05/2008
10443/2008	319473	26-05C	26/05/2008	10544/2008	319522	13-03D	26/05/2008
10444/2008	319474	26-05C	26/05/2008	10545/2008	319523	13-03D	26/05/2008
10445/2008	319475	26-05C	26/05/2008	10546/2008	319524	13-03D	26/05/2008
10446/2008	319476	26-05C	26/05/2008	10547/2008	319525	30-04	26/05/2008
10447/2008	319743	26-05C	03/06/2008	10548/2008	319526	08-05N	26/05/2008
10448/2008	319477	26-05C	26/05/2008	10549/2008	319527	08-05N	26/05/2008
10449/2008	319478	26-05C	26/05/2008	10550/2008	319528	07-05E	26/05/2008
10450/2008	319479	26-05C	26/05/2008	10551/2008	319529	07-05E	26/05/2008
10451/2008	319744	26-05C	03/06/2008	10552/2008	319530	07-05E	26/05/2008
10452/2008	319745	26-05C	03/06/2008	10553/2008	319531	28-03NES	26/05/2008
10457/2008	319480	08-06	26/05/2008	10554/2008	319532	28-02	26/05/2008
10467/2008	319482	01-01	26/05/2008	10555/2008	319533	28-02	26/05/2008
10468/2008	319483	01-01	26/05/2008	10556/2008	319534	03-01A	26/05/2008
10469/2008	319484	01-01	26/05/2008	10557/2008	319733	27-03	02/06/2008
10470/2008	319485	01-01	26/05/2008	10561/2008	319649	02-04NES	29/05/2008
10471/2008	319486	01-01	26/05/2008	10562/2008	319650	02-04NES	29/05/2008
10472/2008	319678	06-01E	29/05/2008	10563/2008	319535	26-05D	26/05/2008
10474/2008	319487	09-01G	26/05/2008	10564/2008	319536	12-16K	26/05/2008

Publication and Registration Proceedings - Designs Registered cont'd

Design Number	Registration Number	International Classification Code (IDC)	Registration Date	Design Number	Registration Number	International Classification Code (IDC)	Registration Date
10565/2008	319537	08-07	26/05/2008	10716/2008	319683	08-03	29/05/2008
10566/2008	319613	02-02B	28/05/2008	10719/2008	319666	02-02A	29/05/2008
10576/2008	319746	06-06F	03/06/2008	10720/2008	319667	02-02A	29/05/2008
10577/2008	319578	25-01K	28/05/2008	10721/2008	319668	02-02A	29/05/2008
10585/2008	319579	09-01K	28/05/2008	10722/2008	319669	02-02A	29/05/2008
10586/2008	319571	15-05	27/05/2008	10723/2008	319670	02-02A	29/05/2008
10606/2008	319599	25-01K	28/05/2008	10724/2008	319671	02-02A	29/05/2008
10608/2008	319600	21-02D	28/05/2008	10725/2008	319684	02-02A	29/05/2008
10609/2008	319580	29-02	28/05/2008	10726/2008	319685	02-02A	29/05/2008
10612/2008	319581	14-04	28/05/2008	10727/2008	319686	02-02A	29/05/2008
10613/2008	319582	14-04	28/05/2008	10728/2008	319687	02-02A	29/05/2008
10614/2008	319583	14-04	28/05/2008	10729/2008	319676	10-04	29/05/2008
10615/2008	319572	25-02A	27/05/2008	10730/2008	319677	10-04	29/05/2008
10621/2008	319573	23-03E	27/05/2008	10733/2008	319841	09-01D	03/06/2008
10624/2008	319574	08-08L	27/05/2008	10734/2008	319842	09-01D	03/06/2008
10625/2008	319584	09-01K	28/05/2008	10735/2008	319843	09-01D	03/06/2008
10631/2008	319601	09-01K	28/05/2008	10736/2008	319635	25-01B	28/05/2008
10633/2008	319602	25-01K	28/05/2008	10737/2008	319636	25-01B	28/05/2008
10634/2008	319603	08-06	28/05/2008	10741/2008	319734	08-08NES	02/06/2008
10635/2008	319604	25-02B	28/05/2008	10743/2008	319688	26-05B	29/05/2008
10636/2008	319605	25-02B	28/05/2008	10745/2008	319689	12-12	29/05/2008
10637/2008	319606	25-02B	28/05/2008	10753/2008	319690	10-05	29/05/2008
10638/2008	319607	25-02B	28/05/2008	10754/2008	319735	15-05	02/06/2008
10639/2008	319608	25-02B	28/05/2008	10757/2008	319736	09-05	02/06/2008
10640/2008	319609	25-02B	28/05/2008	10760/2008	319737	11-05	02/06/2008
10641/2008	319708	06-09	30/05/2008	10761/2008	319800	15-01	03/06/2008
10643/2008	319610	26-06	28/05/2008	10762/2008	319801	15-01	03/06/2008
10644/2008	319611	12-08	28/05/2008	10763/2008	319802	15-01	03/06/2008
10645/2008	319612	26-06	28/05/2008	10764/2008	319803	15-01	03/06/2008
10650/2008	319651	06-01F	29/05/2008	10765/2008	319804	15-01	03/06/2008
10651/2008	319652	06-03A	29/05/2008	10766/2008	319805	15-01	03/06/2008
10652/2008	319653	06-01F	29/05/2008	10767/2008	319738	23-04	02/06/2008
10653/2008	319654	06-01F	29/05/2008	10769/2008	319560	16-06	02/06/2008
10654/2008	319798	12-10	03/06/2008	10784/2008	319812	11-02B	04/06/2008
10655/2008	319655	12-11	29/05/2008	10785/2008	319813	26-05A	04/06/2008
10656/2008	319656	07-06A	29/05/2008	10786/2008	319814	11-02B	04/06/2008
10657/2008	319657	26-06	29/05/2008	10791/2008	319815	24-02	04/06/2008
10658/2008	319799	09-01K	03/06/2008	10792/2008	319691	11-02B	30/05/2008
10659/2008	319784	29-99	03/06/2008	10793/2008	319816	12-15C	04/06/2008
10672/2008	319641	23-04	28/05/2008	10794/2008	319817	12-15C	04/06/2008
10673/2008	319642	09-05	28/05/2008	10795/2008	319818	12-15C	04/06/2008
10677/2008	319660	14-03NES	29/05/2008	10796/2008	319819	21-01NES	04/06/2008
10685/2008	319661	01-01	29/05/2008	10799/2008	319692	25-01E	30/05/2008
10687/2008	319662	09-05	29/05/2008	10800/2008	319693	25-01K	30/05/2008
10688/2008	319663	09-05	29/05/2008	10801/2008	319716	14-02	02/06/2008
10689/2008	319664	09-05	29/05/2008	10802/2008	319717	14-02	02/06/2008
10690/2008	319665	09-05	29/05/2008	10803/2008	319718	14-02	02/06/2008
10691/2008	319629	23-03A	28/05/2008	10804/2008	319719	14-02	02/06/2008
10692/2008	319630	23-03A	28/05/2008	10805/2008	319720	14-02	02/06/2008
10695/2008	319631	15-04	28/05/2008	10806/2008	319721	14-02	02/06/2008
10696/2008	319632	15-04	28/05/2008	10807/2008	319722	14-02	02/06/2008
10697/2008	319633	08-08C	28/05/2008	10808/2008	319723	14-02	02/06/2008
10699/2008	319634	12-15A	28/05/2008	10809/2008	319724	14-02	02/06/2008
10710/2008	319674	09-03M	29/05/2008	10810/2008	319725	14-01	02/06/2008
10711/2008	319675	09-03M	29/05/2008	10811/2008	319726	14-02	02/06/2008
10713/2008	319840	07-06A	03/06/2008	10812/2008	319727	14-01	02/06/2008
10714/2008	319681	24-01	29/05/2008	10816/2008	319728	14-01	02/06/2008
10715/2008	319682	14-02	29/05/2008	10817/2008	319729	14-01	02/06/2008

Publication and Registration Proceedings - Designs Registered cont'd

Design Number	Registration Number	International Classification Code (IDC)	Registration Date	Design Number	Registration Number	International Classification Code (IDC)	Registration Date
10818/2008	319730	14-01	02/06/2008	10886/2008	319754	09-07A	03/06/2008
10819/2008	319731	14-01	02/06/2008	10889/2008	319844	12-16NES	03/06/2008
10820/2008	319732	14-01	02/06/2008	10890/2008	319820	14-03A	04/06/2008
10821/2008	319761	14-01	03/06/2008	10891/2008	319821	14-03A	04/06/2008
10822/2008	319762	14-01	03/06/2008	10892/2008	319822	14-03A	04/06/2008
10823/2008	319763	14-01	03/06/2008	10893/2008	319823	14-03A	04/06/2008
10824/2008	319764	14-01	03/06/2008	10894/2008	319824	14-03A	04/06/2008
10825/2008	319765	14-01	03/06/2008	10895/2008	319825	14-03A	04/06/2008
10826/2008	319766	14-01	03/06/2008	10896/2008	319826	24-01	04/06/2008
10827/2008	319767	14-01	03/06/2008	10897/2008	319755	25-01C	03/06/2008
10828/2008	319768	14-01	03/06/2008	10900/2008	319845	12-11	03/06/2008
10829/2008	319769	14-01	03/06/2008	10906/2008	319827	15-01	04/06/2008
10830/2008	319770	14-01	03/06/2008	10907/2008	319828	15-01	04/06/2008
10832/2008	319771	14-01	03/06/2008	10908/2008	319829	13-02	04/06/2008
10833/2008	319772	14-01	03/06/2008	10919/2008	319830	06-08	04/06/2008
10834/2008	319773	14-01	03/06/2008	10921/2008	319831	14-03NES	04/06/2008
10835/2008	319774	14-01	03/06/2008	10922/2008	319832	06-06NES	04/06/2008
10836/2008	319775	14-01	03/06/2008	10923/2008	319833	06-06NES	04/06/2008
10837/2008	319776	14-01	03/06/2008	10924/2008	319834	08-06	04/06/2008
10838/2008	319777	14-01	03/06/2008	10925/2008	319846	08-06	03/06/2008
10839/2008	319778	14-01	03/06/2008	10934/2008	319848	15-07	03/06/2008
10840/2008	319785	25-02H	03/06/2008	10935/2008	319847	15-07	03/06/2008
10842/2008	319786	21-02F	03/06/2008	11593/2008	319694	23-01F	30/05/2008
10843/2008	319787	08-01	03/06/2008	11716/2008	319561	08-06	02/06/2008
10844/2008	319788	26-99	03/06/2008	11749/2008	319547	13-03NES	02/06/2008
10845/2008	319789	12-06A	03/06/2008	11791/2008	319614	02-02C	28/05/2008
10848/2008	319790	13-03D	03/06/2008	11792/2008	319615	02-02C	28/05/2008
10849/2008	319791	15-99	03/06/2008	11793/2008	319616	02-02C	28/05/2008
10853/2008	319792	14-01	03/06/2008	11794/2008	319617	02-02C	28/05/2008
10854/2008	319793	26-02	03/06/2008	11795/2008	319618	02-02C	28/05/2008
10855/2008	319794	14-01	03/06/2008	11796/2008	319619	02-02C	28/05/2008
10856/2008	319806	09-05	03/06/2008	11797/2008	319620	02-02C	28/05/2008
10857/2008	319807	09-05	03/06/2008	11798/2008	319621	02-02C	28/05/2008
10858/2008	319808	09-05	03/06/2008	11799/2008	319622	02-02C	28/05/2008
10859/2008	319779	13-03D	03/06/2008	11832/2008	319646	21-03	29/05/2008
10864/2008	319747	14-02	03/06/2008	12191/2008	319836	11-01A	03/06/2008
10869/2008	319748	03-01B	03/06/2008	12265/2008	319796	07-04	03/06/2008
10870/2008	319749	02-04A	03/06/2008	12266/2008	319797	07-04	03/06/2008
10872/2008	319750	02-04A	03/06/2008				
10873/2008	319751	08-07	03/06/2008				
10877/2008	319752	02-03	03/06/2008				
10882/2008	319753	23-01F	03/06/2008				

Publication and Registration Proceedings
Class Listing of Designs Published or Registered

The following section shows an International Classification Code listing of the Registered or Published Designs covered in this supplement.

Classification	Registration Number	Design Number	Classification	Registration Number	Design Number
01-01	319482	10467/2008	06-05	319562	21281/2007
01-01	319483	10468/2008	06-06 F	319746	10576/2008
01-01	319484	10469/2008	06-06 G	319757	10218/2008
01-01	319485	10470/2008	06-06 G	319758	10219/2008
01-01	319486	10471/2008	06-06 G	319759	10220/2008
01-01	319501	10008/2008	06-06 G	319760	10221/2008
01-01	319661	10685/2008	06-06 NES	319784	10659/2008
02-02 A	319666	10719/2008	06-06 NES	319832	10922/2008
02-02 A	319667	10720/2008	06-06 NES	319833	10923/2008
02-02 A	319668	10721/2008	06-07	319503	10176/2008
02-02 A	319669	10722/2008	06-08	319830	10919/2008
02-02 A	319670	10723/2008	06-09	319708	10641/2008
02-02 A	319671	10724/2008	06-13 B	319496	10484/2008
02-02 A	319673	10363/2008	07-01 B	319712	21453/2007
02-02 A	319684	10725/2008	07-02 A	319498	10488/2008
02-02 A	319685	10726/2008	07-02 A	319499	10489/2008
02-02 A	319686	10727/2008	07-02 D	319627	10401/2008
02-02 A	319687	10728/2008	07-02 E	319695	18602/2007
02-02 B	319613	10566/2008	07-04	319756	10148/2008
02-02 C	319576	21044/2007	07-04	319795	10339/2008
02-02 C	319614	11791/2008	07-04	319796	12265/2008
02-02 C	319615	11792/2008	07-04	319797	12266/2008
02-02 C	319616	11793/2008	07-05 E	319470	10124/2008
02-02 C	319617	11794/2008	07-05 E	319528	10550/2008
02-02 C	319618	11795/2008	07-05 E	319529	10551/2008
02-02 C	319619	11796/2008	07-05 E	319530	10552/2008
02-02 C	319620	11797/2008	07-06 A	319656	10656/2008
02-02 C	319621	11798/2008	07-06 A	319840	10713/2008
02-02 C	319622	11799/2008	07-06 NES	319713	21454/2007
02-02 C	319624	21124/2007	08-01	319787	10843/2008
02-03	319454	10003/2008	08-03	319471	10439/2008
02-03	319752	10877/2008	08-03	319497	10487/2008
02-04 A	319749	10870/2008	08-03	319683	10716/2008
02-04 A	319750	10872/2008	08-04	319466	21538/2007
02-04 NES	319649	10561/2008	08-05 E	319585	13306/2006
02-04 NES	319650	10562/2008	08-05 E	319586	13307/2006
02-04 NES	319810	10501/2008	08-05 E	319587	13308/2006
02-04 NES	319811	10502/2008	08-05 E	319589	13310/2006
02-07 A	319714	21543/2007	08-05 E	319590	13311/2006
03-01 A	319534	10556/2008	08-05 E	319591	13312/2006
03-01 B	319748	10869/2008	08-05 E	319592	13313/2006
03-01 D	319625	10063/2008	08-05 E	319593	13314/2006
03-01 NES	319451	20853/2007	08-05 N	319526	10548/2008
03-01 NES	319625	10063/2008	08-05 N	319527	10549/2008
04-01	319470	10124/2008	08-05 N	319558	10529/2008
04-02	319566	10306/2008	08-05 N	319559	10530/2008
06-01 D	319445	10494/2008	08-05 N	319588	13309/2006
06-01 E	319678	10472/2008	08-06	319480	10457/2008
06-01 F	319651	10650/2008	08-06	319561	11716/2008
06-01 F	319653	10652/2008	08-06	319562	21281/2007
06-01 F	319654	10653/2008	08-06	319603	10634/2008
06-01 G	319569	10333/2008	08-06	319647	10277/2008
06-01 NES	319694	11593/2008	08-06	319834	10924/2008
06-03 A	319652	10651/2008	08-06	319846	10925/2008
06-03 A	319698	21381/2007	08-07	319537	10565/2008
06-05	319561	11716/2008	08-07	319577	21138/2007

Registration Proceedings - Class Listing of Designs Published or Registered cont'd

Classification	Registration Number	Design Number	Classification	Registration Number	Design Number
08-07	319598	19329/2007	09-03 M	319675	10711/2008
08-07	319751	10873/2008	09-03 NES	319806	10856/2008
08-08 B	319466	21538/2007	09-03 NES	319807	10857/2008
08-08 B	319467	10010/2008	09-03 NES	319808	10858/2008
08-08 B	319575	19021/2007	09-05	319625	10063/2008
08-08 C	319493	10481/2008	09-05	319642	10673/2008
08-08 C	319633	10697/2008	09-05	319662	10687/2008
08-08 H	319539	10369/2008	09-05	319663	10688/2008
08-08 H	319541	10372/2008	09-05	319664	10689/2008
08-08 H	319542	10373/2008	09-05	319665	10690/2008
08-08 H	319543	10374/2008	09-05	319736	10757/2008
08-08 K	319504	10217/2008	09-05	319806	10856/2008
08-08 K	319658	10064/2008	09-05	319807	10857/2008
08-08 L	319455	10110/2008	09-05	319808	10858/2008
08-08 L	319457	20563/2007	09-07 A	319754	10886/2008
08-08 L	319458	20564/2007	09-07 NES	319507	10228/2008
08-08 L	319462	21385/2007	09-07 NES	319625	10063/2008
08-08 L	319463	21347/2007	09-99	319702	10018/2008
08-08 L	319464	21384/2007	10-04	319676	10729/2008
08-08 L	319574	10624/2008	10-04	319677	10730/2008
08-08 L	319739	21461/2007	10-05	319690	10753/2008
08-08 L	319740	21462/2007	11-01 A	319835	10032/2008
08-08 L	319741	21463/2007	11-01 A	319836	12191/2008
08-08 L	319809	10360/2008	11-01 NES	319465	18027/2007
08-08 NES	319462	21385/2007	11-01 NES	319637	20856/2007
08-08 NES	319463	21347/2007	11-02 A	319505	10225/2008
08-08 NES	319464	21384/2007	11-02 A	319506	10226/2008
08-08 NES	319504	10217/2008	11-02 B	319691	10792/2008
08-08 NES	319594	19325/2007	11-02 B	319694	11593/2008
08-08 NES	319595	19326/2007	11-02 B	319812	10784/2008
08-08 NES	319596	19327/2007	11-02 B	319814	10786/2008
08-08 NES	319597	19328/2007	11-02 NES	319465	18027/2007
08-08 NES	319734	10741/2008	11-05	319517	21084/2007
08-08 NES	319788	10844/2008	11-05	319518	21085/2007
08-09	319544	20973/2007	11-05	319737	10760/2008
08-99	319683	10716/2008	11-99	319521	10535/2008
09-01 C	319489	10476/2008	12-02	319520	21570/2007
09-01 D	319556	10527/2008	12-06 A	319789	10845/2008
09-01 D	319841	10733/2008	12-08	319443	10491/2008
09-01 D	319842	10734/2008	12-08	319567	10321/2008
09-01 D	319843	10735/2008	12-08	319568	10322/2008
09-01 G	319487	10474/2008	12-08	319611	10644/2008
09-01 G	319488	10475/2008	12-08	319643	21558/2007
09-01 G	319490	10477/2008	12-10	319798	10654/2008
09-01 G	319500	10215/2008	12-11	319655	10655/2008
09-01 K	319557	10528/2008	12-11	319844	10889/2008
09-01 K	319565	10290/2008	12-11	319845	10900/2008
09-01 K	319579	10585/2008	12-12	319689	10745/2008
09-01 K	319584	10625/2008	12-15 A	319634	10699/2008
09-01 K	319601	10631/2008	12-15 C	319816	10793/2008
09-01 K	319799	10658/2008	12-15 C	319817	10794/2008
09-03 A	319783	10381/2008	12-15 C	319818	10795/2008
09-03 B	319472	10441/2008	12-16 A	319444	10492/2008
09-03 B	319519	21426/2007	12-16 A	319648	10531/2008
09-03 F	319626	10071/2008	12-16 H	319468	10039/2008
09-03 L	319640	10417/2008	12-16 K	319536	10564/2008
09-03 L	319703	10083/2008	12-16 NES	319510	10493/2008
09-03 M	319626	10071/2008	12-16 NES	319511	10495/2008
09-03 M	319674	10710/2008	12-16 NES	319697	20257/2007

Registration Proceedings - Class Listing of Designs Published or Registered cont'd

Classification	Registration Number	Design Number	Classification	Registration Number	Design Number
12-16 NES	319844	10889/2008	14-02	319719	10804/2008
13-01	319434	21325/2007	14-02	319720	10805/2008
13-02	319491	10478/2008	14-02	319721	10806/2008
13-02	319492	10479/2008	14-02	319722	10807/2008
13-02	319548	10155/2008	14-02	319723	10808/2008
13-02	319549	10156/2008	14-02	319724	10809/2008
13-02	319550	10157/2008	14-02	319726	10811/2008
13-02	319551	10158/2008	14-02	319747	10864/2008
13-02	319552	10159/2008	14-03 A	319820	10890/2008
13-02	319553	10160/2008	14-03 A	319821	10891/2008
13-02	319682	10715/2008	14-03 A	319822	10892/2008
13-02	319829	10908/2008	14-03 A	319823	10893/2008
13-03 C	319452	20901/2007	14-03 A	319824	10894/2008
13-03 D	319522	10544/2008	14-03 A	319825	10895/2008
13-03 D	319523	10545/2008	14-03 E	319431	21311/2007
13-03 D	319524	10546/2008	14-03 E	319554	10521/2008
13-03 D	319779	10859/2008	14-03 E	319555	10522/2008
13-03 D	319790	10848/2008	14-03 NES	319468	10039/2008
13-03 NES	319545	20979/2007	14-03 NES	319660	10677/2008
13-03 NES	319546	20978/2007	14-03 NES	319794	10855/2008
13-03 NES	319547	11749/2008	14-03 NES	319831	10921/2008
13-03 NES	319623	10252/2008	14-04	319581	10612/2008
13-03 NES	319707	10513/2008	14-04	319582	10613/2008
13-03 NES	319791	10849/2008	14-04	319583	10614/2008
14-01	319725	10810/2008	14-99	319469	10040/2008
14-01	319727	10812/2008	15-01	319800	10761/2008
14-01	319728	10816/2008	15-01	319801	10762/2008
14-01	319729	10817/2008	15-01	319802	10763/2008
14-01	319730	10818/2008	15-01	319803	10764/2008
14-01	319731	10819/2008	15-01	319804	10765/2008
14-01	319732	10820/2008	15-01	319805	10766/2008
14-01	319761	10821/2008	15-01	319827	10906/2008
14-01	319762	10822/2008	15-01	319828	10907/2008
14-01	319763	10823/2008	15-04	319631	10695/2008
14-01	319764	10824/2008	15-04	319632	10696/2008
14-01	319765	10825/2008	15-05	319571	10586/2008
14-01	319766	10826/2008	15-05	319735	10754/2008
14-01	319767	10827/2008	15-07	319432	21314/2007
14-01	319768	10828/2008	15-07	319847	10935/2008
14-01	319769	10829/2008	15-07	319848	10934/2008
14-01	319770	10830/2008	15-09	319644	21567/2007
14-01	319771	10832/2008	15-99	319791	10849/2008
14-01	319772	10833/2008	16-06	319560	10769/2008
14-01	319773	10834/2008	18-02	319495	10483/2008
14-01	319774	10835/2008	18-99	319508	10288/2008
14-01	319775	10836/2008	18-99	319509	10289/2008
14-01	319776	10837/2008	19-01	319839	10534/2008
14-01	319777	10838/2008	19-04	319563	10190/2008
14-01	319778	10839/2008	19-04	319564	10192/2008
14-01	319792	10853/2008	19-06	319538	10181/2008
14-01	319794	10855/2008	19-08	319481	10396/2008
14-02	319469	10040/2008	19-99	319433	21316/2007
14-02	319494	10482/2008	19-99	319513	10509/2008
14-02	319638	21363/2007	19-99	319514	10510/2008
14-02	319672	21382/2007	20-02 E	319638	21363/2007
14-02	319682	10715/2008	20-02 NES	319638	21363/2007
14-02	319716	10801/2008	21-01 C	319567	10321/2008
14-02	319717	10802/2008	21-01 C	319568	10322/2008
14-02	319718	10803/2008	21-01 C	319643	21558/2007

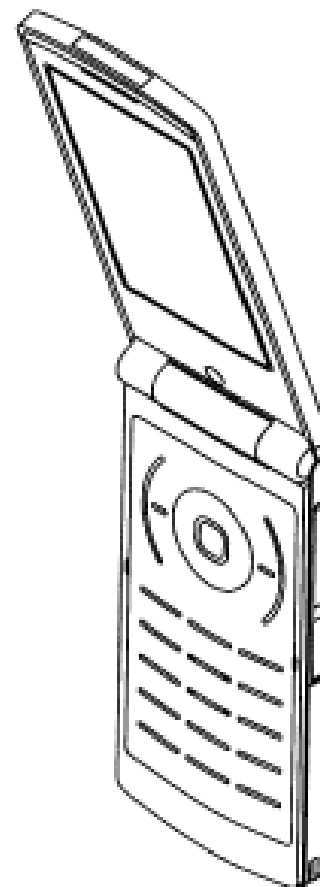
Registration Proceedings - Class Listing of Designs Published or Registered cont'd

Classification	Registration Number	Design Number	Classification	Registration Number	Design Number
21-01 N	319709	21539/2007	25-01 K	319602	10633/2008
21-01 N	319710	21540/2007	25-01 K	319628	10496/2008
21-01 N	319711	21541/2007	25-01 K	319692	10799/2008
21-01 NES	319819	10796/2008	25-01 K	319693	10800/2008
21-02 D	319560	10769/2008	25-01 NES	319459	20565/2007
21-02 D	319600	10608/2008	25-01 NES	319461	20567/2007
21-02 F	319446	10498/2008	25-01 NES	319781	10196/2008
21-02 F	319786	10842/2008	25-01 NES	319782	10197/2008
21-02 NES	319638	21363/2007	25-02 A	319572	10615/2008
21-03	319645	10134/2008	25-02 A	319699	21590/2007
21-03	319646	11832/2008	25-02 A	319700	20206/2007
23-01 E	319453	21518/2007	25-02 B	319604	10635/2008
23-01 F	319694	11593/2008	25-02 B	319605	10636/2008
23-01 F	319753	10882/2008	25-02 B	319606	10637/2008
23-01 H	319442	21409/2007	25-02 B	319607	10638/2008
23-01 H	319453	21518/2007	25-02 B	319608	10639/2008
23-02 C	319435	21333/2007	25-02 B	319609	10640/2008
23-02 C	319436	21334/2007	25-02 C	319658	10064/2008
23-02 C	319437	21335/2007	25-02 H	319785	10840/2008
23-02 C	319438	21336/2007	25-02 NES	319693	10800/2008
23-02 C	319439	21337/2007	25-02 NES	319785	10840/2008
23-02 F	319440	21338/2007	25-03	319456	10259/2008
23-02 F	319441	21339/2007	26-02	319793	10854/2008
23-03 A	319629	10691/2008	26-03	319479	10450/2008
23-03 A	319630	10692/2008	26-04	319837	10065/2008
23-03 E	319573	10621/2008	26-04	319838	10066/2008
23-03 NES	319659	10082/2008	26-05 A	319813	10785/2008
23-04	319512	10500/2008	26-05 B	319502	10074/2008
23-04	319629	10691/2008	26-05 B	319688	10743/2008
23-04	319630	10692/2008	26-05 C	319473	10443/2008
23-04	319641	10672/2008	26-05 C	319474	10444/2008
23-04	319738	10767/2008	26-05 C	319475	10445/2008
24-01	319679	10485/2008	26-05 C	319476	10446/2008
24-01	319680	10486/2008	26-05 C	319477	10448/2008
24-01	319681	10714/2008	26-05 C	319478	10449/2008
24-01	319701	10015/2008	26-05 C	319479	10450/2008
24-01	319715	10017/2008	26-05 C	319696	18839/2007
24-01	319826	10896/2008	26-05 C	319743	10447/2008
24-02	319815	10791/2008	26-05 C	319744	10451/2008
24-04	319639	10167/2008	26-05 C	319745	10452/2008
24-99	319702	10018/2008	26-05 D	319535	10563/2008
24-99	319715	10017/2008	26-05 D	319629	10691/2008
24-99	319806	10856/2008	26-05 D	319630	10692/2008
24-99	319807	10857/2008	26-06	319610	10643/2008
24-99	319808	10858/2008	26-06	319612	10645/2008
25-01 B	319635	10736/2008	26-06	319657	10657/2008
25-01 B	319636	10737/2008	26-06	319788	10844/2008
25-01 B	319742	10194/2008	26-99	319447	10499/2008
25-01 B	319780	10195/2008	26-99	319788	10844/2008
25-01 B	319781	10196/2008	27-01	319704	10380/2008
25-01 B	319782	10197/2008	27-03	319733	10557/2008
25-01 C	319755	10897/2008	28-02	319531	10553/2008
25-01 D	319460	20566/2007	28-02	319532	10554/2008
25-01 E	319692	10799/2008	28-02	319533	10555/2008
25-01 K	319448	10543/2008	28-03 NES	319531	10553/2008
25-01 K	319540	10371/2008	28-03 NES	319735	10754/2008
25-01 K	319570	10370/2008	28-99	319515	10511/2008
25-01 K	319578	10577/2008	28-99	319516	10512/2008
25-01 K	319599	10606/2008	28-99	319706	10442/2008

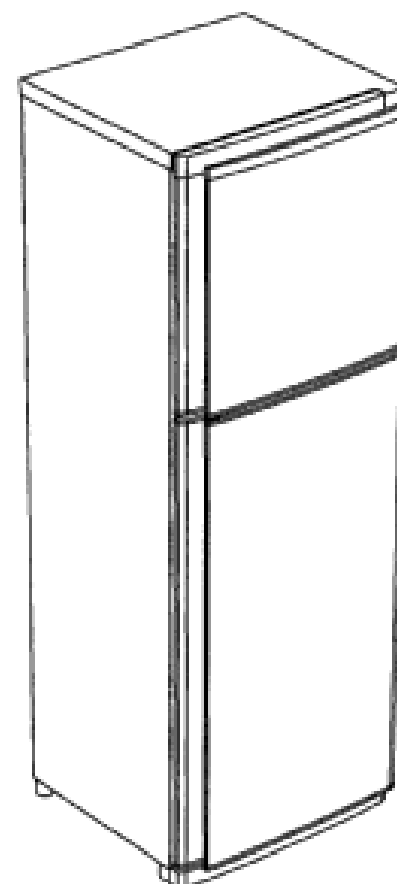
Registration Proceedings - Class Listing of Designs Published or Registered cont'd

Classification	Registration Number	Design Number	Classification	Registration Number	Design Number
29-02	319450	19222/2007	30-99	319449	19194/2007
29-02	319580	10609/2008	30-99	319705	10410/2008
29-99	319784	10659/2008			
30-04	319525	10547/2008			

- (21) Design Number: **21311/2007**
(22) Date of Filing Application: **12 December 2007**
(24) Date from which industrial property rights may have effect: **12 December 2007**
(54) Product in respect of which the design is registered: **Portable wireless telephone**
(51) International Design Classification: **14-03E**
(71) Name(s) and Address(s) of Applicant(s):
NEC Corporation
7-1 Shiba 5-Chome Minato-ku Tokyo Japan
(72) Name(s) of Designer(s): **Takahiro Shimamura and Yasuhiro Kaneko and Shigehiro Terada and Keisuke Tsuji**
(45) Registration Date: **23 May 2008**
(30) Convention priority data:
(31) Number (32) Date (33) Country
2007-024068 04 Sep 2007 JAPAN
(56) Related Art Documents: **Not Applicable**
(57) Statement of Newness and Distinctiveness: **Nil**



- (21) Design Number: **21314/2007**
(22) Date of Filing Application: **12 December 2007**
(24) Date from which industrial property rights may have effect: **12 December 2007**
(54) Product in respect of which the design is registered: **Refrigerator**
(51) International Design Classification: **15-07**
(71) Name(s) and Address(s) of Applicant(s):
Mitsubishi Electric Corporation
7-3 Marunouchi 2-chome Chiyoda-ku Tokyo 100-8310 Japan
(72) Name(s) of Designer(s): **Toshiaki Kikuta and Karl Kar-wai Wong and Kotaro Nagumo and Akihiro Sasaki**
(45) Registration Date: **23 May 2008**
(30) Convention priority data:
(31) Number (32) Date (33) Country
2007-017506 29 Jun 2007 JAPAN
(56) Related Art Documents: **Not Applicable**
(57) Statement of Newness and Distinctiveness: **Nil**



- (21) Design Number: **21316/2007**
(22) Date of Filing Application: **13 December 2007**
(24) Date from which industrial property rights may have effect: **13 December 2007**
(54) Product in respect of which the design is registered: **Bookmark and brace**
(51) International Design Classification: **19-99**
(71) Name(s) and Address(s) of Applicant(s):
Simon Beresford Winterflood
Apt 12 9-27 Moorgate Street Chippendale New South Wales 2008
Australia
(72) Name(s) of Designer(s): **Simon Beresford Winterflood**
(45) Registration Date: **23 May 2008**
(56) Related Art Documents: **Not Applicable**
(57) Statement of Newness and Distinctiveness: **Newness is claimed in the features of shape and configuration of the bookmark and brace as shown in the accompanying representations.**



- (21) Design Number: **21325/2007**
(22) Date of Filing Application: **13 December 2007**
(24) Date from which industrial property rights may have effect: **13 December 2007**
(54) Product in respect of which the design is registered: **Door operator motor unit**
(51) International Design Classification: **13-01**
(71) Name(s) and Address(s) of Applicant(s):
Smart Openers Pty Ltd
Suite 3 1-3 Albert Street Blackburn Victoria 3130 Australia
(72) Name(s) of Designer(s): **Benjamin James Flemming and Eric Vallerie and Glen Edward Flemming and Jack Leivenzon**
(45) Registration Date: **23 May 2008**
(56) Related Art Documents: **Not Applicable**
(57) Statement of Newness and Distinctiveness: **Nil**



(21) Design Number: **21333/2007**

(22) Date of Filing Application: **13 December 2007**

(24) Date from which industrial property rights may have effect: **13 December 2007**

(54) Product in respect of which the design is registered: **Back to wall toilet suite**

(51) International Design Classification: **23-02C**

(71) Name(s) and Address(s) of Applicant(s):

Argent Australia Pty Ltd

18 Wandoo Street Fortitude Valley Queensland 4006 Australia

(72) Name(s) of Designer(s): **Terry McGrath**

(45) Registration Date: **23 May 2008**

(56) Related Art Documents: **Not Applicable**

(57) Statement of Newness and Distinctiveness: **Nil**



(21) Design Number: **21334/2007**

(22) Date of Filing Application: **13 December 2007**

(24) Date from which industrial property rights may have effect: **13 December 2007**

(54) Product in respect of which the design is registered: **Back to wall toilet suite.
Avalon back to wall**

(51) International Design Classification: **23-02C**

(71) Name(s) and Address(s) of Applicant(s):

Argent Australia Pty Ltd

18 Wandoo Street Fortitude Valley Queensland 4006 Australia

(72) Name(s) of Designer(s): **Terry McGrath**

(45) Registration Date: **23 May 2008**

(56) Related Art Documents: **Not Applicable**

(57) Statement of Newness and Distinctiveness: **Nil**



(21) Design Number: **21335/2007**

(22) Date of Filing Application: **13 December 2007**

(24) Date from which industrial property rights may have effect: **13 December 2007**

(54) Product in respect of which the design is registered: **Close coupled toilet suite. Alto close coupled**

(51) International Design Classification: **23-02C**

(71) Name(s) and Address(s) of Applicant(s):

Argent Australia Pty Ltd

18 Wandoo Street Fortitude Valley Queensland 4006 Australia

(72) Name(s) of Designer(s): **Terry McGrath**

(45) Registration Date: **23 May 2008**

(56) Related Art Documents: **Not Applicable**

(57) Statement of Newness and Distinctiveness: **Nil**



(21) Design Number: **21336/2007**

(22) Date of Filing Application: **13 December 2007**

(24) Date from which industrial property rights may have effect: **13 December 2007**

(54) Product in respect of which the design is registered: **Back to wall toilet suite. Alto back to wall**

(51) International Design Classification: **23-02C**

(71) Name(s) and Address(s) of Applicant(s):

Argent Australia Pty Ltd

18 Wandoo Street Fortitude Valley Queensland 4006 Australia

(72) Name(s) of Designer(s): **Terry McGrath**

(45) Registration Date: **23 May 2008**

(56) Related Art Documents: **Not Applicable**

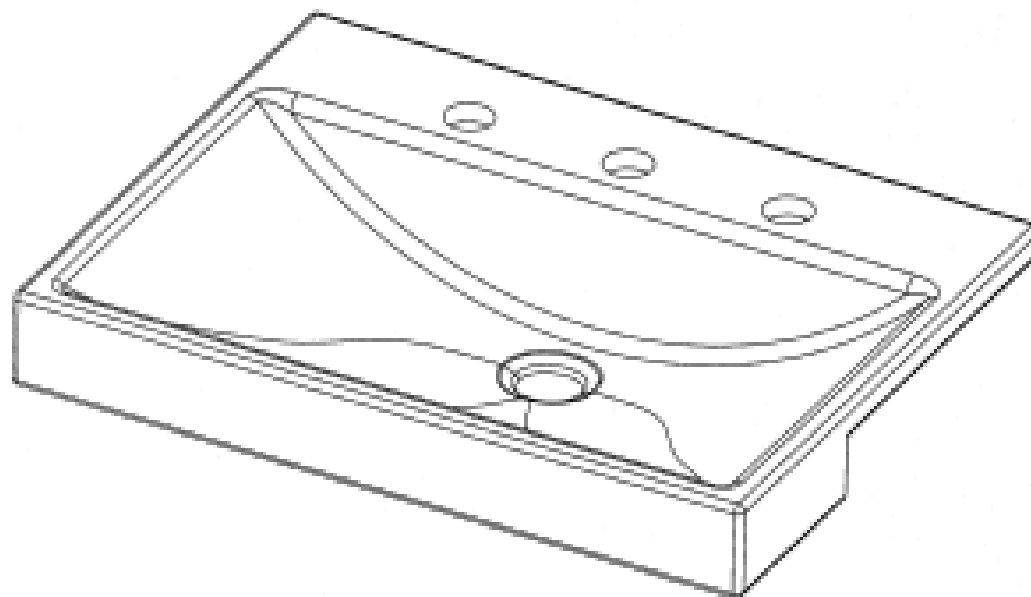
(57) Statement of Newness and Distinctiveness: **Nil**



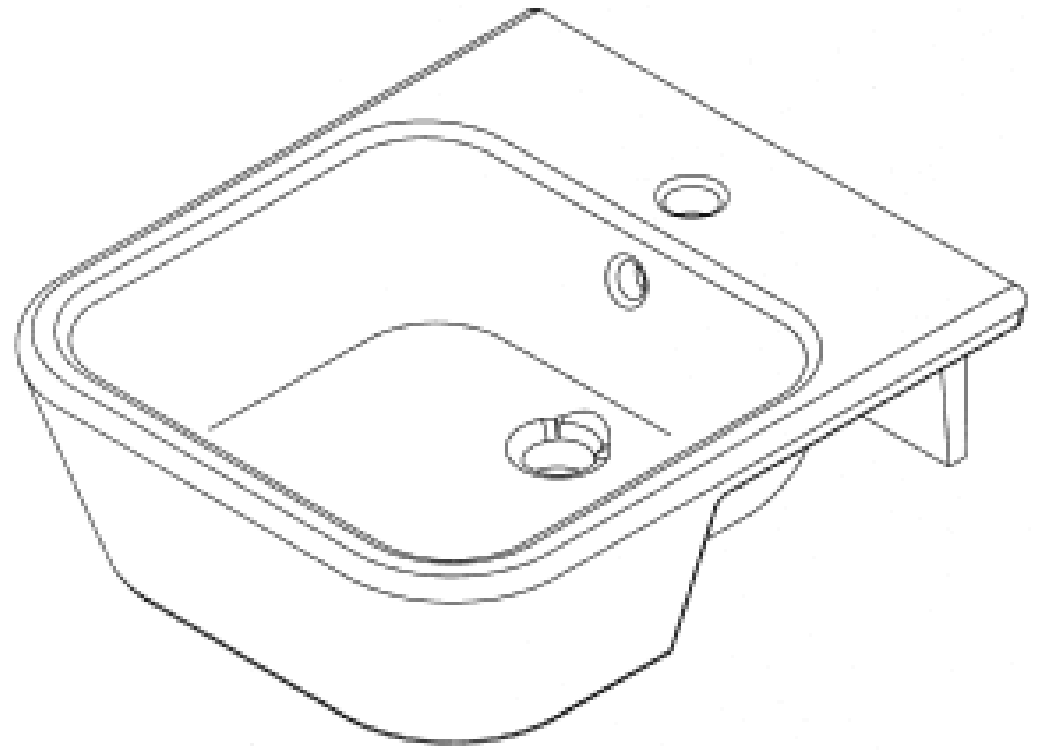
- (21) Design Number: **21337/2007**
- (22) Date of Filing Application: **13 December 2007**
- (24) Date from which industrial property rights may have effect: **13 December 2007**
- (54) Product in respect of which the design is registered: **Back to wall toilet suite. Noosa back to wall**
- (51) International Design Classification: **23-02C**
- (71) Name(s) and Address(s) of Applicant(s):
Argent Australia Pty Ltd
18 Wandoo Street Fortitude Valley Queensland 4006 Australia
- (72) Name(s) of Designer(s): **Terry McGrath**
- (45) Registration Date: **23 May 2008**
- (56) Related Art Documents: **Not Applicable**
- (57) Statement of Newness and Distinctiveness: **Nil**



- (21) Design Number: **21338/2007**
- (22) Date of Filing Application: **13 December 2007**
- (24) Date from which industrial property rights may have effect: **13 December 2007**
- (54) Product in respect of which the design is registered: **Semi recessed bathroom basin. Zen semi recessed**
- (51) International Design Classification: **23-02F**
- (71) Name(s) and Address(s) of Applicant(s):
Argent Australia Pty Ltd
18 Wandoo Street Fortitude Valley Queensland 4006 Australia
- (72) Name(s) of Designer(s): **Terry McGrath**
- (45) Registration Date: **23 May 2008**
- (56) Related Art Documents: **Not Applicable**
- (57) Statement of Newness and Distinctiveness: **Nil**



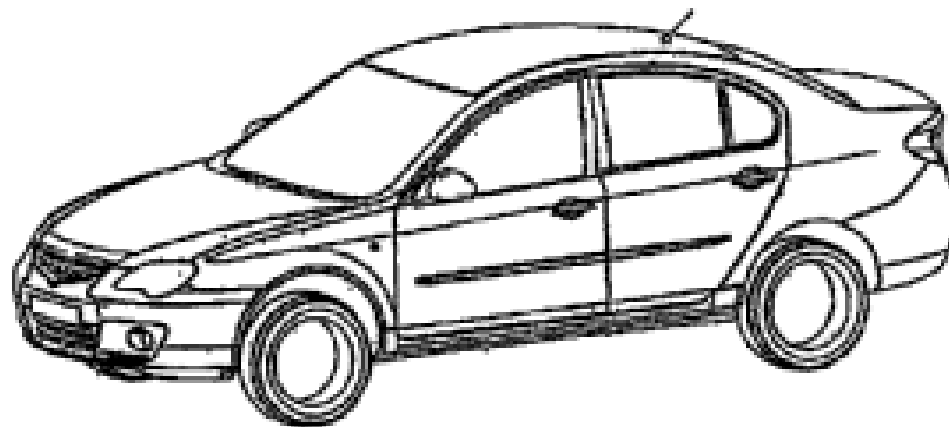
- (21) Design Number: **21339/2007**
(22) Date of Filing Application: **13 December 2007**
(24) Date from which industrial property rights may have effect: **13 December 2007**
(54) Product in respect of which the design is registered: **Semi recessed bathroom basin. Isis square semi recessed**
(51) International Design Classification: **23-02F**
(71) Name(s) and Address(s) of Applicant(s):
Argent Australia Pty Ltd
18 Wandoo Street Fortitude Valley Queensland 4006 Australia
(72) Name(s) of Designer(s): **Terry McGrath**
(45) Registration Date: **23 May 2008**
(56) Related Art Documents: **Not Applicable**
(57) Statement of Newness and Distinctiveness: **Nil**



- (21) Design Number: **21409/2007**
(22) Date of Filing Application: **18 December 2007**
(24) Date from which industrial property rights may have effect: **18 December 2007**
(54) Product in respect of which the design is registered: **Taps**
(51) International Design Classification: **23-01H**
(71) Name(s) and Address(s) of Applicant(s):
John Danks & Son Pty Ltd
PO Box 156 Mordialloc Victoria 3195 Australia
(72) Name(s) of Designer(s): **Fred Bianchi**
(45) Registration Date: **23 May 2008**
(56) Related Art Documents: **Not Applicable**
(57) Statement of Newness and Distinctiveness: **Our taps show the letter "H" on the hot water tap and the letter "C" on the cold water tap. Identification of hot and cold is required by law and this is a common way of doing this.**



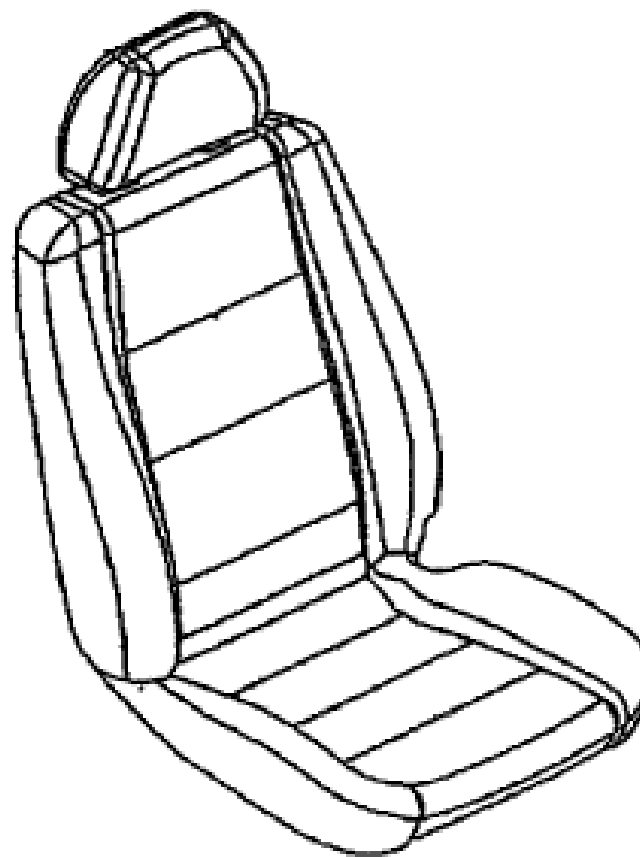
- (21) Design Number: **10491/2008**
(22) Date of Filing Application: **05 February 2008**
(24) Date from which industrial property rights may have effect: **05 February 2008**
(54) Product in respect of which the design is registered: **A vehicle**
(51) International Design Classification: **12-08**
(71) Name(s) and Address(s) of Applicant(s):
Perusahaan Otomobil Nasional SDN. BHD.
Hicom Industrial Estate Batu 3 40000 Shah Alam Selangor Malaysia
(72) Name(s) of Designer(s): **Siew Chee Kwong**
(45) Registration Date: **22 May 2008**
(30) Convention priority data:
(31) Number (32) Date (33) Country
07-01122-0101 09 Aug 2007 MALAYSIA
(56) Related Art Documents: **Not Applicable**
(57) Statement of Newness and Distinctiveness: **Newness and distinctiveness reside in the visual shape, ornamentation and configuration of a motor vehicle as illustrated in the accompanying representations.**



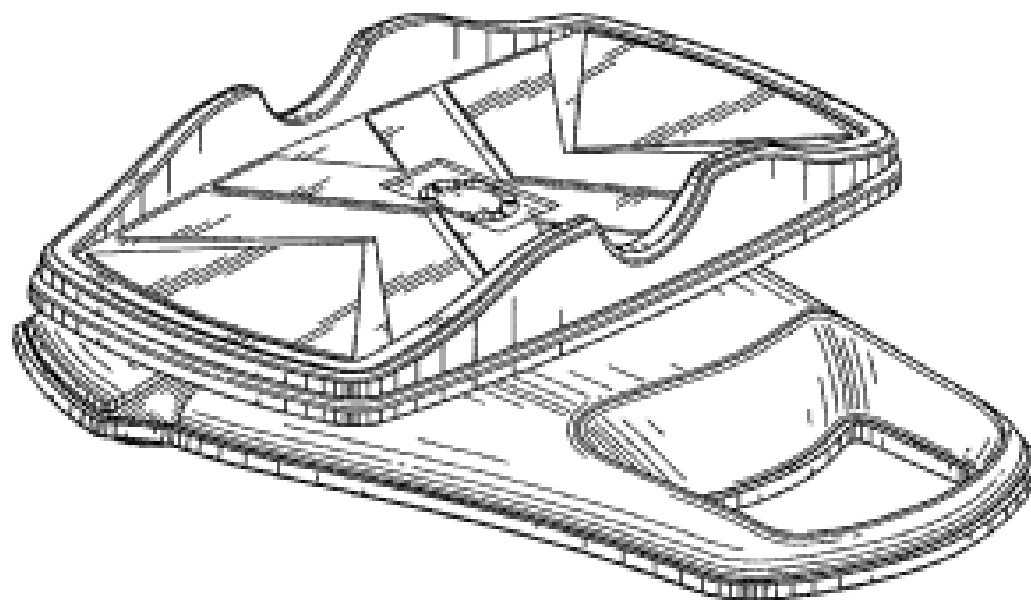
- (21) Design Number: **10492/2008**
(22) Date of Filing Application: **05 February 2008**
(24) Date from which industrial property rights may have effect: **05 February 2008**
(54) Product in respect of which the design is registered: **Wheel**
(51) International Design Classification: **12-16A**
(71) Name(s) and Address(s) of Applicant(s):
Perusahaan Otomobil Nasional SDN. BHD.
Hicom Industrial Estate Batu 3 40000 Shah Alam Selangor Malaysia
(72) Name(s) of Designer(s): **Siew Chee Kwong**
(45) Registration Date: **22 May 2008**
(30) Convention priority data:
(31) Number (32) Date (33) Country
07-01138-0101 14 Aug 2007 MALAYSIA
(56) Related Art Documents: **Not Applicable**
(57) Statement of Newness and Distinctiveness: **Newness and distinctiveness reside in the rounded tooth shape, found on each wheel spoke as illustrated in the accompanying representations.**



(21) Design Number: **10494/2008**
(22) Date of Filing Application: **05 February 2008**
(24) Date from which industrial property rights may have effect: **05 February 2008**
(54) Product in respect of which the design is registered: **A seat for vehicle**
(51) International Design Classification: **06-01D**
(71) Name(s) and Address(s) of Applicant(s):
Perusahaan Otomobil Nasional SDN. BHD.
Hicom Industrial Estate Batu 3 40000 Shah Alam Selangor Malaysia
(72) Name(s) of Designer(s): **Thomas Reinhold**
(45) Registration Date: **22 May 2008**
(30) Convention priority data:
(31) Number (32) Date (33) Country
07-01139-0101 14 Aug 2007 MALAYSIA
(56) Related Art Documents: **Not Applicable**
(57) Statement of Newness and Distinctiveness: **Newness and distinctiveness reside in the visual shape and configuration of a seat for a vehicle as illustrated in the accompanying representations.**



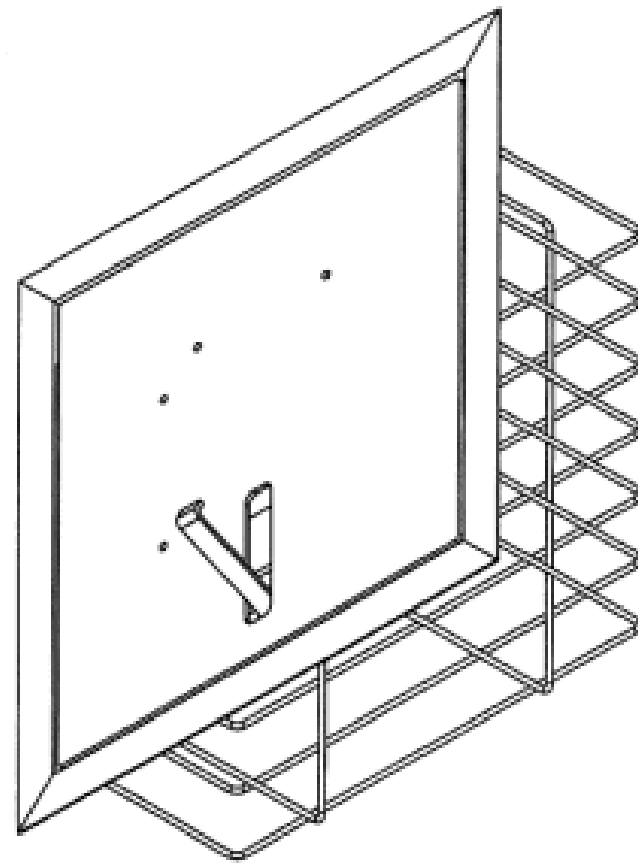
(21) Design Number: **10498/2008**
(22) Date of Filing Application: **05 February 2008**
(24) Date from which industrial property rights may have effect: **05 February 2008**
(54) Product in respect of which the design is registered: **Swing fitness device**
(51) International Design Classification: **21-02F**
(71) Name(s) and Address(s) of Applicant(s):
LIVEN SPORTS MFG. (Xiamen) Co., LTD
No. 188 Hong Shui Tong Industry Sect. Gaolin Village Heshan Town
Huli District Xiamen China
(72) Name(s) of Designer(s): **Jen-Hung Wang**
(45) Registration Date: **22 May 2008**
(56) Related Art Documents: **Not Applicable**
(57) Statement of Newness and Distinctiveness: **The shape, configuration and ornamentation of the swing fitness device is new and distinctive.**



- (21) Design Number: **10499/2008**
(22) Date of Filing Application: **05 February 2008**
(24) Date from which industrial property rights may have effect: **05 February 2008**
(54) Product in respect of which the design is registered: **Light hatch**
(51) International Design Classification: **26-99**
(71) Name(s) and Address(s) of Applicant(s):

Scott Nathan
PO Box 5121 Market City Canning Vale Western Australia 6155
Australia

- (72) Name(s) of Designer(s): **Scott Nathan**
(45) Registration Date: **22 May 2008**
(56) Related Art Documents: **Not Applicable**
(57) Statement of Newness and Distinctiveness: **Nil**



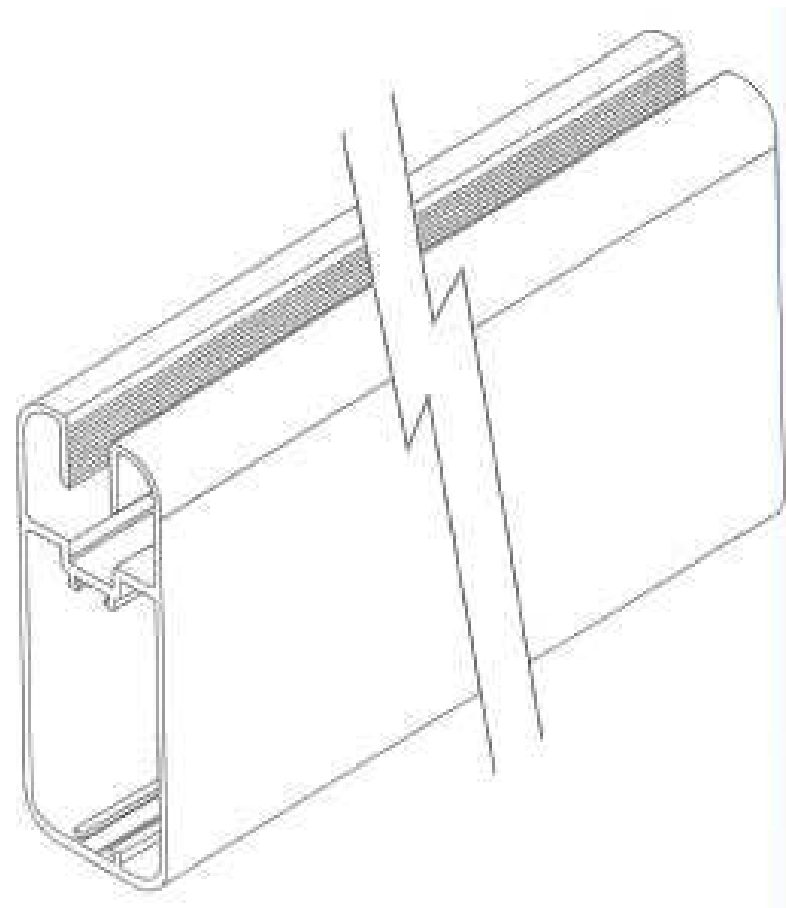
- (21) Design Number: **10543/2008**
(22) Date of Filing Application: **04 February 2008**
(24) Date from which industrial property rights may have effect: **04 February 2008**
(54) Product in respect of which the design is registered: **Panel supporting element**
(51) International Design Classification: **25-01K**
(71) Name(s) and Address(s) of Applicant(s):

Gerald van Vliet
27 Westridge Drive Western Heights Hamilton New Zealand

- (72) Name(s) of Designer(s): **Gerald van Vliet**
(45) Registration Date: **22 May 2008**
(30) Convention priority data:

(31) Number	(32) Date	(33) Country
D409500	03 Aug 2007	NEW ZEALAND

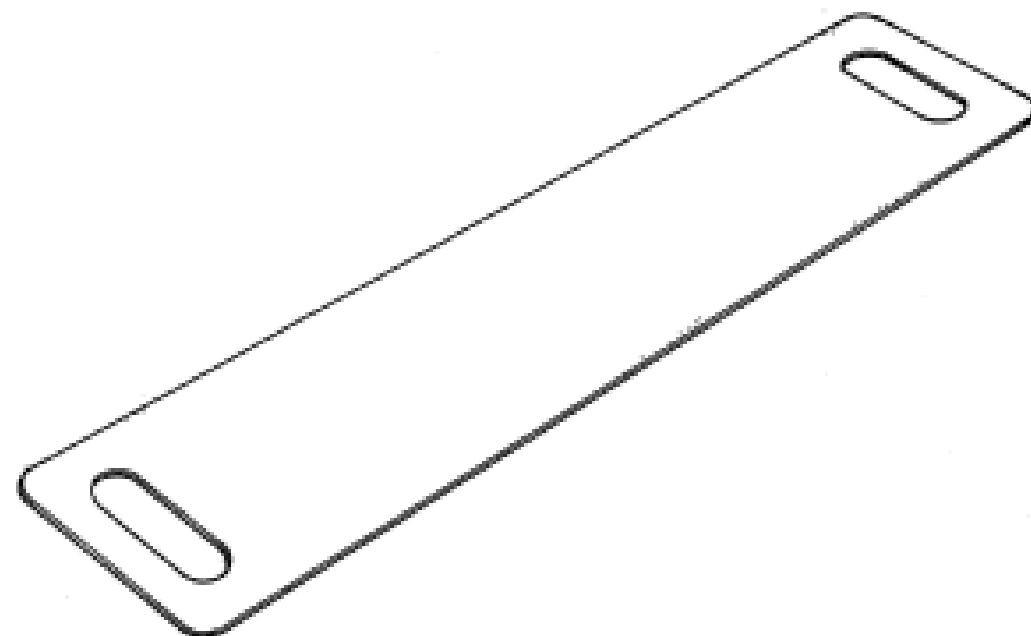
- (56) Related Art Documents: **Not Applicable**
(57) Statement of Newness and Distinctiveness: **This design is to be applied to a panel supporting element, comprising an article of constant cross-section and indefinite length, and the novelty resides in the features of shape and configuration of the article other than the strengthening ribs and interior of the box portion.**



- (21) Design Number: **19194/2007**
(22) Date of Filing Application: **06 August 2007**
(24) Date from which industrial property rights may have effect: **06 August 2007**
(54) Product in respect of which the design is registered: **Clamps for animal leads, reins and tethers**
(51) International Design Classification: **30-99**
(71) Name(s) and Address(s) of Applicant(s):
Pink Chilli Pty Ltd
PO Box 410 Potts Point New South Wales 2011 Australia
(72) Name(s) of Designer(s): **Bronwyn Lumsden**
(45) Registration Date: **22 May 2008**
(56) Related Art Documents: **Not Applicable**
(57) Statement of Newness and Distinctiveness: **Nil**



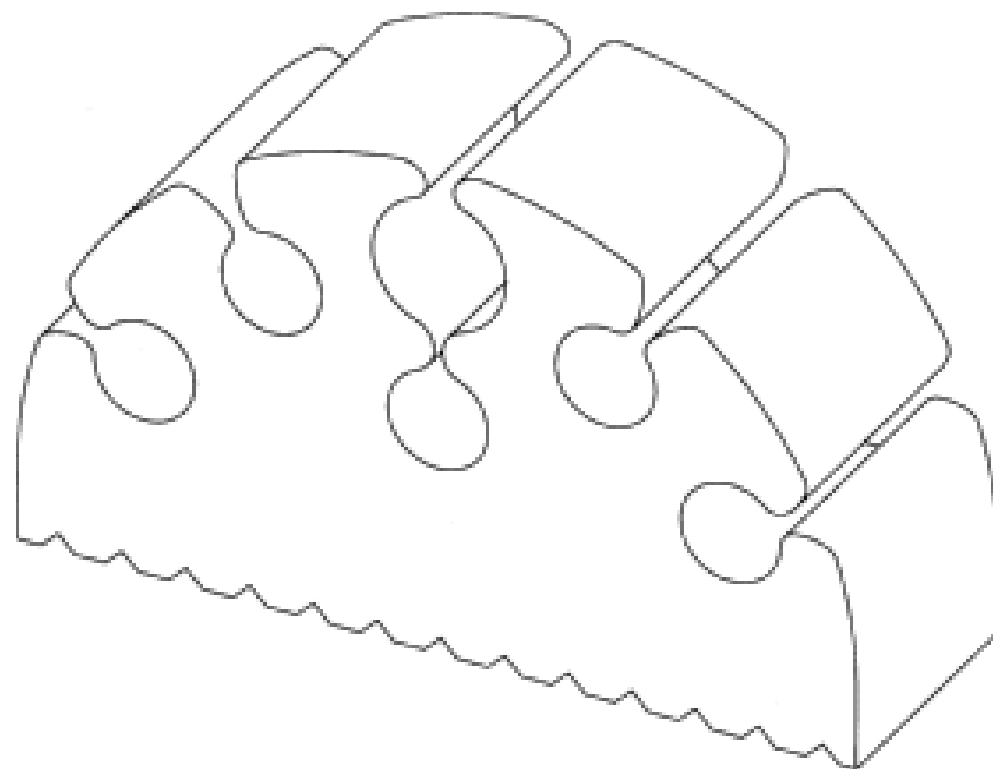
- (21) Design Number: **19222/2007**
(22) Date of Filing Application: **08 August 2007**
(24) Date from which industrial property rights may have effect: **08 August 2007**
(54) Product in respect of which the design is registered: **Casualty handle**
(51) International Design Classification: **29-02**
(71) Name(s) and Address(s) of Applicant(s):
Terrence John Dunlea
14a Beverley Terrace South Guildford Western Australia 6055
Australia
Debra Ann Dunlea
14a Beverley Terrace South Guildford Western Australia 6055
Australia
(72) Name(s) of Designer(s): **Terrence John Dunlea and Debra Ann Dunlea**
(45) Registration Date: **22 May 2008**
(56) Related Art Documents: **Not Applicable**
(57) Statement of Newness and Distinctiveness: **The particular visual features of the design which are new and distinctive are shape or configuration.**



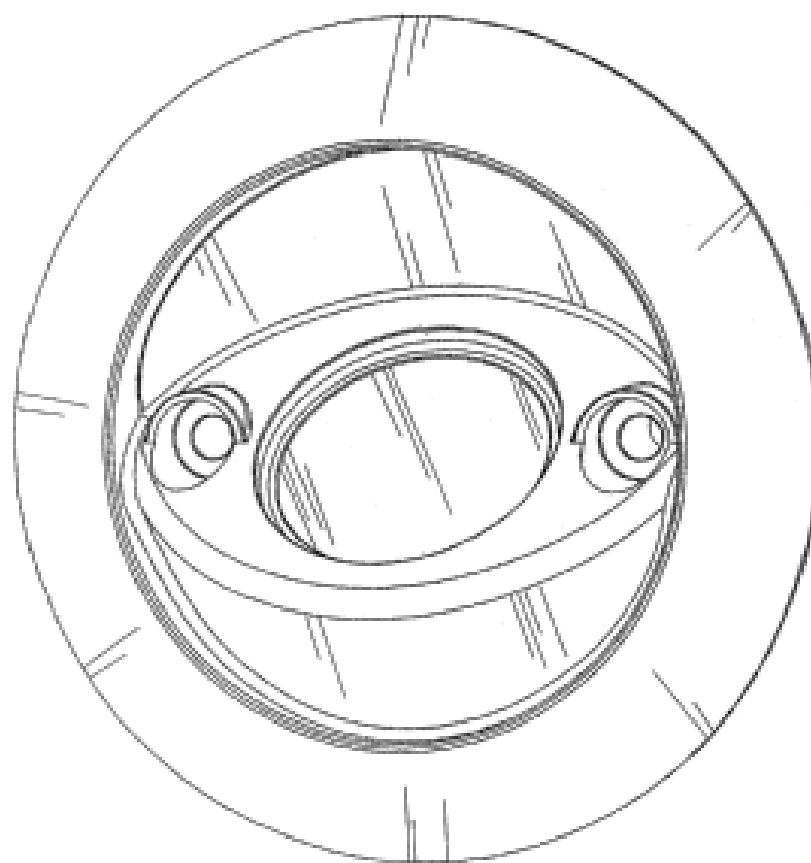
- (21) Design Number: **20853/2007**
(22) Date of Filing Application: **16 November 2007**
(24) Date from which industrial property rights may have effect: **16 November 2007**
(54) Product in respect of which the design is registered: **Mobile holster**
(51) International Design Classification: **03-01NES**
(71) Name(s) and Address(s) of Applicant(s):
Ani Forest
21/745 Boronia Road Wantirna Victoria 3152 Australia
(72) Name(s) of Designer(s): **Ani Forest**
(45) Registration Date: **22 May 2008**
(56) Related Art Documents: **Not Applicable**
(57) Statement of Newness and Distinctiveness: **Mobile holster is worn around the leg.**



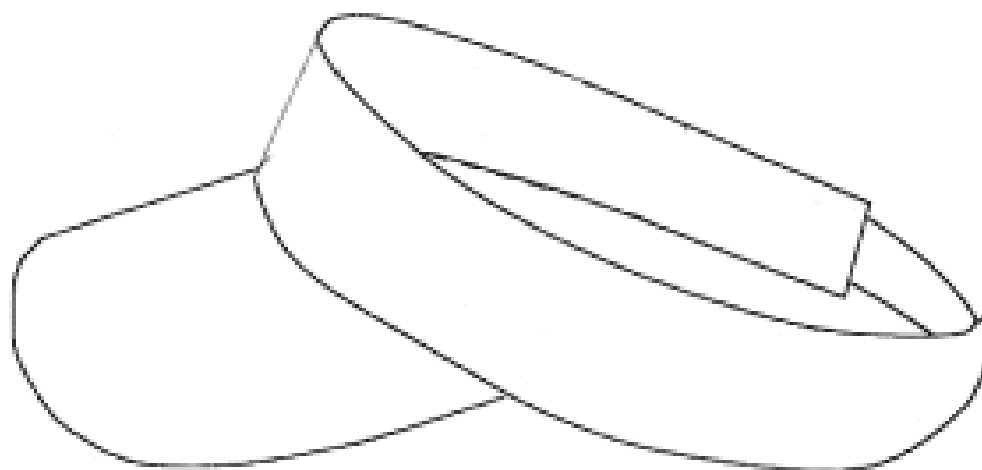
- (21) Design Number: **20901/2007**
(22) Date of Filing Application: **19 November 2007**
(24) Date from which industrial property rights may have effect: **19 November 2007**
(54) Product in respect of which the design is registered: **Cable, wire or cord organisers and management devices**
(51) International Design Classification: **13-03C**
(71) Name(s) and Address(s) of Applicant(s):
Clive Kaicer
5 Blake Street Caulfield Victoria 3162 Australia
(72) Name(s) of Designer(s): **Clive Kaicer**
(45) Registration Date: **22 May 2008**
(56) Related Art Documents: **Not Applicable**
(57) Statement of Newness and Distinctiveness: **The newness and distinctiveness of the design resides in the features of shape and/or configuration of the device as shown in the accompanying representations and monopoly is claimed in particular over the arced shape of the design as well as the ridged and/or flat features and configurations of its base.**



- (21) Design Number: **21518/2007**
(22) Date of Filing Application: **20 December 2007**
(24) Date from which industrial property rights may have effect: **20 December 2007**
(54) Product in respect of which the design is registered: **Spray head holder**
(51) International Design Classification: **23-01H, 23-01E**
(71) Name(s) and Address(s) of Applicant(s):
Munster Simms Engineering Limited
Old Belfast Road Bangor County Down BT19 1LT United Kingdom
(72) Name(s) of Designer(s): **Stephen McGilloway and Edward J. Gilmore**
(45) Registration Date: **22 May 2008**
(30) Convention priority data:
(31) Number (32) Date (33) Country
000805957-0003 10 Oct 2007 EUROPEAN COMMUNITY
(56) Related Art Documents: **Not Applicable**
(57) Statement of Newness and Distinctiveness: **The shape and configuration of the spray head holder shown in the representations is new and distinctive. When considering the newness and distinctiveness of the design, features shown in broken lines are to be disregarded.**



- (21) Design Number: **10003/2008**
(22) Date of Filing Application: **02 January 2008**
(24) Date from which industrial property rights may have effect: **02 January 2008**
(54) Product in respect of which the design is registered: **Visor**
(51) International Design Classification: **02-03**
(71) Name(s) and Address(s) of Applicant(s):
Section A Pty Ltd
9 Northhead Sydney Drive Manly New South Wales 2095 Australia
(72) Name(s) of Designer(s): **Karl Kowalczyk**
(45) Registration Date: **23 May 2008**
(56) Related Art Documents: **Not Applicable**
(57) Statement of Newness and Distinctiveness: **Visor with especially designed pockets and security pouches.**



(21) Design Number: **10110/2008**

(22) Date of Filing Application: **11 January 2008**

(24) Date from which industrial property rights may have effect: **11 January 2008**

(54) Product in respect of which the design is registered: **Bracket**

(51) International Design Classification: **08-08L**

(71) Name(s) and Address(s) of Applicant(s):

Mark Souness

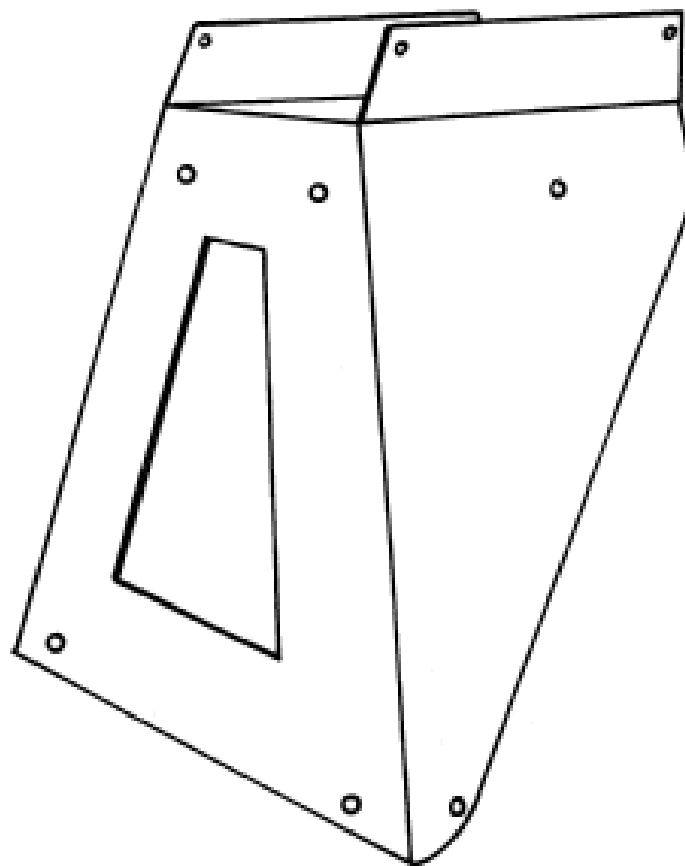
29 Mazengarb Road Paraparaumu Wellington New Zealand

(72) Name(s) of Designer(s): **Mark Souness**

(45) Registration Date: **23 May 2008**

(56) Related Art Documents: **Not Applicable**

(57) Statement of Newness and Distinctiveness: **Newness and distinctiveness resides in the shape and configuration of the bracket, except that newness and distinctiveness is disclaimed in respect of the positioning of the circular holes in the bracket.**



(21) Design Number: **10259/2008**

(22) Date of Filing Application: **22 January 2008**

(24) Date from which industrial property rights may have effect: **22 January 2008**

(54) Product in respect of which the design is registered: **Infra-red refinish system (spray booth)**

(51) International Design Classification: **25-03**

(71) Name(s) and Address(s) of Applicant(s):

Monarch Industries (Aust.) Pty. Ltd.

132 Mooringe Avenue North Plympton South Australia 5037 Australia

(72) Name(s) of Designer(s): **John Milton**

(45) Registration Date: **23 May 2008**

(56) Related Art Documents: **Not Applicable**

(57) Statement of Newness and Distinctiveness: **A complete refinish system (C.R.S.) is a preparation and painting area for vehicles (and associated products). Its uniqueness is evident, as it: operates on internal infra-red heating system; it uses no fossil fuels (i.e. gas, diesel or fuel); the infra-red elements are automated, and move along an internal roof mounted track; each infrared 'head' can be operated independently of the others, for energy efficiency; the infrared 'heads' are positioned in line with the car panels, concentrating infra-red heat only on the area of paint that needs curing/drying; the duration of drying time is greatly reduced, due to the intensity of the infra-red heat; the above produces nil emissions and greenhouse gasses; and the infra-red 'head' incorporates a proximity sensor, so the element automatically cuts out if the object or operators are within too close a range.**



(21) Design Number: **20563/2007**
(22) Date of Filing Application: **01 November 2007**
(24) Date from which industrial property rights may have effect: **01 November 2007**
(54) Product in respect of which the design is registered: **Bracket**
(51) International Design Classification: **08-08L**
(71) Name(s) and Address(s) of Applicant(s):
Roof Profiles Limited
7 Kyle Road Irvine Ayrshire KA12 8JF United Kingdom
(72) Name(s) of Designer(s): **Gordon Smith**
(45) Registration Date: **23 May 2008**
(30) Convention priority data:
(31) Number (32) Date (33) Country
000715883-0001 01 May 2007 EUROPEAN COMMUNITY
(56) Related Art Documents: **Not Applicable**
(57) Statement of Newness and Distinctiveness: **Nil**



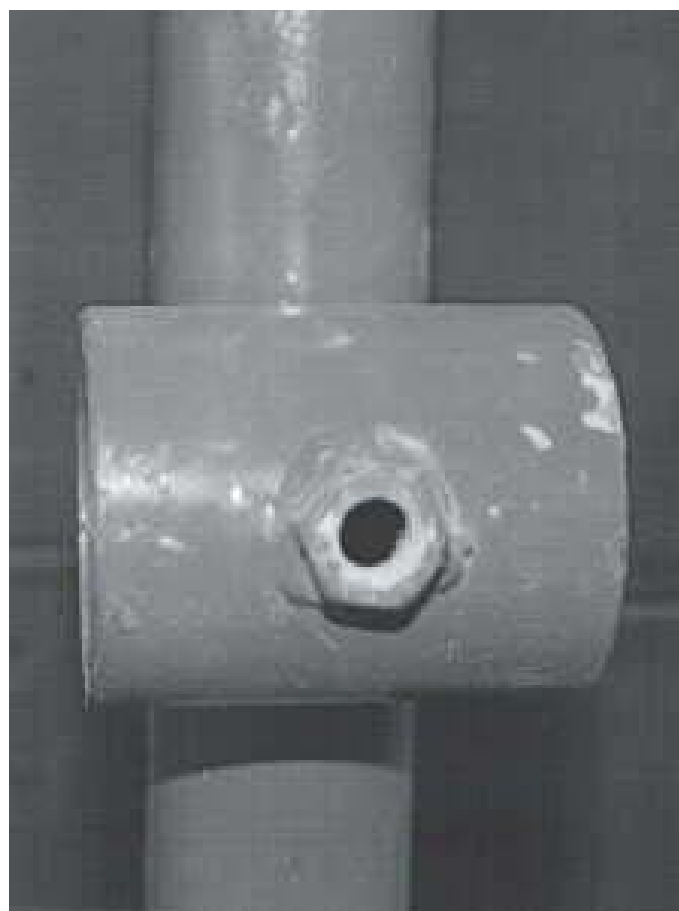
(21) Design Number: **20564/2007**
(22) Date of Filing Application: **01 November 2007**
(24) Date from which industrial property rights may have effect: **01 November 2007**
(54) Product in respect of which the design is registered: **Bracket**
(51) International Design Classification: **08-08L**
(71) Name(s) and Address(s) of Applicant(s):
Roof Profiles Limited
7 Kyle Road Irvine Ayrshire KA12 8JF United Kingdom
(72) Name(s) of Designer(s): **Gordon Smith**
(45) Registration Date: **23 May 2008**
(30) Convention priority data:
(31) Number (32) Date (33) Country
000715883-0002 01 May 2007 EUROPEAN COMMUNITY
(56) Related Art Documents: **Not Applicable**
(57) Statement of Newness and Distinctiveness: **Nil**



(21) Design Number: **20565/2007**
(22) Date of Filing Application: **01 November 2007**
(24) Date from which industrial property rights may have effect: **01 November 2007**
(54) Product in respect of which the design is registered: **Roof Corner**
(51) International Design Classification: **25-01NES**
(71) Name(s) and Address(s) of Applicant(s):
Roof Profiles Limited
7 Kyle Road Irvine Ayrshire KA12 8JF United Kingdom
(72) Name(s) of Designer(s): **Gordon Smith**
(45) Registration Date: **23 May 2008**
(30) Convention priority data:
(31) Number (32) Date (33) Country
000715883-0003 01 May 2007 EUROPEAN COMMUNITY
(56) Related Art Documents: **Not Applicable**
(57) Statement of Newness and Distinctiveness: **Nil**



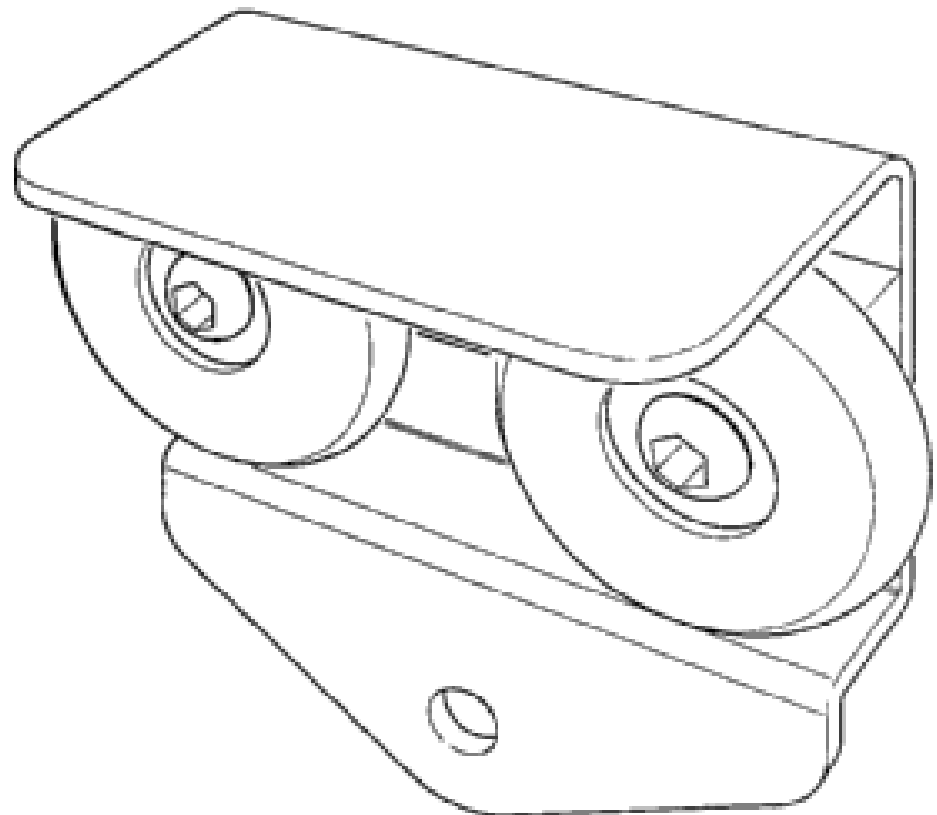
(21) Design Number: **20566/2007**
(22) Date of Filing Application: **01 November 2007**
(24) Date from which industrial property rights may have effect: **01 November 2007**
(54) Product in respect of which the design is registered: **Vertical frame member**
(51) International Design Classification: **25-01D**
(71) Name(s) and Address(s) of Applicant(s):
Roof Profiles Limited
7 Kyle Road Irvine Ayrshire KA12 8JF United Kingdom
(72) Name(s) of Designer(s): **Gordon Smith**
(45) Registration Date: **23 May 2008**
(30) Convention priority data:
(31) Number (32) Date (33) Country
000715883-0004 01 May 2007 EUROPEAN COMMUNITY
(56) Related Art Documents: **Not Applicable**
(57) Statement of Newness and Distinctiveness: **Nil**



(21) Design Number: **20567/2007**
(22) Date of Filing Application: **01 November 2007**
(24) Date from which industrial property rights may have effect: **01 November 2007**
(54) Product in respect of which the design is registered: **Vertical frame member**
(51) International Design Classification: **25-01NES**
(71) Name(s) and Address(s) of Applicant(s):
Roof Profiles Limited
7 Kyle Road Irvine Ayrshire KA12 8JF United Kingdom
(72) Name(s) of Designer(s): **Gordon Smith**
(45) Registration Date: **23 May 2008**
(30) Convention priority data:
(31) Number (32) Date (33) Country
000715883-0005 01 May 2007 EUROPEAN COMMUNITY
(56) Related Art Documents: **Not Applicable**
(57) Statement of Newness and Distinctiveness: **Nil**



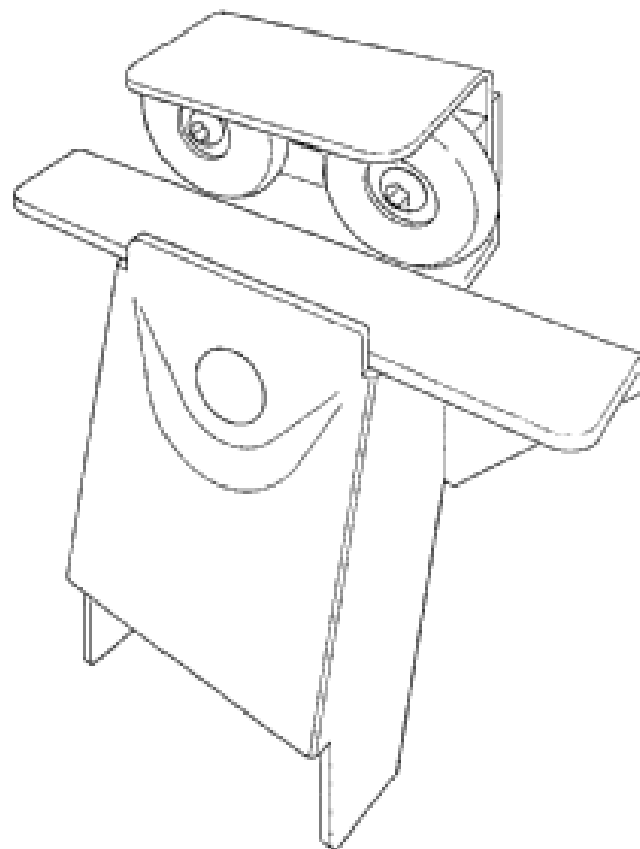
(21) Design Number: **21385/2007**
(22) Date of Filing Application: **12 December 2007**
(24) Date from which industrial property rights may have effect: **12 December 2007**
(54) Product in respect of which the design is registered: **Sliding gate roller**
(51) International Design Classification: **08-08L, 08-08NES**
(71) Name(s) and Address(s) of Applicant(s):
Polyweld Pty Ltd
259 Rex Road Campbellfield Victoria 3061 Australia
(72) Name(s) of Designer(s): **John Gray**
(45) Registration Date: **23 May 2008**
(56) Related Art Documents: **Not Applicable**
(57) Statement of Newness and Distinctiveness: **Dog-leg plate with top flange and hole at the bottom centre, two wheels attached to plate.**



- (21) Design Number: **21347/2007**
(22) Date of Filing Application: **12 December 2007**
(24) Date from which industrial property rights may have effect: **12 December 2007**
(54) Product in respect of which the design is registered: **Sliding column roller**
(51) International Design Classification: **08-08L, 08-08NES**
(71) Name(s) and Address(s) of Applicant(s):

Polyweld Pty Ltd
259 Rex Road Campbellfield Victoria 3061 Australia

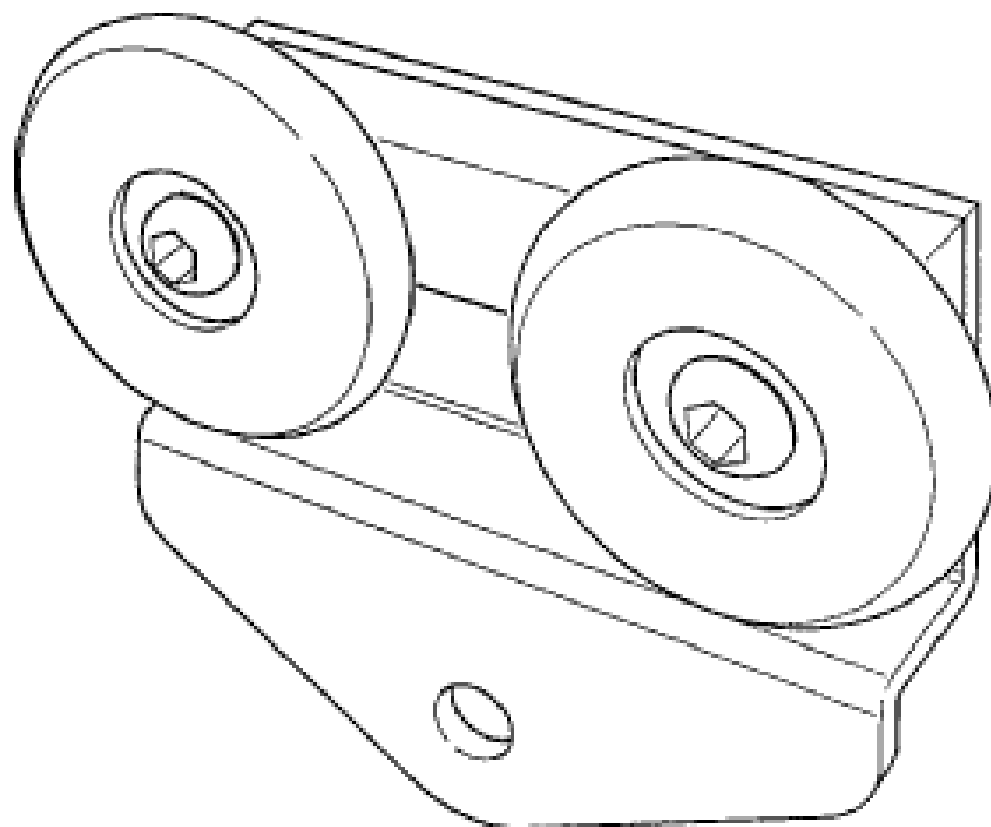
- (72) Name(s) of Designer(s): **John Gray**
(45) Registration Date: **23 May 2008**
(56) Related Art Documents: **Not Applicable**
(57) Statement of Newness and Distinctiveness: **Folded metal adaptor plate and base plate and two wheels arranged to position the wheels and plates relative to each other as illustrated.**



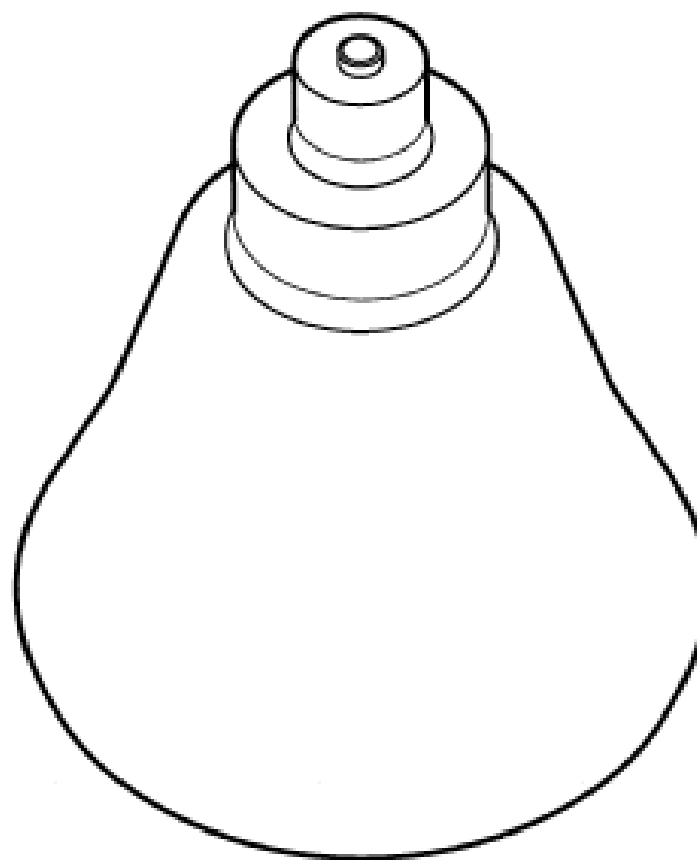
- (21) Design Number: **21384/2007**
(22) Date of Filing Application: **12 December 2007**
(24) Date from which industrial property rights may have effect: **12 December 2007**
(54) Product in respect of which the design is registered: **Sliding gate roller**
(51) International Design Classification: **08-08L, 08-08NES**
(71) Name(s) and Address(s) of Applicant(s):

Polyweld Pty Ltd
259 Rex Road Campbellfield Victoria 3061 Australia

- (72) Name(s) of Designer(s): **John Gray**
(45) Registration Date: **23 May 2008**
(56) Related Art Documents: **Not Applicable**
(57) Statement of Newness and Distinctiveness: **Dog-leg plate attached to two wheels. The plate has a hole at the bottom centre.**



- (21) Design Number: **18027/2007**
(22) Date of Filing Application: **21 May 2007**
(24) Date from which industrial property rights may have effect: **21 May 2007**
(54) Product in respect of which the design is registered: **Conical container**
(51) International Design Classification: **11-02NES, 11-01NES**
(71) Name(s) and Address(s) of Applicant(s):
Gregory Viana Castanarez
No.69 9th St. Comembo Fort Bonifacio Makati City Metro Manila 1200
Philippines
(72) Name(s) of Designer(s): **Gregory Viana Castanarez**
(45) Registration Date: **26 May 2008**
(56) Related Art Documents: **Not Applicable**
(57) Statement of Newness and Distinctiveness: **Newness and distinctiveness reside in the features of shape and configuration of a conical container as depicted in the accompanying representations.**



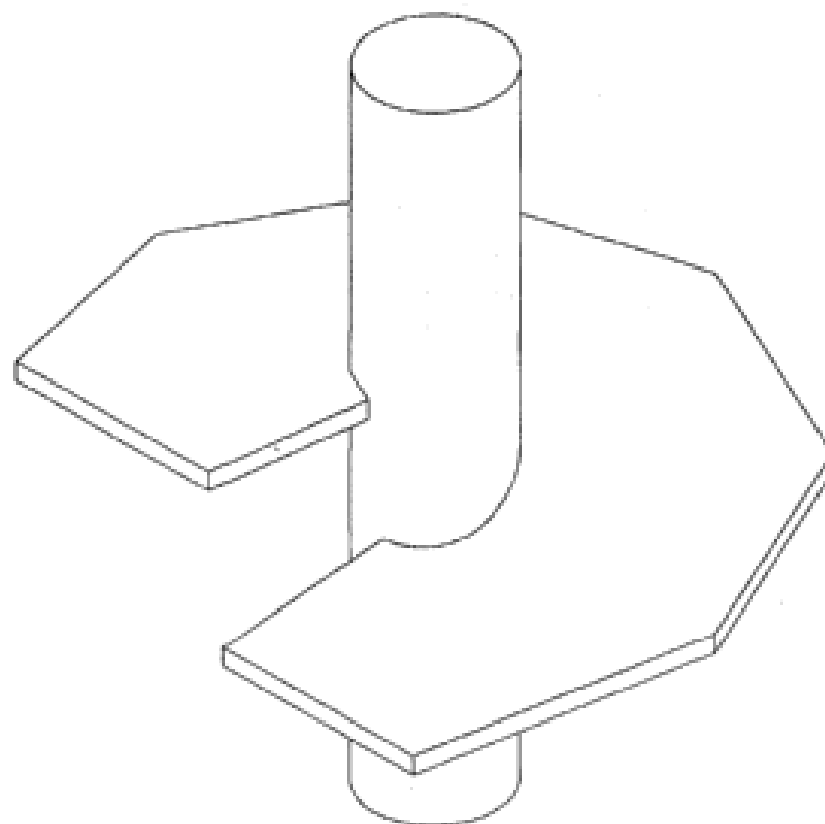
- (21) Design Number: **21538/2007**
(22) Date of Filing Application: **21 December 2007**
(24) Date from which industrial property rights may have effect: **21 December 2007**
(54) Product in respect of which the design is registered: **Adaptor for strip collated screws**
(51) International Design Classification: **08-08B, 08-04**
(71) Name(s) and Address(s) of Applicant(s):
Societe de Prospection et D'Inventions Techniques SPIT
150 route de Lyon Bourg-les-Valence 26500 France
(72) Name(s) of Designer(s): **Jean-Luc Simonin and Bruno Lendrieux and Jean-Pierre Coste**
(45) Registration Date: **26 May 2008**
(30) Convention priority data:
(31) Number (32) Date (33) Country
746888 26 Jun 2007 EUROPEAN COMMUNITY
(56) Related Art Documents: **Not Applicable**
(57) Statement of Newness and Distinctiveness: **Nil**



- (21) Design Number: **10010/2008**
- (22) Date of Filing Application: **02 January 2008**
- (24) Date from which industrial property rights may have effect: **02 January 2008**
- (54) Product in respect of which the design is registered: **A screw pile**
- (51) International Design Classification: **08-08B**
- (71) Name(s) and Address(s) of Applicant(s):

DCJT Pty Ltd
PO Box 3188 Gippsland Mail Centre Victoria 3841 Australia

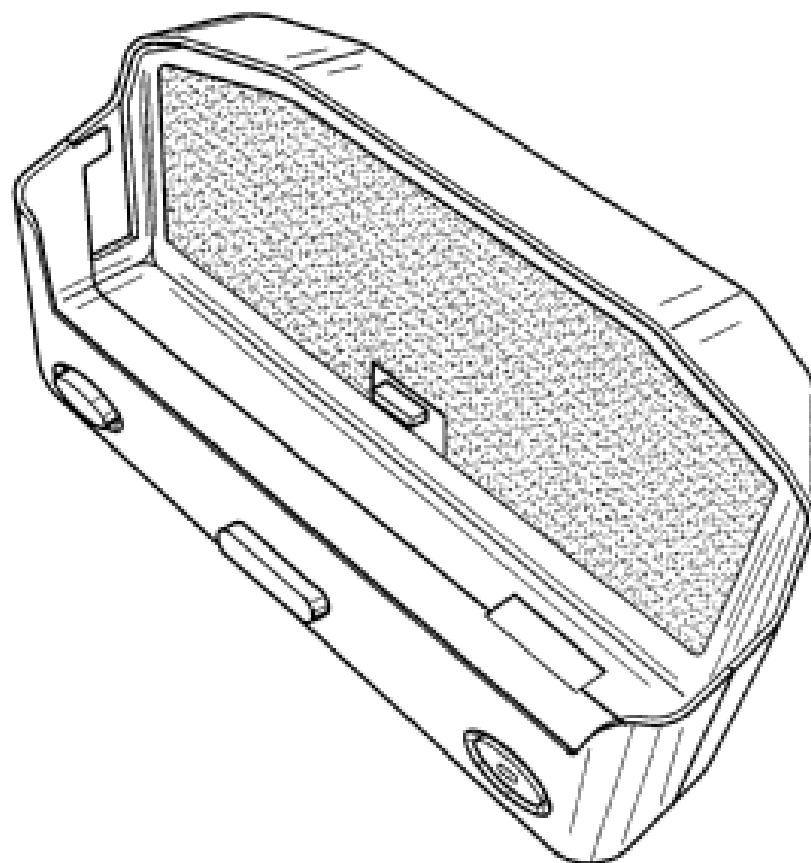
- (72) Name(s) of Designer(s): **Antony Difabrizio**
- (45) Registration Date: **26 May 2008**
- (56) Related Art Documents: **Not Applicable**
- (57) Statement of Newness and Distinctiveness: **Nil**



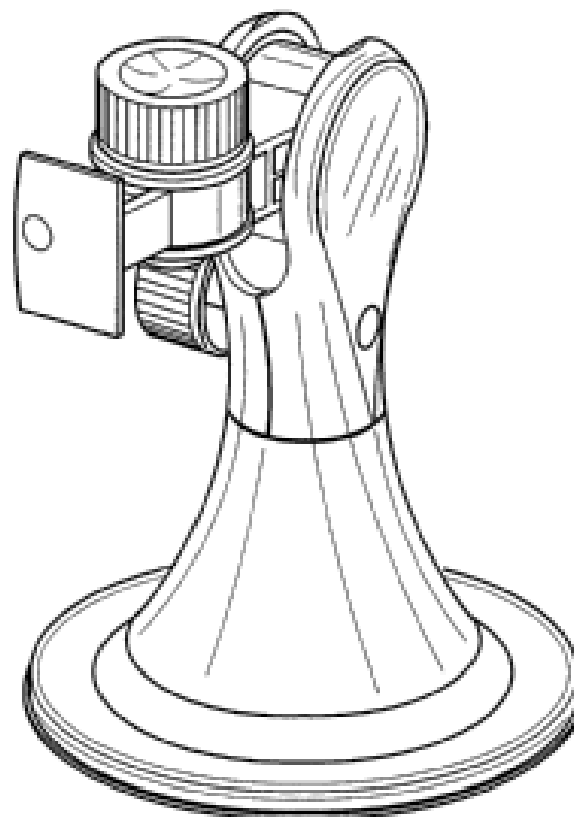
- (21) Design Number: **10039/2008**
- (22) Date of Filing Application: **03 January 2008**
- (24) Date from which industrial property rights may have effect: **03 January 2008**
- (54) Product in respect of which the design is registered: **Cradle**
- (51) International Design Classification: **14-03NES, 12-16H**
- (71) Name(s) and Address(s) of Applicant(s):

Augusto Tucci
78 Mills Road Braeside Victoria 3195 Australia

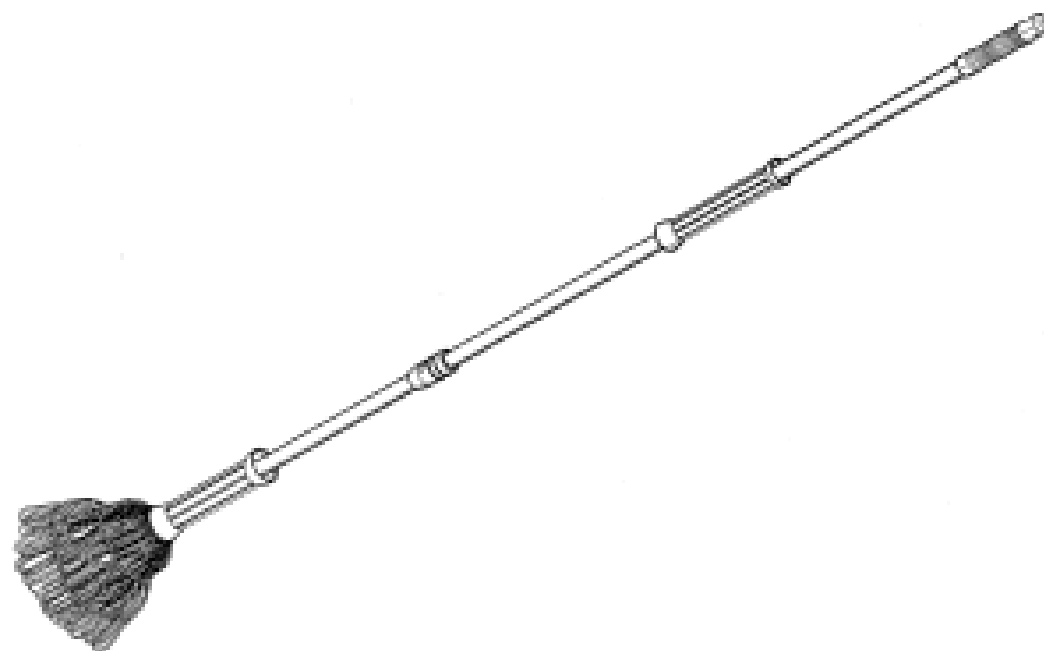
- (72) Name(s) of Designer(s): **Augusto Tucci**
- (45) Registration Date: **26 May 2008**
- (56) Related Art Documents: **Not Applicable**
- (57) Statement of Newness and Distinctiveness: **The shape, configuration, shape and configuration, pattern, ornamentation, pattern and ornamentation, etc. of the design are new and distinctive.**



- (21) Design Number: **10040/2008**
(22) Date of Filing Application: **03 January 2008**
(24) Date from which industrial property rights may have effect: **03 January 2008**
(54) Product in respect of which the design is registered: **Holder for an information display unit**
(51) International Design Classification: **14-99, 14-02**
(71) Name(s) and Address(s) of Applicant(s):
Augusto Tucci
78 Mills Road Braeside Victoria 3195 Australia
(72) Name(s) of Designer(s): **Augusto Tucci**
(45) Registration Date: **26 May 2008**
(56) Related Art Documents: **Not Applicable**
(57) Statement of Newness and Distinctiveness: **The shape, configuration, shape and configuration, pattern, ornamentation, pattern and ornamentation, etc. of the design are new and distinctive.**



- (21) Design Number: **10124/2008**
(22) Date of Filing Application: **11 January 2008**
(24) Date from which industrial property rights may have effect: **11 January 2008**
(54) Product in respect of which the design is registered: **Ratchet pawl body of a "twist-to-wring" ratchet squeeze mop**
(51) International Design Classification: **04-01, 07-05E**
(71) Name(s) and Address(s) of Applicant(s):
The Decor Corporation Pty Ltd
1314 Ferntree Gully Road Scoresby Victoria 3179 Australia
(72) Name(s) of Designer(s): **Jim Samartgis**
(45) Registration Date: **26 May 2008**
(56) Related Art Documents: **Not Applicable**
(57) Statement of Newness and Distinctiveness: **The features of shape and configuration of a ratchet pawl body of a "twist-to-wring" ratchet squeeze mop as shown by body marked 'A' in the accompanying representations are new and distinctive. For the purposes of determining the features of the design in infringement proceedings, the features of all the ratchet squeeze mop components, except the ratchet pawl body are to be disregarded.**



(21) Design Number: **10439/2008**

(22) Date of Filing Application: **01 February 2008**

(24) Date from which industrial property rights may have effect: **01 February 2008**

(54) Product in respect of which the design is registered: **Media cutting device**

(51) International Design Classification: **08-03**

(71) Name(s) and Address(s) of Applicant(s):

3M Innovative Properties Company

3M Center Saint Paul Minnesota 55133-3427 United States of America

(72) Name(s) of Designer(s): **Joy A. Packard and Valentina Tronconi and Scott D. Pearson and Gabriel F. Zangari and Mauro Porcini**

(45) Registration Date: **26 May 2008**

(30) Convention priority data:

(31) Number

(32) Date

(33) Country

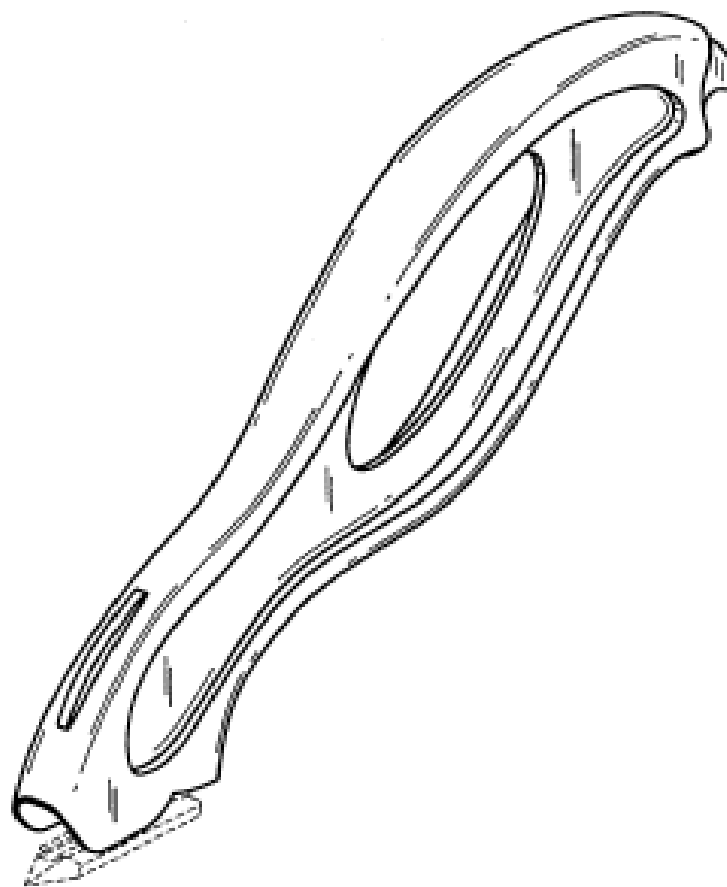
29/283009

03 Aug 2007

UNITED STATES OF AMERICA

(56) Related Art Documents: **Not Applicable**

(57) Statement of Newness and Distinctiveness: **Newness and distinctiveness is claimed in the shape and/or configuration of a media cutting device as shown in solid lines in the representations.**



(21) Design Number: **10441/2008**

(22) Date of Filing Application: **01 February 2008**

(24) Date from which industrial property rights may have effect: **01 February 2008**

(54) Product in respect of which the design is registered: **Shoe box**

(51) International Design Classification: **09-03B**

(71) Name(s) and Address(s) of Applicant(s):

Closet Case Pty Ltd

2/30 Esplanade Place Port Melbourne Victoria 3207 Australia

(72) Name(s) of Designer(s): **Kelly Johns**

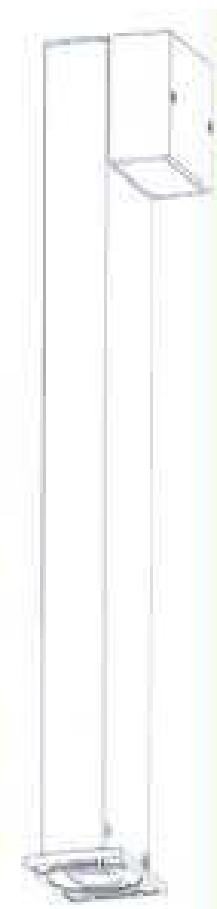
(45) Registration Date: **26 May 2008**

(56) Related Art Documents: **Not Applicable**

(57) Statement of Newness and Distinctiveness: **Monopoly is claimed in the shape and configuration of the box for use as storage of shoes or for portable use as illustrated in the accompanying representations.**



(21) Design Number: **10443/2008**
(22) Date of Filing Application: **01 February 2008**
(24) Date from which industrial property rights may have effect: **01 February 2008**
(54) Product in respect of which the design is registered: **Lighting apparatus**
(51) International Design Classification: **26-05C**
(71) Name(s) and Address(s) of Applicant(s):
ERCO Leuchten GmbH
Brockhauser Weg 80-82 58507 Ludenscheid Germany
(72) Name(s) of Designer(s): **Alois Dworschak**
(45) Registration Date: **26 May 2008**
(30) Convention priority data:
(31) Number (32) Date (33) Country
000774005 13 Aug 2007 EUROPEAN COMMUNITY
(56) Related Art Documents: **Not Applicable**
(57) Statement of Newness and Distinctiveness: **Nil**



(21) Design Number: **10444/2008**
(22) Date of Filing Application: **01 February 2008**
(24) Date from which industrial property rights may have effect: **01 February 2008**
(54) Product in respect of which the design is registered: **Lighting apparatus**
(51) International Design Classification: **26-05C**
(71) Name(s) and Address(s) of Applicant(s):
ERCO Leuchten GmbH
Brockhauser Weg 80-82 58507 Ludenscheid Germany
(72) Name(s) of Designer(s): **Alois Dworschak**
(45) Registration Date: **26 May 2008**
(30) Convention priority data:
(31) Number (32) Date (33) Country
000774005 13 Aug 2007 EUROPEAN COMMUNITY
(56) Related Art Documents: **Not Applicable**
(57) Statement of Newness and Distinctiveness: **Nil**



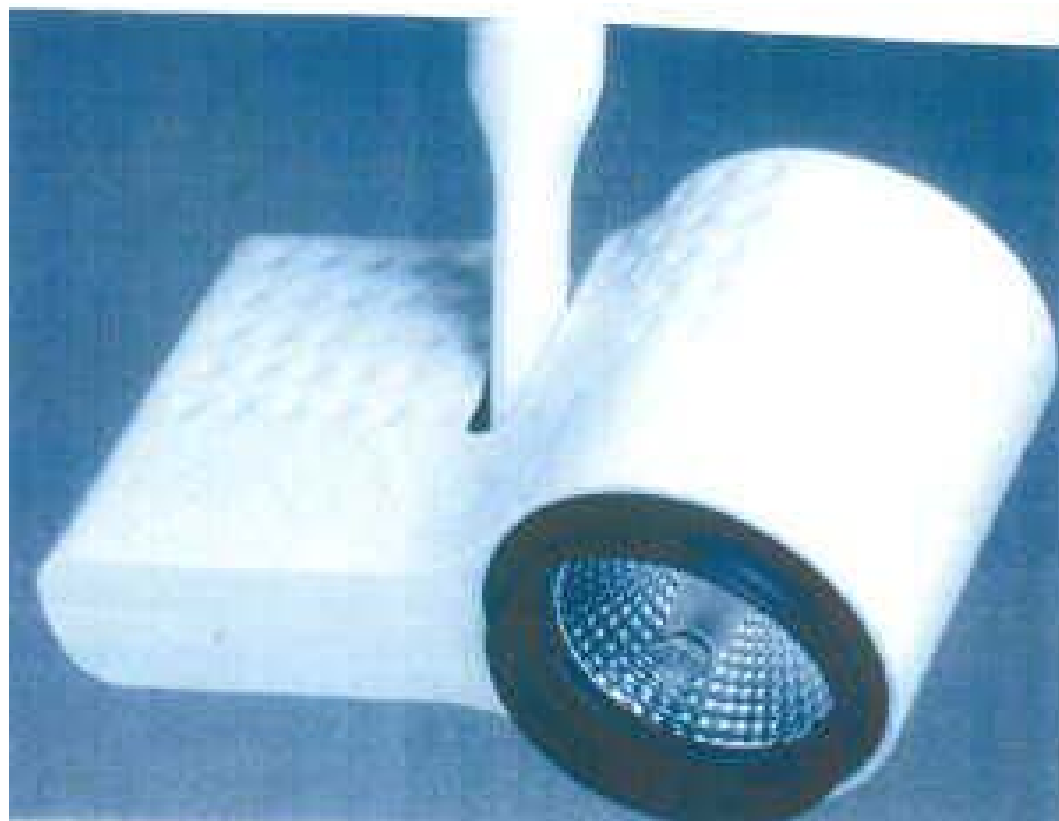
(21) Design Number: **10445/2008**
(22) Date of Filing Application: **01 February 2008**
(24) Date from which industrial property rights may have effect: **01 February 2008**
(54) Product in respect of which the design is registered: **Lighting apparatus**
(51) International Design Classification: **26-05C**
(71) Name(s) and Address(s) of Applicant(s):
ERCO Leuchten GmbH
Brockhauser Weg 80-82 58507 Ludenscheid Germany
(72) Name(s) of Designer(s): **Alois Dworschak**
(45) Registration Date: **26 May 2008**
(30) Convention priority data:
(31) Number (32) Date (33) Country
000774005 13 Aug 2007 EUROPEAN COMMUNITY
(56) Related Art Documents: **Not Applicable**
(57) Statement of Newness and Distinctiveness: **Nil**



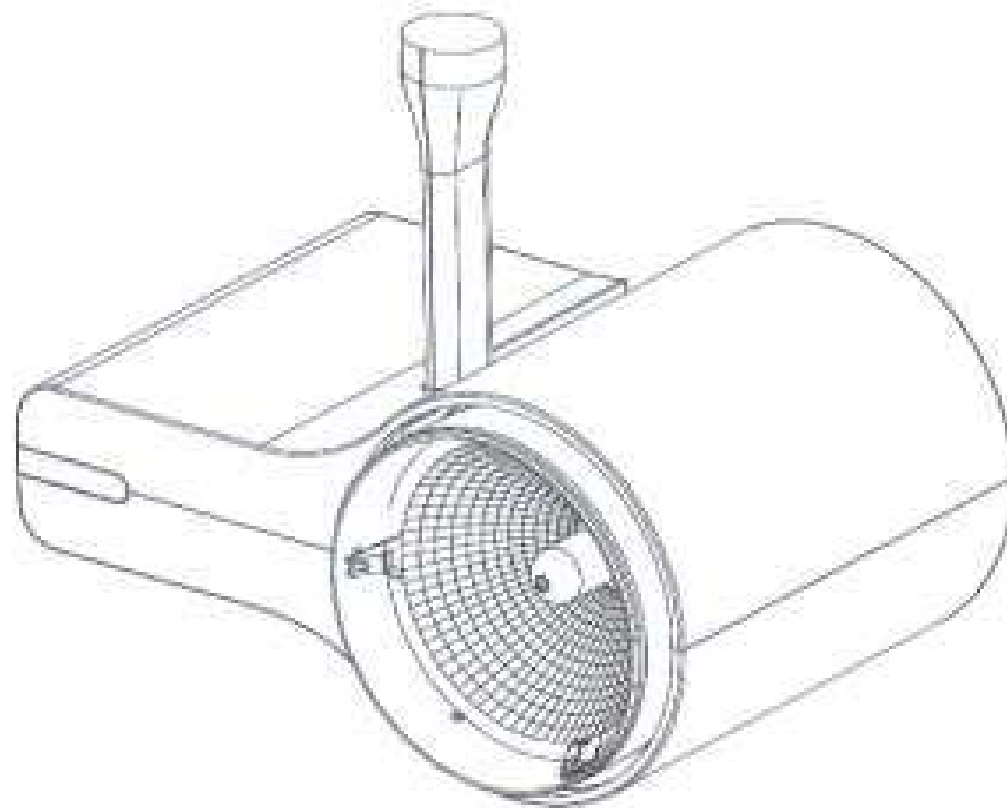
(21) Design Number: **10446/2008**
(22) Date of Filing Application: **01 February 2008**
(24) Date from which industrial property rights may have effect: **01 February 2008**
(54) Product in respect of which the design is registered: **Lighting apparatus**
(51) International Design Classification: **26-05C**
(71) Name(s) and Address(s) of Applicant(s):
ERCO Leuchten GmbH
Brockhauser Weg 80-82 58507 Ludenscheid Germany
(72) Name(s) of Designer(s): **Naoto Fukasawa**
(45) Registration Date: **26 May 2008**
(30) Convention priority data:
(31) Number (32) Date (33) Country
000774005 13 Aug 2007 EUROPEAN COMMUNITY
(56) Related Art Documents: **Not Applicable**
(57) Statement of Newness and Distinctiveness: **Nil**



(21) Design Number: **10448/2008**
(22) Date of Filing Application: **01 February 2008**
(24) Date from which industrial property rights may have effect: **01 February 2008**
(54) Product in respect of which the design is registered: **Lighting apparatus**
(51) International Design Classification: **26-05C**
(71) Name(s) and Address(s) of Applicant(s):
ERCO Leuchten GmbH
Brockhauser Weg 80-82 58507 Ludenscheid Germany
(72) Name(s) of Designer(s): **Yves Behar**
(45) Registration Date: **26 May 2008**
(30) Convention priority data:
(31) Number (32) Date (33) Country
000774005 13 Aug 2007 EUROPEAN COMMUNITY
(56) Related Art Documents: **Not Applicable**
(57) Statement of Newness and Distinctiveness: **Nil**



(21) Design Number: **10449/2008**
(22) Date of Filing Application: **01 February 2008**
(24) Date from which industrial property rights may have effect: **01 February 2008**
(54) Product in respect of which the design is registered: **Lighting apparatus**
(51) International Design Classification: **26-05C**
(71) Name(s) and Address(s) of Applicant(s):
ERCO Leuchten GmbH
Brockhauser Weg 80-82 58507 Ludenscheid Germany
(72) Name(s) of Designer(s): **Yves Behar**
(45) Registration Date: **26 May 2008**
(30) Convention priority data:
(31) Number (32) Date (33) Country
000774005 13 Aug 2007 EUROPEAN COMMUNITY
(56) Related Art Documents: **Not Applicable**
(57) Statement of Newness and Distinctiveness: **Nil**



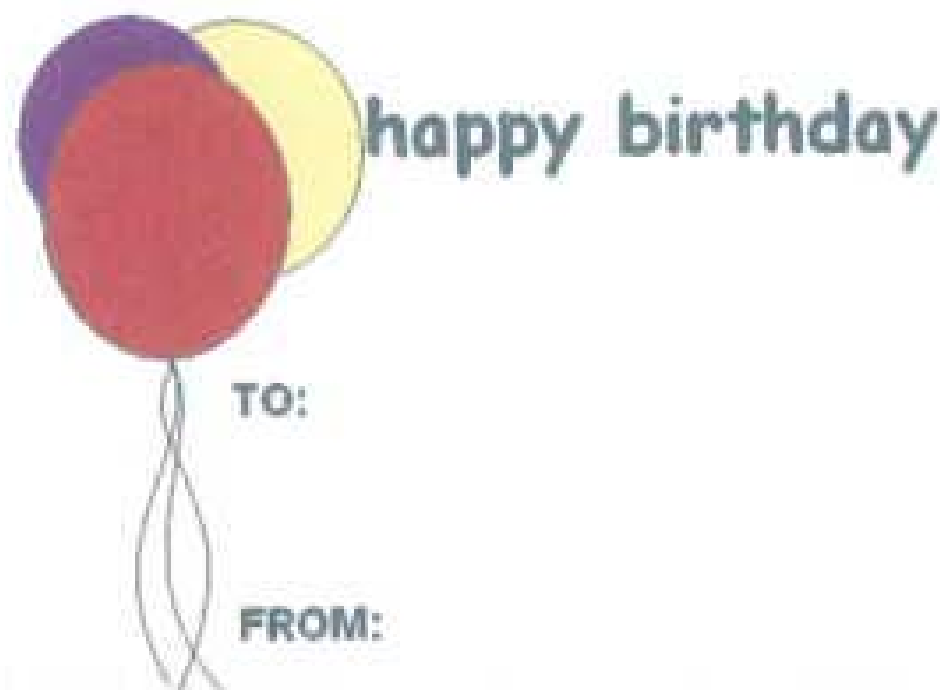
(21) Design Number: **10450/2008**
(22) Date of Filing Application: **01 February 2008**
(24) Date from which industrial property rights may have effect: **01 February 2008**
(54) Product in respect of which the design is registered: **Lighting apparatus**
(51) International Design Classification: **26-05C, 26-03**
(71) Name(s) and Address(s) of Applicant(s):
ERCO Leuchten GmbH
Brockhauser Weg 80-82 58507 Ludenscheid Germany
(72) Name(s) of Designer(s): **Alois Dworschak**
(45) Registration Date: **26 May 2008**
(30) Convention priority data:
(31) Number (32) Date (33) Country
000774005 13 Aug 2007 EUROPEAN COMMUNITY
(56) Related Art Documents: **Not Applicable**
(57) Statement of Newness and Distinctiveness: **Nil**



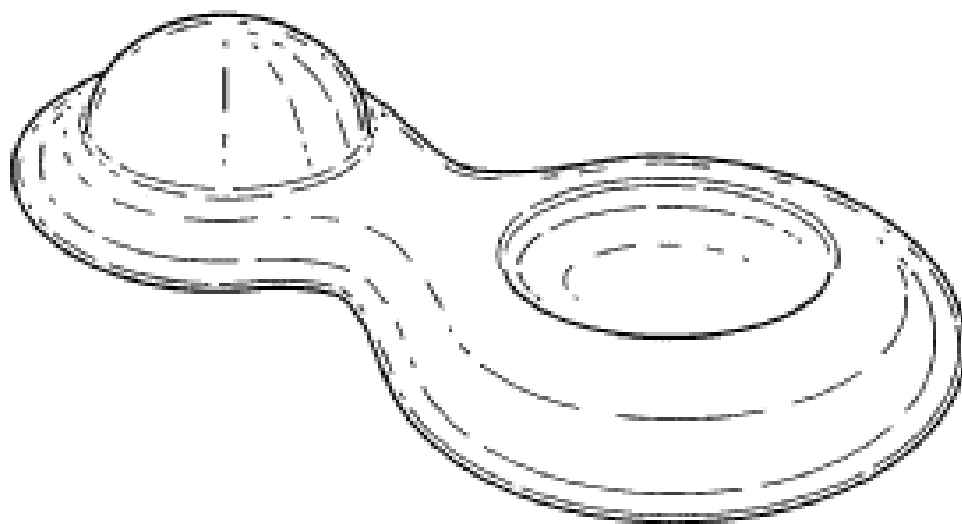
(21) Design Number: **10457/2008**
(22) Date of Filing Application: **01 February 2008**
(24) Date from which industrial property rights may have effect: **01 February 2008**
(54) Product in respect of which the design is registered: **Handle for a power scrubber**
(51) International Design Classification: **08-06**
(71) Name(s) and Address(s) of Applicant(s):
Black & Decker, Inc.
1207 Drummond Plaza, Newark, Delaware 19711 United States of America
(72) Name(s) of Designer(s): **Christopher J. Murray**
(45) Registration Date: **26 May 2008**
(30) Convention priority data:
(31) Number (32) Date (33) Country
29/288943 27 Jun 2007 UNITED STATES OF AMERICA
(56) Related Art Documents: **Not Applicable**
(57) Statement of Newness and Distinctiveness: **Newness and distinctiveness is claimed in the visual features shown in solid lines in the representations.**



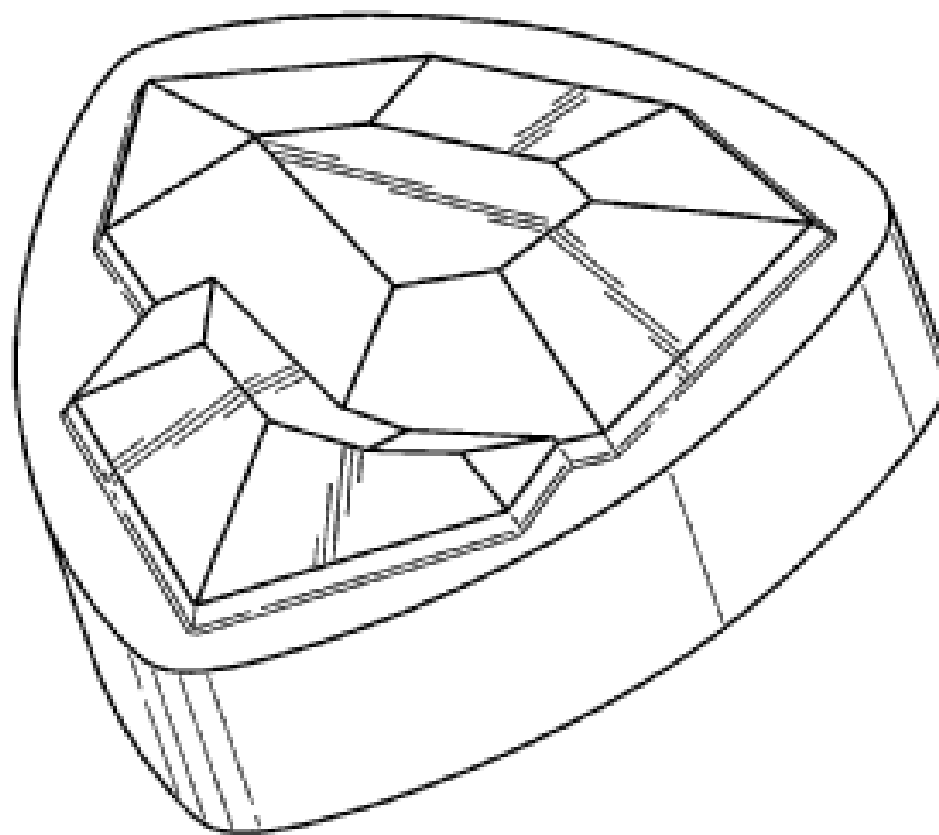
- (21) Design Number: **10396/2008**
(22) Date of Filing Application: **01 February 2008**
(24) Date from which industrial property rights may have effect: **01 February 2008**
(54) Product in respect of which the design is registered: **Adhesive labels**
(51) International Design Classification: **19-08**
(71) Name(s) and Address(s) of Applicant(s):
Shirley A. Spillane
45 Blighs Road Cromer New South Wales 2099 Australia
(72) Name(s) of Designer(s): **Shirley Spillane**
(45) Registration Date: **26 May 2008**
(56) Related Art Documents: **Not Applicable**
(57) Statement of Newness and Distinctiveness: **Adhesive label printed with the words 'happy birthday'.**



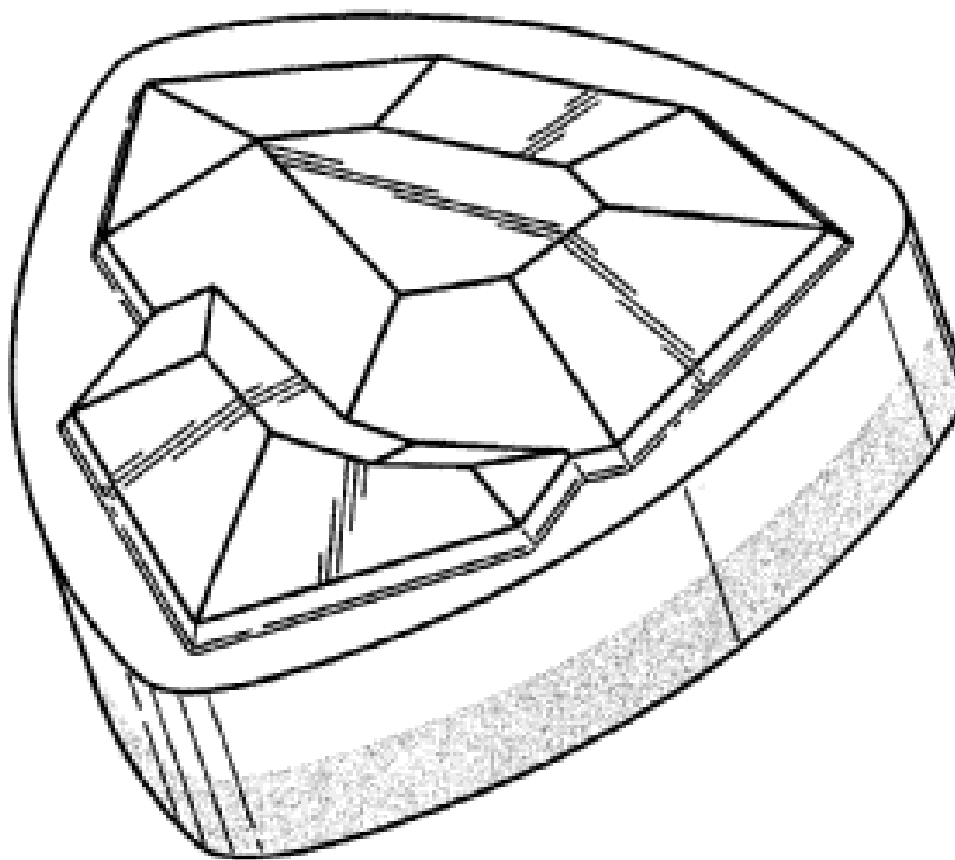
- (21) Design Number: **10467/2008**
(22) Date of Filing Application: **04 February 2008**
(24) Date from which industrial property rights may have effect: **04 February 2008**
(54) Product in respect of which the design is registered: **Interlocking confectionery**
(51) International Design Classification: **01-01**
(71) Name(s) and Address(s) of Applicant(s):
The Procter & Gamble Company
One Procter & Gamble Plaza Cincinnati Ohio 45202 United States of America
(72) Name(s) of Designer(s): **Christopher Raymond Eagleton and Marc Paul Lorenzi and Edward Adamson and Gemma Pridmore**
(45) Registration Date: **26 May 2008**
(30) Convention priority data:
(31) Number (32) Date (33) Country
772660 10 Aug 2007 EUROPEAN COMMUNITY
(56) Related Art Documents: **Not Applicable**
(57) Statement of Newness and Distinctiveness: **Newness and distinctiveness reside in the features of shape and/or configuration of the interlocking confectionery, as shown in the representations.**



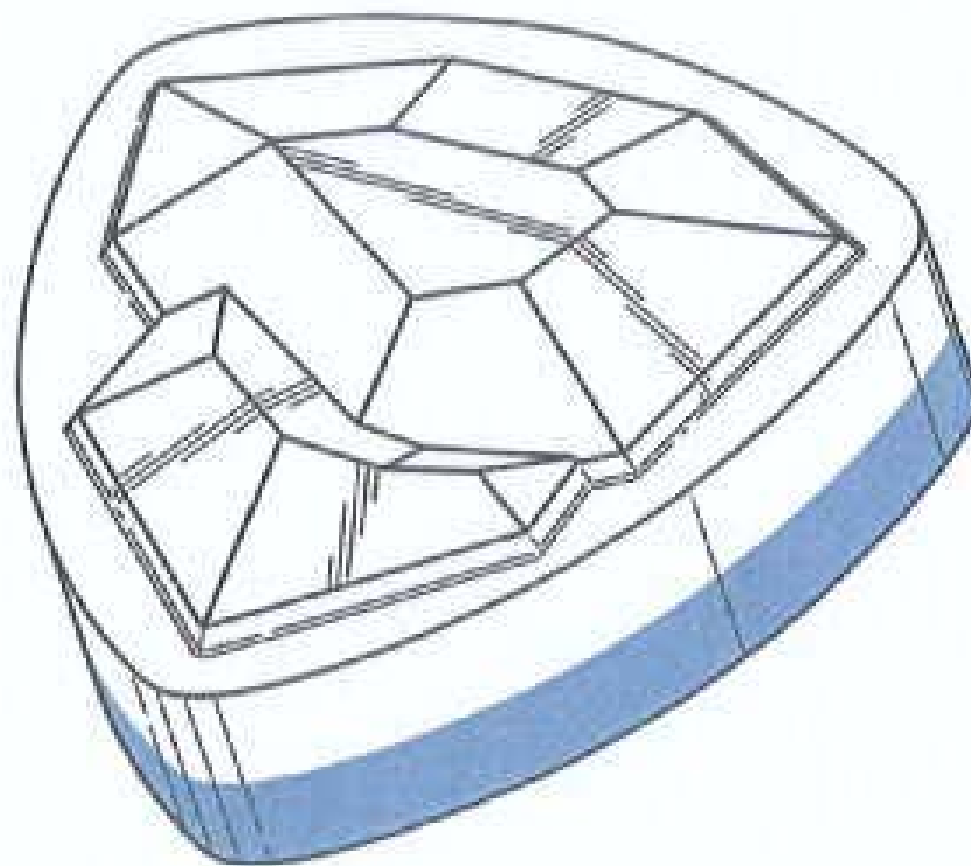
- (21) Design Number: **10468/2008**
(22) Date of Filing Application: **04 February 2008**
(24) Date from which industrial property rights may have effect: **04 February 2008**
(54) Product in respect of which the design is registered: **Confectionery**
(51) International Design Classification: **01-01**
(71) Name(s) and Address(s) of Applicant(s):
The Procter & Gamble Company
One Procter & Gamble Plaza Cincinnati Ohio 45202 United States of America
(72) Name(s) of Designer(s): **Arne Benjamin Colman and Christopher Raymond Eagleton and Marc Paul Lorenzi and Matthew John Masters**
(45) Registration Date: **26 May 2008**
(30) Convention priority data:
(31) Number (32) Date (33) Country
773155 10 Aug 2007 EUROPEAN COMMUNITY
(56) Related Art Documents: **Not Applicable**
(57) Statement of Newness and Distinctiveness: **Newness and distinctiveness reside in the features of shape and/or configuration of the confectionery, as shown in the representations.**



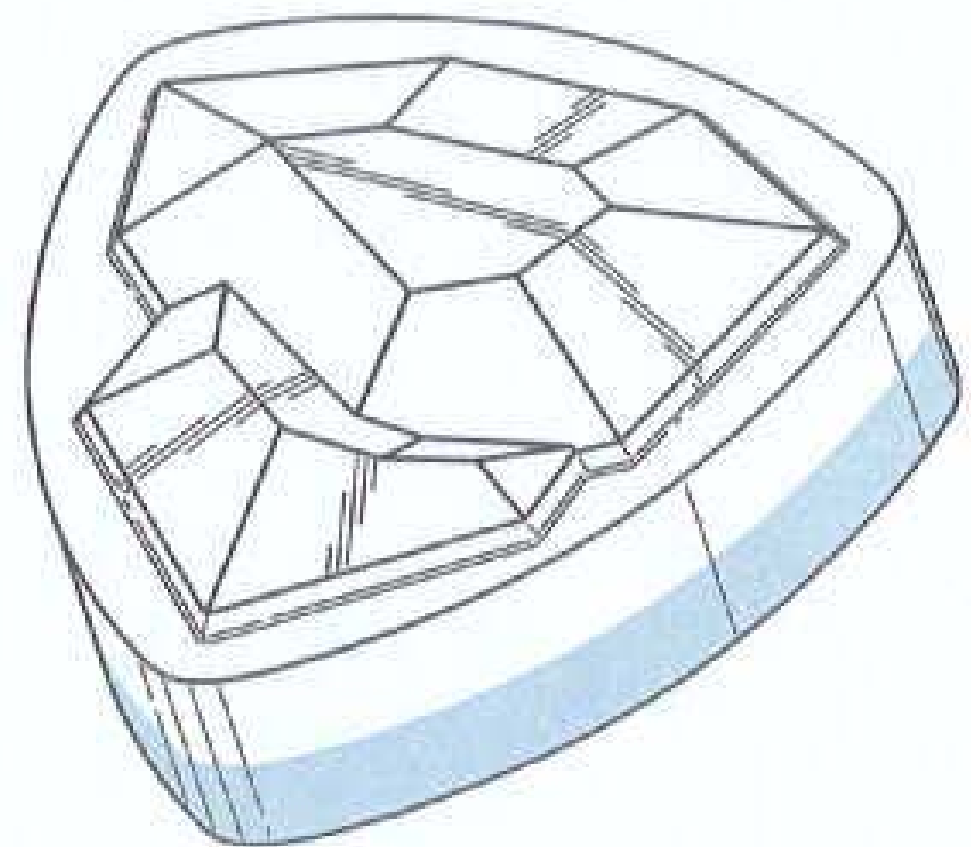
- (21) Design Number: **10469/2008**
(22) Date of Filing Application: **04 February 2008**
(24) Date from which industrial property rights may have effect: **04 February 2008**
(54) Product in respect of which the design is registered: **Confectionery**
(51) International Design Classification: **01-01**
(71) Name(s) and Address(s) of Applicant(s):
The Procter & Gamble Company
One Procter & Gamble Plaza Cincinnati Ohio 45202 United States of America
(72) Name(s) of Designer(s): **Arne Benjamin Colman and Christopher Raymond Eagleton and Marc Paul Lorenzi and Matthew John Masters**
(45) Registration Date: **26 May 2008**
(30) Convention priority data:
(31) Number (32) Date (33) Country
773155 10 Aug 2007 EUROPEAN COMMUNITY
(56) Related Art Documents: **Not Applicable**
(57) Statement of Newness and Distinctiveness: **Newness and distinctiveness reside in the features of shape and/or configuration and pattern and/or ornament applied to the confectionery, all as shown in the representations.**



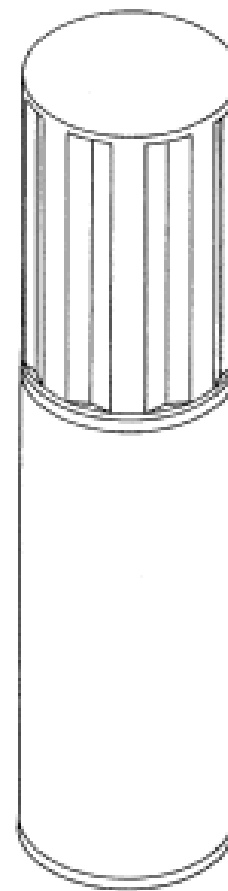
(21) Design Number: **10470/2008**
(22) Date of Filing Application: **04 February 2008**
(24) Date from which industrial property rights may have effect: **04 February 2008**
(54) Product in respect of which the design is registered: **Confectionery**
(51) International Design Classification: **01-01**
(71) Name(s) and Address(s) of Applicant(s):
The Procter & Gamble Company
One Procter & Gamble Plaza Cincinnati Ohio 45202 United States of America
(72) Name(s) of Designer(s): **Arne Benjamin Colman and Christopher Raymond Eagleton and Marc Paul Lorenzi and Matthew John Masters**
(45) Registration Date: **26 May 2008**
(30) Convention priority data:
(31) Number (32) Date (33) Country
773155 10 Aug 2007 EUROPEAN COMMUNITY
(56) Related Art Documents: **Not Applicable**
(57) Statement of Newness and Distinctiveness: **Newness and distinctiveness reside in the features of shape and/or configuration and pattern and/or ornament applied to the confectionery, all as shown in the representations.**



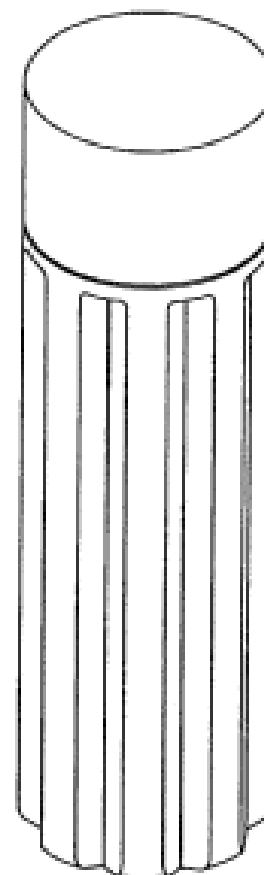
(21) Design Number: **10471/2008**
(22) Date of Filing Application: **04 February 2008**
(24) Date from which industrial property rights may have effect: **04 February 2008**
(54) Product in respect of which the design is registered: **Confectionery**
(51) International Design Classification: **01-01**
(71) Name(s) and Address(s) of Applicant(s):
The Procter & Gamble Company
One Procter & Gamble Plaza Cincinnati Ohio 45202 United States of America
(72) Name(s) of Designer(s): **Arne Benjamin Colman and Christopher Raymond Eagleton and Marc Paul Lorenzi and Matthew John Masters**
(45) Registration Date: **26 May 2008**
(30) Convention priority data:
(31) Number (32) Date (33) Country
773155 10 Aug 2007 EUROPEAN COMMUNITY
(56) Related Art Documents: **Not Applicable**
(57) Statement of Newness and Distinctiveness: **Newness and distinctiveness reside in the features of shape and/or configuration and pattern and/or ornament applied to the confectionery, all as shown in the representations.**



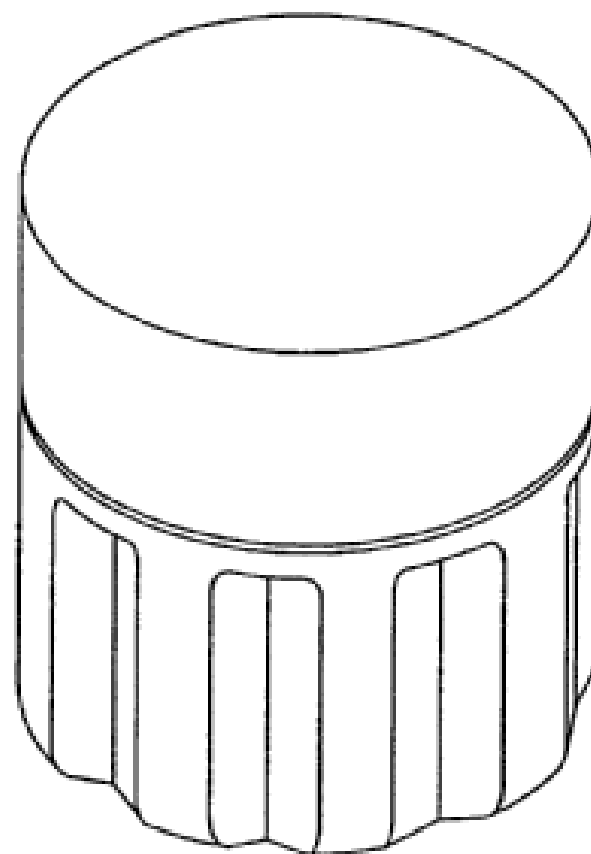
(21) Design Number: **10474/2008**
(22) Date of Filing Application: **04 February 2008**
(24) Date from which industrial property rights may have effect: **04 February 2008**
(54) Product in respect of which the design is registered: **Bottle**
(51) International Design Classification: **09-01G**
(71) Name(s) and Address(s) of Applicant(s):
Shiseido Co., Ltd.
5-5 Ginza 7-chome Chuo-ku Tokyo Japan
(72) Name(s) of Designer(s): **Chieko Yamamoto**
(45) Registration Date: **26 May 2008**
(56) Related Art Documents: **Not Applicable**
(57) Statement of Newness and Distinctiveness: **Nil**



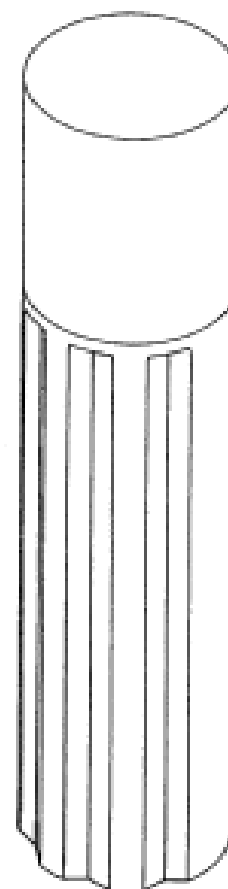
(21) Design Number: **10475/2008**
(22) Date of Filing Application: **04 February 2008**
(24) Date from which industrial property rights may have effect: **04 February 2008**
(54) Product in respect of which the design is registered: **Bottle**
(51) International Design Classification: **09-01G**
(71) Name(s) and Address(s) of Applicant(s):
Shiseido Co., Ltd.
5-5 Ginza 7-chome Chuo-ku Tokyo Japan
(72) Name(s) of Designer(s): **Chieko Yamamoto**
(45) Registration Date: **26 May 2008**
(56) Related Art Documents: **Not Applicable**
(57) Statement of Newness and Distinctiveness: **Nil**



- (21) Design Number: **10476/2008**
- (22) Date of Filing Application: **04 February 2008**
- (24) Date from which industrial property rights may have effect: **04 February 2008**
- (54) Product in respect of which the design is registered: **Jar**
- (51) International Design Classification: **09-01C**
- (71) Name(s) and Address(s) of Applicant(s):
Shiseido Co., Ltd.
5-5 Ginza 7-chome Chuo-ku Tokyo Japan
- (72) Name(s) of Designer(s): **Chieko Yamamoto**
- (45) Registration Date: **26 May 2008**
- (56) Related Art Documents: **Not Applicable**
- (57) Statement of Newness and Distinctiveness: **Nil**



- (21) Design Number: **10477/2008**
- (22) Date of Filing Application: **04 February 2008**
- (24) Date from which industrial property rights may have effect: **04 February 2008**
- (54) Product in respect of which the design is registered: **Bottle**
- (51) International Design Classification: **09-01G**
- (71) Name(s) and Address(s) of Applicant(s):
Shiseido Co., Ltd.
5-5 Ginza 7-chome Chuo-ku Tokyo Japan
- (72) Name(s) of Designer(s): **Chieko Yamamoto**
- (45) Registration Date: **26 May 2008**
- (56) Related Art Documents: **Not Applicable**
- (57) Statement of Newness and Distinctiveness: **Nil**



(21) Design Number: **10478/2008**

(22) Date of Filing Application: **04 February 2008**

(24) Date from which industrial property rights may have effect: **04 February 2008**

(54) Product in respect of which the design is registered: **Solar-powered charger**

(51) International Design Classification: **13-02**

(71) Name(s) and Address(s) of Applicant(s):

**Better Energy Systems Ltd.
42 Easton Street Portland Dorset DT5 1BT United kingdom**

(72) Name(s) of Designer(s): **David Fowler**

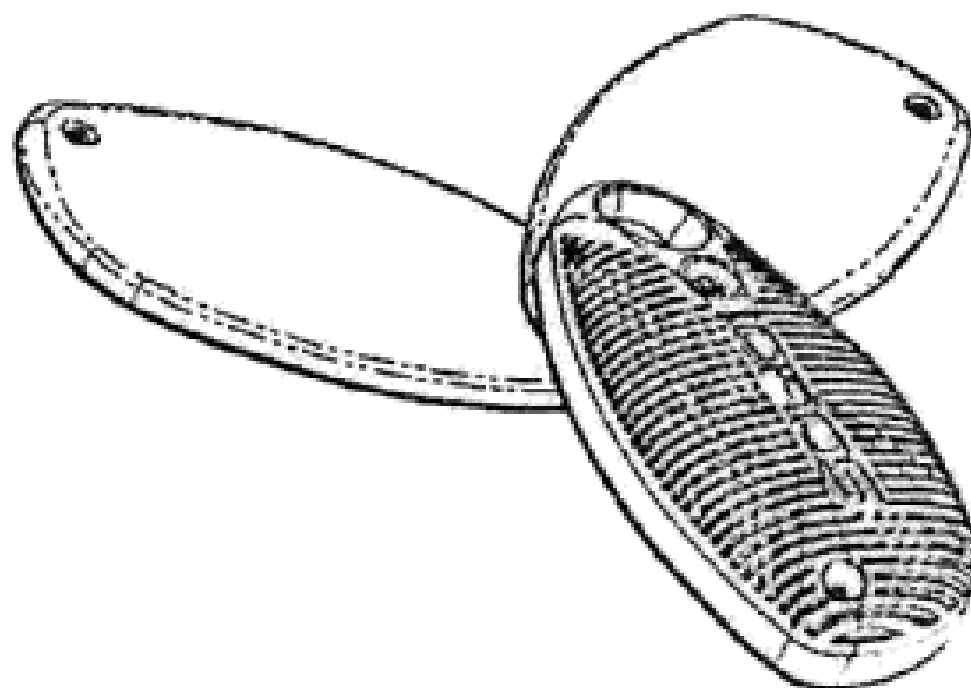
(45) Registration Date: **26 May 2008**

(30) Convention priority data:

(31) Number	(32) Date	(33) Country
29/283,029	03 Aug 2007	UNITED STATES OF AMERICA

(56) Related Art Documents: **Not Applicable**

(57) Statement of Newness and Distinctiveness: **Features of shape and configuration of the solar-powered charger shown in the representations are new and distinctive. The lettering shown in the representations should not be considered when construing visual features of the design.**



(21) Design Number: **10479/2008**

(22) Date of Filing Application: **04 February 2008**

(24) Date from which industrial property rights may have effect: **04 February 2008**

(54) Product in respect of which the design is registered: **Solar-powered charger**

(51) International Design Classification: **13-02**

(71) Name(s) and Address(s) of Applicant(s):

**Better Energy Systems Ltd.
42 Easton Street Portland Dorset DT5 1BT United kingdom**

(72) Name(s) of Designer(s): **David Fowler**

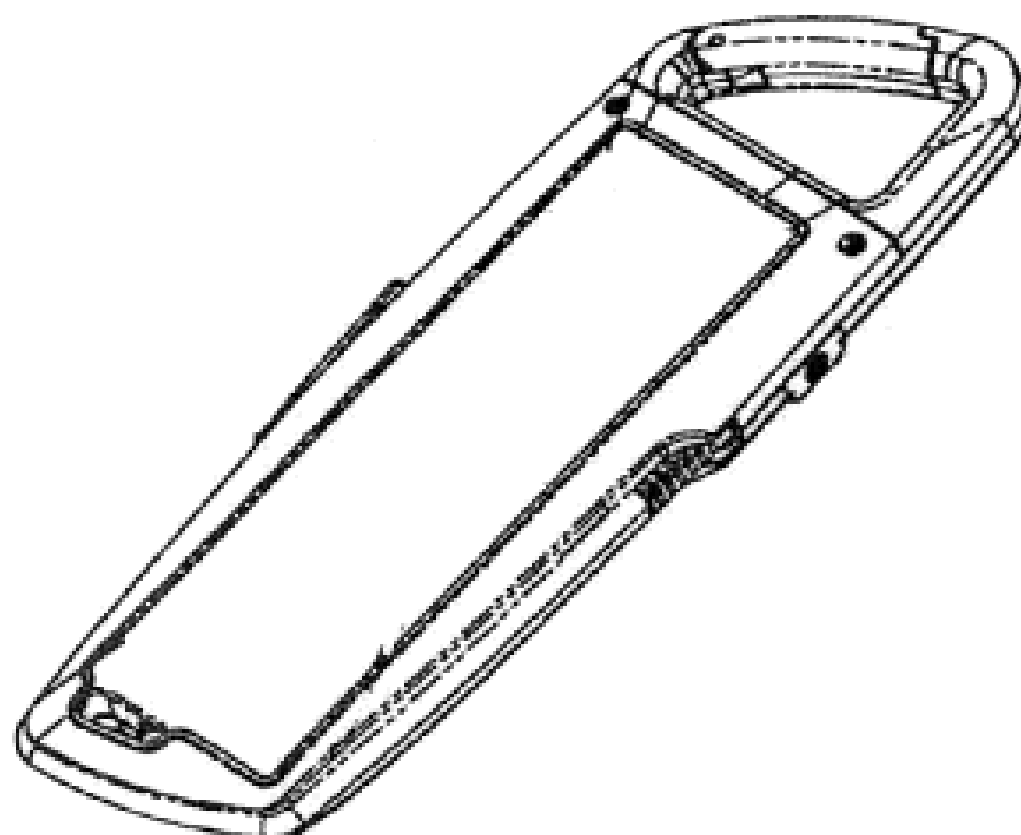
(45) Registration Date: **26 May 2008**

(30) Convention priority data:

(31) Number	(32) Date	(33) Country
29/283,021	03 Aug 2007	UNITED STATES OF AMERICA

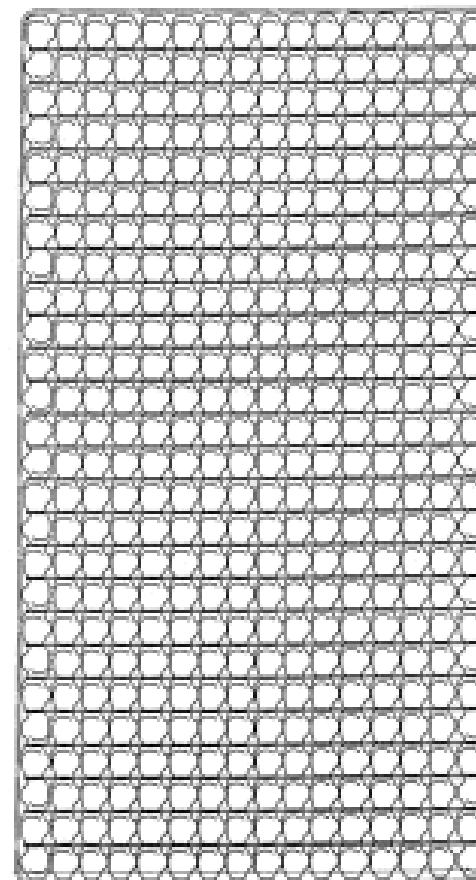
(56) Related Art Documents: **Not Applicable**

(57) Statement of Newness and Distinctiveness: **Features of shape and configuration of solar-powered charger shown in the representations are new and distinctive. The lettering shown in the representations should not be considered when construing visual features of the design.**



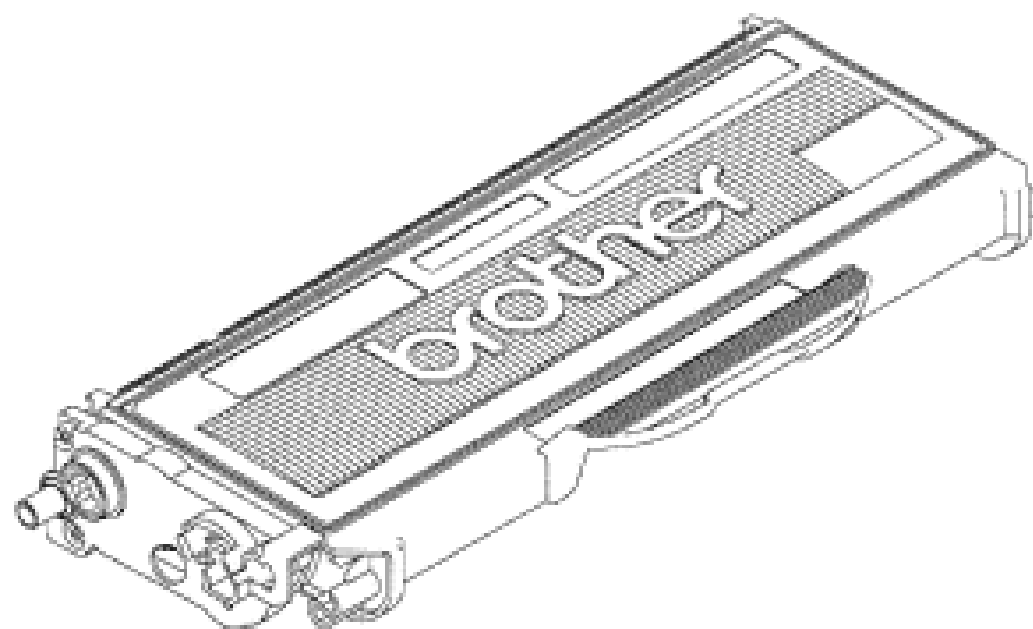
(19) AU

- (21) Design Number: **10481/2008**
(22) Date of Filing Application: **04 February 2008**
(24) Date from which industrial property rights may have effect: **04 February 2008**
(54) Product in respect of which the design is registered: **Top portion of a spring core**
(51) International Design Classification: **08-08C**
(71) Name(s) and Address(s) of Applicant(s):
L&P Property Management Company
4095 Firestone Boulevard South Gate California 90280 United States of America
(72) Name(s) of Designer(s): **Guido Eigenmann and Niels S. Mossbeck and Darrell A. Richmond**
(45) Registration Date: **26 May 2008**
(30) Convention priority data:
(31) Number (32) Date (33) Country
29/283010 03 Aug 2007 UNITED STATES OF AMERICA
(56) Related Art Documents: **Not Applicable**
(57) Statement of Newness and Distinctiveness: **Newness and distinctiveness is claimed in the features of shape and/or configuration of a top portion of a spring core as illustrated in the accompanying representations.**



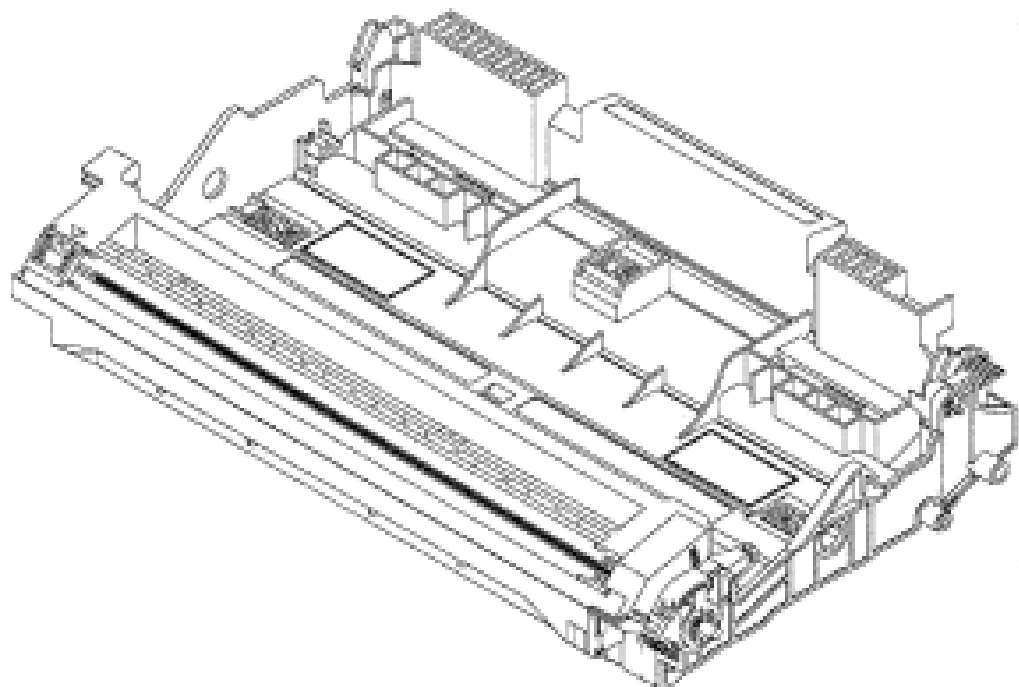
(19) AU

- (21) Design Number: **10482/2008**
(22) Date of Filing Application: **04 February 2008**
(24) Date from which industrial property rights may have effect: **04 February 2008**
(54) Product in respect of which the design is registered: **Toner cartridge**
(51) International Design Classification: **14-02**
(71) Name(s) and Address(s) of Applicant(s):
Brother Industries, Ltd.
15-1 Naeshiro-cho Mizuho-ku Nagoya-shi Aichi-ken Japan
(72) Name(s) of Designer(s): **Satoru Ishikawa and Hirofumi Sato and Fumio Morita and Satoru Hattori**
(45) Registration Date: **26 May 2008**
(30) Convention priority data:
(31) Number (32) Date (33) Country
2007-022066 10 Aug 2007 JAPAN
(56) Related Art Documents: **Not Applicable**
(57) Statement of Newness and Distinctiveness: **Except for the word brother all visual features of the design depicted in the attached representations are new and distinctive.**



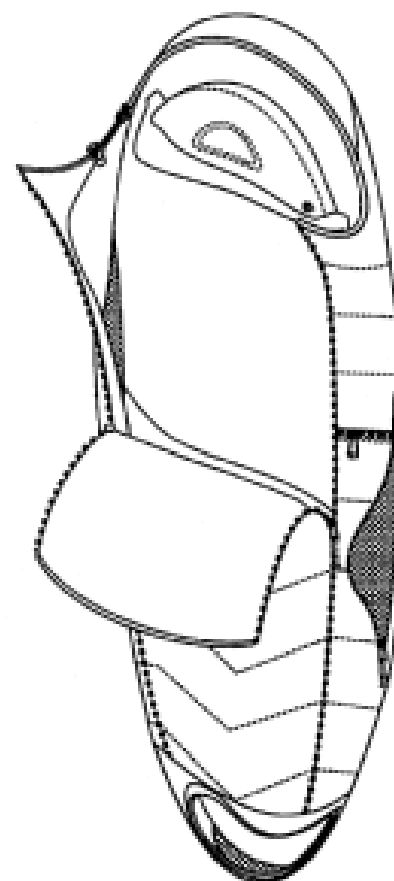
(19) AU

- (21) Design Number: **10483/2008**
(22) Date of Filing Application: **04 February 2008**
(24) Date from which industrial property rights may have effect: **04 February 2008**
(54) Product in respect of which the design is registered: **Photosensitive drum unit**
(51) International Design Classification: **18-02**
(71) Name(s) and Address(s) of Applicant(s):
Brother Industries, Ltd.
15-1 Naeshiro-cho Mizuho-ku Nagoya-shi Aichi-ken Japan
(72) Name(s) of Designer(s): **Tatsuo Ogasawara and Yasuo Fukamachi and Fumio Morita**
(45) Registration Date: **26 May 2008**
(30) Convention priority data:
(31) Number (32) Date (33) Country
2007-022069 10 Aug 2007 JAPAN
(56) Related Art Documents: **Not Applicable**
(57) Statement of Newness and Distinctiveness: **The novelty of the design resides in the features of the shape and configuration depicted in the attached representations.**



(19) AU

- (21) Design Number: **10484/2008**
(22) Date of Filing Application: **04 February 2008**
(24) Date from which industrial property rights may have effect: **04 February 2008**
(54) Product in respect of which the design is registered: **A sleeping bag**
(51) International Design Classification: **06-13B**
(71) Name(s) and Address(s) of Applicant(s):
CellCorp Australia Pty Ltd.
114-118 Capel Street North Melbourne Victoria 3051 Australia
(72) Name(s) of Designer(s): **Anthony Walker**
(45) Registration Date: **26 May 2008**
(56) Related Art Documents: **Not Applicable**
(57) Statement of Newness and Distinctiveness: **In considering the newness or distinctiveness of the design, regard is to be given to the overall shape and/or configuration of a sleeping bag as shown in the representations.**



(21) Design Number: **10487/2008**

(22) Date of Filing Application: **04 February 2008**

(24) Date from which industrial property rights may have effect: **04 February 2008**

(54) Product in respect of which the design is registered: **A ripper tooth including a wide head insert**

(51) International Design Classification: **08-03**

(71) Name(s) and Address(s) of Applicant(s):

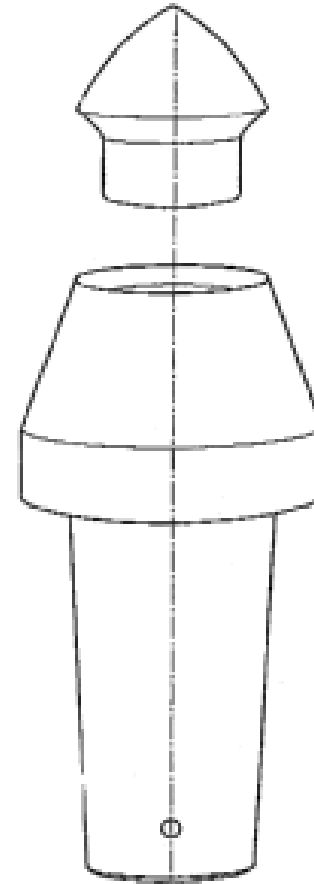
James A. Calderwood
77 Oxford Terrace Port Lincoln South Australia 5606 Australia

(72) Name(s) of Designer(s): **Jim Calderwood**

(45) Registration Date: **26 May 2008**

(56) Related Art Documents: **Not Applicable**

(57) Statement of Newness and Distinctiveness: **Newness and distinctiveness resides in the shape and configuration of the wide head insert of the ripper tooth, as shown in the accompanying representations.**



(21) Design Number: **10488/2008**

(22) Date of Filing Application: **04 February 2008**

(24) Date from which industrial property rights may have effect: **04 February 2008**

(54) Product in respect of which the design is registered: **A wood oven**

(51) International Design Classification: **07-02A**

(71) Name(s) and Address(s) of Applicant(s):

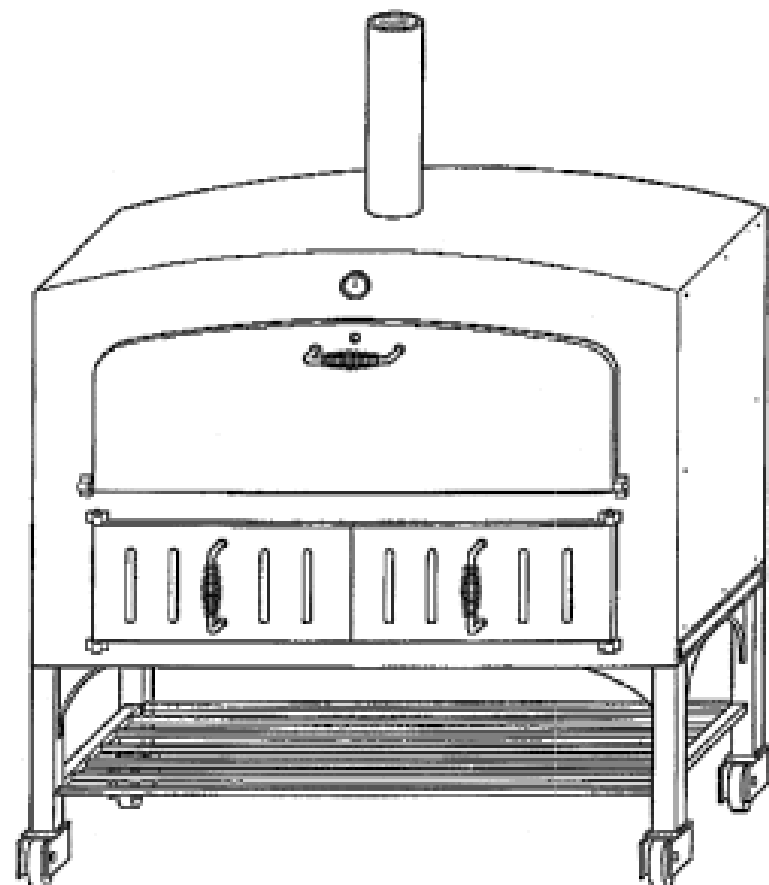
Andrew David Davidson
69 Unley Road Parkside South Australia 5063 Australia

(72) Name(s) of Designer(s): **Andrew David Davidson**

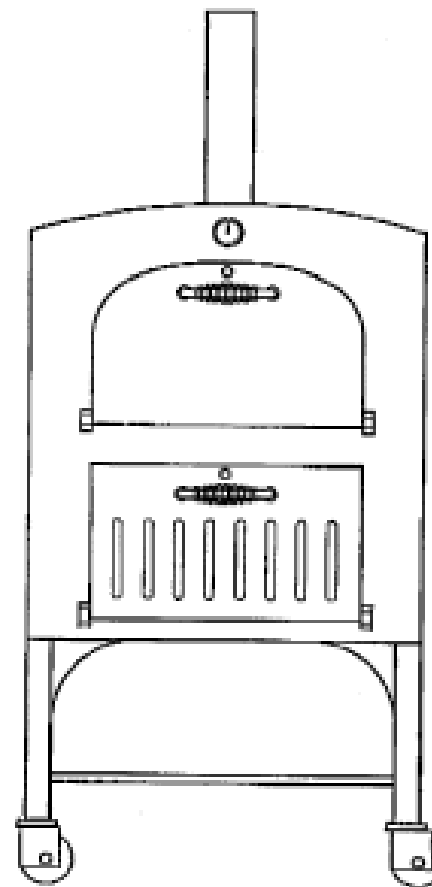
(45) Registration Date: **26 May 2008**

(56) Related Art Documents: **Not Applicable**

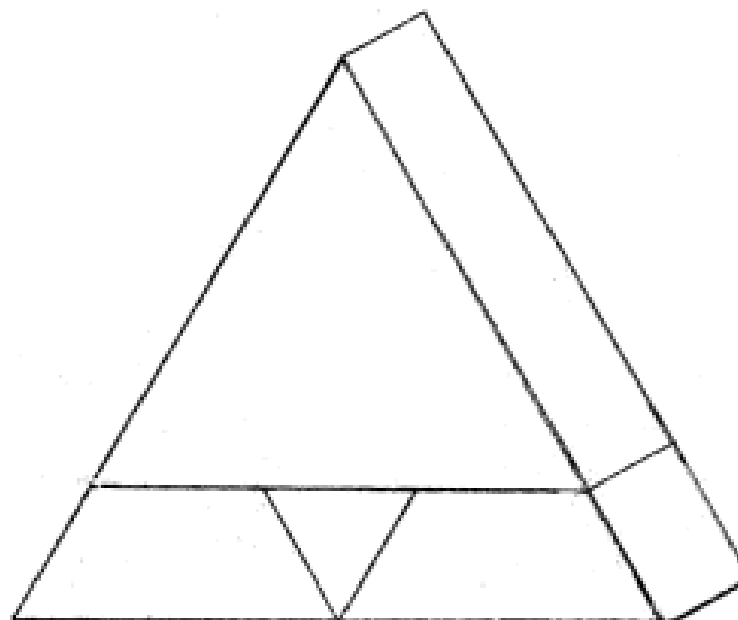
(57) Statement of Newness and Distinctiveness: **Nil**



- (21) Design Number: **10489/2008**
- (22) Date of Filing Application: **04 February 2008**
- (24) Date from which industrial property rights may have effect: **04 February 2008**
- (54) Product in respect of which the design is registered: **A wood oven**
- (51) International Design Classification: **07-02A**
- (71) Name(s) and Address(s) of Applicant(s):
Andrew David Davidson
69 Unley Road Parkside South Australia 5063 Australia
- (72) Name(s) of Designer(s): **Andrew David Davidson**
- (45) Registration Date: **26 May 2008**
- (56) Related Art Documents: **Not Applicable**
- (57) Statement of Newness and Distinctiveness: **Nil**



- (21) Design Number: **10215/2008**
- (22) Date of Filing Application: **18 January 2008**
- (24) Date from which industrial property rights may have effect: **18 January 2008**
- (54) Product in respect of which the design is registered: **Spirit bottle, perfume bottle**
- (51) International Design Classification: **09-01G**
- (71) Name(s) and Address(s) of Applicant(s):
George Athanasiadis
2 Phelps Court Fulham South Australia 5024 Australia
- (72) Name(s) of Designer(s): **George Athanasiadis**
- (45) Registration Date: **27 May 2008**
- (56) Related Art Documents: **Not Applicable**
- (57) Statement of Newness and Distinctiveness: **Fig (1) bottle is lodged in its holder by the lid, fig (2) bottle is turned upside down and top of bottle sits in the base holder.**



(21) Design Number: **10008/2008**

(22) Date of Filing Application: **02 January 2008**

(24) Date from which industrial property rights may have effect: **02 January 2008**

(54) Product in respect of which the design is registered: **Ice cream cone (specialty)**

(51) International Design Classification: **01-01**

(71) Name(s) and Address(s) of Applicant(s):

Joe Ferrante

61 Rookwood Street Mt Lawley Perth Western Australia 6050 Australia

(72) Name(s) of Designer(s): **Joe Ferrante**

(45) Registration Date: **27 May 2008**

(56) Related Art Documents: **Not Applicable**

(57) Statement of Newness and Distinctiveness: **Monopoly is claimed in the features of shape, configuration, pattern and ornamentation of a specialty ice cream cone as illustrated in the accompanying representations.**



(21) Design Number: **10074/2008**

(22) Date of Filing Application: **08 January 2008**

(24) Date from which industrial property rights may have effect: **08 January 2008**

(54) Product in respect of which the design is registered: **Kapelo table lamp**

(51) International Design Classification: **26-05B**

(71) Name(s) and Address(s) of Applicant(s):

ISM Objects Pty Ltd

76 Voltri Street Mentone Victoria 3194 Australia

(72) Name(s) of Designer(s): **Celina Clarke and Christopher Connell**

(45) Registration Date: **27 May 2008**

(56) Related Art Documents: **Not Applicable**

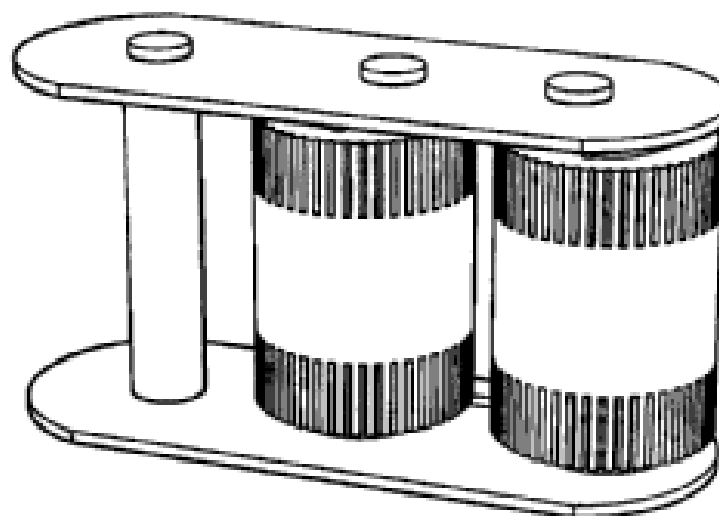
(57) Statement of Newness and Distinctiveness: **Shade attaches along one side to a spine from the base.**



- (21) Design Number: **10176/2008**
(22) Date of Filing Application: **16 January 2008**
(24) Date from which industrial property rights may have effect: **16 January 2008**
(54) Product in respect of which the design is registered: **Beach sand picture frame**
(51) International Design Classification: **06-07**
(71) Name(s) and Address(s) of Applicant(s):
Frank Winter
9/15 Mary Street Merewether New South Wales 2291 Australia
(72) Name(s) of Designer(s): **Frank Winter**
(45) Registration Date: **27 May 2008**
(56) Related Art Documents: **Not Applicable**
(57) Statement of Newness and Distinctiveness: **Real beach sand on frame creates a new look picture frame called "the beach frame".**



- (21) Design Number: **10217/2008**
(22) Date of Filing Application: **16 January 2008**
(24) Date from which industrial property rights may have effect: **16 January 2008**
(54) Product in respect of which the design is registered: **Joiner**
(51) International Design Classification: **08-08K, 08-08NES**
(71) Name(s) and Address(s) of Applicant(s):
Graham Lindsay Trott
Unit 26/203 Anzac Highway Plympton South Australia 5038 Australia
Karasina Johanna Trott
Unit 26/203 Anzac Highway Plympton South Australia 5038 Australia
(72) Name(s) of Designer(s): **Graham Lindsay Trott**
(45) Registration Date: **27 May 2008**
(56) Related Art Documents: **Not Applicable**
(57) Statement of Newness and Distinctiveness: **Nil**



(21) Design Number: **10225/2008**

(22) Date of Filing Application: **21 January 2008**

(24) Date from which industrial property rights may have effect: **21 January 2008**

(54) Product in respect of which the design is registered: **A urn**

(51) International Design Classification: **11-02A**

(71) Name(s) and Address(s) of Applicant(s):

Cheng Shi Wu

40 Lisbon Street Fairfield East New South Wales 2165 Australia

(72) Name(s) of Designer(s): **Cheng Shi Wu**

(45) Registration Date: **27 May 2008**

(56) Related Art Documents: **Not Applicable**

(57) Statement of Newness and Distinctiveness: **1, There are some circular lines on surface of the urn or fountain to cover up the joints of the parts. 2, The urn or fountain is separated into four parts.**



(21) Design Number: **10226/2008**

(22) Date of Filing Application: **21 January 2008**

(24) Date from which industrial property rights may have effect: **21 January 2008**

(54) Product in respect of which the design is registered: **A urn**

(51) International Design Classification: **11-02A**

(71) Name(s) and Address(s) of Applicant(s):

Cheng Shi Wu

40 Lisbon Street Fairfield East New South Wales 2165 Australia

(72) Name(s) of Designer(s): **Cheng Shi Wu**

(45) Registration Date: **27 May 2008**

(56) Related Art Documents: **Not Applicable**

(57) Statement of Newness and Distinctiveness: **1, There are some circular lines on surface of the urn or fountain to cover up the joints of the parts. 2, The urn or fountain is separated into three parts.**



(21) Design Number: 10228/2008

(22) Date of Filing Application: 21 January 2008

(24) Date from which industrial property rights may have effect: 21 January 2008

(54) Product in respect of which the design is registered: Road-rail dry bulk pressure tanker hatches

(51) International Design Classification: 09-07NES

(71) Name(s) and Address(s) of Applicant(s):

BBJ Systems Inc.

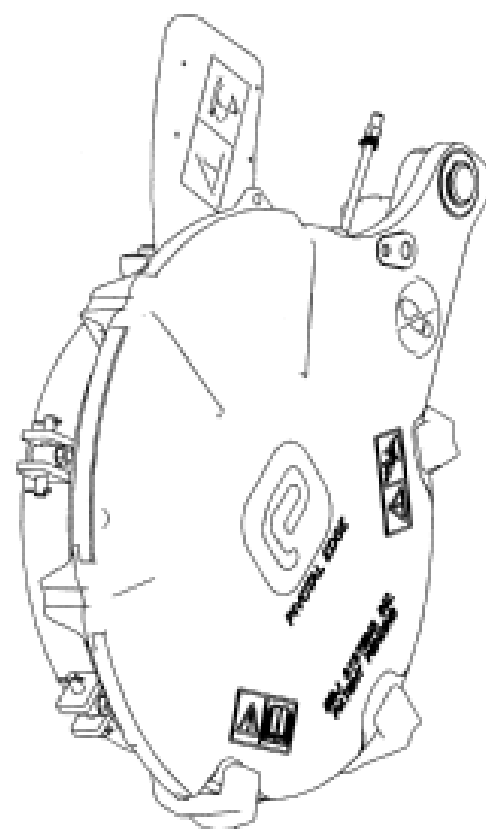
2024 N Grandview LN Bismarck ND 58503 United States of America

(72) Name(s) of Designer(s): Jay Beyer and Brad Beyer

(45) Registration Date: 27 May 2008

(56) Related Art Documents: Not Applicable

(57) Statement of Newness and Distinctiveness: The following items are features that make the pivotal edge unique compared to any other automatic manway. Features included in manual and electronic models: 1. Inflatable seal with vacuum retraction of the seal 2. Supported cover while opening 3. Seal purging 4. Safety lockout while tank is pressurized 5. Quick cover release. Electronic version: 1. High intensity LED for confirmation of operation 2. Wireless operation 3. Multiple cover control from one control box. The key feature of the success of the pivotal edge manway is the design of the inflatable seal. The patented seal technology allows for a positive seal to the pressure vessel every time. The control circuit in the pivotal edge incorporates a vacuum system that insures complete retraction of the seal during movement of the cover. By retracting the seal, the seals life is extended and provides operation in extreme temperatures. The cover is supported on a replaceable slider manufactured from ultra high density plastic. This slider provides for long term durability and easy replacement. The slider also supports the weight of the cover while opening. Seal purging is a method of cleaning the mating surfaces between the lower flange and the top cover. By utilizing the pressure from the tank approximately 5 to 10 psi, the inflatable seal is momentarily depressurized. This allows high volume and low pressure air in the vessel to effectively blow clean the surface between the lower flange and the top cover. This operation greatly extends the number of cycles between service intervals. The safety lockout in the pivotal edge employs an independent lockout system to eliminate the possibility of the manway opening when the vessel is under pressure. The quick cover release has been designed for food grade operations or emergency operations in the field. The top cover can be removed with no tools for cleaning or inflatable seal replacement. The actuator can be removed with no tools for manual operation of the top cover in the event of a failure in the field.



(21) Design Number: 10288/2008

(22) Date of Filing Application: 22 January 2008

(24) Date from which industrial property rights may have effect: 22 January 2008

(54) Product in respect of which the design is registered: Clip

(51) International Design Classification: 18-99

(71) Name(s) and Address(s) of Applicant(s):

Man Roland Druckmaschinen AG

Muhlheimer Strasse 341 D-63075 Offenback am Main Germany

(72) Name(s) of Designer(s): Stephen Beiber and Jochen Helfert

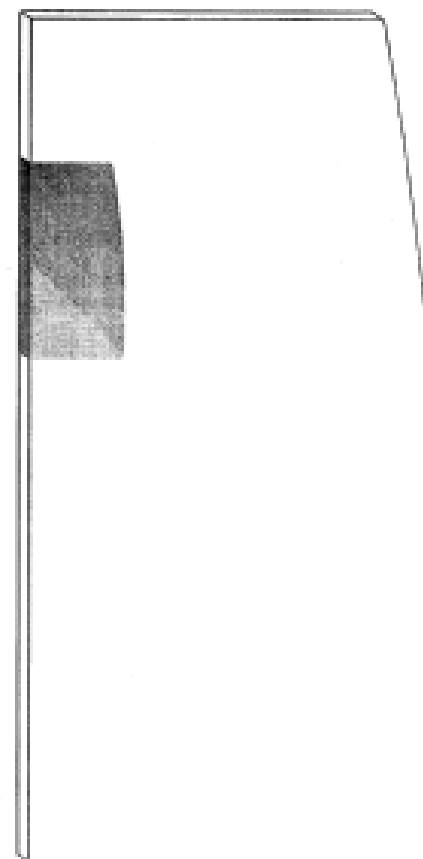
(45) Registration Date: 27 May 2008

(30) Convention priority data:

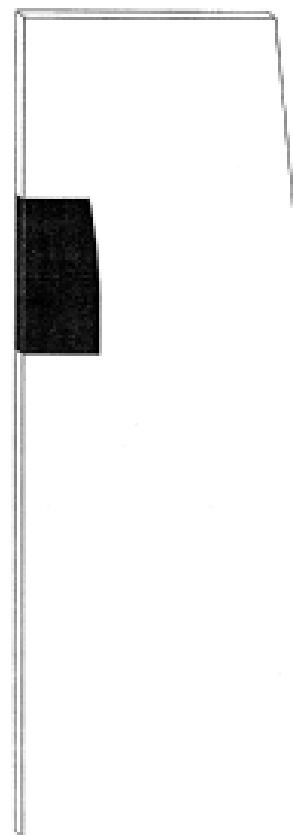
(31) Number	(32) Date	(33) Country
40705364.6	26 Oct 2007	GERMANY

(56) Related Art Documents: Not Applicable

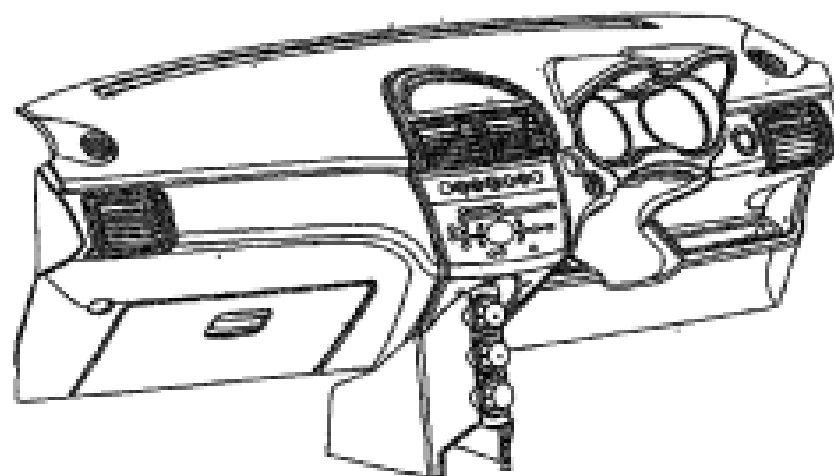
(57) Statement of Newness and Distinctiveness: Nil



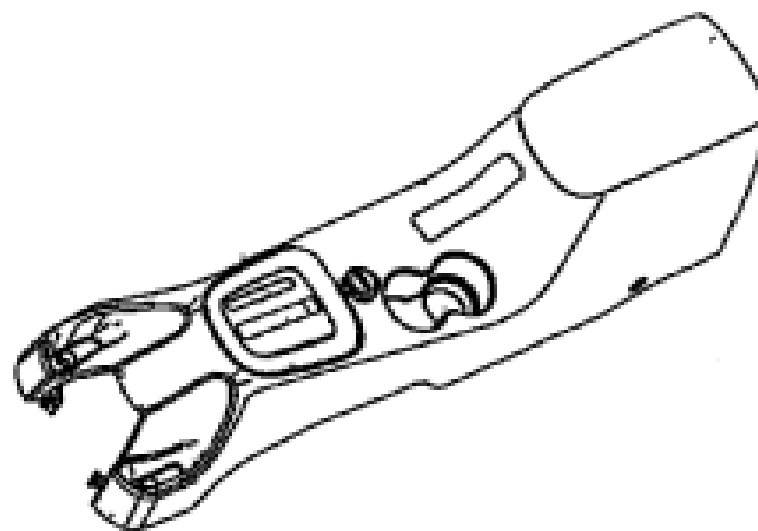
- (21) Design Number: **10289/2008**
(22) Date of Filing Application: **22 January 2008**
(24) Date from which industrial property rights may have effect: **22 January 2008**
(54) Product in respect of which the design is registered: **Clip**
(51) International Design Classification: **18-99**
(71) Name(s) and Address(s) of Applicant(s):
Man Roland Druckmaschinen AG
Muhlheimer Strasse 341 D-63075 Offenbach am Main Germany
(72) Name(s) of Designer(s): **Jochen Helfert and Stephan Beisser**
(45) Registration Date: **27 May 2008**
(30) Convention priority data:
(31) Number (32) Date (33) Country
40705364.6 26 Oct 2007 GERMANY
(56) Related Art Documents: **Not Applicable**
(57) Statement of Newness and Distinctiveness: **Nil**



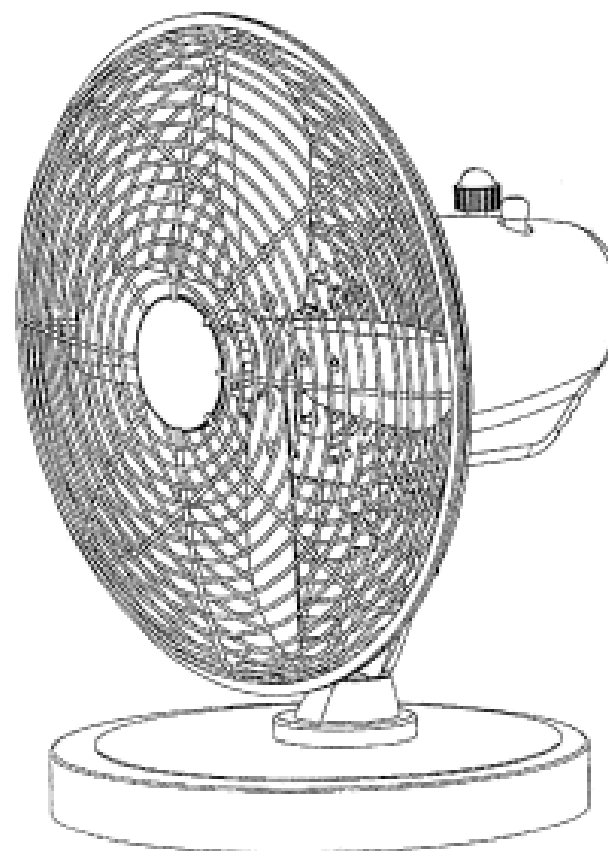
- (21) Design Number: **10493/2008**
(22) Date of Filing Application: **05 February 2008**
(24) Date from which industrial property rights may have effect: **05 February 2008**
(54) Product in respect of which the design is registered: **Instrument panel**
(51) International Design Classification: **12-16NES**
(71) Name(s) and Address(s) of Applicant(s):
Perusahaan Otomobil Nasional SDN. BHD.
Hicom Industrial Estate Batu 3 40000 Shah Alam Selangor Malaysia
(72) Name(s) of Designer(s): **Siti Suhaina Zaharin**
(45) Registration Date: **27 May 2008**
(30) Convention priority data:
(31) Number (32) Date (33) Country
07-01140-0101 14 Aug 2007 MALAYSIA
(56) Related Art Documents: **Not Applicable**
(57) Statement of Newness and Distinctiveness: **Newness and distinctiveness reside in the outline shape of the instrument panel when viewed from the front and the particular shape and placing of the various elements of the instrument panel apparent when viewed from the front as illustrated in the accompanying representations.**



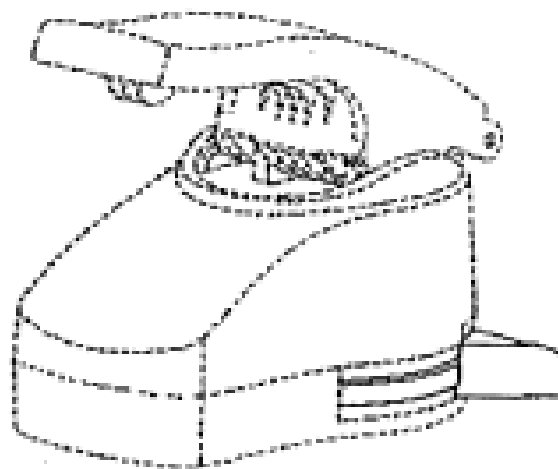
- (21) Design Number: **10495/2008**
(22) Date of Filing Application: **05 February 2008**
(24) Date from which industrial property rights may have effect: **05 February 2008**
(54) Product in respect of which the design is registered: **Floor console**
(51) International Design Classification: **12-16NES**
(71) Name(s) and Address(s) of Applicant(s):
Perusahaan Otomobil Nasional SDN. BHD.
Hicom Industrial Estate Batu 3 40000 Shah Alam Selangor Malaysia
(72) Name(s) of Designer(s): **Siti Suhaina Zaharin**
(45) Registration Date: **27 May 2008**
(30) Convention priority data:
(31) Number (32) Date (33) Country
07-01141-0101 14 Aug 2007 MALAYSIA
(56) Related Art Documents: **Not Applicable**
(57) Statement of Newness and Distinctiveness: **Newness and distinctiveness reside in the overall shape and configuration of the central floor console for a vehicle when viewed from the top and left and in the particular configuration of the shapes of the central floor console when viewed from the top as illustrated in the accompanying representations.**



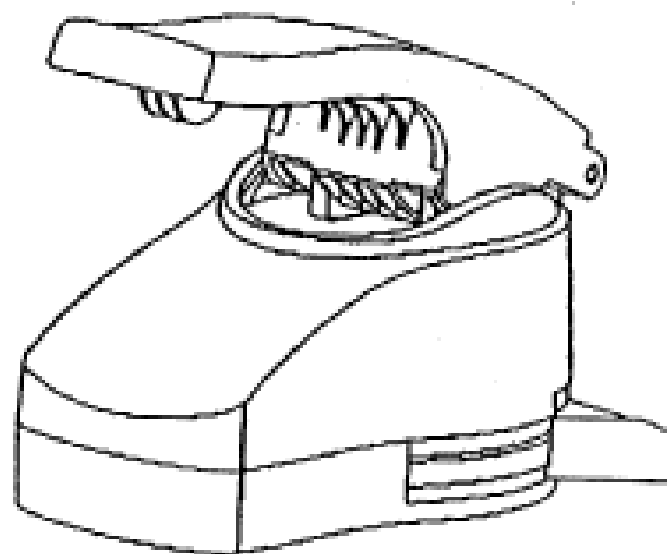
- (21) Design Number: **10500/2008**
(22) Date of Filing Application: **05 February 2008**
(24) Date from which industrial property rights may have effect: **05 February 2008**
(54) Product in respect of which the design is registered: **Electric fan**
(51) International Design Classification: **23-04**
(71) Name(s) and Address(s) of Applicant(s):
Kuei-chih Hsu
Yongmei Garden 25 Meihua Fazenda Minzhi Village Longhua town
Baoan Shenzhen China
(72) Name(s) of Designer(s): **Kuei-chih Hsu**
(45) Registration Date: **27 May 2008**
(30) Convention priority data:
(31) Number (32) Date (33) Country
0800307.9M 29 Jan 2008 HONG KONG
(56) Related Art Documents: **Not Applicable**
(57) Statement of Newness and Distinctiveness: **Newness and distinctiveness are claimed in the features of shape and/or configuration of an electric fan, as illustrated in the accompanying representatives.**



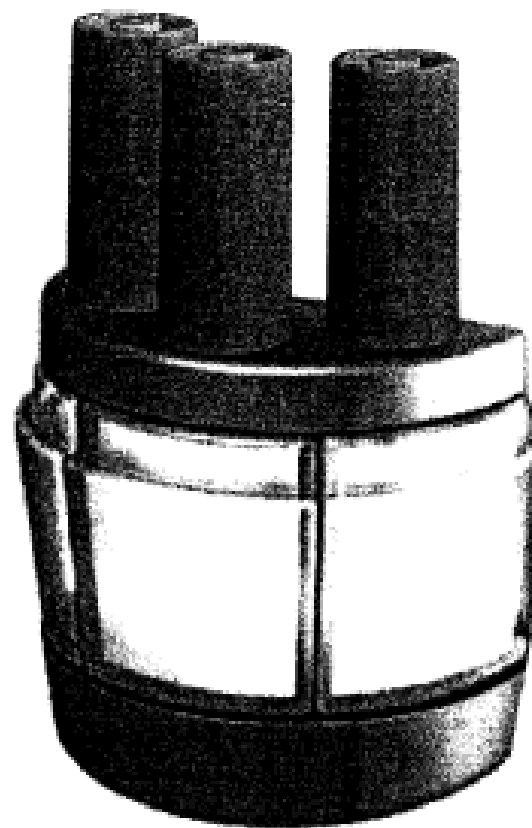
- (21) Design Number: **10509/2008**
(22) Date of Filing Application: **05 February 2008**
(24) Date from which industrial property rights may have effect: **05 February 2008**
(54) Product in respect of which the design is registered: **Craft punch**
(51) International Design Classification: **19-99**
(71) Name(s) and Address(s) of Applicant(s):
Carl Manufacturing Co., Ltd.
3-7-9 Tateishi Katsushika-ku Tokyo Japan
(72) Name(s) of Designer(s): **Ayano Yamashita and Naoki Ozawa and Hiroyuki Urabe and Emiko Osawa**
(45) Registration Date: **27 May 2008**
(30) Convention priority data:
(31) Number (32) Date (33) Country
2007-021469 06 Aug 2007 JAPAN
(56) Related Art Documents: **Not Applicable**
(57) Statement of Newness and Distinctiveness: **Newness and distinctiveness is claimed in those features of shape and/or configuration of a craft punch illustrated in continuous lines in the accompanying representations.**



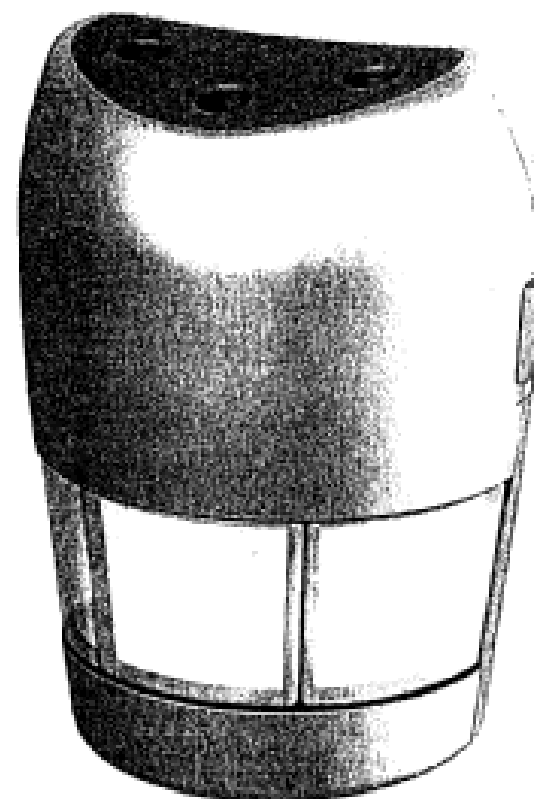
- (21) Design Number: **10510/2008**
(22) Date of Filing Application: **05 February 2008**
(24) Date from which industrial property rights may have effect: **05 February 2008**
(54) Product in respect of which the design is registered: **Craft punch**
(51) International Design Classification: **19-99**
(71) Name(s) and Address(s) of Applicant(s):
Carl Manufacturing Co., Ltd.
3-7-9 Tateishi Katsushika-ku Tokyo Japan
(72) Name(s) of Designer(s): **Ayano Yamashita and Naoki Ozawa and Hiroyuki Urabe and Emiko Osawa**
(45) Registration Date: **27 May 2008**
(30) Convention priority data:
(31) Number (32) Date (33) Country
2007-021469 06 Aug 2007 JAPAN
(56) Related Art Documents: **Not Applicable**
(57) Statement of Newness and Distinctiveness: **Newness and distinctiveness is claimed in the features of shape and/or configuration of a craft punch as illustrated in the accompanying representations.**



- (21) Design Number: **10511/2008**
(22) Date of Filing Application: **05 February 2008**
(24) Date from which industrial property rights may have effect: **05 February 2008**
(54) Product in respect of which the design is registered: **Air freshener refill**
(51) International Design Classification: **28-99**
(71) Name(s) and Address(s) of Applicant(s):
Jeyes Group Limited
Brunel Way Thetford Norfolk IP24 1HF United Kingdom
(72) Name(s) of Designer(s): **Jack Francis Woolley**
(45) Registration Date: **27 May 2008**
(56) Related Art Documents: **Not Applicable**
(57) Statement of Newness and Distinctiveness: **Newness and distinctiveness is claimed in the features of shape and/or configuration of an air freshener refill as illustrated in the accompanying representations, particularly the generally half cylindrical shape of the lower part of the refill and the configuration of the three transparent bottles of the refill visible from the front exterior of the refill.**



- (21) Design Number: **10512/2008**
(22) Date of Filing Application: **05 February 2008**
(24) Date from which industrial property rights may have effect: **05 February 2008**
(54) Product in respect of which the design is registered: **Air freshener**
(51) International Design Classification: **28-99**
(71) Name(s) and Address(s) of Applicant(s):
Jeyes Group Limited
Brunel Way Thetford Norfolk IP24 1HF United Kingdom
(72) Name(s) of Designer(s): **Jack Francis Woolley**
(45) Registration Date: **27 May 2008**
(56) Related Art Documents: **Not Applicable**
(57) Statement of Newness and Distinctiveness: **Newness and distinctiveness is claimed in the features of shape and/or configuration of those portions of an air freshener illustrated in continuous lines in the accompanying representations, in particular the generally half cylindrical shape of the air freshener and the configuration of the three transparent bottles of the refill element of the air freshener visible through the cut out in the lower part of the front of the body of the air freshener.**



(21) Design Number: **21084/2007**

(22) Date of Filing Application: **04 December 2007**

(24) Date from which industrial property rights may have effect: **04 December 2007**

(54) Product in respect of which the design is registered: **A flag**

(51) International Design Classification: **11-05**

(71) Name(s) and Address(s) of Applicant(s):

Dorothy Rose Byrne

12 Judith Avenue Boronia Victoria 3155 Australia

(72) Name(s) of Designer(s): **Dorothy Byrne**

(45) Registration Date: **27 May 2008**

(56) Related Art Documents: **Not Applicable**

(57) Statement of Newness and Distinctiveness: **Australian flag coloured yellow with southern cross on right of map. Monopoly shall include features of pattern and ornamentation of the flag shown in representations.**



(21) Design Number: **21085/2007**

(22) Date of Filing Application: **04 December 2007**

(24) Date from which industrial property rights may have effect: **04 December 2007**

(54) Product in respect of which the design is registered: **A flag**

(51) International Design Classification: **11-05**

(71) Name(s) and Address(s) of Applicant(s):

Dorothy Rose Byrne

12 Judith Avenue Boronia Victoria 3155 Australia

(72) Name(s) of Designer(s): **Dorothy Byrne**

(45) Registration Date: **27 May 2008**

(56) Related Art Documents: **Not Applicable**

(57) Statement of Newness and Distinctiveness: **Monopoly is claimed in the features of pattern and ornamentation of a flag shown in representations.**



- (21) Design Number: **21426/2007**
(22) Date of Filing Application: **18 December 2007**
(24) Date from which industrial property rights may have effect: **18 December 2007**
(54) Product in respect of which the design is registered: **Wedding dress storage/carry case**
(51) International Design Classification: **09-03B**
(71) Name(s) and Address(s) of Applicant(s):
Closet Case Pty Ltd
2/30 Esplanade Place Port Melbourne Victoria 3207 Australia
(72) Name(s) of Designer(s): **Kelly Johns**
(45) Registration Date: **27 May 2008**
(56) Related Art Documents: **Not Applicable**
(57) Statement of Newness and Distinctiveness: **Monopoly is claimed in the shape and configuration of the case for use as storage or for portable use as illustrated in the accompanying representations.**



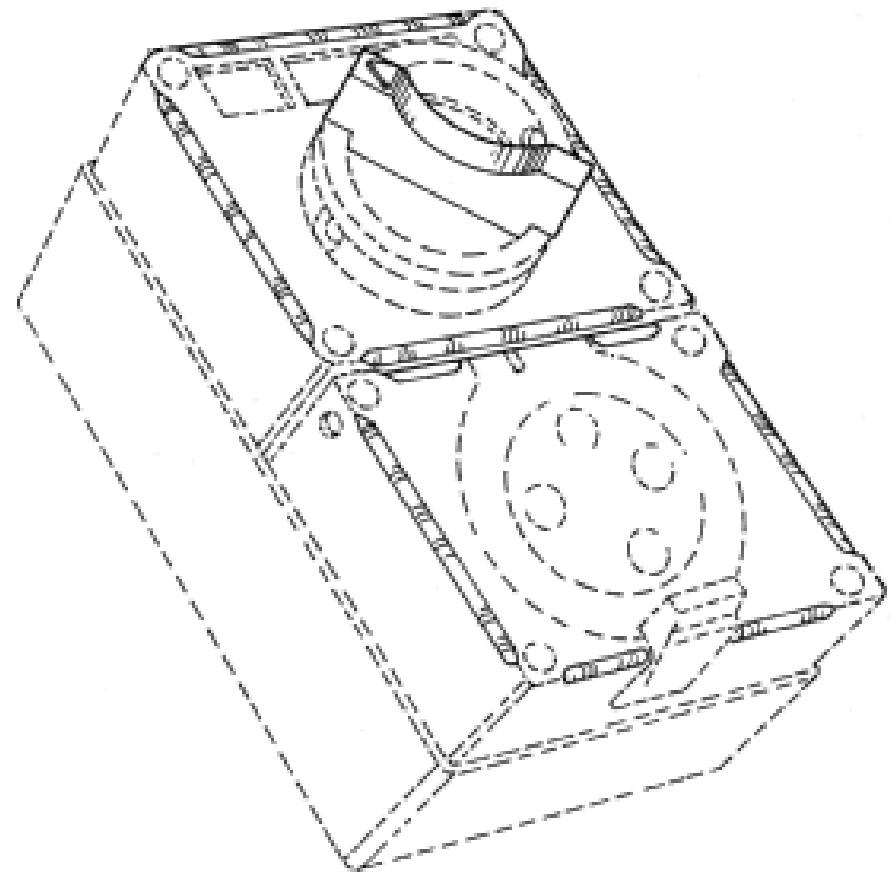
- (21) Design Number: **21570/2007**
(22) Date of Filing Application: **21 December 2007**
(24) Date from which industrial property rights may have effect: **21 December 2007**
(54) Product in respect of which the design is registered: **Portable toilet trolley**
(51) International Design Classification: **12-02**
(71) Name(s) and Address(s) of Applicant(s):
Recipro Industries Pty Ltd
63 Thomas Road Healesville Victoria 3777 Australia
(72) Name(s) of Designer(s): **Clive Blakely**
(45) Registration Date: **27 May 2008**
(56) Related Art Documents: **Not Applicable**
(57) Statement of Newness and Distinctiveness: **Nil**



- (21) Design Number: **10535/2008**
(22) Date of Filing Application: **07 February 2008**
(24) Date from which industrial property rights may have effect: **07 February 2008**
(54) Product in respect of which the design is registered: **A fountain**
(51) International Design Classification: **11-99**
(71) Name(s) and Address(s) of Applicant(s):
Cheng Shi Wu
40 Lisbon Street Fairfield East New South Wales 2165 Australia
(72) Name(s) of Designer(s): **Cheng Shi Wu**
(45) Registration Date: **26 May 2008**
(56) Related Art Documents: **Not Applicable**
(57) Statement of Newness and Distinctiveness: **Nil**



- (21) Design Number: **10544/2008**
(22) Date of Filing Application: **08 February 2008**
(24) Date from which industrial property rights may have effect: **08 February 2008**
(54) Product in respect of which the design is registered: **Switch and socket**
(51) International Design Classification: **13-03D**
(71) Name(s) and Address(s) of Applicant(s):
GWR Pty Ltd trading as Uniquip Industries
30 Pickett Street Bayswater Western Australia 6053 Australia
(72) Name(s) of Designer(s): **Geoffrey William Ruddle**
(45) Registration Date: **26 May 2008**
(56) Related Art Documents: **Not Applicable**
(57) Statement of Newness and Distinctiveness: **The particular visual features of the design which are new and distinctive are shape or configuration. When considering the scope of the monopoly in the design, features shown in dotted lines are to be disregarded.**



(21) Design Number: **10545/2008**

(22) Date of Filing Application: **08 February 2008**

(24) Date from which industrial property rights may have effect: **08 February 2008**

(54) Product in respect of which the design is registered: **Switch**

(51) International Design Classification: **13-03D**

(71) Name(s) and Address(s) of Applicant(s):

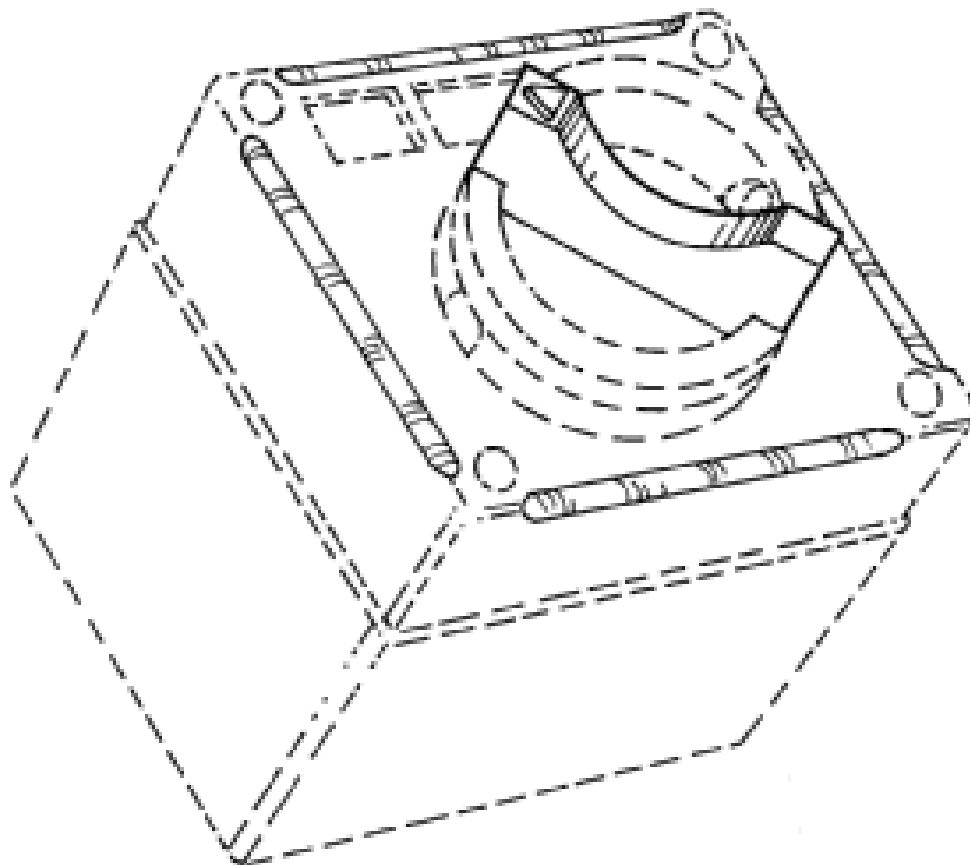
**GWR Pty Ltd trading as Uniquip Industries
30 Pickett Street Bayswater Western Australia 6053 Australia**

(72) Name(s) of Designer(s): **Geoffrey William Ruddle**

(45) Registration Date: **26 May 2008**

(56) Related Art Documents: **Not Applicable**

(57) Statement of Newness and Distinctiveness: **The particular visual features of the design which are new and distinctive are shape or configuration. When considering the scope of the monopoly in the design, features shown in dotted lines are to be disregarded.**



(21) Design Number: **10546/2008**

(22) Date of Filing Application: **08 February 2008**

(24) Date from which industrial property rights may have effect: **08 February 2008**

(54) Product in respect of which the design is registered: **Socket**

(51) International Design Classification: **13-03D**

(71) Name(s) and Address(s) of Applicant(s):

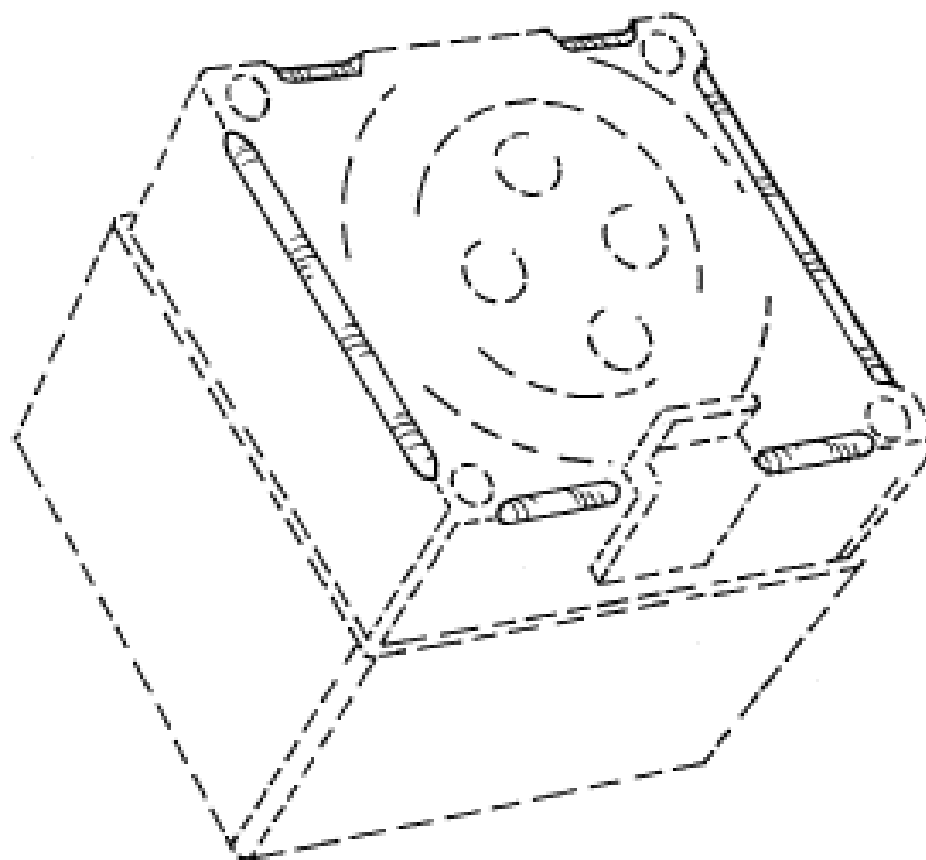
**GWR Pty Ltd trading as Uniquip Industries
30 Pickett Street Bayswater Western Australia 6053 Australia**

(72) Name(s) of Designer(s): **Geoffrey William Ruddle**

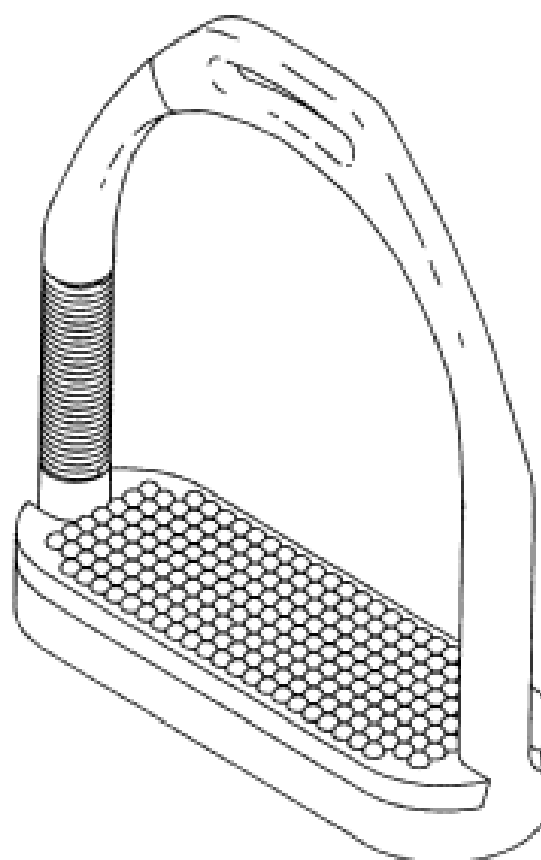
(45) Registration Date: **26 May 2008**

(56) Related Art Documents: **Not Applicable**

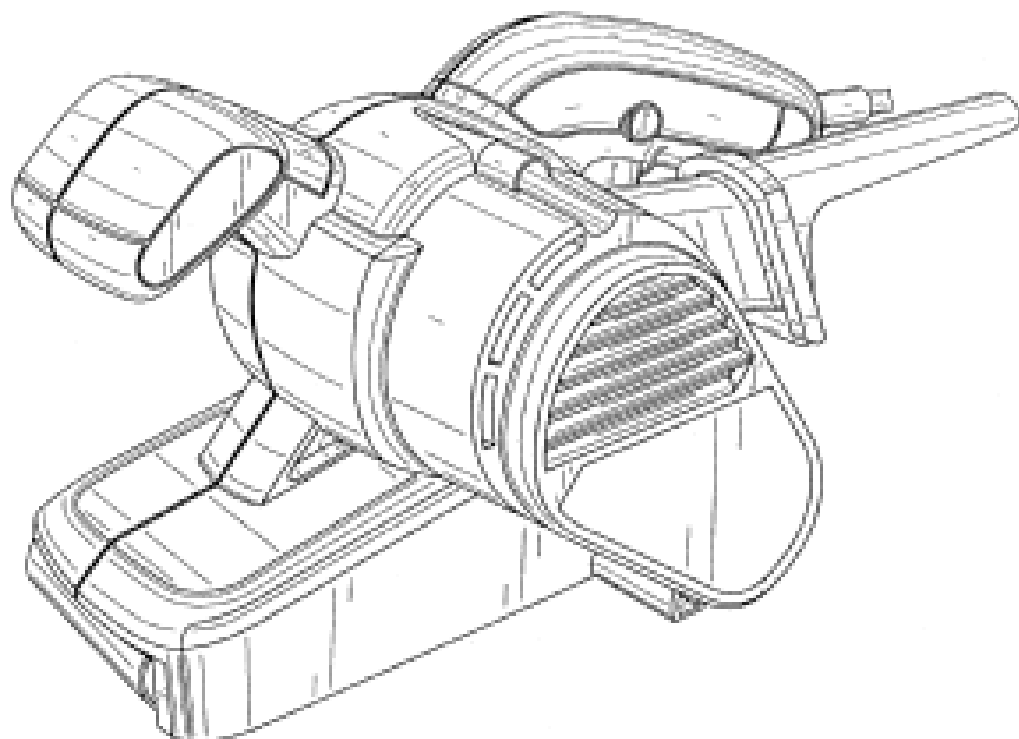
(57) Statement of Newness and Distinctiveness: **The particular visual features of the design which are new and distinctive are shape or configuration. When considering the scope of the monopoly in the design, features shown in dotted lines are to be disregarded.**



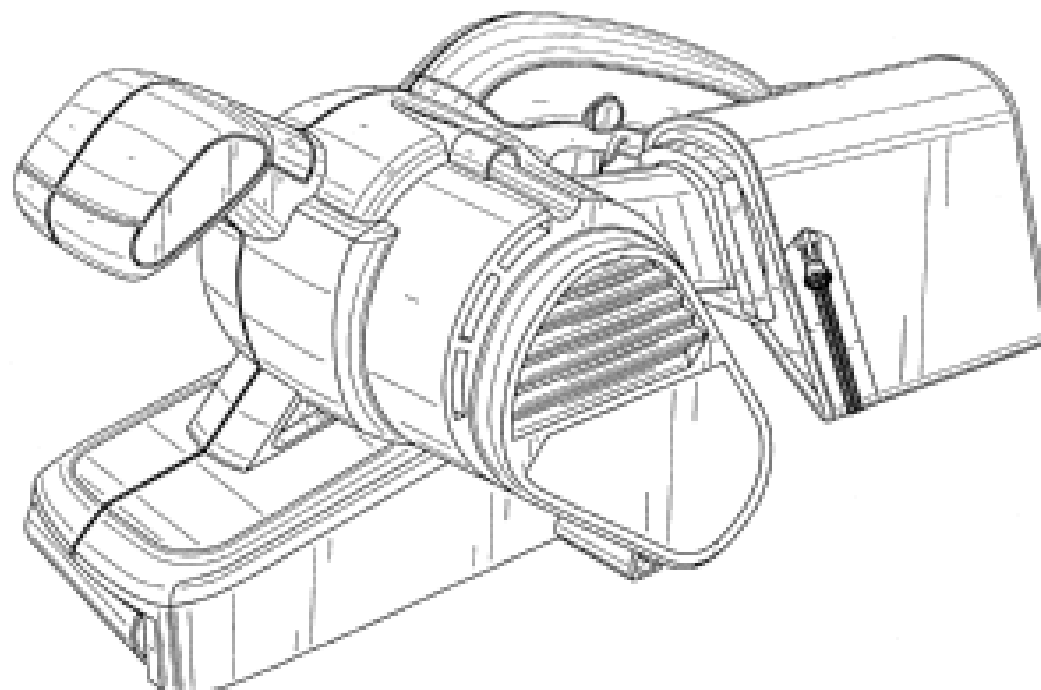
(21) Design Number: **10547/2008**
(22) Date of Filing Application: **07 February 2008**
(24) Date from which industrial property rights may have effect: **07 February 2008**
(54) Product in respect of which the design is registered: **Horse stirrup**
(51) International Design Classification: **30-04**
(71) Name(s) and Address(s) of Applicant(s):
Action Japan Inc.
Action Japan Bldg. 9-16 Mikagehonmachi 2-chome Higashinada-ku
Kobe-shi Hyogo 658-0046 Japan
(72) Name(s) of Designer(s): **Keizo Nishimura**
(45) Registration Date: **26 May 2008**
(30) Convention priority data:
(31) Number (32) Date (33) Country
000779657-0001 23 Aug 2007 EUROPEAN COMMUNITY
(56) Related Art Documents: **Not Applicable**
(57) Statement of Newness and Distinctiveness: **Nil**



(21) Design Number: **10548/2008**
(22) Date of Filing Application: **07 February 2008**
(24) Date from which industrial property rights may have effect: **07 February 2008**
(54) Product in respect of which the design is registered: **A belt sander**
(51) International Design Classification: **08-05N**
(71) Name(s) and Address(s) of Applicant(s):
Black & Decker, Inc.
1207 Drummond Plaza Newark Delaware 19711 United States of
America
(72) Name(s) of Designer(s): **Adam M. O'Hern**
(45) Registration Date: **26 May 2008**
(30) Convention priority data:
(31) Number (32) Date (33) Country
29/283762 23 Aug 2007 UNITED STATES OF AMERICA
(56) Related Art Documents: **Not Applicable**
(57) Statement of Newness and Distinctiveness: **Nil**



(21) Design Number: **10549/2008**
(22) Date of Filing Application: **07 February 2008**
(24) Date from which industrial property rights may have effect: **07 February 2008**
(54) Product in respect of which the design is registered: **A belt sander**
(51) International Design Classification: **08-05N**
(71) Name(s) and Address(s) of Applicant(s):
Black & Decker, Inc.
1207 Drummond Plaza Newark Delaware 19711 United States of America
(72) Name(s) of Designer(s): **Adam M. O'Hern**
(45) Registration Date: **26 May 2008**
(30) Convention priority data:
(31) Number (32) Date (33) Country
29/283763 23 Aug 2007 UNITED STATES OF AMERICA
(56) Related Art Documents: **Not Applicable**
(57) Statement of Newness and Distinctiveness: **Nil**



(21) Design Number: **10550/2008**
(22) Date of Filing Application: **07 February 2008**
(24) Date from which industrial property rights may have effect: **07 February 2008**
(54) Product in respect of which the design is registered: **Dustpan**
(51) International Design Classification: **07-05E**
(71) Name(s) and Address(s) of Applicant(s):
E.D. Oates Pty Ltd
Maygar Boulevard Broadmeadows Victoria 3047 Australia
(72) Name(s) of Designer(s): **Andrew Howley and Paul Charlwood**
(45) Registration Date: **26 May 2008**
(56) Related Art Documents: **Not Applicable**
(57) Statement of Newness and Distinctiveness: **Newness and distinctiveness reside in the visual features of shape and configuration of a dustpan as illustrated in the accompanying representations.**



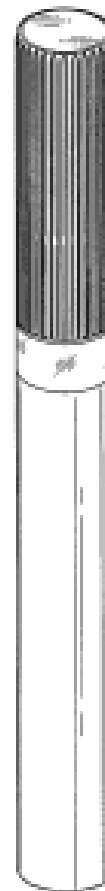
- (21) Design Number: **10551/2008**
(22) Date of Filing Application: **07 February 2008**
(24) Date from which industrial property rights may have effect: **07 February 2008**
(54) Product in respect of which the design is registered: **Dustpan**
(51) International Design Classification: **07-05E**
(71) Name(s) and Address(s) of Applicant(s):
E.D. Oates Pty Ltd
Maygar Boulevard Broadmeadows Victoria 3047 Australia
(72) Name(s) of Designer(s): **Andrew Howley and Paul Charlwood**
(45) Registration Date: **26 May 2008**
(56) Related Art Documents: **Not Applicable**
(57) Statement of Newness and Distinctiveness: **Newness and distinctiveness reside in the visual features of shape and configuration and/or in the visual features of pattern and ornamentation of a dustpan as illustrated in the accompanying representations. The words "Oates Clean" do not form part of the design and are to be disregarded when considering whether the design is identical or substantially similar in overall impression to another design.**



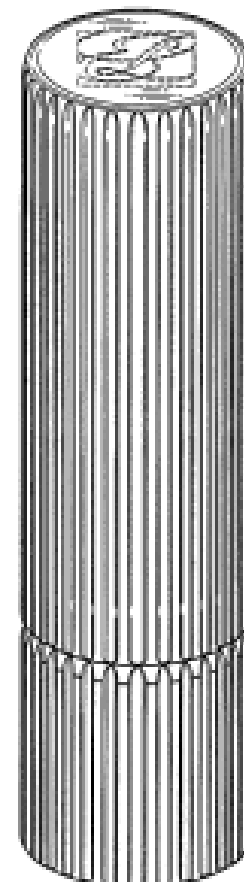
- (21) Design Number: **10552/2008**
(22) Date of Filing Application: **07 February 2008**
(24) Date from which industrial property rights may have effect: **07 February 2008**
(54) Product in respect of which the design is registered: **Dustpan**
(51) International Design Classification: **07-05E**
(71) Name(s) and Address(s) of Applicant(s):
E.D. Oates Pty Ltd
Maygar Boulevard Broadmeadows Victoria 3047 Australia
(72) Name(s) of Designer(s): **Andrew Howley and Paul Charlwood**
(45) Registration Date: **26 May 2008**
(56) Related Art Documents: **Not Applicable**
(57) Statement of Newness and Distinctiveness: **Newness and distinctiveness reside in the visual features of shape and configuration and/or in the visual features of pattern and ornamentation of a dustpan as illustrated in the accompanying representations. The words "Oates Clean" do not form part of the design and are to be disregarded when considering whether the design is identical or substantially similar in overall impression to another design.**



- (21) Design Number: **10553/2008**
(22) Date of Filing Application: **07 February 2008**
(24) Date from which industrial property rights may have effect: **07 February 2008**
(54) Product in respect of which the design is registered: **Container**
(51) International Design Classification: **28-03NES, 28-02**
(71) Name(s) and Address(s) of Applicant(s):
ELC Management LLC
767 Fifth Avenue New York New York 10153 United States of America
(72) Name(s) of Designer(s): **Leo Rowen Mascotte and Yukiko Kojima**
(45) Registration Date: **26 May 2008**
(30) Convention priority data:
(31) Number (32) Date (33) Country
29/296,326 18 Oct 2007 UNITED STATES OF AMERICA
(56) Related Art Documents: **Not Applicable**
(57) Statement of Newness and Distinctiveness: **Those features of the container depicted in the representations that are new and distinctive are the shape and/or configuration.**



- (21) Design Number: **10554/2008**
(22) Date of Filing Application: **07 February 2008**
(24) Date from which industrial property rights may have effect: **07 February 2008**
(54) Product in respect of which the design is registered: **Lipstick case**
(51) International Design Classification: **28-02**
(71) Name(s) and Address(s) of Applicant(s):
ELC Management LLC
767 Fifth Avenue New York New York 10153 United States of America
(72) Name(s) of Designer(s): **Leo Rowen Mascotte and Yukiko Kojima**
(45) Registration Date: **26 May 2008**
(30) Convention priority data:
(31) Number (32) Date (33) Country
29/296,322 18 Oct 2007 UNITED STATES OF AMERICA
(56) Related Art Documents: **Not Applicable**
(57) Statement of Newness and Distinctiveness: **Those features of the lipstick case depicted in the representations that are new and distinctive are the shape and/or configuration. The features shown in broken lines are not part of the design and are to be disregarded when considering the overall impression of the design.**



(21) Design Number: **10555/2008**

(22) Date of Filing Application: **07 February 2008**

(24) Date from which industrial property rights may have effect: **07 February 2008**

(54) Product in respect of which the design is registered: **Compact**

(51) International Design Classification: **28-02**

(71) Name(s) and Address(s) of Applicant(s):

ELC Management LLC

767 Fifth Avenue New York New York 10153 United States of America

(72) Name(s) of Designer(s): **Leo Rowen Mascotte and Yukiko Kojima**

(45) Registration Date: **26 May 2008**

(30) Convention priority data:

(31) Number

(32) Date

(33) Country

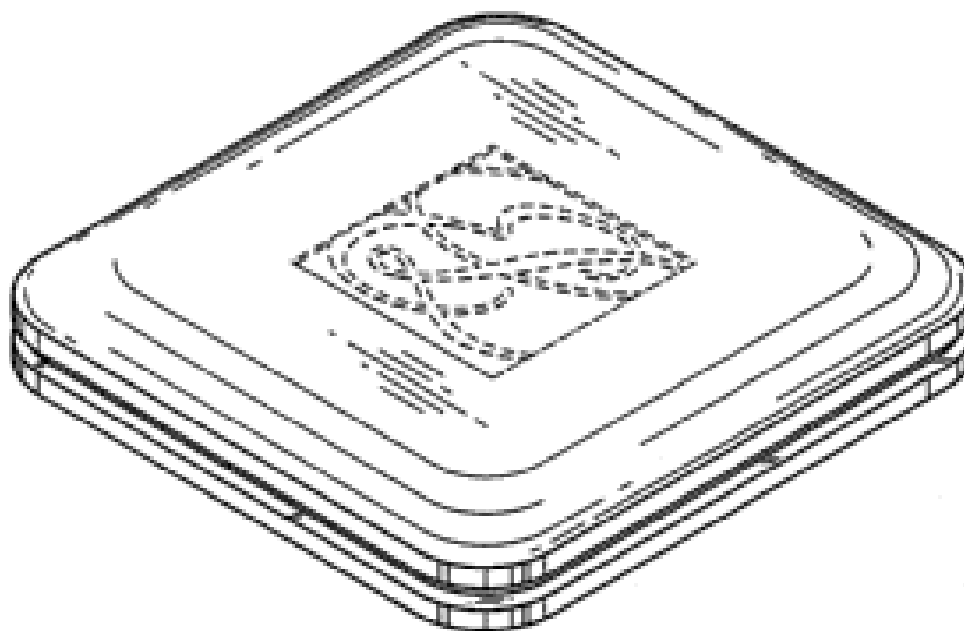
29/296,324

18 Oct 2007

UNITED STATES OF AMERICA

(56) Related Art Documents: **Not Applicable**

(57) Statement of Newness and Distinctiveness: **Those features of the compact depicted in the representations that are new and distinctive are the shape and/or configuration. The features shown in broken lines are not part of the design and are to be disregarded when considering the overall impression of the design.**



(21) Design Number: **10556/2008**

(22) Date of Filing Application: **07 February 2008**

(24) Date from which industrial property rights may have effect: **07 February 2008**

(54) Product in respect of which the design is registered: **Bag**

(51) International Design Classification: **03-01A**

(71) Name(s) and Address(s) of Applicant(s):

Kate Hewson

435 The Boulevard East Ivanhoe Victoria 3079 Australia

(72) Name(s) of Designer(s): **Kate Lia Hewson**

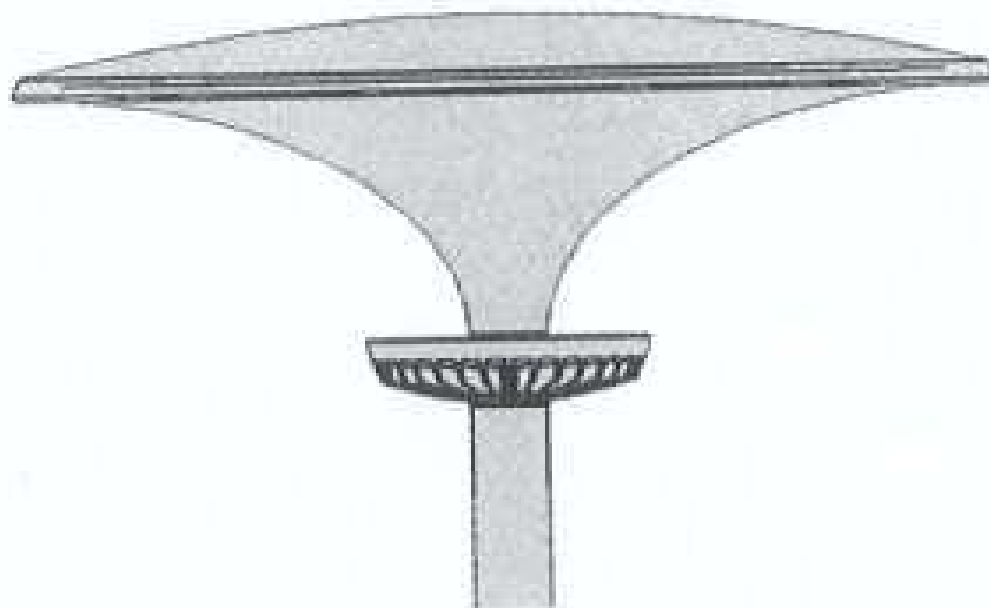
(45) Registration Date: **26 May 2008**

(56) Related Art Documents: **Not Applicable**

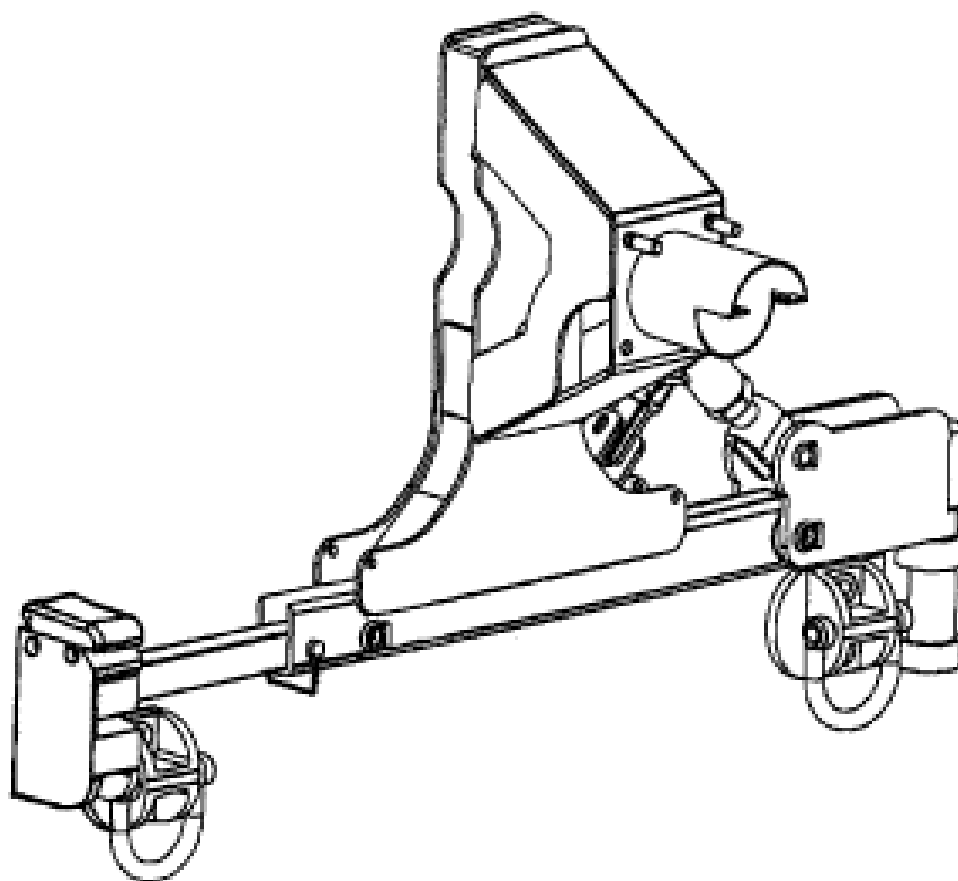
(57) Statement of Newness and Distinctiveness: **The design features a repetition of looped fabric arranged in rows.**



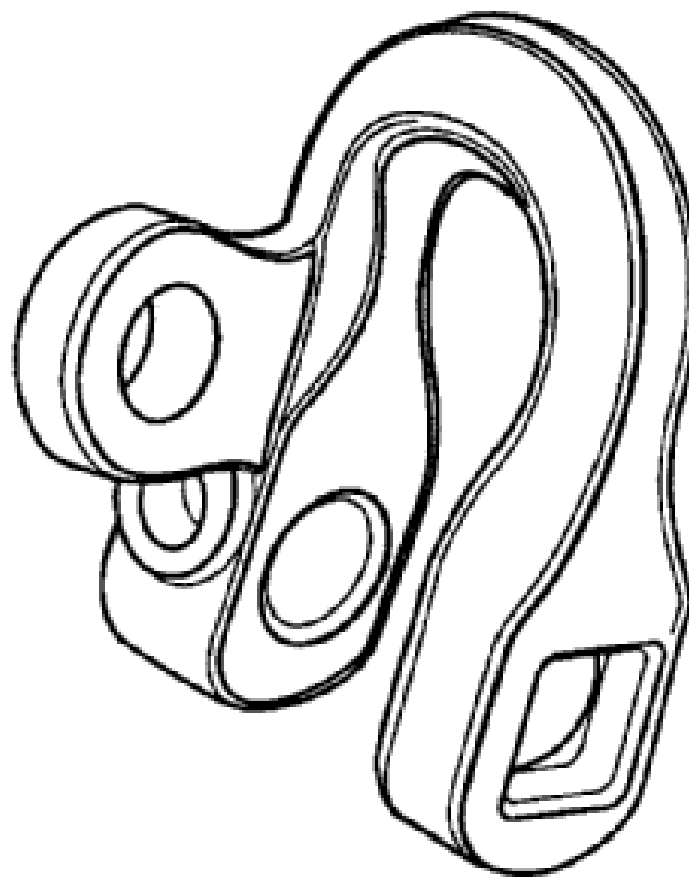
(21) Design Number: **10563/2008**
(22) Date of Filing Application: **08 February 2008**
(24) Date from which industrial property rights may have effect: **08 February 2008**
(54) Product in respect of which the design is registered: **Lighting fixture**
(51) International Design Classification: **26-05D**
(71) Name(s) and Address(s) of Applicant(s):
Thorn Europhane
156 Boulevard Haussmann 75008 Paris France
(72) Name(s) of Designer(s): **Morten Lyhne**
(45) Registration Date: **26 May 2008**
(30) Convention priority data:
(31) Number (32) Date (33) Country
000809603 17 Oct 2007 EUROPEAN COMMUNITY
(56) Related Art Documents: **Not Applicable**
(57) Statement of Newness and Distinctiveness: **Newness and distinctiveness is claimed in the features of shape and/or configuration of a lighting fixture as illustrated in the accompanying representations, wherein the stem of the lighting fixture is shown truncated.**



(21) Design Number: **10564/2008**
(22) Date of Filing Application: **08 February 2008**
(24) Date from which industrial property rights may have effect: **08 February 2008**
(54) Product in respect of which the design is registered: **Spare tyre carrier assembly**
(51) International Design Classification: **12-16K**
(71) Name(s) and Address(s) of Applicant(s):
Anthony James Newbill
3045 W. Cantel Court Wickenburg Arizona 85390 United States of America
(72) Name(s) of Designer(s): **Anthony James Newbill**
(45) Registration Date: **26 May 2008**
(30) Convention priority data:
(31) Number (32) Date (33) Country
29/295025 20 Sep 2007 UNITED STATES OF AMERICA
(56) Related Art Documents: **Not Applicable**
(57) Statement of Newness and Distinctiveness: **Newness and distinctiveness is claimed in the visual features shown in solid lines in the representations.**



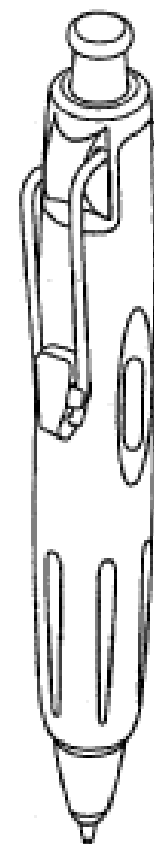
- (21) Design Number: **10565/2008**
(22) Date of Filing Application: **08 February 2008**
(24) Date from which industrial property rights may have effect: **08 February 2008**
(54) Product in respect of which the design is registered: **A shackle**
(51) International Design Classification: **08-07**
(71) Name(s) and Address(s) of Applicant(s):
CQMS Pty Ltd
36 Enterprise Street Mackay Queensland 4740 Australia
(72) Name(s) of Designer(s): **Martin Charles Simpson**
(45) Registration Date: **26 May 2008**
(56) Related Art Documents: **Not Applicable**
(57) Statement of Newness and Distinctiveness: **Newness and distinctiveness resides in the features of shape and configuration of a shackle as shown in the accompanying representations.**



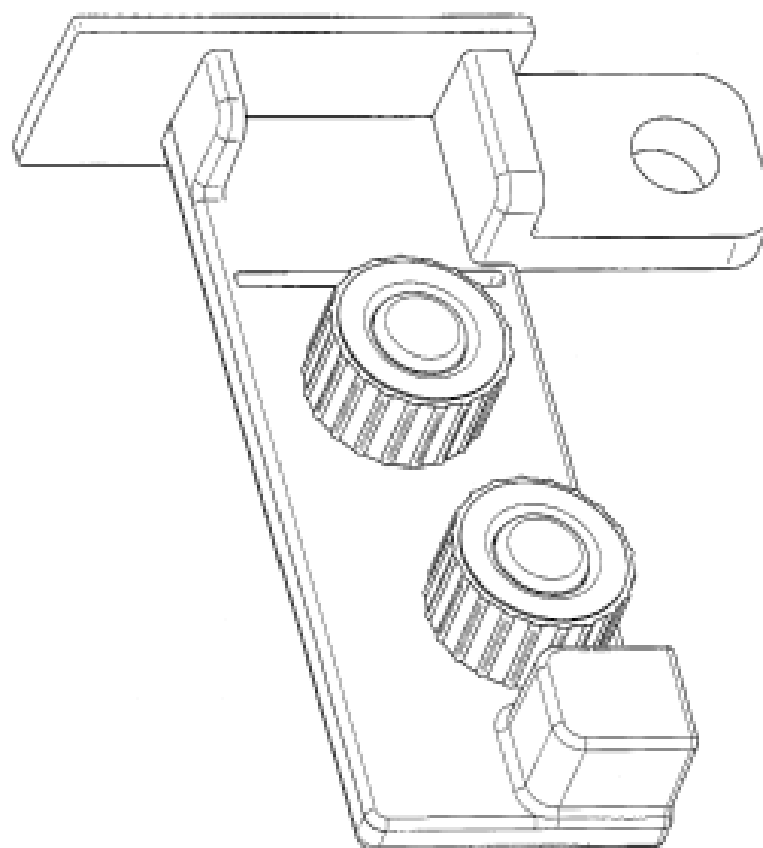
- (21) Design Number: **10181/2008**
(22) Date of Filing Application: **15 January 2008**
(24) Date from which industrial property rights may have effect: **15 January 2008**
(54) Product in respect of which the design is registered: **Pen**
(51) International Design Classification: **19-06**
(71) Name(s) and Address(s) of Applicant(s):
Tombow Pencil Co., Ltd.
6-10-12 Toshima Kita-ku Tokyo 114-8583 Japan
(72) Name(s) of Designer(s): **Yoshinori Kouda**
(45) Registration Date: **26 May 2008**
(30) Convention priority data:

(31) Number	(32) Date	(33) Country
2007-027757	11 Oct 2007	JAPAN

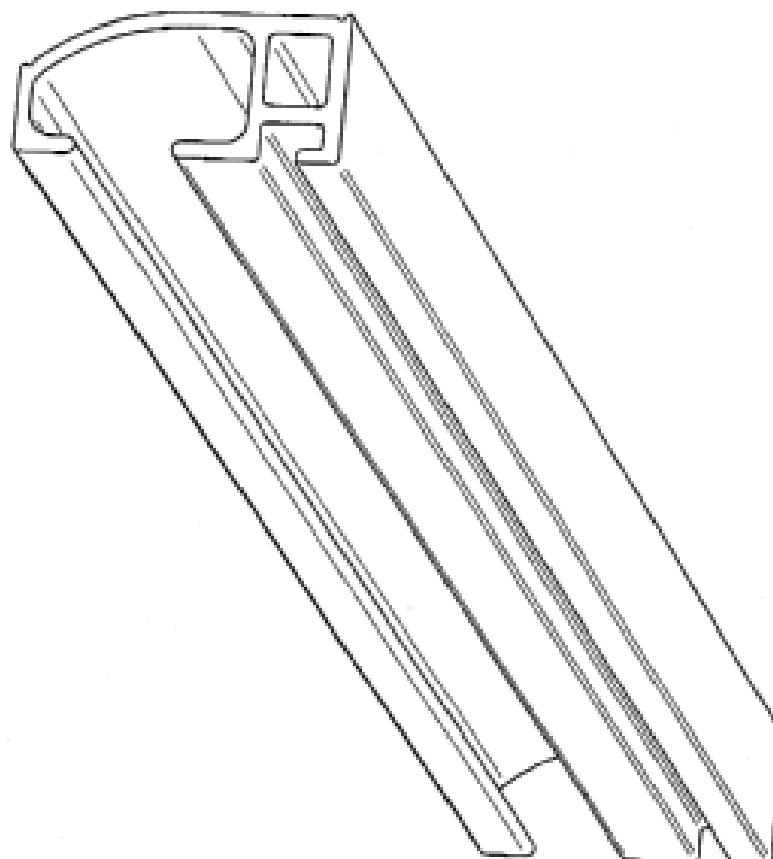
(56) Related Art Documents: **Not Applicable**
(57) Statement of Newness and Distinctiveness: **Those features of the pen depicted in the representations that are new and distinctive are the shape and/or configuration.**



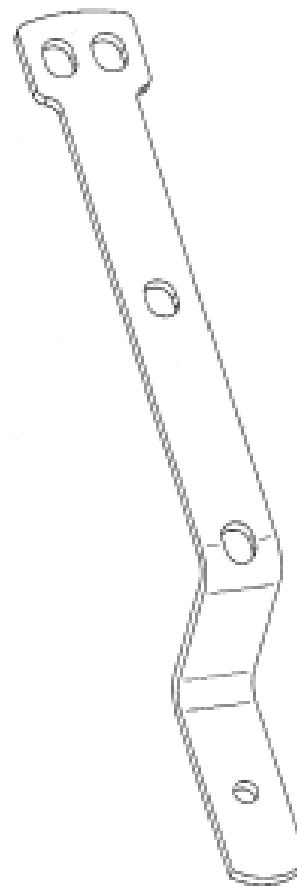
- (21) Design Number: **10369/2008**
- (22) Date of Filing Application: **31 January 2008**
- (24) Date from which industrial property rights may have effect: **31 January 2008**
- (54) Product in respect of which the design is registered: **Pulley for a curtain track**
- (51) International Design Classification: **08-08H**
- (71) Name(s) and Address(s) of Applicant(s):
David John Croucher
3 Atalanta Rise Ocean Reef Western Australia 6027 Australia
- (72) Name(s) of Designer(s): **David John Croucher**
- (45) Registration Date: **26 May 2008**
- (56) Related Art Documents: **Not Applicable**
- (57) Statement of Newness and Distinctiveness: **Pulley uses the actual curtain extrusion to form the housing and unlike similar devices has two moving wheels to ensure smooth running of cord. It can also have the stop end removed to allow the pulley to be placed at any point in the track for the cords to drop out of.**



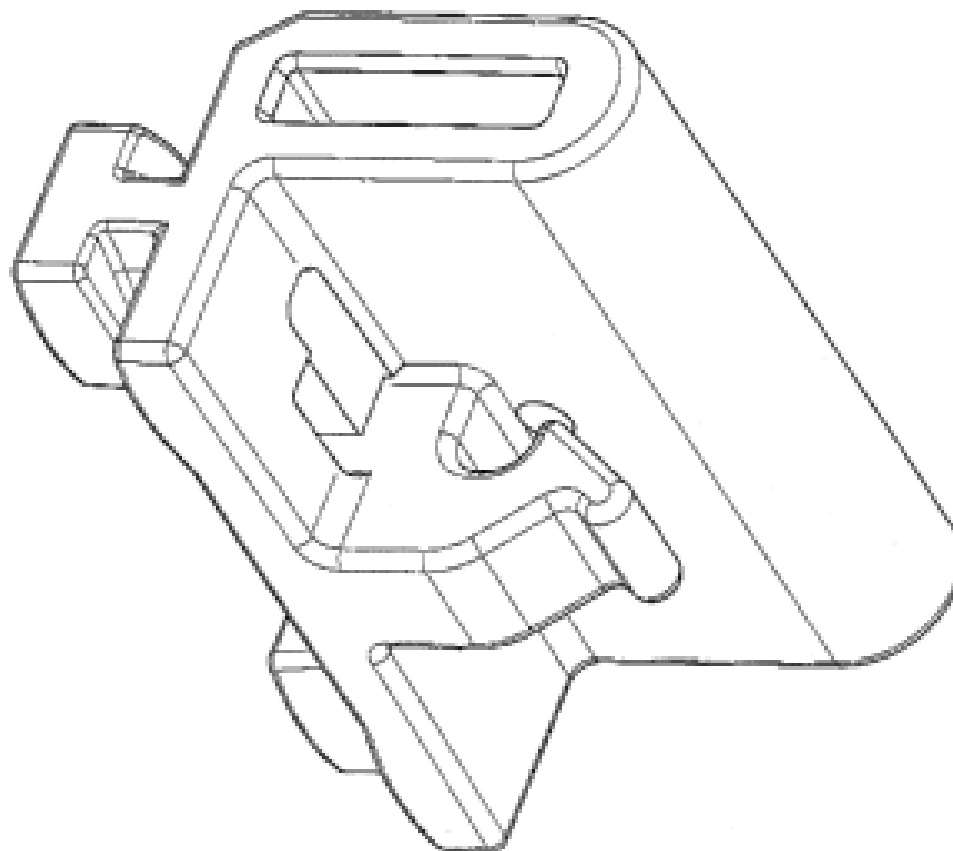
- (21) Design Number: **10371/2008**
- (22) Date of Filing Application: **31 January 2008**
- (24) Date from which industrial property rights may have effect: **31 January 2008**
- (54) Product in respect of which the design is registered: **Extrusion**
- (51) International Design Classification: **25-01K**
- (71) Name(s) and Address(s) of Applicant(s):
David John Croucher
3 Atalanta Rise Ocean Reef Western Australia 6027 Australia
- (72) Name(s) of Designer(s): **David John Croucher**
- (45) Registration Date: **26 May 2008**
- (56) Related Art Documents: **Not Applicable**
- (57) Statement of Newness and Distinctiveness: **Extrusion is designed to take concealable camlock.**



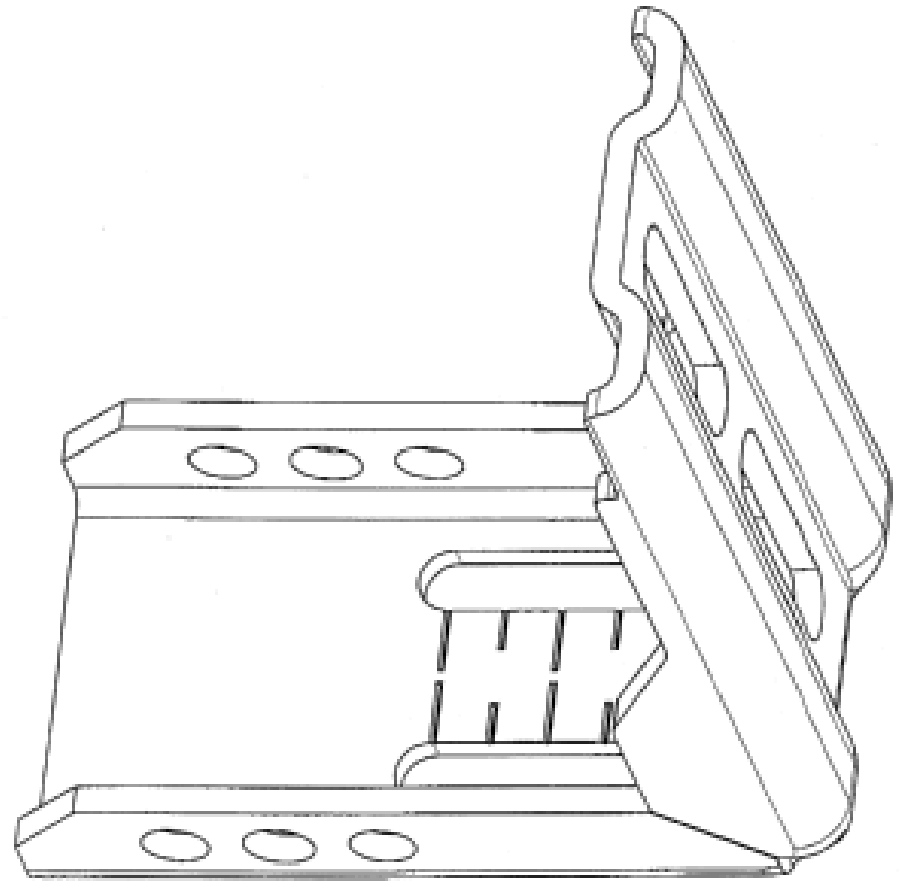
- (21) Design Number: **10372/2008**
(22) Date of Filing Application: **31 January 2008**
(24) Date from which industrial property rights may have effect: **31 January 2008**
(54) Product in respect of which the design is registered: **Overlap arm for a curtain track**
(51) International Design Classification: **08-08H**
(71) Name(s) and Address(s) of Applicant(s):
David John Croucher
3 Atalanta Rise Ocean Reef Western Australia 6027 Australia
(72) Name(s) of Designer(s): **David John Croucher**
(45) Registration Date: **26 May 2008**
(56) Related Art Documents: **Not Applicable**
(57) Statement of Newness and Distinctiveness: **Twin end holes lifts the overlap of the curtain exactly the right amount when using the top hole to ensure the perfect closure of the curtain with no need for adjustment by the fitter.**



- (21) Design Number: **10373/2008**
(22) Date of Filing Application: **31 January 2008**
(24) Date from which industrial property rights may have effect: **31 January 2008**
(54) Product in respect of which the design is registered: **Master slide for curtain track**
(51) International Design Classification: **08-08H**
(71) Name(s) and Address(s) of Applicant(s):
David John Croucher
3 Atalanta Rise Ocean Reef Western Australia 6027 Australia
(72) Name(s) of Designer(s): **David John Croucher**
(45) Registration Date: **26 May 2008**
(56) Related Art Documents: **Not Applicable**
(57) Statement of Newness and Distinctiveness: **The masterslide allows the cord to be locked with a screw from the front all other similar devices have to be altered from the back of the track.**



- (21) Design Number: **10374/2008**
(22) Date of Filing Application: **31 January 2008**
(24) Date from which industrial property rights may have effect: **31 January 2008**
(54) Product in respect of which the design is registered: **Curtain bracket**
(51) International Design Classification: **08-08H**
(71) Name(s) and Address(s) of Applicant(s):
David John Croucher
3 Atalanta Rise Ocean Reef Western Australia 6027 Australia
(72) Name(s) of Designer(s): **David John Croucher**
(45) Registration Date: **26 May 2008**
(56) Related Art Documents: **Not Applicable**
(57) Statement of Newness and Distinctiveness: **The graduations on the slots being both a measurement guide and supplies extra grip, like a knurl, to keep fixing screw moving in slot.**



- (21) Design Number: **20973/2007**
(22) Date of Filing Application: **26 November 2007**
(24) Date from which industrial property rights may have effect: **26 November 2007**
(54) Product in respect of which the design is registered: **Garage door opener**
(51) International Design Classification: **08-09**
(71) Name(s) and Address(s) of Applicant(s):
Mark Wahlstrom
PO Box 95 Liverpool New South Wales 1871
(72) Name(s) of Designer(s): **Mark Wahlstrom**
(45) Registration Date: **02 June 2008**
(56) Related Art Documents: **Not Applicable**
(57) Statement of Newness and Distinctiveness: **Newness and distinctiveness in the features and overall design of the opener.**



- (21) Design Number: **20979/2007**
(22) Date of Filing Application: **26 November 2007**
(24) Date from which industrial property rights may have effect: **26 November 2007**
(54) Product in respect of which the design is registered: **Enclosure for a power generator.**
(51) International Design Classification: **13-03NES**
(71) Name(s) and Address(s) of Applicant(s):
Keith Allan Gilby
Unit 1/19, Perrin Place Salisbury Queensland 4107 Australia
Envirotech Acoustic Solutions Pty Ltd
Unit 1/19 Perrin Place Salisbury Queensland 4107 Australia
(72) Name(s) of Designer(s): **Keith Allan Gilby**
(45) Registration Date: **02 June 2008**
(56) Related Art Documents: **Not Applicable**
(57) Statement of Newness and Distinctiveness: **In consideration of the exclusion of the silencer & muffler designed and manufactured by Envirotech these are a feature of the Enclosure so should remain as such.**



- (21) Design Number: **20978/2007**
(22) Date of Filing Application: **26 November 2007**
(24) Date from which industrial property rights may have effect: **26 November 2007**
(54) Product in respect of which the design is registered: **Enclosure for a power generator.**
(51) International Design Classification: **13-03NES**
(71) Name(s) and Address(s) of Applicant(s):
Keith Allan Gilby
Unit 1/19, Perrin Place Salisbury Queensland 4107 Australia
Envirotech Acoustic Solutions Pty Ltd
Unit 1/19 Perrin Place Salisbury Queensland 4107 Australia
(72) Name(s) of Designer(s): **Keith Allan Gilby**
(45) Registration Date: **02 June 2008**
(56) Related Art Documents: **Not Applicable**
(57) Statement of Newness and Distinctiveness: **In consideration of the exclusion of the silencer & muffler designed and manufactured by Envirotech these are a feature of the Enclosure so should remain as such.**



- (21) Design Number: **11749/2008**
(22) Date of Filing Application: **26 November 2007**
(24) Date from which industrial property rights may have effect: **26 November 2007**
(54) Product in respect of which the design is registered: **Enclosure for a power generator**
(51) International Design Classification: **13-03NES**
(71) Name(s) and Address(s) of Applicant(s):
Keith Allan Gilby
Unit 1/19, Perrin Place Salisbury Queensland 4107 Australia
Envirotech Acoustic Solutions Pty Ltd
Unit 1/19 Perrin Place Salisbury Queensland 4107 Australia
(72) Name(s) of Designer(s): **Keith Allan Gilby**
(45) Registration Date: **02 June 2008**
(56) Related Art Documents: **Not Applicable**
(57) Statement of Newness and Distinctiveness: **In consideration of the exclusion of the silencer and muffler designed and manufactured by Envirotech these are a feature of the enclosure so should remain as such.**



- (21) Design Number: **10155/2008**
(22) Date of Filing Application: **14 January 2008**
(24) Date from which industrial property rights may have effect: **14 January 2008**
(54) Product in respect of which the design is registered: **Accumulator**
(51) International Design Classification: **13-02**
(71) Name(s) and Address(s) of Applicant(s):
Johnson Controls Hybrid and Recycling GmbH
AM Leineufer 51 D-30419 Hannover Germany
(72) Name(s) of Designer(s): **Hans-Peter Aglassinger**
(45) Registration Date: **02 June 2008**
(30) Convention priority data:
(31) Number (32) Date (33) Country
000762232 23 Jul 2007 EUROPEAN COMMUNITY
(56) Related Art Documents: **Not Applicable**
(57) Statement of Newness and Distinctiveness: **The newness and distinctiveness of the design resides in the shape, configuration, pattern and/or ornamentation of the accumulator shown in the representations.**



(21) Design Number: **10156/2008**

(22) Date of Filing Application: **14 January 2008**

(24) Date from which industrial property rights may have effect: **14 January 2008**

(54) Product in respect of which the design is registered: **Accumulator**

(51) International Design Classification: **13-02**

(71) Name(s) and Address(s) of Applicant(s):

**Johnson Controls Hybrid and Recycling GmbH
AM Leineufer 51 D-30419 Hannover Germany**

(72) Name(s) of Designer(s): **Hans-Peter Aglassinger**

(45) Registration Date: **02 June 2008**

(30) Convention priority data:

(31) Number	(32) Date	(33) Country
000762232	23 Jul 2007	EUROPEAN COMMUNITY

(56) Related Art Documents: **Not Applicable**

(57) Statement of Newness and Distinctiveness: **The newness and distinctiveness of the design resides in the shape, configuration, pattern and/or ornamentation of the accumulator shown in the representations.**



(21) Design Number: **10157/2008**

(22) Date of Filing Application: **14 January 2008**

(24) Date from which industrial property rights may have effect: **14 January 2008**

(54) Product in respect of which the design is registered: **Accumulator**

(51) International Design Classification: **13-02**

(71) Name(s) and Address(s) of Applicant(s):

**Johnson Controls Hybrid and Recycling GmbH
AM Leineufer 51 D-30419 Hannover Germany**

(72) Name(s) of Designer(s): **Hans-Peter Aglassinger**

(45) Registration Date: **02 June 2008**

(30) Convention priority data:

(31) Number	(32) Date	(33) Country
000762232	23 Jul 2007	EUROPEAN COMMUNITY

(56) Related Art Documents: **Not Applicable**

(57) Statement of Newness and Distinctiveness: **The newness and distinctiveness of the design resides in the shape, configuration, pattern and/or ornamentation of the accumulator shown in the representations.**



(21) Design Number: **10158/2008**

(22) Date of Filing Application: **14 January 2008**

(24) Date from which industrial property rights may have effect: **14 January 2008**

(54) Product in respect of which the design is registered: **Accumulator**

(51) International Design Classification: **13-02**

(71) Name(s) and Address(s) of Applicant(s):

**Johnson Controls Hybrid and Recycling GmbH
AM Leineufer 51 D-30419 Hannover Germany**

(72) Name(s) of Designer(s): **Hans-Peter Aglassinger**

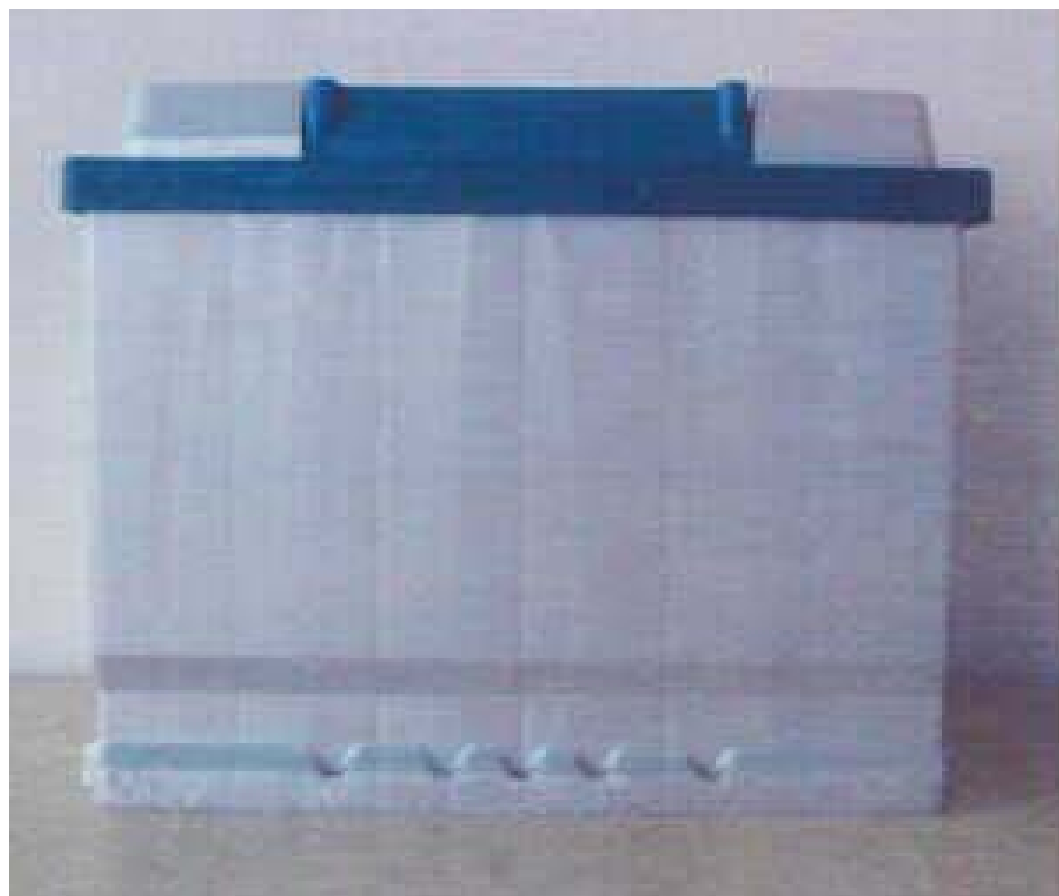
(45) Registration Date: **02 June 2008**

(30) Convention priority data:

(31) Number	(32) Date	(33) Country
000762232	23 Jul 2007	EUROPEAN COMMUNITY

(56) Related Art Documents: **Not Applicable**

(57) Statement of Newness and Distinctiveness: **The newness and distinctiveness of the design resides in the shape, configuration, pattern and/or ornamentation of the accumulator shown in the representations.**



(21) Design Number: **10159/2008**

(22) Date of Filing Application: **14 January 2008**

(24) Date from which industrial property rights may have effect: **14 January 2008**

(54) Product in respect of which the design is registered: **Accumulator**

(51) International Design Classification: **13-02**

(71) Name(s) and Address(s) of Applicant(s):

**Johnson Controls Hybrid and Recycling GmbH
AM Leineufer 51 D-30419 Hannover Germany**

(72) Name(s) of Designer(s): **Hans-Peter Aglassinger**

(45) Registration Date: **02 June 2008**

(30) Convention priority data:

(31) Number	(32) Date	(33) Country
000762232	23 Jul 2007	EUROPEAN COMMUNITY

(56) Related Art Documents: **Not Applicable**

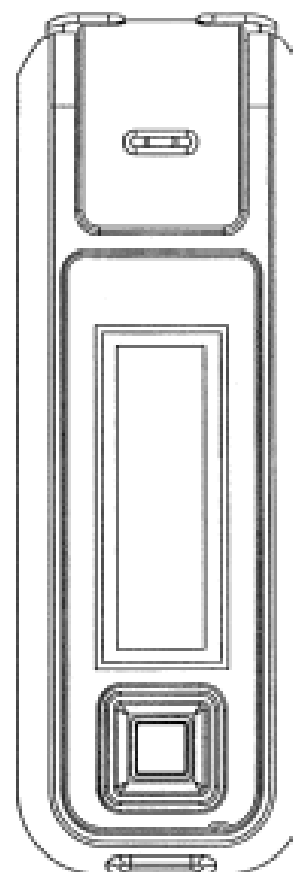
(57) Statement of Newness and Distinctiveness: **The newness and distinctiveness of the design resides in the shape, configuration, pattern and/or ornamentation of the accumulator shown in the representations.**



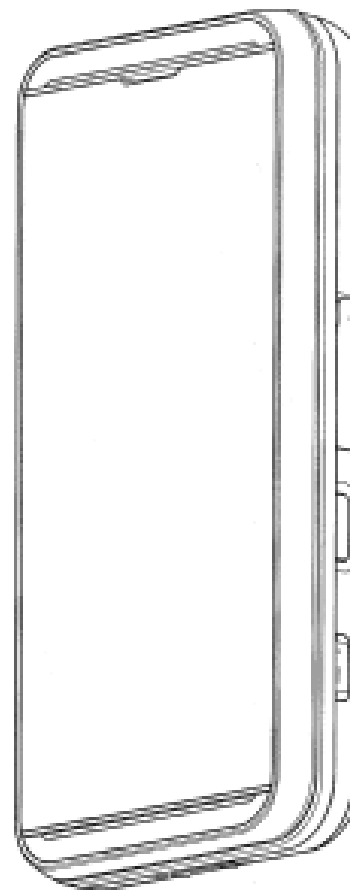
- (21) Design Number: **10160/2008**
(22) Date of Filing Application: **14 January 2008**
(24) Date from which industrial property rights may have effect: **14 January 2008**
(54) Product in respect of which the design is registered: **Accumulator**
(51) International Design Classification: **13-02**
(71) Name(s) and Address(s) of Applicant(s):
Johnson Controls Hybrid and Recycling GmbH
AM Leineufer 51 D-30419 Hannover Germany
(72) Name(s) of Designer(s): **Hans-Peter Aglassinger**
(45) Registration Date: **02 June 2008**
(30) Convention priority data:
(31) Number (32) Date (33) Country
000762232 23 Jul 2007 EUROPEAN COMMUNITY
(56) Related Art Documents: **Not Applicable**
(57) Statement of Newness and Distinctiveness: **The newness and distinctiveness of the design resides in the shape, configuration, pattern and/or ornamentation of the accumulator shown in the representations.**



- (21) Design Number: **10521/2008**
(22) Date of Filing Application: **06 February 2008**
(24) Date from which industrial property rights may have effect: **06 February 2008**
(54) Product in respect of which the design is registered: **Mobile phone**
(51) International Design Classification: **14-03E**
(71) Name(s) and Address(s) of Applicant(s):
Rohde & Schwarz SIT GmbH
Am Studio 3 D-12489 Berlin Germany
(72) Name(s) of Designer(s): **Hans-Peter Constin and Lutz Friedrich**
(45) Registration Date: **02 June 2008**
(30) Convention priority data:
(31) Number (32) Date (33) Country
000 770 995 08 Aug 2007 EUROPEAN COMMUNITY
(56) Related Art Documents: **Not Applicable**
(57) Statement of Newness and Distinctiveness: **Newness and distinctiveness is claimed in the features of shape and/or configuration of a mobile phone as illustrated in the accompanying representations.**



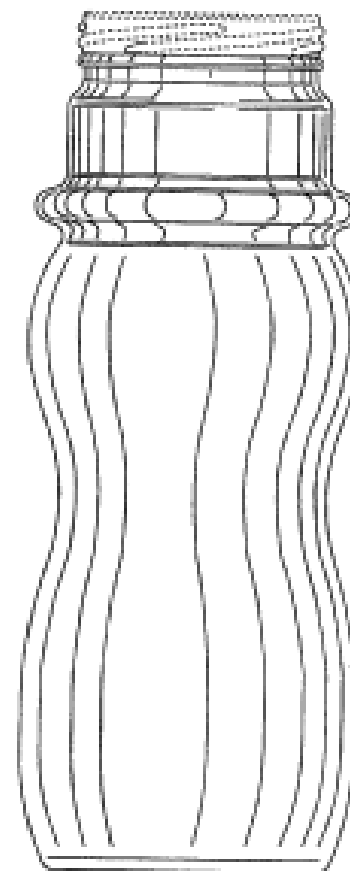
(21) Design Number: **10522/2008**
 (22) Date of Filing Application: **06 February 2008**
 (24) Date from which industrial property rights may have effect: **06 February 2008**
 (54) Product in respect of which the design is registered: **Cellular phone**
 (51) International Design Classification: **14-03E**
 (71) Name(s) and Address(s) of Applicant(s):
LG Electronics, Inc.
20 Yeouido-dong Yeongdeungpo-gu Seoul 150-721 Republic of Korea
 (72) Name(s) of Designer(s): **Hong Sik Kim and Hyon I. Kim**
 (45) Registration Date: **02 June 2008**
 (30) Convention priority data:
 (31) Number (32) Date (33) Country
30-2007-0035047 16 Aug 2007 REPUBLIC OF KOREA
 (56) Related Art Documents: **Not Applicable**
 (57) Statement of Newness and Distinctiveness: **Newness and distinctiveness in the design as applied to a cellular phone resides in the shape and/or configuration thereof as is illustrated in the accompanying representations.**



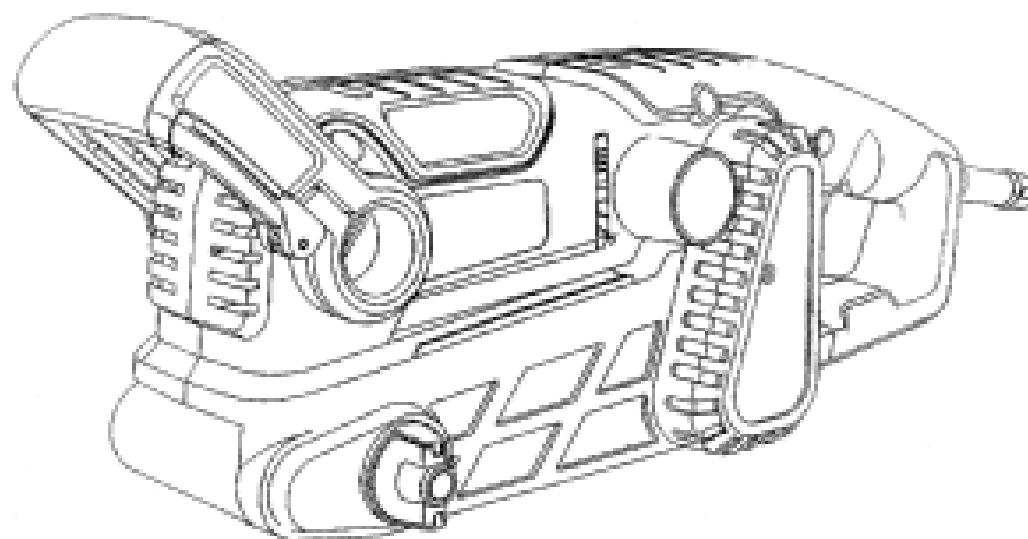
(21) Design Number: **10527/2008**
 (22) Date of Filing Application: **06 February 2008**
 (24) Date from which industrial property rights may have effect: **06 February 2008**
 (54) Product in respect of which the design is registered: **Container**
 (51) International Design Classification: **09-01D**
 (71) Name(s) and Address(s) of Applicant(s):
Kraft Foods Holdings, Inc.
Three Lakes Drive Northfield IL 60093 United States of America
 (72) Name(s) of Designer(s): **Andrew James Clark and Deborah A. Lyzenga**
 (45) Registration Date: **02 June 2008**
 (30) Convention priority data:
 (31) Number (32) Date (33) Country
29/283452 15 Aug 2007 UNITED STATES OF AMERICA
 (56) Related Art Documents: **Not Applicable**
 (57) Statement of Newness and Distinctiveness: **When determining whether the design is substantially similar in overall impression to another design, particular regard is to be had to the ornamentation on the container as opposed to the container itself as is shown in the representations.**



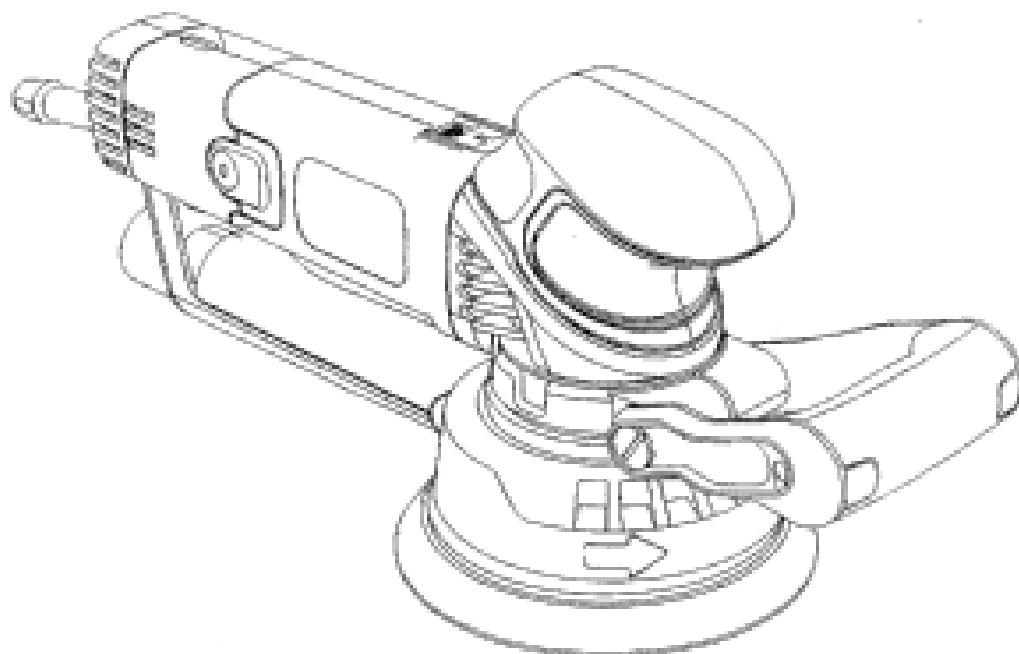
- (21) Design Number: **10528/2008**
(22) Date of Filing Application: **06 February 2008**
(24) Date from which industrial property rights may have effect: **06 February 2008**
(54) Product in respect of which the design is registered: **Container**
(51) International Design Classification: **09-01K**
(71) Name(s) and Address(s) of Applicant(s):
Kraft Foods Holdings, Inc.
Three Lakes Drive Northfield IL 60093 United States of America
(72) Name(s) of Designer(s): **Andrew James Clark and Deborah A. Lyzenga**
(45) Registration Date: **02 June 2008**
(30) Convention priority data:
(31) Number (32) Date (33) Country
29/283451 15 Aug 2007 UNITED STATES OF AMERICA
(56) Related Art Documents: **Not Applicable**
(57) Statement of Newness and Distinctiveness: **When determining whether the design 1 is substantially similar in overall impression to another design, no regard is to be had to those features shown in dotted outline in the accompanying representations.**



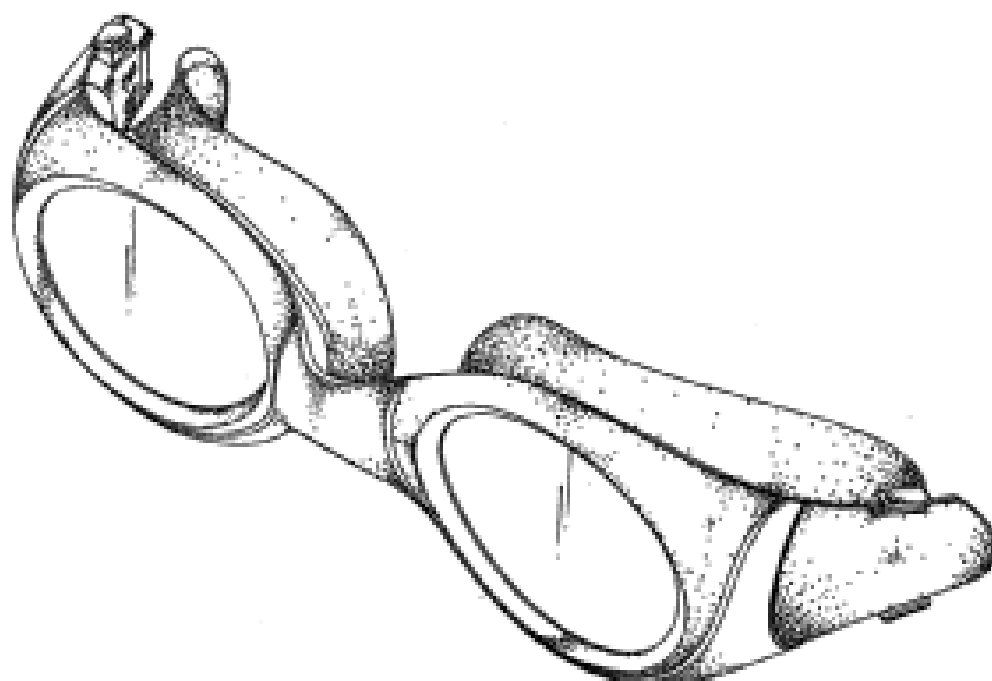
- (21) Design Number: **10529/2008**
(22) Date of Filing Application: **06 February 2008**
(24) Date from which industrial property rights may have effect: **06 February 2008**
(54) Product in respect of which the design is registered: **Sander power tool**
(51) International Design Classification: **08-05N**
(71) Name(s) and Address(s) of Applicant(s):
GMCA Pty Ltd
45-55 South Centre Road Melbourne Airport Victoria 3045 Australia
(72) Name(s) of Designer(s): **Jason Jones**
(45) Registration Date: **02 June 2008**
(30) Convention priority data:
(31) Number (32) Date (33) Country
4005698 22 Dec 2007 UNITED KINGDOM
(56) Related Art Documents: **Not Applicable**
(57) Statement of Newness and Distinctiveness: **Newness and distinctiveness resides in the features of shape and configuration of a sander power tool as shown in the accompanying representations.**



(21) Design Number: **10530/2008**
(22) Date of Filing Application: **06 February 2008**
(24) Date from which industrial property rights may have effect: **06 February 2008**
(54) Product in respect of which the design is registered: **Sander power tool**
(51) International Design Classification: **08-05N**
(71) Name(s) and Address(s) of Applicant(s):
GMCA Pty Ltd
45-55 South Centre Road Melbourne Airport Victoria 3045 Australia
(72) Name(s) of Designer(s): **John Hoggarth**
(45) Registration Date: **02 June 2008**
(30) Convention priority data:
(31) Number (32) Date (33) Country
4005697 22 Dec 2007 UNITED KINGDOM
(56) Related Art Documents: **Not Applicable**
(57) Statement of Newness and Distinctiveness: **Newness and distinctiveness resides in the features of shape and configuration of a sander power tool as shown in the accompanying representations.**



(21) Design Number: **10769/2008**
(22) Date of Filing Application: **08 February 2008**
(24) Date from which industrial property rights may have effect: **08 February 2008**
(54) Product in respect of which the design is registered: **Swimming goggles**
(51) International Design Classification: **16-06, 21-02D**
(71) Name(s) and Address(s) of Applicant(s):
Herman Chiang
11F-2 No. 634-9 Ching-Ping Rd Chung-Ho City Taipei Hsien Taiwan
(72) Name(s) of Designer(s): **Herman Chiang**
(45) Registration Date: **02 June 2008**
(56) Related Art Documents: **Not Applicable**
(57) Statement of Newness and Distinctiveness: **Nil**



(21) Design Number: **11716/2008**
(22) Date of Filing Application: **12 December 2007**
(24) Date from which industrial property rights may have effect: **12 December 2007**
(54) Product in respect of which the design is registered: **Handles for furniture**
(51) International Design Classification: **08-06, 06-05**
(71) Name(s) and Address(s) of Applicant(s):

EM Export Limited
Nerine Chambers PO Box 905 Road Town Tortola British Virgin Islands

(72) Name(s) of Designer(s): **Moshe Saraga and Reem Mayer**

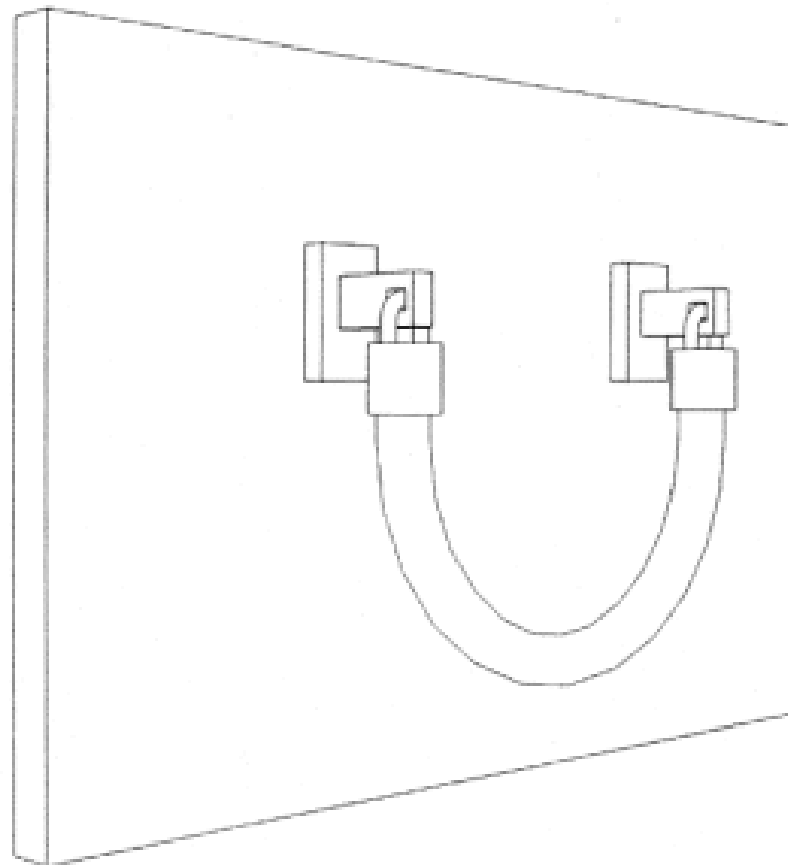
(45) Registration Date: **02 June 2008**

(30) Convention priority data:

(31) Number	(32) Date	(33) Country
000754114-0005	20 Jun 2007	FRANCE

(56) Related Art Documents: **Not Applicable**

(57) Statement of Newness and Distinctiveness: **Nil**



(21) Design Number: **21281/2007**
(22) Date of Filing Application: **12 December 2007**
(24) Date from which industrial property rights may have effect: **12 December 2007**
(54) Product in respect of which the design is registered: **Handles for furniture**
(51) International Design Classification: **08-06, 06-05**
(71) Name(s) and Address(s) of Applicant(s):

EM Export Limited
Nerine Chambers PO Box 905 Road Town Tortola British Virgin Islands

(72) Name(s) of Designer(s): **Moshe Saraga and Reem Mayer**

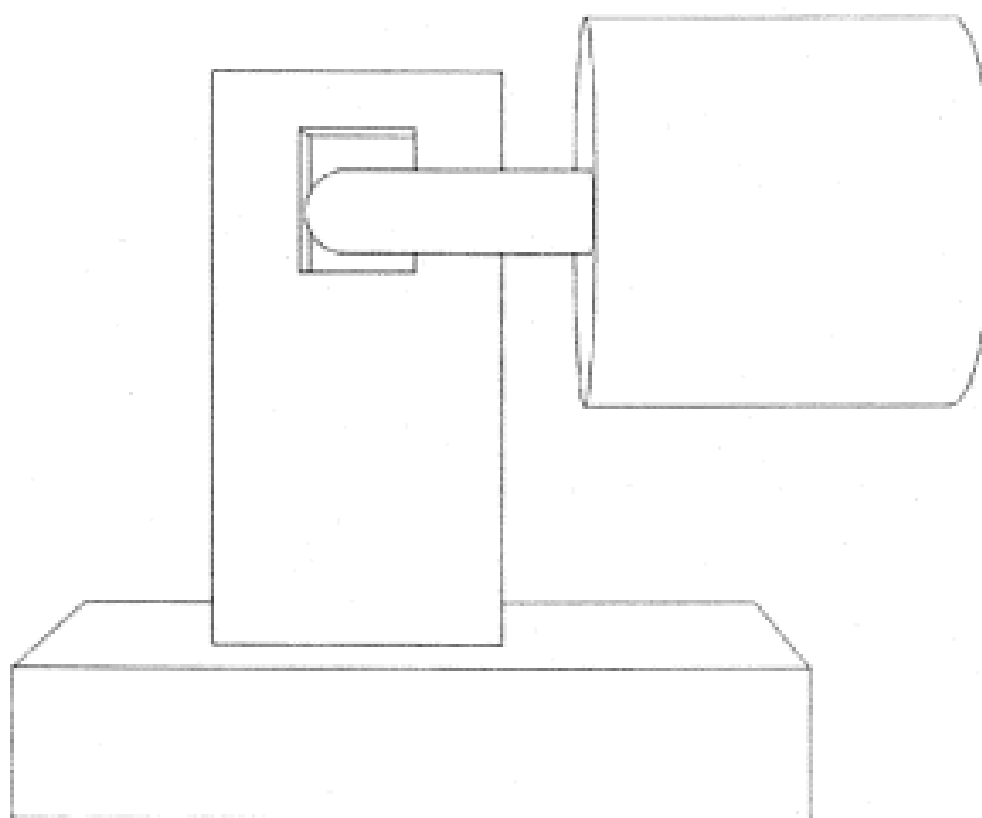
(45) Registration Date: **02 June 2008**

(30) Convention priority data:

(31) Number	(32) Date	(33) Country
000754114-0004	20 Jun 2007	FRANCE

(56) Related Art Documents: **Not Applicable**

(57) Statement of Newness and Distinctiveness: **Nil**



- (21) Design Number: **10190/2008**
(22) Date of Filing Application: **16 January 2008**
(24) Date from which industrial property rights may have effect: **16 January 2008**
(54) Product in respect of which the design is registered: **Cover letter portfolio**
(51) International Design Classification: **19-04**
(71) Name(s) and Address(s) of Applicant(s):

Acco Australia Pty Ltd
The Lakes Business Park Level 2 8 Lord Street Botany New South
Wales 2019 Australia

- (72) Name(s) of Designer(s): **Jessica Lucchesi**
(45) Registration Date: **27 May 2008**
(56) Related Art Documents: **Not Applicable**
(57) Statement of Newness and Distinctiveness: **When determining whether the design 1 is substantially similar in overall impression to another design, no regard is to be had to the business card, the page in the sleeve with text stating "Business Proposal", or the page labelled "BrandWin" as shown in figure 1 of the accompanying representations. These features are provided for illustrative purposes only.**



- (21) Design Number: **10192/2008**
(22) Date of Filing Application: **16 January 2008**
(24) Date from which industrial property rights may have effect: **16 January 2008**
(54) Product in respect of which the design is registered: **Presentation wrap**
(51) International Design Classification: **19-04**
(71) Name(s) and Address(s) of Applicant(s):

Acco Australia Pty Ltd
The Lakes Business Park Level 2 8 Lord Street Botany New South
Wales 2019 Australia

- (72) Name(s) of Designer(s): **Jessica Lucchesi**
(45) Registration Date: **27 May 2008**
(56) Related Art Documents: **Not Applicable**
(57) Statement of Newness and Distinctiveness: **When determining whether the design 1 is substantially similar in overall impression to another design, no regard is to be had to the page with text "Q2", "New Systems Plan", "Proposal", as shown in figure 1 or the page and paper clip as shown in figure 2 of the accompanying representations. These features are provided for illustrative purposes only.**



(21) Design Number: **10290/2008**

(22) Date of Filing Application: **22 January 2008**

(24) Date from which industrial property rights may have effect: **22 January 2008**

(54) Product in respect of which the design is registered: **A bottle**

(51) International Design Classification: **09-01K**

(71) Name(s) and Address(s) of Applicant(s):

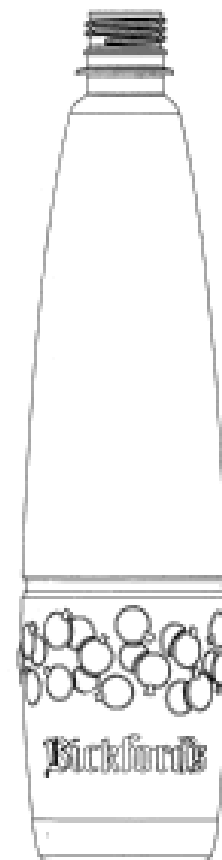
Bickford's Australia Pty Ltd
162 Cross Keys Road Salisbury South South Australia 5106 Australia

(72) Name(s) of Designer(s): **David Melrose**

(45) Registration Date: **27 May 2008**

(56) Related Art Documents: **Not Applicable**

(57) Statement of Newness and Distinctiveness: **Nil**



(21) Design Number: **10306/2008**

(22) Date of Filing Application: **24 January 2008**

(24) Date from which industrial property rights may have effect: **24 January 2008**

(54) Product in respect of which the design is registered: **Toothbrush**

(51) International Design Classification: **04-02**

(71) Name(s) and Address(s) of Applicant(s):

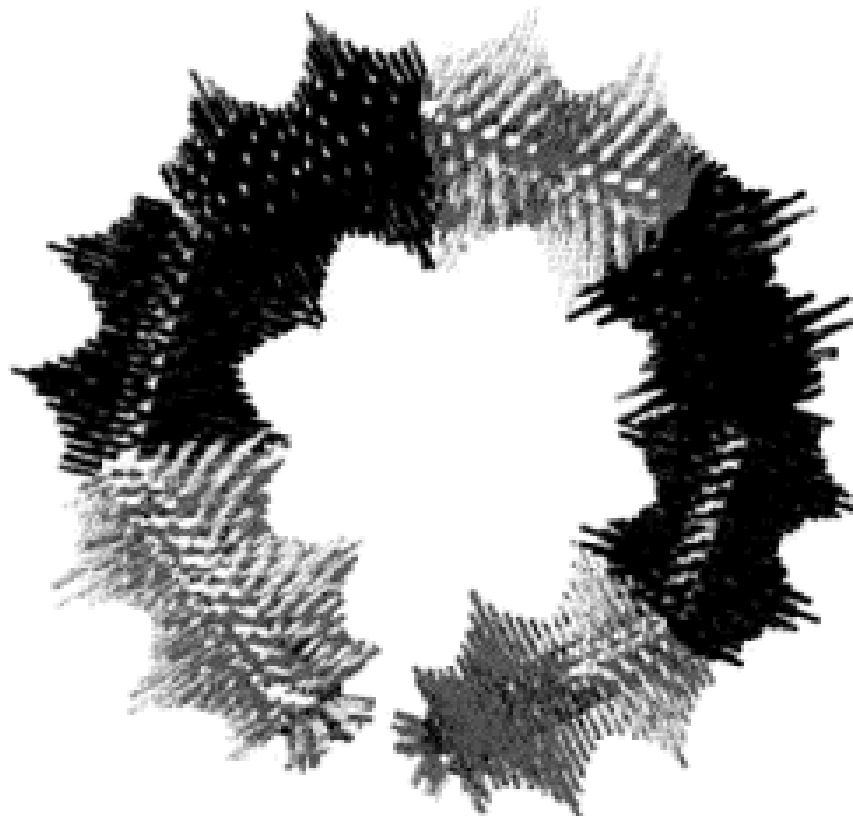
Rowena Mead
44 Eden Close Woodthorpe York YO24 2RD United Kingdom

(72) Name(s) of Designer(s): **Rowena Mead**

(45) Registration Date: **27 May 2008**

(56) Related Art Documents: **Not Applicable**

(57) Statement of Newness and Distinctiveness: **Newness and distinctiveness reside in the features of the design of the headless and handleless toothbrush as shown in the representations.**



(21) Design Number: **10321/2008**

(22) Date of Filing Application: **24 January 2008**

(24) Date from which industrial property rights may have effect: **24 January 2008**

(54) Product in respect of which the design is registered: **A motor vehicle and a model vehicle**

(51) International Design Classification: **12-08, 21-01C**

(71) Name(s) and Address(s) of Applicant(s):

**GM Global Technology Operations, Inc
300 Renaissance Center Detroit Michigan 48265-3000 United States of America**

(72) Name(s) of Designer(s): **Peter Hughes**

(45) Registration Date: **27 May 2008**

(56) Related Art Documents: **Not Applicable**

(57) Statement of Newness and Distinctiveness: **Newness and distinctiveness is claimed in the pattern or ornamentation of a motor vehicle and a model vehicle as shown in the representations.**



(21) Design Number: **10322/2008**

(22) Date of Filing Application: **24 January 2008**

(24) Date from which industrial property rights may have effect: **24 January 2008**

(54) Product in respect of which the design is registered: **A motor vehicle and a model vehicle**

(51) International Design Classification: **12-08, 21-01C**

(71) Name(s) and Address(s) of Applicant(s):

**GM Global Technology Operations, Inc
300 Renaissance Center Detroit Michigan 48265-3000 United States of America**

(72) Name(s) of Designer(s): **Peter Hughes**

(45) Registration Date: **27 May 2008**

(56) Related Art Documents: **Not Applicable**

(57) Statement of Newness and Distinctiveness: **Newness and distinctiveness is claimed in the pattern or ornamentation of a motor vehicle and a model vehicle as shown in the representations.**



(21) Design Number: **10333/2008**

(22) Date of Filing Application: **25 January 2008**

(24) Date from which industrial property rights may have effect: **25 January 2008**

(54) Product in respect of which the design is registered: **Lounge**

(51) International Design Classification: **06-01G**

(71) Name(s) and Address(s) of Applicant(s):

Simon Duff

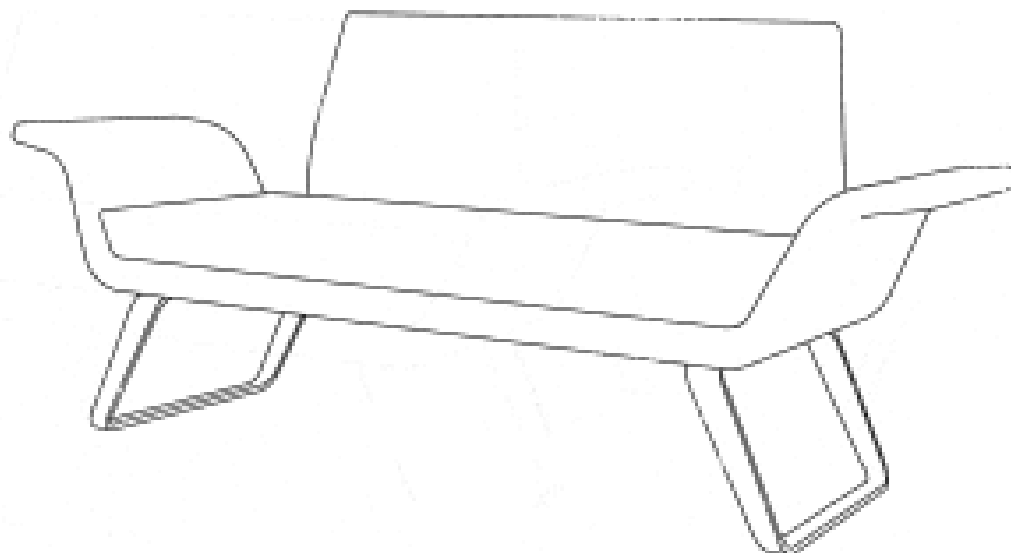
PO Box 216 Berowra New South Wales 2081 Australia

(72) Name(s) of Designer(s): **Simon Duff**

(45) Registration Date: **27 May 2008**

(56) Related Art Documents: **Not Applicable**

(57) Statement of Newness and Distinctiveness: **Distinctive shape of backrest, arms and legs.**



(21) Design Number: **10370/2008**

(22) Date of Filing Application: **31 January 2008**

(24) Date from which industrial property rights may have effect: **31 January 2008**

(54) Product in respect of which the design is registered: **Extrusion**

(51) International Design Classification: **25-01K**

(71) Name(s) and Address(s) of Applicant(s):

David John Croucher

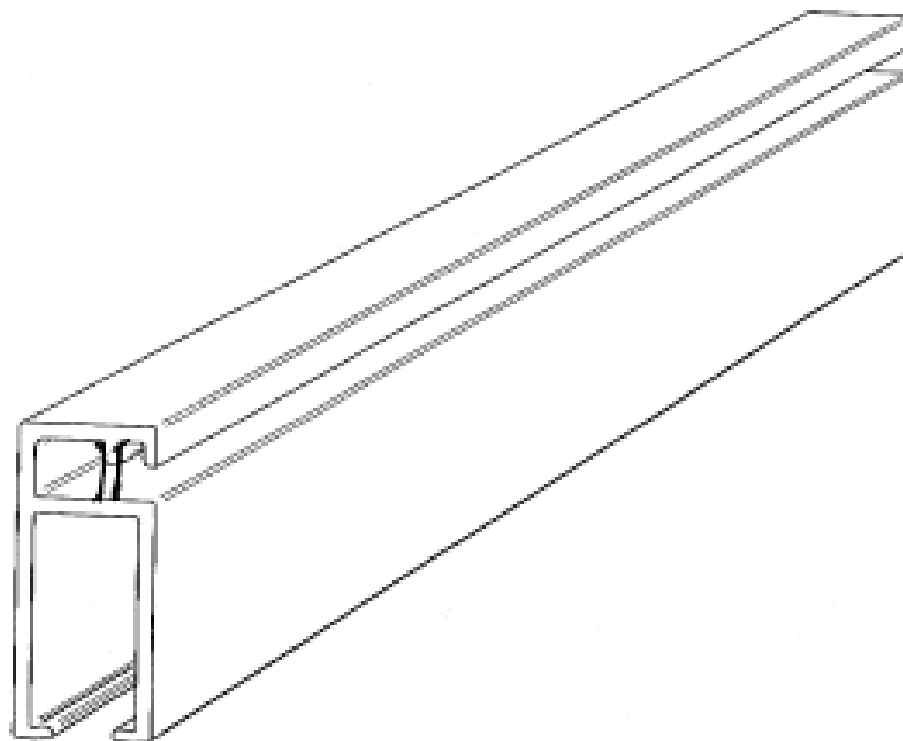
3 Atalanta Rise Ocean Reef Western Australia 6027 Australia

(72) Name(s) of Designer(s): **David John Croucher**

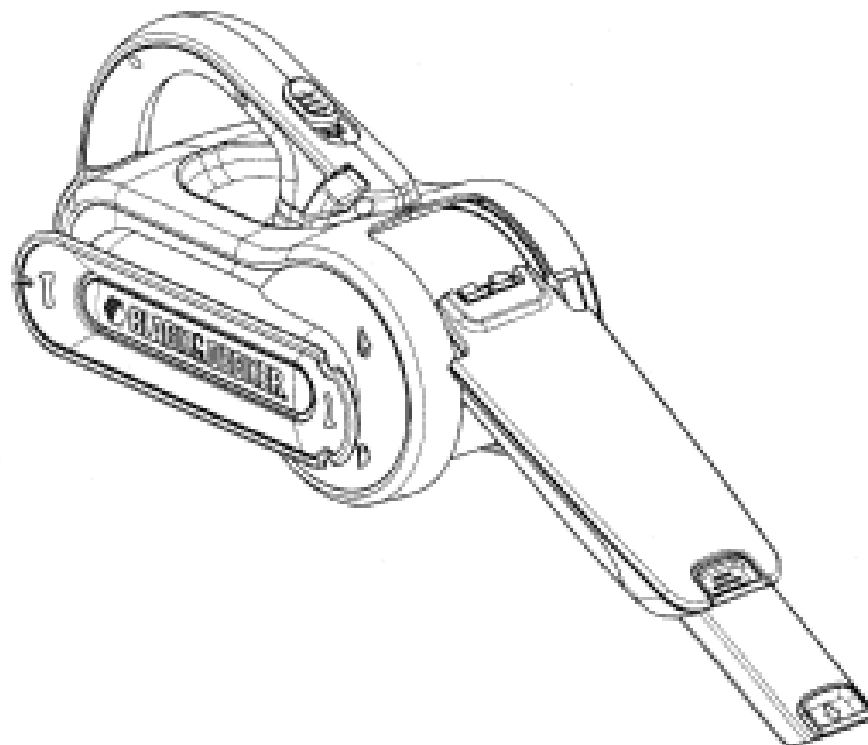
(45) Registration Date: **27 May 2008**

(56) Related Art Documents: **Not Applicable**

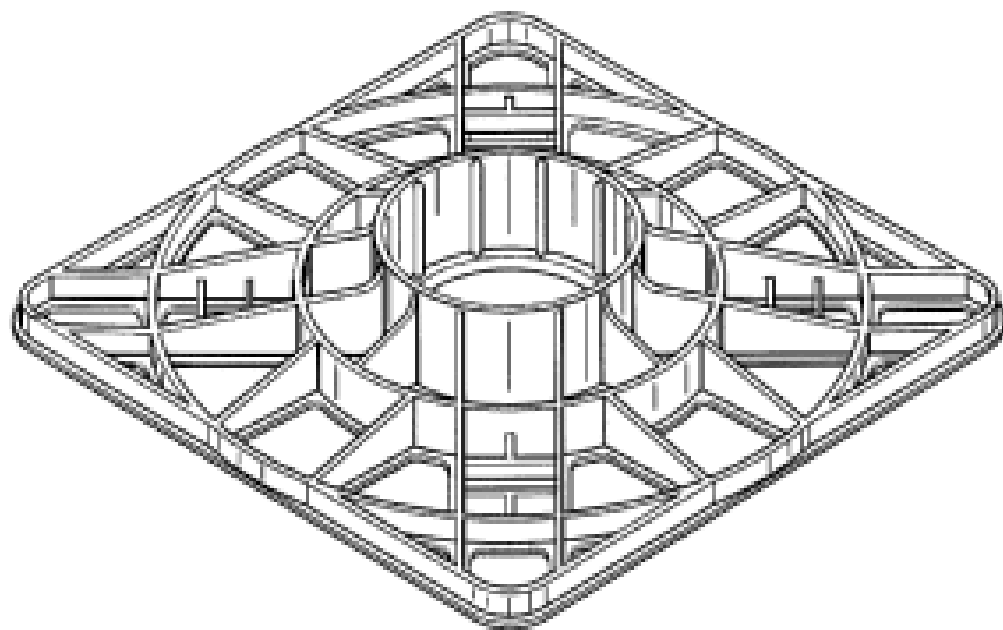
(57) Statement of Newness and Distinctiveness: **Extrusion is designed to take concealable camlock.**



(21) Design Number: **10586/2008**
(22) Date of Filing Application: **11 February 2008**
(24) Date from which industrial property rights may have effect: **11 February 2008**
(54) Product in respect of which the design is registered: **Hand-held vacuum cleaner**
(51) International Design Classification: **15-05**
(71) Name(s) and Address(s) of Applicant(s):
Black & Decker Inc.
1207 Drummond Plaza Newark Delaware 19711 United States of America
(72) Name(s) of Designer(s): **Mark Baxter and Andrew Walker**
(45) Registration Date: **27 May 2008**
(30) Convention priority data:
(31) Number (32) Date (33) Country
000772751 13 Aug 2007 EUROPEAN COMMUNITY
(56) Related Art Documents: **Not Applicable**
(57) Statement of Newness and Distinctiveness: **Newness and distinctiveness is claimed in the features of shape and/or configuration as shown in the representations.**



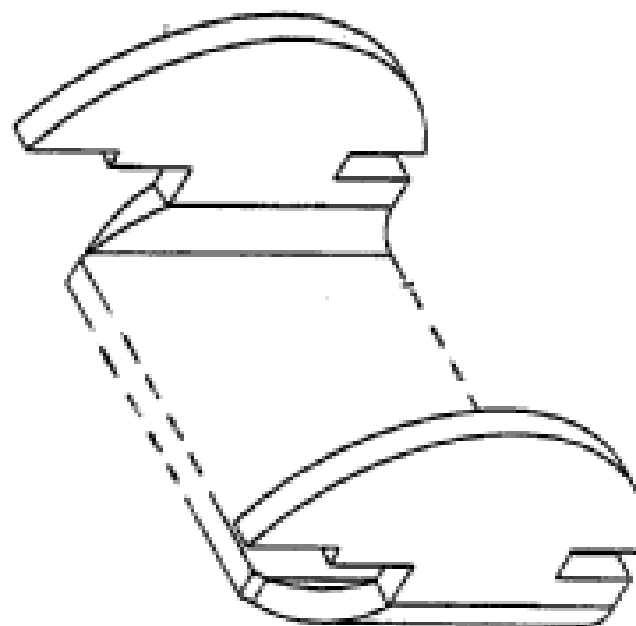
(21) Design Number: **10615/2008**
(22) Date of Filing Application: **12 February 2008**
(24) Date from which industrial property rights may have effect: **12 February 2008**
(54) Product in respect of which the design is registered: **Column support**
(51) International Design Classification: **25-02A**
(71) Name(s) and Address(s) of Applicant(s):
Jack McKenzie Droomer
185 Great Ocean Road Anglesea Victoria 3230 Australia
(72) Name(s) of Designer(s): **Jack McKenzie Droomer**
(45) Registration Date: **27 May 2008**
(56) Related Art Documents: **Not Applicable**
(57) Statement of Newness and Distinctiveness: **Nil**



- (21) Design Number: **10621/2008**
(22) Date of Filing Application: **12 February 2008**
(24) Date from which industrial property rights may have effect: **12 February 2008**
(54) Product in respect of which the design is registered: **Slow combustion wood heater**
(51) International Design Classification: **23-03E**
(71) Name(s) and Address(s) of Applicant(s):
Kenneth John Egan
18 McDougall Road Sunbury Victoria 3429 Australia
(72) Name(s) of Designer(s): **Kenneth John Egan**
(45) Registration Date: **27 May 2008**
(56) Related Art Documents: **Not Applicable**
(57) Statement of Newness and Distinctiveness: **Nil**



- (21) Design Number: **10624/2008**
(22) Date of Filing Application: **12 February 2008**
(24) Date from which industrial property rights may have effect: **12 February 2008**
(54) Product in respect of which the design is registered: **Clip**
(51) International Design Classification: **08-08L**
(71) Name(s) and Address(s) of Applicant(s):
Dexion (Australia) Pty Limited
23 Tattersall Road Blacktown New South Wales 2148 Australia
(72) Name(s) of Designer(s): **Jonathan Han Xie**
(45) Registration Date: **27 May 2008**
(56) Related Art Documents: **Not Applicable**
(57) Statement of Newness and Distinctiveness: **Newness and distinctiveness is claimed in the visual appearance of a clip. The wall A is of indefinite length as depicted by the broken lines.**



(21) Design Number: **19021/2007**

(22) Date of Filing Application: **20 July 2007**

(24) Date from which industrial property rights may have effect: **20 July 2007**

(54) Product in respect of which the design is registered: **A grommet**

(51) International Design Classification: **08-08B**

(71) Name(s) and Address(s) of Applicant(s):

Ian Charles Irvine Jones

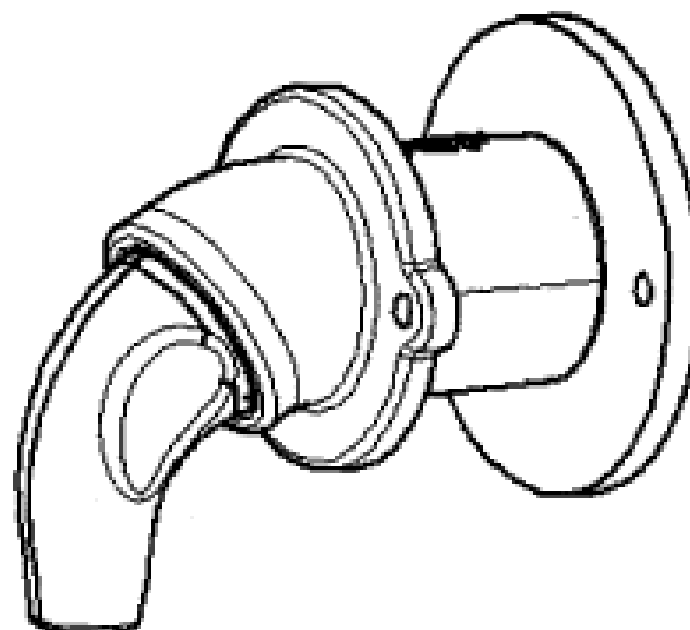
13 Millstream Court Buderim Queensland 4556 Australia

(72) Name(s) of Designer(s): **Ian Charles Irvine Jones**

(45) Registration Date: **27 May 2008**

(56) Related Art Documents: **Not Applicable**

(57) Statement of Newness and Distinctiveness: **Nil**



(21) Design Number: **21044/2007**

(22) Date of Filing Application: **29 November 2007**

(24) Date from which industrial property rights may have effect: **29 November 2007**

(54) Product in respect of which the design is registered: **Baby clothing**

(51) International Design Classification: **02-02C**

(71) Name(s) and Address(s) of Applicant(s):

Michelle Di Cristo

86 Edenholme Road Five Dock New South Wales 2046 Australia

(72) Name(s) of Designer(s): **Michelle Di Cristo**

(45) Registration Date: **27 May 2008**

(56) Related Art Documents: **Not Applicable**

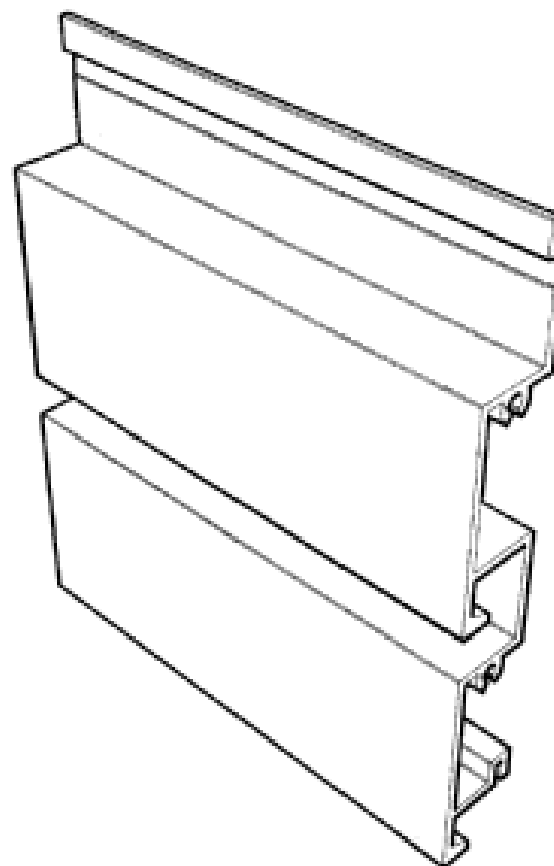
(57) Statement of Newness and Distinctiveness: **These baby singlet suits incorporate elasticised thread and are structurally designed to grow and move with a child for longer than the 3 months standard.**



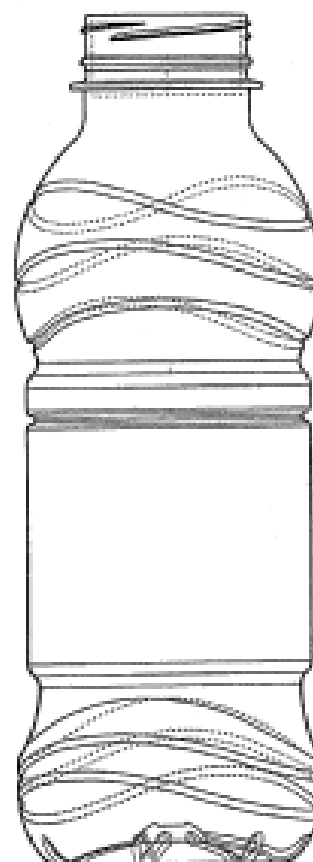
- (21) Design Number: **21138/2007**
(22) Date of Filing Application: **06 December 2007**
(24) Date from which industrial property rights may have effect: **06 December 2007**
(54) Product in respect of which the design is registered: **Door locks**
(51) International Design Classification: **08-07**
(71) Name(s) and Address(s) of Applicant(s):
Watts Hardware Manufacturing Pty Ltd
8 Ross Street South Melbourne Victoria 3205 Australia
(72) Name(s) of Designer(s): **David Greenbury**
(45) Registration Date: **27 May 2008**
(56) Related Art Documents: **Not Applicable**
(57) Statement of Newness and Distinctiveness: **Nil**



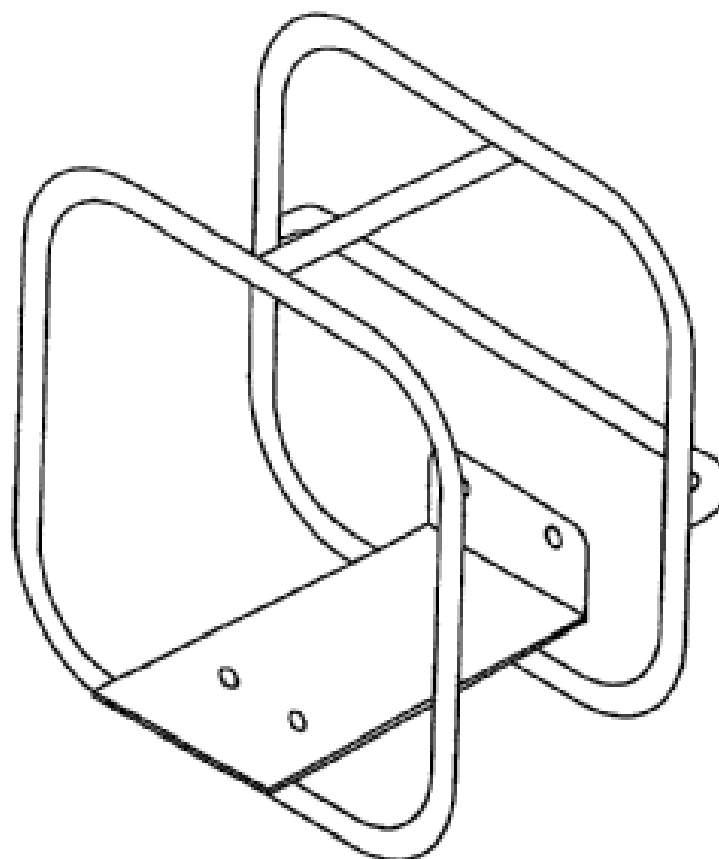
- (21) Design Number: **10577/2008**
(22) Date of Filing Application: **12 February 2008**
(24) Date from which industrial property rights may have effect: **12 February 2008**
(54) Product in respect of which the design is registered: **Single sided modular display wall extruded aluminium profile**
(51) International Design Classification: **25-01K**
(71) Name(s) and Address(s) of Applicant(s):
Channel Panel Pty Ltd
6/30 Leighton Place Hornsby New South Wales 2077 Australia
(72) Name(s) of Designer(s): **Andrew Stolp and Garry Holder**
(45) Registration Date: **28 May 2008**
(56) Related Art Documents: **Not Applicable**
(57) Statement of Newness and Distinctiveness: **The extruded profile features a repeated feature for locating shelving and fixtures once installed to a rear support wall. This repeated feature can be present once, twice or three times in the one profile. The attached drawings show the shelf location feature 2 times. The profile locates into another similar profile vertically.**



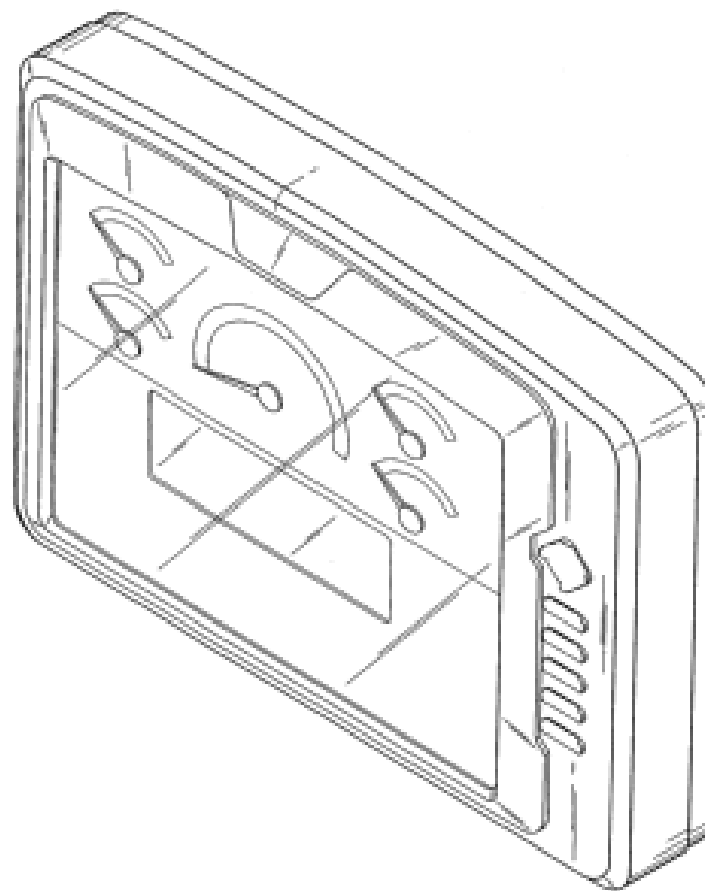
- (21) Design Number: **10585/2008**
(22) Date of Filing Application: **11 February 2008**
(24) Date from which industrial property rights may have effect: **11 February 2008**
(54) Product in respect of which the design is registered: **Bottle**
(51) International Design Classification: **09-01K**
(71) Name(s) and Address(s) of Applicant(s):
The Coca-Cola Company
One Coca-Cola Plaza NW Atlanta Georgia 30313 United States of America
(72) Name(s) of Designer(s): **Leyton James Hardwick**
(45) Registration Date: **28 May 2008**
(30) Convention priority data:
(31) Number (32) Date (33) Country
000789219-0001 07 Sep 2007 EUROPEAN COMMUNITY
(56) Related Art Documents: **Not Applicable**
(57) Statement of Newness and Distinctiveness: **Those features of the bottle depicted in the representations that are new and distinctive are the shape and/or configuration.**



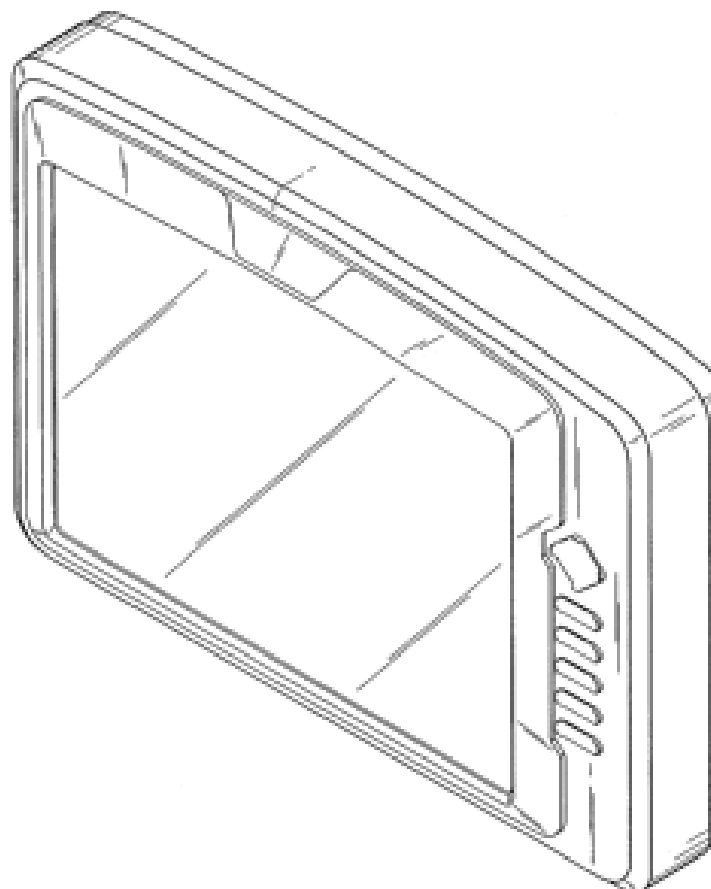
- (21) Design Number: **10609/2008**
(22) Date of Filing Application: **12 February 2008**
(24) Date from which industrial property rights may have effect: **12 February 2008**
(54) Product in respect of which the design is registered: **Protective cage**
(51) International Design Classification: **29-02**
(71) Name(s) and Address(s) of Applicant(s):
A.G. Pulie Pty Ltd
6 Wentworth Street Granville New South Wales 2142 Australia
(72) Name(s) of Designer(s): **Diomedes Angangan and Paul Hasenkam**
(45) Registration Date: **28 May 2008**
(56) Related Art Documents: **Not Applicable**
(57) Statement of Newness and Distinctiveness: **The newness and distinctiveness resides in the shape and configuration of the protective cage.**



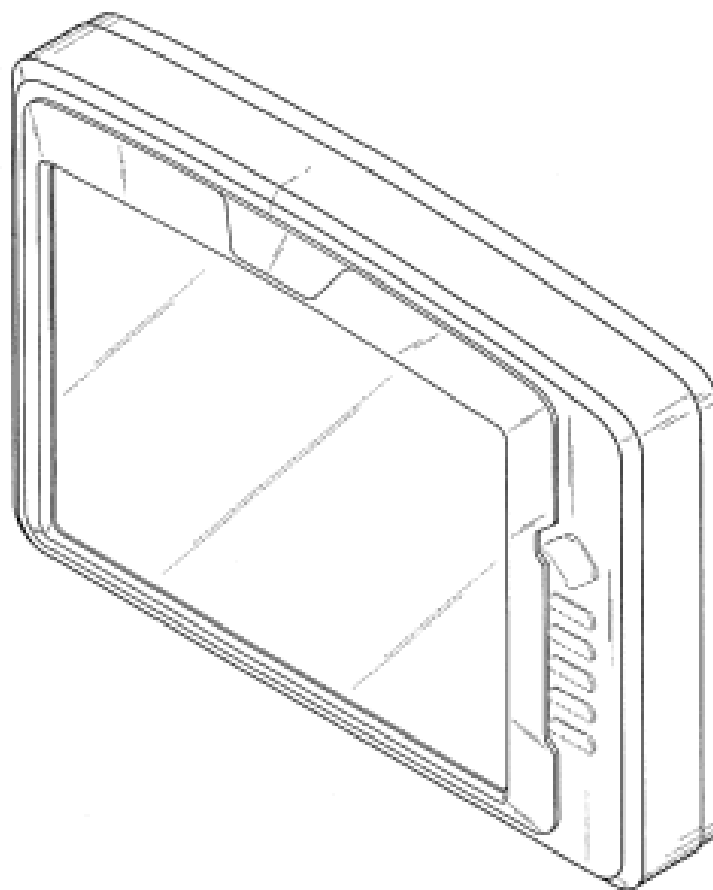
(21) Design Number: **10612/2008**
(22) Date of Filing Application: **12 February 2008**
(24) Date from which industrial property rights may have effect: **12 February 2008**
(54) Product in respect of which the design is registered: **Display screen**
(51) International Design Classification: **14-04**
(71) Name(s) and Address(s) of Applicant(s):
Caterpillar Inc.
100 N E Adams Street Peoria Illinois 61629#6490 United States of America
(72) Name(s) of Designer(s): **Gary C. Bryant and Ashley D. Menges and Joshua S. Whitmore**
(45) Registration Date: **28 May 2008**
(30) Convention priority data:
(31) Number (32) Date (33) Country
29/292842 30 Oct 2007 UNITED STATES OF AMERICA
(56) Related Art Documents: **Not Applicable**
(57) Statement of Newness and Distinctiveness: **Nil**



(21) Design Number: **10613/2008**
(22) Date of Filing Application: **12 February 2008**
(24) Date from which industrial property rights may have effect: **12 February 2008**
(54) Product in respect of which the design is registered: **Display screen**
(51) International Design Classification: **14-04**
(71) Name(s) and Address(s) of Applicant(s):
Caterpillar Inc.
100 N E Adams Street Peoria Illinois 61629#6490 United States of America
(72) Name(s) of Designer(s): **Gary C. Bryant and Ashley D. Menges and Joshua S. Whitmore**
(45) Registration Date: **28 May 2008**
(30) Convention priority data:
(31) Number (32) Date (33) Country
29/292842 30 Oct 2007 UNITED STATES OF AMERICA
(56) Related Art Documents: **Not Applicable**
(57) Statement of Newness and Distinctiveness: **Nil**



(21) Design Number: **10614/2008**
(22) Date of Filing Application: **12 February 2008**
(24) Date from which industrial property rights may have effect: **12 February 2008**
(54) Product in respect of which the design is registered: **Display Screen**
(51) International Design Classification: **14-04**
(71) Name(s) and Address(s) of Applicant(s):
Caterpillar Inc.
100 N E Adams Street Peoria Illinois 61629#6490 United States of America
(72) Name(s) of Designer(s): **Gary C. Bryant and Ashley D. Menges and Joshua S. Whitmore**
(45) Registration Date: **28 May 2008**
(30) Convention priority data:
(31) Number (32) Date (33) Country
29/292842 30 Oct 2007 UNITED STATES OF AMERICA
(56) Related Art Documents: **Not Applicable**
(57) Statement of Newness and Distinctiveness: **The newness and distinctiveness of the design resides in the features of shape and configuration of the display screen that are illustrated in solid lines in the accompany representations.**



(21) Design Number: **10625/2008**
(22) Date of Filing Application: **12 February 2008**
(24) Date from which industrial property rights may have effect: **12 February 2008**
(54) Product in respect of which the design is registered: **Bottle**
(51) International Design Classification: **09-01K**
(71) Name(s) and Address(s) of Applicant(s):
Unilever PLC
Unilever House Blackfriars London EC4P 4BQ United Kingdom
(72) Name(s) of Designer(s): **Rolf Hering**
(45) Registration Date: **28 May 2008**
(30) Convention priority data:
(31) Number (32) Date (33) Country
4003996 17 Aug 2007 UNITED KINGDOM
(56) Related Art Documents: **Not Applicable**
(57) Statement of Newness and Distinctiveness: **Nil**



(21) Design Number: **13306/2006**

(22) Date of Filing Application: **28 July 2006**

(24) Date from which industrial property rights may have effect: **28 July 2006**

(54) Product in respect of which the design is registered: **Ignition wire ducting**

(51) International Design Classification: **08-05E**

(71) Name(s) and Address(s) of Applicant(s):

Robert Anthony Davies

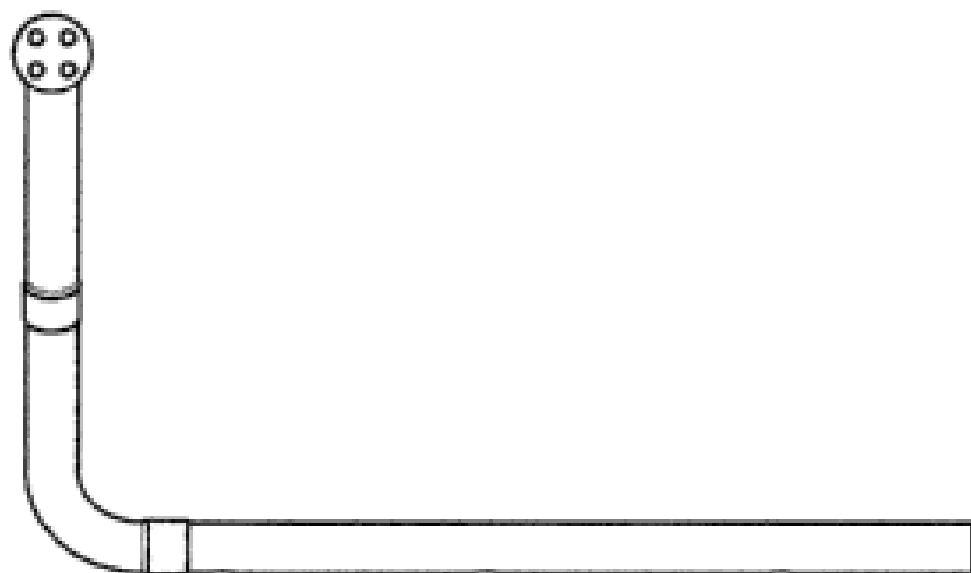
12 Northend Avenue Kingswood Bristol BS15 1UD United Kingdom

(72) Name(s) of Designer(s): **Robert Anthony Davies**

(45) Registration Date: **28 May 2008**

(56) Related Art Documents: **Not Applicable**

(57) Statement of Newness and Distinctiveness: **Straight tube and bends in a unique configuration with end caps and outlet apertures to route ignition wires, from automobile distributor cap, to spark plugs.**



(21) Design Number: **13307/2006**

(22) Date of Filing Application: **28 July 2006**

(24) Date from which industrial property rights may have effect: **28 July 2006**

(54) Product in respect of which the design is registered: **Ignition wire ducting**

(51) International Design Classification: **08-05E**

(71) Name(s) and Address(s) of Applicant(s):

Robert Anthony Davies

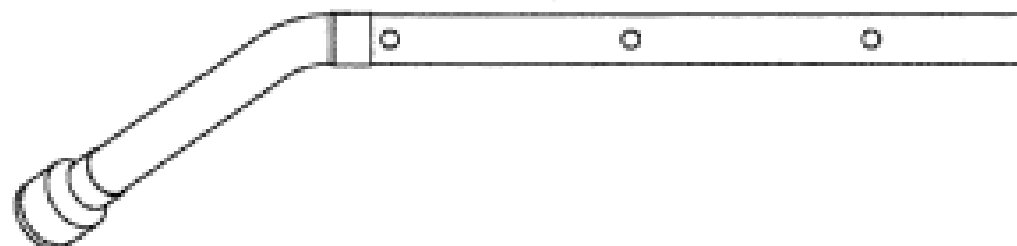
12 Northend Avenue Kingswood Bristol BS15 1UD United Kingdom

(72) Name(s) of Designer(s): **Robert Anthony Davies**

(45) Registration Date: **28 May 2008**

(56) Related Art Documents: **Not Applicable**

(57) Statement of Newness and Distinctiveness: **Straight tube and bends in a unique configuration with end caps and outlet apertures to route ignition wires, from automobile distributor cap, to spark plugs.**



(21) Design Number: **13308/2006**

(22) Date of Filing Application: **28 July 2006**

(24) Date from which industrial property rights may have effect: **28 July 2006**

(54) Product in respect of which the design is registered: **Ignition wire ducting**

(51) International Design Classification: **08-05E**

(71) Name(s) and Address(s) of Applicant(s):

Robert Anthony Davies

12 Northend Avenue Kingswood Bristol BS15 1UD United Kingdom

(72) Name(s) of Designer(s): **Robert Anthony Davies**

(45) Registration Date: **28 May 2008**

(56) Related Art Documents: **Not Applicable**

(57) Statement of Newness and Distinctiveness: **Straight tube and bends in a unique configuration with end caps and outlet apertures to route ignition wires, from automobile distributor cap, to spark plugs.**



(21) Design Number: **13309/2006**

(22) Date of Filing Application: **28 July 2006**

(24) Date from which industrial property rights may have effect: **28 July 2006**

(54) Product in respect of which the design is registered: **Sanding block**

(51) International Design Classification: **08-05N**

(71) Name(s) and Address(s) of Applicant(s):

Robert Anthony Davies

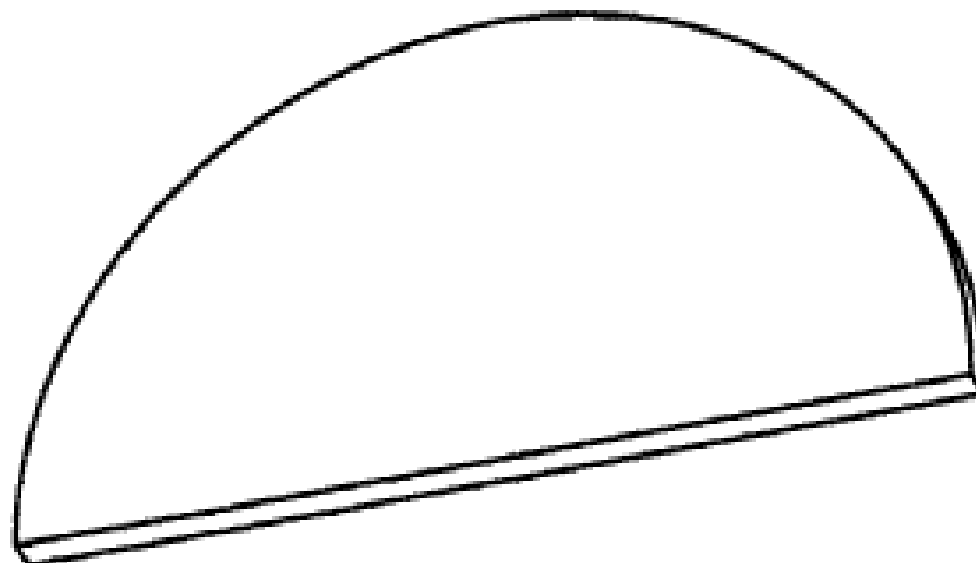
12 Northend Avenue Kingswood Bristol BS15 1UD United Kingdom

(72) Name(s) of Designer(s): **Robert Anthony Davies**

(45) Registration Date: **28 May 2008**

(56) Related Art Documents: **Not Applicable**

(57) Statement of Newness and Distinctiveness: **Abrasive paper Sanding Block, being half size of a regular six inch Sanding Disc, to allow self adhesive disc to be folded and attached to both sides of block. Can be used in confined areas where no regular sanding block will fit.**



(21) Design Number: **13310/2006**

(22) Date of Filing Application: **28 July 2006**

(24) Date from which industrial property rights may have effect: **28 July 2006**

(54) Product in respect of which the design is registered: **Panel beating dolly**

(51) International Design Classification: **08-05E**

(71) Name(s) and Address(s) of Applicant(s):

Robert Anthony Davies

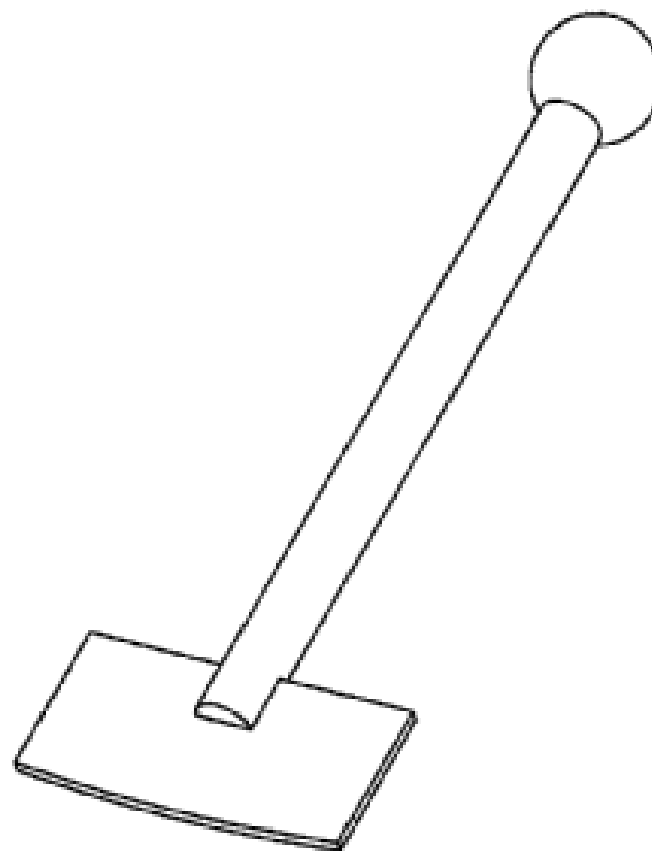
12 Northend Avenue Kingswood Bristol BS15 1UD United Kingdom

(72) Name(s) of Designer(s): **Robert Anthony Davies**

(45) Registration Date: **28 May 2008**

(56) Related Art Documents: **Not Applicable**

(57) Statement of Newness and Distinctiveness: **Automobile panel beating Dolly. Shaped for specialised panel beating of damaged Automobile Body Panels.**



(21) Design Number: **13311/2006**

(22) Date of Filing Application: **28 July 2006**

(24) Date from which industrial property rights may have effect: **28 July 2006**

(54) Product in respect of which the design is registered: **Ignition wire ducting**

(51) International Design Classification: **08-05E**

(71) Name(s) and Address(s) of Applicant(s):

Robert Anthony Davies

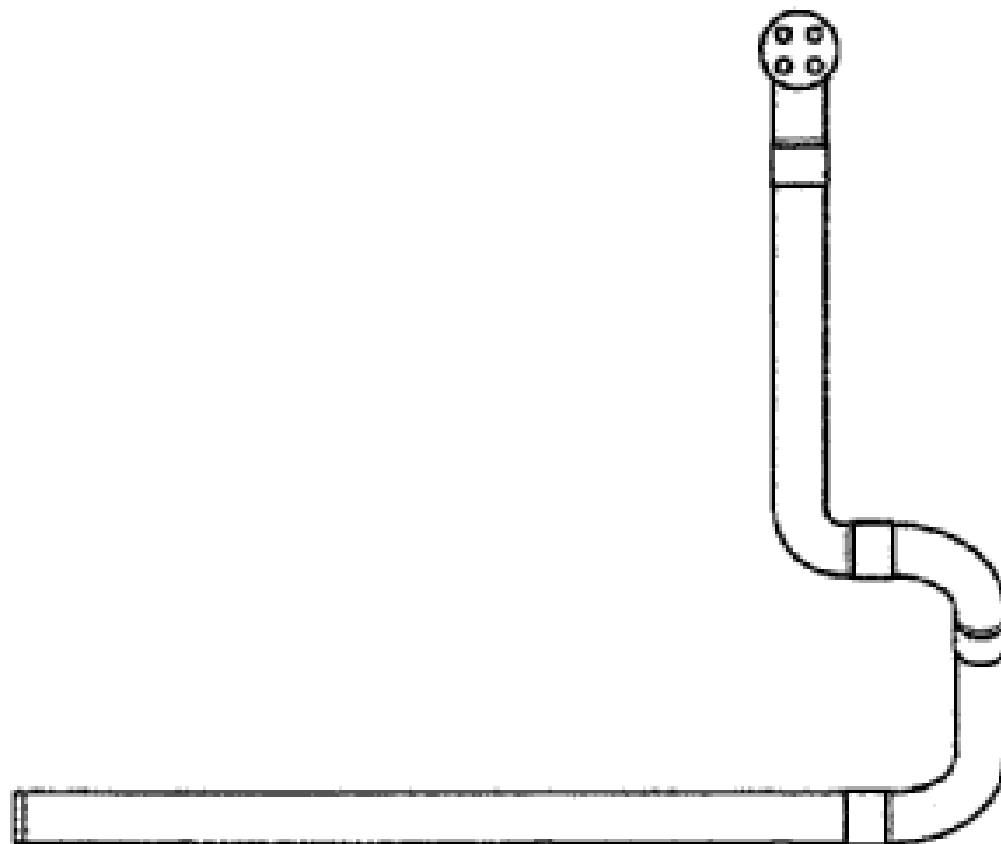
12 Northend Avenue Kingswood Bristol BS15 1UD United Kingdom

(72) Name(s) of Designer(s): **Robert Anthony Davies**

(45) Registration Date: **28 May 2008**

(56) Related Art Documents: **Not Applicable**

(57) Statement of Newness and Distinctiveness: **Straight tube and bends in a unique configuration with end caps and outlet apertures to route ignition wires, from automobile distributor cap, to spark plugs.**



(21) Design Number: **13312/2006**

(22) Date of Filing Application: **28 July 2006**

(24) Date from which industrial property rights may have effect: **28 July 2006**

(54) Product in respect of which the design is registered: **Ignition wire ducting**

(51) International Design Classification: **08-05E**

(71) Name(s) and Address(s) of Applicant(s):

Robert Anthony Davies

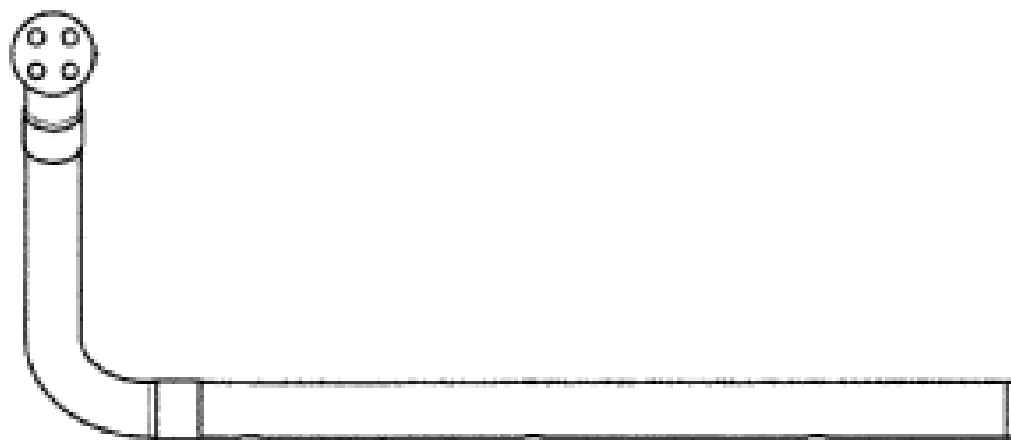
12 Northend Avenue Kingswood Bristol BS15 1UD United Kingdom

(72) Name(s) of Designer(s): **Robert Anthony Davies**

(45) Registration Date: **28 May 2008**

(56) Related Art Documents: **Not Applicable**

(57) Statement of Newness and Distinctiveness: **Straight tube and bends in a unique configuration with end caps and outlet apertures to route ignition wires, from automobile distributor cap, to spark plugs.**



(21) Design Number: **13313/2006**

(22) Date of Filing Application: **28 July 2006**

(24) Date from which industrial property rights may have effect: **28 July 2006**

(54) Product in respect of which the design is registered: **Ignition wire ducting**

(51) International Design Classification: **08-05E**

(71) Name(s) and Address(s) of Applicant(s):

Robert Anthony Davies

12 Northend Avenue Kingswood Bristol BS15 1UD United Kingdom

(72) Name(s) of Designer(s): **Robert Anthony Davies**

(45) Registration Date: **28 May 2008**

(56) Related Art Documents: **Not Applicable**

(57) Statement of Newness and Distinctiveness: **Straight tube and bends in a unique configuration with end caps and outlet apertures to route ignition wires, from automobile distributor cap, to spark plugs.**



(21) Design Number: **13314/2006**

(22) Date of Filing Application: **28 July 2006**

(24) Date from which industrial property rights may have effect: **28 July 2006**

(54) Product in respect of which the design is registered: **Ignition wire ducting**

(51) International Design Classification: **08-05E**

(71) Name(s) and Address(s) of Applicant(s):

Robert Anthony Davies

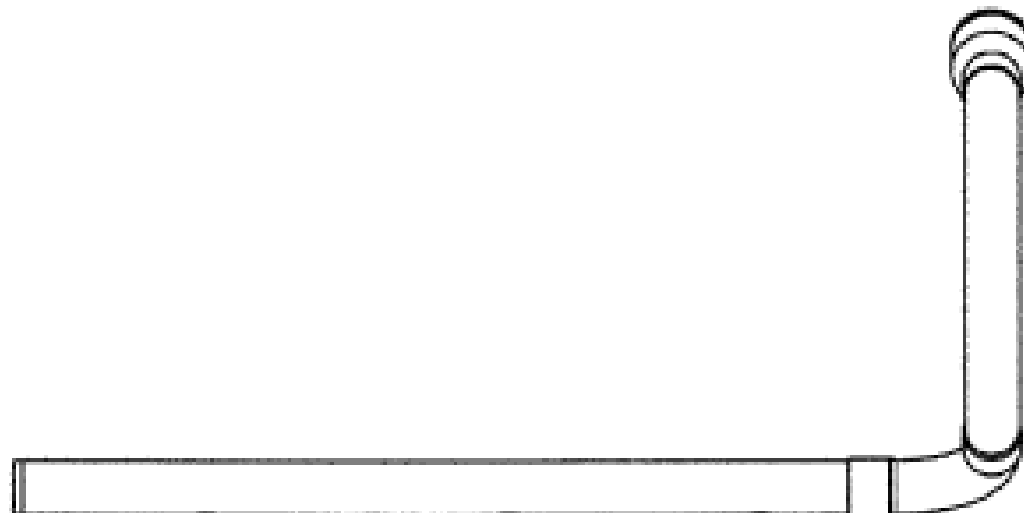
12 Northend Avenue Kingswood Bristol BS15 1UD United Kingdom

(72) Name(s) of Designer(s): **Robert Anthony Davies**

(45) Registration Date: **28 May 2008**

(56) Related Art Documents: **Not Applicable**

(57) Statement of Newness and Distinctiveness: **Straight tube and bends in a unique configuration with end caps and outlet apertures to route ignition wires, from automobile distributor cap, to spark plugs.**



(21) Design Number: **19325/2007**

(22) Date of Filing Application: **14 August 2007**

(24) Date from which industrial property rights may have effect: **14 August 2007**

(54) Product in respect of which the design is registered: **Backing plate**

(51) International Design Classification: **08-08NES**

(71) Name(s) and Address(s) of Applicant(s):

Burgundy Trial Pty Ltd

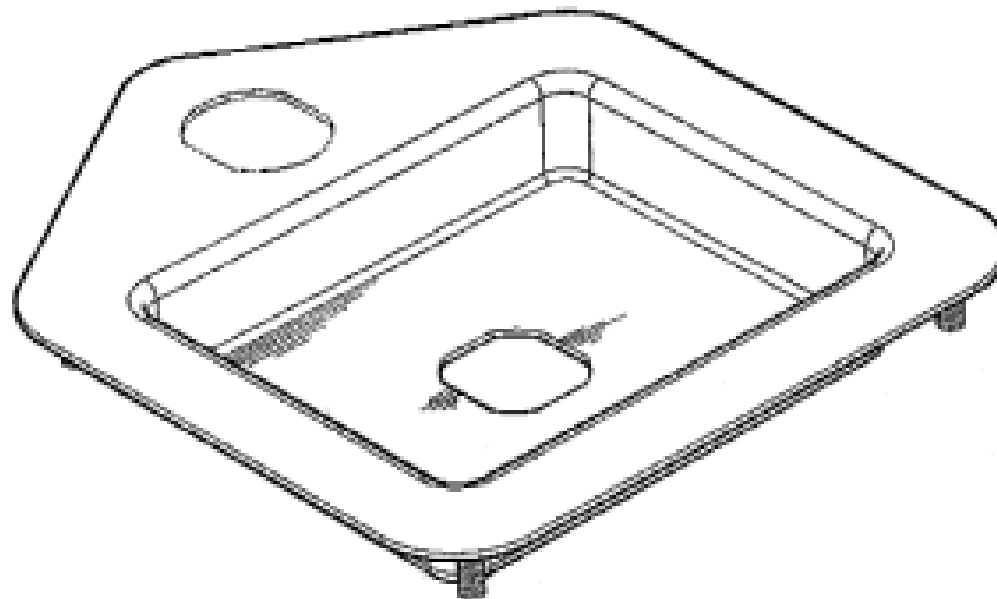
2 Merchant Avenue Thomastown Victoria 3074 Australia

(72) Name(s) of Designer(s): **David Martin Stuckey**

(45) Registration Date: **28 May 2008**

(56) Related Art Documents: **Not Applicable**

(57) Statement of Newness and Distinctiveness: **Nil**



(21) Design Number: **19326/2007**

(22) Date of Filing Application: **14 August 2007**

(24) Date from which industrial property rights may have effect: **14 August 2007**

(54) Product in respect of which the design is registered: **Backing plate**

(51) International Design Classification: **08-08NES**

(71) Name(s) and Address(s) of Applicant(s):

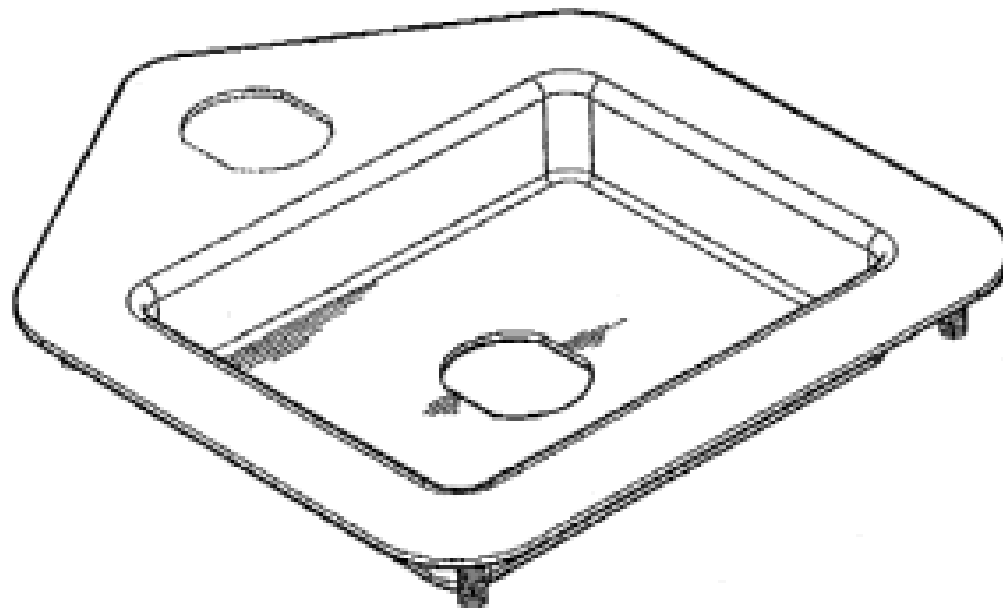
Burgundy Trial Pty Ltd
2 Merchant Avenue Thomastown Victoria 3074 Australia

(72) Name(s) of Designer(s): **David Martin Stuckey**

(45) Registration Date: **28 May 2008**

(56) Related Art Documents: **Not Applicable**

(57) Statement of Newness and Distinctiveness: **Nil**



(21) Design Number: **19327/2007**

(22) Date of Filing Application: **14 August 2007**

(24) Date from which industrial property rights may have effect: **14 August 2007**

(54) Product in respect of which the design is registered: **Backing plate**

(51) International Design Classification: **08-08NES**

(71) Name(s) and Address(s) of Applicant(s):

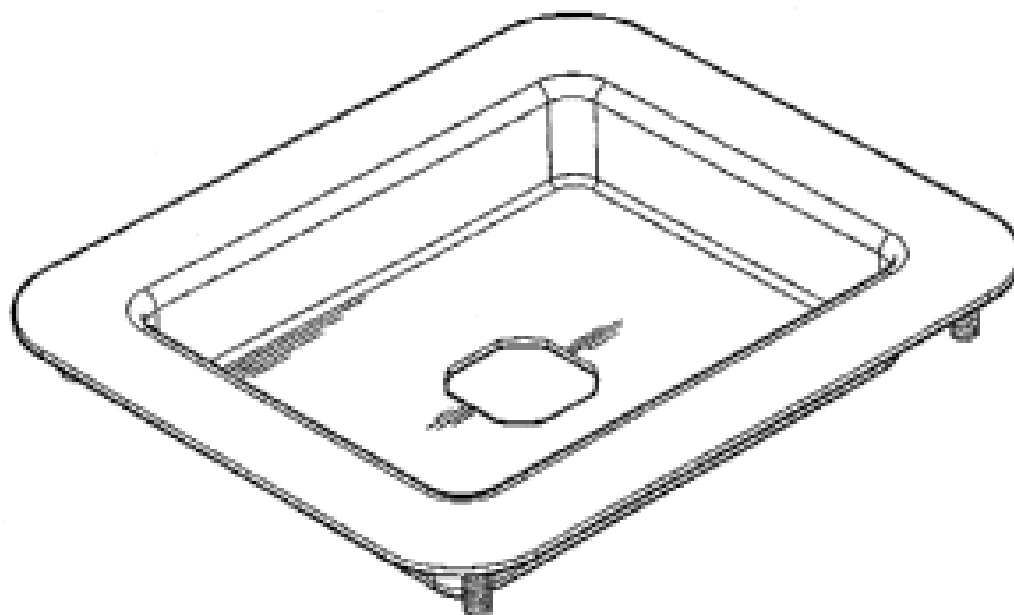
Burgundy Trial Pty Ltd
2 Merchant Avenue Thomastown Victoria 3074 Australia

(72) Name(s) of Designer(s): **David Martin Stuckey**

(45) Registration Date: **28 May 2008**

(56) Related Art Documents: **Not Applicable**

(57) Statement of Newness and Distinctiveness: **Nil**



(21) Design Number: **19328/2007**

(22) Date of Filing Application: **14 August 2007**

(24) Date from which industrial property rights may have effect: **14 August 2007**

(54) Product in respect of which the design is registered: **Backing plate**

(51) International Design Classification: **08-08NES**

(71) Name(s) and Address(s) of Applicant(s):

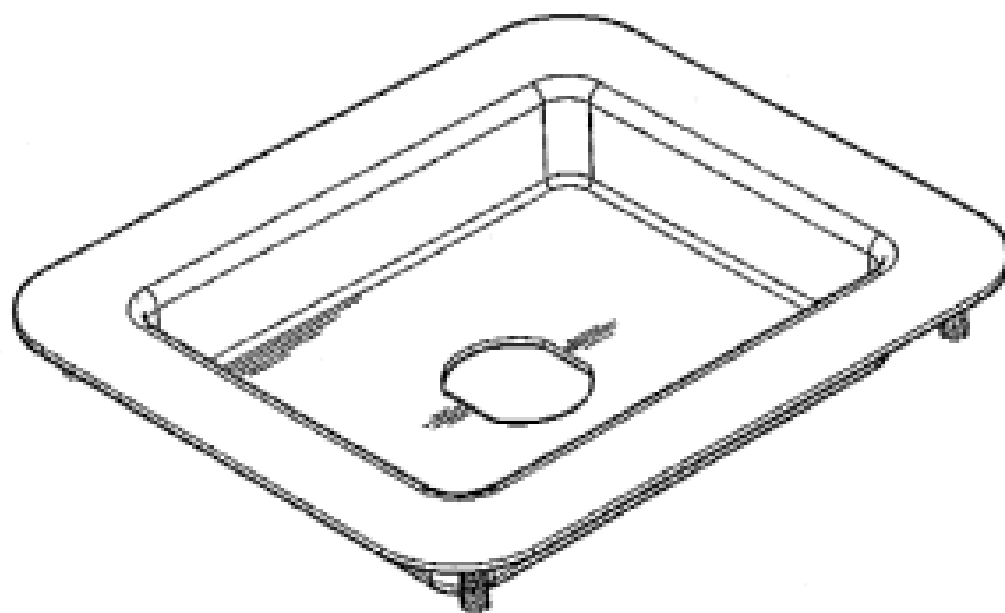
Burgundy Trial Pty Ltd
2 Merchant Avenue Thomastown Victoria 3074 Australia

(72) Name(s) of Designer(s): **David Martin Stuckey**

(45) Registration Date: **28 May 2008**

(56) Related Art Documents: **Not Applicable**

(57) Statement of Newness and Distinctiveness: **Nil**



(21) Design Number: **19329/2007**

(22) Date of Filing Application: **14 August 2007**

(24) Date from which industrial property rights may have effect: **14 August 2007**

(54) Product in respect of which the design is registered: **Closure means**

(51) International Design Classification: **08-07**

(71) Name(s) and Address(s) of Applicant(s):

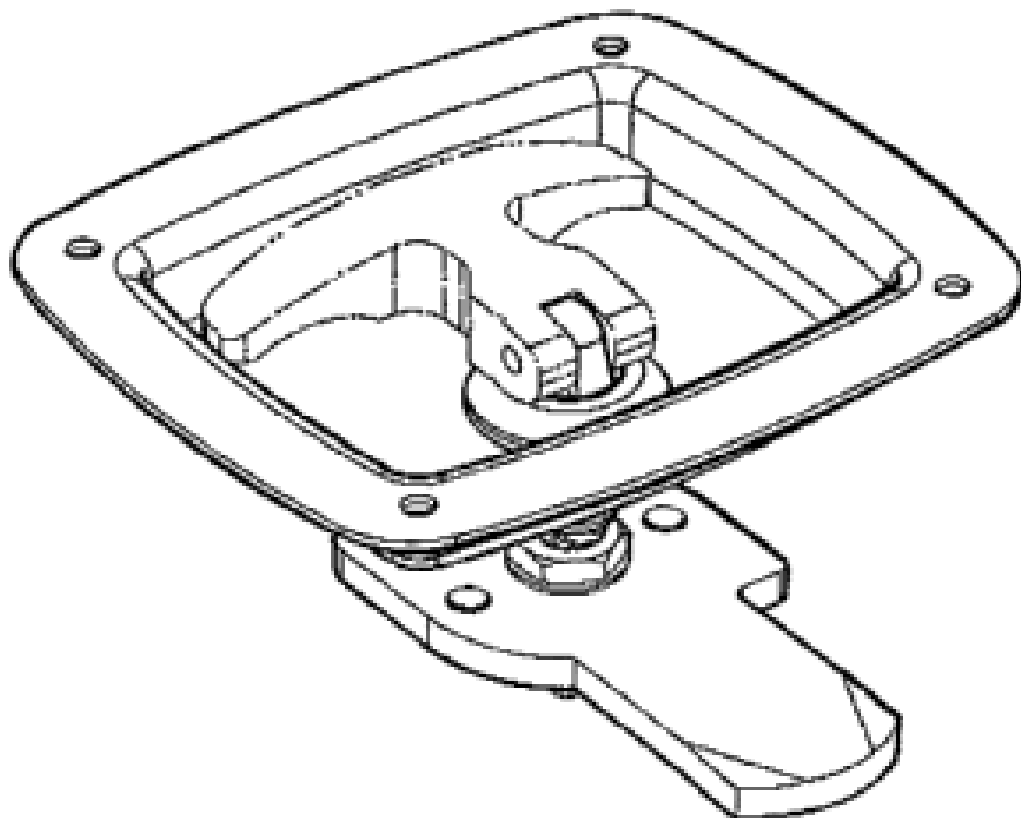
Burgundy Trial Pty Ltd
2 Merchant Avenue Thomastown Victoria 3074 Australia

(72) Name(s) of Designer(s): **David Martin Stuckey**

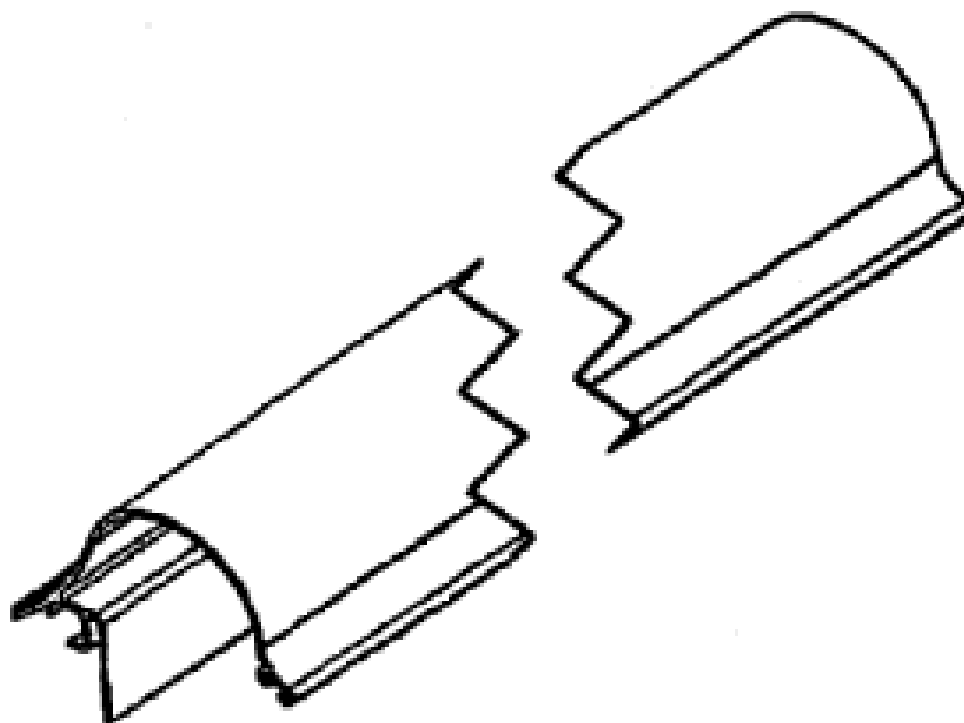
(45) Registration Date: **28 May 2008**

(56) Related Art Documents: **Not Applicable**

(57) Statement of Newness and Distinctiveness: **Nil**



(21) Design Number: **10606/2008**
(22) Date of Filing Application: **13 February 2008**
(24) Date from which industrial property rights may have effect: **13 February 2008**
(54) Product in respect of which the design is registered: **Extrusion**
(51) International Design Classification: **25-01K**
(71) Name(s) and Address(s) of Applicant(s):
Louver-Lite Limited
Ashton Road Hyde Cheshire SK14 4BG United Kingdom
(72) Name(s) of Designer(s): **Reginald Charles Allsopp**
(45) Registration Date: **28 May 2008**
(30) Convention priority data:
(31) Number (32) Date (33) Country
000829544 20 Nov 2007 EUROPEAN COMMUNITY
(56) Related Art Documents: **Not Applicable**
(57) Statement of Newness and Distinctiveness: **Nil**



(21) Design Number: **10608/2008**
(22) Date of Filing Application: **13 February 2008**
(24) Date from which industrial property rights may have effect: **13 February 2008**
(54) Product in respect of which the design is registered: **Surfboard fin**
(51) International Design Classification: **21-02D**
(71) Name(s) and Address(s) of Applicant(s):
Daniel James Webber
8/31 River Street Ballina New South Wales 2478 Australia
(72) Name(s) of Designer(s): **Daniel James Webber**
(45) Registration Date: **28 May 2008**
(56) Related Art Documents: **Not Applicable**
(57) Statement of Newness and Distinctiveness: **Nil**



(21) Design Number: **10631/2008**

(22) Date of Filing Application: **13 February 2008**

(24) Date from which industrial property rights may have effect: **13 February 2008**

(54) Product in respect of which the design is registered: **Bottle**

(51) International Design Classification: **09-01K**

(71) Name(s) and Address(s) of Applicant(s):

BISSELL Homecare, Inc
2345 Walker Avenue N.W. Grand Rapids Michigan 49544 United States of America

(72) Name(s) of Designer(s): **Douglas J. Medema**

(45) Registration Date: **28 May 2008**

(30) Convention priority data:

(31) Number	(32) Date	(33) Country
29/283,728	22 Aug 2007	UNITED STATES OF AMERICA

(56) Related Art Documents: **Not Applicable**

(57) Statement of Newness and Distinctiveness: **The shape and configuration of those parts of the product shown other than by means of broken lines in the representations is new and distinctive.**



(21) Design Number: **10633/2008**

(22) Date of Filing Application: **13 February 2008**

(24) Date from which industrial property rights may have effect: **13 February 2008**

(54) Product in respect of which the design is registered: **Door frame extrusion**

(51) International Design Classification: **25-01K**

(71) Name(s) and Address(s) of Applicant(s):

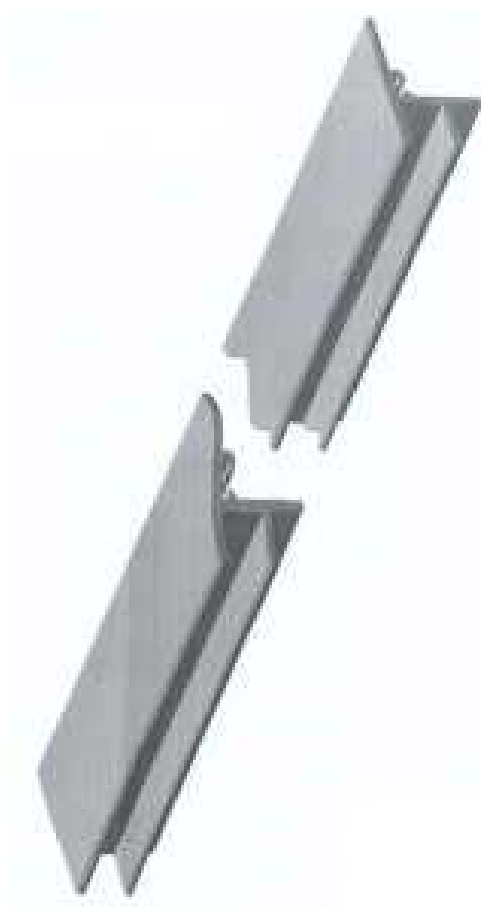
Camec Pty Ltd
47-63 Remington Drive Dandenong South Victoria 3175 Australia

(72) Name(s) of Designer(s): **Daniel Radmanovic and Martin Clark**

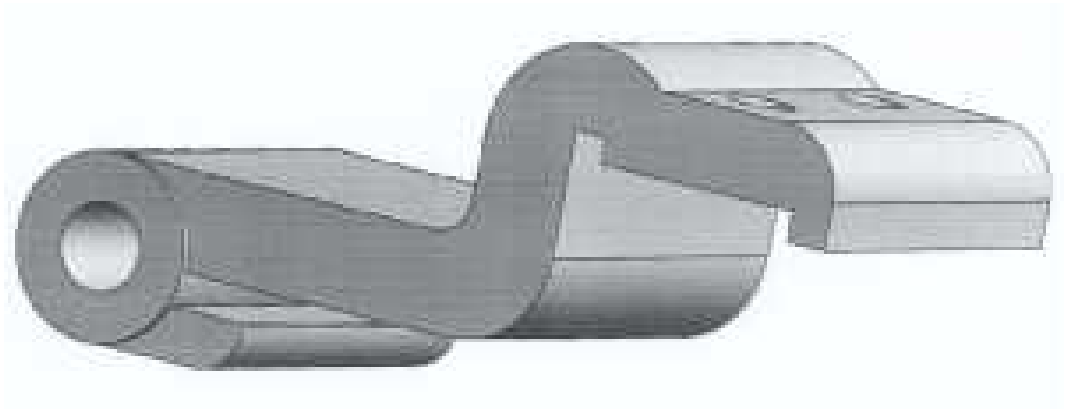
(45) Registration Date: **28 May 2008**

(56) Related Art Documents: **Not Applicable**

(57) Statement of Newness and Distinctiveness: **Newness and distinctiveness is claimed in the extrusion of indefinite length depicted in the attached drawings.**



(21) Design Number: **10634/2008**
(22) Date of Filing Application: **13 February 2008**
(24) Date from which industrial property rights may have effect: **13 February 2008**
(54) Product in respect of which the design is registered: **Hinge component**
(51) International Design Classification: **08-06**
(71) Name(s) and Address(s) of Applicant(s):
Camec Pty Ltd
47-63 Remington Drive Dandenong South Victoria 3175 Australia
(72) Name(s) of Designer(s): **Daniel Radmanovic**
(45) Registration Date: **28 May 2008**
(56) Related Art Documents: **Not Applicable**
(57) Statement of Newness and Distinctiveness: **Nil**



(21) Design Number: **10635/2008**
(22) Date of Filing Application: **13 February 2008**
(24) Date from which industrial property rights may have effect: **13 February 2008**
(54) Product in respect of which the design is registered: **Dual door assembly**
(51) International Design Classification: **25-02B**
(71) Name(s) and Address(s) of Applicant(s):
Camec Pty Ltd
47-63 Remington Drive Dandenong South Victoria 3175 Australia
(72) Name(s) of Designer(s): **Daniel Radmanovic and Martin Clark**
(45) Registration Date: **28 May 2008**
(56) Related Art Documents: **Not Applicable**
(57) Statement of Newness and Distinctiveness: **The new and distinctive features of the dual door assembly are as depicted in the attached drawings but exclude the diamond pattern of the wire door.**



(21) Design Number: **10636/2008**

(22) Date of Filing Application: **13 February 2008**

(24) Date from which industrial property rights may have effect: **13 February 2008**

(54) Product in respect of which the design is registered: **Door**

(51) International Design Classification: **25-02B**

(71) Name(s) and Address(s) of Applicant(s):

Camec Pty Ltd

47-63 Remington Drive Dandenong South Victoria 3175 Australia

(72) Name(s) of Designer(s): **Daniel Radmanovic and Martin Clark**

(45) Registration Date: **28 May 2008**

(56) Related Art Documents: **Not Applicable**

(57) Statement of Newness and Distinctiveness: **Nil**



(21) Design Number: **10637/2008**

(22) Date of Filing Application: **13 February 2008**

(24) Date from which industrial property rights may have effect: **13 February 2008**

(54) Product in respect of which the design is registered: **Dual door assembly**

(51) International Design Classification: **25-02B**

(71) Name(s) and Address(s) of Applicant(s):

Camec Pty Ltd

47-63 Remington Drive Dandenong South Victoria 3175 Australia

(72) Name(s) of Designer(s): **Daniel Radmanovic and Martin Clark**

(45) Registration Date: **28 May 2008**

(56) Related Art Documents: **Not Applicable**

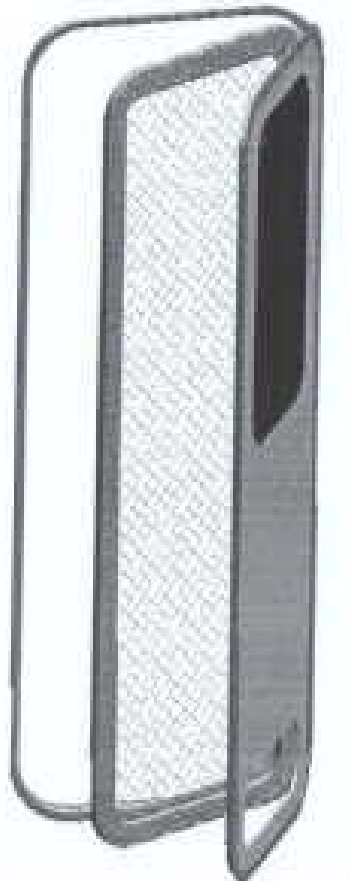
(57) Statement of Newness and Distinctiveness: **The new and distinctive features of the dual door assembly are as depicted in the attached drawings but exclude the diamond pattern of the wire door.**



- (21) Design Number: **10638/2008**
(22) Date of Filing Application: **13 February 2008**
(24) Date from which industrial property rights may have effect: **13 February 2008**
(54) Product in respect of which the design is registered: **Door**
(51) International Design Classification: **25-02B**
(71) Name(s) and Address(s) of Applicant(s):
Camec Pty Ltd
47-63 Remington Drive Dandenong South Victoria 3175 Australia
(72) Name(s) of Designer(s): **Daniel Radmanovic and Martin Clark**
(45) Registration Date: **28 May 2008**
(56) Related Art Documents: **Not Applicable**
(57) Statement of Newness and Distinctiveness: **Nil**



- (21) Design Number: **10639/2008**
(22) Date of Filing Application: **13 February 2008**
(24) Date from which industrial property rights may have effect: **13 February 2008**
(54) Product in respect of which the design is registered: **Dual door assembly**
(51) International Design Classification: **25-02B**
(71) Name(s) and Address(s) of Applicant(s):
Camec Pty Ltd
47-63 Remington Drive Dandenong South Victoria 3175 Australia
(72) Name(s) of Designer(s): **Daniel Radmanovic and Martin Clark**
(45) Registration Date: **28 May 2008**
(56) Related Art Documents: **Not Applicable**
(57) Statement of Newness and Distinctiveness: **The new and distinctive features of the dual door assembly are as depicted in the attached drawings but exclude the diamond pattern of the wire door.**



- (21) Design Number: **10640/2008**
(22) Date of Filing Application: **13 February 2008**
(24) Date from which industrial property rights may have effect: **13 February 2008**
(54) Product in respect of which the design is registered: **Door**
(51) International Design Classification: **25-02B**
(71) Name(s) and Address(s) of Applicant(s):
Camec Pty Ltd
47-63 Remington Drive Dandenong South Victoria 3175 Australia
(72) Name(s) of Designer(s): **Daniel Radmanovic and Martin Clark**
(45) Registration Date: **28 May 2008**
(56) Related Art Documents: **Not Applicable**
(57) Statement of Newness and Distinctiveness: **Nil**



- (21) Design Number: **10643/2008**
(22) Date of Filing Application: **13 February 2008**
(24) Date from which industrial property rights may have effect: **13 February 2008**
(54) Product in respect of which the design is registered: **A rear combination lamp for an automobile**
(51) International Design Classification: **26-06**
(71) Name(s) and Address(s) of Applicant(s):
Honda Motor Co., Ltd.
1-1 Minami-Aoyama 2-Chome Minato-ku Tokyo Japan
(72) Name(s) of Designer(s): **Yuji Terui**
(45) Registration Date: **28 May 2008**
(30) Convention priority data:

(31) Number	(32) Date	(33) Country
2007-022683	22 Aug 2007	JAPAN

(56) Related Art Documents: **Not Applicable**
(57) Statement of Newness and Distinctiveness: **Newness and distinctiveness is claimed in the features of shape and/or configuration of a rear combination lamp for an automobile as illustrated in the accompanying representations.**



- (21) Design Number: **10644/2008**
(22) Date of Filing Application: **13 February 2008**
(24) Date from which industrial property rights may have effect: **13 February 2008**
(54) Product in respect of which the design is registered: **An automobile**
(51) International Design Classification: **12-08**
(71) Name(s) and Address(s) of Applicant(s):
Honda Motor Co., Ltd.
1-1 Minami-Aoyama 2-Chome Minato-ku Tokyo Japan
(72) Name(s) of Designer(s): **Toshiyuki Okumoto and Tsutomu Fujita**
(45) Registration Date: **28 May 2008**
(30) Convention priority data:
(31) Number (32) Date (33) Country
2007-022615 22 Aug 2007 JAPAN
(56) Related Art Documents: **Not Applicable**
(57) Statement of Newness and Distinctiveness: **Newness and distinctiveness is claimed in the features of shape and/or configuration of an automobile as illustrated in the accompanying representations.**



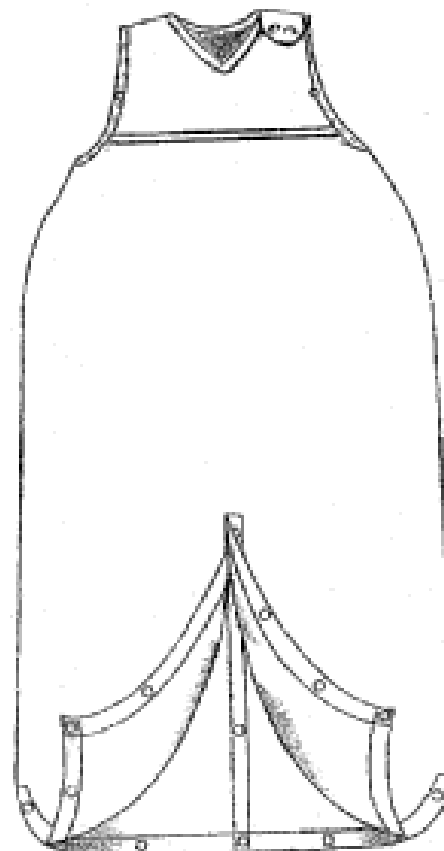
- (21) Design Number: **10645/2008**
(22) Date of Filing Application: **13 February 2008**
(24) Date from which industrial property rights may have effect: **13 February 2008**
(54) Product in respect of which the design is registered: **A front combination lamp for an automobile**
(51) International Design Classification: **26-06**
(71) Name(s) and Address(s) of Applicant(s):
Honda Motor Co., Ltd.
1-1 Minami-Aoyama 2-Chome Minato-ku Tokyo Japan
(72) Name(s) of Designer(s): **Toshiyuki Okumoto**
(45) Registration Date: **28 May 2008**
(30) Convention priority data:
(31) Number (32) Date (33) Country
2007-022681 22 Aug 2007 JAPAN
(56) Related Art Documents: **Not Applicable**
(57) Statement of Newness and Distinctiveness: **Newness and distinctiveness is claimed in the features of shape and/or configuration of a front combination lamp for an automobile as illustrated in the accompanying representations.**



- (21) Design Number: **10566/2008**
(22) Date of Filing Application: **08 February 2008**
(24) Date from which industrial property rights may have effect: **08 February 2008**
(54) Product in respect of which the design is registered: **Knee and elbow protection garment**
(51) International Design Classification: **02-02B**
(71) Name(s) and Address(s) of Applicant(s):
Andrea Dale
4 Yambill Avenue Rosebud Victoria 3939 Australia
(72) Name(s) of Designer(s): **Andrea Dale**
(45) Registration Date: **28 May 2008**
(56) Related Art Documents: **Not Applicable**
(57) Statement of Newness and Distinctiveness: **No monopoly is claimed in the pattern or ornamentation as illustrated in the accompanying representations.**



- (21) Design Number: **11791/2008**
(22) Date of Filing Application: **05 December 2007**
(24) Date from which industrial property rights may have effect: **05 December 2007**
(54) Product in respect of which the design is registered: **Infant attire articles**
(51) International Design Classification: **02-02C**
(71) Name(s) and Address(s) of Applicant(s):
Amie Design Limited
MGI Wilson Elliott Limited Level 2 Fidelity House 81 Carlton Gore Road Newmarket Auckland New Zealand
(72) Name(s) of Designer(s): **Amelia Anne Bristed Nilsson and Bridie Jane Zaloum**
(45) Registration Date: **28 May 2008**
(30) Convention priority data:
(31) Number (32) Date (33) Country
409223 07 Jun 2007 NEW ZEALAND
(56) Related Art Documents: **Not Applicable**
(57) Statement of Newness and Distinctiveness: **The new and distinctive features of this design reside in the features of shape and/or configuration of infant attire articles all as shown in the accompanying representations.**



- (21) Design Number: **11792/2008**
- (22) Date of Filing Application: **05 December 2007**
- (24) Date from which industrial property rights may have effect: **05 December 2007**
- (54) Product in respect of which the design is registered: **Infant attire articles**
- (51) International Design Classification: **02-02C**
- (71) Name(s) and Address(s) of Applicant(s):

Amie Design Limited
MGI Wilson Elliott Limited Level 2 Fidelity House 81 Carlton Gore
Road Newmarket Auckland New Zealand

- (72) Name(s) of Designer(s): **Amelia Anne Bristed Nilsson and Bridie Jane Zaloum**

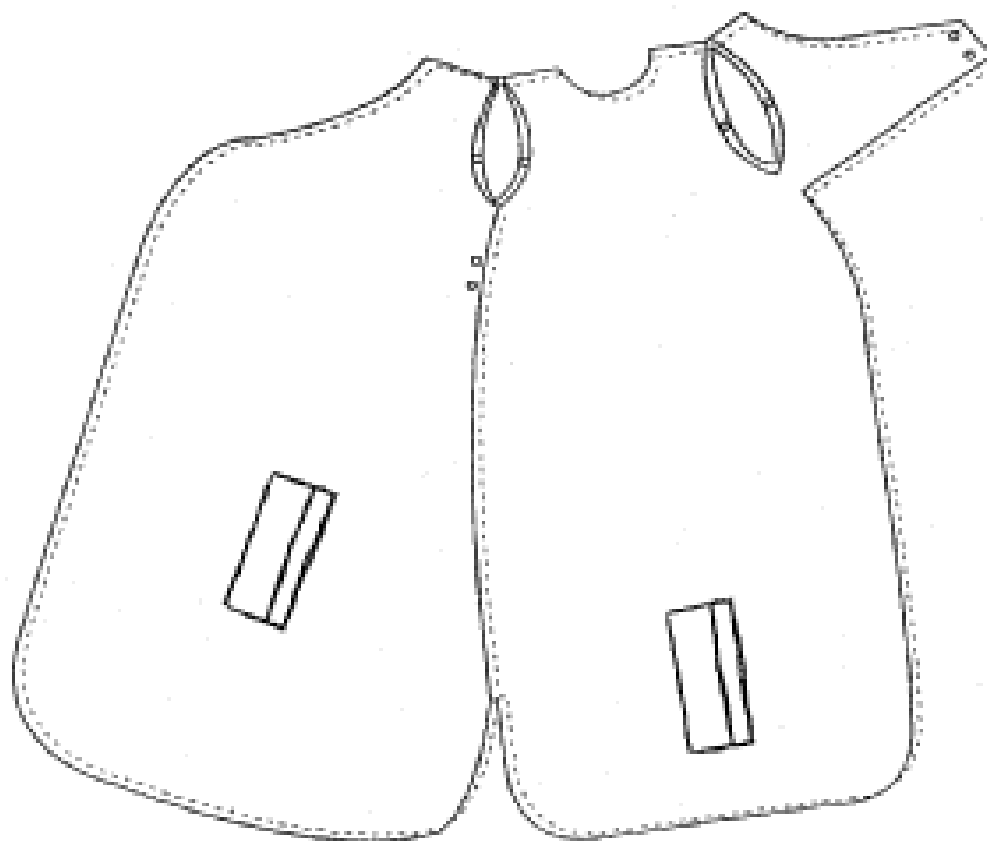
- (45) Registration Date: **28 May 2008**

- (30) Convention priority data:

(31) Number	(32) Date	(33) Country
409223	07 Jun 2007	NEW ZEALAND

- (56) Related Art Documents: **Not Applicable**

- (57) Statement of Newness and Distinctiveness: **The new and distinctive features of this design reside in the features of shape and/or configuration of infant attire articles all as shown in the accompanying representations.**



- (21) Design Number: **11793/2008**
- (22) Date of Filing Application: **05 December 2007**
- (24) Date from which industrial property rights may have effect: **05 December 2007**
- (54) Product in respect of which the design is registered: **Infant attire articles**
- (51) International Design Classification: **02-02C**
- (71) Name(s) and Address(s) of Applicant(s):

Amie Design Limited
MGI Wilson Elliott Limited Level 2 Fidelity House 81 Carlton Gore
Road Newmarket Auckland New Zealand

- (72) Name(s) of Designer(s): **Amelia Anne Bristed Nilsson and Bridie Jane Zaloum**

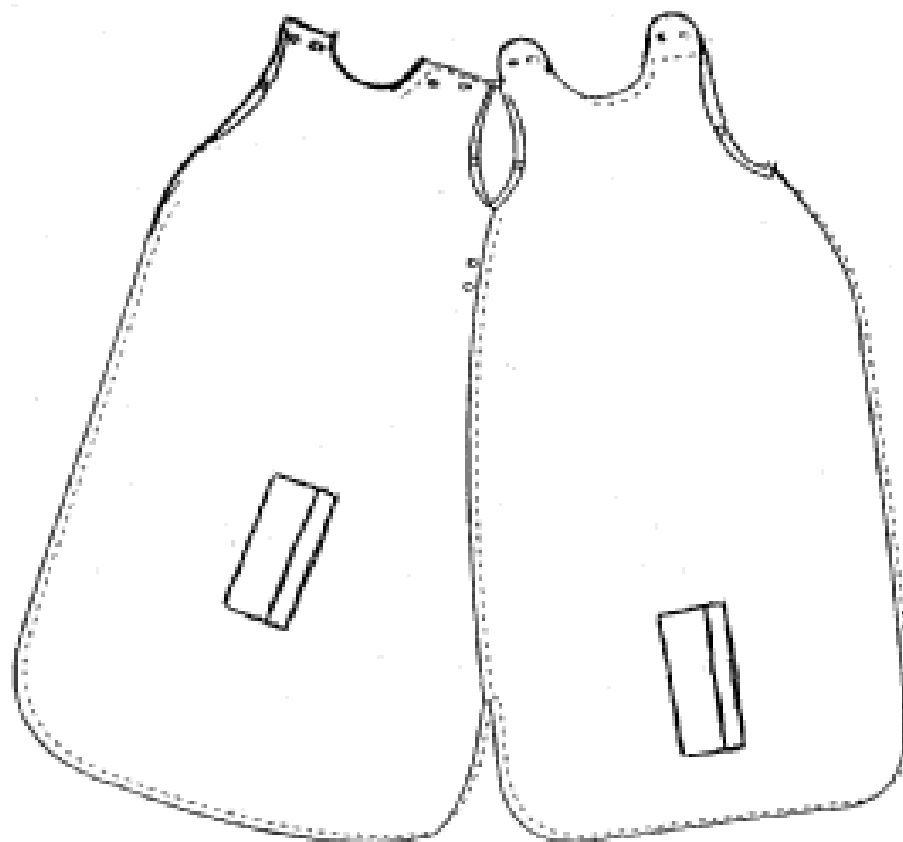
- (45) Registration Date: **28 May 2008**

- (30) Convention priority data:

(31) Number	(32) Date	(33) Country
409223	07 Jun 2007	NEW ZEALAND

- (56) Related Art Documents: **Not Applicable**

- (57) Statement of Newness and Distinctiveness: **The new and distinctive features of this design reside in the features of shape and/or configuration of infant attire articles all as shown in the accompanying representations.**



- (21) Design Number: **11794/2008**
(22) Date of Filing Application: **05 December 2007**
(24) Date from which industrial property rights may have effect: **05 December 2007**
(54) Product in respect of which the design is registered: **Infant attire articles**
(51) International Design Classification: **02-02C**
(71) Name(s) and Address(s) of Applicant(s):

Amie Design Limited
MGI Wilson Elliott Limited Level 2 Fidelity House 81 Carlton Gore
Road Newmarket Auckland New Zealand

- (72) Name(s) of Designer(s): **Amelia Anne Bristed Nilsson and Bridie Jane Zaloum**

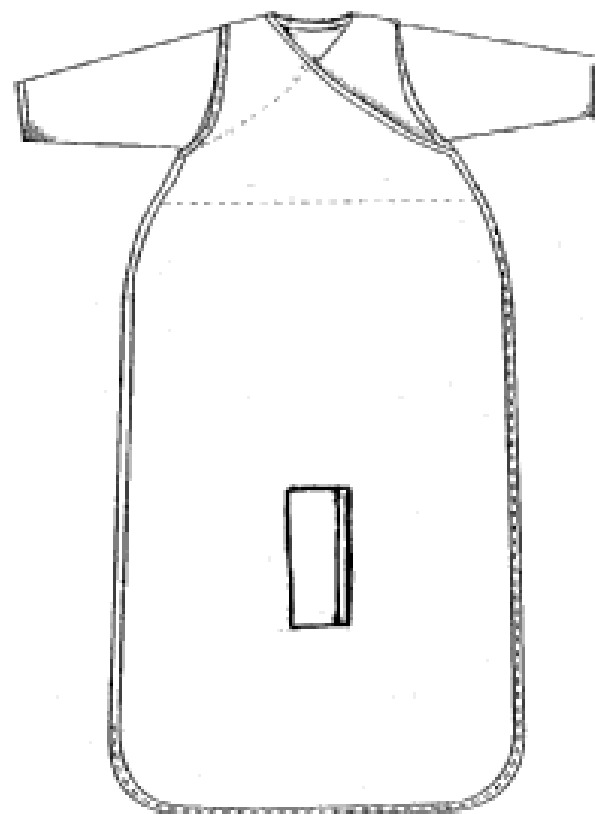
(45) Registration Date: **28 May 2008**

(30) Convention priority data:

(31) Number	(32) Date	(33) Country
409223	07 Jun 2007	NEW ZEALAND

(56) Related Art Documents: **Not Applicable**

- (57) Statement of Newness and Distinctiveness: **The new and distinctive features of this design reside in the features of shape and/or configuration of infant attire articles all as shown in the accompanying representations.**



- (21) Design Number: **11795/2008**
(22) Date of Filing Application: **05 December 2007**
(24) Date from which industrial property rights may have effect: **05 December 2007**
(54) Product in respect of which the design is registered: **Infant attire articles**
(51) International Design Classification: **02-02C**
(71) Name(s) and Address(s) of Applicant(s):

Amie Design Limited
MGI Wilson Elliott Limited Level 2 Fidelity House 81 Carlton Gore
Road Newmarket Auckland New Zealand

- (72) Name(s) of Designer(s): **Amelia Anne Bristed Nilsson and Bridie Jane Zaloum**

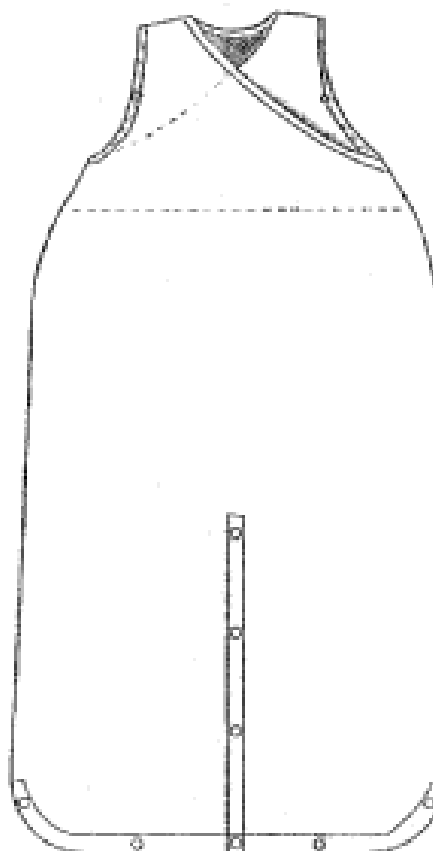
(45) Registration Date: **28 May 2008**

(30) Convention priority data:

(31) Number	(32) Date	(33) Country
409223	07 Jun 2007	NEW ZEALAND

(56) Related Art Documents: **Not Applicable**

- (57) Statement of Newness and Distinctiveness: **The new and distinctive features of this design reside in the features of shape and/or configuration of infant attire articles all as shown in the accompanying representations.**



- (21) Design Number: **11796/2008**
- (22) Date of Filing Application: **05 December 2007**
- (24) Date from which industrial property rights may have effect: **05 December 2007**
- (54) Product in respect of which the design is registered: **Infant attire articles**
- (51) International Design Classification: **02-02C**
- (71) Name(s) and Address(s) of Applicant(s):

Amie Design Limited
MGI Wilson Elliott Limited Level 2 Fidelity House 81 Carlton Gore
Road Newmarket Auckland New Zealand

- (72) Name(s) of Designer(s): **Amelia Anne Bristed Nilsson and Bridie Jane Zaloum**

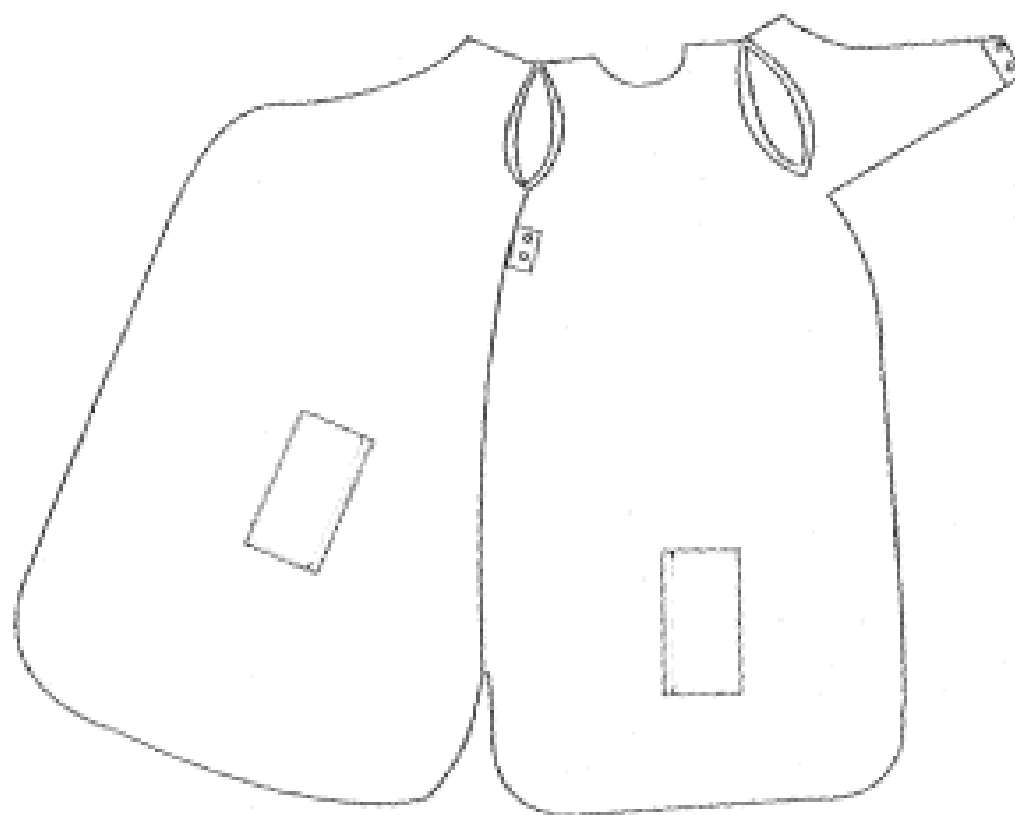
- (45) Registration Date: **28 May 2008**

- (30) Convention priority data:

(31) Number	(32) Date	(33) Country
409223	07 Jun 2007	NEW ZEALAND

- (56) Related Art Documents: **Not Applicable**

- (57) Statement of Newness and Distinctiveness: **The new and distinctive features of this design reside in the features of shape and/or configuration of infant attire articles all as shown in the accompanying representations.**



- (21) Design Number: **11797/2008**
- (22) Date of Filing Application: **05 December 2007**
- (24) Date from which industrial property rights may have effect: **05 December 2007**
- (54) Product in respect of which the design is registered: **Infant attire articles**
- (51) International Design Classification: **02-02C**
- (71) Name(s) and Address(s) of Applicant(s):

Amie Design Limited
MGI Wilson Elliott Limited Level 2 Fidelity House 81 Carlton Gore
Road Newmarket Auckland New Zealand

- (72) Name(s) of Designer(s): **Amelia Anne Bristed Nilsson and Bridie Jane Zaloum**

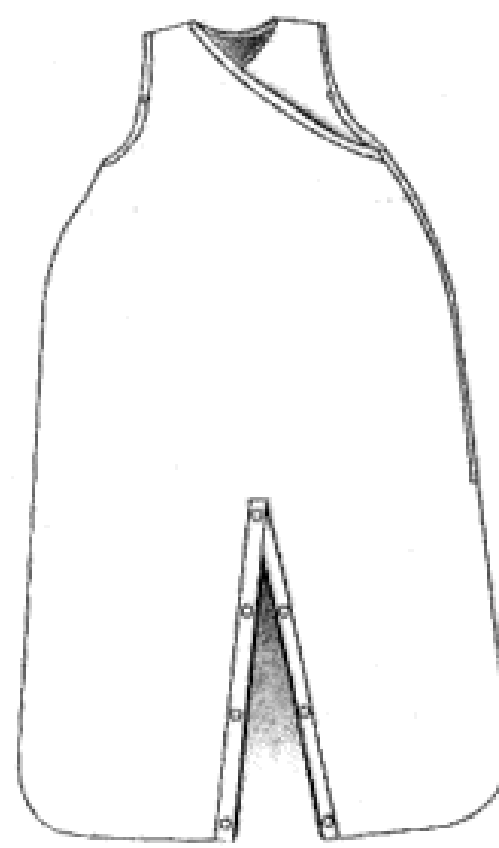
- (45) Registration Date: **28 May 2008**

- (30) Convention priority data:

(31) Number	(32) Date	(33) Country
409223	07 Jun 2007	NEW ZEALAND

- (56) Related Art Documents: **Not Applicable**

- (57) Statement of Newness and Distinctiveness: **The new and distinctive features of this design reside in the features of shape and/or configuration of infant attire articles all as shown in the accompanying representations.**



- (21) Design Number: **11798/2008**
(22) Date of Filing Application: **05 December 2007**
(24) Date from which industrial property rights may have effect: **05 December 2007**
(54) Product in respect of which the design is registered: **Infant attire articles**
(51) International Design Classification: **02-02C**
(71) Name(s) and Address(s) of Applicant(s):

Amie Design Limited
MGI Wilson Elliott Limited Level 2 Fidelity House 81 Carlton Gore
Road Newmarket Auckland New Zealand

- (72) Name(s) of Designer(s): **Amelia Anne Bristed Nilsson and Bridie Jane Zaloum**

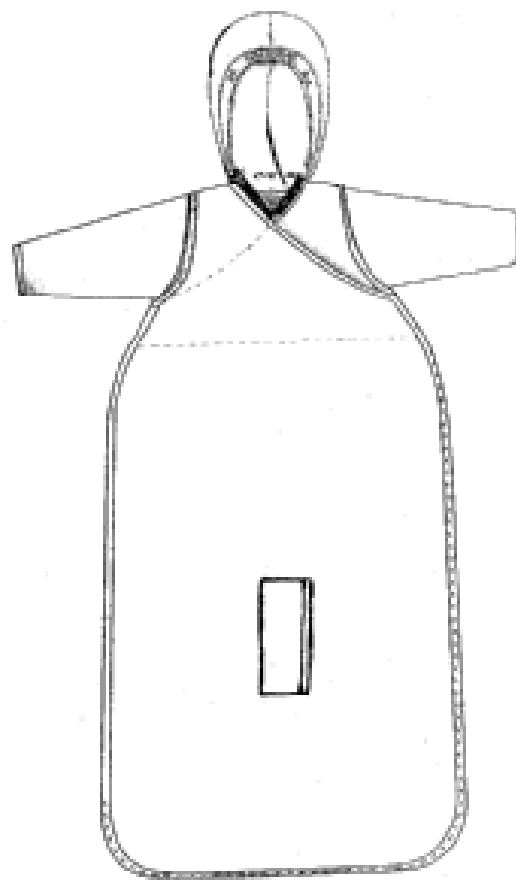
- (45) Registration Date: **28 May 2008**

- (30) Convention priority data:

(31) Number	(32) Date	(33) Country
409223	07 Jun 2007	NEW ZEALAND

- (56) Related Art Documents: **Not Applicable**

- (57) Statement of Newness and Distinctiveness: **The new and distinctive features of this design reside in the features of shape and/or configuration of infant attire articles all as shown in the accompanying representations.**



- (21) Design Number: **11799/2008**
(22) Date of Filing Application: **05 December 2007**
(24) Date from which industrial property rights may have effect: **05 December 2007**
(54) Product in respect of which the design is registered: **Infant attire articles**
(51) International Design Classification: **02-02C**
(71) Name(s) and Address(s) of Applicant(s):

Amie Design Limited
MGI Wilson Elliott Limited Level 2 Fidelity House 81 Carlton Gore
Road Newmarket Auckland New Zealand

- (72) Name(s) of Designer(s): **Amelia Anne Bristed Nilsson and Bridie Jane Zaloum**

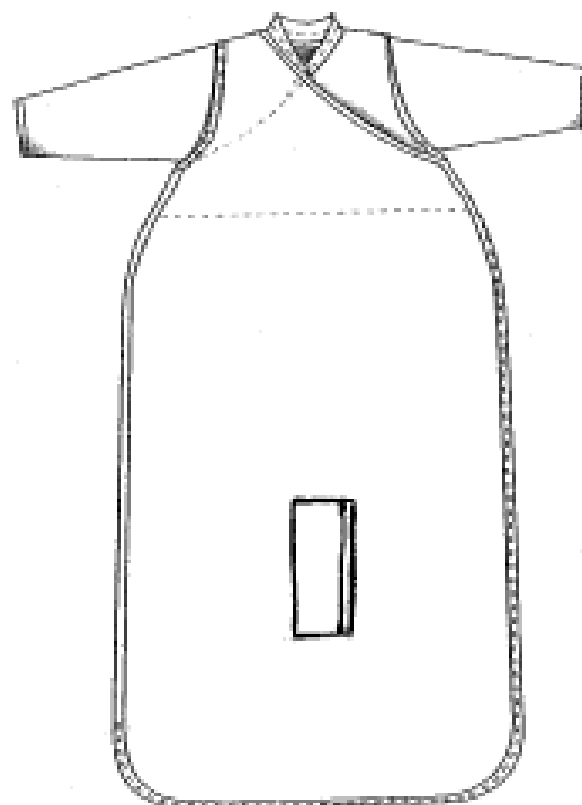
- (45) Registration Date: **28 May 2008**

- (30) Convention priority data:

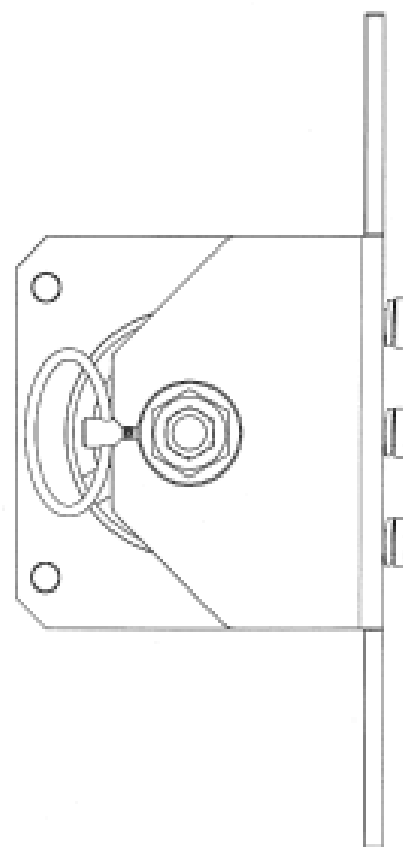
(31) Number	(32) Date	(33) Country
409223	07 Jun 2007	NEW ZEALAND

- (56) Related Art Documents: **Not Applicable**

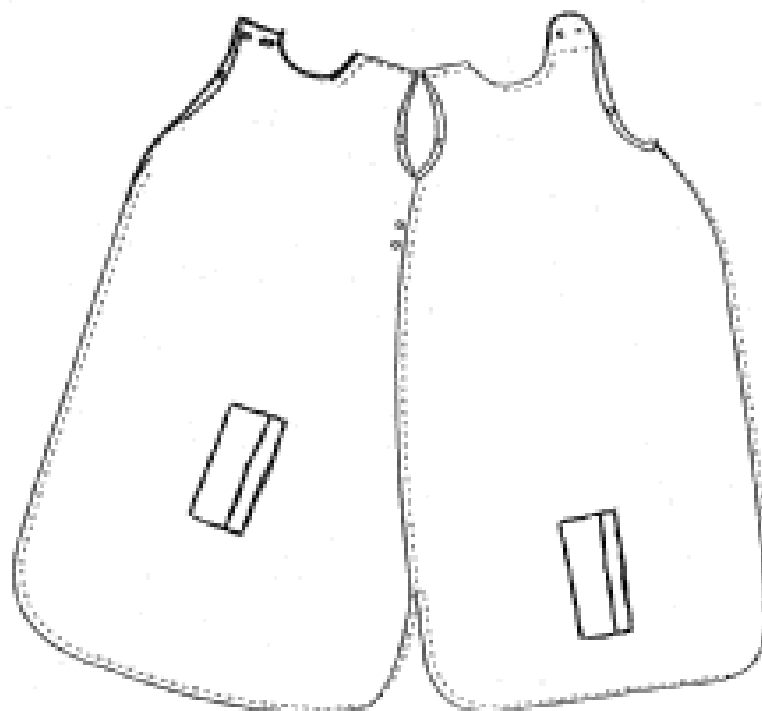
- (57) Statement of Newness and Distinctiveness: **The new and distinctive features of this design reside in the features of shape and/or configuration of infant attire articles all as shown in the accompanying representations.**



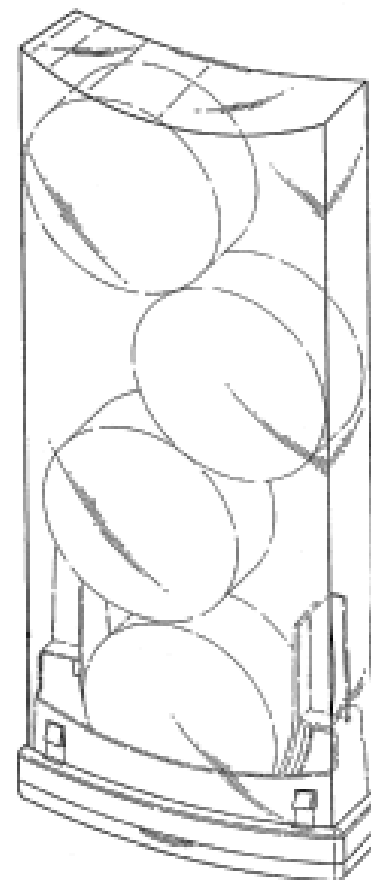
- (21) Design Number: **10252/2008**
(22) Date of Filing Application: **21 January 2008**
(24) Date from which industrial property rights may have effect: **21 January 2008**
(54) Product in respect of which the design is registered: **Motorized actuator**
(51) International Design Classification: **13-03NES**
(71) Name(s) and Address(s) of Applicant(s):
C.E. Niehoff & Co.
2021 Lee Street Evanston Illinois 60202 United States of America
(72) Name(s) of Designer(s): **Issam Jabaji**
(45) Registration Date: **28 May 2008**
(30) Convention priority data:
(31) Number (32) Date (33) Country
29/289027 29 Jun 2007 UNITED STATES OF AMERICA
(56) Related Art Documents: **Not Applicable**
(57) Statement of Newness and Distinctiveness: **Newness and distinctiveness is claimed in those features of shape and/or configuration of a motorized actuator as illustrated in continuous lines in the accompanying representations.**



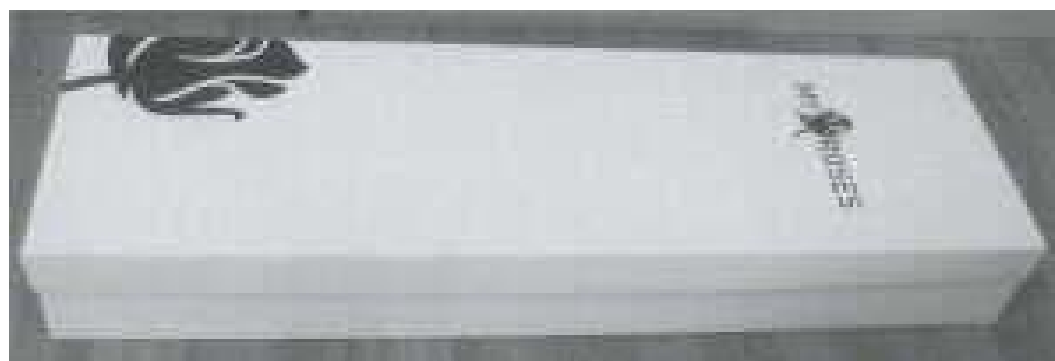
- (21) Design Number: **21124/2007**
(22) Date of Filing Application: **05 December 2007**
(24) Date from which industrial property rights may have effect: **05 December 2007**
(54) Product in respect of which the design is registered: **Infant attire articles**
(51) International Design Classification: **02-02C**
(71) Name(s) and Address(s) of Applicant(s):
Amie Design Limited
MGI Wilson Elliott Limited Level 2 Fidelity House 81 Carlton Gore
Road Newmarket Auckland New Zealand
(72) Name(s) of Designer(s): **Amelia Anne Bristed Nilsson and Bridie Jane Zaloum**
(45) Registration Date: **28 May 2008**
(30) Convention priority data:
(31) Number (32) Date (33) Country
409223 07 Jun 2007 NEW ZEALAND
(56) Related Art Documents: **Not Applicable**
(57) Statement of Newness and Distinctiveness: **The new and distinctive features of this design reside in the features of shape and/or configuration of infant attire articles all as shown in the accompanying representations.**



- (21) Design Number: **10063/2008**
(22) Date of Filing Application: **04 January 2008**
(24) Date from which industrial property rights may have effect: **04 January 2008**
(54) Product in respect of which the design is registered: **Tablet dispenser**
(51) International Design Classification: **03-01NES, 09-07NES, 09-05, 03-01D**
(71) Name(s) and Address(s) of Applicant(s):
Jeyes Group Limited
Brunel Way Thetford Norfolk IP24 1HF United Kingdom
(72) Name(s) of Designer(s): **Christopher Michael Gray and Peter Virica and Michael Harris**
(45) Registration Date: **28 May 2008**
(30) Convention priority data:
(31) Number (32) Date (33) Country
000756184-0001 06 Jul 2007 EUROPEAN COMMUNITY
(56) Related Art Documents: **Not Applicable**
(57) Statement of Newness and Distinctiveness: **Newness and distinctiveness is claimed in the features of shape and/or configuration of a tablet dispenser as illustrated in the accompanying representations.**



- (21) Design Number: **10071/2008**
(22) Date of Filing Application: **04 January 2008**
(24) Date from which industrial property rights may have effect: **04 January 2008**
(54) Product in respect of which the design is registered: **An innovative style of rigid rose box for packaging, presentation and branding a rose product. The brand colours**
(51) International Design Classification: **09-03M, 09-03F**
(71) Name(s) and Address(s) of Applicant(s):
Johanne Russell-Smith
242 Stanley Street West Melbourne Victoria 3003 Australia
(72) Name(s) of Designer(s): **Johanne Russell-Smith and Peter Russell-Smith**
(45) Registration Date: **28 May 2008**
(56) Related Art Documents: **Not Applicable**
(57) Statement of Newness and Distinctiveness: **This design is the first time preprinted rigid boxes are used to package roses. This design is the first time rigid boxes are used to present a rose brand using a preprinted logo and wrap around icon on the lid. This is the first design to use rigid boxes to both package and present a rose brand.**



(21) Design Number: **10401/2008**

(22) Date of Filing Application: **01 February 2008**

(24) Date from which industrial property rights may have effect: **01 February 2008**

(54) Product in respect of which the design is registered: **Multifunctional dutch oven for outdoor cooking**

(51) International Design Classification: **07-02D**

(71) Name(s) and Address(s) of Applicant(s):

Robert Belingar

Kidriceva 31/C 5000 Nova Gorica Slovenija 5000 Slovenija (EU)

(72) Name(s) of Designer(s): **Robert Belingar**

(45) Registration Date: **28 May 2008**

(56) Related Art Documents: **Not Applicable**

(57) Statement of Newness and Distinctiveness: **Removable wooden handles.**



(21) Design Number: **10496/2008**

(22) Date of Filing Application: **06 February 2008**

(24) Date from which industrial property rights may have effect: **06 February 2008**

(54) Product in respect of which the design is registered: **An extrusion**

(51) International Design Classification: **25-01K**

(71) Name(s) and Address(s) of Applicant(s):

Agabow Pty Ltd Trading as Central Tablelands Commercial Industries

3 Watt Drive Bathurst New South Wales 2795 Australia

(72) Name(s) of Designer(s): **Eisse Woldhuis**

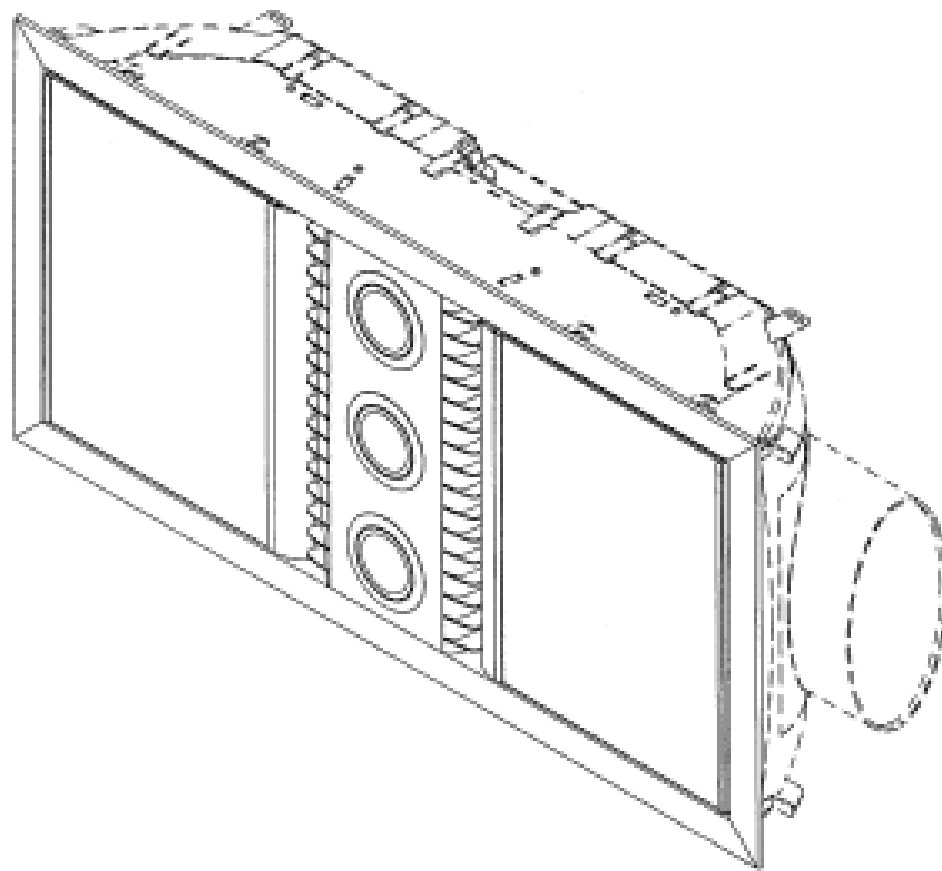
(45) Registration Date: **28 May 2008**

(56) Related Art Documents: **Not Applicable**

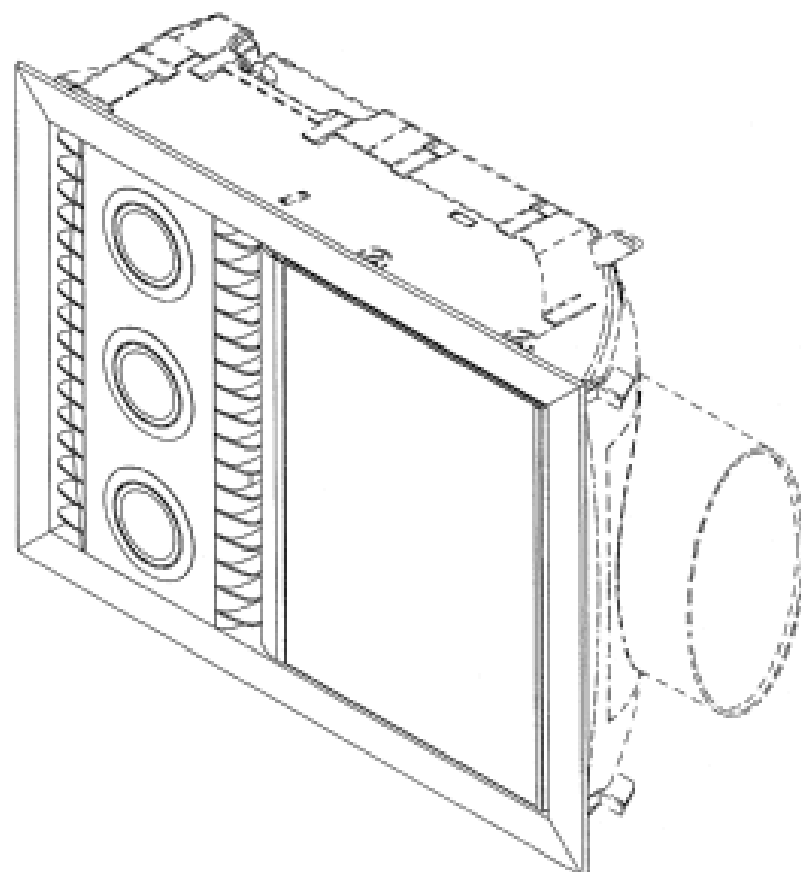
(57) Statement of Newness and Distinctiveness: **Nil**



- (21) Design Number: **10691/2008**
(22) Date of Filing Application: **15 February 2008**
(24) Date from which industrial property rights may have effect: **15 February 2008**
(54) Product in respect of which the design is registered: **Lighting, heating and venting unit**
(51) International Design Classification: **23-03A, 23-04, 26-05D**
(71) Name(s) and Address(s) of Applicant(s):
Alver Pty Ltd
Wood Street East Geelong Victoria 3219 Australia
(72) Name(s) of Designer(s): **Fred Blochlinger and Glen Sherwood and Simon Kooymans**
(45) Registration Date: **28 May 2008**
(56) Related Art Documents: **Not Applicable**
(57) Statement of Newness and Distinctiveness: **Those features of the lighting, heating and venting unit depicted in the representations that are new and distinctive are the shape and/or configuration. The features shown in broken lines are not part of the design and are to be disregarded when considering the overall impression of the design.**



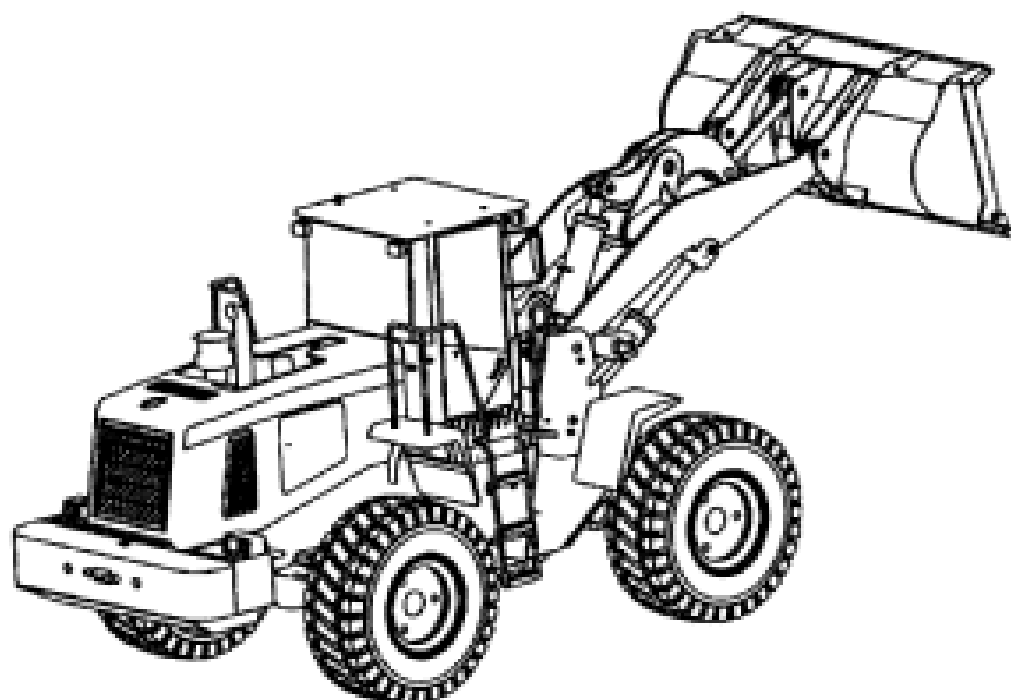
- (21) Design Number: **10692/2008**
(22) Date of Filing Application: **15 February 2008**
(24) Date from which industrial property rights may have effect: **15 February 2008**
(54) Product in respect of which the design is registered: **Lighting, heating and venting unit**
(51) International Design Classification: **23-03A, 23-04, 26-05D**
(71) Name(s) and Address(s) of Applicant(s):
Alver Pty Ltd
Wood Street East Geelong Victoria 3219 Australia
(72) Name(s) of Designer(s): **Glen Sherwood and Fred Blochlinger and Simon Kooymans**
(45) Registration Date: **28 May 2008**
(56) Related Art Documents: **Not Applicable**
(57) Statement of Newness and Distinctiveness: **Those features of the lighting, heating and venting unit depicted in the representations that are new and distinctive are the shape and/or configuration. The features shown in broken lines are not part of the design and are to be disregarded when considering the overall impression of the design.**



- (21) Design Number: **10695/2008**
(22) Date of Filing Application: **15 February 2008**
(24) Date from which industrial property rights may have effect: **15 February 2008**
(54) Product in respect of which the design is registered: **Wheel loader**
(51) International Design Classification: **15-04**
(71) Name(s) and Address(s) of Applicant(s):
Caterpillar Technologies Singapore Pte. Ltd.
7 Tractor Road 627968 Singapore
(72) Name(s) of Designer(s): **Malcom Kinsinger and Todd Okimoto and Yuting Li and Yuxia He**
(45) Registration Date: **28 May 2008**
(30) Convention priority data:
(31) Number (32) Date (33) Country
200730152386.9 16 Aug 2007 CHINA
(56) Related Art Documents: **Not Applicable**
(57) Statement of Newness and Distinctiveness: **Nil**

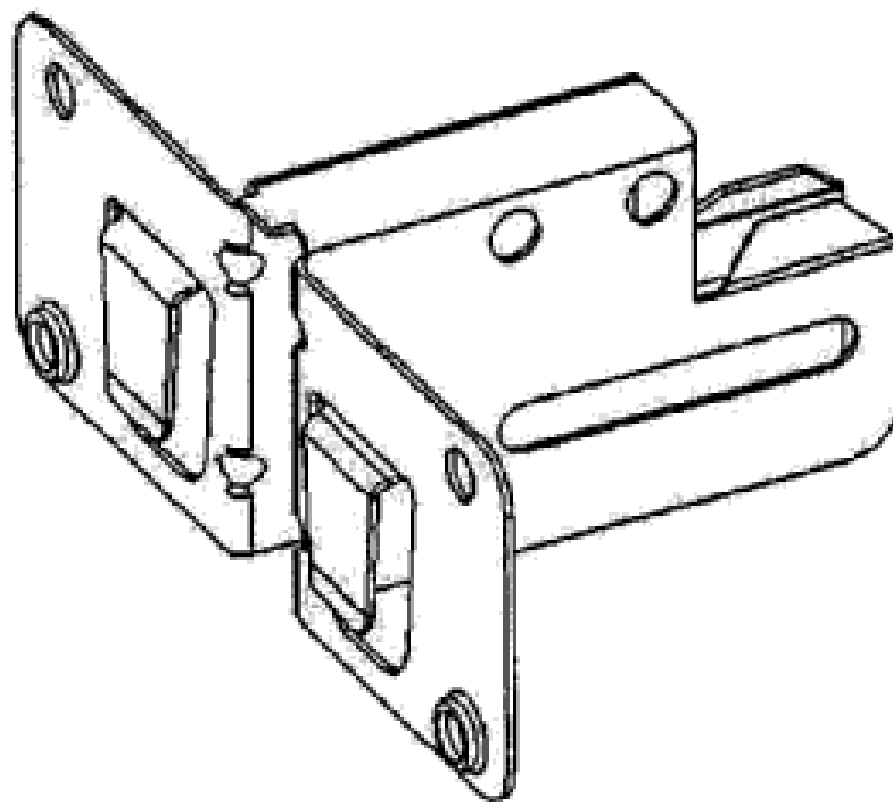


- (21) Design Number: **10696/2008**
(22) Date of Filing Application: **15 February 2008**
(24) Date from which industrial property rights may have effect: **15 February 2008**
(54) Product in respect of which the design is registered: **Wheel loader**
(51) International Design Classification: **15-04**
(71) Name(s) and Address(s) of Applicant(s):
Caterpillar Technologies Singapore Pte. Ltd.
7 Tractor Road 627968 Singapore
(72) Name(s) of Designer(s): **Malcom Kinsinger and Todd Okimoto and Yuting Li and Yuxia He**
(45) Registration Date: **28 May 2008**
(30) Convention priority data:
(31) Number (32) Date (33) Country
200730152385.4 16 Aug 2007 CHINA
(56) Related Art Documents: **Not Applicable**
(57) Statement of Newness and Distinctiveness: **Nil**



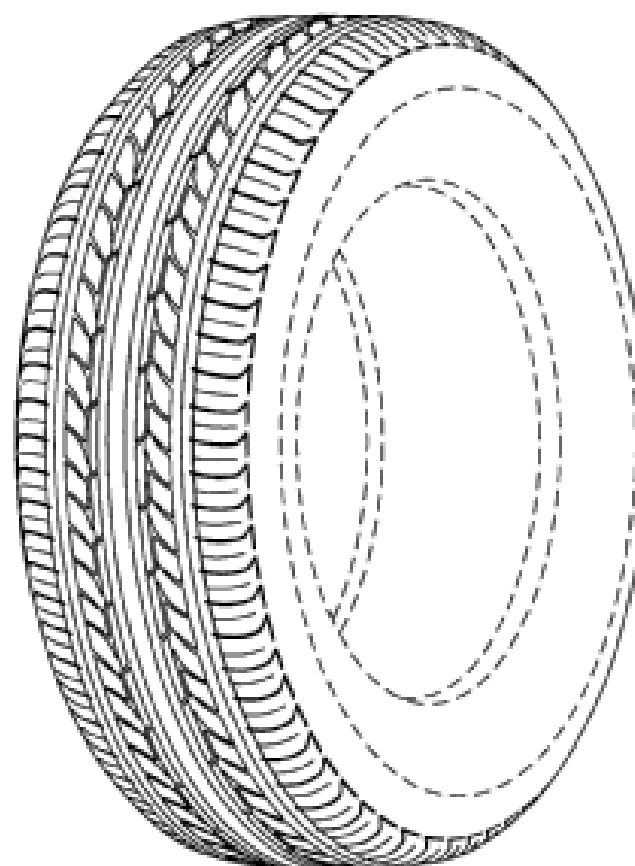
(19) AU

(21) Design Number: **10697/2008**
(22) Date of Filing Application: **15 February 2008**
(24) Date from which industrial property rights may have effect: **15 February 2008**
(54) Product in respect of which the design is registered: **Perimeter clip useful for ceiling grid systems**
(51) International Design Classification: **08-08C**
(71) Name(s) and Address(s) of Applicant(s):
USG Interiors, Inc
550 West Adams Street Chicago Illinois 60661-3676 United States of America
(72) Name(s) of Designer(s): **James J. Lehane**
(45) Registration Date: **28 May 2008**
(30) Convention priority data:
(31) Number (32) Date (33) Country
29/299,675 01 Jan 2008 UNITED STATES OF AMERICA
(56) Related Art Documents: **Not Applicable**
(57) Statement of Newness and Distinctiveness: **Nil**



(19) AU

(21) Design Number: **10699/2008**
(22) Date of Filing Application: **15 February 2008**
(24) Date from which industrial property rights may have effect: **15 February 2008**
(54) Product in respect of which the design is registered: **Tread of an automobile tyre**
(51) International Design Classification: **12-15A**
(71) Name(s) and Address(s) of Applicant(s):
The Yokohama Rubber Co., Ltd.
36-11 Shimbashi 5 chome Minato-ku Tokyo 105-8685 Japan
(72) Name(s) of Designer(s): **Hiroshi Hata and Masaki Noro and Izumi Kuramochi and Kenichirou Endou**
(45) Registration Date: **28 May 2008**
(30) Convention priority data:
(31) Number (32) Date (33) Country
2007-022402 17 Aug 2007 JAPAN
(56) Related Art Documents: **Not Applicable**
(57) Statement of Newness and Distinctiveness: **Nil**



(21) Design Number: **10736/2008**

(22) Date of Filing Application: **15 February 2008**

(24) Date from which industrial property rights may have effect: **15 February 2008**

(54) Product in respect of which the design is registered: **Lifting link**

(51) International Design Classification: **25-01B**

(71) Name(s) and Address(s) of Applicant(s):

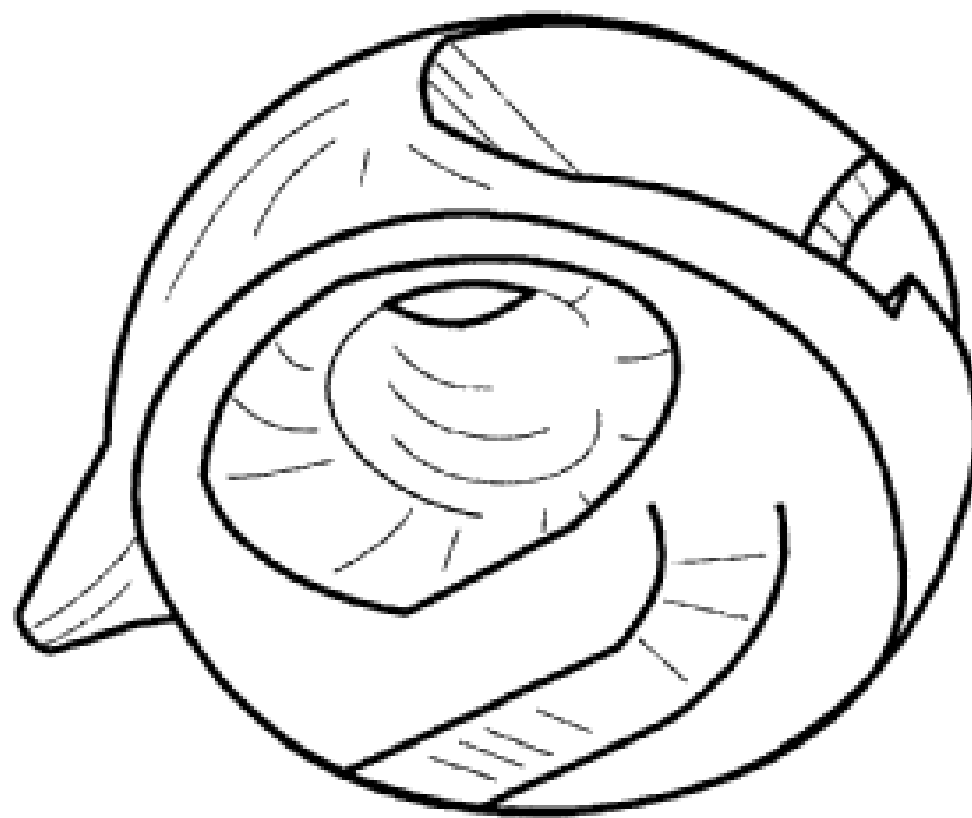
**Woodstock Percussion Pty Ltd
14 Hillside Crescent Epping New South Wales 2121 Australia**

(72) Name(s) of Designer(s): **Rodney Mackay Sim**

(45) Registration Date: **28 May 2008**

(56) Related Art Documents: **Not Applicable**

(57) Statement of Newness and Distinctiveness: **Newness and distinctiveness is claimed in respect of the shape and/or configuration of the product illustrated in the accompanying representations.**



(21) Design Number: **10737/2008**

(22) Date of Filing Application: **15 February 2008**

(24) Date from which industrial property rights may have effect: **15 February 2008**

(54) Product in respect of which the design is registered: **Lifting link assembly**

(51) International Design Classification: **25-01B**

(71) Name(s) and Address(s) of Applicant(s):

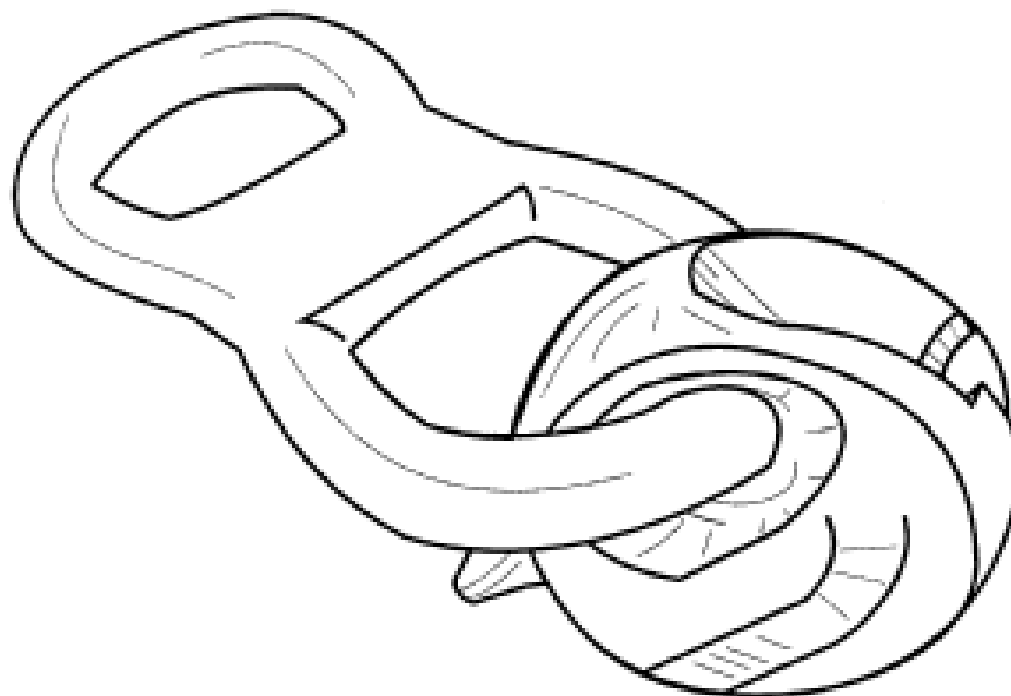
**Woodstock Percussion Pty Ltd
14 Hillside Crescent Epping New South Wales 2121 Australia**

(72) Name(s) of Designer(s): **Rodney Mackay Sim**

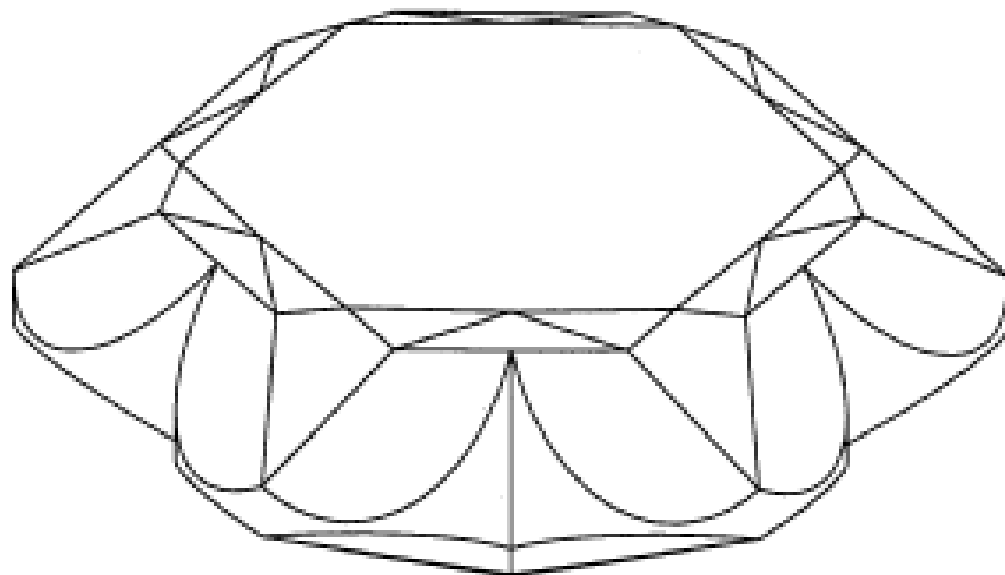
(45) Registration Date: **28 May 2008**

(56) Related Art Documents: **Not Applicable**

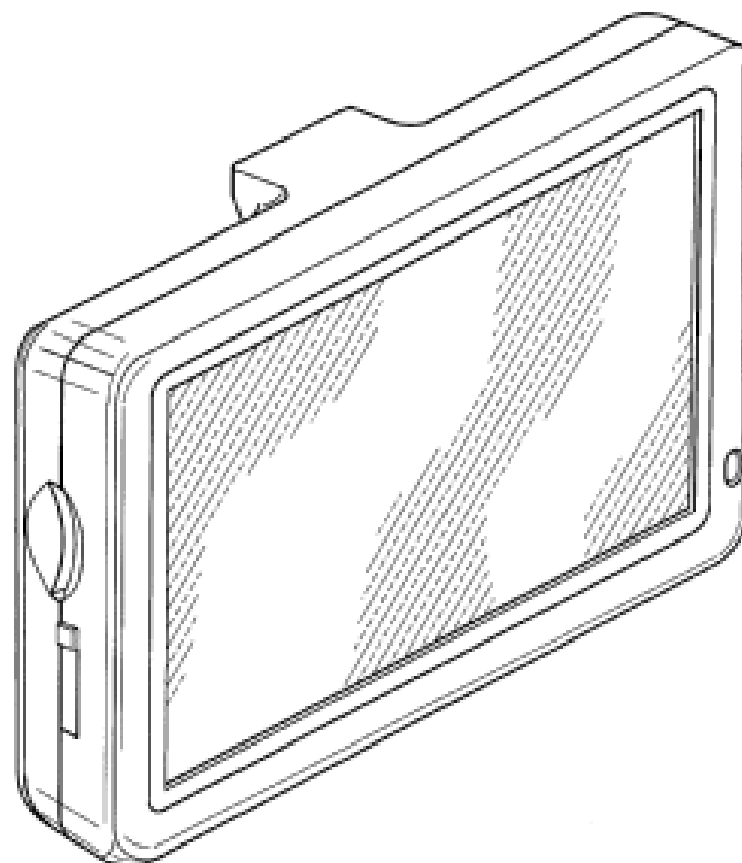
(57) Statement of Newness and Distinctiveness: **Newness and distinctiveness is claimed in respect of the shape and/or configuration of the product illustrated in the accompanying representations.**



- (21) Design Number: **20856/2007**
(22) Date of Filing Application: **16 November 2007**
(24) Date from which industrial property rights may have effect: **16 November 2007**
(54) Product in respect of which the design is registered: **Gemstone**
(51) International Design Classification: **11-01NES**
(71) Name(s) and Address(s) of Applicant(s):
Jacob Siman-Tov Trading as Lili Diamonds
The Diamond Exch Maccabi Bldg 1 Jabotinsky Street Ramat Gan
52520 Israel
Avraham Siman-Tov Trading as Lili Diamonds
The Diamond Exch Maccabi Bldg 1 Jabotinsky Street Ramat Gan
52520 Israel
Itzhak Siman-Tov Trading as Lili Diamonds
The Diamond Exch Maccabi Bldg 1 Jabotinsky Street Ramat Gan
52520 Israel
(72) Name(s) of Designer(s): **Jacob Siman-Tov and Itzhak Siman-Tov and Avraham Siman-Tov**
(45) Registration Date: **28 May 2008**
(56) Related Art Documents: **Not Applicable**
(57) Statement of Newness and Distinctiveness: **The particular visual features of the design which are new and distinctive are shape or configuration.**



- (21) Design Number: **21363/2007**
(22) Date of Filing Application: **14 December 2007**
(24) Date from which industrial property rights may have effect: **14 December 2007**
(54) Product in respect of which the design is registered: **Information display unit**
(51) International Design Classification: **20-02NES, 20-02E, 21-02NES, 14-02**
(71) Name(s) and Address(s) of Applicant(s):
T D J Australia Pty Ltd
78 Mills Road Braeside Victoria 3195 Australia
(72) Name(s) of Designer(s): **Augusto Tucci**
(45) Registration Date: **28 May 2008**
(56) Related Art Documents: **Not Applicable**
(57) Statement of Newness and Distinctiveness: **The shape, configuration, shape and configuration, pattern, ornamentation, pattern and ornamentation, etc of the products are new and distinctive. The letters, words and symbols shown in the representations form no part of the design.**



- (21) Design Number: **10167/2008**
(22) Date of Filing Application: **14 January 2008**
(24) Date from which industrial property rights may have effect: **14 January 2008**
(54) Product in respect of which the design is registered: **Cantilever**
(51) International Design Classification: **24-04**
(71) Name(s) and Address(s) of Applicant(s):

Cipla Limited
289 Bellasis Road Mumbai Central Mumbai- 400 008 Maharashtra
India

(72) Name(s) of Designer(s): **Amar Lulla and Xerxes Rao**

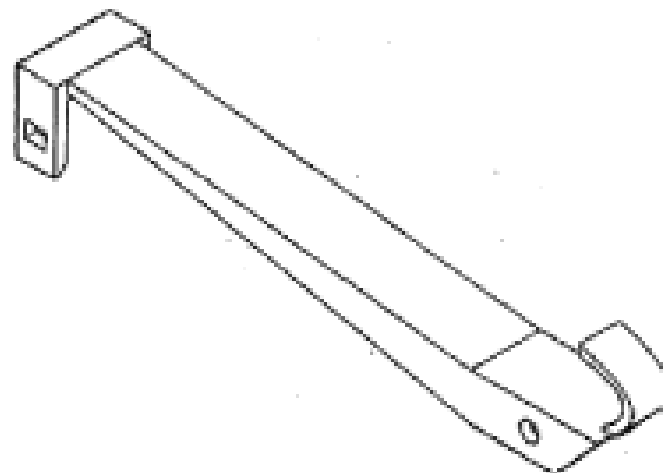
(45) Registration Date: **28 May 2008**

(30) Convention priority data:

(31) Number	(32) Date	(33) Country
211209	13 Jul 2007	INDIA

(56) Related Art Documents: **Not Applicable**

(57) Statement of Newness and Distinctiveness: **Newness and distinctiveness is claimed in the features of shape and/or configuration of a cantilever as illustrated in the accompanying representations.**



- (21) Design Number: **10417/2008**
(22) Date of Filing Application: **31 January 2008**
(24) Date from which industrial property rights may have effect: **31 January 2008**
(54) Product in respect of which the design is registered: **Container**
(51) International Design Classification: **09-03L**
(71) Name(s) and Address(s) of Applicant(s):

Unilever PLC
Unilever House Blackfriars London EC4P 4BQ United Kingdom

(72) Name(s) of Designer(s): **Michael James Webster and Gilbert Rodney Balaram and Adrian Barclay Caroen and Lori Brazil Gery and Gareth Frederick Jones and Richard Paul McNabb and Ellen Rinaldi**

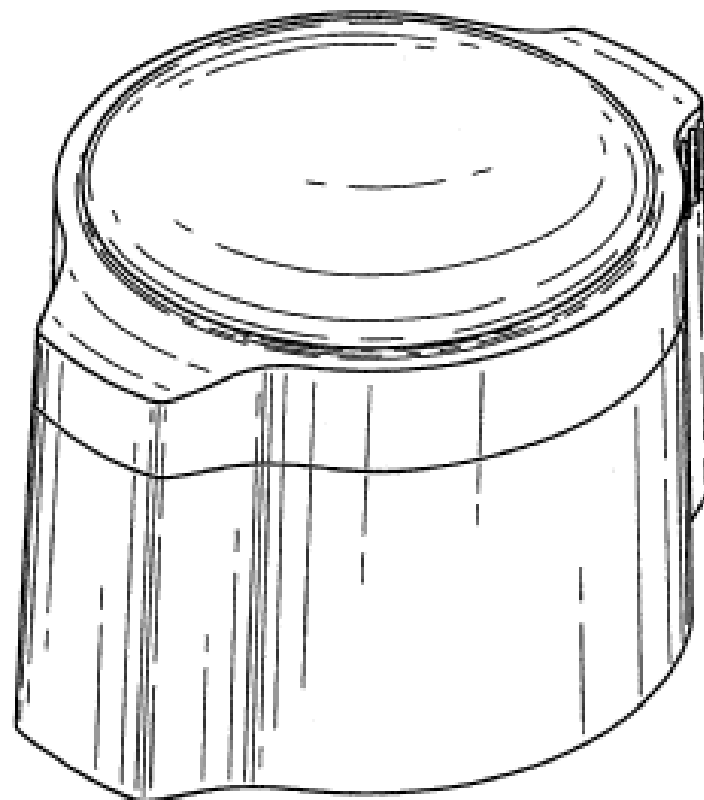
(45) Registration Date: **28 May 2008**

(30) Convention priority data:

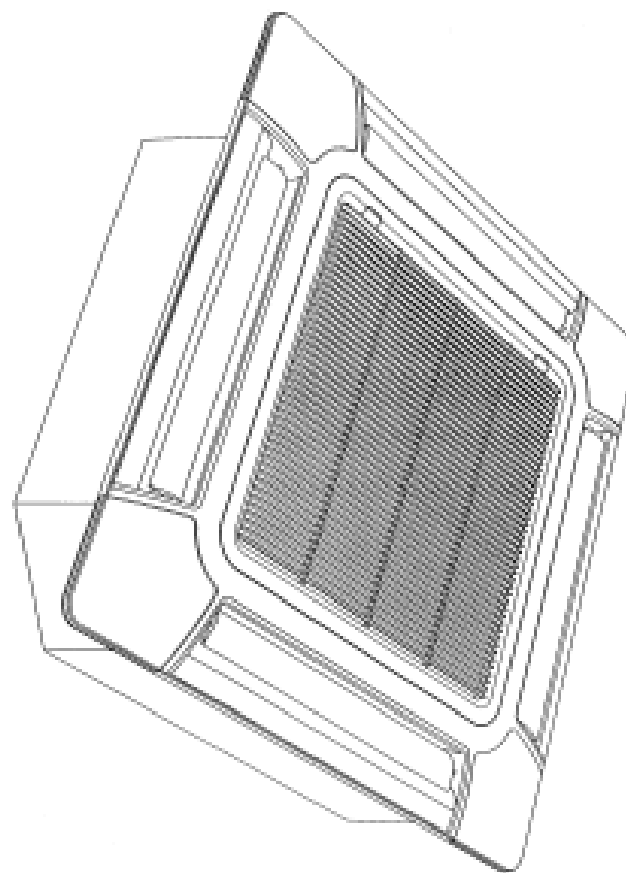
(31) Number	(32) Date	(33) Country
29/289870	03 Aug 2007	UNITED STATES OF AMERICA

(56) Related Art Documents: **Not Applicable**

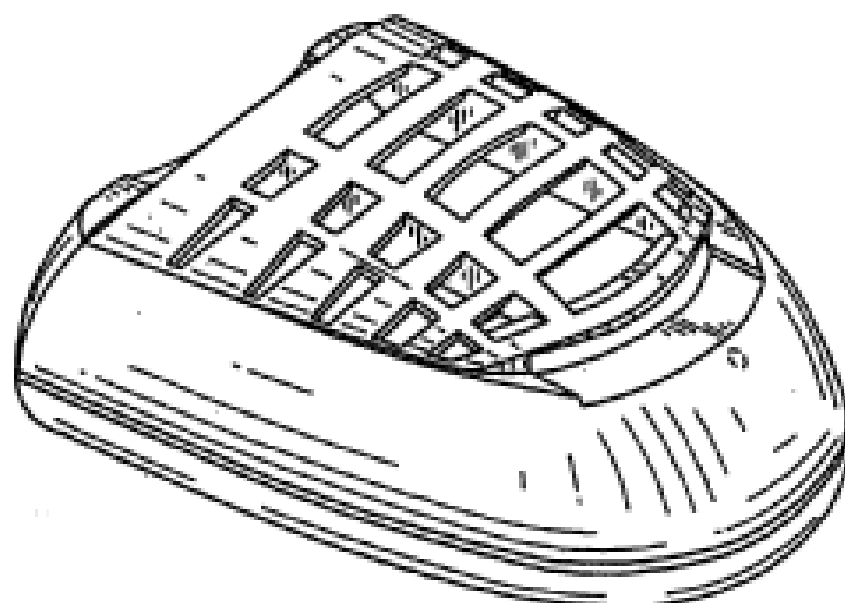
(57) Statement of Newness and Distinctiveness: **Newness and distinctiveness is claimed in the visual features shown in solid lines in the representations.**



- (21) Design Number: **10672/2008**
(22) Date of Filing Application: **15 February 2008**
(24) Date from which industrial property rights may have effect: **15 February 2008**
(54) Product in respect of which the design is registered: **Air conditioner**
(51) International Design Classification: **23-04**
(71) Name(s) and Address(s) of Applicant(s):
Fujitsu General Limited
1116 Suenaga Takatsu-Ku Kawasaki-Shi Kanagawa-ken Japan
(72) Name(s) of Designer(s): **Kazuo Motonishi and Hiroshi Kobayashi**
(45) Registration Date: **28 May 2008**
(30) Convention priority data:
(31) Number (32) Date (33) Country
2007-030699 07 Nov 2007 JAPAN
(56) Related Art Documents: **Not Applicable**
(57) Statement of Newness and Distinctiveness: **Newness and distinctiveness is claimed in the features of shape and/or configuration of the air outlets and outlet flaps of an air conditioner shown cross-hatched in the second front view of the accompanying representations.**



- (21) Design Number: **10673/2008**
(22) Date of Filing Application: **15 February 2008**
(24) Date from which industrial property rights may have effect: **15 February 2008**
(54) Product in respect of which the design is registered: **Dispenser**
(51) International Design Classification: **09-05**
(71) Name(s) and Address(s) of Applicant(s):
S.C. Johnson & Son, Inc.
1525 Howe Street Racine Wisconsin 53403-2236 United States of America
(72) Name(s) of Designer(s): **Sebastian D. Hasik and Brian T. Davis and Allen D. Miller and Joel E. Adair and Joao Paulo P. Miguens R. Nossa Senhora Natividade and Li Jiajia and James R. Nielsen**
(45) Registration Date: **28 May 2008**
(30) Convention priority data:
(31) Number (32) Date (33) Country
29/283591 17 Aug 2007 UNITED STATES OF AMERICA
(56) Related Art Documents: **Not Applicable**
(57) Statement of Newness and Distinctiveness: **Newness and distinctiveness is claimed in those features of shape and/or configuration of a dispenser as illustrated in continuous lines in the accompanying representations.**



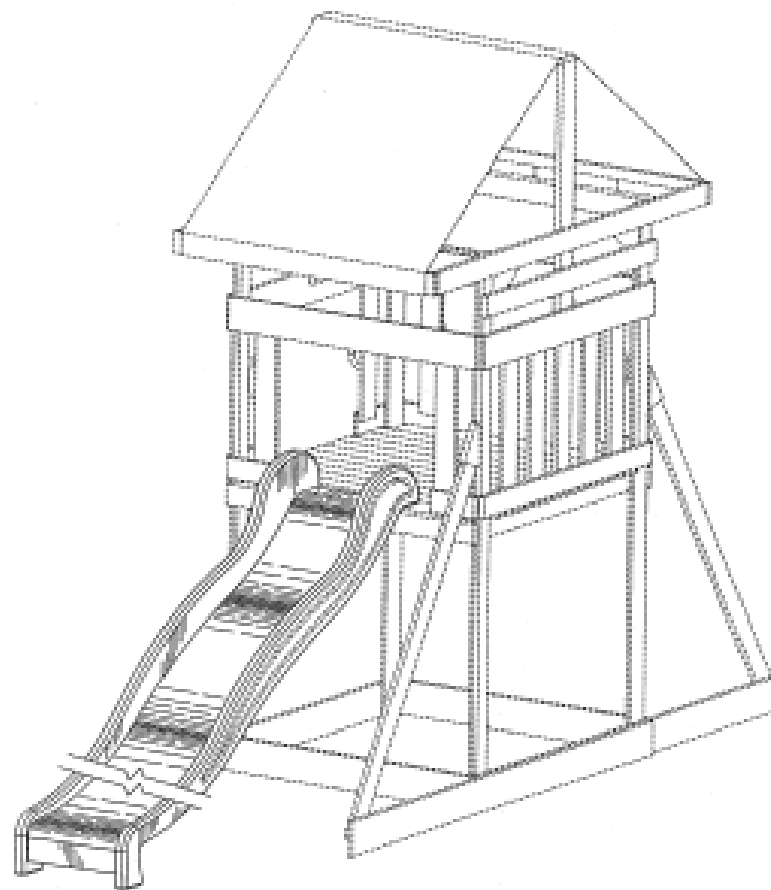
- (21) Design Number: **21558/2007**
(22) Date of Filing Application: **24 December 2007**
(24) Date from which industrial property rights may have effect: **24 December 2007**
(54) Product in respect of which the design is registered: **Motor vehicle and toy vehicle**
(51) International Design Classification: **12-08, 21-01C**
(71) Name(s) and Address(s) of Applicant(s):
Volkswagen AG
Brieffach 1770 38436 Wolfsburg Germany
(72) Name(s) of Designer(s): **Helmut Schmid and Klaus Bischoff and Tilo Klumpp**
(45) Registration Date: **28 May 2008**
(30) Convention priority data:
(31) Number (32) Date (33) Country
000754577 09 Jul 2007 EUROPEAN COMMUNITY
(56) Related Art Documents: **Not Applicable**
(57) Statement of Newness and Distinctiveness: **Newness and distinctiveness is claimed in the features of shape and/or configuration of a motor vehicle and toy vehicle as illustrated in the accompanying representations.**



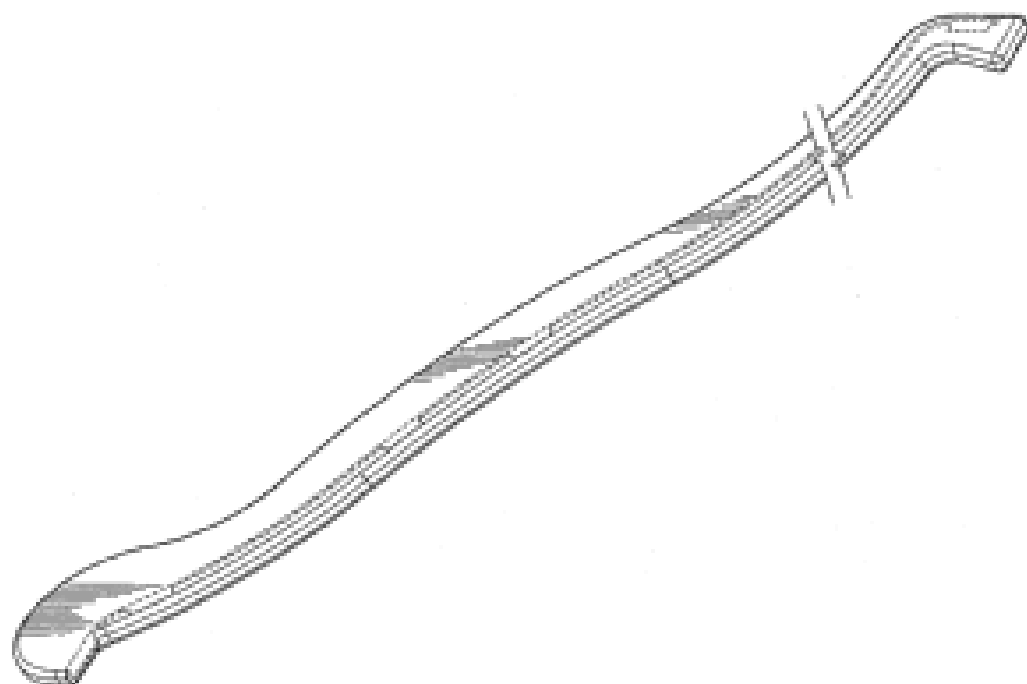
- (21) Design Number: **21567/2007**
(22) Date of Filing Application: **21 December 2007**
(24) Date from which industrial property rights may have effect: **21 December 2007**
(54) Product in respect of which the design is registered: **Injector assembly**
(51) International Design Classification: **15-09**
(71) Name(s) and Address(s) of Applicant(s):
Alminco Pty Ltd
503-505 Princes Highway Fairy Meadow New South Wales 2519 Australia
(72) Name(s) of Designer(s): **Rick Di Pietro**
(45) Registration Date: **28 May 2008**
(56) Related Art Documents: **Not Applicable**
(57) Statement of Newness and Distinctiveness: **Newness and distinctiveness is claimed in the features of shape and/or configuration of an injector assembly as illustrated in the accompanying representations.**



(21) Design Number: **10134/2008**
 (22) Date of Filing Application: **11 January 2008**
 (24) Date from which industrial property rights may have effect: **11 January 2008**
 (54) Product in respect of which the design is registered: **Play set slide**
 (51) International Design Classification: **21-03**
 (71) Name(s) and Address(s) of Applicant(s):
Backyard Leisure Holdings, Inc.
PO Box 604 Pittsburg Kansas 66762-0581 United States of America
 (72) Name(s) of Designer(s): **Charles Clifton Sammann and Ronald L. Scripsick**
 (45) Registration Date: **29 May 2008**
 (30) Convention priority data:
 (31) Number (32) Date (33) Country
29/282,101 11 Jul 2007 UNITED STATES OF AMERICA
 (56) Related Art Documents: **Not Applicable**
 (57) Statement of Newness and Distinctiveness: **Those features of the play set slide depicted in the representations that are new and distinctive are the shape and/or configuration. The play set slide may be of any length and the features shown in broken lines are not part of the design and are to be disregarded when considering the overall impression of the design.**



(21) Design Number: **11832/2008**
 (22) Date of Filing Application: **11 January 2008**
 (24) Date from which industrial property rights may have effect: **11 January 2008**
 (54) Product in respect of which the design is registered: **Rail**
 (51) International Design Classification: **21-03**
 (71) Name(s) and Address(s) of Applicant(s):
Backyard Leisure Holdings, Inc.
PO Box 604 Pittsburg Kansas 66762-0581 United States of America
 (72) Name(s) of Designer(s): **Charles Clifton Sammann and Ronald L. Scripsick**
 (45) Registration Date: **29 May 2008**
 (30) Convention priority data:
 (31) Number (32) Date (33) Country
29/282,101 11 Jul 2007 UNITED STATES OF AMERICA
 (56) Related Art Documents: **Not Applicable**
 (57) Statement of Newness and Distinctiveness: **Those features of the rail depicted in the representations that are new and distinctive are the shape and/or configuration. The rail may be of any length and the features shown in broken lines are not part of the design and are to be disregarded when considering the overall impression of the design.**



(21) Design Number: **10277/2008**

(22) Date of Filing Application: **23 January 2008**

(24) Date from which industrial property rights may have effect: **23 January 2008**

(54) Product in respect of which the design is registered: **Hinge**

(51) International Design Classification: **08-06**

(71) Name(s) and Address(s) of Applicant(s):

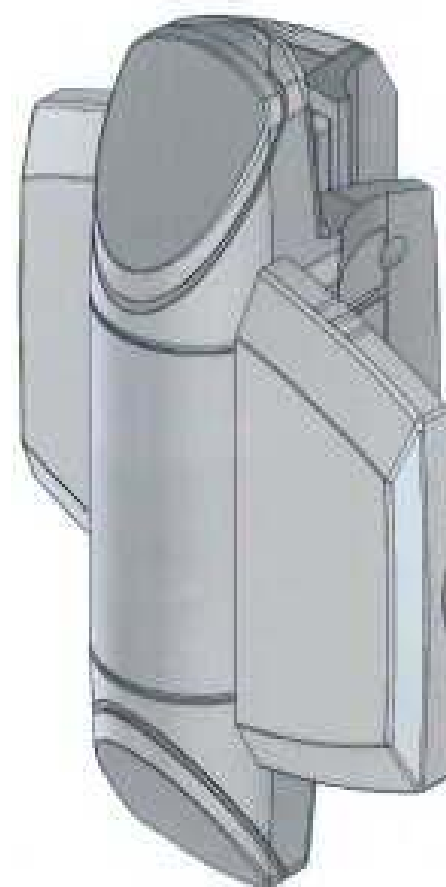
**D & D Group Pty Ltd
Unit 6 4-6 Aquatic Drive Frenchs Forest New South Wales 2086
Australia**

(72) Name(s) of Designer(s): **Clive Solari and Scott Anthony Cosby and
Jonathan Lowe and Samuel John Deslandes**

(45) Registration Date: **29 May 2008**

(56) Related Art Documents: **Not Applicable**

(57) Statement of Newness and Distinctiveness: **Newness and distinctiveness relates to the shape and configuration of the product shown in the representations; in the representations shading or tonal variation of different surfaces is included to aid an understanding of the depicted shape and configuration and variations in shading, tone or colour form no part of the newness and distinctiveness.**



(21) Design Number: **10531/2008**

(22) Date of Filing Application: **06 February 2008**

(24) Date from which industrial property rights may have effect: **06 February 2008**

(54) Product in respect of which the design is registered: **Vehicle wheel**

(51) International Design Classification: **12-16A**

(71) Name(s) and Address(s) of Applicant(s):

**GM Global Technology Operations, Inc
300 Renaissance Center Detroit Michigan 48265-3000 United States of
America**

(72) Name(s) of Designer(s): **Julian Quincey**

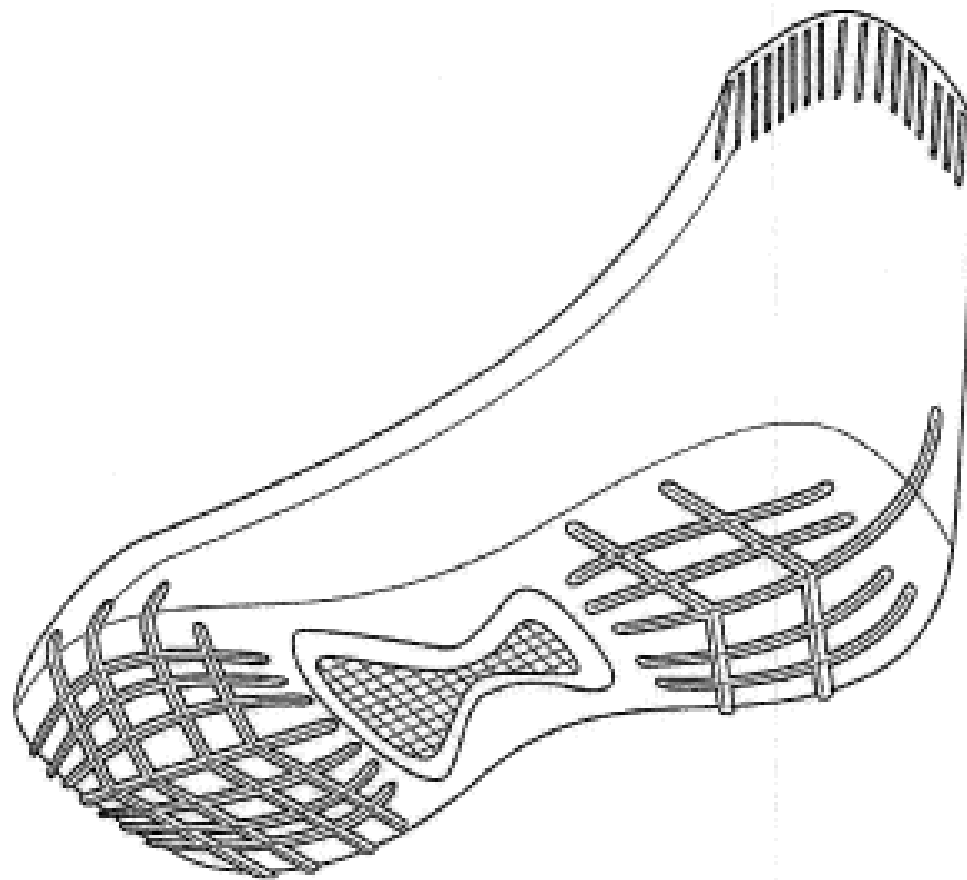
(45) Registration Date: **29 May 2008**

(56) Related Art Documents: **Not Applicable**

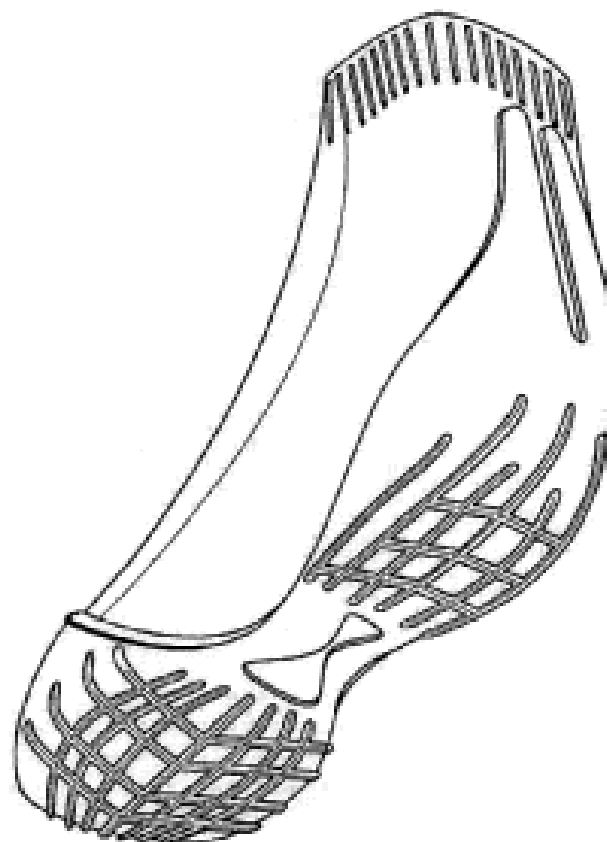
(57) Statement of Newness and Distinctiveness: **Newness and distinctiveness is claimed in the shape and/or configuration of a vehicle wheel as shown in the accompanying representations, except that the rim is to be disregarded.**



- (21) Design Number: **10561/2008**
(22) Date of Filing Application: **07 February 2008**
(24) Date from which industrial property rights may have effect: **07 February 2008**
(54) Product in respect of which the design is registered: **Footwear**
(51) International Design Classification: **02-04NES**
(71) Name(s) and Address(s) of Applicant(s):
Davidda Pty Ltd
17 Burraneer Close Allawah New South Wales 2067 Australia
(72) Name(s) of Designer(s): **Obrenija Obradovic**
(45) Registration Date: **29 May 2008**
(56) Related Art Documents: **Not Applicable**
(57) Statement of Newness and Distinctiveness: **Nil**



- (21) Design Number: **10562/2008**
(22) Date of Filing Application: **07 February 2008**
(24) Date from which industrial property rights may have effect: **07 February 2008**
(54) Product in respect of which the design is registered: **Footwear**
(51) International Design Classification: **02-04NES**
(71) Name(s) and Address(s) of Applicant(s):
Davidda Pty Ltd
17 Burraneer Close Allawah New South Wales 2067 Australia
(72) Name(s) of Designer(s): **Obrenija Obradovic**
(45) Registration Date: **29 May 2008**
(56) Related Art Documents: **Not Applicable**
(57) Statement of Newness and Distinctiveness: **Nil**



(21) Design Number: **10650/2008**

(22) Date of Filing Application: **14 February 2008**

(24) Date from which industrial property rights may have effect: **14 February 2008**

(54) Product in respect of which the design is registered: **Wicker chair**

(51) International Design Classification: **06-01F**

(71) Name(s) and Address(s) of Applicant(s):

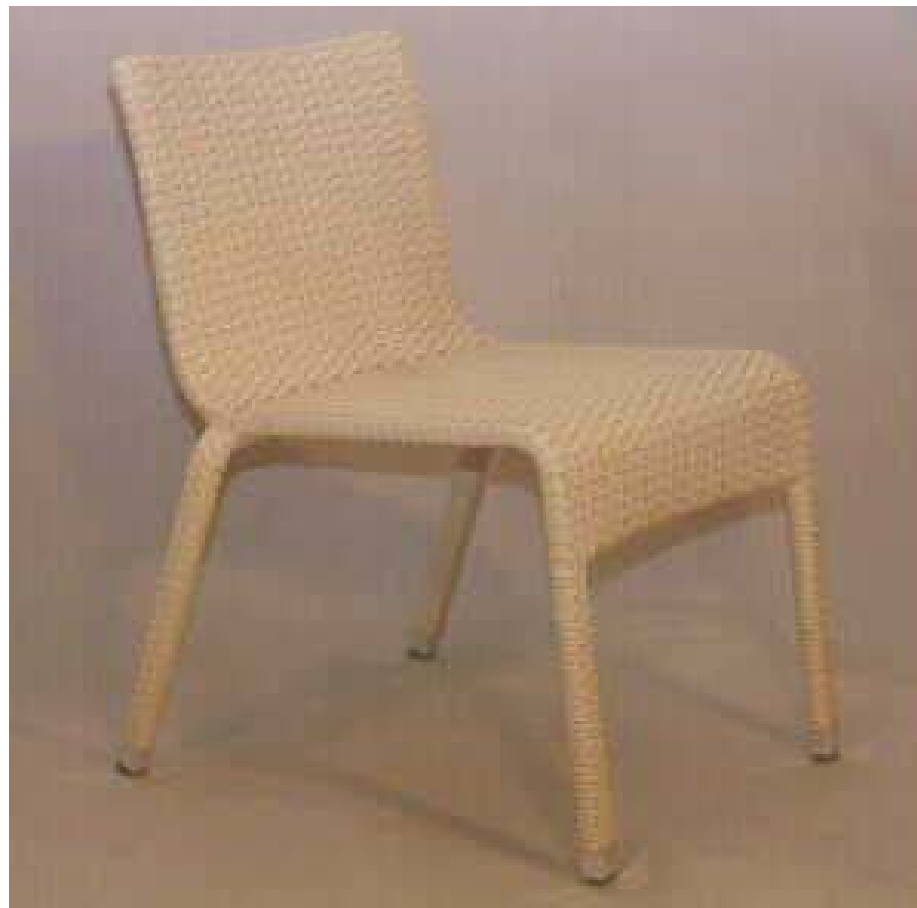
Nique Enterprises Pty Ltd
2-4 Ainslie Close Somersby New South Wales 2250 Australia

(72) Name(s) of Designer(s): **Tom Bihari**

(45) Registration Date: **29 May 2008**

(56) Related Art Documents: **Not Applicable**

(57) Statement of Newness and Distinctiveness: **Newness and distinctiveness is claimed in the features of shape and/or configuration of the following parts of a chair as illustrated in the accompany representations.**



(21) Design Number: **10651/2008**

(22) Date of Filing Application: **14 February 2008**

(24) Date from which industrial property rights may have effect: **14 February 2008**

(54) Product in respect of which the design is registered: **Table**

(51) International Design Classification: **06-03A**

(71) Name(s) and Address(s) of Applicant(s):

Nique Enterprises Pty Ltd
2-4 Ainslie Close Somersby New South Wales 2250 Australia

(72) Name(s) of Designer(s): **Tom Bihari**

(45) Registration Date: **29 May 2008**

(56) Related Art Documents: **Not Applicable**

(57) Statement of Newness and Distinctiveness: **Newness and distinctiveness is claimed in the features of shape and/or configuration of the following parts of a chair as illustrated in the accompany representations.**



(21) Design Number: **10652/2008**

(22) Date of Filing Application: **14 February 2008**

(24) Date from which industrial property rights may have effect: **14 February 2008**

(54) Product in respect of which the design is registered: **Tub dining armchair**

(51) International Design Classification: **06-01F**

(71) Name(s) and Address(s) of Applicant(s):

Nique Enterprises Pty Ltd
2-4 Ainslie Close Somersby New South Wales 2250 Australia

(72) Name(s) of Designer(s): **Tom Bihari**

(45) Registration Date: **29 May 2008**

(56) Related Art Documents: **Not Applicable**

(57) Statement of Newness and Distinctiveness: **Newness and distinctiveness is claimed in the features of shape and/or configuration of the following parts of a chair as illustrated in the accompany representations.**



(21) Design Number: **10653/2008**

(22) Date of Filing Application: **14 February 2008**

(24) Date from which industrial property rights may have effect: **14 February 2008**

(54) Product in respect of which the design is registered: **Wicker armchair**

(51) International Design Classification: **06-01F**

(71) Name(s) and Address(s) of Applicant(s):

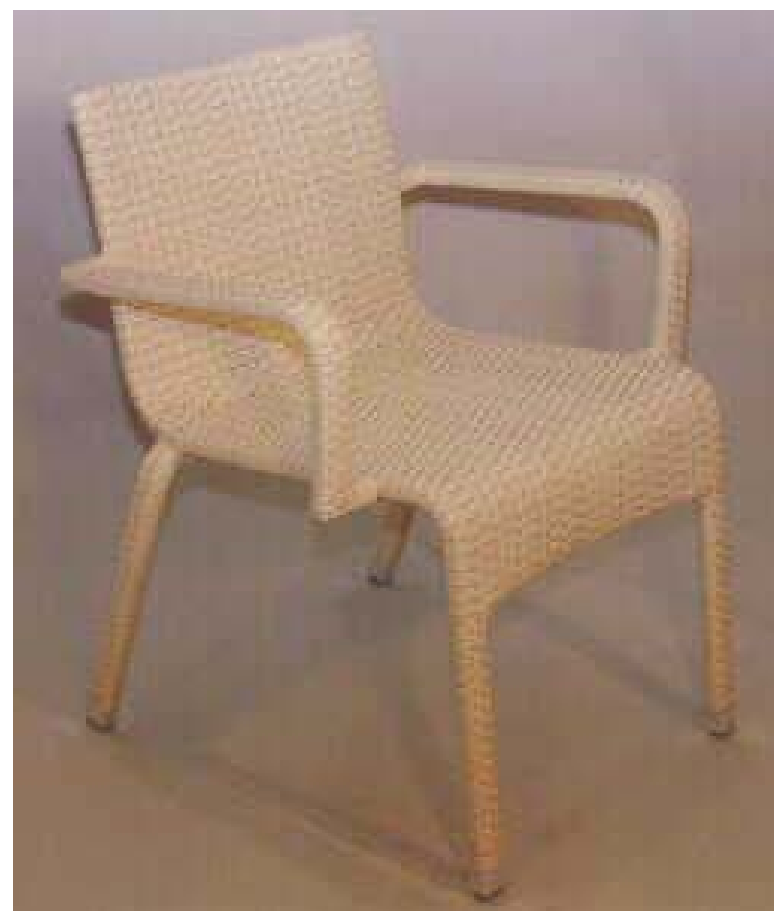
Nique Enterprises Pty Ltd
2-4 Ainslie Close Somersby New South Wales 2250 Australia

(72) Name(s) of Designer(s): **Tom Bihari**

(45) Registration Date: **29 May 2008**

(56) Related Art Documents: **Not Applicable**

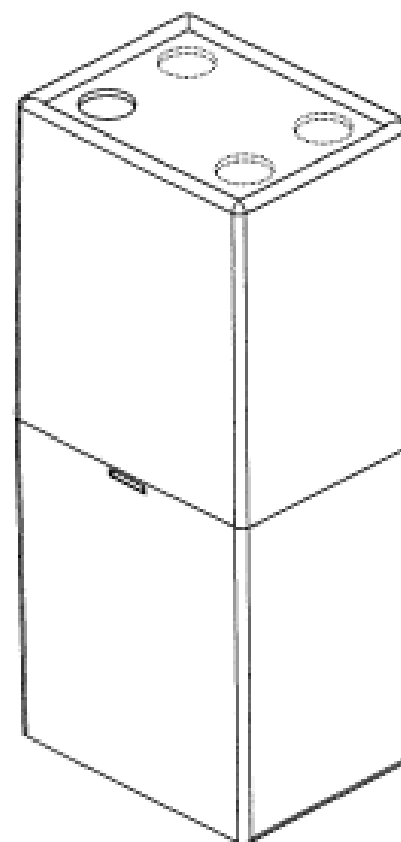
(57) Statement of Newness and Distinctiveness: **Newness and distinctiveness is claimed in the features of shape and/or configuration of the following parts of a chair as illustrated in the accompany representations.**



(21) Design Number: **10655/2008**
(22) Date of Filing Application: **14 February 2008**
(24) Date from which industrial property rights may have effect: **14 February 2008**
(54) Product in respect of which the design is registered: **A motor scooter**
(51) International Design Classification: **12-11**
(71) Name(s) and Address(s) of Applicant(s):
Honda Motor Co., Ltd.
1-1 Minami-Aoyama 2-Chome Minato-ku Tokyo Japan
(72) Name(s) of Designer(s): **Kiyoshi Katagiri and Fujio Nakamura**
(45) Registration Date: **29 May 2008**
(30) Convention priority data:
(31) Number (32) Date (33) Country
2007-022250 15 Aug 2007 JAPAN
(56) Related Art Documents: **Not Applicable**
(57) Statement of Newness and Distinctiveness: **Newness and distinctiveness is claimed in the features of shape and/or configuration of a motor scooter as illustrated in the accompany representations.**



(21) Design Number: **10656/2008**
(22) Date of Filing Application: **14 February 2008**
(24) Date from which industrial property rights may have effect: **14 February 2008**
(54) Product in respect of which the design is registered: **A holder for a liquid filled beverage carton**
(51) International Design Classification: **07-06A**
(71) Name(s) and Address(s) of Applicant(s):
Garth Felix Middleton
22 Bunker Road Lakeside Cape Town Western Cape Province 7945
Republic of South Africa
(72) Name(s) of Designer(s): **Garth Felix Middleton**
(45) Registration Date: **29 May 2008**
(30) Convention priority data:
(31) Number (32) Date (33) Country
F2007/01468 15 Aug 2007 SOUTH AFRICA
(56) Related Art Documents: **Not Applicable**
(57) Statement of Newness and Distinctiveness: **Newness and distinctiveness is claimed in those features of shape and/or configuration of a holder for a liquid beverage carton illustrated in continuous lines in the accompanying representations.**

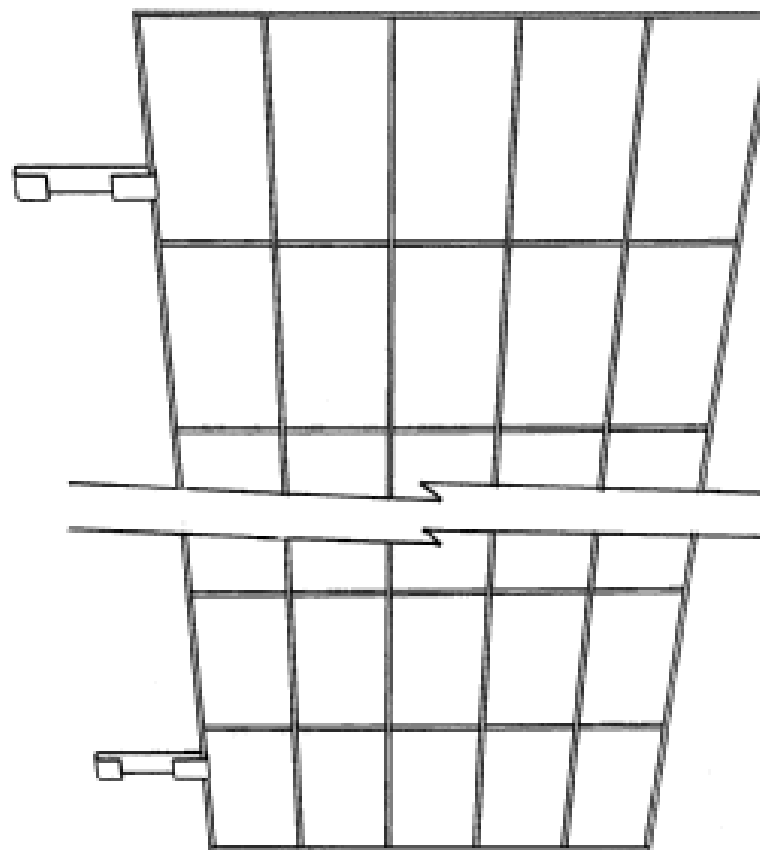


- (21) Design Number: **10657/2008**
- (22) Date of Filing Application: **14 February 2008**
- (24) Date from which industrial property rights may have effect: **14 February 2008**
- (54) Product in respect of which the design is registered: **A rear combination lamp for an automobile**
- (51) International Design Classification: **26-06**
- (71) Name(s) and Address(s) of Applicant(s):
Honda Motor Co., Ltd.
1-1 Minami-Aoyama 2-Chome Minato-ku Tokyo Japan
- (72) Name(s) of Designer(s): **Yuji Terui**
- (45) Registration Date: **29 May 2008**
- (30) Convention priority data:

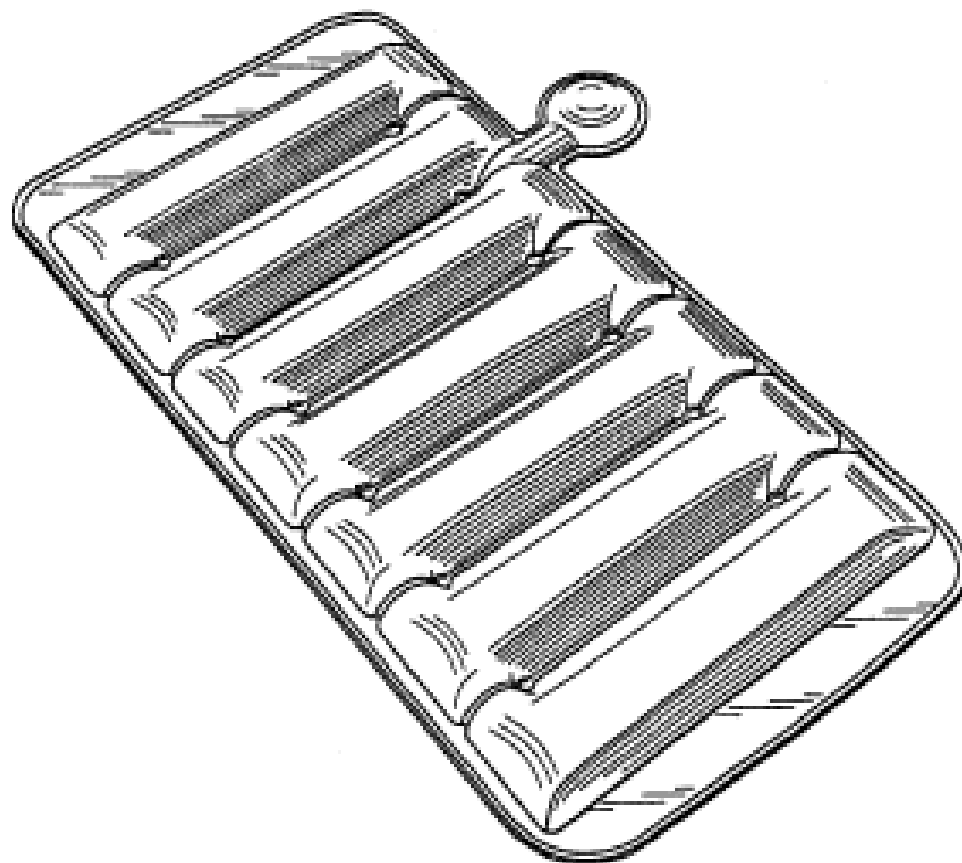
(31) Number	(32) Date	(33) Country
2007-022682	22 Aug 2007	JAPAN
- (56) Related Art Documents: **Not Applicable**
- (57) Statement of Newness and Distinctiveness: **Newness and distinctiveness is claimed in the features of shape and/or configuration of a rear combination lamp for an automobile as illustrated in the accompany representations.**



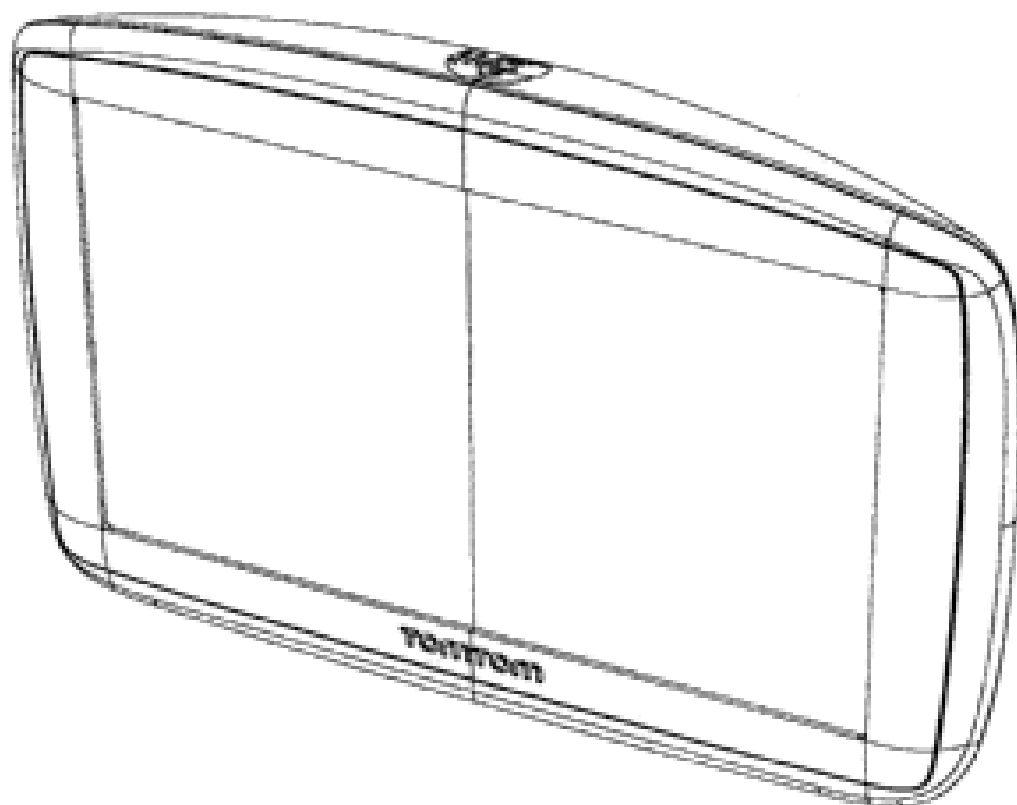
- (21) Design Number: **10064/2008**
- (22) Date of Filing Application: **04 January 2008**
- (24) Date from which industrial property rights may have effect: **04 January 2008**
- (54) Product in respect of which the design is registered: **Attachment assembly for fencing**
- (51) International Design Classification: **25-02C, 08-08K**
- (71) Name(s) and Address(s) of Applicant(s):
Sharon Marie Fowle
2/3 Lucas Court Hallidays Point New South Wales 2430 Australia
Gregory John Fowle
2/3 Lucas Court Hallidays Point New South Wales 2430 Australia
- (72) Name(s) of Designer(s): **Sharon Marie Fowle**
- (45) Registration Date: **29 May 2008**
- (56) Related Art Documents: **Not Applicable**
- (57) Statement of Newness and Distinctiveness: **Newness and distinctiveness is claimed in the visual features of the attachment assembly suitable for attaching to a fence, the attachment assembly is of indefinite length and shown in the attached representations.**



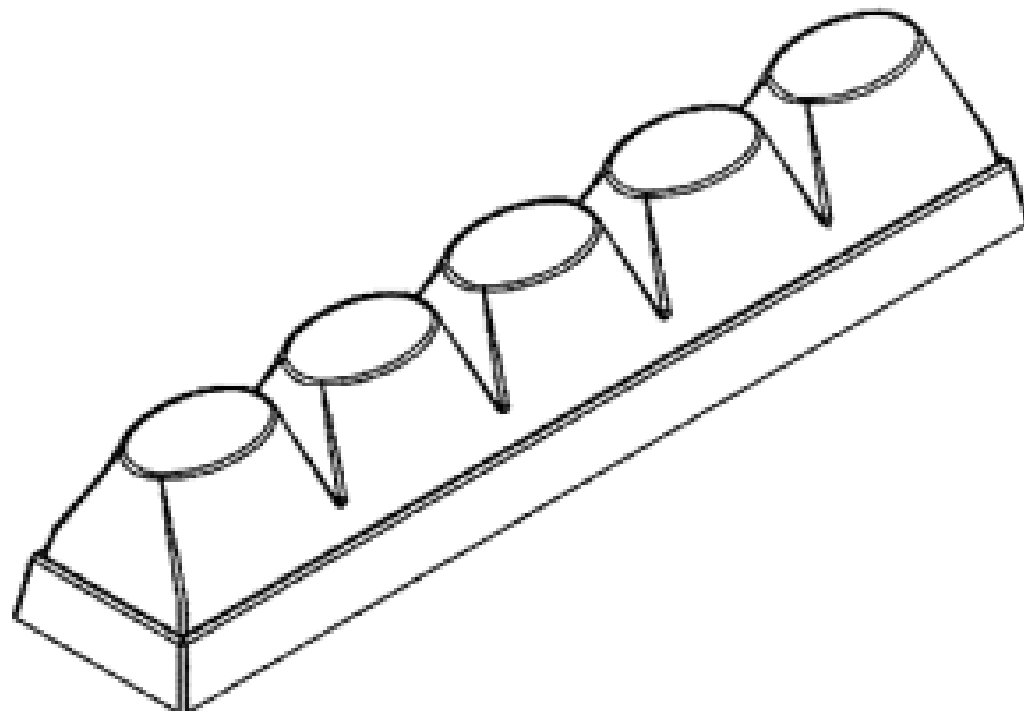
(21) Design Number: **10082/2008**
(22) Date of Filing Application: **08 January 2008**
(24) Date from which industrial property rights may have effect: **08 January 2008**
(54) Product in respect of which the design is registered: **A heating device**
(51) International Design Classification: **23-03NES**
(71) Name(s) and Address(s) of Applicant(s):
Norbrook Laboratories Ltd
105 Armagh Road Newry County Down BT35 6PU United Kingdom
(72) Name(s) of Designer(s): **Stuart Hunter**
(45) Registration Date: **29 May 2008**
(30) Convention priority data:
(31) Number (32) Date (33) Country
000763206 20 Jul 2007 EUROPEAN COMMUNITY
(56) Related Art Documents: **Not Applicable**
(57) Statement of Newness and Distinctiveness: **Nil**



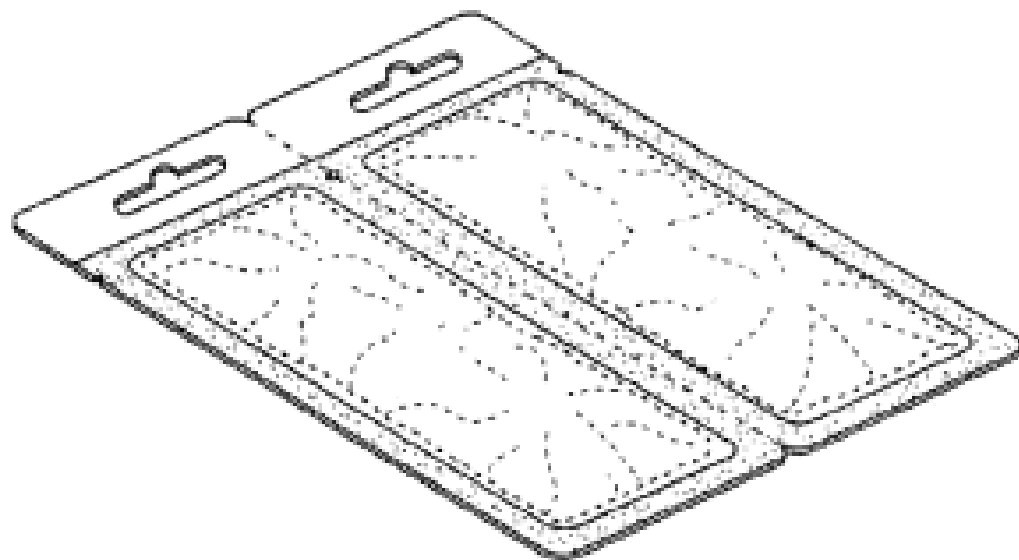
(21) Design Number: **10677/2008**
(22) Date of Filing Application: **15 February 2008**
(24) Date from which industrial property rights may have effect: **15 February 2008**
(54) Product in respect of which the design is registered: **Navigation device**
(51) International Design Classification: **14-03NES**
(71) Name(s) and Address(s) of Applicant(s):
TomTom International B.V.
Rembrandtplein 35 1017 CT Amsterdam The Netherlands
(72) Name(s) of Designer(s): **Mark Gretton**
(45) Registration Date: **29 May 2008**
(30) Convention priority data:
(31) Number (32) Date (33) Country
29/283548 16 Aug 2007 UNITED STATES OF AMERICA
(56) Related Art Documents: **Not Applicable**
(57) Statement of Newness and Distinctiveness: **Newness and distinctiveness is claimed in the features of shape and/or configuration of the navigation device as illustrated in the accompanying representations.**



- (21) Design Number: **10685/2008**
(22) Date of Filing Application: **15 February 2008**
(24) Date from which industrial property rights may have effect: **15 February 2008**
(54) Product in respect of which the design is registered: **Chocolate**
(51) International Design Classification: **01-01**
(71) Name(s) and Address(s) of Applicant(s):
Societe des Produits Nestle S.A.
1800 Vevey Switzerland
(72) Name(s) of Designer(s): **Thierry Martin**
(45) Registration Date: **29 May 2008**
(56) Related Art Documents: **Not Applicable**
(57) Statement of Newness and Distinctiveness: **Nil**



- (21) Design Number: **10687/2008**
(22) Date of Filing Application: **15 February 2008**
(24) Date from which industrial property rights may have effect: **15 February 2008**
(54) Product in respect of which the design is registered: **Pouch packaging**
(51) International Design Classification: **09-05**
(71) Name(s) and Address(s) of Applicant(s):
Mars, Incorporated
6885 Elm Street McLean Virginia 2210 United States of America
(72) Name(s) of Designer(s): **Daniel Beyer and Jason Friedland and Angel Hernandez and Rebecca Morgan Valentine and Peter Slusarczyk and Neil Willcocks and Jeremy Franks and Matthew Moudy**
(45) Registration Date: **29 May 2008**
(30) Convention priority data:
(31) Number (32) Date (33) Country
29/287,518 17 Aug 2007 UNITED STATES OF AMERICA
(56) Related Art Documents: **Not Applicable**
(57) Statement of Newness and Distinctiveness: **The novelty of the design resides on the features of shape and configuration as depicted in the representations attached.**



(19) AU

(21) Design Number: **10688/2008**

(22) Date of Filing Application: **15 February 2008**

(24) Date from which industrial property rights may have effect: **15 February 2008**

(54) Product in respect of which the design is registered: **Pouch packaging**

(51) International Design Classification: **09-05**

(71) Name(s) and Address(s) of Applicant(s):

Mars, Incorporated

6885 Elm Street McLean Virginia 2210 United States of America

(72) Name(s) of Designer(s): **Jason Friedland and Angel Hernandez and Rebecca Morgan Valentine and Peter Slusarczyk**

(45) Registration Date: **29 May 2008**

(30) Convention priority data:

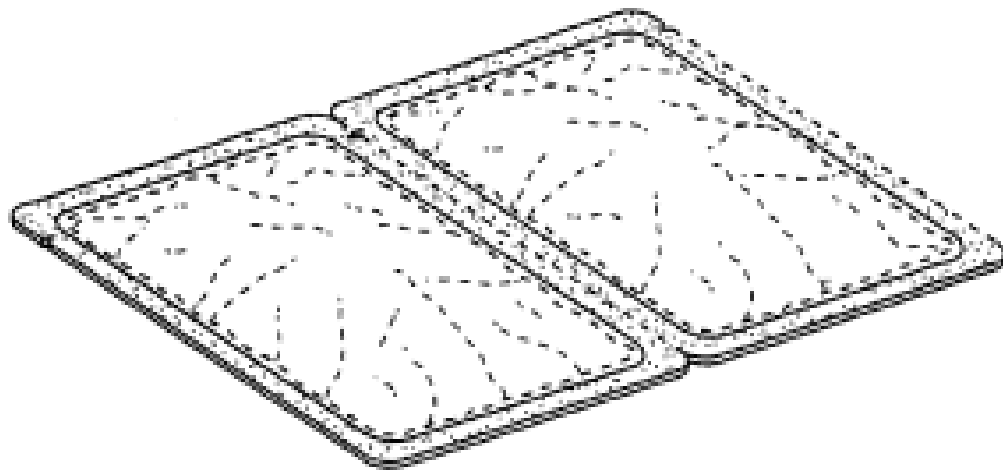
(31) Number
29/287,511

(32) Date
17 Aug 2007

(33) Country
UNITED STATES OF AMERICA

(56) Related Art Documents: **Not Applicable**

(57) Statement of Newness and Distinctiveness: **The novelty of the design resides on the features of shape and configuration as depicted in the representations attached.**



(19) AU

(21) Design Number: **10689/2008**

(22) Date of Filing Application: **15 February 2008**

(24) Date from which industrial property rights may have effect: **15 February 2008**

(54) Product in respect of which the design is registered: **Pouch packaging**

(51) International Design Classification: **09-05**

(71) Name(s) and Address(s) of Applicant(s):

Mars, Incorporated

6885 Elm Street McLean Virginia 2210 United States of America

(72) Name(s) of Designer(s): **Jason Friedland and Angel Hernandez and Peter Slusarczyk and Rebecca Morgan Valentine**

(45) Registration Date: **29 May 2008**

(30) Convention priority data:

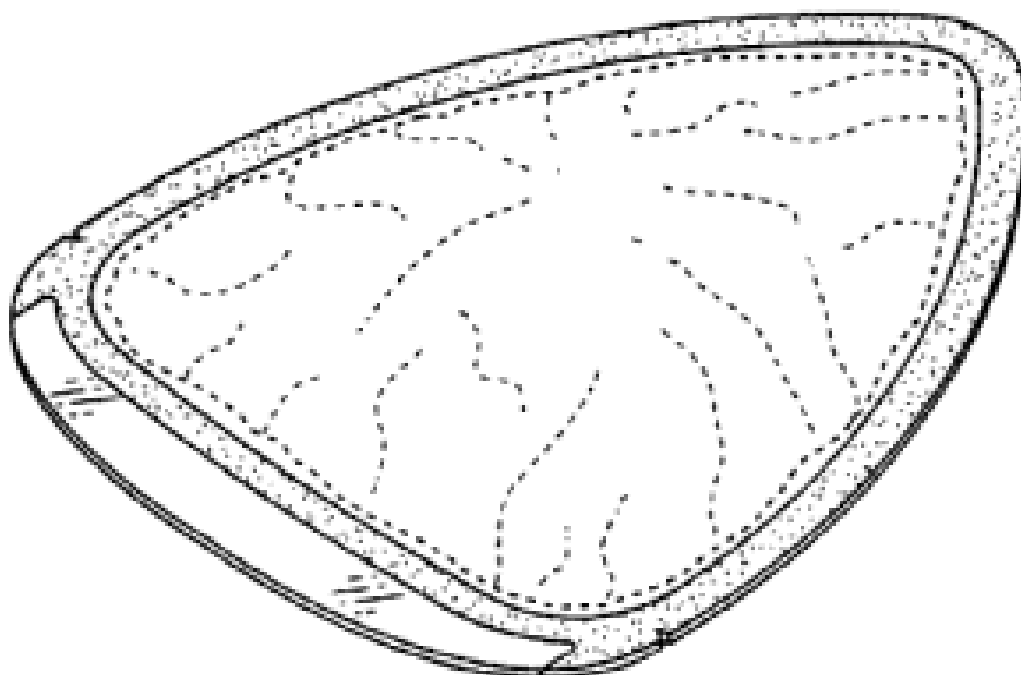
(31) Number
29/287,538

(32) Date
17 Aug 2007

(33) Country
UNITED STATES OF AMERICA

(56) Related Art Documents: **Not Applicable**

(57) Statement of Newness and Distinctiveness: **The novelty of the design resides on the features of shape and configuration as depicted in the representations attached.**



(21) Design Number: **10690/2008**

(22) Date of Filing Application: **15 February 2008**

(24) Date from which industrial property rights may have effect: **15 February 2008**

(54) Product in respect of which the design is registered: **Pouch packaging**

(51) International Design Classification: **09-05**

(71) Name(s) and Address(s) of Applicant(s):

Mars, Incorporated

6885 Elm Street McLean Virginia 2210 United States of America

(72) Name(s) of Designer(s): **Jason Fieldland and Angel Hernandez and Rebecca Morgan Valentine and Peter Slusarczyk**

(45) Registration Date: **29 May 2008**

(30) Convention priority data:

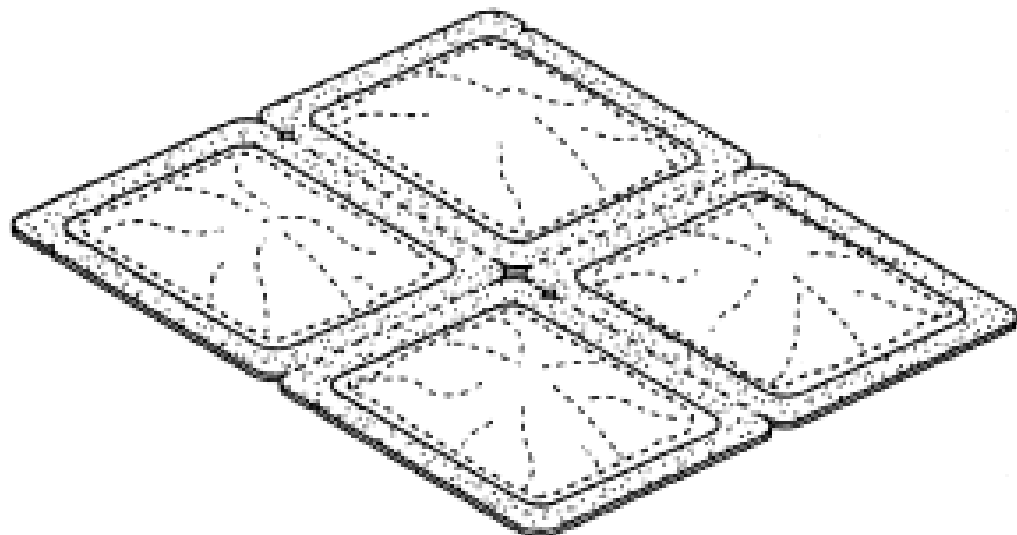
(31) Number
29/287,514

(32) Date
17 Aug 2007

(33) Country
UNITED STATES OF AMERICA

(56) Related Art Documents: **Not Applicable**

(57) Statement of Newness and Distinctiveness: **The novelty of the design resides on the features of shape and configuration as depicted in the representations attached.**



(21) Design Number: **10719/2008**

(22) Date of Filing Application: **18 February 2008**

(24) Date from which industrial property rights may have effect: **18 February 2008**

(54) Product in respect of which the design is registered: **Garments**

(51) International Design Classification: **02-02A**

(71) Name(s) and Address(s) of Applicant(s):

Speedo International Limited

8 Manchester Square London W1U 3PH United Kingdom

(72) Name(s) of Designer(s): **Jason Rance and Deborah Yeomans and Melanie Simmons**

(45) Registration Date: **29 May 2008**

(30) Convention priority data:

(31) Number
000778592-0008

(32) Date
20 Aug 2007

(33) Country
EUROPEAN COMMUNITY

(56) Related Art Documents: **Not Applicable**

(57) Statement of Newness and Distinctiveness: **Newness and distinctiveness reside in the features of the design as shown in the representations.**



- (21) Design Number: **10720/2008**
(22) Date of Filing Application: **18 February 2008**
(24) Date from which industrial property rights may have effect: **18 February 2008**
(54) Product in respect of which the design is registered: **Garments**
(51) International Design Classification: **02-02A**
(71) Name(s) and Address(s) of Applicant(s):
Speedo International Limited
8 Manchester Square London W1U 3PH United Kingdom
(72) Name(s) of Designer(s): **Jason Rance and Deborah Yeomans and Melanie Simmons**
(45) Registration Date: **29 May 2008**
(30) Convention priority data:
(31) Number (32) Date (33) Country
000778592-0009 20 Aug 2007 EUROPEAN COMMUNITY
(56) Related Art Documents: **Not Applicable**
(57) Statement of Newness and Distinctiveness: **Newness and distinctiveness reside in the features of the design as shown in the representations.**



- (21) Design Number: **10721/2008**
(22) Date of Filing Application: **18 February 2008**
(24) Date from which industrial property rights may have effect: **18 February 2008**
(54) Product in respect of which the design is registered: **Garments**
(51) International Design Classification: **02-02A**
(71) Name(s) and Address(s) of Applicant(s):
Speedo International Limited
8 Manchester Square London W1U 3PH United Kingdom
(72) Name(s) of Designer(s): **Jason Rance and Deborah Yeomans and Melanie Simmons**
(45) Registration Date: **29 May 2008**
(30) Convention priority data:
(31) Number (32) Date (33) Country
000778592-0010 20 Aug 2007 EUROPEAN COMMUNITY
(56) Related Art Documents: **Not Applicable**
(57) Statement of Newness and Distinctiveness: **Newness and distinctiveness reside in the features of the design as shown in the representations.**



(21) Design Number: **10722/2008**

(22) Date of Filing Application: **18 February 2008**

(24) Date from which industrial property rights may have effect: **18 February 2008**

(54) Product in respect of which the design is registered: **Garments**

(51) International Design Classification: **02-02A**

(71) Name(s) and Address(s) of Applicant(s):

**Speedo International Limited
8 Manchester Square London W1U 3PH United Kingdom**

(72) Name(s) of Designer(s): **Jason Rance and Deborah Yeomans and Melanie Simmons**

(45) Registration Date: **29 May 2008**

(30) Convention priority data:

(31) Number	(32) Date	(33) Country
000778592-0014	20 Aug 2007	EUROPEAN COMMUNITY

(56) Related Art Documents: **Not Applicable**

(57) Statement of Newness and Distinctiveness: **Newness and distinctiveness reside in the features of the design as shown in the representations.**



(21) Design Number: **10723/2008**

(22) Date of Filing Application: **18 February 2008**

(24) Date from which industrial property rights may have effect: **18 February 2008**

(54) Product in respect of which the design is registered: **Garments**

(51) International Design Classification: **02-02A**

(71) Name(s) and Address(s) of Applicant(s):

**Speedo International Limited
8 Manchester Square London W1U 3PH United Kingdom**

(72) Name(s) of Designer(s): **Jason Rance and Deborah Yeomans and Melanie Simmons**

(45) Registration Date: **29 May 2008**

(30) Convention priority data:

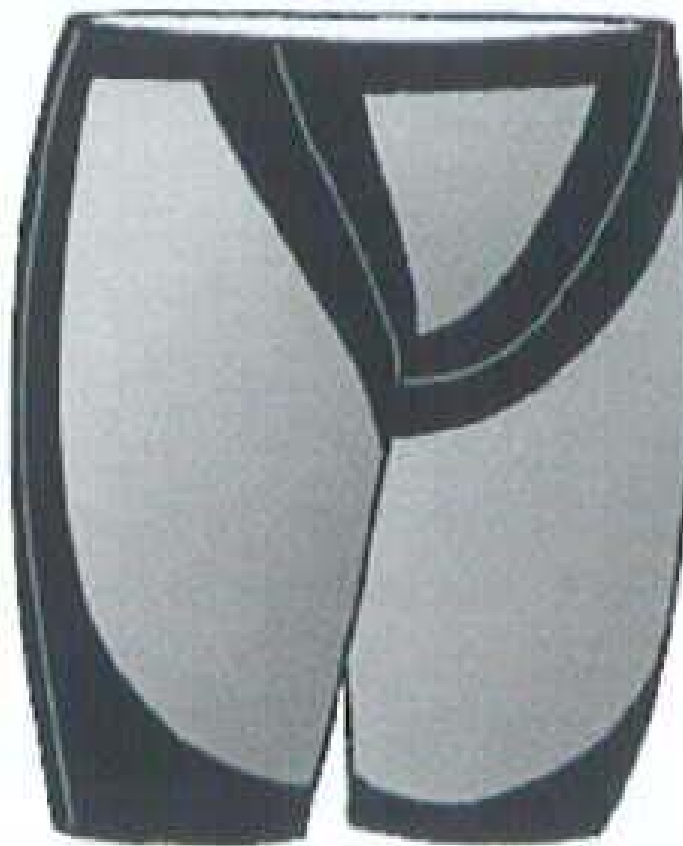
(31) Number	(32) Date	(33) Country
000778592-0016	20 Aug 2007	EUROPEAN COMMUNITY

(56) Related Art Documents: **Not Applicable**

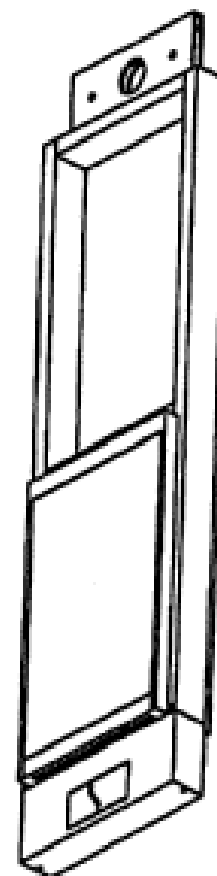
(57) Statement of Newness and Distinctiveness: **Newness and distinctiveness reside in the features of the design as shown in the representations.**



- (21) Design Number: **10724/2008**
(22) Date of Filing Application: **18 February 2008**
(24) Date from which industrial property rights may have effect: **18 February 2008**
(54) Product in respect of which the design is registered: **Garments**
(51) International Design Classification: **02-02A**
(71) Name(s) and Address(s) of Applicant(s):
Speedo International Limited
8 Manchester Square London W1U 3PH United Kingdom
(72) Name(s) of Designer(s): **Jason Rance and Deborah Yeomans and Melanie Simmons**
(45) Registration Date: **29 May 2008**
(30) Convention priority data:
(31) Number (32) Date (33) Country
000778592-0017 20 Aug 2007 EUROPEAN COMMUNITY
(56) Related Art Documents: **Not Applicable**
(57) Statement of Newness and Distinctiveness: **Newness and distinctiveness reside in the features of the design as shown in the representations.**



- (21) Design Number: **21382/2007**
(22) Date of Filing Application: **14 December 2007**
(24) Date from which industrial property rights may have effect: **14 December 2007**
(54) Product in respect of which the design is registered: **LCD display stand**
(51) International Design Classification: **14-02**
(71) Name(s) and Address(s) of Applicant(s):
Crown Melbourne Limited
8 Whiteman Street Southbank Victoria 3006 Australia
(72) Name(s) of Designer(s): **Joe Angele and Colin Edwards and Dean Holmes**
(45) Registration Date: **29 May 2008**
(56) Related Art Documents: **Not Applicable**
(57) Statement of Newness and Distinctiveness: **Nil**



(21) Design Number: **10363/2008**

(22) Date of Filing Application: **18 February 2008**

(24) Date from which industrial property rights may have effect: **18 February 2008**

(54) Product in respect of which the design is registered: **Garments**

(51) International Design Classification: **02-02A**

(71) Name(s) and Address(s) of Applicant(s):

Speedo International Limited
8 Manchester Square London W1U 3PH United Kingdom

(72) Name(s) of Designer(s): **Jason Rance and Deborah Yeomans and Melanie Simmons and Sophy White**

(45) Registration Date: **29 May 2008**

(30) Convention priority data:

(31) Number	(32) Date	(33) Country
000841564-0003	07 Dec 2007	EUROPEAN COMMUNITY

(56) Related Art Documents: **Not Applicable**

(57) Statement of Newness and Distinctiveness: **Newness and distinctiveness resides in the features of the design as shown in the representations.**



(21) Design Number: **10710/2008**

(22) Date of Filing Application: **18 February 2008**

(24) Date from which industrial property rights may have effect: **18 February 2008**

(54) Product in respect of which the design is registered: **Leak-proof box and blank therefor**

(51) International Design Classification: **09-03M**

(71) Name(s) and Address(s) of Applicant(s):

Visy R & D Pty Ltd
Level 2 533 Little Lonsdale St Melbourne Victoria 3000 Australia

(72) Name(s) of Designer(s): **Todd Daley**

(45) Registration Date: **29 May 2008**

(56) Related Art Documents: **Not Applicable**

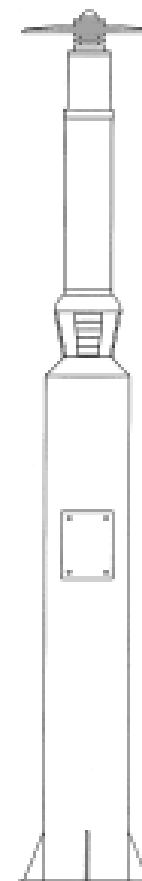
(57) Statement of Newness and Distinctiveness: **The features of the design which are new and distinctive are the features of shape or configuration of the box and the blank for forming same and particularly the locking tabs and corresponding receiving apertures formed in the edge flaps on the sides and ends of the box and blank as illustrated in the accompanying representations.**



- (21) Design Number: **10711/2008**
(22) Date of Filing Application: **18 February 2008**
(24) Date from which industrial property rights may have effect: **18 February 2008**
(54) Product in respect of which the design is registered: **Leak-proof box and blank therefor**
(51) International Design Classification: **09-03M**
(71) Name(s) and Address(s) of Applicant(s):
Visy R & D Pty Ltd
Level 2 533 Little Lonsdale St Melbourne Victoria 3000 Australia
(72) Name(s) of Designer(s): **Todd Daley**
(45) Registration Date: **29 May 2008**
(56) Related Art Documents: **Not Applicable**
(57) Statement of Newness and Distinctiveness: **The features of the design which are new and distinctive are the features of shape or configuration of the box and the blank for forming same and particularly the locking tabs and corresponding receiving apertures formed in the edge flaps on the sides and ends of the box and blank as illustrated in the accompanying representations.**



- (21) Design Number: **10729/2008**
(22) Date of Filing Application: **18 February 2008**
(24) Date from which industrial property rights may have effect: **18 February 2008**
(54) Product in respect of which the design is registered: **Column for displaying uv information**
(51) International Design Classification: **10-04**
(71) Name(s) and Address(s) of Applicant(s):
Commercial Teccia S.A.
Av. Luis Thayer Ojeda 157 Of. 309 Providencia Santiago Chile
(72) Name(s) of Designer(s): **Christian Gonzalez Arellano**
(45) Registration Date: **29 May 2008**
(30) Convention priority data:
(31) Number (32) Date (33) Country
CL 17 Aug 2007 CHILE
2400-2007
(56) Related Art Documents: **Not Applicable**
(57) Statement of Newness and Distinctiveness: **The newness and distinctiveness of the design resides in the shape and/or configuration of the column for displaying uv information shown in figures 1-6.**



(21) Design Number: **10730/2008**

(22) Date of Filing Application: **18 February 2008**

(24) Date from which industrial property rights may have effect: **18 February 2008**

(54) Product in respect of which the design is registered: **Column for displaying uv information**

(51) International Design Classification: **10-04**

(71) Name(s) and Address(s) of Applicant(s):

Commercial Teccia S.A.

Av. Luis Thayer Ojeda 157 Of. 309 Providencia Santiago Chile

(72) Name(s) of Designer(s): **Christian Gonzalez Arellano**

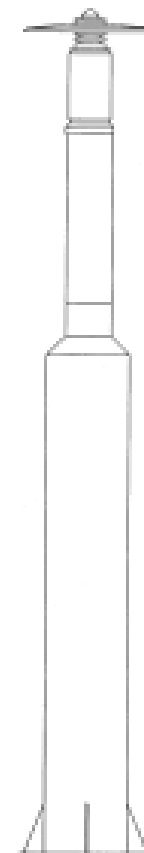
(45) Registration Date: **29 May 2008**

(30) Convention priority data:

(31) Number	(32) Date	(33) Country
CL	17 Aug 2007	CHILE
2400-2007		

(56) Related Art Documents: **Not Applicable**

(57) Statement of Newness and Distinctiveness: **The newness and distinctiveness of the design resides in the shape and/or configuration of the column for displaying uv information shown in figures 7-12.**



(21) Design Number: **10472/2008**

(22) Date of Filing Application: **01 February 2008**

(24) Date from which industrial property rights may have effect: **01 February 2008**

(54) Product in respect of which the design is registered: **Stool**

(51) International Design Classification: **06-01E**

(71) Name(s) and Address(s) of Applicant(s):

Indre Kisonas

18 Walter Street Williamstown Victoria 3016 Australia

(72) Name(s) of Designer(s): **Indre Kisonas and Dianne Beevers**

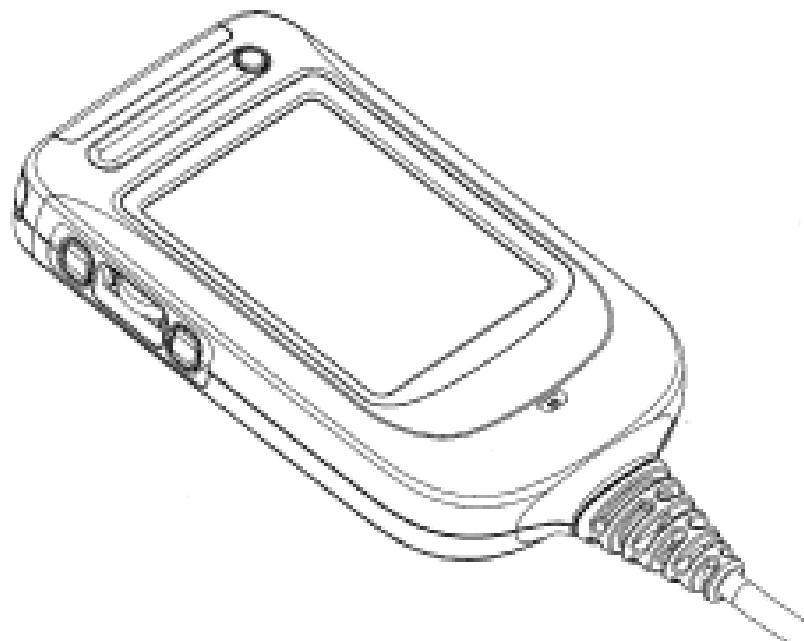
(45) Registration Date: **29 May 2008**

(56) Related Art Documents: **Not Applicable**

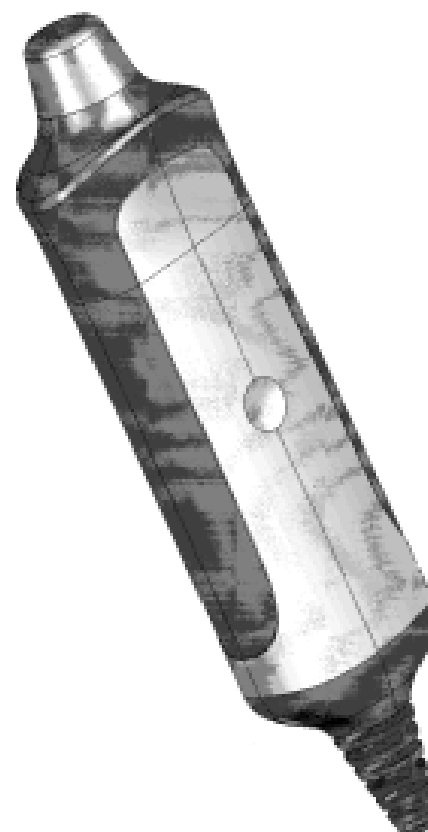
(57) Statement of Newness and Distinctiveness: **The stool has movement due to the arcs.**



- (21) Design Number: **10485/2008**
(22) Date of Filing Application: **04 February 2008**
(24) Date from which industrial property rights may have effect: **04 February 2008**
(54) Product in respect of which the design is registered: **Display and processing unit for medical scanning apparatus**
(51) International Design Classification: **24-01**
(71) Name(s) and Address(s) of Applicant(s):
Signostics Pty Ltd
30-32 Stirling Street Thebarton South Australia 5031 Australia
(72) Name(s) of Designer(s): **Glenn Costa**
(45) Registration Date: **29 May 2008**
(56) Related Art Documents: **Not Applicable**
(57) Statement of Newness and Distinctiveness: **Nil**



- (21) Design Number: **10486/2008**
(22) Date of Filing Application: **04 February 2008**
(24) Date from which industrial property rights may have effect: **04 February 2008**
(54) Product in respect of which the design is registered: **Probe unit for medical scanning apparatus**
(51) International Design Classification: **24-01**
(71) Name(s) and Address(s) of Applicant(s):
Signostics Pty Ltd
30-32 Stirling Street Thebarton South Australia 5031 Australia
(72) Name(s) of Designer(s): **Glenn Costa**
(45) Registration Date: **29 May 2008**
(56) Related Art Documents: **Not Applicable**
(57) Statement of Newness and Distinctiveness: **Nil**



(21) Design Number: **10714/2008**

(22) Date of Filing Application: **18 February 2008**

(24) Date from which industrial property rights may have effect: **18 February 2008**

(54) Product in respect of which the design is registered: **Controller**

(51) International Design Classification: **24-01**

(71) Name(s) and Address(s) of Applicant(s):

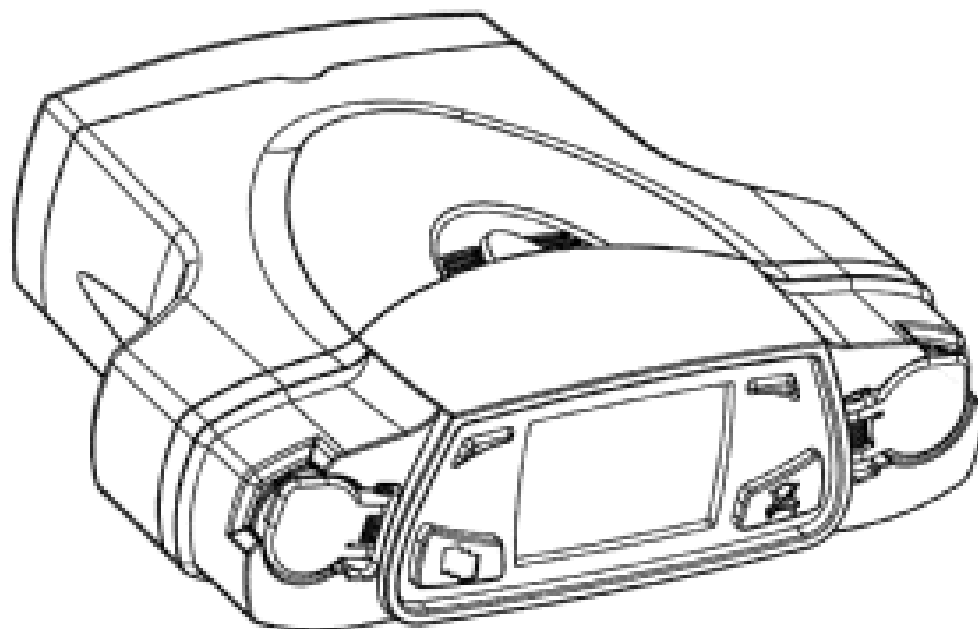
**Ventrassist Pty Ltd
Level 28 71 Eagle Street Brisbane Queensland 7000 Australia**

(72) Name(s) of Designer(s): **James George Elcoate Smith and David Christian Thomas**

(45) Registration Date: **29 May 2008**

(56) Related Art Documents: **Not Applicable**

(57) Statement of Newness and Distinctiveness: **Nil**



(21) Design Number: **10715/2008**

(22) Date of Filing Application: **18 February 2008**

(24) Date from which industrial property rights may have effect: **18 February 2008**

(54) Product in respect of which the design is registered: **Battery casing**

(51) International Design Classification: **14-02, 13-02**

(71) Name(s) and Address(s) of Applicant(s):

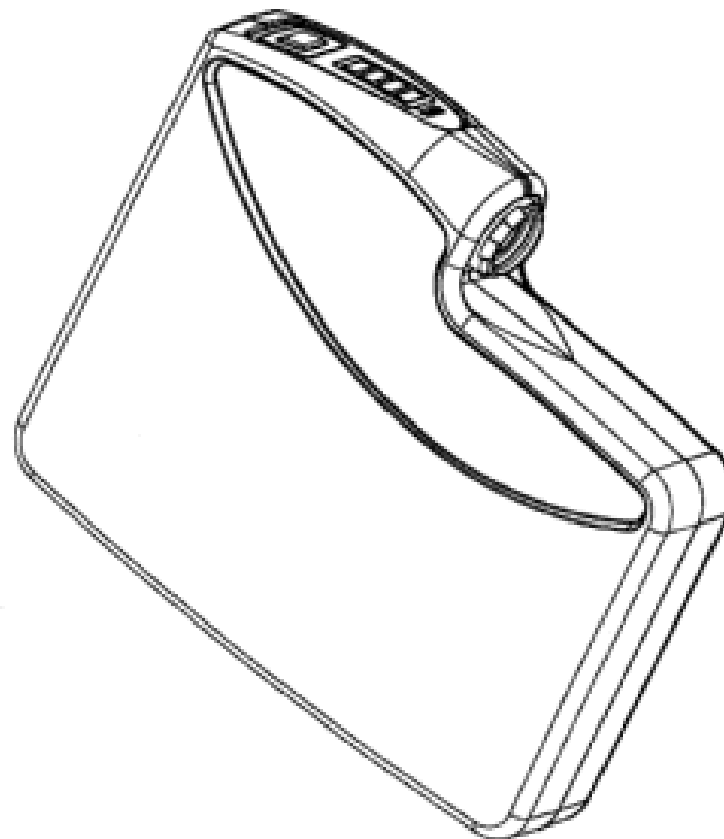
**Ventrassist Pty Ltd
Level 28 71 Eagle Street Brisbane Queensland 7000 Australia**

(72) Name(s) of Designer(s): **James George Elcoate Smith and David Christian Thomas**

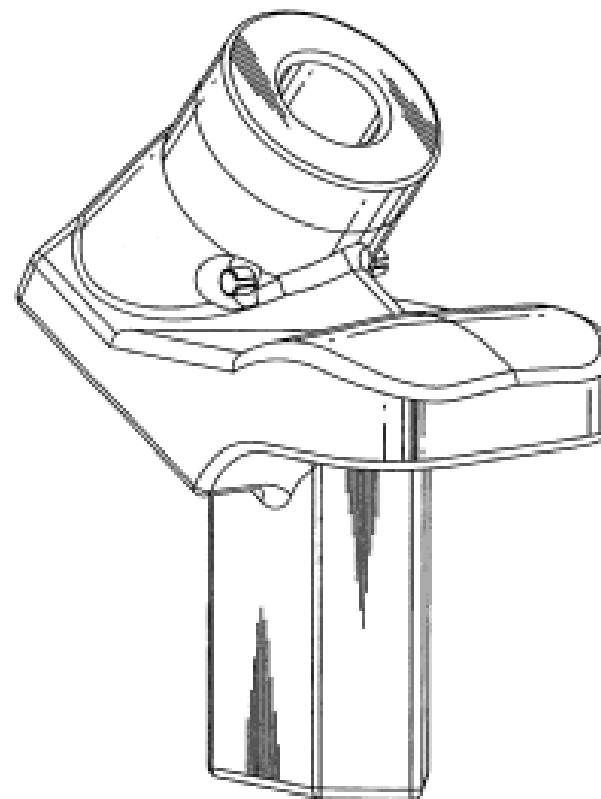
(45) Registration Date: **29 May 2008**

(56) Related Art Documents: **Not Applicable**

(57) Statement of Newness and Distinctiveness: **Nil**



- (21) Design Number: **10716/2008**
(22) Date of Filing Application: **18 February 2008**
(24) Date from which industrial property rights may have effect: **18 February 2008**
(54) Product in respect of which the design is registered: **Chisel holder**
(51) International Design Classification: **08-03, 08-99**
(71) Name(s) and Address(s) of Applicant(s):
Everpads Co., Ltd.
19F-5 No. 123 Sec. 3 Taijungang Road Taichung Taiwan
(72) Name(s) of Designer(s): **Chun-Li Chiang**
(45) Registration Date: **29 May 2008**
(56) Related Art Documents: **Not Applicable**
(57) Statement of Newness and Distinctiveness: **Newness and distinctiveness is claimed in the features of shape and/or configuration of a chisel holder as illustrated in the accompanying representations.**



- (21) Design Number: **10725/2008**
(22) Date of Filing Application: **18 February 2008**
(24) Date from which industrial property rights may have effect: **18 February 2008**
(54) Product in respect of which the design is registered: **Garments**
(51) International Design Classification: **02-02A**
(71) Name(s) and Address(s) of Applicant(s):
Speedo International Limited
8 Manchester Square London W1U 3PH United Kingdom
(72) Name(s) of Designer(s): **Jason Rance and Deborah Yeomans and Melanie Simmons and Sophy White**
(45) Registration Date: **29 May 2008**
(30) Convention priority data:
(31) Number (32) Date (33) Country
000841564-0001 20 Aug 2007 EUROPEAN COMMUNITY
(56) Related Art Documents: **Not Applicable**
(57) Statement of Newness and Distinctiveness: **Newness and distinctiveness resides in the features of the design as shown in the representations.**



- (21) Design Number: **10726/2008**
(22) Date of Filing Application: **18 February 2008**
(24) Date from which industrial property rights may have effect: **18 February 2008**
(54) Product in respect of which the design is registered: **Garments**
(51) International Design Classification: **02-02A**
(71) Name(s) and Address(s) of Applicant(s):
Speedo International Limited
8 Manchester Square London W1U 3PH United Kingdom
(72) Name(s) of Designer(s): **Jason Rance and Deborah Yeomans and Melanie Simmons and Sophy White**
(45) Registration Date: **29 May 2008**
(30) Convention priority data:
(31) Number (32) Date (33) Country
000841564-0002 07 Dec 2007 EUROPEAN COMMUNITY
(56) Related Art Documents: **Not Applicable**
(57) Statement of Newness and Distinctiveness: **Newness and distinctiveness resides in the features of the design as shown in the representations.**



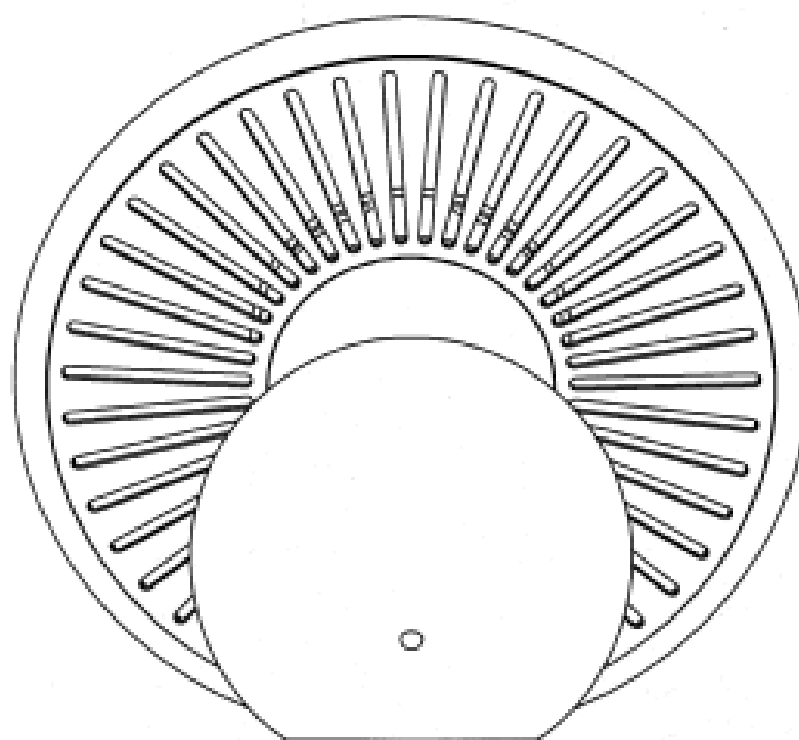
- (21) Design Number: **10727/2008**
(22) Date of Filing Application: **18 February 2008**
(24) Date from which industrial property rights may have effect: **18 February 2008**
(54) Product in respect of which the design is registered: **Garments**
(51) International Design Classification: **02-02A**
(71) Name(s) and Address(s) of Applicant(s):
Speedo International Limited
8 Manchester Square London W1U 3PH United Kingdom
(72) Name(s) of Designer(s): **Jason Rance and Deborah Yeomans and Melanie Simmons and Sophy White**
(45) Registration Date: **29 May 2008**
(30) Convention priority data:
(31) Number (32) Date (33) Country
000841564-0004 07 Dec 2007 EUROPEAN COMMUNITY
(56) Related Art Documents: **Not Applicable**
(57) Statement of Newness and Distinctiveness: **Newness and distinctiveness resides in the features of the design as shown in the representations.**



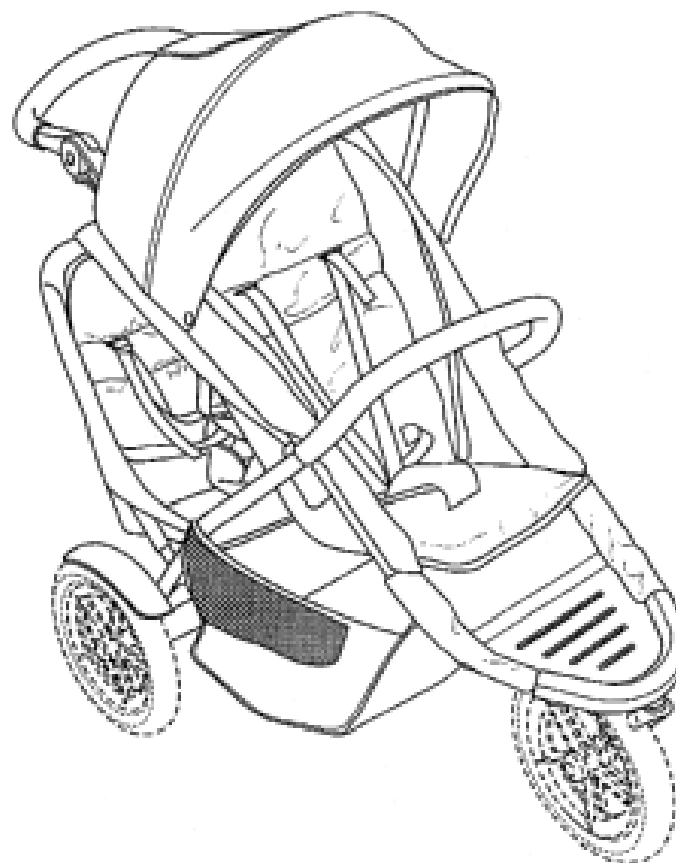
- (21) Design Number: **10728/2008**
(22) Date of Filing Application: **18 February 2008**
(24) Date from which industrial property rights may have effect: **18 February 2008**
(54) Product in respect of which the design is registered: **Garments**
(51) International Design Classification: **02-02A**
(71) Name(s) and Address(s) of Applicant(s):
Speedo International Limited
8 Manchester Square London W1U 3PH United Kingdom
(72) Name(s) of Designer(s): **Jason Rance and Deborah Yeomans and Melanie Simmons and Sophy White**
(45) Registration Date: **29 May 2008**
(30) Convention priority data:
(31) Number (32) Date (33) Country
000841564-0005 07 Dec 2007 EUROPEAN COMMUNITY
(56) Related Art Documents: **Not Applicable**
(57) Statement of Newness and Distinctiveness: **Newness and distinctiveness resides in the features of the design as shown in the representations.**



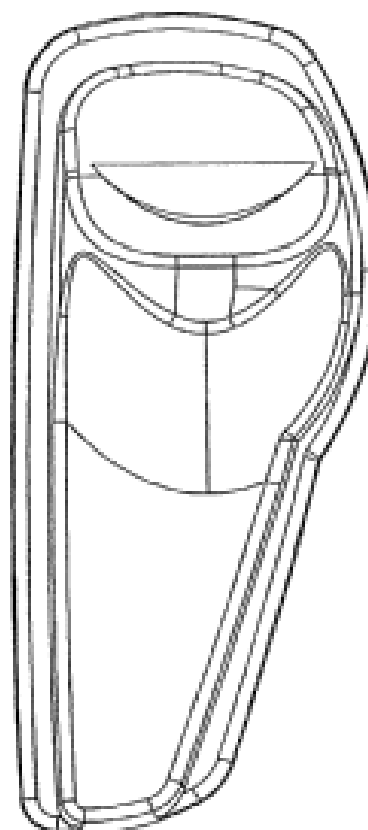
- (21) Design Number: **10743/2008**
(22) Date of Filing Application: **19 February 2008**
(24) Date from which industrial property rights may have effect: **19 February 2008**
(54) Product in respect of which the design is registered: **Mushroom lamp**
(51) International Design Classification: **26-05B**
(71) Name(s) and Address(s) of Applicant(s):
Simon Duff
PO Box 216 Berowra New South Wales 2081 Australia
(72) Name(s) of Designer(s): **Simon Duff**
(45) Registration Date: **29 May 2008**
(56) Related Art Documents: **Not Applicable**
(57) Statement of Newness and Distinctiveness: **Nil**



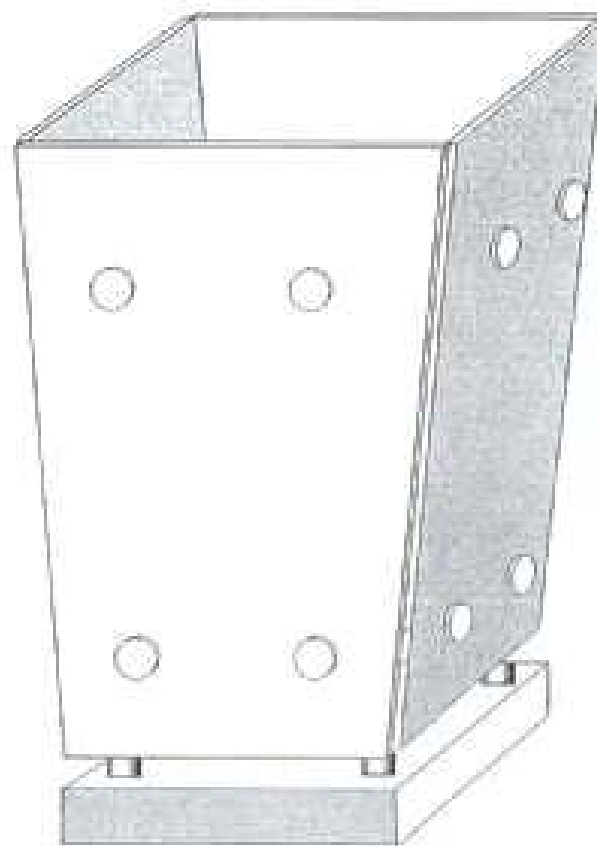
(21) Design Number: **10745/2008**
(22) Date of Filing Application: **19 February 2008**
(24) Date from which industrial property rights may have effect: **19 February 2008**
(54) Product in respect of which the design is registered: **A buggy**
(51) International Design Classification: **12-12**
(71) Name(s) and Address(s) of Applicant(s):
Phil and Teds Most Excellent Buggy Company Limited
102-112 Daniell Street Newtown Wellington New Zealand
(72) Name(s) of Designer(s): **James Richard Andrews and Campbell Gower**
(45) Registration Date: **29 May 2008**
(30) Convention priority data:
(31) Number (32) Date (33) Country
29/284,718 13 Sep 2007 UNITED STATES OF AMERICA
(56) Related Art Documents: **Not Applicable**
(57) Statement of Newness and Distinctiveness: **Newness and distinctiveness resides in the features of shape and/or configuration of the buggy all as shown in the representations. No novelty is claimed in the shape and/or configuration of the wheels, that form no part of the design.**



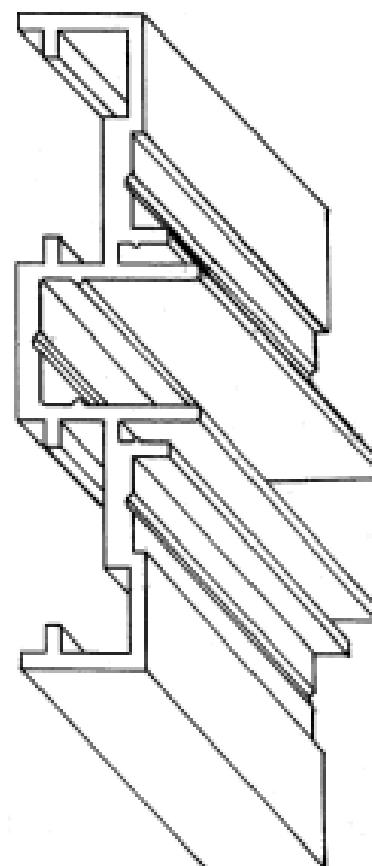
(21) Design Number: **10753/2008**
(22) Date of Filing Application: **19 February 2008**
(24) Date from which industrial property rights may have effect: **19 February 2008**
(54) Product in respect of which the design is registered: **Electronic article surveillance tag**
(51) International Design Classification: **10-05**
(71) Name(s) and Address(s) of Applicant(s):
Sensormatic Electronics Corporation
6600 Congress Avenue Boca Raton Florida 33487 United States of America
(72) Name(s) of Designer(s): **Dale W. Raymond**
(45) Registration Date: **29 May 2008**
(30) Convention priority data:
(31) Number (32) Date (33) Country
29/291254 20 Aug 2007 UNITED STATES OF AMERICA
(56) Related Art Documents: **Not Applicable**
(57) Statement of Newness and Distinctiveness: **Newness and distinctiveness is claimed in the features of shape and/or configuration of an electronic article surveillance tag as illustrated in the accompanying representations.**



- (21) Design Number: **10792/2008**
(22) Date of Filing Application: **21 February 2008**
(24) Date from which industrial property rights may have effect: **21 February 2008**
(54) Product in respect of which the design is registered: **Plant containers, stand for supporting indoor or outdoor ornamental articles**
(51) International Design Classification: **11-02B**
(71) Name(s) and Address(s) of Applicant(s):
Ji-Yong Yao
20 Amara Crescent Forest Lakes Queensland 4078 Australia
(72) Name(s) of Designer(s): **Ji-Yong Yao**
(45) Registration Date: **30 May 2008**
(56) Related Art Documents: **Not Applicable**
(57) Statement of Newness and Distinctiveness: **Nil**



- (21) Design Number: **10799/2008**
(22) Date of Filing Application: **20 February 2008**
(24) Date from which industrial property rights may have effect: **20 February 2008**
(54) Product in respect of which the design is registered: **Join Rail**
(51) International Design Classification: **25-01E, 25-01K**
(71) Name(s) and Address(s) of Applicant(s):
Varibase Agencies Pty Ltd
PO Box 3275 Tuggerah New South Wales 2259 Australia
(72) Name(s) of Designer(s): **Terence Dale**
(45) Registration Date: **30 May 2008**
(56) Related Art Documents: **Not Applicable**
(57) Statement of Newness and Distinctiveness: **Newness and distinctiveness is claimed in the join rail shown in the representations, wherein the representation shown in Figure 2 is of a join rail of indefinite length.**



(21) Design Number: **10800/2008**

(22) Date of Filing Application: **20 February 2008**

(24) Date from which industrial property rights may have effect: **20 February 2008**

(54) Product in respect of which the design is registered: **Cover strip**

(51) International Design Classification: **25-01K, 25-02NES**

(71) Name(s) and Address(s) of Applicant(s):

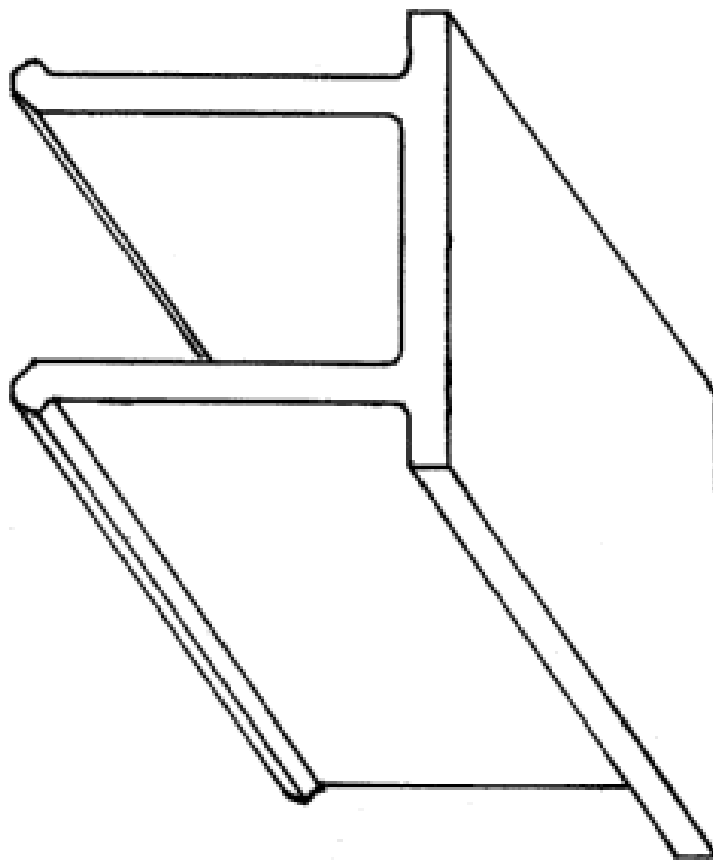
**Varibase Agencies Pty Ltd
PO Box 3275 Tuggerah New South Wales 2259 Australia**

(72) Name(s) of Designer(s): **Terence Dale**

(45) Registration Date: **30 May 2008**

(56) Related Art Documents: **Not Applicable**

(57) Statement of Newness and Distinctiveness: **Newness and distinctiveness is claimed in the cover strip shown in the representations, wherein the representation shown in Figure 2 is of a cover strip of indefinite length.**



(21) Design Number: **11593/2008**

(22) Date of Filing Application: **04 April 2008**

(24) Date from which industrial property rights may have effect: **04 April 2008**

(54) Product in respect of which the design is registered: **Plant water storage and dispersement unit, seat and barrier**

(51) International Design Classification: **23-01F, 06-01NES, 11-02B**

(71) Name(s) and Address(s) of Applicant(s):

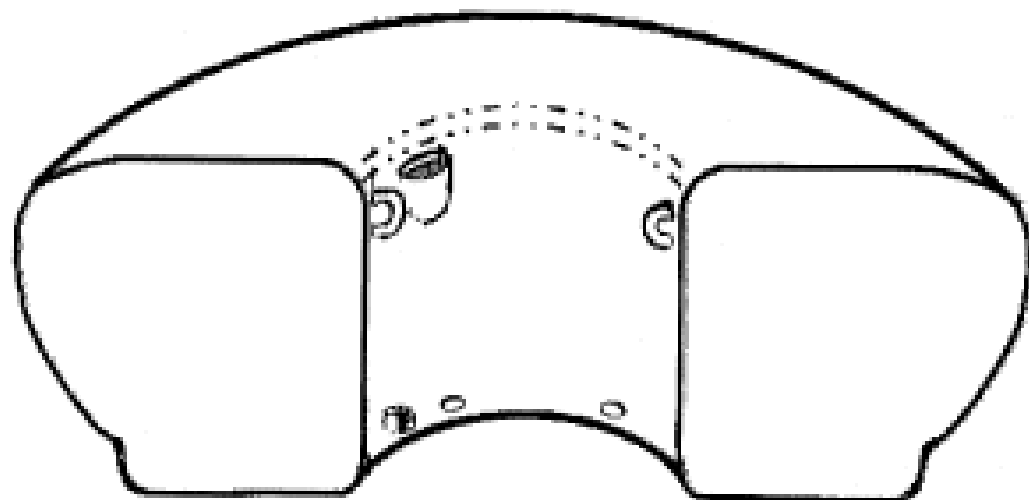
**Debra Elaine Swan
6 Kettels Road Kirwan's Bridge Victoria 3608 Australia**

(72) Name(s) of Designer(s): **Debra Elaine Swan**

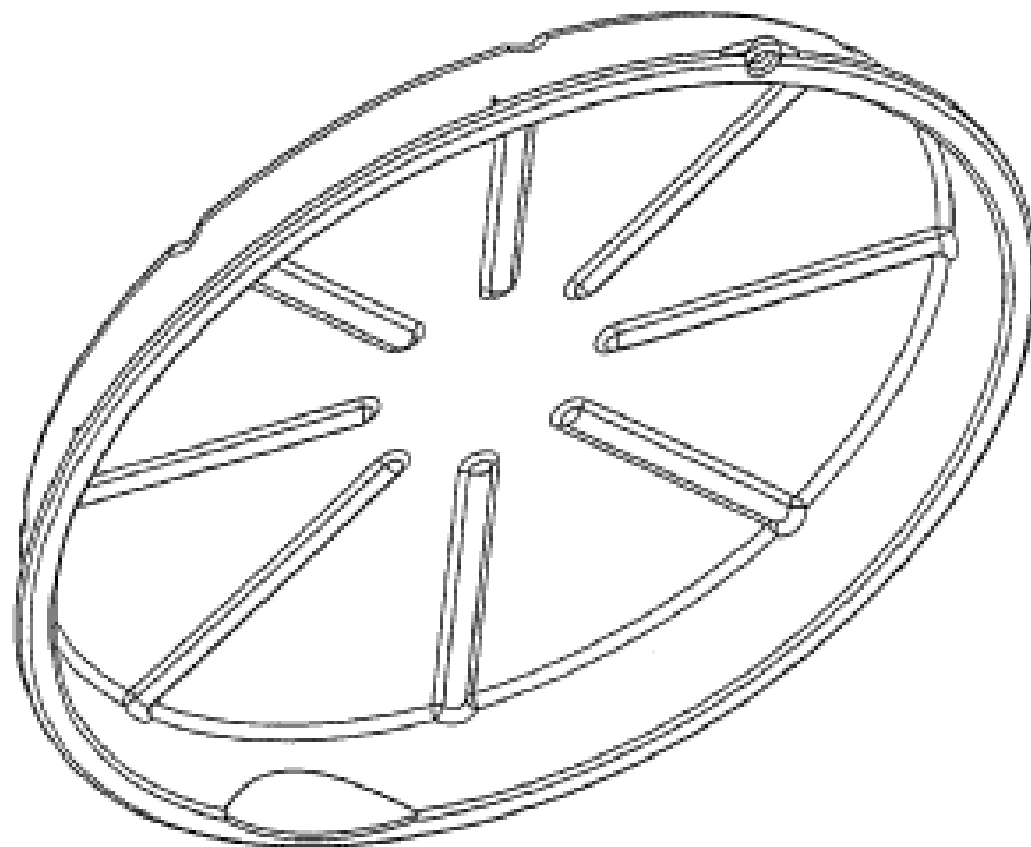
(45) Registration Date: **30 May 2008**

(56) Related Art Documents: **Not Applicable**

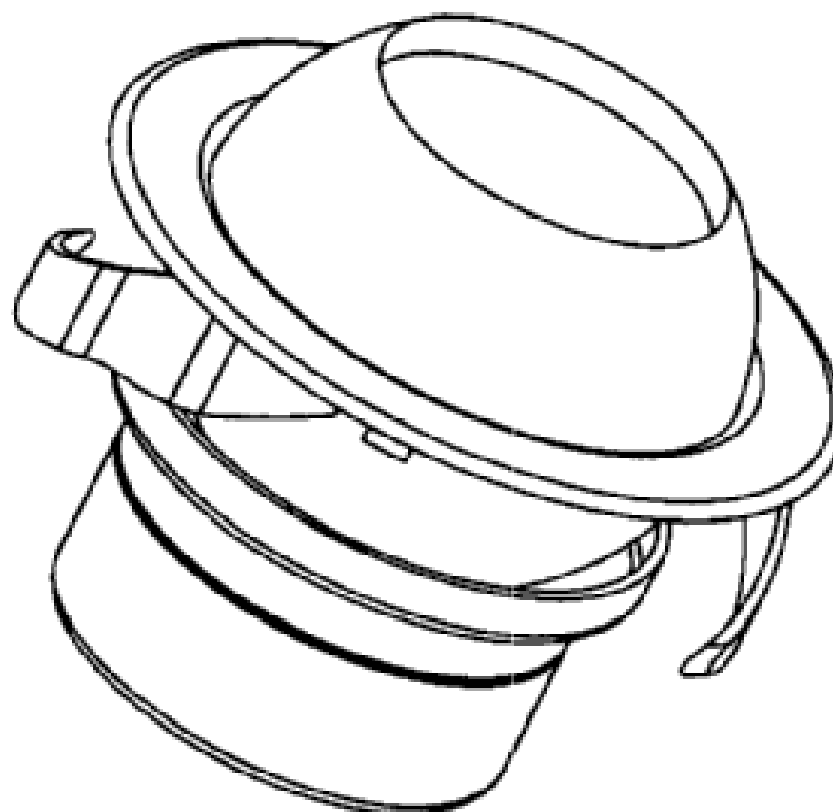
(57) Statement of Newness and Distinctiveness: **Donut shape seat tank.**



- (21) Design Number: **18602/2007**
(22) Date of Filing Application: **27 June 2007**
(24) Date from which industrial property rights may have effect: **27 June 2007**
(54) Product in respect of which the design is registered: **Tray**
(51) International Design Classification: **07-02E**
(71) Name(s) and Address(s) of Applicant(s):
Easy Grill-Cleaner Rights ApS
Badehusvej 1, 2. DK-9000 Aalborg Denmark
(72) Name(s) of Designer(s): **John Aagaard**
(45) Registration Date: **30 May 2008**
(56) Related Art Documents: **Not Applicable**
(57) Statement of Newness and Distinctiveness: **Those features of the tray depicted in the representations that are new and distinctive are the shape and/or configuration.**



- (21) Design Number: **18839/2007**
(22) Date of Filing Application: **11 July 2007**
(24) Date from which industrial property rights may have effect: **11 July 2007**
(54) Product in respect of which the design is registered: **Recessed downlight**
(51) International Design Classification: **26-05C**
(71) Name(s) and Address(s) of Applicant(s):
James Hamond
32 Amsterdam Street Richmond Victoria 3121 Australia
Aaron Brown
32 Amsterdam Street Richmond Victoria 3121 Australia
Alexander Knott
32 Amsterdam Street Richmond Victoria 3121 Australia
(72) Name(s) of Designer(s): **Alex Knott and Aaron Brown and James Hamond**
(45) Registration Date: **30 May 2008**
(56) Related Art Documents: **Not Applicable**
(57) Statement of Newness and Distinctiveness: **The cooldown uminare has a distinctive feature that allows it to be inserted into any thickness ceiling. The 3 fingers bind with the ceiling to ensure location.**



(21) Design Number: **20257/2007**

(22) Date of Filing Application: **15 October 2007**

(24) Date from which industrial property rights may have effect: **15 October 2007**

(54) Product in respect of which the design is registered: **Motorcycle wheel clamp**

(51) International Design Classification: **12-16NES**

(71) Name(s) and Address(s) of Applicant(s):

KYA Racing Pty Ltd
1/57 Power Road Bayswater Victoria 3153 Australia

(72) Name(s) of Designer(s): **Rene Van Keeken**

(45) Registration Date: **30 May 2008**

(56) Related Art Documents: **Not Applicable**

(57) Statement of Newness and Distinctiveness: **Brackets hold more than 180 degrees of the wheel. It has a ratchet locking device.**



(21) Design Number: **21381/2007**

(22) Date of Filing Application: **14 December 2007**

(24) Date from which industrial property rights may have effect: **14 December 2007**

(54) Product in respect of which the design is registered: **American roulette table**

(51) International Design Classification: **06-03A**

(71) Name(s) and Address(s) of Applicant(s):

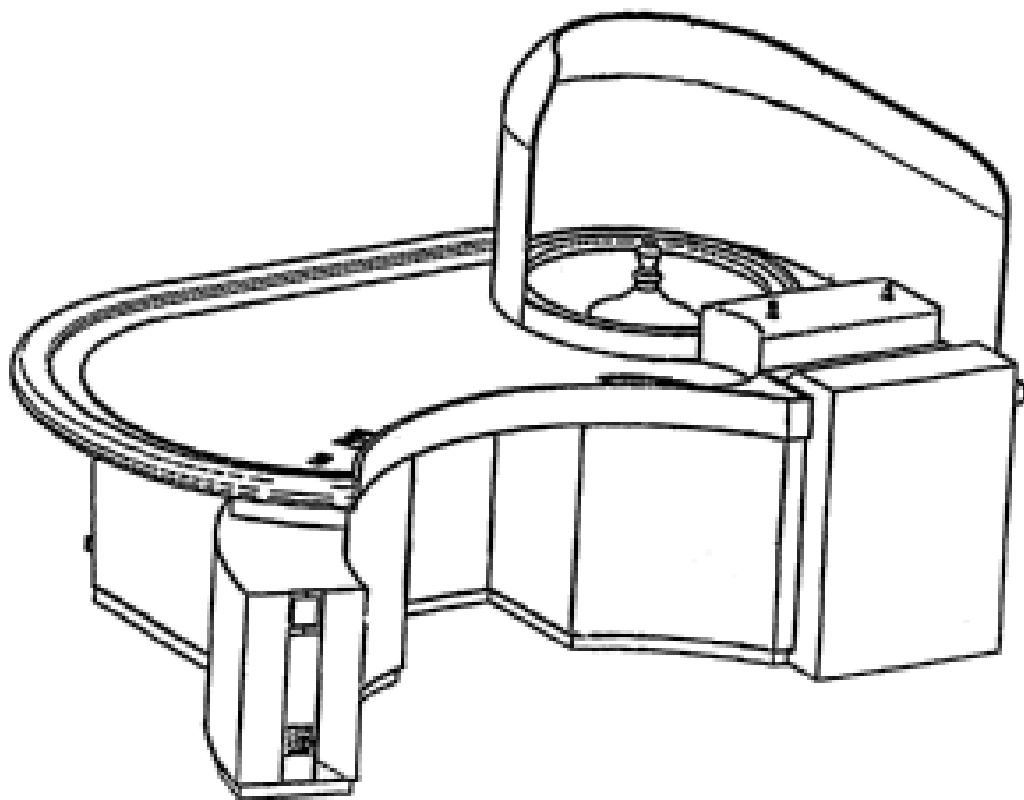
Crown Melbourne Limited
8 Whiteman Street Southbank Victoria 3006 Australia

(72) Name(s) of Designer(s): **Joe Angele and Colin Edwards and Dean Holmes**

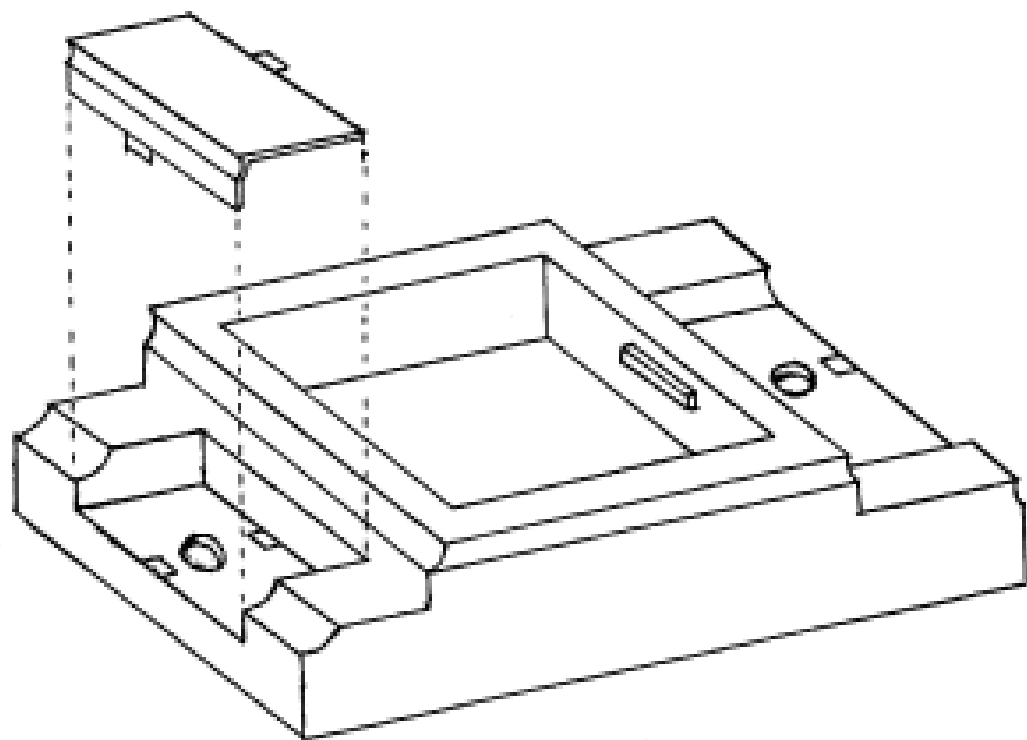
(45) Registration Date: **30 May 2008**

(56) Related Art Documents: **Not Applicable**

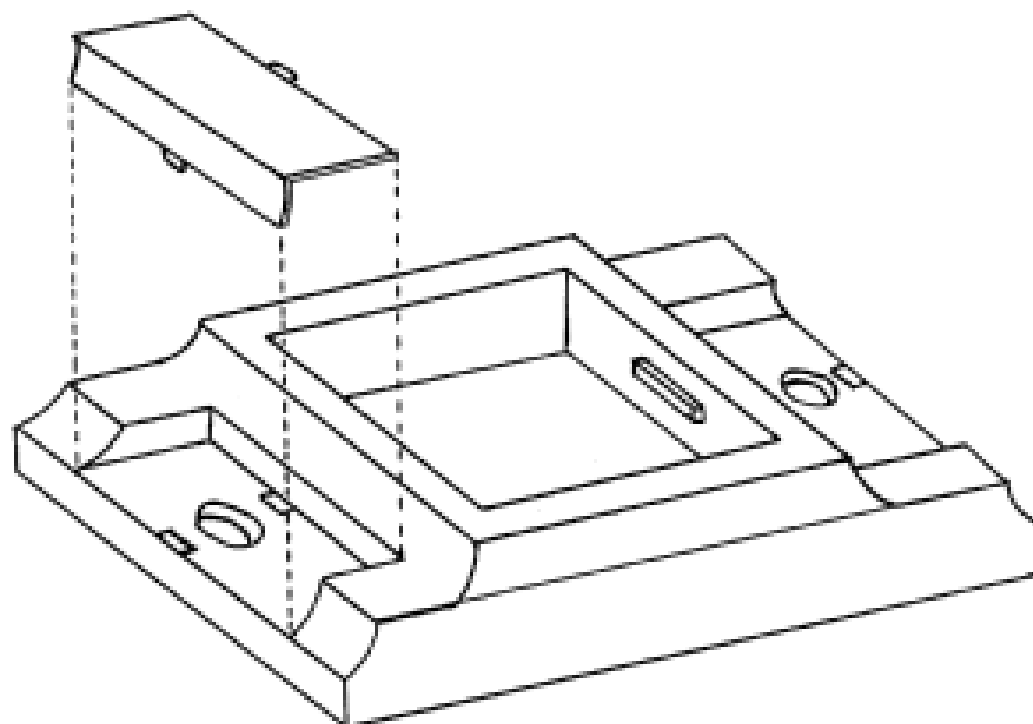
(57) Statement of Newness and Distinctiveness: **Nil**



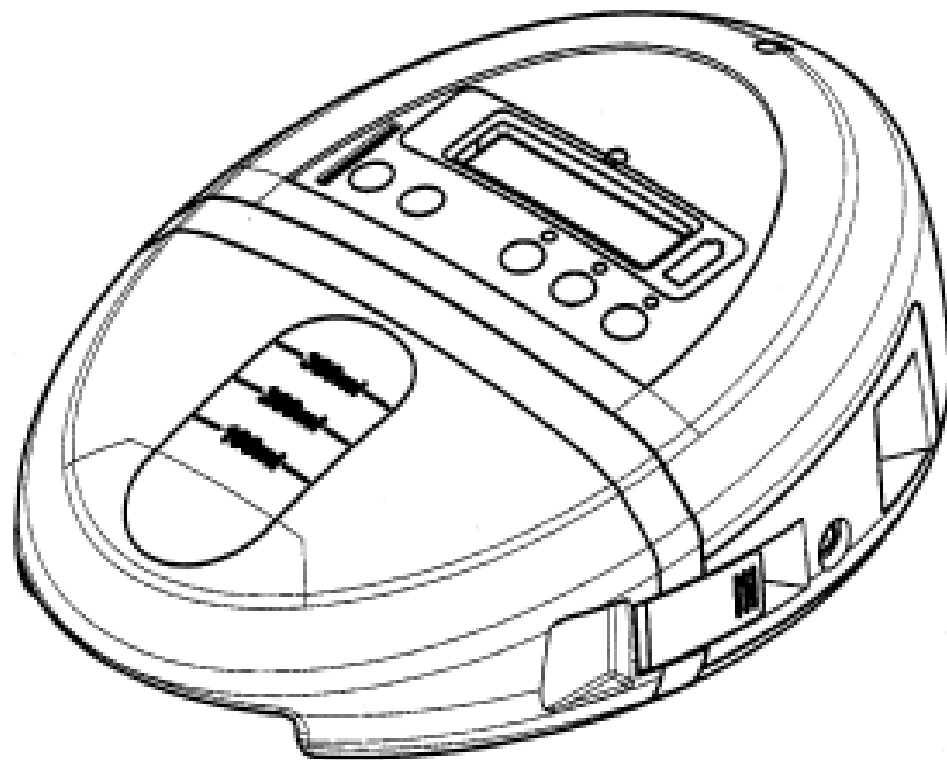
- (21) Design Number: **21590/2007**
(22) Date of Filing Application: **12 October 2007**
(24) Date from which industrial property rights may have effect: **12 October 2007**
(54) Product in respect of which the design is registered: **Foot plate for a post**
(51) International Design Classification: **25-02A**
(71) Name(s) and Address(s) of Applicant(s):
Joe's Wrought Iron and Aluminium Pty Ltd
50 Pioneer Road Corrimal New South Wales 2518 Australia
(72) Name(s) of Designer(s): **Joe Punturiero**
(45) Registration Date: **30 May 2008**
(56) Related Art Documents: **Not Applicable**
(57) Statement of Newness and Distinctiveness: **Newness and distinctiveness is claimed in the shape and configuration of a foot plate for a post as illustrated by the accompanying representations.**



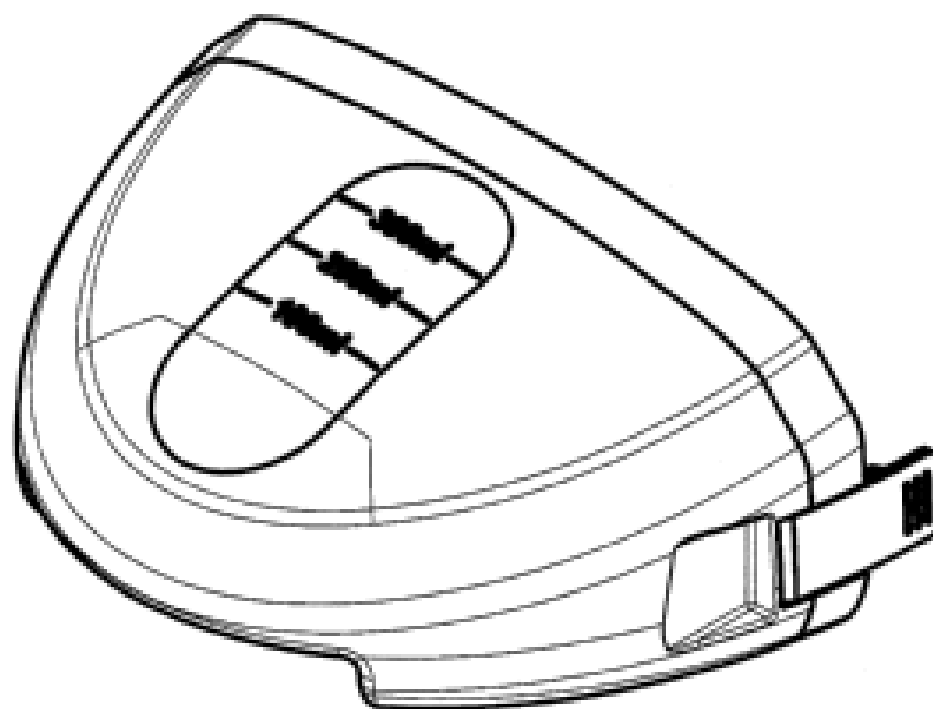
- (21) Design Number: **20206/2007**
(22) Date of Filing Application: **12 October 2007**
(24) Date from which industrial property rights may have effect: **12 October 2007**
(54) Product in respect of which the design is registered: **Foot plate for a post**
(51) International Design Classification: **25-02A**
(71) Name(s) and Address(s) of Applicant(s):
Joe's Wrought Iron and Aluminium Pty Ltd
50 Pioneer Road Corrimal New South Wales 2518 Australia
(72) Name(s) of Designer(s): **Joe Punturiero**
(45) Registration Date: **30 May 2008**
(56) Related Art Documents: **Not Applicable**
(57) Statement of Newness and Distinctiveness: **Newness and distinctiveness is claimed in the shape and configuration of a foot plate for a post as illustrated by the accompanying representations.**



- (21) Design Number: **10015/2008**
(22) Date of Filing Application: **02 January 2008**
(24) Date from which industrial property rights may have effect: **02 January 2008**
(54) Product in respect of which the design is registered: **Therapy unit**
(51) International Design Classification: **24-01**
(71) Name(s) and Address(s) of Applicant(s):
Smith & Nephew PLC
15 Adam Street London WC2N 6LA United Kingdom
(72) Name(s) of Designer(s): **Andy Duncan Pidgeon and Richard Mann**
(45) Registration Date: **30 May 2008**
(30) Convention priority data:
(31) Number (32) Date (33) Country
000750138 02 Jul 2007 EUROPEAN COMMUNITY
(56) Related Art Documents: **Not Applicable**
(57) Statement of Newness and Distinctiveness: **Newness and distinctiveness reside in the features of the design as shown in the representations.**



- (21) Design Number: **10018/2008**
(22) Date of Filing Application: **02 January 2008**
(24) Date from which industrial property rights may have effect: **02 January 2008**
(54) Product in respect of which the design is registered: **Canister**
(51) International Design Classification: **09-99, 24-99**
(71) Name(s) and Address(s) of Applicant(s):
Smith & Nephew PLC
15 Adam Street London WC2N 6LA United Kingdom
(72) Name(s) of Designer(s): **Andy Duncan Pidgeon and Richard Mann**
(45) Registration Date: **30 May 2008**
(30) Convention priority data:
(31) Number (32) Date (33) Country
000750146 02 Jul 2007 EUROPEAN COMMUNITY
(56) Related Art Documents: **Not Applicable**
(57) Statement of Newness and Distinctiveness: **Newness and distinctiveness reside in the features of the design as shown in the representations.**



(21) Design Number: **10083/2008**

(22) Date of Filing Application: **08 January 2008**

(24) Date from which industrial property rights may have effect: **08 January 2008**

(54) Product in respect of which the design is registered: **Container with labelling**

(51) International Design Classification: **09-03L**

(71) Name(s) and Address(s) of Applicant(s):

Norbrook Laboratories Ltd
105 Armagh Road Newry County Down BT35 6PU United Kingdom

(72) Name(s) of Designer(s): **Stuart Hunter**

(45) Registration Date: **30 May 2008**

(30) Convention priority data:

(31) Number	(32) Date	(33) Country
000763214	20 Jul 2007	EUROPEAN COMMUNITY

(56) Related Art Documents: **Not Applicable**

(57) Statement of Newness and Distinctiveness: **Newness and distinctiveness is claimed in the colour of the container in conjunction with the visual features of the labelling of the container, including the colour of the labelling, as shown in the representations.**



(21) Design Number: **10380/2008**

(22) Date of Filing Application: **30 January 2008**

(24) Date from which industrial property rights may have effect: **30 January 2008**

(54) Product in respect of which the design is registered: **Smoking article**

(51) International Design Classification: **27-01**

(71) Name(s) and Address(s) of Applicant(s):

British American Tobacco (Investments) Limited
Globe House 1 Water Street London WC2R 3LA United Kingdom

(72) Name(s) of Designer(s): **Karl Kaljura**

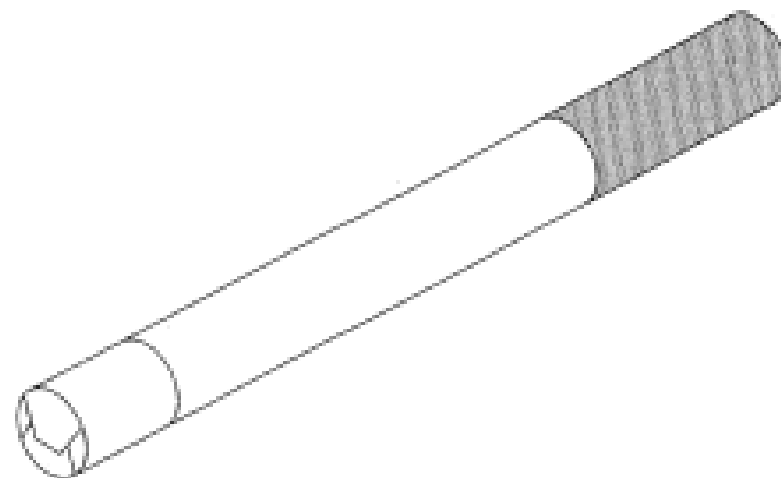
(45) Registration Date: **30 May 2008**

(30) Convention priority data:

(31) Number	(32) Date	(33) Country
000778220	10 Aug 2007	EUROPEAN COMMUNITY

(56) Related Art Documents: **Not Applicable**

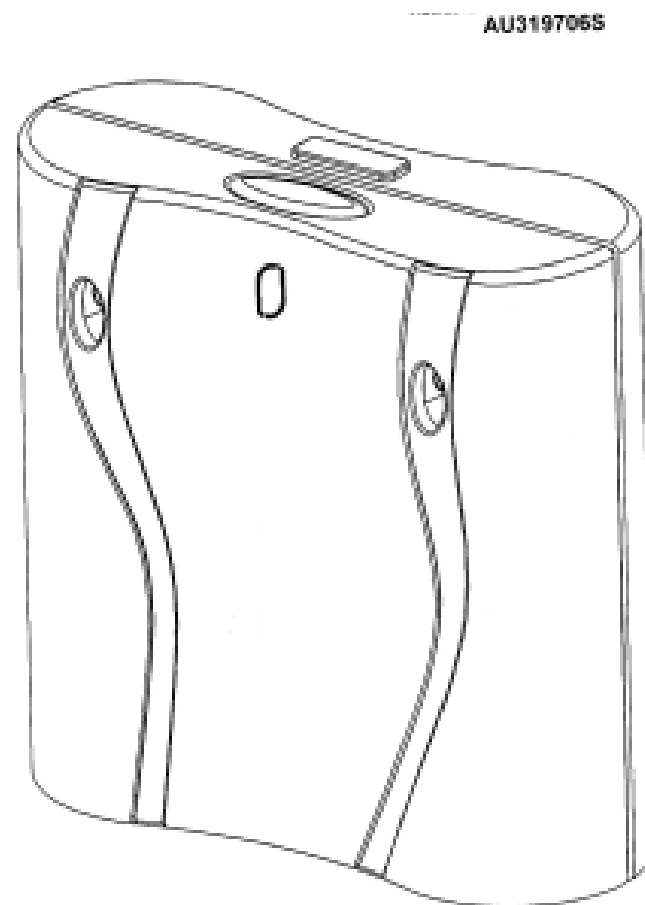
(57) Statement of Newness and Distinctiveness: **Newness and distinctiveness resides in the features of shape and configuration and/or pattern and ornamentation of a smoking article as illustrated in the accompanying representations.**



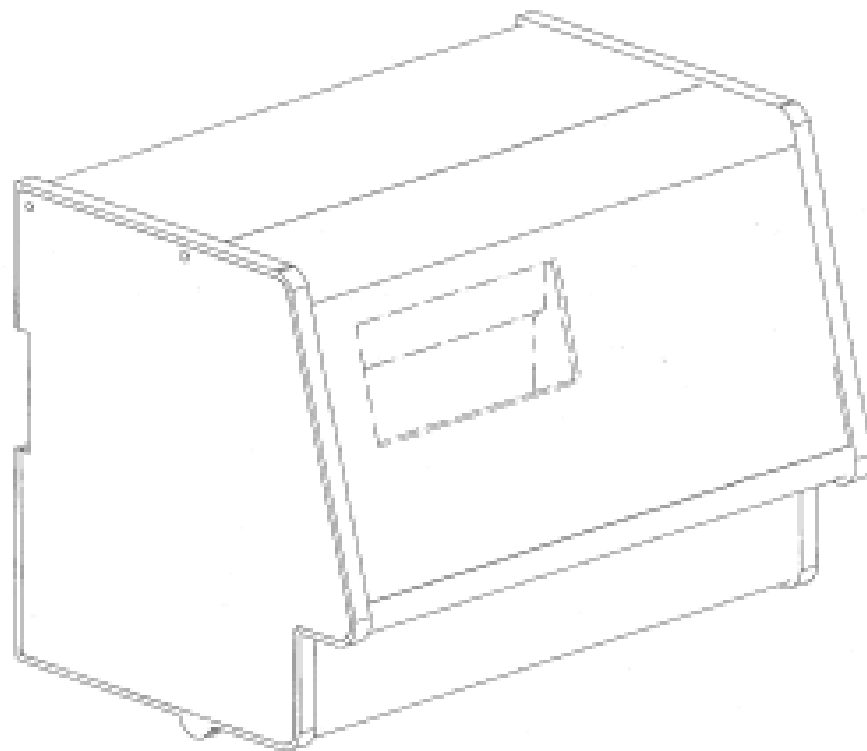
(21) Design Number: **10410/2008**
 (22) Date of Filing Application: **31 January 2008**
 (24) Date from which industrial property rights may have effect: **31 January 2008**
 (54) Product in respect of which the design is registered: **A training aid for artificial breeding in animals**
 (51) International Design Classification: **30-99**
 (71) Name(s) and Address(s) of Applicant(s):
Brad Pickford
206 Ardoon Road Byaduk via Hamilton Victoria 3300 Australia
 (72) Name(s) of Designer(s): **Brad Pickford**
 (45) Registration Date: **30 May 2008**
 (56) Related Art Documents: **Not Applicable**
 (57) Statement of Newness and Distinctiveness: **A training aid for artificial breeding pregnancy testing and embryo transfer in cattle "bovine".**



(21) Design Number: **10442/2008**
 (22) Date of Filing Application: **01 February 2008**
 (24) Date from which industrial property rights may have effect: **01 February 2008**
 (54) Product in respect of which the design is registered: **Air deodorising apparatus**
 (51) International Design Classification: **28-99**
 (71) Name(s) and Address(s) of Applicant(s):
Samar, LLC
70 West Madison Chicago Illinois 60602 United States of America
 (72) Name(s) of Designer(s): **Juan Antonio Benito**
 (45) Registration Date: **30 May 2008**
 (30) Convention priority data:
 (31) Number (32) Date (33) Country
000775515-0001 16 Aug 2007 EUROPEAN COMMUNITY
 (56) Related Art Documents: **Not Applicable**
 (57) Statement of Newness and Distinctiveness: **Nil**



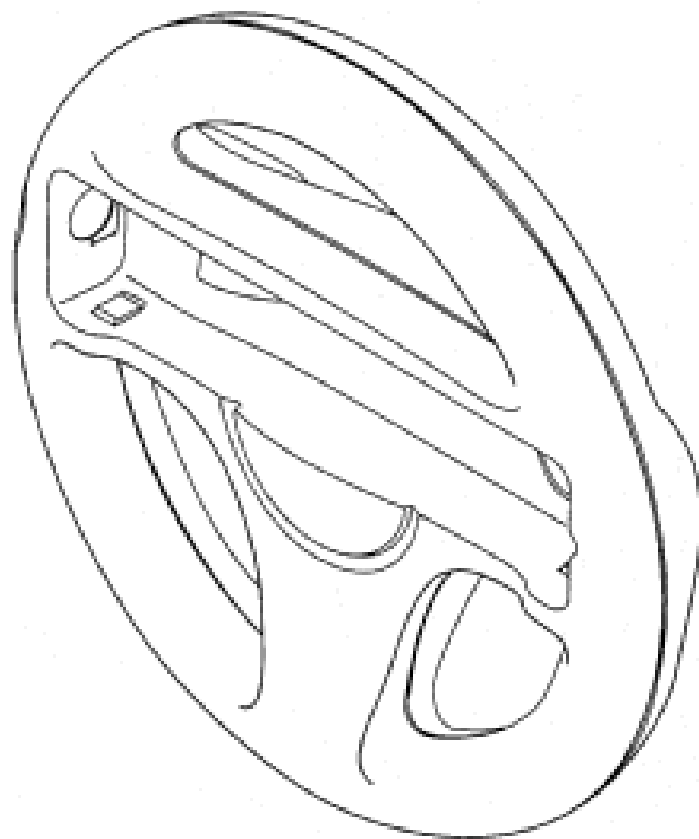
- (21) Design Number: **10513/2008**
(22) Date of Filing Application: **05 February 2008**
(24) Date from which industrial property rights may have effect: **05 February 2008**
(54) Product in respect of which the design is registered: **Control box**
(51) International Design Classification: **13-03NES**
(71) Name(s) and Address(s) of Applicant(s):
Bosshard Pty Ltd
17 Windsor Street Richmond New South Wales 2753 Australia
(72) Name(s) of Designer(s): **Robert Gilbert Bosshard**
(45) Registration Date: **30 May 2008**
(56) Related Art Documents: **Not Applicable**
(57) Statement of Newness and Distinctiveness: **The shape and/or configuration of those parts shown other than in phantom in the representations are new and distinctive.**



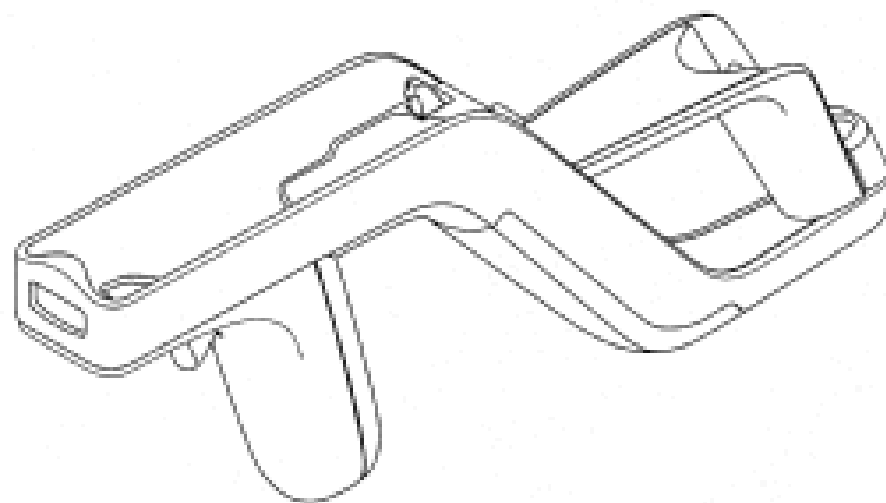
- (21) Design Number: **10641/2008**
(22) Date of Filing Application: **13 February 2008**
(24) Date from which industrial property rights may have effect: **13 February 2008**
(54) Product in respect of which the design is registered: **Cushion**
(51) International Design Classification: **06-09**
(71) Name(s) and Address(s) of Applicant(s):
Seo Ryung Lee
4 Bray Street Erskineville Street New South Wales 2043 Australia
(72) Name(s) of Designer(s): **Seo Ryung Lee**
(45) Registration Date: **30 May 2008**
(56) Related Art Documents: **Not Applicable**
(57) Statement of Newness and Distinctiveness: **Nil**



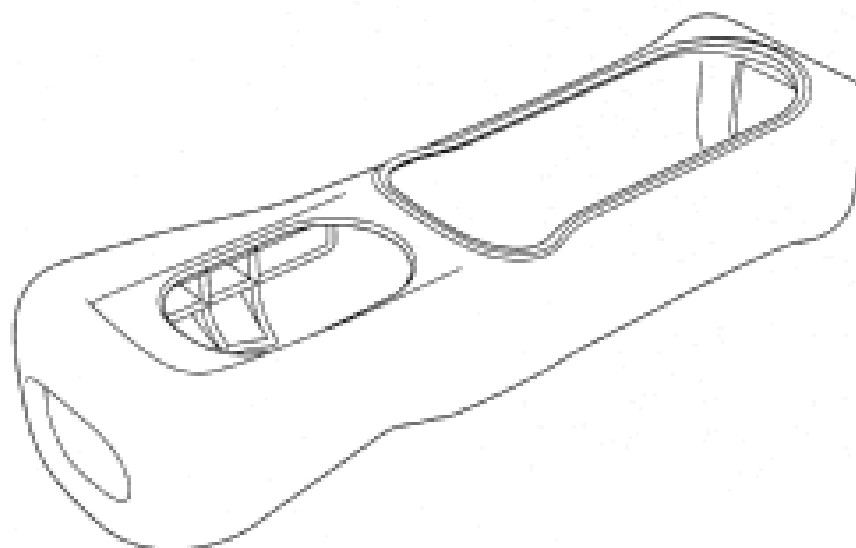
- (21) Design Number: **21539/2007**
(22) Date of Filing Application: **21 December 2007**
(24) Date from which industrial property rights may have effect: **21 December 2007**
(54) Product in respect of which the design is registered: **An attachment for a controller**
(51) International Design Classification: **21-01N**
(71) Name(s) and Address(s) of Applicant(s):
Nintendo Co., Ltd.
11-1 Hokotate-cho Kamitoba Minami-ku Kyoto-shi Kyoto Japan
(72) Name(s) of Designer(s): **Kenichiro Ashida and Junji Takamoto and Masato Ibuki and Daisuke Kumazaki and Naoya Kawanobe**
(45) Registration Date: **30 May 2008**
(30) Convention priority data:
(31) Number (32) Date (33) Country
2007-018204 05 Jul 2007 JAPAN
(56) Related Art Documents: **Not Applicable**
(57) Statement of Newness and Distinctiveness: **Nil**



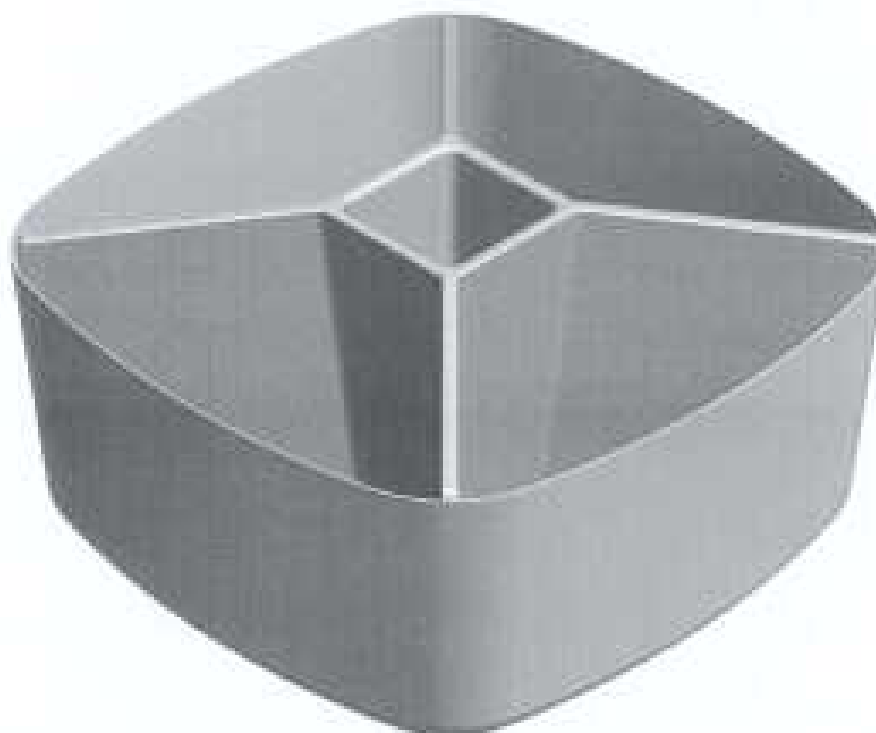
- (21) Design Number: **21540/2007**
(22) Date of Filing Application: **21 December 2007**
(24) Date from which industrial property rights may have effect: **21 December 2007**
(54) Product in respect of which the design is registered: **A controller adaptor**
(51) International Design Classification: **21-01N**
(71) Name(s) and Address(s) of Applicant(s):
Nintendo Co., Ltd.
11-1 Hokotate-cho Kamitoba Minami-ku Kyoto-shi Kyoto Japan
(72) Name(s) of Designer(s): **Junji Takamoto and Kenichiro Ashida and Noboru Wakitani and Masato Ibuki**
(45) Registration Date: **30 May 2008**
(30) Convention priority data:
(31) Number (32) Date (33) Country
2007-016531 21 Jun 2007 JAPAN
(56) Related Art Documents: **Not Applicable**
(57) Statement of Newness and Distinctiveness: **Nil**



(21) Design Number: **21541/2007**
(22) Date of Filing Application: **21 December 2007**
(24) Date from which industrial property rights may have effect: **21 December 2007**
(54) Product in respect of which the design is registered: **A controller cover**
(51) International Design Classification: **21-01N**
(71) Name(s) and Address(s) of Applicant(s):
Nintendo Co., Ltd.
11-1 Hokotate-cho Kamitoba Minami-ku Kyoto-shi Kyoto Japan
(72) Name(s) of Designer(s): **Kenichiro Ashida and Junji Takamoto and Noboru Wakitani and Masato Ibuki**
(45) Registration Date: **30 May 2008**
(30) Convention priority data:
(31) Number (32) Date (33) Country
2007-016643 22 Jun 2007 JAPAN
(56) Related Art Documents: **Not Applicable**
(57) Statement of Newness and Distinctiveness: **Nil**



(21) Design Number: **21453/2007**
(22) Date of Filing Application: **19 December 2007**
(24) Date from which industrial property rights may have effect: **19 December 2007**
(54) Product in respect of which the design is registered: **Nut cracker bowl**
(51) International Design Classification: **07-01B**
(71) Name(s) and Address(s) of Applicant(s):
Pi-Design AG
Kantonsstrasse 100 Postfach 463 CH-6234 Triengen Switzerland
(72) Name(s) of Designer(s): **Jorgen Bodum**
(45) Registration Date: **30 May 2008**
(30) Convention priority data:
(31) Number (32) Date (33) Country
DA 2007 20 Jun 2007 DENMARK
00153
(56) Related Art Documents: **Not Applicable**
(57) Statement of Newness and Distinctiveness: **Nil**



(21) Design Number: **21454/2007**
(22) Date of Filing Application: **19 December 2007**
(24) Date from which industrial property rights may have effect: **19 December 2007**
(54) Product in respect of which the design is registered: **Nut cracker**
(51) International Design Classification: **07-06NES**
(71) Name(s) and Address(s) of Applicant(s):

Pi-Design AG
Kantonsstrasse 100 Postfach 463 CH-6234 Triengen Switzerland

(72) Name(s) of Designer(s): **Jorgen Bodum**

(45) Registration Date: **30 May 2008**

(30) Convention priority data:

(31) Number	(32) Date	(33) Country
DA 2007 00153	20 Jun 2007	DENMARK

(56) Related Art Documents: **Not Applicable**

(57) Statement of Newness and Distinctiveness: **Nil**



(21) Design Number: **21543/2007**
(22) Date of Filing Application: **21 December 2007**
(24) Date from which industrial property rights may have effect: **21 December 2007**
(54) Product in respect of which the design is registered: **A buckle**
(51) International Design Classification: **02-07A**
(71) Name(s) and Address(s) of Applicant(s):

Nintendo Co., Ltd.
11-1 Hokotate-cho Kamitoba Minami-ku Kyoto-shi Kyoto Japan

(72) Name(s) of Designer(s): **Daisuke Kumazaki and Junji Takamoto and Kenichiro Ashida and Akiko Suga**

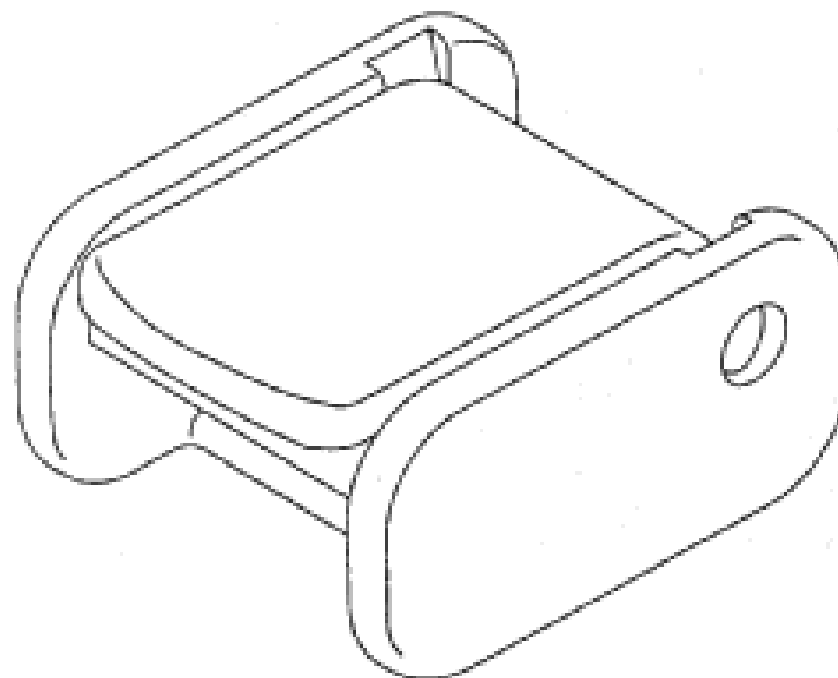
(45) Registration Date: **30 May 2008**

(30) Convention priority data:

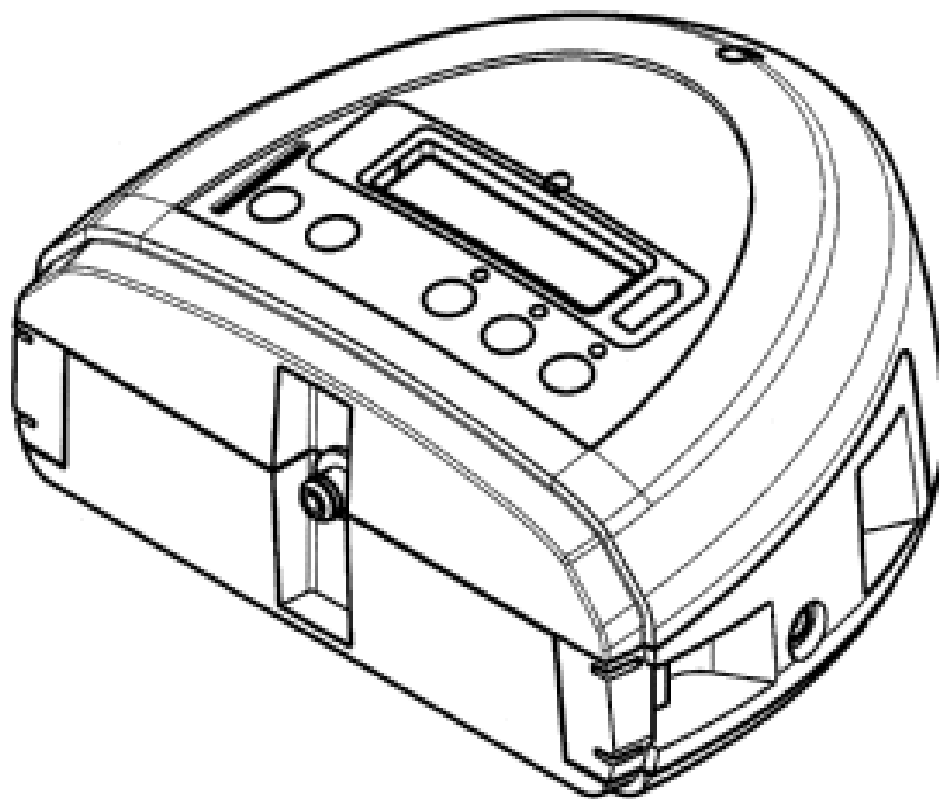
(31) Number	(32) Date	(33) Country
2007-017102	27 Jun 2007	JAPAN

(56) Related Art Documents: **Not Applicable**

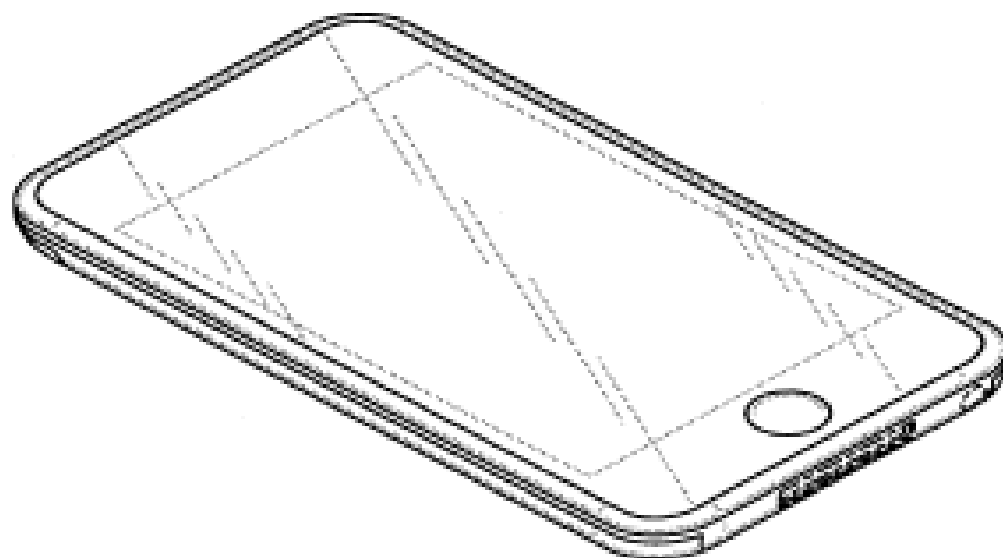
(57) Statement of Newness and Distinctiveness: **Nil**



(21) Design Number: **10017/2008**
(22) Date of Filing Application: **02 January 2008**
(24) Date from which industrial property rights may have effect: **02 January 2008**
(54) Product in respect of which the design is registered: **Device**
(51) International Design Classification: **24-99, 24-01**
(71) Name(s) and Address(s) of Applicant(s):
Smith & Nephew PLC
15 Adam Street London WC2N 6LA United Kingdom
(72) Name(s) of Designer(s): **Andy Duncan Pidgeon and Richard Mann**
(45) Registration Date: **30 May 2008**
(30) Convention priority data:
(31) Number (32) Date (33) Country
000750187 02 Jul 2007 EUROPEAN COMMUNITY
(56) Related Art Documents: **Not Applicable**
(57) Statement of Newness and Distinctiveness: **Newness and distinctiveness reside in the features of the design as shown in the representations.**

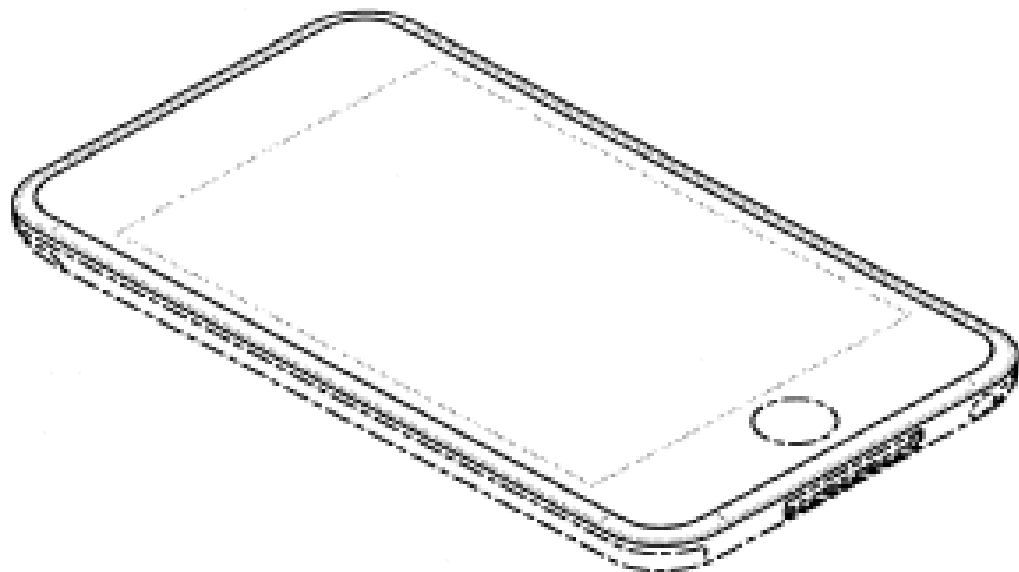


(21) Design Number: **10801/2008**
(22) Date of Filing Application: **21 February 2008**
(24) Date from which industrial property rights may have effect: **21 February 2008**
(54) Product in respect of which the design is registered: **Electronic device**
(51) International Design Classification: **14-02**
(71) Name(s) and Address(s) of Applicant(s):
Apple Inc.
1 Infinite Loop Cupertino California 95014 United States of America
(72) Name(s) of Designer(s): **Bartley K. Andre and Daniel J. Coster and Daniele De Iullis and Richard P. Howarth and Jonathan P. Ive and Steve Jobs and Duncan Robert Kerr and Shin Nishibori and Matthew Dean Rohrbach and Peter Russell-Clarke and Douglas B. Satzger and Rico Zorkendorfer and Calvin Q. Seid and Eugene Antony Whang and Christopher J. Stringer**
(45) Registration Date: **02 June 2008**
(30) Convention priority data:
(31) Number (32) Date (33) Country
29/284188 31 Aug 2007 UNITED STATES OF AMERICA
(56) Related Art Documents: **Not Applicable**
(57) Statement of Newness and Distinctiveness: **Newness and distinctiveness is claimed in the shape and/or configuration of an electronic device as shown in solid lines in the accompanying representations.**



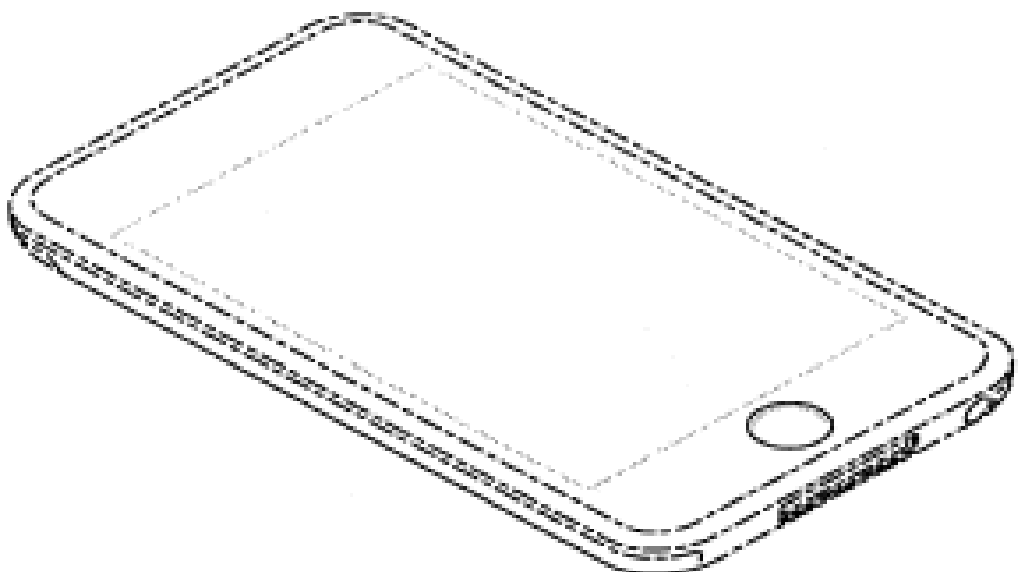
(19) AU

- (21) Design Number: **10802/2008**
(22) Date of Filing Application: **21 February 2008**
(24) Date from which industrial property rights may have effect: **21 February 2008**
(54) Product in respect of which the design is registered: **Electronic device**
(51) International Design Classification: **14-02**
(71) Name(s) and Address(s) of Applicant(s):
Apple Inc.
1 Infinite Loop Cupertino California 95014 United States of America
(72) Name(s) of Designer(s): **Bartley K. Andre and Daniel J. Coster and Daniele De Iuliis and Richard P. Howarth and Jonathan P. Ive and Steve Jobs and Duncan Robert Kerr and Shin Nishibori and Matthew Dean Rohrbach and Peter Russell-Clarke and Douglas B. Satzger and Eugene Antony Whang and Rico Zorkendorfer and Calvin Q. Seid and Christopher J. Stringer**
(45) Registration Date: **02 June 2008**
(30) Convention priority data:
(31) Number (32) Date (33) Country
29/284188 31 Aug 2007 UNITED STATES OF AMERICA
(56) Related Art Documents: **Not Applicable**
(57) Statement of Newness and Distinctiveness: **Newness and distinctiveness is claimed in the shape and/or configuration of an electronic device as shown in solid lines in the accompanying representations.**



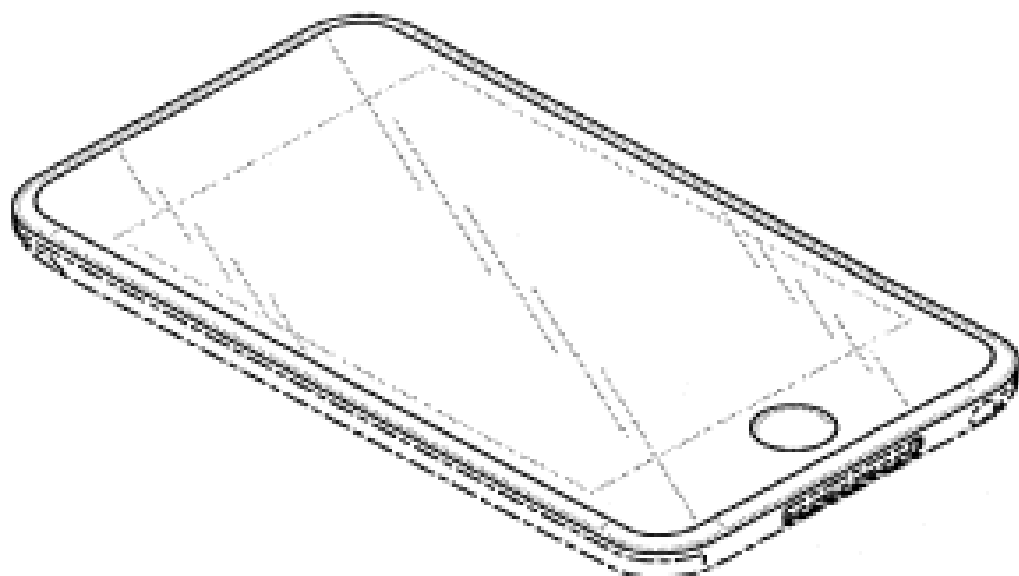
(19) AU

- (21) Design Number: **10803/2008**
(22) Date of Filing Application: **21 February 2008**
(24) Date from which industrial property rights may have effect: **21 February 2008**
(54) Product in respect of which the design is registered: **Electronic device**
(51) International Design Classification: **14-02**
(71) Name(s) and Address(s) of Applicant(s):
Apple Inc.
1 Infinite Loop Cupertino California 95014 United States of America
(72) Name(s) of Designer(s): **Bartley K. Andre and Daniel J. Coster and Daniele De Iuliis and Richard P. Howarth and Jonathan P. Ive and Steve Jobs and Duncan Robert Kerr and Shin Nishibori and Matthew Dean Rohrbach and Peter Russell-Clarke and Douglas B. Satzger and Calvin Q. Seid and Eugene Antony Whang and Rico Zorkendorfer and Christopher J. Stringer**
(45) Registration Date: **02 June 2008**
(30) Convention priority data:
(31) Number (32) Date (33) Country
29/284188 31 Aug 2007 UNITED STATES OF AMERICA
(56) Related Art Documents: **Not Applicable**
(57) Statement of Newness and Distinctiveness: **Newness and distinctiveness is claimed in the shape and/or configuration of an electronic device as shown in solid lines in the accompanying representations.**



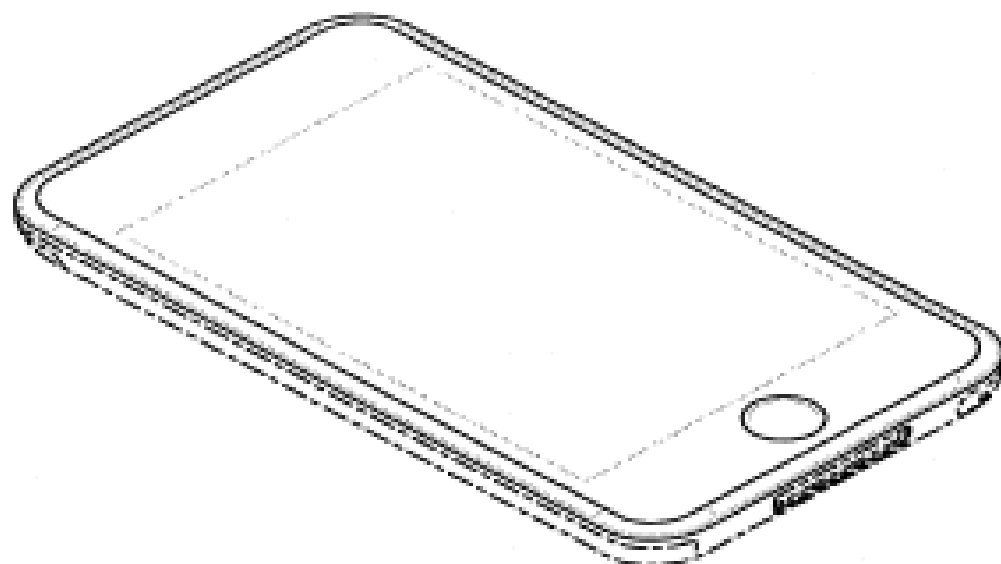
(19) AU

- (21) Design Number: **10804/2008**
(22) Date of Filing Application: **21 February 2008**
(24) Date from which industrial property rights may have effect: **21 February 2008**
(54) Product in respect of which the design is registered: **Electronic device**
(51) International Design Classification: **14-02**
(71) Name(s) and Address(s) of Applicant(s):
Apple Inc.
1 Infinite Loop Cupertino California 95014 United States of America
(72) Name(s) of Designer(s): **Bartley K. Andre and Daniel J. Coster and Daniele De Iuliis and Richard P. Howarth and Jonathan P. Ive and Steve Jobs and Duncan Robert Kerr and Shin Nishibori and Matthew Dean Rohrbach and Peter Russell-Clarke and Douglas B. Satzger and Calvin Q. Seid and Eugene Antony Whang and Rico Zorkendorfer and Christopher J. Stringer**
(45) Registration Date: **02 June 2008**
(30) Convention priority data:
(31) Number (32) Date (33) Country
29/284188 31 Aug 2007 UNITED STATES OF AMERICA
(56) Related Art Documents: **Not Applicable**
(57) Statement of Newness and Distinctiveness: **Newness and distinctiveness is claimed in the shape and/or configuration of an electronic device as shown in solid lines in the accompanying representations.**



(19) AU

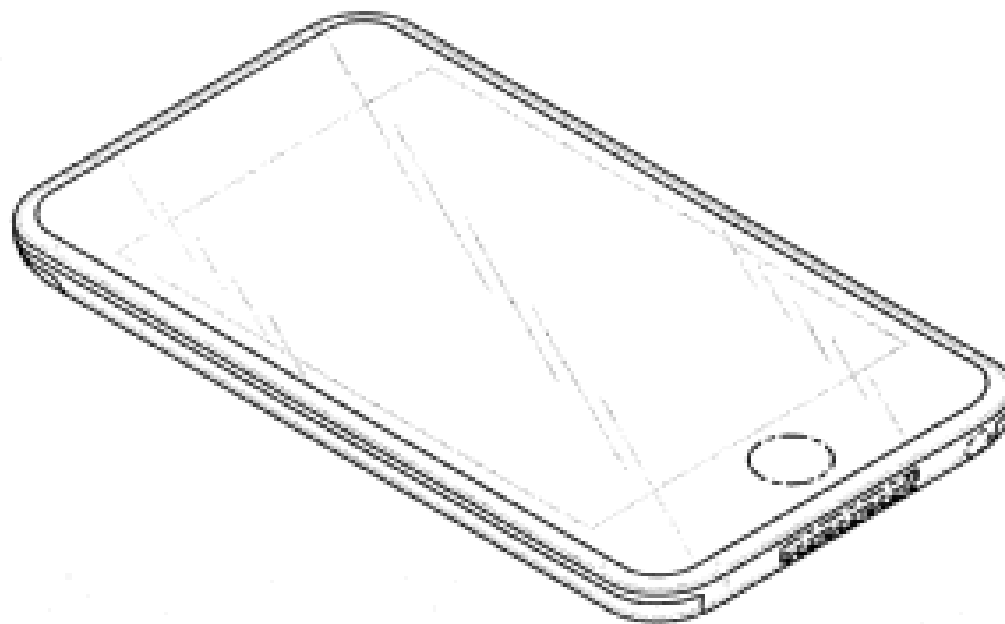
- (21) Design Number: **10805/2008**
(22) Date of Filing Application: **21 February 2008**
(24) Date from which industrial property rights may have effect: **21 February 2008**
(54) Product in respect of which the design is registered: **Electronic device**
(51) International Design Classification: **14-02**
(71) Name(s) and Address(s) of Applicant(s):
Apple Inc.
1 Infinite Loop Cupertino California 95014 United States of America
(72) Name(s) of Designer(s): **Bartley K. Andre and Daniel J. Coster and Daniele De Iuliis and Richard P. Howarth and Jonathan P. Ive and Steve Jobs and Duncan Robert Kerr and Shin Nishibori and Matthew Dean Rohrbach and Peter Russell-Clarke and Douglas B. Satzger and Calvin Q. Seid and Eugene Antony Whang and Rico Zorkendorfer and Christopher J. Stringer**
(45) Registration Date: **02 June 2008**
(30) Convention priority data:
(31) Number (32) Date (33) Country
29/284188 31 Aug 2007 UNITED STATES OF AMERICA
(56) Related Art Documents: **Not Applicable**
(57) Statement of Newness and Distinctiveness: **Newness and distinctiveness is claimed in the shape and/or configuration of an electronic device as shown in solid lines in the accompanying representations.**



(19) AU

- (21) Design Number: **10806/2008**
- (22) Date of Filing Application: **21 February 2008**
- (24) Date from which industrial property rights may have effect: **21 February 2008**
- (54) Product in respect of which the design is registered: **Electronic device**
- (51) International Design Classification: **14-02**
- (71) Name(s) and Address(s) of Applicant(s):
Apple Inc.
1 Infinite Loop Cupertino California 95014 United States of America
- (72) Name(s) of Designer(s): **Bartley K. Andre and Daniel J. Coster and Daniele De Iuliis and Richard P. Howarth and Jonathan P. Ive and Steve Jobs and Duncan Robert Kerr and Shin Nishibori and Matthew Dean Rohrbach and Peter Russell-Clarke and Douglas B. Satzger and Calvin Q. Seid and Eugene Antony Whang and Rico Zorkendorfer and Christopher J. Stringer**
- (45) Registration Date: **02 June 2008**
- (30) Convention priority data:

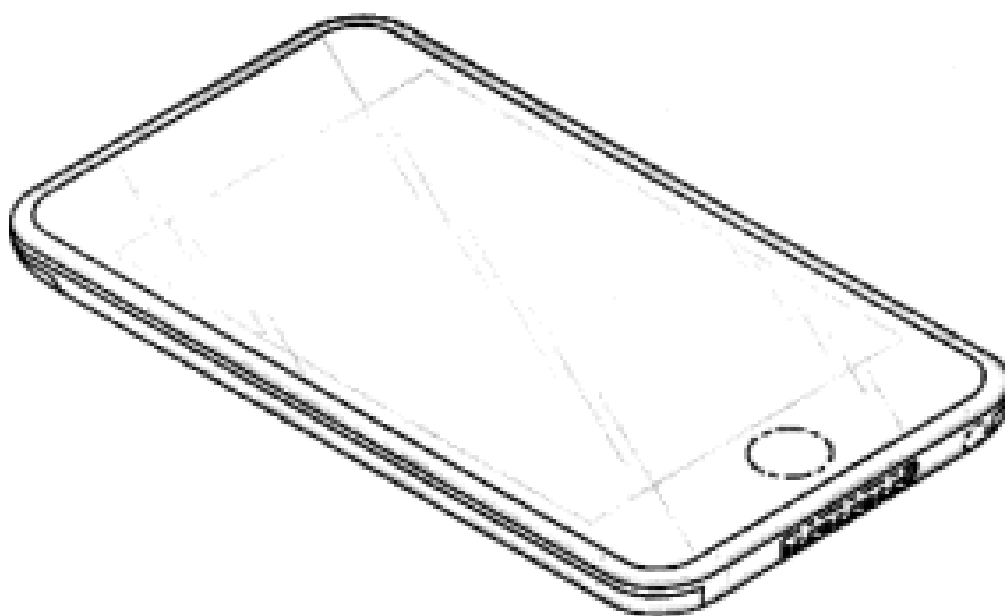
(31) Number	(32) Date	(33) Country
29/284188	31 Aug 2007	UNITED STATES OF AMERICA
- (56) Related Art Documents: **Not Applicable**
- (57) Statement of Newness and Distinctiveness: **Newness and distinctiveness is claimed in the shape and/or configuration of an electronic device as shown in solid lines in the accompanying representations.**



(19) AU

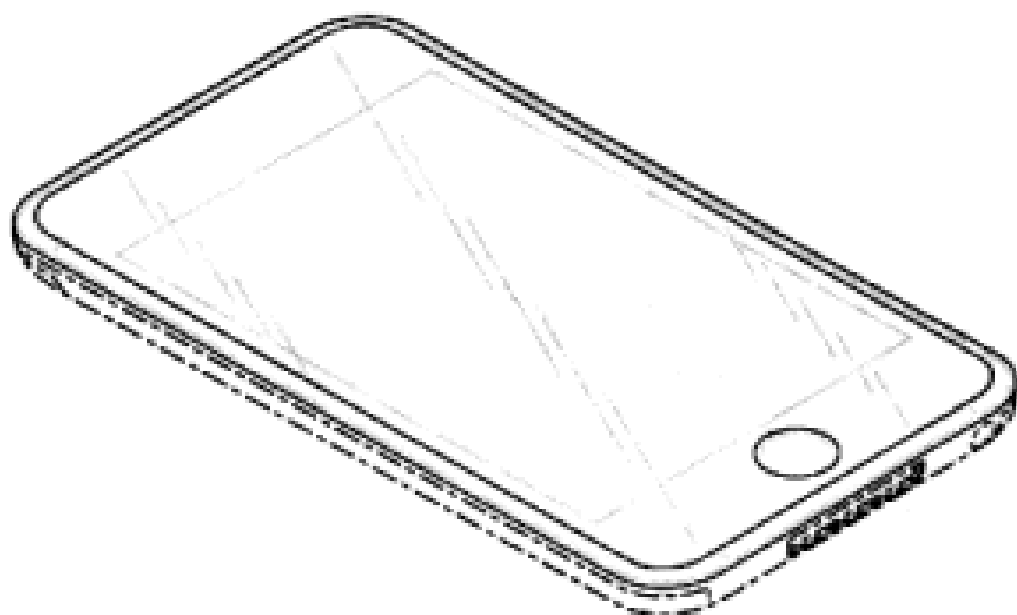
- (21) Design Number: **10807/2008**
- (22) Date of Filing Application: **21 February 2008**
- (24) Date from which industrial property rights may have effect: **21 February 2008**
- (54) Product in respect of which the design is registered: **Electronic device**
- (51) International Design Classification: **14-02**
- (71) Name(s) and Address(s) of Applicant(s):
Apple Inc.
1 Infinite Loop Cupertino California 95014 United States of America
- (72) Name(s) of Designer(s): **Bartley K. Andre and Daniel J. Coster and Daniele De Iuliis and Richard P. Howarth and Jonathan P. Ive and Steve Jobs and Duncan Robert Kerr and Shin Nishibori and Matthew Dean Rohrbach and Peter Russell-Clarke and Douglas B. Satzger and Calvin Q. Seid and Eugene Antony Whang and Rico Zorkendorfer and Christopher J. Stringer**
- (45) Registration Date: **02 June 2008**
- (30) Convention priority data:

(31) Number	(32) Date	(33) Country
29/284188	31 Aug 2007	UNITED STATES OF AMERICA
- (56) Related Art Documents: **Not Applicable**
- (57) Statement of Newness and Distinctiveness: **Newness and distinctiveness is claimed in the shape and/or configuration of an electronic device as shown in solid lines in the accompanying representations.**



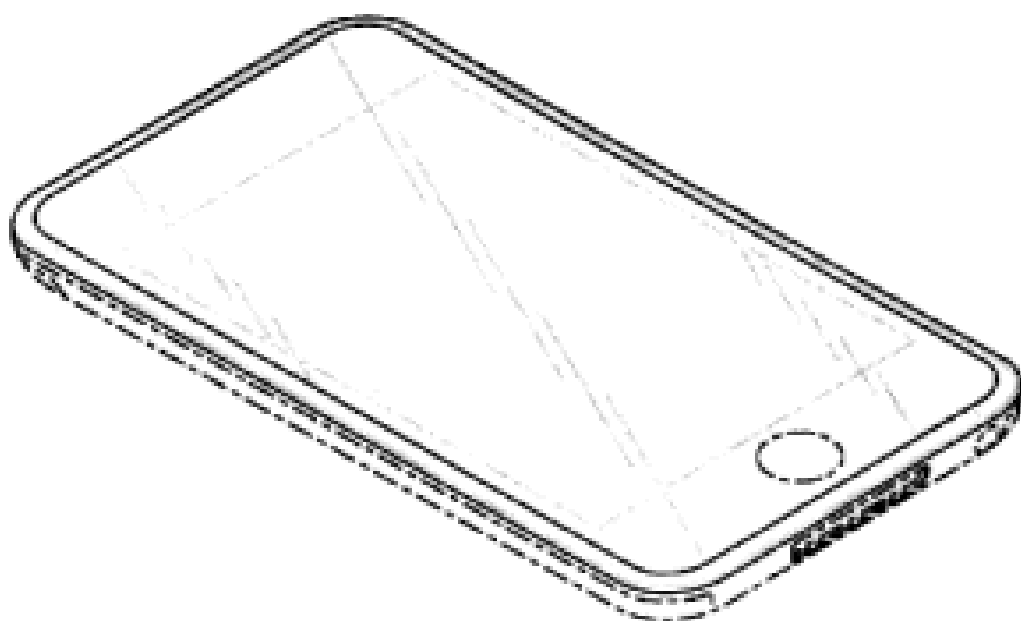
(19) AU

- (21) Design Number: **10808/2008**
(22) Date of Filing Application: **21 February 2008**
(24) Date from which industrial property rights may have effect: **21 February 2008**
(54) Product in respect of which the design is registered: **Electronic device**
(51) International Design Classification: **14-02**
(71) Name(s) and Address(s) of Applicant(s):
Apple Inc.
1 Infinite Loop Cupertino California 95014 United States of America
(72) Name(s) of Designer(s): **Bartley K. Andre and Daniel J. Coster and Daniele De Iuliis and Richard P. Howarth and Jonathan P. Ive and Steve Jobs and Duncan Robert Kerr and Shin Nishibori and Matthew Dean Rohrbach and Peter Russell-Clarke and Douglas B. Satzger and Calvin Q. Seid and Eugene Antony Whang and Rico Zorkendorfer and Christopher J. Stringer**
(45) Registration Date: **02 June 2008**
(30) Convention priority data:
(31) Number (32) Date (33) Country
29/284188 31 Aug 2007 UNITED STATES OF AMERICA
(56) Related Art Documents: **Not Applicable**
(57) Statement of Newness and Distinctiveness: **Newness and distinctiveness is claimed in the shape and/or configuration and texture of an electronic device as shown solid lines in the accompanying representations.**



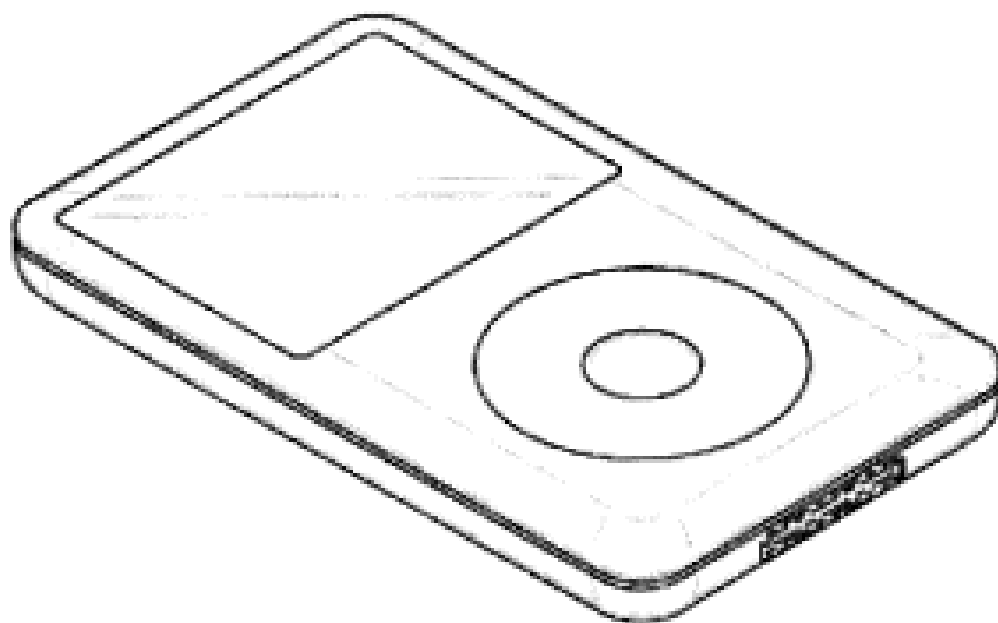
(19) AU

- (21) Design Number: **10809/2008**
(22) Date of Filing Application: **21 February 2008**
(24) Date from which industrial property rights may have effect: **21 February 2008**
(54) Product in respect of which the design is registered: **Electronic device**
(51) International Design Classification: **14-02**
(71) Name(s) and Address(s) of Applicant(s):
Apple Inc.
1 Infinite Loop Cupertino California 95014 United States of America
(72) Name(s) of Designer(s): **Bartley K. Andre and Daniel J. Coster and Daniele De Iuliis and Richard P. Howarth and Jonathan P. Ive and Steve Jobs and Duncan Robert Kerr and Shin Nishibori and Matthew Dean Rohrbach and Peter Russell-Clarke and Douglas B. Satzger and Calvin Q. Seid and Eugene Antony Whang and Rico Zorkendorfer and Christopher J. Stringer**
(45) Registration Date: **02 June 2008**
(30) Convention priority data:
(31) Number (32) Date (33) Country
29/284188 31 Aug 2007 UNITED STATES OF AMERICA
(56) Related Art Documents: **Not Applicable**
(57) Statement of Newness and Distinctiveness: **Newness and distinctiveness is claimed in the shape and/or configuration of an electronic device as shown in solid lines in the accompanying representations.**



- (21) Design Number: **10810/2008**
- (22) Date of Filing Application: **21 February 2008**
- (24) Date from which industrial property rights may have effect: **21 February 2008**
- (54) Product in respect of which the design is registered: **Electronic device**
- (51) International Design Classification: **14-01**
- (71) Name(s) and Address(s) of Applicant(s):
Apple Inc.
1 Infinite Loop Cupertino California 95014 United States of America
- (72) Name(s) of Designer(s): **Bartley K. Andre and Daniel J. Coster and Daniele De Iuliis and Richard P. Howarth and Jonathan P. Ive and Steve Jobs and Duncan Robert Kerr and Shin Nishibori and Matthew Dean Rohrbach and Peter Russell-Clarke and Douglas B. Satzger and Eugene Antony Whang and Rico Zorkendorfer and Calvin Q. Seid and Christopher J. Stringer**
- (45) Registration Date: **02 June 2008**
- (30) Convention priority data:

(31) Number	(32) Date	(33) Country
29/284186	31 Aug 2007	UNITED STATES OF AMERICA
- (56) Related Art Documents: **Not Applicable**
- (57) Statement of Newness and Distinctiveness: **Newness and distinctiveness in the design as applied to a electronic device resides in the shape and/or configuration thereof as illustrated in unbroken lines in the accompanying representations.**

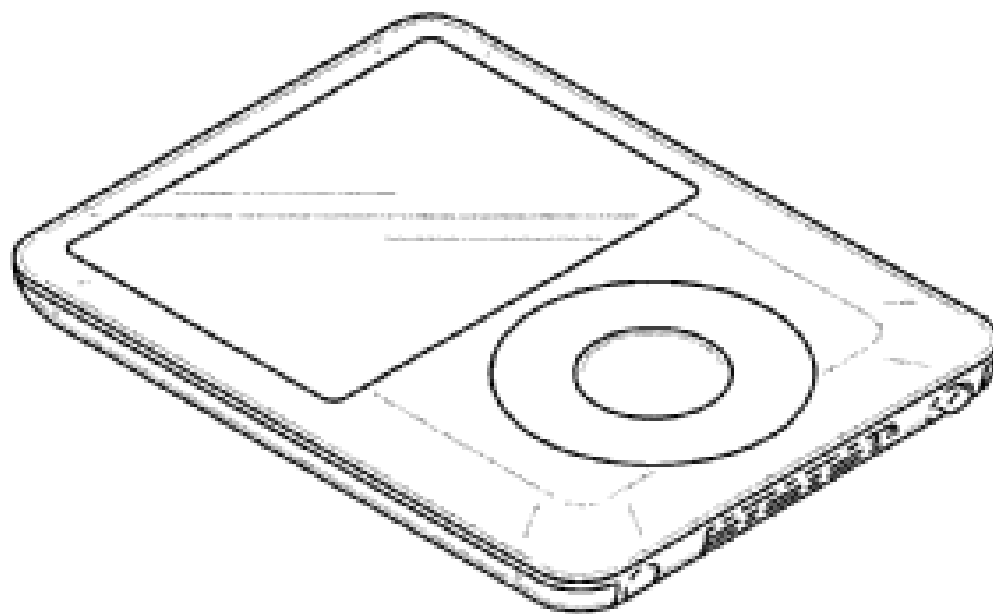


- (21) Design Number: **10811/2008**
- (22) Date of Filing Application: **21 February 2008**
- (24) Date from which industrial property rights may have effect: **21 February 2008**
- (54) Product in respect of which the design is registered: **Electronic device**
- (51) International Design Classification: **14-02**
- (71) Name(s) and Address(s) of Applicant(s):
Apple Inc.
1 Infinite Loop Cupertino California 95014 United States of America
- (72) Name(s) of Designer(s): **Bartley K. Andre and Daniel J. Coster and Daniele De Iuliis and Richard P. Howarth and Jonathan P. Ive and Steve Jobs and Duncan Robert Kerr and Shin Nishibori and Matthew Dean Rohrbach and Peter Russell-Clarke and Douglas B. Satzger and Calvin Q. Seid and Christopher J. Stringer and Eugene Antony Whang and Rico Zorkendorfer**
- (45) Registration Date: **02 June 2008**
- (30) Convention priority data:

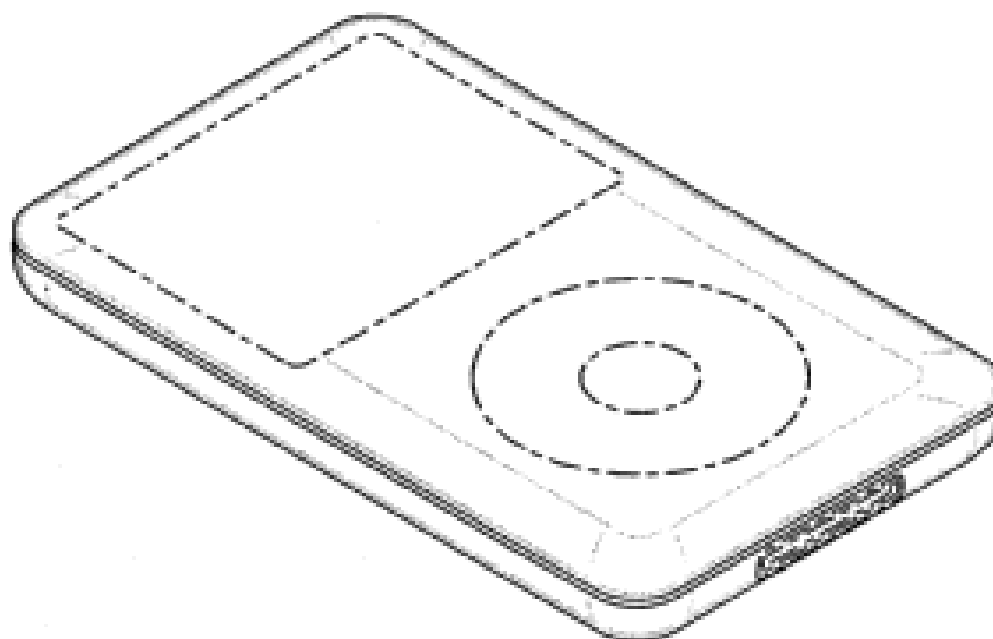
(31) Number	(32) Date	(33) Country
29/284187	31 Aug 2007	UNITED STATES OF AMERICA
- (56) Related Art Documents: **Not Applicable**
- (57) Statement of Newness and Distinctiveness: **Newness and distinctiveness in the design as applied to a electronic device resides in the shape and/or configuration thereof as illustrated in unbroken lines in the accompanying representations.**



- (21) Design Number: **10812/2008**
(22) Date of Filing Application: **21 February 2008**
(24) Date from which industrial property rights may have effect: **21 February 2008**
(54) Product in respect of which the design is registered: **Electronic device**
(51) International Design Classification: **14-01**
(71) Name(s) and Address(s) of Applicant(s):
Apple Inc.
1 Infinite Loop Cupertino California 95014 United States of America
(72) Name(s) of Designer(s): **Bartley K. Andre and Daniel J. Coster and Daniele De Iuliis and Richard P. Howarth and Jonathan P. Ive and Steve Jobs and Duncan Robert Kerr and Shin Nishibori and Matthew Dean Rohrbach and Peter Russell-Clarke and Douglas B. Satzger and Eugene Antony Whang and Rico Zorkendorfer and Calvin Q. Seid and Christopher J. Stringer**
(45) Registration Date: **02 June 2008**
(30) Convention priority data:
(31) Number (32) Date (33) Country
29/284183 31 Aug 2007 UNITED STATES OF AMERICA
(56) Related Art Documents: **Not Applicable**
(57) Statement of Newness and Distinctiveness: **Newness and distinctiveness in the design as applied to a electronic device resides in the shape and/or configuration thereof as illustrated in unbroken lines in the accompanying representations.**



- (21) Design Number: **10816/2008**
(22) Date of Filing Application: **21 February 2008**
(24) Date from which industrial property rights may have effect: **21 February 2008**
(54) Product in respect of which the design is registered: **Electronic device**
(51) International Design Classification: **14-01**
(71) Name(s) and Address(s) of Applicant(s):
Apple Inc.
1 Infinite Loop Cupertino California 95014 United States of America
(72) Name(s) of Designer(s): **Bartley K. Andre and Daniel J. Coster and Daniele De Iuliis and Richard P. Howarth and Jonathan P. Ive and Steve Jobs and Duncan Robert Kerr and Shin Nishibori and Matthew Dean Rohrbach and Peter Russell-Clarke and Douglas B. Satzger and Calvin Q. Seid and Christopher J. Stringer and Eugene Antony Whang and Rico Zorkendorfer**
(45) Registration Date: **02 June 2008**
(30) Convention priority data:
(31) Number (32) Date (33) Country
29/284189 31 Aug 2007 UNITED STATES OF AMERICA
(56) Related Art Documents: **Not Applicable**
(57) Statement of Newness and Distinctiveness: **Newness and distinctiveness is claimed in the shape and/or configuration of an electronic device as shown in solid lines in the accompanying representations.**



(19) AU

- (21) Design Number: **10817/2008**
- (22) Date of Filing Application: **21 February 2008**
- (24) Date from which industrial property rights may have effect: **21 February 2008**
- (54) Product in respect of which the design is registered: **Electronic device**
- (51) International Design Classification: **14-01**
- (71) Name(s) and Address(s) of Applicant(s):

Apple Inc.
1 Infinite Loop Cupertino California 95014 United States of America

- (72) Name(s) of Designer(s): **Bartley K. Andre and Daniel J. Coster and Daniele De Iuliis and Richard P. Howarth and Jonathan P. Ive and Steve Jobs and Duncan Robert Kerr and Shin Nishibori and Matthew Dean Rohrbach and Peter Russell-Clarke and Douglas B. Satzger and Calvin Q. Seid and Christopher J. Stringer and Eugene Antony Whang and Rico Zorkendorfer**

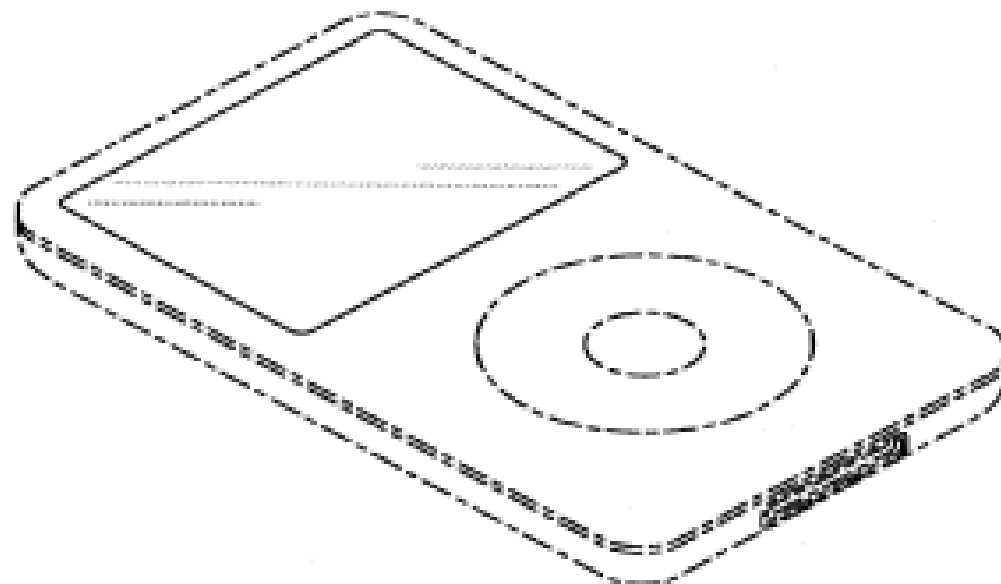
(45) Registration Date: **02 June 2008**

(30) Convention priority data:

(31) Number	(32) Date	(33) Country
29/284189	31 Aug 2007	UNITED STATES OF AMERICA

(56) Related Art Documents: **Not Applicable**

(57) Statement of Newness and Distinctiveness: **Newness and distinctiveness is claimed in the shape and/or configuration of an electronic device as shown in solid lines in the accompanying representations.**



(19) AU

- (21) Design Number: **10818/2008**
- (22) Date of Filing Application: **21 February 2008**
- (24) Date from which industrial property rights may have effect: **21 February 2008**
- (54) Product in respect of which the design is registered: **Electronic device**
- (51) International Design Classification: **14-01**
- (71) Name(s) and Address(s) of Applicant(s):

Apple Inc.
1 Infinite Loop Cupertino California 95014 United States of America

- (72) Name(s) of Designer(s): **Bartley K. Andre and Daniel J. Coster and Daniele De Iuliis and Richard P. Howarth and Jonathan P. Ive and Steve Jobs and Duncan Robert Kerr and Shin Nishibori and Matthew Dean Rohrbach and Peter Russell-Clarke and Douglas B. Satzger and Calvin Q. Seid and Christopher J. Stringer and Eugene Antony Whang and Rico Zorkendorfer**

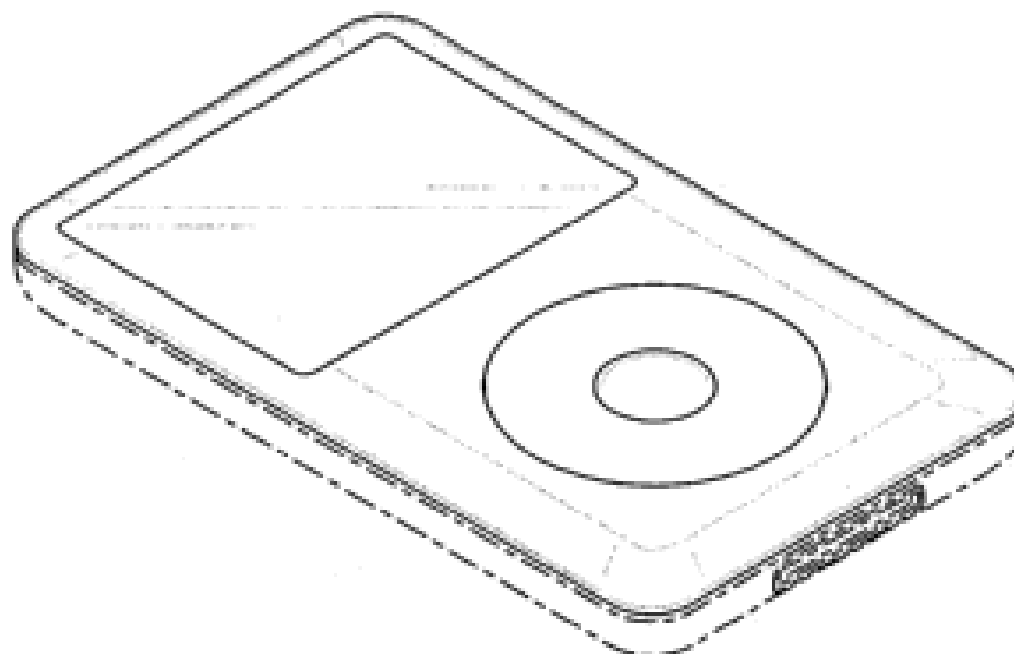
(45) Registration Date: **02 June 2008**

(30) Convention priority data:

(31) Number	(32) Date	(33) Country
29/284189	31 Aug 2007	UNITED STATES OF AMERICA

(56) Related Art Documents: **Not Applicable**

(57) Statement of Newness and Distinctiveness: **Newness and distinctiveness is claimed in the shape and/or configuration of an electronic device as shown in solid lines in the accompanying representations.**



- (21) Design Number: **10819/2008**
- (22) Date of Filing Application: **21 February 2008**
- (24) Date from which industrial property rights may have effect: **21 February 2008**
- (54) Product in respect of which the design is registered: **Electronic device**
- (51) International Design Classification: **14-01**
- (71) Name(s) and Address(s) of Applicant(s):

Apple Inc.
1 Infinite Loop Cupertino California 95014 United States of America

- (72) Name(s) of Designer(s): **Bartley K. Andre and Daniel J. Coster and Daniele De Iuliis and Richard P. Howarth and Jonathan P. Ive and Steve Jobs and Duncan Robert Kerr and Shin Nishibori and Matthew Dean Rohrbach and Peter Russell-Clarke and Douglas B. Satzger and Calvin Q. Seid and Christopher J. Stringer and Eugene Antony Whang and Rico Zorkendorfer**

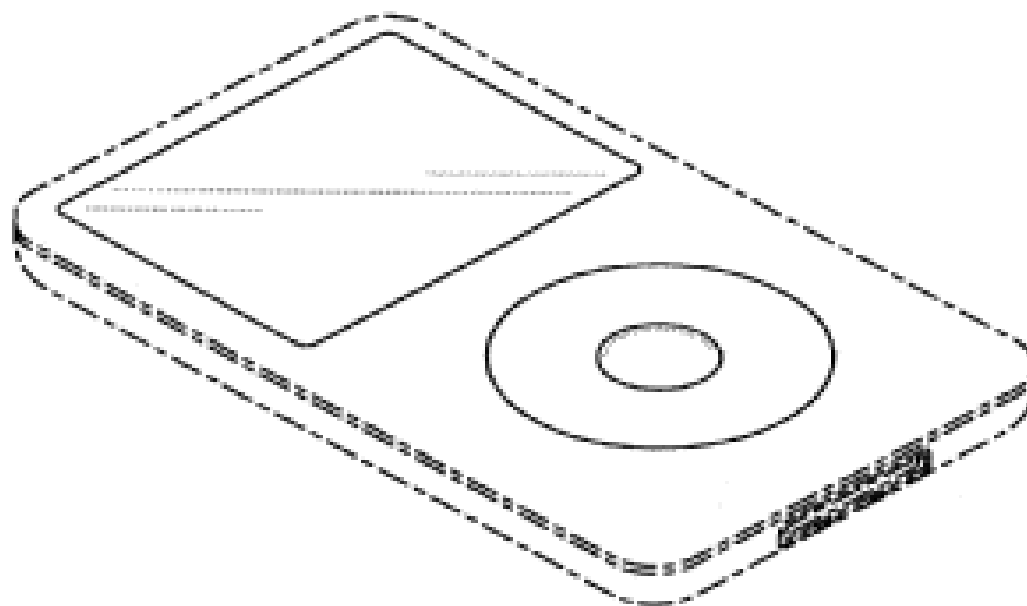
(45) Registration Date: **02 June 2008**

(30) Convention priority data:

(31) Number	(32) Date	(33) Country
29/284189	31 Aug 2007	UNITED STATES OF AMERICA

(56) Related Art Documents: **Not Applicable**

(57) Statement of Newness and Distinctiveness: **Newness and distinctiveness is claimed in the shape and/or configuration of an electronic device as shown in solid lines in the accompanying representations.**



- (21) Design Number: **10820/2008**
- (22) Date of Filing Application: **21 February 2008**
- (24) Date from which industrial property rights may have effect: **21 February 2008**
- (54) Product in respect of which the design is registered: **Electronic device**
- (51) International Design Classification: **14-01**
- (71) Name(s) and Address(s) of Applicant(s):

Apple Inc.
1 Infinite Loop Cupertino California 95014 United States of America

- (72) Name(s) of Designer(s): **Bartley K. Andre and Daniel J. Coster and Daniele De Iuliis and Richard P. Howarth and Jonathan P. Ive and Steve Jobs and Duncan Robert Kerr and Shin Nishibori and Matthew Dean Rohrbach and Peter Russell-Clarke and Douglas B. Satzger and Calvin Q. Seid and Christopher J. Stringer and Eugene Antony Whang and Rico Zorkendorfer**

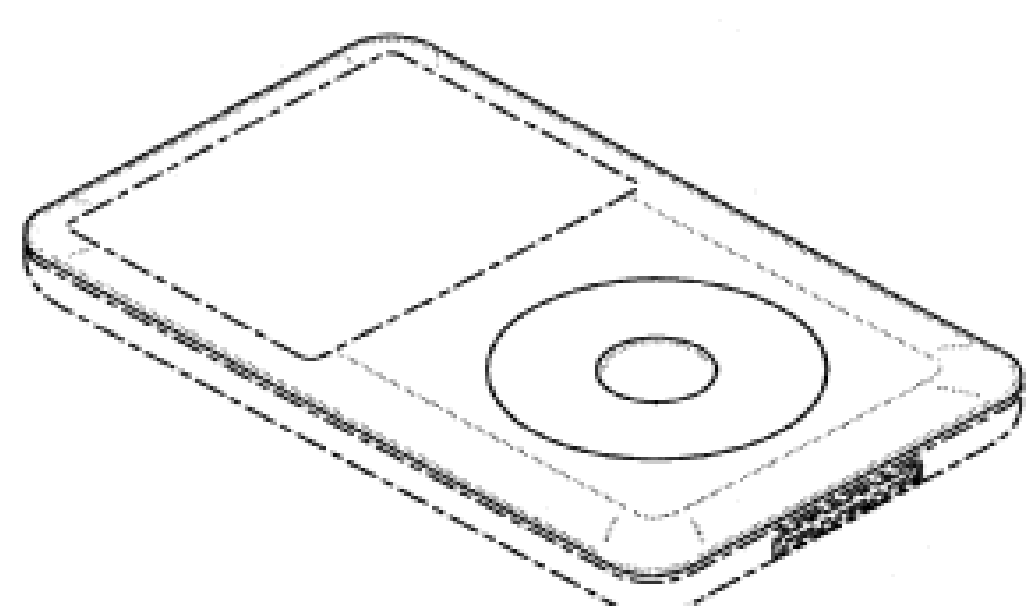
(45) Registration Date: **02 June 2008**

(30) Convention priority data:

(31) Number	(32) Date	(33) Country
29/284189	31 Aug 2007	UNITED STATES OF AMERICA

(56) Related Art Documents: **Not Applicable**

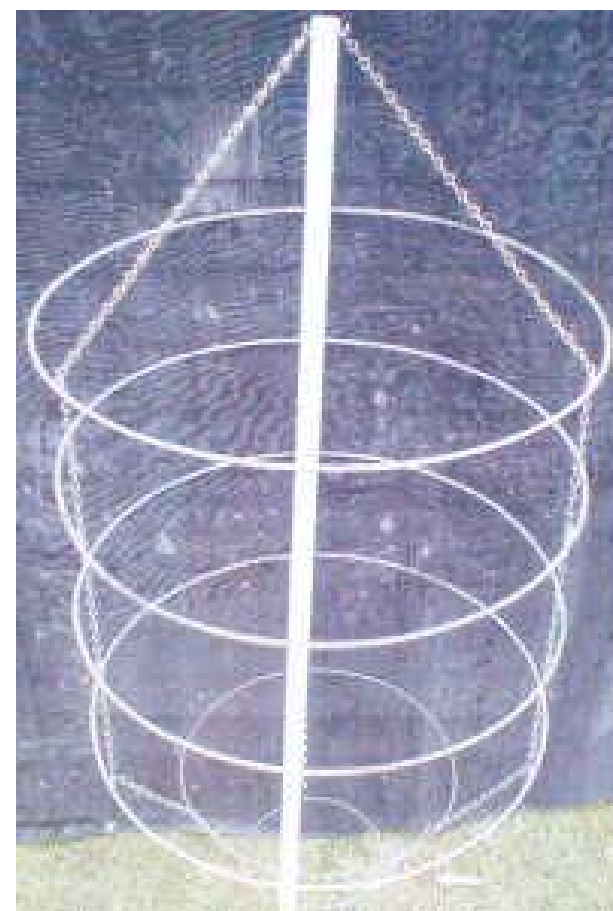
(57) Statement of Newness and Distinctiveness: **Newness and distinctiveness is claimed in the shape and/or configuration of an electronic device as shown in solid lines in the accompanying representations.**



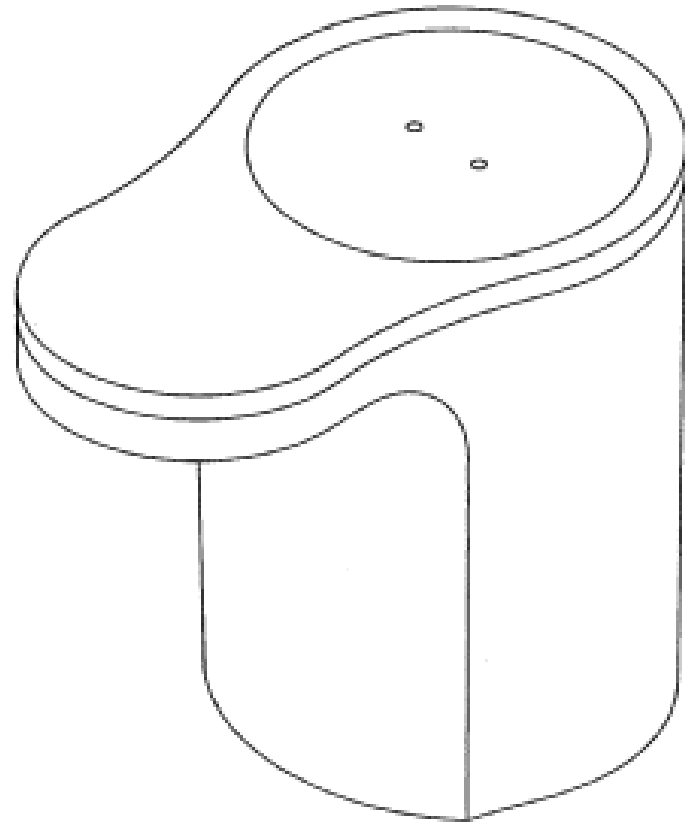
- (21) Design Number: **10557/2008**
(22) Date of Filing Application: **07 February 2008**
(24) Date from which industrial property rights may have effect: **07 February 2008**
(54) Product in respect of which the design is registered: **Cigarette butt disposal bin**
(51) International Design Classification: **27-03**
(71) Name(s) and Address(s) of Applicant(s):
Eric Charles Williams
Unit 2/46-50 Buchanan Road Brooklyn Victoria 3012 Australia
(72) Name(s) of Designer(s): **Eric Charles Williams**
(45) Registration Date: **02 June 2008**
(56) Related Art Documents: **Not Applicable**
(57) Statement of Newness and Distinctiveness: **The opening flap door mechanism to open the butt out bollard bin to remove the cigarette butt waste.**



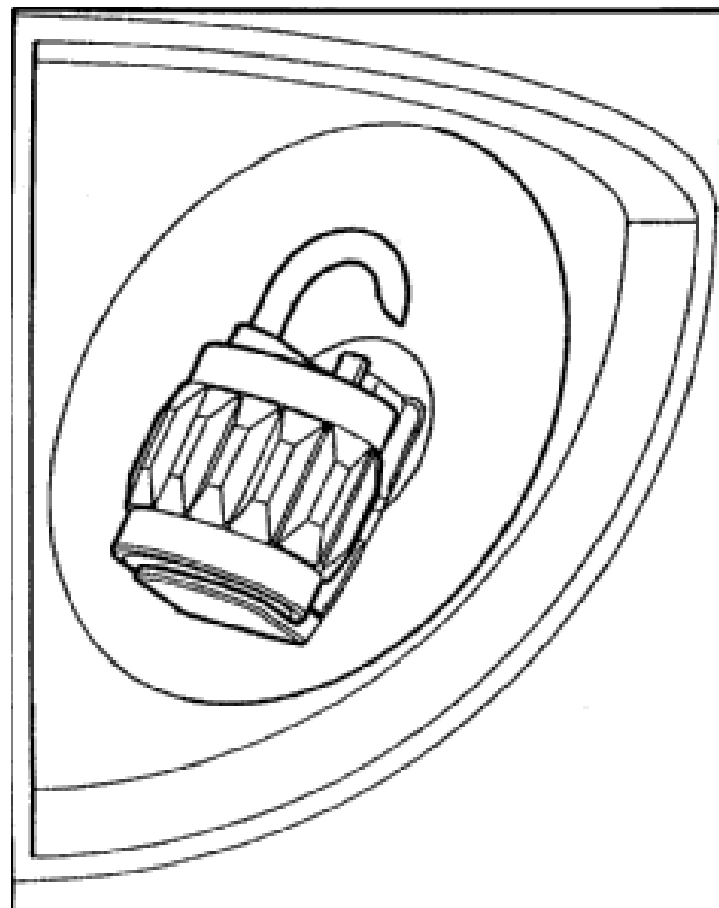
- (21) Design Number: **10741/2008**
(22) Date of Filing Application: **19 February 2008**
(24) Date from which industrial property rights may have effect: **19 February 2008**
(54) Product in respect of which the design is registered: **Plant frame**
(51) International Design Classification: **08-08NES**
(71) Name(s) and Address(s) of Applicant(s):
Shaye Holtom
2/11 Moldavia Street Tuart Hill Western Australia 6060 Australia
(72) Name(s) of Designer(s): **Shaye Holtom**
(45) Registration Date: **02 June 2008**
(56) Related Art Documents: **Not Applicable**
(57) Statement of Newness and Distinctiveness: **1. Product is narrower at the bottom (smaller hoops); 2. Product hangs from existing stake (stake not included); 3. Product flat packs.**



- (21) Design Number: **10754/2008**
(22) Date of Filing Application: **19 February 2008**
(24) Date from which industrial property rights may have effect: **19 February 2008**
(54) Product in respect of which the design is registered: **Hand dryer**
(51) International Design Classification: **15-05, 28-03NES**
(71) Name(s) and Address(s) of Applicant(s):
Mitsubishi Electronic Corporation
7-3 Marunouchi 2-Chome Chiyoda-ku Tokyo 100-8310 Japan
(72) Name(s) of Designer(s): **Hiroyuki Kato and Kei Kasuga**
(45) Registration Date: **02 June 2008**
(30) Convention priority data:
(31) Number (32) Date (33) Country
2007-022467 20 Aug 2007 JAPAN
(56) Related Art Documents: **Not Applicable**
(57) Statement of Newness and Distinctiveness: **Newness and distinctiveness is claimed in the features of shape and/or configuration of a hand dryer as illustrated in the accompanying representations.**



- (21) Design Number: **10757/2008**
(22) Date of Filing Application: **19 February 2008**
(24) Date from which industrial property rights may have effect: **19 February 2008**
(54) Product in respect of which the design is registered: **Packaging for a USB stick**
(51) International Design Classification: **09-05**
(71) Name(s) and Address(s) of Applicant(s):
Swarovski Akiengesellschaft
Droschistrasse 15 Triesen 9495 Liechtenstein
Koninklijke Philips Electronics N.V.
Groenewoudseweg 1 5621 BA Eindhoven The Netherlands
(72) Name(s) of Designer(s): **Raymond Chong Bing**
(45) Registration Date: **02 June 2008**
(30) Convention priority data:
(31) Number (32) Date (33) Country
000781513 31 Aug 2007 EUROPEAN COMMUNITY
(56) Related Art Documents: **Not Applicable**
(57) Statement of Newness and Distinctiveness: **Newness and distinctiveness resides in the features of the design as shown in the representations.**



(21) Design Number: **10760/2008**

(22) Date of Filing Application: **19 February 2008**

(24) Date from which industrial property rights may have effect: **19 February 2008**

(54) Product in respect of which the design is registered: **A flag**

(51) International Design Classification: **11-05**

(71) Name(s) and Address(s) of Applicant(s):

Dorothy Rose Bryne

12 Judith Avenue Boronia Victoria 3155 Australia

(72) Name(s) of Designer(s): **Dorothy Byrne**

(45) Registration Date: **02 June 2008**

(56) Related Art Documents: **Not Applicable**

(57) Statement of Newness and Distinctiveness: **Aboriginal colours of black red and yellow are included in centre of map of Australia which is surrounded by sea.**



(21) Design Number: **10767/2008**

(22) Date of Filing Application: **19 February 2008**

(24) Date from which industrial property rights may have effect: **19 February 2008**

(54) Product in respect of which the design is registered: **Air-conditioner**

(51) International Design Classification: **23-04**

(71) Name(s) and Address(s) of Applicant(s):

Daikin Industries Ltd.

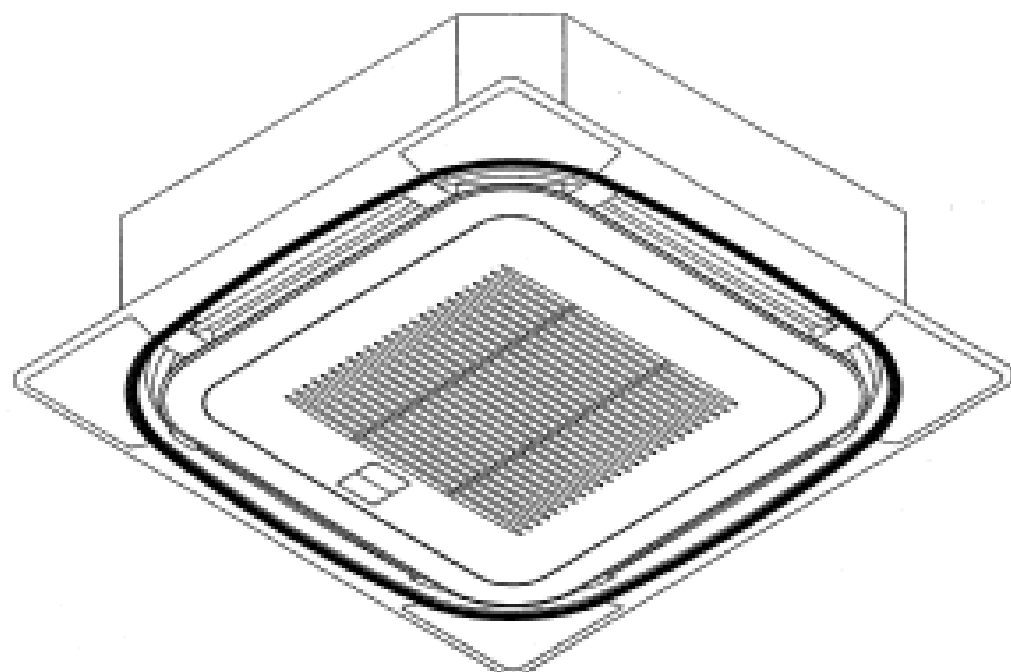
**Umeda Center Building 4-12 Nakazaki-Nishi 2-chome Kita-Ku
Osaka-shi Osaka-fu Japan**

(72) Name(s) of Designer(s): **Hiroko Kashimoto**

(45) Registration Date: **02 June 2008**

(56) Related Art Documents: **Not Applicable**

(57) Statement of Newness and Distinctiveness: **Nil**



- (21) Design Number: **21461/2007**
- (22) Date of Filing Application: **19 December 2007**
- (24) Date from which industrial property rights may have effect: **19 December 2007**
- (54) Product in respect of which the design is registered: **Gutter bracket**
- (51) International Design Classification: **08-08L**
- (71) Name(s) and Address(s) of Applicant(s):

Kenneth Lever Mack trading as Mack Bros.
1054-1058 Glenhuntly Road Caulfield Victoria 3162 Australia

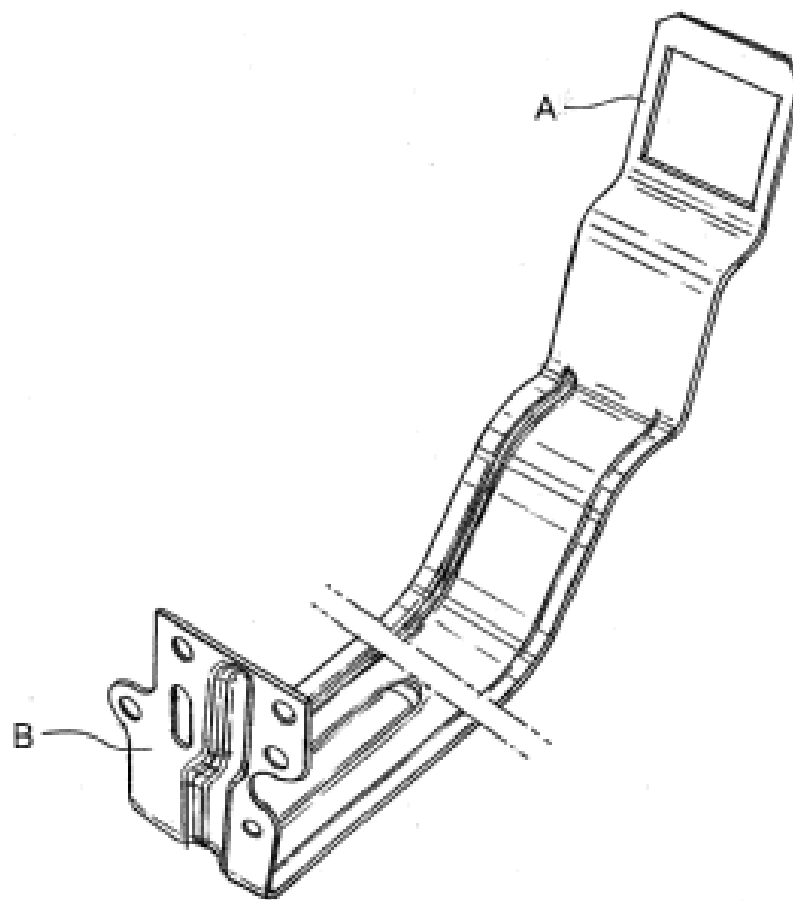
Lawrence Horner Mack trading as Mack Bros.
1054-1058 Glenhuntly Road Caulfield Victoria 3162 Australia

- (72) Name(s) of Designer(s): **Wayne Lawrence Mack and Ian Charles Mack**

- (45) Registration Date: **03 June 2008**

- (56) Related Art Documents: **Not Applicable**

- (57) Statement of Newness and Distinctiveness: **Those features of the gutter bracket depicted in the representations that are new and distinctive are the shape and/or configuration. The shape of the end section marked "A" is to be disregarded when considering the overall impression of the design. The gutter bracket is of indefinite length. The height of the end section marked "B" can vary.**



- (21) Design Number: **21462/2007**
- (22) Date of Filing Application: **19 December 2007**
- (24) Date from which industrial property rights may have effect: **19 December 2007**
- (54) Product in respect of which the design is registered: **Gutter bracket**
- (51) International Design Classification: **08-08L**
- (71) Name(s) and Address(s) of Applicant(s):

Kenneth Lever Mack trading as Mack Bros.
1054-1058 Glenhuntly Road Caulfield Victoria 3162 Australia

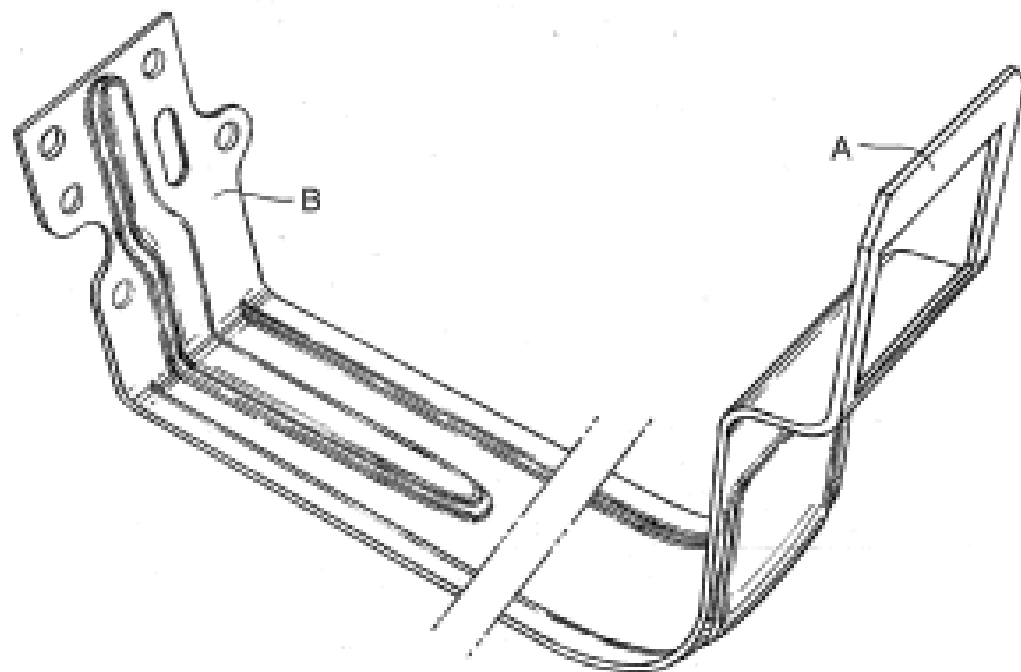
Lawrence Horner Mack trading as Mack Bros.
1054-1058 Glenhuntly Road Caulfield Victoria 3162 Australia

- (72) Name(s) of Designer(s): **Wayne Lawrence Mack and Ian Charles Mack**

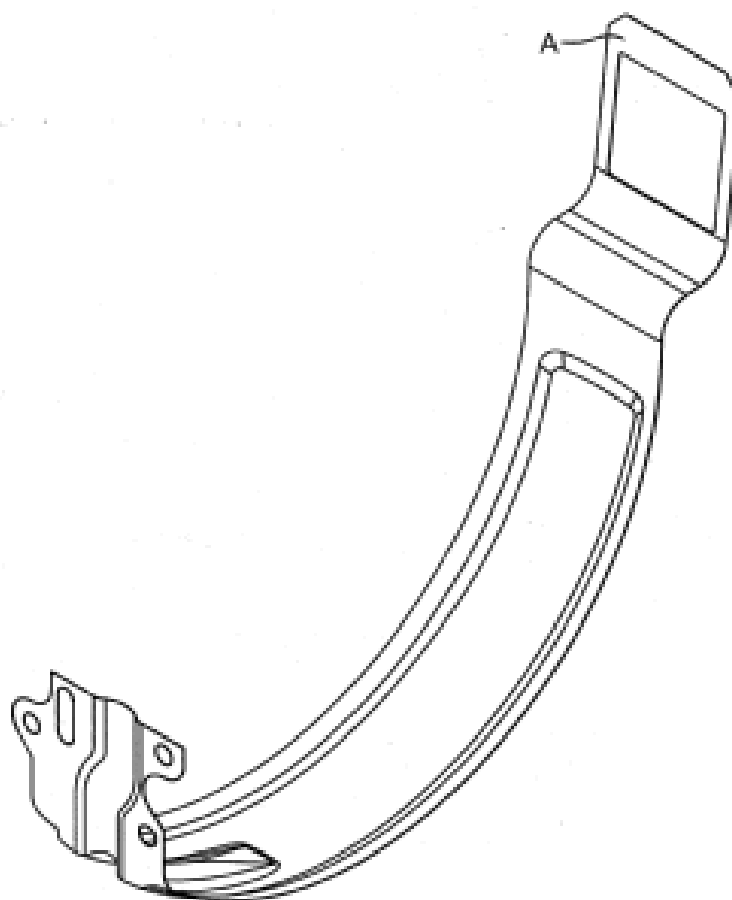
- (45) Registration Date: **03 June 2008**

- (56) Related Art Documents: **Not Applicable**

- (57) Statement of Newness and Distinctiveness: **Those features of the gutter bracket depicted in the representations that are new and distinctive are the shape and/or configuration. The shape of the end section marked "A" is to be disregarded when considering the overall impression of the design. The gutter bracket is of indefinite length. The height of the end section marked "B" can vary.**



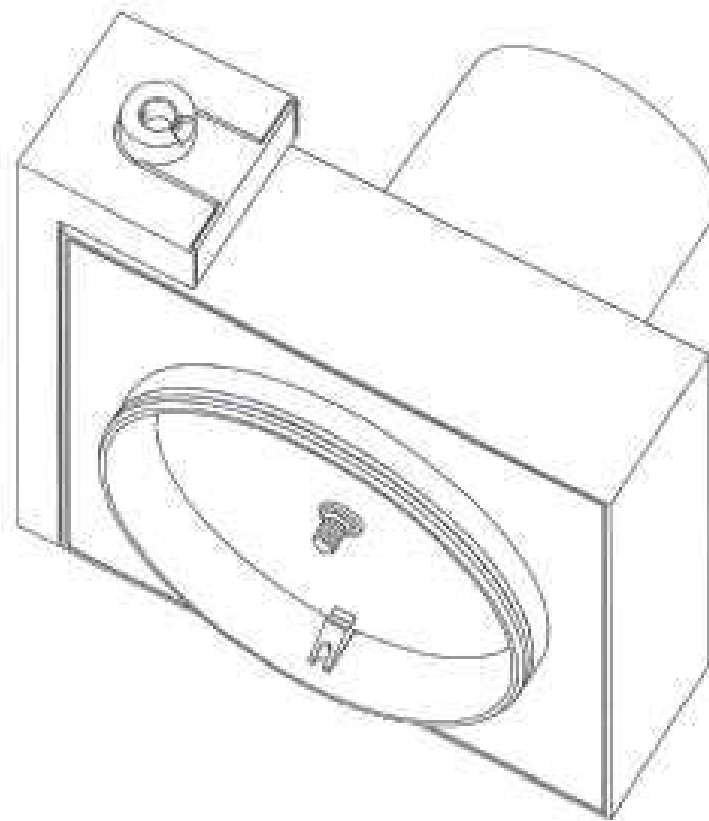
- (21) Design Number: **21463/2007**
(22) Date of Filing Application: **19 December 2007**
(24) Date from which industrial property rights may have effect: **19 December 2007**
(54) Product in respect of which the design is registered: **Gutter bracket**
(51) International Design Classification: **08-08L**
(71) Name(s) and Address(s) of Applicant(s):
Kenneth Lever Mack trading as Mack Bros.
1054-1058 Glenhuntly Road Caulfield Victoria 3162 Australia
Lawrence Horner Mack trading as Mack Bros.
1054-1058 Glenhuntly Road Caulfield Victoria 3162 Australia
(72) Name(s) of Designer(s): **Wayne Lawrence Mack and Ian Charles Mack**
(45) Registration Date: **03 June 2008**
(56) Related Art Documents: **Not Applicable**
(57) Statement of Newness and Distinctiveness: **Those features of the gutter bracket depicted in the representations that are new and distinctive are the shape and/or configuration. The shape of the end section marked "A" is to be disregarded when considering the overall impression of the design.**



- (21) Design Number: **10194/2008**
(22) Date of Filing Application: **17 January 2008**
(24) Date from which industrial property rights may have effect: **17 January 2008**
(54) Product in respect of which the design is registered: **Bar chair**
(51) International Design Classification: **25-01B**
(71) Name(s) and Address(s) of Applicant(s):
Martin Randall
2A Wattle Avenue Biggera Waters Queensland 4216 Australia
(72) Name(s) of Designer(s): **Martin Randall**
(45) Registration Date: **03 June 2008**
(56) Related Art Documents: **Not Applicable**
(57) Statement of Newness and Distinctiveness: **Newness and distinctiveness resides in the shape and configuration of a ferrule chair as shown in figs 1.1 to 1.7.**



(21) Design Number: **10447/2008**
(22) Date of Filing Application: **01 February 2008**
(24) Date from which industrial property rights may have effect: **01 February 2008**
(54) Product in respect of which the design is registered: **Lighting apparatus**
(51) International Design Classification: **26-05C**
(71) Name(s) and Address(s) of Applicant(s):
ERCO Leuchten GmbH
Brockhauser Weg 80-82 58507 Ludenscheid Germany
(72) Name(s) of Designer(s): **Naoto Fukasawa**
(45) Registration Date: **03 June 2008**
(30) Convention priority data:
(31) Number (32) Date (33) Country
000774005 13 Aug 2007 EUROPEAN COMMUNITY
(56) Related Art Documents: **Not Applicable**
(57) Statement of Newness and Distinctiveness: **Nil**



(21) Design Number: **10451/2008**
(22) Date of Filing Application: **01 February 2008**
(24) Date from which industrial property rights may have effect: **01 February 2008**
(54) Product in respect of which the design is registered: **Lighting apparatus**
(51) International Design Classification: **26-05C**
(71) Name(s) and Address(s) of Applicant(s):
ERCO Leuchten GmbH
Brockhauser Weg 80-82 58507 Ludenscheid Germany
(72) Name(s) of Designer(s): **Henk Kosche**
(45) Registration Date: **03 June 2008**
(30) Convention priority data:
(31) Number (32) Date (33) Country
000774005 13 Aug 2007 EUROPEAN COMMUNITY
(56) Related Art Documents: **Not Applicable**
(57) Statement of Newness and Distinctiveness: **Nil**



(21) Design Number: **10452/2008**

(22) Date of Filing Application: **01 February 2008**

(24) Date from which industrial property rights may have effect: **01 February 2008**

(54) Product in respect of which the design is registered: **Lighting apparatus**

(51) International Design Classification: **26-05C**

(71) Name(s) and Address(s) of Applicant(s):

**ERCO Leuchten GmbH
Brockhauser Weg 80-82 58507 Ludenscheid Germany**

(72) Name(s) of Designer(s): **Henk Kosche**

(45) Registration Date: **03 June 2008**

(30) Convention priority data:

(31) Number	(32) Date	(33) Country
000774005	13 Aug 2007	EUROPEAN COMMUNITY

(56) Related Art Documents: **Not Applicable**

(57) Statement of Newness and Distinctiveness: **Nil**



(21) Design Number: **10576/2008**

(22) Date of Filing Application: **11 February 2008**

(24) Date from which industrial property rights may have effect: **11 February 2008**

(54) Product in respect of which the design is registered: **Bed cradle**

(51) International Design Classification: **06-06F**

(71) Name(s) and Address(s) of Applicant(s):

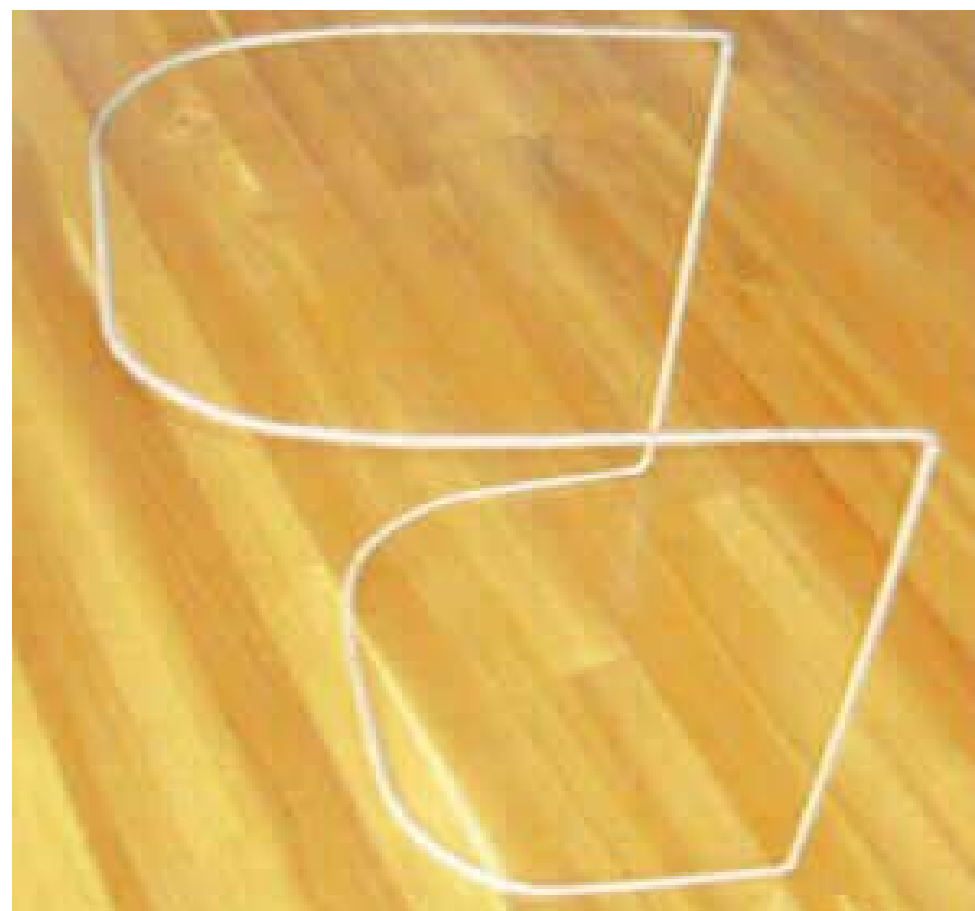
**Lindy Denmeade
51 Boronia Lane Collombatti New South Wales 2440 Australia**

(72) Name(s) of Designer(s): **Lindy Denmeade**

(45) Registration Date: **03 June 2008**

(56) Related Art Documents: **Not Applicable**

(57) Statement of Newness and Distinctiveness: **The new and distinctive features of the design are the struts which are removable to allow for different height adjustments and easy storage.**



(21) Design Number: **10864/2008**

(22) Date of Filing Application: **22 February 2008**

(24) Date from which industrial property rights may have effect: **22 February 2008**

(54) Product in respect of which the design is registered: **Docking station**

(51) International Design Classification: **14-02**

(71) Name(s) and Address(s) of Applicant(s):

Microsoft Corporation
One Microsoft Way Redmond Washington 98052 United States of America

(72) Name(s) of Designer(s): **Carl J. Ledbetter and John Ikeda and Michael Baseflug and Jonathan Reed Harris and Anthony Reed and David Henry Wykes and Rob Jurgens**

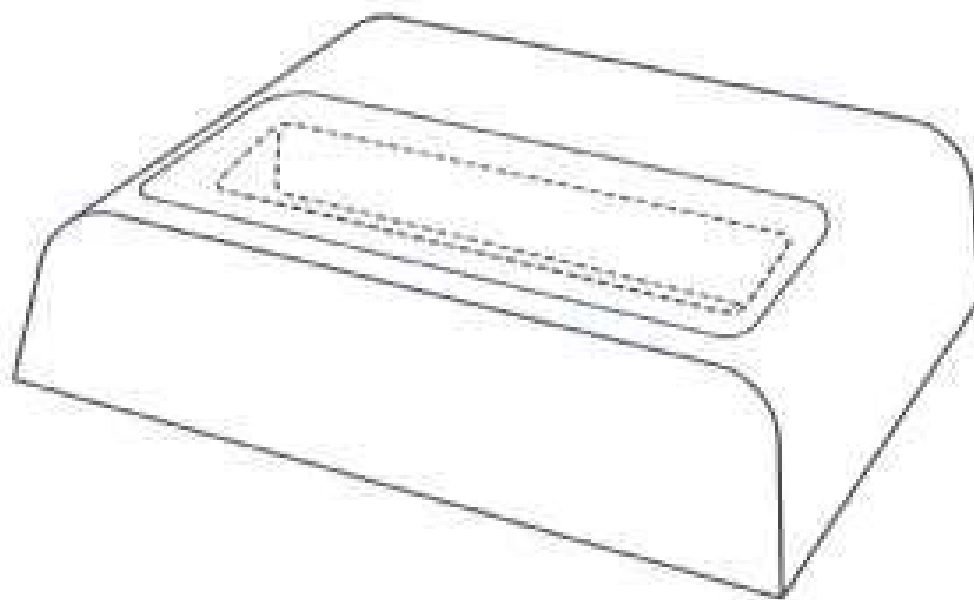
(45) Registration Date: **03 June 2008**

(30) Convention priority data:

(31) Number	(32) Date	(33) Country
29/283834	24 Aug 2007	UNITED STATES OF AMERICA

(56) Related Art Documents: **Not Applicable**

(57) Statement of Newness and Distinctiveness: **Newness and distinctiveness reside in the shape and/or configuration of a docking station illustrated by solid lines in the accompanying representations. The features shown in broken outline are for illustrative purposes only and do not form part of the design.**



(21) Design Number: **10869/2008**

(22) Date of Filing Application: **22 February 2008**

(24) Date from which industrial property rights may have effect: **22 February 2008**

(54) Product in respect of which the design is registered: **Card holder**

(51) International Design Classification: **03-01B**

(71) Name(s) and Address(s) of Applicant(s):

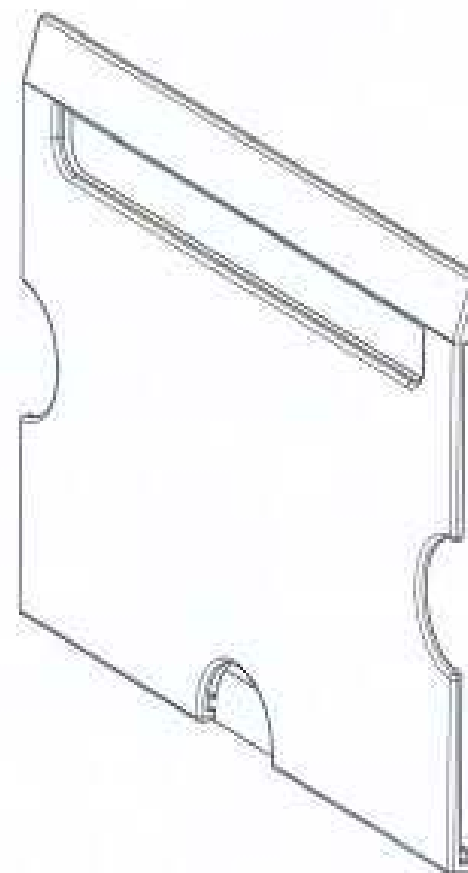
Henricus Antonius Kempis
PO Box 266 North beach Western Australia 6920 Australia

(72) Name(s) of Designer(s): **Henricus Antonius Kempis**

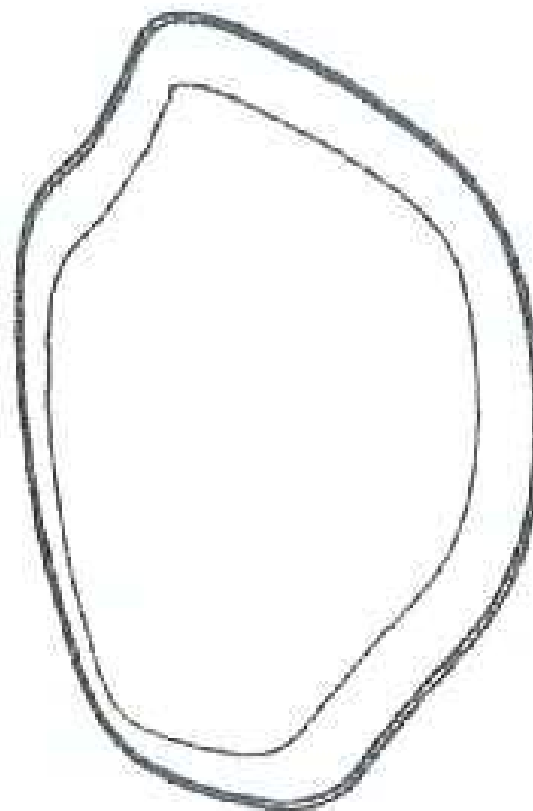
(45) Registration Date: **03 June 2008**

(56) Related Art Documents: **Not Applicable**

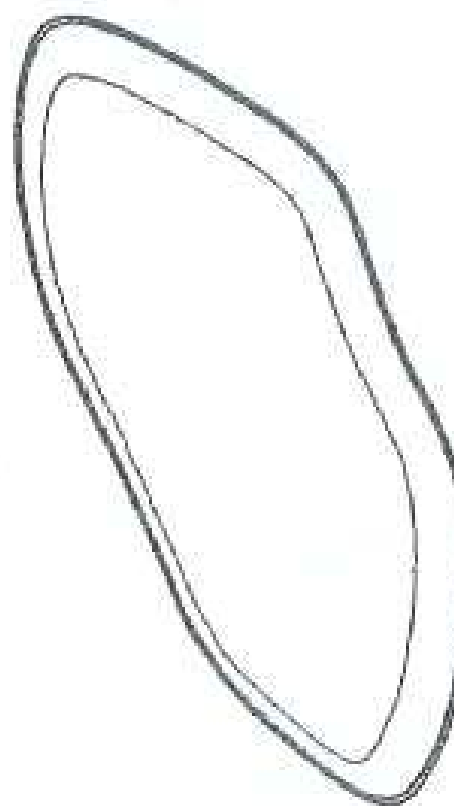
(57) Statement of Newness and Distinctiveness: **Newness and distinctiveness is claimed in the shape and/or configuration of a card holder as illustrated in the accompanying representations.**



(21) Design Number: **10870/2008**
(22) Date of Filing Application: **22 February 2008**
(24) Date from which industrial property rights may have effect: **22 February 2008**
(54) Product in respect of which the design is registered: **Ball-of-foot cushion**
(51) International Design Classification: **02-04A**
(71) Name(s) and Address(s) of Applicant(s):
LRC Products Limited
35 New Bridge Street London EC4V 6BW United Kingdom
(72) Name(s) of Designer(s): **Judith Christine Anders and Gael Vanora Laurie and Robert Francis Fleck**
(45) Registration Date: **03 June 2008**
(30) Convention priority data:
(31) Number (32) Date (33) Country
000779335-0001 22 Aug 2007 EUROPEAN COMMUNITY
(56) Related Art Documents: **Not Applicable**
(57) Statement of Newness and Distinctiveness: **The ball-of-foot cushion shown in the representations is new and distinctive.**



(21) Design Number: **10872/2008**
(22) Date of Filing Application: **22 February 2008**
(24) Date from which industrial property rights may have effect: **22 February 2008**
(54) Product in respect of which the design is registered: **Ball-of-foot cushion**
(51) International Design Classification: **02-04A**
(71) Name(s) and Address(s) of Applicant(s):
LRC Products Limited
35 New Bridge Street London EC4V 6BW United Kingdom
(72) Name(s) of Designer(s): **Judith Christine Anders and Gael Vanora Laurie and Robert Francis Fleck**
(45) Registration Date: **03 June 2008**
(30) Convention priority data:
(31) Number (32) Date (33) Country
000779335-0002 22 Aug 2007 EUROPEAN COMMUNITY
(56) Related Art Documents: **Not Applicable**
(57) Statement of Newness and Distinctiveness: **The ball-of-foot cushion shown in the representations is new and distinctive.**



(21) Design Number: **10873/2008**

(22) Date of Filing Application: **22 February 2008**

(24) Date from which industrial property rights may have effect: **22 February 2008**

(54) Product in respect of which the design is registered: **Powered door operator**

(51) International Design Classification: **08-07**

(71) Name(s) and Address(s) of Applicant(s):

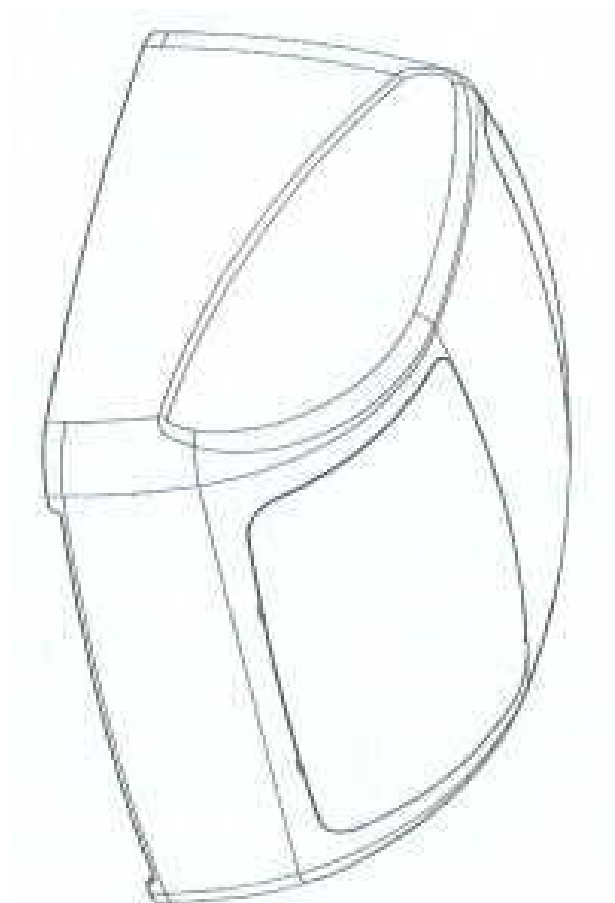
**Automatic Technology (Australia) Pty Ltd
6-8 Fiveways Boulevard Keysborough Victoria 3173 Australia**

(72) Name(s) of Designer(s): **Travis Smith and Toan Dang and George Karban and Ray Hawkins**

(45) Registration Date: **03 June 2008**

(56) Related Art Documents: **Not Applicable**

(57) Statement of Newness and Distinctiveness: **Newness and distinctiveness is claimed in the features of shape and/or configuration of the powered door operator as shown in the representations.**



(21) Design Number: **10877/2008**

(22) Date of Filing Application: **22 February 2008**

(24) Date from which industrial property rights may have effect: **22 February 2008**

(54) Product in respect of which the design is registered: **Swimming cap**

(51) International Design Classification: **02-03**

(71) Name(s) and Address(s) of Applicant(s):

**Speedo International Limited
8 Manchester Square London W1U 3PH United Kingdom**

(72) Name(s) of Designer(s): **Christopher Booker**

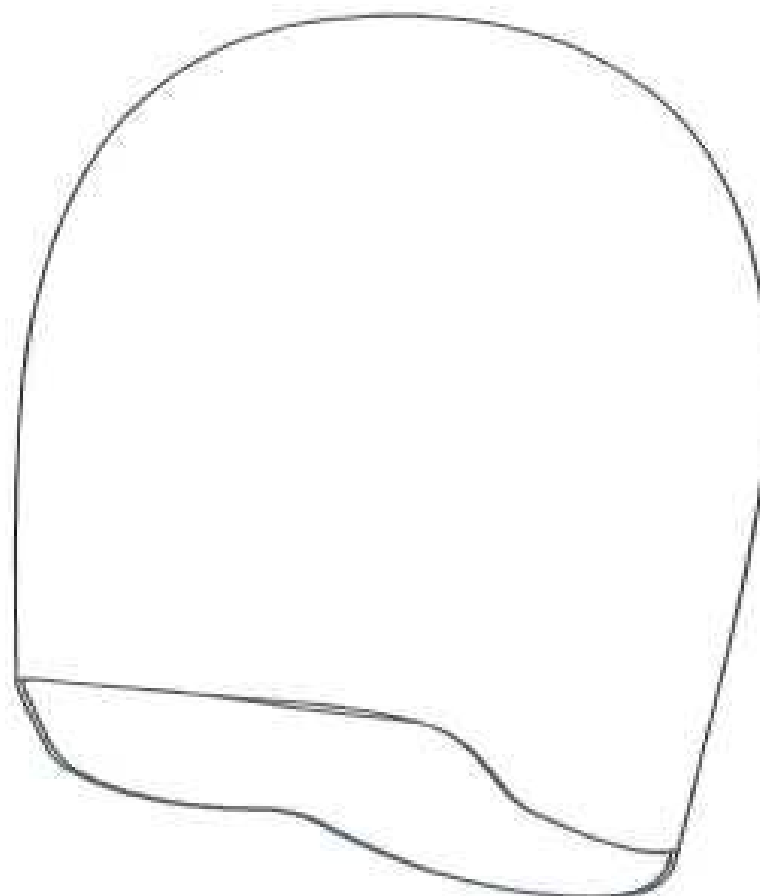
(45) Registration Date: **03 June 2008**

(30) Convention priority data:

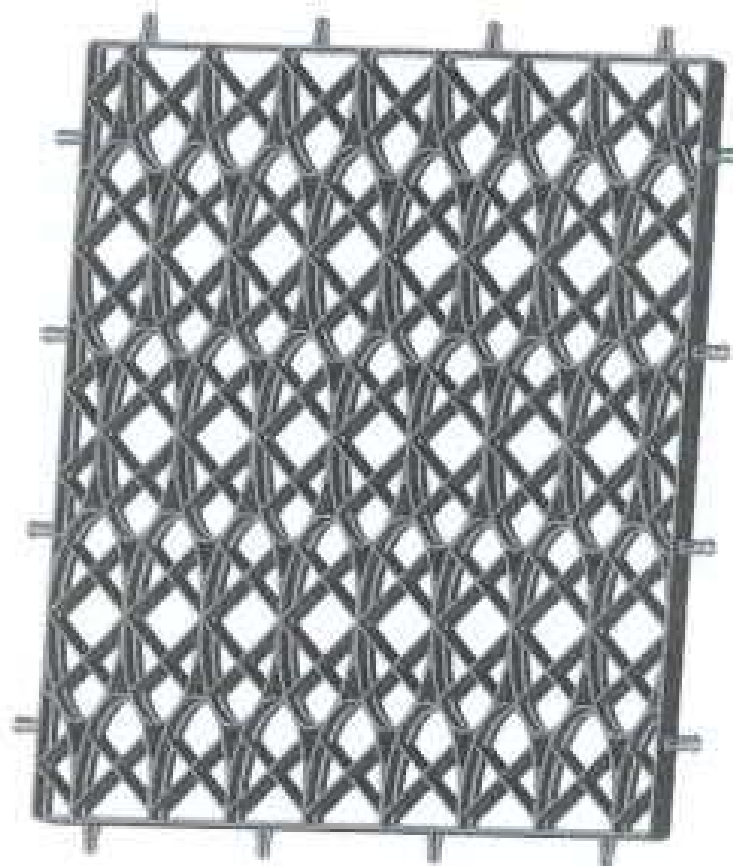
(31) Number	(32) Date	(33) Country
000856968-0002	08 Jan 2008	EUROPEAN COMMUNITY

(56) Related Art Documents: **Not Applicable**

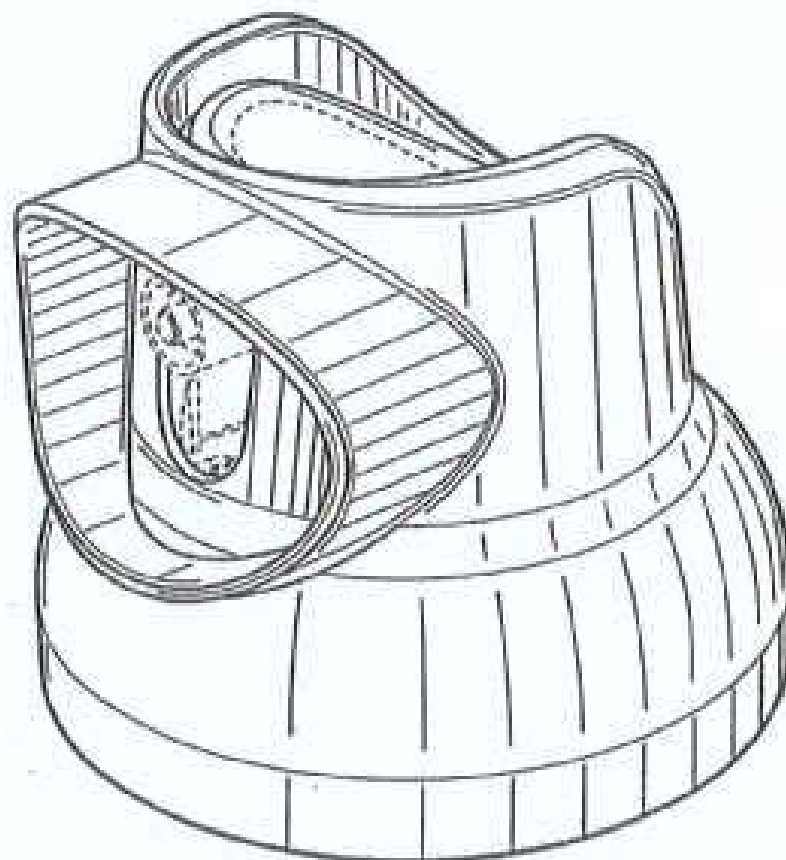
(57) Statement of Newness and Distinctiveness: **Newness and distinctiveness reside in the contouring of the opening of the cap in particular the manner in which it dips downwardly from the brow over the portion which covers the the ears then downwardly again at the nape as shown in the representations of the design.**



- (21) Design Number: **10882/2008**
(22) Date of Filing Application: **22 February 2008**
(24) Date from which industrial property rights may have effect: **22 February 2008**
(54) Product in respect of which the design is registered: **Fluid storage and dispersion tank underground internal tank panel**
(51) International Design Classification: **23-01F**
(71) Name(s) and Address(s) of Applicant(s):
Reshmaben Desai
34 Ashcott Street Kings Langley New South Wales 2147 Australia
(72) Name(s) of Designer(s): **Reshma Desai**
(45) Registration Date: **03 June 2008**
(56) Related Art Documents: **Not Applicable**
(57) Statement of Newness and Distinctiveness: **Each feature of the design considered separately or in combination with any other feature or features. No uniqueness is claimed for pegs on the surface, as stand alone.**



- (21) Design Number: **10886/2008**
(22) Date of Filing Application: **22 February 2008**
(24) Date from which industrial property rights may have effect: **22 February 2008**
(54) Product in respect of which the design is registered: **Actuator cap**
(51) International Design Classification: **09-07A**
(71) Name(s) and Address(s) of Applicant(s):
S.C. Johnson & Son, Inc.
1525 Howe Street Racine Wisconsin 53403-2236 United States of America
(72) Name(s) of Designer(s): **Allen D. Miller and Cory J. Nelson and Vincent H. Bowman**
(45) Registration Date: **03 June 2008**
(30) Convention priority data:
(31) Number (32) Date (33) Country
29/283820 24 Aug 2007 UNITED STATES OF AMERICA
(56) Related Art Documents: **Not Applicable**
(57) Statement of Newness and Distinctiveness: **Newness and distinctiveness is claimed in those features of shape and/or configuration of an actuator cap as illustrated in continuous lines in the accompanying representations.**



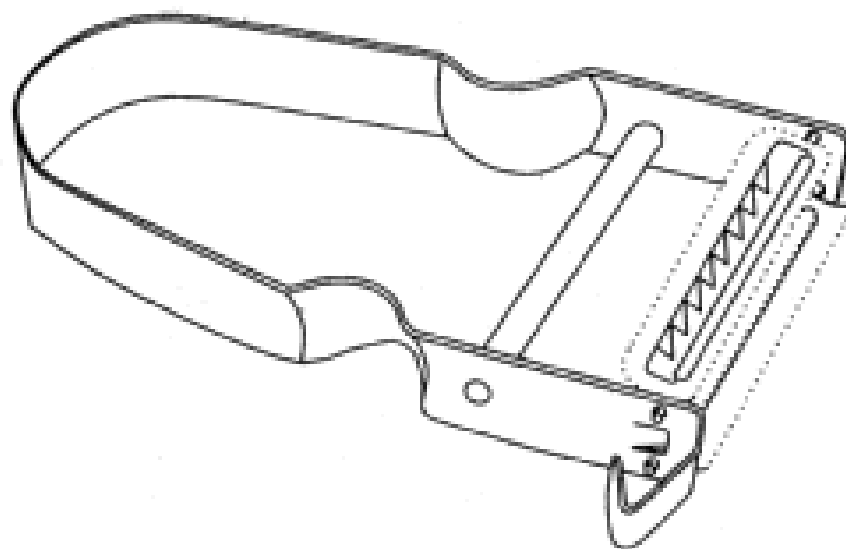
- (21) Design Number: **10897/2008**
(22) Date of Filing Application: **22 February 2008**
(24) Date from which industrial property rights may have effect: **22 February 2008**
(54) Product in respect of which the design is registered: **Support leg**
(51) International Design Classification: **25-01C**
(71) Name(s) and Address(s) of Applicant(s):
Rynat Australia Pty Ltd
25 Adrian Street Welshpool Western Australia 6106 Australia
(72) Name(s) of Designer(s): **Edward Khoury and Ashley Welke and Greg Paramor and Leona Paramor**
(45) Registration Date: **03 June 2008**
(56) Related Art Documents: **Not Applicable**
(57) Statement of Newness and Distinctiveness: **Newness and distinctiveness is claimed in the shape and/or configuration of a support leg as illustrated in the accompanying representations.**



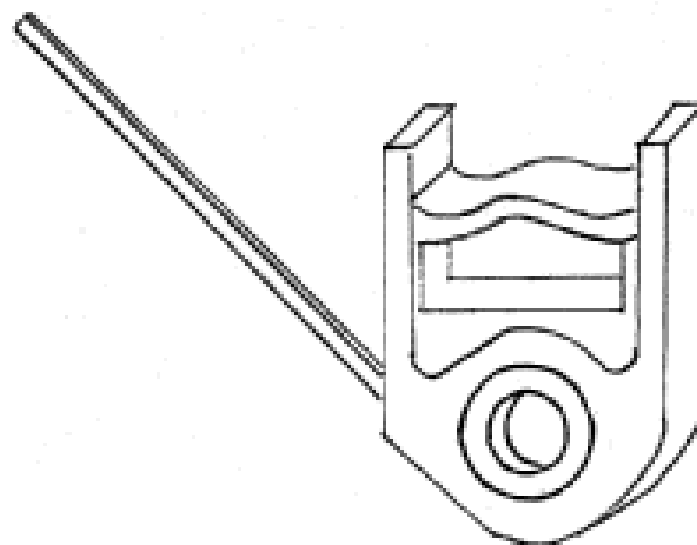
- (21) Design Number: **10148/2008**
(22) Date of Filing Application: **15 January 2008**
(24) Date from which industrial property rights may have effect: **15 January 2008**
(54) Product in respect of which the design is registered: **Peeler**
(51) International Design Classification: **07-04**
(71) Name(s) and Address(s) of Applicant(s):
Ryan Daniel Callanan
36 Waterside Crescent Gulf Harbour Auckland 1463 New Zealand
(72) Name(s) of Designer(s): **Ryan Daniel Callanan**
(45) Registration Date: **03 June 2008**
(30) Convention priority data:

(31) Number	(32) Date	(33) Country
409559	22 Aug 2007	NEW ZEALAND

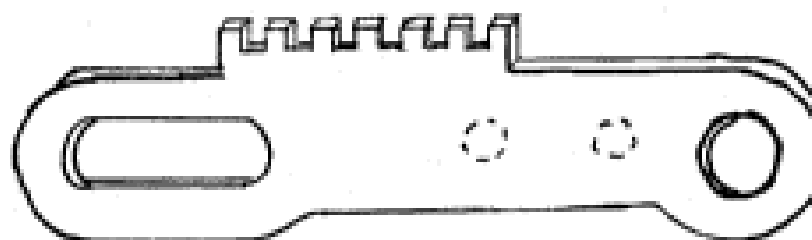
(56) Related Art Documents: **Not Applicable**
(57) Statement of Newness and Distinctiveness: **The novelty of the design resides in the features of shape and configuration of a peeler shown in the accompanying representations. Protection is not sort for the blade designs shown in the accompanying representations with a dotted line.**



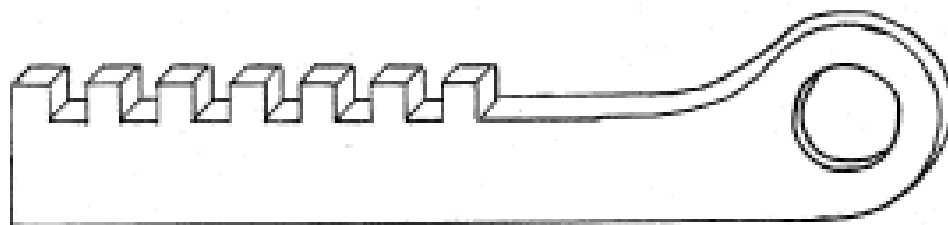
- (21) Design Number: **10218/2008**
(22) Date of Filing Application: **17 January 2008**
(24) Date from which industrial property rights may have effect: **17 January 2008**
(54) Product in respect of which the design is registered: **Actuator member of a tilting mechanism for a chair**
(51) International Design Classification: **06-06G**
(71) Name(s) and Address(s) of Applicant(s):
Eccosit Industries Pty Ltd
16 Lilian Fowler Place Marrickville New South Wales 2204 Australia
(72) Name(s) of Designer(s): **Ni Yongxing**
(45) Registration Date: **03 June 2008**
(56) Related Art Documents: **Not Applicable**
(57) Statement of Newness and Distinctiveness: **Visual features of the design which are new and distinctive are the features of shape and configuration of an actuator member of a tilting mechanism for a chair as illustrated in the solid lines in the representations. The features shown in dashed lines are to be disregarded.**



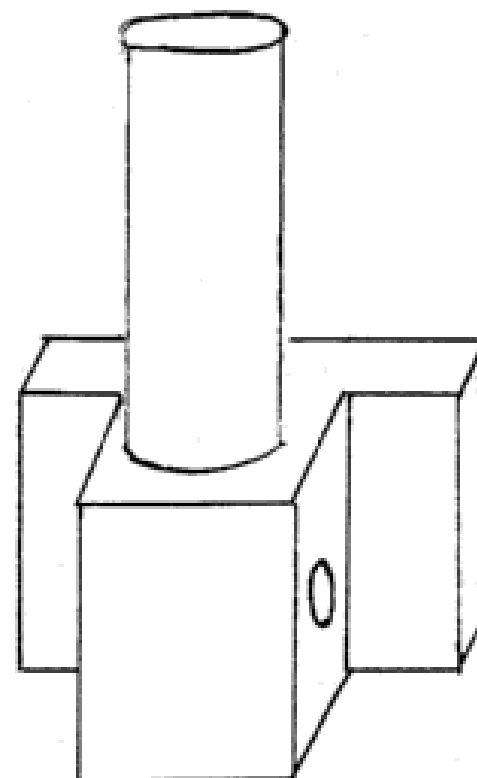
- (21) Design Number: **10219/2008**
(22) Date of Filing Application: **17 January 2008**
(24) Date from which industrial property rights may have effect: **17 January 2008**
(54) Product in respect of which the design is registered: **Slider arm of a tilting mechanism for a chair**
(51) International Design Classification: **06-06G**
(71) Name(s) and Address(s) of Applicant(s):
Eccosit Industries Pty Ltd
16 Lilian Fowler Place Marrickville New South Wales 2204 Australia
(72) Name(s) of Designer(s): **Ni Yongxing**
(45) Registration Date: **03 June 2008**
(56) Related Art Documents: **Not Applicable**
(57) Statement of Newness and Distinctiveness: **Visual features of the design which are new and distinctive are the features of shape and configuration of a slider arm of a tilting mechanism for a chair as illustrated in the solid lines in the representations. In considering the new and distinctive features of the design the number of teeth, and the spacing between adjacent teeth of the design can vary and is to be disregarded. The features shown in dashed lines are to be disregarded.**



- (21) Design Number: **10220/2008**
(22) Date of Filing Application: **17 January 2008**
(24) Date from which industrial property rights may have effect: **17 January 2008**
(54) Product in respect of which the design is registered: **Locking arm of a tilting mechanism for a chair**
(51) International Design Classification: **06-06G**
(71) Name(s) and Address(s) of Applicant(s):
Eccosit Industries Pty Ltd
16 Lilian Fowler Place Marrickville New South Wales 2204 Australia
(72) Name(s) of Designer(s): **Ni Yongxing**
(45) Registration Date: **03 June 2008**
(56) Related Art Documents: **Not Applicable**
(57) Statement of Newness and Distinctiveness: **Visual features of the design which are new and distinctive are the features of shape and configuration of a locking arm of a tilting mechanism for a chair as illustrated in the solid lines in the representations. In considering the new and distinctive features of the design, the number of teeth and the spacing between adjacent teeth of the design can vary, and is to be disregarded. The features shown in dashed lines are to be disregarded.**

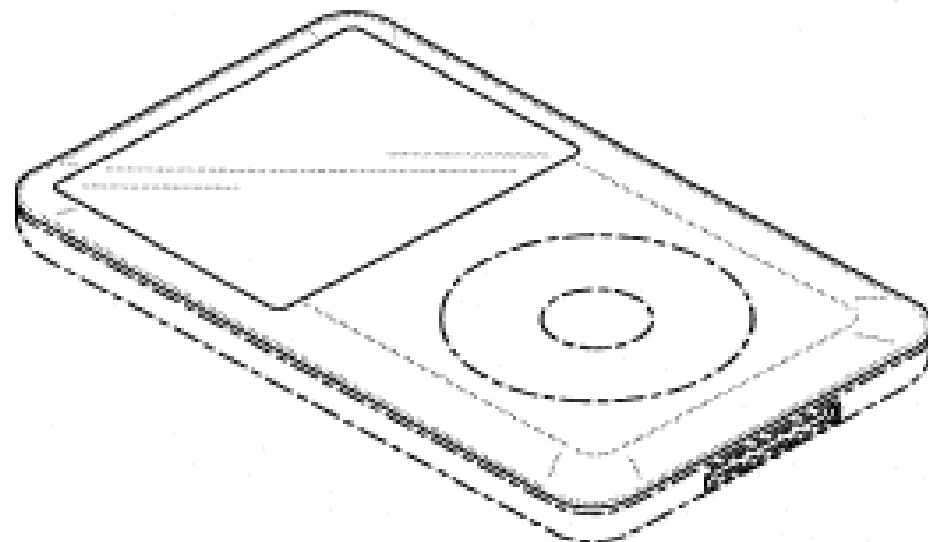


- (21) Design Number: **10221/2008**
(22) Date of Filing Application: **17 January 2008**
(24) Date from which industrial property rights may have effect: **17 January 2008**
(54) Product in respect of which the design is registered: **Connector pin of a tilting mechanism for a chair**
(51) International Design Classification: **06-06G**
(71) Name(s) and Address(s) of Applicant(s):
Eccosit Industries Pty Ltd
16 Lilian Fowler Place Marrickville New South Wales 2204 Australia
(72) Name(s) of Designer(s): **Ni Yongxing**
(45) Registration Date: **03 June 2008**
(56) Related Art Documents: **Not Applicable**
(57) Statement of Newness and Distinctiveness: **Visual features of the design which are new and distinctive are the features of shape and configuration of a connector pin of a tilting mechanism for a chair as illustrated in the representations.**



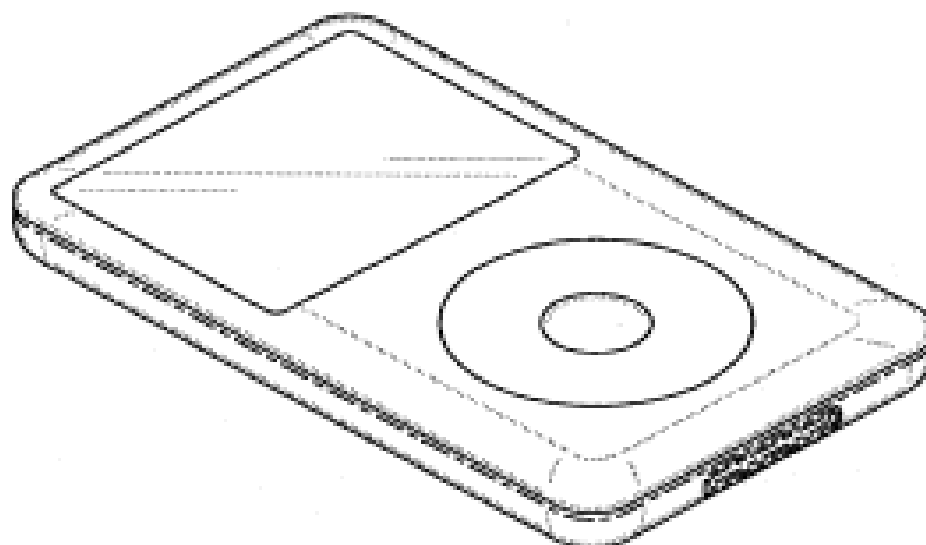
- (21) Design Number: **10821/2008**
- (22) Date of Filing Application: **21 February 2008**
- (24) Date from which industrial property rights may have effect: **21 February 2008**
- (54) Product in respect of which the design is registered: **Electronic device**
- (51) International Design Classification: **14-01**
- (71) Name(s) and Address(s) of Applicant(s):
Apple Inc.
1 Infinite Loop Cupertino California 95014 United States of America
- (72) Name(s) of Designer(s): **Bartley K. Andre and Daniel J. Coster and Daniele De Iuliis and Richard P. Howarth and Jonathan P. Ive and Steve Jobs and Duncan Robert Kerr and Shin Nishibori and Matthew Dean Rohrbach and Peter Russell-Clarke and Douglas B. Satzger and Calvin Q. Seid and Eugene Antony Whang and Rico Zorkendorfer and Christopher J. Stringer**
- (45) Registration Date: **03 June 2008**
- (30) Convention priority data:

(31) Number	(32) Date	(33) Country
29/284189	31 Aug 2007	UNITED STATES OF AMERICA
- (56) Related Art Documents: **Not Applicable**
- (57) Statement of Newness and Distinctiveness: **Newness and distinctiveness is claimed in the shape and/or configuration of an electronic device as shown in solid lines in the accompanying representations.**



- (21) Design Number: **10822/2008**
- (22) Date of Filing Application: **21 February 2008**
- (24) Date from which industrial property rights may have effect: **21 February 2008**
- (54) Product in respect of which the design is registered: **Electronic device**
- (51) International Design Classification: **14-01**
- (71) Name(s) and Address(s) of Applicant(s):
Apple Inc.
1 Infinite Loop Cupertino California 95014 United States of America
- (72) Name(s) of Designer(s): **Bartley K. Andre and Daniel J. Coster and Daniele De Iuliis and Richard P. Howarth and Jonathan P. Ive and Steve Jobs and Duncan Robert Kerr and Shin Nishibori and Matthew Dean Rohrbach and Peter Russell-Clarke and Douglas B. Satzger and Calvin Q. Seid and Christopher J. Stringer and Eugene Antony Whang and Rico Zorkendorfer**
- (45) Registration Date: **03 June 2008**
- (30) Convention priority data:

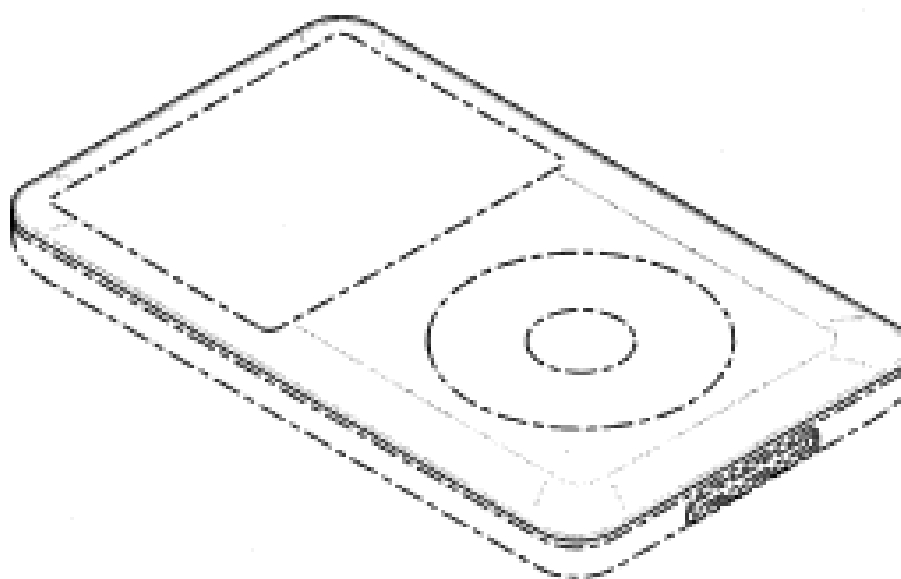
(31) Number	(32) Date	(33) Country
29/284189	31 Aug 2007	UNITED STATES OF AMERICA
- (56) Related Art Documents: **Not Applicable**
- (57) Statement of Newness and Distinctiveness: **Newness and distinctiveness is claimed in the shape and/or configuration of an electronic device as shown in solid lines in the accompanying representations.**



(19) AU

- (21) Design Number: **10823/2008**
- (22) Date of Filing Application: **21 February 2008**
- (24) Date from which industrial property rights may have effect: **21 February 2008**
- (54) Product in respect of which the design is registered: **Electronic device**
- (51) International Design Classification: **14-01**
- (71) Name(s) and Address(s) of Applicant(s):
Apple Inc.
1 Infinite Loop Cupertino California 95014 United States of America
- (72) Name(s) of Designer(s): **Bartley K. Andre and Daniel J. Coster and Daniele De Iuliis and Richard P. Howarth and Jonathan P. Ive and Steve Jobs and Duncan Robert Kerr and Shin Nishibori and Matthew Dean Rohrbach and Peter Russell-Clarke and Douglas B. Satzger and Calvin Q. Seid and Christopher J. Stringer and Eugene Antony Whang and Rico Zorkendorfer**
- (45) Registration Date: **03 June 2008**
- (30) Convention priority data:

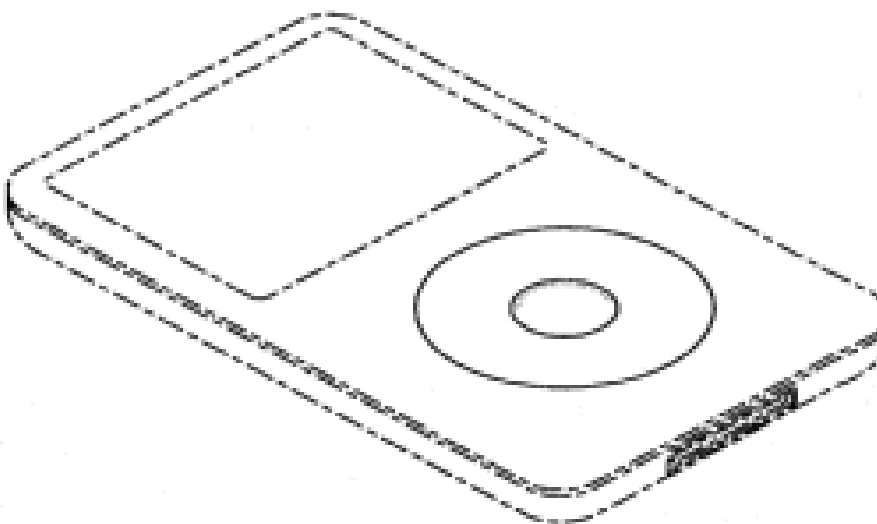
(31) Number	(32) Date	(33) Country
29/284189	31 Aug 2007	UNITED STATES OF AMERICA
- (56) Related Art Documents: **Not Applicable**
- (57) Statement of Newness and Distinctiveness: **Newness and distinctiveness is claimed in the shape and/or configuration of an electronic device as shown in solid lines in the accompanying representations.**



(19) AU

- (21) Design Number: **10824/2008**
- (22) Date of Filing Application: **21 February 2008**
- (24) Date from which industrial property rights may have effect: **21 February 2008**
- (54) Product in respect of which the design is registered: **Electronic device**
- (51) International Design Classification: **14-01**
- (71) Name(s) and Address(s) of Applicant(s):
Apple Inc.
1 Infinite Loop Cupertino California 95014 United States of America
- (72) Name(s) of Designer(s): **Bartley K. Andre and Daniel J. Coster and Daniele De Iuliis and Richard P. Howarth and Jonathan P. Ive and Steve Jobs and Duncan Robert Kerr and Shin Nishibori and Matthew Dean Rohrbach and Peter Russell-Clarke and Douglas B. Satzger and Calvin Q. Seid and Christopher J. Stringer and Eugene Antony Whang and Rico Zorkendorfer**
- (45) Registration Date: **03 June 2008**
- (30) Convention priority data:

(31) Number	(32) Date	(33) Country
29/284189	31 Aug 2007	UNITED STATES OF AMERICA
- (56) Related Art Documents: **Not Applicable**
- (57) Statement of Newness and Distinctiveness: **Newness and distinctiveness is claimed in the shape and/or configuration of an electronic device as shown in solid lines in the accompanying representations.**



(19) AU

- (21) Design Number: **10825/2008**
- (22) Date of Filing Application: **21 February 2008**
- (24) Date from which industrial property rights may have effect: **21 February 2008**
- (54) Product in respect of which the design is registered: **Electronic device**
- (51) International Design Classification: **14-01**
- (71) Name(s) and Address(s) of Applicant(s):

Apple Inc.
1 Infinite Loop Cupertino California 95014 United States of America

- (72) Name(s) of Designer(s): **Bartley K. Andre and Daniel J. Coster and Daniele De Iuliis and Richard P. Howarth and Jonathan P. Ive and Steve Jobs and Duncan Robert Kerr and Shin Nishibori and Matthew Dean Rohrbach and Peter Russell-Clarke and Douglas B. Satzger and Calvin Q. Seid and Christopher J. Stringer and Eugene Antony Whang and Rico Zorkendorfer**

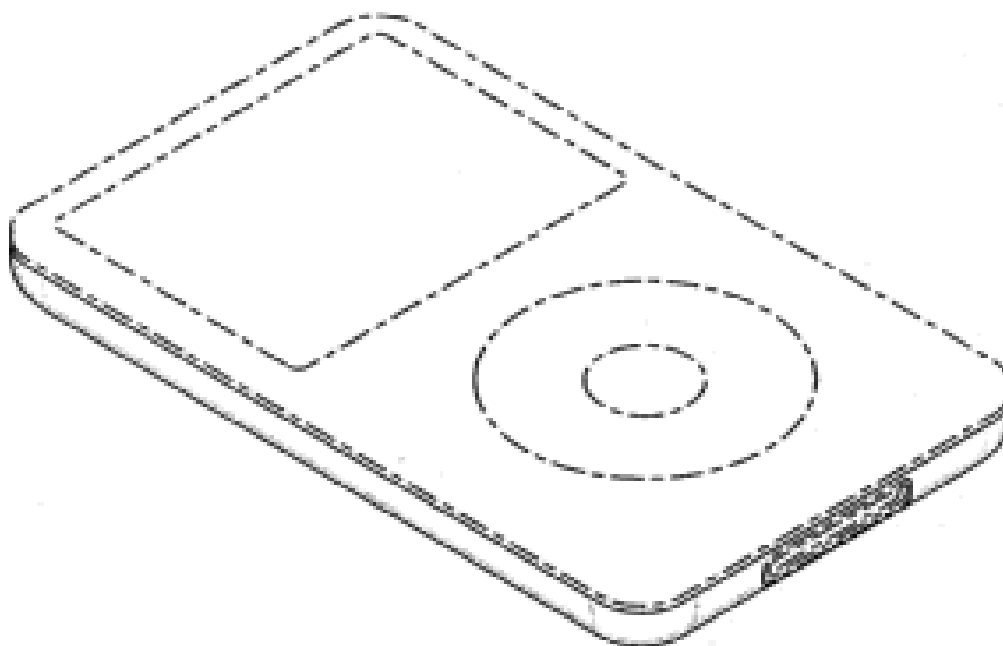
(45) Registration Date: **03 June 2008**

(30) Convention priority data:

(31) Number	(32) Date	(33) Country
29/284189	31 Aug 2007	UNITED STATES OF AMERICA

(56) Related Art Documents: **Not Applicable**

(57) Statement of Newness and Distinctiveness: **Newness and distinctiveness is claimed in the shape and/or configuration of an electronic device as shown in solid lines in the accompanying representations.**



(19) AU

- (21) Design Number: **10826/2008**
- (22) Date of Filing Application: **21 February 2008**
- (24) Date from which industrial property rights may have effect: **21 February 2008**
- (54) Product in respect of which the design is registered: **Electronic device**
- (51) International Design Classification: **14-01**
- (71) Name(s) and Address(s) of Applicant(s):

Apple Inc.
1 Infinite Loop Cupertino California 95014 United States of America

- (72) Name(s) of Designer(s): **Bartley K. Andre and Daniel J. Coster and Daniele De Iuliis and Richard P. Howarth and Jonathan P. Ive and Steve Jobs and Duncan Robert Kerr and Shin Nishibori and Matthew Dean Rohrbach and Peter Russell-Clarke and Douglas B. Satzger and Calvin Q. Seid and Christopher J. Stringer and Eugene Antony Whang and Rico Zorkendorfer**

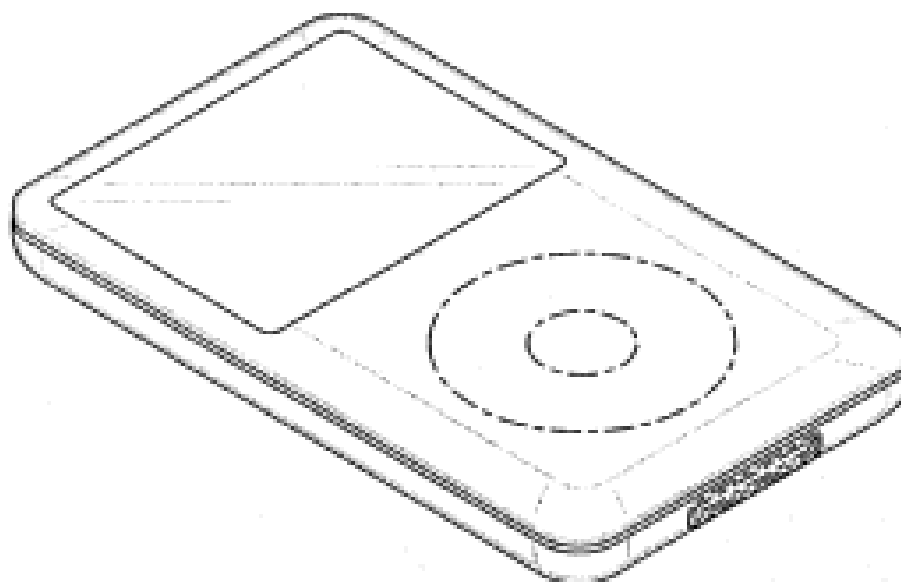
(45) Registration Date: **03 June 2008**

(30) Convention priority data:

(31) Number	(32) Date	(33) Country
29/284189	31 Aug 2007	UNITED STATES OF AMERICA

(56) Related Art Documents: **Not Applicable**

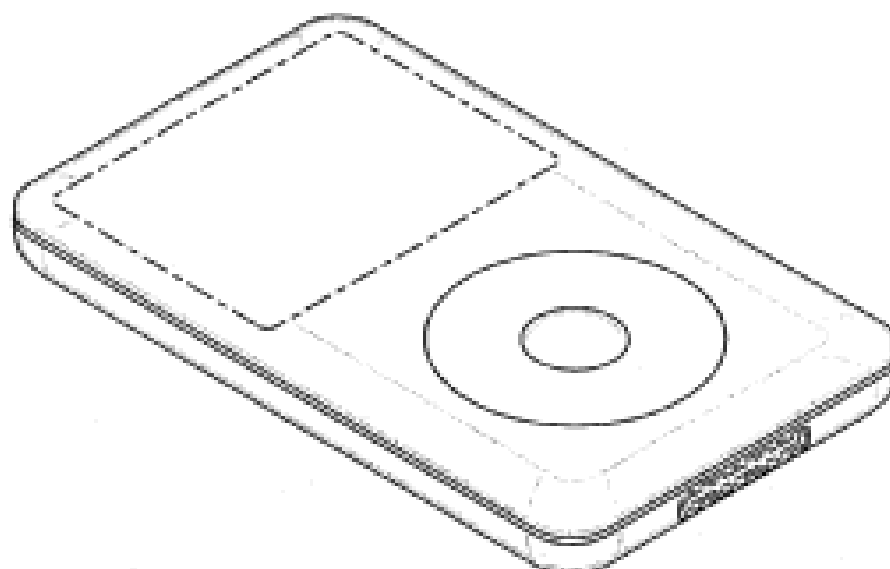
(57) Statement of Newness and Distinctiveness: **Newness and distinctiveness is claimed in the shape and/or configuration of an electronic device as shown in solid lines in the accompanying representations.**



(19) AU

- (21) Design Number: **10827/2008**
- (22) Date of Filing Application: **21 February 2008**
- (24) Date from which industrial property rights may have effect: **21 February 2008**
- (54) Product in respect of which the design is registered: **Electronic device**
- (51) International Design Classification: **14-01**
- (71) Name(s) and Address(s) of Applicant(s):
Apple Inc.
1 Infinite Loop Cupertino California 95014 United States of America
- (72) Name(s) of Designer(s): **Bartley K. Andre and Daniel J. Coster and Daniele De Iuliis and Richard P. Howarth and Jonathan P. Ive and Steve Jobs and Duncan Robert Kerr and Shin Nishibori and Matthew Dean Rohrbach and Peter Russell-Clarke and Douglas B. Satzger and Calvin Q. Seid and Christopher J. Stringer and Eugene Antony Whang and Rico Zorkendorfer**
- (45) Registration Date: **03 June 2008**
- (30) Convention priority data:

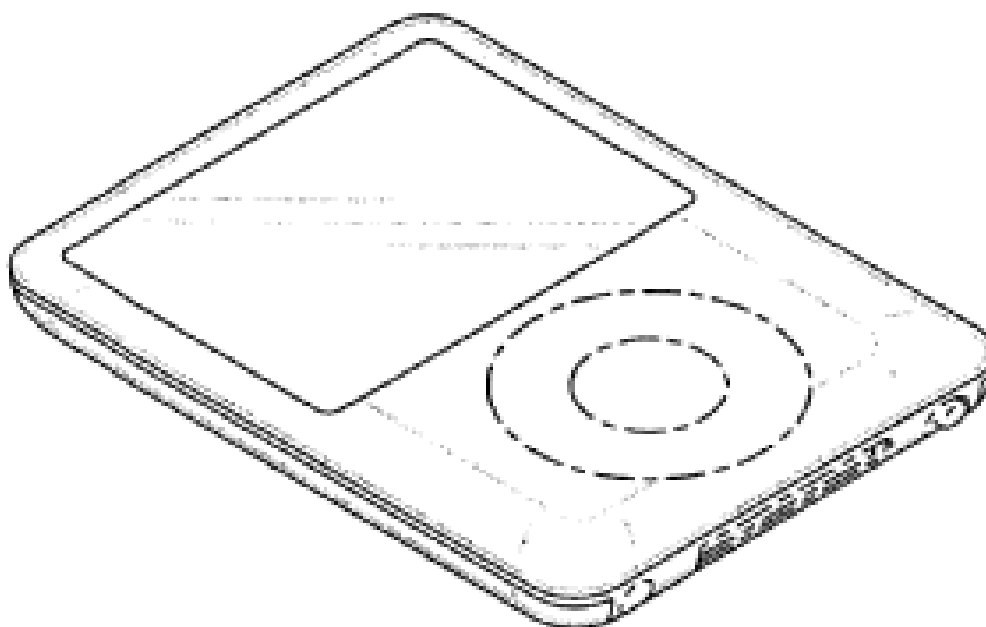
(31) Number	(32) Date	(33) Country
29/284189	31 Aug 2007	UNITED STATES OF AMERICA
- (56) Related Art Documents: **Not Applicable**
- (57) Statement of Newness and Distinctiveness: **Newness and distinctiveness is claimed in the shape and/or configuration of an electronic device as shown in solid lines in the accompanying representations.**



(19) AU

- (21) Design Number: **10828/2008**
- (22) Date of Filing Application: **21 February 2008**
- (24) Date from which industrial property rights may have effect: **21 February 2008**
- (54) Product in respect of which the design is registered: **Electronic device**
- (51) International Design Classification: **14-01**
- (71) Name(s) and Address(s) of Applicant(s):
Apple Inc.
1 Infinite Loop Cupertino California 95014 United States of America
- (72) Name(s) of Designer(s): **Bartley K. Andre and Daniel J. Coster and Daniele De Iuliis and Richard P. Howarth and Jonathan P. Ive and Steve Jobs and Duncan Robert Kerr and Shin Nishibori and Matthew Dean Rohrbach and Peter Russell-Clarke and Douglas B. Satzger and Calvin Q. Seid and Christopher J. Stringer and Eugene Antony Whang and Rico Zorkendorfer**
- (45) Registration Date: **03 June 2008**
- (30) Convention priority data:

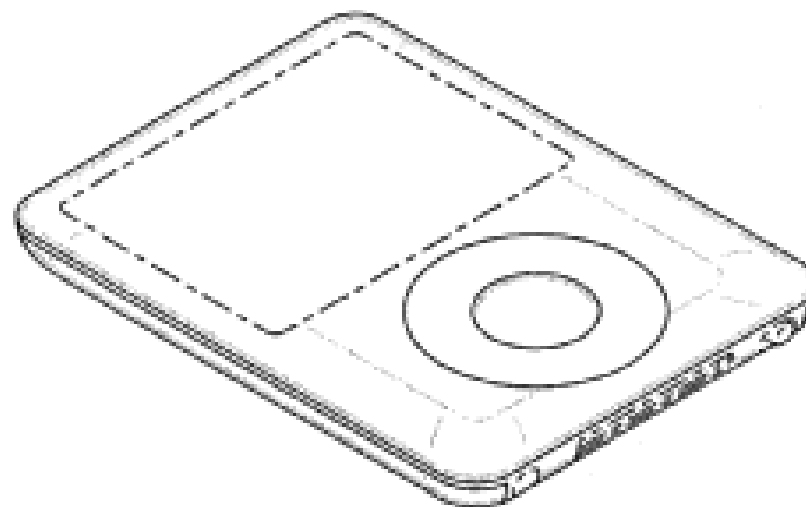
(31) Number	(32) Date	(33) Country
29/284190	31 Aug 2007	UNITED STATES OF AMERICA
- (56) Related Art Documents: **Not Applicable**
- (57) Statement of Newness and Distinctiveness: **Newness and distinctiveness is claimed in the shape and/or configuration of an electronic device as shown in solid lines in the accompanying representations.**



(19) AU

- (21) Design Number: **10829/2008**
- (22) Date of Filing Application: **21 February 2008**
- (24) Date from which industrial property rights may have effect: **21 February 2008**
- (54) Product in respect of which the design is registered: **Electronic device**
- (51) International Design Classification: **14-01**
- (71) Name(s) and Address(s) of Applicant(s):
Apple Inc.
1 Infinite Loop Cupertino California 95014 United States of America
- (72) Name(s) of Designer(s): **Bartley K. Andre and Daniel J. Coster and Daniele De Iuliis and Richard P. Howarth and Jonathan P. Ive and Steve Jobs and Duncan Robert Kerr and Shin Nishibori and Matthew Dean Rohrbach and Peter Russell-Clarke and Douglas B. Satzger and Calvin Q. Seid and Christopher J. Stringer and Eugene Antony Whang and Rico Zorkendorfer**
- (45) Registration Date: **03 June 2008**
- (30) Convention priority data:

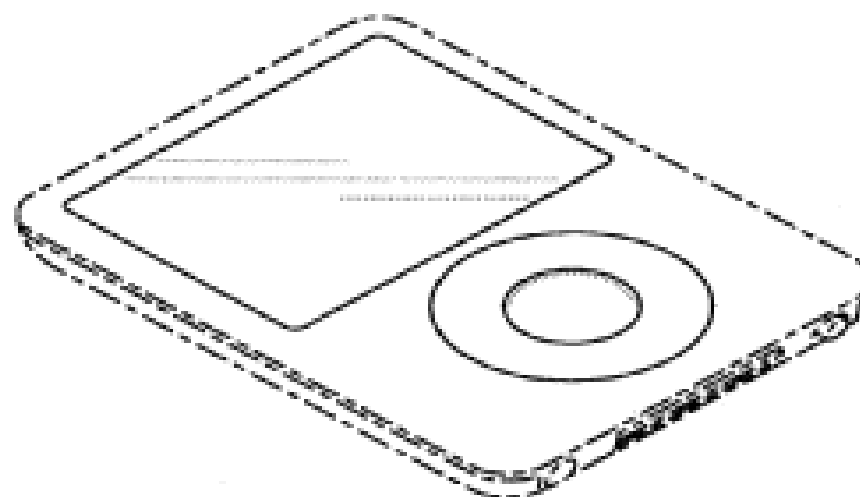
(31) Number	(32) Date	(33) Country
29/284190	31 Aug 2007	UNITED STATES OF AMERICA
- (56) Related Art Documents: **Not Applicable**
- (57) Statement of Newness and Distinctiveness: **Newness and distinctiveness is claimed in the shape and/or configuration of an electronic device as shown in solid lines in the accompanying representations.**



(19) AU

- (21) Design Number: **10830/2008**
- (22) Date of Filing Application: **21 February 2008**
- (24) Date from which industrial property rights may have effect: **21 February 2008**
- (54) Product in respect of which the design is registered: **Electronic device**
- (51) International Design Classification: **14-01**
- (71) Name(s) and Address(s) of Applicant(s):
Apple Inc.
1 Infinite Loop Cupertino California 95014 United States of America
- (72) Name(s) of Designer(s): **Bartley K. Andre and Daniel J. Coster and Daniele De Iuliis and Richard P. Howarth and Jonathan P. Ive and Steve Jobs and Duncan Robert Kerr and Shin Nishibori and Matthew Dean Rohrbach and Peter Russell-Clarke and Douglas B. Satzger and Calvin Q. Seid and Eugene Antony Whang and Rico Zorkendorfer and Christopher J. Stringer**
- (45) Registration Date: **03 June 2008**
- (30) Convention priority data:

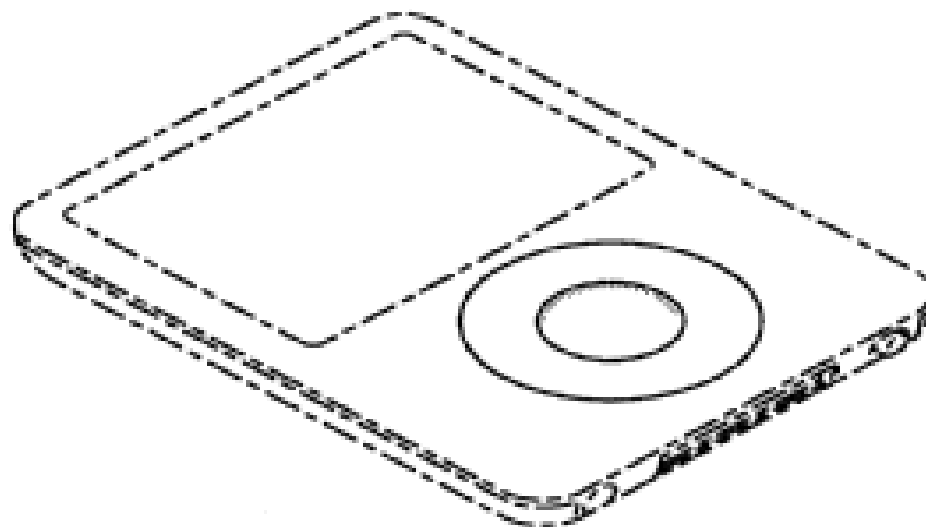
(31) Number	(32) Date	(33) Country
29/284190	31 Aug 2007	UNITED STATES OF AMERICA
- (56) Related Art Documents: **Not Applicable**
- (57) Statement of Newness and Distinctiveness: **Newness and distinctiveness is claimed in the shape and/or configuration of an electronic device as shown in solid lines in the accompanying representations.**



(19) AU

- (21) Design Number: **10832/2008**
- (22) Date of Filing Application: **21 February 2008**
- (24) Date from which industrial property rights may have effect: **21 February 2008**
- (54) Product in respect of which the design is registered: **Electronic device**
- (51) International Design Classification: **14-01**
- (71) Name(s) and Address(s) of Applicant(s):
Apple Inc.
1 Infinite Loop Cupertino California 95014 United States of America
- (72) Name(s) of Designer(s): **Bartley K. Andre and Daniel J. Coster and Daniele De Iuliis and Richard P. Howarth and Jonathan P. Ive and Steve Jobs and Duncan Robert Kerr and Shin Nishibori and Matthew Dean Rohrbach and Peter Russell-Clarke and Douglas B. Satzger and Calvin Q. Seid and Eugene Antony Whang and Rico Zorkendorfer and Christopher J. Stringer**
- (45) Registration Date: **03 June 2008**
- (30) Convention priority data:

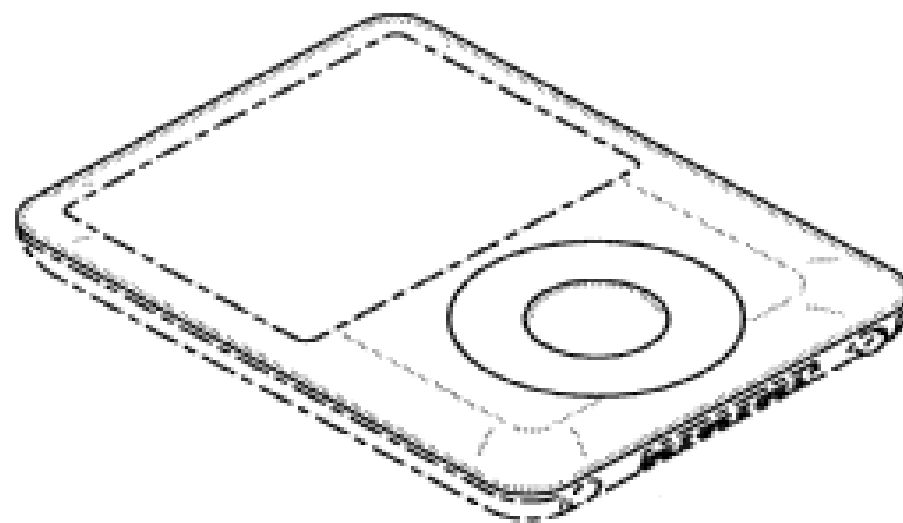
(31) Number	(32) Date	(33) Country
29/284190	31 Aug 2007	UNITED STATES OF AMERICA
- (56) Related Art Documents: **Not Applicable**
- (57) Statement of Newness and Distinctiveness: **Newness and distinctiveness is claimed in the shape and/or configuration of an electronic device as shown in solid lines in the accompanying representations.**



(19) AU

- (21) Design Number: **10833/2008**
- (22) Date of Filing Application: **21 February 2008**
- (24) Date from which industrial property rights may have effect: **21 February 2008**
- (54) Product in respect of which the design is registered: **Electronic device**
- (51) International Design Classification: **14-01**
- (71) Name(s) and Address(s) of Applicant(s):
Apple Inc.
1 Infinite Loop Cupertino California 95014 United States of America
- (72) Name(s) of Designer(s): **Bartley K. Andre and Daniel J. Coster and Daniele De Iuliis and Richard P. Howarth and Jonathan P. Ive and Steve Jobs and Duncan Robert Kerr and Shin Nishibori and Matthew Dean Rohrbach and Peter Russell-Clarke and Douglas B. Satzger and Calvin Q. Seid and Eugene Antony Whang and Rico Zorkendorfer and Christopher J. Stringer**
- (45) Registration Date: **03 June 2008**
- (30) Convention priority data:

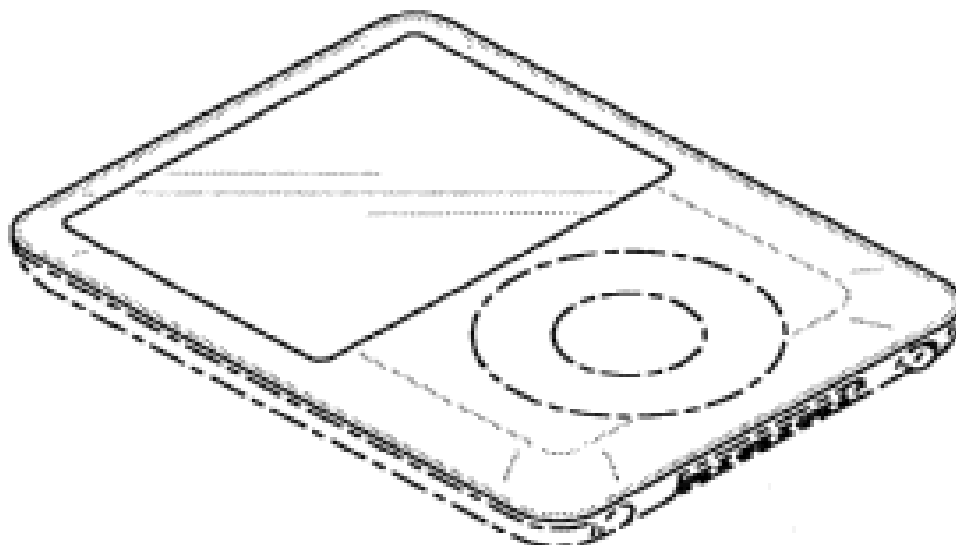
(31) Number	(32) Date	(33) Country
29/284190	31 Aug 2007	UNITED STATES OF AMERICA
- (56) Related Art Documents: **Not Applicable**
- (57) Statement of Newness and Distinctiveness: **Newness and distinctiveness is claimed in the shape and/or configuration of an electronic device as shown in solid lines in the accompanying representations.**



(19) AU

- (21) Design Number: **10834/2008**
- (22) Date of Filing Application: **21 February 2008**
- (24) Date from which industrial property rights may have effect: **21 February 2008**
- (54) Product in respect of which the design is registered: **Electronic device**
- (51) International Design Classification: **14-01**
- (71) Name(s) and Address(s) of Applicant(s):
Apple Inc.
1 Infinite Loop Cupertino California 95014 United States of America
- (72) Name(s) of Designer(s): **Bartley K. Andre and Daniel J. Coster and Daniele De Iuliis and Richard P. Howarth and Jonathan P. Ive and Steve Jobs and Duncan Robert Kerr and Shin Nishibori and Matthew Dean Rohrbach and Peter Russell-Clarke and Douglas B. Satzger and Calvin Q. Seid and Eugene Antony Whang and Rico Zorkendorfer and Christopher J. Stringer**
- (45) Registration Date: **03 June 2008**
- (30) Convention priority data:

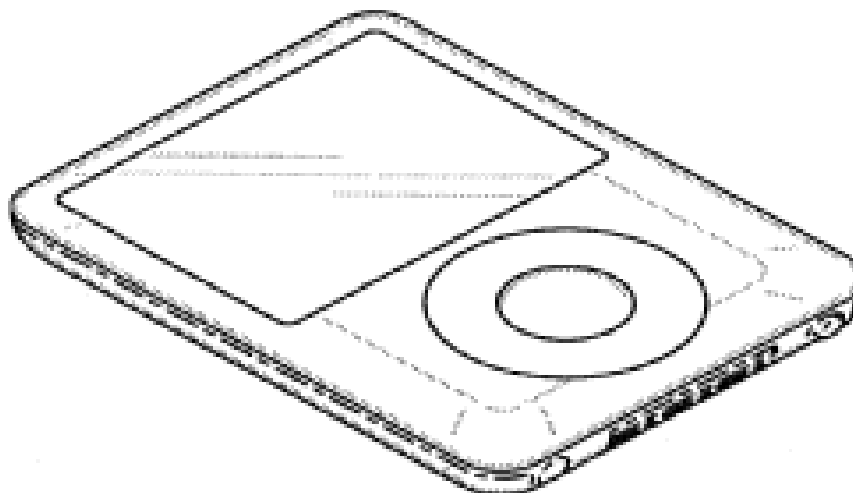
(31) Number	(32) Date	(33) Country
29/284190	31 Aug 2007	UNITED STATES OF AMERICA
- (56) Related Art Documents: **Not Applicable**
- (57) Statement of Newness and Distinctiveness: **Newness and distinctiveness is claimed in the shape and/or configuration of an electronic device as shown in solid lines in the accompanying representations.**



(19) AU

- (21) Design Number: **10835/2008**
- (22) Date of Filing Application: **21 February 2008**
- (24) Date from which industrial property rights may have effect: **21 February 2008**
- (54) Product in respect of which the design is registered: **Electronic device**
- (51) International Design Classification: **14-01**
- (71) Name(s) and Address(s) of Applicant(s):
Apple Inc.
1 Infinite Loop Cupertino California 95014 United States of America
- (72) Name(s) of Designer(s): **Bartley K. Andre and Daniel J. Coster and Daniele De Iuliis and Richard P. Howarth and Jonathan P. Ive and Steve Jobs and Duncan Robert Kerr and Shin Nishibori and Matthew Dean Rohrbach and Peter Russell-Clarke and Douglas B. Satzger and Calvin Q. Seid and Eugene Antony Whang and Rico Zorkendorfer and Christopher J. Stringer**
- (45) Registration Date: **03 June 2008**
- (30) Convention priority data:

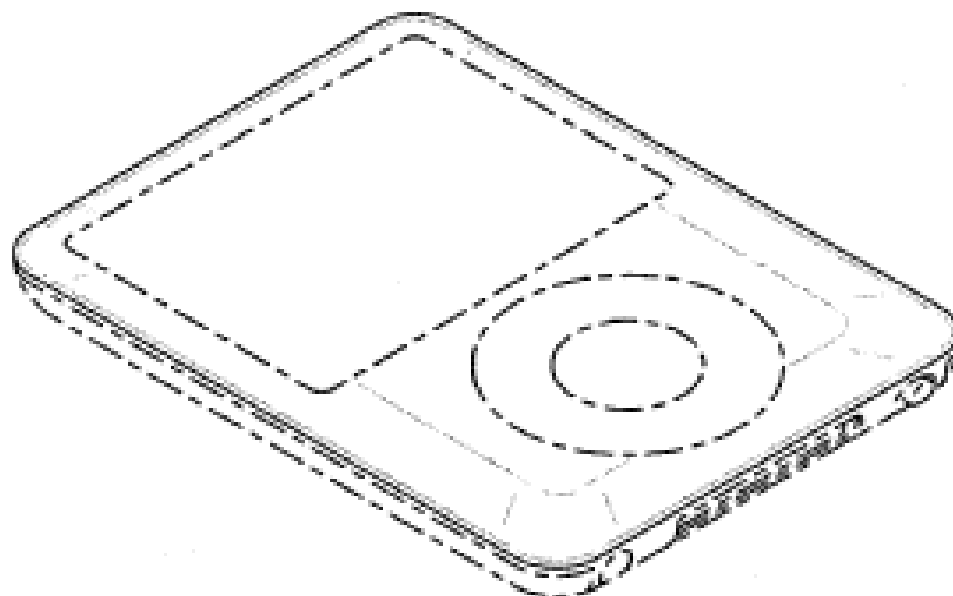
(31) Number	(32) Date	(33) Country
29/284190	31 Aug 2007	UNITED STATES OF AMERICA
- (56) Related Art Documents: **Not Applicable**
- (57) Statement of Newness and Distinctiveness: **Newness and distinctiveness is claimed in the shape and/or configuration of an electronic device as shown in solid lines in the accompanying representations.**



(19) AU

- (21) Design Number: **10836/2008**
- (22) Date of Filing Application: **21 February 2008**
- (24) Date from which industrial property rights may have effect: **21 February 2008**
- (54) Product in respect of which the design is registered: **Electronic device**
- (51) International Design Classification: **14-01**
- (71) Name(s) and Address(s) of Applicant(s):
Apple Inc.
1 Infinite Loop Cupertino California 95014 United States of America
- (72) Name(s) of Designer(s): **Bartley K. Andre and Daniel J. Coster and Daniele De Iuliis and Richard P. Howarth and Jonathan P. Ive and Steve Jobs and Duncan Robert Kerr and Shin Nishibori and Matthew Dean Rohrbach and Peter Russell-Clarke and Douglas B. Satzger and Calvin Q. Seid and Eugene Antony Whang and Rico Zorkendorfer and Christopher J. Stringer**
- (45) Registration Date: **03 June 2008**
- (30) Convention priority data:

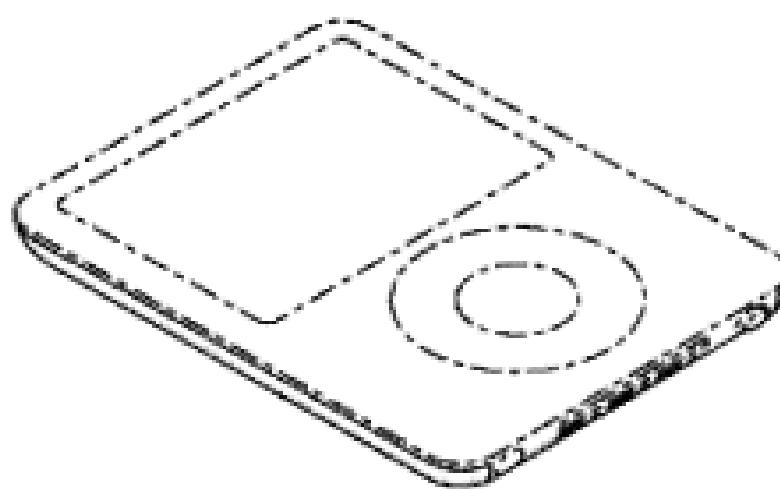
(31) Number	(32) Date	(33) Country
29/284190	31 Aug 2007	UNITED STATES OF AMERICA
- (56) Related Art Documents: **Not Applicable**
- (57) Statement of Newness and Distinctiveness: **Newness and distinctiveness is claimed in the shape and/or configuration of an electronic device as shown in solid lines in the accompanying representations.**



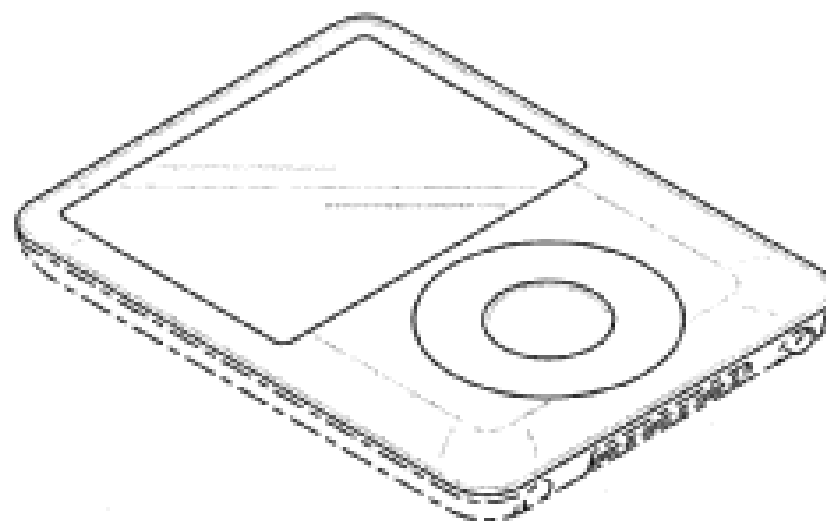
(19) AU

- (21) Design Number: **10837/2008**
- (22) Date of Filing Application: **21 February 2008**
- (24) Date from which industrial property rights may have effect: **21 February 2008**
- (54) Product in respect of which the design is registered: **Electronic device**
- (51) International Design Classification: **14-01**
- (71) Name(s) and Address(s) of Applicant(s):
Apple Inc.
1 Infinite Loop Cupertino California 95014 United States of America
- (72) Name(s) of Designer(s): **Bartley K. Andre and Daniel J. Coster and Daniele De Iuliis and Richard P. Howarth and Jonathan P. Ive and Steve Jobs and Duncan Robert Kerr and Shin Nishibori and Matthew Dean Rohrbach and Peter Russell-Clarke and Douglas B. Satzger and Calvin Q. Seid and Eugene Antony Whang and Rico Zorkendorfer and Christopher J. Stringer**
- (45) Registration Date: **03 June 2008**
- (30) Convention priority data:

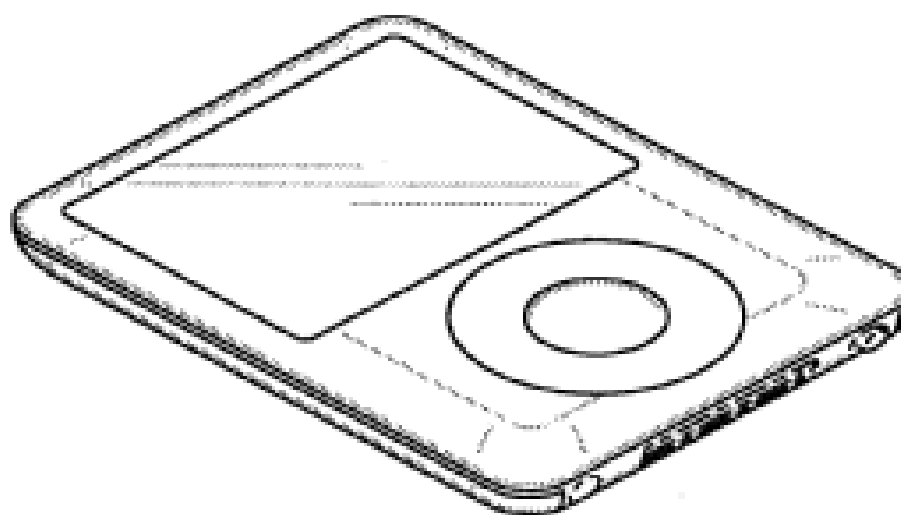
(31) Number	(32) Date	(33) Country
29/284190	31 Aug 2007	UNITED STATES OF AMERICA
- (56) Related Art Documents: **Not Applicable**
- (57) Statement of Newness and Distinctiveness: **Newness and distinctiveness is claimed in the shape and/or configuration of an electronic device as shown in solid lines in the accompanying representations.**



- (21) Design Number: **10838/2008**
(22) Date of Filing Application: **21 February 2008**
(24) Date from which industrial property rights may have effect: **21 February 2008**
(54) Product in respect of which the design is registered: **Electronic device**
(51) International Design Classification: **14-01**
(71) Name(s) and Address(s) of Applicant(s):
Apple Inc.
1 Infinite Loop Cupertino California 95014 United States of America
(72) Name(s) of Designer(s): **Bartley K. Andre and Daniel J. Coster and Daniele De Iuliis and Richard P. Howarth and Jonathan P. Ive and Steve Jobs and Duncan Robert Kerr and Shin Nishibori and Matthew Dean Rohrbach and Peter Russell-Clarke and Douglas B. Satzger and Calvin Q. Seid and Eugene Antony Whang and Rico Zorkendorfer and Christopher J. Stringer**
(45) Registration Date: **03 June 2008**
(30) Convention priority data:
(31) Number (32) Date (33) Country
29/284190 31 Aug 2007 UNITED STATES OF AMERICA
(56) Related Art Documents: **Not Applicable**
(57) Statement of Newness and Distinctiveness: **Newness and distinctiveness is claimed in the shape and/or configuration of an electronic device as shown in solid lines in the accompanying representations.**



- (21) Design Number: **10839/2008**
(22) Date of Filing Application: **21 February 2008**
(24) Date from which industrial property rights may have effect: **21 February 2008**
(54) Product in respect of which the design is registered: **Electronic device**
(51) International Design Classification: **14-01**
(71) Name(s) and Address(s) of Applicant(s):
Apple Inc.
1 Infinite Loop Cupertino California 95014 United States of America
(72) Name(s) of Designer(s): **Bartley K. Andre and Daniel J. Coster and Daniele De Iuliis and Richard P. Howarth and Jonathan P. Ive and Steve Jobs and Duncan Robert Kerr and Shin Nishibori and Matthew Dean Rohrbach and Peter Russell-Clarke and Douglas B. Satzger and Calvin Q. Seid and Eugene Antony Whang and Rico Zorkendorfer and Christopher J. Stringer**
(45) Registration Date: **03 June 2008**
(30) Convention priority data:
(31) Number (32) Date (33) Country
29/284190 31 Aug 2007 UNITED STATES OF AMERICA
(56) Related Art Documents: **Not Applicable**
(57) Statement of Newness and Distinctiveness: **Newness and distinctiveness is claimed in the shape and/or configuration of an electronic device as shown in solid lines in the accompanying representations.**



(21) Design Number: **10859/2008**

(22) Date of Filing Application: **22 February 2008**

(24) Date from which industrial property rights may have effect: **22 February 2008**

(54) Product in respect of which the design is registered: **Adapter**

(51) International Design Classification: **13-03D**

(71) Name(s) and Address(s) of Applicant(s):

Microsoft Corporation
One Microsoft Way Redmond Washington 98052 United States of America

(72) Name(s) of Designer(s): **Carl J. Ledbetter and John Ikeda and Michael Baseflug and Jonathan Reed Harris and Anthony Reed**

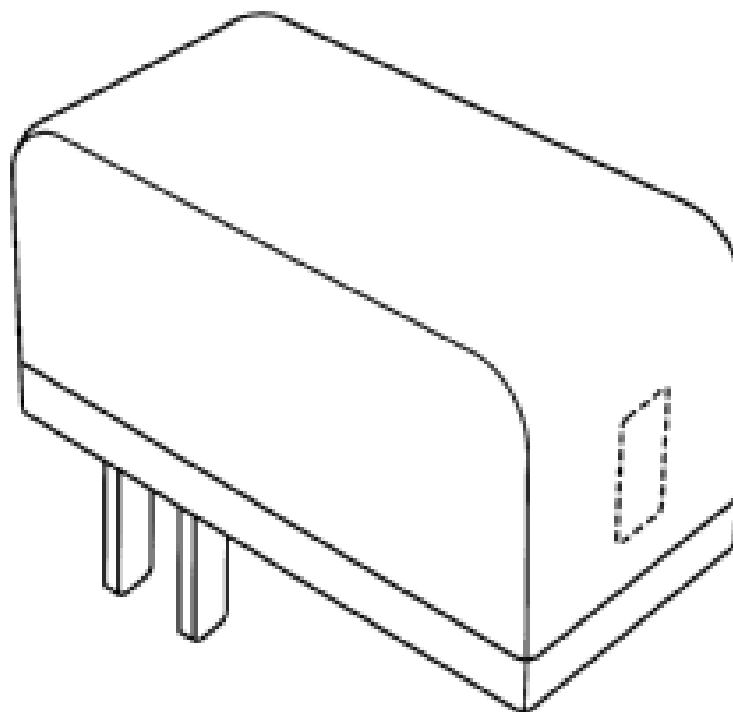
(45) Registration Date: **03 June 2008**

(30) Convention priority data:

(31) Number	(32) Date	(33) Country
29/283844	24 Aug 2007	UNITED STATES OF AMERICA

(56) Related Art Documents: **Not Applicable**

(57) Statement of Newness and Distinctiveness: **Newness and distinctiveness reside in the shape and/or configuration of an adapter illustrated by solid lines in the accompanying representations. The features shown in broken outline are for illustrative purposes only and do not form part of the design.**



(21) Design Number: **10195/2008**

(22) Date of Filing Application: **17 January 2008**

(24) Date from which industrial property rights may have effect: **17 January 2008**

(54) Product in respect of which the design is registered: **Ferrule chair**

(51) International Design Classification: **25-01B**

(71) Name(s) and Address(s) of Applicant(s):

Martin Randall
2A Wattle Avenue Biggera Waters Queensland 4216 Australia

(72) Name(s) of Designer(s): **Martin Randall**

(45) Registration Date: **03 June 2008**

(56) Related Art Documents: **Not Applicable**

(57) Statement of Newness and Distinctiveness: **Newness and distinctiveness resides in the shape and configuration of a ferrule chair as shown in figs 1.1 to 1.13.**



(21) Design Number: **10196/2008**

(22) Date of Filing Application: **17 January 2008**

(24) Date from which industrial property rights may have effect: **17 January 2008**

(54) Product in respect of which the design is registered: **Ferrule**

(51) International Design Classification: **25-01B, 25-01NES**

(71) Name(s) and Address(s) of Applicant(s):

Martin Randall

2A Wattle Avenue Biggera Waters Queensland 4216 Australia

(72) Name(s) of Designer(s): **Martin Randall**

(45) Registration Date: **03 June 2008**

(56) Related Art Documents: **Not Applicable**

(57) Statement of Newness and Distinctiveness: **Newness and distinctiveness resides in the shape and configuration of a ferrule as shown in figs 1.1 to 1.8.**



(21) Design Number: **10197/2008**

(22) Date of Filing Application: **17 January 2008**

(24) Date from which industrial property rights may have effect: **17 January 2008**

(54) Product in respect of which the design is registered: **Bar**

(51) International Design Classification: **25-01B, 25-01NES**

(71) Name(s) and Address(s) of Applicant(s):

Martin Randall

2A Wattle Avenue Biggera Waters Queensland 4216 Australia

(72) Name(s) of Designer(s): **Martin Randall**

(45) Registration Date: **03 June 2008**

(56) Related Art Documents: **Not Applicable**

(57) Statement of Newness and Distinctiveness: **Newness and distinctiveness resides in the shape and configuration of a bar as shown in figs 2.1 to 2.6.**



(21) Design Number: **10381/2008**

(22) Date of Filing Application: **30 January 2008**

(24) Date from which industrial property rights may have effect: **30 January 2008**

(54) Product in respect of which the design is registered: **Cigarette packet**

(51) International Design Classification: **09-03A**

(71) Name(s) and Address(s) of Applicant(s):

**British American Tobacco (Investments) Limited
Globe House 1 Water Street London WC2R 3LA United Kingdom**

(72) Name(s) of Designer(s): **Steven Holford**

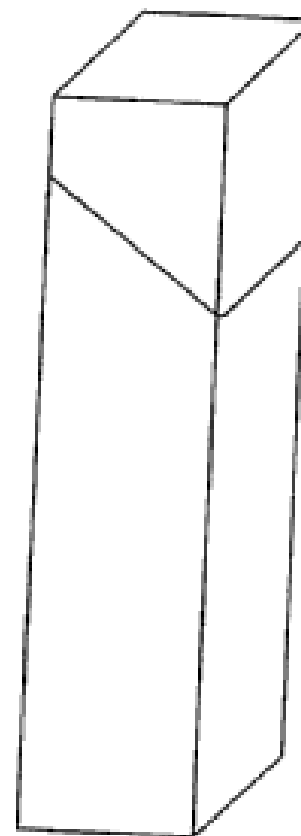
(45) Registration Date: **03 June 2008**

(30) Convention priority data:

(31) Number	(32) Date	(33) Country
000773098	03 Aug 2007	EUROPEAN COMMUNITY

(56) Related Art Documents: **Not Applicable**

(57) Statement of Newness and Distinctiveness: **Newness and distinctiveness resides in the features of shape and configuration of a cigarette packet as illustrated in the accompanying representations.**



(21) Design Number: **10659/2008**

(22) Date of Filing Application: **14 February 2008**

(24) Date from which industrial property rights may have effect: **14 February 2008**

(54) Product in respect of which the design is registered: **Child support and platform**

(51) International Design Classification: **29-99, 06-06NES**

(71) Name(s) and Address(s) of Applicant(s):

**Real Design & Marketing Ltd
134 Kiveton Lane Todwick Sheffield S26 1DL United Kingdom**

(72) Name(s) of Designer(s): **Kim Johnson and Mark Crooks**

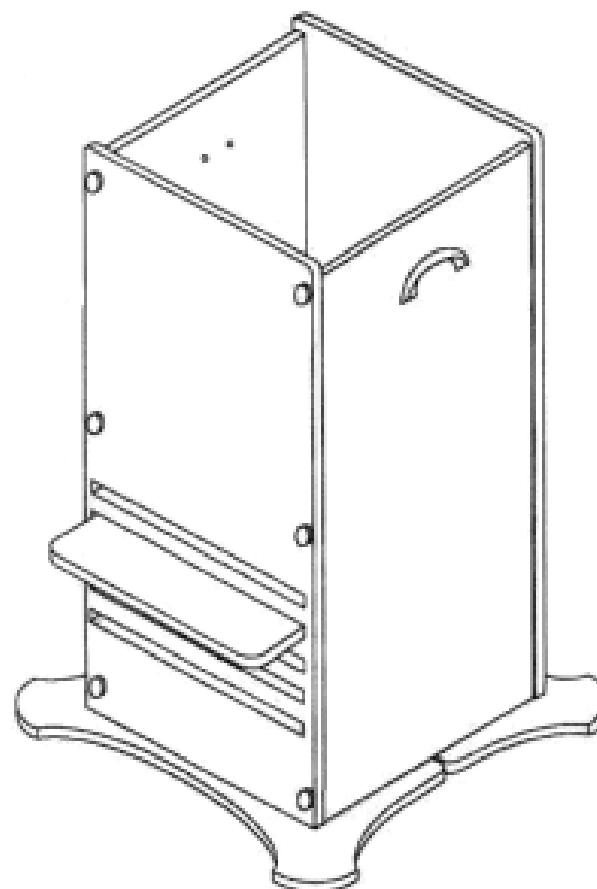
(45) Registration Date: **03 June 2008**

(30) Convention priority data:

(31) Number	(32) Date	(33) Country
000774252-0001	15 Aug 2007	EUROPEAN COMMUNITY

(56) Related Art Documents: **Not Applicable**

(57) Statement of Newness and Distinctiveness: **Nil**



(21) Design Number: **10840/2008**

(22) Date of Filing Application: **22 February 2008**

(24) Date from which industrial property rights may have effect: **22 February 2008**

(54) Product in respect of which the design is registered: **Slat screening panel**

(51) International Design Classification: **25-02H, 25-02NES**

(71) Name(s) and Address(s) of Applicant(s):

Heuron Screenline Pty Ltd

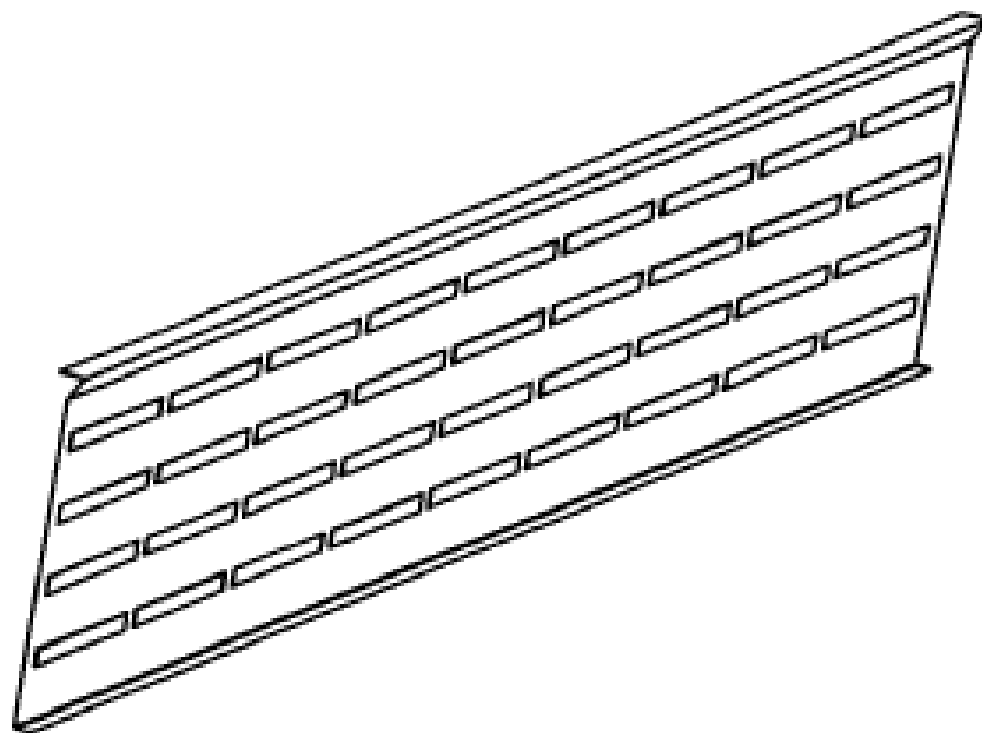
80 Catherine Crescent Lavington New South Wales 2641 Australia

(72) Name(s) of Designer(s): **Bradley James Hewines and Robert Frank Hewines and Tony Mark Hewines**

(45) Registration Date: **03 June 2008**

(56) Related Art Documents: **Not Applicable**

(57) Statement of Newness and Distinctiveness: **Monopoly is claimed in the shape + configuration of the one - piece metal slatt panel, no fixings or joints + variable width, length + spacings of slatt.**



(21) Design Number: **10842/2008**

(22) Date of Filing Application: **21 February 2008**

(24) Date from which industrial property rights may have effect: **21 February 2008**

(54) Product in respect of which the design is registered: **MY3 exercise apparatus**

(51) International Design Classification: **21-02F**

(71) Name(s) and Address(s) of Applicant(s):

Power Plate International Limited

**9a Utopia Village 7 Chalot Road Primrose Hill London NW1 8LH
United Kingdom**

(72) Name(s) of Designer(s): **Mark Clive Minter**

(45) Registration Date: **03 June 2008**

(56) Related Art Documents: **Not Applicable**

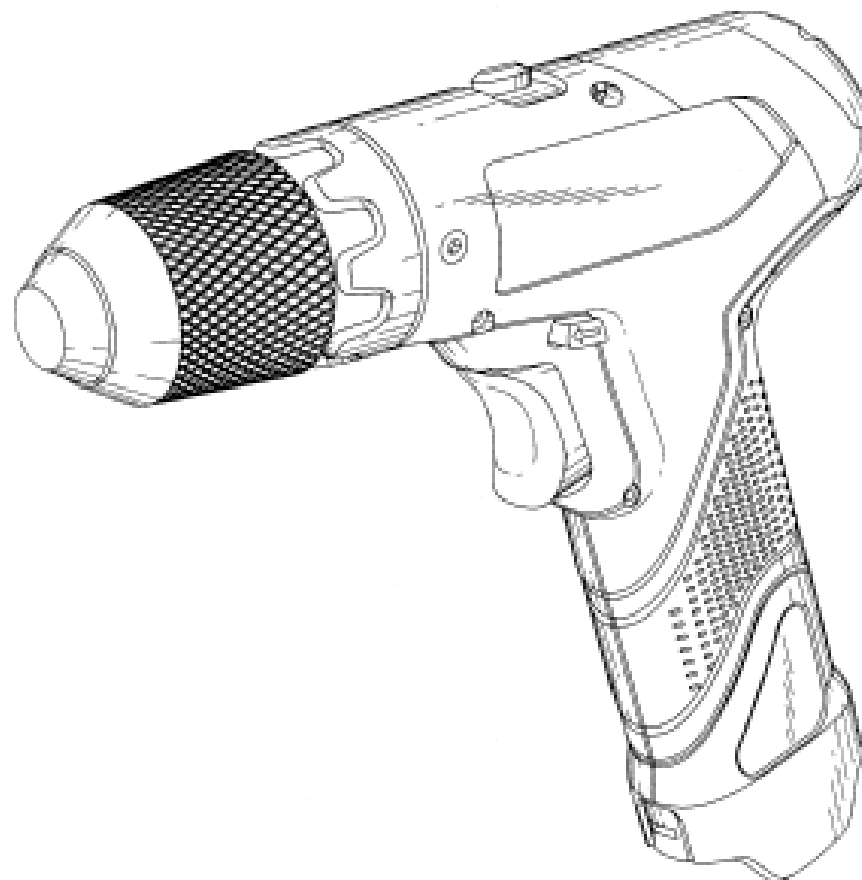
(57) Statement of Newness and Distinctiveness: **In considering the newness or distinctiveness of the design, regard is to be given to the overall shape and/or configuration of an exercise apparatus as shown in the representations.**



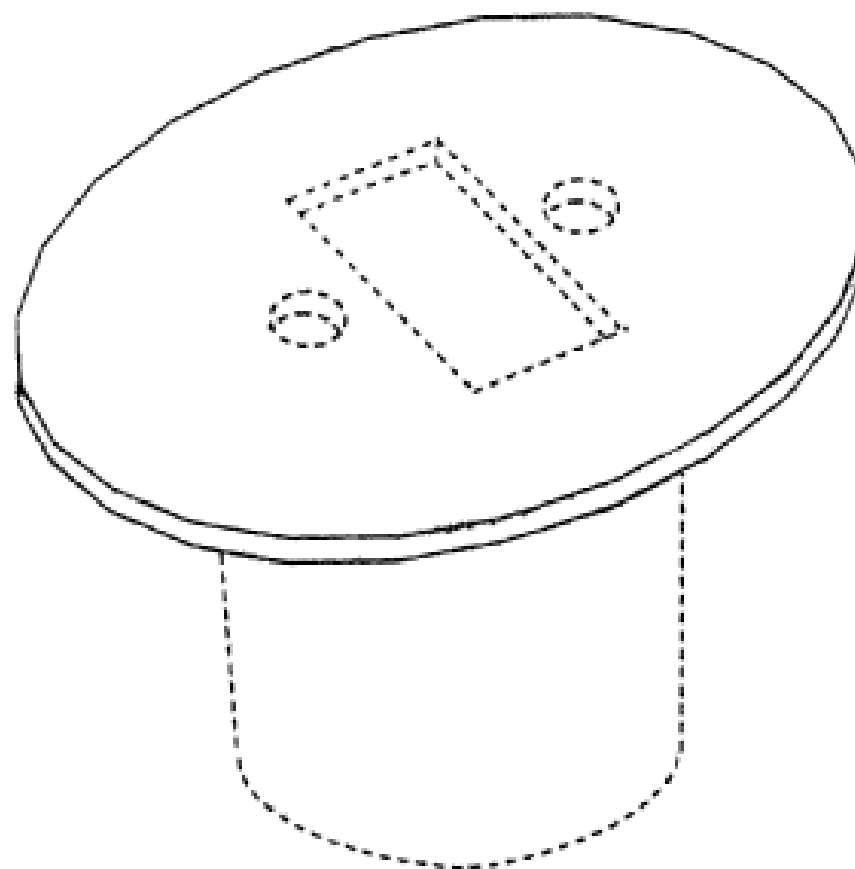
(21) Design Number: **10843/2008**
 (22) Date of Filing Application: **21 February 2008**
 (24) Date from which industrial property rights may have effect: **21 February 2008**
 (54) Product in respect of which the design is registered: **A drill**
 (51) International Design Classification: **08-01**
 (71) Name(s) and Address(s) of Applicant(s):
Black & Decker, Inc.
1207 Drummond Plaza Newark Delaware 19711 United States of America
 (72) Name(s) of Designer(s): **Thomas W. Murray**
 (45) Registration Date: **03 June 2008**
 (30) Convention priority data:

(31) Number	(32) Date	(33) Country
29/284115	31 Aug 2007	UNITED STATES OF AMERICA

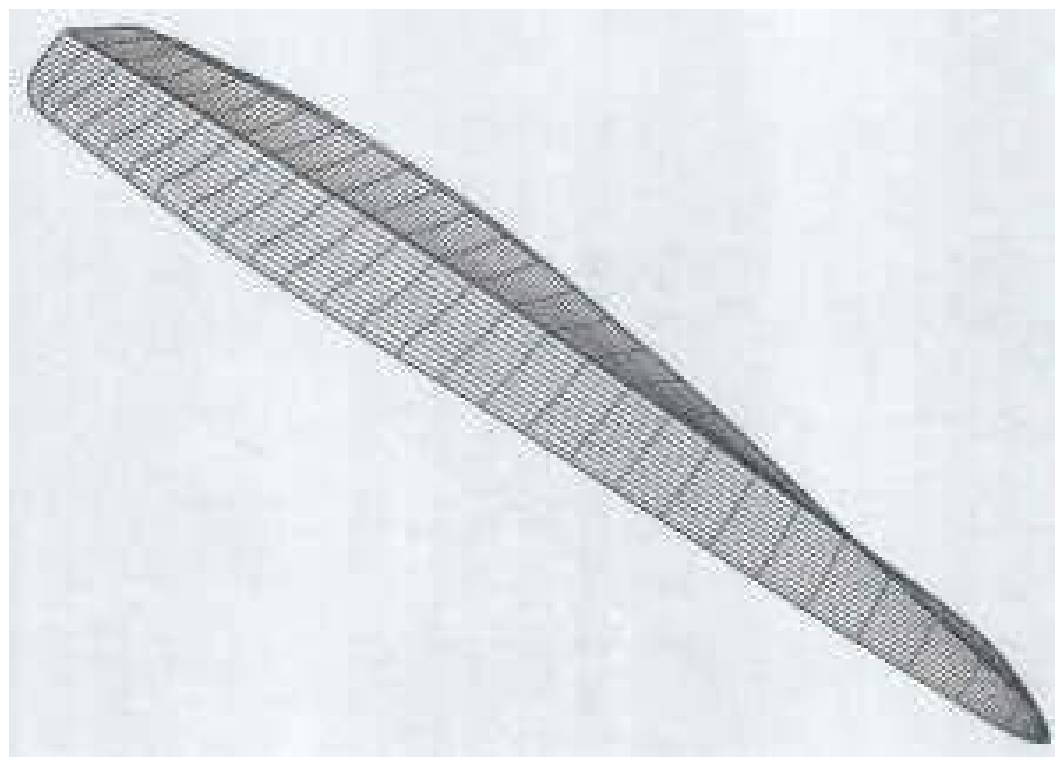
 (56) Related Art Documents: **Not Applicable**
 (57) Statement of Newness and Distinctiveness: **Nil**



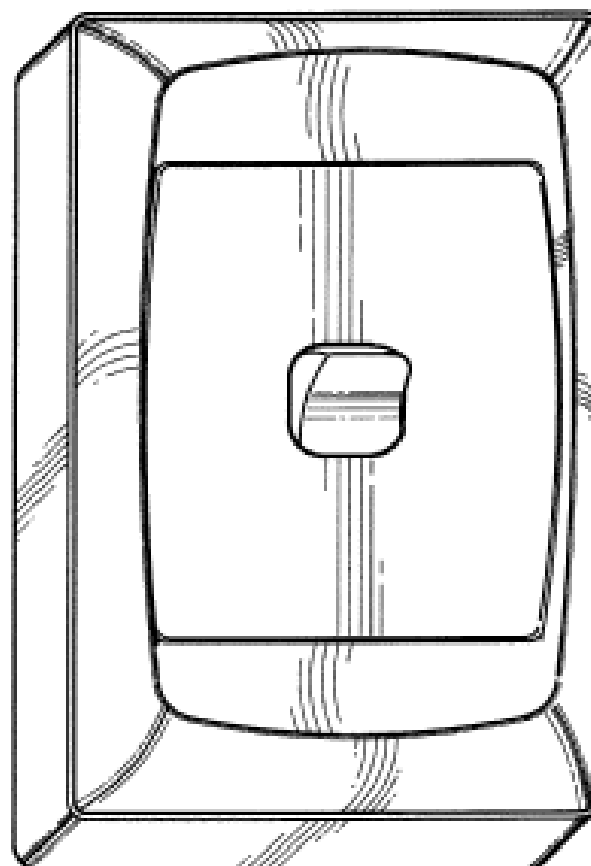
(21) Design Number: **10844/2008**
 (22) Date of Filing Application: **21 February 2008**
 (24) Date from which industrial property rights may have effect: **21 February 2008**
 (54) Product in respect of which the design is registered: **Side clearance light mount**
 (51) International Design Classification: **26-99, 08-08NES, 26-06**
 (71) Name(s) and Address(s) of Applicant(s):
Lelox (Australia) Pty Ltd
PO Box 5547 South Windsor New South Wales 2756 Australia
 (72) Name(s) of Designer(s): **Miroslav Dosen and Casey Nas**
 (45) Registration Date: **03 June 2008**
 (56) Related Art Documents: **Not Applicable**
 (57) Statement of Newness and Distinctiveness: **Newness and distinctiveness lies in the shape and configuration of the face plate of the side clearance light mount. The broken line portions may take differing forms and sizes and do not form part of the design.**



(21) Design Number: **10845/2008**
(22) Date of Filing Application: **21 February 2008**
(24) Date from which industrial property rights may have effect: **21 February 2008**
(54) Product in respect of which the design is registered: **A hull**
(51) International Design Classification: **12-06A**
(71) Name(s) and Address(s) of Applicant(s):
Adventures Plus Pty Ltd as Trustee for The Progress Trust
Suite 2 5th Floor 241 Adelaide Street Brisbane Queensland 4000
Australia
(72) Name(s) of Designer(s): **Mark Tuffley**
(45) Registration Date: **03 June 2008**
(56) Related Art Documents: **Not Applicable**
(57) Statement of Newness and Distinctiveness: **Nil**



(21) Design Number: **10848/2008**
(22) Date of Filing Application: **21 February 2008**
(24) Date from which industrial property rights may have effect: **21 February 2008**
(54) Product in respect of which the design is registered: **Switch grid plates with surround**
(51) International Design Classification: **13-03D**
(71) Name(s) and Address(s) of Applicant(s):
Robert Stoneham Andrew Bardo
25 Riverine Close Cape Town South Africa
(72) Name(s) of Designer(s): **Robert Stoneham Andrew Bardo**
(45) Registration Date: **03 June 2008**
(30) Convention priority data:
(31) Number (32) Date (33) Country
A2007/01513 24 Aug 2007 SOUTH AFRICA
(56) Related Art Documents: **Not Applicable**
(57) Statement of Newness and Distinctiveness: **Nil**



- (21) Design Number: **10849/2008**
- (22) Date of Filing Application: **21 February 2008**
- (24) Date from which industrial property rights may have effect: **21 February 2008**
- (54) Product in respect of which the design is registered: **A linear actuator**
- (51) International Design Classification: **15-99, 13-03NES**
- (71) Name(s) and Address(s) of Applicant(s):

Linak A/S
Smedevaenget 8 Guderup DK-6430 Nordborg Denmark

- (72) Name(s) of Designer(s): **Peter Boldsen Lund and John Landerholm**

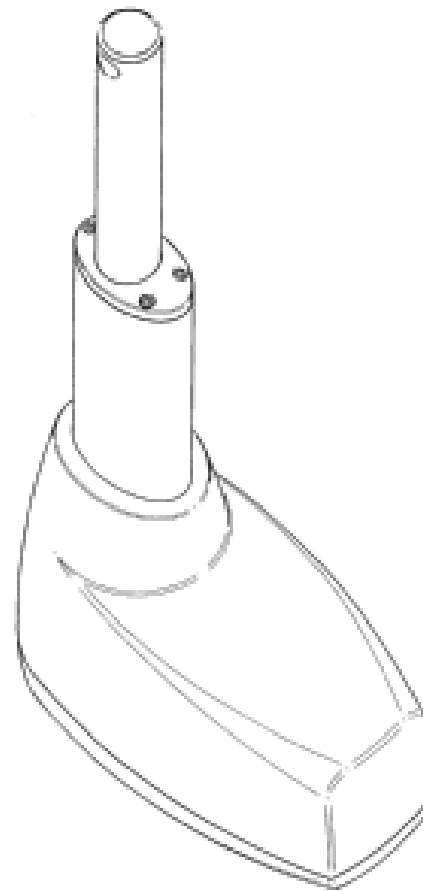
- (45) Registration Date: **03 June 2008**

- (30) Convention priority data:

(31) Number	(32) Date	(33) Country
DA 2007	01 Sep 2007	DENMARK
00209		

- (56) Related Art Documents: **Not Applicable**

- (57) Statement of Newness and Distinctiveness: **Newness and distinctiveness is claimed in the features of shape and/or configuration of the following parts of a linear actuator as illustrated in the accompanying representations: the oval cross-section of the guide tube; the oval cross-section of the housing portion near the guide tube; the truncated oval cross-section of the main portion of the housing; the mating of the curves at the top of the housing, which give a tapered view toward the front and of the actuator; and the tapered appearance toward the front of the housing, as seen in the top and bottom plan views.**



- (21) Design Number: **10853/2008**
- (22) Date of Filing Application: **21 February 2008**
- (24) Date from which industrial property rights may have effect: **21 February 2008**
- (54) Product in respect of which the design is registered: **Digital audio player**
- (51) International Design Classification: **14-01**
- (71) Name(s) and Address(s) of Applicant(s):

Speedo International Limited
8 Manchester Square London W1U 3PH United Kingdom

- (72) Name(s) of Designer(s): **Christopher Walton**

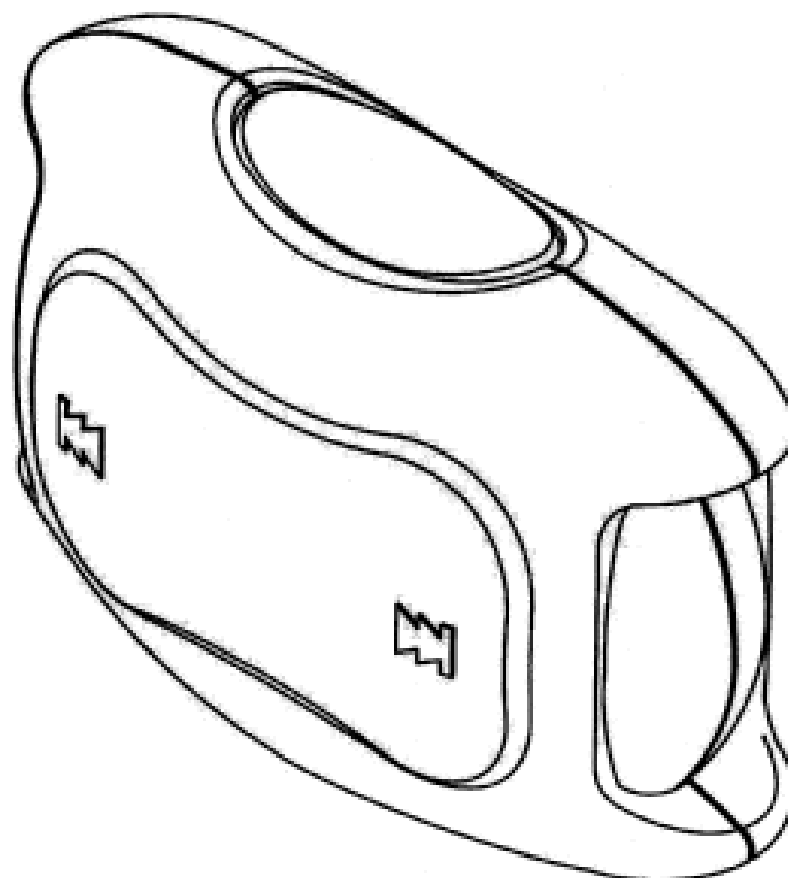
- (45) Registration Date: **03 June 2008**

- (30) Convention priority data:

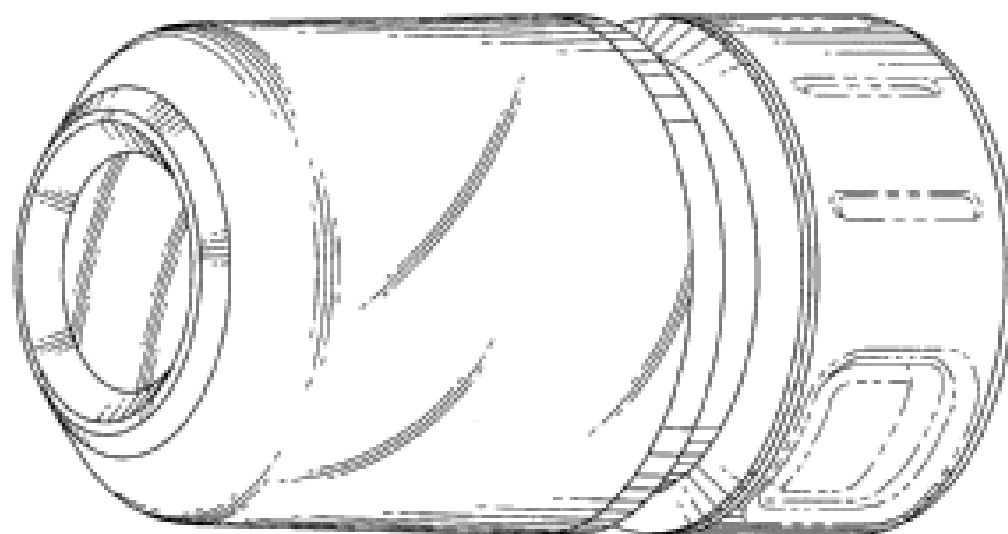
(31) Number	(32) Date	(33) Country
000849740-0001	20 Dec 2007	EUROPEAN COMMUNITY

- (56) Related Art Documents: **Not Applicable**

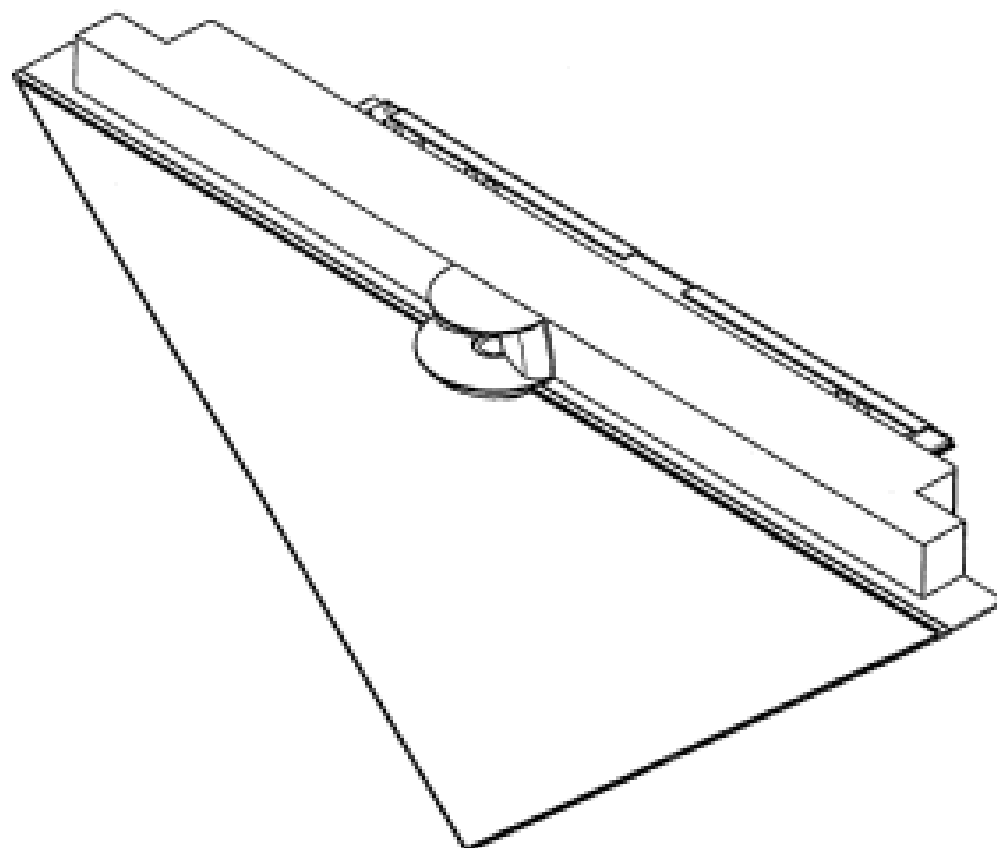
- (57) Statement of Newness and Distinctiveness: **Newness and distinctiveness reside in the features of the design as shown in the representations.**



(21) Design Number: **10854/2008**
(22) Date of Filing Application: **21 February 2008**
(24) Date from which industrial property rights may have effect: **21 February 2008**
(54) Product in respect of which the design is registered: **Lantern**
(51) International Design Classification: **26-02**
(71) Name(s) and Address(s) of Applicant(s):
The Coleman Company, Inc.
3600 North Hydraulic Wichita KS 67219 United States of America
(72) Name(s) of Designer(s): **Daniel E. DeBrunner**
(45) Registration Date: **03 June 2008**
(30) Convention priority data:
(31) Number (32) Date (33) Country
29/296698 25 Oct 2007 UNITED STATES OF AMERICA
(56) Related Art Documents: **Not Applicable**
(57) Statement of Newness and Distinctiveness: **When determining whether the design 1 is substantially similar in overall impression to another design, no regard is to be had to those features shown in dotted outline in the accompanying drawings.**



(21) Design Number: **10855/2008**
(22) Date of Filing Application: **21 February 2008**
(24) Date from which industrial property rights may have effect: **21 February 2008**
(54) Product in respect of which the design is registered: **A loudspeaker**
(51) International Design Classification: **14-01, 14-03NES**
(71) Name(s) and Address(s) of Applicant(s):
Bang & Olufsen A/S
Peter Bangs VEJ 15 Postboks 40 7600 Struer Denmark
(72) Name(s) of Designer(s): **David Lewis**
(45) Registration Date: **03 June 2008**
(30) Convention priority data:
(31) Number (32) Date (33) Country
DA 2007 30 Aug 2007 DENMARK
00208
(56) Related Art Documents: **Not Applicable**
(57) Statement of Newness and Distinctiveness: **Nil**



(21) Design Number: **10339/2008**
(22) Date of Filing Application: **25 January 2008**
(24) Date from which industrial property rights may have effect: **25 January 2008**
(54) Product in respect of which the design is registered: **Hand held kitchen appliance power unit**
(51) International Design Classification: **07-04**
(71) Name(s) and Address(s) of Applicant(s):
Kenwood Limited
New Lane Havant Hampshire PO9 2NH England
(72) Name(s) of Designer(s): **Robin Ferraby**
(45) Registration Date: **03 June 2008**
(30) Convention priority data:
(31) Number (32) Date (33) Country
000765243-0001 27 Jul 2007 EUROPEAN COMMUNITY
(56) Related Art Documents: **Not Applicable**
(57) Statement of Newness and Distinctiveness: **Nil**



(21) Design Number: **12265/2008**
(22) Date of Filing Application: **25 January 2008**
(24) Date from which industrial property rights may have effect: **25 January 2008**
(54) Product in respect of which the design is registered: **Hand held kitchen appliance power unit**
(51) International Design Classification: **07-04**
(71) Name(s) and Address(s) of Applicant(s):
Kenwood Limited
New Lane Havant Hampshire PO9 2NH England
(72) Name(s) of Designer(s): **Robin Ferraby**
(45) Registration Date: **03 June 2008**
(30) Convention priority data:
(31) Number (32) Date (33) Country
000765243-0001 27 Jul 2007 EUROPEAN COMMUNITY
(56) Related Art Documents: **Not Applicable**
(57) Statement of Newness and Distinctiveness: **Nil**



(21) Design Number: **12266/2008**

(22) Date of Filing Application: **25 January 2008**

(24) Date from which industrial property rights may have effect: **25 January 2008**

(54) Product in respect of which the design is registered: **Hand held kitchen appliance power unit**

(51) International Design Classification: **07-04**

(71) Name(s) and Address(s) of Applicant(s):

Kenwood Limited

New Lane Havant Hampshire PO9 2NH England

(72) Name(s) of Designer(s): **Robin Ferraby**

(45) Registration Date: **03 June 2008**

(30) Convention priority data:

(31) Number

(32) Date

(33) Country

000765243-0001 27 Jul 2007

EUROPEAN COMMUNITY

(56) Related Art Documents: **Not Applicable**

(57) Statement of Newness and Distinctiveness: **Nil**



(21) Design Number: **10654/2008**

(22) Date of Filing Application: **14 February 2008**

(24) Date from which industrial property rights may have effect: **14 February 2008**

(54) Product in respect of which the design is registered: **Luggage trailer**

(51) International Design Classification: **12-10**

(71) Name(s) and Address(s) of Applicant(s):

Jeffrey Kenneth Laird

100 Maud Street Waratah New South Wales 2298 Australia

(72) Name(s) of Designer(s): **Jeffrey Kenneth Laird**

(45) Registration Date: **03 June 2008**

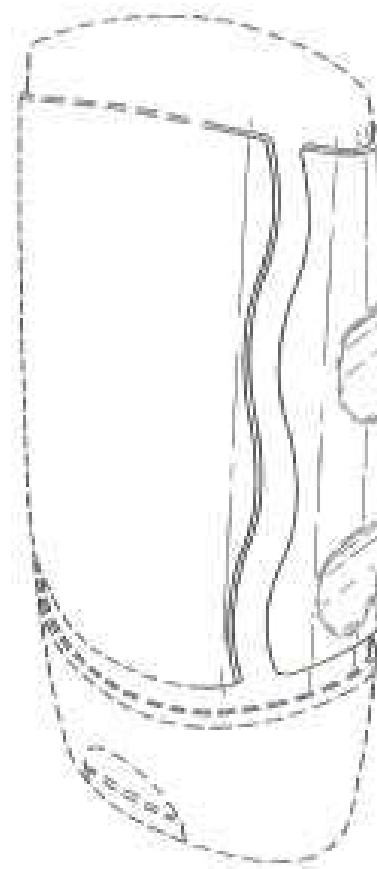
(56) Related Art Documents: **Not Applicable**

(57) Statement of Newness and Distinctiveness: **Newness and distinctiveness is claimed for the shape and configuration of the luggage trailer as illustrated in the accompany illustrations. In considering the scope of newness, the hitch, the particular wheels, the type of trailer suspension, the lid support mechanism, and the tail lights on the trailer, should be disregarded.**



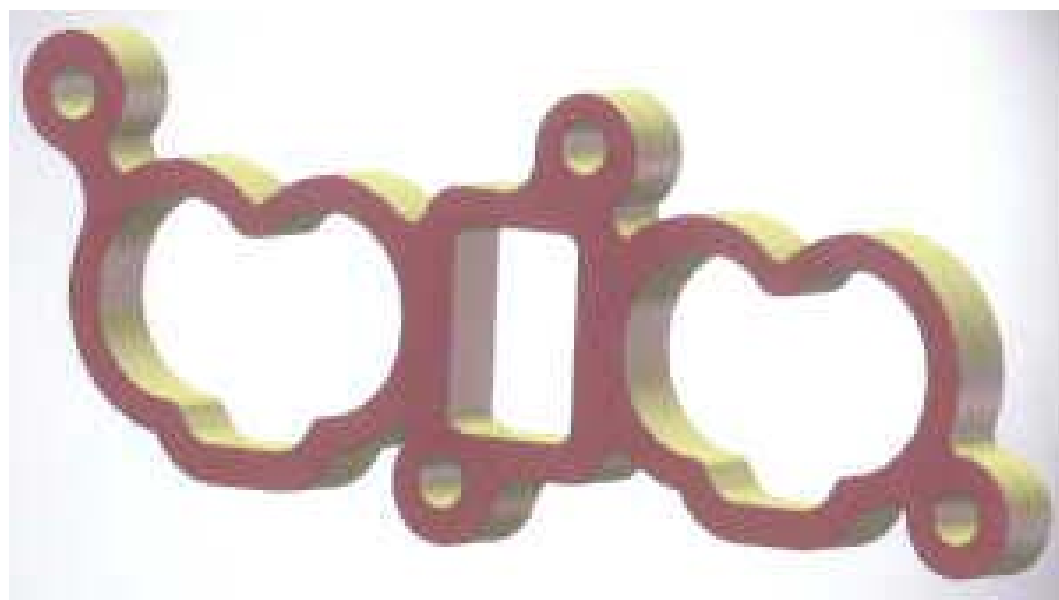
(19) AU

- (21) Design Number: **10658/2008**
(22) Date of Filing Application: **14 February 2008**
(24) Date from which industrial property rights may have effect: **14 February 2008**
(54) Product in respect of which the design is registered: **Part of a bottle**
(51) International Design Classification: **09-01K**
(71) Name(s) and Address(s) of Applicant(s):
Unilever PLC
Unilever House Blackfriars London EC4P 4BQ Great Britain
(72) Name(s) of Designer(s): **Rolf Hering**
(45) Registration Date: **03 June 2008**
(30) Convention priority data:
(31) Number (32) Date (33) Country
4003995 17 Aug 2007 UNITED KINGDOM
(56) Related Art Documents: **Not Applicable**
(57) Statement of Newness and Distinctiveness: **Newness and distinctiveness is claimed in the visual features shown in solid lines in the representations.**

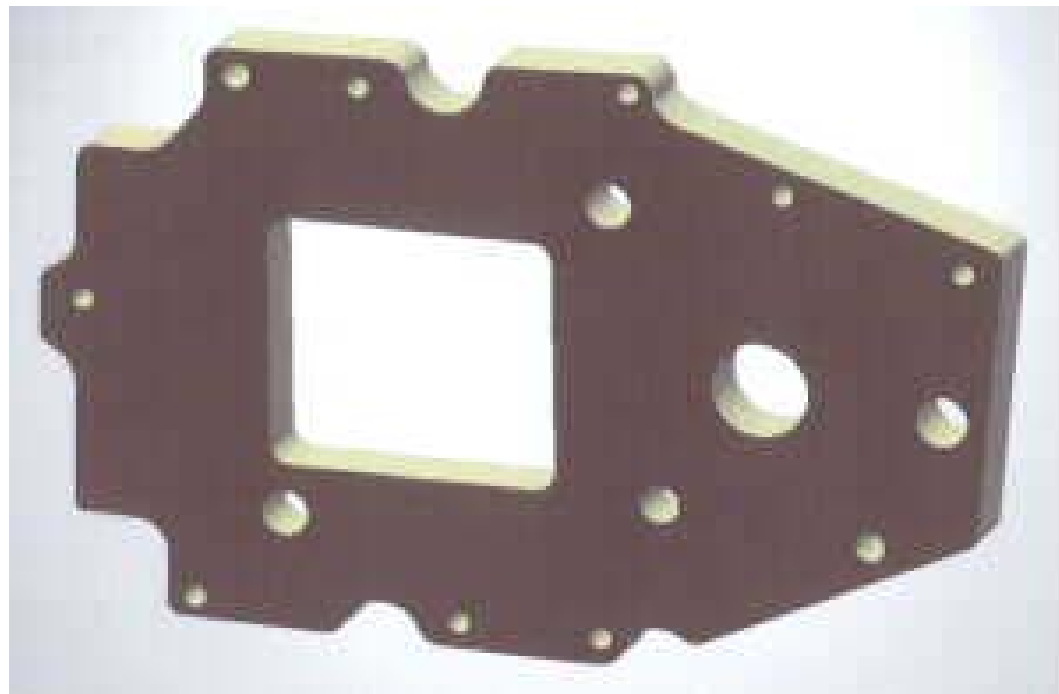


(19) AU

- (21) Design Number: **10761/2008**
(22) Date of Filing Application: **19 February 2008**
(24) Date from which industrial property rights may have effect: **19 February 2008**
(54) Product in respect of which the design is registered: **Manifold insulator 4**
(51) International Design Classification: **15-01**
(71) Name(s) and Address(s) of Applicant(s):
Steven Angelovski
1A East Court Lalor Victoria 3075 Australia
(72) Name(s) of Designer(s): **Steven Angelovski**
(45) Registration Date: **03 June 2008**
(56) Related Art Documents: **Not Applicable**
(57) Statement of Newness and Distinctiveness: **The uniqueness is within the shape and form.**



- (21) Design Number: **10762/2008**
(22) Date of Filing Application: **19 February 2008**
(24) Date from which industrial property rights may have effect: **19 February 2008**
(54) Product in respect of which the design is registered: **Manifold/blower insulator plate 1**
(51) International Design Classification: **15-01**
(71) Name(s) and Address(s) of Applicant(s):
Steven Angelovski
1A East Court Lalor Victoria 3075 Australia
(72) Name(s) of Designer(s): **Steven Angelovski**
(45) Registration Date: **03 June 2008**
(56) Related Art Documents: **Not Applicable**
(57) Statement of Newness and Distinctiveness: **The uniqueness is within the shape and form.**



- (21) Design Number: **10763/2008**
(22) Date of Filing Application: **19 February 2008**
(24) Date from which industrial property rights may have effect: **19 February 2008**
(54) Product in respect of which the design is registered: **Plenum spacer 1**
(51) International Design Classification: **15-01**
(71) Name(s) and Address(s) of Applicant(s):
Steven Angelovski
1A East Court Lalor Victoria 3075 Australia
(72) Name(s) of Designer(s): **Steven Angelovski**
(45) Registration Date: **03 June 2008**
(56) Related Art Documents: **Not Applicable**
(57) Statement of Newness and Distinctiveness: **The uniqueness is within the shape and form.**



- (21) Design Number: **10764/2008**
(22) Date of Filing Application: **19 February 2008**
(24) Date from which industrial property rights may have effect: **19 February 2008**
(54) Product in respect of which the design is registered: **Manifold insulator 1**
(51) International Design Classification: **15-01**
(71) Name(s) and Address(s) of Applicant(s):
Steven Angelovski
1A East Court Lalor Victoria 3075 Australia
(72) Name(s) of Designer(s): **Steven Angelovski**
(45) Registration Date: **03 June 2008**
(56) Related Art Documents: **Not Applicable**
(57) Statement of Newness and Distinctiveness: **The uniqueness is within the shape and form.**



- (21) Design Number: **10765/2008**
(22) Date of Filing Application: **19 February 2008**
(24) Date from which industrial property rights may have effect: **19 February 2008**
(54) Product in respect of which the design is registered: **Manifold insulator 2**
(51) International Design Classification: **15-01**
(71) Name(s) and Address(s) of Applicant(s):
Steven Angelovski
1A East Court Lalor Victoria 3075 Australia
(72) Name(s) of Designer(s): **Steven Angelovski**
(45) Registration Date: **03 June 2008**
(56) Related Art Documents: **Not Applicable**
(57) Statement of Newness and Distinctiveness: **The uniqueness is within the shape and form.**

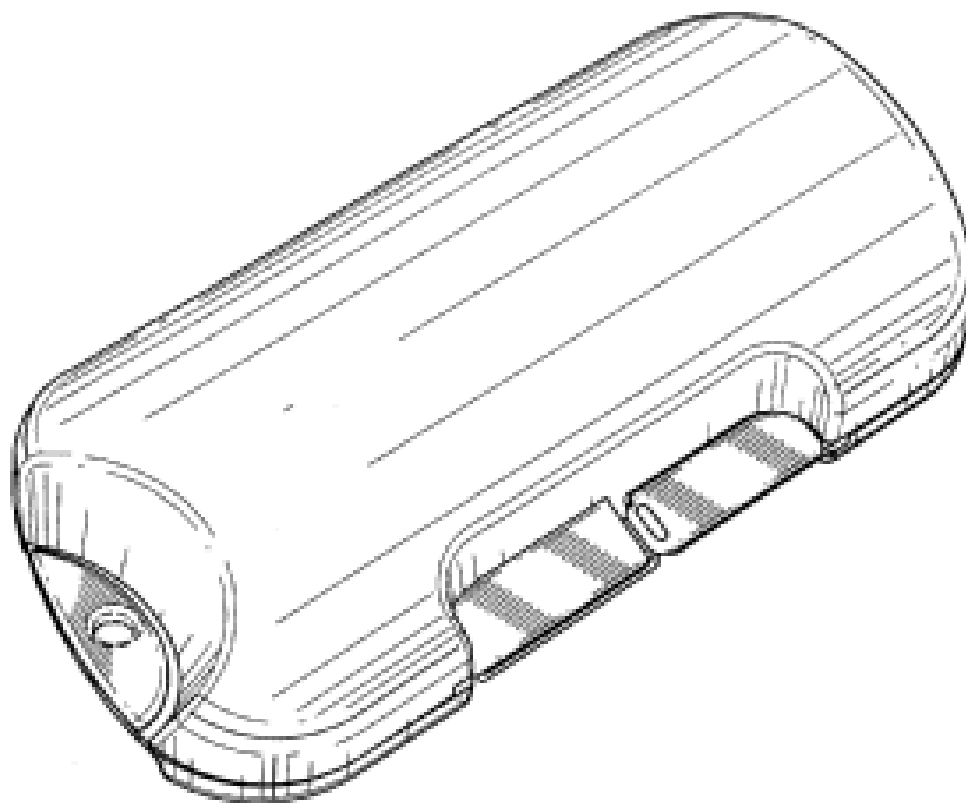


- (21) Design Number: **10766/2008**
- (22) Date of Filing Application: **19 February 2008**
- (24) Date from which industrial property rights may have effect: **19 February 2008**
- (54) Product in respect of which the design is registered: **Manifold insulator 3**
- (51) International Design Classification: **15-01**
- (71) Name(s) and Address(s) of Applicant(s):
Steven Angelovski
1A East Court Lalor Victoria 3075 Australia
- (72) Name(s) of Designer(s): **Steven Angelovski**
- (45) Registration Date: **03 June 2008**
- (56) Related Art Documents: **Not Applicable**
- (57) Statement of Newness and Distinctiveness: **The uniqueness is within the shape and form.**

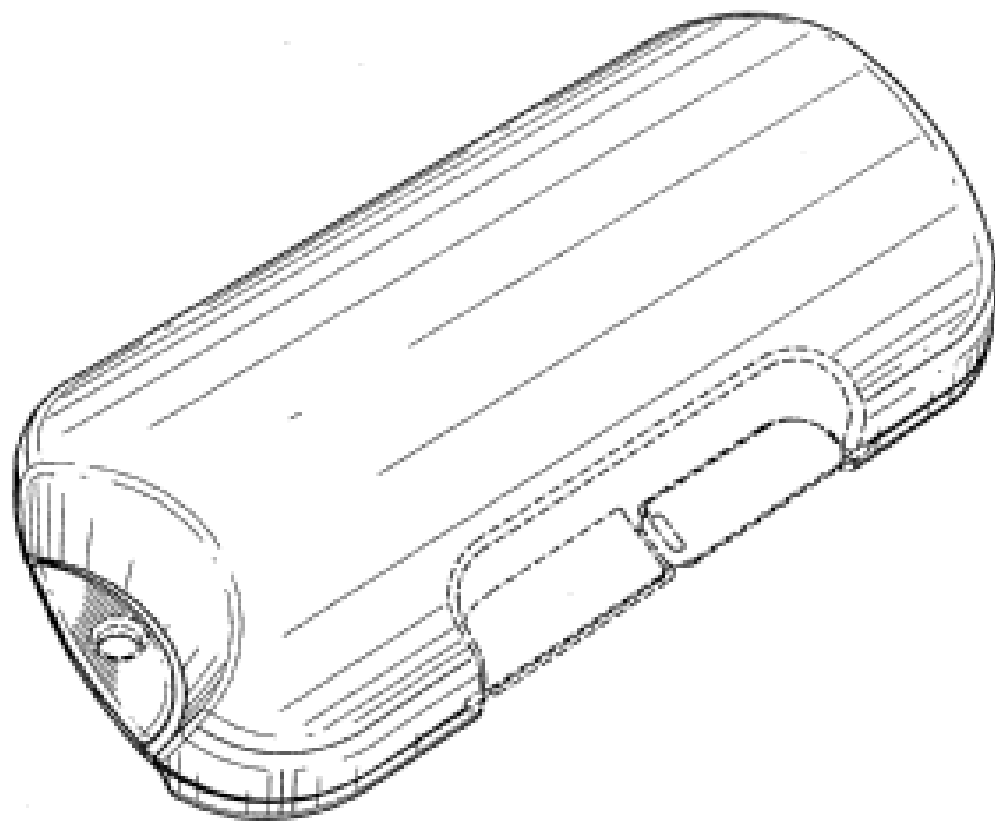


- (21) Design Number: **10856/2008**
- (22) Date of Filing Application: **22 February 2008**
- (24) Date from which industrial property rights may have effect: **22 February 2008**
- (54) Product in respect of which the design is registered: **Container for transporting a blister package**
- (51) International Design Classification: **09-05, 09-03NES, 24-99**
- (71) Name(s) and Address(s) of Applicant(s):
Schering-Plough Healthcare Products, Inc.
3030 Jackson Avenue Memphis Tennessee 38151 United States of America
- (72) Name(s) of Designer(s): **Scott A Silvenis and Richard S. Costa and Hung D. Mach**
- (45) Registration Date: **03 June 2008**
- (30) Convention priority data:

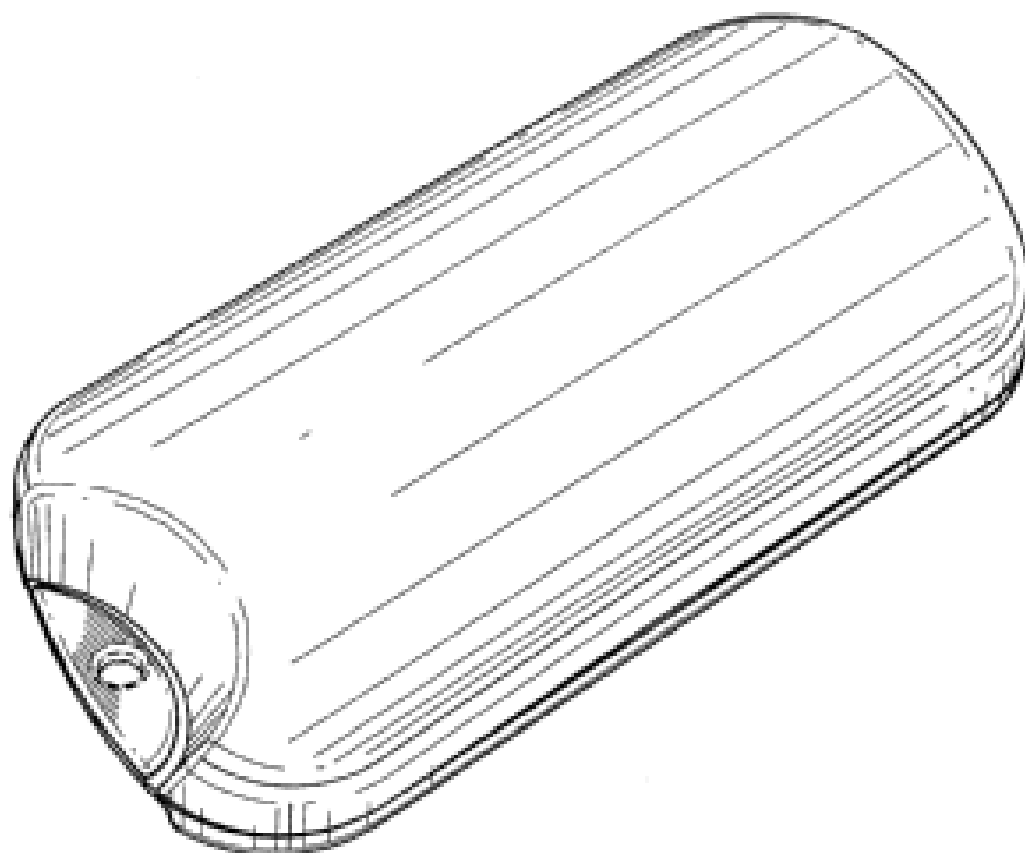
(31) Number	(32) Date	(33) Country
29/283923	27 Aug 2007	UNITED STATES OF AMERICA
- (56) Related Art Documents: **Not Applicable**
- (57) Statement of Newness and Distinctiveness: **When determining whether the designs 1-3 are substantially similar in overall impression to another design, no regard is to be had to those features shown in dotted outline in the accompanying drawings.**



- (21) Design Number: **10857/2008**
(22) Date of Filing Application: **22 February 2008**
(24) Date from which industrial property rights may have effect: **22 February 2008**
(54) Product in respect of which the design is registered: **Container for transporting a blister package**
(51) International Design Classification: **09-05, 09-03NES, 24-99**
(71) Name(s) and Address(s) of Applicant(s):
Schering-Plough Healthcare Products, Inc.
3030 Jackson Avenue Memphis Tennessee 38151 United States of America
(72) Name(s) of Designer(s): **Scott A Silvenis and Richard S. Costa and Hung D. Mach**
(45) Registration Date: **03 June 2008**
(30) Convention priority data:
(31) Number (32) Date (33) Country
29/283923 27 Aug 2007 UNITED STATES OF AMERICA
(56) Related Art Documents: **Not Applicable**
(57) Statement of Newness and Distinctiveness: **When determining whether the designs 1-3 are substantially similar in overall impression to another design, no regard is to be had to those features shown in dotted outline in the accompanying drawings.**



- (21) Design Number: **10858/2008**
(22) Date of Filing Application: **22 February 2008**
(24) Date from which industrial property rights may have effect: **22 February 2008**
(54) Product in respect of which the design is registered: **Container for transporting a blister package**
(51) International Design Classification: **09-05, 09-03NES, 24-99**
(71) Name(s) and Address(s) of Applicant(s):
Schering-Plough Healthcare Products, Inc.
3030 Jackson Avenue Memphis Tennessee 38151 United States of America
(72) Name(s) of Designer(s): **Scott A Silvenis and Richard S. Costa and Hung D. Mach**
(45) Registration Date: **03 June 2008**
(30) Convention priority data:
(31) Number (32) Date (33) Country
29/283923 27 Aug 2007 UNITED STATES OF AMERICA
(56) Related Art Documents: **Not Applicable**
(57) Statement of Newness and Distinctiveness: **When determining whether the designs 1-3 are substantially similar in overall impression to another design, no regard is to be had to those features shown in dotted outline in the accompanying drawings.**



(21) Design Number: **10360/2008**

(22) Date of Filing Application: **26 February 2008**

(24) Date from which industrial property rights may have effect: **26 February 2008**

(54) Product in respect of which the design is registered: **Purlin bridge bracket**

(51) International Design Classification: **08-08L**

(71) Name(s) and Address(s) of Applicant(s):

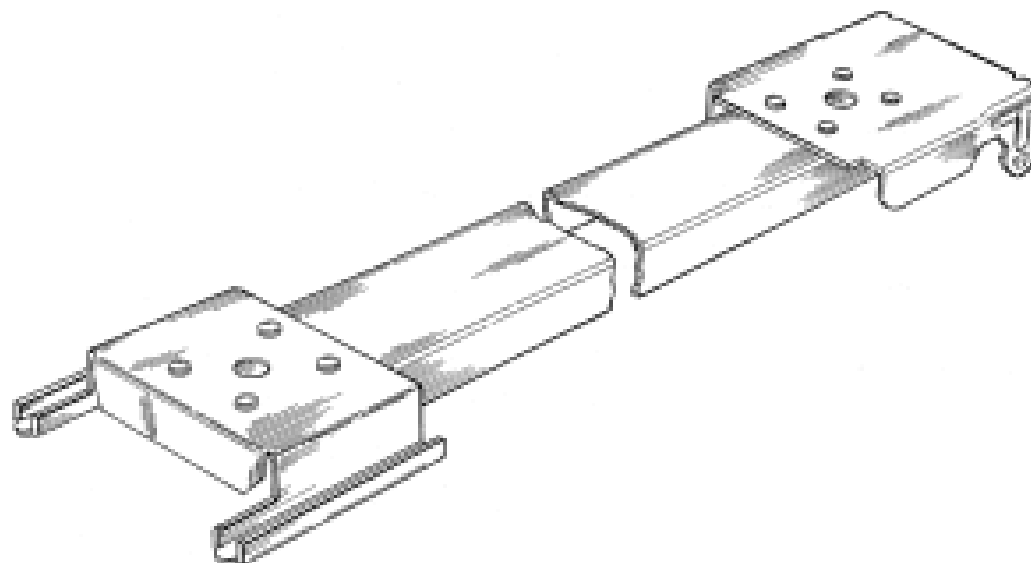
J.H. Stephenson & Son Pty Limited
152-154 Victoria Street North Geelong Victoria 3220 Australia

(72) Name(s) of Designer(s): **Bill Stephenson**

(45) Registration Date: **04 June 2008**

(56) Related Art Documents: **Not Applicable**

(57) Statement of Newness and Distinctiveness: **Each feature of the design considered separately or in combination with any other feature or features of the purlin bridge bracket of indeterminate length.**



(21) Design Number: **10501/2008**

(22) Date of Filing Application: **05 February 2008**

(24) Date from which industrial property rights may have effect: **05 February 2008**

(54) Product in respect of which the design is registered: **Shoe**

(51) International Design Classification: **02-04NES**

(71) Name(s) and Address(s) of Applicant(s):

OXBOW SAS
20 avenue Pythagore 33700 Merignac France

(72) Name(s) of Designer(s): **Frederic Beauger**

(45) Registration Date: **04 June 2008**

(30) Convention priority data:

(31) Number	(32) Date	(33) Country
000	10 Aug 2007	EUROPEAN COMMUNITY
772223-0002		

(56) Related Art Documents: **Not Applicable**

(57) Statement of Newness and Distinctiveness: **Nil**



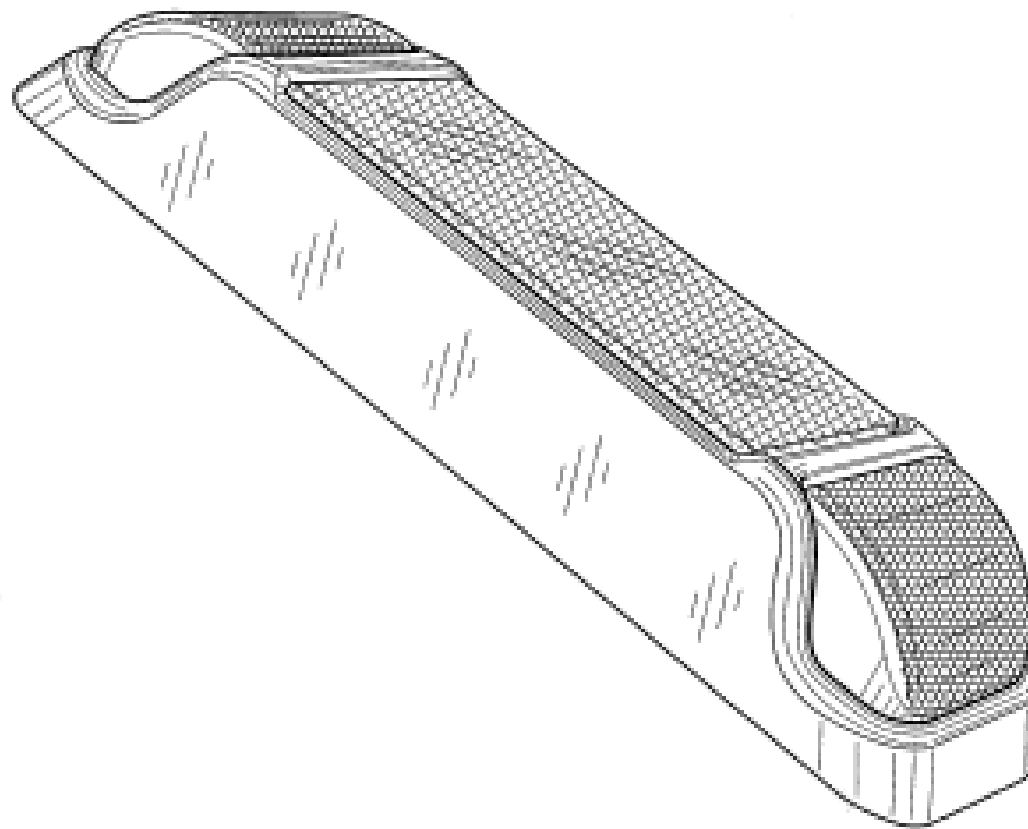
- (21) Design Number: **10502/2008**
(22) Date of Filing Application: **05 February 2008**
(24) Date from which industrial property rights may have effect: **05 February 2008**
(54) Product in respect of which the design is registered: **Shoe**
(51) International Design Classification: **02-04NES**
(71) Name(s) and Address(s) of Applicant(s):
OXBOW SAS
20 avenue Pythagore 33700 Merignac France
(72) Name(s) of Designer(s): **Frederic Beauger**
(45) Registration Date: **04 June 2008**
(30) Convention priority data:
(31) Number (32) Date (33) Country
000 10 Aug 2007 EUROPEAN COMMUNITY
772223-0001
(56) Related Art Documents: **Not Applicable**
(57) Statement of Newness and Distinctiveness: **Nil**



- (21) Design Number: **10784/2008**
(22) Date of Filing Application: **20 February 2008**
(24) Date from which industrial property rights may have effect: **20 February 2008**
(54) Product in respect of which the design is registered: **Tub**
(51) International Design Classification: **11-02B**
(71) Name(s) and Address(s) of Applicant(s):
Tecpak Industries Limited
759 Kaikorai Valley Road Dunedin New Zealand
(72) Name(s) of Designer(s): **Bruce Elliot Turner**
(45) Registration Date: **04 June 2008**
(30) Convention priority data:
(31) Number (32) Date (33) Country
409688 18 Sep 2007 NEW ZEALAND
(56) Related Art Documents: **Not Applicable**
(57) Statement of Newness and Distinctiveness: **The shape and configuration of the tub is new and distinctive. In considering the newness and distinctiveness of the design, the features of the upper circular rim portion are to be disregarded.**



- (21) Design Number: **10785/2008**
(22) Date of Filing Application: **20 February 2008**
(24) Date from which industrial property rights may have effect: **20 February 2008**
(54) Product in respect of which the design is registered: **Lighting assembly**
(51) International Design Classification: **26-05A**
(71) Name(s) and Address(s) of Applicant(s):
LED Technologies Pty Ltd
Factory 1 10 Brand Drive Thomastown Victoria 3074 Australia
(72) Name(s) of Designer(s): **Tony Ottobre**
(45) Registration Date: **04 June 2008**
(56) Related Art Documents: **Not Applicable**
(57) Statement of Newness and Distinctiveness: **The shape and/or configuration and/or pattern and/or ornamentation of the lighting assembly as shown in the accompanying representations is/are new and distinctive. To assist in determining the scope of the design, it is noted that the central portion is a reflector portion and the end lens portions are light emitting portions.**



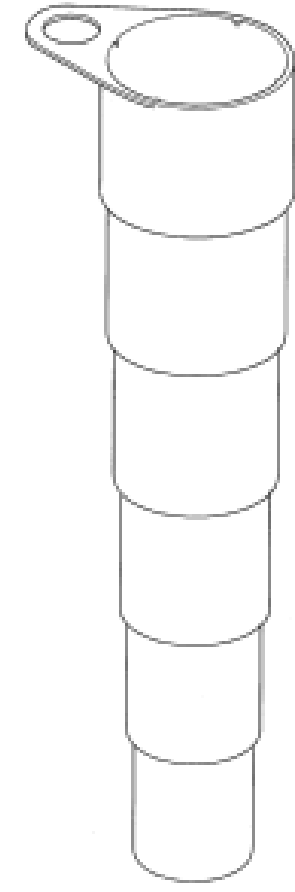
- (21) Design Number: **10786/2008**
(22) Date of Filing Application: **20 February 2008**
(24) Date from which industrial property rights may have effect: **20 February 2008**
(54) Product in respect of which the design is registered: **Tub**
(51) International Design Classification: **11-02B**
(71) Name(s) and Address(s) of Applicant(s):
Tecpak Industries Limited
759 Kaikorai Valley Road Dunedin New Zealand
(72) Name(s) of Designer(s): **Bruce Elliot Turner**
(45) Registration Date: **04 June 2008**
(30) Convention priority data:

(31) Number	(32) Date	(33) Country
409689	18 Sep 2007	NEW ZEALAND

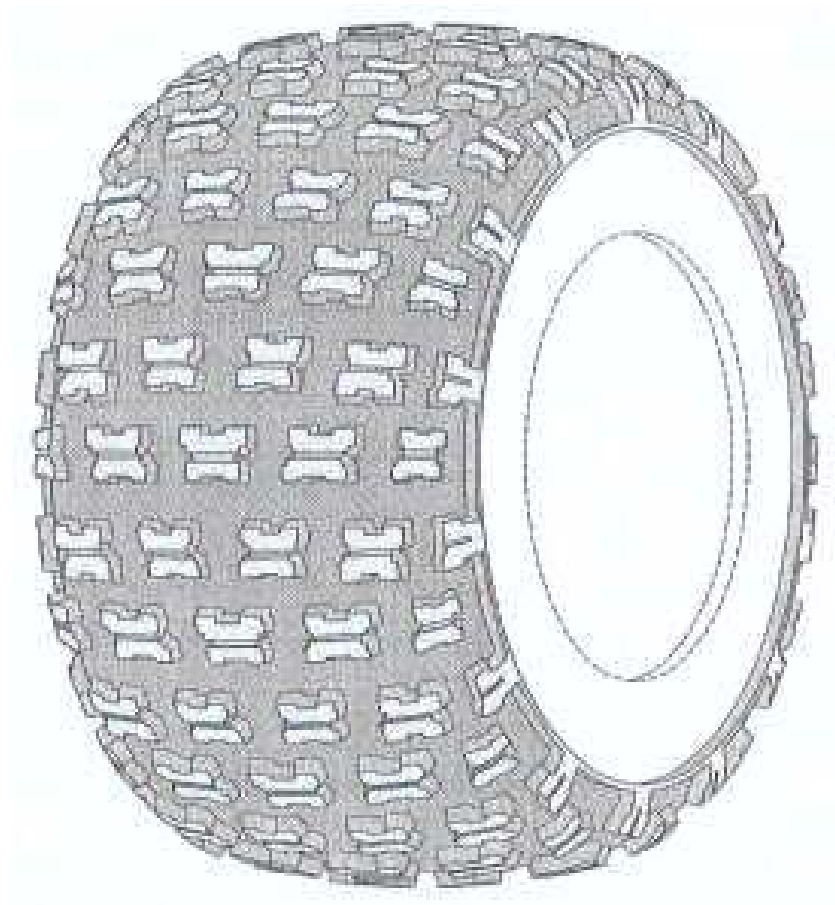
(56) Related Art Documents: **Not Applicable**
(57) Statement of Newness and Distinctiveness: **The shape and configuration of the tub is new and distinctive. In considering the newness and distinctiveness of the design, the features of the upper circular rim portion are to be disregarded.**



(21) Design Number: **10791/2008**
(22) Date of Filing Application: **20 February 2008**
(24) Date from which industrial property rights may have effect: **20 February 2008**
(54) Product in respect of which the design is registered: **A surgical quiver**
(51) International Design Classification: **24-02**
(71) Name(s) and Address(s) of Applicant(s):
Platinum Surgical Pty Ltd
39 Bellevue Circuit Gulfview Heights Adelaide 5096 Australia
(72) Name(s) of Designer(s): **Sue Gepp and Michael Gallagher**
(45) Registration Date: **04 June 2008**
(56) Related Art Documents: **Not Applicable**
(57) Statement of Newness and Distinctiveness: **Nil**



(21) Design Number: **10793/2008**
(22) Date of Filing Application: **20 February 2008**
(24) Date from which industrial property rights may have effect: **20 February 2008**
(54) Product in respect of which the design is registered: **Automobile tyre**
(51) International Design Classification: **12-15C**
(71) Name(s) and Address(s) of Applicant(s):
The Goodyear Tire & Rubber Company
1144 East Market Street Akron Ohio 44316-0001 United States of America
(72) Name(s) of Designer(s): **Hiroshi Ohigashi**
(45) Registration Date: **04 June 2008**
(30) Convention priority data:
(31) Number (32) Date (33) Country
2007-023557 30 Aug 2007 JAPAN
(56) Related Art Documents: **Not Applicable**
(57) Statement of Newness and Distinctiveness: **Newness and distinctiveness is claimed in those features of shape and/or configuration of the tread of an automobile tyre illustrated in continuous lines in the accompanying representations, wherein the shape and/or configuration of the tread is repeated throughout the circumference of the tyre.**



(21) Design Number: **10794/2008**

(22) Date of Filing Application: **20 February 2008**

(24) Date from which industrial property rights may have effect: **20 February 2008**

(54) Product in respect of which the design is registered: **Automobile tyre**

(51) International Design Classification: **12-15C**

(71) Name(s) and Address(s) of Applicant(s):

**The Goodyear Tire & Rubber Company
1144 East Market Street Akron Ohio 44316-0001 United States of
America**

(72) Name(s) of Designer(s): **Hiroshi Ohigashi**

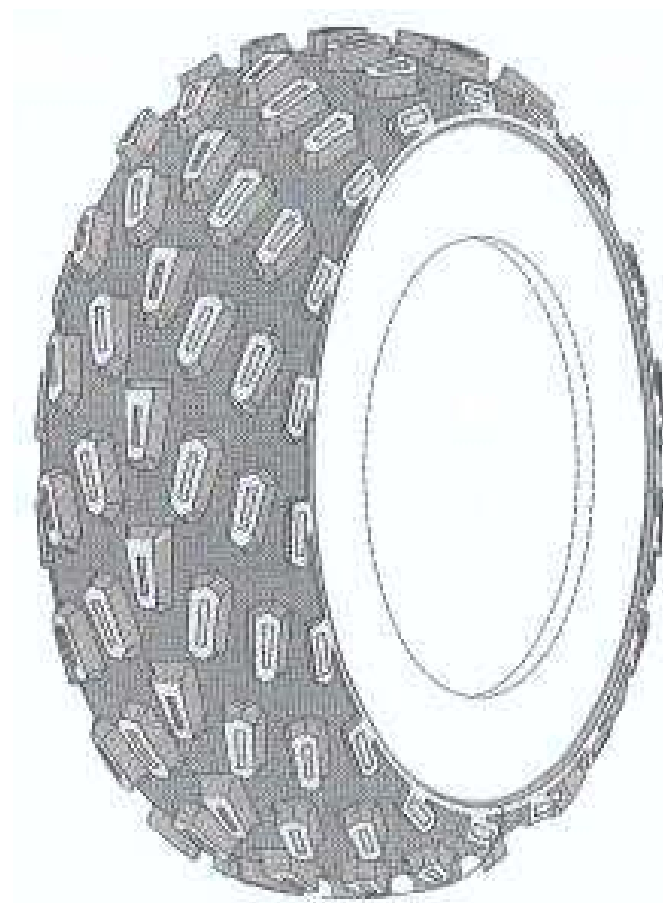
(45) Registration Date: **04 June 2008**

(30) Convention priority data:

(31) Number	(32) Date	(33) Country
2007-023254	28 Aug 2007	JAPAN

(56) Related Art Documents: **Not Applicable**

(57) Statement of Newness and Distinctiveness: **Newness and distinctiveness is claimed in those features of shape and/or configuration of the tread of an automobile tyre illustrated in continuous lines in the accompanying representations, wherein the shape and/or configuration of the tread is repeated throughout the circumference of the tyre.**



(21) Design Number: **10795/2008**

(22) Date of Filing Application: **20 February 2008**

(24) Date from which industrial property rights may have effect: **20 February 2008**

(54) Product in respect of which the design is registered: **Automobile tyre**

(51) International Design Classification: **12-15C**

(71) Name(s) and Address(s) of Applicant(s):

**The Goodyear Tire & Rubber Company
1144 East Market Street Akron Ohio 44316-0001 United States of
America**

(72) Name(s) of Designer(s): **Hiroshi Ohigashi**

(45) Registration Date: **04 June 2008**

(30) Convention priority data:

(31) Number	(32) Date	(33) Country
2007-023558	30 Aug 2007	JAPAN

(56) Related Art Documents: **Not Applicable**

(57) Statement of Newness and Distinctiveness: **Newness and distinctiveness is claimed in those features of shape and/or configuration of the tread of an automobile tyre illustrated in continuous lines in the accompanying representations, wherein the shape and/or configuration of the tread is repeated throughout the circumference of the tyre.**



(21) Design Number: **10796/2008**
 (22) Date of Filing Application: **20 February 2008**
 (24) Date from which industrial property rights may have effect: **20 February 2008**
 (54) Product in respect of which the design is registered: **A toy**
 (51) International Design Classification: **21-01NES**
 (71) Name(s) and Address(s) of Applicant(s):

Baby Bjorn AB
Satraangsvagen 8 182 15 Danderyd Sweden

(72) Name(s) of Designer(s): **Malin Henriksson and Hakan Bergkvist**

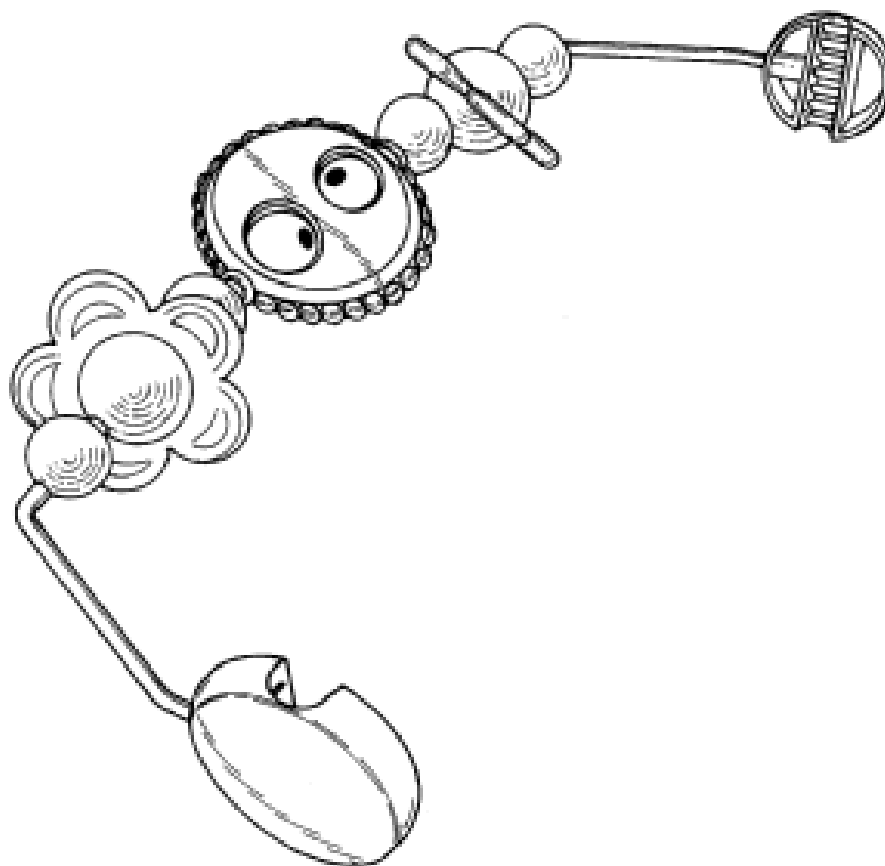
(45) Registration Date: **04 June 2008**

(30) Convention priority data:

(31) Number	(32) Date	(33) Country
000779517-0001	28 Aug 2007	EUROPEAN COMMUNITY

(56) Related Art Documents: **Not Applicable**

(57) Statement of Newness and Distinctiveness: **Newness and distinctiveness is claimed in the features of shape and/or configuration of the following parts of a toy as illustrated and labelled in the front view of the accompanying representations: the face shaped part with movable eyes labelled "1"; the movable flower shaped parts labelled "2"; and the length of the arms labelled "3" which together with parts 1 and 2 generally define a "U" shape.**



(21) Design Number: **10890/2008**
 (22) Date of Filing Application: **25 February 2008**
 (24) Date from which industrial property rights may have effect: **25 February 2008**
 (54) Product in respect of which the design is registered: **A handset**
 (51) International Design Classification: **14-03A**
 (71) Name(s) and Address(s) of Applicant(s):

Nokia Corporation
Keilalahdentie 4 FIN-02150 Espoo Finland

(72) Name(s) of Designer(s): **Daniel Dhondt**

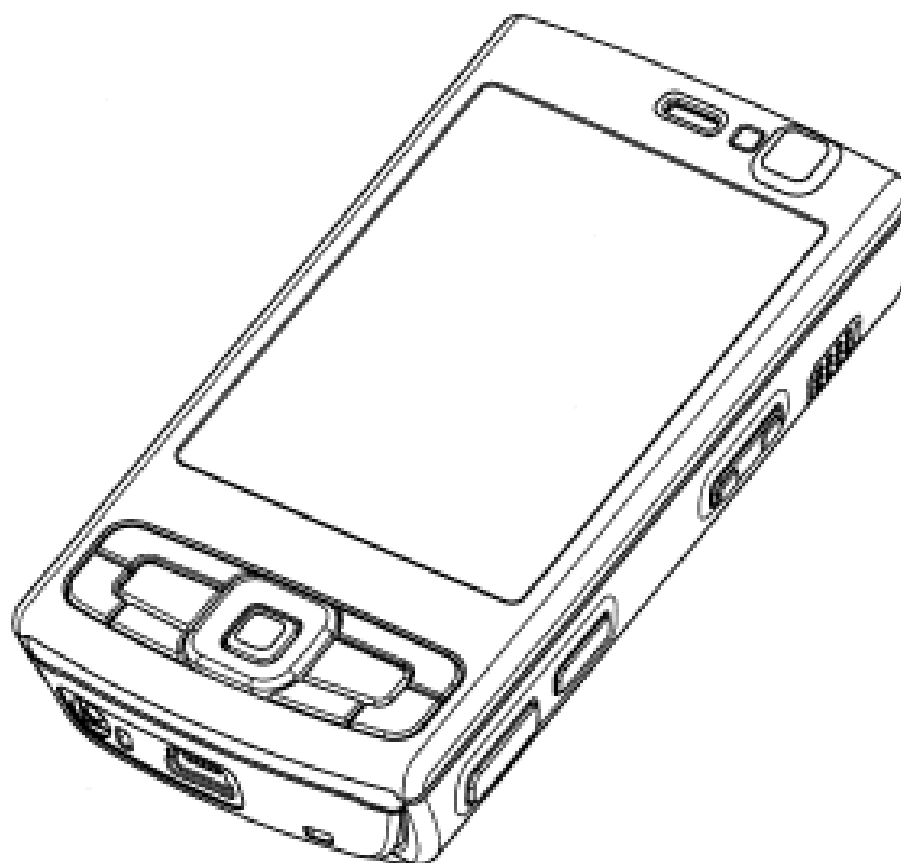
(45) Registration Date: **04 June 2008**

(30) Convention priority data:

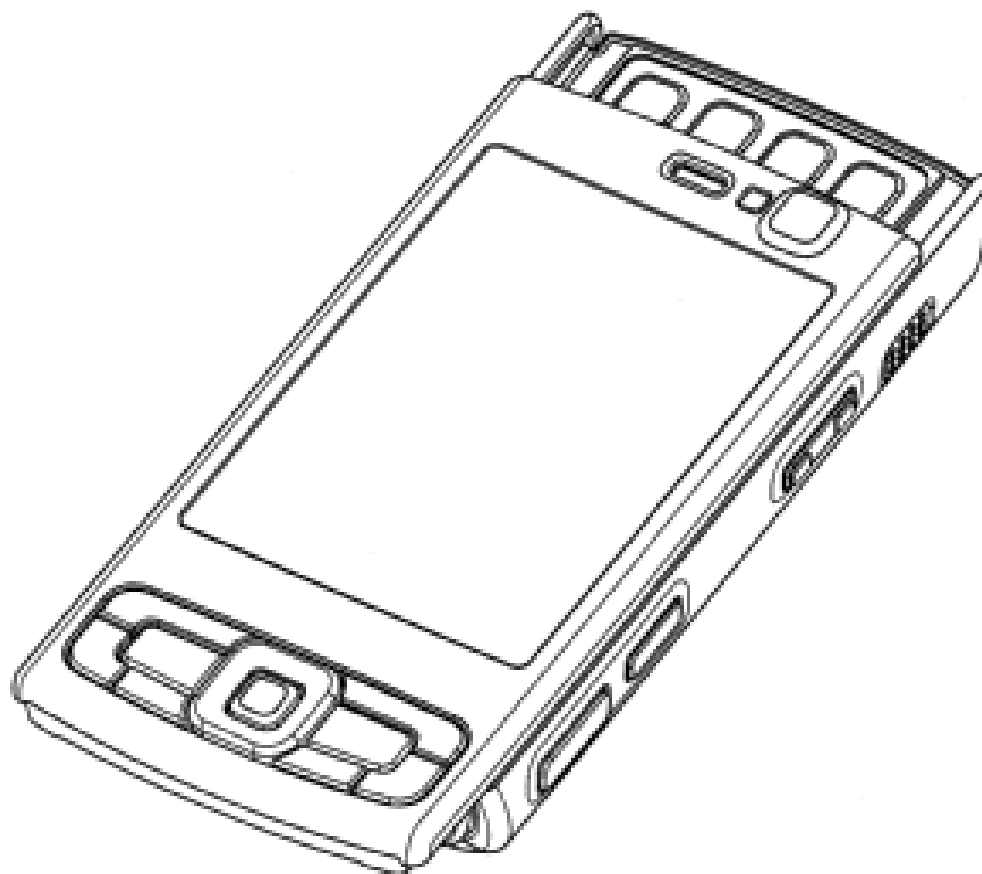
(31) Number	(32) Date	(33) Country
000779780	28 Aug 2007	EUROPEAN COMMUNITY

(56) Related Art Documents: **Not Applicable**

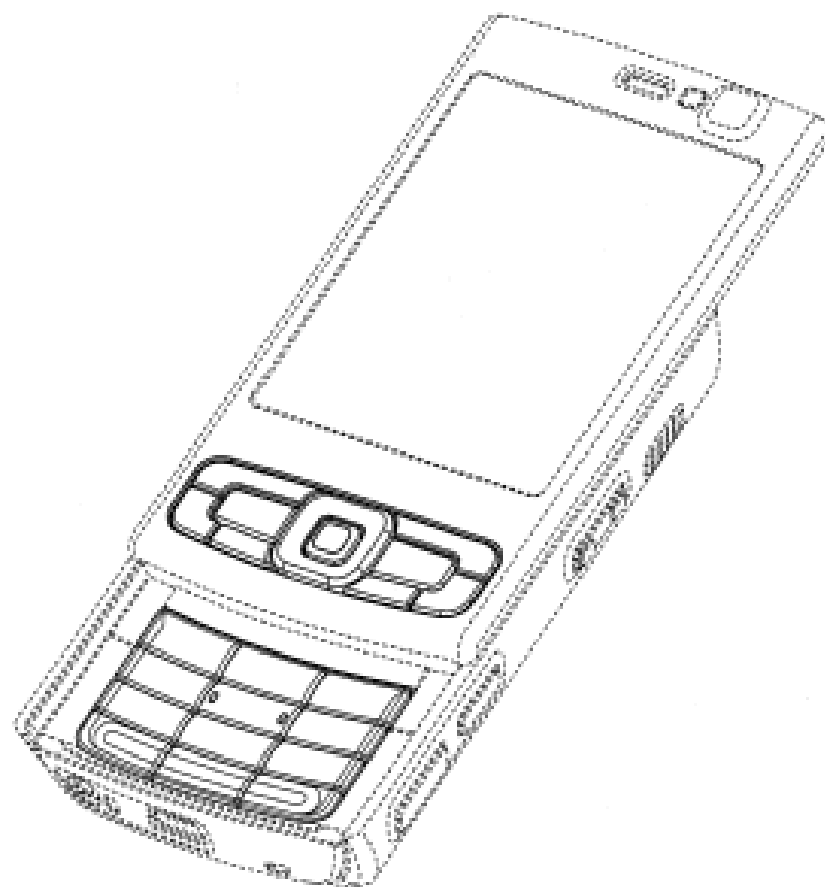
(57) Statement of Newness and Distinctiveness: **Nil**



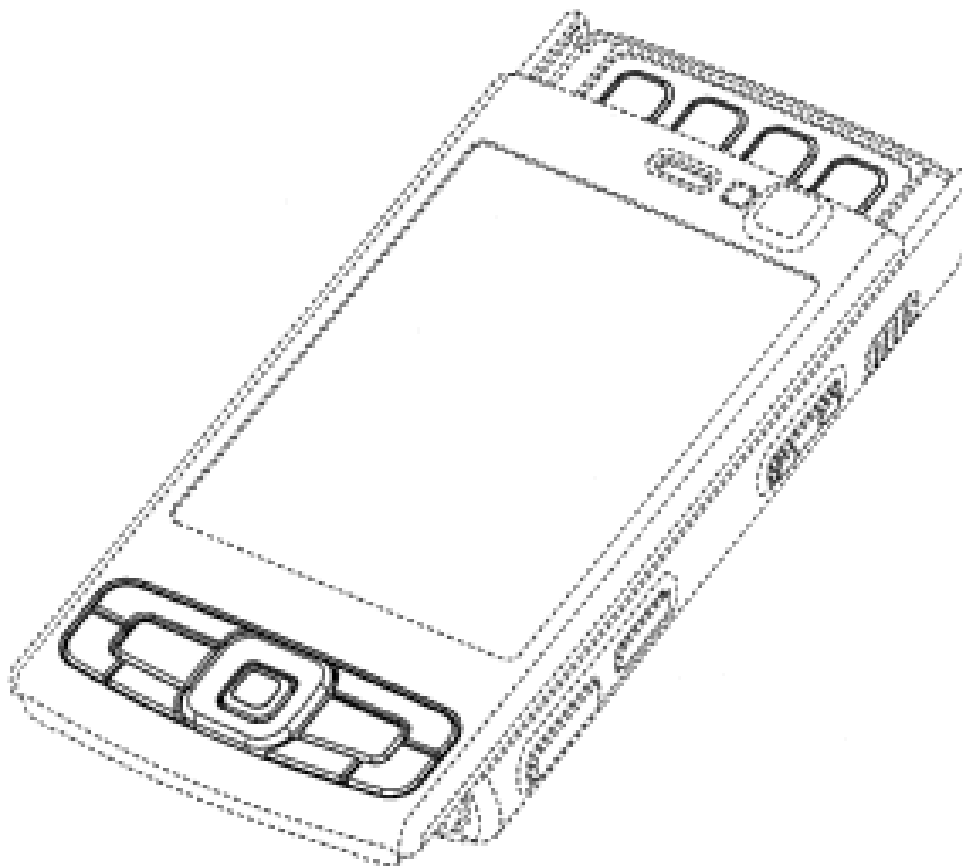
(21) Design Number: **10891/2008**
(22) Date of Filing Application: **25 February 2008**
(24) Date from which industrial property rights may have effect: **25 February 2008**
(54) Product in respect of which the design is registered: **A handset**
(51) International Design Classification: **14-03A**
(71) Name(s) and Address(s) of Applicant(s):
Nokia Corporation
Keilalahdentie 4 FIN-02150 Espoo Finland
(72) Name(s) of Designer(s): **Daniel Dhondt**
(45) Registration Date: **04 June 2008**
(30) Convention priority data:
(31) Number (32) Date (33) Country
000779780 27 Aug 2007 EUROPEAN COMMUNITY
(56) Related Art Documents: **Not Applicable**
(57) Statement of Newness and Distinctiveness: **Nil**



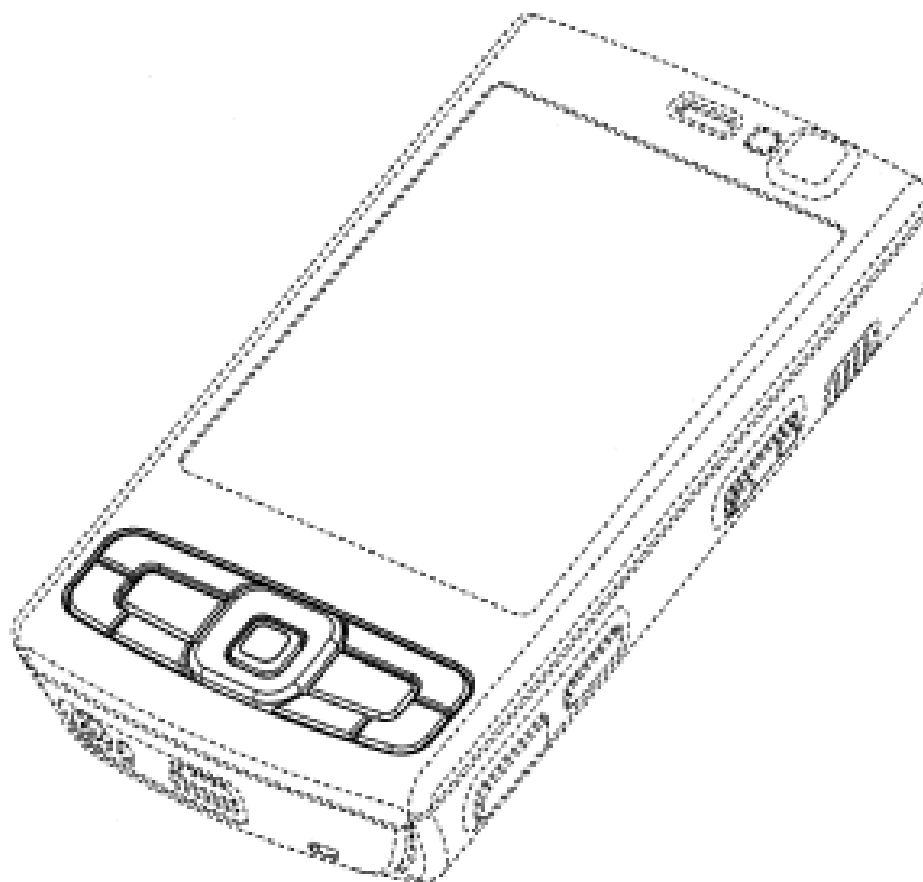
(21) Design Number: **10892/2008**
(22) Date of Filing Application: **25 February 2008**
(24) Date from which industrial property rights may have effect: **25 February 2008**
(54) Product in respect of which the design is registered: **A set of keys for a handset**
(51) International Design Classification: **14-03A**
(71) Name(s) and Address(s) of Applicant(s):
Nokia Corporation
Keilalahdentie 4 FIN-02150 Espoo Finland
(72) Name(s) of Designer(s): **Daniel Dhondt**
(45) Registration Date: **04 June 2008**
(30) Convention priority data:
(31) Number (32) Date (33) Country
000779780 27 Aug 2007 EUROPEAN COMMUNITY
(56) Related Art Documents: **Not Applicable**
(57) Statement of Newness and Distinctiveness: **Newness and distinctiveness is claimed in the visual features shown in solid lines in the representations.**



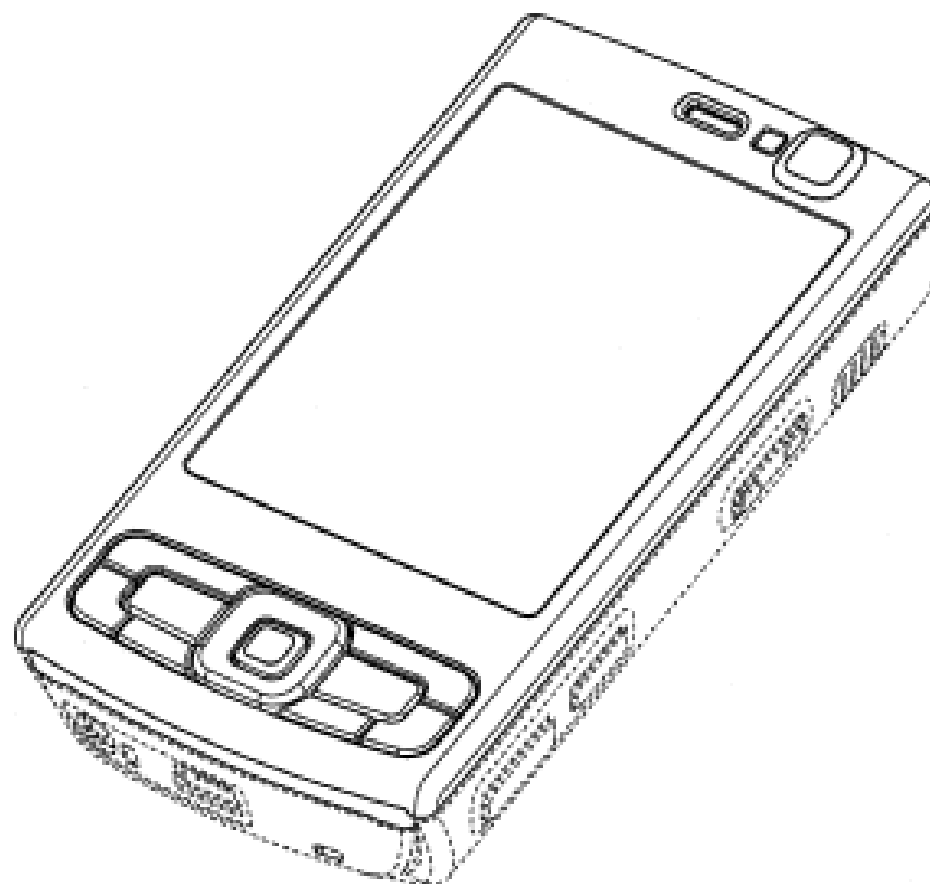
- (21) Design Number: **10893/2008**
(22) Date of Filing Application: **25 February 2008**
(24) Date from which industrial property rights may have effect: **25 February 2008**
(54) Product in respect of which the design is registered: **A set of keys for a handset**
(51) International Design Classification: **14-03A**
(71) Name(s) and Address(s) of Applicant(s):
Nokia Corporation
Keilalahdentie 4 FIN-02150 Espoo Finland
(72) Name(s) of Designer(s): **Daniel Dhondt**
(45) Registration Date: **04 June 2008**
(30) Convention priority data:
(31) Number (32) Date (33) Country
000779780 27 Aug 2007 EUROPEAN COMMUNITY
(56) Related Art Documents: **Not Applicable**
(57) Statement of Newness and Distinctiveness: **Newness and distinctiveness is claimed in the visual features shown in solid lines in the representations.**



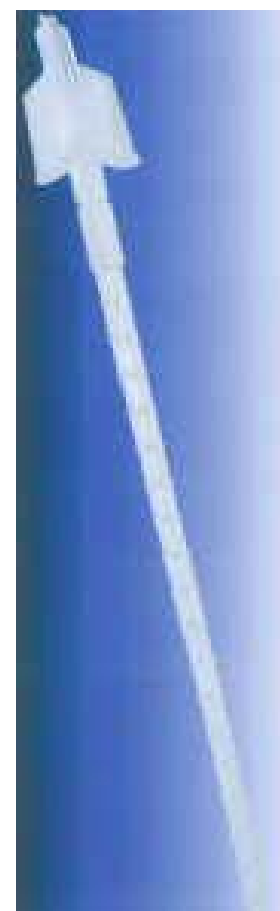
- (21) Design Number: **10894/2008**
(22) Date of Filing Application: **25 February 2008**
(24) Date from which industrial property rights may have effect: **25 February 2008**
(54) Product in respect of which the design is registered: **A set of keys for a handset**
(51) International Design Classification: **14-03A**
(71) Name(s) and Address(s) of Applicant(s):
Nokia Corporation
Keilalahdentie 4 FIN-02150 Espoo Finland
(72) Name(s) of Designer(s): **Daniel Dhondt**
(45) Registration Date: **04 June 2008**
(30) Convention priority data:
(31) Number (32) Date (33) Country
000779780 27 Aug 2007 EUROPEAN COMMUNITY
(56) Related Art Documents: **Not Applicable**
(57) Statement of Newness and Distinctiveness: **Newness and distinctiveness is claimed in the visual features shown in solid lines in the representations.**



- (21) Design Number: **10895/2008**
(22) Date of Filing Application: **25 February 2008**
(24) Date from which industrial property rights may have effect: **25 February 2008**
(54) Product in respect of which the design is registered: **A front cover for a handset**
(51) International Design Classification: **14-03A**
(71) Name(s) and Address(s) of Applicant(s):
Nokia Corporation
Keilalahdentie 4 FIN-02150 Espoo Finland
(72) Name(s) of Designer(s): **Daniel Dhondt**
(45) Registration Date: **04 June 2008**
(30) Convention priority data:
(31) Number (32) Date (33) Country
000779780 27 Aug 2007 EUROPEAN COMMUNITY
(56) Related Art Documents: **Not Applicable**
(57) Statement of Newness and Distinctiveness: **Newness and distinctiveness is claimed in the visual features shown in solid lines in the representations.**

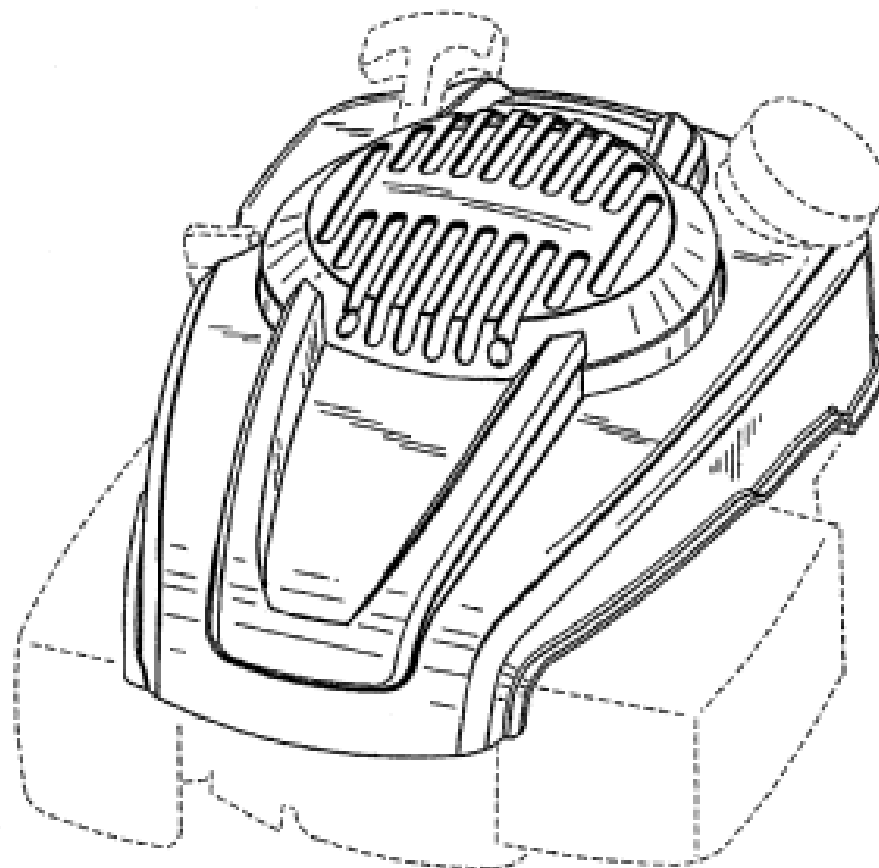


- (21) Design Number: **10896/2008**
(22) Date of Filing Application: **25 February 2008**
(24) Date from which industrial property rights may have effect: **25 February 2008**
(54) Product in respect of which the design is registered: **Cervix brushes**
(51) International Design Classification: **24-01**
(71) Name(s) and Address(s) of Applicant(s):
Livingstone International Pty Ltd
106-116 Epsom Road Rosebery New South Wales 2018 Australia
(72) Name(s) of Designer(s): **Louis Loo**
(45) Registration Date: **04 June 2008**
(56) Related Art Documents: **Not Applicable**
(57) Statement of Newness and Distinctiveness: **Nil**



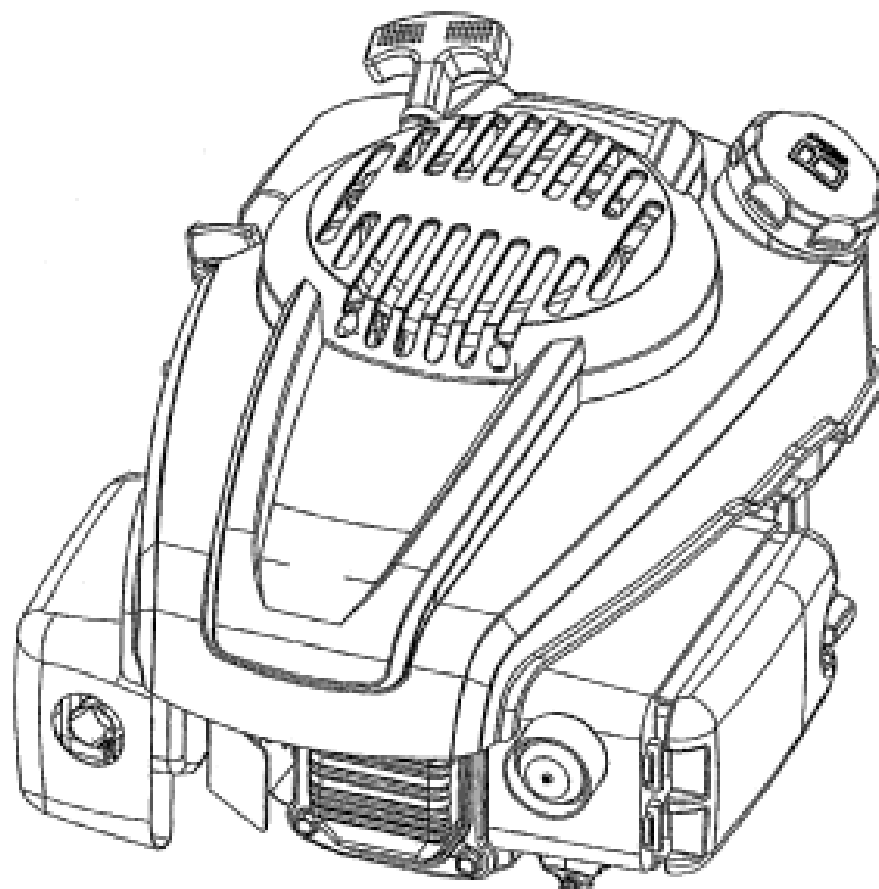
- (21) Design Number: **10906/2008**
- (22) Date of Filing Application: **25 February 2008**
- (24) Date from which industrial property rights may have effect: **25 February 2008**
- (54) Product in respect of which the design is registered: **Engine shroud**
- (51) International Design Classification: **15-01**
- (71) Name(s) and Address(s) of Applicant(s):
Kohler Co.
444 Highland Drive Kohler WI 53044 United States of America
- (72) Name(s) of Designer(s): **Ronald V. Post and David O. Meyers and Christopher T. Boyer**
- (45) Registration Date: **04 June 2008**
- (30) Convention priority data:

(31) Number	(32) Date	(33) Country
29/284459	07 Sep 2007	UNITED STATES OF AMERICA
- (56) Related Art Documents: **Not Applicable**
- (57) Statement of Newness and Distinctiveness: **When determining whether the design 1 is substantially similar in overall impression to another design, no regard is to be had to those features shown in dotted outline in the accompanying drawings.**



- (21) Design Number: **10907/2008**
- (22) Date of Filing Application: **25 February 2008**
- (24) Date from which industrial property rights may have effect: **25 February 2008**
- (54) Product in respect of which the design is registered: **Engine**
- (51) International Design Classification: **15-01**
- (71) Name(s) and Address(s) of Applicant(s):
Kohler Co.
444 Highland Drive Kohler WI 53044 United States of America
- (72) Name(s) of Designer(s): **Ronald V. Post and David O. Meyers and Christopher T. Boyer**
- (45) Registration Date: **04 June 2008**
- (30) Convention priority data:

(31) Number	(32) Date	(33) Country
29/284457	07 Sep 2007	UNITED STATES OF AMERICA
- (56) Related Art Documents: **Not Applicable**
- (57) Statement of Newness and Distinctiveness: **Nil**



(19) AU

(21) Design Number: **10908/2008**

(22) Date of Filing Application: **25 February 2008**

(24) Date from which industrial property rights may have effect: **25 February 2008**

(54) Product in respect of which the design is registered: **Charger**

(51) International Design Classification: **13-02**

(71) Name(s) and Address(s) of Applicant(s):

Eveready Battery Company, Inc.
533 Maryville University Drive St Louis Missouri 63141 United States of America

(72) Name(s) of Designer(s): **Scott W. Osiecki and Donwoong Kang**

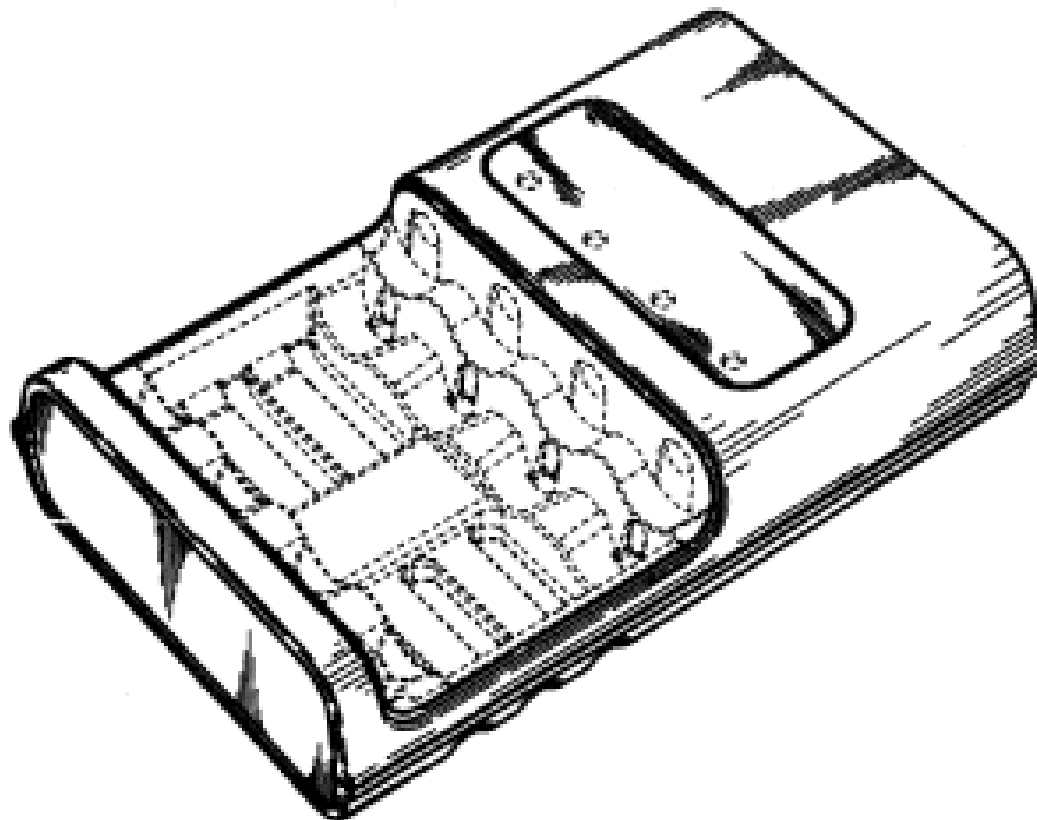
(45) Registration Date: **04 June 2008**

(30) Convention priority data:

(31) Number	(32) Date	(33) Country
29/292093	27 Sep 2007	UNITED STATES OF AMERICA

(56) Related Art Documents: **Not Applicable**

(57) Statement of Newness and Distinctiveness: **Newness and distinctiveness is claimed in those visual features depicted in unbroken lines.**



(19) AU

(21) Design Number: **10919/2008**

(22) Date of Filing Application: **26 February 2008**

(24) Date from which industrial property rights may have effect: **26 February 2008**

(54) Product in respect of which the design is registered: **Shielded or protected coat hook system**

(51) International Design Classification: **06-08**

(71) Name(s) and Address(s) of Applicant(s):

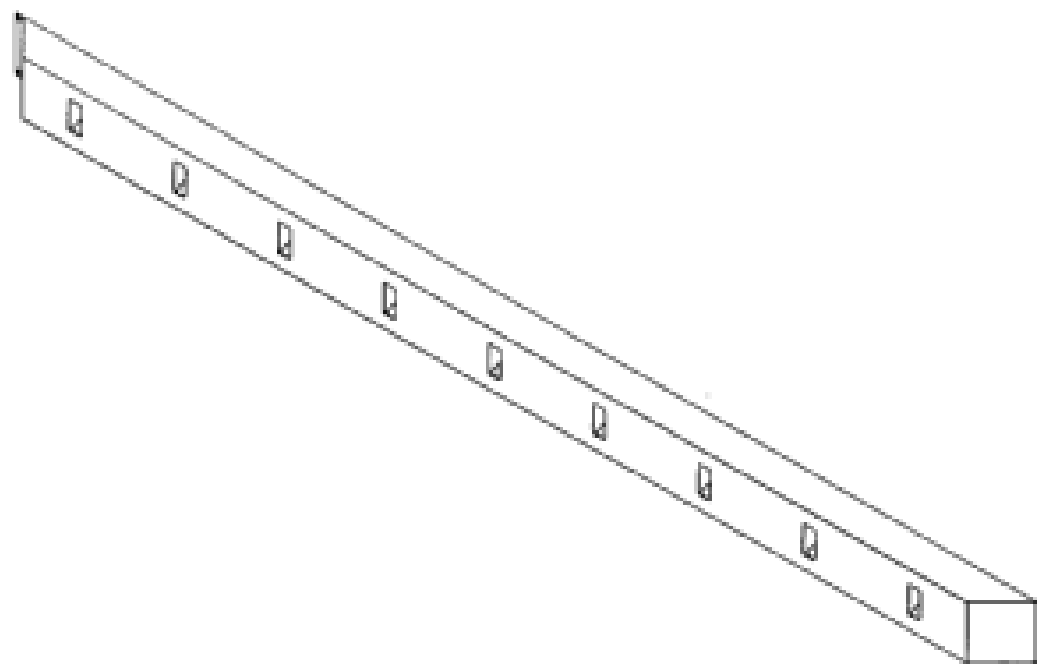
Chippa Homes Pty Ltd as Trustee for Chippa Homes Unit Trust
116 Plymouth Road Ringwood North Victoria 3134 Australia
Stylseal Pty Ltd as Trustee for KJF Discretionary Trust
17 Hancock Drive Ferntree Gully Victoria 3156 Australia

(72) Name(s) of Designer(s): **Kevin Fredericks and Mark Springett**

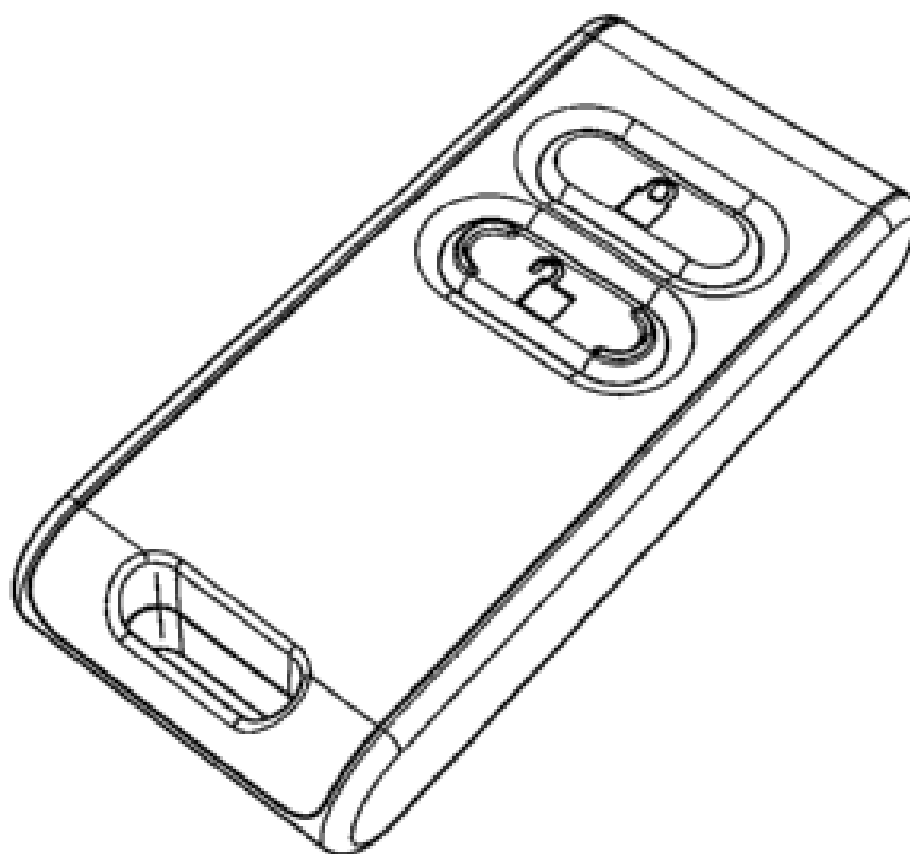
(45) Registration Date: **04 June 2008**

(56) Related Art Documents: **Not Applicable**

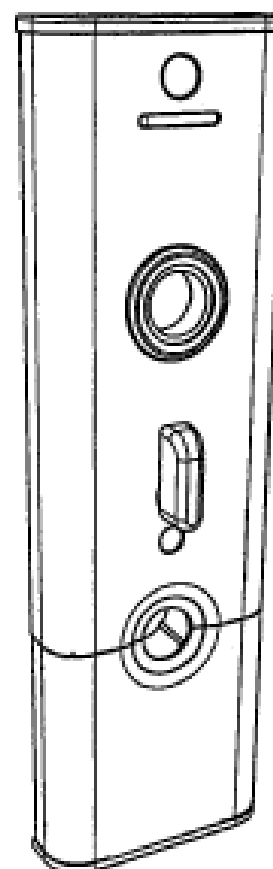
(57) Statement of Newness and Distinctiveness: **Nil**



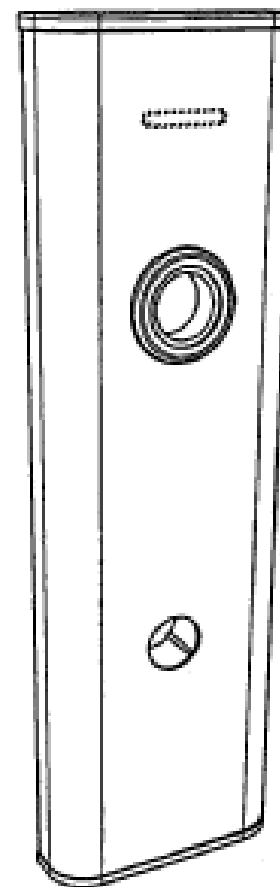
- (21) Design Number: **10921/2008**
(22) Date of Filing Application: **26 February 2008**
(24) Date from which industrial property rights may have effect: **26 February 2008**
(54) Product in respect of which the design is registered: **Remote controller**
(51) International Design Classification: **14-03NES**
(71) Name(s) and Address(s) of Applicant(s):
ASSA ABLOY Australia Pty Limited
235 Huntingdale Road Oakleigh Victoria 3166 Australia
(72) Name(s) of Designer(s): **Craig Anthony Caspersz**
(45) Registration Date: **04 June 2008**
(56) Related Art Documents: **Not Applicable**
(57) Statement of Newness and Distinctiveness: **Those features of the remote controller depicted in the representations that are new and distinctive are the shape and/or configuration.**



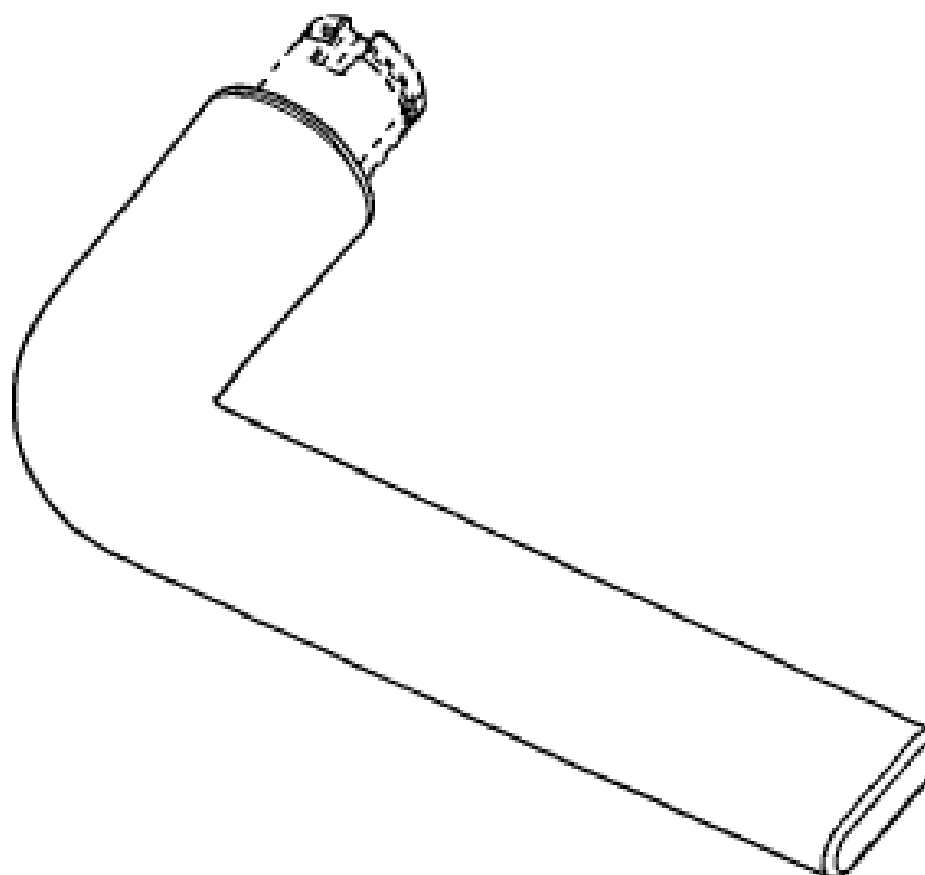
- (21) Design Number: **10922/2008**
(22) Date of Filing Application: **26 February 2008**
(24) Date from which industrial property rights may have effect: **26 February 2008**
(54) Product in respect of which the design is registered: **Furniture Plate**
(51) International Design Classification: **06-06NES**
(71) Name(s) and Address(s) of Applicant(s):
ASSA ABLOY Australia Pty Limited
235 Huntingdale Road Oakleigh Victoria 3166 Australia
(72) Name(s) of Designer(s): **Craig Anthony Caspersz**
(45) Registration Date: **04 June 2008**
(56) Related Art Documents: **Not Applicable**
(57) Statement of Newness and Distinctiveness: **Those features of the furniture plate depicted in the representations that are new and distinctive are the shape and/or configuration. The line marked "A" in the isometric, front and side view of the furniture plate is not part of the design and is to be disregarded when considering the overall impression of the design.**



- (21) Design Number: **10923/2008**
(22) Date of Filing Application: **26 February 2008**
(24) Date from which industrial property rights may have effect: **26 February 2008**
(54) Product in respect of which the design is registered: **Furniture plate**
(51) International Design Classification: **06-06NES**
(71) Name(s) and Address(s) of Applicant(s):
ASSA ABLOY Australia Pty Limited
235 Huntingdale Road Oakleigh Victoria 3166 Australia
(72) Name(s) of Designer(s): **Craig Anthony Caspersz**
(45) Registration Date: **04 June 2008**
(56) Related Art Documents: **Not Applicable**
(57) Statement of Newness and Distinctiveness: **Those features of the furniture plate depicted in the representations that are new and distinctive are the shape and/or configuration. The features shown in broken lines are not part of the design and are to be disregarded when considering the overall impression of the design.**



- (21) Design Number: **10924/2008**
(22) Date of Filing Application: **26 February 2008**
(24) Date from which industrial property rights may have effect: **26 February 2008**
(54) Product in respect of which the design is registered: **Handle**
(51) International Design Classification: **08-06**
(71) Name(s) and Address(s) of Applicant(s):
ASSA ABLOY Australia Pty Limited
235 Huntingdale Road Oakleigh Victoria 3166 Australia
(72) Name(s) of Designer(s): **Craig Anthony Caspersz**
(45) Registration Date: **04 June 2008**
(56) Related Art Documents: **Not Applicable**
(57) Statement of Newness and Distinctiveness: **Those features of the handle depicted in the representations that are new and distinctive are the shape and/or configuration. The features shown in broken lines are not part of the design and are to be disregarded when considering the overall impression of the design.**



(21) Design Number: **10032/2008**

(22) Date of Filing Application: **02 January 2008**

(24) Date from which industrial property rights may have effect: **02 January 2008**

(54) Product in respect of which the design is registered: **Jewellery item**

(51) International Design Classification: **11-01A**

(71) Name(s) and Address(s) of Applicant(s):

Vernon White

237 Florida Road Morningside Durban 4001 South Africa

(72) Name(s) of Designer(s): **Vernon White**

(45) Registration Date: **03 June 2008**

(30) Convention priority data:

(31) Number

(32) Date

(33) Country

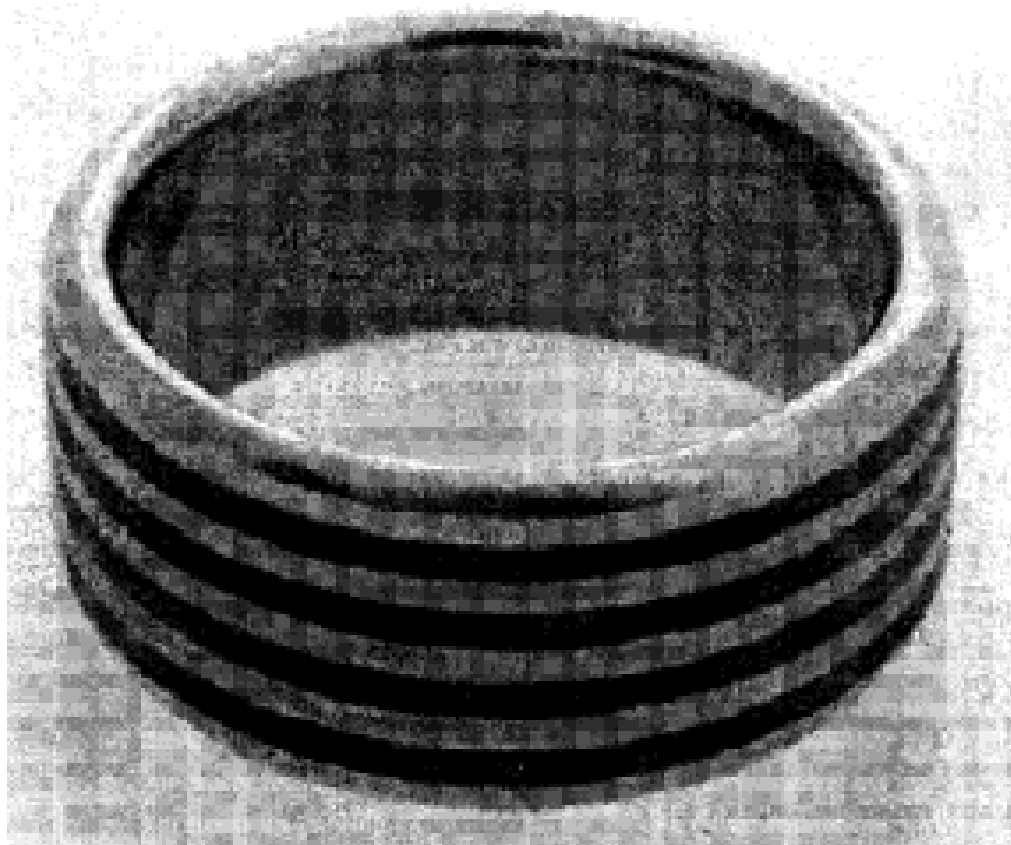
A2007/01137

02 Jul 2007

SOUTH AFRICA

(56) Related Art Documents: **Not Applicable**

(57) Statement of Newness and Distinctiveness: **Newness and distinctiveness resides in the visual features of shape and/or configuration of a jewellery item as illustrated in the accompanying representation.**



(21) Design Number: **12191/2008**

(22) Date of Filing Application: **02 January 2008**

(24) Date from which industrial property rights may have effect: **02 January 2008**

(54) Product in respect of which the design is registered: **Jewellery item**

(51) International Design Classification: **11-01A**

(71) Name(s) and Address(s) of Applicant(s):

Vernon White

237 Florida Road Morningside Durban 4001 South Africa

(72) Name(s) of Designer(s): **Vernon White**

(45) Registration Date: **03 June 2008**

(30) Convention priority data:

(31) Number

(32) Date

(33) Country

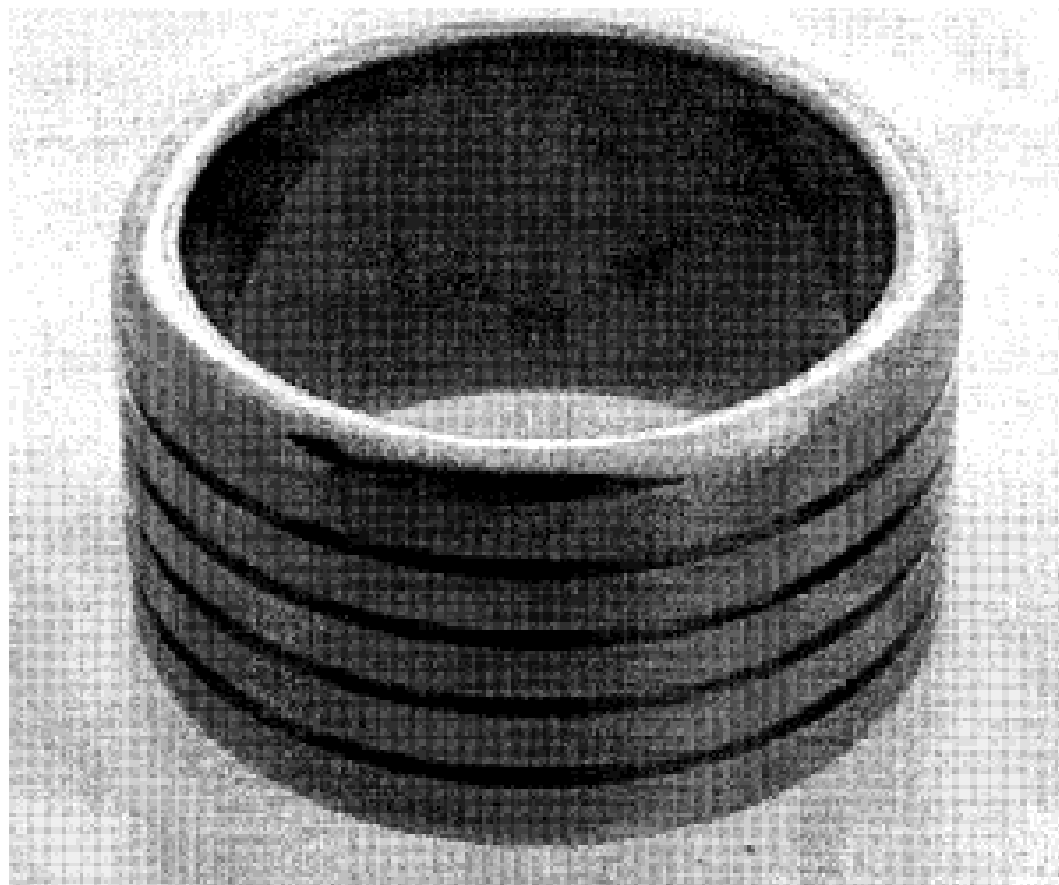
A2007/01137

02 Jul 2007

SOUTH AFRICA

(56) Related Art Documents: **Not Applicable**

(57) Statement of Newness and Distinctiveness: **Newness and distinctiveness resides in the visual features of shape and/or configuration of a jewellery item as illustrated in the accompanying representations.**



(21) Design Number: **10065/2008**

(22) Date of Filing Application: **07 January 2008**

(24) Date from which industrial property rights may have effect: **07 January 2008**

(54) Product in respect of which the design is registered: **Flame box**

(51) International Design Classification: **26-04**

(71) Name(s) and Address(s) of Applicant(s):

Jessica Vanderboot

22 Murdering Creek Road Peregian Beach Queensland 4573 Australia

(72) Name(s) of Designer(s): **Jessica Vanderboot**

(45) Registration Date: **03 June 2008**

(56) Related Art Documents: **Not Applicable**

(57) Statement of Newness and Distinctiveness: **Stainless steel square design, circular flame surface area, dress ring and lid raised through centre. Lid and dress ring on 45 degree angle from side profile.**



(21) Design Number: **10066/2008**

(22) Date of Filing Application: **07 January 2008**

(24) Date from which industrial property rights may have effect: **07 January 2008**

(54) Product in respect of which the design is registered: **Circular flame box**

(51) International Design Classification: **26-04**

(71) Name(s) and Address(s) of Applicant(s):

Jessica Vanderboot

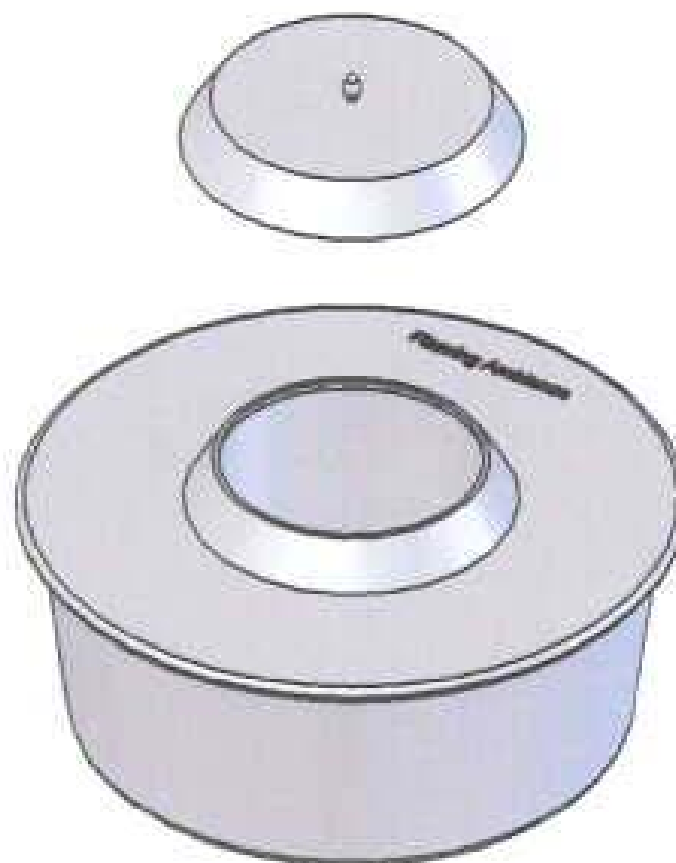
22 Murdering Creek Road Peregian Beach Queensland 4573 Australia

(72) Name(s) of Designer(s): **Jessica Vanderboot**

(45) Registration Date: **03 June 2008**

(56) Related Art Documents: **Not Applicable**

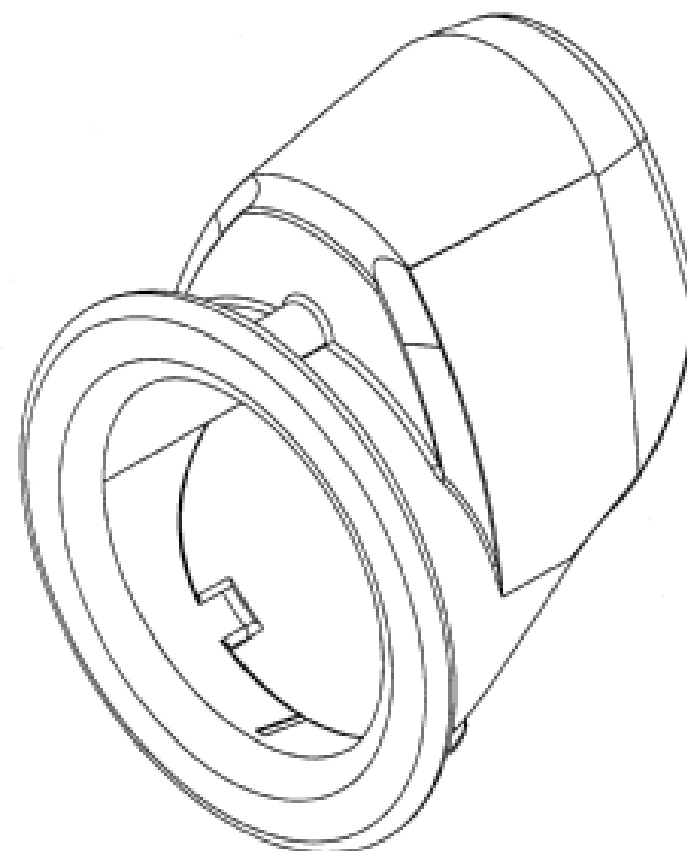
(57) Statement of Newness and Distinctiveness: **Tubular round shape, round top profile dress ring and lid are at 45 degree angle.**



- (21) Design Number: **10534/2008**
(22) Date of Filing Application: **07 February 2008**
(24) Date from which industrial property rights may have effect: **07 February 2008**
(54) Product in respect of which the design is registered: **Gift wrap pack**
(51) International Design Classification: **19-01**
(71) Name(s) and Address(s) of Applicant(s):
 Kate Evelegh
 54 Paramatta Road Doubleview Western Australia 6018 Australia
 Kelly Simpson
 54 Paramatta Road Doubleview Western Australia 6018 Australia
(72) Name(s) of Designer(s): **Kate Evelegh and Kelly Simpson**
(45) Registration Date: **03 June 2008**
(56) Related Art Documents: **Not Applicable**
(57) Statement of Newness and Distinctiveness: **Ribbon, wrapped neatly across the top of the paper in a visually pleasing way. Gift card and envelope also inside the pack of basic wrap pack - visually pleasing.**



- (21) Design Number: **10713/2008**
(22) Date of Filing Application: **19 February 2008**
(24) Date from which industrial property rights may have effect: **19 February 2008**
(54) Product in respect of which the design is registered: **A support for a container such as a bottle**
(51) International Design Classification: **07-06A**
(71) Name(s) and Address(s) of Applicant(s):
 Adrian Smith
 65 Yarmouth Street South Brighton South Australia 5048 Australia
(72) Name(s) of Designer(s): **Jamie Tripodi**
(45) Registration Date: **03 June 2008**
(56) Related Art Documents: **Not Applicable**
(57) Statement of Newness and Distinctiveness: **Those features of the support depicted in the representations that are new and distinctive are the shape and/or configuration.**



(21) Design Number: **10733/2008**
(22) Date of Filing Application: **14 February 2008**
(24) Date from which industrial property rights may have effect: **14 February 2008**
(54) Product in respect of which the design is registered: **A container assembly**
(51) International Design Classification: **09-01D**
(71) Name(s) and Address(s) of Applicant(s):

Sistema Plastics Limited
80 Hugo Johnston Drive Penrose 1061 Auckland New Zealand

(72) Name(s) of Designer(s): **Brendan Jon Lindsay**

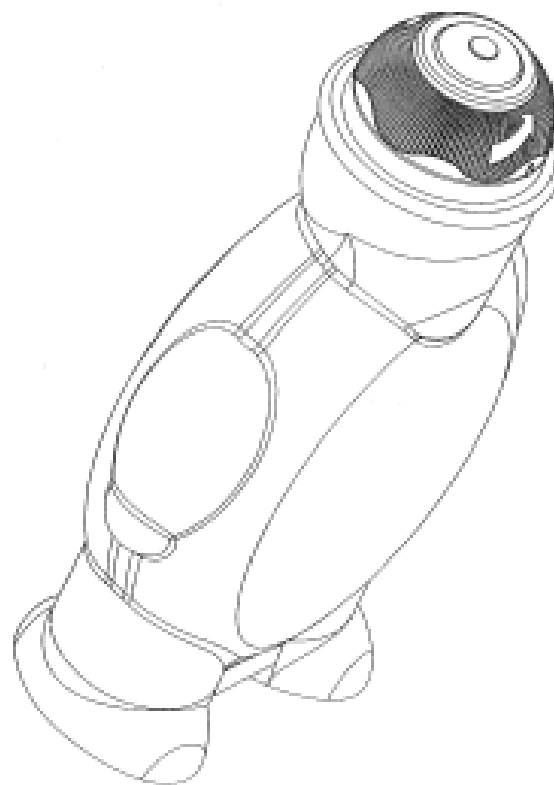
(45) Registration Date: **03 June 2008**

(30) Convention priority data:

(31) Number	(32) Date	(33) Country
409593	30 Aug 2007	NEW ZEALAND

(56) Related Art Documents: **Not Applicable**

(57) Statement of Newness and Distinctiveness: **Monopoly resides in the features of shape and configuration of the container assembly substantially as shown in the accompanying representations and not in features (i) of ornamentation of the closure, (ii) of shape of the moulded container alone nor (iii) of shape of the attached footwear moulding alone.**



(21) Design Number: **10734/2008**
(22) Date of Filing Application: **14 February 2008**
(24) Date from which industrial property rights may have effect: **14 February 2008**
(54) Product in respect of which the design is registered: **A base for a container**
(51) International Design Classification: **09-01D**
(71) Name(s) and Address(s) of Applicant(s):

Sistema Plastics Limited
80 Hugo Johnston Drive Penrose 1061 Auckland New Zealand

(72) Name(s) of Designer(s): **Brendan Jon Lindsay**

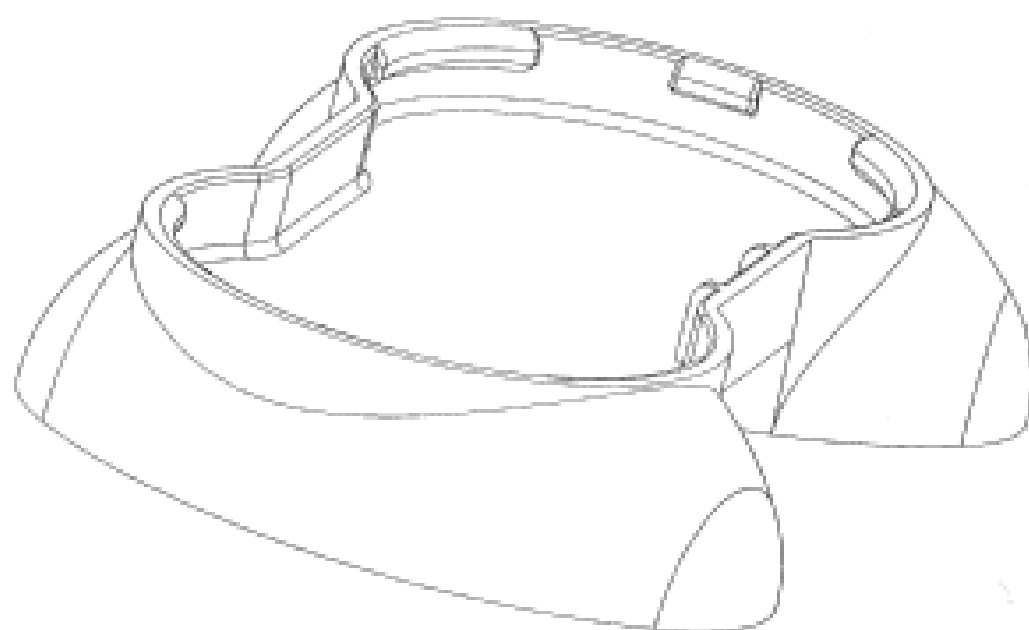
(45) Registration Date: **03 June 2008**

(30) Convention priority data:

(31) Number	(32) Date	(33) Country
409592	30 Aug 2007	NEW ZEALAND

(56) Related Art Documents: **Not Applicable**

(57) Statement of Newness and Distinctiveness: **Nil**



(21) Design Number: **10735/2008**
(22) Date of Filing Application: **14 February 2008**
(24) Date from which industrial property rights may have effect: **14 February 2008**
(54) Product in respect of which the design is registered: **A container**
(51) International Design Classification: **09-01D**
(71) Name(s) and Address(s) of Applicant(s):

Sistema Plastics Limited
80 Hugo Johnston Drive Penrose 1061 Auckland New Zealand

(72) Name(s) of Designer(s): **Brendan Jon Lindsay**

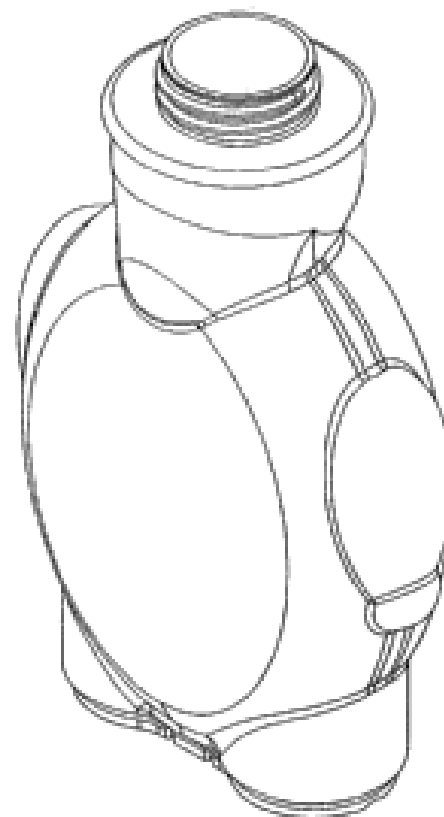
(45) Registration Date: **03 June 2008**

(30) Convention priority data:

(31) Number	(32) Date	(33) Country
409591	30 Aug 2007	NEW ZEALAND

(56) Related Art Documents: **Not Applicable**

(57) Statement of Newness and Distinctiveness: **Nil**



(21) Design Number: **10889/2008**
(22) Date of Filing Application: **26 February 2008**
(24) Date from which industrial property rights may have effect: **26 February 2008**
(54) Product in respect of which the design is registered: **Motorcycle hand shield**
(51) International Design Classification: **12-16NES, 12-11**
(71) Name(s) and Address(s) of Applicant(s):

Er Ying
No 5 Lin Xi Road Zhi Ying Town Yong Kang City Zhejiang 321300
China

(72) Name(s) of Designer(s): **Er Ying**

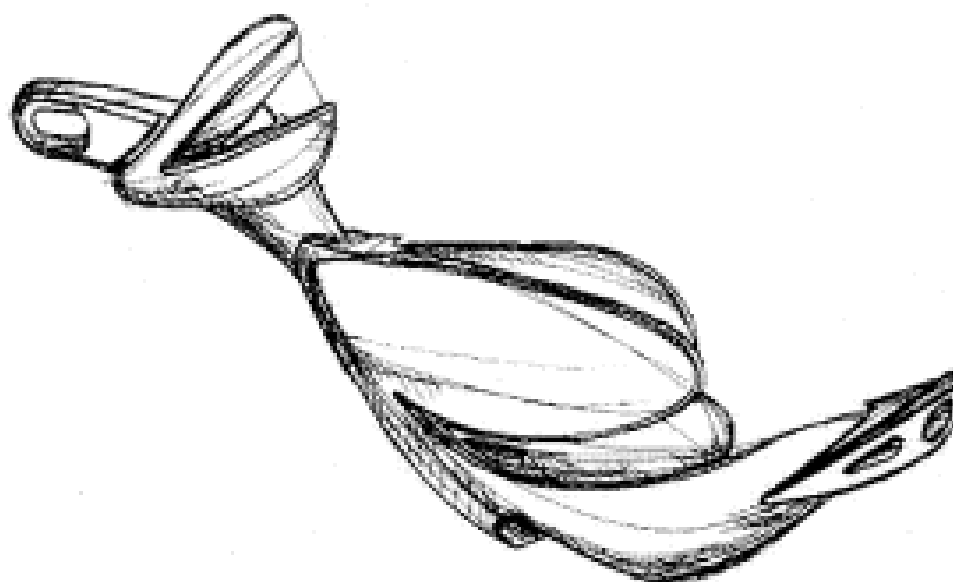
(45) Registration Date: **03 June 2008**

(30) Convention priority data:

(31) Number	(32) Date	(33) Country
200730152899.X	06 Sep 2007	CHINA

(56) Related Art Documents: **Not Applicable**

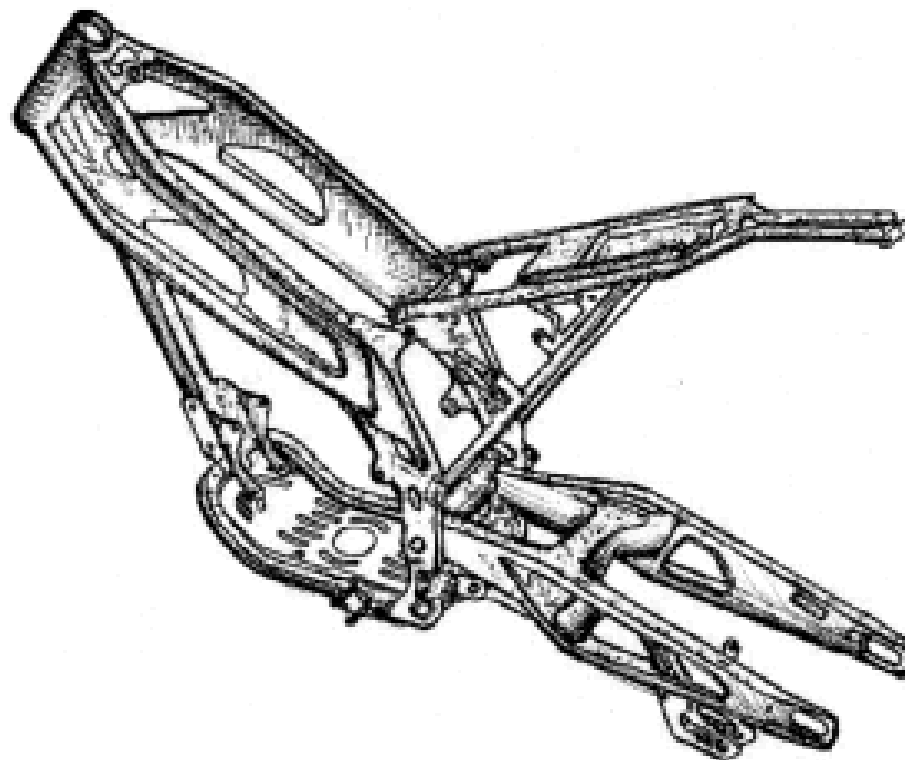
(57) Statement of Newness and Distinctiveness: **Nil**



- (21) Design Number: **10900/2008**
- (22) Date of Filing Application: **26 February 2008**
- (24) Date from which industrial property rights may have effect: **26 February 2008**
- (54) Product in respect of which the design is registered: **Motorcycle frame**
- (51) International Design Classification: **12-11**
- (71) Name(s) and Address(s) of Applicant(s):

Er Ying
No 5 Lin Xi Road Zhi Ying Town Yong Kang City Zhejiang 321300
China

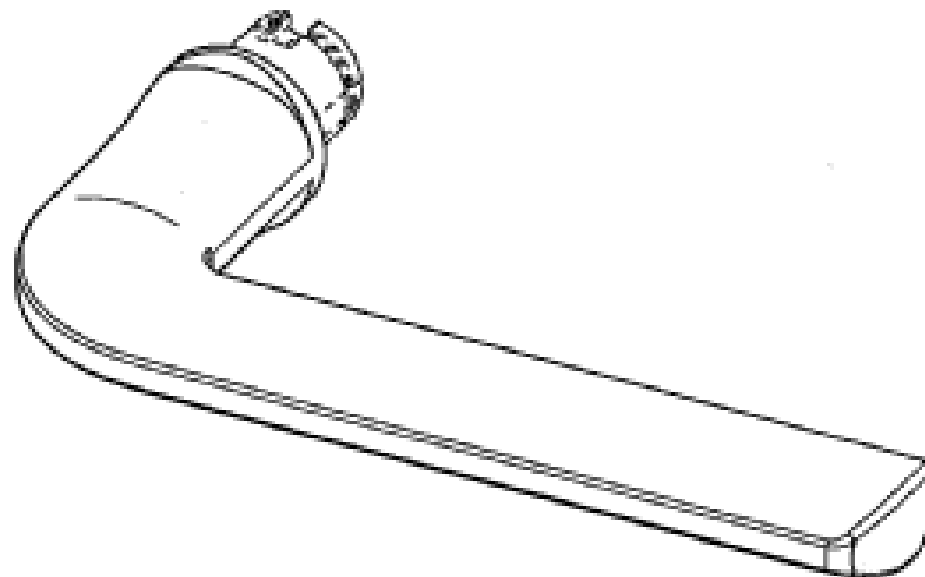
- (72) Name(s) of Designer(s): **Er Ying**
- (45) Registration Date: **03 June 2008**
- (30) Convention priority data:
 - (31) Number (32) Date (33) Country
 - 200730305801.X 06 Sep 2007 CHINA**
- (56) Related Art Documents: **Not Applicable**
- (57) Statement of Newness and Distinctiveness: **Nil**



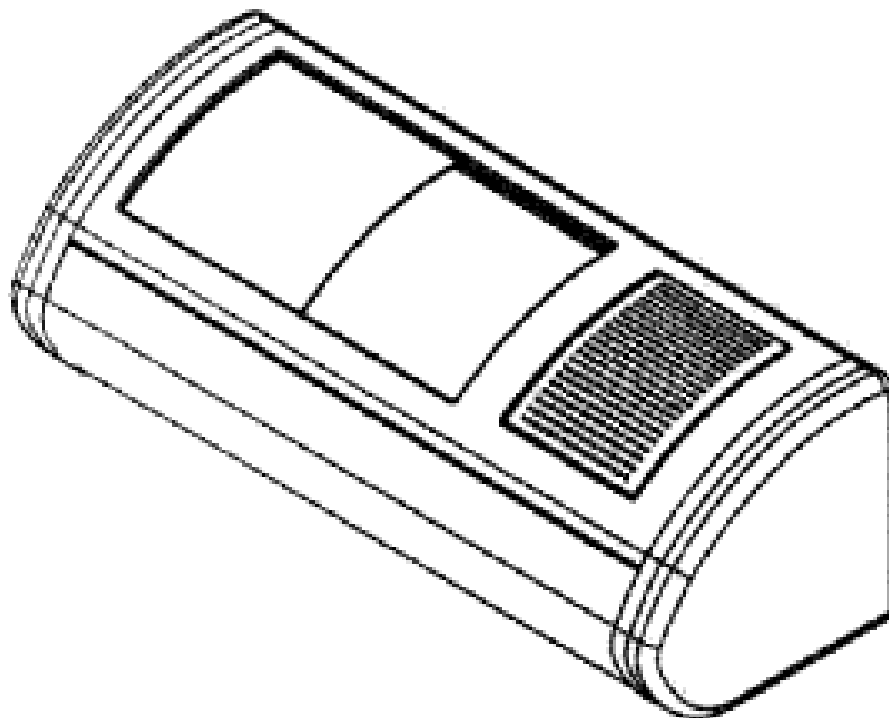
- (21) Design Number: **10925/2008**
- (22) Date of Filing Application: **26 February 2008**
- (24) Date from which industrial property rights may have effect: **26 February 2008**
- (54) Product in respect of which the design is registered: **Handle**
- (51) International Design Classification: **08-06**
- (71) Name(s) and Address(s) of Applicant(s):

ASSA ABLOY Australia Pty Limited
235 Huntingdale Road Oakleigh Victoria 3166 Australia

- (72) Name(s) of Designer(s): **Craig Anthony Caspersz**
- (45) Registration Date: **03 June 2008**
- (56) Related Art Documents: **Not Applicable**
- (57) Statement of Newness and Distinctiveness: **Those features of the handle depicted in the representations that are new and distinctive are the shape and/or configuration. The features shown in broken lines are not part of the design and are to be disregarded when considering the overall impression of the design.**



(21) Design Number: **10935/2008**
(22) Date of Filing Application: **26 February 2008**
(24) Date from which industrial property rights may have effect: **26 February 2008**
(54) Product in respect of which the design is registered: **Freezer**
(51) International Design Classification: **15-07**
(71) Name(s) and Address(s) of Applicant(s):
Societe des Produits Nestle S.A.
1800 Vevey Switzerland
(72) Name(s) of Designer(s): **Frank Rousselin**
(45) Registration Date: **03 June 2008**
(30) Convention priority data:
(31) Number (32) Date (33) Country
134294 28 Sep 2007 SWITZERLAND
(56) Related Art Documents: **Not Applicable**
(57) Statement of Newness and Distinctiveness: **Nil**



(21) Design Number: **10934/2008**
(22) Date of Filing Application: **26 February 2008**
(24) Date from which industrial property rights may have effect: **26 February 2008**
(54) Product in respect of which the design is registered: **Freezer**
(51) International Design Classification: **15-07**
(71) Name(s) and Address(s) of Applicant(s):
Societe des Produits Nestle S.A.
1800 Vevey Switzerland
(72) Name(s) of Designer(s): **Frank Rousselin**
(45) Registration Date: **03 June 2008**
(30) Convention priority data:
(31) Number (32) Date (33) Country
134294 28 Sep 2007 SWITZERLAND
(56) Related Art Documents: **Not Applicable**
(57) Statement of Newness and Distinctiveness: **Nil**

