



Australian Government

IP Australia

AUSTRALIAN OFFICIAL JOURNAL

OF

DESIGNS

Did you know a searchable version of this journal is now available online?

It's FREE and EASY to SEARCH.

Find it at

<http://pericles.ipaustralia.gov.au/ols/epublish/content/olsEpublications.jsp>
or using the "Online Journals" link on the IP Australia home page.

This Page Left Intentionally Blank

Contents

General Information & Notices

**Proceedings Under the Designs Act 1906 preserved as a result of the provisions of Chapter 12
Part 2 of the Designs Act 2003**

Extension of Period of Registration of Designs	1596
Extensions of Time Granted	1596
Names Registered - Alterations and Amendments	1596
Registrations Ceased	1596

Proceedings Under the Designs Act 2003

Applications Lapsed	1602
Applications Lodged	1601
Certificate of Examination	1605
Corrigenda	1604
Names Registered - Alterations and Amendments	1603
Publication and Registration Proceedings	
Designs Registered 319849 to 320021.....	1606
Revocation of Design Registrations	1603

This Page Left Intentionally Blank

For information on the following please see our website www.ipaustralia.gov.au or contact our Customer Service Network on 1300651010

[Editorial enquiries](#)

[Contact information](#)

[Freedom of Information ACT](#)

[Professional Standards Board](#)

[Sales](#)

[Requests for Information under Section 194 \(c\)](#)

[Country Codes](#)

[Trade Mark and Designs Hearing Sessions](#)

[INID \(Internationally agreed Numbers for the Identification of Data\)](#)

“INID” NUMBERS in use on Australian Design Documents

“INID” is an acronym for “Internationally agreed Numbers for the Identification of Data”.

(10) Data concerning the registration/renewal

- (11) Serial number of the registration and/or number of the design document
- (12) Plain language designation of the kind of published document
- (19) Identification, using the two-letter code according to WIPO Standard ST.3, of the authority publishing or registering the industrial design

(20) Data concerning the application

- (21) Serial number of the application
- (22) Date of filing of the application
- (24) Date from which the industrial design right has effect

(30) Data relating to priority under the Paris Convention

- (31) Serial number assigned to the priority application
- (32) Date of filing of the priority application
- (33) Two-letter code, according to WIPO Standard ST.3, identifying the authority with which the priority application was made

(40) Date(s) of making information available to the public

- (45) Date of publication of the registered industrial design by printing or similar process, or making it available to the public by any other means

(50) Miscellaneous Information

- (51) International Classification for Industrial Designs (class and subclass of the Locarno Classification)
- (54) Designation of article(s) or product(s) covered by the industrial design or title of the industrial design
- (55) Reproduction of the industrial design (e.g., drawing, photograph) and explanations relating to the reproduction
- (56) List of prior art documents, if separate from descriptive text
- (57) Description of characteristic features of the industrial design including indication of colours

(60) References to other legally related application(s) and registration(s)

- (62) Serial number(s) and, if available, filing date(s) of application(s), registration(s) or document(s) related by division
- (66) Serial number(s) of the application, or the registration, of the design(s) which is (are) a variant(s) of the present one

(70) Identification of parties concerned with the application or registration

- (71) Name(s) and address(es) of the applicant(s)
- (72) Name(s) of the creator(s) if known to be such
- (74) Name(s) and address(es) of the representative(s)

This Page Left Intentionally Blank

This Page Left Intentionally Blank

**Proceedings under the Designs Act 1906 preserved as a
result of the provisions of Chapter 12 Part 2 of the Designs
Act 2003.**

This Page Left Intentionally Blank

Applications Lapsed

There were no Applications Lapsed under this section

Extension of Period of Registration of Designs

2nd Period (Section 27A(12))

148637	148656	149108
149109	149110	149111
149112	149129	149151
149182	149254	149255
149256	149257	149312
149313	149316	149320
149321	149410	149449
149450	149451	149563
149564	149580	149624
149706	149748	149783
149784	149849	149867
149902	150049	150050
150222	150243	150367
150472	150483	150569
150738	150739	150740
150741	150742	150743
150744	150745	150762
150776	150847	150899
151055	151236	151686
151713	152221	152422
152991	152992	152995
153046	153111	153172
153284	153301	

3rd Period (Section 27A(13))

130579	132065	132186
132287	132309	132335
132336	132337	132338
132390	132460	132540
132554	132647	132726
133117	133119	133120
133168	133169	133170
133201	133393	135049
135050	135201	135202
135394	135395	135853

Registrations Ceased

Note: Some of the following Registrations may have been previously advertised as ceased. In this instance, the previous advertisement still prevails.

115739	115740	115741
115765	115847	115885
116470	116653	116820
116957	116958	117064
117523	117573	117813
118774	119176	119264
120789	125233	129401
130503	130536	130537
130667	130889	132112
134884	135046	135047
135106	135107	135108

135109	146485	146592
146730	147498	147499
147500	147529	147530
147548	147549	147726
147727	147814	148020
148072	148073	148102
148173	148321	148495
148710	148877	148878
149479	150159	150260
150261	150467	150772
150838	151114	151115
151116	151117	151300
151526	151527	151528
151624	151843	152052
152337	153044	

Extensions of time granted

Applications lodged for extension of time have been granted.

149563 **Kohler Co.** An Extension of time to extend a registration has been granted to 05/11/2007

149564 **Kohler Co.** An Extension of time to extend a registration has been granted to 05/11/2007

Names Registered - Alterations and Amendments

(The name in parentheses is the new name of the proprietor)

132594	(Abraham Carel Greyling Retief as trustee for Pilgrims Trust) Abraham Carel Greyling Retief as trustee for Pilgrims Trust
149105	(Digislide Holdings Limited) Digislide Holdings Pty Ltd

This Page Left Intentionally Blank

Proceedings under the Designs Act 2003.

This Page Left Intentionally Blank

Applications Lodged

Lodgement information is in the following order: **Applicant's Name**; International Classification, Name of Product, Lodgement Date and **Design Number**. If the applicant claims an earlier priority date under an International Convention, the Convention Country and the associated filing date are shown in parentheses before the Lodgement Date. Divisional information will also appear in parentheses before the Lodgement Date.

Abbas, Amin; 06-01D, Built in baby seat, 15 May 2008	12317/2008	DECE Holdings Pty Ltd; 08-08B, 08-08NES, 10-06, 25-02NES, Pin portion of a tactile indicator strip, 16 May 2008	12358/2008
Allied Domecq Spirits & Wine Limited; 09-01H, A bottle, (EM, 08 Apr 2008) 15 May 2008	12318/2008	DECE Holdings Pty Ltd; 08-08B, 08-08NES, 10-06, 25-02NES, Pin portion of a tactile indicator strip, 16 May 2008	12360/2008
Brown, James Colin; 30-03, Stock feeder, 15 May 2008	12315/2008	DECE Holdings Pty Ltd; 08-08B, 10-06, 25-02NES, Cap portion of a tactile indicator strip, 16 May 2008	12361/2008
Capitol Clothing Pty Ltd; 02-02C, Pants, trousers, 03 Jun 2008	12629/2008	DECE Holdings Pty Ltd; 08-08B, 10-06, 25-02NES, Cap portion of a tactile indicator strip, 16 May 2008	12362/2008
Chilewich Sultan LLC; 06-10, 06-11, 06-12, 06-13NES, Covering, 14 May 2008	12301/2008	DECE Holdings Pty Ltd; 08-08B, 10-06, 25-02NES, Cap portion of a tactile indicator strip, 16 May 2008	12363/2008
Chilewich Sultan LLC; 06-10, 06-11, 06-12, 06-13NES, Covering, 14 May 2008	12302/2008	DECE Holdings Pty Ltd; 10-06, 25-02NES, Tactile indicator, 16 May 2008	12364/2008
Chilewich Sultan LLC; 06-10, 06-11, 06-12, 06-13NES, Covering, 14 May 2008	12303/2008	DECE Holdings Pty Ltd; 10-06, 25-02NES, Tactile indicator, 16 May 2008	12365/2008
Chilewich Sultan LLC; 06-10, 06-11, 06-12, 06-13NES, Covering, 14 May 2008	12304/2008	DECE Holdings Pty Ltd; 10-06, 25-02NES, Tactile indicator, 16 May 2008	12366/2008
Continental Aktiengesellschaft; 12-15NES, Tyre, (EM, 08 Apr 2008) 21 May 2008	12397/2008	DECE Holdings Pty Ltd; 08-08B, 08-08NES, 10-06, 25-02NES, Pin portion of a tactile indicator, 16 May 2008	12367/2008
Continental Aktiengesellschaft; 12-15NES, Tyre, (EM, 08 Apr 2008) 21 May 2008	12398/2008	DECE Holdings Pty Ltd; 08-08B, 10-06, 25-02NES, Cap portion of a tactile indicator, 16 May 2008	12368/2008
DECE Holdings Pty Ltd; 08-08NES, Mounting plug, 16 May 2008	12349/2008	Eccosit Industry Pty Ltd; 06-01F, Chair with arms, 28 May 2008	12588/2008
DECE Holdings Pty Ltd; 08-08NES, Mounting plug, 16 May 2008	12350/2008	Eccosit Industry Pty Ltd; 06-01F, Chair, 28 May 2008	12706/2008
DECE Holdings Pty Ltd; 08-08B, 08-08NES, 10-06, 25-02NES, Pin portion of a tactile indicator, 16 May 2008	12351/2008	Eurofusion, S.A.; 09-01K, Bottle, (PA, 11 Dec 2007) 14 May 2008	12308/2008
DECE Holdings Pty Ltd; 08-08B, 08-08NES, 10-06, 25-02NES, Pin portion of a tactile indicator, 16 May 2008	12352/2008	Fortescue Metals Group Ltd; 03-01D, Pick and tool holder combination, 13 May 2008	12309/2008
DECE Holdings Pty Ltd; 08-08B, 08-08NES, 10-06, 25-02NES, Pin portion of a tactile indicator, 16 May 2008	12353/2008	Grant Olver Investments Pty Ltd trading as Pilgrim Clothing; 02-02C, Autumn/winter, 15 May 2008	12311/2008
DECE Holdings Pty Ltd; 08-08B, 10-06, 25-02NES, Cap portion of a tactile indicator, 16 May 2008	12354/2008	Grant Olver Investments Pty Ltd trading as Pilgrim Clothing; 02-02NES, Autumn/winter, 15 May 2008	12310/2008
DECE Holdings Pty Ltd; 08-08B, 10-06, 25-02NES, Cap portion of a tactile indicator, 16 May 2008	12355/2008	Grant Olver Investments Pty Ltd trading as Pilgrim Clothing; 02-02C, Dresses and tops, 15 May 2008	12312/2008
DECE Holdings Pty Ltd; 08-08B, 10-06, 25-02NES, Cap portion of a tactile indicator, 16 May 2008	12356/2008	Higgins, Gary; 15-99, Volumetric filling machine, 06 Jun 2008	12701/2008
		Imagine8 Australia Pty Ltd; , 08 May 2008	12316/2008

Independent Fastening Systems Pty Ltd; 08-08K, Bracket for supporting railing from a post, 14 May 2008	12305/2008	Narcia; 03-01B, Pouch, 15 May 2008	12314/2008
Independent Fastening Systems Pty Ltd; 08-08K, Bracket for supporting railing from a post, 14 May 2008	12306/2008	Novak, Sandie; 28-03NES, Savvy toothbrush holder, 14 May 2008	12307/2008
Johar, Narinder Kour; 28-03NES, Compact mirror, 17 Apr 2008	11803/2008	Omron Healthcare Co., Ltd.; 14-02, 14-03A, 14-03NES, 24-01, Monitor, (JP, 27 Nov 2007) 23 May 2008	12467/2008
Johar, Narinder Kour; 28-03NES, Compact mirror, 17 Apr 2008	11804/2008	Pod Ware Pty Ltd; 21-02D, Swim fin, 29 May 2008	12596/2008
Koninklijke Philips Electronics N.V.; 08-08B, 08-08NES, 10-06, 25-02NES, Solid state lighting spot, (EM, 28 Nov 2007) 16 May 2008	12359/2008	RV Tanks Australia; 23-01F, A tank flange, 06 Jun 2008	12730/2008
Masprodenkoh Kabushikikaisha; 14-03NES, EMC intense electric field antenna, 05 Jun 2008	12712/2008	Unilever PLC; 15-05, Laundry composition component, (GB, 16 Nov 2007) 14 May 2008	12300/2008
Narcia; 03-01A, Carrying bag, 15 May 2008	12313/2008		

Applications Lapsed

21039 / 2007 (02-02C)	21040 / 2007 (02-02C)
10073 / 2008 (26-05D)	10125 / 2008 (14-99)
11369 / 2008 (19-04)	11425 / 2008 (24-01)
11426 / 2008 (24-01)	11427 / 2008 (24-01)

Revocation of Design Registrations

The following Design Registration(s) have been revoked and are taken never to have been registered:

306284 23-01A
306285 23-01A
306286 23-01A
306287 23-01A
306288 23-01A
306289 23-01A
306290 23-01A
306291 23-01A
311174 08-03

Names Registered - Alterations and Amendments

(The name in parentheses is that of the subsequent applicant)

311219 (**General Dynamics Ordnance and Tactical Systems - Canada Inc.)** SNC Technologies Inc

Corrigenda

Number 316456

In Vol 21 , No 21 , page 10538 under the heading **Australian Registered Design**; (57) Statement of Newness and Distinctiveness should be deleted.

Certificate(s) of Examination

Examination of the following Design Registration(s) has been completed. Infringement proceedings may now be commenced.

311161	08-03	17/06/2008
311162	08-03	17/06/2008
312619	22-05	18/06/2008
313068	25-02A	17/06/2008
313877	09-03K	12/06/2008
314105	14-01	12/06/2008
316104	02-04NES	12/06/2008
316146	25-02C	18/06/2008
316151	26-04	18/06/2008
316430	08-08NES	11/06/2008
316882	02-04NES	18/06/2008
317032	21-02C	12/06/2008
317209	20-02NES	16/06/2008
317527	06-13C	08/06/2008
317528	09-01B	18/06/2008
317636	21-03	18/06/2008
317799	08-07	10/06/2008
317800	08-07	10/06/2008
318262	13-03D	16/06/2008
318263	24-04	12/06/2008
318264	24-04	12/06/2008
318265	24-04	12/06/2008
318266	24-04	12/06/2008
319008	02-02C	16/06/2008

Publication and Registration Proceedings

Designs Registered

This section provides a concordance between design number and registration number of Designs covered in this journal. It also shows the main class and registration date.

This section covers Registration numbers 319849 to 320021 .

The registration number shown below should be used in all future correspondence.

Design Number	Registration Number	International Classification Code (IDC)	Registration Date	Design Number	Registration Number	International Classification Code (IDC)	Registration Date
19535/2007	319889	24-01	11/06/2008	10523/2008	319998	14-03NES	16/06/2008
19536/2007	319890	24-01	11/06/2008	10524/2008	319999	14-03NES	16/06/2008
19637/2007	319863	02-04A	17/06/2008	10525/2008	320000	14-03NES	16/06/2008
19848/2007	319864	28-03NES	17/06/2008	10526/2008	320001	14-03NES	16/06/2008
19861/2007	319980	02-01B	16/06/2008	10567/2008	319882	25-01K	11/06/2008
19971/2007	319865	11-05	17/06/2008	10611/2008	319883	25-01K	11/06/2008
20202/2007	319856	03-01A	10/06/2008	10630/2008	319950	25-01NES	16/06/2008
20274/2007	319982	13-03B	16/06/2008	10731/2008	319951	10-04	16/06/2008
20689/2007	319983	12-16NES	16/06/2008	10772/2008	319920	23-01H	11/06/2008
20743/2007	319942	21-01C	16/06/2008	10916/2008	319868	06-03A	17/06/2008
20903/2007	319860	09-03F	10/06/2008	10918/2008	319869	23-02C	17/06/2008
20930/2007	320005	99-00	16/06/2008	10933/2008	319981	02-02C	16/06/2008
21038/2007	319984	02-02NES	16/06/2008	10936/2008	319870	21-02C	17/06/2008
21050/2007	319866	25-01C	17/06/2008	10937/2008	319871	23-02C	17/06/2008
21237/2007	319867	07-06NES	17/06/2008	10938/2008	319872	23-02C	17/06/2008
21468/2007	319849	20-02NES	10/06/2008	10939/2008	319873	08-07	17/06/2008
21480/2007	319987	15-05	16/06/2008	10941/2008	319874	07-02L	17/06/2008
21481/2007	319989	15-05	16/06/2008	10942/2008	319875	07-02L	17/06/2008
21554/2007	319941	99-00	11/06/2008	10943/2008	319876	08-08NES	17/06/2008
21588/2007	319861	09-03F	10/06/2008	10944/2008	319877	07-99NES	17/06/2008
21589/2007	319862	09-03F	10/06/2008	10945/2008	319878	08-08NES	17/06/2008
21591/2007	319850	20-02NES	10/06/2008	10947/2008	319879	02-03	17/06/2008
21592/2007	319988	15-05	16/06/2008	10948/2008	319880	23-01H	17/06/2008
10001/2008	319918	30-03	11/06/2008	10954/2008	319884	25-01K	11/06/2008
10029/2008	319943	12-16NES	16/06/2008	10964/2008	319885	23-01NES	11/06/2008
10035/2008	319858	20-03C	10/06/2008	10965/2008	319901	15-05	11/06/2008
10086/2008	319902	21-01B	11/06/2008	10966/2008	319900	14-03E	11/06/2008
10172/2008	320006	24-04	17/06/2008	10967/2008	319899	11-02E	11/06/2008
10323/2008	319919	06-09	11/06/2008	10968/2008	319898	11-02E	11/06/2008
10340/2008	319903	07-04	11/06/2008	10969/2008	319897	11-02E	11/06/2008
10351/2008	319904	09-03M	11/06/2008	10970/2008	319896	11-02E	11/06/2008
10352/2008	319905	09-03M	11/06/2008	10971/2008	319895	11-02E	11/06/2008
10353/2008	319906	09-03M	11/06/2008	10972/2008	319894	11-02E	11/06/2008
10354/2008	319907	09-03M	11/06/2008	10973/2008	319886	09-03M	11/06/2008
10355/2008	319908	09-03M	11/06/2008	10974/2008	319887	24-01	11/06/2008
10356/2008	319909	09-03M	11/06/2008	10984/2008	319888	25-01K	11/06/2008
10357/2008	319910	09-03M	11/06/2008	10985/2008	319892	25-01K	11/06/2008
10359/2008	319911	09-03M	11/06/2008	10986/2008	319893	25-01NES	11/06/2008
10364/2008	320002	25-01K	16/06/2008	10987/2008	319891	25-01NES	11/06/2008
10365/2008	320003	25-01K	16/06/2008	10990/2008	319921	08-08L	11/06/2008
10368/2008	319912	09-03M	11/06/2008	10992/2008	319922	07-01NES	11/06/2008
10407/2008	319947	26-05NES	16/06/2008	10993/2008	319923	07-01NES	11/06/2008
10408/2008	319948	26-05NES	16/06/2008	10994/2008	319924	07-01NES	11/06/2008
10409/2008	319949	26-05NES	16/06/2008	10995/2008	319925	07-01NES	11/06/2008
10440/2008	319996	14-01	16/06/2008	10996/2008	319926	07-01NES	11/06/2008
10466/2008	319944	06-11	16/06/2008	10999/2008	319927	23-02NES	11/06/2008
10473/2008	319997	07-05A	16/06/2008	11000/2008	319928	23-02NES	11/06/2008
10480/2008	319946	08-08C	16/06/2008	11001/2008	319929	23-02B	11/06/2008
10497/2008	319881	08-05NES	11/06/2008	11002/2008	319930	23-02B	11/06/2008
10503/2008	319851	09-01K	10/06/2008	11003/2008	319931	23-02B	11/06/2008
10504/2008	319852	09-01K	10/06/2008	11004/2008	319932	28-03NES	11/06/2008
10505/2008	319853	09-01K	10/06/2008	11005/2008	319933	28-03NES	11/06/2008
10506/2008	319854	09-01K	10/06/2008	11006/2008	319934	21-02C	11/06/2008

Publication and Registration Proceedings - Designs Registered cont'd

Design Number	Registration Number	International Classification Code (IDC)	Registration Date	Design Number	Registration Number	International Classification Code (IDC)	Registration Date
11008/2008	319935	12-11	11/06/2008	11764/2008	320019	09-03M	17/06/2008
11012/2008	319913	08-99	11/06/2008	11765/2008	320020	09-03M	17/06/2008
11013/2008	319936	12-11	11/06/2008	11944/2008	319991	09-05	16/06/2008
11014/2008	319937	15-05	11/06/2008	11967/2008	319992	28-03NES	16/06/2008
11015/2008	319914	14-02	11/06/2008	11971/2008	319960	09-07A	13/06/2008
11016/2008	319915	09-03K	11/06/2008	11972/2008	319961	28-03B	13/06/2008
11023/2008	319916	07-02N	11/06/2008	12040/2008	319993	07-02NES	16/06/2008
11027/2008	319917	13-03D	11/06/2008	12041/2008	319994	23-03NES	16/06/2008
11032/2008	319952	06-07	16/06/2008	12049/2008	319985	02-02C	16/06/2008
11033/2008	319953	06-07	16/06/2008	12050/2008	319986	02-02C	16/06/2008
11035/2008	319954	21-01D	16/06/2008	12051/2008	319990	15-05	16/06/2008
11036/2008	319955	26-05D	16/06/2008	12267/2008	319945	06-11	16/06/2008
11037/2008	319956	25-01G	16/06/2008	12349/2008	319962	08-08NES	13/06/2008
11041/2008	320004	07-02L	16/06/2008	12350/2008	319963	08-08NES	13/06/2008
11054/2008	320007	14-04	17/06/2008	12351/2008	319964	08-08B	13/06/2008
11055/2008	320008	14-04	17/06/2008	12352/2008	319965	08-08B	13/06/2008
11056/2008	320009	14-04	17/06/2008	12353/2008	319966	08-08B	13/06/2008
11057/2008	320010	14-04	17/06/2008	12354/2008	319967	08-08B	13/06/2008
11058/2008	320011	14-04	17/06/2008	12355/2008	319968	08-08B	13/06/2008
11059/2008	320012	14-04	17/06/2008	12356/2008	319969	08-08B	13/06/2008
11060/2008	320013	14-04	17/06/2008	12357/2008	319859	10-06	10/06/2008
11061/2008	320014	14-04	17/06/2008	12358/2008	319970	08-08B	13/06/2008
11072/2008	320015	03-01NES	17/06/2008	12360/2008	319971	08-08B	13/06/2008
11073/2008	320016	21-02D	17/06/2008	12361/2008	319972	08-08B	13/06/2008
11077/2008	320017	08-08H	17/06/2008	12362/2008	319973	08-08B	13/06/2008
11080/2008	320021	29-02	17/06/2008	12363/2008	319974	08-08B	13/06/2008
11190/2008	319938	06-13B	11/06/2008	12364/2008	319975	10-06	13/06/2008
11191/2008	319939	06-13B	11/06/2008	12365/2008	319976	10-06	13/06/2008
11203/2008	319957	23-04	16/06/2008	12366/2008	319977	10-06	13/06/2008
11204/2008	319958	23-04	16/06/2008	12367/2008	319978	08-08B	13/06/2008
11398/2008	319855	26-05NES	10/06/2008	12368/2008	319979	08-08B	13/06/2008
11429/2008	319857	06-03NES	10/06/2008	12701/2008	319995	15-99	16/06/2008
11447/2008	319959	08-08C	16/06/2008				
11469/2008	320018	11-01NES	17/06/2008				
11536/2008	319940	23-02B	11/06/2008				

Publication and Registration Proceedings
Class Listing of Designs Published or Registered

The following section shows an International Classification Code listing of the Registered or Published Designs covered in this supplement.

Classification	Registration Number	Design Number	Classification	Registration Number	Design Number
02-01 B	319980	19861/2007	08-08 B	319973	12362/2008
02-01 B	319981	10933/2008	08-08 B	319974	12363/2008
02-02 C	319980	19861/2007	08-08 B	319978	12367/2008
02-02 C	319981	10933/2008	08-08 B	319979	12368/2008
02-02 C	319985	12049/2008	08-08 C	319946	10480/2008
02-02 C	319986	12050/2008	08-08 C	319959	11447/2008
02-02 NES	319980	19861/2007	08-08 H	320017	11077/2008
02-02 NES	319981	10933/2008	08-08 L	319921	10990/2008
02-02 NES	319984	21038/2007	08-08 L	319983	20689/2007
02-03	319879	10947/2008	08-08 NES	319876	10943/2008
02-04 A	319863	19637/2007	08-08 NES	319877	10944/2008
03-01 A	319856	20202/2007	08-08 NES	319878	10945/2008
03-01 NES	320015	11072/2008	08-08 NES	319962	12349/2008
06-03 A	319868	10916/2008	08-08 NES	319963	12350/2008
06-03 NES	319857	11429/2008	08-08 NES	319964	12351/2008
06-04 A	319869	10918/2008	08-08 NES	319965	12352/2008
06-07	319952	11032/2008	08-08 NES	319966	12353/2008
06-07	319953	11033/2008	08-08 NES	319970	12358/2008
06-09	319919	10323/2008	08-08 NES	319971	12360/2008
06-11	319944	10466/2008	08-08 NES	319978	12367/2008
06-11	319945	12267/2008	08-08 NES	319983	20689/2007
06-13 B	319938	11190/2008	08-99	319913	11012/2008
06-13 B	319939	11191/2008	09-01 G	319992	11967/2008
06-13 NES	319919	10323/2008	09-01 K	319851	10503/2008
07-01 NES	319922	10992/2008	09-01 K	319852	10504/2008
07-01 NES	319923	10993/2008	09-01 K	319853	10505/2008
07-01 NES	319924	10994/2008	09-01 K	319854	10506/2008
07-01 NES	319925	10995/2008	09-03 F	319860	20903/2007
07-01 NES	319926	10996/2008	09-03 F	319861	21588/2007
07-02 L	319874	10941/2008	09-03 F	319862	21589/2007
07-02 L	319875	10942/2008	09-03 K	319915	11016/2008
07-02 L	320004	11041/2008	09-03 M	319886	10973/2008
07-02 N	319916	11023/2008	09-03 M	319904	10351/2008
07-02 NES	319867	21237/2007	09-03 M	319905	10352/2008
07-02 NES	319993	12040/2008	09-03 M	319906	10353/2008
07-04	319867	21237/2007	09-03 M	319907	10354/2008
07-04	319903	10340/2008	09-03 M	319908	10355/2008
07-04	319993	12040/2008	09-03 M	319909	10356/2008
07-05 A	319997	10473/2008	09-03 M	319910	10357/2008
07-06 NES	319867	21237/2007	09-03 M	319911	10359/2008
07-06 NES	319993	12040/2008	09-03 M	319912	10368/2008
07-99 NES	319877	10944/2008	09-03 M	319922	10992/2008
07-99 NES	319878	10945/2008	09-03 M	319923	10993/2008
08-05 K	319913	11012/2008	09-03 M	319924	10994/2008
08-05 L	319885	10964/2008	09-03 M	319925	10995/2008
08-05 NES	319881	10497/2008	09-03 M	320019	11764/2008
08-07	319873	10939/2008	09-03 M	320020	11765/2008
08-08 B	319964	12351/2008	09-05	319991	11944/2008
08-08 B	319965	12352/2008	09-07 A	319960	11971/2008
08-08 B	319966	12353/2008	09-07 B	319926	10996/2008
08-08 B	319967	12354/2008	10-04	319951	10731/2008
08-08 B	319968	12355/2008	10-06	319859	12357/2008
08-08 B	319969	12356/2008	10-06	319964	12351/2008
08-08 B	319970	12358/2008	10-06	319965	12352/2008
08-08 B	319971	12360/2008	10-06	319966	12353/2008
08-08 B	319972	12361/2008	10-06	319967	12354/2008

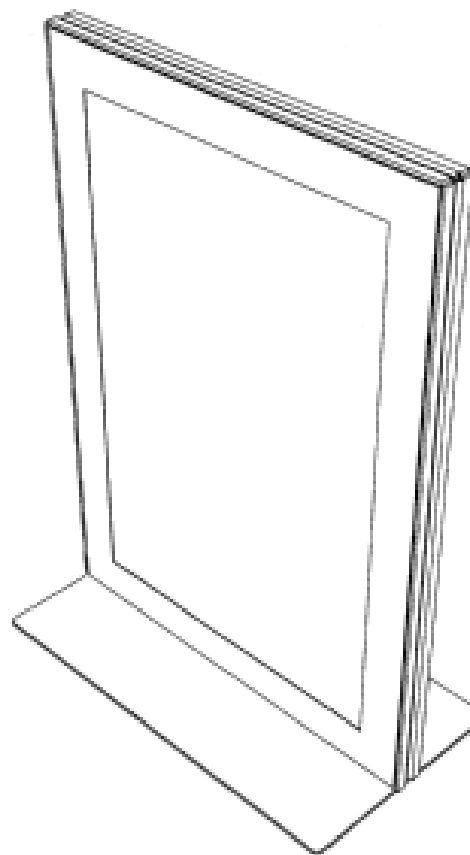
Registration Proceedings - Class Listing of Designs Published or Registered cont'd

Classification	Registration Number	Design Number	Classification	Registration Number	Design Number
10-06	319968	12355/2008	15-05	319937	11014/2008
10-06	319969	12356/2008	15-05	319987	21480/2007
10-06	319970	12358/2008	15-05	319988	21592/2007
10-06	319971	12360/2008	15-05	319989	21481/2007
10-06	319972	12361/2008	15-05	319990	12051/2008
10-06	319973	12362/2008	15-99	319995	12701/2008
10-06	319974	12363/2008	20-02 NES	319849	21468/2007
10-06	319975	12364/2008	20-02 NES	319850	21591/2007
10-06	319976	12365/2008	20-03 C	319858	10035/2008
10-06	319977	12366/2008	21-01 B	319902	10086/2008
10-06	319978	12367/2008	21-01 C	319942	20743/2007
10-06	319979	12368/2008	21-01 D	319954	11035/2008
11-01 NES	320018	11469/2008	21-02 C	319870	10936/2008
11-02 E	319894	10972/2008	21-02 C	319934	11006/2008
11-02 E	319895	10971/2008	21-02 D	320016	11073/2008
11-02 E	319896	10970/2008	23-01 H	319880	10948/2008
11-02 E	319897	10969/2008	23-01 H	319920	10772/2008
11-02 E	319898	10968/2008	23-01 NES	319885	10964/2008
11-02 E	319899	10967/2008	23-02 B	319929	11001/2008
11-02 NES	319954	11035/2008	23-02 B	319930	11002/2008
11-05	319865	19971/2007	23-02 B	319931	11003/2008
12-11	319935	11008/2008	23-02 B	319940	11536/2008
12-11	319936	11013/2008	23-02 C	319869	10918/2008
12-12	319869	10918/2008	23-02 C	319871	10937/2008
12-16 NES	319876	10943/2008	23-02 C	319872	10938/2008
12-16 NES	319943	10029/2008	23-02 NES	319927	10999/2008
12-16 NES	319983	20689/2007	23-02 NES	319928	11000/2008
13-03 B	319982	20274/2007	23-03 NES	319994	12041/2008
13-03 D	319917	11027/2008	23-04	319957	11203/2008
14-01	319952	11032/2008	23-04	319958	11204/2008
14-01	319953	11033/2008	24-01	319887	10974/2008
14-01	319996	10440/2008	24-01	319889	19535/2007
14-01	319998	10523/2008	24-01	319890	19536/2007
14-01	319999	10524/2008	24-03	319889	19535/2007
14-01	320000	10525/2008	24-03	319890	19536/2007
14-01	320001	10526/2008	24-04	320006	10172/2008
14-01	320007	11054/2008	25-01 C	319866	21050/2007
14-01	320008	11055/2008	25-01 G	319956	11037/2008
14-01	320009	11056/2008	25-01 K	319882	10567/2008
14-01	320010	11057/2008	25-01 K	319883	10611/2008
14-01	320011	11058/2008	25-01 K	319884	10954/2008
14-01	320012	11059/2008	25-01 K	319888	10984/2008
14-01	320013	11060/2008	25-01 K	319892	10985/2008
14-01	320014	11061/2008	25-01 K	320002	10364/2008
14-02	319914	11015/2008	25-01 K	320003	10365/2008
14-03 E	319900	10966/2008	25-01 NES	319891	10987/2008
14-03 NES	319998	10523/2008	25-01 NES	319893	10986/2008
14-03 NES	319999	10524/2008	25-01 NES	319950	10630/2008
14-03 NES	320000	10525/2008	25-02 NES	319964	12351/2008
14-03 NES	320001	10526/2008	25-02 NES	319965	12352/2008
14-04	320007	11054/2008	25-02 NES	319966	12353/2008
14-04	320008	11055/2008	25-02 NES	319967	12354/2008
14-04	320009	11056/2008	25-02 NES	319968	12355/2008
14-04	320010	11057/2008	25-02 NES	319969	12356/2008
14-04	320011	11058/2008	25-02 NES	319970	12358/2008
14-04	320012	11059/2008	25-02 NES	319971	12360/2008
14-04	320013	11060/2008	25-02 NES	319972	12361/2008
14-04	320014	11061/2008	25-02 NES	319973	12362/2008
15-05	319901	10965/2008	25-02 NES	319974	12363/2008

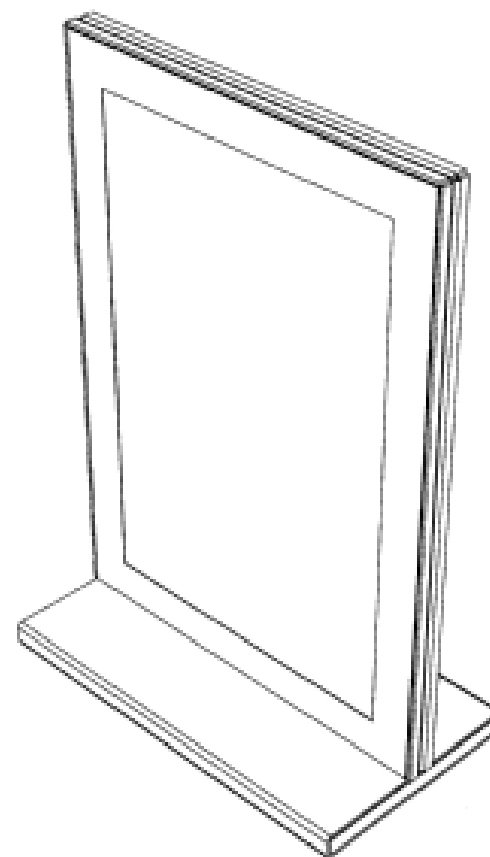
Registration Proceedings - Class Listing of Designs Published or Registered cont'd

Classification	Registration Number	Design Number	Classification	Registration Number	Design Number
25-02 NES	319975	12364/2008	28-03 B	319961	11972/2008
25-02 NES	319976	12365/2008	28-03 NES	319864	19848/2007
25-02 NES	319977	12366/2008	28-03 NES	319932	11004/2008
25-02 NES	319978	12367/2008	28-03 NES	319933	11005/2008
25-02 NES	319979	12368/2008	28-03 NES	319992	11967/2008
26-05 D	319955	11036/2008	29-02	320021	11080/2008
26-05 NES	319855	11398/2008	30-03	319918	10001/2008
26-05 NES	319947	10407/2008	99-00	319941	21554/2007
26-05 NES	319948	10408/2008	99-00	320005	20930/2007
26-05 NES	319949	10409/2008			

- (21) Design Number: **21468/2007**
(22) Date of Filing Application: **20 December 2007**
(24) Date from which industrial property rights may have effect: **20 December 2007**
(54) Product in respect of which the design is registered: **A leaflet/poster holder system for table top locations**
(51) International Design Classification: **20-02NES**
(71) Name(s) and Address(s) of Applicant(s):
Neals Yard Pty Ltd
Unit 1/42 William Street Botany New South Wales 2019 Australia
(72) Name(s) of Designer(s): **Neal Karpas**
(45) Registration Date: **10 June 2008**
(56) Related Art Documents: **Not Applicable**
(57) Statement of Newness and Distinctiveness: **The unique features of this leaflet/poster holder system are that 1) the leaflet cover is held in place by magnetic tape in a thin metal frame giving a visually thin edge, 2) the design of basic holder is consistent across the two base, 3) the design is available in various size and proportions.**



- (21) Design Number: **21591/2007**
(22) Date of Filing Application: **20 December 2007**
(24) Date from which industrial property rights may have effect: **20 December 2007**
(54) Product in respect of which the design is registered: **A leaflet/poster holder system for table top locations.**
(51) International Design Classification: **20-02NES**
(71) Name(s) and Address(s) of Applicant(s):
Neals Yard Pty Ltd
Unit 1/42 William Street Botany New South Wales 2019 Australia
(72) Name(s) of Designer(s): **Neal Karpas**
(45) Registration Date: **10 June 2008**
(56) Related Art Documents: **Not Applicable**
(57) Statement of Newness and Distinctiveness: **The unique features of this Leaflet/Poster Holder System are that 1) the leaflet cover is held in place by magnetic tape in a thin metal frame giving a visually thin edge, 2) the design of basic holder is consistent across the two base, 3) the design is available in various size and proportions.**



(21) Design Number: **10503/2008**

(22) Date of Filing Application: **05 February 2008**

(24) Date from which industrial property rights may have effect: **05 February 2008**

(54) Product in respect of which the design is registered: **Bottle**

(51) International Design Classification: **09-01K**

(71) Name(s) and Address(s) of Applicant(s):

Reckitt Benckiser N.V.

Siriusdreef 14 2132 WT Hoofddorp The Netherlands

(72) Name(s) of Designer(s): **Giorgio Franzolin and Zefferino Righetto and Roberto Vanin and Jerome Lemaire**

(45) Registration Date: **10 June 2008**

(30) Convention priority data:

(31) Number

(32) Date

(33) Country

000771712-0001 09 Aug 2007

EUROPEAN COMMUNITY

(56) Related Art Documents: **Not Applicable**

(57) Statement of Newness and Distinctiveness: **Newness and distinctiveness reside in the features of the design as shown in the representations.**



(21) Design Number: **10504/2008**

(22) Date of Filing Application: **05 February 2008**

(24) Date from which industrial property rights may have effect: **05 February 2008**

(54) Product in respect of which the design is registered: **Bottle**

(51) International Design Classification: **09-01K**

(71) Name(s) and Address(s) of Applicant(s):

Reckitt Benckiser N.V.

Siriusdreef 14 2132 WT Hoofddorp The Netherlands

(72) Name(s) of Designer(s): **Giorgio Franzolin and Zefferino Righetto and Roberto Vanin and Jerome Lemaire**

(45) Registration Date: **10 June 2008**

(30) Convention priority data:

(31) Number

(32) Date

(33) Country

000771712-0002 09 Aug 2007

EUROPEAN COMMUNITY

(56) Related Art Documents: **Not Applicable**

(57) Statement of Newness and Distinctiveness: **Newness and distinctiveness reside in the features of the design as shown in the representations.**



(21) Design Number: **10505/2008**

(22) Date of Filing Application: **05 February 2008**

(24) Date from which industrial property rights may have effect: **05 February 2008**

(54) Product in respect of which the design is registered: **Bottle**

(51) International Design Classification: **09-01K**

(71) Name(s) and Address(s) of Applicant(s):

Reckitt Benckiser N.V.
Siriusdreef 14 2132 WT Hoofddorp The Netherlands

(72) Name(s) of Designer(s): **Giorgio Franzolin and Zefferino Righetto and Roberto Vanin and Jerome Lemaire**

(45) Registration Date: **10 June 2008**

(30) Convention priority data:

(31) Number	(32) Date	(33) Country
000771712-0003	09 Aug 2007	EUROPEAN COMMUNITY

(56) Related Art Documents: **Not Applicable**

(57) Statement of Newness and Distinctiveness: **Newness and distinctiveness reside in the features of the design as shown in the representations.**



(21) Design Number: **10506/2008**

(22) Date of Filing Application: **05 February 2008**

(24) Date from which industrial property rights may have effect: **05 February 2008**

(54) Product in respect of which the design is registered: **Bottle**

(51) International Design Classification: **09-01K**

(71) Name(s) and Address(s) of Applicant(s):

Reckitt Benckiser N.V.
Siriusdreef 14 2132 WT Hoofddorp The Netherlands

(72) Name(s) of Designer(s): **Giorgio Franzolin and Jerome Lemaire and Zefferino Righetto and Roberto Vanin**

(45) Registration Date: **10 June 2008**

(30) Convention priority data:

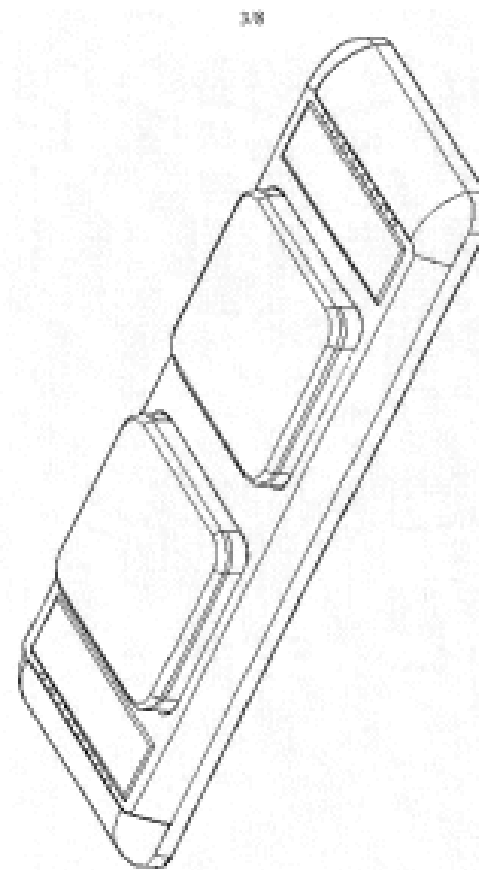
(31) Number	(32) Date	(33) Country
000771712-0004	09 Aug 2007	EUROPEAN COMMUNITY

(56) Related Art Documents: **Not Applicable**

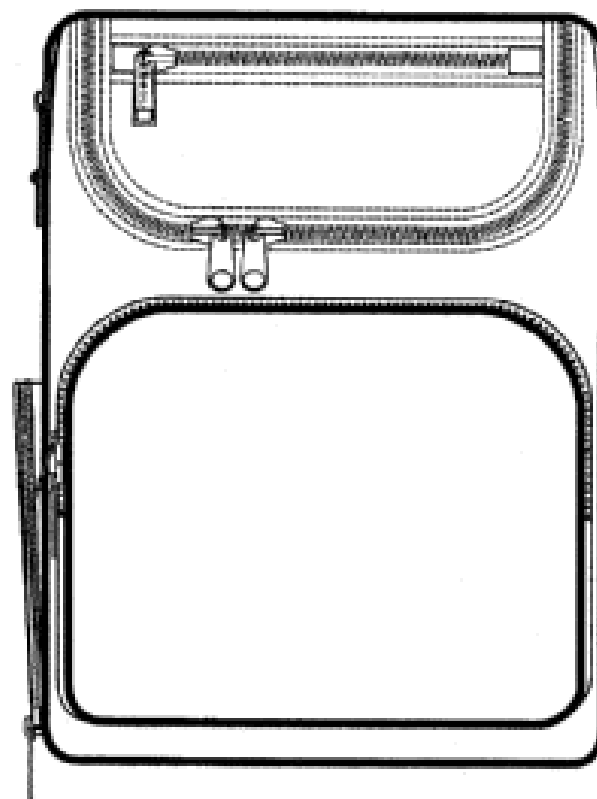
(57) Statement of Newness and Distinctiveness: **Newness and distinctiveness reside in the features of the design as shown in the representations.**



- (21) Design Number: **11398/2008**
- (22) Date of Filing Application: **20 March 2008**
- (24) Date from which industrial property rights may have effect: **20 March 2008**
- (54) Product in respect of which the design is registered: **Lighting assembly**
- (51) International Design Classification: **26-05NES**
- (71) Name(s) and Address(s) of Applicant(s):
Brite LED Tech Pty Ltd
PO Box 1005 Bayswater BC Victoria 3153 Australia
- (72) Name(s) of Designer(s): **Paul Sinclair**
- (45) Registration Date: **10 June 2008**
- (56) Related Art Documents: **Not Applicable**
- (57) Statement of Newness and Distinctiveness: **Newness and distinctiveness is claimed in the features of shape and/or configuration of a lighting assembly as illustrated in the accompanying representations.**



- (21) Design Number: **20202/2007**
- (22) Date of Filing Application: **11 October 2007**
- (24) Date from which industrial property rights may have effect: **11 October 2007**
- (54) Product in respect of which the design is registered: **Backpack**
- (51) International Design Classification: **03-01A**
- (71) Name(s) and Address(s) of Applicant(s):
Boxy Design Pty Ltd
94 Wellington Street Richmond Victoria 3121 Australia
- (72) Name(s) of Designer(s): **Kathryn Seelen**
- (45) Registration Date: **10 June 2008**
- (56) Related Art Documents: **Not Applicable**
- (57) Statement of Newness and Distinctiveness: **This backpack is new and distinctive by the side opening to a insulated compartment for a lunch box. Also the long separate compartment for books and the top front compartment for clothing, stationary etc.**



- (21) Design Number: **11429/2008**
- (22) Date of Filing Application: **25 March 2008**
- (24) Date from which industrial property rights may have effect: **25 March 2008**
- (54) Product in respect of which the design is registered: **Versatile table**
- (51) International Design Classification: **06-03NES**
- (71) Name(s) and Address(s) of Applicant(s):

Peter Edward Wyandah Dasey
151 Chaffey Street Merbein Victoria 3505 Australia

- (72) Name(s) of Designer(s): **Peter Edward Wyandah Dasey**
- (45) Registration Date: **10 June 2008**
- (56) Related Art Documents: **Not Applicable**

(57) Statement of Newness and Distinctiveness: **This 'versatile' table is unique, new and distinct because of the following; 1. It can be assembled for either a left hand or right hand application, simply by inverting the cranked mast arm and chair base plate, which can be of any shape, as required. 2. It can be used and is stable under free standing tilt/recliner/rocker arm chairs. 3. The weight of the arm chair and occupant on the base plate providing stability. 4. The cranked mast arm, mid arms and table arms, of any sectional shape, can all rotate in the horizontal plane. Any combination of straight or cranked mid and table arms may be selected to suit either left or right hand application. 5. The eccentrically or concentrically mounted large tilt table which can be of any shape and size, with rim if required, can rotate 360 degrees in the horizontal plane and has numerous positions of tilt up to the vertical position. 6. The eccentrically or concentrically mounted small table, which can be of any shape or size, with rim and holes if required, can rotate 360 degrees and swivel 360 degrees in the horizontal plane on its articulated arm/s. 7. The large and small tables can be interchanged, or mounted on any extension arm, in any combination by simply lifting off and replacing on the selected arm. 8. The large tilt top has a simple latch release under the rim for tilt adjustment. 9. The large top has a simple plug in utility (book) rest for use in the elevated position. 10. Height adjustment for all is through the telescopic mast using either a mechanical, electro mechanical, electrical, hydraulic, pneumatic, or gas strut actuator. 11. Height adjustment of approximately 250mm can be done manually or by flexible cable press button hand piece or by stand alone remote control. 12. The whole unit will rotate 360 degrees around the vertical telescopic mast. 13. The tilt top table, when flat, will articulate in the horizontal plane to a compact position over the side table, or, in the 90 degrees vertical position, park readily against a wall or etc. 14. The small table is fitted with various sized holes for spill free glass holding etc. 15. This versatile table can also readily be fixed mounted to a wall, post, chair, bed or other furniture with an approved height adjustable bracket and chair base plate removed. 16. This table can also be fitted to an approved mobile base fitted with lockable wheels. 17. This table can be ceiling mounted.....**



- (21) Design Number: **10035/2008**
- (22) Date of Filing Application: **04 January 2008**
- (24) Date from which industrial property rights may have effect: **04 January 2008**
- (54) Product in respect of which the design is registered: **Street sign**
- (51) International Design Classification: **20-03C**
- (71) Name(s) and Address(s) of Applicant(s):

Zhong Da Zhang
C/- Asia Pacific Lawyers Level 11/461 Bourke Street Victoria 3000 Australia

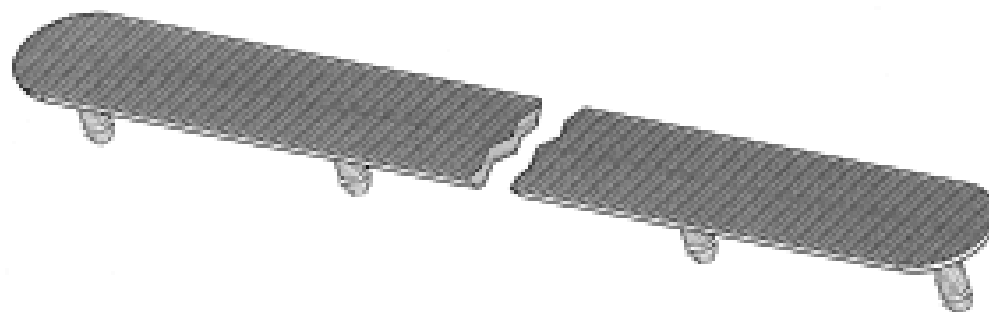
Xiaoming Zhu
C/- Asia Pacific Lawyers Level 11/461 Bourke Street Victoria 3000 Australia

- (72) Name(s) of Designer(s): **Zhong Da Zhang and Xiaoming Zhu**
- (45) Registration Date: **10 June 2008**
- (56) Related Art Documents: **Not Applicable**

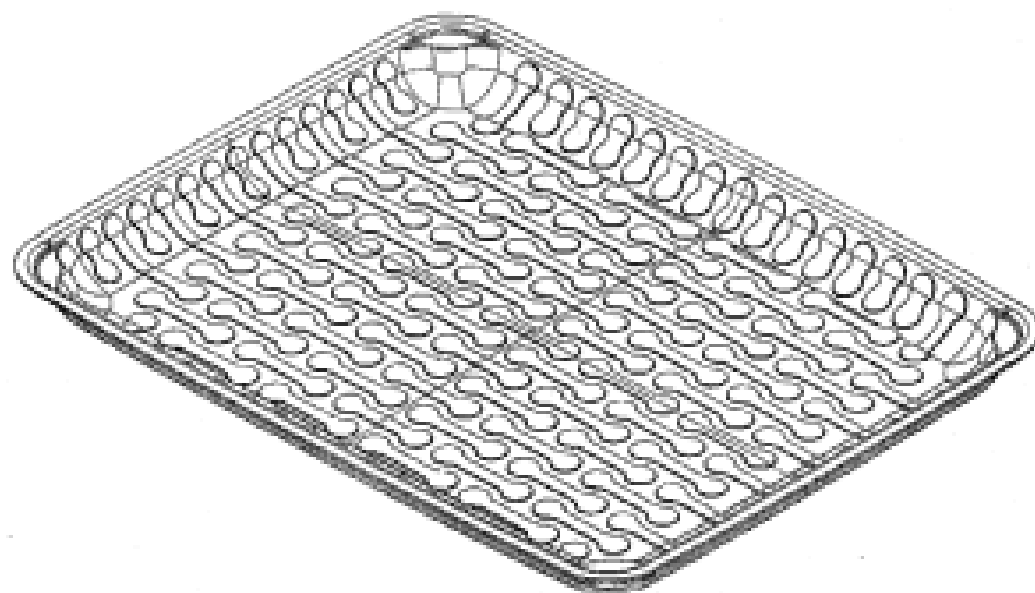
(57) Statement of Newness and Distinctiveness: **LED solar panel attached to the street sign is new and distinctive. As indicated in the enclosed photographs, the street sign automatically lights up at night when the sun sets and automatically switches off when the sun rises. The LED solar panel attached to the street sign is a 'T' design - when viewed from the side, a 'T' shape can be seen.**



- (21) Design Number: **12357/2008**
(22) Date of Filing Application: **16 May 2008**
(24) Date from which industrial property rights may have effect: **16 May 2008**
(54) Product in respect of which the design is registered: **Pin portion of a tactile indicator strip**
(51) International Design Classification: **10-06**
(71) Name(s) and Address(s) of Applicant(s):
DECE Holdings Pty Ltd
Unit 4/1-7 Friars Road Moorabbin Victoria 3189 Australia
(72) Name(s) of Designer(s): **Dean Alexander Homicki**
(45) Registration Date: **10 June 2008**
(56) Related Art Documents: **Not Applicable**
(57) Statement of Newness and Distinctiveness: **Newness and distinctiveness resides in the features of shape and/or configuration of a pin portion of a tactile indicator strip of indefinite length as shown in solid lines in the accompanying representations. The shafts of the pin portion being of indefinite length.**



- (21) Design Number: **20903/2007**
(22) Date of Filing Application: **19 November 2007**
(24) Date from which industrial property rights may have effect: **19 November 2007**
(54) Product in respect of which the design is registered: **A set of trays**
(51) International Design Classification: **09-03F**
(71) Name(s) and Address(s) of Applicant(s):
Alto Packaging Limited
Level 6 57 Symonds Street Grafton Auckland 1010 New Zealand
(72) Name(s) of Designer(s): **Lance John Knighton and Michael Charles Poole**
(45) Registration Date: **10 June 2008**
(56) Related Art Documents: **Not Applicable**
(57) Statement of Newness and Distinctiveness: **The new and distinctive features of this design reside in the features of shape and or configuration of a tray, all as shown in the accompanying drawings.**



(21) Design Number: **21588/2007**

(22) Date of Filing Application: **19 November 2007**

(24) Date from which industrial property rights may have effect: **19 November 2007**

(54) Product in respect of which the design is registered: **A set of trays**

(51) International Design Classification: **09-03F**

(71) Name(s) and Address(s) of Applicant(s):

Alto Packaging Limited

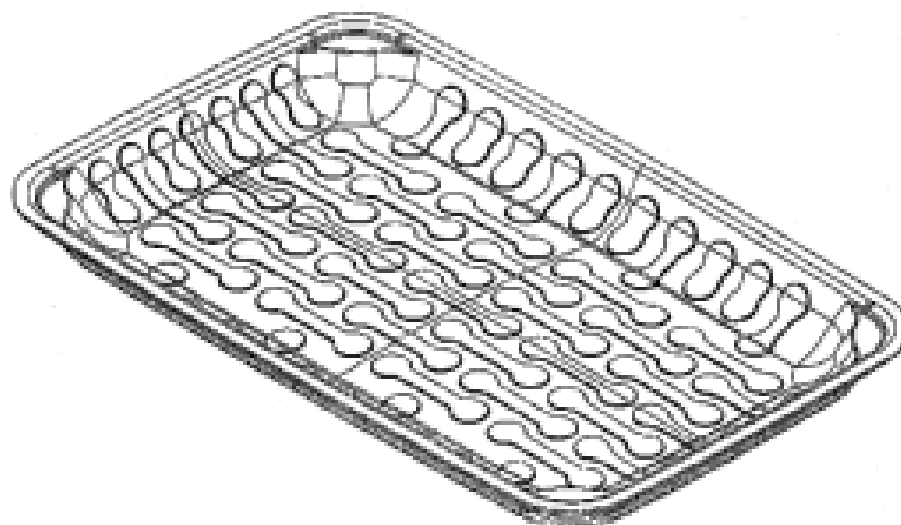
Level 6 57 Symonds Street Grafton Auckland 1010 New Zealand

(72) Name(s) of Designer(s): **Lance John Knighton and Michael Charles Poole**

(45) Registration Date: **10 June 2008**

(56) Related Art Documents: **Not Applicable**

(57) Statement of Newness and Distinctiveness: **The new and distinctive features of this design reside in the features of shape and or configuration of a tray, all as shown in the accompanying drawings.**



(21) Design Number: **21589/2007**

(22) Date of Filing Application: **19 November 2007**

(24) Date from which industrial property rights may have effect: **19 November 2007**

(54) Product in respect of which the design is registered: **A set of trays**

(51) International Design Classification: **09-03F**

(71) Name(s) and Address(s) of Applicant(s):

Alto Packaging Limited

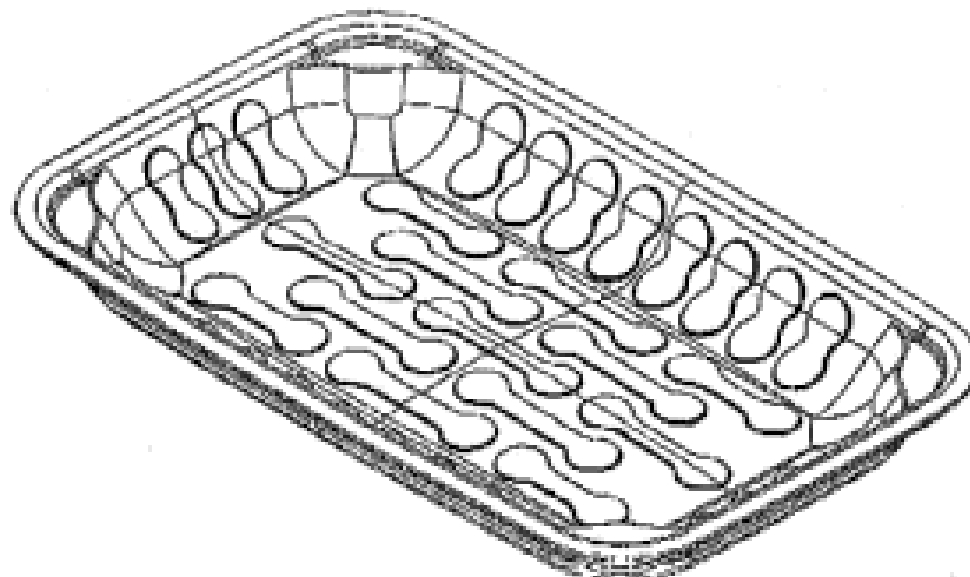
Level 6 57 Symonds Street Grafton Auckland 1010 New Zealand

(72) Name(s) of Designer(s): **Lance John Knighton and Michael Charles Poole**

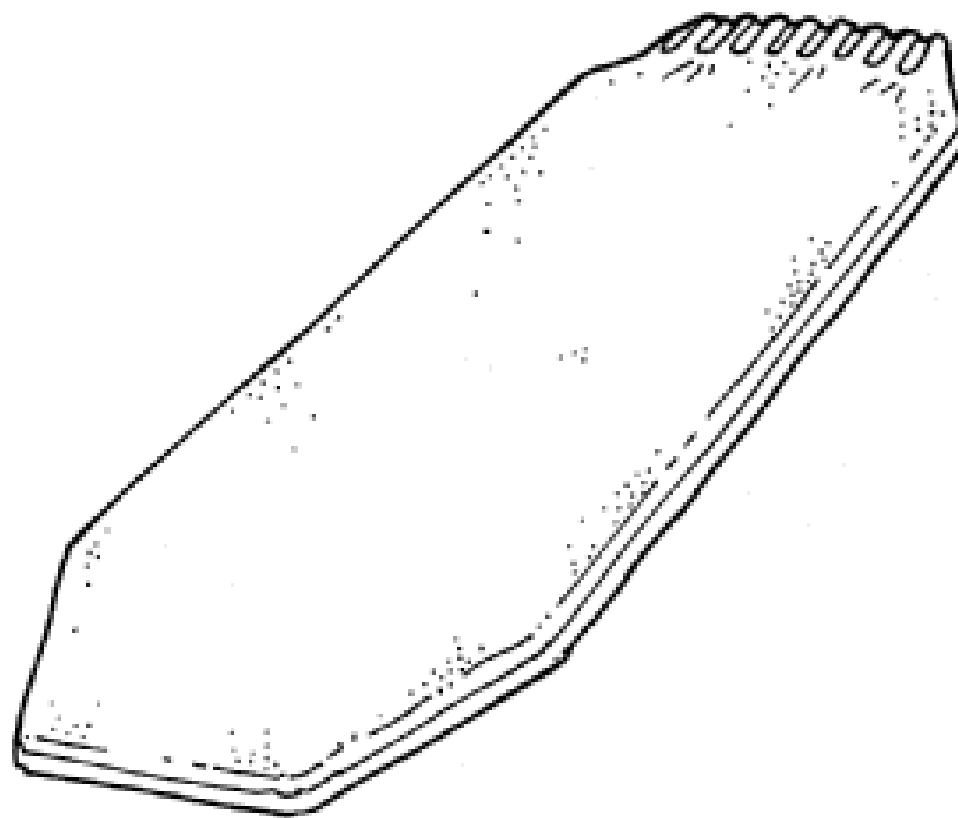
(45) Registration Date: **10 June 2008**

(56) Related Art Documents: **Not Applicable**

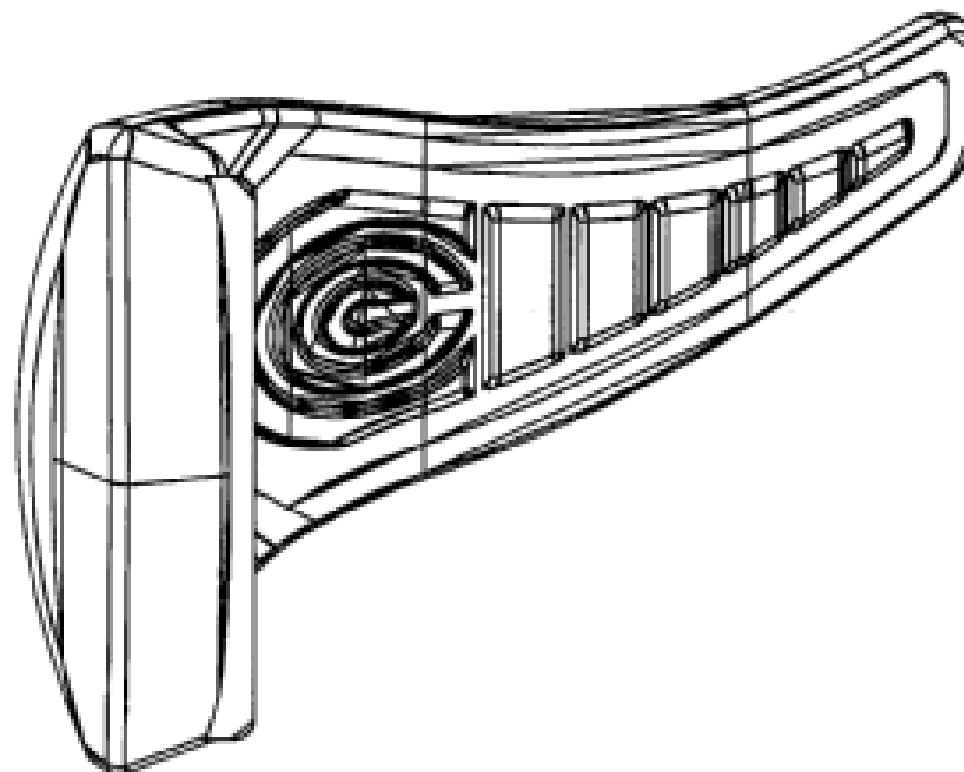
(57) Statement of Newness and Distinctiveness: **The new and distinctive features of this design reside in the features of shape and or configuration of a tray, all as shown in the accompanying drawings.**



- (21) Design Number: **19637/2007**
(22) Date of Filing Application: **05 September 2007**
(24) Date from which industrial property rights may have effect: **05 September 2007**
(54) Product in respect of which the design is registered: **Shoe covers**
(51) International Design Classification: **02-04A**
(71) Name(s) and Address(s) of Applicant(s):
Johnny Leong
109 Whitfield Drive Two Rocks Western Australia 6037 Australia
Lorraine Crouch
16 Hartland Place Yanchep Western Australia 6035 Australia
(72) Name(s) of Designer(s): **Johnny Leong and Lorraine Crouch**
(45) Registration Date: **17 June 2008**
(56) Related Art Documents: **Not Applicable**
(57) Statement of Newness and Distinctiveness: **The particular visual features of the design which are new and distinctive are shape and configuration.**



- (21) Design Number: **19848/2007**
(22) Date of Filing Application: **21 September 2007**
(24) Date from which industrial property rights may have effect: **21 September 2007**
(54) Product in respect of which the design is registered: **An exfoliating device**
(51) International Design Classification: **28-03NES**
(71) Name(s) and Address(s) of Applicant(s):
Pamela Anne Hazelwood
2/1874 Gold Coast Highway Burleigh Heads Queensland 4220 Australia
(72) Name(s) of Designer(s): **Pamela Anne Hazelwood**
(45) Registration Date: **17 June 2008**
(56) Related Art Documents: **Not Applicable**
(57) Statement of Newness and Distinctiveness: **Nil**



(21) Design Number: **19971/2007**

(22) Date of Filing Application: **28 September 2007**

(24) Date from which industrial property rights may have effect: **28 September 2007**

(54) Product in respect of which the design is registered: **Flag**

(51) International Design Classification: **11-05**

(71) Name(s) and Address(s) of Applicant(s):

Alexander Walter Carter
35 Couldrey Street Rainworth Queensland 4065 Australia

(72) Name(s) of Designer(s): **Alex Carter**

(45) Registration Date: **17 June 2008**

(56) Related Art Documents: **Not Applicable**

(57) Statement of Newness and Distinctiveness: **The setting of the Union Jack behind the central circle along with the Southern Cross set in front of the central circle.**



(21) Design Number: **21050/2007**

(22) Date of Filing Application: **30 November 2007**

(24) Date from which industrial property rights may have effect: **30 November 2007**

(54) Product in respect of which the design is registered: **Steel pre coated designer corbels for cross ventilation purposes in high rise commercial domestic residential retail**

(51) International Design Classification: **25-01C**

(71) Name(s) and Address(s) of Applicant(s):

ADCS Group Pty Ltd
39 Lagonda Drive Ingleburn New South Wales 2565 Australia

(72) Name(s) of Designer(s): **Darren Midson and Peter Hayes**

(45) Registration Date: **17 June 2008**

(56) Related Art Documents: **Not Applicable**

(57) Statement of Newness and Distinctiveness: **The design has features which are new and allows a aesthetically pleasing appearance to be produced using steel cross sections to have the appearance of man made concrete corbels. This design will add strength and aesthetics to any building and allows clean air ventilation to the building.**



- (21) Design Number: **21237/2007**
(22) Date of Filing Application: **11 December 2007**
(24) Date from which industrial property rights may have effect: **11 December 2007**
(54) Product in respect of which the design is registered: **Utensil and holder**
(51) International Design Classification: **07-06NES, 07-04, 07-02NES**
(71) Name(s) and Address(s) of Applicant(s):

Chef'n Corporation
1520 4th Avenue 3rd Floor Seattle Washington 98101 United States of America

- (72) Name(s) of Designer(s): **David A. Holcomb and Jason O. Germany and Jonah S. Griffith**

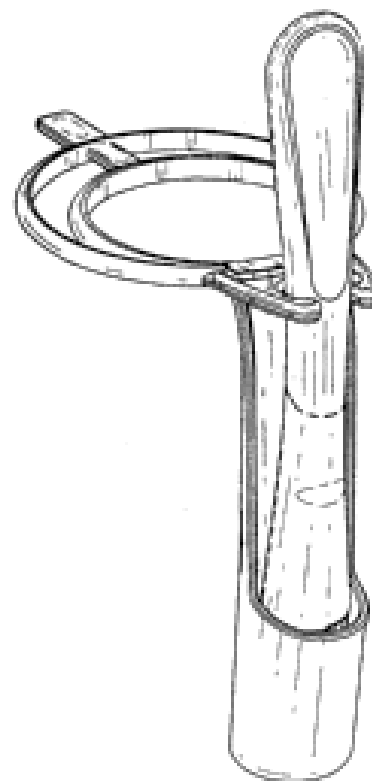
- (45) Registration Date: **17 June 2008**

- (30) Convention priority data:

(31) Number	(32) Date	(33) Country
29282962	02 Aug 2007	UNITED STATES OF AMERICA

- (56) Related Art Documents: **Not Applicable**

- (57) Statement of Newness and Distinctiveness: **Newness and distinctiveness is claimed in the visual features shown in solid lines in the representations.**



- (21) Design Number: **10916/2008**
(22) Date of Filing Application: **27 February 2008**
(24) Date from which industrial property rights may have effect: **27 February 2008**
(54) Product in respect of which the design is registered: **Coffee table**
(51) International Design Classification: **06-03A**
(71) Name(s) and Address(s) of Applicant(s):

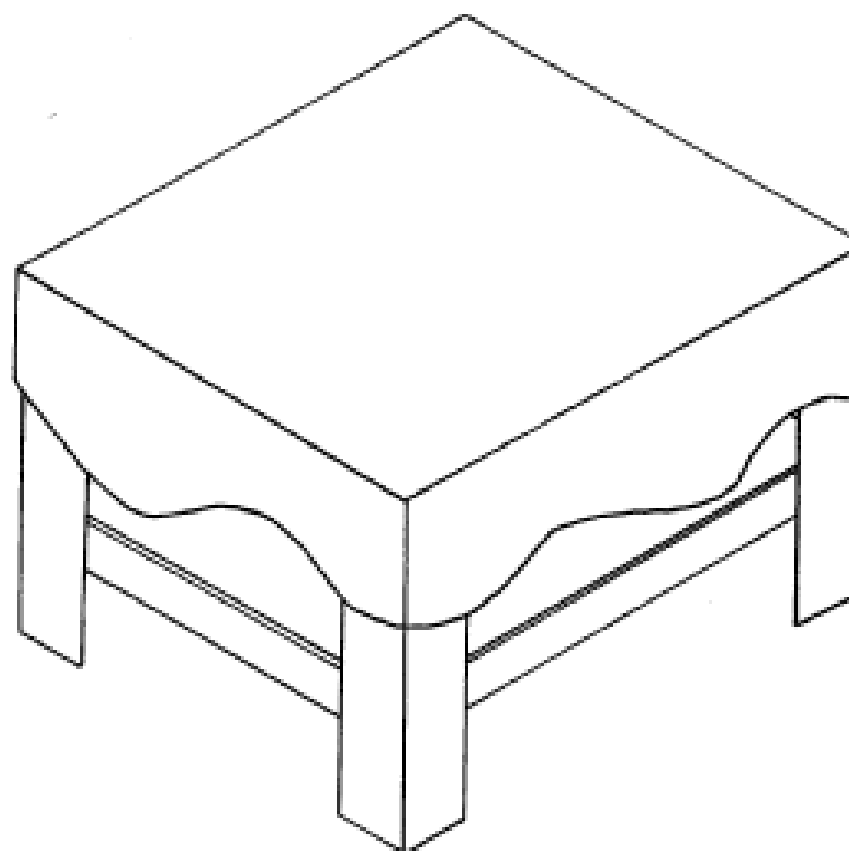
Ariana Fabris
PO Box 170 Heidelberg Victoria 3084 Australia

- (72) Name(s) of Designer(s): **Ariana Fabris**

- (45) Registration Date: **17 June 2008**

- (56) Related Art Documents: **Not Applicable**

- (57) Statement of Newness and Distinctiveness: **This coffee table is new and distinctive because of (i) the two-part design; small rectangular table, plus a cover that sits over the top like an inverted base (made from a different material) and (ii) the wave-like shape of the cover's bottom edge.**

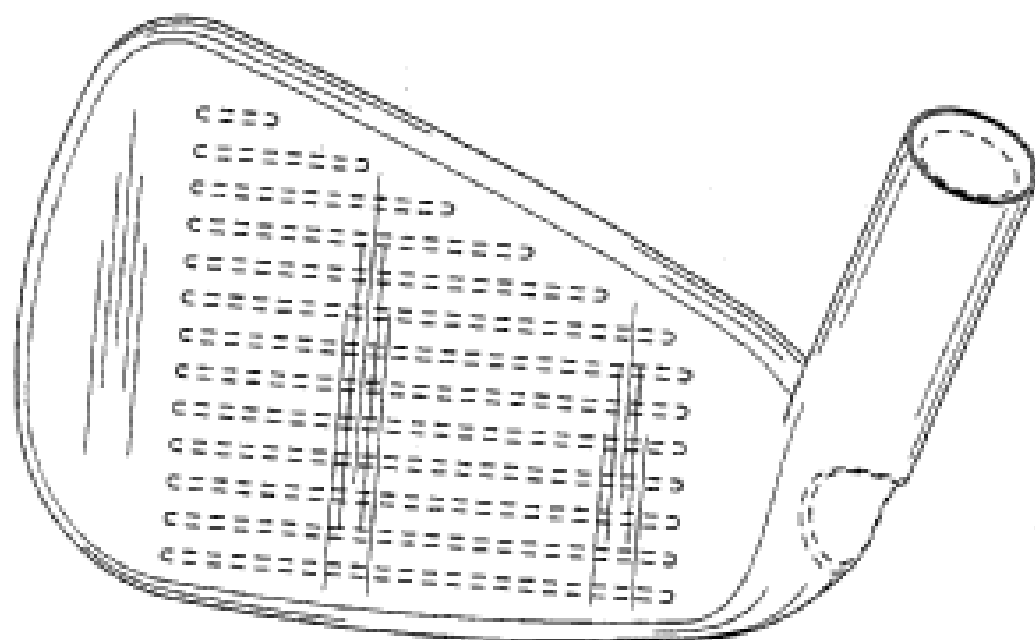


- (21) Design Number: **10918/2008**
- (22) Date of Filing Application: **27 February 2008**
- (24) Date from which industrial property rights may have effect: **27 February 2008**
- (54) Product in respect of which the design is registered: **Commode (portable)**
- (51) International Design Classification: **23-02C, 12-12, 06-04A**
- (71) Name(s) and Address(s) of Applicant(s):
Trevor Guilford
61 Glencoe Crescent Tiwi Darwin Northern Territory 0810 Australia
- (72) Name(s) of Designer(s): **Trevor Guilford**
- (45) Registration Date: **17 June 2008**
- (56) Related Art Documents: **Not Applicable**
- (57) Statement of Newness and Distinctiveness: **No other commode looks like this one.**



- (21) Design Number: **10936/2008**
- (22) Date of Filing Application: **26 February 2008**
- (24) Date from which industrial property rights may have effect: **26 February 2008**
- (54) Product in respect of which the design is registered: **Golf iron head**
- (51) International Design Classification: **21-02C**
- (71) Name(s) and Address(s) of Applicant(s):
Karsten Manufacturing Corporation
2201 West Desert Cove Phoenix Arizona 85029 United States of America
- (72) Name(s) of Designer(s): **Michael R. Nicolette and Bradley D. Schweigert and Marty R. Jertson and Richard R. Sanchez and Xiaojian Chen and John A. Solheim**
- (45) Registration Date: **17 June 2008**
- (30) Convention priority data:

(31) Number	(32) Date	(33) Country
29/297903	21 Nov 2007	UNITED STATES OF AMERICA
- (56) Related Art Documents: **Not Applicable**
- (57) Statement of Newness and Distinctiveness: **Newness and distinctiveness is claimed in the visual features shown in solid lines in the representations.**



(21) Design Number: **10937/2008**

(22) Date of Filing Application: **26 February 2008**

(24) Date from which industrial property rights may have effect: **26 February 2008**

(54) Product in respect of which the design is registered: **A toilet pan**

(51) International Design Classification: **23-02C**

(71) Name(s) and Address(s) of Applicant(s):

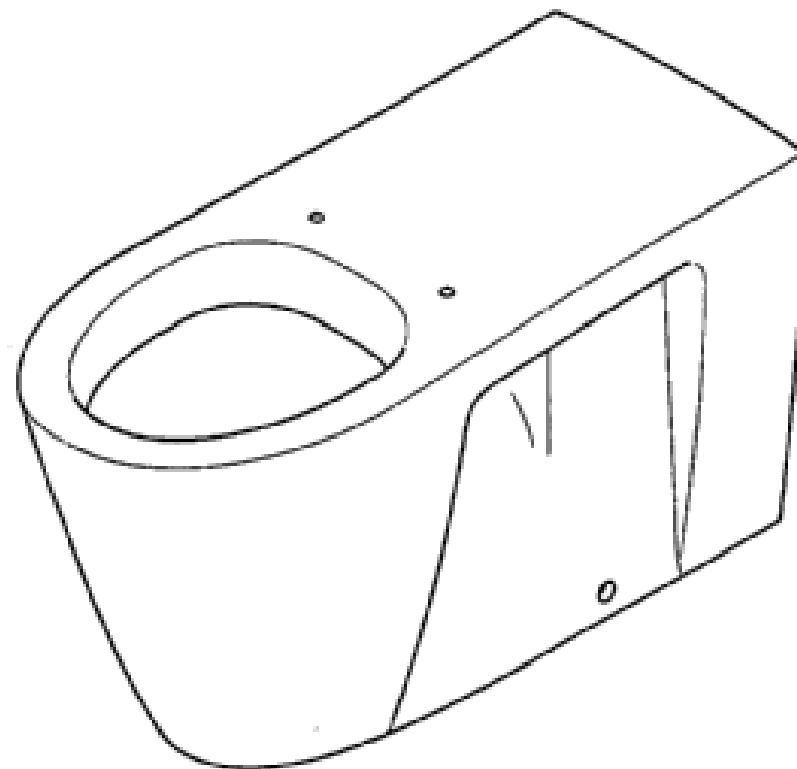
Caroma Industries Limited
10 Market Street Brisbane Queensland 4000 Australia

(72) Name(s) of Designer(s): **Vincent Kai Hong Ho and Stephen John Cummings**

(45) Registration Date: **17 June 2008**

(56) Related Art Documents: **Not Applicable**

(57) Statement of Newness and Distinctiveness: **Newness and distinctiveness is claimed in the features of shape and/or configuration of a toilet pan as illustrated in the accompanying representations.**



(21) Design Number: **10938/2008**

(22) Date of Filing Application: **26 February 2008**

(24) Date from which industrial property rights may have effect: **26 February 2008**

(54) Product in respect of which the design is registered: **A toilet pan**

(51) International Design Classification: **23-02C**

(71) Name(s) and Address(s) of Applicant(s):

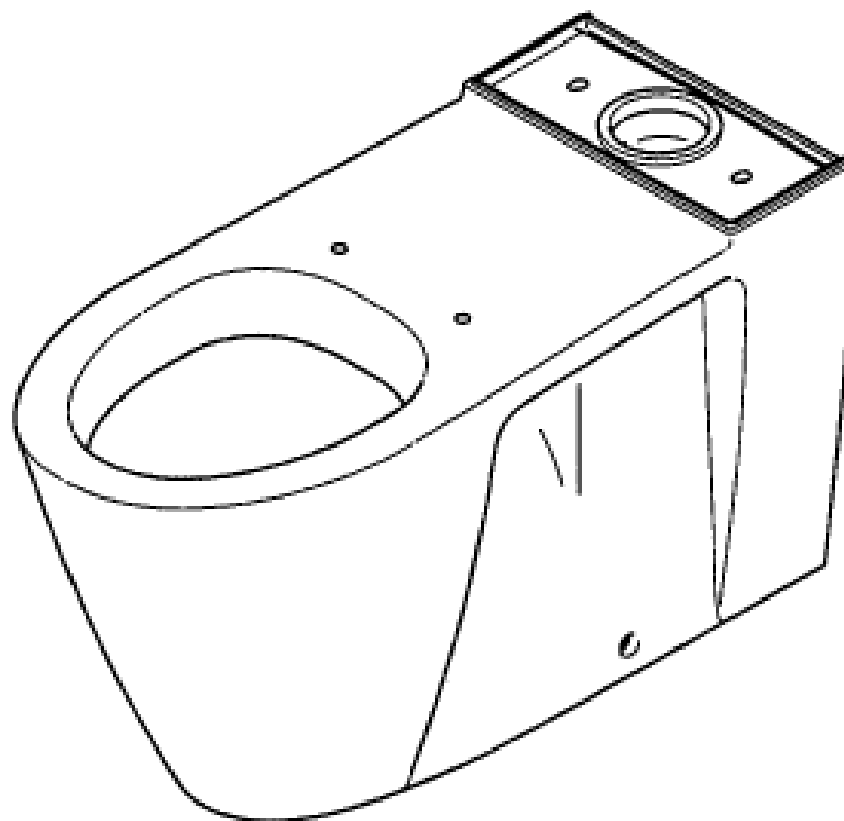
Caroma Industries Limited
10 Market Street Brisbane Queensland 4000 Australia

(72) Name(s) of Designer(s): **Stephen John Cummings and Vincent Kai Hong Ho**

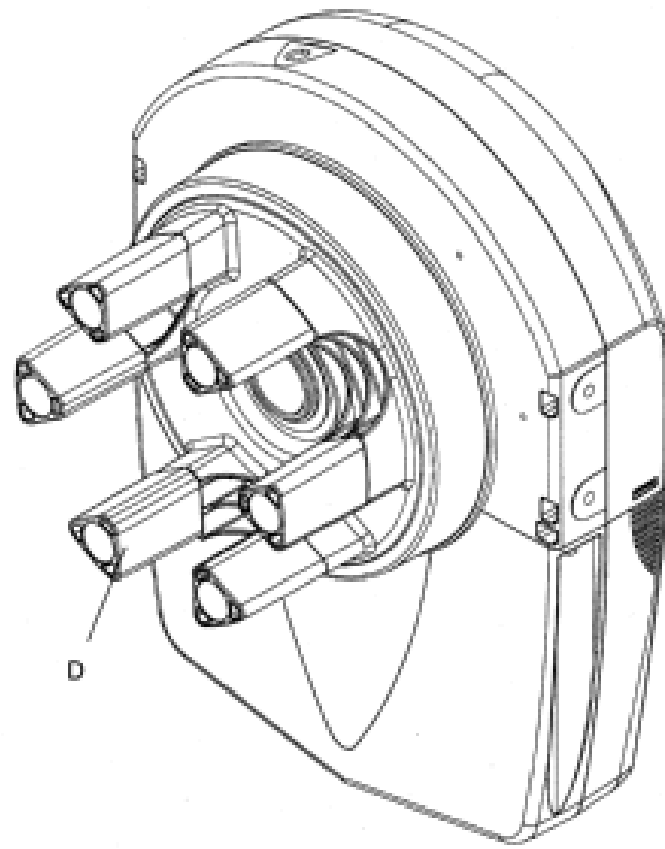
(45) Registration Date: **17 June 2008**

(56) Related Art Documents: **Not Applicable**

(57) Statement of Newness and Distinctiveness: **Newness and distinctiveness is claimed in the features of shape and/or configuration of a toilet pan as illustrated in the accompanying representations.**



- (21) Design Number: **10939/2008**
(22) Date of Filing Application: **27 February 2008**
(24) Date from which industrial property rights may have effect: **27 February 2008**
(54) Product in respect of which the design is registered: **Powered door operator**
(51) International Design Classification: **08-07**
(71) Name(s) and Address(s) of Applicant(s):
Automatic Technology (Australia) Pty Ltd
6-8 Fiveways Boulevard Keysborough Victoria 3173 Australia
(72) Name(s) of Designer(s): **Toan Dang and Ray Hawkins**
(45) Registration Date: **17 June 2008**
(56) Related Art Documents: **Not Applicable**
(57) Statement of Newness and Distinctiveness: **Newness and distinctiveness is claimed in the features of shape and/or configuration of a powered door operator as illustrated in the accompanying representations. In considering which features are new and distinctive, the mounting brackets marked as B are to be disregarded, and the length of the drive extension elements D (of indeterminate length) is also to be disregarded.**



- (21) Design Number: **10941/2008**
(22) Date of Filing Application: **27 February 2008**
(24) Date from which industrial property rights may have effect: **27 February 2008**
(54) Product in respect of which the design is registered: **Coffee maker**
(51) International Design Classification: **07-02L**
(71) Name(s) and Address(s) of Applicant(s):
Jura Elektroapparate AG
Kaffeeweltstrasse 10 4626 Niederbuchsiten Switzerland
(72) Name(s) of Designer(s): **Roni Buttler**
(45) Registration Date: **17 June 2008**
(30) Convention priority data:
(31) Number (32) Date (33) Country
DM/069 401 11 Oct 2007 SWITZERLAND
(56) Related Art Documents: **Not Applicable**
(57) Statement of Newness and Distinctiveness: **Nil**



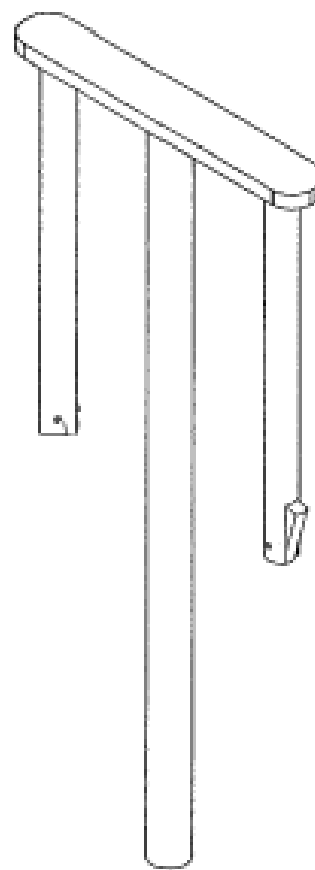
(21) Design Number: **10942/2008**
(22) Date of Filing Application: **27 February 2008**
(24) Date from which industrial property rights may have effect: **27 February 2008**
(54) Product in respect of which the design is registered: **Coffee maker**
(51) International Design Classification: **07-02L**
(71) Name(s) and Address(s) of Applicant(s):
Jura Elektroapparate AG
Kaffeeweltstrasse 10 4626 Niederbuchsiten Switzerland
(72) Name(s) of Designer(s): **Roni Buttler**
(45) Registration Date: **17 June 2008**
(30) Convention priority data:
(31) Number (32) Date (33) Country
DM/069 401 11 Oct 2007 SWITZERLAND
(56) Related Art Documents: **Not Applicable**
(57) Statement of Newness and Distinctiveness: **Nil**



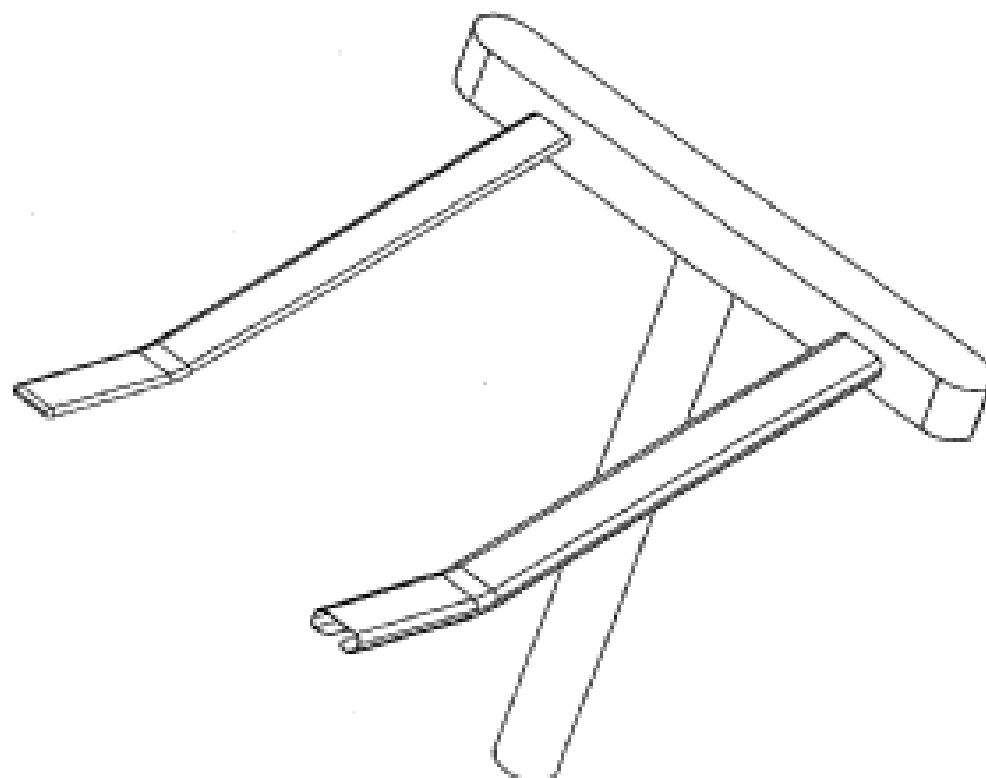
(21) Design Number: **10943/2008**
(22) Date of Filing Application: **27 February 2008**
(24) Date from which industrial property rights may have effect: **27 February 2008**
(54) Product in respect of which the design is registered: **Skateboard truck hanger**
(51) International Design Classification: **08-08NES, 12-16NES**
(71) Name(s) and Address(s) of Applicant(s):
Titanium Truck Technologies Pty Ltd
C/O 196 Keilor Road Essendon Victoria 3040 Australia
(72) Name(s) of Designer(s): **Chris Northwood**
(45) Registration Date: **17 June 2008**
(56) Related Art Documents: **Not Applicable**
(57) Statement of Newness and Distinctiveness: **Nil**



- (21) Design Number: **10944/2008**
- (22) Date of Filing Application: **27 February 2008**
- (24) Date from which industrial property rights may have effect: **27 February 2008**
- (54) Product in respect of which the design is registered: **Container dispenser**
- (51) International Design Classification: **07-99NES, 08-08NES**
- (71) Name(s) and Address(s) of Applicant(s):
 - Abraham Meckier**
4/48-50 Onslow Street Rose Bay New South Wales 2029 Australia
 - Reuven Berckovich**
3/35 Birriga Road Bellevue Hill New South Wales 2023 Australia
- (72) Name(s) of Designer(s): **Abraham Meckier and Reuven Berckovich**
- (45) Registration Date: **17 June 2008**
- (56) Related Art Documents: **Not Applicable**
- (57) Statement of Newness and Distinctiveness: **Newness and distinctiveness is claimed in those features of shape and/or configuration of a container dispenser as illustrated in continuous lines in the accompanying representations.**



- (21) Design Number: **10945/2008**
- (22) Date of Filing Application: **27 February 2008**
- (24) Date from which industrial property rights may have effect: **27 February 2008**
- (54) Product in respect of which the design is registered: **Container dispenser**
- (51) International Design Classification: **08-08NES, 07-99NES**
- (71) Name(s) and Address(s) of Applicant(s):
 - Abraham Meckier**
4/48-50 Onslow Street Rose Bay New South Wales 2029 Australia
 - Reuven Berckovich**
3/35 Birriga Road Bellevue Hill New South Wales 2023 Australia
- (72) Name(s) of Designer(s): **Abraham Meckier and Reuven Berckovich**
- (45) Registration Date: **17 June 2008**
- (56) Related Art Documents: **Not Applicable**
- (57) Statement of Newness and Distinctiveness: **Newness and distinctiveness is claimed in those features of shape and/or configuration of a container dispenser as illustrated in continuous lines in the accompanying representations.**



(21) Design Number: **10947/2008**

(22) Date of Filing Application: **27 February 2008**

(24) Date from which industrial property rights may have effect: **27 February 2008**

(54) Product in respect of which the design is registered: **Cap**

(51) International Design Classification: **02-03**

(71) Name(s) and Address(s) of Applicant(s):

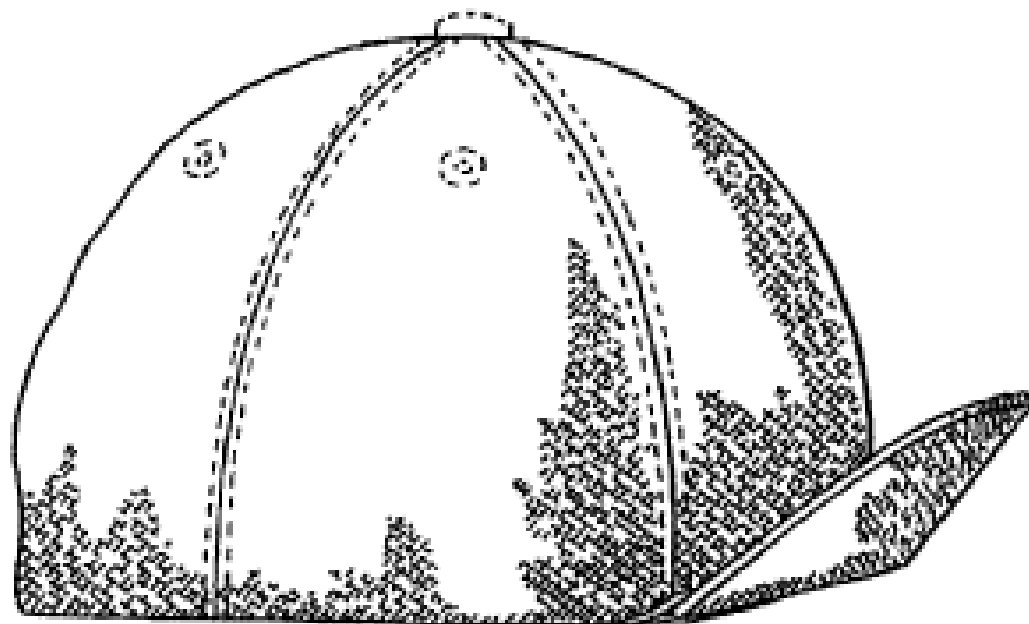
Ralph Thomas Puett III
30198 Frontera Del Notre Highland California 92346-5951 United States of America

(72) Name(s) of Designer(s): **Ralph Thomas Puett III**

(45) Registration Date: **17 June 2008**

(56) Related Art Documents: **Not Applicable**

(57) Statement of Newness and Distinctiveness: **Newness and distinctiveness reside in the features of the design shown in solid lines in the representations excluding those features shown in broken lines.**



(21) Design Number: **10948/2008**

(22) Date of Filing Application: **27 February 2008**

(24) Date from which industrial property rights may have effect: **27 February 2008**

(54) Product in respect of which the design is registered: **Tap**

(51) International Design Classification: **23-01H**

(71) Name(s) and Address(s) of Applicant(s):

Gessi S.p.A.
Frazione Vintebbio Parco Gessi I-13037 Serravalle Sesia Vercelli Italy

(72) Name(s) of Designer(s): **Gian Luca Gessi**

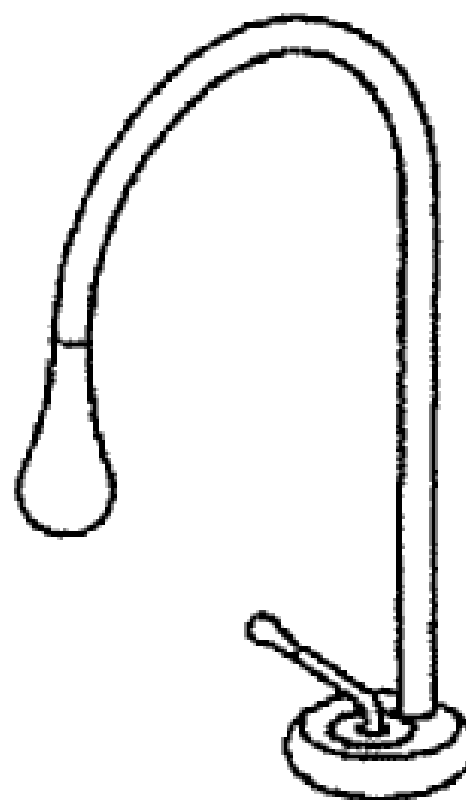
(45) Registration Date: **17 June 2008**

(30) Convention priority data:

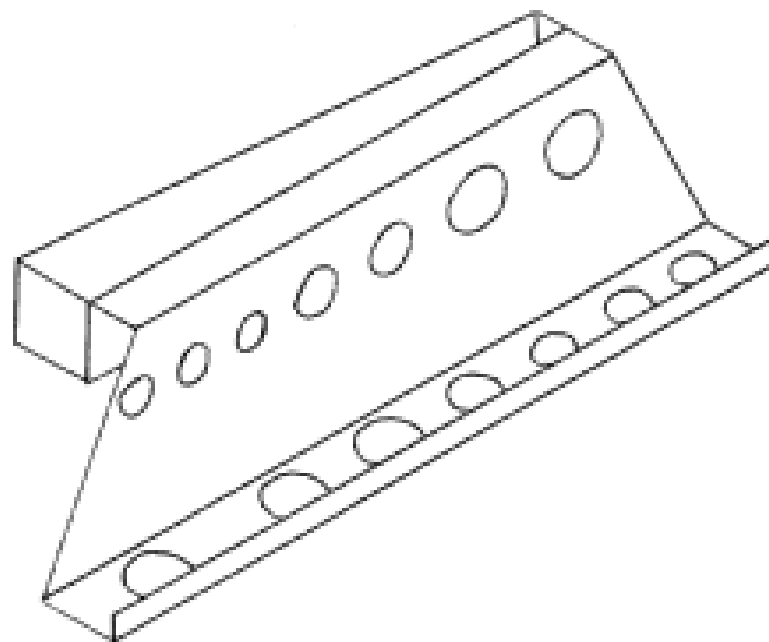
(31) Number	(32) Date	(33) Country
M120070000196	01 Oct 2007	ITALY

(56) Related Art Documents: **Not Applicable**

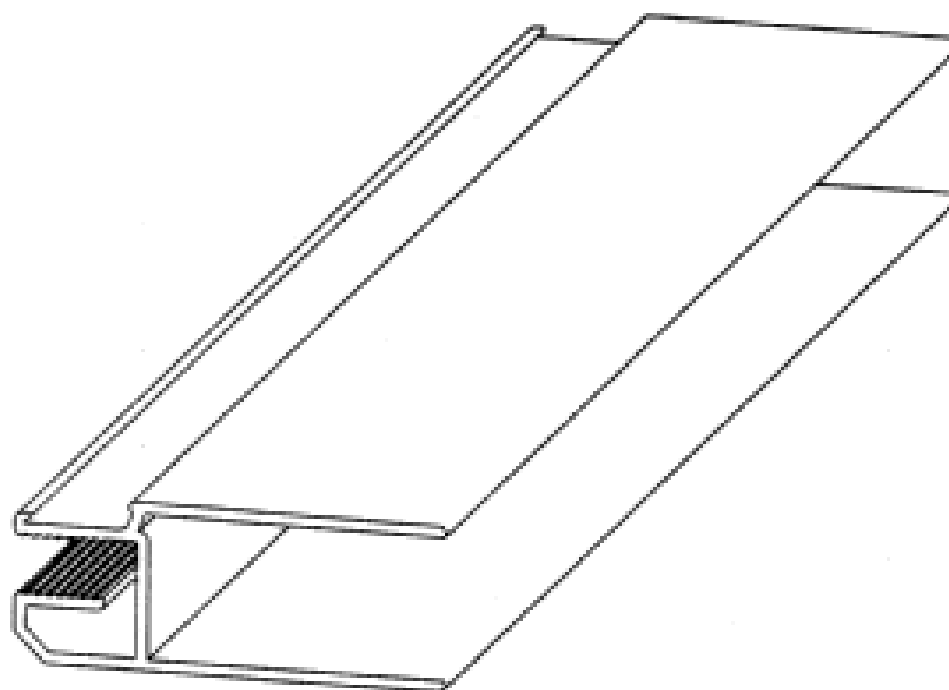
(57) Statement of Newness and Distinctiveness: **Newness and distinctiveness of the design as applied to a tap resides in the shape and configuration thereof as shown in the accompanying drawings.**



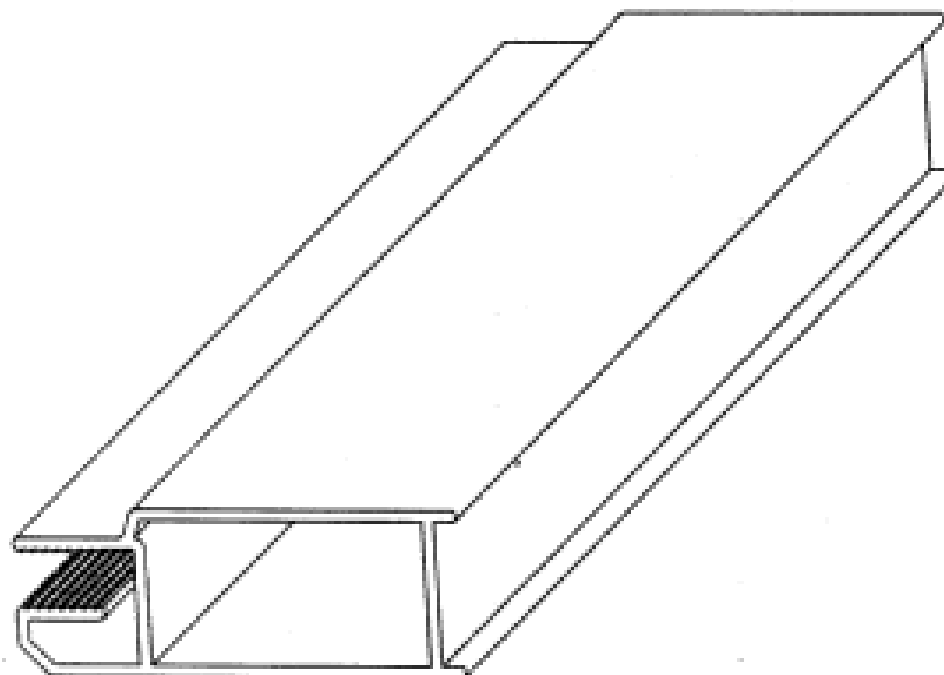
- (21) Design Number: **10497/2008**
(22) Date of Filing Application: **05 February 2008**
(24) Date from which industrial property rights may have effect: **05 February 2008**
(54) Product in respect of which the design is registered: **Tool holder**
(51) International Design Classification: **08-05NES**
(71) Name(s) and Address(s) of Applicant(s):
Shane Yerkovich
15 Bradley Street Springwood Queensland 4127 Australia
Denise Yerkovich
15 Bradley Street Springwood Queensland 4127 Australia
(72) Name(s) of Designer(s): **Shane Yerkovich and Denise Yerkovich**
(45) Registration Date: **11 June 2008**
(56) Related Art Documents: **Not Applicable**
(57) Statement of Newness and Distinctiveness: **Monopoly is claimed in the shape and configuration of a tool holder as illustrated in the accompanying representations.**



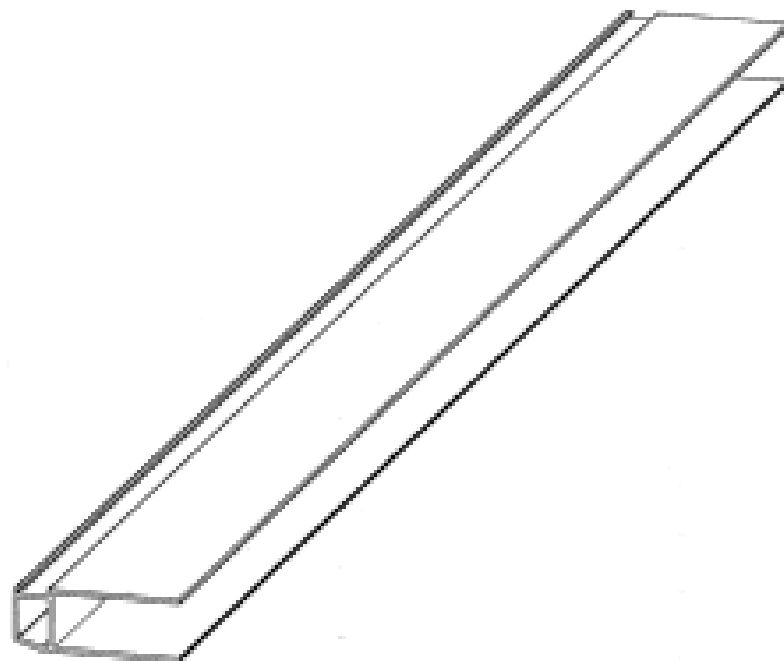
- (21) Design Number: **10567/2008**
(22) Date of Filing Application: **08 February 2008**
(24) Date from which industrial property rights may have effect: **08 February 2008**
(54) Product in respect of which the design is registered: **An extrusion**
(51) International Design Classification: **25-01K**
(71) Name(s) and Address(s) of Applicant(s):
Jorgenson-Watts Pty Ltd
8 Ross Street South Melbourne Victoria 3205 Australia
(72) Name(s) of Designer(s): **Brendan George and J. Russell Watts**
(45) Registration Date: **11 June 2008**
(56) Related Art Documents: **Not Applicable**
(57) Statement of Newness and Distinctiveness: **Nil**



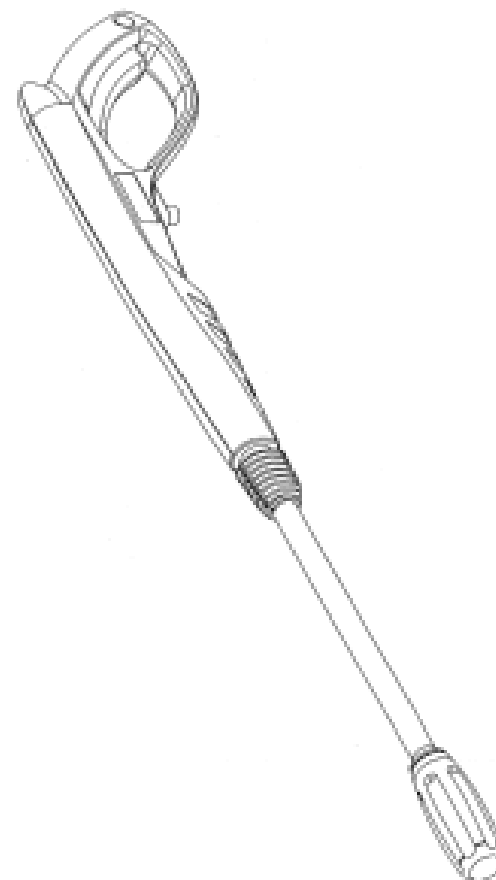
- (21) Design Number: **10611/2008**
(22) Date of Filing Application: **11 February 2008**
(24) Date from which industrial property rights may have effect: **11 February 2008**
(54) Product in respect of which the design is registered: **An extrusion**
(51) International Design Classification: **25-01K**
(71) Name(s) and Address(s) of Applicant(s):
Jorgenson-Watts Pty Ltd
8 Ross Street South Melbourne Victoria 3205 Australia
(72) Name(s) of Designer(s): **Brendan George and J. Russell Watts**
(45) Registration Date: **11 June 2008**
(56) Related Art Documents: **Not Applicable**
(57) Statement of Newness and Distinctiveness: **Nil**



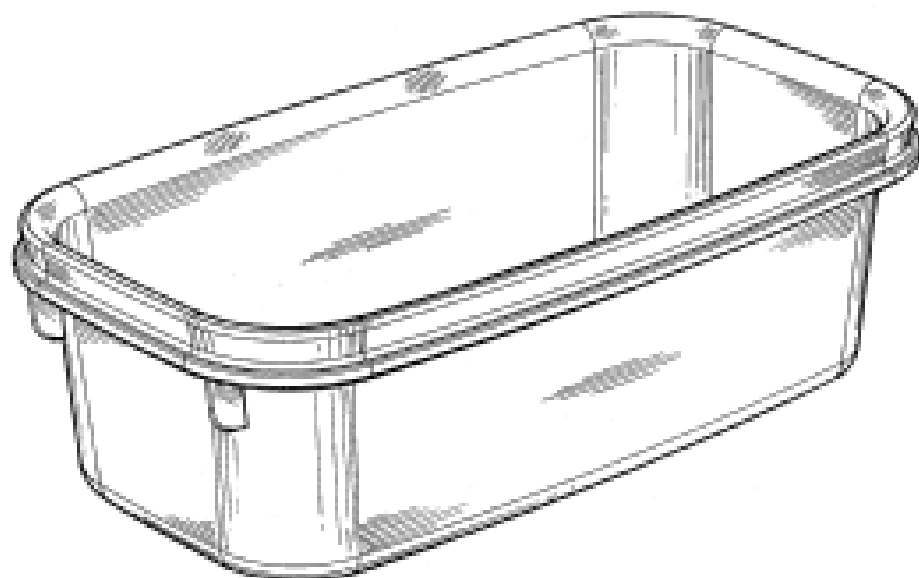
- (21) Design Number: **10954/2008**
(22) Date of Filing Application: **28 February 2008**
(24) Date from which industrial property rights may have effect: **28 February 2008**
(54) Product in respect of which the design is registered: **An extrusion**
(51) International Design Classification: **25-01K**
(71) Name(s) and Address(s) of Applicant(s):
Watts Hardware Manufacturing Pty Ltd
8 Ross Street South Melbourne Victoria 3205 Australia
(72) Name(s) of Designer(s): **Brendan George and J. Russell Watts**
(45) Registration Date: **11 June 2008**
(56) Related Art Documents: **Not Applicable**
(57) Statement of Newness and Distinctiveness: **Nil**



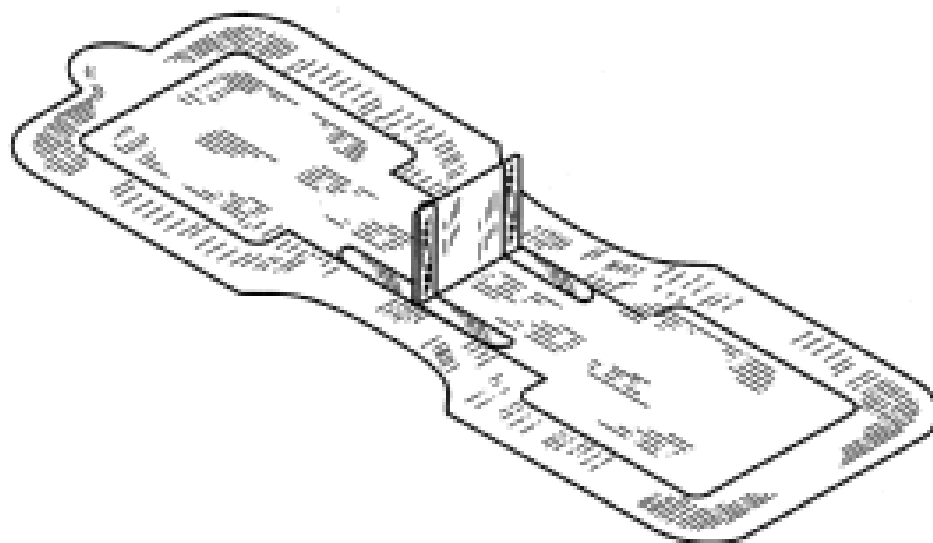
(21) Design Number: **10964/2008**
(22) Date of Filing Application: **28 February 2008**
(24) Date from which industrial property rights may have effect: **28 February 2008**
(54) Product in respect of which the design is registered: **Spray gun for pressure washer**
(51) International Design Classification: **23-01NES, 08-05L**
(71) Name(s) and Address(s) of Applicant(s):
Techtronic Industries Company Limited
24/F CDW Building 388 Castle Peak Road Tsuen Wan New Territories
Hong Kong
(72) Name(s) of Designer(s): **Ka Chun Lau**
(45) Registration Date: **11 June 2008**
(30) Convention priority data:
(31) Number (32) Date (33) Country
000839543 10 Dec 2007 EUROPEAN COMMUNITY
(56) Related Art Documents: **Not Applicable**
(57) Statement of Newness and Distinctiveness: **Nil**



(21) Design Number: **10973/2008**
(22) Date of Filing Application: **28 February 2008**
(24) Date from which industrial property rights may have effect: **28 February 2008**
(54) Product in respect of which the design is registered: **"Container base"**
(51) International Design Classification: **09-03M**
(71) Name(s) and Address(s) of Applicant(s):
The Decor Corporation Pty Ltd
1314 Ferntree Gully Road Scoresby Victoria 3179 Australia
(72) Name(s) of Designer(s): **Arthur Richard Carlson**
(45) Registration Date: **11 June 2008**
(56) Related Art Documents: **Not Applicable**
(57) Statement of Newness and Distinctiveness: **Nil**



- (21) Design Number: **10974/2008**
(22) Date of Filing Application: **28 February 2008**
(24) Date from which industrial property rights may have effect: **28 February 2008**
(54) Product in respect of which the design is registered: **Electrode**
(51) International Design Classification: **24-01**
(71) Name(s) and Address(s) of Applicant(s):
Cheetah Medical Ltd.
CITCO Building Wickhams Cay Road Town Tortola British Virgin Islands
(72) Name(s) of Designer(s): **Ely Schneider and Hanan Keren**
(45) Registration Date: **11 June 2008**
(30) Convention priority data:
(31) Number (32) Date (33) Country
29/287,628 30 Aug 2007 UNITED STATES OF AMERICA
(56) Related Art Documents: **Not Applicable**
(57) Statement of Newness and Distinctiveness: **Newness and distinctiveness resides in the features of shape and/or configuration of an electrode as shown in the accompanying representations.**



- (21) Design Number: **10984/2008**
(22) Date of Filing Application: **28 February 2008**
(24) Date from which industrial property rights may have effect: **28 February 2008**
(54) Product in respect of which the design is registered: **A scaffold plank extrusion of indefinite length**
(51) International Design Classification: **25-01K**
(71) Name(s) and Address(s) of Applicant(s):
G. James Extrusion Co. Pty Ltd
1082 Kingsford Smith Drive Eagle Farm Queensland 4007 Australia
(72) Name(s) of Designer(s): **Jason Clarke**
(45) Registration Date: **11 June 2008**
(56) Related Art Documents: **Not Applicable**
(57) Statement of Newness and Distinctiveness: **Newness and distinctiveness are claimed in the shape and configuration of the scaffold plank extrusion of indefinite length depicted in the accompanying illustrations.**



(21) Design Number: **19535/2007**

(22) Date of Filing Application: **28 August 2007**

(24) Date from which industrial property rights may have effect: **28 August 2007**

(54) Product in respect of which the design is registered: **Oral appliance**

(51) International Design Classification: **24-01, 24-03**

(71) Name(s) and Address(s) of Applicant(s):

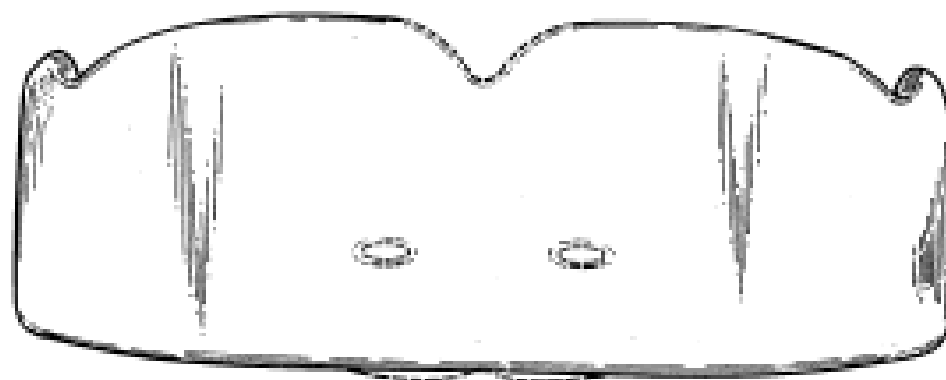
Christopher John Farrell
Suite 27-28 Level 1 Sir John Overall Drive Helensvale Queensland
4212 Australia

(72) Name(s) of Designer(s): **Christopher John Farrell**

(45) Registration Date: **11 June 2008**

(56) Related Art Documents: **Not Applicable**

(57) Statement of Newness and Distinctiveness: **The newness and distinctiveness resides in the shape and configuration of the oral appliance as shown in solid lines in the accompanying representations.**



(21) Design Number: **19536/2007**

(22) Date of Filing Application: **28 August 2007**

(24) Date from which industrial property rights may have effect: **28 August 2007**

(54) Product in respect of which the design is registered: **Frame for oral appliance**

(51) International Design Classification: **24-01, 24-03**

(71) Name(s) and Address(s) of Applicant(s):

Christopher John Farrell
Suite 27-28 Level 1 Sir John Overall Drive Helensvale Queensland
4212 Australia

(72) Name(s) of Designer(s): **Christopher John Farrell**

(45) Registration Date: **11 June 2008**

(56) Related Art Documents: **Not Applicable**

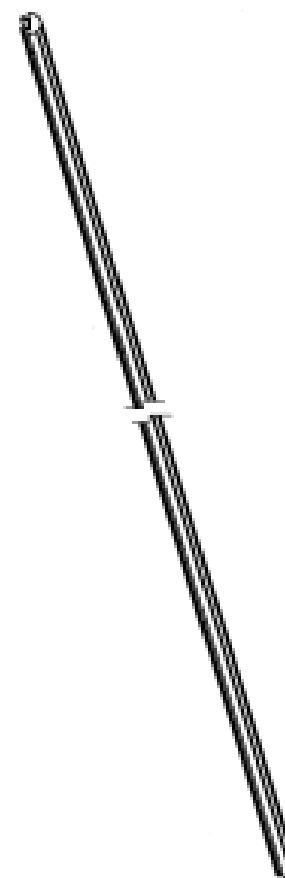
(57) Statement of Newness and Distinctiveness: **The newness and distinctiveness resides in the shape and configuration of the frame for oral appliance as shown in the accompanying representations.**



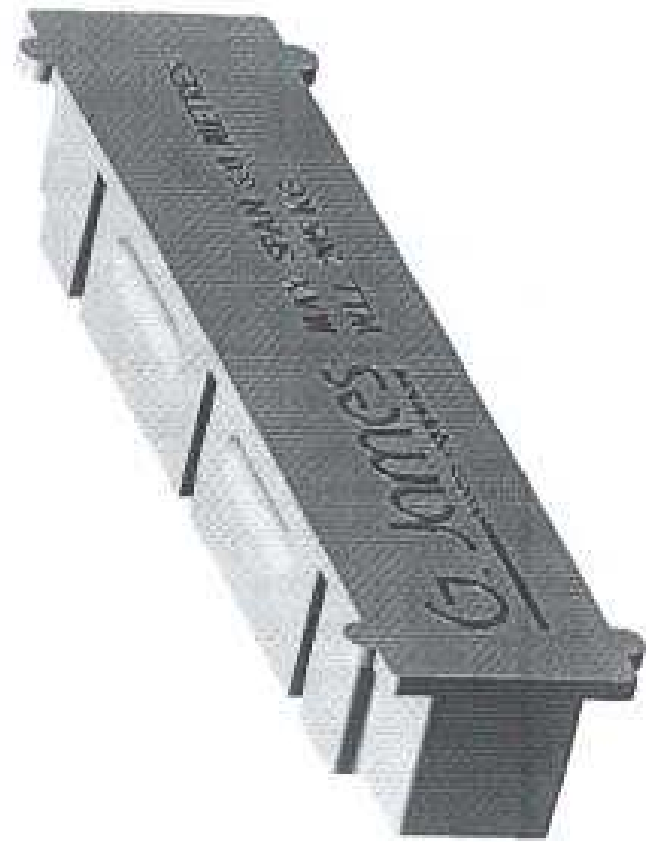
- (21) Design Number: **10987/2008**
(22) Date of Filing Application: **28 February 2008**
(24) Date from which industrial property rights may have effect: **28 February 2008**
(54) Product in respect of which the design is registered: **A scaffold plank of indefinite length**
(51) International Design Classification: **25-01NES**
(71) Name(s) and Address(s) of Applicant(s):
G. James Extrusion Co. Pty Ltd
1082 Kingsford Smith Drive Eagle Farm Queensland 4007 Australia
(72) Name(s) of Designer(s): **Jason Clarke and Georg Nierfeld**
(45) Registration Date: **11 June 2008**
(56) Related Art Documents: **Not Applicable**
(57) Statement of Newness and Distinctiveness: **Newness and distinctiveness are claimed in the shape and configuration of the scaffold plank of indefinite length depicted in the accompanying illustrations.**



- (21) Design Number: **10985/2008**
(22) Date of Filing Application: **28 February 2008**
(24) Date from which industrial property rights may have effect: **28 February 2008**
(54) Product in respect of which the design is registered: **An extrusion of indefinite length for a scaffold plank**
(51) International Design Classification: **25-01K**
(71) Name(s) and Address(s) of Applicant(s):
G. James Extrusion Co. Pty Ltd
1082 Kingsford Smith Drive Eagle Farm Queensland 4007 Australia
(72) Name(s) of Designer(s): **Jason Clarke**
(45) Registration Date: **11 June 2008**
(56) Related Art Documents: **Not Applicable**
(57) Statement of Newness and Distinctiveness: **Newness and distinctiveness are claimed in the shape and configuration of the extrusion of indefinite length for a scaffold plank depicted in the accompanying illustrations.**



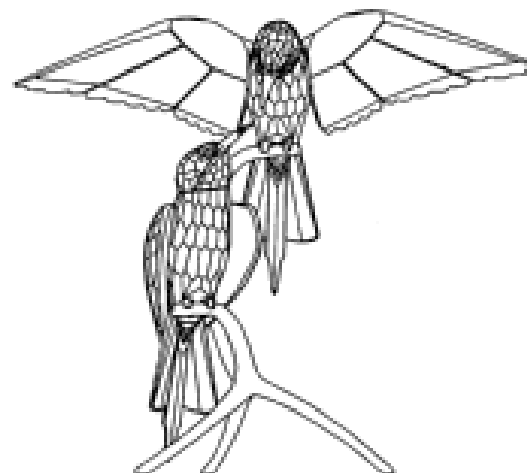
- (21) Design Number: **10986/2008**
(22) Date of Filing Application: **28 February 2008**
(24) Date from which industrial property rights may have effect: **28 February 2008**
(54) Product in respect of which the design is registered: **An endcap for a scaffold plank**
(51) International Design Classification: **25-01NES**
(71) Name(s) and Address(s) of Applicant(s):
G. James Extrusion Co. Pty Ltd
1082 Kingsford Smith Drive Eagle Farm Queensland 4007 Australia
(72) Name(s) of Designer(s): **Jason Clarke and Georg Nierfeld**
(45) Registration Date: **11 June 2008**
(56) Related Art Documents: **Not Applicable**
(57) Statement of Newness and Distinctiveness: **Newness and distinctiveness are claimed in the shape and configuration of the endcap for a scaffold plank depicted in the accompanying illustrations.**



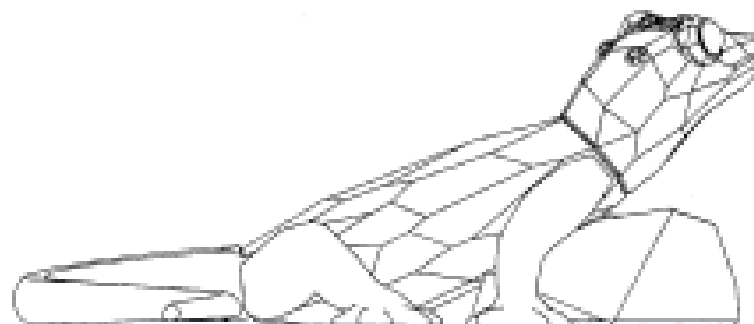
- (21) Design Number: **10972/2008**
(22) Date of Filing Application: **28 February 2008**
(24) Date from which industrial property rights may have effect: **28 February 2008**
(54) Product in respect of which the design is registered: **Ornamental object**
(51) International Design Classification: **11-02E**
(71) Name(s) and Address(s) of Applicant(s):
Swarovski Aktiengesellschaft
Droschistrasse 15 FL-9495 Triesen Liechtenstein
(72) Name(s) of Designer(s): **Anton Hirzinger**
(45) Registration Date: **11 June 2008**
(30) Convention priority data:
(31) Number (32) Date (33) Country
000791090-0006 17 Sep 2007 EUROPEAN COMMUNITY
(56) Related Art Documents: **Not Applicable**
(57) Statement of Newness and Distinctiveness: **Nil**



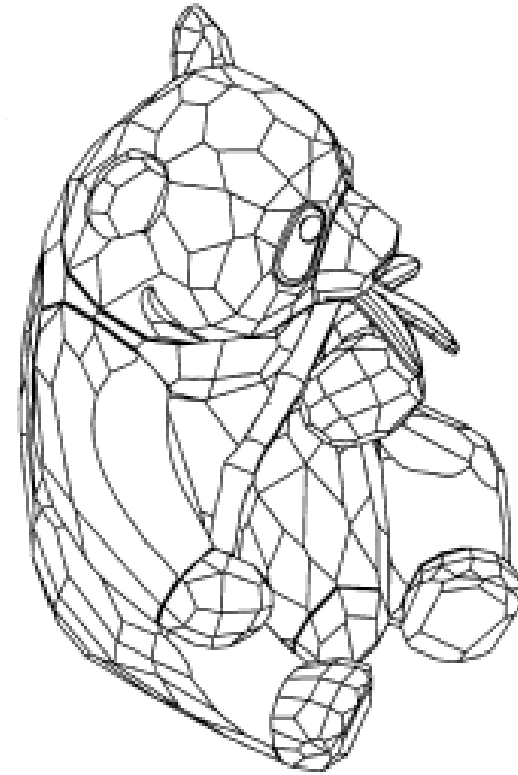
(21) Design Number: **10971/2008**
(22) Date of Filing Application: **28 February 2008**
(24) Date from which industrial property rights may have effect: **28 February 2008**
(54) Product in respect of which the design is registered: **Ornamental object**
(51) International Design Classification: **11-02E**
(71) Name(s) and Address(s) of Applicant(s):
Swarovski Aktiengesellschaft
Droschistrasse 15 FL-9495 Triesen Liechtenstein
(72) Name(s) of Designer(s): **Heinz Tabertshofer**
(45) Registration Date: **11 June 2008**
(30) Convention priority data:
(31) Number (32) Date (33) Country
000791090-0005 17 Sep 2007 EUROPEAN COMMUNITY
(56) Related Art Documents: **Not Applicable**
(57) Statement of Newness and Distinctiveness: **Nil**



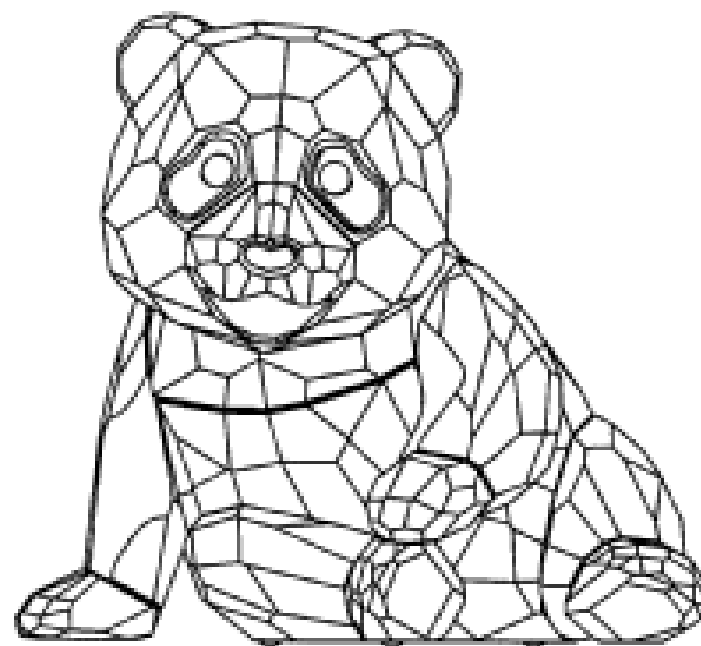
(21) Design Number: **10970/2008**
(22) Date of Filing Application: **28 February 2008**
(24) Date from which industrial property rights may have effect: **28 February 2008**
(54) Product in respect of which the design is registered: **Ornamental object**
(51) International Design Classification: **11-02E**
(71) Name(s) and Address(s) of Applicant(s):
Swarovski Aktiengesellschaft
Droschistrasse 15 FL-9495 Triesen Liechtenstein
(72) Name(s) of Designer(s): **Heinz Tabertshofer**
(45) Registration Date: **11 June 2008**
(30) Convention priority data:
(31) Number (32) Date (33) Country
000791090-0004 17 Sep 2007 EUROPEAN COMMUNITY
(56) Related Art Documents: **Not Applicable**
(57) Statement of Newness and Distinctiveness: **Nil**



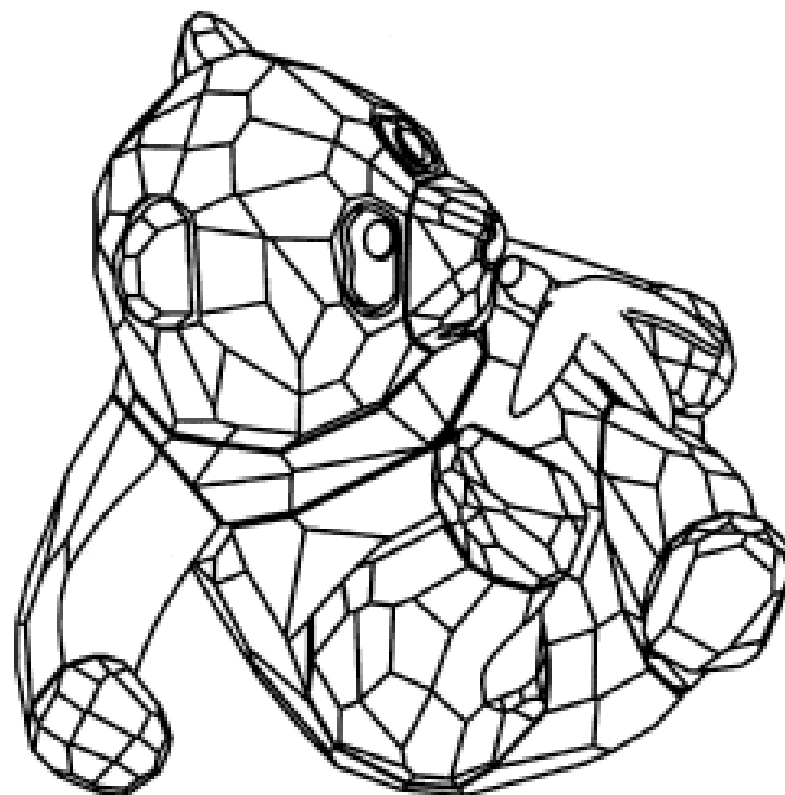
(21) Design Number: **10969/2008**
(22) Date of Filing Application: **28 February 2008**
(24) Date from which industrial property rights may have effect: **28 February 2008**
(54) Product in respect of which the design is registered: **Ornamental object**
(51) International Design Classification: **11-02E**
(71) Name(s) and Address(s) of Applicant(s):
Swarovski Aktiengesellschaft
Droschistrasse 15 FL-9495 Triesen Liechtenstein
(72) Name(s) of Designer(s): **Heinz Tabertshofer**
(45) Registration Date: **11 June 2008**
(30) Convention priority data:
(31) Number (32) Date (33) Country
000791090-0003 17 Sep 2007 EUROPEAN COMMUNITY
(56) Related Art Documents: **Not Applicable**
(57) Statement of Newness and Distinctiveness: **Nil**



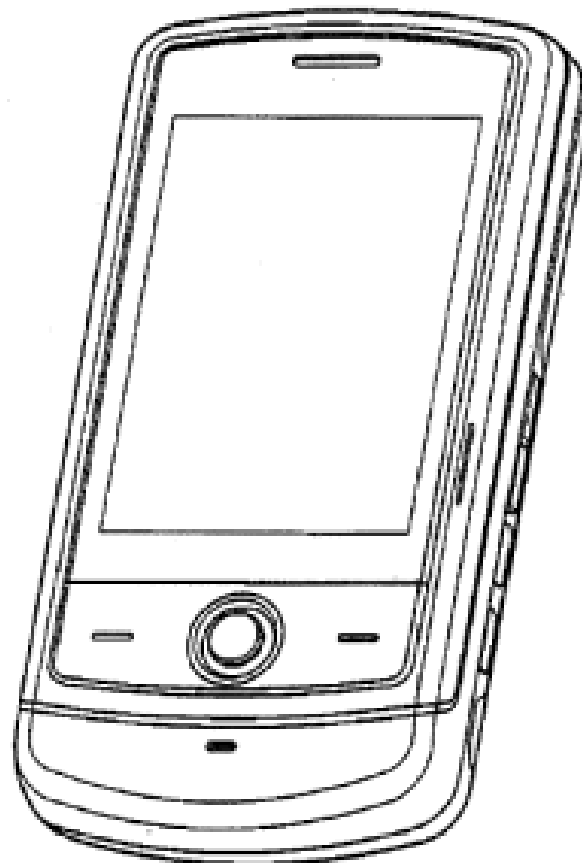
(21) Design Number: **10968/2008**
(22) Date of Filing Application: **28 February 2008**
(24) Date from which industrial property rights may have effect: **28 February 2008**
(54) Product in respect of which the design is registered: **Ornamental object**
(51) International Design Classification: **11-02E**
(71) Name(s) and Address(s) of Applicant(s):
Swarovski Aktiengesellschaft
Droschistrasse 15 FL-9495 Triesen Liechtenstein
(72) Name(s) of Designer(s): **Heinz Tabertshofer**
(45) Registration Date: **11 June 2008**
(30) Convention priority data:
(31) Number (32) Date (33) Country
000791090-0002 17 Sep 2007 EUROPEAN COMMUNITY
(56) Related Art Documents: **Not Applicable**
(57) Statement of Newness and Distinctiveness: **Nil**



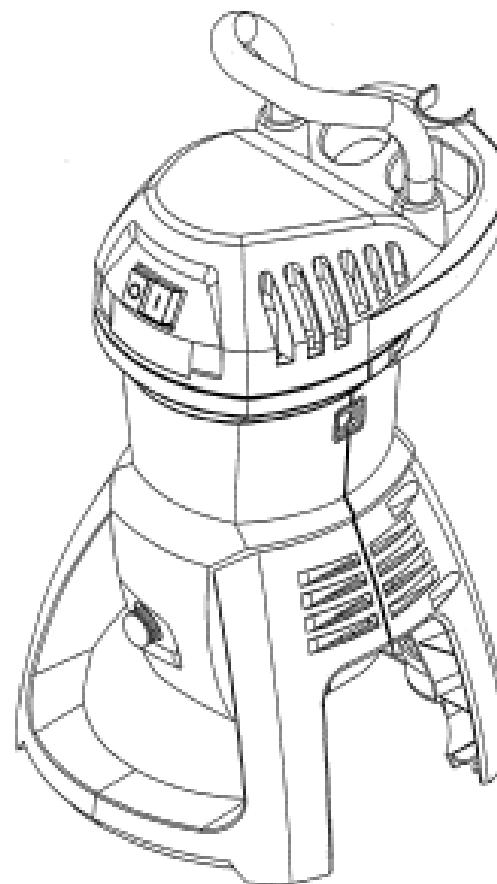
- (21) Design Number: **10967/2008**
(22) Date of Filing Application: **28 February 2008**
(24) Date from which industrial property rights may have effect: **28 February 2008**
(54) Product in respect of which the design is registered: **Ornamental object**
(51) International Design Classification: **11-02E**
(71) Name(s) and Address(s) of Applicant(s):
Swarovski Aktiengesellschaft
Droschistrasse 15 FL-9495 Triesen Liechtenstein
(72) Name(s) of Designer(s): **Heinz Tabertshofer**
(45) Registration Date: **11 June 2008**
(30) Convention priority data:
(31) Number (32) Date (33) Country
000791090-0001 17 Sep 2007 EUROPEAN COMMUNITY
(56) Related Art Documents: **Not Applicable**
(57) Statement of Newness and Distinctiveness: **Nil**



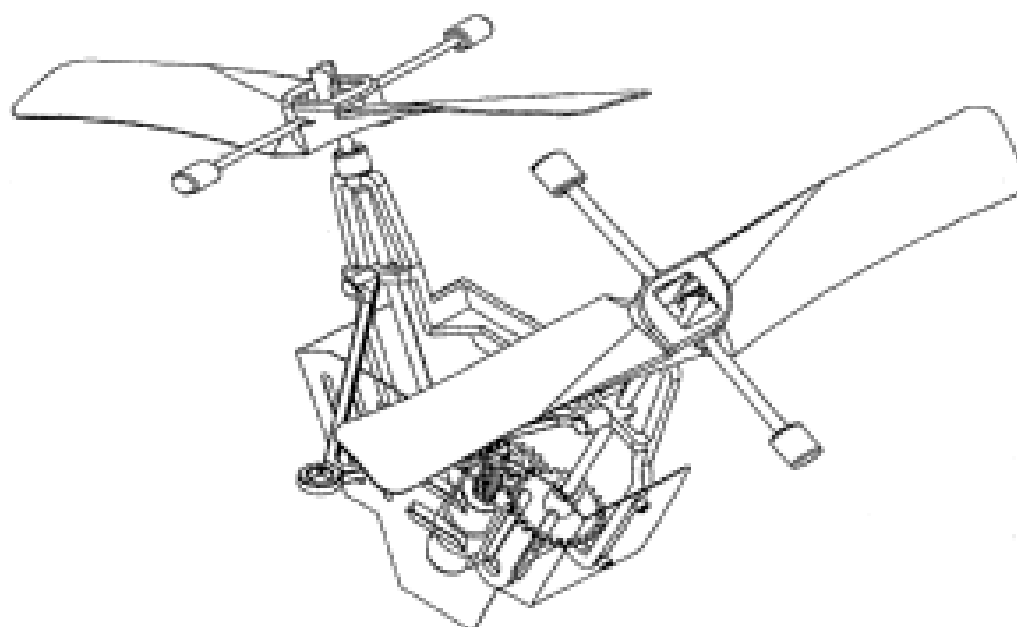
- (21) Design Number: **10966/2008**
(22) Date of Filing Application: **28 February 2008**
(24) Date from which industrial property rights may have effect: **28 February 2008**
(54) Product in respect of which the design is registered: **Mobile telephone**
(51) International Design Classification: **14-03E**
(71) Name(s) and Address(s) of Applicant(s):
LG Electronics Inc.
20 Yeouido-dong Yeongdeungpo-gu Seoul 150-721 Republic of Korea
(72) Name(s) of Designer(s): **Hyun Seung Seo and Jung Soo Yang**
(45) Registration Date: **11 June 2008**
(30) Convention priority data:
(31) Number (32) Date (33) Country
30-2007-0036699 28 Aug 2007 REPUBLIC OF KOREA
(56) Related Art Documents: **Not Applicable**
(57) Statement of Newness and Distinctiveness: **Newness and distinctiveness of the design resides in a combination of the following visual features of the front face of the mobile telephone illustrated in the accompanying representations: the rectangular display on the front face of the telephone, the circular function key below the rectangular display and the slit shaped features located adjacent the circular function key.**



(21) Design Number: **10965/2008**
(22) Date of Filing Application: **28 February 2008**
(24) Date from which industrial property rights may have effect: **28 February 2008**
(54) Product in respect of which the design is registered: **Pressure washer**
(51) International Design Classification: **15-05**
(71) Name(s) and Address(s) of Applicant(s):
Techtronic Industries Company Limited
24/F CDW Building 388 Castle Peak Road Tsuen Wan New Territories
Hong Kong
(72) Name(s) of Designer(s): **Ka Chun Lau**
(45) Registration Date: **11 June 2008**
(30) Convention priority data:
(31) Number (32) Date (33) Country
000839543 10 Dec 2007 EUROPEAN COMMUNITY
(56) Related Art Documents: **Not Applicable**
(57) Statement of Newness and Distinctiveness: **Nil**



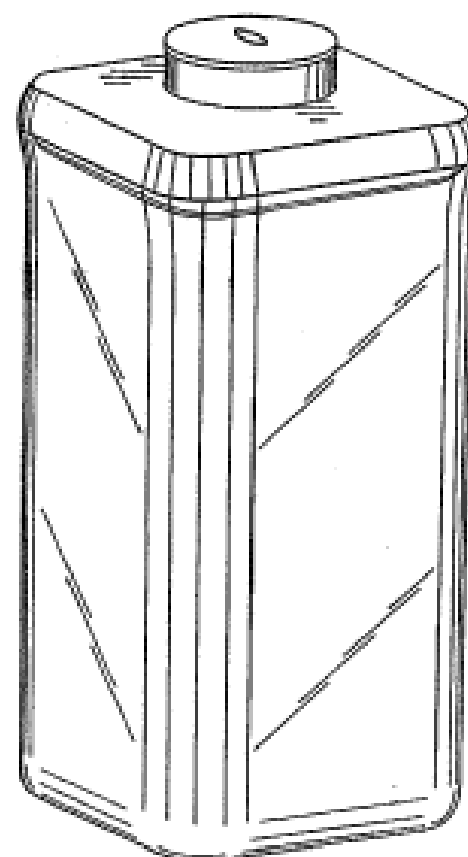
(21) Design Number: **10086/2008**
(22) Date of Filing Application: **08 January 2008**
(24) Date from which industrial property rights may have effect: **08 January 2008**
(54) Product in respect of which the design is registered: **Flying mechanism for a toy**
(51) International Design Classification: **21-01B**
(71) Name(s) and Address(s) of Applicant(s):
Kabushiki Kaisha Wiz
42-3 Nihonbashi-Hamacho 3-chome Chuo-ku Tokyo Japan
(72) Name(s) of Designer(s): **Ryota Fujisato and Wong Kwok Leung**
(45) Registration Date: **11 June 2008**
(30) Convention priority data:
(31) Number (32) Date (33) Country
2007-19202 13 Jul 2007 JAPAN
(56) Related Art Documents: **Not Applicable**
(57) Statement of Newness and Distinctiveness: **Newness and distinctiveness resides in the features of shape and configuration of a flying mechanism for a toy as illustrated in the accompanying representations.**



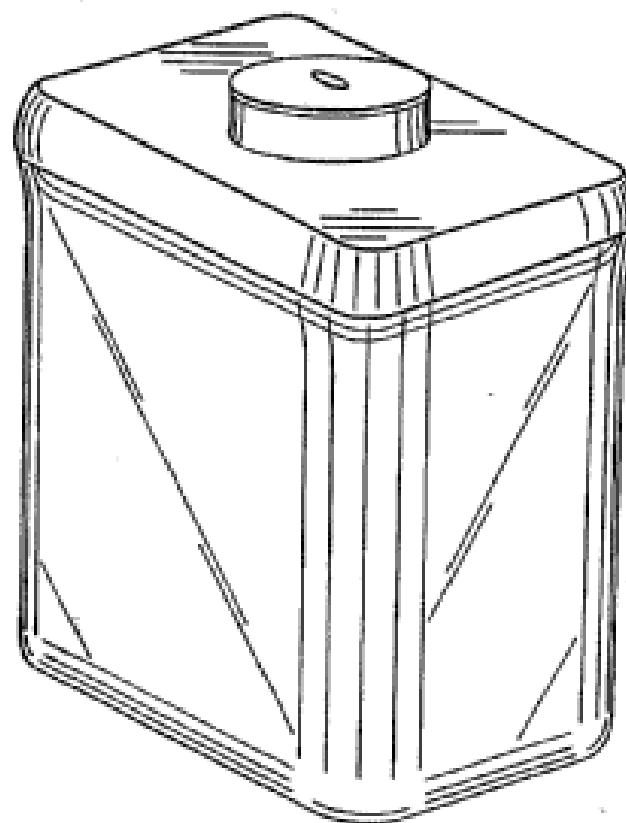
(21) Design Number: **10340/2008**
(22) Date of Filing Application: **25 January 2008**
(24) Date from which industrial property rights may have effect: **25 January 2008**
(54) Product in respect of which the design is registered: **Hand held kitchen appliance power units**
(51) International Design Classification: **07-04**
(71) Name(s) and Address(s) of Applicant(s):
Kenwood Limited
New Lane Havant Hampshire PO9 2NH England
(72) Name(s) of Designer(s): **Robin Ferraby**
(45) Registration Date: **11 June 2008**
(30) Convention priority data:
(31) Number (32) Date (33) Country
000765144-0001 27 Jul 2007 EUROPEAN COMMUNITY
(56) Related Art Documents: **Not Applicable**
(57) Statement of Newness and Distinctiveness: **Nil**



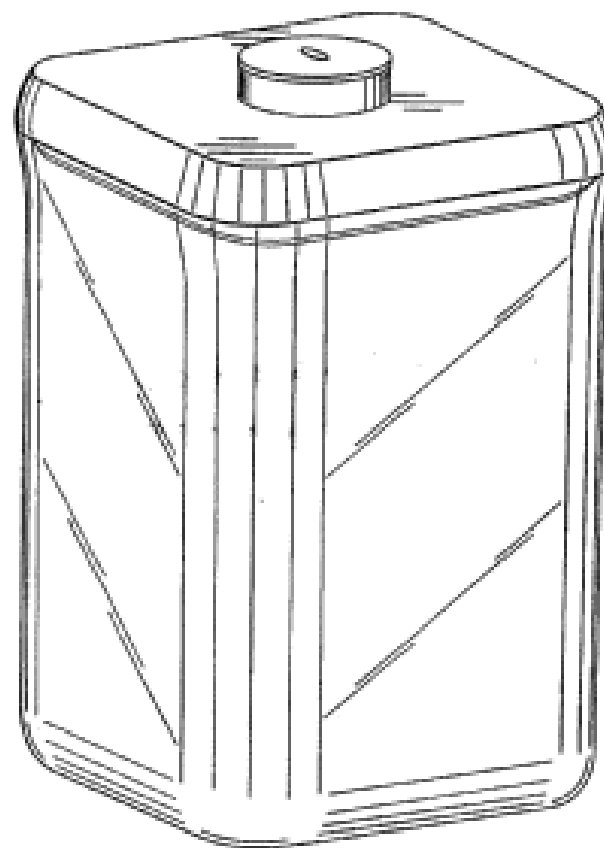
(21) Design Number: **10351/2008**
(22) Date of Filing Application: **29 January 2008**
(24) Date from which industrial property rights may have effect: **29 January 2008**
(54) Product in respect of which the design is registered: **Storage container**
(51) International Design Classification: **09-03M**
(71) Name(s) and Address(s) of Applicant(s):
Helen of Troy Limited
13 8th Avenue Belleville PO Box 836E St Michael Barbados
(72) Name(s) of Designer(s): **Tamotsu Matsumoto and Makiko Kida and Eugene R. Kaneko**
(45) Registration Date: **11 June 2008**
(30) Convention priority data:
(31) Number (32) Date (33) Country
29/289664 27 Jul 2007 UNITED STATES OF AMERICA
(56) Related Art Documents: **Not Applicable**
(57) Statement of Newness and Distinctiveness: **Newness and distinctiveness is claimed in the features of shape and/or configuration of a storage container as illustrated in the accompanying representations.**



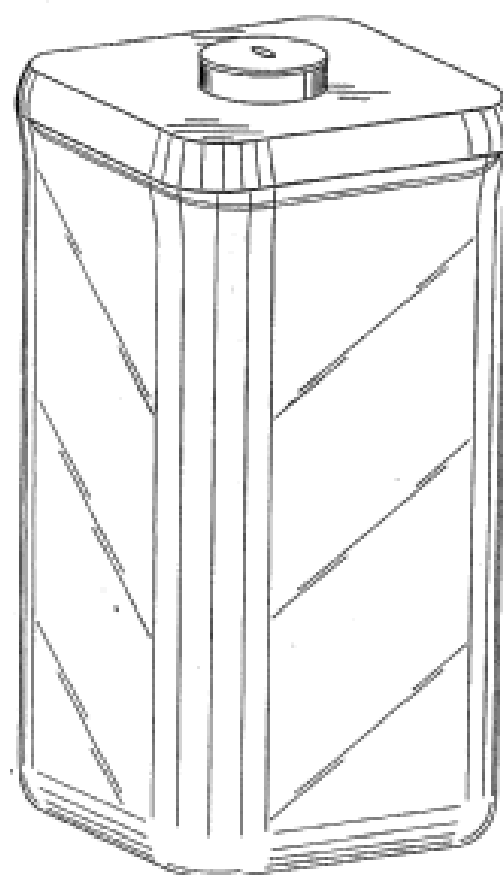
- (21) Design Number: **10352/2008**
(22) Date of Filing Application: **29 January 2008**
(24) Date from which industrial property rights may have effect: **29 January 2008**
(54) Product in respect of which the design is registered: **Storage container**
(51) International Design Classification: **09-03M**
(71) Name(s) and Address(s) of Applicant(s):
Helen of Troy Limited
13 8th Avenue Belleville PO Box 836E St Michael Barbados
(72) Name(s) of Designer(s): **Tamotsu Matsumoto and Makiko Kida and Eugene Kaneko**
(45) Registration Date: **11 June 2008**
(30) Convention priority data:
(31) Number (32) Date (33) Country
29/289664 27 Jul 2007 UNITED STATES OF AMERICA
(56) Related Art Documents: **Not Applicable**
(57) Statement of Newness and Distinctiveness: **Newness and distinctiveness is claimed in the features of shape and/or configuration of a storage container as illustrated in the accompanying representations.**



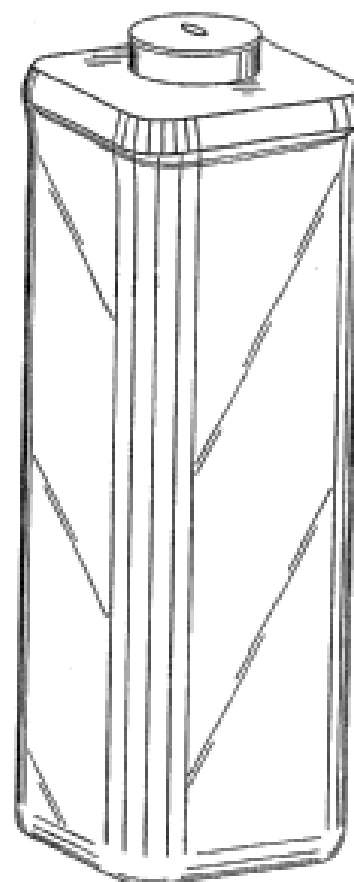
- (21) Design Number: **10353/2008**
(22) Date of Filing Application: **29 January 2008**
(24) Date from which industrial property rights may have effect: **29 January 2008**
(54) Product in respect of which the design is registered: **Storage container**
(51) International Design Classification: **09-03M**
(71) Name(s) and Address(s) of Applicant(s):
Helen of Troy Limited
13 8th Avenue Belleville PO Box 836E St Michael Barbados
(72) Name(s) of Designer(s): **Tamotsu Matsumoto and Makiko Kida and Eugene R. Kaneko**
(45) Registration Date: **11 June 2008**
(30) Convention priority data:
(31) Number (32) Date (33) Country
29/289664 27 Jul 2007 UNITED STATES OF AMERICA
(56) Related Art Documents: **Not Applicable**
(57) Statement of Newness and Distinctiveness: **Newness and distinctiveness is claimed in the features of shape and/or configuration of a storage container as illustrated in the accompanying representations.**



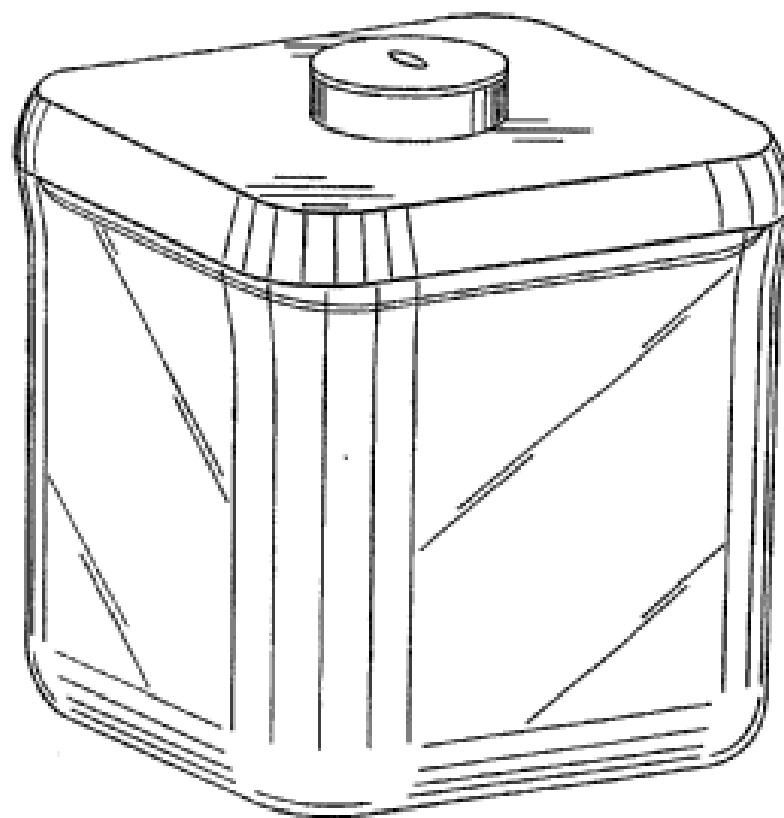
- (21) Design Number: **10354/2008**
(22) Date of Filing Application: **29 January 2008**
(24) Date from which industrial property rights may have effect: **29 January 2008**
(54) Product in respect of which the design is registered: **Storage container**
(51) International Design Classification: **09-03M**
(71) Name(s) and Address(s) of Applicant(s):
Helen of Troy Limited
13 8th Avenue Belleville PO Box 836E St Michael Barbados
(72) Name(s) of Designer(s): **Tamotsu Matsumoto and Makiko Kida and Eugene R. Kaneko**
(45) Registration Date: **11 June 2008**
(30) Convention priority data:
(31) Number (32) Date (33) Country
29/289664 27 Jul 2007 UNITED STATES OF AMERICA
(56) Related Art Documents: **Not Applicable**
(57) Statement of Newness and Distinctiveness: **Newness and distinctiveness is claimed in the features of shape and/or configuration of a storage container as illustrated in the accompanying representations.**



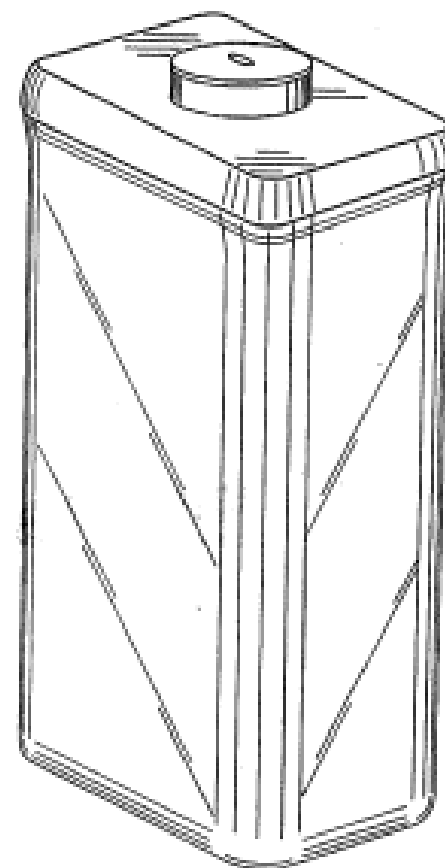
- (21) Design Number: **10355/2008**
(22) Date of Filing Application: **29 January 2008**
(24) Date from which industrial property rights may have effect: **29 January 2008**
(54) Product in respect of which the design is registered: **Storage container**
(51) International Design Classification: **09-03M**
(71) Name(s) and Address(s) of Applicant(s):
Helen of Troy Limited
13 8th Avenue Belleville PO Box 836E St Michael Barbados
(72) Name(s) of Designer(s): **Tamotsu Matsumoto and Makiko Kida and Eugene R. Kaneko**
(45) Registration Date: **11 June 2008**
(30) Convention priority data:
(31) Number (32) Date (33) Country
29/289664 27 Jul 2007 UNITED STATES OF AMERICA
(56) Related Art Documents: **Not Applicable**
(57) Statement of Newness and Distinctiveness: **Newness and distinctiveness is claimed in the features of shape and/or configuration of a storage container as illustrated in the accompanying representations.**



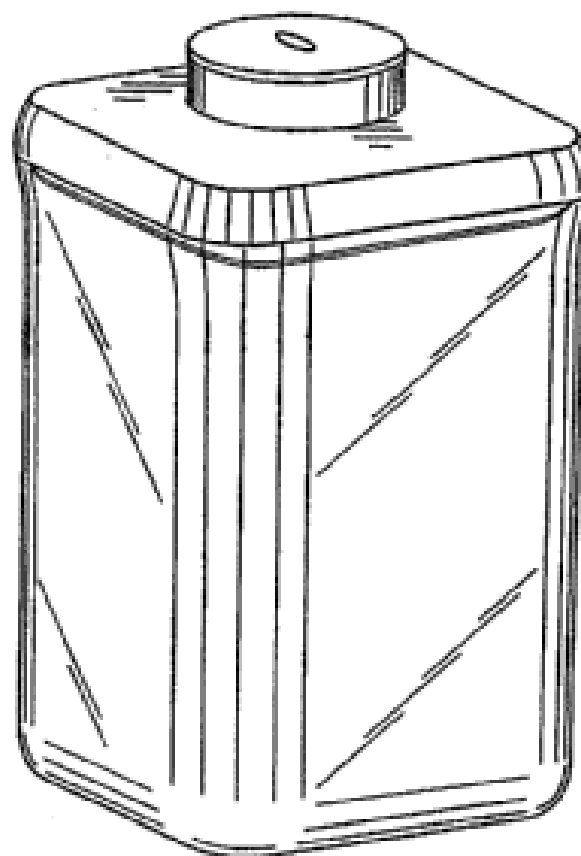
- (21) Design Number: **10356/2008**
(22) Date of Filing Application: **29 January 2008**
(24) Date from which industrial property rights may have effect: **29 January 2008**
(54) Product in respect of which the design is registered: **Storage container**
(51) International Design Classification: **09-03M**
(71) Name(s) and Address(s) of Applicant(s):
Helen of Troy Limited
13 8th Avenue Belleville PO Box 836E St Michael Barbados
(72) Name(s) of Designer(s): **Tamotsu Matsumoto and Makiko Kida and Eugene R. Kaneko**
(45) Registration Date: **11 June 2008**
(30) Convention priority data:
(31) Number (32) Date (33) Country
29/289664 27 Jul 2007 UNITED STATES OF AMERICA
(56) Related Art Documents: **Not Applicable**
(57) Statement of Newness and Distinctiveness: **Newness and distinctiveness is claimed in the features of shape and/or configuration of a storage container as illustrated in the accompanying representations.**



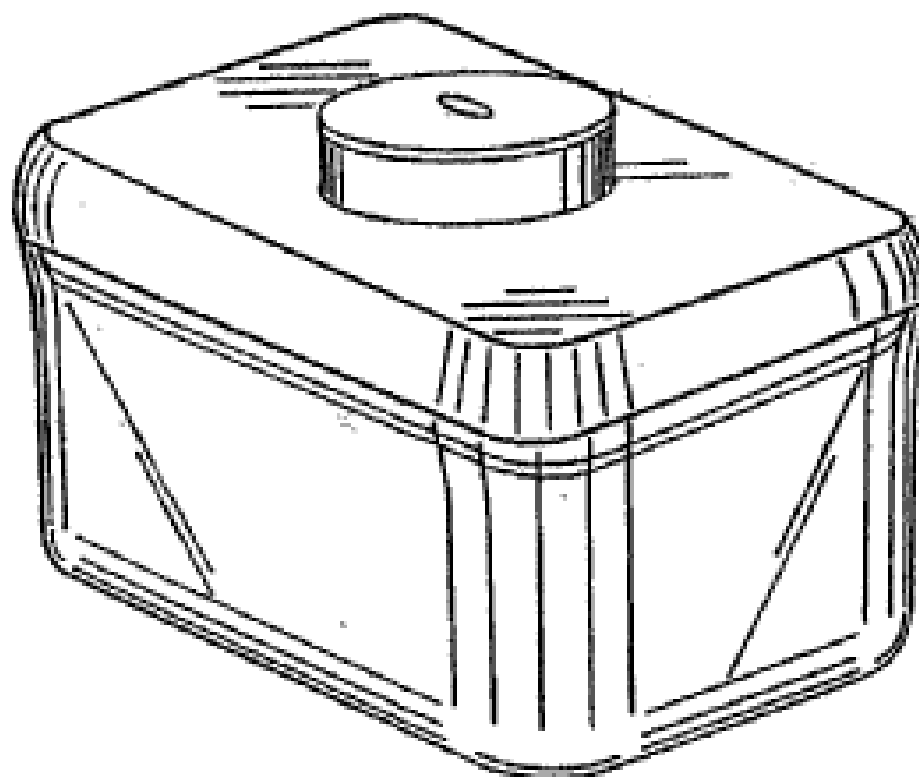
- (21) Design Number: **10357/2008**
(22) Date of Filing Application: **29 January 2008**
(24) Date from which industrial property rights may have effect: **29 January 2008**
(54) Product in respect of which the design is registered: **Storage container**
(51) International Design Classification: **09-03M**
(71) Name(s) and Address(s) of Applicant(s):
Helen of Troy Limited
13 8th Avenue Belleville PO Box 836E St Michael Barbados
(72) Name(s) of Designer(s): **Tamotsu Matsumoto and Makiko Kida and Eugene R. Kaneko**
(45) Registration Date: **11 June 2008**
(30) Convention priority data:
(31) Number (32) Date (33) Country
29/289664 27 Jul 2007 UNITED STATES OF AMERICA
(56) Related Art Documents: **Not Applicable**
(57) Statement of Newness and Distinctiveness: **Newness and distinctiveness is claimed in the features of shape and/or configuration of a storage container as illustrated in the accompanying representations.**



- (21) Design Number: **10359/2008**
(22) Date of Filing Application: **29 January 2008**
(24) Date from which industrial property rights may have effect: **29 January 2008**
(54) Product in respect of which the design is registered: **Storage container**
(51) International Design Classification: **09-03M**
(71) Name(s) and Address(s) of Applicant(s):
Helen of Troy Limited
13 8th Avenue Belleville PO Box 836E St Michael Barbados
(72) Name(s) of Designer(s): **Tamotsu Matsumoto and Makiko Kida and Eugene R. Kaneko**
(45) Registration Date: **11 June 2008**
(30) Convention priority data:
(31) Number (32) Date (33) Country
29/289664 27 Jul 2007 UNITED STATES OF AMERICA
(56) Related Art Documents: **Not Applicable**
(57) Statement of Newness and Distinctiveness: **Newness and distinctiveness is claimed in the features of shape and/or configuration of a storage container as illustrated in the accompanying representations.**



- (21) Design Number: **10368/2008**
(22) Date of Filing Application: **31 January 2008**
(24) Date from which industrial property rights may have effect: **31 January 2008**
(54) Product in respect of which the design is registered: **Storage container**
(51) International Design Classification: **09-03M**
(71) Name(s) and Address(s) of Applicant(s):
Helen of Troy Limited
13 8th Avenue Belleville PO Box 836E St Michael Barbados
(72) Name(s) of Designer(s): **Tamotsu Matsumoto and Makiko Kida and Eugene R. Kaneko**
(45) Registration Date: **11 June 2008**
(30) Convention priority data:
(31) Number (32) Date (33) Country
29/289664 27 Jul 2007 UNITED STATES OF AMERICA
(56) Related Art Documents: **Not Applicable**
(57) Statement of Newness and Distinctiveness: **Newness and distinctiveness is claimed in the features of shape and/or configuration of a storage container as illustrated in the accompanying representations.**



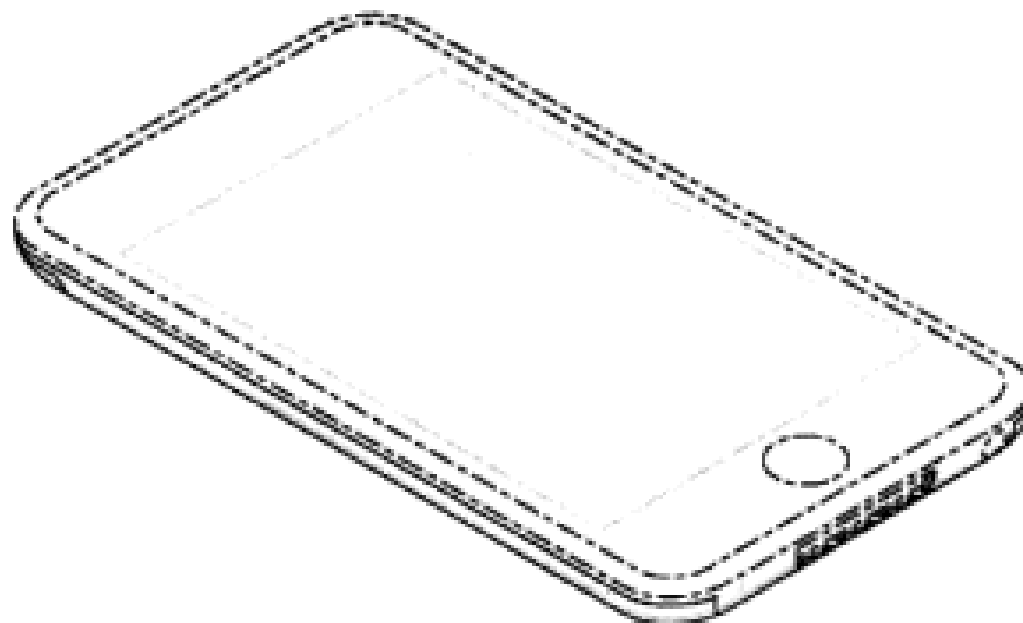
(19) AU

- (21) Design Number: **11012/2008**
(22) Date of Filing Application: **29 February 2008**
(24) Date from which industrial property rights may have effect: **29 February 2008**
(54) Product in respect of which the design is registered: **Mason's pointer**
(51) International Design Classification: **08-99, 08-05K**
(71) Name(s) and Address(s) of Applicant(s):
Anthony Wilson
38 Bentley Road Uttoxeter ST14 7EW United Kingdom
Stanley Bell
Apple Tree Cottage Bramshall Uttoxeter ST14 5DN United Kingdom
(72) Name(s) of Designer(s): **Stanley Bell and Anthony Wilson**
(45) Registration Date: **11 June 2008**
(30) Convention priority data:
(31) Number (32) Date (33) Country
000782099 31 Aug 2007 EUROPEAN COMMUNITY
(56) Related Art Documents: **Not Applicable**
(57) Statement of Newness and Distinctiveness: **The mason's pointer shown in the representations is new and distinctive.**



(19) AU

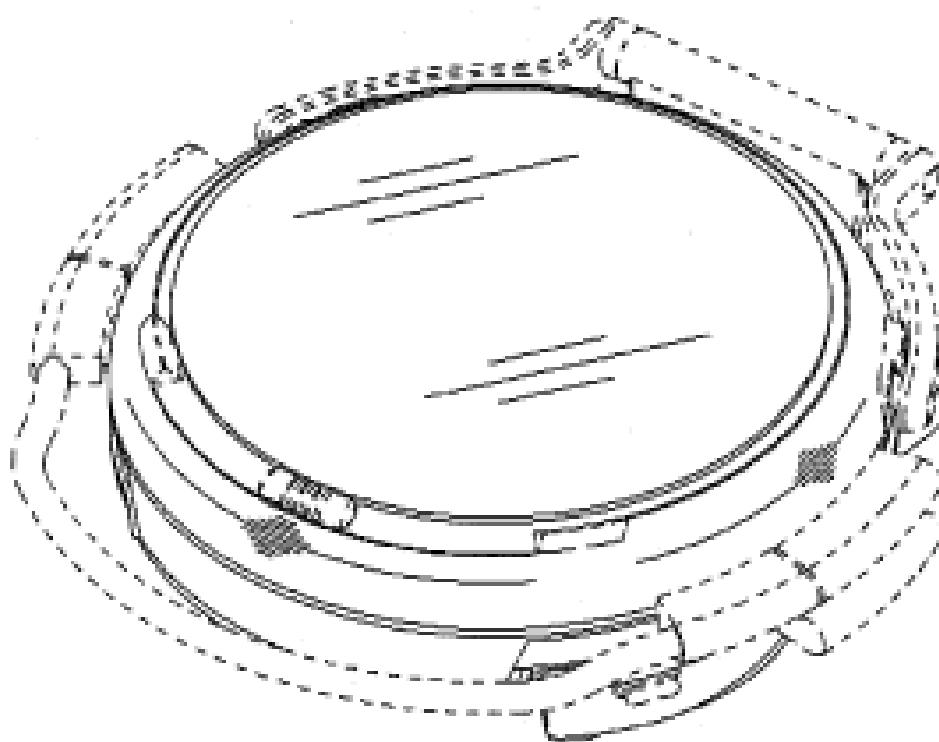
- (21) Design Number: **11015/2008**
(22) Date of Filing Application: **29 February 2008**
(24) Date from which industrial property rights may have effect: **29 February 2008**
(54) Product in respect of which the design is registered: **Electronic device**
(51) International Design Classification: **14-02**
(71) Name(s) and Address(s) of Applicant(s):
Apple Inc.
1 Infinite Loop Cupertino California 95014 United States of America
(72) Name(s) of Designer(s): **Bartley K. Andre and Daniel J. Coster and Daniele De Iullis and Richard P. Howarth and Jonathan P. Ive and Steve Jobs and Duncan Robert Kerr and Shin Nishibori and Matthew Dean Rohrbach and Peter Russell-Clarke and Douglas B. Satzger and Calvin Q. Seid and Eugene Antony Whang and Rico Zorkendorfer and Christopher J. Stringer**
(45) Registration Date: **11 June 2008**
(30) Convention priority data:
(31) Number (32) Date (33) Country
29/284188 31 Aug 2007 UNITED STATES OF AMERICA
(56) Related Art Documents: **Not Applicable**
(57) Statement of Newness and Distinctiveness: **Newness and distinctiveness is claimed in the shape and/or configuration of an electronic device as shown in solid lines in the accompanying representations.**



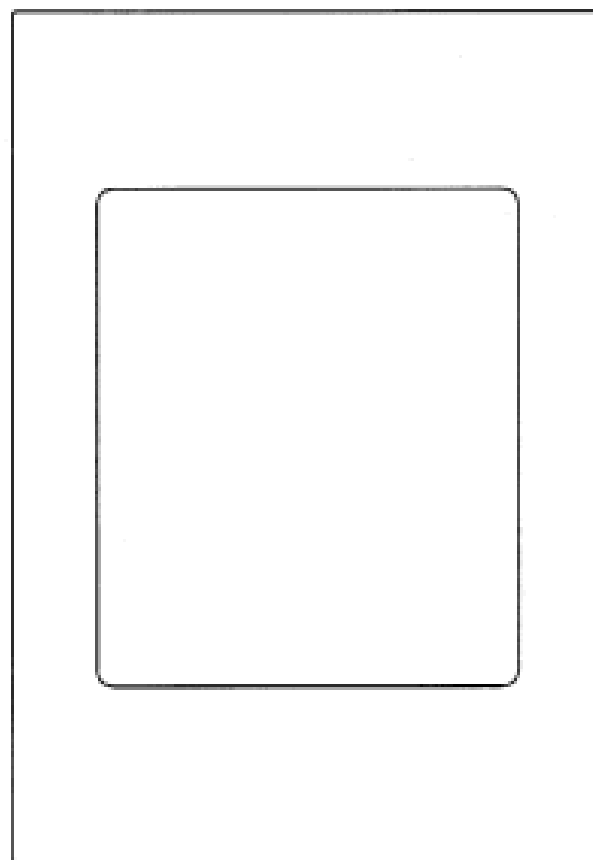
- (21) Design Number: **11016/2008**
(22) Date of Filing Application: **29 February 2008**
(24) Date from which industrial property rights may have effect: **29 February 2008**
(54) Product in respect of which the design is registered: **A container**
(51) International Design Classification: **09-03K**
(71) Name(s) and Address(s) of Applicant(s):
Skoot Logistics Australia Pty Limited
210B New South Head Road Edgecliff New South Wales 2027
Australia
(72) Name(s) of Designer(s): **Carl Cervino**
(45) Registration Date: **11 June 2008**
(56) Related Art Documents: **Not Applicable**
(57) Statement of Newness and Distinctiveness: **In construing the scope of the design, the features of shape and configuration of the key and the internal shape and configuration illustrated in the representations, are to be disregarded.**



- (21) Design Number: **11023/2008**
(22) Date of Filing Application: **03 March 2008**
(24) Date from which industrial property rights may have effect: **03 March 2008**
(54) Product in respect of which the design is registered: **Fryer and roaster appliance**
(51) International Design Classification: **07-02N**
(71) Name(s) and Address(s) of Applicant(s):
Tsann Kuen (China) Enterprise Co., Ltd
No. 88 Xinglong Road Huli District Xiamen City Fujian Province China
(72) Name(s) of Designer(s): **Lingchin Chao**
(45) Registration Date: **11 June 2008**
(30) Convention priority data:
(31) Number (32) Date (33) Country
200730140348.1 04 Sep 2007 CHINA
(56) Related Art Documents: **Not Applicable**
(57) Statement of Newness and Distinctiveness: **Newness and distinctiveness is claimed in the features of shape and/or configuration of a fryer and roaster appliance as illustrated in the accompanying representations and in considering the newness and distinctiveness of the design, the features shown in phantom by broken lines are to be disregarded.**



- (21) Design Number: **11027/2008**
(22) Date of Filing Application: **03 March 2008**
(24) Date from which industrial property rights may have effect: **03 March 2008**
(54) Product in respect of which the design is registered: **Electrical wiring accessory surround**
(51) International Design Classification: **13-03D**
(71) Name(s) and Address(s) of Applicant(s):
Hager B & R Pty Ltd
Unit 14-17 Riverside Centre 148 James Ruse Dr Parramatta New South Wales 2150 Australia
(72) Name(s) of Designer(s): **Craig MacLaren**
(45) Registration Date: **11 June 2008**
(56) Related Art Documents: **Not Applicable**
(57) Statement of Newness and Distinctiveness: **Newness and distinctiveness is claimed in the shape and configuration of the electrical wiring accessory surround depicted in the accompanying illustrations.**



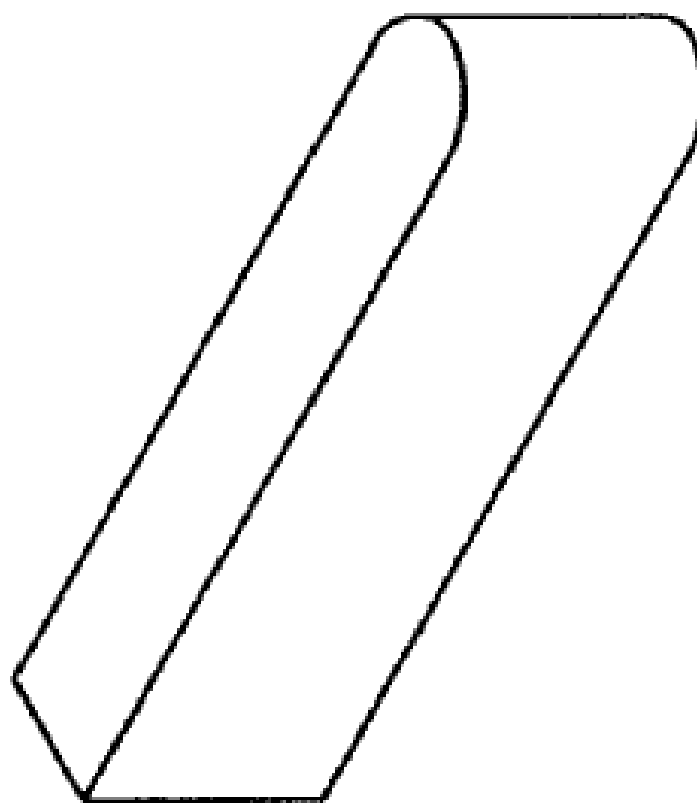
- (21) Design Number: **10001/2008**
(22) Date of Filing Application: **02 January 2008**
(24) Date from which industrial property rights may have effect: **02 January 2008**
(54) Product in respect of which the design is registered: **Ringed bird feeder**
(51) International Design Classification: **30-03**
(71) Name(s) and Address(s) of Applicant(s):
Peter Tully
88 Arthur Street Woody Point Queensland 4019 Australia
(72) Name(s) of Designer(s): **Peter Tully and Greg Tate**
(45) Registration Date: **11 June 2008**
(56) Related Art Documents: **Not Applicable**
(57) Statement of Newness and Distinctiveness: **Rings cradle bottles and trays outer ring for birds standing.**



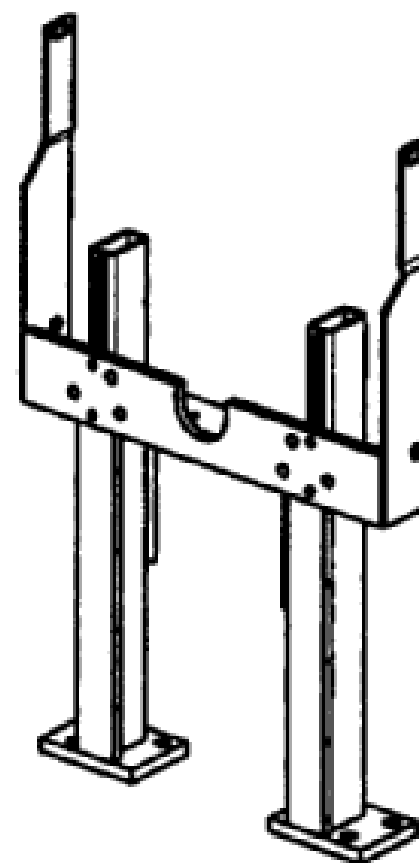
- (21) Design Number: **10323/2008**
(22) Date of Filing Application: **25 January 2008**
(24) Date from which industrial property rights may have effect: **25 January 2008**
(54) Product in respect of which the design is registered: **Baby change mat with grow chart.**
(51) International Design Classification: **06-09, 06-13NES**
(71) Name(s) and Address(s) of Applicant(s):
Michael Redman
12 Milburn Grove East St Kilda Victoria 3183 Australia
(72) Name(s) of Designer(s): **Michael Redman**
(45) Registration Date: **11 June 2008**
(56) Related Art Documents: **Not Applicable**
(57) Statement of Newness and Distinctiveness: **The design (a grow chart in cm and inches) is printed in the middle (channel) of a baby change mat. See attached with different pictures on top, a grow chart has never been printed on a baby change mat before.**



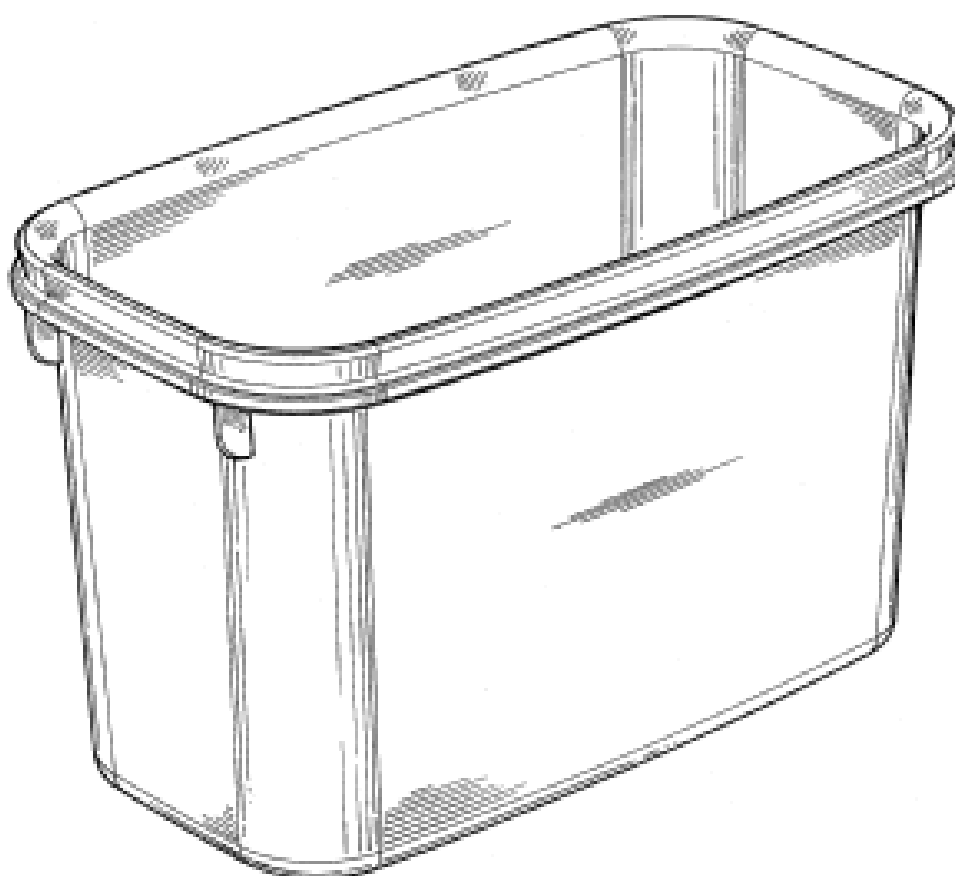
- (21) Design Number: **10772/2008**
(22) Date of Filing Application: **21 February 2008**
(24) Date from which industrial property rights may have effect: **21 February 2008**
(54) Product in respect of which the design is registered: **Tapware**
(51) International Design Classification: **23-01H**
(71) Name(s) and Address(s) of Applicant(s):
Matthew Ian Shirtliff
36 William Street Ermington New South Wales 2115 Australia
(72) Name(s) of Designer(s): **Matthew Ian Shirtliff**
(45) Registration Date: **11 June 2008**
(56) Related Art Documents: **Not Applicable**
(57) Statement of Newness and Distinctiveness: **The new and distinctive feature is the shape and profile of the outlet/lever.**



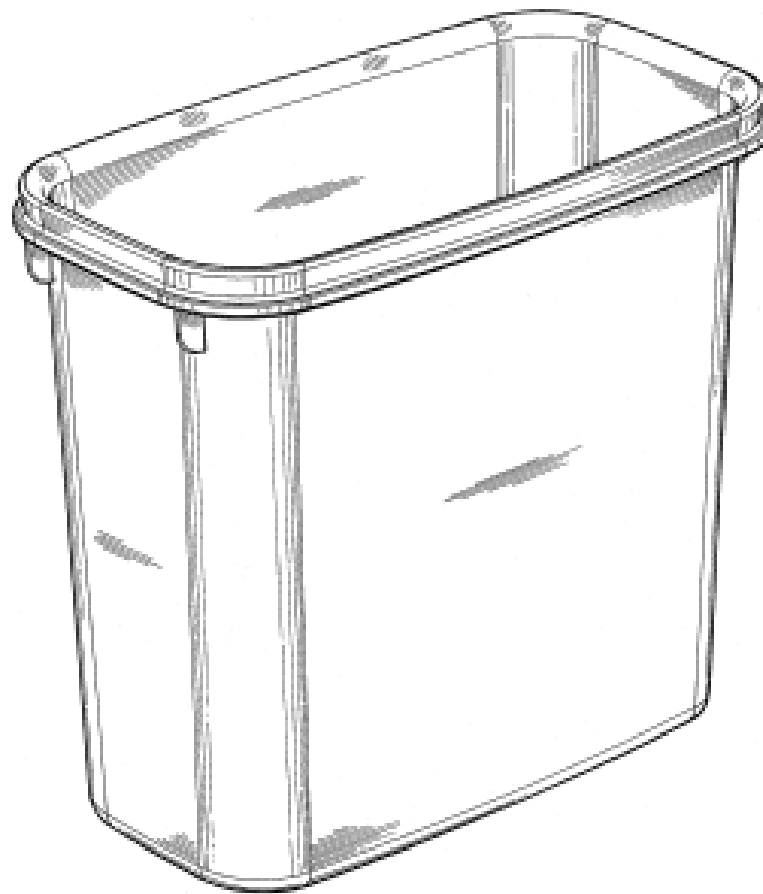
- (21) Design Number: **10990/2008**
(22) Date of Filing Application: **28 February 2008**
(24) Date from which industrial property rights may have effect: **28 February 2008**
(54) Product in respect of which the design is registered: **A cistern support bracket**
(51) International Design Classification: **08-08L**
(71) Name(s) and Address(s) of Applicant(s):
Caroma Industries Limited
10 Market Street Brisbane Queensland 4000 Australia
(72) Name(s) of Designer(s): **Stephen John Cummings and Johann Karunaratne**
(45) Registration Date: **11 June 2008**
(56) Related Art Documents: **Not Applicable**
(57) Statement of Newness and Distinctiveness: **Newness and distinctiveness is claimed in the features of shape and/or configuration of a cistern support bracket as illustrated in the accompanying representations.**



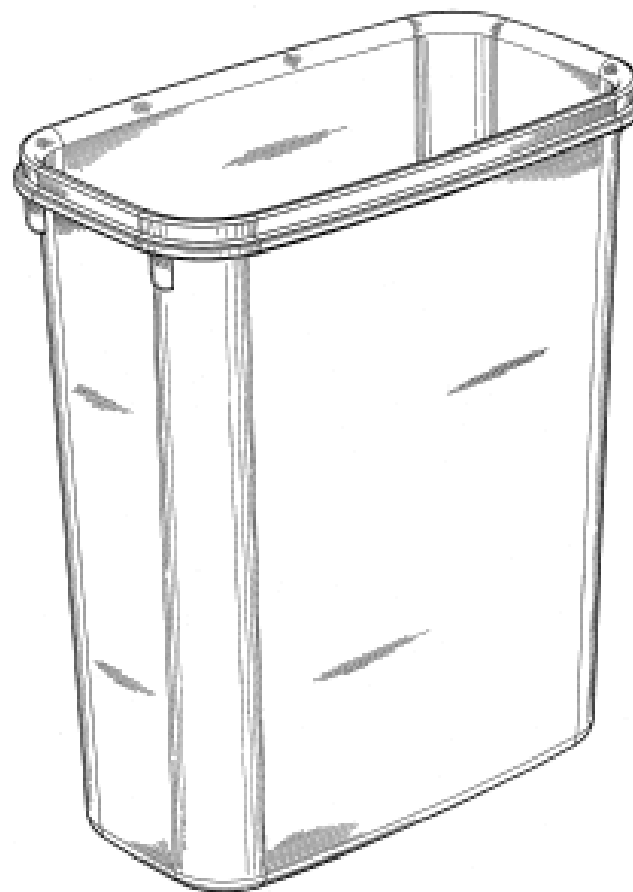
- (21) Design Number: **10992/2008**
(22) Date of Filing Application: **28 February 2008**
(24) Date from which industrial property rights may have effect: **28 February 2008**
(54) Product in respect of which the design is registered: **Container base**
(51) International Design Classification: **07-01NES, 09-03M**
(71) Name(s) and Address(s) of Applicant(s):
The Decor Corporation Pty Ltd
1314 Ferntree Gully Road Scoresby Victoria 3179 Australia
(72) Name(s) of Designer(s): **Arthur Richard Carlson**
(45) Registration Date: **11 June 2008**
(56) Related Art Documents: **Not Applicable**
(57) Statement of Newness and Distinctiveness: **Nil**



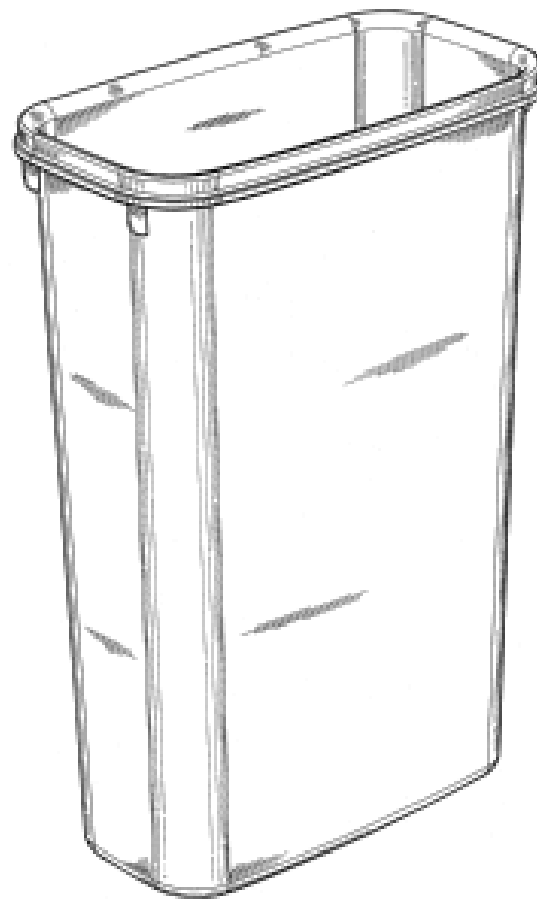
(21) Design Number: **10993/2008**
(22) Date of Filing Application: **28 February 2008**
(24) Date from which industrial property rights may have effect: **28 February 2008**
(54) Product in respect of which the design is registered: **Container base**
(51) International Design Classification: **07-01NES, 09-03M**
(71) Name(s) and Address(s) of Applicant(s):
The Decor Corporation Pty Ltd
1314 Ferntree Gully Road Scoresby Victoria 3179 Australia
(72) Name(s) of Designer(s): **Arthur Richard Carlson**
(45) Registration Date: **11 June 2008**
(56) Related Art Documents: **Not Applicable**
(57) Statement of Newness and Distinctiveness: **Nil**



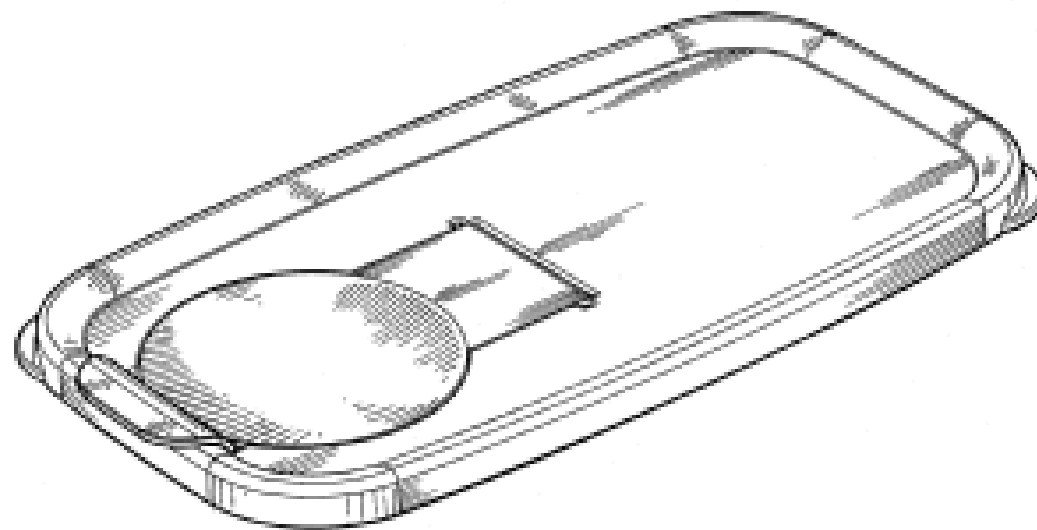
(21) Design Number: **10994/2008**
(22) Date of Filing Application: **28 February 2008**
(24) Date from which industrial property rights may have effect: **28 February 2008**
(54) Product in respect of which the design is registered: **Container base**
(51) International Design Classification: **07-01NES, 09-03M**
(71) Name(s) and Address(s) of Applicant(s):
The Decor Corporation Pty Ltd
1314 Ferntree Gully Road Scoresby Victoria 3179 Australia
(72) Name(s) of Designer(s): **Arthur Richard Carlson**
(45) Registration Date: **11 June 2008**
(56) Related Art Documents: **Not Applicable**
(57) Statement of Newness and Distinctiveness: **Nil**



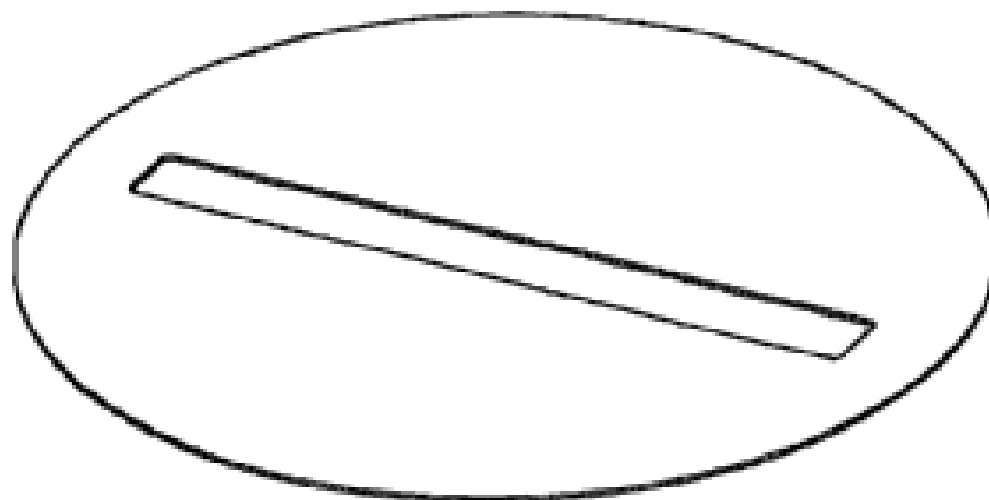
- (21) Design Number: **10995/2008**
(22) Date of Filing Application: **28 February 2008**
(24) Date from which industrial property rights may have effect: **28 February 2008**
(54) Product in respect of which the design is registered: **Container base**
(51) International Design Classification: **07-01NES, 09-03M**
(71) Name(s) and Address(s) of Applicant(s):
The Decor Corporation Pty Ltd
1314 Ferntree Gully Road Scoresby Victoria 3179 Australia
(72) Name(s) of Designer(s): **Arthur Richard Carlson**
(45) Registration Date: **11 June 2008**
(56) Related Art Documents: **Not Applicable**
(57) Statement of Newness and Distinctiveness: **Nil**



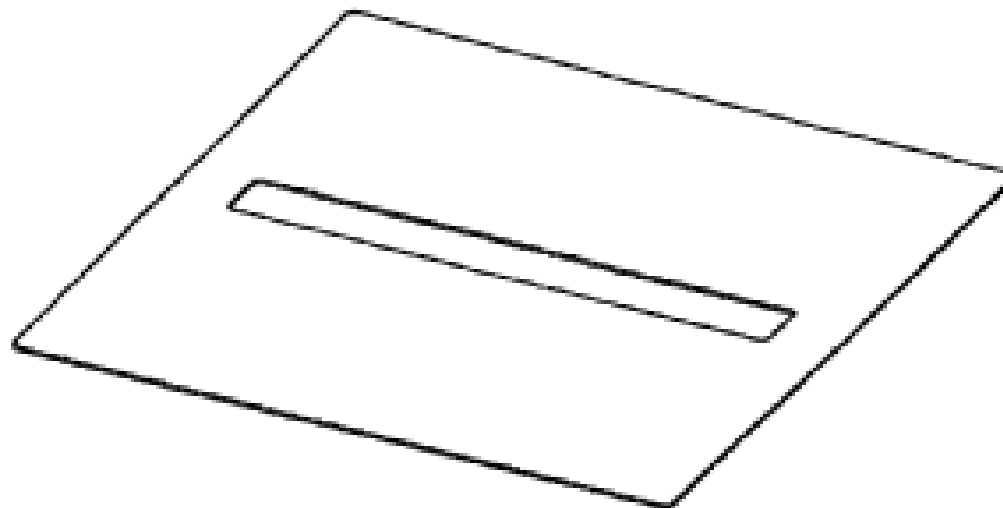
- (21) Design Number: **10996/2008**
(22) Date of Filing Application: **28 February 2008**
(24) Date from which industrial property rights may have effect: **28 February 2008**
(54) Product in respect of which the design is registered: **Lid**
(51) International Design Classification: **07-01NES, 09-07B**
(71) Name(s) and Address(s) of Applicant(s):
The Decor Corporation Pty Ltd
1314 Ferntree Gully Road Scoresby Victoria 3179 Australia
(72) Name(s) of Designer(s): **Arthur Richard Carlson**
(45) Registration Date: **11 June 2008**
(56) Related Art Documents: **Not Applicable**
(57) Statement of Newness and Distinctiveness: **Nil**



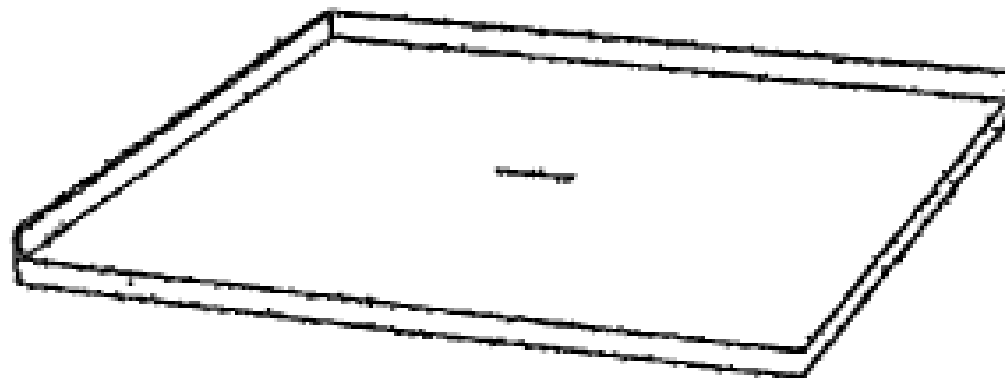
(21) Design Number: **10999/2008**
(22) Date of Filing Application: **28 February 2008**
(24) Date from which industrial property rights may have effect: **28 February 2008**
(54) Product in respect of which the design is registered: **Drain grate**
(51) International Design Classification: **23-02NES**
(71) Name(s) and Address(s) of Applicant(s):
Rodney Paul Knight
82 Simpson Road Swanson Waitakere 0612 New Zealand
(72) Name(s) of Designer(s): **Rodney Paul Knight**
(45) Registration Date: **11 June 2008**
(30) Convention priority data:
(31) Number (32) Date (33) Country
409594 **30 Aug 2007** **NEW ZEALAND**
(56) Related Art Documents: **Not Applicable**
(57) Statement of Newness and Distinctiveness: **Nil**



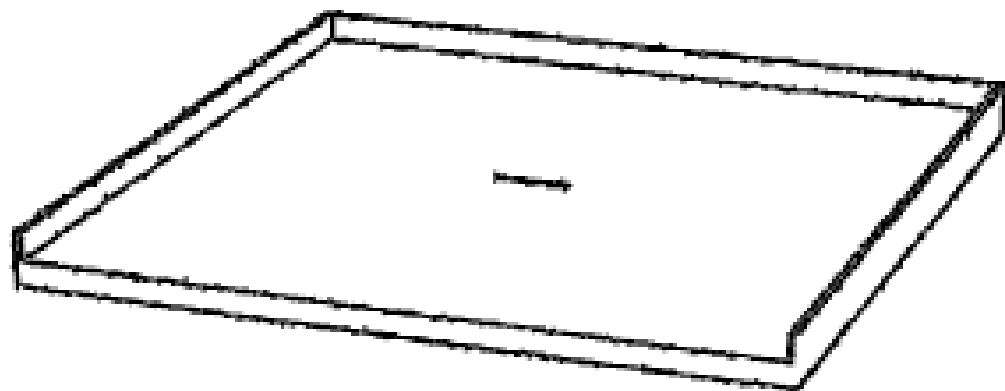
(21) Design Number: **11000/2008**
(22) Date of Filing Application: **28 February 2008**
(24) Date from which industrial property rights may have effect: **28 February 2008**
(54) Product in respect of which the design is registered: **Drain grate**
(51) International Design Classification: **23-02NES**
(71) Name(s) and Address(s) of Applicant(s):
Rodney Paul Knight
82 Simpson Road Swanson Waitakere 0612 New Zealand
(72) Name(s) of Designer(s): **Rodney Paul Knight**
(45) Registration Date: **11 June 2008**
(30) Convention priority data:
(31) Number (32) Date (33) Country
409594 **30 Aug 2007** **NEW ZEALAND**
(56) Related Art Documents: **Not Applicable**
(57) Statement of Newness and Distinctiveness: **Nil**



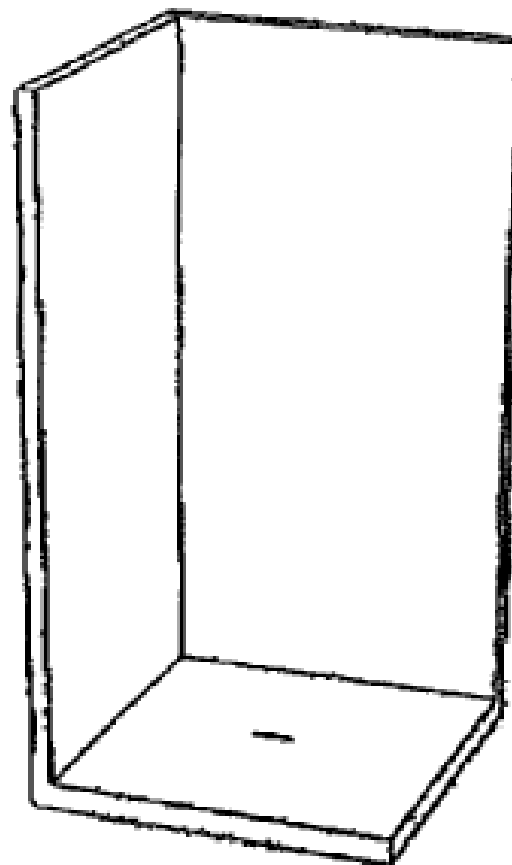
(21) Design Number: **11001/2008**
(22) Date of Filing Application: **28 February 2008**
(24) Date from which industrial property rights may have effect: **28 February 2008**
(54) Product in respect of which the design is registered: **Shower base**
(51) International Design Classification: **23-02B**
(71) Name(s) and Address(s) of Applicant(s):
Rodney Paul Knight
82 Simpson Road Swanson Waitakere 0612 New Zealand
(72) Name(s) of Designer(s): **Rodney Paul Knight**
(45) Registration Date: **11 June 2008**
(30) Convention priority data:
(31) Number (32) Date (33) Country
409595 30 Aug 2007 NEW ZEALAND
(56) Related Art Documents: **Not Applicable**
(57) Statement of Newness and Distinctiveness: **Nil**



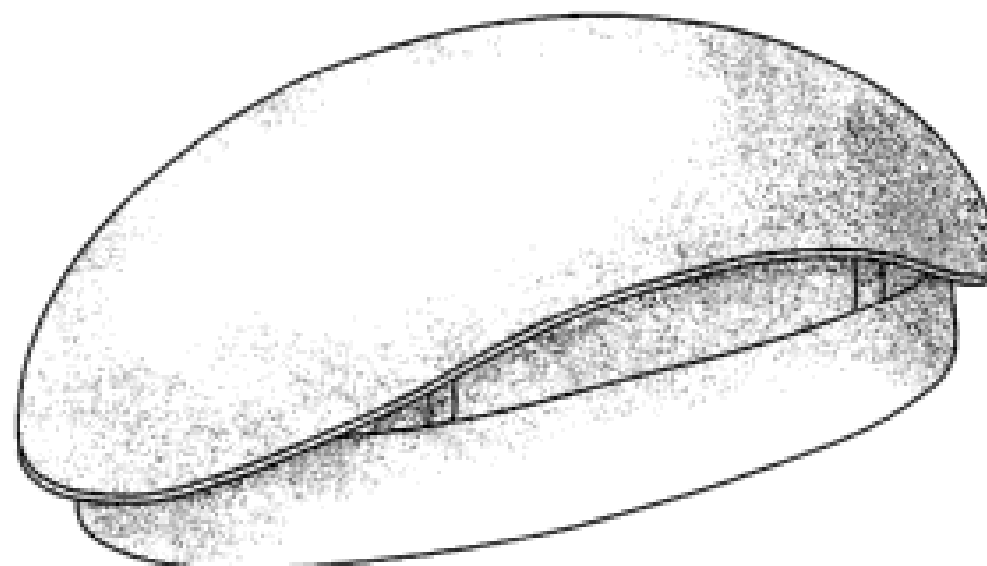
(21) Design Number: **11002/2008**
(22) Date of Filing Application: **28 February 2008**
(24) Date from which industrial property rights may have effect: **28 February 2008**
(54) Product in respect of which the design is registered: **Shower base**
(51) International Design Classification: **23-02B**
(71) Name(s) and Address(s) of Applicant(s):
Rodney Paul Knight
82 Simpson Road Swanson Waitakere 0612 New Zealand
(72) Name(s) of Designer(s): **Rodney Paul Knight**
(45) Registration Date: **11 June 2008**
(30) Convention priority data:
(31) Number (32) Date (33) Country
409595 30 Aug 2007 NEW ZEALAND
(56) Related Art Documents: **Not Applicable**
(57) Statement of Newness and Distinctiveness: **Nil**



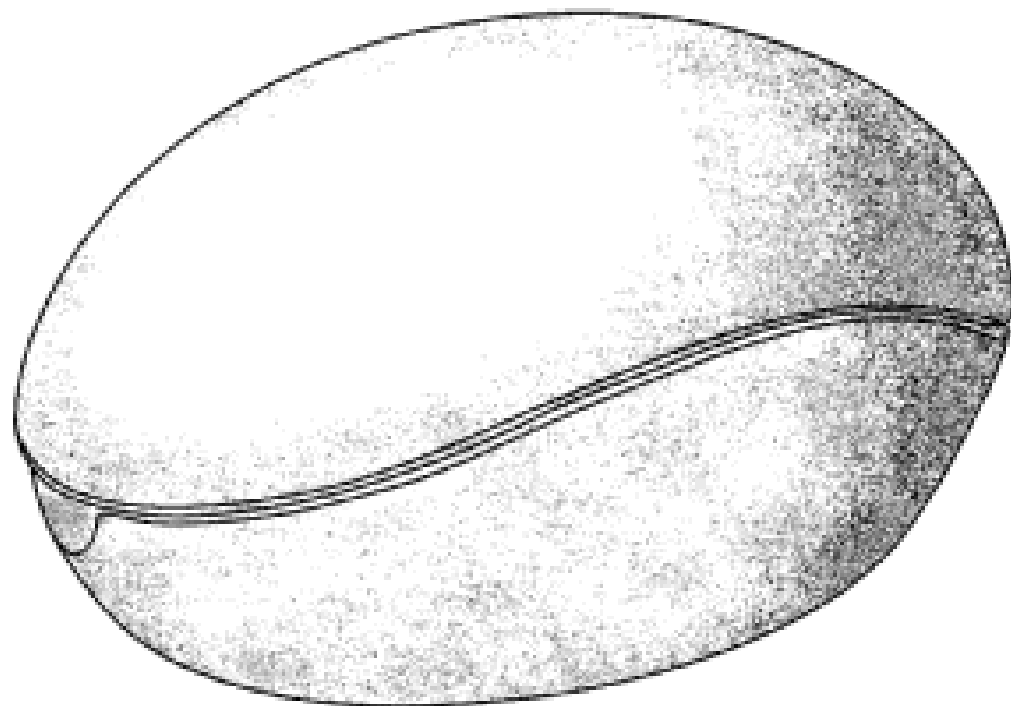
(21) Design Number: **11003/2008**
(22) Date of Filing Application: **28 February 2008**
(24) Date from which industrial property rights may have effect: **28 February 2008**
(54) Product in respect of which the design is registered: **Shower base**
(51) International Design Classification: **23-02B**
(71) Name(s) and Address(s) of Applicant(s):
Rodney Paul Knight
82 Simpson Road Swanson Waitakere 0612 New Zealand
(72) Name(s) of Designer(s): **Rodney Paul Knight**
(45) Registration Date: **11 June 2008**
(30) Convention priority data:
(31) Number (32) Date (33) Country
409595 30 Aug 2007 NEW ZEALAND
(56) Related Art Documents: **Not Applicable**
(57) Statement of Newness and Distinctiveness: **Nil**



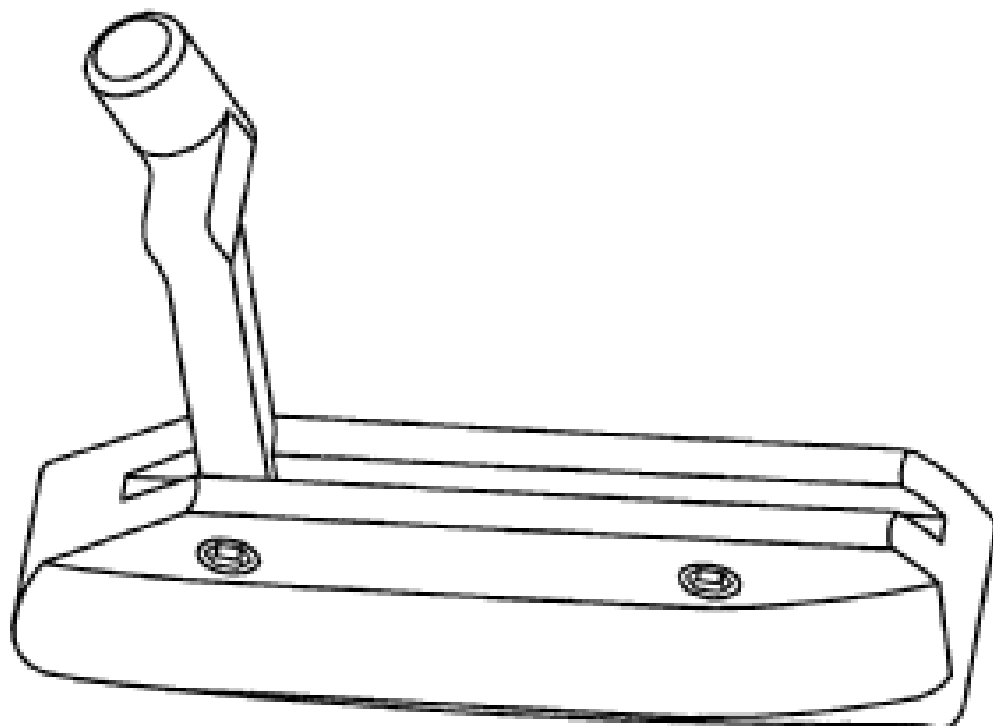
(21) Design Number: **11004/2008**
(22) Date of Filing Application: **29 February 2008**
(24) Date from which industrial property rights may have effect: **29 February 2008**
(54) Product in respect of which the design is registered: **Foot micro file**
(51) International Design Classification: **28-03NES**
(71) Name(s) and Address(s) of Applicant(s):
International Edge Inc.
79 Two Bridges Road Fairfield NJ 07004 United States of America
(72) Name(s) of Designer(s): **Jun Yang**
(45) Registration Date: **11 June 2008**
(30) Convention priority data:
(31) Number (32) Date (33) Country
2007 14 Sep 2007 CHINA
30309021.1
(56) Related Art Documents: **Not Applicable**
(57) Statement of Newness and Distinctiveness: **When determining whether the design 1 is substantially similar in overall impression to another design, no regard is to be had to those features shown in dotted outline in figure 7 of the accompanying drawings.**



(21) Design Number: **11005/2008**
(22) Date of Filing Application: **29 February 2008**
(24) Date from which industrial property rights may have effect: **29 February 2008**
(54) Product in respect of which the design is registered: **Foot micro file and holder**
(51) International Design Classification: **28-03NES**
(71) Name(s) and Address(s) of Applicant(s):
International Edge Inc.
79 Two Bridges Road Fairfield NJ 07004 United States of America
(72) Name(s) of Designer(s): **Jun Yang**
(45) Registration Date: **11 June 2008**
(30) Convention priority data:
(31) Number (32) Date (33) Country
2007 14 Sep 2007 CHINA
30309021.1
(56) Related Art Documents: **Not Applicable**
(57) Statement of Newness and Distinctiveness: **Nil**



(21) Design Number: **11006/2008**
(22) Date of Filing Application: **29 February 2008**
(24) Date from which industrial property rights may have effect: **29 February 2008**
(54) Product in respect of which the design is registered: **Putter head**
(51) International Design Classification: **21-02C**
(71) Name(s) and Address(s) of Applicant(s):
Avanti Corporation
1007 Oiso Oiso-cho Nakagun Kanagawa 255-0003 Japan
(72) Name(s) of Designer(s): **Yoji Takei**
(45) Registration Date: **11 June 2008**
(30) Convention priority data:
(31) Number (32) Date (33) Country
2008-001407 25 Jan 2008 JAPAN
(56) Related Art Documents: **Not Applicable**
(57) Statement of Newness and Distinctiveness: **The visual features of the product which are new and distinctive are the shape and configuration thereof as shown in the representations.**



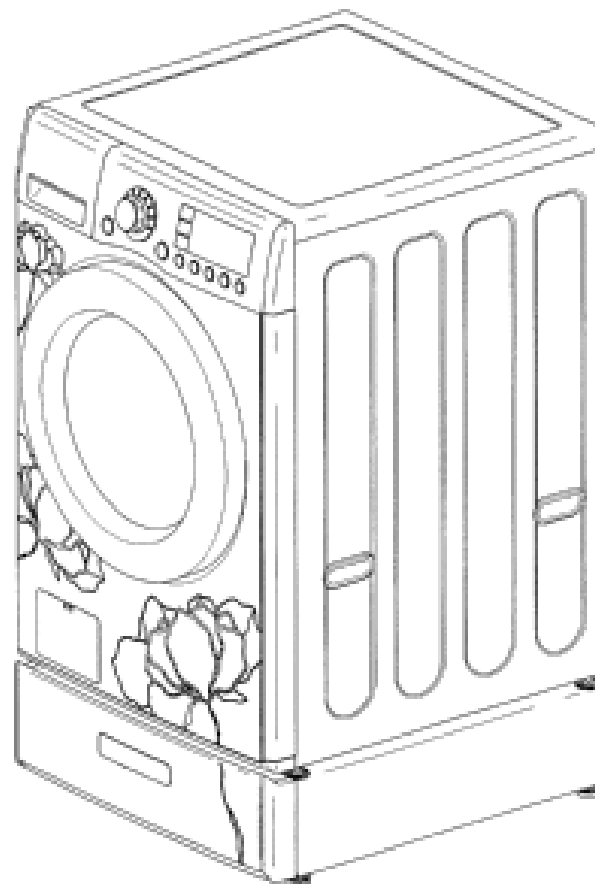
- (21) Design Number: **11008/2008**
(22) Date of Filing Application: **29 February 2008**
(24) Date from which industrial property rights may have effect: **29 February 2008**
(54) Product in respect of which the design is registered: **A motorcycle**
(51) International Design Classification: **12-11**
(71) Name(s) and Address(s) of Applicant(s):
Honda Motor Co., Ltd.
1-1 Minami-Aoyama 2-Chome Minato-ku Tokyo Japan
(72) Name(s) of Designer(s): **Toshiaki Kishi and Toshio Kurihara**
(45) Registration Date: **11 June 2008**
(30) Convention priority data:
(31) Number (32) Date (33) Country
2007-023925 03 Sep 2007 JAPAN
(56) Related Art Documents: **Not Applicable**
(57) Statement of Newness and Distinctiveness: **Newness and distinctiveness is claimed in the features of shape and/or configuration of a motorcycle as illustrated in the accompanying representations.**



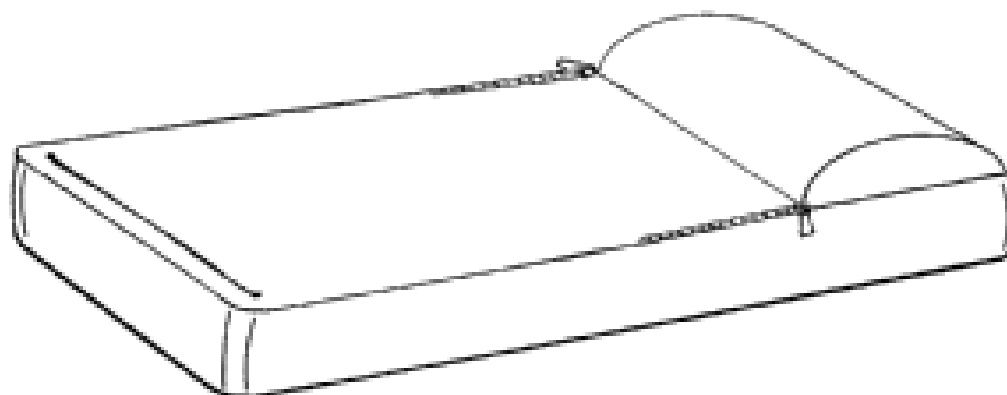
- (21) Design Number: **11013/2008**
(22) Date of Filing Application: **29 February 2008**
(24) Date from which industrial property rights may have effect: **29 February 2008**
(54) Product in respect of which the design is registered: **A motorcycle**
(51) International Design Classification: **12-11**
(71) Name(s) and Address(s) of Applicant(s):
Honda Motor Co., Ltd.
1-1 Minami-Aoyama 2-Chome Minato-ku Tokyo Japan
(72) Name(s) of Designer(s): **Mitsuyoshi Kohama and Tetsuya Nakazawa**
(45) Registration Date: **11 June 2008**
(30) Convention priority data:
(31) Number (32) Date (33) Country
2007-023928 03 Sep 2007 JAPAN
(56) Related Art Documents: **Not Applicable**
(57) Statement of Newness and Distinctiveness: **Newness and distinctiveness is claimed in the features of shape and/or configuration of a motorcycle as illustrated in the accompanying representations.**



(21) Design Number: **11014/2008**
(22) Date of Filing Application: **29 February 2008**
(24) Date from which industrial property rights may have effect: **29 February 2008**
(54) Product in respect of which the design is registered: **Washing machine**
(51) International Design Classification: **15-05**
(71) Name(s) and Address(s) of Applicant(s):
LG Electronics, Inc.
20 Yeouido-dong Yeongdeungpo-gu Seoul 150-721 Republic of Korea
(72) Name(s) of Designer(s): **Myung Shik Kim and Soon Uk Kwon**
(45) Registration Date: **11 June 2008**
(30) Convention priority data:
(31) Number (32) Date (33) Country
30-2007-0038365 07 Sep 2007 REPUBLIC OF KOREA
(56) Related Art Documents: **Not Applicable**
(57) Statement of Newness and Distinctiveness: **Nil**



(21) Design Number: **11190/2008**
(22) Date of Filing Application: **28 February 2008**
(24) Date from which industrial property rights may have effect: **28 February 2008**
(54) Product in respect of which the design is registered: **An article of bedding**
(51) International Design Classification: **06-13B**
(71) Name(s) and Address(s) of Applicant(s):
Finecard International Limited
Topaz House Oldgate St Michael's Industrial Estate Widnes Cheshire
WA8 8TL Great Britain
(72) Name(s) of Designer(s): **Mark Anthony Thompson**
(45) Registration Date: **11 June 2008**
(56) Related Art Documents: **Not Applicable**
(57) Statement of Newness and Distinctiveness: **Newness and distinctiveness is claimed in the shape and/or configuration of an article of bedding as illustrated by the unbroken lines in the accompanying representation/s.**



(21) Design Number: **11191/2008**

(22) Date of Filing Application: **28 February 2008**

(24) Date from which industrial property rights may have effect: **28 February 2008**

(54) Product in respect of which the design is registered: **An article of bedding**

(51) International Design Classification: **06-13B**

(71) Name(s) and Address(s) of Applicant(s):

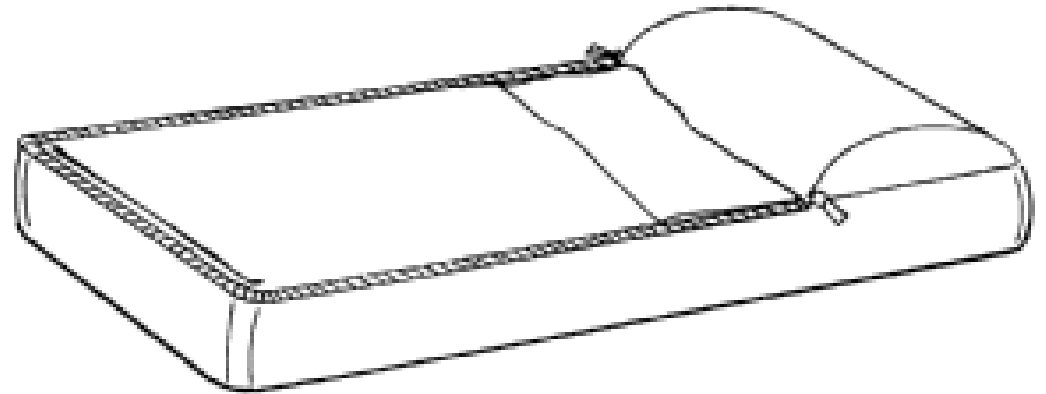
**Finecard International Limited
Topaz House Oldgate St Michael's Industrial Estate Widnes Cheshire
WA8 8TL Great Britain**

(72) Name(s) of Designer(s): **Mark Anthony Thompson**

(45) Registration Date: **11 June 2008**

(56) Related Art Documents: **Not Applicable**

(57) Statement of Newness and Distinctiveness: **Newness and distinctiveness is claimed in the shape and/or configuration of an article of bedding as illustrated by the unbroken lines in the accompanying representation/s.**



(21) Design Number: **11536/2008**

(22) Date of Filing Application: **02 April 2008**

(24) Date from which industrial property rights may have effect: **02 April 2008**

(54) Product in respect of which the design is registered: **Bath tub**

(51) International Design Classification: **23-02B**

(71) Name(s) and Address(s) of Applicant(s):

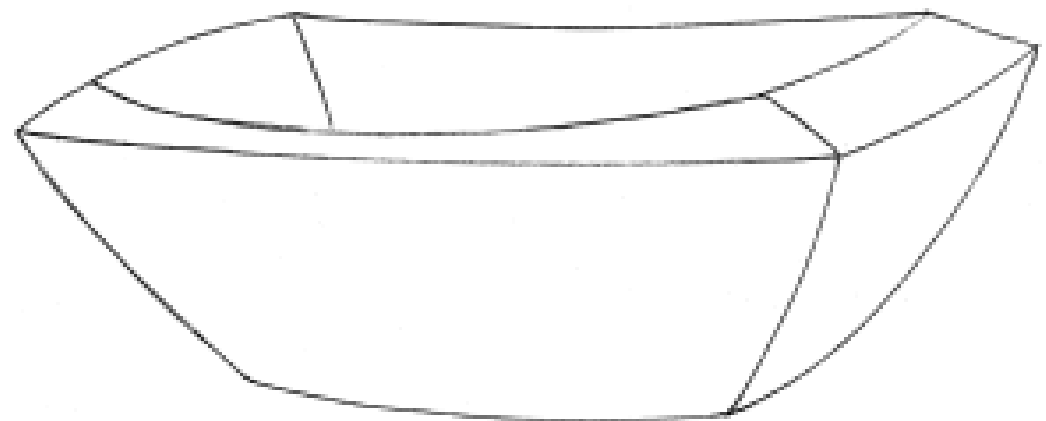
**Lasse Kinnunen
105 Robertson Street Fortitude Valley Queensland 4006 Australia**

(72) Name(s) of Designer(s): **Lasse Kinnunen**

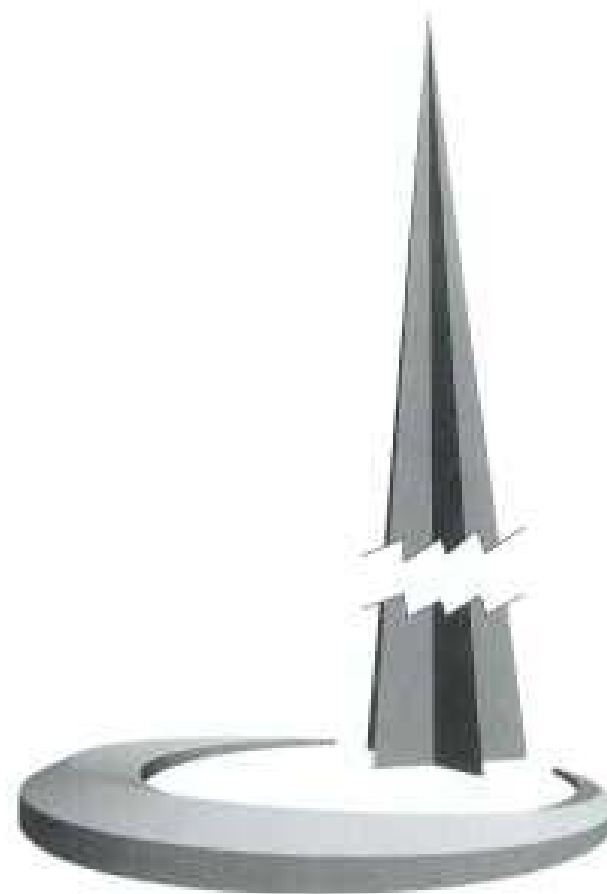
(45) Registration Date: **11 June 2008**

(56) Related Art Documents: **Not Applicable**

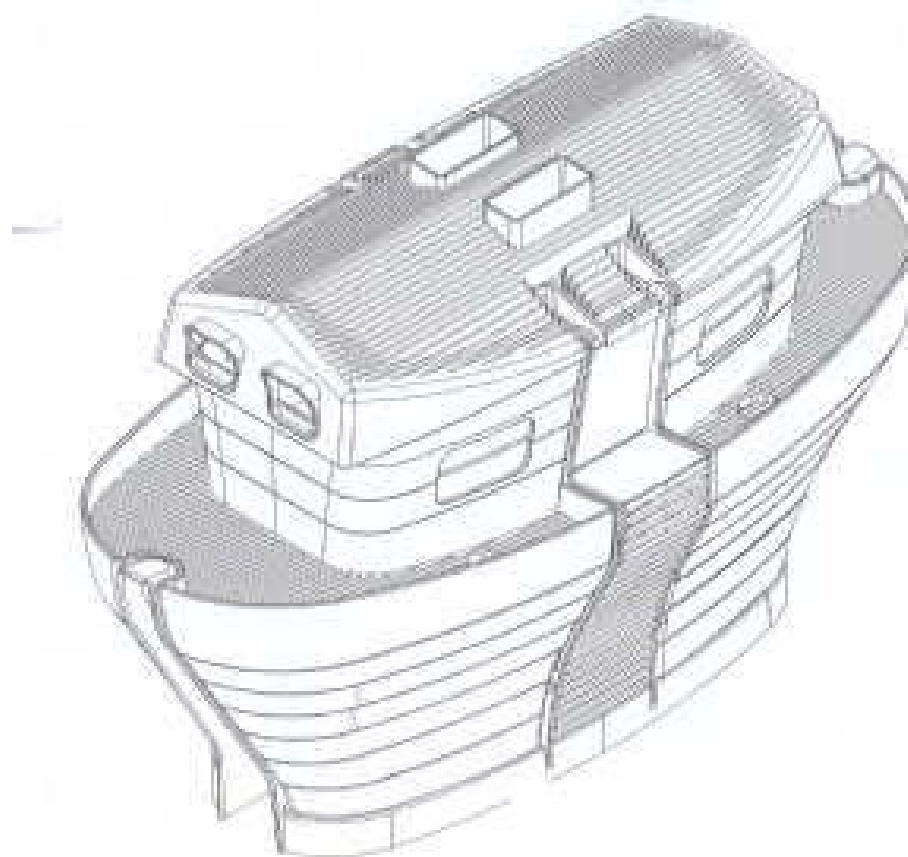
(57) Statement of Newness and Distinctiveness: **The new feature of this design is the shape of the tub.**



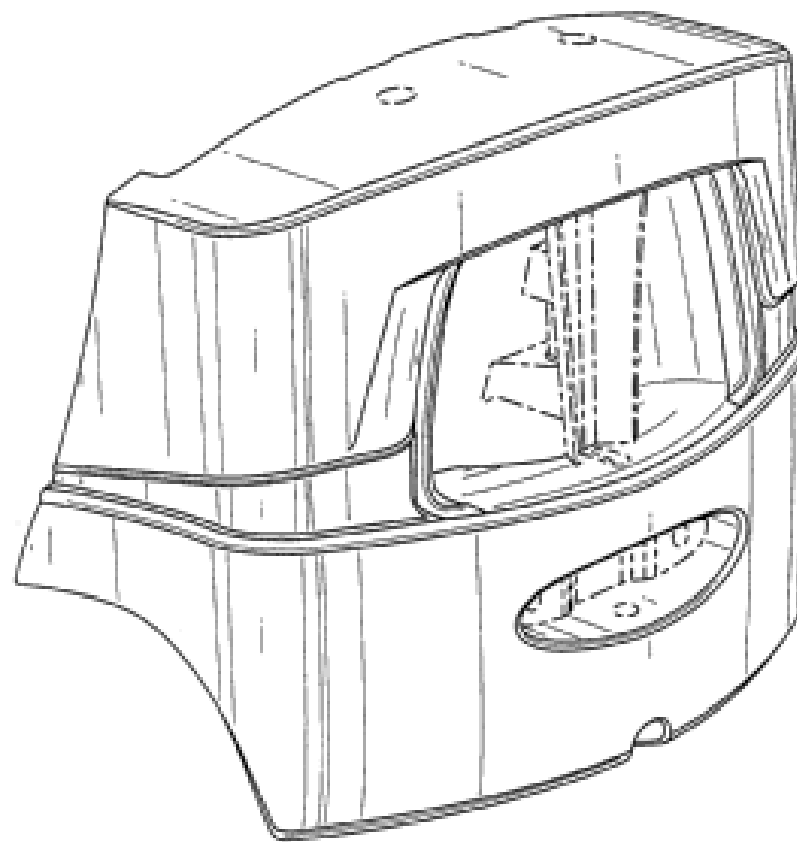
- (21) Design Number: **21554/2007**
(22) Date of Filing Application: **24 December 2007**
(24) Date from which industrial property rights may have effect: **24 December 2007**
(54) Product in respect of which the design is registered: **Structure**
(51) International Design Classification: **99-00**
(71) Name(s) and Address(s) of Applicant(s):
Charlie Bazouni
29 Walker Street Merrylands New South Wales 2160 Australia
Joseph Zady
29 Walker Street Merrylands New South Wales 2160 Australia
(72) Name(s) of Designer(s): **Charlie Bazouni and Joseph Zady**
(45) Registration Date: **11 June 2008**
(56) Related Art Documents: **Not Applicable**
(57) Statement of Newness and Distinctiveness: **Newness and distinctiveness resides in the shape and/or configuration of the structure as illustrated in plan view in Figure 1 which is of definite proportion, whereas the heights of the individual structural elements (as shown in Figure 2 for illustrative purposes) are indefinite.**



- (21) Design Number: **20743/2007**
(22) Date of Filing Application: **13 November 2007**
(24) Date from which industrial property rights may have effect: **13 November 2007**
(54) Product in respect of which the design is registered: **Layered toy boat**
(51) International Design Classification: **21-01C**
(71) Name(s) and Address(s) of Applicant(s):
3d Funtimes Limited
Unit 1 112 Hayes Avenue Yokine Western Australia 6060 Australia
(72) Name(s) of Designer(s): **Michael Petrus Romyn and Roy Neil McHutchlson**
(45) Registration Date: **16 June 2008**
(56) Related Art Documents: **Not Applicable**
(57) Statement of Newness and Distinctiveness: **Newness and distinctiveness reside in the features of shape and configuration of a layered toy boat which is adapted to receive animal figures within the layers and to be assembled to provide a housing for the animal figures as depicted in the accompanying representations.**



- (21) Design Number: **10029/2008**
(22) Date of Filing Application: **02 January 2008**
(24) Date from which industrial property rights may have effect: **02 January 2008**
(54) Product in respect of which the design is registered: **Counterweight for a fork lift truck**
(51) International Design Classification: **12-16NES**
(71) Name(s) and Address(s) of Applicant(s):
Crown Equipment Corporation
40 South Washington Street New Bremen OH 45869 United States of America
(72) Name(s) of Designer(s): **Juergen Buchmann and Dean E. Davis and David W. Fox and Michael P. Gallagher and Eric J. Hanson and Jason R. Lesko and Jeffrey T. Mauch**
(45) Registration Date: **16 June 2008**
(30) Convention priority data:
(31) Number (32) Date (33) Country
29/281,942 06 Jul 2007 UNITED STATES OF AMERICA
(56) Related Art Documents: **Not Applicable**
(57) Statement of Newness and Distinctiveness: **The shape and configuration of those parts of the product shown other than by means of broken lines in the representations are new and distinctive.**



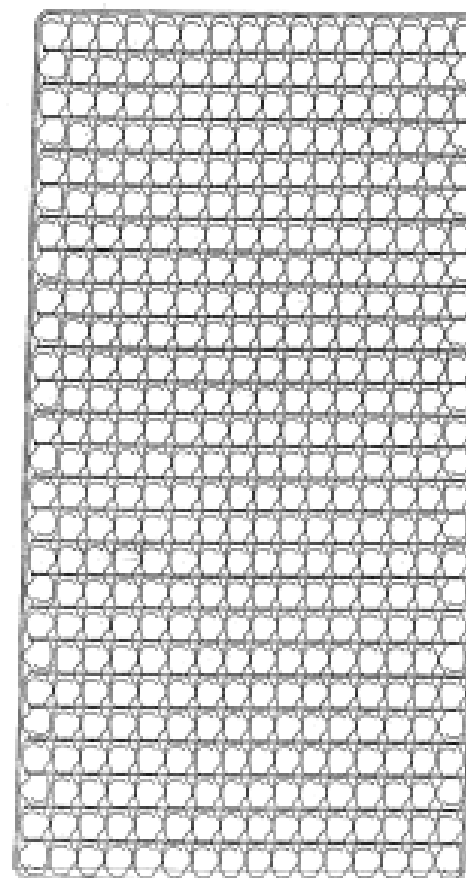
- (21) Design Number: **10466/2008**
(22) Date of Filing Application: **04 February 2008**
(24) Date from which industrial property rights may have effect: **04 February 2008**
(54) Product in respect of which the design is registered: **Baby massage mat**
(51) International Design Classification: **06-11**
(71) Name(s) and Address(s) of Applicant(s):
Kylie Miller
65 Blackman Crescent Macquarie ACT 2614 Australia
(72) Name(s) of Designer(s): **Kylie Miller**
(45) Registration Date: **16 June 2008**
(56) Related Art Documents: **Not Applicable**
(57) Statement of Newness and Distinctiveness: **Unique design for baby massage mat with head and body inserts and raised bumper.**



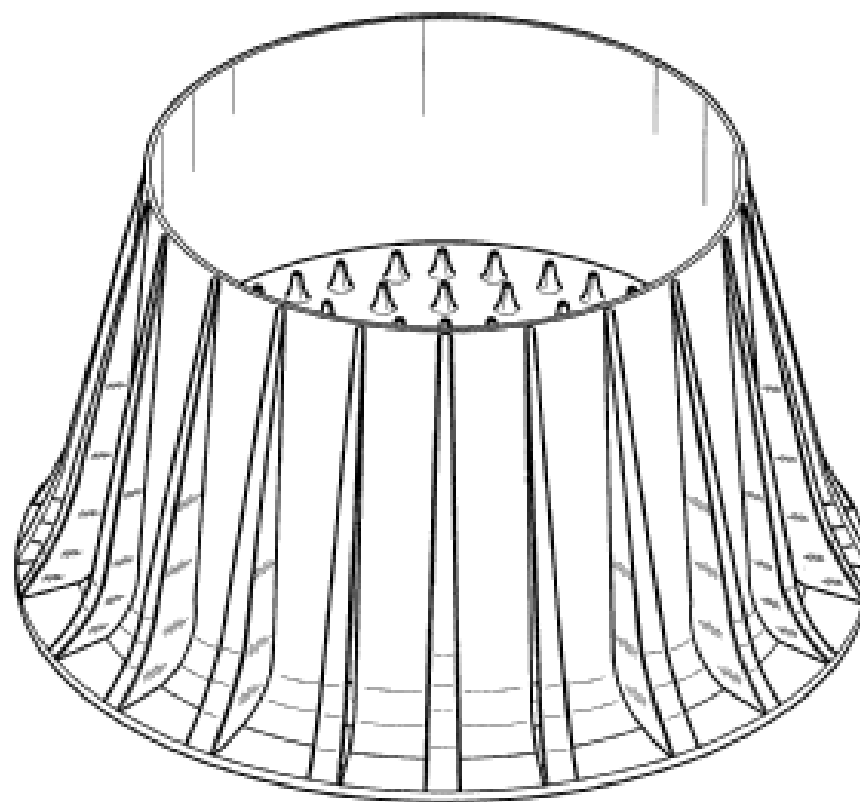
- (21) Design Number: **12267/2008**
(22) Date of Filing Application: **04 February 2008**
(24) Date from which industrial property rights may have effect: **04 February 2008**
(54) Product in respect of which the design is registered: **Baby massage mat**
(51) International Design Classification: **06-11**
(71) Name(s) and Address(s) of Applicant(s):
Kylie Miller
65 Blackman Crescent Macquarie ACT 2614 Australia
(72) Name(s) of Designer(s): **Kylie Miller**
(45) Registration Date: **16 June 2008**
(56) Related Art Documents: **Not Applicable**
(57) Statement of Newness and Distinctiveness: **Unique design for baby massage mat with head and body inserts and raised bumper.**



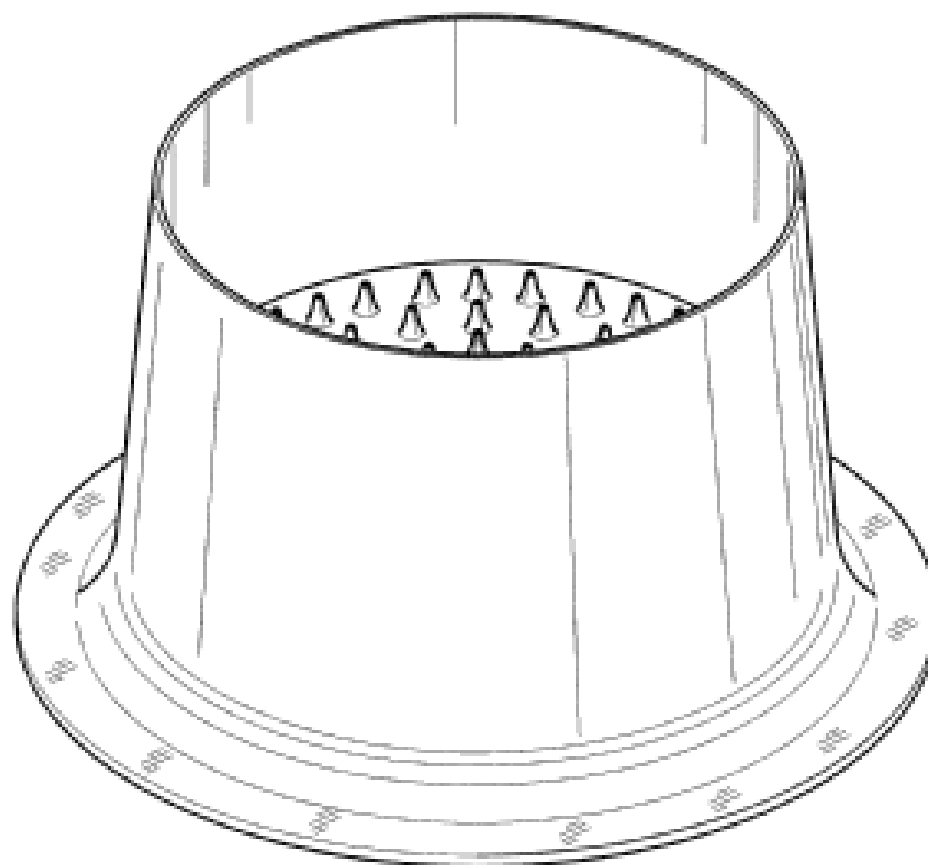
- (21) Design Number: **10480/2008**
(22) Date of Filing Application: **04 February 2008**
(24) Date from which industrial property rights may have effect: **04 February 2008**
(54) Product in respect of which the design is registered: **Spring core**
(51) International Design Classification: **08-08C**
(71) Name(s) and Address(s) of Applicant(s):
L&P Property Management Company
4095 Firestone Boulevard South Gate California 90280 United States of America
(72) Name(s) of Designer(s): **Guido Eigenmann and Niels S. Mossbeck and Darrell A. Richmond**
(45) Registration Date: **16 June 2008**
(30) Convention priority data:
(31) Number (32) Date (33) Country
29/283010 03 Aug 2007 UNITED STATES OF AMERICA
(56) Related Art Documents: **Not Applicable**
(57) Statement of Newness and Distinctiveness: **Newness and distinctiveness is claimed in the features of shape and/or configuration of the top portion of a spring core as illustrated in the accompanying representations.**



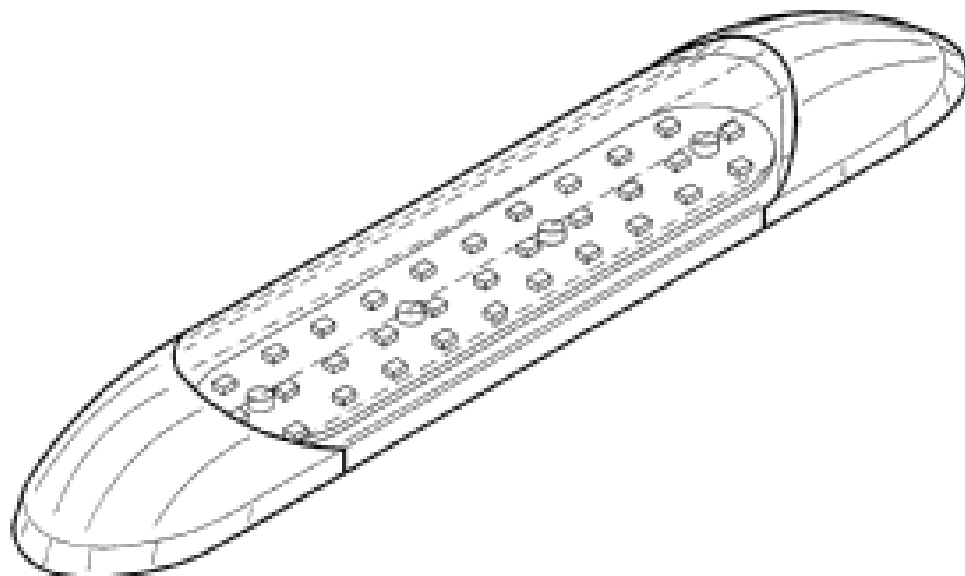
- (21) Design Number: **10407/2008**
- (22) Date of Filing Application: **31 January 2008**
- (24) Date from which industrial property rights may have effect: **31 January 2008**
- (54) Product in respect of which the design is registered: **Lighting assembly**
- (51) International Design Classification: **26-05NES**
- (71) Name(s) and Address(s) of Applicant(s):
LED Technologies Pty Ltd
Factory 1 10 Brand Drive Thomastown Victoria 3074 Australia
- (72) Name(s) of Designer(s): **Tony Ottobre**
- (45) Registration Date: **16 June 2008**
- (56) Related Art Documents: **Not Applicable**
- (57) Statement of Newness and Distinctiveness: **The shape, configuration, shape and configuration, pattern, ornamentation, pattern and ornamentation, of the design of the product is new and distinctive.**



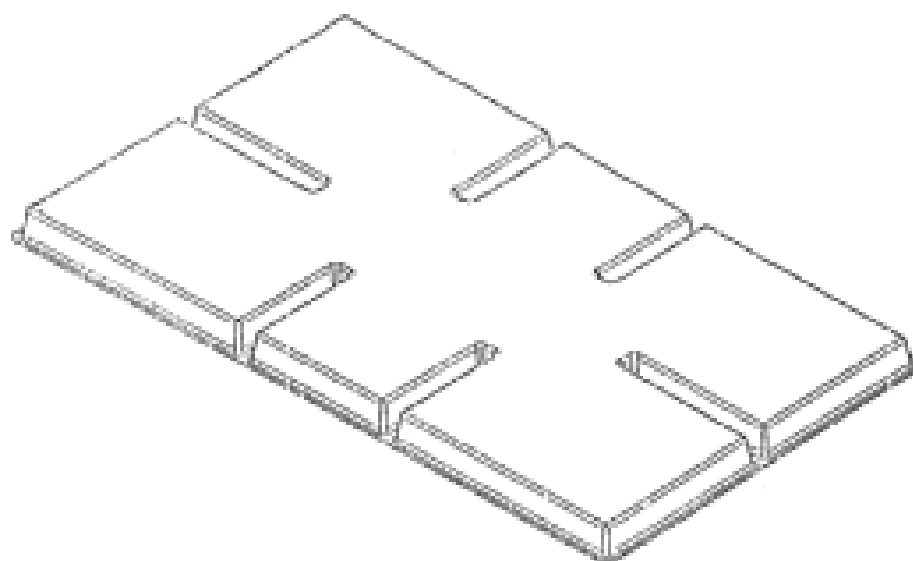
- (21) Design Number: **10408/2008**
- (22) Date of Filing Application: **31 January 2008**
- (24) Date from which industrial property rights may have effect: **31 January 2008**
- (54) Product in respect of which the design is registered: **Lighting assembly**
- (51) International Design Classification: **26-05NES**
- (71) Name(s) and Address(s) of Applicant(s):
LED Technologies Pty Ltd
Factory 1 10 Brand Drive Thomastown Victoria 3074 Australia
- (72) Name(s) of Designer(s): **Tony Ottobre**
- (45) Registration Date: **16 June 2008**
- (56) Related Art Documents: **Not Applicable**
- (57) Statement of Newness and Distinctiveness: **The shape, configuration, shape and configuration, pattern, ornamentation, pattern and ornamentation, of the design of the product is new and distinctive.**



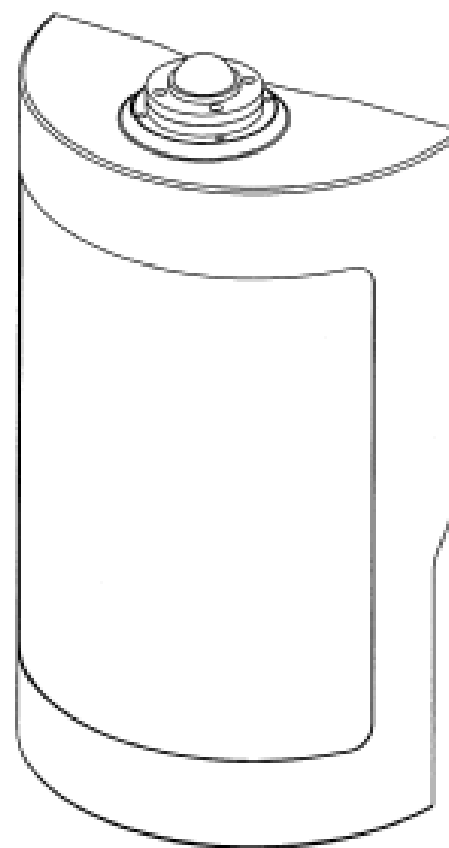
- (21) Design Number: **10409/2008**
(22) Date of Filing Application: **31 January 2008**
(24) Date from which industrial property rights may have effect: **31 January 2008**
(54) Product in respect of which the design is registered: **Lighting assembly**
(51) International Design Classification: **26-05NES**
(71) Name(s) and Address(s) of Applicant(s):
LED Technologies Pty Ltd
Factory 1 10 Brand Drive Thomastown Victoria 3074 Australia
(72) Name(s) of Designer(s): **Tony Ottobre**
(45) Registration Date: **16 June 2008**
(56) Related Art Documents: **Not Applicable**
(57) Statement of Newness and Distinctiveness: **The shape, configuration, shape and configuration, pattern, ornamentation, pattern and ornamentation, of the design of the product is new and distinctive.**



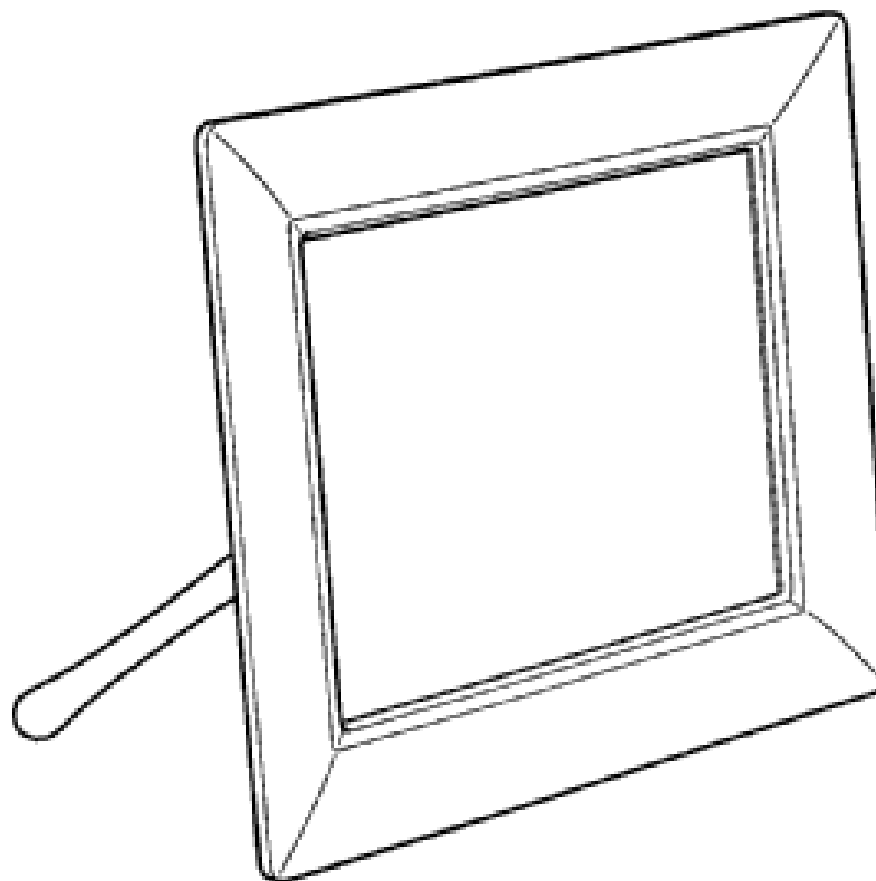
- (21) Design Number: **10630/2008**
(22) Date of Filing Application: **13 February 2008**
(24) Date from which industrial property rights may have effect: **13 February 2008**
(54) Product in respect of which the design is registered: **Plinth**
(51) International Design Classification: **25-01NES**
(71) Name(s) and Address(s) of Applicant(s):
Ty Gerard Hermans
359 MacDonnel Road Clontarf Queensland 4019 Queensland
(72) Name(s) of Designer(s): **Ty Gerard Hermans**
(45) Registration Date: **16 June 2008**
(56) Related Art Documents: **Not Applicable**
(57) Statement of Newness and Distinctiveness: **Newness and distinctiveness resides in the shape and configuration of the plinth illustrated in the accompanying drawings.**



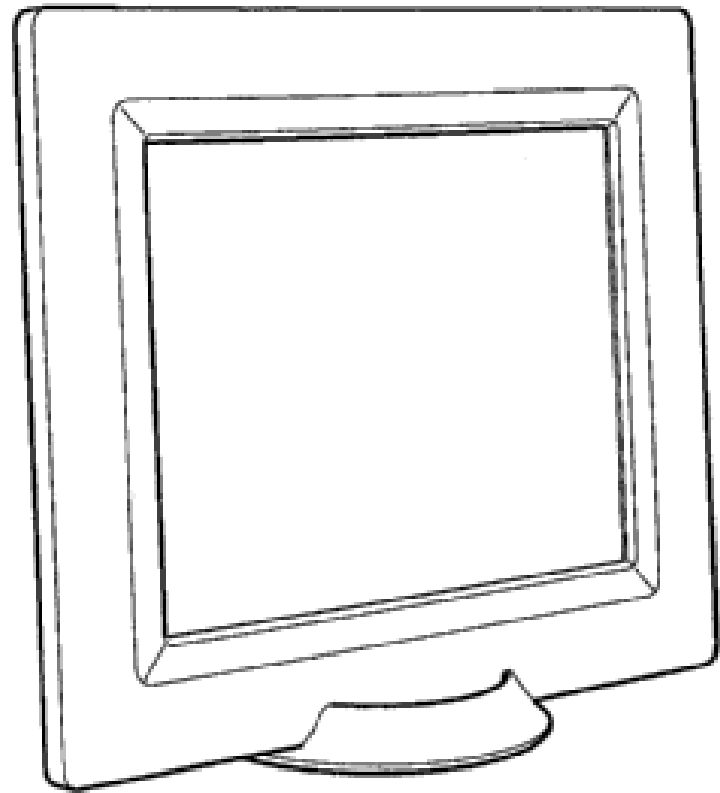
- (21) Design Number: **10731/2008**
(22) Date of Filing Application: **18 February 2008**
(24) Date from which industrial property rights may have effect: **18 February 2008**
(54) Product in respect of which the design is registered: **Device for displaying uv information**
(51) International Design Classification: **10-04**
(71) Name(s) and Address(s) of Applicant(s):
Comercial Teccia S.A.
Av. Luis Thayer Ojeda 157 Of. 309 Providencia Santiago Chile
(72) Name(s) of Designer(s): **Christian Gonzalez Arellano**
(45) Registration Date: **16 June 2008**
(30) Convention priority data:
(31) Number (32) Date (33) Country
CL 17 Aug 2007 CHILE
2401-2007
(56) Related Art Documents: **Not Applicable**
(57) Statement of Newness and Distinctiveness: **The newness and distinctiveness of the design resides in the shape and/or configuration of the device for displaying uv information shown in the representations.**



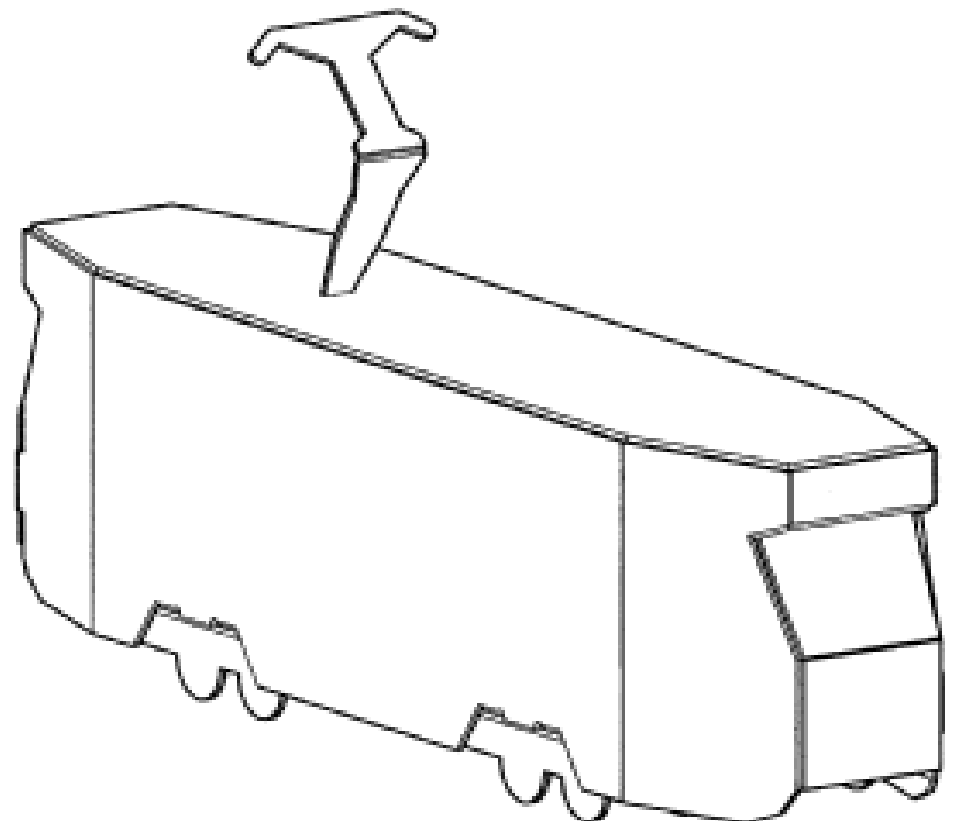
- (21) Design Number: **11032/2008**
(22) Date of Filing Application: **03 March 2008**
(24) Date from which industrial property rights may have effect: **03 March 2008**
(54) Product in respect of which the design is registered: **Digital photo frame**
(51) International Design Classification: **06-07, 14-01**
(71) Name(s) and Address(s) of Applicant(s):
Koninklijke Philips Electronics N.V.
Groenewoudseweg 1 5621 BA Eindhoven The Netherlands
(72) Name(s) of Designer(s): **Holger Hoehn**
(45) Registration Date: **16 June 2008**
(30) Convention priority data:
(31) Number (32) Date (33) Country
000790670-0001 17 Sep 2007 EUROPEAN COMMUNITY
(56) Related Art Documents: **Not Applicable**
(57) Statement of Newness and Distinctiveness: **Newness and distinctiveness reside in the features of the design as shown in the representations.**



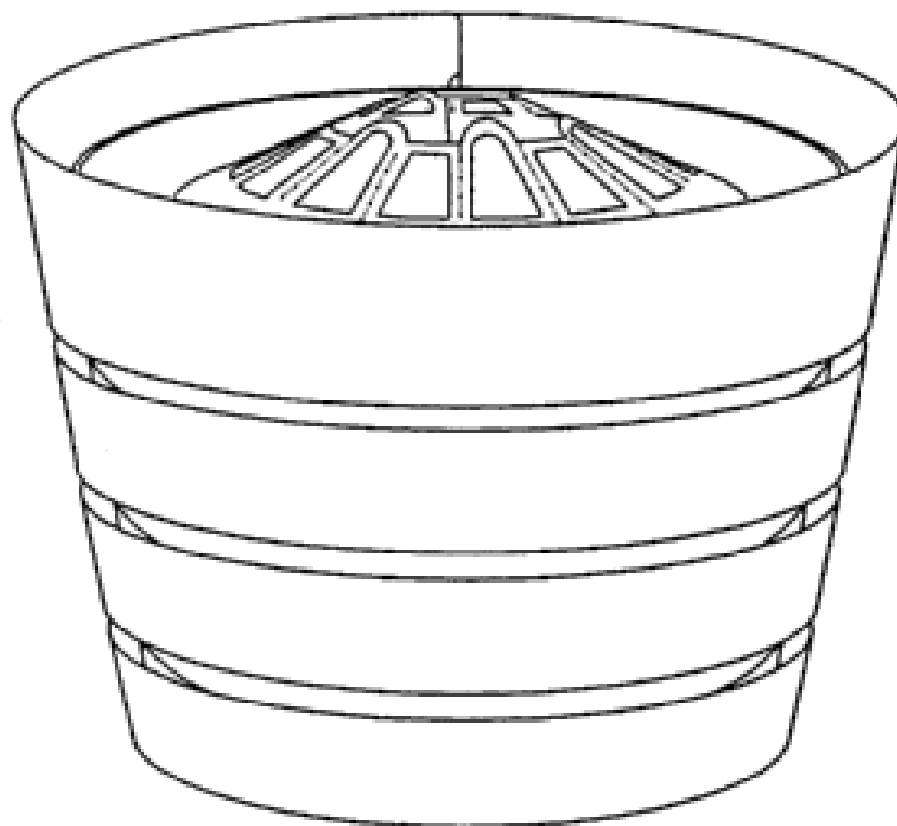
- (21) Design Number: **11033/2008**
(22) Date of Filing Application: **03 March 2008**
(24) Date from which industrial property rights may have effect: **03 March 2008**
(54) Product in respect of which the design is registered: **Digital photo frame**
(51) International Design Classification: **06-07, 14-01**
(71) Name(s) and Address(s) of Applicant(s):
Koninklijke Philips Electronics N.V.
Groenewoudseweg 1 5621 BA Eindhoven The Netherlands
(72) Name(s) of Designer(s): **Holger Hoehn**
(45) Registration Date: **16 June 2008**
(30) Convention priority data:
(31) Number (32) Date (33) Country
000790670-0002 17 Sep 2007 EUROPEAN COMMUNITY
(56) Related Art Documents: **Not Applicable**
(57) Statement of Newness and Distinctiveness: **Newness and distinctiveness reside in the features of the design as shown in the representations.**



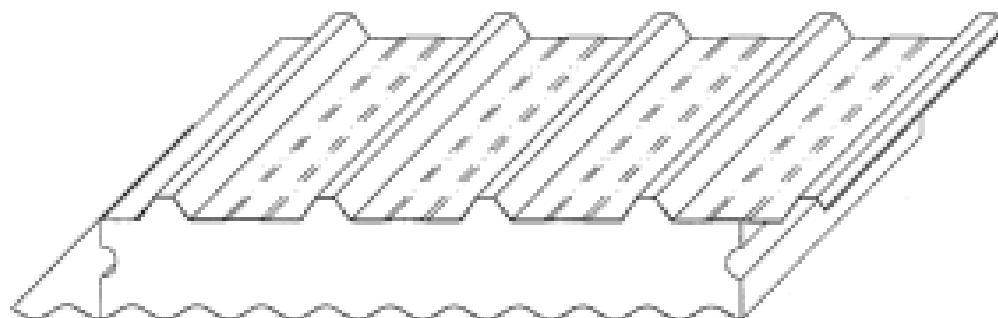
- (21) Design Number: **11035/2008**
(22) Date of Filing Application: **03 March 2008**
(24) Date from which industrial property rights may have effect: **03 March 2008**
(54) Product in respect of which the design is registered: **Figurine**
(51) International Design Classification: **21-01D, 11-02NES**
(71) Name(s) and Address(s) of Applicant(s):
Stuart Parry
PO Box 2273 Richmond Victoria 3121 Australia
(72) Name(s) of Designer(s): **Stuart Parry**
(45) Registration Date: **16 June 2008**
(56) Related Art Documents: **Not Applicable**
(57) Statement of Newness and Distinctiveness: **Nil**



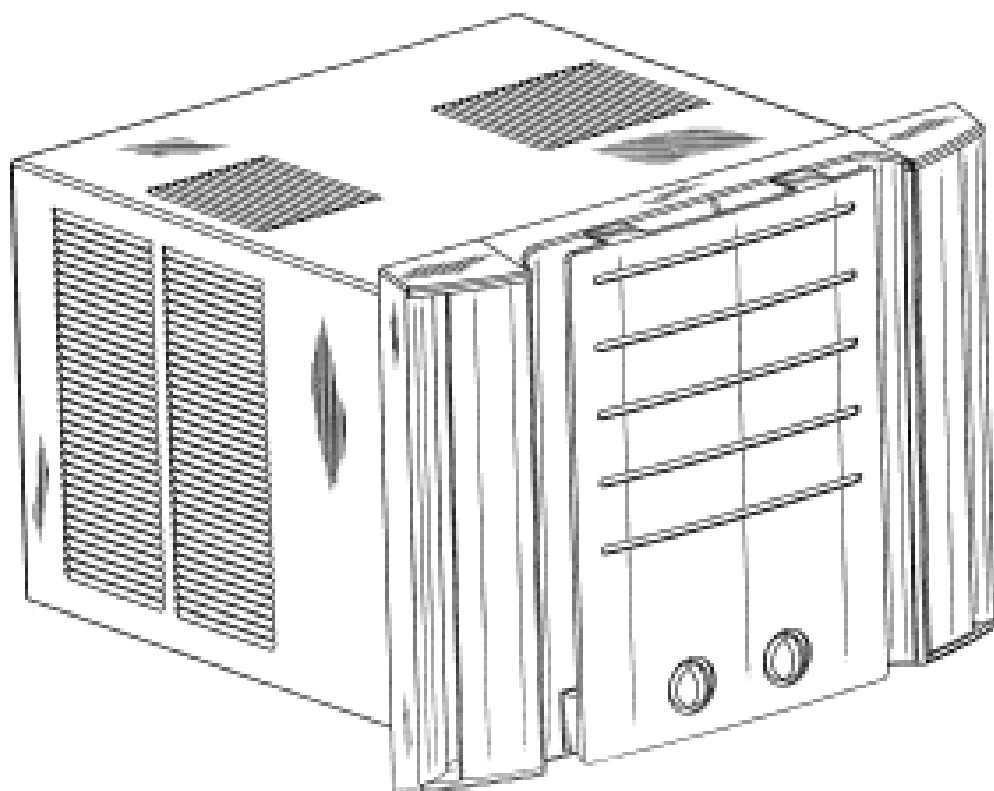
(21) Design Number: **11036/2008**
(22) Date of Filing Application: **03 March 2008**
(24) Date from which industrial property rights may have effect: **03 March 2008**
(54) Product in respect of which the design is registered: **Lamp**
(51) International Design Classification: **26-05D**
(71) Name(s) and Address(s) of Applicant(s):
Megara (Australia) Pty Ltd
908-920 Mountain Highway Bayswater Victoria 3153 Australia
(72) Name(s) of Designer(s): **Zita Ruth Watkin**
(45) Registration Date: **16 June 2008**
(56) Related Art Documents: **Not Applicable**
(57) Statement of Newness and Distinctiveness: **Nil**



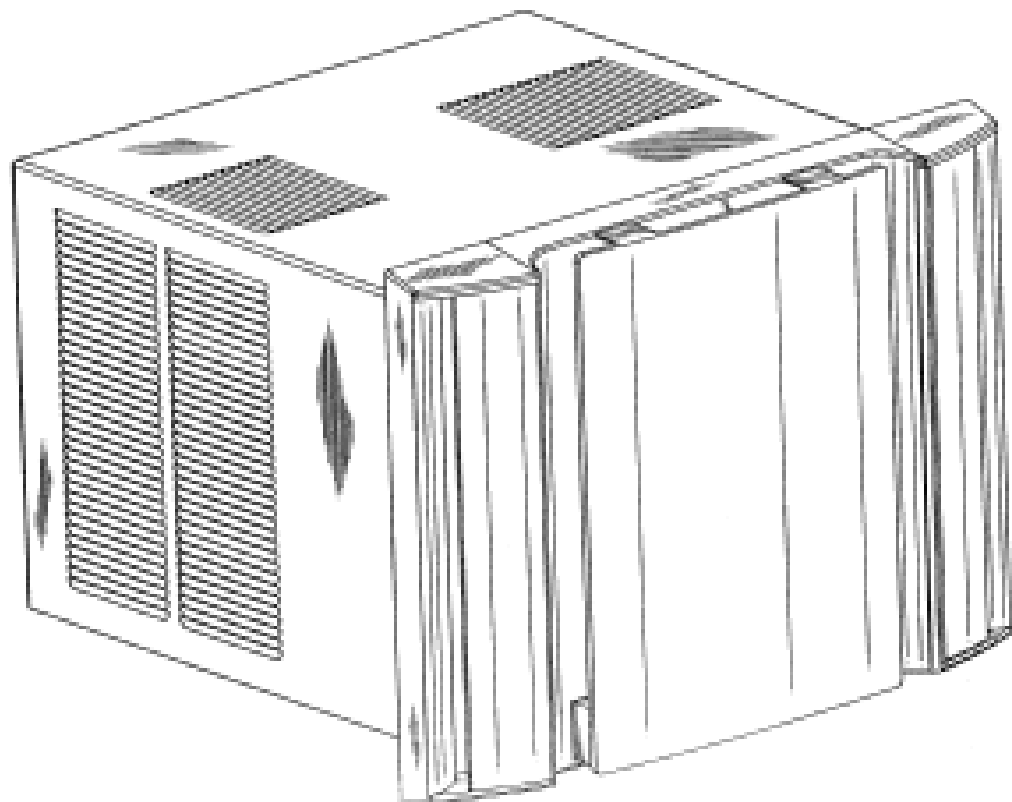
(21) Design Number: **11037/2008**
(22) Date of Filing Application: **03 March 2008**
(24) Date from which industrial property rights may have effect: **03 March 2008**
(54) Product in respect of which the design is registered: **Roof panel**
(51) International Design Classification: **25-01G**
(71) Name(s) and Address(s) of Applicant(s):
Building Solutions Pty Ltd
19 Lower Mill Road Cooroy Queensland 4563 Australia
(72) Name(s) of Designer(s): **Peter Kelly**
(45) Registration Date: **16 June 2008**
(56) Related Art Documents: **Not Applicable**
(57) Statement of Newness and Distinctiveness: **Nil**



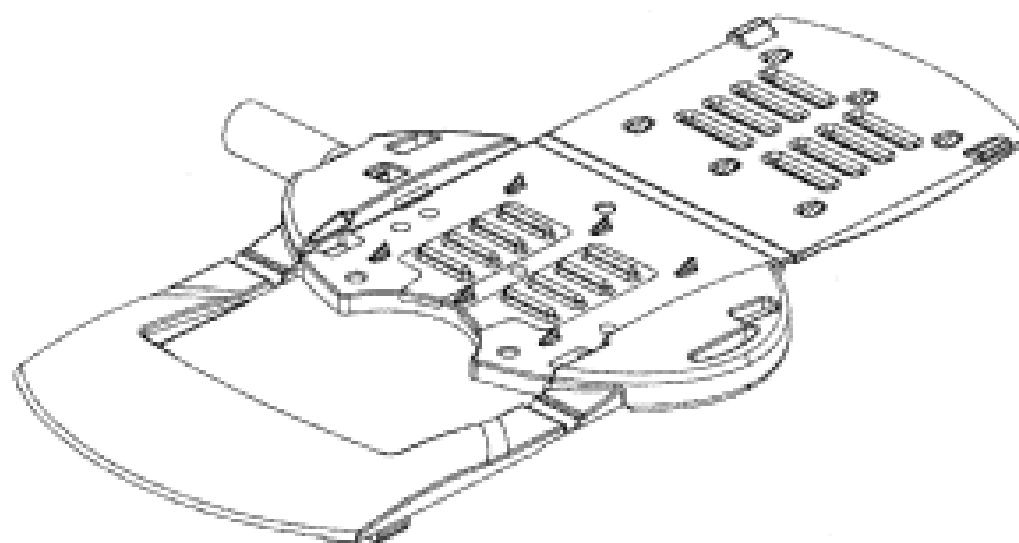
- (21) Design Number: **11203/2008**
(22) Date of Filing Application: **13 March 2008**
(24) Date from which industrial property rights may have effect: **13 March 2008**
(54) Product in respect of which the design is registered: **Air conditioning unit**
(51) International Design Classification: **23-04**
(71) Name(s) and Address(s) of Applicant(s):
Carrier Corporation
One Carrier Place Farmington CT 06034 United States of America
(72) Name(s) of Designer(s): **Rafael Schabbach and Luciano Da Luz Moraes and Regis Silva and Carlos Afonso Tesche and Paulo Augusto Lisboa Ramos**
(45) Registration Date: **16 June 2008**
(30) Convention priority data:
(31) Number (32) Date (33) Country
DI6702775-0 18 Sep 2007 BRAZIL
(56) Related Art Documents: **Not Applicable**
(57) Statement of Newness and Distinctiveness: **Novelty in the design resides only in the front panel of the air conditioning unit shown in the representations.**



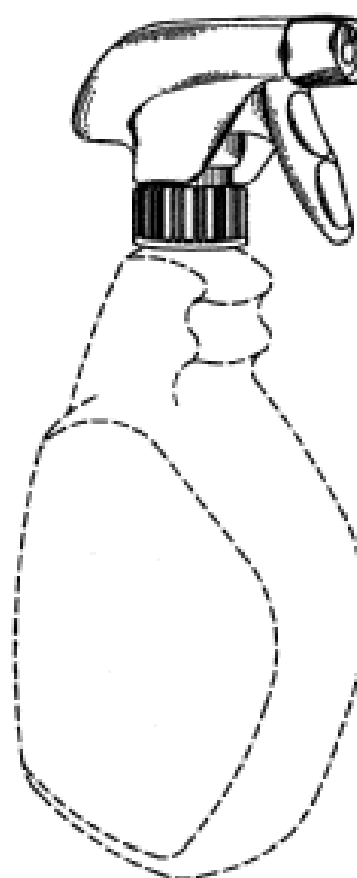
- (21) Design Number: **11204/2008**
(22) Date of Filing Application: **13 March 2008**
(24) Date from which industrial property rights may have effect: **13 March 2008**
(54) Product in respect of which the design is registered: **Air conditioning unit**
(51) International Design Classification: **23-04**
(71) Name(s) and Address(s) of Applicant(s):
Carrier Corporation
One Carrier Place Farmington CT 06034 United States of America
(72) Name(s) of Designer(s): **Rafael Schabbach and Luciano Da Luz Moraes and Regis Silva and Carlos Afonso Tesche and Paulo Augusto Lisboa Ramos**
(45) Registration Date: **16 June 2008**
(30) Convention priority data:
(31) Number (32) Date (33) Country
DI6702775-0 18 Sep 2007 BRAZIL
(56) Related Art Documents: **Not Applicable**
(57) Statement of Newness and Distinctiveness: **Novelty in the design resides only in the front panel of the air conditioning unit shown in the representations.**



- (21) Design Number: **11447/2008**
(22) Date of Filing Application: **26 March 2008**
(24) Date from which industrial property rights may have effect: **26 March 2008**
(54) Product in respect of which the design is registered: **A clip fastener**
(51) International Design Classification: **08-08C**
(71) Name(s) and Address(s) of Applicant(s):
Robin Whalley
PO Box 569 Nelson New Zealand
Paul Donald Le Gros
PO Box 569 Nelson New Zealand
(72) Name(s) of Designer(s): **Anthony Edward Page**
(45) Registration Date: **16 June 2008**
(30) Convention priority data:
(31) Number (32) Date (33) Country
410115 03 Dec 2007 NEW ZEALAND
(56) Related Art Documents: **Not Applicable**
(57) Statement of Newness and Distinctiveness: **Novelty is claimed in the shape and configuration of a clip fastener as shown in the accompanying representations.**

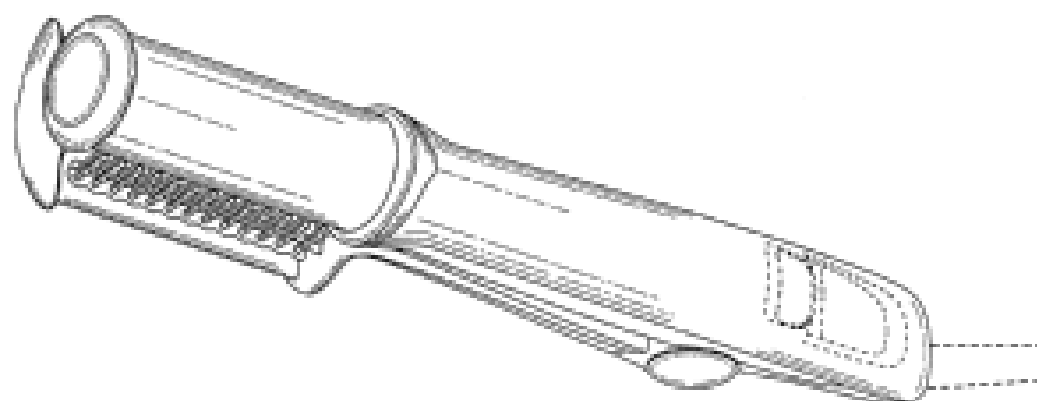


- (21) Design Number: **11971/2008**
(22) Date of Filing Application: **29 April 2008**
(24) Date from which industrial property rights may have effect: **29 April 2008**
(54) Product in respect of which the design is registered: **Dispensing pump head**
(51) International Design Classification: **09-07A**
(71) Name(s) and Address(s) of Applicant(s):
Reckitt Benckiser Inc.
Morris Corporate Center IV 399 Interpace Parkway Parsippany New Jersey 07054 United States of America
(72) Name(s) of Designer(s): **Alex Cantoni and Mario Alexander Turchi**
(45) Registration Date: **13 June 2008**
(30) Convention priority data:
(31) Number (32) Date (33) Country
000835319-0001 30 Nov 2007 EUROPEAN COMMUNITY
(56) Related Art Documents: **Not Applicable**
(57) Statement of Newness and Distinctiveness: **Newness and distinctiveness reside in the features of the design shown in solid lines in the representations excluding those features shown in broken lines.**

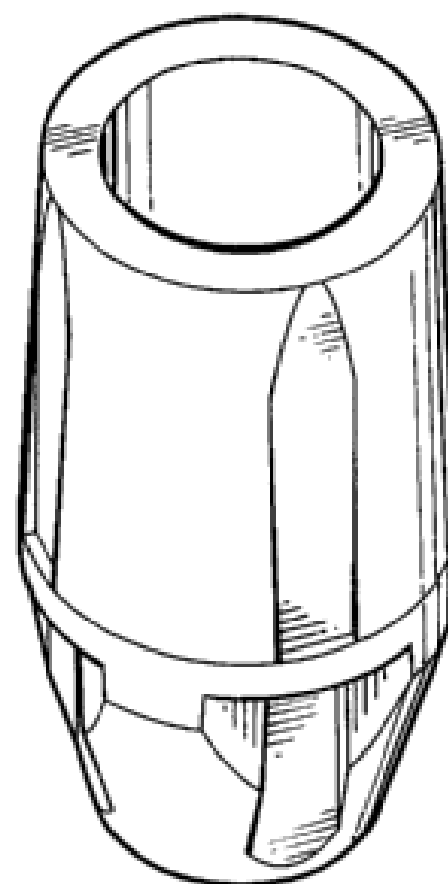


- (21) Design Number: **11972/2008**
- (22) Date of Filing Application: **29 April 2008**
- (24) Date from which industrial property rights may have effect: **29 April 2008**
- (54) Product in respect of which the design is registered: **Brush with rotatable cylinder**
- (51) International Design Classification: **28-03B**
- (71) Name(s) and Address(s) of Applicant(s):
M.M. & R. Products, Inc.
5010 North Parkway Calabasas Suite 205 Calabasas California 91302
United States of America
- (72) Name(s) of Designer(s): **Michael A. Ragosta and Bruno Meglio and Claudio Marino and Dave Richmond and James Christopher Kraus and Jeffery Scott Kunkler**
- (45) Registration Date: **13 June 2008**
- (30) Convention priority data:

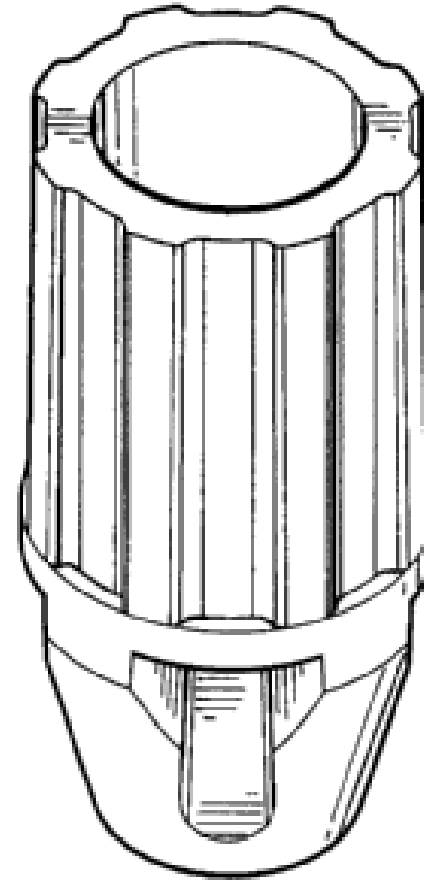
(31) Number	(32) Date	(33) Country
29/303610	12 Feb 2008	UNITED STATES OF AMERICA
- (56) Related Art Documents: **Not Applicable**
- (57) Statement of Newness and Distinctiveness: **Newness and distinctiveness reside in the features of the design shown in solid lines in the representations excluding those features shown in broken lines.**



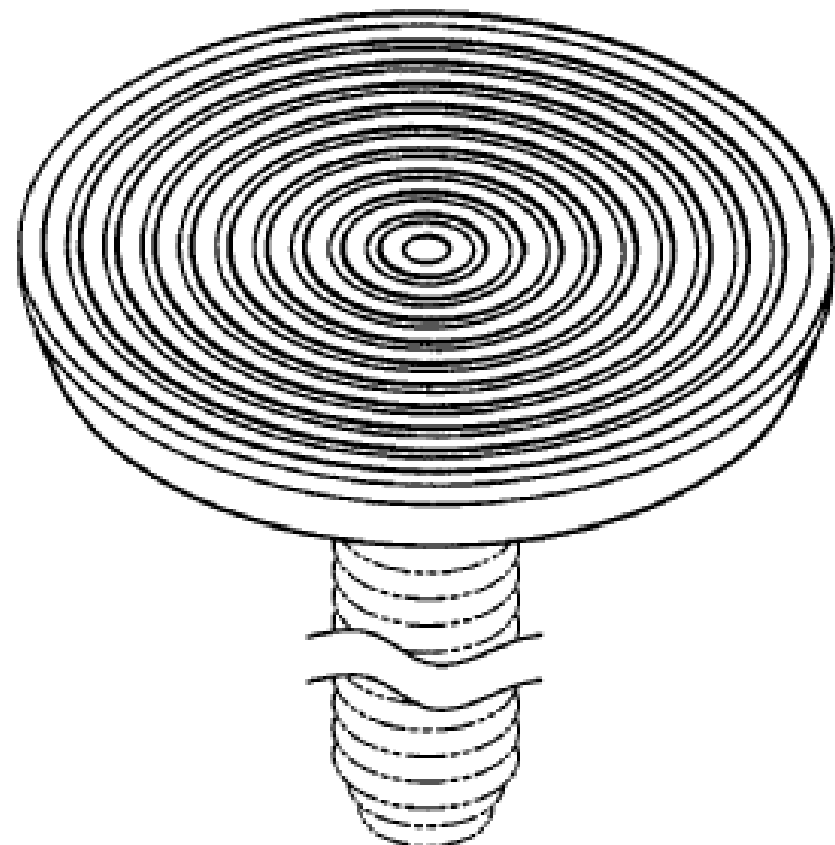
- (21) Design Number: **12349/2008**
- (22) Date of Filing Application: **16 May 2008**
- (24) Date from which industrial property rights may have effect: **16 May 2008**
- (54) Product in respect of which the design is registered: **Mounting plug**
- (51) International Design Classification: **08-08NES**
- (71) Name(s) and Address(s) of Applicant(s):
DECE Holdings Pty Ltd
Unit 4/1-7 Friars Road Moorabbin Victoria 3189 Australia
- (72) Name(s) of Designer(s): **Dean Alexander Homicki**
- (45) Registration Date: **13 June 2008**
- (56) Related Art Documents: **Not Applicable**
- (57) Statement of Newness and Distinctiveness: **Newness and distinctiveness resides in the features of shape and/or configuration of a mounting plug as shown in the accompanying representations.**



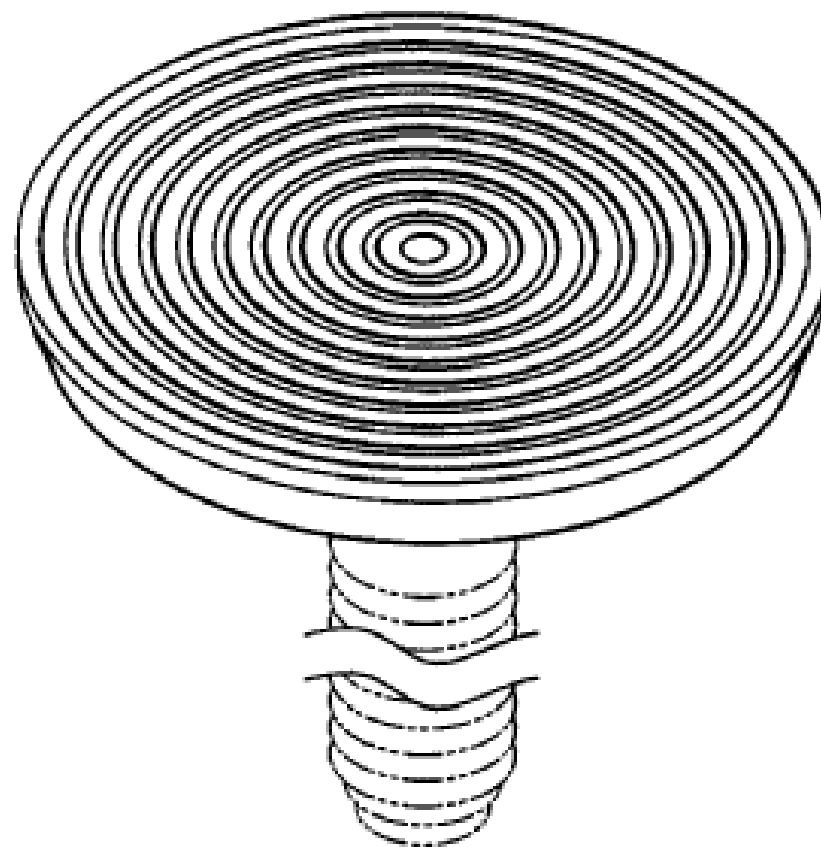
- (21) Design Number: **12350/2008**
- (22) Date of Filing Application: **16 May 2008**
- (24) Date from which industrial property rights may have effect: **16 May 2008**
- (54) Product in respect of which the design is registered: **Mounting plug**
- (51) International Design Classification: **08-08NES**
- (71) Name(s) and Address(s) of Applicant(s):
DECE Holdings Pty Ltd
Unit 4/1-7 Friars Road Moorabbin Victoria 3189 Australia
- (72) Name(s) of Designer(s): **Dean Alexander Homicki**
- (45) Registration Date: **13 June 2008**
- (56) Related Art Documents: **Not Applicable**
- (57) Statement of Newness and Distinctiveness: **Newness and distinctiveness resides in the features of shape and/or configuration of a mounting plug as shown in the accompanying representations.**



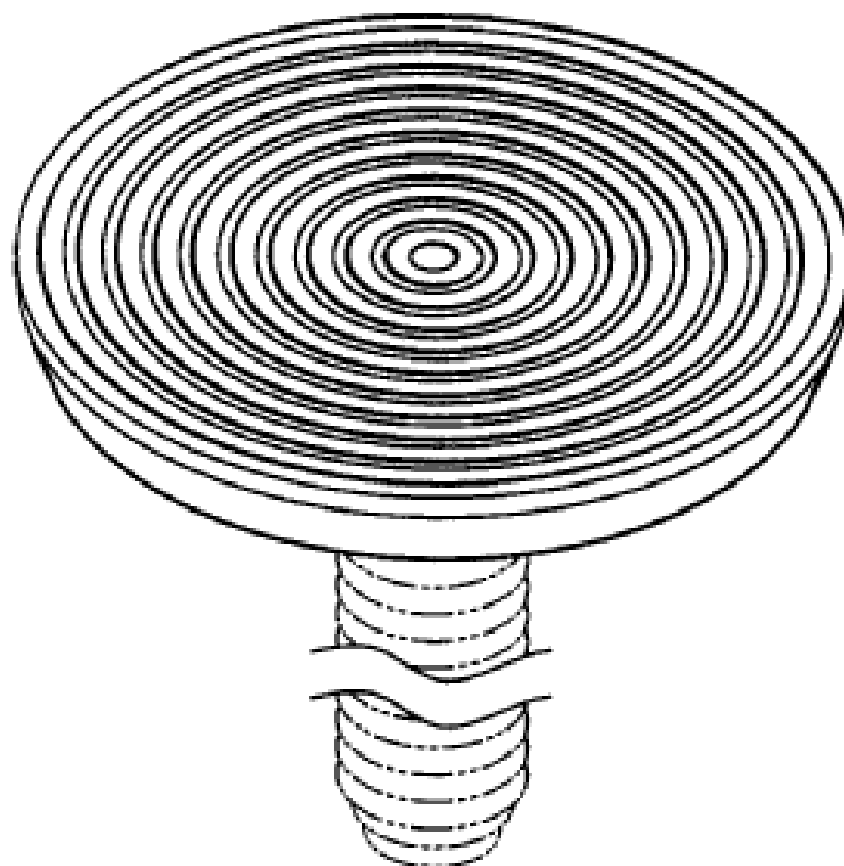
- (21) Design Number: **12351/2008**
- (22) Date of Filing Application: **16 May 2008**
- (24) Date from which industrial property rights may have effect: **16 May 2008**
- (54) Product in respect of which the design is registered: **Pin portion of a tactile indicator**
- (51) International Design Classification: **08-08B, 08-08NES, 10-06, 25-02NES**
- (71) Name(s) and Address(s) of Applicant(s):
DECE Holdings Pty Ltd
Unit 4/1-7 Friars Road Moorabbin Victoria 3189 Australia
- (72) Name(s) of Designer(s): **Dean Alexander Homicki**
- (45) Registration Date: **13 June 2008**
- (56) Related Art Documents: **Not Applicable**
- (57) Statement of Newness and Distinctiveness: **Newness and distinctiveness resides in the features of shape and/or configuration of a pin portion of a tactile indicator as shown in solid lines in the accompanying representations. The shaft of the pin portion being of indefinite length.**



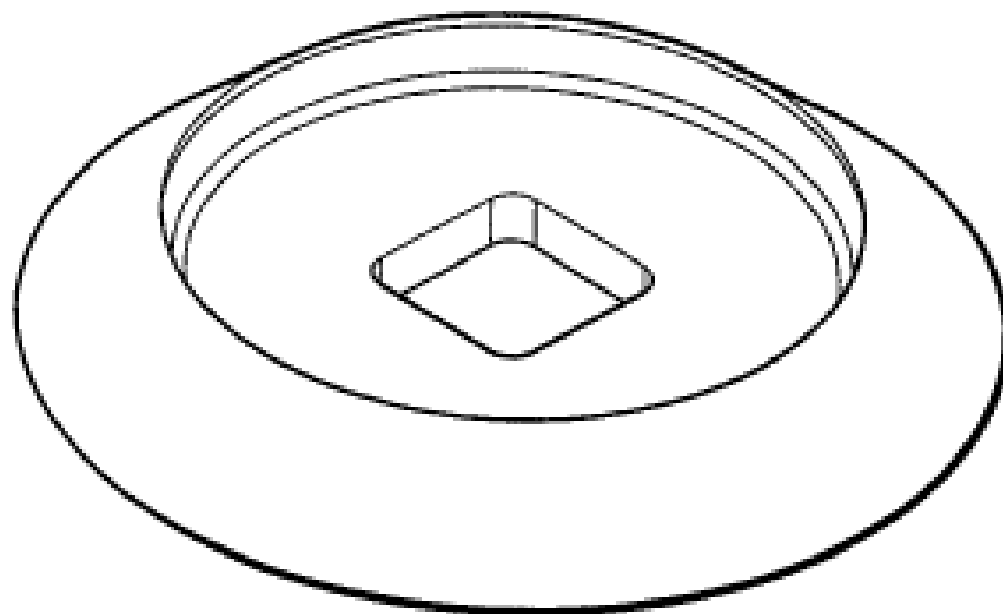
- (21) Design Number: **12352/2008**
- (22) Date of Filing Application: **16 May 2008**
- (24) Date from which industrial property rights may have effect: **16 May 2008**
- (54) Product in respect of which the design is registered: **Pin portion of a tactile indicator**
- (51) International Design Classification: **08-08B, 08-08NES, 10-06, 25-02NES**
- (71) Name(s) and Address(s) of Applicant(s):
DECE Holdings Pty Ltd
Unit 4/1-7 Friars Road Moorabbin Victoria 3189 Australia
- (72) Name(s) of Designer(s): **Dean Alexander Homicki**
- (45) Registration Date: **13 June 2008**
- (56) Related Art Documents: **Not Applicable**
- (57) Statement of Newness and Distinctiveness: **Newness and distinctiveness resides in the features of shape and/or configuration of a pin portion of a tactile indicator as shown in solid lines in the accompanying representations. The shaft of the pin portion being of indefinite length.**



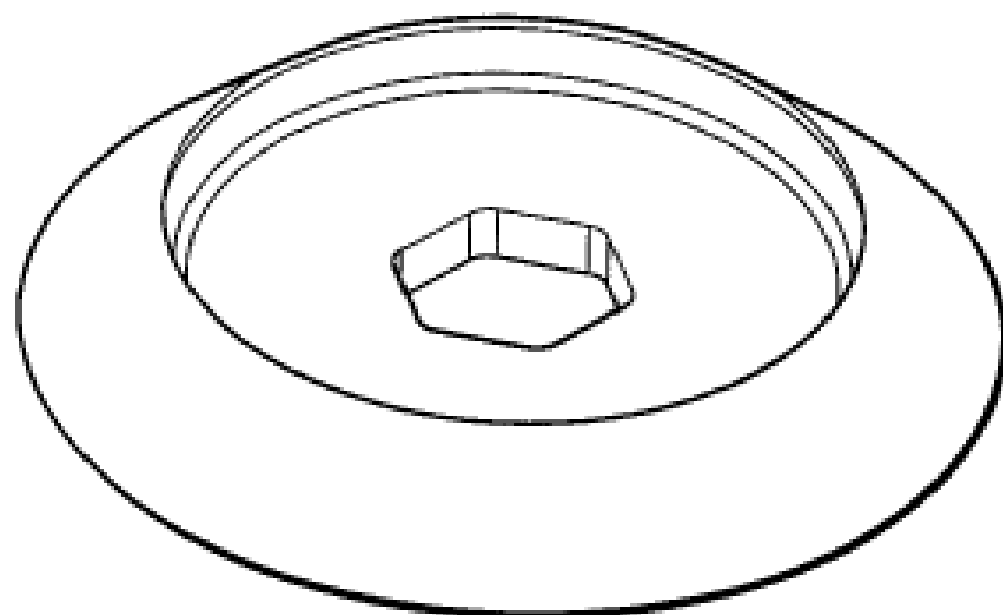
- (21) Design Number: **12353/2008**
- (22) Date of Filing Application: **16 May 2008**
- (24) Date from which industrial property rights may have effect: **16 May 2008**
- (54) Product in respect of which the design is registered: **Pin portion of a tactile indicator**
- (51) International Design Classification: **08-08B, 08-08NES, 10-06, 25-02NES**
- (71) Name(s) and Address(s) of Applicant(s):
DECE Holdings Pty Ltd
Unit 4/1-7 Friars Road Moorabbin Victoria 3189 Australia
- (72) Name(s) of Designer(s): **Dean Alexander Homicki**
- (45) Registration Date: **13 June 2008**
- (56) Related Art Documents: **Not Applicable**
- (57) Statement of Newness and Distinctiveness: **Newness and distinctiveness resides in the features of shape and/or configuration of a pin portion of a tactile indicator as shown in solid lines in the accompanying representations. The shaft of the pin portion being of indefinite length.**



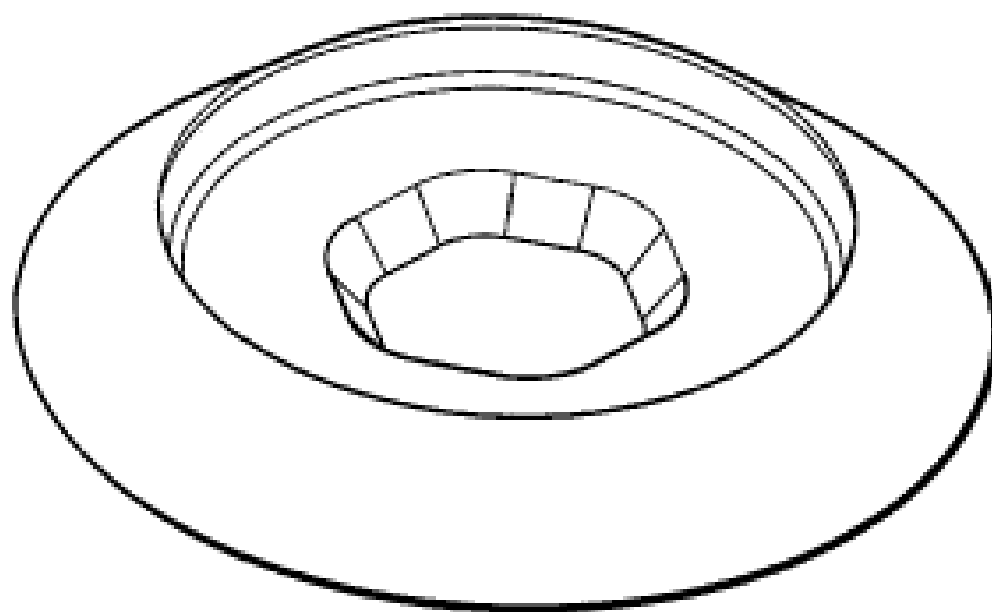
- (21) Design Number: **12354/2008**
(22) Date of Filing Application: **16 May 2008**
(24) Date from which industrial property rights may have effect: **16 May 2008**
(54) Product in respect of which the design is registered: **Cap portion of a tactile indicator**
(51) International Design Classification: **08-08B, 10-06, 25-02NES**
(71) Name(s) and Address(s) of Applicant(s):
DECE Holdings Pty Ltd
Unit 4/1-7 Friars Road Moorabbin Victoria 3189 Australia
(72) Name(s) of Designer(s): **Dean Alexander Homicki**
(45) Registration Date: **13 June 2008**
(56) Related Art Documents: **Not Applicable**
(57) Statement of Newness and Distinctiveness: **Newness and distinctiveness resides in the features of shape and/or configuration of a cap portion of a tactile indicator as shown in the accompanying representations.**



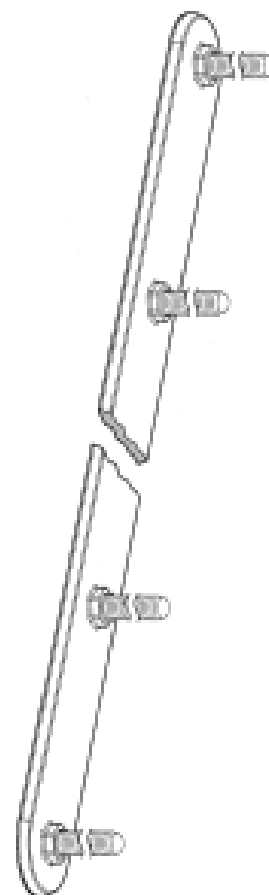
- (21) Design Number: **12355/2008**
(22) Date of Filing Application: **16 May 2008**
(24) Date from which industrial property rights may have effect: **16 May 2008**
(54) Product in respect of which the design is registered: **Cap portion of a tactile indicator**
(51) International Design Classification: **08-08B, 10-06, 25-02NES**
(71) Name(s) and Address(s) of Applicant(s):
DECE Holdings Pty Ltd
Unit 4/1-7 Friars Road Moorabbin Victoria 3189 Australia
(72) Name(s) of Designer(s): **Dean Alexander Homicki**
(45) Registration Date: **13 June 2008**
(56) Related Art Documents: **Not Applicable**
(57) Statement of Newness and Distinctiveness: **Newness and distinctiveness resides in the features of shape and/or configuration of a cap portion of a tactile indicator as shown in the accompanying representations.**



- (21) Design Number: **12356/2008**
(22) Date of Filing Application: **16 May 2008**
(24) Date from which industrial property rights may have effect: **16 May 2008**
(54) Product in respect of which the design is registered: **Cap portion of a tactile indicator**
(51) International Design Classification: **08-08B, 10-06, 25-02NES**
(71) Name(s) and Address(s) of Applicant(s):
DECE Holdings Pty Ltd
Unit 4/1-7 Friars Road Moorabbin Victoria 3189 Australia
(72) Name(s) of Designer(s): **Dean Alexander Homicki**
(45) Registration Date: **13 June 2008**
(56) Related Art Documents: **Not Applicable**
(57) Statement of Newness and Distinctiveness: **Newness and distinctiveness resides in the features of shape and/or configuration of a cap portion of a tactile indicator as shown in the accompanying representations.**



- (21) Design Number: **12358/2008**
(22) Date of Filing Application: **16 May 2008**
(24) Date from which industrial property rights may have effect: **16 May 2008**
(54) Product in respect of which the design is registered: **Pin portion of a tactile indicator strip**
(51) International Design Classification: **08-08B, 08-08NES, 10-06, 25-02NES**
(71) Name(s) and Address(s) of Applicant(s):
DECE Holdings Pty Ltd
Unit 4/1-7 Friars Road Moorabbin Victoria 3189 Australia
(72) Name(s) of Designer(s): **Dean Alexander Homicki**
(45) Registration Date: **13 June 2008**
(56) Related Art Documents: **Not Applicable**
(57) Statement of Newness and Distinctiveness: **Newness and distinctiveness resides in the features of shape and/or configuration of a pin portion of a tactile indicator strip of indefinite length as shown in solid lines in the accompanying representations. The shafts of the pin portion being of indefinite length.**



(21) Design Number: 12360/2008

(22) Date of Filing Application: 16 May 2008

(24) Date from which industrial property rights may have effect: 16 May 2008

(54) Product in respect of which the design is registered: **Pin portion of a tactile indicator strip**

(51) International Design Classification: 08-08B, 08-08NES, 10-06, 25-02NES

(71) Name(s) and Address(s) of Applicant(s):

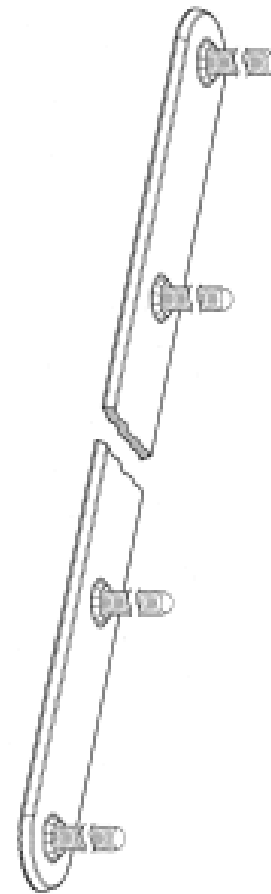
DECE Holdings Pty Ltd
Unit 4/1-7 Friars Road Moorabbin Victoria 3189 Australia

(72) Name(s) of Designer(s): **Dean Alexander Homicki**

(45) Registration Date: 13 June 2008

(56) Related Art Documents: **Not Applicable**

(57) Statement of Newness and Distinctiveness: **Newness and distinctiveness resides in the features of shape and/or configuration of a pin portion of a tactile indicator strip of indefinite length as shown in solid lines in the accompanying representations. The shafts of the pin portion being of indefinite length.**



(21) Design Number: 12361/2008

(22) Date of Filing Application: 16 May 2008

(24) Date from which industrial property rights may have effect: 16 May 2008

(54) Product in respect of which the design is registered: **Cap portion of a tactile indicator strip**

(51) International Design Classification: 08-08B, 10-06, 25-02NES

(71) Name(s) and Address(s) of Applicant(s):

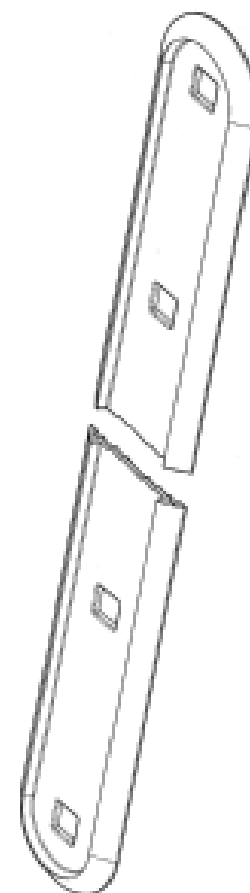
DECE Holdings Pty Ltd
Unit 4/1-7 Friars Road Moorabbin Victoria 3189 Australia

(72) Name(s) of Designer(s): **Dean Alexander Homicki**

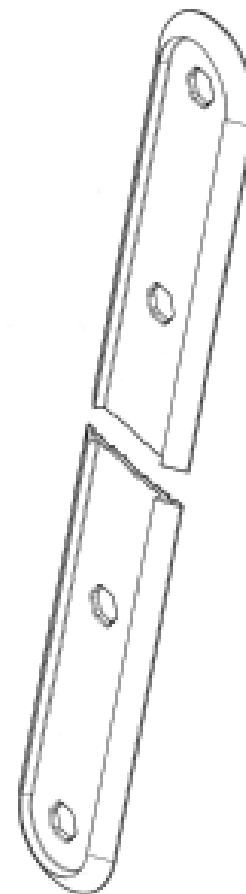
(45) Registration Date: 13 June 2008

(56) Related Art Documents: **Not Applicable**

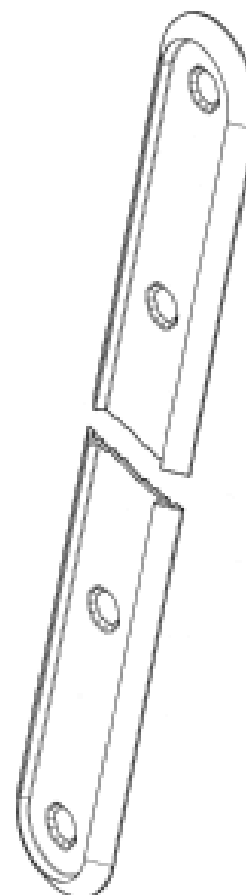
(57) Statement of Newness and Distinctiveness: **Newness and distinctiveness resides in the features of shape and/or configuration of a cap portion of a tactile indicator strip of indefinite length as shown in the accompanying representations.**



- (21) Design Number: **12362/2008**
(22) Date of Filing Application: **16 May 2008**
(24) Date from which industrial property rights may have effect: **16 May 2008**
(54) Product in respect of which the design is registered: **Cap portion of a tactile indicator strip**
(51) International Design Classification: **08-08B, 10-06, 25-02NES**
(71) Name(s) and Address(s) of Applicant(s):
DECE Holdings Pty Ltd
Unit 4/1-7 Friars Road Moorabbin Victoria 3189 Australia
(72) Name(s) of Designer(s): **Dean Alexander Homicki**
(45) Registration Date: **13 June 2008**
(56) Related Art Documents: **Not Applicable**
(57) Statement of Newness and Distinctiveness: **Newness and distinctiveness resides in the features of shape and/or configuration of a cap portion of a tactile indicator strip of indefinite length as shown in the accompanying representations.**



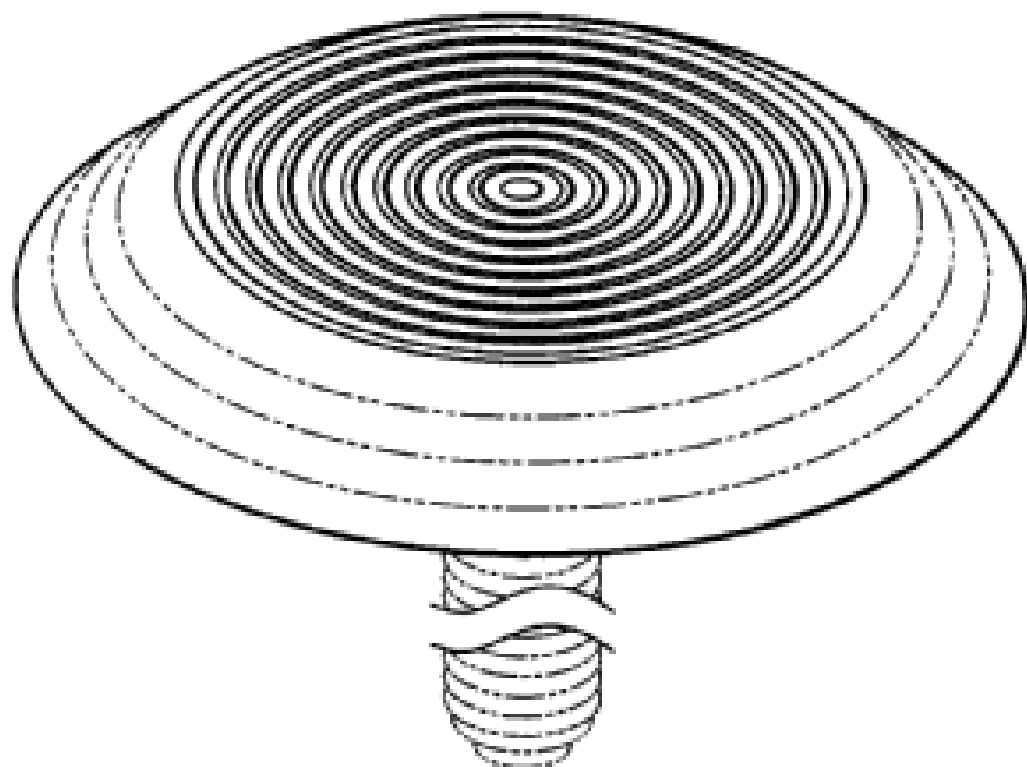
- (21) Design Number: **12363/2008**
(22) Date of Filing Application: **16 May 2008**
(24) Date from which industrial property rights may have effect: **16 May 2008**
(54) Product in respect of which the design is registered: **Cap portion of a tactile indicator strip**
(51) International Design Classification: **08-08B, 10-06, 25-02NES**
(71) Name(s) and Address(s) of Applicant(s):
DECE Holdings Pty Ltd
Unit 4/1-7 Friars Road Moorabbin Victoria 3189 Australia
(72) Name(s) of Designer(s): **Dean Alexander Homicki**
(45) Registration Date: **13 June 2008**
(56) Related Art Documents: **Not Applicable**
(57) Statement of Newness and Distinctiveness: **Newness and distinctiveness resides in the features of shape and/or configuration of a cap portion of a tactile indicator strip of indefinite length as shown in the accompanying representations.**



- (21) Design Number: **12364/2008**
- (22) Date of Filing Application: **16 May 2008**
- (24) Date from which industrial property rights may have effect: **16 May 2008**
- (54) Product in respect of which the design is registered: **Tactile indicator**
- (51) International Design Classification: **10-06, 25-02NES**
- (71) Name(s) and Address(s) of Applicant(s):

DECE Holdings Pty Ltd
Unit 4/1-7 Friars Road Moorabbin Victoria 3189 Australia

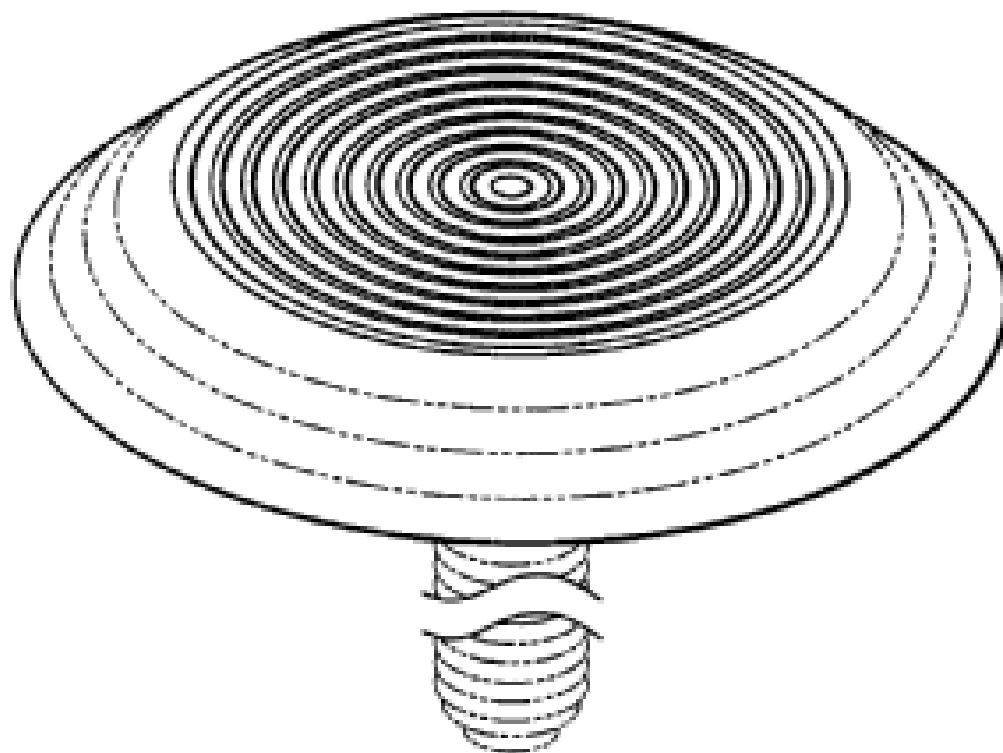
- (72) Name(s) of Designer(s): **Dean Alexander Homicki**
- (45) Registration Date: **13 June 2008**
- (56) Related Art Documents: **Not Applicable**
- (57) Statement of Newness and Distinctiveness: **Newness and distinctiveness resides in the features of shape and/or configuration of a tactile indicator as shown in solid lines in the accompanying representations. The shaft of the tactile indicator being of indefinite length.**



- (21) Design Number: **12365/2008**
- (22) Date of Filing Application: **16 May 2008**
- (24) Date from which industrial property rights may have effect: **16 May 2008**
- (54) Product in respect of which the design is registered: **Tactile indicator**
- (51) International Design Classification: **10-06, 25-02NES**
- (71) Name(s) and Address(s) of Applicant(s):

DECE Holdings Pty Ltd
Unit 4/1-7 Friars Road Moorabbin Victoria 3189 Australia

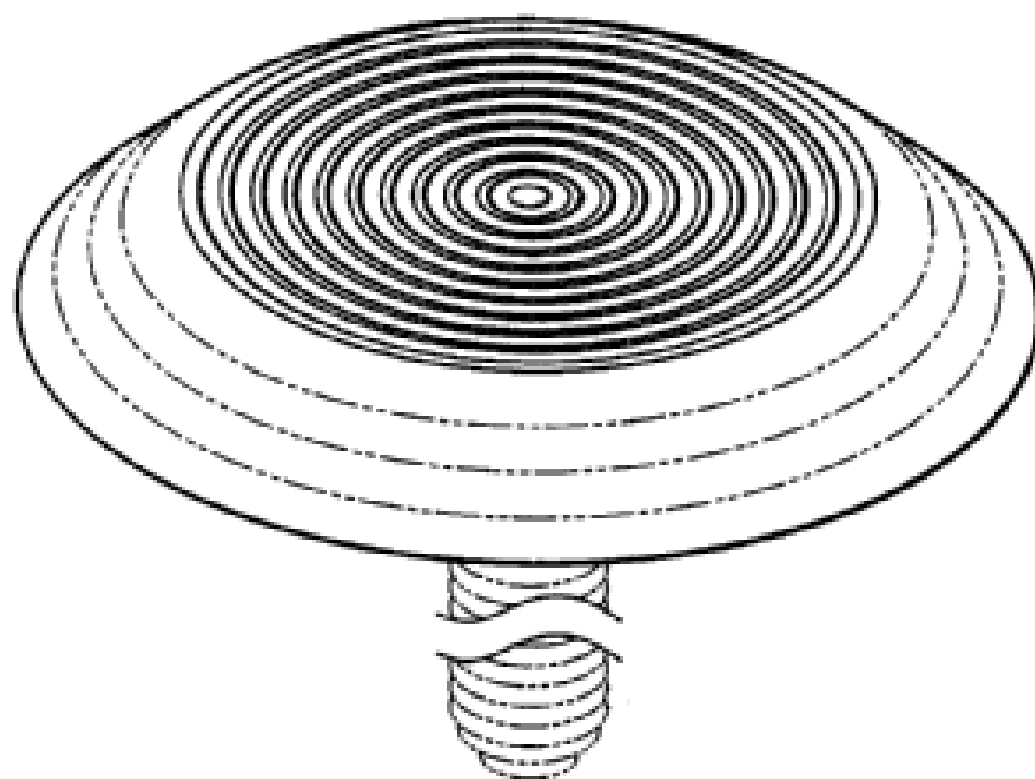
- (72) Name(s) of Designer(s): **Dean Alexander Homicki**
- (45) Registration Date: **13 June 2008**
- (56) Related Art Documents: **Not Applicable**
- (57) Statement of Newness and Distinctiveness: **Newness and distinctiveness resides in the features of shape and/or configuration of a tactile indicator as shown in solid lines in the accompanying representations. The shaft of the tactile indicator being of indefinite length.**



- (21) Design Number: **12366/2008**
- (22) Date of Filing Application: **16 May 2008**
- (24) Date from which industrial property rights may have effect: **16 May 2008**
- (54) Product in respect of which the design is registered: **Tactile indicator**
- (51) International Design Classification: **10-06, 25-02NES**
- (71) Name(s) and Address(s) of Applicant(s):

DECE Holdings Pty Ltd
Unit 4/1-7 Friars Road Moorabbin Victoria 3189 Australia

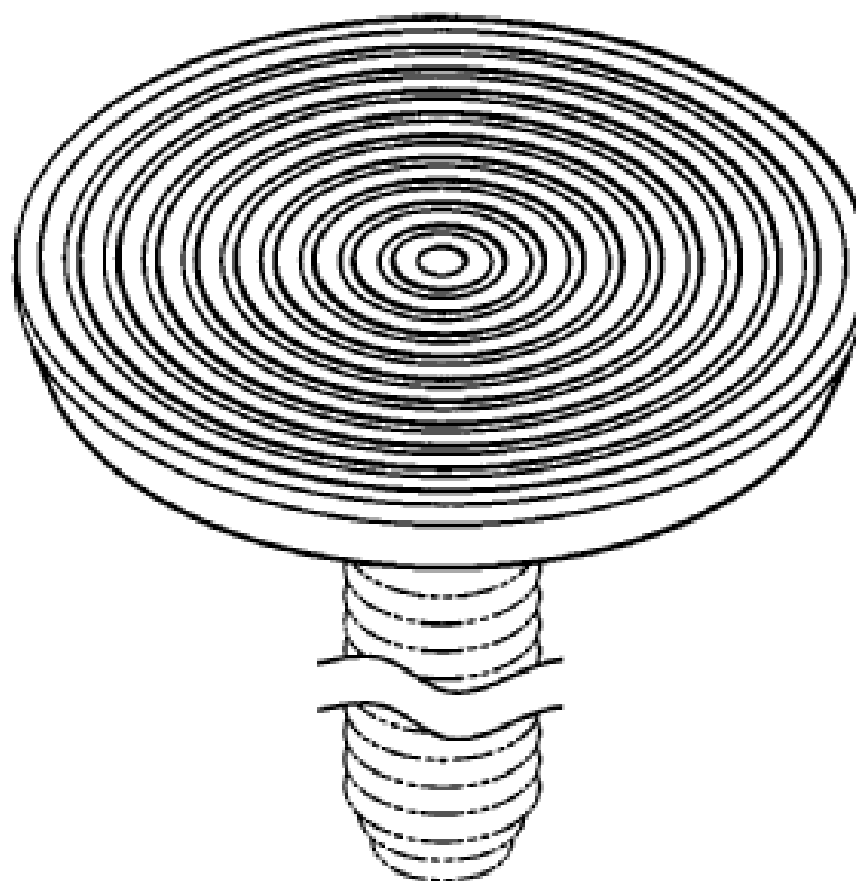
- (72) Name(s) of Designer(s): **Dean Alexander Homicki**
- (45) Registration Date: **13 June 2008**
- (56) Related Art Documents: **Not Applicable**
- (57) Statement of Newness and Distinctiveness: **Newness and distinctiveness resides in the features of shape and/or configuration of a tactile indicator as shown in solid lines in the accompanying representations. The shaft of the tactile indicator being of indefinite length.**



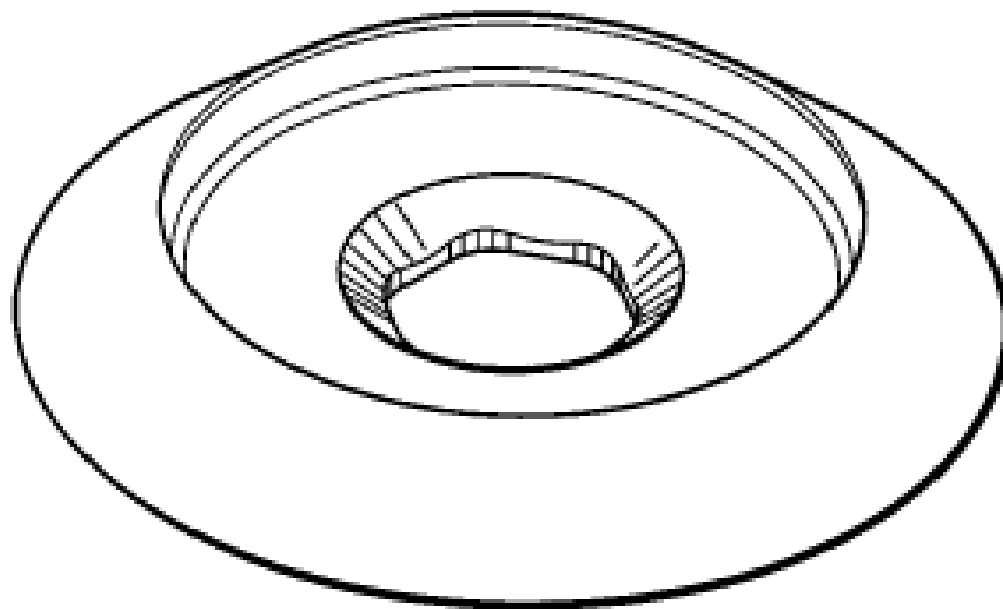
- (21) Design Number: **12367/2008**
- (22) Date of Filing Application: **16 May 2008**
- (24) Date from which industrial property rights may have effect: **16 May 2008**
- (54) Product in respect of which the design is registered: **Pin portion of a tactile indicator**
- (51) International Design Classification: **08-08B, 08-08NES, 10-06, 25-02NES**
- (71) Name(s) and Address(s) of Applicant(s):

DECE Holdings Pty Ltd
Unit 4/1-7 Friars Road Moorabbin Victoria 3189 Australia

- (72) Name(s) of Designer(s): **Dean Alexander Homicki**
- (45) Registration Date: **13 June 2008**
- (56) Related Art Documents: **Not Applicable**
- (57) Statement of Newness and Distinctiveness: **Newness and distinctiveness resides in the features of shape and/or configuration of a pin portion of a tactile indicator as shown in solid lines in the accompanying representations. The shaft of the pin portion being of indefinite length.**



- (21) Design Number: **12368/2008**
(22) Date of Filing Application: **16 May 2008**
(24) Date from which industrial property rights may have effect: **16 May 2008**
(54) Product in respect of which the design is registered: **Cap portion of a tactile indicator**
(51) International Design Classification: **08-08B, 10-06, 25-02NES**
(71) Name(s) and Address(s) of Applicant(s):
DECE Holdings Pty Ltd
Unit 4/1-7 Friars Road Moorabbin Victoria 3189 Australia
(72) Name(s) of Designer(s): **Dean Alexander Homicki**
(45) Registration Date: **13 June 2008**
(56) Related Art Documents: **Not Applicable**
(57) Statement of Newness and Distinctiveness: **Newness and distinctiveness resides in the features of shape and/or configuration of a cap portion of a tactile indicator as shown in the accompanying representations.**



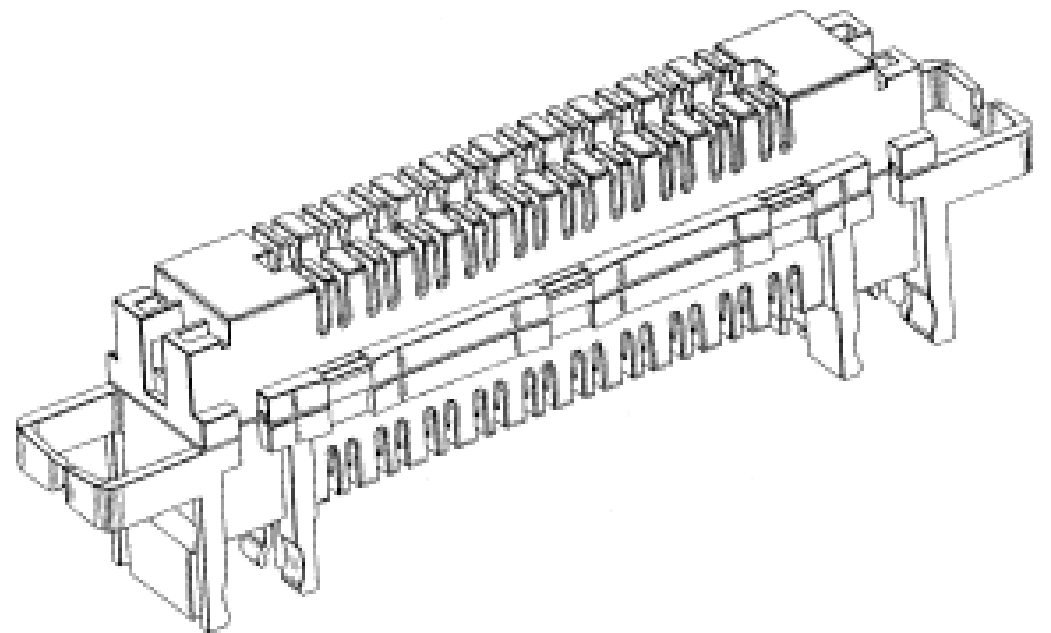
- (21) Design Number: **19861/2007**
(22) Date of Filing Application: **21 September 2007**
(24) Date from which industrial property rights may have effect: **21 September 2007**
(54) Product in respect of which the design is registered: **A dress**
(51) International Design Classification: **02-01B, 02-02C, 02-02NES**
(71) Name(s) and Address(s) of Applicant(s):
Review Australia Pty Ltd
25-31 Rokeby Street Collingwood Victoria 3066 Australia
(72) Name(s) of Designer(s): **Jayne Ellis**
(45) Registration Date: **16 June 2008**
(56) Related Art Documents: **Not Applicable**
(57) Statement of Newness and Distinctiveness: **Nil**



- (21) Design Number: **10933/2008**
(22) Date of Filing Application: **21 September 2007**
(24) Date from which industrial property rights may have effect: **21 September 2007**
(54) Product in respect of which the design is registered: **A tunic**
(51) International Design Classification: **02-02C, 02-01B, 02-02NES**
(71) Name(s) and Address(s) of Applicant(s):
Review Australia Pty Ltd
25-31 Rokeby Street Collingwood Victoria 3066 Australia
(72) Name(s) of Designer(s): **Jayne Ellis**
(45) Registration Date: **16 June 2008**
(56) Related Art Documents: **Not Applicable**
(57) Statement of Newness and Distinctiveness: **Nil**



- (21) Design Number: **20274/2007**
(22) Date of Filing Application: **16 October 2007**
(24) Date from which industrial property rights may have effect: **16 October 2007**
(54) Product in respect of which the design is registered: **Cross connect block**
(51) International Design Classification: **13-03B**
(71) Name(s) and Address(s) of Applicant(s):
ADC GmbH
Beeskowdamm 3-11 Berlin D-14167 Germany
(72) Name(s) of Designer(s): **Tam Kai Sau and Kevin Truskett and Bryce Nicholls**
(45) Registration Date: **16 June 2008**
(56) Related Art Documents: **Not Applicable**
(57) Statement of Newness and Distinctiveness: **The features of shape and configuration of the cross connect block shown in the accompanying representations are considered to be new and distinctive.**



(21) Design Number: **20689/2007**

(22) Date of Filing Application: **08 November 2007**

(24) Date from which industrial property rights may have effect: **08 November 2007**

(54) Product in respect of which the design is registered: **Combined tail light and number plate mount**

(51) International Design Classification: **12-16NES, 08-08L, 08-08NES**

(71) Name(s) and Address(s) of Applicant(s):

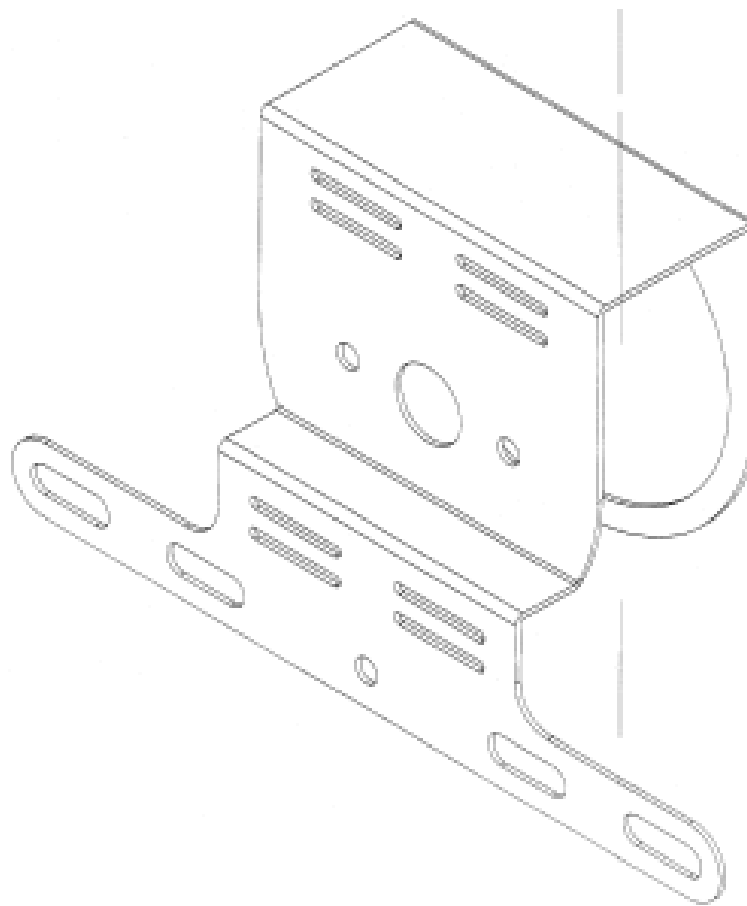
**The Bicycle Corporation Pty Ltd
9 Villa Road Springvale Victoria 3171 Australia**

(72) Name(s) of Designer(s): **David William Lugton**

(45) Registration Date: **16 June 2008**

(56) Related Art Documents: **Not Applicable**

(57) Statement of Newness and Distinctiveness: **The newness and distinctiveness of the design resides in the overall shape. Shape and features are shown in the attached illustrations.**



(21) Design Number: **21038/2007**

(22) Date of Filing Application: **28 November 2007**

(24) Date from which industrial property rights may have effect: **28 November 2007**

(54) Product in respect of which the design is registered: **A vest**

(51) International Design Classification: **02-02NES**

(71) Name(s) and Address(s) of Applicant(s):

**Review Australia Pty Ltd
25-31 Rokeby Street Collingwood Victoria 3066 Australia**

(72) Name(s) of Designer(s): **Jayne Ellis**

(45) Registration Date: **16 June 2008**

(56) Related Art Documents: **Not Applicable**

(57) Statement of Newness and Distinctiveness: **Nil**



- (21) Design Number: **12049/2008**
(22) Date of Filing Application: **28 November 2007**
(24) Date from which industrial property rights may have effect: **28 November 2007**
(54) Product in respect of which the design is registered: **A skirt**
(51) International Design Classification: **02-02C**
(71) Name(s) and Address(s) of Applicant(s):
Review Australia Pty Ltd
25-31 Rokeby Street Collingwood Victoria 3066 Australia
(72) Name(s) of Designer(s): **Jayne Ellis**
(45) Registration Date: **16 June 2008**
(56) Related Art Documents: **Not Applicable**
(57) Statement of Newness and Distinctiveness: **Nil**



- (21) Design Number: **12050/2008**
(22) Date of Filing Application: **28 November 2007**
(24) Date from which industrial property rights may have effect: **28 November 2007**
(54) Product in respect of which the design is registered: **A dress**
(51) International Design Classification: **02-02C**
(71) Name(s) and Address(s) of Applicant(s):
Review Australia Pty Ltd
25-31 Rokeby Street Collingwood Victoria 3066 Australia
(72) Name(s) of Designer(s): **Jayne Ellis**
(45) Registration Date: **16 June 2008**
(56) Related Art Documents: **Not Applicable**
(57) Statement of Newness and Distinctiveness: **Nil**



- (21) Design Number: **21480/2007**
(22) Date of Filing Application: **20 December 2007**
(24) Date from which industrial property rights may have effect: **20 December 2007**
(54) Product in respect of which the design is registered: **Vacuum cleaner**
(51) International Design Classification: **15-05**
(71) Name(s) and Address(s) of Applicant(s):

Aktiebolaget Electrolux
S:t Goransgatan 143 SE 105-45 Stockholm Sweden

- (72) Name(s) of Designer(s): **Joachim Nordwall**

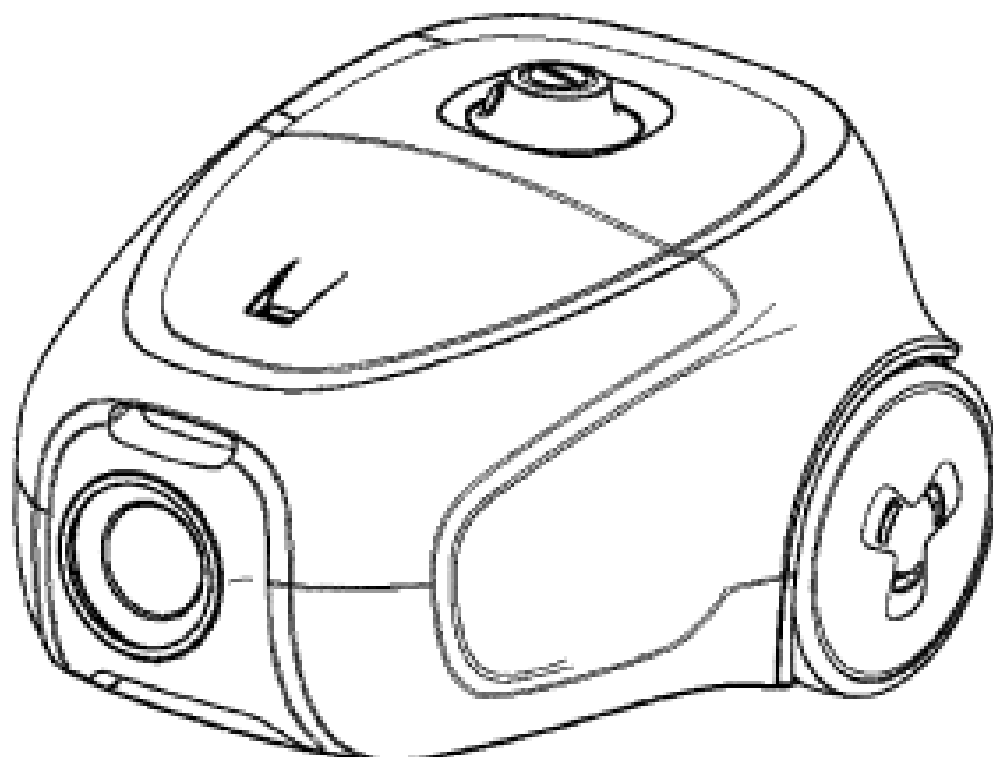
- (45) Registration Date: **16 June 2008**

- (30) Convention priority data:

(31) Number	(32) Date	(33) Country
SE	27 Jun 2007	SWEDEN
2007/0316		

- (56) Related Art Documents: **Not Applicable**

- (57) Statement of Newness and Distinctiveness: **Newness and distinctiveness is claimed in those visual features depicted in unbroken lines.**



- (21) Design Number: **21592/2007**
(22) Date of Filing Application: **20 December 2007**
(24) Date from which industrial property rights may have effect: **20 December 2007**
(54) Product in respect of which the design is registered: **Vacuum cleaner**
(51) International Design Classification: **15-05**
(71) Name(s) and Address(s) of Applicant(s):

Aktiebolaget Electrolux
S:t Goransgatan 143 SE 105-45 Stockholm Sweden

- (72) Name(s) of Designer(s): **Joachim Nordwall**

- (45) Registration Date: **16 June 2008**

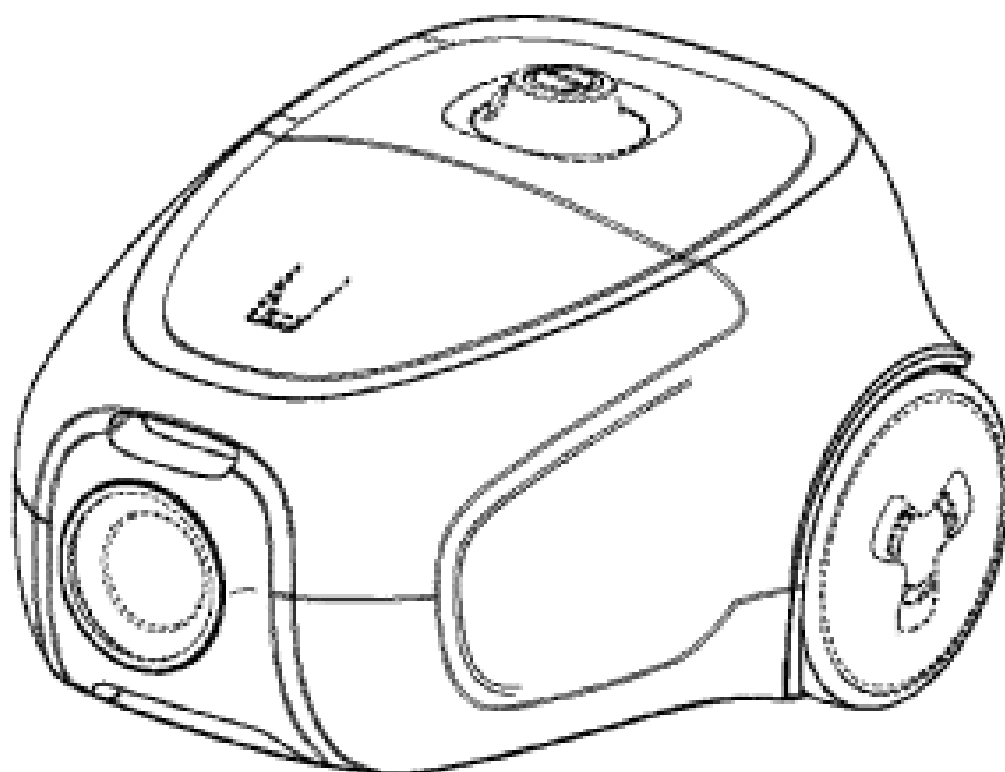
- (30) Convention priority data:

(31) Number	(32) Date	(33) Country
SE	27 Jun 2007	SWEDEN
2007/0316		

- (62) Divisional of: **319987**

- (56) Related Art Documents: **Not Applicable**

- (57) Statement of Newness and Distinctiveness: **Newness and distinctiveness is claimed in those visual features depicted in unbroken lines.**



- (21) Design Number: **21481/2007**
(22) Date of Filing Application: **20 December 2007**
(24) Date from which industrial property rights may have effect: **20 December 2007**
(54) Product in respect of which the design is registered: **Vacuum cleaner**
(51) International Design Classification: **15-05**
(71) Name(s) and Address(s) of Applicant(s):

Aktiebolaget Electrolux
S:t Goransgatan 143 SE 105-45 Stockholm Sweden

(72) Name(s) of Designer(s): **Joachim Nordwall**

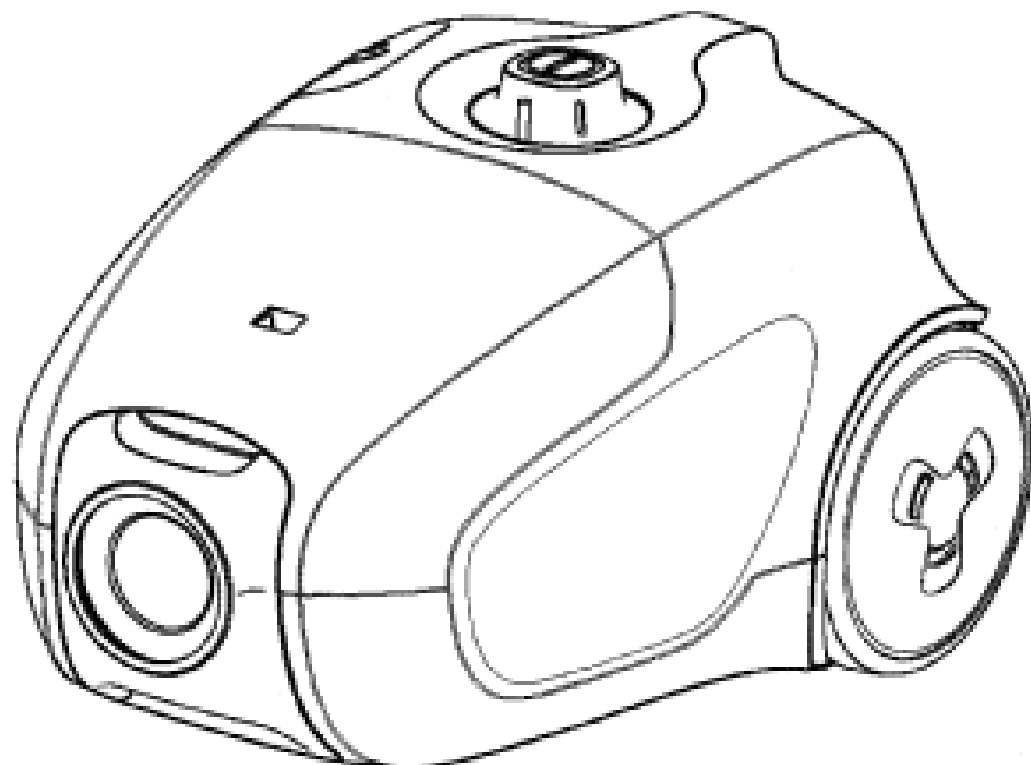
(45) Registration Date: **16 June 2008**

(30) Convention priority data:

(31) Number	(32) Date	(33) Country
SE	27 Jun 2007	SWEDEN
2007/0311		

(56) Related Art Documents: **Not Applicable**

(57) Statement of Newness and Distinctiveness: **Newness and distinctiveness is claimed in those visual features depicted in unbroken lines.**



- (21) Design Number: **12051/2008**
(22) Date of Filing Application: **20 December 2007**
(24) Date from which industrial property rights may have effect: **20 December 2007**
(54) Product in respect of which the design is registered: **Vacuum cleaner**
(51) International Design Classification: **15-05**
(71) Name(s) and Address(s) of Applicant(s):

Aktiebolaget Electrolux
S:t Goransgatan 143 SE 105-45 Stockholm Sweden

(72) Name(s) of Designer(s): **Joachim Nordwall**

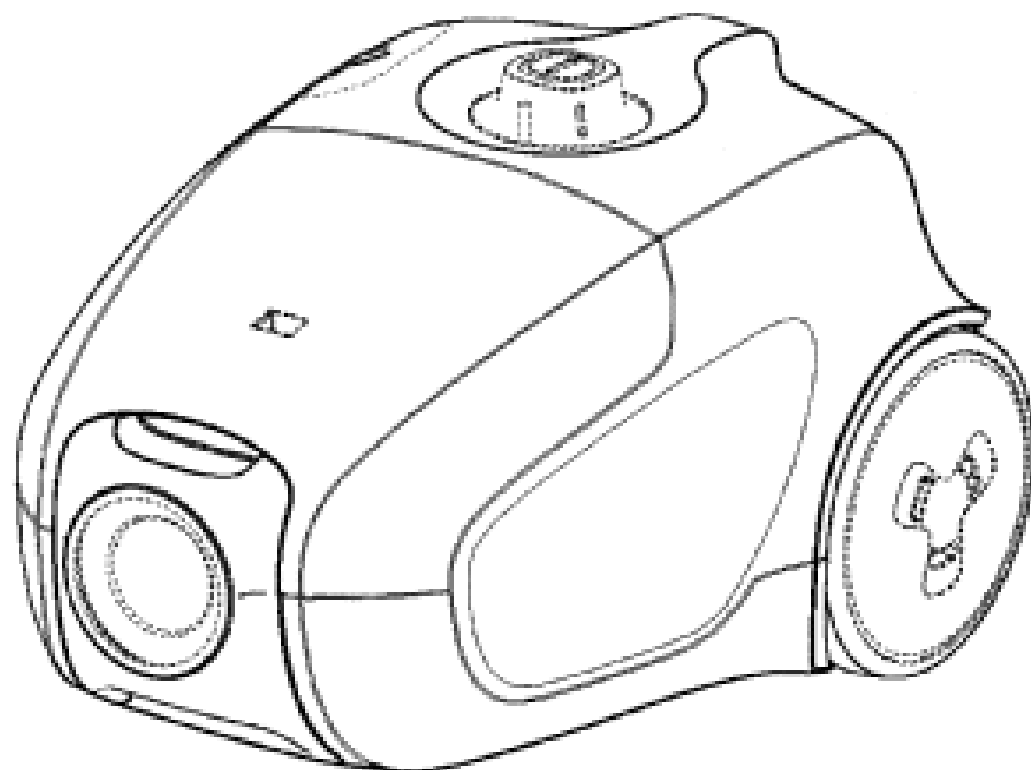
(45) Registration Date: **16 June 2008**

(30) Convention priority data:

(31) Number	(32) Date	(33) Country
SE	27 Jun 2007	SWEDEN
2007/0311		

(56) Related Art Documents: **Not Applicable**

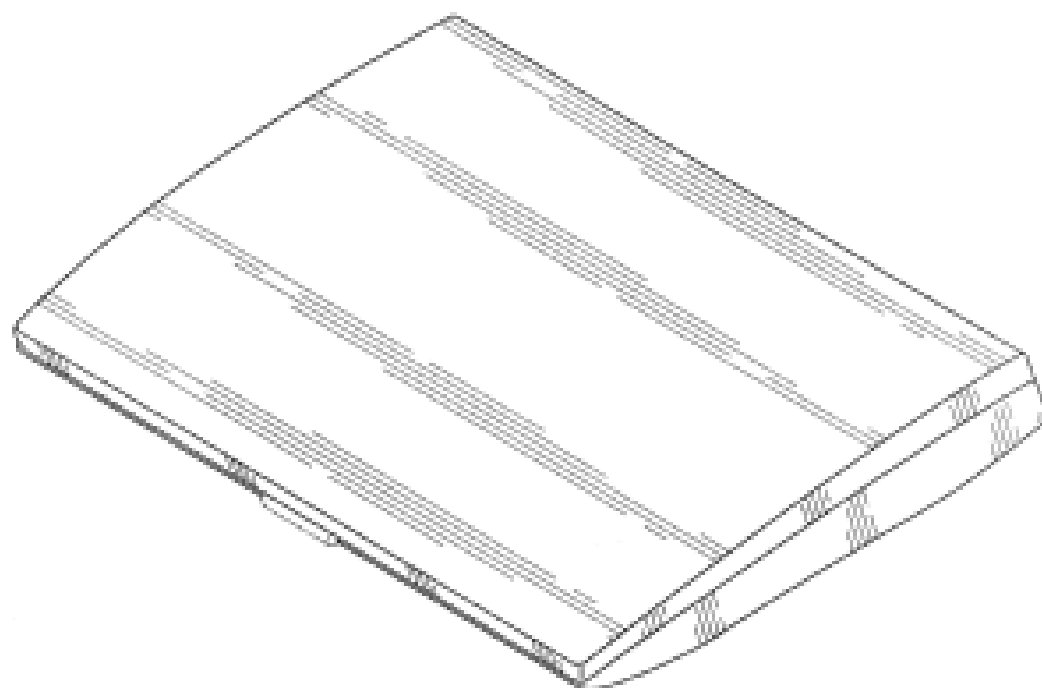
(57) Statement of Newness and Distinctiveness: **Newness and distinctiveness is claimed in those visual features depicted in unbroken lines.**



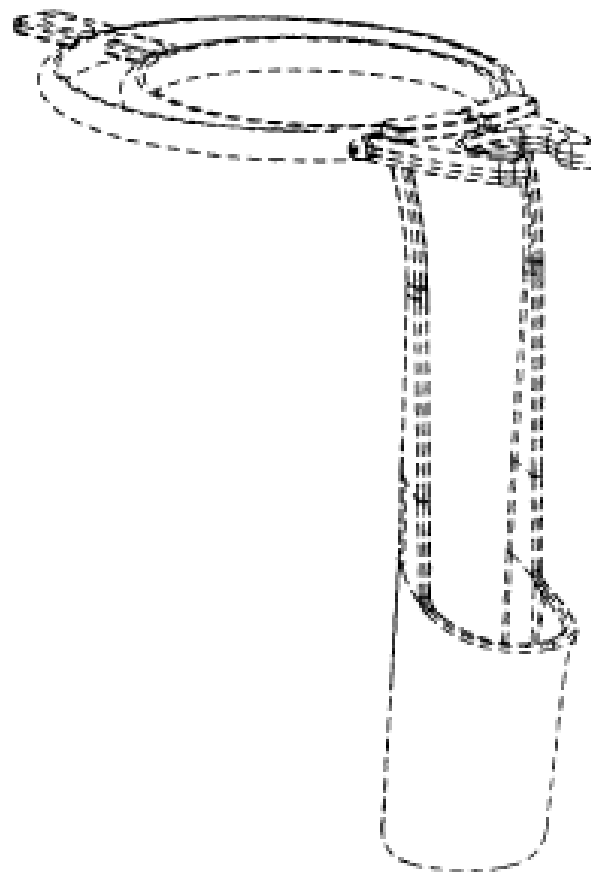
(21) Design Number: **11944/2008**
(22) Date of Filing Application: **21 April 2008**
(24) Date from which industrial property rights may have effect: **21 April 2008**
(54) Product in respect of which the design is registered: **Disc container**
(51) International Design Classification: **09-05**
(71) Name(s) and Address(s) of Applicant(s):
ESET, spol. s r.o.
Pionierska 9/A Sk-831 02 Bratislava Slovakia
(72) Name(s) of Designer(s): **Onderj Elias and Julius Nagy**
(45) Registration Date: **16 June 2008**
(30) Convention priority data:
(31) Number (32) Date (33) Country
000813043-0001 22 Oct 2007 EUROPEAN COMMUNITY
(56) Related Art Documents: **Not Applicable**
(57) Statement of Newness and Distinctiveness: **Nil**



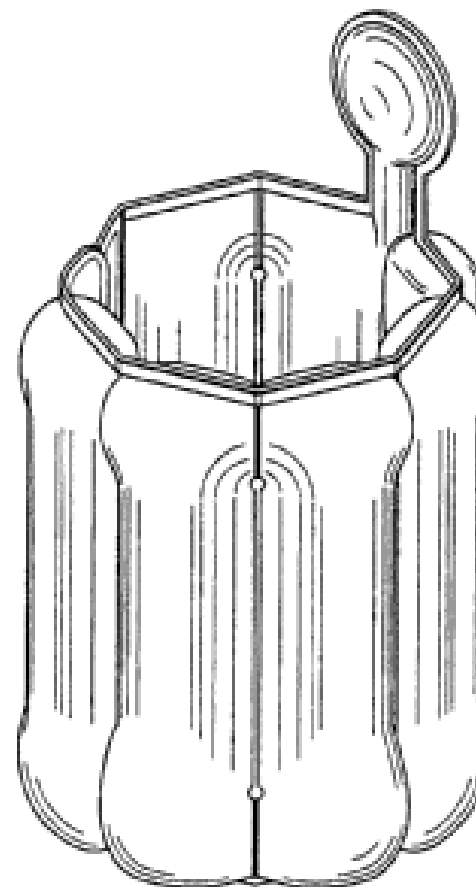
(21) Design Number: **11967/2008**
(22) Date of Filing Application: **29 April 2008**
(24) Date from which industrial property rights may have effect: **29 April 2008**
(54) Product in respect of which the design is registered: **Container**
(51) International Design Classification: **28-03NES, 09-01G**
(71) Name(s) and Address(s) of Applicant(s):
Mary Kay Inc.
16251 N. Dallas Parkway PO Box 799045 Dallas TX 75379-9045 United States of America
(72) Name(s) of Designer(s): **Tim Maddy and Yevsey Sobol and Alex Kwapis**
(45) Registration Date: **16 June 2008**
(30) Convention priority data:
(31) Number (32) Date (33) Country
29/297,820 19 Nov 2007 UNITED STATES OF AMERICA
(56) Related Art Documents: **Not Applicable**
(57) Statement of Newness and Distinctiveness: **The newness and distinctiveness of the design resides in the features of pattern and/or ornamentation or shape and/or configuration shown in unbroken lines in the accompanying representations. (if required, see convention document)**



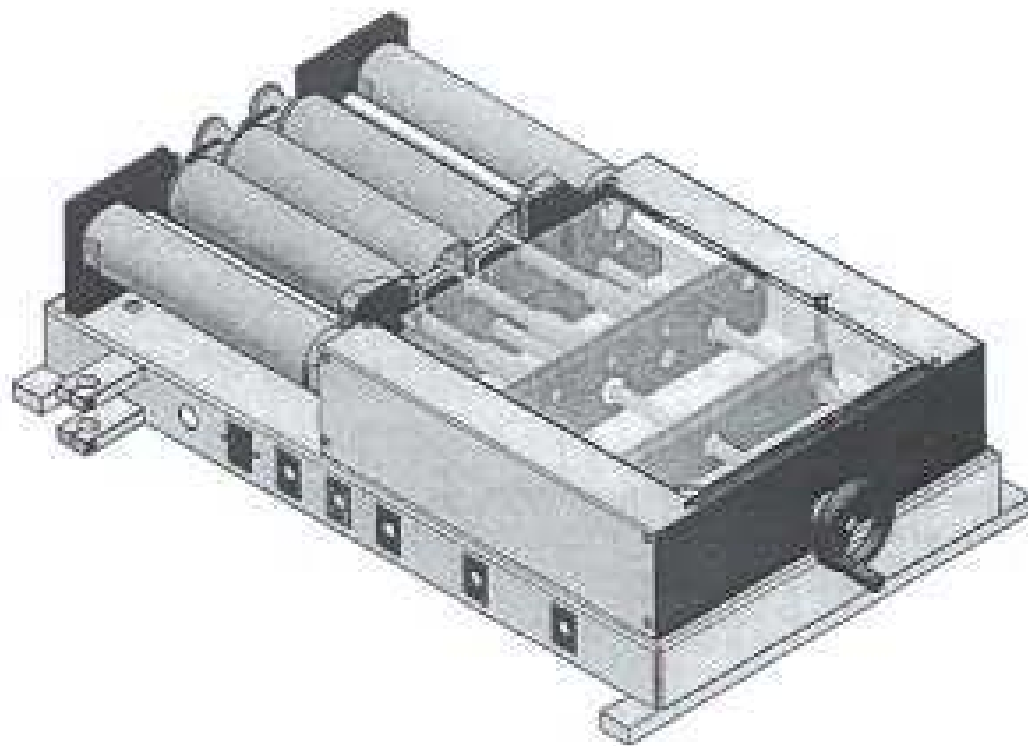
- (21) Design Number: **12040/2008**
(22) Date of Filing Application: **11 December 2007**
(24) Date from which industrial property rights may have effect: **11 December 2007**
(54) Product in respect of which the design is registered: **Utensil and holder**
(51) International Design Classification: **07-02NES, 07-06NES, 07-04**
(71) Name(s) and Address(s) of Applicant(s):
Chef'n Corporation
1520 4th Avenue 3rd Floor Seattle Washington 98101 United States of America
(72) Name(s) of Designer(s): **David. A Holcomb and Jason O. Germany and Jonah S. Griffith**
(45) Registration Date: **16 June 2008**
(30) Convention priority data:
(31) Number (32) Date (33) Country
29282962 02 Aug 2007 UNITED STATES OF AMERICA
(62) Divisional of: **319867**
(56) Related Art Documents: **Not Applicable**
(57) Statement of Newness and Distinctiveness: **Newness and distinctiveness is claimed in the visual features shown in solid lines in the representations.**



- (21) Design Number: **12041/2008**
(22) Date of Filing Application: **08 January 2008**
(24) Date from which industrial property rights may have effect: **08 January 2008**
(54) Product in respect of which the design is registered: **A heating device**
(51) International Design Classification: **23-03NES**
(71) Name(s) and Address(s) of Applicant(s):
Norbrook Laboratories Ltd
105 Armagh Road Newry County Down BT35 6PU United Kingdom
(72) Name(s) of Designer(s): **Stuart Hunter**
(45) Registration Date: **16 June 2008**
(30) Convention priority data:
(31) Number (32) Date (33) Country
000763206 20 Jul 2007 EUROPEAN COMMUNITY
(62) Divisional of: **319659**
(56) Related Art Documents: **Not Applicable**
(57) Statement of Newness and Distinctiveness: **Nil**

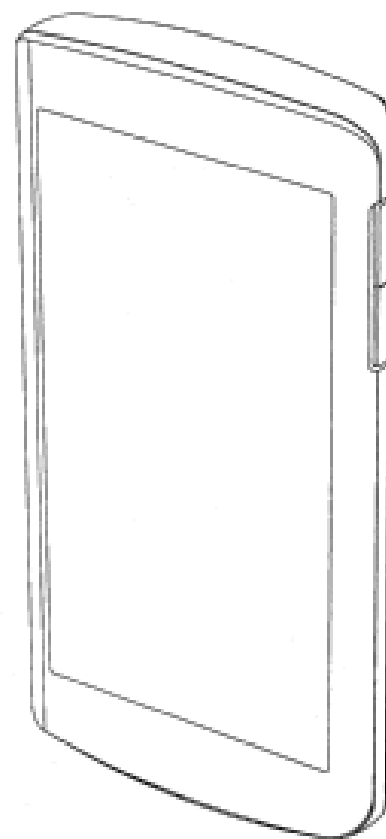


- (21) Design Number: **12701/2008**
- (22) Date of Filing Application: **06 June 2008**
- (24) Date from which industrial property rights may have effect: **06 June 2008**
- (54) Product in respect of which the design is registered: **Volumetric filling machine**
- (51) International Design Classification: **15-99**
- (71) Name(s) and Address(s) of Applicant(s):
Gary Higgins
12/11 Stuart Street Manly New South Wales 2095 Australia
- (72) Name(s) of Designer(s): **Gary Higgins**
- (45) Registration Date: **16 June 2008**
- (56) Related Art Documents: **Not Applicable**
- (57) Statement of Newness and Distinctiveness: **A combination volumetric filling machine that can be converted into single cylinder 5 litre, twin cylinder 2 litre or triple cylinder one litre configurations. This design registration is for the base only and does not include the cylinders.**

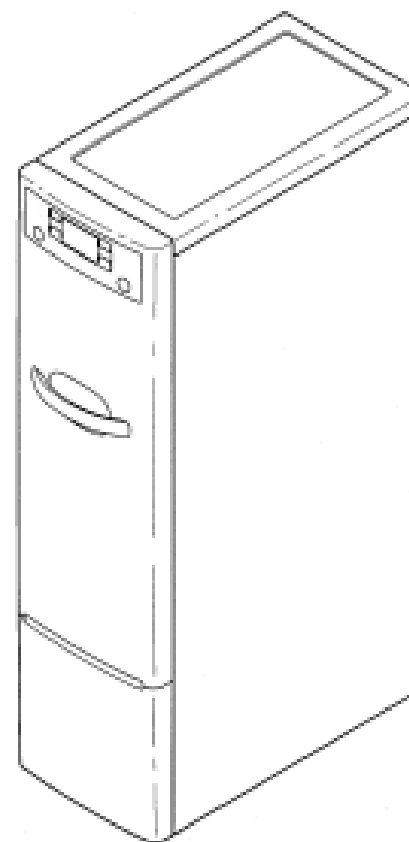


- (21) Design Number: **10440/2008**
- (22) Date of Filing Application: **01 February 2008**
- (24) Date from which industrial property rights may have effect: **01 February 2008**
- (54) Product in respect of which the design is registered: **MP3 player**
- (51) International Design Classification: **14-01**
- (71) Name(s) and Address(s) of Applicant(s):
LG Electronics Inc.
20 Yoido-dong Yongdungpo-gu Seoul Republic of Korea
- (72) Name(s) of Designer(s): **Min Ji Seo**
- (45) Registration Date: **16 June 2008**
- (30) Convention priority data:

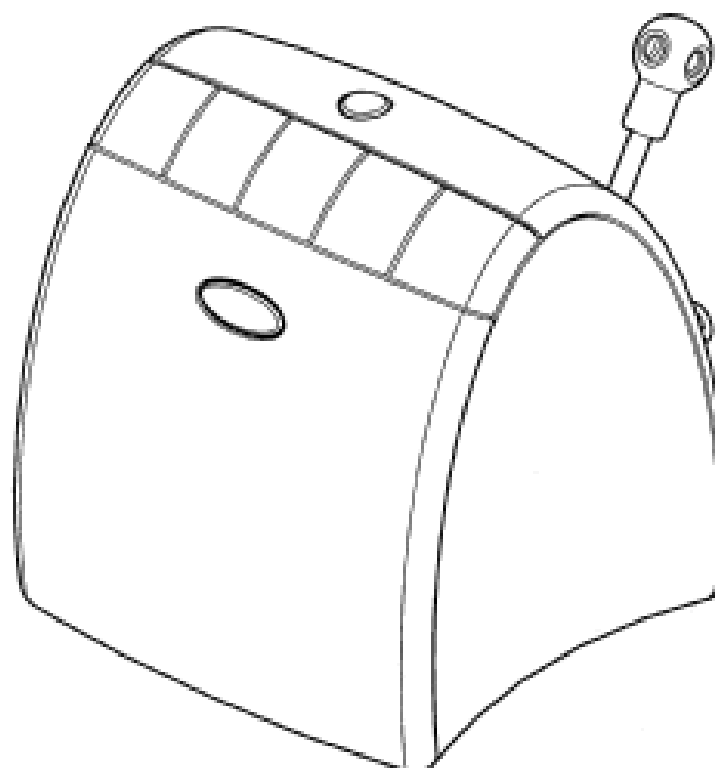
(31) Number	(32) Date	(33) Country
30-2007-0036344	24 Aug 2007	REPUBLIC OF KOREA
- (56) Related Art Documents: **Not Applicable**
- (57) Statement of Newness and Distinctiveness: **Newness and distinctiveness resides in the visual features of shape and/or configuration of a MP3 player as illustrated in the accompanying representation.**



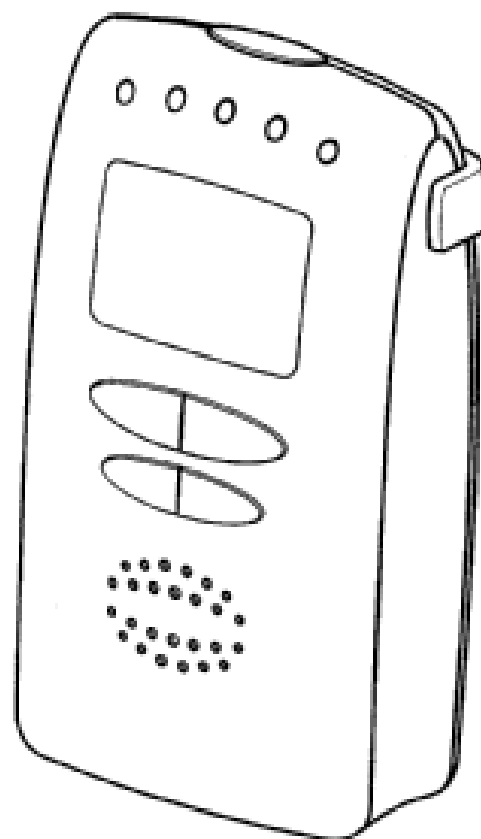
- (21) Design Number: **10473/2008**
(22) Date of Filing Application: **04 February 2008**
(24) Date from which industrial property rights may have effect: **04 February 2008**
(54) Product in respect of which the design is registered: **Iron machines**
(51) International Design Classification: **07-05A**
(71) Name(s) and Address(s) of Applicant(s):
LG Electronics Inc.
20 Yeouido-dong Yeongdeungpo-gu Seoul 150-721 Republic of Korea
(72) Name(s) of Designer(s): **Ho Il Jeon and Myung Shik Kim and Sun Jung Park and Jong Hee Han and Cho Na Jung and Seong Jea Seok**
(45) Registration Date: **16 June 2008**
(30) Convention priority data:
(31) Number (32) Date (33) Country
30-2007-0034244 09 Aug 2007 REPUBLIC OF KOREA
(56) Related Art Documents: **Not Applicable**
(57) Statement of Newness and Distinctiveness: **Nil**



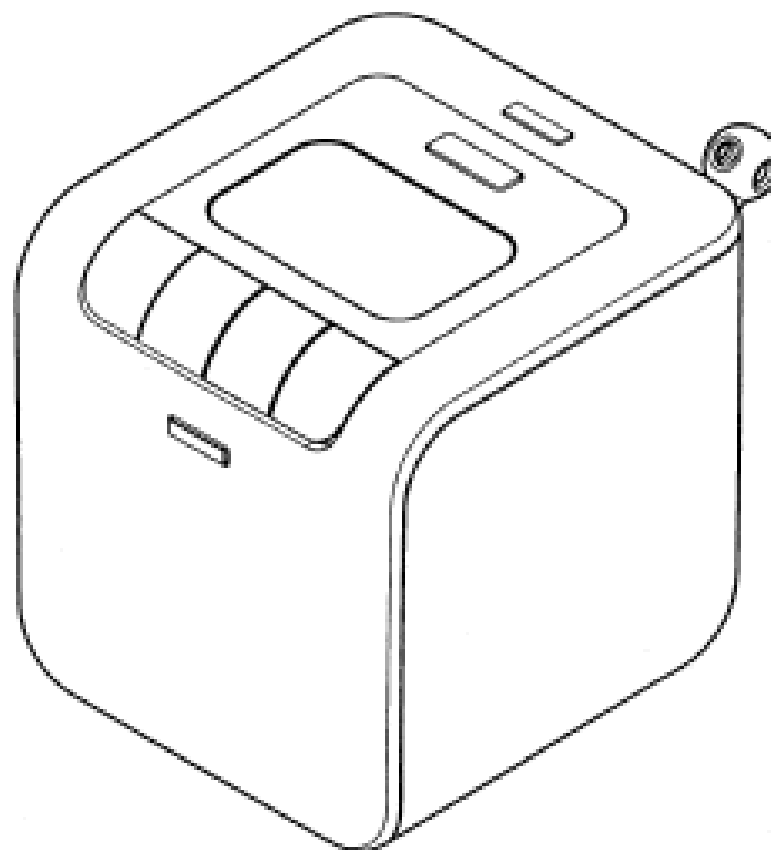
- (21) Design Number: **10523/2008**
(22) Date of Filing Application: **06 February 2008**
(24) Date from which industrial property rights may have effect: **06 February 2008**
(54) Product in respect of which the design is registered: **Baby sound monitor, microphone unit**
(51) International Design Classification: **14-03NES, 14-01**
(71) Name(s) and Address(s) of Applicant(s):
Koninklijke Philips Electronics N.V.
Groenewoudseweg 1 5621 BA Eindhoven The Netherlands
(72) Name(s) of Designer(s): **Simon John Lamason**
(45) Registration Date: **16 June 2008**
(30) Convention priority data:
(31) Number (32) Date (33) Country
000776588-0001 21 Aug 2007 EUROPEAN COMMUNITY
(56) Related Art Documents: **Not Applicable**
(57) Statement of Newness and Distinctiveness: **Newness and distinctiveness reside in the features of the design as shown in the representations.**



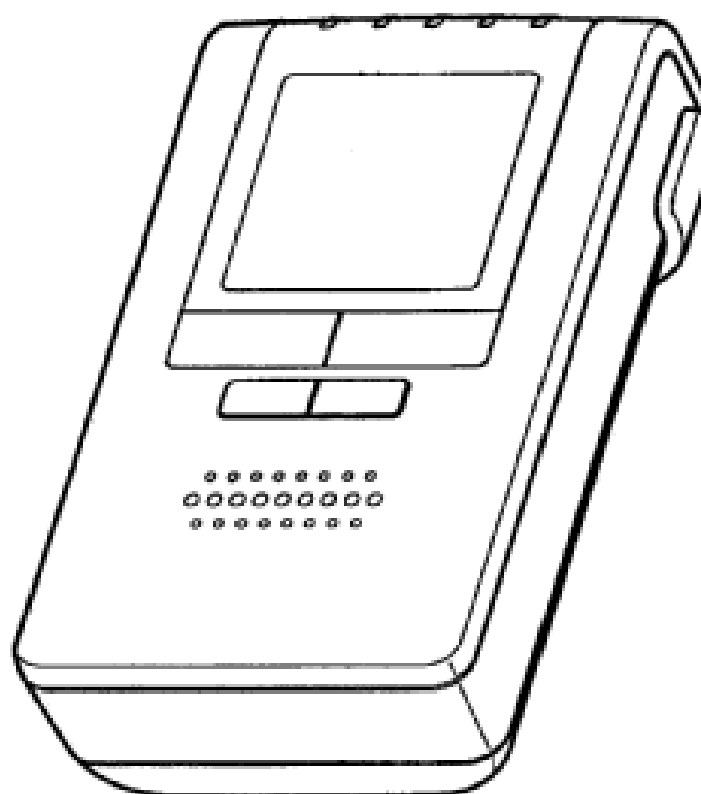
- (21) Design Number: **10524/2008**
(22) Date of Filing Application: **06 February 2008**
(24) Date from which industrial property rights may have effect: **06 February 2008**
(54) Product in respect of which the design is registered: **Baby sound monitor, loud speaker unit**
(51) International Design Classification: **14-03NES, 14-01**
(71) Name(s) and Address(s) of Applicant(s):
Koninklijke Philips Electronics N.V.
Groenewoudseweg 1 5621 BA Eindhoven The Netherlands
(72) Name(s) of Designer(s): **Simon John Lamason**
(45) Registration Date: **16 June 2008**
(30) Convention priority data:
(31) Number (32) Date (33) Country
000776588-0002 21 Aug 2007 EUROPEAN COMMUNITY
(56) Related Art Documents: **Not Applicable**
(57) Statement of Newness and Distinctiveness: **Newness and distinctiveness reside in the features of the design as shown in the representations.**



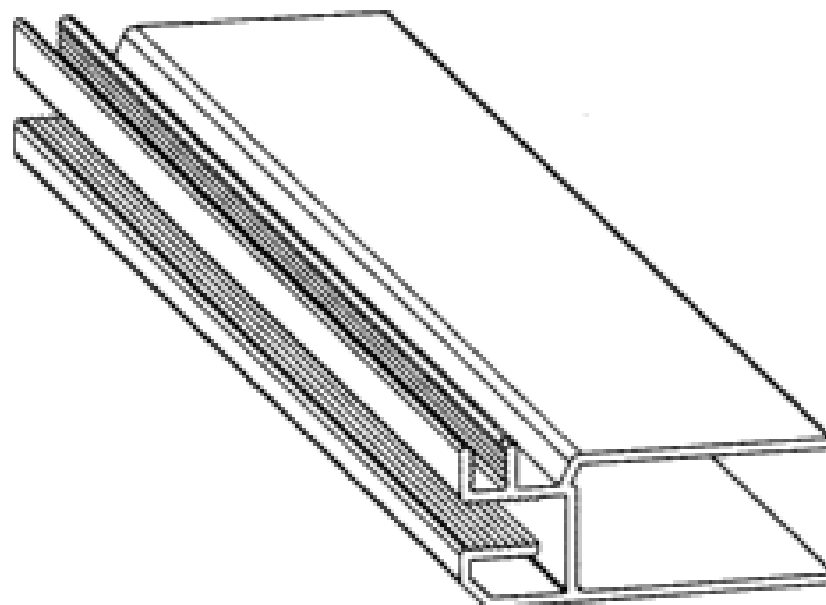
- (21) Design Number: **10525/2008**
(22) Date of Filing Application: **06 February 2008**
(24) Date from which industrial property rights may have effect: **06 February 2008**
(54) Product in respect of which the design is registered: **Baby sound monitor, microphone unit**
(51) International Design Classification: **14-03NES, 14-01**
(71) Name(s) and Address(s) of Applicant(s):
Koninklijke Philips Electronics N.V.
Groenewoudseweg 1 5621 BA Eindhoven The Netherlands
(72) Name(s) of Designer(s): **Simon John Lamason**
(45) Registration Date: **16 June 2008**
(30) Convention priority data:
(31) Number (32) Date (33) Country
000776588-0003 21 Aug 2007 EUROPEAN COMMUNITY
(56) Related Art Documents: **Not Applicable**
(57) Statement of Newness and Distinctiveness: **Newness and distinctiveness reside in the features of the design as shown in the representations.**



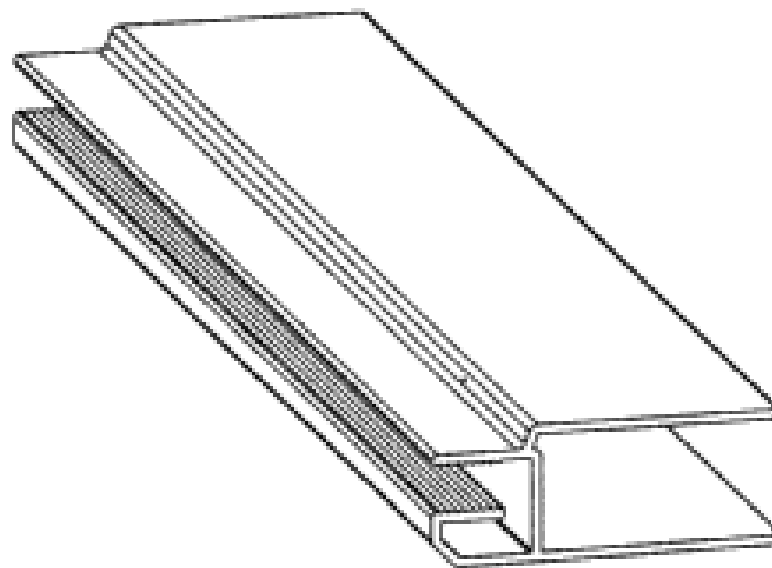
- (21) Design Number: **10526/2008**
(22) Date of Filing Application: **06 February 2008**
(24) Date from which industrial property rights may have effect: **06 February 2008**
(54) Product in respect of which the design is registered: **Baby sound monitor, loud speaker unit**
(51) International Design Classification: **14-03NES, 14-01**
(71) Name(s) and Address(s) of Applicant(s):
Koninklijke Philips Electronics N.V.
Groenewoudseweg 1 5621 BA Eindhoven The Netherlands
(72) Name(s) of Designer(s): **Simon John Lamason**
(45) Registration Date: **16 June 2008**
(30) Convention priority data:
(31) Number (32) Date (33) Country
000776588-0004 21 Aug 2007 EUROPEAN COMMUNITY
(56) Related Art Documents: **Not Applicable**
(57) Statement of Newness and Distinctiveness: **Newness and distinctiveness reside in the features of the design as shown in the representations.**



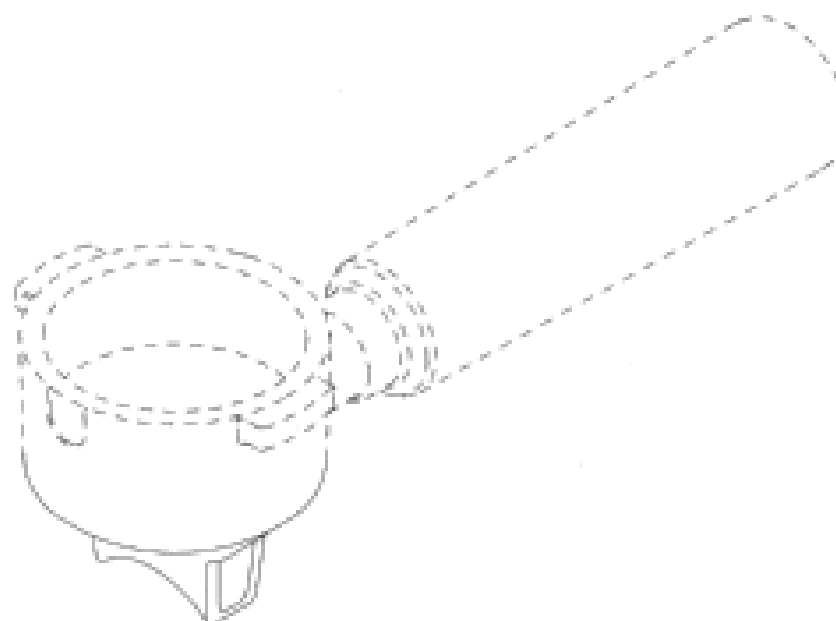
- (21) Design Number: **10364/2008**
(22) Date of Filing Application: **29 January 2008**
(24) Date from which industrial property rights may have effect: **29 January 2008**
(54) Product in respect of which the design is registered: **An extrusion**
(51) International Design Classification: **25-01K**
(71) Name(s) and Address(s) of Applicant(s):
Jorgenson-Watts Pty Ltd
8 Ross Street South Melbourne Victoria 3205 Australia
(72) Name(s) of Designer(s): **Brendan George and J. Russell Watts**
(45) Registration Date: **16 June 2008**
(56) Related Art Documents: **Not Applicable**
(57) Statement of Newness and Distinctiveness: **Nil**



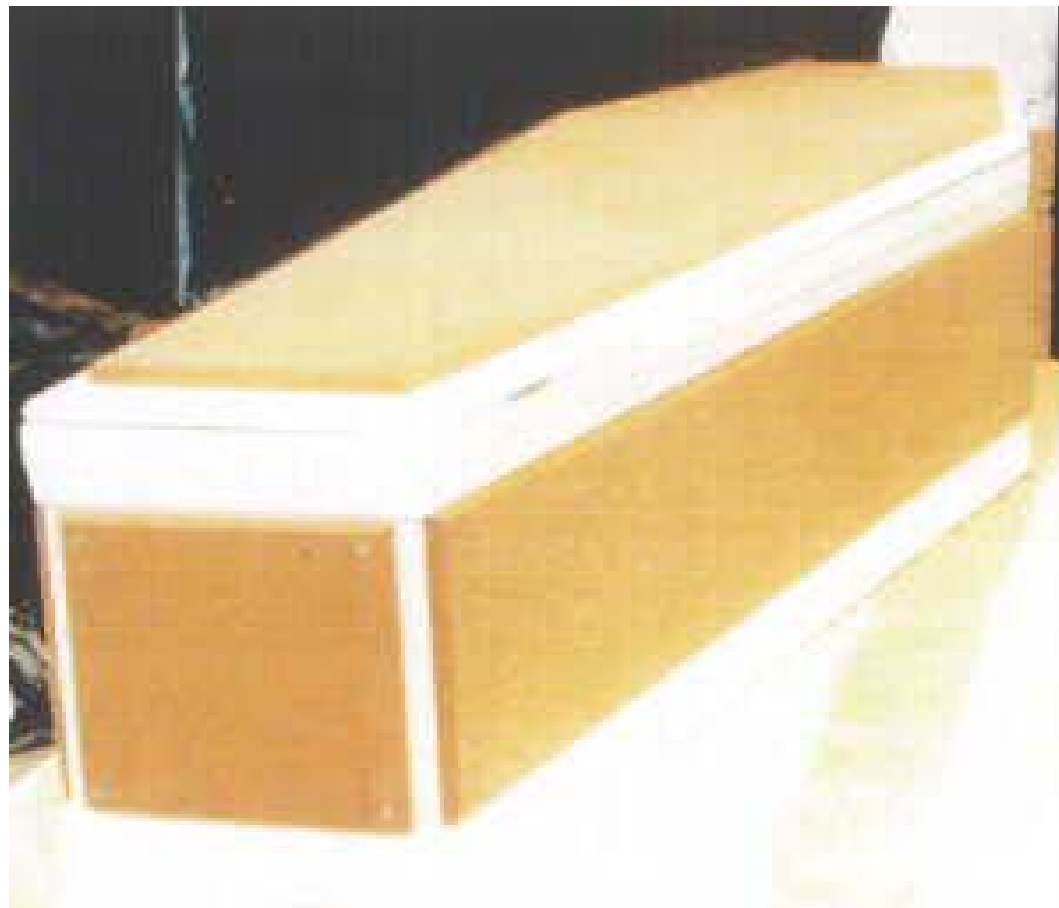
- (21) Design Number: **10365/2008**
(22) Date of Filing Application: **29 January 2008**
(24) Date from which industrial property rights may have effect: **29 January 2008**
(54) Product in respect of which the design is registered: **An extrusion**
(51) International Design Classification: **25-01K**
(71) Name(s) and Address(s) of Applicant(s):
Jorgenson-Watts Pty Ltd
8 Ross Street South Melbourne Victoria 3205 Australia
(72) Name(s) of Designer(s): **Brendan George and J. Russell Watts**
(45) Registration Date: **16 June 2008**
(56) Related Art Documents: **Not Applicable**
(57) Statement of Newness and Distinctiveness: **Nil**



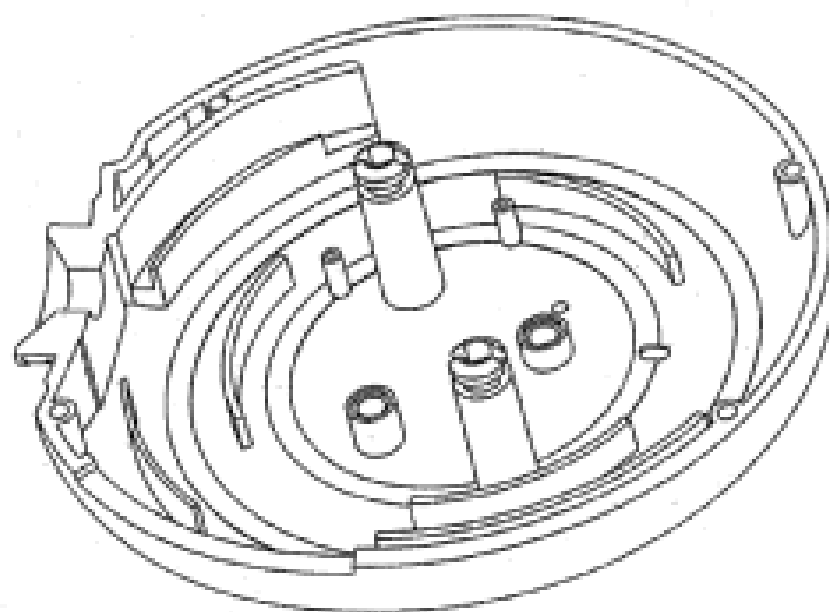
- (21) Design Number: **11041/2008**
(22) Date of Filing Application: **04 March 2008**
(24) Date from which industrial property rights may have effect: **04 March 2008**
(54) Product in respect of which the design is registered: **Filter holder for an espresso coffee machine**
(51) International Design Classification: **07-02L**
(71) Name(s) and Address(s) of Applicant(s):
Sunbeam Corporation Limited
Units 5 & 6 13 Lord Street Botany New South Wales 2019 Australia
(72) Name(s) of Designer(s): **Nick O'Loughlin and Ray Corkin**
(45) Registration Date: **16 June 2008**
(56) Related Art Documents: **Not Applicable**
(57) Statement of Newness and Distinctiveness: **Newness and distinctiveness of the design as applied to a filter holder for an espresso coffee machine resides in the shape and configuration thereof as shown in the accompanying drawings. When considering newness and distinctiveness of the design particular attention should be given to those features shown in unbroken lines in the representations.**



- (21) Design Number: **20930/2007**
(22) Date of Filing Application: **21 November 2007**
(24) Date from which industrial property rights may have effect: **21 November 2007**
(54) Product in respect of which the design is registered: **A coffin**
(51) International Design Classification: **99-00**
(71) Name(s) and Address(s) of Applicant(s):
Roger James Saunders
52 Hinkler Avenue Bundaberg Queensland 4670 Australia
(72) Name(s) of Designer(s): **Roger James Saunders**
(45) Registration Date: **16 June 2008**
(56) Related Art Documents: **Not Applicable**
(57) Statement of Newness and Distinctiveness: **Each coffin is measured then tailor made panels are made from 12mm MDF, hand painted and screwed onto the front, back, lid, and the sides (they are a two panel set). Then varnished.**



- (21) Design Number: **10172/2008**
(22) Date of Filing Application: **14 January 2008**
(24) Date from which industrial property rights may have effect: **14 January 2008**
(54) Product in respect of which the design is registered: **Base of a medicament inhaler**
(51) International Design Classification: **24-04**
(71) Name(s) and Address(s) of Applicant(s):
Cipla Limited
289 Bellasis Road Mumbai Central Mumbai Maharashtra 400 008 India
(72) Name(s) of Designer(s): **Amar Lulla and Xerxes Rao**
(45) Registration Date: **17 June 2008**
(30) Convention priority data:
(31) Number (32) Date (33) Country
211207 13 Jul 2007 INDIA
(56) Related Art Documents: **Not Applicable**
(57) Statement of Newness and Distinctiveness: **Newness and distinctiveness is claimed in the features of shape and/or configuration of a base of a medicament inhaler as illustrated in the accompanying representations.**



- (21) Design Number: **11054/2008**
- (22) Date of Filing Application: **04 March 2008**
- (24) Date from which industrial property rights may have effect: **04 March 2008**
- (54) Product in respect of which the design is registered: **Electronic device**
- (51) International Design Classification: **14-04, 14-01**
- (71) Name(s) and Address(s) of Applicant(s):
Apple Inc.
1 Infinite Loop Cupertino California 95014 United States of America
- (72) Name(s) of Designer(s): **Stephen O. Lemay and Mike Matas and Imran Chaudhri and Greg Christie and Marcel Van Os and Freddy Anzures**
- (45) Registration Date: **17 June 2008**
- (30) Convention priority data:

(31) Number	(32) Date	(33) Country
29/284264	04 Sep 2007	UNITED STATES OF AMERICA
- (56) Related Art Documents: **Not Applicable**
- (57) Statement of Newness and Distinctiveness: **Newness and distinctiveness resides in the features of pattern and/or ornament as shown within the area of the display screen of the electronic device.**

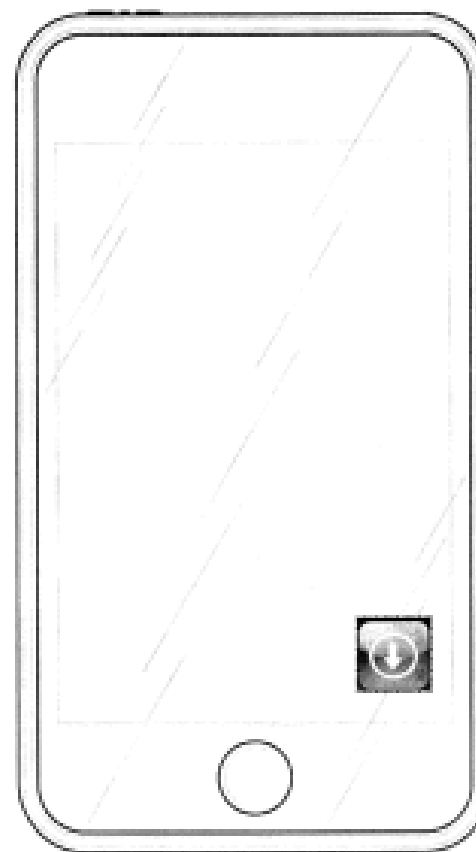


- (21) Design Number: **11055/2008**
- (22) Date of Filing Application: **04 March 2008**
- (24) Date from which industrial property rights may have effect: **04 March 2008**
- (54) Product in respect of which the design is registered: **Electronic device**
- (51) International Design Classification: **14-04, 14-01**
- (71) Name(s) and Address(s) of Applicant(s):
Apple Inc.
1 Infinite Loop Cupertino California 95014 United States of America
- (72) Name(s) of Designer(s): **Stephen O. Lemay and Mike Matas and Imran Chaudhri and Greg Christie and Marcel Van Os and Freddy Anzures**
- (45) Registration Date: **17 June 2008**
- (30) Convention priority data:

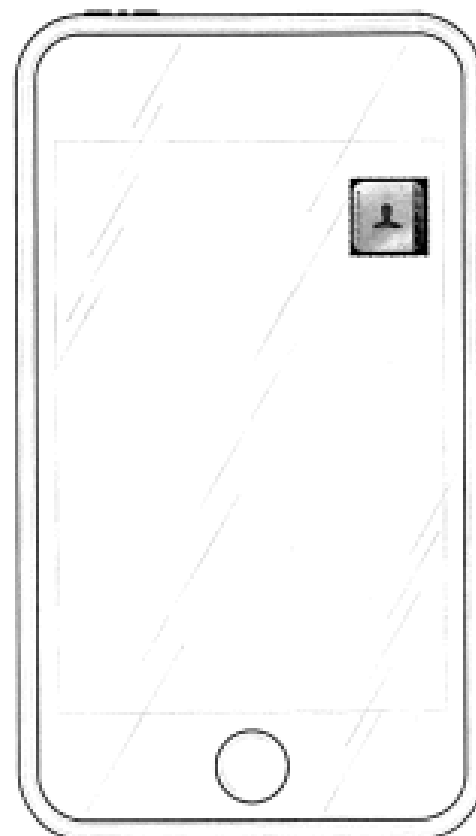
(31) Number	(32) Date	(33) Country
29/284264	04 Sep 2007	UNITED STATES OF AMERICA
- (56) Related Art Documents: **Not Applicable**
- (57) Statement of Newness and Distinctiveness: **Newness and distinctiveness resides in the features of pattern and/or ornament as shown within the area of the display screen of the electronic device.**



(21) Design Number: **11056/2008**
 (22) Date of Filing Application: **04 March 2008**
 (24) Date from which industrial property rights may have effect: **04 March 2008**
 (54) Product in respect of which the design is registered: **Electronic device**
 (51) International Design Classification: **14-04, 14-01**
 (71) Name(s) and Address(s) of Applicant(s):
Apple Inc.
1 Infinite Loop Cupertino California 95014 United States of America
 (72) Name(s) of Designer(s): **Stephen O. Lemay and Mike Matas and Imran Chaudhri and Greg Christie and Marcel Van Os and Freddy Anzures**
 (45) Registration Date: **17 June 2008**
 (30) Convention priority data:
 (31) Number (32) Date (33) Country
29/284264 04 Sep 2007 UNITED STATES OF AMERICA
 (56) Related Art Documents: **Not Applicable**
 (57) Statement of Newness and Distinctiveness: **Newness and distinctiveness resides in the features of pattern and/or ornament as shown within the area of the display screen of the electronic device.**



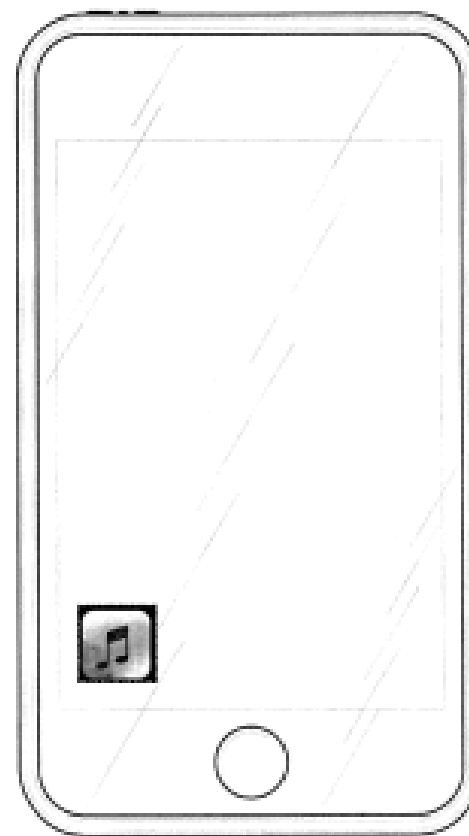
(21) Design Number: **11057/2008**
 (22) Date of Filing Application: **04 March 2008**
 (24) Date from which industrial property rights may have effect: **04 March 2008**
 (54) Product in respect of which the design is registered: **Electronic device**
 (51) International Design Classification: **14-04, 14-01**
 (71) Name(s) and Address(s) of Applicant(s):
Apple Inc.
1 Infinite Loop Cupertino California 95014 United States of America
 (72) Name(s) of Designer(s): **Stephen O. Lemay and Mike Matas and Imran Chaudhri and Greg Christie and Marcel Van Os and Freddy Anzures**
 (45) Registration Date: **17 June 2008**
 (30) Convention priority data:
 (31) Number (32) Date (33) Country
29/284264 04 Sep 2007 UNITED STATES OF AMERICA
 (56) Related Art Documents: **Not Applicable**
 (57) Statement of Newness and Distinctiveness: **Newness and distinctiveness resides in the features of pattern and/or ornament as shown within the area of the display screen of the electronic device.**



(19) AU

- (21) Design Number: **11058/2008**
- (22) Date of Filing Application: **04 March 2008**
- (24) Date from which industrial property rights may have effect: **04 March 2008**
- (54) Product in respect of which the design is registered: **Electronic device**
- (51) International Design Classification: **14-04, 14-01**
- (71) Name(s) and Address(s) of Applicant(s):
Apple Inc.
1 Infinite Loop Cupertino California 95014 United States of America
- (72) Name(s) of Designer(s): **Stephen O. Lemay and Mike Matas and Imran Chaudhri and Greg Christie and Marcel Van Os and Freddy Anzures**
- (45) Registration Date: **17 June 2008**
- (30) Convention priority data:

(31) Number	(32) Date	(33) Country
29/284264	04 Sep 2007	UNITED STATES OF AMERICA
- (56) Related Art Documents: **Not Applicable**
- (57) Statement of Newness and Distinctiveness: **Newness and distinctiveness resides in the features of pattern and/or ornament as shown within the area of the display screen of the electronic device.**



(19) AU

- (21) Design Number: **11059/2008**
- (22) Date of Filing Application: **04 March 2008**
- (24) Date from which industrial property rights may have effect: **04 March 2008**
- (54) Product in respect of which the design is registered: **Electronic device**
- (51) International Design Classification: **14-04, 14-01**
- (71) Name(s) and Address(s) of Applicant(s):
Apple Inc.
1 Infinite Loop Cupertino California 95014 United States of America
- (72) Name(s) of Designer(s): **Stephen O. Lemay and Mike Matas and Imran Chaudhri and Greg Christie and Marcel Van Os and Freddy Anzures**
- (45) Registration Date: **17 June 2008**
- (30) Convention priority data:

(31) Number	(32) Date	(33) Country
29/284264	04 Sep 2007	UNITED STATES OF AMERICA
- (56) Related Art Documents: **Not Applicable**
- (57) Statement of Newness and Distinctiveness: **Newness and distinctiveness resides in the features of pattern and/or ornament as shown within the area of the display screen of the electronic device.**



- (21) Design Number: **11060/2008**
- (22) Date of Filing Application: **04 March 2008**
- (24) Date from which industrial property rights may have effect: **04 March 2008**
- (54) Product in respect of which the design is registered: **Electronic device**
- (51) International Design Classification: **14-04, 14-01**
- (71) Name(s) and Address(s) of Applicant(s):
Apple Inc.
1 Infinite Loop Cupertino California 95014 United States of America
- (72) Name(s) of Designer(s): **Stephen O. Lemay and Mike Matas and Imran Chaudhri and Greg Christie and Marcel Van Os and Freddy Anzures**
- (45) Registration Date: **17 June 2008**
- (30) Convention priority data:

(31) Number	(32) Date	(33) Country
29/284264	04 Sep 2007	UNITED STATES OF AMERICA
- (56) Related Art Documents: **Not Applicable**
- (57) Statement of Newness and Distinctiveness: **Newness and distinctiveness resides in the features of pattern and/or ornament as shown within the area of the display screen of the electronic device.**

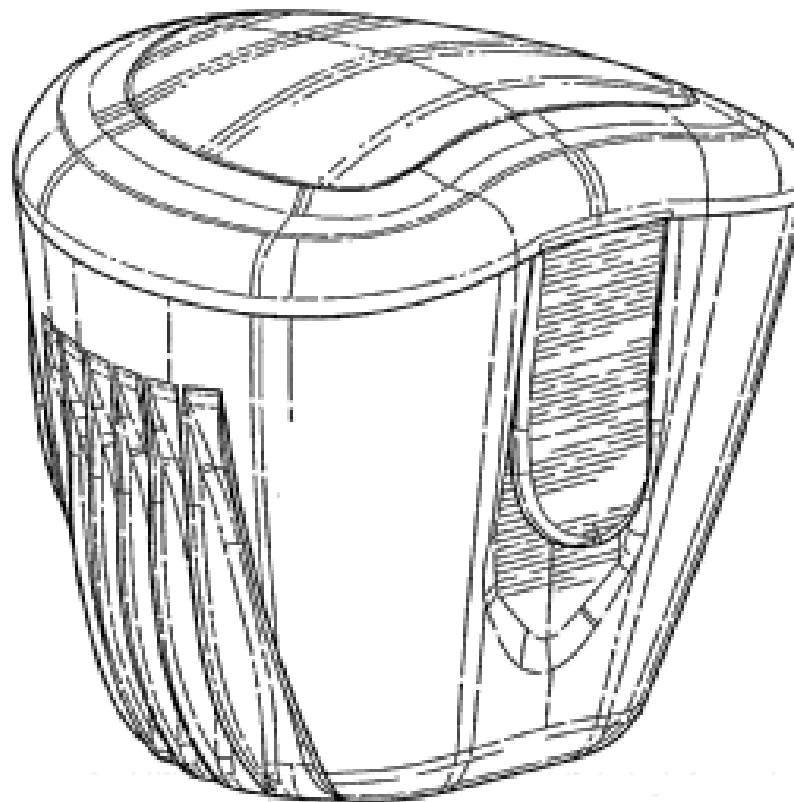


- (21) Design Number: **11061/2008**
- (22) Date of Filing Application: **04 March 2008**
- (24) Date from which industrial property rights may have effect: **04 March 2008**
- (54) Product in respect of which the design is registered: **Electronic device**
- (51) International Design Classification: **14-04, 14-01**
- (71) Name(s) and Address(s) of Applicant(s):
Apple Inc.
1 Infinite Loop Cupertino California 95014 United States of America
- (72) Name(s) of Designer(s): **Stephen O. Lemay and Mike Matas and Imran Chaudhri and Greg Christie and Marcel Van Os and Freddy Anzures**
- (45) Registration Date: **17 June 2008**
- (30) Convention priority data:

(31) Number	(32) Date	(33) Country
29/284264	04 Sep 2007	UNITED STATES OF AMERICA
- (56) Related Art Documents: **Not Applicable**
- (57) Statement of Newness and Distinctiveness: **Newness and distinctiveness resides in the features of pattern and/or ornament as shown within the area of the display screen of the electronic device.**



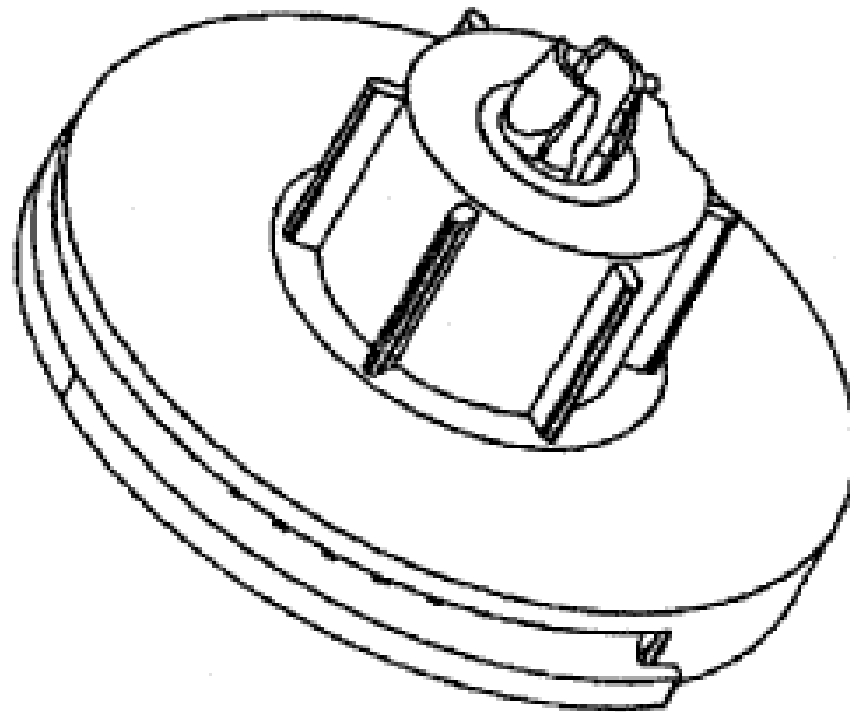
(21) Design Number: **11072/2008**
(22) Date of Filing Application: **04 March 2008**
(24) Date from which industrial property rights may have effect: **04 March 2008**
(54) Product in respect of which the design is registered: **Carry case for a pacifier**
(51) International Design Classification: **03-01NES**
(71) Name(s) and Address(s) of Applicant(s):
Bellett Leasing Pty Ltd
991 Mountain Highway Boronia Victoria 3155 Australia
(72) Name(s) of Designer(s): **John Nielsen and Jon Seddon and Peter Sanbrook**
(45) Registration Date: **17 June 2008**
(30) Convention priority data:
(31) Number (32) Date (33) Country
29/284351 06 Sep 2007 UNITED STATES OF AMERICA
(56) Related Art Documents: **Not Applicable**
(57) Statement of Newness and Distinctiveness: **Newness and distinctiveness resides in the features of shape and configuration of a carry case for a pacifier as shown in the representations.**



(21) Design Number: **11073/2008**
(22) Date of Filing Application: **04 March 2008**
(24) Date from which industrial property rights may have effect: **04 March 2008**
(54) Product in respect of which the design is registered: **Surf board**
(51) International Design Classification: **21-02D**
(71) Name(s) and Address(s) of Applicant(s):
PJ Whit Pty Ltd
Unit 6/1 Akuna Drive Williamstown Victoria 3016 Australia
(72) Name(s) of Designer(s): **Rodney Vernoert**
(45) Registration Date: **17 June 2008**
(56) Related Art Documents: **Not Applicable**
(57) Statement of Newness and Distinctiveness: **Nil**



(21) Design Number: **11077/2008**
(22) Date of Filing Application: **04 March 2008**
(24) Date from which industrial property rights may have effect: **04 March 2008**
(54) Product in respect of which the design is registered: **Roller blind control end**
(51) International Design Classification: **08-08H**
(71) Name(s) and Address(s) of Applicant(s):
Louver-Lite Limited
Ashton Road Cheshire SK14 1BG United Kingdom
(72) Name(s) of Designer(s): **Reginald Charles Allsopp**
(45) Registration Date: **17 June 2008**
(56) Related Art Documents: **Not Applicable**
(57) Statement of Newness and Distinctiveness: **The design is to be applied to a roller blind control end and the novelty resides in the features of shape and configuration of the roller blind control end as shown in the accompanying representations.**



(21) Design Number: **11469/2008**
(22) Date of Filing Application: **26 March 2008**
(24) Date from which industrial property rights may have effect: **26 March 2008**
(54) Product in respect of which the design is registered: **Atlantis healing pyramid**
(51) International Design Classification: **11-01NES**
(71) Name(s) and Address(s) of Applicant(s):
James Douglas Peters
8 Duckwood Court Elimbah Queensland 4516 Australia
(72) Name(s) of Designer(s): **James Peters**
(45) Registration Date: **17 June 2008**
(56) Related Art Documents: **Not Applicable**
(57) Statement of Newness and Distinctiveness: **Nil**



(21) Design Number: **11764/2008**

(22) Date of Filing Application: **15 April 2008**

(24) Date from which industrial property rights may have effect: **15 April 2008**

(54) Product in respect of which the design is registered: **Tampon case**

(51) International Design Classification: **09-03M**

(71) Name(s) and Address(s) of Applicant(s):

Orayo Pty Ltd

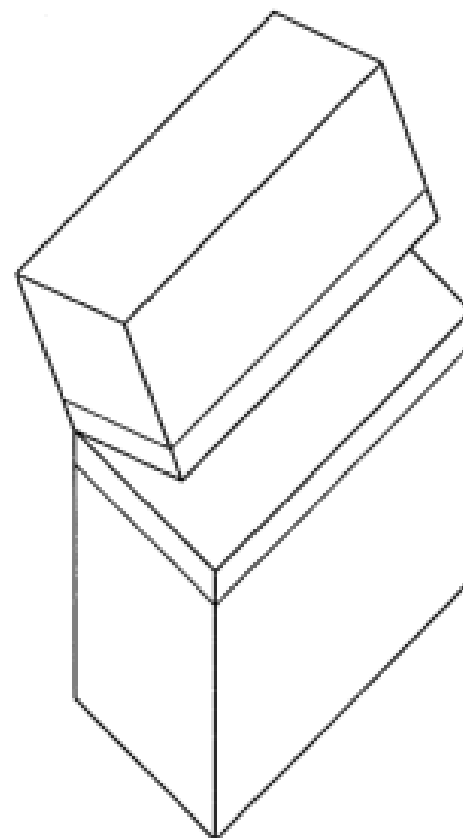
5/240 Balcombe Road Mentone Victoria 3194 Australia

(72) Name(s) of Designer(s): **Rebekah Zougoulos and Anna Paterakis**

(45) Registration Date: **17 June 2008**

(56) Related Art Documents: **Not Applicable**

(57) Statement of Newness and Distinctiveness: **Monopoly is claimed in the features of shape and/or configuration as applied to a tampon case as illustrated in the accompanying representations.**



(21) Design Number: **11765/2008**

(22) Date of Filing Application: **15 April 2008**

(24) Date from which industrial property rights may have effect: **15 April 2008**

(54) Product in respect of which the design is registered: **Tampon case**

(51) International Design Classification: **09-03M**

(71) Name(s) and Address(s) of Applicant(s):

Orayo Pty Ltd

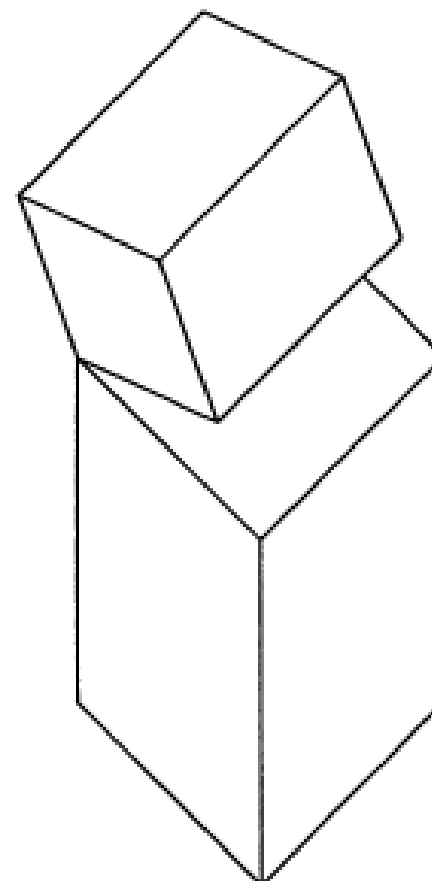
5/240 Balcombe Road Mentone Victoria 3194 Australia

(72) Name(s) of Designer(s): **Rebekah Zougoulos and Anna Paterakis**

(45) Registration Date: **17 June 2008**

(56) Related Art Documents: **Not Applicable**

(57) Statement of Newness and Distinctiveness: **Monopoly is claimed in the features of shape and/or configuration as applied to a tampon case as illustrated in the accompanying representations.**



(19) AU

(21) Design Number: **11080/2008**

(22) Date of Filing Application: **04 March 2008**

(24) Date from which industrial property rights may have effect: **04 March 2008**

(54) Product in respect of which the design is registered: **A buckle**

(51) International Design Classification: **29-02**

(71) Name(s) and Address(s) of Applicant(s):

AmSafe, Inc.

1043 North 47th Avenue Phoenix Arizona 85043 United States of America

(72) Name(s) of Designer(s): **Randall Toltzman and Rich Shaul**

(45) Registration Date: **17 June 2008**

(30) Convention priority data:

(31) Number

(32) Date

(33) Country

29284338

05 Sep 2007

UNITED STATES OF AMERICA

(56) Related Art Documents: **Not Applicable**

(57) Statement of Newness and Distinctiveness: **Newness and distinctiveness is claimed in the visual features shown in solid lines in the representations.**

