



Australian Government

IP Australia

AUSTRALIAN OFFICIAL JOURNAL

OF

DESIGNS

Did you know a searchable version of this journal is now available online?
It's FREE and EASY to SEARCH.

Find it at

<http://pericles.ipaustralia.gov.au/ols/epublish/content/olsEpublications.jsp>
or using the "Online Journals" link on the IP Australia home page.

This Page Left Intentionally Blank

Contents

General Information & Notices

Proceedings Under the Designs Act 1906 preserved as a result of the provisions of Chapter 12 Part 2 of the Designs Act 2003

Extension of Period of Registration of Designs	1700
Extensions of Time Granted	1700
Names Registered - Alterations and Amendments	1701
Registrations Ceased	1700
Subsequent Owners Registered	1701

Proceedings Under the Designs Act 2003

Applications Lapsed	1713
Applications Lodged	1705
Certificate of Examination	1715
Extension of Time Granted Under Section 137	1714
Names Registered - Alterations and Amendments	1714
Publication and Registration Proceedings	
Designs Registered 320022 to 320113.....	1716
Registrations Ceased	1714
Revocation of Design Registrations	1714
Subsequent Owners Registered	1714

This Page Left Intentionally Blank

For information on the following please see our website www.ipaustralia.gov.au or contact our Customer Service Network on 1300651010

[Editorial enquiries](#)

[Contact information](#)

[Freedom of Information ACT](#)

[Professional Standards Board](#)

[Sales](#)

[Requests for Information under Section 194 \(c\)](#)

[Country Codes](#)

[Trade Mark and Designs Hearing Sessions](#)

[INID \(Internationally agreed Numbers for the Identification of Data\)](#)

“INID” NUMBERS in use on Australian Design Documents

“INID” is an acronym for “Internationally agreed Numbers for the Identification of Data”.

(10) Data concerning the registration/renewal

- (11) Serial number of the registration and/or number of the design document
- (12) Plain language designation of the kind of published document
- (19) Identification, using the two-letter code according to WIPO Standard ST.3, of the authority publishing or registering the industrial design

(20) Data concerning the application

- (21) Serial number of the application
- (22) Date of filing of the application
- (24) Date from which the industrial design right has effect

(30) Data relating to priority under the Paris Convention

- (31) Serial number assigned to the priority application
- (32) Date of filing of the priority application
- (33) Two-letter code, according to WIPO Standard ST.3, identifying the authority with which the priority application was made

(40) Date(s) of making information available to the public

- (45) Date of publication of the registered industrial design by printing or similar process, or making it available to the public by any other means

(50) Miscellaneous Information

- (51) International Classification for Industrial Designs (class and subclass of the Locarno Classification)
- (54) Designation of article(s) or product(s) covered by the industrial design or title of the industrial design
- (55) Reproduction of the industrial design (e.g., drawing, photograph) and explanations relating to the reproduction
- (56) List of prior art documents, if separate from descriptive text
- (57) Description of characteristic features of the industrial design including indication of colours

(60) References to other legally related application(s) and registration(s)

- (62) Serial number(s) and, if available, filing date(s) of application(s), registration(s) or document(s) related by division
- (66) Serial number(s) of the application, or the registration, of the design(s) which is (are) a variant(s) of the present one

(70) Identification of parties concerned with the application or registration

- (71) Name(s) and address(es) of the applicant(s)
- (72) Name(s) of the creator(s) if known to be such
- (74) Name(s) and address(es) of the representative(s)

This Page Left Intentionally Blank

Official Notice**Designs Act 2003
Amendments to Registered Designs at Examination**

The following amendments have been made to details previously published in the Australian Official Journal of Designs during the Examination process:

Registration Numbers	Amendment type	New details
307997	Classification	06-01H, 0601L
307998	Classification	06-01H, 06-01L
311045	Classification	26-04, 26-05A
313663	Classification	23-01H, 23-02F 23-02Z
313877	Classification	09-03K, 09-03M
314722	Classification	14-02
316357	Classification	13-02, 13-03Z
316358	Classification	13-02, 13-03Z
317060	Classification	03-03, 08-08Z
317209	Classification	20-02E, 20-02Z
317394	Classification	10-06
317395	Classification	14-03Z
317396	Classification	10-05, 13-03Z
317397	Classification	10-05, 14-02
317705	Classification	07-99C, 19-02
318195	Classification	02-01B
319008	Classification	02-02C, 02-02Z

Contact: IP Australia
Phone: 1300 651 010
Fax: +61 2 6283 7999
E-Mail: assist@ipaustralia.gov.au
Web: www.ipaustralia.gov.au

This Page Left Intentionally Blank

Proceedings under the Designs Act 1906 preserved as a result of the provisions of Chapter 12 Part 2 of the Designs Act 2003.

This Page Left Intentionally Blank

Applications Lapsed

There were no Applications Lapsed under this section

Extension of Period of Registration of Designs

2nd Period (Section 27A(12))

148154	148503	148554
148555	148556	148557
148856	148939	149148
149170	149171	149172
149185	149273	149298
149329	149330	149331
149332	149333	149334
149335	149336	149452
149453	149483	149485
149490	149492	149541
149559	149581	149582
149583	149584	149641
149680	149681	149719
149734	149826	149827
149850	149851	149893
149894	149895	149896
149939	149940	149955
149956	149985	149992
150181	150182	150221
150247	150277	150354
150355	150406	150407
150414	150415	150632
150644	150645	150801
150845	150941	150976
151040	151087	151088
151089	151185	151208
151832	151833	151854
152061	152176	152456
153015	153016	153261
153262	153263	153264
153265	153266	153323
153324	153325	153326
153327	153727	154106
154246	154330	154403
154404		

3rd Period (Section 27A(13))

129537	131195	132040
132192	132394	132395
132461	132463	132522
132568	132569	132570
132571	132660	132682
132685	132807	132881
132889	132890	132932
132949	132963	132981
133121	133124	133125
133126	133130	133131
133295	133367	133418
133422	133655	133816
134065	134420	134627
134645	135622	135751
136084	136386	136412
136413	136414	136415

136416	136719	136720
136721	136760	136762
136778	136947	138257
142097	154821	155387
156201		

Registrations Ceased

Note: Some of the following Registrations may have been previously advertised as ceased. In this instance, the previous advertisement still prevails.

115817	115820	115912
115913	115960	116016
116018	116078	116113
116118	116195	116209
116584	116642	116851
116950	117096	118906
119058	119237	119747
119781	129092	129157
130136	130552	130553
130554	130717	130733
130769	130770	130771
130804	130859	131085
131116	131188	131250
131604	132320	132391
132950	132951	132952
133737	133738	134054
134807	146594	146595
146596	146597	146598
146599	147610	147622
147623	147646	147679
147680	147681	147707
147728	147746	147747
147748	147754	147755
147756	147759	147760
147761	147785	147786
147787	147788	147795
147876	147950	148021
148074	148075	148076
148077	148135	148136
148230	148413	148414
148518	148645	149027
149292	150090	150160
150199	150777	151016
151738	152001	152277
152278	152280	152281
152282	152283	152284
152285	152338	152840
156204		

Extensions of time granted

Applications lodged for extension of time have been granted.

129537 **Stephan Weiss** An Extension of time to extend a registration has been granted to 11/02/2008

Subsequent Owners Registered

(The name in parentheses is that of the subsequent owner)

- 140902 **(CMI Limited)** Timothy James Ord
- 154331 **(Viscount Plastics (Australia) Pty Ltd)** Viscount
Plastics (Vic.) Pty Ltd
- 130131 **(Viscount Plastics (Australia) Pty Ltd)** Viscount
Plastics (NSW) Ltd

Names Registered - Alterations and Amendments

(The name in parentheses is the new name of the proprietor)

- 152587 **(Steeline Pty Ltd)** The Steeline Group Pty Ltd
- 155190 **(Steeline Pty Ltd)** The Steeline Group Pty Ltd
- 137169 **(Karndean International Pty Ltd)** Karndean Australia
Pty Ltd
- 138490 **(Karndean International Pty Ltd)** Karndean Australia
Pty Ltd
- 139020 **(Karndean International Pty Ltd)** Karndean Australia
Pty Ltd
- 139021 **(Karndean International Pty Ltd)** Karndean Australia
Pty Ltd
- 139022 **(Karndean International Pty Ltd)** Karndean Australia
Pty Ltd
- 143133 **(Karndean International Pty Ltd)** Karndean Australia
Pty Ltd
- 157936 **(Belkin International, Inc.)** Belkin Corporation
- 154246 **(Dyesol Industries Pty Ltd)** Sustainable Technologies
International Pty Ltd

This Page Left Intentionally Blank

Proceedings under the Designs Act 2003.

This Page Left Intentionally Blank

Applications Lodged

Lodgement information is in the following order: **Applicant's Name**; International Classification, Name of Product, Lodgement Date and **Design Number**. If the applicant claims an earlier priority date under an International Convention, the Convention Country and the associated filing date are shown in parentheses before the Lodgement Date. Divisional information will also appear in parentheses before the Lodgement Date.

Abra Products Pty Ltd; 25-02B, Door frame extrusion, 22 May 2008	12428/2008	Blakemore, Joanna; 02-02NES, Tees - short sleeved, long sleeved and no arms (singlet), (NZ, 10 Mar 2008) 03 Jun 2008	12624/2008
Aero Products International, Inc.; 06-01L, Inflatable chair, (Divisional of 20372/2007) 22 Oct 2007	12759/2008	Bocchino, Carmine; 13-03B, Electrical connector, 22 May 2008	12435/2008
Allison-Rogers, Susan Margaret; 02-02C, Baby overalls, 27 May 2008	12474/2008	Bocchino, Carmine; 13-03B, Electrical connector, 22 May 2008	12436/2008
Aquarius Rubber (Aust.) Pty. Ltd.; 23-01A, Flashing, 30 May 2008	12615/2008	Bomi Furniture Pty Ltd; 06-02, Bed, 23 May 2008	12513/2008
Astral Property Pty Limited; 23-01F, Underground water tank small plate, 16 May 2008	12326/2008	Bose Corporation; 14-01, Music system, (US, 20 Dec 2007) 16 May 2008	12336/2008
Astral Property Pty Limited; 23-01F, Underground water tank large plate, 16 May 2008	12327/2008	Brother Industries, Ltd.; 14-02, Ink cartridge, (JP, 30 Nov 2007) 28 May 2008	12590/2008
Ayles, Robert Stanley; 08-08C, 14-03NES, Antenna clip, 27 May 2008	12471/2008	Brother Industries, Ltd.; 14-02, Ink cartridge, (JP, 30 Nov 2007) 28 May 2008	12591/2008
ADC Communications (Australia) Pty Limited; 14-03NES, Printed circuit board, 15 May 2008	12334/2008	Brown, Justin Peter; 06-06G, A selector handle for an office chair, 29 May 2008	12605/2008
ADC Communications (Australia) Pty Ltd; 08-99, Reel assembly, 29 May 2008	12611/2008	Brown, Justin Peter; 06-06G, A selector handle for an office chair, 29 May 2008	12606/2008
ASSA ABLOY Australia Pty Limited; 08-07, Key head, 16 May 2008	12335/2008	Brown, Justin Peter; 06-06G, A selector handle for an office chair, 29 May 2008	12607/2008
Backhouse, Troy; 06-06E, Table top, 21 May 2008	12395/2008	Burgundy Trial Pty Ltd; 08-06, Handle, 26 May 2008	12490/2008
Bardot Pty Ltd; 02-02NES, Ladies silk dip dye top, 06 Jun 2008	12698/2008	Burton, Richard; 06-11, 21-02NES, Cricket mat, (EM, 27 Nov 2007) 27 May 2008	12538/2008
Bardot Pty Ltd; 02-02C, Ladies dip-dye, button front dress, 06 Jun 2008	12699/2008	Cable Accessories (Australia) Pty. Ltd.; 13-03D, Power board, 04 Jun 2008	12685/2008
Bardot Pty Ltd; 02-02C, Ladies poppy print dress, 06 Jun 2008	12700/2008	Cable Accessories (Australia) Pty. Ltd.; 13-03D, Power board, 04 Jun 2008	12686/2008
Basser Millyard Pty Ltd; 22-05, Fishing lures, 03 Jun 2008	12627/2008	Calor; 07-05A, Sole plate for laundry iron, (FR, 04 Dec 2007) 04 Jun 2008	12691/2008
Basser Millyard Pty Ltd; 22-05, Fishing lures, 03 Jun 2008	12628/2008	Calor; 07-05A, Sole plate for laundry iron, (FR, 04 Dec 2007) 04 Jun 2008	12692/2008
Bell, Farron; 21-02NES, Game target pedestal, 04 Jun 2008	12676/2008	Calor; 07-05A, Steam iron, (FR, 12 Dec 2007) 02 Jun 2008	12638/2008
Beresford, Matthew; Low, Jessica; 06-13NES, Baby change mat, 03 Jun 2008	12626/2008	Calvet S.A.S.; 09-01K, Bottle, 22 May 2008	12431/2008
Black & Decker Inc; 08-04, Screwdriver, (US, 12 Dec 2007) 22 May 2008	12427/2008	Caroma Industries Limited; 23-02C, A toilet pan, 03 Jun 2008	12647/2008
Black & Decker Inc; 15-03B, Two-piece vegetation trimmer guard, (EM, 29 Nov 2007) 23 May 2008	12469/2008	Caroma Industries Limited; 23-02C, A toilet pan, 03 Jun 2008	12648/2008

Caroma Industries Limited; 23-02C, A toilet pan, 03 Jun 2008	12649/2008	Daikin Industries Ltd.; 23-04, Air-conditioner, 03 Jun 2008	12658/2008
Caroma Industries Limited; 23-01H, A mixer tap, 28 May 2008	12592/2008	Daikin Industries Ltd.; 23-04, Air-conditioner, 03 Jun 2008	12659/2008
Caroma Industries Limited; 23-02B, A shower arrangement, 28 May 2008	12593/2008	Daikin Industries Ltd.; 23-04, Air-conditioner, 03 Jun 2008	12660/2008
Caroma Industries Limited; 23-01H, A mixer tap, 28 May 2008	12594/2008	Daikin Industries Ltd.; 23-04, Air- conditioner, 03 Jun 2008	12657/2008
Caroma Industries Limited; 23-01H, A mixer tap, 28 May 2008	12595/2008	Don't Lean Back Limited; 06-01F, Chair, (EM, 05 Dec 2007) 21 May 2008	12400/2008
Carter Holt Harvey Packaging Pty Limited; 09-03M, A tissue box, 20 May 2008	12378/2008	Donaldson, Stuart; 23-01F, Water tank, 01 Jun 2008	12641/2008
Carter Holt Harvey Packaging Pty Limited; 09-03M, Tissue box, 20 May 2008	12382/2008	Eastwell, Jeffrey; 12-10, Camping trailer, 19 May 2008	12346/2008
Carter Holt Harvey Packaging Pty Limited; 09-03M, Tissue box, 20 May 2008	12383/2008	Evans, Ernest O.; 09-03NES, Container, (US, 15 Nov 2007) 15 May 2008	12321/2008
Carter Holt Harvey Packaging Pty Limited; 09-03M, A tissue box, 20 May 2008	12379/2008	Eveready Battery Company, Inc.; 26-06, Lighting device, (CN, 10 Dec 2007) 23 May 2008	12463/2008
Carter Holt Harvey Packaging Pty Limited; 09-03M, A tissue box, 20 May 2008	12380/2008	Farallon Capital Pty Ltd; 25-02A, A cross-arm blank, 15 May 2008	12319/2008
Carter Holt Harvey Packaging Pty Limited; 09-03M, Tissue box, 20 May 2008	12381/2008	Fellowes Inc.; 18-04, Shredder, (US, 10 Dec 2007) 26 May 2008	12479/2008
Caterpillar Inc.; 15-04, Earth moving machine, (US, 07 Dec 2007) 26 May 2008	12492/2008	Fellowes Inc.; 18-04, Shredder, (US, 10 Dec 2007) 26 May 2008	12480/2008
Chromend Supply Co.; 12-16N, Chrome exhaust extension, 21 May 2008	12389/2008	Fellowes Inc.; 18-04, Shredder, (US, 10 Dec 2007) 26 May 2008	12481/2008
Classic Cabins C/- Bruce Garrett; 25-03, Rotunda/gazebo - with bell shaped roof, 22 May 2008	12448/2008	Fellowes Inc.; 18-04, Shredder, (US, 10 Dec 2007) 26 May 2008	12482/2008
Classic Cabins C/- Bruce Garrett; 25-03, Attic garage design, 22 May 2008	12449/2008	Fellowes Inc.; 18-04, Shredder, (US, 10 Dec 2007) 26 May 2008	12483/2008
Clev-A-Garden Pty Ltd; 23-01E, Water dispersing device, 26 May 2008	12472/2008	Fellowes Inc.; 18-04, Shredder, (US, 10 Dec 2007) 26 May 2008	12484/2008
Clev-A-Garden Pty Ltd; 23-01E, Water dispersing device, 26 May 2008	12473/2008	Fellowes Inc.; 18-04, Shredder, (US, 10 Dec 2007) 26 May 2008	12485/2008
Colgate-Palmolive Company; 09-01K, Container, (EM, 23 Jan 2008) 04 Jun 2008	12689/2008	Fellowes Inc.; 18-04, Shredder, (US, 10 Dec 2007) 26 May 2008	12486/2008
Combisafe International AB; 25-02NES, Protection devices, (EM, 30 Nov 2007) 19 May 2008	12369/2008	Fellowes Inc.; 18-04, Shredder, (US, 10 Dec 2007) 26 May 2008	12487/2008
Combisafe International AB; 25-02A, Post supports, (EM, 30 Nov 2007) 19 May 2008	12370/2008	Fellowes Inc.; 18-04, Shredder, (US, 10 Dec 2007) 26 May 2008	12488/2008
CTEK Sweden AB; 13-03C, Conduit entry, (EM, 08 Apr 2008) 21 May 2008	12396/2008	Fellowes Inc.; 18-04, Shredder, (US, 10 Dec 2007) 26 May 2008	12489/2008
CTEK Sweden AB; 13-03E, Connector, (EM, 30 Nov 2007) 27 May 2008	12551/2008	Ferren, Michael C.; Valencia, Michael A.; 03-01A, Backpack shaped like a baseball cap, 20 May 2008	12385/2008
CTEK Sweden AB; 13-03E, Connector, (EM, 30 Nov 2007) 27 May 2008	12552/2008	Fielders Australia Pty Ltd; 25-01K, A Z-section structural member, 23 May 2008	12476/2008

Filer, Christine; 20-03NES, A license permit holder for a vehicle, 29 May 2008	12609/2008	Husqvarna Professional Outdoor Products Inc.; 08-08NES, Drill stand, (US, 04 Jan 2008) 02 Jun 2008	12631/2008
Fisher & Paykel Healthcare Limited; 24-01, Nasal pillows and headgear, (EM, 22 Nov 2007) 22 May 2008	12422/2008	Husqvarna Professional Outdoor Products Inc.; 08-08NES, Drill stand, (US, 04 Jan 2008) 02 Jun 2008	12632/2008
Fluid Furniture Pty Limited; 06-06NES, A spacer for a furniture assembly, 23 May 2008	12456/2008	Husqvarna Professional Outdoor Products Inc.; 08-08NES, Drill stand support column, (US, 04 Jan 2008) 02 Jun 2008	12633/2008
Fluid Furniture Pty Limited; 06-06NES, A furniture coupling, 23 May 2008	12457/2008	Husqvarna Professional Outdoor Products Inc.; 15-04, Drill stand carriage, (US, 04 Jan 2008) 02 Jun 2008	12634/2008
Fluid Furniture Pty Limited; 06-04D, A caddy, 23 May 2008	12458/2008	Intro-Tech Automotive, Inc.; 06-06H, Chair frame, 22 May 2008	12444/2008
Fluid Furniture Pty Limited; 06-06E, A furniture leg, 23 May 2008	12459/2008	Intro-Tech Automotive, Inc.; 06-03C, Desk, 22 May 2008	12445/2008
Fluid Furniture Pty Limited; 06-06E, A furniture leg, 23 May 2008	12460/2008	Intro-Tech Automotive, Inc.; 06-06G, Chair seat, 22 May 2008	12443/2008
Fluid Furniture Pty Limited; 06-06NES, A furniture spacer, 23 May 2008	12461/2008	Jackmate (Australia) Pty Ltd; 12-16NES, Truck and car wheel changer, 26 May 2008	12491/2008
Fortune-8 Nurseries Pty Ltd; 09-03F, A tray, 16 May 2008	12344/2008	James Hardie International Finance B.V.; 25-01D, Building panel, 02 Jun 2008	12635/2008
FYC International Srl; 31-00, Pasta maker, (AR, 14 Dec 2007) 02 Jun 2008	12640/2008	Jets Swimwear Pty Ltd; 02-02A, Swimwear, 29 May 2008	12566/2008
Gogol, Frank; Marozzi, John; 22-03, A projectile, 22 May 2008	12433/2008	Jets Swimwear Pty Ltd; 02-02A, Swimwear, 29 May 2008	12567/2008
Gogol, Frank; Marozzi, John; 22-03, A projectile, 22 May 2008	12432/2008	Jets Swimwear Pty Ltd; 02-02A, Swimwear, 29 May 2008	12568/2008
Gogol, Frank; Marozzi, John; 22-03, A projectile, 22 May 2008	12434/2008	Jets Swimwear Pty Ltd; 02-02A, Swimwear, 29 May 2008	12569/2008
Grant Olver Investments, trading as Pilgrim Clothing Pty Ltd.; 02-02C, 02-02NES, June 08, 05 Jun 2008	12670/2008	Jets Swimwear Pty Ltd; 02-02A, Swimwear, 29 May 2008	12570/2008
Greaves, Jennie Alice; 06-08, , (Divisional of 11169/2008) 11 Mar 2008	12690/2008	Jets Swimwear Pty Ltd; 02-02A, Swimwear, 29 May 2008	12571/2008
GM Global Technology Operations, Inc.; 12-08, A motor vehicle and a model vehicle, (NZ, 17 Dec 2007) 03 Jun 2008	12656/2008	Jets Swimwear Pty Ltd; 02-02A, Swimwear, 29 May 2008	12572/2008
GM Global Technology Operations, Inc.; 12-08, A motor vehicle and a model vehicle, (NZ, 17 Dec 2007) 03 Jun 2008	12655/2008	Jets Swimwear Pty Ltd; 02-02A, Swimwear, 29 May 2008	12573/2008
Haney, Anthony John; 07-05C, Peg basket, 23 May 2008	12462/2008	Jets Swimwear Pty Ltd; 02-02A, Swimwear, 29 May 2008	12574/2008
Hartmann, Bill; 10-04, Animal weighing scale, 16 May 2008	12339/2008	Jets Swimwear Pty Ltd; 02-02A, Swimwear, 29 May 2008	12575/2008
Hartmann, Bill; 10-04, Animal weighing scale, 16 May 2008	12340/2008	Jets Swimwear Pty Ltd; 02-02A, Swimwear, 29 May 2008	12576/2008
Hetra ApS; Norskov, Niels Erik; 08-08NES, Mounting, 04 Jun 2008	12673/2008	Jets Swimwear Pty Ltd; 02-02A, Swimwear, 29 May 2008	12577/2008
Hetra ApS; Norskov, Niels Erik; 08-08NES, Mounting, 04 Jun 2008	12674/2008	Jets Swimwear Pty Ltd; 02-02A, Swimwear, 29 May 2008	12578/2008
Husqvarna Professional Outdoor Products Inc.; 08-08NES, Drill stand anchor base, (US, 04 Jan 2008) 02 Jun 2008	12630/2008	Jets Swimwear Pty Ltd; 02-02A, Swimwear, 29 May 2008	12579/2008

Jets Swimwear Pty Ltd; 02-02A, Swimwear, 29 May 2008	12580/2008	Lang, Sonja Belinda; Lang, Roger Douglas; 03-01D, 28-03NES, A cosmetic brush pouch and holder, 15 May 2008	12323/2008
Jets Swimwear Pty Ltd; 02-02A, Swimwear, 29 May 2008	12581/2008	Leader Pumps Group S.p.A.; 15-02, Pump, (EM, 20 Dec 2007) 19 May 2008	12392/2008
Jets Swimwear Pty Ltd; 02-02A, Swimwear, 29 May 2008	12582/2008	Leow, Ngah Chai; 24-01, Nasal cannular, (MY, 31 Dec 2007) 30 May 2008	12669/2008
Jets Swimwear Pty Ltd; 02-02A, Swimwear, 29 May 2008	12583/2008	Les Robinets Presto, Societe Anonyme; 23-02B, Shower panel, (EM, 18 Oct 2007) 21 May 2008	12421/2008
Jets Swimwear Pty Ltd; 02-02A, Swimwear, 29 May 2008	12584/2008	Lillipilli Girl Pty Ltd; 21-01B, 50cm doll, vinyl head, vinyl torso, vinyl legs, vinyl arms, cloth body., 16 May 2008	12332/2008
Jets Swimwear Pty Ltd; 02-02A, Swimwear, 29 May 2008	12585/2008	Low, Jessica; Beresford, Matthew; 06-13NES, Baby change mat, 03 Jun 2008	12626/2008
Jets Swimwear Pty Ltd; 02-02A, Swimwear, 29 May 2008	12586/2008	LRC Products Limited; Pittsburgh Plastics Manufacturing, Inc.; 02-04A, Toe cushion for footwear, (EM, 29 Nov 2007) 28 May 2008	12601/2008
Jets Swimwear Pty Ltd; 02-02A, 02-02C, , 29 May 2008	12587/2008	Mace Engineering Group; 12-16NES, Engine bays of Holden Commodore VT to VY., 06 Jun 2008	12696/2008
Johnson Electric S.A.; 23-01A, Swivel lug in a food waste disposal unit, 27 May 2008	12553/2008	MacDonachie, William Galbraith; 08-01, Drilling rig top drive, 22 May 2008	12447/2008
Johnson Electric S.A.; 09-09, Inlet baffle in a food waste disposal unit, 27 May 2008	12554/2008	Marozzi, John; Gogol, Frank; 22-03, A projectile, 22 May 2008	12434/2008
Johnson Electric S.A.; 09-09, Food waste disposal unit, 27 May 2008	12555/2008	Marozzi, John; Gogol, Frank; 22-03, A projectile, 22 May 2008	12432/2008
Jtagz Pty Ltd; 19-08, Strap tag, 19 May 2008	12393/2008	Marozzi, John; Gogol, Frank; 22-03, A projectile, 22 May 2008	12433/2008
JB Attachments Limited; 15-04, A coupler, (NZ, 16 Nov 2007) 16 May 2008	12328/2008	Mars Australia Pty Ltd; 01-01, Confectionery, 02 Jun 2008	12637/2008
JB Attachments Limited; 15-04, A coupler, (NZ, 16 Nov 2007) 16 May 2008	12329/2008	Mars Incorporated; 09-03L, Container, (US, 28 Nov 2007) 19 May 2008	12373/2008
JB Attachments Limited; 15-04, A coupler, (NZ, 16 Nov 2007) 16 May 2008	12330/2008	Mars, Incorporated; 01-01, Confectionery, (US, 20 Nov 2007) 20 May 2008	12384/2008
Kessel New Zealand Limited; 23-01F, Underground liquid storage tank, 28 May 2008	12664/2008	Martino, Francesco Antonio; 25-03, A transportable building, 19 May 2008	12374/2008
Koninklijke Philips Electronics N.V.; 23-03NES, Bathroom heater, (EM, 11 Dec 2007) 04 Jun 2008	12687/2008	Martino, Francesco Antonio; 25-03, A transportable building, 19 May 2008	12375/2008
Koninklijke Philips Electronics N.V.; 23-03NES, Bathroom heater, (EM, 11 Dec 2007) 04 Jun 2008	12688/2008	Martino, Francesco Antonio; 25-03, A transportable building, 19 May 2008	12376/2008
Krause, Geoffrey Donald; Pitcher, Brett Anthony; 12-16NES, A tent that is designed to fit onto the back of a utility to convert it into a covered waterproof sleeping area., giving the owner the ability to camp in the back of the utility, 02 Jun 2008	12663/2008	Marvelous Pet Supplies, LLC; 25-02NES, 30-02, Birdcage roof, (US, 16 May 2008) 23 May 2008	12450/2008
Kumho Tire Co., Inc.; 12-15C, Tire for a car, (KR, 17 Jan 2008) 29 May 2008	12608/2008	Marvelous Pet Supplies, LLC; 30-02, 08-08NES, Birdcage stand, (US, 15 May 2008) 23 May 2008	12451/2008
Lang, Roger Douglas; Lang, Sonja Belinda; 03-01D, 28-03NES, A cosmetic brush pouch and holder, 15 May 2008	12323/2008	Marvelous Pet Supplies, LLC; 25-02NES, 30-02, Birdcage roof, (US, 15 May 2008) 23 May 2008	12452/2008
		Marvelous Pet Supplies, LLC; 25-02NES, 30-02, Birdcage roof, (US, 15 May 2008) 23 May 2008	12453/2008

Marvelous Pet Supplies, LLC; 25-02NES, 30-02, Birdcage roof, (US, 15 May 2008) 23 May 2008	12454/2008	Natuzzi S.P.A.; 06-01G, Sofa, 21 May 2008	12413/2008
Marvelous Pet Supplies, LLC; 06-06A, 30-02, Birdcage stand, (US, 15 May 2008) 23 May 2008	12455/2008	Natuzzi S.P.A.; 06-01G, Chair, 21 May 2008	12414/2008
Matrix Pacific Pty Ltd; 06-13NES, The napelino lounge blanket, 16 May 2008	12338/2008	Natuzzi S.P.A.; 06-01G, Sofa, 21 May 2008	12415/2008
Meade, Kevin Frank; Meade Machines Ltd; 15-04, Square tube postpuncher, (GB, 08 Apr 2006) 05 Jun 2008	12672/2008	Natuzzi S.P.A.; 06-01G, Sofa, 21 May 2008	12416/2008
Meade, Kevin Frank; Meade Machines Ltd; 15-04, Round tube postpuncher, (GB, 21 Jun 2003) 05 Jun 2008	12671/2008	Natuzzi S.P.A.; 06-01G, Chair, 21 May 2008	12417/2008
Meade, Kevin Frank; Meade Machines Ltd; 15-04, Round tube postpuncher, (GB, 21 Jun 2003) 05 Jun 2008	12671/2008	Natuzzi S.P.A.; 06-01G, Sofa, 21 May 2008	12418/2008
Meade Machines Ltd; Meade, Kevin Frank; 15-04, Round tube postpuncher, (GB, 21 Jun 2003) 05 Jun 2008	12671/2008	Natuzzi S.P.A.; 06-01G, Sofa, 21 May 2008	12419/2008
Meade Machines Ltd; Meade, Kevin Frank; 15-04, Square tube postpuncher, (GB, 08 Apr 2006) 05 Jun 2008	12672/2008	Neofoil Pty. Ltd.; 08-08A, Tile clip, 29 May 2008	12610/2008
Melrose, David Murray; 09-01NES, A container, (NZ, 22 Nov 2007) 16 May 2008	12331/2008	Nokia Corporation; 14-03A, Portion of a handset, (US, 04 Jan 2008) 28 May 2008	12597/2008
Mettler-Toledo AG; 10-04, Load cell for a scale, (EM, 16 Jan 2008) 02 Jun 2008	12636/2008	Nokia Corporation; 14-03A, Portion of a handset, (US, 04 Jan 2008) 28 May 2008	12598/2008
Mills, Chris; 12-10, Caravan layout, 16 May 2008	12325/2008	Nokia Corporation; 14-03A, Front cover for a handset, (US, 04 Jan 2008) 28 May 2008	12599/2008
Monsanto Europe S.A.; 09-07A, Nozzle, (EM, 14 May 2008) 27 May 2008	12556/2008	Nokia Corporation; 14-03A, Handset, (US, 04 Jan 2008) 28 May 2008	12600/2008
Morphlight Pty Ltd; 25-01K, FlushGroove FG100 and FlushGroove FG200, 26 May 2008	12478/2008	Nokia Corporation; 14-03A, Handset, (US, 03 Dec 2007) 27 May 2008	12518/2008
Morphy Richards Limited; 15-05, Vacuum cleaner attachment, (EM, 18 Dec 2007) 21 May 2008	12441/2008	Nokia Corporation; 14-03A, Holder for a handset, (US, 03 Dec 2007) 27 May 2008	12519/2008
Natuzzi S.P.A.; 06-01G, Sofa, 21 May 2008	12404/2008	Nokia Corporation; 14-03A, Key panel for a handset, (US, 07 Dec 2007) 27 May 2008	12520/2008
Natuzzi S.P.A.; 06-01G, Sofa, 21 May 2008	12405/2008	Nokia Corporation; 14-03A, Handset, (US, 07 Dec 2007) 27 May 2008	12521/2008
Natuzzi S.P.A.; 06-01G, Sofa, 21 May 2008	12406/2008	Nokia Corporation; 14-03A, Key panel for a handset, (US, 07 Dec 2007) 27 May 2008	12522/2008
Natuzzi S.P.A.; 06-01G, Sofa, 21 May 2008	12407/2008	Nokia Corporation; 14-03A, Handset, (US, 07 Dec 2007) 27 May 2008	12523/2008
Natuzzi S.P.A.; 06-01G, Sofa, 21 May 2008	12408/2008	Nokia Corporation; 14-03A, Handset, (US, 11 Feb 2008) 27 May 2008	12524/2008
Natuzzi S.P.A.; 06-01G, Sofa, 21 May 2008	12409/2008	Nokia Corporation; 14-03A, Handset, (US, 11 Feb 2008) 27 May 2008	12525/2008
Natuzzi S.P.A.; 06-01G, Chair, 21 May 2008	12410/2008	Nokia Corporation; 14-03A, Handset, (US, 11 Feb 2008) 27 May 2008	12526/2008
Natuzzi S.P.A.; 06-01G, Chair, 21 May 2008	12411/2008	Nokia Corporation; 14-03A, Handset, (US, 08 Feb 2008) 27 May 2008	12527/2008
Natuzzi S.P.A.; 06-01G, Chair, 21 May 2008	12412/2008		

Nokia Corporation; 14-03A, Key button for a handset, (US, 29 Feb 2008) 27 May 2008	12528/2008	Phoenix Industries Pty Ltd; 23-01H, Mixer tap and spout, 23 May 2008	12465/2008
Nokia Corporation; 14-03A, Front cover for a handset, (US, 29 Feb 2008) 27 May 2008	12529/2008	Phoenix Industries Pty Ltd; 23-01H, Spout, 23 May 2008	12466/2008
Nokia Corporation; 14-03A, Handset, (US, 29 Feb 2008) 27 May 2008	12530/2008	Phonic Ear A/S; 14-03NES, Wireless hearing device assembly, (EP, 05 Dec 2007) 04 Jun 2008	12679/2008
Nokia Corporation; 14-03A, Handset, (US, 08 Feb 2008) 27 May 2008	12531/2008	Phonic Ear A/S; 14-03NES, Wireless hearing device docking station, (EP, 05 Dec 2007) 04 Jun 2008	12680/2008
Nokia Corporation; 14-03A, Front cover for a handset, (US, 08 Feb 2008) 27 May 2008	12532/2008	Phonic Ear A/S; 14-03NES, Wireless hearing device transmitter, (EP, 05 Dec 2007) 04 Jun 2008	12681/2008
Nokia Corporation; 14-03A, Back cover for a handset, (US, 08 Feb 2008) 27 May 2008	12533/2008	Phonic Ear A/S; 14-03NES, Wireless hearing device receiver, (EP, 05 Dec 2007) 04 Jun 2008	12682/2008
Nokia Corporation; 14-03A, A handset rear panel, (US, 03 Dec 2007) 27 May 2008	12534/2008	Physicians Formula Cosmetics, Inc.; 28-03NES, Cosmetic container, (US, 16 Nov 2007) 15 May 2008	12333/2008
Nokia Corporation; 14-03A, A handset front panel, (US, 03 Dec 2007) 27 May 2008	12535/2008	Pi-Design AG; 07-01F, Thermos flask, (DK, 07 Dec 2007) 04 Jun 2008	12683/2008
Nokia Corporation; 14-03A, Handset, (US, 03 Dec 2007) 27 May 2008	12536/2008	Pi-Design AG; 07-01F, Thermos flask (new), 04 Jun 2008	12684/2008
Norskov, Niels Erik; Hetra ApS; 08-08NES, Mounting, 04 Jun 2008	12674/2008	Pitcher, Brett Anthony; Krause, Geoffrey Donald; 12-16NES, A tent that is designed to fit onto the back of a utility to convert it into a covered waterproof sleeping area,, giving the owner the ability to camp in the back of the utility, 02 Jun 2008	12663/2008
Norskov, Niels Erik; Hetra ApS; 08-08NES, Mounting, 04 Jun 2008	12673/2008	Pittsburgh Plastics Manufacturing, Inc.; LRC Products Limited; 02-04A, Toe cushion for footwear, (EM, 29 Nov 2007) 28 May 2008	12601/2008
Nursesheart Pty Ltd; 03-01B, 03-01NES, Healthcare workers toolbelt, ppouch, organiser, 20 May 2008	12391/2008	Playtex Products, Inc.; 09-09, Waste disposal device, (US, 16 Nov 2007) 15 May 2008	12320/2008
O & S Holdings (Vic) Pty Ltd; 02-04B, Shoe sole, 19 May 2008	12372/2008	Qirx Pty Ltd; 24-99, Heatable housing for type "F" contact lens containers, 27 May 2008	12543/2008
Papoutsidis, Kyriacos (Jack); 06-03A, Table, 28 May 2008	12557/2008	Qirx Pty Ltd; 24-99, Heatable housing for type "G" contact lens containers, 27 May 2008	12544/2008
Parfums Givenchy; 09-01G, Flask for perfumery products, (FR, 22 Nov 2007) 20 May 2008	12377/2008	Qirx Pty Ltd; 24-99, Heatable housing for type "E" contact lens containers, 27 May 2008	12545/2008
Parnham & Associates Pty Ltd; 06-09, 24-04, Cushions for the legs and feet, 06 Jun 2008	12703/2008	Qirx Pty Ltd; 24-99, Heatable housing for type "D" contact lens containers, 27 May 2008	12546/2008
Peg Perego S.p.A.; 12-12, Frame for perambulators and pushchairs, (EF, 26 Nov 2007) 23 May 2008	12468/2008	Qirx Pty Ltd; 24-99, Heatable housing for type "B" contact lens containers, 27 May 2008	12547/2008
Peter R Norton-Baker Pty Ltd; 23-01H, Water filtration tap design - standard, 06 Jun 2008	12694/2008	Qirx Pty Ltd; 24-99, Heatable housing for type "C" contact lens containers, 27 May 2008	12548/2008
Peter R Norton-Baker Pty Ltd; 23-01H, Water filtration tap design - disabled assist, 06 Jun 2008	12695/2008	Qirx Pty Ltd; 24-99, Heatable housing for type "A" contact lens containers, 27 May 2008	12549/2008
Phoenix Industries Pty Ltd; 23-01H, Mixer tap and spout, 23 May 2008	12464/2008		
Phoenix Industries Pty Ltd; 23-01H, Tap handle and flange, 29 May 2008	12612/2008		

Qirx Pty Ltd; 23-03NES, Heating module for a contact lens warming apparatus, 27 May 2008	12550/2008	Sanford, L.P.; 19-06, Writing instrument, (US, 29 Feb 2008) 22 May 2008	12437/2008
Quins Group Pty Ltd; 21-01B, 21-01C, A wooden vehicle with a wooden two-faced figure as the driver, 21 May 2008	12386/2008	Sanford, L.P.; 19-06, Writing instrument, (US, 29 Feb 2008) 22 May 2008	12438/2008
Qwind Pty Ltd; 10-05, Motion sensing device, 22 May 2008	12402/2008	Sanford, L.P.; 19-06, Writing instrument, (US, 29 Feb 2008) 22 May 2008	12439/2008
Racing Victoria Limited; 25-02A, Fences and rails, 16 May 2008	12347/2008	Samar, LLC; 28-99, Air deodorising apparatus, (EM, 29 Jan 2008) 28 May 2008	12602/2008
Razor USA LLC; 21-01F, Tricyclic scooter, 26 May 2008	12589/2008	Samar, LLC; 28-99, Air deodorising apparatus, (EM, 12 Mar 2008) 28 May 2008	12603/2008
Reckitt Benckiser N.V.; 09-01B, Bottle with cap, (EM, 20 Dec 2007) 03 Jun 2008	12642/2008	Schlegel, Robert F.; 12-16L, Hitch reinforcement bracket, 05 Jun 2008	12693/2008
Reckitt Benckiser N.V.; 09-01B, Bottle with cap, (EM, 20 Dec 2007) 03 Jun 2008	12643/2008	Schneider Electric Industries SAS; 13-03NES, Circuit breaker, (FR, 10 Dec 2007) 28 May 2008	12604/2008
Reckitt Benckiser N.V.; 09-01B, Bottle with cap, (EM, 20 Dec 2007) 03 Jun 2008	12644/2008	Scully & Associates Pty Ltd; 25-02A, 25-02C, 25-02NES, Bridges, boardwalks and fencing, 21 May 2008	12390/2008
Reckitt Benckiser N.V.; 09-01B, Bottle with cap, (EM, 20 Dec 2007) 03 Jun 2008	12645/2008	Sea Box International Pty Ltd; 09-03K, Container, 18 Jan 2008	12563/2008
Reckitt Benckiser N.V.; 09-01B, Bottle with cap, (EM, 20 Dec 2007) 03 Jun 2008	12646/2008	Sea Box International Pty Ltd; 09-03K, Container, 18 Jan 2008	12564/2008
ResMed Ltd; 24-01, Mask and/or components thereof, (US, 15 Jan 2008) 03 Jun 2008	12652/2008	Sea Box International Pty Ltd; 09-03K, Container, 18 Jan 2008	12565/2008
Review Australia Pty Ltd; 02-02NES, Ladies garments, 16 May 2008	12348/2008	Shirazi, Farzad; 25-01D, Building panel, 24 May 2008	12477/2008
Review Australia Pty Ltd; 02-02NES, A shirt, 11 Dec 2007	12558/2008	Shuffle Master, Inc.; 21-01L, Gaming tabletop surface, (US, 09 Nov 2007) 30 May 2008	12614/2008
Review Australia Pty Ltd; 02-02NES, A shirt, 11 Dec 2007	12559/2008	Sistema Plastics Limited; 09-03M, 09-03NES, A set of containers, (NZ, 30 Aug 2007) 27 Feb 2008	12959/2008
Review Australia Pty Ltd; 02-02C, A pant, 11 Dec 2007	12560/2008	Sistema Plastics Limited; 09-03M, 09-03NES, A set of containers, (NZ, 30 Aug 2007) 27 Feb 2008	12960/2008
Review Australia Pty Ltd; 02-02NES, A jacket, 11 Dec 2007	12561/2008	Sistema Plastics Limited; 09-03M, 09-03NES, A set of containers, (NZ, 30 Aug 2007) 27 Feb 2008	12961/2008
Review Australia Pty Ltd; 02-02NES, A top, 11 Dec 2007	12562/2008	Sistema Plastics Limited; 09-03M, 09-03NES, A set of containers, (NZ, 30 Aug 2007) 27 Feb 2008	12962/2008
Rich, Elliot; 07-01C, 07-01NES, Tea set, 29 May 2008	12665/2008	Sistema Plastics Limited; 09-03M, 09-03NES, A set of containers, (NZ, 30 Aug 2007) 27 Feb 2008	12963/2008
Richardson, Cledwyn; 25-02H, Energy efficient window, 23 May 2008	12512/2008	Sistema Plastics Limited; 09-03M, 09-03NES, A set of containers, 27 Feb 2008	12963/2008
Robinson, Melissa; 06-13B, 06-13NES, Comfy liner: padded comfort liner can be used for : pram, stroller, capsule, highchair, seat, swing., 26 May 2008	12475/2008	Smith, Scott Barry; 06-04NES, CD rack, 26 May 2008	12489/2008
S.C. Johnson & Son, Inc.; 26-01, Candlestick, (US, 03 Dec 2007) 03 Jun 2008	12650/2008	SmithKline Beecham Corporation; 09-03L, Container, (US, 26 Nov 2007) 23 May 2008	12470/2008
S.C. Johnson & Son, Inc.; 07-01B, Bowl, (US, 03 Dec 2007) 03 Jun 2008	12651/2008	Somfy SAS; 14-04, A display screen, (EM, 04 Dec 2007) 03 Jun 2008	12675/2008

Sportsgirl Pty Ltd; 02-02NES, Various tops, 03 Jun 2008	12654/2008	Van De Velde, Karel; 20-02C, Display unit, (EM, 23 Jan 2008) 03 Jun 2008	12668/2008
Stables, Paul; 16-06, Sunglasses, 03 Jun 2008	12625/2008	Vectura Delivery Devices Limited; 24-04, Inhaler, (EM, 23 Nov 2007) 22 May 2008	12429/2008
Stubbings, Henry; 25-02C, Fencing-gates, 28 May 2008	12540/2008	Vectura Delivery Devices Limited; 24-04, Inhaler, (EM, 23 Nov 2007) 22 May 2008	12430/2008
Sunbeam Corporation Limited; 07-02C, Cooking plate, 22 May 2008	12425/2008	Vernacare Limited; 23-02F, Washbowl, (EM, 30 Nov 2007) 30 May 2008	12617/2008
Sunbeam Corporation Limited; 07-02H, Grill, 22 May 2008	12426/2008	Vibram USA, Inc.; 02-04NES, Footwear, (US, 30 Nov 2007) 30 May 2008	12622/2008
Superbee Network Singapore Pte Ltd; 09-05, Packaging for honey in straw shape, (HK, 03 Dec 2007) 02 Jun 2008	12616/2008	Vibram USA, Inc.; 02-04NES, Footwear, (US, 30 Nov 2007) 30 May 2008	12623/2008
Swatch AG (Swatch SA) (Swatch Ltd); 10-07, Watch case, (WO, 21 Feb 2008) 15 May 2008	12322/2008	Visy R & D Pty Ltd; 09-03M, A container and blank therefor, 29 May 2008	12613/2008
Swift Group; 07-02C, Distribution plate for fan convection ovens, 03 Jun 2008	12653/2008	Voss, Roland Stephen; 08-08NES, Roof anchor point, 20 May 2008	12387/2008
SAARIENSE s.r.o.; 03-01A, String bag, (CZ, 06 Feb 2008) 27 May 2008	12537/2008	Watts Hardware Manufacturing Pty Ltd; 08-07, Lock for a door or window, 21 May 2008	12440/2008
SOMFY SAS; 10-05, Casing for control device, (EM, 20 Nov 2007) 19 May 2008	12371/2008	Watts Hardware Manufacturing Pty Ltd; 08-07, Key, 14 May 2008	12337/2008
Tasman Sinkware Pty Ltd; 23-02F, Tray, 02 Jun 2008	12639/2008	Weatherbeeta Pty Ltd; 30-01, "Horse blanket with wither relief pads", 03 Jun 2008	12661/2008
Techtronic Industries Company Limited; 15-03B, Impact shredder, 27 May 2008	12539/2008	Webster, Barrie Colin; 12-06NES, A deck and superstructure module, 22 May 2008	12394/2008
Thin Tanks Pty Ltd; 23-01F, Poly slim-line rain water tank, 19 May 2008	12345/2008	Whiteford Plastics Pty Ltd; 06-04NES, Plastic leader board system for timber pallets, 03 Jun 2008	12678/2008
Toyota Jidosha Kabushiki Kaisha; 12-08, Automobile, 30 May 2008	12618/2008	William Welch Design Ltd; 07-03, Cutlery, 27 May 2008	12494/2008
Toyota Jidosha Kabushiki Kaisha; 12-08, Automobile, 30 May 2008	12619/2008	William Welch Design Ltd; 07-03, Cutlery, 27 May 2008	12495/2008
Toyota Jidosha Kabushiki Kaisha; 12-08, Automobile, 30 May 2008	12620/2008	William Welch Design Ltd; 07-03, Cutlery, 27 May 2008	12496/2008
Toyota Jidosha Kabushiki Kaisha; 12-08, Automobile, 30 May 2008	12621/2008	William Welch Design Ltd; 07-03, Cutlery, 27 May 2008	12497/2008
Triasx Pty Ltd; 10-05, Interference test apparatus, 26 May 2008	12493/2008	William Welch Design Ltd; 07-03, Cutlery, 27 May 2008	12498/2008
TPN Flexpak Co. Ltd; 03-01A, Bag, 21 May 2008	12403/2008	William Welch Design Ltd; 07-03, Cutlery, 27 May 2008	12499/2008
Unilever PLC; 15-05, Laundry composition component, (GB, 16 Nov 2007) 16 May 2008	12343/2008	William Welch Design Ltd; 07-03, Cutlery, 27 May 2008	12500/2008
Valencia, Michael A.; Ferren, Michael C.; 03-01A, Backpack shaped like a baseball cap, 20 May 2008	12385/2008	William Welch Design Ltd; 07-03, Cutlery, 27 May 2008	12501/2008
Van De Velde, Karel; 20-02B, Presentation equipment, (EM, 23 Jan 2008) 03 Jun 2008	12666/2008	William Welch Design Ltd; 07-03, Cutlery, 27 May 2008	12502/2008
Van De Velde, Karel; 20-02B, Presentation equipment, (EM, 23 Jan 2008) 03 Jun 2008	12667/2008	William Welch Design Ltd; 07-03, Cutlery, 27 May 2008	12503/2008
		William Welch Design Ltd; 07-03, Cutlery, 27 May 2008	12504/2008

William Welch Design Ltd; 07-03, Cutlery, 27 May 2008	12505/2008	William Welch Design Ltd; 07-03, Cutlery, 27 May 2008	12510/2008
William Welch Design Ltd; 07-03, Cutlery, 27 May 2008	12506/2008	Wu, Yuewei; 08-03, A utility knife with an auto-retractable blade, 19 May 2008	12341/2008
William Welch Design Ltd; 07-03, Cutlery, 27 May 2008	12507/2008	Wu, Cheng Shi; 11-99, A pond or a fountain, 06 Jun 2008	12697/2008
William Welch Design Ltd; 07-03, Cutlery, 27 May 2008	12508/2008	Yantai Hicap Closures Co., Ltd.; 09-07C, Bottle cap, (CN, 10 Dec 2007) 23 May 2008	12514/2008
William Welch Design Ltd; 07-03, Cutlery, 27 May 2008	12509/2008		

Applications Lapsed

21069 / 2007 (06-13C)	21070 / 2007 (06-13C)
21071 / 2007 (06-13C)	21123 / 2007 (02-02C)
21248 / 2007 (23-01F)	21422 / 2007 (02-02C)
21423 / 2007 (02-02C)	21424 / 2007 (02-02C)
10350 / 2008 (09-03M)	10490 / 2008 (06-06G)
11572 / 2008 (12-16NES)	11573 / 2008 (02-01B)
11574 / 2008 (02-01B)	11575 / 2008 (02-01B)
11576 / 2008 (02-02C)	11577 / 2008 (02-02NES)
11578 / 2008 (02-02NES)	11579 / 2008 (02-02C)
11580 / 2008 (02-02C)	11581 / 2008 (02-02C)
11767 / 2008 (19-06)	11838 / 2008 (14-02)
11839 / 2008 (14-02)	11901 / 2008 (24-01)
11902 / 2008 (24-01)	11903 / 2008 (24-01)

Revocation of Design Registrations

The following Design Registration(s) have been revoked and are taken never to have been registered:

318218 09-01G

Registrations Ceased

308379 312807 312808

Extensions of time granted under Section 137

Applications lodged under section 137 for extension of time have been granted.

12677/2008 **Rockbrook Holdings Limited**

Subsequent Owners Registered

(The name in parentheses is that of the subsequent owner)

306607 (**CMI Limited**) Timothy James Ord
 320040 (**Super Chiller Pty Ltd**) Gregory Spencer;Karen Bayly;Michelle Mabb

Names Registered - Alterations and Amendments

(The name in parentheses is that of the subsequent applicant)

304330 (**Belkin International, Inc.**) Belkin Corporation
 304329 (**Belkin International, Inc.**) Belkin Corporation
 304325 (**Belkin International, Inc.**) Belkin Corporation
 304324 (**Belkin International, Inc.**) Belkin Corporation
 304313 (**Belkin International, Inc.**) Belkin Corporation
 304312 (**Belkin International, Inc.**) Belkin Corporation
 304287 (**Belkin International, Inc.**) Belkin Corporation
 304277 (**Belkin International, Inc.**) Belkin Corporation
 304311 (**Belkin International, Inc.**) Belkin Corporation
 303861 (**Belkin International, Inc.**) Belkin Corporation
 303832 (**Belkin International, Inc.**) Belkin Corporation
 308404 (**Belkin International, Inc.**) Belkin Corporation
 308633 (**Belkin International, Inc.**) Belkin Corporation
 307164 (**Belkin International, Inc.**) Belkin Corporation
 305844 (**Belkin International, Inc.**) Belkin Corporation
 305639 (**Belkin International, Inc.**) Belkin Corporation
 304843 (**Belkin International, Inc.**) Belkin Corporation
 304842 (**Belkin International, Inc.**) Belkin Corporation
 303830 (**Belkin International, Inc.**) Belkin Corporation
 302723 (**Belkin International, Inc.**) Belkin Corporation
 302722 (**Belkin International, Inc.**) Belkin Corporation
 302204 (**Belkin International, Inc.**) Belkin Corporation
 301923 (**Belkin International, Inc.**) Belkin Corporation
 301244 (**Belkin International, Inc.**) Belkin Corporation
 304344 (**Belkin International, Inc.**) Belkin Corporation
 304023 (**Belkin International, Inc.**) Belkin Corporation

Certificate(s) of Examination

Examination of the following Design Registration(s) has been completed. Infringement proceedings may now be commenced.

300431	14-02	30/06/2008	317667	28-03NES	30/06/2008
300432	14-02	30/06/2008	317669	08-03	24/06/2008
300433	14-02	30/06/2008	317753	25-04	30/06/2008
300434	14-02	30/06/2008	317801	08-07	26/06/2008
300465	15-03A	29/06/2008	317813	14-01	02/07/2008
300466	15-03A	29/06/2008	317814	14-01	02/07/2008
302679	09-01A	19/06/2008	317815	14-01	02/07/2008
305935	12-16A	23/06/2008	317816	14-01	02/07/2008
306742	09-01C	01/07/2008	317817	14-01	02/07/2008
309089	09-07A	24/06/2008	317818	14-01	02/07/2008
310703	12-16C	30/06/2008	317971	12-10	30/06/2008
310722	12-16A	26/06/2008	318072	15-04	30/06/2008
310758	12-16A	26/06/2008	318073	15-04	30/06/2008
311045	26-04	22/06/2008	318074	15-04	30/06/2008
312955	02-07A	26/06/2008	318076	15-04	30/06/2008
312956	02-07A	26/06/2008	318086	15-04	26/06/2008
313274	08-08NES	30/06/2008	318267	12-06NES	26/06/2008
313663	23-02NES	24/06/2008	318276	07-06D	25/06/2008
314084	15-09	30/06/2008	318277	21-02D	25/06/2008
314085	15-09	30/06/2008	318302	07-02B	02/07/2008
314611	08-08NES	27/06/2008	318303	07-02A	02/07/2008
314719	14-03NES	30/06/2008	318304	08-99	24/06/2008
314720	14-02	23/06/2008	318313	15-04	30/06/2008
314722	14-02	23/06/2008	318323	14-03E	30/06/2008
314727	23-02C	30/06/2008	318357	09-01NES	24/06/2008
314936	14-03NES	26/06/2008	318359	09-01K	30/06/2008
314948	24-02	24/06/2008	318360	09-01K	30/06/2008
314961	14-03NES	19/06/2008	318361	09-01K	30/06/2008
314962	14-03NES	19/06/2008	318368	11-02C	01/07/2008
314980	23-01A	30/06/2008	319069	26-06	26/06/2008
315626	14-02	30/06/2008	319070	26-06	26/06/2008
315637	14-02	30/06/2008			
315919	14-03NES	24/06/2008			
316144	23-04	30/06/2008			
316412	25-02NES	24/06/2008			
316422	09-03F	26/06/2008			
316423	07-03	26/06/2008			
316515	12-15NES	23/06/2008			
316516	12-15C	24/06/2008			
316620	14-02	30/06/2008			
316650	26-06	26/06/2008			
316651	26-06	26/06/2008			
316964	09-01K	26/06/2008			
316967	15-04	23/06/2008			
317015	15-07	26/06/2008			
317039	08-08K	30/06/2008			
317106	08-08B	26/06/2008			
317316	10-04	30/06/2008			
317317	10-04	30/06/2008			
317318	10-04	30/06/2008			
317319	10-04	30/06/2008			
317350	25-02C	24/06/2008			
317417	09-01G	24/06/2008			
317418	09-01G	24/06/2008			
317419	09-01G	24/06/2008			
317466	12-02	30/06/2008			
317476	23-01G	24/06/2008			
317477	23-01G	26/06/2008			
317482	25-01E	30/06/2008			
317564	06-01C	24/06/2008			
317580	19-02	24/06/2008			
317665	28-03NES	30/06/2008			
317666	28-03NES	30/06/2008			

Publication and Registration Proceedings

Designs Registered

This section provides a concordance between design number and registration number of Designs covered in this journal. It also shows the main class and registration date.

This section covers Registration numbers 320022 to 320113 .

The registration number shown below should be used in all future correspondence.

Design Number	Registration Number	International Classification Code (IDC)	Registration Date	Design Number	Registration Number	International Classification Code (IDC)	Registration Date
20254/2007	320065	06-13NES	26/06/2008	11140/2008	320074	15-05	30/06/2008
20255/2007	320066	06-13NES	26/06/2008	11141/2008	320084	06-06F	27/06/2008
10052/2008	320096	14-03A	01/07/2008	11142/2008	320085	06-06F	27/06/2008
10085/2008	320097	19-06	01/07/2008	11143/2008	320086	06-06F	27/06/2008
10138/2008	320098	21-01L	01/07/2008	11144/2008	320087	06-02	27/06/2008
10145/2008	320042	19-06	26/06/2008	11145/2008	320088	06-02	27/06/2008
10146/2008	320043	19-99	26/06/2008	11146/2008	320089	06-02	27/06/2008
10171/2008	320022	24-04	23/06/2008	11147/2008	320064	14-01	26/06/2008
10175/2008	320023	24-01	23/06/2008	11148/2008	320075	11-02E	30/06/2008
10189/2008	320025	19-99	23/06/2008	11149/2008	320076	25-01B	30/06/2008
10191/2008	320026	19-04	23/06/2008	11150/2008	320077	25-01B	30/06/2008
10358/2008	320067	09-03M	30/06/2008	11157/2008	320090	23-02C	27/06/2008
10507/2008	320027	09-01K	23/06/2008	11158/2008	320091	23-02C	27/06/2008
10508/2008	320028	09-01K	23/06/2008	11159/2008	320092	07-02E	27/06/2008
10532/2008	320099	12-16A	01/07/2008	11160/2008	320093	07-02E	27/06/2008
10568/2008	320100	12-05	01/07/2008	11161/2008	320094	07-02E	27/06/2008
10780/2008	320029	24-04	23/06/2008	11162/2008	320095	13-02	27/06/2008
10781/2008	320030	24-04	23/06/2008	11163/2008	320078	07-03	30/06/2008
10782/2008	320031	24-04	23/06/2008	11165/2008	320079	26-05NES	30/06/2008
10783/2008	320032	24-04	23/06/2008	11166/2008	320080	26-05NES	30/06/2008
10952/2008	320101	12-16NES	01/07/2008	11167/2008	320081	26-05NES	30/06/2008
11076/2008	320024	25-01K	23/06/2008	11171/2008	320102	12-05	01/07/2008
11079/2008	320082	10-02	27/06/2008	11172/2008	320103	12-05	01/07/2008
11081/2008	320033	12-08	23/06/2008	11173/2008	320104	21-02C	01/07/2008
11090/2008	320034	07-99NES	23/06/2008	11175/2008	320105	08-06	01/07/2008
11091/2008	320044	07-99NES	26/06/2008	11179/2008	320106	13-02	01/07/2008
11092/2008	320045	12-11	26/06/2008	11183/2008	320107	23-01D	01/07/2008
11093/2008	320046	09-02C	26/06/2008	11230/2008	320037	30-01	23/06/2008
11094/2008	320047	13-03D	26/06/2008	11803/2008	320035	28-03NES	23/06/2008
11095/2008	320048	14-01	26/06/2008	11804/2008	320036	28-03NES	23/06/2008
11101/2008	320049	08-08L	26/06/2008	12088/2008	320083	10-02	27/06/2008
11102/2008	320050	08-01	26/06/2008	12229/2008	320038	07-99B	23/06/2008
11103/2008	320051	08-01	26/06/2008	12264/2008	320040	07-07A	23/06/2008
11106/2008	320052	09-03NES	26/06/2008	12324/2008	320039	11-02E	23/06/2008
11118/2008	320056	06-11	26/06/2008	12515/2008	320053	12-06A	26/06/2008
11120/2008	320057	09-03L	26/06/2008	12516/2008	320054	12-06A	26/06/2008
11124/2008	320058	24-04	26/06/2008	12517/2008	320055	12-06A	26/06/2008
11125/2008	320059	24-04	26/06/2008	12541/2008	320041	26-06	23/06/2008
11127/2008	320060	24-04	26/06/2008	12642/2008	320108	09-01B	01/07/2008
11128/2008	320061	24-04	26/06/2008	12643/2008	320109	09-01B	01/07/2008
11130/2008	320063	24-03	26/06/2008	12644/2008	320110	09-01B	01/07/2008
11131/2008	320068	09-01G	30/06/2008	12645/2008	320111	09-01B	01/07/2008
11132/2008	320069	09-01K	30/06/2008	12646/2008	320112	09-01B	01/07/2008
11133/2008	320062	09-01K	26/06/2008	12689/2008	320113	09-01K	01/07/2008
11134/2008	320070	24-04	30/06/2008				
11136/2008	320071	25-01D	30/06/2008				
11137/2008	320072	25-01D	30/06/2008				
11139/2008	320073	13-02	30/06/2008				

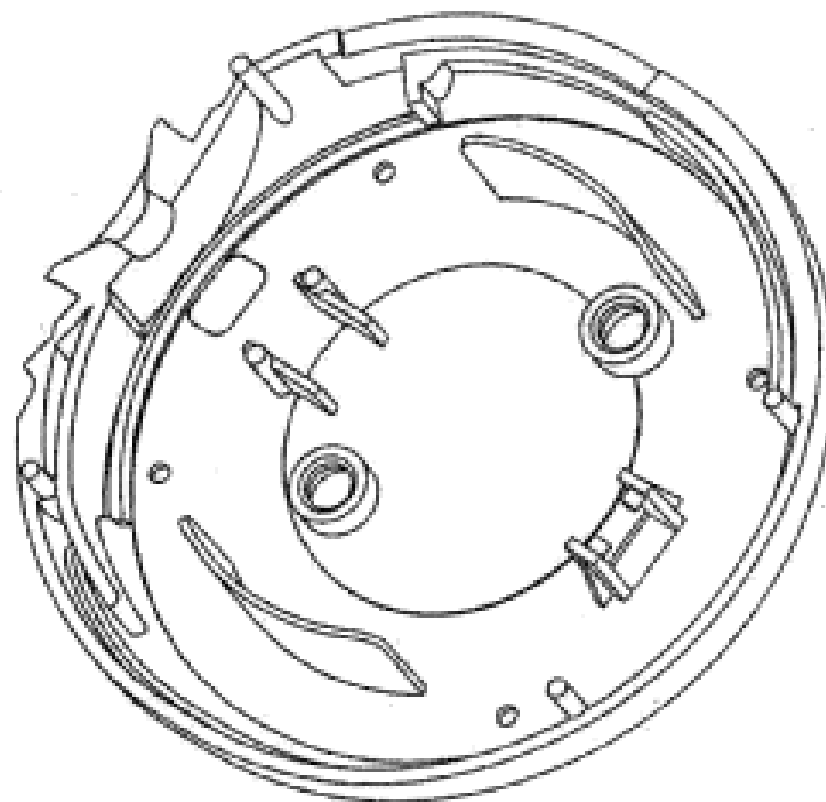
Publication and Registration Proceedings
Class Listing of Designs Published or Registered

The following section shows an International Classification Code listing of the Registered or Published Designs covered in this supplement.

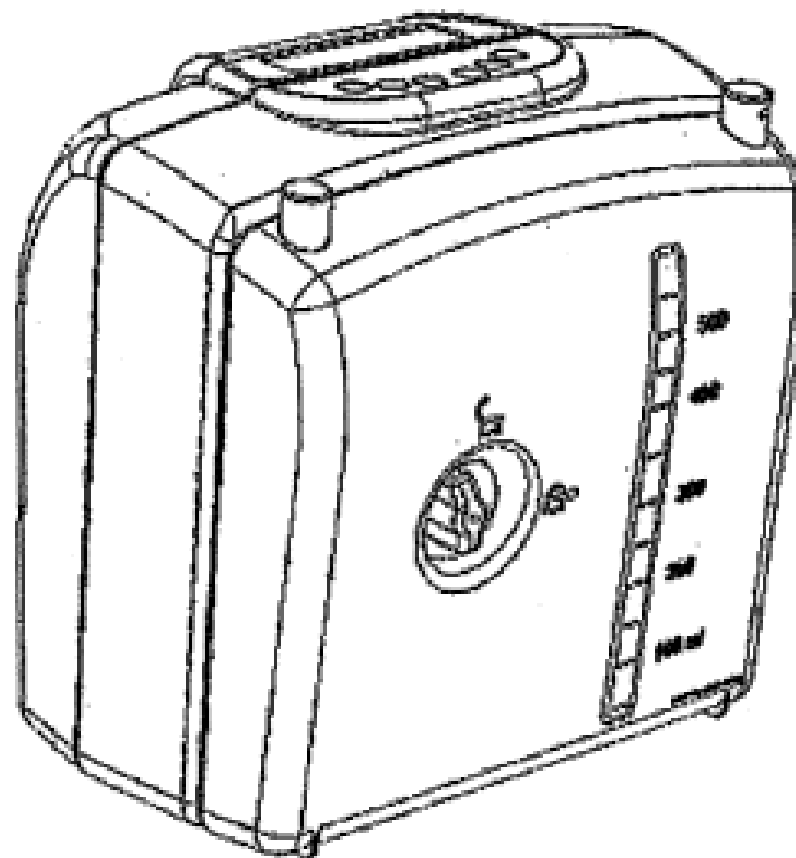
Classification	Registration Number	Design Number	Classification	Registration Number	Design Number
02-02 B	320070	11134/2008	13-02	320095	11162/2008
06-02	320087	11144/2008	13-02	320106	11179/2008
06-02	320088	11145/2008	13-03 D	320047	11094/2008
06-02	320089	11146/2008	14-01	320048	11095/2008
06-06 F	320084	11141/2008	14-01	320064	11147/2008
06-06 F	320085	11142/2008	14-02	320048	11095/2008
06-06 F	320086	11143/2008	14-03 A	320048	11095/2008
06-11	320056	11118/2008	14-03 A	320096	10052/2008
06-13 NES	320065	20254/2007	14-03 E	320096	10052/2008
06-13 NES	320066	20255/2007	15-05	320074	11140/2008
07-02 E	320092	11159/2008	15-07	320040	12264/2008
07-02 E	320093	11160/2008	15-99	320051	11103/2008
07-02 E	320094	11161/2008	19-04	320025	10189/2008
07-03	320078	11163/2008	19-04	320026	10191/2008
07-07 A	320040	12264/2008	19-06	320042	10145/2008
07-99 B	320038	12229/2008	19-06	320097	10085/2008
07-99 NES	320034	11090/2008	19-99	320025	10189/2008
07-99 NES	320044	11091/2008	19-99	320043	10146/2008
08-01	320050	11102/2008	21-01 L	320098	10138/2008
08-01	320051	11103/2008	21-02 C	320104	11173/2008
08-03	320105	11175/2008	23-01 D	320107	11183/2008
08-05 A	320050	11102/2008	23-02 B	320024	11076/2008
08-06	320105	11175/2008	23-02 C	320090	11157/2008
08-08 L	320049	11101/2008	23-02 C	320091	11158/2008
09-01 B	320108	12642/2008	24-01	320023	10175/2008
09-01 B	320109	12643/2008	24-03	320063	11130/2008
09-01 B	320110	12644/2008	24-04	320022	10171/2008
09-01 B	320111	12645/2008	24-04	320029	10780/2008
09-01 B	320112	12646/2008	24-04	320030	10781/2008
09-01 G	320068	11131/2008	24-04	320031	10782/2008
09-01 K	320027	10507/2008	24-04	320032	10783/2008
09-01 K	320028	10508/2008	24-04	320058	11124/2008
09-01 K	320062	11133/2008	24-04	320059	11125/2008
09-01 K	320069	11132/2008	24-04	320060	11127/2008
09-01 K	320113	12689/2008	24-04	320061	11128/2008
09-02 C	320046	11093/2008	24-04	320070	11134/2008
09-03 L	320057	11120/2008	25-01 B	320076	11149/2008
09-03 M	320067	10358/2008	25-01 B	320077	11150/2008
09-03 NES	320052	11106/2008	25-01 D	320071	11136/2008
10-02	320082	11079/2008	25-01 D	320072	11137/2008
10-02	320083	12088/2008	25-01 K	320024	11076/2008
11-02 E	320039	12324/2008	25-02 NES	320071	11136/2008
11-02 E	320075	11148/2008	25-02 NES	320072	11137/2008
12-05	320100	10568/2008	26-05 NES	320079	11165/2008
12-05	320102	11171/2008	26-05 NES	320080	11166/2008
12-05	320103	11172/2008	26-05 NES	320081	11167/2008
12-06 A	320053	12515/2008	26-06	320041	12541/2008
12-06 A	320054	12516/2008	28-03 NES	320035	11803/2008
12-06 A	320055	12517/2008	28-03 NES	320036	11804/2008
12-08	320033	11081/2008	29-02	320070	11134/2008
12-11	320045	11092/2008	30-01	320037	11230/2008
12-16 A	320099	10532/2008	31-00	320046	11093/2008
12-16 NES	320101	10952/2008			
13-02	320048	11095/2008			
13-02	320073	11139/2008			

Registration Proceedings - Class Listing of Designs Published or Registered cont'd

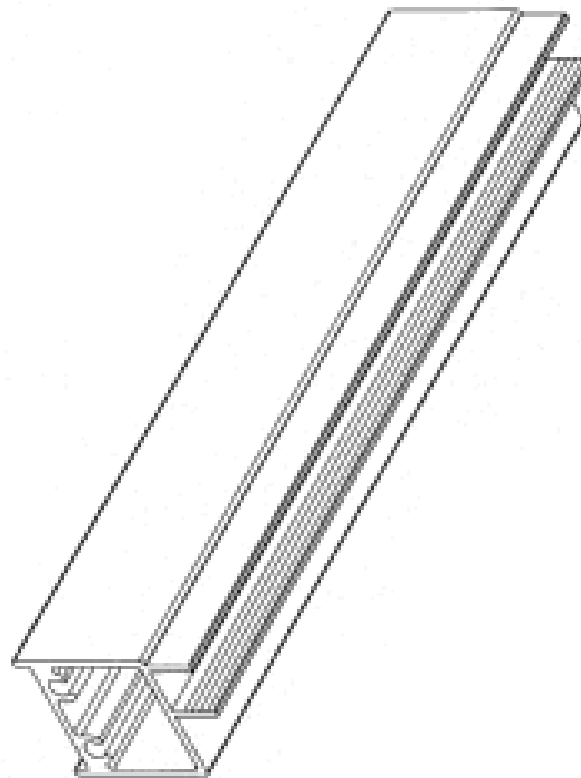
- (21) Design Number: **10171/2008**
(22) Date of Filing Application: **14 January 2008**
(24) Date from which industrial property rights may have effect: **14 January 2008**
(54) Product in respect of which the design is registered: **Body of a multidose inhaler**
(51) International Design Classification: **24-04**
(71) Name(s) and Address(s) of Applicant(s):
Cipla Limited
289 Bellasis Road Mumbai Central Mumbai- 400 008 Maharashtra
India
(72) Name(s) of Designer(s): **Amar Lulla and Xerxes Rao**
(45) Registration Date: **23 June 2008**
(30) Convention priority data:
(31) Number (32) Date (33) Country
211213 13 Jul 2007 INDIA
(56) Related Art Documents: **Not Applicable**
(57) Statement of Newness and Distinctiveness: **Newness and distinctiveness is claimed in the features of shape and/or configuration of a body of a multidose inhaler as illustrated in the accompanying representations.**



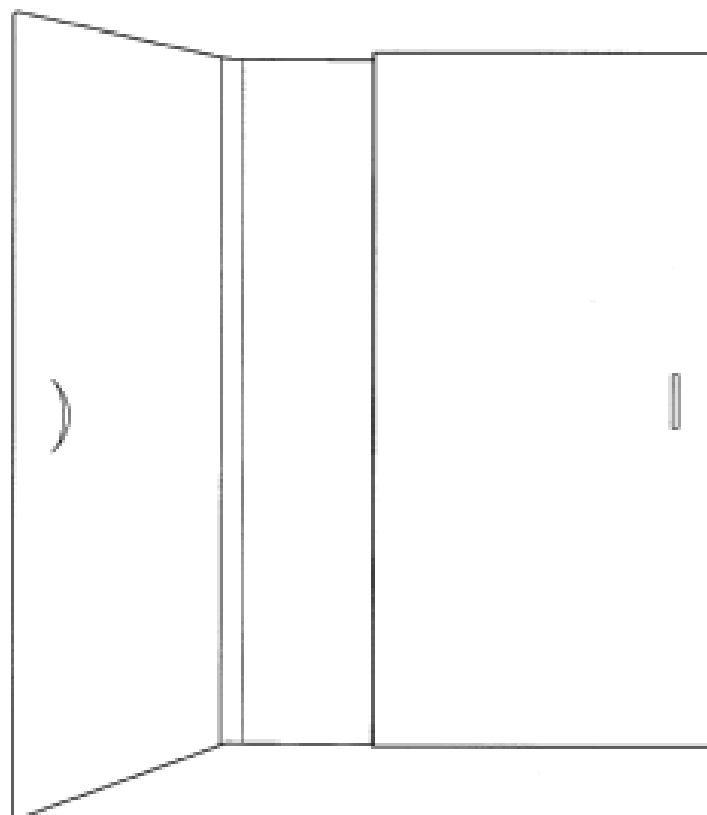
- (21) Design Number: **10175/2008**
(22) Date of Filing Application: **14 January 2008**
(24) Date from which industrial property rights may have effect: **14 January 2008**
(54) Product in respect of which the design is registered: **Wound drainage apparatus for medical purposes**
(51) International Design Classification: **24-01**
(71) Name(s) and Address(s) of Applicant(s):
Talley Group Limited
Abbey Park Industrial Estate Premier Way Romsey Hampshire SO51
9AQ United Kingdom
(72) Name(s) of Designer(s): **Nick Cole and Gareth Thomas**
(45) Registration Date: **23 June 2008**
(30) Convention priority data:
(31) Number (32) Date (33) Country
000758677 12 Jul 2007 EUROPEAN COMMUNITY
(56) Related Art Documents: **Not Applicable**
(57) Statement of Newness and Distinctiveness: **Nil**



- (21) Design Number: **11076/2008**
- (22) Date of Filing Application: **05 March 2008**
- (24) Date from which industrial property rights may have effect: **05 March 2008**
- (54) Product in respect of which the design is registered: **Frame section for a shower screen**
- (51) International Design Classification: **25-01K, 23-02B**
- (71) Name(s) and Address(s) of Applicant(s):
**Aluminium Industries Australia Pty Ltd Trading as Pivotch
Cnr Carson Ave & Cheltenham Rd Keysborough Victoria 3173
Australia**
- (72) Name(s) of Designer(s): **Lee Brown**
- (45) Registration Date: **23 June 2008**
- (56) Related Art Documents: **Not Applicable**
- (57) Statement of Newness and Distinctiveness: **Nil**



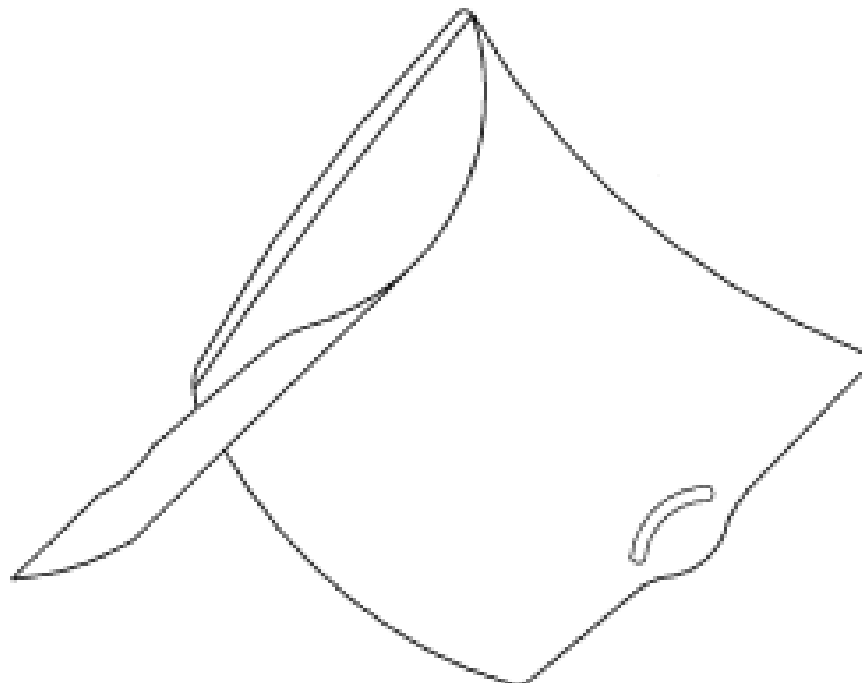
- (21) Design Number: **10189/2008**
- (22) Date of Filing Application: **16 January 2008**
- (24) Date from which industrial property rights may have effect: **16 January 2008**
- (54) Product in respect of which the design is registered: **Presentation box**
- (51) International Design Classification: **19-99, 19-04**
- (71) Name(s) and Address(s) of Applicant(s):
**Acco Australia Pty Ltd
The Lakes Business Park Level 2 8 Lord Street Botany New South
Wales 2019 Australia**
- (72) Name(s) of Designer(s): **Jessica Lucchesi**
- (45) Registration Date: **23 June 2008**
- (56) Related Art Documents: **Not Applicable**
- (57) Statement of Newness and Distinctiveness: **Nil**



- (21) Design Number: **10191/2008**
(22) Date of Filing Application: **16 January 2008**
(24) Date from which industrial property rights may have effect: **16 January 2008**
(54) Product in respect of which the design is registered: **Presentation sleeve**
(51) International Design Classification: **19-04**
(71) Name(s) and Address(s) of Applicant(s):

Acco Australia Pty Ltd
The Lakes Business Park Level 2 8 Lord Street Botany New South
Wales 2019 Australia

- (72) Name(s) of Designer(s): **Jessica Lucchesi**
(45) Registration Date: **23 June 2008**
(56) Related Art Documents: **Not Applicable**
(57) Statement of Newness and Distinctiveness: **Nil**



- (21) Design Number: **10507/2008**
(22) Date of Filing Application: **05 February 2008**
(24) Date from which industrial property rights may have effect: **05 February 2008**
(54) Product in respect of which the design is registered: **Bottle**
(51) International Design Classification: **09-01K**
(71) Name(s) and Address(s) of Applicant(s):

Reckitt Benckiser N.V.
Siriusdreef 14 2132 WT Hoofddorp The Netherlands

- (72) Name(s) of Designer(s): **Giorgio Franzolin and Zefferino Righetto and**
Jerome Lemaire and Roberto Vanin
(45) Registration Date: **23 June 2008**
(30) Convention priority data:

(31) Number	(32) Date	(33) Country
000836390-0002	03 Dec 2007	EUROPEAN COMMUNITY

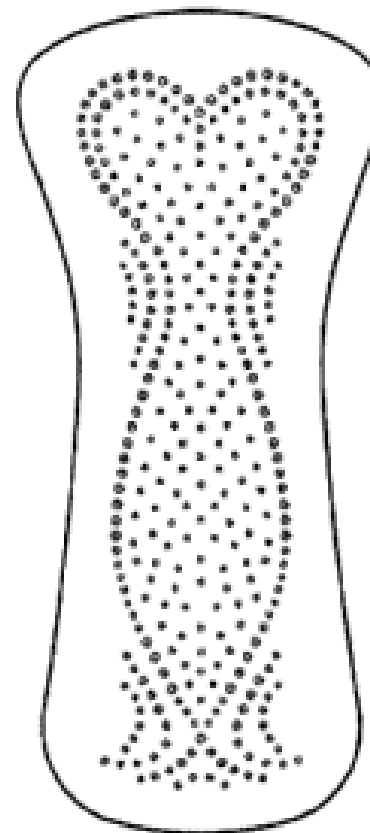
- (56) Related Art Documents: **Not Applicable**
(57) Statement of Newness and Distinctiveness: **Newness and distinctiveness reside in the features of the appearance of the cap of the bottle shown in the representations and in particular in the appearance of the curved line shown on the cap and in the array of circular features disposed to one side of that line.**



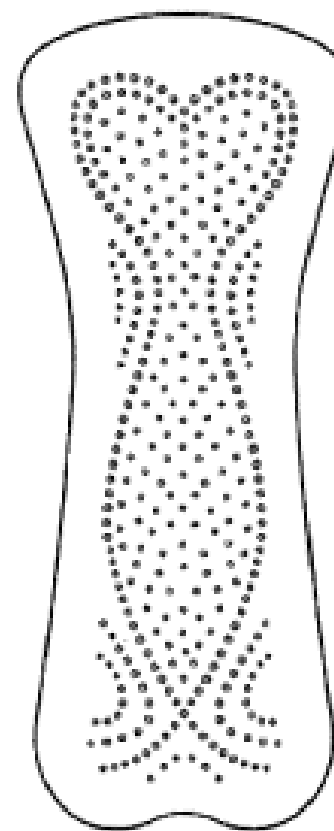
- (21) Design Number: **10508/2008**
(22) Date of Filing Application: **05 February 2008**
(24) Date from which industrial property rights may have effect: **05 February 2008**
(54) Product in respect of which the design is registered: **Bottle**
(51) International Design Classification: **09-01K**
(71) Name(s) and Address(s) of Applicant(s):
Reckitt Benckiser N.V.
Siriusdreef 14 2132 WT Hoofddorp The Netherlands
(72) Name(s) of Designer(s): **Giorgio Franzolin and Zefferino Righetto and Jerome Lemaire and Roberto Vanin**
(45) Registration Date: **23 June 2008**
(30) Convention priority data:
(31) Number (32) Date (33) Country
000836390-0004 03 Dec 2007 EUROPEAN COMMUNITY
(56) Related Art Documents: **Not Applicable**
(57) Statement of Newness and Distinctiveness: **Newness and distinctiveness reside in the features of the appearance of the cap of the bottle shown in the representations and in particular in the appearance of the curved line shown on the cap and in the array of circular features disposed to one side of that line.**



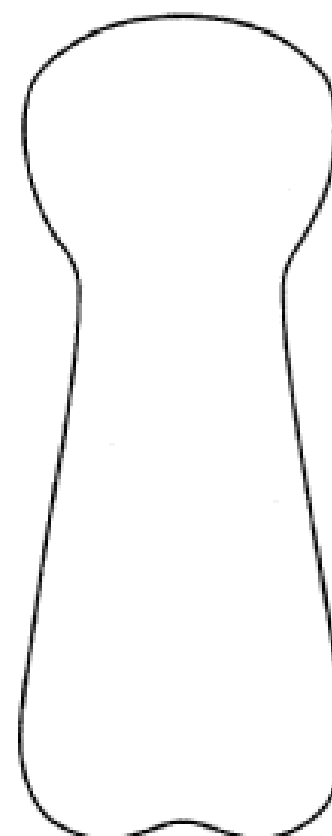
- (21) Design Number: **10780/2008**
(22) Date of Filing Application: **20 February 2008**
(24) Date from which industrial property rights may have effect: **20 February 2008**
(54) Product in respect of which the design is registered: **Panty Liner**
(51) International Design Classification: **24-04**
(71) Name(s) and Address(s) of Applicant(s):
SCA Hygiene Products AB
S-405 03 Goteborg Sweden
(72) Name(s) of Designer(s): **Cilla Persson and Magdalena Gunnarsson and Angelica Burvall**
(45) Registration Date: **23 June 2008**
(30) Convention priority data:
(31) Number (32) Date (33) Country
000790415-0001 04 Sep 2007 EUROPEAN COMMUNITY
(56) Related Art Documents: **Not Applicable**
(57) Statement of Newness and Distinctiveness: **Nil**



(21) Design Number: **10781/2008**
(22) Date of Filing Application: **20 February 2008**
(24) Date from which industrial property rights may have effect: **20 February 2008**
(54) Product in respect of which the design is registered: **Panty Liner**
(51) International Design Classification: **24-04**
(71) Name(s) and Address(s) of Applicant(s):
SCA Hygiene Products AB
S-405 03 Goteborg Sweden
(72) Name(s) of Designer(s): **Cilla Persson and Magdalena Gunnarsson and Angelica Burvall**
(45) Registration Date: **23 June 2008**
(30) Convention priority data:
(31) Number (32) Date (33) Country
000790415-0001 04 Sep 2007 EUROPEAN COMMUNITY
(56) Related Art Documents: **Not Applicable**
(57) Statement of Newness and Distinctiveness: **Nil**



(21) Design Number: **10782/2008**
(22) Date of Filing Application: **20 February 2008**
(24) Date from which industrial property rights may have effect: **20 February 2008**
(54) Product in respect of which the design is registered: **Panty Liner**
(51) International Design Classification: **24-04**
(71) Name(s) and Address(s) of Applicant(s):
SCA Hygiene Products AB
S-405 03 Goteborg Sweden
(72) Name(s) of Designer(s): **Magdalena Gunnarsson**
(45) Registration Date: **23 June 2008**
(30) Convention priority data:
(31) Number (32) Date (33) Country
000790415-0001 04 Sep 2007 EUROPEAN COMMUNITY
(56) Related Art Documents: **Not Applicable**
(57) Statement of Newness and Distinctiveness: **Nil**



(21) Design Number: **10783/2008**

(22) Date of Filing Application: **20 February 2008**

(24) Date from which industrial property rights may have effect: **20 February 2008**

(54) Product in respect of which the design is registered: **Panty Liner**

(51) International Design Classification: **24-04**

(71) Name(s) and Address(s) of Applicant(s):

**SCA Hygiene Products AB
S-405 03 Goteborg Sweden**

(72) Name(s) of Designer(s): **Magdalena Gunnarsson**

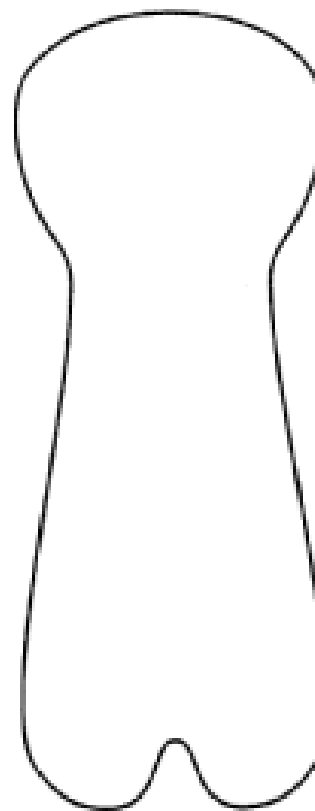
(45) Registration Date: **23 June 2008**

(30) Convention priority data:

(31) Number	(32) Date	(33) Country
000790415-0001	04 Sep 2007	EUROPEAN COMMUNITY

(56) Related Art Documents: **Not Applicable**

(57) Statement of Newness and Distinctiveness: **Nil**



(21) Design Number: **11081/2008**

(22) Date of Filing Application: **04 March 2008**

(24) Date from which industrial property rights may have effect: **04 March 2008**

(54) Product in respect of which the design is registered: **Automobile**

(51) International Design Classification: **12-08**

(71) Name(s) and Address(s) of Applicant(s):

**Spyker Cars N.V.
Edisonweg 2 Zeewolde AZ 3899 The Netherlands**

(72) Name(s) of Designer(s): **Victor Roberto Muller**

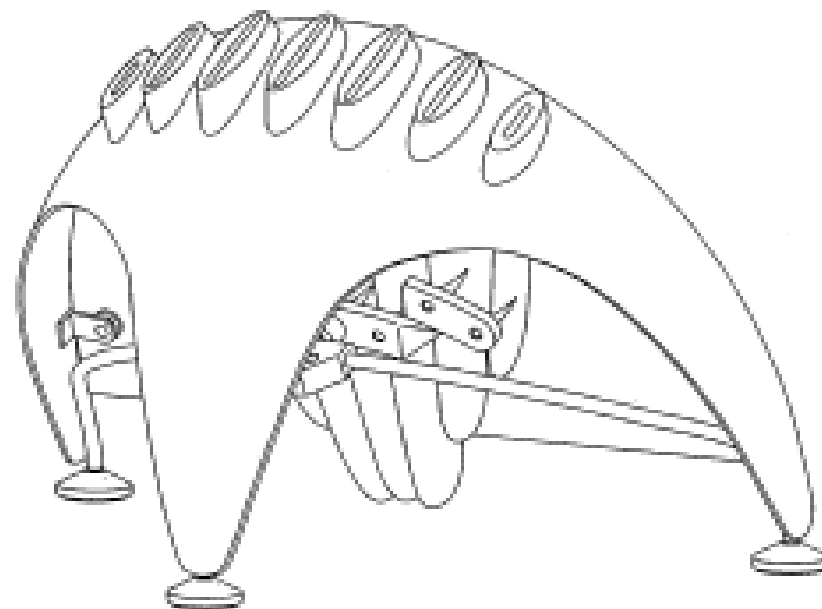
(45) Registration Date: **23 June 2008**

(56) Related Art Documents: **Not Applicable**

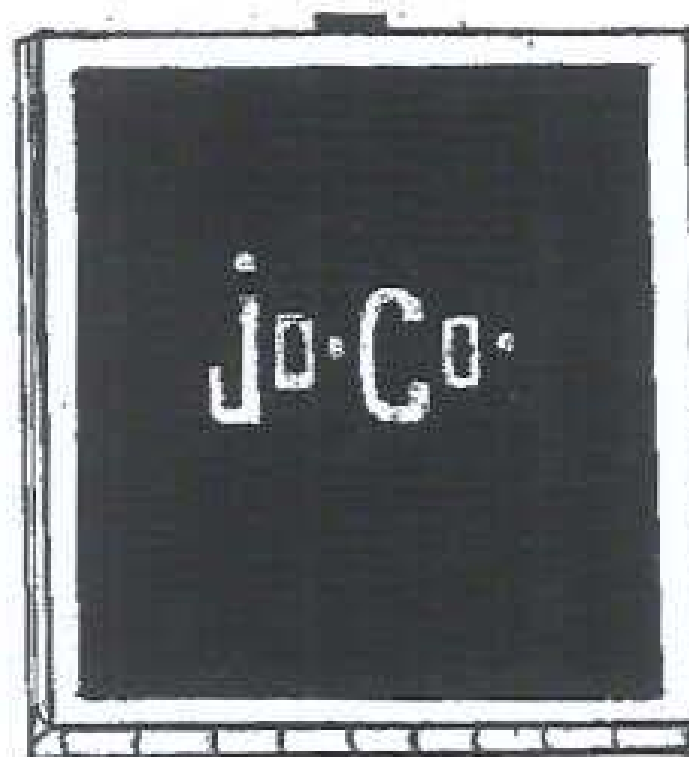
(57) Statement of Newness and Distinctiveness: **The shape and configuration of the automobile is new and distinctive. The text and words shown on the automobile are to be disregarded and should not be considered when construing visual features of the design.**



- (21) Design Number: **11090/2008**
(22) Date of Filing Application: **05 March 2008**
(24) Date from which industrial property rights may have effect: **05 March 2008**
(54) Product in respect of which the design is registered: **Knife block**
(51) International Design Classification: **07-99NES**
(71) Name(s) and Address(s) of Applicant(s):
Master Cutlery Corporation
Sharp House No 23-14 Natsumi 4-chome Funabashi Chiba 273-0865
Japan
(72) Name(s) of Designer(s): **Komin Yamada**
(45) Registration Date: **23 June 2008**
(30) Convention priority data:
(31) Number (32) Date (33) Country
000787288-0002 06 Sep 2007 EUROPEAN COMMUNITY
(56) Related Art Documents: **Not Applicable**
(57) Statement of Newness and Distinctiveness: **Newness and distinctiveness is claimed in the features of shape and/or configuration of a knife block as illustrated in the accompanying representations.**



- (21) Design Number: **11803/2008**
(22) Date of Filing Application: **17 April 2008**
(24) Date from which industrial property rights may have effect: **17 April 2008**
(54) Product in respect of which the design is registered: **Compact mirror**
(51) International Design Classification: **28-03NES**
(71) Name(s) and Address(s) of Applicant(s):
Narinder Kour Johar
709-161 New South Head Road Edgecliff New South Wales 2027
Australia
(72) Name(s) of Designer(s): **Narinder Kour Johar**
(45) Registration Date: **23 June 2008**
(56) Related Art Documents: **Not Applicable**
(57) Statement of Newness and Distinctiveness: **The new feature of the design is the configuration of LED's (Light Emitting Diodes) behind a transparent inverted logo. (Appears inverted when facing compact case at opening point).**



(21) Design Number: **11804/2008**

(22) Date of Filing Application: **17 April 2008**

(24) Date from which industrial property rights may have effect: **17 April 2008**

(54) Product in respect of which the design is registered: **Compact mirror**

(51) International Design Classification: **28-03NES**

(71) Name(s) and Address(s) of Applicant(s):

Narinder Kour Johar
709-161 New South Head Road Edgecliff New South Wales 2027
Australia

(72) Name(s) of Designer(s): **Narinder Kour Johar**

(45) Registration Date: **23 June 2008**

(56) Related Art Documents: **Not Applicable**

(57) Statement of Newness and Distinctiveness: **The new features of the design lies in a square shaped compact mirror. Between the top cover of the compact mirror's inner casing and the top interior mirror, numerous LED's (Light Emitting Diodes) are placed. On the surface of the top interior mirror, numerous transparent-opaque frosted circles have been placed around the three sides of the mirror (as seen in Figure 2 Pg 2 of 4). The numerous LED bulbs are configured behind each of these transparent- opaque/frosted circles giving a studio-style illuminated effect. The inverted transparent-opaque/frosted logo on the top outer cover (as seen in Figure 1 Pg 1 of 4) also utilises the LED bulbs within the compact mirror's top inner casing, also giving an illuminated appearance. (the transparent-opaque/frosted logo on the front cover was designed to sit inverted to allow onlookers to read the logo the right way up when the compact mirror is opened).**



(21) Design Number: **11230/2008**

(22) Date of Filing Application: **14 March 2008**

(24) Date from which industrial property rights may have effect: **14 March 2008**

(54) Product in respect of which the design is registered: **JR004 - 3 in 1 combination horse rug**

(51) International Design Classification: **30-01**

(71) Name(s) and Address(s) of Applicant(s):

Just Rugs Australia Pty Ltd
122 Lillicrapps Road Mangrove Mountain New South Wales 2250
Australia

(72) Name(s) of Designer(s): **Wendy Garrihy and Andrew Garrihy**

(45) Registration Date: **23 June 2008**

(56) Related Art Documents: **Not Applicable**

(57) Statement of Newness and Distinctiveness: **Detachable and removable inside staple rug attached via 4 velcro tabs - maybe used independently of main body rug.**



(21) Design Number: **12229/2008**

(22) Date of Filing Application: **08 May 2008**

(24) Date from which industrial property rights may have effect: **08 May 2008**

(54) Product in respect of which the design is registered: **Hot water bottle**

(51) International Design Classification: **07-99B**

(71) Name(s) and Address(s) of Applicant(s):

Jillian Nola Archer

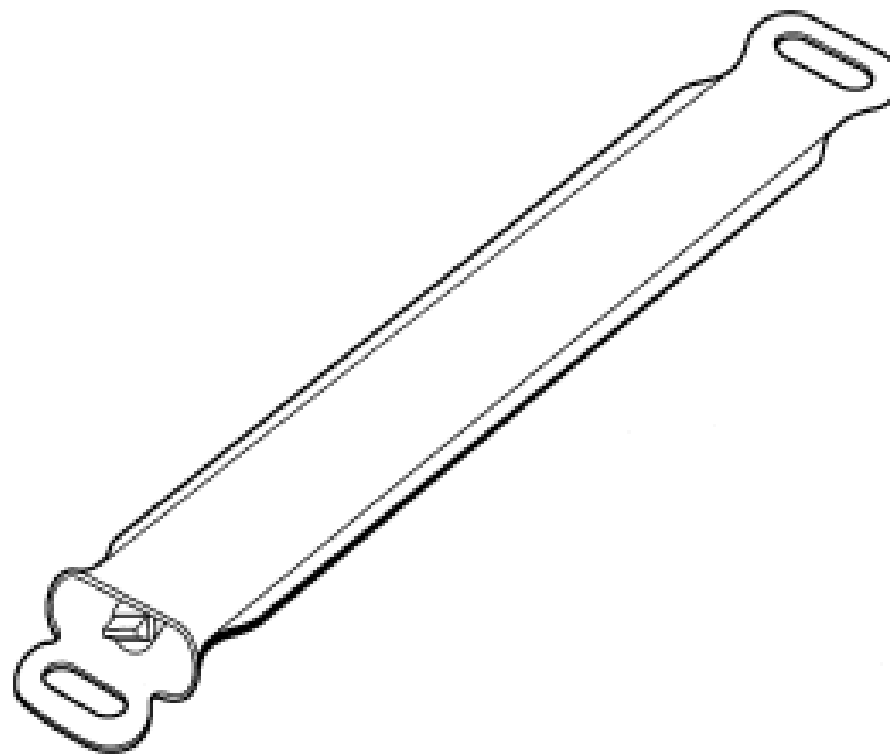
3 Smedley Lane Pomona Queensland 4568 Australia

(72) Name(s) of Designer(s): **Jillian Nola Archer**

(45) Registration Date: **23 June 2008**

(56) Related Art Documents: **Not Applicable**

(57) Statement of Newness and Distinctiveness: **Nil**



(21) Design Number: **12324/2008**

(22) Date of Filing Application: **16 May 2008**

(24) Date from which industrial property rights may have effect: **16 May 2008**

(54) Product in respect of which the design is registered: **Full size anatomically correct thoroughbred stallion mannequin**

(51) International Design Classification: **11-02E**

(71) Name(s) and Address(s) of Applicant(s):

Robin Leslie Yates

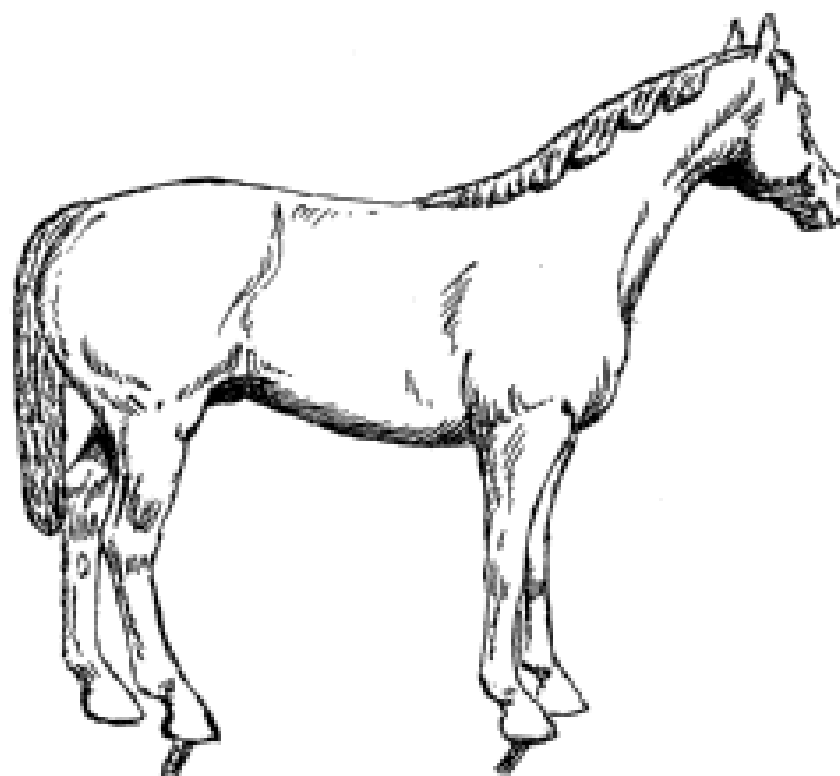
3 Waldron Street Sandringham New South Wales 2219 Australia

(72) Name(s) of Designer(s): **Robin Leslie Yates**

(45) Registration Date: **23 June 2008**

(56) Related Art Documents: **Not Applicable**

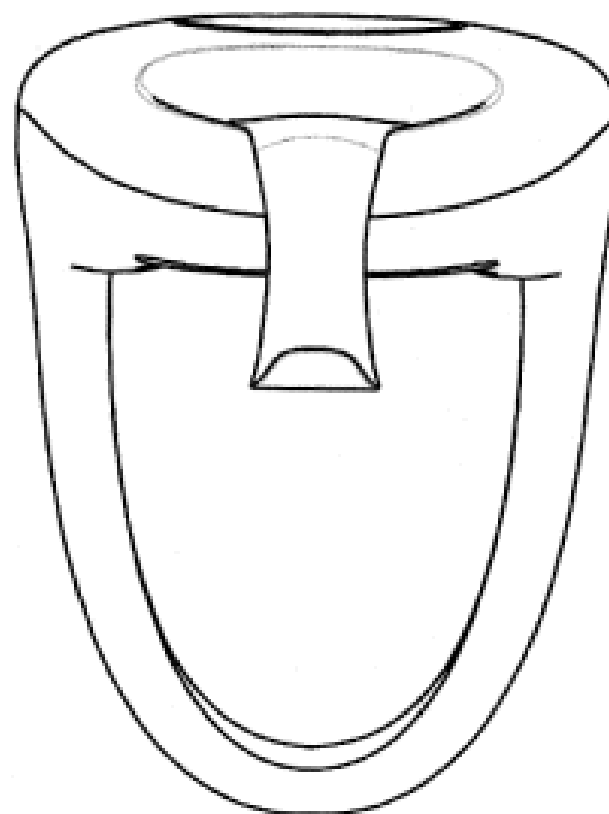
(57) Statement of Newness and Distinctiveness: **Newness and distinctiveness is claimed in respect of the shape and/or configuration of the product illustrated in the accompanying representations.**



- (21) Design Number: **12264/2008**
(22) Date of Filing Application: **08 May 2008**
(24) Date from which industrial property rights may have effect: **08 May 2008**
(54) Product in respect of which the design is registered: **A refrigerator/drinks cooler**
(51) International Design Classification: **07-07A, 15-07**
(71) Name(s) and Address(s) of Applicant(s):
Super Chiller Pty Ltd
Unit 1 8 Glasson Drive Bethania Queensland 4205 Australia
(72) Name(s) of Designer(s): **Gregory Spencer and Karen Bayly and Michelle Mabb**
(45) Registration Date: **23 June 2008**
(56) Related Art Documents: **Not Applicable**
(57) Statement of Newness and Distinctiveness: **Monopoly is claimed in the features of shape and configuration of the refrigerator/drinks cooler shown in the representations.**



- (21) Design Number: **12541/2008**
(22) Date of Filing Application: **28 May 2008**
(24) Date from which industrial property rights may have effect: **28 May 2008**
(54) Product in respect of which the design is registered: **Bicycle light**
(51) International Design Classification: **26-06**
(71) Name(s) and Address(s) of Applicant(s):
Knog Pty Ltd
Level 1 252 Church Street Richmond Victoria 3121 Australia
(72) Name(s) of Designer(s): **Malcolm McKechnie**
(45) Registration Date: **23 June 2008**
(56) Related Art Documents: **Not Applicable**
(57) Statement of Newness and Distinctiveness: **Wrap around attachable bicycle light.**



- (21) Design Number: **10145/2008**
(22) Date of Filing Application: **14 January 2008**
(24) Date from which industrial property rights may have effect: **14 January 2008**
(54) Product in respect of which the design is registered: **Ballpoint pen**
(51) International Design Classification: **19-06**
(71) Name(s) and Address(s) of Applicant(s):

**Schwan-STABILO Schwanhaeusser GmbH & Co
Schwanweg 1 2 Heroldsberg D-9056 Germany**

- (72) Name(s) of Designer(s): **Ng Wee Ong**

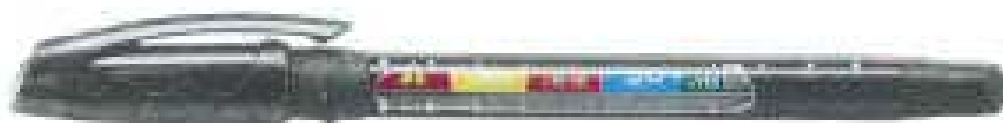
- (45) Registration Date: **26 June 2008**

- (30) Convention priority data:

(31) Number	(32) Date	(33) Country
000755939-0001	12 Jul 2007	EUROPEAN COMMUNITY

- (56) Related Art Documents: **Not Applicable**

- (57) Statement of Newness and Distinctiveness: **When determining whether the design 1 is substantially similar in overall impression to another design the letters, numbers and alphanumerics as shown in the accompanying representations are to be disregarded.**



- (21) Design Number: **10146/2008**
(22) Date of Filing Application: **14 January 2008**
(24) Date from which industrial property rights may have effect: **14 January 2008**
(54) Product in respect of which the design is registered: **Pen with pattern/ornamentation**
(51) International Design Classification: **19-99**
(71) Name(s) and Address(s) of Applicant(s):

**Schwan-STABILO Schwanhaeusser GmbH & Co
Schwanweg 1 2 Heroldsberg D-9056 Germany**

- (72) Name(s) of Designer(s): **Ng Wee Ong**

- (45) Registration Date: **26 June 2008**

- (30) Convention priority data:

(31) Number	(32) Date	(33) Country
000755939-0001	12 Jul 2007	EUROPEAN COMMUNITY

- (56) Related Art Documents: **Not Applicable**

- (57) Statement of Newness and Distinctiveness: **When determining whether the design 2 is substantially similar in overall impression to another design, the specific outline shape of the pen (as shown in dotted line) is to be disregarded.**



(21) Design Number: **11091/2008**

(22) Date of Filing Application: **05 March 2008**

(24) Date from which industrial property rights may have effect: **05 March 2008**

(54) Product in respect of which the design is registered: **Knife block**

(51) International Design Classification: **07-99NES**

(71) Name(s) and Address(s) of Applicant(s):

Master Cutlery Corporation
Sharp House No 23-14 Natsumi 4-chome Funabashi Chiba 273-0865
Japan

(72) Name(s) of Designer(s): **Komin Yamada**

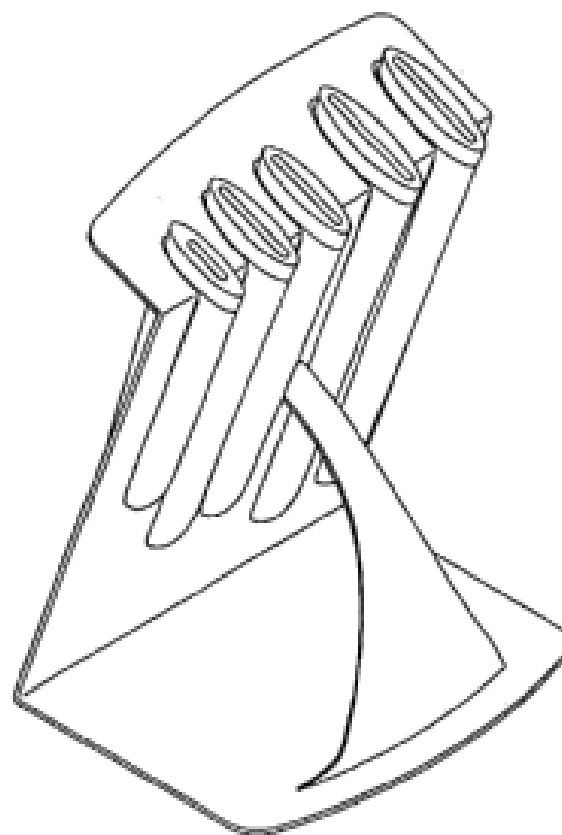
(45) Registration Date: **26 June 2008**

(30) Convention priority data:

(31) Number	(32) Date	(33) Country
000787288-0001	06 Sep 2007	EUROPEAN COMMUNITY

(56) Related Art Documents: **Not Applicable**

(57) Statement of Newness and Distinctiveness: **Newness and distinctiveness is claimed in the features of shape and/or configuration of a knife block as illustrated in the accompanying representations.**



(21) Design Number: **11092/2008**

(22) Date of Filing Application: **05 March 2008**

(24) Date from which industrial property rights may have effect: **05 March 2008**

(54) Product in respect of which the design is registered: **Motorcycle**

(51) International Design Classification: **12-11**

(71) Name(s) and Address(s) of Applicant(s):

Honda Motor Co., Ltd.
1-1 Minamiaoyama 2-chome Minato-ku Tokyo Japan

(72) Name(s) of Designer(s): **Tetsuya Nakazawa and Mike Chan**

(45) Registration Date: **26 June 2008**

(30) Convention priority data:

(31) Number	(32) Date	(33) Country
2007-024212	05 Sep 2007	JAPAN

(56) Related Art Documents: **Not Applicable**

(57) Statement of Newness and Distinctiveness: **Newness and distinctiveness is claimed in the features of shape and/or configuration of a motorcycle as illustrated in the accompanying representations.**



(21) Design Number: **11093/2008**

(22) Date of Filing Application: **05 March 2008**

(24) Date from which industrial property rights may have effect: **05 March 2008**

(54) Product in respect of which the design is registered: **Beer brewer**

(51) International Design Classification: **09-02C, 31-00**

(71) Name(s) and Address(s) of Applicant(s):

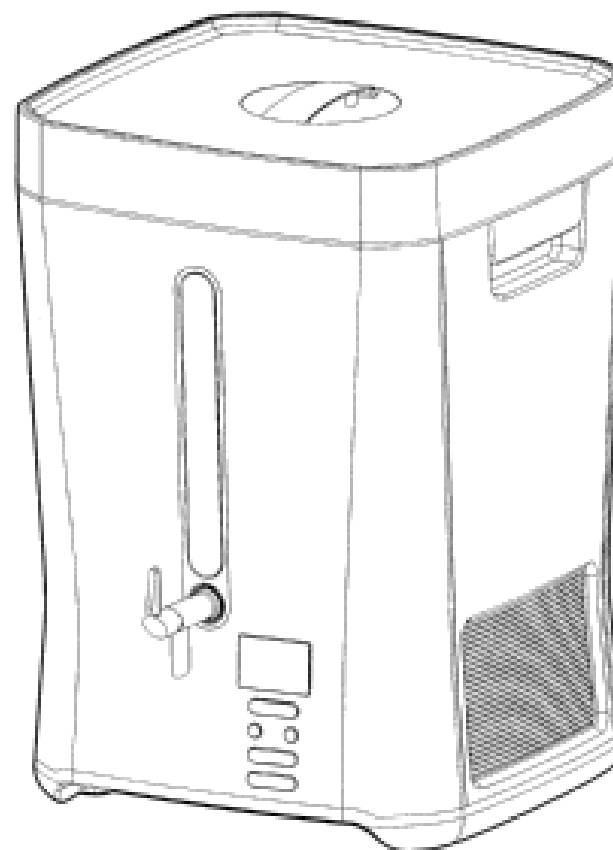
Sunbeam Corporation Limited
Units 5 & 6 13 Lord Street Botany New South Wales 2019 Australia

(72) Name(s) of Designer(s): **Phil Rose**

(45) Registration Date: **26 June 2008**

(56) Related Art Documents: **Not Applicable**

(57) Statement of Newness and Distinctiveness: **Newness and distinctiveness of the design resides in the shape and configuration thereof as illustrated in the accompanying representations.**



(21) Design Number: **11094/2008**

(22) Date of Filing Application: **05 March 2008**

(24) Date from which industrial property rights may have effect: **05 March 2008**

(54) Product in respect of which the design is registered: **Voltage adapter**

(51) International Design Classification: **13-03D**

(71) Name(s) and Address(s) of Applicant(s):

Combotronic Limited
Flat A 10th Floor Hop Lung Factory Building 1 Mong Lung Street
Shaukiwan Hong Kong

(72) Name(s) of Designer(s): **Kam Wah So**

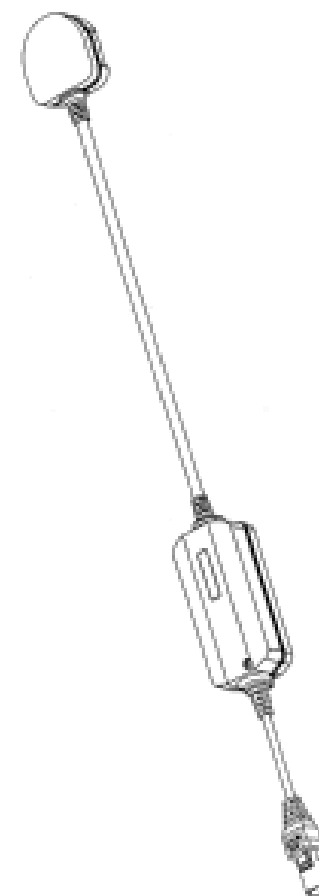
(45) Registration Date: **26 June 2008**

(30) Convention priority data:

(31) Number	(32) Date	(33) Country
0702421.1	28 Sep 2007	HONG KONG

(56) Related Art Documents: **Not Applicable**

(57) Statement of Newness and Distinctiveness: **Newness and distinctiveness of the design as applied to a voltage adapter lies in the shape and configuration thereof shown in the accompanying drawings.**



- (21) Design Number: **11095/2008**
(22) Date of Filing Application: **05 March 2008**
(24) Date from which industrial property rights may have effect: **05 March 2008**
(54) Product in respect of which the design is registered: **Dock insert**
(51) International Design Classification: **14-01, 14-02, 14-03A, 13-02**
(71) Name(s) and Address(s) of Applicant(s):

Apple Inc.
1 Infinite Loop Cupertino California 95014 United States of America

- (72) Name(s) of Designer(s): **Bartley K. Andre and Daniel J. Coster and Daniele De Iuliis and Richard P. Howarth and Jonathan P. Ive and Duncan Robert Kerr and Shin Nishibori and Matthew Dean Rohrbach and Peter Russell-Clarke and Douglas B. Satzger and Calvin Q. Seid and Christopher J. Stringer and Eugene Antony Whang and Rico Zorkendorfer**

- (45) Registration Date: **26 June 2008**

- (30) Convention priority data:

(31) Number	(32) Date	(33) Country
29/284346	05 Sep 2007	UNITED STATES OF AMERICA

- (56) Related Art Documents: **Not Applicable**

- (57) Statement of Newness and Distinctiveness: **Newness and distinctiveness of the design as applied to a dock insert lies in the shape and/or configuration thereof as shown in the left side view and right side view of the accompanying drawings.**



- (21) Design Number: **11101/2008**
(22) Date of Filing Application: **05 March 2008**
(24) Date from which industrial property rights may have effect: **05 March 2008**
(54) Product in respect of which the design is registered: **Support bracket**
(51) International Design Classification: **08-08L**
(71) Name(s) and Address(s) of Applicant(s):

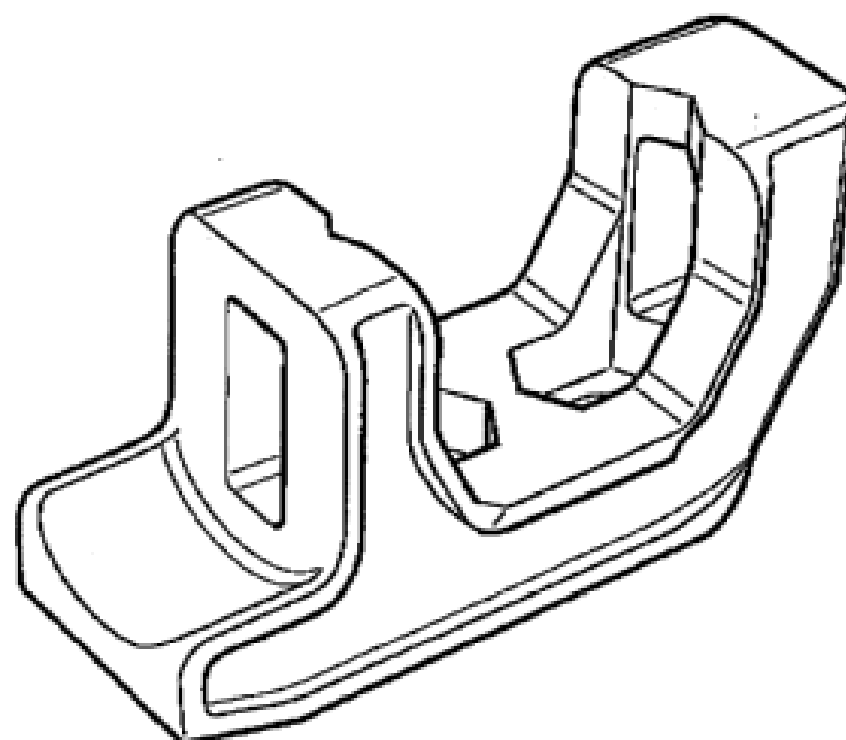
WR Metals Pty Ltd
24 Kembla Street Willetton Western Australia 6155 Australia

- (72) Name(s) of Designer(s): **Andrew Judd**

- (45) Registration Date: **26 June 2008**

- (56) Related Art Documents: **Not Applicable**

- (57) Statement of Newness and Distinctiveness: **Newness and distinctiveness is claimed in the features of shape and/or configuration of a support bracket as illustrated in the accompanying representations.**



(21) Design Number: **11102/2008**

(22) Date of Filing Application: **05 March 2008**

(24) Date from which industrial property rights may have effect: **05 March 2008**

(54) Product in respect of which the design is registered: **Cultivating tine**

(51) International Design Classification: **08-01, 08-05A**

(71) Name(s) and Address(s) of Applicant(s):

WR Metals Pty Ltd

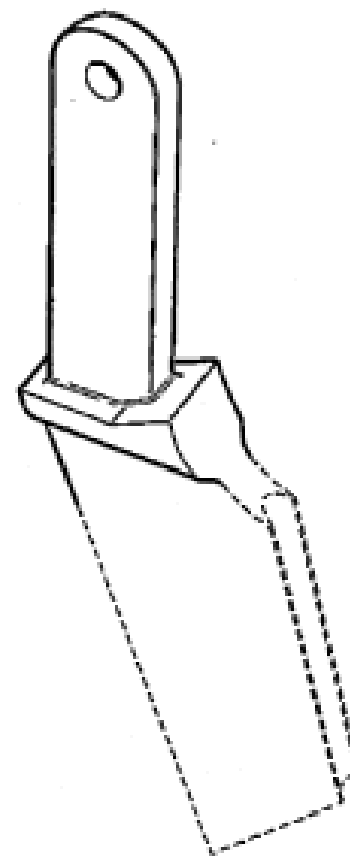
24 Kembla Street Willetton Western Australia 6155 Australia

(72) Name(s) of Designer(s): **Andrew Judd**

(45) Registration Date: **26 June 2008**

(56) Related Art Documents: **Not Applicable**

(57) Statement of Newness and Distinctiveness: **Newness and distinctiveness is claimed in the features of shape and/or configuration of a cultivating tine as illustrated in the accompanying representations and in considering the newness and distinctiveness of the design, the features shown in phantom by dashed lines are to be disregarded.**



(21) Design Number: **11103/2008**

(22) Date of Filing Application: **05 March 2008**

(24) Date from which industrial property rights may have effect: **05 March 2008**

(54) Product in respect of which the design is registered: **Centraliser segment**

(51) International Design Classification: **08-01, 15-99**

(71) Name(s) and Address(s) of Applicant(s):

Kwik-Zip Pty Ltd

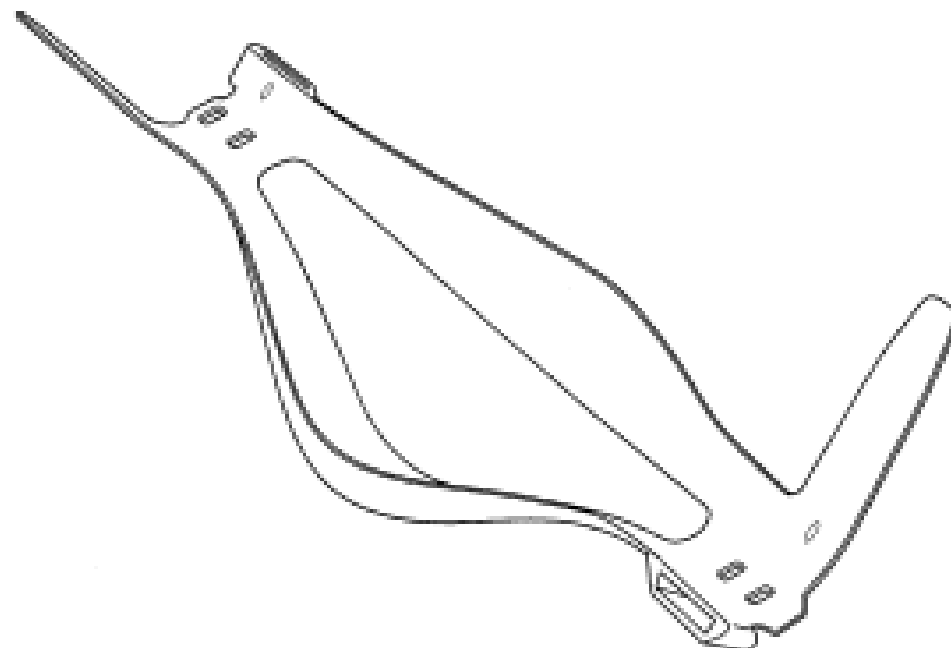
Unit 1/28-30 Wellington Street Bunbury Western Australia 6231 Australia

(72) Name(s) of Designer(s): **Jason Linaker**

(45) Registration Date: **26 June 2008**

(56) Related Art Documents: **Not Applicable**

(57) Statement of Newness and Distinctiveness: **Each feature of the design considered separately or in combination with any other feature or features.**



(21) Design Number: **11106/2008**

(22) Date of Filing Application: **05 March 2008**

(24) Date from which industrial property rights may have effect: **05 March 2008**

(54) Product in respect of which the design is registered: **A box**

(51) International Design Classification: **09-03NES**

(71) Name(s) and Address(s) of Applicant(s):

Thomas Scott Farnen

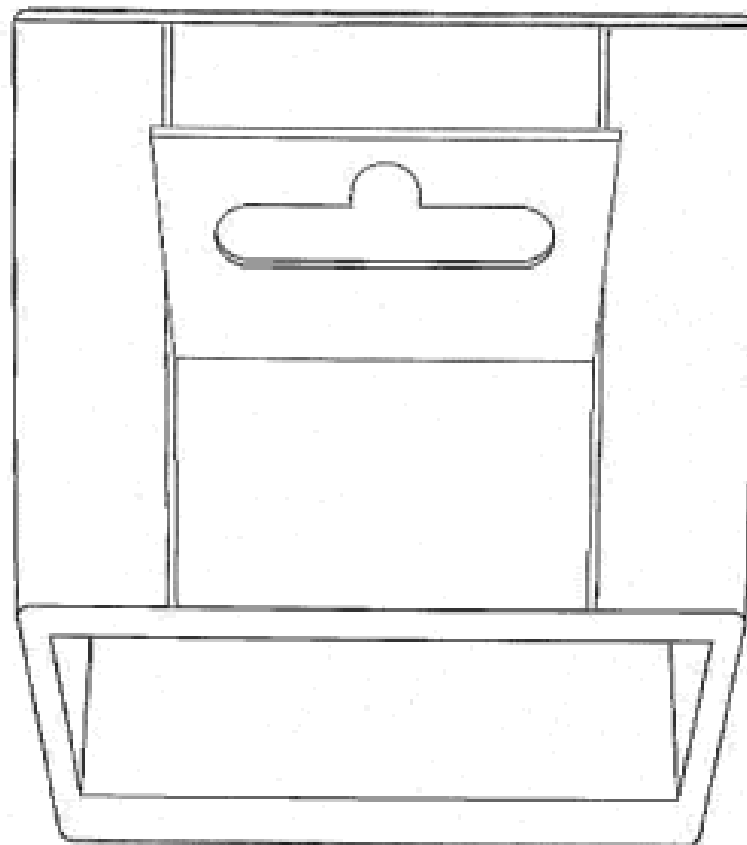
**Unit 7-10 15/F. Tower I Ever Gain Plaza No. 88 Container Port Road
Kwai Chung New Territories Hong Kong**

(72) Name(s) of Designer(s): **Thomas Scott Farnen**

(45) Registration Date: **26 June 2008**

(56) Related Art Documents: **Not Applicable**

(57) Statement of Newness and Distinctiveness: **Newness and distinctiveness is claimed in the features of shape and/or configuration of a box as illustrated in the accompanying representations.**



(21) Design Number: **12515/2008**

(22) Date of Filing Application: **26 May 2008**

(24) Date from which industrial property rights may have effect: **26 May 2008**

(54) Product in respect of which the design is registered: **Speed boat**

(51) International Design Classification: **12-06A**

(71) Name(s) and Address(s) of Applicant(s):

Rodney John Bickerton

608 River Road Lower Portland New South Wales 2756 Australia

(72) Name(s) of Designer(s): **Rodney John Bickerton**

(45) Registration Date: **26 June 2008**

(56) Related Art Documents: **Not Applicable**

(57) Statement of Newness and Distinctiveness: **Newness and distinctiveness is claimed in those features of shape and/or configuration of a speed boat as illustrated in the accompanying representations.**



(21) Design Number: **12516/2008**

(22) Date of Filing Application: **26 May 2008**

(24) Date from which industrial property rights may have effect: **26 May 2008**

(54) Product in respect of which the design is registered: **Speed boat**

(51) International Design Classification: **12-06A**

(71) Name(s) and Address(s) of Applicant(s):

Rodney John Bickerton

608 River Road Lower Portland New South Wales 2756 Australia

(72) Name(s) of Designer(s): **Rodney John Bickerton**

(45) Registration Date: **26 June 2008**

(56) Related Art Documents: **Not Applicable**

(57) Statement of Newness and Distinctiveness: **Newness and distinctiveness is claimed in those features of shape and/or configuration of a speed boat as illustrated in the accompanying representations.**



(21) Design Number: **12517/2008**

(22) Date of Filing Application: **26 May 2008**

(24) Date from which industrial property rights may have effect: **26 May 2008**

(54) Product in respect of which the design is registered: **Speed boat**

(51) International Design Classification: **12-06A**

(71) Name(s) and Address(s) of Applicant(s):

Rodney John Bickerton

608 River Road Lower Portland New South Wales 2756 Australia

(72) Name(s) of Designer(s): **Rodney John Bickerton**

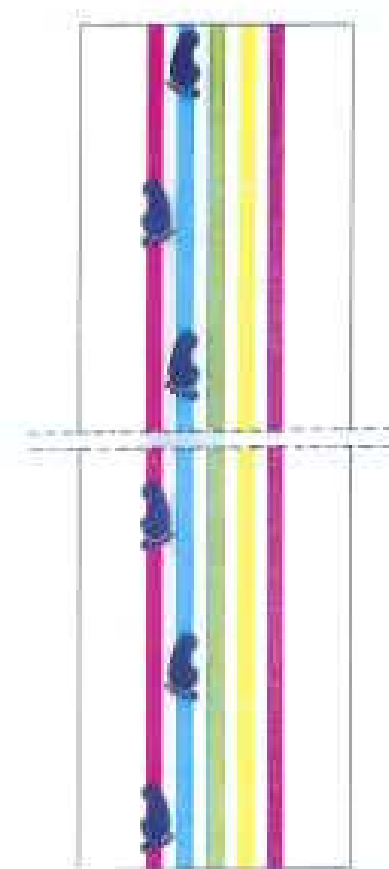
(45) Registration Date: **26 June 2008**

(56) Related Art Documents: **Not Applicable**

(57) Statement of Newness and Distinctiveness: **Newness and distinctiveness is claimed in those features of shape and/or configuration of a speed boat as illustrated in the accompanying representations.**



- (21) Design Number: **11118/2008**
- (22) Date of Filing Application: **06 March 2008**
- (24) Date from which industrial property rights may have effect: **06 March 2008**
- (54) Product in respect of which the design is registered: **A mat**
- (51) International Design Classification: **06-11**
- (71) Name(s) and Address(s) of Applicant(s):
Nariko Ohara
538-18 Ayameikeminami 7-chome Nara-shi Nara 631-0033 Japan
Kuniaki Takamatsu
55 Takamatsu Kaminoyama-shi Yamagata 999-3243 Japan
- (72) Name(s) of Designer(s): **Nariko Ohara and Kuniaki Takamatsu**
- (45) Registration Date: **26 June 2008**
- (56) Related Art Documents: **Not Applicable**
- (57) Statement of Newness and Distinctiveness: **Newness and distinctiveness is claimed in the pattern of the upper surface of the mat.**



- (21) Design Number: **11120/2008**
- (22) Date of Filing Application: **06 March 2008**
- (24) Date from which industrial property rights may have effect: **06 March 2008**
- (54) Product in respect of which the design is registered: **Click pack container**
- (51) International Design Classification: **09-03L**
- (71) Name(s) and Address(s) of Applicant(s):
Mars, Incorporated
6885 Elm Street McLean Virginia 22101-3883 United States of America
- (72) Name(s) of Designer(s): **Jan Przemyslaw Wyszynski**
- (45) Registration Date: **26 June 2008**
- (30) Convention priority data:

(31) Number	(32) Date	(33) Country
000785167-0001	06 Sep 2007	EUROPEAN COMMUNITY
- (56) Related Art Documents: **Not Applicable**
- (57) Statement of Newness and Distinctiveness: **Except for the word clickpack all visual features of shape and configuration of the design depicted in the attached representations are new and distinctive.**



(21) Design Number: **11124/2008**

(22) Date of Filing Application: **06 March 2008**

(24) Date from which industrial property rights may have effect: **06 March 2008**

(54) Product in respect of which the design is registered: **Inhaler**

(51) International Design Classification: **24-04**

(71) Name(s) and Address(s) of Applicant(s):

**Siegfried Generics International AG
Untere Bruehlstrasse 4 CH-4800 Zofingen Switzerland**

(72) Name(s) of Designer(s): **Stefan Mayer**

(45) Registration Date: **26 June 2008**

(30) Convention priority data:

(31) Number	(32) Date	(33) Country
000788682-0001	12 Sep 2007	EUROPEAN COMMUNITY

(56) Related Art Documents: **Not Applicable**

(57) Statement of Newness and Distinctiveness: **Newness and distinctiveness in the design as applied to an inhaler resides in the pattern and/or ornamentation thereof as illustrated in the accompanying drawings.**



(21) Design Number: **11125/2008**

(22) Date of Filing Application: **06 March 2008**

(24) Date from which industrial property rights may have effect: **06 March 2008**

(54) Product in respect of which the design is registered: **Lidless inhaler**

(51) International Design Classification: **24-04**

(71) Name(s) and Address(s) of Applicant(s):

**Siegfried Generics International AG
Untere Bruehlstrasse 4 CH-4800 Zofingen Switzerland**

(72) Name(s) of Designer(s): **Stefan Mayer**

(45) Registration Date: **26 June 2008**

(30) Convention priority data:

(31) Number	(32) Date	(33) Country
000788682-0002	12 Sep 2007	EUROPEAN COMMUNITY

(56) Related Art Documents: **Not Applicable**

(57) Statement of Newness and Distinctiveness: **Newness and distinctiveness in the design as applied to a lidless inhaler resides in the pattern and/or ornamentation thereof as illustrated in the accompanying drawings.**



- (21) Design Number: **11127/2008**
(22) Date of Filing Application: **06 March 2008**
(24) Date from which industrial property rights may have effect: **06 March 2008**
(54) Product in respect of which the design is registered: **Inahler**
(51) International Design Classification: **24-04**
(71) Name(s) and Address(s) of Applicant(s):
Siegfried Generics International AG
Untere Bruehlstrasse 4 CH-4800 Zofingen Switzerland
(72) Name(s) of Designer(s): **Stefan Mayer**
(45) Registration Date: **26 June 2008**
(30) Convention priority data:
(31) Number (32) Date (33) Country
000788682-0004 12 Sep 2007 EUROPEAN COMMUNITY
(56) Related Art Documents: **Not Applicable**
(57) Statement of Newness and Distinctiveness: **Newness and distinctiveness in the design as applied to an inahler resides in the shape and configuration thereof as illustrated in the accompanying drawings.**



- (21) Design Number: **11128/2008**
(22) Date of Filing Application: **06 March 2008**
(24) Date from which industrial property rights may have effect: **06 March 2008**
(54) Product in respect of which the design is registered: **Lidless inahler**
(51) International Design Classification: **24-04**
(71) Name(s) and Address(s) of Applicant(s):
Siegfried Generics International AG
Untere Bruehlstrasse 4 CH-4800 Zofingen Switzerland
(72) Name(s) of Designer(s): **Stefan Mayer**
(45) Registration Date: **26 June 2008**
(30) Convention priority data:
(31) Number (32) Date (33) Country
000788682-0005 12 Sep 2007 EUROPEAN COMMUNITY
(56) Related Art Documents: **Not Applicable**
(57) Statement of Newness and Distinctiveness: **Newness and distinctiveness in the design as applied to a lidless inahler resides in the shape and/or configuration thereof as illustrated in the accompanying drawings.**



(21) Design Number: **11133/2008**

(22) Date of Filing Application: **07 March 2008**

(24) Date from which industrial property rights may have effect: **07 March 2008**

(54) Product in respect of which the design is registered: **Bottle**

(51) International Design Classification: **09-01K**

(71) Name(s) and Address(s) of Applicant(s):

S.C. Johnson & Son, Inc.
1525 Howe Street Racine Wisconsin 53403-2236 United States of America

(72) Name(s) of Designer(s): **Robert Zwolbar and Laura Morelli**

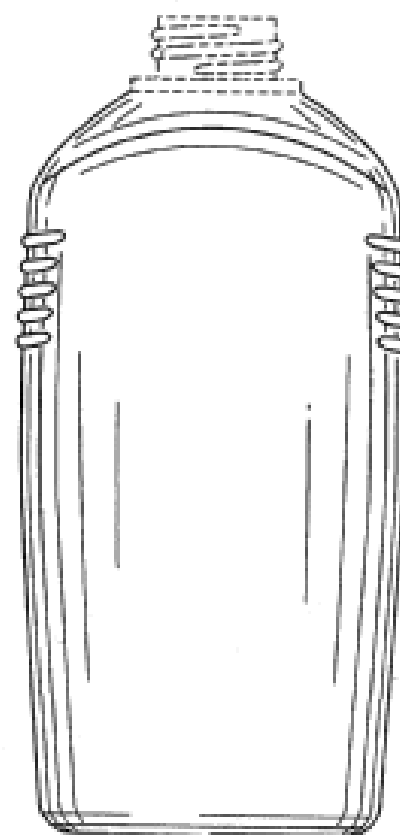
(45) Registration Date: **26 June 2008**

(30) Convention priority data:

(31) Number	(32) Date	(33) Country
000788526	12 Sep 2007	EUROPEAN PATENT OFFICE (EPO)

(56) Related Art Documents: **Not Applicable**

(57) Statement of Newness and Distinctiveness: **Newness and distinctiveness is claimed in those features of shape and/or configuration of a bottle as illustrated in continuous lines in the accompanying representations.**



(21) Design Number: **11130/2008**

(22) Date of Filing Application: **06 March 2008**

(24) Date from which industrial property rights may have effect: **06 March 2008**

(54) Product in respect of which the design is registered: **Mammary prosthesis**

(51) International Design Classification: **24-03**

(71) Name(s) and Address(s) of Applicant(s):

Gary Pierre Lauryssen
373 Bally James Duff Crescent Randjiesfontein Gauteng 1083 South Africa

(72) Name(s) of Designer(s): **Gary Pierre Lauryssen**

(45) Registration Date: **26 June 2008**

(30) Convention priority data:

(31) Number	(32) Date	(33) Country
F2007/01604	07 Sep 2007	SOUTH AFRICA

(56) Related Art Documents: **Not Applicable**

(57) Statement of Newness and Distinctiveness: **Newness and distinctiveness is claimed in the shape and/or configuration of a mammary prosthesis as shown in the accompanying representations.**



(21) Design Number: **11147/2008**

(22) Date of Filing Application: **06 March 2008**

(24) Date from which industrial property rights may have effect: **06 March 2008**

(54) Product in respect of which the design is registered: **Loudspeaker**

(51) International Design Classification: **14-01**

(71) Name(s) and Address(s) of Applicant(s):

**Armour Home Electronics Limited
Kingswey Business Park Forsyth Avenue Woking Surrey GU21 5SA
United Kingdom**

(72) Name(s) of Designer(s): **Steve Privett and Kieron Dunk**

(45) Registration Date: **26 June 2008**

(30) Convention priority data:

(31) Number	(32) Date	(33) Country
000855440	09 Jan 2008	EUROPEAN COMMUNITY

(56) Related Art Documents: **Not Applicable**

(57) Statement of Newness and Distinctiveness: **Newness and distinctiveness resides in the features of shape and configuration of loudspeaker as shown in the accompanying representations.**



(21) Design Number: **20254/2007**

(22) Date of Filing Application: **16 October 2007**

(24) Date from which industrial property rights may have effect: **16 October 2007**

(54) Product in respect of which the design is registered: **Vehicle seat cover**

(51) International Design Classification: **06-13NES**

(71) Name(s) and Address(s) of Applicant(s):

**Allan John Wiseman
PO Box 446 Welshpool Western Australia 6986 Australia**

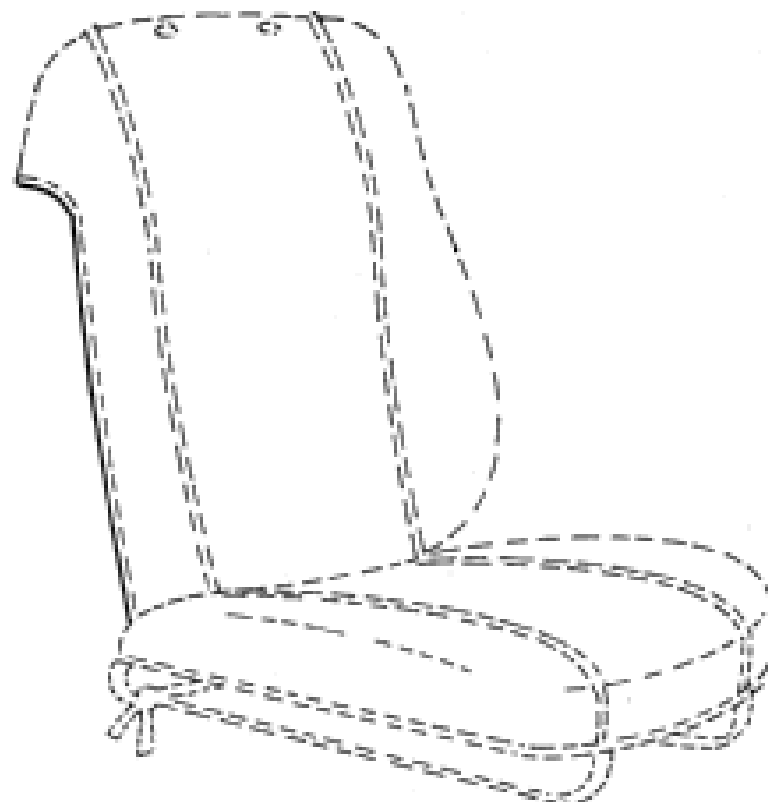
**Phillip Alan Wiseman
PO Box 446 Welshpool Western Australia 6986 Australia**

(72) Name(s) of Designer(s): **Allan John Wiseman and Phillip Alan Wiseman**

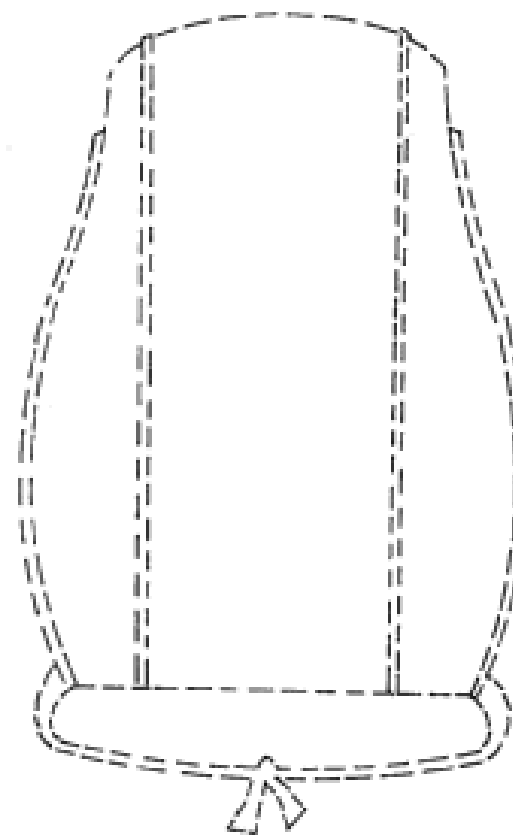
(45) Registration Date: **26 June 2008**

(56) Related Art Documents: **Not Applicable**

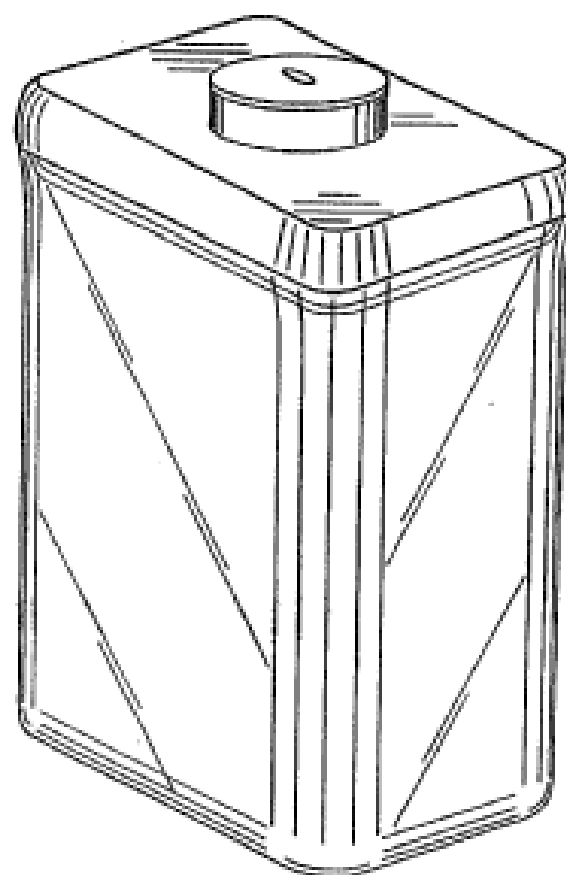
(57) Statement of Newness and Distinctiveness: **The particular visual features of the design which are new and distinctive are shape or configuration or pattern or ornamentation of the vehicle seat cover as shown in the accompanying representations. When considering the scope of the design the elements depicted in phantom should be disregarded.**



- (21) Design Number: **20255/2007**
(22) Date of Filing Application: **16 October 2007**
(24) Date from which industrial property rights may have effect: **16 October 2007**
(54) Product in respect of which the design is registered: **Vehicle seat cover**
(51) International Design Classification: **06-13NES**
(71) Name(s) and Address(s) of Applicant(s):
Allan John Wiseman
PO Box 446 Welshpool Western Australia 6986 Australia
Phillip Alan Wiseman
PO Box 446 Welshpool Western Australia 6986 Australia
(72) Name(s) of Designer(s): **Allan John Wiseman and Phillip Alan Wiseman**
(45) Registration Date: **26 June 2008**
(56) Related Art Documents: **Not Applicable**
(57) Statement of Newness and Distinctiveness: **The particular visual features of the design which are new and distinctive are shape or configuration or pattern or ornamentation of the vehicle seat cover as shown in the accompanying representations. When considering the scope of the design the elements depicted in phantom should be disregarded.**



- (21) Design Number: **10358/2008**
(22) Date of Filing Application: **29 January 2008**
(24) Date from which industrial property rights may have effect: **29 January 2008**
(54) Product in respect of which the design is registered: **Storage container**
(51) International Design Classification: **09-03M**
(71) Name(s) and Address(s) of Applicant(s):
Helen of Troy Limited
13 8th Avenue Belleville PO Box 836E St Michael Barbados
(72) Name(s) of Designer(s): **Tamotsu Matsumoto and Makiko Kida and Eugene R. Kaneko**
(45) Registration Date: **30 June 2008**
(30) Convention priority data:
(31) Number (32) Date (33) Country
29/289664 27 Jul 2007 UNITED STATES OF AMERICA
(56) Related Art Documents: **Not Applicable**
(57) Statement of Newness and Distinctiveness: **Newness and distinctiveness is claimed in the features of shape and/or configuration of a storage container as illustrated in the accompanying representations.**



(21) Design Number: **11131/2008**
(22) Date of Filing Application: **07 March 2008**
(24) Date from which industrial property rights may have effect: **07 March 2008**
(54) Product in respect of which the design is registered: **A bottle**
(51) International Design Classification: **09-01G**
(71) Name(s) and Address(s) of Applicant(s):

Guccio Gucci S.p.A.
Via Tornabuoni 73/R I-50123 Firenze Italy

(72) Name(s) of Designer(s): **Frida Giannini**

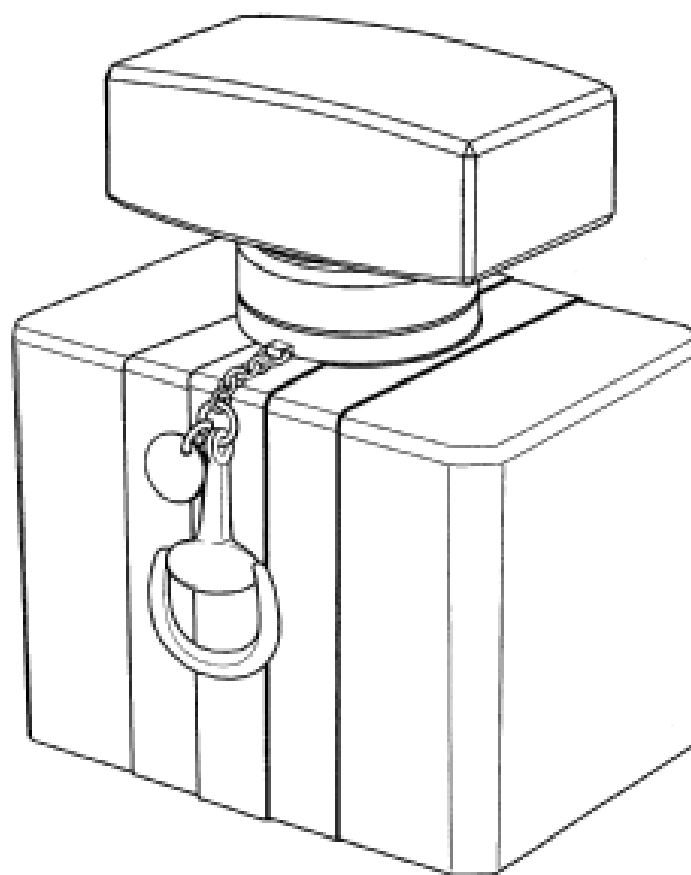
(45) Registration Date: **30 June 2008**

(30) Convention priority data:

(31) Number	(32) Date	(33) Country
000821533	06 Nov 2007	EUROPEAN COMMUNITY

(56) Related Art Documents: **Not Applicable**

(57) Statement of Newness and Distinctiveness: **Nil**



(21) Design Number: **11132/2008**
(22) Date of Filing Application: **07 March 2008**
(24) Date from which industrial property rights may have effect: **07 March 2008**
(54) Product in respect of which the design is registered: **Bottle**
(51) International Design Classification: **09-01K**
(71) Name(s) and Address(s) of Applicant(s):

S.C. Johnson & Son, Inc.
1525 Howe Street Racine Wisconsin 53403-2236 United States of America

(72) Name(s) of Designer(s): **Robert Zwolbar and Laura Morelli**

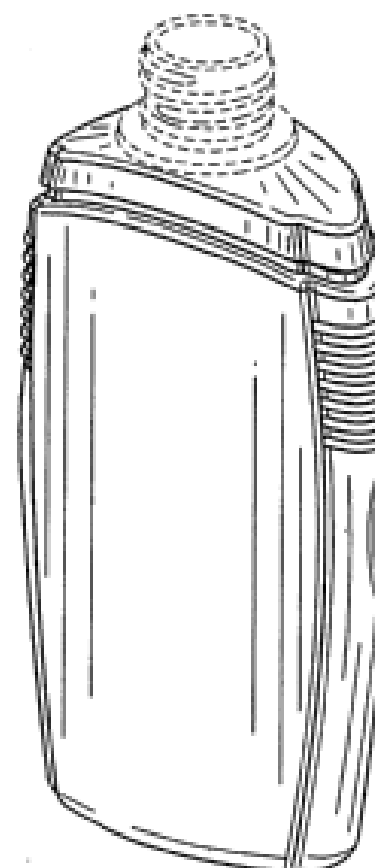
(45) Registration Date: **30 June 2008**

(30) Convention priority data:

(31) Number	(32) Date	(33) Country
000788492	12 Sep 2007	EUROPEAN COMMUNITY

(56) Related Art Documents: **Not Applicable**

(57) Statement of Newness and Distinctiveness: **Newness and distinctiveness is claimed in those features of shape and/or configuration of a bottle as illustrated in continuous lines in the accompanying representations.**



(21) Design Number: **11134/2008**

(22) Date of Filing Application: **07 March 2008**

(24) Date from which industrial property rights may have effect: **07 March 2008**

(54) Product in respect of which the design is registered: **Neck protector**

(51) International Design Classification: **24-04, 02-02B, 29-02**

(71) Name(s) and Address(s) of Applicant(s):

Vicky Michael

18 Cameron Avenue Earlwood New South Wales 2206 Australia

Renate Stewart

10C Morgan Street Earlwood New South Wales 2206 Australia

(72) Name(s) of Designer(s): **Vicky Michael and Renate Stewart**

(45) Registration Date: **30 June 2008**

(56) Related Art Documents: **Not Applicable**

(57) Statement of Newness and Distinctiveness: **Newness and distinctiveness is claimed in the features of shape and/or configuration of a neck protector as illustrated in the accompanying representations.**



(21) Design Number: **11136/2008**

(22) Date of Filing Application: **07 March 2008**

(24) Date from which industrial property rights may have effect: **07 March 2008**

(54) Product in respect of which the design is registered: **Building element**

(51) International Design Classification: **25-01D, 25-02NES**

(71) Name(s) and Address(s) of Applicant(s):

James Hardie International Finance B.V.

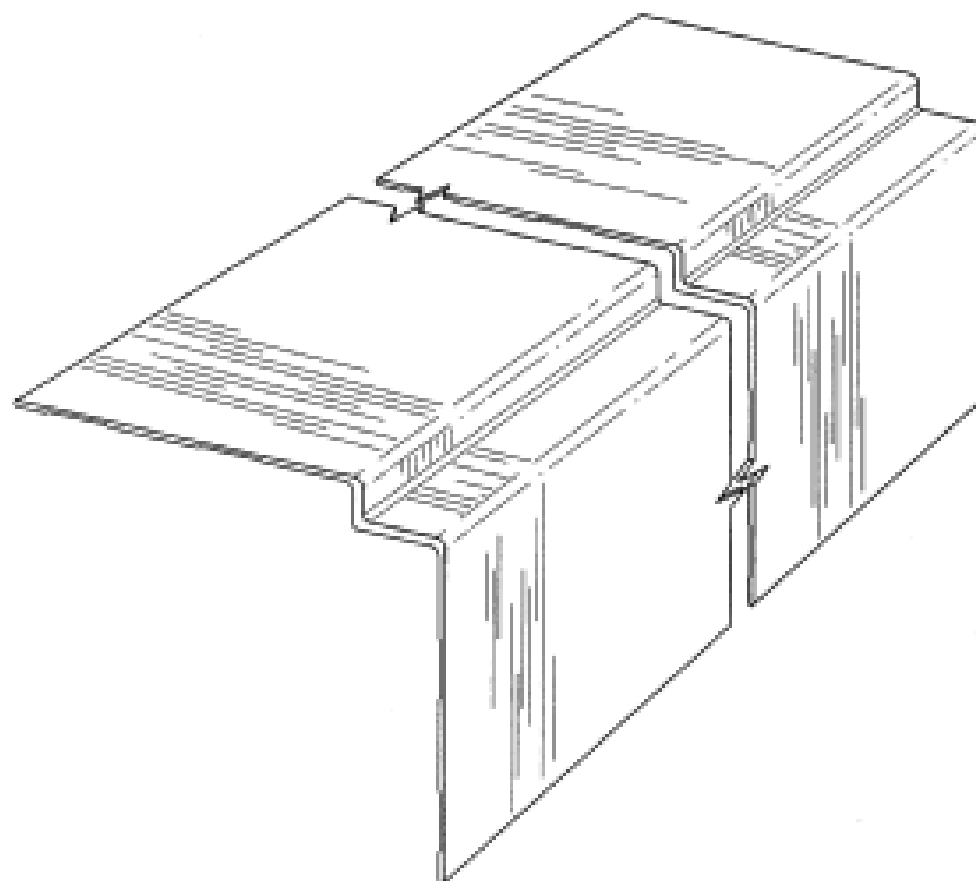
Atrium 8th Floor Strawinskylaan 3077 1077 ZX Amsterdam The Netherlands

(72) Name(s) of Designer(s): **Darren Southwell**

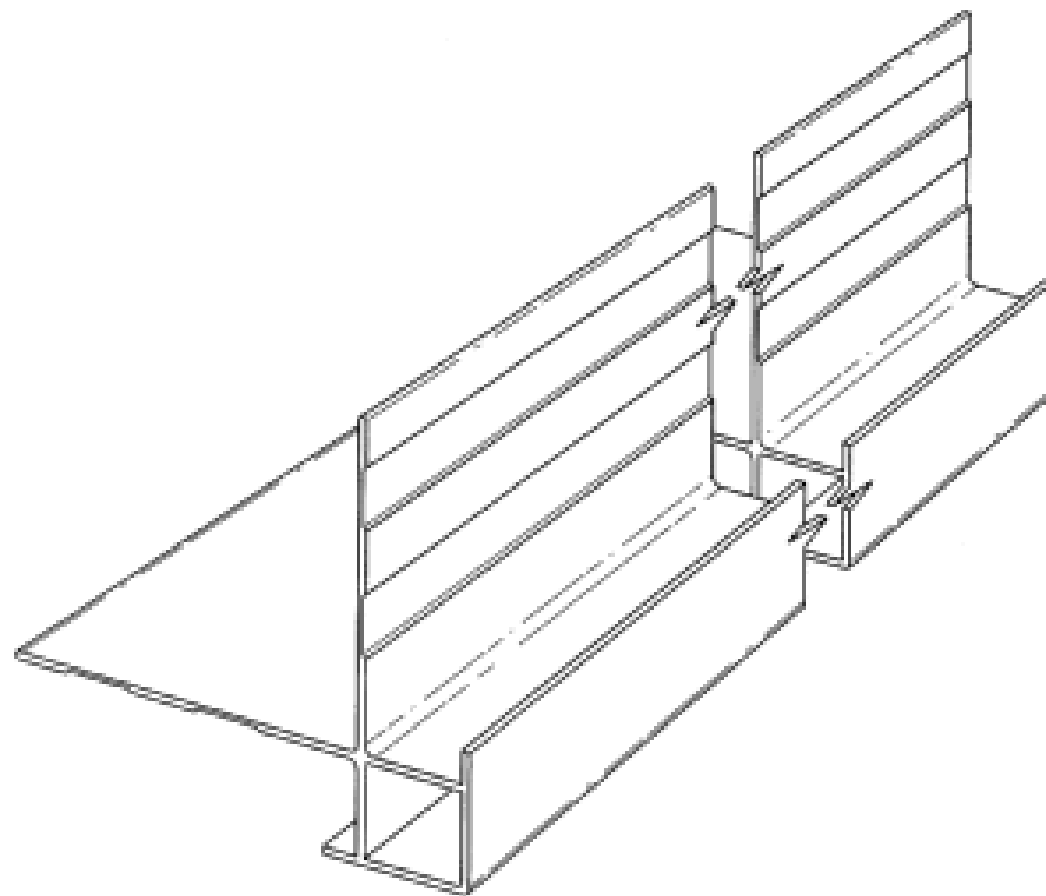
(45) Registration Date: **30 June 2008**

(56) Related Art Documents: **Not Applicable**

(57) Statement of Newness and Distinctiveness: **Newness and distinctiveness resides in the features of shape and configuration of a building element as illustrated in the accompanying representations.**



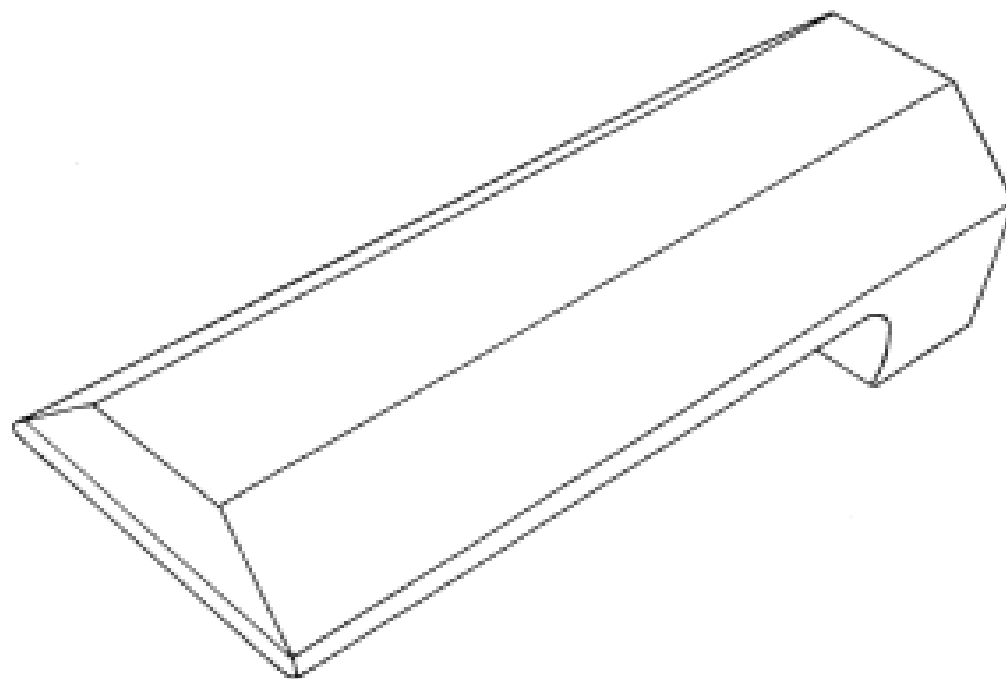
- (21) Design Number: **11137/2008**
(22) Date of Filing Application: **07 March 2008**
(24) Date from which industrial property rights may have effect: **07 March 2008**
(54) Product in respect of which the design is registered: **Building element**
(51) International Design Classification: **25-01D, 25-02NES**
(71) Name(s) and Address(s) of Applicant(s):
James Hardie International Finance B.V.
Atrium 8th Floor Strawinskylaan 3077 1077 ZX Amsterdam The Netherlands
(72) Name(s) of Designer(s): **Darren Southwell**
(45) Registration Date: **30 June 2008**
(56) Related Art Documents: **Not Applicable**
(57) Statement of Newness and Distinctiveness: **Newness and distinctiveness resides in the features of shape and configuration of a building element as illustrated in the accompanying representations.**



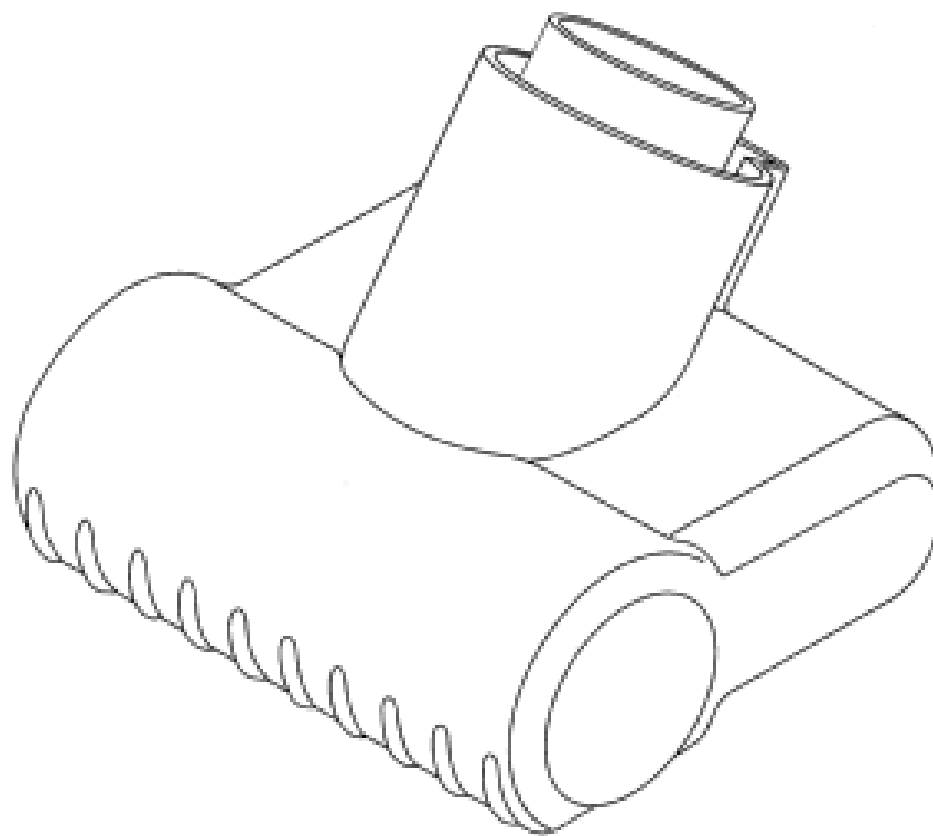
- (21) Design Number: **11139/2008**
(22) Date of Filing Application: **10 March 2008**
(24) Date from which industrial property rights may have effect: **10 March 2008**
(54) Product in respect of which the design is registered: **A battery charger**
(51) International Design Classification: **13-02**
(71) Name(s) and Address(s) of Applicant(s):
Dyson Limited
Tetbury Hill Malmesbury Wiltshire SN16 0RP United Kingdom
(72) Name(s) of Designer(s): **Kevin Grant**
(45) Registration Date: **30 June 2008**
(30) Convention priority data:

(31) Number	(32) Date	(33) Country
4004285	12 Sep 2007	UNITED KINGDOM

(56) Related Art Documents: **Not Applicable**
(57) Statement of Newness and Distinctiveness: **Newness and distinctiveness resides in the features of shape and/or configuration of a battery charger as illustrated in the accompanying representations. The features shown in broken outline do not form part of the design.**



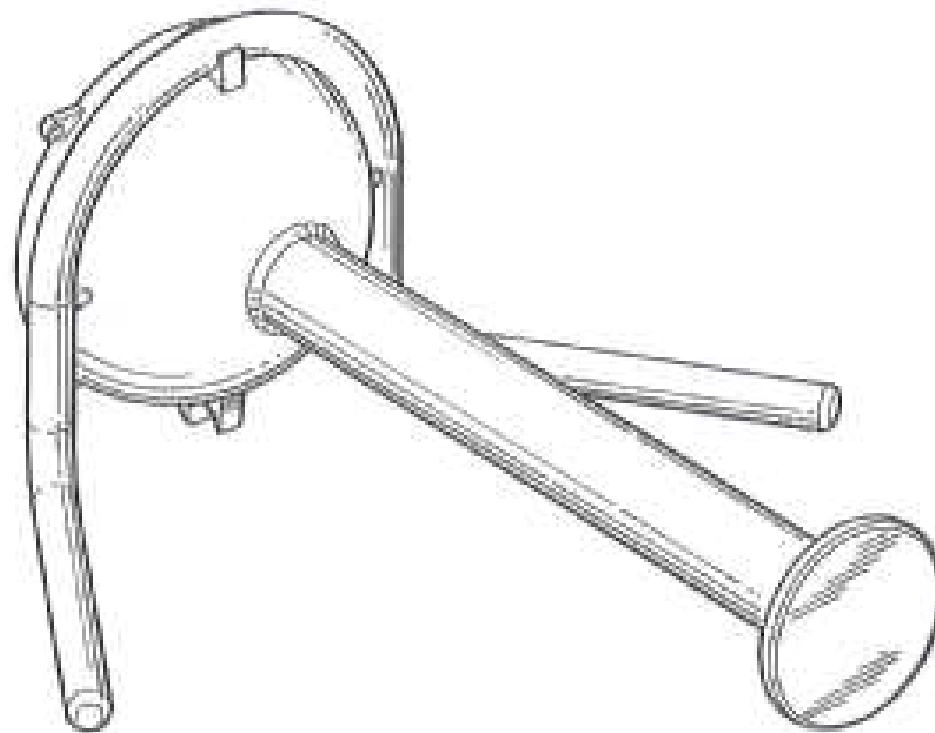
(21) Design Number: **11140/2008**
(22) Date of Filing Application: **10 March 2008**
(24) Date from which industrial property rights may have effect: **10 March 2008**
(54) Product in respect of which the design is registered: **A head for a cleaning appliance**
(51) International Design Classification: **15-05**
(71) Name(s) and Address(s) of Applicant(s):
Dyson Limited
Tetbury Hill Malmesbury Wiltshire SN16 0RP United Kingdom
(72) Name(s) of Designer(s): **Adam Andrew Wishney**
(45) Registration Date: **30 June 2008**
(30) Convention priority data:
(31) Number (32) Date (33) Country
4004309 14 Sep 2007 UNITED KINGDOM
(56) Related Art Documents: **Not Applicable**
(57) Statement of Newness and Distinctiveness: **Newness and distinctiveness resides in the features of shape and/or configuration of a head for a cleaning appliance as illustrated in the accompanying representations.**



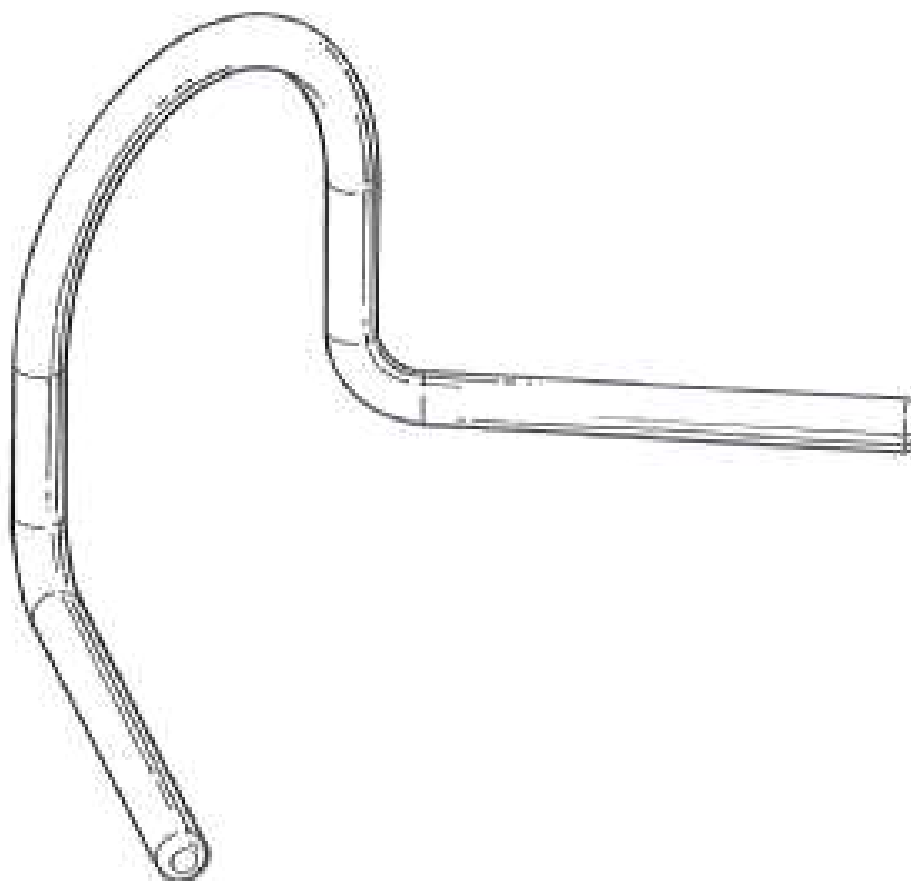
(21) Design Number: **11148/2008**
(22) Date of Filing Application: **07 March 2008**
(24) Date from which industrial property rights may have effect: **07 March 2008**
(54) Product in respect of which the design is registered: **Ornamental object**
(51) International Design Classification: **11-02E**
(71) Name(s) and Address(s) of Applicant(s):
Swarovski Aktiengesellschaft
Droschistrasse 15 FL-9495 Triesen Liechtenstein
(72) Name(s) of Designer(s): **Heinz Tabertshofer and Brigita Pucekaite**
(45) Registration Date: **30 June 2008**
(30) Convention priority data:
(31) Number (32) Date (33) Country
000791090-0007 17 Sep 2007 EUROPEAN COMMUNITY
(56) Related Art Documents: **Not Applicable**
(57) Statement of Newness and Distinctiveness: **Nil**



- (21) Design Number: **11149/2008**
(22) Date of Filing Application: **07 March 2008**
(24) Date from which industrial property rights may have effect: **07 March 2008**
(54) Product in respect of which the design is registered: **Edge lifter**
(51) International Design Classification: **25-01B**
(71) Name(s) and Address(s) of Applicant(s):
Tilt-Lift Equipment Pty Ltd
PO Box 2753 Cheltenham Victoria 3192 Australia
(72) Name(s) of Designer(s): **Mark Hilbert**
(45) Registration Date: **30 June 2008**
(56) Related Art Documents: **Not Applicable**
(57) Statement of Newness and Distinctiveness: **Nil**



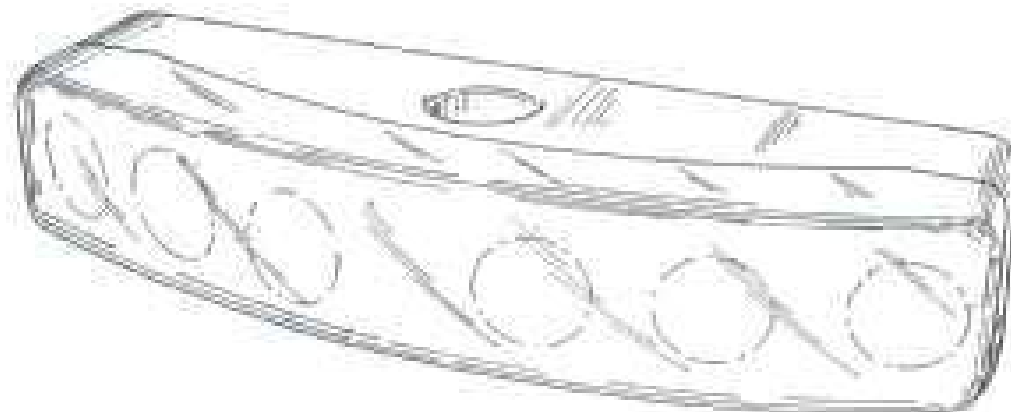
- (21) Design Number: **11150/2008**
(22) Date of Filing Application: **07 March 2008**
(24) Date from which industrial property rights may have effect: **07 March 2008**
(54) Product in respect of which the design is registered: **Shear bar**
(51) International Design Classification: **25-01B**
(71) Name(s) and Address(s) of Applicant(s):
Tilt-Lift Equipment Pty Ltd
PO Box 2753 Cheltenham Victoria 3192 Australia
(72) Name(s) of Designer(s): **Mark Hilbert**
(45) Registration Date: **30 June 2008**
(56) Related Art Documents: **Not Applicable**
(57) Statement of Newness and Distinctiveness: **Nil**



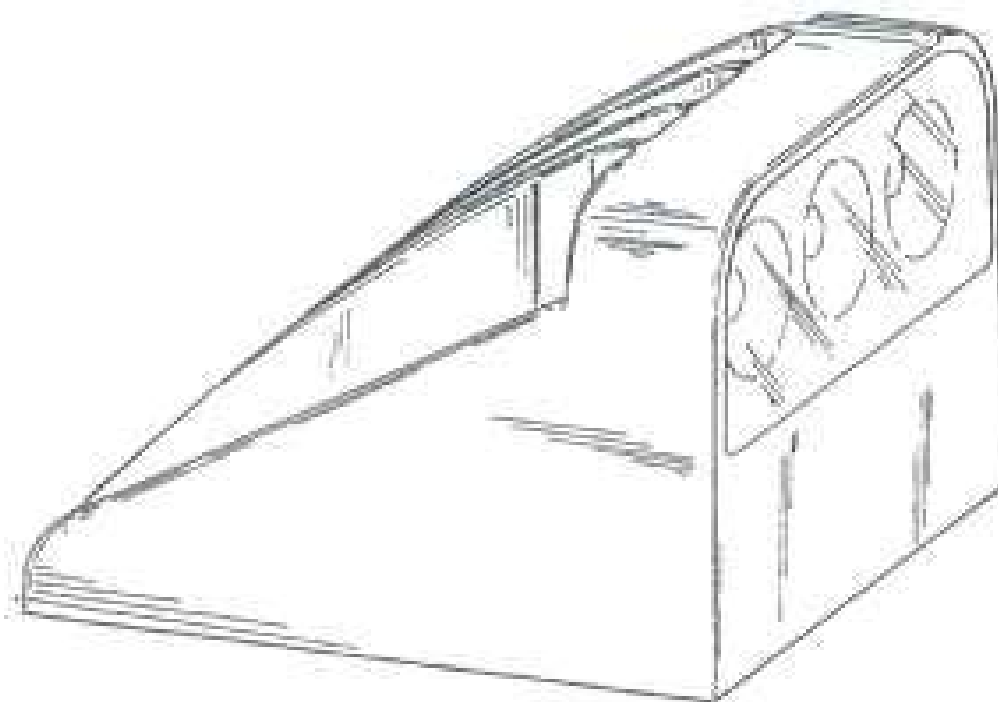
- (21) Design Number: **11163/2008**
(22) Date of Filing Application: **07 March 2008**
(24) Date from which industrial property rights may have effect: **07 March 2008**
(54) Product in respect of which the design is registered: **Table knife**
(51) International Design Classification: **07-03**
(71) Name(s) and Address(s) of Applicant(s):
Robert Welch Designs Limited
Lower High Street Chipping Campden GL55 6DY England
(72) Name(s) of Designer(s): **Kit deBretton Gordon**
(45) Registration Date: **30 June 2008**
(30) Convention priority data:
(31) Number (32) Date (33) Country
000788419 07 Sep 2007 EUROPEAN COMMUNITY
(56) Related Art Documents: **Not Applicable**
(57) Statement of Newness and Distinctiveness: **A new design of table knife.**



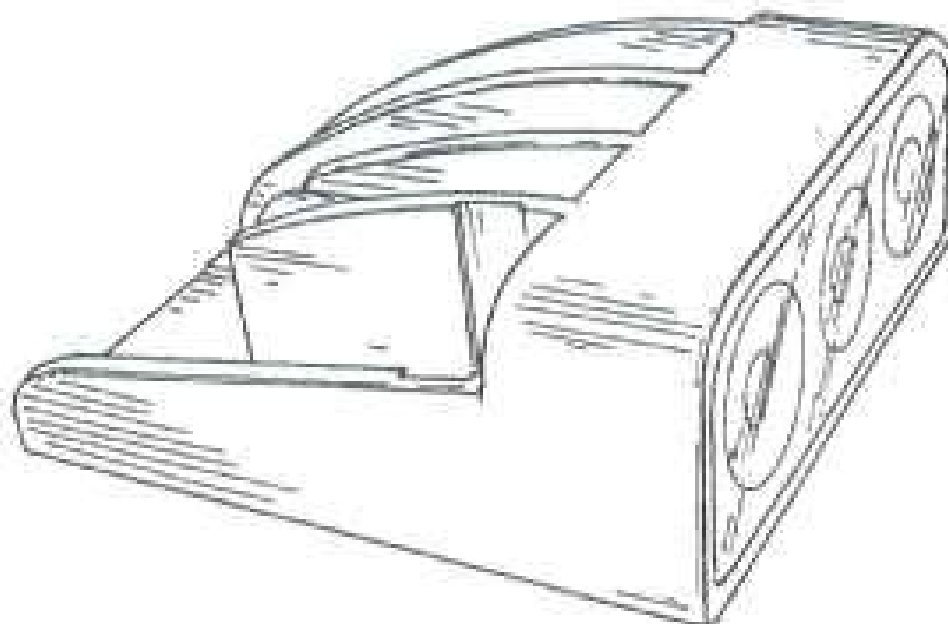
- (21) Design Number: **11165/2008**
(22) Date of Filing Application: **07 March 2008**
(24) Date from which industrial property rights may have effect: **07 March 2008**
(54) Product in respect of which the design is registered: **A lighting assembly**
(51) International Design Classification: **26-05NES**
(71) Name(s) and Address(s) of Applicant(s):
Grant Harold Amor
Unit 4/54 Siganto Drive Helensvale Queensland 4212 Australia
Carl Denis Amor
Unit 4/54 Siganto Drive Helensvale Queensland 4212 Australia
(72) Name(s) of Designer(s): **Grant Harold Amor and Carl Denis Amor**
(45) Registration Date: **30 June 2008**
(56) Related Art Documents: **Not Applicable**
(57) Statement of Newness and Distinctiveness: **The shape and configuration of a lighting assembly as depicted in the accompanying representations.**



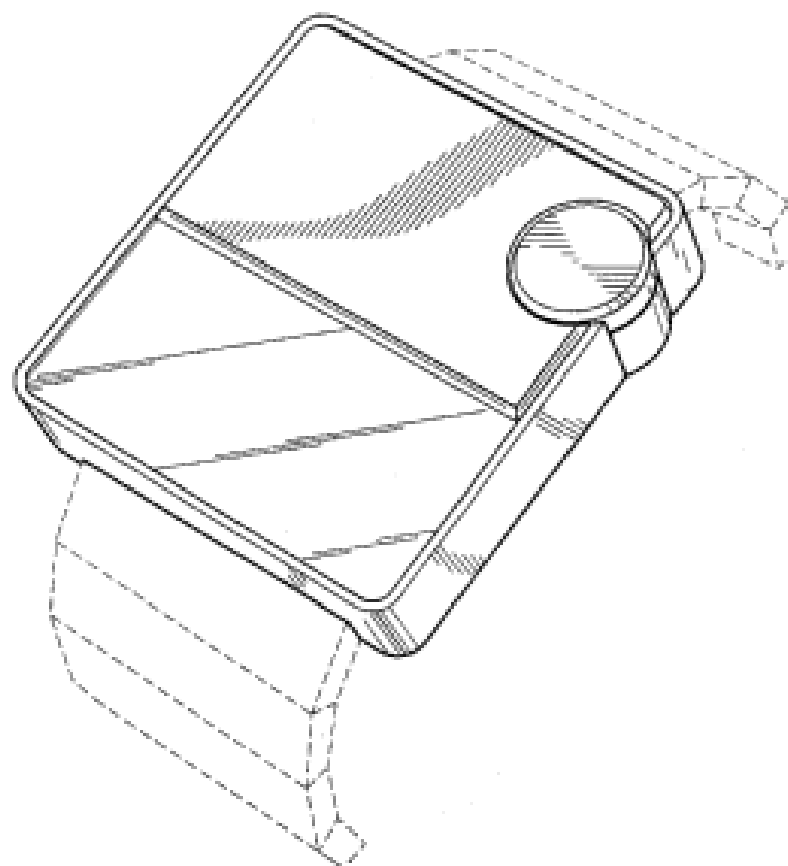
- (21) Design Number: **11166/2008**
(22) Date of Filing Application: **07 March 2008**
(24) Date from which industrial property rights may have effect: **07 March 2008**
(54) Product in respect of which the design is registered: **A lighting assembly**
(51) International Design Classification: **26-05NES**
(71) Name(s) and Address(s) of Applicant(s):
 Grant Harold Amor
 Unit 4/54 Siganto Drive Helensvale Queensland 4212 Australia
 Carl Denis Amor
 Unit 4/54 Siganto Drive Helensvale Queensland 4212 Australia
(72) Name(s) of Designer(s): **Grant Harold Amor and Carl Denis Amor**
(45) Registration Date: **30 June 2008**
(56) Related Art Documents: **Not Applicable**
(57) Statement of Newness and Distinctiveness: **The shape and configuration of a lighting assembly as depicted in the accompanying representations.**



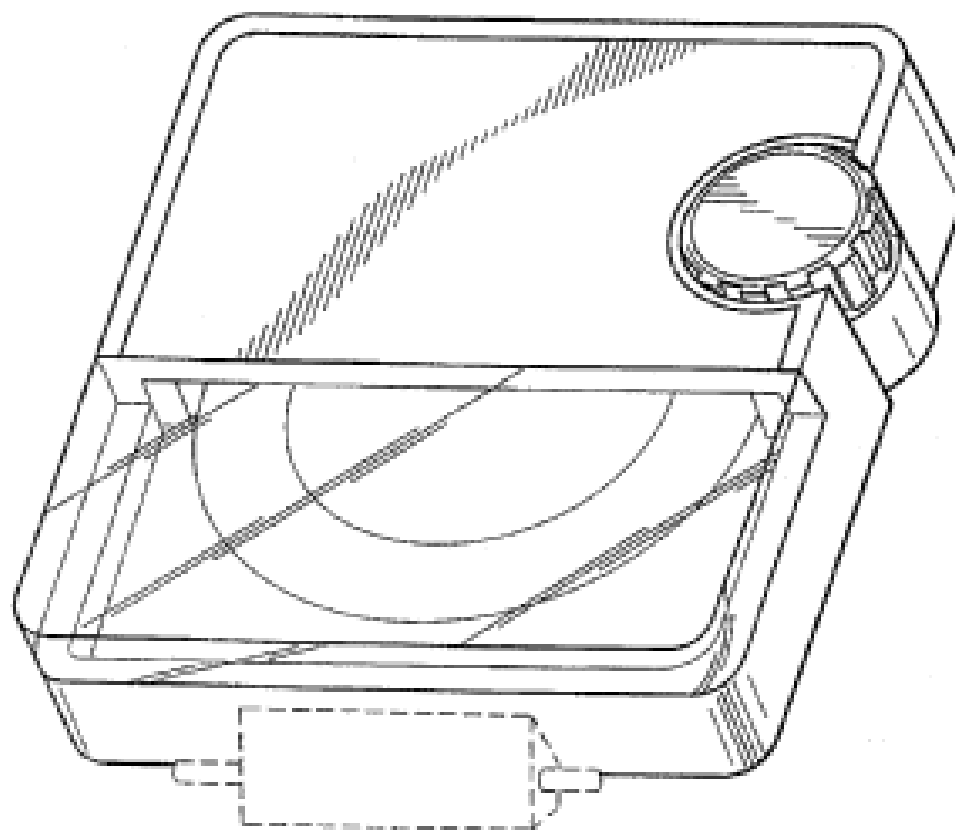
- (21) Design Number: **11167/2008**
(22) Date of Filing Application: **07 March 2008**
(24) Date from which industrial property rights may have effect: **07 March 2008**
(54) Product in respect of which the design is registered: **A lighting assembly**
(51) International Design Classification: **26-05NES**
(71) Name(s) and Address(s) of Applicant(s):
 Grant Harold Amor
 Unit 4/54 Siganto Drive Helensvale Queensland 4212 Australia
 Carl Denis Amor
 Unit 4/54 Siganto Drive Helensvale Queensland 4212 Australia
(72) Name(s) of Designer(s): **Grant Harold Amor and Carl Denis Amor**
(45) Registration Date: **30 June 2008**
(56) Related Art Documents: **Not Applicable**
(57) Statement of Newness and Distinctiveness: **The shape and configuration of a lighting assembly as depicted in the accompanying representations.**



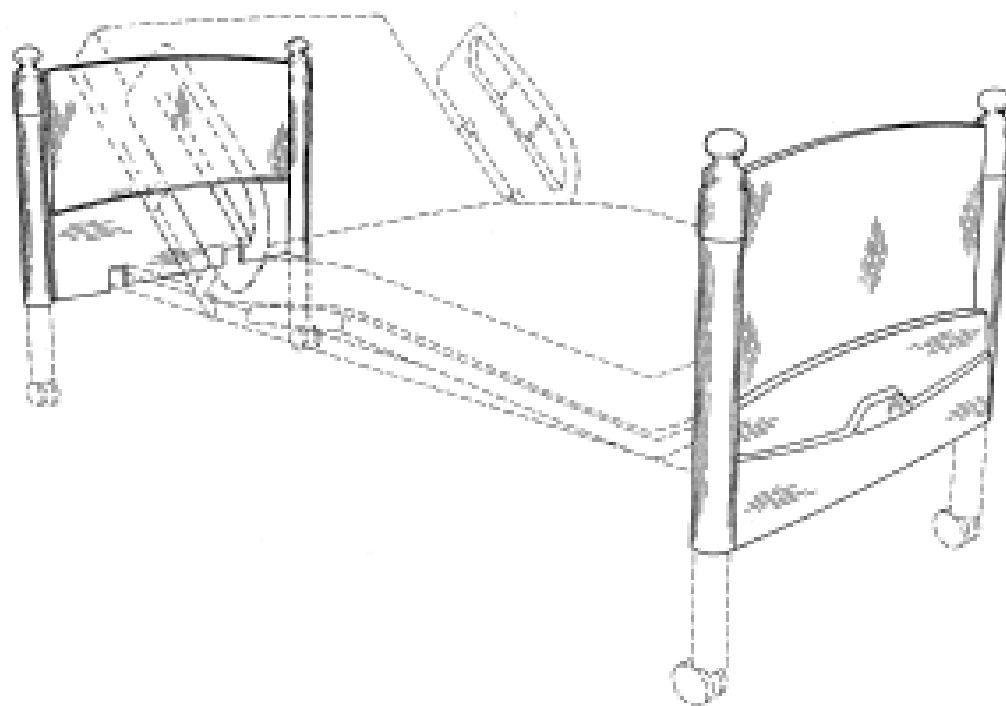
(21) Design Number: **11079/2008**
 (22) Date of Filing Application: **04 March 2008**
 (24) Date from which industrial property rights may have effect: **04 March 2008**
 (54) Product in respect of which the design is registered: **Watch**
 (51) International Design Classification: **10-02**
 (71) Name(s) and Address(s) of Applicant(s):
Nixon, Inc.
701 South Coast Highway Encinitas 92024 CA United States of America
 (72) Name(s) of Designer(s): **Matthew Todd Landman and Michael Dillard Nelson and Brian George Goodwin**
 (45) Registration Date: **27 June 2008**
 (30) Convention priority data:
 (31) Number (32) Date (33) Country
29/287567 23 Aug 2007 UNITED STATES OF AMERICA
 (56) Related Art Documents: **Not Applicable**
 (57) Statement of Newness and Distinctiveness: **Nil**



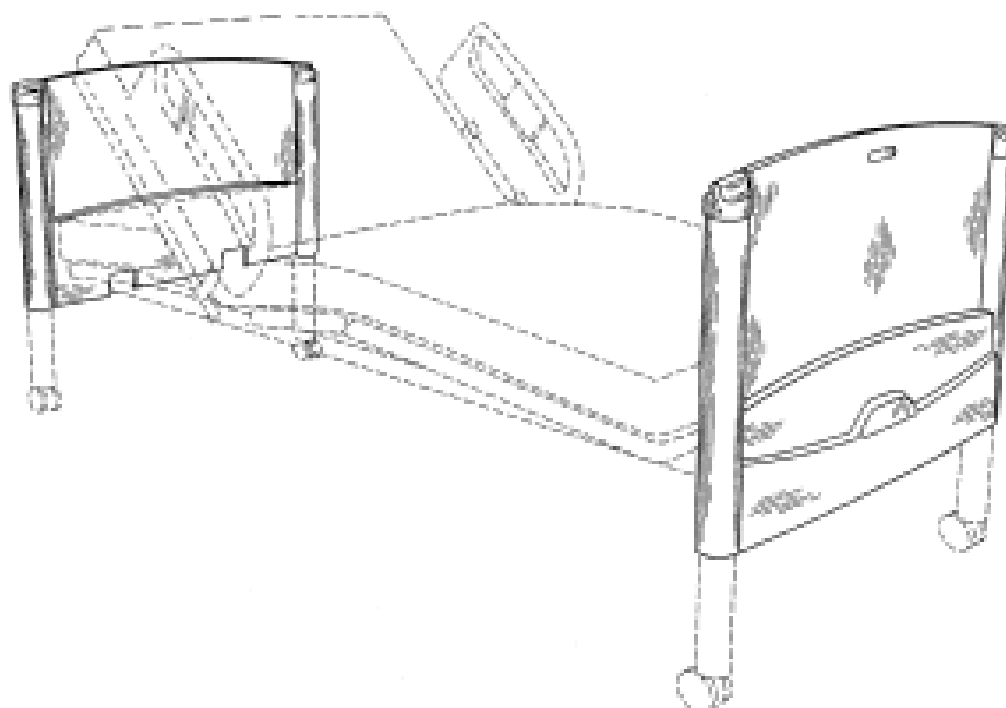
(21) Design Number: **12088/2008**
 (22) Date of Filing Application: **04 March 2008**
 (24) Date from which industrial property rights may have effect: **04 March 2008**
 (54) Product in respect of which the design is registered: **Watch**
 (51) International Design Classification: **10-02**
 (71) Name(s) and Address(s) of Applicant(s):
Nixon, Inc.
701 South Coast Highway Encinitas 92024 CA United States of America
 (72) Name(s) of Designer(s): **Matthew Todd Landman and Michael Dillard Nelson and Brian George Goodwin**
 (45) Registration Date: **27 June 2008**
 (30) Convention priority data:
 (31) Number (32) Date (33) Country
29/287567 23 Aug 2007 UNITED STATES OF AMERICA
 (56) Related Art Documents: **Not Applicable**
 (57) Statement of Newness and Distinctiveness: **Nil**



(21) Design Number: **11141/2008**
 (22) Date of Filing Application: **10 March 2008**
 (24) Date from which industrial property rights may have effect: **10 March 2008**
 (54) Product in respect of which the design is registered: **Headboard/footboard for an adjustable bed**
 (51) International Design Classification: **06-06F**
 (71) Name(s) and Address(s) of Applicant(s):
Hill-Rom Services, Inc.
300 Delaware Avenue Suite 530 Wilmington Delaware 19801 United States of America
 (72) Name(s) of Designer(s): **Robert Mark Zerhusen**
 (45) Registration Date: **27 June 2008**
 (30) Convention priority data:
 (31) Number (32) Date (33) Country
29/284531 10 Sep 2007 UNITED STATES OF AMERICA
 (56) Related Art Documents: **Not Applicable**
 (57) Statement of Newness and Distinctiveness: **Newness and distinctiveness resides in the features of shape and/or configuration of a headboard/footboard combination for an adjustable bed as illustrated in the accompanying representations.**



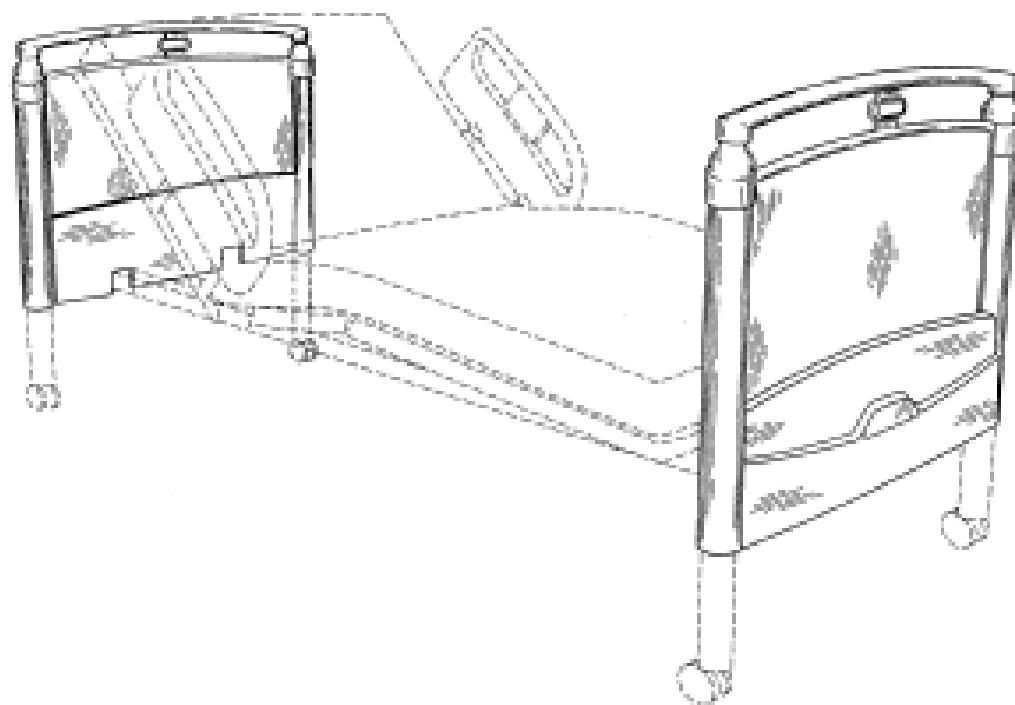
(21) Design Number: **11142/2008**
 (22) Date of Filing Application: **10 March 2008**
 (24) Date from which industrial property rights may have effect: **10 March 2008**
 (54) Product in respect of which the design is registered: **Headboard/footboard for an adjustable bed**
 (51) International Design Classification: **06-06F**
 (71) Name(s) and Address(s) of Applicant(s):
Hill-Rom Services, Inc.
300 Delaware Avenue Suite 530 Wilmington Delaware 19801 United States of America
 (72) Name(s) of Designer(s): **Robert Mark Zerhusen**
 (45) Registration Date: **27 June 2008**
 (30) Convention priority data:
 (31) Number (32) Date (33) Country
29/284531 10 Sep 2007 UNITED STATES OF AMERICA
 (56) Related Art Documents: **Not Applicable**
 (57) Statement of Newness and Distinctiveness: **Newness and distinctiveness resides in the features of shape and/or configuration of a headboard/footboard combination for an adjustable bed as illustrated in the accompanying representations.**



(19) AU

- (21) Design Number: **11143/2008**
- (22) Date of Filing Application: **10 March 2008**
- (24) Date from which industrial property rights may have effect: **10 March 2008**
- (54) Product in respect of which the design is registered: **Headboard/footboard for an adjustable bed**
- (51) International Design Classification: **06-06F**
- (71) Name(s) and Address(s) of Applicant(s):
Hill-Rom Services, Inc.
300 Delaware Avenue Suite 530 Wilmington Delaware 19801 United States of America
- (72) Name(s) of Designer(s): **Robert Mark Zerhusen**
- (45) Registration Date: **27 June 2008**
- (30) Convention priority data:

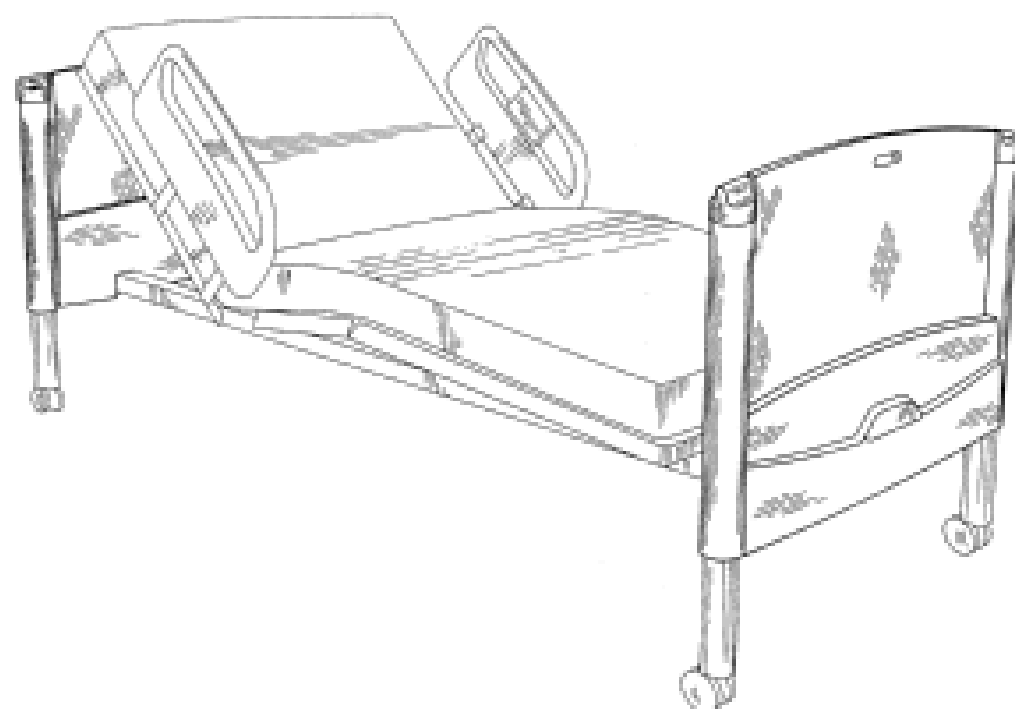
(31) Number	(32) Date	(33) Country
29/284531	10 Sep 2007	UNITED STATES OF AMERICA
- (56) Related Art Documents: **Not Applicable**
- (57) Statement of Newness and Distinctiveness: **Newness and distinctiveness resides in the features of shape and/or configuration of a headboard/footboard combination for an adjustable bed as illustrated in the accompanying representations.**



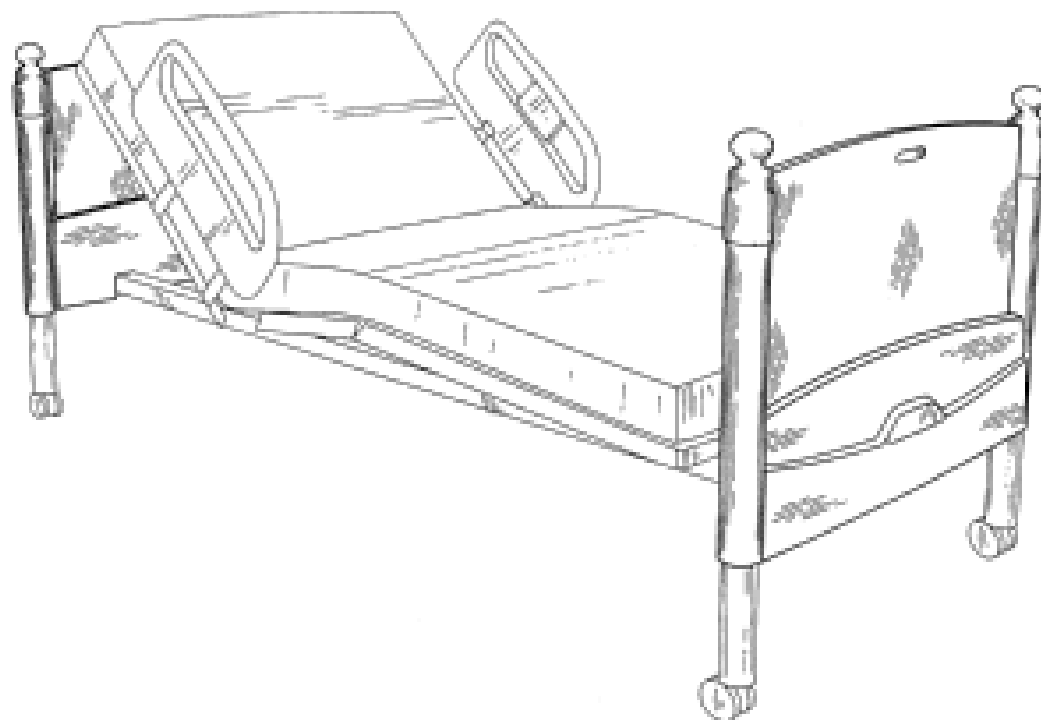
(19) AU

- (21) Design Number: **11144/2008**
- (22) Date of Filing Application: **10 March 2008**
- (24) Date from which industrial property rights may have effect: **10 March 2008**
- (54) Product in respect of which the design is registered: **Adjustable bed with headboard/footboard**
- (51) International Design Classification: **06-02**
- (71) Name(s) and Address(s) of Applicant(s):
Hill-Rom Services, Inc.
300 Delaware Avenue Suite 530 Wilmington Delaware 19801 United States of America
- (72) Name(s) of Designer(s): **Robert Mark Zerhusen**
- (45) Registration Date: **27 June 2008**
- (30) Convention priority data:

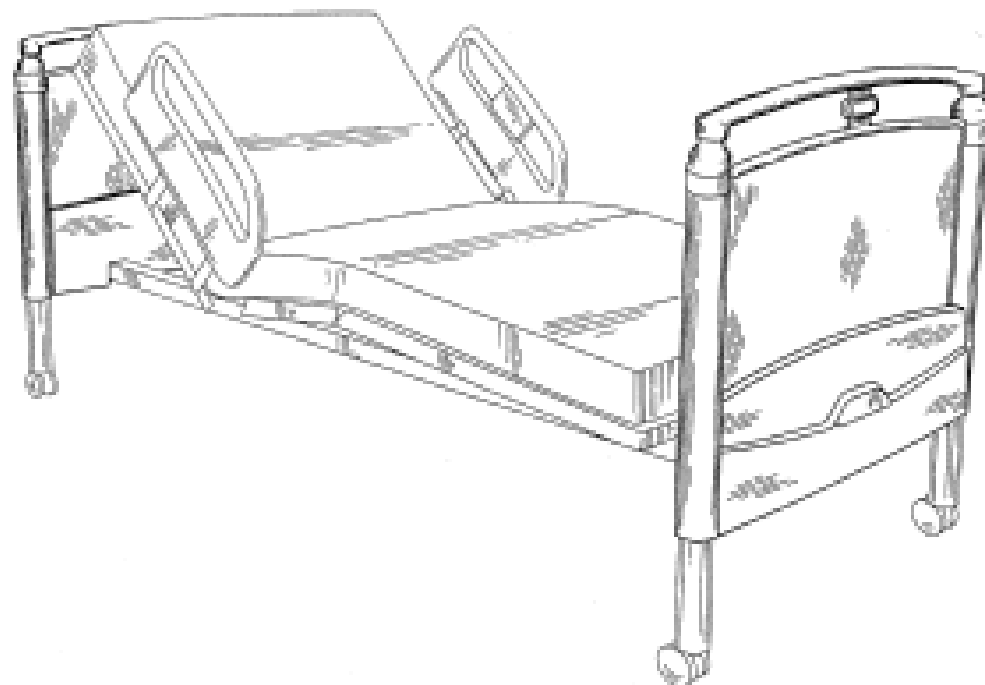
(31) Number	(32) Date	(33) Country
29/284531	10 Sep 2007	UNITED STATES OF AMERICA
- (56) Related Art Documents: **Not Applicable**
- (57) Statement of Newness and Distinctiveness: **Newness and distinctiveness resides in the features of shape and/or configuration of an adjustable bed with headboard/footboard as illustrated in the accompanying representations.**



- (21) Design Number: **11145/2008**
(22) Date of Filing Application: **10 March 2008**
(24) Date from which industrial property rights may have effect: **10 March 2008**
(54) Product in respect of which the design is registered: **Adjustable bed with headboard/footboard**
(51) International Design Classification: **06-02**
(71) Name(s) and Address(s) of Applicant(s):
Hill-Rom Services, Inc.
300 Delaware Avenue Suite 530 Wilmington Delaware 19801 United States of America
(72) Name(s) of Designer(s): **Robert Mark Zerhusen**
(45) Registration Date: **27 June 2008**
(30) Convention priority data:
(31) Number (32) Date (33) Country
29/284531 10 Sep 2007 UNITED STATES OF AMERICA
(56) Related Art Documents: **Not Applicable**
(57) Statement of Newness and Distinctiveness: **Newness and distinctiveness resides in the features of shape and/or configuration of an adjustable bed with headboard/footboard as illustrated in the accompanying representations.**



- (21) Design Number: **11146/2008**
(22) Date of Filing Application: **10 March 2008**
(24) Date from which industrial property rights may have effect: **10 March 2008**
(54) Product in respect of which the design is registered: **Adjustable bed with headboard/footboard**
(51) International Design Classification: **06-02**
(71) Name(s) and Address(s) of Applicant(s):
Hill-Rom Services, Inc.
300 Delaware Avenue Suite 530 Wilmington Delaware 19801 United States of America
(72) Name(s) of Designer(s): **Robert Mark Zerhusen**
(45) Registration Date: **27 June 2008**
(30) Convention priority data:
(31) Number (32) Date (33) Country
29/284531 10 Sep 2007 UNITED STATES OF AMERICA
(56) Related Art Documents: **Not Applicable**
(57) Statement of Newness and Distinctiveness: **Newness and distinctiveness resides in the features of shape and/or configuration of an adjustable bed with headboard/footboard as illustrated in the accompanying representations.**



(21) Design Number: **11157/2008**

(22) Date of Filing Application: **10 March 2008**

(24) Date from which industrial property rights may have effect: **10 March 2008**

(54) Product in respect of which the design is registered: **A toilet**

(51) International Design Classification: **23-02C**

(71) Name(s) and Address(s) of Applicant(s):

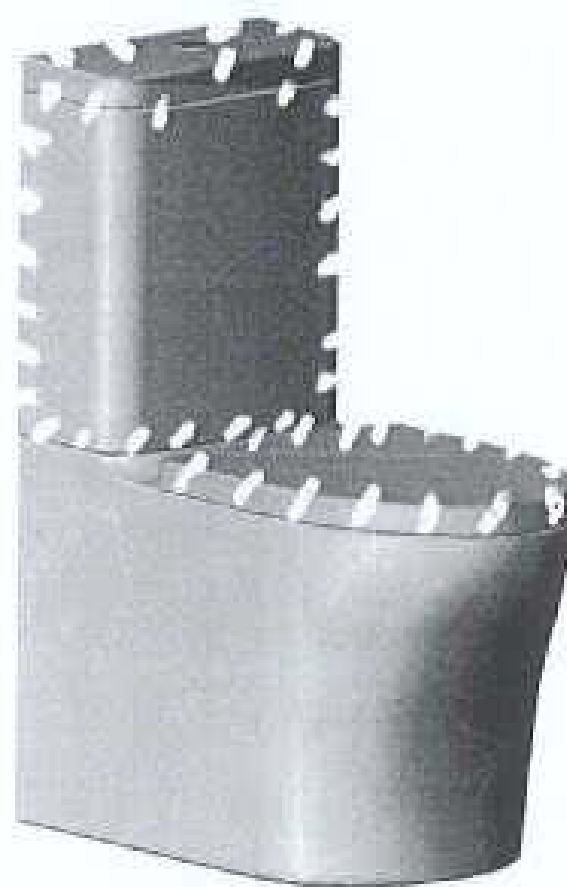
**Crane Distribution Limited
Level 14 Phillips House 15 Blue Street North Sydney New South
Wales 2060 Australia**

(72) Name(s) of Designer(s): **Peta Fray**

(45) Registration Date: **27 June 2008**

(56) Related Art Documents: **Not Applicable**

(57) Statement of Newness and Distinctiveness: **Newness and distinctiveness is claimed in the features of shape and/or configuration of the front and sides of the pan of a toilet as illustrated in continuous lines in the accompanying representations.**



(21) Design Number: **11158/2008**

(22) Date of Filing Application: **10 March 2008**

(24) Date from which industrial property rights may have effect: **10 March 2008**

(54) Product in respect of which the design is registered: **A toilet**

(51) International Design Classification: **23-02C**

(71) Name(s) and Address(s) of Applicant(s):

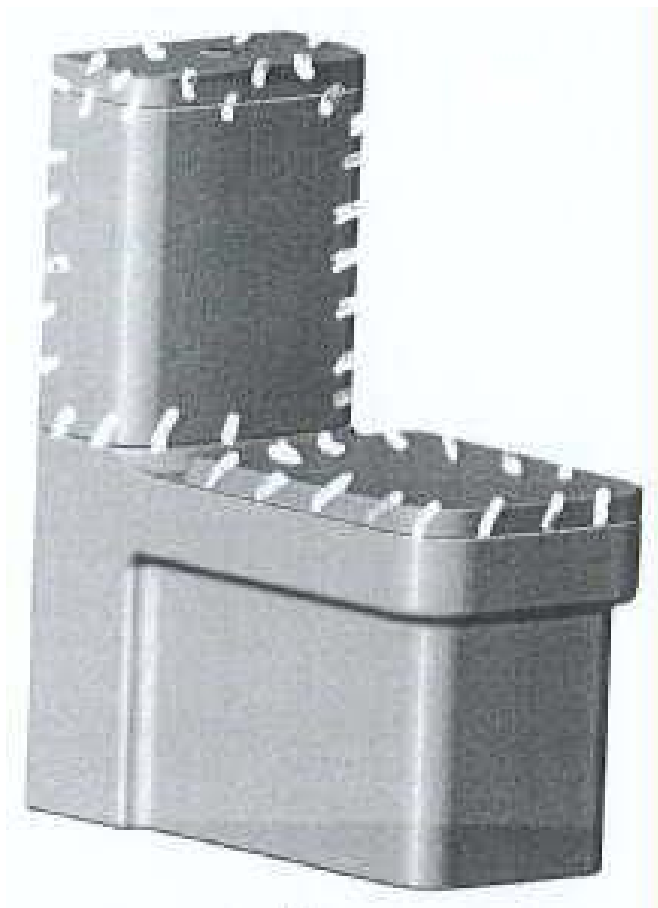
**Crane Distribution Limited
Level 14 Phillips House 15 Blue Street North Sydney New South
Wales 2060 Australia**

(72) Name(s) of Designer(s): **Peta Fray**

(45) Registration Date: **27 June 2008**

(56) Related Art Documents: **Not Applicable**

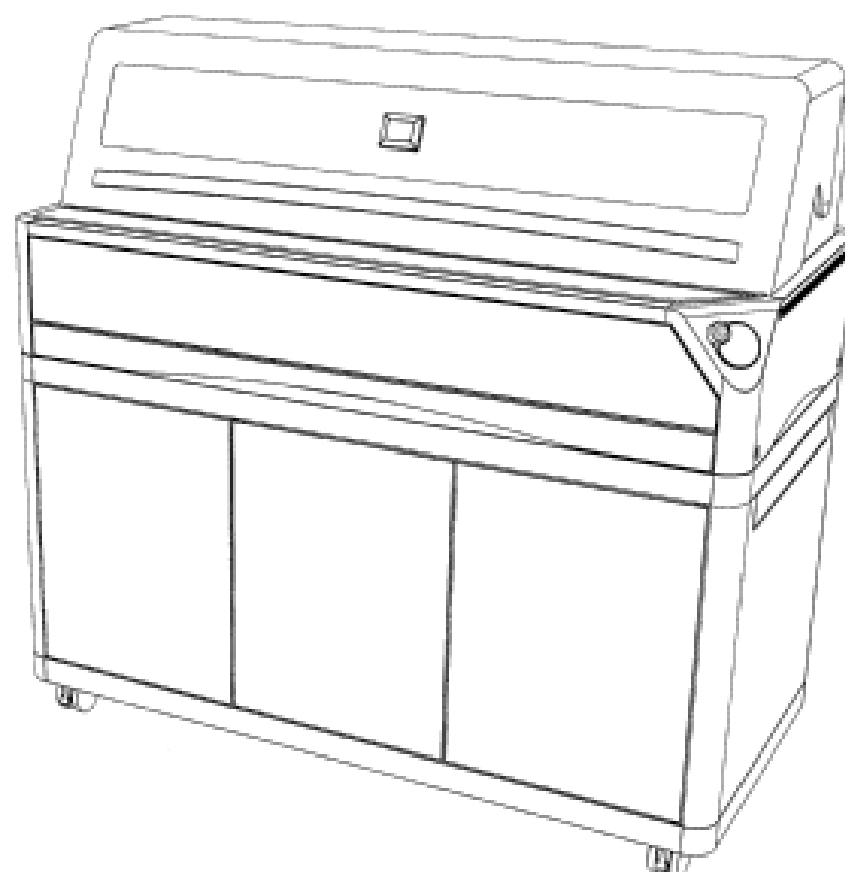
(57) Statement of Newness and Distinctiveness: **Newness and distinctiveness is claimed in the features of shape and/or configuration of the front and sides of the pan of a toilet as illustrated in continuous lines in the accompanying representations.**



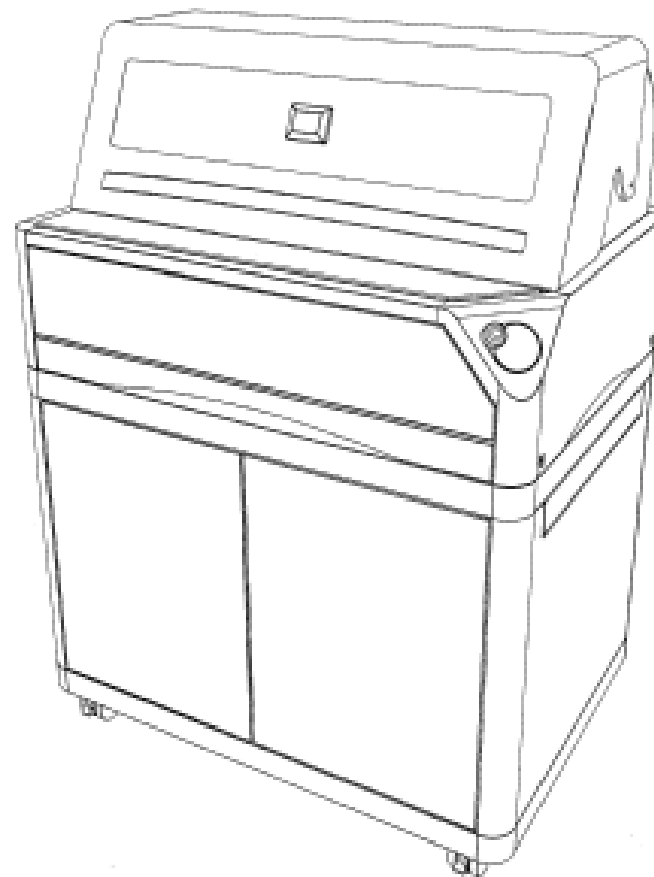
- (21) Design Number: **11159/2008**
(22) Date of Filing Application: **10 March 2008**
(24) Date from which industrial property rights may have effect: **10 March 2008**
(54) Product in respect of which the design is registered: **A barbeque**
(51) International Design Classification: **07-02E**
(71) Name(s) and Address(s) of Applicant(s):
Shriro Australia Pty Limited
23-27 Chaplin Drive Lane Cove New South Wales 2066 Australia
(72) Name(s) of Designer(s): **Benjamin John Leavens**
(45) Registration Date: **27 June 2008**
(56) Related Art Documents: **Not Applicable**
(57) Statement of Newness and Distinctiveness: **Newness and distinctiveness is claimed in the features of shape and/or configuration of a barbeque as illustrated in the accompanying representations.**



- (21) Design Number: **11160/2008**
(22) Date of Filing Application: **10 March 2008**
(24) Date from which industrial property rights may have effect: **10 March 2008**
(54) Product in respect of which the design is registered: **A barbeque**
(51) International Design Classification: **07-02E**
(71) Name(s) and Address(s) of Applicant(s):
Shriro Australia Pty Limited
23-27 Chaplin Drive Lane Cove New South Wales 2066 Australia
(72) Name(s) of Designer(s): **Benjamin John Leavens**
(45) Registration Date: **27 June 2008**
(56) Related Art Documents: **Not Applicable**
(57) Statement of Newness and Distinctiveness: **Newness and distinctiveness is claimed in the features of shape and/or configuration of a barbeque as illustrated in the accompanying representations.**

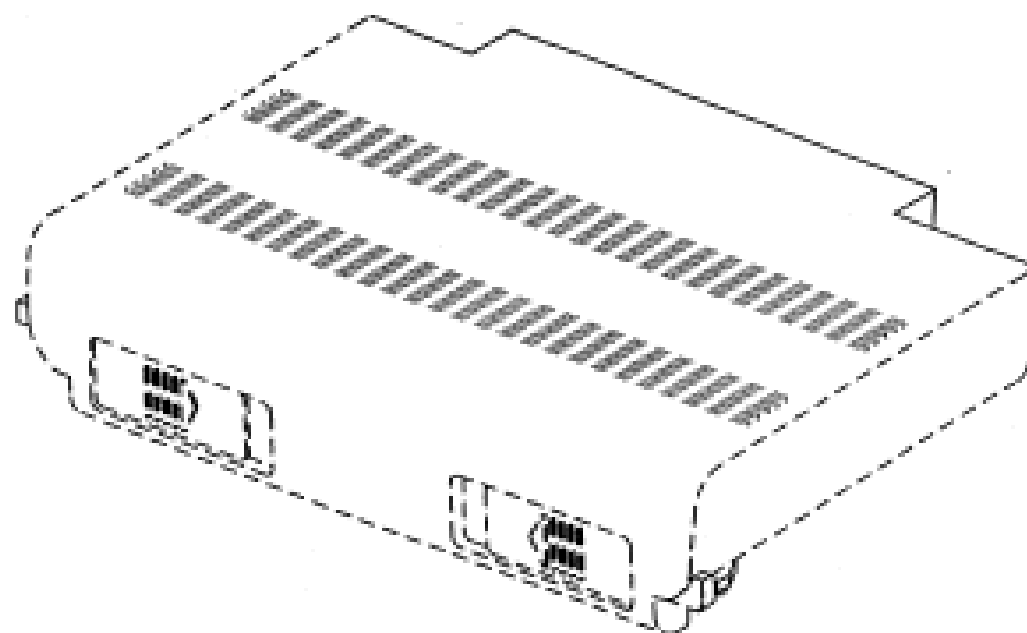


- (21) Design Number: **11161/2008**
- (22) Date of Filing Application: **10 March 2008**
- (24) Date from which industrial property rights may have effect: **10 March 2008**
- (54) Product in respect of which the design is registered: **A barbeque**
- (51) International Design Classification: **07-02E**
- (71) Name(s) and Address(s) of Applicant(s):
Shriro Australia Pty Limited
23-27 Chaplin Drive Lane Cove New South Wales 2066 Australia
- (72) Name(s) of Designer(s): **Benjamin John Leavens**
- (45) Registration Date: **27 June 2008**
- (56) Related Art Documents: **Not Applicable**
- (57) Statement of Newness and Distinctiveness: **Newness and distinctiveness is claimed in the features of shape and/or configuration of a barbeque as illustrated in the accompanying representations.**

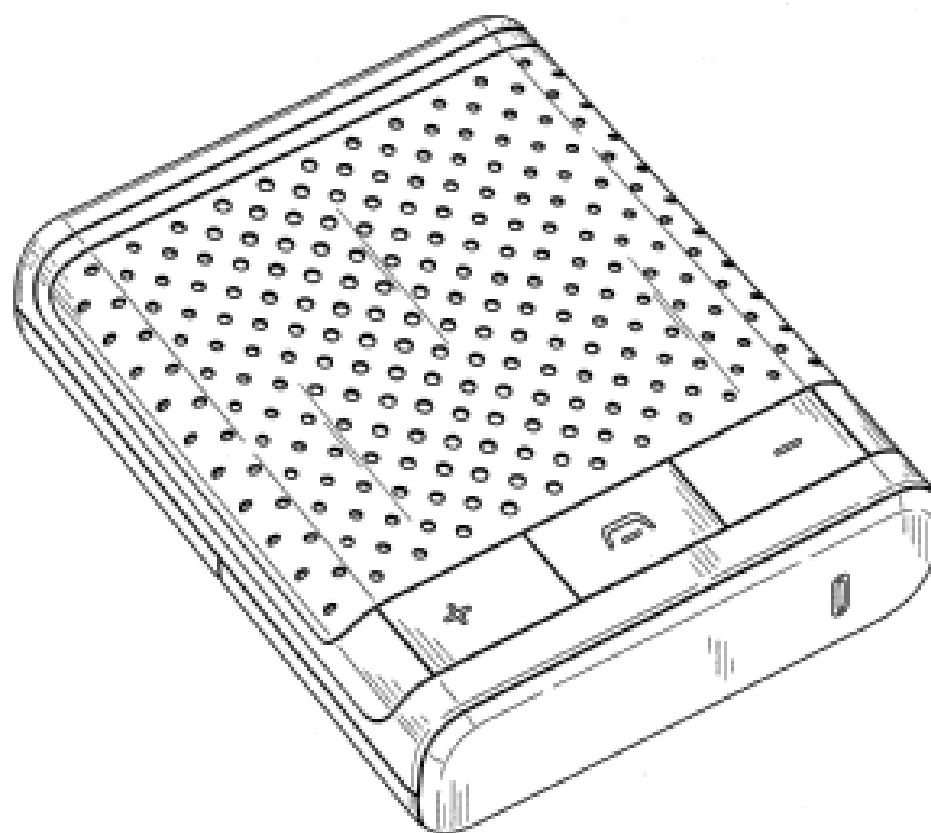


- (21) Design Number: **11162/2008**
- (22) Date of Filing Application: **10 March 2008**
- (24) Date from which industrial property rights may have effect: **10 March 2008**
- (54) Product in respect of which the design is registered: **Battery for personal computer**
- (51) International Design Classification: **13-02**
- (71) Name(s) and Address(s) of Applicant(s):
Matsushita Electric Industrial Co., Ltd.
1006 Oaza Kadoma Kadomi-shi Osaka 571-8501 Japan
- (72) Name(s) of Designer(s): **Yoshihito Morishita and Akira Iwamoto**
- (45) Registration Date: **27 June 2008**
- (30) Convention priority data:

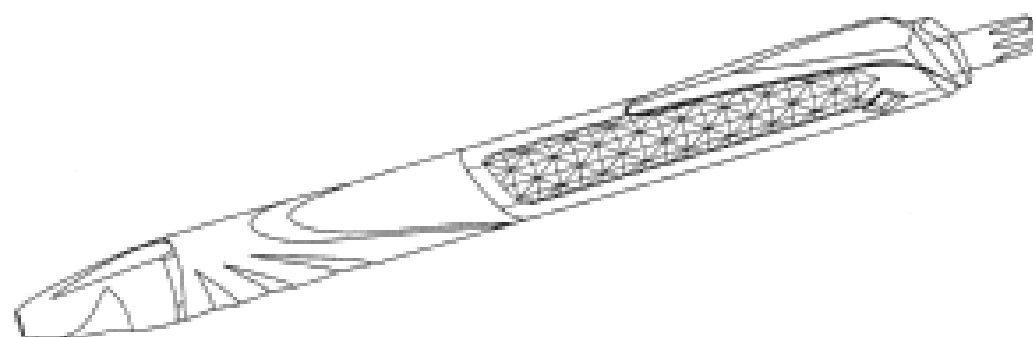
(31) Number	(32) Date	(33) Country
2007-024700	11 Sep 2007	JAPAN
- (56) Related Art Documents: **Not Applicable**
- (57) Statement of Newness and Distinctiveness: **Newness and distinctiveness is claimed in those features of shape and/or configuration of a battery for a personal computer as illustrated in continuous lines in the accompanying representations.**



- (21) Design Number: **10052/2008**
(22) Date of Filing Application: **04 January 2008**
(24) Date from which industrial property rights may have effect: **04 January 2008**
(54) Product in respect of which the design is registered: **Handsfree speakerphone**
(51) International Design Classification: **14-03A, 14-03E**
(71) Name(s) and Address(s) of Applicant(s):
Nokia Corporation
Keilalahdentie 4 FIN-02150 Espoo Finland
(72) Name(s) of Designer(s): **Jan Kettula**
(45) Registration Date: **01 July 2008**
(30) Convention priority data:
(31) Number (32) Date (33) Country
M20070132 04 Jul 2007 FINLAND
(56) Related Art Documents: **Not Applicable**
(57) Statement of Newness and Distinctiveness: **Newness and distinctiveness is claimed in the visual features shown in the representations.**



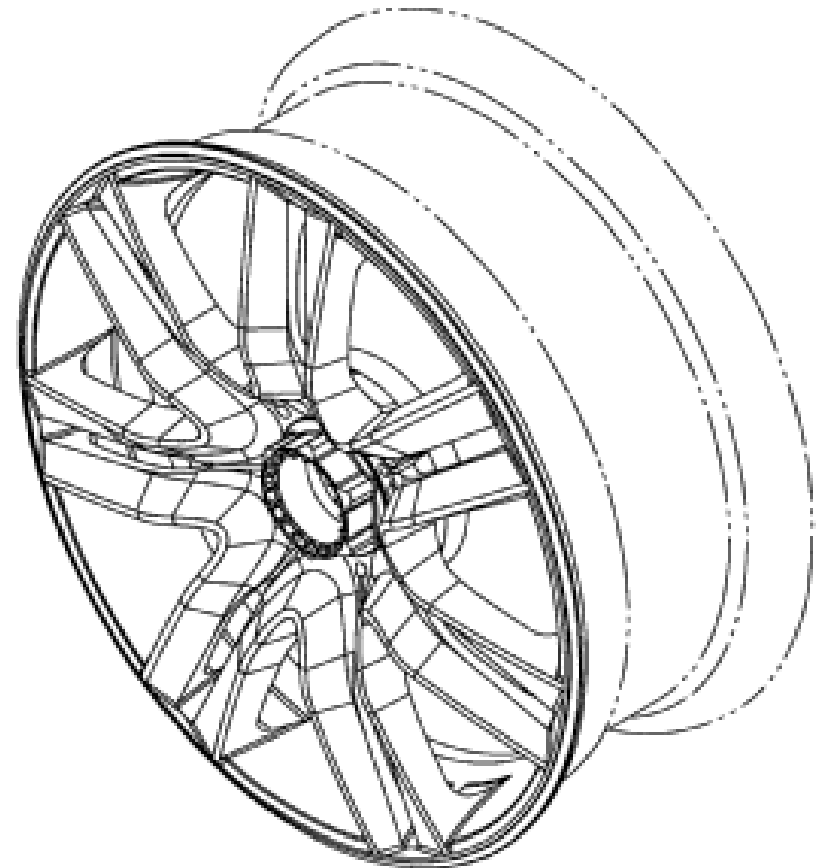
- (21) Design Number: **10085/2008**
(22) Date of Filing Application: **08 January 2008**
(24) Date from which industrial property rights may have effect: **08 January 2008**
(54) Product in respect of which the design is registered: **Ballpoint pen**
(51) International Design Classification: **19-06**
(71) Name(s) and Address(s) of Applicant(s):
Pentel Kabushiki Kaisha
7-2 Nihonbashi Koami-Cho Chuo-Ku Tokyo Japan
(72) Name(s) of Designer(s): **Kazuhisa Shimizu**
(45) Registration Date: **01 July 2008**
(30) Convention priority data:
(31) Number (32) Date (33) Country
2007-019095 13 Jul 2007 JAPAN
(56) Related Art Documents: **Not Applicable**
(57) Statement of Newness and Distinctiveness: **Nil**



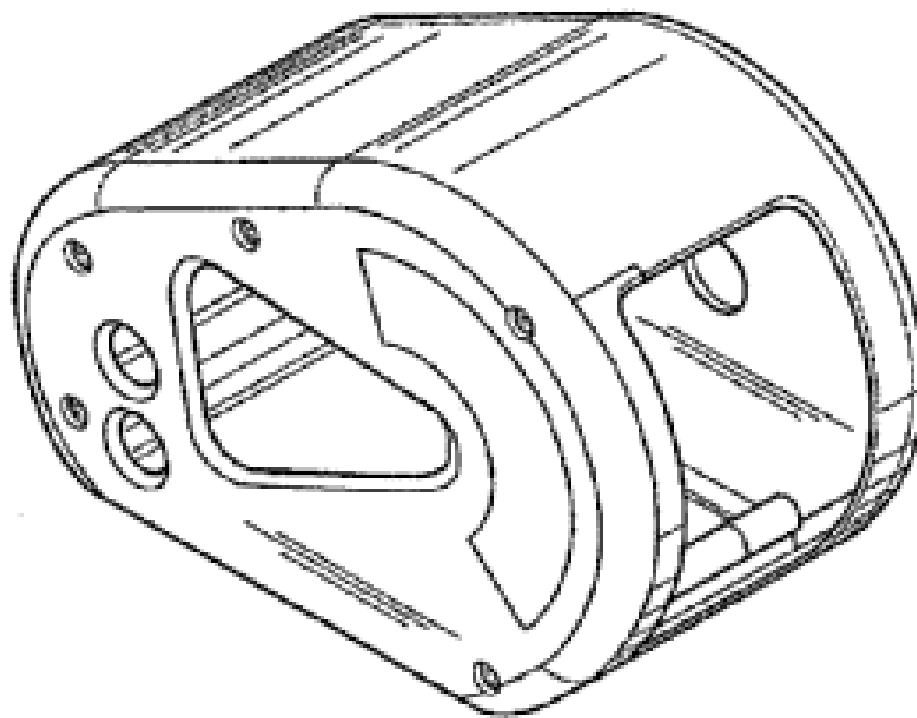
- (21) Design Number: **10138/2008**
- (22) Date of Filing Application: **11 January 2008**
- (24) Date from which industrial property rights may have effect: **11 January 2008**
- (54) Product in respect of which the design is registered: **Game board**
- (51) International Design Classification: **21-01L**
- (71) Name(s) and Address(s) of Applicant(s):
Roberto Galimi
51 Linda Street Belfield New South Wales 2191 Australia
- (72) Name(s) of Designer(s): **Roberto Galimi**
- (45) Registration Date: **01 July 2008**
- (56) Related Art Documents: **Not Applicable**
- (57) Statement of Newness and Distinctiveness: **Nil**

MARKED FOR 3 TURNS	JANUARY ANNOUNCEMENT	DIV A/B	JANUARY ANNOUNCEMENT	DECEMBER ANNOUNCEMENT	JANUARY ANNOUNCEMENT	DECEMBER ANNOUNCEMENT	DIV A/B	JANUARY ANNOUNCEMENT	NUMBER TURNS
JANUARY ANNOUNCEMENT	***	***	***	***	***	***	***	***	COMPANY NAME
ANNOUNCEMENT	***	***	***	***	***	***	***	***	ANNOUNCEMENT
JANUARY ANNOUNCEMENT	***	***	***	***	***	***	***	***	COMPANY NAME
DECEMBER ANNOUNCEMENT	***	***	***	***	***	***	***	***	STOCK EXCHANGE
DIV A/B	***	***	***	***	***	***	***	***	NEW IPO
JANUARY ANNOUNCEMENT	***	***	***	***	***	***	***	***	COMPANY NAME
ANNOUNCEMENT	***	***	***	***	***	***	***	***	ANNOUNCEMENT
JANUARY ANNOUNCEMENT	***	***	***	***	***	***	***	***	COMPANY NAME
PLACE A TRADE	COMPANY NAME	ANNOUNCEMENT	COMPANY NAME	NEW IPO	STOCK EXCHANGE	COMPANY NAME	ANNOUNCEMENT	COMPANY NAME	SMALL SECTION

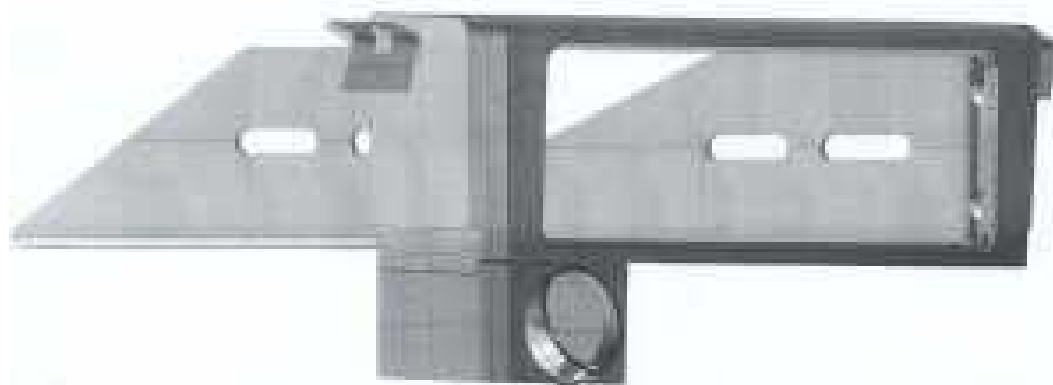
- (21) Design Number: **10532/2008**
- (22) Date of Filing Application: **06 February 2008**
- (24) Date from which industrial property rights may have effect: **06 February 2008**
- (54) Product in respect of which the design is registered: **Vehicle wheel**
- (51) International Design Classification: **12-16A**
- (71) Name(s) and Address(s) of Applicant(s):
GM Global Technology Operations, Inc
300 Renaissance Center Detroit Michigan 48265-3000 United States of America
- (72) Name(s) of Designer(s): **Ewan Kingsbury**
- (45) Registration Date: **01 July 2008**
- (56) Related Art Documents: **Not Applicable**
- (57) Statement of Newness and Distinctiveness: **Newness and distinctiveness is claimed in the shape and/or configuration of a vehicle wheel as shown in the accompanying representations, except that the rim is to be disregarded.**



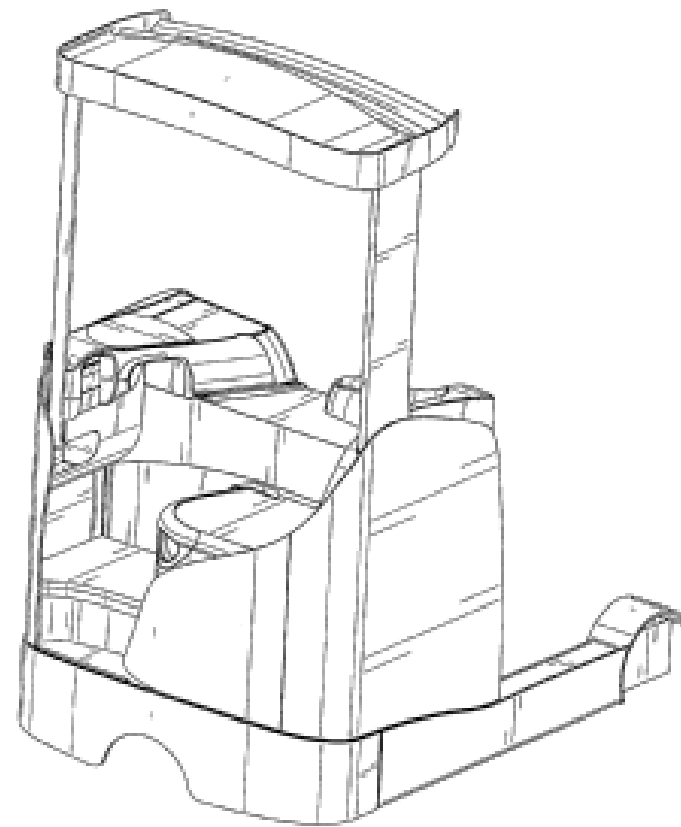
- (21) Design Number: **10568/2008**
(22) Date of Filing Application: **08 February 2008**
(24) Date from which industrial property rights may have effect: **08 February 2008**
(54) Product in respect of which the design is registered: **A cover for a winch with a removable side wall**
(51) International Design Classification: **12-05**
(71) Name(s) and Address(s) of Applicant(s):
Dalex Products Pty Ltd
Level 1/98 Kermode Street North Adelaide South Australia 5006
Australia
(72) Name(s) of Designer(s): **Athanasios Lekkas**
(45) Registration Date: **01 July 2008**
(56) Related Art Documents: **Not Applicable**
(57) Statement of Newness and Distinctiveness: **The design is for a unique plastic winch cover having a removable side wall.**



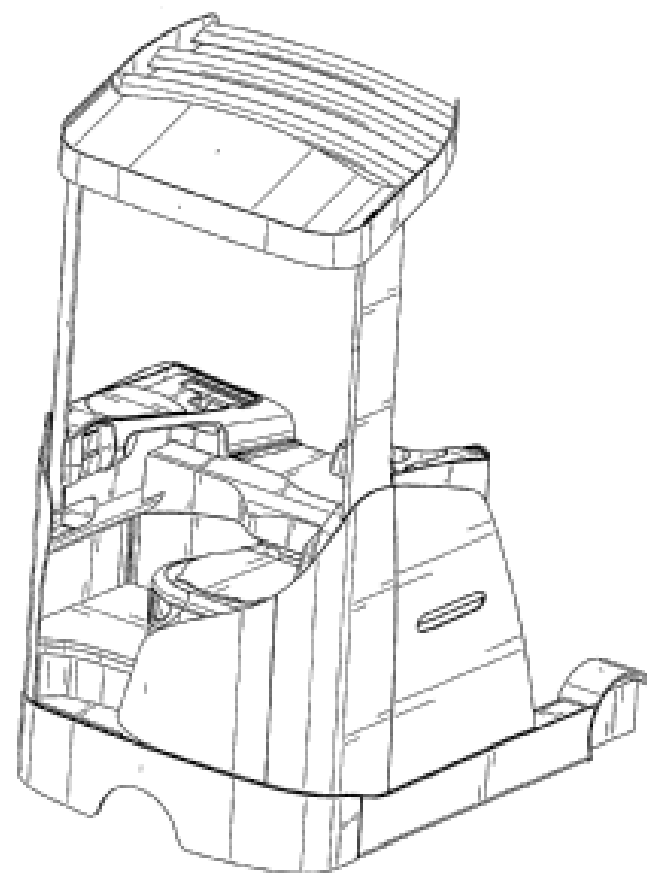
- (21) Design Number: **10952/2008**
(22) Date of Filing Application: **29 February 2008**
(24) Date from which industrial property rights may have effect: **29 February 2008**
(54) Product in respect of which the design is registered: **Fascia panel with brackets**
(51) International Design Classification: **12-16NES**
(71) Name(s) and Address(s) of Applicant(s):
SPL Wholesale Pty Ltd
74 Barrie Road Tullamarine Victoria 3043 Australia
(72) Name(s) of Designer(s): **Robert Nosal**
(45) Registration Date: **01 July 2008**
(56) Related Art Documents: **Not Applicable**
(57) Statement of Newness and Distinctiveness: **Allows a standard single din size head unit to be mounted into the lower dashboard in certain ford vehicles. Supplied with power source module to allow the existing power source socket to be fitted to this fascia panel and includes brackets for mounting.**



- (21) Design Number: **11171/2008**
(22) Date of Filing Application: **11 March 2008**
(24) Date from which industrial property rights may have effect: **11 March 2008**
(54) Product in respect of which the design is registered: **Reach lift truck**
(51) International Design Classification: **12-05**
(71) Name(s) and Address(s) of Applicant(s):
Crown Equipment Corporation
40 South Washington Street New Bremen OH 45869 United States of America
(72) Name(s) of Designer(s): **Christoph Babel and James V. Kraimer and Craig J. Rekow and Peter Adelsperger**
(45) Registration Date: **01 July 2008**
(30) Convention priority data:
(31) Number (32) Date (33) Country
29/284,696 13 Sep 2007 UNITED STATES OF AMERICA
(56) Related Art Documents: **Not Applicable**
(57) Statement of Newness and Distinctiveness: **The shape and configuration of those parts of the design shown by means of solid lines in the representations is new and distinctive.**



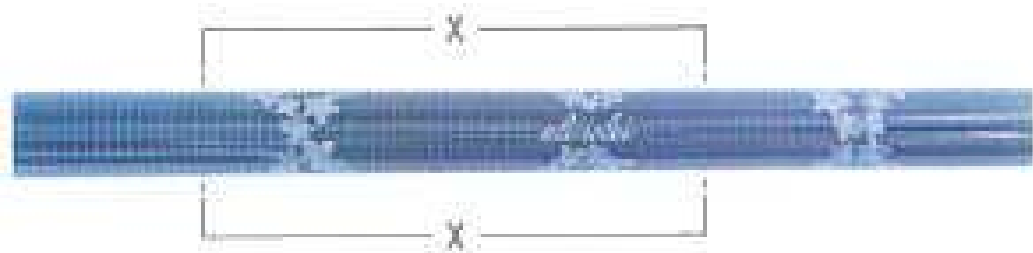
- (21) Design Number: **11172/2008**
(22) Date of Filing Application: **11 March 2008**
(24) Date from which industrial property rights may have effect: **11 March 2008**
(54) Product in respect of which the design is registered: **Reach lift truck**
(51) International Design Classification: **12-05**
(71) Name(s) and Address(s) of Applicant(s):
Crown Equipment Corporation
40 South Washington Street New Bremen OH 45869 United States of America
(72) Name(s) of Designer(s): **Christoph Babel and James V. Kraimer and Craig J. Rekow and Peter Adelsperger and Stefan Hennemann**
(45) Registration Date: **01 July 2008**
(30) Convention priority data:
(31) Number (32) Date (33) Country
29/284,699 13 Sep 2007 UNITED STATES OF AMERICA
(56) Related Art Documents: **Not Applicable**
(57) Statement of Newness and Distinctiveness: **The shape and configuration of those parts of the design shown by means of solid lines in the representations is new and distinctive.**



(19) AU

- (21) Design Number: **11173/2008**
- (22) Date of Filing Application: **11 March 2008**
- (24) Date from which industrial property rights may have effect: **11 March 2008**
- (54) Product in respect of which the design is registered: **Golf club shaft**
- (51) International Design Classification: **21-02C**
- (71) Name(s) and Address(s) of Applicant(s):
MRC Composite Products Co., Ltd.
1-2 Ushikawa-Dori 4-chome Toyohashi-shi Aichi 440-8601 Japan
- (72) Name(s) of Designer(s): **Tetsuya Atsumi and Takashi Kaneko and Tsutomu Ibuki and Kouji Shiga**
- (45) Registration Date: **01 July 2008**
- (30) Convention priority data:

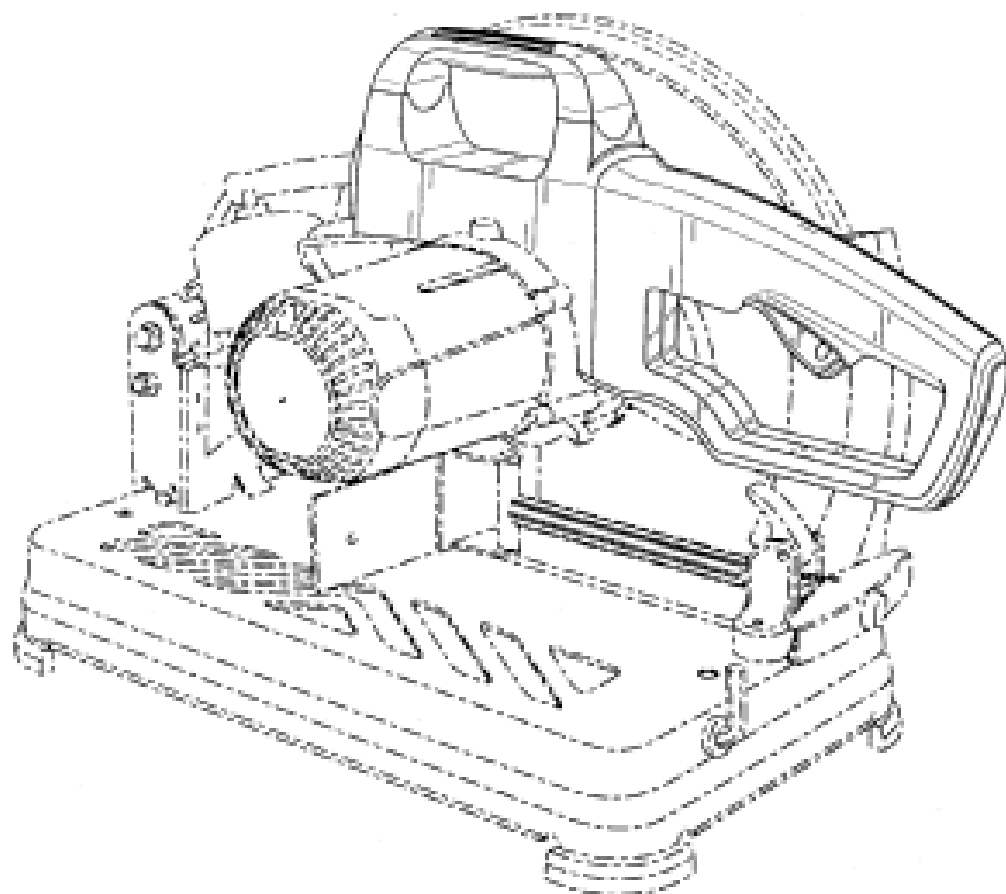
(31) Number	(32) Date	(33) Country
2007-024597	10 Sep 2007	JAPAN
- (56) Related Art Documents: **Not Applicable**
- (57) Statement of Newness and Distinctiveness: **Newness and distinctiveness is claimed in the visual features of the part of the shaft marked A-A. The visual features of the parts of the shaft to either side of that part are to be disregarded, and the word "ali'isiei" is to be disregarded.**



(19) AU

- (21) Design Number: **11175/2008**
- (22) Date of Filing Application: **11 March 2008**
- (24) Date from which industrial property rights may have effect: **11 March 2008**
- (54) Product in respect of which the design is registered: **A handle for a saw**
- (51) International Design Classification: **08-06, 08-03**
- (71) Name(s) and Address(s) of Applicant(s):
Black & Decker, Inc.
1207 Drummond Plaza Newark Delaware 19711 United States of America
- (72) Name(s) of Designer(s): **David L. Wikle and Robert P. Welsh**
- (45) Registration Date: **01 July 2008**
- (30) Convention priority data:

(31) Number	(32) Date	(33) Country
29/292416	11 Oct 2007	UNITED STATES OF AMERICA
- (56) Related Art Documents: **Not Applicable**
- (57) Statement of Newness and Distinctiveness: **Newness and distinctiveness is claimed in the visual features shown in solid lines in the representations.**



(21) Design Number: **11179/2008**

(22) Date of Filing Application: **11 March 2008**

(24) Date from which industrial property rights may have effect: **11 March 2008**

(54) Product in respect of which the design is registered: **Charger**

(51) International Design Classification: **13-02**

(71) Name(s) and Address(s) of Applicant(s):

Eveready Battery Company, Inc.
533 Maryville University Drive St Louis Missouri 63141 United States of America

(72) Name(s) of Designer(s): **Scott W. Osiecki and Peter C. Castellucci**

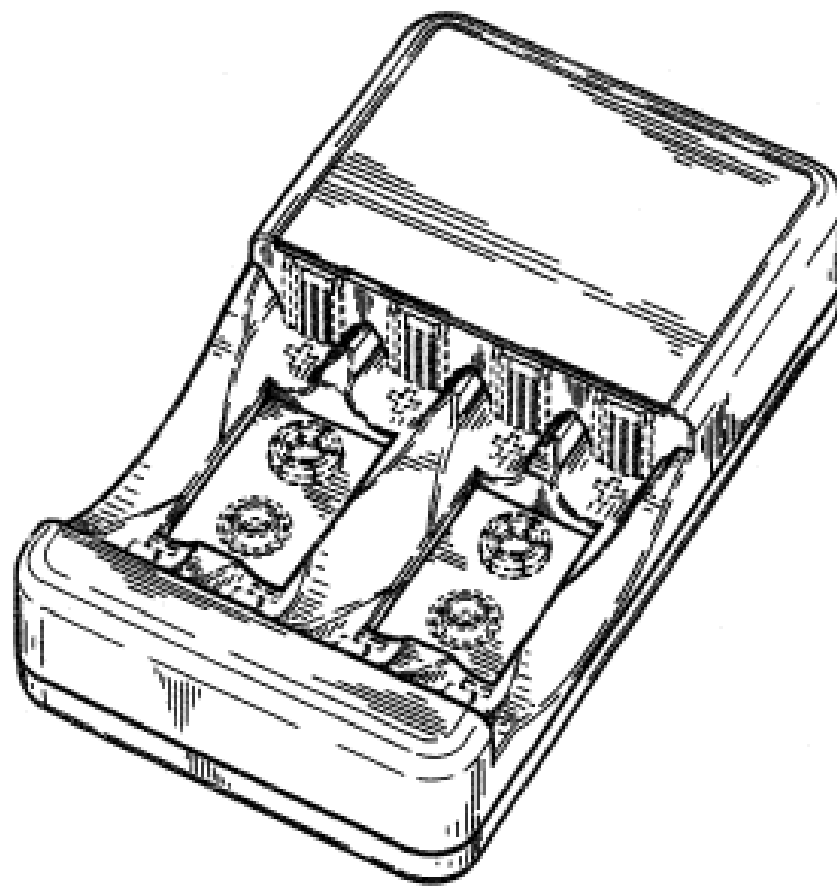
(45) Registration Date: **01 July 2008**

(30) Convention priority data:

(31) Number	(32) Date	(33) Country
29/292899	31 Oct 2007	UNITED STATES OF AMERICA

(56) Related Art Documents: **Not Applicable**

(57) Statement of Newness and Distinctiveness: **Newness and distinctiveness is claimed in those visual features depicted in unbroken lines.**



(21) Design Number: **11183/2008**

(22) Date of Filing Application: **11 March 2008**

(24) Date from which industrial property rights may have effect: **11 March 2008**

(54) Product in respect of which the design is registered: **Hand watering unit**

(51) International Design Classification: **23-01D**

(71) Name(s) and Address(s) of Applicant(s):

John Raymond Dyer
5 Powell Court West Lakes South Australia 5021 Australia

(72) Name(s) of Designer(s): **John Raymond Dyer**

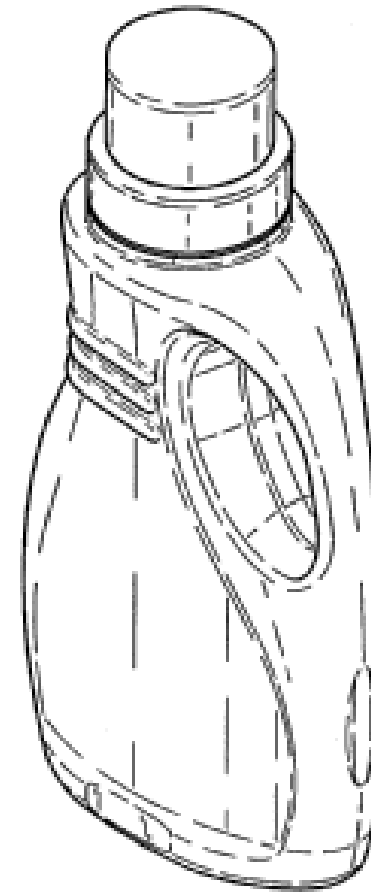
(45) Registration Date: **01 July 2008**

(56) Related Art Documents: **Not Applicable**

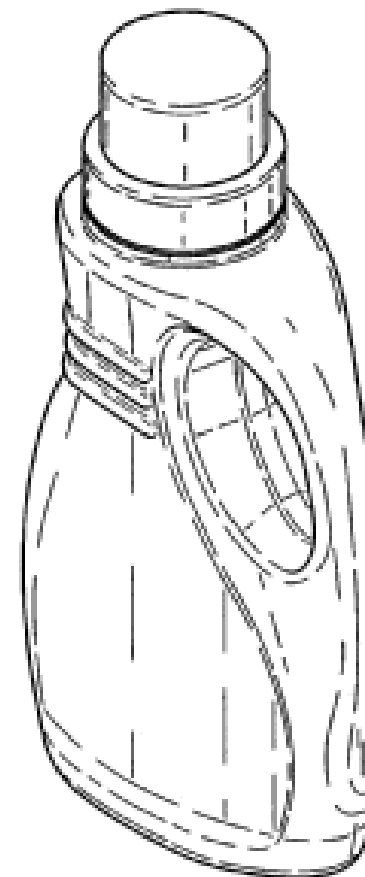
(57) Statement of Newness and Distinctiveness: **Nil**



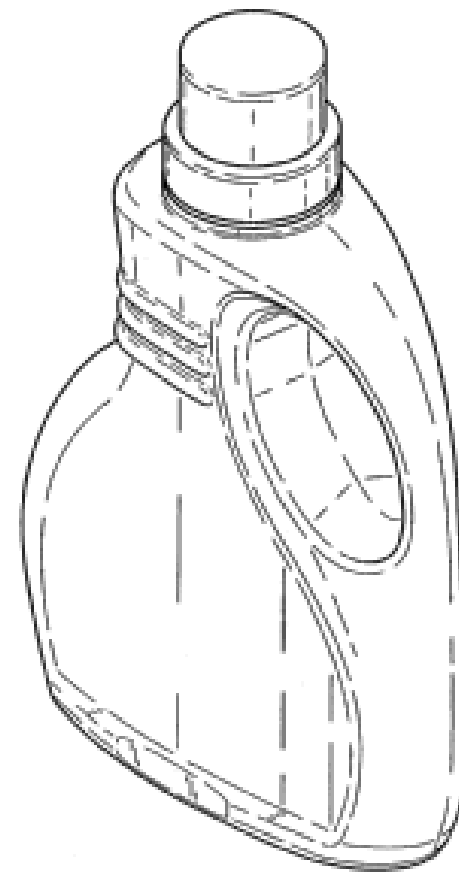
- (21) Design Number: **12642/2008**
(22) Date of Filing Application: **03 June 2008**
(24) Date from which industrial property rights may have effect: **03 June 2008**
(54) Product in respect of which the design is registered: **Bottle with cap**
(51) International Design Classification: **09-01B**
(71) Name(s) and Address(s) of Applicant(s):
Reckitt Benckiser N.V.
Siriusdreef 14 2132 WT Hoofddorp The Netherlands
(72) Name(s) of Designer(s): **James Watson and Philip Bordet-Stead and Beatrycze Holowiecka and Alex Emmerich and Krzysztof Krajewski**
(45) Registration Date: **01 July 2008**
(30) Convention priority data:
(31) Number (32) Date (33) Country
000848254-0001 20 Dec 2007 EUROPEAN COMMUNITY
(56) Related Art Documents: **Not Applicable**
(57) Statement of Newness and Distinctiveness: **Newness and distinctiveness reside in the features of the design as shown in the representations.**



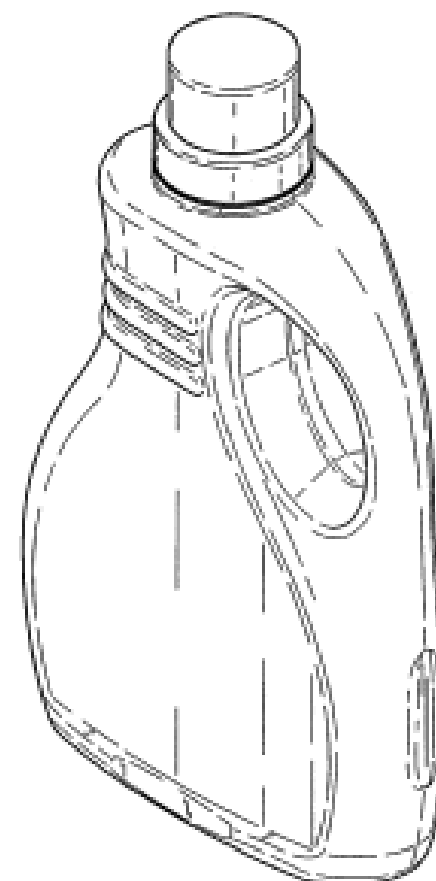
- (21) Design Number: **12643/2008**
(22) Date of Filing Application: **03 June 2008**
(24) Date from which industrial property rights may have effect: **03 June 2008**
(54) Product in respect of which the design is registered: **Bottle with cap**
(51) International Design Classification: **09-01B**
(71) Name(s) and Address(s) of Applicant(s):
Reckitt Benckiser N.V.
Siriusdreef 14 2132 WT Hoofddorp The Netherlands
(72) Name(s) of Designer(s): **James Watson and Philip Bordet-Stead and Beatrycze Holowiecka and Alex Emmerich and Krzysztof Krajewski**
(45) Registration Date: **01 July 2008**
(30) Convention priority data:
(31) Number (32) Date (33) Country
000848254-0002 20 Dec 2007 EUROPEAN COMMUNITY
(56) Related Art Documents: **Not Applicable**
(57) Statement of Newness and Distinctiveness: **Newness and distinctiveness reside in the features of the design as shown in the representations.**



- (21) Design Number: **12644/2008**
(22) Date of Filing Application: **03 June 2008**
(24) Date from which industrial property rights may have effect: **03 June 2008**
(54) Product in respect of which the design is registered: **Bottle with cap**
(51) International Design Classification: **09-01B**
(71) Name(s) and Address(s) of Applicant(s):
Reckitt Benckiser N.V.
Siriusdreef 14 2132 WT Hoofddorp The Netherlands
(72) Name(s) of Designer(s): **James Watson and Philip Bordet-Stead and Beatrycze Holowiecka and Alex Emmerich and Krzysztof Krajewski**
(45) Registration Date: **01 July 2008**
(30) Convention priority data:
(31) Number (32) Date (33) Country
000848254-0003 20 Dec 2007 EUROPEAN COMMUNITY
(56) Related Art Documents: **Not Applicable**
(57) Statement of Newness and Distinctiveness: **Newness and distinctiveness reside in the features of the design as shown in the representations.**



- (21) Design Number: **12645/2008**
(22) Date of Filing Application: **03 June 2008**
(24) Date from which industrial property rights may have effect: **03 June 2008**
(54) Product in respect of which the design is registered: **Bottle with cap**
(51) International Design Classification: **09-01B**
(71) Name(s) and Address(s) of Applicant(s):
Reckitt Benckiser N.V.
Siriusdreef 14 2132 WT Hoofddorp The Netherlands
(72) Name(s) of Designer(s): **James Watson and Alex Emmerich and Philip Bordet-Stead and Krzysztof Krajewski and Beatrycze Holowiecka**
(45) Registration Date: **01 July 2008**
(30) Convention priority data:
(31) Number (32) Date (33) Country
000848254-0004 20 Dec 2007 EUROPEAN COMMUNITY
(56) Related Art Documents: **Not Applicable**
(57) Statement of Newness and Distinctiveness: **Newness and distinctiveness reside in the features of the design as shown in the representations.**



(21) Design Number: **12646/2008**

(22) Date of Filing Application: **03 June 2008**

(24) Date from which industrial property rights may have effect: **03 June 2008**

(54) Product in respect of which the design is registered: **Bottle with cap**

(51) International Design Classification: **09-01B**

(71) Name(s) and Address(s) of Applicant(s):

Reckitt Benckiser N.V.
Siriusdreef 14 2132 WT Hoofddorp The Netherlands

(72) Name(s) of Designer(s): **James Watson and Philip Bordet-Stead and Beatrycze Holowiecka and Alex Emmerich and Krzysztof Krajewski**

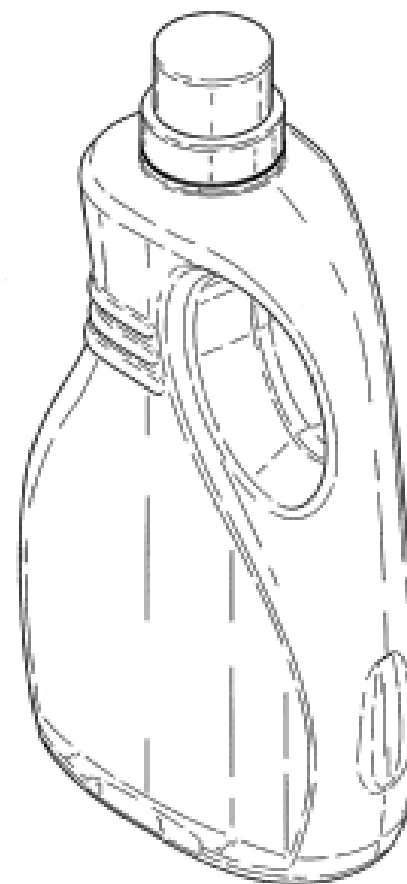
(45) Registration Date: **01 July 2008**

(30) Convention priority data:

(31) Number	(32) Date	(33) Country
000848254-0005	20 Dec 2007	EUROPEAN COMMUNITY

(56) Related Art Documents: **Not Applicable**

(57) Statement of Newness and Distinctiveness: **Newness and distinctiveness reside in the features of the design as shown in the representations.**



(21) Design Number: **12689/2008**

(22) Date of Filing Application: **04 June 2008**

(24) Date from which industrial property rights may have effect: **04 June 2008**

(54) Product in respect of which the design is registered: **Container**

(51) International Design Classification: **09-01K**

(71) Name(s) and Address(s) of Applicant(s):

Colgate-Palmolive Company
300 Park Avenue New York New York 10022 United States of America

(72) Name(s) of Designer(s): **Jacques Lalanne and Cristina Bouthillon and Yves Guislain**

(45) Registration Date: **01 July 2008**

(30) Convention priority data:

(31) Number	(32) Date	(33) Country
000867288-0001	23 Jan 2008	EUROPEAN COMMUNITY

(56) Related Art Documents: **Not Applicable**

(57) Statement of Newness and Distinctiveness: **Newness and distinctiveness reside in the features of the design shown in solid lines in the representations excluding those features shown in broken lines.**

