



Australian Government

IP Australia

AUSTRALIAN OFFICIAL JOURNAL

OF

DESIGNS

Did you know a searchable version of this journal is now available online?

It's FREE and EASY to SEARCH.

Find it at

<http://pericles.ipaustralia.gov.au/ols/epublish/content/olsEpublications.jsp>
or using the "Online Journals" link on the IP Australia home page.

This Page Left Intentionally Blank

Contents

General Information & Notices

Proceedings Under the Designs Act 1906 preserved as a result of the provisions of Chapter 12 Part 2 of the Designs Act 2003

Extension of Period of Registration of Designs	1766
Extensions of Time Granted	1766
Names Registered - Alterations and Amendments	1766
Registrations Ceased	1766
Subsequent Owners Registered	1766

Proceedings Under the Designs Act 2003

Applications for Extension of Time Under Section 137	1774
Applications Lapsed	1773
Applications Lodged	1771
Applications Withdrawn	1773
Certificate of Examination	1776
Corrigenda	1775
Extension of Time Granted Under Section 137	1774
Names Registered - Alterations and Amendments	1774
Publication and Registration Proceedings	
Designs Registered 320114 to 320291.....	1777
Subsequent Owners Registered	1774

This Page Left Intentionally Blank

For information on the following please see our website www.ipaustralia.gov.au or contact our Customer Service Network on 1300651010

[Editorial enquiries](#)

[Contact information](#)

[Freedom of Information ACT](#)

[Professional Standards Board](#)

[Sales](#)

[Requests for Information under Section 194 \(c\)](#)

[Country Codes](#)

[Trade Mark and Designs Hearing Sessions](#)

[INID \(Internationally agreed Numbers for the Identification of Data\)](#)

“INID” NUMBERS in use on Australian Design Documents

“INID” is an acronym for “Internationally agreed Numbers for the Identification of Data”.

(10) Data concerning the registration/renewal

- (11) Serial number of the registration and/or number of the design document
- (12) Plain language designation of the kind of published document
- (19) Identification, using the two-letter code according to WIPO Standard ST.3, of the authority publishing or registering the industrial design

(20) Data concerning the application

- (21) Serial number of the application
- (22) Date of filing of the application
- (24) Date from which the industrial design right has effect

(30) Data relating to priority under the Paris Convention

- (31) Serial number assigned to the priority application
- (32) Date of filing of the priority application
- (33) Two-letter code, according to WIPO Standard ST.3, identifying the authority with which the priority application was made

(40) Date(s) of making information available to the public

- (45) Date of publication of the registered industrial design by printing or similar process, or making it available to the public by any other means

(50) Miscellaneous Information

- (51) International Classification for Industrial Designs (class and subclass of the Locarno Classification)
- (54) Designation of article(s) or product(s) covered by the industrial design or title of the industrial design
- (55) Reproduction of the industrial design (e.g., drawing, photograph) and explanations relating to the reproduction
- (56) List of prior art documents, if separate from descriptive text
- (57) Description of characteristic features of the industrial design including indication of colours

(60) References to other legally related application(s) and registration(s)

- (62) Serial number(s) and, if available, filing date(s) of application(s), registration(s) or document(s) related by division
- (66) Serial number(s) of the application, or the registration, of the design(s) which is (are) a variant(s) of the present one

(70) Identification of parties concerned with the application or registration

- (71) Name(s) and address(es) of the applicant(s)
- (72) Name(s) of the creator(s) if known to be such
- (74) Name(s) and address(es) of the representative(s)

This Page Left Intentionally Blank

Official Notice**Designs Act 2003
Amendments to Registered Designs at Examination**

The following amendments have been made to details previously published in the Australian Official Journal of Designs during the Examination process:

Registration Numbers	Amendment type	New details
310703	Classification	12-16C
314084	Classification	15-09
314085	Classification	15-09
314719	Classification	14-01, 14-03Z
315626	Classification	14-02
315637	Classification	14-02
316650	Classification	26-06
316651	Classification	26-06
316812	Classification	08-09
317015	Classification	07-07A, 15-07
317350	Classification	25-01E, 25-02C
317418	Classification	09-01G, 09-01Z
317419	Classification	09-01G, 09-01Z
319069	Classification	26-06
319070	Classification	26-06

Contact: IP Australia
Phone: 1300 651 010
Fax: +61 2 6283 7999
E-Mail: assist@ipaustralia.gov.au
Web: www.ipaustralia.gov.au

This Page Left Intentionally Blank

Proceedings under the Designs Act 1906 preserved as a result of the provisions of Chapter 12 Part 2 of the Designs Act 2003.

This Page Left Intentionally Blank

Applications Lapsed

There were no Applications Lapsed under this section

Extension of Period of Registration of Designs

2nd Period (Section 27A(12))

144016	146855	148107
148173	148906	148907
148908	148959	149107
149211	149324	149328
149337	149338	149339
149340	149341	149342
149343	149345	149463
149486	149495	149540
149542	149556	149557
149627	149678	149679
149682	149683	149684
149693	149756	149759
149798	149828	149984
150032	150051	150052
150091	150094	150101
150141	150223	150224
150265	150356	150518
150544	150796	150816
150843	150996	151073
151118	151250	151297
151298	151324	151326
151567	151607	152325
152891	152892	152983
152984	153147	153669
153670	153671	153672
153673	153825	153888
153988	154064	154107
154125	154276	154277
154278	154296	154522
154523	157169	

3rd Period (Section 27A(13))

131398	131416	131882
132185	132225	132493
132545	132558	132560
132649	132702	132703
132746	132961	133031
133191	133221	133420
133450	133451	134090
134161	134493	135065
137281	137282	138436

Registrations Ceased

Note: Some of the following Registrations may have been previously advertised as ceased. In this instance, the previous advertisement still prevails.

116061	116082	116083
116101	116124	116126
116453	116536	116629
116661	117142	117186
117875	118852	118902

118980	118981	119061
119131	119141	120095
120099	120574	120582
120722	120723	129261
130909	130944	131608
131611	131612	131908
132948	133406	135146
135452	135453	147738
147827	147830	147831
147832	147833	147834
148104	148253	148457
148970	150462	151014
151015	151873	151874

Extensions of time granted

Applications lodged for extension of time have been granted.

144016 **Raymond Joseph Palmer** An Extension of time to extend a registration has been granted to 01/05/2008

146855 **Automatic Technology Australia Pty Ltd** An Extension of time to extend a registration has been granted to 12/05/2008

148173 **Polivac International Pty Ltd** An Extension of time to extend a registration has been granted to 06/07/2008

Subsequent Owners Registered

(The name in parentheses is that of the subsequent owner)

141098	(C & M Brick Pty Ltd) C & M Brick (Bendigo) Pty Ltd
158456	(Intellectual Property Development Corporation Pty Ltd) International Grocery Manufacturer Pty Ltd
129835	(Sweetet Development Ltd) CPC International Inc.
154399	(Australian Barbeque Manufacturers Pty Ltd) Custom Group Australia Pty Ltd

Names Registered - Alterations and Amendments

(The name in parentheses is the new name of the proprietor)

149866	(Joanne Simhi) Joanne Philippsohn
153790	(Foster's Australia Limited) Carlton and United Breweries Limited

This Page Left Intentionally Blank

Proceedings under the Designs Act 2003.

This Page Left Intentionally Blank

Applications Lodged

Lodgement information is in the following order: **Applicant's Name**; International Classification, Name of Product, Lodgement Date and **Design Number**. If the applicant claims an earlier priority date under an International Convention, the Convention Country and the associated filing date are shown in parentheses before the Lodgement Date. Divisional information will also appear in parentheses before the Lodgement Date.

Aktiebolaget Electrolux; 15-05, Vacuum cleaner handle, (EM, 20 Feb 2008) 21 May 2008	12399/2008	CSP Technologies, Inc.; 24-02, Oval vial with platform, (US, 16 May 2008) 05 Jun 2008	12724/2008
Art Plastics Pty Ltd; 23-01B, Pipe cap, 06 Jun 2008	12756/2008	Dalsonware Pty Ltd; 07-04, 07-06NES, Spatula, 30 Apr 2008	11995/2008
Art Plastics Pty Ltd; 23-01E, Drain inlet assembly, 06 Jun 2008	12757/2008	Edwards, Brett; Ellis, Jean; 12-16NES, Safety-locking, pressure release radiator caps 70mm, 04 Jul 2008	13085/2008
Art Plastics Pty Ltd; 23-01E, Drain inlet assembly, 06 Jun 2008	12758/2008	Edwards, Brett; Ellis, Jean; 12-16NES, Safety-locking, pressure release radiator caps 55mm, 04 Jul 2008	13086/2008
Australian Postal Corporation; 99-00, Multi- compartment mailbox unit with common access roller door, 05 Jun 2008	12725/2008	Edwards, Brett; Ellis, Jean; 12-16NES, Safety-locking, pressure release radiator caps 100mm, 04 Jul 2008	13087/2008
Baker, Kevin John; 23-04, Ventilation duct, 06 Jun 2008	12705/2008	Ellis, Jean; Edwards, Brett; 12-16NES, Safety-locking, pressure release radiator caps 100mm, 04 Jul 2008	13087/2008
Bardot Pty Ltd; 02-02C, Ladies strapless printed dress, 06 Jun 2008	12781/2008	Ellis, Jean; Edwards, Brett; 12-16NES, Safety-locking, pressure release radiator caps 55mm, 04 Jul 2008	13086/2008
Bardot Pty Ltd; 02-02C, Ladies flower print satin top, 06 Jun 2008	12780/2008	Ellis, Jean; Edwards, Brett; 12-16NES, Safety-locking, pressure release radiator caps 70mm, 04 Jul 2008	13085/2008
Brother Industries, Ltd.; 16-03, Facsimile machine, 16 Jun 2008	12858/2008	Ericksen, Jane; 30-99, An animal product, 06 Jun 2008	12777/2008
Bull Motor Bodies Pty Ltd; 25-01K, Extrusion, 07 Apr 2008	11632/2008	Frenchporte IP, LLC; 25-02B, Overhead garage door facade, 05 Jun 2008	12716/2008
Bull Motor Bodies Pty Ltd; 25-01K, Extrusion, 07 Apr 2008	11633/2008	Frenchporte IP, LLC; 25-02B, Overhead garage door facade, 05 Jun 2008	12717/2008
Busby, Matthew Dawson; 06-04NES, Wine rack module, 11 Jun 2008	12774/2008	Hans Performance Products; 29-02, Restraint device, (US, 05 Dec 2007) 05 Jun 2008	12718/2008
Caterpillar Inc.; 15-04, Earth moving machine, (US, 07 Dec 2007) 06 Jun 2008	12738/2008	Hans Performance Products; 29-02, Restraint device, (US, 05 Dec 2007) 05 Jun 2008	12719/2008
Colgate-Palmolive Company; 09-01K, Container, (US, 10 Jan 2008) 10 Jun 2008	12769/2008	Hartz Industries Limited; 25-01A, Set of blocks, (NZ, 18 Jun 2008) 30 Jun 2008	13000/2008
Colgate-Palmolive Company; 09-01K, Lower portion of a container, (US, 10 Jan 2008) 10 Jun 2008	12770/2008	Hogg, Earle Raymond; 12-05, Lifting heavy articles, 10 Jun 2008	12779/2008
Colgate-Palmolive Company; 09-01K, Upper portion of a dispenser, (US, 10 Jan 2008) 10 Jun 2008	12771/2008	Illinois Tool Works Inc.; 13-02, A battery for a combustion tool, (US, 10 Dec 2007) 10 Jun 2008	12772/2008
CSP Technologies, Inc.; 24-02, Oval vial with insert and false bottom, (US, 16 May 2008) 05 Jun 2008	12721/2008	Kapman AB; 08-03, Saw blade, (EM, 11 Dec 2007) 10 Jun 2008	12773/2008
CSP Technologies, Inc.; 24-02, Oval vial with spline insert, (US, 16 May 2008) 05 Jun 2008	12722/2008	Koninklijke Philips Electronics N.V.; 28-03NES, Epilator with trimmer 8mm, (EM, 12 Dec 2007) 06 Jun 2008	12735/2008
CSP Technologies, Inc.; 24-02, Oval vial with insert, (US, 16 May 2008) 05 Jun 2008	12723/2008		

Koninklijke Philips Electronics N.V.; 28-03NES, Epilator, (EM, 12 Dec 2007) 06 Jun 2008	12736/2008	Mars Incorporated; 09-01K, Packaging, (US, 18 Dec 2007) 05 Jun 2008	12713/2008
Koninklijke Philips Electronics N.V.; 28-03NES, Elilator with trimmer 21mm, (EM, 12 Dec 2007) 06 Jun 2008	12737/2008	Mars, Incorporated; 09-03NES, Packaging, (US, 28 Apr 2008) 05 Jun 2008	12714/2008
Koninklijke Philips Electronics N.V.; 07-05A, Steam iron, (EM, 12 Dec 2007) 10 Jun 2008	12763/2008	Mars, Incorporated; 01-01, Confectionery, (US, 20 Dec 2007) 05 Jun 2008	12715/2008
Koninklijke Philips Electronics N.V.; 07-05A, Stand for steam iron, (EM, 12 Dec 2007) 10 Jun 2008	12764/2008	Mass Technology (H.K.) Limited; 26-04, Fluorescent tube, (HK, 23 May 2008) 10 Jun 2008	12775/2008
Koninklijke Philips Electronics N.V.; 07-05A, Steam iron and stand, (EM, 12 Dec 2007) 10 Jun 2008	12765/2008	Mass Technology (H.K.) Limited; 26-04, Fluorescent tube, (HK, 23 May 2008) 10 Jun 2008	12776/2008
Koninklijke Philips Electronics N.V.; 28-03A, Flash lamp epilator, (EM, 12 Dec 2007) 10 Jun 2008	12766/2008	Melrose, David Murray; 07-07A, A container, (NZ, 21 Dec 2007) 21 May 2008	12388/2008
Layton, Luke Alexander; 07-05C, 07-07NES, Laundry basket, 25 Jun 2008	12948/2008	Mokum Textiles Limited; 15-06, Holder, (NZ, 19 Oct 2007) 18 Apr 2008	11843/2008
Layton, Luke Alexander; 07-05C, 07-07NES, Laundry basket, 25 Jun 2008	12949/2008	Neals Yard Pty Ltd; 20-02NES, Menu stands and counter signs, 10 Jun 2008	12760/2008
Lindsay, Susan Catherine; 12-10, Container for a trailer, 10 Jun 2008	12761/2008	Nintendo Co., Ltd.; 10-04, Pedometer, (JP, 07 Dec 2007) 05 Jun 2008	12726/2008
Lindsay, Susan Catherine; 12-10, Container for a trailer, 10 Jun 2008	12762/2008	Otto Developments Pty Ltd; 23-01L, Culvert, 06 Jun 2008	12741/2008
Mahl Holdings Pty Ltd; Mahl Investments Pty Limited; 25-01K, Extrusion, 04 Jun 2008	12707/2008	Park, Rin-Soon; 08-05N, Grinder tip for a grinder, (KR, 07 Dec 2007) 06 Jun 2008	12731/2008
Mahl Holdings Pty Ltd; Mahl Investments Pty Limited; 25-01K, Extrusion, 04 Jun 2008	12710/2008	Park, Rin-Soon; 08-05N, Grinding tip for a grinder, (KR, 07 Dec 2007) 06 Jun 2008	12732/2008
Mahl Holdings Pty Ltd; Mahl Investments Pty Limited; 25-01K, Extrusion, 04 Jun 2008	12711/2008	Parnham & Associates Pty Ltd; 25-01D, Cushion for the leg or foot, 06 Jun 2008	12702/2008
Mahl Holdings Pty Ltd; Mahl Investments Pty Limited; 25-01K, Extrusion, 04 Jun 2008	12708/2008	Pavy, Grant R.; 07-05NES, Pesticide container, 06 Jun 2008	12740/2008
Mahl Holdings Pty Ltd; Mahl Investments Pty Limited; 25-01K, Extrusion, 04 Jun 2008	12709/2008	Pellow, Leslie Valentine; 06-06C, A post, 06 Jun 2008	12739/2008
Mahl Investments Pty Limited; Mahl Holdings Pty Ltd; 25-01K, Extrusion, 04 Jun 2008	12709/2008	Pi-Design; 07-04, Teapot, (DK, 12 Dec 2007) 06 Jun 2008	12734/2008
Mahl Investments Pty Limited; Mahl Holdings Pty Ltd; 25-01K, Extrusion, 04 Jun 2008	12708/2008	Reckitt Benckiser (UK) Limited; 09-05, Packaging for cosmetic products, (EM, 20 Dec 2007) 10 Jun 2008	12767/2008
Mahl Investments Pty Limited; Mahl Holdings Pty Ltd; 25-01K, Extrusion, 04 Jun 2008	12711/2008	Reckitt Benckiser (UK) Limited; 09-05, Packaging for cosmetic products, (EM, 20 Dec 2007) 10 Jun 2008	12768/2008
Mahl Investments Pty Limited; Mahl Holdings Pty Ltd; 25-01K, Extrusion, 04 Jun 2008	12710/2008	Review Australia Pty Ltd; 02-02NES, A top, 07 Mar 2008	13039/2008
Mahl Investments Pty Limited; Mahl Holdings Pty Ltd; 25-01K, Extrusion, 04 Jun 2008	12707/2008	Rin-Soon Park; 08-05H, Grinding tip for grinder, (KR, 31 Dec 2007) 30 Jun 2008	13003/2008
Mahl Investments Pty Limited; Mahl Holdings Pty Ltd; 25-01K, Extrusion, 04 Jun 2008	12707/2008	Rockbrook Holdings Limited; 02-04A, Orthotic device, (US, 28 Sep 2007) 04 Jun 2008	12677/2008

Sandvik Intellectual Property AB; 08-03, A cutting tool, (US, 05 Dec 2007) 05 Jun 2008	12720/2008	Sao Paulo Alpargatas S.A.; 03-01B, A bag, (BR, 10 Dec 2007) 06 Jun 2008	12748/2008
Sao Paulo Alpargatas S.A.; 08-08B, A bolt, (BR, 10 Dec 2007) 06 Jun 2008	12742/2008	Sony Ericsson Mobile Communications AB; 03-01NES, 14-03A, Audio case, (EM, 13 Dec 2007) 11 Jun 2008	12801/2008
Sao Paulo Alpargatas S.A.; 02-07A, A strap, (BR, 10 Dec 2007) 06 Jun 2008	12749/2008	South East Excavations (No.2) Pty Ltd; 15-09, An apparatus utilised to manufacture RockBlock (TM No: 1226964) concrete block retaining wall system, 26 Jun 2008	12968/2008
Sao Paulo Alpargatas S.A.; 02-07A, A button, (BR, 10 Dec 2007) 06 Jun 2008	12750/2008	Stockman, Neil; Stockman, Christine; Stockman, Heath; Stockman, Kimberly; 03-01D, A core tray, 06 Jun 2008	12729/2008
Sao Paulo Alpargatas S.A.; 02-07A, A strap, (BR, 10 Dec 2007) 06 Jun 2008	12751/2008	Stockman, Christine; Stockman, Neil; Stockman, Heath; Stockman, Kimberly; 03-01D, A core tray, 06 Jun 2008	12729/2008
Sao Paulo Alpargatas S.A.; 03-01B, A handbag, (BR, 10 Dec 2007) 06 Jun 2008	12752/2008	Stockman, Heath; Stockman, Neil; Stockman, Christine; Stockman, Kimberly; 03-01D, A core tray, 06 Jun 2008	12729/2008
Sao Paulo Alpargatas S.A.; 03-01B, A handbag, (BR, 10 Dec 2007) 06 Jun 2008	12753/2008	Stockman, Kimberly; Stockman, Neil; Stockman, Christine; Stockman, Heath; 03-01D, A core tray, 06 Jun 2008	12729/2008
Sao Paulo Alpargatas S.A.; 02-07A, Pullers for strings, (BR, 10 Dec 2007) 06 Jun 2008	12754/2008	Transnet NZ Limited; 13-03C, An electrical connection box, (NZ, 07 Dec 2007) 06 Jun 2008	12733/2008
Sao Paulo Alpargatas S.A.; 03-01B, A handbag, (BR, 10 Dec 2007) 06 Jun 2008	12755/2008	Tsakonas, Athanasios; 25-02G, A grating, 18 Jan 2008	12727/2008
Sao Paulo Alpargatas S.A.; 03-01B, A bag, (BR, 10 Dec 2007) 06 Jun 2008	12743/2008	Tsiara; 02-02C, Shirts, 09 Jun 2008	12728/2008
Sao Paulo Alpargatas S.A.; 03-01B, A strap, (BR, 10 Dec 2007) 06 Jun 2008	12744/2008	UTC Fire & Security Corporation; 14-01, Digital video recorder, 02 Apr 2008	11561/2008
Sao Paulo Alpargatas S.A.; 03-01B, A bag, (BR, 10 Dec 2007) 06 Jun 2008	12745/2008	Williams, Allan; 99-00, Safe harbour access for commercial and recreational fishing, pleasure boating, tourism, marine rescue and coastal, surveillance., 10 Jun 2008	12778/2008
Sao Paulo Alpargatas S.A.; 02-07A, A hook, (BR, 10 Dec 2007) 06 Jun 2008	12746/2008		
Sao Paulo Alpargatas S.A.; 02-07A, A strap, (BR, 10 Dec 2007) 06 Jun 2008	12747/2008		

Applications Withdrawn

11879 / 2008 (02-05)	11880 / 2008 (02-05)
11881 / 2008 (02-05)	11885 / 2008 (02-05)

Applications Lapsed

19041 / 2007 (11-01A)	19042 / 2007 (11-01A)
19043 / 2007 (11-01A)	19044 / 2007 (11-01A)

Applications for Extension of time under Section 137

Applications under section 137 for extension of time have been lodged. Objections must be lodged within 1 month from the date of this journal.

16757/2007 **Collison Bros Stock Holding and Handling Yards Pty Ltd** Address for Service: W. Collison 52 Topham Road SMEATON GRANGE NSW 2567

Extensions of time granted under Section 137

Applications lodged under section 137 for extension of time have been granted.

311032 **Turner Broadcasting System, Inc.**

311093 **Turner Broadcasting System, Inc.**

311033 **Turner Broadcasting System, Inc.**

312493 **Juwel Aquarium GmbH & Co. KG**

312494 **Juwel Aquarium GmbH & Co. KG**

312112 **Juwel Aquarium GmbH & Co. KG**

312495 **Juwel Aquarium GmbH & Co. KG**

312096 **Juwel Aquarium GmbH & Co. KG**

312113 **Juwel Aquarium GmbH & Co. KG**

312480 **Juwel Aquarium GmbH & Co. KG**

10125/2008 **Augusto Tucci**

10579/2008 **Framelock Structures Pty Ltd**

10580/2008 **Framelock Structures Pty Ltd**

10581/2008 **Framelock Structures Pty Ltd**

10582/2008 **Framelock Structures Pty Ltd**

10583/2008 **Framelock Structures Pty Ltd**

10584/2008 **Framelock Structures Pty Ltd**

Subsequent Owners Registered

(The name in parentheses is that of the subsequent owner)

- 308282 (**MYM UNTUNK LIMITED**) 1001 Original Inc. Limited
- 317283 (**HUBCO AUTOMOTIVE LTD**) Peter Douglas Hubbard
- 317287 (**HUBCO AUTOMOTIVE LTD**) Peter Douglas Hubbard
- 316147 (**Arlec Australia Pty Ltd**) Arlec Australia Limited
- 316235 (**Arlec Australia Pty Ltd**) Arlec Australia Limited
- 316236 (**Arlec Australia Pty Ltd**) Arlec Australia Limited
- 318617 (**Arlec Australia Pty Ltd**) Arlec Australia Limited
- 318619 (**Arlec Australia Pty Ltd**) Arlec Australia Limited
- 318620 (**Arlec Australia Pty Ltd**) Arlec Australia Limited
- 319148 (**Arlec Australia Pty Ltd**) Arlec Australia Limited
- 319149 (**Arlec Australia Pty Ltd**) Arlec Australia Limited
- 302563 (**Hydrodynamic Industrial Company Limited**) Daka

- 302564 (**Hydrodynamic Industrial Company Limited**) Daka Research Inc.
- 302948 (**Hydrodynamic Industrial Company Limited**) Daka Research Inc.
- 302949 (**Hydrodynamic Industrial Company Limited**) Daka Research Inc.
- 302950 (**Hydrodynamic Industrial Company Limited**) Daka Research Inc.

Names Registered - Alterations and Amendments

(The name in parentheses is that of the subsequent applicant)

- 309859 (**Joanne Simhi**) Joanne Philippsohn
- 304975 (**Joanne Simhi**) Joanne Philippsohn
- 305935 (**GM Holden Ltd**) Holden Ltd

Corrigenda

Number 10350/2008

In Vol 22 , No 14 , page 1713 under the heading **Applications Lapsed**; Design No. 10350/2008 (09-03M) should be deleted.

Number 319095

In Vol 22 , No 10 , page 1168 under the heading **Australian Registered Design**; (71) Name(s) and Address(s) of applicant(s) should read: Charlie Bazouni 29 Walker Street Merrylands New South Wales 2160 Australia Joseph Zady 29 Walker Street Merrylands New South Wales 2160 Australia.

Number 319096

In Vol 22 , No 10 , page 1168 under the heading **Australian Registered Design**; (71) Name(s) and Address(s) of applicant(s) should read: Charlie Bazouni 29 Walker Street Merrylands New South Wales 2160 Australia Joseph Zady 29 Walker Street Merrylands New South Wales 2160 Australia.

Number 319097

In Vol 22 , No 10 , page 1169 under the heading **Australian Registered Design**; (71) Name(s) and Address(s) of applicant(s) should read: Charlie Bazouni 29 Walker Street Merrylands New South Wales 2160 Australia Joseph Zady 29 Walker Street Merrylands New South Wales 2160 Australia.

Certificate(s) of Examination

Examination of the following Design Registration(s) has been completed. Infringement proceedings may now be commenced.

300443	14-02	16/07/2008
300444	14-02	16/07/2008
300445	14-02	16/07/2008
300446	14-02	16/07/2008
300447	14-02	16/07/2008
300448	14-02	16/07/2008
300449	14-02	16/07/2008
300450	14-02	16/07/2008
310075	14-02	14/07/2008
310076	14-02	11/07/2008
310077	14-02	11/07/2008
310078	14-02	11/07/2008
310079	14-02	11/07/2008
310344	10-04	14/07/2008
310824	14-02	11/07/2008
310825	14-02	11/07/2008
313905	18-02	11/07/2008
313906	18-02	11/07/2008
313923	18-02	11/07/2008
313924	18-02	11/07/2008
318260	14-03NES	07/07/2008
318363	25-01K	11/07/2008
318365	25-01K	11/07/2008
318366	25-01K	11/07/2008
320037	30-01	11/07/2008
320040	07-07A	14/07/2008

Publication and Registration Proceedings

Designs Registered

This section provides a concordance between design number and registration number of Designs covered in this journal. It also shows the main class and registration date.

This section covers Registration numbers 320114 to 320291 .

The registration number shown below should be used in all future correspondence.

Design Number	Registration Number	International Classification Code (IDC)	Registration Date	Design Number	Registration Number	International Classification Code (IDC)	Registration Date
18930/2007	320167	21-01A	14/07/2008	10927/2008	320177	05-06NES	14/07/2008
18931/2007	320168	21-01A	14/07/2008	10940/2008	320178	08-99	14/07/2008
18932/2007	320169	01-01	14/07/2008	10975/2008	320133	25-01NES	07/07/2008
19331/2007	320125	08-05NES	07/07/2008	10991/2008	320119	08-08L	04/07/2008
19332/2007	320126	08-05NES	07/07/2008	11017/2008	320179	08-05E	14/07/2008
19533/2007	320170	23-01E	14/07/2008	11018/2008	320134	12-16D	07/07/2008
19534/2007	320136	23-01E	07/07/2008	11019/2008	320135	12-16D	07/07/2008
19580/2007	320194	12-16B	09/07/2008	11021/2008	320120	02-02C	04/07/2008
19581/2007	320195	12-16B	09/07/2008	11022/2008	320121	02-02C	04/07/2008
20955/2007	320124	26-01	04/07/2008	11031/2008	320271	08-99	16/07/2008
21231/2007	320127	07-06NES	07/07/2008	11052/2008	320272	14-04	16/07/2008
10073/2008	320128	26-05D	07/07/2008	11053/2008	320273	14-04	16/07/2008
10111/2008	320114	07-02G	04/07/2008	11089/2008	320180	10-06	14/07/2008
10113/2008	320196	19-08	09/07/2008	11096/2008	320203	14-01	09/07/2008
10193/2008	320115	22-06	04/07/2008	11097/2008	320204	14-01	09/07/2008
10216/2008	320116	06-06E	04/07/2008	11098/2008	320205	14-01	09/07/2008
10240/2008	320129	24-01	07/07/2008	11099/2008	320206	14-01	09/07/2008
10272/2008	320117	15-04	04/07/2008	11126/2008	320207	24-04	09/07/2008
10273/2008	320130	09-01K	07/07/2008	11129/2008	320208	24-04	09/07/2008
10274/2008	320131	09-01K	07/07/2008	11151/2008	320209	24-01	09/07/2008
10389/2008	320171	09-03E	14/07/2008	11152/2008	320141	02-02C	07/07/2008
10390/2008	320172	09-03E	14/07/2008	11153/2008	320210	03-01A	09/07/2008
10391/2008	320173	09-03H	14/07/2008	11154/2008	320211	03-01NES	09/07/2008
10453/2008	320258	12-16M	15/07/2008	11155/2008	320212	03-01B	09/07/2008
10454/2008	320216	12-16M	15/07/2008	11156/2008	320213	03-01B	09/07/2008
10455/2008	320257	12-16M	15/07/2008	11192/2008	320122	25-01K	04/07/2008
10456/2008	320217	12-16M	15/07/2008	11193/2008	320265	23-01F	15/07/2008
10458/2008	320218	12-16M	15/07/2008	11196/2008	320154	21-01C	07/07/2008
10459/2008	320219	12-16M	15/07/2008	11197/2008	320155	24-02	07/07/2008
10460/2008	320259	12-16M	15/07/2008	11198/2008	320156	24-02	07/07/2008
10461/2008	320260	12-16M	15/07/2008	11199/2008	320157	15-04	07/07/2008
10462/2008	320261	12-16M	15/07/2008	11200/2008	320158	05-05B	07/07/2008
10463/2008	320262	12-16M	15/07/2008	11201/2008	320159	12-15B	07/07/2008
10464/2008	320263	12-16M	15/07/2008	11205/2008	320160	08-08A	07/07/2008
10465/2008	320220	12-16M	15/07/2008	11206/2008	320161	15-01	07/07/2008
10605/2008	320118	25-03	04/07/2008	11218/2008	320162	26-06	07/07/2008
10622/2008	320151	06-03B	07/07/2008	11219/2008	320143	14-02	07/07/2008
10623/2008	320137	06-03B	07/07/2008	11220/2008	320144	14-02	07/07/2008
10627/2008	320138	09-03E	07/07/2008	11221/2008	320145	15-05	07/07/2008
10632/2008	320269	23-02C	16/07/2008	11226/2008	320146	08-08B	07/07/2008
10662/2008	320152	06-02	07/07/2008	11227/2008	320147	26-06	07/07/2008
10663/2008	320153	06-06F	07/07/2008	11228/2008	320223	30-03	15/07/2008
10686/2008	320270	25-01K	16/07/2008	11229/2008	320221	15-01	15/07/2008
10707/2008	320174	12-16NES	14/07/2008	11243/2008	320148	26-05A	07/07/2008
10708/2008	320175	12-16NES	14/07/2008	11244/2008	320149	06-11	07/07/2008
10709/2008	320176	12-16NES	14/07/2008	11245/2008	320150	06-11	07/07/2008
10776/2008	320199	02-02B	09/07/2008	11246/2008	320163	06-04NES	07/07/2008
10777/2008	320200	02-02B	09/07/2008	11248/2008	320164	23-04	07/07/2008
10778/2008	320201	02-02B	09/07/2008	11249/2008	320181	23-04	14/07/2008
10779/2008	320202	02-02B	09/07/2008	11250/2008	320182	23-04	14/07/2008
10813/2008	320139	14-01	07/07/2008	11251/2008	320183	23-04	14/07/2008
10814/2008	320132	14-01	07/07/2008	11252/2008	320184	23-04	14/07/2008
10815/2008	320140	14-01	07/07/2008	11253/2008	320185	23-04	14/07/2008

Publication and Registration Proceedings - Designs Registered cont'd

Design Number	Registration Number	International Classification Code (IDC)	Registration Date	Design Number	Registration Number	International Classification Code (IDC)	Registration Date
11254/2008	320186	23-04	14/07/2008	11384/2008	320247	13-03D	14/07/2008
11255/2008	320187	26-05NES	14/07/2008	11385/2008	320248	13-03D	14/07/2008
11257/2008	320188	23-02C	14/07/2008	11386/2008	320249	13-03D	14/07/2008
11279/2008	320214	14-03A	09/07/2008	11387/2008	320250	13-03D	14/07/2008
11285/2008	320215	07-04	09/07/2008	11388/2008	320251	13-03D	14/07/2008
11327/2008	320222	14-01	15/07/2008	11389/2008	320252	13-03D	14/07/2008
11329/2008	320224	25-01K	15/07/2008	11390/2008	320253	13-03D	14/07/2008
11330/2008	320225	25-01K	15/07/2008	11391/2008	320254	13-03D	14/07/2008
11331/2008	320226	08-08L	15/07/2008	11392/2008	320255	13-03D	14/07/2008
11332/2008	320227	06-11	15/07/2008	11393/2008	320256	13-03D	14/07/2008
11333/2008	320228	06-11	15/07/2008	11394/2008	320266	24-02	15/07/2008
11334/2008	320229	06-11	15/07/2008	11402/2008	320283	14-02	16/07/2008
11335/2008	320230	24-04	15/07/2008	11403/2008	320284	14-02	16/07/2008
11336/2008	320231	31-00	15/07/2008	11404/2008	320285	14-02	16/07/2008
11337/2008	320232	31-00	15/07/2008	11405/2008	320286	14-02	16/07/2008
11338/2008	320233	09-05	15/07/2008	11406/2008	320287	14-02	16/07/2008
11341/2008	320267	04-02	15/07/2008	11407/2008	320288	14-02	16/07/2008
11342/2008	320268	04-02	15/07/2008	11704/2008	320189	14-03E	14/07/2008
11350/2008	320237	12-16NES	14/07/2008	11717/2008	320123	25-02NES	04/07/2008
11351/2008	320238	09-03M	14/07/2008	12046/2008	320234	19-06	15/07/2008
11352/2008	320239	09-03M	14/07/2008	12047/2008	320235	19-06	15/07/2008
11353/2008	320240	09-03M	14/07/2008	12048/2008	320236	19-06	15/07/2008
11354/2008	320241	08-03	14/07/2008	12423/2008	320197	19-08	09/07/2008
11356/2008	320242	13-03E	14/07/2008	12424/2008	320198	19-08	09/07/2008
11358/2008	320274	11-02D	16/07/2008	12763/2008	320165	07-05A	07/07/2008
11359/2008	320275	11-02D	16/07/2008	12764/2008	320166	07-05A	07/07/2008
11360/2008	320276	11-02D	16/07/2008	12767/2008	320190	09-05	14/07/2008
11361/2008	320277	11-02D	16/07/2008	12768/2008	320191	09-05	14/07/2008
11362/2008	320278	09-03E	16/07/2008	12769/2008	320192	09-01K	14/07/2008
11373/2008	320279	16-06	16/07/2008	12801/2008	320193	03-01NES	14/07/2008
11374/2008	320280	16-06	16/07/2008	13039/2008	320142	02-02NES	07/07/2008
11375/2008	320281	12-08	16/07/2008	13085/2008	320289	12-16NES	16/07/2008
11377/2008	320282	08-01	16/07/2008	13086/2008	320290	12-16NES	16/07/2008
11379/2008	320264	13-03D	15/07/2008	13087/2008	320291	12-16NES	16/07/2008
11380/2008	320243	13-03D	14/07/2008				
11381/2008	320244	13-03D	14/07/2008				
11382/2008	320245	13-03D	14/07/2008				
11383/2008	320246	13-03D	14/07/2008				

Publication and Registration Proceedings
Class Listing of Designs Published or Registered

The following section shows an International Classification Code listing of the Registered or Published Designs covered in this supplement.

Classification	Registration Number	Design Number	Classification	Registration Number	Design Number
01-01	320169	18932/2007	09-03 E	320171	10389/2008
02-02 B	320199	10776/2008	09-03 E	320172	10390/2008
02-02 B	320200	10777/2008	09-03 E	320278	11362/2008
02-02 B	320201	10778/2008	09-03 H	320173	10391/2008
02-02 B	320202	10779/2008	09-03 M	320238	11351/2008
02-02 C	320120	11021/2008	09-03 M	320239	11352/2008
02-02 C	320121	11022/2008	09-03 M	320240	11353/2008
02-02 C	320141	11152/2008	09-05	320177	10927/2008
02-02 NES	320142	13039/2008	09-05	320190	12767/2008
03-01 A	320210	11153/2008	09-05	320191	12768/2008
03-01 B	320212	11155/2008	09-05	320233	11338/2008
03-01 B	320213	11156/2008	10-06	320180	11089/2008
03-01 NES	320193	12801/2008	11-02 D	320274	11358/2008
03-01 NES	320211	11154/2008	11-02 D	320275	11359/2008
03-01 NES	320278	11362/2008	11-02 D	320276	11360/2008
04-02	320267	11341/2008	11-02 D	320277	11361/2008
04-02	320268	11342/2008	12-08	320281	11375/2008
05-05 B	320158	11200/2008	12-15 B	320159	11201/2008
05-06 NES	320177	10927/2008	12-16 B	320194	19580/2007
06-02	320152	10662/2008	12-16 B	320195	19581/2007
06-03 B	320137	10623/2008	12-16 B	320221	11229/2008
06-03 B	320151	10622/2008	12-16 D	320134	11018/2008
06-04 NES	320163	11246/2008	12-16 D	320135	11019/2008
06-06 E	320116	10216/2008	12-16 M	320216	10454/2008
06-06 F	320153	10663/2008	12-16 M	320217	10456/2008
06-11	320149	11244/2008	12-16 M	320218	10458/2008
06-11	320150	11245/2008	12-16 M	320219	10459/2008
06-11	320227	11332/2008	12-16 M	320220	10465/2008
06-11	320228	11333/2008	12-16 M	320257	10455/2008
06-11	320229	11334/2008	12-16 M	320258	10453/2008
07-02 G	320114	10111/2008	12-16 M	320259	10460/2008
07-04	320215	11285/2008	12-16 M	320260	10461/2008
07-05 A	320165	12763/2008	12-16 M	320261	10462/2008
07-05 A	320166	12764/2008	12-16 M	320262	10463/2008
07-06 NES	320127	21231/2007	12-16 M	320263	10464/2008
08-01	320282	11377/2008	12-16 NES	320149	11244/2008
08-03	320241	11354/2008	12-16 NES	320150	11245/2008
08-05 E	320179	11017/2008	12-16 NES	320174	10707/2008
08-05 N	320271	11031/2008	12-16 NES	320175	10708/2008
08-05 NES	320125	19331/2007	12-16 NES	320176	10709/2008
08-05 NES	320126	19332/2007	12-16 NES	320237	11350/2008
08-08 A	320160	11205/2008	12-16 NES	320289	13085/2008
08-08 B	320146	11226/2008	12-16 NES	320290	13086/2008
08-08 L	320119	10991/2008	12-16 NES	320291	13087/2008
08-08 L	320224	11329/2008	13-02	320203	11096/2008
08-08 L	320225	11330/2008	13-02	320204	11097/2008
08-08 L	320226	11331/2008	13-02	320205	11098/2008
08-08 NES	320178	10940/2008	13-02	320206	11099/2008
08-08 NES	320224	11329/2008	13-03 D	320243	11380/2008
08-08 NES	320225	11330/2008	13-03 D	320244	11381/2008
08-99	320178	10940/2008	13-03 D	320245	11382/2008
08-99	320271	11031/2008	13-03 D	320246	11383/2008
09-01 K	320130	10273/2008	13-03 D	320247	11384/2008
09-01 K	320131	10274/2008	13-03 D	320248	11385/2008
09-01 K	320192	12769/2008	13-03 D	320249	11386/2008
09-03 E	320138	10627/2008	13-03 D	320250	11387/2008

Registration Proceedings - Class Listing of Designs Published or Registered cont'd

Classification	Registration Number	Design Number	Classification	Registration Number	Design Number
13-03 D	320251	11388/2008	19-06	320235	12047/2008
13-03 D	320252	11389/2008	19-06	320236	12048/2008
13-03 D	320253	11390/2008	19-08	320196	10113/2008
13-03 D	320254	11391/2008	19-08	320197	12423/2008
13-03 D	320255	11392/2008	19-08	320198	12424/2008
13-03 D	320256	11393/2008	21-01 A	320167	18930/2007
13-03 D	320264	11379/2008	21-01 A	320168	18931/2007
13-03 E	320242	11356/2008	21-01 C	320154	11196/2008
14-01	320132	10814/2008	21-02 NES	320227	11332/2008
14-01	320139	10813/2008	21-02 NES	320228	11333/2008
14-01	320140	10815/2008	21-02 NES	320229	11334/2008
14-01	320203	11096/2008	22-06	320115	10193/2008
14-01	320204	11097/2008	23-01 E	320136	19534/2007
14-01	320205	11098/2008	23-01 E	320170	19533/2007
14-01	320206	11099/2008	23-01 F	320265	11193/2008
14-01	320222	11327/2008	23-02 C	320188	11257/2008
14-01	320272	11052/2008	23-02 C	320269	10632/2008
14-01	320273	11053/2008	23-04	320164	11248/2008
14-02	320143	11219/2008	23-04	320181	11249/2008
14-02	320144	11220/2008	23-04	320182	11250/2008
14-02	320203	11096/2008	23-04	320183	11251/2008
14-02	320204	11097/2008	23-04	320184	11252/2008
14-02	320205	11098/2008	23-04	320185	11253/2008
14-02	320206	11099/2008	23-04	320186	11254/2008
14-02	320283	11402/2008	24-01	320129	10240/2008
14-02	320284	11403/2008	24-01	320209	11151/2008
14-02	320285	11404/2008	24-02	320155	11197/2008
14-02	320286	11405/2008	24-02	320156	11198/2008
14-02	320287	11406/2008	24-02	320266	11394/2008
14-02	320288	11407/2008	24-04	320207	11126/2008
14-03 A	320193	12801/2008	24-04	320208	11129/2008
14-03 A	320203	11096/2008	24-04	320230	11335/2008
14-03 A	320204	11097/2008	25-01 K	320122	11192/2008
14-03 A	320205	11098/2008	25-01 K	320224	11329/2008
14-03 A	320206	11099/2008	25-01 K	320225	11330/2008
14-03 A	320214	11279/2008	25-01 K	320270	10686/2008
14-03 E	320189	11704/2008	25-01 NES	320133	10975/2008
14-03 E	320283	11402/2008	25-02 NES	320123	11717/2008
14-03 E	320284	11403/2008	25-02 NES	320270	10686/2008
14-03 E	320285	11404/2008	25-03	320118	10605/2008
14-03 E	320286	11405/2008	26-01	320124	20955/2007
14-03 E	320287	11406/2008	26-05 A	320148	11243/2008
14-03 E	320288	11407/2008	26-05 D	320128	10073/2008
14-04	320272	11052/2008	26-05 NES	320187	11255/2008
14-04	320273	11053/2008	26-06	320147	11227/2008
15-01	320161	11206/2008	26-06	320162	11218/2008
15-01	320221	11229/2008	30-03	320223	11228/2008
15-04	320117	10272/2008	31-00	320231	11336/2008
15-04	320157	11199/2008	31-00	320232	11337/2008
15-05	320145	11221/2008			
16-06	320279	11373/2008			
16-06	320280	11374/2008			
19-06	320234	12046/2008			

(21) Design Number: **10111/2008**

(22) Date of Filing Application: **10 January 2008**

(24) Date from which industrial property rights may have effect: **10 January 2008**

(54) Product in respect of which the design is registered: **A sandwich toaster/griller**

(51) International Design Classification: **07-02G**

(71) Name(s) and Address(s) of Applicant(s):

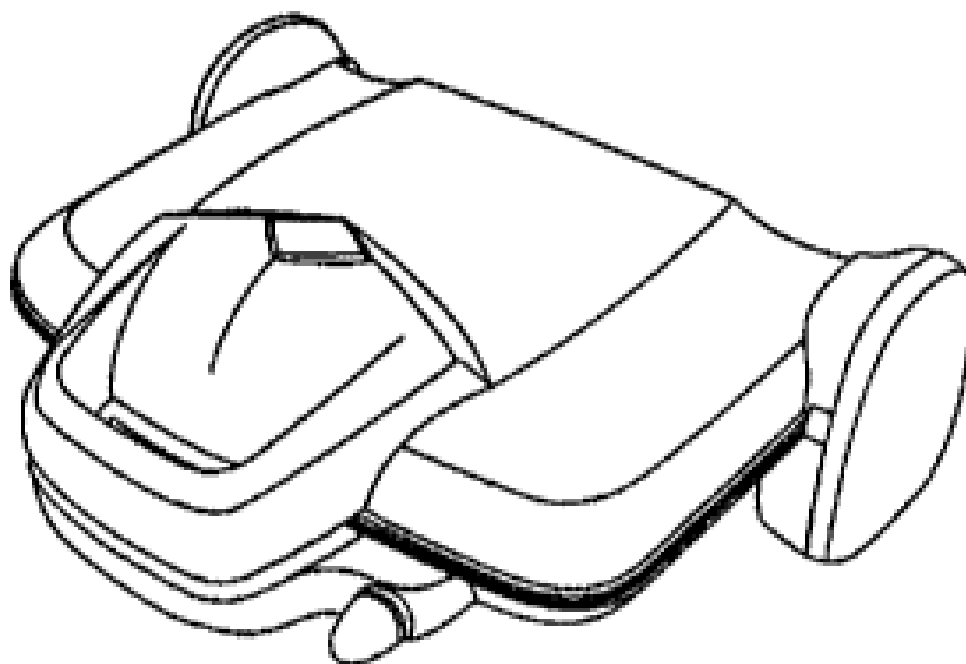
Guney Ithalat Ve Pazarlama Anonim Sirketi
Abdi Ipekci Caddesi No. 195 Bayrampasa Istanbul Turkey

(72) Name(s) of Designer(s): **Kunter Sekercioglu and Ozum Ozkan**

(45) Registration Date: **04 July 2008**

(56) Related Art Documents: **Not Applicable**

(57) Statement of Newness and Distinctiveness: **Newness and distinctiveness is claimed in the features of shape and/or configuration of a sandwich toaster/griller as illustrated in the accompanying representations.**



(21) Design Number: **10193/2008**

(22) Date of Filing Application: **17 January 2008**

(24) Date from which industrial property rights may have effect: **17 January 2008**

(54) Product in respect of which the design is registered: **A vermin barrier assembly**

(51) International Design Classification: **22-06**

(71) Name(s) and Address(s) of Applicant(s):

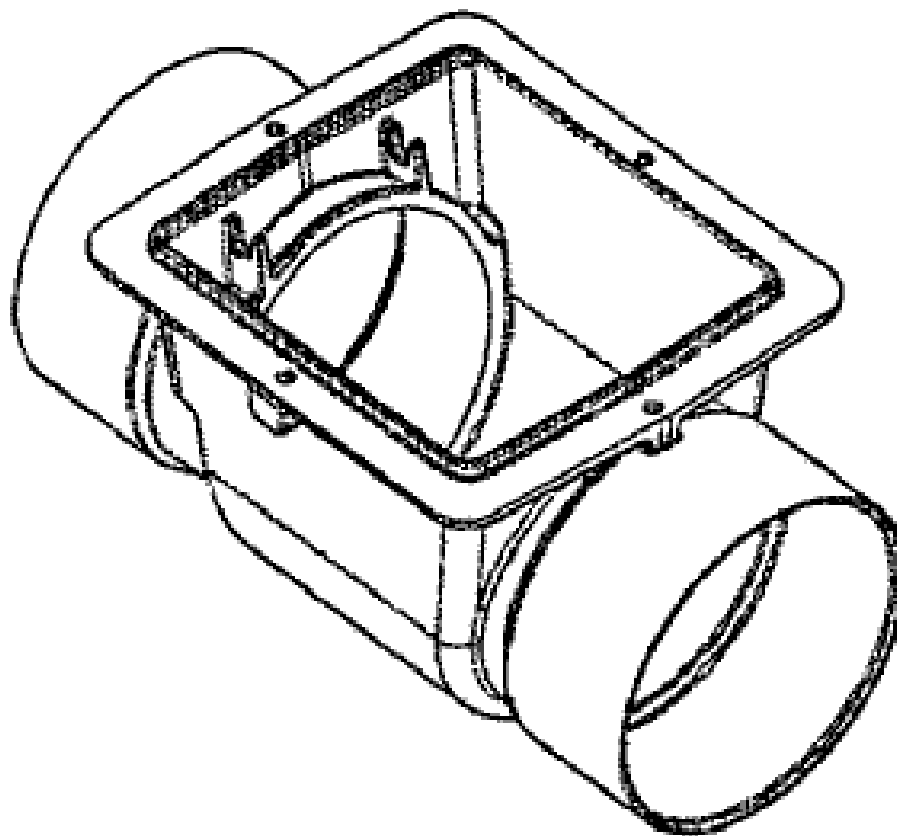
Ningi Developments Pty Ltd
5-7 Keeley Street Morayfield Queensland 4506 Australia

(72) Name(s) of Designer(s): **Scot Fraley**

(45) Registration Date: **04 July 2008**

(56) Related Art Documents: **Not Applicable**

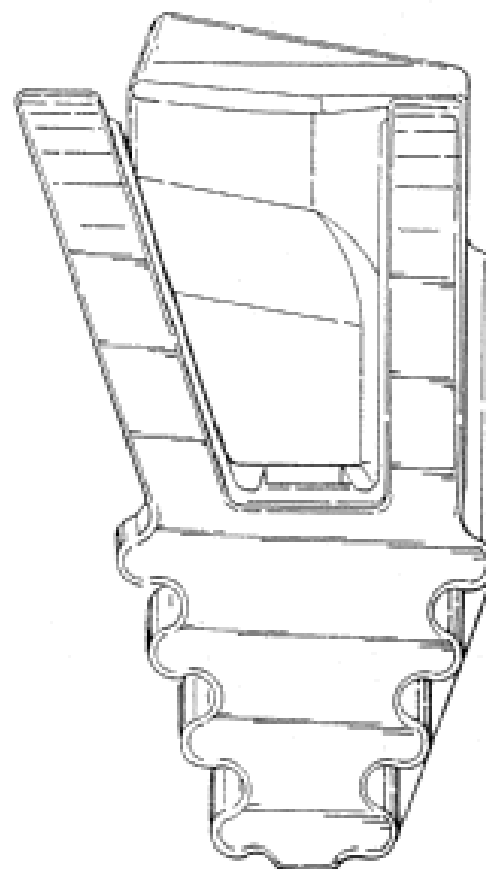
(57) Statement of Newness and Distinctiveness: **Monopoly is claimed in the shape and configuration of a vermin barrier assembly as shown in the accompanying representations.**



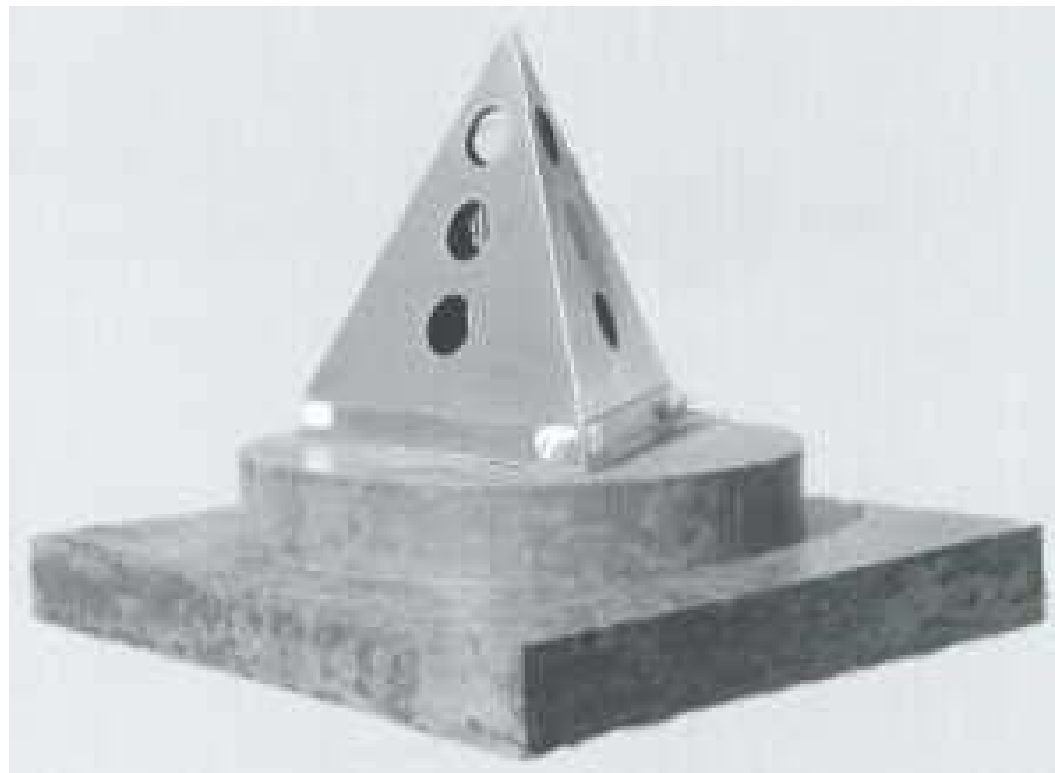
(21) Design Number: **10216/2008**
(22) Date of Filing Application: **17 January 2008**
(24) Date from which industrial property rights may have effect: **17 January 2008**
(54) Product in respect of which the design is registered: **Trestle support for tables**
(51) International Design Classification: **06-06E**
(71) Name(s) and Address(s) of Applicant(s):
Jon Gasparini
9 Edward Parade Wentworth Falls New South Wales 2782 Australia
(72) Name(s) of Designer(s): **Jon Gasparini**
(45) Registration Date: **04 July 2008**
(56) Related Art Documents: **Not Applicable**
(57) Statement of Newness and Distinctiveness: **This design is distinctive in shape and geometry.**



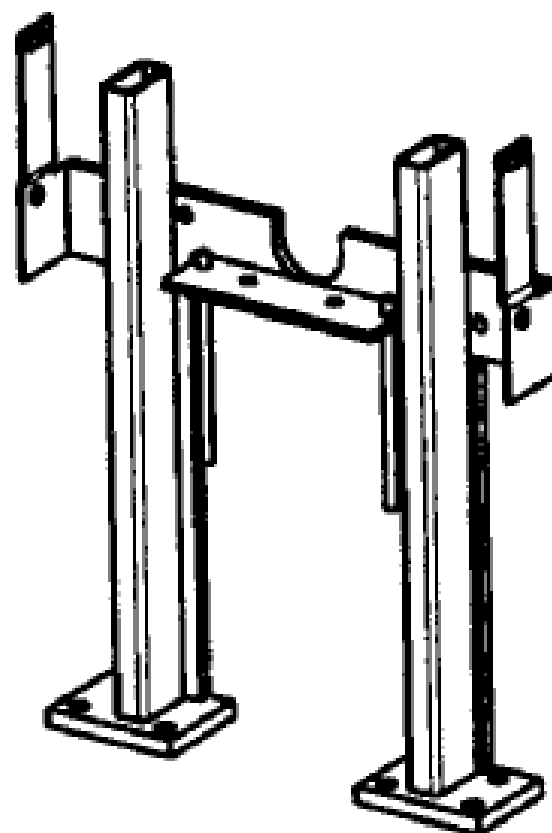
(21) Design Number: **10272/2008**
(22) Date of Filing Application: **22 January 2008**
(24) Date from which industrial property rights may have effect: **22 January 2008**
(54) Product in respect of which the design is registered: **Lower corner lip shroud**
(51) International Design Classification: **15-04**
(71) Name(s) and Address(s) of Applicant(s):
H&L Tooth Company
10055 East 56th Street North Tulsa Oklahoma 74117-4016 United States of America
(72) Name(s) of Designer(s): **Charles Clendenning and Russell N. Drake**
(45) Registration Date: **04 July 2008**
(30) Convention priority data:
(31) Number (32) Date (33) Country
29/289,500 23 Jul 2007 UNITED STATES OF AMERICA
(56) Related Art Documents: **Not Applicable**
(57) Statement of Newness and Distinctiveness: **Visual features of the design which are new and distinctive are the features of shape and configuration of a lower corner lip shroud as illustrated in the representations.**



- (21) Design Number: **10605/2008**
(22) Date of Filing Application: **13 February 2008**
(24) Date from which industrial property rights may have effect: **13 February 2008**
(54) Product in respect of which the design is registered: **"Healing" pyramid to be used for meditation and healing by energy transfer**
(51) International Design Classification: **25-03**
(71) Name(s) and Address(s) of Applicant(s):
Theresa Nguyen Pty Ltd
204/12 Cato Street Hawthorn East Victoria 3123 Australia
(72) Name(s) of Designer(s): **Theresa Nguyen**
(45) Registration Date: **04 July 2008**
(56) Related Art Documents: **Not Applicable**
(57) Statement of Newness and Distinctiveness: **Nil**



- (21) Design Number: **10991/2008**
(22) Date of Filing Application: **28 February 2008**
(24) Date from which industrial property rights may have effect: **28 February 2008**
(54) Product in respect of which the design is registered: **A cistern support bracket**
(51) International Design Classification: **08-08L**
(71) Name(s) and Address(s) of Applicant(s):
Caroma Industries Limited
10 Market Street Brisbane Queensland 4000 Australia
(72) Name(s) of Designer(s): **Stephen John Cummings and Johann Karunaratne**
(45) Registration Date: **04 July 2008**
(56) Related Art Documents: **Not Applicable**
(57) Statement of Newness and Distinctiveness: **Newness and distinctiveness is claimed in the features of shape and/or configuration of a cistern support bracket as illustrated in the accompanying representations.**



(21) Design Number: **11021/2008**

(22) Date of Filing Application: **04 March 2008**

(24) Date from which industrial property rights may have effect: **04 March 2008**

(54) Product in respect of which the design is registered: **Ladies denim jeans**

(51) International Design Classification: **02-02C**

(71) Name(s) and Address(s) of Applicant(s):

Robert Maniscalco

45 Mitchell Street Northcote Victoria 3070 Australia

(72) Name(s) of Designer(s): **Robert Maniscalco**

(45) Registration Date: **04 July 2008**

(56) Related Art Documents: **Not Applicable**

(57) Statement of Newness and Distinctiveness: **Nil**



(21) Design Number: **11022/2008**

(22) Date of Filing Application: **04 March 2008**

(24) Date from which industrial property rights may have effect: **04 March 2008**

(54) Product in respect of which the design is registered: **Mens denim jeans**

(51) International Design Classification: **02-02C**

(71) Name(s) and Address(s) of Applicant(s):

Robert Maniscalco

45 Mitchell Street Northcote Victoria 3070 Australia

(72) Name(s) of Designer(s): **Robert Maniscalco**

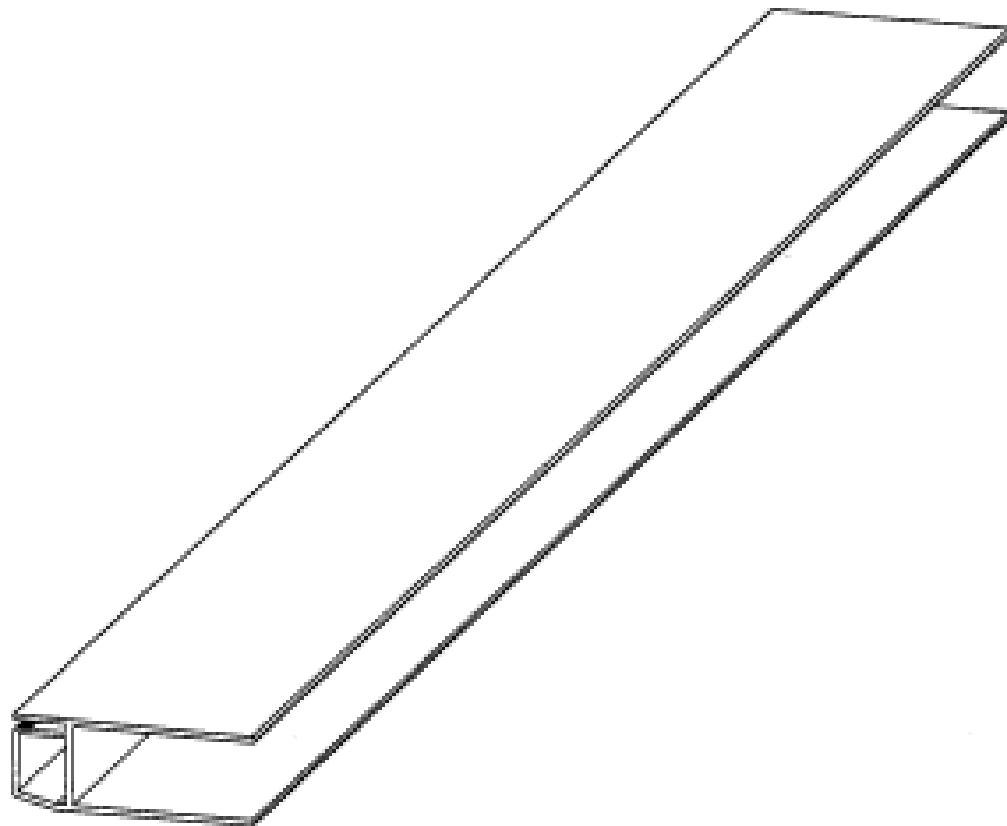
(45) Registration Date: **04 July 2008**

(56) Related Art Documents: **Not Applicable**

(57) Statement of Newness and Distinctiveness: **Nil**



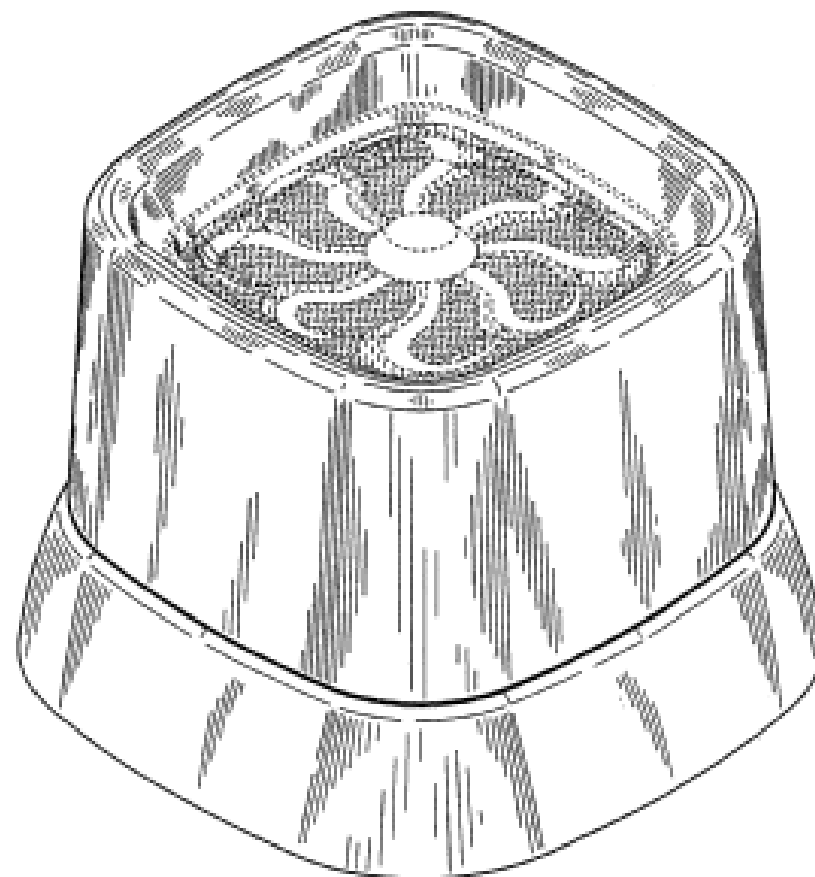
(21) Design Number: **11192/2008**
(22) Date of Filing Application: **13 March 2008**
(24) Date from which industrial property rights may have effect: **13 March 2008**
(54) Product in respect of which the design is registered: **An extrusion**
(51) International Design Classification: **25-01K**
(71) Name(s) and Address(s) of Applicant(s):
Jorgenson-Watts Pty Ltd
8 Ross Street South Melbourne Victoria 3205 Australia
(72) Name(s) of Designer(s): **Brendan George and J. Russell Watts**
(45) Registration Date: **04 July 2008**
(56) Related Art Documents: **Not Applicable**
(57) Statement of Newness and Distinctiveness: **Nil**



(21) Design Number: **11717/2008**
(22) Date of Filing Application: **04 April 2008**
(24) Date from which industrial property rights may have effect: **04 April 2008**
(54) Product in respect of which the design is registered: **Manhole cover frame**
(51) International Design Classification: **25-02NES**
(71) Name(s) and Address(s) of Applicant(s):
Red Door China Pty Ltd
59 Hume Street Crows Nest New South Wales 2065 Australia
(72) Name(s) of Designer(s): **Bob Wu**
(45) Registration Date: **04 July 2008**
(56) Related Art Documents: **Not Applicable**
(57) Statement of Newness and Distinctiveness: **Nil**



- (21) Design Number: **20955/2007**
(22) Date of Filing Application: **22 November 2007**
(24) Date from which industrial property rights may have effect: **22 November 2007**
(54) Product in respect of which the design is registered: **Decorative candleholder**
(51) International Design Classification: **26-01**
(71) Name(s) and Address(s) of Applicant(s):
S.C. Johnson & Son, Inc.
1525 Howe Street Racine Wisconsin 53403-2236 United States of America
(72) Name(s) of Designer(s): **Mary Beth Adams and Jesse D. Cotterman and Paul E. Furner and Chris A. Kubicek and Romuald Marie and Nathan R. Westphal and Rene Maurice Beland**
(45) Registration Date: **04 July 2008**
(30) Convention priority data:
(31) Number (32) Date (33) Country
29/280248 22 May 2007 UNITED STATES OF AMERICA
(56) Related Art Documents: **Not Applicable**
(57) Statement of Newness and Distinctiveness: **Newness and distinctiveness is claimed in those features of shape and/or configuration of a decorative candleholder as illustrated in continuous lines in the accompanying representations.**



- (21) Design Number: **19331/2007**
(22) Date of Filing Application: **15 August 2007**
(24) Date from which industrial property rights may have effect: **15 August 2007**
(54) Product in respect of which the design is registered: **Clamp rail**
(51) International Design Classification: **08-05NES**
(71) Name(s) and Address(s) of Applicant(s):
Clayton Cowley
69 Allyn River Road East Gresford New South Wales 2311 Australia
(72) Name(s) of Designer(s): **Clayton Cowley**
(45) Registration Date: **07 July 2008**
(56) Related Art Documents: **Not Applicable**
(57) Statement of Newness and Distinctiveness: **Configuration of a number of clamps and/or hooks along the pulling rail for pulling numerous wires using short cable leads when pulling barbed wire.**



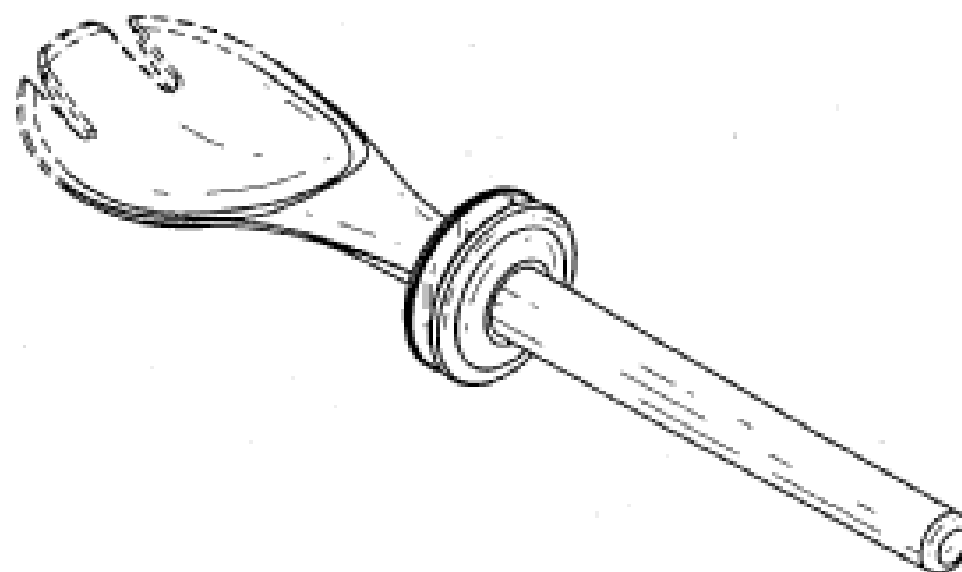
(21) Design Number: **19332/2007**
 (22) Date of Filing Application: **15 August 2007**
 (24) Date from which industrial property rights may have effect: **15 August 2007**
 (54) Product in respect of which the design is registered: **Slide mounted multiple barbed wire dispenser**
 (51) International Design Classification: **08-05NES**
 (71) Name(s) and Address(s) of Applicant(s):
Clayton Cowley
69 Allyn River Road East Gresford New South Wales 2311 Australia
 (72) Name(s) of Designer(s): **Clayton Cowley**
 (45) Registration Date: **07 July 2008**
 (56) Related Art Documents: **Not Applicable**
 (57) Statement of Newness and Distinctiveness: **Multiple barbed wire spinner with tensioning springs, mounted on a highly portable unit.**



(21) Design Number: **21231/2007**
 (22) Date of Filing Application: **11 December 2007**
 (24) Date from which industrial property rights may have effect: **11 December 2007**
 (54) Product in respect of which the design is registered: **Utensil**
 (51) International Design Classification: **07-06NES**
 (71) Name(s) and Address(s) of Applicant(s):
Chef'n Corporation
1520 4th Avenue 3rd Floor Seattle Washington 98101 United States of America
 (72) Name(s) of Designer(s): **David A. Holcomb and Jonah S. Griffith**
 (45) Registration Date: **07 July 2008**
 (30) Convention priority data:

(31) Number	(32) Date	(33) Country
29296077	12 Oct 2007	UNITED STATES OF AMERICA

 (56) Related Art Documents: **Not Applicable**
 (57) Statement of Newness and Distinctiveness: **Newness and distinctiveness is claimed in the visual features shown in solid lines in the representations.**

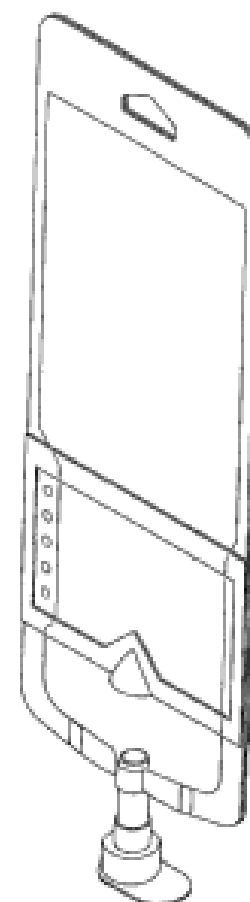


- (21) Design Number: **10073/2008**
- (22) Date of Filing Application: **08 January 2008**
- (24) Date from which industrial property rights may have effect: **08 January 2008**
- (54) Product in respect of which the design is registered: **Iro pendant lamp**
- (51) International Design Classification: **26-05D**
- (71) Name(s) and Address(s) of Applicant(s):
ISM Objects Pty Ltd
76 Voltri Street Mentone Victoria 3194 Australia
- (72) Name(s) of Designer(s): **Robin Carpenter and Christian Zinke**
- (45) Registration Date: **07 July 2008**
- (56) Related Art Documents: **Not Applicable**
- (57) Statement of Newness and Distinctiveness: **A slot in the body of the light fitting allows the opening to be rotated making the light directional.**

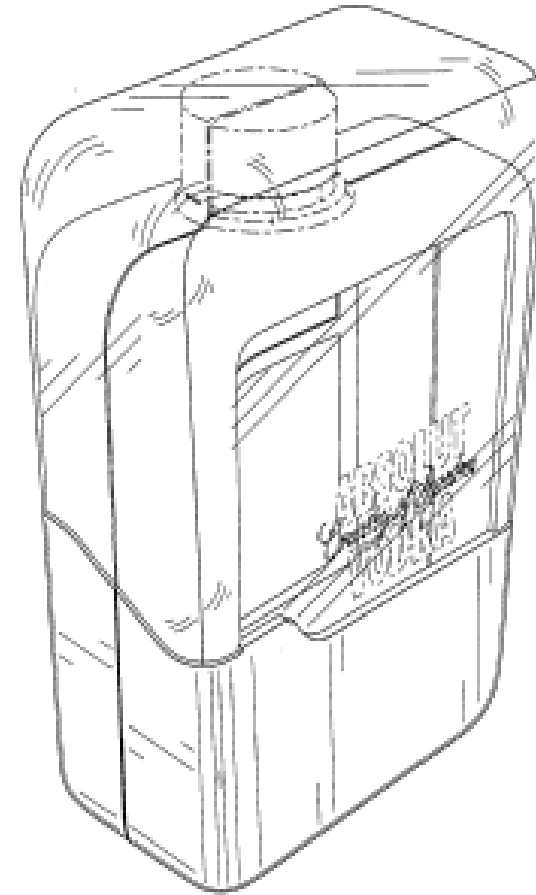


- (21) Design Number: **10240/2008**
- (22) Date of Filing Application: **18 January 2008**
- (24) Date from which industrial property rights may have effect: **18 January 2008**
- (54) Product in respect of which the design is registered: **Infusion solution bag**
- (51) International Design Classification: **24-01**
- (71) Name(s) and Address(s) of Applicant(s):
Otsuka Pharmaceutical Factory, Inc.
115 Aza Kuguhara Tateiwa Muya-cho Naruto-shi Tokushima 772-8601 Japan
- (72) Name(s) of Designer(s): **Tatsuro Tsuruoka and Yasuhiro Ishikawa**
- (45) Registration Date: **07 July 2008**
- (30) Convention priority data:

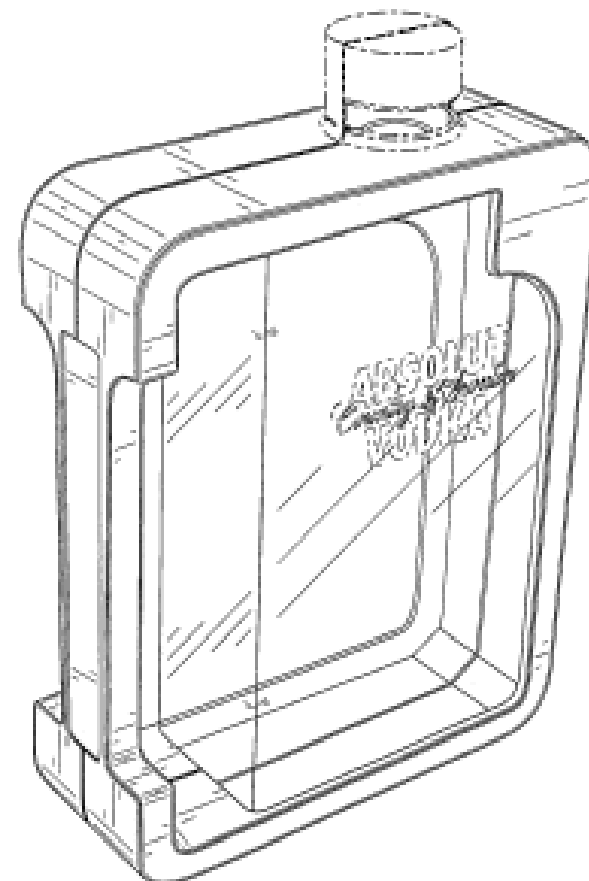
(31) Number	(32) Date	(33) Country
2007-019611	19 Jul 2007	JAPAN
- (56) Related Art Documents: **Not Applicable**
- (57) Statement of Newness and Distinctiveness: **The shape and configuration of the product is new and distinctive.**



- (21) Design Number: **10273/2008**
(22) Date of Filing Application: **22 January 2008**
(24) Date from which industrial property rights may have effect: **22 January 2008**
(54) Product in respect of which the design is registered: **Bottle**
(51) International Design Classification: **09-01K**
(71) Name(s) and Address(s) of Applicant(s):
V&S Vin & Sprit Aktiebolag (publ)
SE-117 97 Stockholm Sweden
(72) Name(s) of Designer(s): **Marcus Gabrielsson and Jakob Boije and Ulrika Ewerman and John Grieves and August Michael**
(45) Registration Date: **07 July 2008**
(30) Convention priority data:
(31) Number (32) Date (33) Country
29/287,354 27 Jul 2007 UNITED STATES OF AMERICA
(56) Related Art Documents: **Not Applicable**
(57) Statement of Newness and Distinctiveness: **Newness and distinctiveness resides in the shape and configuration of a bottle as shown in the representations, wherein the broken lines are for illustrative purposes only, and form no part of the claimed design.**



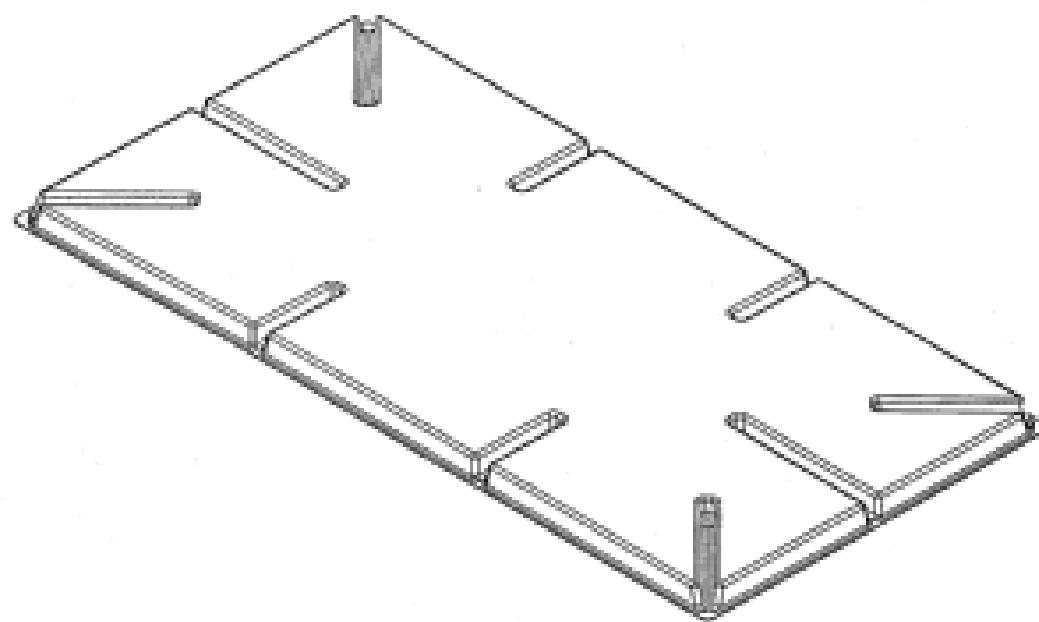
- (21) Design Number: **10274/2008**
(22) Date of Filing Application: **22 January 2008**
(24) Date from which industrial property rights may have effect: **22 January 2008**
(54) Product in respect of which the design is registered: **Bottle**
(51) International Design Classification: **09-01K**
(71) Name(s) and Address(s) of Applicant(s):
V&S Vin & Sprit Aktiebolag (publ)
SE-117 97 Stockholm Sweden
(72) Name(s) of Designer(s): **Jakob Boije and Ulrika Ewerman and John Grieves and August Michael and Marcus Gabrielsson**
(45) Registration Date: **07 July 2008**
(30) Convention priority data:
(31) Number (32) Date (33) Country
29/287,358 27 Jul 2007 UNITED STATES OF AMERICA
(56) Related Art Documents: **Not Applicable**
(57) Statement of Newness and Distinctiveness: **Newness and distinctiveness resides in the shape and configuration of a bottle as shown in the representations, wherein the broken lines are for illustrative purposes only, and form no part of the claimed design.**



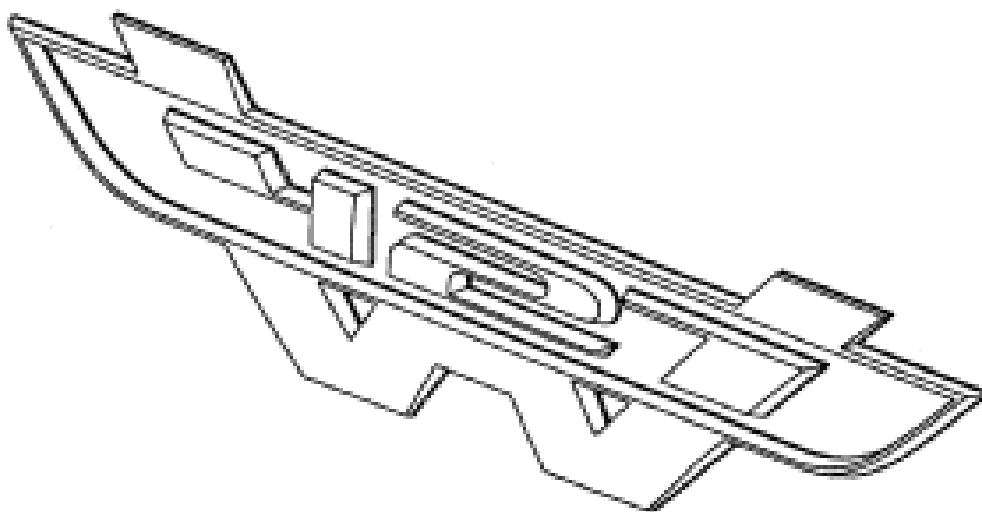
- (21) Design Number: **10814/2008**
(22) Date of Filing Application: **21 February 2008**
(24) Date from which industrial property rights may have effect: **21 February 2008**
(54) Product in respect of which the design is registered: **Electronic device**
(51) International Design Classification: **14-01**
(71) Name(s) and Address(s) of Applicant(s):
Apple Inc.
1 Infinite Loop Cupertino California 95014 United States of America
(72) Name(s) of Designer(s): **Bartley K. Andre and Daniel J. Coster and Daniele De Iuliis and Richard P. Howarth and Jonathan P. Ive and Steve Jobs and Duncan Robert Kerr and Shin Nishibori and Matthew Dean Rohrbach and Peter Russell-Clarke and Douglas B. Satzger and Eugene Antony Whang and Rico Zorkendorfer and Christopher J. Stringer and Calvin Q. Seid**
(45) Registration Date: **07 July 2008**
(30) Convention priority data:
(31) Number (32) Date (33) Country
29/284183 31 Aug 2007 UNITED STATES OF AMERICA
(56) Related Art Documents: **Not Applicable**
(57) Statement of Newness and Distinctiveness: **Newness and distinctiveness in the design as applied to a electronic device resides in the shape and/or configuration and colour and/or texture thereof as illustrated in the accompanying representations.**



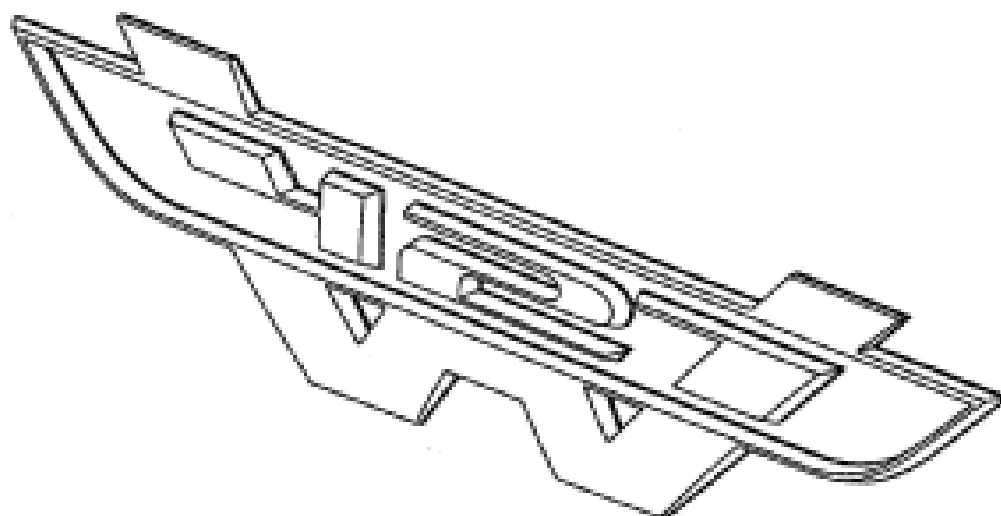
- (21) Design Number: **10975/2008**
(22) Date of Filing Application: **28 February 2008**
(24) Date from which industrial property rights may have effect: **28 February 2008**
(54) Product in respect of which the design is registered: **Plinth**
(51) International Design Classification: **25-01NES**
(71) Name(s) and Address(s) of Applicant(s):
Ty Gerard Hermans
359 MacDonnel Road Clontarf Queensland 4019 Queensland
(72) Name(s) of Designer(s): **Ty Gerard Hermans**
(45) Registration Date: **07 July 2008**
(56) Related Art Documents: **Not Applicable**
(57) Statement of Newness and Distinctiveness: **Newness and distinctiveness resides in the shape and configuration of the plinth illustrated in the accompanying drawings.**



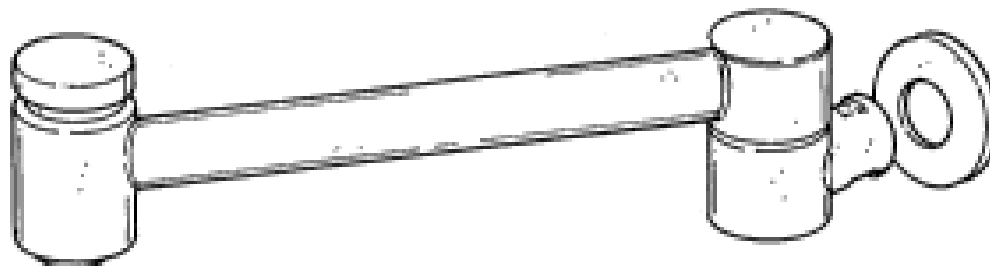
- (21) Design Number: **11018/2008**
(22) Date of Filing Application: **28 February 2008**
(24) Date from which industrial property rights may have effect: **28 February 2008**
(54) Product in respect of which the design is registered: **Badge**
(51) International Design Classification: **12-16D**
(71) Name(s) and Address(s) of Applicant(s):
GM Global Technology Operations, Inc
300 Renaissance Center Detroit Michigan 48265-3000 United States of America
(72) Name(s) of Designer(s): **Julian Quincey**
(45) Registration Date: **07 July 2008**
(56) Related Art Documents: **Not Applicable**
(57) Statement of Newness and Distinctiveness: **Newness and distinctiveness is claimed in the shape and/or configuration of a badge as shown in the representations.**



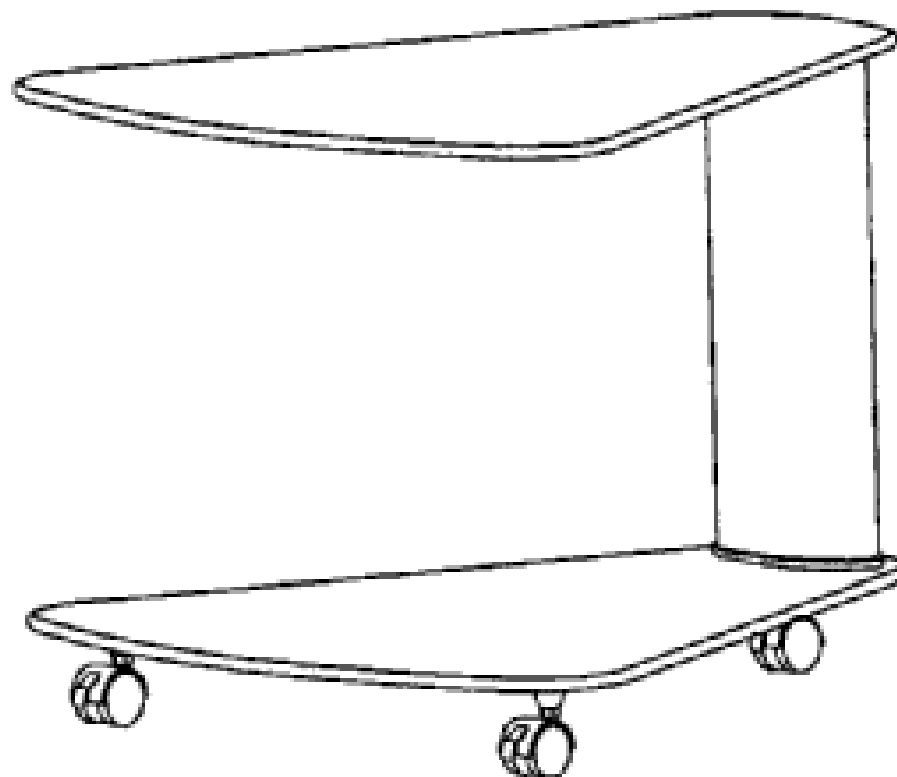
- (21) Design Number: **11019/2008**
(22) Date of Filing Application: **28 February 2008**
(24) Date from which industrial property rights may have effect: **28 February 2008**
(54) Product in respect of which the design is registered: **Badge**
(51) International Design Classification: **12-16D**
(71) Name(s) and Address(s) of Applicant(s):
GM Global Technology Operations, Inc
300 Renaissance Center Detroit Michigan 48265-3000 United States of America
(72) Name(s) of Designer(s): **Julian Quincey**
(45) Registration Date: **07 July 2008**
(56) Related Art Documents: **Not Applicable**
(57) Statement of Newness and Distinctiveness: **Newness and distinctiveness is claimed in the ornamentation and/or pattern of a badge as shown in the representations.**



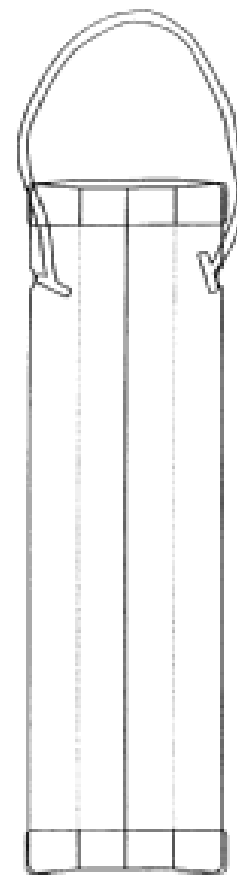
- (21) Design Number: **19534/2007**
(22) Date of Filing Application: **28 August 2007**
(24) Date from which industrial property rights may have effect: **28 August 2007**
(54) Product in respect of which the design is registered: **Folding wall type outlet with vegetable and/or shower spray**
(51) International Design Classification: **23-01E**
(71) Name(s) and Address(s) of Applicant(s):
Militaire Nominees Pty Ltd
4 Collingwood Street Osborne Park Western Australia 6017 Australia
(72) Name(s) of Designer(s): **Armando Rigo**
(45) Registration Date: **07 July 2008**
(56) Related Art Documents: **Not Applicable**
(57) Statement of Newness and Distinctiveness: **The particular visual features of the design which are new and distinctive are shape.**



- (21) Design Number: **10623/2008**
(22) Date of Filing Application: **12 February 2008**
(24) Date from which industrial property rights may have effect: **12 February 2008**
(54) Product in respect of which the design is registered: **Table**
(51) International Design Classification: **06-03B**
(71) Name(s) and Address(s) of Applicant(s):
Ekornes ASA
N-6222 Ikornnes Norway
(72) Name(s) of Designer(s): **Marianne Saelid**
(45) Registration Date: **07 July 2008**
(30) Convention priority data:
(31) Number (32) Date (33) Country
20070654 19 Oct 2007 NORWAY
(56) Related Art Documents: **Not Applicable**
(57) Statement of Newness and Distinctiveness: **Newness and distinctiveness resides in the features of shape and/or configuration of a table as illustrated in the accompanying representations.**



- (21) Design Number: **10627/2008**
(22) Date of Filing Application: **12 February 2008**
(24) Date from which industrial property rights may have effect: **12 February 2008**
(54) Product in respect of which the design is registered: **Packaging for champagne and wine glasses**
(51) International Design Classification: **09-03E**
(71) Name(s) and Address(s) of Applicant(s):
Mark Richard Russell
3 Cormack Circuit Kellyville New South Wales 2155 Australia
(72) Name(s) of Designer(s): **Mark Russell**
(45) Registration Date: **07 July 2008**
(56) Related Art Documents: **Not Applicable**
(57) Statement of Newness and Distinctiveness: **My own design to display champagne and wine glasses. It's different because it is a hexagonal shape and has hang sell capabilities.**



- (21) Design Number: **10813/2008**
(22) Date of Filing Application: **21 February 2008**
(24) Date from which industrial property rights may have effect: **21 February 2008**
(54) Product in respect of which the design is registered: **Electronic device**
(51) International Design Classification: **14-01**
(71) Name(s) and Address(s) of Applicant(s):
Apple Inc.
1 Infinite Loop Cupertino California 95014 United States of America
(72) Name(s) of Designer(s): **Bartley K. Andre and Daniel J. Coster and Daniele De Iullis and Richard P. Howarth and Jonathan P. Ive and Steve Jobs and Duncan Robert Kerr and Shin Nishibori and Matthew Dean Rohrbach and Peter Russell-Clarke and Douglas B. Satzger and Eugene Antony Whang and Rico Zorkendorfer and Christopher J. Stringer and Calvin Q. Seid**
(45) Registration Date: **07 July 2008**
(30) Convention priority data:
(31) Number (32) Date (33) Country
29/284186 31 Aug 2007 UNITED STATES OF AMERICA
(56) Related Art Documents: **Not Applicable**
(57) Statement of Newness and Distinctiveness: **Newness and distinctiveness in the design as applied to a electronic device resides in the shape and/or configuration and colour and/or texture thereof as illustrated in the accompanying representations.**



(21) Design Number: **10815/2008**
(22) Date of Filing Application: **21 February 2008**
(24) Date from which industrial property rights may have effect: **21 February 2008**
(54) Product in respect of which the design is registered: **Electronic device**
(51) International Design Classification: **14-01**
(71) Name(s) and Address(s) of Applicant(s):

Apple Inc.
1 Infinite Loop Cupertino California 95014 United States of America

(72) Name(s) of Designer(s): **Bartley K. Andre and Daniel J. Coster and Daniele De Iuliis and Richard P. Howarth and Jonathan P. Ive and Steve Jobs and Duncan Robert Kerr and Shin Nishibori and Matthew Dean Rohrbach and Peter Russell-Clarke and Douglas B. Satzger and Calvin Q. Seid and Christopher J. Stringer and Eugene Antony Whang and Rico Zorkendorfer**

(45) Registration Date: **07 July 2008**

(30) Convention priority data:

(31) Number	(32) Date	(33) Country
29/284187	31 Aug 2007	UNITED STATES OF AMERICA

(56) Related Art Documents: **Not Applicable**

(57) Statement of Newness and Distinctiveness: **Newness and distinctiveness in the design as applied to a electronic device resides in the shape and/or configuration and colour and/or texture thereof as illustrated in the accompanying representations.**



(21) Design Number: **11152/2008**
(22) Date of Filing Application: **07 March 2008**
(24) Date from which industrial property rights may have effect: **07 March 2008**
(54) Product in respect of which the design is registered: **A dress**
(51) International Design Classification: **02-02C**
(71) Name(s) and Address(s) of Applicant(s):

Review Australia Pty Ltd
25-31 Rokeby Street Collingwood Victoria 3066 Australia

(72) Name(s) of Designer(s): **Jayne Ellis**

(45) Registration Date: **07 July 2008**

(56) Related Art Documents: **Not Applicable**

(57) Statement of Newness and Distinctiveness: **Nil**



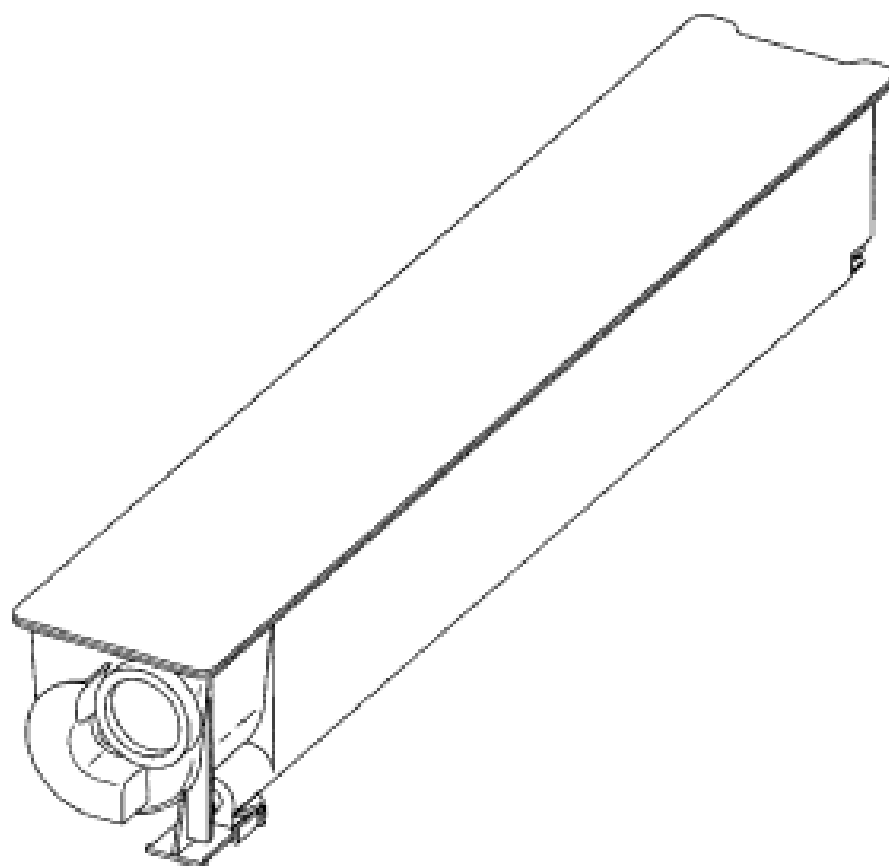
- (21) Design Number: **13039/2008**
(22) Date of Filing Application: **07 March 2008**
(24) Date from which industrial property rights may have effect: **07 March 2008**
(54) Product in respect of which the design is registered: **A top**
(51) International Design Classification: **02-02NES**
(71) Name(s) and Address(s) of Applicant(s):
Review Australia Pty Ltd
25-31 Rokeby Street Collingwood Victoria 3066 Australia
(72) Name(s) of Designer(s): **Jayne Ellis**
(45) Registration Date: **07 July 2008**
(56) Related Art Documents: **Not Applicable**
(57) Statement of Newness and Distinctiveness: **Nil**



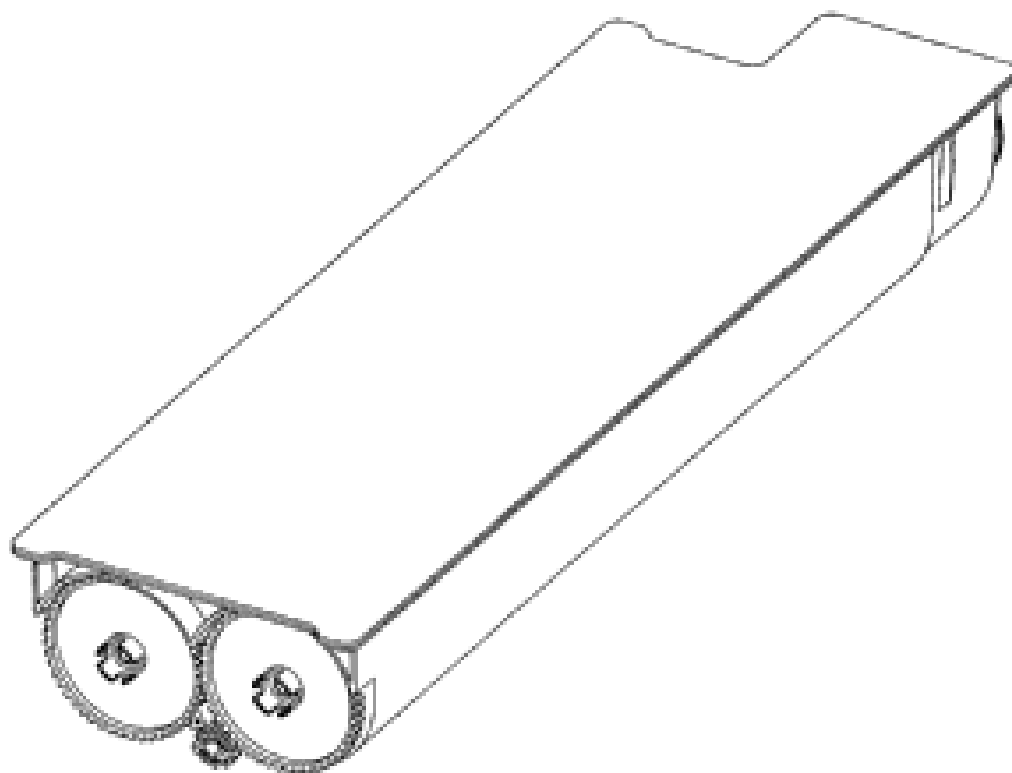
- (21) Design Number: **11219/2008**
(22) Date of Filing Application: **14 March 2008**
(24) Date from which industrial property rights may have effect: **14 March 2008**
(54) Product in respect of which the design is registered: **Toner cartridge**
(51) International Design Classification: **14-02**
(71) Name(s) and Address(s) of Applicant(s):
Toshiba Tec Kabushiki Kaisha
2-17-2 Higashigotanda Shinagawa-ku Tokyo Japan
(72) Name(s) of Designer(s): **Yoshiaki Tanaka**
(45) Registration Date: **07 July 2008**
(30) Convention priority data:

(31) Number	(32) Date	(33) Country
2007-025013	14 Sep 2007	JAPAN

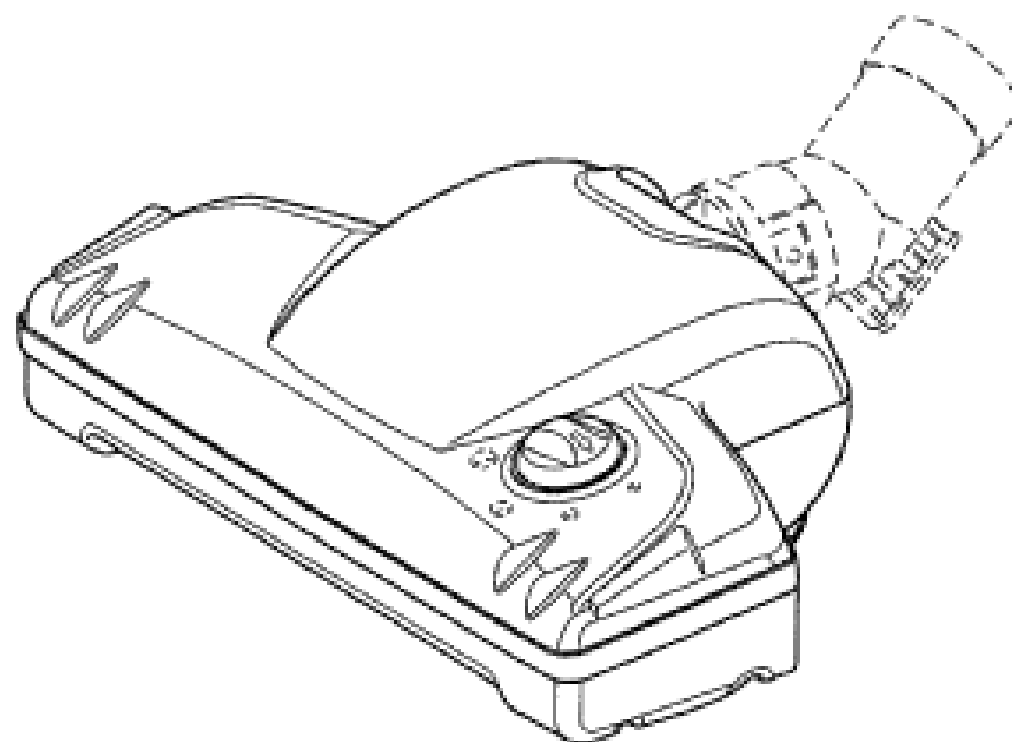
(56) Related Art Documents: **Not Applicable**
(57) Statement of Newness and Distinctiveness: **Newness and distinctiveness is claimed in the features of shape and/or configuration of a toner cartridge, and in particular the finger grip (labelled 'A') as illustrated in the accompanying representations.**



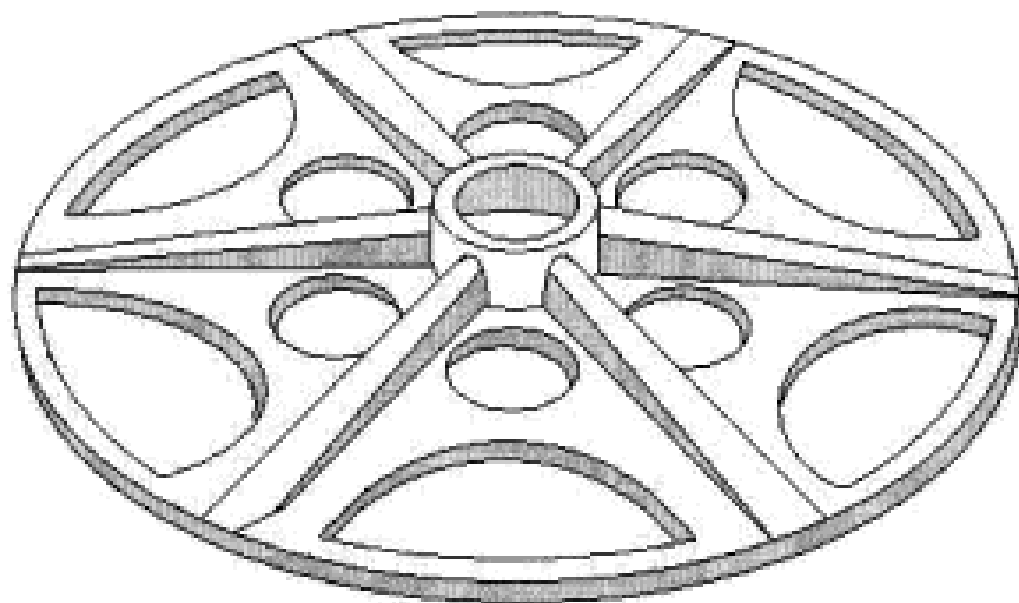
(21) Design Number: **11220/2008**
(22) Date of Filing Application: **14 March 2008**
(24) Date from which industrial property rights may have effect: **14 March 2008**
(54) Product in respect of which the design is registered: **Toner cartridge**
(51) International Design Classification: **14-02**
(71) Name(s) and Address(s) of Applicant(s):
Toshiba Tec Kabushiki Kaisha
2-17-2 Higashigotanda Shinagawa-ku Tokyo Japan
(72) Name(s) of Designer(s): **Yoshiaki Tanaka**
(45) Registration Date: **07 July 2008**
(30) Convention priority data:
(31) Number (32) Date (33) Country
2007-025012 14 Sep 2007 JAPAN
(56) Related Art Documents: **Not Applicable**
(57) Statement of Newness and Distinctiveness: **Newness and distinctiveness is claimed in the features of shape and/or configuration of a toner cartridge, in particular the finger grip (labelled 'A') as illustrated in the accompanying representations.**



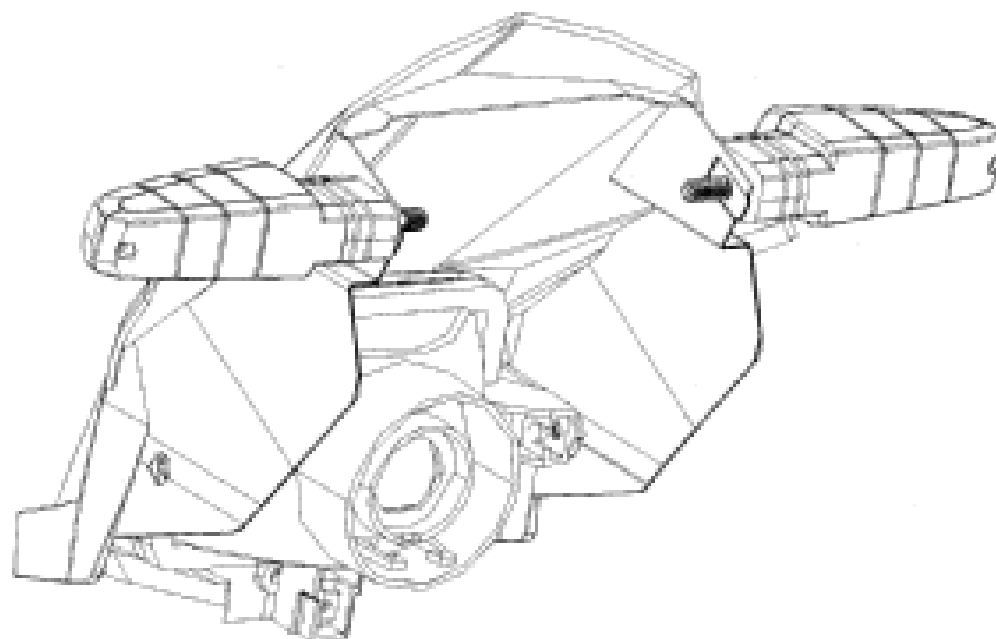
(21) Design Number: **11221/2008**
(22) Date of Filing Application: **14 March 2008**
(24) Date from which industrial property rights may have effect: **14 March 2008**
(54) Product in respect of which the design is registered: **Vacuum cleaner**
(51) International Design Classification: **15-05**
(71) Name(s) and Address(s) of Applicant(s):
Shop-Vac Corporation
2323 Reach Road Williamsport PA 17701 United States of America
(72) Name(s) of Designer(s): **John Griffin**
(45) Registration Date: **07 July 2008**
(30) Convention priority data:
(31) Number (32) Date (33) Country
29/295274 25 Sep 2007 UNITED STATES OF AMERICA
(56) Related Art Documents: **Not Applicable**
(57) Statement of Newness and Distinctiveness: **When determining whether the design 1 is substantially similar in overall impression to another design, no regard is to be had to those features shown in dotted outline in the accompanying drawings.**



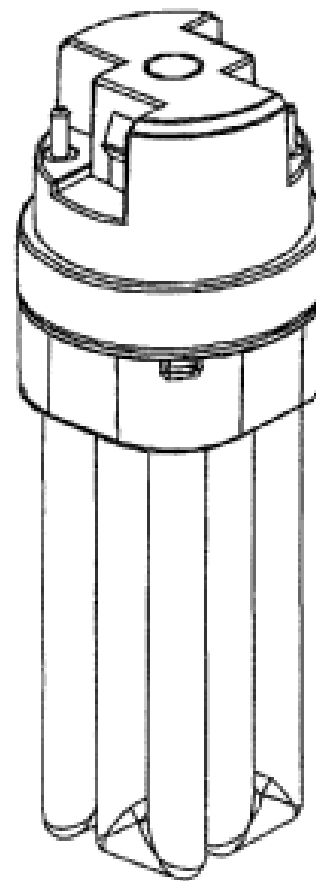
- (21) Design Number: **11226/2008**
(22) Date of Filing Application: **13 March 2008**
(24) Date from which industrial property rights may have effect: **13 March 2008**
(54) Product in respect of which the design is registered: **Poly washer**
(51) International Design Classification: **08-08B**
(71) Name(s) and Address(s) of Applicant(s):
Liu Yan Hua
1 Collins Street Thomastown Victoria 3074 Australia
(72) Name(s) of Designer(s): **Liu Yan Hua**
(45) Registration Date: **07 July 2008**
(56) Related Art Documents: **Not Applicable**
(57) Statement of Newness and Distinctiveness: **To be used with screws on all type of foam board. The designed shape and surface are light weight, strong, allow better hold and easy grip on board. It also is UV proof and lasts in all weather conditions.**



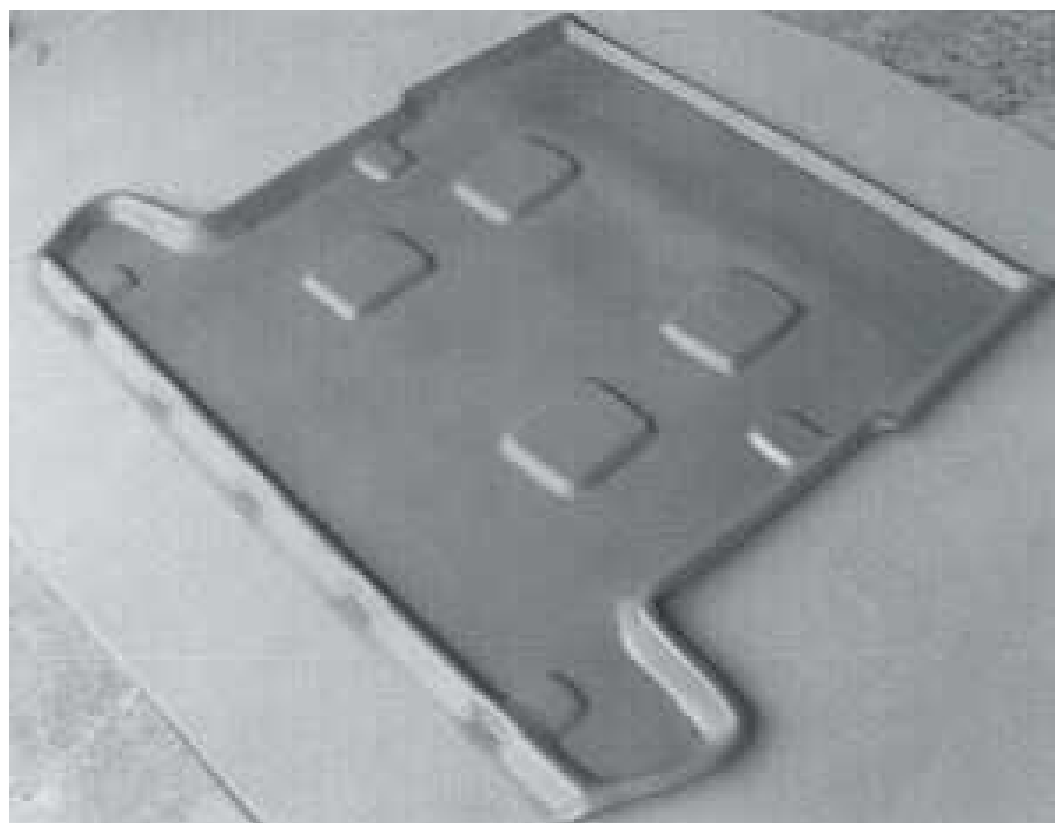
- (21) Design Number: **11227/2008**
(22) Date of Filing Application: **13 March 2008**
(24) Date from which industrial property rights may have effect: **13 March 2008**
(54) Product in respect of which the design is registered: **Motorcycle front light**
(51) International Design Classification: **26-06**
(71) Name(s) and Address(s) of Applicant(s):
Er Ying
No. 5 Ling Xi Road Zhi Ying Town Yong Kang City Zhejiang 321300
China
(72) Name(s) of Designer(s): **Er Ying**
(45) Registration Date: **07 July 2008**
(30) Convention priority data:
(31) Number (32) Date (33) Country
200730330887.1 31 Oct 2007 CHINA
(56) Related Art Documents: **Not Applicable**
(57) Statement of Newness and Distinctiveness: **Nil**



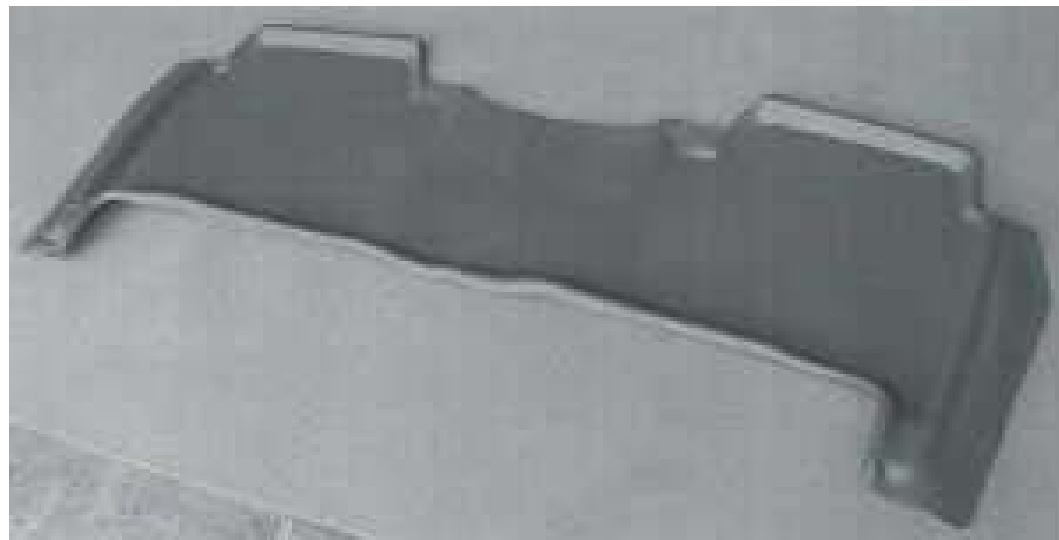
(21) Design Number: **11243/2008**
(22) Date of Filing Application: **14 March 2008**
(24) Date from which industrial property rights may have effect: **14 March 2008**
(54) Product in respect of which the design is registered: **Fluorescent lamp**
(51) International Design Classification: **26-05A**
(71) Name(s) and Address(s) of Applicant(s):
Mass Technology (H.K.) Limited
Room 2902-6 Tower 6 The Gateway 9 Canton Road Tsimshatsui
Kowloon Hong Kong
(72) Name(s) of Designer(s): **Onn Fah Foo**
(45) Registration Date: **07 July 2008**
(30) Convention priority data:
(31) Number (32) Date (33) Country
0702294.0 14 Sep 2007 HONG KONG
(56) Related Art Documents: **Not Applicable**
(57) Statement of Newness and Distinctiveness: **Nil**



(21) Design Number: **11244/2008**
(22) Date of Filing Application: **14 March 2008**
(24) Date from which industrial property rights may have effect: **14 March 2008**
(54) Product in respect of which the design is registered: **A vehicle floor mat**
(51) International Design Classification: **06-11, 12-16NES**
(71) Name(s) and Address(s) of Applicant(s):
Juan Dauwalder
14 Ferguson Street Underwood Queensland 4119 Australia
(72) Name(s) of Designer(s): **Juan Dauwalder**
(45) Registration Date: **07 July 2008**
(56) Related Art Documents: **Not Applicable**
(57) Statement of Newness and Distinctiveness: **Newness and distinctiveness is claimed in the shape and configuration of the vehicle floor mat depicted in the accompanying illustrations.**



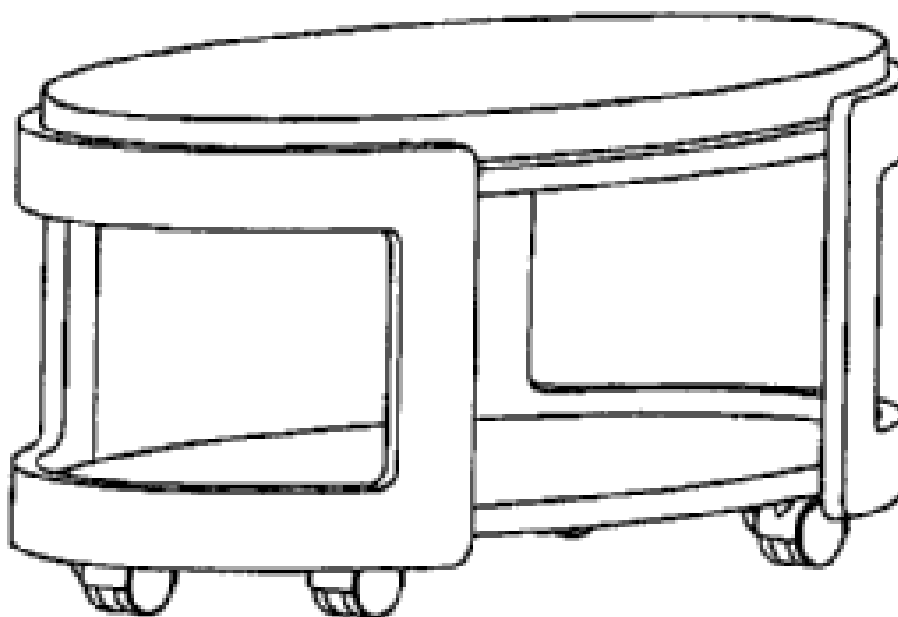
- (21) Design Number: **11245/2008**
(22) Date of Filing Application: **14 March 2008**
(24) Date from which industrial property rights may have effect: **14 March 2008**
(54) Product in respect of which the design is registered: **A vehicle floor mat**
(51) International Design Classification: **06-11, 12-16NES**
(71) Name(s) and Address(s) of Applicant(s):
Juan Dauwalder
14 Ferguson Street Underwood Queensland 4119 Australia
(72) Name(s) of Designer(s): **Juan Dauwalder**
(45) Registration Date: **07 July 2008**
(56) Related Art Documents: **Not Applicable**
(57) Statement of Newness and Distinctiveness: **Newness and distinctiveness is claimed in the shape and configuration of the vehicle floor mat depicted in the accompanying illustrations.**



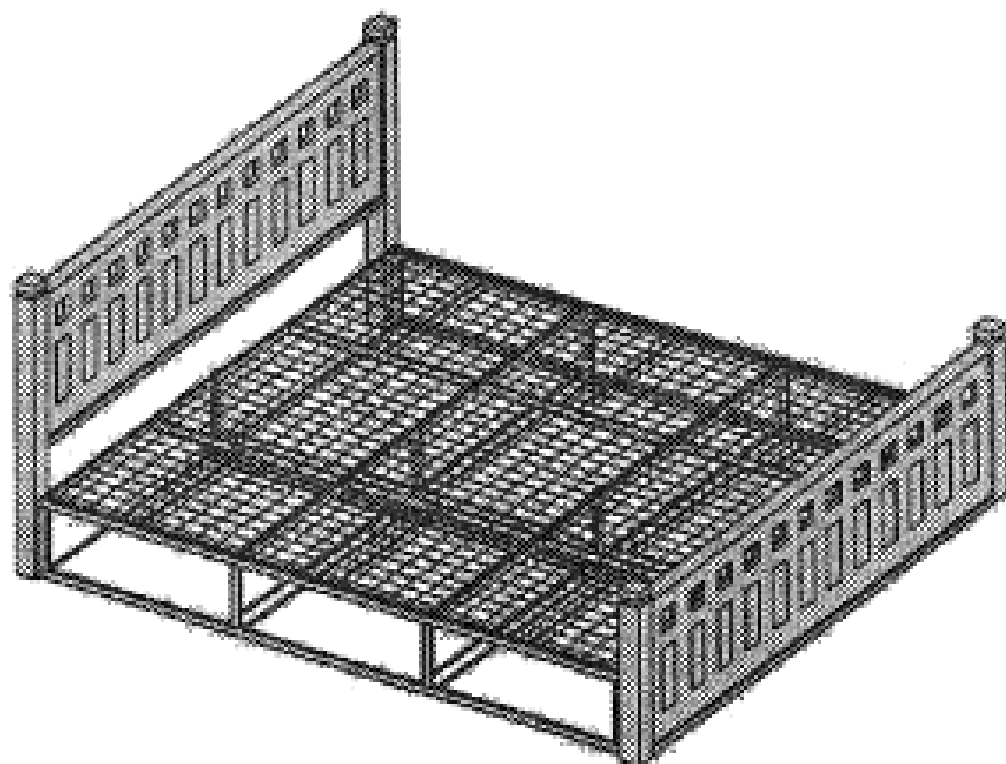
- (21) Design Number: **10622/2008**
(22) Date of Filing Application: **12 February 2008**
(24) Date from which industrial property rights may have effect: **12 February 2008**
(54) Product in respect of which the design is registered: **Table**
(51) International Design Classification: **06-03B**
(71) Name(s) and Address(s) of Applicant(s):
Ekornes ASA
N-6222 Ikornnes Norway
(72) Name(s) of Designer(s): **Jan Lade**
(45) Registration Date: **07 July 2008**
(30) Convention priority data:

(31) Number	(32) Date	(33) Country
20070654	19 Oct 2007	NORWAY

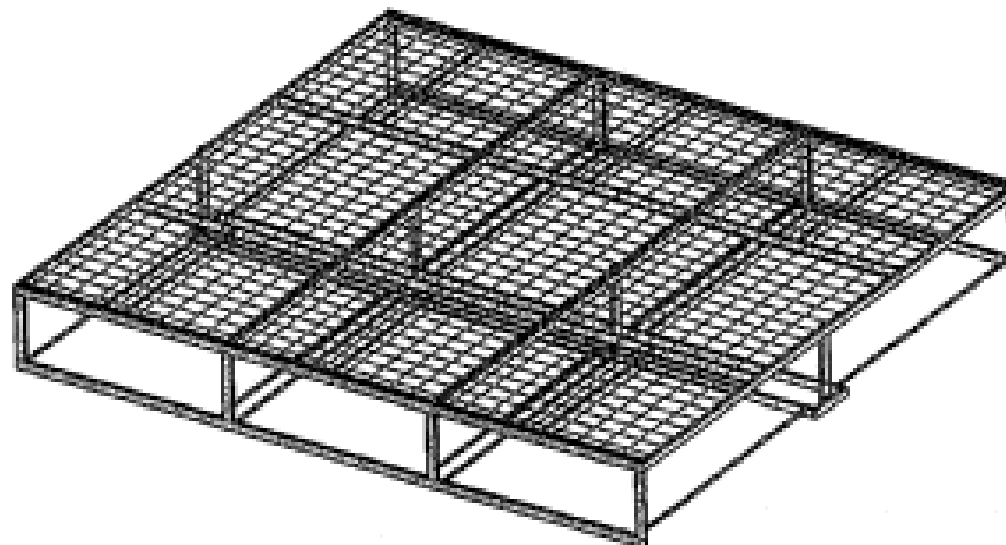
(56) Related Art Documents: **Not Applicable**
(57) Statement of Newness and Distinctiveness: **Newness and distinctiveness resides in the features of shape and/or configuration of a table as illustrated in the accompanying representations.**



- (21) Design Number: **10662/2008**
(22) Date of Filing Application: **15 February 2008**
(24) Date from which industrial property rights may have effect: **15 February 2008**
(54) Product in respect of which the design is registered: **Bed**
(51) International Design Classification: **06-02**
(71) Name(s) and Address(s) of Applicant(s):
Tube Home (M) SDN BHD
No. 6 Jalan Perusahaan 2 Kawasan Perusahaan Beranang Hulu
Langat Selangor 43700 Malaysia
(72) Name(s) of Designer(s): **Tan Yok Chin**
(45) Registration Date: **07 July 2008**
(56) Related Art Documents: **Not Applicable**
(57) Statement of Newness and Distinctiveness: **The applicant claims newness and distinctiveness in the features of shape and configuration of the product as shown in the attached representations.**



- (21) Design Number: **10663/2008**
(22) Date of Filing Application: **15 February 2008**
(24) Date from which industrial property rights may have effect: **15 February 2008**
(54) Product in respect of which the design is registered: **Bed base**
(51) International Design Classification: **06-06F**
(71) Name(s) and Address(s) of Applicant(s):
Tube Home (M) SDN BHD
No. 6 Jalan Perusahaan 2 Kawasan Perusahaan Beranang Hulu
Langat Selangor 43700 Malaysia
(72) Name(s) of Designer(s): **Tan Yok Chin**
(45) Registration Date: **07 July 2008**
(56) Related Art Documents: **Not Applicable**
(57) Statement of Newness and Distinctiveness: **The applicant claims newness and distinctiveness in the features of shape and configuration of the product as shown in the attached representations.**



(21) Design Number: **11196/2008**

(22) Date of Filing Application: **13 March 2008**

(24) Date from which industrial property rights may have effect: **13 March 2008**

(54) Product in respect of which the design is registered: **Aeroplane**

(51) International Design Classification: **21-01C**

(71) Name(s) and Address(s) of Applicant(s):

**Bird Raptor S.r.l.
Bologna Via Pallotti 16/4 Italy**

(72) Name(s) of Designer(s): **Paolo Lori**

(45) Registration Date: **07 July 2008**

(30) Convention priority data:

(31) Number	(32) Date	(33) Country
810502	17 Oct 2007	EUROPEAN COMMUNITY

(56) Related Art Documents: **Not Applicable**

(57) Statement of Newness and Distinctiveness: **Newness and distinctiveness resides in the features of shape and configuration illustrated in the accompanying representations.**



(21) Design Number: **11197/2008**

(22) Date of Filing Application: **13 March 2008**

(24) Date from which industrial property rights may have effect: **13 March 2008**

(54) Product in respect of which the design is registered: **Syringe cap**

(51) International Design Classification: **24-02**

(71) Name(s) and Address(s) of Applicant(s):

**Ashmont Holdings Limited
First Floor 17 Shea Terrace Takapuna Auckland New Zealand**

(72) Name(s) of Designer(s): **Robert William Lachlan Holmes**

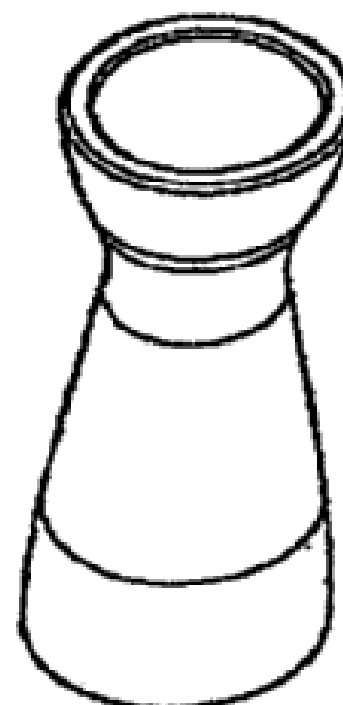
(45) Registration Date: **07 July 2008**

(30) Convention priority data:

(31) Number	(32) Date	(33) Country
409729	27 Sep 2007	NEW ZEALAND

(56) Related Art Documents: **Not Applicable**

(57) Statement of Newness and Distinctiveness: **Newness and distinctiveness resides in the features of the design as shown in the representations.**



(21) Design Number: **11198/2008**

(22) Date of Filing Application: **13 March 2008**

(24) Date from which industrial property rights may have effect: **13 March 2008**

(54) Product in respect of which the design is registered: **Syringe with protective cap**

(51) International Design Classification: **24-02**

(71) Name(s) and Address(s) of Applicant(s):

Ashmont Holdings Limited
First Floor 17 Shea Terrace Takapuna Auckland New Zealand

(72) Name(s) of Designer(s): **Robert William Lachlan Holmes**

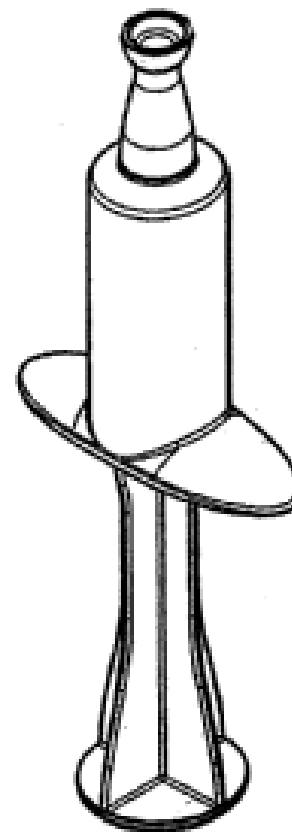
(45) Registration Date: **07 July 2008**

(30) Convention priority data:

(31) Number	(32) Date	(33) Country
409730	27 Sep 2007	NEW ZEALAND

(56) Related Art Documents: **Not Applicable**

(57) Statement of Newness and Distinctiveness: **Newness and distinctiveness reside in the features of the design as shown in the representations.**



(21) Design Number: **11199/2008**

(22) Date of Filing Application: **13 March 2008**

(24) Date from which industrial property rights may have effect: **13 March 2008**

(54) Product in respect of which the design is registered: **Trench digging machine**

(51) International Design Classification: **15-04**

(71) Name(s) and Address(s) of Applicant(s):

Groupe Marais
1 rue Pierre et Marie Curie Z.A. Le Cloteau 49430 Durtal France

(72) Name(s) of Designer(s): **Daniel Rivard**

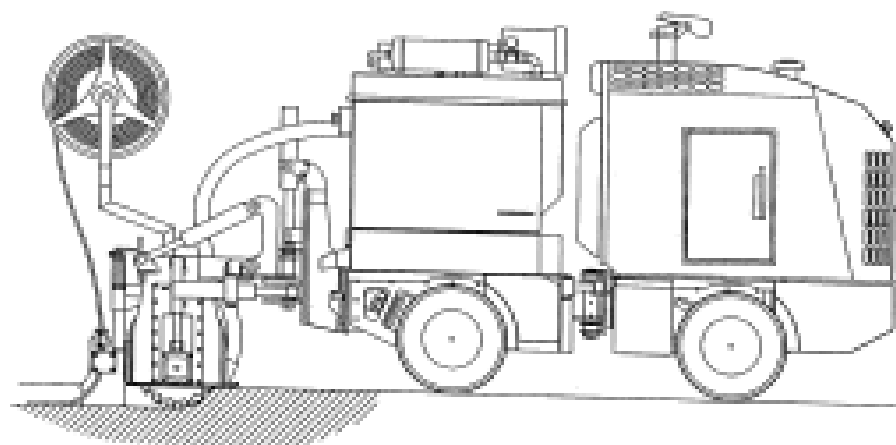
(45) Registration Date: **07 July 2008**

(30) Convention priority data:

(31) Number	(32) Date	(33) Country
000792056-0001	18 Sep 2007	EUROPEAN COMMUNITY

(56) Related Art Documents: **Not Applicable**

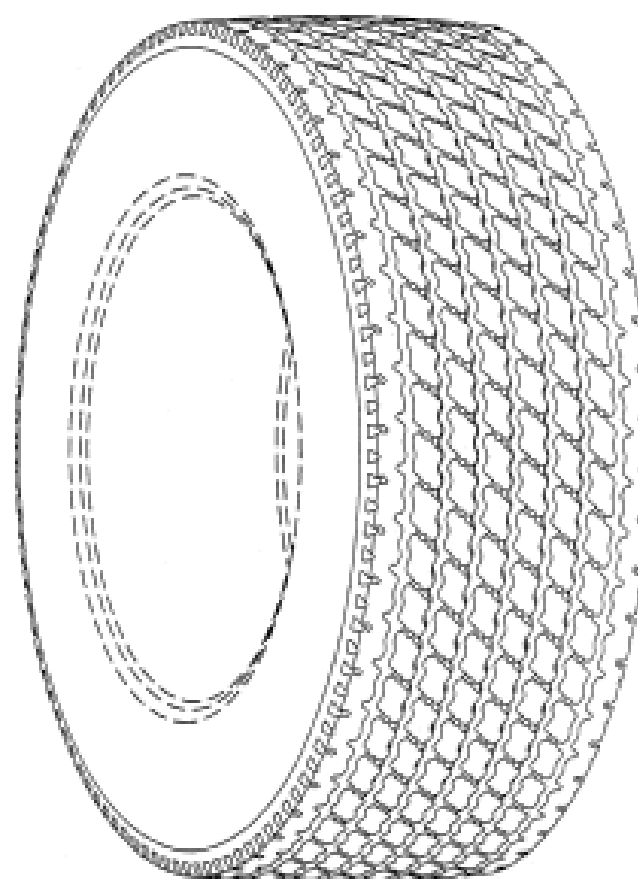
(57) Statement of Newness and Distinctiveness: **The trench digging machine shown in the representations is new and distinctive.**



- (21) Design Number: **11200/2008**
(22) Date of Filing Application: **13 March 2008**
(24) Date from which industrial property rights may have effect: **13 March 2008**
(54) Product in respect of which the design is registered: **Fabric**
(51) International Design Classification: **05-05B**
(71) Name(s) and Address(s) of Applicant(s):
Ruth Goldman
39 Ellsa Street Balwyn North Victoria 3104 Australia
(72) Name(s) of Designer(s): **Ruth Goldman**
(45) Registration Date: **07 July 2008**
(56) Related Art Documents: **Not Applicable**
(57) Statement of Newness and Distinctiveness: **Newness and distinctiveness resides in features of shape and configuration; pattern and ornamentation of the fabric as shown in the accompanying representations.**



- (21) Design Number: **11201/2008**
(22) Date of Filing Application: **13 March 2008**
(24) Date from which industrial property rights may have effect: **13 March 2008**
(54) Product in respect of which the design is registered: **Tyre tread**
(51) International Design Classification: **12-15B**
(71) Name(s) and Address(s) of Applicant(s):
Societe De Technologie Michelin
23 rue Breschet F-63000 Clermont-Ferrand Cedex France
Michelin Recherche et Technique S.A.
Route Louis Braille 10 et 12 CH-1763 Granges-Paccot Switzerland
(72) Name(s) of Designer(s): **Lawrence O. Williamson and Lee A. Montgomery**
(45) Registration Date: **07 July 2008**
(30) Convention priority data:
(31) Number (32) Date (33) Country
29/295,045 20 Sep 2007 UNITED STATES OF AMERICA
(56) Related Art Documents: **Not Applicable**
(57) Statement of Newness and Distinctiveness: **Novelty resides in the appearance of the tread region of the tyre depicted in full outline and not in the region shown in dashed outline.**



(21) Design Number: **11205/2008**
(22) Date of Filing Application: **13 March 2008**
(24) Date from which industrial property rights may have effect: **13 March 2008**
(54) Product in respect of which the design is registered: **Wedge**
(51) International Design Classification: **08-08A**
(71) Name(s) and Address(s) of Applicant(s):

Robert David Pickard
57 Renishaw Avenue Rotherham South Yorkshire S60 3LF United Kingdom

(72) Name(s) of Designer(s): **Robert David Pickard**

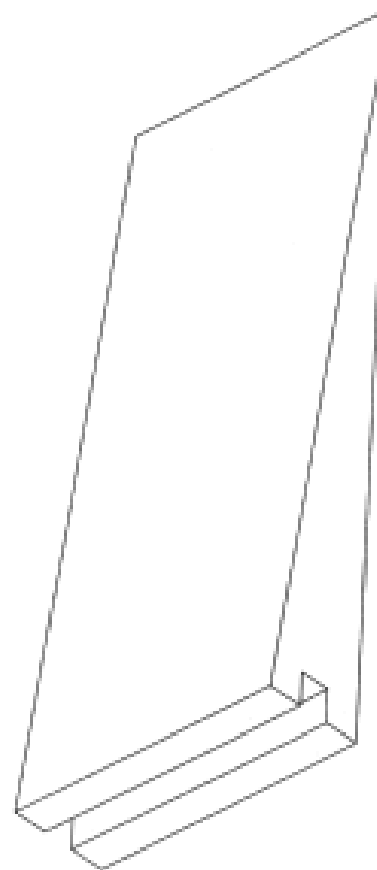
(45) Registration Date: **07 July 2008**

(30) Convention priority data:

(31) Number	(32) Date	(33) Country
000790332	14 Sep 2007	EUROPEAN COMMUNITY

(56) Related Art Documents: **Not Applicable**

(57) Statement of Newness and Distinctiveness: **Newness and distinctiveness is claimed in the features of shape and/or configuration of: the angle of taper; rear groove; and length of a wedge as illustrated in the accompanying drawings.**



(21) Design Number: **11206/2008**
(22) Date of Filing Application: **14 March 2008**
(24) Date from which industrial property rights may have effect: **14 March 2008**
(54) Product in respect of which the design is registered: **A carburettor inlet manifold**
(51) International Design Classification: **15-01**
(71) Name(s) and Address(s) of Applicant(s):

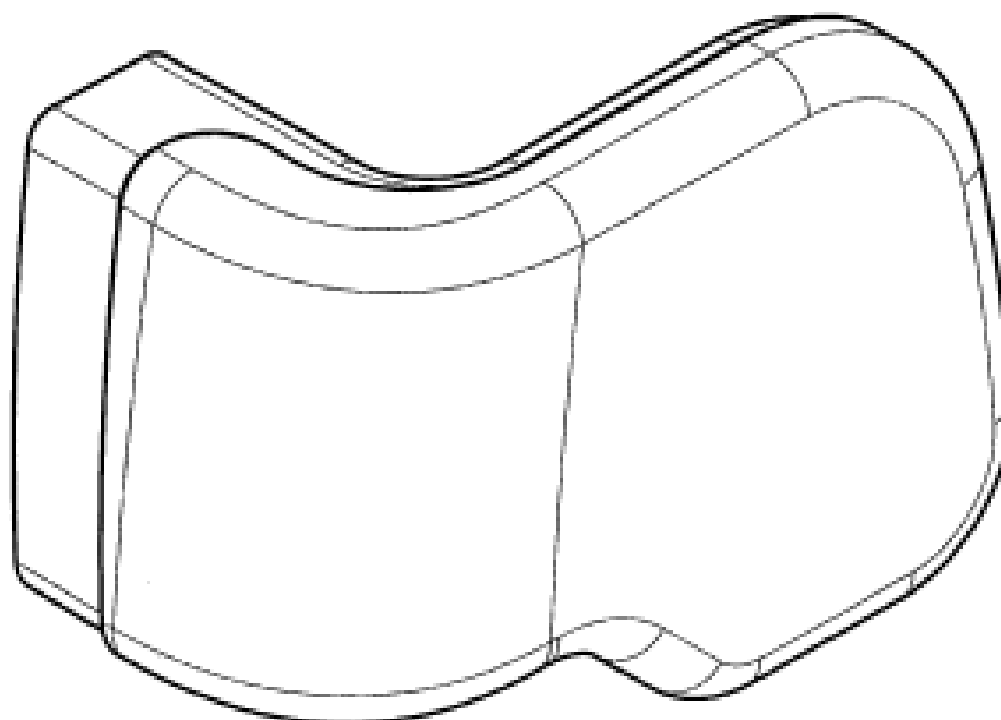
John Arthur Notaras
5 Fred Street Lilyfield New South Wales 2040 Australia
Angelo Lambrinos Notaras
5 Fred Street Lilyfield New South Wales 2040 Australia

(72) Name(s) of Designer(s): **John Arthur Notaras and Angelo Lambrinos Notaras**

(45) Registration Date: **07 July 2008**

(56) Related Art Documents: **Not Applicable**

(57) Statement of Newness and Distinctiveness: **Newness and distinctiveness is claimed in respect of the shape and/or configuration of the product illustrated in the accompanying representations.**



(21) Design Number: **11218/2008**

(22) Date of Filing Application: **13 March 2008**

(24) Date from which industrial property rights may have effect: **13 March 2008**

(54) Product in respect of which the design is registered: **Motorcycle rear light**

(51) International Design Classification: **26-06**

(71) Name(s) and Address(s) of Applicant(s):

Er Ying

**No. 5 Ling Xi Road Zhi Ying Town Yong Kang City Zhejiang 321300
China**

(72) Name(s) of Designer(s): **Er Ying**

(45) Registration Date: **07 July 2008**

(30) Convention priority data:

(31) Number

(32) Date

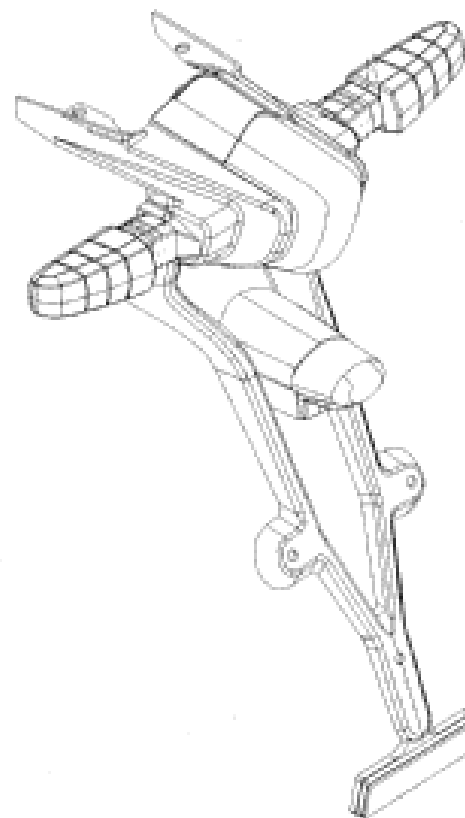
(33) Country

200730330885.2 31 Oct 2007

CHINA

(56) Related Art Documents: **Not Applicable**

(57) Statement of Newness and Distinctiveness: **Nil**



(21) Design Number: **11246/2008**

(22) Date of Filing Application: **14 March 2008**

(24) Date from which industrial property rights may have effect: **14 March 2008**

(54) Product in respect of which the design is registered: **Cabinet liner**

(51) International Design Classification: **06-04NES**

(71) Name(s) and Address(s) of Applicant(s):

Chill Flow Australia Pty Ltd

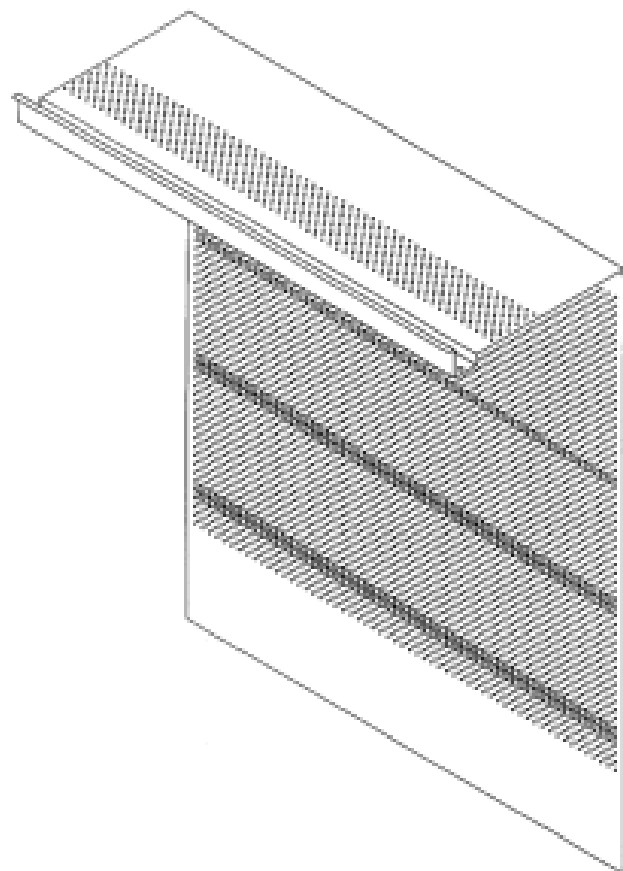
2/22 Hutchinson Street Burleigh Junction Queensland 4220 Australia

(72) Name(s) of Designer(s): **Craig Kennedy and Tristan Stent**

(45) Registration Date: **07 July 2008**

(56) Related Art Documents: **Not Applicable**

(57) Statement of Newness and Distinctiveness: **The newness and distinctiveness of the design resides in the shape and/or configuration of the cabinet liner shown in the representations. In considering the scope of the monopoly the relative dimensions of the lengths and widths of the vertical and horizontal panel portions are to be disregarded as is the aperture array of the vertical panel section.**



(21) Design Number: **11248/2008**

(22) Date of Filing Application: **14 March 2008**

(24) Date from which industrial property rights may have effect: **14 March 2008**

(54) Product in respect of which the design is registered: **Outdoor unit of air-conditioner**

(51) International Design Classification: **23-04**

(71) Name(s) and Address(s) of Applicant(s):

Daikin Industries Ltd.

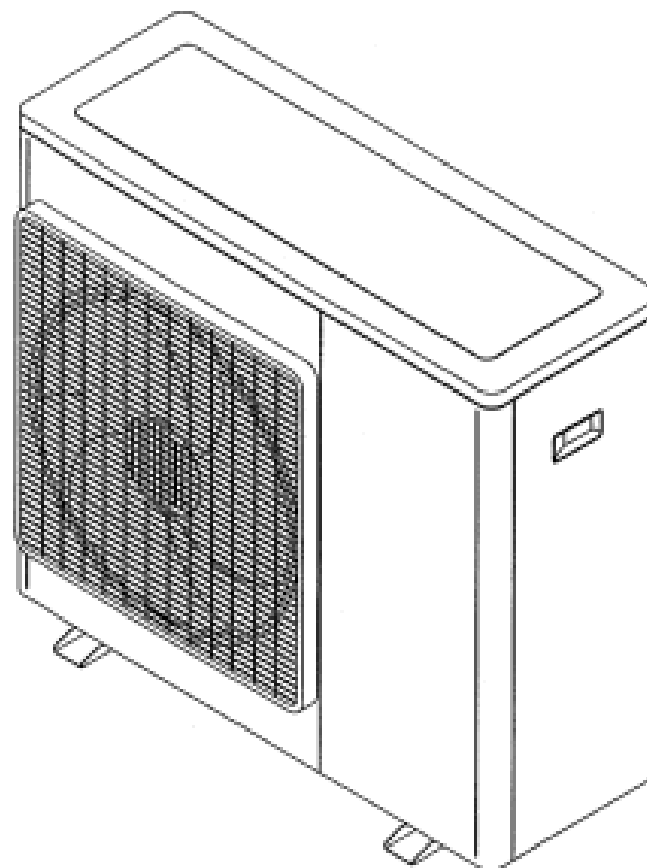
**Umeda Center Building 4-12 Nakazaki-Nishi 2-chome Kita-Ku
Osaka-shi Osaka-fu Japan**

(72) Name(s) of Designer(s): **Masahiko Chooji**

(45) Registration Date: **07 July 2008**

(56) Related Art Documents: **Not Applicable**

(57) Statement of Newness and Distinctiveness: **Nil**



(21) Design Number: **12763/2008**

(22) Date of Filing Application: **10 June 2008**

(24) Date from which industrial property rights may have effect: **10 June 2008**

(54) Product in respect of which the design is registered: **Steam iron**

(51) International Design Classification: **07-05A**

(71) Name(s) and Address(s) of Applicant(s):

Koninklijke Philips Electronics N.V.

Groenewoudseweg 1 5621 BA Eindhoven The Netherlands

(72) Name(s) of Designer(s): **Stefan Andreesen**

(45) Registration Date: **07 July 2008**

(30) Convention priority data:

(31) Number

(32) Date

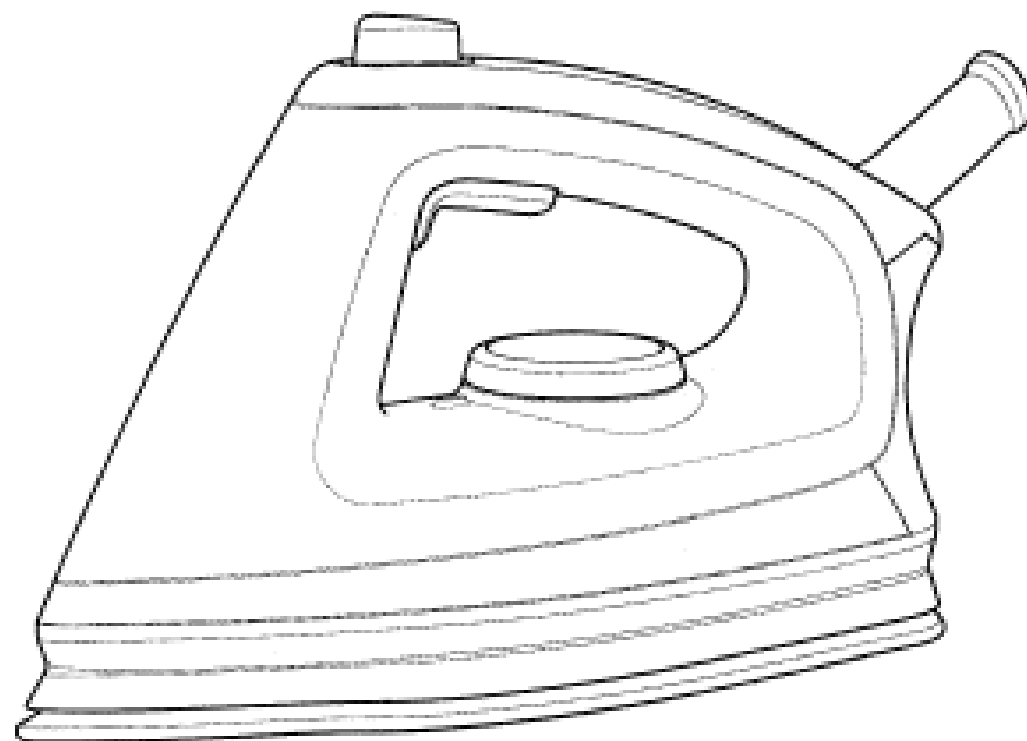
(33) Country

000841085-0002 12 Dec 2007

EUROPEAN COMMUNITY

(56) Related Art Documents: **Not Applicable**

(57) Statement of Newness and Distinctiveness: **Newness and distinctiveness reside in the features of the design as shown in the representations.**



(21) Design Number: **12764/2008**

(22) Date of Filing Application: **10 June 2008**

(24) Date from which industrial property rights may have effect: **10 June 2008**

(54) Product in respect of which the design is registered: **Stand for steam iron**

(51) International Design Classification: **07-05A**

(71) Name(s) and Address(s) of Applicant(s):

**Koninklijke Philips Electronics N.V.
Groenewoudseweg 1 5621 BA Eindhoven The Netherlands**

(72) Name(s) of Designer(s): **Stefan Andreesen**

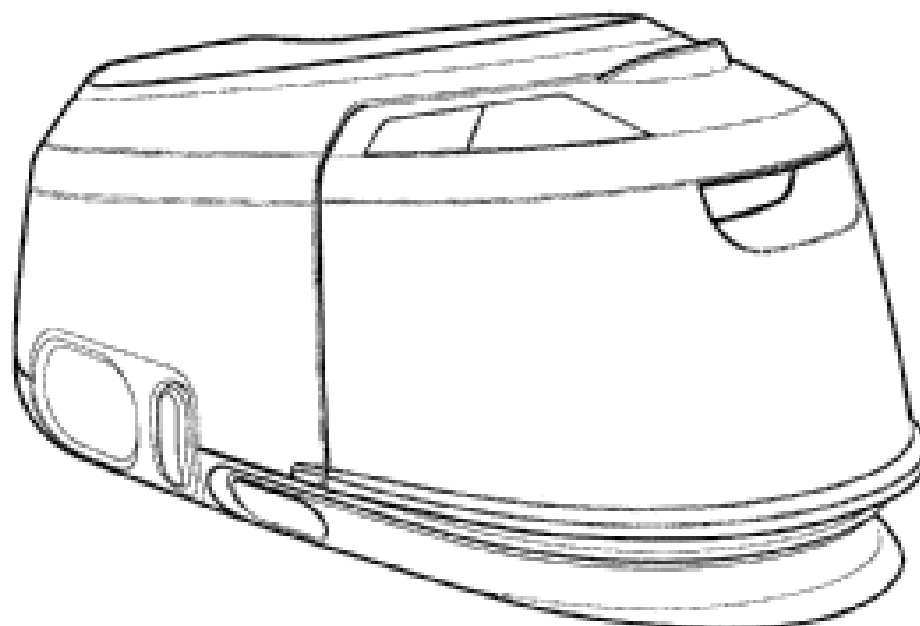
(45) Registration Date: **07 July 2008**

(30) Convention priority data:

(31) Number	(32) Date	(33) Country
000841085-0003	12 Dec 2007	EUROPEAN COMMUNITY

(56) Related Art Documents: **Not Applicable**

(57) Statement of Newness and Distinctiveness: **Newness and distinctiveness reside in the features of the design as shown in the representations.**



(21) Design Number: **18930/2007**

(22) Date of Filing Application: **16 July 2007**

(24) Date from which industrial property rights may have effect: **16 July 2007**

(54) Product in respect of which the design is registered: **Model dog/toy**

(51) International Design Classification: **21-01A**

(71) Name(s) and Address(s) of Applicant(s):

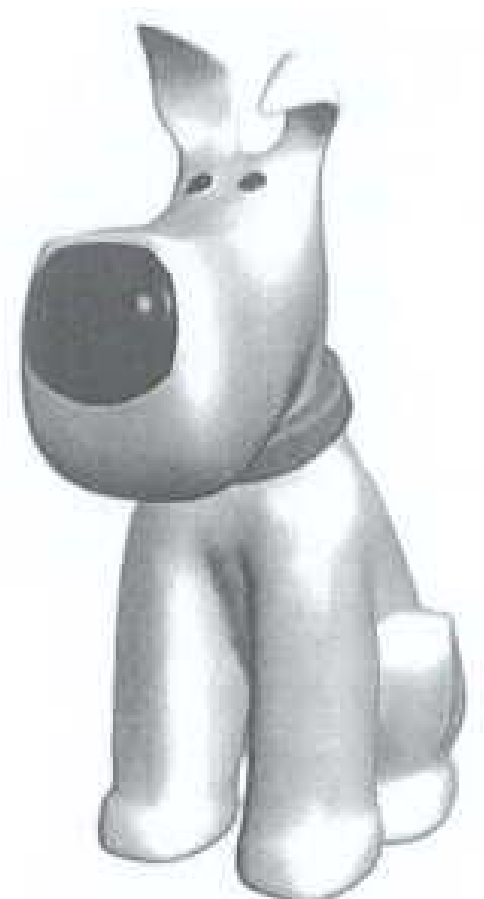
**Say Systems Ltd
PO Box 17263 Karori Wellington 6147 New Zealand**

(72) Name(s) of Designer(s): **David John Michael Gibson**

(45) Registration Date: **14 July 2008**

(56) Related Art Documents: **Not Applicable**

(57) Statement of Newness and Distinctiveness: **Newness and distinctiveness is claimed in the features of shape and/or configuration of the model dog/toy as shown in the accompanying representations.**



(21) Design Number: **18931/2007**

(22) Date of Filing Application: **16 July 2007**

(24) Date from which industrial property rights may have effect: **16 July 2007**

(54) Product in respect of which the design is registered: **Model dog/toy**

(51) International Design Classification: **21-01A**

(71) Name(s) and Address(s) of Applicant(s):

Say Systems Ltd

PO Box 17263 Karori Wellington 6147 New Zealand

(72) Name(s) of Designer(s): **David John Michael Gibson**

(45) Registration Date: **14 July 2008**

(56) Related Art Documents: **Not Applicable**

(57) Statement of Newness and Distinctiveness: **Newness and distinctiveness is claimed in the features of shape and/or configuration of the model dog/toy as shown in the accompanying representations.**



(21) Design Number: **18932/2007**

(22) Date of Filing Application: **16 July 2007**

(24) Date from which industrial property rights may have effect: **16 July 2007**

(54) Product in respect of which the design is registered: **Animal-shaped foodstuff/confectionary/chocolate**

(51) International Design Classification: **01-01**

(71) Name(s) and Address(s) of Applicant(s):

Say Systems Ltd

PO Box 17263 Karori Wellington 6147 New Zealand

(72) Name(s) of Designer(s): **David John Michael Gibson**

(45) Registration Date: **14 July 2008**

(56) Related Art Documents: **Not Applicable**

(57) Statement of Newness and Distinctiveness: **Newness and distinctiveness is claimed in the features of shape and/or configuration of the animal-shaped foodstuff/confectionary/chocolate as shown in the accompanying representations.**



(21) Design Number: 19533/2007

(22) Date of Filing Application: 28 August 2007

(24) Date from which industrial property rights may have effect: 28 August 2007

(54) Product in respect of which the design is registered: **Wall type outlet with vegetable and/or shower spray**

(51) International Design Classification: 23-01E

(71) Name(s) and Address(s) of Applicant(s):

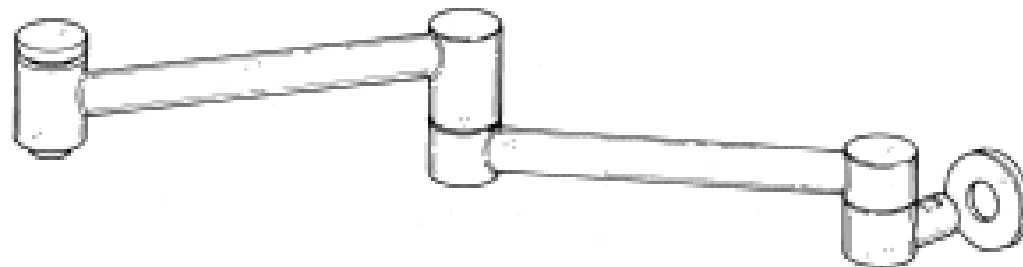
Militaire Nominees Pty Ltd
4 Collingwood Street Osborne Park Western Australia 6017 Australia

(72) Name(s) of Designer(s): **Armando Rigo**

(45) Registration Date: 14 July 2008

(56) Related Art Documents: **Not Applicable**

(57) Statement of Newness and Distinctiveness: **The particular visual features of the design which are new and distinctive are shape.**



(21) Design Number: 10389/2008

(22) Date of Filing Application: 31 January 2008

(24) Date from which industrial property rights may have effect: 31 January 2008

(54) Product in respect of which the design is registered: **Packaging container**

(51) International Design Classification: 09-03E

(71) Name(s) and Address(s) of Applicant(s):

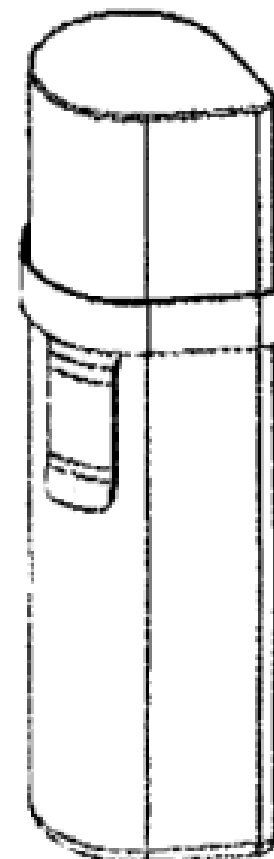
Hirafu Pty Ltd
54 Haldane Street Beaumaris Victoria 3193 Australia

(72) Name(s) of Designer(s): **Roger Boyd**

(45) Registration Date: 14 July 2008

(56) Related Art Documents: **Not Applicable**

(57) Statement of Newness and Distinctiveness: **Newness and distinctiveness is claimed in the features of shape and configuration of a packaging container, such as a bottle, including a clip as illustrated in the accompanying representations.**



(21) Design Number: **10390/2008**

(22) Date of Filing Application: **31 January 2008**

(24) Date from which industrial property rights may have effect: **31 January 2008**

(54) Product in respect of which the design is registered: **Packaging container**

(51) International Design Classification: **09-03E**

(71) Name(s) and Address(s) of Applicant(s):

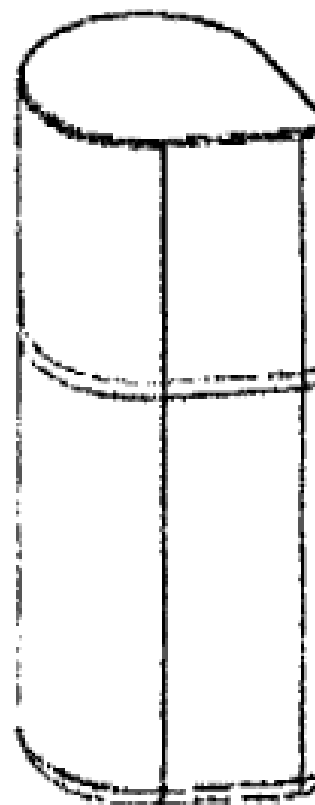
Hirafu Pty Ltd
54 Haldane Street Beaumaris Victoria 3193 Australia

(72) Name(s) of Designer(s): **Roger Boyd**

(45) Registration Date: **14 July 2008**

(56) Related Art Documents: **Not Applicable**

(57) Statement of Newness and Distinctiveness: **Newness and distinctiveness is claimed in the features of shape and configuration of a packaging container, such as a bottle, as illustrated in the accompanying representations.**



(21) Design Number: **10391/2008**

(22) Date of Filing Application: **31 January 2008**

(24) Date from which industrial property rights may have effect: **31 January 2008**

(54) Product in respect of which the design is registered: **Clip for a packaging container**

(51) International Design Classification: **09-03H**

(71) Name(s) and Address(s) of Applicant(s):

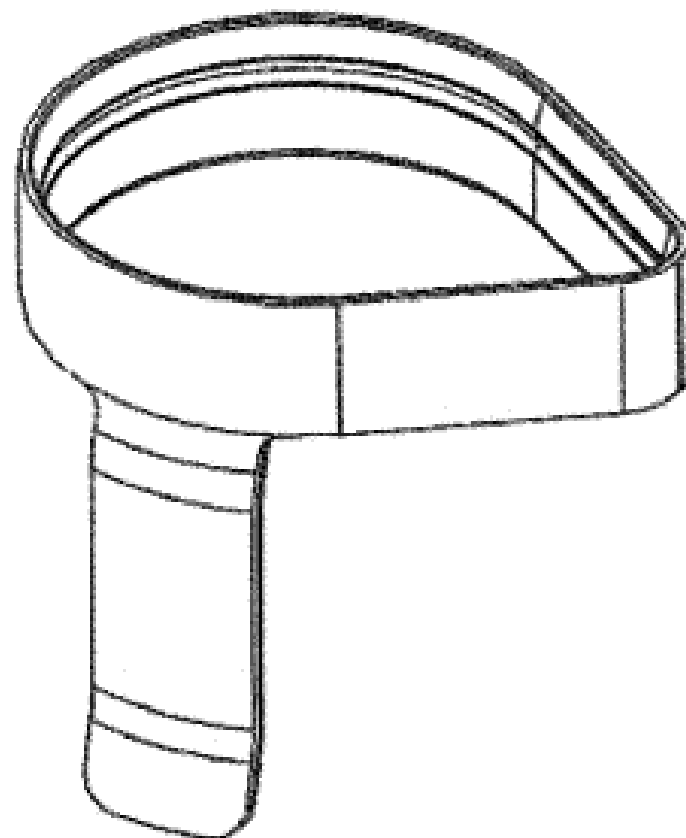
Hirafu Pty Ltd
54 Haldane Street Beaumaris Victoria 3193 Australia

(72) Name(s) of Designer(s): **Roger Boyd**

(45) Registration Date: **14 July 2008**

(56) Related Art Documents: **Not Applicable**

(57) Statement of Newness and Distinctiveness: **Newness and distinctiveness is claimed in the shape and configuration of a clip for a packaging container, such as a bottle, as illustrated in the accompanying representations. No monopoly is claimed for the bottle depicted in the representations.**



(21) Design Number: **10707/2008**

(22) Date of Filing Application: **19 February 2008**

(24) Date from which industrial property rights may have effect: **19 February 2008**

(54) Product in respect of which the design is registered: **Instrument/automotive gauge pod/holder**

(51) International Design Classification: **12-16NES**

(71) Name(s) and Address(s) of Applicant(s):

Alan Mears

23 Trochidae Way Heathridge Western Australia 6027 Australia

(72) Name(s) of Designer(s): **Alan Mears**

(45) Registration Date: **14 July 2008**

(56) Related Art Documents: **Not Applicable**

(57) Statement of Newness and Distinctiveness: **The gauge pad mounts in the centre of vehicles dashboard and holds two (2) instrument gauges. It is designed to replace a dash piece that is a clock or storage compartment in subaru vehicles.**



(21) Design Number: **10708/2008**

(22) Date of Filing Application: **19 February 2008**

(24) Date from which industrial property rights may have effect: **19 February 2008**

(54) Product in respect of which the design is registered: **Instrument/automotive gauge pod/holder**

(51) International Design Classification: **12-16NES**

(71) Name(s) and Address(s) of Applicant(s):

Alan Mears

23 Trochidae Way Heathridge Western Australia 6027 Australia

(72) Name(s) of Designer(s): **Alan Mears**

(45) Registration Date: **14 July 2008**

(56) Related Art Documents: **Not Applicable**

(57) Statement of Newness and Distinctiveness: **The gauge pad mounts in the centre of vehicles dashboard and holds two (2) instrument gauges. It is designed to replace a dash piece that is a clock or storage compartment in Subaru vehicles.**



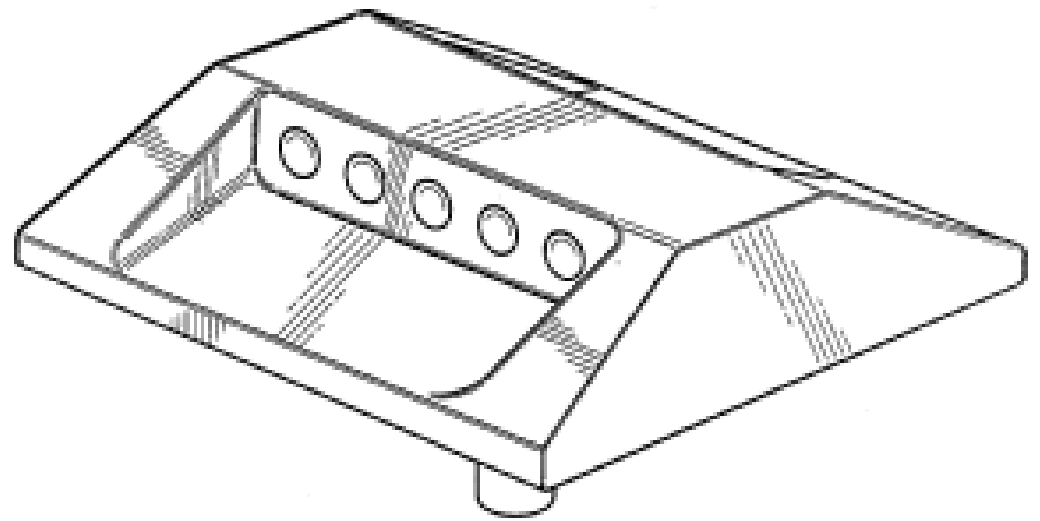
- (21) Design Number: **10709/2008**
(22) Date of Filing Application: **19 February 2008**
(24) Date from which industrial property rights may have effect: **19 February 2008**
(54) Product in respect of which the design is registered: **Instrument/automotive gauge pod/holder**
(51) International Design Classification: **12-16NES**
(71) Name(s) and Address(s) of Applicant(s):
Alan Mears
23 Trochidae Way Heathridge Western Australia 6027 Australia
(72) Name(s) of Designer(s): **Alan Mears**
(45) Registration Date: **14 July 2008**
(56) Related Art Documents: **Not Applicable**
(57) Statement of Newness and Distinctiveness: **The gauge pad mounts in the centre of vehicles dashboard and holds two (2) instrument gauges. It is designed to replace a dash piece that is a clock or storage compartment in Subaru vehicles.**



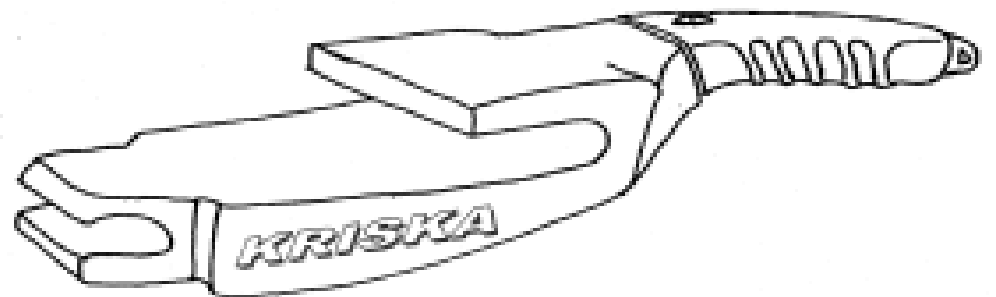
- (21) Design Number: **10927/2008**
(22) Date of Filing Application: **26 February 2008**
(24) Date from which industrial property rights may have effect: **26 February 2008**
(54) Product in respect of which the design is registered: **Film wrap**
(51) International Design Classification: **05-06NES, 09-05**
(71) Name(s) and Address(s) of Applicant(s):
3M Innovative Properties Company
3M Center Saint Paul Minnesota 55133-3427 United States of America
(72) Name(s) of Designer(s): **Joy A. Packard and Scott D Pearson and Gerald E. Mueller**
(45) Registration Date: **14 July 2008**
(30) Convention priority data:
(31) Number (32) Date (33) Country
29/284783 14 Sep 2007 UNITED STATES OF AMERICA
(56) Related Art Documents: **Not Applicable**
(57) Statement of Newness and Distinctiveness: **Newness and distinctiveness of the design as applied to film wrap lies in the shape and configuration thereof as shown in the accompanying drawings. The film wrap encapsulates a media cutting device which, as can be seen, imparts the shape and configuration as shown in the representations to the film wrap.**



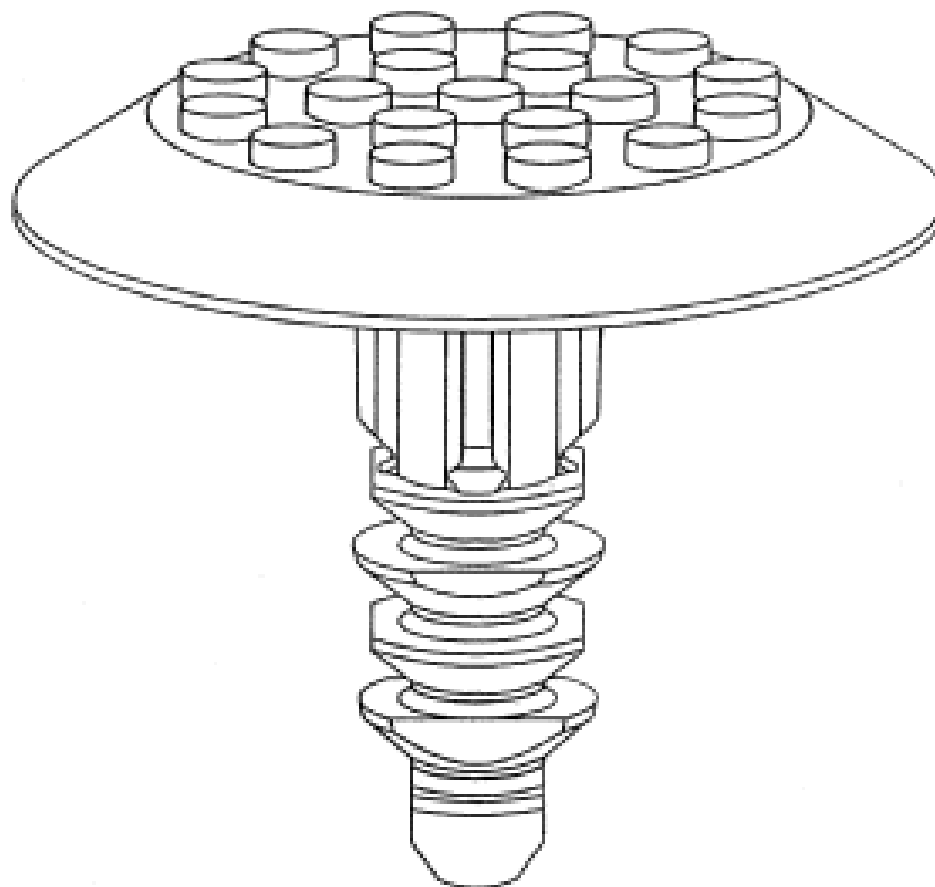
- (21) Design Number: **10940/2008**
(22) Date of Filing Application: **27 February 2008**
(24) Date from which industrial property rights may have effect: **27 February 2008**
(54) Product in respect of which the design is registered: **Road studs**
(51) International Design Classification: **08-99, 08-08NES**
(71) Name(s) and Address(s) of Applicant(s):
Godusa CC
51 Sterkspurit Road Cliffdale 3700 South Africa
(72) Name(s) of Designer(s): **Noel Ettienne Van Der Westhuizen**
(45) Registration Date: **14 July 2008**
(56) Related Art Documents: **Not Applicable**
(57) Statement of Newness and Distinctiveness: **Newness and distinctiveness is claimed in the features of shape and configuration of a road stud as illustrated in the accompanying representations. In considering which features are new and distinctive, the shape and configuration of the security peg depending from the main body of the road stud is to be disregarded.**



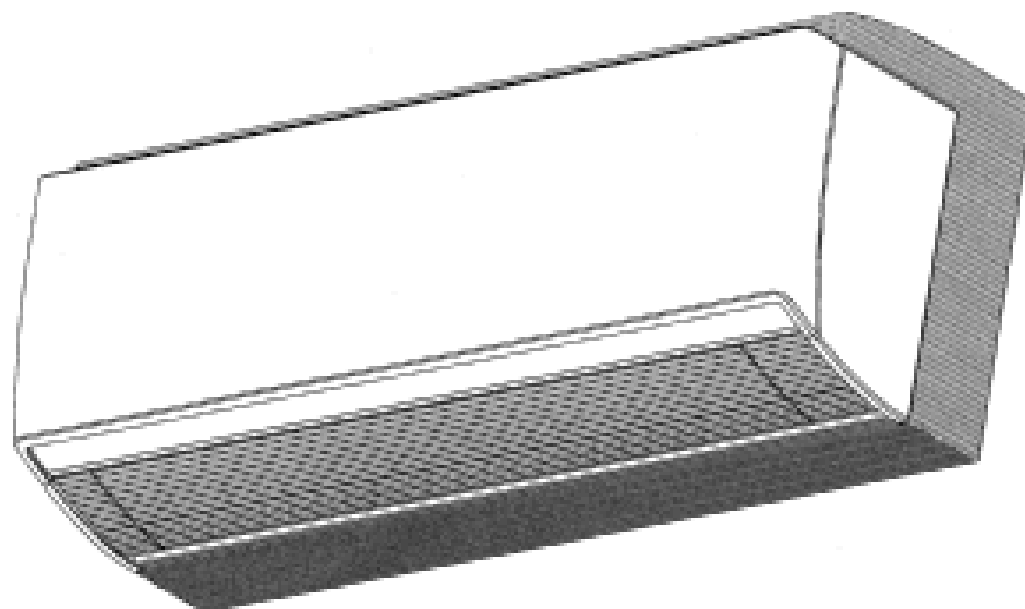
- (21) Design Number: **11017/2008**
(22) Date of Filing Application: **03 March 2008**
(24) Date from which industrial property rights may have effect: **03 March 2008**
(54) Product in respect of which the design is registered: **Tension lever**
(51) International Design Classification: **08-05E**
(71) Name(s) and Address(s) of Applicant(s):
Krzysztof Roman Harezlak
8 Castaway Court Robina Queensland 4226 Australia
(72) Name(s) of Designer(s): **Krzysztof Roman Harezlak**
(45) Registration Date: **14 July 2008**
(56) Related Art Documents: **Not Applicable**
(57) Statement of Newness and Distinctiveness: **Newness and distinctiveness is claimed in the visual features of the design in the shape and configuration there of as illustrated in the a companying representationsshowed in solid lines.**



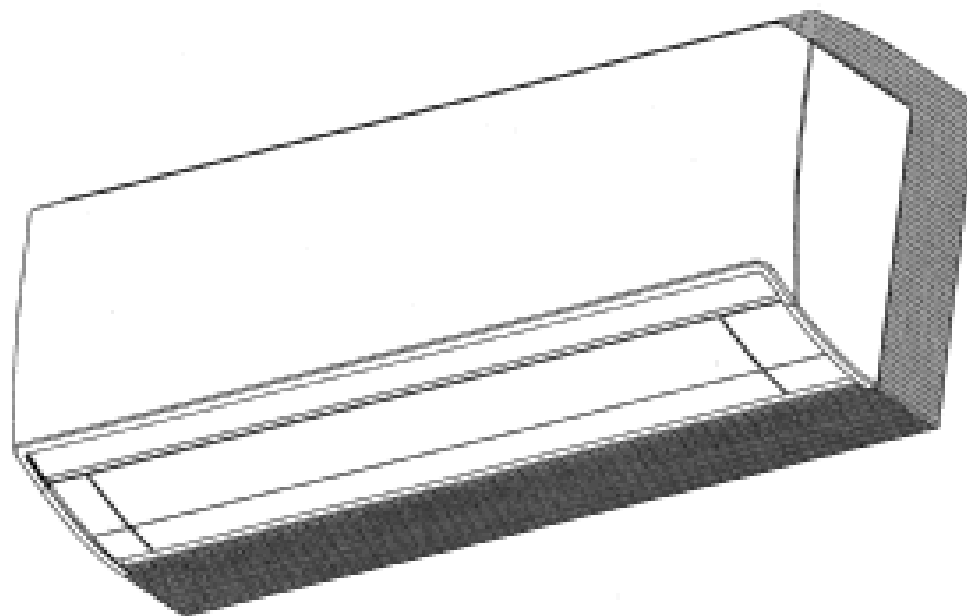
(21) Design Number: **11089/2008**
(22) Date of Filing Application: **05 March 2008**
(24) Date from which industrial property rights may have effect: **05 March 2008**
(54) Product in respect of which the design is registered: **Tactile marker**
(51) International Design Classification: **10-06**
(71) Name(s) and Address(s) of Applicant(s):
Austact Pty Ltd
14 Yarrowonga Street Macksville New South Wales 2447 Australia
(72) Name(s) of Designer(s): **Brain Harward and Donovan Parker and Phillip Rozenboom**
(45) Registration Date: **14 July 2008**
(56) Related Art Documents: **Not Applicable**
(57) Statement of Newness and Distinctiveness: **The shape and configuration of the downwardly projecting stem portion of the tactile marker is new and distinctive.**



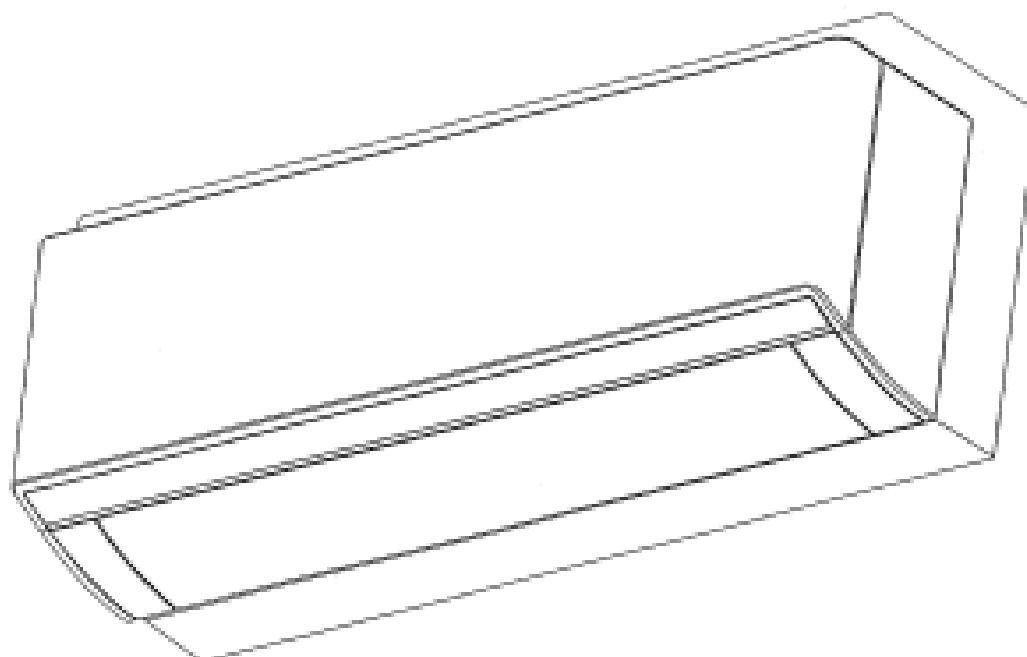
(21) Design Number: **11249/2008**
(22) Date of Filing Application: **14 March 2008**
(24) Date from which industrial property rights may have effect: **14 March 2008**
(54) Product in respect of which the design is registered: **Air-conditioner**
(51) International Design Classification: **23-04**
(71) Name(s) and Address(s) of Applicant(s):
Daikin Industries Ltd.
Umeda Center Building 4-12 Nakazaki-Nishi 2-chome Kita-Ku
Osaka-shi Osaka-fu Japan
(72) Name(s) of Designer(s): **Kouichirou Seki**
(45) Registration Date: **14 July 2008**
(30) Convention priority data:
(31) Number (32) Date (33) Country
2008-001190 23 Jan 2008 JAPAN
(56) Related Art Documents: **Not Applicable**
(57) Statement of Newness and Distinctiveness: **Nil**



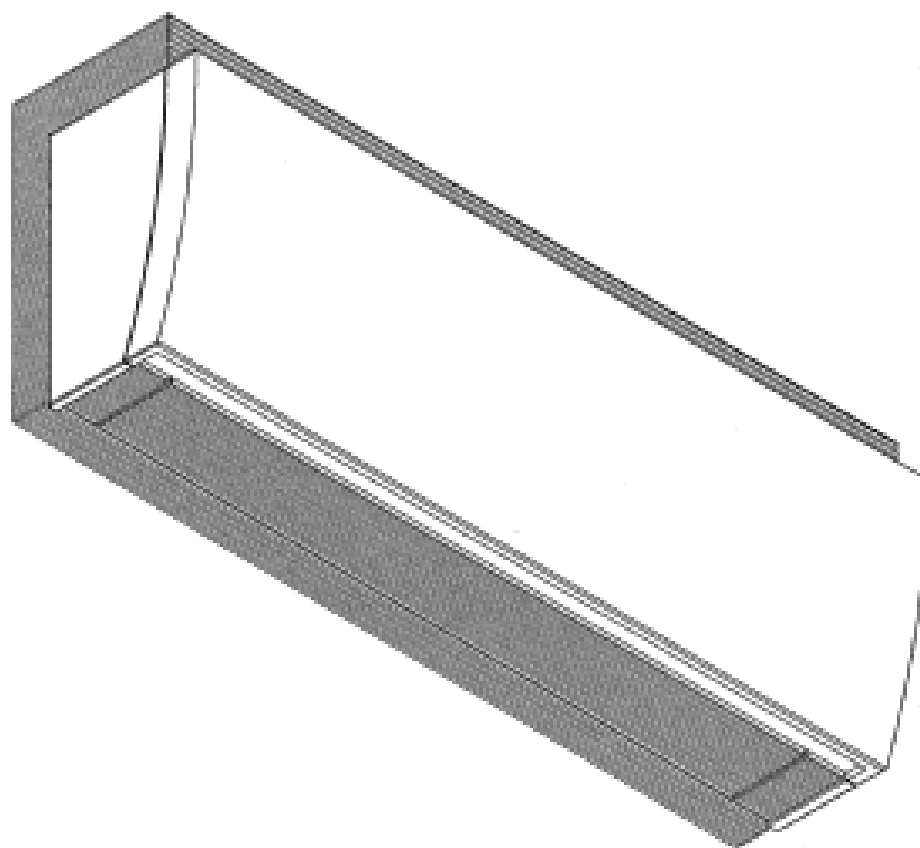
(21) Design Number: **11250/2008**
(22) Date of Filing Application: **14 March 2008**
(24) Date from which industrial property rights may have effect: **14 March 2008**
(54) Product in respect of which the design is registered: **Air-conditioner**
(51) International Design Classification: **23-04**
(71) Name(s) and Address(s) of Applicant(s):
Daikin Industries Ltd.
Umeda Center Building 4-12 Nakazaki-Nishi 2-chome Kita-Ku
Osaka-shi Osaka-fu Japan
(72) Name(s) of Designer(s): **Kouichirou Seki**
(45) Registration Date: **14 July 2008**
(30) Convention priority data:
(31) Number (32) Date (33) Country
2008-001189 23 Jan 2008 JAPAN
(56) Related Art Documents: **Not Applicable**
(57) Statement of Newness and Distinctiveness: **Nil**



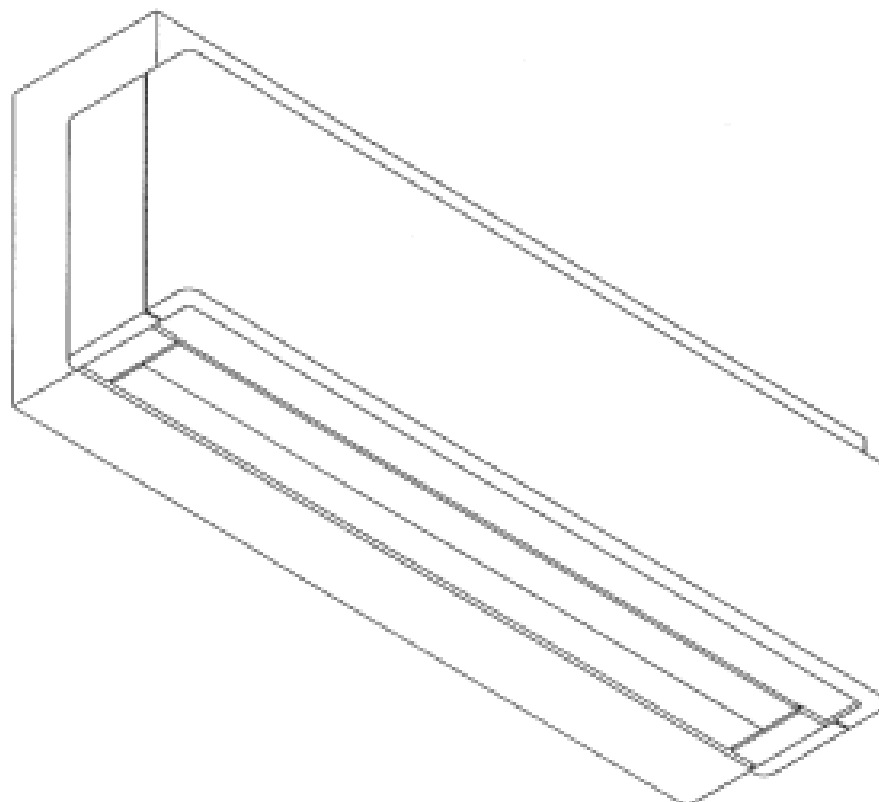
(21) Design Number: **11251/2008**
(22) Date of Filing Application: **14 March 2008**
(24) Date from which industrial property rights may have effect: **14 March 2008**
(54) Product in respect of which the design is registered: **Air-conditioner**
(51) International Design Classification: **23-04**
(71) Name(s) and Address(s) of Applicant(s):
Daikin Industries Ltd.
Umeda Center Building 4-12 Nakazaki-Nishi 2-chome Kita-Ku
Osaka-shi Osaka-fu Japan
(72) Name(s) of Designer(s): **Kouichirou Seki**
(45) Registration Date: **14 July 2008**
(30) Convention priority data:
(31) Number (32) Date (33) Country
2008-001191 23 Jan 2008 JAPAN
(56) Related Art Documents: **Not Applicable**
(57) Statement of Newness and Distinctiveness: **Nil**



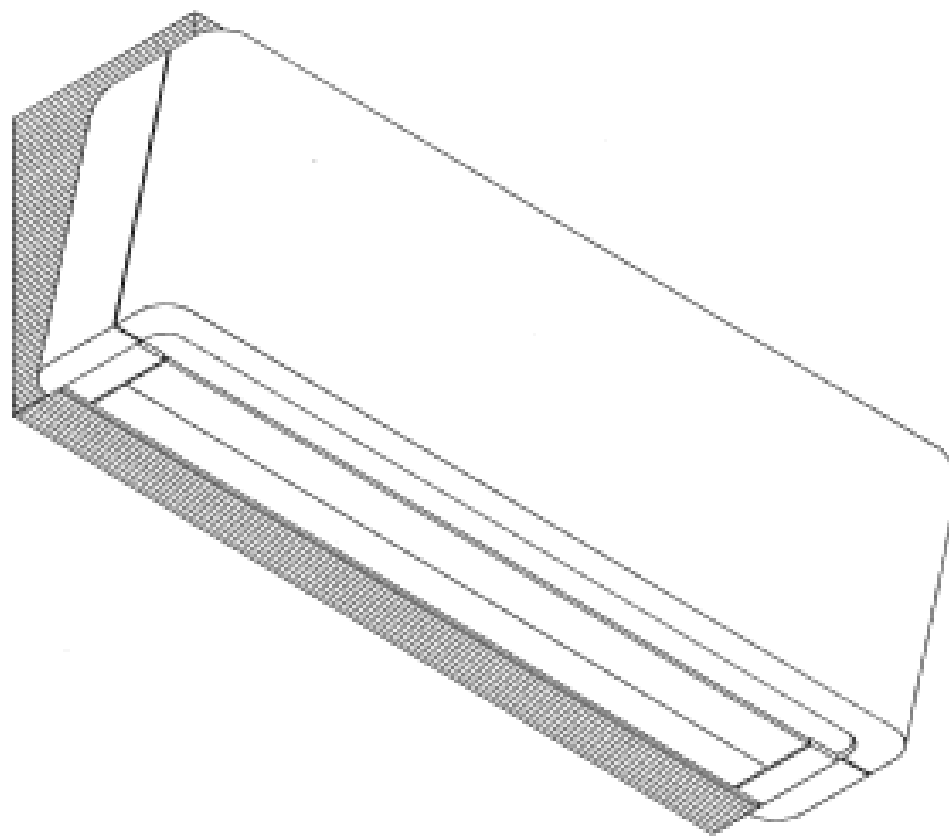
- (21) Design Number: **11252/2008**
(22) Date of Filing Application: **14 March 2008**
(24) Date from which industrial property rights may have effect: **14 March 2008**
(54) Product in respect of which the design is registered: **Air-conditioner**
(51) International Design Classification: **23-04**
(71) Name(s) and Address(s) of Applicant(s):
Daikin Industries Ltd.
Umeda Center Building 4-12 Nakazaki-Nishi 2-chome Kita-Ku
Osaka-shi Osaka-fu Japan
(72) Name(s) of Designer(s): **Kouichirou Seki**
(45) Registration Date: **14 July 2008**
(56) Related Art Documents: **Not Applicable**
(57) Statement of Newness and Distinctiveness: **Nil**



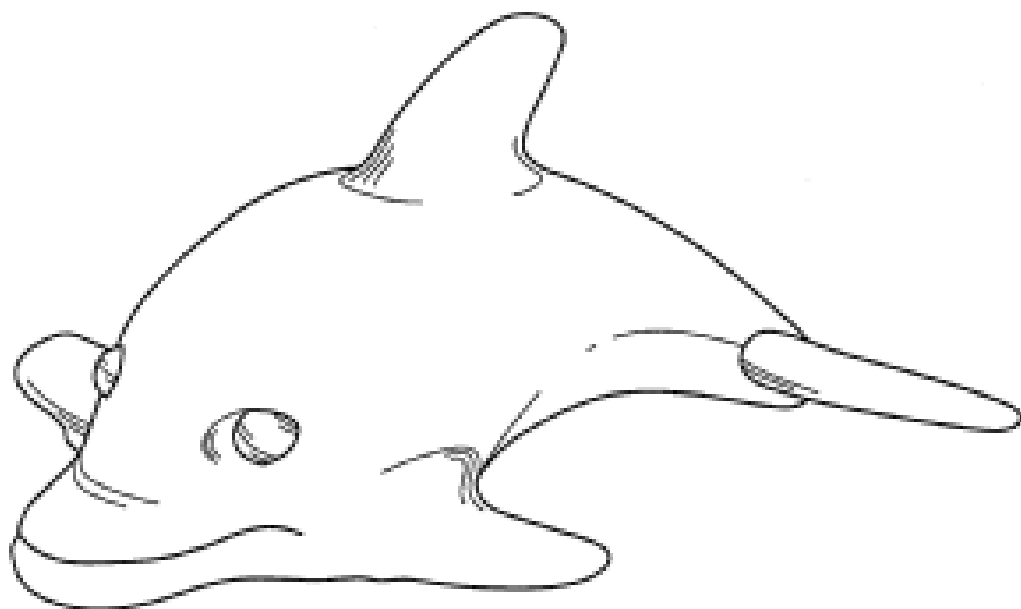
- (21) Design Number: **11253/2008**
(22) Date of Filing Application: **14 March 2008**
(24) Date from which industrial property rights may have effect: **14 March 2008**
(54) Product in respect of which the design is registered: **Air-conditioner**
(51) International Design Classification: **23-04**
(71) Name(s) and Address(s) of Applicant(s):
Daikin Industries Ltd.
Umeda Center Building 4-12 Nakazaki-Nishi 2-chome Kita-Ku
Osaka-shi Osaka-fu Japan
(72) Name(s) of Designer(s): **Kouichirou Seki**
(45) Registration Date: **14 July 2008**
(56) Related Art Documents: **Not Applicable**
(57) Statement of Newness and Distinctiveness: **Nil**



- (21) Design Number: **11254/2008**
(22) Date of Filing Application: **14 March 2008**
(24) Date from which industrial property rights may have effect: **14 March 2008**
(54) Product in respect of which the design is registered: **Air-conditioner**
(51) International Design Classification: **23-04**
(71) Name(s) and Address(s) of Applicant(s):
Daikin Industries Ltd.
Umeda Center Building 4-12 Nakazaki-Nishi 2-chome Kita-Ku
Osaka-shi Osaka-fu Japan
(72) Name(s) of Designer(s): **Kouichirou Seki**
(45) Registration Date: **14 July 2008**
(56) Related Art Documents: **Not Applicable**
(57) Statement of Newness and Distinctiveness: **Nil**



- (21) Design Number: **11255/2008**
(22) Date of Filing Application: **14 March 2008**
(24) Date from which industrial property rights may have effect: **14 March 2008**
(54) Product in respect of which the design is registered: **Keylight**
(51) International Design Classification: **26-05NES**
(71) Name(s) and Address(s) of Applicant(s):
Kikkerland Design, Inc.
423-427 West 127th Street New York New York 10027 United States of
America
(72) Name(s) of Designer(s): **Jan van der Lande**
(45) Registration Date: **14 July 2008**
(56) Related Art Documents: **Not Applicable**
(57) Statement of Newness and Distinctiveness: **Newness and distinctiveness resides in the visual features of the dolphin shaped keylight depicted in the representations. Shading lines shown in the representations are for illustrative purposes to highlight the design shape of the three dimensional product.**



(21) Design Number: **11257/2008**

(22) Date of Filing Application: **14 March 2008**

(24) Date from which industrial property rights may have effect: **14 March 2008**

(54) Product in respect of which the design is registered: **A toilet suite**

(51) International Design Classification: **23-02C**

(71) Name(s) and Address(s) of Applicant(s):

**Xinle Bathroom Products (Foshan) Co., Ltd.
Ying Bathroom Products H/Q Bld Laichang Gang Shiwan Chancheng
District Foshan City 528031 Guangdong Province China**

(72) Name(s) of Designer(s): **Dingguo Li and Hongchen Xu**

(45) Registration Date: **14 July 2008**

(56) Related Art Documents: **Not Applicable**

(57) Statement of Newness and Distinctiveness: **Newness and distinctiveness is claimed in the features of shape and/configuration of a toilet suite as illustrated in the accompanying representations.**



(21) Design Number: **11704/2008**

(22) Date of Filing Application: **10 April 2008**

(24) Date from which industrial property rights may have effect: **10 April 2008**

(54) Product in respect of which the design is registered: **Mobile phone**

(51) International Design Classification: **14-03E**

(71) Name(s) and Address(s) of Applicant(s):

**Samsung Electronics Co., Ltd.
416 Maetan-dong Yeongtong-gu Suwon-si Gyeonggi-do 443-742
Republic of Korea**

(72) Name(s) of Designer(s): **Jong-Yun Jeoung and Nam-Mi Kim**

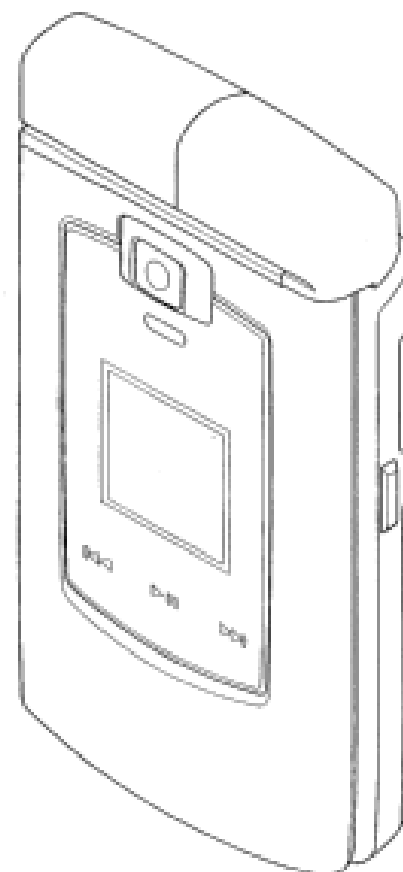
(45) Registration Date: **14 July 2008**

(30) Convention priority data:

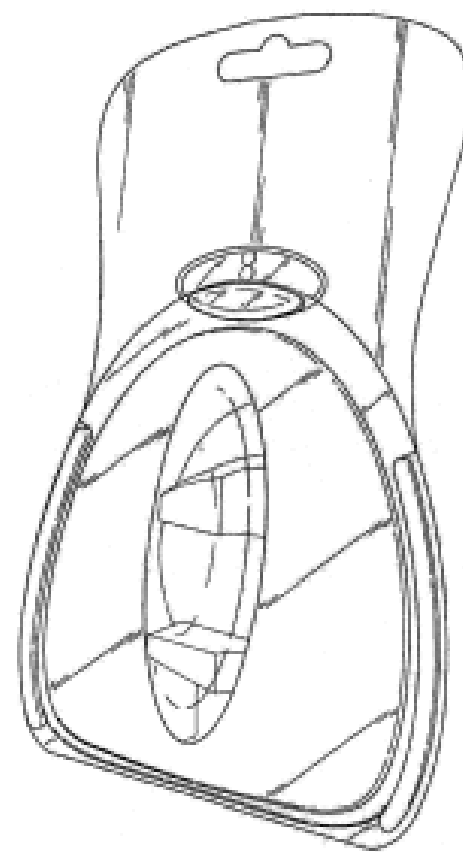
(31) Number	(32) Date	(33) Country
30-2007-0051864	14 Dec 2007	REPUBLIC OF KOREA

(56) Related Art Documents: **Not Applicable**

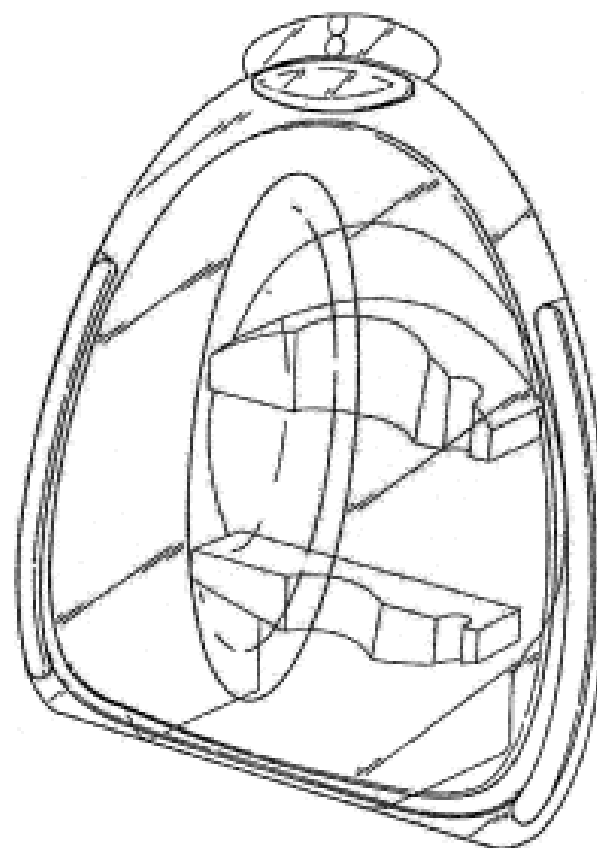
(57) Statement of Newness and Distinctiveness: **Nil**



- (21) Design Number: **12767/2008**
(22) Date of Filing Application: **10 June 2008**
(24) Date from which industrial property rights may have effect: **10 June 2008**
(54) Product in respect of which the design is registered: **Packaging for cosmetic products**
(51) International Design Classification: **09-05**
(71) Name(s) and Address(s) of Applicant(s):
Reckitt Benckiser (UK) Limited
103-105 Bath Road Slough Berkshire SL1 3UH United Kingdom
(72) Name(s) of Designer(s): **Jean Francois L'Hoste and Chris Padain and Will Maskell and Julian Sellers**
(45) Registration Date: **14 July 2008**
(30) Convention priority data:
(31) Number (32) Date (33) Country
000846902-0001 20 Dec 2007 EUROPEAN COMMUNITY
(56) Related Art Documents: **Not Applicable**
(57) Statement of Newness and Distinctiveness: **Newness and distinctiveness reside in the features of the design as shown in the representations.**



- (21) Design Number: **12768/2008**
(22) Date of Filing Application: **10 June 2008**
(24) Date from which industrial property rights may have effect: **10 June 2008**
(54) Product in respect of which the design is registered: **Packaging for cosmetic products**
(51) International Design Classification: **09-05**
(71) Name(s) and Address(s) of Applicant(s):
Reckitt Benckiser (UK) Limited
103-105 Bath Road Slough Berkshire SL1 3UH United Kingdom
(72) Name(s) of Designer(s): **Jean Francois L'Hoste and Chris Padain and Will Maskell and Julian Sellers**
(45) Registration Date: **14 July 2008**
(30) Convention priority data:
(31) Number (32) Date (33) Country
000846902-0002 20 Dec 2007 EUROPEAN COMMUNITY
(56) Related Art Documents: **Not Applicable**
(57) Statement of Newness and Distinctiveness: **Newness and distinctiveness reside in the features of the design as shown in the representations.**



(21) Design Number: **12769/2008**

(22) Date of Filing Application: **10 June 2008**

(24) Date from which industrial property rights may have effect: **10 June 2008**

(54) Product in respect of which the design is registered: **Container**

(51) International Design Classification: **09-01K**

(71) Name(s) and Address(s) of Applicant(s):

Colgate-Palmolive Company
300 Park Avenue New York New York 10022 United States of America

(72) Name(s) of Designer(s): **Christopher M. Bradley and John Jamieson and Jeffrey Tilley and John C. Crawford**

(45) Registration Date: **14 July 2008**

(30) Convention priority data:

(31) Number	(32) Date	(33) Country
29/302102	10 Jan 2008	UNITED STATES OF AMERICA

(56) Related Art Documents: **Not Applicable**

(57) Statement of Newness and Distinctiveness: **Newness and distinctiveness reside in the features of the design shown in solid lines in the representations excluding those features shown in broken lines.**



(21) Design Number: **12801/2008**

(22) Date of Filing Application: **11 June 2008**

(24) Date from which industrial property rights may have effect: **11 June 2008**

(54) Product in respect of which the design is registered: **Audio case**

(51) International Design Classification: **03-01NES, 14-03A**

(71) Name(s) and Address(s) of Applicant(s):

Sony Ericsson Mobile Communications AB
Nya Vattentorget SE 221 88 Lund Sweden

(72) Name(s) of Designer(s): **Linda Lissola and Mathias Walter**

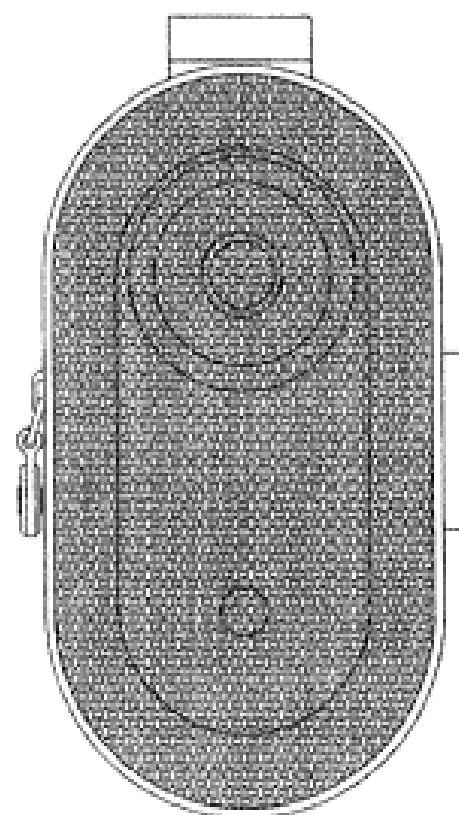
(45) Registration Date: **14 July 2008**

(30) Convention priority data:

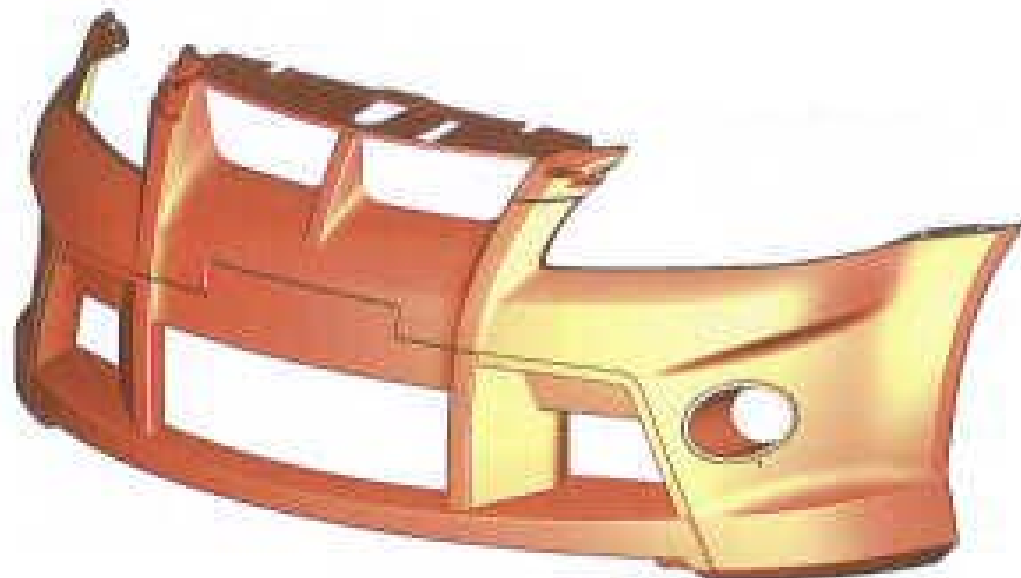
(31) Number	(32) Date	(33) Country
000841986-0004	13 Dec 2007	EUROPEAN COMMUNITY

(56) Related Art Documents: **Not Applicable**

(57) Statement of Newness and Distinctiveness: **Nil**



(21) Design Number: **19580/2007**
(22) Date of Filing Application: **28 August 2007**
(24) Date from which industrial property rights may have effect: **28 August 2007**
(54) Product in respect of which the design is registered: **Vehicle fascia**
(51) International Design Classification: **12-16B**
(71) Name(s) and Address(s) of Applicant(s):
GM Global Technology Operations, Inc.
300 Renaissance Center Detroit Michigan 48265-3000 United States of America
(72) Name(s) of Designer(s): **Julian Quincey**
(45) Registration Date: **09 July 2008**
(56) Related Art Documents: **Not Applicable**
(57) Statement of Newness and Distinctiveness: **Newness and distinctiveness is claimed in the shape and/or configuration of a vehicle fascia as shown in the accompanying representations.**



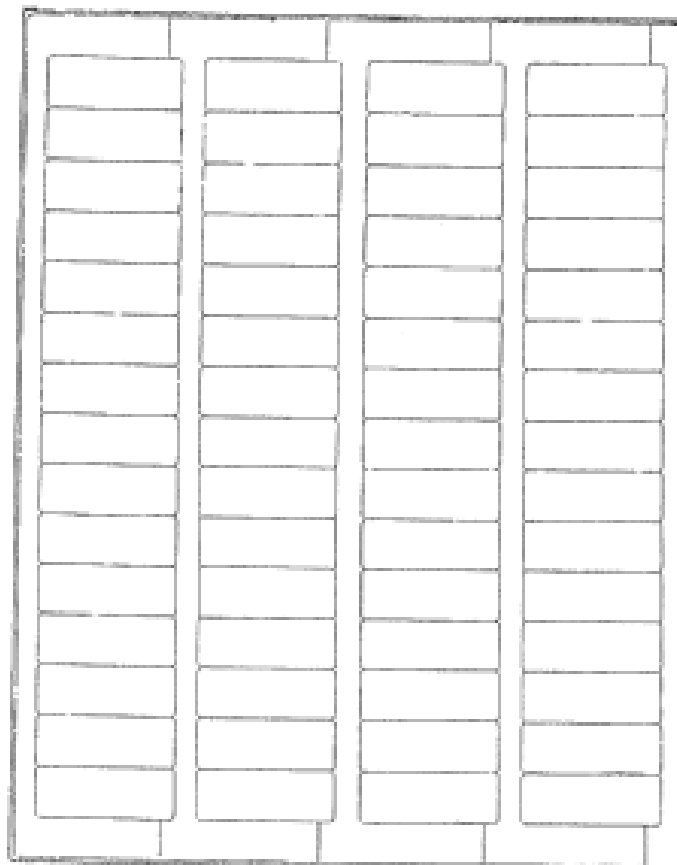
(21) Design Number: **19581/2007**
(22) Date of Filing Application: **28 August 2007**
(24) Date from which industrial property rights may have effect: **28 August 2007**
(54) Product in respect of which the design is registered: **Vehicle spoiler**
(51) International Design Classification: **12-16B**
(71) Name(s) and Address(s) of Applicant(s):
GM Global Technology Operations, Inc
300 Renaissance Center Detroit Michigan 48265-3000 United States of America
(72) Name(s) of Designer(s): **Julian Quincey**
(45) Registration Date: **09 July 2008**
(56) Related Art Documents: **Not Applicable**
(57) Statement of Newness and Distinctiveness: **Newness and distinctiveness is claimed in the shape and/or configuration of a vehicle spoiler as shown in the accompanying representations.**



(19) AU

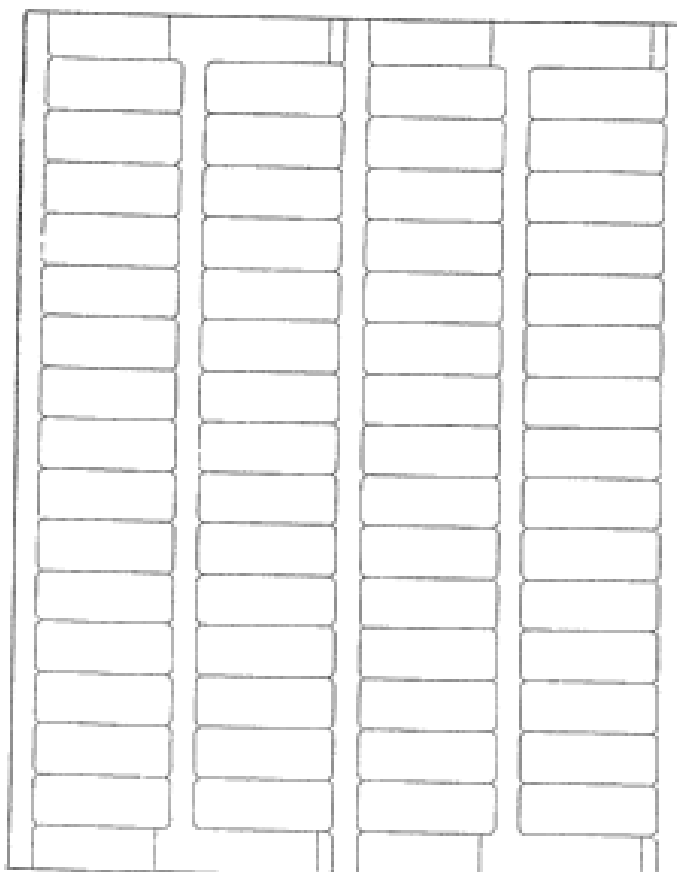
- (21) Design Number: **10113/2008**
- (22) Date of Filing Application: **10 January 2008**
- (24) Date from which industrial property rights may have effect: **10 January 2008**
- (54) Product in respect of which the design is registered: **Larger desktop-printable return address label sheet**
- (51) International Design Classification: **19-08**
- (71) Name(s) and Address(s) of Applicant(s):
Avery Dennison Corporation
150 N. Orange Grove Blvd Law Dept -3 South Pasadena California
91103 United States of America
- (72) Name(s) of Designer(s): **Gildardo Ramirez and Michael R. Hamel and Michelle Canellopoulos and Alan W. Maule and Brenda Dillon**
- (45) Registration Date: **09 July 2008**
- (30) Convention priority data:

(31) Number	(32) Date	(33) Country
29/282062	10 Jul 2007	UNITED STATES OF AMERICA
- (56) Related Art Documents: **Not Applicable**
- (57) Statement of Newness and Distinctiveness: **Nil**

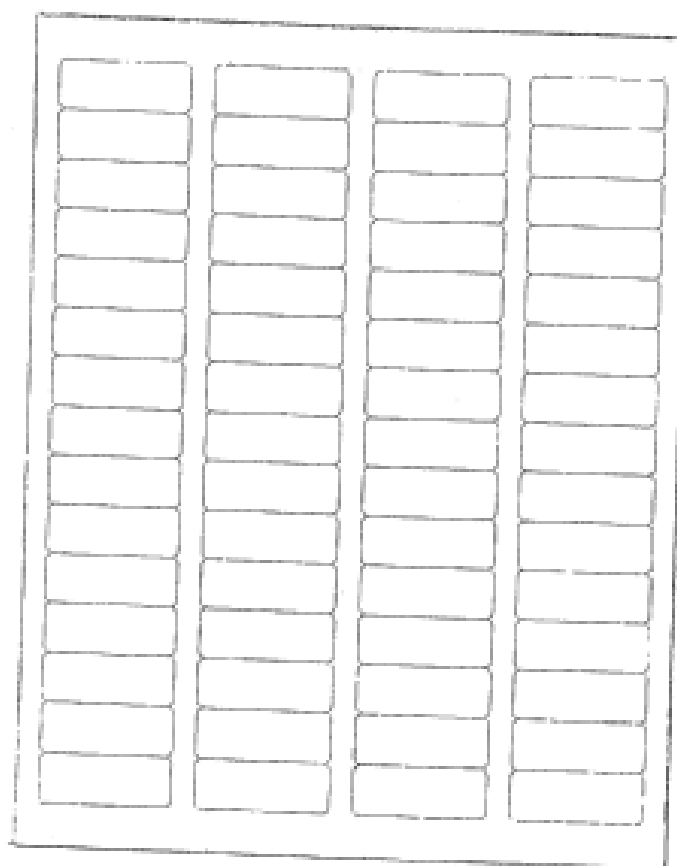


(19) AU

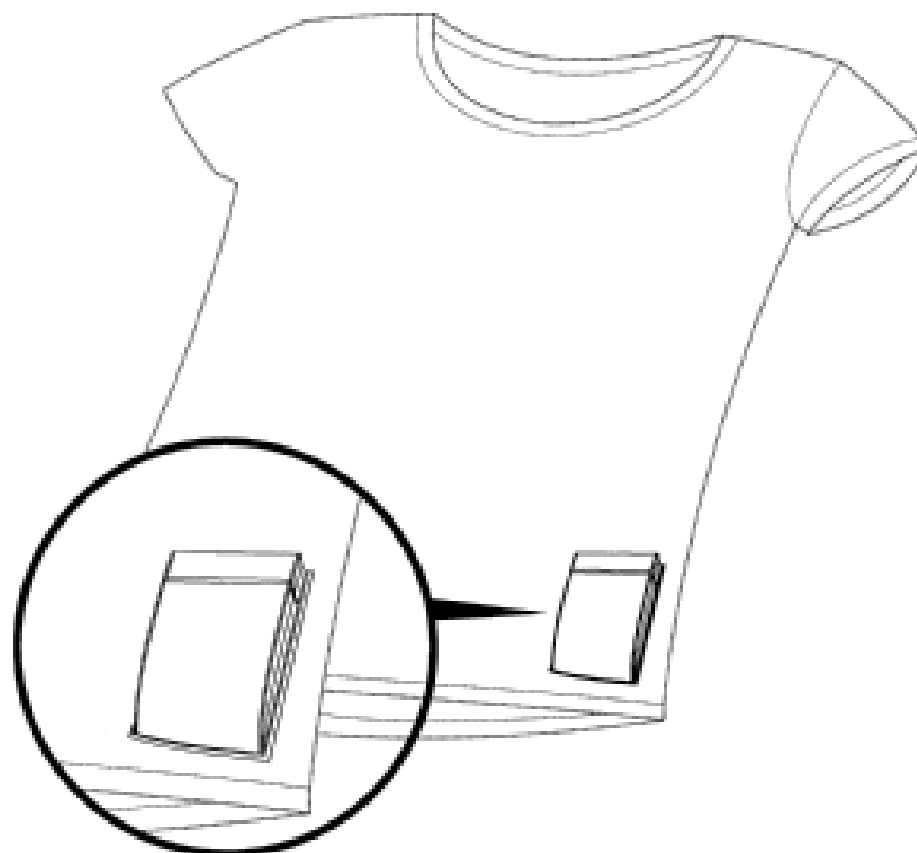
- (21) Design Number: **12423/2008**
- (22) Date of Filing Application: **10 January 2008**
- (24) Date from which industrial property rights may have effect: **10 January 2008**
- (54) Product in respect of which the design is registered: **Larger desktop-printable return address label sheet**
- (51) International Design Classification: **19-08**
- (71) Name(s) and Address(s) of Applicant(s):
Avery Dennison Corporation
150 N. Orange Grove Blvd Law Dept -3 South Pasadena California
91103 United States of America
- (72) Name(s) of Designer(s): **Gildardo Ramirez and Michael R. Hamel and Michelle Canellopoulos and Alan W. Maule and Brenda Dillon**
- (45) Registration Date: **09 July 2008**
- (62) Divisional of: **320196**
- (56) Related Art Documents: **Not Applicable**
- (57) Statement of Newness and Distinctiveness: **Nil**



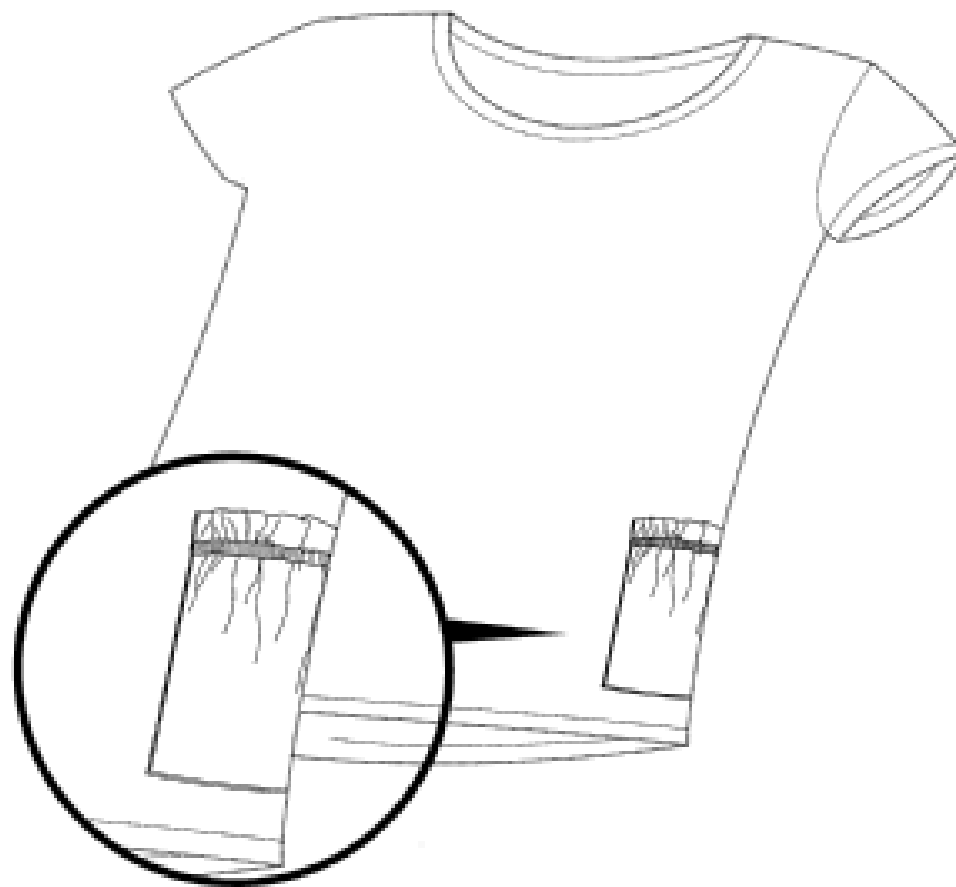
- (21) Design Number: **12424/2008**
- (22) Date of Filing Application: **10 January 2008**
- (24) Date from which industrial property rights may have effect: **10 January 2008**
- (54) Product in respect of which the design is registered: **Larger desktop-printable return address label sheet**
- (51) International Design Classification: **19-08**
- (71) Name(s) and Address(s) of Applicant(s):
Avery Dennison Corporation
150 N. Orange Grove Blvd Law Dept -3 South Pasadena California
91103 United States of America
- (72) Name(s) of Designer(s): **Gildardo Ramirez and Michael R. Hamel and Michelle Canellopoulos and Alan W. Maule and Brenda Dillon**
- (45) Registration Date: **09 July 2008**
- (62) Divisional of: **320196**
- (56) Related Art Documents: **Not Applicable**
- (57) Statement of Newness and Distinctiveness: **Nil**



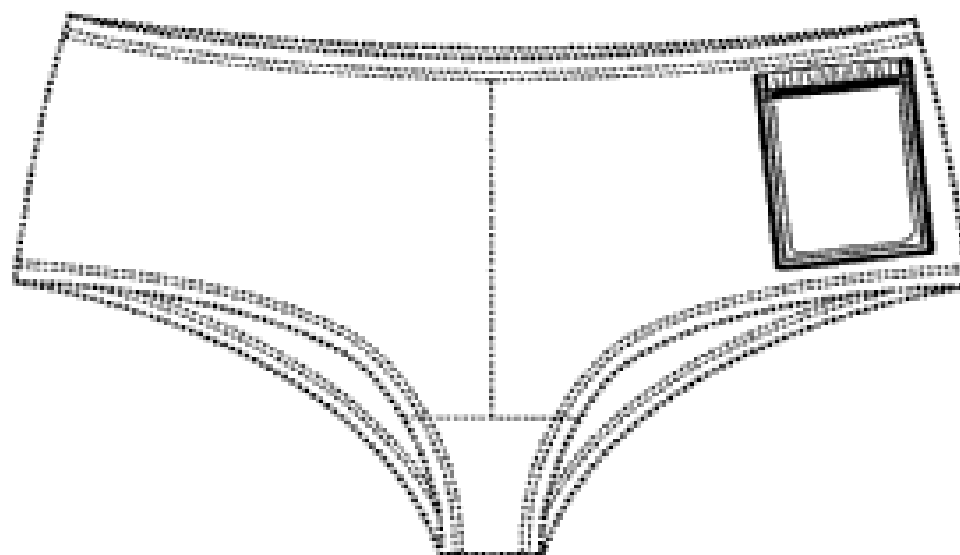
- (21) Design Number: **10776/2008**
- (22) Date of Filing Application: **20 February 2008**
- (24) Date from which industrial property rights may have effect: **20 February 2008**
- (54) Product in respect of which the design is registered: **Pocket**
- (51) International Design Classification: **02-02B**
- (71) Name(s) and Address(s) of Applicant(s):
Mobileworld Communications Pty Ltd
Level 1 251 City Road South Melbourne Victoria 3205 Australia
- (72) Name(s) of Designer(s): **Steve Mamet**
- (45) Registration Date: **09 July 2008**
- (56) Related Art Documents: **Not Applicable**
- (57) Statement of Newness and Distinctiveness: **The applicant claims as being new and distinctive the shape and configuration of the pocket positioned on the lower left hand side of the garment, as shown by the solid lines appearing on the representation.**



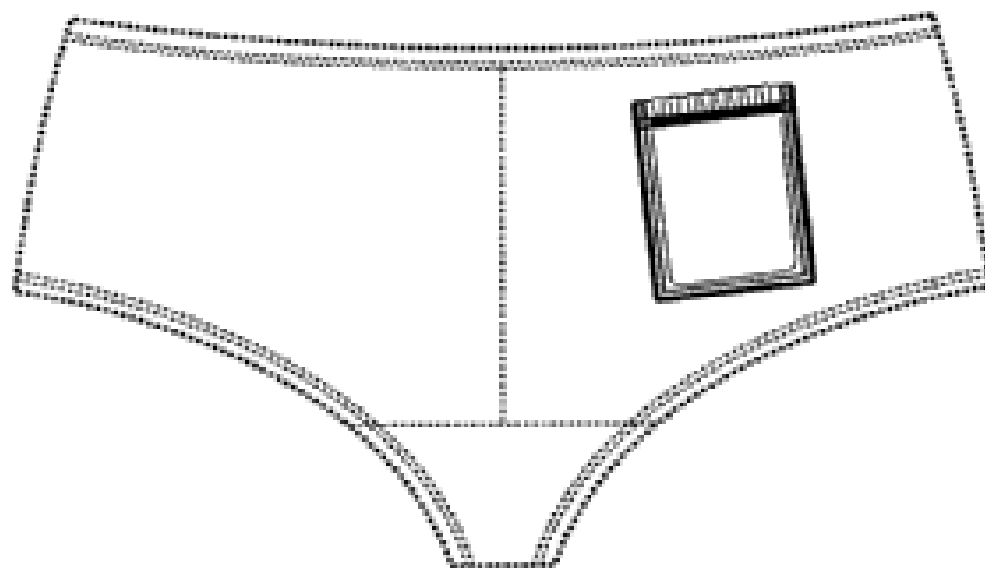
- (21) Design Number: **10777/2008**
(22) Date of Filing Application: **20 February 2008**
(24) Date from which industrial property rights may have effect: **20 February 2008**
(54) Product in respect of which the design is registered: **Pocket**
(51) International Design Classification: **02-02B**
(71) Name(s) and Address(s) of Applicant(s):
Mobileworld Communications Pty Ltd
Level 1 251 City Road South Melbourne Victoria 3205 Australia
(72) Name(s) of Designer(s): **Steve Mamet**
(45) Registration Date: **09 July 2008**
(56) Related Art Documents: **Not Applicable**
(57) Statement of Newness and Distinctiveness: **The applicant claims as being new and distinctive the shape and configuration of the pocket positioned on the lower left hand side of the garment, as shown by the solid lines appearing on the representation.**



- (21) Design Number: **10778/2008**
(22) Date of Filing Application: **20 February 2008**
(24) Date from which industrial property rights may have effect: **20 February 2008**
(54) Product in respect of which the design is registered: **Pocket**
(51) International Design Classification: **02-02B**
(71) Name(s) and Address(s) of Applicant(s):
Mobileworld Communications Pty Ltd
Level 1 251 City Road South Melbourne Victoria 3205 Australia
(72) Name(s) of Designer(s): **Steve Mamet**
(45) Registration Date: **09 July 2008**
(56) Related Art Documents: **Not Applicable**
(57) Statement of Newness and Distinctiveness: **The applicant claims as being new and distinctive the shape and configuration of the pocket positioned on the far left hand side of the front of the garment, as shown by the solid lines appearing on the representation.**



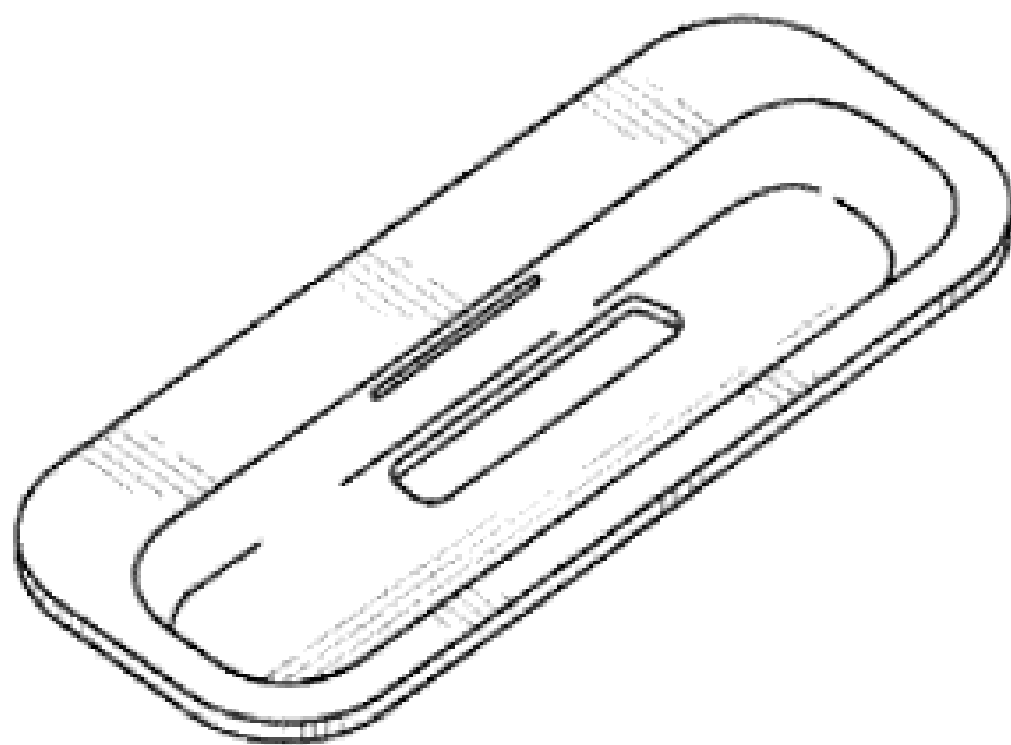
- (21) Design Number: **10779/2008**
(22) Date of Filing Application: **20 February 2008**
(24) Date from which industrial property rights may have effect: **20 February 2008**
(54) Product in respect of which the design is registered: **Pocket**
(51) International Design Classification: **02-02B**
(71) Name(s) and Address(s) of Applicant(s):
Mobileworld Communications Pty Ltd
Level 1 251 City Road South Melbourne Victoria 3205 Australia
(72) Name(s) of Designer(s): **Steve Mamet**
(45) Registration Date: **09 July 2008**
(56) Related Art Documents: **Not Applicable**
(57) Statement of Newness and Distinctiveness: **The applicant claims as being new and distinctive the shape and configuration of the pocket positioned on the left hand side of the back of the garment, as shown by the solid lines appearing on the representation.**



- (21) Design Number: **11096/2008**
(22) Date of Filing Application: **05 March 2008**
(24) Date from which industrial property rights may have effect: **05 March 2008**
(54) Product in respect of which the design is registered: **Dock insert**
(51) International Design Classification: **14-01, 14-02, 14-03A, 13-02**
(71) Name(s) and Address(s) of Applicant(s):
Apple Inc.
1 Infinite Loop Cupertino California 95014 United States of America
(72) Name(s) of Designer(s): **Bartley K. Andre and Daniel J. Coster and Daniele De Iullis and Richard P. Howarth and Jonathan P. Ive and Duncan Robert Kerr and Shin Nishibori and Matthew Dean Rohrbach and Peter Russell-Clarke and Douglas B. Satzger and Calvin Q. Seid and Christopher J. Stringer and Eugene Antony Whang and Rico Zorkendorfer**
(45) Registration Date: **09 July 2008**
(30) Convention priority data:
(31) Number (32) Date (33) Country
29/284345 05 Sep 2007 UNITED STATES OF AMERICA
(56) Related Art Documents: **Not Applicable**
(57) Statement of Newness and Distinctiveness: **Newness and distinctiveness of the design as applied to a dock insert lies in the shape and/or configuration and texture and/or colour thereof as shown in the left side view and right side view of the accompanying drawings.**



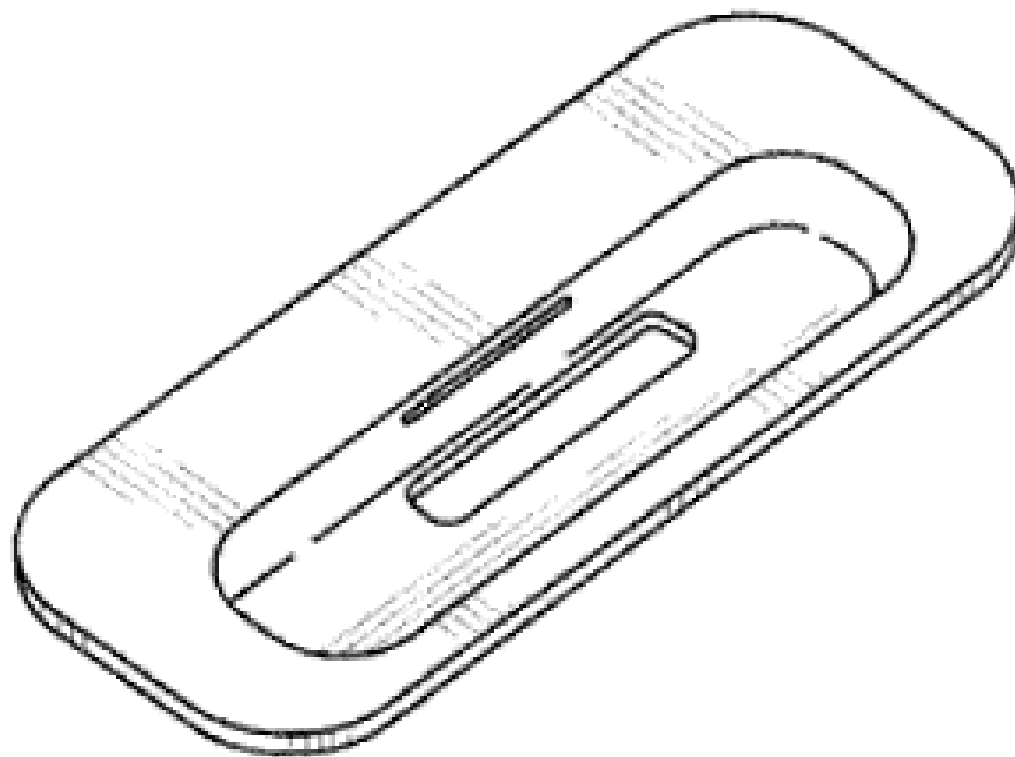
- (21) Design Number: **11097/2008**
(22) Date of Filing Application: **05 March 2008**
(24) Date from which industrial property rights may have effect: **05 March 2008**
(54) Product in respect of which the design is registered: **Dock insert**
(51) International Design Classification: **14-01, 14-02, 14-03A, 13-02**
(71) Name(s) and Address(s) of Applicant(s):
Apple Inc.
1 Infinite Loop Cupertino California 95014 United States of America
(72) Name(s) of Designer(s): **Bartley K. Andre and Daniel J. Coster and Daniele De Iuliis and Richard P. Howarth and Jonathan P. Ive and Duncan Robert Kerr and Shin Nishibori and Matthew Dean Rohrbach and Peter Russell-Clarke and Douglas B. Satzger and Calvin Q. Seid and Christopher J. Stringer and Eugene Antony Whang and Rico Zorkendorfer**
(45) Registration Date: **09 July 2008**
(30) Convention priority data:
(31) Number (32) Date (33) Country
29/284345 05 Sep 2007 UNITED STATES OF AMERICA
(56) Related Art Documents: **Not Applicable**
(57) Statement of Newness and Distinctiveness: **Newness and distinctiveness of the design as applied to a dock insert lies in the shape and/or configuration thereof as shown in the left side view and right side view of the accompanying drawings.**



- (21) Design Number: **11098/2008**
(22) Date of Filing Application: **05 March 2008**
(24) Date from which industrial property rights may have effect: **05 March 2008**
(54) Product in respect of which the design is registered: **Dock insert**
(51) International Design Classification: **14-01, 14-02, 14-03A, 13-02**
(71) Name(s) and Address(s) of Applicant(s):
Apple Inc.
1 Infinite Loop Cupertino California 95014 United States of America
(72) Name(s) of Designer(s): **Bartley K. Andre and Daniel J. Coster and Daniele De Iuliis and Richard P. Howarth and Jonathan P. Ive and Duncan Robert Kerr and Shin Nishibori and Matthew Dean Rohrbach and Peter Russell-Clarke and Douglas B. Satzger and Calvin Q. Seid and Christopher J. Stringer and Eugene Antony Whang and Rico Zorkendorfer**
(45) Registration Date: **09 July 2008**
(30) Convention priority data:
(31) Number (32) Date (33) Country
29/284345 05 Sep 2007 UNITED STATES OF AMERICA
(56) Related Art Documents: **Not Applicable**
(57) Statement of Newness and Distinctiveness: **Newness and distinctiveness of the design as applied to a dock insert lies in the shape and/or configuration and texture and/or colour thereof as shown in the accompanying drawings.**



- (21) Design Number: **11099/2008**
(22) Date of Filing Application: **05 March 2008**
(24) Date from which industrial property rights may have effect: **05 March 2008**
(54) Product in respect of which the design is registered: **Dock insert**
(51) International Design Classification: **14-01, 14-02, 14-03A, 13-02**
(71) Name(s) and Address(s) of Applicant(s):
Apple Inc.
1 Infinite Loop Cupertino California 95014 United States of America
(72) Name(s) of Designer(s): **Bartley K. Andre and Daniel J. Coster and Daniele De Iuliis and Richard P. Howarth and Jonathan P. Ive and Duncan Robert Kerr and Shin Nishibori and Matthew Dean Rohrbach and Peter Russell-Clarke and Douglas B. Satzger and Calvin Q. Seid and Christopher J. Stringer and Eugene Antony Whang and Rico Zorkendorfer**
(45) Registration Date: **09 July 2008**
(30) Convention priority data:
(31) Number (32) Date (33) Country
29/284345 05 Sep 2007 UNITED STATES OF AMERICA
(56) Related Art Documents: **Not Applicable**
(57) Statement of Newness and Distinctiveness: **Newness and distinctiveness of the design as applied to a dock insert lies in the shape and/or configuration thereof as shown in the accompanying drawings.**



- (21) Design Number: **11126/2008**
(22) Date of Filing Application: **06 March 2008**
(24) Date from which industrial property rights may have effect: **06 March 2008**
(54) Product in respect of which the design is registered: **Inhaler with detached lid**
(51) International Design Classification: **24-04**
(71) Name(s) and Address(s) of Applicant(s):
Siegfried Generics International AG
Untere Bruehlstrasse 4 CH-4800 Zofingen Switzerland
(72) Name(s) of Designer(s): **Stefan Mayer**
(45) Registration Date: **09 July 2008**
(30) Convention priority data:
(31) Number (32) Date (33) Country
000788682 12 Sep 2007 EUROPEAN COMMUNITY
(56) Related Art Documents: **Not Applicable**
(57) Statement of Newness and Distinctiveness: **Newness and distinctiveness in the design as applied to an inhaler with a detached lid resides in the pattern and/or ornamentation thereof as illustrated in the accompanying drawings.**



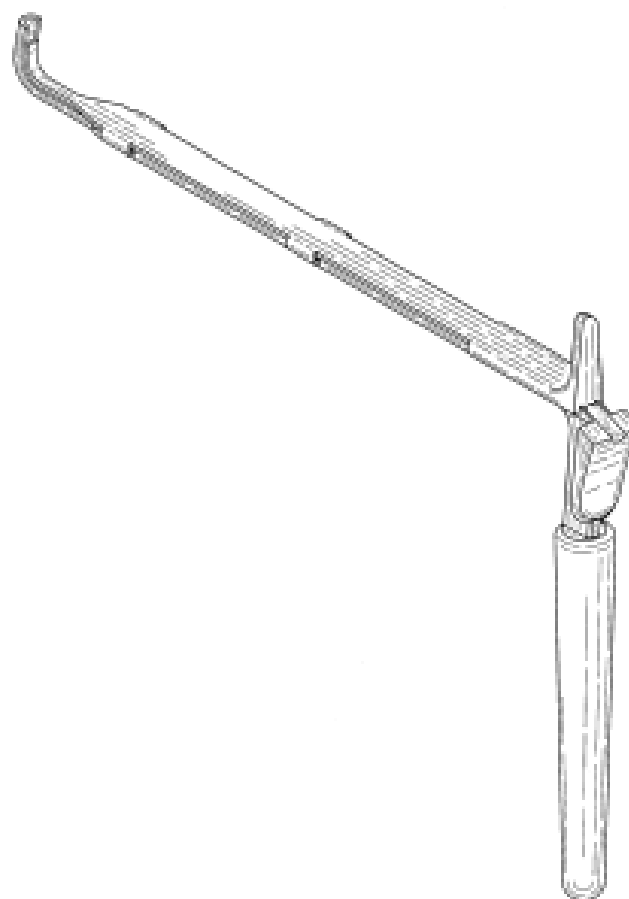
(19) AU

- (21) Design Number: **11129/2008**
(22) Date of Filing Application: **06 March 2008**
(24) Date from which industrial property rights may have effect: **06 March 2008**
(54) Product in respect of which the design is registered: **Inhaler with detached lid**
(51) International Design Classification: **24-04**
(71) Name(s) and Address(s) of Applicant(s):
Siegfried Generics International AG
Untere Bruehlstrasse 4 CH-4800 Zofingen Switzerland
(72) Name(s) of Designer(s): **Stefan Mayer**
(45) Registration Date: **09 July 2008**
(30) Convention priority data:
(31) Number (32) Date (33) Country
000788682 12 Sep 2007 EUROPEAN COMMUNITY
(56) Related Art Documents: **Not Applicable**
(57) Statement of Newness and Distinctiveness: **Newness and distinctiveness in the design as applied to an inhaler with a detached lid resides in the shape and/or configuration thereof as illustrated in the accompanying drawings.**



(19) AU

- (21) Design Number: **11151/2008**
(22) Date of Filing Application: **07 March 2008**
(24) Date from which industrial property rights may have effect: **07 March 2008**
(54) Product in respect of which the design is registered: **Guide conduit for catheter**
(51) International Design Classification: **24-01**
(71) Name(s) and Address(s) of Applicant(s):
Spinal Integration, LLC
6314 Kingspointe Parkway #6 Orlando Florida 32819 United States of America
(72) Name(s) of Designer(s): **Fred H. Geisler**
(45) Registration Date: **09 July 2008**
(56) Related Art Documents: **Not Applicable**
(57) Statement of Newness and Distinctiveness: **Nil**



(21) Design Number: **11153/2008**

(22) Date of Filing Application: **11 March 2008**

(24) Date from which industrial property rights may have effect: **11 March 2008**

(54) Product in respect of which the design is registered: **Mini back pack bag**

(51) International Design Classification: **03-01A**

(71) Name(s) and Address(s) of Applicant(s):

**Kapoochi Australia Pty Ltd
2 Spring Pastures Drive Mapleton Queensland 4560 Australia**

(72) Name(s) of Designer(s): **Lucy Ormsby**

(45) Registration Date: **09 July 2008**

(56) Related Art Documents: **Not Applicable**

(57) Statement of Newness and Distinctiveness: **The main front pocket design is new and distinctive.**



(21) Design Number: **11154/2008**

(22) Date of Filing Application: **11 March 2008**

(24) Date from which industrial property rights may have effect: **11 March 2008**

(54) Product in respect of which the design is registered: **Baby change wallet**

(51) International Design Classification: **03-01NES**

(71) Name(s) and Address(s) of Applicant(s):

**Kapoochi Australia Pty Ltd
2 Spring Pastures Drive Mapleton Queensland 4560 Australia**

(72) Name(s) of Designer(s): **Lucy Ormsby**

(45) Registration Date: **09 July 2008**

(56) Related Art Documents: **Not Applicable**

(57) Statement of Newness and Distinctiveness: **Nil**



(21) Design Number: **11155/2008**

(22) Date of Filing Application: **11 March 2008**

(24) Date from which industrial property rights may have effect: **11 March 2008**

(54) Product in respect of which the design is registered: **Shoulder bag**

(51) International Design Classification: **03-01B**

(71) Name(s) and Address(s) of Applicant(s):

**Kapoochi Australia Pty Ltd
2 Spring Pastures Drive Mapleton Queensland 4560 Australia**

(72) Name(s) of Designer(s): **Lucy Ormsby**

(45) Registration Date: **09 July 2008**

(56) Related Art Documents: **Not Applicable**

(57) Statement of Newness and Distinctiveness: **Two main front pockets are new and distinctive.**



(21) Design Number: **11156/2008**

(22) Date of Filing Application: **11 March 2008**

(24) Date from which industrial property rights may have effect: **11 March 2008**

(54) Product in respect of which the design is registered: **Large handbag with two handles**

(51) International Design Classification: **03-01B**

(71) Name(s) and Address(s) of Applicant(s):

**Kapoochi Australia Pty Ltd
2 Spring Pastures Drive Mapleton Queensland 4560 Australia**

(72) Name(s) of Designer(s): **Lucy Ormsby**

(45) Registration Date: **09 July 2008**

(56) Related Art Documents: **Not Applicable**

(57) Statement of Newness and Distinctiveness: **Two end pockets are new and distinctive.**



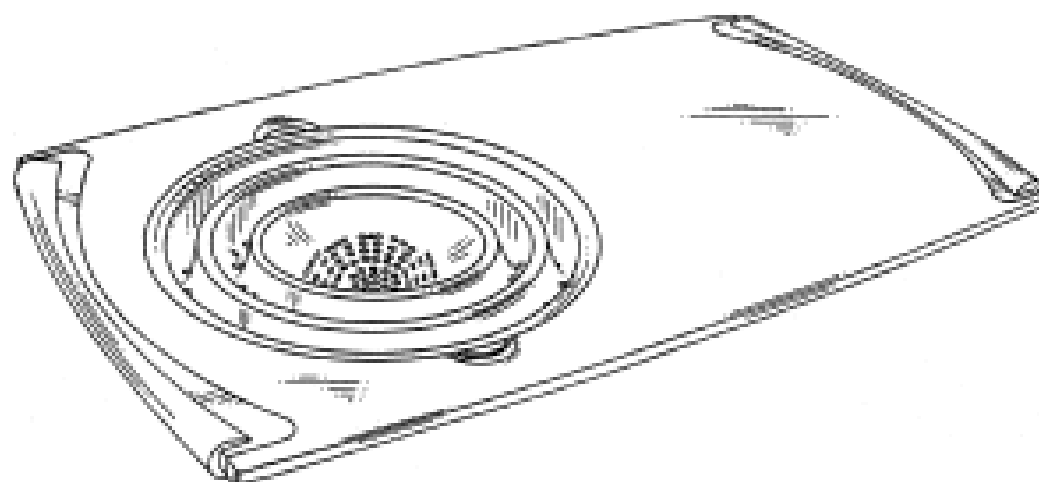
- (21) Design Number: **11279/2008**
- (22) Date of Filing Application: **17 March 2008**
- (24) Date from which industrial property rights may have effect: **17 March 2008**
- (54) Product in respect of which the design is registered: **A handset**
- (51) International Design Classification: **14-03A**
- (71) Name(s) and Address(s) of Applicant(s):
Nokia Corporation
Keilalahdentie 4 FIN-02150 Espoo Finland
- (72) Name(s) of Designer(s): **Pinja Okkonen**
- (45) Registration Date: **09 July 2008**
- (30) Convention priority data:

(31) Number	(32) Date	(33) Country
000790589	17 Sep 2007	EUROPEAN COMMUNITY
- (56) Related Art Documents: **Not Applicable**
- (57) Statement of Newness and Distinctiveness: **Newness and distinctiveness is claimed in the visual features shown in solid lines in the representations.**

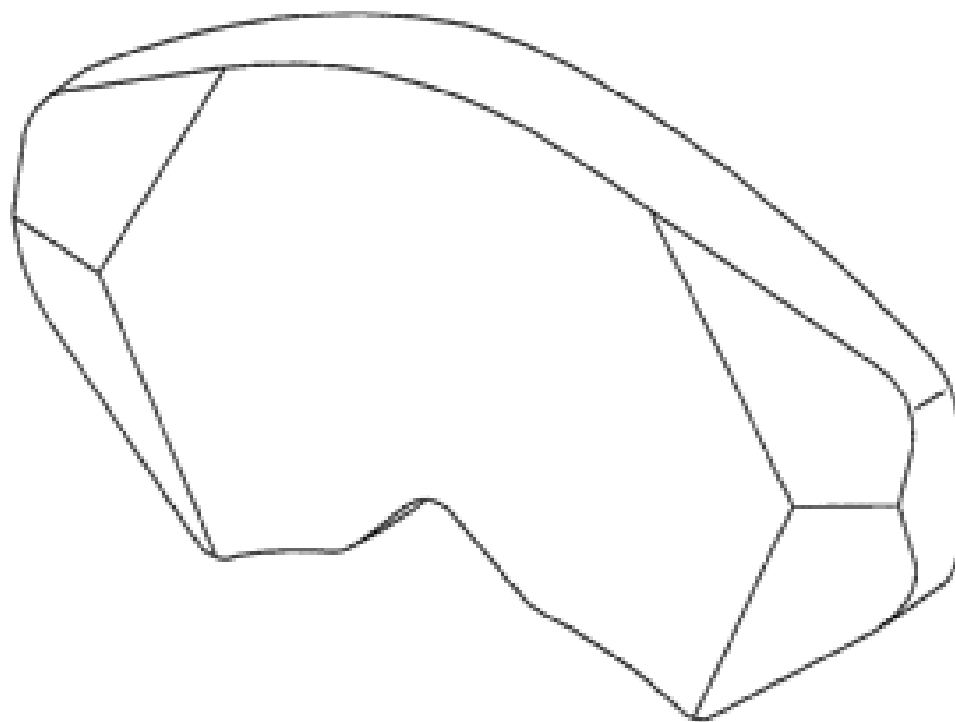


- (21) Design Number: **11285/2008**
- (22) Date of Filing Application: **17 March 2008**
- (24) Date from which industrial property rights may have effect: **17 March 2008**
- (54) Product in respect of which the design is registered: **Cutting board with snap-in pop strainer**
- (51) International Design Classification: **07-04**
- (71) Name(s) and Address(s) of Applicant(s):
Ellis N. Shamoan
2833 Park Bridge Court Dallas Texas 75219 United States of America
- (72) Name(s) of Designer(s): **Ellis N. Shamoan**
- (45) Registration Date: **09 July 2008**
- (30) Convention priority data:

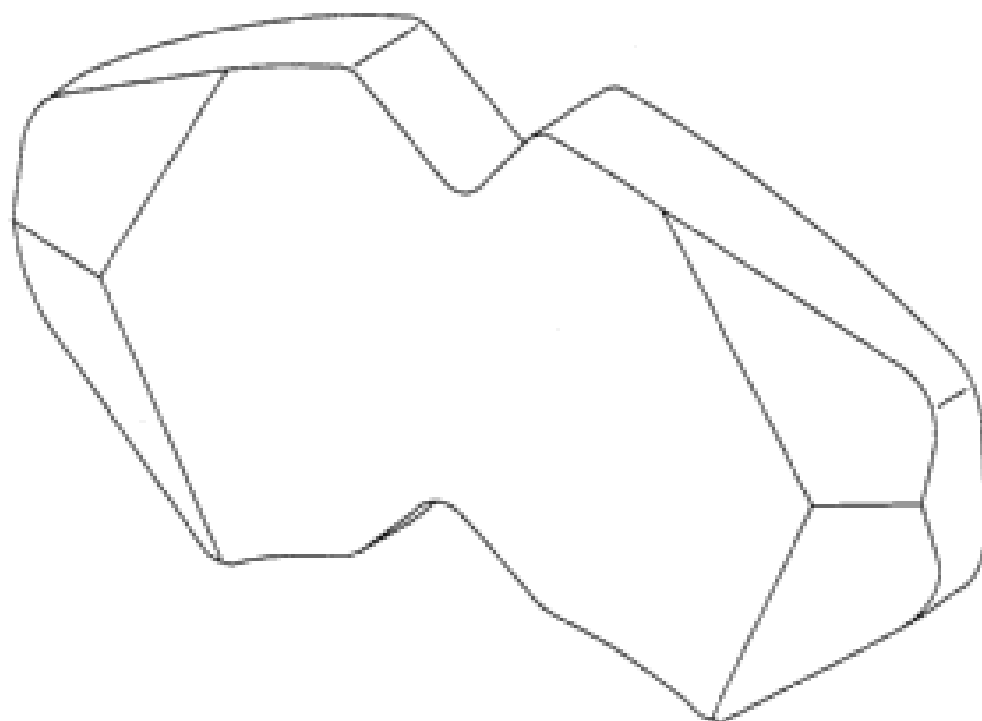
(31) Number	(32) Date	(33) Country
29/284967	19 Sep 2007	UNITED STATES OF AMERICA
- (56) Related Art Documents: **Not Applicable**
- (57) Statement of Newness and Distinctiveness: **Newness and distinctiveness reside in the features of the design as shown in the representations.**



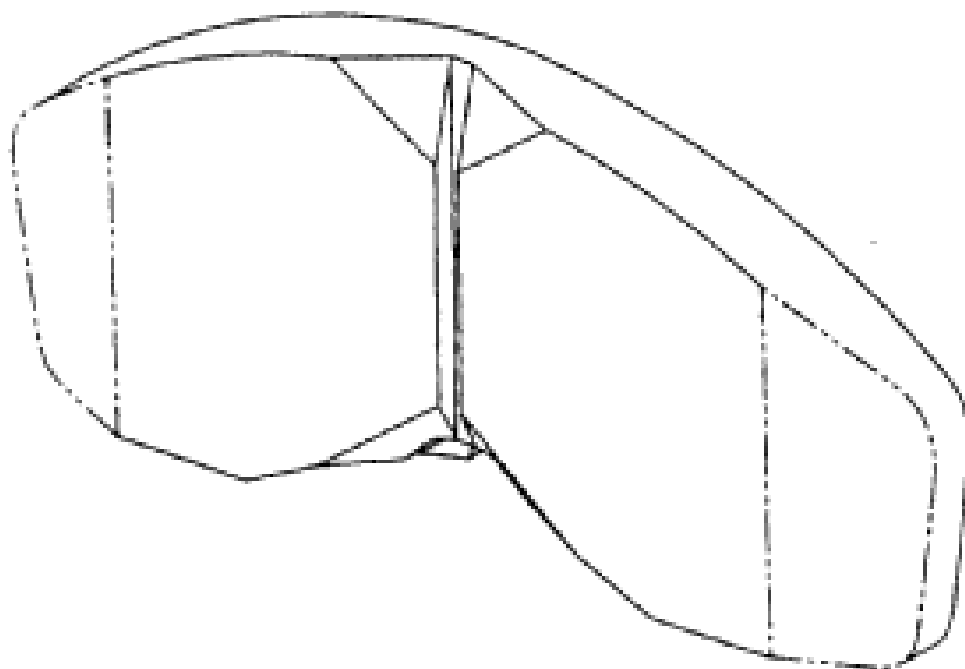
(21) Design Number: **10454/2008**
(22) Date of Filing Application: **01 February 2008**
(24) Date from which industrial property rights may have effect: **01 February 2008**
(54) Product in respect of which the design is registered: **A brake friction pad**
(51) International Design Classification: **12-16M**
(71) Name(s) and Address(s) of Applicant(s):
Federal-Mogul Products, Inc.
26555 Northwestern Highway Southfield Michigan 48033 United States of America
(72) Name(s) of Designer(s): **Weiming Liu and Rodney G. Silvey and Jason Heath Mahan**
(45) Registration Date: **15 July 2008**
(30) Convention priority data:
(31) Number (32) Date (33) Country
29282918 01 Aug 2007 UNITED STATES OF AMERICA
(56) Related Art Documents: **Not Applicable**
(57) Statement of Newness and Distinctiveness: **Nil**



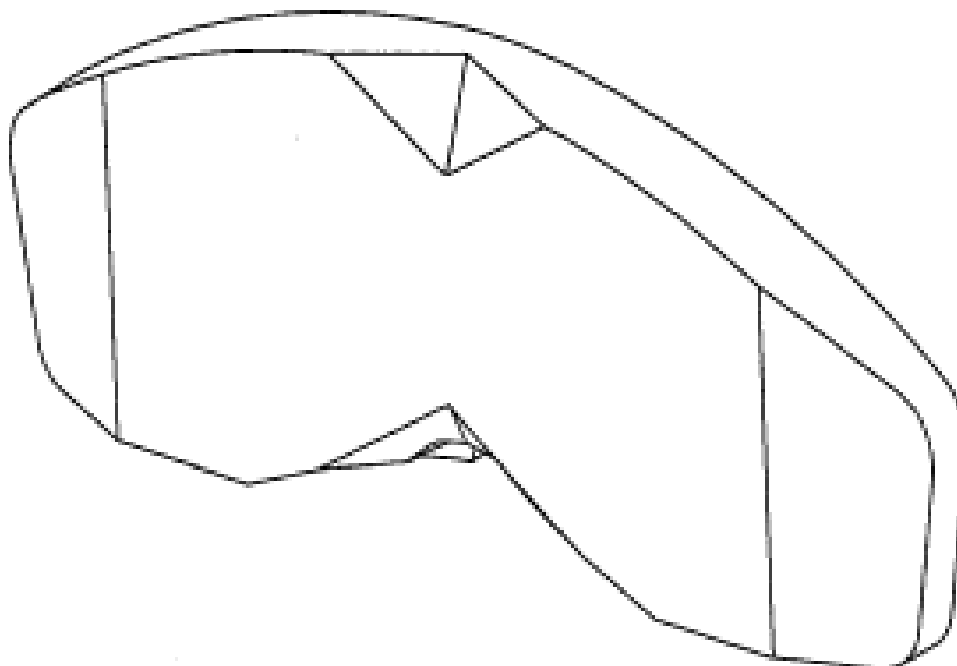
(21) Design Number: **10456/2008**
(22) Date of Filing Application: **01 February 2008**
(24) Date from which industrial property rights may have effect: **01 February 2008**
(54) Product in respect of which the design is registered: **A brake friction pad**
(51) International Design Classification: **12-16M**
(71) Name(s) and Address(s) of Applicant(s):
Federal-Mogul Products, Inc.
26555 Northwestern Highway Southfield Michigan 48033 United States of America
(72) Name(s) of Designer(s): **Weiming Liu and Rodney G. Silvey and Jason Heath Mahan**
(45) Registration Date: **15 July 2008**
(30) Convention priority data:
(31) Number (32) Date (33) Country
29282920 01 Aug 2007 UNITED STATES OF AMERICA
(56) Related Art Documents: **Not Applicable**
(57) Statement of Newness and Distinctiveness: **Nil**



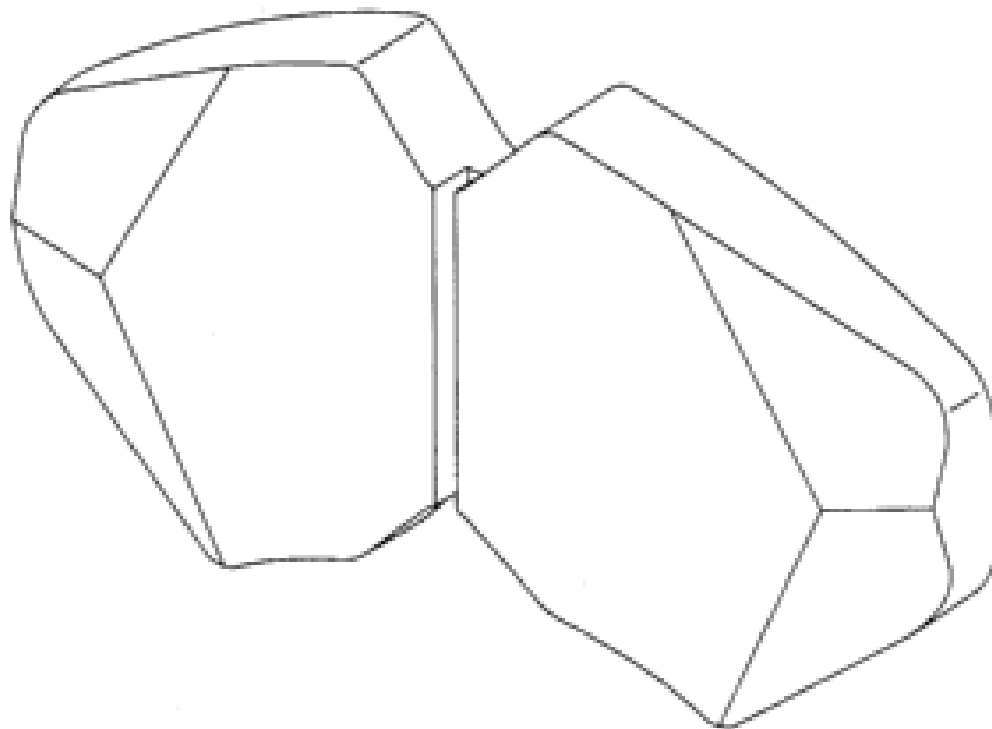
(21) Design Number: **10458/2008**
 (22) Date of Filing Application: **01 February 2008**
 (24) Date from which industrial property rights may have effect: **01 February 2008**
 (54) Product in respect of which the design is registered: **A brake friction pad**
 (51) International Design Classification: **12-16M**
 (71) Name(s) and Address(s) of Applicant(s):
Federal-Mogul Products, Inc.
26555 Northwestern Highway Southfield Michigan 48033 United States of America
 (72) Name(s) of Designer(s): **Weiming Liu and Rodney G. Silvey and Jason Heath Mahan**
 (45) Registration Date: **15 July 2008**
 (30) Convention priority data:
 (31) Number (32) Date (33) Country
29282909 01 Aug 2007 UNITED STATES OF AMERICA
 (56) Related Art Documents: **Not Applicable**
 (57) Statement of Newness and Distinctiveness: **Newness and distinctiveness is claimed in the visual features shown in solid lines in the representations.**



(21) Design Number: **10459/2008**
 (22) Date of Filing Application: **01 February 2008**
 (24) Date from which industrial property rights may have effect: **01 February 2008**
 (54) Product in respect of which the design is registered: **A brake friction pad**
 (51) International Design Classification: **12-16M**
 (71) Name(s) and Address(s) of Applicant(s):
Federal-Mogul Products, Inc.
26555 Northwestern Highway Southfield Michigan 48033 United States of America
 (72) Name(s) of Designer(s): **Weiming Liu and Rodney G. Silvey and Jason Heath Mahan**
 (45) Registration Date: **15 July 2008**
 (30) Convention priority data:
 (31) Number (32) Date (33) Country
29282904 01 Aug 2007 UNITED STATES OF AMERICA
 (56) Related Art Documents: **Not Applicable**
 (57) Statement of Newness and Distinctiveness: **Nil**



- (21) Design Number: **10465/2008**
(22) Date of Filing Application: **01 February 2008**
(24) Date from which industrial property rights may have effect: **01 February 2008**
(54) Product in respect of which the design is registered: **A brake pad**
(51) International Design Classification: **12-16M**
(71) Name(s) and Address(s) of Applicant(s):
Federal-Mogul Products, Inc.
26555 Northwestern Highway Southfield Michigan 48033 United States of America
(72) Name(s) of Designer(s): **Weiming Liu and Rodney G. Silvey and Jason Heath Mahan**
(45) Registration Date: **15 July 2008**
(30) Convention priority data:
(31) Number (32) Date (33) Country
29282921 01 Aug 2007 UNITED STATES OF AMERICA
(56) Related Art Documents: **Not Applicable**
(57) Statement of Newness and Distinctiveness: **Nil**



- (21) Design Number: **11229/2008**
(22) Date of Filing Application: **17 March 2008**
(24) Date from which industrial property rights may have effect: **17 March 2008**
(54) Product in respect of which the design is registered: **Air intake - for Holden Commodore**
(51) International Design Classification: **15-01, 12-16B**
(71) Name(s) and Address(s) of Applicant(s):
Alphonsus James Mullan
2 Nuspan Court Melton Victoria 3337 Australia
(72) Name(s) of Designer(s): **Alphonsus James Mullan**
(45) Registration Date: **15 July 2008**
(56) Related Art Documents: **Not Applicable**
(57) Statement of Newness and Distinctiveness: **Air intake for VE Holden that retains the MAF meter and goes over the radiator - direct airflow path.**



(21) Design Number: **11327/2008**

(22) Date of Filing Application: **18 March 2008**

(24) Date from which industrial property rights may have effect: **18 March 2008**

(54) Product in respect of which the design is registered: **Headphone**

(51) International Design Classification: **14-01**

(71) Name(s) and Address(s) of Applicant(s):

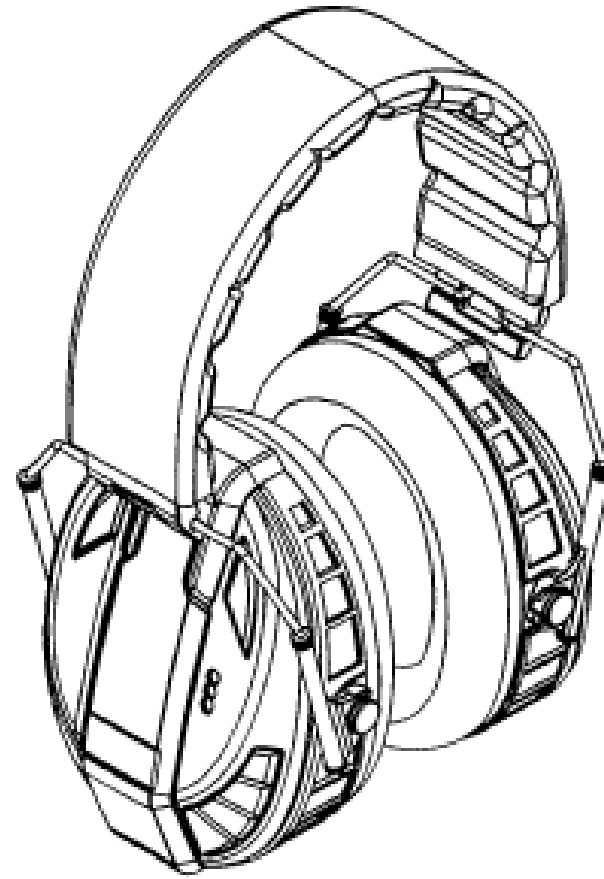
**Eighty Eight Investments Pty Ltd
78 Mills Road Braeside Victoria 3195 Australia**

(72) Name(s) of Designer(s): **Marcus George Ward Curran**

(45) Registration Date: **15 July 2008**

(56) Related Art Documents: **Not Applicable**

(57) Statement of Newness and Distinctiveness: **The shape, configuration, shape and configuration, pattern, ornamentation, pattern and ornamentation of the design are new and distinctive.**



(21) Design Number: **11228/2008**

(22) Date of Filing Application: **17 March 2008**

(24) Date from which industrial property rights may have effect: **17 March 2008**

(54) Product in respect of which the design is registered: **Wild bird feeding tray**

(51) International Design Classification: **30-03**

(71) Name(s) and Address(s) of Applicant(s):

**Michelle Plant
44 Maurita Court Canungra Queensland 4275 Australia**

(72) Name(s) of Designer(s): **Michelle Plant**

(45) Registration Date: **15 July 2008**

(56) Related Art Documents: **Not Applicable**

(57) Statement of Newness and Distinctiveness: **Dble bowl-tray is designed to allow birds to feed from the inner bowl - like a coup cup, and the outer bowl collects waste. The outer tray is wide enough to catch debris. It has been designed to use in the hand, within the bracket or inside a hanging device.**



(21) Design Number: **11329/2008**

(22) Date of Filing Application: **18 March 2008**

(24) Date from which industrial property rights may have effect: **18 March 2008**

(54) Product in respect of which the design is registered: **Extruded brace**

(51) International Design Classification: **25-01K, 08-08L, 08-08NES**

(71) Name(s) and Address(s) of Applicant(s):

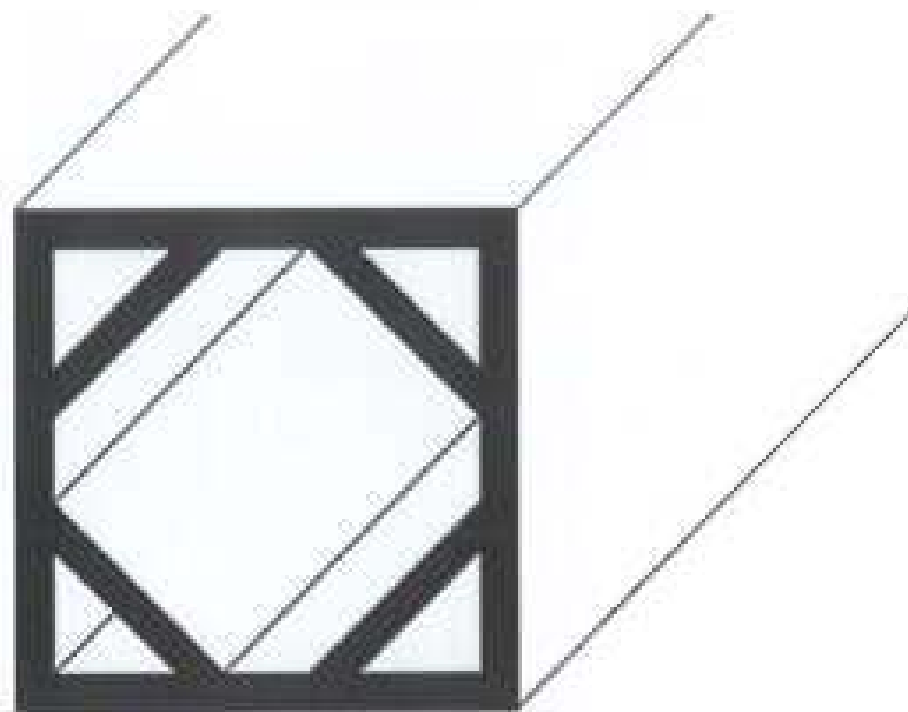
Precast Bracing Systems Pty Ltd
19-23 Ausco Place Dandenong Victoria 3175 Australia

(72) Name(s) of Designer(s): **Peter McLaren**

(45) Registration Date: **15 July 2008**

(56) Related Art Documents: **Not Applicable**

(57) Statement of Newness and Distinctiveness: **Those features of the extruded brace depicted in the representations that are new and distinctive are the shape and/or configuration. The extruded brace may be of any length.**



(21) Design Number: **11330/2008**

(22) Date of Filing Application: **18 March 2008**

(24) Date from which industrial property rights may have effect: **18 March 2008**

(54) Product in respect of which the design is registered: **Extruded brace**

(51) International Design Classification: **25-01K, 08-08L, 08-08NES**

(71) Name(s) and Address(s) of Applicant(s):

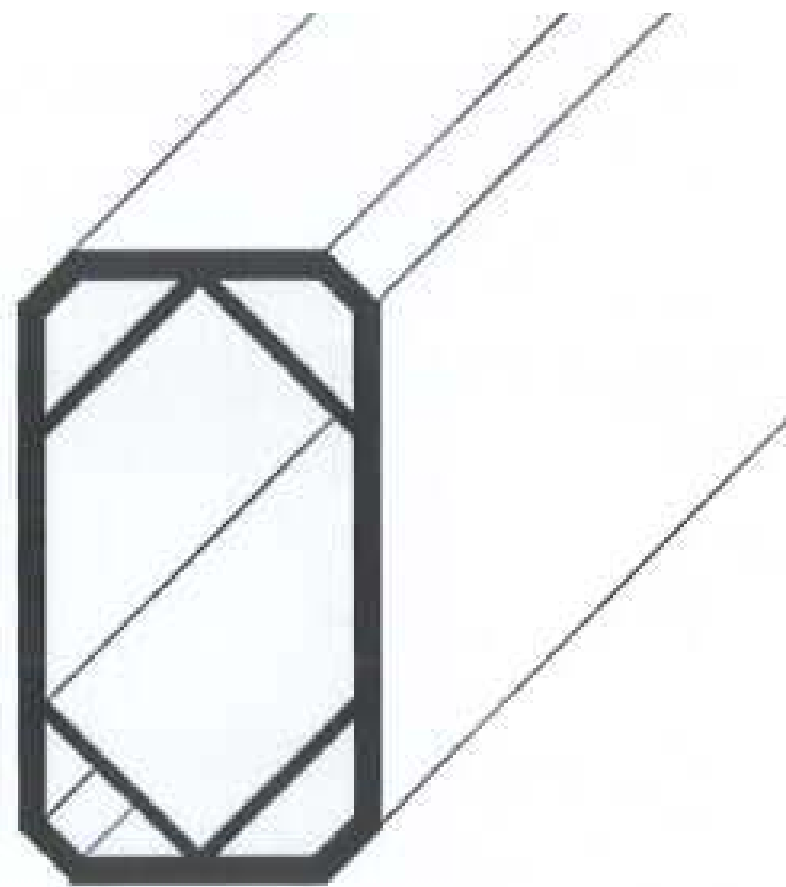
Precast Bracing Systems Pty Ltd
19-23 Ausco Place Dandenong Victoria 3175 Australia

(72) Name(s) of Designer(s): **Peter McLaren**

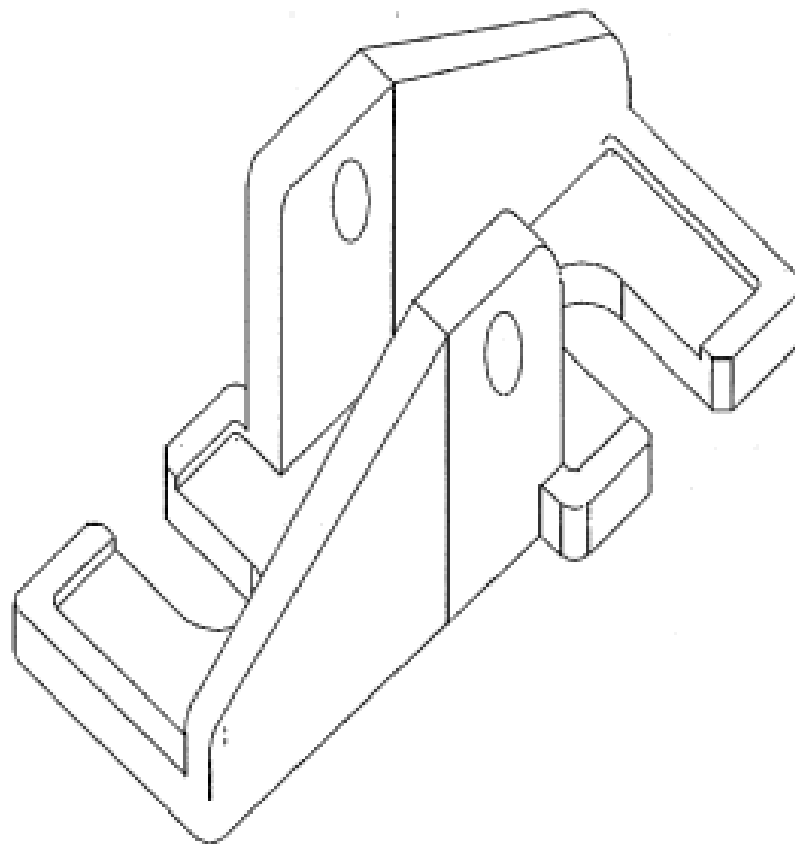
(45) Registration Date: **15 July 2008**

(56) Related Art Documents: **Not Applicable**

(57) Statement of Newness and Distinctiveness: **Those features of the extruded brace depicted in the representations that are new and distinctive are the shape and/or configuration. The extruded brace may be of any length.**

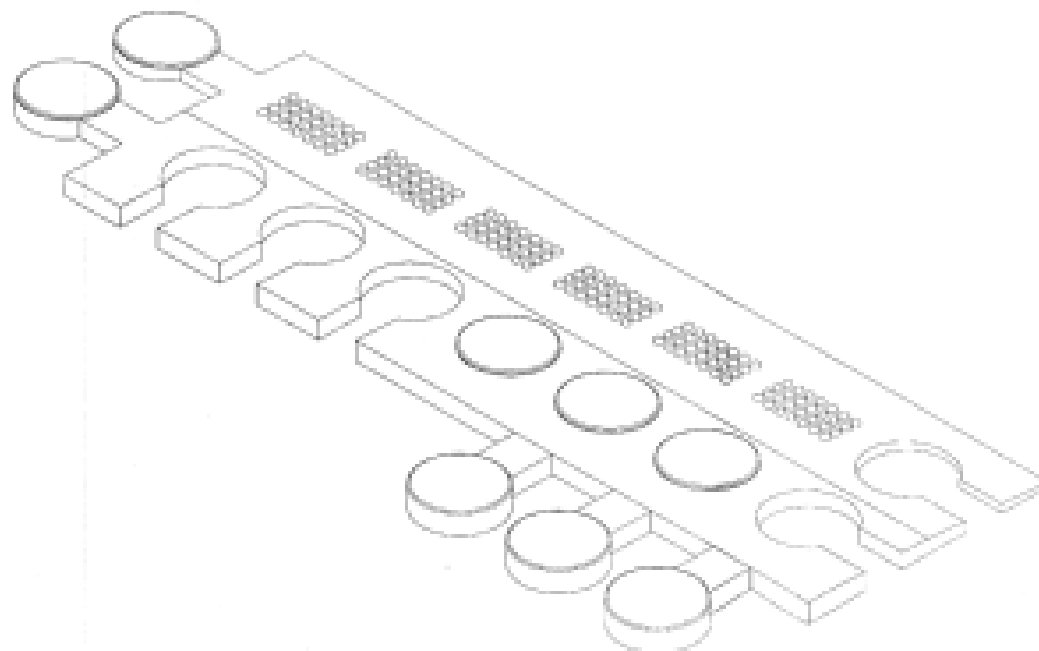


- (21) Design Number: **11331/2008**
- (22) Date of Filing Application: **18 March 2008**
- (24) Date from which industrial property rights may have effect: **18 March 2008**
- (54) Product in respect of which the design is registered: **Foot for a brace**
- (51) International Design Classification: **08-08L**
- (71) Name(s) and Address(s) of Applicant(s):
Precast Bracing Systems Pty Ltd
19-23 Ausco Place Dandenong Victoria 3175 Australia
- (72) Name(s) of Designer(s): **Peter McLaren**
- (45) Registration Date: **15 July 2008**
- (56) Related Art Documents: **Not Applicable**
- (57) Statement of Newness and Distinctiveness: **Those features of the foot for a brace depicted in the representations that are new and distinctive are the shape and/or configuration.**



- (21) Design Number: **11332/2008**
- (22) Date of Filing Application: **18 March 2008**
- (24) Date from which industrial property rights may have effect: **18 March 2008**
- (54) Product in respect of which the design is registered: **A mat for sports**
- (51) International Design Classification: **06-11, 21-02NES**
- (71) Name(s) and Address(s) of Applicant(s):
Escape Fitness Limited
Eastwood Hse The Off. Village Cygnet Park Hampton Peterborough
Cambridgeshire PE7 8FD United Kingdom
- (72) Name(s) of Designer(s): **Nicholas Andrew Hillson**
- (45) Registration Date: **15 July 2008**
- (30) Convention priority data:

(31) Number	(32) Date	(33) Country
000797139-0004	25 Sep 2007	EUROPEAN COMMUNITY
- (56) Related Art Documents: **Not Applicable**
- (57) Statement of Newness and Distinctiveness: **Nil**



(21) Design Number: **11333/2008**

(22) Date of Filing Application: **18 March 2008**

(24) Date from which industrial property rights may have effect: **18 March 2008**

(54) Product in respect of which the design is registered: **A mat for sports**

(51) International Design Classification: **06-11, 21-02NES**

(71) Name(s) and Address(s) of Applicant(s):

Escape Fitness Limited

**Eastwood Hse The Off. Village Cygnet Park Hampton Peterborough
Cambridgeshire PE7 8FD United Kingdom**

(72) Name(s) of Designer(s): **Nicholas Andrew Hillson**

(45) Registration Date: **15 July 2008**

(30) Convention priority data:

(31) Number

(32) Date

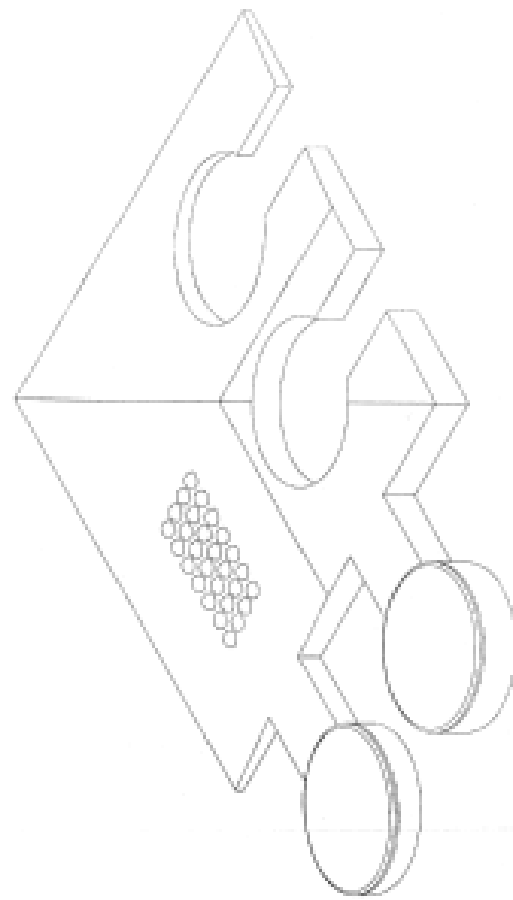
(33) Country

000797139-0005 25 Sep 2007

EUROPEAN COMMUNITY

(56) Related Art Documents: **Not Applicable**

(57) Statement of Newness and Distinctiveness: **Nil**



(21) Design Number: **11334/2008**

(22) Date of Filing Application: **18 March 2008**

(24) Date from which industrial property rights may have effect: **18 March 2008**

(54) Product in respect of which the design is registered: **A mat for sports**

(51) International Design Classification: **06-11, 21-02NES**

(71) Name(s) and Address(s) of Applicant(s):

Escape Fitness Limited

**Eastwood Hse The Off. Village Cygnet Park Hampton Peterborough
Cambridgeshire PE7 8FD United Kingdom**

(72) Name(s) of Designer(s): **Nicholas Andrew Hillson**

(45) Registration Date: **15 July 2008**

(30) Convention priority data:

(31) Number

(32) Date

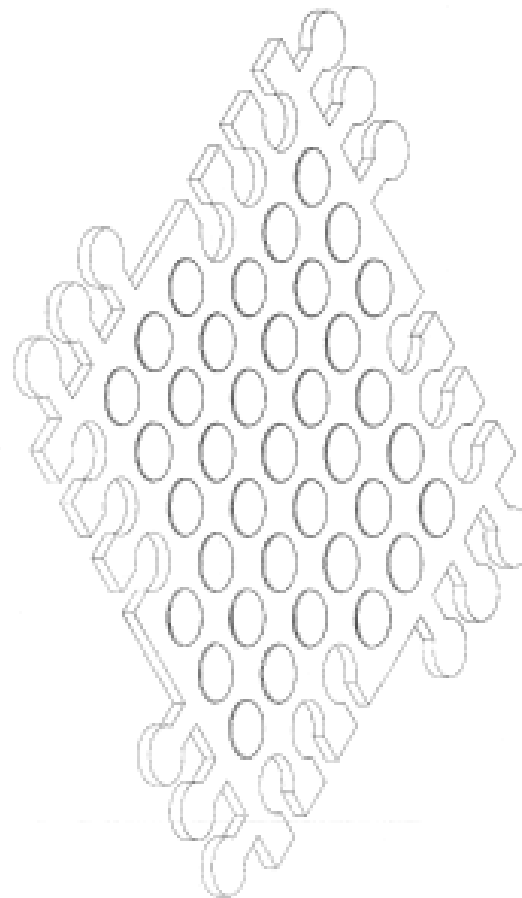
(33) Country

000797139-0003 25 Sep 2007

EUROPEAN COMMUNITY

(56) Related Art Documents: **Not Applicable**

(57) Statement of Newness and Distinctiveness: **Nil**



(21) Design Number: **11335/2008**

(22) Date of Filing Application: **18 March 2008**

(24) Date from which industrial property rights may have effect: **18 March 2008**

(54) Product in respect of which the design is registered: **Drug delivery patch**

(51) International Design Classification: **24-04**

(71) Name(s) and Address(s) of Applicant(s):

Alza Corporation
1900 Charleston Road Mountain View California 94039 United States of America

(72) Name(s) of Designer(s): **Wanda Dent and Johannes N. Gaston and Douglas J. Vanorum**

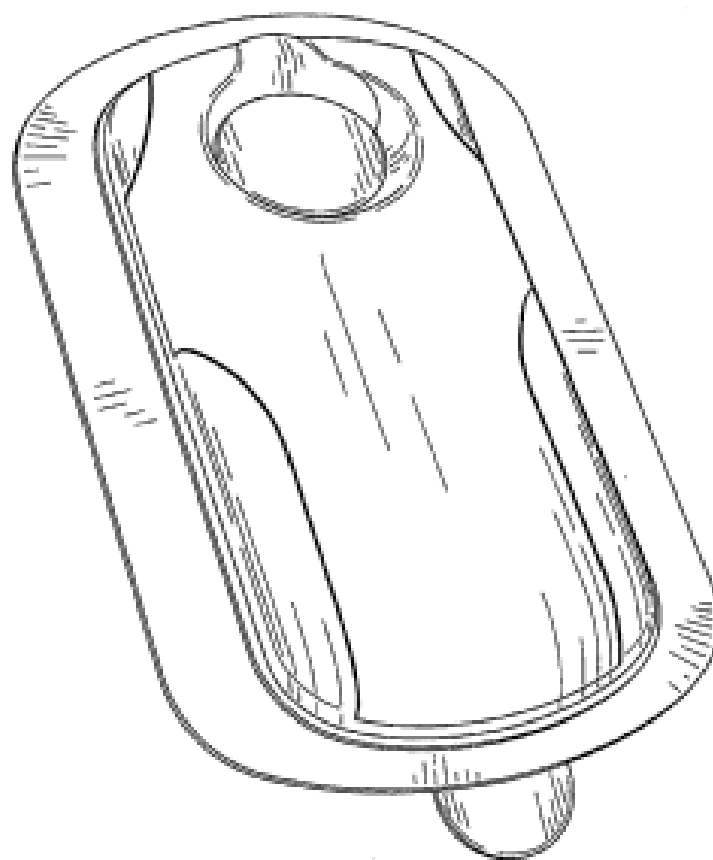
(45) Registration Date: **15 July 2008**

(30) Convention priority data:

(31) Number	(32) Date	(33) Country
29/303588	12 Feb 2008	UNITED STATES OF AMERICA

(56) Related Art Documents: **Not Applicable**

(57) Statement of Newness and Distinctiveness: **Newness and distinctiveness reside in the shape and/or configuration of a design for a drug delivery patch as shown in the accompanying representations.**



(21) Design Number: **11336/2008**

(22) Date of Filing Application: **18 March 2008**

(24) Date from which industrial property rights may have effect: **18 March 2008**

(54) Product in respect of which the design is registered: **Fluid dispenser**

(51) International Design Classification: **31-00**

(71) Name(s) and Address(s) of Applicant(s):

JohnsonDiversey, Inc.
8310 16th Street - M/S 509 Sturtevant Wisconsin 53177 United States of America

(72) Name(s) of Designer(s): **Michael H. Bertucci and Christopher F. Lang and Susan K. Lewis and Justin M. Nunez and Timothy S. Jones and Steven E. Schiller and Wayne P. Phillips and Jerome A. Grunstad**

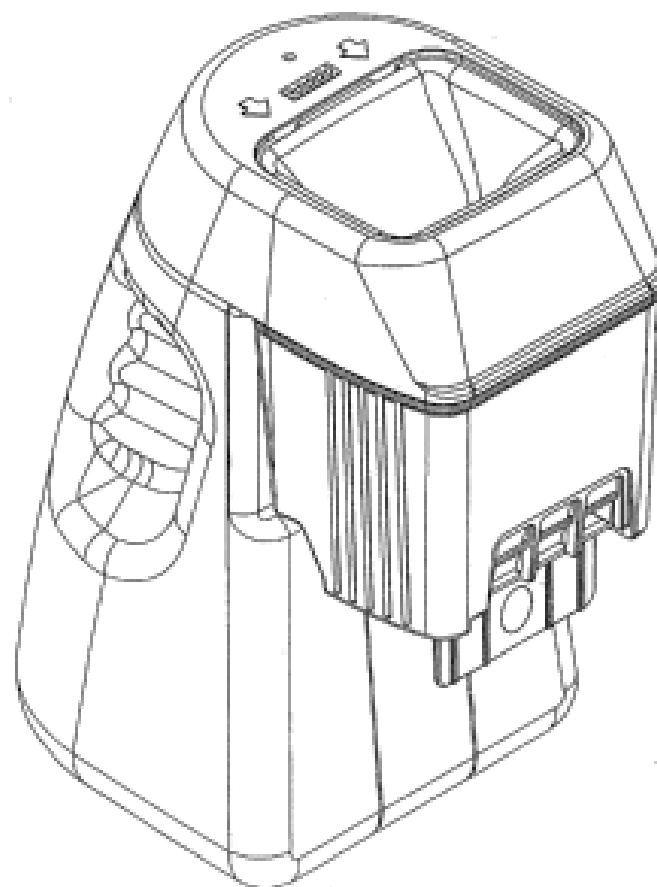
(45) Registration Date: **15 July 2008**

(30) Convention priority data:

(31) Number	(32) Date	(33) Country
29/291940	21 Sep 2007	UNITED STATES OF AMERICA

(56) Related Art Documents: **Not Applicable**

(57) Statement of Newness and Distinctiveness: **Newness and distinctiveness is claimed in the features of shape and/or configuration of a fluid dispenser as illustrated in the accompanying representations.**



(21) Design Number: **11337/2008**

(22) Date of Filing Application: **18 March 2008**

(24) Date from which industrial property rights may have effect: **18 March 2008**

(54) Product in respect of which the design is registered: **Fluid dispenser**

(51) International Design Classification: **31-00**

(71) Name(s) and Address(s) of Applicant(s):

JohnsonDiversey, Inc.
8310 16th Street - M/S 509 Sturtevant Wisconsin 53177 United States of America

(72) Name(s) of Designer(s): **Michael H. Bertucci and Christopher F. Lang and Susan K. Lewis and Justin M. Nunez and Timothy S. Jones and Steven E. Schiller and Wayne P. Phillips and Jerome A. Grunstad**

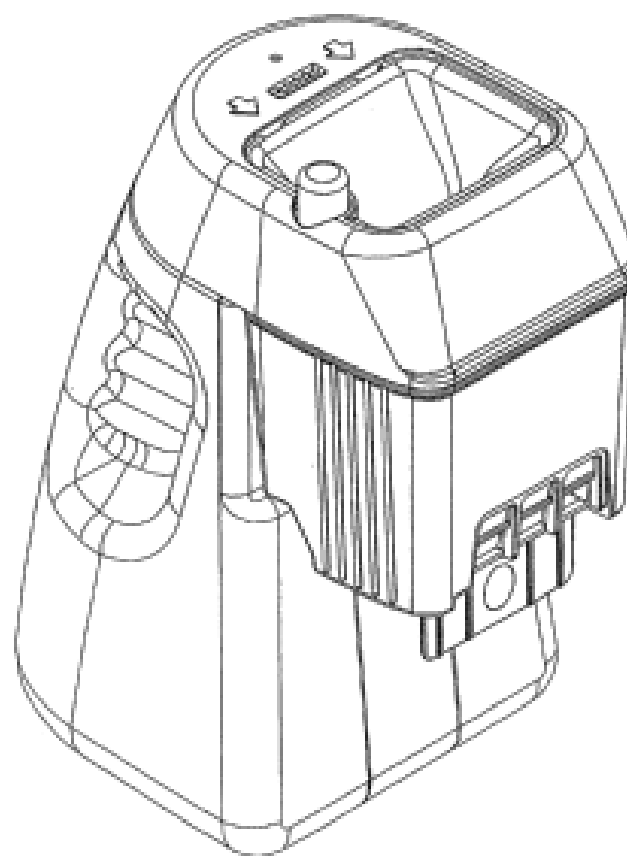
(45) Registration Date: **15 July 2008**

(30) Convention priority data:

(31) Number	(32) Date	(33) Country
29/291940	21 Sep 2007	UNITED STATES OF AMERICA

(56) Related Art Documents: **Not Applicable**

(57) Statement of Newness and Distinctiveness: **Newness and distinctiveness is claimed in the features of shape and/or configuration of a fluid dispenser as illustrated in the accompanying representations.**



(21) Design Number: **11338/2008**

(22) Date of Filing Application: **18 March 2008**

(24) Date from which industrial property rights may have effect: **18 March 2008**

(54) Product in respect of which the design is registered: **Container for personal care compositions**

(51) International Design Classification: **09-05**

(71) Name(s) and Address(s) of Applicant(s):

Unilever PLC
Unilever House Blackfriars London EC4P 4BQ United Kingdom

(72) Name(s) of Designer(s): **Brett Christopher Domoy and Corinne Elizabeth Elstow and Michael George Hurley and John David Lamb and William John Maskell and Thomas Robert Walton and Alan David Whiting**

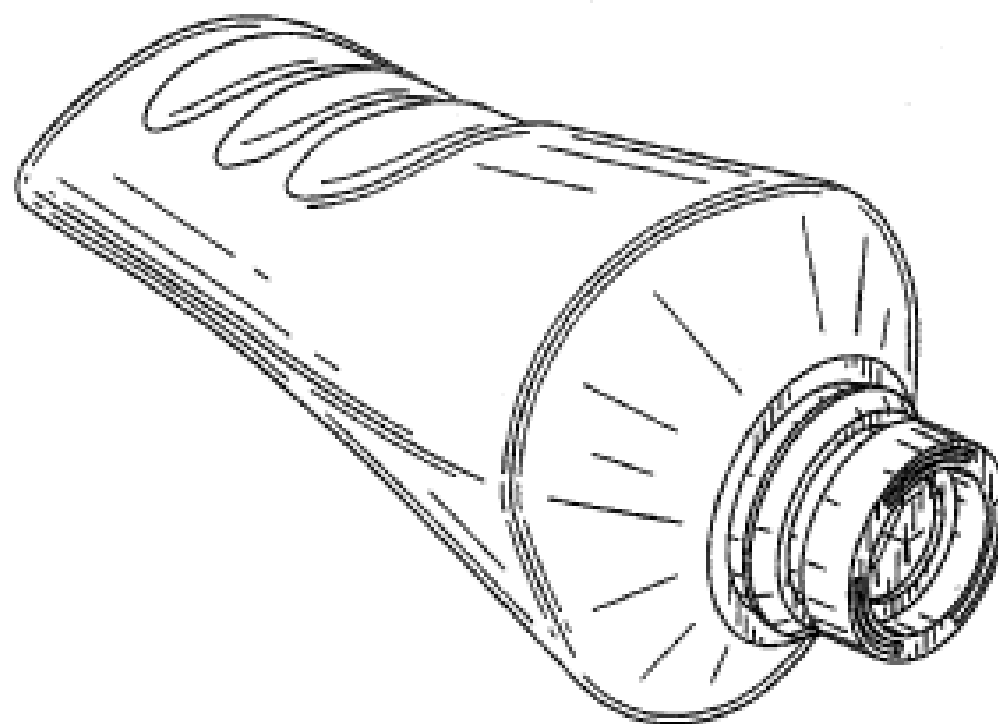
(45) Registration Date: **15 July 2008**

(30) Convention priority data:

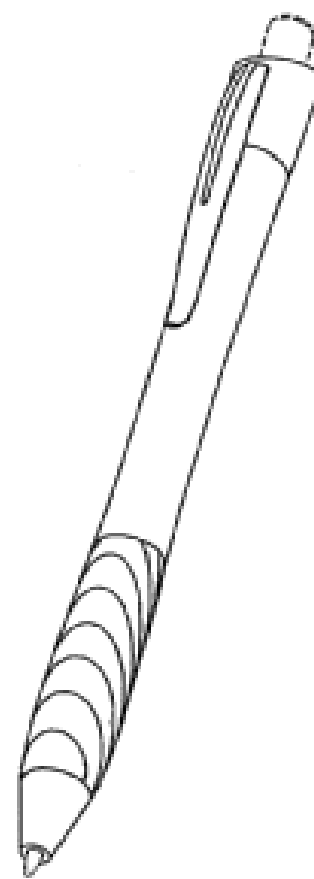
(31) Number	(32) Date	(33) Country
4004658	11 Oct 2007	UNITED KINGDOM

(56) Related Art Documents: **Not Applicable**

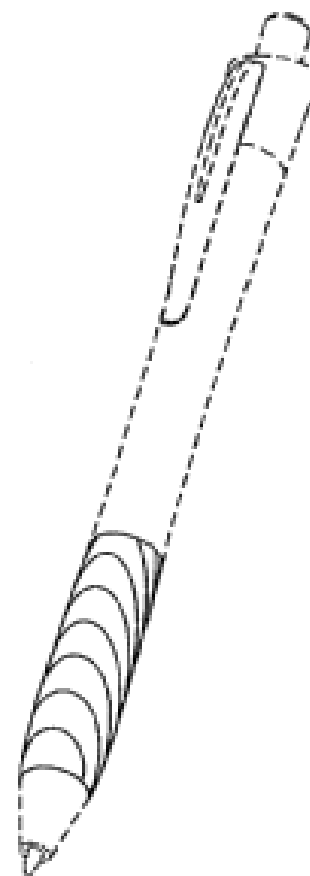
(57) Statement of Newness and Distinctiveness: **Newness and distinctiveness is claimed in the visual features shown in solid lines in the representations.**



- (21) Design Number: **12046/2008**
(22) Date of Filing Application: **01 May 2008**
(24) Date from which industrial property rights may have effect: **01 May 2008**
(54) Product in respect of which the design is registered: **Writing instrument**
(51) International Design Classification: **19-06**
(71) Name(s) and Address(s) of Applicant(s):
Sanford, L.P.
2707 Butterfield Road Oak Brook IL 60523 United States of America
(72) Name(s) of Designer(s): **David Kusch and Jonathan Sundy and Jeff Feng and Bryce Rutter**
(45) Registration Date: **15 July 2008**
(30) Convention priority data:
(31) Number (32) Date (33) Country
29/297,153 05 Nov 2007 UNITED STATES OF AMERICA
(56) Related Art Documents: **Not Applicable**
(57) Statement of Newness and Distinctiveness: **The newness and distinctiveness of the design resides in the features writing instrument as illustrated in the accompanying representations as shown in solid outline.**

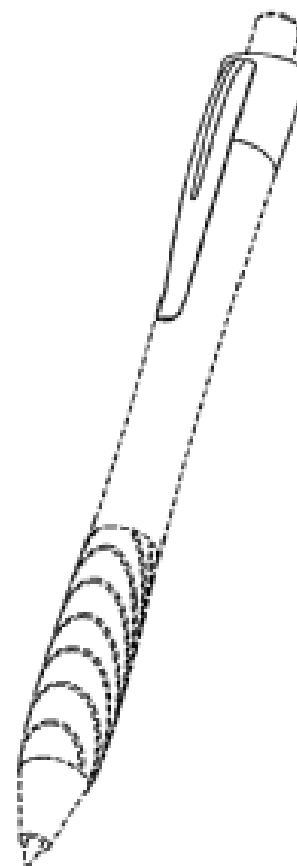


- (21) Design Number: **12047/2008**
(22) Date of Filing Application: **01 May 2008**
(24) Date from which industrial property rights may have effect: **01 May 2008**
(54) Product in respect of which the design is registered: **Writing instrument**
(51) International Design Classification: **19-06**
(71) Name(s) and Address(s) of Applicant(s):
Sanford, L.P.
2707 Butterfield Road Oak Brook IL 60523 United States of America
(72) Name(s) of Designer(s): **David Kusch and Jonathan Sundy and Jeff Feng and Bryce Rutter**
(45) Registration Date: **15 July 2008**
(30) Convention priority data:
(31) Number (32) Date (33) Country
29/297,153 05 Nov 2007 UNITED STATES OF AMERICA
(56) Related Art Documents: **Not Applicable**
(57) Statement of Newness and Distinctiveness: **The newness and distinctiveness of the design resides in the features writing instrument as illustrated in the accompanying representations as shown in solid outline.**



(19) AU

- (21) Design Number: **12048/2008**
(22) Date of Filing Application: **01 May 2008**
(24) Date from which industrial property rights may have effect: **01 May 2008**
(54) Product in respect of which the design is registered: **Writing instrument**
(51) International Design Classification: **19-06**
(71) Name(s) and Address(s) of Applicant(s):
Sanford, L.P.
2707 Butterfield Road Oak Brook IL 60523 United States of America
(72) Name(s) of Designer(s): **David Kusch and Jonathan Sundy and Jeff Feng and Bryce Rutter**
(45) Registration Date: **15 July 2008**
(30) Convention priority data:
(31) Number (32) Date (33) Country
29/297,153 05 Nov 2007 UNITED STATES OF AMERICA
(56) Related Art Documents: **Not Applicable**
(57) Statement of Newness and Distinctiveness: **The newness and distinctiveness of the design resides in the features writing instrument as illustrated in the accompanying representations as shown in solid outline.**



(19) AU

- (21) Design Number: **11350/2008**
(22) Date of Filing Application: **19 March 2008**
(24) Date from which industrial property rights may have effect: **19 March 2008**
(54) Product in respect of which the design is registered: **Automobile instrument housing**
(51) International Design Classification: **12-16NES**
(71) Name(s) and Address(s) of Applicant(s):
Honda Motor Co., Ltd.
1-1 Minamiaoyama 2-chome Minato-ku Tokyo Japan
(72) Name(s) of Designer(s): **Takuya Okita**
(45) Registration Date: **14 July 2008**
(30) Convention priority data:
(31) Number (32) Date (33) Country
2007-025625 21 Sep 2007 JAPAN
(56) Related Art Documents: **Not Applicable**
(57) Statement of Newness and Distinctiveness: **Newness and distinctiveness is claimed in the features of shape and/or configuration of an automobile instrument housing as illustrated in the accompanying representations.**



(21) Design Number: **11351/2008**

(22) Date of Filing Application: **19 March 2008**

(24) Date from which industrial property rights may have effect: **19 March 2008**

(54) Product in respect of which the design is registered: **Box with bevel portion**

(51) International Design Classification: **09-03M**

(71) Name(s) and Address(s) of Applicant(s):

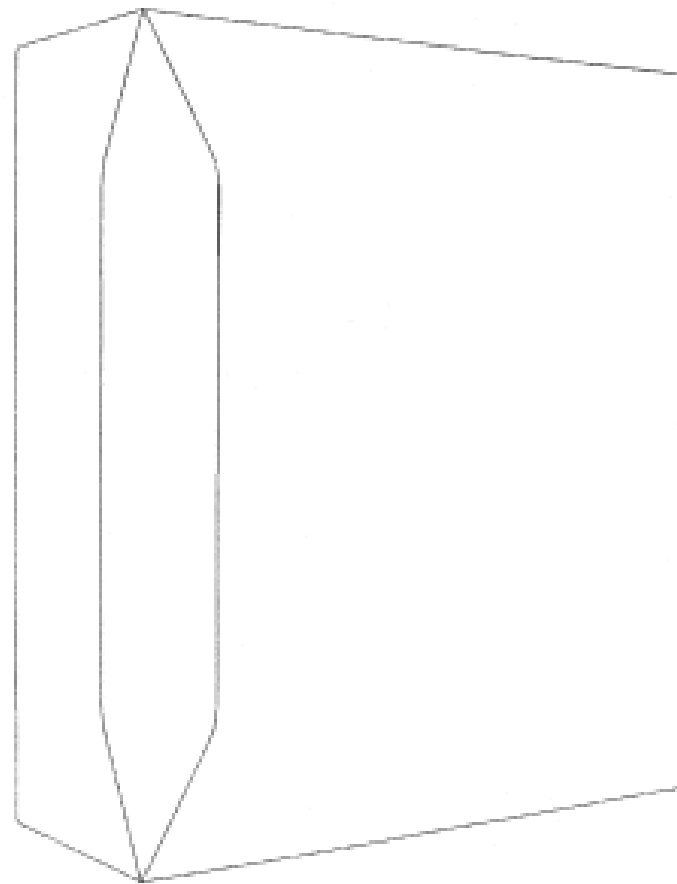
Anzpac Services (Australia) Pty Limited
Virginia Park Westfield Drive Eastgardens New South Wales 2036
Australia

(72) Name(s) of Designer(s): **Frank Federico and Glenn Brailey**

(45) Registration Date: **14 July 2008**

(56) Related Art Documents: **Not Applicable**

(57) Statement of Newness and Distinctiveness: **Newness and distinctiveness is claimed in the visual features of the bevel portion.**



(21) Design Number: **11352/2008**

(22) Date of Filing Application: **19 March 2008**

(24) Date from which industrial property rights may have effect: **19 March 2008**

(54) Product in respect of which the design is registered: **Box with ellipse portion**

(51) International Design Classification: **09-03M**

(71) Name(s) and Address(s) of Applicant(s):

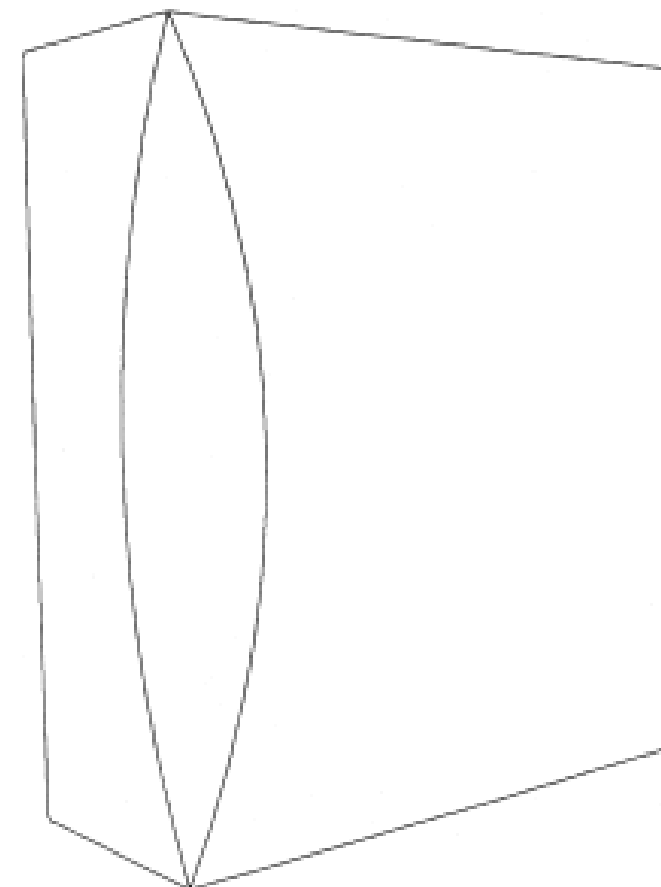
Anzpac Services (Australia) Pty Limited
Virginia Park Westfield Drive Eastgardens New South Wales 2036
Australia

(72) Name(s) of Designer(s): **Frank Federico and Glenn Brailey**

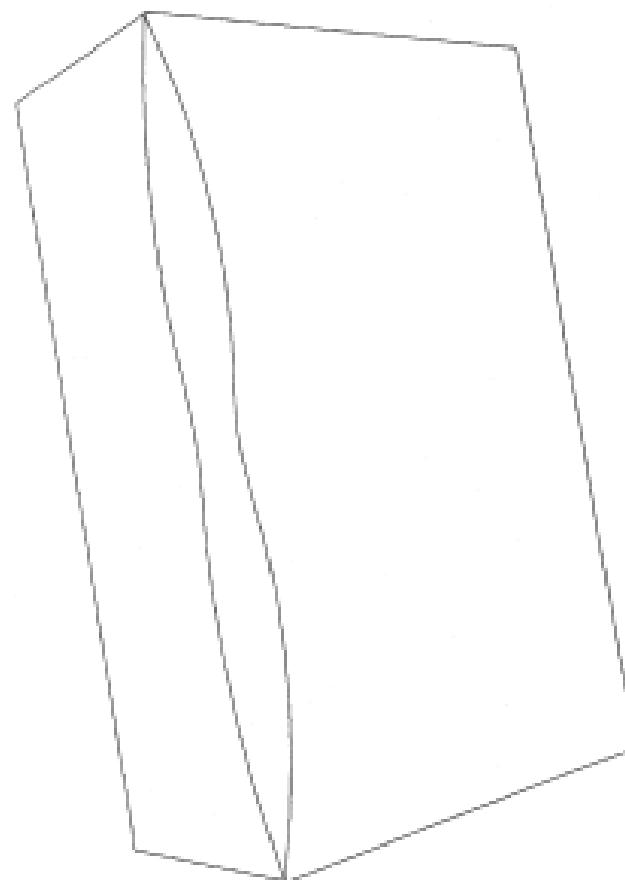
(45) Registration Date: **14 July 2008**

(56) Related Art Documents: **Not Applicable**

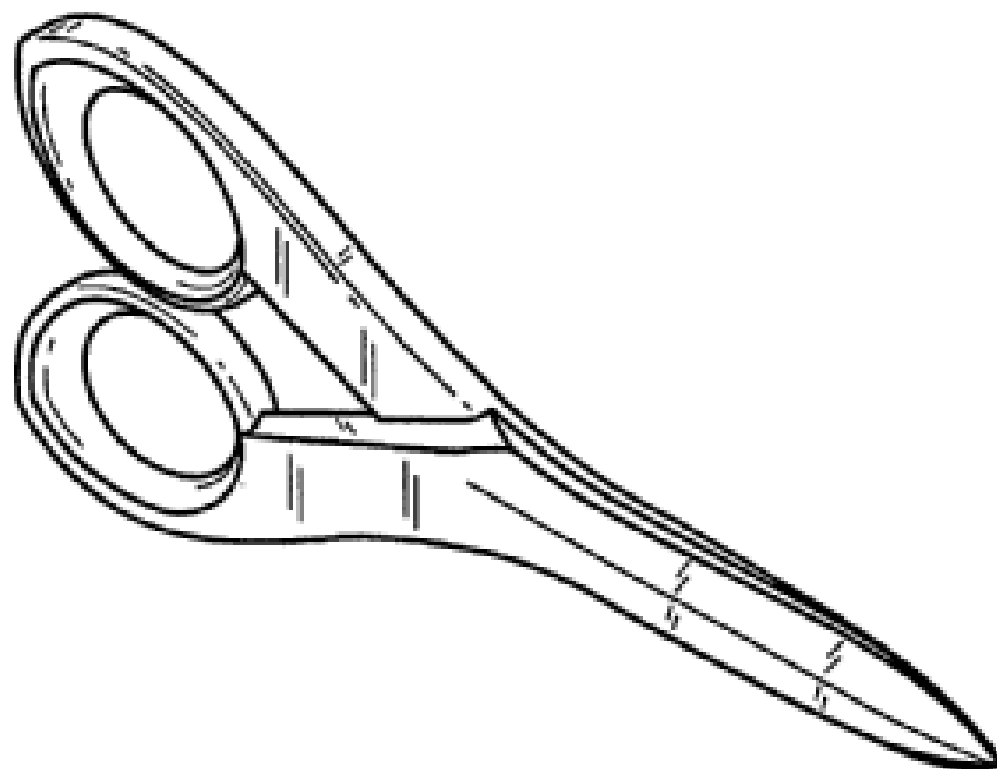
(57) Statement of Newness and Distinctiveness: **Newness and distinctiveness is claimed in the visual features of the ellipse portion.**



- (21) Design Number: **11353/2008**
(22) Date of Filing Application: **19 March 2008**
(24) Date from which industrial property rights may have effect: **19 March 2008**
(54) Product in respect of which the design is registered: **Box with stylised swirl portion**
(51) International Design Classification: **09-03M**
(71) Name(s) and Address(s) of Applicant(s):
Anzpac Services (Australia) Pty Limited
Virginia Park Westfield Drive Eastgardens New South Wales 2036
Australia
(72) Name(s) of Designer(s): **Frank Federico and Glenn Brailey**
(45) Registration Date: **14 July 2008**
(56) Related Art Documents: **Not Applicable**
(57) Statement of Newness and Distinctiveness: **Newness and distinctiveness is claimed in the visual features of the stylised swirl portion.**



- (21) Design Number: **11354/2008**
(22) Date of Filing Application: **19 March 2008**
(24) Date from which industrial property rights may have effect: **19 March 2008**
(54) Product in respect of which the design is registered: **Scissors**
(51) International Design Classification: **08-03**
(71) Name(s) and Address(s) of Applicant(s):
3M Innovative Properties Company
3M Center Saint Paul Minnesota 55133-3427 United States of America
(72) Name(s) of Designer(s): **Peter J. Newbould and Pasquale Cirulli and**
Gabriel F. Zangari and Joy A. Packard and Scott D. Pearson
(45) Registration Date: **14 July 2008**
(30) Convention priority data:
(31) Number (32) Date (33) Country
29/295371 27 Sep 2007 UNITED STATES OF AMERICA
(56) Related Art Documents: **Not Applicable**
(57) Statement of Newness and Distinctiveness: **Newness and distinctiveness of the design as applied to a scissors lies in the shape and configuration thereof shown in the accompanying drawings.**



(21) Design Number: **11356/2008**

(22) Date of Filing Application: **19 March 2008**

(24) Date from which industrial property rights may have effect: **19 March 2008**

(54) Product in respect of which the design is registered: **Connection module**

(51) International Design Classification: **13-03E**

(71) Name(s) and Address(s) of Applicant(s):

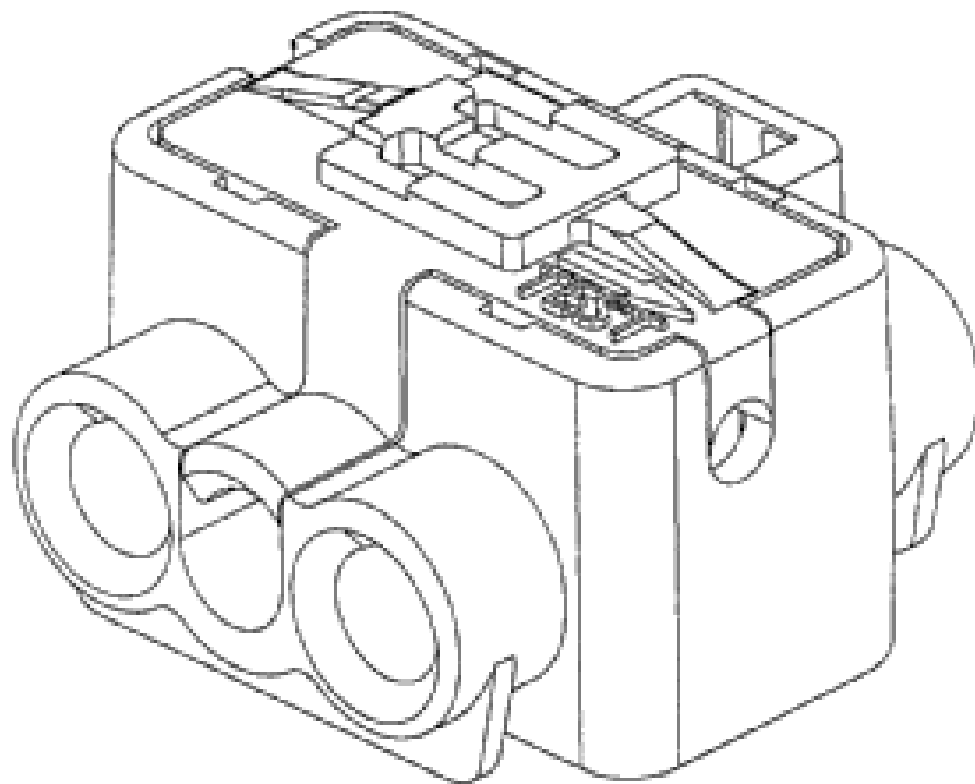
**ADC Communications (Australia) Pty Limited
2 Hereford Street Berkeley Vale New South Wales 2261 Australia**

(72) Name(s) of Designer(s): **Brent David Allwood and Jeff Glenn**

(45) Registration Date: **14 July 2008**

(56) Related Art Documents: **Not Applicable**

(57) Statement of Newness and Distinctiveness: **The features of shape and configuration of the connection module shown in the accompanying representations are considered to be new and distinctive. In particular, the feature of the slot "A" of the connection module is considered to be new and distinctive.**



(21) Design Number: **11380/2008**

(22) Date of Filing Application: **19 March 2008**

(24) Date from which industrial property rights may have effect: **19 March 2008**

(54) Product in respect of which the design is registered: **Single power point**

(51) International Design Classification: **13-03D**

(71) Name(s) and Address(s) of Applicant(s):

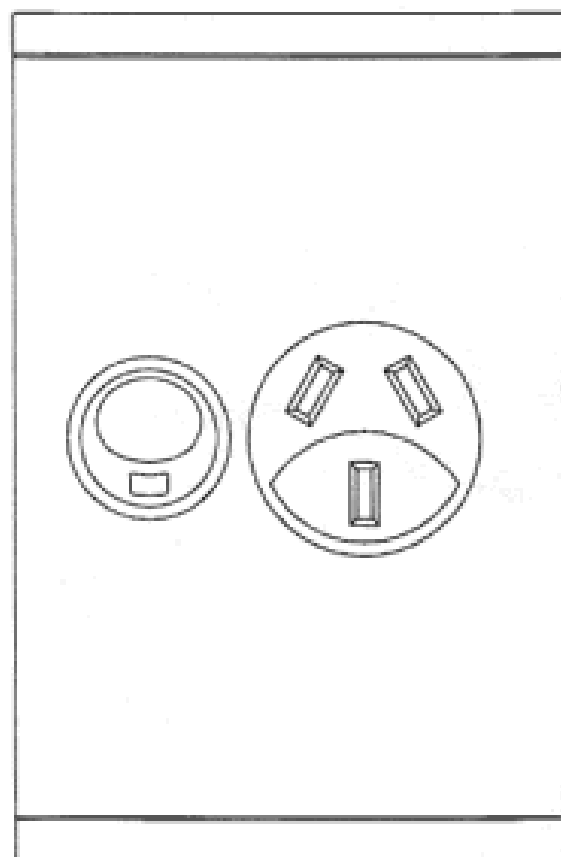
**Hager B & R Pty Ltd
Unit 14-17 Riverside Centre 148 James Ruse Dr Parramatta New
South Wales 2150 Australia**

(72) Name(s) of Designer(s): **Erwin van Handenhoven**

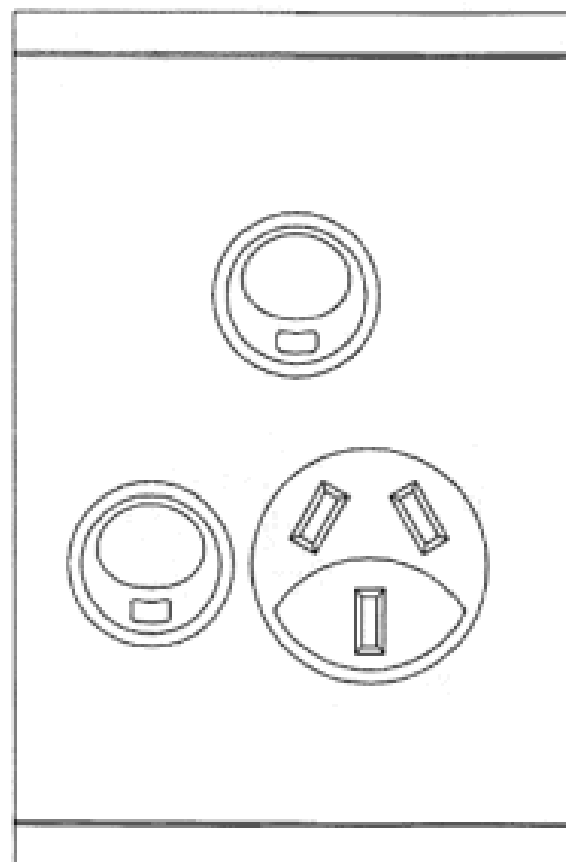
(45) Registration Date: **14 July 2008**

(56) Related Art Documents: **Not Applicable**

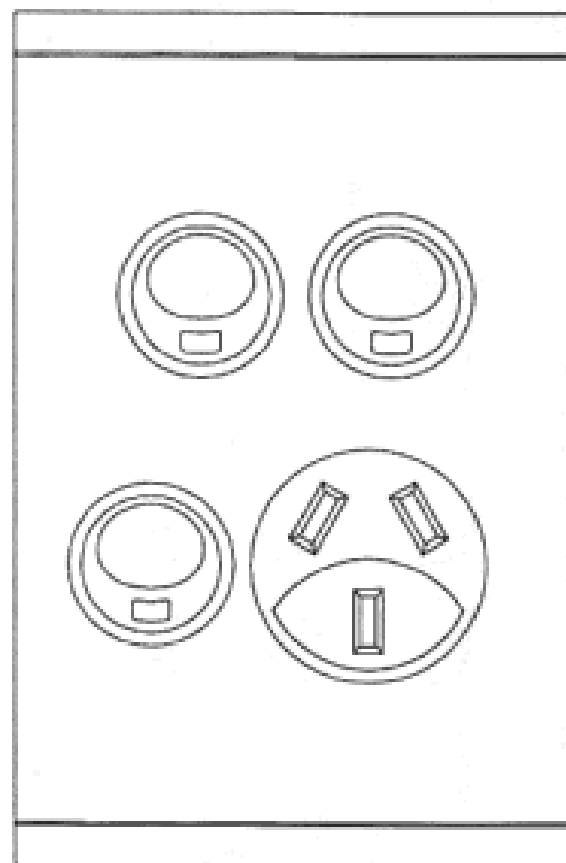
(57) Statement of Newness and Distinctiveness: **Newness and distinctiveness are claimed in the shape and configuration of a single power point as shown in the accompanying illustrations.**



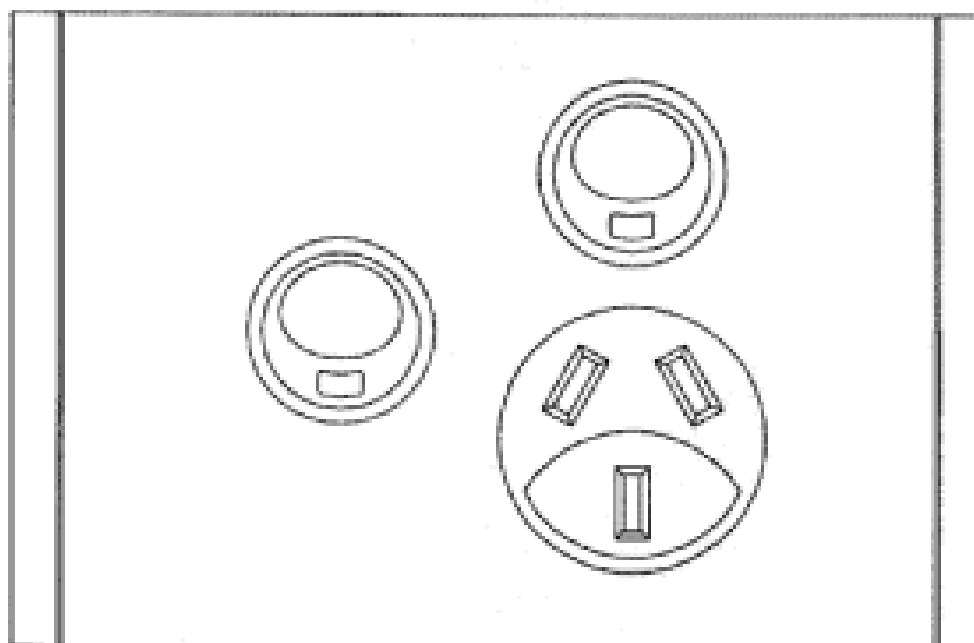
- (21) Design Number: **11381/2008**
- (22) Date of Filing Application: **19 March 2008**
- (24) Date from which industrial property rights may have effect: **19 March 2008**
- (54) Product in respect of which the design is registered: **Single power point with one extra switch**
- (51) International Design Classification: **13-03D**
- (71) Name(s) and Address(s) of Applicant(s):
Hager B & R Pty Ltd
Unit 14-17 Riverside Centre 148 James Ruse Dr Parramatta New South Wales 2150 Australia
- (72) Name(s) of Designer(s): **Erwin van Handenhoven**
- (45) Registration Date: **14 July 2008**
- (56) Related Art Documents: **Not Applicable**
- (57) Statement of Newness and Distinctiveness: **Newness and distinctiveness are claimed in the shape and configuration of a single power point with one extra switch as shown in the accompanying illustrations.**



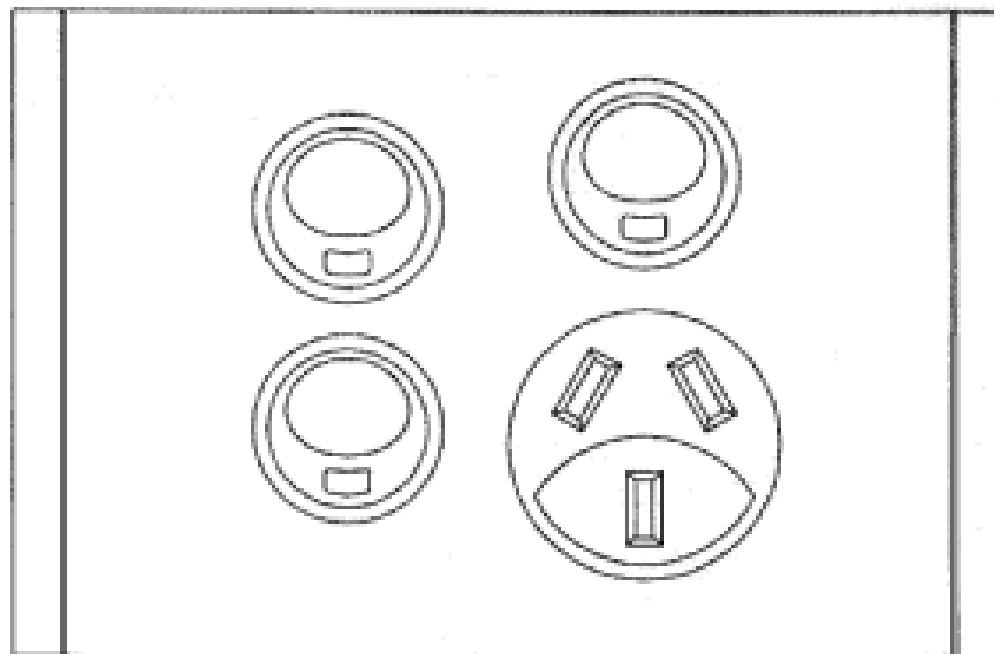
- (21) Design Number: **11382/2008**
- (22) Date of Filing Application: **19 March 2008**
- (24) Date from which industrial property rights may have effect: **19 March 2008**
- (54) Product in respect of which the design is registered: **Single power point with two extra switches**
- (51) International Design Classification: **13-03D**
- (71) Name(s) and Address(s) of Applicant(s):
Hager B & R Pty Ltd
Unit 14-17 Riverside Centre 148 James Ruse Dr Parramatta New South Wales 2150 Australia
- (72) Name(s) of Designer(s): **Erwin van Handenhoven**
- (45) Registration Date: **14 July 2008**
- (56) Related Art Documents: **Not Applicable**
- (57) Statement of Newness and Distinctiveness: **Newness and distinctiveness are claimed in the shape and configuration of a single power point with two extra switches as shown in the accompanying illustrations.**



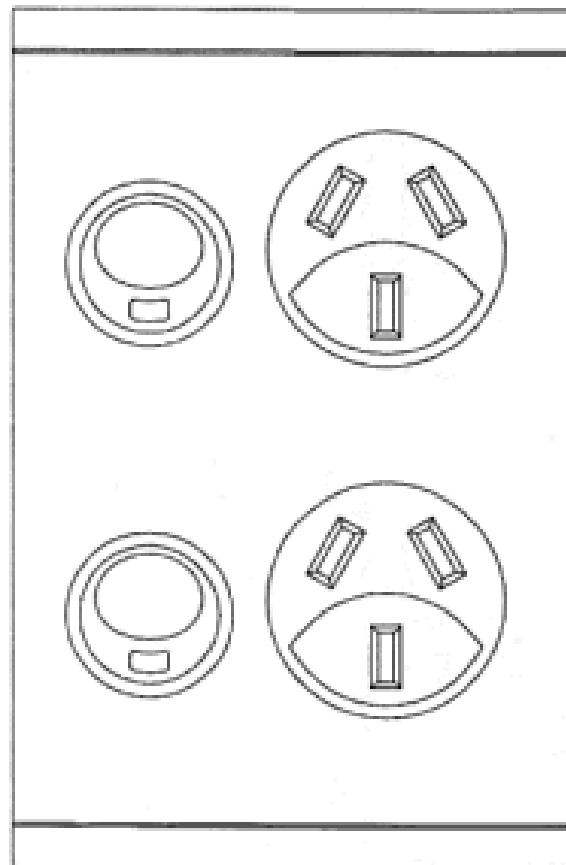
- (21) Design Number: **11383/2008**
- (22) Date of Filing Application: **19 March 2008**
- (24) Date from which industrial property rights may have effect: **19 March 2008**
- (54) Product in respect of which the design is registered: **Single power point with one extra switch**
- (51) International Design Classification: **13-03D**
- (71) Name(s) and Address(s) of Applicant(s):
Hager B & R Pty Ltd
Unit 14-17 Riverside Centre 148 James Ruse Dr Parramatta New South Wales 2150 Australia
- (72) Name(s) of Designer(s): **Erwin van Handenhoven**
- (45) Registration Date: **14 July 2008**
- (56) Related Art Documents: **Not Applicable**
- (57) Statement of Newness and Distinctiveness: **Newness and distinctiveness are claimed in the shape and configuration of a single power point with one extra switch as shown in the accompanying illustrations.**



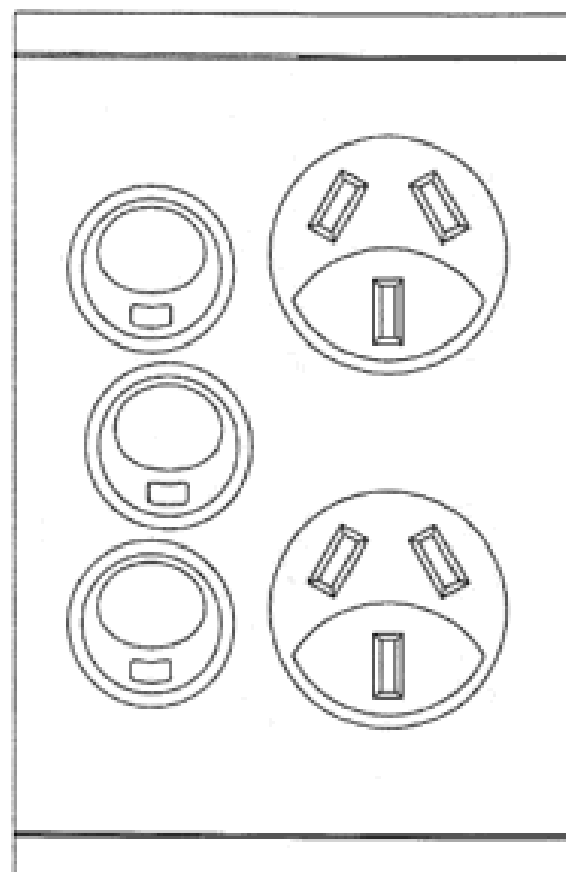
- (21) Design Number: **11384/2008**
- (22) Date of Filing Application: **19 March 2008**
- (24) Date from which industrial property rights may have effect: **19 March 2008**
- (54) Product in respect of which the design is registered: **Single power point with two extra switches**
- (51) International Design Classification: **13-03D**
- (71) Name(s) and Address(s) of Applicant(s):
Hager B & R Pty Ltd
Unit 14-17 Riverside Centre 148 James Ruse Dr Parramatta New South Wales 2150 Australia
- (72) Name(s) of Designer(s): **Erwin van Handenhoven**
- (45) Registration Date: **14 July 2008**
- (56) Related Art Documents: **Not Applicable**
- (57) Statement of Newness and Distinctiveness: **Newness and distinctiveness are claimed in the shape and configuration of a single power point with two extra switches as shown in the accompanying illustrations.**



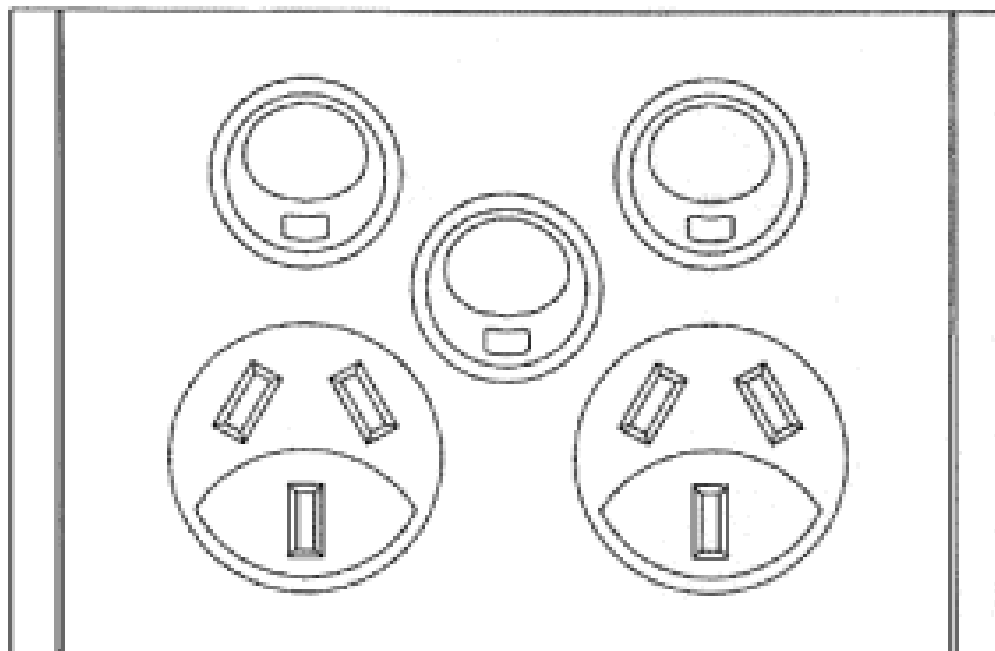
- (21) Design Number: **11385/2008**
- (22) Date of Filing Application: **19 March 2008**
- (24) Date from which industrial property rights may have effect: **19 March 2008**
- (54) Product in respect of which the design is registered: **Double power point**
- (51) International Design Classification: **13-03D**
- (71) Name(s) and Address(s) of Applicant(s):
Hager B & R Pty Ltd
Unit 14-17 Riverside Centre 148 James Ruse Dr Parramatta New
South Wales 2150 Australia
- (72) Name(s) of Designer(s): **Erwin van Handenhoven**
- (45) Registration Date: **14 July 2008**
- (56) Related Art Documents: **Not Applicable**
- (57) Statement of Newness and Distinctiveness: **Newness and distinctiveness are claimed in the shape and configuration of a double power point as shown in the accompanying illustrations.**



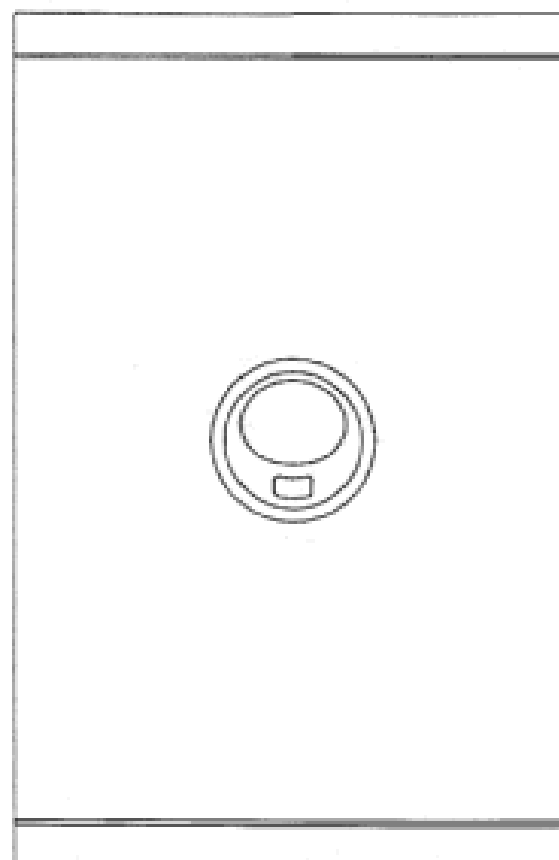
- (21) Design Number: **11386/2008**
- (22) Date of Filing Application: **19 March 2008**
- (24) Date from which industrial property rights may have effect: **19 March 2008**
- (54) Product in respect of which the design is registered: **Double power point with one extra switch**
- (51) International Design Classification: **13-03D**
- (71) Name(s) and Address(s) of Applicant(s):
Hager B & R Pty Ltd
Unit 14-17 Riverside Centre 148 James Ruse Dr Parramatta New
South Wales 2150 Australia
- (72) Name(s) of Designer(s): **Erwin van Handenhoven**
- (45) Registration Date: **14 July 2008**
- (56) Related Art Documents: **Not Applicable**
- (57) Statement of Newness and Distinctiveness: **Newness and distinctiveness are claimed in the shape and configuration of a double power point with one extra switch as shown in the accompanying illustrations.**



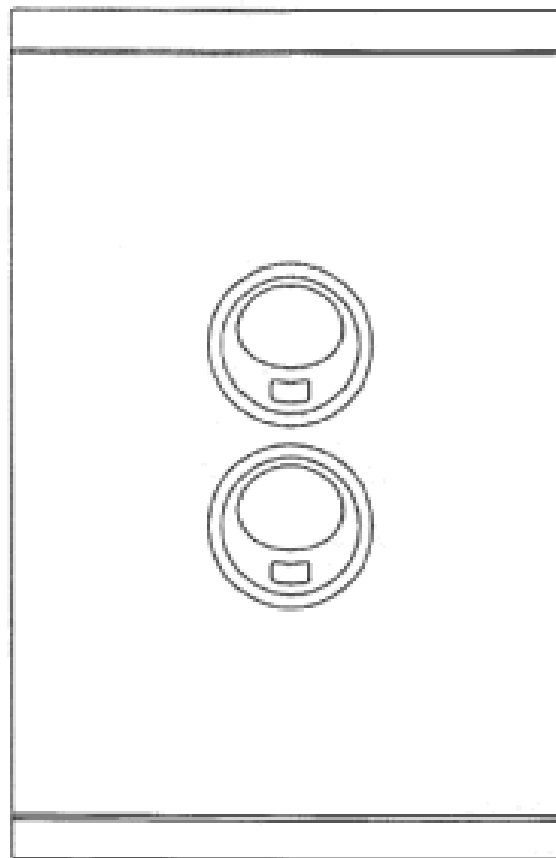
- (21) Design Number: **11387/2008**
(22) Date of Filing Application: **19 March 2008**
(24) Date from which industrial property rights may have effect: **19 March 2008**
(54) Product in respect of which the design is registered: **Double power point with one extra switch**
(51) International Design Classification: **13-03D**
(71) Name(s) and Address(s) of Applicant(s):
Hager B & R Pty Ltd
Unit 14-17 Riverside Centre 148 James Ruse Dr Parramatta New South Wales 2150 Australia
(72) Name(s) of Designer(s): **Erwin van Handenhoven**
(45) Registration Date: **14 July 2008**
(56) Related Art Documents: **Not Applicable**
(57) Statement of Newness and Distinctiveness: **Newness and distinctiveness are claimed in the shape and configuration of a double power point with one extra switch as shown in the accompanying illustrations.**



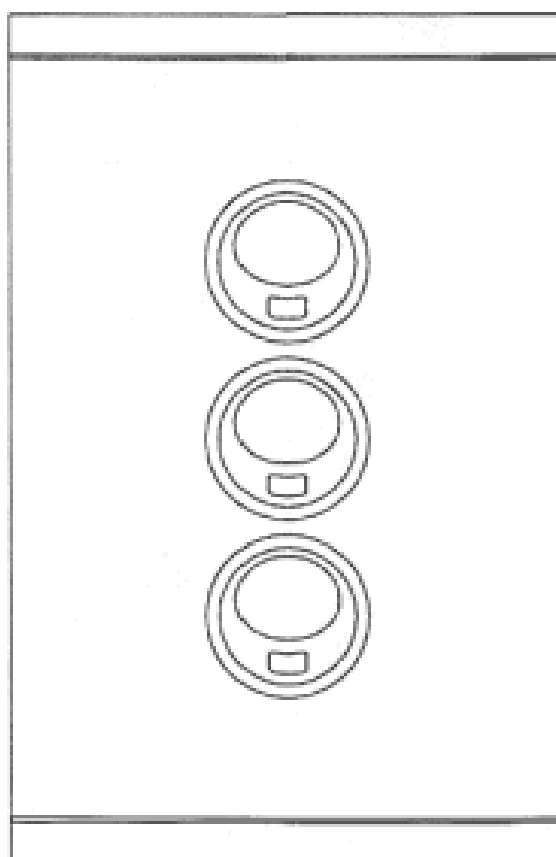
- (21) Design Number: **11388/2008**
(22) Date of Filing Application: **19 March 2008**
(24) Date from which industrial property rights may have effect: **19 March 2008**
(54) Product in respect of which the design is registered: **Single switch**
(51) International Design Classification: **13-03D**
(71) Name(s) and Address(s) of Applicant(s):
Hager B & R Pty Ltd
Unit 14-17 Riverside Centre 148 James Ruse Dr Parramatta New South Wales 2150 Australia
(72) Name(s) of Designer(s): **Erwin van Handenhoven**
(45) Registration Date: **14 July 2008**
(56) Related Art Documents: **Not Applicable**
(57) Statement of Newness and Distinctiveness: **Newness and distinctiveness are claimed in the shape and configuration of a single switch as shown in the accompanying illustrations.**



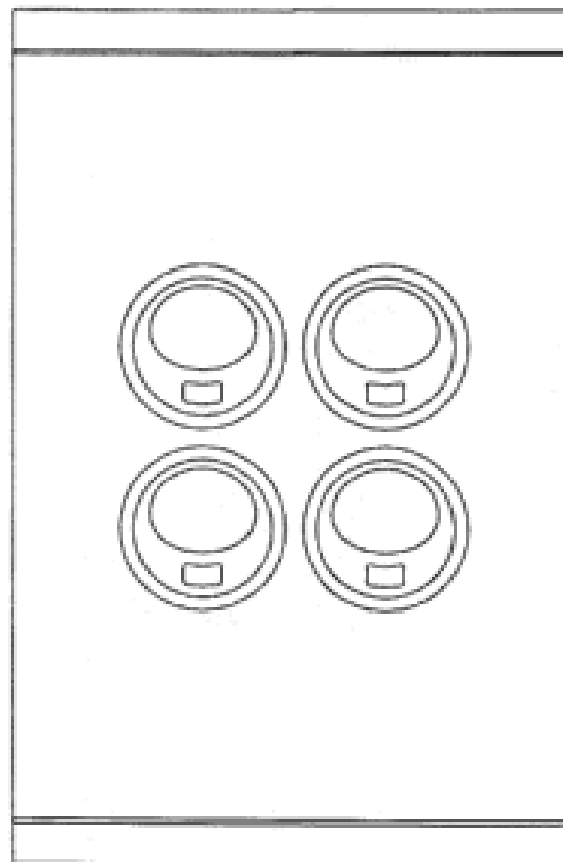
- (21) Design Number: **11389/2008**
- (22) Date of Filing Application: **19 March 2008**
- (24) Date from which industrial property rights may have effect: **19 March 2008**
- (54) Product in respect of which the design is registered: **Double switch**
- (51) International Design Classification: **13-03D**
- (71) Name(s) and Address(s) of Applicant(s):
Hager B & R Pty Ltd
Unit 14-17 Riverside Centre 148 James Ruse Dr Parramatta New
South Wales 2150 Australia
- (72) Name(s) of Designer(s): **Erwin van Handenhoven**
- (45) Registration Date: **14 July 2008**
- (56) Related Art Documents: **Not Applicable**
- (57) Statement of Newness and Distinctiveness: **Newness and distinctiveness are claimed in the shape and configuration of a double switch as shown in the accompanying illustrations.**



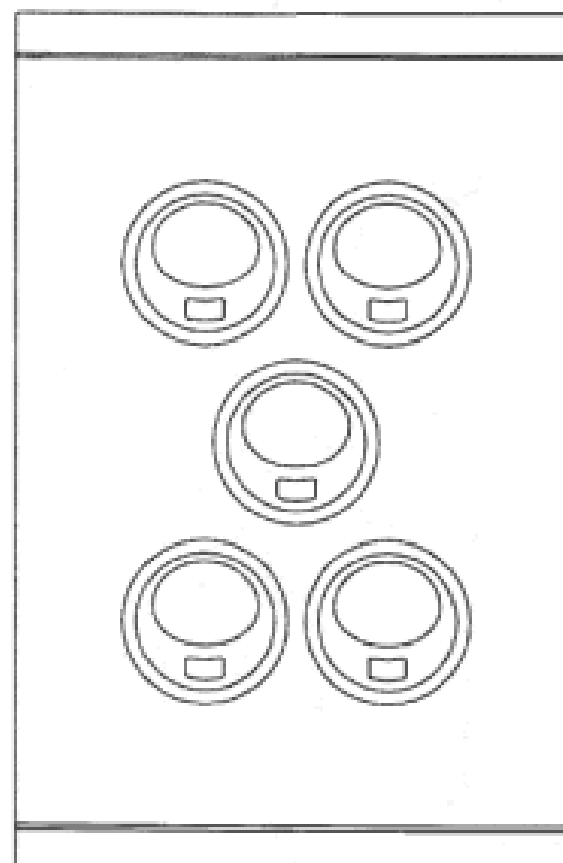
- (21) Design Number: **11390/2008**
- (22) Date of Filing Application: **19 March 2008**
- (24) Date from which industrial property rights may have effect: **19 March 2008**
- (54) Product in respect of which the design is registered: **Triple switch**
- (51) International Design Classification: **13-03D**
- (71) Name(s) and Address(s) of Applicant(s):
Hager B & R Pty Ltd
Unit 14-17 Riverside Centre 148 James Ruse Dr Parramatta New
South Wales 2150 Australia
- (72) Name(s) of Designer(s): **Erwin van Handenhoven**
- (45) Registration Date: **14 July 2008**
- (56) Related Art Documents: **Not Applicable**
- (57) Statement of Newness and Distinctiveness: **Newness and distinctiveness are claimed in the shape and configuration of a triple switch as shown in the accompanying illustrations.**



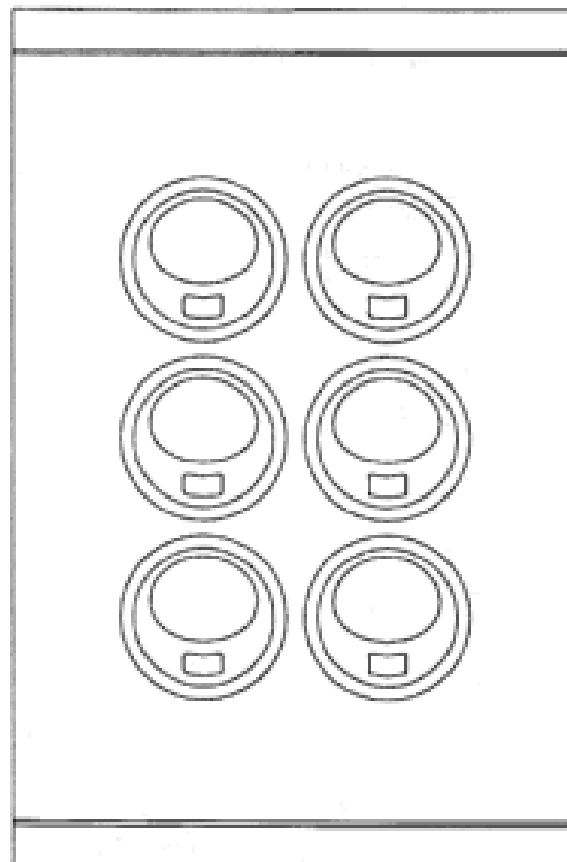
- (21) Design Number: **11391/2008**
- (22) Date of Filing Application: **19 March 2008**
- (24) Date from which industrial property rights may have effect: **19 March 2008**
- (54) Product in respect of which the design is registered: **Quadruple switch**
- (51) International Design Classification: **13-03D**
- (71) Name(s) and Address(s) of Applicant(s):
Hager B & R Pty Ltd
Unit 14-17 Riverside Centre 148 James Ruse Dr Parramatta New
South Wales 2150 Australia
- (72) Name(s) of Designer(s): **Erwin van Handenhoven**
- (45) Registration Date: **14 July 2008**
- (56) Related Art Documents: **Not Applicable**
- (57) Statement of Newness and Distinctiveness: **Newness and distinctiveness are claimed in the shape and configuration of a quadruple switch as shown in the accompanying illustrations.**



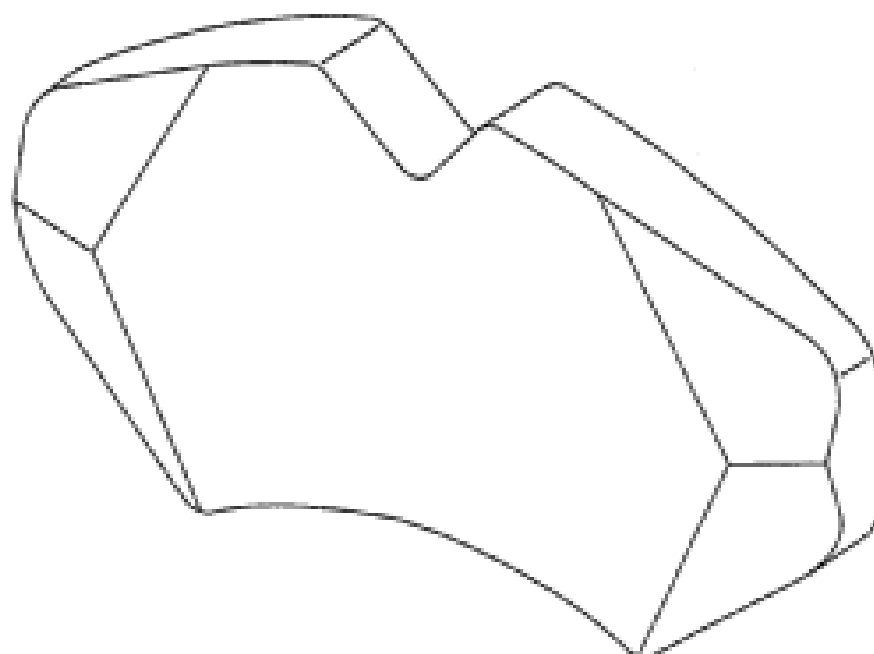
- (21) Design Number: **11392/2008**
- (22) Date of Filing Application: **19 March 2008**
- (24) Date from which industrial property rights may have effect: **19 March 2008**
- (54) Product in respect of which the design is registered: **Quintuple switch**
- (51) International Design Classification: **13-03D**
- (71) Name(s) and Address(s) of Applicant(s):
Hager B & R Pty Ltd
Unit 14-17 Riverside Centre 148 James Ruse Dr Parramatta New
South Wales 2150 Australia
- (72) Name(s) of Designer(s): **Erwin van Handenhoven**
- (45) Registration Date: **14 July 2008**
- (56) Related Art Documents: **Not Applicable**
- (57) Statement of Newness and Distinctiveness: **Newness and distinctiveness are claimed in the shape and configuration of a quintuple switch as shown in the accompanying illustrations.**



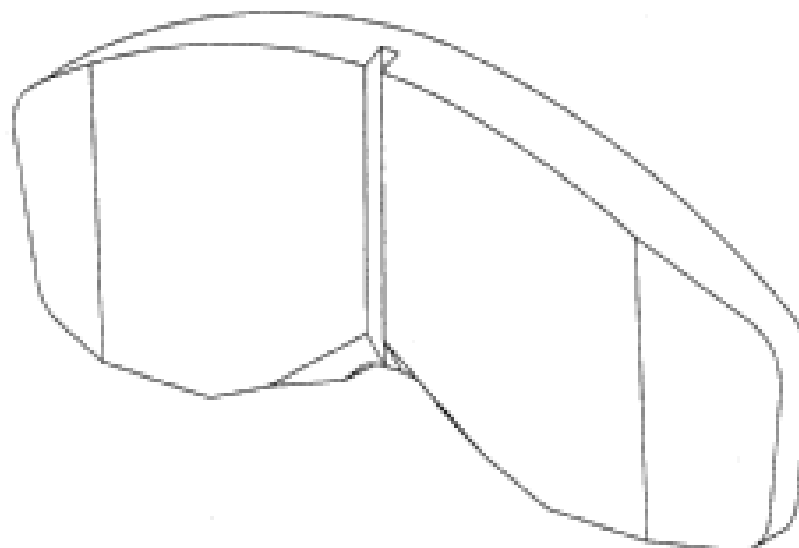
- (21) Design Number: **11393/2008**
- (22) Date of Filing Application: **19 March 2008**
- (24) Date from which industrial property rights may have effect: **19 March 2008**
- (54) Product in respect of which the design is registered: **Sextuple switch**
- (51) International Design Classification: **13-03D**
- (71) Name(s) and Address(s) of Applicant(s):
Hager B & R Pty Ltd
Unit 14-17 Riverside Centre 148 James Ruse Dr Parramatta New
South Wales 2150 Australia
- (72) Name(s) of Designer(s): **Erwin van Handenhoven**
- (45) Registration Date: **14 July 2008**
- (56) Related Art Documents: **Not Applicable**
- (57) Statement of Newness and Distinctiveness: **Newness and distinctiveness are claimed in the shape and configuration of a sextuple switch as shown in the accompanying illustrations.**



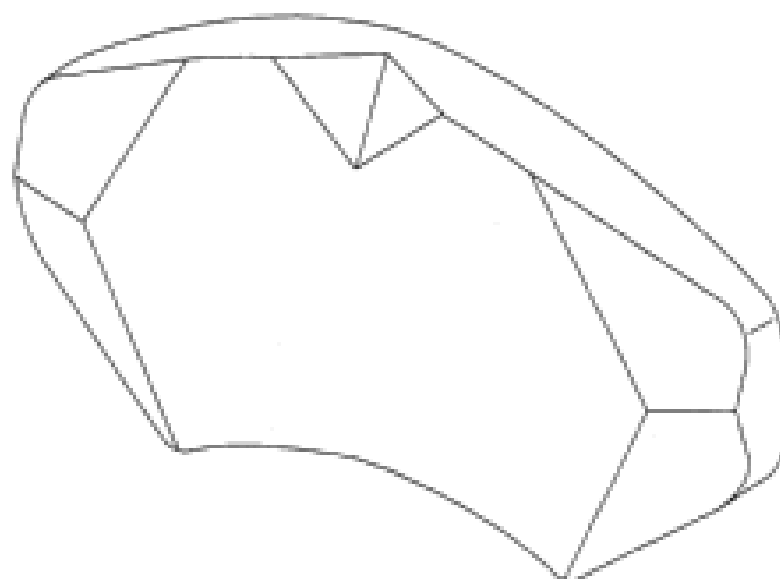
- (21) Design Number: **10455/2008**
- (22) Date of Filing Application: **01 February 2008**
- (24) Date from which industrial property rights may have effect: **01 February 2008**
- (54) Product in respect of which the design is registered: **A brake friction pad**
- (51) International Design Classification: **12-16M**
- (71) Name(s) and Address(s) of Applicant(s):
Federal-Mogul Products, Inc.
26555 Northwestern Highway Southfield Michigan 48033 United
States of America
- (72) Name(s) of Designer(s): **Weiming Liu and Rodney G. Silvey and Jason**
Heath Mahan
- (45) Registration Date: **15 July 2008**
- (30) Convention priority data:
(31) Number (32) Date (33) Country
29282917 01 Aug 2007 UNITED STATES OF AMERICA
- (56) Related Art Documents: **Not Applicable**
- (57) Statement of Newness and Distinctiveness: **Nil**



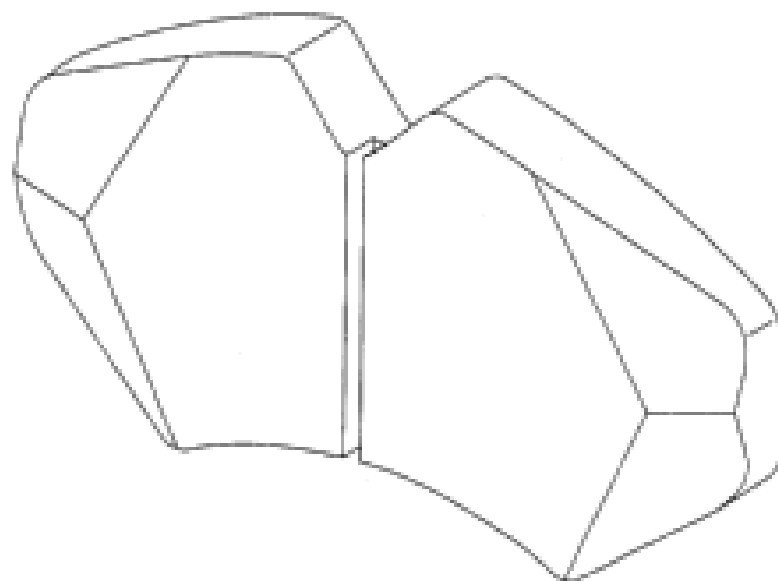
(21) Design Number: **10453/2008**
(22) Date of Filing Application: **01 February 2008**
(24) Date from which industrial property rights may have effect: **01 February 2008**
(54) Product in respect of which the design is registered: **A brake friction pad**
(51) International Design Classification: **12-16M**
(71) Name(s) and Address(s) of Applicant(s):
Federal-Mogul Products, Inc.
26555 Northwestern Highway Southfield Michigan 48033 United States of America
(72) Name(s) of Designer(s): **Weiming Liu and Rodney G. Silvey and Jason Heath Mahan**
(45) Registration Date: **15 July 2008**
(30) Convention priority data:
(31) Number (32) Date (33) Country
29282915 01 Aug 2007 UNITED STATES OF AMERICA
(56) Related Art Documents: **Not Applicable**
(57) Statement of Newness and Distinctiveness: **Nil**



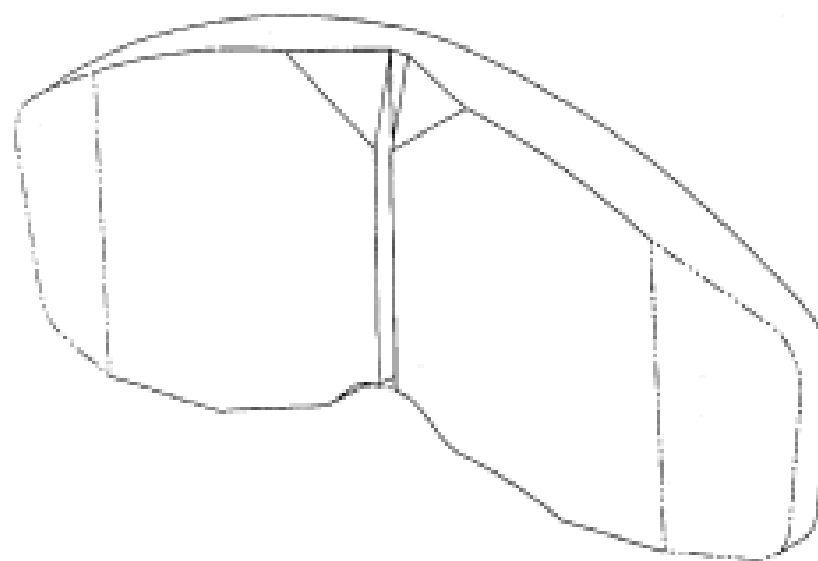
(21) Design Number: **10460/2008**
(22) Date of Filing Application: **01 February 2008**
(24) Date from which industrial property rights may have effect: **01 February 2008**
(54) Product in respect of which the design is registered: **A brake friction pad**
(51) International Design Classification: **12-16M**
(71) Name(s) and Address(s) of Applicant(s):
Federal-Mogul Products, Inc.
26555 Northwestern Highway Southfield Michigan 48033 United States of America
(72) Name(s) of Designer(s): **Weiming Liu and Rodney G. Silvey and Jason Heath Mahan**
(45) Registration Date: **15 July 2008**
(30) Convention priority data:
(31) Number (32) Date (33) Country
29282911 01 Aug 2007 UNITED STATES OF AMERICA
(56) Related Art Documents: **Not Applicable**
(57) Statement of Newness and Distinctiveness: **Nil**



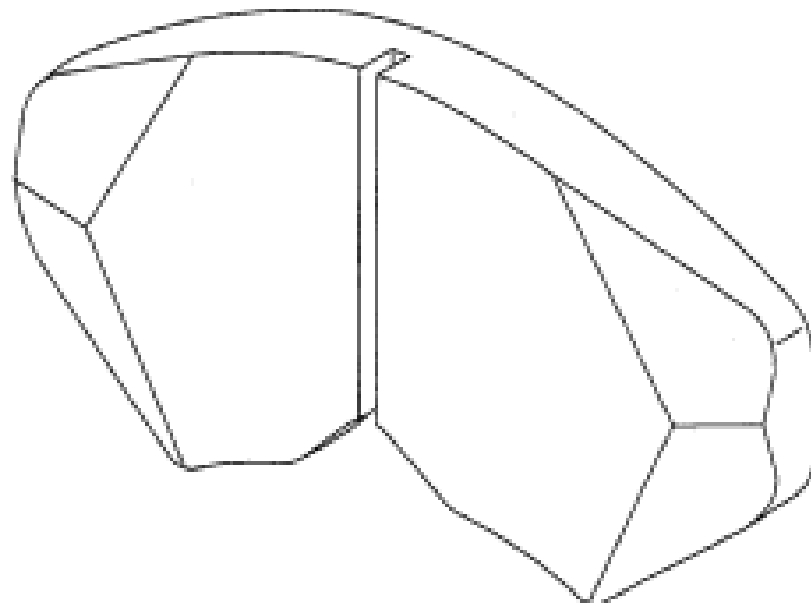
(21) Design Number: **10461/2008**
(22) Date of Filing Application: **01 February 2008**
(24) Date from which industrial property rights may have effect: **01 February 2008**
(54) Product in respect of which the design is registered: **A brake friction pad**
(51) International Design Classification: **12-16M**
(71) Name(s) and Address(s) of Applicant(s):
Federal-Mogul Products, Inc.
26555 Northwestern Highway Southfield Michigan 48033 United States of America
(72) Name(s) of Designer(s): **Weiming Liu and Rodney G. Silvey and Jason Heath Mahan**
(45) Registration Date: **15 July 2008**
(30) Convention priority data:
(31) Number (32) Date (33) Country
29282922 01 Aug 2007 UNITED STATES OF AMERICA
(56) Related Art Documents: **Not Applicable**
(57) Statement of Newness and Distinctiveness: **Nil**



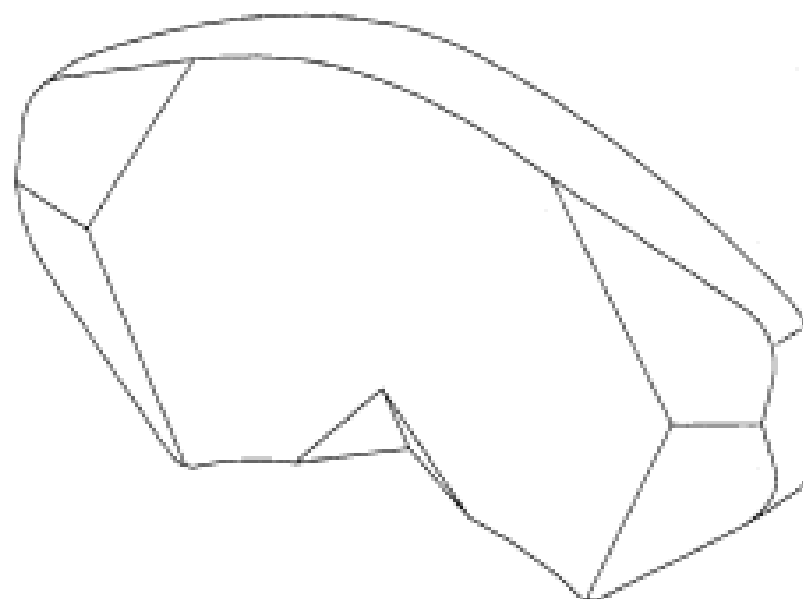
(21) Design Number: **10462/2008**
(22) Date of Filing Application: **01 February 2008**
(24) Date from which industrial property rights may have effect: **01 February 2008**
(54) Product in respect of which the design is registered: **A brake friction pad**
(51) International Design Classification: **12-16M**
(71) Name(s) and Address(s) of Applicant(s):
Federal-Mogul Products, Inc.
26555 Northwestern Highway Southfield Michigan 48033 United States of America
(72) Name(s) of Designer(s): **Weiming Liu and Rodney G. Silvey and Jason Heath Mahan**
(45) Registration Date: **15 July 2008**
(30) Convention priority data:
(31) Number (32) Date (33) Country
29282913 01 Aug 2007 UNITED STATES OF AMERICA
(56) Related Art Documents: **Not Applicable**
(57) Statement of Newness and Distinctiveness: **Newness and distinctiveness is claimed in the visual features shown in solid lines in the representations.**



(21) Design Number: **10463/2008**
(22) Date of Filing Application: **01 February 2008**
(24) Date from which industrial property rights may have effect: **01 February 2008**
(54) Product in respect of which the design is registered: **A brake friction pad**
(51) International Design Classification: **12-16M**
(71) Name(s) and Address(s) of Applicant(s):
Federal-Mogul Products, Inc.
26555 Northwestern Highway Southfield Michigan 48033 United States of America
(72) Name(s) of Designer(s): **Weiming Liu and Rodney G. Silvey and Jason Heath Mahan**
(45) Registration Date: **15 July 2008**
(30) Convention priority data:
(31) Number (32) Date (33) Country
29282924 01 Aug 2007 UNITED STATES OF AMERICA
(56) Related Art Documents: **Not Applicable**
(57) Statement of Newness and Distinctiveness: **Nil**



(21) Design Number: **10464/2008**
(22) Date of Filing Application: **01 February 2008**
(24) Date from which industrial property rights may have effect: **01 February 2008**
(54) Product in respect of which the design is registered: **A brake friction pad**
(51) International Design Classification: **12-16M**
(71) Name(s) and Address(s) of Applicant(s):
Federal-Mogul Products, Inc.
26555 Northwestern Highway Southfield Michigan 48033 United States of America
(72) Name(s) of Designer(s): **Weiming Liu and Rodney G. Silvey and Jason Heath Mahan**
(45) Registration Date: **15 July 2008**
(30) Convention priority data:
(31) Number (32) Date (33) Country
29282914 01 Aug 2007 UNITED STATES OF AMERICA
(56) Related Art Documents: **Not Applicable**
(57) Statement of Newness and Distinctiveness: **Nil**



(21) Design Number: **11379/2008**

(22) Date of Filing Application: **19 March 2008**

(24) Date from which industrial property rights may have effect: **19 March 2008**

(54) Product in respect of which the design is registered: **Single power point**

(51) International Design Classification: **13-03D**

(71) Name(s) and Address(s) of Applicant(s):

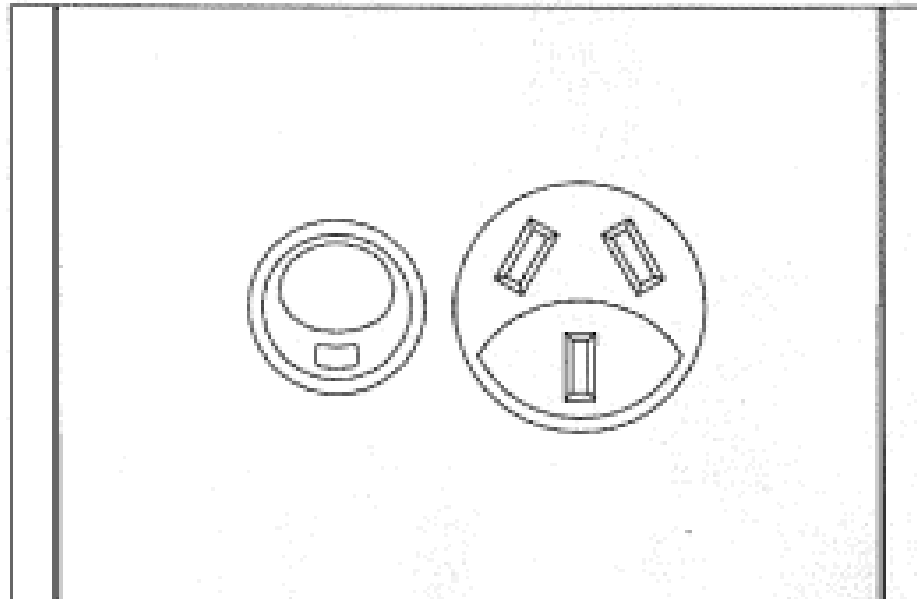
Hager B & R Pty Ltd
Unit 14-17 Riverside Centre 148 James Ruse Dr Parramatta New
South Wales 2150 Australia

(72) Name(s) of Designer(s): **Erwin van Handenhoven**

(45) Registration Date: **15 July 2008**

(56) Related Art Documents: **Not Applicable**

(57) Statement of Newness and Distinctiveness: **Newness and distinctiveness are claimed in the shape and configuration of a single power point as shown in the accompanying illustrations.**



(21) Design Number: **11193/2008**

(22) Date of Filing Application: **14 March 2008**

(24) Date from which industrial property rights may have effect: **14 March 2008**

(54) Product in respect of which the design is registered: **Tank**

(51) International Design Classification: **23-01F**

(71) Name(s) and Address(s) of Applicant(s):

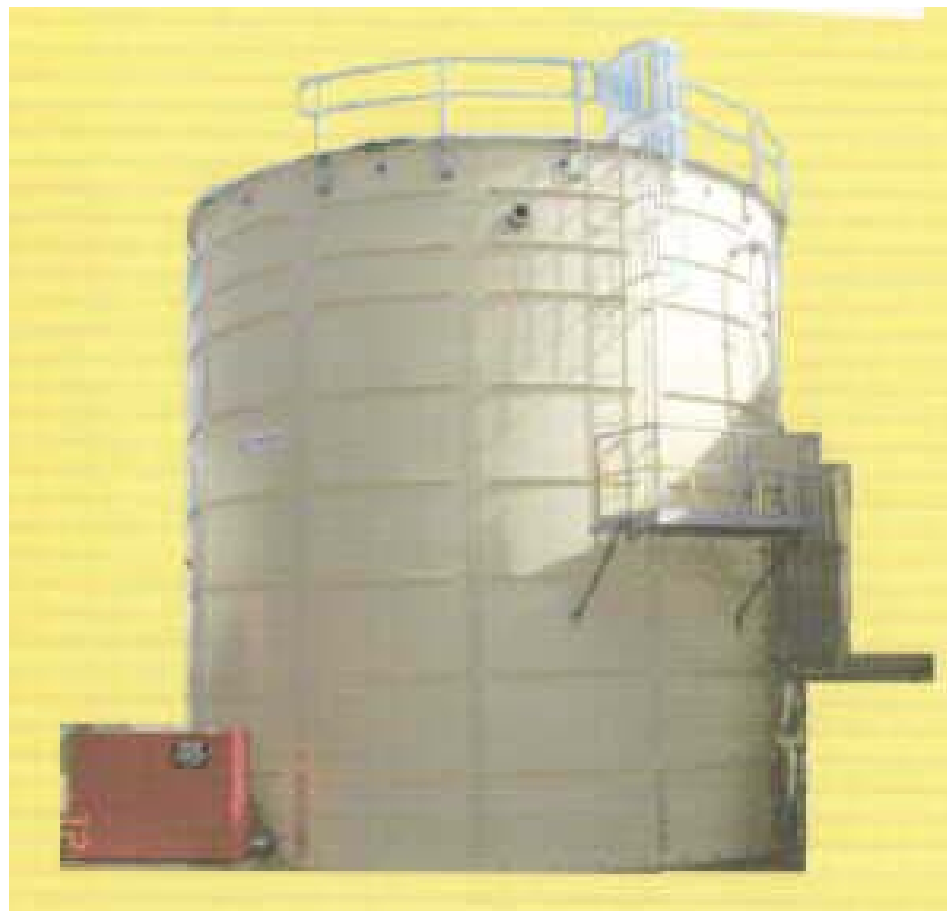
Nigel Trevor Warin
13 Wells Street Bellevue West Australia 6056 Australia

(72) Name(s) of Designer(s): **Nigel Trevor Warin**

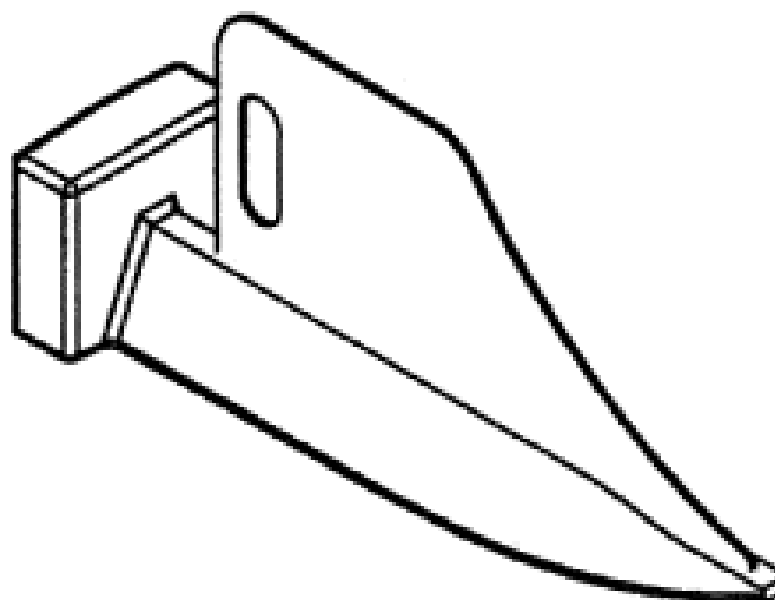
(45) Registration Date: **15 July 2008**

(56) Related Art Documents: **Not Applicable**

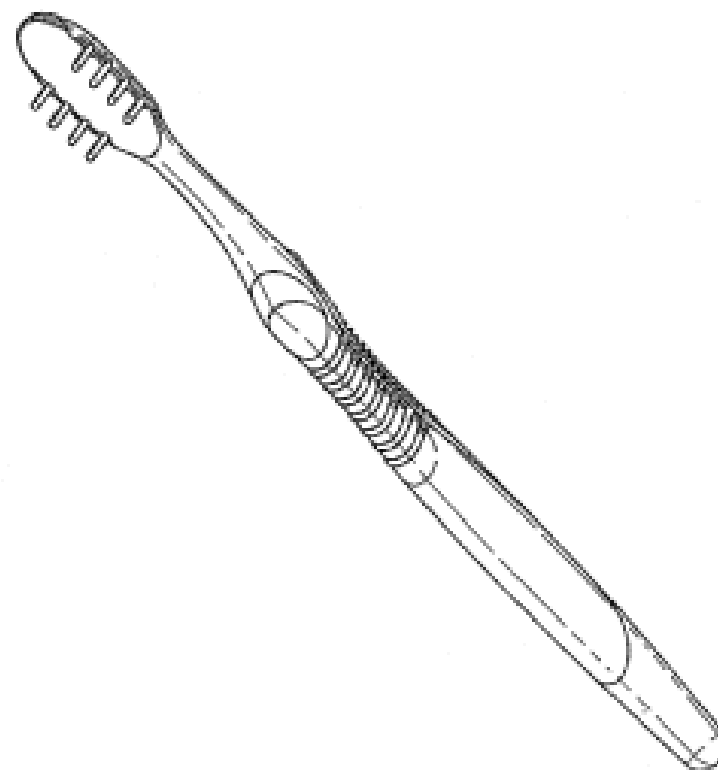
(57) Statement of Newness and Distinctiveness: **Ventilation portholes exiting through centre king pin multi side pyramidal roof.**



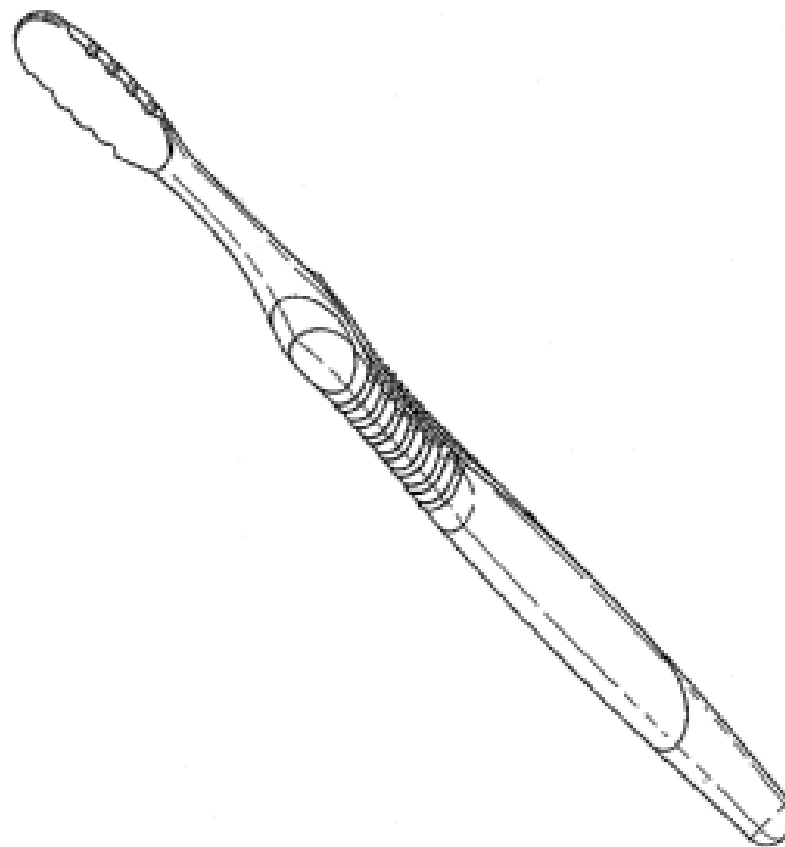
(21) Design Number: **11394/2008**
(22) Date of Filing Application: **19 March 2008**
(24) Date from which industrial property rights may have effect: **19 March 2008**
(54) Product in respect of which the design is registered: **Dental instrument**
(51) International Design Classification: **24-02**
(71) Name(s) and Address(s) of Applicant(s):
Directa AB
Box 723 Upplands Vasby SE-194 27 Sweden
(72) Name(s) of Designer(s): **Dan Ericson and Per Larsson and Stefan Leffler and Olof Larsson**
(45) Registration Date: **15 July 2008**
(30) Convention priority data:
(31) Number (32) Date (33) Country
000805684 10 Oct 2007 EUROPEAN COMMUNITY
(56) Related Art Documents: **Not Applicable**
(57) Statement of Newness and Distinctiveness: **Nil**



(21) Design Number: **11341/2008**
(22) Date of Filing Application: **19 March 2008**
(24) Date from which industrial property rights may have effect: **19 March 2008**
(54) Product in respect of which the design is registered: **Toothbrush handle**
(51) International Design Classification: **04-02**
(71) Name(s) and Address(s) of Applicant(s):
Braun GmbH
Frankfurter Strasse 145 61476 Kronberg Germany
(72) Name(s) of Designer(s): **Peter Alan Goldman and Bjoern Kling and Steffi Raehse and Lucy Abigail Zimmermann**
(45) Registration Date: **15 July 2008**
(30) Convention priority data:
(31) Number (32) Date (33) Country
29/291,982 24 Sep 2007 UNITED STATES OF AMERICA
(56) Related Art Documents: **Not Applicable**
(57) Statement of Newness and Distinctiveness: **Newness and distinctiveness reside in the features of shape and/or configuration of the toothbrush handle, as shown in the representations.**



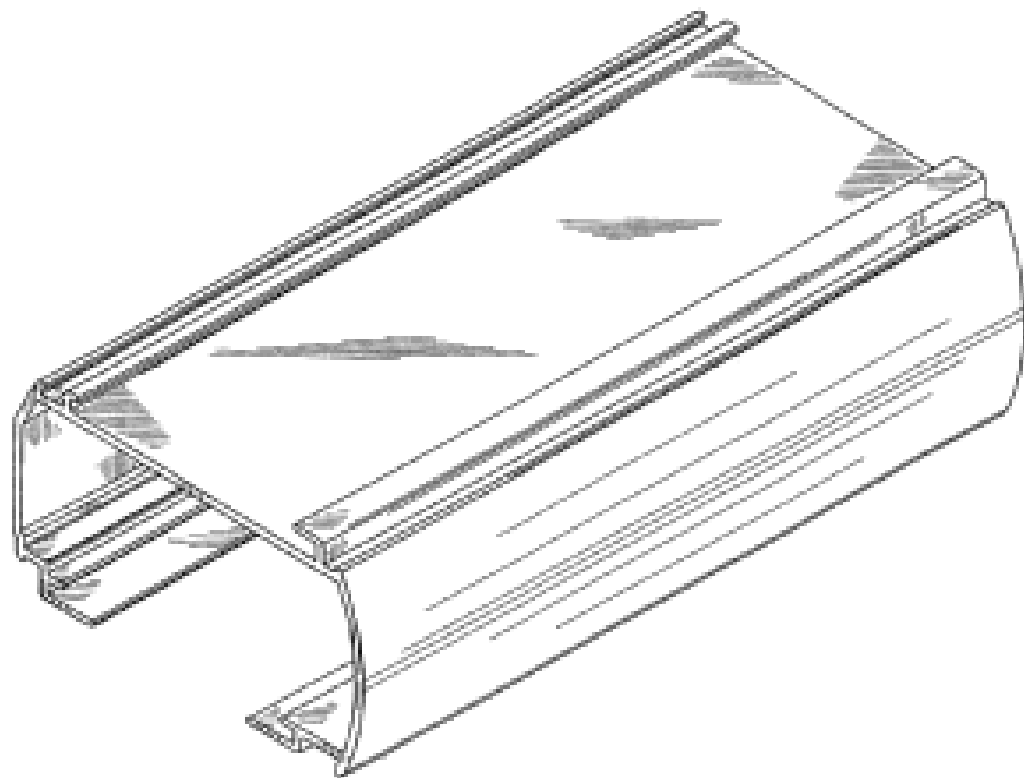
- (21) Design Number: **11342/2008**
(22) Date of Filing Application: **19 March 2008**
(24) Date from which industrial property rights may have effect: **19 March 2008**
(54) Product in respect of which the design is registered: **Toothbrush handle**
(51) International Design Classification: **04-02**
(71) Name(s) and Address(s) of Applicant(s):
Braun GmbH
Frankfurter Strasse 145 61476 Kronberg Germany
(72) Name(s) of Designer(s): **Peter Alan Goldman and Bjoern Kling and Steffi Raehse and Lucy Abigail Zimmermann**
(45) Registration Date: **15 July 2008**
(30) Convention priority data:
(31) Number (32) Date (33) Country
29/291,982 24 Sep 2007 UNITED STATES OF AMERICA
(56) Related Art Documents: **Not Applicable**
(57) Statement of Newness and Distinctiveness: **Newness and distinctiveness reside in the features of shape and/or configuration of the toothbrush handle, as shown in the representations.**



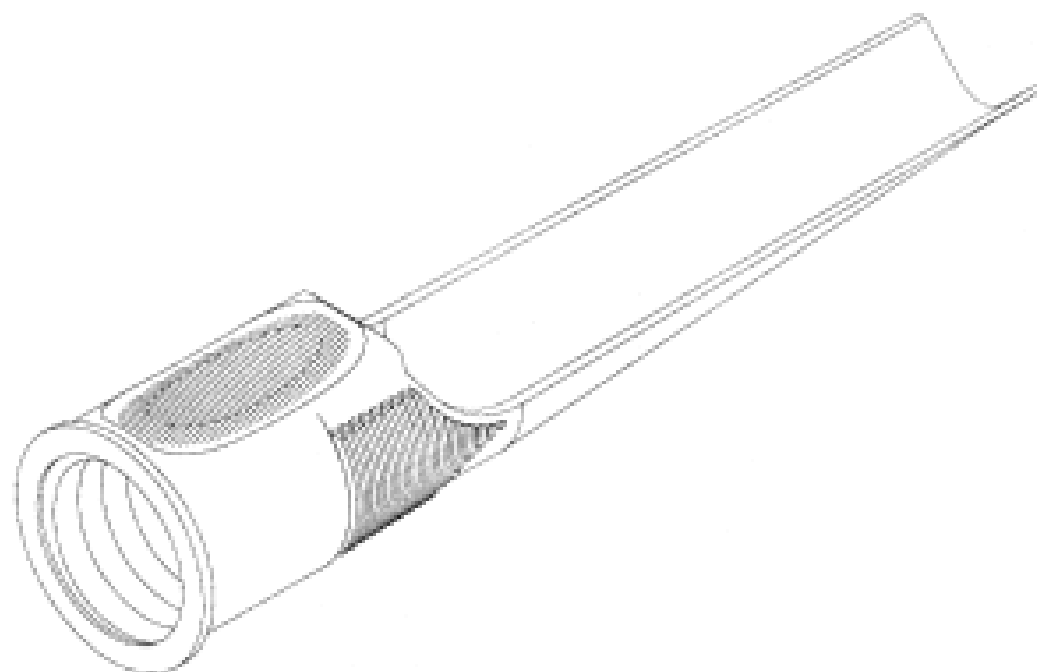
- (21) Design Number: **10632/2008**
(22) Date of Filing Application: **13 February 2008**
(24) Date from which industrial property rights may have effect: **13 February 2008**
(54) Product in respect of which the design is registered: **Water closet**
(51) International Design Classification: **23-02C**
(71) Name(s) and Address(s) of Applicant(s):
Villeroy & Boch AG.
14-18 Saaruferstrasse D-66693 Mettlach Germany
(72) Name(s) of Designer(s): **Reiner Moll**
(45) Registration Date: **16 July 2008**
(56) Related Art Documents: **Not Applicable**
(57) Statement of Newness and Distinctiveness: **Nil**



- (21) Design Number: **10686/2008**
(22) Date of Filing Application: **15 February 2008**
(24) Date from which industrial property rights may have effect: **15 February 2008**
(54) Product in respect of which the design is registered: **Headrail for architectural coverings**
(51) International Design Classification: **25-01K, 25-02NES**
(71) Name(s) and Address(s) of Applicant(s):
Hunter Douglas Inc.
2 Park Way Upper Saddle River New Jersey 07458 United States of America
(72) Name(s) of Designer(s): **Richard N. Anderson and Steven R. Haarer and Donald E. Fraser and Eugene Thompson**
(45) Registration Date: **16 July 2008**
(30) Convention priority data:
(31) Number (32) Date (33) Country
29/283533 16 Aug 2007 UNITED STATES OF AMERICA
(56) Related Art Documents: **Not Applicable**
(57) Statement of Newness and Distinctiveness: **Nil**



- (21) Design Number: **11031/2008**
(22) Date of Filing Application: **03 March 2008**
(24) Date from which industrial property rights may have effect: **03 March 2008**
(54) Product in respect of which the design is registered: **Shaping tool**
(51) International Design Classification: **08-99, 08-05N**
(71) Name(s) and Address(s) of Applicant(s):
Jamie Robert Cram
8 Calvert Street Portland Victoria 3305 Australia
(72) Name(s) of Designer(s): **Jamie Robert Cram**
(45) Registration Date: **16 July 2008**
(56) Related Art Documents: **Not Applicable**
(57) Statement of Newness and Distinctiveness: **Nil**



(19) AU

(21) Design Number: 11052/2008

(22) Date of Filing Application: 04 March 2008

(24) Date from which industrial property rights may have effect: 04 March 2008

(54) Product in respect of which the design is registered: Electronic device

(51) International Design Classification: 14-04, 14-01

(71) Name(s) and Address(s) of Applicant(s):

Apple Inc.

1 Infinite Loop Cupertino California 95014 United States of America

(72) Name(s) of Designer(s): William Bull and Kourtny Hicks and Eric Hope and Policarpo Wood

(45) Registration Date: 16 July 2008

(30) Convention priority data:

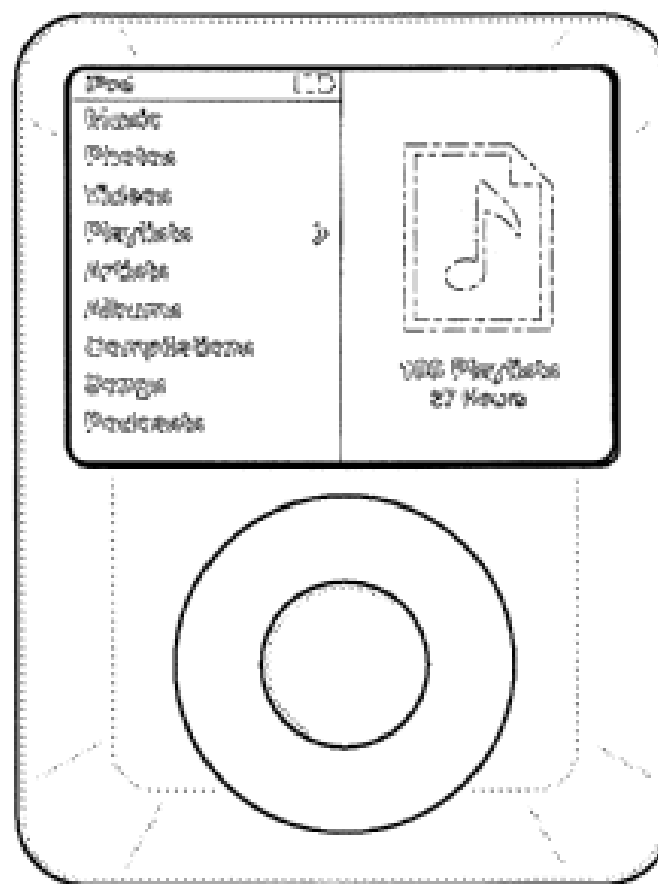
(31) Number
29/284263

(32) Date
04 Sep 2007

(33) Country
UNITED STATES OF AMERICA

(56) Related Art Documents: Not Applicable

(57) Statement of Newness and Distinctiveness: Newness and distinctiveness resides in the features of pattern and/or ornament as shown in solid lines within the area of the display screen of the electronic device.



(19) AU

(21) Design Number: 11053/2008

(22) Date of Filing Application: 04 March 2008

(24) Date from which industrial property rights may have effect: 04 March 2008

(54) Product in respect of which the design is registered: Electronic device

(51) International Design Classification: 14-04, 14-01

(71) Name(s) and Address(s) of Applicant(s):

Apple Inc.

1 Infinite Loop Cupertino California 95014 United States of America

(72) Name(s) of Designer(s): William Bull and Kourtny Hicks and Eric Hope and Policarpo Wood

(45) Registration Date: 16 July 2008

(30) Convention priority data:

(31) Number
29/284263

(32) Date
04 Sep 2007

(33) Country
UNITED STATES OF AMERICA

(56) Related Art Documents: Not Applicable

(57) Statement of Newness and Distinctiveness: Newness and distinctiveness resides in the features of pattern and/or ornament within the area of the display screen of the electronic device.



(21) Design Number: **11358/2008**

(22) Date of Filing Application: **20 March 2008**

(24) Date from which industrial property rights may have effect: **20 March 2008**

(54) Product in respect of which the design is registered: **Sculptural plaster casts (ornamental)**

(51) International Design Classification: **11-02D**

(71) Name(s) and Address(s) of Applicant(s):

Robert England
4 Brimble Cottages Castle Street Mere Wiltshire BA12 6JY United Kingdom

(72) Name(s) of Designer(s): **Robert England**

(45) Registration Date: **16 July 2008**

(56) Related Art Documents: **Not Applicable**

(57) Statement of Newness and Distinctiveness: **The design shows a plaster casting of a human hand holding a cricket ball.**



(21) Design Number: **11359/2008**

(22) Date of Filing Application: **20 March 2008**

(24) Date from which industrial property rights may have effect: **20 March 2008**

(54) Product in respect of which the design is registered: **Sculptural stone-plaster casts (ornamental)**

(51) International Design Classification: **11-02D**

(71) Name(s) and Address(s) of Applicant(s):

Robert England
4 Brimble Cottages Castle Street Mere Wiltshire BA12 6JY United Kingdom

(72) Name(s) of Designer(s): **Robert England**

(45) Registration Date: **16 July 2008**

(56) Related Art Documents: **Not Applicable**

(57) Statement of Newness and Distinctiveness: **The design shows stone-plaster castings of a male and female hand entwined and holding a wedding ring.**



(21) Design Number: **11360/2008**

(22) Date of Filing Application: **20 March 2008**

(24) Date from which industrial property rights may have effect: **20 March 2008**

(54) Product in respect of which the design is registered: **Sculptural stone-plaster casts (ornamental)**

(51) International Design Classification: **11-02D**

(71) Name(s) and Address(s) of Applicant(s):

Robert England
4 Brimble Cottages Castle Street Mere Wiltshire BA12 6JY United Kingdom

(72) Name(s) of Designer(s): **Robert England**

(45) Registration Date: **16 July 2008**

(56) Related Art Documents: **Not Applicable**

(57) Statement of Newness and Distinctiveness: **The design shows stone-plaster castings of an adult's and child's hand holding a gold metal heart and linked by a gold metal chain.**



(21) Design Number: **11361/2008**

(22) Date of Filing Application: **20 March 2008**

(24) Date from which industrial property rights may have effect: **20 March 2008**

(54) Product in respect of which the design is registered: **Sculptural stone-plaster casts (ornamental)**

(51) International Design Classification: **11-02D**

(71) Name(s) and Address(s) of Applicant(s):

Robert England
4 Brimble Cottages Castle Street Mere Wiltshire BA12 6JY United Kingdom

(72) Name(s) of Designer(s): **Robert England**

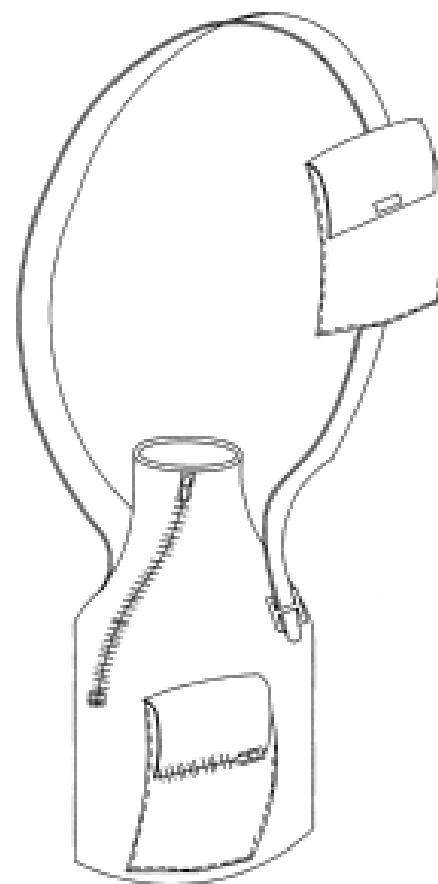
(45) Registration Date: **16 July 2008**

(56) Related Art Documents: **Not Applicable**

(57) Statement of Newness and Distinctiveness: **The design shows a stone-plaster casting of a human hand holding a pencil.**

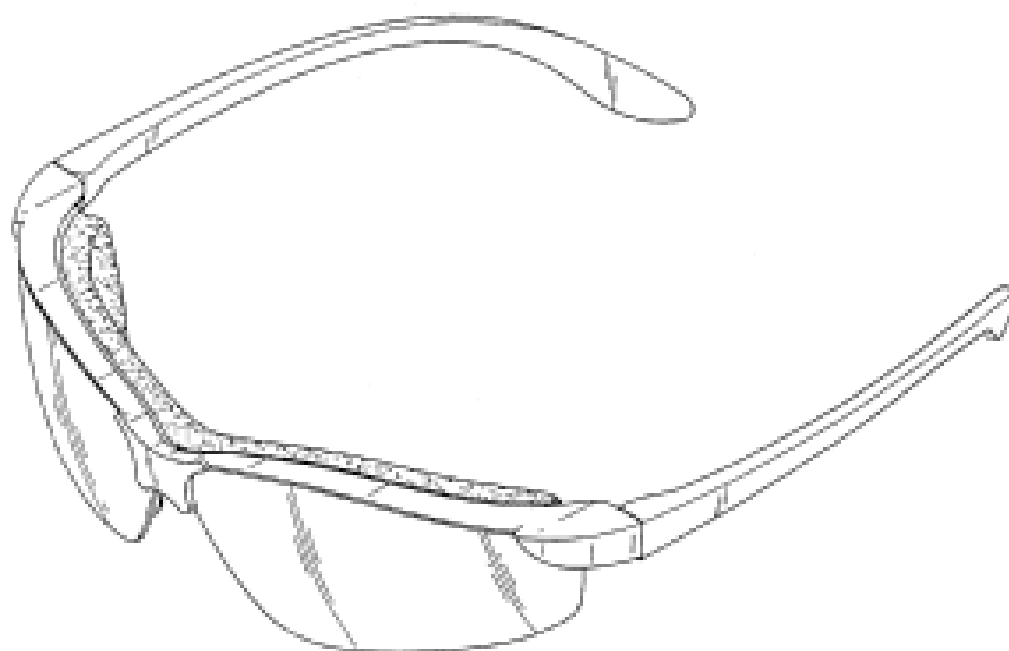


- (21) Design Number: **11362/2008**
- (22) Date of Filing Application: **20 March 2008**
- (24) Date from which industrial property rights may have effect: **20 March 2008**
- (54) Product in respect of which the design is registered: **Combination drink bottle/mobile phone/valuables carrier**
- (51) International Design Classification: **09-03E, 03-01NES**
- (71) Name(s) and Address(s) of Applicant(s):
Jennifer Joan McNair
3 Widdop Avenue Rosebud Victoria 3939 Australia
- (72) Name(s) of Designer(s): **Jennifer McNair and Janine Nancy Ewart**
- (45) Registration Date: **16 July 2008**
- (56) Related Art Documents: **Not Applicable**
- (57) Statement of Newness and Distinctiveness: **Shoulder strap holding a drink bottle receptacle, a mobile phone pouch and a key/money pouch.**



- (21) Design Number: **11373/2008**
- (22) Date of Filing Application: **20 March 2008**
- (24) Date from which industrial property rights may have effect: **20 March 2008**
- (54) Product in respect of which the design is registered: **Eyewear**
- (51) International Design Classification: **16-06**
- (71) Name(s) and Address(s) of Applicant(s):
Dioptics Medical Products, Inc.
125 Venture Drive San Luis Obispo California United States of America
- (72) Name(s) of Designer(s): **Henry Welling Lane and Eric Rhea**
- (45) Registration Date: **16 July 2008**
- (30) Convention priority data:

(31) Number	(32) Date	(33) Country
29291907	20 Sep 2007	UNITED STATES OF AMERICA
- (56) Related Art Documents: **Not Applicable**
- (57) Statement of Newness and Distinctiveness: **Nil**



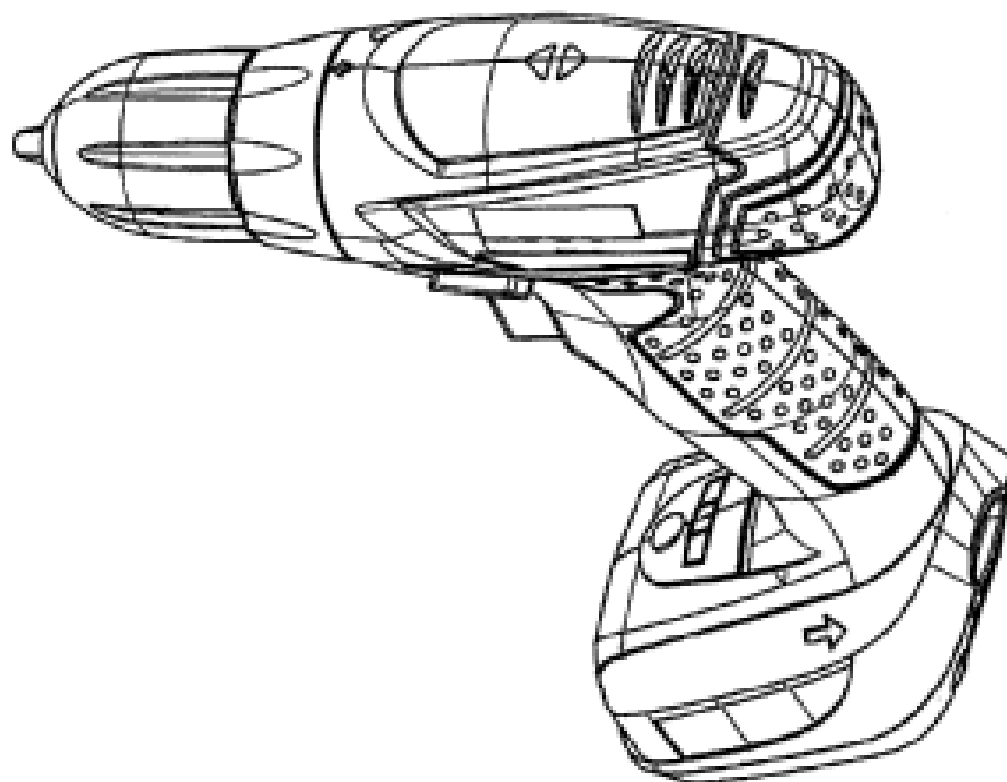
(21) Design Number: **11374/2008**
(22) Date of Filing Application: **20 March 2008**
(24) Date from which industrial property rights may have effect: **20 March 2008**
(54) Product in respect of which the design is registered: **Eyewear**
(51) International Design Classification: **16-06**
(71) Name(s) and Address(s) of Applicant(s):
Dioptics Medical Products, Inc.
125 Venture Drive San Luis Obispo California United States of America
(72) Name(s) of Designer(s): **Henry Welling Lane and Eric Rhea**
(45) Registration Date: **16 July 2008**
(30) Convention priority data:
(31) Number (32) Date (33) Country
29291916 20 Sep 2007 UNITED STATES OF AMERICA
(56) Related Art Documents: **Not Applicable**
(57) Statement of Newness and Distinctiveness: **Nil**



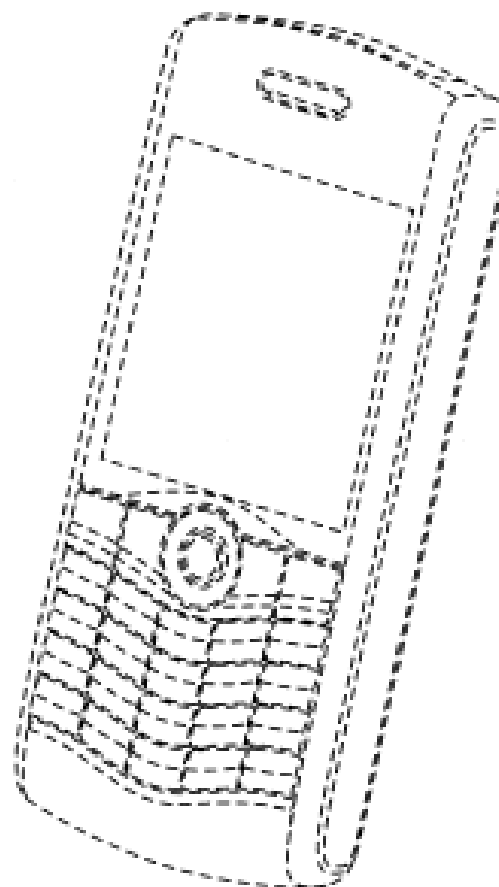
(21) Design Number: **11375/2008**
(22) Date of Filing Application: **20 March 2008**
(24) Date from which industrial property rights may have effect: **20 March 2008**
(54) Product in respect of which the design is registered: **Automobile**
(51) International Design Classification: **12-08**
(71) Name(s) and Address(s) of Applicant(s):
Honda Motor Co., Ltd
1-1 Minami-Aoyama 2-chome Minato-ku Tokyo 107-8556 Japan
(72) Name(s) of Designer(s): **Tetsuji Morikawa**
(45) Registration Date: **16 July 2008**
(30) Convention priority data:
(31) Number (32) Date (33) Country
2007-052232 21 Sep 2007 JAPAN
(56) Related Art Documents: **Not Applicable**
(57) Statement of Newness and Distinctiveness: **The automobile shown in the representations is new and distinctive.**



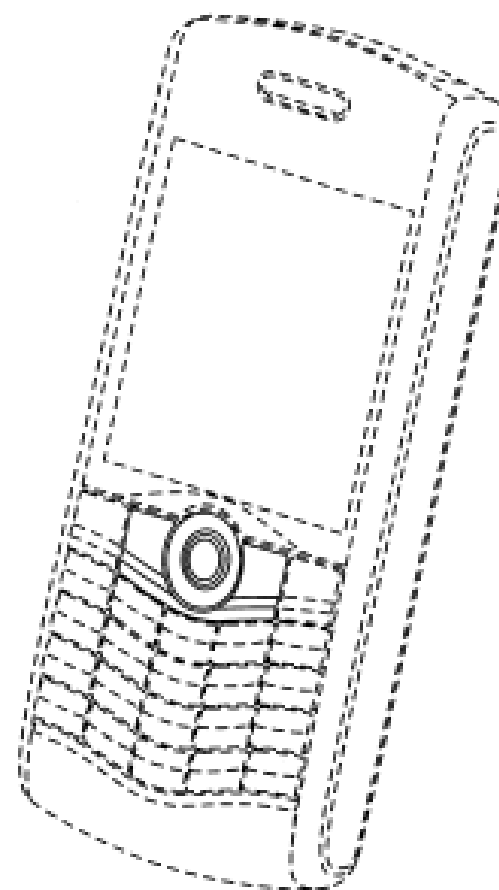
(21) Design Number: **11377/2008**
(22) Date of Filing Application: **20 March 2008**
(24) Date from which industrial property rights may have effect: **20 March 2008**
(54) Product in respect of which the design is registered: **Power tool**
(51) International Design Classification: **08-01**
(71) Name(s) and Address(s) of Applicant(s):
Robert Bosch GmbH
Postfach 30 02 20 70442 Stuttgart Germany
(72) Name(s) of Designer(s): **Hans-Peter Aglassinger**
(45) Registration Date: **16 July 2008**
(30) Convention priority data:
(31) Number (32) Date (33) Country
000849674 26 Dec 2007 EUROPEAN COMMUNITY
(56) Related Art Documents: **Not Applicable**
(57) Statement of Newness and Distinctiveness: **Nil**



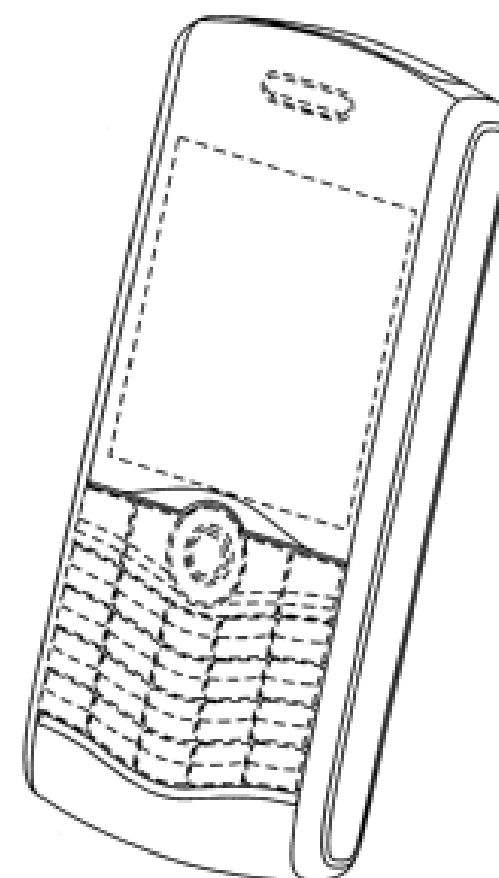
(21) Design Number: **11402/2008**
(22) Date of Filing Application: **20 March 2008**
(24) Date from which industrial property rights may have effect: **20 March 2008**
(54) Product in respect of which the design is registered: **Hand-held electronic device**
(51) International Design Classification: **14-02, 14-03E**
(71) Name(s) and Address(s) of Applicant(s):
Research In Motion Limited
295 Phillip Street Waterloo Ontario N2L 3W8 Canada
(72) Name(s) of Designer(s): **Cortez Corley and Todd Wood**
(45) Registration Date: **16 July 2008**
(30) Convention priority data:
(31) Number (32) Date (33) Country
29/295190 21 Sep 2007 UNITED STATES OF AMERICA
(56) Related Art Documents: **Not Applicable**
(57) Statement of Newness and Distinctiveness: **Newness and distinctiveness is claimed in the features of shape and/or configuration of the camera module of a hand-held electronic device as illustrated in continuous lines in the accompanying representations.**



- (21) Design Number: **11403/2008**
(22) Date of Filing Application: **20 March 2008**
(24) Date from which industrial property rights may have effect: **20 March 2008**
(54) Product in respect of which the design is registered: **Hand-held electronic device**
(51) International Design Classification: **14-02, 14-03E**
(71) Name(s) and Address(s) of Applicant(s):
Research In Motion Limited
295 Phillip Street Waterloo Ontario N2L 3W8 Canada
(72) Name(s) of Designer(s): **Cortez Corley and Todd Wood**
(45) Registration Date: **16 July 2008**
(30) Convention priority data:
(31) Number (32) Date (33) Country
29/295198 21 Sep 2007 UNITED STATES OF AMERICA
(56) Related Art Documents: **Not Applicable**
(57) Statement of Newness and Distinctiveness: **Newness and distinctiveness is claimed in the features of shape and/or configuration of the navigational input device and inner function keys of a hand-held electronic device as illustrated in continuous lines in the accompanying representations.**

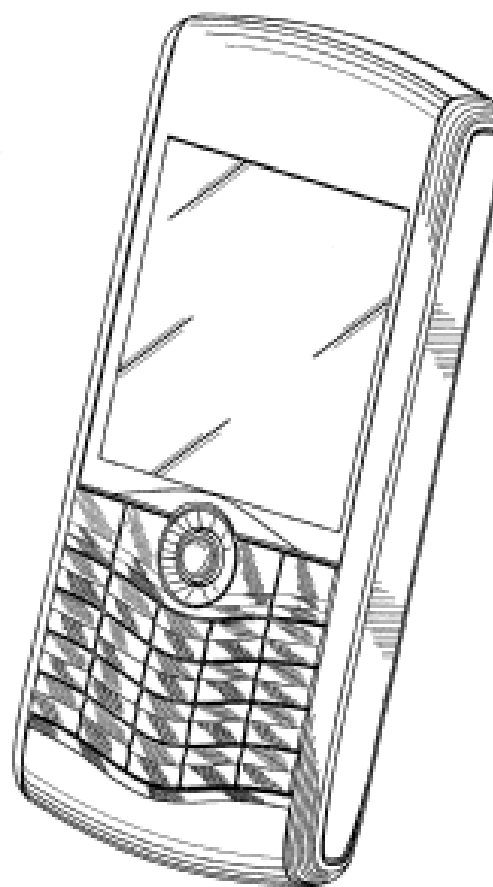


- (21) Design Number: **11404/2008**
(22) Date of Filing Application: **20 March 2008**
(24) Date from which industrial property rights may have effect: **20 March 2008**
(54) Product in respect of which the design is registered: **Hand-held electronic device**
(51) International Design Classification: **14-02, 14-03E**
(71) Name(s) and Address(s) of Applicant(s):
Research In Motion Limited
295 Phillip Street Waterloo Ontario N2L 3W8 Canada
(72) Name(s) of Designer(s): **Cortez Corley and Todd Wood**
(45) Registration Date: **16 July 2008**
(30) Convention priority data:
(31) Number (32) Date (33) Country
29/295198 21 Sep 2007 UNITED STATES OF AMERICA
(56) Related Art Documents: **Not Applicable**
(57) Statement of Newness and Distinctiveness: **Newness and distinctiveness is claimed in the features of shape and/or configuration of the casing of a hand-held electronic device as illustrated in continuous lines in the accompanying representations.**



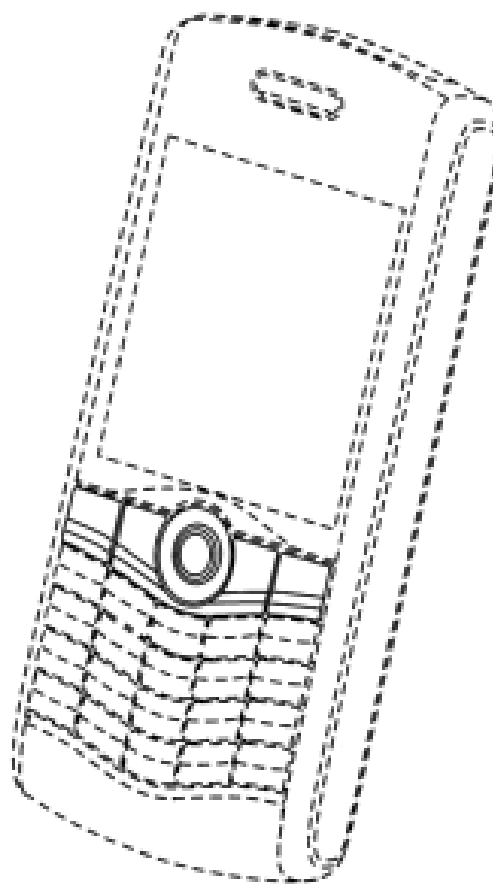
- (21) Design Number: **11405/2008**
- (22) Date of Filing Application: **20 March 2008**
- (24) Date from which industrial property rights may have effect: **20 March 2008**
- (54) Product in respect of which the design is registered: **Hand-held electronic device**
- (51) International Design Classification: **14-02, 14-03E**
- (71) Name(s) and Address(s) of Applicant(s):
Research In Motion Limited
295 Phillip Street Waterloo Ontario N2L 3W8 Canada
- (72) Name(s) of Designer(s): **Cortez Corley and Todd Wood**
- (45) Registration Date: **16 July 2008**
- (30) Convention priority data:

(31) Number	(32) Date	(33) Country
29/295185	21 Sep 2007	UNITED STATES OF AMERICA
- (56) Related Art Documents: **Not Applicable**
- (57) Statement of Newness and Distinctiveness: **Newness and distinctiveness is claimed in the features of shape and/or configuration of a hand-held electronic device as illustrated in the accompanying representations.**

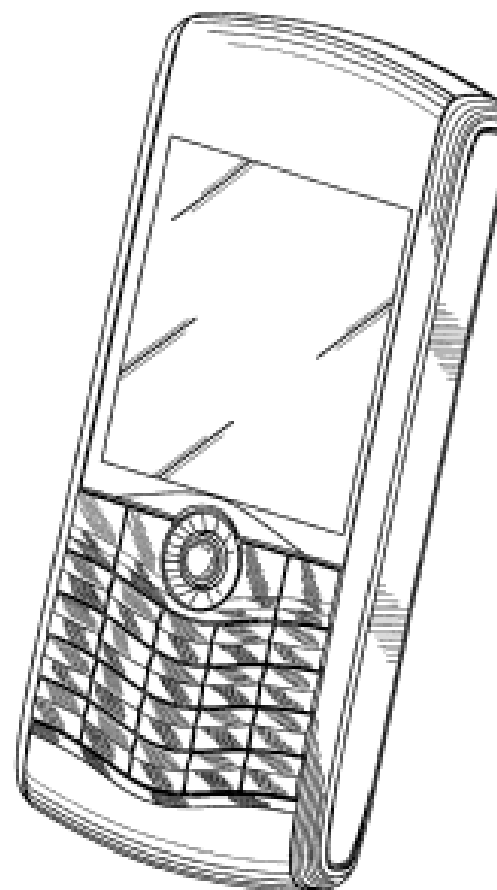


- (21) Design Number: **11406/2008**
- (22) Date of Filing Application: **20 March 2008**
- (24) Date from which industrial property rights may have effect: **20 March 2008**
- (54) Product in respect of which the design is registered: **Hand-held electronic device**
- (51) International Design Classification: **14-02, 14-03E**
- (71) Name(s) and Address(s) of Applicant(s):
Research In Motion Limited
295 Phillip Street Waterloo Ontario N2L 3W8 Canada
- (72) Name(s) of Designer(s): **Cortez Corley and Todd Wood**
- (45) Registration Date: **16 July 2008**
- (30) Convention priority data:

(31) Number	(32) Date	(33) Country
29/295198	21 Sep 2007	UNITED STATES OF AMERICA
- (56) Related Art Documents: **Not Applicable**
- (57) Statement of Newness and Distinctiveness: **Newness and distinctiveness is claimed in the features of shape and/or configuration of the navigational input device and function keys of a hand-held electronic device as illustrated in continuous lines in the accompanying representations.**



- (21) Design Number: **11407/2008**
(22) Date of Filing Application: **20 March 2008**
(24) Date from which industrial property rights may have effect: **20 March 2008**
(54) Product in respect of which the design is registered: **Hand-held electronic device**
(51) International Design Classification: **14-02, 14-03E**
(71) Name(s) and Address(s) of Applicant(s):
Research In Motion Limited
295 Phillip Street Waterloo Ontario N2L 3W8 Canada
(72) Name(s) of Designer(s): **Cortez Corley and Todd Wood**
(45) Registration Date: **16 July 2008**
(30) Convention priority data:
(31) Number (32) Date (33) Country
29/295196 21 Sep 2007 UNITED STATES OF AMERICA
(56) Related Art Documents: **Not Applicable**
(57) Statement of Newness and Distinctiveness: **Newness and distinctiveness is claimed in the features of shape and/or configuration of a hand-held electronic device as illustrated in the accompanying representations.**



- (21) Design Number: **13085/2008**
(22) Date of Filing Application: **04 July 2008**
(24) Date from which industrial property rights may have effect: **04 July 2008**
(54) Product in respect of which the design is registered: **Safety-locking, pressure release radiator caps 70mm**
(51) International Design Classification: **12-16NES**
(71) Name(s) and Address(s) of Applicant(s):
Jean Ellis
6/71 Industrial Avenue Mudgee New South Wales Australia 2850
Brett Edwards
6/71 Industrial Avenue Mudgee New South Wales Australia 2850
(72) Name(s) of Designer(s): **Christopher Sibley**
(45) Registration Date: **16 July 2008**
(56) Related Art Documents: **Not Applicable**
(57) Statement of Newness and Distinctiveness: **Steel locking lever, painted/powdercoated red for warning internal brass pin. No alloy materials, only steel, brass, rubber, to be mine safe (i.e. safe underground, no sparks).**



- (21) Design Number: **13086/2008**
(22) Date of Filing Application: **04 July 2008**
(24) Date from which industrial property rights may have effect: **04 July 2008**
(54) Product in respect of which the design is registered: **Safety-locking, pressure release radiator caps 55mm**
(51) International Design Classification: **12-16NES**
(71) Name(s) and Address(s) of Applicant(s):
Jean Ellis
6/71 Industrial Avenue Mudgee New South Wales Australia 2850
Brett Edwards
6/71 Industrial Avenue Mudgee New South Wales Australia 2850
(72) Name(s) of Designer(s): **Christopher Sibley**
(45) Registration Date: **16 July 2008**
(56) Related Art Documents: **Not Applicable**
(57) Statement of Newness and Distinctiveness: **Steel locking lever, painted/powdercoated red for warning internal brass pin. No alloy materials, only steel, brass, rubber, to be mine safe (i.e. safe underground, no sparks).**



- (21) Design Number: **13087/2008**
(22) Date of Filing Application: **04 July 2008**
(24) Date from which industrial property rights may have effect: **04 July 2008**
(54) Product in respect of which the design is registered: **Safety-locking, pressure release radiator caps 100mm**
(51) International Design Classification: **12-16NES**
(71) Name(s) and Address(s) of Applicant(s):
Jean Ellis
6/71 Industrial Avenue Mudgee New South Wales Australia 2850
Brett Edwards
6/71 Industrial Avenue Mudgee New South Wales Australia 2850
(72) Name(s) of Designer(s): **Christopher Sibley**
(45) Registration Date: **16 July 2008**
(56) Related Art Documents: **Not Applicable**
(57) Statement of Newness and Distinctiveness: **Steel locking lever, painted/powdercoated red for warning internal brass pin. No alloy materials, only steel, brass, rubber, to be mine safe (i.e. safe underground, no sparks). Raised lever fits compresses spring to facilitate fitting and removal.**

