



Australian Government

IP Australia

AUSTRALIAN OFFICIAL JOURNAL

OF

DESIGNS

Did you know a searchable version of this journal is now available online?

It's FREE and EASY to SEARCH.

Find it at

<http://pericles.ipaustralia.gov.au/ols/epublish/content/olsEpublications.jsp>
or using the "Online Journals" link on the IP Australia home page.

This Page Left Intentionally Blank

Contents

General Information & Notices

Proceedings Under the Designs Act 1906 preserved as a result of the provisions of Chapter 12 Part 2 of the Designs Act 2003

Extension of Period of Registration of Designs	1872
Extensions of Time Granted	1872
Names Registered - Alterations and Amendments	1872
Registrations Ceased	1872
Subsequent Owners Registered	1872

Proceedings Under the Designs Act 2003

Applications Lapsed	1891
Applications Lodged	1877
Applications Withdrawn	1891
Certificate of Examination	1895
Corrigenda	1894
Extension of Time Granted Under Section 137	1892
Names Registered - Alterations and Amendments	1893
Publication and Registration Proceedings	
Designs Registered 320292 to 320538.....	1896
Registrations Ceased	1892
Subsequent Owners Registered	1892

This Page Left Intentionally Blank

For information on the following please see our website www.ipaustralia.gov.au or contact our Customer Service Network on 1300651010

[Editorial enquiries](#)

[Contact information](#)

[Freedom of Information ACT](#)

[Professional Standards Board](#)

[Sales](#)

[Requests for Information under Section 194 \(c\)](#)

[Country Codes](#)

[Trade Mark and Designs Hearing Sessions](#)

[INID \(Internationally agreed Numbers for the Identification of Data\)](#)

“INID” NUMBERS in use on Australian Design Documents

“INID” is an acronym for “Internationally agreed Numbers for the Identification of Data”.

(10) Data concerning the registration/renewal

- (11) Serial number of the registration and/or number of the design document
- (12) Plain language designation of the kind of published document
- (19) Identification, using the two-letter code according to WIPO Standard ST.3, of the authority publishing or registering the industrial design

(20) Data concerning the application

- (21) Serial number of the application
- (22) Date of filing of the application
- (24) Date from which the industrial design right has effect

(30) Data relating to priority under the Paris Convention

- (31) Serial number assigned to the priority application
- (32) Date of filing of the priority application
- (33) Two-letter code, according to WIPO Standard ST.3, identifying the authority with which the priority application was made

(40) Date(s) of making information available to the public

- (45) Date of publication of the registered industrial design by printing or similar process, or making it available to the public by any other means

(50) Miscellaneous Information

- (51) International Classification for Industrial Designs (class and subclass of the Locarno Classification)
- (54) Designation of article(s) or product(s) covered by the industrial design or title of the industrial design
- (55) Reproduction of the industrial design (e.g., drawing, photograph) and explanations relating to the reproduction
- (56) List of prior art documents, if separate from descriptive text
- (57) Description of characteristic features of the industrial design including indication of colours

(60) References to other legally related application(s) and registration(s)

- (62) Serial number(s) and, if available, filing date(s) of application(s), registration(s) or document(s) related by division
- (66) Serial number(s) of the application, or the registration, of the design(s) which is (are) a variant(s) of the present one

(70) Identification of parties concerned with the application or registration

- (71) Name(s) and address(es) of the applicant(s)
- (72) Name(s) of the creator(s) if known to be such
- (74) Name(s) and address(es) of the representative(s)

This Page Left Intentionally Blank

Official Notice**Designs Act 2003
Amendments to Registered Designs at Examination**

The following amendments have been made to details previously published in the Australian Official Journal of Designs during the Examination process:

Registration Numbers	Amendment type	New details
310075	Classification	14-02, 18-02
310076	Classification	14-02, 18-02
310077	Classification	14-02, 18-02
310078	Classification	14-02, 18-02
310079	Classification	14-02, 18-02
310824	Classification	14-02, 18-02
310825	Classification	14-02, 18-02
313905	Classification	16-03, 18-02
313906	Classification	16-03, 18-02
313923	Classification	16-03, 18-02
313924	Classification	16-03, 18-02
318363	Classification	25-01K, 25-02H
318365	Classification	25-01K, 25-02H
318366	Classification	25-01K, 25-02H
318367	Classification	09-07A
318443	Classification	24-02

Contact: IP Australia
Phone: 1300 651 010
Fax: +61 2 6283 7999
E-Mail: assist@ipaaustralia.gov.au
Web: www.ipaustralia.gov.au

This Page Left Intentionally Blank

Proceedings under the Designs Act 1906 preserved as a result of the provisions of Chapter 12 Part 2 of the Designs Act 2003.

This Page Left Intentionally Blank

Applications Lapsed

There were no Applications Lapsed under this section

Extension of Period of Registration of Designs

2nd Period (Section 27A(12))

148703	149184	149402
149457	149458	149459
149460	149496	149497
149498	149560	149587
149640	149717	149718
149881	149882	149941
149942	149943	150071
150117	150184	150185
150188	150189	150197
150198	150244	150323
150340	150389	151187
151188	151209	151400
151535	151576	151677
151678	151679	151708
151710	151953	151967
152444	152578	152949
153382	153984	154008
154046	154065	154166
154189	154300	158193

3rd Period (Section 27A(13))

127909	129623	131236
131689	132546	132567
132687	132784	132827
132831	132842	132859
132983	133036	133040
133041	133042	133123
133224	133225	133467
133584	133817	133968
134093	134094	134246
134251	134403	135927
135944	136446	136447
136498	137129	140006
142653	148724	

Registrations Ceased

Note: Some of the following Registrations may have been previously advertised as ceased. In this instance, the previous advertisement still prevails.

115368	115591	116021
116022	116200	116217
116229	116230	116234
116267	116268	116291
116304	116336	116337
116338	116339	116340
116341	116342	116738
116740	116873	117077
117078	117249	117286
117287	117288	117289
117290	117291	117997
118552	118714	120024

129360	129362	129563
130956	131021	131022
131189	131361	131807
132697	146831	147002
147206	147816	147868
147963	147964	147965
147989	147990	147991
147992	147993	147994
148050	148255	148323
148476	148477	148571
148777	148812	148895
149141	149513	149514
149653	150007	150491
150754	150951	150973
151137	152477	152478
152953	154205	157348

Extensions of time granted

Applications lodged for extension of time have been granted.

127909 **FSP Holdings Pty Ltd** An Extension of time to extend a registration has been granted to 11/04/2008

Subsequent Owners Registered

(The name in parentheses is that of the subsequent owner)

149151	(Specialty Cereals Pty Limited) Specialty Concepts Pty Limited
152595	(Specialty Cereals Pty Limited) Specialty Concepts Pty Limited
137985	(Industrias Lotu S.A.) High Torque Fastener Systems Limited
141569	(Rhino-Rack Australia Pty Ltd) Fetovu Pty Ltd
145427	(Rhino-Rack Australia Pty Ltd) Fetovu Pty Ltd
156051	(Rhino-Rack Australia Pty Ltd) Fetovu Pty Ltd
136015	(Kandle Kup Pty Ltd) Stella Manoliadis

Names Registered - Alterations and Amendments

(The name in parentheses is the new name of the proprietor)

128149	(Clubtek International Pty Ltd) K Ball Pty Ltd
129993	(Clubtek International Pty Ltd) K Ball Pty Ltd
149457	(Clipsal Australia Pty Ltd) Gerard Industries Pty Ltd
149458	(Clipsal Australia Pty Ltd) Gerard Industries Pty Ltd
149459	(Clipsal Australia Pty Ltd) Gerard Industries Pty Ltd
149460	(Clipsal Australia Pty Ltd) Gerard Industries Pty Ltd

This Page Left Intentionally Blank

Proceedings under the Designs Act 2003.

This Page Left Intentionally Blank

Applications Lodged

Lodgement information is in the following order: **Applicant's Name**; International Classification, Name of Product, Lodgement Date and **Design Number**. If the applicant claims an earlier priority date under an International Convention, the Convention Country and the associated filing date are shown in parentheses before the Lodgement Date. Divisional information will also appear in parentheses before the Lodgement Date.

Aktiebolaget Electrolux; 15-05, Vacuum cleaner, (EM, 20 Feb 2008) 16 Jun 2008	12859/2008	Apple Inc.; 13-03B, Connector, (US, 04 Jan 2008) 30 Jun 2008	13025/2008
Allison-Rogers, Sue; 02-02C, Waterproof overnight pants, 30 Jun 2008	13024/2008	Apple Inc.; 13-03B, Connector, (US, 04 Jan 2008) 30 Jun 2008	13026/2008
Alpinestars Research SRL; 24-99, Neck support, (IT, 06 Mar 2008) 08 Jul 2008	13168/2008	Apple Inc.; 13-03B, Connector, (US, 04 Jan 2008) 30 Jun 2008	13027/2008
Amcor Limited; 09-03NES, A blank for a package, 02 Jul 2008	13046/2008	Arlec Australia Limited; 26-04, 26-05A, A lamp, 18 Jun 2008	12905/2008
Apollo Energy; 25-02NES, Insert key to secure solar modules and solar frame, 01 Jul 2008	13051/2008	Arlec Australia Limited; 26-04, 26-05A, A lamp, 18 Jun 2008	12906/2008
Apollo Energy; 25-02NES, Solar frame system for mounting solar modules, 01 Jul 2008	13050/2008	Atdec; 14-99, Flat screen monitor arm, 14 Jul 2008	13258/2008
Apple Inc.; 14-02, Electronic device, (US, 04 Jan 2008) 04 Jul 2008	13122/2008	Atkinson, Michael; 26-05NES, 11-02A, 11-04, ELS flowers, 15 Jul 2008	13308/2008
Apple Inc.; 14-02, Electronic device, (US, 11 Jan 2008) 04 Jul 2008	13123/2008	AFI Branding Solutions Pty Ltd; 25-01B, Double sided reframe, 02 Jul 2008	13054/2008
Apple Inc.; 14-02, Electronic device, (US, 11 Jan 2008) 04 Jul 2008	13124/2008	AMR Manufacturing Pty Ltd; 12-16NES, Filler assembly with backing plate and template, 08 Jul 2008	13167/2008
Apple Inc.; 14-02, Electronic device, (US, 04 Jan 2008) 04 Jul 2008	13125/2008	B.J.B. Industries Pty Limited; 25-02C, Fencing top panel, 24 Jun 2008	12969/2008
Apple Inc.; 14-02, Electronic device, (US, 04 Jan 2008) 04 Jul 2008	13126/2008	Baby Bjorn AB; 29-02, A child carrying device, (EM, 17 Jan 2008) 15 Jul 2008	13325/2008
Apple Inc.; 14-02, Electronic device, (US, 04 Jan 2008) 04 Jul 2008	13127/2008	Baby Butz; 06-09, Shopping trolley cover, 10 Jul 2008	13234/2008
Apple Inc.; 14-02, Electronic device, (US, 14 Jan 2008) 04 Jul 2008	13128/2008	Bakopoulos, Nikolaos Filaretos; 20-02NES, An upright, including but not limited to an upright for an umbrella, sign or post having an attachment portion, 23 Jun 2008	12930/2008
Apple Inc.; 14-02, Electronic device, (US, 04 Jan 2008) 04 Jul 2008	13129/2008	Bakopoulos, Nikolaos Filaretos; 20-02NES, A ground anchor for an upright, 23 Jun 2008	12932/2008
Apple Inc.; 14-02, Electronic device, (US, 04 Jan 2008) 04 Jul 2008	13130/2008	Balmark Pty Ltd; 23-04, Air conditioning, work stations, 07 Jul 2008	13151/2008
Apple Inc.; 14-02, Electronic device, (US, 15 Jan 2008) 04 Jul 2008	13131/2008	Bang Design Pty Limited; 06-01G, Set of furniture articles, 30 Jun 2008	13005/2008
Apple Inc.; 14-02, Electronic device, (US, 04 Jan 2008) 04 Jul 2008	13121/2008	Belkin International, Inc.; 14-03NES, Transmitter, (US, 03 Jan 2008) 03 Jul 2008	13056/2008
Apple Inc.; 14-02, Electronic device, (US, 04 Jan 2008) 04 Jul 2008		Berkana Holdings Pty Ltd; 25-02C, Mesh panel, 27 Nov 2007	13361/2008
Apple Inc.; 14-02, Electronic device, (US, 04 Jan 2008) 04 Jul 2008		Berkana Holdings Pty Ltd; 25-01D, Mesh panel, (Divisional of 21007/2007) 27 Nov 2007	12844/2008

Berman, Ronald H.; 09-01NES, 09-07NES, Hourglass beverage pouch with shape and spout, (US, 09 Jan 2008) 17 Jun 2008	12881/2008	BISSELL Homecare, Inc.; 15-05, Floor care appliance upper portion, (US, 12 Feb 2008) 16 Jul 2008	13343/2008
Black & Decker, Inc.; 08-01, Drill, (EM, 27 Mar 2008) 09 Jul 2008	13179/2008	BISSELL Homecare, Inc.; 15-05, Floor care appliance base portion, (US, 12 Feb 2008) 16 Jul 2008	13344/2008
Black & Decker, Inc.; 08-01, Drill, (EM, 27 Mar 2008) 09 Jul 2008	13180/2008	BISSELL Homecare, Inc.; 15-05, Cleaning fluid dispenser, (US, 11 Jan 2008) 17 Jun 2008	12882/2008
Black & Decker, Inc.; 08-01, Drill, (EM, 27 Mar 2008) 09 Jul 2008	13175/2008	Caines, Valerie E.; Squires, Jeffrey J.; 06-01NES, 06-13NES, Protective cover-pressure care chairs (air, water and foam), 24 Jun 2008	12970/2008
Black & Decker, Inc.; 08-01, Drill, (EM, 27 Mar 2008) 09 Jul 2008	13176/2008	Callaway Golf Company; 21-02C, Golf club head, (US, 12 Dec 2007) 11 Jun 2008	12803/2008
Black & Decker, Inc.; 08-01, Drill, (EM, 27 Mar 2008) 09 Jul 2008	13177/2008	Canham, Luke trading as LC industry; 25-01K, Scaffolding frame member, 04 Jul 2008	13148/2008
Black & Decker, Inc.; 08-01, Drill, (EM, 27 Mar 2008) 09 Jul 2008	13178/2008	Canham, Luke trading as LC industry; 25-01K, Scaffolding frame member, 04 Jul 2008	13149/2008
BorgWarner Inc.; 15-01, Clutch housing, (US, 21 Dec 2007) 20 Jun 2008	12922/2008	Caroma Industries Limited; 23-02C, A toilet pan, 17 Jul 2008	13368/2008
Brennan, Katherine; 06-01C, Bench, 15 Jul 2008	13312/2008	Castle Glen Liqueurs Australia Pty Ltd; 09-01H, Bottle, 20 Jun 2008	12914/2008
Brennan, Katherine; 06-99, Decorative screens, 15 Jul 2008	13311/2008	Chatsworth Products, Inc.; 13-03C, Cover for cable management raceway, (US, 07 Jan 2008) 04 Jul 2008	13092/2008
Breville Pty Limited; 07-02L, Espresso machine, 17 Jun 2008	12864/2008	Chatsworth Products, Inc.; 13-03C, Raceway for cable management, (US, 07 Jan 2008) 04 Jul 2008	13093/2008
Breville Pty Ltd; 07-02K, Kettle for base, 17 Jun 2008	12861/2008	Chatsworth Products, Inc.; 13-03C, Raceway for cable management, (US, 07 Jan 2008) 04 Jul 2008	13094/2008
Breville Pty Ltd; 07-02K, Base for kettle, 17 Jun 2008	12862/2008	Chatsworth Products, Inc.; 13-03C, Raceway for cable management, (US, 07 Jan 2008) 04 Jul 2008	13095/2008
Breville Pty Ltd; 07-02K, Combination kettle and base, 17 Jun 2008	12863/2008	Chatsworth Products, Inc.; 13-03C, Raceway for cable management, (US, 07 Jan 2008) 04 Jul 2008	13096/2008
Brick and Block Company Pty Ltd; 25-01A, A building block, 18 Jun 2008	12917/2008	Chatsworth Products, Inc.; 13-03C, Raceway for cable management, (US, 07 Jan 2008) 04 Jul 2008	13098/2008
Brick and Block Company Pty Ltd; 25-01A, A building block, 19 Jun 2008	12918/2008	Chatsworth Products, Inc.; 13-03C, Raceway for cable management, (US, 07 Jan 2008) 04 Jul 2008	13097/2008
Bridgestone Corporation; 12-15A, Automobile tyre, 12 Jun 2008	12826/2008	Chaudeurge, Jean-Michel Francois; 12-12, Pushchairs, (EM, 17 Jan 2008) 16 Jul 2008	13345/2008
Bridgestone Corporation; 12-15A, Automobile tyre, 12 Jun 2008	12827/2008	Chen, Xiao Ming; Jiang, Ji Hong; 08-03, Masonry saw, 18 Jul 2008	13388/2008
Bridgestone Corporation; 12-15B, Tyre, 12 Jun 2008	12828/2008	Cipla Limited; 09-01A, Aerosol delivery device, (IN, 18 Dec 2007) 18 Jun 2008	12910/2008
Bridgestone Corporation; 12-15B, Tyre, 12 Jun 2008	12829/2008	Claber S.p.A.; 23-01C, Hose fitting, 07 Feb 2008	13464/2008
Brophy, John Christopher; 30-04, A saddle tree, 08 Jul 2008	13169/2008	Claber S.p.A.; 23-01D, Watering pistol for gardening, 07 Feb 2008	13091/2008
Bultitude, Paul; 28-03NES, Stress ball in the shape of wind turbine, 04 Jul 2008	13145/2008		
Byrne, Brendan; 02-03, A visor and a blank, 15 Jul 2008	13317/2008		
BISSELL Homecare, Inc.; 15-05, Floor care appliance upper portion, (US, 12 Feb 2008) 16 Jul 2008	13342/2008		

Claber S.p.A.; 23-01D, Watering pistol for gardening, 07 Feb 2008	13090/2008	De' Longhi SPA; 23-03A, Radiator for heating (part of-), (EM, 10 Jan 2008) 03 Jul 2008	13084/2008
Colgate-Palmolive Company; 28-03NES, Container, (PH, 29 Feb 2008) 15 Jul 2008	13328/2008	De' Longhi SPA; 23-03A, Radiator for heating (part of-), (EM, 10 Jan 2008) 03 Jul 2008	13081/2008
Collins, Michele Diane; 02-02B, 06-13NES, Garment protector - "upper micro bodice garment protector", 16 Jul 2008	13382/2008	De' Longhi SPA; 23-03A, Radiator for heating (part of-), (EM, 10 Jan 2008) 03 Jul 2008	13082/2008
Collins, Michele Diane; 03-01B, Handbag organiser, 16 Jul 2008	13389/2008	De' Longhi SPA; 23-03A, Radiator for heating (part of-), (EM, 10 Jan 2008) 03 Jul 2008	13083/2008
Cooper, James W.; 12-10, Tri-axle dollu, 16 Jul 2008	13355/2008	Deflecto Corporation; 06-11, Floor mat, (US, 15 Feb 2008) 11 Jun 2008	12797/2008
Cryovac Australia Pty Ltd; 07-01NES, A container, 16 Jul 2008	13347/2008	Deflecto Corporation; 06-11, Floor mat, (US, 15 Feb 2008) 11 Jun 2008	12798/2008
Cryovac Australia Pty Ltd; 07-07NES, 09-03NES, A container, 18 Jun 2008	12897/2008	Dematic Pty Ltd; 08-08L, Upright protector, 16 Jun 2008	12860/2008
Cryovac Australia Pty Ltd; 07-07NES, 09-03NES, A container, 18 Jun 2008	12898/2008	Denigan, Michael James; 03-01B, Keyring, 28 Mar 2008	13360/2008
Cryovac Australia Pty Ltd; 07-07NES, 09-03NES, A container, 18 Jun 2008	12899/2008	Desai, Reshma Ben; 23-01E, 23-01G, Drainage cell - subsurface drainage applications in ground/roof garden podium slab etc, (Divisional of 10880/2008) 22 Feb 2008	13283/2008
Cryovac Australia Pty Ltd; 07-07NES, 09-03NES, A container, 18 Jun 2008	12900/2008	Desai, Reshma Ben; 23-01E, 23-01G, Drainage cell - subsurface drainage applications in ground/roof garden podium slabs etc, (Divisional of 10880/2008) 22 Feb 2008	13284/2008
Cryovac Australia Pty Ltd; 07-07NES, 09-03NES, A container, 18 Jun 2008	12901/2008	Designed Blinds Australia Pty Ltd; 08-08H, Overlap bracket system for roller blinds, 11 Jul 2008	13259/2008
Curtin, Robert John Clifford; 11-02E, Statue of a wombat, 03 Jul 2008	13058/2008	Designed Blinds Australia Pty Ltd; 08-08H, Overlap bracket system for roller blinds, 11 Jul 2008	13260/2008
Curtin, Robert John Clifford; 11-02E, A sheep statue, 04 Jul 2008	13135/2008	Designed Blinds Australia Pty Ltd; 08-08H, Overlap bracket system for roller blinds, 11 Jul 2008	13261/2008
Curtin, Robert John Clifford; 11-02E, 07-07A, A wombat cooler, 03 Jul 2008	13059/2008	Designed Blinds Australia Pty Ltd; 08-08H, Overlap bracket system for roller blinds, 11 Jul 2008	13262/2008
CSAV, Inc.; 08-08NES, Pivoting arm for an electronic display, (US, 04 Jan 2008) 04 Jul 2008	13116/2008	Designed Blinds Australia Pty Ltd; 08-08H, Overlap bracket system for roller blinds, 11 Jul 2008	13263/2008
CSAV, Inc.; 08-08NES, Dual position mount for an electronic display, (US, 04 Jan 2008) 04 Jul 2008	13117/2008	Designed Blinds Australia Pty Ltd; 08-08H, Overlap bracket system for roller blinds, 11 Jul 2008	13264/2008
CSAV, Inc.; 08-08NES, Display mount with non-cylindrical cross supports, (US, 04 Jan 2008) 04 Jul 2008	13118/2008	Designed Blinds Australia Pty Ltd; 08-08H, Overlap bracket system for roller blinds, 11 Jul 2008	13265/2008
Daisy Shoe Company (Aust) Pty Ltd; 02-04NES, Footwear, 16 Jul 2008	13346/2008	Designed Blinds Australia Pty Ltd; 08-08H, Overlap bracket system for roller blinds, 11 Jul 2008	13266/2008
Dalby, Glenn Raymond; Dickson, Robert Andrew; 08-01, Digging tool, 13 Jun 2008	12837/2008	Designed Blinds Australia Pty Ltd; 08-08H, Overlap bracket system for roller blinds, 11 Jul 2008	13267/2008
De' Longhi SPA; 23-03A, Radiator for heating (part of-), (EM, 10 Jan 2008) 03 Jul 2008	13079/2008	Designed Blinds Australia Pty Ltd; 08-08H, Overlap bracket system for roller blinds, 11 Jul 2008	13266/2008
De' Longhi SPA; 23-03A, Radiator for heating (part of -), (EM, 10 Jan 2008) 03 Jul 2008	13080/2008	Designed Blinds Australia Pty Ltd; 08-08H, Overlap bracket system for roller blinds, 11 Jul 2008	13267/2008

Designed Blinds Australia Pty Ltd; 08-08H, Overlap bracket system for roller blinds, 11 Jul 2008	13268/2008	DEDON GmbH; 06-01G, 06-02, Day bed, 12 Jun 2008	12814/2008
Designed Blinds Australia Pty Ltd; 08-08H, Overlap bracket system for roller blinds, 11 Jul 2008	13269/2008	DEDON GmbH; 06-01G, Sun lounger, 12 Jun 2008	12845/2008
Designed Blinds Australia Pty Ltd; 08-08H, Overlap bracket system for roller blinds, 11 Jul 2008	13270/2008	DEDON GmbH; 06-01F, Armchair, 12 Jun 2008	12846/2008
Designed Blinds Australia Pty Ltd; 08-08H, Overlap bracket system for roller blinds, 11 Jul 2008	13271/2008	DEDON GmbH; 06-01G, Arm chair, 12 Jun 2008	12825/2008
Designed Blinds Australia Pty Ltd; 08-08H, Overlap bracket system for roller blinds, 11 Jul 2008	13272/2008	DEDON GmbH; 06-01G, Side chair, 12 Jun 2008	12815/2008
Designed Blinds Australia Pty Ltd; 08-08H, Overlap bracket system for roller blinds, 11 Jul 2008	13273/2008	DEDON GmbH; 06-01G, Lounge chair, 12 Jun 2008	12816/2008
Designed Blinds Australia Pty Ltd; 08-08H, Overlap bracket system for roller blinds, 11 Jul 2008	13274/2008	DEDON GmbH; 06-01G, Lounge chair, 12 Jun 2008	12817/2008
Designed Blinds Australia Pty Ltd; 08-08H, Overlap bracket system for roller blinds, 11 Jul 2008	13275/2008	DEDON GmbH; 06-01G, Lounge chair, 12 Jun 2008	12818/2008
Designed Blinds Australia Pty Ltd; 08-08H, Overlap bracket system for roller blinds, 11 Jul 2008	13276/2008	DEDON GmbH; 06-01G, Arm chair, 12 Jun 2008	12819/2008
Diageo Singapore Pte. Ltd; 09-01G, Bottle, 03 Jul 2008	13073/2008	DEDON GmbH; 06-01G, Side chair, 12 Jun 2008	12820/2008
Diageo Singapore Pte. Ltd; 09-01G, Bottle, 03 Jul 2008	13074/2008	DEDON GmbH; 06-01G, Side chair, 12 Jun 2008	12821/2008
Dias Aluminium Products Pty. Ltd.; 23-02B, 25-01K, Shower screen head sill, 11 Jun 2008	12805/2008	DEDON GmbH; 06-01G, Side chair, 12 Jun 2008	12822/2008
Dias Aluminium Products Pty. Ltd.; 06-07, Frameless mirror mount/lip, 12 Jun 2008	12893/2008	DEDON GmbH; 06-01B, 06-01C, Bench, 12 Jun 2008	12823/2008
Dias Aluminium Products Pty. Ltd.; 06-07, Frameless mirror mount, 12 Jun 2008	12894/2008	DEDON GmbH; 06-01NES, Beach chair, 12 Jun 2008	12824/2008
Dias Aluminium Products Pty. Ltd.; 23-02B, 25-01K, Shower screen wall jamb, 11 Jun 2008	12806/2008	DEDON GmbH; 06-01G, Arm chair, 12 Jun 2008	12973/2008
Dickson, Robert Andrew; Dalby, Glenn Raymond; 08-01, Digging tool, 13 Jun 2008	12837/2008	DM Orthotics Limited; 02-06, 24-04, Orthotic glove, (EM, 26 Dec 2007) 25 Jun 2008	12994/2008
Dogg Pty Ltd; 12-11, Dogg mono stunt bike - seating angle, 24 Jun 2008	12952/2008	E.D. Oates Pty Ltd; 04-01, 07-05E, 15-05, Sponge re-fill, 27 Jun 2008	12995/2008
Dogg Pty Ltd; 12-11, Dogg mono stunt bike - rear extention - known as dogg tail, 24 Jun 2008	12953/2008	E.D. Oates Pty Ltd; 04-01, 07-05E, Mop, 27 Jun 2008	12996/2008
Doug Dick & Co Pty Ltd; 99-00, Monument, 18 Jun 2008	12909/2008	E.D. Oates Pty Ltd; 06-03NES, 12-02, Trolley, 27 Jun 2008	12997/2008
Duman, Shazia; Whedlock, Kelli; 02-05, Hooded scarf with pockets, 27 Jun 2008	12990/2008	E.D. Oates Pty Ltd; 06-03NES, 12-02, Trolley, 27 Jun 2008	13120/2008
Duo Plastics Pty Ltd; 23-04, Ducting connector, 18 Jun 2008	12895/2008	Eaton Corporation; 21-02C, Golf grip, (US, 10 Jan 2008) 04 Jul 2008	13033/2008
DEDON GmbH; 06-01F, Sidechair, 12 Jun 2008	12847/2008	Electrolux Home Products Pty Limited; 07-07A, Ice bucket and scoop, 01 Jul 2008	13310/2008
		Engebrigsten, Jo; 26-05D, Lamp, (NO, 25 Jan 2008) 15 Jul 2008	12830/2008
		Ethicon Endo-Surgery, Inc.; 13-03D, Hand piece switch adaptor, (US, 12 Dec 2007) 12 Jun 2008	13006/2008
		Eveready Battery Company, Inc.; 26-05NES, Lighting device, (US, 24 Jan 2008) 30 Jun 2008	13007/2008
		Eveready Battery Company, Inc.; 26-05NES, Lighting device, (US, 25 Jan 2008) 30 Jun 2008	

Eveready Battery Company, Inc.; 26-05NES, Lighting device, (US, 25 Jan 2008) 30 Jun 2008	13008/2008	Global Shopping Network Pty Ltd; 03-01B, 11-01C, 11-01NES, Heart shaped foldable handbag hook, 26 Jun 2008	12967/2008
Eveready Battery Company, Inc.; 03-01NES, 09-07B, 13-03NES, Tub and lid, (US, 24 Jun 2008) 26 Jun 2008	12982/2008	Goodyear Tire & Rubber Company, The; 12-15A, Tyre for motorcycle, (JP, 29 Jan 2008) 17 Jul 2008	13367/2008
Eveready Battery Company, Inc.; 26-02, Lighting device, (US, 25 Jan 2008) 16 Jul 2008	13353/2008	Goodyear Tire & Rubber Company, The; 12-15A, Tyre for motorcycle, (JP, 29 Jan 2008) 17 Jul 2008	13366/2008
Eveready Battery Company, Inc.; 26-02, Lighting device, (US, 21 Jan 2008) 16 Jul 2008	13354/2008	Gordon, Terence James; 23-03B, Fire box (foldaway campfire), 10 Jul 2008	13171/2008
Eveready Battery Company, Inc.; 13-02, 13-03NES, Refill and base insert, (US, 24 Jun 2008) 26 Jun 2008	12983/2008	Gram Engineering Pty Ltd; 25-01E, Fence posts and structural sections, 11 Jul 2008	13237/2008
Everywhere Internet Pty Ltd; 14-02, A computer housing, 11 Jul 2008	13280/2008	Gram Engineering Pty Ltd; 25-01G, Metal fencing, roofing and walling and cladding, 11 Jul 2008	13238/2008
Fahy, Arthur James; 19-99, Paper in a magazine or newspaper - computer and phone screens, 11 Jun 2008	12804/2008	Gram Engineering Pty Ltd; 25-01E, Fence posts and structural sections, 11 Jul 2008	13239/2008
Fahy, Arthur James; 19-99, Newspaper, magazine, computer screen phone screen, 16 Jun 2008	12915/2008	Gram Engineering Pty Ltd; 25-01E, Fence posts and structural sections, 11 Jul 2008	13240/2008
Fahy, Arthur James; 19-99, Newspaper, magazine, computer screen phone screen, 16 Jun 2008	12916/2008	Great Harmony Trading Company Pty Ltd; 05-05NES, Fabric, 11 Jul 2008	13235/2008
Farah, Charbel; 23-01B, 30 degree in-pipe bend, 04 Jul 2008	13114/2008	Greaves, Jennie; 06-08, Hanger, 30 Jun 2008	13030/2008
Farah, Charbel; 23-01B, 45 degree in-pipe bend, 04 Jul 2008	13115/2008	Gulf Rubber Australia Pty Limited; 23-01A, Sealing ring, 08 Jul 2008	13162/2008
Farmer, Michael; 07-02E, Portable BBQ and spit rotisserie, 03 Jul 2008	13055/2008	Gulf Rubber Australia Pty Limited; 09-07C, Sealing ring, 08 Jul 2008	13163/2008
Felk Trailers Pty Ltd; 08-08L, 08-08NES, Webbing to winch drum connector plate, 18 Jun 2008	12887/2008	Gutter-Vac; 25-01G, Tether diversory anchor, 17 Jun 2008	12870/2008
Feral Pty Ltd; 25-01E, A dropper channel, 30 Jun 2008	13034/2008	Gutter-Vac; 25-01G, T bar roof anchor, 17 Jun 2008	12869/2008
Feral Pty Ltd; 25-01E, A dropper picket, 30 Jun 2008	13035/2008	GM Global Technology Operations, Inc.; 12-16B, Vehicle fascia, 03 Jul 2008	13061/2008
Ferrari S.p.A.; 12-08, 21-01C, Car and toy car, (EM, 21 Dec 2007) 18 Jun 2008	12902/2008	Hansa Metallwerke AG; 23-01H, Mixer tap, (EM, 01 Feb 2008) 14 Jul 2008	13307/2008
Ferrari S.p.A.; 12-08, 21-01C, Car and toy car, (EM, 12 Feb 2008) 15 Jul 2008	13315/2008	Hansgrohe AG; 23-02B, Hand shower, (EM, 30 Jan 2008) 21 Jul 2008	13392/2008
Florenca, Isaias; 09-01G, Perfumes and fragrances, 25 Jun 2008	12957/2008	Harn Marketing Sdn. Bhd.; 06-06D, Sink drawer, (MY, 22 Feb 2008) 18 Jul 2008	13385/2008
Form Plus Function Pty Ltd; 06-01NES, Bath chair, 27 Jun 2008	12998/2008	Harn Marketing Sdn. Bhd.; 06-06D, Sink drawer, (MY, 22 Feb 2008) 18 Jul 2008	13384/2008
FKA Distributing Co., doing business as HoMedics, Inc.; 10-04, Thermometer, (Divisional of 11135/2008) 07 Mar 2008	13370/2008	Hartman Pacific Pty Ltd; 25-01K, Modular building component extrusion, 02 Jul 2008	13042/2008
Glaxo Group Limited; 09-03NES, Carton, (GB, 16 Jan 2008) 14 Jul 2008	13306/2008	Hartman Pacific Pty Ltd; 25-01K, Modular building component extrusion, 02 Jul 2008	13043/2008

Hartman Pacific Pty Ltd; 25-01K, Modular building component extrusion, 02 Jul 2008	13044/2008	Huhtamaki Oyj; 09-07A, 09-07B, A cup lid, (EM, 17 Jan 2008) 17 Jun 2008	12871/2008
Hartman Pacific Pty Ltd; 25-01K, Modular building component extrusion, 02 Jul 2008	13045/2008	Hunter Douglas Inc.; 25-01K, 25-02NES, Headrail for architectural coverings, (Divisional of 10686/2008) 15 Feb 2008	12911/2008
Hatzis Holdings; 02-02C, Frill peasant dress, 04 Jul 2008	13076/2008	HSD Medstor Pty Ltd/Barrie I. Middup; 06-04NES, Medical and storage units and trolleys, 15 Jul 2008	13309/2008
Hatzis Holdings; 02-02C, Beaded applique dress, 04 Jul 2008	13077/2008	Imagine8 Australia Pty Ltd; 30-03, , 08 May 2008	12228/2008
Hatzis Holdings; 02-02C, Sequin mini dress, 04 Jul 2008	13078/2008	Insurance Australia Limited; 08-08L, Centre bracket, 18 Apr 2008	11855/2008
Hatzis Holdings; 02-02C, Frill layered dress, 04 Jul 2008	13075/2008	Interact Marketing Pty Ltd; 23-03C, Advertising board, 18 Jun 2008	12903/2008
Hipwell, Damien Scott; 06-01G, A couch which is a cocoon or capsule shape that you can sit inside, 09 Jul 2008	13174/2008	Interact Marketing Pty Ltd; 23-03C, Advertising board, 18 Jun 2008	12904/2008
Hitachi Appliances, Inc.; 15-07, Air conditioner, (JP, 28 Mar 2008) 03 Jul 2008	13068/2008	International Magnetic Solutions Pty Ltd; 23-01F, Magnetic systems used in water conditioning, 12 Jun 2008	12787/2008
Holleman, Avery Erik; Seil, Oliver Duncan; Kleeman, David; 14-03NES, Signal splitter, (US, 02 Jan 2008) 02 Jul 2008	13041/2008	Iverach, Anthony; 06-03B, Table, 26 Jun 2008	12966/2008
Home Diagnostics, Inc.; 10-04, 24-01, Diagnostic test system, (US, 22 Jan 2008) 09 Jul 2008	13173/2008	ILID Pty Ltd; 08-08NES, Support rail for large ILID electronic shelf label and paper ticket holder, 26 Jun 2008	12993/2008
Honda Motor Co., Ltd.; 12-08, Rear combination lamp for automobile, (JP, 16 Jan 2008) 16 Jul 2008	13350/2008	ITI Scotland Limited; 30-04, A collar for an animal, (EM, 28 Feb 2008) 10 Jul 2008	13214/2008
Honda Motor Co., Ltd.; 26-06, Front combination lamp for automobile, (JP, 16 Jan 2008) 16 Jul 2008	13351/2008	ITI Scotland Limited; 30-04, A collar for an animal, (EM, 28 Feb 2008) 10 Jul 2008	13215/2008
Honda Motor Co., Ltd.; 12-08, Automobile, (JP, 18 Jan 2008) 16 Jul 2008	13349/2008	ITI Scotland Limited; 30-04, A collar for an animal, (EM, 28 Feb 2008) 10 Jul 2008	13216/2008
Honda Motor Co., Ltd.; 12-16E, 26-06, Front lamp unit for an automobile, (US, 19 Dec 2007) 17 Jun 2008	12883/2008	ITI Scotland Limited; 30-04, A collar for an animal, (EM, 28 Feb 2008) 10 Jul 2008	13217/2008
Honda Motor Co., Ltd.; 12-16E, 26-06, Rear lamp unit for an automobile, (US, 19 Dec 2007) 17 Jun 2008	12884/2008	ITI Scotland Limited; 30-04, A collar for an animal, (EM, 28 Feb 2008) 10 Jul 2008	13218/2008
Honda Motor Co., Ltd.; 12-08, Automobile, (US, 19 Dec 2007) 17 Jun 2008	12885/2008	ITW Australia Pty Ltd; 25-02D, A support bracket, 25 Jun 2008	12977/2008
Hopley, Ronald Frederick; 23-01F, Underground storage reservoir, 24 Jun 2008	12956/2008	ITW Australia Pty Ltd; 08-08M, A support bracket, 04 Jul 2008	13136/2008
Howland, John; 26-05D, Chandeliers, luminaires, 03 Jul 2008	13060/2008	ITW Australia Pty Ltd; 08-08B, A screw, 20 Jun 2008	12921/2008
Huhtamaki Australia Pty Limited; 09-03NES, Container with lid, 23 Jun 2008	12933/2008	ITW Constrution Systems Australia Pty Ltd; 25-01NES, 25-02NES, Expansion joint of indefinite length, 18 Jun 2008	12896/2008
Huhtamaki Australia Pty Limited; 09-03NES, Container with lid, 23 Jun 2008	12934/2008	J Bloch Pty Ltd; 02-04NES, Dance shoe upper, 16 Jun 2008	12872/2008
Huhtamaki Australia Pty Limited; 09-03NES, Container with lid, 23 Jun 2008	12935/2008	J Bloch Pty Ltd; 02-04A, Dance shoe sole, toe pad, 12 Jun 2008	12831/2008
Huhtamaki Henderson Limited; 07-01NES, Container and lid, 02 Jul 2008	13038/2008	J Bloch Pty Ltd; 02-04A, Dance shoe sole, heel pad, 12 Jun 2008	12832/2008

J Bloch Pty Ltd; 02-04A, Dance shoe upper, 12 Jun 2008	12833/2008	Karndean International Pty Ltd; 05-06B, Vinyl flooring, 18 Jul 2008	13376/2008
J Bloch Pty Ltd; 02-04A, Dance shoe sole, toe pad, 12 Jun 2008	12834/2008	Karndean International Pty Ltd; 05-06B, Vinyl flooring, 18 Jul 2008	13377/2008
J Bloch Pty Ltd; 02-04A, Dance shoe sole, heel pad, 12 Jun 2008	12835/2008	Karndean International Pty Ltd; 05-06B, Vinyl flooring, 18 Jul 2008	13378/2008
Jackson Industries Pty Limited; 13-03D, A power board, 12 Jun 2008	12848/2008	Karndean International Pty Ltd; 05-06B, Vinyl flooring, 18 Jul 2008	13379/2008
Jacqui T Company Pty Ltd, The; 02-01B, 24-04, Attachable guard for containing infant's excretion when lying down and no nappy is in place, 11 Jul 2008	13236/2008	Karndean International Pty Ltd; 05-06B, Vinyl flooring, 18 Jul 2008	13380/2008
Jantzen, Kahn; 08-08K, 08-08NES, 25-02C, Quick catch system, livestock, transport, any form of restraint, 26 Jun 2008	12992/2008	Karndean International Pty Ltd; 05-06B, Vinyl flooring, 18 Jul 2008	13381/2008
Jayco Corporation Pty Ltd; 08-07, Lock assembly for caravan & motorhome slide out, 09 Jul 2008	13181/2008	Karsten Manufacturing Corporation; 21-02C, Badge for a golf club head, (US, 14 Apr 2008) 09 Jul 2008	13203/2008
Jiang, Ji Hong; Chen, Xiao Ming; 08-03, Masonry saw, 18 Jul 2008	13388/2008	Karsten Manufacturing Corporation; 21-02C, Golf club head, (US, 14 Apr 2008) 11 Jul 2008	13285/2008
Johar, Narinder Kour; 28-03NES, Compact cosmetic case and mirror, 13 Jun 2008	12853/2008	Karsten Manufacturing Corporation; 21-02C, Golf club head, (US, 14 Apr 2008) 11 Jul 2008	13286/2008
Johnson Controls Technology Company; 13-03B, Battery cover, (US, 09 Jan 2008) 03 Jul 2008	13057/2008	Karsten Manufacturing Corporation; 21-02C, Golf club head, (US, 14 Apr 2008) 11 Jul 2008	13287/2008
Johnson Controls Technology Company; 13-03B, Battery cover, (US, 09 Jan 2008) 09 Jul 2008	13200/2008	Karsten Manufacturing Corporation; 21-02C, Golf club head, (US, 14 Apr 2008) 11 Jul 2008	13288/2008
Johnson Controls Technology Company; 13-03B, Battery cover, (US, 09 Jan 2008) 08 Jul 2008	13164/2008	Karsten Manufacturing Corporation; 21-02C, Golf club head, (US, 14 Apr 2008) 11 Jul 2008	13289/2008
Jones, Denise; Tarrant, Debbi; 24-04, Reusable neck stoma or injury cover, 14 Jul 2008	13257/2008	Karsten Manufacturing Corporation; 21-02C, Golf club head, (US, 14 Apr 2008) 11 Jul 2008	13282/2008
Joyce, Jeremy Scott; Joyce, Sharon Louise; 08-08K, Fence footing, 09 Jul 2008	13191/2008	Karsten Manufacturing Corporation; 21-02C, Golf iron head, (US, 01 Apr 2008) 30 Jun 2008	13009/2008
Joyce, Sharon Louise; Joyce, Jeremy Scott; 08-08K, Fence footing, 09 Jul 2008	13191/2008	Key, Josephine; 24-01, Exercise therapy aid with profiled and textured surface, 19 Jun 2008	12912/2008
Kabushiki Kaisha Audio-Technica; 14-01, 14-03A, Headphone, (JP, 07 Mar 2008) 26 Jun 2008	12985/2008	King Furniture (Australia) Pty Ltd; 06-01F, An article of furniture, 25 Jun 2008	12971/2008
Kabushiki Kaisha Toshiba; 16-02, Data projector, (JP, 16 May 2008) 15 Jul 2008	13316/2008	King Furniture (Australia) Pty Ltd; 06-01E, A footstool, 25 Jun 2008	12972/2008
Kabushiki Kaisha Toshiba, also Trading as Toshiba Corporation; 16-99, Images and sound editor, (JP, 04 Apr 2008) 16 Jul 2008	13352/2008	Kiwi Motors Limited; 15-03B, A mower, 09 Jul 2008	13206/2008
Kai, Meng; 08-08A, 25-01F, A tile cross, 11 Jun 2008	12786/2008	Kleeman, David; Seil, Oliver Duncan; Holleman, Avery Erik; 14-03NES, Signal splitter, (US, 02 Jan 2008) 02 Jul 2008	13041/2008
Karndean International Pty Ltd; 05-06B, Vinyl flooring, 18 Jul 2008	13374/2008	Kohler France SAS; 23-02F, Wash basin, (EP, 04 Jan 2008) 04 Jul 2008	13109/2008
Karndean International Pty Ltd; 05-06B, Vinyl flooring, 18 Jul 2008	13375/2008	Kohler France SAS; 23-02C, Toilet, (EP, 04 Jan 2008) 04 Jul 2008	13110/2008
		Kohler France SAS; 23-02C, Wall hung toilet, (EP, 04 Jan 2008) 04 Jul 2008	13099/2008

Kohler France SAS; 23-02F, Wash basin, (EP, 04 Jan 2008) 04 Jul 2008	13100/2008	Lesny Pty Ltd; 99-00, A mesh shrink plastic covered hook over panel, 04 Jul 2008	13143/2008
Kohler France SAS; 23-02F, Wash basin, (EP, 04 Jan 2008) 04 Jul 2008	13101/2008	Lesny Pty Ltd; 99-00, A mesh shrink plastic covered hook over panel, 04 Jul 2008	13144/2008
Kohler France SAS; 23-02F, Wash basin, (EP, 04 Jan 2008) 04 Jul 2008	13102/2008	Lidl Stiftung & Co. KG; 09-01NES, Bottle, (WO, 05 May 2008) 04 Jul 2008	13111/2008
Kohler France SAS; 23-02C, Toilet, (EP, 04 Jan 2008) 04 Jul 2008	13103/2008	Lightly; 11-02A, Hot water bottle vase-norma, 17 Jun 2008	12873/2008
Kohler France SAS; 23-02F, Wash basin, (EP, 04 Jan 2008) 04 Jul 2008	13104/2008	Lightly; 10-01, Time to reflect-clock, 17 Jun 2008	12874/2008
Kohler France SAS; 23-02F, Wash basin, (EP, 04 Jan 2008) 04 Jul 2008	13105/2008	Lin, Yu; 03-01C, 06-04NES, 18 Cube timber shoe CD rack shelf stand, 11 Jun 2008	12783/2008
Kohler France SAS; 23-02F, Wash basin pedestal, (EP, 04 Jan 2008) 04 Jul 2008	13106/2008	Littler, Roy Thomas; 08-05A, Weeding tool, 02 Jul 2008	13036/2008
Kohler France SAS; 23-02F, Wash basin pedestal, (EP, 04 Jan 2008) 04 Jul 2008	13107/2008	Lolitta Clothing; 02-02C, , 11 Jun 2008	12800/2008
Kohler France SAS; 23-02F, Wash basin, (EP, 04 Jan 2008) 04 Jul 2008	13108/2008	Lolitta Clothing; 02-02C, , 26 Jun 2008	12978/2008
Kohler France SAS; 23-02F, Wash basin, (EP, 04 Jan 2008) 04 Jul 2008	13108/2008	Lucidity Enterprise Co., Ltd; 12-16E, 26-06, Combination rear light, 17 Jun 2008	12919/2008
Koninklijke Philips Electronics N.V.; 26-05C, Lamp, (EM, 30 Jan 2008) 26 Jun 2008	12980/2008	LumbaLite Pty Ltd; 13-03D, Electrical power socket face plate, 07 Jul 2008	13152/2008
Lane Industries (Australia) Pty Ltd; 06-04NES, Shelving post, 10 Jul 2008	13208/2008	LumbaLite Pty Ltd; 13-03D, Electrical power socket face plate, 07 Jul 2008	13153/2008
Les Laboratoires Servier; 09-01A, Pillbox, (FR, 08 Jan 2008) 03 Jul 2008	13066/2008	LumbaLite Pty Ltd; 13-03D, Electrical power socket, 07 Jul 2008	13154/2008
Les Laboratoires Servier; 09-01A, Pillbox, (FR, 08 Jan 2008) 03 Jul 2008	13067/2008	LG Electronics Inc.; 14-03E, Cellular phone, (JP, 28 Jan 2008) 19 Jun 2008	12838/2008
Les Laboratoires Servier; 09-01A, Pillbox, (FR, 08 Jan 2008) 03 Jul 2008	13065/2008	Maguire, Patrick David; 08-10, 12-16K, Bicycle carrier, (NZ, 17 Jan 2008) 17 Jul 2008	13356/2008
Les Laboratoires Servier; 09-07C, Cap, (FR, 08 Jan 2008) 03 Jul 2008	13064/2008	Mandic, Zelijko; 13-03B, Cable support, 21 Jul 2008	13391/2008
Lesny Pty Ltd; 09-07C, A domed cap, 09 Jul 2008	13207/2008	Mann, Jeffrey Gordon; 06-08, A coat hanger, 11 Jun 2008	12788/2008
Lesny Pty Ltd; 99-00, A domed cap, 04 Jul 2008	13137/2008	Mars Incorporated; Mars, Incorporated; 07-01B, Bowl, (US, 17 Jan 2008) 14 Jul 2008	13303/2008
Lesny Pty Ltd; 99-00, A domed cap, 04 Jul 2008	13138/2008	Mars, Incorporated; Mars Incorporated; 07-01B, Bowl, (US, 17 Jan 2008) 14 Jul 2008	13303/2008
Lesny Pty Ltd; 99-00, A mesh shrink plastic covered hook over panel, 04 Jul 2008	13139/2008	Mascull, Roger Thomas; 06-01D, 08-08NES, A mount for a headrest, 23 Jul 2008	13451/2008
Lesny Pty Ltd; 99-00, A mesh shrink plastic covered hook over panel, 04 Jul 2008	13140/2008	Maserati S.p.A.; 26-05B, Lighting device, (EM, 21 Dec 2007) 11 Jun 2008	12802/2008
Lesny Pty Ltd; 99-00, A mesh shrink plastic covered hook over panel, 04 Jul 2008	13141/2008	Matrix Industries Pty Limited; 25-01C, Resilient wall tie, 02 Jul 2008	13048/2008
Lesny Pty Ltd; 99-00, A mesh shrink plastic covered hook over panel, 04 Jul 2008	13142/2008		

Matsushita Electric Industrial Co., Ltd.; 13-02, Battery, (JP, 28 Dec 2007) 26 Jun 2008	12984/2008	Metalflex Pty Ltd; 23-04, Air conditioning vent, 14 Jul 2008	13256/2008
McEnroe, Peadar; 08-05A, Pressurizable water spraying vessel, (EP, 28 Feb 2008) 21 Jul 2008	13394/2008	Michelin Recherche et Technique S.A.; Societe De Technologie Michelin; 12-15A, A tyre, (FR, 17 Jan 2008) 14 Jul 2008	13305/2008
McGlinchey, Melanie; 06-13C, Baby/infant handsfree towel, 02 Jul 2008	13037/2008	Michelin Recherche et Technique S.A.; Societe De Technologie Michelin; 12-15A, A pneumatic tyre, (FR, 03 Jan 2008) 26 Jun 2008	12979/2008
McMechan, Joseph; 08-08NES, Solar pool heating, 11 Jun 2008	12784/2008	Michelin Recherche et Technique S.A.; Societe De Technologie Michelin; 12-15B, Tyre, (US, 05 Feb 2008) 18 Jul 2008	13373/2008
McNeil AB; 09-01A, Dispenser for mouth spray, (EM, 22 Jan 2008) 30 Jun 2008	13015/2008	Milton, John; 25-01C, Universal beam, 02 Jul 2008	13049/2008
McNeil AB; 09-01A, Dispenser for mouth spray, (EM, 22 Jan 2008) 30 Jun 2008	13016/2008	Moulage Industriel De Perseigne; 03-01C, 03-01NES, Tray for USB key, (EM, 30 Jan 2008) 04 Jul 2008	13133/2008
McNeil AB; 09-01A, Dispenser for mouth spray, (EM, 22 Jan 2008) 30 Jun 2008	13017/2008	Murray, Mark Anthony; 01-01, Bread bun, 11 Jul 2008	13213/2008
McNeil AB; 09-01A, Dispenser for mouth spray, (EM, 22 Jan 2008) 30 Jun 2008	13018/2008	Naicker, Boyana; 19-04, , 16 Jul 2008	13357/2008
McNeil AB; 09-01A, Dipenser for mouth spray, (EM, 22 Jan 2008) 30 Jun 2008	13019/2008	Neil Evans Limited; 13-03B, Cable mountings, (NZ, 12 Dec 2007) 11 Jun 2008	12843/2008
McNeil AB; 09-01A, Dispenser for mouth spray, (EM, 22 Jan 2008) 30 Jun 2008	13020/2008	Neil Evans Limited; 12-16P, Anchor devices, (NZ, 12 Dec 2007) 11 Jun 2008	12842/2008
McNeil AB; 09-01A, Dispenser for mouth spray, (EM, 22 Jan 2008) 30 Jun 2008	13021/2008	Nepean Engineering Pty Ltd; 13-01, Wind turbine, 10 Jul 2008	13212/2008
McNeil AB; 09-01A, Dispenser for mouth spray, (EM, 22 Jan 2008) 30 Jun 2008	13022/2008	New Balance Athletic Shoe, Inc.; 02-04B, Shoe sole, (Divisional of 11119/2008) 06 Mar 2008	13369/2008
McNeil AB; 09-01A, Dispenser for mouth spray, (EM, 22 Jan 2008) 30 Jun 2008	13023/2008	Nokia Corporation; 14-03A, Charger, 23 Jun 2008	12936/2008
McNeil AB; 09-01A, Dispenser of mouth spray, (EM, 22 Jan 2008) 30 Jun 2008	13014/2008	Nutri Co., Ltd.; Toyo Seikan Kaisha, Ltd.; 03-01NES, Bag, (JP, 21 Jan 2008) 21 Jul 2008	13390/2008
McNeil AB; 09-01A, Dispenser for mouth spray, (EM, 22 Jan 2008) 30 Jun 2008	12987/2008	NCI Holdings Pty Ltd; 09-03NES, Container, 08 Jul 2008	13165/2008
McNeil-PPC, Inc.; 09-01A, Dispenser, (Divisional of 10642/2008) 13 Feb 2008	12865/2008	NCI Holdings Pty Ltd; 09-03NES, Container, 08 Jul 2008	13166/2008
MedCare IP Pty Limited; 24-01, Health monitor display device, 16 Jun 2008	12866/2008	Ockels, Wubbo Johannes; 12-06B, Sailing boat, (EM, 28 Dec 2007) 30 Jun 2008	13028/2008
MedCare IP Pty Limited; 24-01, Health monitor and display apparatus, 16 Jun 2008	13393/2008	Omega SA (Omega AG) (Omega Ltd); 10-02, Watch, (WO, 25 Mar 2008) 09 Jul 2008	13182/2008
Merkel, Ross William; 08-05NES, Handle piece, 21 Jul 2008	13253/2008	Originatic LLC; 14-02, Electronic device, (US, 03 Jan 2008) 02 Jul 2008	13040/2008
Metalflex Pty Ltd; 23-04, Air conditioning vent, 14 Jul 2008	13254/2008	Parfums Givenchy; 09-01G, Flask for perfumery product, (FR, 02 Jan 2008) 18 Jun 2008	12907/2008
Metalflex Pty Ltd; 23-04, Air conditioning vent, 14 Jul 2008	13255/2008	Parissis, George; Pitt, Bradley; 08-08NES, Strap, 17 Jul 2008	13365/2008
Metalflex Pty Ltd; 23-04, Air conditioning vent, 14 Jul 2008		Perfetti Van Melle S.p.A.; 01-01, Chupa chups (case 1), (EM, 14 Dec 2007) 13 Jun 2008	12849/2008

Perfetti Van Melle S.p.A.; 01-01, Chupa chups (case 2), (EM, 14 Dec 2007) 13 Jun 2008	12850/2008	Rain Harvesting; 08-08L, A gutter diverter, 25 Jun 2008	12955/2008
Pet Brands PLC; 21-02A, Ball, (EM, 19 Jun 2008) 03 Jul 2008	13062/2008	Ramtaps Pty Ltd; 23-02B, Shower - mounted flush with ceiling, 18 Jun 2008	12931/2008
Peter Opsvik AS; 06-01E, 06-06G, Safety bow, (NO, 11 Jan 2008) 07 Jul 2008	13155/2008	Ray, Terence Joseph; 17-01, 17-05, Guitar chord selector device, 11 Jun 2008	12782/2008
Pi-Design AG; 07-02K, 07-02L, Electric beverage heater, (DM, 29 Jan 2008) 15 Jul 2008	13321/2008	Reckitt Benckiser Inc.; 07-99NES, 23-02A, Dynamic dispenser, (EM, 20 Feb 2008) 17 Jul 2008	13362/2008
Pi-Design AG; 07-02K, 07-02L, Electric beverage heater, (CH, 19 Feb 2008) 15 Jul 2008	13322/2008	Reckitt Benckiser Inc.; 07-99NES, 23-02A, Dynamic dispenser, (EM, 20 Feb 2008) 17 Jul 2008	13363/2008
Pitt, Bradley; Parissis, George; 08-08NES, Strap, 17 Jul 2008	13365/2008	Reckitt Benckiser Inc.; 07-99NES, 23-02A, Dynamic dispenser, (EM, 20 Feb 2008) 17 Jul 2008	13364/2008
Pod Cuisine; 19-01, 19-99, Pod cuisine, 07 Jul 2008	13146/2008	RedFlow Pty Ltd; 13-03C, 13-03NES, Energy storage and power electronics enclosure, 12 Jun 2008	12813/2008
Polymarble Pty Ltd; 23-02B, A shower base, 16 Jun 2008	12856/2008	ResMed Ltd; 24-01, Mask assembly, (US, 02 May 2008) 10 Jul 2008	13227/2008
Port, Nathan Jay; 06-01F, 06-01H, Chair, 10 Jul 2008	13302/2008	ResMed Ltd; 24-01, Mask assembly, (US, 11 Jan 2008) 10 Jul 2008	13219/2008
Powell, Rodney Trevor; Separovich, John; 09-03L, Downlight canister, 26 Jun 2008	12964/2008	ResMed Ltd; 24-01, Left side headgear yoke for mask assembly, (US, 11 Jan 2008) 10 Jul 2008	13220/2008
Powerful Parenting Tools Pty Ltd; 19-01, 19-07, Educational chart, 18 Jun 2008	12908/2008	ResMed Ltd; 24-01, Right side headgear yoke for mask assembly, (US, 11 Jan 2008) 10 Jul 2008	13221/2008
Preston, John Clement; 08-08K, Fence panel footing block, 09 Jul 2008	13184/2008	ResMed Ltd; 24-01, Tube for mask assembly, (US, 11 Jan 2008) 10 Jul 2008	13222/2008
Preston, John Clement; 08-08K, Fence panel footing block, 09 Jul 2008	13185/2008	ResMed Ltd; 24-01, Elbow for mask assembly, (US, 11 Jan 2008) 10 Jul 2008	13223/2008
Preston, John Clement; 08-08K, Fence panel footing block, 09 Jul 2008	13186/2008	ResMed Ltd; 24-01, Buckle for mask assembly, (US, 11 Jan 2008) 10 Jul 2008	13224/2008
Preston, John Clement; 25-02C, Fencing, 09 Jul 2008	13187/2008	ResMed Ltd; 24-01, Retainer for mask assembly, (US, 11 Jan 2008) 10 Jul 2008	13225/2008
Preston, John Clement; 25-02C, A barrier panel, 09 Jul 2008	13188/2008	ResMed Ltd; 24-01, Headgear for mask assembly, (US, 11 Jan 2008) 10 Jul 2008	13226/2008
Procter & Gamble Company, The; 23-01NES, Liquid dispenser, (US, 19 Feb 2008) 21 Jul 2008	13387/2008	ResMed Ltd; 24-01, Cushion for mask assembly, (US, 02 May 2008) 10 Jul 2008	13228/2008
POSM (Point of Sale Material) Pty Ltd; 18-99, Label mounting device, 18 Jul 2008	13383/2008	ResMed Ltd; 24-01, Frame for mask assembly, (US, 02 May 2008) 10 Jul 2008	13229/2008
QVS Global Australia Pty Limited; 28-03C, Hair clip, 12 Jun 2008	12836/2008	ResMed Ltd; 24-01, Left side headgear strap/yoke for mask assembly, (US, 02 May 2008) 10 Jul 2008	13230/2008
R&R.E. Pagden, Trading as Foodcare Systems Australia; 06-04NES, Tool storage system with changeable symbol pictures, 21 Jul 2008	13386/2008	ResMed Ltd; 24-01, Right side headgear strap/yoke for mask assembly, (US, 02 May 2008) 10 Jul 2008	13231/2008
Rado Uhren AG (Rado Watch Co Ltd) (Montres Rado SA); 10-02, Wristwatch, (EM, 31 Mar 2008) 09 Jul 2008	13183/2008		
Rado Uhren AG (Rado Watch Co Ltd) (Montres Rado SA); 10-02, 10-07, Watch case with bracelet, (WO, 18 Mar 2008) 20 Jun 2008	12923/2008		
Rain Harvesting; 08-08L, A gutter diverter, 25 Jun 2008	12954/2008		

ResMed Ltd; 24-01, Headgear for mask assembly, (US, 02 May 2008) 10 Jul 2008	13232/2008	Ruthe Hammerfabrik GmbH & Co. KG; 08-02, Hammer, (EM, 04 Apr 2008) 04 Jul 2008	13134/2008
ResMed Ltd; 24-01, Rear strap buckle for mask assembly, (US, 02 May 2008) 10 Jul 2008	13233/2008	Rutter, Mark Lindsay; 99-00, Ip australia goods & services classes 16,18 & 20, 19 Jun 2008	12925/2008
Review Australia Pty Ltd; 02-02C, Ladies garments, 16 Jun 2008	12876/2008	Rutter, Mark Lindsay; 99-00, Ip australia goods & services classes 16,18 & 25, 19 Jun 2008	12926/2008
Review Australia Pty Ltd; 02-02C, Ladies garments, 16 Jul 2008	13348/2008	Rutter, Mark Lindsay; 99-00, Ip australia goods & services classes 16, 18 & 25, 19 Jun 2008	12927/2008
Rice, Lynne; 03-01B, Tag, 03 Jul 2008	13063/2008	Rutter, Mark Lindsay; 99-00, Ip australia goods & services classes 16,18 & 25, 19 Jun 2008	12928/2008
Rieke Corporation; 09-07C, Plug with overcap, (US, 08 Feb 2008) 15 Jul 2008	13323/2008	Ryan, Jenna; 06-01F, 06-03A, Chatabelt, 09 Jul 2008	13157/2008
Rieke Corporation; 09-07C, Plug with overcap, (US, 08 Feb 2008) 15 Jul 2008	13324/2008	S.C. Johnson & Son, Inc.; 09-01H, Bottle, (US, 17 Dec 2007) 17 Jun 2008	12880/2008
Rin-soon Park; 12-16A, Abrasive wheel, (KR, 01 Feb 2008) 08 Jul 2008	13170/2008	S.O.S. Color Ltd.; 28-03D, Hair treatment applicator, (US, 17 Dec 2007) 17 Jun 2008	12886/2008
Rin-Soon Park; 08-05N, Grinding tip for grinder, (KR, 31 Dec 2007) 30 Jun 2008	13002/2008	Sanders, Brent; 29-02, Personal safety device, 18 Jul 2008	13371/2008
Rinstrum Pty Ltd; 10-04, Weighing apparatus, 16 Jul 2008	13358/2008	Sanford, L.P.; 19-06, Marker, (US, 31 Aug 2007) 22 Feb 2008	12913/2008
Rinstrum Pty Ltd; 10-04, Weighing apparatus, 16 Jul 2008	13359/2008	Sanyo Electric Co., Ltd.; 07-02L, 20-01, Drink dispenser, (JP, 09 Jan 2008) 04 Jul 2008	13112/2008
Riri Group SA; 02-07A, Stop and slider of a slide fastener, (CH, 12 Jun 2008) 26 Jun 2008	12986/2008	Sanyo Electric Co., Ltd.; 07-02L, 20-01, Drink dispenser, (JP, 09 Jan 2008) 04 Jul 2008	13113/2008
Robert Bosch GmbH; 08-01, Drill, (EM, 21 Feb 2008) 15 Jul 2008	13319/2008	Samar, LLC; 04-99, Shoe polish applicator, (EM, 31 Mar 2008) 14 Jul 2008	13304/2008
Robert Bosch GmbH; 08-01, Drill, (EM, 14 Feb 2008) 15 Jul 2008	13320/2008	Schopf, Manfred; Schopf, John; 25-01E, Fence, barrier, balustrade, 02 Jul 2008	13088/2008
Rover Mowers Limited; 15-03B, Mower, 11 Jul 2008	13277/2008	Schopf, John; Schopf, Manfred; 25-01E, Fence, barrier, balustrade, 02 Jul 2008	13089/2008
Rover Mowers Limited; 15-03B, Cutter deck, 11 Jul 2008	13278/2008	Schopf, Manfred; Schopf, John; 25-01E, Fence, barrier, balustrade, 02 Jul 2008	13089/2008
Rover Mowers Limited; 12-11, 12-16NES, 15-01, Engine cowl, 11 Jun 2008	12792/2008	Schopf, John; Schopf, Manfred; 25-02C, Fence, barrier, balustrade, 02 Jul 2008	13052/2008
Rover Mowers Limited; 15-03B, Grass catcher, 11 Jul 2008	13279/2008	Schopf, Manfred; Schopf, John; 25-02C, Fence, barrier, balustrade, 02 Jul 2008	13052/2008
Rover Mowers Limited; 12-11, 12-16NES, 15-01, Engine cowl, 11 Jun 2008	12793/2008	Schopf, John; Schopf, Manfred; 25-01E, Fence, barrier, balustrade, 02 Jul 2008	13088/2008
Rover Mowers Limited; 12-11, 12-16NES, 15-01, Engine cowl, 11 Jun 2008	12794/2008	Schopf, John; Schopf, Manfred; 25-02C, Fence, barrier, balustrade, 02 Jul 2008	13053/2008
Rover Mowers Limited; 12-11, 12-16NES, 15-01, Engine cowl, 11 Jun 2008	12795/2008	Schopf, Manfred; Schopf, John; 25-02C, Fence, barrier, balustrade, 02 Jul 2008	13053/2008
Royal Appliance Mfg. Co.; 04-01, Electric broom, (US, 17 Dec 2007) 13 Jun 2008	12839/2008	Sea to Summit Pty Ltd; 07-01B, A patterned base for a cup, plate and bowl, 11 Jun 2008	12841/2008
		Seapa Pty Ltd; 09-07NES, An end cap for an aquaculture basket, 26 Jun 2008	12989/2008

Section A Pty Ltd; 02-03, Visor, 20 Jun 2008	12920/2008	Societe De Technologie Michelin; Michelin Recherche et Technique S.A.; 12-15A, A pneumatic tyre, (FR, 03 Jan 2008) 26 Jun 2008	12979/2008
Seil, Oliver Duncan; Holleman, Avery Erik; Kleeman, David; 14-03NES, Signal splitter, (US, 02 Jan 2008) 02 Jul 2008	13041/2008	Societe De Technologie Michelin; Michelin Recherche et Technique S.A.; 12-15A, A tyre, (FR, 17 Jan 2008) 14 Jul 2008	13305/2008
Senator GmbH & Co. KGaA; 19-06, Writing instrument, (DE, 03 Jan 2008) 01 Jul 2008	13032/2008	Software Images Pty Limited; 03-01B, Blank for a CD wallet, 23 Jun 2008	12940/2008
Separovich, John; Powell, Rodney Trevor; 09-03L, Downlight canister, 26 Jun 2008	12964/2008	Software Images Pty Limited; 03-01C, Blank for a CD wallet, 04 Jul 2008	13132/2008
Shamoon, Ellis N.; 10-04, Collapsible measuring cup with pivoting handle, (US, 21 Jan 2008) 15 Jul 2008	13327/2008	Software Images Pty Limited; 03-01B, Blank for a CD wallet, 23 Jun 2008	12941/2008
Silvan Australia Pty Ltd; 09-02A, Diesel tank, 03 Jul 2008	13047/2008	Sportsgirl Pty Ltd; 02-02C, Various garments, 25 Jun 2008	12965/2008
Singh Fabrications Pty Ltd; 25-01A, Nylon block, 03 Jul 2008	13071/2008	Squires, Jeffrey J.; Caines, Valerie E.; 06-01NES, 06-13NES, Protective cover-pressure care chairs (air, water and foam), 24 Jun 2008	12970/2008
Singh Fabrications Pty Ltd; 25-01K, Metal extrusion, 03 Jul 2008	13072/2008	Stebel SPA; 10-07, Cover for electropneumatic horn, 11 Jul 2008	13281/2008
Skinner, John; 06-04NES, Shelving system - inter locking, 01 Jul 2008	13031/2008	Sterling International Inc.; 22-06, Insect trap, (US, 29 Apr 2008) 15 Jul 2008	13326/2008
Smith & Nephew PLC; 03-01A, Double flap bag, (EM, 28 Dec 2007) 26 Jun 2008	12981/2008	Stubbings, Henry; 08-08NES, Anchor clip, 25 Jun 2008	12991/2008
Smith & Nephew PLC; 24-01, Therapy apparatus, (EM, 16 Jan 2008) 04 Jul 2008	13119/2008	Stubbings, Henry; 08-08L, Tree-support arm stabiliser, 25 Jun 2008	12950/2008
Societe des Produits Nestle S.A.; 07-07A, A container, (CH, 28 Jan 2008) 24 Jun 2008	12942/2008	Stubbings, Henry; 08-08L, Fastner-sleeve, 25 Jun 2008	12951/2008
Societe des Produits Nestle S.A.; 01-01, Confectionery, (CH, 03 Mar 2008) 09 Jul 2008	13158/2008	Sunbeam Corporation Limited; 13-03D, Electric controller, 24 Jun 2008	12958/2008
Societe des Produits Nestle S.A.; 01-01, Confectionery, (CH, 03 Mar 2008) 09 Jul 2008	13159/2008	Suzhou Sate Auto Electronic Co., Ltd.; 08-05E, 10-04, Sensor for tire pressure monitoring system, (CN, 25 Dec 2007) 25 Jun 2008	12974/2008
Societe des Produits Nestle S.A.; 01-01, Confectionery, (CH, 03 Mar 2008) 09 Jul 2008	13160/2008	Suzhou Sate Auto Electronic Co., Ltd.; 08-05E, 08-07, 10-04, Lock for tire pressure monitoring system, (CN, 25 Dec 2007) 25 Jun 2008	12975/2008
Societe des Produits Nestle S.A.; 01-01, Confectionery, (CH, 03 Mar 2008) 09 Jul 2008	13161/2008	Suzhou Sate Auto Electronic Co., Ltd.; 10-04, Central monitor for tire pressure monitoring system, (CN, 25 Dec 2007) 25 Jun 2008	12976/2008
Societe des Produits Nestle S.A.; 07-07A, A container, (CH, 28 Jan 2008) 24 Jun 2008	12943/2008	Swissone Safety; 16-06, Safety spectacles and goggles, (CH, 13 Dec 2007) 11 Jun 2008	12799/2008
Societe des Produits Nestle S.A.; 07-07A, A container, (CH, 28 Jan 2008) 24 Jun 2008	12944/2008	SCA Hygiene Products AB; 05-05NES, Embossed sheet material, (EM, 07 Jan 2008) 07 Jul 2008	13150/2008
Societe des Produits Nestle S.A.; 07-07A, A container, (CH, 28 Jan 2008) 24 Jun 2008	12945/2008	SMG Brands, Inc.; 22-06, Rodent trap, (US, 29 May 2008) 16 Jun 2008	12877/2008
Societe De Technologie Michelin; Michelin Recherche et Technique S.A.; 12-15B, Tyre, (US, 05 Feb 2008) 18 Jul 2008	13373/2008	SMG Brands, Inc.; 22-06, Rodent trap, (US, 14 Dec 2007) 16 Jun 2008	12878/2008

SOMFY SAS; 10-06, Signal lamp, (EM, 20 Dec 2007) 16 Jun 2008	12857/2008	Tyre Research Institute of Shanghai Tyre & Rubber Co., Ltd, The; 12-15B, 12-15C, Tyre, (CN, 31 Jan 2008) 16 Apr 2008	12810/2008
Takagi, Yoshio; 06-03B, The shape of the table/chair, 24 Jun 2008	12947/2008	Tyre Research Institute of Shanghai Tyre & Rubber Co., Ltd, The; 12-15B, 12-15C, Tyre, (CN, 31 Jan 2008) 16 Apr 2008	12811/2008
Tardrew, Gordon; 08-08NES, Push on retainer clip for the support of fibrous material, 17 Jun 2008	12879/2008	Tyre Research Institute of Shanghai Tyre & Rubber Co., Ltd, The; 12-15B, 12-15C, Tyre, (CN, 31 Jan 2008) 16 Apr 2008	12812/2008
Tarrant, Debbi; Jones, Denise; 24-04, Reusable neck stoma or injury cover, 14 Jul 2008	13257/2008	Tyre Research Institute of Shanghai Tyre & Rubber Co., Ltd, The; 12-15B, 12-15C, Tyre, (CN, 31 Jan 2008) 16 Apr 2008	
The Company of Animals Limited; 29-02, 30-04, Harness, (EM, 15 Jan 2008) 09 Jul 2008	13204/2008	Unilever Plc; 07-01F, 09-01NES, Bottle, (US, 28 Dec 2007) 11 Jun 2008	12789/2008
The Company of Animals Limited; 29-02, 30-04, Harness, (EM, 15 Jan 2008) 09 Jul 2008	13205/2008	Unilever Plc; 07-01F, 09-01NES, Bottle, (US, 28 Dec 2007) 11 Jun 2008	12790/2008
The Decor Corporation Pty Ltd; 07-06B, Heat mat, 23 Jun 2008	12937/2008	Unilever Plc; 07-01F, 09-01NES, Bottle, (US, 28 Dec 2007) 11 Jun 2008	12791/2008
The Decor Corporation Pty Ltd; 07-06NES, Trivet, 23 Jun 2008	12938/2008	Unilever PLC; 09-01NES, Bottle, (GB, 29 Jan 2008) 11 Jul 2008	13290/2008
The Decor Corporation Pty Ltd; 07-06NES, Trivet, 23 Jun 2008	12939/2008	Unilever PLC; 09-01NES, Bottle, (GB, 29 Jan 2008) 11 Jul 2008	13291/2008
The Purely Group Pty Ltd; 02-02NES, Clothing - sweatshirts/t-shirts, 15 Jul 2008	13298/2008	Unilever PLC; 09-01NES, Bottle, (GB, 29 Jan 2008) 11 Jul 2008	13292/2008
The Purely Group Pty Ltd; 02-02NES, Clothing - sweatshirts/t-shirts, 15 Jul 2008	13299/2008	Unilever PLC; 09-01NES, Bottle, (GB, 29 Jan 2008) 11 Jul 2008	13293/2008
The Purely Group Pty Ltd; 02-02NES, Clothing - sweatshirts/t-shirts, 15 Jul 2008	13300/2008	Unilever PLC; 09-01NES, Bottle, (GB, 29 Jan 2008) 11 Jul 2008	13294/2008
The Purely Group Pty Ltd; 02-02NES, Clothing - sweatshirts/t-shirts, 15 Jul 2008	13301/2008	Unilever PLC; 09-01NES, Bottle, (GB, 29 Jan 2008) 11 Jul 2008	13295/2008
Tomy Company, Ltd; 21-01C, Toy vehicle, (JP, 11 Jan 2008) 23 Jun 2008	12946/2008	Unilever PLC; 09-01NES, Bottle, (GB, 29 Jan 2008) 11 Jul 2008	13296/2008
Totle, Inc.; 02-04NES, Shoe, (US, 13 Dec 2007) 13 Jun 2008	12840/2008	Unilever PLC; 09-03NES, Package, (US, 14 Jan 2008) 11 Jul 2008	13297/2008
Toyo Seikan Kaisha, Ltd.; Nutri Co., Ltd.; 03-01NES, Bag, (JP, 21 Jan 2008) 21 Jul 2008	13390/2008	USPA Accessories LLC; 02-07C, Hat, (US, 03 Jan 2008) 03 Jul 2008	13069/2008
Tucci, Augusto; 20-02NES, Holder for information Display Unit, 17 Jun 2008	12929/2008	USPA Accessories LLC; 02-07C, Hat, (US, 03 Jan 2008) 03 Jul 2008	13070/2008
Tyre Research Institute of Shanghai Tyre & Rubber Co., Ltd, The; 12-15B, 12-15C, Tyre, (CN, 31 Jan 2008) 16 Apr 2008	12807/2008	Van Rosmalen, Amanda; 23-01F, A water-saving device, 27 Jun 2008	12999/2008
Tyre Research Institute of Shanghai Tyre & Rubber Co., Ltd, The; 12-15B, 12-15C, Tyre, (CN, 31 Jan 2008) 16 Apr 2008	12808/2008	Vella, M.; Vella, K.; 12-16N, Truck air cleaner, 27 Jun 2008	13001/2008
Tyre Research Institute of Shanghai Tyre & Rubber Co., Ltd, The; 12-15B, 12-15C, Tyre, (CN, 31 Jan 2008) 16 Apr 2008	12809/2008	Vella, K.; Vella, M.; 12-16N, Truck air cleaner, 27 Jun 2008	13001/2008
Tyre Research Institute of Shanghai Tyre & Rubber Co., Ltd, The; 12-15B, 12-15C, Tyre, (CN, 31 Jan 2008) 16 Apr 2008		Vickers, Frank Manvell; 09-05, Plastic bag, 01 Jul 2008	13004/2008

Villeroy & Boch AG; 07-01B, Bowl, (EM, 16 Jan 2008) 16 Jul 2008	13333/2008	Wanzl Metallwarenfabrik GmbH; 12-02, Part for shopping cart, (EM, 19 Dec 2007) 16 Jun 2008	12875/2008
Villeroy & Boch AG; 07-01B, Bowl, (EM, 16 Jan 2008) 16 Jul 2008	13334/2008	Watts Hardware Manufacturing Pty Ltd; 08-07, Strike plate for a lock, 08 Jul 2008	13156/2008
Villeroy & Boch AG; 07-01B, Bowl, (EM, 16 Jan 2008) 16 Jul 2008	13335/2008	Watts Hardware Mfg Pty Ltd; 08-07, Flush bolt; door lock; window lock; lock, 13 Jun 2008	12852/2008
Villeroy & Boch AG; 07-01A, Plate, (EM, 16 Jan 2008) 16 Jul 2008	13336/2008	Weiland, Nigel Mark; 25-01NES, Bore sleeve, 15 Jul 2008	13318/2008
Villeroy & Boch AG; 07-01A, Plate, (EM, 16 Jan 2008) 16 Jul 2008	13337/2008	Westport Global Limited; 07-04, 31-00, Wine aerator, (EM, 18 Jan 2008) 18 Jul 2008	13372/2008
Villeroy & Boch AG; 07-01A, plate, (EM, 16 Jan 2008) 16 Jul 2008	13338/2008	Whedlock, Kelli; Duman, Shazia; 02-05, Hooded scarf with pockets, 27 Jun 2008	12990/2008
Villeroy & Boch AG; 07-01A, Plate, (EM, 16 Jan 2008) 16 Jul 2008	13339/2008	Wickes, Margaret; 02-01B, 02-02NES, Article of clothing for baby/infant -TeeSuit - T-shirt and nappy cover all in one, 09 Jul 2008	13209/2008
Villeroy & Boch AG; 07-01A, Plate, (EM, 16 Jan 2008) 16 Jul 2008	13340/2008	Wickes, Margaret; 02-01B, 02-02NES, Article of clothing for baby/infant -TeeSuit - T-Shirt and nappy cover all in one, 09 Jul 2008	13210/2008
Villeroy & Boch AG; 07-01A, Plate, (EM, 16 Jan 2008) 16 Jul 2008	13341/2008	Wickes, Margaret; 02-01B, 02-02NES, Article of clothing for baby/infant -TeeSuit - T-Shirt and nappy cover all in one, 09 Jul 2008	13211/2008
Villeroy & Boch AG; 07-01G, Pot, (EM, 16 Jan 2008) 16 Jul 2008	13329/2008	Wideband Technology Pty Ltd; 13-03D, 13-03E, Distribution board for electricity, 20 Jun 2008	12924/2008
Villeroy & Boch AG; 07-01D, Cup, (EM, 16 Jan 2008) 16 Jul 2008	13330/2008	Wieland Helicopter Technologies Limited; 12-07, A helicopter, 09 Jul 2008	13192/2008
Villeroy & Boch AG; 07-01D, Saucer, (EM, 16 Jan 2008) 16 Jul 2008	13331/2008	Wieland Helicopter Technologies Limited; 12-07, A helicopter, 09 Jul 2008	13195/2008
Villeroy & Boch AG; 07-01B, Sugar bowl, (EM, 16 Jan 2008) 16 Jul 2008	13332/2008	Williams, Eric; 07-07NES, 09-09, Telescopic arm attached to rubbish bin on castor wheels, 27 Jun 2008	12988/2008
Vinidex Pty Limited; 23-02E, Plumbing drains and screening devices, 17 Jun 2008	12888/2008	Zumtobel Lighting GmbH & Co. KG; 26-05A, Light fixture, (EM, 11 Jan 2008) 09 Jul 2008	13196/2008
Vinidex Pty Limited; 23-01G, Stormwater and waste water filters and screening devices, 03 Jul 2008	13147/2008	Zumtobel Lighting GmbH & Co. KG; 26-05C, Light fixture, (EM, 11 Jan 2008) 09 Jul 2008	13201/2008
Vinidex Pty Limited; 23-02E, Plumbing drains and screening devices, 17 Jun 2008	12889/2008	Zumtobel Lighting GmbH & Co. KG; 26-05A, Light fixture, (EM, 11 Jan 2008) 09 Jul 2008	13189/2008
Vinidex Pty Limited; 23-02E, Plumbing drains and screening devices, 17 Jun 2008	12890/2008	Zumtobel Lighting GmbH & Co. KG; 26-05D, Light fixture, (EM, 11 Jan 2008) 09 Jul 2008	13190/2008
Vinidex Pty Limited; 23-02E, Plumbing drains and screening devices, 17 Jun 2008	12891/2008	Zumtobel Lighting GmbH & Co. KG; 26-05C, Light fixture, (EM, 11 Jan 2008) 09 Jul 2008	13197/2008
Vinidex Pty Limited; 23-02E, Plumbing drains and screening devices, 17 Jun 2008	12892/2008	Zumtobel Lighting GmbH & Co. KG; 26-05A, Light fixture, (EM, 11 Jan 2008) 09 Jul 2008	13198/2008
Visy Board Pty Ltd; 09-03NES, Box lid blank, 15 Jul 2008	13313/2008	Zumtobel Lighting GmbH & Co. KG; 26-05D, Light fixture, (EM, 11 Jan 2008) 09 Jul 2008	13199/2008
Visy Board Pty Ltd; 09-03NES, Box lid blank, 15 Jul 2008	13314/2008		
Wabtec Holding Corp.; 08-06, Modular transit assist handle, (US, 13 Dec 2007) 13 Jun 2008	12851/2008		
Wallace, Simon Noel; 22-05, The fish hooka, 16 Jun 2008	12868/2008		

Zumtobel Lighting GmbH & Co. KG; **13193/2008**
 26-05C, Light fixture, (EM, 11 Jan 2008) 09 Jul
 2008

3M Innovative Properties Company; **13202/2008**
 08-03, Scissors, (US, 11 Jan 2008) 09 Jul 2008

Zumtobel Lighting GmbH & Co. KG; **13194/2008**
 26-05D, Light fixture, (EM, 11 Jan 2008) 09 Jul
 2008

3M Innovative Properties Company; **12867/2008**
 08-03, Scissors, (US, 11 Jan 2008) 16 Jun
 2008

Applications Withdrawn

12844 / 2008 (25-01D)

Applications Lapsed

20052 / 2007 (06-06NES)	10214 / 2008 (02-02C)
10243 / 2008 (08-08NES)	10661 / 2008 (12-16B)
10664 / 2008 (12-16C)	10674 / 2008 (14-03NES)
10675 / 2008 (14-03NES)	10678 / 2008 (14-03NES)
10679 / 2008 (14-99)	10680 / 2008 (14-99)
10681 / 2008 (14-03NES)	10682 / 2008 (14-03NES)
10683 / 2008 (14-99)	10684 / 2008 (14-03NES)
10787 / 2008 (15-01)	10887 / 2008 (14-01)
10888 / 2008 (14-01)	

Registrations Ceased

310957

Extensions of time granted under Section 137

Applications lodged under section 137 for extension of time have been granted.

315598 **Lutron Electronics Co., Inc.**315602 **Lutron Electronics Co., Inc.**19041/2007 **Kym C Lennox**19042/2007 **Kym C Lennox**19043/2007 **Kym C Lennox**19044/2007 **Kym C Lennox**20520/2007 **Shop-Vac Corporation**10559/2008 **Claber S.p.A.**10674/2008 **TomTom International B.V.**10675/2008 **TomTom International B.V.**10678/2008 **TomTom International B.V.**10679/2008 **TomTom International B.V.**10680/2008 **TomTom International B.V.**10681/2008 **TomTom International B.V.**10682/2008 **TomTom International B.V.**10683/2008 **TomTom International B.V.**10684/2008 **TomTom International B.V.**10693/2008 **Tony Paton**10694/2008 **Globe International Nominees Pty Ltd**11901/2008 **Nanotechnology Victoria**11901/2008 **Nanotechnology Victoria**11902/2008 **Nanotechnology Victoria**11902/2008 **Nanotechnology Victoria**11903/2008 **Nanotechnology Victoria**11903/2008 **Nanotechnology Victoria**12854/2008 **Alcan Technology & Management Ltd.**12855/2008 **Alcan Technology & Management Ltd.**13464/2008 **Claber S.p.A.****Subsequent Owners Registered**

(The name in parentheses is that of the subsequent owner)

316581 (**Sea Pen Holdings Pty Ltd**) Allan William Barber316582 (**Sea Pen Holdings Pty Ltd**) Allan William Barber318831 (**Redbus Outdoor Holdings Limited**) Redbus Outdoor Limited315410 (**Mirage Industries Pty Ltd**) Bryant Enterprises Pty

- 315411 Nacara Pty Ltd;Bonza Doors Pty Ltd
(Mirage Industries Pty Ltd) Bryant Enterprises Pty
Ltd;Nacara Pty Ltd;Bonza Doors Pty Ltd
- 315412 **(Mirage Industries Pty Ltd)** Bryant Enterprises Pty
Ltd;Nacara Pty Ltd;Bonza Doors Pty Ltd

**Names Registered - Alterations and
Amendments**

(The name in parentheses is that of the subsequent
applicant)

- 311577 **(Aderans Holdings Co., Ltd.)** Aderans Co. Ltd
- 311576 **(Aderans Holdings Co., Ltd.)** Aderans Co., Ltd.

Corrigenda

Number 320060

In Vol 22 , No 14 , page 1738 under the heading **Australian Registered Design**; (54) Product in respect of which the design is registered should read: Inhaler.

Number 319997

In Vol 22 , No 13 , page 1685 under the heading **Australian Registered Design**; (72) Name(s) of Designer(s) should read: Ho Il Jeon and Myung Shik Kim and Sun Jung Park and Jong Hee Han and Na Jung Cho and Jea Seok Seong.

Number 318825

In Vol 22 , No 9 , page 1014 under the heading **Australian Registered Design**; (71) Name(s) and Address(s) of Applicant(s) should read: Duffix Golf Products LLC 11762 Lassiter Drive Cincinnati OH45240 United States of America.

Certificate(s) of Examination

Examination of the following Design Registration(s) has been completed. Infringement proceedings may now be commenced.

300435	14-02	30/07/2008	318902	28-99	29/07/2008
300436	14-02	30/07/2008	318903	28-99	31/07/2008
300437	14-02	30/07/2008	318904	28-99	31/07/2008
300438	14-02	29/07/2008	318905	28-99	31/07/2008
300439	14-02	29/07/2008	318906	28-99	31/07/2008
300440	14-02	29/07/2008	318910	08-05A	30/07/2008
300441	14-02	29/07/2008	318911	08-03	30/07/2008
300442	14-02	29/07/2008	318912	09-07A	30/07/2008
302207	18-01	18/07/2008	319009	09-03F	29/07/2008
302208	18-01	18/07/2008	319071	09-05	29/07/2008
302209	18-01	18/07/2008	319074	07-01NES	30/07/2008
302672	14-02	23/07/2008	319075	07-01NES	30/07/2008
303121	14-02	23/07/2008	319076	07-01NES	30/07/2008
304315	25-01K	31/07/2008	319132	12-16C	29/07/2008
307790	14-02	23/07/2008	319133	12-16NES	31/07/2008
307793	14-02	23/07/2008	319134	12-05	31/07/2008
307883	14-01	30/07/2008	319230	08-08NES	30/07/2008
309695	07-01A	21/07/2008	319279	09-07A	31/07/2008
309696	07-01A	21/07/2008	319280	09-07A	31/07/2008
310685	07-01G	21/07/2008	319310	21-02C	31/07/2008
312805	25-01K	21/07/2008	319365	02-04NES	31/07/2008
313749	14-03NES	30/07/2008	319366	02-04NES	31/07/2008
314974	20-02NES	17/07/2008	319382	23-01F	31/07/2008
315170	07-05A	30/07/2008	319987	15-05	31/07/2008
315476	12-08	29/07/2008	319988	15-05	31/07/2008
315638	14-01	17/07/2008	319989	15-05	31/07/2008
316123	25-02A	30/07/2008			
316868	25-01K	30/07/2008			
316869	25-01K	30/07/2008			
316941	12-10	30/07/2008			
317570	06-03NES	31/07/2008			
317612	26-03	17/07/2008			
317886	23-01G	21/07/2008			
318075	15-04	30/07/2008			
318180	26-05NES	29/07/2008			
318189	25-01D	17/07/2008			
318261	14-03E	29/07/2008			
318367	09-07A	17/07/2008			
318443	24-02	17/07/2008			
318510	21-02F	29/07/2008			
318631	07-04	31/07/2008			
318655	12-10	29/07/2008			
318656	13-02	30/07/2008			
318677	15-07	30/07/2008			
318678	15-07	30/07/2008			
318679	15-07	31/07/2008			
318721	12-16NES	31/07/2008			
318722	12-16NES	31/07/2008			
318737	07-05A	30/07/2008			
318738	07-05A	30/07/2008			
318751	02-04A	31/07/2008			
318755	13-02	30/07/2008			
318770	13-02	30/07/2008			
318844	25-01K	29/07/2008			
318845	25-01K	29/07/2008			
318883	14-03E	30/07/2008			
318895	14-03E	30/07/2008			
318896	14-03NES	30/07/2008			
318897	09-05	21/07/2008			
318898	09-05	21/07/2008			
318899	09-05	21/07/2008			
318900	09-05	21/07/2008			
318901	28-99	29/07/2008			

Publication and Registration Proceedings

Designs Registered

This section provides a concordance between design number and registration number of Designs covered in this journal. It also shows the main class and registration date.

This section covers Registration numbers 320292 to 320538 .

The registration number shown below should be used in all future correspondence.

Design Number	Registration Number	International Classification Code (IDC)	Registration Date	Design Number	Registration Number	International Classification Code (IDC)	Registration Date
19264/2007	320438	20-02E	25/07/2008	11117/2008	320350	10-05	22/07/2008
20766/2007	320439	15-02	25/07/2008	11121/2008	320360	25-01A	23/07/2008
21201/2007	320322	02-02C	21/07/2008	11169/2008	320384	06-08	29/07/2008
21320/2007	320437	21-01N	25/07/2008	11170/2008	320463	02-04A	28/07/2008
21416/2007	320339	10-02	22/07/2008	11195/2008	320338	31-00	22/07/2008
10125/2008	320292	14-99	18/07/2008	11280/2008	320318	06-08	21/07/2008
10260/2008	320376	09-03K	29/07/2008	11281/2008	320319	06-08	21/07/2008
10350/2008	320482	09-03M	29/07/2008	11282/2008	320320	06-08	21/07/2008
10572/2008	320340	09-03NES	22/07/2008	11283/2008	320321	19-08	21/07/2008
10573/2008	320341	09-03NES	22/07/2008	11345/2008	320385	24-01	29/07/2008
10574/2008	320342	09-03NES	22/07/2008	11346/2008	320386	24-01	29/07/2008
10575/2008	320343	09-03NES	22/07/2008	11347/2008	320387	24-01	29/07/2008
10628/2008	320380	09-03B	29/07/2008	11349/2008	320388	24-01	29/07/2008
10629/2008	320381	09-03B	29/07/2008	11357/2008	320464	09-05	28/07/2008
10642/2008	320328	09-01A	22/07/2008	11395/2008	320397	09-01K	24/07/2008
10646/2008	320329	07-01B	22/07/2008	11396/2008	320398	09-01K	24/07/2008
10647/2008	320316	07-01B	21/07/2008	11397/2008	320351	12-06C	22/07/2008
10648/2008	320317	07-01B	21/07/2008	11401/2008	320299	04-01	21/07/2008
10649/2008	320330	07-01B	22/07/2008	11408/2008	320300	14-02	21/07/2008
10676/2008	320461	14-03NES	28/07/2008	11409/2008	320301	14-02	21/07/2008
10751/2008	320422	07-01NES	25/07/2008	11410/2008	320302	14-02	21/07/2008
10752/2008	320423	07-01NES	25/07/2008	11411/2008	320303	14-02	21/07/2008
10770/2008	320483	08-03	29/07/2008	11412/2008	320304	08-06	21/07/2008
10771/2008	320484	18-02	29/07/2008	11413/2008	320305	04-01	21/07/2008
10773/2008	320331	11-02NES	22/07/2008	11414/2008	320306	28-03NES	21/07/2008
10774/2008	320332	23-03B	22/07/2008	11415/2008	320307	28-03NES	21/07/2008
10775/2008	320333	23-03B	22/07/2008	11416/2008	320308	25-02NES	21/07/2008
10798/2008	320401	02-07A	29/07/2008	11417/2008	320309	25-02NES	21/07/2008
10831/2008	320440	14-01	25/07/2008	11418/2008	320310	25-02NES	21/07/2008
10846/2008	320293	07-07A	18/07/2008	11419/2008	320311	25-02NES	21/07/2008
10847/2008	320294	07-07A	18/07/2008	11420/2008	320312	28-03NES	21/07/2008
10860/2008	320357	14-03NES	23/07/2008	11421/2008	320313	28-03NES	21/07/2008
10862/2008	320358	14-01	23/07/2008	11422/2008	320314	28-03NES	21/07/2008
10863/2008	320359	14-01	23/07/2008	11424/2008	320315	14-01	21/07/2008
10865/2008	320389	14-02	24/07/2008	11428/2008	320352	14-99	22/07/2008
10866/2008	320390	13-02	24/07/2008	11430/2008	320353	08-07	22/07/2008
10868/2008	320441	19-06	25/07/2008	11432/2008	320354	14-99	22/07/2008
10880/2008	320527	23-01E	29/07/2008	11433/2008	320355	14-99	22/07/2008
10881/2008	320391	23-01F	24/07/2008	11434/2008	320356	14-99	22/07/2008
10884/2008	320462	14-01	28/07/2008	11435/2008	320511	25-02A	29/07/2008
10909/2008	320334	09-03NES	22/07/2008	11436/2008	320465	08-08G	28/07/2008
10926/2008	320344	09-03M	22/07/2008	11437/2008	320466	03-01A	28/07/2008
10946/2008	320382	31-00	29/07/2008	11440/2008	320361	09-03M	23/07/2008
11007/2008	320335	11-01C	22/07/2008	11441/2008	320362	09-03M	23/07/2008
11024/2008	320336	21-03	22/07/2008	11442/2008	320363	09-03M	23/07/2008
11025/2008	320337	21-03	22/07/2008	11443/2008	320424	25-02H	25/07/2008
11070/2008	320295	31-00	18/07/2008	11444/2008	320425	08-08C	25/07/2008
11083/2008	320392	09-03M	24/07/2008	11445/2008	320426	08-09	25/07/2008
11084/2008	320393	09-03M	24/07/2008	11446/2008	320427	08-09	25/07/2008
11085/2008	320394	09-03M	24/07/2008	11448/2008	320428	14-02	25/07/2008
11086/2008	320395	09-03M	24/07/2008	11455/2008	320373	15-07	23/07/2008
11087/2008	320396	09-03M	24/07/2008	11456/2008	320374	15-07	23/07/2008
11100/2008	320383	18-99	29/07/2008	11457/2008	320364	09-01H	23/07/2008

Publication and Registration Proceedings - Designs Registered cont'd

Design Number	Registration Number	International Classification Code (IDC)	Registration Date	Design Number	Registration Number	International Classification Code (IDC)	Registration Date
11458/2008	320365	04-02	23/07/2008	11565/2008	320472	08-06	28/07/2008
11459/2008	320366	23-01H	23/07/2008	11566/2008	320473	08-06	28/07/2008
11460/2008	320367	24-01	23/07/2008	11567/2008	320474	29-01	28/07/2008
11461/2008	320368	14-99	23/07/2008	11569/2008	320486	30-99	29/07/2008
11462/2008	320369	12-13	23/07/2008	11570/2008	320460	07-07A	25/07/2008
11463/2008	320402	07-01C	29/07/2008	11583/2008	320475	09-03L	28/07/2008
11464/2008	320443	19-04	25/07/2008	11584/2008	320476	09-03L	28/07/2008
11465/2008	320403	12-15C	29/07/2008	11585/2008	320477	25-01C	28/07/2008
11466/2008	320399	12-11	24/07/2008	11586/2008	320478	25-01C	28/07/2008
11470/2008	320370	08-06	23/07/2008	11587/2008	320479	25-01C	28/07/2008
11471/2008	320371	26-99	23/07/2008	11588/2008	320480	25-01C	28/07/2008
11473/2008	320404	23-01F	29/07/2008	11596/2008	320487	09-03M	29/07/2008
11474/2008	320405	26-06	29/07/2008	11597/2008	320488	09-03M	29/07/2008
11475/2008	320406	12-08	29/07/2008	11599/2008	320489	07-01NES	29/07/2008
11476/2008	320407	26-06	29/07/2008	11600/2008	320490	07-01NES	29/07/2008
11479/2008	320408	14-01	29/07/2008	11601/2008	320491	07-01NES	29/07/2008
11480/2008	320409	14-01	29/07/2008	11602/2008	320492	26-05NES	29/07/2008
11482/2008	320410	11-05	29/07/2008	11606/2008	320493	25-02B	29/07/2008
11492/2008	320411	08-05L	29/07/2008	11607/2008	320494	25-01K	29/07/2008
11493/2008	320412	19-06	29/07/2008	11608/2008	320495	25-01K	29/07/2008
11494/2008	320413	24-01	29/07/2008	11609/2008	320496	25-01K	29/07/2008
11495/2008	320414	09-07A	29/07/2008	11610/2008	320497	25-01K	29/07/2008
11496/2008	320415	13-02	29/07/2008	11611/2008	320498	25-01K	29/07/2008
11497/2008	320416	07-04	29/07/2008	11612/2008	320499	25-01K	29/07/2008
11498/2008	320417	13-03C	29/07/2008	11613/2008	320500	25-01K	29/07/2008
11500/2008	320419	07-02H	29/07/2008	11614/2008	320501	25-01K	29/07/2008
11503/2008	320420	06-06G	29/07/2008	11616/2008	320502	07-02NES	29/07/2008
11504/2008	320421	02-02C	29/07/2008	11617/2008	320503	07-02NES	29/07/2008
11505/2008	320444	25-02NES	25/07/2008	11621/2008	320504	12-08	29/07/2008
11506/2008	320372	14-03NES	23/07/2008	11622/2008	320505	07-01C	29/07/2008
11507/2008	320433	09-01K	25/07/2008	11623/2008	320506	07-02L	29/07/2008
11509/2008	320434	23-02B	25/07/2008	11629/2008	320528	13-02	29/07/2008
11510/2008	320429	06-03B	25/07/2008	11632/2008	320529	25-01K	29/07/2008
11511/2008	320430	06-01G	25/07/2008	11633/2008	320530	25-01K	29/07/2008
11512/2008	320445	09-01G	25/07/2008	11635/2008	320531	14-02	29/07/2008
11514/2008	320435	25-02C	25/07/2008	11643/2008	320532	14-03E	29/07/2008
11515/2008	320436	25-02C	25/07/2008	11648/2008	320533	26-05C	29/07/2008
11528/2008	320446	14-02	25/07/2008	11649/2008	320534	26-05C	29/07/2008
11529/2008	320447	14-02	25/07/2008	11654/2008	320512	07-02E	29/07/2008
11530/2008	320448	26-05C	25/07/2008	11655/2008	320513	07-05A	29/07/2008
11531/2008	320449	26-05C	25/07/2008	11656/2008	320514	23-02B	29/07/2008
11532/2008	320450	13-02	25/07/2008	11658/2008	320507	29-01	29/07/2008
11533/2008	320451	14-02	25/07/2008	11659/2008	320508	29-01	29/07/2008
11534/2008	320452	14-02	25/07/2008	11661/2008	320515	09-01K	29/07/2008
11537/2008	320453	08-03	25/07/2008	11662/2008	320516	09-01K	29/07/2008
11542/2008	320454	13-02	25/07/2008	11665/2008	320517	08-08H	29/07/2008
11543/2008	320455	13-02	25/07/2008	11666/2008	320518	08-08H	29/07/2008
11545/2008	320456	08-05P	25/07/2008	11667/2008	320519	08-08H	29/07/2008
11546/2008	320431	08-08L	25/07/2008	11668/2008	320520	08-08H	29/07/2008
11547/2008	320432	08-08L	25/07/2008	11669/2008	320521	08-08H	29/07/2008
11548/2008	320457	23-03A	25/07/2008	11670/2008	320522	08-08B	29/07/2008
11551/2008	320458	09-01K	25/07/2008	11672/2008	320523	15-05	29/07/2008
11552/2008	320459	13-03B	25/07/2008	11673/2008	320524	02-02B	29/07/2008
11553/2008	320467	24-01	28/07/2008	11675/2008	320525	07-05D	29/07/2008
11561/2008	320468	14-01	28/07/2008	11676/2008	320526	07-05D	29/07/2008
11562/2008	320469	24-02	28/07/2008	11694/2008	320375	23-03B	23/07/2008
11563/2008	320470	24-02	28/07/2008	11705/2008	320296	09-01G	18/07/2008
11564/2008	320471	02-04A	28/07/2008	11715/2008	320418	13-03C	29/07/2008

Publication and Registration Proceedings - Designs Registered cont'd

Design Number	Registration Number	International Classification Code (IDC)	Registration Date	Design Number	Registration Number	International Classification Code (IDC)	Registration Date
11718/2008	320485	15-07	29/07/2008	12564/2008	320378	09-03K	29/07/2008
11748/2008	320509	06-02	29/07/2008	12565/2008	320379	09-03K	29/07/2008
11819/2008	320400	25-01NES	29/07/2008	12913/2008	320442	19-06	25/07/2008
11830/2008	320510	12-02	29/07/2008	12959/2008	320345	09-03M	22/07/2008
11945/2008	320535	03-01C	29/07/2008	12960/2008	320346	09-03M	22/07/2008
11946/2008	320536	03-01C	29/07/2008	12961/2008	320347	09-03M	22/07/2008
12090/2008	320297	09-01G	18/07/2008	12962/2008	320348	09-03M	22/07/2008
12558/2008	320323	02-02NES	21/07/2008	12963/2008	320349	09-03M	22/07/2008
12559/2008	320324	02-02NES	21/07/2008	12987/2008	320481	09-01A	28/07/2008
12560/2008	320325	02-02C	21/07/2008	13147/2008	320298	23-01G	18/07/2008
12561/2008	320326	02-02NES	21/07/2008	13235/2008	320537	05-05NES	29/07/2008
12562/2008	320327	02-02NES	21/07/2008	13326/2008	320538	22-06	29/07/2008
12563/2008	320377	09-03K	29/07/2008				

Publication and Registration Proceedings
Class Listing of Designs Published or Registered

The following section shows an International Classification Code listing of the Registered or Published Designs covered in this supplement.

Classification	Registration Number	Design Number	Classification	Registration Number	Design Number
02-02 B	320524	11673/2008	07-07 A	320460	11570/2008
02-02 C	320322	21201/2007	07-99 NES	320331	10773/2008
02-02 C	320325	12560/2008	08-03	320453	11537/2008
02-02 C	320421	11504/2008	08-03	320472	11565/2008
02-02 C	320524	11673/2008	08-03	320473	11566/2008
02-02 NES	320323	12558/2008	08-03	320483	10770/2008
02-02 NES	320324	12559/2008	08-05 L	320411	11492/2008
02-02 NES	320326	12561/2008	08-05 P	320456	11545/2008
02-02 NES	320327	12562/2008	08-06	320304	11412/2008
02-04 A	320463	11170/2008	08-06	320370	11470/2008
02-04 A	320471	11564/2008	08-06	320472	11565/2008
02-07 A	320401	10798/2008	08-06	320473	11566/2008
03-01 A	320466	11437/2008	08-07	320353	11430/2008
03-01 C	320535	11945/2008	08-08 B	320353	11430/2008
03-01 C	320536	11946/2008	08-08 B	320522	11670/2008
03-01 NES	320361	11440/2008	08-08 C	320425	11444/2008
03-01 NES	320362	11441/2008	08-08 G	320465	11436/2008
03-01 NES	320363	11442/2008	08-08 H	320517	11665/2008
04-01	320299	11401/2008	08-08 H	320518	11666/2008
04-01	320304	11412/2008	08-08 H	320519	11667/2008
04-01	320305	11413/2008	08-08 H	320520	11668/2008
04-02	320365	11458/2008	08-08 H	320521	11669/2008
05-05 NES	320537	13235/2008	08-08 L	320431	11546/2008
06-01 G	320430	11511/2008	08-08 L	320432	11547/2008
06-02	320509	11748/2008	08-08 NES	320428	11448/2008
06-03 B	320429	11510/2008	08-09	320426	11445/2008
06-06 G	320420	11503/2008	08-09	320427	11446/2008
06-08	320318	11280/2008	09-01 A	320328	10642/2008
06-08	320319	11281/2008	09-01 A	320481	12987/2008
06-08	320320	11282/2008	09-01 G	320296	11705/2008
06-08	320384	11169/2008	09-01 G	320297	12090/2008
06-08	320465	11436/2008	09-01 G	320445	11512/2008
07-01 B	320316	10647/2008	09-01 H	320364	11457/2008
07-01 B	320317	10648/2008	09-01 K	320397	11395/2008
07-01 B	320329	10646/2008	09-01 K	320398	11396/2008
07-01 B	320330	10649/2008	09-01 K	320433	11507/2008
07-01 C	320402	11463/2008	09-01 K	320458	11551/2008
07-01 C	320505	11622/2008	09-01 K	320515	11661/2008
07-01 NES	320422	10751/2008	09-01 K	320516	11662/2008
07-01 NES	320423	10752/2008	09-01 NES	320516	11662/2008
07-01 NES	320487	11596/2008	09-03 B	320380	10628/2008
07-01 NES	320488	11597/2008	09-03 B	320381	10629/2008
07-01 NES	320489	11599/2008	09-03 K	320376	10260/2008
07-01 NES	320490	11600/2008	09-03 K	320377	12563/2008
07-01 NES	320491	11601/2008	09-03 K	320378	12564/2008
07-02 E	320512	11654/2008	09-03 K	320379	12565/2008
07-02 H	320419	11500/2008	09-03 K	320392	11083/2008
07-02 L	320506	11623/2008	09-03 K	320393	11084/2008
07-02 NES	320502	11616/2008	09-03 K	320394	11085/2008
07-02 NES	320503	11617/2008	09-03 K	320395	11086/2008
07-04	320416	11497/2008	09-03 K	320396	11087/2008
07-05 A	320513	11655/2008	09-03 L	320475	11583/2008
07-05 D	320525	11675/2008	09-03 L	320476	11584/2008
07-05 D	320526	11676/2008	09-03 M	320334	10909/2008
07-07 A	320293	10846/2008	09-03 M	320344	10926/2008
07-07 A	320294	10847/2008	09-03 M	320345	12959/2008

Registration Proceedings - Class Listing of Designs Published or Registered cont'd

Classification	Registration Number	Design Number	Classification	Registration Number	Design Number
09-03 M	320346	12960/2008	14-01	320359	10863/2008
09-03 M	320347	12961/2008	14-01	320408	11479/2008
09-03 M	320348	12962/2008	14-01	320409	11480/2008
09-03 M	320349	12963/2008	14-01	320440	10831/2008
09-03 M	320361	11440/2008	14-01	320462	10884/2008
09-03 M	320362	11441/2008	14-01	320468	11561/2008
09-03 M	320363	11442/2008	14-02	320292	10125/2008
09-03 M	320380	10628/2008	14-02	320300	11408/2008
09-03 M	320381	10629/2008	14-02	320301	11409/2008
09-03 M	320392	11083/2008	14-02	320302	11410/2008
09-03 M	320393	11084/2008	14-02	320303	11411/2008
09-03 M	320394	11085/2008	14-02	320352	11428/2008
09-03 M	320395	11086/2008	14-02	320354	11432/2008
09-03 M	320396	11087/2008	14-02	320355	11433/2008
09-03 M	320482	10350/2008	14-02	320356	11434/2008
09-03 M	320487	11596/2008	14-02	320368	11461/2008
09-03 M	320488	11597/2008	14-02	320389	10865/2008
09-03 NES	320334	10909/2008	14-02	320428	11448/2008
09-03 NES	320340	10572/2008	14-02	320446	11528/2008
09-03 NES	320341	10573/2008	14-02	320447	11529/2008
09-03 NES	320342	10574/2008	14-02	320451	11533/2008
09-03 NES	320343	10575/2008	14-02	320452	11534/2008
09-03 NES	320344	10926/2008	14-02	320531	11635/2008
09-03 NES	320345	12959/2008	14-03 A	320352	11428/2008
09-03 NES	320346	12960/2008	14-03 A	320354	11432/2008
09-03 NES	320347	12961/2008	14-03 E	320300	11408/2008
09-03 NES	320348	12962/2008	14-03 E	320301	11409/2008
09-03 NES	320349	12963/2008	14-03 E	320302	11410/2008
09-05	320464	11357/2008	14-03 E	320303	11411/2008
09-05	320535	11945/2008	14-03 E	320532	11643/2008
09-07 A	320414	11495/2008	14-03 NES	320357	10860/2008
09-09	320486	11569/2008	14-03 NES	320372	11506/2008
10-02	320339	21416/2007	14-03 NES	320461	10676/2008
10-05	320350	11117/2008	14-99	320292	10125/2008
10-05	320474	11567/2008	14-99	320352	11428/2008
10-07	320417	11498/2008	14-99	320354	11432/2008
10-07	320418	11715/2008	14-99	320355	11433/2008
11-01 C	320335	11007/2008	14-99	320356	11434/2008
11-02 NES	320331	10773/2008	14-99	320368	11461/2008
11-05	320410	11482/2008	15-01	320439	20766/2007
12-02	320510	11830/2008	15-02	320439	20766/2007
12-06 C	320351	11397/2008	15-05	320523	11672/2008
12-08	320406	11475/2008	15-07	320373	11455/2008
12-08	320504	11621/2008	15-07	320374	11456/2008
12-11	320399	11466/2008	15-07	320485	11718/2008
12-13	320369	11462/2008	18-02	320484	10771/2008
12-15 C	320403	11465/2008	18-04	320483	10770/2008
13-02	320390	10866/2008	18-99	320383	11100/2008
13-02	320415	11496/2008	19-02	320383	11100/2008
13-02	320450	11532/2008	19-04	320443	11464/2008
13-02	320454	11542/2008	19-06	320412	11493/2008
13-02	320455	11543/2008	19-06	320441	10868/2008
13-02	320528	11629/2008	19-06	320442	12913/2008
13-03 B	320459	11552/2008	19-08	320321	11283/2008
13-03 C	320417	11498/2008	20-02 E	320438	19264/2007
13-03 C	320418	11715/2008	20-02 NES	320438	19264/2007
13-03 NES	320415	11496/2008	21-01 N	320437	21320/2007
14-01	320315	11424/2008	21-03	320336	11024/2008
14-01	320358	10862/2008	21-03	320337	11025/2008

Registration Proceedings - Class Listing of Designs Published or Registered cont'd

Classification	Registration Number	Design Number	Classification	Registration Number	Design Number
22-06	320538	13326/2008	25-01 NES	320400	11819/2008
23-01 E	320527	10880/2008	25-02 A	320511	11435/2008
23-01 F	320391	10881/2008	25-02 B	320493	11606/2008
23-01 F	320404	11473/2008	25-02 B	320494	11607/2008
23-01 G	320298	13147/2008	25-02 B	320495	11608/2008
23-01 G	320527	10880/2008	25-02 B	320496	11609/2008
23-01 H	320366	11459/2008	25-02 B	320497	11610/2008
23-02 B	320434	11509/2008	25-02 C	320435	11514/2008
23-02 B	320514	11656/2008	25-02 C	320436	11515/2008
23-03 A	320457	11548/2008	25-02 H	320424	11443/2008
23-03 B	320332	10774/2008	25-02 H	320498	11611/2008
23-03 B	320333	10775/2008	25-02 H	320499	11612/2008
23-03 B	320375	11694/2008	25-02 H	320500	11613/2008
23-03 NES	320375	11694/2008	25-02 H	320501	11614/2008
24-01	320367	11460/2008	25-02 NES	320308	11416/2008
24-01	320385	11345/2008	25-02 NES	320309	11417/2008
24-01	320386	11346/2008	25-02 NES	320310	11418/2008
24-01	320387	11347/2008	25-02 NES	320311	11419/2008
24-01	320388	11349/2008	25-02 NES	320444	11505/2008
24-01	320413	11494/2008	26-01	320445	11512/2008
24-01	320467	11553/2008	26-05 C	320448	11530/2008
24-01	320469	11562/2008	26-05 C	320449	11531/2008
24-01	320470	11563/2008	26-05 C	320533	11648/2008
24-02	320469	11562/2008	26-05 C	320534	11649/2008
24-02	320470	11563/2008	26-05 NES	320492	11602/2008
25-01 A	320360	11121/2008	26-06	320405	11474/2008
25-01 B	320511	11435/2008	26-06	320407	11476/2008
25-01 C	320477	11585/2008	26-99	320371	11471/2008
25-01 C	320478	11586/2008	28-03 NES	320306	11414/2008
25-01 C	320479	11587/2008	28-03 NES	320307	11415/2008
25-01 C	320480	11588/2008	28-03 NES	320312	11420/2008
25-01 G	320400	11819/2008	28-03 NES	320313	11421/2008
25-01 K	320493	11606/2008	28-03 NES	320314	11422/2008
25-01 K	320494	11607/2008	29-01	320474	11567/2008
25-01 K	320495	11608/2008	29-01	320507	11658/2008
25-01 K	320496	11609/2008	29-01	320508	11659/2008
25-01 K	320497	11610/2008	30-99	320486	11569/2008
25-01 K	320498	11611/2008	31-00	320295	11070/2008
25-01 K	320499	11612/2008	31-00	320338	11195/2008
25-01 K	320500	11613/2008	31-00	320382	10946/2008
25-01 K	320501	11614/2008			
25-01 K	320529	11632/2008			
25-01 K	320530	11633/2008			

(21) Design Number: **10125/2008**

(22) Date of Filing Application: **11 January 2008**

(24) Date from which industrial property rights may have effect: **11 January 2008**

(54) Product in respect of which the design is registered: **Holder for an information display unit**

(51) International Design Classification: **14-99, 14-02**

(71) Name(s) and Address(s) of Applicant(s):

Augusto Tucci

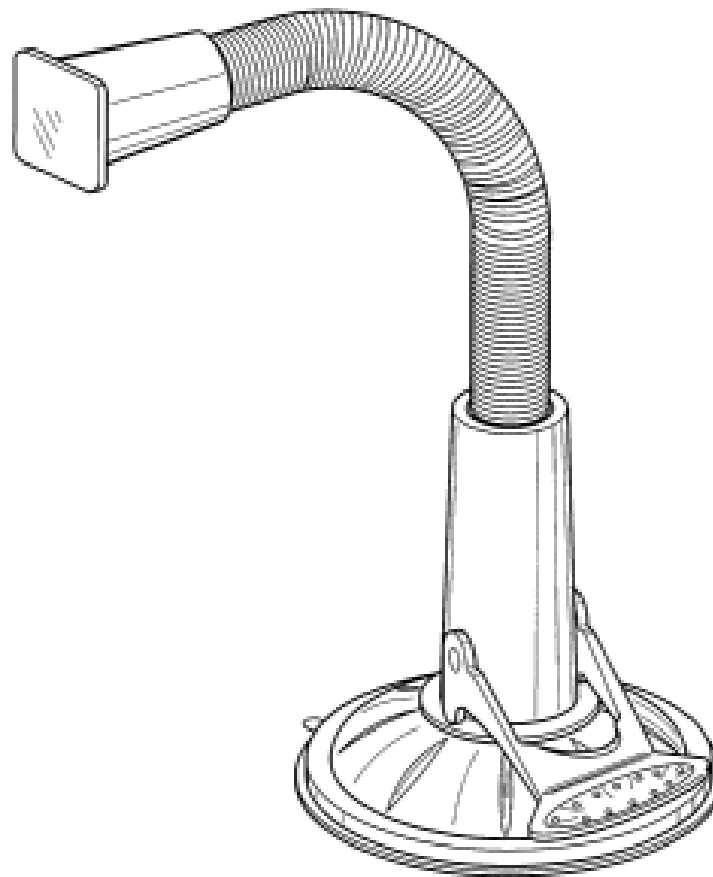
78 Mills Road Braeside Victoria 3195 Australia

(72) Name(s) of Designer(s): **Augusto Tucci**

(45) Registration Date: **18 July 2008**

(56) Related Art Documents: **Not Applicable**

(57) Statement of Newness and Distinctiveness: **The shape, configuration, shape and configuration, pattern, ornamentation, pattern and ornamentation of the design are new and distinctive.**



(21) Design Number: **10846/2008**

(22) Date of Filing Application: **22 February 2008**

(24) Date from which industrial property rights may have effect: **22 February 2008**

(54) Product in respect of which the design is registered: **Ice brick/pack**

(51) International Design Classification: **07-07A**

(71) Name(s) and Address(s) of Applicant(s):

Daniel Lee Robinson

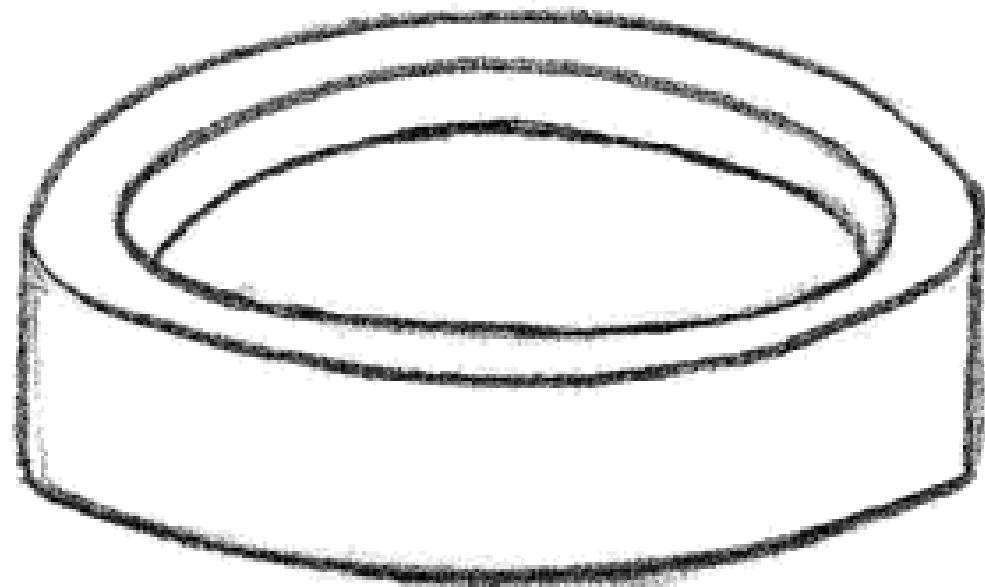
5/15 Cooper Road Morley Western Australia 6062 Australia

(72) Name(s) of Designer(s): **Daniel Lee Robinson**

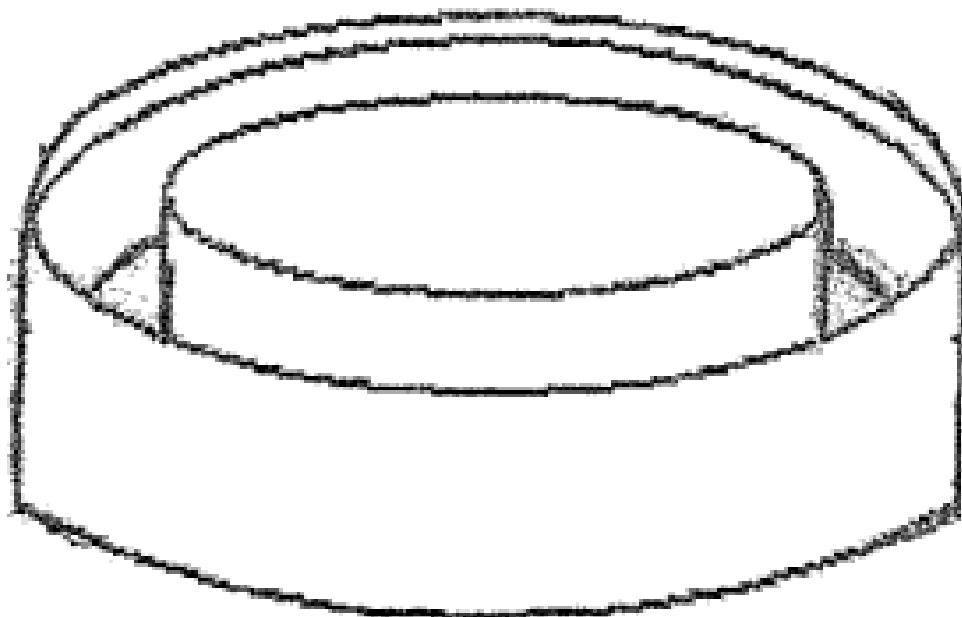
(45) Registration Date: **18 July 2008**

(56) Related Art Documents: **Not Applicable**

(57) Statement of Newness and Distinctiveness: **Nil**



(21) Design Number: **10847/2008**
(22) Date of Filing Application: **22 February 2008**
(24) Date from which industrial property rights may have effect: **22 February 2008**
(54) Product in respect of which the design is registered: **Ice brick/pack**
(51) International Design Classification: **07-07A**
(71) Name(s) and Address(s) of Applicant(s):
Daniel Lee Robinson
5/15 Cooper Road Morley Western Australia 6062 Australia
(72) Name(s) of Designer(s): **Daniel Lee Robinson**
(45) Registration Date: **18 July 2008**
(56) Related Art Documents: **Not Applicable**
(57) Statement of Newness and Distinctiveness: **Nil**



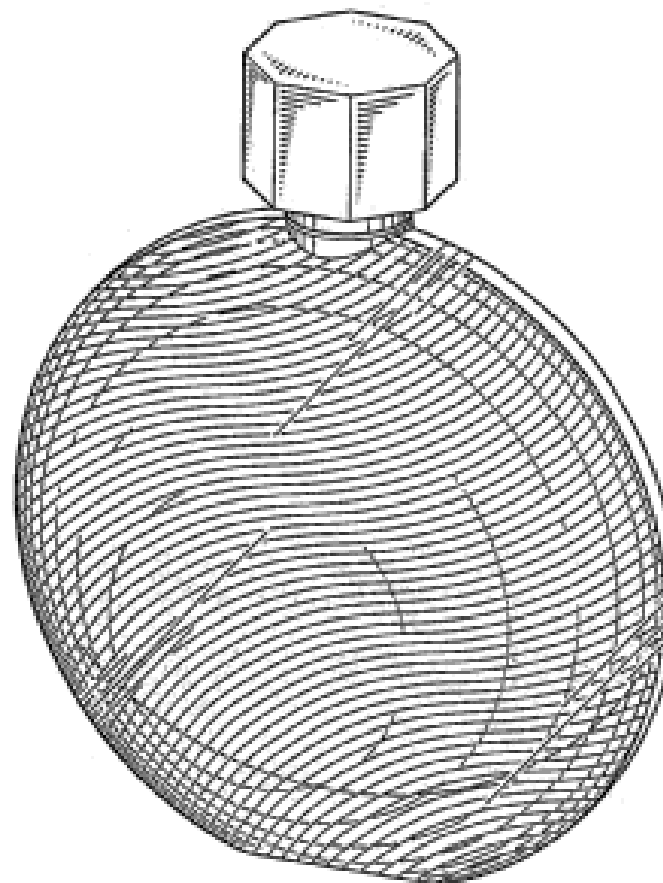
(21) Design Number: **11070/2008**
(22) Date of Filing Application: **04 March 2008**
(24) Date from which industrial property rights may have effect: **04 March 2008**
(54) Product in respect of which the design is registered: **Beverage dispenser**
(51) International Design Classification: **31-00**
(71) Name(s) and Address(s) of Applicant(s):
Societe des Produits Nestle S.A.
1800 Vevey Switzerland
(72) Name(s) of Designer(s): **Duncan Shea Simonds**
(45) Registration Date: **18 July 2008**
(30) Convention priority data:

(31) Number	(32) Date	(33) Country
134428	15 Oct 2007	SWITZERLAND

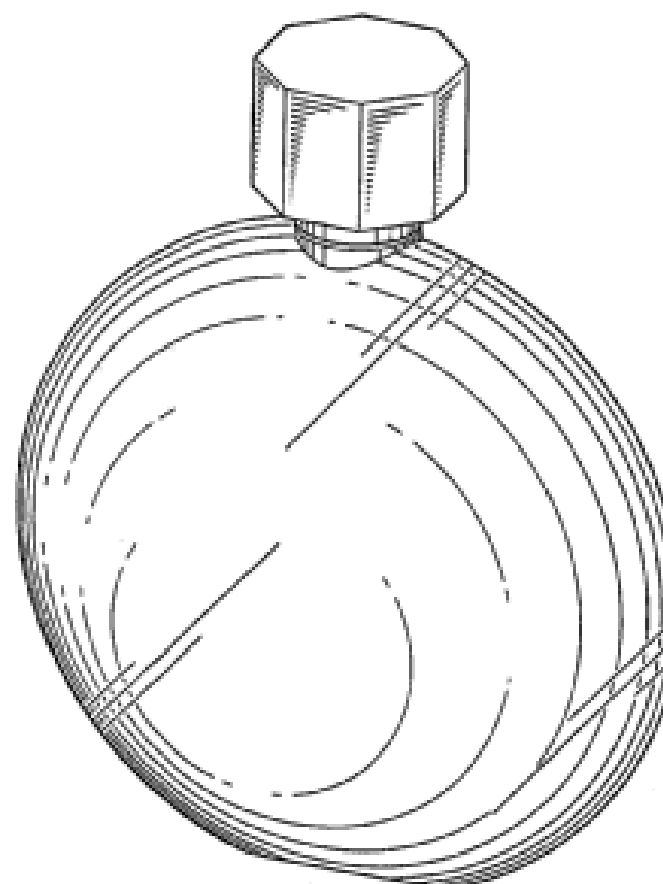
(56) Related Art Documents: **Not Applicable**
(57) Statement of Newness and Distinctiveness: **Nil**



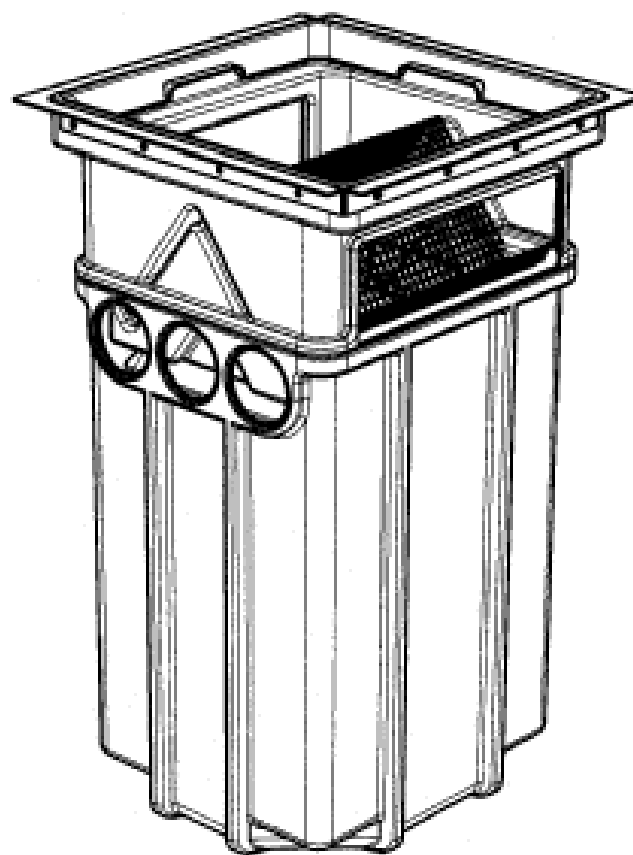
- (21) Design Number: **11705/2008**
(22) Date of Filing Application: **10 April 2008**
(24) Date from which industrial property rights may have effect: **10 April 2008**
(54) Product in respect of which the design is registered: **Bottle**
(51) International Design Classification: **09-01G**
(71) Name(s) and Address(s) of Applicant(s):
ELC Management LLC
767 Fifth Avenue New York New York 10153 United States of America
(72) Name(s) of Designer(s): **Douglas Lloyd**
(45) Registration Date: **18 July 2008**
(30) Convention priority data:
(31) Number (32) Date (33) Country
29/296329 18 Oct 2007 UNITED STATES OF AMERICA
(56) Related Art Documents: **Not Applicable**
(57) Statement of Newness and Distinctiveness: **Those features of the bottle depicted in the representations that are new and distinctive are the shape and/or configuration.**



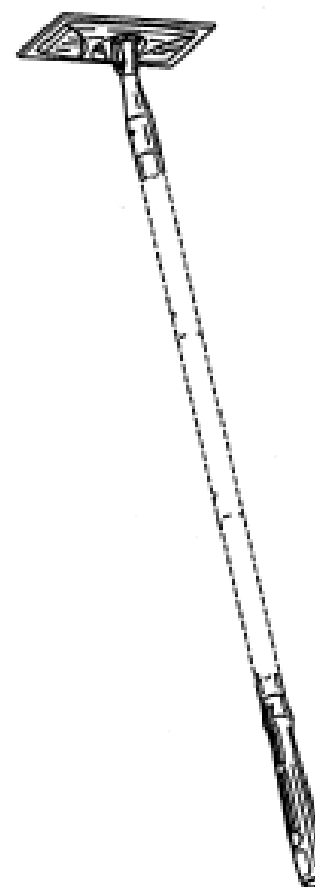
- (21) Design Number: **12090/2008**
(22) Date of Filing Application: **10 April 2008**
(24) Date from which industrial property rights may have effect: **10 April 2008**
(54) Product in respect of which the design is registered: **Bottle**
(51) International Design Classification: **09-01G**
(71) Name(s) and Address(s) of Applicant(s):
ELC Management LLC
767 Fifth Avenue New York New York 10153 United States of America
(72) Name(s) of Designer(s): **Douglas Lloyd**
(45) Registration Date: **18 July 2008**
(30) Convention priority data:
(31) Number (32) Date (33) Country
29/296329 18 Oct 2007 UNITED STATES OF AMERICA
(56) Related Art Documents: **Not Applicable**
(57) Statement of Newness and Distinctiveness: **Those features of the bottle depicted in the representations that are new and distinctive are the shape and/or configuration.**



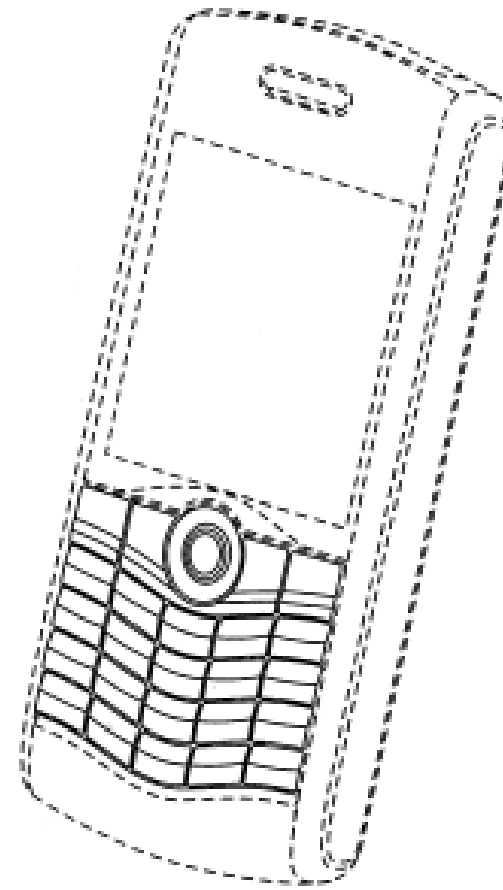
- (21) Design Number: **13147/2008**
(22) Date of Filing Application: **03 July 2008**
(24) Date from which industrial property rights may have effect: **03 July 2008**
(54) Product in respect of which the design is registered: **Stormwater and waste water filters and screening devices**
(51) International Design Classification: **23-01G**
(71) Name(s) and Address(s) of Applicant(s):
Vinidex Pty Limited
19 Loyalty Road North Rocks New South Wales 2151 Australia
(72) Name(s) of Designer(s): **John Carroll and Angus MacDonald**
(45) Registration Date: **18 July 2008**
(56) Related Art Documents: **Not Applicable**
(57) Statement of Newness and Distinctiveness: **Nil**



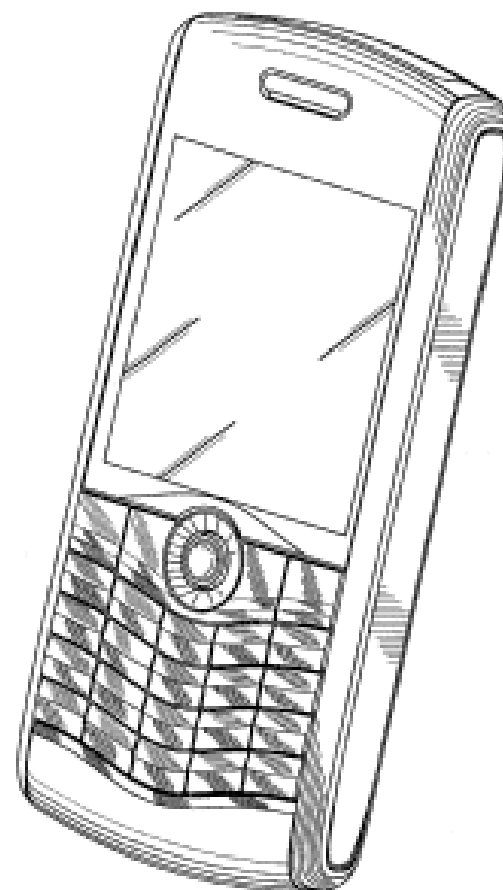
- (21) Design Number: **11401/2008**
(22) Date of Filing Application: **20 March 2008**
(24) Date from which industrial property rights may have effect: **20 March 2008**
(54) Product in respect of which the design is registered: **Cleaning assembly**
(51) International Design Classification: **04-01**
(71) Name(s) and Address(s) of Applicant(s):
S.C. Johnson & Son, Inc.
1525 Howe Street Racine Wisconsin 53403-2236 United States of America
(72) Name(s) of Designer(s): **Jason C. Billig and Kenneth H. Kloet and Douglas A. Soller and Peter M. Neumann and Allen D. Miller and Charles L. Lasky**
(45) Registration Date: **21 July 2008**
(30) Convention priority data:
(31) Number (32) Date (33) Country
29/295189 21 Sep 2007 UNITED STATES OF AMERICA
(56) Related Art Documents: **Not Applicable**
(57) Statement of Newness and Distinctiveness: **Newness and distinctiveness is claimed in those features of shape and/or configuration of a cleaning assembly as illustrated in continuous lines in the accompanying representations.**



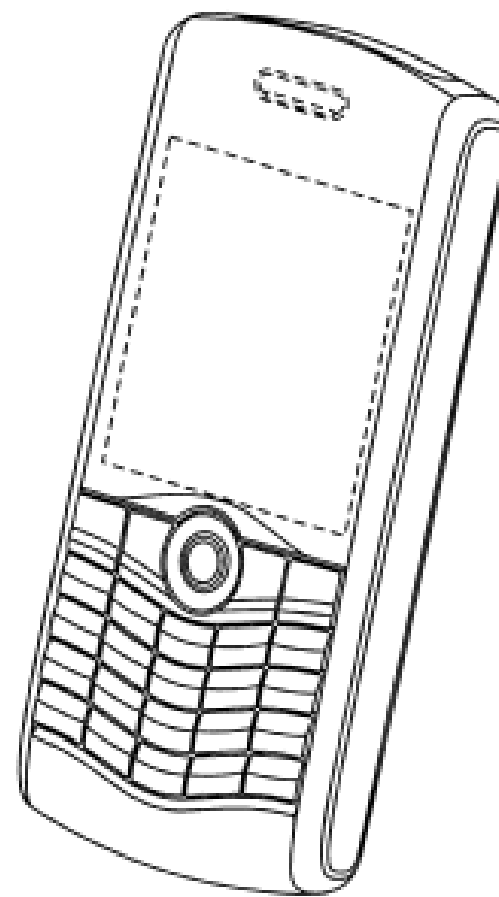
- (21) Design Number: **11408/2008**
(22) Date of Filing Application: **20 March 2008**
(24) Date from which industrial property rights may have effect: **20 March 2008**
(54) Product in respect of which the design is registered: **Hand-held electronic device**
(51) International Design Classification: **14-02, 14-03E**
(71) Name(s) and Address(s) of Applicant(s):
Research In Motion Limited
295 Phillip Street Waterloo Ontario N2L 3W8 Canada
(72) Name(s) of Designer(s): **Cortez Corley and Todd Wood**
(45) Registration Date: **21 July 2008**
(30) Convention priority data:
(31) Number (32) Date (33) Country
29/295198 21 Sep 2007 UNITED STATES OF AMERICA
(56) Related Art Documents: **Not Applicable**
(57) Statement of Newness and Distinctiveness: **Newness and distinctiveness is claimed in the features of shape and/or configuration of the keyboard, navigational input device, and function keys of a hand-held electronic device as illustrated in continuous lines in the accompanying representations.**



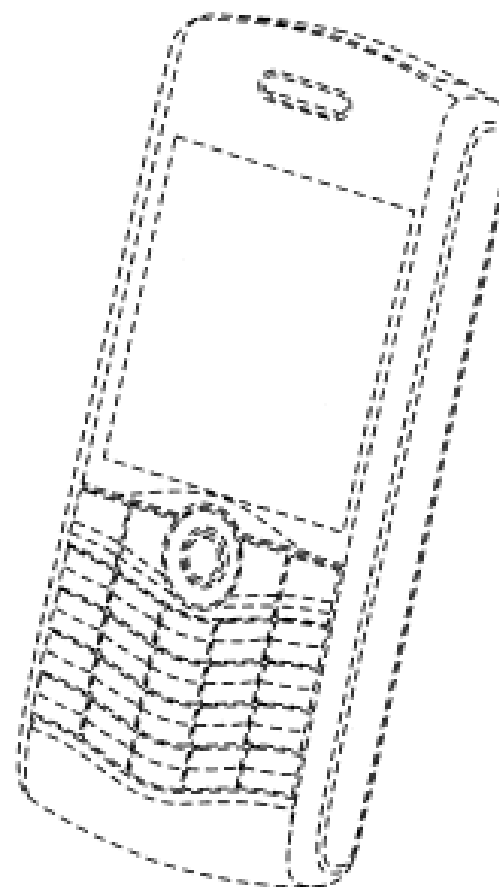
- (21) Design Number: **11409/2008**
(22) Date of Filing Application: **20 March 2008**
(24) Date from which industrial property rights may have effect: **20 March 2008**
(54) Product in respect of which the design is registered: **Hand-held electronic device**
(51) International Design Classification: **14-02, 14-03E**
(71) Name(s) and Address(s) of Applicant(s):
Research In Motion Limited
295 Phillip Street Waterloo Ontario N2L 3W8 Canada
(72) Name(s) of Designer(s): **Cortez Corley and Todd Wood**
(45) Registration Date: **21 July 2008**
(30) Convention priority data:
(31) Number (32) Date (33) Country
29/295173 21 Sep 2007 UNITED STATES OF AMERICA
(56) Related Art Documents: **Not Applicable**
(57) Statement of Newness and Distinctiveness: **Newness and distinctiveness is claimed in the features of shape and/or configuration of a hand-held electronic device as illustrated in the accompanying representations.**



- (21) Design Number: **11410/2008**
(22) Date of Filing Application: **20 March 2008**
(24) Date from which industrial property rights may have effect: **20 March 2008**
(54) Product in respect of which the design is registered: **Hand-held electronic device**
(51) International Design Classification: **14-02, 14-03E**
(71) Name(s) and Address(s) of Applicant(s):
Research In Motion Limited
295 Phillip Street Waterloo Ontario N2L 3W8 Canada
(72) Name(s) of Designer(s): **Cortez Corley and Todd Wood**
(45) Registration Date: **21 July 2008**
(30) Convention priority data:
(31) Number (32) Date (33) Country
29/295198 21 Sep 2007 UNITED STATES OF AMERICA
(56) Related Art Documents: **Not Applicable**
(57) Statement of Newness and Distinctiveness: **Newness and distinctiveness is claimed in the features of shape and/or configuration of the keyboard, navigational input device, function keys and casing of a hand-held electronic device as illustrated in continuous lines in the accompanying representations.**

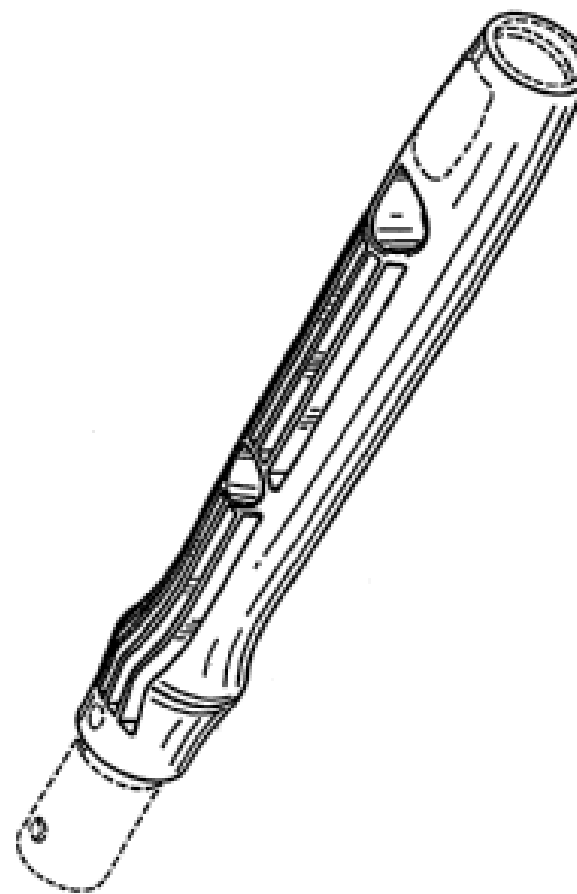


- (21) Design Number: **11411/2008**
(22) Date of Filing Application: **20 March 2008**
(24) Date from which industrial property rights may have effect: **20 March 2008**
(54) Product in respect of which the design is registered: **Hand-held electronic device**
(51) International Design Classification: **14-02, 14-03E**
(71) Name(s) and Address(s) of Applicant(s):
Research In Motion Limited
295 Phillip Street Waterloo Ontario N2L 3W8 Canada
(72) Name(s) of Designer(s): **Cortez Corley and Todd Wood**
(45) Registration Date: **21 July 2008**
(30) Convention priority data:
(31) Number (32) Date (33) Country
29/295190 21 Sep 2007 UNITED STATES OF AMERICA
(56) Related Art Documents: **Not Applicable**
(57) Statement of Newness and Distinctiveness: **Newness and distinctiveness is claimed in the features of shape and/or configuration of the camera module of a hand-held electronic device as illustrated in continuous lines in the accompanying representations.**



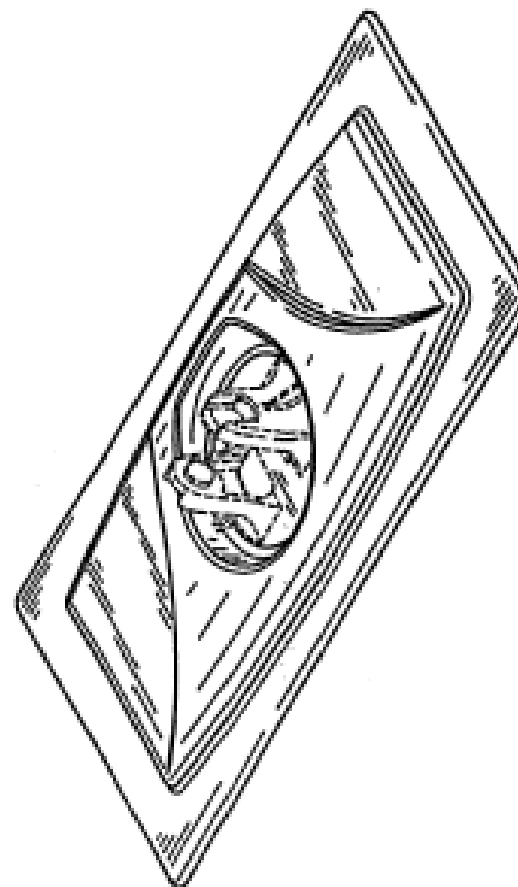
- (21) Design Number: **11412/2008**
- (22) Date of Filing Application: **20 March 2008**
- (24) Date from which industrial property rights may have effect: **20 March 2008**
- (54) Product in respect of which the design is registered: **Handle**
- (51) International Design Classification: **08-06, 04-01**
- (71) Name(s) and Address(s) of Applicant(s):
S.C. Johnson & Son, Inc.
1525 Howe Street Racine Wisconsin 53403-2236 United States of America
- (72) Name(s) of Designer(s): **Jason C. Billig and Kenneth H. Kloet and Douglas A. Soller and Peter M. Neumann**
- (45) Registration Date: **21 July 2008**
- (30) Convention priority data:

(31) Number	(32) Date	(33) Country
29/295188	21 Sep 2007	UNITED STATES OF AMERICA
- (56) Related Art Documents: **Not Applicable**
- (57) Statement of Newness and Distinctiveness: **Newness and distinctiveness is claimed in those features of shape and/or configuration of a handle as illustrated in continuous lines in the accompanying representations.**

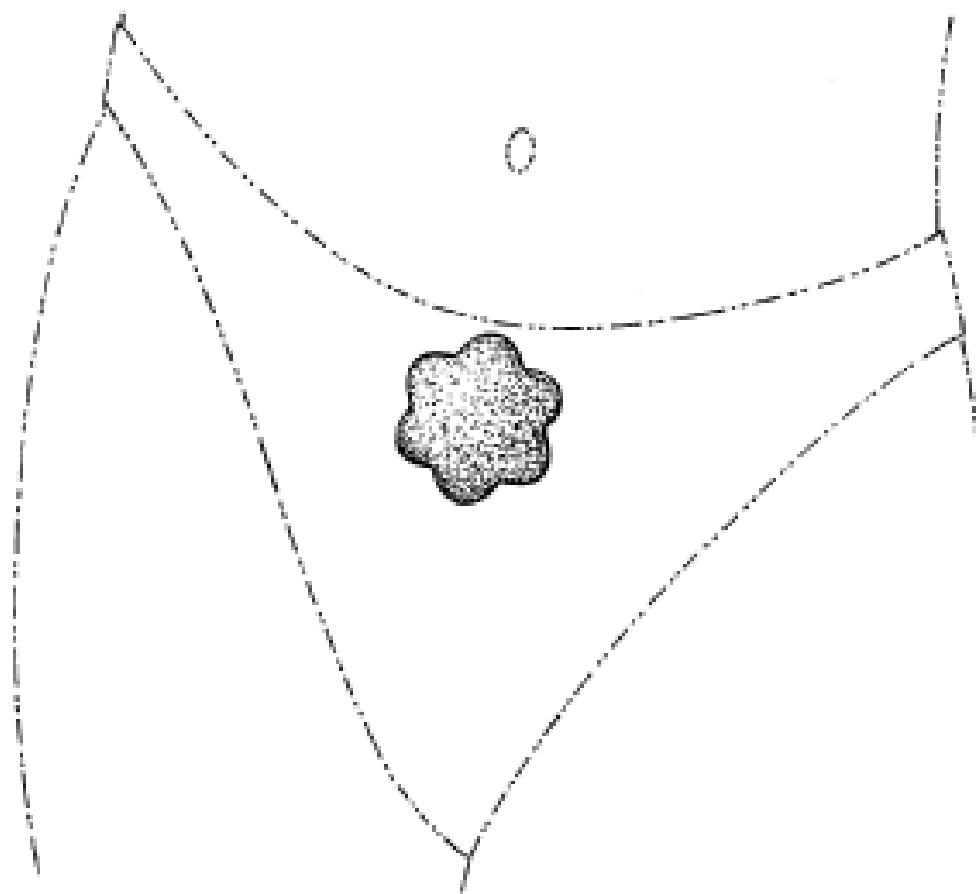


- (21) Design Number: **11413/2008**
- (22) Date of Filing Application: **20 March 2008**
- (24) Date from which industrial property rights may have effect: **20 March 2008**
- (54) Product in respect of which the design is registered: **Cleaning head**
- (51) International Design Classification: **04-01**
- (71) Name(s) and Address(s) of Applicant(s):
S.C. Johnson & Son, Inc.
1525 Howe Street Racine Wisconsin 53403-2236 United States of America
- (72) Name(s) of Designer(s): **Douglas A. Soller and Allen D. Miller and Charles L. Lasky**
- (45) Registration Date: **21 July 2008**
- (30) Convention priority data:

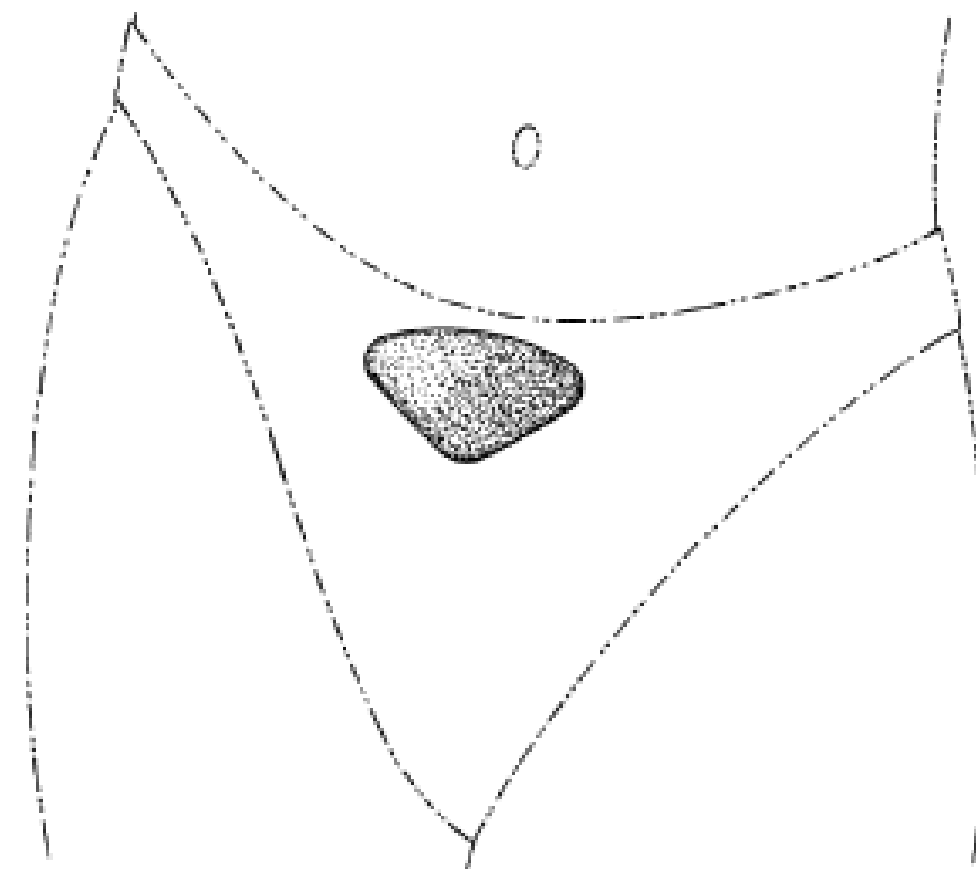
(31) Number	(32) Date	(33) Country
29/295187	21 Sep 2007	UNITED STATES OF AMERICA
- (56) Related Art Documents: **Not Applicable**
- (57) Statement of Newness and Distinctiveness: **Newness and distinctiveness is claimed in those features of shape and/or configuration of a cleaning head as illustrated in continuous lines in the accompanying representations.**



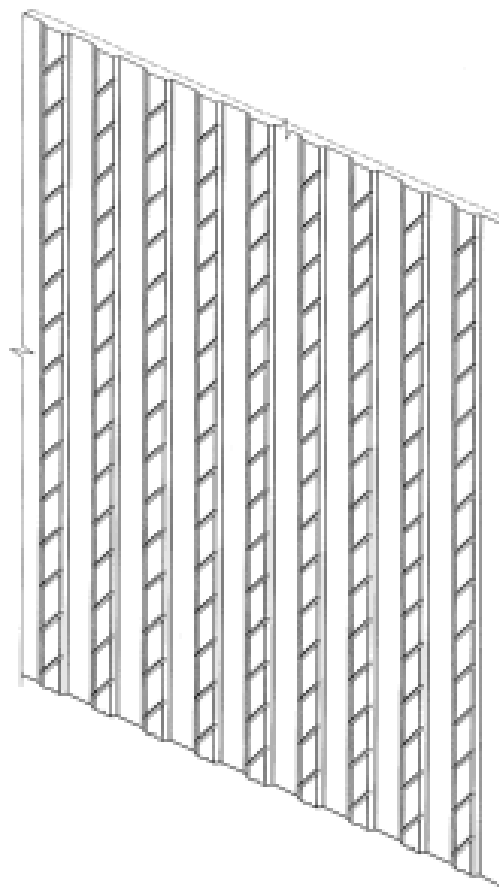
(21) Design Number: **11414/2008**
(22) Date of Filing Application: **20 March 2008**
(24) Date from which industrial property rights may have effect: **20 March 2008**
(54) Product in respect of which the design is registered: **Fragrance emitting patch**
(51) International Design Classification: **28-03NES**
(71) Name(s) and Address(s) of Applicant(s):
McNeil-PPC, Inc.
199 Grandview Road Skillman New Jersey 08558 United States of America
(72) Name(s) of Designer(s): **Ricky Ray Burrow**
(45) Registration Date: **21 July 2008**
(30) Convention priority data:
(31) Number (32) Date (33) Country
29/295226 24 Sep 2007 UNITED STATES OF AMERICA
(56) Related Art Documents: **Not Applicable**
(57) Statement of Newness and Distinctiveness: **Newness and distinctiveness resides in the shape and configuration and/or pattern and ornamentations of the design for a fragrance emitting patch as shown in the accompanying illustrations. Those features displayed in broken line are illustrative only and not considered part of the design.**



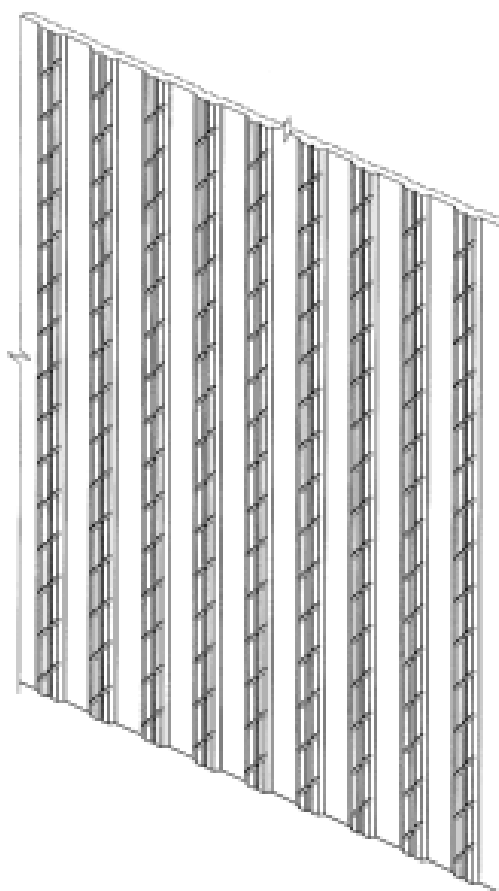
(21) Design Number: **11415/2008**
(22) Date of Filing Application: **20 March 2008**
(24) Date from which industrial property rights may have effect: **20 March 2008**
(54) Product in respect of which the design is registered: **Fragrance emitting patch**
(51) International Design Classification: **28-03NES**
(71) Name(s) and Address(s) of Applicant(s):
McNeil-PPC, Inc.
199 Grandview Road Skillman New Jersey 08558 United States of America
(72) Name(s) of Designer(s): **Elysha Huntington**
(45) Registration Date: **21 July 2008**
(30) Convention priority data:
(31) Number (32) Date (33) Country
29/295227 24 Sep 2007 UNITED STATES OF AMERICA
(56) Related Art Documents: **Not Applicable**
(57) Statement of Newness and Distinctiveness: **Newness and distinctiveness reside in the shape and configuration and/or pattern and ornamentation of the design for a fragrance emitting patch as shown in the accompanying illustrations. Those features shown in broken line are illustrative only and do not form part of the design.**



- (21) Design Number: **11416/2008**
(22) Date of Filing Application: **20 March 2008**
(24) Date from which industrial property rights may have effect: **20 March 2008**
(54) Product in respect of which the design is registered: **Moisture barrier**
(51) International Design Classification: **25-02NES**
(71) Name(s) and Address(s) of Applicant(s):
James Hardie International Finance B.V.
Atrium 8th Floor Strawinskylaan 3077 1077 ZX Amsterdam The Netherlands
(72) Name(s) of Designer(s): **James Gleeson**
(45) Registration Date: **21 July 2008**
(56) Related Art Documents: **Not Applicable**
(57) Statement of Newness and Distinctiveness: **Newness and distinctiveness resides in the features of shape and/or configuration of the three-dimensional patterned front surface of a moisture barrier of indefinite length and/or width as shown in the accompanying drawings.**



- (21) Design Number: **11417/2008**
(22) Date of Filing Application: **20 March 2008**
(24) Date from which industrial property rights may have effect: **20 March 2008**
(54) Product in respect of which the design is registered: **Moisture barrier**
(51) International Design Classification: **25-02NES**
(71) Name(s) and Address(s) of Applicant(s):
James Hardie International Finance B.V.
Atrium 8th Floor Strawinskylaan 3077 1077 ZX Amsterdam The Netherlands
(72) Name(s) of Designer(s): **James Gleeson**
(45) Registration Date: **21 July 2008**
(56) Related Art Documents: **Not Applicable**
(57) Statement of Newness and Distinctiveness: **Newness and distinctiveness resides in the features of shape and/or configuration of the three-dimensional patterned front surface of a moisture barrier of indefinite length and/or width as shown in the accompanying drawings.**



(21) Design Number: **11418/2008**

(22) Date of Filing Application: **20 March 2008**

(24) Date from which industrial property rights may have effect: **20 March 2008**

(54) Product in respect of which the design is registered: **Moisture barrier**

(51) International Design Classification: **25-02NES**

(71) Name(s) and Address(s) of Applicant(s):

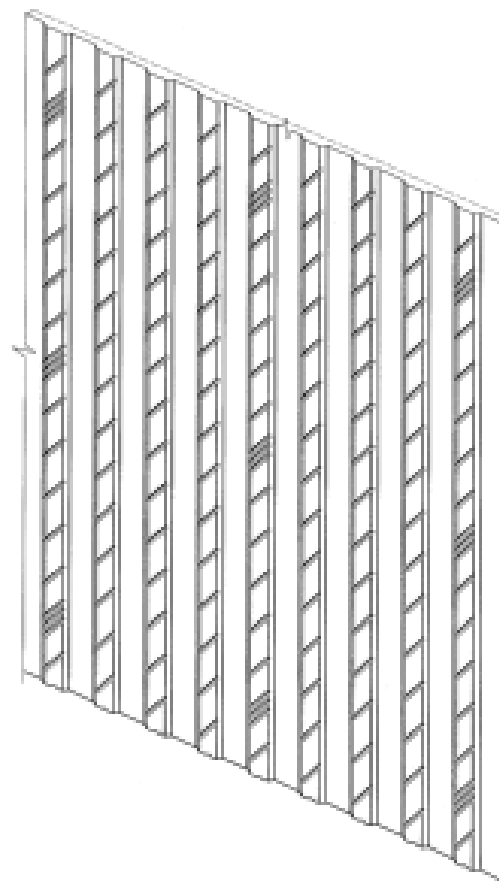
**James Hardie International Finance B.V.
Atrium 8th Floor Strawinskylaan 3077 1077 ZX Amsterdam The
Netherlands**

(72) Name(s) of Designer(s): **James Gleeson**

(45) Registration Date: **21 July 2008**

(56) Related Art Documents: **Not Applicable**

(57) Statement of Newness and Distinctiveness: **Newness and distinctiveness resides in the features of shape and/or configuration of the three-dimensional patterned front surface of a moisture barrier of indefinite length and/or width as shown in the accompanying drawings.**



(21) Design Number: **11419/2008**

(22) Date of Filing Application: **20 March 2008**

(24) Date from which industrial property rights may have effect: **20 March 2008**

(54) Product in respect of which the design is registered: **Moisture barrier**

(51) International Design Classification: **25-02NES**

(71) Name(s) and Address(s) of Applicant(s):

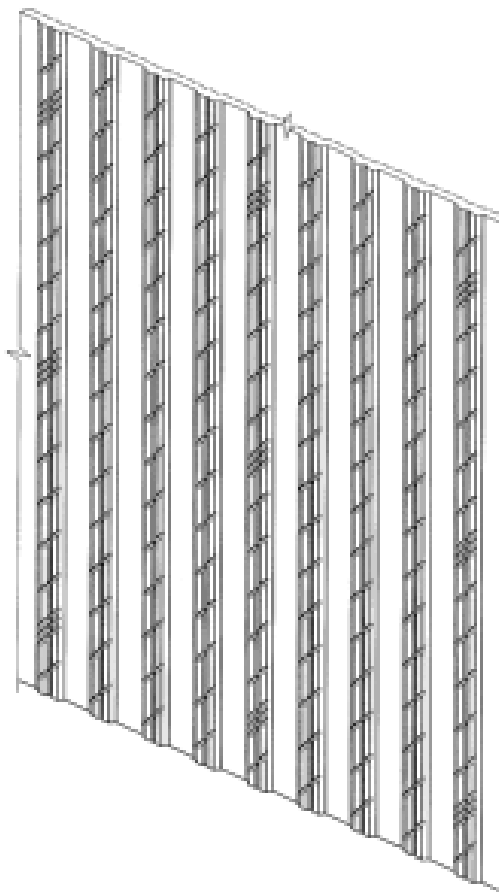
**James Hardie International Finance B.V.
Atrium 8th Floor Strawinskylaan 3077 1077 ZX Amsterdam The
Netherlands**

(72) Name(s) of Designer(s): **James Gleeson**

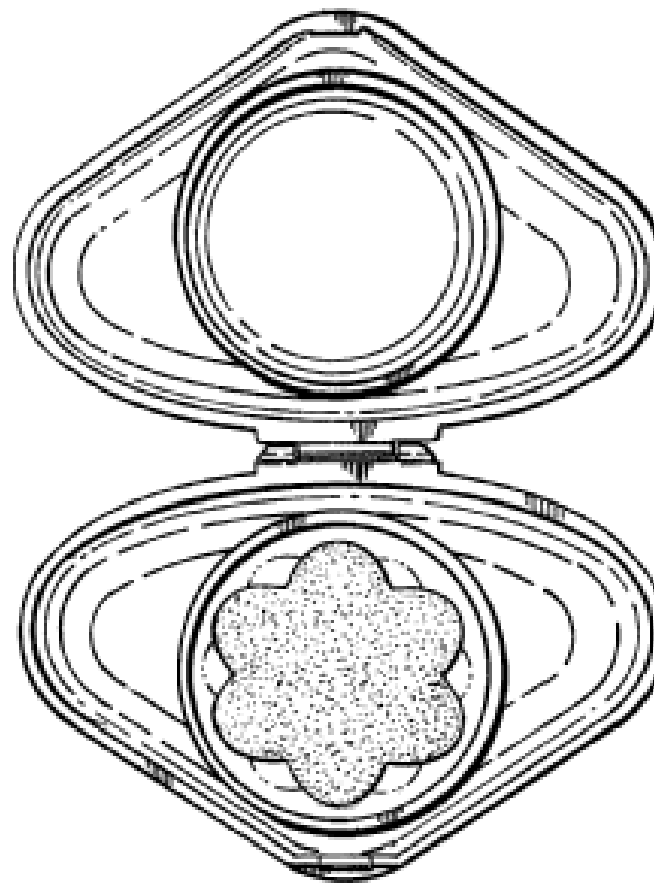
(45) Registration Date: **21 July 2008**

(56) Related Art Documents: **Not Applicable**

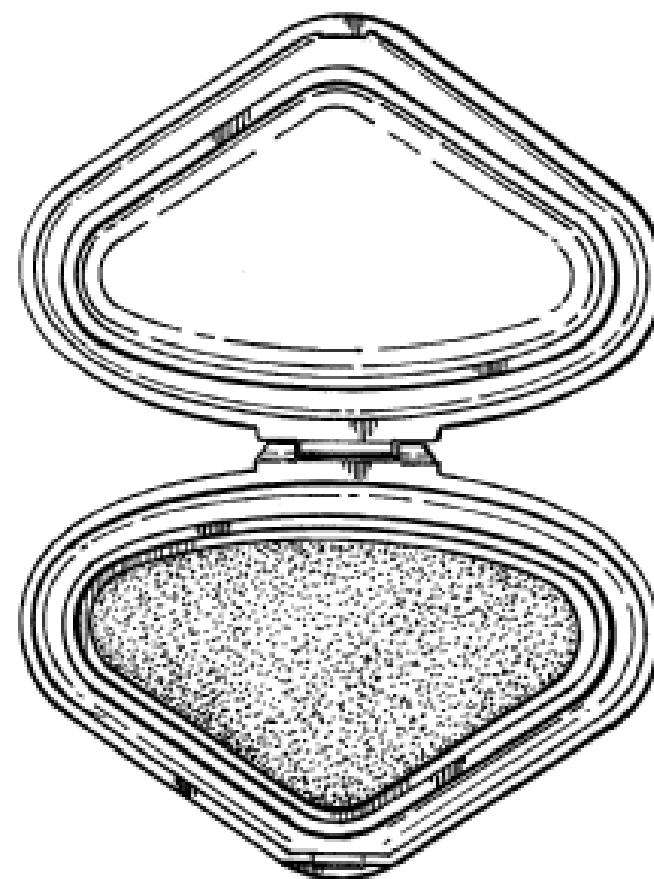
(57) Statement of Newness and Distinctiveness: **Newness and distinctiveness resides in the features of shape and/or configuration of the three-dimensional patterned front surface of a moisture barrier of indefinite length and/or width as shown in the accompanying drawings.**



- (21) Design Number: **11420/2008**
(22) Date of Filing Application: **20 March 2008**
(24) Date from which industrial property rights may have effect: **20 March 2008**
(54) Product in respect of which the design is registered: **Fragrance emitting patch and compact**
(51) International Design Classification: **28-03NES**
(71) Name(s) and Address(s) of Applicant(s):
McNeil-PPC, Inc.
199 Grandview Road Skillman New Jersey 08558 United States of America
(72) Name(s) of Designer(s): **Ricky Ray Burrow and Mary Genovese and Elysha Huntington and Vincent Parent**
(45) Registration Date: **21 July 2008**
(30) Convention priority data:
(31) Number (32) Date (33) Country
29/295225 24 Sep 2007 UNITED STATES OF AMERICA
(56) Related Art Documents: **Not Applicable**
(57) Statement of Newness and Distinctiveness: **Newness and distinctiveness reside in the shape and/or configuration of the design for a fragrance emitting patch and compact as shown in the accompanying illustrations.**

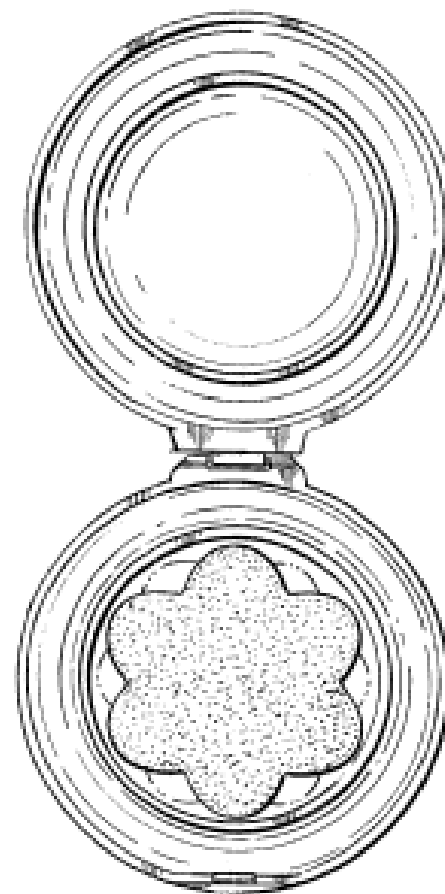


- (21) Design Number: **11421/2008**
(22) Date of Filing Application: **20 March 2008**
(24) Date from which industrial property rights may have effect: **20 March 2008**
(54) Product in respect of which the design is registered: **Fragrance emitting patch and compact**
(51) International Design Classification: **28-03NES**
(71) Name(s) and Address(s) of Applicant(s):
McNeil-PPC, Inc.
199 Grandview Road Skillman New Jersey 08558 United States of America
(72) Name(s) of Designer(s): **Mary Genovese and Elysha Huntington**
(45) Registration Date: **21 July 2008**
(30) Convention priority data:
(31) Number (32) Date (33) Country
29/295224 24 Sep 2007 UNITED STATES OF AMERICA
(56) Related Art Documents: **Not Applicable**
(57) Statement of Newness and Distinctiveness: **Newness and distinctiveness reside in the shape and/or configuration of the design for a fragrance emitting patch and compact as shown in the accompanying illustrations.**



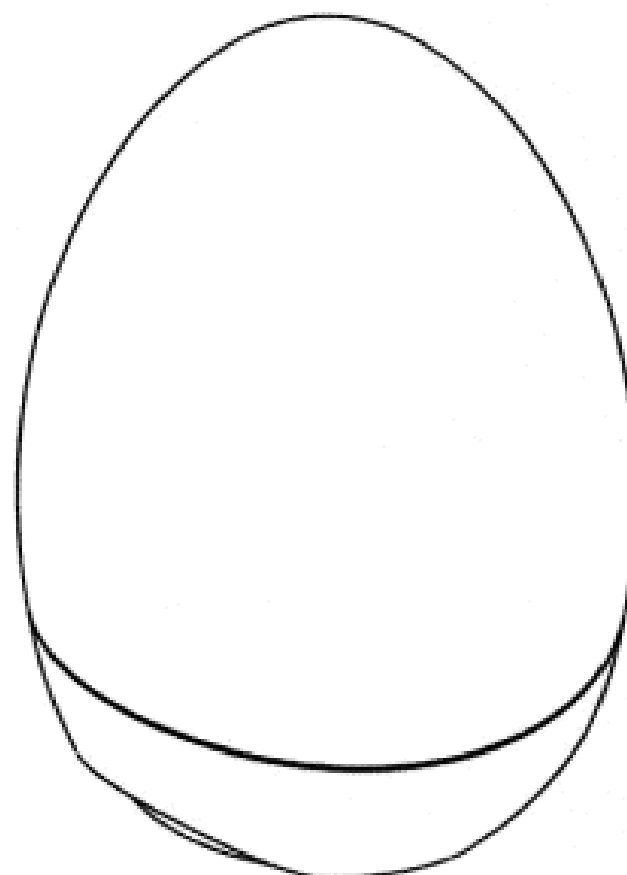
(19) AU

- (21) Design Number: **11422/2008**
(22) Date of Filing Application: **20 March 2008**
(24) Date from which industrial property rights may have effect: **20 March 2008**
(54) Product in respect of which the design is registered: **Fragrance emitting patch and compact**
(51) International Design Classification: **28-03NES**
(71) Name(s) and Address(s) of Applicant(s):
McNeil-PPC, Inc.
199 Grandview Road Skillman New Jersey 08558 United States of America
(72) Name(s) of Designer(s): **Ricky Ray Burrow and Mary Genovese and Elysha Huntington and Vincent Parent**
(45) Registration Date: **21 July 2008**
(30) Convention priority data:
(31) Number (32) Date (33) Country
29/295223 24 Sep 2007 UNITED STATES OF AMERICA
(56) Related Art Documents: **Not Applicable**
(57) Statement of Newness and Distinctiveness: **Newness and distinctiveness reside in the shape and configuration of a design for a fragrance emitting patch and compact as shown in the accompanying representations.**



(19) AU

- (21) Design Number: **11424/2008**
(22) Date of Filing Application: **20 March 2008**
(24) Date from which industrial property rights may have effect: **20 March 2008**
(54) Product in respect of which the design is registered: **A programmable sound player**
(51) International Design Classification: **14-01**
(71) Name(s) and Address(s) of Applicant(s):
Lucima Pty Limited
Suite 804 Level 8 26 Ridge Street North Sydney New South Wales 2060 Australia
(72) Name(s) of Designer(s): **Christopher Peters**
(45) Registration Date: **21 July 2008**
(56) Related Art Documents: **Not Applicable**
(57) Statement of Newness and Distinctiveness: **Newness and distinctiveness is claimed in the features of shape and configuration of a programmable sound player as illustrated in the accompanying representations.**



(21) Design Number: **10647/2008**
(22) Date of Filing Application: **14 February 2008**
(24) Date from which industrial property rights may have effect: **14 February 2008**
(54) Product in respect of which the design is registered: **Plate**
(51) International Design Classification: **07-01B**
(71) Name(s) and Address(s) of Applicant(s):
Steelite International PLC
Orme Street Burslem Stoke-on-Trent Staffordshire ST6 3RB United Kingdom
(72) Name(s) of Designer(s): **Andrew Klimecki**
(45) Registration Date: **21 July 2008**
(56) Related Art Documents: **Not Applicable**
(57) Statement of Newness and Distinctiveness: **Nil**



(21) Design Number: **10648/2008**
(22) Date of Filing Application: **14 February 2008**
(24) Date from which industrial property rights may have effect: **14 February 2008**
(54) Product in respect of which the design is registered: **Plate**
(51) International Design Classification: **07-01B**
(71) Name(s) and Address(s) of Applicant(s):
Steelite International PLC
Orme Street Burslem Stoke-on-Trent Staffordshire ST6 3RB United Kingdom
(72) Name(s) of Designer(s): **Andrew Klimecki**
(45) Registration Date: **21 July 2008**
(56) Related Art Documents: **Not Applicable**
(57) Statement of Newness and Distinctiveness: **Nil**



(21) Design Number: **11280/2008**

(22) Date of Filing Application: **17 March 2008**

(24) Date from which industrial property rights may have effect: **17 March 2008**

(54) Product in respect of which the design is registered: **Clothes hanger**

(51) International Design Classification: **06-08**

(71) Name(s) and Address(s) of Applicant(s):

Pepkor (Australia) Pty Limited
C/- TressCox Lawyers Level 20/135 King Street Sydney New South
Wales 2000 Australia

(72) Name(s) of Designer(s): **Cyril Margolis**

(45) Registration Date: **21 July 2008**

(56) Related Art Documents: **Not Applicable**

(57) Statement of Newness and Distinctiveness: **The attaching part designed to fix a size indicator between the hook and the main body of the hanger.**



(21) Design Number: **11281/2008**

(22) Date of Filing Application: **17 March 2008**

(24) Date from which industrial property rights may have effect: **17 March 2008**

(54) Product in respect of which the design is registered: **Clothes hanger**

(51) International Design Classification: **06-08**

(71) Name(s) and Address(s) of Applicant(s):

Pepkor (Australia) Pty Limited
C/- TressCox Lawyers Level 20/135 King Street Sydney New South
Wales 2000 Australia

(72) Name(s) of Designer(s): **Cyril Margolis**

(45) Registration Date: **21 July 2008**

(56) Related Art Documents: **Not Applicable**

(57) Statement of Newness and Distinctiveness: **The attaching part designed to fix a size indicator between the hook and the main body of the hanger; the wave shaped design feature at the base of the hook.**



(21) Design Number: **11282/2008**

(22) Date of Filing Application: **17 March 2008**

(24) Date from which industrial property rights may have effect: **17 March 2008**

(54) Product in respect of which the design is registered: **Clothes hanger**

(51) International Design Classification: **06-08**

(71) Name(s) and Address(s) of Applicant(s):

Pepkor (Australia) Pty Limited
C/- TressCox Lawyers Level 20/135 King Street Sydney New South
Wales 2000 Australia

(72) Name(s) of Designer(s): **Cyril Margolis**

(45) Registration Date: **21 July 2008**

(56) Related Art Documents: **Not Applicable**

(57) Statement of Newness and Distinctiveness: **The attaching part designed to fix a size indicator between the hook and the main body of the hanger.**



(21) Design Number: **11283/2008**

(22) Date of Filing Application: **17 March 2008**

(24) Date from which industrial property rights may have effect: **17 March 2008**

(54) Product in respect of which the design is registered: **Clothes hanger size indicator**

(51) International Design Classification: **19-08**

(71) Name(s) and Address(s) of Applicant(s):

Pepkor (Australia) Pty Limited
C/- TressCox Lawyers Level 20/135 King Street Sydney New South
Wales 2000 Australia

(72) Name(s) of Designer(s): **Cyril Margolis**

(45) Registration Date: **21 July 2008**

(56) Related Art Documents: **Not Applicable**

(57) Statement of Newness and Distinctiveness: **Nil**



- (21) Design Number: **21201/2007**
(22) Date of Filing Application: **11 December 2007**
(24) Date from which industrial property rights may have effect: **11 December 2007**
(54) Product in respect of which the design is registered: **A skirt**
(51) International Design Classification: **02-02C**
(71) Name(s) and Address(s) of Applicant(s):
Review Australia Pty Ltd
25-31 Rokeby Street Collingwood Victoria 3066 Australia
(72) Name(s) of Designer(s): **Jayne Ellis**
(45) Registration Date: **21 July 2008**
(56) Related Art Documents: **Not Applicable**
(57) Statement of Newness and Distinctiveness: **Nil**



- (21) Design Number: **12558/2008**
(22) Date of Filing Application: **11 December 2007**
(24) Date from which industrial property rights may have effect: **11 December 2007**
(54) Product in respect of which the design is registered: **A shirt**
(51) International Design Classification: **02-02NES**
(71) Name(s) and Address(s) of Applicant(s):
Review Australia Pty Ltd
25-31 Rokeby Street Collingwood Victoria 3066 Australia
(72) Name(s) of Designer(s): **Jayne Ellis**
(45) Registration Date: **21 July 2008**
(56) Related Art Documents: **Not Applicable**
(57) Statement of Newness and Distinctiveness: **Nil**



- (21) Design Number: **12559/2008**
(22) Date of Filing Application: **11 December 2007**
(24) Date from which industrial property rights may have effect: **11 December 2007**
(54) Product in respect of which the design is registered: **A shirt**
(51) International Design Classification: **02-02NES**
(71) Name(s) and Address(s) of Applicant(s):
Review Australia Pty Ltd
25-31 Rokeby Street Collingwood Victoria 3066 Australia
(72) Name(s) of Designer(s): **Jayne Ellis**
(45) Registration Date: **21 July 2008**
(56) Related Art Documents: **Not Applicable**
(57) Statement of Newness and Distinctiveness: **Nil**



- (21) Design Number: **12560/2008**
(22) Date of Filing Application: **11 December 2007**
(24) Date from which industrial property rights may have effect: **11 December 2007**
(54) Product in respect of which the design is registered: **A pant**
(51) International Design Classification: **02-02C**
(71) Name(s) and Address(s) of Applicant(s):
Review Australia Pty Ltd
25-31 Rokeby Street Collingwood Victoria 3066 Australia
(72) Name(s) of Designer(s): **Jayne Ellis**
(45) Registration Date: **21 July 2008**
(56) Related Art Documents: **Not Applicable**
(57) Statement of Newness and Distinctiveness: **Nil**



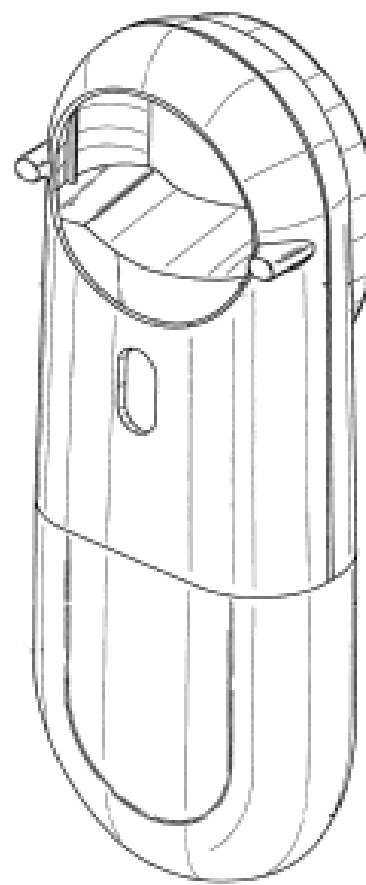
- (21) Design Number: **12561/2008**
(22) Date of Filing Application: **11 December 2007**
(24) Date from which industrial property rights may have effect: **11 December 2007**
(54) Product in respect of which the design is registered: **A jacket**
(51) International Design Classification: **02-02NES**
(71) Name(s) and Address(s) of Applicant(s):
Review Australia Pty Ltd
25-31 Rokeby Street Collingwood Victoria 3066 Australia
(72) Name(s) of Designer(s): **Jayne Ellis**
(45) Registration Date: **21 July 2008**
(56) Related Art Documents: **Not Applicable**
(57) Statement of Newness and Distinctiveness: **Nil**



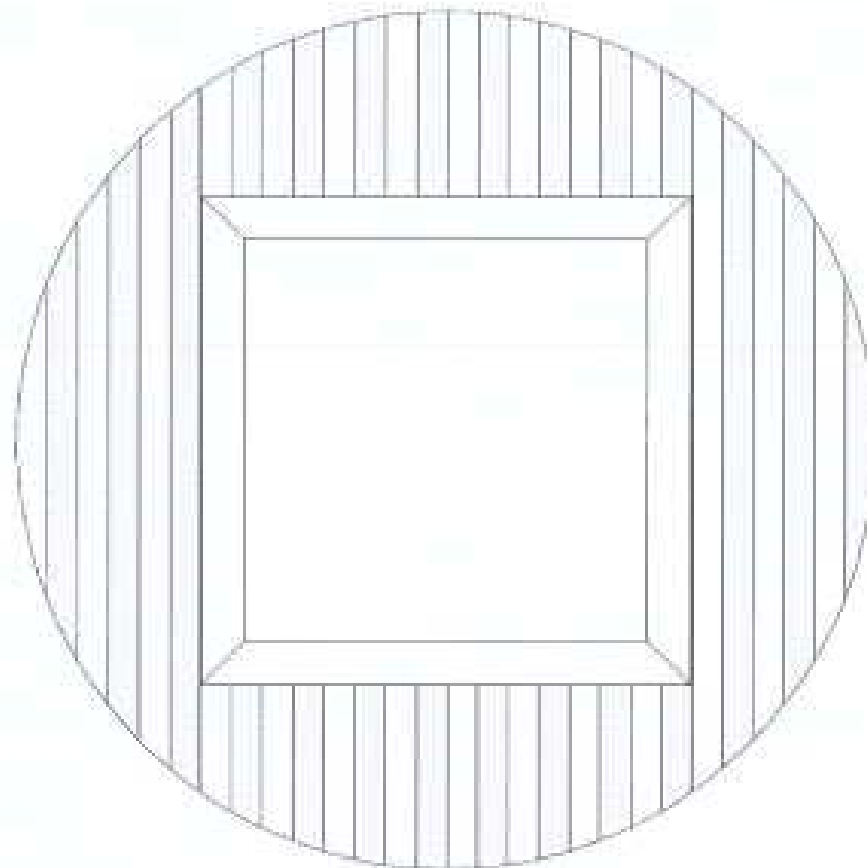
- (21) Design Number: **12562/2008**
(22) Date of Filing Application: **11 December 2007**
(24) Date from which industrial property rights may have effect: **11 December 2007**
(54) Product in respect of which the design is registered: **A top**
(51) International Design Classification: **02-02NES**
(71) Name(s) and Address(s) of Applicant(s):
Review Australia Pty Ltd
25-31 Rokeby Street Collingwood Victoria 3066 Australia
(72) Name(s) of Designer(s): **Jayne Ellis**
(45) Registration Date: **21 July 2008**
(56) Related Art Documents: **Not Applicable**
(57) Statement of Newness and Distinctiveness: **Nil**



(21) Design Number: **10642/2008**
(22) Date of Filing Application: **13 February 2008**
(24) Date from which industrial property rights may have effect: **13 February 2008**
(54) Product in respect of which the design is registered: **Dispenser**
(51) International Design Classification: **09-01A**
(71) Name(s) and Address(s) of Applicant(s):
McNeil-PPC, Inc.
Grandview Road Skillman New Jersey 08558 United States of America
(72) Name(s) of Designer(s): **Ronald J. Jaketic**
(45) Registration Date: **22 July 2008**
(30) Convention priority data:
(31) Number (32) Date (33) Country
29/291364 24 Aug 2007 UNITED STATES OF AMERICA
(56) Related Art Documents: **Not Applicable**
(57) Statement of Newness and Distinctiveness: **Newness and distinctiveness reside in the shape and configuration of the design for a dispenser shown in the representations.**



(21) Design Number: **10646/2008**
(22) Date of Filing Application: **14 February 2008**
(24) Date from which industrial property rights may have effect: **14 February 2008**
(54) Product in respect of which the design is registered: **Plate**
(51) International Design Classification: **07-01B**
(71) Name(s) and Address(s) of Applicant(s):
Steelite International PLC
Orme Street Burslem Stoke-on-Trent Staffordshire ST6 3RB United Kingdom
(72) Name(s) of Designer(s): **Andrew Klimecki**
(45) Registration Date: **22 July 2008**
(56) Related Art Documents: **Not Applicable**
(57) Statement of Newness and Distinctiveness: **Nil**



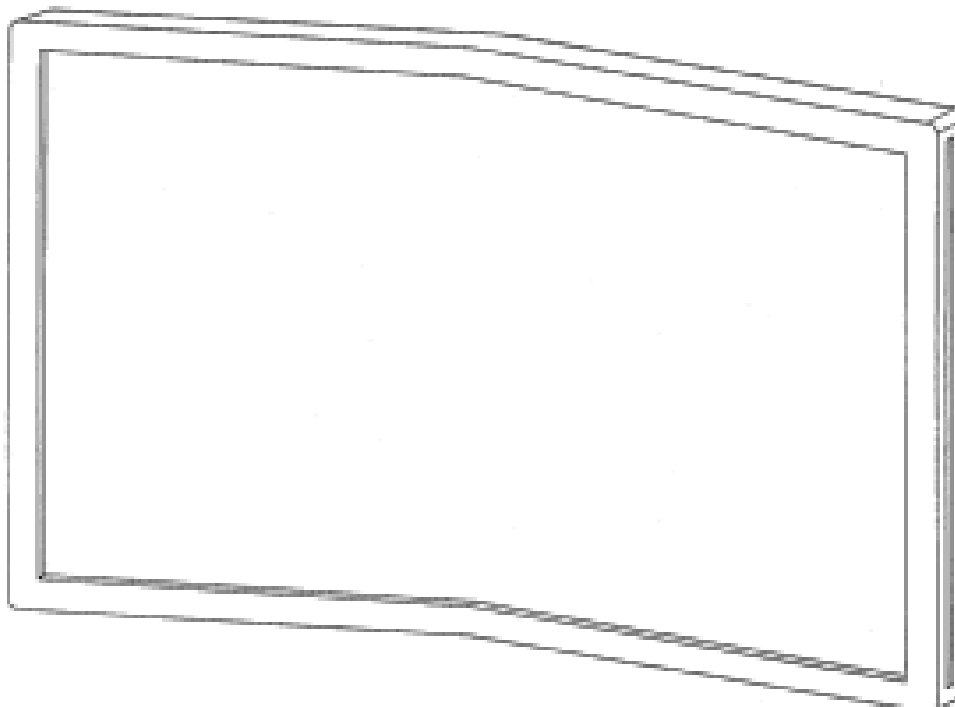
(21) Design Number: **10649/2008**
(22) Date of Filing Application: **14 February 2008**
(24) Date from which industrial property rights may have effect: **14 February 2008**
(54) Product in respect of which the design is registered: **Plate**
(51) International Design Classification: **07-01B**
(71) Name(s) and Address(s) of Applicant(s):
Steelite International PLC
Orme Street Burslem Stoke-on-Trent Staffordshire ST6 3RB United Kingdom
(72) Name(s) of Designer(s): **Andrew Klimecki**
(45) Registration Date: **22 July 2008**
(56) Related Art Documents: **Not Applicable**
(57) Statement of Newness and Distinctiveness: **Nil**



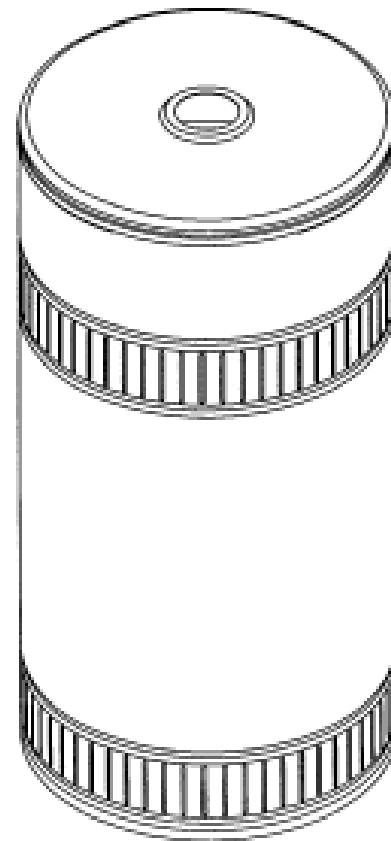
(21) Design Number: **10773/2008**
(22) Date of Filing Application: **20 February 2008**
(24) Date from which industrial property rights may have effect: **20 February 2008**
(54) Product in respect of which the design is registered: **A set of magnetic supports (useable as fridge magnets for example)**
(51) International Design Classification: **11-02NES, 07-99NES**
(71) Name(s) and Address(s) of Applicant(s):
Magnets New Zealand Limited
62 Tarndale Grove Albany Auckland New Zealand
(72) Name(s) of Designer(s): **Aaron Lane**
(45) Registration Date: **22 July 2008**
(30) Convention priority data:

(31) Number	(32) Date	(33) Country
410428	12 Feb 2008	NEW ZEALAND

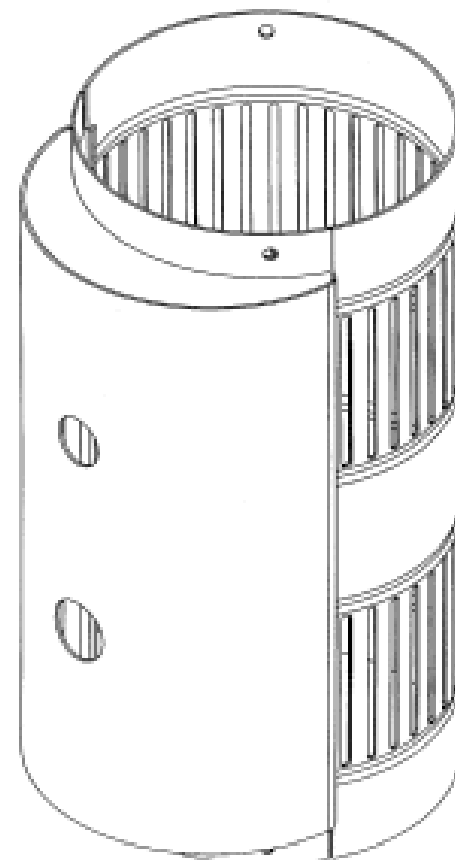
(56) Related Art Documents: **Not Applicable**
(57) Statement of Newness and Distinctiveness: **The novelty claimed for the design resides in the features of shape and/or configuration all as shown in the representations.**



- (21) Design Number: **10774/2008**
(22) Date of Filing Application: **15 February 2008**
(24) Date from which industrial property rights may have effect: **15 February 2008**
(54) Product in respect of which the design is registered: **Gas cylinder cover**
(51) International Design Classification: **23-03B**
(71) Name(s) and Address(s) of Applicant(s):
Bromic Pty Ltd
1 Suttor Street Silverwater New South Wales 2128 Australia
(72) Name(s) of Designer(s): **Shane Marshall**
(45) Registration Date: **22 July 2008**
(56) Related Art Documents: **Not Applicable**
(57) Statement of Newness and Distinctiveness: **60 slotted vents measuring approximately 60mm x 3.5mm positioned approximately 535mm from the bottom edge and surrounded by a horizontally formed rib directly above and directly below the slots. The said slotted features, with accompanying ribs, are mirrored about a horizontal plane so that the mirrored feature is positioned approximately 20mm above the bottom edge. The flat top of the cylinder cover with approximately 8mm radiused edge is a uniquely identifying feature.**



- (21) Design Number: **10775/2008**
(22) Date of Filing Application: **15 February 2008**
(24) Date from which industrial property rights may have effect: **15 February 2008**
(54) Product in respect of which the design is registered: **Gas valve control housing**
(51) International Design Classification: **23-03B**
(71) Name(s) and Address(s) of Applicant(s):
Bromic Pty Ltd
1 Suttor Street Silverwater New South Wales 2128 Australia
(72) Name(s) of Designer(s): **Shane Marshall**
(45) Registration Date: **22 July 2008**
(56) Related Art Documents: **Not Applicable**
(57) Statement of Newness and Distinctiveness: **27 slotted vents measuring approximately 35mm x 2.75mm positioned approximately 135mm from the bottom edge and surrounded by a horizontal formed rib directly above and directly below the slots. The said slotted features, with accompanying ribs, are mirrored about a horizontal plane so that the mirrored feature is positioned approximately 35mm from the bottom edge. This curved shaped of this panel is intersected by a second curved panel without a smooth finish. The intersecting curved panels and the slotted features are uniquely identifying features.**



- (21) Design Number: **10909/2008**
(22) Date of Filing Application: **27 February 2008**
(24) Date from which industrial property rights may have effect: **27 February 2008**
(54) Product in respect of which the design is registered: **A container**
(51) International Design Classification: **09-03NES, 09-03M**
(71) Name(s) and Address(s) of Applicant(s):

Sistema Plastics Limited
80 Hugo Johnston Drive Penrose Auckland New Zealand

(72) Name(s) of Designer(s): **Brendan Jon Lindsay**

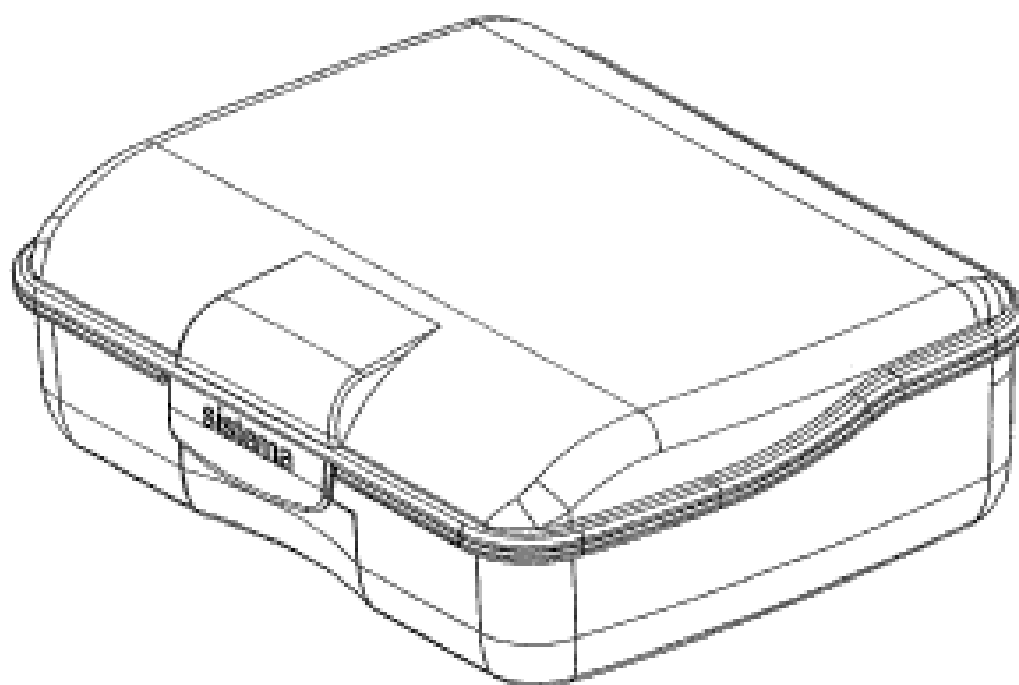
(45) Registration Date: **22 July 2008**

(30) Convention priority data:

(31) Number	(32) Date	(33) Country
409590	30 Aug 2007	NEW ZEALAND

(56) Related Art Documents: **Not Applicable**

(57) Statement of Newness and Distinctiveness: **The novelty claimed for the design resides in the features of shape and/or configuration of the front panel with its recess below a lid lap latching mechanism all as shown in the representations.**



- (21) Design Number: **11007/2008**
(22) Date of Filing Application: **29 February 2008**
(24) Date from which industrial property rights may have effect: **29 February 2008**
(54) Product in respect of which the design is registered: **A bracelet**
(51) International Design Classification: **11-01C**
(71) Name(s) and Address(s) of Applicant(s):

Martina of Sweden ApS
Hambros Alle 3 2900 Hellerup Denmark

(72) Name(s) of Designer(s): **Martina S. Bagger**

(45) Registration Date: **22 July 2008**

(30) Convention priority data:

(31) Number	(32) Date	(33) Country
000786116-0001	30 Aug 2007	EUROPEAN COMMUNITY

(56) Related Art Documents: **Not Applicable**

(57) Statement of Newness and Distinctiveness: **Newness and distinctiveness is claimed in the features of shape and/or configuration of a bracelet as illustrated in the accompanying representations.**



(21) Design Number: **11024/2008**

(22) Date of Filing Application: **29 February 2008**

(24) Date from which industrial property rights may have effect: **29 February 2008**

(54) Product in respect of which the design is registered: **Gaming machine**

(51) International Design Classification: **21-03**

(71) Name(s) and Address(s) of Applicant(s):

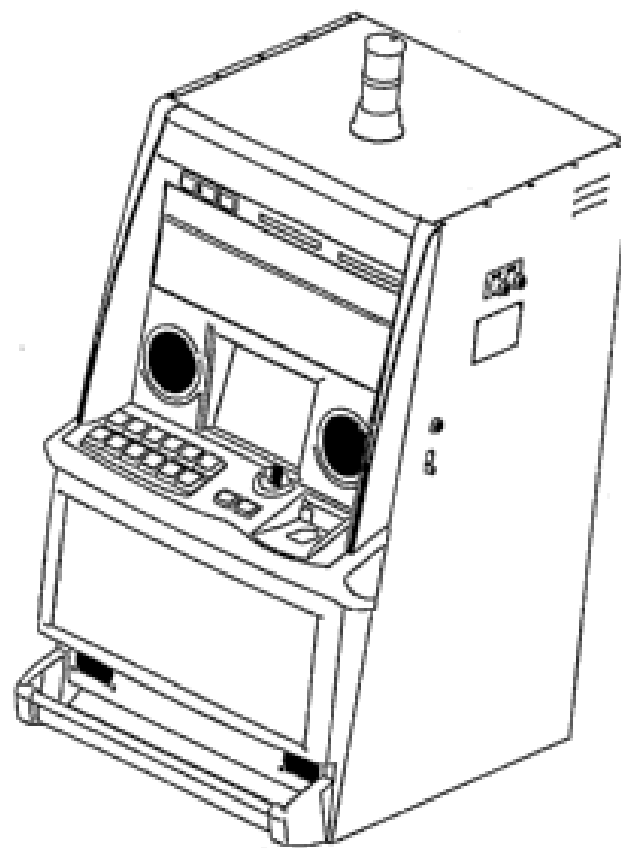
Konami Australia Pty Ltd
PO Box 322 Botany New South Wales 1455 Australia

(72) Name(s) of Designer(s): **Kenji Nagata and Peter Dabrowski and Seungok Lee**

(45) Registration Date: **22 July 2008**

(56) Related Art Documents: **Not Applicable**

(57) Statement of Newness and Distinctiveness: **Nil**



(21) Design Number: **11025/2008**

(22) Date of Filing Application: **29 February 2008**

(24) Date from which industrial property rights may have effect: **29 February 2008**

(54) Product in respect of which the design is registered: **Gaming machine**

(51) International Design Classification: **21-03**

(71) Name(s) and Address(s) of Applicant(s):

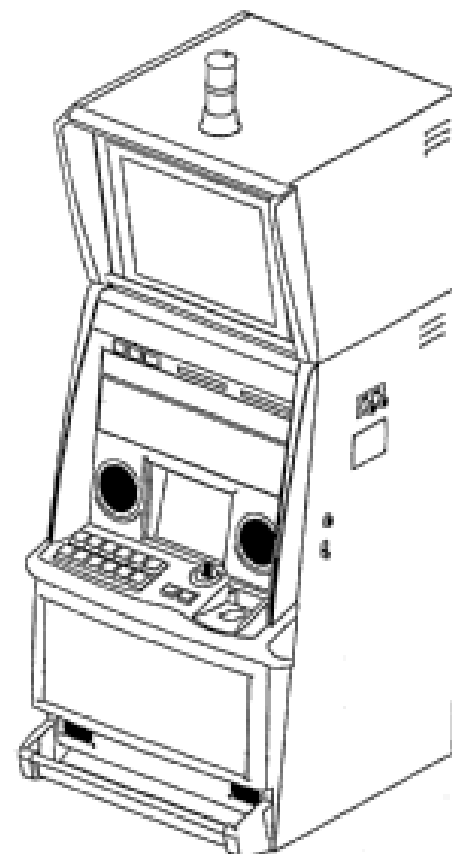
Konami Australia Pty Ltd
PO Box 322 Botany New South Wales 1455 Australia

(72) Name(s) of Designer(s): **Kenji Nagata and Peter Dabrowski and Seungok Lee**

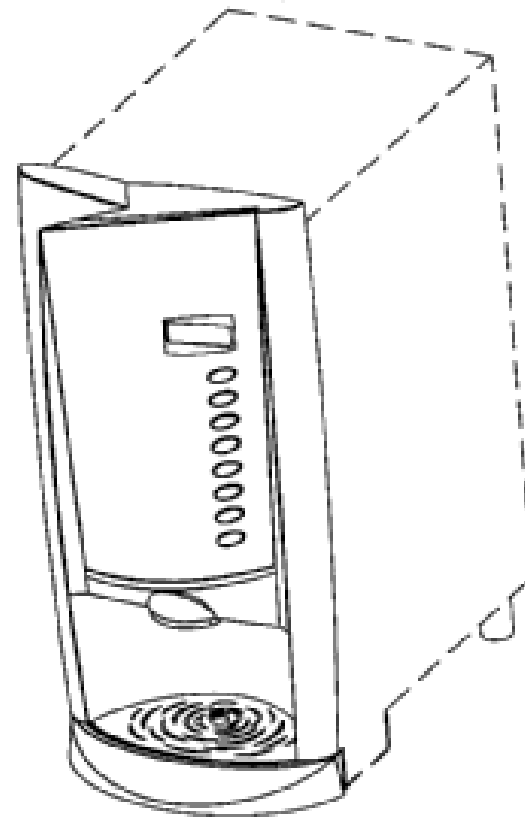
(45) Registration Date: **22 July 2008**

(56) Related Art Documents: **Not Applicable**

(57) Statement of Newness and Distinctiveness: **Nil**



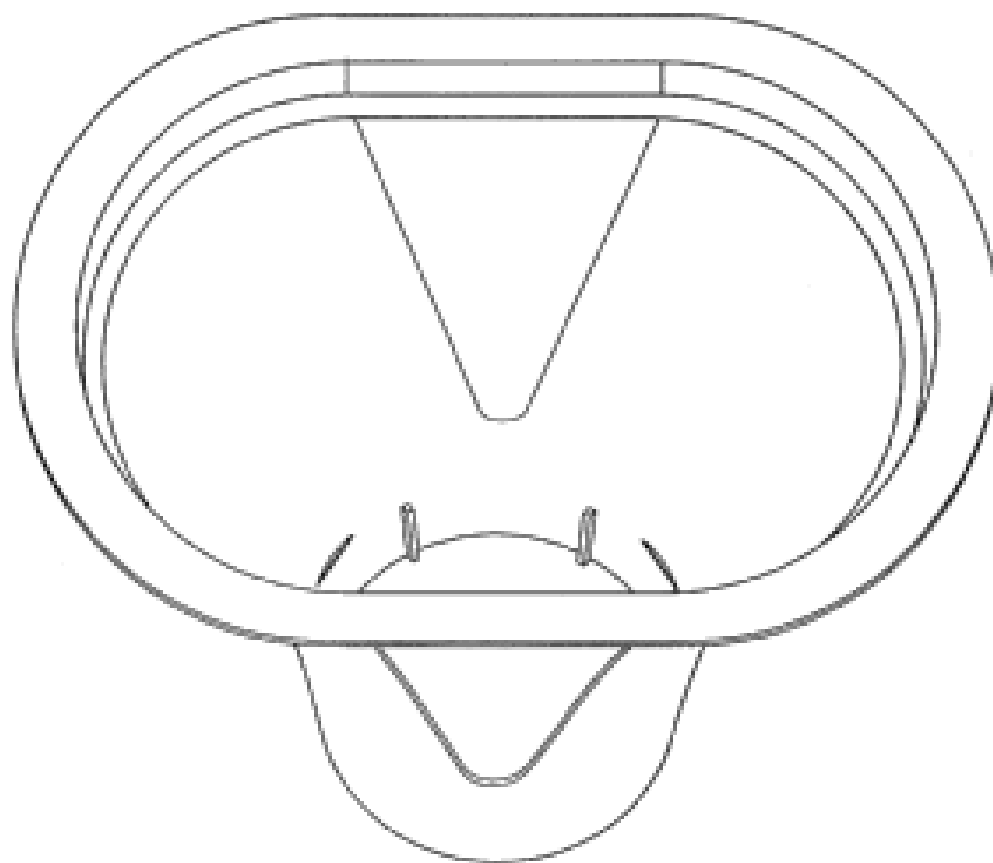
(21) Design Number: **11195/2008**
(22) Date of Filing Application: **13 March 2008**
(24) Date from which industrial property rights may have effect: **13 March 2008**
(54) Product in respect of which the design is registered: **Beverage dispenser**
(51) International Design Classification: **31-00**
(71) Name(s) and Address(s) of Applicant(s):
Societe des Produits Nestle S.A.
1800 Vevey Switzerland
(72) Name(s) of Designer(s): **John Ashbridge**
(45) Registration Date: **22 July 2008**
(30) Convention priority data:
(31) Number (32) Date (33) Country
134476 06 Nov 2007 SWITZERLAND
(56) Related Art Documents: **Not Applicable**
(57) Statement of Newness and Distinctiveness: **Nil**



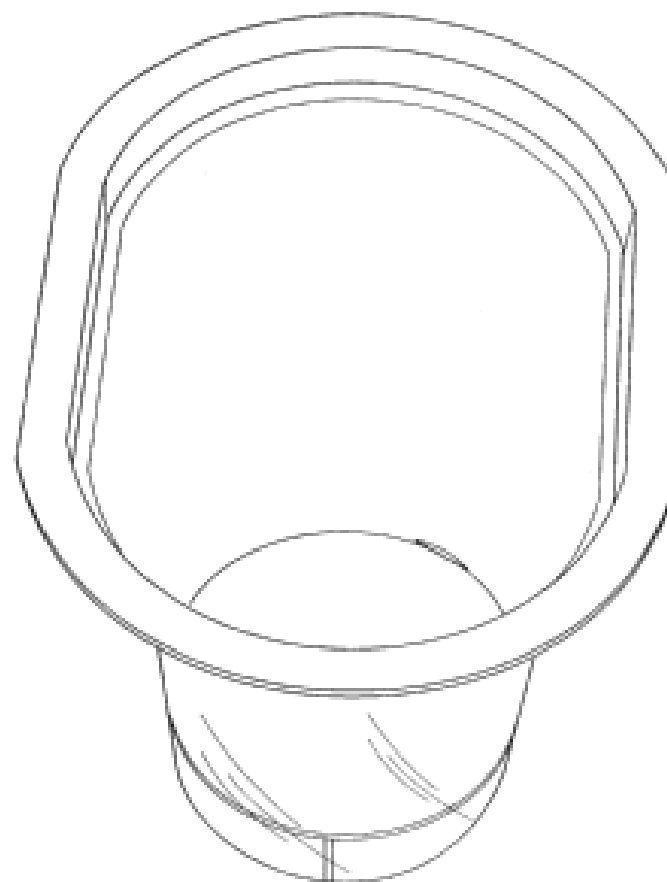
(21) Design Number: **21416/2007**
(22) Date of Filing Application: **17 December 2007**
(24) Date from which industrial property rights may have effect: **17 December 2007**
(54) Product in respect of which the design is registered: **Watch**
(51) International Design Classification: **10-02**
(71) Name(s) and Address(s) of Applicant(s):
Baruko Pty Ltd trading as Levendi Jewellers
67 Castlereagh Street Sydney New South Wales 2000 Australia
(72) Name(s) of Designer(s): **Jacques Binggeli**
(45) Registration Date: **22 July 2008**
(56) Related Art Documents: **Not Applicable**
(57) Statement of Newness and Distinctiveness: **Nil**



(21) Design Number: **10572/2008**
 (22) Date of Filing Application: **11 February 2008**
 (24) Date from which industrial property rights may have effect: **11 February 2008**
 (54) Product in respect of which the design is registered: **A container**
 (51) International Design Classification: **09-03NES**
 (71) Name(s) and Address(s) of Applicant(s):
Fraisbon Foods Limited
C/- BDO Spicers Level 2/116 Harris Road East Tamaki 2013 Auckland
New Zealand
 (72) Name(s) of Designer(s): **Ashley Francis Berrysmith**
 (45) Registration Date: **22 July 2008**
 (30) Convention priority data:
 (31) Number (32) Date (33) Country
409543 15 Aug 2007 NEW ZEALAND
 (56) Related Art Documents: **Not Applicable**
 (57) Statement of Newness and Distinctiveness: **The novelty resides in the features of shape and/or configuration of each article insofar as the lower region of the open mouthed container is concerned as shown in the representations.**



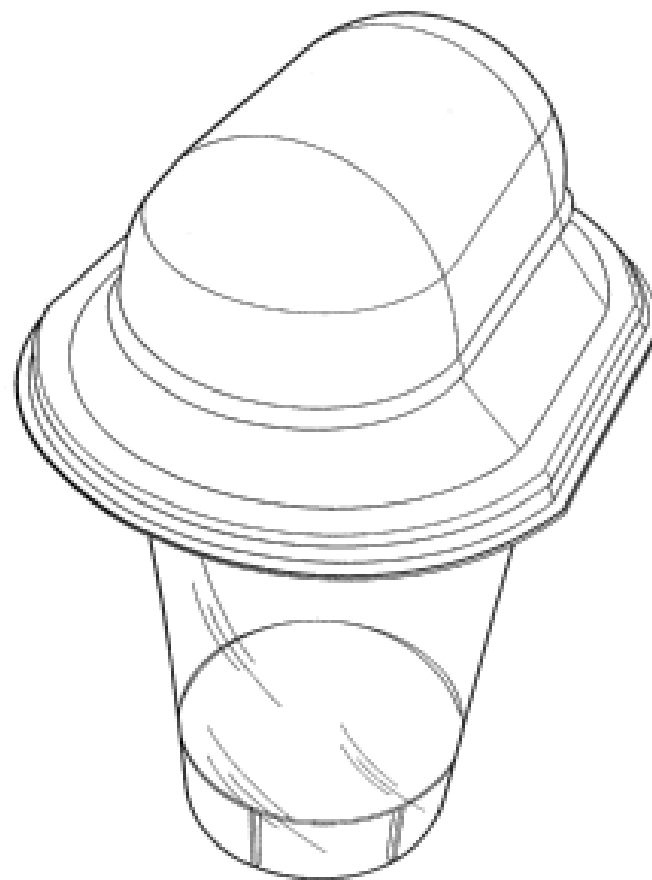
(21) Design Number: **10573/2008**
 (22) Date of Filing Application: **11 February 2008**
 (24) Date from which industrial property rights may have effect: **11 February 2008**
 (54) Product in respect of which the design is registered: **A container**
 (51) International Design Classification: **09-03NES**
 (71) Name(s) and Address(s) of Applicant(s):
Fraisbon Foods Limited
C/- BDO Spicers Level 2/116 Harris Road East Tamaki 2013 Auckland
New Zealand
 (72) Name(s) of Designer(s): **Ashley Francis Berrysmith**
 (45) Registration Date: **22 July 2008**
 (30) Convention priority data:
 (31) Number (32) Date (33) Country
409543 15 Aug 2007 NEW ZEALAND
 (56) Related Art Documents: **Not Applicable**
 (57) Statement of Newness and Distinctiveness: **The novelty resides in the features of shape and/or configuration of each article insofar as the lower region of the open mouthed container is concerned as shown in the representations.**



(21) Design Number: **10574/2008**
 (22) Date of Filing Application: **11 February 2008**
 (24) Date from which industrial property rights may have effect: **11 February 2008**
 (54) Product in respect of which the design is registered: **A container**
 (51) International Design Classification: **09-03NES**
 (71) Name(s) and Address(s) of Applicant(s):
Fraisbon Foods Limited
C/- BDO Spicers Level 2/116 Harris Road East Tamaki 2013 Auckland
New Zealand
 (72) Name(s) of Designer(s): **Ashley Francis Berrysmith**
 (45) Registration Date: **22 July 2008**
 (30) Convention priority data:

(31) Number	(32) Date	(33) Country
409543	15 Aug 2007	NEW ZEALAND

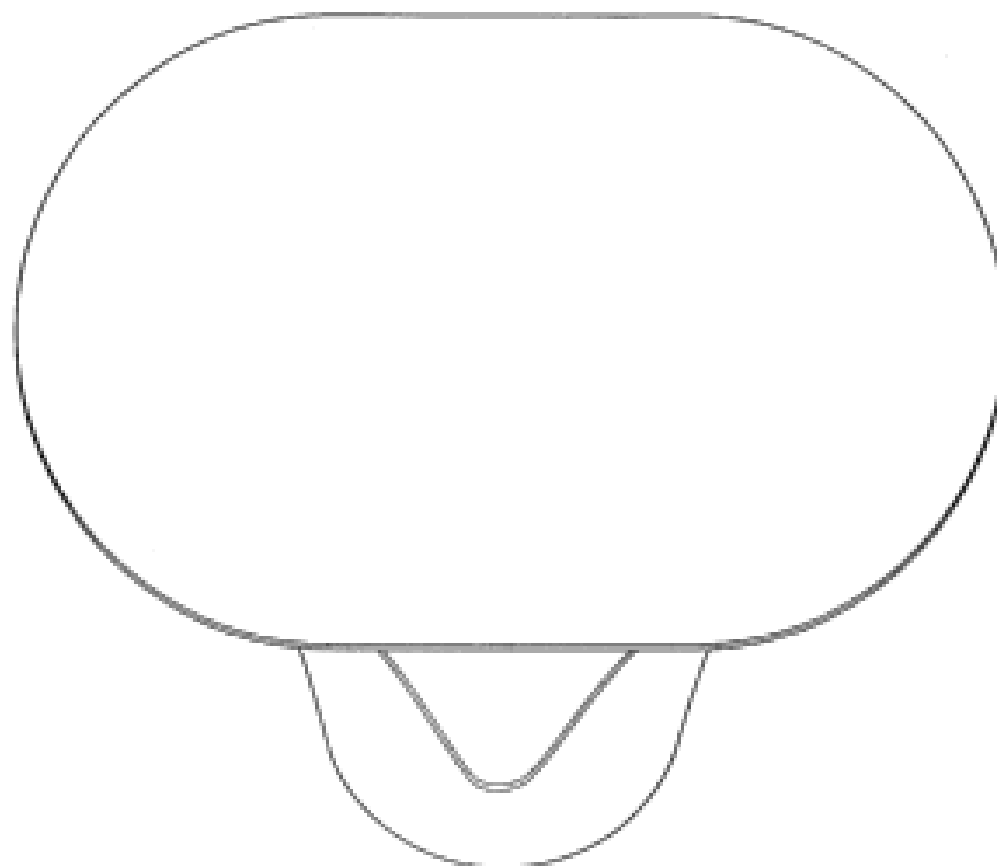
 (56) Related Art Documents: **Not Applicable**
 (57) Statement of Newness and Distinctiveness: **The novelty resides in the features of shape and/or configuration of each article insofar as the lower region of the open mouthed container is concerned as shown in the representations.**



(21) Design Number: **10575/2008**
 (22) Date of Filing Application: **11 February 2008**
 (24) Date from which industrial property rights may have effect: **11 February 2008**
 (54) Product in respect of which the design is registered: **A container**
 (51) International Design Classification: **09-03NES**
 (71) Name(s) and Address(s) of Applicant(s):
Fraisbon Foods Limited
C/- BDO Spicers Level 2/116 Harris Road East Tamaki 2013 Auckland
New Zealand
 (72) Name(s) of Designer(s): **Ashley Francis Berrysmith**
 (45) Registration Date: **22 July 2008**
 (30) Convention priority data:

(31) Number	(32) Date	(33) Country
409543	15 Aug 2007	NEW ZEALAND

 (56) Related Art Documents: **Not Applicable**
 (57) Statement of Newness and Distinctiveness: **The novelty resides in the features of shape and/or configuration of each article insofar as the lower region of the open mouthed container is concerned as shown in the representations.**



- (21) Design Number: **10926/2008**
(22) Date of Filing Application: **27 February 2008**
(24) Date from which industrial property rights may have effect: **27 February 2008**
(54) Product in respect of which the design is registered: **A set of containers**
(51) International Design Classification: **09-03M, 09-03NES**
(71) Name(s) and Address(s) of Applicant(s):

Sistema Plastics Limited
80 Hugo Johnston Drive Penrose Auckland New Zealand

(72) Name(s) of Designer(s): **Brendan Jon Lindsay**

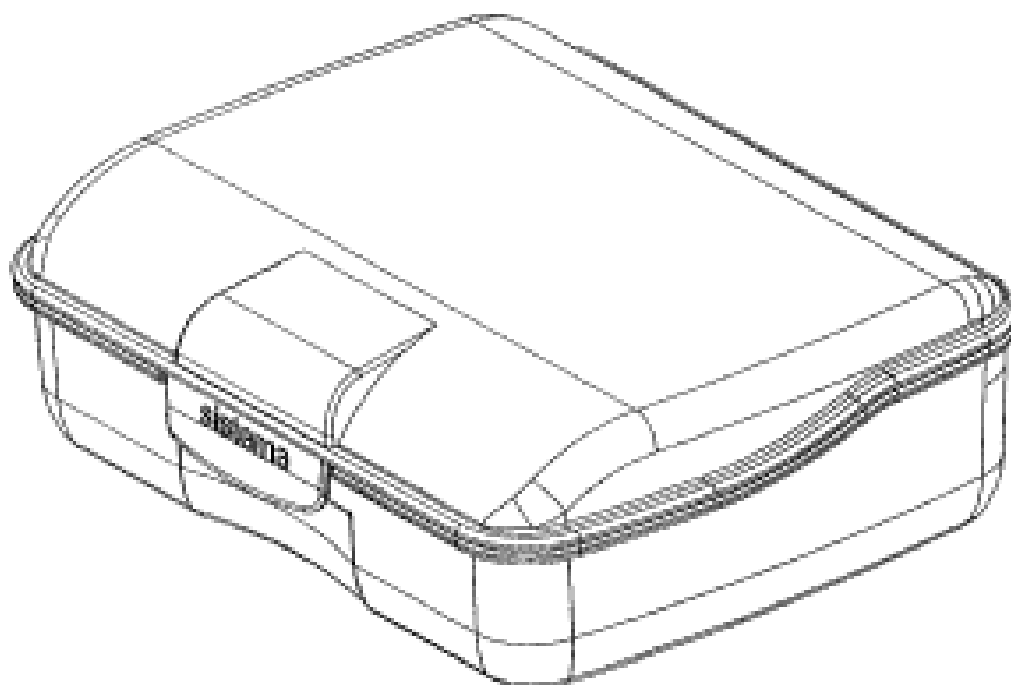
(45) Registration Date: **22 July 2008**

(30) Convention priority data:

(31) Number	(32) Date	(33) Country
409589	30 Aug 2007	NEW ZEALAND

(56) Related Art Documents: **Not Applicable**

(57) Statement of Newness and Distinctiveness: **The novelty claimed for the design resides in the features of shape and/or configuration all as shown in the representations. The name Sistema in the representations is to be ignored.**



- (21) Design Number: **12959/2008**
(22) Date of Filing Application: **27 February 2008**
(24) Date from which industrial property rights may have effect: **27 February 2008**
(54) Product in respect of which the design is registered: **A set of containers**
(51) International Design Classification: **09-03M, 09-03NES**
(71) Name(s) and Address(s) of Applicant(s):

Sistema Plastics Limited
80 Hugo Johnston Drive Penrose Auckland New Zealand

(72) Name(s) of Designer(s): **Brendan Jon Lindsay**

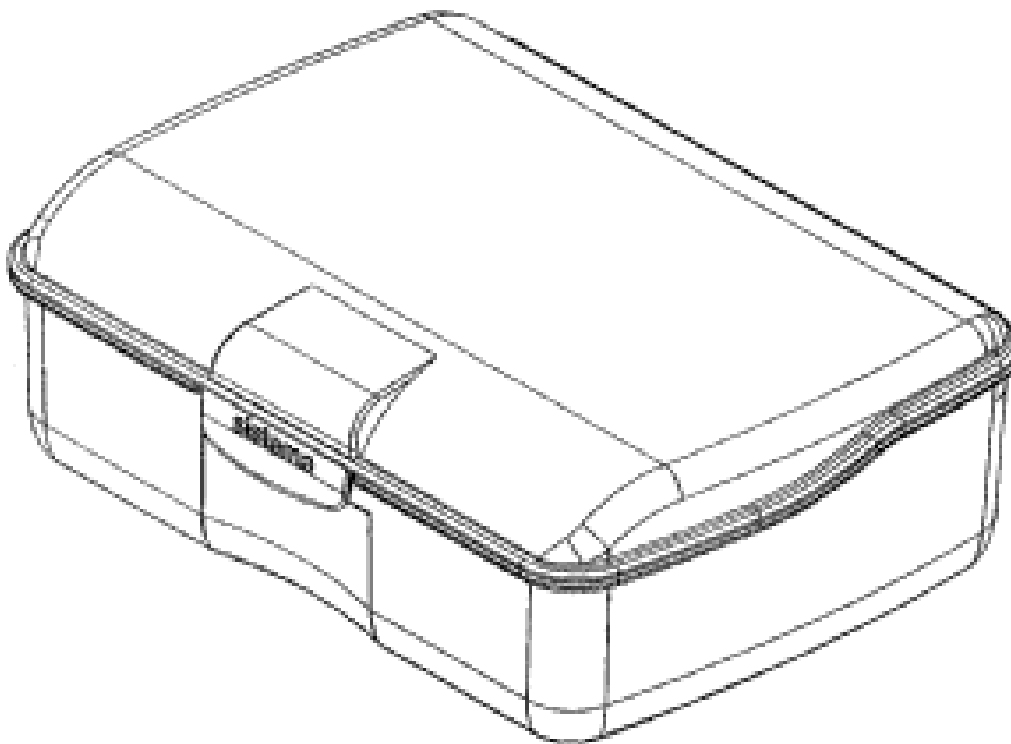
(45) Registration Date: **22 July 2008**

(30) Convention priority data:

(31) Number	(32) Date	(33) Country
409589	30 Aug 2007	NEW ZEALAND

(56) Related Art Documents: **Not Applicable**

(57) Statement of Newness and Distinctiveness: **The novelty claimed for the design resides in the features of shape and/or configuration all as shown in the representations. The name Sistema in the representations is to be ignored.**



- (21) Design Number: **12960/2008**
(22) Date of Filing Application: **27 February 2008**
(24) Date from which industrial property rights may have effect: **27 February 2008**
(54) Product in respect of which the design is registered: **A set of containers**
(51) International Design Classification: **09-03M, 09-03NES**
(71) Name(s) and Address(s) of Applicant(s):

Sistema Plastics Limited
80 Hugo Johnston Drive Penrose Auckland New Zealand

(72) Name(s) of Designer(s): **Brendan Jon Lindsay**

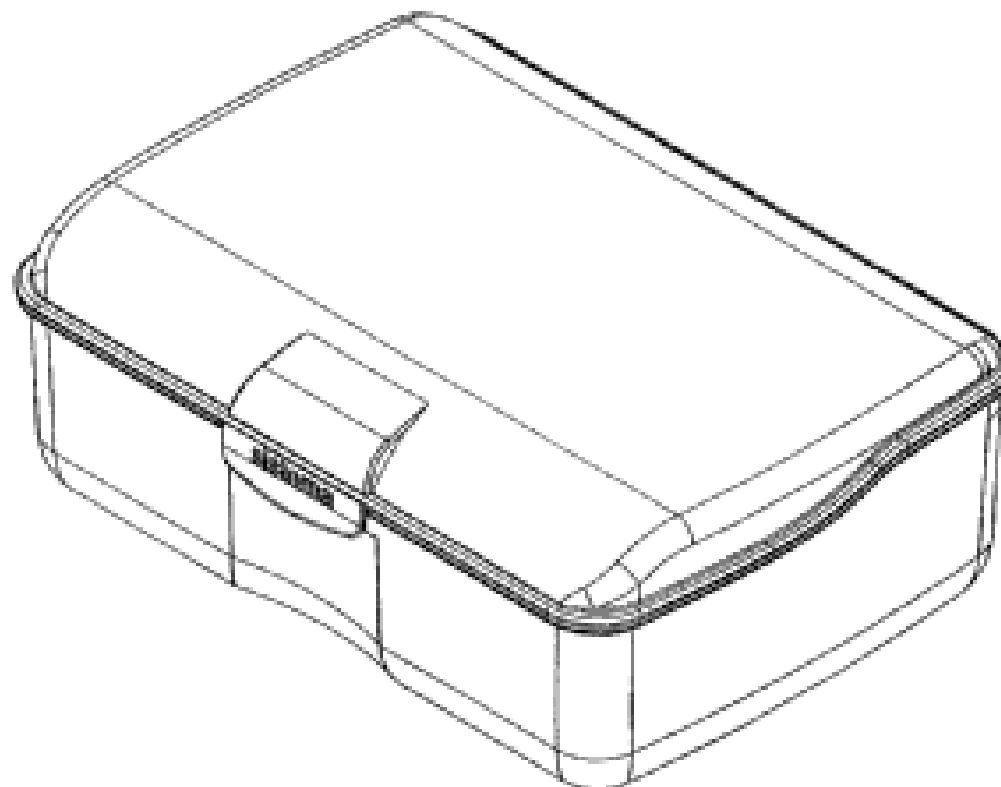
(45) Registration Date: **22 July 2008**

(30) Convention priority data:

(31) Number	(32) Date	(33) Country
409589	30 Aug 2007	NEW ZEALAND

(56) Related Art Documents: **Not Applicable**

(57) Statement of Newness and Distinctiveness: **The novelty claimed for the design resides in the features of shape and/or configuration all as shown in the representations. The name Sistema in the representations is to be ignored.**



- (21) Design Number: **12961/2008**
(22) Date of Filing Application: **27 February 2008**
(24) Date from which industrial property rights may have effect: **27 February 2008**
(54) Product in respect of which the design is registered: **A set of containers**
(51) International Design Classification: **09-03M, 09-03NES**
(71) Name(s) and Address(s) of Applicant(s):

Sistema Plastics Limited
80 Hugo Johnston Drive Penrose Auckland New Zealand

(72) Name(s) of Designer(s): **Brendan Jon Lindsay**

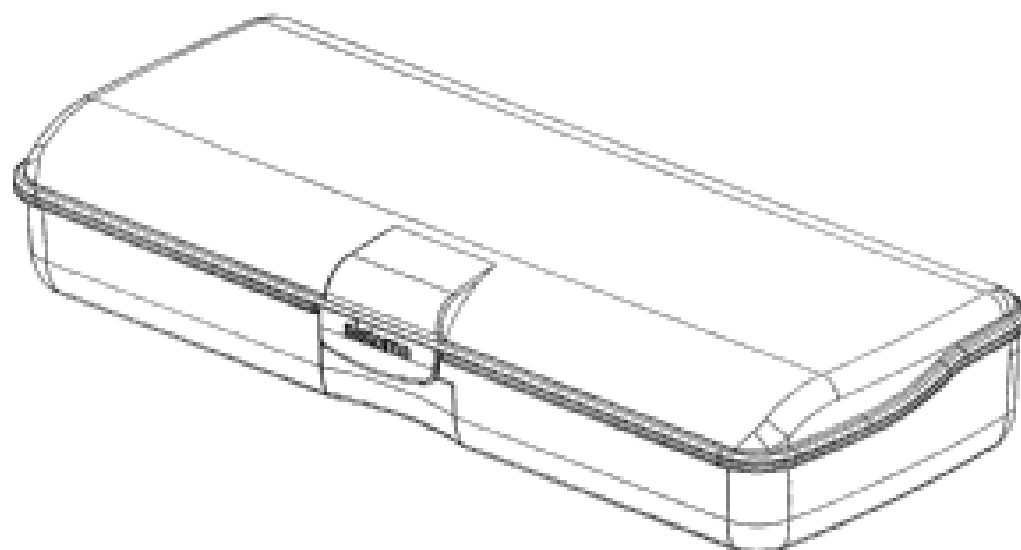
(45) Registration Date: **22 July 2008**

(30) Convention priority data:

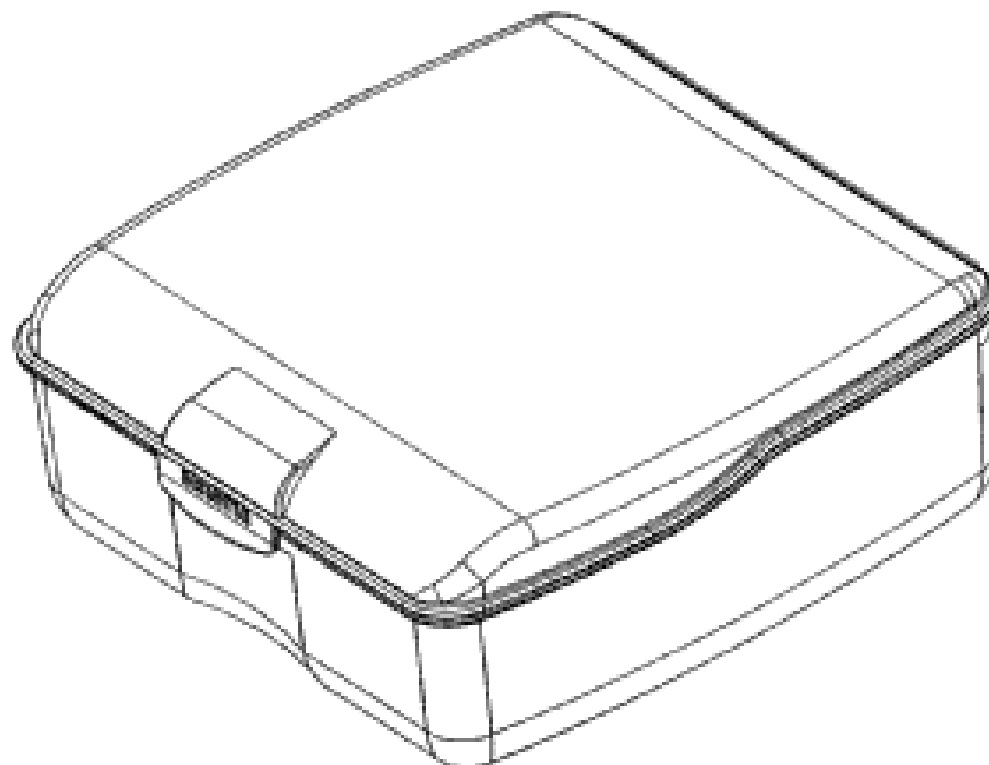
(31) Number	(32) Date	(33) Country
409589	30 Aug 2007	NEW ZEALAND

(56) Related Art Documents: **Not Applicable**

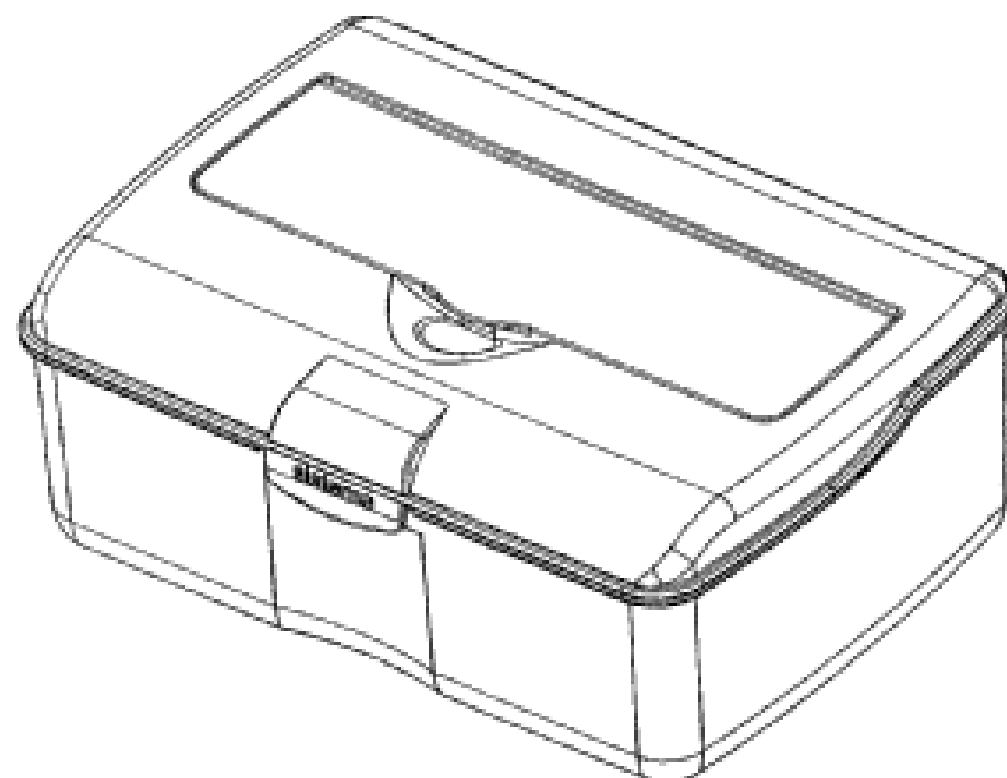
(57) Statement of Newness and Distinctiveness: **The novelty claimed for the design resides in the features of shape and/or configuration all as shown in the representations. The name Sistema in the representations is to be ignored.**



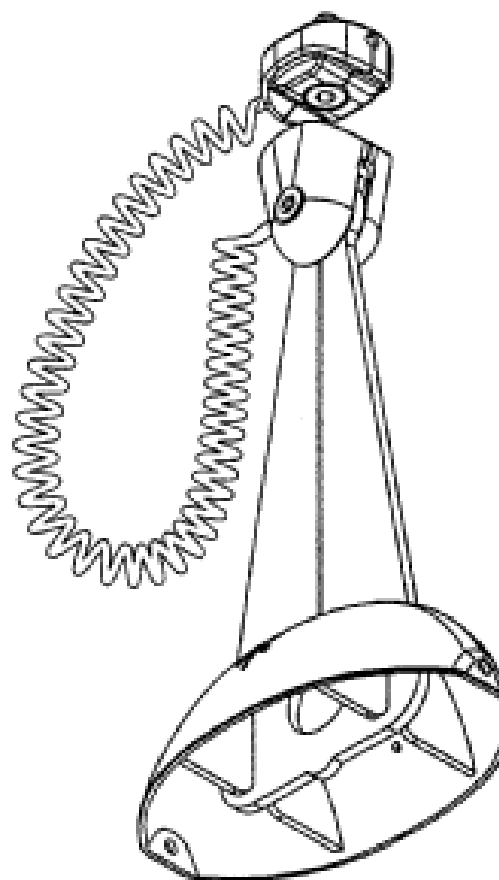
- (21) Design Number: **12962/2008**
(22) Date of Filing Application: **27 February 2008**
(24) Date from which industrial property rights may have effect: **27 February 2008**
(54) Product in respect of which the design is registered: **A set of containers**
(51) International Design Classification: **09-03M, 09-03NES**
(71) Name(s) and Address(s) of Applicant(s):
Sistema Plastics Limited
80 Hugo Johnston Drive Penrose Auckland New Zealand
(72) Name(s) of Designer(s): **Brendan Jon Lindsay**
(45) Registration Date: **22 July 2008**
(30) Convention priority data:
(31) Number (32) Date (33) Country
409589 30 Aug 2007 NEW ZEALAND
(56) Related Art Documents: **Not Applicable**
(57) Statement of Newness and Distinctiveness: **The novelty claimed for the design resides in the features of shape and/or configuration all as shown in the representations. The name Sistema in the representations is to be ignored.**



- (21) Design Number: **12963/2008**
(22) Date of Filing Application: **27 February 2008**
(24) Date from which industrial property rights may have effect: **27 February 2008**
(54) Product in respect of which the design is registered: **A set of containers**
(51) International Design Classification: **09-03M, 09-03NES**
(71) Name(s) and Address(s) of Applicant(s):
Sistema Plastics Limited
80 Hugo Johnston Drive Penrose Auckland New Zealand
(72) Name(s) of Designer(s): **Brendan Jon Lindsay**
(45) Registration Date: **22 July 2008**
(56) Related Art Documents: **Not Applicable**
(57) Statement of Newness and Distinctiveness: **The novelty claimed for the design resides in the features of shape and/or configuration all as shown in the representations. The name Sistema in the representations is to be ignored.**



- (21) Design Number: **11117/2008**
- (22) Date of Filing Application: **25 March 2008**
- (24) Date from which industrial property rights may have effect: **25 March 2008**
- (54) Product in respect of which the design is registered: **Anti theft device**
- (51) International Design Classification: **10-05**
- (71) Name(s) and Address(s) of Applicant(s):
 - Jim Cavanagh**
7/20 Narabang Way Belrose New South Wales 2085 Australia
 - Karl Priestly**
7/20 Narabang Way Belrose New South Wales 2085 Australia
- (72) Name(s) of Designer(s): **Jim Cavanagh and Karl Priestly**
- (45) Registration Date: **22 July 2008**
- (56) Related Art Documents: **Not Applicable**
- (57) Statement of Newness and Distinctiveness: **Newness and distinctiveness is claimed in the features of shape and/or configuration of an anti theft device as illustrated in the accompanying representations.**



- (21) Design Number: **11397/2008**
- (22) Date of Filing Application: **21 March 2008**
- (24) Date from which industrial property rights may have effect: **21 March 2008**
- (54) Product in respect of which the design is registered: **Boat**
- (51) International Design Classification: **12-06C**
- (71) Name(s) and Address(s) of Applicant(s):
 - Pax Scientific, Inc.**
1615 Fifth Avenue San Rafael CA 94901 United States of America
- (72) Name(s) of Designer(s): **Jayden David Harman**
- (45) Registration Date: **22 July 2008**
- (30) Convention priority data:

(31) Number	(32) Date	(33) Country
29/296,388	18 Oct 2007	UNITED STATES OF AMERICA
- (56) Related Art Documents: **Not Applicable**
- (57) Statement of Newness and Distinctiveness: **Newness and distinctiveness reside in the features of shape and configuration of a boat which is depicted in the accompanying representations.**



(21) Design Number: **11428/2008**
 (22) Date of Filing Application: **25 March 2008**
 (24) Date from which industrial property rights may have effect: **25 March 2008**
 (54) Product in respect of which the design is registered: **Holder for an electronic device**
 (51) International Design Classification: **14-99, 14-03A, 14-02**
 (71) Name(s) and Address(s) of Applicant(s):

Microsoft Corporation
One Microsoft Way Redmond Washington 98052 United States of America

(72) Name(s) of Designer(s): **Jonathan Reed Harris and Matthew Aaron Jubelirer and Carl J. Ledbetter and John Ikeda and Roger Jackson and Brandon Albert Lynne**

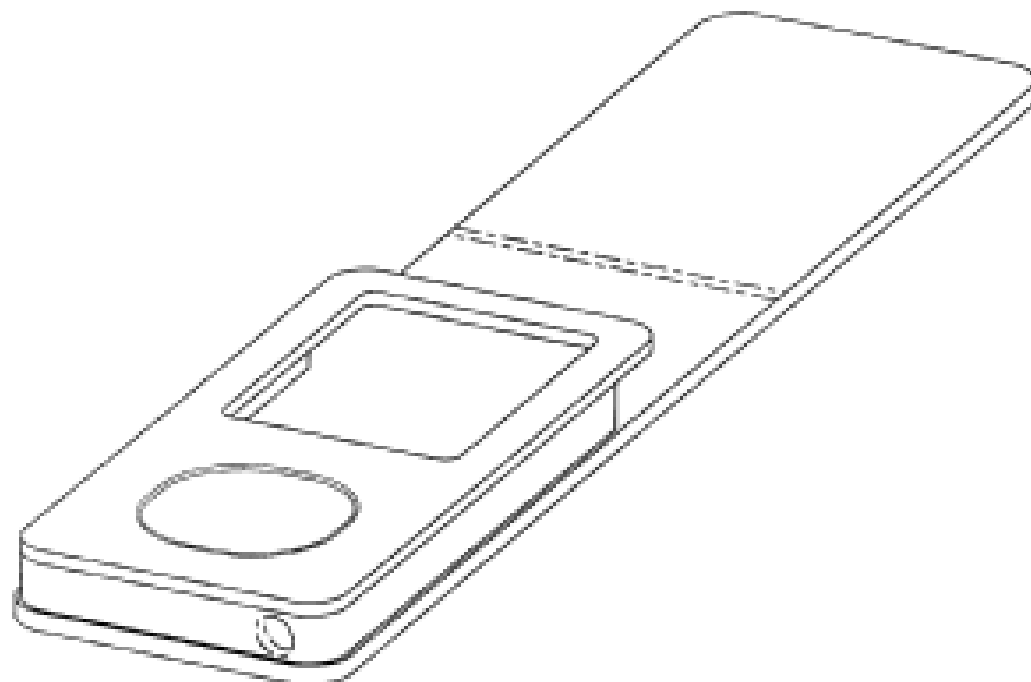
(45) Registration Date: **22 July 2008**

(30) Convention priority data:

(31) Number	(32) Date	(33) Country
29/295408	28 Sep 2007	UNITED STATES OF AMERICA

(56) Related Art Documents: **Not Applicable**

(57) Statement of Newness and Distinctiveness: **Newness and distinctiveness reside in the shape and/or configuration of a holder for an electronic device illustrated by solid lines in the accompanying representations. The features shown in broken outline are for illustrative purposes only and do not form part of the design.**



(21) Design Number: **11430/2008**
 (22) Date of Filing Application: **20 March 2008**
 (24) Date from which industrial property rights may have effect: **20 March 2008**
 (54) Product in respect of which the design is registered: **Shoot bolt**
 (51) International Design Classification: **08-07, 08-08B**
 (71) Name(s) and Address(s) of Applicant(s):

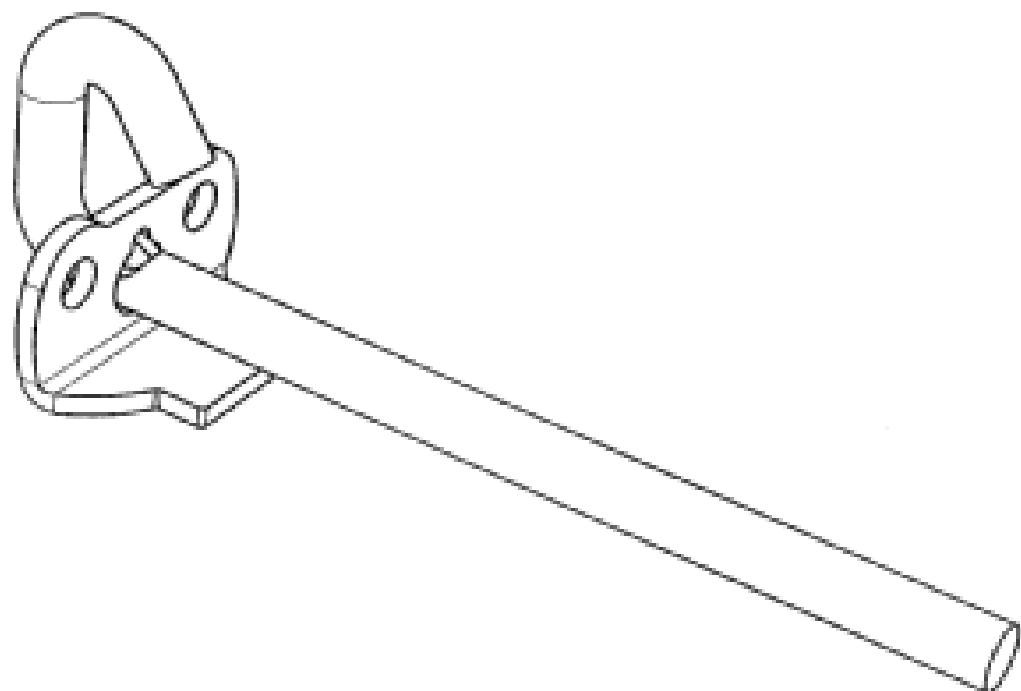
Lance Malcolm Vater
Unit 7 538 Portrush Road St Georges South Australia 5064 Australia

(72) Name(s) of Designer(s): **Lance Malcolm Vater**

(45) Registration Date: **22 July 2008**

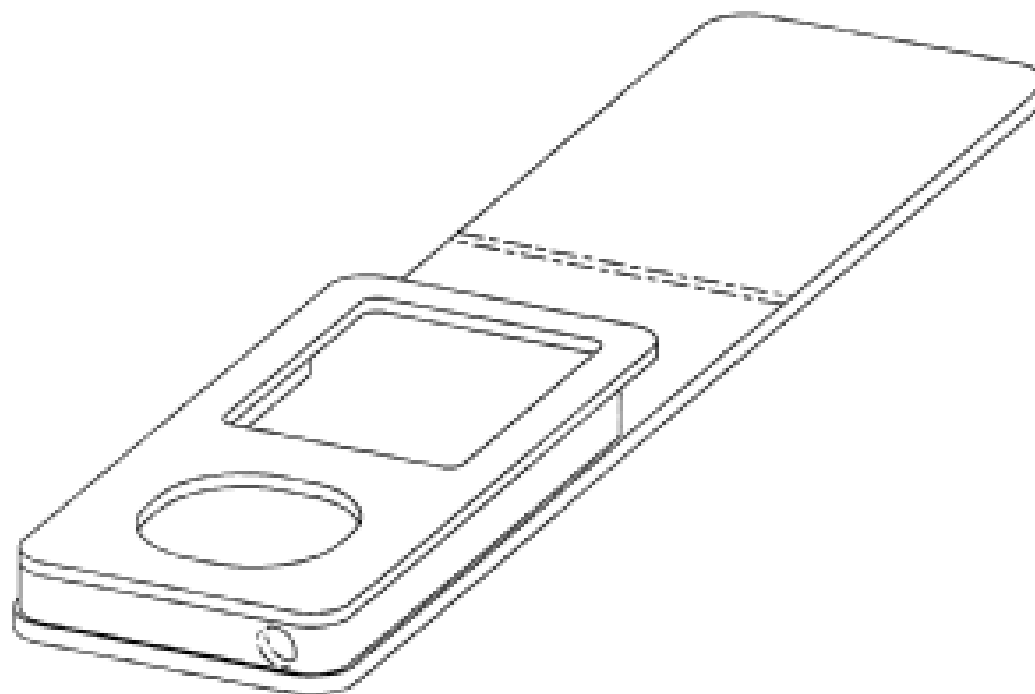
(56) Related Art Documents: **Not Applicable**

(57) Statement of Newness and Distinctiveness: **Nil**



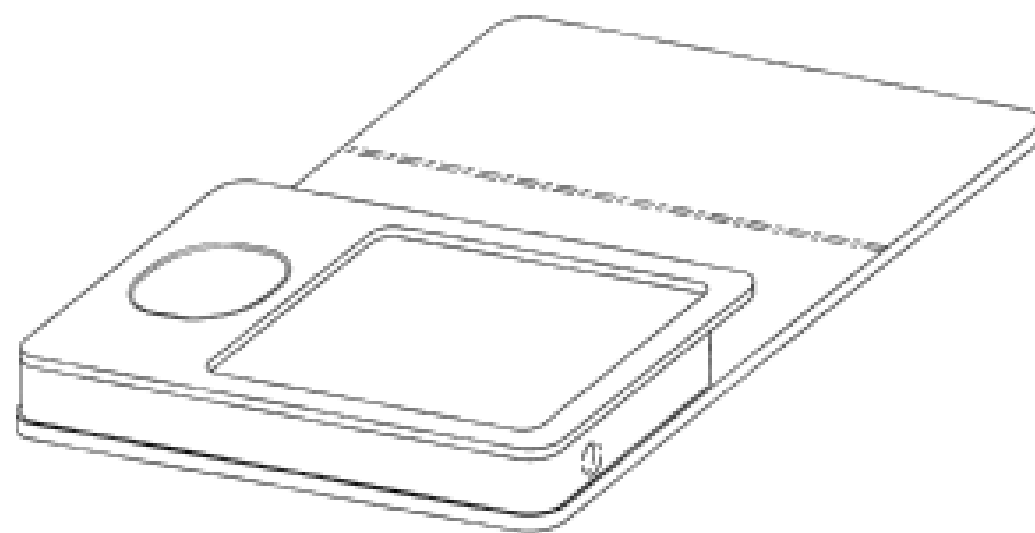
- (21) Design Number: **11432/2008**
- (22) Date of Filing Application: **25 March 2008**
- (24) Date from which industrial property rights may have effect: **25 March 2008**
- (54) Product in respect of which the design is registered: **Holder for an electronic device**
- (51) International Design Classification: **14-99, 14-03A, 14-02**
- (71) Name(s) and Address(s) of Applicant(s):
Microsoft Corporation
One Microsoft Way Redmond Washington 98052 United States of America
- (72) Name(s) of Designer(s): **Jonathan Reed Harris and Matthew Aaron Jubelirer and Carl J. Ledbetter and John Ikeda and Roger Jackson and Brandon Albert Lynne**
- (45) Registration Date: **22 July 2008**
- (30) Convention priority data:

(31) Number	(32) Date	(33) Country
29/295407	28 Sep 2007	UNITED STATES OF AMERICA
- (56) Related Art Documents: **Not Applicable**
- (57) Statement of Newness and Distinctiveness: **Newness and distinctiveness reside in the shape and/or configuration of a holder for an electronic device illustrated by solid lines in the accompanying representations. The features shown in broken outline are for illustrative purposes only and do not form part of the design.**



- (21) Design Number: **11433/2008**
- (22) Date of Filing Application: **25 March 2008**
- (24) Date from which industrial property rights may have effect: **25 March 2008**
- (54) Product in respect of which the design is registered: **Holder for an electronic device**
- (51) International Design Classification: **14-99, 14-02**
- (71) Name(s) and Address(s) of Applicant(s):
Microsoft Corporation
One Microsoft Way Redmond Washington 98052 United States of America
- (72) Name(s) of Designer(s): **Jonathan Reed Harris and Matthew Aaron Jubelirer and Carl J. Ledbetter and John Ikeda and Roger Jackson and Brandon Albert Lynne**
- (45) Registration Date: **22 July 2008**
- (30) Convention priority data:

(31) Number	(32) Date	(33) Country
29/295411	28 Sep 2007	UNITED STATES OF AMERICA
- (56) Related Art Documents: **Not Applicable**
- (57) Statement of Newness and Distinctiveness: **Newness and distinctiveness reside in the shape and/or configuration of a holder for an electronic device illustrated by solid lines in the accompanying representations. The features shown in broken outline are for illustrative purposes only and do not form part of the design.**



(21) Design Number: **11434/2008**
 (22) Date of Filing Application: **25 March 2008**
 (24) Date from which industrial property rights may have effect: **25 March 2008**
 (54) Product in respect of which the design is registered: **Holder for an electronic device**
 (51) International Design Classification: **14-99, 14-02**
 (71) Name(s) and Address(s) of Applicant(s):

Microsoft Corporation
One Microsoft Way Redmond Washington 98052 United States of America

(72) Name(s) of Designer(s): **Jonathan Reed Harris and Matthew Aaron Jubelirer and Carl J. Ledbetter and John Ikeda and Roger Jackson and Brandon Albert Lynne**

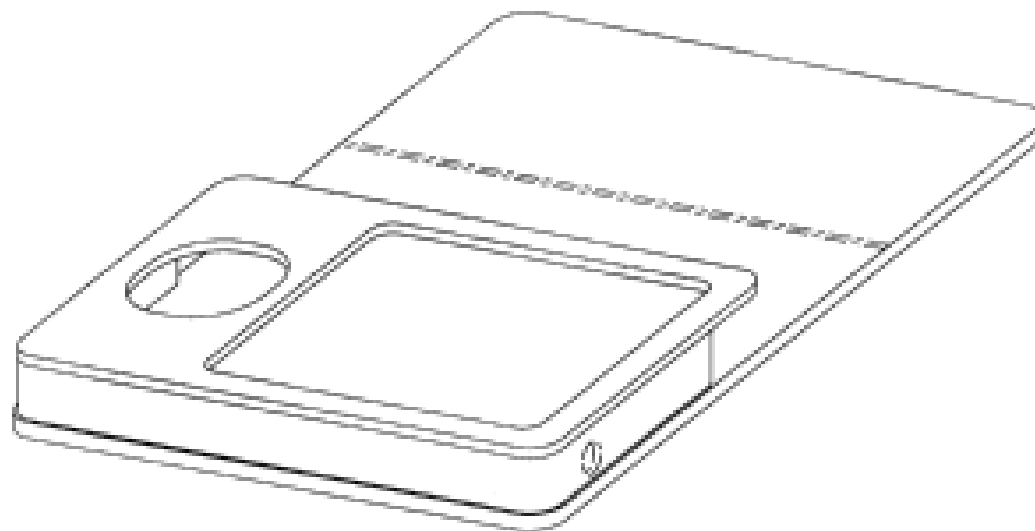
(45) Registration Date: **22 July 2008**

(30) Convention priority data:

(31) Number	(32) Date	(33) Country
29/295410	28 Sep 2007	UNITED STATES OF AMERICA

(56) Related Art Documents: **Not Applicable**

(57) Statement of Newness and Distinctiveness: **Newness and distinctiveness reside in the shape and/or configuration of a holder for an electronic device illustrated by solid lines in the accompanying representations. The features shown in broken outline are for illustrative purposes only and do not form part of the design.**



(21) Design Number: **10860/2008**
 (22) Date of Filing Application: **22 February 2008**
 (24) Date from which industrial property rights may have effect: **22 February 2008**
 (54) Product in respect of which the design is registered: **Remote controller**
 (51) International Design Classification: **14-03NES**
 (71) Name(s) and Address(s) of Applicant(s):

Microsoft Corporation
One Microsoft Way Redmond Washington 98052 United States of America

(72) Name(s) of Designer(s): **Carl J. Ledbetter and John Ikeda and Michael Baseflug and Anthony Reed and David Henry Wykes**

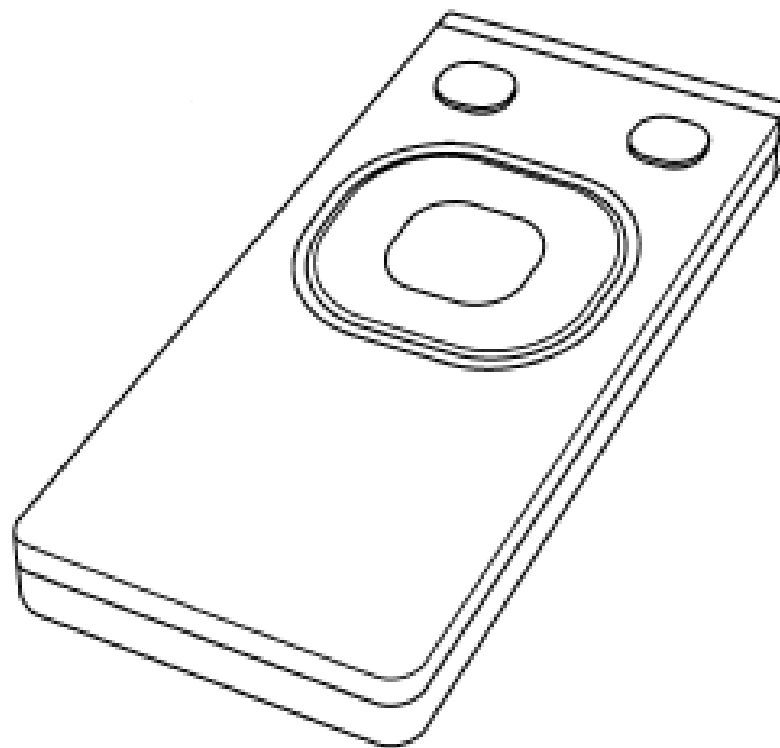
(45) Registration Date: **23 July 2008**

(30) Convention priority data:

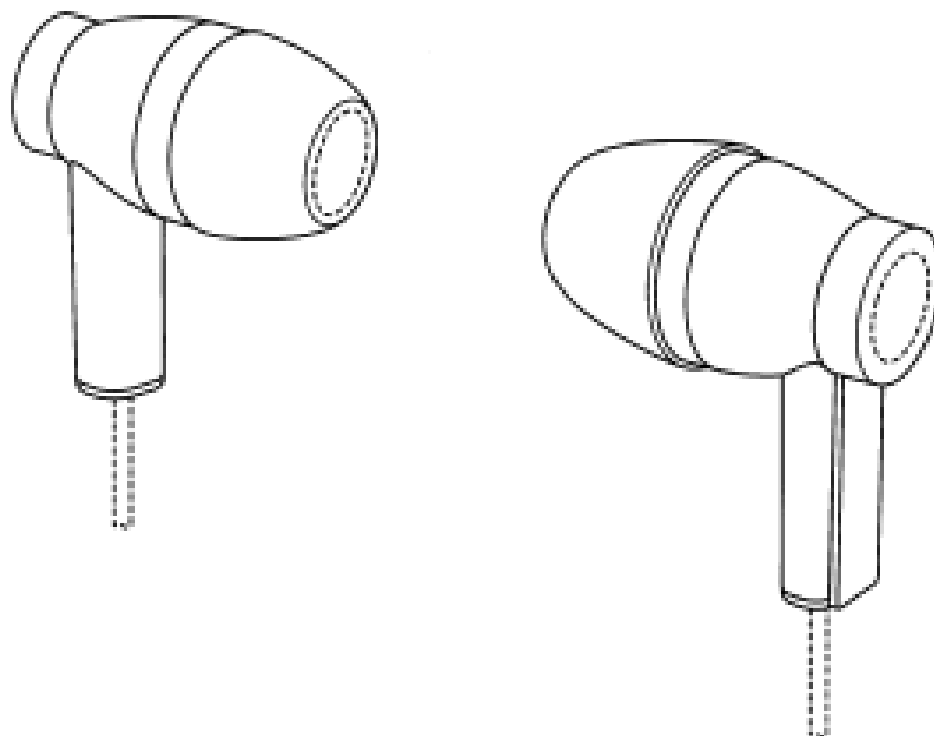
(31) Number	(32) Date	(33) Country
29/283842	24 Aug 2007	UNITED STATES OF AMERICA

(56) Related Art Documents: **Not Applicable**

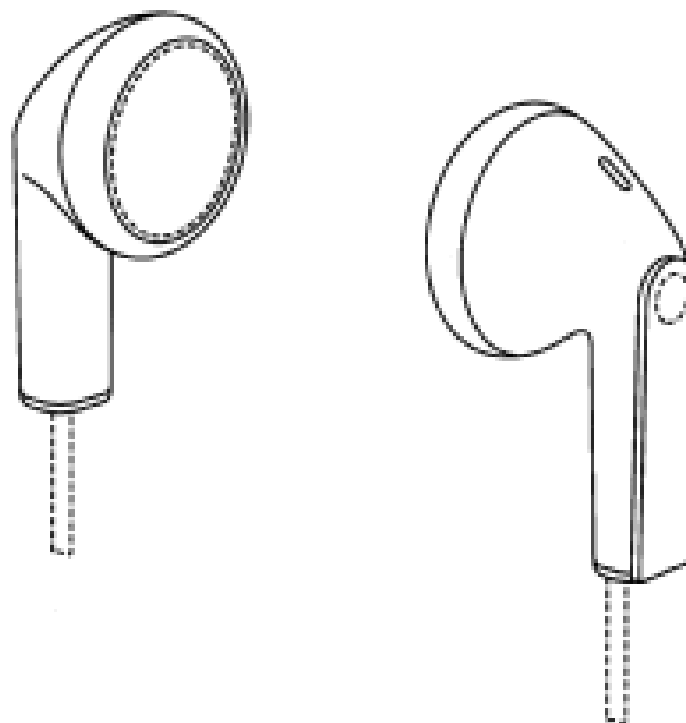
(57) Statement of Newness and Distinctiveness: **Newness and distinctiveness reside in the shape and/or configuration of a remote controller illustrated by solid by solid lines in the accompanying representations. The features shown in broken outline are for illustrative purposes only and do not form part of the design.**



(21) Design Number: **10862/2008**
 (22) Date of Filing Application: **22 February 2008**
 (24) Date from which industrial property rights may have effect: **22 February 2008**
 (54) Product in respect of which the design is registered: **Ear phones**
 (51) International Design Classification: **14-01**
 (71) Name(s) and Address(s) of Applicant(s):
Microsoft Corporation
One Microsoft Way Redmond Washington 98052 United States of America
 (72) Name(s) of Designer(s): **Carl J. Ledbetter and John Ikeda and Saro Nalbandian**
 (45) Registration Date: **23 July 2008**
 (30) Convention priority data:
 (31) Number (32) Date (33) Country
29/283840 24 Aug 2007 UNITED STATES OF AMERICA
 (56) Related Art Documents: **Not Applicable**
 (57) Statement of Newness and Distinctiveness: **Newness and distinctiveness reside in the shape and/or configuration of a set of ear phones illustrated by solid lines in the accompanying representations. The features shown in broken outline are for illustrative purposes only and do not form part of the design.**



(21) Design Number: **10863/2008**
 (22) Date of Filing Application: **22 February 2008**
 (24) Date from which industrial property rights may have effect: **22 February 2008**
 (54) Product in respect of which the design is registered: **Ear phones**
 (51) International Design Classification: **14-01**
 (71) Name(s) and Address(s) of Applicant(s):
Microsoft Corporation
One Microsoft Way Redmond Washington 98052 United States of America
 (72) Name(s) of Designer(s): **Carl J. Ledbetter and John Ikeda and Saro Nalbandian**
 (45) Registration Date: **23 July 2008**
 (30) Convention priority data:
 (31) Number (32) Date (33) Country
29/283836 24 Aug 2007 UNITED STATES OF AMERICA
 (56) Related Art Documents: **Not Applicable**
 (57) Statement of Newness and Distinctiveness: **Newness and distinctiveness reside in the shape and/or configuration of a set of ear phones illustrated by solid lines in the accompanying representations. The features shown in broken outline are for illustrative purposes only and do not form part of the design.**



(21) Design Number: **11121/2008**

(22) Date of Filing Application: **10 March 2008**

(24) Date from which industrial property rights may have effect: **10 March 2008**

(54) Product in respect of which the design is registered: **Interlocking paver**

(51) International Design Classification: **25-01A**

(71) Name(s) and Address(s) of Applicant(s):

Waldemar Szczepina
72 Lavender Street Inala Queensland 4077 Australia

(72) Name(s) of Designer(s): **Waldemar Szczepina**

(45) Registration Date: **23 July 2008**

(56) Related Art Documents: **Not Applicable**

(57) Statement of Newness and Distinctiveness: **Pavers interlock and stay level regardless of imperfections or movements of the surface below.**



(21) Design Number: **11440/2008**

(22) Date of Filing Application: **25 March 2008**

(24) Date from which industrial property rights may have effect: **25 March 2008**

(54) Product in respect of which the design is registered: **A container**

(51) International Design Classification: **09-03M, 03-01NES**

(71) Name(s) and Address(s) of Applicant(s):

LRC Products Limited
35 New Bridge Street London EC4V 6BW United Kingdom

(72) Name(s) of Designer(s): **Sarah Ann Sage**

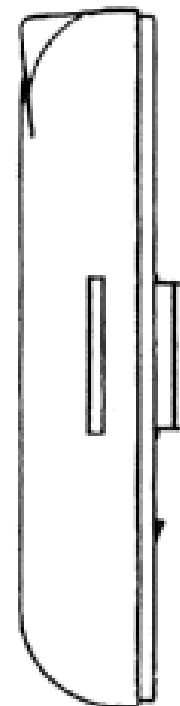
(45) Registration Date: **23 July 2008**

(30) Convention priority data:

(31) Number	(32) Date	(33) Country
000799671-0002	26 Sep 2007	EUROPEAN COMMUNITY

(56) Related Art Documents: **Not Applicable**

(57) Statement of Newness and Distinctiveness: **The container shown in the representations is new and distinctive.**



(21) Design Number: **11441/2008**

(22) Date of Filing Application: **25 March 2008**

(24) Date from which industrial property rights may have effect: **25 March 2008**

(54) Product in respect of which the design is registered: **A container**

(51) International Design Classification: **09-03M, 03-01NES**

(71) Name(s) and Address(s) of Applicant(s):

LRC Products Limited
35 New Bridge Street London EC4V 6BW United Kingdom

(72) Name(s) of Designer(s): **Sarah Ann Sage**

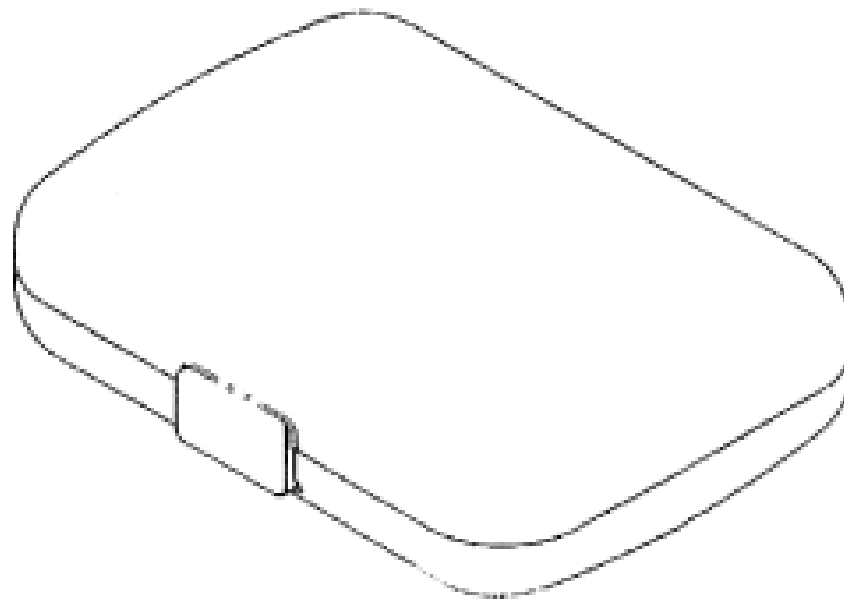
(45) Registration Date: **23 July 2008**

(30) Convention priority data:

(31) Number	(32) Date	(33) Country
000799671-0001	26 Sep 2007	EUROPEAN COMMUNITY

(56) Related Art Documents: **Not Applicable**

(57) Statement of Newness and Distinctiveness: **The container shown in the representations is new and distinctive.**



(21) Design Number: **11442/2008**

(22) Date of Filing Application: **25 March 2008**

(24) Date from which industrial property rights may have effect: **25 March 2008**

(54) Product in respect of which the design is registered: **A container**

(51) International Design Classification: **09-03M, 03-01NES**

(71) Name(s) and Address(s) of Applicant(s):

LRC Products Limited
35 New Bridge Street London EC4V 6BW United Kingdom

(72) Name(s) of Designer(s): **Sarah Ann Sage**

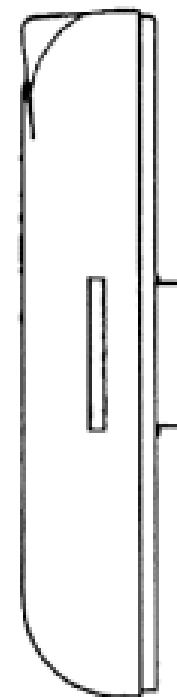
(45) Registration Date: **23 July 2008**

(30) Convention priority data:

(31) Number	(32) Date	(33) Country
000799671-0003	26 Sep 2007	EUROPEAN COMMUNITY

(56) Related Art Documents: **Not Applicable**

(57) Statement of Newness and Distinctiveness: **The container shown in the representations is new and distinctive.**



(21) Design Number: **11457/2008**

(22) Date of Filing Application: **26 March 2008**

(24) Date from which industrial property rights may have effect: **26 March 2008**

(54) Product in respect of which the design is registered: **Bottle**

(51) International Design Classification: **09-01H**

(71) Name(s) and Address(s) of Applicant(s):

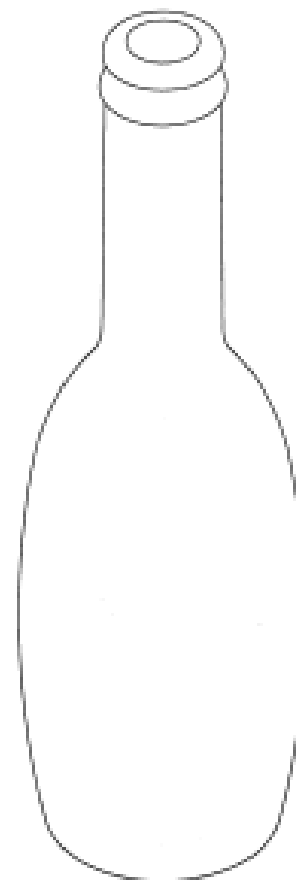
Shady Lady Beer Pty Ltd
39 Darlinghurst Road Kings Cross New South Wales 2011 Australia

(72) Name(s) of Designer(s): **Lili Chel and Philip Smith**

(45) Registration Date: **23 July 2008**

(56) Related Art Documents: **Not Applicable**

(57) Statement of Newness and Distinctiveness: **Newness and distinctiveness is claimed in the features of shape and configuration of a bottle as illustrated in the accompanying representations.**



(21) Design Number: **11458/2008**

(22) Date of Filing Application: **26 March 2008**

(24) Date from which industrial property rights may have effect: **26 March 2008**

(54) Product in respect of which the design is registered: **Brush**

(51) International Design Classification: **04-02**

(71) Name(s) and Address(s) of Applicant(s):

Unilever PLC
Unilever House Blackfriars London EC4P 4BQ United Kingdom

(72) Name(s) of Designer(s): **Jeffrey Silver Taggart and Jeffrey M. Kalman and John Richard Nottingham and John Wilford Sprik and Jay Tapper and Rachel Marie Nottingham and Carolyn Marie McNeeley and Richard Skinner and Brian Douglas Wall and Stephen Lee Wire**

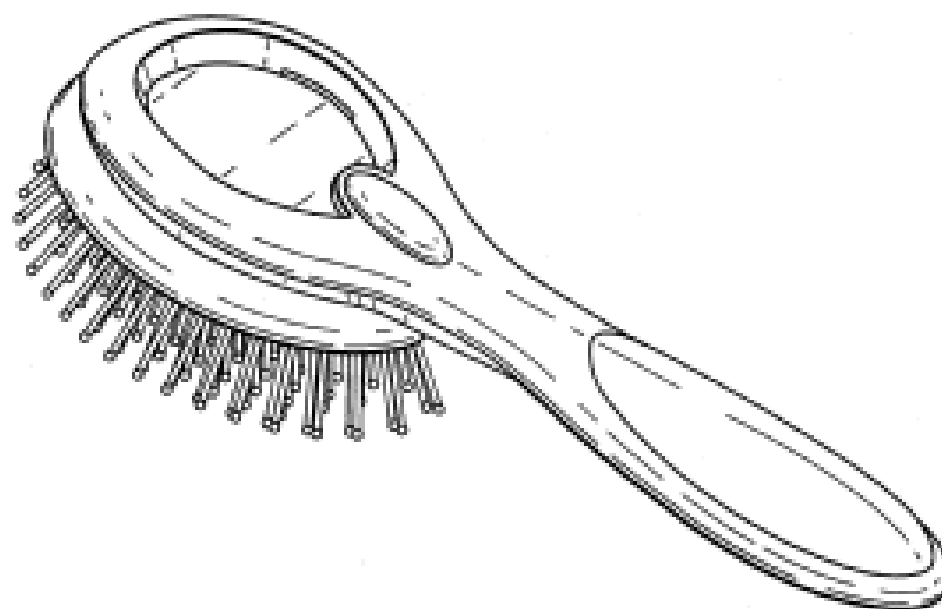
(45) Registration Date: **23 July 2008**

(30) Convention priority data:

(31) Number	(32) Date	(33) Country
29/292240	03 Oct 2007	UNITED STATES OF AMERICA

(56) Related Art Documents: **Not Applicable**

(57) Statement of Newness and Distinctiveness: **Newness and distinctiveness is claimed in the visual features shown in solid lines in the representations.**



(21) Design Number: **11459/2008**

(22) Date of Filing Application: **26 March 2008**

(24) Date from which industrial property rights may have effect: **26 March 2008**

(54) Product in respect of which the design is registered: **A mixer tap**

(51) International Design Classification: **23-01H**

(71) Name(s) and Address(s) of Applicant(s):

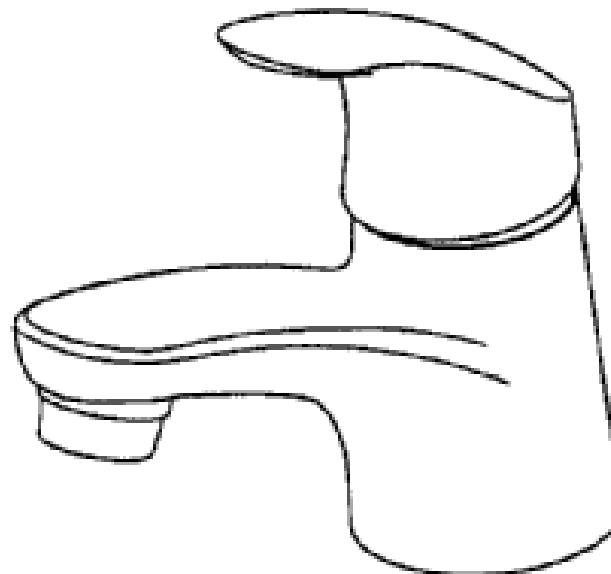
Caroma Industries Limited
10 Market Street Brisbane Queensland 4000 Australia

(72) Name(s) of Designer(s): **Stephen John Cummings and David Giorgio**

(45) Registration Date: **23 July 2008**

(56) Related Art Documents: **Not Applicable**

(57) Statement of Newness and Distinctiveness: **Newness and distinctiveness is claimed in the features of shape and/or configuration of a mixer tap as illustrated in the accompanying representations.**



(21) Design Number: **11460/2008**

(22) Date of Filing Application: **26 March 2008**

(24) Date from which industrial property rights may have effect: **26 March 2008**

(54) Product in respect of which the design is registered: **Endotracheal tubes**

(51) International Design Classification: **24-01**

(71) Name(s) and Address(s) of Applicant(s):

International Patents Inc.
La Rosiere (Registered Agents & Trustees) Limited Maison la Rosiere
Victoria Mahe Seychelles

(72) Name(s) of Designer(s): **Peter J. Young and William Depel and Archibald I.J. Brain**

(45) Registration Date: **23 July 2008**

(30) Convention priority data:

(31) Number	(32) Date	(33) Country
000818539	25 Oct 2007	EUROPEAN COMMUNITY

(56) Related Art Documents: **Not Applicable**

(57) Statement of Newness and Distinctiveness: **Nil**



(21) Design Number: **11461/2008**
(22) Date of Filing Application: **26 March 2008**
(24) Date from which industrial property rights may have effect: **26 March 2008**
(54) Product in respect of which the design is registered: **Holder for an electronic device**

(51) International Design Classification: **14-99, 14-02**

(71) Name(s) and Address(s) of Applicant(s):

Microsoft Corporation
One Microsoft Way Redmond Washington 98052 United States of America

(72) Name(s) of Designer(s): **Jonathan Reed Harris and Matthew Aaron Jubelirer and Carl J. Ledbetter and John Ikeda and Roger Jackson and Brandon Albert Lynne**

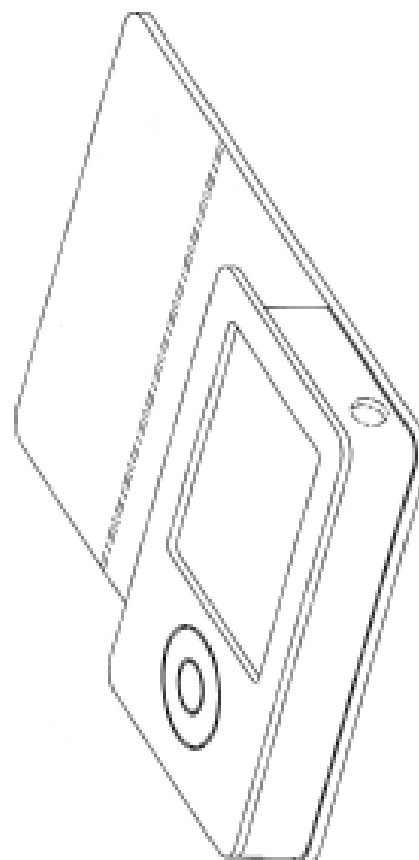
(45) Registration Date: **23 July 2008**

(30) Convention priority data:

(31) Number	(32) Date	(33) Country
29/295409	28 Sep 2007	UNITED STATES OF AMERICA

(56) Related Art Documents: **Not Applicable**

(57) Statement of Newness and Distinctiveness: **Newness and distinctiveness reside in the shape and/or configuration of a holder for an electronic device illustrated by solid lines in the accompanying representations. The features shown in broken outline are for illustrative purposes only and do not form part of the design.**



(21) Design Number: **11462/2008**
(22) Date of Filing Application: **27 March 2008**
(24) Date from which industrial property rights may have effect: **27 March 2008**
(54) Product in respect of which the design is registered: **A vehicle**

(51) International Design Classification: **12-13**

(71) Name(s) and Address(s) of Applicant(s):

Golfit Ltd.
Kibbutz Tel Katzir 15165 Jordan Valley Israel

(72) Name(s) of Designer(s): **Shai Gal and Arie Becker**

(45) Registration Date: **23 July 2008**

(56) Related Art Documents: **Not Applicable**

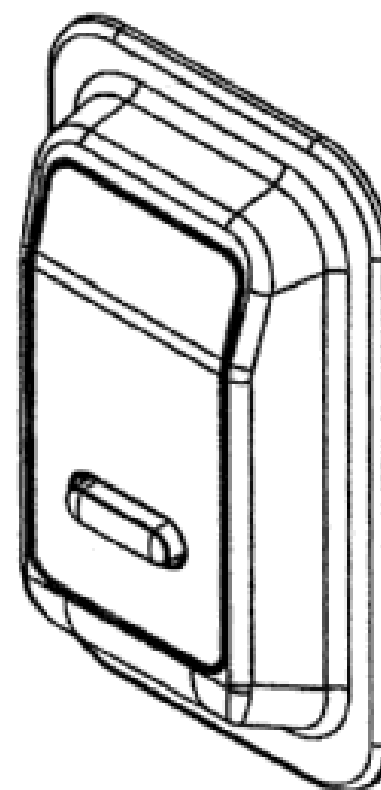
(57) Statement of Newness and Distinctiveness: **Nil**



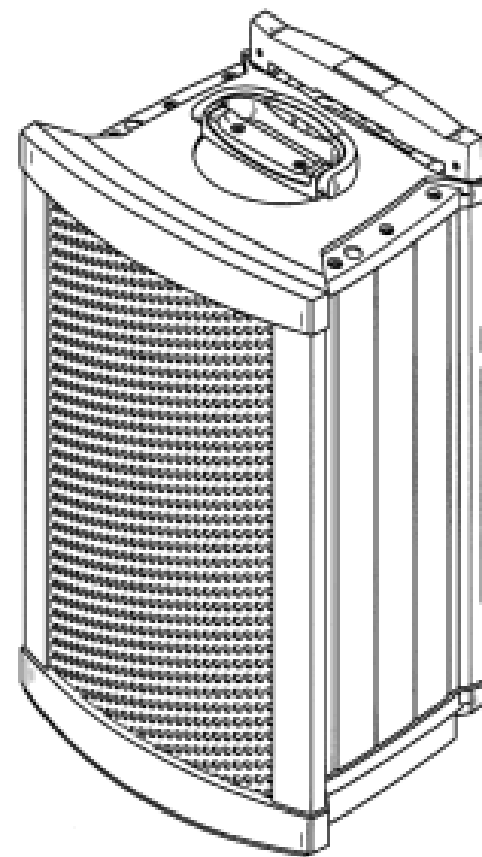
- (21) Design Number: **11470/2008**
(22) Date of Filing Application: **26 March 2008**
(24) Date from which industrial property rights may have effect: **26 March 2008**
(54) Product in respect of which the design is registered: **Outer door handle assembly**
(51) International Design Classification: **08-06**
(71) Name(s) and Address(s) of Applicant(s):
Lock Focus Pty Ltd
25 Futura Road Keysborough Victoria 3173 Australia
(72) Name(s) of Designer(s): **John Walsh and Nathan Glibatsas**
(45) Registration Date: **23 July 2008**
(56) Related Art Documents: **Not Applicable**
(57) Statement of Newness and Distinctiveness: **Novelty resides in the outward appearance of the door handle, no novelty residing in the portion marked A shown in dashed outline or the rear view of the door handle assembly.**



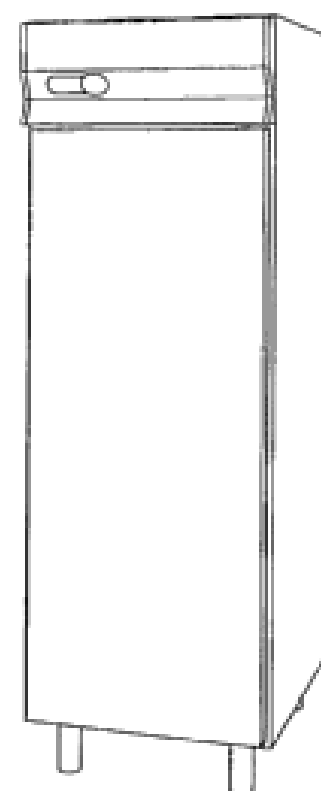
- (21) Design Number: **11471/2008**
(22) Date of Filing Application: **26 March 2008**
(24) Date from which industrial property rights may have effect: **26 March 2008**
(54) Product in respect of which the design is registered: **Door lock light assembly**
(51) International Design Classification: **26-99**
(71) Name(s) and Address(s) of Applicant(s):
Lock Focus Pty Ltd
25 Futura Road Keysborough Victoria 3173 Australia
(72) Name(s) of Designer(s): **John Walsh and Nathan Glibatsas**
(45) Registration Date: **23 July 2008**
(56) Related Art Documents: **Not Applicable**
(57) Statement of Newness and Distinctiveness: **Novelty resides in the outward appearance of the light assembly and not in the rear plan view.**



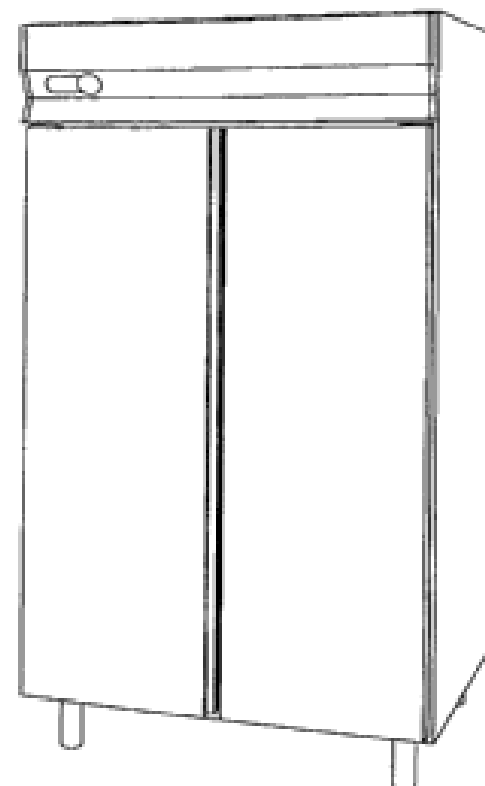
(21) Design Number: **11506/2008**
(22) Date of Filing Application: **26 March 2008**
(24) Date from which industrial property rights may have effect: **26 March 2008**
(54) Product in respect of which the design is registered: **Amplifier**
(51) International Design Classification: **14-03NES**
(71) Name(s) and Address(s) of Applicant(s):
Chiayo Electronics Co., Ltd.
No. 88 Chung-Shiao 2 Street Chia-Yi City Taiwan R.O.C.
(72) Name(s) of Designer(s): **Te-Wei Kung**
(45) Registration Date: **23 July 2008**
(56) Related Art Documents: **Not Applicable**
(57) Statement of Newness and Distinctiveness: **Nil**



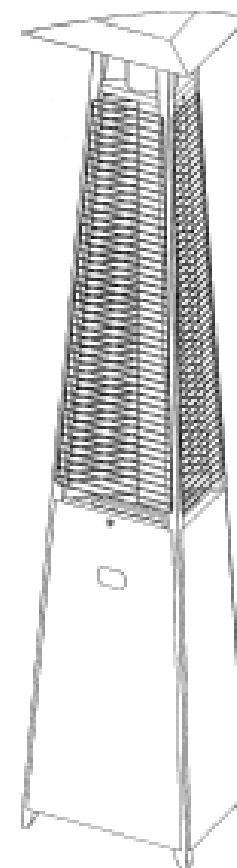
(21) Design Number: **11455/2008**
(22) Date of Filing Application: **26 March 2008**
(24) Date from which industrial property rights may have effect: **26 March 2008**
(54) Product in respect of which the design is registered: **Refrigerator**
(51) International Design Classification: **15-07**
(71) Name(s) and Address(s) of Applicant(s):
Sanyo Electric Co., Ltd.
5-5 Keihanondori 2-chome Moriguchi-shi Osaka 570-8677 Japan
(72) Name(s) of Designer(s): **Yasuhisa Ikeda**
(45) Registration Date: **23 July 2008**
(30) Convention priority data:
(31) Number (32) Date (33) Country
2007-028439 17 Oct 2007 JAPAN
(56) Related Art Documents: **Not Applicable**
(57) Statement of Newness and Distinctiveness: **Nil**



(21) Design Number: **11456/2008**
(22) Date of Filing Application: **26 March 2008**
(24) Date from which industrial property rights may have effect: **26 March 2008**
(54) Product in respect of which the design is registered: **Refrigerator**
(51) International Design Classification: **15-07**
(71) Name(s) and Address(s) of Applicant(s):
Sanyo Electric Co., Ltd.
5-5 Keihanondori 2-chome Moriguchi-shi Osaka 570-8677 Japan
(72) Name(s) of Designer(s): **Yasuhisa Ikeda**
(45) Registration Date: **23 July 2008**
(30) Convention priority data:
(31) Number (32) Date (33) Country
2007-028438 17 Oct 2007 JAPAN
(56) Related Art Documents: **Not Applicable**
(57) Statement of Newness and Distinctiveness: **Nil**



(21) Design Number: **11694/2008**
(22) Date of Filing Application: **25 March 2008**
(24) Date from which industrial property rights may have effect: **25 March 2008**
(54) Product in respect of which the design is registered: **Patio heater (triangle)**
(51) International Design Classification: **23-03B, 23-03NES**
(71) Name(s) and Address(s) of Applicant(s):
Changzhou Gardensun Co., Ltd.
No. 1 Xinwu Boyi Town Wujin District Changzhou Jiangsu 213141
China
(72) Name(s) of Designer(s): **Jianping Wang**
(45) Registration Date: **23 July 2008**
(30) Convention priority data:
(31) Number (32) Date (33) Country
200730193981.7 30 Oct 2007 CHINA
(56) Related Art Documents: **Not Applicable**
(57) Statement of Newness and Distinctiveness: **Nil**



(21) Design Number: **10260/2008**

(22) Date of Filing Application: **18 January 2008**

(24) Date from which industrial property rights may have effect: **18 January 2008**

(54) Product in respect of which the design is registered: **Container**

(51) International Design Classification: **09-03K**

(71) Name(s) and Address(s) of Applicant(s):

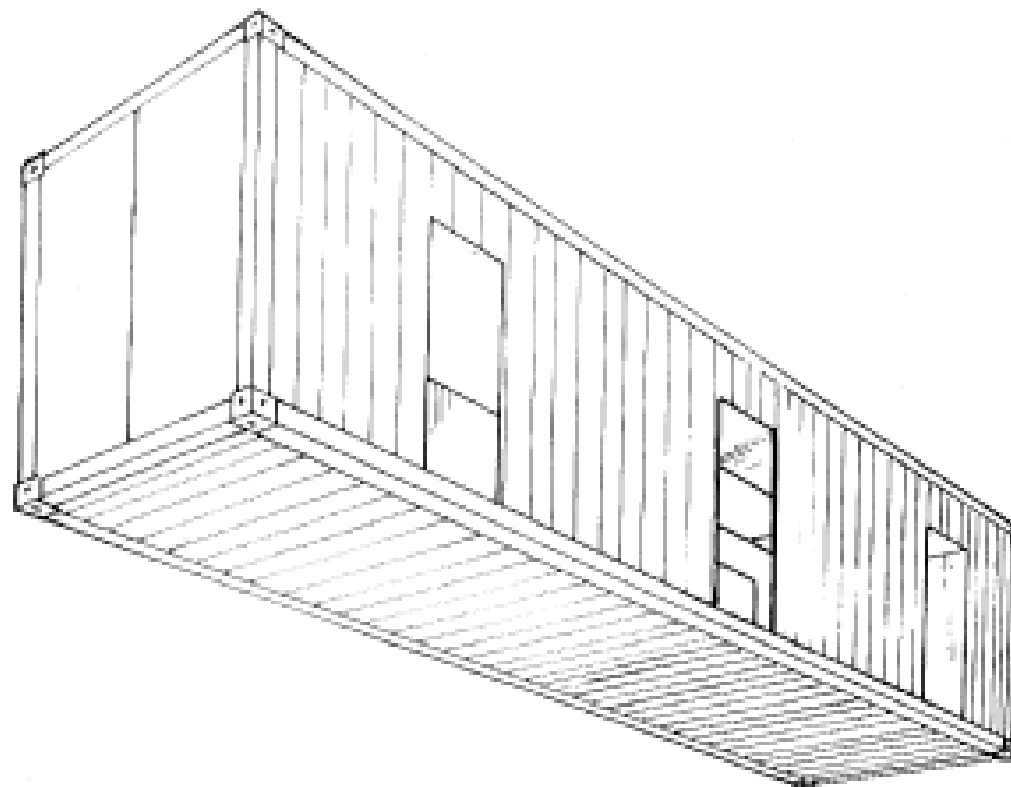
**Sea Box International Pty Ltd
17 Isa Street Fyshwick ACT 2609 Australia**

(72) Name(s) of Designer(s): **Shaun Moore**

(45) Registration Date: **29 July 2008**

(56) Related Art Documents: **Not Applicable**

(57) Statement of Newness and Distinctiveness: **Nil**



(21) Design Number: **12563/2008**

(22) Date of Filing Application: **18 January 2008**

(24) Date from which industrial property rights may have effect: **18 January 2008**

(54) Product in respect of which the design is registered: **Container**

(51) International Design Classification: **09-03K**

(71) Name(s) and Address(s) of Applicant(s):

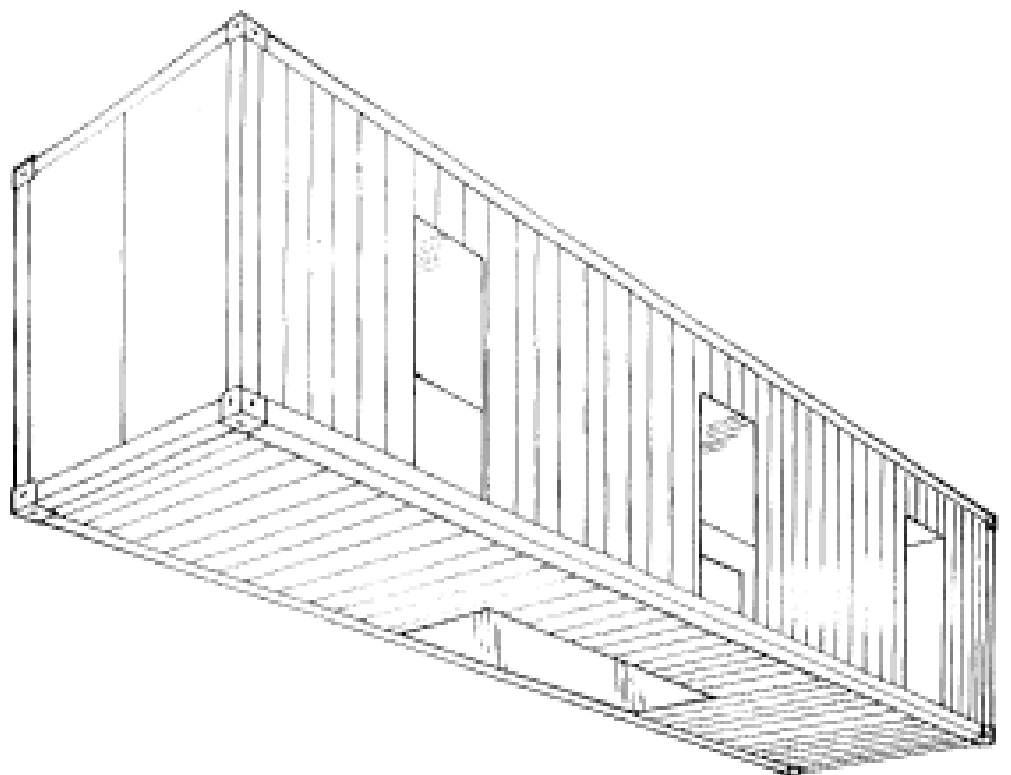
**Sea Box International Pty Ltd
17 Isa Street Fyshwick ACT 2609 Australia**

(72) Name(s) of Designer(s): **Shaun Moore**

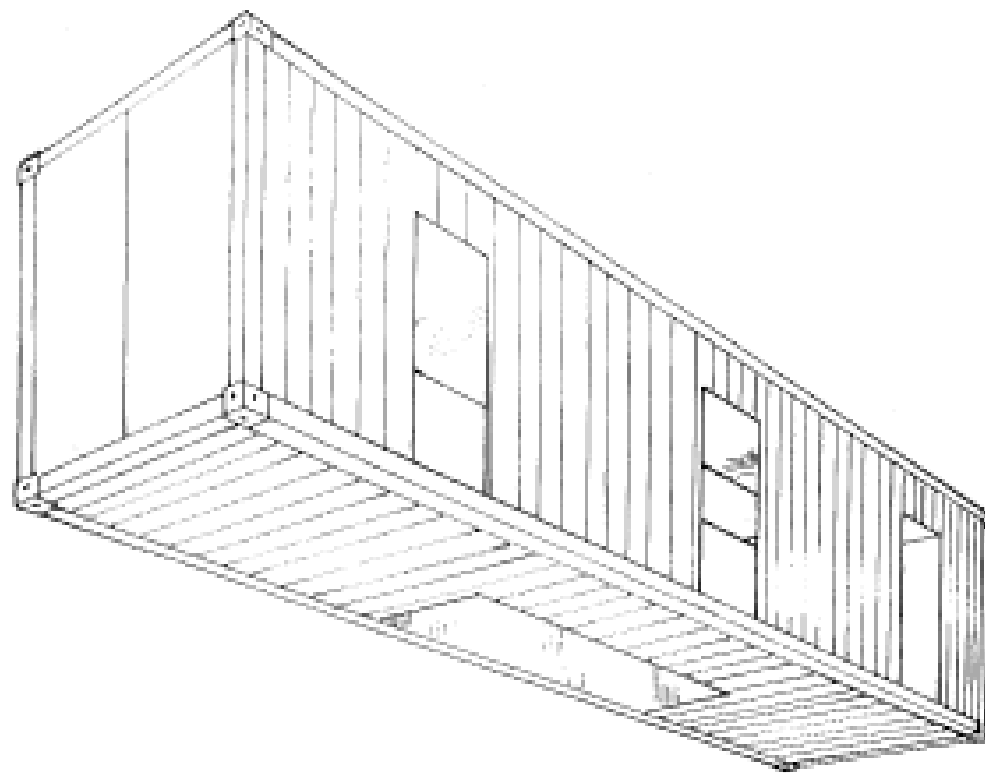
(45) Registration Date: **29 July 2008**

(56) Related Art Documents: **Not Applicable**

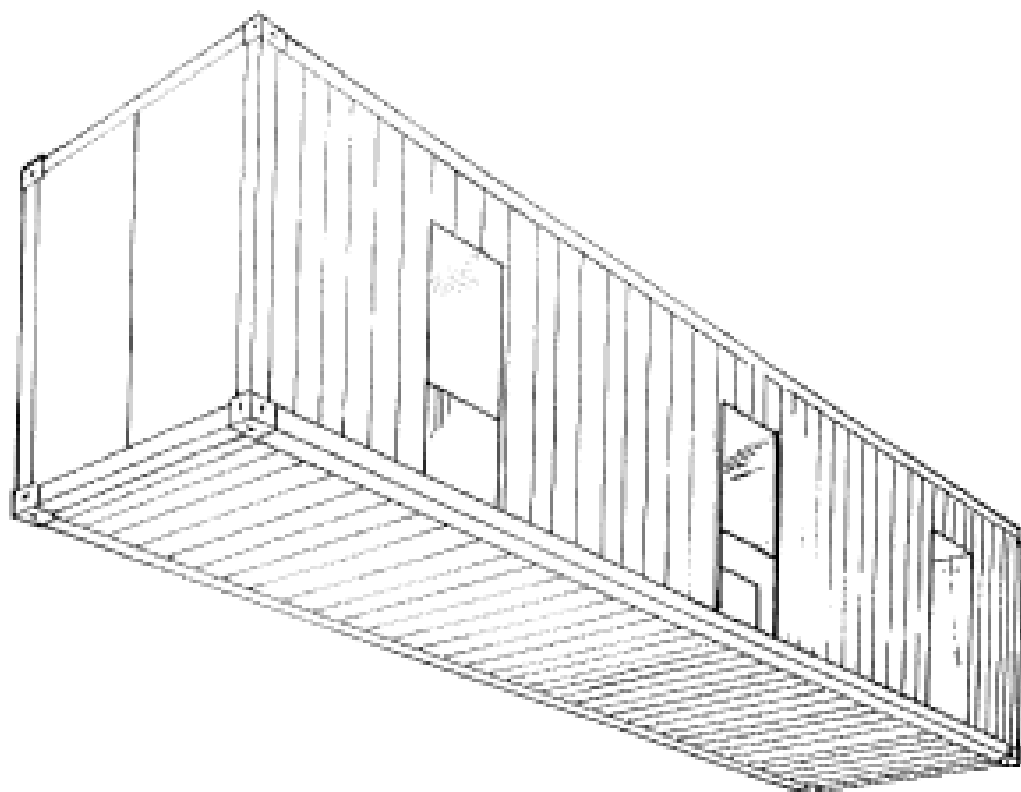
(57) Statement of Newness and Distinctiveness: **Nil**



- (21) Design Number: **12564/2008**
- (22) Date of Filing Application: **18 January 2008**
- (24) Date from which industrial property rights may have effect: **18 January 2008**
- (54) Product in respect of which the design is registered: **Container**
- (51) International Design Classification: **09-03K**
- (71) Name(s) and Address(s) of Applicant(s):
Sea Box International Pty Ltd
17 Isa Street Fyshwick ACT 2609 Australia
- (72) Name(s) of Designer(s): **Shaun Moore**
- (45) Registration Date: **29 July 2008**
- (56) Related Art Documents: **Not Applicable**
- (57) Statement of Newness and Distinctiveness: **Nil**



- (21) Design Number: **12565/2008**
- (22) Date of Filing Application: **18 January 2008**
- (24) Date from which industrial property rights may have effect: **18 January 2008**
- (54) Product in respect of which the design is registered: **Container**
- (51) International Design Classification: **09-03K**
- (71) Name(s) and Address(s) of Applicant(s):
Sea Box International Pty Ltd
17 Isa Street Fyshwick ACT 2609 Australia
- (72) Name(s) of Designer(s): **Shaun Moore**
- (45) Registration Date: **29 July 2008**
- (56) Related Art Documents: **Not Applicable**
- (57) Statement of Newness and Distinctiveness: **Nil**



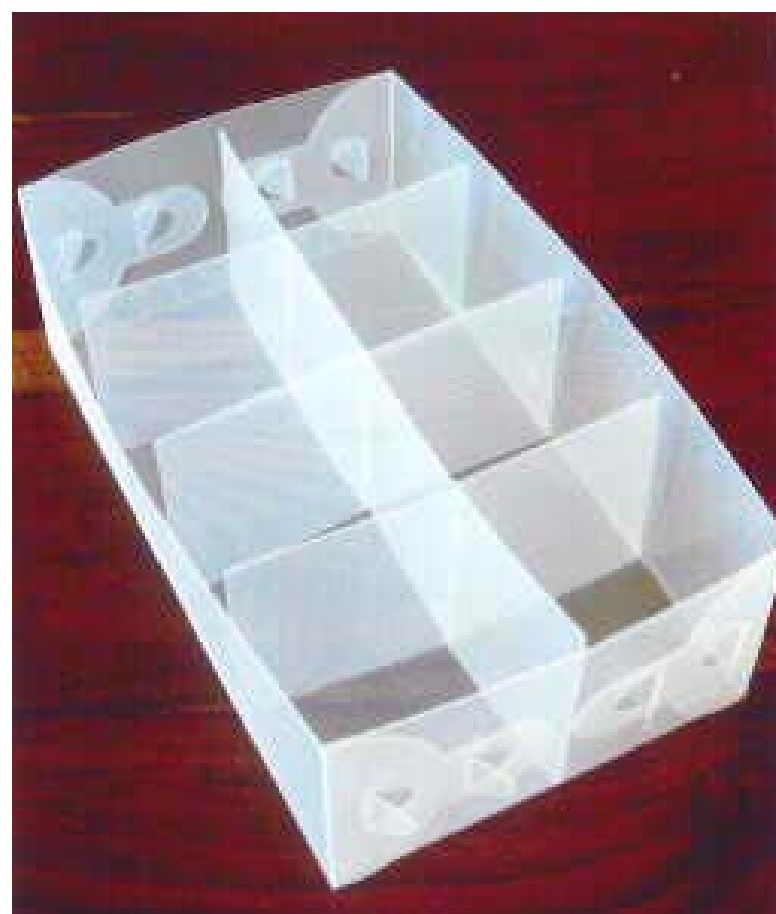
- (21) Design Number: **10628/2008**
- (22) Date of Filing Application: **13 February 2008**
- (24) Date from which industrial property rights may have effect: **13 February 2008**
- (54) Product in respect of which the design is registered: **Storage box**
- (51) International Design Classification: **09-03B, 09-03M**
- (71) Name(s) and Address(s) of Applicant(s):
Jacqueline Ciel Thomas-Stewart
C/- Coolum Beach Caravan Park David Low Way Coolum Beach
Queensland 4574 Australia
- (72) Name(s) of Designer(s): **Jacqueline Ciel Thomas-Stewart**
- (45) Registration Date: **29 July 2008**
- (56) Related Art Documents: **Not Applicable**

(57) Statement of Newness and Distinctiveness: **The underwear and accessory storage box as described are accompanied with photographs and one illustration of a manufactured sample box made out of polypropylene. The design consists of a box, a lid and removable dividers. They are collapsible and the box and lid have pre-folded lines. It is lightweight, sturdy and very simple and fast to assemble. The visual features of the design are new and distinctive as described in the following statements; The locking mechanism on the box is new and distinctive due to the love heart shaped tab design (consisting of a large elongated semi-circle and heart shape) and the eight elongated semi-circle shaped tabs slits. On each end of the two side panels that folds up, has curved love heart shaped tabs with two slits. On the two end panels that folds up, has four elongated semi-circle shaped cut out tabs. In total, the box consists of four heart shaped side tabs, eight elongated semi-circle tabs and eight slits. When assembled, the locking mechanism provides the box with more strength and durability compared to other products. When assembling the box you need to fold along the sides, fold the side love heart tabs against the out side of each end of the box, then slide the elongated semi-circle tabs through the provided slits, so they are pushed through to the outside of the box. All elongated semi-circle tabs slide through to sit on the outside of the box, this allows the inside panels of the box to be smooth and free from any items getting snagged. The newness and distinctiveness of the box are the flexible, curved edged removable dividers. They consist of four panels that slide into the provided slits, and then placed inside the box. The panels have curved edges, including where the slits have been made. The curved edges prevents any items from getting snagged, hence there are no sharp corners. They are the same height of the box, hence this provides more strength when the lid is placed on top and when stacking the boxes. As the dividers are made out of polypropylene, it allows the dividers to slightly move depending on the item size and shape, i.e. small ankle socks/large hiking socks. One longer section sits vertical and three smaller sections sit horizontal in the box. The dividers allow you to have eight compartments for smaller items. You can remove the two end sections.....on the box.**



- (21) Design Number: **10629/2008**
- (22) Date of Filing Application: **13 February 2008**
- (24) Date from which industrial property rights may have effect: **13 February 2008**
- (54) Product in respect of which the design is registered: **Storage box**
- (51) International Design Classification: **09-03B, 09-03M**
- (71) Name(s) and Address(s) of Applicant(s):
Jacqueline Ciel Thomas-Stewart
C/- Coolum Beach Caravan Park David Low Way Coolum Beach
Queensland 4574 Australia
- (72) Name(s) of Designer(s): **Jacqueline Ciel Thomas-Stewart**
- (45) Registration Date: **29 July 2008**
- (56) Related Art Documents: **Not Applicable**

(57) Statement of Newness and Distinctiveness: **The underwear and accessory storage box as described are accompanied with photographs of a manufactured sample box made out of polypropylene. The design consists of a box, a lid and removable dividers. They are collapsible and the box and lid have pre-folded lines. It is lightweight, sturdy and very simple and fast to assemble. The visual features of the design are new and distinctive as described in the following statements; The locking mechanism on the box is new and distinctive due to the belt shaped tab design (consisting of a large elongated semi-circle and belt shape) and the eight elongated semi-circle shaped tabs slits. On each end of the two side panels that folds up, has belt shaped tabs with two slits. On the two end panels that folds up, has four elongated semi-circle shaped cut out tabs. In total, the box consists of four belt shaped side tabs, eight elongated semi-circle tabs and eight slits. When assembled, the locking mechanism provides the box with more strength and durability compared to other products. When assembling the box you need to fold along the sides, fold the side belt shaped tabs against the out side of each end of**

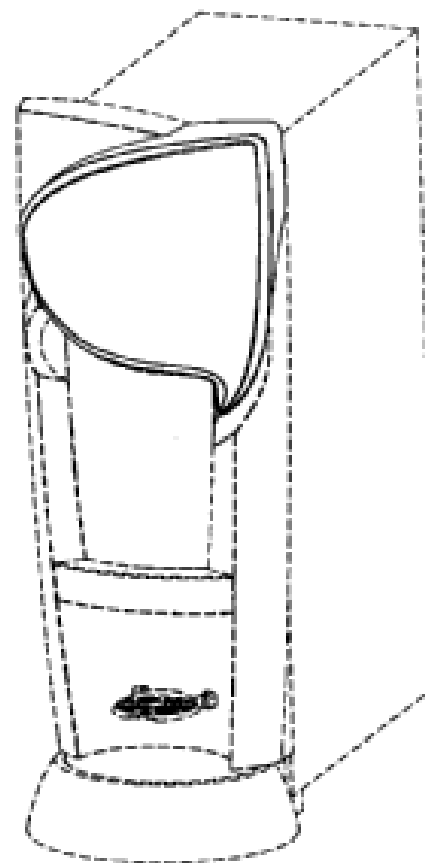


the box, then slide the elongated semi-circle tabs through the provided slits, so they are pushed through to the outside of the box. All elongated semi-circle tabs slide through to sit on the outside of the box, this allows the inside panels of the box to be smooth and free from any items getting snagged. The newness and distinctiveness of the box are the flexible, curved edged dividers. They consist of four panels that slide into the provided slits, and then placed inside the box. The panels have curved edges, including where the slits have been made. The curved edges prevents any items from getting snagged, hence there are no sharp corners. They are the same height of the box, hence this provides more strength when the lid is placed on top and when stacking the the boxes. As the dividers are made out of polypropylene, it allows the dividers to slightly move depending on the item size and shape, i.e. small ankle socks/large hiking socks. One longer section sits vertical and three smaller sections sit horizontal in the box. The dividers allow you to have eight compartments for smaller items. You can remove the two end sections to have four larger compartments, and or remove the one end panel so you have two large and four smaller compartments.....on the box.

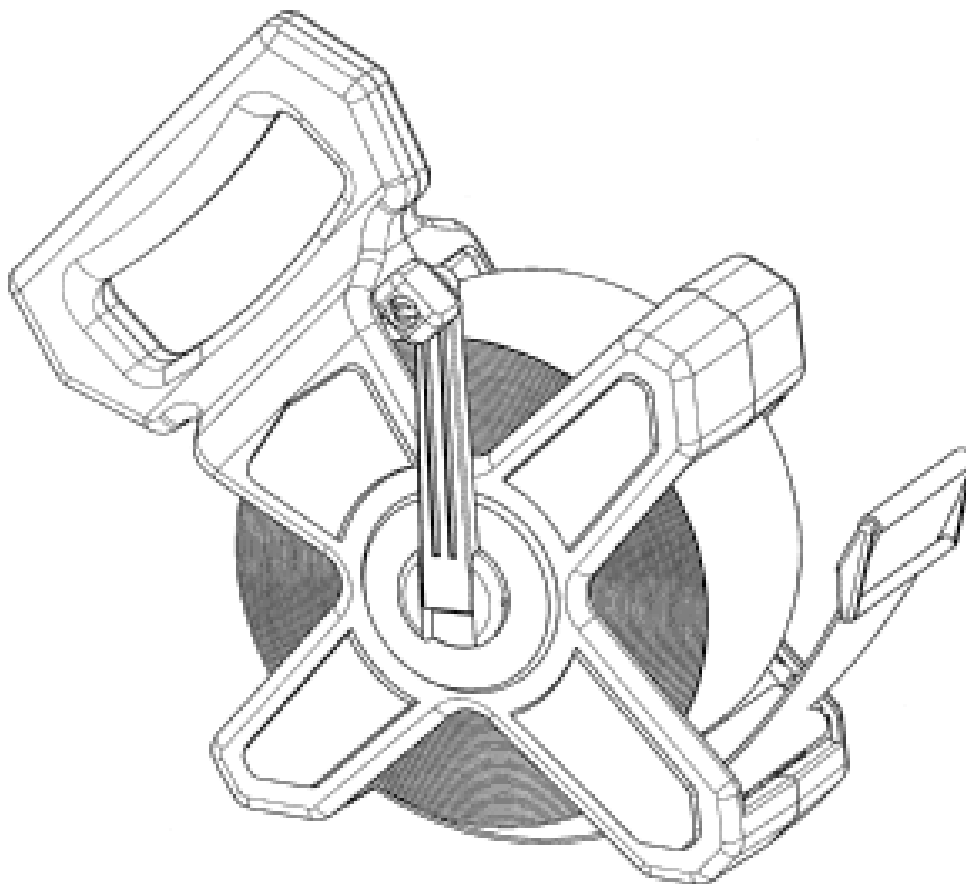
(12) AUSTRALIAN REGISTERED DESIGN
(19) AU

(11) AU-S- 320382

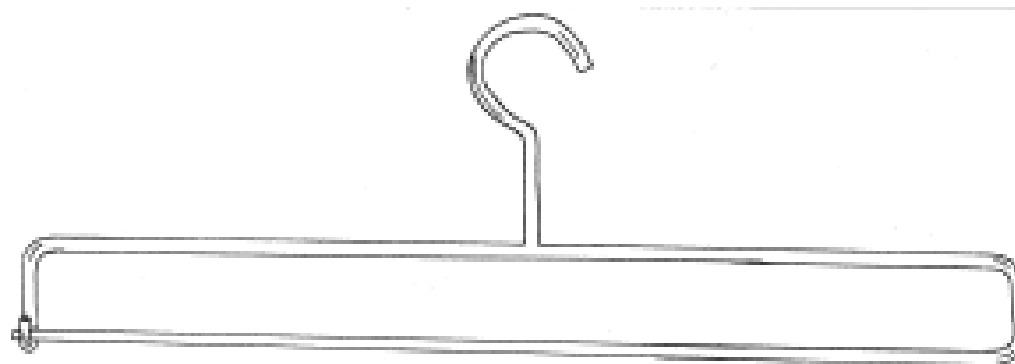
-
- (21) Design Number: **10946/2008**
(22) Date of Filing Application: **27 February 2008**
(24) Date from which industrial property rights may have effect: **27 February 2008**
(54) Product in respect of which the design is registered: **Beverage dispenser**
(51) International Design Classification: **31-00**
(71) Name(s) and Address(s) of Applicant(s):
Societe des Produits Nestle S.A.
1800 Vevey Switzerland
(72) Name(s) of Designer(s): **Craig Jones and Jonathan Ashbridge**
(45) Registration Date: **29 July 2008**
(30) Convention priority data:
(31) Number (32) Date (33) Country
134529 26 Nov 2007 SWITZERLAND
(56) Related Art Documents: **Not Applicable**
(57) Statement of Newness and Distinctiveness: **Nil**



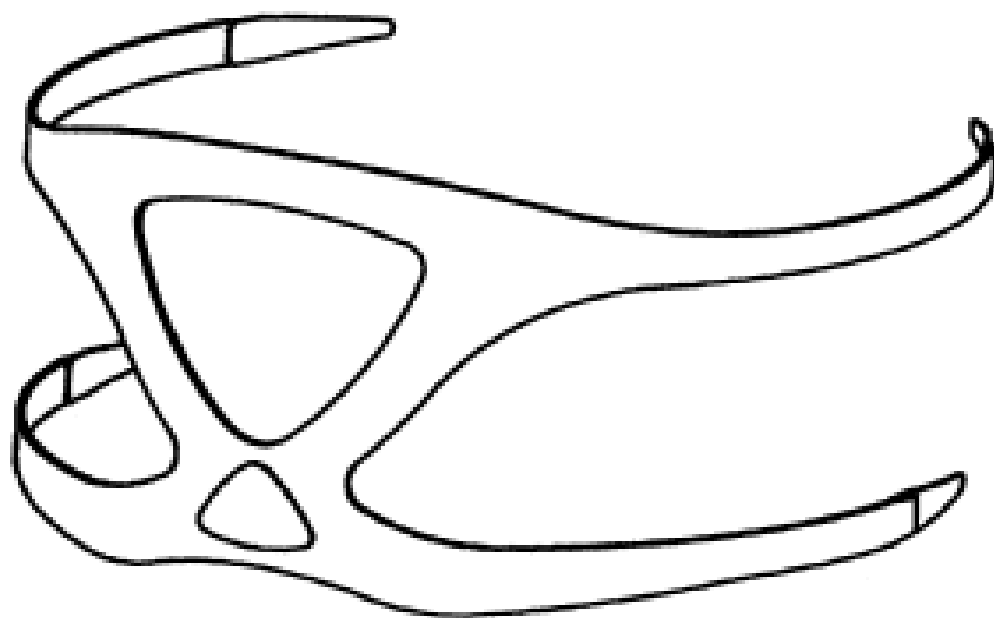
- (21) Design Number: **11100/2008**
(22) Date of Filing Application: **06 March 2008**
(24) Date from which industrial property rights may have effect: **06 March 2008**
(54) Product in respect of which the design is registered: **Hand held winding device with barricade tape**
(51) International Design Classification: **18-99, 19-02**
(71) Name(s) and Address(s) of Applicant(s):
Gregory John Radich
34 Packer Street Beckenham Western Australia 6107 Australia
(72) Name(s) of Designer(s): **Gregory John Radich**
(45) Registration Date: **29 July 2008**
(56) Related Art Documents: **Not Applicable**
(57) Statement of Newness and Distinctiveness: **Rewind able and reusable barricade tape on a hand held winding device. IE caution tape/danger tape.**



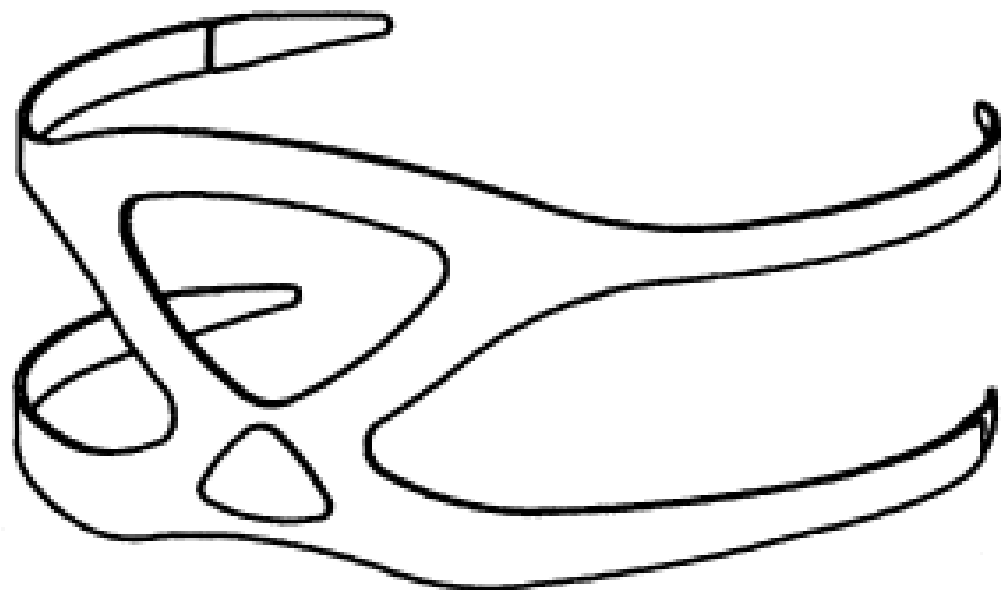
- (21) Design Number: **11169/2008**
(22) Date of Filing Application: **11 March 2008**
(24) Date from which industrial property rights may have effect: **11 March 2008**
(54) Product in respect of which the design is registered: **Multi-use hanger**
(51) International Design Classification: **06-08**
(71) Name(s) and Address(s) of Applicant(s):
Jennie Alice Greaves
35 Coco Drive Falcon Western Australia 6210 Australia
(72) Name(s) of Designer(s): **Jennie Alice Greaves**
(45) Registration Date: **29 July 2008**
(56) Related Art Documents: **Not Applicable**
(57) Statement of Newness and Distinctiveness: **Nil**



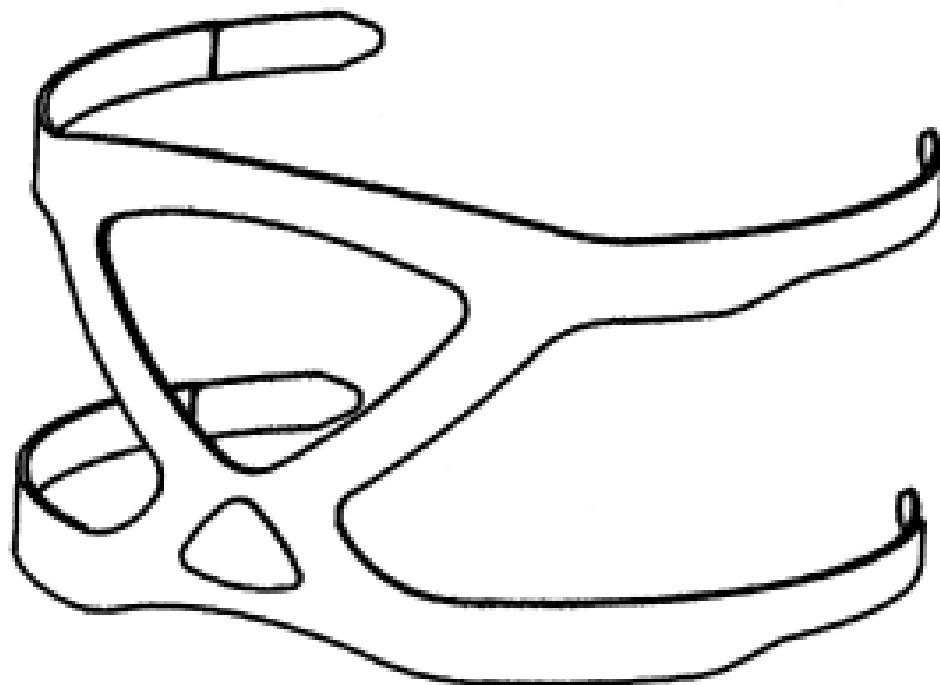
- (21) Design Number: **11345/2008**
- (22) Date of Filing Application: **19 March 2008**
- (24) Date from which industrial property rights may have effect: **19 March 2008**
- (54) Product in respect of which the design is registered: **Headgear to hold CPAP mask**
- (51) International Design Classification: **24-01**
- (71) Name(s) and Address(s) of Applicant(s):
Biomed Technology Australia Pty Ltd
438 Punchbowl Road Belmore New South Wales 2192 Australia
- (72) Name(s) of Designer(s): **Jamil Sayour**
- (45) Registration Date: **29 July 2008**
- (56) Related Art Documents: **Not Applicable**
- (57) Statement of Newness and Distinctiveness: **Nil**



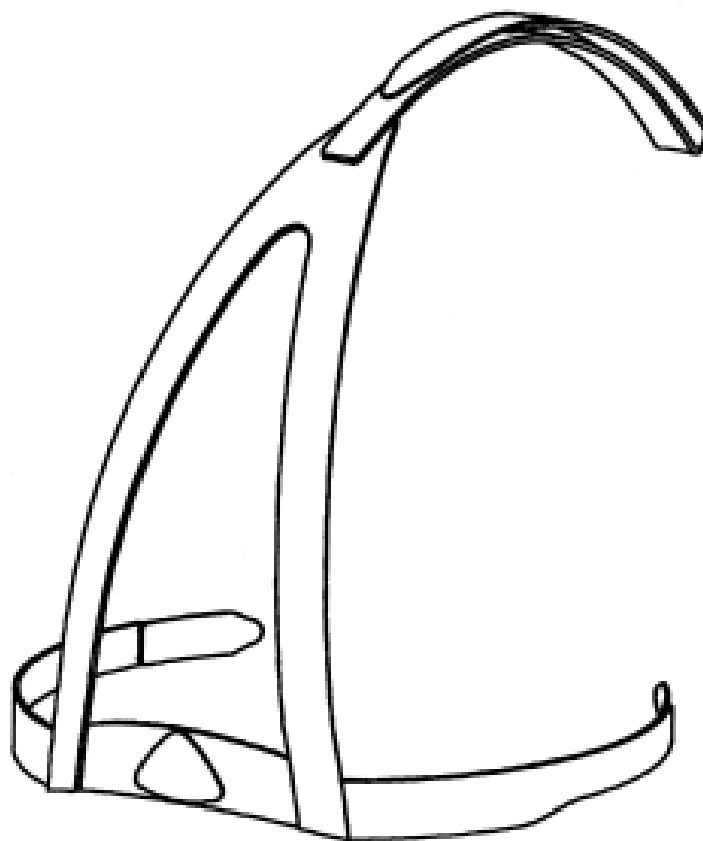
- (21) Design Number: **11346/2008**
- (22) Date of Filing Application: **19 March 2008**
- (24) Date from which industrial property rights may have effect: **19 March 2008**
- (54) Product in respect of which the design is registered: **Headgear to hold CPAP mask**
- (51) International Design Classification: **24-01**
- (71) Name(s) and Address(s) of Applicant(s):
Biomed Technology Australia Pty Ltd
438 Punchbowl Road Belmore New South Wales 2192 Australia
- (72) Name(s) of Designer(s): **Jamil Sayour**
- (45) Registration Date: **29 July 2008**
- (56) Related Art Documents: **Not Applicable**
- (57) Statement of Newness and Distinctiveness: **Nil**



- (21) Design Number: **11347/2008**
- (22) Date of Filing Application: **19 March 2008**
- (24) Date from which industrial property rights may have effect: **19 March 2008**
- (54) Product in respect of which the design is registered: **Headgear to hold CPAP mask**
- (51) International Design Classification: **24-01**
- (71) Name(s) and Address(s) of Applicant(s):
Biomed Technology Australia Pty Ltd
438 Punchbowl Road Belmore New South Wales 2192 Australia
- (72) Name(s) of Designer(s): **Jamil Sayour**
- (45) Registration Date: **29 July 2008**
- (56) Related Art Documents: **Not Applicable**
- (57) Statement of Newness and Distinctiveness: **Nil**



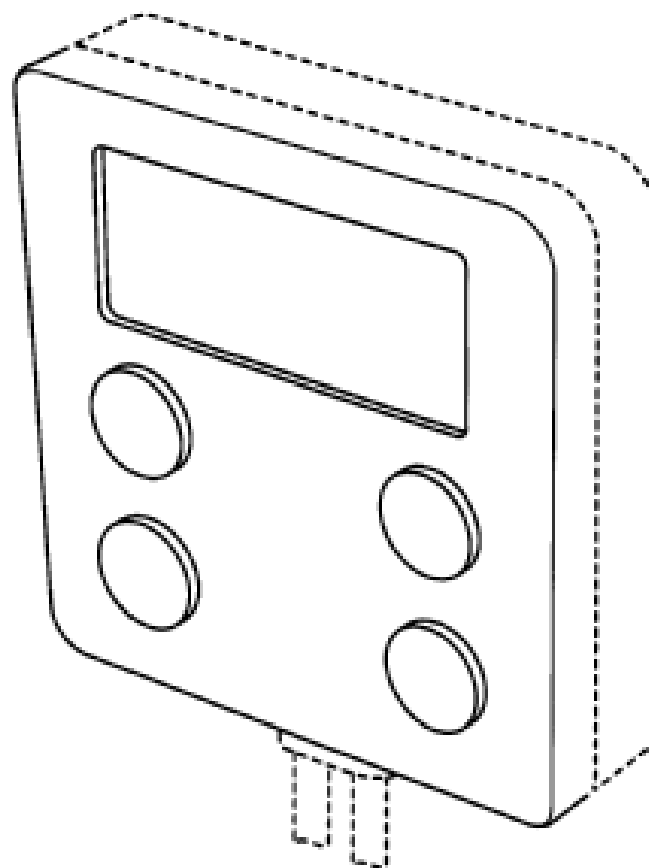
- (21) Design Number: **11349/2008**
- (22) Date of Filing Application: **19 March 2008**
- (24) Date from which industrial property rights may have effect: **19 March 2008**
- (54) Product in respect of which the design is registered: **Headgear to hold CPAP mask**
- (51) International Design Classification: **24-01**
- (71) Name(s) and Address(s) of Applicant(s):
Biomed Technology Australia Pty Ltd
438 Punchbowl Road Belmore New South Wales 2192 Australia
- (72) Name(s) of Designer(s): **Jamil Sayour**
- (45) Registration Date: **29 July 2008**
- (56) Related Art Documents: **Not Applicable**
- (57) Statement of Newness and Distinctiveness: **Nil**



(19) AU

- (21) Design Number: **10865/2008**
- (22) Date of Filing Application: **22 February 2008**
- (24) Date from which industrial property rights may have effect: **22 February 2008**
- (54) Product in respect of which the design is registered: **A portion of an input device**
- (51) International Design Classification: **14-02**
- (71) Name(s) and Address(s) of Applicant(s):
Microsoft Corporation
One Microsoft Way Redmond Washington 98052 United States of America
- (72) Name(s) of Designer(s): **Carl J. Ledbetter and John Ikeda and Michael Baseflug and Jonathan Reed Harris and Anthony Reed and Peter Newbury**
- (45) Registration Date: **24 July 2008**
- (30) Convention priority data:

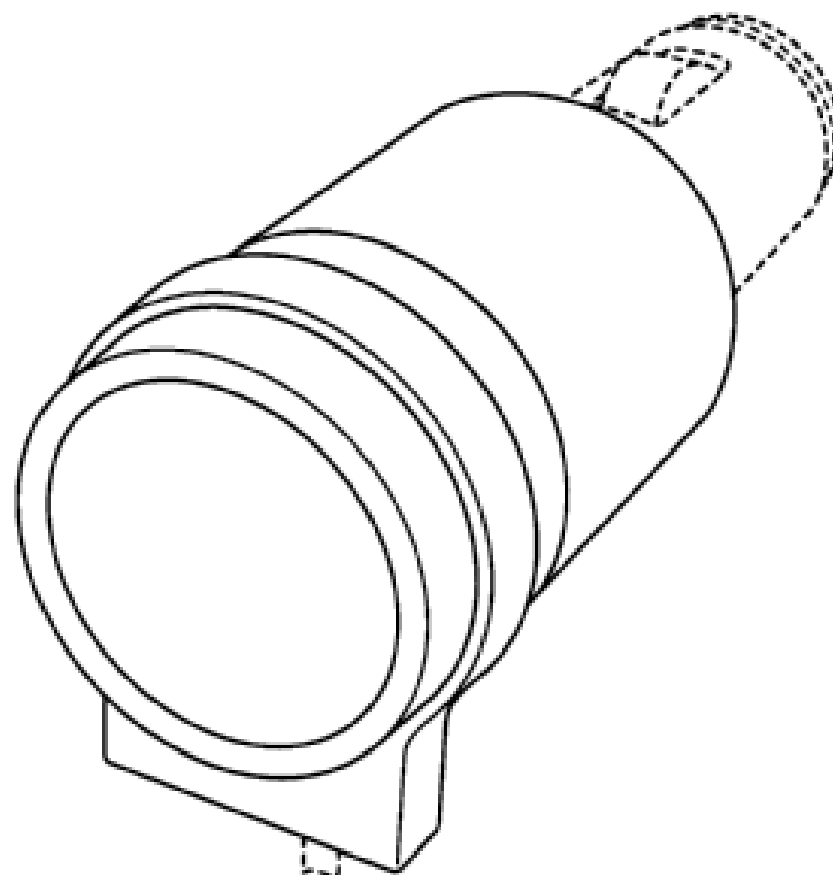
(31) Number	(32) Date	(33) Country
29/283831	24 Aug 2007	UNITED STATES OF AMERICA
- (56) Related Art Documents: **Not Applicable**
- (57) Statement of Newness and Distinctiveness: **Newness and distinctiveness reside in the shape and/or configuration of a portion of an input device illustrated by solid lines in the accompanying representations. The features shown in broken outline are for illustrative purposes only and do not form part of the design.**



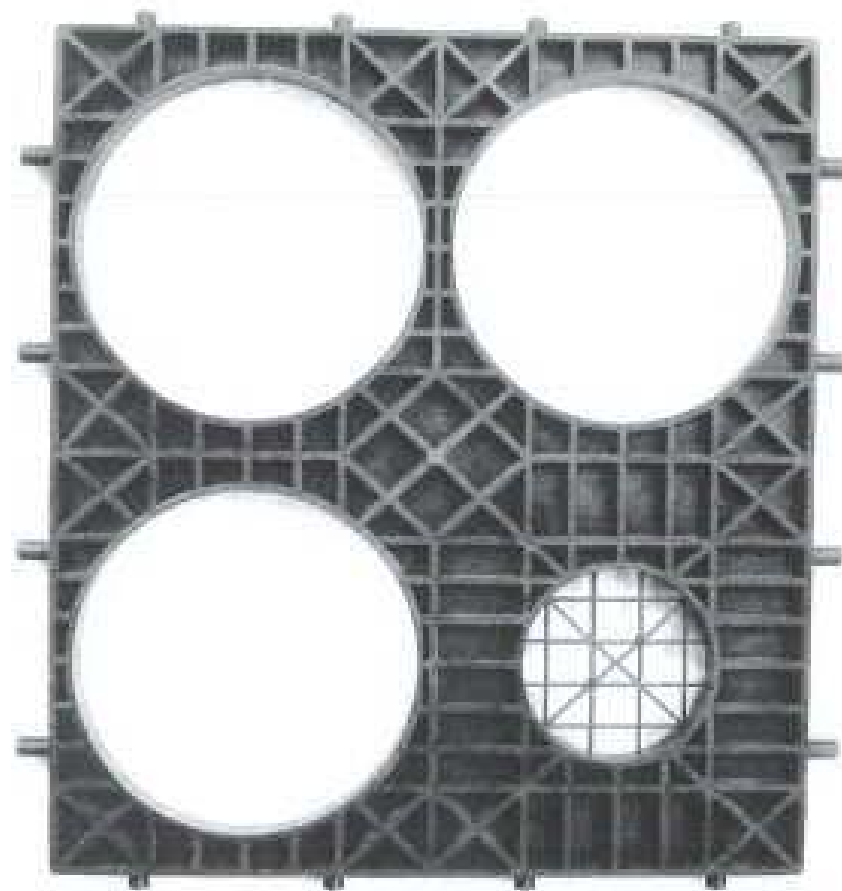
(19) AU

- (21) Design Number: **10866/2008**
- (22) Date of Filing Application: **22 February 2008**
- (24) Date from which industrial property rights may have effect: **22 February 2008**
- (54) Product in respect of which the design is registered: **A portion of a charger**
- (51) International Design Classification: **13-02**
- (71) Name(s) and Address(s) of Applicant(s):
Microsoft Corporation
One Microsoft Way Redmond Washington 98052 United States of America
- (72) Name(s) of Designer(s): **Carl J. Ledbetter and John Ikeda and Michael Baseflug and Jonathan Reed Harris and Anthony Reed and Peter Newbury**
- (45) Registration Date: **24 July 2008**
- (30) Convention priority data:

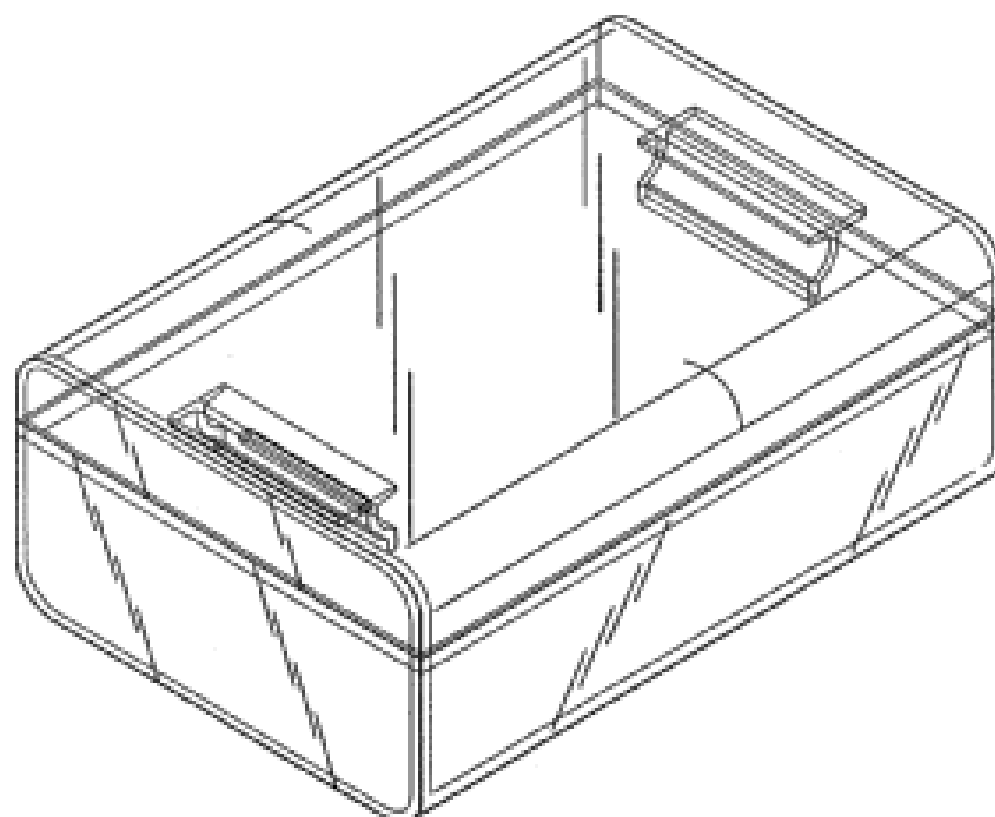
(31) Number	(32) Date	(33) Country
29/283833	24 Aug 2007	UNITED STATES OF AMERICA
- (56) Related Art Documents: **Not Applicable**
- (57) Statement of Newness and Distinctiveness: **Newness and distinctiveness reside in the shape and/or configuration of a portion of a charger illustrated by solid lines in the accompanying representations. The features shown in broken outline are for illustrative purposes only and do not form part of the design.**



- (21) Design Number: **10881/2008**
(22) Date of Filing Application: **22 February 2008**
(24) Date from which industrial property rights may have effect: **22 February 2008**
(54) Product in respect of which the design is registered: **Fluid storage and dispersion tank underground internal tank panel for inspection and maintenance**
(51) International Design Classification: **23-01F**
(71) Name(s) and Address(s) of Applicant(s):
Reshmaben Desai
34 Ashcott Street Kings Langley New South Wales 2147 Australia
(72) Name(s) of Designer(s): **Reshma Desai**
(45) Registration Date: **24 July 2008**
(57) Statement of Newness and Distinctiveness: **Each feature of the design considered separately or in combination with any other feature or features, no uniqueness is claimed for pegs on the surface, as stand alone**



- (21) Design Number: **11083/2008**
(22) Date of Filing Application: **05 March 2008**
(24) Date from which industrial property rights may have effect: **05 March 2008**
(54) Product in respect of which the design is registered: **Packaging**
(51) International Design Classification: **09-03M, 09-03K**
(71) Name(s) and Address(s) of Applicant(s):
Apple Inc.
1 Infinite Loop Cupertino California 95014 United States of America
(72) Name(s) of Designer(s): **Bartley K. Andre and Daniel J. Coster and Daniele De Iullis and Richard P. Howarth and Jonathan P. Ive and Steve Jobs and Duncan Robert Kerr and Shin Nishibori and Matthew Dean Rohrbach and Peter Russell-Clarke and Douglas B. Satzger and Christopher J. Stringer and Eugene Antony Whang and Rico Zorkendorfer**
(45) Registration Date: **24 July 2008**
(30) Convention priority data:
(31) Number (32) Date (33) Country
29/284343 05 Sep 2007 UNITED STATES OF AMERICA
(56) Related Art Documents: **Not Applicable**
(57) Statement of Newness and Distinctiveness: **Nil**



(19) AU

(21) Design Number: **11084/2008**

(22) Date of Filing Application: **05 March 2008**

(24) Date from which industrial property rights may have effect: **05 March 2008**

(54) Product in respect of which the design is registered: **Packaging**

(51) International Design Classification: **09-03M, 09-03K**

(71) Name(s) and Address(s) of Applicant(s):

Apple Inc.

1 Infinite Loop Cupertino California 95014 United States of America

(72) Name(s) of Designer(s): **Bartley K. Andre and Daniel J. Coster and Daniele De Iuliis and Richard P. Howarth and Jonathan P. Ive and Steve Jobs and Duncan Robert Kerr and Shin Nishibori and Matthew Dean Rohrbach and Peter Russell-Clarke and Douglas B. Satzger and Christopher J. Stringer and Eugene Antony Whang and Rico Zorkendorfer**

(45) Registration Date: **24 July 2008**

(30) Convention priority data:

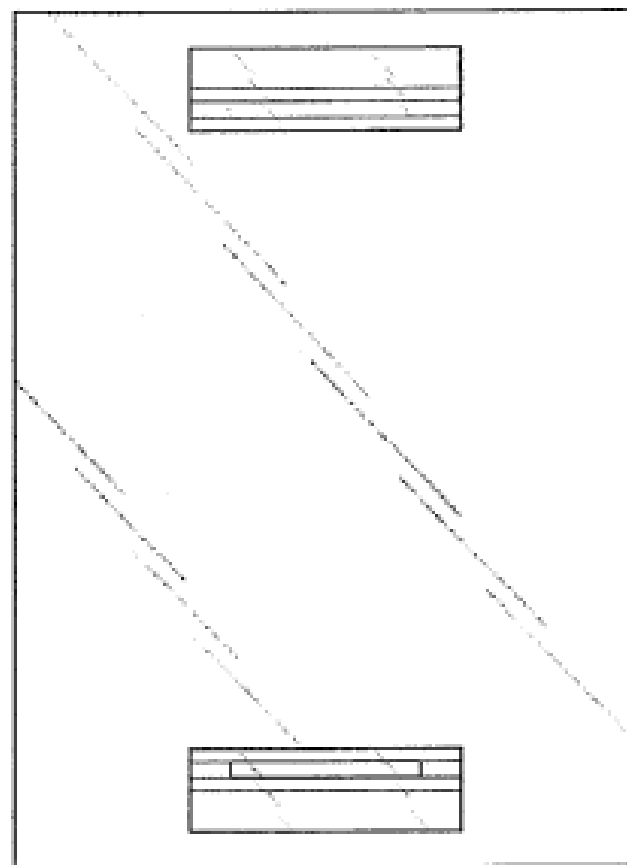
(31) Number
29/284343

(32) Date
05 Sep 2007

(33) Country
UNITED STATES OF AMERICA

(56) Related Art Documents: **Not Applicable**

(57) Statement of Newness and Distinctiveness: **Nil**



(19) AU

(21) Design Number: **11085/2008**

(22) Date of Filing Application: **05 March 2008**

(24) Date from which industrial property rights may have effect: **05 March 2008**

(54) Product in respect of which the design is registered: **Packaging**

(51) International Design Classification: **09-03M, 09-03K**

(71) Name(s) and Address(s) of Applicant(s):

Apple Inc.

1 Infinite Loop Cupertino California 95014 United States of America

(72) Name(s) of Designer(s): **Bartley K. Andre and Daniel J. Coster and Daniele De Iuliis and Richard P. Howarth and Jonathan P. Ive and Steve Jobs and Duncan Robert Kerr and Shin Nishibori and Matthew Dean Rohrbach and Peter Russell-Clarke and Douglas B. Satzger and Christopher J. Stringer and Eugene Antony Whang and Rico Zorkendorfer**

(45) Registration Date: **24 July 2008**

(30) Convention priority data:

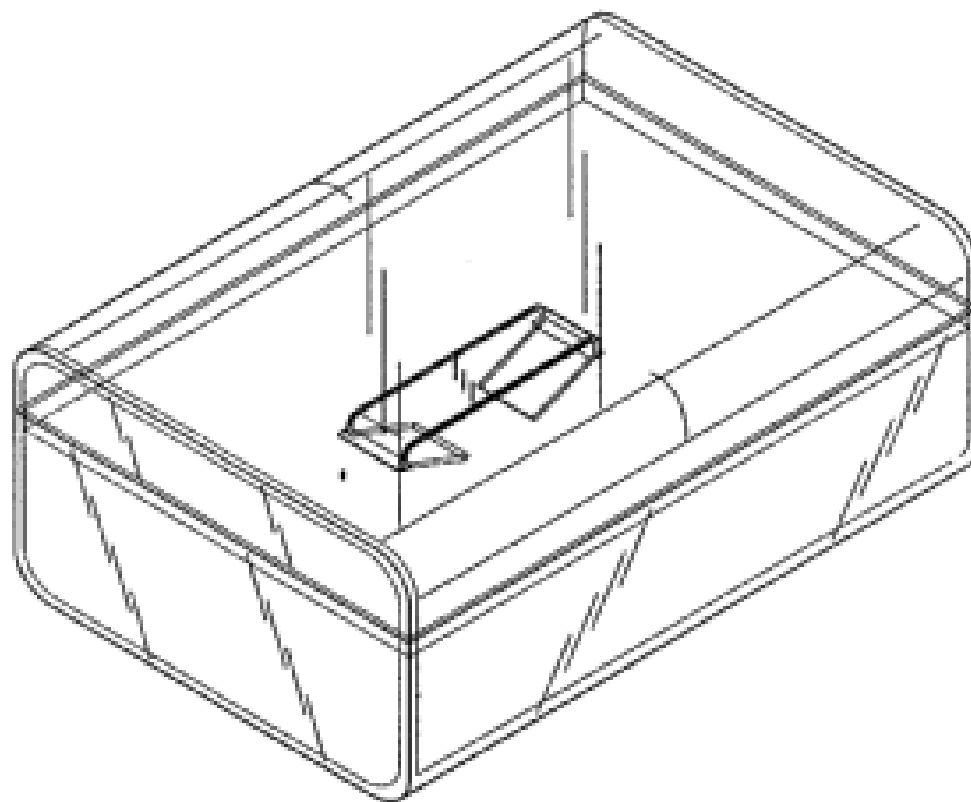
(31) Number
29/284343

(32) Date
05 Sep 2007

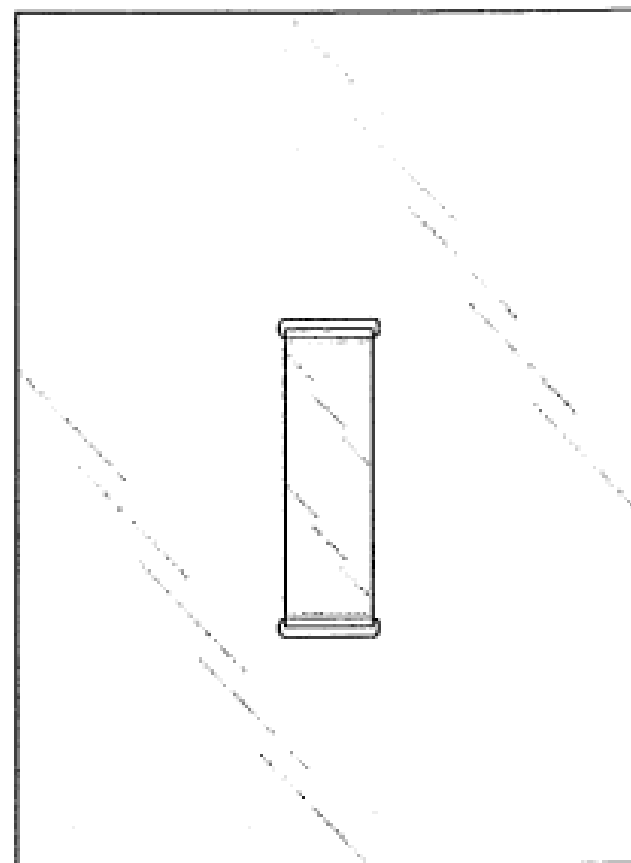
(33) Country
UNITED STATES OF AMERICA

(56) Related Art Documents: **Not Applicable**

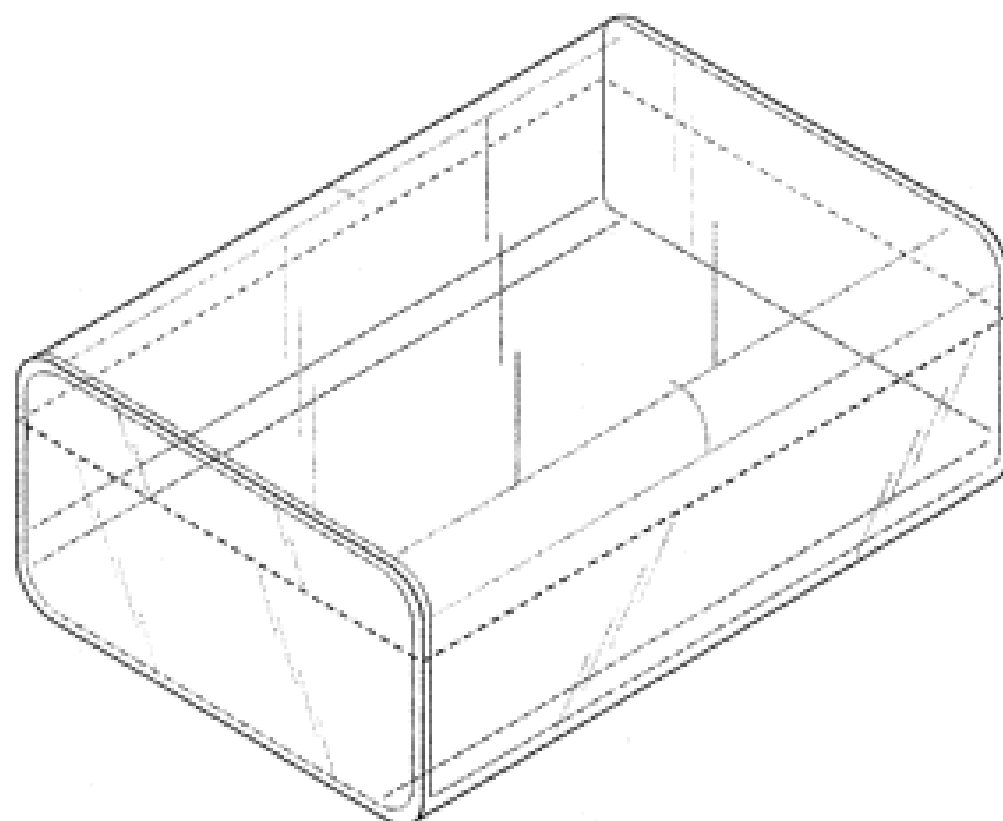
(57) Statement of Newness and Distinctiveness: **Nil**



(21) Design Number: **11086/2008**
 (22) Date of Filing Application: **05 March 2008**
 (24) Date from which industrial property rights may have effect: **05 March 2008**
 (54) Product in respect of which the design is registered: **Packaging**
 (51) International Design Classification: **09-03M, 09-03K**
 (71) Name(s) and Address(s) of Applicant(s):
Apple Inc.
1 Infinite Loop Cupertino California 95014 United States of America
 (72) Name(s) of Designer(s): **Bartley K. Andre and Daniel J. Coster and Daniele De Iuliis and Richard P. Howarth and Jonathan P. Ive and Steve Jobs and Duncan Robert Kerr and Shin Nishibori and Matthew Dean Rohrbach and Peter Russell-Clarke and Douglas B. Satzger and Christopher J. Stringer and Eugene Antony Whang and Rico Zorkendorfer**
 (45) Registration Date: **24 July 2008**
 (30) Convention priority data:
 (31) Number (32) Date (33) Country
29/284343 05 Sep 2007 UNITED STATES OF AMERICA
 (56) Related Art Documents: **Not Applicable**
 (57) Statement of Newness and Distinctiveness: **Nil**



(21) Design Number: **11087/2008**
 (22) Date of Filing Application: **05 March 2008**
 (24) Date from which industrial property rights may have effect: **05 March 2008**
 (54) Product in respect of which the design is registered: **Packaging**
 (51) International Design Classification: **09-03M, 09-03K**
 (71) Name(s) and Address(s) of Applicant(s):
Apple Inc.
1 Infinite Loop Cupertino California 95014 United States of America
 (72) Name(s) of Designer(s): **Bartley K. Andre and Daniel J. Coster and Daniele De Iuliis and Richard P. Howarth and Jonathan P. Ive and Steve Jobs and Duncan Robert Kerr and Shin Nishibori and Matthew Dean Rohrbach and Peter Russell-Clarke and Douglas B. Satzger and Christopher J. Stringer and Eugene Antony Whang and Rico Zorkendorfer**
 (45) Registration Date: **24 July 2008**
 (30) Convention priority data:
 (31) Number (32) Date (33) Country
29/284343 05 Sep 2007 UNITED STATES OF AMERICA
 (56) Related Art Documents: **Not Applicable**
 (57) Statement of Newness and Distinctiveness: **The newness and distinctiveness of the design resides in the features of shape and configuration of the packaging illustrated in the accompanying representations.**



(21) Design Number: **11395/2008**

(22) Date of Filing Application: **20 March 2008**

(24) Date from which industrial property rights may have effect: **20 March 2008**

(54) Product in respect of which the design is registered: **Container**

(51) International Design Classification: **09-01K**

(71) Name(s) and Address(s) of Applicant(s):

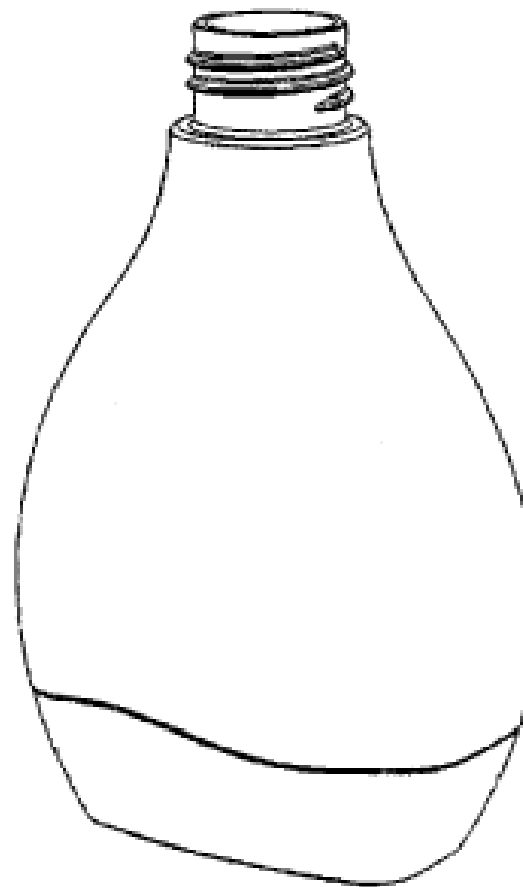
**Intellectual Property Development Corporation Pty Ltd
Level 21/563 Bourke Street Melbourne Victoria 3000 Australia**

(72) Name(s) of Designer(s): **Philip Craig Withers**

(45) Registration Date: **24 July 2008**

(56) Related Art Documents: **Not Applicable**

(57) Statement of Newness and Distinctiveness: **The shape and configuration of the wavy join between the upper and lower portions of the container are new and distinct.**



(21) Design Number: **11396/2008**

(22) Date of Filing Application: **20 March 2008**

(24) Date from which industrial property rights may have effect: **20 March 2008**

(54) Product in respect of which the design is registered: **Container**

(51) International Design Classification: **09-01K**

(71) Name(s) and Address(s) of Applicant(s):

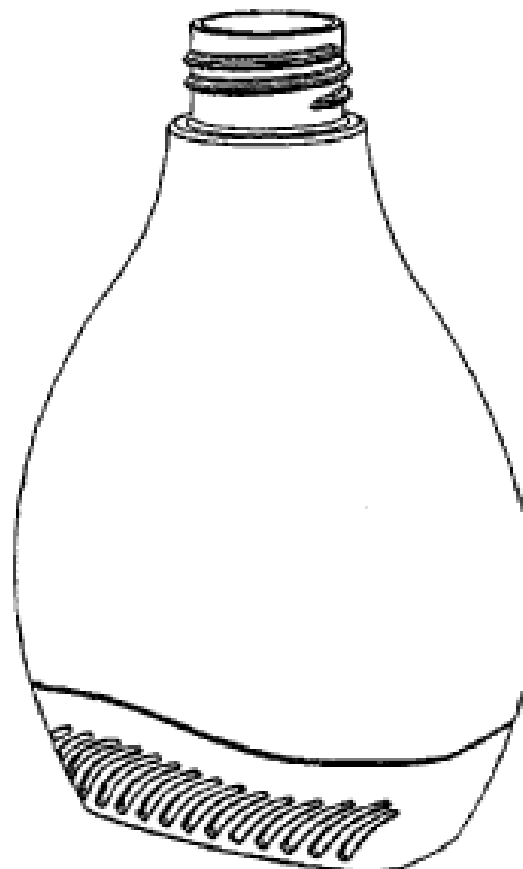
**Intellectual Property Development Corporation Pty Ltd
Level 21/563 Bourke Street Melbourne Victoria 3000 Australia**

(72) Name(s) of Designer(s): **Philip Craig Withers**

(45) Registration Date: **24 July 2008**

(56) Related Art Documents: **Not Applicable**

(57) Statement of Newness and Distinctiveness: **The shape and configuration of the wavy join between the upper and lower portions of the container are new and distinct.**



(21) Design Number: **11466/2008**

(22) Date of Filing Application: **28 March 2008**

(24) Date from which industrial property rights may have effect: **28 March 2008**

(54) Product in respect of which the design is registered: **The design is to be applied to the motor vehicle pictured**

(51) International Design Classification: **12-11**

(71) Name(s) and Address(s) of Applicant(s):

**The Julian Austin Group Pty Ltd
Level 25 Chifley Tower 2 Chifley Square Sydney New South Wales
2000 Australia**

(72) Name(s) of Designer(s): **Julian Austin**

(45) Registration Date: **24 July 2008**

(56) Related Art Documents: **Not Applicable**

(57) Statement of Newness and Distinctiveness: **The frame is distinctive. It consists of a motor bike upper section and a heavily redesigned lower section. Combining both we have created a unique hybrid motor vehicle we refer to as a 'motor-quad'.**



(21) Design Number: **11819/2008**

(22) Date of Filing Application: **11 April 2008**

(24) Date from which industrial property rights may have effect: **11 April 2008**

(54) Product in respect of which the design is registered: **Roof valley protector**

(51) International Design Classification: **25-01NES, 25-01G**

(71) Name(s) and Address(s) of Applicant(s):

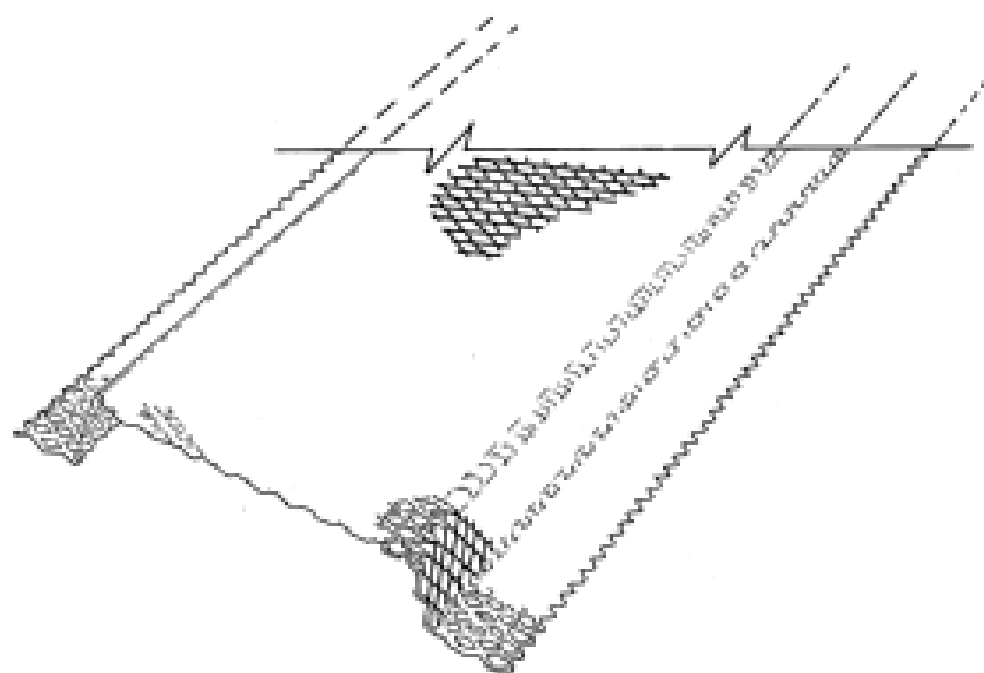
**Mark Ian Leech
Unit 2/42 Owen Creek Road Forest Glen Queensland 4556 Australia**

(72) Name(s) of Designer(s): **Mark Ian Leech**

(45) Registration Date: **29 July 2008**

(56) Related Art Documents: **Not Applicable**

(57) Statement of Newness and Distinctiveness: **The newness and distinctiveness of the design resides in the features of shape and/or configuration of the roof valley protector, with the exception of the gauge of the mesh material shown in the accompanying representations.**



(21) Design Number: **10798/2008**

(22) Date of Filing Application: **20 February 2008**

(24) Date from which industrial property rights may have effect: **20 February 2008**

(54) Product in respect of which the design is registered: **Buckle**

(51) International Design Classification: **02-07A**

(71) Name(s) and Address(s) of Applicant(s):

**Wonderland Nurserygoods Co., Ltd.
Offshore Incorporations Centre Road Town Tortola British Virgin
Islands**

(72) Name(s) of Designer(s): **Imre Peter Jacobs and Martijn Hans Van Gelderen
and Eric Biermann**

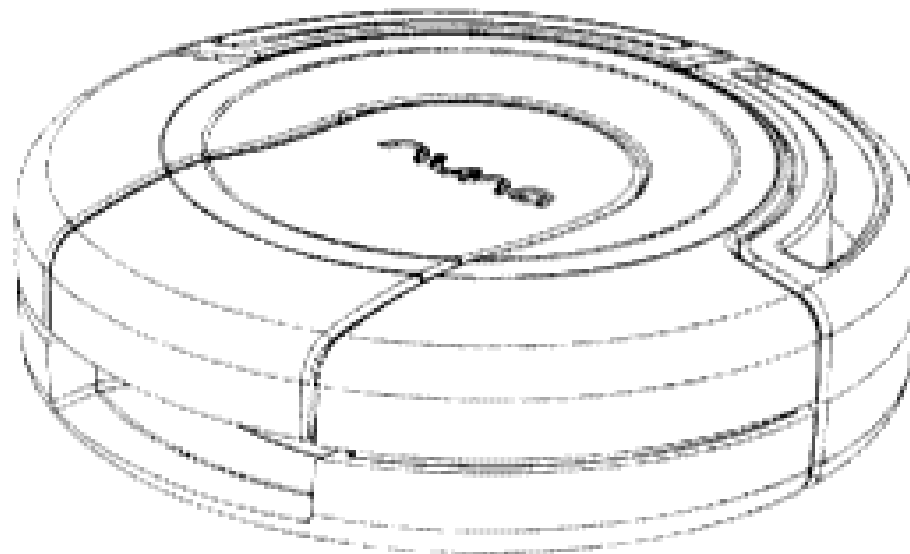
(45) Registration Date: **29 July 2008**

(30) Convention priority data:

(31) Number	(32) Date	(33) Country
000779848	28 Aug 2007	EUROPEAN COMMUNITY

(56) Related Art Documents: **Not Applicable**

(57) Statement of Newness and Distinctiveness: **Newness and distinctiveness resides in the features of shape and/or configuration of a buckle as illustrated in the accompanying representations. The features shown in broken outline do not form part of the design.**



(21) Design Number: **11463/2008**

(22) Date of Filing Application: **27 March 2008**

(24) Date from which industrial property rights may have effect: **27 March 2008**

(54) Product in respect of which the design is registered: **Cup**

(51) International Design Classification: **07-01C**

(71) Name(s) and Address(s) of Applicant(s):

**Tailored Packaging Pty Ltd
16-18 Hilly Street Mortlake New South Wales 2137 Australia**

(72) Name(s) of Designer(s): **Michael Albert Kotek and Edward John Nathan**

(45) Registration Date: **29 July 2008**

(56) Related Art Documents: **Not Applicable**

(57) Statement of Newness and Distinctiveness: **The shape and/or configuration of the outer surface of the cup excluding the lip and base is new and distinctive.**



(21) Design Number: **11465/2008**

(22) Date of Filing Application: **27 March 2008**

(24) Date from which industrial property rights may have effect: **27 March 2008**

(54) Product in respect of which the design is registered: **A pneumatic tyre**

(51) International Design Classification: **12-15C**

(71) Name(s) and Address(s) of Applicant(s):

Societe De Technologie Michelin
23 rue Breschet F-63000 Clermont-Ferrand Cedex France

Michelin Recherche et Technique S.A.
Route Louis Braille 10 et 12 CH-1763 Granges-Paccot Switzerland

(72) Name(s) of Designer(s): **Gilles Godeau and Fabien Chatignoux**

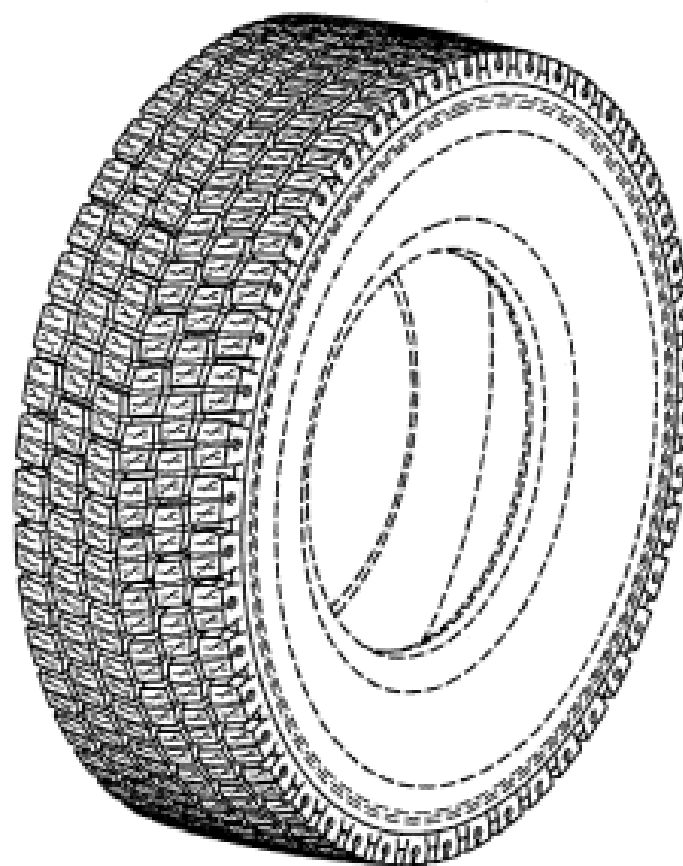
(45) Registration Date: **29 July 2008**

(30) Convention priority data:

(31) Number	(32) Date	(33) Country
07/4564	04 Oct 2007	FRANCE

(56) Related Art Documents: **Not Applicable**

(57) Statement of Newness and Distinctiveness: **Novelty resides in the appearance of the tread region of the pneumatic tyre shown in full outline and no novelty resides in the areas of the tyre shown in broken outline.**



(21) Design Number: **11473/2008**

(22) Date of Filing Application: **28 March 2008**

(24) Date from which industrial property rights may have effect: **28 March 2008**

(54) Product in respect of which the design is registered: **Water storage tank**

(51) International Design Classification: **23-01F**

(71) Name(s) and Address(s) of Applicant(s):

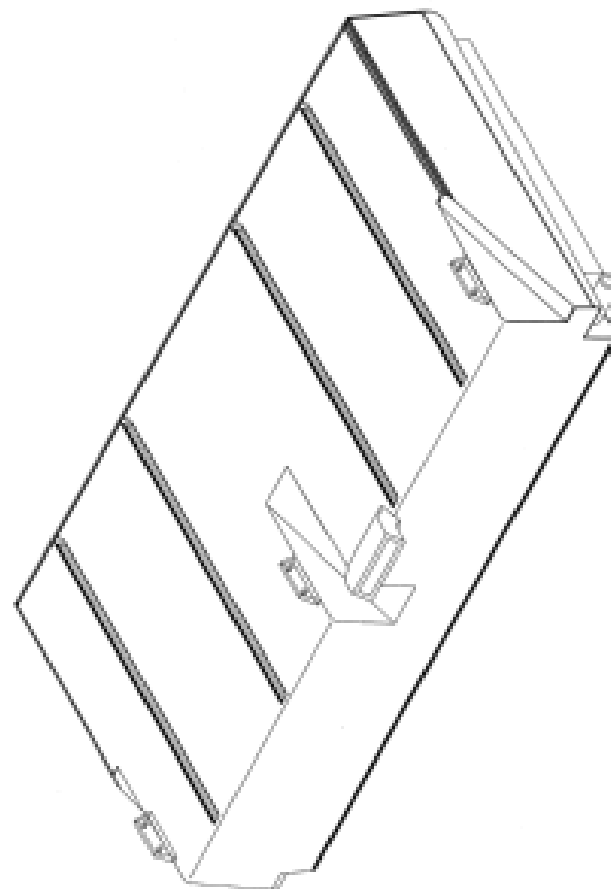
Jonathan Lachlan Ivett
21/62 Ocean Street Woollahra New South Wales 2025 Australia

(72) Name(s) of Designer(s): **Jonathan Lachlan Ivett**

(45) Registration Date: **29 July 2008**

(56) Related Art Documents: **Not Applicable**

(57) Statement of Newness and Distinctiveness: **Newness and distinctiveness is claimed in the features of shape and/or configuration of a water storage tank as apparent from figures 3, 6 and 7 of the accompanying representations.**



- (21) Design Number: **11474/2008**
(22) Date of Filing Application: **28 March 2008**
(24) Date from which industrial property rights may have effect: **28 March 2008**
(54) Product in respect of which the design is registered: **A front combination lamp for an automobile**
(51) International Design Classification: **26-06**
(71) Name(s) and Address(s) of Applicant(s):
Honda Motor Co., Ltd.
1-1 Minami-Aoyama 2-Chome Minato-ku Tokyo Japan
(72) Name(s) of Designer(s): **Masaru Hasegawa**
(45) Registration Date: **29 July 2008**
(30) Convention priority data:
(31) Number (32) Date (33) Country
2007-026339 28 Sep 2007 JAPAN
(56) Related Art Documents: **Not Applicable**
(57) Statement of Newness and Distinctiveness: **Newness and distinctiveness is claimed in the features of shape and/or configuration of a front combination lamp for an automobile as illustrated in the accompanying representations.**



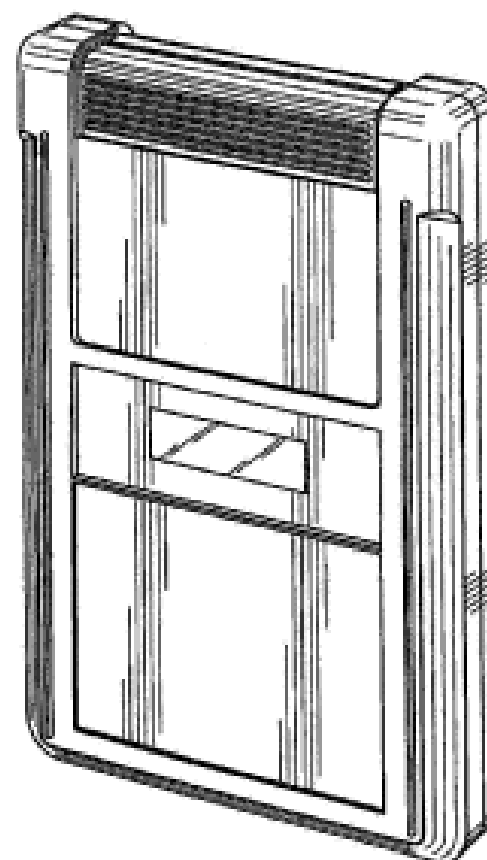
- (21) Design Number: **11475/2008**
(22) Date of Filing Application: **28 March 2008**
(24) Date from which industrial property rights may have effect: **28 March 2008**
(54) Product in respect of which the design is registered: **An automobile**
(51) International Design Classification: **12-08**
(71) Name(s) and Address(s) of Applicant(s):
Honda Motor Co., Ltd.
1-1 Minami-Aoyama 2-Chome Minato-ku Tokyo Japan
(72) Name(s) of Designer(s): **Masaru Hasegawa and Toshihiko Shimizu and Atsushi Murakawa**
(45) Registration Date: **29 July 2008**
(30) Convention priority data:
(31) Number (32) Date (33) Country
2007-026338 28 Sep 2007 JAPAN
(56) Related Art Documents: **Not Applicable**
(57) Statement of Newness and Distinctiveness: **Newness and distinctiveness is claimed in the features of shape and/or configuration of an automobile as illustrated in the accompanying representations.**



- (21) Design Number: **11476/2008**
(22) Date of Filing Application: **28 March 2008**
(24) Date from which industrial property rights may have effect: **28 March 2008**
(54) Product in respect of which the design is registered: **A rear combination lamp for an automobile**
(51) International Design Classification: **26-06**
(71) Name(s) and Address(s) of Applicant(s):
Honda Motor Co., Ltd.
1-1 Minami-Aoyama 2-Chome Minato-ku Tokyo Japan
(72) Name(s) of Designer(s): **Hiroshi Matsunami**
(45) Registration Date: **29 July 2008**
(30) Convention priority data:
(31) Number (32) Date (33) Country
2007-026340 28 Sep 2007 JAPAN
(56) Related Art Documents: **Not Applicable**
(57) Statement of Newness and Distinctiveness: **Newness and distinctiveness is claimed in the features of shape and/or configuration of a rear combination lamp for an automobile as illustrated in the accompanying representations.**



- (21) Design Number: **11479/2008**
(22) Date of Filing Application: **28 March 2008**
(24) Date from which industrial property rights may have effect: **28 March 2008**
(54) Product in respect of which the design is registered: **Recording media**
(51) International Design Classification: **14-01**
(71) Name(s) and Address(s) of Applicant(s):
Kabushiki Kaisha Toshiba also Trading as Toshiba Corporation
1-1 Shibaura 1-chome Minato-ku Tokyo Japan
(72) Name(s) of Designer(s): **Hideki Tsuboi**
(45) Registration Date: **29 July 2008**
(30) Convention priority data:
(31) Number (32) Date (33) Country
2007-031268 12 Nov 2007 JAPAN
(56) Related Art Documents: **Not Applicable**
(57) Statement of Newness and Distinctiveness: **The features of the product which are new and distinctive are the shape and configuration thereof as shown in the representations but in determining the features for which protection is sought, no account is to be taken of the shading shown in the representations.**



(19) AU

(21) Design Number: **11480/2008**

(22) Date of Filing Application: **28 March 2008**

(24) Date from which industrial property rights may have effect: **28 March 2008**

(54) Product in respect of which the design is registered: **A video server**

(51) International Design Classification: **14-01**

(71) Name(s) and Address(s) of Applicant(s):

**Kabushiki Kaisha Toshiba also Trading as Toshiba Corporation
1-1 Shibaura 1-chome Minato-ku Tokyo Japan**

(72) Name(s) of Designer(s): **Hideki Tsuboi and Koichiro Hanafusa**

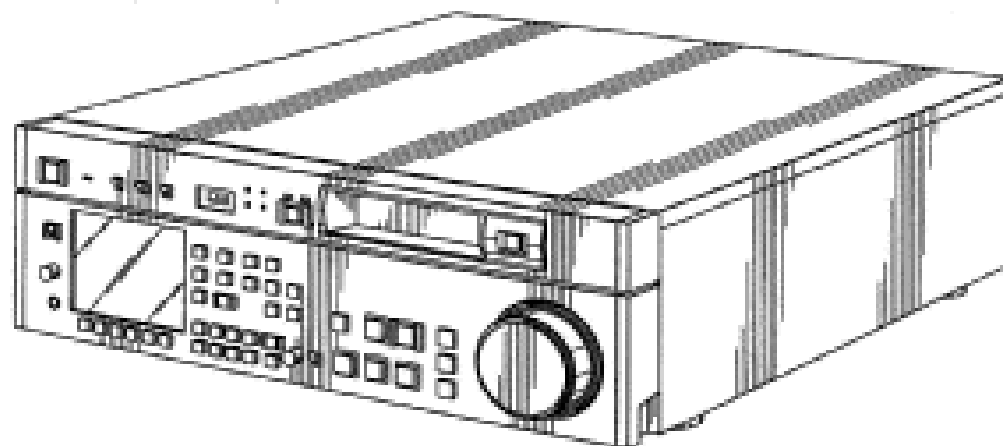
(45) Registration Date: **29 July 2008**

(30) Convention priority data:

(31) Number	(32) Date	(33) Country
2007-030052	31 Oct 2007	JAPAN

(56) Related Art Documents: **Not Applicable**

(57) Statement of Newness and Distinctiveness: **The features of the product which are new and distinctive are the shape and configuration thereof as shown in the representations but in determining the features for which protection is sought, no account is to be taken of the shading shown in the representations.**



(19) AU

(21) Design Number: **11482/2008**

(22) Date of Filing Application: **27 March 2008**

(24) Date from which industrial property rights may have effect: **27 March 2008**

(54) Product in respect of which the design is registered: **A flag**

(51) International Design Classification: **11-05**

(71) Name(s) and Address(s) of Applicant(s):

**Henry Wenner
36 Mount Street Nerang Queensland 4211 Australia**

(72) Name(s) of Designer(s): **Henry Wenner**

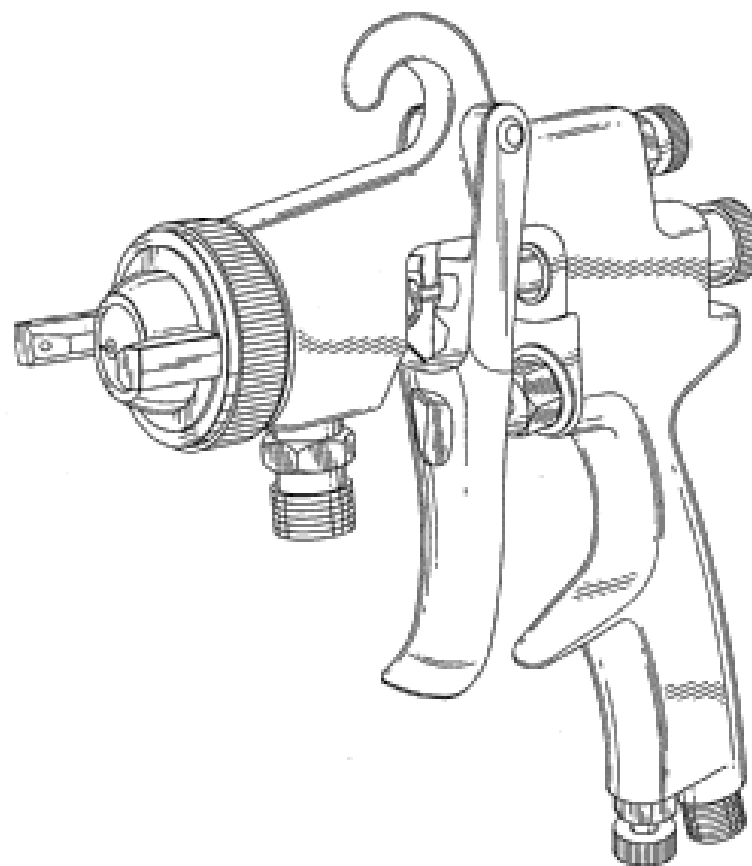
(45) Registration Date: **29 July 2008**

(56) Related Art Documents: **Not Applicable**

(57) Statement of Newness and Distinctiveness: **The overall pattern and configuration of the flag as shown in the accompanying representation is new and distinctive. A symbol (e.g. a coat of arms, emblem or other symbol) may optionally appear, typically in the top left corner. However, any such symbol (if present) does not form part of the design.**



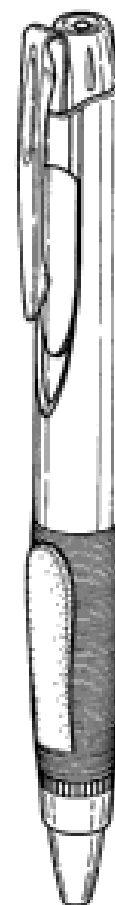
- (21) Design Number: **11492/2008**
(22) Date of Filing Application: **28 March 2008**
(24) Date from which industrial property rights may have effect: **28 March 2008**
(54) Product in respect of which the design is registered: **Paint spray gun**
(51) International Design Classification: **08-05L**
(71) Name(s) and Address(s) of Applicant(s):
Hsing-Tzu Wang
No. 80 Ta-Hsin Street Hsi District Taichung City Taiwan
(72) Name(s) of Designer(s): **Hsing-Tzu Wang**
(45) Registration Date: **29 July 2008**
(56) Related Art Documents: **Not Applicable**
(57) Statement of Newness and Distinctiveness: **Nil**



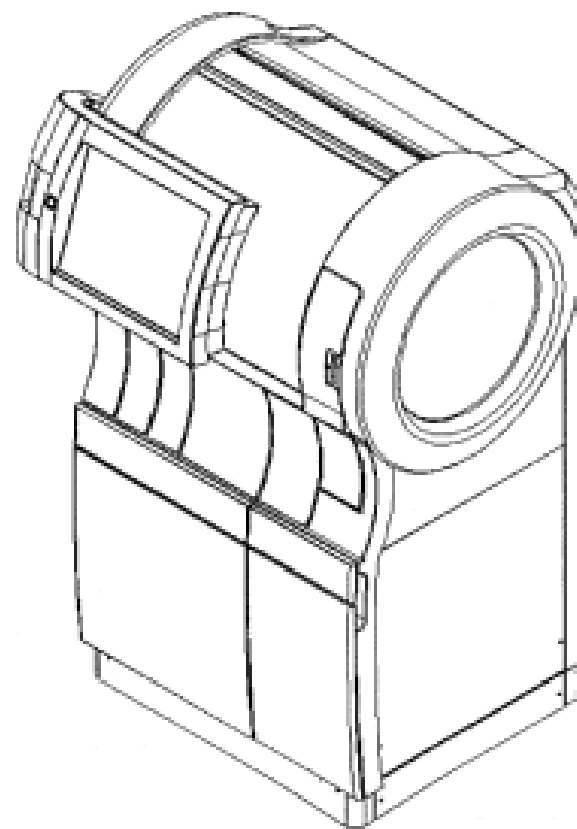
- (21) Design Number: **11493/2008**
(22) Date of Filing Application: **28 March 2008**
(24) Date from which industrial property rights may have effect: **28 March 2008**
(54) Product in respect of which the design is registered: **Pen**
(51) International Design Classification: **19-06**
(71) Name(s) and Address(s) of Applicant(s):
Mitsubishi Pencil Co., Ltd.
23-37 5-chome Higashi-ohi Shinagawa-ku Tokyo Japan
(72) Name(s) of Designer(s): **Kazuhiko Takanashi**
(45) Registration Date: **29 July 2008**
(30) Convention priority data:

(31) Number	(32) Date	(33) Country
2007-026489	28 Sep 2007	JAPAN

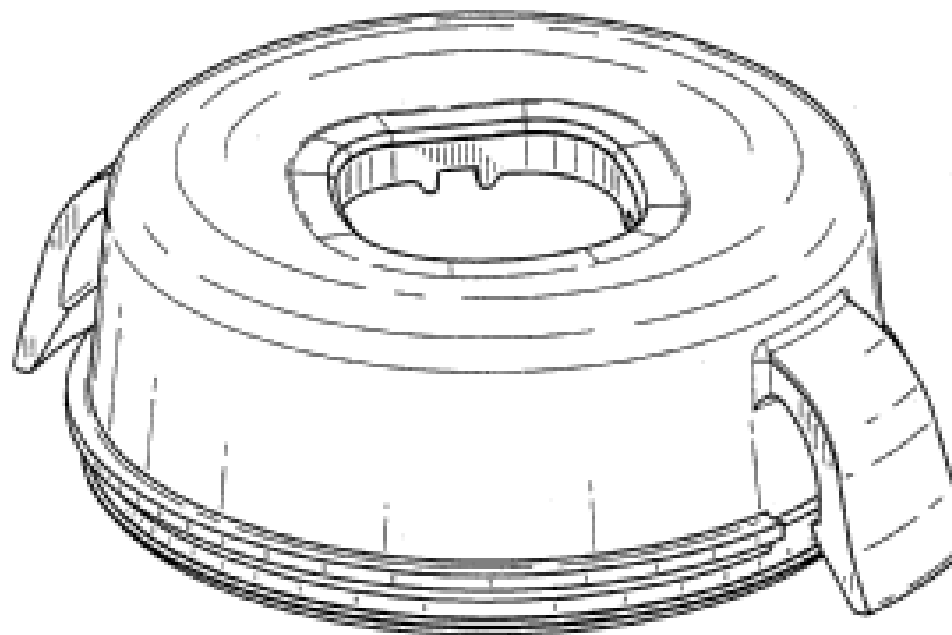
(56) Related Art Documents: **Not Applicable**
(57) Statement of Newness and Distinctiveness: **The shape and configuration of the pen is new and distinctive. Without prejudice to the newness and distinctiveness of other visual features of the pen, the following particular visual features of the pen are new and distinctive: the shape and configuration of the grip of the pen which has a U-shape rising cushion part and an inverted U-shape rising cushion part, and the combined shape and configuration of the upper part of the pen barrel and the clip.**



(21) Design Number: **11494/2008**
(22) Date of Filing Application: **28 March 2008**
(24) Date from which industrial property rights may have effect: **28 March 2008**
(54) Product in respect of which the design is registered: **Laboratory analysis apparatus**
(51) International Design Classification: **24-01**
(71) Name(s) and Address(s) of Applicant(s):
Diagnostica Stago
9 rue des Freres Chausson Asnieres F-92600 France
(72) Name(s) of Designer(s): **Antoine Fleury and Nicolas Regentete and Fabien Deboves and Axel Lehovetzki**
(45) Registration Date: **29 July 2008**
(30) Convention priority data:
(31) Number (32) Date (33) Country
000807763-0001 15 Oct 2007 EUROPEAN COMMUNITY
(56) Related Art Documents: **Not Applicable**
(57) Statement of Newness and Distinctiveness: **Nil**

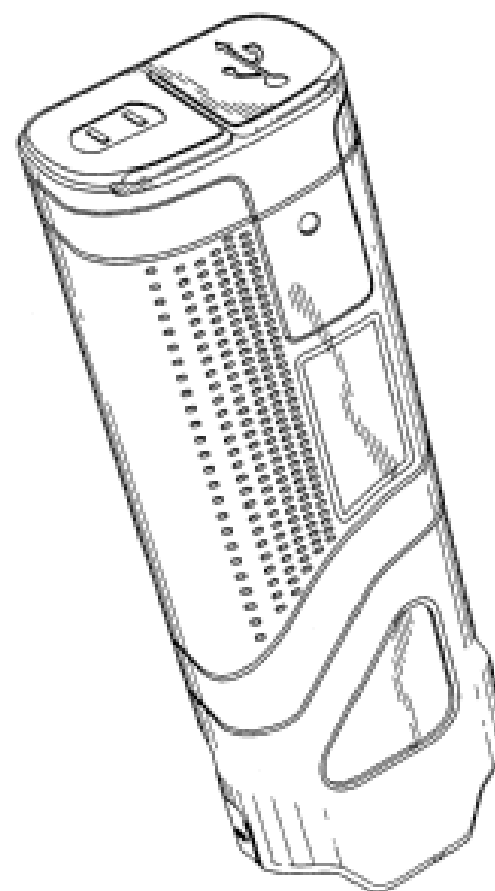


(21) Design Number: **11495/2008**
(22) Date of Filing Application: **28 March 2008**
(24) Date from which industrial property rights may have effect: **28 March 2008**
(54) Product in respect of which the design is registered: **Cover for a container**
(51) International Design Classification: **09-07A**
(71) Name(s) and Address(s) of Applicant(s):
Vita-Mix Corporation
8615 Usher Road Cleveland Ohio 44138 United States of America
(72) Name(s) of Designer(s): **Richard D. Boozer and Robert M. Ulanski**
(45) Registration Date: **29 July 2008**
(30) Convention priority data:
(31) Number (32) Date (33) Country
29292357 11 Oct 2007 UNITED STATES OF AMERICA
(56) Related Art Documents: **Not Applicable**
(57) Statement of Newness and Distinctiveness: **Nil**



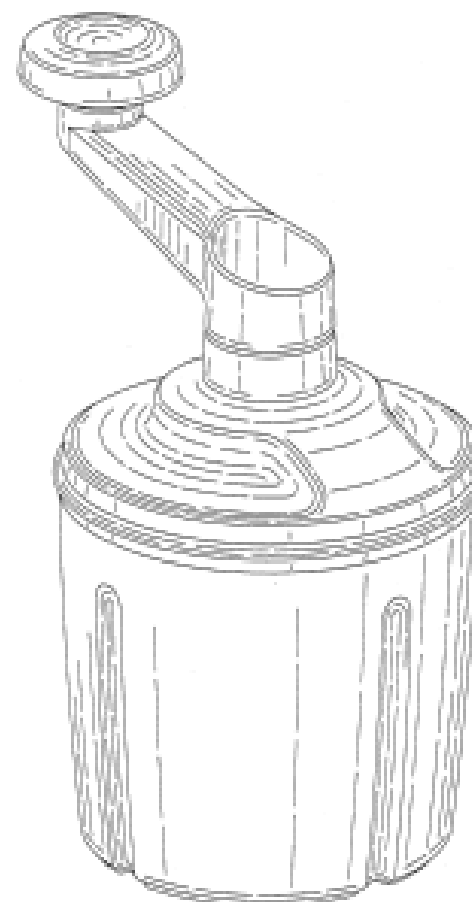
(19) AU

- (21) Design Number: **11496/2008**
(22) Date of Filing Application: **28 March 2008**
(24) Date from which industrial property rights may have effect: **28 March 2008**
(54) Product in respect of which the design is registered: **An inverter**
(51) International Design Classification: **13-02, 13-03NES**
(71) Name(s) and Address(s) of Applicant(s):
Black & Decker, Inc.
1207 Drummond Plaza Newark Delaware 19711 United States of America
(72) Name(s) of Designer(s): **Adam M. O'Hern**
(45) Registration Date: **29 July 2008**
(30) Convention priority data:
(31) Number (32) Date (33) Country
29/296134 15 Oct 2007 UNITED STATES OF AMERICA
(56) Related Art Documents: **Not Applicable**
(57) Statement of Newness and Distinctiveness: **Newness and distinctiveness is claimed in the visual features shown in solid lines in the representations.**

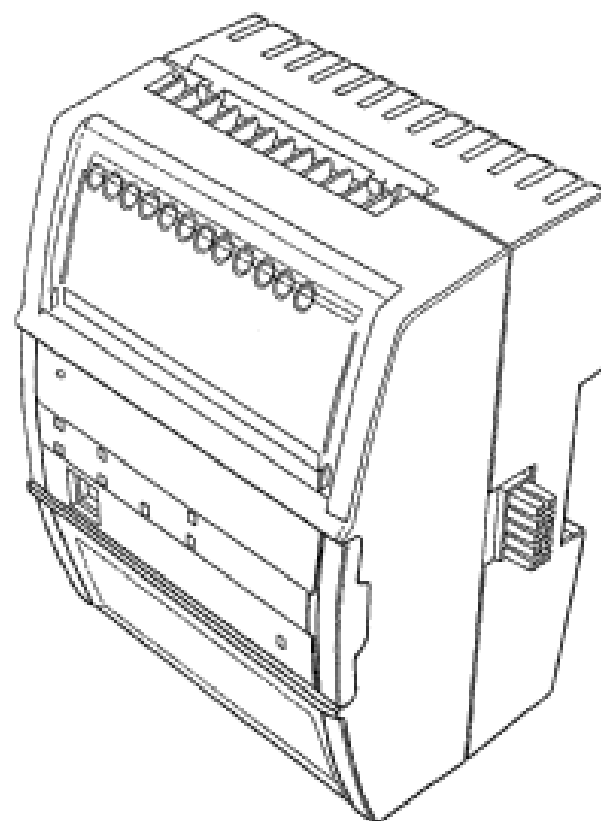


(19) AU

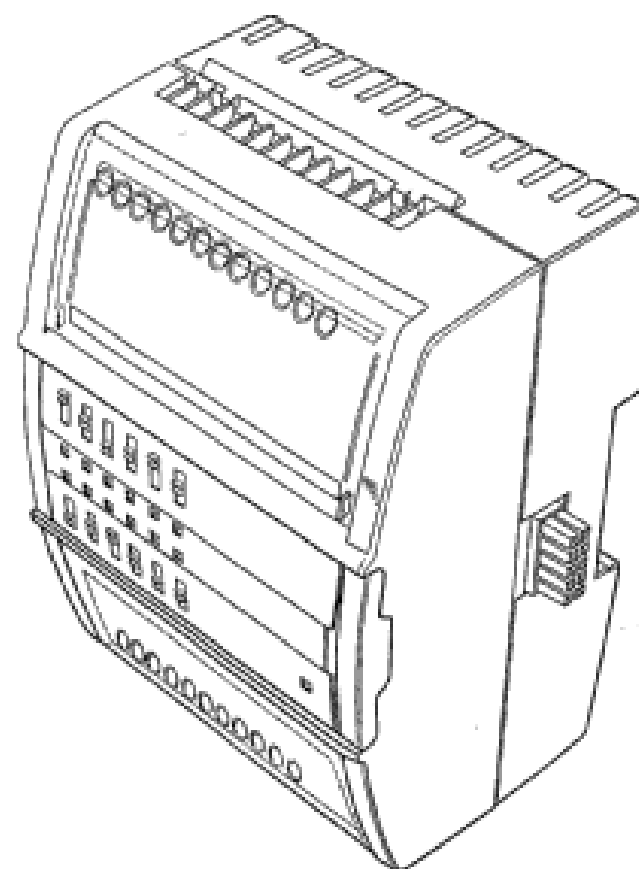
- (21) Design Number: **11497/2008**
(22) Date of Filing Application: **28 March 2008**
(24) Date from which industrial property rights may have effect: **28 March 2008**
(54) Product in respect of which the design is registered: **Mixer**
(51) International Design Classification: **07-04**
(71) Name(s) and Address(s) of Applicant(s):
Dart Industries Inc
14901 S. Orange Blossom Trail Orlando Florida 32837 United States of America
(72) Name(s) of Designer(s): **Vincent Jalet**
(45) Registration Date: **29 July 2008**
(30) Convention priority data:
(31) Number (32) Date (33) Country
29/292,735 25 Oct 2007 UNITED STATES OF AMERICA
(56) Related Art Documents: **Not Applicable**
(57) Statement of Newness and Distinctiveness: **Those features of the mixer depicted in the representations that are new and distinctive are the shape and/or configuration.**



- (21) Design Number: **11498/2008**
(22) Date of Filing Application: **28 March 2008**
(24) Date from which industrial property rights may have effect: **28 March 2008**
(54) Product in respect of which the design is registered: **Housings**
(51) International Design Classification: **13-03C, 10-07**
(71) Name(s) and Address(s) of Applicant(s):
TAC AB
Jagershillgatan 18 213 75 Malmo Sweden
(72) Name(s) of Designer(s): **Linda Lissola and Jonas Svennberg and Mathias Walter**
(45) Registration Date: **29 July 2008**
(30) Convention priority data:
(31) Number (32) Date (33) Country
000865472 15 Jan 2008 EUROPEAN COMMUNITY
(56) Related Art Documents: **Not Applicable**
(57) Statement of Newness and Distinctiveness: **Those features of the housing depicted in the representations that are new and distinctive are the shape and/or configuration.**



- (21) Design Number: **11715/2008**
(22) Date of Filing Application: **28 March 2008**
(24) Date from which industrial property rights may have effect: **28 March 2008**
(54) Product in respect of which the design is registered: **Housing**
(51) International Design Classification: **13-03C, 10-07**
(71) Name(s) and Address(s) of Applicant(s):
TAC AB
Jagershillgatan 18 213 75 Malmo Sweden
(72) Name(s) of Designer(s): **Linda Lissola and Jonas Svennberg and Mathias Walter**
(45) Registration Date: **29 July 2008**
(30) Convention priority data:
(31) Number (32) Date (33) Country
000865472 15 Jan 2008 EUROPEAN COMMUNITY
(56) Related Art Documents: **Not Applicable**
(57) Statement of Newness and Distinctiveness: **Those features of the housing depicted in the representations that are new and distinctive are the shape and/or configuration.**



(21) Design Number: **11500/2008**

(22) Date of Filing Application: **28 March 2008**

(24) Date from which industrial property rights may have effect: **28 March 2008**

(54) Product in respect of which the design is registered: **Toaster oven**

(51) International Design Classification: **07-02H**

(71) Name(s) and Address(s) of Applicant(s):

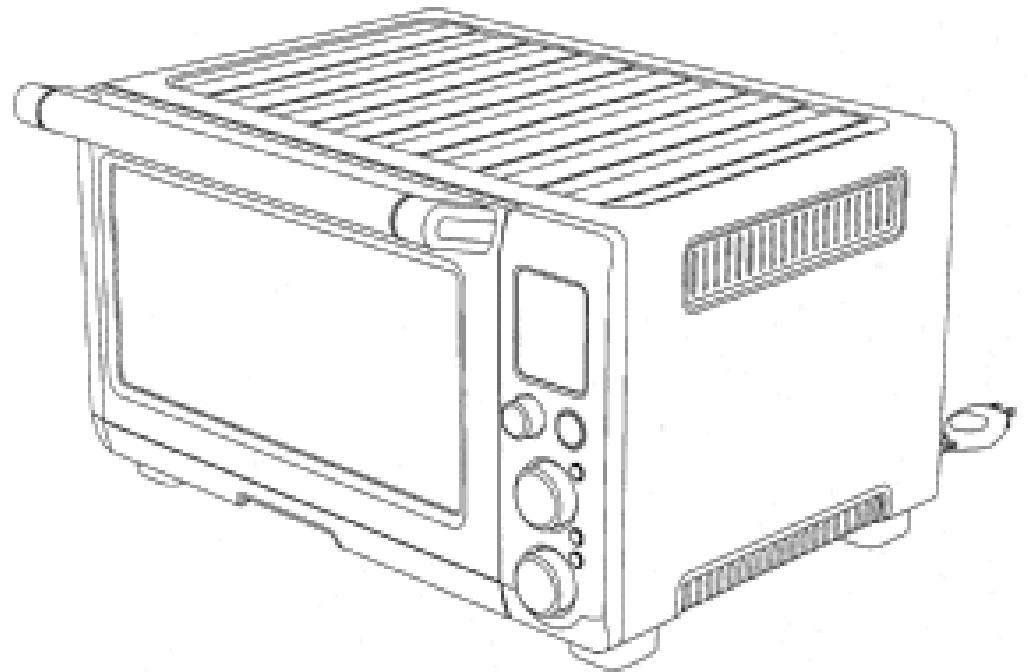
Breville Pty Limited
Building 2 Port Air Industrial Estate 1A Hale St Botany New South
Wales 2019 Australia

(72) Name(s) of Designer(s): **Keith James Hensel**

(45) Registration Date: **29 July 2008**

(56) Related Art Documents: **Not Applicable**

(57) Statement of Newness and Distinctiveness: **Newness is claimed in the features of shape and configuration of the toaster oven as shown in the accompanying representations.**



(21) Design Number: **11503/2008**

(22) Date of Filing Application: **28 March 2008**

(24) Date from which industrial property rights may have effect: **28 March 2008**

(54) Product in respect of which the design is registered: **A grooved seat pad**

(51) International Design Classification: **06-06G**

(71) Name(s) and Address(s) of Applicant(s):

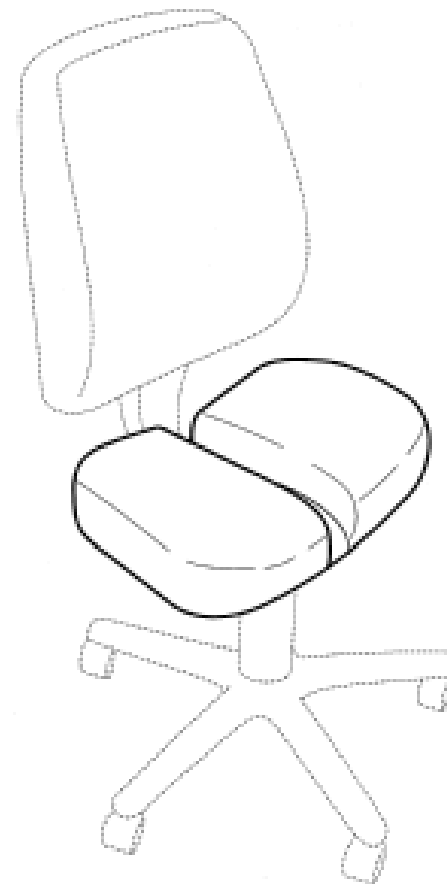
Hugh Wilson
39 Forest Road Denmark Western Australia 6333 Australia

(72) Name(s) of Designer(s): **Hugh Wilson**

(45) Registration Date: **29 July 2008**

(56) Related Art Documents: **Not Applicable**

(57) Statement of Newness and Distinctiveness: **Newness and distinctiveness is claimed in the features of shape and/or configuration of a grooved seat pad as depicted in the attached representations. Newness and distinctiveness is not claimed in the features of the chair, depicted by broken lines, on which the grooved seat pad is provided.**



(19) AU

(21) Design Number: **11504/2008**

(22) Date of Filing Application: **28 March 2008**

(24) Date from which industrial property rights may have effect: **28 March 2008**

(54) Product in respect of which the design is registered: **Jeans**

(51) International Design Classification: **02-02C**

(71) Name(s) and Address(s) of Applicant(s):

**Ellarjay Trading and Consulting (Pty) Ltd
Chemin de Trois-Portes II 2000 Neuchatel Switzerland**

(72) Name(s) of Designer(s): **Mogamad Fareed Barden**

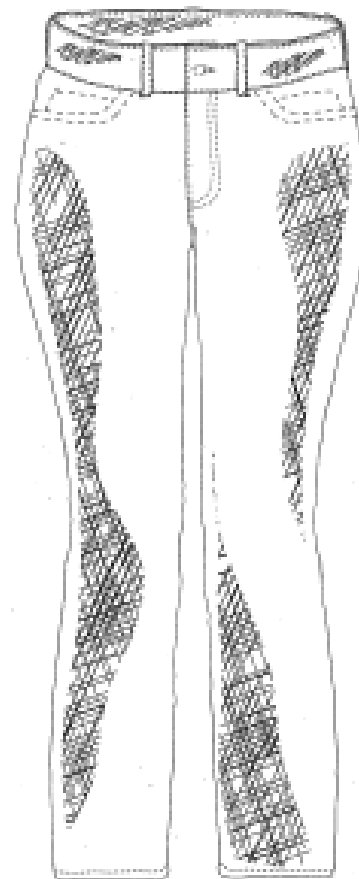
(45) Registration Date: **29 July 2008**

(30) Convention priority data:

(31) Number	(32) Date	(33) Country
A2007/01747	27 Sep 2007	SOUTH AFRICA

(56) Related Art Documents: **Not Applicable**

(57) Statement of Newness and Distinctiveness: **Newness and distinctiveness is claimed in the features of shape and configuration of the pair of jeans obtained by the use of rear leg panels and separates seat panels joined together along seam lines extending around the leg with one or more darts sewn into those edges of the seat panels that are sewn to the top edges of the leg panels or the pattern and orientation of the jeans shown in the representation.**



(19) AU

(21) Design Number: **10751/2008**

(22) Date of Filing Application: **19 February 2008**

(24) Date from which industrial property rights may have effect: **19 February 2008**

(54) Product in respect of which the design is registered: **Food storage container**

(51) International Design Classification: **07-01NES**

(71) Name(s) and Address(s) of Applicant(s):

**Korea Alphaline Co. Ltd
435-5 Dunchon-Dong Kangdong-Ku Seoul 134-060 Republic of Korea**

(72) Name(s) of Designer(s): **Soo Chang Wang**

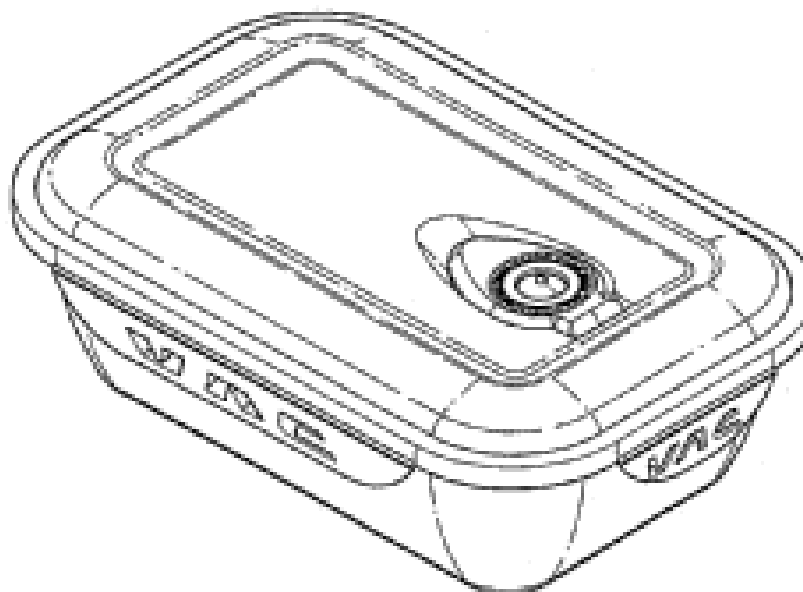
(45) Registration Date: **25 July 2008**

(30) Convention priority data:

(31) Number	(32) Date	(33) Country
30-2007-0040245	21 Sep 2007	REPUBLIC OF KOREA

(56) Related Art Documents: **Not Applicable**

(57) Statement of Newness and Distinctiveness: **Nil**



(21) Design Number: **10752/2008**

(22) Date of Filing Application: **19 February 2008**

(24) Date from which industrial property rights may have effect: **19 February 2008**

(54) Product in respect of which the design is registered: **Food storage container**

(51) International Design Classification: **07-01NES**

(71) Name(s) and Address(s) of Applicant(s):

Korea Alphaline Co. Ltd
435-5 Dunchon-Dong Kangdong-Ku Seoul 134-060 Republic of Korea

(72) Name(s) of Designer(s): **Soo Chang Wang**

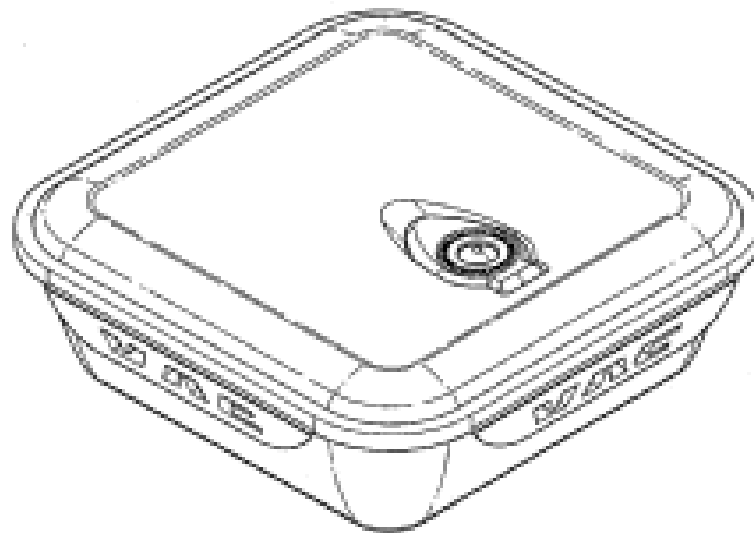
(45) Registration Date: **25 July 2008**

(30) Convention priority data:

(31) Number	(32) Date	(33) Country
30-2007-0041403	05 Oct 2007	REPUBLIC OF KOREA

(56) Related Art Documents: **Not Applicable**

(57) Statement of Newness and Distinctiveness: **Nil**



(21) Design Number: **11443/2008**

(22) Date of Filing Application: **26 March 2008**

(24) Date from which industrial property rights may have effect: **26 March 2008**

(54) Product in respect of which the design is registered: **Flyscreen**

(51) International Design Classification: **25-02H**

(71) Name(s) and Address(s) of Applicant(s):

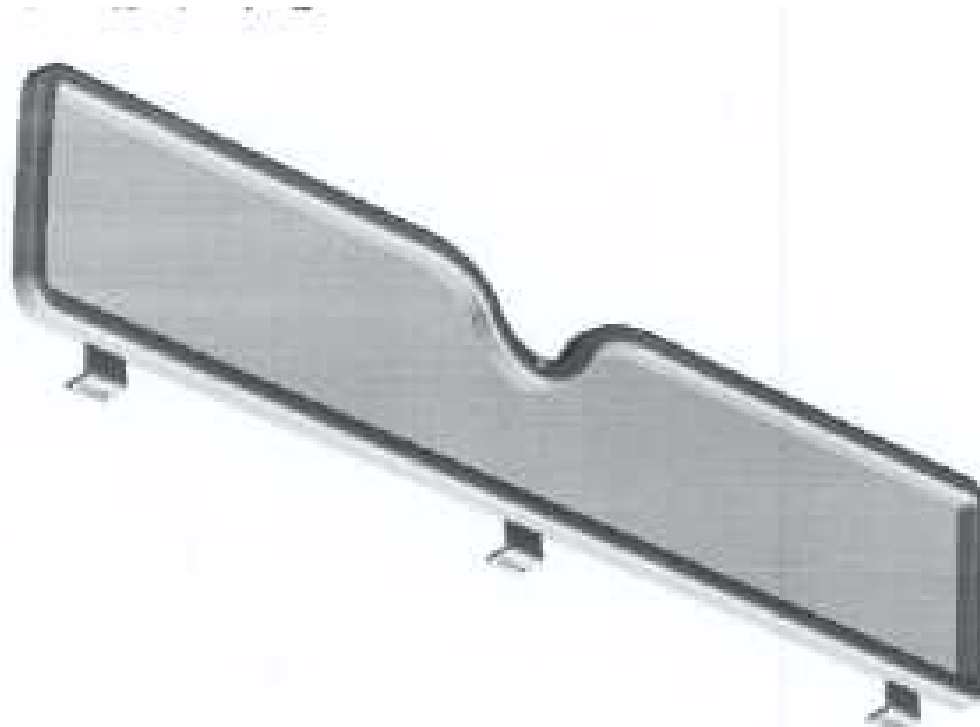
Camec Pty Ltd
47-63 Remington Drive Dandenong South Victoria 3175 Australia

(72) Name(s) of Designer(s): **Amol Gulabrao Sonawane and Martin Clark and Daniel Radmanovic and Craig Anthony Webb and Nicolas Aronis and Mark Ferrier Cumming**

(45) Registration Date: **25 July 2008**

(56) Related Art Documents: **Not Applicable**

(57) Statement of Newness and Distinctiveness: **The new and distinctive features of the flyscreen are as depicted in the attached drawings.**



(21) Design Number: **11444/2008**

(22) Date of Filing Application: **26 March 2008**

(24) Date from which industrial property rights may have effect: **26 March 2008**

(54) Product in respect of which the design is registered: **Ratchet clip**

(51) International Design Classification: **08-08C**

(71) Name(s) and Address(s) of Applicant(s):

Camec Pty Ltd

47-63 Remington Drive Dandenong South Victoria 3175 Australia

(72) Name(s) of Designer(s): **Martin Clark and Daniel Radmanovic and Craig Anthony Webb and Nicolas Aronis and Mark Ferrier Cumming and Amol Gulabrao Sonawane**

(45) Registration Date: **25 July 2008**

(56) Related Art Documents: **Not Applicable**

(57) Statement of Newness and Distinctiveness: **The new and distinctive features of the ratchet clip are as depicted in the attached drawings.**



(21) Design Number: **11445/2008**

(22) Date of Filing Application: **26 March 2008**

(24) Date from which industrial property rights may have effect: **26 March 2008**

(54) Product in respect of which the design is registered: **Hatch lifting mechanism**

(51) International Design Classification: **08-09**

(71) Name(s) and Address(s) of Applicant(s):

Camec Pty Ltd

47-63 Remington Drive Dandenong South Victoria 3175 Australia

(72) Name(s) of Designer(s): **Martin Clark and Daniel Radmanovic and Craig Anthony Webb and Nicolas Aronis and Mark Ferrier Cumming and Amol Gulabrao Sonawane**

(45) Registration Date: **25 July 2008**

(56) Related Art Documents: **Not Applicable**

(57) Statement of Newness and Distinctiveness: **The new and distinctive features of the hatch lifting mechanism are as depicted in the attached drawings, excluding the words shown on the perspective and right views.**



(21) Design Number: **11446/2008**

(22) Date of Filing Application: **26 March 2008**

(24) Date from which industrial property rights may have effect: **26 March 2008**

(54) Product in respect of which the design is registered: **Hatch assembly**

(51) International Design Classification: **08-09**

(71) Name(s) and Address(s) of Applicant(s):

Camec Pty Ltd

47-63 Remington Drive Dandenong South Victoria 3175 Australia

(72) Name(s) of Designer(s): **Martin Clark and Daniel Radmanovic and Craig Anthony Webb and Nicolas Aronis and Mark Ferrier Cumming and Amol Gulabrao Sonawane**

(45) Registration Date: **25 July 2008**

(56) Related Art Documents: **Not Applicable**

(57) Statement of Newness and Distinctiveness: **The new and distinctive features of the hatch assembly, depicted with its flaps open and closed are as depicted in the attached drawings.**



(21) Design Number: **11448/2008**

(22) Date of Filing Application: **26 March 2008**

(24) Date from which industrial property rights may have effect: **26 March 2008**

(54) Product in respect of which the design is registered: **Table mount and wall mount iPod docking station**

(51) International Design Classification: **14-02, 08-08NES**

(71) Name(s) and Address(s) of Applicant(s):

Nexus Technologies Pty Ltd

2/118 Malcolm Road Braeside Victoria 3195 Australia

(72) Name(s) of Designer(s): **Aran F. Gallagher**

(45) Registration Date: **25 July 2008**

(56) Related Art Documents: **Not Applicable**

(57) Statement of Newness and Distinctiveness: **Design has curved surface with a protective 'spring loaded' cover that follows the contour of the front surface. The front surface has no visible screws or fixing devices.**



(21) Design Number: **11510/2008**

(22) Date of Filing Application: **31 March 2008**

(24) Date from which industrial property rights may have effect: **31 March 2008**

(54) Product in respect of which the design is registered: **A table**

(51) International Design Classification: **06-03B**

(71) Name(s) and Address(s) of Applicant(s):

Nique Enterprises Pty Ltd
2-4 Ainslie Close Somersby New South Wales 2250 Australia

(72) Name(s) of Designer(s): **Tom Bihari**

(45) Registration Date: **25 July 2008**

(56) Related Art Documents: **Not Applicable**

(57) Statement of Newness and Distinctiveness: **Newness and distinctiveness is claimed in the features of shape and/or configuration of the following parts of a table as illustrated in the accompanying representations.**



(21) Design Number: **11511/2008**

(22) Date of Filing Application: **31 March 2008**

(24) Date from which industrial property rights may have effect: **31 March 2008**

(54) Product in respect of which the design is registered: **A chair**

(51) International Design Classification: **06-01G**

(71) Name(s) and Address(s) of Applicant(s):

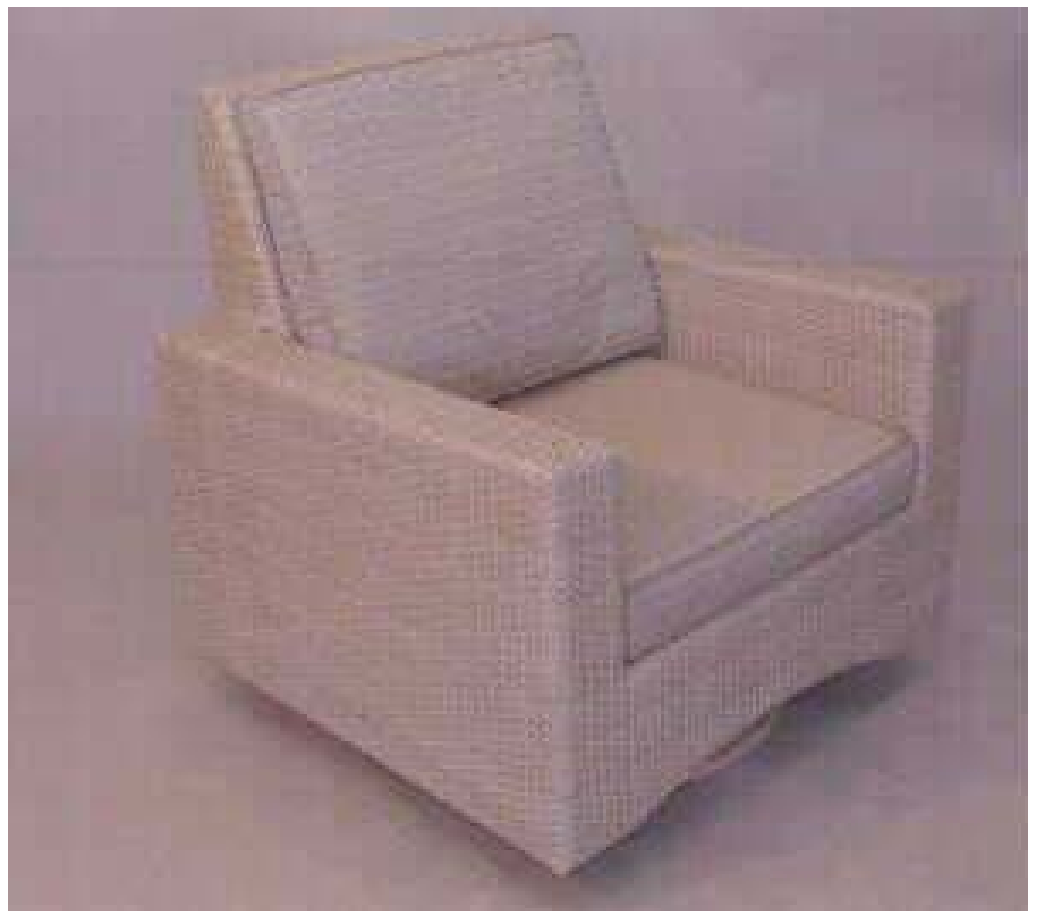
Nique Enterprises Pty Ltd
2-4 Ainslie Close Somersby New South Wales 2250 Australia

(72) Name(s) of Designer(s): **Tom Bihari**

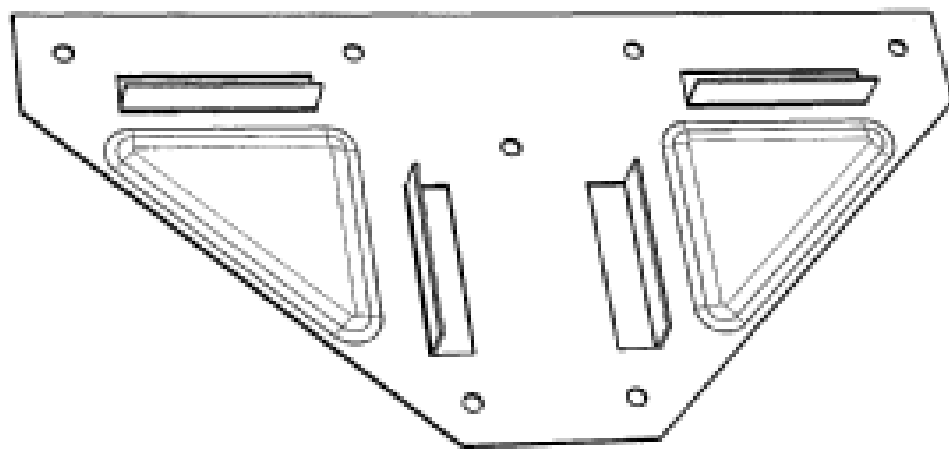
(45) Registration Date: **25 July 2008**

(56) Related Art Documents: **Not Applicable**

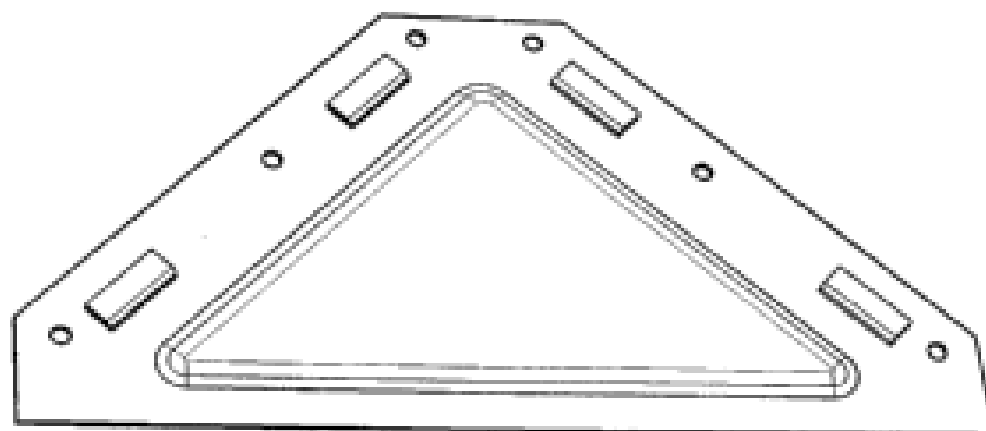
(57) Statement of Newness and Distinctiveness: **Newness and distinctiveness is claimed in the features of shape and/or configuration of the following parts of a chair as illustrated in the accompanying representations.**



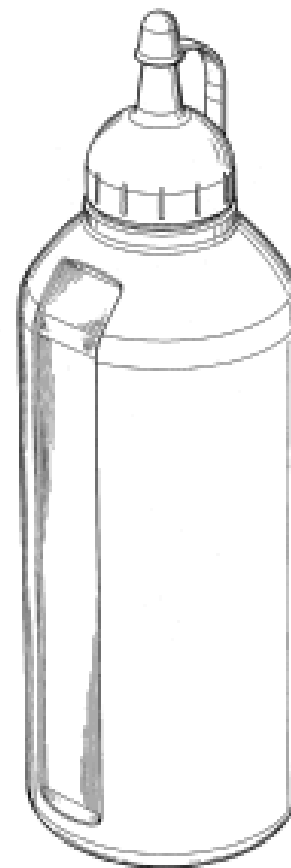
- (21) Design Number: **11546/2008**
(22) Date of Filing Application: **31 March 2008**
(24) Date from which industrial property rights may have effect: **31 March 2008**
(54) Product in respect of which the design is registered: **Metal frame support and/or reinforcement bracket**
(51) International Design Classification: **08-08L**
(71) Name(s) and Address(s) of Applicant(s):
Lance Malcolm Vater
Unit 7/538 Portrush Road St Georges South Australia 5064 Australia
(72) Name(s) of Designer(s): **Lance Malcolm Vater**
(45) Registration Date: **25 July 2008**
(56) Related Art Documents: **Not Applicable**
(57) Statement of Newness and Distinctiveness: **Nil**



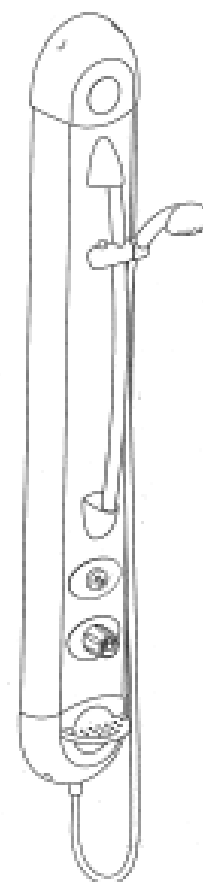
- (21) Design Number: **11547/2008**
(22) Date of Filing Application: **31 March 2008**
(24) Date from which industrial property rights may have effect: **31 March 2008**
(54) Product in respect of which the design is registered: **Metal frame corner support and/or reinforcement bracket**
(51) International Design Classification: **08-08L**
(71) Name(s) and Address(s) of Applicant(s):
Lance Malcolm Vater
Unit 7/538 Portrush Road St Georges South Australia 5064 Australia
(72) Name(s) of Designer(s): **Lance Malcolm Vater**
(45) Registration Date: **25 July 2008**
(56) Related Art Documents: **Not Applicable**
(57) Statement of Newness and Distinctiveness: **Nil**



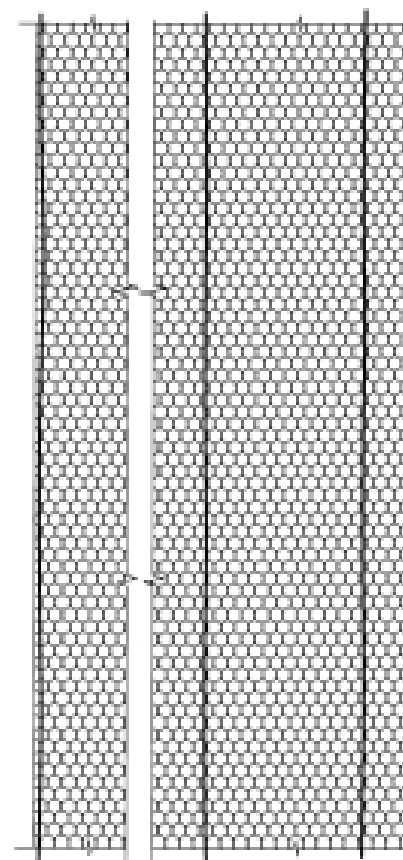
- (21) Design Number: **11507/2008**
(22) Date of Filing Application: **31 March 2008**
(24) Date from which industrial property rights may have effect: **31 March 2008**
(54) Product in respect of which the design is registered: **Sauce bottle**
(51) International Design Classification: **09-01K**
(71) Name(s) and Address(s) of Applicant(s):
The Decor Corporation Pty Ltd
1314 Ferntree Gully Road Scoresby Victoria 3179 Australia
(72) Name(s) of Designer(s): **James Samartgis**
(45) Registration Date: **25 July 2008**
(56) Related Art Documents: **Not Applicable**
(57) Statement of Newness and Distinctiveness: **Nil**



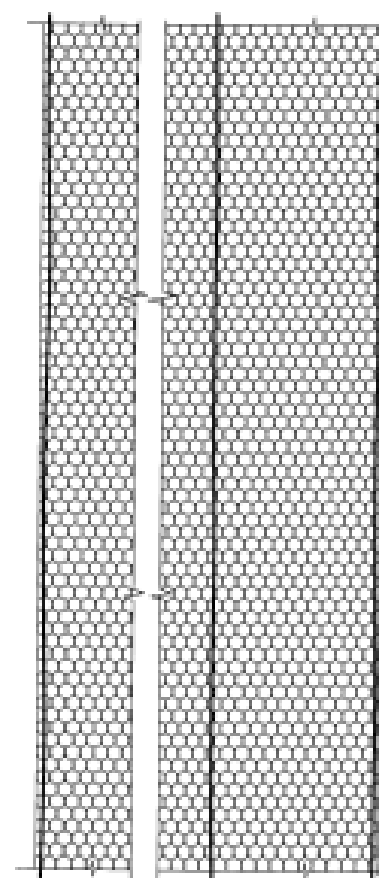
- (21) Design Number: **11509/2008**
(22) Date of Filing Application: **31 March 2008**
(24) Date from which industrial property rights may have effect: **31 March 2008**
(54) Product in respect of which the design is registered: **Shower panel**
(51) International Design Classification: **23-02B**
(71) Name(s) and Address(s) of Applicant(s):
Les Robinets Presto, Societe Anonyme
7 rue Racine 92 120 Montrouge France
(72) Name(s) of Designer(s): **Daniel Dutheil**
(45) Registration Date: **25 July 2008**
(30) Convention priority data:
(31) Number (32) Date (33) Country
000813308-0004 22 Oct 2007 EUROPEAN COMMUNITY
(56) Related Art Documents: **Not Applicable**
(57) Statement of Newness and Distinctiveness: **Those features of the shower panel depicted in the representations that are new and distinctive are the shape and/or configuration.**



- (21) Design Number: **11514/2008**
(22) Date of Filing Application: **31 March 2008**
(24) Date from which industrial property rights may have effect: **31 March 2008**
(54) Product in respect of which the design is registered: **A mesh fence panel**
(51) International Design Classification: **25-02C**
(71) Name(s) and Address(s) of Applicant(s):
Ashley Dean Olsson
989 Crookwell Road Goulburn New South Wales 2580 Australia
Ashley Norman Olsson
989 Crookwell Road Goulburn New South Wales 2580 Australia
Kieran Blake Olsson
989 Crookwell Road Goulburn New South Wales 2580 Australia
Nathanael Dean Olsson
989 Crookwell Road Goulburn New South Wales 2580 Australia
Stafford James Olsson
989 Crookwell Road Goulburn New South Wales 2580 Australia
(72) Name(s) of Designer(s): **Ashley Dean Olsson and Ashley Norman Olsson and Kieran Blake Olsson and Nathanael Dean Olsson and Stafford James Olsson**
(45) Registration Date: **25 July 2008**
(56) Related Art Documents: **Not Applicable**
(57) Statement of Newness and Distinctiveness: **Newness and distinctiveness reside in the shape and configuration of a mesh fence panel of indefinite length and width as illustrated in the accompanying representations.**



- (21) Design Number: **11515/2008**
(22) Date of Filing Application: **31 March 2008**
(24) Date from which industrial property rights may have effect: **31 March 2008**
(54) Product in respect of which the design is registered: **A mesh fence panel**
(51) International Design Classification: **25-02C**
(71) Name(s) and Address(s) of Applicant(s):
Ashley Dean Olsson
989 Crookwell Road Goulburn New South Wales 2580 Australia
Ashley Norman Olsson
989 Crookwell Road Goulburn New South Wales 2580 Australia
Kieran Blake Olsson
989 Crookwell Road Goulburn New South Wales 2580 Australia
Nathanael Dean Olsson
989 Crookwell Road Goulburn New South Wales 2580 Australia
Stafford James Olsson
989 Crookwell Road Goulburn New South Wales 2580 Australia
(72) Name(s) of Designer(s): **Ashley Dean Olsson and Ashley Norman Olsson and Kieran Blake Olsson and Nathanael Dean Olsson and Stafford James Olsson**
(45) Registration Date: **25 July 2008**
(56) Related Art Documents: **Not Applicable**
(57) Statement of Newness and Distinctiveness: **Newness and distinctiveness reside in the shape and configuration of a mesh fence panel of indefinite length and width as illustrated in the accompanying representations.**



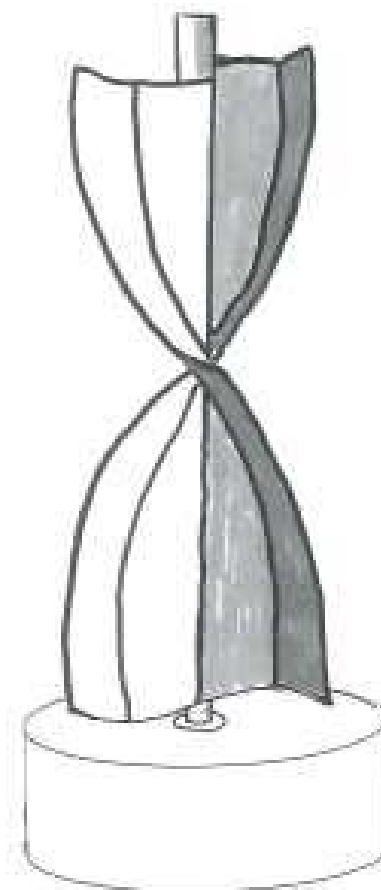
- (21) Design Number: **21320/2007**
(22) Date of Filing Application: **12 December 2007**
(24) Date from which industrial property rights may have effect: **12 December 2007**
(54) Product in respect of which the design is registered: **Home use arcade game**
(51) International Design Classification: **21-01N**
(71) Name(s) and Address(s) of Applicant(s):
Lawrence Spies
12 Brolga Avenue Chelsea Heights Victoria 3196 Australia
(72) Name(s) of Designer(s): **Lawrence Spies**
(45) Registration Date: **25 July 2008**
(56) Related Art Documents: **Not Applicable**
(57) Statement of Newness and Distinctiveness: **Wine barrel with two acrylic control panels and timber moulded monitor surround for use as a home use arcade game.**



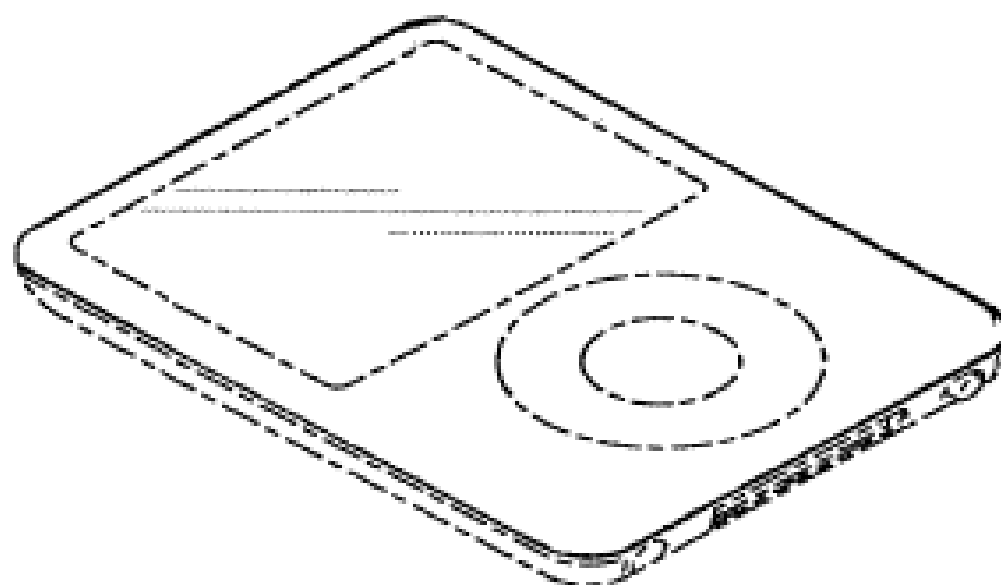
- (21) Design Number: **19264/2007**
(22) Date of Filing Application: **08 August 2007**
(24) Date from which industrial property rights may have effect: **08 August 2007**
(54) Product in respect of which the design is registered: **A display strip**
(51) International Design Classification: **20-02E, 20-02NES**
(71) Name(s) and Address(s) of Applicant(s):
Southern Imperial Pty Ltd
85-91 Burchill Street Loganholme Queensland 4129 Australia
(72) Name(s) of Designer(s): **John Lance Fuller**
(45) Registration Date: **25 July 2008**
(56) Related Art Documents: **Not Applicable**
(57) Statement of Newness and Distinctiveness: **Nil**



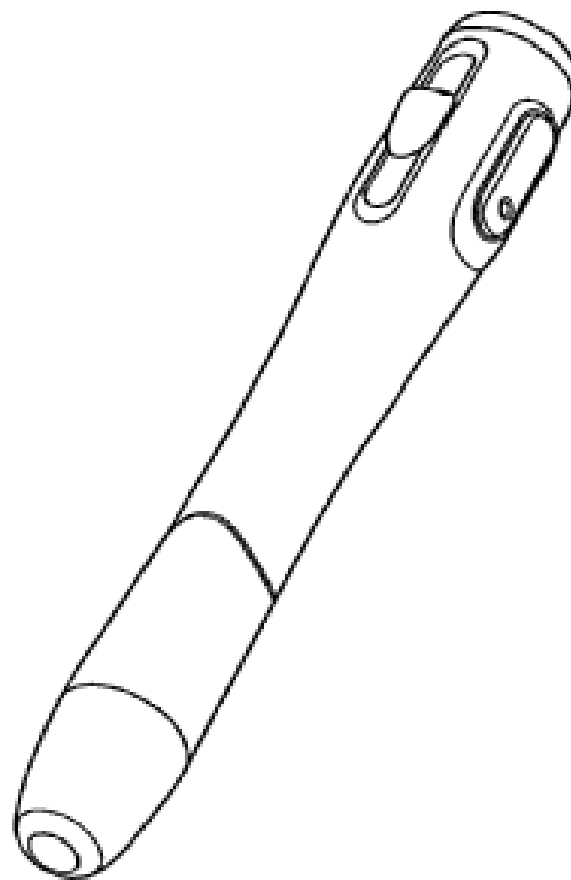
- (21) Design Number: **20766/2007**
(22) Date of Filing Application: **12 November 2007**
(24) Date from which industrial property rights may have effect: **12 November 2007**
(54) Product in respect of which the design is registered: **A wind turbine**
(51) International Design Classification: **15-02, 15-01**
(71) Name(s) and Address(s) of Applicant(s):
HAJT Proprietary Limited
1 Bill Grove MOONAH TAS 7248
(72) Name(s) of Designer(s): **David Maddern**
(45) Registration Date: **25 July 2008**
(56) Related Art Documents: **Not Applicable**
(57) Statement of Newness and Distinctiveness: **Design is double helix which is used in some other countries but not seen in internet searches for Australia. A distinctive feature will be the folding of the wings.**



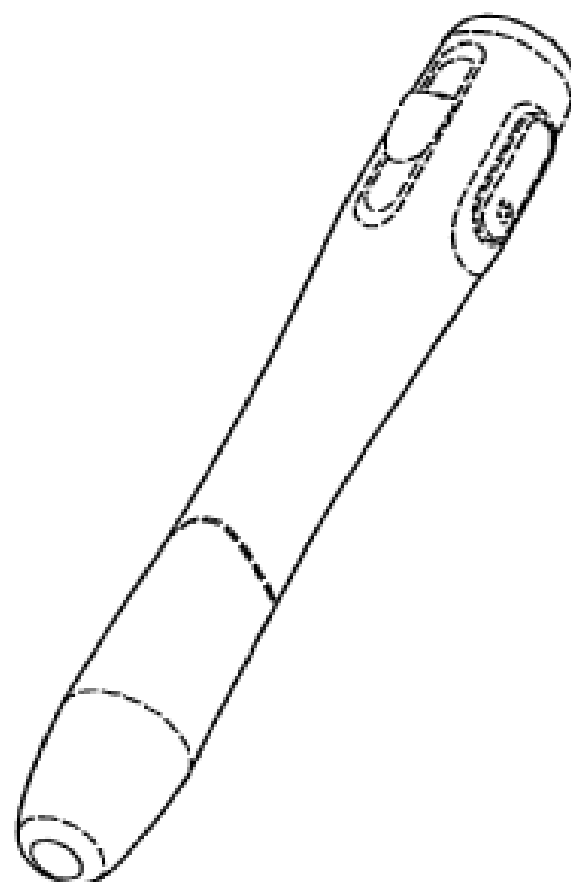
- (21) Design Number: **10831/2008**
(22) Date of Filing Application: **21 February 2008**
(24) Date from which industrial property rights may have effect: **21 February 2008**
(54) Product in respect of which the design is registered: **Electronic device**
(51) International Design Classification: **14-01**
(71) Name(s) and Address(s) of Applicant(s):
Apple Inc.
1 Infinite Loop Cupertino California 95014 United States of America
(72) Name(s) of Designer(s): **Bartley K. Andre and Daniel J. Coster and Daniele De Iullis and Richard P. Howarth and Jonathan P. Ive and Steve Jobs and Duncan Robert Kerr and Shin Nishibori and Matthew Dean Rohrbach and Peter Russell-Clarke and Douglas B. Satzger and Calvin Q. Seid and Christopher J. Stringer and Eugene Antony Whang and Rico Zorkendorfer**
(45) Registration Date: **25 July 2008**
(30) Convention priority data:
(31) Number (32) Date (33) Country
29/284190 31 Aug 2007 UNITED STATES OF AMERICA
(56) Related Art Documents: **Not Applicable**
(57) Statement of Newness and Distinctiveness: **Newness and distinctiveness of the design resides in the features of shape and/or configuration as shown in solid lines in the accompanying representations.**



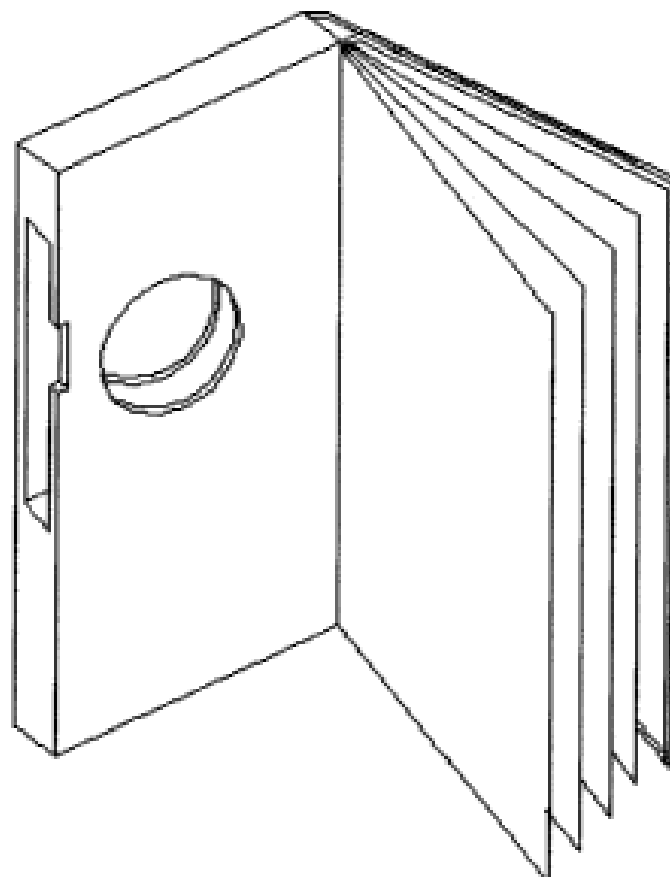
(21) Design Number: **10868/2008**
(22) Date of Filing Application: **22 February 2008**
(24) Date from which industrial property rights may have effect: **22 February 2008**
(54) Product in respect of which the design is registered: **Marker**
(51) International Design Classification: **19-06**
(71) Name(s) and Address(s) of Applicant(s):
Sanford, L.P.
2707 Butterfield Road Oak Brook IL 60523 United States of America
(72) Name(s) of Designer(s): **Galina Treyer and Matthew Gerules**
(45) Registration Date: **25 July 2008**
(30) Convention priority data:
(31) Number (32) Date (33) Country
29/284,151 31 Aug 2007 UNITED STATES OF AMERICA
(56) Related Art Documents: **Not Applicable**
(57) Statement of Newness and Distinctiveness: **Nil**



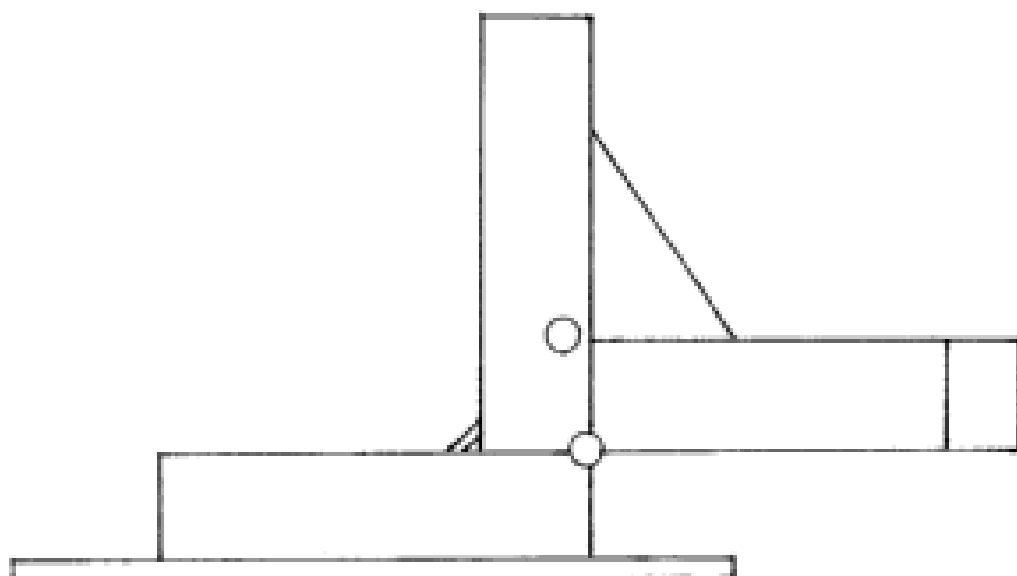
(21) Design Number: **12913/2008**
(22) Date of Filing Application: **22 February 2008**
(24) Date from which industrial property rights may have effect: **22 February 2008**
(54) Product in respect of which the design is registered: **Marker**
(51) International Design Classification: **19-06**
(71) Name(s) and Address(s) of Applicant(s):
Sanford, L.P.
2707 Butterfield Road Oak Brook IL 60523 United States of America
(72) Name(s) of Designer(s): **Matthew Gerules and Galina Treyer**
(45) Registration Date: **25 July 2008**
(30) Convention priority data:
(31) Number (32) Date (33) Country
29/284,151 31 Aug 2007 UNITED STATES OF AMERICA
(56) Related Art Documents: **Not Applicable**
(57) Statement of Newness and Distinctiveness: **Nil**



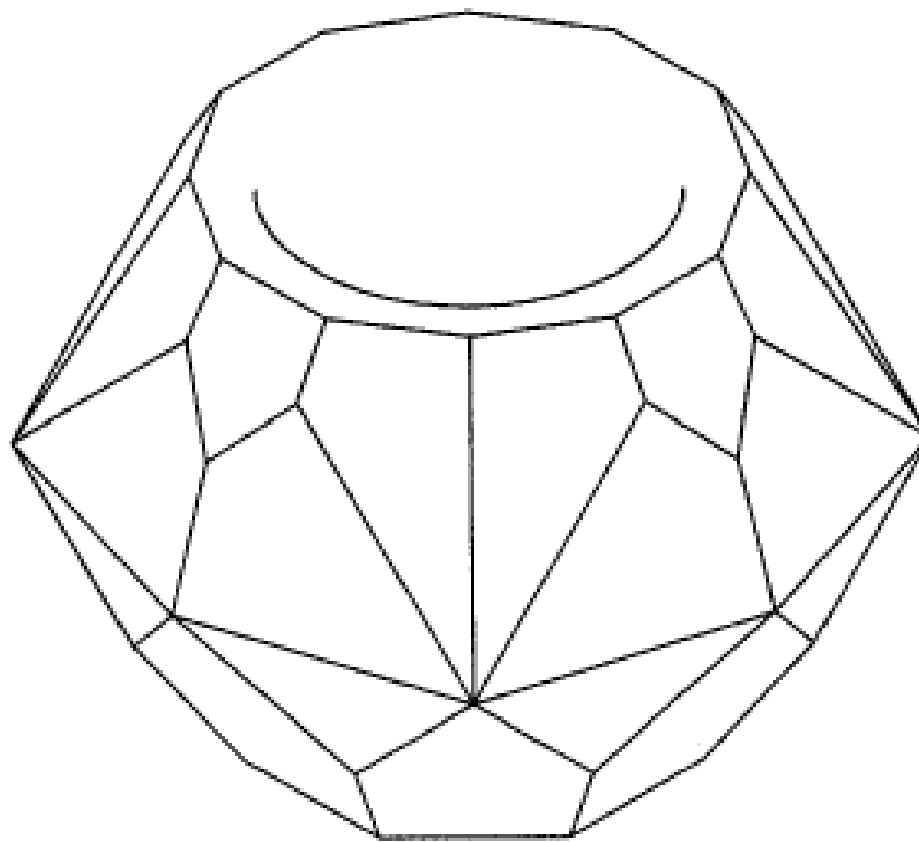
- (21) Design Number: **11464/2008**
(22) Date of Filing Application: **28 March 2008**
(24) Date from which industrial property rights may have effect: **28 March 2008**
(54) Product in respect of which the design is registered: **Book with integrated media holder**
(51) International Design Classification: **19-04**
(71) Name(s) and Address(s) of Applicant(s):
Hinkler Books Pty Ltd
44-55 Fairchild Street Heatherton Victoria 3202 Australia
(72) Name(s) of Designer(s): **Stephen David Ungar**
(45) Registration Date: **25 July 2008**
(56) Related Art Documents: **Not Applicable**
(57) Statement of Newness and Distinctiveness: **Novelty is claimed in the shape and configuration of a book with variable number of pages and with an integrated media holder. Novelty is not claimed in the shape or configuration of the media holder itself.**



- (21) Design Number: **11505/2008**
(22) Date of Filing Application: **31 March 2008**
(24) Date from which industrial property rights may have effect: **31 March 2008**
(54) Product in respect of which the design is registered: **Tilting bollard**
(51) International Design Classification: **25-02NES**
(71) Name(s) and Address(s) of Applicant(s):
Robert John Hadaway
419 Grand Promenade Dianella Western Australia 6059 Australia
(72) Name(s) of Designer(s): **Robert John Hadaway**
(45) Registration Date: **25 July 2008**
(56) Related Art Documents: **Not Applicable**
(57) Statement of Newness and Distinctiveness: **Nil**

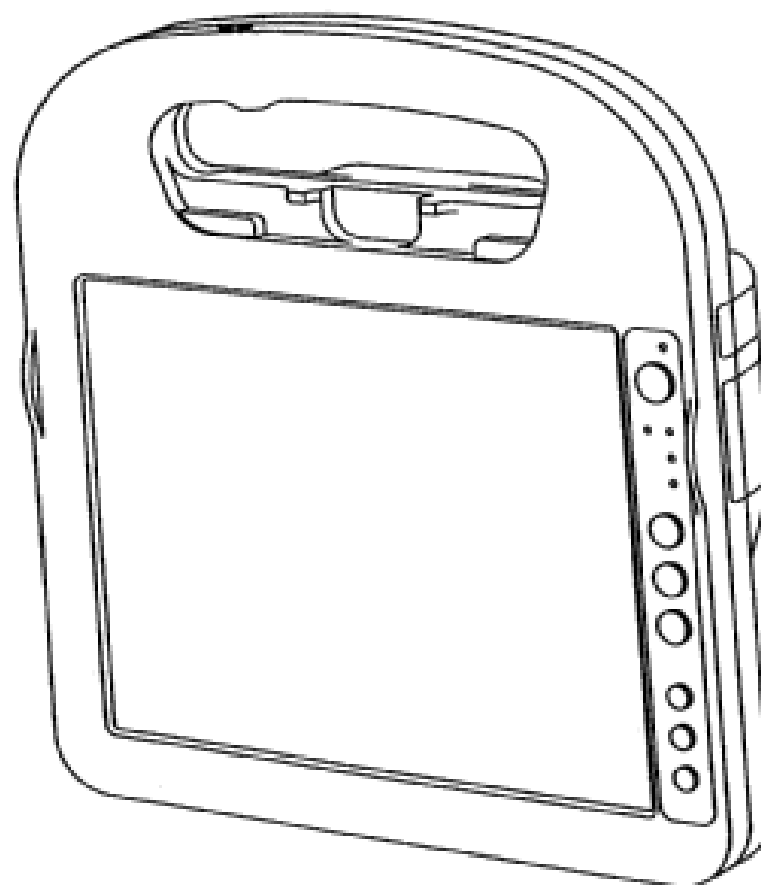


- (21) Design Number: **11512/2008**
- (22) Date of Filing Application: **07 April 2008**
- (24) Date from which industrial property rights may have effect: **07 April 2008**
- (54) Product in respect of which the design is registered: **Multi purpose/multi faceted container**
- (51) International Design Classification: **09-01G, 26-01**
- (71) Name(s) and Address(s) of Applicant(s):
Wendy Meacher
Apt 14-374 Ocean View Road Ettalong Beach New South Wales 2257
Australia
- (72) Name(s) of Designer(s): **Wendy Meacher**
- (45) Registration Date: **25 July 2008**
- (56) Related Art Documents: **Not Applicable**
- (57) Statement of Newness and Distinctiveness: **The whole design of the poligem is new and distinctive in that it is the shape which allows the poligem to be barely tilted at the 45 degree angle thus allowing the safe and secure application of the nail polish.**



- (21) Design Number: **11528/2008**
- (22) Date of Filing Application: **01 April 2008**
- (24) Date from which industrial property rights may have effect: **01 April 2008**
- (54) Product in respect of which the design is registered: **Portable computer**
- (51) International Design Classification: **14-02**
- (71) Name(s) and Address(s) of Applicant(s):
Matsushita Electric Industrial Co., Ltd.
1006 Oaza Kadoma Kadoma-shi Osaka 571-8501 Japan
- (72) Name(s) of Designer(s): **Hirofumi Takemasa**
- (45) Registration Date: **25 July 2008**
- (30) Convention priority data:

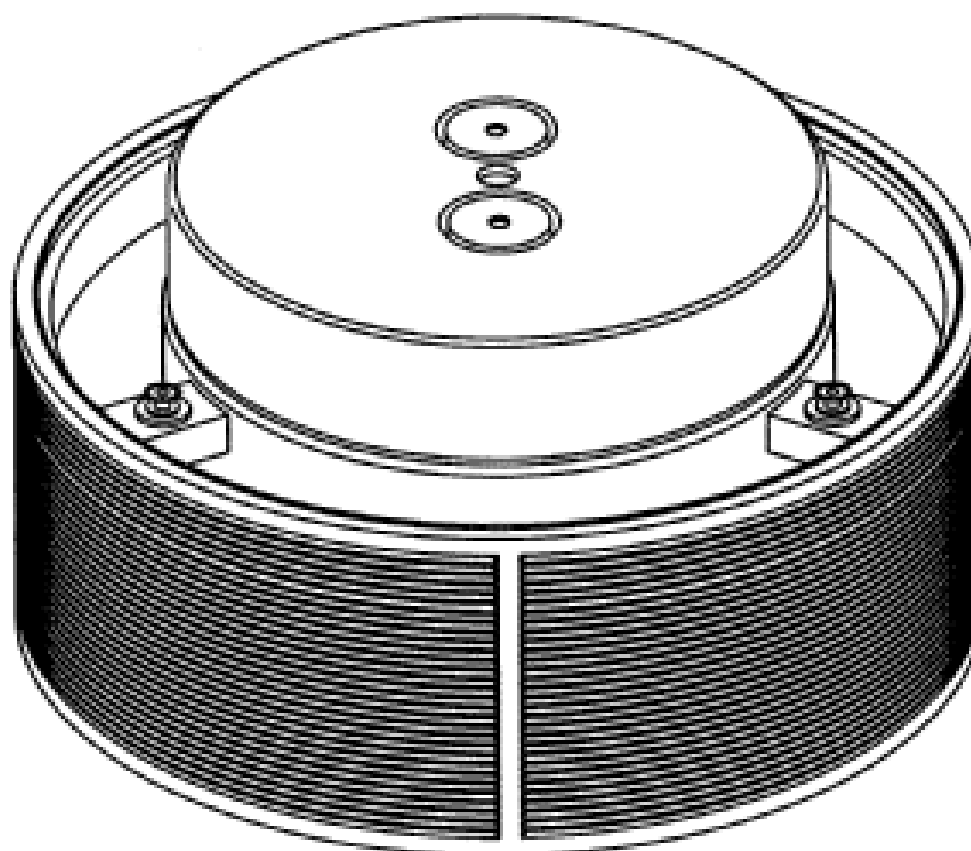
(31) Number	(32) Date	(33) Country
2008-002216	01 Feb 2008	JAPAN
- (56) Related Art Documents: **Not Applicable**
- (57) Statement of Newness and Distinctiveness: **Newness and distinctiveness is claimed in the features of shape and/or configuration of a portable computer as illustrated in the accompanying representations.**



- (21) Design Number: **11529/2008**
(22) Date of Filing Application: **01 April 2008**
(24) Date from which industrial property rights may have effect: **01 April 2008**
(54) Product in respect of which the design is registered: **Portable computer**
(51) International Design Classification: **14-02**
(71) Name(s) and Address(s) of Applicant(s):
Matsushita Electric Industrial Co., Ltd.
1006 Oaza Kadoma Kadoma-shi Osaka 571-8501 Japan
(72) Name(s) of Designer(s): **Hirofumi Takemasa**
(45) Registration Date: **25 July 2008**
(30) Convention priority data:
(31) Number (32) Date (33) Country
2008-002227 01 Feb 2008 JAPAN
(56) Related Art Documents: **Not Applicable**
(57) Statement of Newness and Distinctiveness: **Newness and distinctiveness is claimed in the features of shape and/or configuration of a portable computer as illustrated in the accompanying representations.**



- (21) Design Number: **11530/2008**
(22) Date of Filing Application: **01 April 2008**
(24) Date from which industrial property rights may have effect: **01 April 2008**
(54) Product in respect of which the design is registered: **Lighting fixture**
(51) International Design Classification: **26-05C**
(71) Name(s) and Address(s) of Applicant(s):
Zumtobel Lighting GmbH
Schweizer Strasse 30 6850 Dornbirn Austria
(72) Name(s) of Designer(s): **Charles Keller**
(45) Registration Date: **25 July 2008**
(30) Convention priority data:
(31) Number (32) Date (33) Country
000 809 16 Oct 2007 EUROPEAN COMMUNITY
0740001
(56) Related Art Documents: **Not Applicable**
(57) Statement of Newness and Distinctiveness: **Newness and distinctiveness is claimed in the features of shape and/or configuration of a lighting fixture as illustrated in the accompanying representations.**



(21) Design Number: **11531/2008**

(22) Date of Filing Application: **01 April 2008**

(24) Date from which industrial property rights may have effect: **01 April 2008**

(54) Product in respect of which the design is registered: **Lighting fixture**

(51) International Design Classification: **26-05C**

(71) Name(s) and Address(s) of Applicant(s):

**Zumtobel Lighting GmbH
Schweizer Strasse 30 6850 Dornbirn Austria**

(72) Name(s) of Designer(s): **Charles Keller**

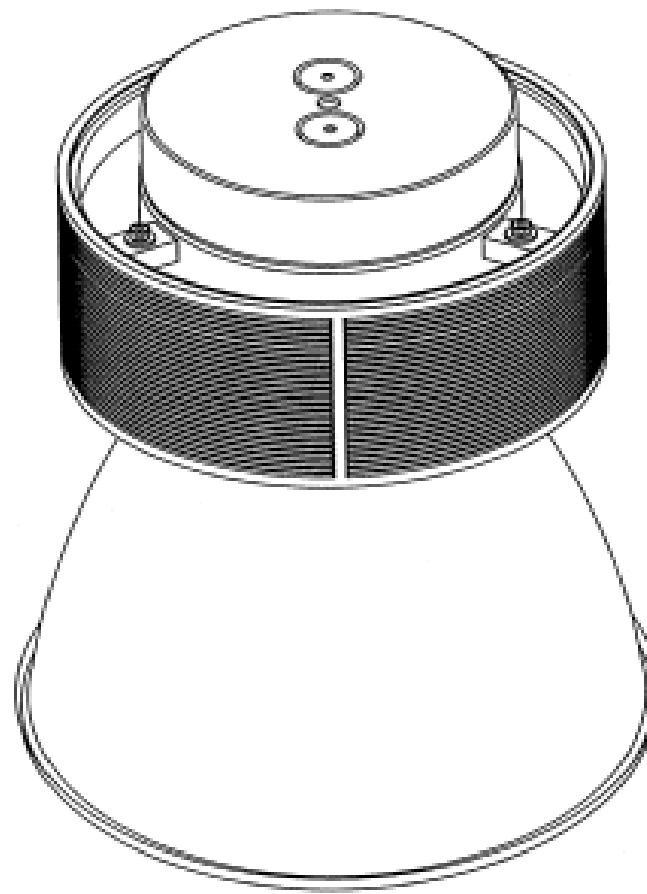
(45) Registration Date: **25 July 2008**

(30) Convention priority data:

(31) Number	(32) Date	(33) Country
000	16 Oct 2007	EUROPEAN COMMUNITY
80907400002		

(56) Related Art Documents: **Not Applicable**

(57) Statement of Newness and Distinctiveness: **Newness and distinctiveness is claimed in the features of shape and/or configuration of a lighting fixture as illustrated in the accompanying representations.**



(21) Design Number: **11532/2008**

(22) Date of Filing Application: **01 April 2008**

(24) Date from which industrial property rights may have effect: **01 April 2008**

(54) Product in respect of which the design is registered: **Battery for portable computer**

(51) International Design Classification: **13-02**

(71) Name(s) and Address(s) of Applicant(s):

**Matsushita Electric Industrial Co., Ltd.
1006 Oaza Kadoma Kadoma-shi Osaka 571-8501 Japan**

(72) Name(s) of Designer(s): **Takeshi Mori and Shuji Yasuoka**

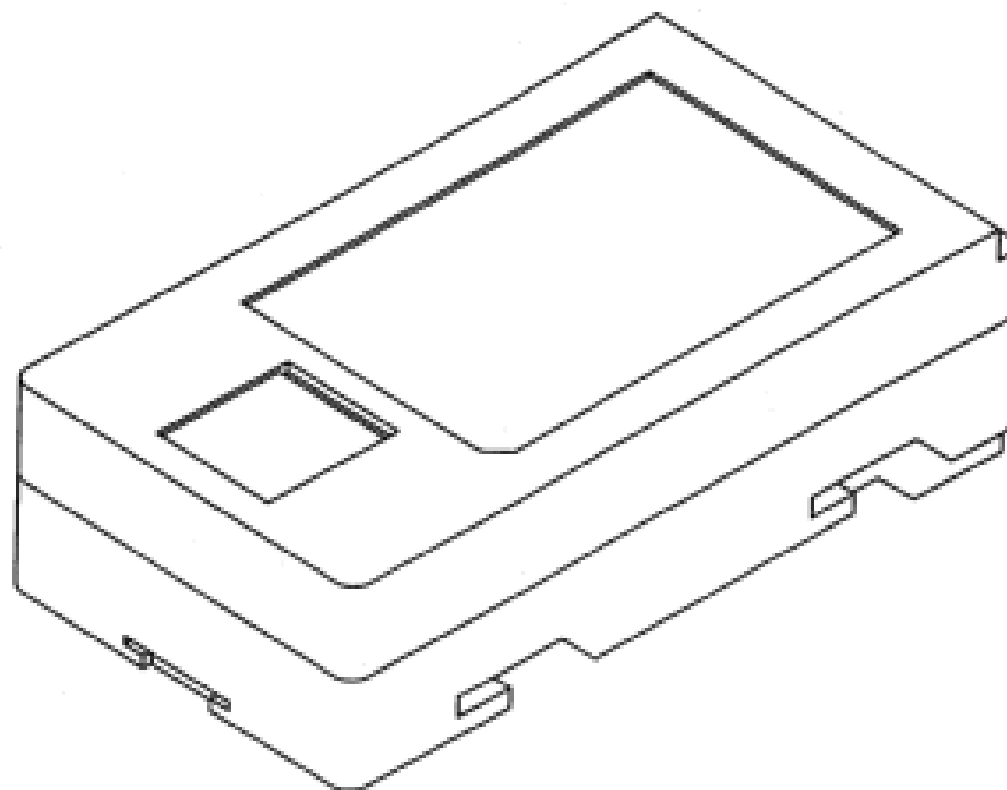
(45) Registration Date: **25 July 2008**

(30) Convention priority data:

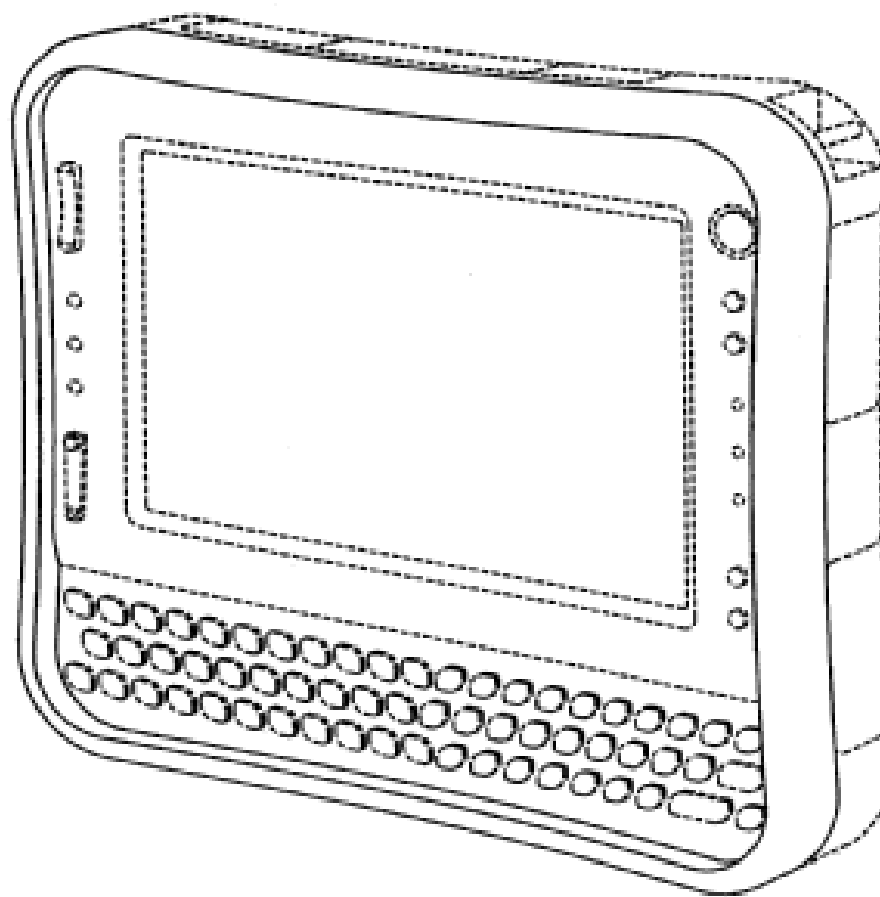
(31) Number	(32) Date	(33) Country
2008-002228	01 Feb 2008	JAPAN

(56) Related Art Documents: **Not Applicable**

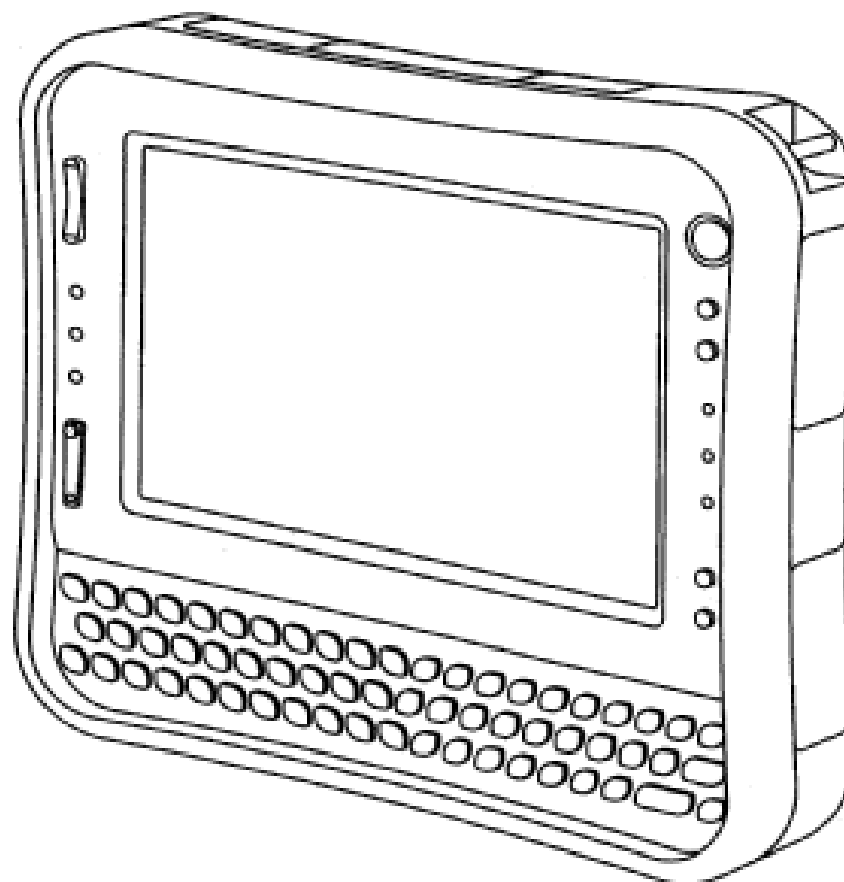
(57) Statement of Newness and Distinctiveness: **Newness and distinctiveness is claimed in the features of shape and/or configuration of a battery for portable computer as illustrated in the accompanying representations.**



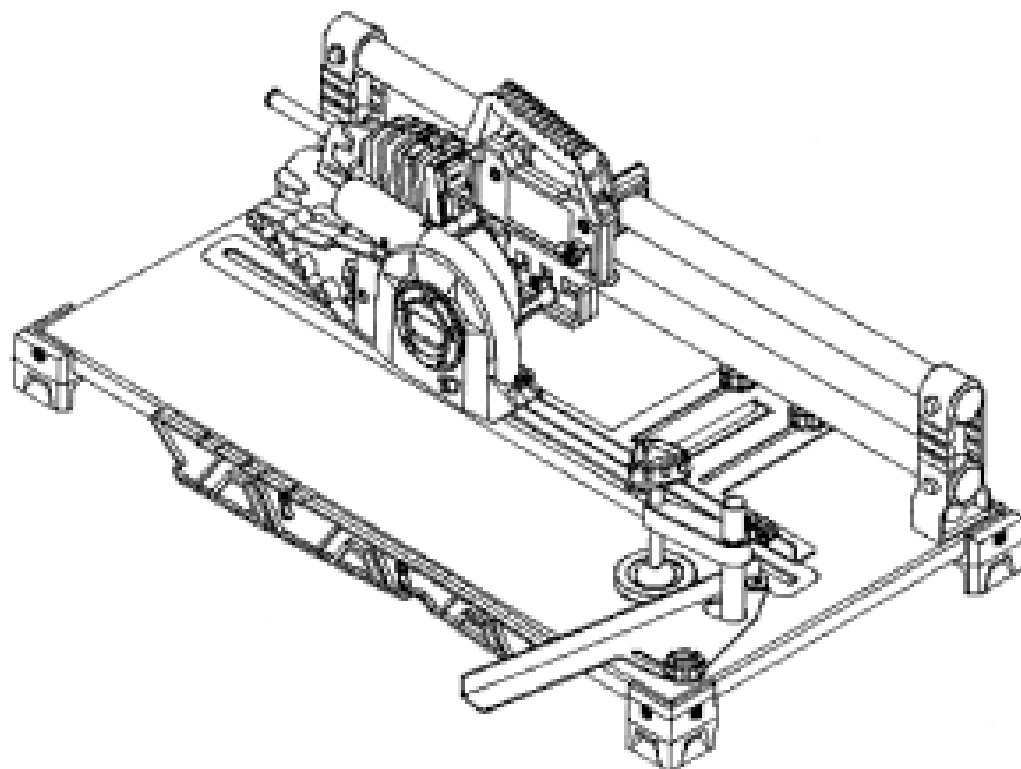
- (21) Design Number: **11533/2008**
(22) Date of Filing Application: **01 April 2008**
(24) Date from which industrial property rights may have effect: **01 April 2008**
(54) Product in respect of which the design is registered: **Portable computer**
(51) International Design Classification: **14-02**
(71) Name(s) and Address(s) of Applicant(s):
Matsushita Electric Industrial Co., Ltd.
1006 Oaza Kadoma Kadoma-shi Osaka 571-8501 Japan
(72) Name(s) of Designer(s): **Hirofumi Takemasa**
(45) Registration Date: **25 July 2008**
(30) Convention priority data:
(31) Number (32) Date (33) Country
2008-002222 01 Feb 2008 JAPAN
(56) Related Art Documents: **Not Applicable**
(57) Statement of Newness and Distinctiveness: **Newness and distinctiveness is claimed in those features of shape and/or configuration of a portable computer as illustrated in continuous lines in the accompanying representations.**



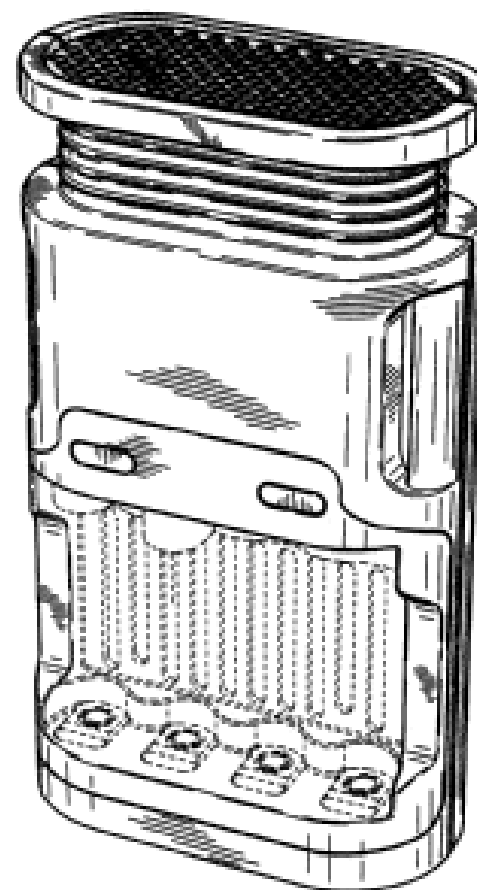
- (21) Design Number: **11534/2008**
(22) Date of Filing Application: **01 April 2008**
(24) Date from which industrial property rights may have effect: **01 April 2008**
(54) Product in respect of which the design is registered: **Portable computer**
(51) International Design Classification: **14-02**
(71) Name(s) and Address(s) of Applicant(s):
Matsushita Electric Industrial Co., Ltd.
1006 Oaza Kadoma Kadoma-shi Osaka 571-8501 Japan
(72) Name(s) of Designer(s): **Hirofumi Takemasa**
(45) Registration Date: **25 July 2008**
(30) Convention priority data:
(31) Number (32) Date (33) Country
2008-002221 01 Feb 2008 JAPAN
(56) Related Art Documents: **Not Applicable**
(57) Statement of Newness and Distinctiveness: **Newness and distinctiveness is claimed in the features of shape and/or configuration of a portable computer as illustrated in the accompanying representations.**



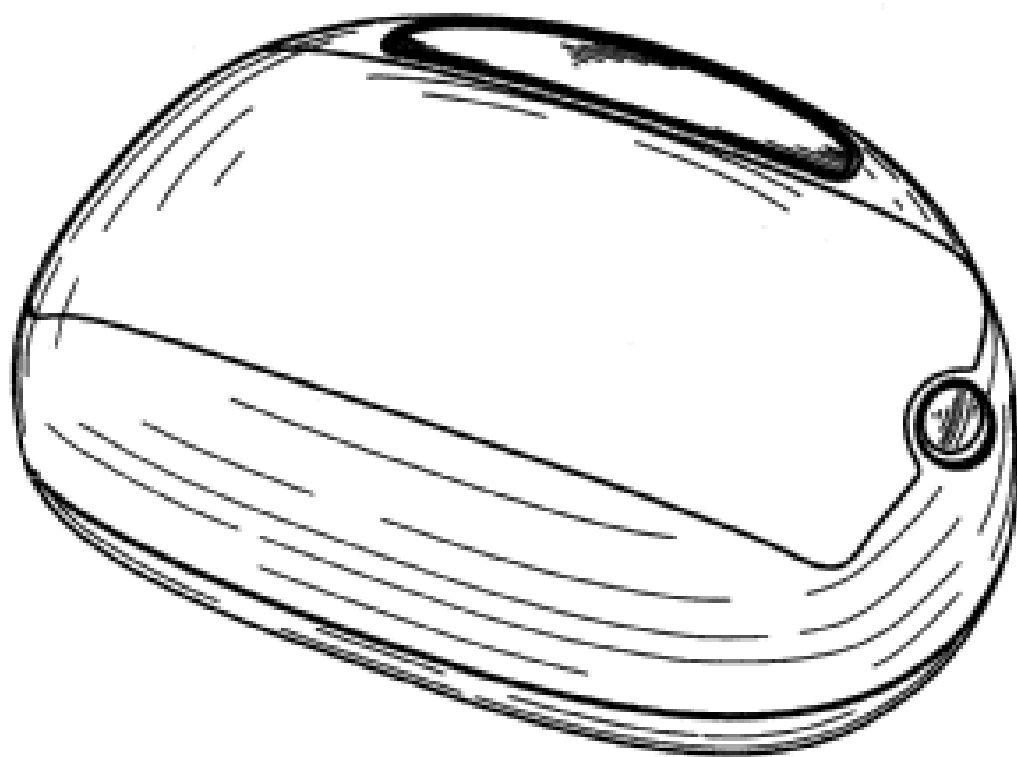
(21) Design Number: **11537/2008**
 (22) Date of Filing Application: **01 April 2008**
 (24) Date from which industrial property rights may have effect: **01 April 2008**
 (54) Product in respect of which the design is registered: **Saw power tool**
 (51) International Design Classification: **08-03**
 (71) Name(s) and Address(s) of Applicant(s):
GMCA Pty Ltd
45-55 South Centre Road Melbourne Airport Victoria 3045 Australia
 (72) Name(s) of Designer(s): **Robert Firth**
 (45) Registration Date: **25 July 2008**
 (30) Convention priority data:
 (31) Number (32) Date (33) Country
4005178 06 Nov 2007 UNITED KINGDOM
 (56) Related Art Documents: **Not Applicable**
 (57) Statement of Newness and Distinctiveness: **Newness and distinctiveness resides in the features of shape and configuration of a saw power tool as shown in the accompanying representations.**



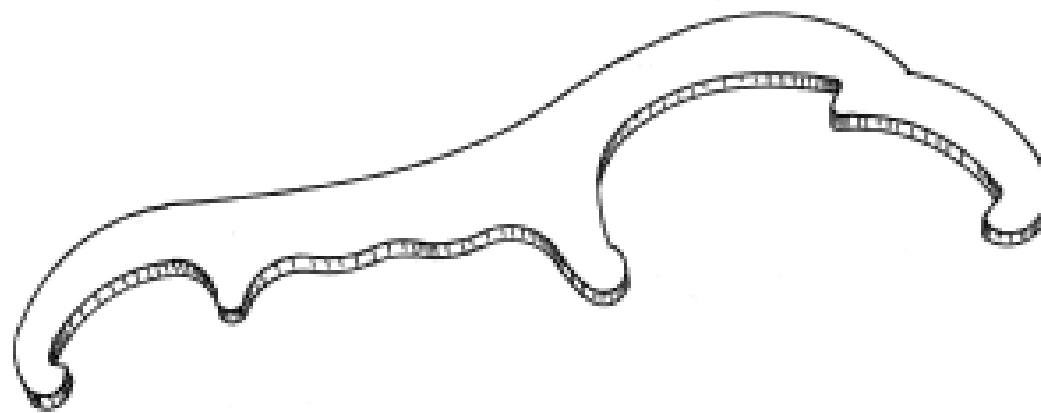
(21) Design Number: **11542/2008**
 (22) Date of Filing Application: **01 April 2008**
 (24) Date from which industrial property rights may have effect: **01 April 2008**
 (54) Product in respect of which the design is registered: **Charger**
 (51) International Design Classification: **13-02**
 (71) Name(s) and Address(s) of Applicant(s):
Eveready Battery Company, Inc.
533 Maryville University Drive St Louis Missouri 63141 United States of America
 (72) Name(s) of Designer(s): **Scott W. Osiecki and David J. Hine**
 (45) Registration Date: **25 July 2008**
 (30) Convention priority data:
 (31) Number (32) Date (33) Country
29/292883 31 Oct 2007 UNITED STATES OF AMERICA
 (56) Related Art Documents: **Not Applicable**
 (57) Statement of Newness and Distinctiveness: **Newness and distinctiveness is claimed in those visual features depicted in unbroken lines.**



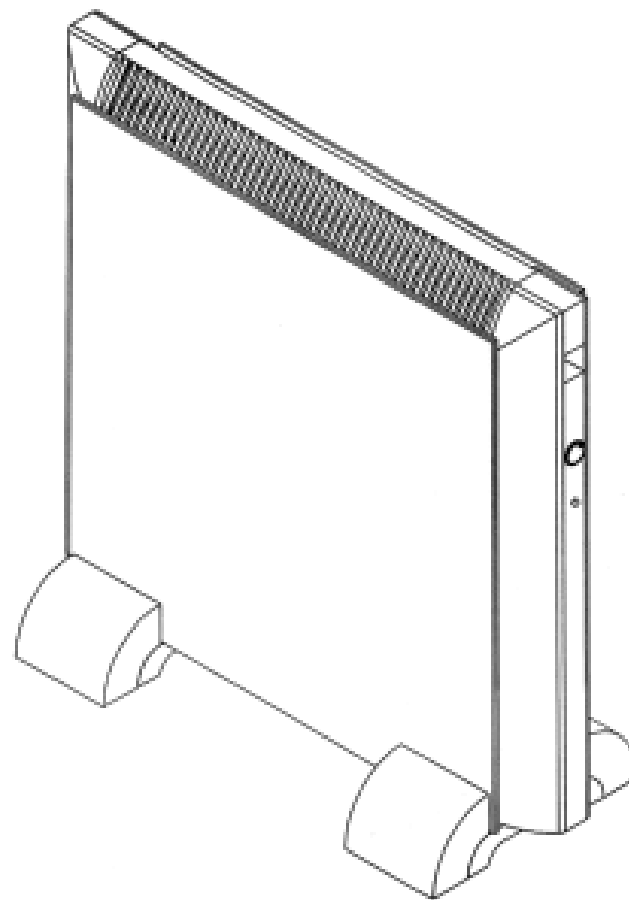
- (21) Design Number: **11543/2008**
(22) Date of Filing Application: **01 April 2008**
(24) Date from which industrial property rights may have effect: **01 April 2008**
(54) Product in respect of which the design is registered: **Charger**
(51) International Design Classification: **13-02**
(71) Name(s) and Address(s) of Applicant(s):
Eveready Battery Company, Inc.
533 Maryville University Drive St Louis Missouri 63141 United States of America
(72) Name(s) of Designer(s): **Scott W. Osiecki and Donwoong Kang**
(45) Registration Date: **25 July 2008**
(30) Convention priority data:
(31) Number (32) Date (33) Country
29/292884 31 Oct 2007 UNITED STATES OF AMERICA
(56) Related Art Documents: **Not Applicable**
(57) Statement of Newness and Distinctiveness: **Newness and distinctiveness is claimed in those visual features depicted in unbroken lines.**



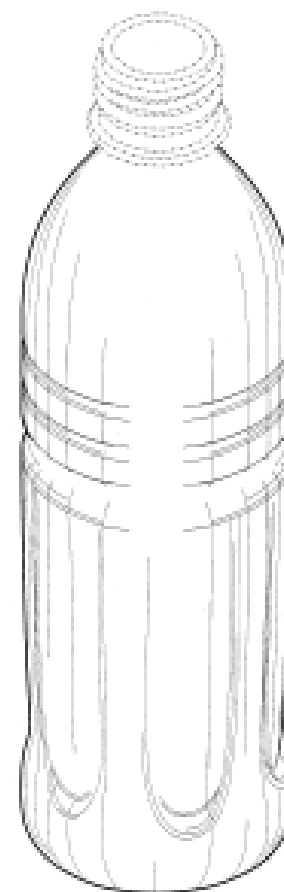
- (21) Design Number: **11545/2008**
(22) Date of Filing Application: **02 April 2008**
(24) Date from which industrial property rights may have effect: **02 April 2008**
(54) Product in respect of which the design is registered: **Spanner for fire hose couplings**
(51) International Design Classification: **08-05P**
(71) Name(s) and Address(s) of Applicant(s):
Shirley Louise Hallam
662 Lake Innes Drive Lake Innes via Wauchope New South Wales 2446 Australia
Jeffrey John Hallam
662 Lake Innes Drive Lake Innes via Wauchope New South Wales 2446 Australia
(72) Name(s) of Designer(s): **Jeffrey John Hallam**
(45) Registration Date: **25 July 2008**
(56) Related Art Documents: **Not Applicable**
(57) Statement of Newness and Distinctiveness: **A single piece spanner to fit four different sized fire hose couplings. Both ends of the spanner have coupling locating lugs. Both ends of the spanner are reversible as operator handgrips.**



(21) Design Number: **11548/2008**
(22) Date of Filing Application: **31 March 2008**
(24) Date from which industrial property rights may have effect: **31 March 2008**
(54) Product in respect of which the design is registered: **A radiator for heating**
(51) International Design Classification: **23-03A**
(71) Name(s) and Address(s) of Applicant(s):
Climastar Global Company, S.L.
C/ Instituto 23 33201 Gijon (Asturias) Spain
(72) Name(s) of Designer(s): **Pedro Luis Llana Garcia**
(45) Registration Date: **25 July 2008**
(30) Convention priority data:
(31) Number (32) Date (33) Country
000799721 01 Oct 2007 EUROPEAN COMMUNITY
(56) Related Art Documents: **Not Applicable**
(57) Statement of Newness and Distinctiveness: **Nil**



(21) Design Number: **11551/2008**
(22) Date of Filing Application: **02 April 2008**
(24) Date from which industrial property rights may have effect: **02 April 2008**
(54) Product in respect of which the design is registered: **A container**
(51) International Design Classification: **09-01K**
(71) Name(s) and Address(s) of Applicant(s):
David Murray Melrose
88 Balmoral Road Mt Eden Auckland New Zealand
(72) Name(s) of Designer(s): **David Murray Melrose and Tania Maria Robinson and Andrew Candy and Campbell Melrose-Allen**
(45) Registration Date: **25 July 2008**
(30) Convention priority data:
(31) Number (32) Date (33) Country
409847 12 Oct 2007 NEW ZEALAND
(56) Related Art Documents: **Not Applicable**
(57) Statement of Newness and Distinctiveness: **Newness and distinctiveness is claimed in the shape and configuration of the container excluding those portions shown in dashed line.**



(21) Design Number: **11552/2008**

(22) Date of Filing Application: **02 April 2008**

(24) Date from which industrial property rights may have effect: **02 April 2008**

(54) Product in respect of which the design is registered: **Cable housing**

(51) International Design Classification: **13-03B**

(71) Name(s) and Address(s) of Applicant(s):

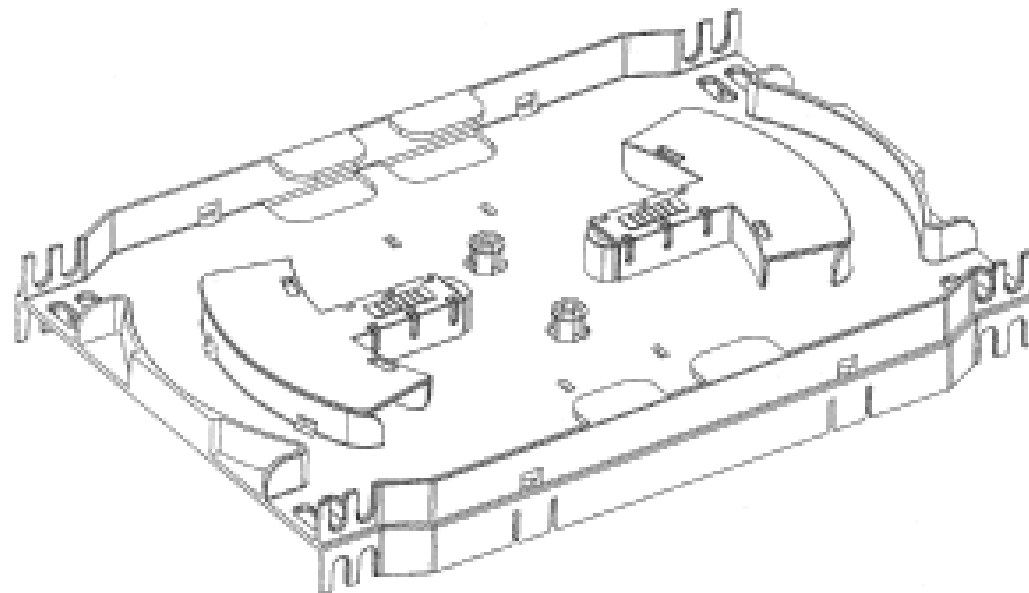
**ADC Communications (Australia) Pty Limited
2 Hereford Street Berkeley Vale New South Wales 2261 Australia**

(72) Name(s) of Designer(s): **Scott Lee**

(45) Registration Date: **25 July 2008**

(56) Related Art Documents: **Not Applicable**

(57) Statement of Newness and Distinctiveness: **The features of shape and configuration of the cable housing shown in the accompanying representations are considered to be new and distinctive.**



(21) Design Number: **11570/2008**

(22) Date of Filing Application: **03 April 2008**

(24) Date from which industrial property rights may have effect: **03 April 2008**

(54) Product in respect of which the design is registered: **Insulated container**

(51) International Design Classification: **07-07A**

(71) Name(s) and Address(s) of Applicant(s):

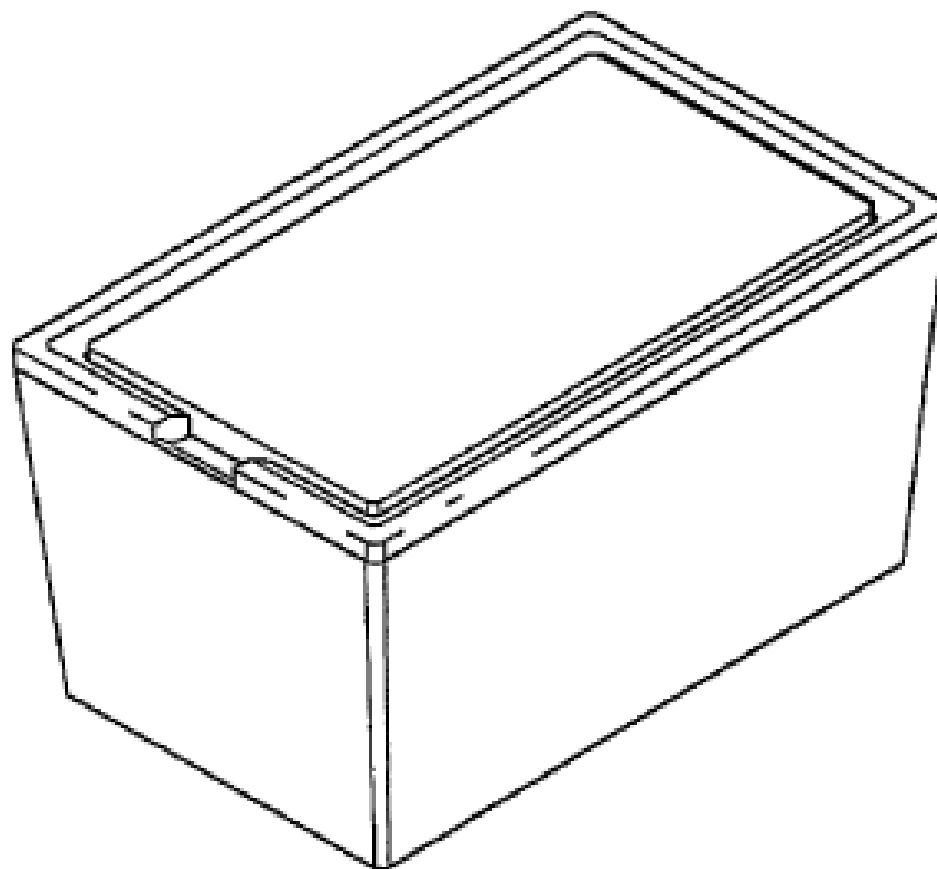
**Palogix International (Pty) Limited
C/- Block F Pin Mill Farm 164 Katherine Street Sandown 2031 South Africa**

(72) Name(s) of Designer(s): **Peter Alexander Friedman and Peter Martin Hills**

(45) Registration Date: **25 July 2008**

(56) Related Art Documents: **Not Applicable**

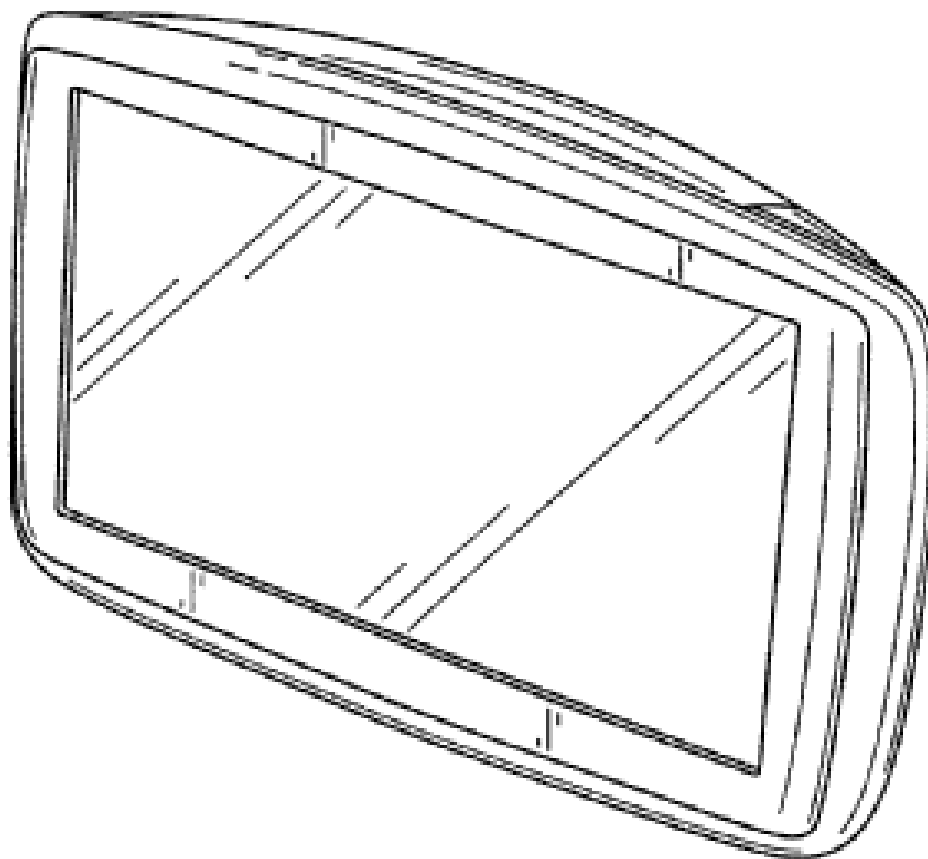
(57) Statement of Newness and Distinctiveness: **Nil**



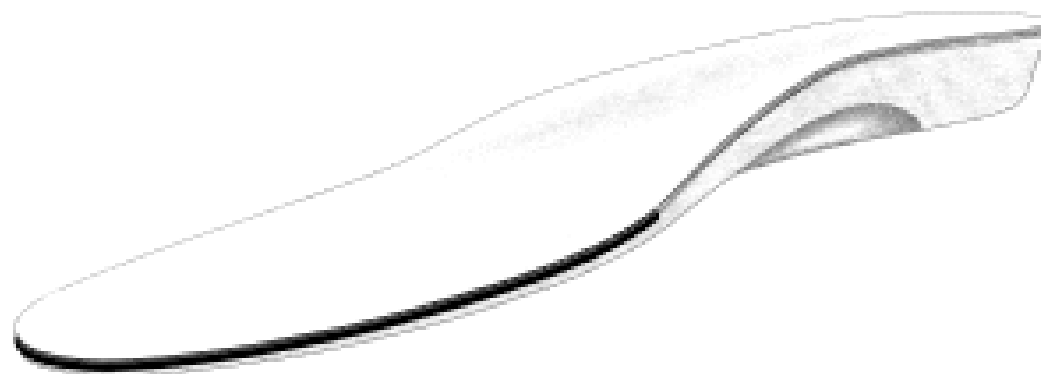
- (21) Design Number: **10676/2008**
(22) Date of Filing Application: **15 February 2008**
(24) Date from which industrial property rights may have effect: **15 February 2008**
(54) Product in respect of which the design is registered: **Navigation device**
(51) International Design Classification: **14-03NES**
(71) Name(s) and Address(s) of Applicant(s):
TomTom International B.V.
Rembrandtplein 35 1017 CT Amsterdam The Netherlands
(72) Name(s) of Designer(s): **Mark Gretton**
(45) Registration Date: **28 July 2008**
(30) Convention priority data:
(31) Number (32) Date (33) Country
29/283547 16 Aug 2007 UNITED STATES OF AMERICA
(56) Related Art Documents: **Not Applicable**
(57) Statement of Newness and Distinctiveness: **Newness and distinctiveness is claimed in the features of shape and/or configuration of a navigation device as illustrated in the accompanying representations.**



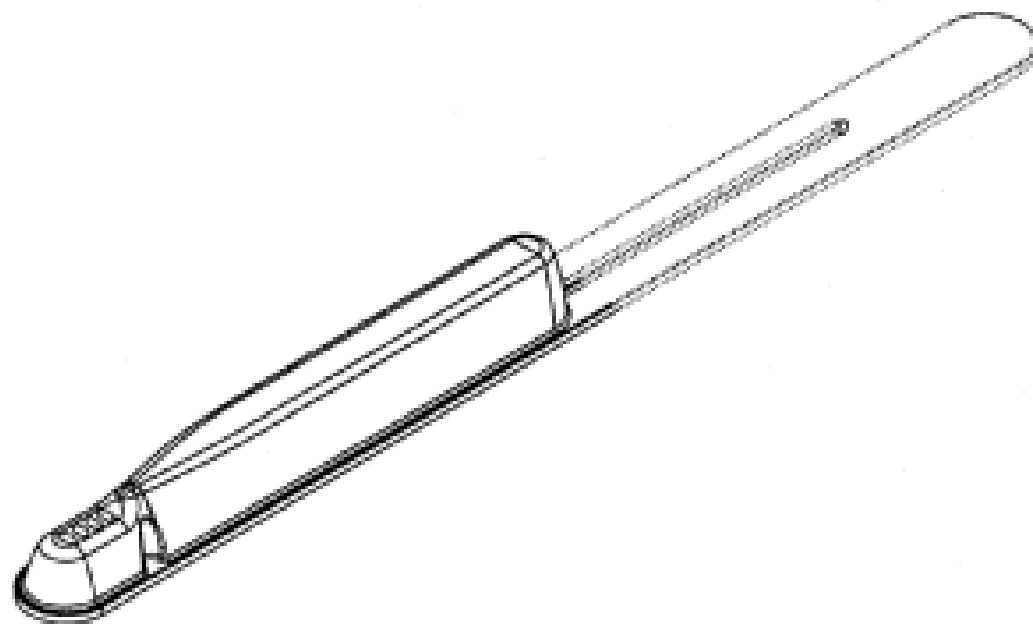
- (21) Design Number: **10884/2008**
(22) Date of Filing Application: **22 February 2008**
(24) Date from which industrial property rights may have effect: **22 February 2008**
(54) Product in respect of which the design is registered: **Navigation device**
(51) International Design Classification: **14-01**
(71) Name(s) and Address(s) of Applicant(s):
TomTom International B.V.
Rembrandtplein 35 1017 CT Amsterdam The Netherlands
(72) Name(s) of Designer(s): **Mark Gretton**
(45) Registration Date: **28 July 2008**
(30) Convention priority data:
(31) Number (32) Date (33) Country
29/284038 29 Aug 2007 UNITED STATES OF AMERICA
(56) Related Art Documents: **Not Applicable**
(57) Statement of Newness and Distinctiveness: **Newness and distinctiveness is claimed in the features of shape and/or configuration of a navigation device, as illustrated in the accompanying representations, in which any mounts or holders should be disregarded.**



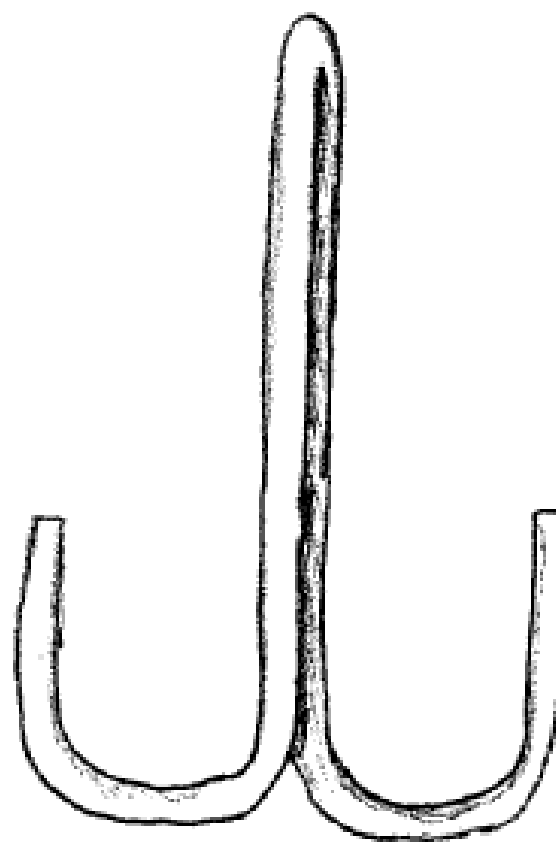
- (21) Design Number: **11170/2008**
(22) Date of Filing Application: **11 March 2008**
(24) Date from which industrial property rights may have effect: **11 March 2008**
(54) Product in respect of which the design is registered: **Orthotic device**
(51) International Design Classification: **02-04A**
(71) Name(s) and Address(s) of Applicant(s):
Rockbrook Holdings Limited
PO Box N-7776 #211 Nassau N.P. Bahamas
(72) Name(s) of Designer(s): **Phillip J. Vasyli**
(45) Registration Date: **28 July 2008**
(56) Related Art Documents: **Not Applicable**
(57) Statement of Newness and Distinctiveness: **Newness and distinctiveness resides in the shape, configuration pattern and ornamentation of an orthotic device as shown in the representations.**



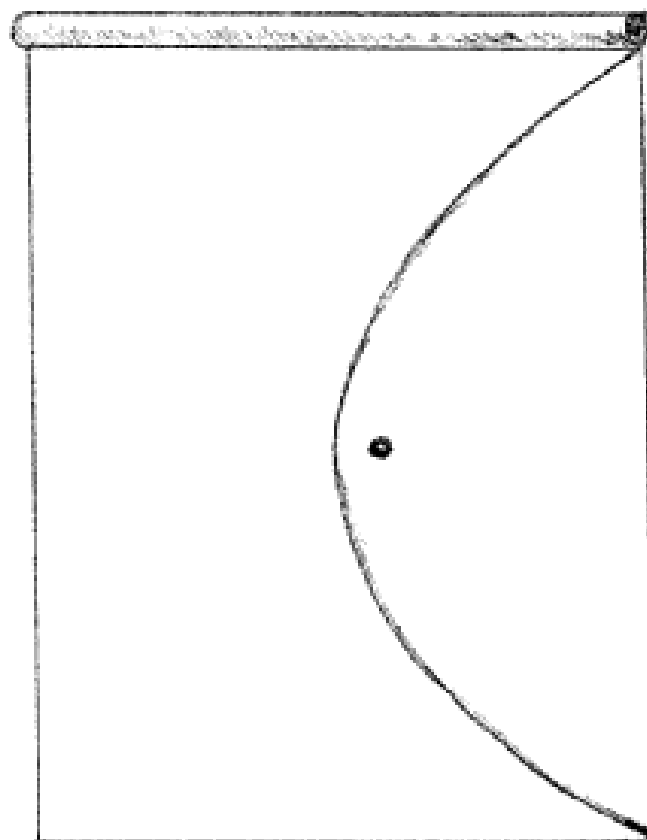
- (21) Design Number: **11357/2008**
(22) Date of Filing Application: **15 February 2008**
(24) Date from which industrial property rights may have effect: **15 February 2008**
(54) Product in respect of which the design is registered: **Packaging**
(51) International Design Classification: **09-05**
(71) Name(s) and Address(s) of Applicant(s):
Sands Innovations Pty Ltd
Level 3 74 Astor Terrace Brisbane Queensland 4000 Australia
(72) Name(s) of Designer(s): **Bradley Donald Teys**
(45) Registration Date: **28 July 2008**
(56) Related Art Documents: **Not Applicable**
(57) Statement of Newness and Distinctiveness: **In assessing newness and distinctiveness of the visual features of the packaging depicted in the accompanying representations, particular attention is to be paid to the portion shown in solid outline, and no attention is to be paid to the portion shown in dotted outline.**



(21) Design Number: **11436/2008**
(22) Date of Filing Application: **26 March 2008**
(24) Date from which industrial property rights may have effect: **26 March 2008**
(54) Product in respect of which the design is registered: **Multi purpose hook hanger to fit over rails and clothes racks**
(51) International Design Classification: **08-08G, 06-08**
(71) Name(s) and Address(s) of Applicant(s):
Jennie Greaves
35 Coco Drive Falcon Western Australia 6210 Australia
(72) Name(s) of Designer(s): **Jennie Greaves**
(45) Registration Date: **28 July 2008**
(56) Related Art Documents: **Not Applicable**
(57) Statement of Newness and Distinctiveness: **Nil**

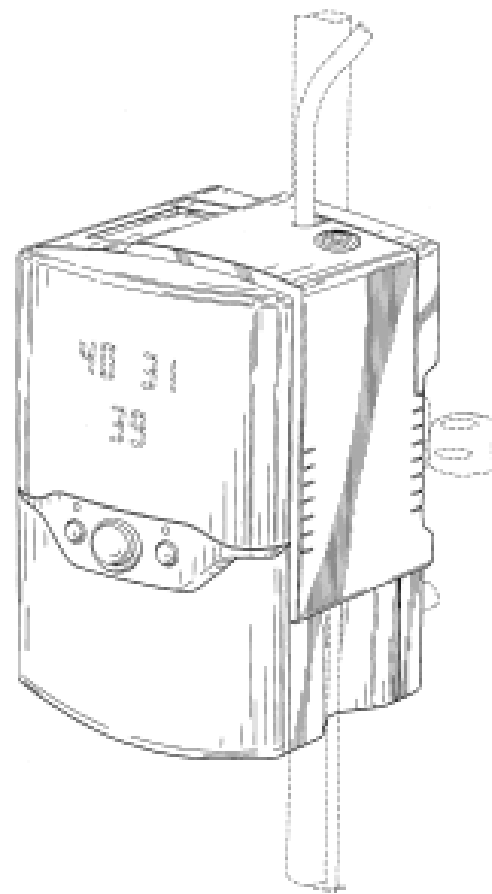


(21) Design Number: **11437/2008**
(22) Date of Filing Application: **26 March 2008**
(24) Date from which industrial property rights may have effect: **26 March 2008**
(54) Product in respect of which the design is registered: **Multi-use bag**
(51) International Design Classification: **03-01A**
(71) Name(s) and Address(s) of Applicant(s):
Jennie Greaves
35 Coco Drive Falcon Western Australia 6210 Australia
(72) Name(s) of Designer(s): **Jennie Alice Greaves**
(45) Registration Date: **28 July 2008**
(56) Related Art Documents: **Not Applicable**
(57) Statement of Newness and Distinctiveness: **Nil**

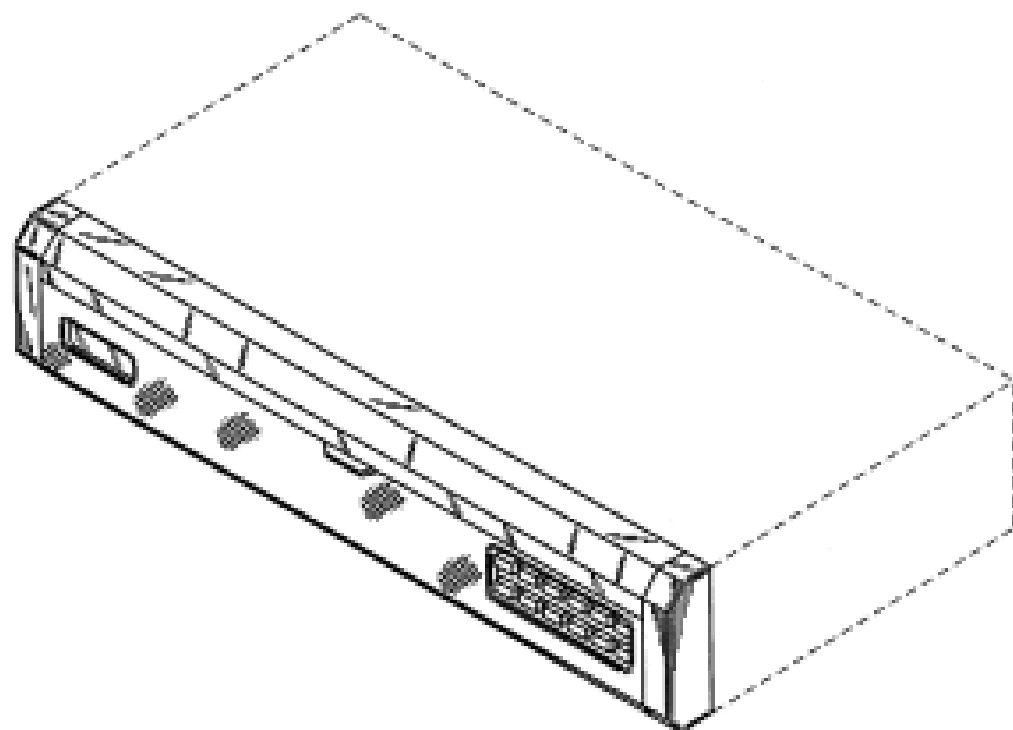


- (21) Design Number: **11553/2008**
- (22) Date of Filing Application: **02 April 2008**
- (24) Date from which industrial property rights may have effect: **02 April 2008**
- (54) Product in respect of which the design is registered: **Hyperthermic humidification system**
- (51) International Design Classification: **24-01**
- (71) Name(s) and Address(s) of Applicant(s):
Vapotherm, Inc.
198 Log Canoe Circle Stevensville MD 21666 United States of America
- (72) Name(s) of Designer(s): **William F. Niland and Owen S. Bamford and Felino V. Cortez Jr. and George McGarrity and David Wheeler and Luke Hagan**
- (45) Registration Date: **28 July 2008**
- (30) Convention priority data:

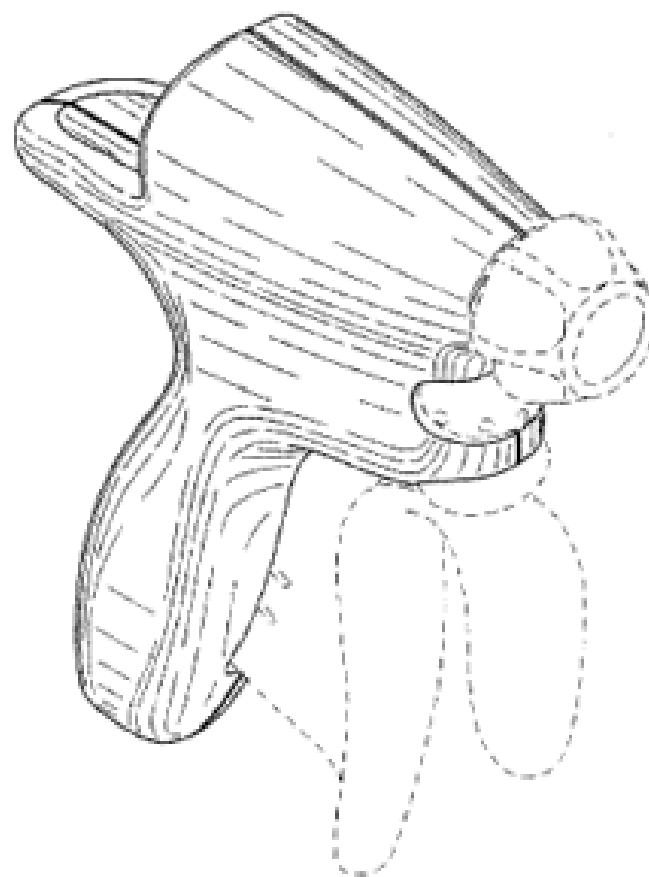
(31) Number	(32) Date	(33) Country
29/292306	05 Oct 2007	UNITED STATES OF AMERICA
- (56) Related Art Documents: **Not Applicable**
- (57) Statement of Newness and Distinctiveness: **When determining whether the design 1 is substantially similar in overall impression to another design, no regard is to be had to the alphanumeric characters as displayed in the design, the subject of the representations.**



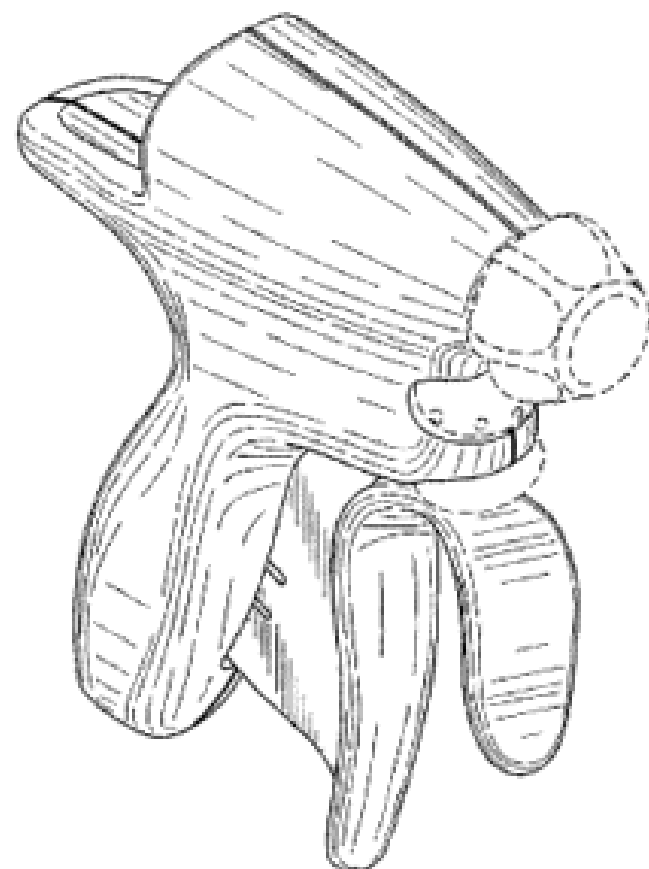
- (21) Design Number: **11561/2008**
- (22) Date of Filing Application: **02 April 2008**
- (24) Date from which industrial property rights may have effect: **02 April 2008**
- (54) Product in respect of which the design is registered: **Digital video recorder**
- (51) International Design Classification: **14-01**
- (71) Name(s) and Address(s) of Applicant(s):
UTC Fire & Security Corporation
9 Farm Springs Road Farmington CT 06032 United States of America
- (72) Name(s) of Designer(s): **Lee M. Drozdenko and Christian M. Netter and Mark T. Hofmann and Nancy Poisson and Paula Ok and Marco Wo and Daniel Joseph Nelsen**
- (45) Registration Date: **28 July 2008**
- (56) Related Art Documents: **Not Applicable**
- (57) Statement of Newness and Distinctiveness: **Newness and distinctiveness resides in the shape and configuration of a digital video recorder as shown in the representations. The features shown in broken lines in Figures 1-3 and 5-8 form no part of the claimed design.**



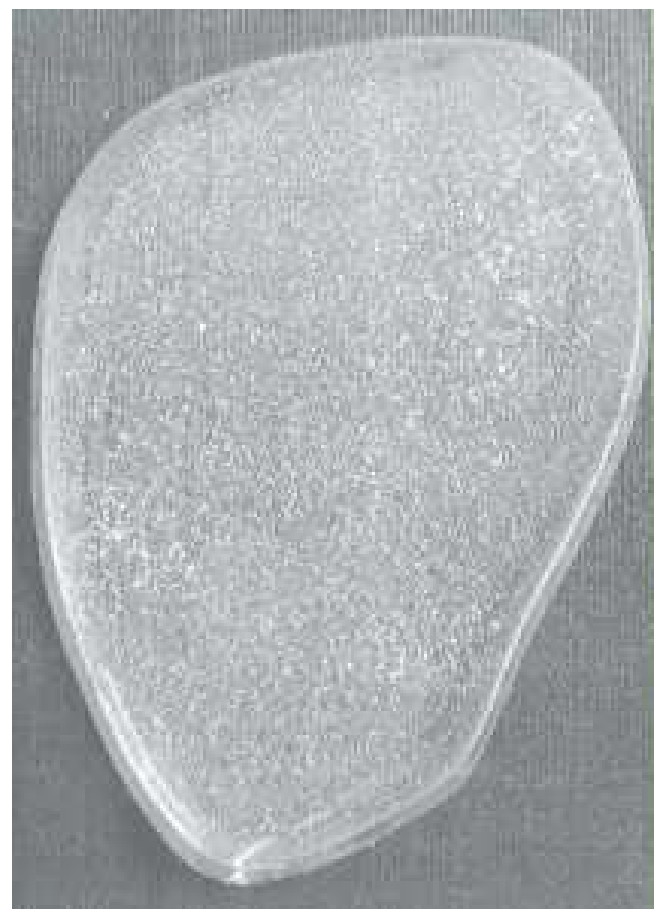
- (21) Design Number: **11562/2008**
(22) Date of Filing Application: **02 April 2008**
(24) Date from which industrial property rights may have effect: **02 April 2008**
(54) Product in respect of which the design is registered: **Handle assembly for surgical instrument**
(51) International Design Classification: **24-02, 24-01**
(71) Name(s) and Address(s) of Applicant(s):
Ethicon Endo-Surgery, Inc.
4545 Creek Road Cincinnati Ohio 45242 United States of America
(72) Name(s) of Designer(s): **Daniel W. Price and Galen C. Robertson and Cory G. Kimball and Scott A. Woodruff and Matthew C. Miller and Kip M. Rupp and Carrie I. Fihe and Jane A. Sheetz and Carl J. Draginoff Jr.**
(45) Registration Date: **28 July 2008**
(30) Convention priority data:
(31) Number (32) Date (33) Country
29/292295 05 Oct 2007 UNITED STATES OF AMERICA
(56) Related Art Documents: **Not Applicable**
(57) Statement of Newness and Distinctiveness: **Newness and distinctiveness resides in the shape and configuration of the main body of the handle assembly for surgical instrument, indicated by full lines in the representations.**



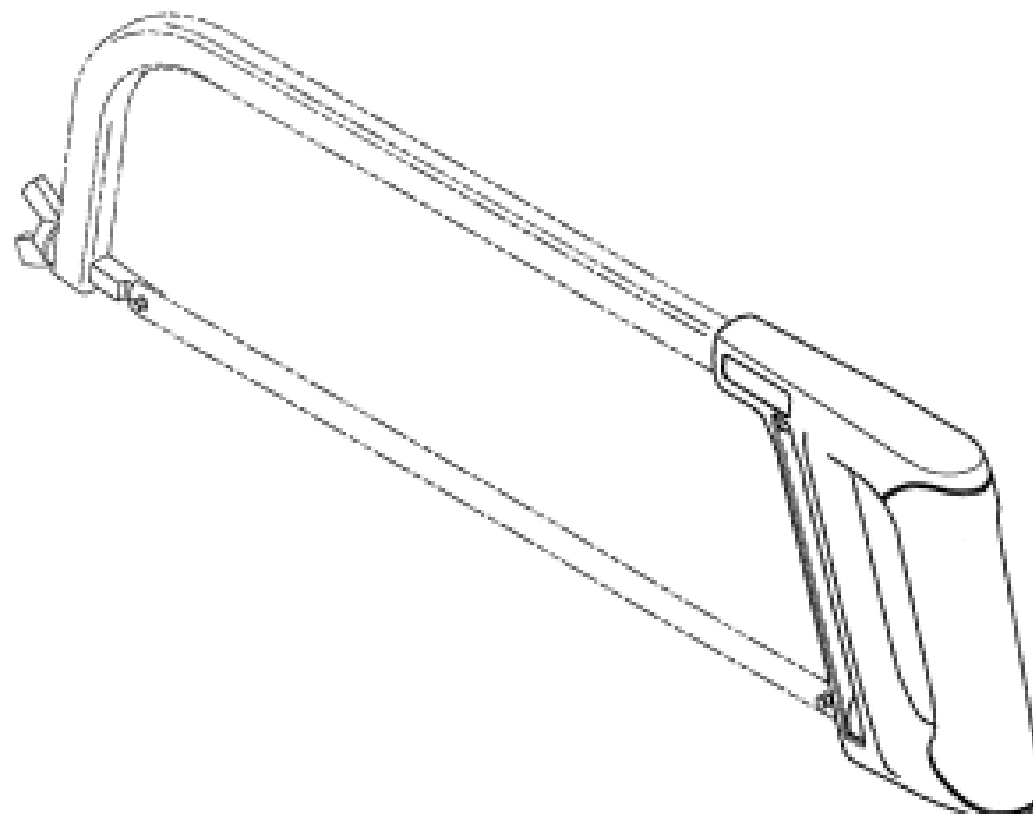
- (21) Design Number: **11563/2008**
(22) Date of Filing Application: **02 April 2008**
(24) Date from which industrial property rights may have effect: **02 April 2008**
(54) Product in respect of which the design is registered: **Handle assembly for surgical instrument**
(51) International Design Classification: **24-02, 24-01**
(71) Name(s) and Address(s) of Applicant(s):
Ethicon Endo-Surgery, Inc.
4545 Creek Road Cincinnati Ohio 45242 United States of America
(72) Name(s) of Designer(s): **Daniel W. Price and Galen C. Robertson and Cory G. Kimball and Scott A. Woodruff and Matthew C. Miller and Kip M. Rupp and Carrie I. Fihe and Jane A. Sheetz and Carl J. Draginoff Jr.**
(45) Registration Date: **28 July 2008**
(30) Convention priority data:
(31) Number (32) Date (33) Country
29/292295 05 Oct 2007 UNITED STATES OF AMERICA
(56) Related Art Documents: **Not Applicable**
(57) Statement of Newness and Distinctiveness: **Newness and distinctiveness resides in the shape and configuration of the portions of the handle assembly for surgical instrument indicated by full lines in the representations.**



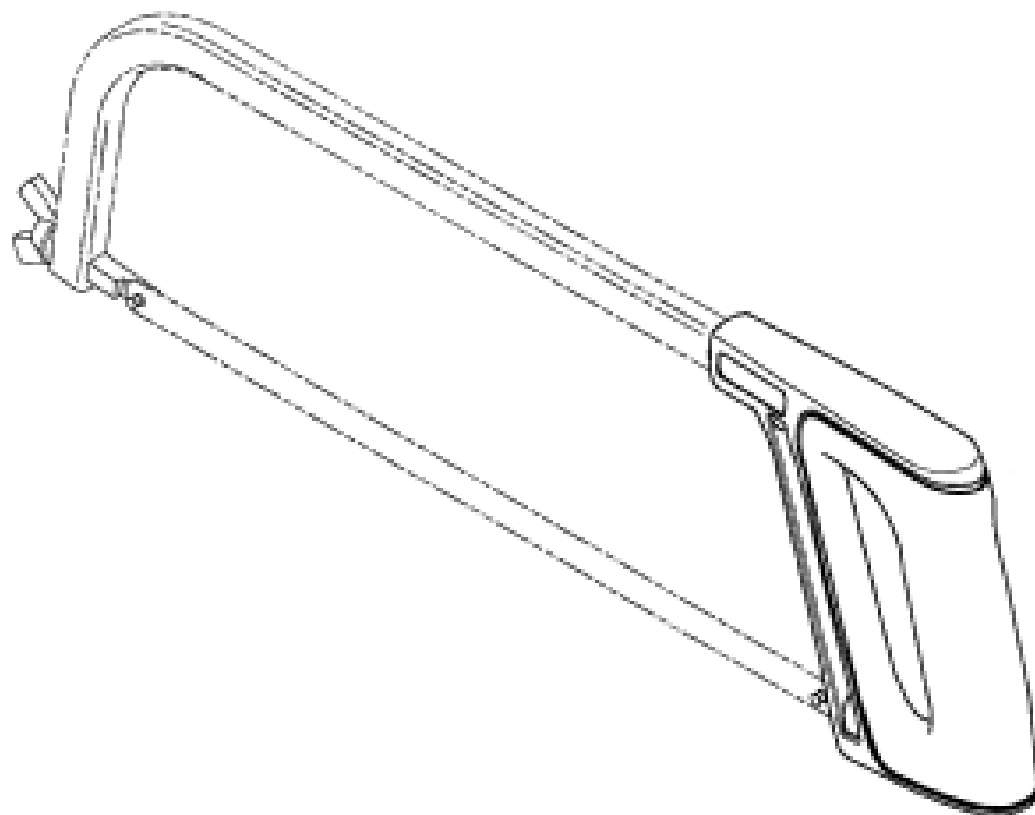
- (21) Design Number: **11564/2008**
(22) Date of Filing Application: **02 April 2008**
(24) Date from which industrial property rights may have effect: **02 April 2008**
(54) Product in respect of which the design is registered: **Ball-of-foot cushions**
(51) International Design Classification: **02-04A**
(71) Name(s) and Address(s) of Applicant(s):
LRC Products Limited
35 New Bridge Street London EC4V 6BW United Kingdom
(72) Name(s) of Designer(s): **Angela Parker and Laura Mazzini**
(45) Registration Date: **28 July 2008**
(30) Convention priority data:
(31) Number (32) Date (33) Country
000803275-0001 02 Oct 2007 EUROPEAN COMMUNITY
(56) Related Art Documents: **Not Applicable**
(57) Statement of Newness and Distinctiveness: **The ornamentation of the ball-of-foot cushions shown in the representations, which is created by glitter, is new and distinctive.**



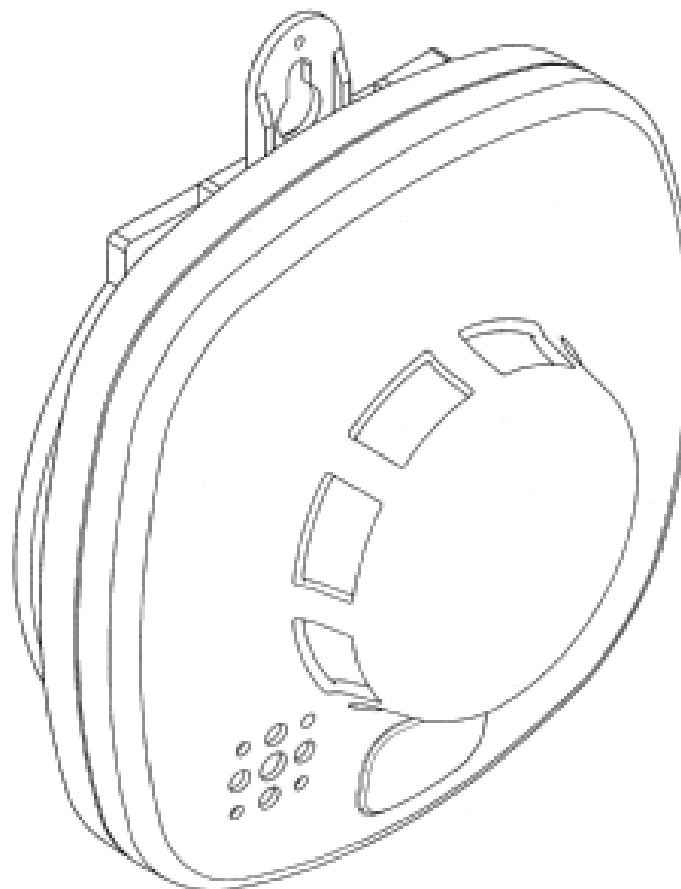
- (21) Design Number: **11565/2008**
(22) Date of Filing Application: **02 April 2008**
(24) Date from which industrial property rights may have effect: **02 April 2008**
(54) Product in respect of which the design is registered: **Hack saw handle**
(51) International Design Classification: **08-06, 08-03**
(71) Name(s) and Address(s) of Applicant(s):
Kapman AB
C/- SNA Europe Industries AB Sandviken 811 81 Sweden
(72) Name(s) of Designer(s): **Hans Himbert and Kristian Eke**
(45) Registration Date: **28 July 2008**
(30) Convention priority data:
(31) Number (32) Date (33) Country
840947-001-002 12 Dec 2007 EUROPEAN COMMUNITY
(56) Related Art Documents: **Not Applicable**
(57) Statement of Newness and Distinctiveness: **The shape and configuration of those parts of the product shown other than by means of dashed lines in the representations are new and distinctive.**



- (21) Design Number: **11566/2008**
(22) Date of Filing Application: **02 April 2008**
(24) Date from which industrial property rights may have effect: **02 April 2008**
(54) Product in respect of which the design is registered: **Hack saw handle**
(51) International Design Classification: **08-06, 08-03**
(71) Name(s) and Address(s) of Applicant(s):
Kapman AB
C/- SNA Europe Industries AB Sandviken 811 81 Sweden
(72) Name(s) of Designer(s): **Hans Himbert and Kristian Eke**
(45) Registration Date: **28 July 2008**
(30) Convention priority data:
(31) Number (32) Date (33) Country
840947-001-002 12 Dec 2007 EUROPEAN COMMUNITY
(56) Related Art Documents: **Not Applicable**
(57) Statement of Newness and Distinctiveness: **The shape and configuration of those parts of the product shown other than by means of dashed lines in the representations are new and distinctive.**



- (21) Design Number: **11567/2008**
(22) Date of Filing Application: **02 April 2008**
(24) Date from which industrial property rights may have effect: **02 April 2008**
(54) Product in respect of which the design is registered: **Fire detector**
(51) International Design Classification: **29-01, 10-05**
(71) Name(s) and Address(s) of Applicant(s):
Hochiki Corporation
10-43 Kamiosaki 2-chome Shinagawa-ku Tokyo 141-8660 Japan
(72) Name(s) of Designer(s): **Tsurumi Hayato**
(45) Registration Date: **28 July 2008**
(30) Convention priority data:
(31) Number (32) Date (33) Country
2007-027289 05 Oct 2007 JAPAN
(56) Related Art Documents: **Not Applicable**
(57) Statement of Newness and Distinctiveness: **The shape and configuration of the fire detector is new and distinctive. Without prejudice to the newness and distinctiveness of other visual features of the fire detector, the following particular visual feature of the fire detector is new and distinctive: the shape and configuration of the square-shaped button with rounded corners located at the bottom part of the front surface.**



(21) Design Number: **11583/2008**

(22) Date of Filing Application: **03 April 2008**

(24) Date from which industrial property rights may have effect: **03 April 2008**

(54) Product in respect of which the design is registered: **Flip-top sample container**

(51) International Design Classification: **09-03L**

(71) Name(s) and Address(s) of Applicant(s):

CSP Technologies, Inc.
1030 Riverfront Center Amsterdam NY 12010 United States of America

(72) Name(s) of Designer(s): **Charles-Henry Giraud**

(45) Registration Date: **28 July 2008**

(30) Convention priority data:

(31) Number	(32) Date	(33) Country
000899042	13 Mar 2008	EUROPEAN COMMUNITY

(56) Related Art Documents: **Not Applicable**

(57) Statement of Newness and Distinctiveness: **The following visual features of the design are new and distinctive: the shape and configuration of a flip-top sample container as shown in the accompanying drawings.**



(21) Design Number: **11584/2008**

(22) Date of Filing Application: **03 April 2008**

(24) Date from which industrial property rights may have effect: **03 April 2008**

(54) Product in respect of which the design is registered: **Flip-top sample container with a piercable sampling septum**

(51) International Design Classification: **09-03L**

(71) Name(s) and Address(s) of Applicant(s):

CSP Technologies, Inc.
1030 Riverfront Center Amsterdam NY 12010 United States of America

(72) Name(s) of Designer(s): **Charles-Henry Giraud**

(45) Registration Date: **28 July 2008**

(30) Convention priority data:

(31) Number	(32) Date	(33) Country
000899042	13 Mar 2008	EUROPEAN COMMUNITY

(56) Related Art Documents: **Not Applicable**

(57) Statement of Newness and Distinctiveness: **The following visual features of the design are new and distinctive: the shape and configuration of a flip-top sample container with a piercable sampling septum as shown in the accompanying drawings.**



(21) Design Number: **11585/2008**

(22) Date of Filing Application: **03 April 2008**

(24) Date from which industrial property rights may have effect: **03 April 2008**

(54) Product in respect of which the design is registered: **A wall stud**

(51) International Design Classification: **25-01C**

(71) Name(s) and Address(s) of Applicant(s):

Peer Intellectual Properties Pty Ltd

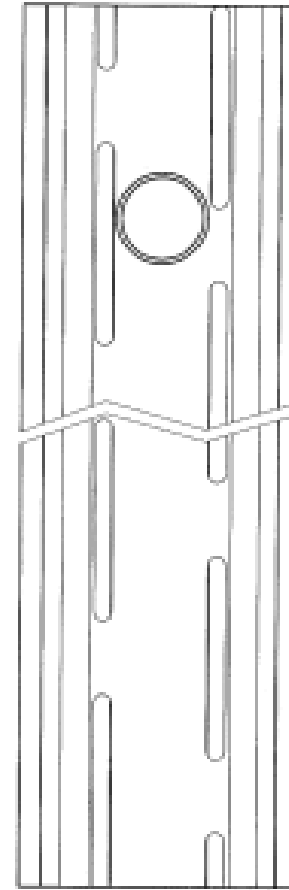
Cnr Quindus St & Spanns Road Beenleigh Queensland 4207 Australia

(72) Name(s) of Designer(s): **Stephen Charles Bean**

(45) Registration Date: **28 July 2008**

(56) Related Art Documents: **Not Applicable**

(57) Statement of Newness and Distinctiveness: **The features of shape and configuration of the wall stud are new and distinctive. However, the one or more circular holes are optional and are not an essential feature of the design. If present, the hole(s) may accommodate cabling and the like in the wall and the positioning of the hole(s) in the stud may be altered to suit the particular application. The design is of indefinite length.**



(21) Design Number: **11586/2008**

(22) Date of Filing Application: **03 April 2008**

(24) Date from which industrial property rights may have effect: **03 April 2008**

(54) Product in respect of which the design is registered: **A wall stud**

(51) International Design Classification: **25-01C**

(71) Name(s) and Address(s) of Applicant(s):

Peer Intellectual Properties Pty Ltd

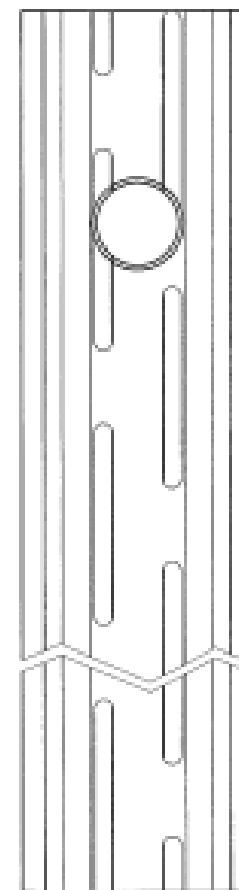
Cnr Quindus St & Spanns Road Beenleigh Queensland 4207 Australia

(72) Name(s) of Designer(s): **Stephen Charles Bean**

(45) Registration Date: **28 July 2008**

(56) Related Art Documents: **Not Applicable**

(57) Statement of Newness and Distinctiveness: **The features of shape and configuration of the wall stud are new and distinctive. However, the one or more circular holes are optional and are not an essential feature of the design. If present, the hole(s) may accommodate cabling and the like in the wall and the positioning of the hole(s) in the stud may be altered to suit the particular application. The design is of indefinite length.**



(21) Design Number: **11587/2008**

(22) Date of Filing Application: **03 April 2008**

(24) Date from which industrial property rights may have effect: **03 April 2008**

(54) Product in respect of which the design is registered: **A wall stud**

(51) International Design Classification: **25-01C**

(71) Name(s) and Address(s) of Applicant(s):

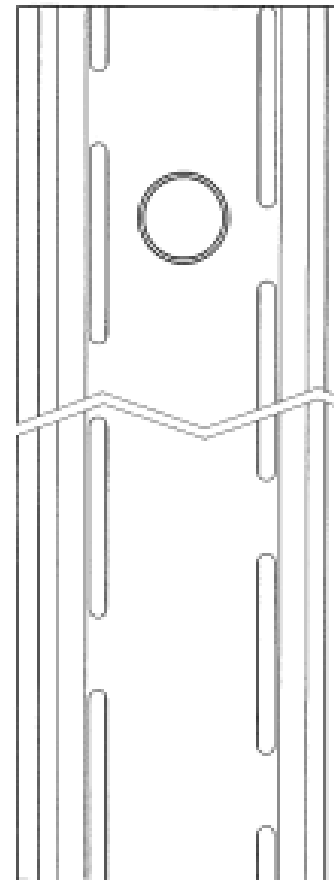
**Peer Intellectual Properties Pty Ltd
Cnr Quindus St & Spanns Road Beenleigh Queensland 4207 Australia**

(72) Name(s) of Designer(s): **Stephen Charles Bean**

(45) Registration Date: **28 July 2008**

(56) Related Art Documents: **Not Applicable**

(57) Statement of Newness and Distinctiveness: **The features of shape and configuration of the wall stud are new and distinctive. However, the one or more circular holes are optional and are not an essential feature of the design. If present, the hole(s) may accommodate cabling and the like in the wall and the positioning of the hole(s) in the stud may be altered to suit the particular application. The design is of indefinite length.**



(21) Design Number: **11588/2008**

(22) Date of Filing Application: **03 April 2008**

(24) Date from which industrial property rights may have effect: **03 April 2008**

(54) Product in respect of which the design is registered: **A wall stud**

(51) International Design Classification: **25-01C**

(71) Name(s) and Address(s) of Applicant(s):

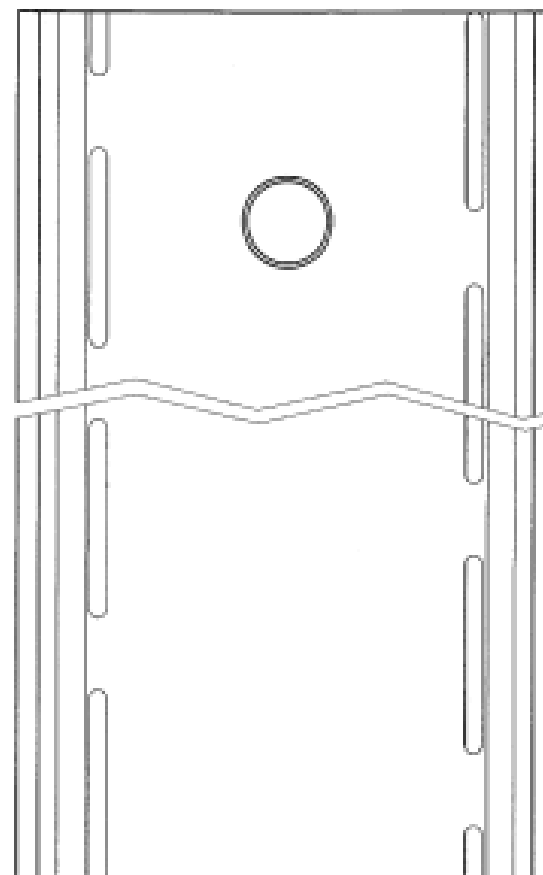
**Peer Intellectual Properties Pty Ltd
Cnr Quindus St & Spanns Road Beenleigh Queensland 4207 Australia**

(72) Name(s) of Designer(s): **Stephen Charles Bean**

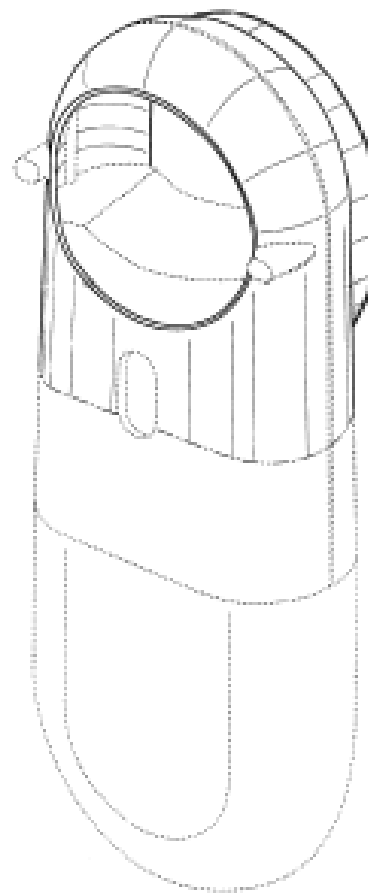
(45) Registration Date: **28 July 2008**

(56) Related Art Documents: **Not Applicable**

(57) Statement of Newness and Distinctiveness: **The features of shape and configuration of the wall stud are new and distinctive. However, the one or more circular holes are optional and are not an essential feature of the design. If present, the hole(s) may accommodate cabling and the like in the wall and the positioning of the hole(s) in the stud may be altered to suit the particular application. The design is of indefinite length.**



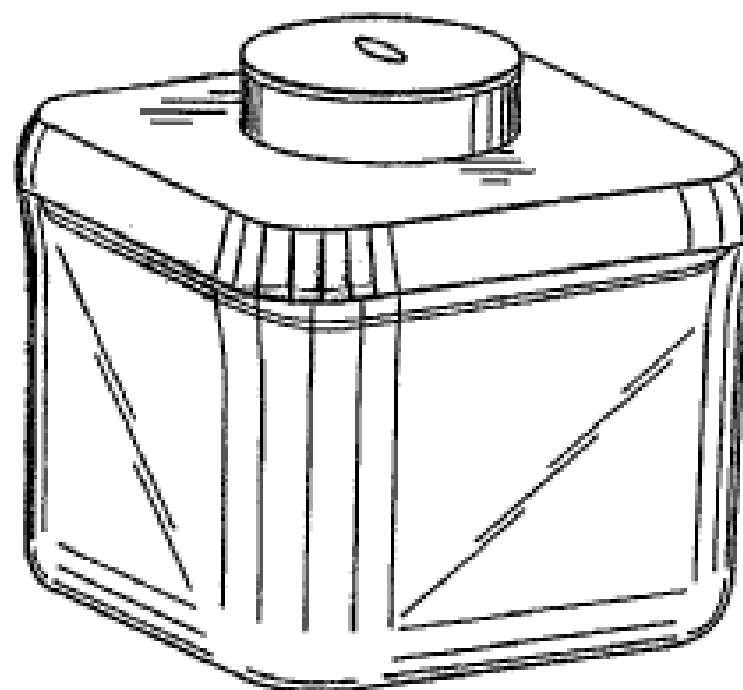
(21) Design Number: **12987/2008**
 (22) Date of Filing Application: **13 February 2008**
 (24) Date from which industrial property rights may have effect: **13 February 2008**
 (54) Product in respect of which the design is registered: **Dispenser**
 (51) International Design Classification: **09-01A**
 (71) Name(s) and Address(s) of Applicant(s):
McNeil-PPC, Inc.
Grandview Road Skillman New Jersey 08558 United States of America
 (72) Name(s) of Designer(s): **Ronald J. Jaketic**
 (45) Registration Date: **28 July 2008**
 (62) Divisional of: **320328**
 (56) Related Art Documents: **Not Applicable**
 (57) Statement of Newness and Distinctiveness: **Newness and distinctiveness reside in the shape and configuration of the design for a dispenser shown in the representations. Those features shown in broken line are illustrative only and do not form part of the design.**



(21) Design Number: **10350/2008**
 (22) Date of Filing Application: **29 January 2008**
 (24) Date from which industrial property rights may have effect: **29 January 2008**
 (54) Product in respect of which the design is registered: **Storage container**
 (51) International Design Classification: **09-03M**
 (71) Name(s) and Address(s) of Applicant(s):
Helen of Troy Limited
13 8th Avenue Belleville PO Box 836E St Michael Barbados
 (72) Name(s) of Designer(s): **Tamotsu Matsumoto and Makiko Kida and Eugene R. Kaneko**
 (45) Registration Date: **29 July 2008**
 (30) Convention priority data:

(31) Number	(32) Date	(33) Country
29/289664	27 Jul 2007	UNITED STATES OF AMERICA

 (56) Related Art Documents: **Not Applicable**
 (57) Statement of Newness and Distinctiveness: **Newness and distinctiveness is claimed in the features of shape and/or configuration of a storage container as illustrated in the accompanying representations.**



(21) Design Number: **10770/2008**

(22) Date of Filing Application: **21 February 2008**

(24) Date from which industrial property rights may have effect: **21 February 2008**

(54) Product in respect of which the design is registered: **Blade/guard for guillotin**

(51) International Design Classification: **08-03, 18-04**

(71) Name(s) and Address(s) of Applicant(s):

Glenn Roche

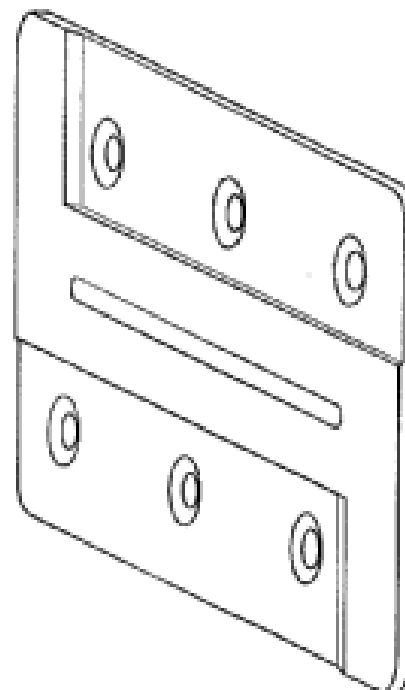
446 Ferntree Gully Road Notting Hill Victoria 3168 Australia

(72) Name(s) of Designer(s): **Glenn Roche**

(45) Registration Date: **29 July 2008**

(56) Related Art Documents: **Not Applicable**

(57) Statement of Newness and Distinctiveness: **Design incorporates a slot through which materials can protrude to be guillotined by 2nd passing horizontal blade. More or less than the six illustrated mounting holes or recesses may provide varying mounting options.**



(21) Design Number: **10771/2008**

(22) Date of Filing Application: **21 February 2008**

(24) Date from which industrial property rights may have effect: **21 February 2008**

(54) Product in respect of which the design is registered: **Printing/Labeling apparatus**

(51) International Design Classification: **18-02**

(71) Name(s) and Address(s) of Applicant(s):

Glenn Roche

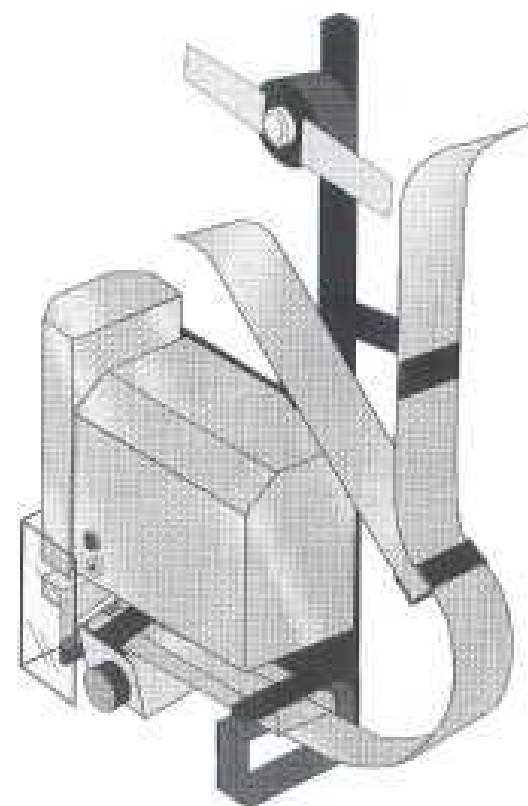
446 Ferntree Gully Road Notting Hill Victoria 3168 Australia

(72) Name(s) of Designer(s): **Glenn Roche**

(45) Registration Date: **29 July 2008**

(56) Related Art Documents: **Not Applicable**

(57) Statement of Newness and Distinctiveness: **Combination of angles, curves, box enclosures and braces. Strength of colour contrasts may vary regardless of shapes.**



(21) Design Number: **11718/2008**

(22) Date of Filing Application: **04 April 2008**

(24) Date from which industrial property rights may have effect: **04 April 2008**

(54) Product in respect of which the design is registered: **Door panel**

(51) International Design Classification: **15-07**

(71) Name(s) and Address(s) of Applicant(s):

**Electrolux Home Products Corporation N.V.
Belgicastraat 17 Zaventem 1930 Belgium**

(72) Name(s) of Designer(s): **Gina Green Gonzalez and Mark Hetterich**

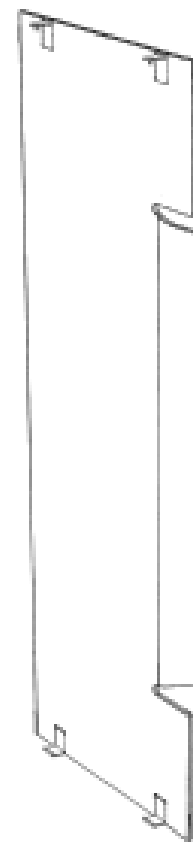
(45) Registration Date: **29 July 2008**

(30) Convention priority data:

(31) Number	(32) Date	(33) Country
802517	05 Oct 2007	EUROPEAN COMMUNITY

(56) Related Art Documents: **Not Applicable**

(57) Statement of Newness and Distinctiveness: **The newness and distinctiveness of the design resides in the features of shape, configuration, pattern and/or ornamentation shown in unbroken lines in the accompanying representations.**



(21) Design Number: **11569/2008**

(22) Date of Filing Application: **04 April 2008**

(24) Date from which industrial property rights may have effect: **04 April 2008**

(54) Product in respect of which the design is registered: **Dog waste collection container with detachable scoop tab**

(51) International Design Classification: **30-99, 09-09**

(71) Name(s) and Address(s) of Applicant(s):

**Lokkii Australia Pty Ltd
Suite F/450 Chapel Street South Yarra Victoria 3141 Australia**

(72) Name(s) of Designer(s): **Stephen Briggs**

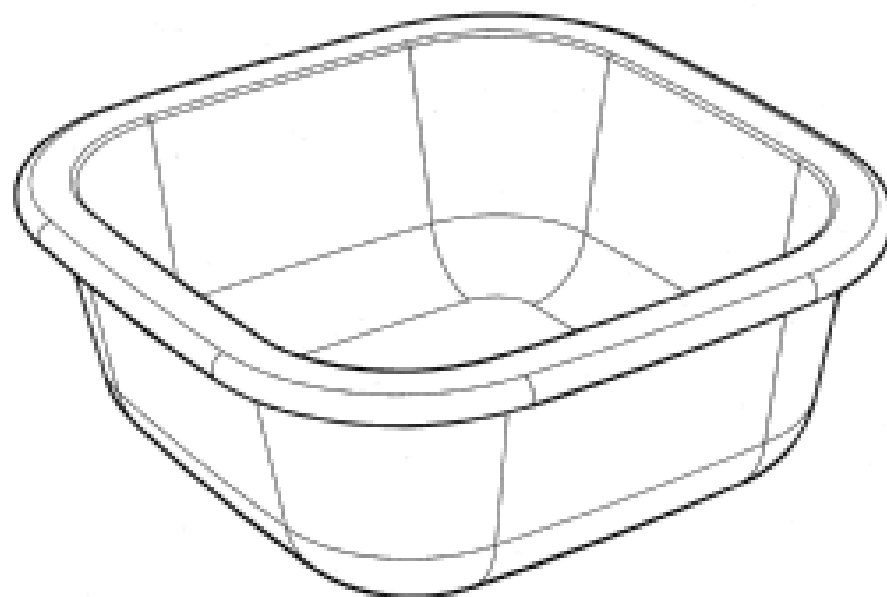
(45) Registration Date: **29 July 2008**

(56) Related Art Documents: **Not Applicable**

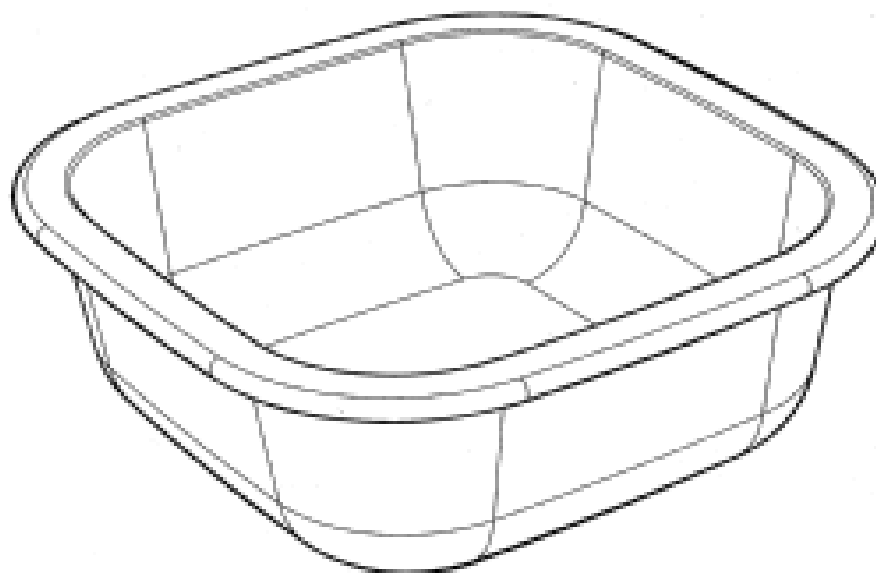
(57) Statement of Newness and Distinctiveness: **Shape and construction of the container.**



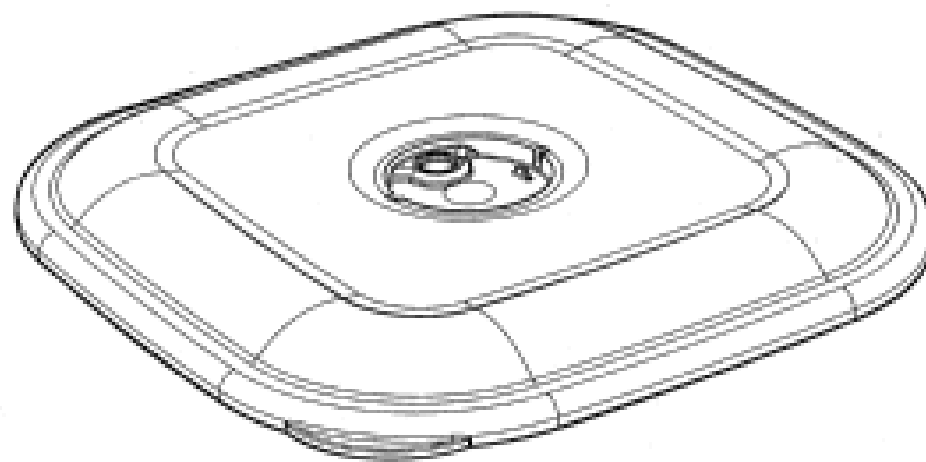
- (21) Design Number: **11596/2008**
(22) Date of Filing Application: **04 April 2008**
(24) Date from which industrial property rights may have effect: **04 April 2008**
(54) Product in respect of which the design is registered: **Container**
(51) International Design Classification: **09-03M, 07-01NES**
(71) Name(s) and Address(s) of Applicant(s):
The Decor Corporation Pty Ltd
1314 Ferntree Gully Road Scoresby Victoria 3179 Australia
(72) Name(s) of Designer(s): **Arthur Richard Carlson**
(45) Registration Date: **29 July 2008**
(56) Related Art Documents: **Not Applicable**
(57) Statement of Newness and Distinctiveness: **Nil**



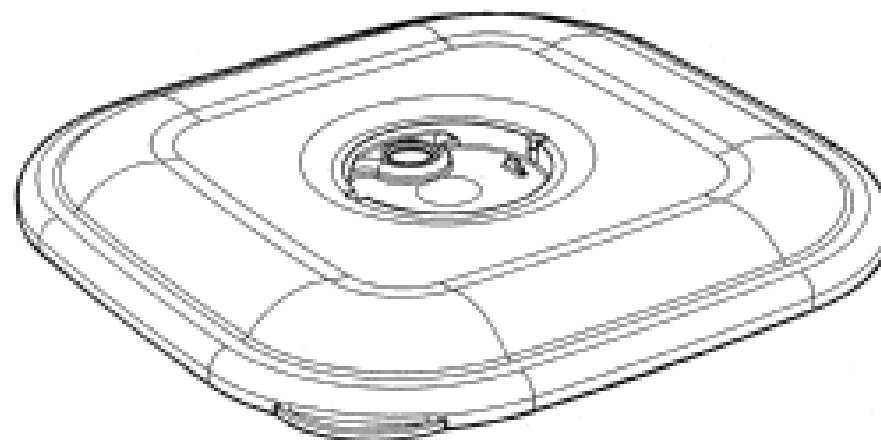
- (21) Design Number: **11597/2008**
(22) Date of Filing Application: **04 April 2008**
(24) Date from which industrial property rights may have effect: **04 April 2008**
(54) Product in respect of which the design is registered: **Container**
(51) International Design Classification: **09-03M, 07-01NES**
(71) Name(s) and Address(s) of Applicant(s):
The Decor Corporation Pty Ltd
1314 Ferntree Gully Road Scoresby Victoria 3179 Australia
(72) Name(s) of Designer(s): **Arthur Richard Carlson**
(45) Registration Date: **29 July 2008**
(56) Related Art Documents: **Not Applicable**
(57) Statement of Newness and Distinctiveness: **Nil**



(21) Design Number: **11599/2008**
(22) Date of Filing Application: **04 April 2008**
(24) Date from which industrial property rights may have effect: **04 April 2008**
(54) Product in respect of which the design is registered: **Lid for container**
(51) International Design Classification: **07-01NES**
(71) Name(s) and Address(s) of Applicant(s):
The Decor Corporation Pty Ltd
1314 Ferntree Gully Road Scoresby Victoria 3179 Australia
(72) Name(s) of Designer(s): **Arthur Richard Carlson**
(45) Registration Date: **29 July 2008**
(56) Related Art Documents: **Not Applicable**
(57) Statement of Newness and Distinctiveness: **Nil**



(21) Design Number: **11600/2008**
(22) Date of Filing Application: **04 April 2008**
(24) Date from which industrial property rights may have effect: **04 April 2008**
(54) Product in respect of which the design is registered: **Lid for container**
(51) International Design Classification: **07-01NES**
(71) Name(s) and Address(s) of Applicant(s):
The Decor Corporation Pty Ltd
1314 Ferntree Gully Road Scoresby Victoria 3179 Australia
(72) Name(s) of Designer(s): **Arthur Richard Carlson**
(45) Registration Date: **29 July 2008**
(56) Related Art Documents: **Not Applicable**
(57) Statement of Newness and Distinctiveness: **Nil**



(21) Design Number: **11601/2008**

(22) Date of Filing Application: **04 April 2008**

(24) Date from which industrial property rights may have effect: **04 April 2008**

(54) Product in respect of which the design is registered: **Lid for container**

(51) International Design Classification: **07-01NES**

(71) Name(s) and Address(s) of Applicant(s):

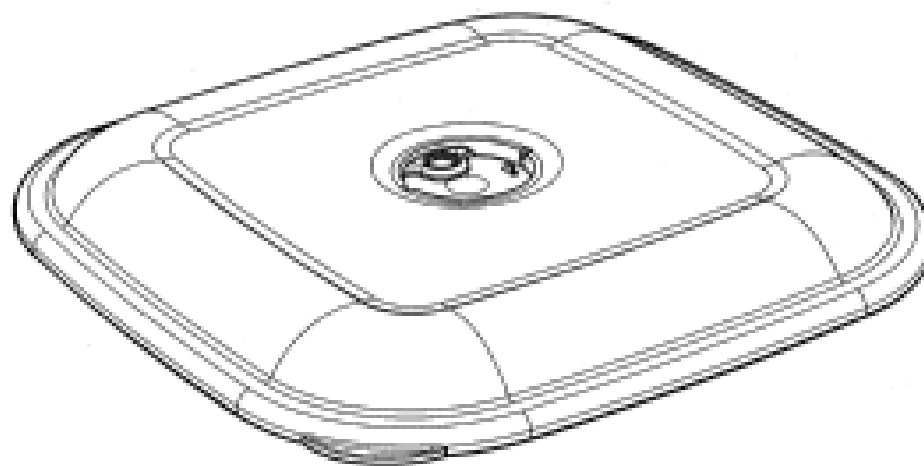
**The Decor Corporation Pty Ltd
1314 Ferntree Gully Road Scoresby Victoria 3179 Australia**

(72) Name(s) of Designer(s): **Arthur Richard Carlson**

(45) Registration Date: **29 July 2008**

(56) Related Art Documents: **Not Applicable**

(57) Statement of Newness and Distinctiveness: **Nil**



(21) Design Number: **11602/2008**

(22) Date of Filing Application: **04 April 2008**

(24) Date from which industrial property rights may have effect: **04 April 2008**

(54) Product in respect of which the design is registered: **Keylight**

(51) International Design Classification: **26-05NES**

(71) Name(s) and Address(s) of Applicant(s):

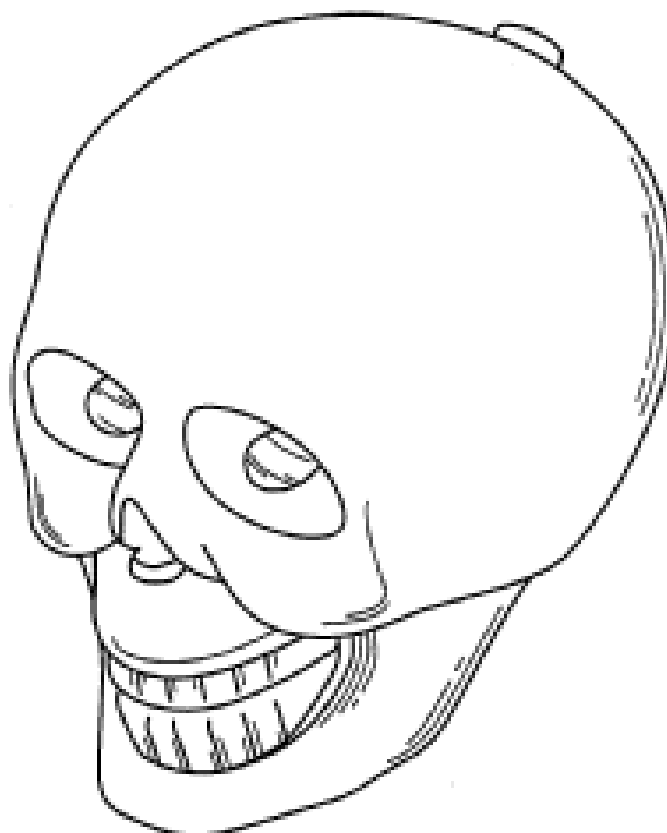
**Kikkerland Design, Inc.
423-427 West 127th Street New York New York 10027 United States of
America**

(72) Name(s) of Designer(s): **Jan van der Lande**

(45) Registration Date: **29 July 2008**

(56) Related Art Documents: **Not Applicable**

(57) Statement of Newness and Distinctiveness: **Newness and distinctiveness resides in the visual features of the skull shaped keylight depicted in the representations. Shading lines shown in the representations are for illustrative purposes to highlight the design shape of the product.**



- (21) Design Number: **11606/2008**
(22) Date of Filing Application: **07 April 2008**
(24) Date from which industrial property rights may have effect: **07 April 2008**
(54) Product in respect of which the design is registered: **Security french door adaptor**
(51) International Design Classification: **25-02B, 25-01K**
(71) Name(s) and Address(s) of Applicant(s):
Gershwin Pty Ltd
971 Nudgee Road Banyo Queensland 4014 Australia
(72) Name(s) of Designer(s): **Tasman Henry**
(45) Registration Date: **29 July 2008**
(56) Related Art Documents: **Not Applicable**
(57) Statement of Newness and Distinctiveness: **Monopoly is claimed in the shape and/or configuration of a security French door adaptor of indefinite length with constant cross-section throughout, as illustrated in the accompanying representation.**



- (21) Design Number: **11607/2008**
(22) Date of Filing Application: **07 April 2008**
(24) Date from which industrial property rights may have effect: **07 April 2008**
(54) Product in respect of which the design is registered: **Security door cross brace extrusion**
(51) International Design Classification: **25-01K, 25-02B**
(71) Name(s) and Address(s) of Applicant(s):
Gershwin Pty Ltd
971 Nudgee Road Banyo Queensland 4014 Australia
(72) Name(s) of Designer(s): **Tasman Henry**
(45) Registration Date: **29 July 2008**
(56) Related Art Documents: **Not Applicable**
(57) Statement of Newness and Distinctiveness: **Monopoly is claimed in the shape and/or configuration of a security door cross brace extrusion of indefinite length with constant cross-section throughout, as illustrated in the accompanying representation.**



- (21) Design Number: **11608/2008**
(22) Date of Filing Application: **07 April 2008**
(24) Date from which industrial property rights may have effect: **07 April 2008**
(54) Product in respect of which the design is registered: **Security door frame extrusion**
(51) International Design Classification: **25-01K, 25-02B**
(71) Name(s) and Address(s) of Applicant(s):
Gershwin Pty Ltd
971 Nudgee Road Banyo Queensland 4014 Australia
(72) Name(s) of Designer(s): **Tasman Henry**
(45) Registration Date: **29 July 2008**
(56) Related Art Documents: **Not Applicable**
(57) Statement of Newness and Distinctiveness: **Monopoly is claimed in the shape and/or configuration of a security door frame extrusion of indefinite length with constant cross-section throughout, as illustrated in the accompanying representation.**



- (21) Design Number: **11609/2008**
(22) Date of Filing Application: **07 April 2008**
(24) Date from which industrial property rights may have effect: **07 April 2008**
(54) Product in respect of which the design is registered: **Security door frame extrusion**
(51) International Design Classification: **25-01K, 25-02B**
(71) Name(s) and Address(s) of Applicant(s):
Gershwin Pty Ltd
971 Nudgee Road Banyo Queensland 4014 Australia
(72) Name(s) of Designer(s): **Tasman Henry**
(45) Registration Date: **29 July 2008**
(56) Related Art Documents: **Not Applicable**
(57) Statement of Newness and Distinctiveness: **Monopoly is claimed in the shape and/or configuration of a security door frame extrusion of indefinite length with constant cross-section throughout, as illustrated in the accompanying representation.**



- (21) Design Number: **11610/2008**
(22) Date of Filing Application: **07 April 2008**
(24) Date from which industrial property rights may have effect: **07 April 2008**
(54) Product in respect of which the design is registered: **Security door frame extrusion**
(51) International Design Classification: **25-01K, 25-02B**
(71) Name(s) and Address(s) of Applicant(s):
Gershwin Pty Ltd
971 Nudgee Road Banyo Queensland 4014 Australia
(72) Name(s) of Designer(s): **Tasman Henry**
(45) Registration Date: **29 July 2008**
(56) Related Art Documents: **Not Applicable**
(57) Statement of Newness and Distinctiveness: **Monopoly is claimed in the shape and/or configuration of a security door frame extrusion of indefinite length with constant cross-section throughout, as illustrated in the accompanying representation.**



- (21) Design Number: **11611/2008**
(22) Date of Filing Application: **07 April 2008**
(24) Date from which industrial property rights may have effect: **07 April 2008**
(54) Product in respect of which the design is registered: **Security window frame extrusion**
(51) International Design Classification: **25-01K, 25-02H**
(71) Name(s) and Address(s) of Applicant(s):
Gershwin Pty Ltd
971 Nudgee Road Banyo Queensland 4014 Australia
(72) Name(s) of Designer(s): **Tasman Henry**
(45) Registration Date: **29 July 2008**
(56) Related Art Documents: **Not Applicable**
(57) Statement of Newness and Distinctiveness: **Monopoly is claimed in the shape and/or configuration of a security window frame extrusion of indefinite length with constant cross-section throughout, as illustrated in the accompanying representation.**



- (21) Design Number: **11612/2008**
(22) Date of Filing Application: **07 April 2008**
(24) Date from which industrial property rights may have effect: **07 April 2008**
(54) Product in respect of which the design is registered: **Security window frame extrusion**
(51) International Design Classification: **25-01K, 25-02H**
(71) Name(s) and Address(s) of Applicant(s):
Gershwin Pty Ltd
971 Nudgee Road Banyo Queensland 4014 Australia
(72) Name(s) of Designer(s): **Tasman Henry**
(45) Registration Date: **29 July 2008**
(56) Related Art Documents: **Not Applicable**
(57) Statement of Newness and Distinctiveness: **Monopoly is claimed in the shape and/or configuration of a security window frame extrusion of indefinite length with constant cross-section throughout, as illustrated in the accompanying representation.**



- (21) Design Number: **11613/2008**
(22) Date of Filing Application: **07 April 2008**
(24) Date from which industrial property rights may have effect: **07 April 2008**
(54) Product in respect of which the design is registered: **Security window frame extrusion**
(51) International Design Classification: **25-01K, 25-02H**
(71) Name(s) and Address(s) of Applicant(s):
Gershwin Pty Ltd
971 Nudgee Road Banyo Queensland 4014 Australia
(72) Name(s) of Designer(s): **Tasman Henry**
(45) Registration Date: **29 July 2008**
(56) Related Art Documents: **Not Applicable**
(57) Statement of Newness and Distinctiveness: **Monopoly is claimed in the shape and/or configuration of a security window frame extrusion of indefinite length with constant cross-section throughout, as illustrated in the accompanying representation.**



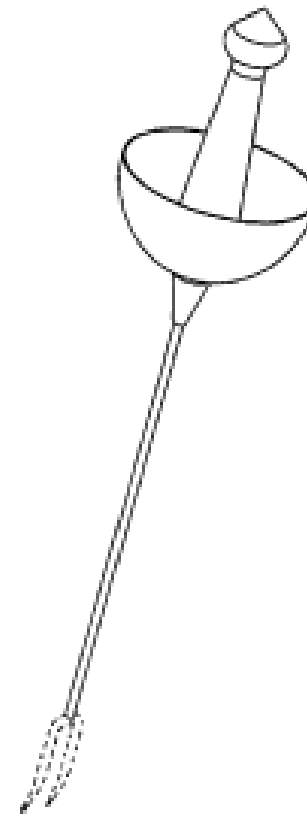
- (21) Design Number: **11614/2008**
(22) Date of Filing Application: **07 April 2008**
(24) Date from which industrial property rights may have effect: **07 April 2008**
(54) Product in respect of which the design is registered: **Security window frame extrusion**
(51) International Design Classification: **25-01K, 25-02H**
(71) Name(s) and Address(s) of Applicant(s):
Gershwin Pty Ltd
971 Nudgee Road Banyo Queensland 4014 Australia
(72) Name(s) of Designer(s): **Tasman Henry**
(45) Registration Date: **29 July 2008**
(56) Related Art Documents: **Not Applicable**
(57) Statement of Newness and Distinctiveness: **Monopoly is claimed in the shape and/or configuration of a security window frame extrusion of indefinite length with constant cross-section throughout, as illustrated in the accompanying representation.**



- (21) Design Number: **11616/2008**
(22) Date of Filing Application: **04 April 2008**
(24) Date from which industrial property rights may have effect: **04 April 2008**
(54) Product in respect of which the design is registered: **Barbecue sword**
(51) International Design Classification: **07-02NES**
(71) Name(s) and Address(s) of Applicant(s):
Hebe Studio Limited
Wardington House Wardington Oxfordshire OX17 1SD United Kingdom
(72) Name(s) of Designer(s): **Johannes Alexander Paulus Paul and William Windham and Simon George Nicholls and James George Tuthill**
(45) Registration Date: **29 July 2008**
(30) Convention priority data:
(31) Number (32) Date (33) Country
000844352-0002 18 Dec 2007 EUROPEAN COMMUNITY
(56) Related Art Documents: **Not Applicable**
(57) Statement of Newness and Distinctiveness: **Newness and distinctiveness resides in the features of shape and/or configuration of a barbecue sword as illustrated in the accompanying representations. The features shown in broken outline do not form part of the design.**



- (21) Design Number: **11617/2008**
(22) Date of Filing Application: **04 April 2008**
(24) Date from which industrial property rights may have effect: **04 April 2008**
(54) Product in respect of which the design is registered: **Barbecue sword**
(51) International Design Classification: **07-02NES**
(71) Name(s) and Address(s) of Applicant(s):
Hebe Studio Limited
Wardington House Wardington Oxfordshire OX17 1SD United Kingdom
(72) Name(s) of Designer(s): **Johannes Alexander Paulus Paul and William Windham and Simon George Nicholls and James George Tuthill**
(45) Registration Date: **29 July 2008**
(30) Convention priority data:
(31) Number (32) Date (33) Country
000844352-0001 18 Dec 2007 EUROPEAN COMMUNITY
(56) Related Art Documents: **Not Applicable**
(57) Statement of Newness and Distinctiveness: **Newness and distinctiveness resides in the features of shape and/or configuration of a barbecue sword as illustrated in the accompanying representation. The features shown in broken outline do not form part of the design.**



- (21) Design Number: **11621/2008**
(22) Date of Filing Application: **04 April 2008**
(24) Date from which industrial property rights may have effect: **04 April 2008**
(54) Product in respect of which the design is registered: **Automobile**
(51) International Design Classification: **12-08**
(71) Name(s) and Address(s) of Applicant(s):
Toyota Jidosha Kabushiki Kaisha
1 Toyota-cho Toyota-shi Aichi-ken 471-8571 Japan
(72) Name(s) of Designer(s): **Sou Tamiya and Yoshitake Takaoka and Takuharu Mino**
(45) Registration Date: **29 July 2008**
(30) Convention priority data:
(31) Number (32) Date (33) Country
2007-027527 09 Oct 2007 JAPAN
(56) Related Art Documents: **Not Applicable**
(57) Statement of Newness and Distinctiveness: **Newness and distinctiveness is claimed in the features of shape and/or configuration of an automobile as illustrated in the accompanying representations.**



(21) Design Number: **11622/2008**

(22) Date of Filing Application: **04 April 2008**

(24) Date from which industrial property rights may have effect: **04 April 2008**

(54) Product in respect of which the design is registered: **Wine glass**

(51) International Design Classification: **07-01C**

(71) Name(s) and Address(s) of Applicant(s):

By the Glass, LLC

9120 Oriole Way Los Angeles CA 90069 United States of America

(72) Name(s) of Designer(s): **Boyd I. Willat and Joseph T. Perrulli and Paul H. Velick and Gary D. Delgado**

(45) Registration Date: **29 July 2008**

(30) Convention priority data:

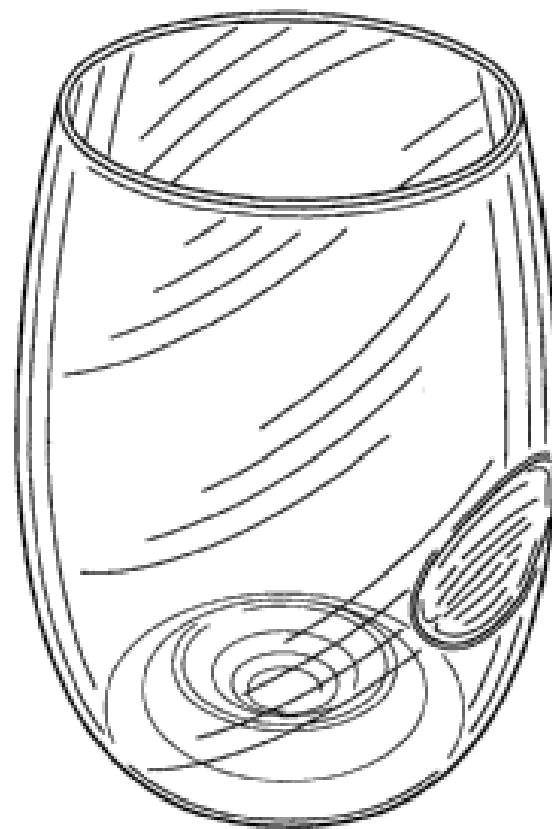
(31) Number
29/297011

(32) Date
01 Nov 2007

(33) Country
UNITED STATES OF AMERICA

(56) Related Art Documents: **Not Applicable**

(57) Statement of Newness and Distinctiveness: **Nil**



(21) Design Number: **11623/2008**

(22) Date of Filing Application: **04 April 2008**

(24) Date from which industrial property rights may have effect: **04 April 2008**

(54) Product in respect of which the design is registered: **Coffee machine**

(51) International Design Classification: **07-02L**

(71) Name(s) and Address(s) of Applicant(s):

WMF Württembergische Metallwarenfabrik AG

Eberhardstrasse 17-47 D-73312 Geislingen (Steige) Germany

(72) Name(s) of Designer(s): **Guido Metz and Michael Kindler**

(45) Registration Date: **29 July 2008**

(30) Convention priority data:

(31) Number
000872155

(32) Date
04 Feb 2008

(33) Country
GERMANY

(56) Related Art Documents: **Not Applicable**

(57) Statement of Newness and Distinctiveness: **Nil**



(21) Design Number: **11658/2008**

(22) Date of Filing Application: **04 April 2008**

(24) Date from which industrial property rights may have effect: **04 April 2008**

(54) Product in respect of which the design is registered: **Fire extinguisher**

(51) International Design Classification: **29-01**

(71) Name(s) and Address(s) of Applicant(s):

Komvoort innovatie B.V.

Celsiusstraat 8 Dedemsvaart 7701 BW The Netherlands

(72) Name(s) of Designer(s): **Marc Hakvoort and Gert-Jan Kommers**

(45) Registration Date: **29 July 2008**

(30) Convention priority data:

(31) Number

(32) Date

(33) Country

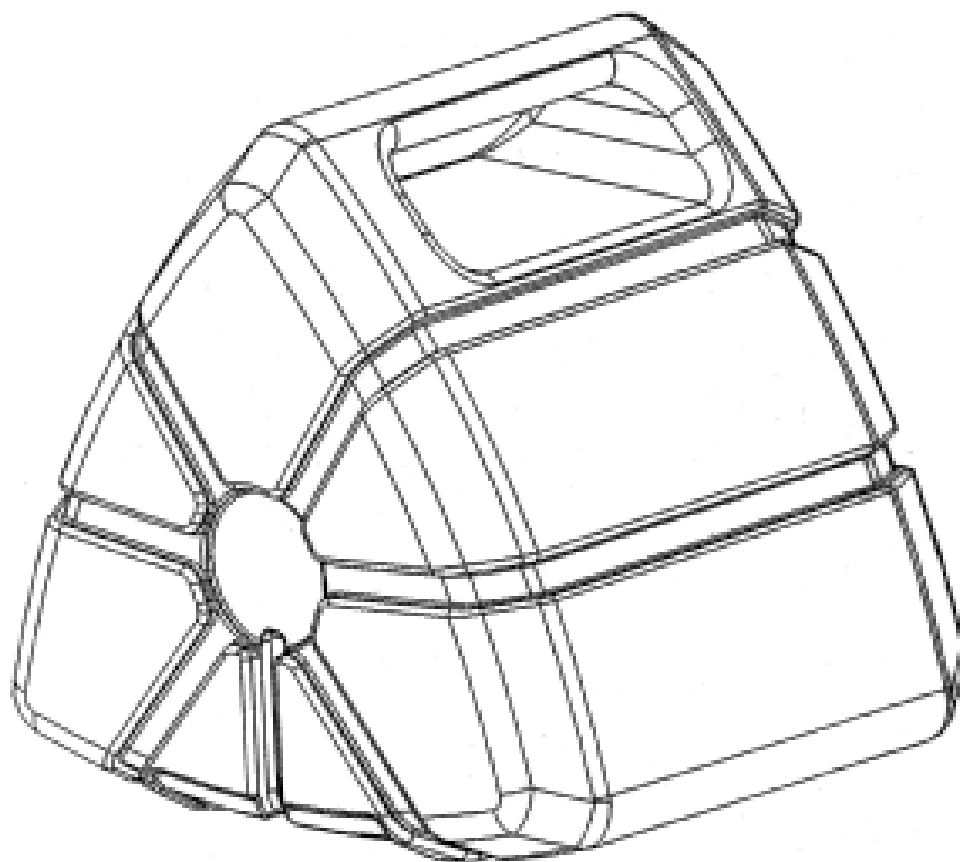
000803119

05 Oct 2007

EUROPEAN COMMUNITY

(56) Related Art Documents: **Not Applicable**

(57) Statement of Newness and Distinctiveness: **Newness and distinctiveness is claimed in the shape and configuration of a fire extinguisher as depicted in the accompanying drawings.**



(21) Design Number: **11659/2008**

(22) Date of Filing Application: **04 April 2008**

(24) Date from which industrial property rights may have effect: **04 April 2008**

(54) Product in respect of which the design is registered: **Fire extinguisher**

(51) International Design Classification: **29-01**

(71) Name(s) and Address(s) of Applicant(s):

Komvoort innovatie B.V.

Celsiusstraat 8 Dedemsvaart 7701 BW The Netherlands

(72) Name(s) of Designer(s): **Marc Hakvoort and Gert-Jan Kommers**

(45) Registration Date: **29 July 2008**

(30) Convention priority data:

(31) Number

(32) Date

(33) Country

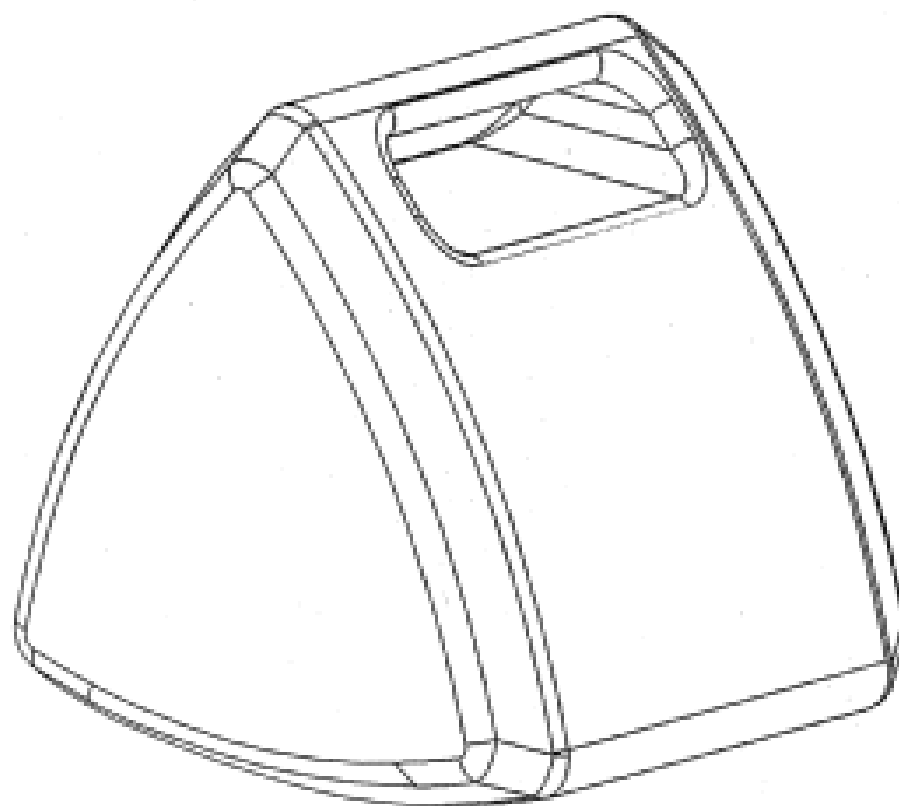
000803119

05 Oct 2007

EUROPEAN COMMUNITY

(56) Related Art Documents: **Not Applicable**

(57) Statement of Newness and Distinctiveness: **Newness and distinctiveness is claimed in the shape and configuration of a fire extinguisher as depicted in the accompanying drawings.**



(21) Design Number: **11748/2008**

(22) Date of Filing Application: **02 April 2008**

(24) Date from which industrial property rights may have effect: **02 April 2008**

(54) Product in respect of which the design is registered: **Single bed**

(51) International Design Classification: **06-02**

(71) Name(s) and Address(s) of Applicant(s):

Kimyee Furniture Sdn Bhd
58A Jalan Parit Kangkong Bukit Pasir Batu Pahat Johor 83050
Malaysia

(72) Name(s) of Designer(s): **Aw Gan Kian**

(45) Registration Date: **29 July 2008**

(56) Related Art Documents: **Not Applicable**

(57) Statement of Newness and Distinctiveness: **Nil**



(21) Design Number: **11830/2008**

(22) Date of Filing Application: **14 April 2008**

(24) Date from which industrial property rights may have effect: **14 April 2008**

(54) Product in respect of which the design is registered: **Trolley**

(51) International Design Classification: **12-02**

(71) Name(s) and Address(s) of Applicant(s):

Vic-Mack Worldwide Pty Ltd
36 William Road Carrum Downs Victoria 3201 Australia

(72) Name(s) of Designer(s): **Victor Taranto and Keith McArthur**

(45) Registration Date: **29 July 2008**

(56) Related Art Documents: **Not Applicable**

(57) Statement of Newness and Distinctiveness: **Three-wheeled highly manoeuvrable folding trolley with curved support frame for carry bags with two wheel brakes, drink holder and carry handle which assists portability and folding and unfolding.**



(21) Design Number: **11435/2008**

(22) Date of Filing Application: **25 March 2008**

(24) Date from which industrial property rights may have effect: **25 March 2008**

(54) Product in respect of which the design is registered: **Plinth**

(51) International Design Classification: **25-02A, 25-01B**

(71) Name(s) and Address(s) of Applicant(s):

Ty Gerard Hermans

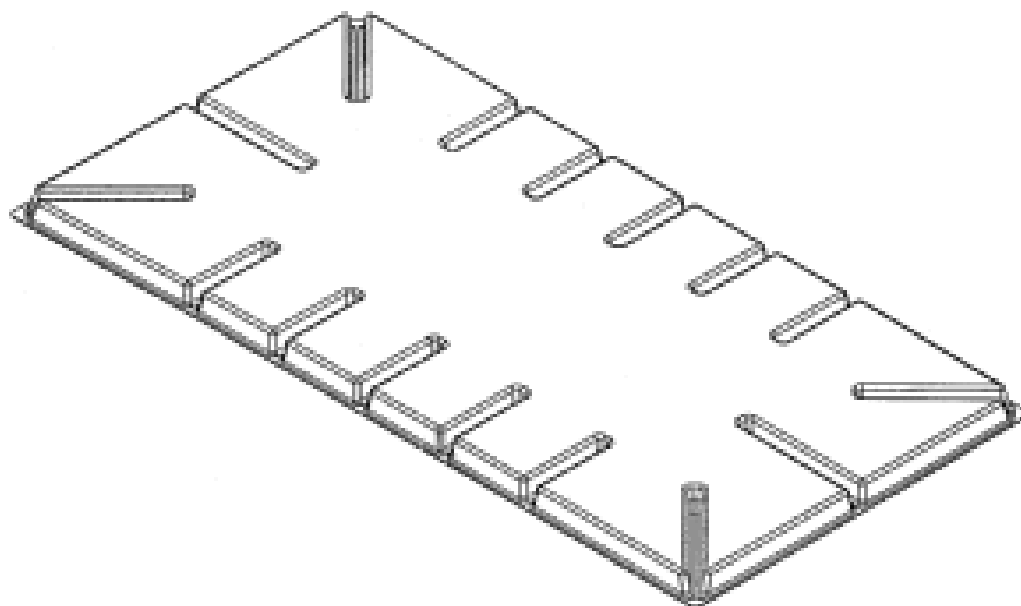
359 MacDonnel Road Clontarf Queensland 4019 Queensland

(72) Name(s) of Designer(s): **Ty Gerard Hermans**

(45) Registration Date: **29 July 2008**

(56) Related Art Documents: **Not Applicable**

(57) Statement of Newness and Distinctiveness: **Newness and distinctiveness resides in the shape and configuration of the plinth illustrated in the accompanying drawings.**



(21) Design Number: **11654/2008**

(22) Date of Filing Application: **08 April 2008**

(24) Date from which industrial property rights may have effect: **08 April 2008**

(54) Product in respect of which the design is registered: **A barbeque**

(51) International Design Classification: **07-02E**

(71) Name(s) and Address(s) of Applicant(s):

Shiro Australia Pty Limited

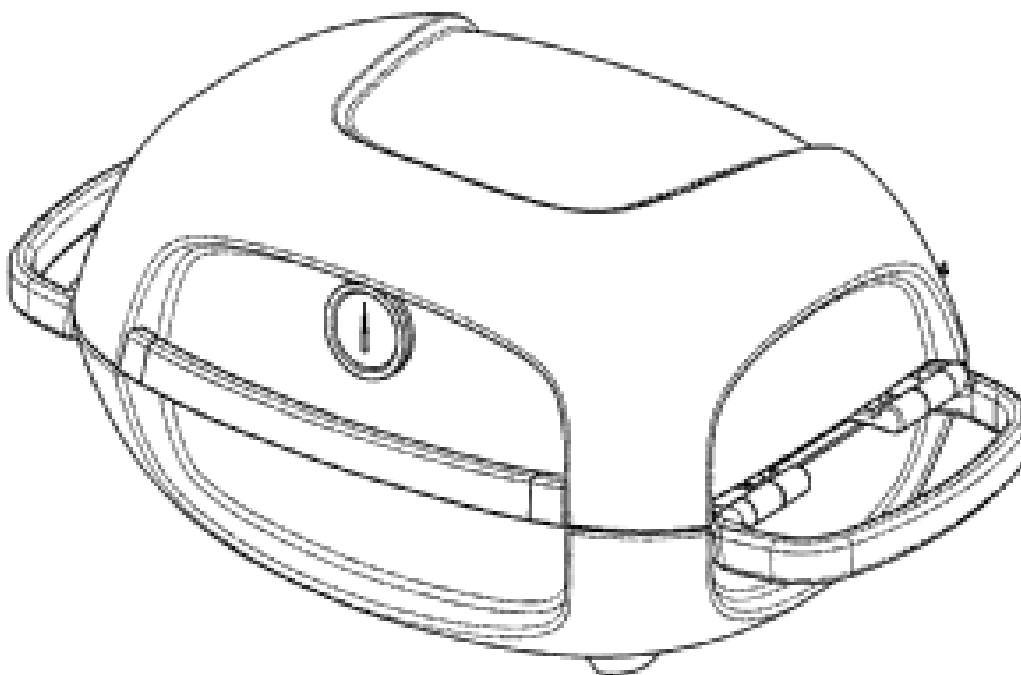
23-27 Chaplin Drive Lane Cove New South Wales 2066 Australia

(72) Name(s) of Designer(s): **Joshua Morabito and Joseph Ormrod**

(45) Registration Date: **29 July 2008**

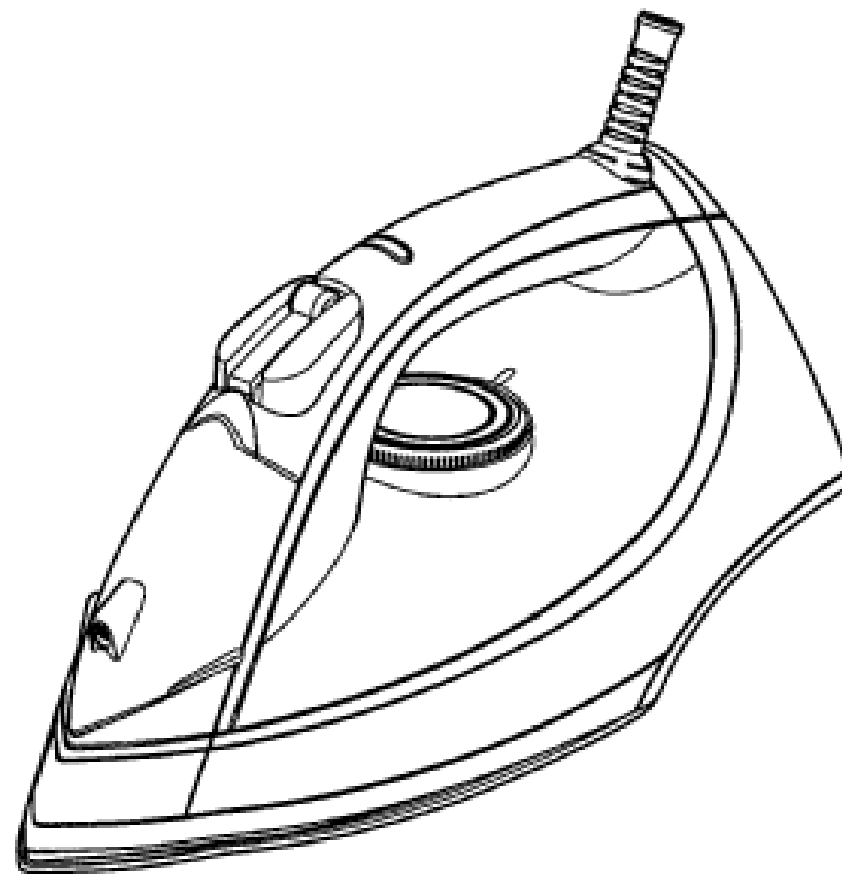
(56) Related Art Documents: **Not Applicable**

(57) Statement of Newness and Distinctiveness: **Newness and distinctiveness is claimed in the features of shape and/or configuration of a barbeque as illustrated in the accompanying representations.**



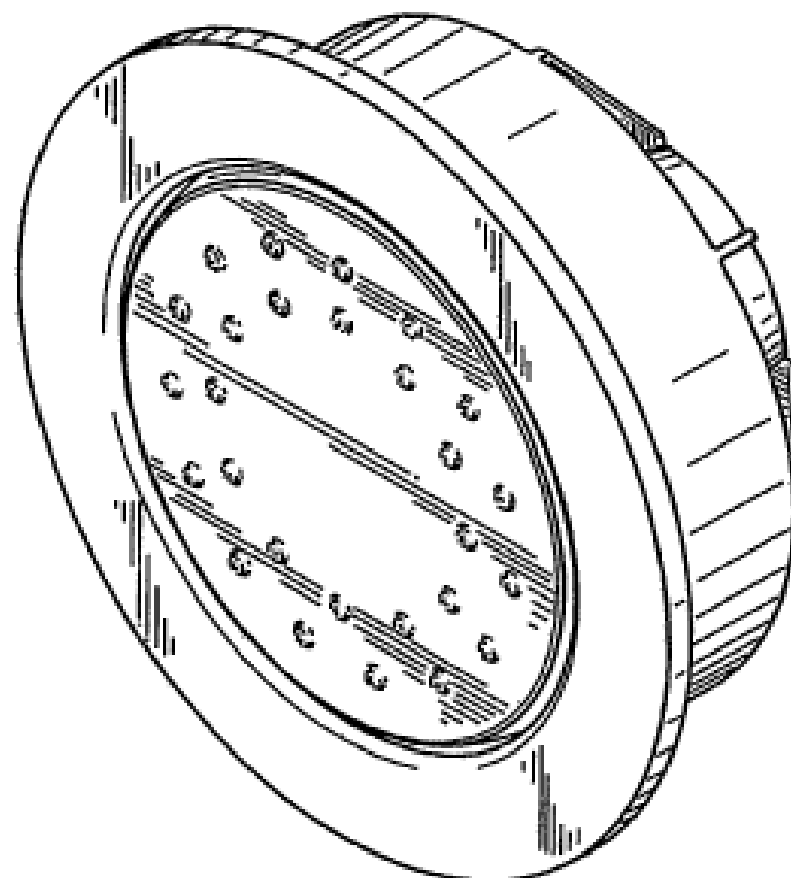
- (21) Design Number: **11655/2008**
- (22) Date of Filing Application: **08 April 2008**
- (24) Date from which industrial property rights may have effect: **08 April 2008**
- (54) Product in respect of which the design is registered: **Electric steam iron**
- (51) International Design Classification: **07-05A**
- (71) Name(s) and Address(s) of Applicant(s):
Koninklijke Philips Electronics N.V.
Groenewoudseweg 1 5621 BA Eindhoven The Netherlands
- (72) Name(s) of Designer(s): **Guy Anthony Brown**
- (45) Registration Date: **29 July 2008**
- (30) Convention priority data:

(31) Number	(32) Date	(33) Country
000809058	16 Oct 2007	EUROPEAN COMMUNITY
- (56) Related Art Documents: **Not Applicable**
- (57) Statement of Newness and Distinctiveness: **Newness and distinctiveness reside in the features of the design as shown in the representations.**

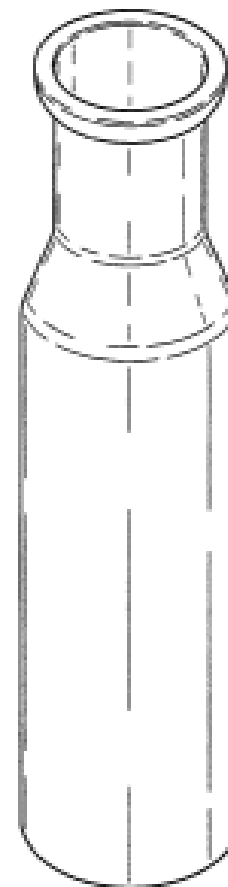


- (21) Design Number: **11656/2008**
- (22) Date of Filing Application: **08 April 2008**
- (24) Date from which industrial property rights may have effect: **08 April 2008**
- (54) Product in respect of which the design is registered: **Showerhead**
- (51) International Design Classification: **23-02B**
- (71) Name(s) and Address(s) of Applicant(s):
Kohler Co.
444 Highland Drive Kohler WI 53044 United States of America
- (72) Name(s) of Designer(s): **Duck Young Kong and Michael R. Furseth**
- (45) Registration Date: **29 July 2008**
- (30) Convention priority data:

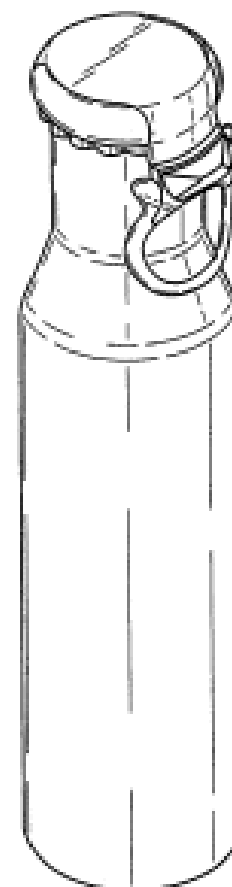
(31) Number	(32) Date	(33) Country
29/295818	08 Oct 2007	UNITED STATES OF AMERICA
- (56) Related Art Documents: **Not Applicable**
- (57) Statement of Newness and Distinctiveness: **When determining whether the design 1 is substantially similar in overall impression to another design, no regard is to be had to those features shown in dotted outline in the accompanying drawings.**



- (21) Design Number: **11661/2008**
(22) Date of Filing Application: **09 April 2008**
(24) Date from which industrial property rights may have effect: **09 April 2008**
(54) Product in respect of which the design is registered: **Bottle**
(51) International Design Classification: **09-01K**
(71) Name(s) and Address(s) of Applicant(s):
Unilever PLC
Unilever House Blackfriars London EC4P 4BQ United Kingdom
(72) Name(s) of Designer(s): **Adrian Barclay Caroen and Tanja Ingrid Langgner**
(45) Registration Date: **29 July 2008**
(30) Convention priority data:
(31) Number (32) Date (33) Country
4004730 18 Oct 2007 UNITED KINGDOM
(56) Related Art Documents: **Not Applicable**
(57) Statement of Newness and Distinctiveness: **Newness and distinctiveness is claimed in the visual features shown in solid lines in the representations.**



- (21) Design Number: **11662/2008**
(22) Date of Filing Application: **09 April 2008**
(24) Date from which industrial property rights may have effect: **09 April 2008**
(54) Product in respect of which the design is registered: **Bottle**
(51) International Design Classification: **09-01K, 09-01NES**
(71) Name(s) and Address(s) of Applicant(s):
Unilever PLC
Unilever House Blackfriars London EC4P 4BQ United Kingdom
(72) Name(s) of Designer(s): **Adrian Barclay Caroen and Tanja Ingrid Langgner**
(45) Registration Date: **29 July 2008**
(30) Convention priority data:
(31) Number (32) Date (33) Country
4004729 18 Oct 2007 UNITED KINGDOM
(56) Related Art Documents: **Not Applicable**
(57) Statement of Newness and Distinctiveness: **Newness and distinctiveness is claimed in the visual features shown in solid lines in the representations.**



(21) Design Number: **11665/2008**

(22) Date of Filing Application: **09 April 2008**

(24) Date from which industrial property rights may have effect: **09 April 2008**

(54) Product in respect of which the design is registered: **Roller blind bracket**

(51) International Design Classification: **08-08H**

(71) Name(s) and Address(s) of Applicant(s):

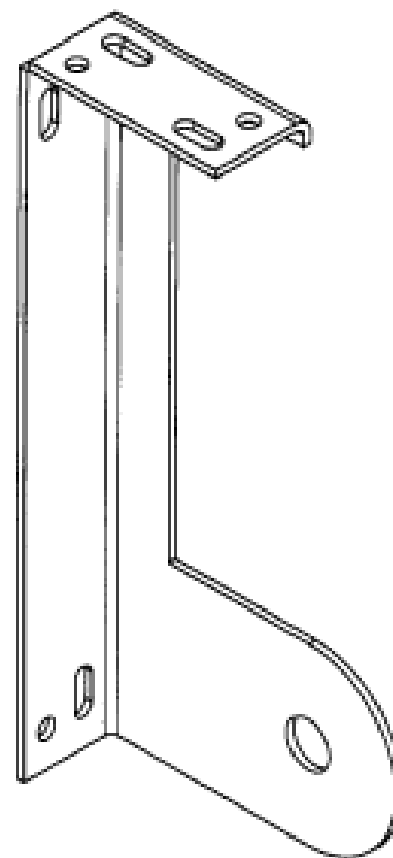
**Designed Blinds Australia Pty Ltd
1507 Centre Road Clayton Victoria 3168 Australia**

(72) Name(s) of Designer(s): **Kevin Clarke**

(45) Registration Date: **29 July 2008**

(56) Related Art Documents: **Not Applicable**

(57) Statement of Newness and Distinctiveness: **Nil**



(21) Design Number: **11666/2008**

(22) Date of Filing Application: **09 April 2008**

(24) Date from which industrial property rights may have effect: **09 April 2008**

(54) Product in respect of which the design is registered: **Roller blind bracket**

(51) International Design Classification: **08-08H**

(71) Name(s) and Address(s) of Applicant(s):

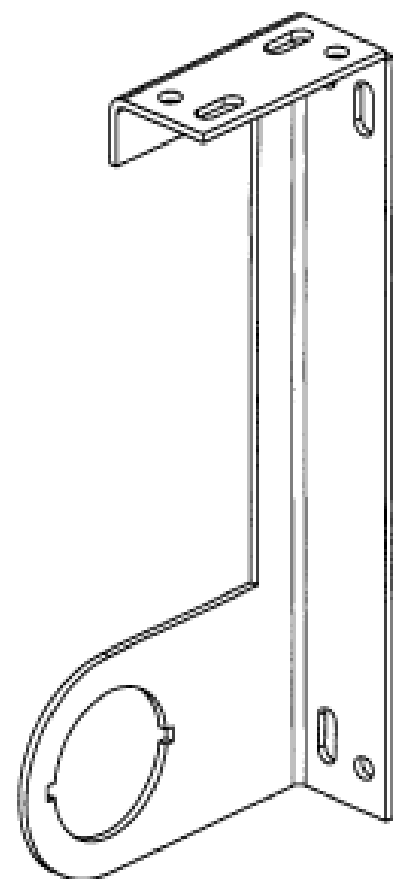
**Designed Blinds Australia Pty Ltd
1507 Centre Road Clayton Victoria 3168 Australia**

(72) Name(s) of Designer(s): **Kevin Clarke**

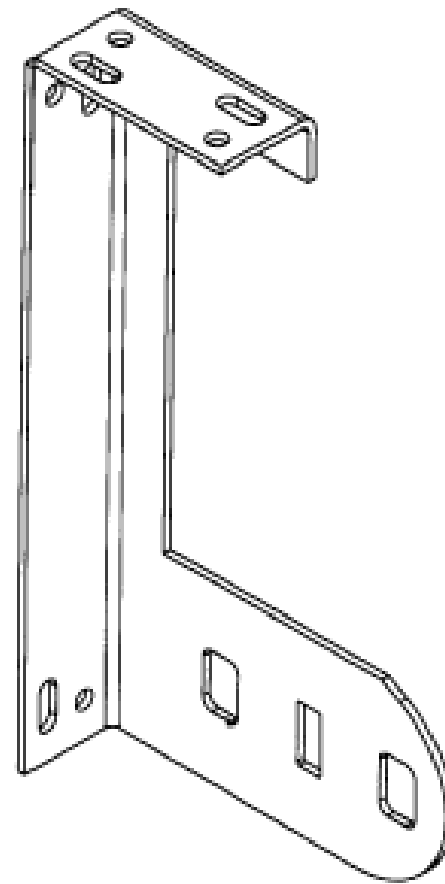
(45) Registration Date: **29 July 2008**

(56) Related Art Documents: **Not Applicable**

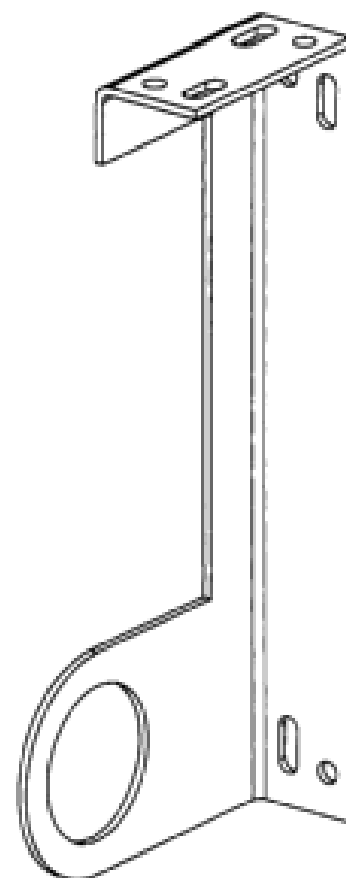
(57) Statement of Newness and Distinctiveness: **Nil**



- (21) Design Number: **11667/2008**
- (22) Date of Filing Application: **09 April 2008**
- (24) Date from which industrial property rights may have effect: **09 April 2008**
- (54) Product in respect of which the design is registered: **Roller blind bracket**
- (51) International Design Classification: **08-08H**
- (71) Name(s) and Address(s) of Applicant(s):
Designed Blinds Australia Pty Ltd
1507 Centre Road Clayton Victoria 3168 Australia
- (72) Name(s) of Designer(s): **Kevin Clarke**
- (45) Registration Date: **29 July 2008**
- (56) Related Art Documents: **Not Applicable**
- (57) Statement of Newness and Distinctiveness: **Nil**



- (21) Design Number: **11668/2008**
- (22) Date of Filing Application: **09 April 2008**
- (24) Date from which industrial property rights may have effect: **09 April 2008**
- (54) Product in respect of which the design is registered: **Roller blind bracket**
- (51) International Design Classification: **08-08H**
- (71) Name(s) and Address(s) of Applicant(s):
Designed Blinds Australia Pty Ltd
1507 Centre Road Clayton Victoria 3168 Australia
- (72) Name(s) of Designer(s): **Kevin Clarke**
- (45) Registration Date: **29 July 2008**
- (56) Related Art Documents: **Not Applicable**
- (57) Statement of Newness and Distinctiveness: **Nil**



(21) Design Number: **11669/2008**

(22) Date of Filing Application: **09 April 2008**

(24) Date from which industrial property rights may have effect: **09 April 2008**

(54) Product in respect of which the design is registered: **Roller blind bracket**

(51) International Design Classification: **08-08H**

(71) Name(s) and Address(s) of Applicant(s):

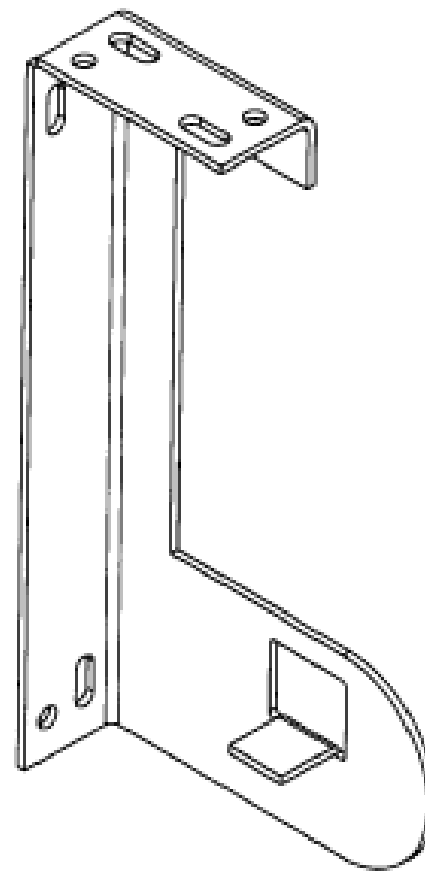
**Designed Blinds Australia Pty Ltd
1507 Centre Road Clayton Victoria 3168 Australia**

(72) Name(s) of Designer(s): **Kevin Clarke**

(45) Registration Date: **29 July 2008**

(56) Related Art Documents: **Not Applicable**

(57) Statement of Newness and Distinctiveness: **Nil**



(21) Design Number: **11670/2008**

(22) Date of Filing Application: **09 April 2008**

(24) Date from which industrial property rights may have effect: **09 April 2008**

(54) Product in respect of which the design is registered: **Fastener head**

(51) International Design Classification: **08-08B**

(71) Name(s) and Address(s) of Applicant(s):

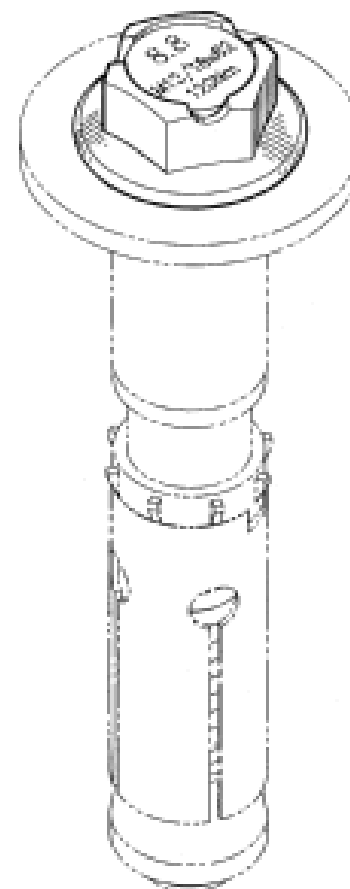
**Powers Fasteners Australasia Pty Ltd
Factory 3 205 Abbots Road Dandenong South Victoria 3175 Australia**

(72) Name(s) of Designer(s): **Wal Seybold**

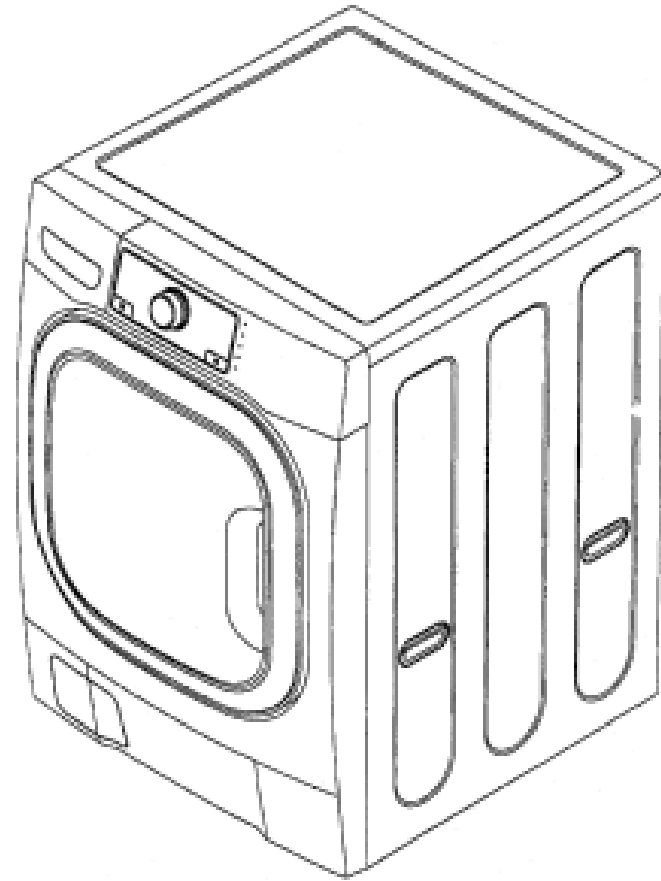
(45) Registration Date: **29 July 2008**

(56) Related Art Documents: **Not Applicable**

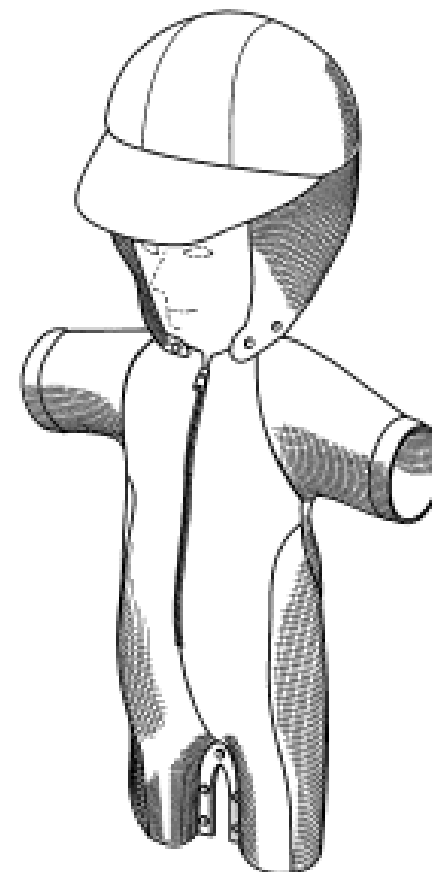
(57) Statement of Newness and Distinctiveness: **Newness and distinctiveness reside in the features of the design as shown in the representations in solid lines. The features shown in phantom are to be disregarded.**



- (21) Design Number: **11672/2008**
(22) Date of Filing Application: **09 April 2008**
(24) Date from which industrial property rights may have effect: **09 April 2008**
(54) Product in respect of which the design is registered: **Washing machine**
(51) International Design Classification: **15-05**
(71) Name(s) and Address(s) of Applicant(s):
LG Electronics, Inc.
20 Yoido-dong Yongdungpo-gu Seoul Republic of Korea
(72) Name(s) of Designer(s): **Kyeong Chul Cho and Bo Won Suh and Seung Hyun Song and Hyoung Won Roh**
(45) Registration Date: **29 July 2008**
(30) Convention priority data:
(31) Number (32) Date (33) Country
30-2007-0045066 29 Oct 2007 REPUBLIC OF KOREA
(56) Related Art Documents: **Not Applicable**
(57) Statement of Newness and Distinctiveness: **Newness and distinctiveness resides in the visual features of shape and/or configuration as applied to a washing machine as illustrated in the accompanying drawings.**

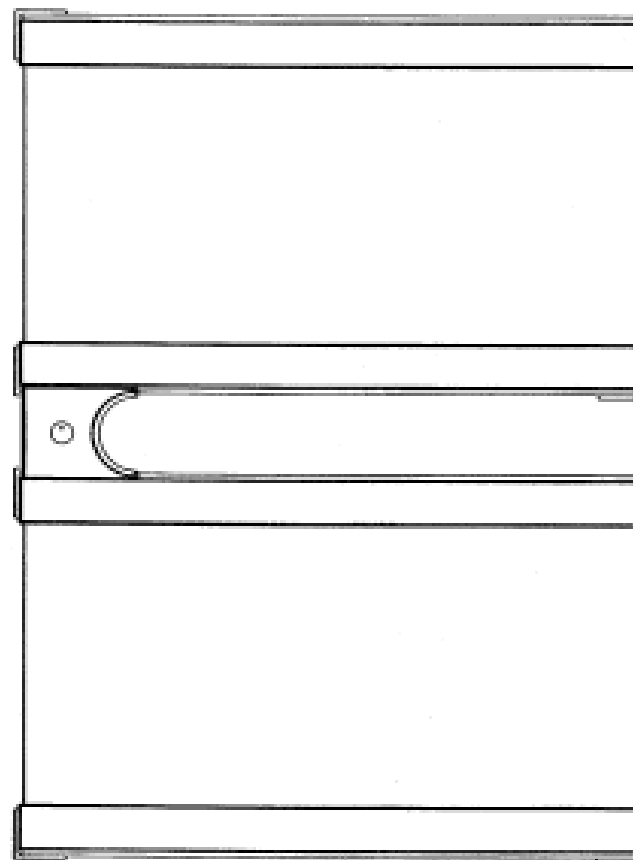


- (21) Design Number: **11673/2008**
(22) Date of Filing Application: **09 April 2008**
(24) Date from which industrial property rights may have effect: **09 April 2008**
(54) Product in respect of which the design is registered: **Body suit**
(51) International Design Classification: **02-02B, 02-02C**
(71) Name(s) and Address(s) of Applicant(s):
Miabella Designs Pty Ltd
104 Central Avenue St Lucia Queensland 4067 Australia
(72) Name(s) of Designer(s): **Tanya Maree Seeney and Laura Rose Furiosi**
(45) Registration Date: **29 July 2008**
(56) Related Art Documents: **Not Applicable**
(57) Statement of Newness and Distinctiveness: **The newness and distinctiveness of the design resides in the shape and configuration of a body suit as illustrated in the accompanying representations. The length of the legs and the arms of the body suit is indeterminate and is disclaimed.**



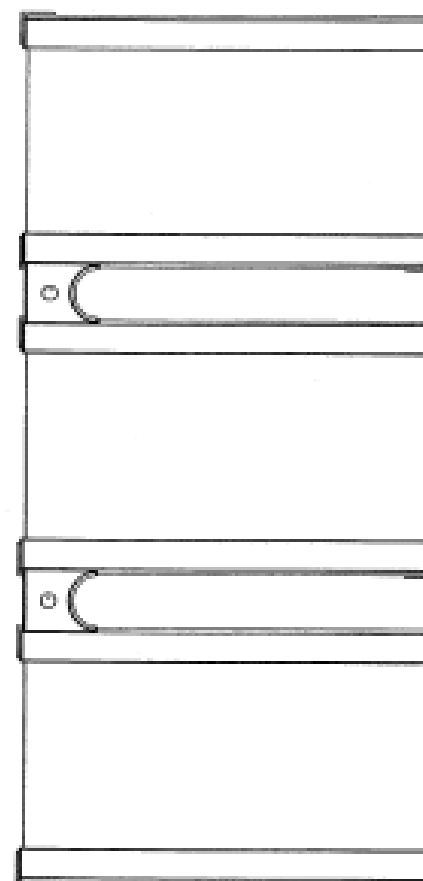
- (21) Design Number: **11675/2008**
- (22) Date of Filing Application: **09 April 2008**
- (24) Date from which industrial property rights may have effect: **09 April 2008**
- (54) Product in respect of which the design is registered: **Towel rail**
- (51) International Design Classification: **07-05D**
- (71) Name(s) and Address(s) of Applicant(s):
Skope Industries Limited
66 Princess Street Christchurch New Zealand
- (72) Name(s) of Designer(s): **Kevin Whitley and Ted Esdaile Watts and Gianfranco Lassandro and Alexandra Stewart**
- (45) Registration Date: **29 July 2008**
- (30) Convention priority data:

(31) Number	(32) Date	(33) Country
409849	12 Oct 2007	NEW ZEALAND
- (56) Related Art Documents: **Not Applicable**
- (57) Statement of Newness and Distinctiveness: **The newness and distinctiveness of the design resides in the features of shape and/or configuration of the towel rail shown in the accompanying representations.**



- (21) Design Number: **11676/2008**
- (22) Date of Filing Application: **09 April 2008**
- (24) Date from which industrial property rights may have effect: **09 April 2008**
- (54) Product in respect of which the design is registered: **Towel rail**
- (51) International Design Classification: **07-05D**
- (71) Name(s) and Address(s) of Applicant(s):
Skope Industries Limited
66 Princess Street Christchurch New Zealand
- (72) Name(s) of Designer(s): **Kevin Whitley and Ted Esdaile Watts and Gianfranco Lassandro and Alexandra Stewart**
- (45) Registration Date: **29 July 2008**
- (30) Convention priority data:

(31) Number	(32) Date	(33) Country
409850/409851	12 Oct 2007	NEW ZEALAND
- (56) Related Art Documents: **Not Applicable**
- (57) Statement of Newness and Distinctiveness: **The newness and distinctiveness of the design resides in the features of shape and/or configuration of the towel rail shown in the accompanying representations.**



- (21) Design Number: **10880/2008**
- (22) Date of Filing Application: **22 February 2008**
- (24) Date from which industrial property rights may have effect: **22 February 2008**
- (54) Product in respect of which the design is registered: **Drainage cell**
- (51) International Design Classification: **23-01E, 23-01G**
- (71) Name(s) and Address(s) of Applicant(s):
Reshma Ben Desai
34 Ashcott Street King langley New South Wales 2147 Australia
- (72) Name(s) of Designer(s): **Reshma Desai**
- (45) Registration Date: **29 July 2008**
- (56) Related Art Documents: **Not Applicable**
- (57) Statement of Newness and Distinctiveness: **The newness and distinctiveness in respect of the design is claimed in the features of shape and configuration of a drainage cell, as illustrated in the accompanying representation.**



- (21) Design Number: **11629/2008**
- (22) Date of Filing Application: **07 April 2008**
- (24) Date from which industrial property rights may have effect: **07 April 2008**
- (54) Product in respect of which the design is registered: **A battery pack**
- (51) International Design Classification: **13-02**
- (71) Name(s) and Address(s) of Applicant(s):
Black & Decker, Inc.
1207 Drummond Plaza Newark Delaware 19711 United States of America
- (72) Name(s) of Designer(s): **Adam M. O'Hern and Tom Murray and Christopher Murray and Lyle Matson**
- (45) Registration Date: **29 July 2008**
- (30) Convention priority data:
(31) Number (32) Date (33) Country
29/296236 16 Oct 2007 UNITED STATES OF AMERICA
- (56) Related Art Documents: **Not Applicable**
- (57) Statement of Newness and Distinctiveness: **Nil**



(21) Design Number: **11632/2008**

(22) Date of Filing Application: **07 April 2008**

(24) Date from which industrial property rights may have effect: **07 April 2008**

(54) Product in respect of which the design is registered: **Extrusion**

(51) International Design Classification: **25-01K**

(71) Name(s) and Address(s) of Applicant(s):

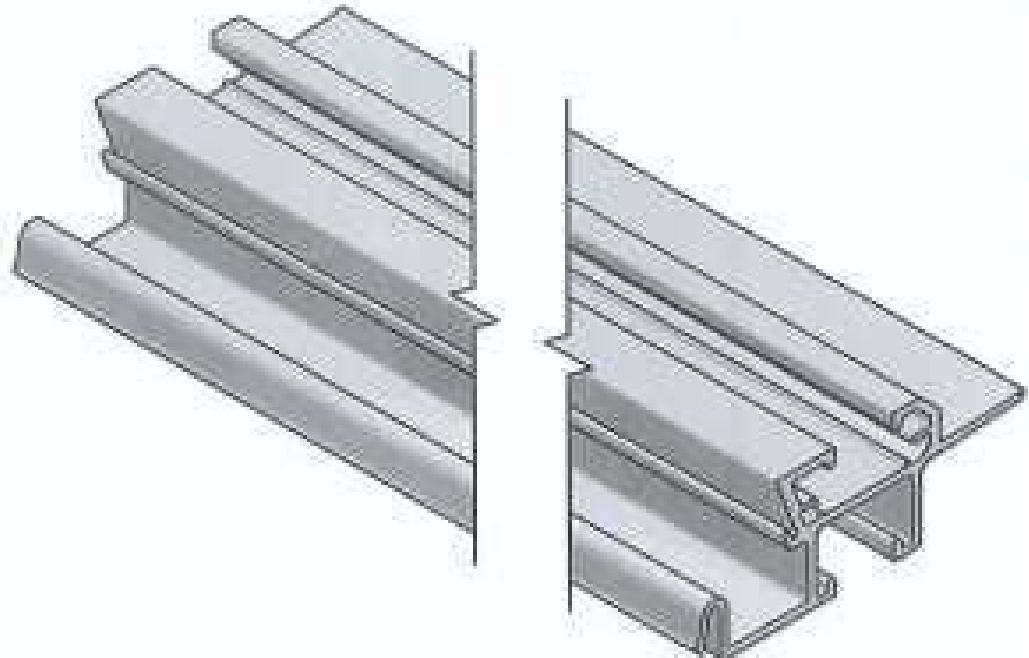
Bull Motor Bodies Pty Ltd
9 McNece Place O'Connor Western Australia 6163 Australia

(72) Name(s) of Designer(s): **Andrew Charles Park and John Boothe Porteus**

(45) Registration Date: **29 July 2008**

(56) Related Art Documents: **Not Applicable**

(57) Statement of Newness and Distinctiveness: **Newness and distinctiveness is claimed in the features of shape and/or configuration of an extrusion as shown in these attached representations, wherein the length of the extrusion varies.**



(21) Design Number: **11633/2008**

(22) Date of Filing Application: **07 April 2008**

(24) Date from which industrial property rights may have effect: **07 April 2008**

(54) Product in respect of which the design is registered: **Extrusion**

(51) International Design Classification: **25-01K**

(71) Name(s) and Address(s) of Applicant(s):

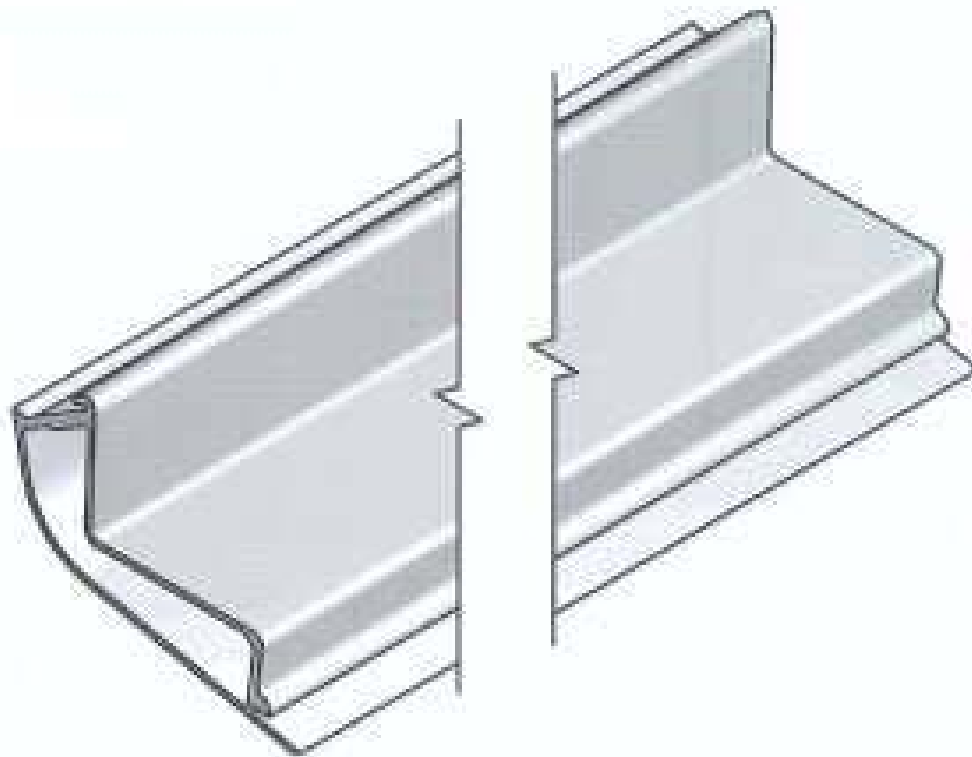
Bull Motor Bodies Pty Ltd
9 McNece Place O'Connor Western Australia 6163 Australia

(72) Name(s) of Designer(s): **Andrew Charles Park and John Boothe Porteus**

(45) Registration Date: **29 July 2008**

(56) Related Art Documents: **Not Applicable**

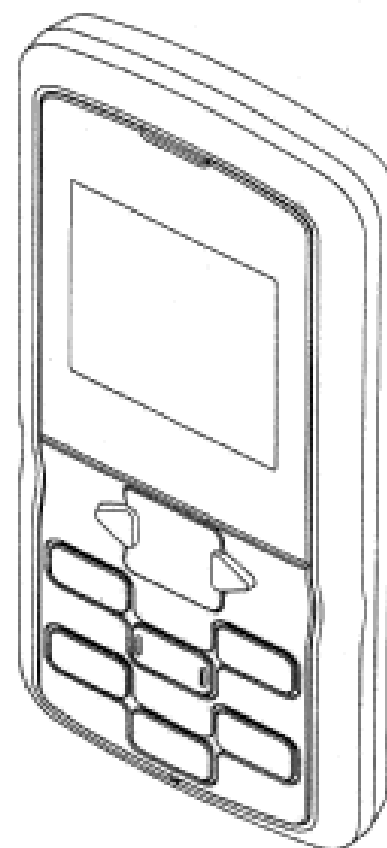
(57) Statement of Newness and Distinctiveness: **Newness and distinctiveness is claimed in the features of shape and/or configuration of an extrusion as shown in these attached representations, wherein the length of the extrusion varies.**



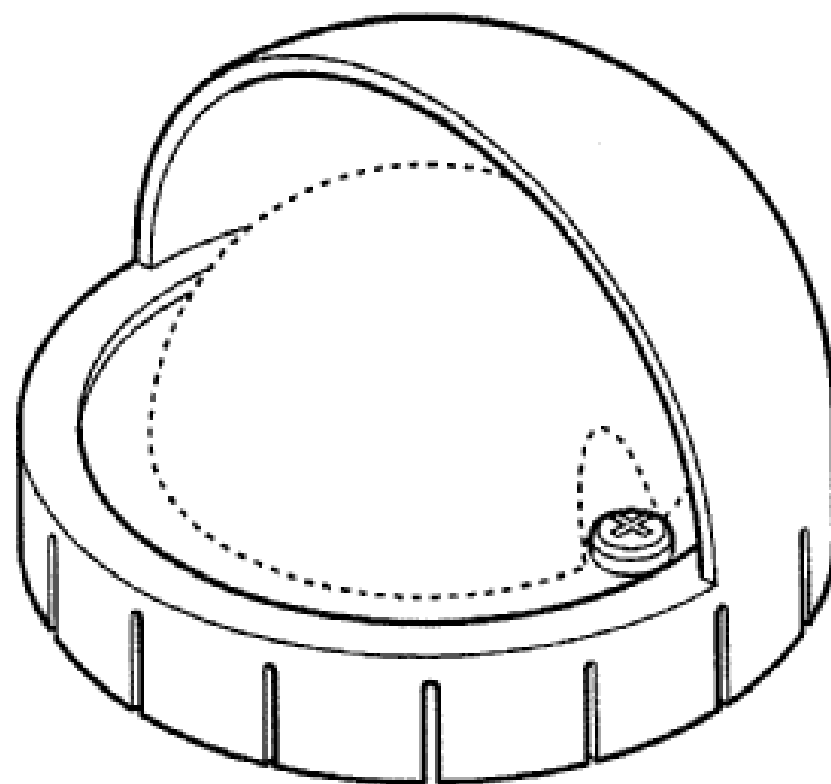
- (21) Design Number: **11635/2008**
(22) Date of Filing Application: **07 April 2008**
(24) Date from which industrial property rights may have effect: **07 April 2008**
(54) Product in respect of which the design is registered: **USB memory drive resembling a penis**
(51) International Design Classification: **14-02**
(71) Name(s) and Address(s) of Applicant(s):
Julie Gordon-Ewing
1818 Country Road Bayfield CO 81122 United States of America
(72) Name(s) of Designer(s): **Julie Gordon-Ewing**
(45) Registration Date: **29 July 2008**
(30) Convention priority data:
(31) Number (32) Date (33) Country
29/297006 01 Nov 2007 UNITED STATES OF AMERICA
(56) Related Art Documents: **Not Applicable**
(57) Statement of Newness and Distinctiveness: **When determining whether the design 1 is substantially similar in overall impression to another registered design, no regard is to be had to those features shown in dotted outline in the accompanying drawings.**



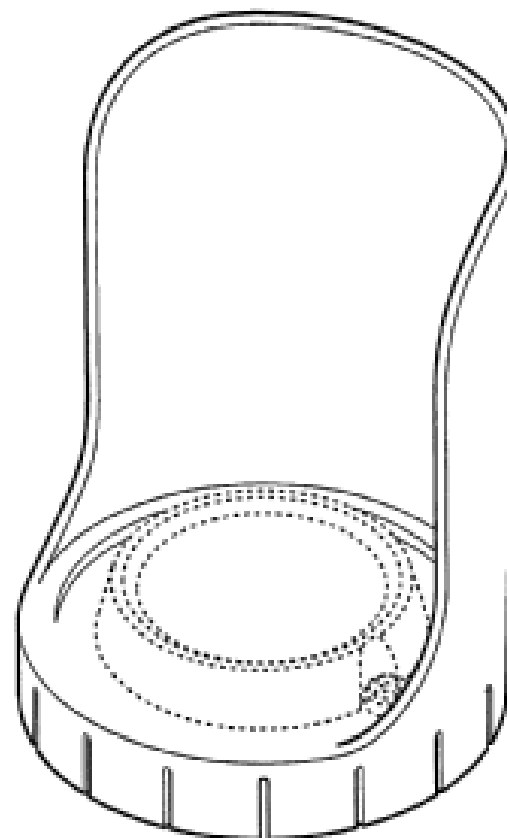
- (21) Design Number: **11643/2008**
(22) Date of Filing Application: **07 April 2008**
(24) Date from which industrial property rights may have effect: **07 April 2008**
(54) Product in respect of which the design is registered: **Cellular phone**
(51) International Design Classification: **14-03E**
(71) Name(s) and Address(s) of Applicant(s):
LG Electronics Inc.
20 Yoido-dong Yongdungpo-gu Seoul Korea
(72) Name(s) of Designer(s): **Kyoung Boo Hwang and Sae Yoon Huh**
(45) Registration Date: **29 July 2008**
(30) Convention priority data:
(31) Number (32) Date (33) Country
30-2007-0043337 18 Oct 2007 REPUBLIC OF KOREA
(56) Related Art Documents: **Not Applicable**
(57) Statement of Newness and Distinctiveness: **Newness and distinctiveness resides in the visual features of shape and/or configuration as applied to a cellular phone as illustrated in the accompanying representations.**



(21) Design Number: **11648/2008**
(22) Date of Filing Application: **07 April 2008**
(24) Date from which industrial property rights may have effect: **07 April 2008**
(54) Product in respect of which the design is registered: **Light fitting**
(51) International Design Classification: **26-05C**
(71) Name(s) and Address(s) of Applicant(s):
Global Design Solutions Limited
Garaway House Chantry Road Bristol BS8 2QF United Kingdom
(72) Name(s) of Designer(s): **Richard Cuthbert**
(45) Registration Date: **29 July 2008**
(30) Convention priority data:
(31) Number (32) Date (33) Country
000816442-0003 26 Oct 2007 EUROPEAN COMMUNITY
(56) Related Art Documents: **Not Applicable**
(57) Statement of Newness and Distinctiveness: **Newness and distinctiveness resides in the features of shape and/or configuration of a light fitting as illustrated in the accompanying representations. The features shown in broken outline do not form part of the design.**



(21) Design Number: **11649/2008**
(22) Date of Filing Application: **07 April 2008**
(24) Date from which industrial property rights may have effect: **07 April 2008**
(54) Product in respect of which the design is registered: **Light fitting**
(51) International Design Classification: **26-05C**
(71) Name(s) and Address(s) of Applicant(s):
Global Design Solutions Limited
Garaway House Chantry Road Bristol BS8 2QF United Kingdom
(72) Name(s) of Designer(s): **Richard Cuthbert**
(45) Registration Date: **29 July 2008**
(30) Convention priority data:
(31) Number (32) Date (33) Country
000816442-0004 26 Oct 2007 EUROPEAN COMMUNITY
(56) Related Art Documents: **Not Applicable**
(57) Statement of Newness and Distinctiveness: **Newness and distinctiveness resides in the features of shape and/or configuration of a light fitting as illustrated in the accompanying representations. The features shown in broken outline do not form part of the design.**



(21) Design Number: **11945/2008**
(22) Date of Filing Application: **21 April 2008**
(24) Date from which industrial property rights may have effect: **21 April 2008**
(54) Product in respect of which the design is registered: **Disc holder**
(51) International Design Classification: **03-01C, 09-05**
(71) Name(s) and Address(s) of Applicant(s):
ESET, spol. s r.o.
Pionierska 9/A Sk-831 02 Bratislava Slovakia
(72) Name(s) of Designer(s): **Onderj Elias and Julius Nagy**
(45) Registration Date: **29 July 2008**
(30) Convention priority data:
(31) Number (32) Date (33) Country
000813043-0002 22 Oct 2007 EUROPEAN COMMUNITY
(56) Related Art Documents: **Not Applicable**
(57) Statement of Newness and Distinctiveness: **Nil**



(21) Design Number: **11946/2008**
(22) Date of Filing Application: **21 April 2008**
(24) Date from which industrial property rights may have effect: **21 April 2008**
(54) Product in respect of which the design is registered: **Disc container**
(51) International Design Classification: **03-01C**
(71) Name(s) and Address(s) of Applicant(s):
ESET, spol. s r.o.
Pionierska 9/A Sk-831 02 Bratislava Slovakia
(72) Name(s) of Designer(s): **Onderj Elias and Julius Nagy**
(45) Registration Date: **29 July 2008**
(30) Convention priority data:
(31) Number (32) Date (33) Country
000813043-0003 22 Oct 2007 EUROPEAN COMMUNITY
(56) Related Art Documents: **Not Applicable**
(57) Statement of Newness and Distinctiveness: **Nil**



- (21) Design Number: **13235/2008**
(22) Date of Filing Application: **11 July 2008**
(24) Date from which industrial property rights may have effect: **11 July 2008**
(54) Product in respect of which the design is registered: **Fabric**
(51) International Design Classification: **05-05NES**
(71) Name(s) and Address(s) of Applicant(s):
Great Harmony Trading Company Pty Ltd
Unit 6/7-9 Percy Street Auburn New South Wales 2144 Australia
(72) Name(s) of Designer(s): **Daphne Li**
(45) Registration Date: **29 July 2008**
(56) Related Art Documents: **Not Applicable**
(57) Statement of Newness and Distinctiveness: **A repeated pattern of indefinite length of a "mirrored-E" shape symbol that has a wisped and curled royal style. The symbol is a raised jacquard with varying textures and shades throughout the wisps and curls.**



- (21) Design Number: **13326/2008**
(22) Date of Filing Application: **15 July 2008**
(24) Date from which industrial property rights may have effect: **15 July 2008**
(54) Product in respect of which the design is registered: **Insect trap**
(51) International Design Classification: **22-06**
(71) Name(s) and Address(s) of Applicant(s):
Sterling International Inc
3808 N. Sullivan Road Bldg 16BV Spokane Washington 99216-1616
United States of America
(72) Name(s) of Designer(s): **Rodney Schneidmiller and Marc Chapin**
(45) Registration Date: **29 July 2008**
(30) Convention priority data:
(31) Number (32) Date (33) Country
29/317433 29 Apr 2008 UNITED STATES OF AMERICA
(56) Related Art Documents: **Not Applicable**
(57) Statement of Newness and Distinctiveness: **Newness and distinctiveness reside in the features of the design as shown in the representations.**

