



Australian Government

IP Australia

AUSTRALIAN OFFICIAL JOURNAL

OF

DESIGNS

Did you know a searchable version of this journal is now available online?

It's FREE and EASY to SEARCH.

Find it at

<http://pericles.ipaustralia.gov.au/ols/epublish/content/olsEpublications.jsp>
or using the "Online Journals" link on the IP Australia home page.

This Page Left Intentionally Blank

Contents

General Information & Notices

**Proceedings Under the Designs Act 1906 preserved as a result of the provisions of Chapter 12
Part 2 of the Designs Act 2003**

Extension of Period of Registration of Designs	2038
Licences Registered	2039
Names Registered - Alterations and Amendments	2039
Registrations Ceased	2038
Subsequent Owners Registered	2038

Proceedings Under the Designs Act 2003

Applications Lapsed	2051
Applications Lodged	2043
Applications Withdrawn	2051
Certificate of Examination	2055
Corrigenda	2054
Extension of Time Granted Under Section 137	2053
Names Registered - Alterations and Amendments	2053
Publication and Registration Proceedings	
Designs Registered 320539 to 320761.....	2056
Subsequent Owners Registered	2053

This Page Left Intentionally Blank

For information on the following please see our website www.ipaustralia.gov.au or contact our Customer Service Network on 1300651010

[Editorial enquiries](#)

[Contact information](#)

[Freedom of Information ACT](#)

[Professional Standards Board](#)

[Sales](#)

[Requests for Information under Section 194 \(c\)](#)

[Country Codes](#)

[Trade Mark and Designs Hearing Sessions](#)

[INID \(Internationally agreed Numbers for the Identification of Data\)](#)

“INID” NUMBERS in use on Australian Design Documents

“INID” is an acronym for “Internationally agreed Numbers for the Identification of Data”.

(10) Data concerning the registration/renewal

- (11) Serial number of the registration and/or number of the design document
- (12) Plain language designation of the kind of published document
- (19) Identification, using the two-letter code according to WIPO Standard ST.3, of the authority publishing or registering the industrial design

(20) Data concerning the application

- (21) Serial number of the application
- (22) Date of filing of the application
- (24) Date from which the industrial design right has effect

(30) Data relating to priority under the Paris Convention

- (31) Serial number assigned to the priority application
- (32) Date of filing of the priority application
- (33) Two-letter code, according to WIPO Standard ST.3, identifying the authority with which the priority application was made

(40) Date(s) of making information available to the public

- (45) Date of publication of the registered industrial design by printing or similar process, or making it available to the public by any other means

(50) Miscellaneous Information

- (51) International Classification for Industrial Designs (class and subclass of the Locarno Classification)
- (54) Designation of article(s) or product(s) covered by the industrial design or title of the industrial design
- (55) Reproduction of the industrial design (e.g., drawing, photograph) and explanations relating to the reproduction
- (56) List of prior art documents, if separate from descriptive text
- (57) Description of characteristic features of the industrial design including indication of colours

(60) References to other legally related application(s) and registration(s)

- (62) Serial number(s) and, if available, filing date(s) of application(s), registration(s) or document(s) related by division
- (66) Serial number(s) of the application, or the registration, of the design(s) which is (are) a variant(s) of the present one

(70) Identification of parties concerned with the application or registration

- (71) Name(s) and address(es) of the applicant(s)
- (72) Name(s) of the creator(s) if known to be such
- (74) Name(s) and address(es) of the representative(s)

This Page Left Intentionally Blank

Official Notice**Designs Act 2003
Amendments to Registered Designs at Examination**

The following amendments have been made to details previously published in the Australian Official Journal of Designs during the Examination process:

Registration Numbers	Amendment type	New details
314611	Classification	08-05Z, 08-08Z
315170	Classification	07-05A
318896	Classification	14-03Z
319133	Classification	12-05, 12-16Z, 15-01

Contact: IP Australia
Phone: 1300 651 010
Fax: +61 2 6283 7999
E-Mail: assist@ipaustralia.gov.au
Web: www.ipaustralia.gov.au

This Page Left Intentionally Blank

Proceedings under the Designs Act 1906 preserved as a result of the provisions of Chapter 12 Part 2 of the Designs Act 2003.

This Page Left Intentionally Blank

Applications Lapsed

There were no Applications Lapsed under this section

Extension of Period of Registration of Designs

2nd Period (Section 27A(12))

147938	147999	148000
148001	148002	148003
148042	149344	149516
149603	149648	149695
149801	149802	149803
149804	149805	149806
149899	149900	149901
149957	150028	150120
150144	150186	150187
150231	150248	150484
150485	150519	150545
150565	150582	150583
150584	150717	150759
150760	150763	150999
151019	151144	151145
151189	151275	151276
151332	151436	151568
151569	151570	151571
151572	151590	151688
151739	151740	151741
151742	151743	151760
152552	152648	153342
153343	153344	153466
154324	154503	

3rd Period (Section 27A(13))

131058	132982	132984
133025	133135	133141
133293	133364	133424
133657	133819	133872
133946	133965	134332
134394	134539	135457
135475	136069	136307
136549	136840	136841
137970	138211	138716

Registrations Ceased

Note: Some of the following Registrations may have been previously advertised as ceased. In this instance, the previous advertisement still prevails.

116219	116220	116305
116306	116370	116371
116423	116432	116484
116609	116610	116612
116806	116914	117144
117285	117541	117640
117691	117692	117693
117694	117775	118454
118553	119002	119016
119017	119700	119999
129363	130985	131024

131051	131091	131092
131095	131129	131130
131136	131197	131207
131208	131620	132142
132144	132945	132996
133162	133789	134733
134864	134885	134886
135941	138373	140718
143488	146833	147068
147069	147299	147300
147739	147934	148043
148084	148085	148086
148087	148089	148105
148109	148153	148155
148259	148441	148458
148572	148814	149099
149537	149538	150441
151586	152003	152055
153013	153090	153403
153845		

Subsequent Owners Registered

(The name in parentheses is that of the subsequent owner)

157843	(Jenny P Franken) Lidia Kubasiak
150131	(Jenny P Franken) Lidia Kubasiak
156336	(CMI Industrial Pty Ltd) CMI Limited
157944	(CMI Industrial Pty Ltd) CMI Limited
131907	(Dr. Ing. h.c.F. Porsch Aktiengesellschaft) Dr Ing. h.c.F. Porsche Aktiengesellschaft
133956	(Dr. Ing. h.c.F. Porsch Aktiengesellschaft) Dr Ing. h.c.F. Porsche Aktiengesellschaft
134224	(Dr. Ing. h.c.F. Porsch Aktiengesellschaft) Dr Ing. h.c.F. Porsche Aktiengesellschaft
152054	(Dr Ing H.c.F. Porsche Aktiengesellschaft;Dr. Ing. h.c.F. Porsch Aktiengesellschaft) Dr Ing H.c.F. Porsche Aktiengesellschaft
152123	(Dr. Ing. h.c.F. Porsch Aktiengesellschaft) Dr Ing H.c.F. Porsche Aktiengesellschaft
152122	(Dr. Ing. h.c.F. Porsch Aktiengesellschaft) Dr Ing H.c.F. Porsche Aktiengesellschaft
152121	(Dr. Ing. h.c.F. Porsch Aktiengesellschaft) Dr Ing H.c.F. Porsche Aktiengesellschaft
152120	(Dr. Ing. h.c.F. Porsch Aktiengesellschaft) Dr Ing H.c.F. Porsche Aktiengesellschaft
151999	(Dr. Ing. h.c.F. Porsch Aktiengesellschaft) Dr Ing H.c.F. Porsche Aktiengesellschaft
152000	(Dr. Ing. h.c.F. Porsch Aktiengesellschaft) Dr Ing H.c.F. Porsche Aktiengesellschaft
151998	(Dr. Ing. h.c.F. Porsch Aktiengesellschaft) Dr Ing H.c.F. Porsche Aktiengesellschaft
152818	(Dr. Ing. h.c.F. Porsch Aktiengesellschaft) Dr Ing. h.c.F. Porsche Aktiengesellschaft
153730	(Dr. Ing. h.c.F. Porsch Aktiengesellschaft) Dr Ing H.c.F. Porsche Aktiengesellschaft
153731	(Dr. Ing. h.c.F. Porsch Aktiengesellschaft) Dr Ing H.c.F. Porsche Aktiengesellschaft
153834	(Dr. Ing. h.c.F. Porsch Aktiengesellschaft) Dr Ing

Subsequent Owners Registered

- H.c.F. Porsche Aktiengesellschaft
- 152666 (**Dr. Ing. h.c.F. Porsch Aktiengesellschaft**) Dr Ing
H.c.F. Porsche Aktiengesellschaft
- 152748 (**Dr Ing H.c.F. Porsche Aktiengesellschaft;Dr. Ing. h.c.F. Porsch Aktiengesellschaft**) Dr Ing H.c.F. Porsche Aktiengesellschaft;Dr. Ing. h.c.F. Porsch Aktiengesellschaft
- 152749 (**Dr. Ing. h.c.F. Porsch Aktiengesellschaft**) Dr Ing
H.c.F. Porsche Aktiengesellschaft;Dr. Ing. h.c.F. Porsch Aktiengesellschaft
- 152750 (**Dr. Ing. h.c.F. Porsch Aktiengesellschaft**) Dr Ing
H.c.F. Porsche Aktiengesellschaft;Dr. Ing. h.c.F. Porsch Aktiengesellschaft
- 152053 (**Dr. Ing. h.c.F. Porsch Aktiengesellschaft**) Dr Ing
H.c.F. Porsche Aktiengesellschaft;Dr. Ing. h.c.F. Porsch Aktiengesellschaft
- 152085 (**Dr. Ing. h.c.F. Porsch Aktiengesellschaft**) Dr Ing
H.c.F. Porsche Aktiengesellschaft;Dr. Ing. h.c.F. Porsch Aktiengesellschaft
- 152727 (**Dr. Ing. h.c.F. Porsch Aktiengesellschaft**) Dr Ing
H.c.F. Porsche Aktiengesellschaft;Dr. Ing. h.c.F. Porsch Aktiengesellschaft

Names Registered - Alterations and Amendments

(The name in parentheses is the new name of the proprietor)

- 130560 (**Master Locksmiths Association of Australasia Limited**) Master Locksmiths' Association of Australasia Limited
- 130561 (**Master Locksmiths Association of Australasia Limited**) Master Locksmiths' Association of Australasia Limited
- 157156 (**BMDi TUTA Limited**) IMD Group Limited
- 157152 (**BMDi TUTA Limited**) IMD Group Limited
- 157153 (**BMDi TUTA Limited**) IMD Group Limited
- 157154 (**BMDi TUTA Limited**) IMD Group Limited
- 157155 (**BMDi TUTA Limited**) IMD Group Limited

Licences Registered

- 121815 A licence has been granted to **Sport Products (Australia) Pty Ltd**

This Page Left Intentionally Blank

Proceedings under the Designs Act 2003.

This Page Left Intentionally Blank

Applications Lodged

Lodgement information is in the following order: **Applicant's Name**; International Classification, Name of Product, Lodgement Date and **Design Number**. If the applicant claims an earlier priority date under an International Convention, the Convention Country and the associated filing date are shown in parentheses before the Lodgement Date. Divisional information will also appear in parentheses before the Lodgement Date.

petra-electric GmbH & Co. KG; 07-02L, Coffeemachine for coffeepods, (EP, 23 Jan 2008) 23 Jul 2008	13445/2008	Arper S.p.A.; 06-01F, Chair, (IT, 07 Feb 2008) 31 Jul 2008	13661/2008
Ace Computerized Embroidery; 02-03, Beanie style headwear with a stretch fabric head band and a faux fur top, 29 Jul 2008	13511/2008	Arper S.p.A.; 06-01F, Chair, (IT, 07 Feb 2008) 31 Jul 2008	13662/2008
Aktiengesellschaft, Swarovski; 11-01NES, Ornamental object, (EM, 25 Feb 2008) 21 Jul 2008	13403/2008	Axisa, Anthony; 09-09, Refuse bin hood, 25 Jul 2008	13489/2008
Aktiengesellschaft, Swarovski; 11-01K, Ornamental object, (EM, 25 Feb 2008) 21 Jul 2008	13404/2008	Axisa, Anthony; 09-09, Refuse discharge chute, 25 Jul 2008	13490/2008
Aktiengesellschaft, Swarovski; 11-01K, Ornamental object, (EM, 25 Feb 2008) 21 Jul 2008	13405/2008	Axisa, Anthony; 09-09, Refuse flip door, 25 Jul 2008	13491/2008
Alcan Technology & Management Ltd.; 07-07NES, Container, (EM, 11 Dec 2007) 16 Jun 2008	12854/2008	B&R Enclosures Pty Ltd; 13-03B, Raiser bracket for power cable, 29 Jul 2008	13505/2008
Alcan Technology & Management Ltd.; 07-07NES, Container, (EM, 11 Dec 2007) 16 Jun 2008	12855/2008	Baddock, Wayne; Szymanski, John; Szymanski, Michelle; Baddock, Vivienne; 29-02, Safety barrel, 04 Aug 2008	13650/2008
All Interactive Distribution; 20-02E, Flip tray pyramid display stand, 31 Jul 2008	13634/2008	Baddock, Vivienne; Szymanski, John; Szymanski, Michelle; Baddock, Wayne; 29-02, Safety barrel, 04 Aug 2008	13650/2008
All Interactive Distribution; 09-99, Table top dump bin, 31 Jul 2008	13635/2008	Baker, Kevin John; 23-04, Ventilation duct, 06 Jun 2008	12704/2008
Amarula Pty Ltd; Petersmith Pty. Ltd; OneSteel Reinforcing Pty Ltd; 25-01B, A support for concrete reinforcement, 30 Jul 2008	13544/2008	Bandai, Kabushiki Kaisha; 20-02B, Mannequin (doll), (JP, 08 Feb 2008) 29 Jul 2008	13494/2008
Amarula Pty Ltd; Petersmith Pty. Ltd; Onesteel Reinforcing Pty Ltd; 25-01B, A support for concrete reinforcement, 30 Jul 2008	13626/2008	Beaulieu Group, LLC; 20-02NES, Display device, (US, 30 Jan 2008) 29 Jul 2008	13504/2008
Aquatech Systems Australia Pty Ltd; 09-02C, An aquaculture basket, 24 Jul 2008	13466/2008	Becon Pty Ltd; 02-02C, Jeans, 30 Jul 2008	13577/2008
Aquatech Systems Australia Pty Ltd; 08-08B, An attachment clip, 24 Jul 2008	13465/2008	Best Publishing Ever Ltd; 19-01, Greeting card, (EM, 20 May 2008) 28 Jul 2008	13471/2008
Armour Home Electronics Limited; 14-03C, Speakers mounting system, (EM, 28 Apr 2008) 01 Aug 2008	13679/2008	Best Publishing Ever Ltd; 19-01, Greeting card, (EM, 20 May 2008) 28 Jul 2008	13472/2008
Armour Home Electronics Limited; 14-03NES, Loudspeakers mounting system, (EM, 28 Apr 2008) 01 Aug 2008	13680/2008	Black & Decker Inc; 15-05, Charger base for a vacuum cleaner, (EM, 11 Feb 2008) 01 Aug 2008	13652/2008
Arper S.p.A.; 06-01F, Chair, (IT, 07 Feb 2008) 31 Jul 2008	13663/2008	Black & Decker Inc; 15-05, Vacuum cleaner, (EM, 11 Feb 2008) 01 Aug 2008	13653/2008
Arper S.p.A.; 06-01F, Chair, (IT, 07 Feb 2008) 31 Jul 2008	13664/2008	Bodyrev, LLC; 21-02F, Push-up exercise device, (US, 24 Feb 2008) 07 May 2008	12201/2008
Arper S.p.A.; 06-01F, Chair, (IT, 07 Feb 2008) 31 Jul 2008	13660/2008	Bodyrev, LLC; 21-02F, Handle for pullup exercise bar, (US, 05 Mar 2008) 07 May 2008	12202/2008
		Bodyrev, LLC; 21-02F, Push-up exercise device, (US, 24 Feb 2008) 07 May 2008	12203/2008

Bradken UK Limited; 08-05N, Grinding ring, (EM, 09 Nov 2007) 07 May 2008	12205/2008	Design Mobel NZ Limited; 06-02, A bedframe, (NZ, 10 Sep 2007) 30 Jun 2008	13010/2008
Bridgestone Firestone North American Tire, LLC; 12-15C, Tire, (US, 01 Feb 2008) 31 Jul 2008	13638/2008	Design Mobel NZ Limited; 06-04F, A chest of drawers, (NZ, 11 Dec 2007) 30 Jun 2008	13011/2008
Brown, LEEANNE; Rouse, David; Pearce, Jennifer; 21-01L, Family game - schools ECT, 22 Jul 2008	13396/2008	Design Mobel NZ Limited; 06-04F, A chest of drawers, (NZ, 11 Dec 2007) 30 Jun 2008	13012/2008
Bulk Handling Australia Group Pty Ltd; 25-02F, Cover for rotary roof vent, 22 Jul 2008	13437/2008	Design Mobel NZ Limited; 06-04F, A bedside cabinet, (NZ, 11 Dec 2007) 30 Jun 2008	13013/2008
Burnside Plastics Australia Pty Ltd; 08-08L, A panel retention bracket, 10 Jul 2008	13243/2008	DYMO; 18-02, Hand operated printing and/or embossing device, (EM, 31 Jan 2008) 31 Jul 2008	13667/2008
Cave, Heath; Cave, Georgina; 17-03, Mandolin body, 30 Jul 2008	13492/2008	EastMed Inc.; 24-04, Incontinence inhibiting device, (EM, 26 Jan 2008) 25 Jul 2008	13478/2008
Cave, Georgina; Cave, Heath; 17-03, Mandolin body, 30 Jul 2008	13492/2008	EastMed Inc.; 24-04, Incontinence inhibiting device, (EM, 26 Jan 2008) 25 Jul 2008	13479/2008
Chrome Cherry Design Studio (Pty) Ltd; 12-11, A scooter, 20 May 2008	12446/2008	EastMed Inc.; 24-04, Incontinence inhibiting device, (EM, 26 Jan 2008) 25 Jul 2008	13477/2008
Clevertronics Pty Ltd; 26-05D, Light fitting, 24 Jul 2008	13438/2008	EastMed Inc.; 24-04, Incontinence inhibiting device, (EM, 26 Jan 2008) 25 Jul 2008	13578/2008
Clevertronics Pty Ltd; 26-05D, Light fitting, 24 Jul 2008	13439/2008	Echidna Products Pty Ltd; 07-99C, 09-03NES, Brush carrier, 30 Jul 2008	13452/2008
Colgate-Palmolive Company; 04-02, Set of bristles for a toothbrush, (US, 15 Feb 2008) 31 Jul 2008	13643/2008	Edgley, Glenis May; 13-03B, Mounting bracket (electrical accessories), 21 Jul 2008	13402/2008
Colgate-Palmolive Company; 04-02, Set of bristles for a toothbrush, (US, 15 Feb 2008) 31 Jul 2008	13644/2008	Eldridge, Dean Andrew; 08-05A, Tool extension, 22 Jul 2008	13651/2008
Colgate-Palmolive Company; 04-02, Set of bristles for a toothbrush, (US, 15 Feb 2008) 31 Jul 2008	13645/2008	Escape Fitness Limited; 21-02F, Exercise weight, (EM, 16 Apr 2008) 01 Aug 2008	13398/2008
Courtney, Carrick Michael; 16-06, The design is to be applied to a monocular reading lens and protective casing apparatus, 24 Jul 2008	13468/2008	Evergreen Packaging, Inc.; 09-03M, Carton, (US, 22 Jan 2008) 21 Jul 2008	13399/2008
Cram, Jamie Robert; 08-03, Shaping tool, 25 Jul 2008	13480/2008	Evergreen Packaging, Inc.; 09-03M, Carton, (US, 11 Apr 2008) 21 Jul 2008	13400/2008
Cronje, Johannes; Cronje, Louise; Reinecke, Pieter Albertus; 25-01C, A plumbing connection hub, (ZA, 01 Feb 2008) 28 Jul 2008	13470/2008	Evergreen Packaging, Inc.; 09-03M, Carton, (US, 11 Apr 2008) 21 Jul 2008	13516/2008
Cronje, Louise; Reinecke, Pieter Albertus; Cronje, Johannes; 25-01C, A plumbing connection hub, (ZA, 01 Feb 2008) 28 Jul 2008	13470/2008	Fielders Australia Pty Ltd; 25-01G, A gable roof garnish, 29 Jul 2008	12511/2008
D & D Group Pty Ltd; 08-07, Toggle latch, 31 Jul 2008	13640/2008	Finglen Pty Limited; 12-05, A fork lift attachment, 22 May 2008	13172/2008
Dart Industries Inc; 09-03C, Container, (US, 15 Feb 2008) 25 Jul 2008	13474/2008	Flynn, Michael Shaun; 07-99NES, A food beaters protective surround, 09 Jul 2008	12204/2008
De Fazio Enterprises Pty Ltd; 08-08K, Fencing, 04 Aug 2008	13698/2008	Fujitsu General Limited; 23-04, Outdoor unit of an air conditioner, (JP, 07 Nov 2007) 07 May 2008	13250/2008
Design Mobel NZ Limited; 06-03NES, Bedside table, (NZ, 27 Mar 2008) 01 Aug 2008	13689/2008	Golland, Nicole Maree; 19-01, Organic cotton reuseable envelope, 15 Jul 2008	

Golland, Nicole Maree; 19-01, Organic cotton reuseable envelope, 15 Jul 2008	13251/2008	Intellectual Property Development Corporation Pty Ltd; 07-05E, Extra large sponges, 10 Jan 2008	13412/2008
Golland, Nicole Maree; 19-01, Organic cotton reuseable envelope, 15 Jul 2008	13252/2008	Intellectual Property Development Corporation Pty Ltd; 07-05E, Heavy duty domestic wipe, 10 Jan 2008	13413/2008
Gravolin, Dennis Ronald; Gravolin, Sandra Lorraine; 13-03E, Electrical connector plug bracket, 24 Jul 2008	13440/2008	ISM Objects Pty Ltd; 26-05D, Nudie pendant lamp, 04 Aug 2008	13683/2008
Gravolin, Sandra Lorraine; Gravolin, Dennis Ronald; 13-03E, Electrical connector plug bracket, 24 Jul 2008	13440/2008	ISM Objects Pty Ltd; 26-05B, Big mouth table Lamp, 04 Aug 2008	13684/2008
Greenpan Europe (Limited Liability Company); 07-02N, Frying pan, (EM, 04 Feb 2008) 04 Aug 2008	13705/2008	ISM Objects Pty Ltd; 26-05D, Empire diffuser, 04 Aug 2008	13685/2008
Greenpan Europe (Limited Liability Company); 07-02N, Frying pan, (EM, 04 Feb 2008) 04 Aug 2008	13705/2008	ISM Objects Pty Ltd; 26-05B, Galaxy table lamp, 04 Aug 2008	13686/2008
Gripping Eyewear, Inc; 03-01B, Protective wrap (pouch) for eyeglasses, (US, 24 Jan 2008) 21 Jul 2008	13409/2008	ISM Objects Pty Ltd; 26-05D, Shady multi pendant, 04 Aug 2008	13687/2008
GARDENA Manufacturing GmbH; 23-01C, Hose, (DE, 28 Feb 2008) 01 Aug 2008	13659/2008	ITALKERO S.r.l.; 23-03A, Heating equipment, (EM, 21 Feb 2008) 31 Jul 2008	13672/2008
GARDENA Manufacturing GmbH; 23-01C, Hose, (DE, 28 Feb 2008) 01 Aug 2008	13658/2008	Jemella Group Limited; 28-03B, Hair styling apparatus, (EM, 18 Feb 2008) (Divisional of 11040/2008) 03 Mar 2008	13676/2008
GARDENA Manufacturing GmbH; 23-01C, Hose, (DE, 28 Feb 2008) 01 Aug 2008	13657/2008	Jemella Group Limited; 28-03B, Hair styling apparatus, (EM, 03 Sep 2007) (Divisional of 11038/2008) 03 Mar 2008	13678/2008
H&L Tooth Company; 15-04, Lip shroud, (US, 28 Feb 2008) 30 Jul 2008	13628/2008	Jemella Group Limited; 28-03B, Hair styling apparatus, (EM, 01 Oct 2007) (Divisional of 11039/2008) 03 Mar 2008	13677/2008
Hansa Metallwerke AG; 23-01H, A control lever for a mixing tap, (EM, 08 Nov 2007) 07 May 2008	12207/2008	Jenn Feng Industrial Co., Ltd; 13-01, Wind turbine, 21 May 2008	12420/2008
Hansa Metallwerke AG; 23-01H, A mixing tap, (EM, 08 Nov 2007) 07 May 2008	12208/2008	Jones, John B.; 12-06C, Sea kayaking, 23 Jul 2008	13435/2008
Henkel AG & Co. KGaA; 07-01B, Dish, (EP, 12 Feb 2008) 22 Jul 2008	13434/2008	Jones, John B.; 12-06C, Sea kayaking, 23 Jul 2008	13436/2008
Hogg, Earle Raymond; 25-03, Seating people, 01 Aug 2008	13649/2008	Jugi Kids; 06-01L, 06-01E, Bean bag chair for children, 24 Jul 2008	13441/2008
Hogg, Earle Raymond; 12-05, Lifting implements off truck tray's, 01 Aug 2008	13648/2008	Kai, Meng; 08-08A, 25-01F, A tile cross, 11 Jun 2008	12785/2008
Horsfall, Sue-Ellen; Horsfall, Harvey David; 09-08, Pallet positioning device, 30 Jul 2008	13639/2008	Katapo Pty Ltd; 22-05, Combination lobster, crayfish and crab trap, 04 Aug 2008	13688/2008
Horsfall, Harvey David; Horsfall, Sue-Ellen; 09-08, Pallet positioning device, 30 Jul 2008	13639/2008	Kirkby, Brian Trading as "Fishfad Australia"; 25-01C, Prefab concrete beam that will interlock to form a reef structure underwater, 01 Aug 2008	13647/2008
Innovative Access Panels; 25-02E, Ceiling access inspection panels, 05 Aug 2008	13700/2008	KCI Licensing Inc; 24-04, Wound therapy device, (US, 17 Sep 2007) 05 Mar 2008	13632/2008
Intellectual Property Development Corporation Pty Ltd; 07-05E, Domestic wipes, 10 Jan 2008	13410/2008	KCI Licensing Inc; 24-04, Wound therapy device, (US, 17 Sep 2007) 05 Mar 2008	13633/2008
Intellectual Property Development Corporation Pty Ltd; 07-05E, Dual action sponge scourer, 10 Jan 2008	13411/2008	Lynden-Bell, Sarah; 02-01B, Baby wrap, 09 Jul 2008	13247/2008
		Lynmarden Pty Ltd; 23-01F, Water saving device, 07 May 2008	12206/2008

LG Electronics Inc.; 23-04, Wall-installed type air conditioner, (KR, 04 Feb 2008) 04 Aug 2008	13697/2008	Nokia Corporation; 14-03A, Set of keys for a handset, (US, 27 Mar 2008) 30 Jul 2008	13552/2008
Marley New Zealand Limited; 08-08G, Leaf slide, (NZ, 19 Feb 2008) 04 Aug 2008	13699/2008	Nokia Corporation; 14-03A, Keyboard for a handset, (US, 27 Mar 2008) 30 Jul 2008	13553/2008
Mary Kay, Inc.; 09-07B, Container cap, 29 Jul 2008	13512/2008	Nokia Corporation; 14-03E, Handset, (US, 21 Mar 2008) 30 Jul 2008	13523/2008
Matsushita Electric Industrial Co., Ltd.; 14-02, Portable computer, (JP, 01 Feb 2008) 01 Aug 2008	13656/2008	Nokia Corporation; 14-03E, Handset, (US, 31 Mar 2008) 30 Jul 2008	13524/2008
Mazda Motor Corporation; 12-08, Motor vehicle, 25 Jul 2008	13476/2008	Nokia Corporation; 14-03A, Key pad for a handset, (US, 27 Mar 2008) 30 Jul 2008	13525/2008
Meher Trailer Products; 08-08C, All leaf springs which are finished with a unique zinc coating., 31 Jul 2008	13646/2008	Nokia Corporation; 14-03A, Headset, (US, 18 Apr 2008) 30 Jul 2008	13526/2008
Meher Trailer Products Pty Ltd; 12-16M, Electric brake 10" assembly with parking facility galvanised, left and right sides, 04 Aug 2008	13674/2008	Nokia Corporation; 14-03A, Front cover for a handset, (US, 13 Mar 2008) 30 Jul 2008	13527/2008
Meher Trailer Products Pty Ltd; 12-16A, Jockey wheel, 24 Jul 2008	13450/2008	Nokia Corporation; 14-03A, Handset, (US, 26 Mar 2008) 30 Jul 2008	13528/2008
Meher Trailer Products Pty Ltd; 12-16M, Mechanical calipers, 24 Jul 2008	13447/2008	Nokia Corporation; 14-03E, Handset, (US, 21 Mar 2008) 30 Jul 2008	13529/2008
Meher Trailer Products Pty Ltd; 12-16M, Mechanical calipers, 24 Jul 2008	13448/2008	Nokia Corporation; 14-03A, Rear panel for a handset, (US, 31 Mar 2008) 30 Jul 2008	13530/2008
Meher Trailer Products Pty Ltd; 12-16A, Jockey wheel, 24 Jul 2008	13449/2008	Nokia Corporation; 08-07, Set of keys for a handset, (US, 21 Mar 2008) 30 Jul 2008	13531/2008
Michelin Recherche et Technique S.A.; Societe De Technologie Michelin; 12-15A, Tyre, (FR, 06 Feb 2008) 30 Jul 2008	13541/2008	Nokia Corporation; 14-03A, Rear cover for a handset, (US, 19 Mar 2008) 30 Jul 2008	13532/2008
Michelin Recherche et Technique S.A.; Societe De Technologie Michelin; 12-15B, Tyre, (US, 26 Feb 2008) 04 Aug 2008	13702/2008	Nokia Corporation; 14-03A, 14-03E, Handset, (US, 14 Apr 2008) 30 Jul 2008	13533/2008
Michelin Recherche et Technique S.A.; Societe De Technologie Michelin; 12-15B, Tyre, (US, 26 Feb 2008) 04 Aug 2008	13701/2008	Nokia Corporation; 14-03A, Rear panel for a handset, (US, 26 Mar 2008) 30 Jul 2008	13534/2008
Michelin Recherche et Technique S.A.; Societe De Technologie Michelin; 12-15A, A tyre, (US, 28 Feb 2008) 04 Aug 2008	13703/2008	Nokia Corporation; 14-03A, Headset, (US, 08 Apr 2008) 30 Jul 2008	13535/2008
Nakan, Harold Brian; 01-01, Bread roll, (ZA, 29 Jan 2008) 29 Jul 2008	13495/2008	Nokia Corporation; 14-03A, Front cover for a handset, (US, 15 Apr 2008) 30 Jul 2008	13536/2008
Nakan, Harold Brian; 01-01, Bread roll, (ZA, 29 Jan 2008) 29 Jul 2008	13496/2008	Nokia Corporation; 13-02, Charging device, (US, 14 May 2008) 30 Jul 2008	13537/2008
Network Group Australia; 20-02D, Wine glass holder attach to various item lanyard/string/clip for hand free mobility, 11 Jul 2008	13241/2008	Nokia Corporation; 14-03A, 14-03E, Handset, (US, 11 Apr 2008) 30 Jul 2008	13538/2008
Network Group Australia; 20-02D, Wine glass holder strap, 11 Jul 2008	13242/2008	Nokia Corporation; 14-03A, 14-03E, Handset, (US, 26 Mar 2008) 30 Jul 2008	13539/2008
Nice SPA; 10-04, An anemometer, (IT, 01 Feb 2008) 31 Jul 2008	13665/2008		
Nokia Corporation; 14-03A, Front cover for a handset, (US, 27 Mar 2008) 30 Jul 2008	13554/2008		

Nokia Corporation; 14-03A, 14-03E, Handset, (US, 26 Mar 2008) 30 Jul 2008	13540/2008	Nokia Corporation; 14-03A, Front cover for a handset, (US, 31 Mar 2008) 30 Jul 2008	13586/2008
Nokia Corporation; 14-03E, Handset, (US, 21 Mar 2008) 30 Jul 2008	13517/2008	Nokia Corporation; 14-03A, 14-03E, Headset, (US, 18 Apr 2008) 30 Jul 2008	13596/2008
Nokia Corporation; 14-03A, Front cover for a handset, (US, 31 Mar 2008) 30 Jul 2008	13555/2008	Nokia Corporation; 14-03A, Rear cover for a handset, (US, 31 Mar 2008) 30 Jul 2008	13587/2008
Nokia Corporation; 14-03A, Handset, (US, 21 Mar 2008) 30 Jul 2008	13556/2008	Nokia Corporation; 14-03A, 14-03E, Handset, (US, 31 Mar 2008) 30 Jul 2008	13588/2008
Nokia Corporation; 14-03A, Handset, (US, 21 Mar 2008) 30 Jul 2008	13557/2008	Nokia Corporation; 14-03A, 14-03E, Handset, (US, 31 Mar 2008) 30 Jul 2008	13589/2008
Nokia Corporation; 14-03A, Front cover for a handset, (US, 21 Mar 2008) 30 Jul 2008	13558/2008	Nokia Corporation; 14-03A, 14-03E, Handset, (US, 29 Mar 2008) 30 Jul 2008	13590/2008
Nokia Corporation; 14-03A, Key panel for a handset, (US, 21 Mar 2008) 30 Jul 2008	13559/2008	Nokia Corporation; 14-01, Speaker, (US, 16 Apr 2008) 30 Jul 2008	13597/2008
Nokia Corporation; 14-03A, 14-03E, Handset, (US, 21 Mar 2008) 30 Jul 2008	13560/2008	Nokia Corporation; 14-03A, Rear cover for a handset, (US, 27 Mar 2008) 30 Jul 2008	13561/2008
Nokia Corporation; 14-03A, 14-03E, Handset, (US, 31 Mar 2008) 30 Jul 2008	13593/2008	Nokia Corporation; 14-03A, Rear cover for a handset, (US, 27 Mar 2008) 30 Jul 2008	13562/2008
Nokia Corporation; 14-03A, 14-03E, Handset, (US, 31 Mar 2008) 30 Jul 2008	13591/2008	Nokia Corporation; 14-03A, 14-03E, Handset, (US, 21 Mar 2008) 30 Jul 2008	13563/2008
Nokia Corporation; 14-03A, Keypad for a handset, (US, 31 Mar 2008) 30 Jul 2008	13594/2008	Nokia Corporation; 14-03A, Rear cover for a handset, (US, 31 Mar 2008) 30 Jul 2008	13592/2008
Nokia Corporation; 14-03A, 14-03E, Handset, (US, 31 Mar 2008) 30 Jul 2008	13579/2008	Nokia Corporation; 14-03E, Handset, (US, 31 Mar 2008) 30 Jul 2008	13518/2008
Nokia Corporation; 14-03A, 14-03E, Handset, (US, 31 Mar 2008) 30 Jul 2008	13580/2008	Nokia Corporation; 14-03A, 14-03E, Handset, (US, 15 Apr 2008) 30 Jul 2008	13598/2008
Nokia Corporation; 14-03A, Front cover for a handset, (US, 26 Mar 2008) 30 Jul 2008	13581/2008	Nokia Corporation; 13-02, Charging device, (US, 12 May 2008) 30 Jul 2008	13599/2008
Nokia Corporation; 14-03A, Front cover for a handset, (US, 26 Mar 2008) 30 Jul 2008	13582/2008	Nokia Corporation; 14-03A, 14-03E, Handset, (US, 27 Mar 2008) 30 Jul 2008	13600/2008
Nokia Corporation; 14-03A, 14-03E, Handset, (US, 21 Mar 2008) 30 Jul 2008	13595/2008	Nokia Corporation; 14-03A, Rear panel for a handset, (US, 27 Mar 2008) 30 Jul 2008	13601/2008
Nokia Corporation; 14-03A, Headset, (US, 23 May 2008) 30 Jul 2008	13583/2008	Nokia Corporation; 14-03A, Front cover for a handset, (US, 23 Apr 2008) 30 Jul 2008	13602/2008
Nokia Corporation; 14-03A, Front panel for a handset, (US, 31 Mar 2008) 30 Jul 2008	13584/2008	Nokia Corporation; 14-03A, Tray for a handset, (US, 31 Mar 2008) 30 Jul 2008	13603/2008
Nokia Corporation; 14-03A, 14-03E, Handset, (US, 11 Apr 2008) 30 Jul 2008	13585/2008	Nokia Corporation; 14-03A, 14-03E, Handset, (US, 21 Mar 2008) 30 Jul 2008	13604/2008
		Nokia Corporation; 14-03A, 14-03E, Handset, (US, 20 Mar 2008) 30 Jul 2008	13605/2008

Nokia Corporation; 14-03A, 14-03E, Handset, (US, 31 Mar 2008) 30 Jul 2008	13606/2008	Nokia Corporation; 14-03A, Handset, (US, 26 Mar 2008) 30 Jul 2008	13625/2008
Nokia Corporation; 14-03A, 14-03E, Handset, (US, 26 Mar 2008) 30 Jul 2008	13607/2008	Nokia Corporation; 14-03E, Handset, (US, 31 Mar 2008) 30 Jul 2008	13519/2008
Nokia Corporation; 14-03A, Front cover for a headset, (US, 18 Apr 2008) 30 Jul 2008	13608/2008	Nokia Corporation; 14-03E, Handset, (US, 31 Mar 2008) 30 Jul 2008	13520/2008
Nokia Corporation; 13-03B, Battery cover for a handset, (US, 31 Mar 2008) 30 Jul 2008	13609/2008	Nokia Corporation; 14-03E, Handset, (US, 13 Mar 2008) 30 Jul 2008	13521/2008
Nokia Corporation; 14-02, Input device, (US, 25 Apr 2008) 30 Jul 2008	13610/2008	Nokia Corporation; 14-03E, Front cover for a handset, (US, 31 Mar 2008) 30 Jul 2008	13522/2008
Nokia Corporation; 14-02, Input device, (US, 25 Apr 2008) 30 Jul 2008	13611/2008	Noms De Code; 09-01G, Flask, (EM, 07 Feb 2008) 04 Aug 2008	13704/2008
Nokia Corporation; 14-03A, 14-03E, Handset, (US, 31 Mar 2008) 30 Jul 2008	13612/2008	Nylex Corporation - Colin Harvey; 23-01F, Water tank, 31 Jul 2008	13641/2008
Nokia Corporation; 13-02, Charging device, (US, 12 May 2008) 30 Jul 2008	13613/2008	Nylex Corporation - Colin Harvey; 23-01F, Water tank, 31 Jul 2008	13642/2008
Nokia Corporation; 14-03A, 14-03E, Handset, (US, 26 Mar 2008) 30 Jul 2008	13614/2008	Onesteel Reinforcing Pty Ltd; Petersmith Pty. Ltd; Amarula Pty Ltd; 25-01B, A support for concrete reinforcement, 30 Jul 2008	13626/2008
Nokia Corporation; 14-03A, 14-03E, Handset, (US, 19 Mar 2008) 30 Jul 2008	13615/2008	OneSteel Reinforcing Pty Ltd; Amarula Pty Ltd; Petersmith Pty. Ltd; 25-01B, A support for concrete reinforcement, 30 Jul 2008	13544/2008
Nokia Corporation; 14-03A, 14-03E, Handset, (US, 23 Apr 2008) 30 Jul 2008	13616/2008	Ontex Hygieneartikel Deutschland GmbH; 24-04, Tampon, 22 Jul 2008	13429/2008
Nokia Corporation; 14-03A, 14-03E, Handset, (US, 31 Mar 2008) 30 Jul 2008	13617/2008	Orthopedic Development Corporation; 24-03, Bone plug, 10 Jul 2008	13245/2008
Nokia Corporation; 14-03A, Front Cover for a handset, (US, 21 Mar 2008) 30 Jul 2008	13618/2008	Orthopedic Development Corporation; 24-02, Surgical bone plug inserter, (US, 29 Jan 2008) 29 Jul 2008	13514/2008
Nokia Corporation; 14-03A, 14-03E, Handset, (US, 23 Apr 2008) 30 Jul 2008	13619/2008	Orthopedic Development Corporation; 24-02, Surgical spatula, (US, 29 Jan 2008) 29 Jul 2008	13515/2008
Nokia Corporation; 14-03A, Keypad for a handset, (US, 31 Mar 2008) 30 Jul 2008	13620/2008	Orthopedic Development Corporation; 24-02, Surgical reamer, (US, 29 Jan 2008) 29 Jul 2008	13513/2008
Nokia Corporation; 14-03A, 14-03E, Handset, (US, 23 Apr 2008) 30 Jul 2008	13621/2008	Papoutsidis, Kyriacos Jack; 20-02E, Fruit stand, 24 Jul 2008	13469/2008
Nokia Corporation; 14-03A, 14-03E, Handset, (US, 31 Mar 2008) 30 Jul 2008	13622/2008	Park, Rin-soon; 08-05N, Abrasive segment, (KR, 01 Feb 2008) 01 Aug 2008	13681/2008
Nokia Corporation; 14-03A, Rear cover for a handset, (US, 31 Mar 2008) 30 Jul 2008	13623/2008	Park, Rin-soon; 08-05N, Abrasive segment, (KR, 01 Feb 2008) 01 Aug 2008	13682/2008
Nokia Corporation; 14-03A, 14-03E, Handset, (US, 31 Mar 2008) 30 Jul 2008	13624/2008	Payne, James Robert; 12-16NES, Watercraft, 01 Aug 2008	13675/2008
		Pearce, Jennifer; Rouse, David; Brown, Leanne; 21-01L, Family game - schools ECT, 22 Jul 2008	13396/2008

Perusahaan Otomobil Nasional SDN. BHD.; 12-16NES, An instrument panel, (MY, 14 Feb 2008) 29 Jul 2008	13629/2008	Robert Welch Designs Limited; 08-05H, Knife sharpener, (EM, 25 Jan 2008) 24 Jul 2008	13442/2008
Petersmith Pty. Ltd; Amarula Pty Ltd; Onesteel Reinforcing Pty Ltd; 25-01B, A support for concrete reinforcement, 30 Jul 2008	13626/2008	Robert Welch Designs Limited; 08-05H, Knife sharpener, (EM, 25 Jan 2008) 24 Jul 2008	13443/2008
Petersmith Pty. Ltd; Amarula Pty Ltd; OneSteel Reinforcing Pty Ltd; 25-01B, A support for concrete reinforcement, 30 Jul 2008	13544/2008	Romak Hardware Distributors (Australia) Pty Ltd; 06-04NES, Support member for shelving (of indefinite length), 30 Jul 2008	13542/2008
Pierlite Australia Pty Ltd; 16-06, Lens, 22 Jul 2008	13414/2008	Rouse, David; Brown, Leanne; Pearce, Jennifer; 21-01L, Family game - schools ECT, 22 Jul 2008	13396/2008
Pierlite Australia Pty Ltd; 26-05D, Lighting device, 22 Jul 2008	13415/2008	Sanyo Electric Co., Ltd.; 20-02C, Cold storage showcase, (JP, 18 Feb 2008) 29 Jul 2008	13500/2008
Pinky's Pty Ltd; 02-04NES, A shoe with removable ankle strap, 23 Jul 2008	13446/2008	Sanyo Electric Co., Ltd.; 20-02C, Cold storage showcase, (JP, 18 Feb 2008) 29 Jul 2008	13499/2008
PointPay International, Inc.; 14-02, Payment terminal with monitors, (NO, 30 Jan 2008) 28 Jul 2008	13481/2008	Siew, Carol-Ann; Warta, Heidi; 02-02B, Baby's reversible bib, 02 Jun 2008	12662/2008
PointPay International, Inc.; 14-02, Payment terminal with monitors, (NO, 30 Jan 2008) 28 Jul 2008	13482/2008	Silvan Australia Pty Ltd; 23-04, A set of air outlets, 29 Jul 2008	13493/2008
PointPay International, Inc.; 14-02, Payment terminal with monitors, (NO, 30 Jan 2008) 28 Jul 2008	13483/2008	Smith & Nephew Inc.; 15-02, Pump assembly, (US, 08 Feb 2008) 28 Jul 2008	13487/2008
Polyweld Pty Ltd; 12-16NES, Load restraint truck side curtain, 05 May 2008	12095/2008	Smith & Nephew Inc.; 14-03C, 14-03D, Console/power unit, (US, 08 Feb 2008) 22 Jul 2008	13432/2008
Polyweld Pty Ltd; 12-16NES, Load restraint truck side curtain, 05 May 2008	12096/2008	Societe De Technologie Michelin; Michelin Recherche et Technique S.A.; 12-15B, Tyre, (US, 26 Feb 2008) 04 Aug 2008	13701/2008
Product Works Limited; 07-04, Condiment grinder, (HK, 25 Feb 2008) 25 Jul 2008	13467/2008	Societe De Technologie Michelin; Michelin Recherche et Technique S.A.; 12-15B, Tyre, (US, 26 Feb 2008) 04 Aug 2008	13702/2008
Prompt Sheetmetal Pty Ltd; 12-10, Camper trailer, 25 Jul 2008	13473/2008	Societe De Technologie Michelin; Michelin Recherche et Technique S.A.; 12-15A, A tyre, (US, 28 Feb 2008) 04 Aug 2008	13703/2008
Reckitt Benckiser Inc.; 09-05, 28-03NES, 24-99, Dynamic dispenser, (EM, 20 Feb 2008) 22 Jul 2008	13430/2008	Societe De Technologie Michelin; Michelin Recherche et Technique S.A.; 12-15A, Tyre, (FR, 06 Feb 2008) 30 Jul 2008	13541/2008
Reckitt Benckiser Inc.; 09-05, 28-03NES, 24-99, Dynamic dispenser, (EM, 20 Feb 2008) 22 Jul 2008	13431/2008	Societe Des Produits Nestle S.A.; 07-02L, Coffee machine, (CH, 18 Feb 2008) 23 Jul 2008	13453/2008
Reinecke, Pieter Albertus; Cronje, Louise; Cronje, Johannes; 25-01C, A plumbing connection hub, (ZA, 01 Feb 2008) 28 Jul 2008	13470/2008	Societe Des Produits Nestle S.A.; 07-02L, Coffee machine, (CH, 18 Feb 2008) 23 Jul 2008	13454/2008
Review Australia Pty Ltd; 02-02C, Ladies garments, 24 Jul 2008	13462/2008	Societe Des Produits Nestle S.A.; 07-02L, Coffee machine, (CH, 18 Feb 2008) 23 Jul 2008	13455/2008
Review Australia Pty Ltd; 02-02C, Ladies garments, 29 Jul 2008	13506/2008	Societe Des Produits Nestle S.A.; 07-02L, Coffee machine, (CH, 18 Feb 2008) 23 Jul 2008	13456/2008
Review Australia Pty Ltd; 02-02C, A tunic, 15 Feb 2008	13630/2008	Societe Des Produits Nestle S.A.; 07-02L, Coffee machine, (CH, 18 Feb 2008) 23 Jul 2008	13457/2008
Review Australia Pty Ltd; 02-02C, A dress, 15 Feb 2008	13631/2008		

Societe Des Produits Nestle S.A.; 07-02L, Coffee machine, (CH, 18 Feb 2008) 23 Jul 2008	13458/2008	Tomy Company, Ltd.; 21-01E, A component of a construction toy, (JP, 07 Feb 2008) 31 Jul 2008	13666/2008
Sony Ericsson Mobile Communications AB; 14-03D, Mobile phone, (EM, 18 Feb 2008) 22 Jul 2008	13419/2008	Tomy Company, Ltd.; 21-01C, Toy car, (JP, 12 Feb 2008) 29 Jul 2008	13503/2008
Sony Ericsson Mobile Communications AB; 14-03D, Mobile phone, (EM, 18 Feb 2008) 22 Jul 2008	13420/2008	Tomy Company, Ltd.; 21-01C, Toy car, (JP, 12 Feb 2008) 29 Jul 2008	13502/2008
Sony Ericsson Mobile Communications AB; 14-03E, Mobile phone, (EM, 04 Feb 2008) 21 Jul 2008	13406/2008	Tomy Company, Ltd.; 21-01C, Toy car, (JP, 12 Feb 2008) 29 Jul 2008	13501/2008
Sony Ericsson Mobile Communications AB; 14-03E, Mobile phone, (EM, 04 Feb 2008) 21 Jul 2008	13407/2008	Toyota Jidosha Kabushiki Kaisha; 12-16B, Front grille for an automobile, 30 Jul 2008	13575/2008
Sporty Keys Pty Ltd; 08-07, Key, 28 Jul 2008	13488/2008	Toyota Jidosha Kabushiki Kaisha; 26-06, Rear combination lamp for an automobile, 30 Jul 2008	13576/2008
Staffarena Corporation Pty Ltd; 24-02, Steriliser unit, 23 Jul 2008	13444/2008	Toyota Jidosha Kabushiki Kaisha; 12-16C, Front bumper for an automobile, 30 Jul 2008	13565/2008
Stanfred Metal Products Pty Ltd; 12-16L, A tow bar bracket, 28 May 2008	12542/2008	Toyota Jidosha Kabushiki Kaisha; 12-08, Automobile, 30 Jul 2008	13566/2008
Stiebel Eltron GmbH & Co. KG.; 23-03NES, Heater, (EM, 07 Apr 2008) 25 Jul 2008	13475/2008	Toyota Jidosha Kabushiki Kaisha; 12-16B, Front grille for an automobile, 30 Jul 2008	13567/2008
Stubberfield, Kelly Maree; 25-01B, An extrusion, 29 Jul 2008	13637/2008	Toyota Jidosha Kabushiki Kaisha; 12-08, Automobile, 30 Jul 2008	13568/2008
Szymanski, John; Szymanski, Michelle; Baddock, Wayne; Baddock, Vivienne; 29-02, Safety barrel, 04 Aug 2008	13650/2008	Toyota Jidosha Kabushiki Kaisha; 12-08, Automobile, 30 Jul 2008	13569/2008
Szymanski, Michelle; Szymanski, John; Baddock, Wayne; Baddock, Vivienne; 29-02, Safety barrel, 04 Aug 2008	13650/2008	Toyota Jidosha Kabushiki Kaisha; 12-16B, Front grille for an automobile, 30 Jul 2008	13570/2008
Tasman Sinkware Pty Ltd; 23-02F, Sink, 22 Jul 2008	13421/2008	Toyota Jidosha Kabushiki Kaisha; 12-16B, Front grille with combination lamp for an automobile, 30 Jul 2008	13571/2008
Tasman Sinkware Pty Ltd; 23-02F, Sink, 22 Jul 2008	13422/2008	Toyota Jidosha Kabushiki Kaisha; 12-16B, Front grille for an automobile, 30 Jul 2008	13572/2008
Tasman Sinkware Pty Ltd; 23-02F, Sink, 22 Jul 2008	13423/2008	Toyota Jidosha Kabushiki Kaisha; 12-16B, Front bumper for an automobile, 30 Jul 2008	13573/2008
Tasman Sinkware Pty Ltd; 23-02F, Sink, 22 Jul 2008	13424/2008	Toyota Jidosha Kabushiki Kaisha; 26-06, Rear combination lamp for an automobile, 30 Jul 2008	13574/2008
Tasman Sinkware Pty Ltd; 23-02F, Sink, 22 Jul 2008	13425/2008	Toyota Jidosha Kabushiki Kaisha; 12-08, Automobile, 30 Jul 2008	13564/2008
Tasman Sinkware Pty Ltd; 23-02F, Sink, 22 Jul 2008	13426/2008	TP Activity Toys Limited; 06-01NES, Swing seat, (EM, 05 Feb 2008) 21 Jul 2008	13408/2008
Tasman Sinkware Pty Ltd; 23-02F, Sink, 22 Jul 2008	13427/2008	United States Gypsum Company; 08-05NES, Inside corner gate for paper beading apparatus, (US, 25 Feb 2008) 01 Aug 2008	13654/2008
Tasman Sinkware Pty Ltd; 23-02F, Sink, 22 Jul 2008	13428/2008	United States Gypsum Company; 08-05NES, Paper beading apparatus, (US, 25 Feb 2008) 01 Aug 2008	13655/2008
The Goodyear Tire & Rubber Company; 12-15A, Tyre, (US, 01 Feb 2008) 31 Jul 2008	13671/2008	V.I.P. Pet Foods Pty Ltd; 30-03, Pet food packaging, 22 Jul 2008	13416/2008
The Goodyear Tire & Rubber Company; 12-15B, Tyre, (US, 04 Feb 2008) 24 Jul 2008	13460/2008		
The Goodyear Tire & Rubber Company; 12-15B, Tyre, (US, 06 Feb 2008) 24 Jul 2008	13461/2008		
The Goodyear Tire & Rubber Company; 12-15A, Tyre, (US, 01 Feb 2008) 24 Jul 2008	13459/2008		

V.I.P. Pet Foods Pty Ltd; 30-03, 09-03NES, Pet food packaging, 22 Jul 2008	13417/2008	Watts Hardware Mfg Pty Ltd; 08-07, Mortise lock latch bolt, latch bolts mortise locks, locks, 30 Jul 2008	13627/2008
V.I.P. Pet Foods Pty Ltd; 30-03, 09-03NES, Pet food packaging, 22 Jul 2008	13418/2008	What Eye Do Pty Ltd; 14-04, Graphical user interface, 30 Jul 2008	13543/2008
Van Niekerk, Wessel Johannes; 03-01NES, 07-99NES, Shopping bag holder, 28 Jul 2008	13507/2008	White, Vernon; 03-01NES, Box for jewellery, (ZA, 09 Jun 2008) 28 Jul 2008	13486/2008
Van Niekerk, Wessel Johannes; 03-01A, Shopping bag, 28 Jul 2008	13508/2008	William Welch Design Ltd; 09-03F, Packaging, 09 Jul 2008	13248/2008
Villeroy & Boch AG; 07-01D, Mug, (EM, 04 Feb 2008) 30 Jul 2008	13547/2008	William Welch Design Ltd; 09-03F, Packaging, 09 Jul 2008	13249/2008
Villeroy & Boch AG; 07-01B, Bowl, (EM, 04 Feb 2008) 30 Jul 2008	13548/2008	Williams, Annette Violet; 02-02B, Waterproof chaps-lightweight water proof material sewn with zips in legs and velcro for belt straps, 29 Jul 2008	13498/2008
Villeroy & Boch AG; 07-01B, Bowl, (EM, 04 Feb 2008) 30 Jul 2008	13549/2008	Wolfedale Engineering Limited; 14-04, Display screen with electronic icon, (CA, 30 Jan 2008) 28 Jul 2008	13484/2008
Villeroy & Boch AG; 07-01B, Bowl, (EM, 04 Feb 2008) 30 Jul 2008	13550/2008	Wolfedale Engineering Limited; 14-04, Barbeque temperature control, (CA, 30 Jan 2008) 28 Jul 2008	13485/2008
Villeroy & Boch AG; 07-01B, Bowl, (EM, 04 Feb 2008) 30 Jul 2008	13551/2008	WAM S.p.A.; 23-01K, Access cover for a filter, (EM, 16 May 2008) 22 Jul 2008	13433/2008
Villeroy & Boch AG; 07-01D, Cup, (EM, 04 Feb 2008) 30 Jul 2008	13545/2008	Yetimo International Pty Ltd; 07-07A, Icebox, 24 Jul 2008	13463/2008
Villeroy & Boch AG; 07-01D, Saucer, (EM, 04 Feb 2008) 30 Jul 2008	13546/2008	Zumtobel Lighting GmbH; 26-05A, Light fixture, (EM, 18 Mar 2008) 31 Jul 2008	13669/2008
Visor Distributors Limited; 12-16B, A vehicle body part, (NZ, 13 May 2008) 01 Aug 2008	13636/2008	Zumtobel Lighting GmbH; 26-05A, Light fixture, (EM, 18 Mar 2008) 31 Jul 2008	13668/2008
Wager, Amanda Lee-Anne; 07-06A, Baby bottle holder/feeder, 22 Jul 2008	13395/2008	Zumtobel Lighting GmbH; 26-05A, Light fixture, (EM, 18 Mar 2008) 31 Jul 2008	13670/2008
Wallace, Simon Noel; 22-05, , 29 Jul 2008	13509/2008	3M Innovative Properties Company; 08-03, Scissors, (US, 11 Jan 2008) 27 Jun 2008	13029/2008
Wallace, Simon Noel; 22-05, , 29 Jul 2008	13510/2008		
Wallace, Simon Noel; 22-05, , 29 Jul 2008	13497/2008		
Warta, Heidi; Siew, Carol-Ann; 02-02B, Baby's reversible bib, 02 Jun 2008	12662/2008		
Waterson, Christina Mary; 11-02NES, An ornament, 21 Jul 2008	13397/2008		

Applications Withdrawn

11576 / 2008 (02-02C)	11579 / 2008 (02-02C)
12342 / 2008	12796 / 2008

Applications Lapsed

10376 / 2008 (02-01B)	10377 / 2008 (02-01B)	10405 / 2008 (02-02C)	10406 / 2008 (02-02C)
10403 / 2008 (02-02C)	10404 / 2008 (02-02C)	10898 / 2008 (13-03B)	10899 / 2008 (12-11)

10931 / 2008 (21-02D)	11026 / 2008 (07-02E)
11044 / 2008 (14-04)	11045 / 2008 (14-04)
11046 / 2008 (14-04)	11047 / 2008 (14-04)
11048 / 2008 (14-04)	11049 / 2008 (14-04)
11050 / 2008 (14-04)	11051 / 2008 (14-04)
11860 / 2008 (03-01A)	11861 / 2008 (03-01A)
11862 / 2008 (03-01A)	11878 / 2008 (02-05)
11882 / 2008 (02-05)	11883 / 2008 (02-05)
11884 / 2008 (02-05)	12089 / 2008 (25-01E)
12337 / 2008 (08-07)	12511 / 2008 (12-05)
12513 / 2008 (06-02)	12614 / 2008 (21-01L)

Extensions of time granted under Section 137

Applications lodged under section 137 for extension of time have been granted.

11009/2008 **A/S Vestfrost**

11010/2008 **A/S Vestfrost**

11011/2008 **A/S Vestfrost**

11104/2008 **KCI Licensing Inc**

13632/2008 **KCI Licensing Inc**

13633/2008 **KCI Licensing Inc**

Subsequent Owners Registered

(The name in parentheses is that of the subsequent owner)

300280 (**Southern Star Windows Pty Ltd**) Canterbury Windows Pty Ltd

305807 (**Sauder Woodworking Co.**) O'Sullivan Industries Inc.

305808 (**Sauder Woodworking Co.**) O'Sullivan Industries Inc.

306057 (**Pod Ware Pty Ltd**) Codyvassallo Pty Ltd

306328 (**Allen-Vanguard Technologies Inc.**) 1252110 Alberta Ltd

314295 (**Water for Life Pty Ltd**) Aquaport Pty Ltd

Names Registered - Alterations and Amendments

(The name in parentheses is that of the subsequent applicant)

313609 (**Allen-Vanguard Technologies Inc.**) Med-Eng Systems Inc.

313610 (**Allen-Vanguard Technologies Inc.**) Med-Eng Systems Inc.

313611 (**Allen-Vanguard Technologies Inc.**) Med-Eng Systems Inc.

313612 (**Allen-Vanguard Technologies Inc.**) Med-Eng Systems Inc.

310454 (**BMDi TUTA Limited**) IMD Group Limited

300912 (**BMDi TUTA Limited**) IMD Group Limited

307903 (**BMDi TUTA Limited**) IMD Group Limited

307904 (**BMDi TUTA Limited**) IMD Group Limited

307905 (**BMDi TUTA Limited**) IMD Group Limited

309306 (**BMDi TUTA Limited**) IMD Group Limited

Corrigenda

Number 11573/2008

In Vol 22 , No 14 , page 1713 under the heading **Applications Lapsed**; Design No. 11573/2008 (02-01B) should be deleted.

Number 11574/2008

In Vol 22 , No 14 , page 1713 under the heading **Applications Lapsed**; Design No. 11574/2008 (02-01B) should be deleted.

Number 11575/2008

In Vol 22 , No 14 , page 1713 under the heading **Applications Lapsed**; Design No. 11575/2008 (02-01B) should be deleted.

Number 11576/2008

In Vol 22 , No 14 , page 1713 under the heading **Applications Lapsed**; Design No. 11576/2008 (02-02C) should be deleted.

Number 11577/2008

In Vol 22 , No 14 , page 1713 under the heading **Applications Lapsed**; Design No. 11577/2008 (02-02Z) should be deleted.

Number 11578/2008

In Vol 22 , No 14 , page 1713 under the heading **Applications Lapsed**; Design No. 11578/2008 (02-02Z) should be deleted.

Number 11579/2008

In Vol 22 , No 14 , page 1713 under the heading **Applications Lapsed**; Design No. 11579/2008 (02-02C) should be deleted.

Number 11580/2008

In Vol 22 , No 14 , page 1713 under the heading **Applications Lapsed**; Design No. 11580/2008 (02-02C) should be deleted.

Number 11581/2008

In Vol 22 , No 14 , page 1713 under the heading **Applications Lapsed**; Design No. 11581/2008 (02-02C) should be deleted.

Certificate(s) of Examination

Examination of the following Design Registration(s) has been completed. Infringement proceedings may now be commenced.

310983	25-01K	05/08/2008
316837	21-02C	11/08/2008
319077	07-04	31/07/2008
319083	06-09	31/07/2008
319084	09-07A	31/07/2008
319085	09-07A	31/07/2008
319086	09-07A	31/07/2008
319087	09-07A	31/07/2008
319832	08-09	13/08/2008
319833	08-09	13/08/2008
319834	08-06	13/08/2008
319846	08-06	13/08/2008
320141	02-02C	01/08/2008

Publication and Registration Proceedings

Designs Registered

This section provides a concordance between design number and registration number of Designs covered in this journal. It also shows the main class and registration date.

This section covers Registration numbers 320539 to 320761 .

The registration number shown below should be used in all future correspondence.

Design Number	Registration Number	International Classification Code (IDC)	Registration Date	Design Number	Registration Number	International Classification Code (IDC)	Registration Date
19934/2007	320704	12-16K	11/08/2008	11681/2008	320569	14-03NES	04/08/2008
19935/2007	320705	12-16K	11/08/2008	11682/2008	320568	14-03NES	04/08/2008
19936/2007	320750	02-02B	12/08/2008	11683/2008	320570	14-03NES	04/08/2008
20373/2007	320618	02-02C	06/08/2008	11684/2008	320571	14-03NES	04/08/2008
20416/2007	320615	08-08B	06/08/2008	11685/2008	320572	14-03NES	04/08/2008
20417/2007	320616	08-06	06/08/2008	11686/2008	320573	14-03NES	04/08/2008
20418/2007	320617	08-06	06/08/2008	11687/2008	320574	14-03NES	04/08/2008
20669/2007	320557	12-06A	04/08/2008	11688/2008	320575	14-03NES	04/08/2008
10229/2008	320558	15-05	04/08/2008	11689/2008	320576	14-03NES	04/08/2008
10238/2008	320637	25-02G	06/08/2008	11690/2008	320577	14-03NES	04/08/2008
10394/2008	320639	11-02NES	06/08/2008	11691/2008	320578	14-03NES	04/08/2008
10395/2008	320640	11-02NES	06/08/2008	11692/2008	320540	08-03	04/08/2008
10559/2008	320684	23-01C	07/08/2008	11696/2008	320591	09-01K	05/08/2008
10580/2008	320692	06-03C	08/08/2008	11699/2008	320579	13-03E	04/08/2008
10581/2008	320693	25-02C	08/08/2008	11701/2008	320580	29-02	04/08/2008
10582/2008	320694	25-02C	08/08/2008	11702/2008	320581	29-02	04/08/2008
10584/2008	320695	25-02C	08/08/2008	11703/2008	320582	29-02	04/08/2008
10712/2008	320663	14-99	12/08/2008	11706/2008	320541	10-02	04/08/2008
10861/2008	320586	13-03B	05/08/2008	11707/2008	320542	10-02	04/08/2008
10867/2008	320566	29-02	04/08/2008	11708/2008	320543	26-05NES	04/08/2008
10883/2008	320619	14-99	06/08/2008	11714/2008	320544	21-02NES	04/08/2008
10885/2008	320620	14-99	06/08/2008	11729/2008	320545	07-99D	04/08/2008
10902/2008	320587	07-02NES	05/08/2008	11730/2008	320546	07-04	04/08/2008
10903/2008	320588	07-02NES	05/08/2008	11731/2008	320547	07-04	04/08/2008
10905/2008	320621	09-03NES	06/08/2008	11732/2008	320548	07-06NES	04/08/2008
10917/2008	320622	24-02	06/08/2008	11733/2008	320549	07-99NES	04/08/2008
10953/2008	320641	08-07	06/08/2008	11734/2008	320550	07-99NES	04/08/2008
11020/2008	320686	28-03NES	07/08/2008	11735/2008	320551	07-04	04/08/2008
11042/2008	320589	14-01	05/08/2008	11736/2008	320552	07-04	04/08/2008
11043/2008	320590	14-01	05/08/2008	11737/2008	320553	07-04	04/08/2008
11074/2008	320642	08-07	06/08/2008	11738/2008	320554	07-06D	04/08/2008
11075/2008	320643	08-07	06/08/2008	11745/2008	320592	07-99NES	05/08/2008
11119/2008	320623	02-04B	06/08/2008	11746/2008	320593	06-13C	05/08/2008
11123/2008	320696	21-02F	08/08/2008	11752/2008	320594	26-02	05/08/2008
11135/2008	320624	10-04	06/08/2008	11755/2008	320595	15-99	05/08/2008
11181/2008	320664	09-03A	12/08/2008	11756/2008	320596	14-01	05/08/2008
11182/2008	320665	09-03A	12/08/2008	11757/2008	320597	14-01	05/08/2008
11256/2008	320644	08-05F	06/08/2008	11758/2008	320598	14-01	05/08/2008
11425/2008	320751	24-01	12/08/2008	11759/2008	320599	14-03A	05/08/2008
11426/2008	320752	24-01	12/08/2008	11760/2008	320600	14-01	05/08/2008
11427/2008	320753	24-01	12/08/2008	11763/2008	320626	08-08L	06/08/2008
11513/2008	320645	25-01B	06/08/2008	11768/2008	320601	31-00	05/08/2008
11516/2008	320646	09-05	06/08/2008	11769/2008	320602	31-00	05/08/2008
11568/2008	320625	19-02	06/08/2008	11770/2008	320603	31-00	05/08/2008
11598/2008	320539	07-01NES	04/08/2008	11771/2008	320604	07-99D	05/08/2008
11603/2008	320724	25-02H	12/08/2008	11781/2008	320648	08-03	08/08/2008
11604/2008	320725	25-02H	12/08/2008	11782/2008	320649	14-03A	08/08/2008
11605/2008	320726	25-02H	12/08/2008	11783/2008	320650	12-16B	08/08/2008
11615/2008	320687	21-04	07/08/2008	11784/2008	320651	12-16B	08/08/2008
11619/2008	320647	12-12	06/08/2008	11785/2008	320652	26-06	08/08/2008
11657/2008	320608	21-01A	06/08/2008	11786/2008	320653	23-04	08/08/2008
11671/2008	320583	09-01G	04/08/2008	11787/2008	320654	26-06	08/08/2008
11674/2008	320567	06-03C	04/08/2008	11788/2008	320666	25-03	12/08/2008

Publication and Registration Proceedings - Designs Registered cont'd

Design Number	Registration Number	International Classification Code (IDC)	Registration Date	Design Number	Registration Number	International Classification Code (IDC)	Registration Date
11790/2008	320727	08-08H	12/08/2008	11916/2008	320761	26-05NES	12/08/2008
11800/2008	320609	12-16NES	06/08/2008	11918/2008	320717	07-01A	11/08/2008
11805/2008	320627	12-15B	06/08/2008	11919/2008	320718	07-01A	11/08/2008
11806/2008	320655	07-06C	08/08/2008	11920/2008	320719	07-01A	11/08/2008
11807/2008	320656	07-07NES	08/08/2008	11921/2008	320720	07-01A	11/08/2008
11810/2008	320657	09-01G	08/08/2008	11922/2008	320721	07-01B	11/08/2008
11811/2008	320658	13-02	08/08/2008	11923/2008	320722	07-01B	11/08/2008
11812/2008	320659	07-99NES	08/08/2008	11924/2008	320749	13-03D	12/08/2008
11813/2008	320660	07-99NES	08/08/2008	11925/2008	320723	13-03D	11/08/2008
11814/2008	320661	07-99NES	08/08/2008	11927/2008	320728	13-03B	12/08/2008
11816/2008	320667	23-01A	12/08/2008	11928/2008	320748	09-03NES	12/08/2008
11817/2008	320668	23-01A	12/08/2008	11930/2008	320729	15-05	12/08/2008
11818/2008	320669	08-03	12/08/2008	11931/2008	320730	04-01	12/08/2008
11821/2008	320670	02-04NES	12/08/2008	11933/2008	320731	28-03NES	12/08/2008
11822/2008	320671	02-04B	12/08/2008	11934/2008	320732	15-05	12/08/2008
11823/2008	320672	02-04B	12/08/2008	11935/2008	320733	15-05	12/08/2008
11827/2008	320610	02-07C	06/08/2008	11936/2008	320734	15-05	12/08/2008
11829/2008	320611	06-01F	06/08/2008	11937/2008	320735	21-02C	12/08/2008
11833/2008	320612	25-02C	06/08/2008	11939/2008	320736	12-02	12/08/2008
11834/2008	320613	25-02C	06/08/2008	11948/2008	320689	03-01C	07/08/2008
11835/2008	320606	23-01F	06/08/2008	11950/2008	320690	03-01C	07/08/2008
11836/2008	320673	08-08L	12/08/2008	11951/2008	320737	24-04	12/08/2008
11848/2008	320662	23-03A	08/08/2008	11952/2008	320738	24-04	12/08/2008
11851/2008	320754	07-99NES	12/08/2008	11953/2008	320739	24-04	12/08/2008
11852/2008	320755	11-01NES	12/08/2008	11954/2008	320740	24-04	12/08/2008
11853/2008	320756	12-15A	12/08/2008	11955/2008	320741	26-05D	12/08/2008
11854/2008	320757	26-03	12/08/2008	11956/2008	320742	26-05D	12/08/2008
11865/2008	320674	25-01K	12/08/2008	11957/2008	320743	26-05D	12/08/2008
11866/2008	320675	07-01F	12/08/2008	11958/2008	320744	26-05D	12/08/2008
11867/2008	320676	07-01NES	12/08/2008	11959/2008	320745	02-02NES	12/08/2008
11868/2008	320677	07-01NES	12/08/2008	11961/2008	320746	08-07	12/08/2008
11869/2008	320678	07-01NES	12/08/2008	12024/2008	320747	26-05D	12/08/2008
11870/2008	320679	07-01NES	12/08/2008	12091/2008	320584	09-01G	04/08/2008
11873/2008	320688	11-02B	07/08/2008	12092/2008	320585	09-01G	04/08/2008
11874/2008	320680	25-01K	12/08/2008	12131/2008	320559	15-05	04/08/2008
11875/2008	320681	25-01K	12/08/2008	12448/2008	320636	25-03	06/08/2008
11876/2008	320682	25-01K	12/08/2008	12449/2008	320607	25-03	06/08/2008
11877/2008	320683	25-01E	12/08/2008	12727/2008	320638	25-02G	06/08/2008
11886/2008	320614	06-01F	06/08/2008	12807/2008	320628	12-15B	06/08/2008
11887/2008	320758	08-99	12/08/2008	12808/2008	320629	12-15B	06/08/2008
11889/2008	320697	23-01G	08/08/2008	12809/2008	320630	12-15B	06/08/2008
11890/2008	320698	10-05	08/08/2008	12810/2008	320631	12-15B	06/08/2008
11891/2008	320699	12-16F	08/08/2008	12811/2008	320632	12-15B	06/08/2008
11892/2008	320700	29-02	08/08/2008	12812/2008	320633	12-15B	06/08/2008
11893/2008	320706	03-01D	11/08/2008	12911/2008	320605	25-01K	05/08/2008
11894/2008	320707	06-01F	11/08/2008	12948/2008	320555	07-05C	04/08/2008
11895/2008	320708	24-01	11/08/2008	12949/2008	320691	07-05C	07/08/2008
11896/2008	320709	12-10	11/08/2008	12968/2008	320556	15-09	04/08/2008
11897/2008	320710	12-15A	11/08/2008	13173/2008	320560	10-04	04/08/2008
11898/2008	320711	12-15A	11/08/2008	13245/2008	320561	24-03	04/08/2008
11899/2008	320712	23-04	11/08/2008	13328/2008	320562	28-03NES	04/08/2008
11900/2008	320713	23-04	11/08/2008	13362/2008	320563	07-99NES	04/08/2008
11906/2008	320714	23-02B	11/08/2008	13363/2008	320564	07-99NES	04/08/2008
11907/2008	320701	23-02B	08/08/2008	13364/2008	320565	07-99NES	04/08/2008
11912/2008	320715	15-01	11/08/2008	13369/2008	320634	02-04B	06/08/2008
11913/2008	320716	15-05	11/08/2008	13370/2008	320635	10-04	06/08/2008
11914/2008	320759	15-05	12/08/2008	13406/2008	320702	14-03E	08/08/2008
11915/2008	320760	08-03	12/08/2008	13407/2008	320703	14-03E	08/08/2008

Publication and Registration Proceedings - Designs Registered cont'd

Design Number	Registration Number	International Classification Code (IDC)	Registration Date
13464/2008	320685	23-01C	07/08/2008

Publication and Registration Proceedings
Class Listing of Designs Published or Registered

The following section shows an International Classification Code listing of the Registered or Published Designs covered in this supplement.

Classification	Registration Number	Design Number	Classification	Registration Number	Design Number
02-02 B	320750	19936/2007	07-99 NES	320550	11734/2008
02-02 C	320618	20373/2007	07-99 NES	320563	13362/2008
02-02 NES	320610	11827/2008	07-99 NES	320564	13363/2008
02-02 NES	320745	11959/2008	07-99 NES	320565	13364/2008
02-04 B	320623	11119/2008	07-99 NES	320592	11745/2008
02-04 B	320634	13369/2008	07-99 NES	320659	11812/2008
02-04 B	320671	11822/2008	07-99 NES	320660	11813/2008
02-04 B	320672	11823/2008	07-99 NES	320661	11814/2008
02-04 NES	320670	11821/2008	07-99 NES	320754	11851/2008
02-07 C	320610	11827/2008	08-03	320540	11692/2008
03-01 C	320689	11948/2008	08-03	320648	11781/2008
03-01 C	320690	11950/2008	08-03	320669	11818/2008
03-01 D	320706	11893/2008	08-03	320760	11915/2008
04-01	320730	11931/2008	08-05 F	320644	11256/2008
06-01 F	320611	11829/2008	08-05 NES	320592	11745/2008
06-01 F	320614	11886/2008	08-05 NES	320687	11615/2008
06-01 F	320707	11894/2008	08-06	320616	20417/2007
06-03 C	320567	11674/2008	08-06	320617	20418/2007
06-03 C	320692	10580/2008	08-07	320641	10953/2008
06-13 C	320593	11746/2008	08-07	320642	11074/2008
07-01 A	320717	11918/2008	08-07	320643	11075/2008
07-01 A	320718	11919/2008	08-07	320746	11961/2008
07-01 A	320719	11920/2008	08-08 B	320615	20416/2007
07-01 A	320720	11921/2008	08-08 H	320727	11790/2008
07-01 B	320721	11922/2008	08-08 L	320626	11763/2008
07-01 B	320722	11923/2008	08-08 L	320673	11836/2008
07-01 F	320675	11866/2008	08-08 NES	320619	10883/2008
07-01 NES	320539	11598/2008	08-99	320758	11887/2008
07-01 NES	320676	11867/2008	09-01 G	320562	13328/2008
07-01 NES	320677	11868/2008	09-01 G	320583	11671/2008
07-01 NES	320678	11869/2008	09-01 G	320584	12091/2008
07-01 NES	320679	11870/2008	09-01 G	320585	12092/2008
07-02 NES	320553	11737/2008	09-01 G	320657	11810/2008
07-02 NES	320587	10902/2008	09-01 K	320591	11696/2008
07-02 NES	320588	10903/2008	09-01 NES	320659	11812/2008
07-04	320546	11730/2008	09-01 NES	320660	11813/2008
07-04	320547	11731/2008	09-03 A	320664	11181/2008
07-04	320550	11734/2008	09-03 A	320665	11182/2008
07-04	320551	11735/2008	09-03 M	320539	11598/2008
07-04	320552	11736/2008	09-03 NES	320621	10905/2008
07-04	320553	11737/2008	09-03 NES	320706	11893/2008
07-04	320655	11806/2008	09-03 NES	320748	11928/2008
07-05 C	320555	12948/2008	09-05	320646	11516/2008
07-05 C	320691	12949/2008	09-05	320706	11893/2008
07-05 NES	320729	11930/2008	09-05	320748	11928/2008
07-06 C	320655	11806/2008	09-07 A	320667	11816/2008
07-06 D	320545	11729/2008	09-07 A	320668	11817/2008
07-06 D	320554	11738/2008	09-07 A	320751	11425/2008
07-06 NES	320546	11730/2008	09-07 A	320752	11426/2008
07-06 NES	320548	11732/2008	09-07 A	320753	11427/2008
07-07 NES	320555	12948/2008	09-07 B	320676	11867/2008
07-07 NES	320656	11807/2008	09-07 B	320677	11868/2008
07-07 NES	320691	12949/2008	09-09	320669	11818/2008
07-99 D	320545	11729/2008	10-02	320541	11706/2008
07-99 D	320604	11771/2008	10-02	320542	11707/2008
07-99 NES	320549	11733/2008	10-04	320560	13173/2008

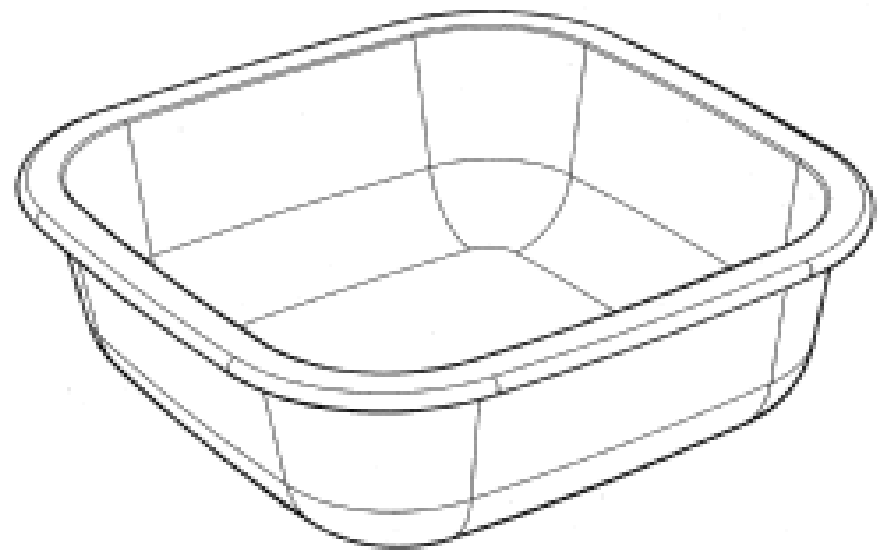
Registration Proceedings - Class Listing of Designs Published or Registered cont'd

Classification	Registration Number	Design Number	Classification	Registration Number	Design Number
10-04	320624	11135/2008	14-03 NES	320569	11681/2008
10-04	320635	13370/2008	14-03 NES	320570	11683/2008
10-05	320698	11890/2008	14-03 NES	320571	11684/2008
11-01 NES	320755	11852/2008	14-03 NES	320572	11685/2008
11-02 B	320688	11873/2008	14-03 NES	320573	11686/2008
11-02 NES	320639	10394/2008	14-03 NES	320574	11687/2008
11-02 NES	320640	10395/2008	14-03 NES	320575	11688/2008
12-02	320736	11939/2008	14-03 NES	320576	11689/2008
12-06 A	320557	20669/2007	14-03 NES	320577	11690/2008
12-10	320709	11896/2008	14-03 NES	320578	11691/2008
12-12	320647	11619/2008	14-03 NES	320599	11759/2008
12-15 A	320710	11897/2008	14-03 NES	320619	10883/2008
12-15 A	320711	11898/2008	14-99	320600	11760/2008
12-15 A	320756	11853/2008	14-99	320619	10883/2008
12-15 B	320627	11805/2008	14-99	320620	10885/2008
12-15 B	320628	12807/2008	14-99	320663	10712/2008
12-15 B	320629	12808/2008	15-01	320715	11912/2008
12-15 B	320630	12809/2008	15-04	320746	11961/2008
12-15 B	320631	12810/2008	15-05	320558	10229/2008
12-15 B	320632	12811/2008	15-05	320559	12131/2008
12-15 B	320633	12812/2008	15-05	320716	11913/2008
12-15 C	320627	11805/2008	15-05	320729	11930/2008
12-15 C	320628	12807/2008	15-05	320732	11934/2008
12-15 C	320629	12808/2008	15-05	320733	11935/2008
12-15 C	320630	12809/2008	15-05	320734	11936/2008
12-15 C	320631	12810/2008	15-05	320759	11914/2008
12-15 C	320632	12811/2008	15-09	320556	12968/2008
12-15 C	320633	12812/2008	15-99	320595	11755/2008
12-16 B	320650	11783/2008	16-05	320761	11916/2008
12-16 B	320651	11784/2008	19-02	320625	11568/2008
12-16 E	320654	11787/2008	20-02 B	320748	11928/2008
12-16 F	320699	11891/2008	21-01 A	320608	11657/2008
12-16 K	320704	19934/2007	21-02 C	320735	11937/2008
12-16 K	320705	19935/2007	21-02 F	320696	11123/2008
12-16 N	320653	11786/2008	21-02 NES	320544	11714/2008
12-16 NES	320609	11800/2008	21-04	320687	11615/2008
12-16 NES	320699	11891/2008	23-01 A	320667	11816/2008
13-02	320658	11811/2008	23-01 A	320668	11817/2008
13-03 B	320586	10861/2008	23-01 C	320684	10559/2008
13-03 B	320728	11927/2008	23-01 C	320685	13464/2008
13-03 D	320723	11925/2008	23-01 F	320606	11835/2008
13-03 D	320749	11924/2008	23-01 G	320697	11889/2008
13-03 E	320579	11699/2008	23-01 NES	320667	11816/2008
13-03 NES	320723	11925/2008	23-01 NES	320668	11817/2008
13-03 NES	320749	11924/2008	23-01 NES	320754	11851/2008
14-01	320589	11042/2008	23-02 A	320563	13362/2008
14-01	320590	11043/2008	23-02 A	320564	13363/2008
14-01	320596	11756/2008	23-02 A	320565	13364/2008
14-01	320597	11757/2008	23-02 A	320659	11812/2008
14-01	320598	11758/2008	23-02 A	320660	11813/2008
14-01	320600	11760/2008	23-02 B	320701	11907/2008
14-02	320589	11042/2008	23-02 B	320714	11906/2008
14-02	320590	11043/2008	23-03 A	320662	11848/2008
14-02	320663	10712/2008	23-04	320653	11786/2008
14-03 A	320599	11759/2008	23-04	320712	11899/2008
14-03 A	320649	11782/2008	23-04	320713	11900/2008
14-03 E	320702	13406/2008	24-01	320560	13173/2008
14-03 E	320703	13407/2008	24-01	320708	11895/2008
14-03 NES	320568	11682/2008	24-01	320751	11425/2008

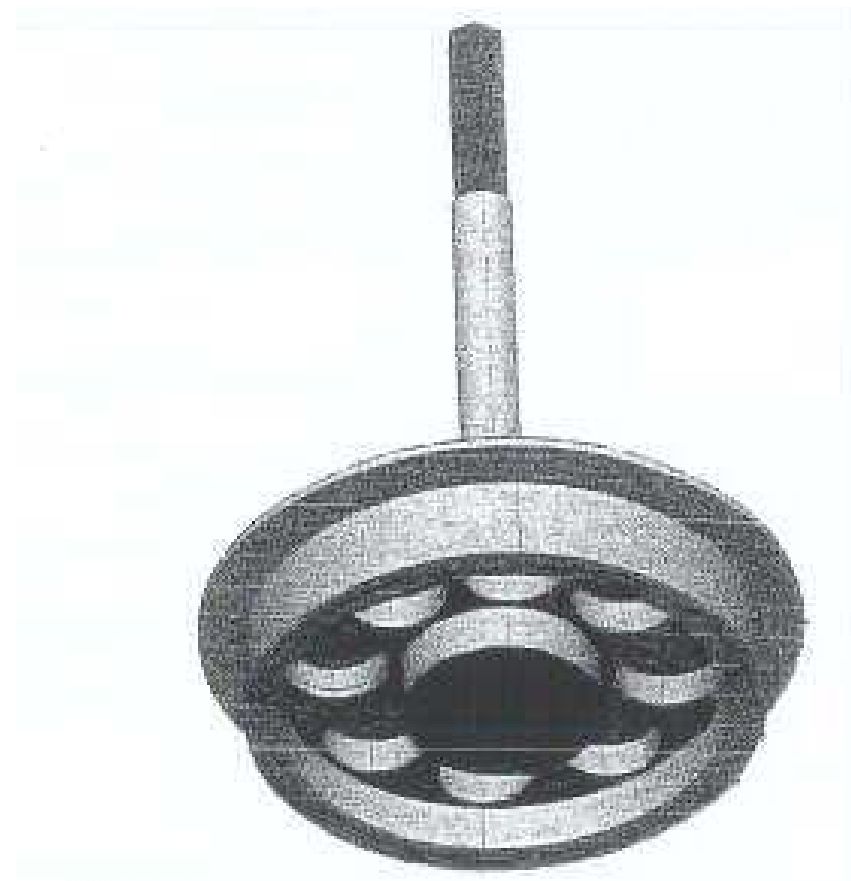
Registration Proceedings - Class Listing of Designs Published or Registered cont'd

Classification	Registration Number	Design Number	Classification	Registration Number	Design Number
24-01	320752	11426/2008	25-03	320636	12448/2008
24-01	320753	11427/2008	25-03	320666	11788/2008
24-02	320622	10917/2008	26-02	320594	11752/2008
24-03	320561	13245/2008	26-03	320543	11708/2008
24-04	320737	11951/2008	26-03	320757	11854/2008
24-04	320738	11952/2008	26-05 D	320741	11955/2008
24-04	320739	11953/2008	26-05 D	320742	11956/2008
24-04	320740	11954/2008	26-05 D	320743	11957/2008
25-01 B	320645	11513/2008	26-05 D	320744	11958/2008
25-01 E	320683	11877/2008	26-05 D	320747	12024/2008
25-01 K	320605	12911/2008	26-05 NES	320543	11708/2008
25-01 K	320626	11763/2008	26-05 NES	320742	11956/2008
25-01 K	320674	11865/2008	26-05 NES	320744	11958/2008
25-01 K	320680	11874/2008	26-05 NES	320761	11916/2008
25-01 K	320681	11875/2008	26-06	320652	11785/2008
25-01 K	320682	11876/2008	26-06	320654	11787/2008
25-01 K	320683	11877/2008	26-06	320747	12024/2008
25-02 C	320612	11833/2008	28-03 NES	320562	13328/2008
25-02 C	320613	11834/2008	28-03 NES	320563	13362/2008
25-02 C	320674	11865/2008	28-03 NES	320564	13363/2008
25-02 C	320693	10581/2008	28-03 NES	320565	13364/2008
25-02 C	320694	10582/2008	28-03 NES	320661	11814/2008
25-02 C	320695	10584/2008	28-03 NES	320686	11020/2008
25-02 G	320637	10238/2008	28-03 NES	320731	11933/2008
25-02 G	320638	12727/2008	29-02	320566	10867/2008
25-02 H	320724	11603/2008	29-02	320580	11701/2008
25-02 H	320725	11604/2008	29-02	320581	11702/2008
25-02 H	320726	11605/2008	29-02	320582	11703/2008
25-02 K	320626	11763/2008	29-02	320700	11892/2008
25-02 NES	320605	12911/2008	31-00	320601	11768/2008
25-02 NES	320680	11874/2008	31-00	320602	11769/2008
25-02 NES	320682	11876/2008	31-00	320603	11770/2008
25-02 NES	320693	10581/2008			
25-02 NES	320694	10582/2008			
25-02 NES	320695	10584/2008			
25-03	320607	12449/2008			

- (21) Design Number: **11598/2008**
(22) Date of Filing Application: **04 April 2008**
(24) Date from which industrial property rights may have effect: **04 April 2008**
(54) Product in respect of which the design is registered: **Container**
(51) International Design Classification: **07-01NES, 09-03M**
(71) Name(s) and Address(s) of Applicant(s):
The Decor Corporation Pty Ltd
1314 Ferntree Gully Road Scoresby Victoria 3179 Australia
(72) Name(s) of Designer(s): **Arthur Richard Carlson**
(45) Registration Date: **04 August 2008**
(56) Related Art Documents: **Not Applicable**
(57) Statement of Newness and Distinctiveness: **Nil**



- (21) Design Number: **11692/2008**
(22) Date of Filing Application: **11 April 2008**
(24) Date from which industrial property rights may have effect: **11 April 2008**
(54) Product in respect of which the design is registered: **Pipe cutter**
(51) International Design Classification: **08-03**
(71) Name(s) and Address(s) of Applicant(s):
Michael Elkington
40 Seville Street Burleigh Waters Queensland 4220 Australia
Fraser O'Keefe
40 Seville Street Burleigh Waters Queensland 4220 Australia
(72) Name(s) of Designer(s): **Michael Elkington and Fraser O'Keefe**
(45) Registration Date: **04 August 2008**
(56) Related Art Documents: **Not Applicable**
(57) Statement of Newness and Distinctiveness: **Monopoly is claimed in the blade being supported on a drive shaft with a stabilising block beneath it.**



(21) Design Number: **11706/2008**

(22) Date of Filing Application: **10 April 2008**

(24) Date from which industrial property rights may have effect: **10 April 2008**

(54) Product in respect of which the design is registered: **Wristwatch**

(51) International Design Classification: **10-02**

(71) Name(s) and Address(s) of Applicant(s):

**Rado Uhren AG (Rado Watch Co Ltd) (Montres Rado SA)
Bielstrasse 45 Lengnau Switzerland**

(72) Name(s) of Designer(s): **Yves Pascal Blank**

(45) Registration Date: **04 August 2008**

(30) Convention priority data:

(31) Number
DM/069478

(32) Date
27 Nov 2007

(33) Country
**INTERNATIONAL BUREAU
(WIPO)**

(56) Related Art Documents: **Not Applicable**

(57) Statement of Newness and Distinctiveness: **Nil**



(21) Design Number: **11707/2008**

(22) Date of Filing Application: **10 April 2008**

(24) Date from which industrial property rights may have effect: **10 April 2008**

(54) Product in respect of which the design is registered: **Wristwatch**

(51) International Design Classification: **10-02**

(71) Name(s) and Address(s) of Applicant(s):

**Rado Uhren AG (Rado Watch Co Ltd) (Montres Rado SA)
Bielstrasse 45 Lengnau Switzerland**

(72) Name(s) of Designer(s): **Alessandra Furetta**

(45) Registration Date: **04 August 2008**

(30) Convention priority data:

(31) Number
DM/069477

(32) Date
27 Nov 2007

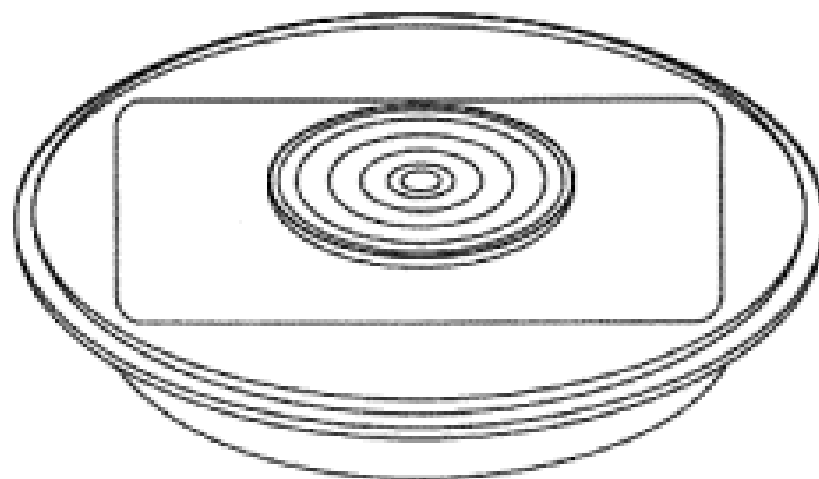
(33) Country
**INTERNATIONAL BUREAU
(WIPO)**

(56) Related Art Documents: **Not Applicable**

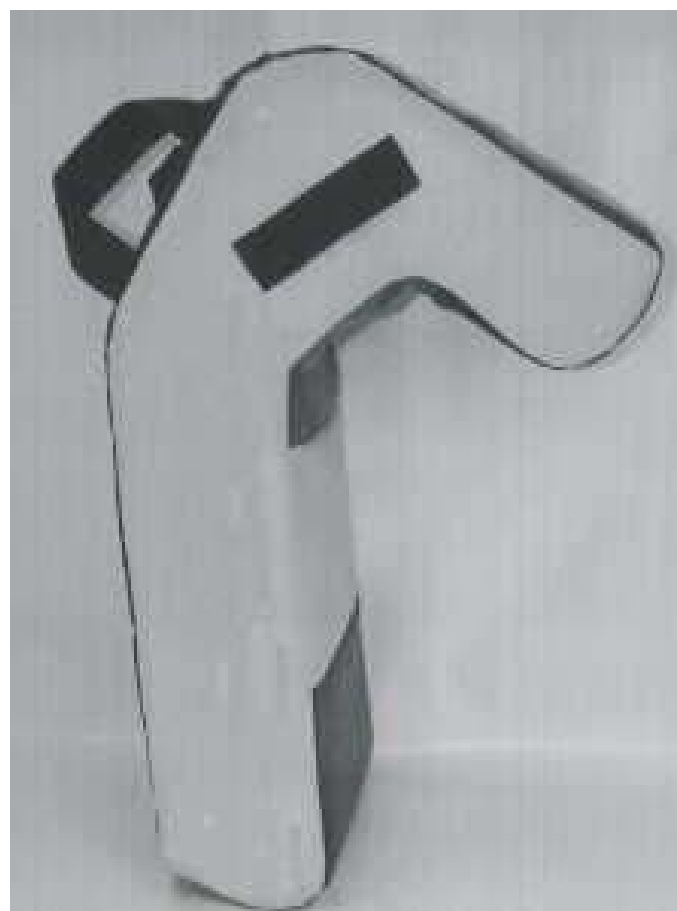
(57) Statement of Newness and Distinctiveness: **Nil**



(21) Design Number: **11708/2008**
(22) Date of Filing Application: **10 April 2008**
(24) Date from which industrial property rights may have effect: **10 April 2008**
(54) Product in respect of which the design is registered: **Luminaire for outdoor use**
(51) International Design Classification: **26-05NES, 26-03**
(71) Name(s) and Address(s) of Applicant(s):
Osram GmbH
Hellabrunner Strasse 1 D-81543 Munich Germany
(72) Name(s) of Designer(s): **Jurgen Komar**
(45) Registration Date: **04 August 2008**
(30) Convention priority data:
(31) Number (32) Date (33) Country
40705290.9 18 Oct 2007 GERMANY
(56) Related Art Documents: **Not Applicable**
(57) Statement of Newness and Distinctiveness: **Nil**



(21) Design Number: **11714/2008**
(22) Date of Filing Application: **10 April 2008**
(24) Date from which industrial property rights may have effect: **10 April 2008**
(54) Product in respect of which the design is registered: **Tackle shield**
(51) International Design Classification: **21-02NES**
(71) Name(s) and Address(s) of Applicant(s):
Ryan Sheridan
49 Moorpark Lane Dewsbury WF12 7AX United Kingdom
(72) Name(s) of Designer(s): **Ryan Sheridan**
(45) Registration Date: **04 August 2008**
(30) Convention priority data:
(31) Number (32) Date (33) Country
000816863-0001 29 Oct 2007 EUROPEAN COMMUNITY
(56) Related Art Documents: **Not Applicable**
(57) Statement of Newness and Distinctiveness: **Nil**



(21) Design Number: **11729/2008**
(22) Date of Filing Application: **11 April 2008**
(24) Date from which industrial property rights may have effect: **11 April 2008**
(54) Product in respect of which the design is registered: **Multi-opener**
(51) International Design Classification: **07-99D, 07-06D**
(71) Name(s) and Address(s) of Applicant(s):
Grow Point Co. Ltd
Room 8 4/F New Henry House 10 Ice House Street Central Hong Kong
(72) Name(s) of Designer(s): **Wong Fan Fong Jackson**
(45) Registration Date: **04 August 2008**
(30) Convention priority data:
(31) Number (32) Date (33) Country
000 807 698 12 Oct 2007 EUROPEAN COMMUNITY
(56) Related Art Documents: **Not Applicable**
(57) Statement of Newness and Distinctiveness: **Nil**



(21) Design Number: **11730/2008**
(22) Date of Filing Application: **11 April 2008**
(24) Date from which industrial property rights may have effect: **11 April 2008**
(54) Product in respect of which the design is registered: **Butter curler**
(51) International Design Classification: **07-04, 07-06NES**
(71) Name(s) and Address(s) of Applicant(s):
Grow Point Co. Ltd
Room 8 4/F New Henry House 10 Ice House Street Central Hong Kong
(72) Name(s) of Designer(s): **Wong Fan Fong Jackson**
(45) Registration Date: **04 August 2008**
(30) Convention priority data:
(31) Number (32) Date (33) Country
000 807 698 12 Oct 2007 EUROPEAN COMMUNITY
(56) Related Art Documents: **Not Applicable**
(57) Statement of Newness and Distinctiveness: **Nil**



(21) Design Number: **11731/2008**

(22) Date of Filing Application: **11 April 2008**

(24) Date from which industrial property rights may have effect: **11 April 2008**

(54) Product in respect of which the design is registered: **Cheese slicer**

(51) International Design Classification: **07-04**

(71) Name(s) and Address(s) of Applicant(s):

Grow Point Co. Ltd
Room 8 4/F New Henry House 10 Ice House Street Central Hong Kong

(72) Name(s) of Designer(s): **Wong Fan Fong Jackson**

(45) Registration Date: **04 August 2008**

(30) Convention priority data:

(31) Number	(32) Date	(33) Country
000 807 698	12 Oct 2007	EUROPEAN COMMUNITY

(56) Related Art Documents: **Not Applicable**

(57) Statement of Newness and Distinctiveness: **Nil**



(21) Design Number: **11732/2008**

(22) Date of Filing Application: **11 April 2008**

(24) Date from which industrial property rights may have effect: **11 April 2008**

(54) Product in respect of which the design is registered: **Nut cracker**

(51) International Design Classification: **07-06NES**

(71) Name(s) and Address(s) of Applicant(s):

Grow Point Co. Ltd
Room 8 4/F New Henry House 10 Ice House Street Central Hong Kong

(72) Name(s) of Designer(s): **Wong Fan Fong Jackson**

(45) Registration Date: **04 August 2008**

(30) Convention priority data:

(31) Number	(32) Date	(33) Country
000 807 698	12 Oct 2007	EUROPEAN COMMUNITY

(56) Related Art Documents: **Not Applicable**

(57) Statement of Newness and Distinctiveness: **Nil**



(21) Design Number: **11733/2008**

(22) Date of Filing Application: **11 April 2008**

(24) Date from which industrial property rights may have effect: **11 April 2008**

(54) Product in respect of which the design is registered: **Ice-cream scoop**

(51) International Design Classification: **07-99NES**

(71) Name(s) and Address(s) of Applicant(s):

Grow Point Co. Ltd
Room 8 4/F New Henry House 10 Ice House Street Central Hong Kong

(72) Name(s) of Designer(s): **Wong Fan Fong Jackson**

(45) Registration Date: **04 August 2008**

(30) Convention priority data:

(31) Number	(32) Date	(33) Country
000 807 698	12 Oct 2007	EUROPEAN COMMUNITY

(56) Related Art Documents: **Not Applicable**

(57) Statement of Newness and Distinctiveness: **Nil**



(21) Design Number: **11734/2008**

(22) Date of Filing Application: **11 April 2008**

(24) Date from which industrial property rights may have effect: **11 April 2008**

(54) Product in respect of which the design is registered: **Pizza cutter**

(51) International Design Classification: **07-99NES, 07-04**

(71) Name(s) and Address(s) of Applicant(s):

Grow Point Co. Ltd
Room 8 4/F New Henry House 10 Ice House Street Central Hong Kong

(72) Name(s) of Designer(s): **Wong Fan Fong Jackson**

(45) Registration Date: **04 August 2008**

(30) Convention priority data:

(31) Number	(32) Date	(33) Country
000 807 698	12 Oct 2007	EUROPEAN COMMUNITY

(56) Related Art Documents: **Not Applicable**

(57) Statement of Newness and Distinctiveness: **Nil**



(21) Design Number: **11735/2008**

(22) Date of Filing Application: **11 April 2008**

(24) Date from which industrial property rights may have effect: **11 April 2008**

(54) Product in respect of which the design is registered: **Chopper**

(51) International Design Classification: **07-04**

(71) Name(s) and Address(s) of Applicant(s):

Grow Point Co. Ltd

Room 8 4/F New Henry House 10 Ice House Street Central Hong Kong

(72) Name(s) of Designer(s): **Wong Fan Fong Jackson**

(45) Registration Date: **04 August 2008**

(30) Convention priority data:

(31) Number
000 807 698

(32) Date
12 Oct 2007

(33) Country
EUROPEAN COMMUNITY

(56) Related Art Documents: **Not Applicable**

(57) Statement of Newness and Distinctiveness: **Nil**



(21) Design Number: **11736/2008**

(22) Date of Filing Application: **11 April 2008**

(24) Date from which industrial property rights may have effect: **11 April 2008**

(54) Product in respect of which the design is registered: **Juicer**

(51) International Design Classification: **07-04**

(71) Name(s) and Address(s) of Applicant(s):

Grow Point Co. Ltd

Room 8 4/F New Henry House 10 Ice House Street Central Hong Kong

(72) Name(s) of Designer(s): **Wong Fan Fong Jackson**

(45) Registration Date: **04 August 2008**

(30) Convention priority data:

(31) Number
000 807 698

(32) Date
12 Oct 2007

(33) Country
EUROPEAN COMMUNITY

(56) Related Art Documents: **Not Applicable**

(57) Statement of Newness and Distinctiveness: **Nil**



(21) Design Number: **11737/2008**

(22) Date of Filing Application: **11 April 2008**

(24) Date from which industrial property rights may have effect: **11 April 2008**

(54) Product in respect of which the design is registered: **Nylon slotted turner**

(51) International Design Classification: **07-04, 07-02NES**

(71) Name(s) and Address(s) of Applicant(s):

Grow Point Co. Ltd
Room 8 4/F New Henry House 10 Ice House Street Central Hong Kong

(72) Name(s) of Designer(s): **Wong Fan Fung Jackson**

(45) Registration Date: **04 August 2008**

(30) Convention priority data:

(31) Number	(32) Date	(33) Country
000 807 698	12 Oct 2007	EUROPEAN COMMUNITY

(56) Related Art Documents: **Not Applicable**

(57) Statement of Newness and Distinctiveness: **Nil**



(21) Design Number: **11738/2008**

(22) Date of Filing Application: **11 April 2008**

(24) Date from which industrial property rights may have effect: **11 April 2008**

(54) Product in respect of which the design is registered: **Auto corkscrew**

(51) International Design Classification: **07-06D**

(71) Name(s) and Address(s) of Applicant(s):

Grow Point Co. Ltd
Room 8 4/F New Henry House 10 Ice House Street Central Hong Kong

(72) Name(s) of Designer(s): **Wong Fan Fung Jackson**

(45) Registration Date: **04 August 2008**

(30) Convention priority data:

(31) Number	(32) Date	(33) Country
000 807 698	12 Oct 2007	EUROPEAN COMMUNITY

(56) Related Art Documents: **Not Applicable**

(57) Statement of Newness and Distinctiveness: **Nil**



(21) Design Number: **12948/2008**

(22) Date of Filing Application: **25 June 2008**

(24) Date from which industrial property rights may have effect: **25 June 2008**

(54) Product in respect of which the design is registered: **Laundry basket**

(51) International Design Classification: **07-05C, 07-07NES**

(71) Name(s) and Address(s) of Applicant(s):

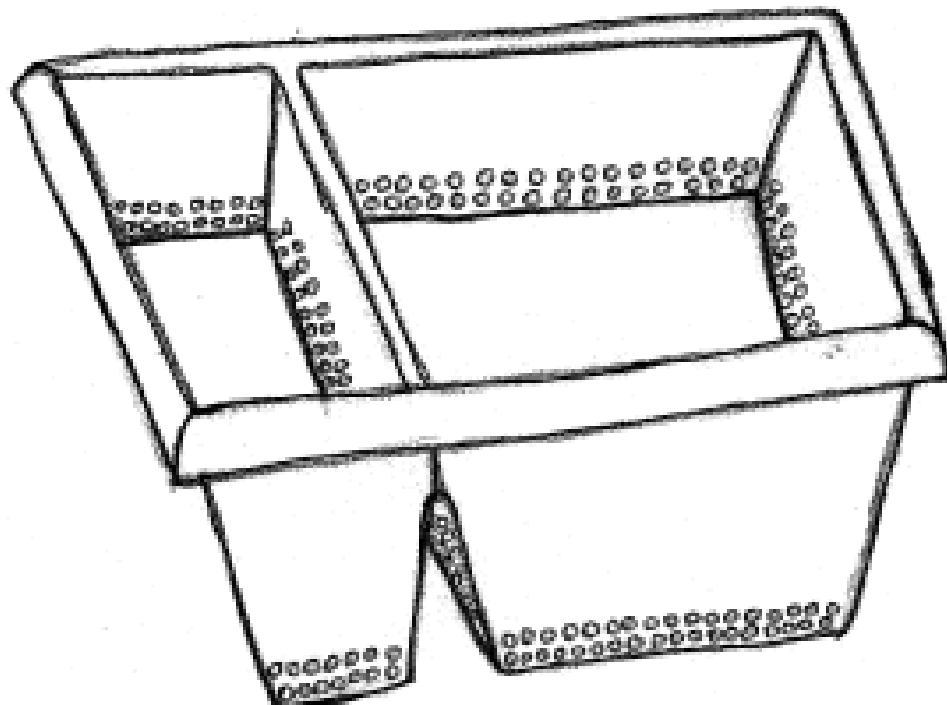
Luke Alexander Layton
198b Mount Browne Road Karangi New South Wales 2450 Australia

(72) Name(s) of Designer(s): **Luke Alexander Layton**

(45) Registration Date: **04 August 2008**

(56) Related Art Documents: **Not Applicable**

(57) Statement of Newness and Distinctiveness: **The reason my designs are distinctively different is because it is the only basket to have a peg section attached to the actual basket.**



(21) Design Number: **12968/2008**

(22) Date of Filing Application: **26 June 2008**

(24) Date from which industrial property rights may have effect: **26 June 2008**

(54) Product in respect of which the design is registered: **An apparatus utilised to manufacture RockBlock (TM No: 1226964) concrete block retaining wall system**

(51) International Design Classification: **15-09**

(71) Name(s) and Address(s) of Applicant(s):

South East Excavations (No.2) Pty Ltd
24a Ozone Street Chinderah New South Wales 2487 Australia

(72) Name(s) of Designer(s): **Brain Turner**

(45) Registration Date: **04 August 2008**

(56) Related Art Documents: **Not Applicable**

(57) Statement of Newness and Distinctiveness: **Nil**



- (21) Design Number: **20669/2007**
(22) Date of Filing Application: **08 November 2007**
(24) Date from which industrial property rights may have effect: **08 November 2007**
(54) Product in respect of which the design is registered: **A boat hull**
(51) International Design Classification: **12-06A**
(71) Name(s) and Address(s) of Applicant(s):

Jens Gravlev
11 Seagrass Place Redland Bay Queensland 4165 Australia

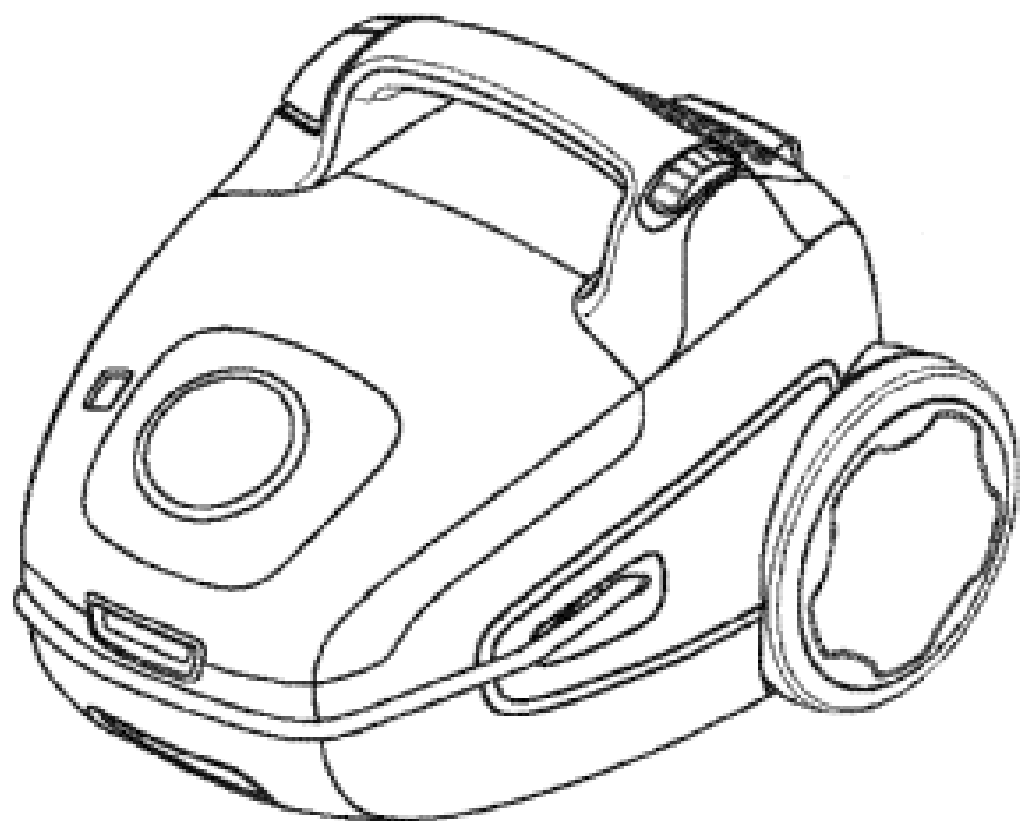
- (72) Name(s) of Designer(s): **Jens Gravlev**
(45) Registration Date: **04 August 2008**
(56) Related Art Documents: **Not Applicable**
(57) Statement of Newness and Distinctiveness: **Use of curved side shells for a boat to resemble the outboard/exterior portion only of the air buoyancy tubes of an inflatable boat. The shape and configuration of the side shells of the boat as defined within the dotted lines of the accompanying representation.**



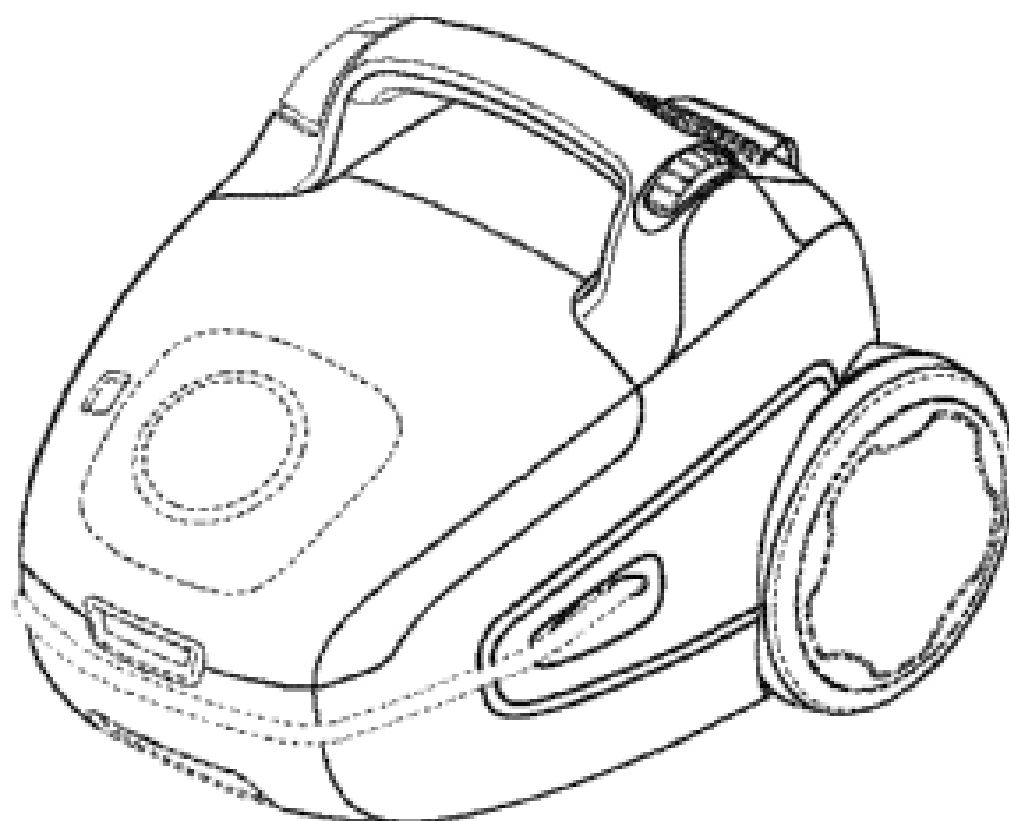
- (21) Design Number: **10229/2008**
(22) Date of Filing Application: **18 January 2008**
(24) Date from which industrial property rights may have effect: **18 January 2008**
(54) Product in respect of which the design is registered: **Vacuum cleaner**
(51) International Design Classification: **15-05**
(71) Name(s) and Address(s) of Applicant(s):

Aktiebolaget Electrolux
S:t Goransgatan 143 SE 105-45 Stockholm Sweden

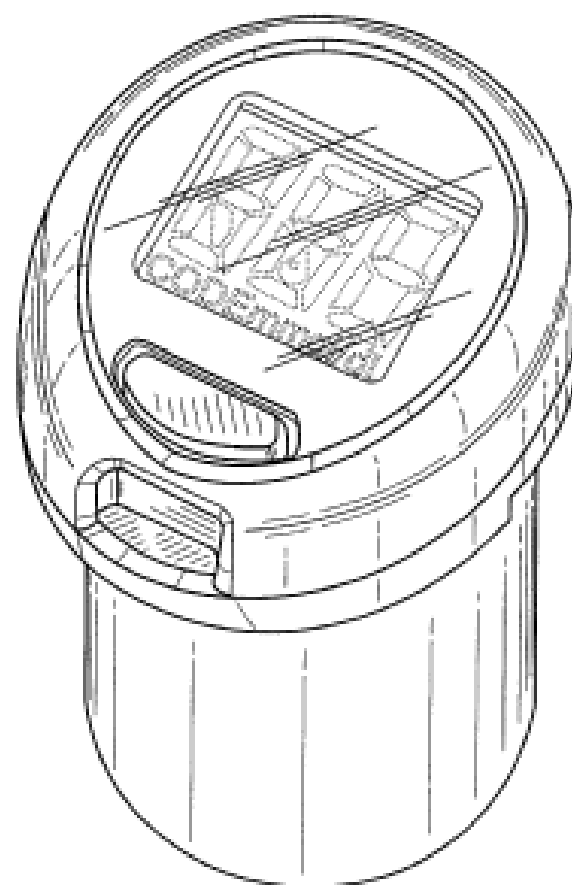
- (72) Name(s) of Designer(s): **Christian Agren**
(45) Registration Date: **04 August 2008**
(30) Convention priority data:
- | | | |
|------------------|--------------------|---------------------------|
| (31) Number | (32) Date | (33) Country |
| 000833165 | 27 Nov 2007 | EUROPEAN COMMUNITY |
- (56) Related Art Documents: **Not Applicable**
(57) Statement of Newness and Distinctiveness: **Newness and distinctiveness is claimed in those visual features depicted in unbroken lines.**



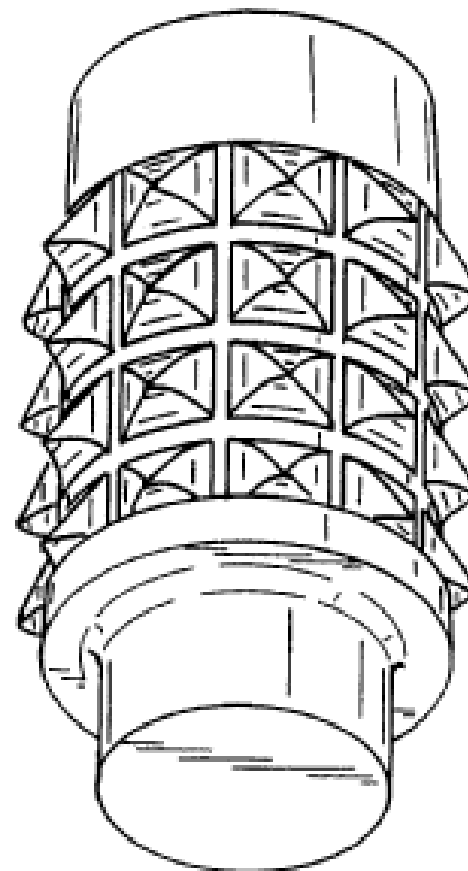
- (21) Design Number: **12131/2008**
(22) Date of Filing Application: **18 January 2008**
(24) Date from which industrial property rights may have effect: **18 January 2008**
(54) Product in respect of which the design is registered: **Vacuum Cleaner**
(51) International Design Classification: **15-05**
(71) Name(s) and Address(s) of Applicant(s):
Aktiebolaget Electrolux
S:t Goransgatan 143 SE 105-45 Stockholm Sweden
(72) Name(s) of Designer(s): **Christian Agren**
(45) Registration Date: **04 August 2008**
(30) Convention priority data:
(31) Number (32) Date (33) Country
000833165 27 Nov 2007 EUROPEAN COMMUNITY
(56) Related Art Documents: **Not Applicable**
(57) Statement of Newness and Distinctiveness: **Newness and distinctiveness is claimed in those visual features depicted in unbroken lines.**



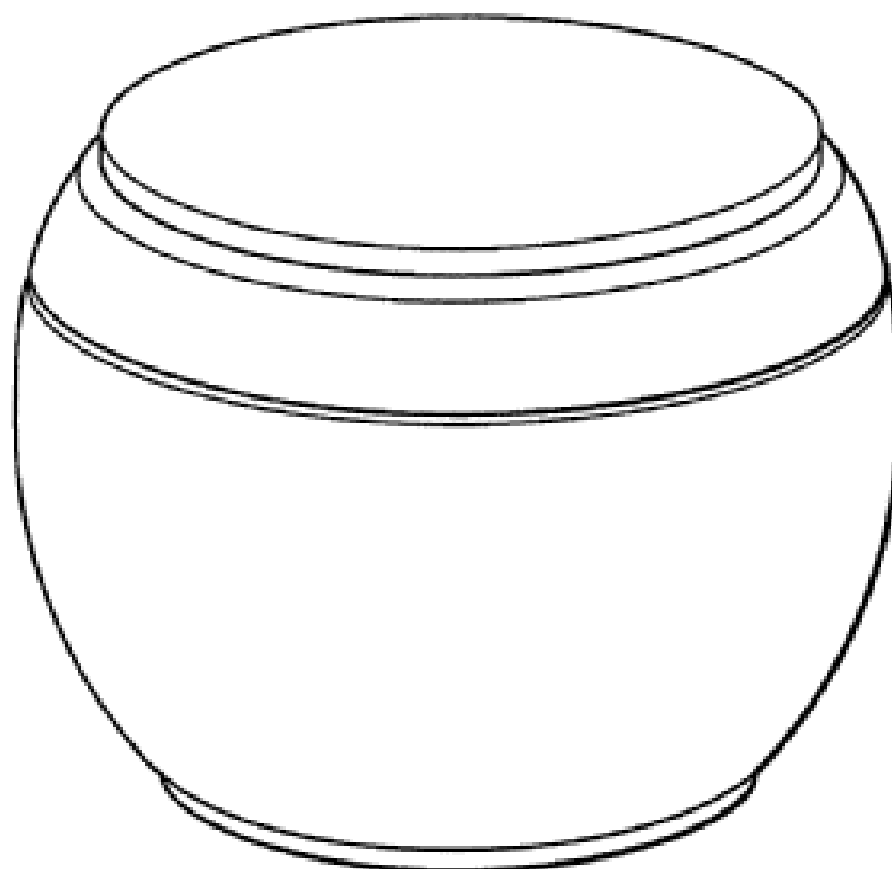
- (21) Design Number: **13173/2008**
(22) Date of Filing Application: **09 July 2008**
(24) Date from which industrial property rights may have effect: **09 July 2008**
(54) Product in respect of which the design is registered: **Diagnostic test system**
(51) International Design Classification: **10-04, 24-01**
(71) Name(s) and Address(s) of Applicant(s):
Home Diagnostics, Inc.
2400 N.W. 55th Court Fort Lauderdale FL 33309 United States of America
(72) Name(s) of Designer(s): **George R. Rounds and Jeffrey K. Akins and Allan Javier Caban and Gary T. Neel and Brent E. Modzelewski**
(45) Registration Date: **04 August 2008**
(30) Convention priority data:
(31) Number (32) Date (33) Country
29/302,659 22 Jan 2008 UNITED STATES OF AMERICA
(56) Related Art Documents: **Not Applicable**
(57) Statement of Newness and Distinctiveness: **Nil**



(21) Design Number: **13245/2008**
(22) Date of Filing Application: **10 July 2008**
(24) Date from which industrial property rights may have effect: **10 July 2008**
(54) Product in respect of which the design is registered: **Bone plug**
(51) International Design Classification: **24-03**
(71) Name(s) and Address(s) of Applicant(s):
Orthopedic Development Corporation
6901 90th Avenue Pinellas Park FL 33782 United States of America
(72) Name(s) of Designer(s): **David A. Petersen**
(45) Registration Date: **04 August 2008**
(56) Related Art Documents: **Not Applicable**
(57) Statement of Newness and Distinctiveness: **Nil**



(21) Design Number: **13328/2008**
(22) Date of Filing Application: **15 July 2008**
(24) Date from which industrial property rights may have effect: **15 July 2008**
(54) Product in respect of which the design is registered: **Container**
(51) International Design Classification: **28-03NES, 09-01G**
(71) Name(s) and Address(s) of Applicant(s):
Colgate-Palmolive Company
300 Park Avenue New York New York 10022 United States of America
(72) Name(s) of Designer(s): **Christopher Helmut Prufer**
(45) Registration Date: **04 August 2008**
(30) Convention priority data:
(31) Number (32) Date (33) Country
3-2008-000194 29 Feb 2008 PHILIPPINES
(56) Related Art Documents: **Not Applicable**
(57) Statement of Newness and Distinctiveness: **Newness and distinctiveness reside in the features of the design as shown in the representations.**



(21) Design Number: **13362/2008**

(22) Date of Filing Application: **17 July 2008**

(24) Date from which industrial property rights may have effect: **17 July 2008**

(54) Product in respect of which the design is registered: **Dynamic dispenser**

(51) International Design Classification: **07-99NES, 23-02A, 28-03NES**

(71) Name(s) and Address(s) of Applicant(s):

Reckitt Benckiser Inc.

Morris Corporate Center IV 399 Interpace Parkway Parsippany New Jersey 07054 United States of America

(72) Name(s) of Designer(s): **Bruno Lablaine**

(45) Registration Date: **04 August 2008**

(30) Convention priority data:

(31) Number

(32) Date

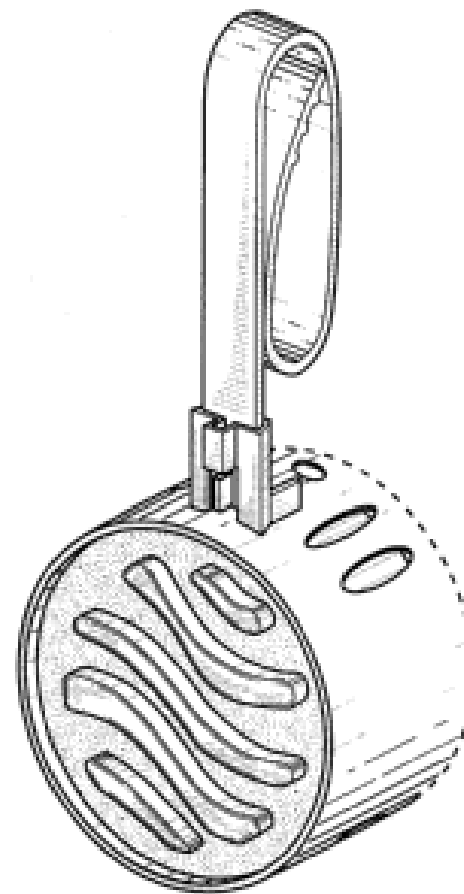
(33) Country

000884606-0001 20 Feb 2008

EUROPEAN COMMUNITY

(56) Related Art Documents: **Not Applicable**

(57) Statement of Newness and Distinctiveness: **Newness and distinctiveness reside in the features of the design shown in solid lines in the representations excluding those features shown in broken lines.**



(21) Design Number: **13363/2008**

(22) Date of Filing Application: **17 July 2008**

(24) Date from which industrial property rights may have effect: **17 July 2008**

(54) Product in respect of which the design is registered: **Dynamic dispenser**

(51) International Design Classification: **07-99NES, 23-02A, 28-03NES**

(71) Name(s) and Address(s) of Applicant(s):

Reckitt Benckiser Inc.

Morris Corporate Center IV 399 Interpace Parkway Parsippany New Jersey 07054 United States of America

(72) Name(s) of Designer(s): **Bruno Lablaine**

(45) Registration Date: **04 August 2008**

(30) Convention priority data:

(31) Number

(32) Date

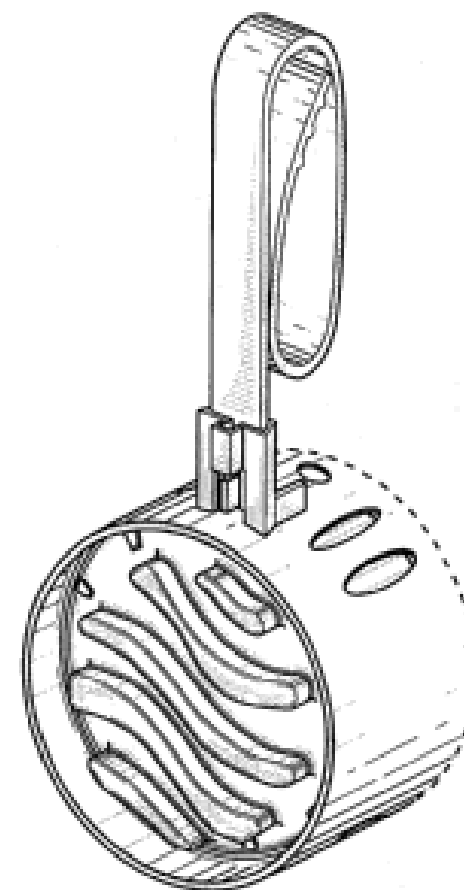
(33) Country

000884606-0002 20 Feb 2008

EUROPEAN COMMUNITY

(56) Related Art Documents: **Not Applicable**

(57) Statement of Newness and Distinctiveness: **Newness and distinctiveness reside in the features of the design shown in solid lines in the representations excluding those features shown in broken lines.**



(21) Design Number: **13364/2008**

(22) Date of Filing Application: **17 July 2008**

(24) Date from which industrial property rights may have effect: **17 July 2008**

(54) Product in respect of which the design is registered: **Dynamic dispenser**

(51) International Design Classification: **07-99NES, 23-02A, 28-03NES**

(71) Name(s) and Address(s) of Applicant(s):

Reckitt Benckiser Inc.

Morris Corporate Center IV 399 Interpace Parkway Parsippany New Jersey 07054 United States of America

(72) Name(s) of Designer(s): **Bruno Lablaine**

(45) Registration Date: **04 August 2008**

(30) Convention priority data:

(31) Number

(32) Date

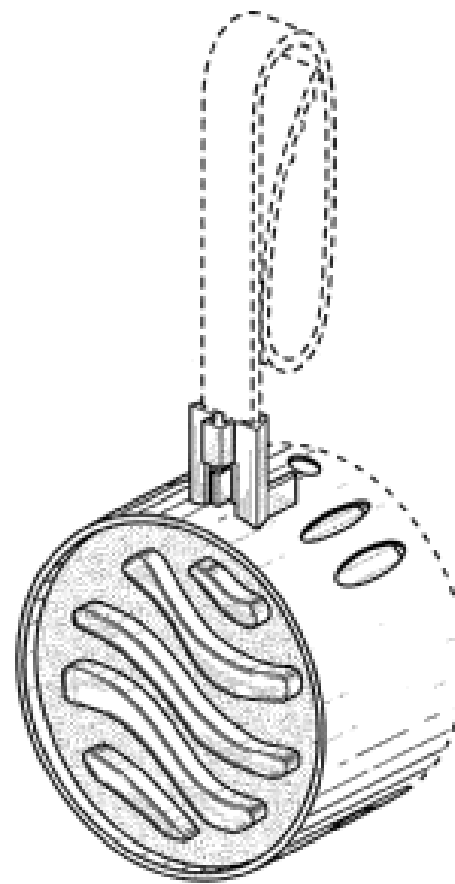
(33) Country

000884606-0003 20 Feb 2008

EUROPEAN COMMUNITY

(56) Related Art Documents: **Not Applicable**

(57) Statement of Newness and Distinctiveness: **Newness and distinctiveness reside in the features of the design shown in solid lines in the representations excluding those features shown in broken lines.**



(21) Design Number: **10867/2008**

(22) Date of Filing Application: **25 February 2008**

(24) Date from which industrial property rights may have effect: **25 February 2008**

(54) Product in respect of which the design is registered: **Child safety harness**

(51) International Design Classification: **29-02**

(71) Name(s) and Address(s) of Applicant(s):

Bambinoz Pty Ltd

75 Power Street Norman Park Queensland 4170 Australia

(72) Name(s) of Designer(s): **Carren Rieger**

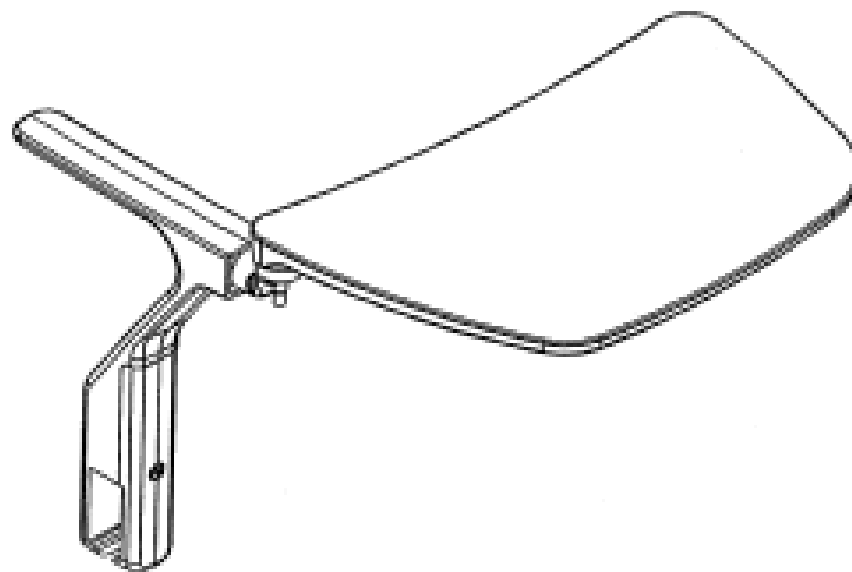
(45) Registration Date: **04 August 2008**

(56) Related Art Documents: **Not Applicable**

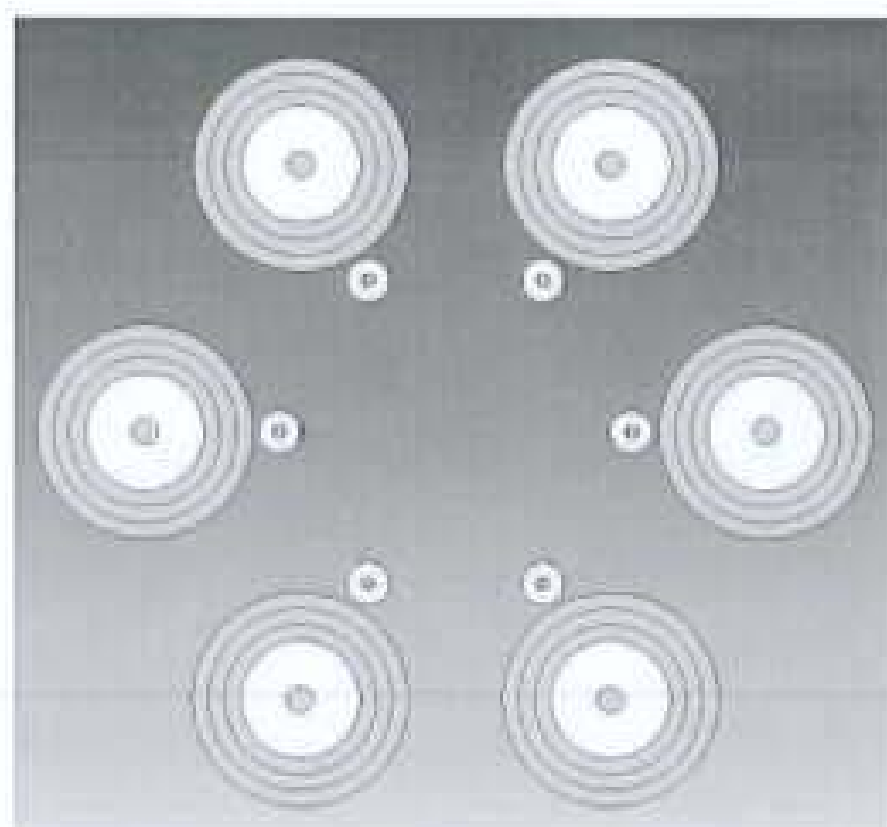
(57) Statement of Newness and Distinctiveness: **Anchor points on back of chair - pg 3 of 8; adjustable shoulder harness - pg 1 of 8; adjustable straps - all pages.**



- (21) Design Number: **11674/2008**
(22) Date of Filing Application: **09 April 2008**
(24) Date from which industrial property rights may have effect: **09 April 2008**
(54) Product in respect of which the design is registered: **Writing tablet**
(51) International Design Classification: **06-03C**
(71) Name(s) and Address(s) of Applicant(s):
Civic Project Seating Pty Ltd
2 Bonnick Road Gympie Queensland 4570 Australia
(72) Name(s) of Designer(s): **David Bruce Rowland and Richard William Joyce and Sheldon King**
(45) Registration Date: **04 August 2008**
(56) Related Art Documents: **Not Applicable**
(57) Statement of Newness and Distinctiveness: **The newness and distinctiveness of the design resides in the shape and/or configuration of the writing tablet shown in the representations.**



- (21) Design Number: **11682/2008**
(22) Date of Filing Application: **10 April 2008**
(24) Date from which industrial property rights may have effect: **10 April 2008**
(54) Product in respect of which the design is registered: **An antenna**
(51) International Design Classification: **14-03NES**
(71) Name(s) and Address(s) of Applicant(s):
ITI Scotland Limited
191 West George Street 5th Floor Glasgow G2 2LB United Kingdom
(72) Name(s) of Designer(s): **Dean Kemp and Michael Philippakis and Neil Williams**
(45) Registration Date: **04 August 2008**
(30) Convention priority data:
(31) Number (32) Date (33) Country
000810916 12 Oct 2007 EUROPEAN COMMUNITY
(56) Related Art Documents: **Not Applicable**
(57) Statement of Newness and Distinctiveness: **In considering the newness or distinctiveness of the design, regard is to be given to the overall shape and/or configuration of an antenna as shown in the representations.**



(21) Design Number: **11681/2008**

(22) Date of Filing Application: **10 April 2008**

(24) Date from which industrial property rights may have effect: **10 April 2008**

(54) Product in respect of which the design is registered: **An antenna**

(51) International Design Classification: **14-03NES**

(71) Name(s) and Address(s) of Applicant(s):

ITI Scotland Limited

191 West George Street 5th Floor Glasgow G2 2LB United Kingdom

(72) Name(s) of Designer(s): **Dean Kemp and Michael Philippakis and Neil Williams**

(45) Registration Date: **04 August 2008**

(30) Convention priority data:

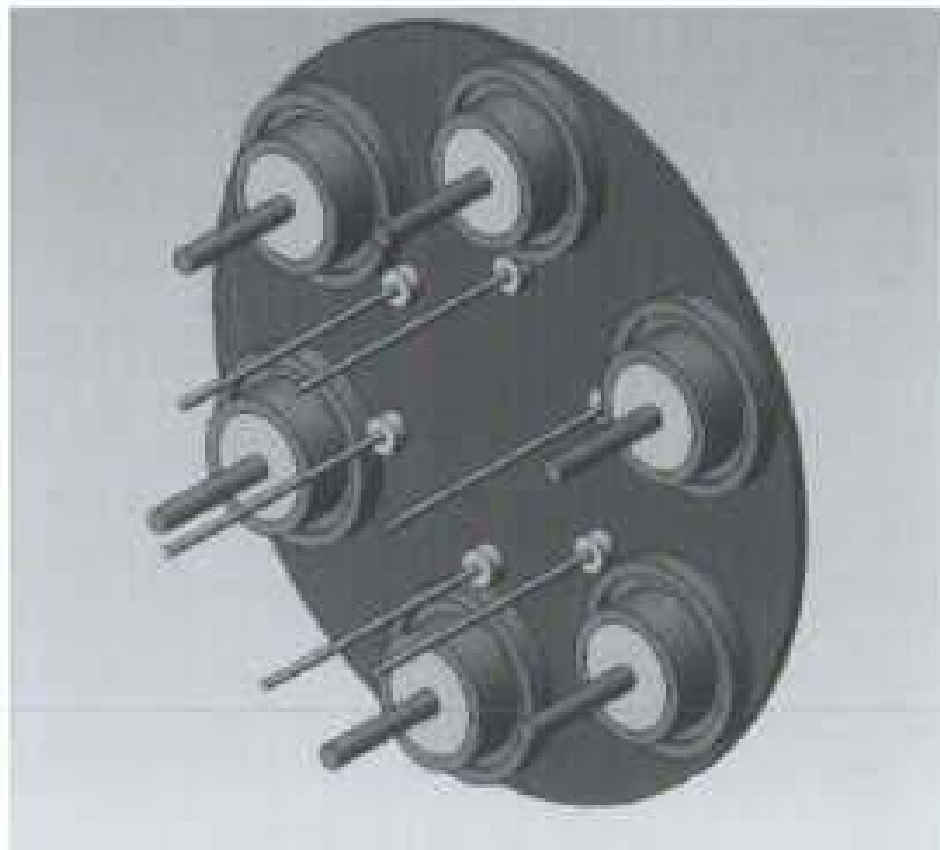
(31) Number
000810916

(32) Date
12 Oct 2007

(33) Country
EUROPEAN COMMUNITY

(56) Related Art Documents: **Not Applicable**

(57) Statement of Newness and Distinctiveness: **In considering the newness or distinctiveness of the design, regard is to be given to the overall shape and/or configuration of an antenna as shown in the representations.**



(21) Design Number: **11683/2008**

(22) Date of Filing Application: **10 April 2008**

(24) Date from which industrial property rights may have effect: **10 April 2008**

(54) Product in respect of which the design is registered: **An antenna**

(51) International Design Classification: **14-03NES**

(71) Name(s) and Address(s) of Applicant(s):

ITI Scotland Limited

191 West George Street 5th Floor Glasgow G2 2LB United Kingdom

(72) Name(s) of Designer(s): **Dean Kemp and Michael Philippakis and Neil Williams**

(45) Registration Date: **04 August 2008**

(30) Convention priority data:

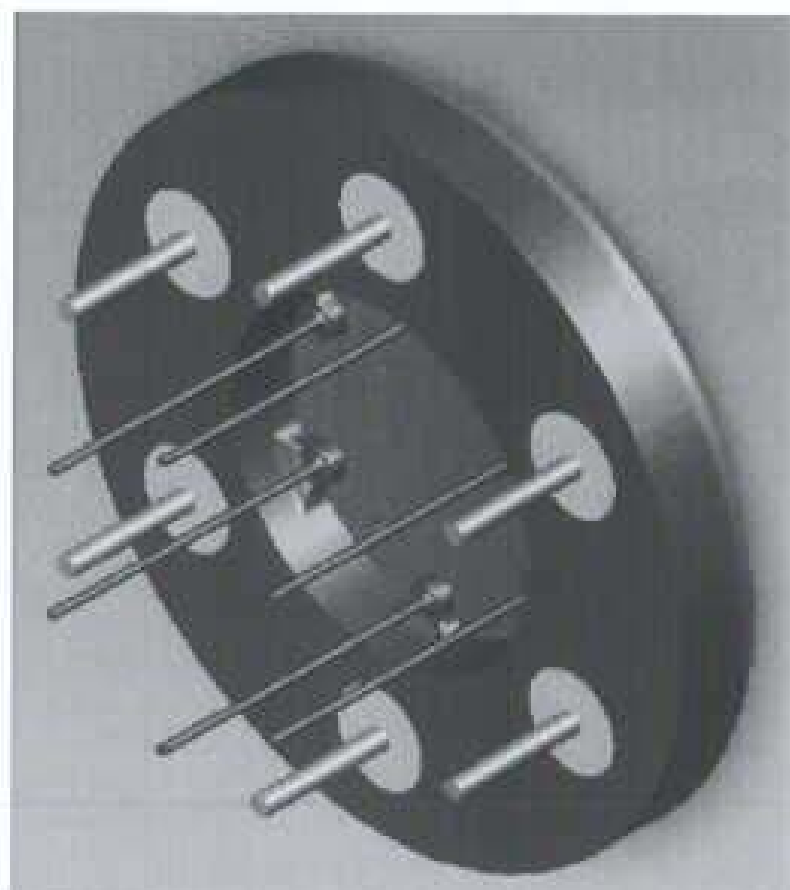
(31) Number
000810916

(32) Date
12 Oct 2007

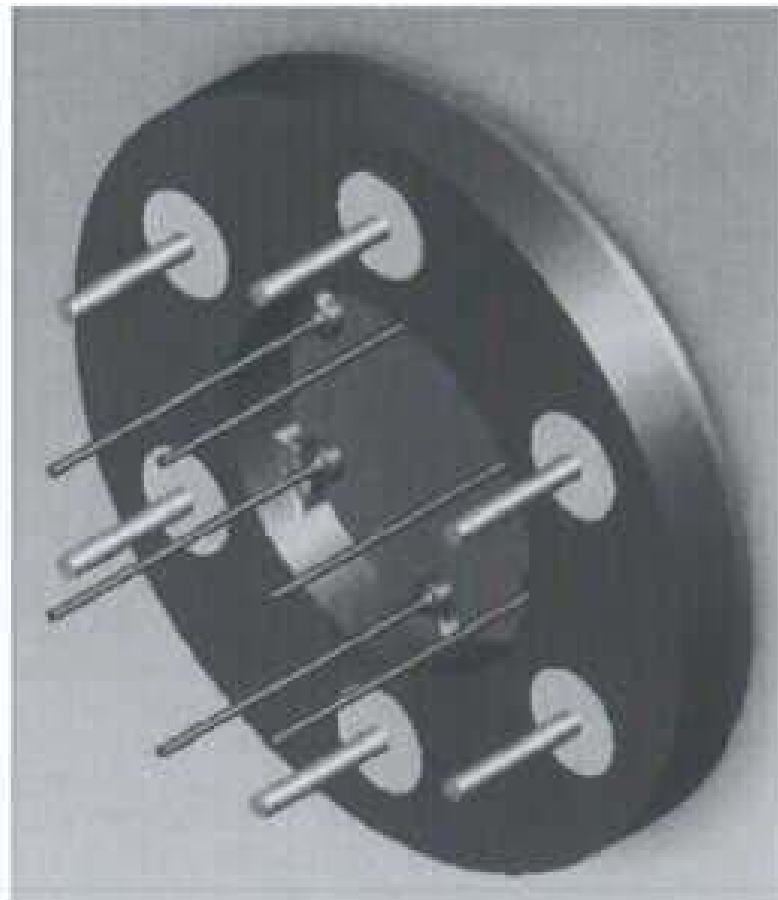
(33) Country
EUROPEAN COMMUNITY

(56) Related Art Documents: **Not Applicable**

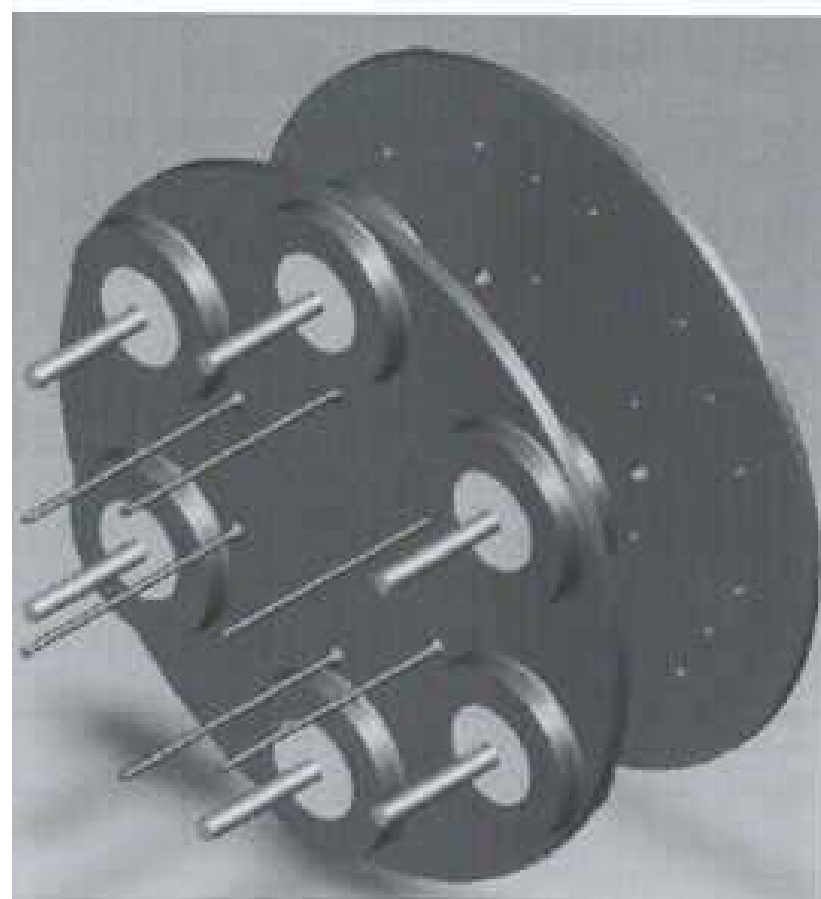
(57) Statement of Newness and Distinctiveness: **In considering the newness or distinctiveness of the design, regard is to be given to the overall shape and/or configuration of an antenna as shown in the representations.**



- (21) Design Number: **11684/2008**
(22) Date of Filing Application: **10 April 2008**
(24) Date from which industrial property rights may have effect: **10 April 2008**
(54) Product in respect of which the design is registered: **An antenna**
(51) International Design Classification: **14-03NES**
(71) Name(s) and Address(s) of Applicant(s):
ITI Scotland Limited
191 West George Street 5th Floor Glasgow G2 2LB United Kingdom
(72) Name(s) of Designer(s): **Dean Kemp and Michael Philippakis and Neil Williams**
(45) Registration Date: **04 August 2008**
(30) Convention priority data:
(31) Number (32) Date (33) Country
000810916 12 Oct 2007 EUROPEAN COMMUNITY
(56) Related Art Documents: **Not Applicable**
(57) Statement of Newness and Distinctiveness: **In considering the newness or distinctiveness of the design, regard is to be given to the overall shape and/or configuration of an antenna as shown in the representations.**



- (21) Design Number: **11685/2008**
(22) Date of Filing Application: **10 April 2008**
(24) Date from which industrial property rights may have effect: **10 April 2008**
(54) Product in respect of which the design is registered: **An antenna**
(51) International Design Classification: **14-03NES**
(71) Name(s) and Address(s) of Applicant(s):
ITI Scotland Limited
191 West George Street 5th Floor Glasgow G2 2LB United Kingdom
(72) Name(s) of Designer(s): **Dean Kemp and Michael Philippakis and Neil Williams**
(45) Registration Date: **04 August 2008**
(30) Convention priority data:
(31) Number (32) Date (33) Country
000810916 12 Oct 2007 EUROPEAN COMMUNITY
(56) Related Art Documents: **Not Applicable**
(57) Statement of Newness and Distinctiveness: **In considering the newness or distinctiveness of the design, regard is to be given to the overall shape and/or configuration of an antenna as shown in the representations.**



(21) Design Number: **11686/2008**

(22) Date of Filing Application: **10 April 2008**

(24) Date from which industrial property rights may have effect: **10 April 2008**

(54) Product in respect of which the design is registered: **An antenna**

(51) International Design Classification: **14-03NES**

(71) Name(s) and Address(s) of Applicant(s):

ITI Scotland Limited

191 West George Street 5th Floor Glasgow G2 2LB United Kingdom

(72) Name(s) of Designer(s): **Dean Kemp and Michael Philippakis and Neil Williams**

(45) Registration Date: **04 August 2008**

(30) Convention priority data:

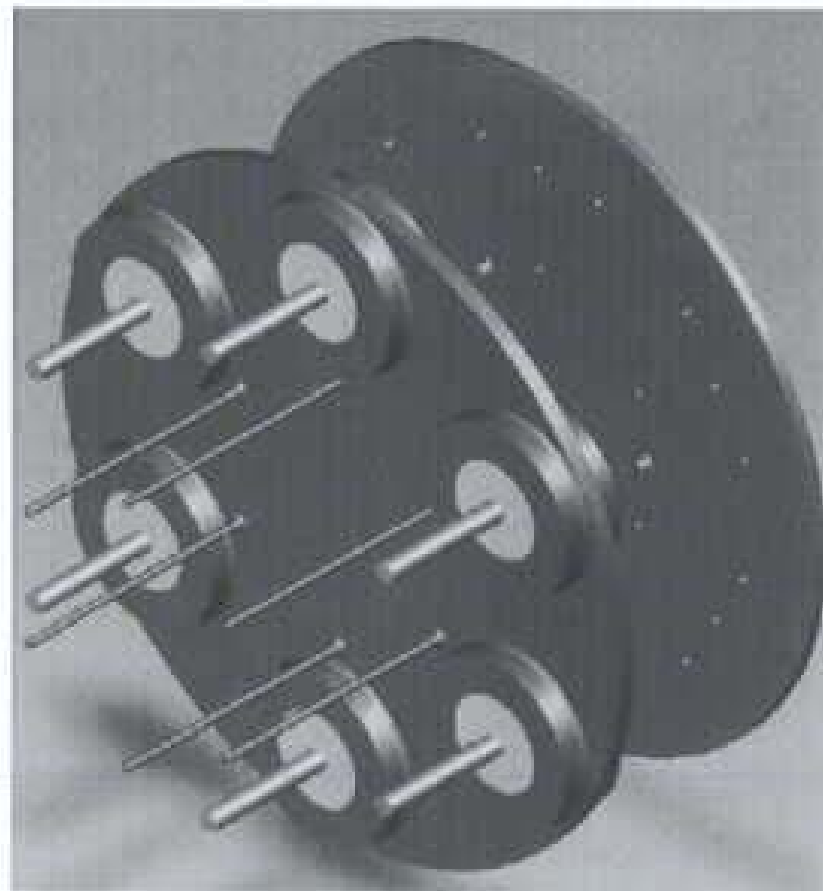
(31) Number
000810916

(32) Date
12 Oct 2007

(33) Country
EUROPEAN COMMUNITY

(56) Related Art Documents: **Not Applicable**

(57) Statement of Newness and Distinctiveness: **In considering the newness or distinctiveness of the design, regard is to be given to the overall shape and/or configuration of an antenna as shown in the representations.**



(21) Design Number: **11687/2008**

(22) Date of Filing Application: **10 April 2008**

(24) Date from which industrial property rights may have effect: **10 April 2008**

(54) Product in respect of which the design is registered: **An antenna**

(51) International Design Classification: **14-03NES**

(71) Name(s) and Address(s) of Applicant(s):

ITI Scotland Limited

191 West George Street 5th Floor Glasgow G2 2LB United Kingdom

(72) Name(s) of Designer(s): **Dean Kemp and Michael Philippakis and Neil Williams**

(45) Registration Date: **04 August 2008**

(30) Convention priority data:

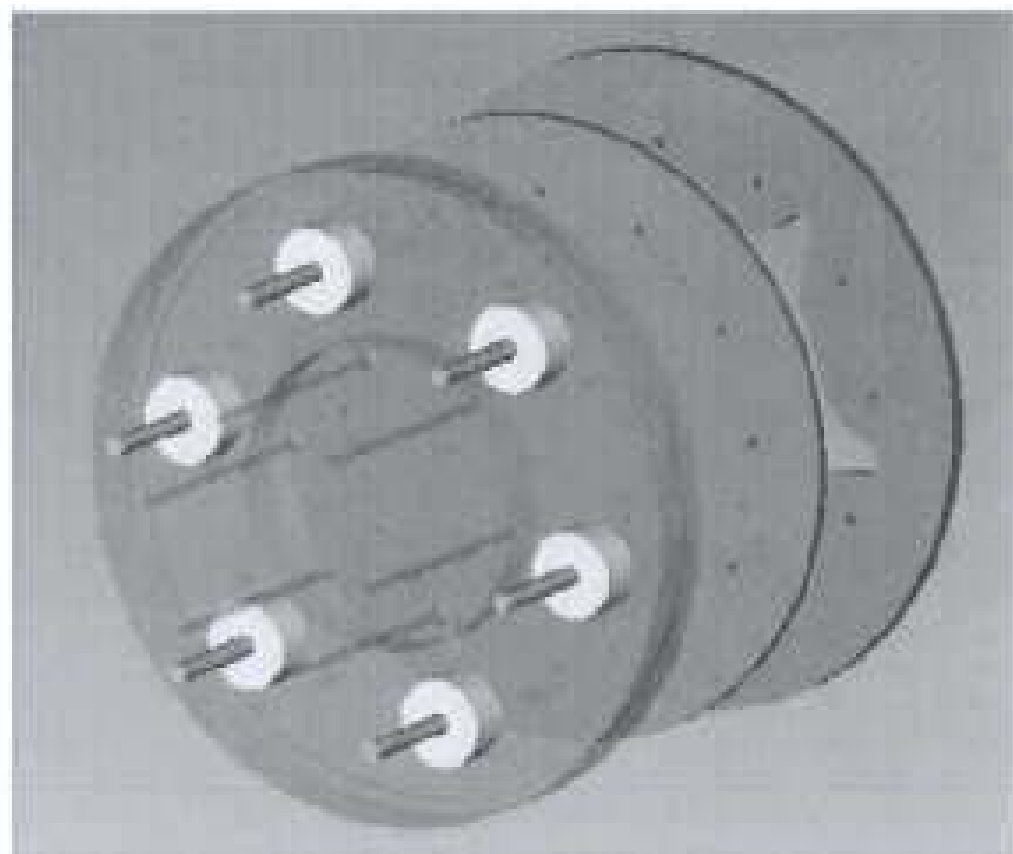
(31) Number
000810916

(32) Date
12 Oct 2007

(33) Country
EUROPEAN COMMUNITY

(56) Related Art Documents: **Not Applicable**

(57) Statement of Newness and Distinctiveness: **In considering the newness or distinctiveness of the design, regard is to be given to the overall shape and/or configuration of an antenna as shown in the representations.**



(21) Design Number: **11688/2008**

(22) Date of Filing Application: **10 April 2008**

(24) Date from which industrial property rights may have effect: **10 April 2008**

(54) Product in respect of which the design is registered: **An antenna**

(51) International Design Classification: **14-03NES**

(71) Name(s) and Address(s) of Applicant(s):

ITI Scotland Limited

191 West George Street 5th Floor Glasgow G2 2LB United Kingdom

(72) Name(s) of Designer(s): **Dean Kemp and Michael Philippakis and Neil Williams**

(45) Registration Date: **04 August 2008**

(30) Convention priority data:

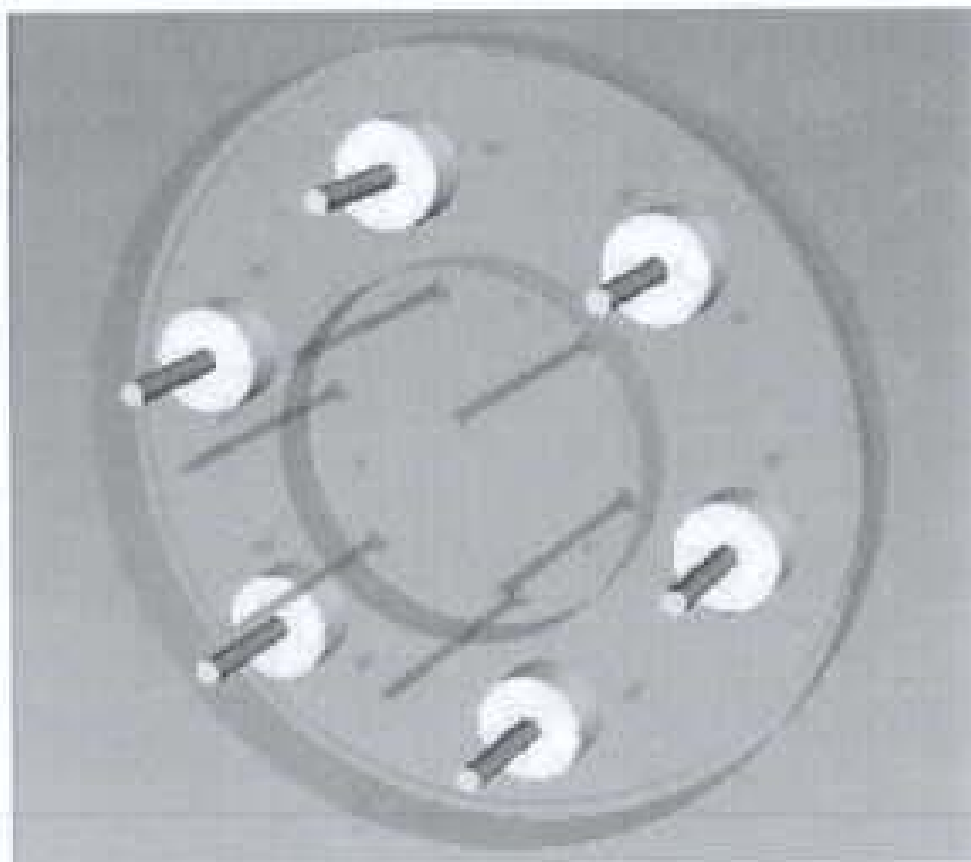
(31) Number
000810916

(32) Date
12 Oct 2007

(33) Country
EUROPEAN COMMUNITY

(56) Related Art Documents: **Not Applicable**

(57) Statement of Newness and Distinctiveness: **In considering the newness or distinctiveness of the design, regard is to be given to the overall shape and/or configuration of an antenna as shown in the representations.**



(21) Design Number: **11689/2008**

(22) Date of Filing Application: **10 April 2008**

(24) Date from which industrial property rights may have effect: **10 April 2008**

(54) Product in respect of which the design is registered: **An antenna**

(51) International Design Classification: **14-03NES**

(71) Name(s) and Address(s) of Applicant(s):

ITI Scotland Limited

191 West George Street 5th Floor Glasgow G2 2LB United Kingdom

(72) Name(s) of Designer(s): **Dean Kemp and Michael Philippakis and Neil Williams**

(45) Registration Date: **04 August 2008**

(30) Convention priority data:

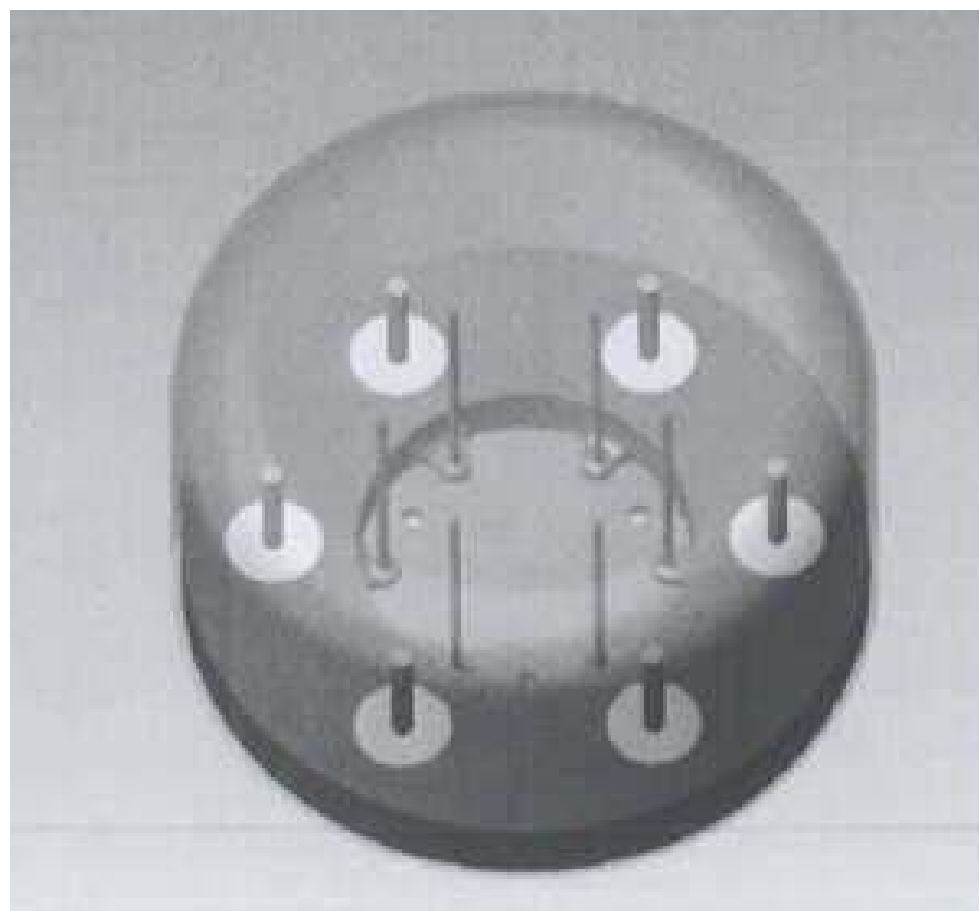
(31) Number
000810916

(32) Date
12 Oct 2007

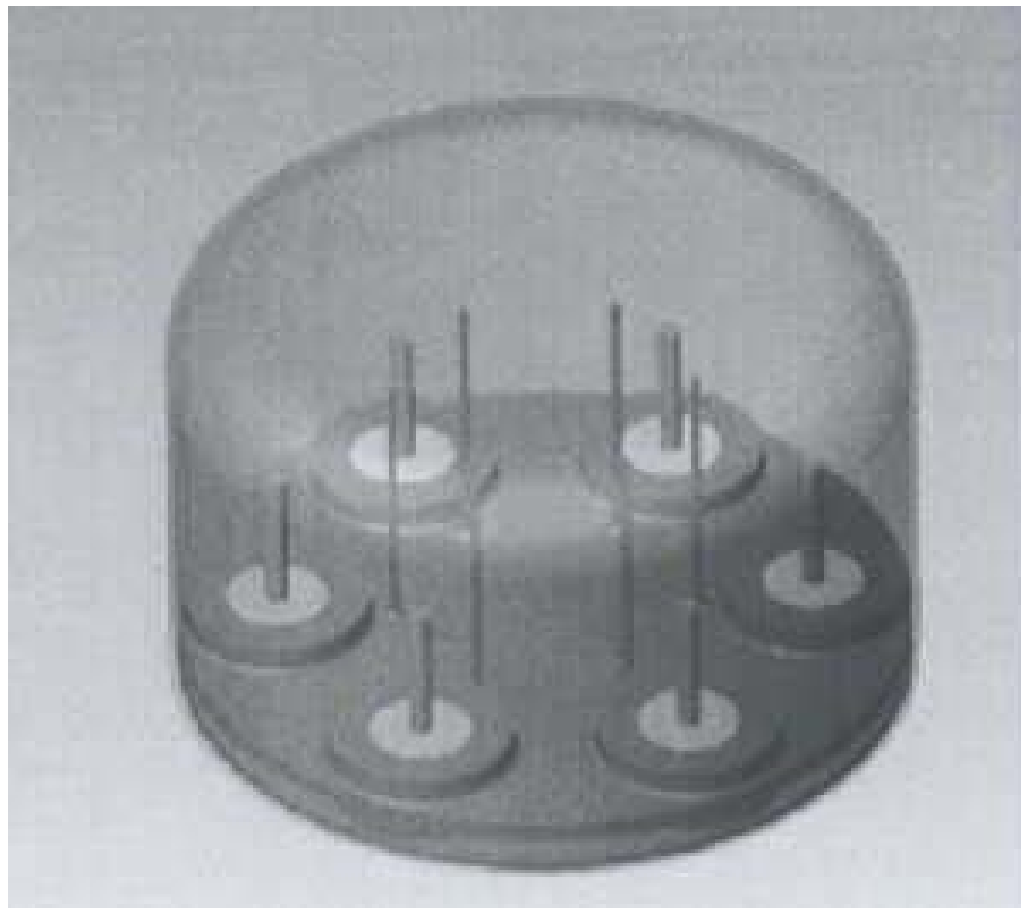
(33) Country
EUROPEAN COMMUNITY

(56) Related Art Documents: **Not Applicable**

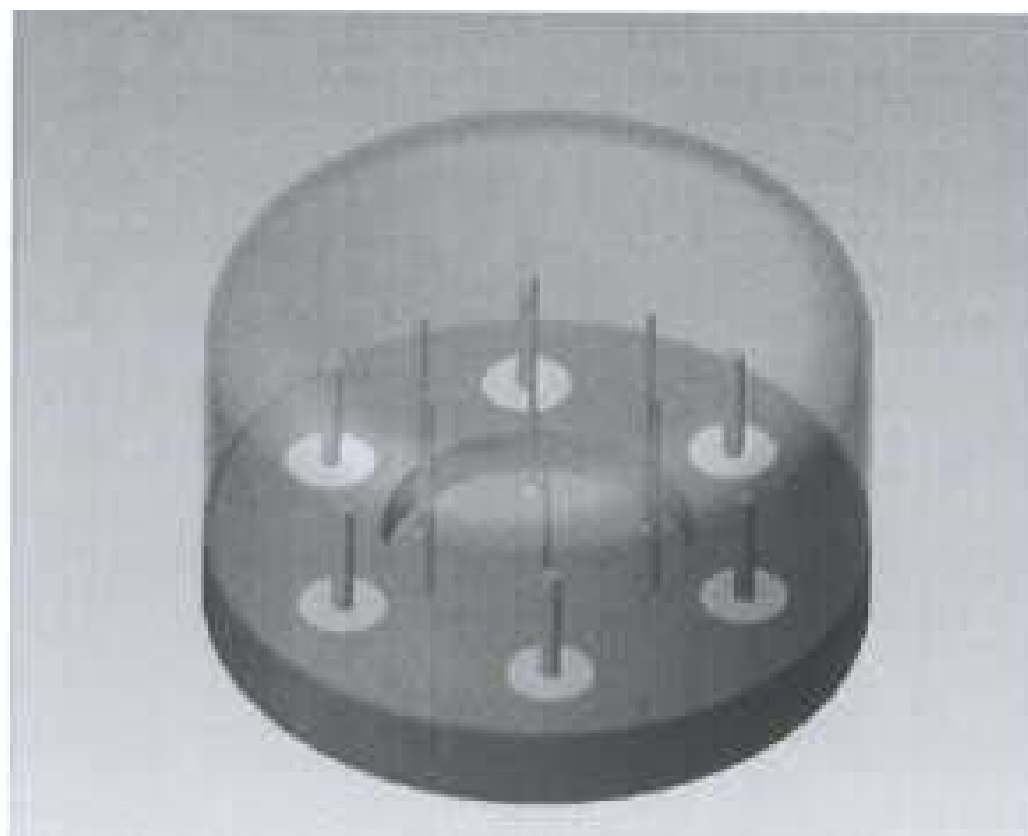
(57) Statement of Newness and Distinctiveness: **In considering the newness or distinctiveness of the design, regard is to be given to the overall shape and/or configuration of an antenna as shown in the representations.**



- (21) Design Number: **11690/2008**
(22) Date of Filing Application: **10 April 2008**
(24) Date from which industrial property rights may have effect: **10 April 2008**
(54) Product in respect of which the design is registered: **An antenna**
(51) International Design Classification: **14-03NES**
(71) Name(s) and Address(s) of Applicant(s):
ITI Scotland Limited
191 West George Street 5th Floor Glasgow G2 2LB United Kingdom
(72) Name(s) of Designer(s): **Dean Kemp and Michael Philippakis and Neil Williams**
(45) Registration Date: **04 August 2008**
(30) Convention priority data:
(31) Number (32) Date (33) Country
000810916 12 Oct 2007 EUROPEAN COMMUNITY
(56) Related Art Documents: **Not Applicable**
(57) Statement of Newness and Distinctiveness: **In considering the newness or distinctiveness of the design, regard is to be given to the overall shape and/or configuration of an antenna as shown in the representations.**



- (21) Design Number: **11691/2008**
(22) Date of Filing Application: **10 April 2008**
(24) Date from which industrial property rights may have effect: **10 April 2008**
(54) Product in respect of which the design is registered: **An antenna**
(51) International Design Classification: **14-03NES**
(71) Name(s) and Address(s) of Applicant(s):
ITI Scotland Limited
191 West George Street 5th Floor Glasgow G2 2LB United Kingdom
(72) Name(s) of Designer(s): **Dean Kemp and Michael Philippakis and Neil Williams**
(45) Registration Date: **04 August 2008**
(30) Convention priority data:
(31) Number (32) Date (33) Country
000810916 12 Oct 2007 EUROPEAN COMMUNITY
(56) Related Art Documents: **Not Applicable**
(57) Statement of Newness and Distinctiveness: **In considering the newness or distinctiveness of the design, regard is to be given to the overall shape and/or configuration of an antenna as shown in the representations.**



(21) Design Number: **11699/2008**

(22) Date of Filing Application: **10 April 2008**

(24) Date from which industrial property rights may have effect: **10 April 2008**

(54) Product in respect of which the design is registered: **Electrical connector**

(51) International Design Classification: **13-03E**

(71) Name(s) and Address(s) of Applicant(s):

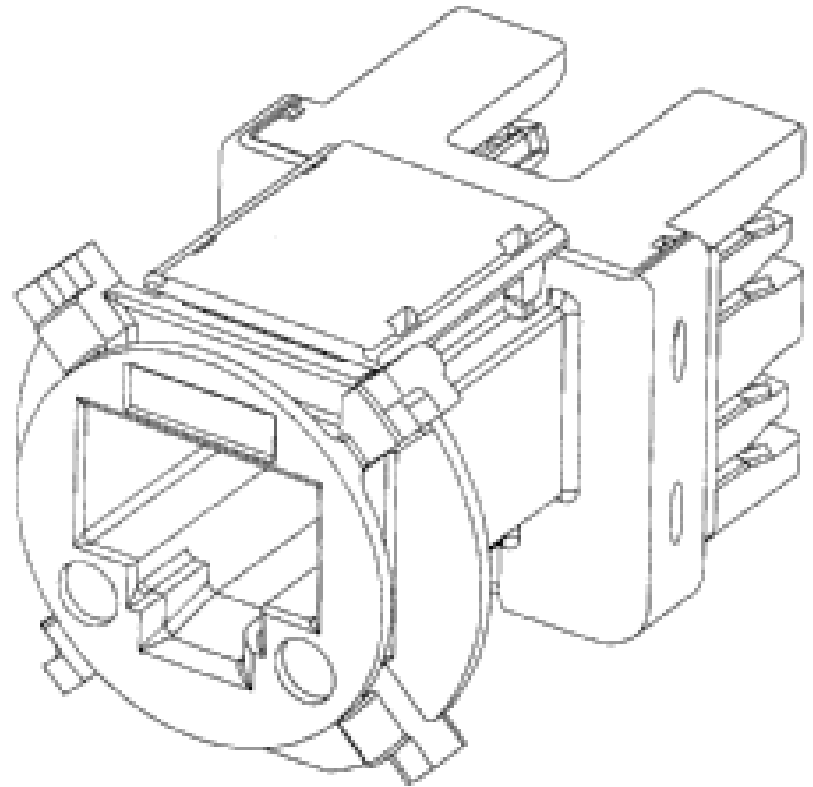
ADC Communications (Australia) Pty Limited
2 Hereford Street Berkeley Vale New South Wales 2261 Australia

(72) Name(s) of Designer(s): **Brent David Allwood**

(45) Registration Date: **04 August 2008**

(56) Related Art Documents: **Not Applicable**

(57) Statement of Newness and Distinctiveness: **The features of shape and configuration of the electrical connector shown in the accompanying representations are considered to be new and distinctive.**



(21) Design Number: **11701/2008**

(22) Date of Filing Application: **10 April 2008**

(24) Date from which industrial property rights may have effect: **10 April 2008**

(54) Product in respect of which the design is registered: **Child harness**

(51) International Design Classification: **29-02**

(71) Name(s) and Address(s) of Applicant(s):

Dale Importers (Australia) Pty Ltd
Unit 10/1-7 Friars Road Moorabbin Victoria 3189 Australia

(72) Name(s) of Designer(s): **Lynn Rosen**

(45) Registration Date: **04 August 2008**

(56) Related Art Documents: **Not Applicable**

(57) Statement of Newness and Distinctiveness: **Nil**



- (21) Design Number: **11702/2008**
(22) Date of Filing Application: **10 April 2008**
(24) Date from which industrial property rights may have effect: **10 April 2008**
(54) Product in respect of which the design is registered: **Child harness**
(51) International Design Classification: **29-02**
(71) Name(s) and Address(s) of Applicant(s):
Dale Importers (Australia) Pty Ltd
Unit 10/1-7 Friars Road Moorabbin Victoria 3189 Australia
(72) Name(s) of Designer(s): **Lynn Rosen**
(45) Registration Date: **04 August 2008**
(56) Related Art Documents: **Not Applicable**
(57) Statement of Newness and Distinctiveness: **Nil**



- (21) Design Number: **11703/2008**
(22) Date of Filing Application: **10 April 2008**
(24) Date from which industrial property rights may have effect: **10 April 2008**
(54) Product in respect of which the design is registered: **Child harness**
(51) International Design Classification: **29-02**
(71) Name(s) and Address(s) of Applicant(s):
Dale Importers (Australia) Pty Ltd
Unit 10/1-7 Friars Road Moorabbin Victoria 3189 Australia
(72) Name(s) of Designer(s): **Lynn Rosen**
(45) Registration Date: **04 August 2008**
(56) Related Art Documents: **Not Applicable**
(57) Statement of Newness and Distinctiveness: **Nil**



(21) Design Number: **11671/2008**

(22) Date of Filing Application: **09 April 2008**

(24) Date from which industrial property rights may have effect: **09 April 2008**

(54) Product in respect of which the design is registered: **Bottle with cap**

(51) International Design Classification: **09-01G**

(71) Name(s) and Address(s) of Applicant(s):

Missoni S.p.A.

Sede/Amministrazione via Luigi Rossi 52 Sumirago 21040 Italy

(72) Name(s) of Designer(s): **Diane H. Kim**

(45) Registration Date: **04 August 2008**

(30) Convention priority data:

(31) Number

(32) Date

(33) Country

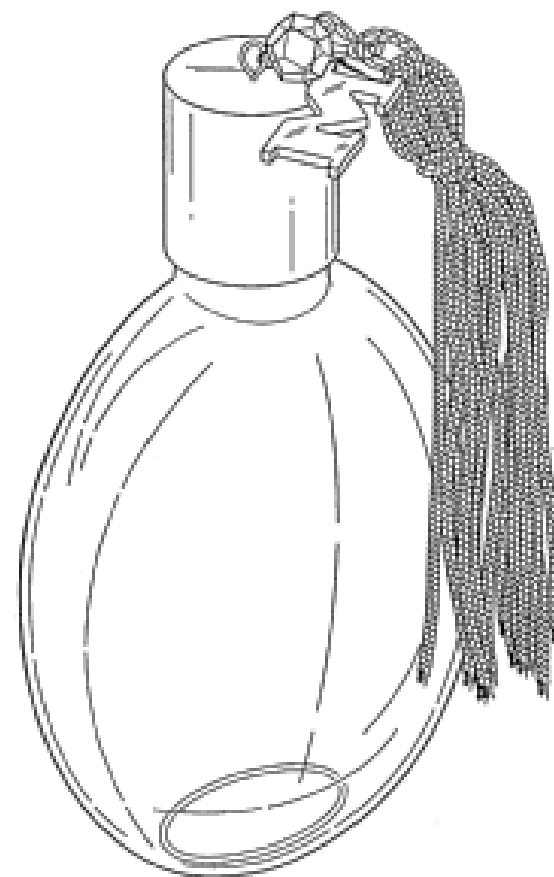
29/297113

05 Nov 2007

UNITED STATES OF AMERICA

(56) Related Art Documents: **Not Applicable**

(57) Statement of Newness and Distinctiveness: **Those features of the bottle with cap depicted in the representations that are new and distinctive are the shape and/or configuration.**



(21) Design Number: **12091/2008**

(22) Date of Filing Application: **09 April 2008**

(24) Date from which industrial property rights may have effect: **09 April 2008**

(54) Product in respect of which the design is registered: **Bottle with cap**

(51) International Design Classification: **09-01G**

(71) Name(s) and Address(s) of Applicant(s):

Missoni S.p.A.

Sede/Amministrazione via Luigi Rossi 52 Sumirago 21040 Italy

(72) Name(s) of Designer(s): **Diane H. Kim**

(45) Registration Date: **04 August 2008**

(30) Convention priority data:

(31) Number

(32) Date

(33) Country

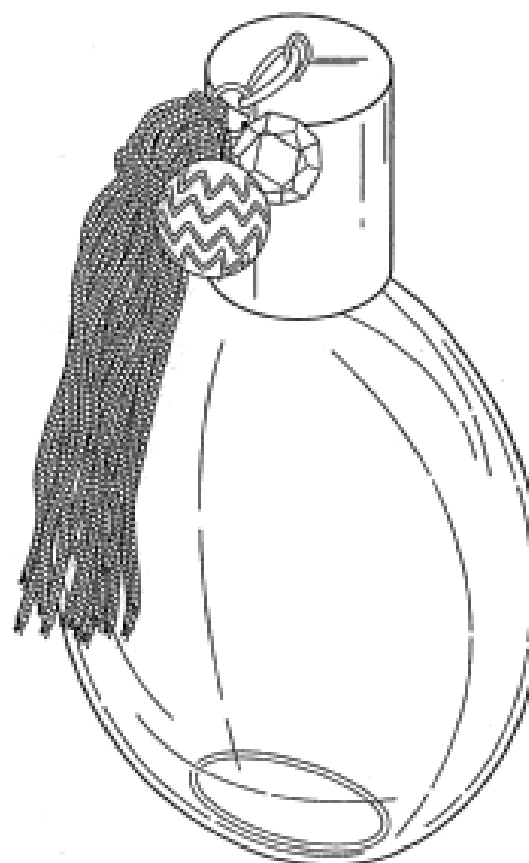
29/297113

05 Nov 2007

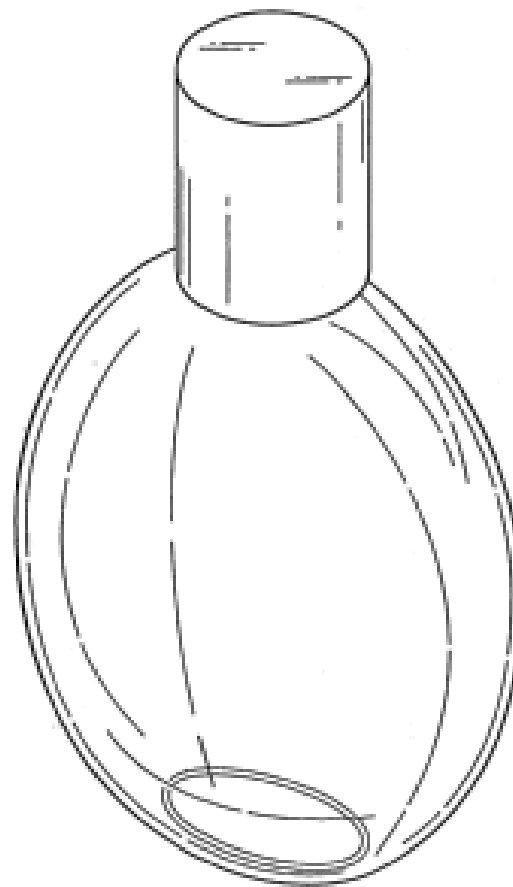
UNITED STATES OF AMERICA

(56) Related Art Documents: **Not Applicable**

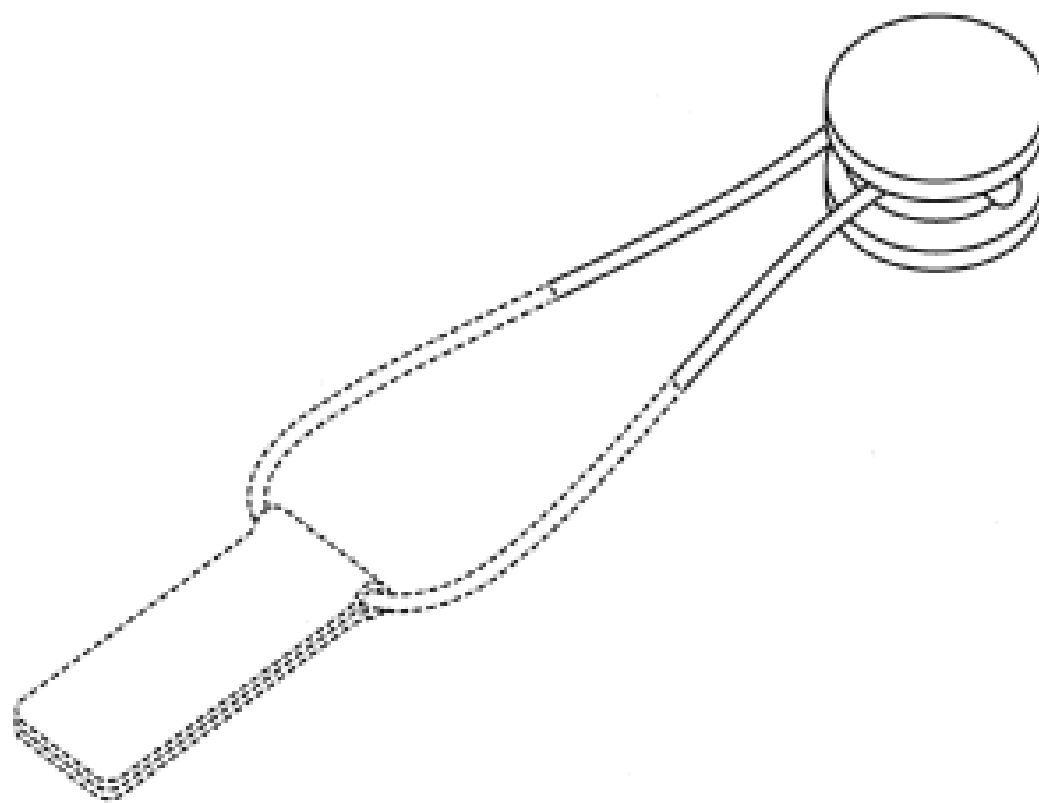
(57) Statement of Newness and Distinctiveness: **Those features of the bottle with cap depicted in the representations that are new and distinctive are the shape and/or configuration.**



- (21) Design Number: **12092/2008**
(22) Date of Filing Application: **09 April 2008**
(24) Date from which industrial property rights may have effect: **09 April 2008**
(54) Product in respect of which the design is registered: **Bottle with cap**
(51) International Design Classification: **09-01G**
(71) Name(s) and Address(s) of Applicant(s):
Missoni S.p.A.
Sede/Amministrazione via Luigi Rossi 52 Sumirago 21040 Italy
(72) Name(s) of Designer(s): **Diane H. Kim**
(45) Registration Date: **04 August 2008**
(30) Convention priority data:
(31) Number (32) Date (33) Country
29/297113 05 Nov 2007 UNITED STATES OF AMERICA
(56) Related Art Documents: **Not Applicable**
(57) Statement of Newness and Distinctiveness: **Those features of the bottle with cap depicted in the representations that are new and distinctive are the shape and/or configuration.**



- (21) Design Number: **10861/2008**
(22) Date of Filing Application: **22 February 2008**
(24) Date from which industrial property rights may have effect: **22 February 2008**
(54) Product in respect of which the design is registered: **Cable clip**
(51) International Design Classification: **13-03B**
(71) Name(s) and Address(s) of Applicant(s):
Microsoft Corporation
One Microsoft Way Redmond Washington 98052 United States of America
(72) Name(s) of Designer(s): **Carl J. Ledbetter and John Ikeda and Roland Alexander Bird**
(45) Registration Date: **05 August 2008**
(30) Convention priority data:
(31) Number (32) Date (33) Country
29/283856 24 Aug 2007 UNITED STATES OF AMERICA
(56) Related Art Documents: **Not Applicable**
(57) Statement of Newness and Distinctiveness: **Newness and distinctiveness reside in the shape and/or configuration of a cable clip and a portion thereof illustrated by solid lines in the accompanying representations. The features shown in broken outline are for illustrative purposes only and do not form part of the design.**



(21) Design Number: **10902/2008**
(22) Date of Filing Application: **25 February 2008**
(24) Date from which industrial property rights may have effect: **25 February 2008**
(54) Product in respect of which the design is registered: **Stand for kitchen utensils**
(51) International Design Classification: **07-02NES**
(71) Name(s) and Address(s) of Applicant(s):
Kenwood Limited
New Lane Havant Hampshire PO9 2NH England
(72) Name(s) of Designer(s): **Robin Ferraby**
(45) Registration Date: **05 August 2008**
(30) Convention priority data:
(31) Number (32) Date (33) Country
000788641-0002 30 Nov 2007 EUROPEAN COMMUNITY
(56) Related Art Documents: **Not Applicable**
(57) Statement of Newness and Distinctiveness: **Nil**



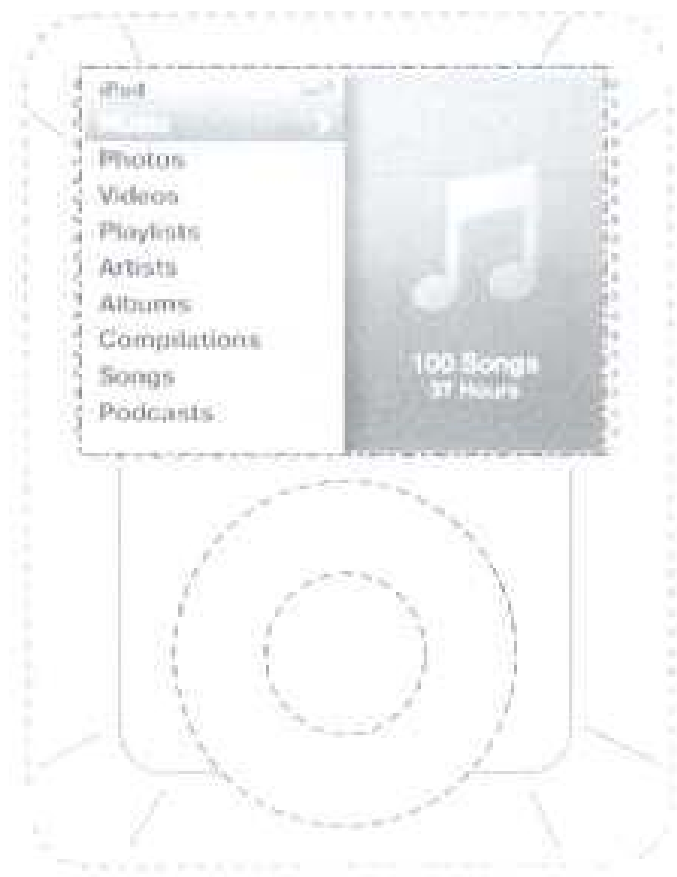
(21) Design Number: **10903/2008**
(22) Date of Filing Application: **25 February 2008**
(24) Date from which industrial property rights may have effect: **25 February 2008**
(54) Product in respect of which the design is registered: **Stand for kitchen utensils**
(51) International Design Classification: **07-02NES**
(71) Name(s) and Address(s) of Applicant(s):
Kenwood Limited
New Lane Havant Hampshire PO9 2NH England
(72) Name(s) of Designer(s): **Robin Ferraby**
(45) Registration Date: **05 August 2008**
(30) Convention priority data:
(31) Number (32) Date (33) Country
000788641-0001 30 Nov 2007 EUROPEAN COMMUNITY
(56) Related Art Documents: **Not Applicable**
(57) Statement of Newness and Distinctiveness: **Nil**



(19) AU

- (21) Design Number: **11042/2008**
- (22) Date of Filing Application: **04 March 2008**
- (24) Date from which industrial property rights may have effect: **04 March 2008**
- (54) Product in respect of which the design is registered: **An electronic device**
- (51) International Design Classification: **14-01, 14-02**
- (71) Name(s) and Address(s) of Applicant(s):
Apple Inc.
1 Infinite Loop Cupertino California 95014 United States of America
- (72) Name(s) of Designer(s): **William Bull and Kourtny Hicks and Eric Hope and Policarpo Wood**
- (45) Registration Date: **05 August 2008**
- (30) Convention priority data:

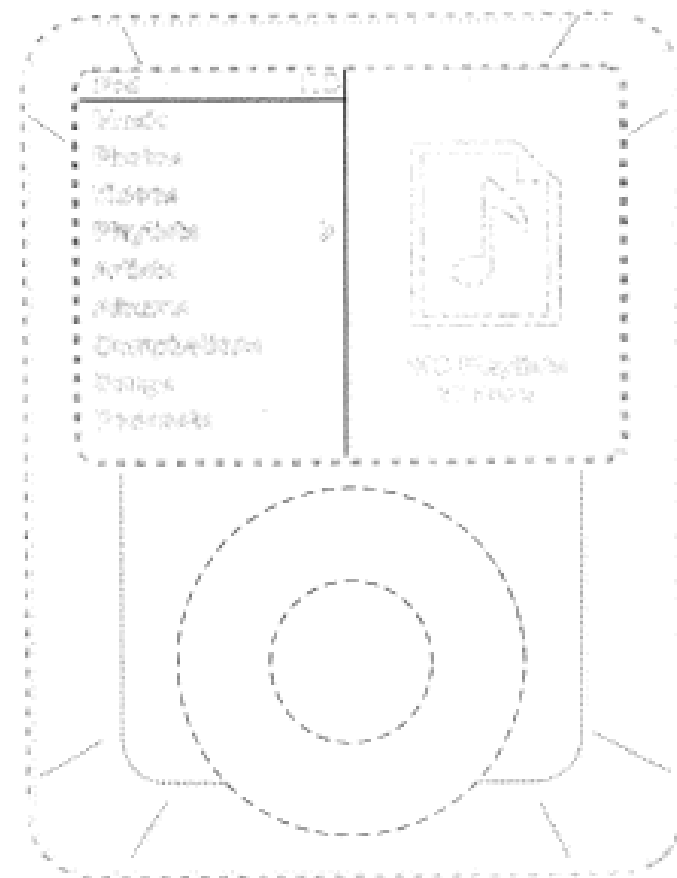
(31) Number	(32) Date	(33) Country
29/284263	04 Sep 2007	UNITED STATES OF AMERICA
- (56) Related Art Documents: **Not Applicable**
- (57) Statement of Newness and Distinctiveness: **Statement of newness and distinctiveness resides in the features of pattern and/or ornamentation as shown in solid lines and shading in the accompanying representations.**



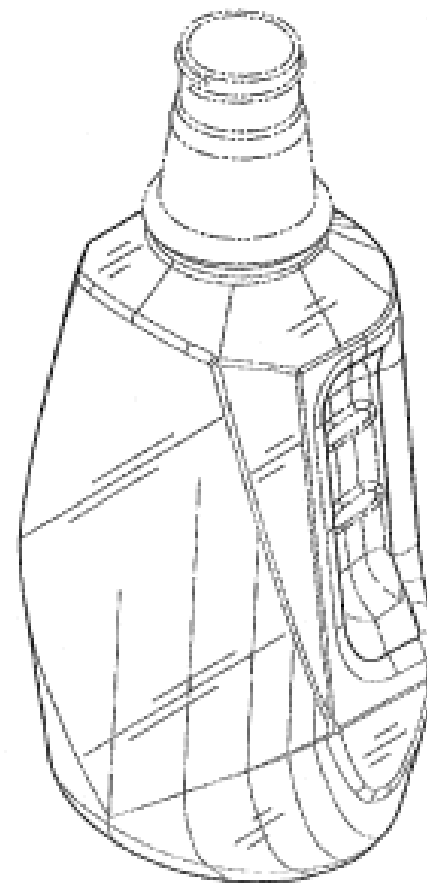
(19) AU

- (21) Design Number: **11043/2008**
- (22) Date of Filing Application: **04 March 2008**
- (24) Date from which industrial property rights may have effect: **04 March 2008**
- (54) Product in respect of which the design is registered: **An electronic device**
- (51) International Design Classification: **14-01, 14-02**
- (71) Name(s) and Address(s) of Applicant(s):
Apple Inc.
1 Infinite Loop Cupertino California 95014 United States of America
- (72) Name(s) of Designer(s): **William Bull and Kourtny Hicks and Eric Hope and Policarpo Wood**
- (45) Registration Date: **05 August 2008**
- (30) Convention priority data:

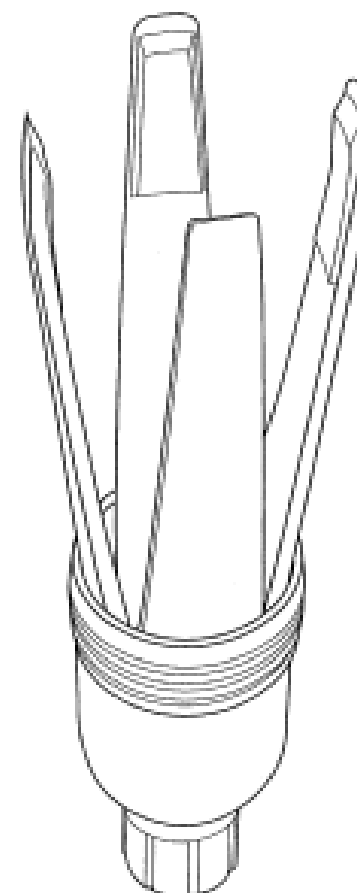
(31) Number	(32) Date	(33) Country
29/284263	04 Sep 2007	UNITED STATES OF AMERICA
- (56) Related Art Documents: **Not Applicable**
- (57) Statement of Newness and Distinctiveness: **Statement of newness and distinctiveness resides in the features of pattern and/or ornamentation as shown in solid lines in the accompanying representations.**



- (21) Design Number: **11696/2008**
(22) Date of Filing Application: **10 April 2008**
(24) Date from which industrial property rights may have effect: **10 April 2008**
(54) Product in respect of which the design is registered: **Bottle**
(51) International Design Classification: **09-01K**
(71) Name(s) and Address(s) of Applicant(s):
The Procter & Gamble Company
One Procter & Gamble Plaza Cincinnati Ohio 45202 United States of America
(72) Name(s) of Designer(s): **Gwen Elaine Pace and Michael Dean McCutchan and Christopher Miles Miller**
(45) Registration Date: **05 August 2008**
(30) Convention priority data:
(31) Number (32) Date (33) Country
29/292,462 12 Oct 2007 UNITED STATES OF AMERICA
(56) Related Art Documents: **Not Applicable**
(57) Statement of Newness and Distinctiveness: **Newness and distinctiveness reside in the features of shape and/or configuration of the bottle, as shown in the representations. Newness and distinctiveness are not claimed in the features shown in broken lines in the representations. These features are shown for illustrative purposes only.**



- (21) Design Number: **11745/2008**
(22) Date of Filing Application: **11 April 2008**
(24) Date from which industrial property rights may have effect: **11 April 2008**
(54) Product in respect of which the design is registered: **Bulb changer**
(51) International Design Classification: **07-99NES, 08-05NES**
(71) Name(s) and Address(s) of Applicant(s):
Somjai Vivatvanit
200/12 Mooban Prinsiri Navamin Road Klongkum Bungkum Bangkok Thailand
(72) Name(s) of Designer(s): **Somjai Vivatvanit**
(45) Registration Date: **05 August 2008**
(30) Convention priority data:
(31) Number (32) Date (33) Country
0702002771 15 Oct 2007 THAILAND
(56) Related Art Documents: **Not Applicable**
(57) Statement of Newness and Distinctiveness: **Newness and distinctiveness is claimed in the features of shape and/or configuration of a bulb changer as illustrated in the accompanying representations.**



(21) Design Number: **11746/2008**
(22) Date of Filing Application: **11 April 2008**
(24) Date from which industrial property rights may have effect: **11 April 2008**
(54) Product in respect of which the design is registered: **A towel**
(51) International Design Classification: **06-13C**
(71) Name(s) and Address(s) of Applicant(s):

John Wood
2 Drayfields Droylsden Manchester M43 7ET United Kingdom

(72) Name(s) of Designer(s): **John Wood**

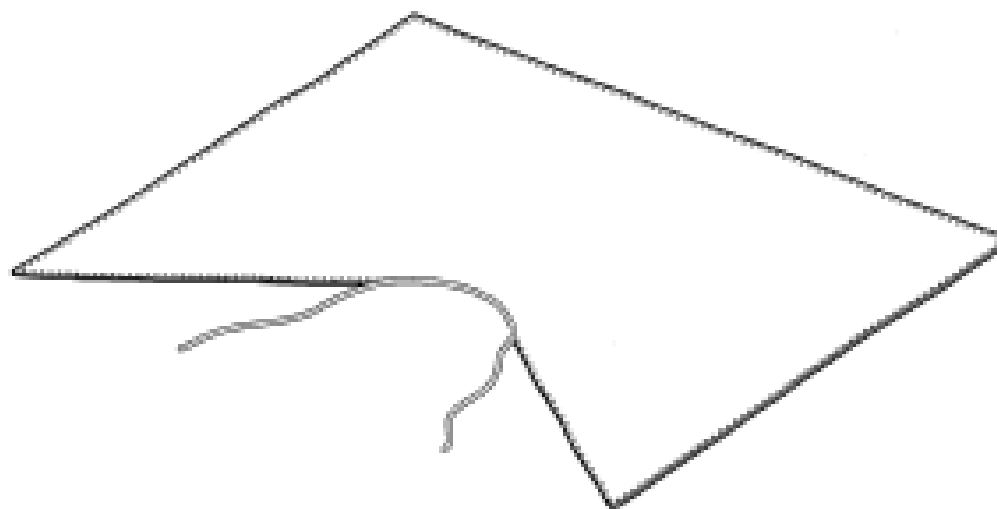
(45) Registration Date: **05 August 2008**

(30) Convention priority data:

(31) Number	(32) Date	(33) Country
4004660	11 Oct 2007	UNITED KINGDOM

(56) Related Art Documents: **Not Applicable**

(57) Statement of Newness and Distinctiveness: **Newness and distinctiveness resides in the features of shape and configuration of a towel as shown in the accompanying representations.**



(21) Design Number: **11752/2008**
(22) Date of Filing Application: **14 April 2008**
(24) Date from which industrial property rights may have effect: **14 April 2008**
(54) Product in respect of which the design is registered: **Flashlight**
(51) International Design Classification: **26-02**
(71) Name(s) and Address(s) of Applicant(s):

Black & Decker, Inc.
1207 Drummond Plaza Newark Delaware 19711 United States of America

(72) Name(s) of Designer(s): **Thomas W. Murray**

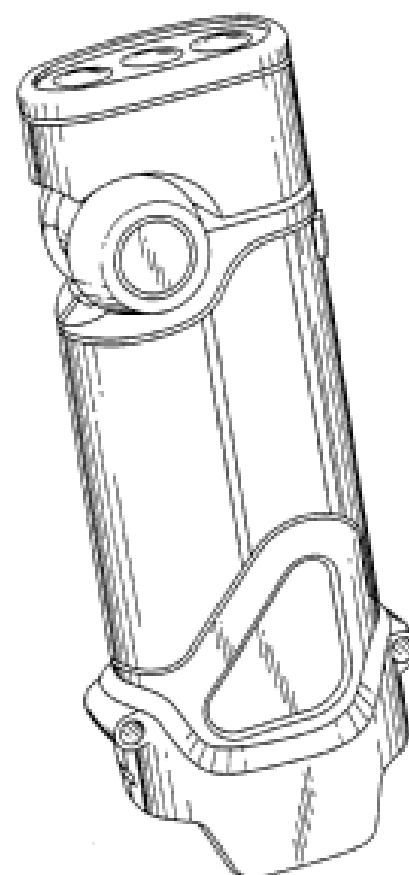
(45) Registration Date: **05 August 2008**

(30) Convention priority data:

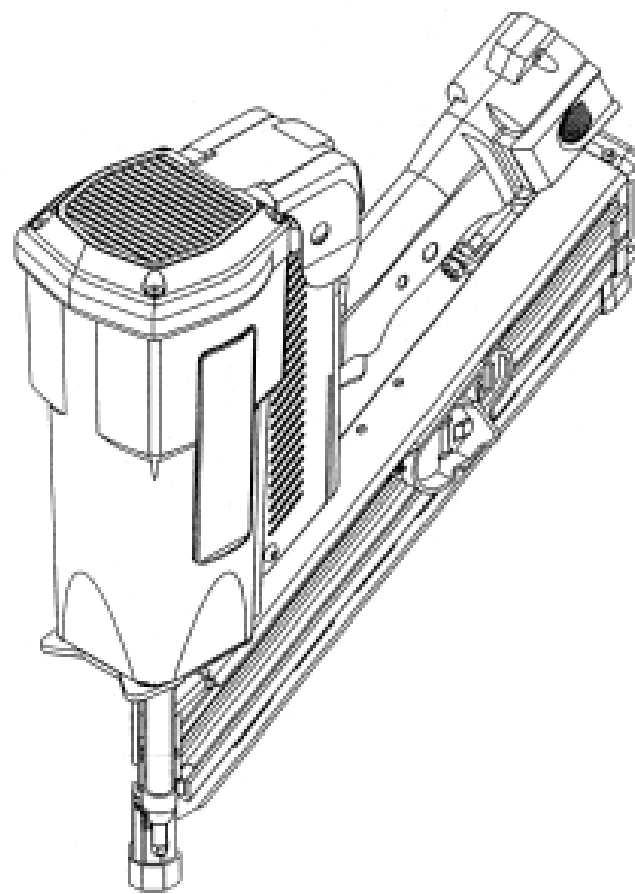
(31) Number	(32) Date	(33) Country
29/296615	24 Oct 2007	UNITED STATES OF AMERICA

(56) Related Art Documents: **Not Applicable**

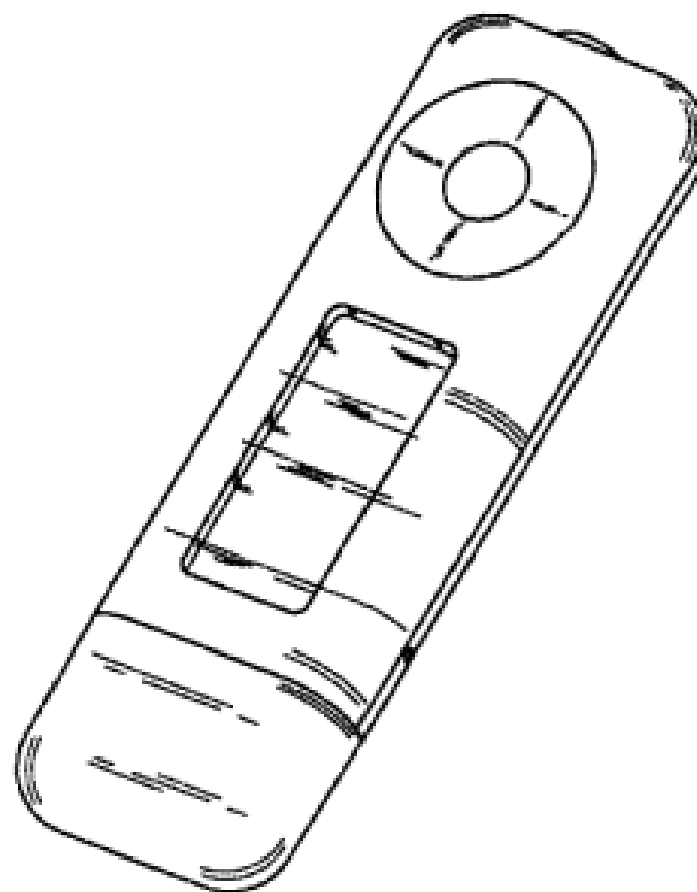
(57) Statement of Newness and Distinctiveness: **Nil**



- (21) Design Number: **11755/2008**
(22) Date of Filing Application: **14 April 2008**
(24) Date from which industrial property rights may have effect: **14 April 2008**
(54) Product in respect of which the design is registered: **Tacker**
(51) International Design Classification: **15-99**
(71) Name(s) and Address(s) of Applicant(s):
Joh. Friedrich Behrens AG
Bogenstrasse 43-45 22926 Ahrensburg Germany
(72) Name(s) of Designer(s): **Suzanne Fischer-Zernin**
(45) Registration Date: **05 August 2008**
(30) Convention priority data:
(31) Number (32) Date (33) Country
000821228 05 Nov 2007 EUROPEAN COMMUNITY
(56) Related Art Documents: **Not Applicable**
(57) Statement of Newness and Distinctiveness: **Newness and distinctiveness is claimed in the features of shape and/or configuration of a tacker as illustrated in the accompanying representations.**



- (21) Design Number: **11756/2008**
(22) Date of Filing Application: **14 April 2008**
(24) Date from which industrial property rights may have effect: **14 April 2008**
(54) Product in respect of which the design is registered: **Media player**
(51) International Design Classification: **14-01**
(71) Name(s) and Address(s) of Applicant(s):
Creative Technology Ltd
31 International Business Park Creative Resource 609921 Singapore
(72) Name(s) of Designer(s): **Kok Chong Anthony Oh and Boon Keat Eddy Toh and Jeng Khim Tan and Qing Li**
(45) Registration Date: **05 August 2008**
(30) Convention priority data:
(31) Number (32) Date (33) Country
29/299,960 07 Jan 2008 UNITED STATES OF AMERICA
(56) Related Art Documents: **Not Applicable**
(57) Statement of Newness and Distinctiveness: **The novelty of the design resides in the features of shape and configuration as depicted in the attached representations.**



(21) Design Number: **11757/2008**

(22) Date of Filing Application: **14 April 2008**

(24) Date from which industrial property rights may have effect: **14 April 2008**

(54) Product in respect of which the design is registered: **Media player**

(51) International Design Classification: **14-01**

(71) Name(s) and Address(s) of Applicant(s):

**Creative Technology Ltd
31 International Business Park Creative Resource 609921 Singapore**

(72) Name(s) of Designer(s): **Kok Chong Anthony Oh and Boon Keat Eddy Toh and Qing Li**

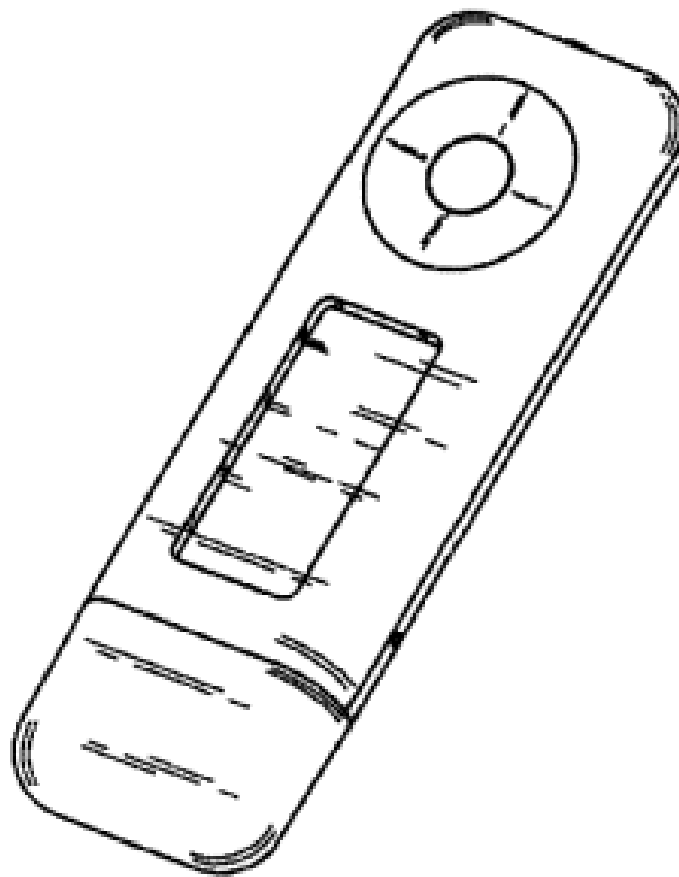
(45) Registration Date: **05 August 2008**

(30) Convention priority data:

(31) Number	(32) Date	(33) Country
29/299,957	07 Jan 2008	UNITED STATES OF AMERICA

(56) Related Art Documents: **Not Applicable**

(57) Statement of Newness and Distinctiveness: **The novelty of the design resides in the features of shape and configuration as depicted in the attached representations.**



(21) Design Number: **11758/2008**

(22) Date of Filing Application: **14 April 2008**

(24) Date from which industrial property rights may have effect: **14 April 2008**

(54) Product in respect of which the design is registered: **Docking loudspeaker for media player**

(51) International Design Classification: **14-01**

(71) Name(s) and Address(s) of Applicant(s):

**Creative Technology Ltd
31 International Business Park Creative Resource 609921 Singapore**

(72) Name(s) of Designer(s): **Kian Choon Janie Lim and Mei San Gigi Cho and Soo Beng Damien Khoo and Chien Mei Linda Ang and Yu Weng Alvin Sitoh**

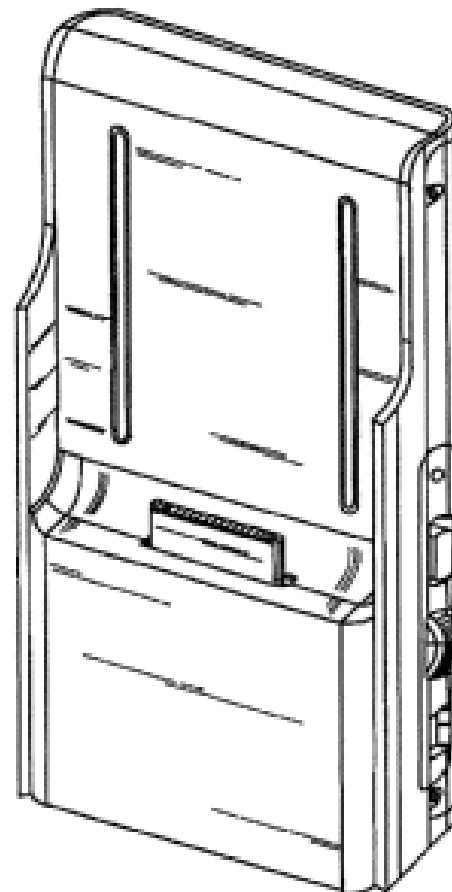
(45) Registration Date: **05 August 2008**

(30) Convention priority data:

(31) Number	(32) Date	(33) Country
29/299,361	21 Dec 2007	UNITED STATES OF AMERICA

(56) Related Art Documents: **Not Applicable**

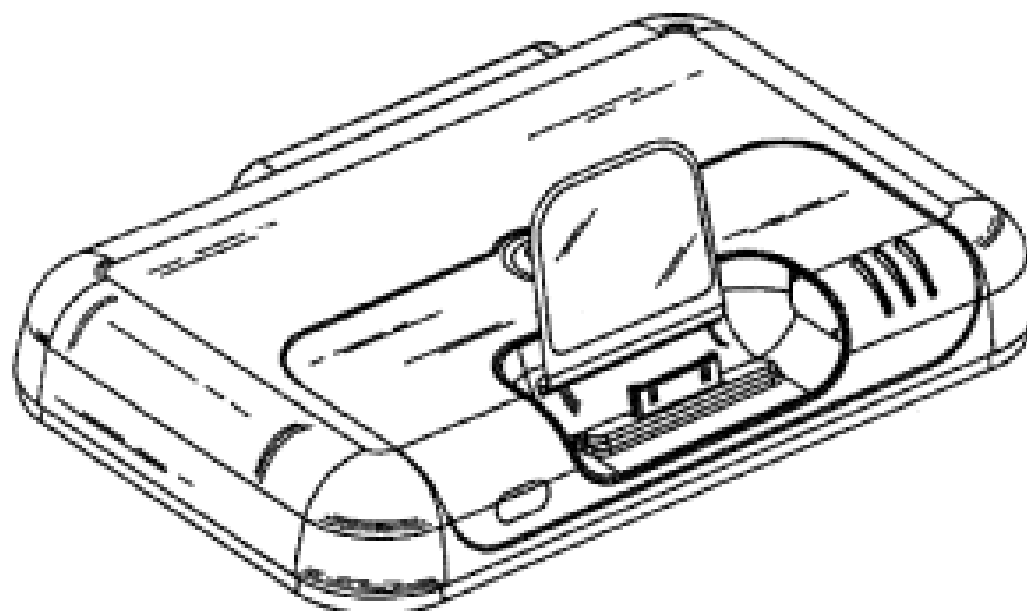
(57) Statement of Newness and Distinctiveness: **The novelty of the design resides in the features of shape and configuration as depicted in the attached representations.**



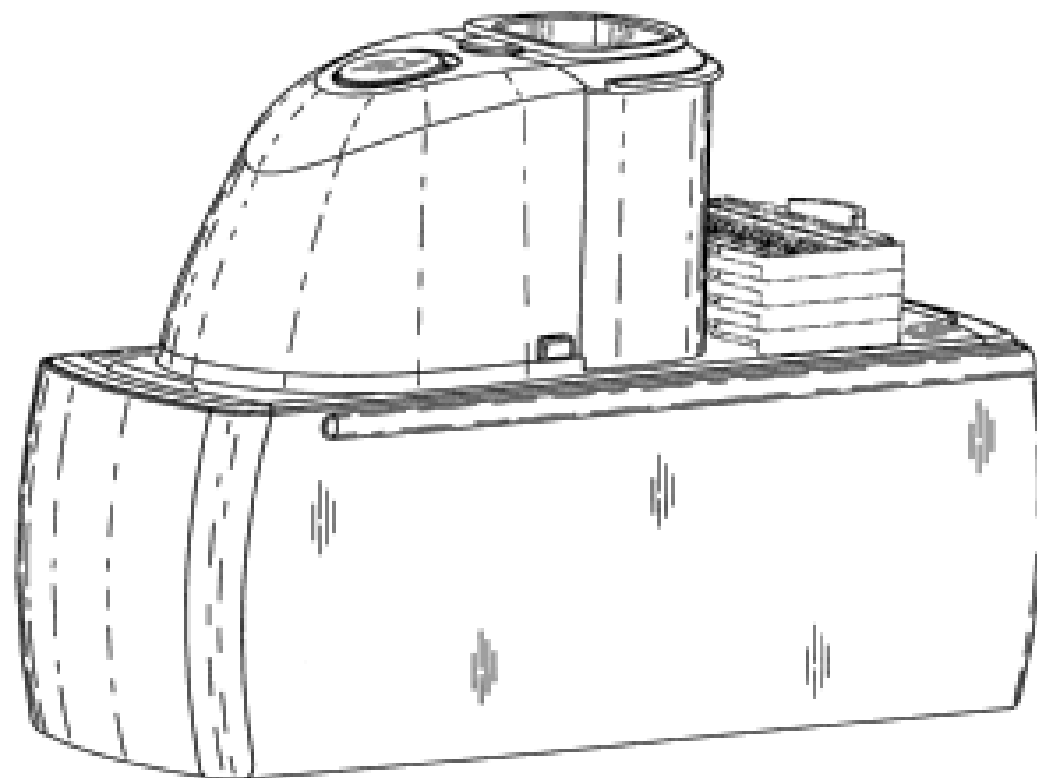
- (21) Design Number: **11759/2008**
(22) Date of Filing Application: **14 April 2008**
(24) Date from which industrial property rights may have effect: **14 April 2008**
(54) Product in respect of which the design is registered: **Apparatus for communications**
(51) International Design Classification: **14-03A, 14-03NES**
(71) Name(s) and Address(s) of Applicant(s):
Creative Technology Ltd
31 International Business Park Creative Resource 609921 Singapore
(72) Name(s) of Designer(s): **Juarsa Soetejo and Kar Choon Ng and Wei Lit Wilfred Leung and Qian Hong**
(45) Registration Date: **05 August 2008**
(30) Convention priority data:
(31) Number (32) Date (33) Country
29/292,763 25 Oct 2007 UNITED STATES OF AMERICA
(56) Related Art Documents: **Not Applicable**
(57) Statement of Newness and Distinctiveness: **The novelty of the design resides in the features of shape and configuration as depicted in the attached representations.**



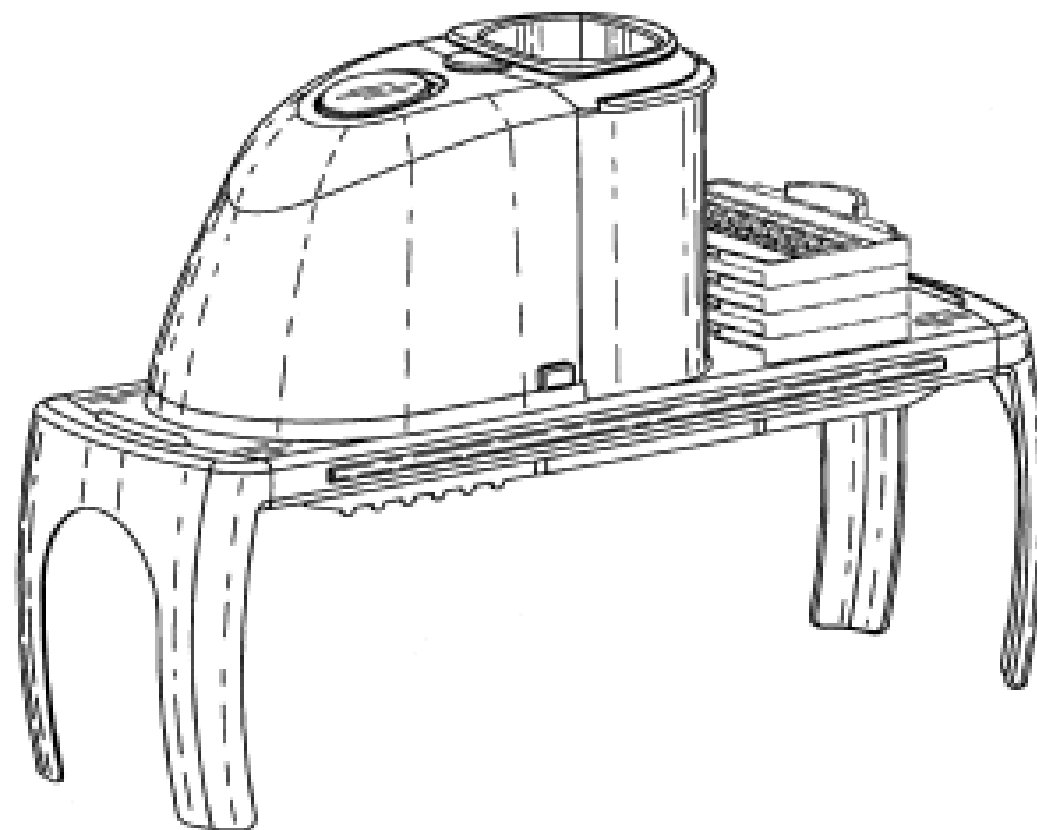
- (21) Design Number: **11760/2008**
(22) Date of Filing Application: **14 April 2008**
(24) Date from which industrial property rights may have effect: **14 April 2008**
(54) Product in respect of which the design is registered: **Dock for media player**
(51) International Design Classification: **14-01, 14-99**
(71) Name(s) and Address(s) of Applicant(s):
Creative Technology Ltd
31 International Business Park Creative Resource 609921 Singapore
(72) Name(s) of Designer(s): **Nicholas Stephen Marchand and Kar Choon Ng**
(45) Registration Date: **05 August 2008**
(30) Convention priority data:
(31) Number (32) Date (33) Country
29/299,955 07 Jan 2008 UNITED STATES OF AMERICA
(56) Related Art Documents: **Not Applicable**
(57) Statement of Newness and Distinctiveness: **The novelty of the design resides in the features of shape and configuration as depicted in the attached representations.**



(21) Design Number: **11768/2008**
(22) Date of Filing Application: **15 April 2008**
(24) Date from which industrial property rights may have effect: **15 April 2008**
(54) Product in respect of which the design is registered: **Support and storage box food processor**
(51) International Design Classification: **31-00**
(71) Name(s) and Address(s) of Applicant(s):
Daka Research Inc.
PO Box 957 Offshore Incorporations Centre Road Town Tortola
British Virgin Islands
(72) Name(s) of Designer(s): **Pat Y. Mah and Alexander Joseph Kalogroulis**
(45) Registration Date: **05 August 2008**
(30) Convention priority data:
(31) Number (32) Date (33) Country
29/294,564 16 Jan 2008 UNITED STATES OF AMERICA
(56) Related Art Documents: **Not Applicable**
(57) Statement of Newness and Distinctiveness: **Nil**



(21) Design Number: **11769/2008**
(22) Date of Filing Application: **15 April 2008**
(24) Date from which industrial property rights may have effect: **15 April 2008**
(54) Product in respect of which the design is registered: **Leg supported food processor**
(51) International Design Classification: **31-00**
(71) Name(s) and Address(s) of Applicant(s):
Daka Research Inc.
PO Box 957 Offshore Incorporations Centre Road Town Tortola
British Virgin Islands
(72) Name(s) of Designer(s): **Pat Y. Mah and Alexander Joseph Kalogroulis**
(45) Registration Date: **05 August 2008**
(30) Convention priority data:
(31) Number (32) Date (33) Country
29/294,614 17 Jan 2008 UNITED STATES OF AMERICA
(56) Related Art Documents: **Not Applicable**
(57) Statement of Newness and Distinctiveness: **Nil**



(21) Design Number: **11770/2008**

(22) Date of Filing Application: **15 April 2008**

(24) Date from which industrial property rights may have effect: **15 April 2008**

(54) Product in respect of which the design is registered: **Food processor**

(51) International Design Classification: **31-00**

(71) Name(s) and Address(s) of Applicant(s):

Daka Research Inc.

**PO Box 957 Offshore Incorporations Centre Road Town Tortola
British Virgin Islands**

(72) Name(s) of Designer(s): **Pat Y. Mah and Alexander Joseph Kalogroulis**

(45) Registration Date: **05 August 2008**

(30) Convention priority data:

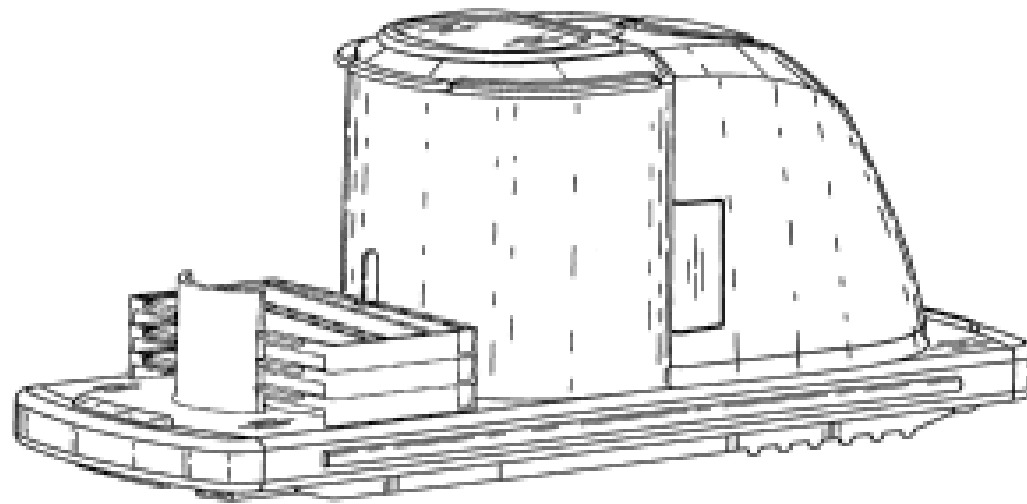
(31) Number
29/294,565

(32) Date
16 Jan 2008

(33) Country
UNITED STATES OF AMERICA

(56) Related Art Documents: **Not Applicable**

(57) Statement of Newness and Distinctiveness: **Nil**



(21) Design Number: **11771/2008**

(22) Date of Filing Application: **15 April 2008**

(24) Date from which industrial property rights may have effect: **15 April 2008**

(54) Product in respect of which the design is registered: **Mini can opener**

(51) International Design Classification: **07-99D**

(71) Name(s) and Address(s) of Applicant(s):

Daka Research Inc.

**PO Box 957 Offshore Incorporations Centre Road Town Tortola
British Virgin Islands**

(72) Name(s) of Designer(s): **Pat Y. Mah and Mark Andrew Sanders**

(45) Registration Date: **05 August 2008**

(30) Convention priority data:

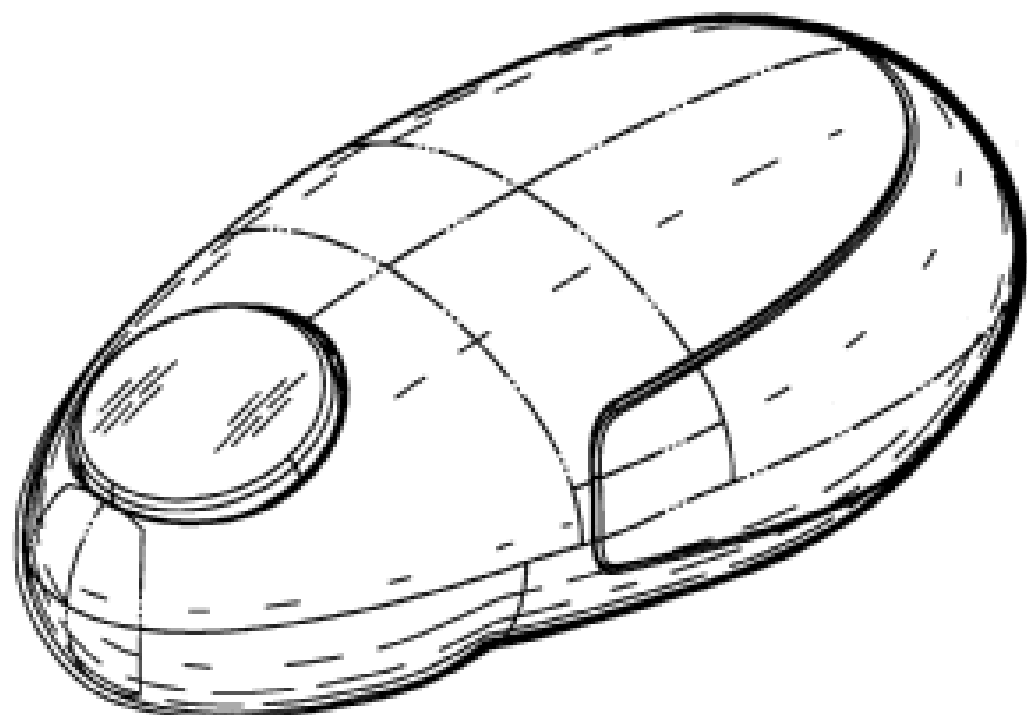
(31) Number
29/294,534

(32) Date
15 Jan 2008

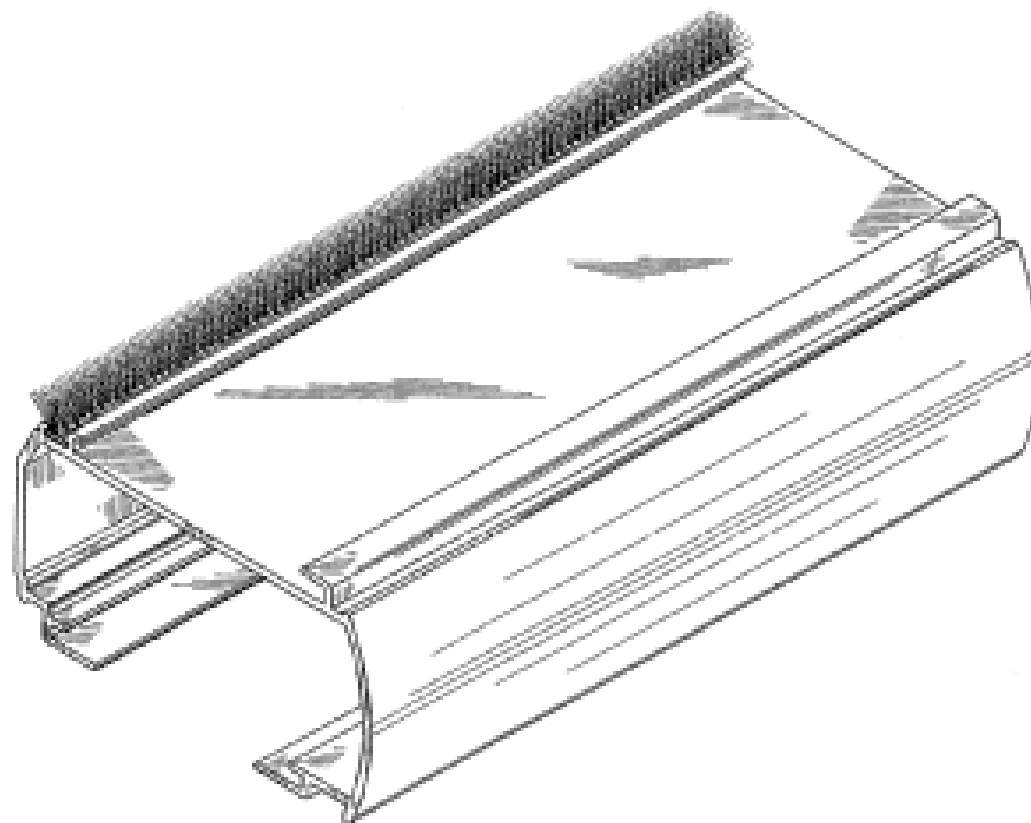
(33) Country
UNITED STATES OF AMERICA

(56) Related Art Documents: **Not Applicable**

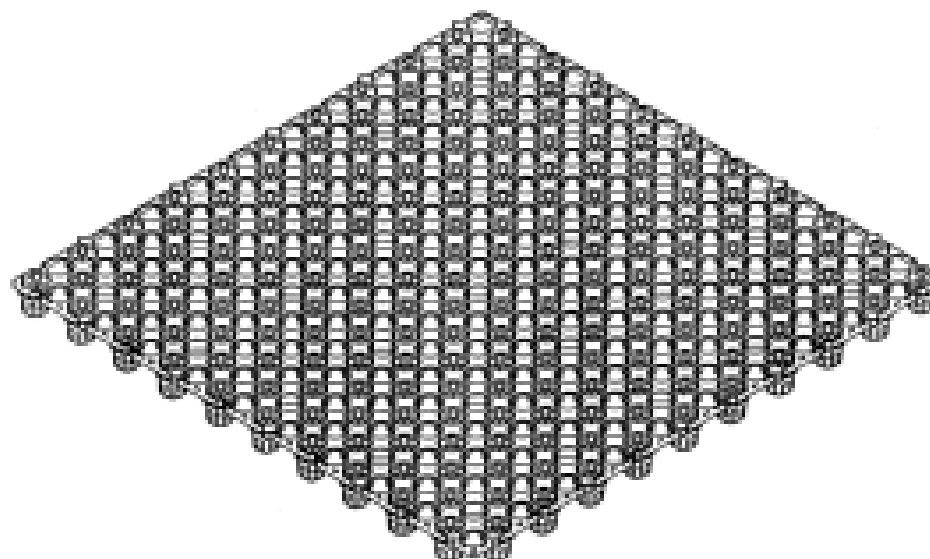
(57) Statement of Newness and Distinctiveness: **Nil**



- (21) Design Number: **12911/2008**
(22) Date of Filing Application: **15 February 2008**
(24) Date from which industrial property rights may have effect: **15 February 2008**
(54) Product in respect of which the design is registered: **Headrail for architectural coverings**
(51) International Design Classification: **25-01K, 25-02NES**
(71) Name(s) and Address(s) of Applicant(s):
Hunter Douglas Inc.
2 Park Way Upper Saddle River New Jersey 07458 United States of America
(72) Name(s) of Designer(s): **Richard N. Anderson and Steven R. Haarer and Donald E. Fraser and Eugene Thompson**
(45) Registration Date: **05 August 2008**
(62) Divisional of: **320270**
(56) Related Art Documents: **Not Applicable**
(57) Statement of Newness and Distinctiveness: **Nil**



- (21) Design Number: **11835/2008**
(22) Date of Filing Application: **17 April 2008**
(24) Date from which industrial property rights may have effect: **17 April 2008**
(54) Product in respect of which the design is registered: **Drainage cell**
(51) International Design Classification: **23-01F**
(71) Name(s) and Address(s) of Applicant(s):
Elmich (Australia) Pty Ltd
52/8 Avenue of Americas Newington New South Wales 2127 Australia
(72) Name(s) of Designer(s): **Henry Greaves**
(45) Registration Date: **06 August 2008**
(56) Related Art Documents: **Not Applicable**
(57) Statement of Newness and Distinctiveness: **Newness and distinctiveness reside in the features of the shape and configuration of the design as shown in the representations and in particular in the appearance of the apertures in the side of the depending cylindrical portions best seen in the enlarged isometric view.**



- (21) Design Number: **12449/2008**
(22) Date of Filing Application: **22 May 2008**
(24) Date from which industrial property rights may have effect: **22 May 2008**
(54) Product in respect of which the design is registered: **Attic garage design**
(51) International Design Classification: **25-03**
(71) Name(s) and Address(s) of Applicant(s):

Bruce Garrett
14 Sydney Road Bayswater Victoria 3153 Australia

- (72) Name(s) of Designer(s): **Bruce Garrett**
(45) Registration Date: **06 August 2008**
(56) Related Art Documents: **Not Applicable**
(57) Statement of Newness and Distinctiveness: **Newness and distinctiveness is claimed in the shape, configuration, pattern and design of an attic garage which includes an attic above the garage as illustrated in the presentations.**



- (21) Design Number: **11657/2008**
(22) Date of Filing Application: **07 April 2008**
(24) Date from which industrial property rights may have effect: **07 April 2008**
(54) Product in respect of which the design is registered: **Soft toy**
(51) International Design Classification: **21-01A**
(71) Name(s) and Address(s) of Applicant(s):

Wenatex FBE GmbH
Forschung Beratung u. Entwicklung Munchner Bundesstr. 117
Salzburg 5020 Austria

- (72) Name(s) of Designer(s): **Renate Lottermoser and Markus Hanzer**
(45) Registration Date: **06 August 2008**
(30) Convention priority data:
(31) Number (32) Date (33) Country
000881479 08 Feb 2008 EUROPEAN COMMUNITY
(56) Related Art Documents: **Not Applicable**
(57) Statement of Newness and Distinctiveness: **Nil**



(21) Design Number: **11800/2008**

(22) Date of Filing Application: **17 April 2008**

(24) Date from which industrial property rights may have effect: **17 April 2008**

(54) Product in respect of which the design is registered: **Gearshift assembly**

(51) International Design Classification: **12-16NES**

(71) Name(s) and Address(s) of Applicant(s):

Peter Gruber

248-260 Minns Road Melton Victoria 3337 Australia

(72) Name(s) of Designer(s): **Peter Gruber**

(45) Registration Date: **06 August 2008**

(56) Related Art Documents: **Not Applicable**

(57) Statement of Newness and Distinctiveness: **Nil**



(21) Design Number: **11827/2008**

(22) Date of Filing Application: **17 April 2008**

(24) Date from which industrial property rights may have effect: **17 April 2008**

(54) Product in respect of which the design is registered: **Necktie**

(51) International Design Classification: **02-07C, 02-02NES**

(71) Name(s) and Address(s) of Applicant(s):

Raymond James Smith

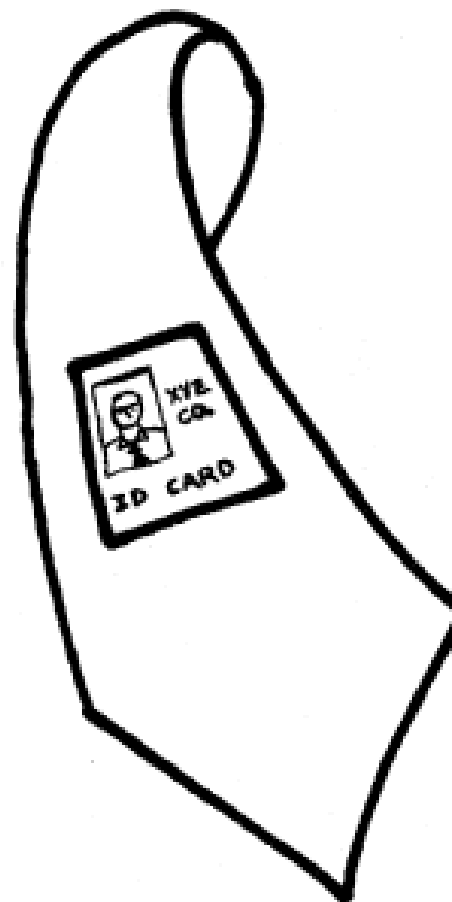
17 Boniwell Street Higgins ACT 2615 Australia

(72) Name(s) of Designer(s): **Raymond James Smith**

(45) Registration Date: **06 August 2008**

(56) Related Art Documents: **Not Applicable**

(57) Statement of Newness and Distinctiveness: **Design has Identification Card pocket incorporated into back of tie. A window is incorporated into front of necktie which enables the Identification Card to be seen when worn.**



- (21) Design Number: **11829/2008**
(22) Date of Filing Application: **17 April 2008**
(24) Date from which industrial property rights may have effect: **17 April 2008**
(54) Product in respect of which the design is registered: **Chair**
(51) International Design Classification: **06-01F**
(71) Name(s) and Address(s) of Applicant(s):
Brado S.P.A.
Via Cal di Mezzo 3 Valdobbiadene 31030 Italy
(72) Name(s) of Designer(s): **Serena Stefano**
(45) Registration Date: **06 August 2008**
(56) Related Art Documents: **Not Applicable**
(57) Statement of Newness and Distinctiveness: **Nil**



- (21) Design Number: **11833/2008**
(22) Date of Filing Application: **17 April 2008**
(24) Date from which industrial property rights may have effect: **17 April 2008**
(54) Product in respect of which the design is registered: **A gate for an air race**
(51) International Design Classification: **25-02C**
(71) Name(s) and Address(s) of Applicant(s):
Red Bull GmbH
Am Brunnen 1 5330 Fuschl am See Austria
(72) Name(s) of Designer(s): **Martin Jehart and Michael Arnold**
(45) Registration Date: **06 August 2008**
(30) Convention priority data:
(31) Number (32) Date (33) Country
000812482-0002 19 Oct 2007 EUROPEAN COMMUNITY
(56) Related Art Documents: **Not Applicable**
(57) Statement of Newness and Distinctiveness: **Newness and distinctiveness is claimed in the shape and configuration of the gate as shown in the representations.**



(21) Design Number: **11834/2008**

(22) Date of Filing Application: **17 April 2008**

(24) Date from which industrial property rights may have effect: **17 April 2008**

(54) Product in respect of which the design is registered: **A gate for an air race**

(51) International Design Classification: **25-02C**

(71) Name(s) and Address(s) of Applicant(s):

Red Bull GmbH

Am Brunnen 1 5330 Fusch1 am See Austria

(72) Name(s) of Designer(s): **Martin Jehart and Michael Arnold**

(45) Registration Date: **06 August 2008**

(30) Convention priority data:

(31) Number

(32) Date

(33) Country

000812482-0001 19 Oct 2007

EUROPEAN COMMUNITY

(56) Related Art Documents: **Not Applicable**

(57) Statement of Newness and Distinctiveness: **Newness and distinctiveness is claimed in the shape and configuration of the gate as shown in the representations.**



(21) Design Number: **11886/2008**

(22) Date of Filing Application: **17 April 2008**

(24) Date from which industrial property rights may have effect: **17 April 2008**

(54) Product in respect of which the design is registered: **Chair**

(51) International Design Classification: **06-01F**

(71) Name(s) and Address(s) of Applicant(s):

Brado S.P.A.

Via Cal di Mezzo 3 Valdobbiadene 31030 Italy

(72) Name(s) of Designer(s): **Serena Stefano**

(45) Registration Date: **06 August 2008**

(56) Related Art Documents: **Not Applicable**

(57) Statement of Newness and Distinctiveness: **Nil**



(21) Design Number: **20416/2007**

(22) Date of Filing Application: **24 October 2007**

(24) Date from which industrial property rights may have effect: **24 October 2007**

(54) Product in respect of which the design is registered: **Bolt**

(51) International Design Classification: **08-08B**

(71) Name(s) and Address(s) of Applicant(s):

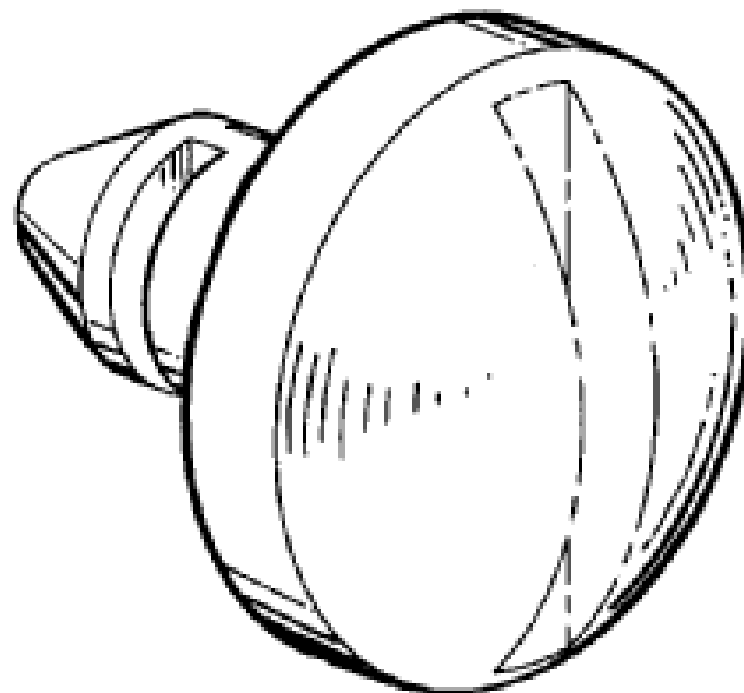
Burgundy Trial Pty Ltd
2 Merchant Avenue Thomastown Victoria 3074 Australia

(72) Name(s) of Designer(s): **David Martin Stuckey**

(45) Registration Date: **06 August 2008**

(56) Related Art Documents: **Not Applicable**

(57) Statement of Newness and Distinctiveness: **Nil**



(21) Design Number: **20417/2007**

(22) Date of Filing Application: **24 October 2007**

(24) Date from which industrial property rights may have effect: **24 October 2007**

(54) Product in respect of which the design is registered: **Handle**

(51) International Design Classification: **08-06**

(71) Name(s) and Address(s) of Applicant(s):

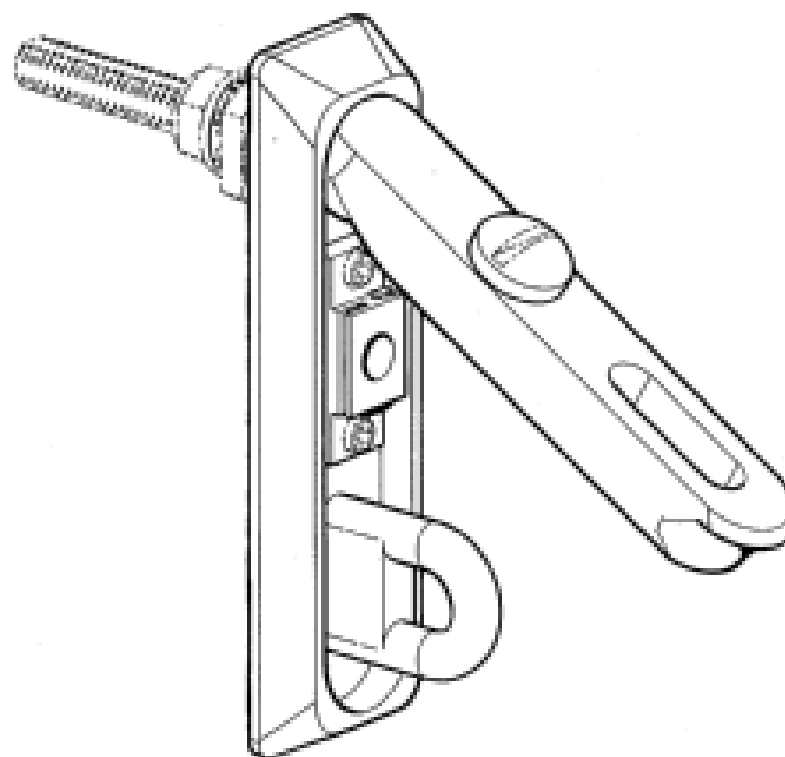
Burgundy Trial Pty Ltd
2 Merchant Avenue Thomastown Victoria 3074 Australia

(72) Name(s) of Designer(s): **David Martin Stuckey**

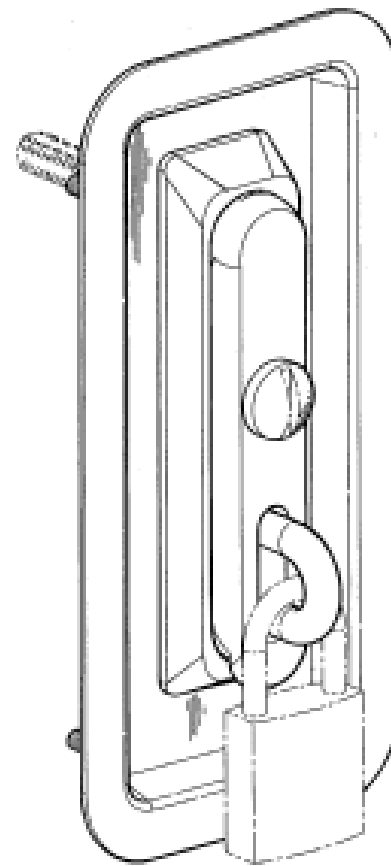
(45) Registration Date: **06 August 2008**

(56) Related Art Documents: **Not Applicable**

(57) Statement of Newness and Distinctiveness: **Nil**



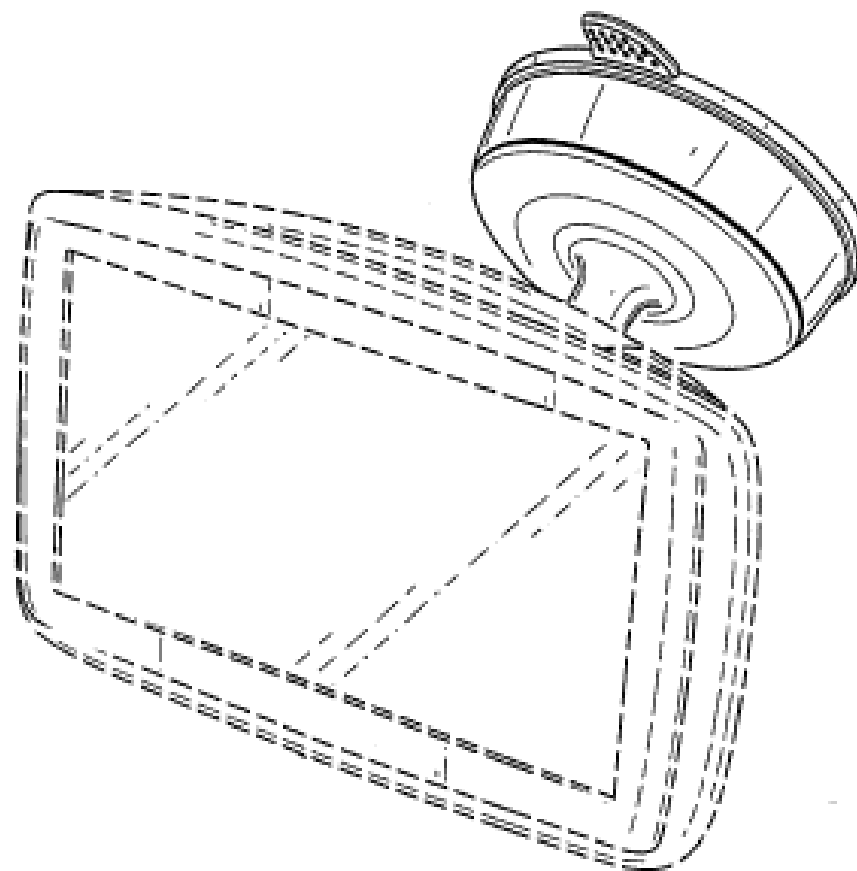
(21) Design Number: **20418/2007**
(22) Date of Filing Application: **24 October 2007**
(24) Date from which industrial property rights may have effect: **24 October 2007**
(54) Product in respect of which the design is registered: **Handle**
(51) International Design Classification: **08-06**
(71) Name(s) and Address(s) of Applicant(s):
Burgundy Trial Pty Ltd
2 Merchant Avenue Thomastown Victoria 3074 Australia
(72) Name(s) of Designer(s): **David Martin Stuckey**
(45) Registration Date: **06 August 2008**
(56) Related Art Documents: **Not Applicable**
(57) Statement of Newness and Distinctiveness: **Nil**



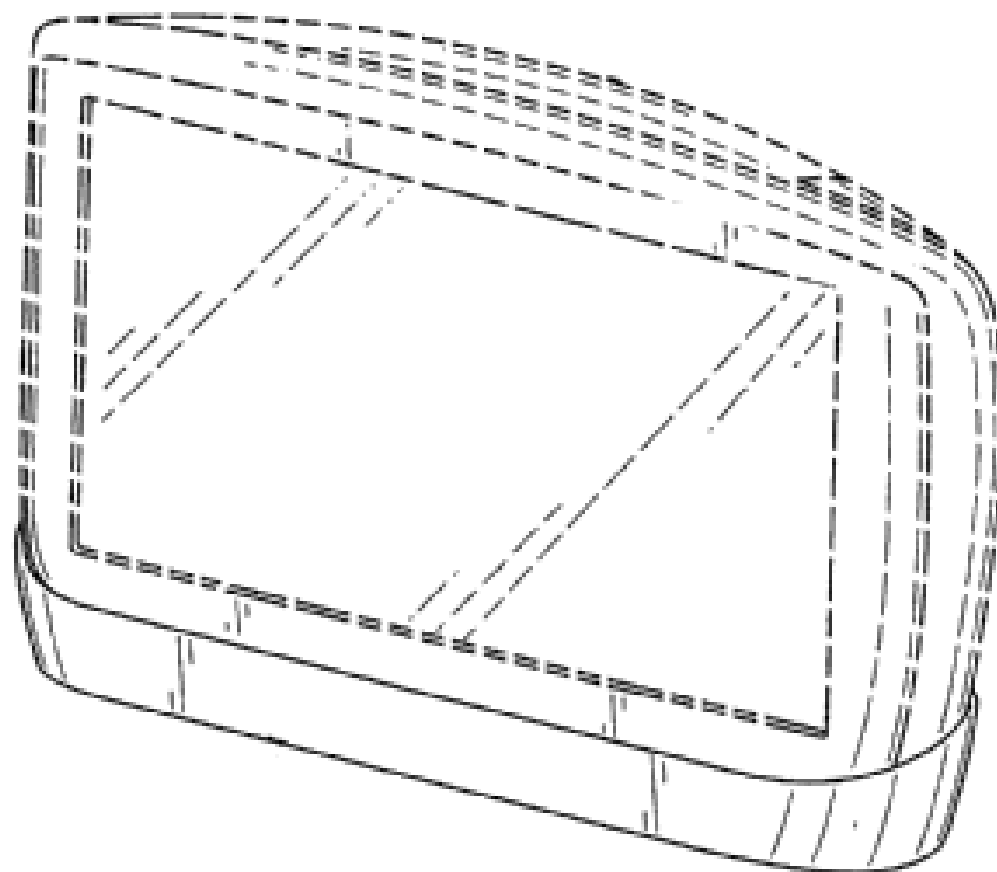
(21) Design Number: **20373/2007**
(22) Date of Filing Application: **22 October 2007**
(24) Date from which industrial property rights may have effect: **22 October 2007**
(54) Product in respect of which the design is registered: **Ladies blouse**
(51) International Design Classification: **02-02C**
(71) Name(s) and Address(s) of Applicant(s):
Sportsgirl Pty Ltd
24-40 Rosslyn Street West Melbourne Victoria 3003 Australia
(72) Name(s) of Designer(s): **Gavin Gage**
(45) Registration Date: **06 August 2008**
(56) Related Art Documents: **Not Applicable**
(57) Statement of Newness and Distinctiveness: **Nil**



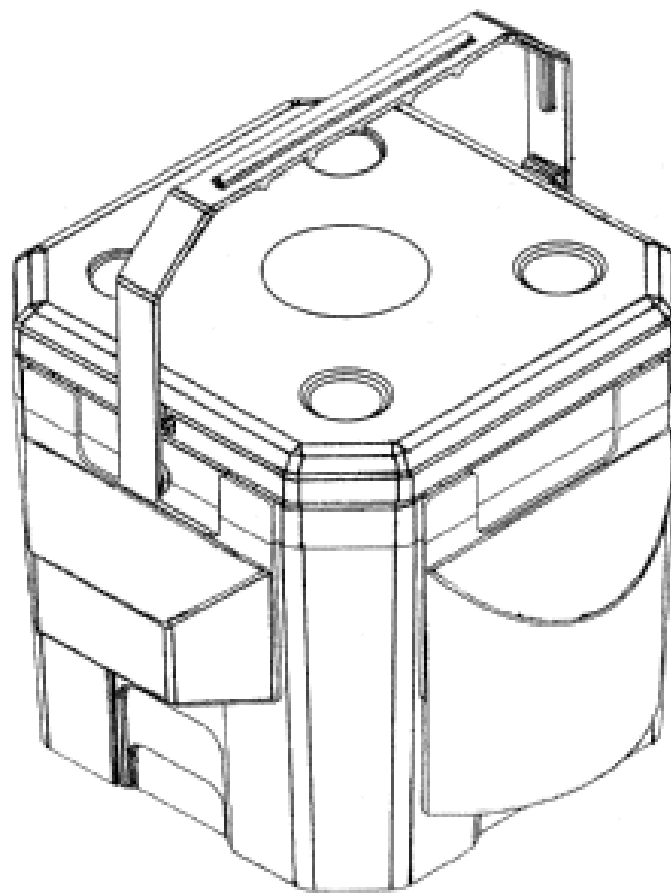
(21) Design Number: **10883/2008**
 (22) Date of Filing Application: **22 February 2008**
 (24) Date from which industrial property rights may have effect: **22 February 2008**
 (54) Product in respect of which the design is registered: **Mount for navigation device**
 (51) International Design Classification: **14-99, 08-08NES, 14-03NES**
 (71) Name(s) and Address(s) of Applicant(s):
TomTom International B.V.
Rembrandtplein 35 1017 CT Amsterdam The Netherlands
 (72) Name(s) of Designer(s): **Mark Gretton**
 (45) Registration Date: **06 August 2008**
 (30) Convention priority data:
 (31) Number (32) Date (33) Country
29/284038 29 Aug 2007 UNITED STATES OF AMERICA
 (56) Related Art Documents: **Not Applicable**
 (57) Statement of Newness and Distinctiveness: **Newness and distinctiveness is claimed in the features of shape and/or configuration of a mount for a navigation device, as illustrated in the accompanying representations.**



(21) Design Number: **10885/2008**
 (22) Date of Filing Application: **22 February 2008**
 (24) Date from which industrial property rights may have effect: **22 February 2008**
 (54) Product in respect of which the design is registered: **Holder for navigation device**
 (51) International Design Classification: **14-99**
 (71) Name(s) and Address(s) of Applicant(s):
TomTom International B.V.
Rembrandtplein 35 1017 CT Amsterdam The Netherlands
 (72) Name(s) of Designer(s): **Mark Gretton**
 (45) Registration Date: **06 August 2008**
 (30) Convention priority data:
 (31) Number (32) Date (33) Country
29/284038 29 Aug 2007 UNITED STATES OF AMERICA
 (56) Related Art Documents: **Not Applicable**
 (57) Statement of Newness and Distinctiveness: **Newness and distinctiveness is claimed in the features of shape and/or configuration of a holder for a navigation device, as illustrated in the accompanying representations.**



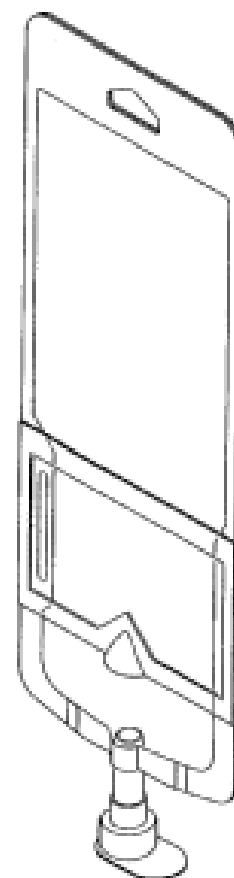
- (21) Design Number: **10905/2008**
(22) Date of Filing Application: **25 February 2008**
(24) Date from which industrial property rights may have effect: **25 February 2008**
(54) Product in respect of which the design is registered: **A container**
(51) International Design Classification: **09-03NES**
(71) Name(s) and Address(s) of Applicant(s):
Matthew Simeon McDermott
193 Copacabana Avenue Copacabana New South Wales 2251
Australia
Chris John McDermott
5 Wyoming Avenue Oatlands New South Wales 2117 Australia
(72) Name(s) of Designer(s): **Matthew Simeon McDermott and Chris John McDermott**
(45) Registration Date: **06 August 2008**
(56) Related Art Documents: **Not Applicable**
(57) Statement of Newness and Distinctiveness: **Nil**



- (21) Design Number: **10917/2008**
(22) Date of Filing Application: **26 February 2008**
(24) Date from which industrial property rights may have effect: **26 February 2008**
(54) Product in respect of which the design is registered: **Infusion solution bag**
(51) International Design Classification: **24-02**
(71) Name(s) and Address(s) of Applicant(s):
Otsuka Pharmaceutical Factory, Inc.
115 Aza Kuguhara Tateiwa Muya-cho Naruto-shi Tokushima 772-8601
Japan
(72) Name(s) of Designer(s): **Tatsuro Tsuruoka and Yasuhiro Ishikawa**
(45) Registration Date: **06 August 2008**
(30) Convention priority data:

(31) Number	(32) Date	(33) Country
2007-035682	26 Dec 2007	JAPAN

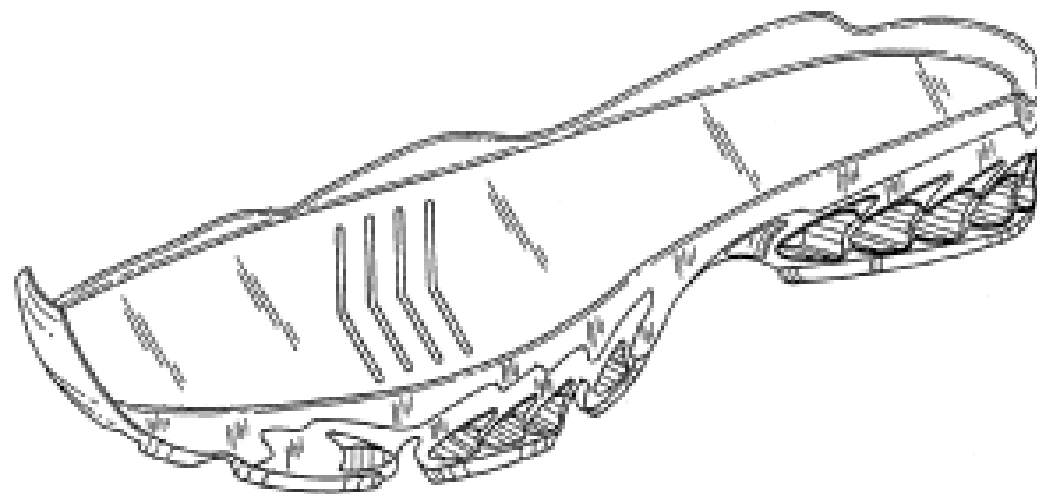
(56) Related Art Documents: **Not Applicable**
(57) Statement of Newness and Distinctiveness: **The shape and configuration of the design is new and distinctive.**



(19) AU

- (21) Design Number: **11119/2008**
- (22) Date of Filing Application: **06 March 2008**
- (24) Date from which industrial property rights may have effect: **06 March 2008**
- (54) Product in respect of which the design is registered: **Shoe sole**
- (51) International Design Classification: **02-04B**
- (71) Name(s) and Address(s) of Applicant(s):
New Balance Athletic Shoe, Inc.
20 Guest Street Brighton Massachusetts 02135 United States of America
- (72) Name(s) of Designer(s): **Marya L. Chan**
- (45) Registration Date: **06 August 2008**
- (30) Convention priority data:

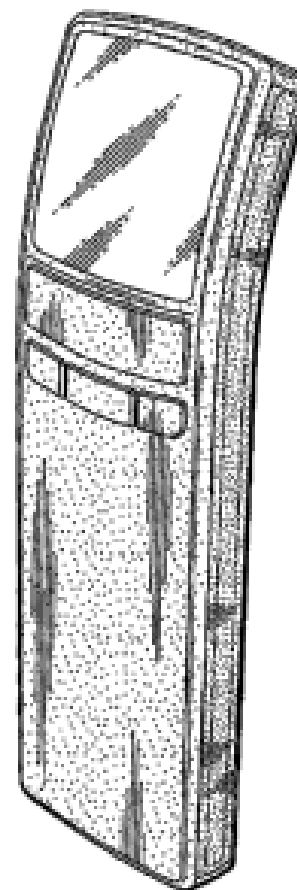
(31) Number	(32) Date	(33) Country
29/291589	06 Sep 2007	UNITED STATES OF AMERICA
- (56) Related Art Documents: **Not Applicable**
- (57) Statement of Newness and Distinctiveness: **Newness and distinctiveness reside in the features of the design as shown in the representations and in particular the shape of the C-struts and the wavy top border of the sole.**



(19) AU

- (21) Design Number: **11135/2008**
- (22) Date of Filing Application: **07 March 2008**
- (24) Date from which industrial property rights may have effect: **07 March 2008**
- (54) Product in respect of which the design is registered: **Thermometer**
- (51) International Design Classification: **10-04**
- (71) Name(s) and Address(s) of Applicant(s):
FKA Distributing Co. doing business as HoMedics, Inc.
3000 Pontiac Trail Commerce Township Michigan 48390 United States of America
- (72) Name(s) of Designer(s): **Chad E. Aulwes and Robert T. McCulloch**
- (45) Registration Date: **06 August 2008**
- (30) Convention priority data:

(31) Number	(32) Date	(33) Country
29/284493	10 Sep 2007	UNITED STATES OF AMERICA
- (56) Related Art Documents: **Not Applicable**
- (57) Statement of Newness and Distinctiveness: **Newness and distinctiveness resides in the shape and/or configuration of a thermometer illustrated by solid lines in the accompanying representations. The features shown in broken outline are for illustrative purposes only and do not form part of the design.**



(21) Design Number: **11568/2008**

(22) Date of Filing Application: **03 April 2008**

(24) Date from which industrial property rights may have effect: **03 April 2008**

(54) Product in respect of which the design is registered: **Hole punching tool**

(51) International Design Classification: **19-02**

(71) Name(s) and Address(s) of Applicant(s):

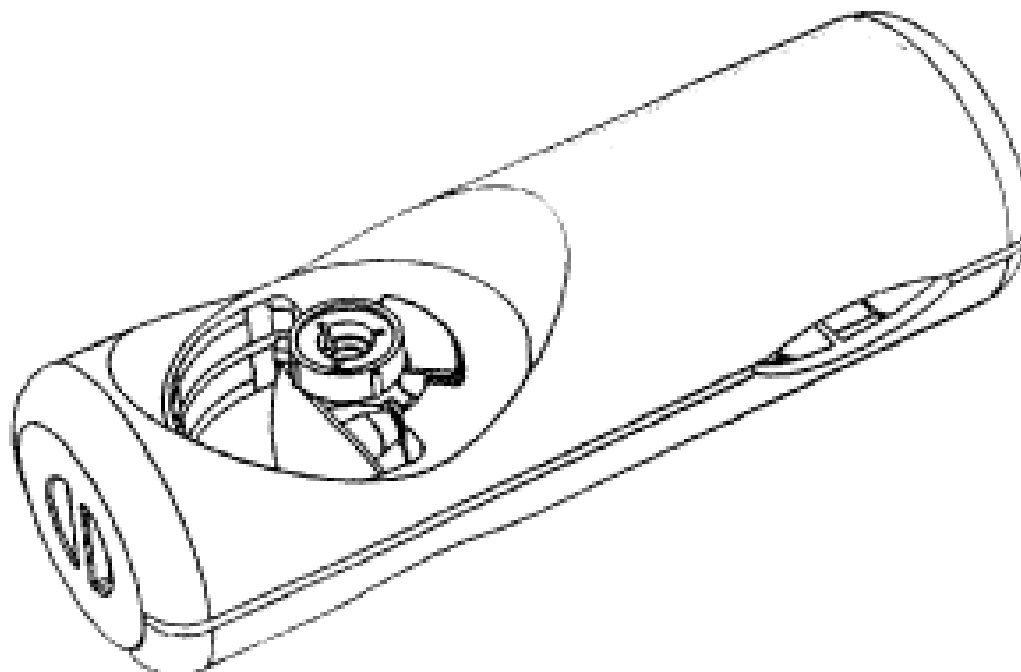
Caleidoscopio Pty Ltd
11/179 Elizabeth Street Sydney New South Wales 2000 Australia

(72) Name(s) of Designer(s): **Elke Munroe and Emma Kowaleczko**

(45) Registration Date: **06 August 2008**

(56) Related Art Documents: **Not Applicable**

(57) Statement of Newness and Distinctiveness: **Nil**



(21) Design Number: **11763/2008**

(22) Date of Filing Application: **15 April 2008**

(24) Date from which industrial property rights may have effect: **15 April 2008**

(54) Product in respect of which the design is registered: **Joining slat for roller shutter**

(51) International Design Classification: **08-08L, 25-01K, 25-02K**

(71) Name(s) and Address(s) of Applicant(s):

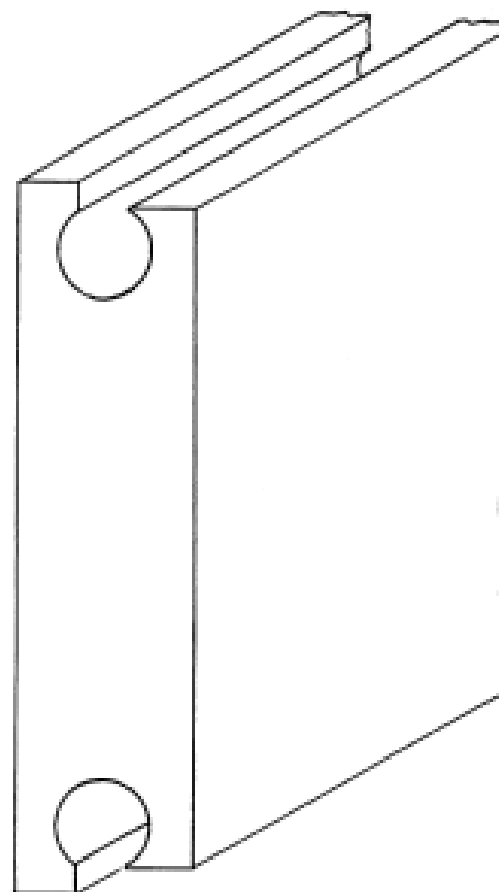
AC DC Motorized Solutions Pty Ltd
Unit 6/7-11 Parrawina Road Caringbah New South Wales 2229
Australia

(72) Name(s) of Designer(s): **Allan Raymond Jones**

(45) Registration Date: **06 August 2008**

(56) Related Art Documents: **Not Applicable**

(57) Statement of Newness and Distinctiveness: **Newness and distinctiveness is claimed in respect of the shape and/or configuration of the product illustrated in the accompanying representations. The product is of constant cross-sectional shape and of indefinite length.**



- (21) Design Number: **11805/2008**
(22) Date of Filing Application: **16 April 2008**
(24) Date from which industrial property rights may have effect: **16 April 2008**
(54) Product in respect of which the design is registered: **Tyre**
(51) International Design Classification: **12-15B, 12-15C**
(71) Name(s) and Address(s) of Applicant(s):
The Tyre Research Institute of Shanghai Tyre & Rubber Co., Ltd
No. 2613 Jian Chuan Road Shanghai Peoples Republic of China
(72) Name(s) of Designer(s): **Hongbin Su**
(45) Registration Date: **06 August 2008**
(30) Convention priority data:
(31) Number (32) Date (33) Country
200830059504.6 31 Jan 2008 CHINA
(56) Related Art Documents: **Not Applicable**
(57) Statement of Newness and Distinctiveness: **Those features of the tyre that are new and distinctive are the shape and/or configuration of the tread.**



- (21) Design Number: **12807/2008**
(22) Date of Filing Application: **16 April 2008**
(24) Date from which industrial property rights may have effect: **16 April 2008**
(54) Product in respect of which the design is registered: **Tyre**
(51) International Design Classification: **12-15B, 12-15C**
(71) Name(s) and Address(s) of Applicant(s):
The Tyre Research Institute of Shanghai Tyre & Rubber Co., Ltd
No. 2613 Jian Chuan Road Shanghai Peoples Republic of China
(72) Name(s) of Designer(s): **Hongbin Su**
(45) Registration Date: **06 August 2008**
(30) Convention priority data:
(31) Number (32) Date (33) Country
200830059503.1 31 Jan 2008 CHINA
(56) Related Art Documents: **Not Applicable**
(57) Statement of Newness and Distinctiveness: **Those features of the tyre that are new and distinctive are the shape and/or configuration of the tread.**



(21) Design Number: **12808/2008**

(22) Date of Filing Application: **16 April 2008**

(24) Date from which industrial property rights may have effect: **16 April 2008**

(54) Product in respect of which the design is registered: **Tyre**

(51) International Design Classification: **12-15B, 12-15C**

(71) Name(s) and Address(s) of Applicant(s):

**The Tyre Research Institute of Shanghai Tyre & Rubber Co., Ltd
No. 2613 Jian Chuan Road Shanghai Peoples Republic of China**

(72) Name(s) of Designer(s): **Jingping Bao**

(45) Registration Date: **06 August 2008**

(30) Convention priority data:

(31) Number	(32) Date	(33) Country
200830059502.7	31 Jan 2008	CHINA

(56) Related Art Documents: **Not Applicable**

(57) Statement of Newness and Distinctiveness: **Those features of the tyre that are new and distinctive are the shape and/or configuration of the tread.**



(21) Design Number: **12809/2008**

(22) Date of Filing Application: **16 April 2008**

(24) Date from which industrial property rights may have effect: **16 April 2008**

(54) Product in respect of which the design is registered: **Tyre**

(51) International Design Classification: **12-15B, 12-15C**

(71) Name(s) and Address(s) of Applicant(s):

**The Tyre Research Institute of Shanghai Tyre & Rubber Co., Ltd
No. 2613 Jian Chuan Road Shanghai Peoples Republic of China**

(72) Name(s) of Designer(s): **Xiaojing Xu**

(45) Registration Date: **06 August 2008**

(30) Convention priority data:

(31) Number	(32) Date	(33) Country
200830059501.2	31 Jan 2008	CHINA

(56) Related Art Documents: **Not Applicable**

(57) Statement of Newness and Distinctiveness: **Those features of the tyre that are new and distinctive are the shape and/or configuration of the tread.**



(21) Design Number: **12810/2008**

(22) Date of Filing Application: **16 April 2008**

(24) Date from which industrial property rights may have effect: **16 April 2008**

(54) Product in respect of which the design is registered: **Tyre**

(51) International Design Classification: **12-15B, 12-15C**

(71) Name(s) and Address(s) of Applicant(s):

**The Tyre Research Institute of Shanghai Tyre & Rubber Co., Ltd
No. 2613 Jian Chuan Road Shanghai Peoples Republic of China**

(72) Name(s) of Designer(s): **Jingping Bao**

(45) Registration Date: **06 August 2008**

(30) Convention priority data:

(31) Number	(32) Date	(33) Country
200830059500.8	31 Jan 2008	CHINA

(56) Related Art Documents: **Not Applicable**

(57) Statement of Newness and Distinctiveness: **Those features of the tyre that are new and distinctive are the shape and/or configuration of the tread.**



(21) Design Number: **12811/2008**

(22) Date of Filing Application: **16 April 2008**

(24) Date from which industrial property rights may have effect: **16 April 2008**

(54) Product in respect of which the design is registered: **Tyre**

(51) International Design Classification: **12-15B, 12-15C**

(71) Name(s) and Address(s) of Applicant(s):

**The Tyre Research Institute of Shanghai Tyre & Rubber Co., Ltd
No. 2613 Jian Chuan Road Shanghai Peoples Republic of China**

(72) Name(s) of Designer(s): **Hongbin Su**

(45) Registration Date: **06 August 2008**

(30) Convention priority data:

(31) Number	(32) Date	(33) Country
200830059496.5	31 Jan 2008	CHINA

(56) Related Art Documents: **Not Applicable**

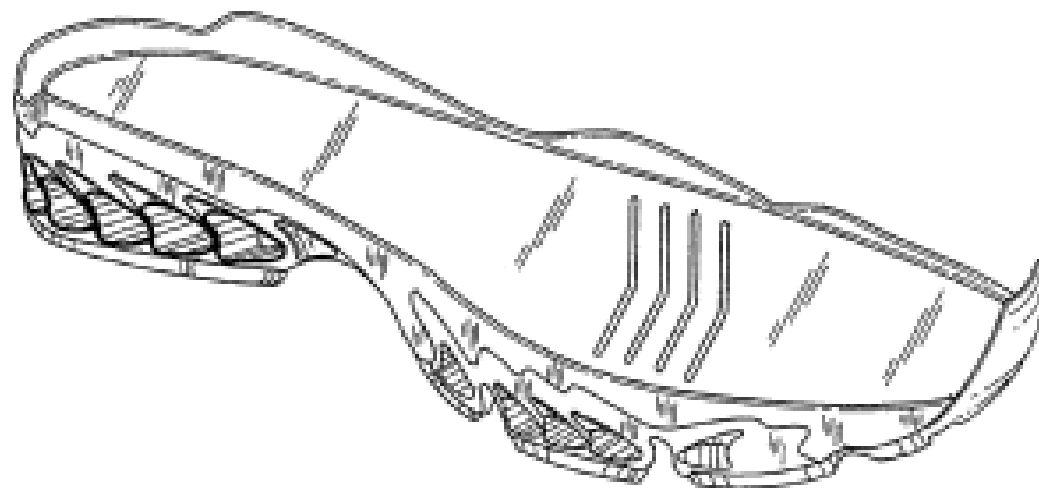
(57) Statement of Newness and Distinctiveness: **Those features of the tyre that are new and distinctive are the shape and/or configuration of the tread.**



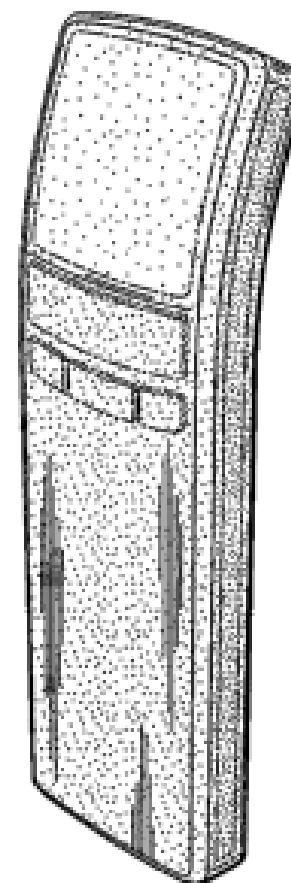
- (21) Design Number: **12812/2008**
(22) Date of Filing Application: **16 April 2008**
(24) Date from which industrial property rights may have effect: **16 April 2008**
(54) Product in respect of which the design is registered: **Tyre**
(51) International Design Classification: **12-15B, 12-15C**
(71) Name(s) and Address(s) of Applicant(s):
The Tyre Research Institute of Shanghai Tyre & Rubber Co., Ltd
No. 2613 Jian Chuan Road Shanghai Peoples Republic of China
(72) Name(s) of Designer(s): **Jingping Bao**
(45) Registration Date: **06 August 2008**
(30) Convention priority data:
(31) Number (32) Date (33) Country
200830059494.6 31 Jan 2008 CHINA
(56) Related Art Documents: **Not Applicable**
(57) Statement of Newness and Distinctiveness: **Those features of the tyre that are new and distinctive are the shape and/or configuration of the tread.**



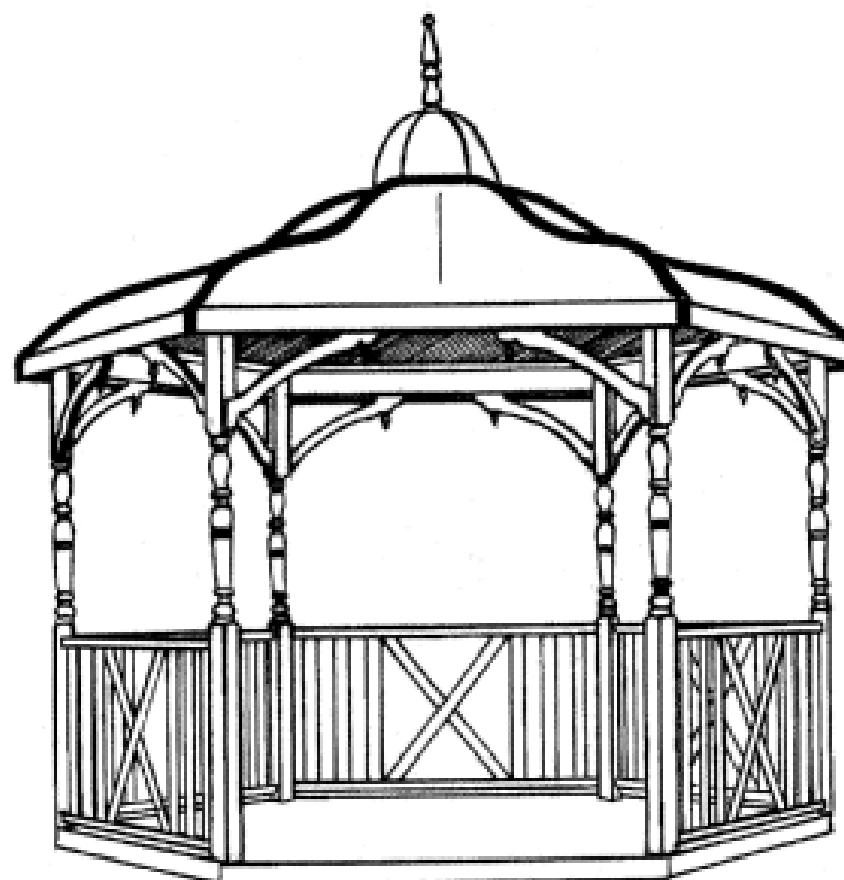
- (21) Design Number: **13369/2008**
(22) Date of Filing Application: **06 March 2008**
(24) Date from which industrial property rights may have effect: **06 March 2008**
(54) Product in respect of which the design is registered: **Shoe sole**
(51) International Design Classification: **02-04B**
(71) Name(s) and Address(s) of Applicant(s):
New Balance Athletic Shoe, Inc.
20 Guest Street Brighton Massachusetts 02135 United States of America
(72) Name(s) of Designer(s): **Marya L. Chan**
(45) Registration Date: **06 August 2008**
(62) Divisional of: **320623**
(56) Related Art Documents: **Not Applicable**
(57) Statement of Newness and Distinctiveness: **Newness and distinctiveness reside in the features of the design as shown in the representations and in particular the C-shaped struts, the wavy top border of the sole, and the colour contrast between the outer rim and the inside of the struts indicated by the solid black portions in the representations.**



- (21) Design Number: **13370/2008**
(22) Date of Filing Application: **07 March 2008**
(24) Date from which industrial property rights may have effect: **07 March 2008**
(54) Product in respect of which the design is registered: **Thermometer**
(51) International Design Classification: **10-04**
(71) Name(s) and Address(s) of Applicant(s):
FKA Distributing Co. doing business as HoMedics, Inc.
3000 Pontiac Trail Commerce Township Michigan 48390 United States of America
(72) Name(s) of Designer(s): **Chad E. Aulwes and Robert T. McCulloch**
(45) Registration Date: **06 August 2008**
(62) Divisional of: **320624**
(56) Related Art Documents: **Not Applicable**
(57) Statement of Newness and Distinctiveness: **Newness and distinctiveness resides in the shape and/or configuration of a thermometer illustrated by solid lines in the accompanying representations. The features shown in broken outline are for illustrated purposes only and do not form part of the design.**



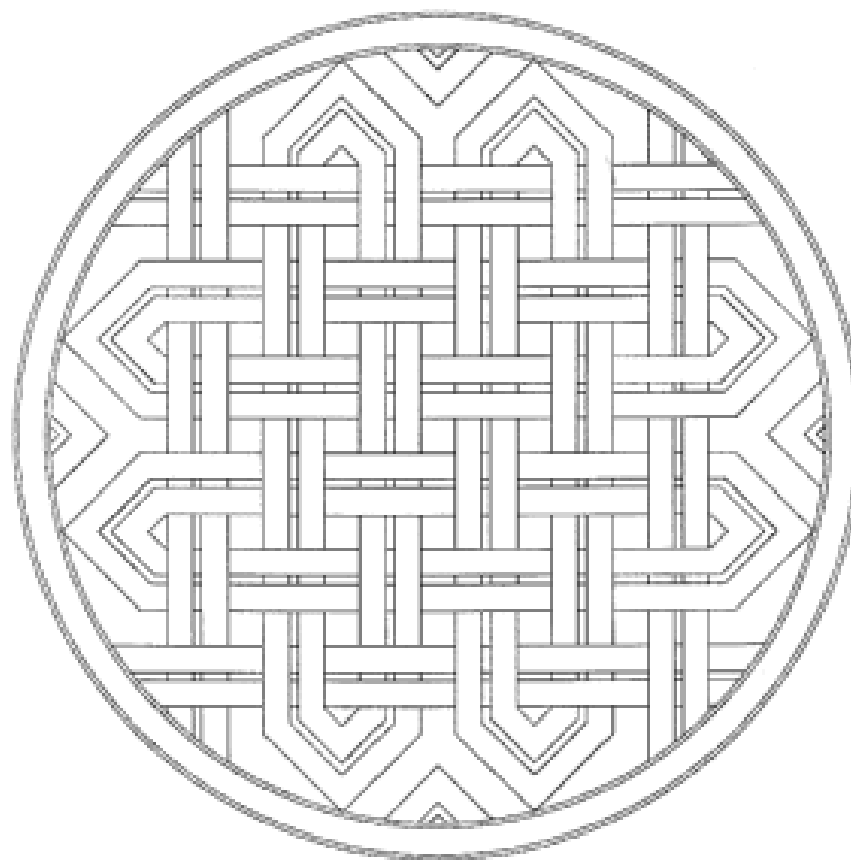
- (21) Design Number: **12448/2008**
(22) Date of Filing Application: **22 May 2008**
(24) Date from which industrial property rights may have effect: **22 May 2008**
(54) Product in respect of which the design is registered: **Rotunda/gazebo - with bell shaped roof**
(51) International Design Classification: **25-03**
(71) Name(s) and Address(s) of Applicant(s):
Bruce Garrett
14 Sydney Road Bayswater Victoria 3153 Australia
(72) Name(s) of Designer(s): **Bruce Garrett**
(45) Registration Date: **06 August 2008**
(56) Related Art Documents: **Not Applicable**
(57) Statement of Newness and Distinctiveness: **Newness and distinctiveness is claimed in the shape, configuration, pattern and ornamentation of a rotunda/gazebo which has a bell shaped roof with cap as illustrated in the representations.**



- (21) Design Number: **10238/2008**
(22) Date of Filing Application: **18 January 2008**
(24) Date from which industrial property rights may have effect: **18 January 2008**
(54) Product in respect of which the design is registered: **A grating**
(51) International Design Classification: **25-02G**
(71) Name(s) and Address(s) of Applicant(s):

Athanasios Tsakonas
67 Princes Street Carlton Victoria 3053 Australia

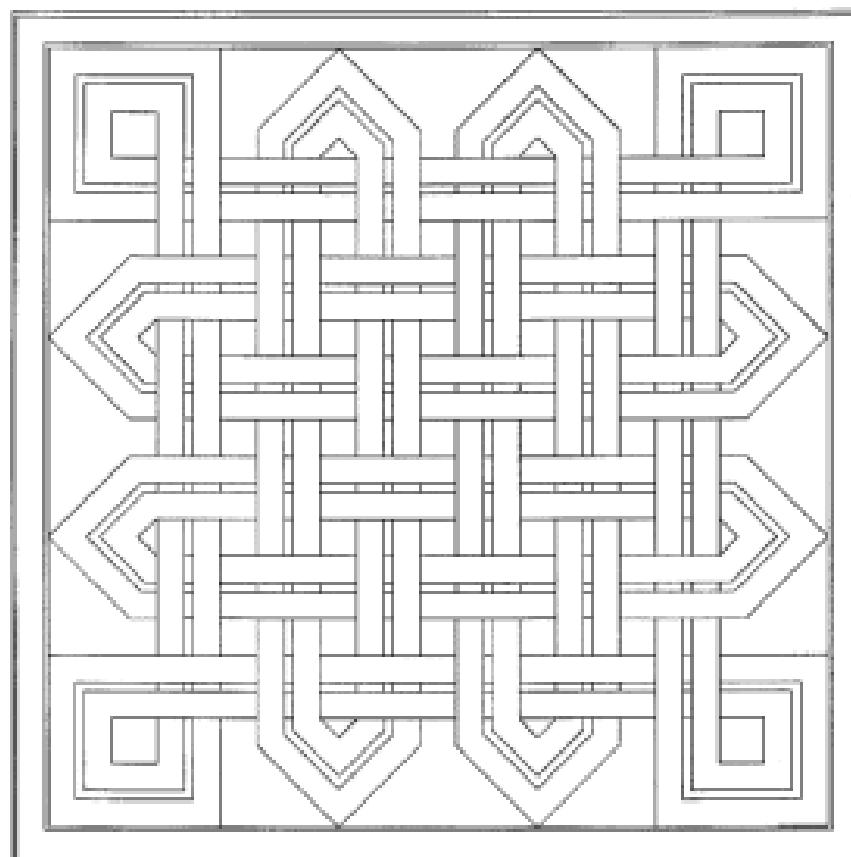
- (72) Name(s) of Designer(s): **Athanasios Tsakonas**
(45) Registration Date: **06 August 2008**
(56) Related Art Documents: **Not Applicable**
(57) Statement of Newness and Distinctiveness: **Features of shape, configuration, pattern and/or ornamentation of the grating shown in the representations are new and distinctive.**



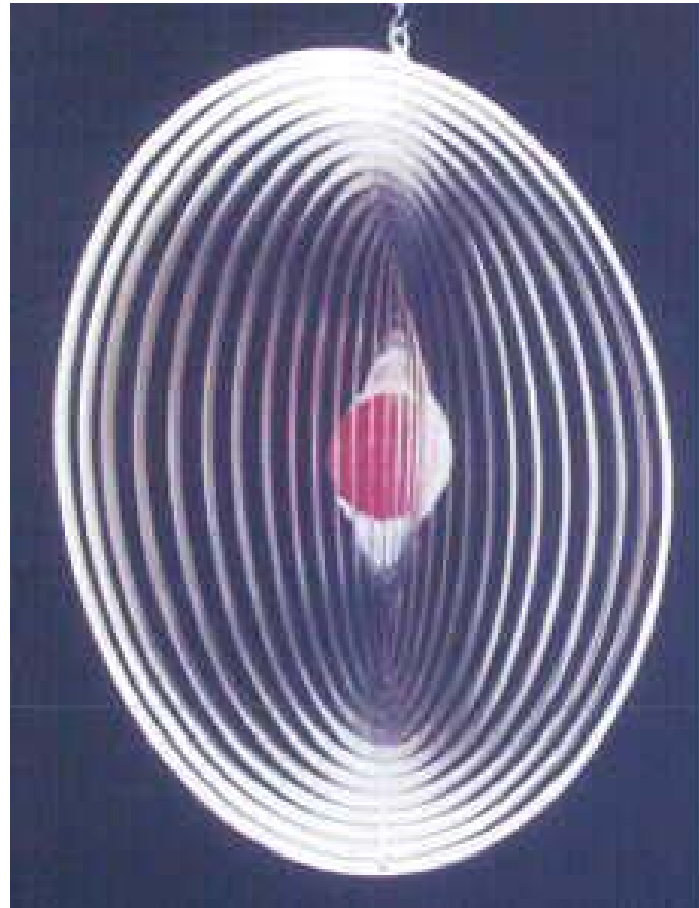
- (21) Design Number: **12727/2008**
(22) Date of Filing Application: **18 January 2008**
(24) Date from which industrial property rights may have effect: **18 January 2008**
(54) Product in respect of which the design is registered: **A grating**
(51) International Design Classification: **25-02G**
(71) Name(s) and Address(s) of Applicant(s):

Athanasios Tsakonas
67 Princes Street Carlton Victoria 3053 Australia

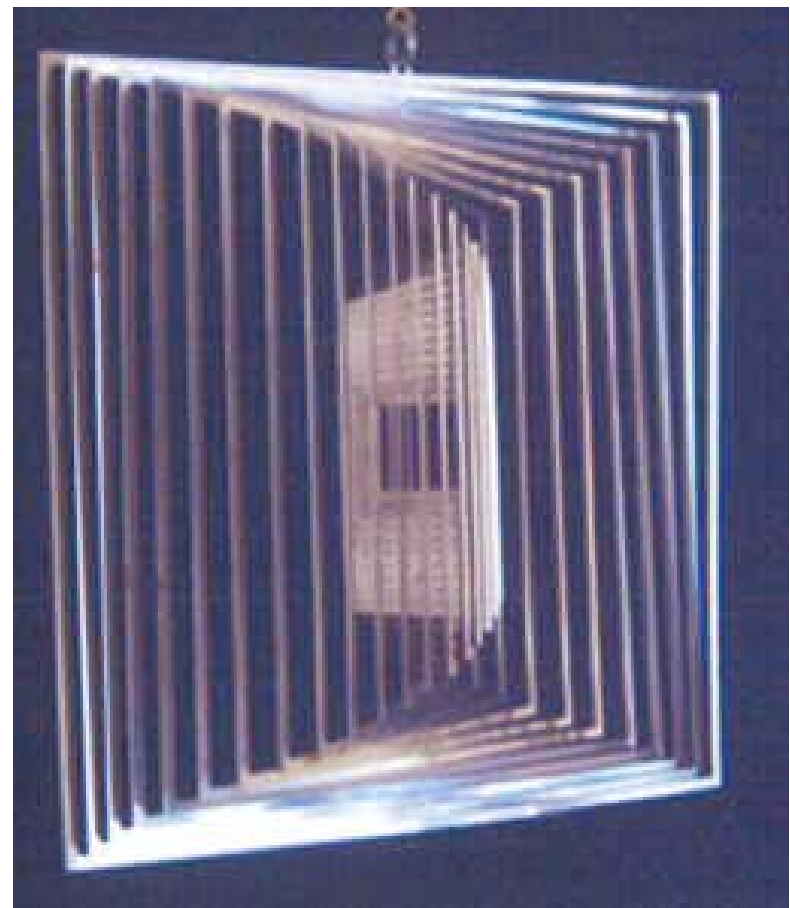
- (72) Name(s) of Designer(s): **Athanasios Tsakonas**
(45) Registration Date: **06 August 2008**
(56) Related Art Documents: **Not Applicable**
(57) Statement of Newness and Distinctiveness: **Features of shape, configuration, pattern and/or ornamentation of the grating shown in the representations are new and distinctive.**



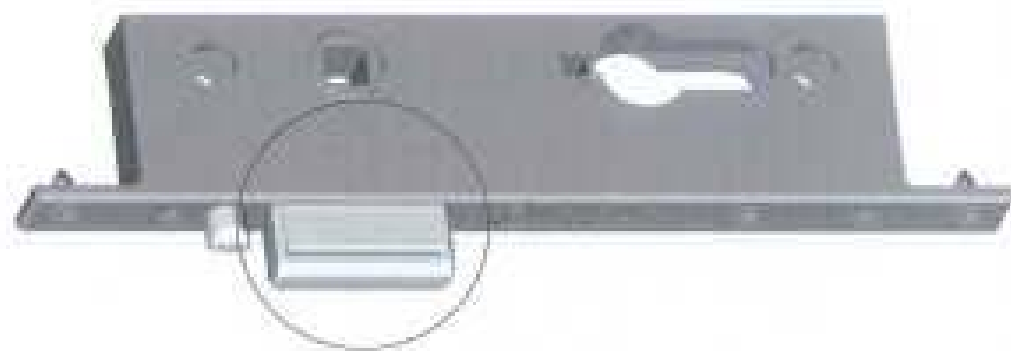
(21) Design Number: **10394/2008**
(22) Date of Filing Application: **01 February 2008**
(24) Date from which industrial property rights may have effect: **01 February 2008**
(54) Product in respect of which the design is registered: **Wind sculpture**
(51) International Design Classification: **11-02NES**
(71) Name(s) and Address(s) of Applicant(s):
Moko Architecture & Design Pty Ltd
22 Madeline Road Stirling South Australia 5152 Australia
(72) Name(s) of Designer(s): **James R.M. Elliston**
(45) Registration Date: **06 August 2008**
(56) Related Art Documents: **Not Applicable**
(57) Statement of Newness and Distinctiveness: **Nil**



(21) Design Number: **10395/2008**
(22) Date of Filing Application: **01 February 2008**
(24) Date from which industrial property rights may have effect: **01 February 2008**
(54) Product in respect of which the design is registered: **Wind sculpture**
(51) International Design Classification: **11-02NES**
(71) Name(s) and Address(s) of Applicant(s):
Moko Architecture & Design Pty Ltd
22 Madeline Road Stirling South Australia 5152 Australia
(72) Name(s) of Designer(s): **James R.M. Elliston**
(45) Registration Date: **06 August 2008**
(56) Related Art Documents: **Not Applicable**
(57) Statement of Newness and Distinctiveness: **Nil**



- (21) Design Number: **10953/2008**
(22) Date of Filing Application: **28 February 2008**
(24) Date from which industrial property rights may have effect: **28 February 2008**
(54) Product in respect of which the design is registered: **Lock bolt**
(51) International Design Classification: **08-07**
(71) Name(s) and Address(s) of Applicant(s):
Watts Hardware Manufacturing Pty Ltd
8 Ross Street South Melbourne Victoria 3205 Australia
(72) Name(s) of Designer(s): **J. Russell Watts**
(45) Registration Date: **06 August 2008**
(56) Related Art Documents: **Not Applicable**
(57) Statement of Newness and Distinctiveness: **Nil**



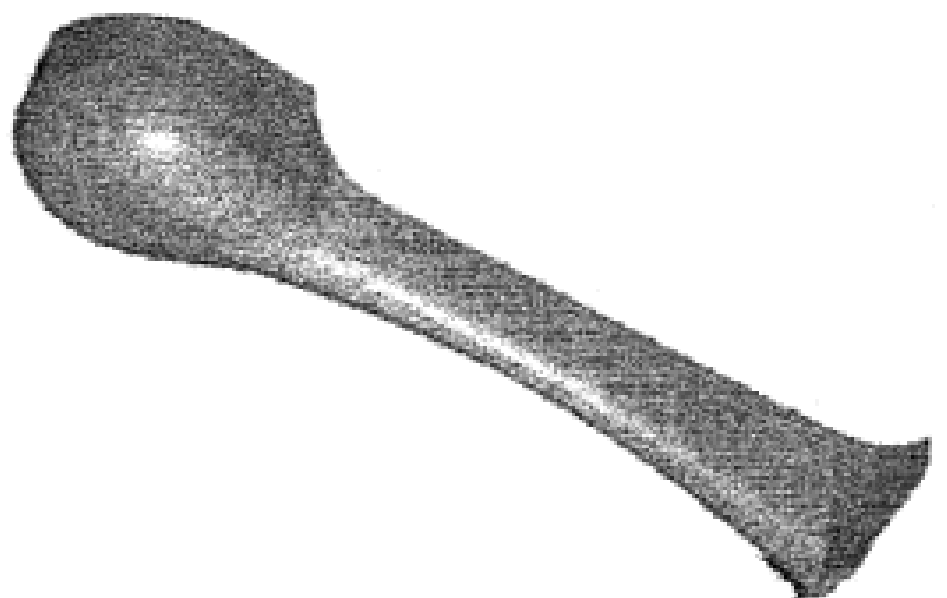
- (21) Design Number: **11074/2008**
(22) Date of Filing Application: **05 March 2008**
(24) Date from which industrial property rights may have effect: **05 March 2008**
(54) Product in respect of which the design is registered: **Door lock**
(51) International Design Classification: **08-07**
(71) Name(s) and Address(s) of Applicant(s):
Watts Hardware Manufacturing Pty Ltd
8 Ross Street South Melbourne Victoria 3205 Australia
(72) Name(s) of Designer(s): **J. Russell Watts**
(45) Registration Date: **06 August 2008**
(56) Related Art Documents: **Not Applicable**
(57) Statement of Newness and Distinctiveness: **Nil**



- (21) Design Number: **11075/2008**
(22) Date of Filing Application: **05 March 2008**
(24) Date from which industrial property rights may have effect: **05 March 2008**
(54) Product in respect of which the design is registered: **Door lock**
(51) International Design Classification: **08-07**
(71) Name(s) and Address(s) of Applicant(s):
Watts Hardware Manufacturing Pty Ltd
8 Ross Street South Melbourne Victoria 3205 Australia
(72) Name(s) of Designer(s): **J. Russell Watts**
(45) Registration Date: **06 August 2008**
(56) Related Art Documents: **Not Applicable**
(57) Statement of Newness and Distinctiveness: **Nil**



- (21) Design Number: **11256/2008**
(22) Date of Filing Application: **14 March 2008**
(24) Date from which industrial property rights may have effect: **14 March 2008**
(54) Product in respect of which the design is registered: **Clamp arm**
(51) International Design Classification: **08-05F**
(71) Name(s) and Address(s) of Applicant(s):
Lisus Technology Pte Ltd
Block 1090 Lower Delta Road #04-01/02 Singapore 169201 Republic of Singapore
(72) Name(s) of Designer(s): **Lawrence Paul**
(45) Registration Date: **06 August 2008**
(56) Related Art Documents: **Not Applicable**
(57) Statement of Newness and Distinctiveness: **Newness and distinctiveness resides in the features of the curved shape and/or configuration of a clamp arm having concealed clamping means as shown in the accompanying representations.**



(21) Design Number: **11513/2008**

(22) Date of Filing Application: **31 March 2008**

(24) Date from which industrial property rights may have effect: **31 March 2008**

(54) Product in respect of which the design is registered: **Slab for a support base**

(51) International Design Classification: **25-01B**

(71) Name(s) and Address(s) of Applicant(s):

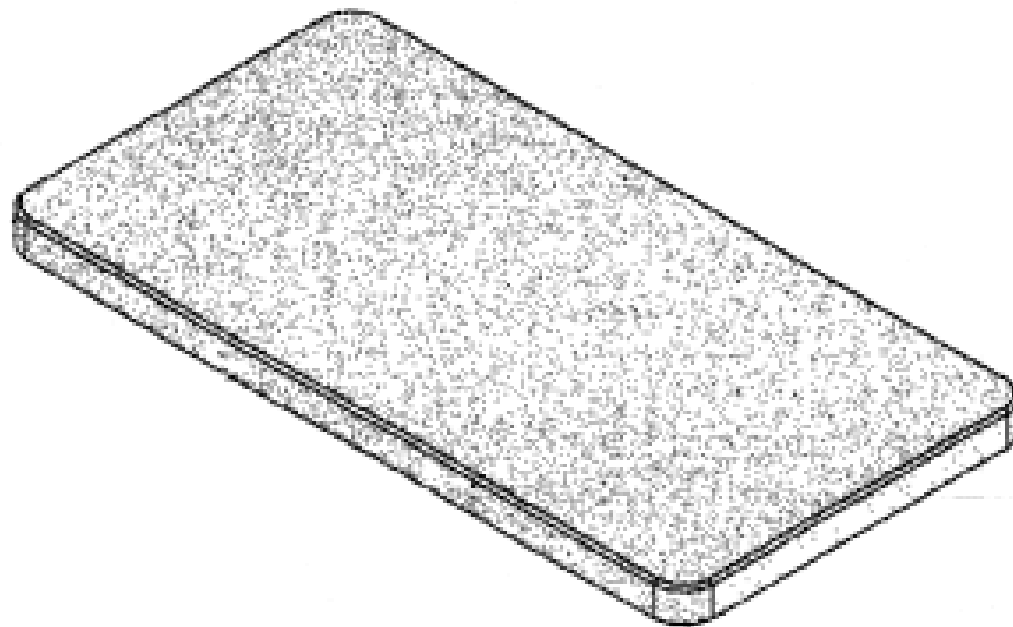
**Azor Industries Pty Ltd
42 Kingsford Street Fairy Meadow New South Wales 2519 Australia**

(72) Name(s) of Designer(s): **Jeffrey Dean Thompson and Anthony James Thomson**

(45) Registration Date: **06 August 2008**

(56) Related Art Documents: **Not Applicable**

(57) Statement of Newness and Distinctiveness: **Nil**



(21) Design Number: **11516/2008**

(22) Date of Filing Application: **01 April 2008**

(24) Date from which industrial property rights may have effect: **01 April 2008**

(54) Product in respect of which the design is registered: **Food packaging**

(51) International Design Classification: **09-05**

(71) Name(s) and Address(s) of Applicant(s):

**Henry Chen
6/7 Sutherland Road Armadale Victoria 3143 Australia**

(72) Name(s) of Designer(s): **Henry Chen**

(45) Registration Date: **06 August 2008**

(56) Related Art Documents: **Not Applicable**

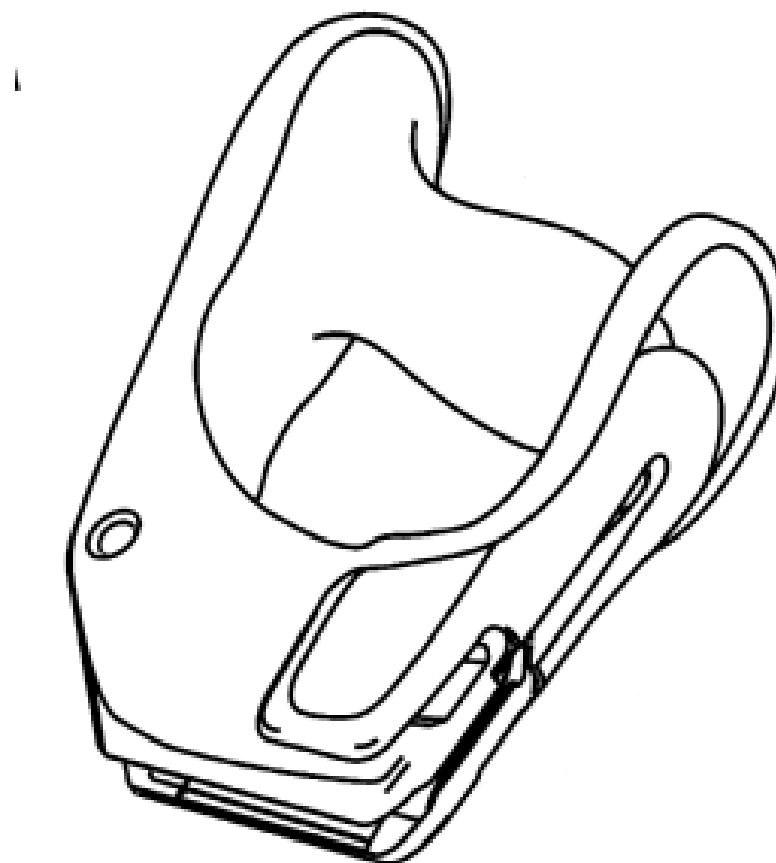
(57) Statement of Newness and Distinctiveness: **Window to see product set within picture of bamboo steamer.**



- (21) Design Number: **11619/2008**
(22) Date of Filing Application: **04 April 2008**
(24) Date from which industrial property rights may have effect: **04 April 2008**
(54) Product in respect of which the design is registered: **Combination walker and transporter chair**
(51) International Design Classification: **12-12**
(71) Name(s) and Address(s) of Applicant(s):
Kalnin Corporation Pty. Ltd.
Suite 11/7 Macquarie Street Sydney New South Wales 2000 Australia
(72) Name(s) of Designer(s): **Faye Lin and Laurence Kalnin and Michael Lee**
(45) Registration Date: **06 August 2008**
(56) Related Art Documents: **Not Applicable**
(57) Statement of Newness and Distinctiveness: **Rollator/walker converts to patient transporter with attachable foot plates fitted.**



- (21) Design Number: **11781/2008**
(22) Date of Filing Application: **15 April 2008**
(24) Date from which industrial property rights may have effect: **15 April 2008**
(54) Product in respect of which the design is registered: **Saw handle**
(51) International Design Classification: **08-03**
(71) Name(s) and Address(s) of Applicant(s):
Kapman AB
C/- SNA Europe (Industries) AB Sandviken 811 81 Sweden
(72) Name(s) of Designer(s): **Hans Himbert and Conny Jansson and Marten Andren**
(45) Registration Date: **08 August 2008**
(30) Convention priority data:
(31) Number (32) Date (33) Country
812243 19 Oct 2007 EUROPEAN COMMUNITY
(56) Related Art Documents: **Not Applicable**
(57) Statement of Newness and Distinctiveness: **Nil**



(21) Design Number: **11782/2008**

(22) Date of Filing Application: **15 April 2008**

(24) Date from which industrial property rights may have effect: **15 April 2008**

(54) Product in respect of which the design is registered: **Solar-powered headset**

(51) International Design Classification: **14-03A**

(71) Name(s) and Address(s) of Applicant(s):

**Better Energy Systems, Ltd.
1508 6th Street Berkley CA 94710 United States of America**

(72) Name(s) of Designer(s): **David Fowler**

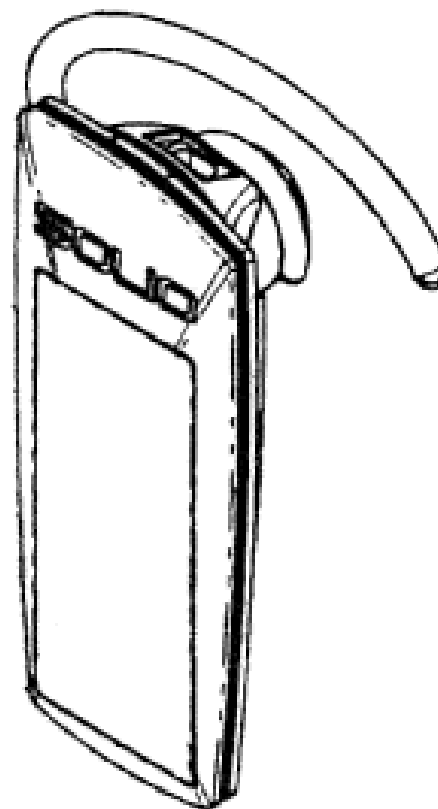
(45) Registration Date: **08 August 2008**

(30) Convention priority data:

(31) Number	(32) Date	(33) Country
29/296154	15 Oct 2007	UNITED STATES OF AMERICA

(56) Related Art Documents: **Not Applicable**

(57) Statement of Newness and Distinctiveness: **Features of shape and configuration of the solar-powered headset shown in the representations are new and distinctive. The broken lines and lettering shown in the representations should not be considered when construing visual features of the design.**



(21) Design Number: **11783/2008**

(22) Date of Filing Application: **15 April 2008**

(24) Date from which industrial property rights may have effect: **15 April 2008**

(54) Product in respect of which the design is registered: **Fender extension of a truck vehicle**

(51) International Design Classification: **12-16B**

(71) Name(s) and Address(s) of Applicant(s):

**International Truck Intellectual Property Company, LLC
4201 Winfield Road Warrenville Illinois 60555 United States of America**

(72) Name(s) of Designer(s): **David L. Maher and Nikki Buzalski**

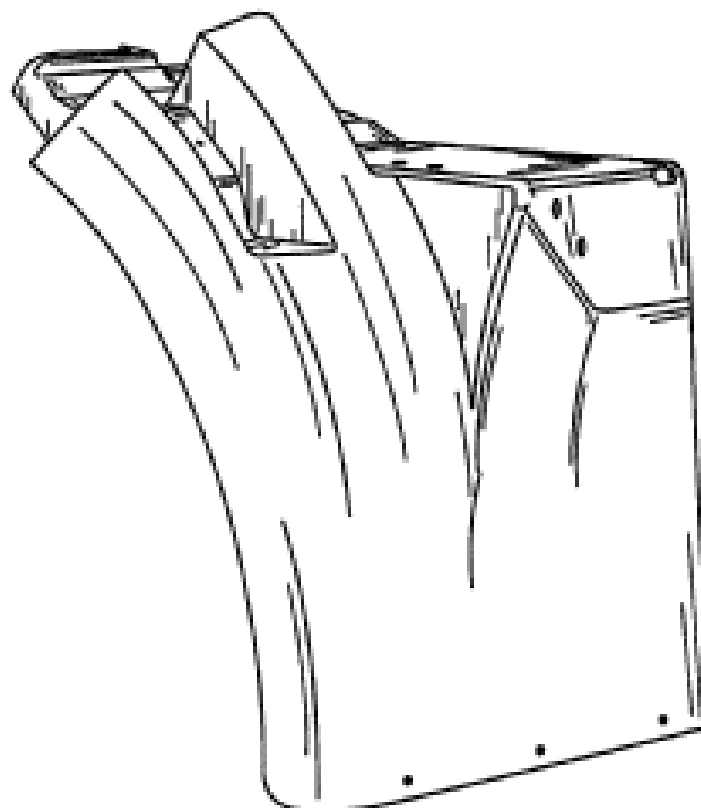
(45) Registration Date: **08 August 2008**

(30) Convention priority data:

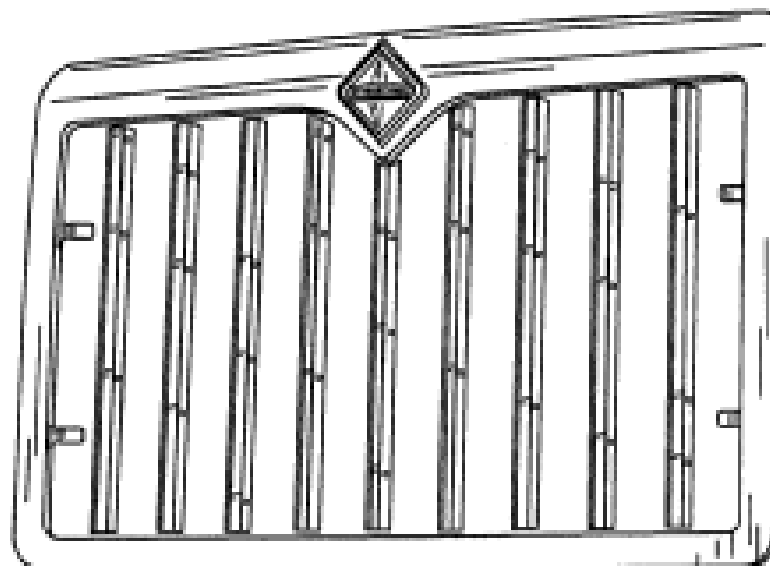
(31) Number	(32) Date	(33) Country
29/296,220	16 Oct 2007	UNITED STATES OF AMERICA

(56) Related Art Documents: **Not Applicable**

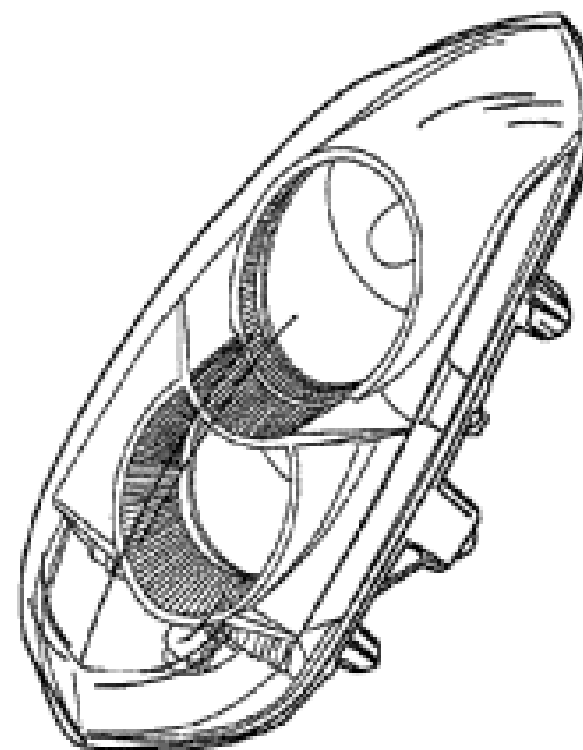
(57) Statement of Newness and Distinctiveness: **Nil**



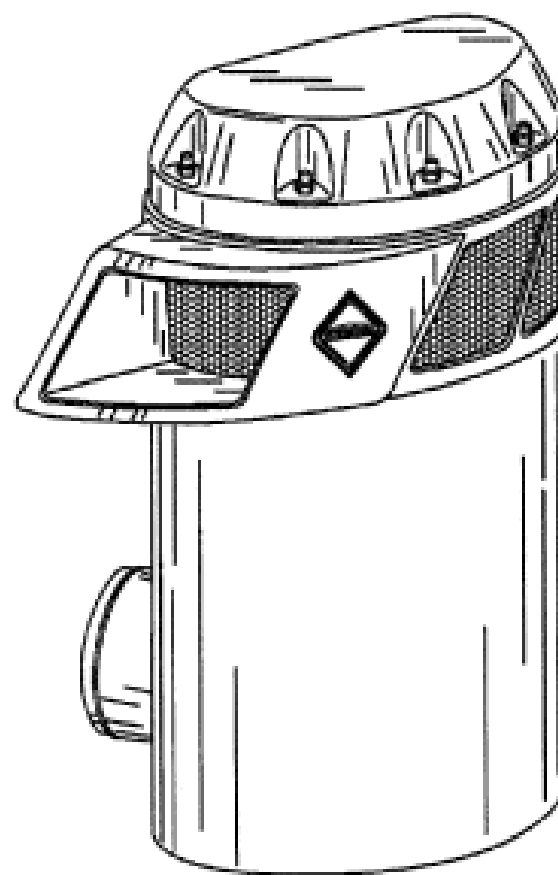
(21) Design Number: **11784/2008**
(22) Date of Filing Application: **15 April 2008**
(24) Date from which industrial property rights may have effect: **15 April 2008**
(54) Product in respect of which the design is registered: **Grille of a truck vehicle**
(51) International Design Classification: **12-16B**
(71) Name(s) and Address(s) of Applicant(s):
International Truck Intellectual Property Company, LLC
4201 Winfield Road Warrenville Illinois 60555 United States of America
(72) Name(s) of Designer(s): **Joseph E. Otto and Nikki Buzalski and Richard B. Hatch and L. David Allendorph**
(45) Registration Date: **08 August 2008**
(30) Convention priority data:
(31) Number (32) Date (33) Country
29/296,546 23 Oct 2007 UNITED STATES OF AMERICA
(56) Related Art Documents: **Not Applicable**
(57) Statement of Newness and Distinctiveness: **Nil**



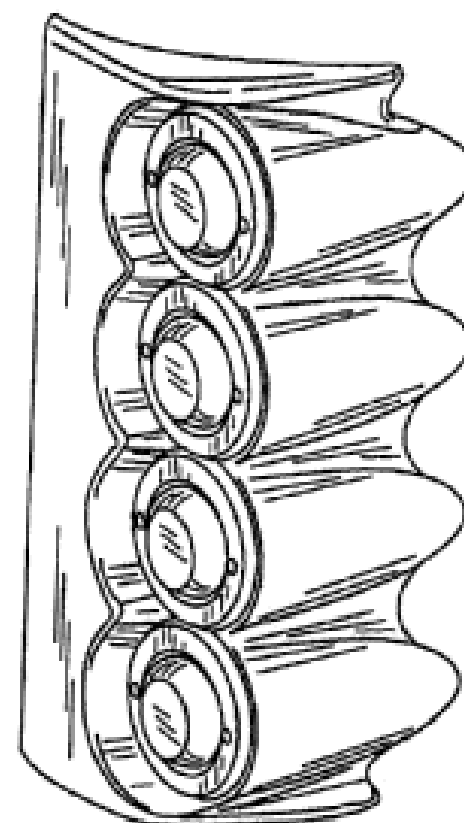
(21) Design Number: **11785/2008**
(22) Date of Filing Application: **15 April 2008**
(24) Date from which industrial property rights may have effect: **15 April 2008**
(54) Product in respect of which the design is registered: **Head light of a truck vehicle**
(51) International Design Classification: **26-06**
(71) Name(s) and Address(s) of Applicant(s):
International Truck Intellectual Property Company, LLC
4201 Winfield Road Warrenville Illinois 60555 United States of America
(72) Name(s) of Designer(s): **David J. Biegel and Hector R. Kiely and Manjeet Kohli and Franz Mueller and L. David Allendorph and Tory A. Snetsinger**
(45) Registration Date: **08 August 2008**
(30) Convention priority data:
(31) Number (32) Date (33) Country
29/296,551 23 Oct 2007 UNITED STATES OF AMERICA
(56) Related Art Documents: **Not Applicable**
(57) Statement of Newness and Distinctiveness: **Nil**



(21) Design Number: **11786/2008**
 (22) Date of Filing Application: **15 April 2008**
 (24) Date from which industrial property rights may have effect: **15 April 2008**
 (54) Product in respect of which the design is registered: **Air cleaner of a truck vehicle**
 (51) International Design Classification: **23-04, 12-16N**
 (71) Name(s) and Address(s) of Applicant(s):
International Truck Intellectual Property Company, LLC
4201 Winfield Road Warrenville Illinois 60555 United States of America
 (72) Name(s) of Designer(s): **David J. Beigel and Brian J. Jacquay and Marcey K. Collins and Franz Mueller and L. David Allendorph and Jaimi L. Smith and Luke Ice and Gerald J. Nix and Ryan T. Jones**
 (45) Registration Date: **08 August 2008**
 (30) Convention priority data:
 (31) Number (32) Date (33) Country
29/296,555 23 Oct 2007 UNITED STATES OF AMERICA
 (56) Related Art Documents: **Not Applicable**
 (57) Statement of Newness and Distinctiveness: **Nil**



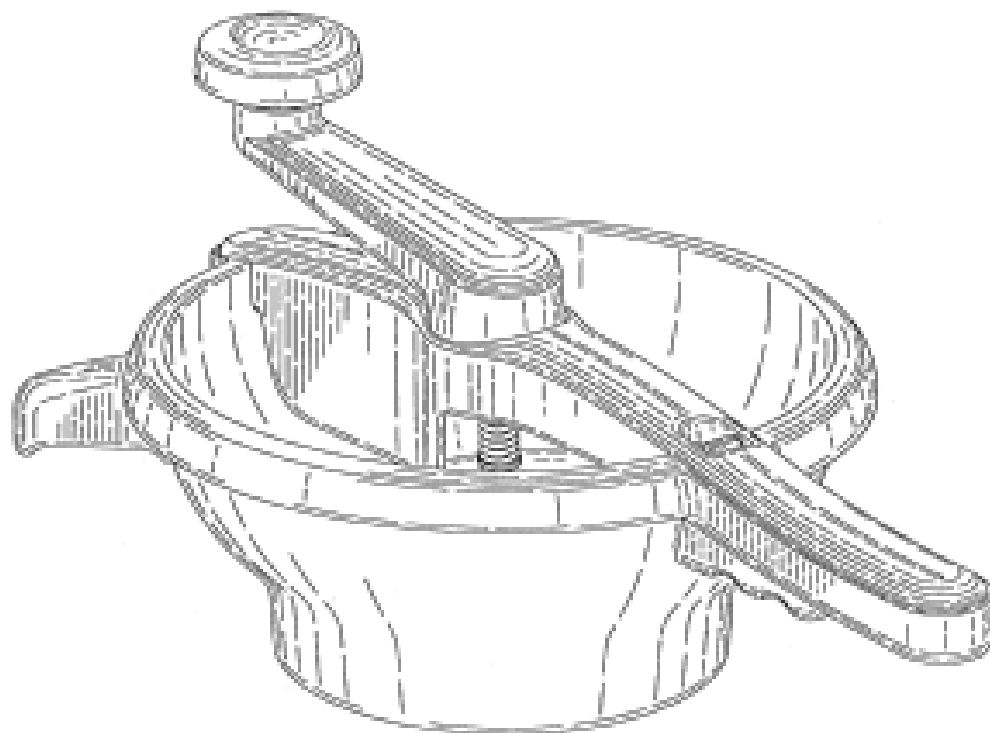
(21) Design Number: **11787/2008**
 (22) Date of Filing Application: **15 April 2008**
 (24) Date from which industrial property rights may have effect: **15 April 2008**
 (54) Product in respect of which the design is registered: **Air cleaner light bar of a truck vehicle**
 (51) International Design Classification: **26-06, 12-16E**
 (71) Name(s) and Address(s) of Applicant(s):
International Truck Intellectual Property Company, LLC
4201 Winfield Road Warrenville Illinois 60555 United States of America
 (72) Name(s) of Designer(s): **David J. Biegel and Gerald J. Nix and Franz Mueller and L. David Allendorph and Jaimi L. Smith and Peter Hohendorf and Stefan Ontelus**
 (45) Registration Date: **08 August 2008**
 (30) Convention priority data:
 (31) Number (32) Date (33) Country
29/296,550 23 Oct 2007 UNITED STATES OF AMERICA
 (56) Related Art Documents: **Not Applicable**
 (57) Statement of Newness and Distinctiveness: **Nil**



(19) AU

- (21) Design Number: **11806/2008**
- (22) Date of Filing Application: **16 April 2008**
- (24) Date from which industrial property rights may have effect: **16 April 2008**
- (54) Product in respect of which the design is registered: **Food mill**
- (51) International Design Classification: **07-06C, 07-04**
- (71) Name(s) and Address(s) of Applicant(s):
Dart Industries Inc
14901 S. Orange Blossom Trail Orlando Florida 32837 United States of America
- (72) Name(s) of Designer(s): **Jan-Hendrik De Groot**
- (45) Registration Date: **08 August 2008**
- (30) Convention priority data:

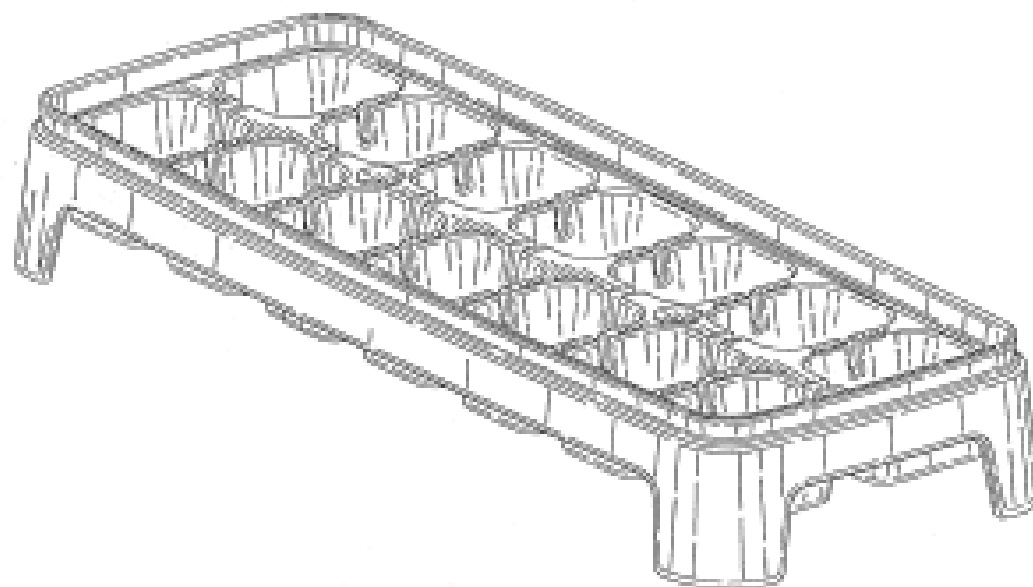
(31) Number	(32) Date	(33) Country
29/293,198	09 Nov 2007	UNITED STATES OF AMERICA
- (56) Related Art Documents: **Not Applicable**
- (57) Statement of Newness and Distinctiveness: **Those features of the food mill depicted in the representations that are new and distinctive are the shape and/or configuration.**



(19) AU

- (21) Design Number: **11807/2008**
- (22) Date of Filing Application: **16 April 2008**
- (24) Date from which industrial property rights may have effect: **16 April 2008**
- (54) Product in respect of which the design is registered: **Ice cube tray**
- (51) International Design Classification: **07-07NES**
- (71) Name(s) and Address(s) of Applicant(s):
Dart Industries Inc
14901 S. Orange Blossom Trail Orlando Florida 32837 United States of America
- (72) Name(s) of Designer(s): **Jan-Hendrik De Groot**
- (45) Registration Date: **08 August 2008**
- (30) Convention priority data:

(31) Number	(32) Date	(33) Country
29/293,209	09 Nov 2007	UNITED STATES OF AMERICA
- (56) Related Art Documents: **Not Applicable**
- (57) Statement of Newness and Distinctiveness: **Those features of the ice cube tray depicted in the representations that are new and distinctive are the shape and/or configuration.**



(21) Design Number: **11810/2008**

(22) Date of Filing Application: **16 April 2008**

(24) Date from which industrial property rights may have effect: **16 April 2008**

(54) Product in respect of which the design is registered: **A perfume bottle**

(51) International Design Classification: **09-01G**

(71) Name(s) and Address(s) of Applicant(s):

Cartier Creation Studio SA
8 Boulevard James Fazy Geneve CH-1201 Switzerland

(72) Name(s) of Designer(s): **Damienne Lulic**

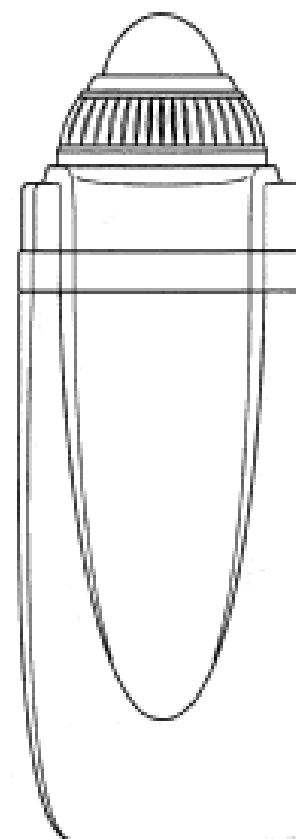
(45) Registration Date: **08 August 2008**

(30) Convention priority data:

(31) Number	(32) Date	(33) Country
000808779-0001	16 Oct 2007	EUROPEAN COMMUNITY

(56) Related Art Documents: **Not Applicable**

(57) Statement of Newness and Distinctiveness: **Nil**



(21) Design Number: **11811/2008**

(22) Date of Filing Application: **16 April 2008**

(24) Date from which industrial property rights may have effect: **16 April 2008**

(54) Product in respect of which the design is registered: **Charging unit for robot**

(51) International Design Classification: **13-02**

(71) Name(s) and Address(s) of Applicant(s):

NEC Corporation
7-1 Shiba 5-Chome Minato-ku Tokyo Japan

(72) Name(s) of Designer(s): **Yoshihiro Fujita and Manabu Tominaga**

(45) Registration Date: **08 August 2008**

(30) Convention priority data:

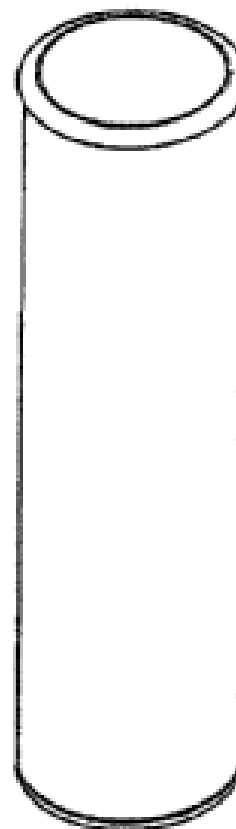
(31) Number	(32) Date	(33) Country
2007-033427	05 Dec 2007	JAPAN

(56) Related Art Documents: **Not Applicable**

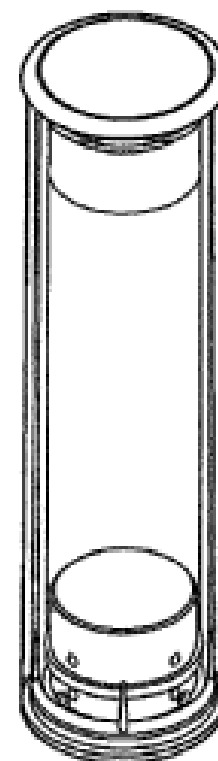
(57) Statement of Newness and Distinctiveness: **Nil**



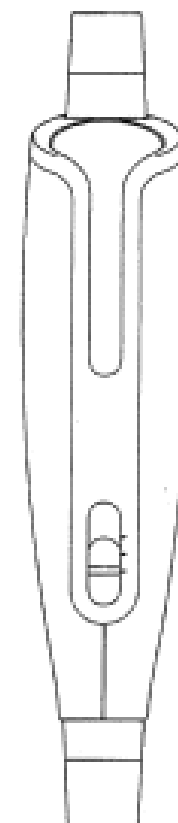
(21) Design Number: **11812/2008**
(22) Date of Filing Application: **16 April 2008**
(24) Date from which industrial property rights may have effect: **16 April 2008**
(54) Product in respect of which the design is registered: **Shower dispenser cartridge**
(51) International Design Classification: **07-99NES, 09-01NES, 23-02A**
(71) Name(s) and Address(s) of Applicant(s):
Methven Limited
447 Rosebank Road Avondale Auckland New Zealand
(72) Name(s) of Designer(s): **Kent Bradley Thomas Sneddon and Wendy Dimphena Carolina Schoutens**
(45) Registration Date: **08 August 2008**
(30) Convention priority data:
(31) Number (32) Date (33) Country
409864 16 Oct 2007 NEW ZEALAND
(56) Related Art Documents: **Not Applicable**
(57) Statement of Newness and Distinctiveness: **Nil**



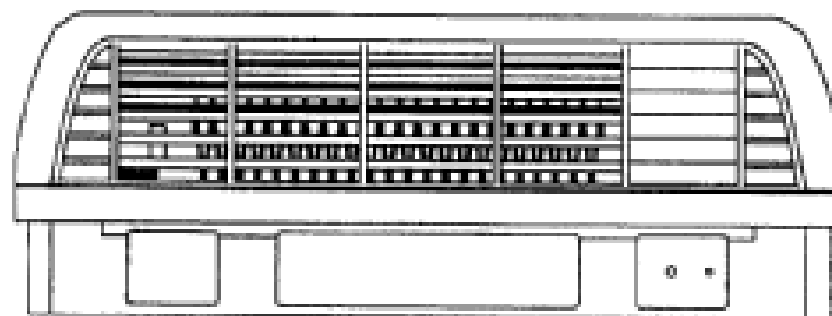
(21) Design Number: **11813/2008**
(22) Date of Filing Application: **16 April 2008**
(24) Date from which industrial property rights may have effect: **16 April 2008**
(54) Product in respect of which the design is registered: **Dispenser cartridge**
(51) International Design Classification: **07-99NES, 09-01NES, 23-02A**
(71) Name(s) and Address(s) of Applicant(s):
Methven Limited
447 Rosebank Road Avondale Auckland New Zealand
(72) Name(s) of Designer(s): **Kent Bradley Thomas Sneddon and Wendy Dimphena Carolina Schoutens**
(45) Registration Date: **08 August 2008**
(30) Convention priority data:
(31) Number (32) Date (33) Country
409863 16 Oct 2007 NEW ZEALAND
(56) Related Art Documents: **Not Applicable**
(57) Statement of Newness and Distinctiveness: **Nil**



- (21) Design Number: **11814/2008**
(22) Date of Filing Application: **16 April 2008**
(24) Date from which industrial property rights may have effect: **16 April 2008**
(54) Product in respect of which the design is registered: **A dispenser**
(51) International Design Classification: **07-99NES, 28-03NES**
(71) Name(s) and Address(s) of Applicant(s):
Methven Limited
447 Rosebank Road Avondale Auckland New Zealand
(72) Name(s) of Designer(s): **Kent Bradley Thomas Sneddon and Wendy Dimphena Carolina Schoutens**
(45) Registration Date: **08 August 2008**
(30) Convention priority data:
(31) Number (32) Date (33) Country
409862 16 Oct 2007 NEW ZEALAND
(56) Related Art Documents: **Not Applicable**
(57) Statement of Newness and Distinctiveness: **Nil**



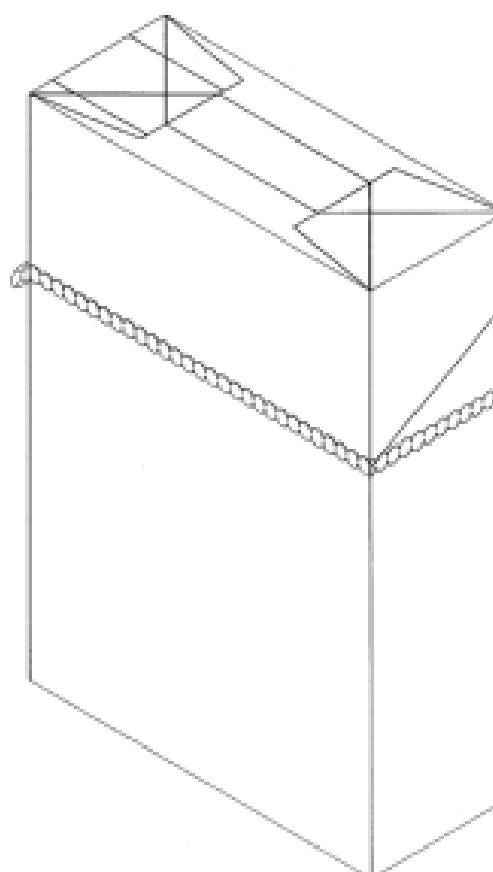
- (21) Design Number: **11848/2008**
(22) Date of Filing Application: **15 April 2008**
(24) Date from which industrial property rights may have effect: **15 April 2008**
(54) Product in respect of which the design is registered: **A heater**
(51) International Design Classification: **23-03A**
(71) Name(s) and Address(s) of Applicant(s):
Specialised Sales & Marketing Limited
11 Jipcho Street Sockburn 8004 Christchurch New Zealand
(72) Name(s) of Designer(s): **Peter Crawley**
(45) Registration Date: **08 August 2008**
(30) Convention priority data:
(31) Number (32) Date (33) Country
410,505 03 Mar 2008 NEW ZEALAND
(56) Related Art Documents: **Not Applicable**
(57) Statement of Newness and Distinctiveness: **Newness and distinctiveness is claimed in the shape and/or configuration of a heater as illustrated by the unbroken lines in the accompanying representation/s. No novelty is claimed for the design of the grill or the rectangular sections below the grill which do not form any part of the design.**



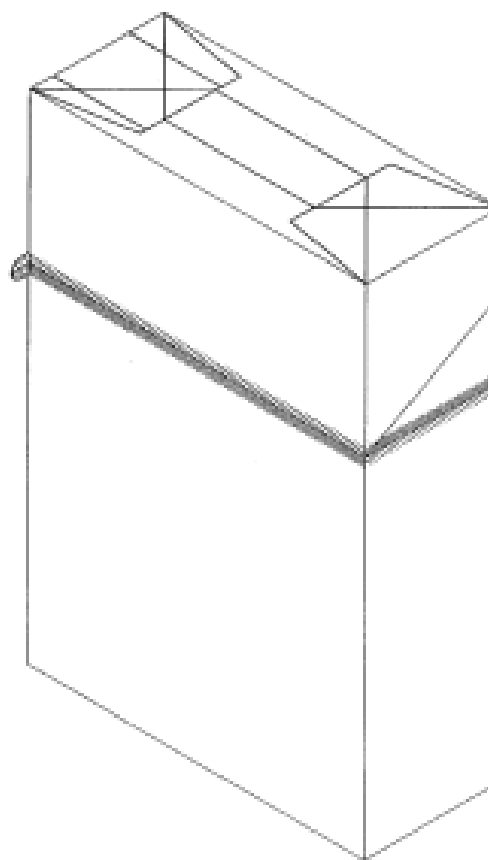
- (21) Design Number: **10712/2008**
(22) Date of Filing Application: **18 February 2008**
(24) Date from which industrial property rights may have effect: **18 February 2008**
(54) Product in respect of which the design is registered: **Handheld computer case**
(51) International Design Classification: **14-99, 14-02**
(71) Name(s) and Address(s) of Applicant(s):
EnterMo Limited
41 Main Road Ballarat Victoria 3354 Australia
(72) Name(s) of Designer(s): **Paul Charlwood**
(45) Registration Date: **12 August 2008**
(56) Related Art Documents: **Not Applicable**
(57) Statement of Newness and Distinctiveness: **Those features of the handheld computer case depicted in the representations that are new and distinctive are the shape and/or configuration. The colours of the case are not part of the design and are to be disregarded when considering the overall impression of the design.**



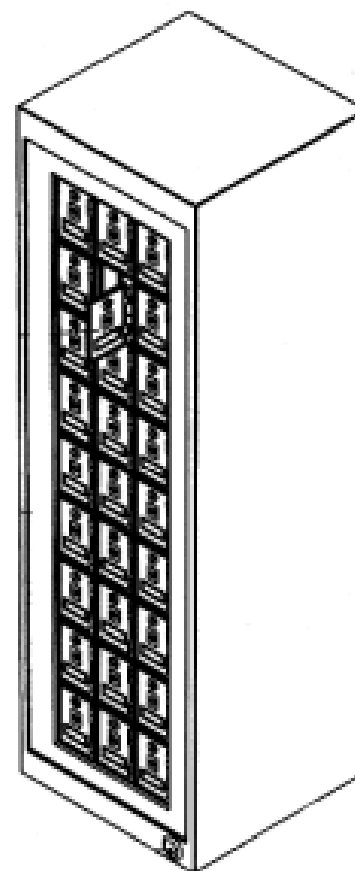
- (21) Design Number: **11181/2008**
(22) Date of Filing Application: **07 March 2008**
(24) Date from which industrial property rights may have effect: **07 March 2008**
(54) Product in respect of which the design is registered: **Cigarette packet**
(51) International Design Classification: **09-03A**
(71) Name(s) and Address(s) of Applicant(s):
Innovia Films Limited
Station Road Wigton Cumbria CA7 9BG United Kingdom
(72) Name(s) of Designer(s): **Steve Maude and Peter Mills**
(45) Registration Date: **12 August 2008**
(30) Convention priority data:
(31) Number (32) Date (33) Country
000790068-0007 14 Sep 2007 EUROPEAN COMMUNITY
(56) Related Art Documents: **Not Applicable**
(57) Statement of Newness and Distinctiveness: **Nil**



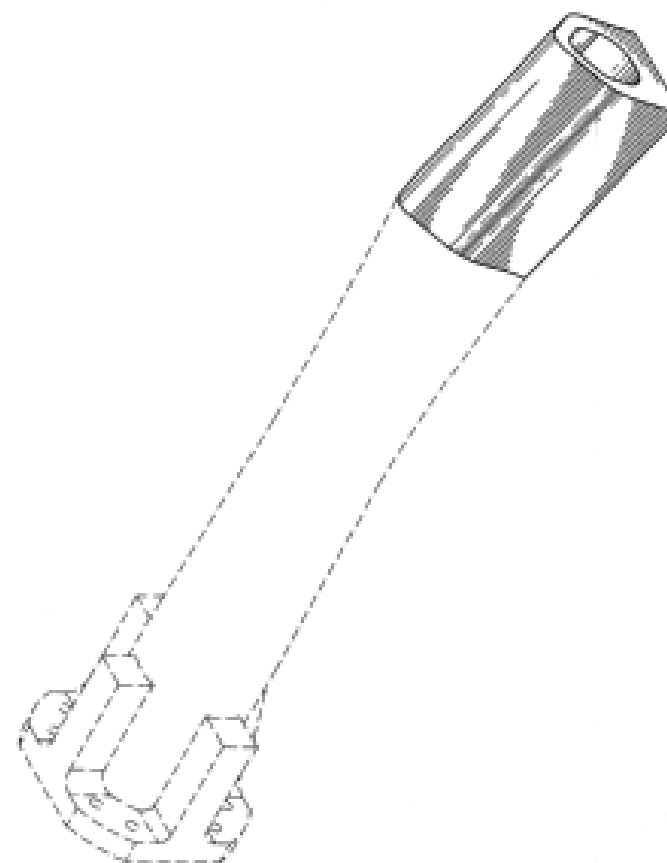
- (21) Design Number: **11182/2008**
(22) Date of Filing Application: **07 March 2008**
(24) Date from which industrial property rights may have effect: **07 March 2008**
(54) Product in respect of which the design is registered: **Cigarette packet**
(51) International Design Classification: **09-03A**
(71) Name(s) and Address(s) of Applicant(s):
Innovia Films Limited
Station Road Wigton Cumbria CA7 9BG United Kingdom
(72) Name(s) of Designer(s): **Steve Maude and Peter Mills**
(45) Registration Date: **12 August 2008**
(30) Convention priority data:
(31) Number (32) Date (33) Country
00790068-0001 14 Sep 2007 EUROPEAN COMMUNITY
(56) Related Art Documents: **Not Applicable**
(57) Statement of Newness and Distinctiveness: **Nil**



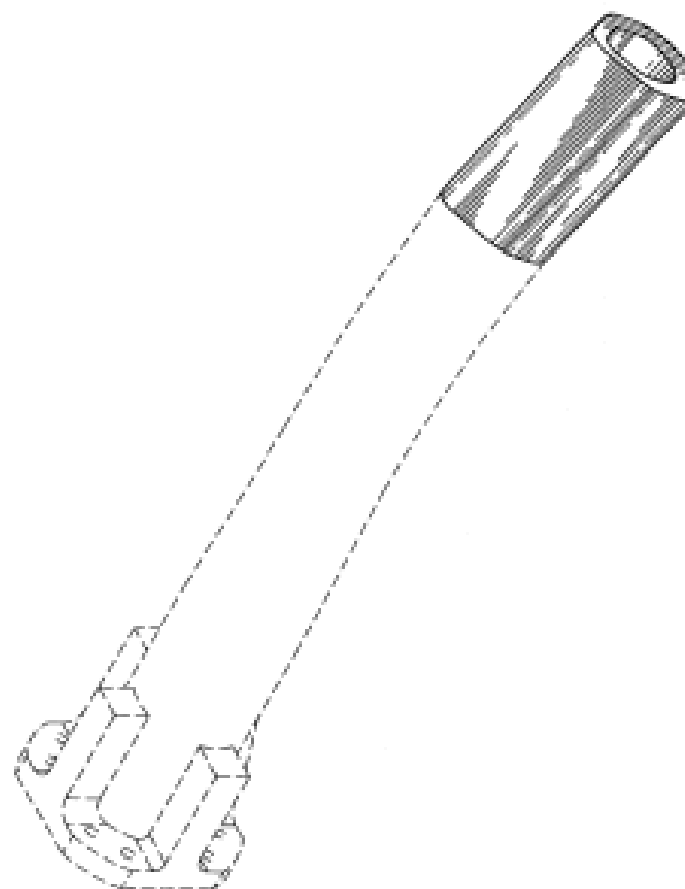
- (21) Design Number: **11788/2008**
(22) Date of Filing Application: **15 April 2008**
(24) Date from which industrial property rights may have effect: **15 April 2008**
(54) Product in respect of which the design is registered: **Multi-compartment mailbox unit with sliding concealable common access door**
(51) International Design Classification: **25-03**
(71) Name(s) and Address(s) of Applicant(s):
Australian Postal Corporation
Level 20/321 Exhibition Street Melbourne Victoria 3000 Australia
(72) Name(s) of Designer(s): **Vladimir Milan and Robert Schelbach and John Malone and Kenneth Hickson**
(45) Registration Date: **12 August 2008**
(56) Related Art Documents: **Not Applicable**
(57) Statement of Newness and Distinctiveness: **Newness and distinctiveness is claimed in the features of shape and/or configuration of the multi-compartment mailbox unit with sliding concealable common access door as shown in the representations.**



- (21) Design Number: **11816/2008**
(22) Date of Filing Application: **16 April 2008**
(24) Date from which industrial property rights may have effect: **16 April 2008**
(54) Product in respect of which the design is registered: **Siphon nozzle for metal tapping**
(51) International Design Classification: **23-01A, 23-01NES, 09-07A**
(71) Name(s) and Address(s) of Applicant(s):
Alcan International Limited
1188 Sherbrooke Street West Montreal Quebec H3A 3G2 Canada
(72) Name(s) of Designer(s): **Vincent Goutiere and Jean Cote**
(45) Registration Date: **12 August 2008**
(30) Convention priority data:
(31) Number (32) Date (33) Country
29/306096 02 Apr 2008 UNITED STATES OF AMERICA
(56) Related Art Documents: **Not Applicable**
(57) Statement of Newness and Distinctiveness: **Newness and distinctiveness reside in the features of the design shown in solid lines in the representations excluding those features shown in broken lines.**



- (21) Design Number: **11817/2008**
(22) Date of Filing Application: **16 April 2008**
(24) Date from which industrial property rights may have effect: **16 April 2008**
(54) Product in respect of which the design is registered: **Siphon nozzle for metal tapping**
(51) International Design Classification: **23-01A, 23-01NES, 09-07A**
(71) Name(s) and Address(s) of Applicant(s):
Alcan International Limited
1188 Sherbrooke Street West Montreal Quebec H3A 3G2 Canada
(72) Name(s) of Designer(s): **Vincent Goutiere and Jean Cote**
(45) Registration Date: **12 August 2008**
(30) Convention priority data:
(31) Number (32) Date (33) Country
29/306096 02 Apr 2008 UNITED STATES OF AMERICA
(56) Related Art Documents: **Not Applicable**
(57) Statement of Newness and Distinctiveness: **Newness and distinctiveness reside in the features of the design shown in solid lines in the representations excluding those features shown in broken lines.**



(21) Design Number: **11818/2008**

(22) Date of Filing Application: **16 April 2008**

(24) Date from which industrial property rights may have effect: **16 April 2008**

(54) Product in respect of which the design is registered: **Shredder ring in a food waste disposal unit**

(51) International Design Classification: **08-03, 09-09**

(71) Name(s) and Address(s) of Applicant(s):

Johnson Electric S.A.

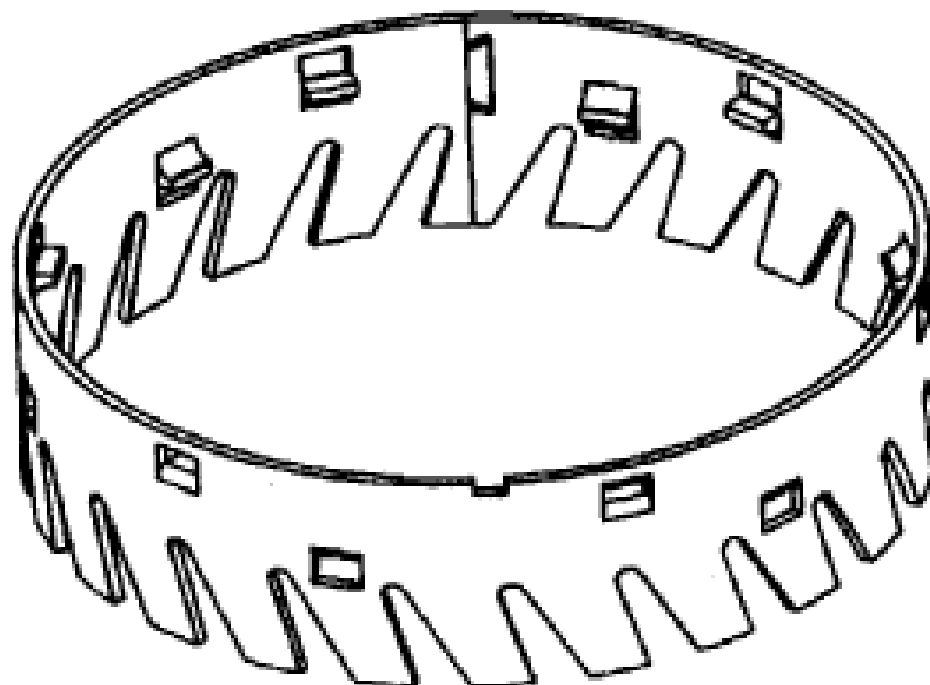
Rue Fritz-Courvoisier 40 CH-2300 La Chaux-de-Fonds Switzerland

(72) Name(s) of Designer(s): **Israr Saeed and Kwong Yip Poon and Cheuk Yan Wong**

(45) Registration Date: **12 August 2008**

(56) Related Art Documents: **Not Applicable**

(57) Statement of Newness and Distinctiveness: **Newness and distinctiveness reside in the features of the design shown in the representations.**



(21) Design Number: **11821/2008**

(22) Date of Filing Application: **18 April 2008**

(24) Date from which industrial property rights may have effect: **18 April 2008**

(54) Product in respect of which the design is registered: **Dance shoe upper**

(51) International Design Classification: **02-04NES**

(71) Name(s) and Address(s) of Applicant(s):

J Bloch Pty Ltd

8-18 William Street Beaconsfield New South Wales 2015 Australia

(72) Name(s) of Designer(s): **David Wilkenfeld**

(45) Registration Date: **12 August 2008**

(56) Related Art Documents: **Not Applicable**

(57) Statement of Newness and Distinctiveness: **Newness and distinctiveness is claimed in the features of shape and/or configuration of a dance shoe upper delineated and enclosed by the bold outline in the accompanying representations.**



(21) Design Number: **11822/2008**

(22) Date of Filing Application: **18 April 2008**

(24) Date from which industrial property rights may have effect: **18 April 2008**

(54) Product in respect of which the design is registered: **Dance shoe sole, toe pad**

(51) International Design Classification: **02-04B**

(71) Name(s) and Address(s) of Applicant(s):

J Bloch Pty Ltd

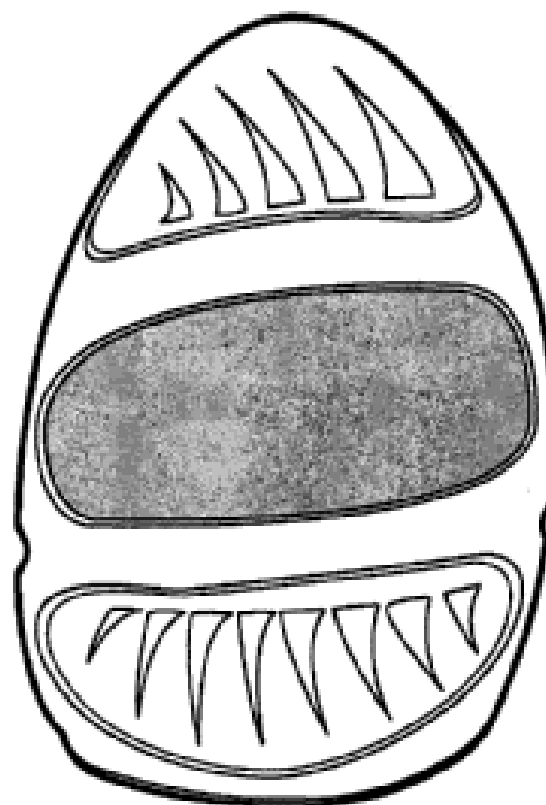
8-18 William Street Beaconsfield New South Wales 2015 Australia

(72) Name(s) of Designer(s): **David Wilkenfeld**

(45) Registration Date: **12 August 2008**

(56) Related Art Documents: **Not Applicable**

(57) Statement of Newness and Distinctiveness: **Newness and distinctiveness is claimed in the features of shape and configuration of the toe pad of a dance shoe sole delineated and enclosed by the bold outline in the accompanying representations.**



(21) Design Number: **11823/2008**

(22) Date of Filing Application: **18 April 2008**

(24) Date from which industrial property rights may have effect: **18 April 2008**

(54) Product in respect of which the design is registered: **Dance shoe sole, heel pad**

(51) International Design Classification: **02-04B**

(71) Name(s) and Address(s) of Applicant(s):

J Bloch Pty Ltd

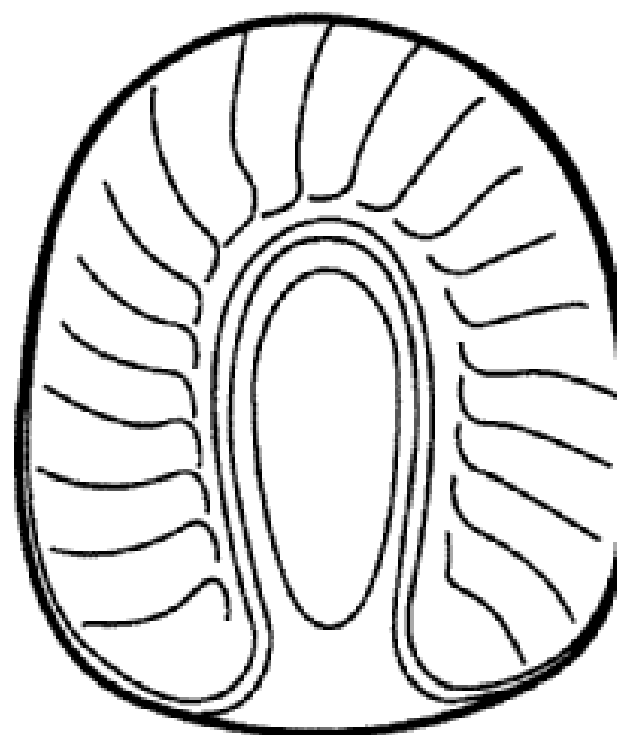
8-18 William Street Beaconsfield New South Wales 2015 Australia

(72) Name(s) of Designer(s): **David Wilkenfeld**

(45) Registration Date: **12 August 2008**

(56) Related Art Documents: **Not Applicable**

(57) Statement of Newness and Distinctiveness: **Newness and distinctiveness is claimed in the features of shape and configuration of the heel pad of a dance shoe sole delineated and enclosed by the bold outline in the accompanying representations.**



(21) Design Number: **11836/2008**

(22) Date of Filing Application: **18 April 2008**

(24) Date from which industrial property rights may have effect: **18 April 2008**

(54) Product in respect of which the design is registered: **Adjustable bracket**

(51) International Design Classification: **08-08L**

(71) Name(s) and Address(s) of Applicant(s):

H.P.M. Industries Pty Ltd

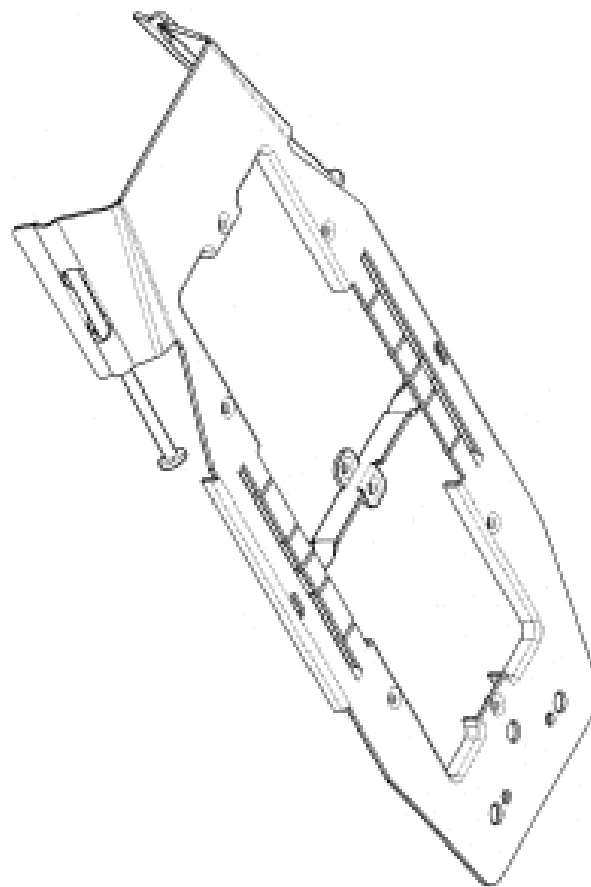
Unit 5/44-48 O'Dea Avenue Waterloo New South Wales 2017 Australia

(72) Name(s) of Designer(s): **Pradeep Anirudhan**

(45) Registration Date: **12 August 2008**

(56) Related Art Documents: **Not Applicable**

(57) Statement of Newness and Distinctiveness: **Newness is claimed in the features of shape and configuration of the adjustable bracket as shown in the accompanying representations.**



(21) Design Number: **11865/2008**

(22) Date of Filing Application: **21 April 2008**

(24) Date from which industrial property rights may have effect: **21 April 2008**

(54) Product in respect of which the design is registered: **A balustrade post extrusion**

(51) International Design Classification: **25-01K, 25-02C**

(71) Name(s) and Address(s) of Applicant(s):

Prodrome Designs Pty Ltd

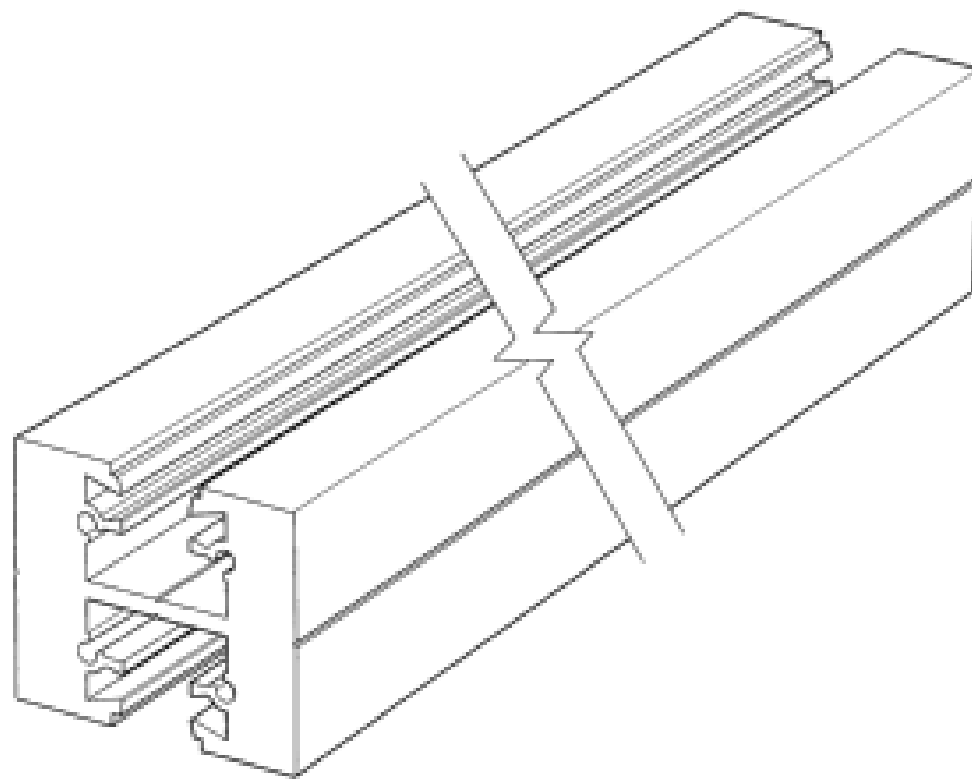
468 Stuart Highway Winnellie Northern Territory 0820 Australia

(72) Name(s) of Designer(s): **John Koukouvas**

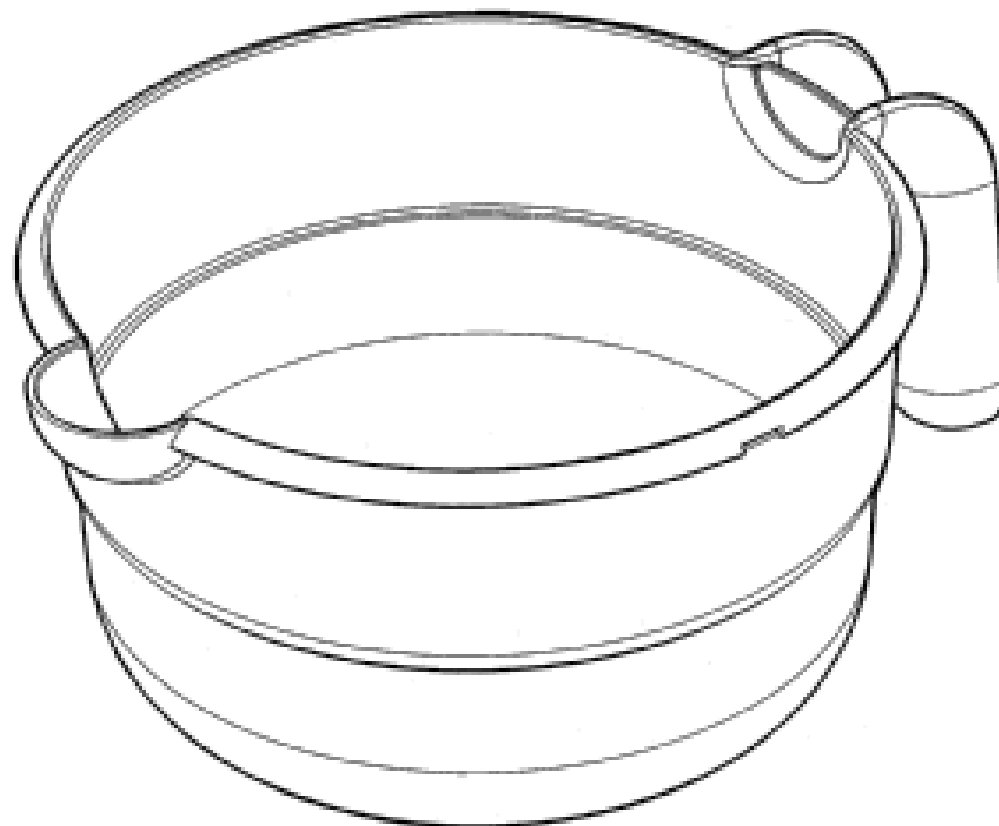
(45) Registration Date: **12 August 2008**

(56) Related Art Documents: **Not Applicable**

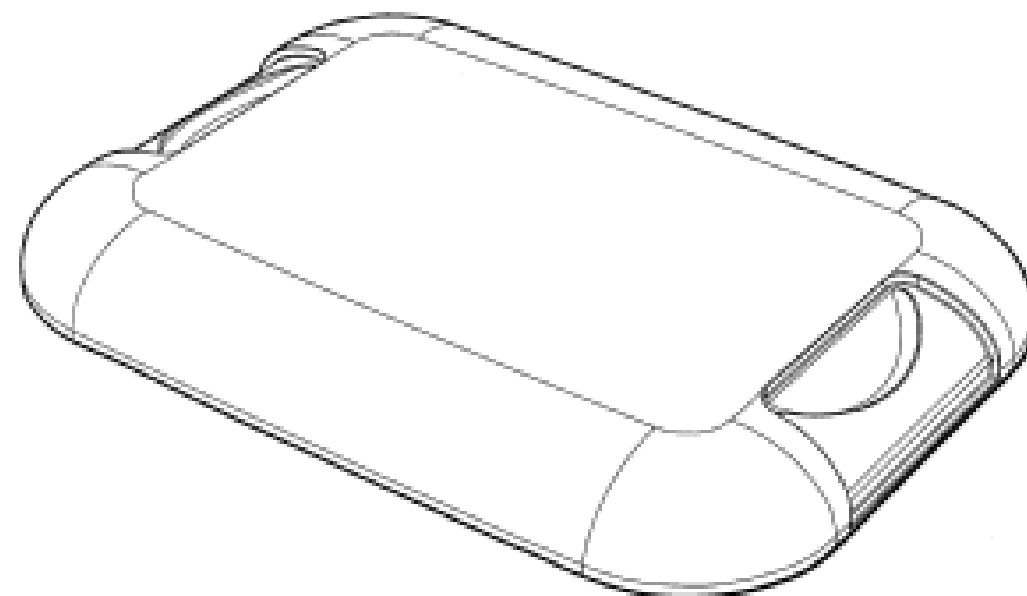
(57) Statement of Newness and Distinctiveness: **Newness and distinctiveness reside in the features of shape and configuration of an extrusion of indefinite length for a balustrade post extrusion as shown in the accompanying representations.**



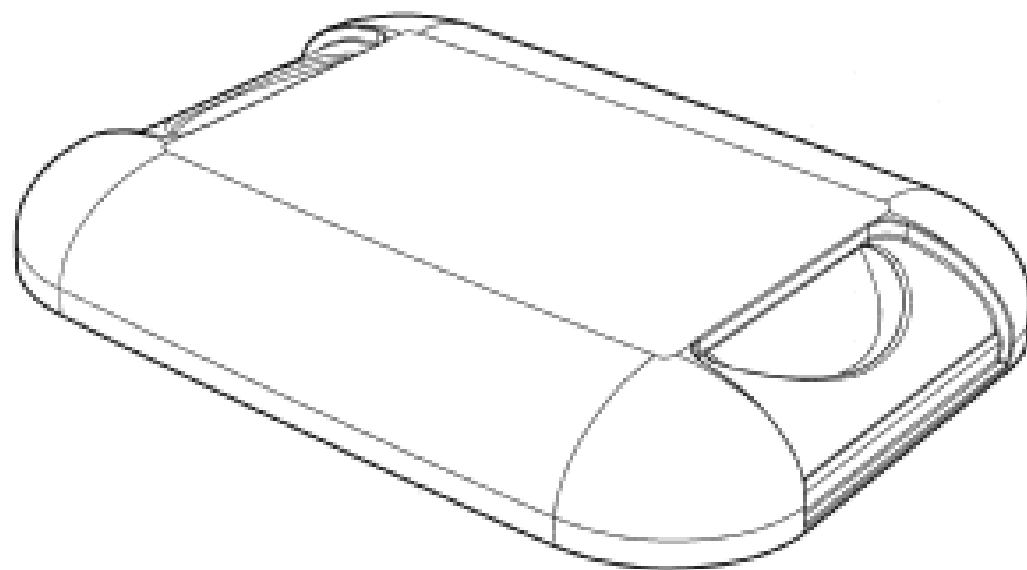
- (21) Design Number: **11866/2008**
- (22) Date of Filing Application: **21 April 2008**
- (24) Date from which industrial property rights may have effect: **21 April 2008**
- (54) Product in respect of which the design is registered: **Jug**
- (51) International Design Classification: **07-01F**
- (71) Name(s) and Address(s) of Applicant(s):
The Decor Corporation Pty Ltd
1314 Ferntree Gully Road Scoresby Victoria 3179 Australia
- (72) Name(s) of Designer(s): **Jim Samartgis**
- (45) Registration Date: **12 August 2008**
- (56) Related Art Documents: **Not Applicable**
- (57) Statement of Newness and Distinctiveness: **Nil**



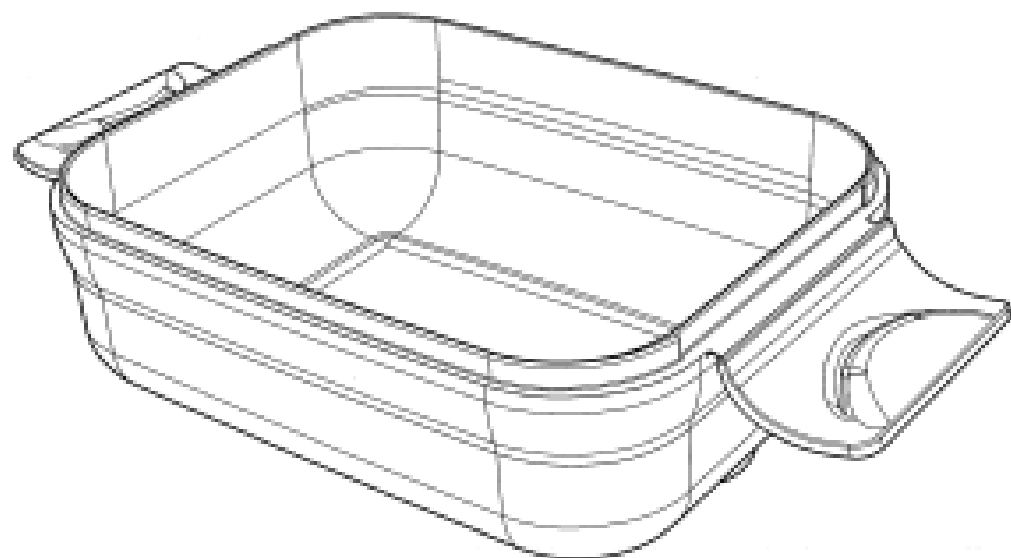
- (21) Design Number: **11867/2008**
- (22) Date of Filing Application: **21 April 2008**
- (24) Date from which industrial property rights may have effect: **21 April 2008**
- (54) Product in respect of which the design is registered: **Container lid**
- (51) International Design Classification: **07-01NES, 09-07B**
- (71) Name(s) and Address(s) of Applicant(s):
The Decor Corporation Pty Ltd
1314 Ferntree Gully Road Scoresby Victoria 3179 Australia
- (72) Name(s) of Designer(s): **Jim Samartgis**
- (45) Registration Date: **12 August 2008**
- (56) Related Art Documents: **Not Applicable**
- (57) Statement of Newness and Distinctiveness: **Nil**



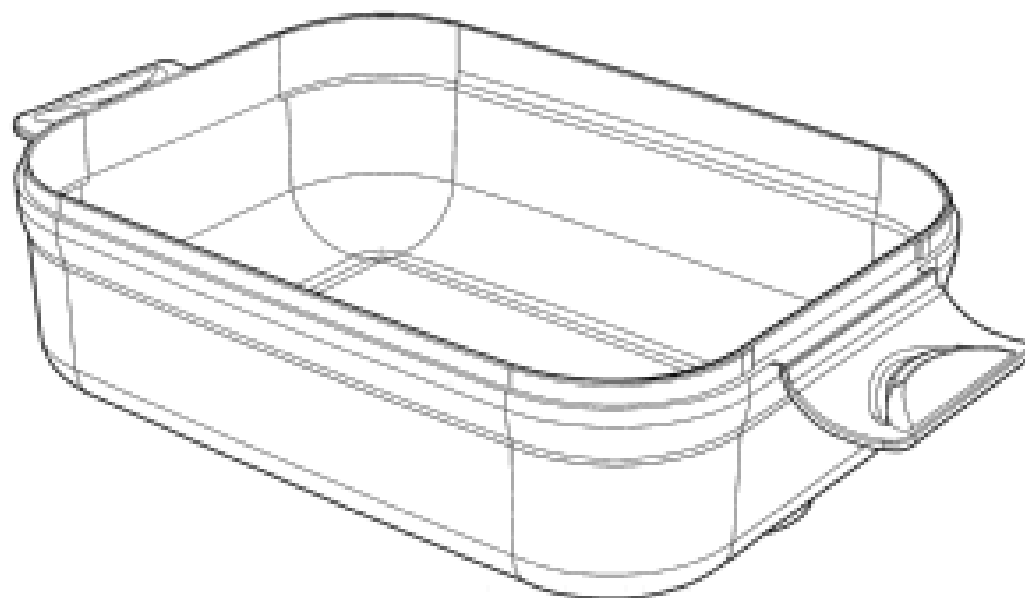
- (21) Design Number: **11868/2008**
(22) Date of Filing Application: **21 April 2008**
(24) Date from which industrial property rights may have effect: **21 April 2008**
(54) Product in respect of which the design is registered: **Container lid**
(51) International Design Classification: **07-01NES, 09-07B**
(71) Name(s) and Address(s) of Applicant(s):
The Decor Corporation Pty Ltd
1314 Ferntree Gully Road Scoresby Victoria 3179 Australia
(72) Name(s) of Designer(s): **Jim Samartgis**
(45) Registration Date: **12 August 2008**
(56) Related Art Documents: **Not Applicable**
(57) Statement of Newness and Distinctiveness: **Nil**



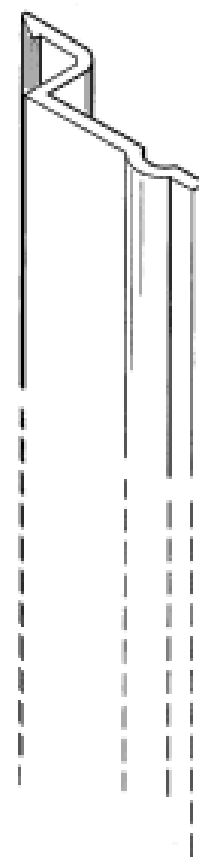
- (21) Design Number: **11869/2008**
(22) Date of Filing Application: **21 April 2008**
(24) Date from which industrial property rights may have effect: **21 April 2008**
(54) Product in respect of which the design is registered: **Container**
(51) International Design Classification: **07-01NES**
(71) Name(s) and Address(s) of Applicant(s):
The Decor Corporation Pty Ltd
1314 Ferntree Gully Road Scoresby Victoria 3179 Australia
(72) Name(s) of Designer(s): **Jim Samartgis**
(45) Registration Date: **12 August 2008**
(56) Related Art Documents: **Not Applicable**
(57) Statement of Newness and Distinctiveness: **Nil**



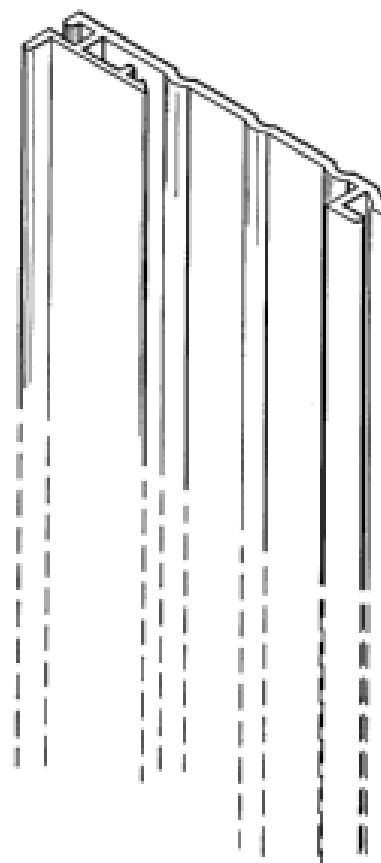
- (21) Design Number: **11870/2008**
(22) Date of Filing Application: **21 April 2008**
(24) Date from which industrial property rights may have effect: **21 April 2008**
(54) Product in respect of which the design is registered: **Container**
(51) International Design Classification: **07-01NES**
(71) Name(s) and Address(s) of Applicant(s):
The Decor Corporation Pty Ltd
1314 Ferntree Gully Road Scoresby Victoria 3179 Australia
(72) Name(s) of Designer(s): **Jim Samartgis**
(45) Registration Date: **12 August 2008**
(56) Related Art Documents: **Not Applicable**
(57) Statement of Newness and Distinctiveness: **Nil**



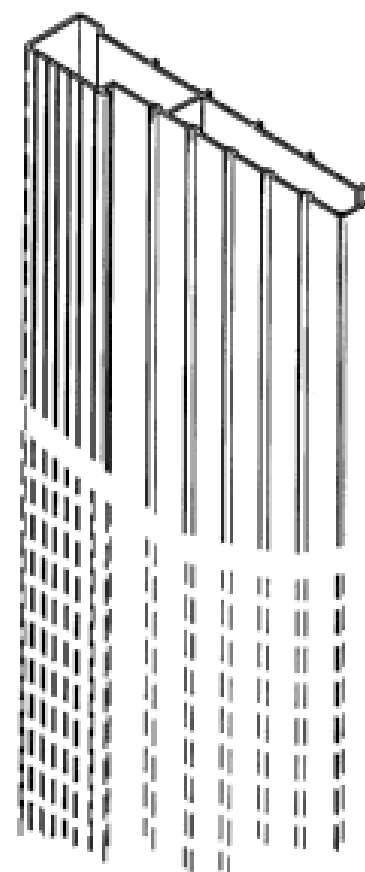
- (21) Design Number: **11874/2008**
(22) Date of Filing Application: **21 April 2008**
(24) Date from which industrial property rights may have effect: **21 April 2008**
(54) Product in respect of which the design is registered: **An extension clip**
(51) International Design Classification: **25-01K, 25-02NES**
(71) Name(s) and Address(s) of Applicant(s):
Press Metal Aluminium (Australia) Pty Ltd
2/22 Eastern Service Stapylton Queensland 4207 Australia
(72) Name(s) of Designer(s): **Graeme Charles Barton**
(45) Registration Date: **12 August 2008**
(56) Related Art Documents: **Not Applicable**
(57) Statement of Newness and Distinctiveness: **The extension clip has constant cross section and indefinite length.**



- (21) Design Number: **11875/2008**
(22) Date of Filing Application: **21 April 2008**
(24) Date from which industrial property rights may have effect: **21 April 2008**
(54) Product in respect of which the design is registered: **An extension**
(51) International Design Classification: **25-01K**
(71) Name(s) and Address(s) of Applicant(s):
Press Metal Aluminium (Australia) Pty Ltd
2/22 Eastern Service Stapylton Queensland 4207 Australia
(72) Name(s) of Designer(s): **Graeme Charles Barton**
(45) Registration Date: **12 August 2008**
(56) Related Art Documents: **Not Applicable**
(57) Statement of Newness and Distinctiveness: **The extension has constant cross section and indefinite length.**



- (21) Design Number: **11876/2008**
(22) Date of Filing Application: **21 April 2008**
(24) Date from which industrial property rights may have effect: **21 April 2008**
(54) Product in respect of which the design is registered: **A threshold**
(51) International Design Classification: **25-01K, 25-02NES**
(71) Name(s) and Address(s) of Applicant(s):
Press Metal Aluminium (Australia) Pty Ltd
2/22 Eastern Service Stapylton Queensland 4207 Australia
(72) Name(s) of Designer(s): **Graeme Charles Barton**
(45) Registration Date: **12 August 2008**
(56) Related Art Documents: **Not Applicable**
(57) Statement of Newness and Distinctiveness: **The threshold has constant cross section and indefinite length.**



(21) Design Number: **11877/2008**

(22) Date of Filing Application: **21 April 2008**

(24) Date from which industrial property rights may have effect: **21 April 2008**

(54) Product in respect of which the design is registered: **A post**

(51) International Design Classification: **25-01E, 25-01K**

(71) Name(s) and Address(s) of Applicant(s):

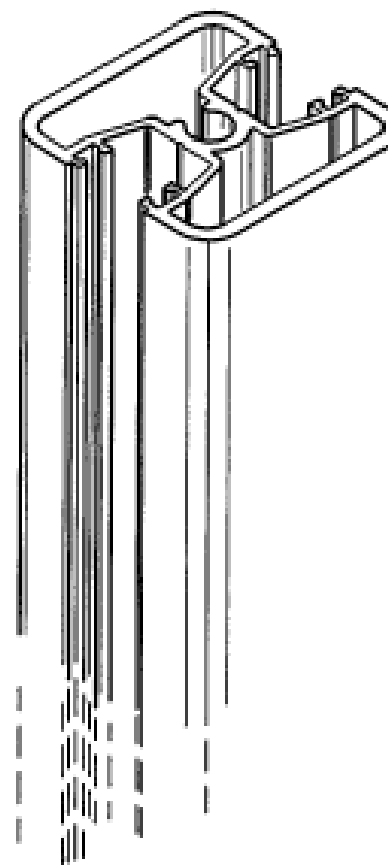
**Press Metal Aluminium (Australia) Pty Ltd
2/22 Eastern Service Stapylton Queensland 4207 Australia**

(72) Name(s) of Designer(s): **Graeme Charles Barton**

(45) Registration Date: **12 August 2008**

(56) Related Art Documents: **Not Applicable**

(57) Statement of Newness and Distinctiveness: **The post has constant cross section and indefinite length.**



(21) Design Number: **10559/2008**

(22) Date of Filing Application: **07 February 2008**

(24) Date from which industrial property rights may have effect: **07 February 2008**

(54) Product in respect of which the design is registered: **Hose fitting**

(51) International Design Classification: **23-01C**

(71) Name(s) and Address(s) of Applicant(s):

**Claber S.p.A.
Via Pontebbana 22 Fiume Veneto (Pordenone) 33080 Italy**

(72) Name(s) of Designer(s): **Oliviano Spadotto**

(45) Registration Date: **07 August 2008**

(56) Related Art Documents: **Not Applicable**

(57) Statement of Newness and Distinctiveness: **The shape and configuration of the product is new and distinctive. The text appearing on the product does not form part of the design.**



(21) Design Number: **13464/2008**

(22) Date of Filing Application: **07 February 2008**

(24) Date from which industrial property rights may have effect: **07 February 2008**

(54) Product in respect of which the design is registered: **Hose fitting**

(51) International Design Classification: **23-01C**

(71) Name(s) and Address(s) of Applicant(s):

Claber S.p.A.

Via Pontebbana 22 Fiume Veneto (Pordenone) 33080 Italy

(72) Name(s) of Designer(s): **Oliviano Spadotto**

(45) Registration Date: **07 August 2008**

(56) Related Art Documents: **Not Applicable**

(57) Statement of Newness and Distinctiveness: **The shape and configuration of the product is new and distinctive. The text appearing on the product does not form part of the design.**



(21) Design Number: **11020/2008**

(22) Date of Filing Application: **04 March 2008**

(24) Date from which industrial property rights may have effect: **04 March 2008**

(54) Product in respect of which the design is registered: **Foot wash brush**

(51) International Design Classification: **28-03NES**

(71) Name(s) and Address(s) of Applicant(s):

Richard Dixon

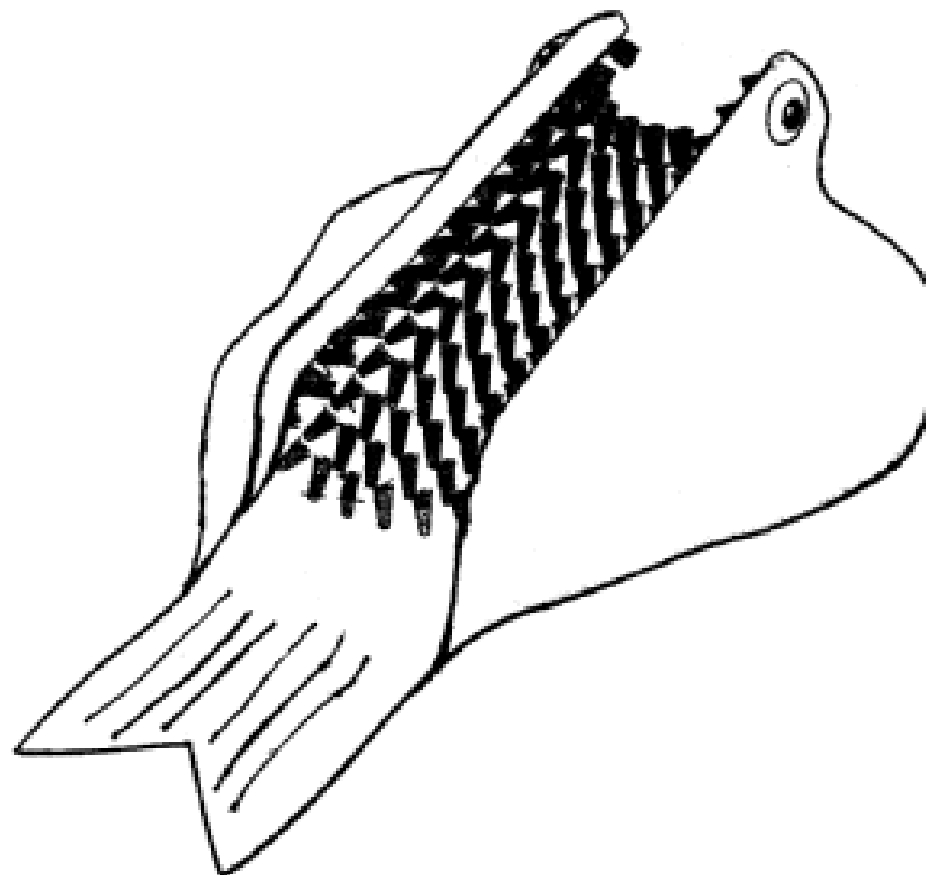
14 Kate Court Langwarrin Victoria 3910 Australia

(72) Name(s) of Designer(s): **Richard Dixon**

(45) Registration Date: **07 August 2008**

(56) Related Art Documents: **Not Applicable**

(57) Statement of Newness and Distinctiveness: **Nil**



(21) Design Number: **11615/2008**

(22) Date of Filing Application: **07 April 2008**

(24) Date from which industrial property rights may have effect: **07 April 2008**

(54) Product in respect of which the design is registered: **Tent peg remover**

(51) International Design Classification: **21-04, 08-05NES**

(71) Name(s) and Address(s) of Applicant(s):

David George Cook
14 Binary Street Yatala Queensland 4207 Australia

(72) Name(s) of Designer(s): **David Cook**

(45) Registration Date: **07 August 2008**

(56) Related Art Documents: **Not Applicable**

(57) Statement of Newness and Distinctiveness: **This design has an extendable handle to give more leverage when removing tent pegs.**



(21) Design Number: **11873/2008**

(22) Date of Filing Application: **21 April 2008**

(24) Date from which industrial property rights may have effect: **21 April 2008**

(54) Product in respect of which the design is registered: **Planter**

(51) International Design Classification: **11-02B**

(71) Name(s) and Address(s) of Applicant(s):

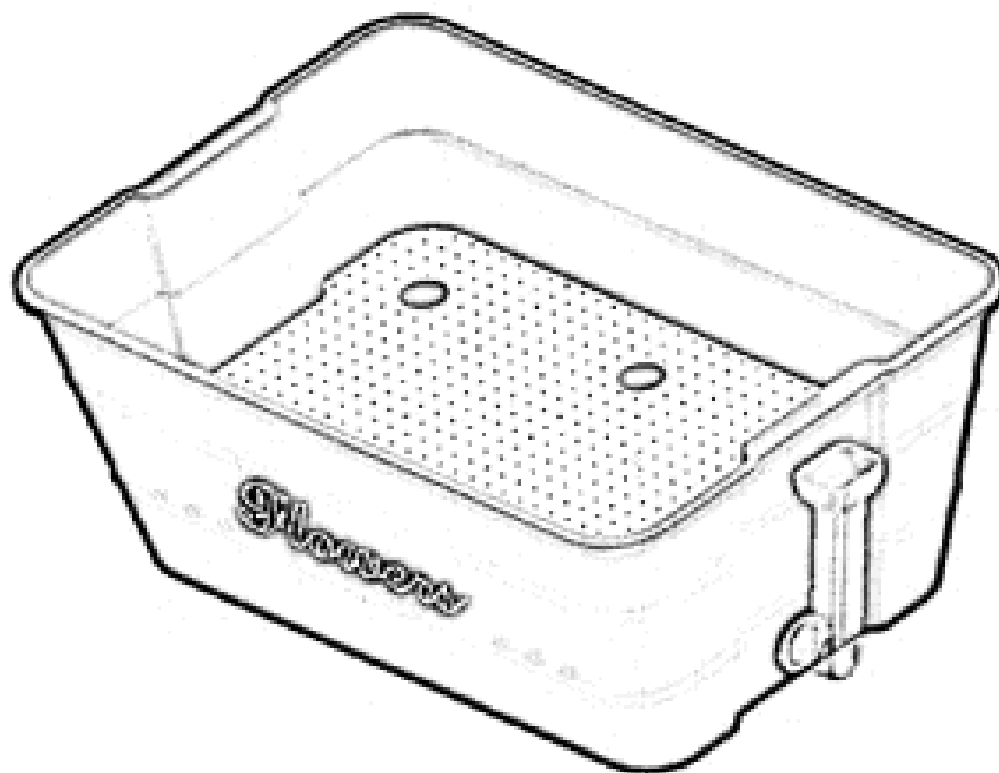
Nicola Gail Junkeer
8B Surrey Road South Yarra Victoria 3141 Australia

(72) Name(s) of Designer(s): **Gerald Junkeer**

(45) Registration Date: **07 August 2008**

(56) Related Art Documents: **Not Applicable**

(57) Statement of Newness and Distinctiveness: **Newness and distinctiveness is claimed in the features of shape and/or configuration of a planter as illustrated in the accompanying representations.**



- (21) Design Number: **11948/2008**
- (22) Date of Filing Application: **21 April 2008**
- (24) Date from which industrial property rights may have effect: **21 April 2008**
- (54) Product in respect of which the design is registered: **Disc holder**
- (51) International Design Classification: **03-01C**
- (71) Name(s) and Address(s) of Applicant(s):
ESET, spol. s r.o.
Pionierska 9/A Sk-831 02 Bratislava Slovakia
- (72) Name(s) of Designer(s): **Onderj Elias and Julius Nagy**
- (45) Registration Date: **07 August 2008**
- (30) Convention priority data:
(31) Number (32) Date (33) Country
000813043-0005 22 Oct 2007 EUROPEAN COMMUNITY
- (56) Related Art Documents: **Not Applicable**
- (57) Statement of Newness and Distinctiveness: **Nil**



- (21) Design Number: **11950/2008**
- (22) Date of Filing Application: **21 April 2008**
- (24) Date from which industrial property rights may have effect: **21 April 2008**
- (54) Product in respect of which the design is registered: **Disc holder**
- (51) International Design Classification: **03-01C**
- (71) Name(s) and Address(s) of Applicant(s):
ESET, spol. s r.o.
Pionierska 9/A Sk-831 02 Bratislava Slovakia
- (72) Name(s) of Designer(s): **Onderj Elias and Julius Nagy**
- (45) Registration Date: **07 August 2008**
- (30) Convention priority data:
(31) Number (32) Date (33) Country
000813043-0007 22 Oct 2007 EUROPEAN COMMUNITY
- (56) Related Art Documents: **Not Applicable**
- (57) Statement of Newness and Distinctiveness: **Nil**



(21) Design Number: **12949/2008**

(22) Date of Filing Application: **25 June 2008**

(24) Date from which industrial property rights may have effect: **25 June 2008**

(54) Product in respect of which the design is registered: **Laundry basket**

(51) International Design Classification: **07-05C, 07-07NES**

(71) Name(s) and Address(s) of Applicant(s):

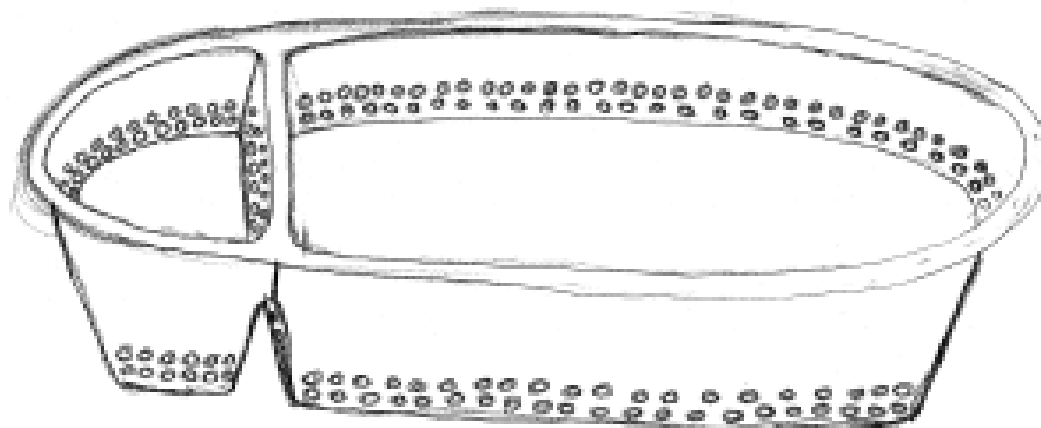
Luke Alexander Layton
198b Mount Browne Road Karangi New South Wales 2450 Australia

(72) Name(s) of Designer(s): **Luke Alexander Layton**

(45) Registration Date: **07 August 2008**

(56) Related Art Documents: **Not Applicable**

(57) Statement of Newness and Distinctiveness: **The reason my designs are distinctively different is because it is the only basket to have a peg section attached to the actual basket.**



(21) Design Number: **10580/2008**

(22) Date of Filing Application: **11 February 2008**

(24) Date from which industrial property rights may have effect: **11 February 2008**

(54) Product in respect of which the design is registered: **Detachable counter**

(51) International Design Classification: **06-03C**

(71) Name(s) and Address(s) of Applicant(s):

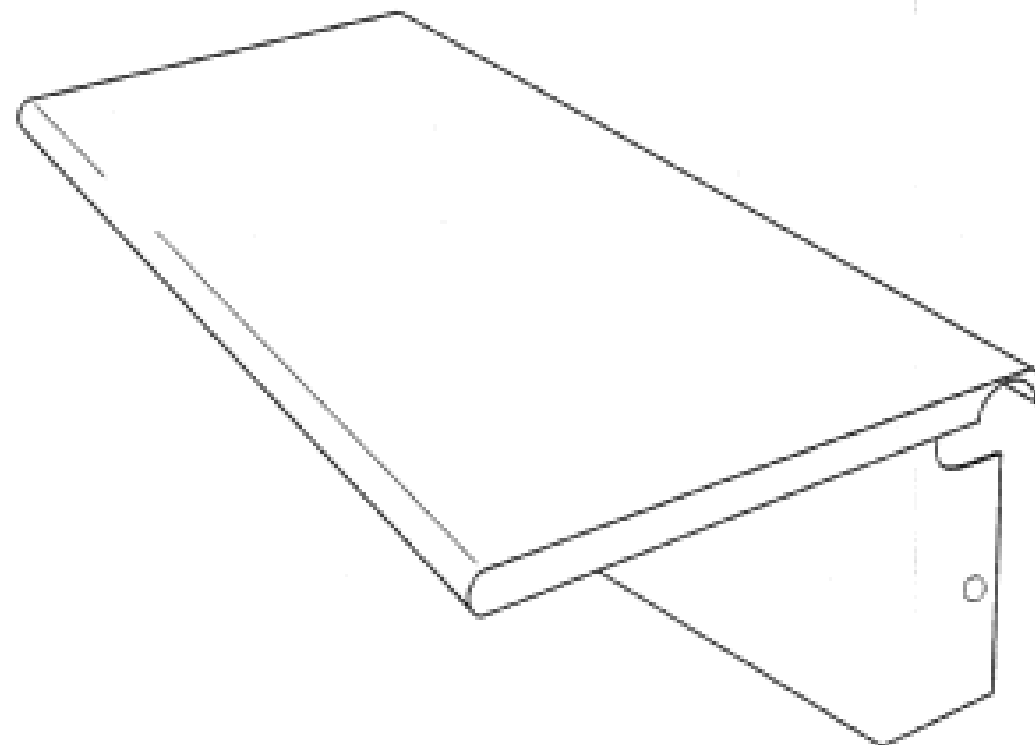
Framelock Structures Pty Ltd
24 Stuart Highway Stuart Park Northern Territory 0820 Australia

(72) Name(s) of Designer(s): **Colin Campbell West**

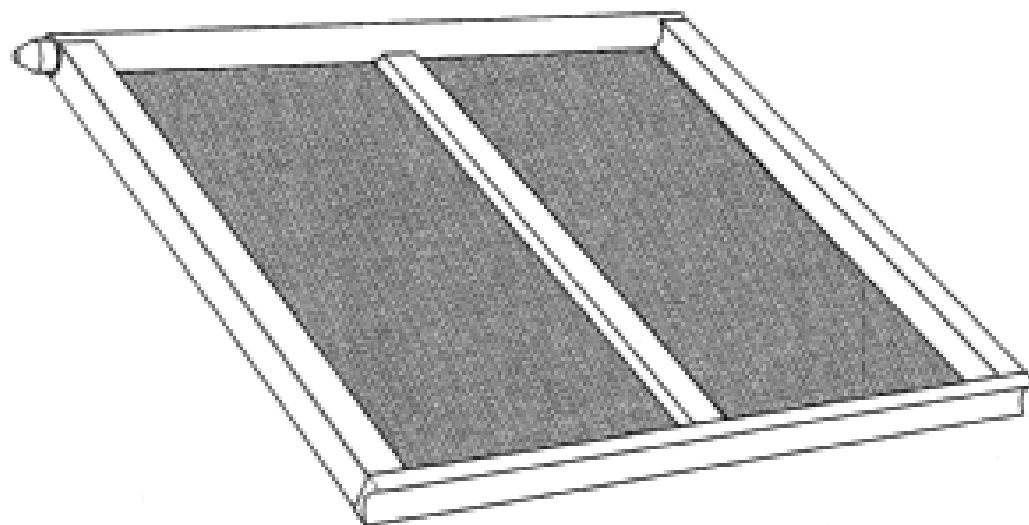
(45) Registration Date: **08 August 2008**

(56) Related Art Documents: **Not Applicable**

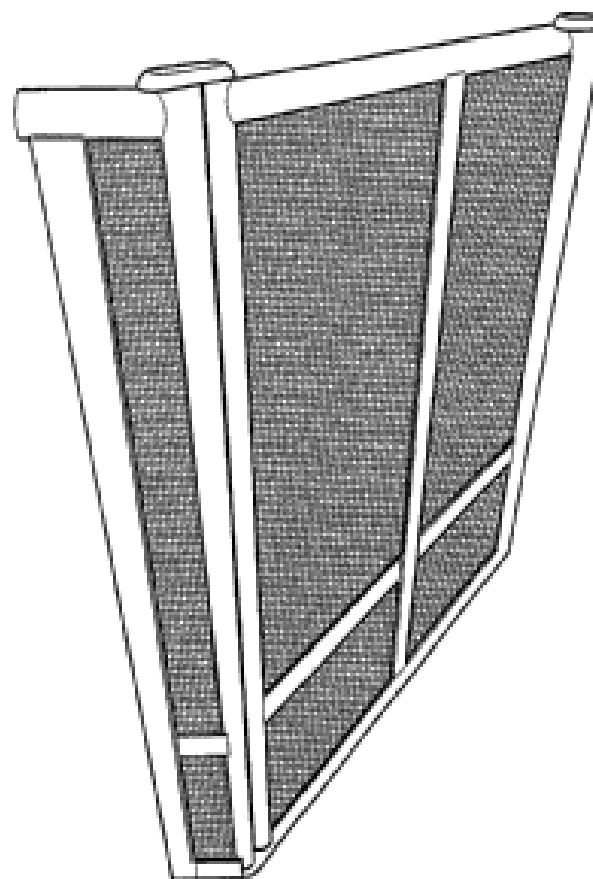
(57) Statement of Newness and Distinctiveness: **Nil**



(21) Design Number: **10581/2008**
(22) Date of Filing Application: **11 February 2008**
(24) Date from which industrial property rights may have effect: **11 February 2008**
(54) Product in respect of which the design is registered: **Barrier extension**
(51) International Design Classification: **25-02C, 25-02NES**
(71) Name(s) and Address(s) of Applicant(s):
Framelock Structures Pty Ltd
24 Stuart Highway Stuart Park Northern Territory 0820 Australia
(72) Name(s) of Designer(s): **Colin Campbell West**
(45) Registration Date: **08 August 2008**
(56) Related Art Documents: **Not Applicable**
(57) Statement of Newness and Distinctiveness: **Nil**



(21) Design Number: **10582/2008**
(22) Date of Filing Application: **11 February 2008**
(24) Date from which industrial property rights may have effect: **11 February 2008**
(54) Product in respect of which the design is registered: **Barrier assembly**
(51) International Design Classification: **25-02C, 25-02NES**
(71) Name(s) and Address(s) of Applicant(s):
Framelock Structures Pty Ltd
24 Stuart Highway Stuart Park Northern Territory 0820 Australia
(72) Name(s) of Designer(s): **Colin Campbell West**
(45) Registration Date: **08 August 2008**
(56) Related Art Documents: **Not Applicable**
(57) Statement of Newness and Distinctiveness: **Nil**



(21) Design Number: **10584/2008**

(22) Date of Filing Application: **11 February 2008**

(24) Date from which industrial property rights may have effect: **11 February 2008**

(54) Product in respect of which the design is registered: **Barrier corner assembly**

(51) International Design Classification: **25-02C, 25-02NES**

(71) Name(s) and Address(s) of Applicant(s):

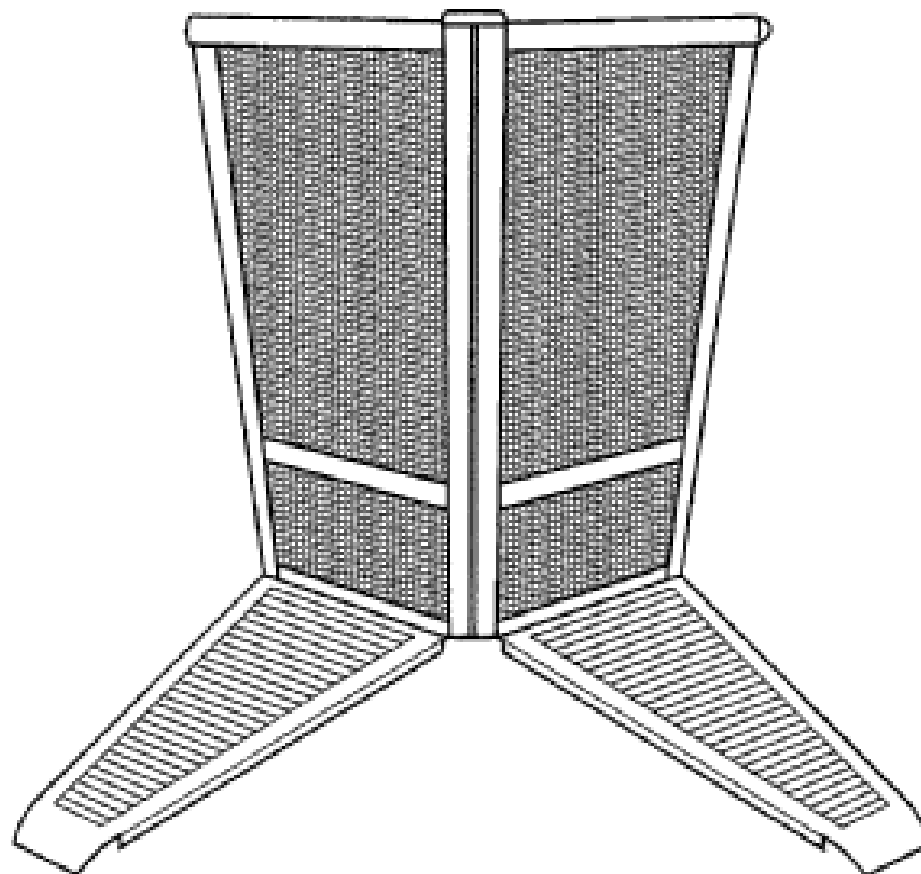
**Framelock Structures Pty Ltd
24 Stuart Highway Stuart Park Northern Territory 0820 Australia**

(72) Name(s) of Designer(s): **Colin Campbell West**

(45) Registration Date: **08 August 2008**

(56) Related Art Documents: **Not Applicable**

(57) Statement of Newness and Distinctiveness: **Nil**



(21) Design Number: **11123/2008**

(22) Date of Filing Application: **06 March 2008**

(24) Date from which industrial property rights may have effect: **06 March 2008**

(54) Product in respect of which the design is registered: **An exercise device**

(51) International Design Classification: **21-02F**

(71) Name(s) and Address(s) of Applicant(s):

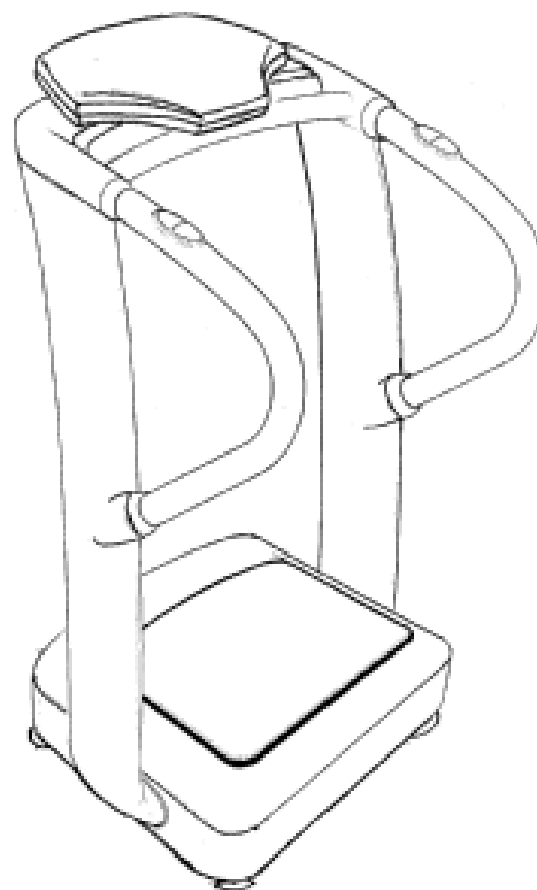
**Jane Katherine Gomes
248 Rammutt Road Gympie Queensland 5470 Australia**

(72) Name(s) of Designer(s): **Richard Andrew Byer**

(45) Registration Date: **08 August 2008**

(56) Related Art Documents: **Not Applicable**

(57) Statement of Newness and Distinctiveness: **Newness and distinctiveness is claimed in the features of shape and/or configuration of an exercise device as illustrated in the accompanying representations.**



(21) Design Number: **11889/2008**

(22) Date of Filing Application: **22 April 2008**

(24) Date from which industrial property rights may have effect: **22 April 2008**

(54) Product in respect of which the design is registered: **Water purifier**

(51) International Design Classification: **23-01G**

(71) Name(s) and Address(s) of Applicant(s):

Danfoss A/S

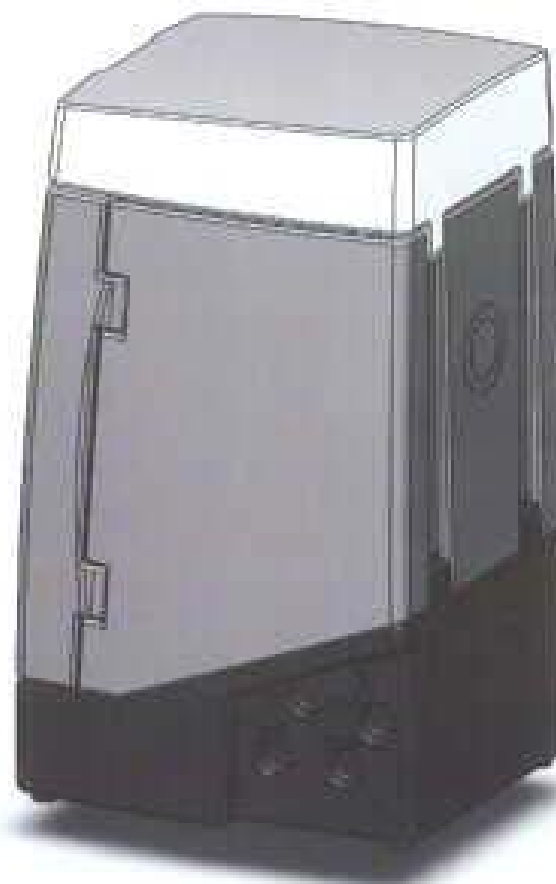
Nordborgvej 81 DK-6430 Nordborg Denmark

(72) Name(s) of Designer(s): **Michael Laursen**

(45) Registration Date: **08 August 2008**

(56) Related Art Documents: **Not Applicable**

(57) Statement of Newness and Distinctiveness: **Nil**



(21) Design Number: **11890/2008**

(22) Date of Filing Application: **22 April 2008**

(24) Date from which industrial property rights may have effect: **22 April 2008**

(54) Product in respect of which the design is registered: **Fire detector**

(51) International Design Classification: **10-05**

(71) Name(s) and Address(s) of Applicant(s):

Hochiki Corporation

10-43 Kamiosaki 2-chome Shinagawa-ku Tokyo 141-8660 Japan

(72) Name(s) of Designer(s): **Tsurumi Hayato**

(45) Registration Date: **08 August 2008**

(30) Convention priority data:

(31) Number

(32) Date

(33) Country

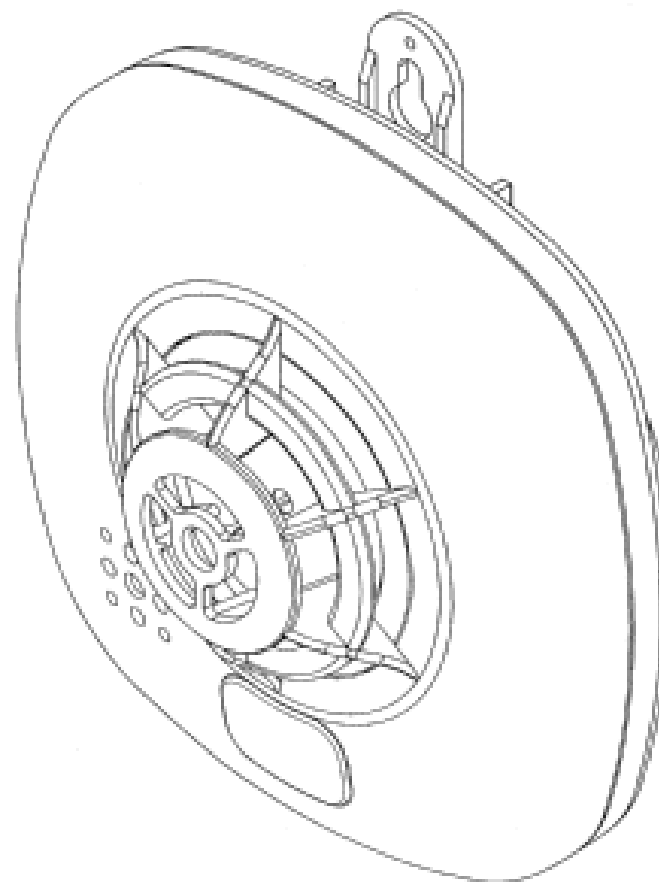
2007-035201

21 Dec 2007

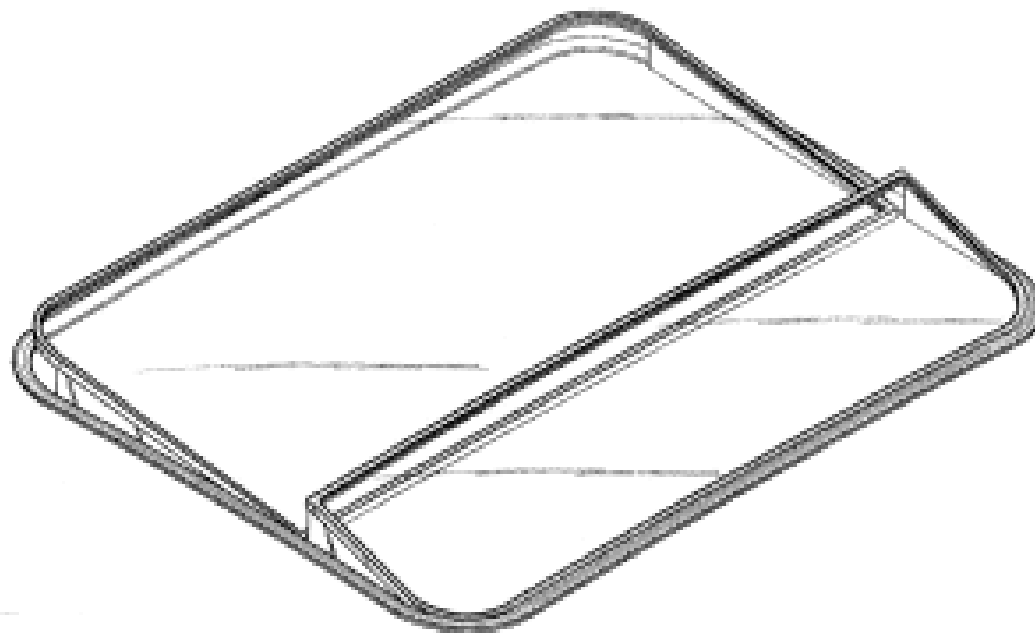
JAPAN

(56) Related Art Documents: **Not Applicable**

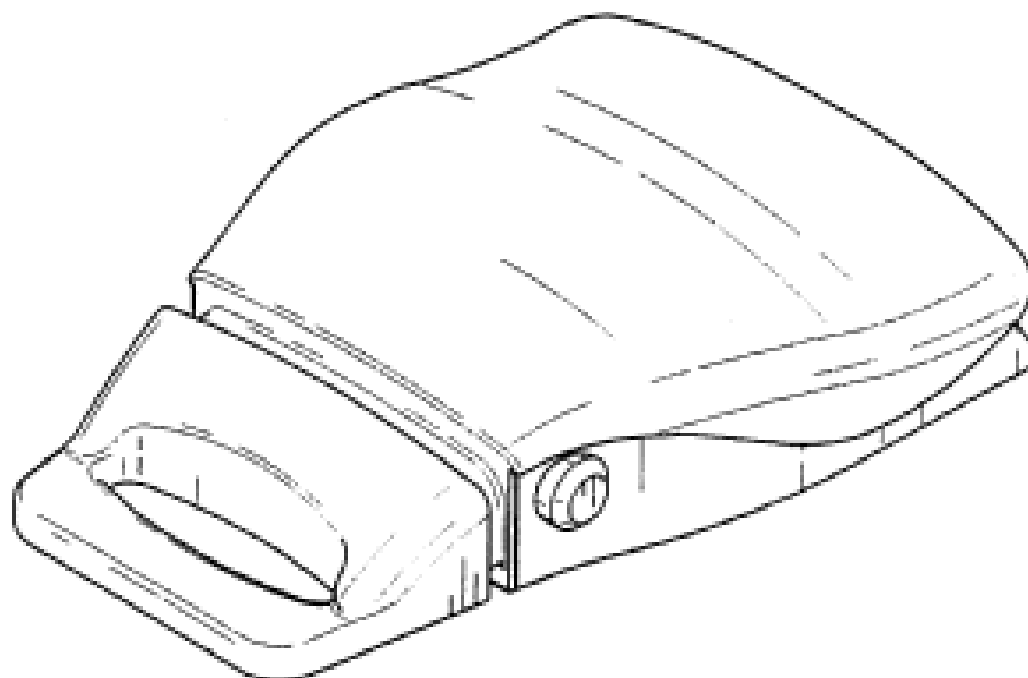
(57) Statement of Newness and Distinctiveness: **The shape and configuration of the fire detector is new and distinctive. Without prejudice to the newness and distinctiveness of other visual features of the fire detector, the following particular visual feature of the fire detector is new and distinctive: the shape and configuration of the square-shaped button with rounded corners located at the bottom part of the front surface.**



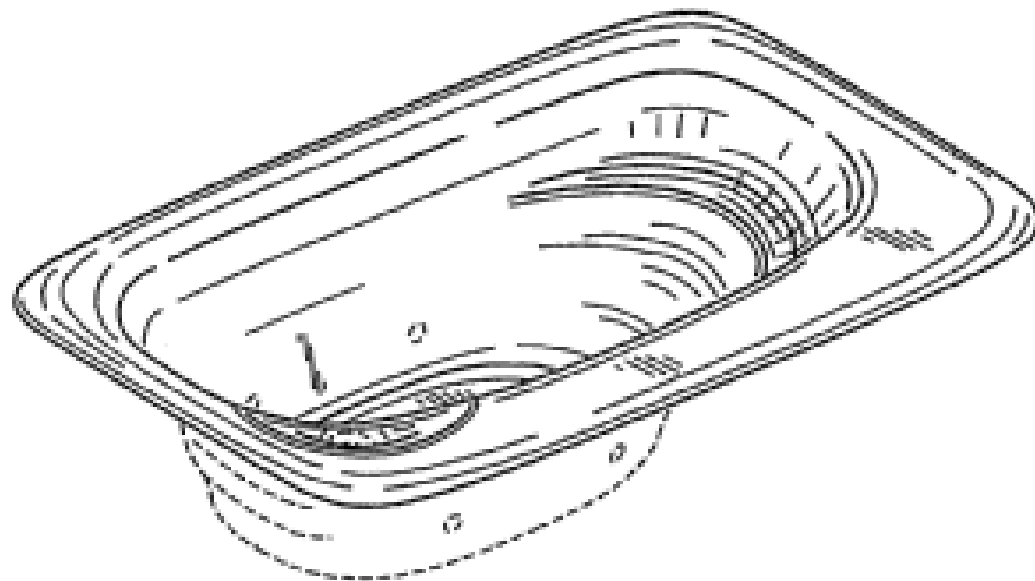
(21) Design Number: **11891/2008**
(22) Date of Filing Application: **22 April 2008**
(24) Date from which industrial property rights may have effect: **22 April 2008**
(54) Product in respect of which the design is registered: **Twin vent sunroof**
(51) International Design Classification: **12-16F, 12-16NES**
(71) Name(s) and Address(s) of Applicant(s):
Webasto AG
Kraillinger Strasse 5 Stockdorf D82131 Germany
(72) Name(s) of Designer(s): **Martin Frank deWaal**
(45) Registration Date: **08 August 2008**
(30) Convention priority data:
(31) Number (32) Date (33) Country
29298510 06 Dec 2007 UNITED STATES OF AMERICA
(56) Related Art Documents: **Not Applicable**
(57) Statement of Newness and Distinctiveness: **Nil**



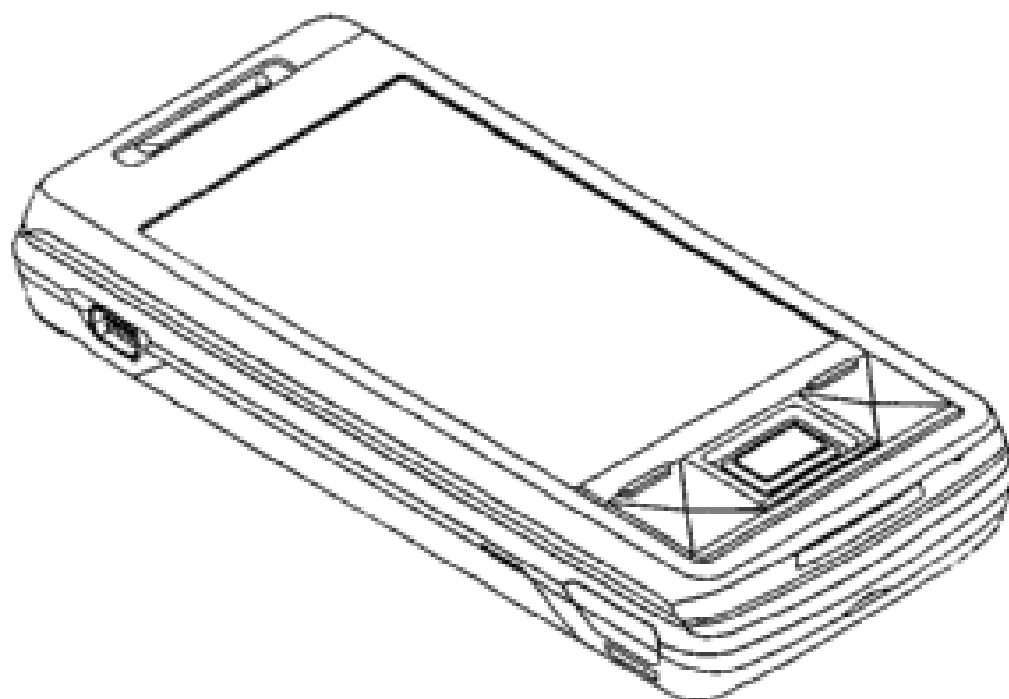
(21) Design Number: **11892/2008**
(22) Date of Filing Application: **22 April 2008**
(24) Date from which industrial property rights may have effect: **22 April 2008**
(54) Product in respect of which the design is registered: **A buckle**
(51) International Design Classification: **29-02**
(71) Name(s) and Address(s) of Applicant(s):
AmSafe, Inc.
1043 North 47th Avenue Phoenix Arizona 85043 United States of America
(72) Name(s) of Designer(s): **Randall Toltzman and Rich Shaul**
(45) Registration Date: **08 August 2008**
(30) Convention priority data:
(31) Number (32) Date (33) Country
29297210 06 Nov 2007 UNITED STATES OF AMERICA
(56) Related Art Documents: **Not Applicable**
(57) Statement of Newness and Distinctiveness: **Newness and distinctiveness is claimed in the visual features shown in solid lines in the representations.**



- (21) Design Number: **11907/2008**
(22) Date of Filing Application: **23 April 2008**
(24) Date from which industrial property rights may have effect: **23 April 2008**
(54) Product in respect of which the design is registered: **Bathing tub**
(51) International Design Classification: **23-02B**
(71) Name(s) and Address(s) of Applicant(s):
Kohler Co.
444 Highland Drive Kohler WI 53044 United States of America
(72) Name(s) of Designer(s): **Mary J. Reid and Lisa J. Hood and Jeffrey A. Pipe and Barry Glasford and Raul Paredes**
(45) Registration Date: **08 August 2008**
(30) Convention priority data:
(31) Number (32) Date (33) Country
29/297421 09 Nov 2007 UNITED STATES OF AMERICA
(56) Related Art Documents: **Not Applicable**
(57) Statement of Newness and Distinctiveness: **When determining whether the design 1 is substantially similar in overall impression to another design, no regard is to be had to those features shown in dotted outline in the accompanying drawings.**



- (21) Design Number: **13406/2008**
(22) Date of Filing Application: **21 July 2008**
(24) Date from which industrial property rights may have effect: **21 July 2008**
(54) Product in respect of which the design is registered: **Mobile phone**
(51) International Design Classification: **14-03E**
(71) Name(s) and Address(s) of Applicant(s):
Sony Ericsson Mobile Communications AB
Nya Vattentorget SE 221 88 Lund Sweden
(72) Name(s) of Designer(s): **Shimpei Hirano**
(45) Registration Date: **08 August 2008**
(30) Convention priority data:
(31) Number (32) Date (33) Country
000871785-0001 04 Feb 2008 EUROPEAN COMMUNITY
(56) Related Art Documents: **Not Applicable**
(57) Statement of Newness and Distinctiveness: **Nil**



(21) Design Number: **13407/2008**

(22) Date of Filing Application: **21 July 2008**

(24) Date from which industrial property rights may have effect: **21 July 2008**

(54) Product in respect of which the design is registered: **Mobile phone**

(51) International Design Classification: **14-03E**

(71) Name(s) and Address(s) of Applicant(s):

**Sony Ericsson Mobile Communications AB
Nya Vattentorget SE 221 88 Lund Sweden**

(72) Name(s) of Designer(s): **Shimpei Hirano**

(45) Registration Date: **08 August 2008**

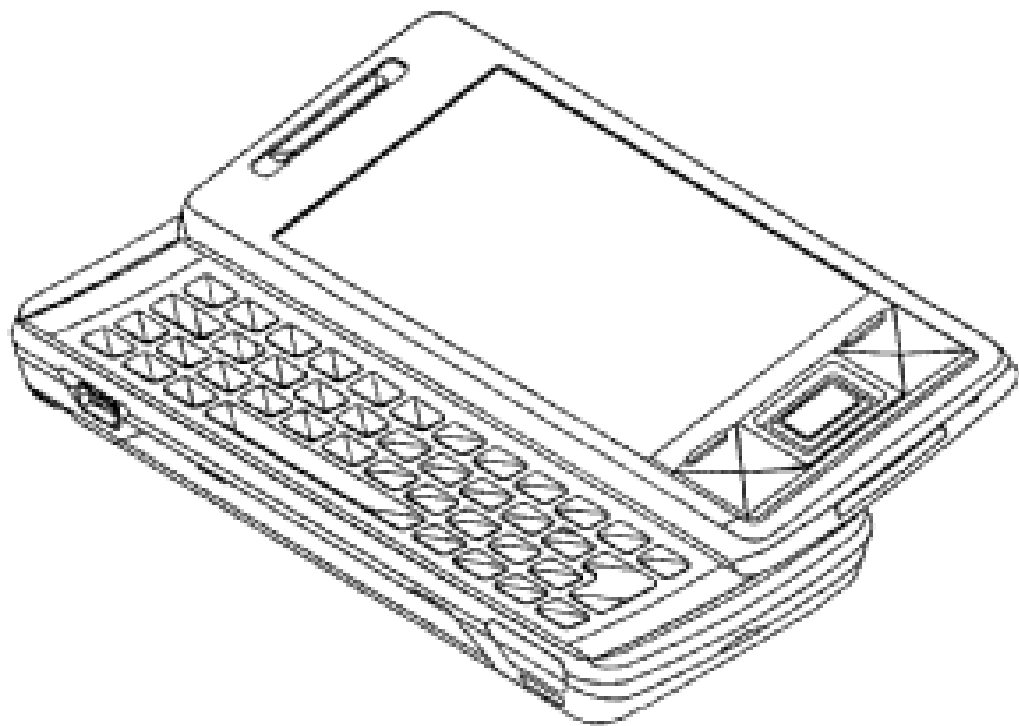
(30) Convention priority data:

(31) Number (32) Date
000871785-0002 04 Feb 2008

(33) Country
EUROPEAN COMMUNITY

(56) Related Art Documents: **Not Applicable**

(57) Statement of Newness and Distinctiveness: **Nil**



(21) Design Number: **19934/2007**

(22) Date of Filing Application: **26 September 2007**

(24) Date from which industrial property rights may have effect: **26 September 2007**

(54) Product in respect of which the design is registered: **Motorcycle rack**

(51) International Design Classification: **12-16K**

(71) Name(s) and Address(s) of Applicant(s):

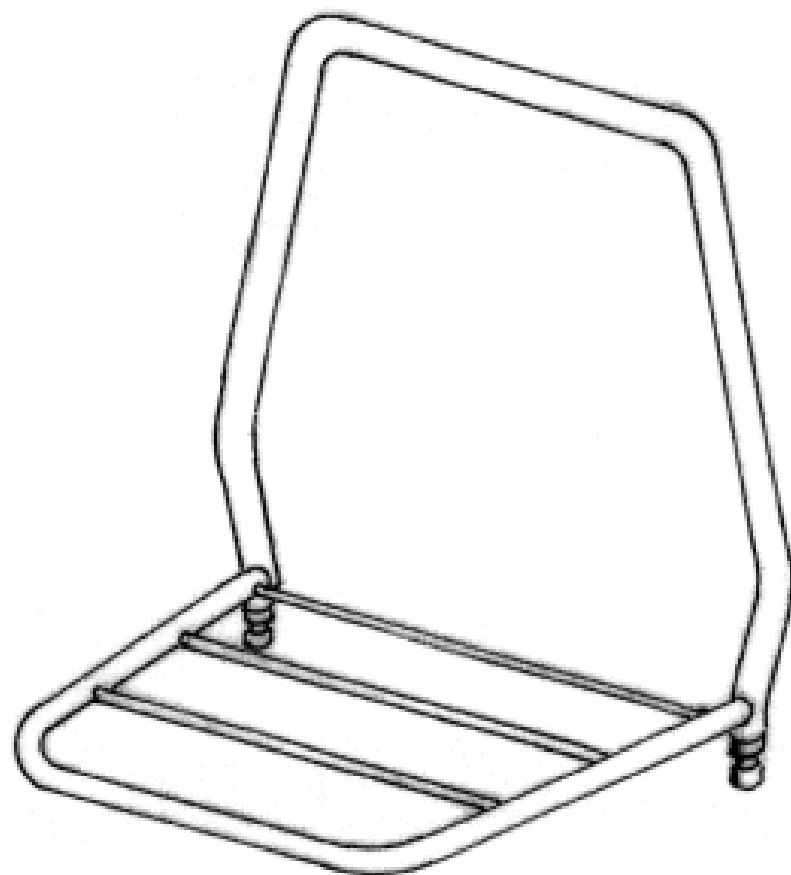
**Dold Industries Limited
128/134 Maui Street Hamilton 3200 New Zealand**

(72) Name(s) of Designer(s): **Paul Dold**

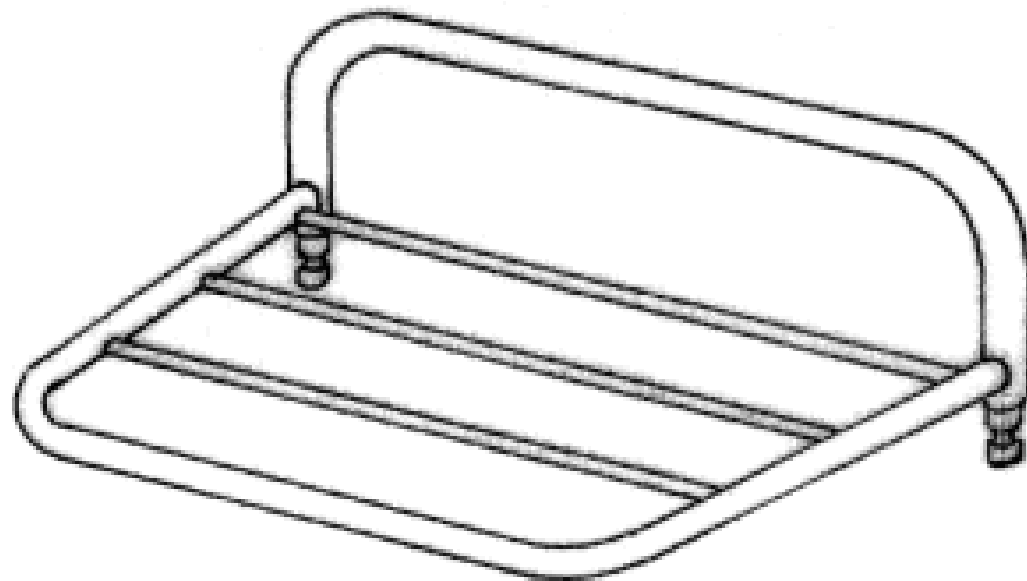
(45) Registration Date: **11 August 2008**

(56) Related Art Documents: **Not Applicable**

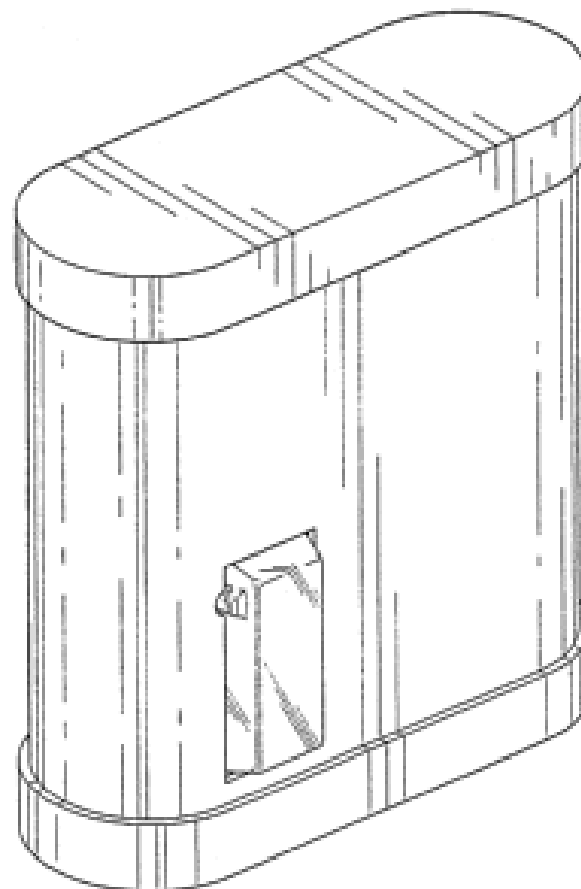
(57) Statement of Newness and Distinctiveness: **Nil**



- (21) Design Number: **19935/2007**
(22) Date of Filing Application: **26 September 2007**
(24) Date from which industrial property rights may have effect: **26 September 2007**
(54) Product in respect of which the design is registered: **Motorcycle rack**
(51) International Design Classification: **12-16K**
(71) Name(s) and Address(s) of Applicant(s):
Dold Industries Limited
128/134 Maui Street Hamilton 3200 New Zealand
(72) Name(s) of Designer(s): **Paul Dold**
(45) Registration Date: **11 August 2008**
(56) Related Art Documents: **Not Applicable**
(57) Statement of Newness and Distinctiveness: **Nil**



- (21) Design Number: **11893/2008**
(22) Date of Filing Application: **22 April 2008**
(24) Date from which industrial property rights may have effect: **22 April 2008**
(54) Product in respect of which the design is registered: **A tool package with display**
(51) International Design Classification: **03-01D, 09-03NES, 09-05**
(71) Name(s) and Address(s) of Applicant(s):
Black & Decker, Inc.
1207 Drummond Plaza Newark Delaware 19711 United States of America
(72) Name(s) of Designer(s): **Marc A. Salois and Christopher E. Jacob and Tracine Andrus**
(45) Registration Date: **11 August 2008**
(30) Convention priority data:
(31) Number (32) Date (33) Country
29/297794 19 Nov 2007 UNITED STATES OF AMERICA
(56) Related Art Documents: **Not Applicable**
(57) Statement of Newness and Distinctiveness: **Nil**



(21) Design Number: **11894/2008**

(22) Date of Filing Application: **22 April 2008**

(24) Date from which industrial property rights may have effect: **22 April 2008**

(54) Product in respect of which the design is registered: **Seat**

(51) International Design Classification: **06-01F**

(71) Name(s) and Address(s) of Applicant(s):

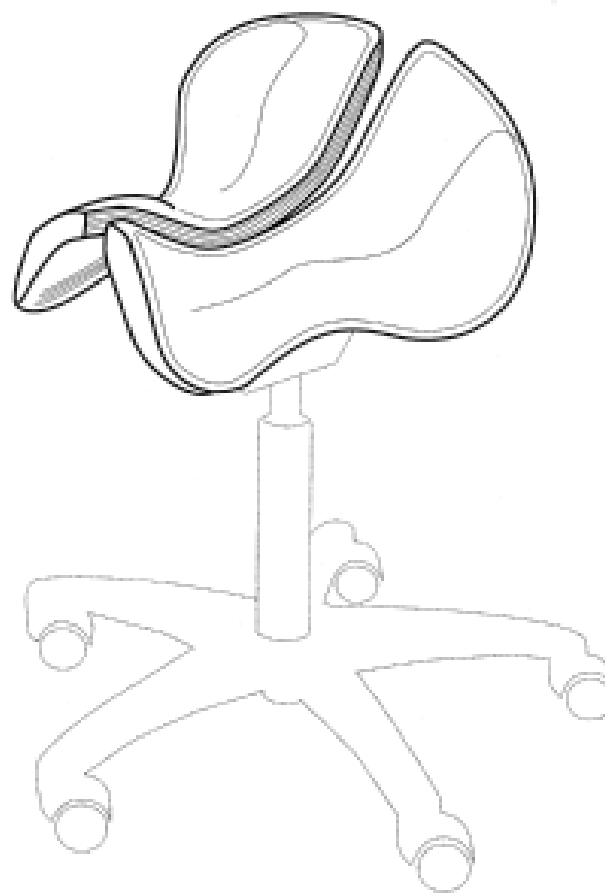
**The Bambach Saddle Seat Pty Ltd
Unit 4B/3-9 Kenneth Road Manly Vale New South Wales 2093
Australia**

(72) Name(s) of Designer(s): **Mary Frances Gale**

(45) Registration Date: **11 August 2008**

(56) Related Art Documents: **Not Applicable**

(57) Statement of Newness and Distinctiveness: **Newness and distinctiveness reside in the shape and configuration of a seat as illustrated in the accompanying representations. No exclusive design rights are claimed in the chair frame shown in broken lines in the accompanying representations.**



(21) Design Number: **11895/2008**

(22) Date of Filing Application: **22 April 2008**

(24) Date from which industrial property rights may have effect: **22 April 2008**

(54) Product in respect of which the design is registered: **Diagnostic test device**

(51) International Design Classification: **24-01**

(71) Name(s) and Address(s) of Applicant(s):

**Inverness Medical Switzerland GmbH
Bahnhofstrasse 28 CH-6300 Zug Switzerland**

(72) Name(s) of Designer(s): **Brian James McGuigan and Ryder Magnus Iain Meggitt and Jeremy Philip Stimson and Robert Malcolm Yeudall and David William Taylor and Paul Anthony Mordente**

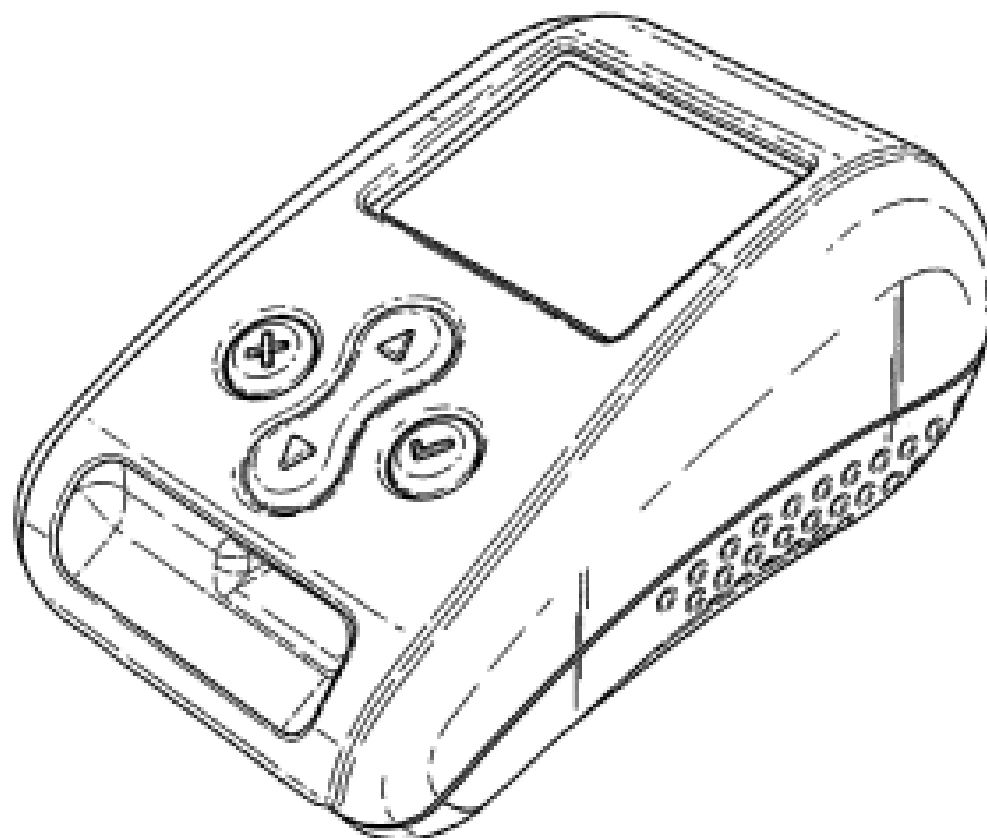
(45) Registration Date: **11 August 2008**

(30) Convention priority data:

(31) Number	(32) Date	(33) Country
4005024	23 Oct 2007	UNITED KINGDOM

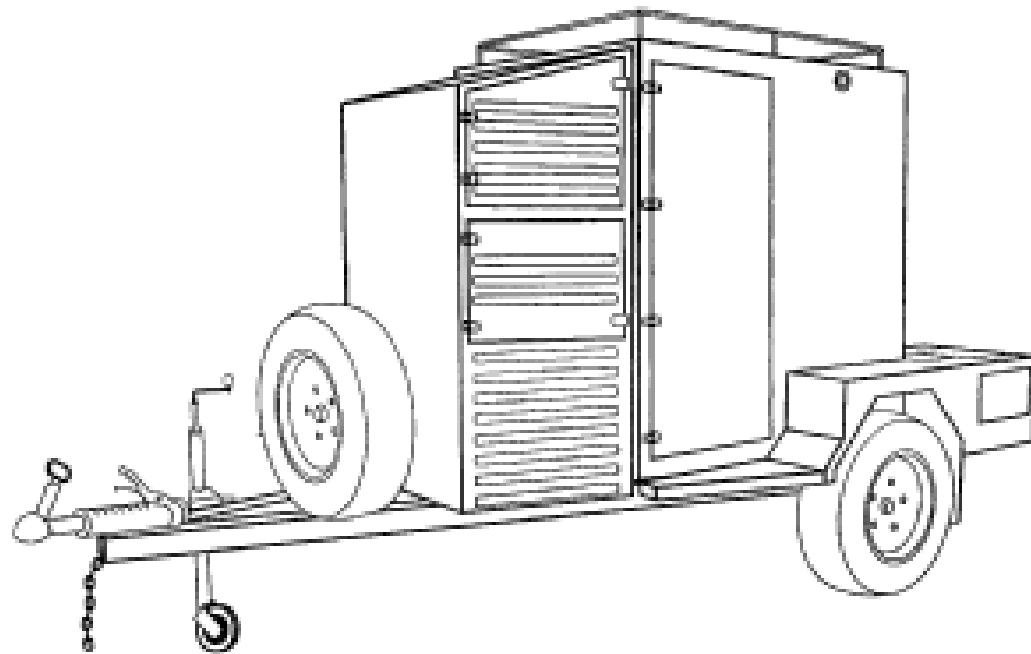
(56) Related Art Documents: **Not Applicable**

(57) Statement of Newness and Distinctiveness: **The newness and distinctiveness of the design resides in the shape and/or configuration of the diagnostic test device shown in the accompanying representations.**



(19) AU

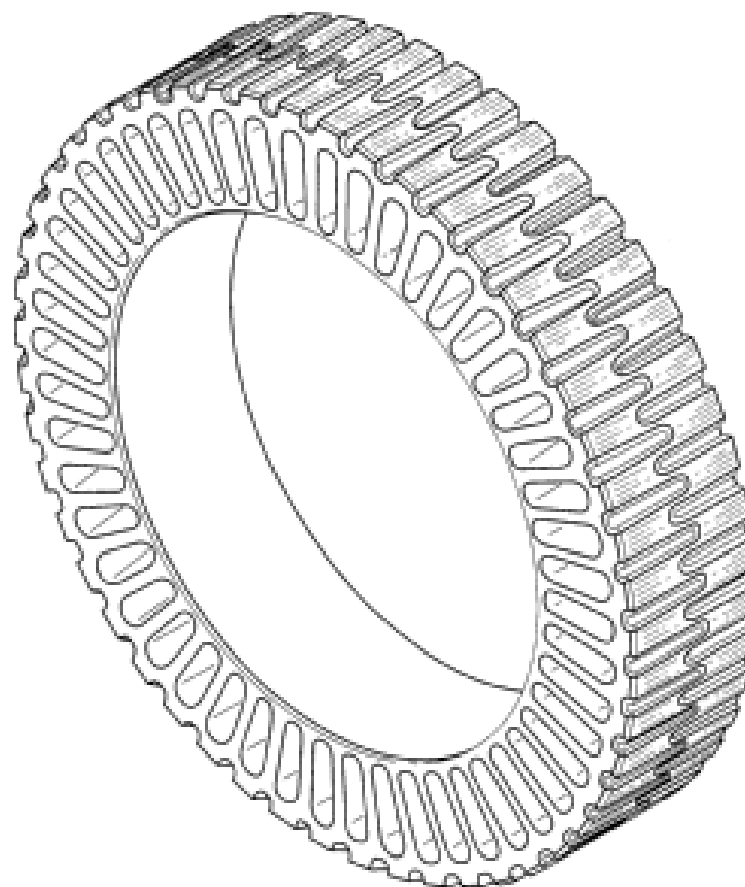
- (21) Design Number: **11896/2008**
- (22) Date of Filing Application: **22 April 2008**
- (24) Date from which industrial property rights may have effect: **22 April 2008**
- (54) Product in respect of which the design is registered: **Trailer**
- (51) International Design Classification: **12-10**
- (71) Name(s) and Address(s) of Applicant(s):
Go-Anywhere Mobile Bar & Bbq Pty Ltd
Unit 6 Jaida Court 15 Emeri Court Stapylton Queensland 4207
Australia
- (72) Name(s) of Designer(s): **Tony Fanning and Anthony Melenewycz and Sean Melenewycz and Ron Meddings**
- (45) Registration Date: **11 August 2008**
- (56) Related Art Documents: **Not Applicable**
- (57) Statement of Newness and Distinctiveness: **The newness and distinctiveness of the design resides in the shape and/or configuration of the trailer shown in the representations.**



(19) AU

- (21) Design Number: **11897/2008**
- (22) Date of Filing Application: **22 April 2008**
- (24) Date from which industrial property rights may have effect: **22 April 2008**
- (54) Product in respect of which the design is registered: **A tyre**
- (51) International Design Classification: **12-15A**
- (71) Name(s) and Address(s) of Applicant(s):
Chemtura Corporation
199 Benson Road Middlebury 06749 Connecticut United States of America
- (72) Name(s) of Designer(s): **Ian Laskowitz and Richard L. Palinkas**
- (45) Registration Date: **11 August 2008**
- (30) Convention priority data:

(31) Number	(32) Date	(33) Country
29/296763	26 Oct 2007	UNITED STATES OF AMERICA
- (56) Related Art Documents: **Not Applicable**
- (57) Statement of Newness and Distinctiveness: **Newness and distinctiveness resides in the features of shape and configuration of a tyre as shown in the accompanying representations.**



(21) Design Number: **11898/2008**

(22) Date of Filing Application: **22 April 2008**

(24) Date from which industrial property rights may have effect: **22 April 2008**

(54) Product in respect of which the design is registered: **A tyre**

(51) International Design Classification: **12-15A**

(71) Name(s) and Address(s) of Applicant(s):

Chemtura Corporation
199 Benson Road Middlebury 06749 Connecticut United States of America

(72) Name(s) of Designer(s): **Ian Laskowitz and Richard L. Palinkas**

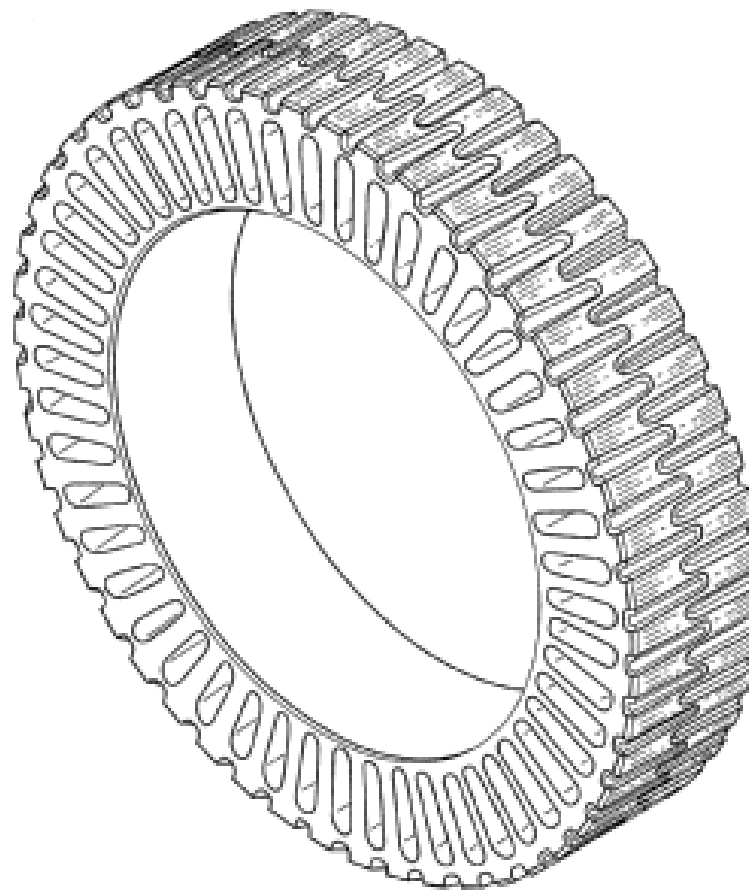
(45) Registration Date: **11 August 2008**

(30) Convention priority data:

(31) Number	(32) Date	(33) Country
29/298667	10 Dec 2007	UNITED STATES OF AMERICA

(56) Related Art Documents: **Not Applicable**

(57) Statement of Newness and Distinctiveness: **Newness and distinctiveness resides in the features of shape and configuration of a tyre as shown in the accompanying representations.**



(21) Design Number: **11899/2008**

(22) Date of Filing Application: **22 April 2008**

(24) Date from which industrial property rights may have effect: **22 April 2008**

(54) Product in respect of which the design is registered: **Ceiling fan**

(51) International Design Classification: **23-04**

(71) Name(s) and Address(s) of Applicant(s):

Das Werk Pty Ltd
PO Box 3006 Tamarama New South Wales 2026 Australia

(72) Name(s) of Designer(s): **Danny Gasser**

(45) Registration Date: **11 August 2008**

(56) Related Art Documents: **Not Applicable**

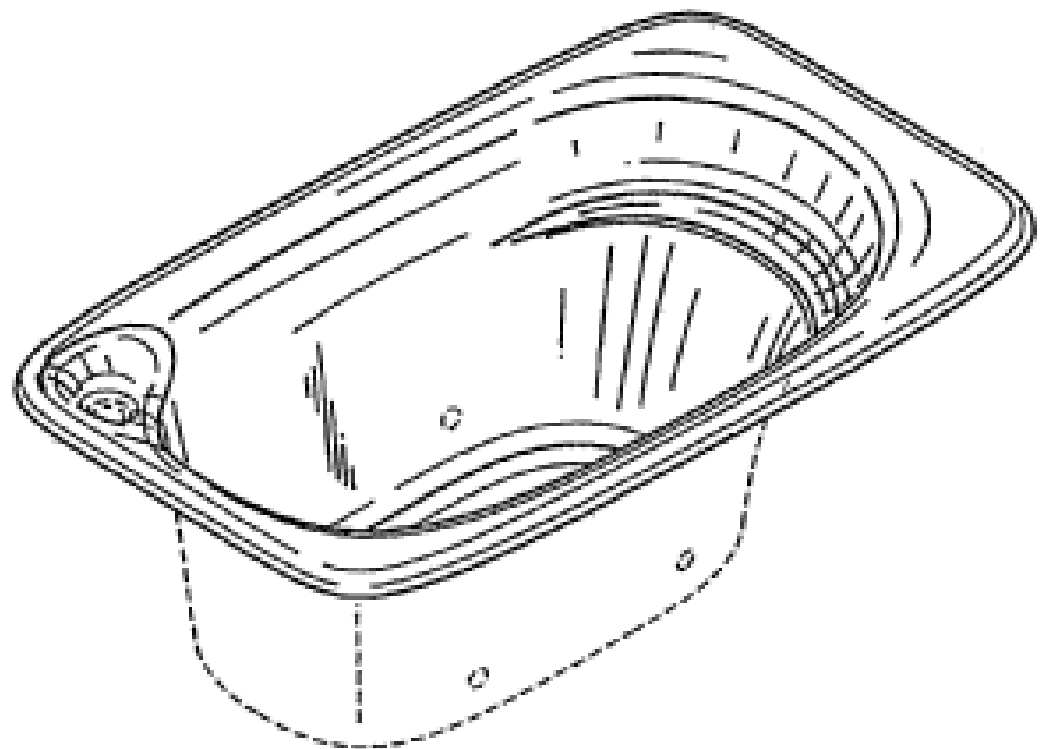
(57) Statement of Newness and Distinctiveness: **Monopoly is claimed in the shape of the aerofoil blade profile and the configuration of the fan blades, and the shape and configuration of the motor housing as shown in the representations.**



- (21) Design Number: **11900/2008**
(22) Date of Filing Application: **22 April 2008**
(24) Date from which industrial property rights may have effect: **22 April 2008**
(54) Product in respect of which the design is registered: **Ceiling fan**
(51) International Design Classification: **23-04**
(71) Name(s) and Address(s) of Applicant(s):
Das Werk Pty Ltd
PO Box 3006 Tamarama New South Wales 2026 Australia
(72) Name(s) of Designer(s): **Danny Gasser**
(45) Registration Date: **11 August 2008**
(56) Related Art Documents: **Not Applicable**
(57) Statement of Newness and Distinctiveness: **Monopoly is claimed in the shape of the aerofoil blade profile and the configuration of the fan blades, and the shape and configuration of the motor housing as shown in the representations.**

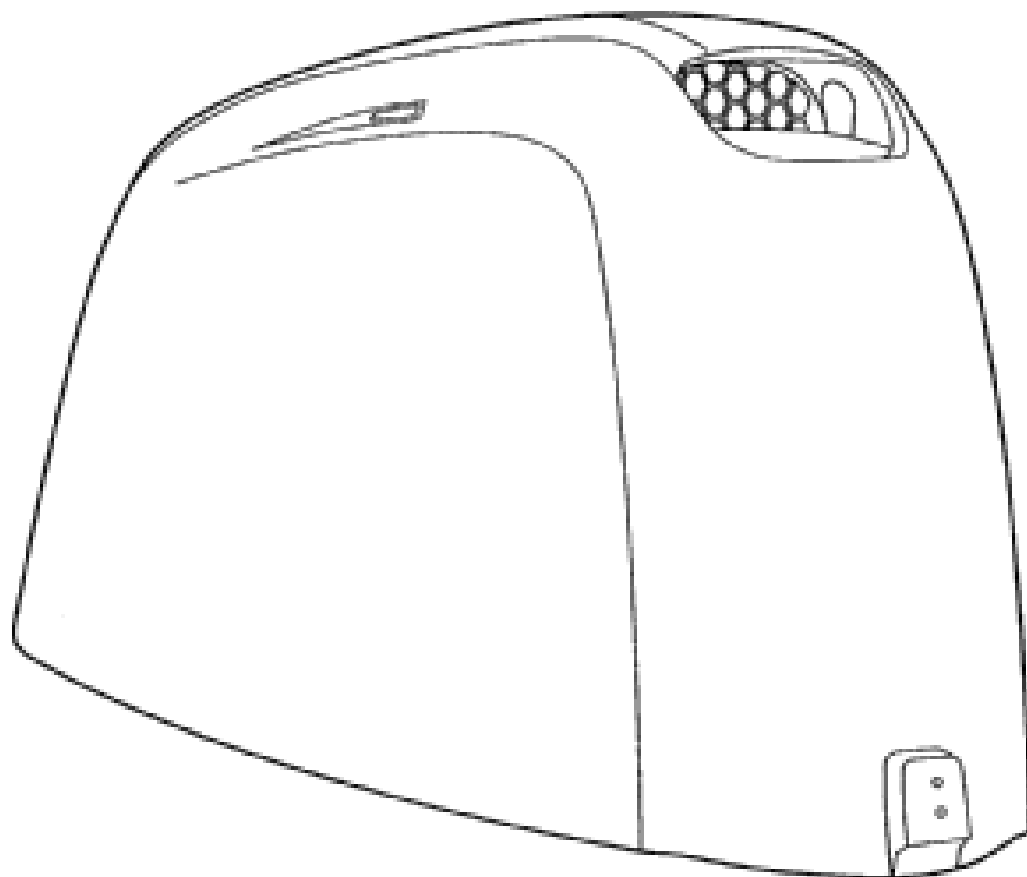


- (21) Design Number: **11906/2008**
(22) Date of Filing Application: **23 April 2008**
(24) Date from which industrial property rights may have effect: **23 April 2008**
(54) Product in respect of which the design is registered: **Bathing tub**
(51) International Design Classification: **23-02B**
(71) Name(s) and Address(s) of Applicant(s):
Kohler Co.
444 Highland Drive Kohler WI 53044 United States of America
(72) Name(s) of Designer(s): **Mary J. Reid and Lisa J. Hood and Jeffrey A. Pipe and Barry Glasford and Raul Paredes**
(45) Registration Date: **11 August 2008**
(30) Convention priority data:
(31) Number (32) Date (33) Country
29/297421 09 Nov 2007 UNITED STATES OF AMERICA
(56) Related Art Documents: **Not Applicable**
(57) Statement of Newness and Distinctiveness: **When determining whether the design 1 is substantially similar in overall impression to another design, no regard is to be had to those features shown in dotted outline in the accompanying drawings.**



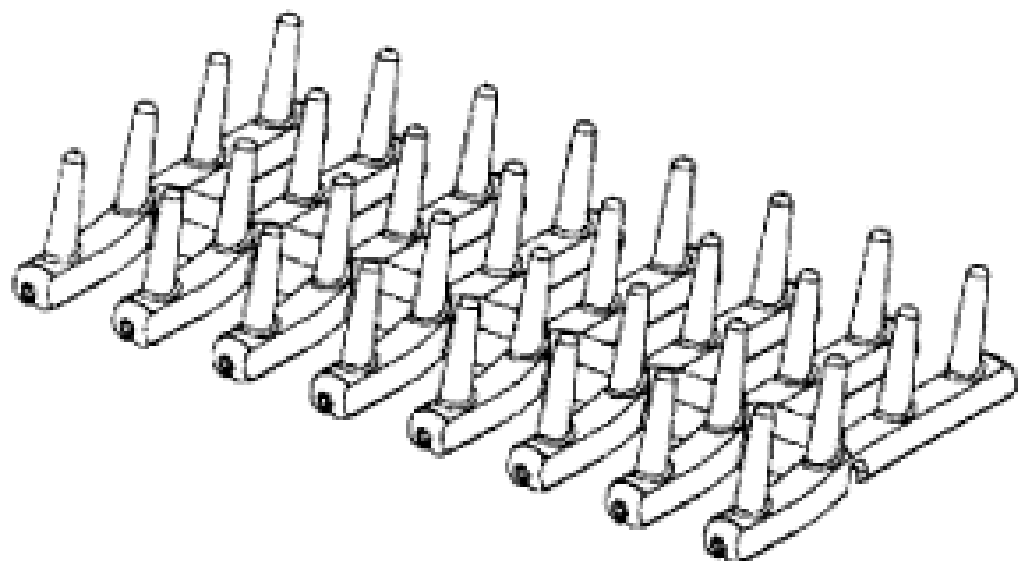
(19) AU

- (21) Design Number: **11912/2008**
(22) Date of Filing Application: **23 April 2008**
(24) Date from which industrial property rights may have effect: **23 April 2008**
(54) Product in respect of which the design is registered: **An engine cover of an outboard motor for a vessel**
(51) International Design Classification: **15-01**
(71) Name(s) and Address(s) of Applicant(s):
Honda Motor Co., Ltd.
1-1 Minami-Aoyama 2-Chome Minato-ku Tokyo Japan
(72) Name(s) of Designer(s): **Kouichi Azuma**
(45) Registration Date: **11 August 2008**
(30) Convention priority data:
(31) Number (32) Date (33) Country
2007-029311 25 Oct 2007 JAPAN
(56) Related Art Documents: **Not Applicable**
(57) Statement of Newness and Distinctiveness: **Newness and distinctiveness is claimed in the features of shape and/or configuration of an engine cover of an outboard motor for a vessel as illustrated in the accompanying representations.**



(19) AU

- (21) Design Number: **11913/2008**
(22) Date of Filing Application: **23 April 2008**
(24) Date from which industrial property rights may have effect: **23 April 2008**
(54) Product in respect of which the design is registered: **Part of a dish rack for a dishwasher**
(51) International Design Classification: **15-05**
(71) Name(s) and Address(s) of Applicant(s):
Electrolux Home Products Corporation N.V.
Belgicastraat 17 1930 Zaventem Belgium
(72) Name(s) of Designer(s): **Claudio Paschini**
(45) Registration Date: **11 August 2008**
(56) Related Art Documents: **Not Applicable**
(57) Statement of Newness and Distinctiveness: **Nil**



(21) Design Number: **11918/2008**

(22) Date of Filing Application: **23 April 2008**

(24) Date from which industrial property rights may have effect: **23 April 2008**

(54) Product in respect of which the design is registered: **Plate**

(51) International Design Classification: **07-01A**

(71) Name(s) and Address(s) of Applicant(s):

Villeroy & Boch AG.

Saaruferstrasse 14-18 D-66693 Mettlach Germany

(72) Name(s) of Designer(s): **Bernard Scherer**

(45) Registration Date: **11 August 2008**

(30) Convention priority data:

(31) Number
000 814 710

(32) Date
24 Oct 2007

(33) Country
EUROPEAN COMMUNITY

(56) Related Art Documents: **Not Applicable**

(57) Statement of Newness and Distinctiveness: **The shape and configuration of the product is new and distinctive. The text and logo on the under-side of the product should not be considered when construing visual features of the design.**



(21) Design Number: **11919/2008**

(22) Date of Filing Application: **23 April 2008**

(24) Date from which industrial property rights may have effect: **23 April 2008**

(54) Product in respect of which the design is registered: **Plate**

(51) International Design Classification: **07-01A**

(71) Name(s) and Address(s) of Applicant(s):

Villeroy & Boch AG.

Saaruferstrasse 14-18 D-66693 Mettlach Germany

(72) Name(s) of Designer(s): **Bernard Scherer**

(45) Registration Date: **11 August 2008**

(30) Convention priority data:

(31) Number
000 814 710

(32) Date
24 Oct 2007

(33) Country
EUROPEAN COMMUNITY

(56) Related Art Documents: **Not Applicable**

(57) Statement of Newness and Distinctiveness: **The shape and configuration of the product is new and distinctive. The text and logo on the under-side of the product should not be considered when construing visual features of the design.**



(21) Design Number: **11920/2008**

(22) Date of Filing Application: **23 April 2008**

(24) Date from which industrial property rights may have effect: **23 April 2008**

(54) Product in respect of which the design is registered: **Plate**

(51) International Design Classification: **07-01A**

(71) Name(s) and Address(s) of Applicant(s):

Villeroy & Boch AG.

Saaruferstrasse 14-18 D-66693 Mettlach Germany

(72) Name(s) of Designer(s): **Bernard Scherer**

(45) Registration Date: **11 August 2008**

(30) Convention priority data:

(31) Number

(32) Date

(33) Country

000 814 710

24 Oct 2007

EUROPEAN COMMUNITY

(56) Related Art Documents: **Not Applicable**

(57) Statement of Newness and Distinctiveness: **The shape and configuration of the product is new and distinctive. The text and logo on the under-side of the product should not be considered when construing visual features of the design.**



(21) Design Number: **11921/2008**

(22) Date of Filing Application: **23 April 2008**

(24) Date from which industrial property rights may have effect: **23 April 2008**

(54) Product in respect of which the design is registered: **Plate**

(51) International Design Classification: **07-01A**

(71) Name(s) and Address(s) of Applicant(s):

Villeroy & Boch AG.

Saaruferstrasse 14-18 D-66693 Mettlach Germany

(72) Name(s) of Designer(s): **Bernard Scherer**

(45) Registration Date: **11 August 2008**

(30) Convention priority data:

(31) Number

(32) Date

(33) Country

000 814 710

24 Oct 2007

EUROPEAN COMMUNITY

(56) Related Art Documents: **Not Applicable**

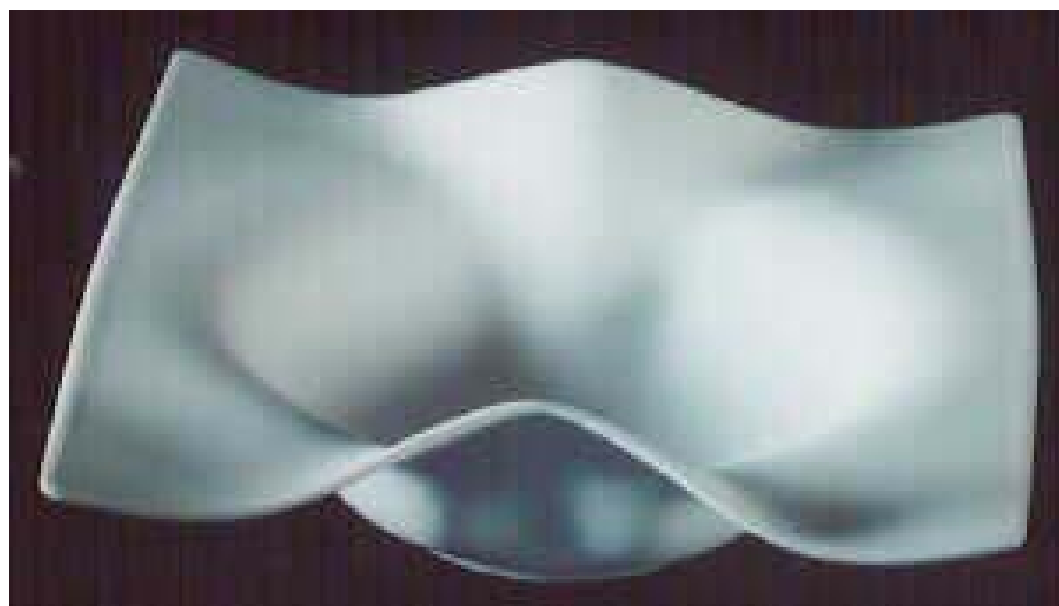
(57) Statement of Newness and Distinctiveness: **The shape and configuration of the product is new and distinctive. The text and logo on the under-side of the product should not be considered when construing visual features of the design.**



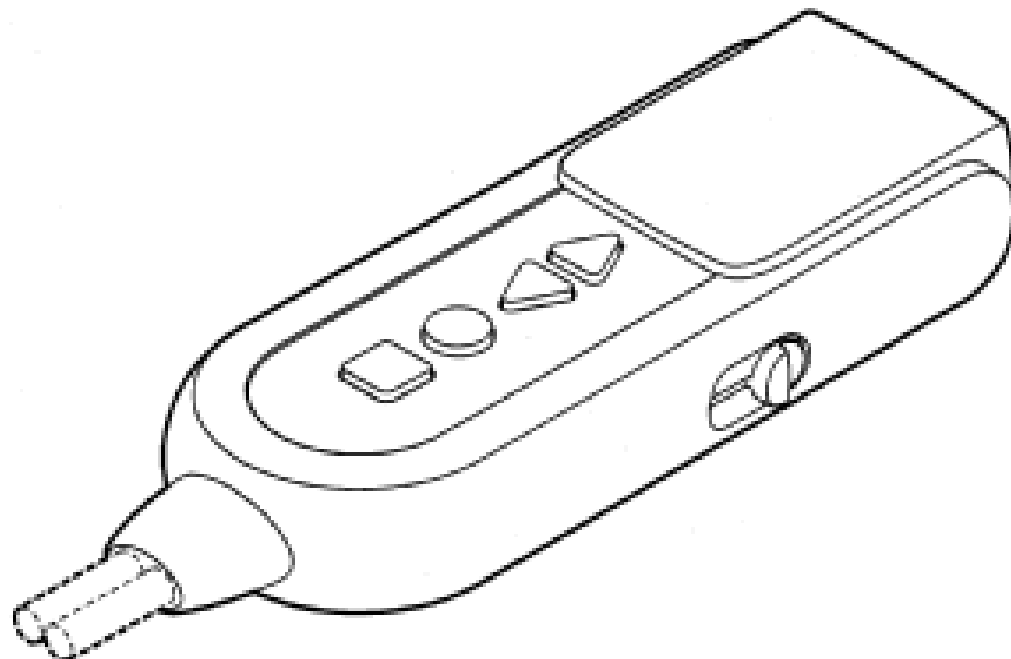
- (21) Design Number: **11922/2008**
(22) Date of Filing Application: **23 April 2008**
(24) Date from which industrial property rights may have effect: **23 April 2008**
(54) Product in respect of which the design is registered: **Bowl**
(51) International Design Classification: **07-01B**
(71) Name(s) and Address(s) of Applicant(s):
Villeroy & Boch AG.
Saaruferstrasse 14-18 D-66693 Mettlach Germany
(72) Name(s) of Designer(s): **Bernard Scherer**
(45) Registration Date: **11 August 2008**
(30) Convention priority data:
(31) Number (32) Date (33) Country
000 814 710 24 Oct 2007 EUROPEAN COMMUNITY
(56) Related Art Documents: **Not Applicable**
(57) Statement of Newness and Distinctiveness: **The shape and configuration of the product is new and distinctive. The text and logo on the under-side of the product should not be considered when construing visual features of the design.**



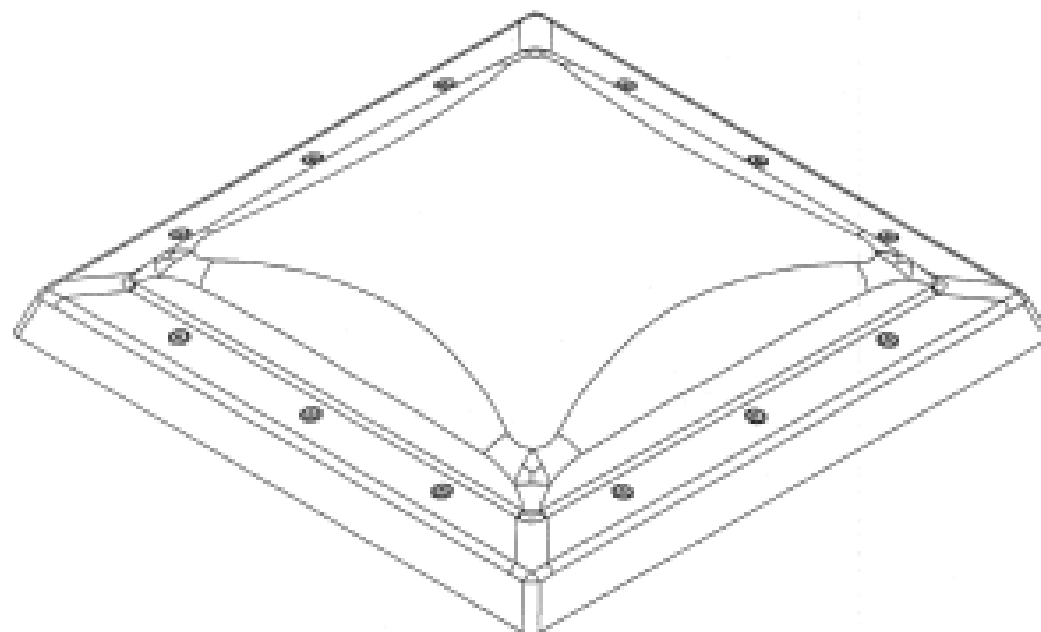
- (21) Design Number: **11923/2008**
(22) Date of Filing Application: **23 April 2008**
(24) Date from which industrial property rights may have effect: **23 April 2008**
(54) Product in respect of which the design is registered: **Bowl**
(51) International Design Classification: **07-01B**
(71) Name(s) and Address(s) of Applicant(s):
Villeroy & Boch AG.
Saaruferstrasse 14-18 D-66693 Mettlach Germany
(72) Name(s) of Designer(s): **Bernard Scherer**
(45) Registration Date: **11 August 2008**
(30) Convention priority data:
(31) Number (32) Date (33) Country
000 814 710 24 Oct 2007 EUROPEAN COMMUNITY
(56) Related Art Documents: **Not Applicable**
(57) Statement of Newness and Distinctiveness: **The shape and configuration of the product is new and distinctive. The text and logo on the under-side of the product should not be considered when construing visual features of the design.**



- (21) Design Number: **11925/2008**
(22) Date of Filing Application: **24 April 2008**
(24) Date from which industrial property rights may have effect: **24 April 2008**
(54) Product in respect of which the design is registered: **An electric blanket controller**
(51) International Design Classification: **13-03D, 13-03NES**
(71) Name(s) and Address(s) of Applicant(s):
Woodward Overseas Agencies Limited
4/F Kingpower Coml Building 409-413 Jaffe Road Wanchai Hong Kong
(72) Name(s) of Designer(s): **D Kim Scott**
(45) Registration Date: **11 August 2008**
(56) Related Art Documents: **Not Applicable**
(57) Statement of Newness and Distinctiveness: **The portions shown in dashed line are disclaimed.**



- (21) Design Number: **11603/2008**
(22) Date of Filing Application: **04 April 2008**
(24) Date from which industrial property rights may have effect: **04 April 2008**
(54) Product in respect of which the design is registered: **Protective cover**
(51) International Design Classification: **25-02H**
(71) Name(s) and Address(s) of Applicant(s):
VKR Holding A/S
Breeltevej 18 DK-2970 Horsholm Denmark
(72) Name(s) of Designer(s): **Erik Kjaergaard and Torben Allesen Pedersen**
(45) Registration Date: **12 August 2008**
(30) Convention priority data:
(31) Number (32) Date (33) Country
000853221 04 Jan 2008 EUROPEAN COMMUNITY
(56) Related Art Documents: **Not Applicable**
(57) Statement of Newness and Distinctiveness: **Those features of the protective cover depicted in the representations that are new and distinctive are the shape and/or configuration.**



(21) Design Number: **11604/2008**

(22) Date of Filing Application: **04 April 2008**

(24) Date from which industrial property rights may have effect: **04 April 2008**

(54) Product in respect of which the design is registered: **Protective cover**

(51) International Design Classification: **25-02H**

(71) Name(s) and Address(s) of Applicant(s):

VKR Holding A/S

Breeltevej 18 DK-2970 Horsholm Denmark

(72) Name(s) of Designer(s): **Erik Kjaergaard and Torben Allesen Pedersen**

(45) Registration Date: **12 August 2008**

(30) Convention priority data:

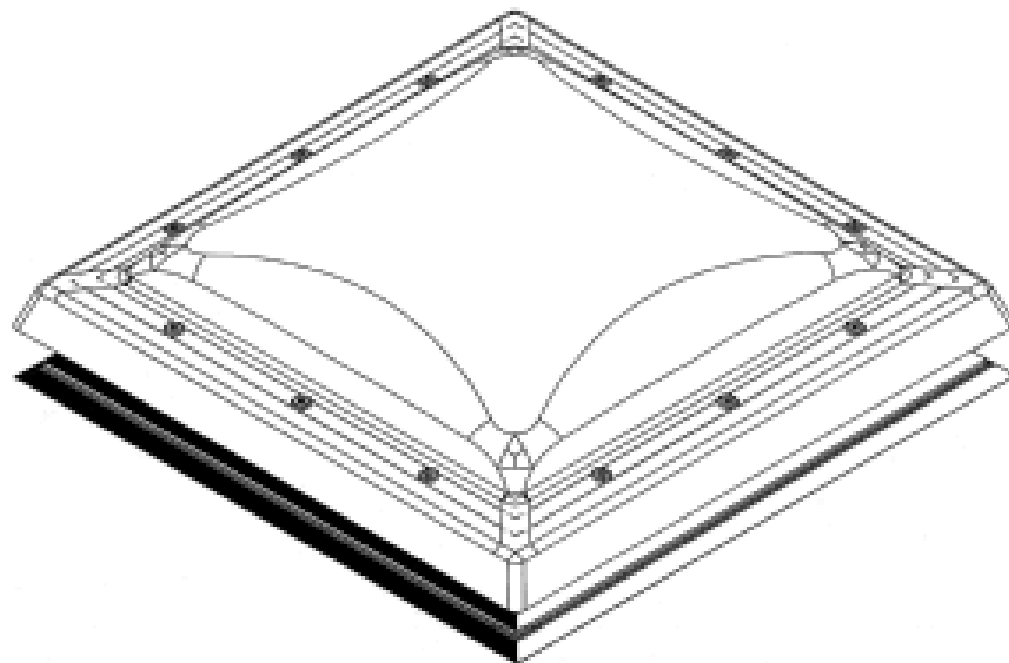
(31) Number
000853221

(32) Date
04 Jan 2008

(33) Country
EUROPEAN COMMUNITY

(56) Related Art Documents: **Not Applicable**

(57) Statement of Newness and Distinctiveness: **Those features of the protective cover depicted in the representations that are new and distinctive are the shape and/or configuration.**



(21) Design Number: **11605/2008**

(22) Date of Filing Application: **04 April 2008**

(24) Date from which industrial property rights may have effect: **04 April 2008**

(54) Product in respect of which the design is registered: **Protective cover**

(51) International Design Classification: **25-02H**

(71) Name(s) and Address(s) of Applicant(s):

VKR Holding A/S

Breeltevej 18 DK-2970 Horsholm Denmark

(72) Name(s) of Designer(s): **Erik Kjaergaard and Torben Allesen Pedersen**

(45) Registration Date: **12 August 2008**

(30) Convention priority data:

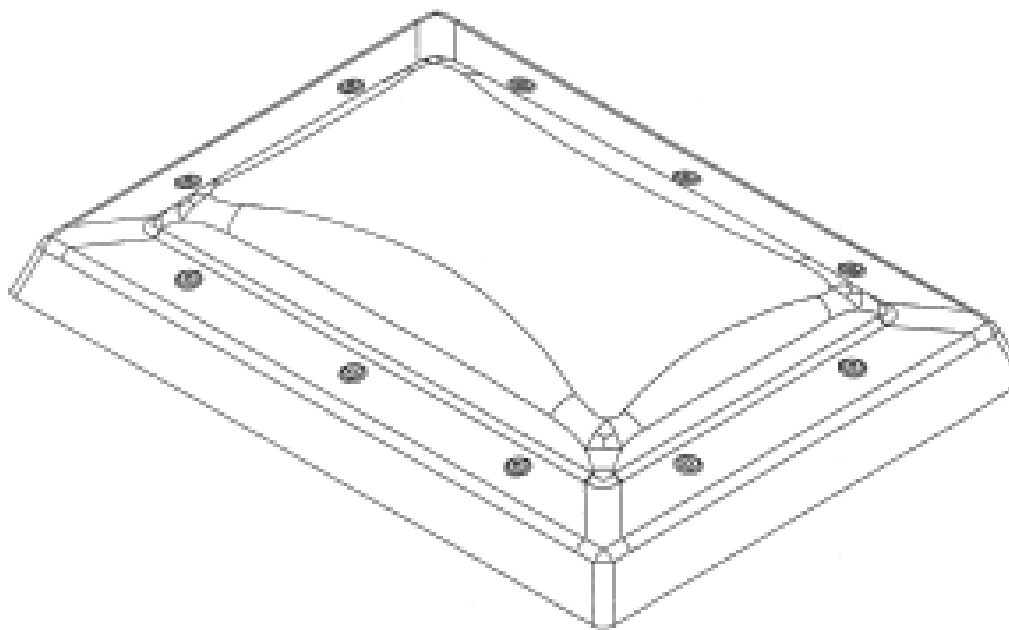
(31) Number
000853221

(32) Date
04 Jan 2008

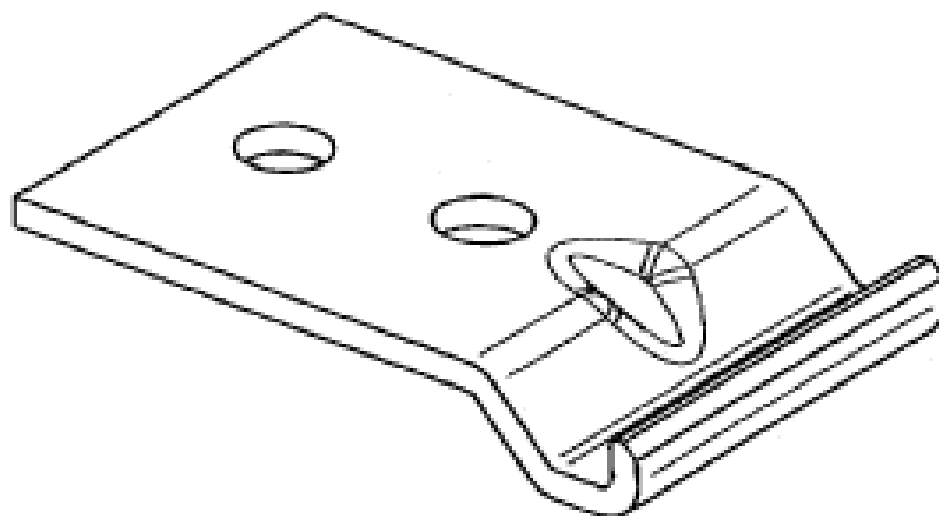
(33) Country
EUROPEAN COMMUNITY

(56) Related Art Documents: **Not Applicable**

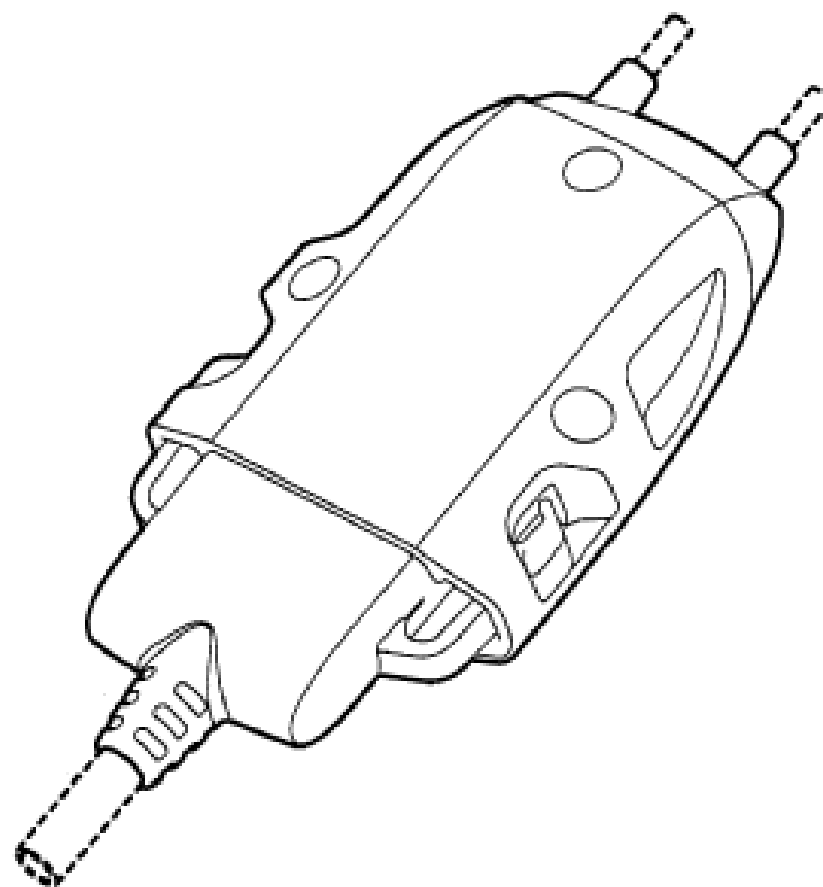
(57) Statement of Newness and Distinctiveness: **Those features of the protective cover depicted in the representations that are new and distinctive are the shape and/or configuration.**



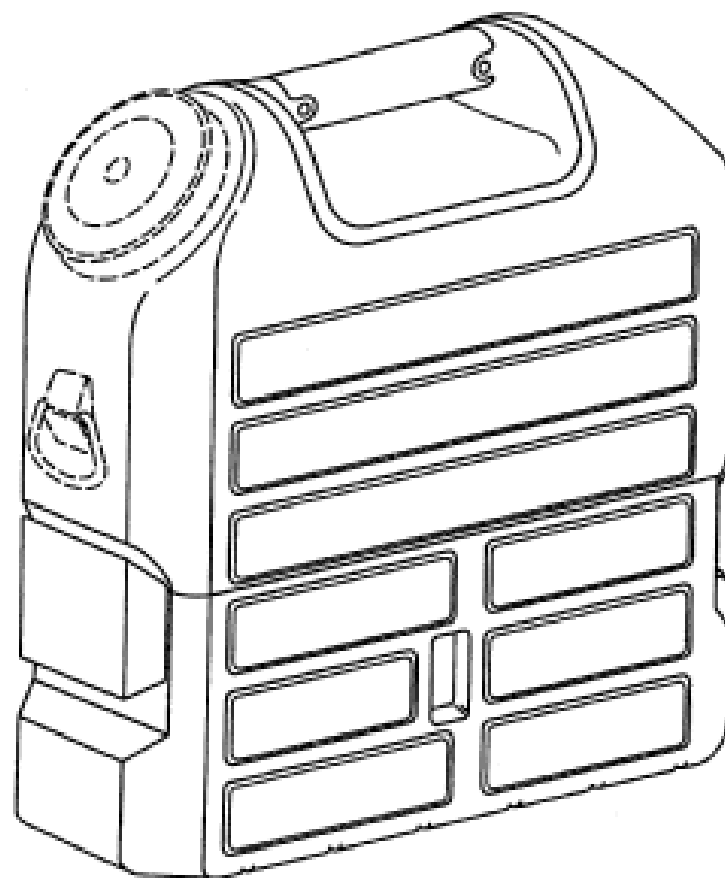
- (21) Design Number: **11790/2008**
(22) Date of Filing Application: **16 April 2008**
(24) Date from which industrial property rights may have effect: **16 April 2008**
(54) Product in respect of which the design is registered: **Curtain track mounting clip**
(51) International Design Classification: **08-08H**
(71) Name(s) and Address(s) of Applicant(s):
David John Croucher
3 Atalanta Rise Ocean Reef Western Australia 6027 Australia
(72) Name(s) of Designer(s): **David John Croucher**
(45) Registration Date: **12 August 2008**
(56) Related Art Documents: **Not Applicable**
(57) Statement of Newness and Distinctiveness: **Nil**



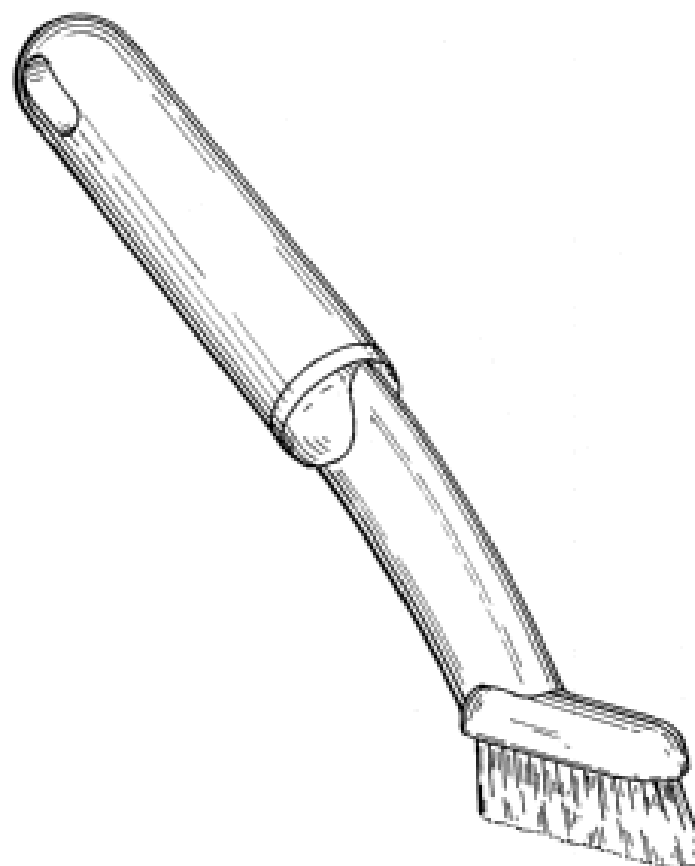
- (21) Design Number: **11927/2008**
(22) Date of Filing Application: **24 April 2008**
(24) Date from which industrial property rights may have effect: **24 April 2008**
(54) Product in respect of which the design is registered: **A set of electrical connectors**
(51) International Design Classification: **13-03B**
(71) Name(s) and Address(s) of Applicant(s):
Woodward Overseas Agencies Limited
4/F Kingpower Coml Building 409-413 Jaffe Road Wanchai Hong Kong
(72) Name(s) of Designer(s): **D Kim Scott**
(45) Registration Date: **12 August 2008**
(56) Related Art Documents: **Not Applicable**
(57) Statement of Newness and Distinctiveness: **The portions shown in dashed line are disclaimed.**



(21) Design Number: **11930/2008**
(22) Date of Filing Application: **24 April 2008**
(24) Date from which industrial property rights may have effect: **24 April 2008**
(54) Product in respect of which the design is registered: **Portable cleaning device**
(51) International Design Classification: **15-05, 07-05NES**
(71) Name(s) and Address(s) of Applicant(s):
Royal Appliance Mfg. Co.
7005 Cochran Road Glenwillow Ohio 44139 United States of America
(72) Name(s) of Designer(s): **Terry Birchler and David B. Chaney and Michael P. Conner and Jeff Morgan and Robert A. Vystrcil and Shawn Whetstone**
(45) Registration Date: **12 August 2008**
(30) Convention priority data:
(31) Number (32) Date (33) Country
29/292675 24 Oct 2007 UNITED STATES OF AMERICA
(56) Related Art Documents: **Not Applicable**
(57) Statement of Newness and Distinctiveness: **Newness and distinctiveness is claimed in those features of shape and/or configuration of a portable cleaning device illustrated in continuous lines in the accompanying representations.**



(21) Design Number: **11931/2008**
(22) Date of Filing Application: **24 April 2008**
(24) Date from which industrial property rights may have effect: **24 April 2008**
(54) Product in respect of which the design is registered: **Grout brush**
(51) International Design Classification: **04-01**
(71) Name(s) and Address(s) of Applicant(s):
The Decor Corporation Pty Ltd
1314 Ferntree Gully Road Scoresby Victoria 3179 Australia
(72) Name(s) of Designer(s): **Anthony Henry Wolfenden**
(45) Registration Date: **12 August 2008**
(56) Related Art Documents: **Not Applicable**
(57) Statement of Newness and Distinctiveness: **Nil**



(21) Design Number: **11933/2008**

(22) Date of Filing Application: **24 April 2008**

(24) Date from which industrial property rights may have effect: **24 April 2008**

(54) Product in respect of which the design is registered: **Applicator**

(51) International Design Classification: **28-03NES**

(71) Name(s) and Address(s) of Applicant(s):

ELC Management LLC

767 Fifth Avenue New York New York 10153 United States of America

(72) Name(s) of Designer(s): **Herve Bouix and William Bickford**

(45) Registration Date: **12 August 2008**

(30) Convention priority data:

(31) Number

(32) Date

(33) Country

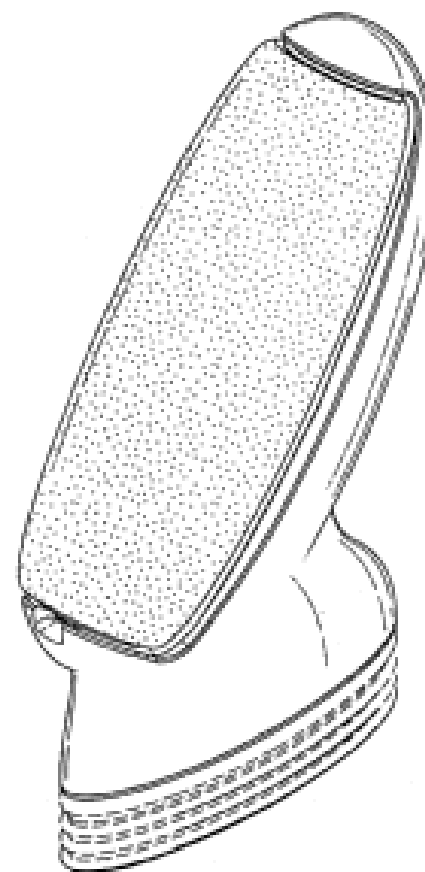
29/304,890

10 Mar 2008

UNITED STATES OF AMERICA

(56) Related Art Documents: **Not Applicable**

(57) Statement of Newness and Distinctiveness: **Those features of the applicator depicted in the representations that are new and distinctive are the shape and/or configuration. The features shown in broken lines are not part of the design and are to be disregarded when considering the overall impression of the design.**



(21) Design Number: **11934/2008**

(22) Date of Filing Application: **24 April 2008**

(24) Date from which industrial property rights may have effect: **24 April 2008**

(54) Product in respect of which the design is registered: **Washing machine**

(51) International Design Classification: **15-05**

(71) Name(s) and Address(s) of Applicant(s):

LG Electronics, Inc.

20 Yoido-dong Yongdungpo-gu Seoul Republic of Korea

(72) Name(s) of Designer(s): **Kyeong Chul Cho and Bo Won Suh and Seung Hyun Song and Hyoung Won Roh**

(45) Registration Date: **12 August 2008**

(30) Convention priority data:

(31) Number

(32) Date

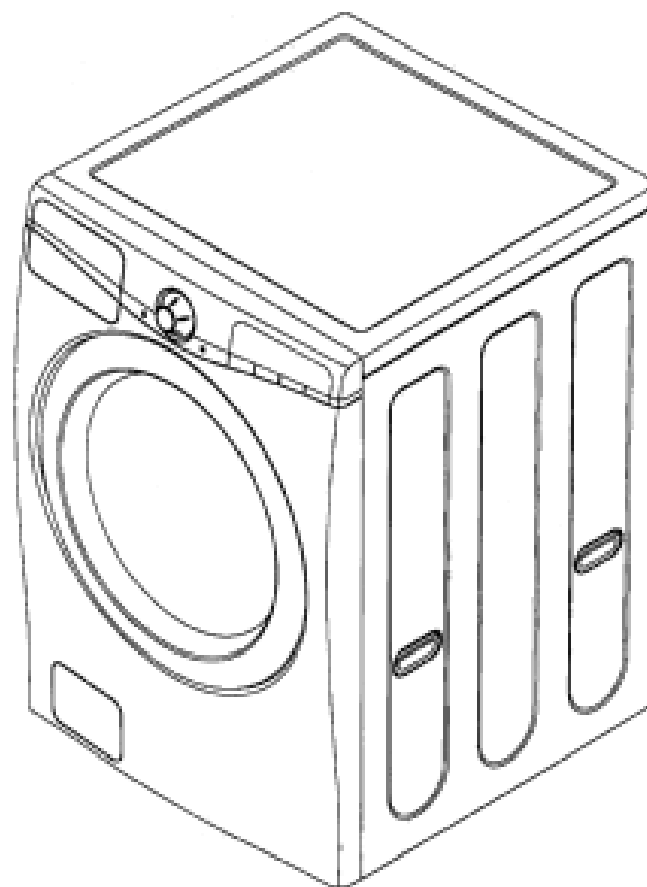
(33) Country

30-2007-0045638 01 Nov 2007

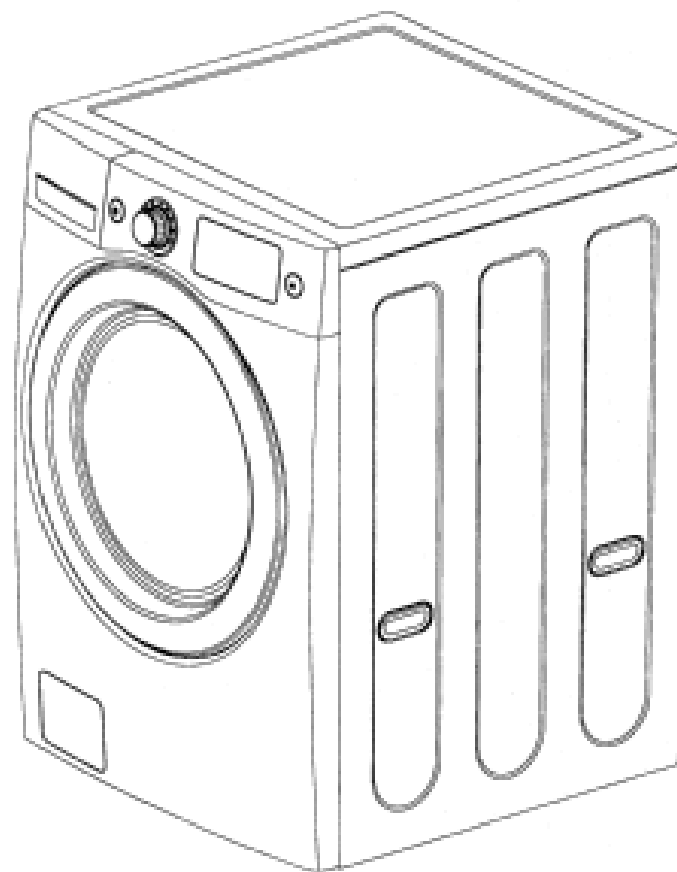
REPUBLIC OF KOREA

(56) Related Art Documents: **Not Applicable**

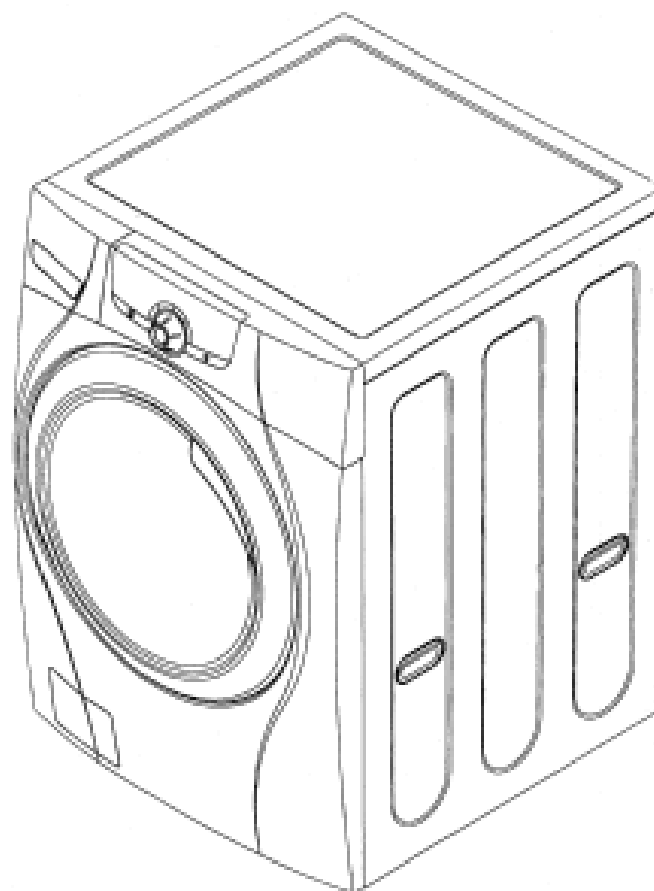
(57) Statement of Newness and Distinctiveness: **Newness and distinctiveness resides in the visual features of shape and/or configuration of a washing machine as illustrated in the accompanying representations.**



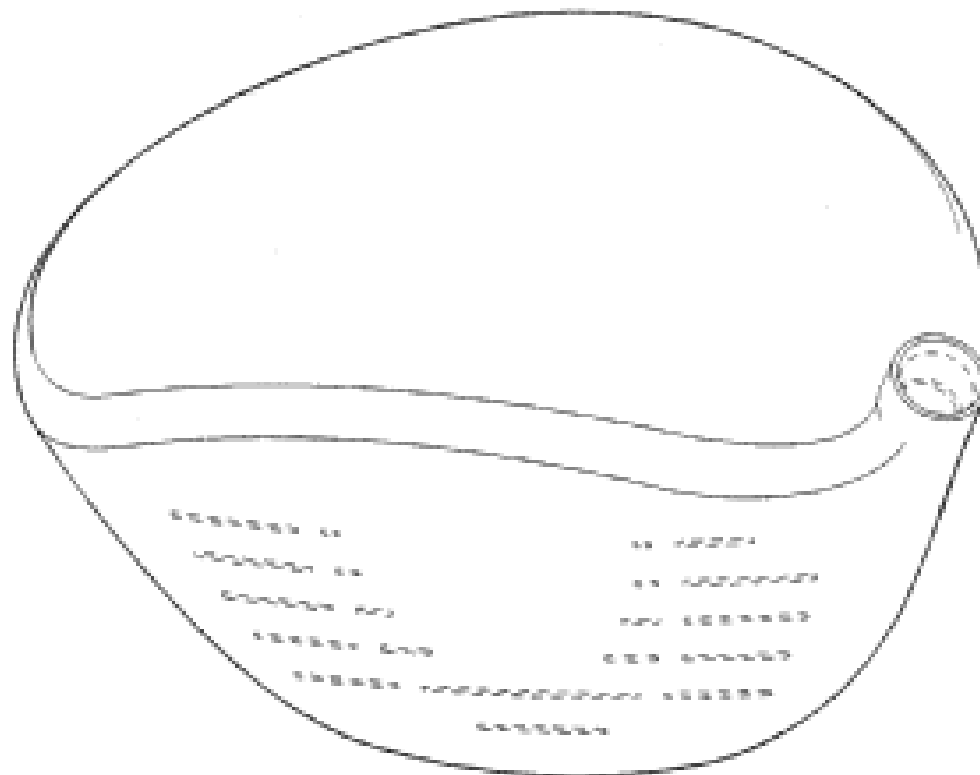
- (21) Design Number: **11935/2008**
(22) Date of Filing Application: **24 April 2008**
(24) Date from which industrial property rights may have effect: **24 April 2008**
(54) Product in respect of which the design is registered: **Washing machine**
(51) International Design Classification: **15-05**
(71) Name(s) and Address(s) of Applicant(s):
LG Electronics Inc.
20 Yoido-dong Yongdungpo-gu Seoul Republic of Korea
(72) Name(s) of Designer(s): **Kyeong Chul Cho and Bo Won Suh and Seung Hyun Song and Hyoung Won Roh**
(45) Registration Date: **12 August 2008**
(30) Convention priority data:
(31) Number (32) Date (33) Country
30-2007-0045637 01 Nov 2007 REPUBLIC OF KOREA
(56) Related Art Documents: **Not Applicable**
(57) Statement of Newness and Distinctiveness: **Newness and distinctiveness resides in the visual features of shape and/or configuration of a washing machine as illustrated in the accompanying representations.**



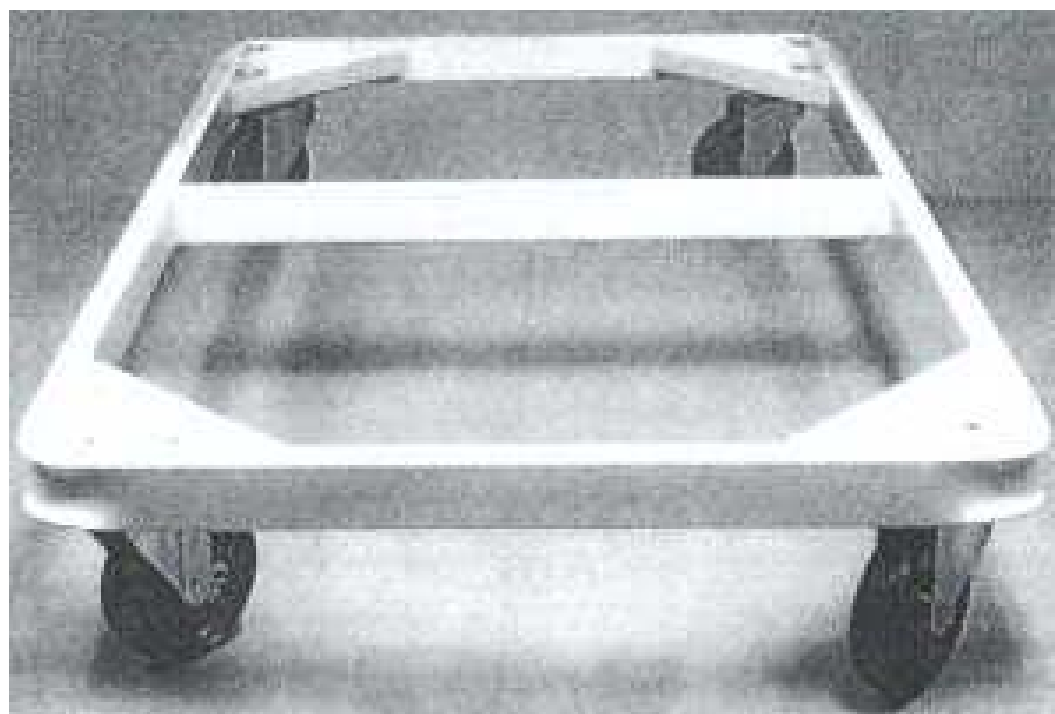
- (21) Design Number: **11936/2008**
(22) Date of Filing Application: **24 April 2008**
(24) Date from which industrial property rights may have effect: **24 April 2008**
(54) Product in respect of which the design is registered: **Washing machine**
(51) International Design Classification: **15-05**
(71) Name(s) and Address(s) of Applicant(s):
LG Electronics Inc.
20 Yoido-dong Yongdungpo-gu Seoul Republic of Korea
(72) Name(s) of Designer(s): **Kyeong Chul Cho and Bo Won Suh and Seung Hyun Song and Hyoung Won Roh**
(45) Registration Date: **12 August 2008**
(30) Convention priority data:
(31) Number (32) Date (33) Country
30-2007-0045636 01 Nov 2007 REPUBLIC OF KOREA
(56) Related Art Documents: **Not Applicable**
(57) Statement of Newness and Distinctiveness: **Newness and distinctiveness resides in the visual features of shape and/or configuration of a washing machine as illustrated in the accompanying representations.**



(21) Design Number: **11937/2008**
 (22) Date of Filing Application: **24 April 2008**
 (24) Date from which industrial property rights may have effect: **24 April 2008**
 (54) Product in respect of which the design is registered: **Golf club head**
 (51) International Design Classification: **21-02C**
 (71) Name(s) and Address(s) of Applicant(s):
Karsten Manufacturing Corporation
2201 West Desert Cove Phoenix Arizona 85029 United States of America
 (72) Name(s) of Designer(s): **Anthony D. Serrano and Eric J. Morales and Xiaojian Chen**
 (45) Registration Date: **12 August 2008**
 (30) Convention priority data:
 (31) Number (32) Date (33) Country
29/299127 19 Dec 2007 UNITED STATES OF AMERICA
 (56) Related Art Documents: **Not Applicable**
 (57) Statement of Newness and Distinctiveness: **Newness and distinctiveness is claimed in the visual features shown in solid lines in the representations.**



(21) Design Number: **11939/2008**
 (22) Date of Filing Application: **24 April 2008**
 (24) Date from which industrial property rights may have effect: **24 April 2008**
 (54) Product in respect of which the design is registered: **Trolley**
 (51) International Design Classification: **12-02**
 (71) Name(s) and Address(s) of Applicant(s):
United Trolleys Australia Pty Ltd
PO Box 7 Huntsmore Road Minto New South Wales 2566 Australia
 (72) Name(s) of Designer(s): **Darren Hill**
 (45) Registration Date: **12 August 2008**
 (56) Related Art Documents: **Not Applicable**
 (57) Statement of Newness and Distinctiveness: **Newness and distinctiveness reside in the features of the design as shown in the representations and in particular the gaps "A" in the rail on the top of the trolley, in the rounded corners "B" and in the corner plate "C".**



(21) Design Number: **11951/2008**

(22) Date of Filing Application: **28 April 2008**

(24) Date from which industrial property rights may have effect: **28 April 2008**

(54) Product in respect of which the design is registered: **Sanitary napkin**

(51) International Design Classification: **24-04**

(71) Name(s) and Address(s) of Applicant(s):

McNeil-PPC, Inc.
199 Grandview Road Skillman New Jersey 08558 United States of America

(72) Name(s) of Designer(s): **Kofi Bissah and Ricardo de Oliveira**

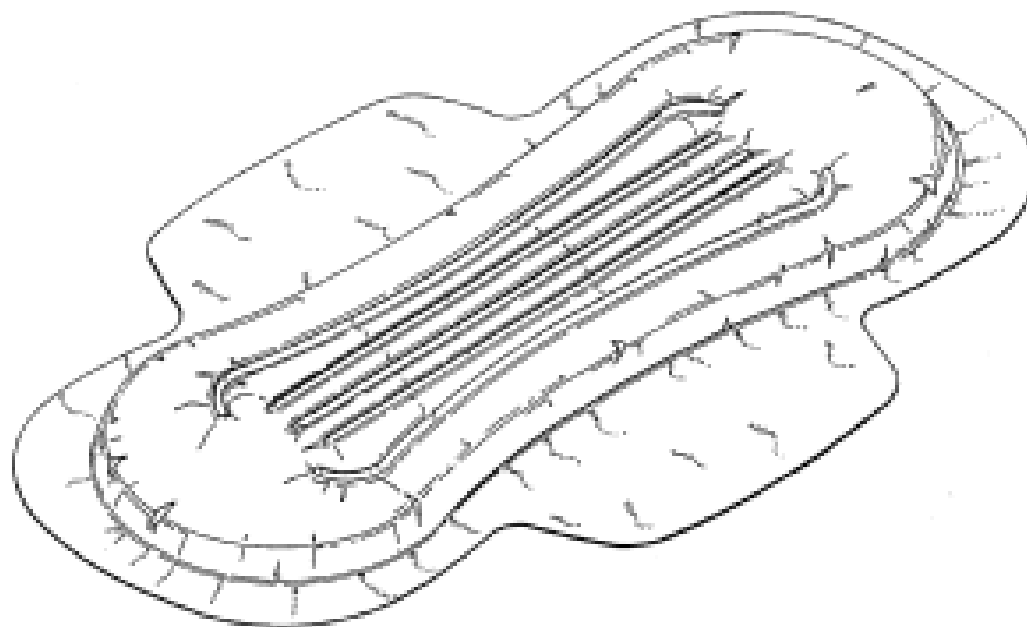
(45) Registration Date: **12 August 2008**

(30) Convention priority data:

(31) Number	(32) Date	(33) Country
29/296849	30 Oct 2007	UNITED STATES OF AMERICA

(56) Related Art Documents: **Not Applicable**

(57) Statement of Newness and Distinctiveness: **Newness and distinctiveness reside in the features of a design for a sanitary napkin as shown in the accompanying illustrations.**



(21) Design Number: **11952/2008**

(22) Date of Filing Application: **28 April 2008**

(24) Date from which industrial property rights may have effect: **28 April 2008**

(54) Product in respect of which the design is registered: **Sanitary napkin**

(51) International Design Classification: **24-04**

(71) Name(s) and Address(s) of Applicant(s):

McNeil-PPC, Inc.
199 Grandview Road Skillman New Jersey 08558 United States of America

(72) Name(s) of Designer(s): **Kofi Bissah and Ricardo de Oliveira**

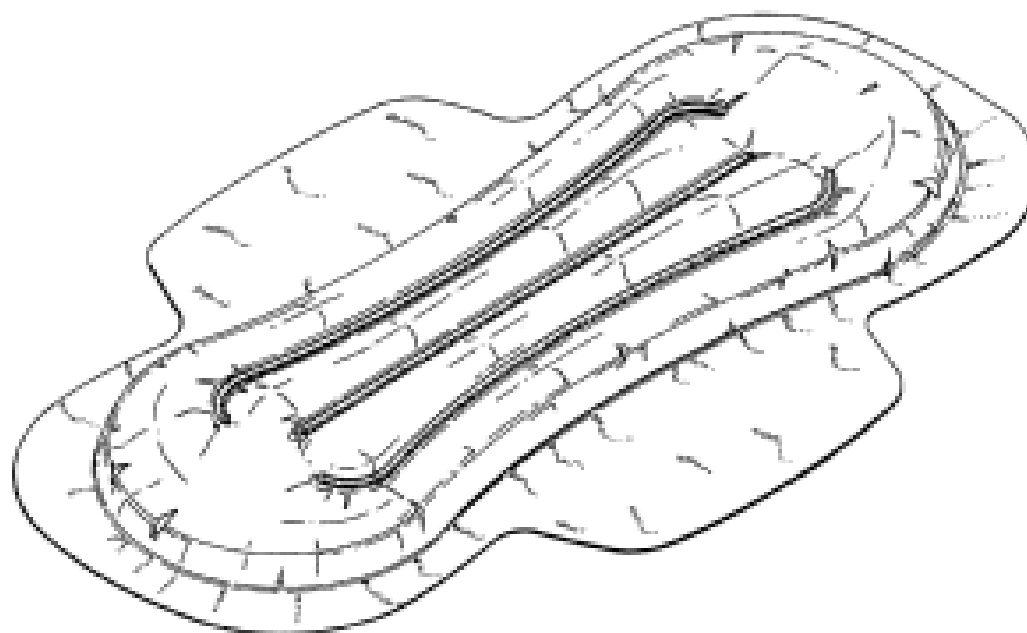
(45) Registration Date: **12 August 2008**

(30) Convention priority data:

(31) Number	(32) Date	(33) Country
29/296863	30 Oct 2007	UNITED STATES OF AMERICA

(56) Related Art Documents: **Not Applicable**

(57) Statement of Newness and Distinctiveness: **Newness and distinctiveness reside in the features of a design for a sanitary napkin shown in the accompanying representations.**



(21) Design Number: **11953/2008**

(22) Date of Filing Application: **28 April 2008**

(24) Date from which industrial property rights may have effect: **28 April 2008**

(54) Product in respect of which the design is registered: **Sanitary napkin**

(51) International Design Classification: **24-04**

(71) Name(s) and Address(s) of Applicant(s):

**McNeil-PPC, Inc.
199 Grandview Road Skillman New Jersey 08558 United States of America**

(72) Name(s) of Designer(s): **Kofi Bissah and Ricardo de Oliveira**

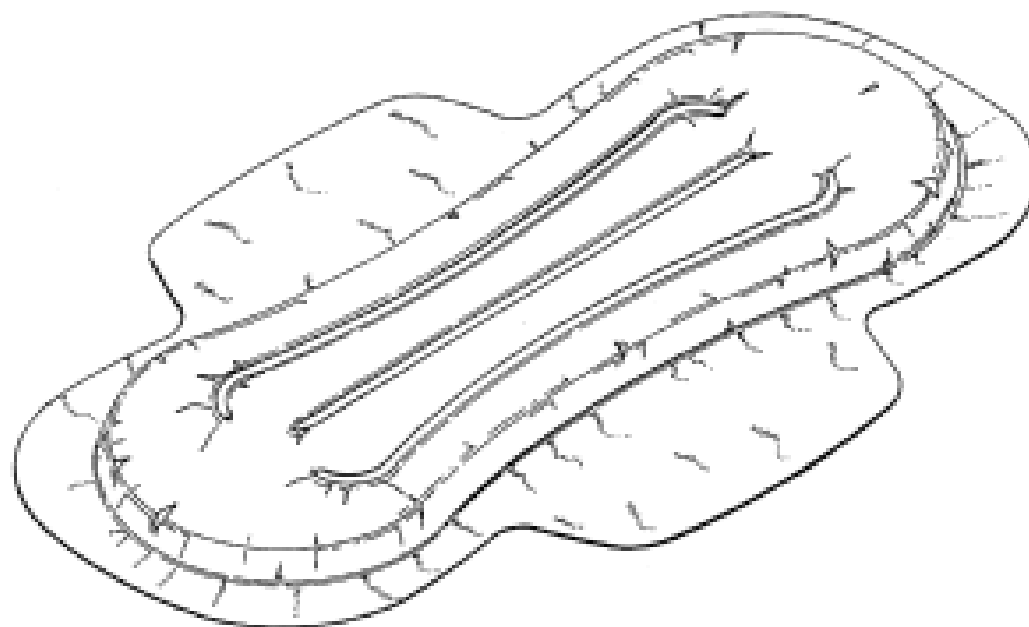
(45) Registration Date: **12 August 2008**

(30) Convention priority data:

(31) Number	(32) Date	(33) Country
29/296862	30 Oct 2007	UNITED STATES OF AMERICA

(56) Related Art Documents: **Not Applicable**

(57) Statement of Newness and Distinctiveness: **Newness and distinctiveness reside in the features of a design for a sanitary napkin as shown in the accompanying representations.**



(21) Design Number: **11954/2008**

(22) Date of Filing Application: **28 April 2008**

(24) Date from which industrial property rights may have effect: **28 April 2008**

(54) Product in respect of which the design is registered: **Sanitary napkin**

(51) International Design Classification: **24-04**

(71) Name(s) and Address(s) of Applicant(s):

**McNeil-PPC, Inc.
199 Grandview Road Skillman New Jersey 08558 United States of America**

(72) Name(s) of Designer(s): **Kofi Bissah and Ricardo de Oliveira**

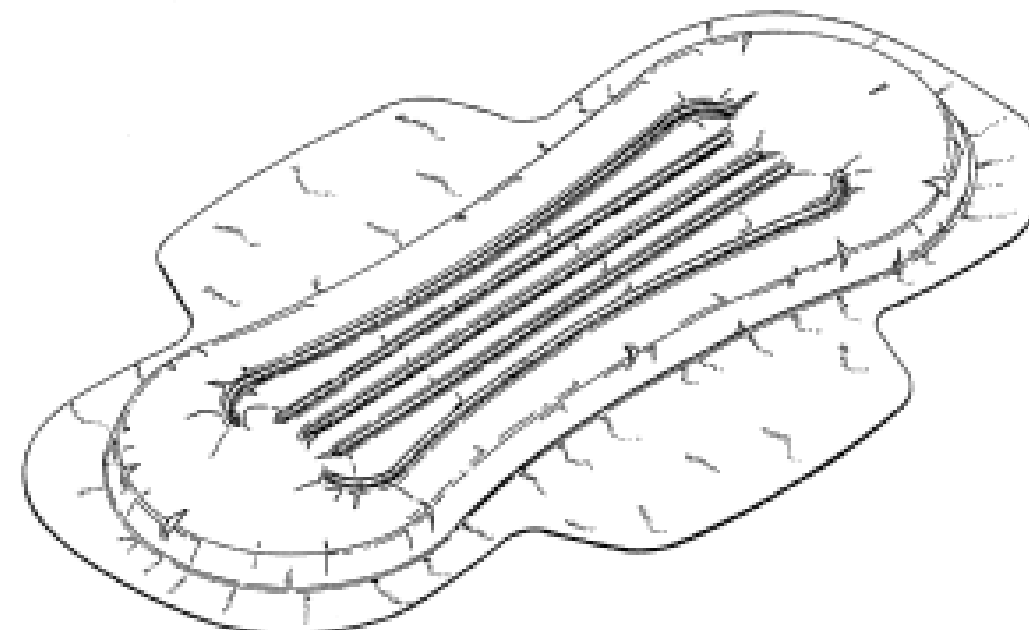
(45) Registration Date: **12 August 2008**

(30) Convention priority data:

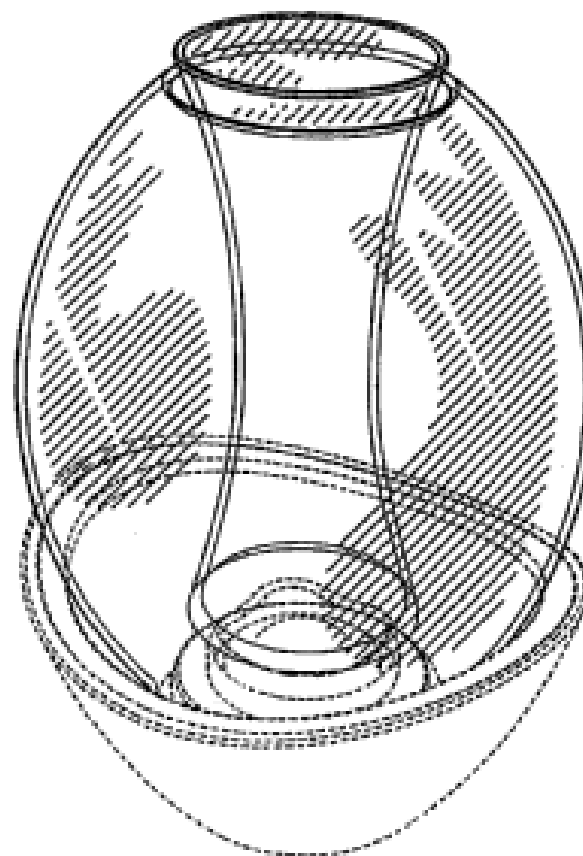
(31) Number	(32) Date	(33) Country
29/296850	30 Oct 2007	UNITED STATES OF AMERICA

(56) Related Art Documents: **Not Applicable**

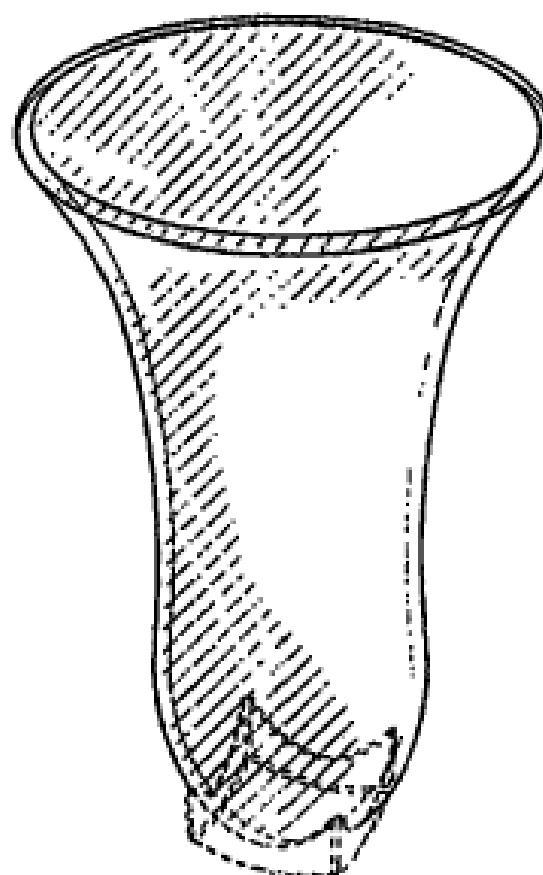
(57) Statement of Newness and Distinctiveness: **Newness and distinctiveness reside in the design for a sanitary napkin as shown in the accompanying illustrations.**



(21) Design Number: **11955/2008**
 (22) Date of Filing Application: **28 April 2008**
 (24) Date from which industrial property rights may have effect: **28 April 2008**
 (54) Product in respect of which the design is registered: **Diffuser with light source**
 (51) International Design Classification: **26-05D**
 (71) Name(s) and Address(s) of Applicant(s):
S.C. Johnson & Son, Inc.
1525 Howe Street Racine Wisconsin 53403-2236 United States of America
 (72) Name(s) of Designer(s): **Simon M. Conway and Stephen Meosky and Han Xin and Kit R. Morris**
 (45) Registration Date: **12 August 2008**
 (30) Convention priority data:
 (31) Number (32) Date (33) Country
29/296802 29 Oct 2007 UNITED STATES OF AMERICA
 (56) Related Art Documents: **Not Applicable**
 (57) Statement of Newness and Distinctiveness: **Newness and distinctiveness is claimed in those features of shape and/or configuration of a diffuser with light source as illustrated in continuous lines in the accompanying representations.**



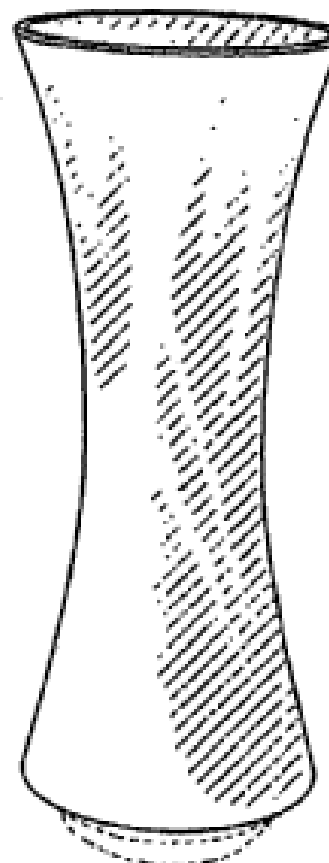
(21) Design Number: **11956/2008**
 (22) Date of Filing Application: **28 April 2008**
 (24) Date from which industrial property rights may have effect: **28 April 2008**
 (54) Product in respect of which the design is registered: **Diffuser inner vase**
 (51) International Design Classification: **26-05D, 26-05NES**
 (71) Name(s) and Address(s) of Applicant(s):
S.C. Johnson & Son, Inc.
1525 Howe Street Racine Wisconsin 53403-2236 United States of America
 (72) Name(s) of Designer(s): **Simon M. Conway and Scott W. Demarest and Stephen Meosky and Han Xin and Kit R. Morris**
 (45) Registration Date: **12 August 2008**
 (30) Convention priority data:
 (31) Number (32) Date (33) Country
29/296798 29 Oct 2007 UNITED STATES OF AMERICA
 (56) Related Art Documents: **Not Applicable**
 (57) Statement of Newness and Distinctiveness: **Newness and distinctiveness is claimed in those features of shape and/or configuration of a diffuser inner vase as illustrated in continuous lines in the accompanying representations.**



(21) Design Number: **11957/2008**
 (22) Date of Filing Application: **28 April 2008**
 (24) Date from which industrial property rights may have effect: **28 April 2008**
 (54) Product in respect of which the design is registered: **Diffuser with light source**
 (51) International Design Classification: **26-05D**
 (71) Name(s) and Address(s) of Applicant(s):
S.C. Johnson & Son, Inc.
1525 Howe Street Racine Wisconsin 53403-2236 United States of America
 (72) Name(s) of Designer(s): **Simon M. Conway and Scott W. Demarest and Stephen Meosky and Han Xin and Kit R. Morris**
 (45) Registration Date: **12 August 2008**
 (30) Convention priority data:
 (31) Number (32) Date (33) Country
29/296796 29 Oct 2007 UNITED STATES OF AMERICA
 (56) Related Art Documents: **Not Applicable**
 (57) Statement of Newness and Distinctiveness: **Newness and distinctiveness is claimed in those features of shape and/or configuration of a diffuser with light source as illustrated in continuous lines in the accompanying representations.**



(21) Design Number: **11958/2008**
 (22) Date of Filing Application: **28 April 2008**
 (24) Date from which industrial property rights may have effect: **28 April 2008**
 (54) Product in respect of which the design is registered: **Diffuser inner vase**
 (51) International Design Classification: **26-05D, 26-05NES**
 (71) Name(s) and Address(s) of Applicant(s):
S.C. Johnson & Son, Inc.
1525 Howe Street Racine Wisconsin 53403-2236 United States of America
 (72) Name(s) of Designer(s): **Simon M. Conway and Stephen Meosky and Han Xin and Kit R. Morris**
 (45) Registration Date: **12 August 2008**
 (30) Convention priority data:
 (31) Number (32) Date (33) Country
29/296804 29 Oct 2007 UNITED STATES OF AMERICA
 (56) Related Art Documents: **Not Applicable**
 (57) Statement of Newness and Distinctiveness: **Newness and distinctiveness is claimed in those features of shape and/or configuration of a diffuser inner vase as illustrated in continuous lines in the accompanying representations.**



(21) Design Number: **11959/2008**

(22) Date of Filing Application: **28 April 2008**

(24) Date from which industrial property rights may have effect: **28 April 2008**

(54) Product in respect of which the design is registered: **Article of clothing**

(51) International Design Classification: **02-02NES**

(71) Name(s) and Address(s) of Applicant(s):

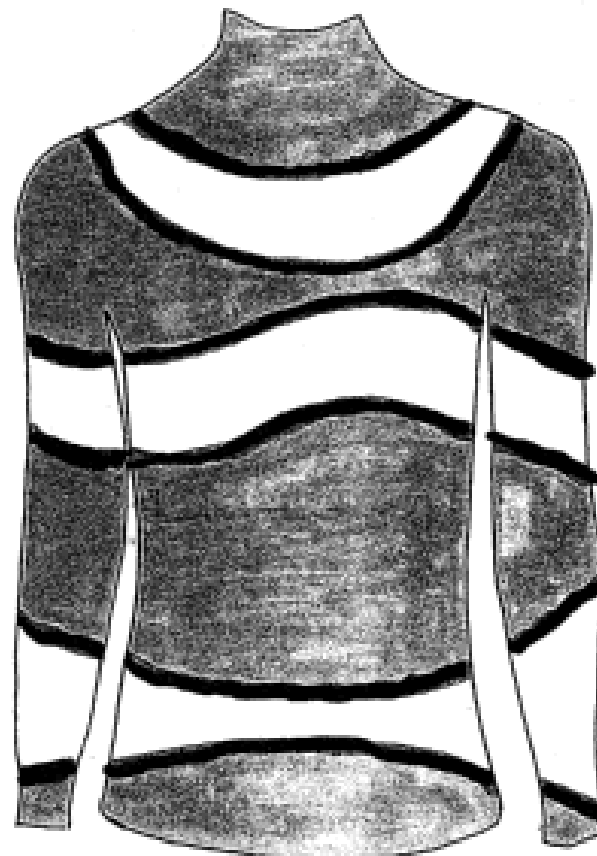
Elly Mae Enterprises Pty Ltd
Suite 2/67 Lake Street Cairns Queensland 4870 Australia

(72) Name(s) of Designer(s): **Elly Patterson**

(45) Registration Date: **12 August 2008**

(56) Related Art Documents: **Not Applicable**

(57) Statement of Newness and Distinctiveness: **Newness and distinctiveness is claimed in the pattern and ornamentation applied to an article of clothing where the area between alternate bands is occupied by solid and/or contrasting colour.**



(21) Design Number: **11961/2008**

(22) Date of Filing Application: **28 April 2008**

(24) Date from which industrial property rights may have effect: **28 April 2008**

(54) Product in respect of which the design is registered: **A locking pin for an excavator wear assembly**

(51) International Design Classification: **08-07, 15-04**

(71) Name(s) and Address(s) of Applicant(s):

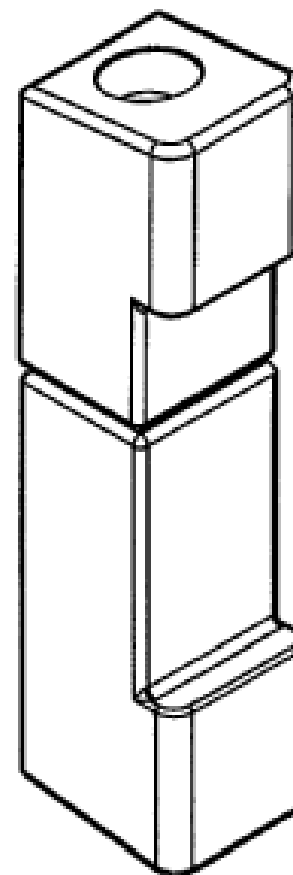
CQMS Pty Ltd
36 Enterprise Street Mackay Queensland 4740 Australia

(72) Name(s) of Designer(s): **Murray Buhse**

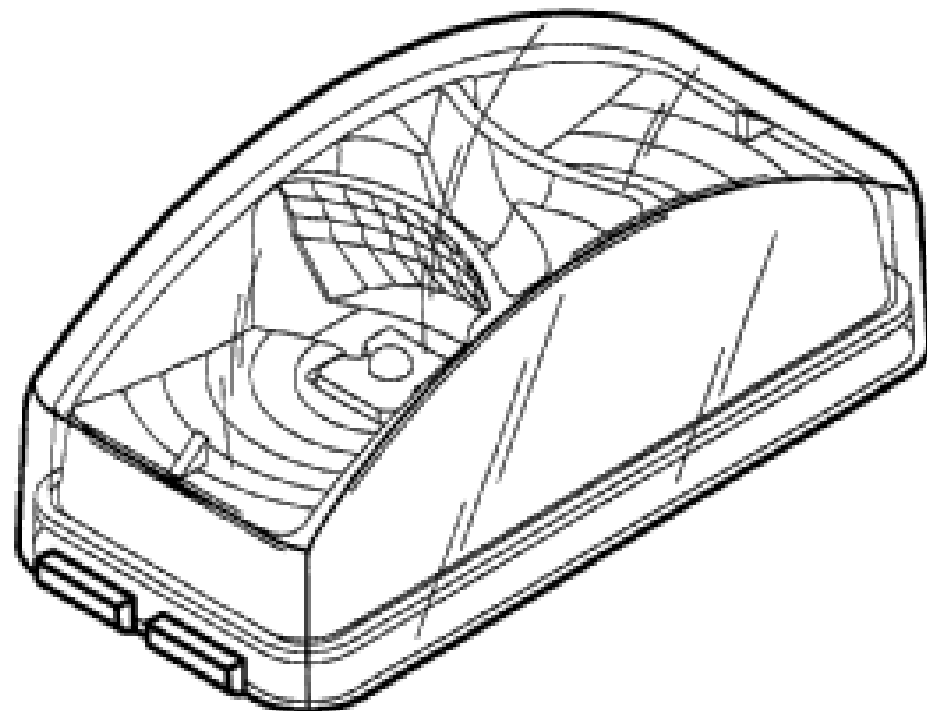
(45) Registration Date: **12 August 2008**

(56) Related Art Documents: **Not Applicable**

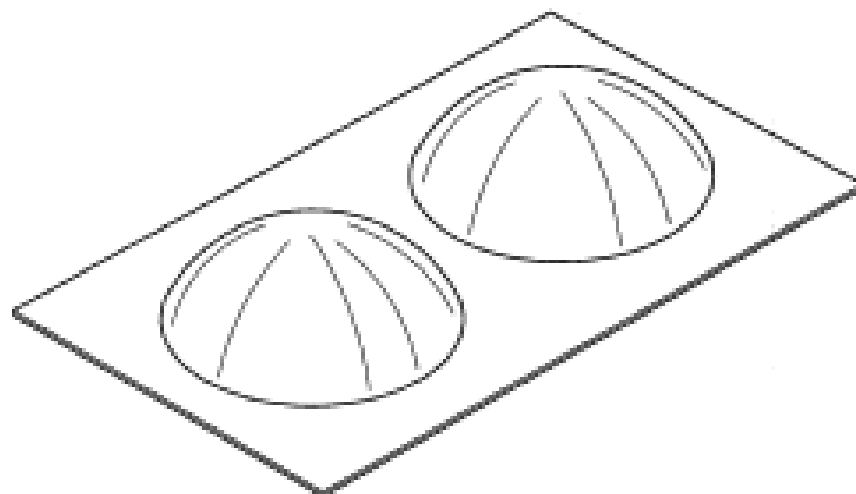
(57) Statement of Newness and Distinctiveness: **The newness and distinctiveness of the design resides in the shape and/or configuration of a locking pin for an excavator wear assembly shown in the representations.**



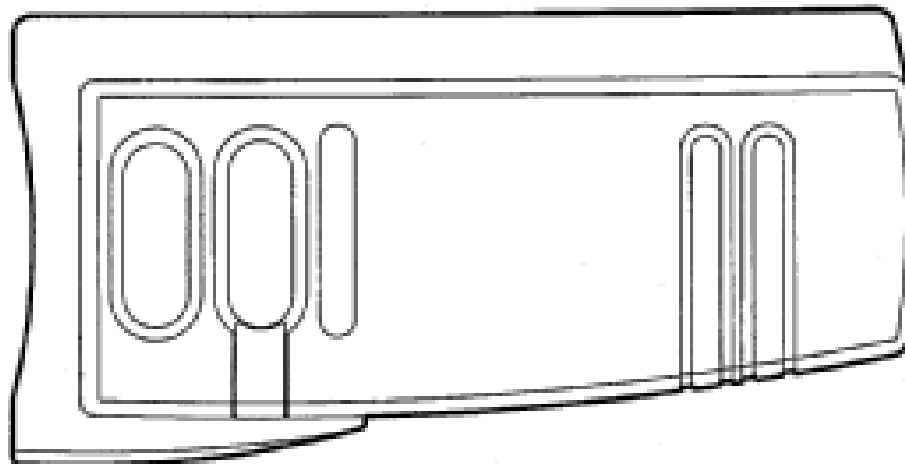
- (21) Design Number: **12024/2008**
(22) Date of Filing Application: **28 April 2008**
(24) Date from which industrial property rights may have effect: **28 April 2008**
(54) Product in respect of which the design is registered: **Sidemarker lamp**
(51) International Design Classification: **26-05D, 26-06**
(71) Name(s) and Address(s) of Applicant(s):
Lucidity Enterprise Co., Ltd.
1F/83 Yung An Road An-Nan District Tainan City Taiwan R.O.C.
(72) Name(s) of Designer(s): **Chao-Ming Chang**
(45) Registration Date: **12 August 2008**
(56) Related Art Documents: **Not Applicable**
(57) Statement of Newness and Distinctiveness: **Nil**



- (21) Design Number: **11928/2008**
(22) Date of Filing Application: **23 April 2008**
(24) Date from which industrial property rights may have effect: **23 April 2008**
(54) Product in respect of which the design is registered: **An insert for the bottom of a box for storage of brassieres**
(51) International Design Classification: **09-03NES, 09-05, 20-02B**
(71) Name(s) and Address(s) of Applicant(s):
Angela Ianno
34 Buckley Street Essendon Victoria 3040 Australia
(72) Name(s) of Designer(s): **Angela Ianno**
(45) Registration Date: **12 August 2008**
(56) Related Art Documents: **Not Applicable**
(57) Statement of Newness and Distinctiveness: **Nil**



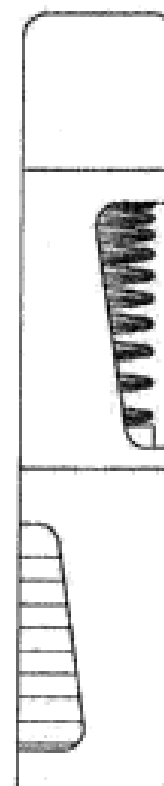
- (21) Design Number: **11924/2008**
(22) Date of Filing Application: **24 April 2008**
(24) Date from which industrial property rights may have effect: **24 April 2008**
(54) Product in respect of which the design is registered: **An electric blanket control unit**
(51) International Design Classification: **13-03D, 13-03NES**
(71) Name(s) and Address(s) of Applicant(s):
Woodward Overseas Agencies Limited
4/F Kingpower Coml Building 409-413 Jaffe Road Wanchai Hong Kong
(72) Name(s) of Designer(s): **D Kim Scott**
(45) Registration Date: **12 August 2008**
(56) Related Art Documents: **Not Applicable**
(57) Statement of Newness and Distinctiveness: **The portions shown in dashed line are disclaimed.**



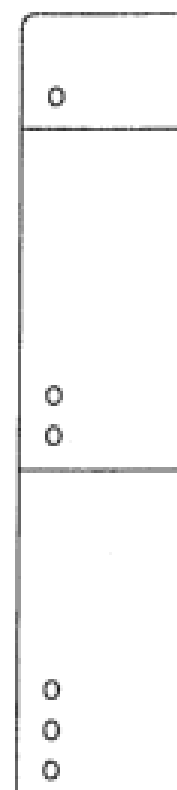
- (21) Design Number: **19936/2007**
(22) Date of Filing Application: **26 September 2007**
(24) Date from which industrial property rights may have effect: **26 September 2007**
(54) Product in respect of which the design is registered: **A cape**
(51) International Design Classification: **02-02B**
(71) Name(s) and Address(s) of Applicant(s):
JAWS Holdings Limited
Level 12 KPMG Centre 85 Alexandra Street Hamilton New Zealand
(72) Name(s) of Designer(s): **Alison Jill Mowbray**
(45) Registration Date: **12 August 2008**
(56) Related Art Documents: **Not Applicable**
(57) Statement of Newness and Distinctiveness: **Nil**



(21) Design Number: **11425/2008**
(22) Date of Filing Application: **20 March 2008**
(24) Date from which industrial property rights may have effect: **20 March 2008**
(54) Product in respect of which the design is registered: **Dispenser**
(51) International Design Classification: **24-01, 09-07A**
(71) Name(s) and Address(s) of Applicant(s):
Nanotechnology Victoria Limited
Suite 201 Level 2 3 Chester Street Oakleigh Victoria 3166 Australia
(72) Name(s) of Designer(s): **Leah Rose Laurel Heiss**
(45) Registration Date: **12 August 2008**
(56) Related Art Documents: **Not Applicable**
(57) Statement of Newness and Distinctiveness: **Nil**



(21) Design Number: **11426/2008**
(22) Date of Filing Application: **20 March 2008**
(24) Date from which industrial property rights may have effect: **20 March 2008**
(54) Product in respect of which the design is registered: **Dispenser**
(51) International Design Classification: **24-01, 09-07A**
(71) Name(s) and Address(s) of Applicant(s):
Nanotechnology Victoria Limited
Suite 201 Level 2 3 Chester Street Oakleigh Victoria 3166 Australia
(72) Name(s) of Designer(s): **Leah Rose Laurel Heiss**
(45) Registration Date: **12 August 2008**
(56) Related Art Documents: **Not Applicable**
(57) Statement of Newness and Distinctiveness: **Nil**



(21) Design Number: **11427/2008**

(22) Date of Filing Application: **20 March 2008**

(24) Date from which industrial property rights may have effect: **20 March 2008**

(54) Product in respect of which the design is registered: **Dispenser**

(51) International Design Classification: **24-01, 09-07A**

(71) Name(s) and Address(s) of Applicant(s):

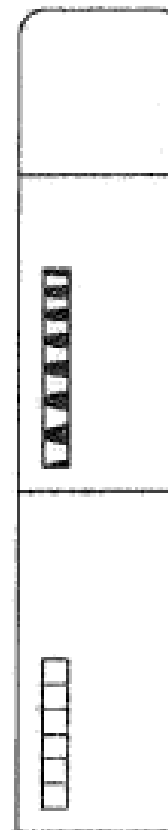
**Nanotechnology Victoria Limited
Suite 201 Level 2 3 Chester Street Oakleigh Victoria 3166 Australia**

(72) Name(s) of Designer(s): **Leah Rose Laurel Heiss**

(45) Registration Date: **12 August 2008**

(56) Related Art Documents: **Not Applicable**

(57) Statement of Newness and Distinctiveness: **Nil**



(21) Design Number: **11851/2008**

(22) Date of Filing Application: **18 April 2008**

(24) Date from which industrial property rights may have effect: **18 April 2008**

(54) Product in respect of which the design is registered: **Funnel**

(51) International Design Classification: **07-99NES, 23-01NES**

(71) Name(s) and Address(s) of Applicant(s):

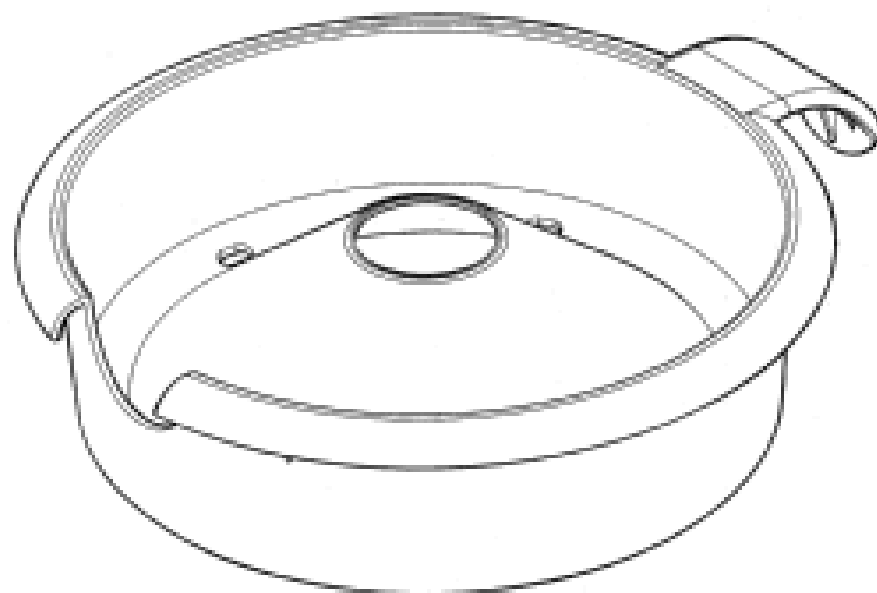
**The Decor Corporation Pty Ltd
1314 Ferntree Gully Road Scoresby Victoria 3179 Australia**

(72) Name(s) of Designer(s): **Jim Samartgis**

(45) Registration Date: **12 August 2008**

(56) Related Art Documents: **Not Applicable**

(57) Statement of Newness and Distinctiveness: **Nil**



(21) Design Number: **11852/2008**

(22) Date of Filing Application: **18 April 2008**

(24) Date from which industrial property rights may have effect: **18 April 2008**

(54) Product in respect of which the design is registered: **Gemstone**

(51) International Design Classification: **11-01NES**

(71) Name(s) and Address(s) of Applicant(s):

**Jacob Siman-Tov Trading as Lili Diamonds
The Diamond Exch Maccabi Bldg 1 Jabotinsky Street Ramat Gan
52520 Israel**

**Itzhak Siman-Tov Trading as Lili Diamonds
The Diamond Exch Maccabi Bldg 1 Jabotinsky Street Ramat Gan
52520 Israel**

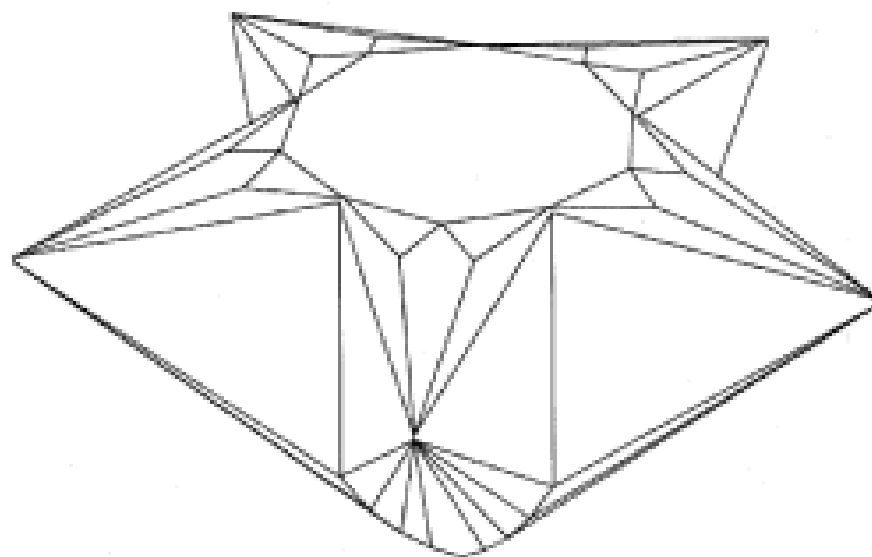
**Avraham Siman-Tov Trading as Lili Diamonds
The Diamond Exch Maccabi Bldg 1 Jabotinsky Street Ramat Gan
52520 Israel**

(72) Name(s) of Designer(s): **Jacob Siman-Tov and Itzhak Siman-Tov and
Avraham Siman-Tov**

(45) Registration Date: **12 August 2008**

(56) Related Art Documents: **Not Applicable**

(57) Statement of Newness and Distinctiveness: **Newness and distinctiveness
resides in the visual features of the shape and/or configuration of a
gemstone as illustrated in the accompanying representations.**



(21) Design Number: **11853/2008**

(22) Date of Filing Application: **18 April 2008**

(24) Date from which industrial property rights may have effect: **18 April 2008**

(54) Product in respect of which the design is registered: **A tyre**

(51) International Design Classification: **12-15A**

(71) Name(s) and Address(s) of Applicant(s):

**Societe De Technologie Michelin
23 rue Breschet F-63000 Clermont-Ferrand Cedex France**

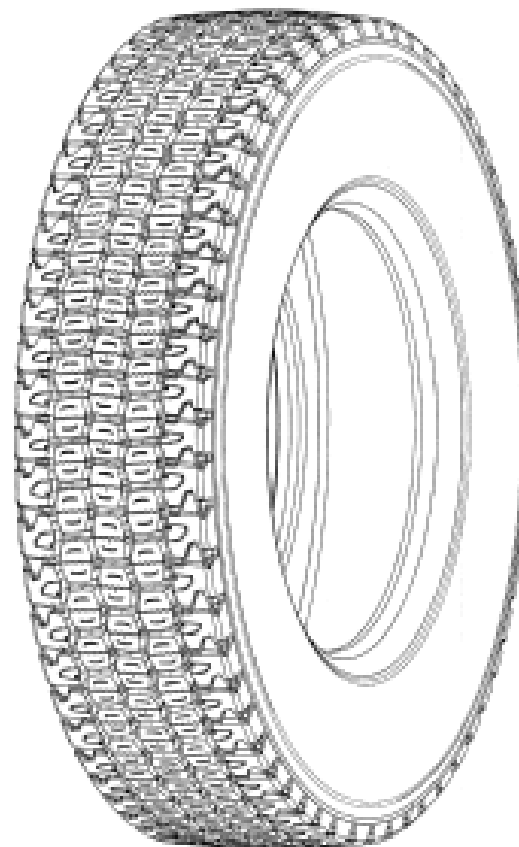
**Michelin Recherche et Technique S.A.
Route Louis Braille 10 et 12 CH-1763 Granges-Paccot Switzerland**

(72) Name(s) of Designer(s): **Julien Metzger**

(45) Registration Date: **12 August 2008**

(56) Related Art Documents: **Not Applicable**

(57) Statement of Newness and Distinctiveness: **Newness and distinctiveness
resides in the pattern and shape of the tread region of the tyre and not in
the other regions of the tyre.**



(21) Design Number: **11854/2008**

(22) Date of Filing Application: **18 April 2008**

(24) Date from which industrial property rights may have effect: **18 April 2008**

(54) Product in respect of which the design is registered: **Floodlight fixture**

(51) International Design Classification: **26-03**

(71) Name(s) and Address(s) of Applicant(s):

Ruud Lighting, Inc.
9201 Washington Avenue Racine Wisconsin 53406 United States of America

(72) Name(s) of Designer(s): **Alan J. Ruud and Brian Kinnune and Robert D. Giese and Wayne Guillien**

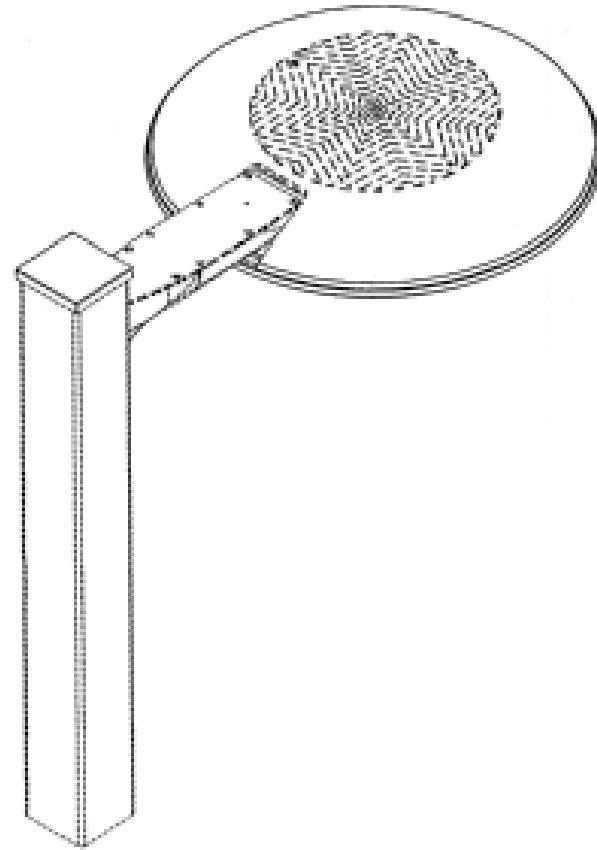
(45) Registration Date: **12 August 2008**

(30) Convention priority data:

(31) Number	(32) Date	(33) Country
29/297238	07 Nov 2007	UNITED STATES OF AMERICA

(56) Related Art Documents: **Not Applicable**

(57) Statement of Newness and Distinctiveness: **Newness and distinctiveness is claimed in the features of the shape and/or configuration of a floodlight fixture as illustrated in continuous lines in the accompanying representations in which particular regard is to be had to the elegant visual simplicity characterised by the relative thinness and minimalism of horizontal and vertical lines of the fixture.**



(21) Design Number: **11887/2008**

(22) Date of Filing Application: **18 April 2008**

(24) Date from which industrial property rights may have effect: **18 April 2008**

(54) Product in respect of which the design is registered: **Chain link**

(51) International Design Classification: **08-99**

(71) Name(s) and Address(s) of Applicant(s):

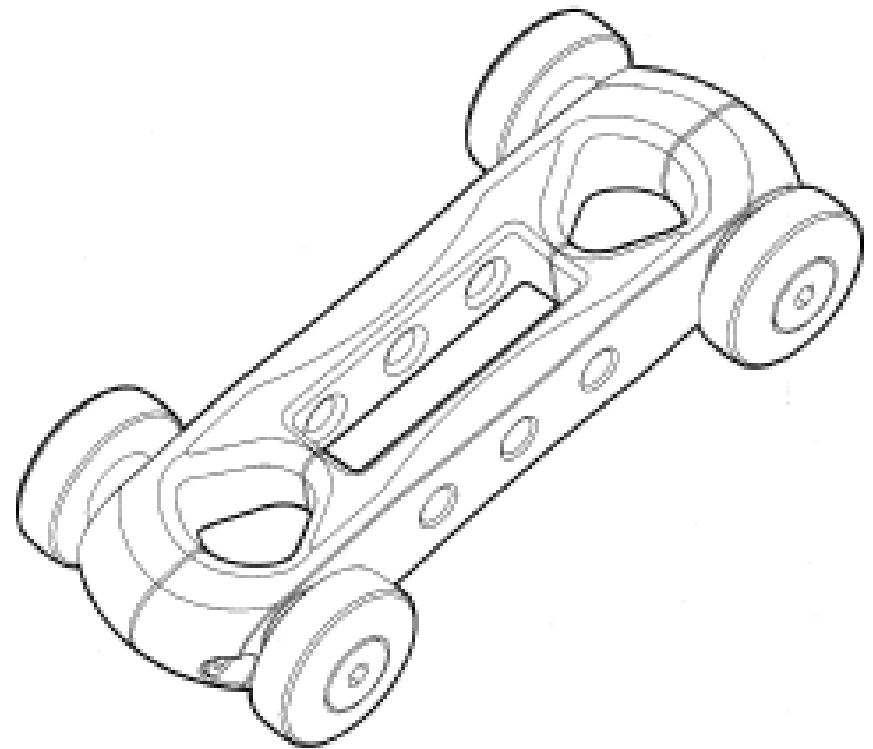
Southchain Conveying Systems N.Z. Limited
35 Haybittle Street Feilding New Zealand

(72) Name(s) of Designer(s): **Shanon Matthew Martin**

(45) Registration Date: **12 August 2008**

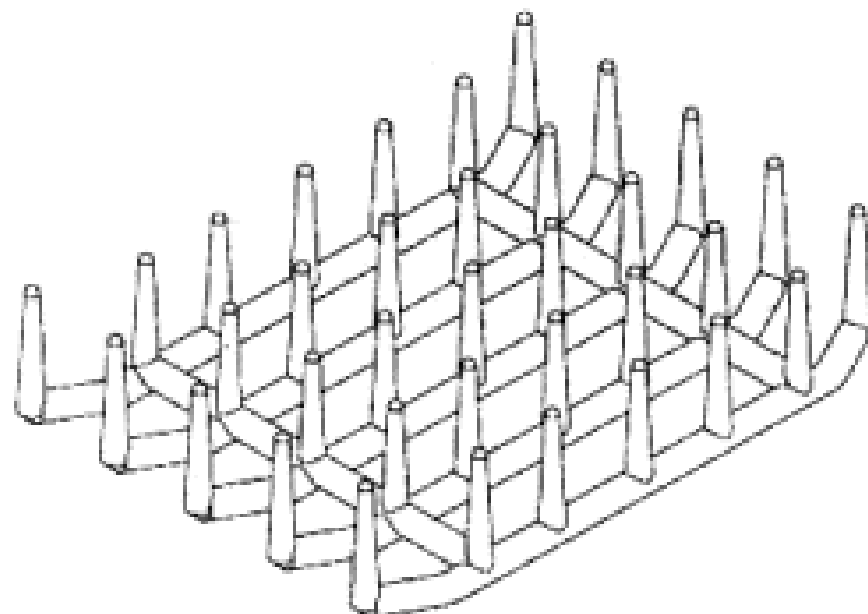
(56) Related Art Documents: **Not Applicable**

(57) Statement of Newness and Distinctiveness: **Nil**



(19) AU

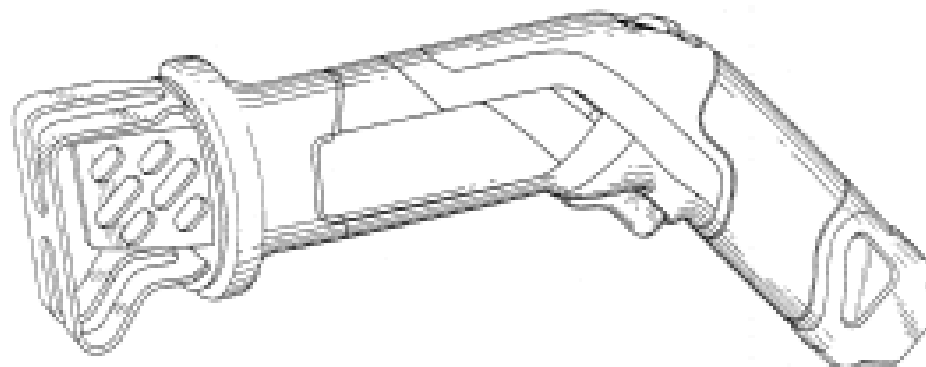
- (21) Design Number: **11914/2008**
- (22) Date of Filing Application: **23 April 2008**
- (24) Date from which industrial property rights may have effect: **23 April 2008**
- (54) Product in respect of which the design is registered: **Part of a dish rack for a dishwasher**
- (51) International Design Classification: **15-05**
- (71) Name(s) and Address(s) of Applicant(s):
Electrolux Home Products Corporation N.V.
Belgicastraat 17 1930 Zaventem Belgium
- (72) Name(s) of Designer(s): **Claudio Paschini**
- (45) Registration Date: **12 August 2008**
- (56) Related Art Documents: **Not Applicable**
- (57) Statement of Newness and Distinctiveness: **Nil**



(19) AU

- (21) Design Number: **11915/2008**
- (22) Date of Filing Application: **23 April 2008**
- (24) Date from which industrial property rights may have effect: **23 April 2008**
- (54) Product in respect of which the design is registered: **Cutsaw**
- (51) International Design Classification: **08-03**
- (71) Name(s) and Address(s) of Applicant(s):
Black & Decker Inc
1207 Drummond Plaza Newark Delaware 19711 United States of America
- (72) Name(s) of Designer(s): **Thomas W. Murray**
- (45) Registration Date: **12 August 2008**
- (30) Convention priority data:

(31) Number	(32) Date	(33) Country
29/296616	24 Oct 2007	UNITED STATES OF AMERICA
- (56) Related Art Documents: **Not Applicable**
- (57) Statement of Newness and Distinctiveness: **Nil**



- (21) Design Number: **11916/2008**
(22) Date of Filing Application: **23 April 2008**
(24) Date from which industrial property rights may have effect: **23 April 2008**
(54) Product in respect of which the design is registered: **Camera/light assembly**
(51) International Design Classification: **26-05NES, 16-05**
(71) Name(s) and Address(s) of Applicant(s):
D P Groves Pty Ltd
1/10 Brand Drive Thomastown Victoria 3074 Australia
(72) Name(s) of Designer(s): **Daniel Groves**
(45) Registration Date: **12 August 2008**
(56) Related Art Documents: **Not Applicable**
(57) Statement of Newness and Distinctiveness: **The shape and configuration, of the design is new and distinctive.**

