



Australian Government

IP Australia

AUSTRALIAN OFFICIAL JOURNAL

OF

DESIGNS

Did you know a searchable version of this journal is now available online?

It's FREE and EASY to SEARCH.

Find it at

<http://pericles.ipaustralia.gov.au/ols/epublish/content/olsEpublications.jsp>
or using the "Online Journals" link on the IP Australia home page.

This Page Left Intentionally Blank

Contents

General Information & Notices

Proceedings Under the Designs Act 1906 preserved as a result of the provisions of Chapter 12 Part 2 of the Designs Act 2003

Applications for Extension of Time	2176
Extension of Period of Registration of Designs	2176
Names Registered - Alterations and Amendments	2177
Registrations Ceased	2176
Subsequent Owners Registered	2176

Proceedings Under the Designs Act 2003

Applications Lapsed	2184
Applications Lodged	2181
Applications Withdrawn	2184
Certificate of Examination	2188
Corrigenda	2187
Extension of Time Granted Under Section 137	2185
Names Registered - Alterations and Amendments	2186
Publication and Registration Proceedings	
Designs Registered 320762 to 320833.....	2189
Registrations Ceased	2185
Subsequent Owners Registered	2185

This Page Left Intentionally Blank

For information on the following please see our website www.ipaustralia.gov.au or contact our Customer Service Network on 1300651010

[Editorial enquiries](#)

[Contact information](#)

[Freedom of Information ACT](#)

[Professional Standards Board](#)

[Sales](#)

[Requests for Information under Section 194 \(c\)](#)

[Country Codes](#)

[Trade Mark and Designs Hearing Sessions](#)

[INID \(Internationally agreed Numbers for the Identification of Data\)](#)

“INID” NUMBERS in use on Australian Design Documents

“INID” is an acronym for “Internationally agreed Numbers for the Identification of Data”.

(10) Data concerning the registration/renewal

- (11) Serial number of the registration and/or number of the design document
- (12) Plain language designation of the kind of published document
- (19) Identification, using the two-letter code according to WIPO Standard ST.3, of the authority publishing or registering the industrial design

(20) Data concerning the application

- (21) Serial number of the application
- (22) Date of filing of the application
- (24) Date from which the industrial design right has effect

(30) Data relating to priority under the Paris Convention

- (31) Serial number assigned to the priority application
- (32) Date of filing of the priority application
- (33) Two-letter code, according to WIPO Standard ST.3, identifying the authority with which the priority application was made

(40) Date(s) of making information available to the public

- (45) Date of publication of the registered industrial design by printing or similar process, or making it available to the public by any other means

(50) Miscellaneous Information

- (51) International Classification for Industrial Designs (class and subclass of the Locarno Classification)
- (54) Designation of article(s) or product(s) covered by the industrial design or title of the industrial design
- (55) Reproduction of the industrial design (e.g., drawing, photograph) and explanations relating to the reproduction
- (56) List of prior art documents, if separate from descriptive text
- (57) Description of characteristic features of the industrial design including indication of colours

(60) References to other legally related application(s) and registration(s)

- (62) Serial number(s) and, if available, filing date(s) of application(s), registration(s) or document(s) related by division
- (66) Serial number(s) of the application, or the registration, of the design(s) which is (are) a variant(s) of the present one

(70) Identification of parties concerned with the application or registration

- (71) Name(s) and address(es) of the applicant(s)
- (72) Name(s) of the creator(s) if known to be such
- (74) Name(s) and address(es) of the representative(s)

This Page Left Intentionally Blank

Official Notice**Designs Act 2003
Amendments to Registered Designs at Examination**

The following amendments have been made to details previously published in the Australian Official Journal of Designs during the Examination process:

Registration Numbers	Amendment type	New details
314611	Classification	08-05Z, 08-08Z
315170	Classification	07-05A
318896	Classification	14-03Z
319133	Classification	12-05, 12-16Z, 15-01

Contact: IP Australia
Phone: 1300 651 010
Fax: +61 2 6283 7999
E-Mail: assist@ipaustralia.gov.au
Web: www.ipaustralia.gov.au

This Page Left Intentionally Blank

Proceedings under the Designs Act 1906 preserved as a result of the provisions of Chapter 12 Part 2 of the Designs Act 2003.

This Page Left Intentionally Blank

Applications Lapsed

There were no Applications Lapsed under this section

Extension of Period of Registration of Designs

2nd Period (Section 27A(12))

148880	148902	149073
149275	149465	149466
149488	149565	149741
149742	149766	149868
149993	149999	150000
150130	150168	150251
150252	150253	150322
150345	150371	150419
150643	150764	150797
150798	150819	150856
150902	150918	150919
150920	150943	151005
151021	151056	151066
151146	151211	151212
151608	151689	151690
151691	151692	151693
151715	151744	151761
151975	152127	152129
152130	152754	152796
152797	153005	153223
153341	154123	154124
154279	155260	155588
156085		

3rd Period (Section 27A(13))

132721	132915	133063
133064	133146	133296
133297	133309	133372
133373	133425	133515
133516	133656	133701
133702	133725	133880
133950	134162	134223
134528	134548	134890
135712	136070	136363
136863	137332	137659
137985		

Registrations Ceased

Note: Some of the following Registrations may have been previously advertised as ceased. In this instance, the previous advertisement still prevails.

115290	116396	116403
116411	116433	116485
116486	116487	116493
116504	116554	116660
116721	116735	116774
116777	116874	116994
117033	117097	117306
117501	117520	117675
117911	117912	117913
117914	118367	119592

119925	120681	130137
131261	131262	131264
131266	131300	131301
131513	132022	132708
132709	133443	133444
146832	147647	147648
148090	148091	148096
148114	148116	148117
148137	148138	148179
148180	148181	148182
148184	148185	148206
148207	148208	148209
148274	148326	148329
148353	148354	148355
148356	148357	148358
148359	148442	148460
148461	148462	148497
148595	148815	149047
149048	149049	149050
149435	149553	149631
149952	151483	151877
151976	152004	152087
152088	152089	152090
152091	152092	152320
152668	152686	152799
152979	153145	153167

Applications for Extension of time

Applications for extension of time have been lodged. Objections must be lodged within 1 month from the date of this journal.

146991 **Dirk Huenerberg** Extension of time to extend a registration. Address for Service: McCullough Robertson Lawyers GPO Box 1855 BRISBANE QLD 4001

Subsequent Owners Registered

(The name in parentheses is that of the subsequent owner)

157656	(Intellectual Property Development Corporation Pty Ltd) International Grocery Manufacturer Pty Ltd
157657	(Intellectual Property Development Corporation Pty Ltd) International Grocery Manufacturer Pty Ltd
157735	(Intellectual Property Development Corporation Pty Ltd) International Grocery Manufacturer Pty Ltd
157773	(Intellectual Property Development Corporation Pty Ltd) International Grocery Manufacturer Pty Ltd
157846	(Intellectual Property Development Corporation Pty Ltd) International Grocery Manufacturer Pty Ltd
157847	(Intellectual Property Development Corporation Pty Ltd) International Grocery Manufacturer Pty Ltd
158100	(Intellectual Property Development Corporation Pty Ltd) International Grocery Manufacturer Pty Ltd
158131	(Intellectual Property Development Corporation Pty Ltd) International Grocery Manufacturer Pty Ltd
158301	(Intellectual Property Development Corporation Pty Ltd) International Grocery Manufacturer Pty Ltd

Subsequent Owners Registered

- 158311 **(Intellectual Property Development Corporation Pty Ltd)** International Grocery Manufacturer Pty Ltd
- 153381 **(Intellectual Property Development Corporation Pty Ltd)** International Consolidated Business Pty Ltd
- 153508 **(Intellectual Property Development Corporation Pty Ltd)** International Consolidated Business Pty Ltd
- 153562 **(Intellectual Property Development Corporation Pty Ltd)** International Consolidated Business Pty Ltd
- 153564 **(Intellectual Property Development Corporation Pty Ltd)** International Consolidated Business Pty Ltd
- 158193 **(Intellectual Property Development Corporation Pty Ltd)** International Consolidated Business Pty Ltd
- 158271 **(Intellectual Property Development Corporation Pty Ltd)** International Consolidated Business Pty Ltd
- 154065 **(Intellectual Property Development Corporation Pty Ltd)** International Consolidated Business Pty Ltd

Names Registered - Alterations and Amendments

(The name in parentheses is the new name of the proprietor)

- 157948 **(Showa Glove Co.)** Showa Co.
- 143077 **(Showa Glove Co.)** Showa Co.
- 136023 **(Clear Channel Outdoor Limited)** Clear Channel International Limited
- 133063 **(Clipsal Australia Pty Ltd)** Gerard Industries Pty Ltd
- 133064 **(Clipsal Australia Pty Ltd)** Gerard Industries Pty Ltd

This Page Left Intentionally Blank

Proceedings under the Designs Act 2003.

This Page Left Intentionally Blank

Applications Lodged

Lodgement information is in the following order: **Applicant's Name**; International Classification, Name of Product, Lodgement Date and **Design Number**. If the applicant claims an earlier priority date under an International Convention, the Convention Country and the associated filing date are shown in parentheses before the Lodgement Date. Divisional information will also appear in parentheses before the Lodgement Date.

Aryaie, Babak; 06-03B, Coffee table, 05 Aug 2008	13690/2008	Freudenberg Household Products LP; 04-01, Broom block, (US, 02 Nov 2007) 11 Mar 2008	13872/2008
Baddock, Wayne; Szymanski, John; Szymanski, Michelle; Baddock, Vivienne; 22-05, Safety barrel, 04 Aug 2008	13673/2008	Freudenberg Household Products LP; 04-01, Broom block, (US, 02 Nov 2007) 11 Mar 2008	13873/2008
Baddock, Vivienne; Szymanski, John; Szymanski, Michelle; Baddock, Wayne; 22-05, Safety barrel, 04 Aug 2008	13673/2008	Freudenberg Household Products LP; 04-01, Broom block, (US, 02 Nov 2007) 11 Mar 2008	13874/2008
Becker, Werner; 19-02, Box to hold papers in bottom section and pens etc in top section with lid, 08 Aug 2008	13772/2008	Galloway Design Collective Pty Ltd; 25-01D, Processed solid timber board, 08 Aug 2008	13784/2008
Brustman, Danielle; 06-06G, Seat component of chair, 05 Aug 2008	13706/2008	Glass Vice Holdings Limited; 08-08NES, A glass panel support, (NZ, 14 Sep 2007) 12 Mar 2008	13833/2008
Burnside Plastics Australia Pty Ltd; 08-08L, A panel retention bracket, 10 Jul 2008	13244/2008	Grainger, Allan; 06-04NES, Storage system components, (EM, 25 Apr 2008) 05 Aug 2008	13711/2008
Christian Casey LLC; 09-01G, Bottles, (US, 26 Mar 2008) 05 Aug 2008	13734/2008	Grainger, Allan; 06-04NES, Storage system components, (EM, 25 Apr 2008) 05 Aug 2008	13712/2008
Coles, Shannon James; 19-03, Magnetised calendar., 11 Aug 2008	13780/2008	Grainger, Allan; 06-04NES, Storage system components, (EM, 25 Apr 2008) 05 Aug 2008	13713/2008
Colgate-Palmolive Company; 04-02, Set of bristles for a toothbrush, (US, 15 Feb 2008) 06 Aug 2008	13749/2008	Grainger, Allan; 06-04NES, Storage system components, (EM, 25 Apr 2008) 05 Aug 2008	13714/2008
Continental Aktiengesellschaft; 12-15NES, Tyre, (EM, 04 Apr 2008) 07 Aug 2008	13764/2008	Grainger, Allan; 06-04NES, Storage system components, (EM, 25 Apr 2008) 05 Aug 2008	13715/2008
Cooper Brands, Inc.; 08-05P, Pliers, (US, 26 Feb 2008) 08 Aug 2008	13781/2008	Grainger, Allan; 06-04NES, Storage system components, (EM, 25 Apr 2008) 05 Aug 2008	13716/2008
Cooper Brands, Inc.; 08-05P, Pliers, (US, 26 Feb 2008) 08 Aug 2008	13782/2008	Grainger, Allan; 06-04NES, Storage system components, (EM, 25 Apr 2008) 05 Aug 2008	13717/2008
Cooper Brands, Inc.; 08-05P, Pliers, (US, 26 Feb 2008) 08 Aug 2008	13783/2008	Grainger, Allan; 06-04NES, Storage system components, (EM, 25 Apr 2008) 05 Aug 2008	13718/2008
CSP Technologies, Inc.; 24-01, 06-04NES, Vial rack, (US, 13 Jun 2008) 06 Aug 2008	13750/2008	Grant Olver Investments, Trading as Pilgrim Clothing Pty Ltd.; 02-02C, 02-02NES, August 08, 12 Aug 2008	13796/2008
D & D Group Pty Ltd; 08-08L, Mounting bracket, 06 Aug 2008	13743/2008	Green Harbour Pty Ltd; 02-02C, Trousers, 07 Aug 2008	13765/2008
D & D Group Pty Ltd; 08-06, Hinge, 06 Aug 2008	13740/2008	Hills Industries Limited; 14-03NES, Tiled roof mounted antenna support arrangement, 11 Aug 2008	13822/2008
D & D Group Pty Ltd; 08-07, Dropbolt, 04 Aug 2008	13694/2008	HoMedics Group Ltd.; 10-04, 07-06NES, Trivet scale, 07 Aug 2008	13755/2008
Dalex Pty Ltd; 12-16L, Tow ball, 07 Aug 2008	13773/2008	HoMedics Group Ltd.; 10-04, Bathroom scale, 07 Aug 2008	13756/2008
Dioptics Medical Products, Inc.; 16-06, Eyewear, (Divisional of 11372/2008) 20 Mar 2008	13751/2008		
Ewing, Iain; 23-01H, Tap, 06 Aug 2008	13725/2008		

HoMedics Group Ltd.; 10-04, Bathroom scale, 07 Aug 2008	13757/2008	Karsten Manufacturing Corporation; 21-02C, Golf club head, (US, 07 Feb 2008) 05 Aug 2008	13726/2008
HoMedics Group Ltd.; 07-04, 10-04, Chopping board scale, 07 Aug 2008	13758/2008	Karsten Manufacturing Corporation; 21-02C, Golf club head, (US, 07 Feb 2008) 05 Aug 2008	13727/2008
HoMedics Group Ltd.; 10-04, Digital kitchen scale, 07 Aug 2008	13759/2008	Kessel New Zealand Limited; 15-02, Water pumping and control unit, 06 Aug 2008	13779/2008
HoMedics Group Ltd.; 03-01NES, Knife storage case, 07 Aug 2008	13760/2008	Kohler Co.; 23-02F, Wash basin, (US, 07 Feb 2008) 06 Aug 2008	13741/2008
HoMedics Group Ltd.; 19-02, 10-04, Scale with cookbook holder, 07 Aug 2008	13754/2008	Kohler Co.; 23-02B, Handshower, (US, 07 Feb 2008) 06 Aug 2008	13742/2008
Huhtamaki Australia Pty Limited; 09-03NES, Container with lid, 05 Aug 2008	13691/2008	Lake, Bruce James; 23-01F, Liquid storage tank, 04 Aug 2008	13696/2008
Hyper Jet Pty Ltd; 12-06A, A boat hull, 08 Aug 2008	13790/2008	Larmont, James; 08-05P, Drum spanner, 08 Aug 2008	13753/2008
Illycaffè S.P.A. Con Unico Socio; 25-03, Sales kiosk, (EM, 19 Feb 2008) 06 Aug 2008	13728/2008	LG Electronics Inc.; 14-03B, Monitor, (KR, 12 Feb 2008) 04 Aug 2008	13695/2008
Illycaffè S.P.A. Con Unico Socio; 25-03, Sales kiosk, (EM, 19 Feb 2008) 06 Aug 2008	13729/2008	LG Electronics Inc.; 14-03B, Television, (KR, 12 Feb 2008) 04 Aug 2008	13693/2008
Jemella Group Limited; 28-03NES, Hair styling apparatus, (EM, 18 Feb 2008) (Divisional of 11040/2008) 03 Mar 2008	13794/2008	LM Australasia; 02-02NES, Seamless compression tank, 11 Aug 2008	13819/2008
Jemella Group Limited; 28-03NES, Hair styling apparatus, (EM, 18 Feb 2008) (Divisional of 11040/2008) 03 Mar 2008	13795/2008	LM Australasia; 02-02C, Seamless compression leggings, 11 Aug 2008	13820/2008
Jemella Group Limited; 28-03NES, Hair styling apparatus, (EM, 18 Feb 2008) (Divisional of 11040/2008) 03 Mar 2008	13793/2008	LM Australasia; 02-01NES, 02-02C, Seamless compression long short/underwear, 11 Aug 2008	13821/2008
Johann Froescheis Lyra-Bleistift-Fabrik GmbH & Co. KG; 19-06, Pen, (EM, 14 Feb 2008) 05 Aug 2008	13733/2008	LM Australasia; 02-02NES, Seamless crinkle tank, 07 Aug 2008	13797/2008
Kabushiki Kaisha Audio-Technica, Trading as Audio-Technica Corporation; 14-01, Microphone, (JP, 12 Feb 2008) 08 Aug 2008	13785/2008	LM Australasia; 02-02NES, Seamless crinkle tee, 07 Aug 2008	13798/2008
Kabushiki Kaisha Audio-Technica, Trading as Audio-Technica Corporation; 14-01, 08-08C, Microphone holder, (JP, 12 Feb 2008) 08 Aug 2008	13786/2008	LM Australasia; 02-02NES, Seamless crinkle cami, 07 Aug 2008	13799/2008
Kabushiki Kaisha Audio-Technica, trading as Audio-Technica Corporation; 14-03A, Microphone, (JP, 06 Feb 2008) 06 Aug 2008	13737/2008	LM Australasia; 02-02NES, Seamless crinkle 3/4 sleeve top, 07 Aug 2008	13800/2008
Kabushiki Kaisha Audio-Technica, trading as Audio-Technica Corporation; 14-03A, Microphone, (JP, 06 Feb 2008) 06 Aug 2008	13738/2008	LM Australasia; 02-02NES, Seamless crinkle short sleeve, 07 Aug 2008	13801/2008
Kabushiki Kaisha Audio-Technica, trading as Audio-Technica Corporation; 14-03A, Microphone, (JP, 06 Feb 2008) 06 Aug 2008	13739/2008	LM Australasia; 02-02C, Seamless dress with jacquard panel, 07 Aug 2008	13802/2008
Kabushiki Kaisha Audio-Technica, trading as Audio-Technica Corporation; 14-03A, Microphone, (JP, 06 Feb 2008) 06 Aug 2008	13736/2008	LM Australasia; 02-02NES, Lace jacquard dress, 07 Aug 2008	13803/2008
		LM Australasia; 02-02NES, Seamless jacquard lace top, 07 Aug 2008	13804/2008
			13805/2008

LM Australasia; 02-02NES, Seamless jacquard bodysuit, 07 Aug 2008	13806/2008	Paspaley Pearl Sales Pty Ltd; 11-01NES, A jewellery component, 06 Aug 2008	13747/2008
LM Australasia; 02-02C, Seamless jacquard dress, 07 Aug 2008	13807/2008	Paspaley Pearl Sales Pty Ltd; 11-01NES, A jewellery component, 06 Aug 2008	13748/2008
LM Australasia; 02-02C, Seamless knit tube, 07 Aug 2008	13808/2008	Perfetti Van Melle S.p.A.; 07-01NES, Container for food products, 08 Aug 2008	13767/2008
LM Australasia; 02-02NES, Seamless silk lace top, 07 Aug 2008	13809/2008	Perfetti Van Melle S.p.A.; 07-01NES, Container for food products, 08 Aug 2008	13766/2008
LM Australasia; 02-02NES, Seamless silk cami, 07 Aug 2008	13810/2008	Perfetti Van Melle S.p.A.; 07-01NES, Container, 08 Aug 2008	13768/2008
LM Australasia; 02-02C, Seamless stripe dress, 07 Aug 2008	13811/2008	Perusahaan Otomobil Nasional SDN. BHD.; 15-01, An engine cover, (MY, 14 Feb 2008) 06 Aug 2008	13709/2008
LM Australasia; 02-02NES, Seamless compression top, 07 Aug 2008	13812/2008	Perusahaan Otomobil Nasional SDN. BHD.; 12-08, A vehicle, (MY, 16 Jan 2008) 10 Jul 2008	13246/2008
LM Australasia; 02-02NES, Seamless compression underwear, 07 Aug 2008	13813/2008	Perusahaan Otomobil Nasional SDN. BHD.; 15-01, An engine cover, (MY, 14 Feb 2008) 31 Jul 2008	13708/2008
LM Australasia; 02-02NES, Seamless pelvic support, 07 Aug 2008	13814/2008	Redarc Electronics Pty Ltd; 13-02, A battery charger, 07 Aug 2008	13769/2008
LM Australasia; 02-02NES, Seamless jacquard cami, 07 Aug 2008	13815/2008	Redarc Electronics Pty Ltd; 13-02, A battery charger, 07 Aug 2008	13770/2008
LM Australasia; 02-02C, Seamless jacquard dress, 07 Aug 2008	13816/2008	Redarc Electronics Pty Ltd; 14-03NES, A remote control unit, 07 Aug 2008	13771/2008
LM Australasia; 02-02NES, Seamless jacquard top, 11 Aug 2008	13817/2008	Rin-soon Park; 08-05N, Abrasive segment, (KR, 05 Feb 2008) 05 Aug 2008	13710/2008
LM Australasia; 02-02C, Seamless jacquard dress, 11 Aug 2008	13818/2008	Sensear Pty Ltd; 02-03, Ear muff, 06 Aug 2008	13719/2008
Mary Kay Inc.; 09-01G, 28-03NES, Container, (US, 15 Nov 2007) 29 Apr 2008	13792/2008	Shamoon, Ellis N.; 30-03, Collapsible pet feeder, (US, 13 Feb 2008) 07 Aug 2008	13763/2008
Mihalic, Marijan Stephen; 16-99, High intensity light flash box used to expose suitable silk screen mesh or film., 07 Aug 2008	13761/2008	Sleepeeze Bedding (Aust.) Pty Ltd; 06-09, Collapsible foundation core for a mattress, 05 Aug 2008	13730/2008
MTU Friedrichshafen GmbH; 15-01, 12-06NES, 12-07, Throttle, (DE, 27 Sep 2007) 11 Mar 2008	13868/2008	Sleepeeze Bedding (Aust.) Pty Ltd; 06-09, Mattress core, 05 Aug 2008	13731/2008
Osrsm GmbH; 26-04, Lamp, (DE, 13 Feb 2008) 07 Aug 2008	13762/2008	Softwear Pty Ltd; 14-01, Loudspeaker assembly, 08 Aug 2008	13791/2008
Paragon Products B.V.; 30-99, A dog chew, (NL, 06 Jun 2008) 08 Aug 2008	13787/2008	Spaans, Mark; 07-05E, Shower cleaning product, 06 Aug 2008	13724/2008
Paragon Products B.V.; 30-99, A dog chew, (NL, 06 Jun 2008) 08 Aug 2008	13788/2008	Szymanski, John; Szymanski, Michelle; Baddock, Wayne; Baddock, Vivienne; 22-05, Safety barrel, 04 Aug 2008	13673/2008
Paragon Products B.V.; 01-06, A dog chew, (NL, 12 Feb 2008) 08 Aug 2008	13789/2008	Szymanski, Michelle; Szymanski, John; Baddock, Wayne; Baddock, Vivienne; 22-05, Safety barrel, 04 Aug 2008	13673/2008
		Tait Electronics Limited; 13-02, A battery, (NZ, 10 Oct 2007) 09 Apr 2008	13745/2008
		The Daylight Company (Holdings) Limited; 26-05B, Lamp, (EM, 08 Feb 2008) 07 Aug 2008	13774/2008

The Daylight Company (Holdings) Limited; 26-05B, Lamp stand, (EM, 08 Feb 2008) 07 Aug 2008	13775/2008	United States Gypsum Company; 08-05K, Tray for paper beading apparatus, (US, 25 Feb 2008) 05 Aug 2008	13744/2008
The Daylight Company (Holdings) Limited; 26-05B, Lamp, (EM, 08 Feb 2008) 07 Aug 2008	13776/2008	Visor Distributors Limited; 12-16B, A set of vehicle body parts, (NZ, 02 May 2008) 01 Aug 2008	13692/2008
The Daylight Company (Holdings) Limited; 26-05B, Lamp stand, (EM, 08 Feb 2008) 07 Aug 2008	13777/2008	Watkins Manufacturing Corporation; 23-02B, 25-03, A spa shell, (US, 08 Feb 2008) 05 Aug 2008	13732/2008
The Daylight Company (Holdings) Limited; 26-05B, Lamp, (EM, 08 Feb 2008) 07 Aug 2008	13778/2008	Watts Hardware mfg Pty Ltd; 08-07, , 30 Jul 2008	13707/2008
Thorn Europhane; 26-03, Lamp post, (EM, 28 Mar 2008) 05 Aug 2008	13722/2008	Wenzhou Hall electrical Appliance Manufacture Co., Ltd; 13-03D, Slim series of wall switch, 11 Aug 2008	13823/2008
Thorn Lighting Limited; 26-05A, Light fixture, (EM, 19 Mar 2008) 05 Aug 2008	13723/2008	Wenzhou Hall electrical Appliance Manufacture Co., Ltd; 13-03D, Slim series of wall socket outlet, 11 Aug 2008	13824/2008
Thorn Lighting Limited; 26-05A, Light fixture, (EM, 19 Mar 2008) 05 Aug 2008	13720/2008	Wenzhou Hall electrical Appliance Manufacture Co., Ltd; 13-03D, Switch four gang socket outlet, 11 Aug 2008	13825/2008
Thorn Lighting Limited; 26-05A, Light fixture, (EM, 19 Mar 2008) 05 Aug 2008	13721/2008	Wenzhou Hall electrical Appliance Manufacture Co., Ltd; 13-03D, The cover of one gang switch, 11 Aug 2008	13826/2008
Toyota Jidosha Kabushiki Kaisha; 12-08, 12-16B, Vehicle front assembly, 06 Aug 2008	13746/2008	Wenzhou Hall electrical Appliance Manufacture Co., Ltd; 13-03D, Double powerpoin, 11 Aug 2008	13827/2008
Unilever PLC; 09-03NES, Container with cover, (GB, 03 Mar 2008) 06 Aug 2008	13735/2008		
United States Gypsum Company; 08-05K, Outside corner gate for paper beading apparatus, (US, 25 Feb 2008) 07 Aug 2008	13752/2008		

Applications Withdrawn

13374 / 2008 (05-06B)	13375 / 2008 (05-06B)
13376 / 2008 (05-06B)	13377 / 2008 (05-06B)
13378 / 2008 (05-06B)	13379 / 2008 (05-06B)
13380 / 2008 (05-06B)	13381 / 2008 (05-06B)

Applications Lapsed

20922 / 2007 (23-02B)	21031 / 2007 (23-02F)	12260 / 2008 (25-04)	12261 / 2008 (25-04)
10607 / 2008 (12-99)	10616 / 2008 (02-02C)	12262 / 2008 (25-04)	12263 / 2008 (25-04)
10617 / 2008 (02-02NES)	10618 / 2008 (02-02C)	12280 / 2008 (25-04)	12281 / 2008 (25-04)
10619 / 2008 (02-02C)	10620 / 2008 (02-02C)	12282 / 2008 (25-01K)	12283 / 2008 (25-04)
10717 / 2008 (24-01)	10962 / 2008 (15-02)	12284 / 2008 (25-04)	12759 / 2008 (06-01L)
10963 / 2008 (15-02)	11028 / 2008 (10-04)	12804 / 2008 (19-99)	12897 / 2008 (07-07NES)
11029 / 2008 (10-04)	11030 / 2008 (10-04)	12898 / 2008 (07-07NES)	12899 / 2008 (07-07NES)
11114 / 2008 (12-16NES)	11138 / 2008 (09-05)	12900 / 2008 (07-07NES)	12901 / 2008 (07-07NES)
11164 / 2008 (06-01L)	11178 / 2008 (99-00)		
11186 / 2008 (19-02)	11187 / 2008 (19-02)		
11368 / 2008 (02-99)	11722 / 2008 (06-01E)		
11723 / 2008 (06-01E)	11724 / 2008 (06-01E)		
11789 / 2008 (07-99NES)	11840 / 2008 (07-99NES)		

Registrations Ceased

313084	313085	313086
313087	313088	314051
314052	314053	

Extensions of time granted under Section 137

Applications lodged under section 137 for extension of time have been granted.

311605 **International Research & Marketing Corp Pty Ltd**

20439/2007 **Grant Olver Investments Pty Ltd trading as Pilgrim Clothing**

11028/2008 **William J. West**

11029/2008 **William J. West**

11030/2008 **William J. West**

11044/2008 **Apple Inc.**

11045/2008 **Apple Inc.**

11046/2008 **Apple Inc.**

11047/2008 **Apple Inc.**

11048/2008 **Apple Inc.**

11049/2008 **Apple Inc.**

11050/2008 **Apple Inc.**

11051/2008 **Apple Inc.**

12312/2008 **Grant Olver Investments Pty Ltd trading as Pilgrim Clothing**

Subsequent Owners Registered

(The name in parentheses is that of the subsequent owner)

303501	(Intellectual Property Development Corporation Pty Ltd) International Consolidated Business Pty Ltd
303502	(Intellectual Property Development Corporation Pty Ltd) International Consolidated Business Pty Ltd
303925	(Intellectual Property Development Corporation Pty Ltd) International Consolidated Business Pty Ltd
303926	(Intellectual Property Development Corporation Pty Ltd) International Consolidated Business Pty Ltd
306844	(Intellectual Property Development Corporation Pty Ltd) International Consolidated Business Pty Ltd
306845	(Intellectual Property Development Corporation Pty Ltd) International Consolidated Business Pty Ltd
306846	(Intellectual Property Development Corporation Pty Ltd) International Consolidated Business Pty Ltd
306847	(Intellectual Property Development Corporation Pty Ltd) International Consolidated Business Pty Ltd
306848	(Intellectual Property Development Corporation Pty Ltd) International Consolidated Business Pty Ltd
306849	(Intellectual Property Development Corporation Pty Ltd) International Consolidated Business Pty Ltd
306850	(Intellectual Property Development Corporation Pty Ltd) International Consolidated Business Pty Ltd

306854	(Intellectual Property Development Corporation Pty Ltd) International Consolidated Business Pty Ltd
306999	(Intellectual Property Development Corporation Pty Ltd) International Consolidated Business Pty Ltd
307004	(Intellectual Property Development Corporation Pty Ltd) International Consolidated Business Pty Ltd
307187	(Intellectual Property Development Corporation Pty Ltd) International Consolidated Business Pty Ltd
313062	(Intellectual Property Development Corporation Pty Ltd) International Consolidated Business Pty Ltd
317229	(Intellectual Property Development Corporation Pty Ltd) International Consolidated Business Pty Ltd
300247	(Intellectual Property Development Corporation Pty Ltd) International Consolidated Business Pty Ltd
300248	(Intellectual Property Development Corporation Pty Ltd) International Consolidated Business Pty Ltd
301146	(Intellectual Property Development Corporation Pty Ltd) International Consolidated Business Pty Ltd
301121	(Intellectual Property Development Corporation Pty Ltd) International Grocery Manufacturer Pty Ltd
316293	(Intellectual Property Development Corporation Pty Ltd) International Grocery Manufacturer Pty Ltd

Names Registered - Alterations and Amendments

(The name in parentheses is that of the subsequent applicant)

319509	(manroland AG) Man Roland Druckmaschinen AG
319508	(manroland AG) Man Roland Druckmaschinen AG
310268	(Zobebe Holding S.P.A) Zobebe Holding S.p.A.
309945	(Zobebe Holding S.P.A) Zobebe Holding S.p.A.

Corrigenda

Number 320586

In Vol 22 , No 17 , page 2085 under the heading **Australian Registered Design**; (54) Product in respect of which the design is registered should read: Cable clip.

Number 320586

In Vol 22 , No 17 , page 2085 under the heading **Australian Registered Design**; (57) Statement of Newness and Distinctiveness should read: Newness and distinctiveness reside in the shape and/or configuration of a cable clip illustrated by solid lines in the accompanying representations. The features shown in broken outline are for illustrative purposes only and do not form part of the design.

Number 19968/2007

In Vol 22 , No 8 , page 849 under the heading **Applications Lapsed**; Design application No. 19968/2007 should be deleted..

Certificate(s) of Examination

Examination of the following Design Registration(s) has been completed. Infringement proceedings may now be commenced.

303120	14-02	19/08/2008
307791	16-03	19/08/2008
307792	16-03	19/08/2008
310684	07-01G	18/08/2008
311022	02-02A	15/08/2008
314655	07-02L	15/08/2008
316783	08-07	25/08/2008
316939	12-10	26/08/2008
316940	12-10	26/08/2008
317338	09-01G	26/08/2008
317589	24-04	26/08/2008
317924	07-01F	18/08/2008
318088	12-15C	18/08/2008
318739	07-05A	26/08/2008
318826	12-07	22/08/2008
319079	09-01K	26/08/2008
319367	02-04NES	14/08/2008
319376	02-04NES	14/08/2008
319427	22-01	26/08/2008
319537	08-07	18/08/2008
319727	14-01	26/08/2008
319768	14-01	26/08/2008
319769	14-01	26/08/2008
319770	14-01	26/08/2008
319771	14-01	26/08/2008
319772	14-01	26/08/2008
319773	14-01	26/08/2008
319774	14-01	26/08/2008
319775	14-01	26/08/2008
319776	14-01	26/08/2008
319777	14-01	26/08/2008
319778	14-01	26/08/2008
319851	09-01B	25/08/2008
319852	09-01B	25/08/2008
319853	09-01B	25/08/2008
319854	09-01B	25/08/2008
319855	26-06	22/08/2008
319940	23-02B	14/08/2008
319957	23-04	26/08/2008
319958	23-04	26/08/2008
319962	08-08NES	22/08/2008
319963	08-08NES	22/08/2008
319964	08-08B	22/08/2008
319965	08-08B	22/08/2008
319966	08-08B	22/08/2008
319978	08-08B	22/08/2008
319992	28-03NES	26/08/2008
320018	11-02NES	26/08/2008
320038	07-99B	18/08/2008

Publication and Registration Proceedings

Designs Registered

This section provides a concordance between design number and registration number of Designs covered in this journal. It also shows the main class and registration date.

This section covers Registration numbers 320762 to 320833 .

The registration number shown below should be used in all future correspondence.

Design Number	Registration Number	International Classification Code (IDC)	Registration Date	Design Number	Registration Number	International Classification Code (IDC)	Registration Date
20991/2007	320813	24-01	21/08/2008	12000/2008	320771	26-05C	19/08/2008
20992/2007	320814	24-01	21/08/2008	12001/2008	320762	12-15B	19/08/2008
21349/2007	320815	06-03D	21/08/2008	12002/2008	320772	12-15B	19/08/2008
21351/2007	320816	06-03D	21/08/2008	12003/2008	320826	27-01	28/08/2008
10280/2008	320778	10-02	21/08/2008	12004/2008	320827	27-01	28/08/2008
10281/2008	320779	10-07	21/08/2008	12005/2008	320828	27-01	28/08/2008
10376/2008	320780	02-01B	21/08/2008	12006/2008	320829	27-01	28/08/2008
10377/2008	320781	02-01B	21/08/2008	12007/2008	320830	27-01	28/08/2008
10674/2008	320795	14-03NES	20/08/2008	12008/2008	320831	27-01	28/08/2008
10675/2008	320796	14-03NES	20/08/2008	12009/2008	320832	27-01	28/08/2008
10679/2008	320797	14-99	20/08/2008	12012/2008	320773	26-02	19/08/2008
10680/2008	320798	14-99	20/08/2008	12013/2008	320774	26-02	19/08/2008
10681/2008	320799	14-03NES	20/08/2008	12014/2008	320776	08-08L	19/08/2008
10683/2008	320800	14-99	20/08/2008	12015/2008	320775	13-03D	19/08/2008
11110/2008	320820	06-02	28/08/2008	12020/2008	320777	25-02NES	19/08/2008
11111/2008	320821	06-02	28/08/2008	12033/2008	320833	08-08NES	28/08/2008
11112/2008	320822	06-02	28/08/2008	12721/2008	320782	24-02	21/08/2008
11113/2008	320823	06-02	28/08/2008	12722/2008	320783	24-02	21/08/2008
11453/2008	320824	06-02	28/08/2008	12723/2008	320784	24-02	21/08/2008
11478/2008	320825	23-02C	28/08/2008	12724/2008	320785	24-02	21/08/2008
11693/2008	320764	06-01F	19/08/2008	12770/2008	320786	09-01K	21/08/2008
11969/2008	320765	09-03A	19/08/2008	12771/2008	320787	09-01K	21/08/2008
11970/2008	320766	09-03A	19/08/2008	12888/2008	320788	23-02E	21/08/2008
11973/2008	320767	21-02C	19/08/2008	12889/2008	320789	23-02E	21/08/2008
11974/2008	320801	24-01	20/08/2008	12890/2008	320790	23-02E	21/08/2008
11975/2008	320802	08-01	20/08/2008	12891/2008	320791	23-02E	21/08/2008
11976/2008	320803	21-02C	20/08/2008	12892/2008	320792	23-02E	21/08/2008
11977/2008	320804	13-03NES	20/08/2008	13396/2008	320811	21-01L	21/08/2008
11978/2008	320805	13-03NES	20/08/2008	13430/2008	320793	09-05	21/08/2008
11980/2008	320806	12-15B	20/08/2008	13431/2008	320794	09-05	21/08/2008
11981/2008	320807	09-01A	20/08/2008	13441/2008	320812	06-01L	21/08/2008
11982/2008	320808	02-07A	20/08/2008	13513/2008	320817	08-05P	28/08/2008
11991/2008	320809	23-02E	20/08/2008	13514/2008	320818	24-02	28/08/2008
11992/2008	320810	23-02E	20/08/2008	13515/2008	320819	24-02	28/08/2008
11995/2008	320768	07-04	19/08/2008				
11997/2008	320763	07-02E	19/08/2008				
11998/2008	320769	26-05C	19/08/2008				
11999/2008	320770	26-05C	19/08/2008				

Publication and Registration Proceedings
Class Listing of Designs Published or Registered

The following section shows an International Classification Code listing of the Registered or Published Designs covered in this supplement.

Classification	Registration Number	Design Number	Classification	Registration Number	Design Number
02-01 B	320780	10376/2008	21-01 L	320811	13396/2008
02-01 B	320781	10377/2008	21-02 C	320767	11973/2008
02-07 A	320808	11982/2008	21-02 C	320803	11976/2008
06-01 E	320812	13441/2008	23-02 C	320825	11478/2008
06-01 F	320764	11693/2008	23-02 E	320788	12888/2008
06-01 L	320812	13441/2008	23-02 E	320789	12889/2008
06-02	320820	11110/2008	23-02 E	320790	12890/2008
06-02	320821	11111/2008	23-02 E	320791	12891/2008
06-02	320822	11112/2008	23-02 E	320792	12892/2008
06-02	320823	11113/2008	23-02 E	320809	11991/2008
06-02	320824	11453/2008	23-02 E	320810	11992/2008
06-03 D	320815	21349/2007	23-02 NES	320809	11991/2008
06-03 D	320816	21351/2007	23-02 NES	320810	11992/2008
07-02 E	320763	11997/2008	24-01	320801	11974/2008
07-04	320768	11995/2008	24-01	320813	20991/2007
07-06 NES	320768	11995/2008	24-01	320814	20992/2007
08-01	320802	11975/2008	24-02	320782	12721/2008
08-03	320802	11975/2008	24-02	320783	12722/2008
08-05 P	320817	13513/2008	24-02	320784	12723/2008
08-08 L	320776	12014/2008	24-02	320785	12724/2008
08-08 NES	320776	12014/2008	24-02	320817	13513/2008
08-08 NES	320799	10681/2008	24-02	320818	13514/2008
08-08 NES	320833	12033/2008	24-02	320819	13515/2008
09-01 A	320807	11981/2008	24-04	320807	11981/2008
09-01 K	320786	12770/2008	24-99	320793	13430/2008
09-01 K	320787	12771/2008	24-99	320794	13431/2008
09-03 A	320765	11969/2008	25-02 NES	320777	12020/2008
09-03 A	320766	11970/2008	26-02	320773	12012/2008
09-05	320793	13430/2008	26-02	320774	12013/2008
09-05	320794	13431/2008	26-05 C	320769	11998/2008
10-02	320778	10280/2008	26-05 C	320770	11999/2008
10-07	320779	10281/2008	26-05 C	320771	12000/2008
12-15 B	320762	12001/2008	27-01	320826	12003/2008
12-15 B	320772	12002/2008	27-01	320827	12004/2008
12-15 B	320806	11980/2008	27-01	320828	12005/2008
13-03 D	320775	12015/2008	27-01	320829	12006/2008
13-03 NES	320804	11977/2008	27-01	320830	12007/2008
13-03 NES	320805	11978/2008	27-01	320831	12008/2008
14-03 NES	320795	10674/2008	27-01	320832	12009/2008
14-03 NES	320796	10675/2008	28-03 NES	320793	13430/2008
14-03 NES	320799	10681/2008	28-03 NES	320794	13431/2008
14-99	320797	10679/2008			
14-99	320798	10680/2008			
14-99	320800	10683/2008			

(21) Design Number: **12001/2008**

(22) Date of Filing Application: **30 April 2008**

(24) Date from which industrial property rights may have effect: **30 April 2008**

(54) Product in respect of which the design is registered: **Automobile tyre**

(51) International Design Classification: **12-15B**

(71) Name(s) and Address(s) of Applicant(s):

Hankook Tire Co., Ltd.

647-15 Yeoksam-dong Gangnam-gu Seoul 135-723 Republic of Korea

(72) Name(s) of Designer(s): **Ho Kyong Oh**

(45) Registration Date: **19 August 2008**

(30) Convention priority data:

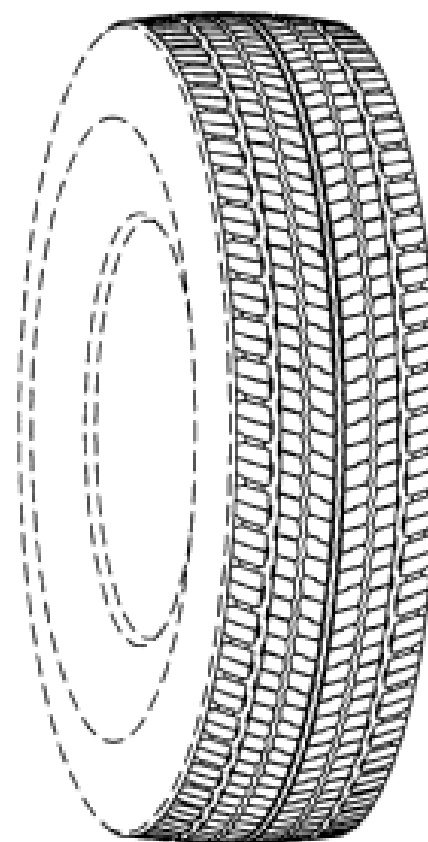
(31) Number
2007-0045221

(32) Date
30 Oct 2007

(33) Country
REPUBLIC OF KOREA

(56) Related Art Documents: **Not Applicable**

(57) Statement of Newness and Distinctiveness: **Newness and distinctiveness is claimed in the features of shape and/or configuration of the tread of an automobile tyre as illustrated in the accompanying representations, wherein the shape and/or configuration of the tread is repeated throughout the circumference of the tyre.**



(21) Design Number: **11997/2008**

(22) Date of Filing Application: **30 April 2008**

(24) Date from which industrial property rights may have effect: **30 April 2008**

(54) Product in respect of which the design is registered: **Cooking apparatus**

(51) International Design Classification: **07-02E**

(71) Name(s) and Address(s) of Applicant(s):

Garth Living Pty Ltd

C/- 45 Yale Drive Epping Victoria 3076 Australia

(72) Name(s) of Designer(s): **Gavin Hill**

(45) Registration Date: **19 August 2008**

(56) Related Art Documents: **Not Applicable**

(57) Statement of Newness and Distinctiveness: **Newness and distinctiveness is claimed in the features of the design considered separately or in combination with any other feature including the positioning of the wok burner within the body of the cooker.**



(19) AU

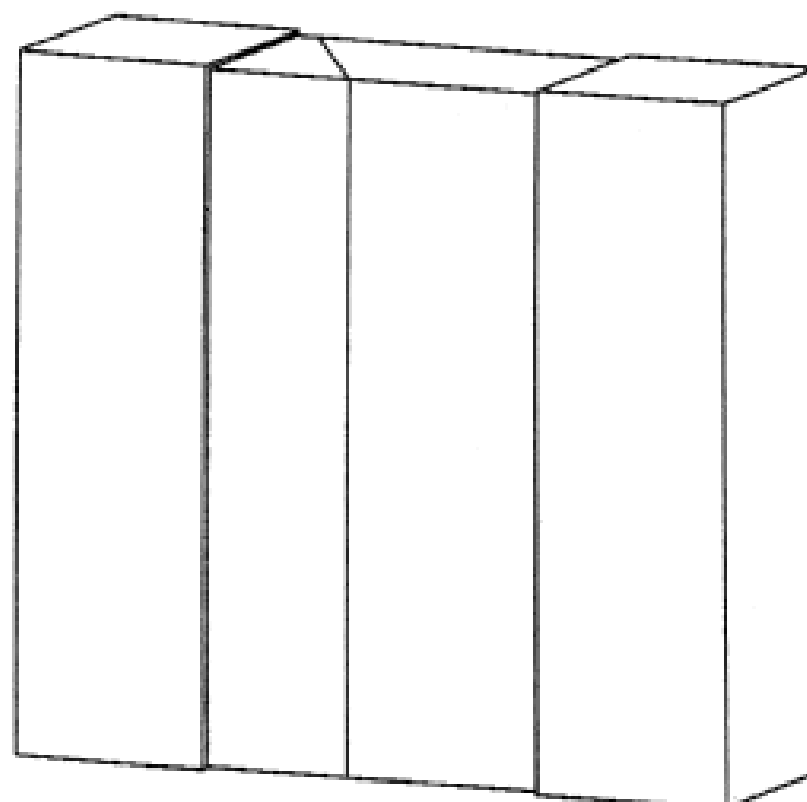
- (21) Design Number: **11693/2008**
- (22) Date of Filing Application: **11 April 2008**
- (24) Date from which industrial property rights may have effect: **11 April 2008**
- (54) Product in respect of which the design is registered: **Mantis chair - lightweight timber chair**
- (51) International Design Classification: **06-01F**
- (71) Name(s) and Address(s) of Applicant(s):
Alexander Fossilo
3 Picotee Mews Coogee Western Australia 6166 Australia
- (72) Name(s) of Designer(s): **Alexander Fossilo**
- (45) Registration Date: **19 August 2008**
- (56) Related Art Documents: **Not Applicable**
- (57) Statement of Newness and Distinctiveness: **Unique side profile (seen clearly in sects 2/7 & 5/7) that allows the chair to be balanced on a table so it can be swept under. Bent timber seat and back slats. Design of back slats allows them to bend as a person sits in the chair without any mechanical fixings - see sheet 6/7.**



(19) AU

- (21) Design Number: **11969/2008**
- (22) Date of Filing Application: **29 April 2008**
- (24) Date from which industrial property rights may have effect: **29 April 2008**
- (54) Product in respect of which the design is registered: **Cigarette packet**
- (51) International Design Classification: **09-03A**
- (71) Name(s) and Address(s) of Applicant(s):
British American Tobacco (Investments) Limited
Globe House 1 Water Street London WC2R 3LA United Kingdom
- (72) Name(s) of Designer(s): **Paul Gibson**
- (45) Registration Date: **19 August 2008**
- (30) Convention priority data:

(31) Number	(32) Date	(33) Country
000822382	01 Nov 2007	UNION OF COUNTRIES UNDER THE EUROPEAN COMMUNITY PATENT CONV.
- (56) Related Art Documents: **Not Applicable**
- (57) Statement of Newness and Distinctiveness: **Newness and distinctiveness resides in the features of shape and configuration of a cigarette packet as illustrated in the accompanying representations.**



(19) AU

(21) Design Number: 11970/2008

(22) Date of Filing Application: 29 April 2008

(24) Date from which industrial property rights may have effect: 29 April 2008

(54) Product in respect of which the design is registered: Cigarette packet

(51) International Design Classification: 09-03A

(71) Name(s) and Address(s) of Applicant(s):

**British American Tobacco (Investments) Limited
Globe House 1 Water Street London WC2R 3LA United Kingdom**

(72) Name(s) of Designer(s): Paul Gibson

(45) Registration Date: 19 August 2008

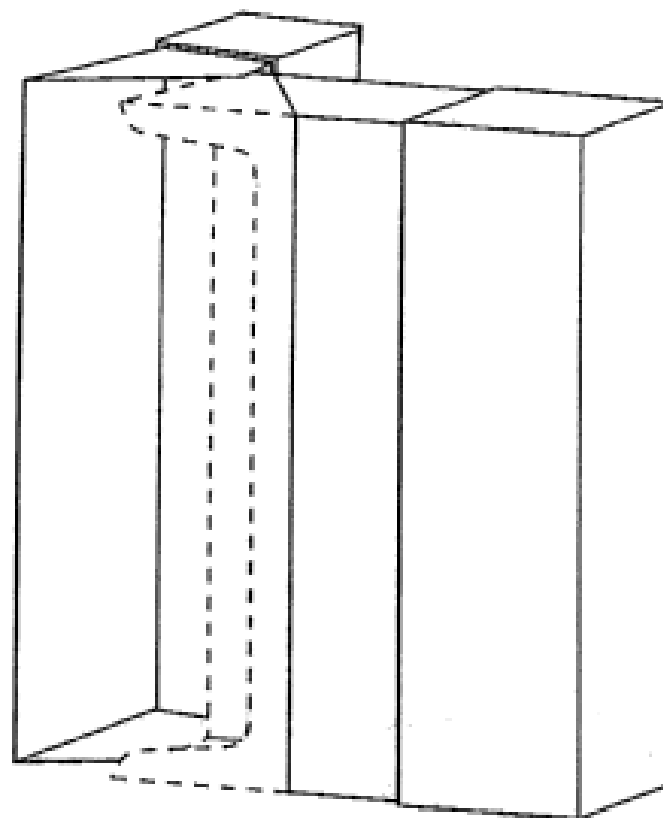
(30) Convention priority data:

(31) Number (32) Date
000822382 01 Nov 2007

(33) Country
UNION OF COUNTRIES
UNDER THE EUROPEAN
COMMUNITY PATENT CONV.

(56) Related Art Documents: Not Applicable

(57) Statement of Newness and Distinctiveness: **Newness and distinctiveness resides in the features of shape and configuration of a cigarette packet as illustrated in the accompanying representations.**



(19) AU

(21) Design Number: 11973/2008

(22) Date of Filing Application: 29 April 2008

(24) Date from which industrial property rights may have effect: 29 April 2008

(54) Product in respect of which the design is registered: Golf club head

(51) International Design Classification: 21-02C

(71) Name(s) and Address(s) of Applicant(s):

**Callaway Golf Company
2180 Rutherford Road Carlsbad California 92008-7328 United States of America**

(72) Name(s) of Designer(s): Philip G. Foster and Larry G. Tang and Chris J. Wieland and Luke R. Williams and Kenneth E. Meacham

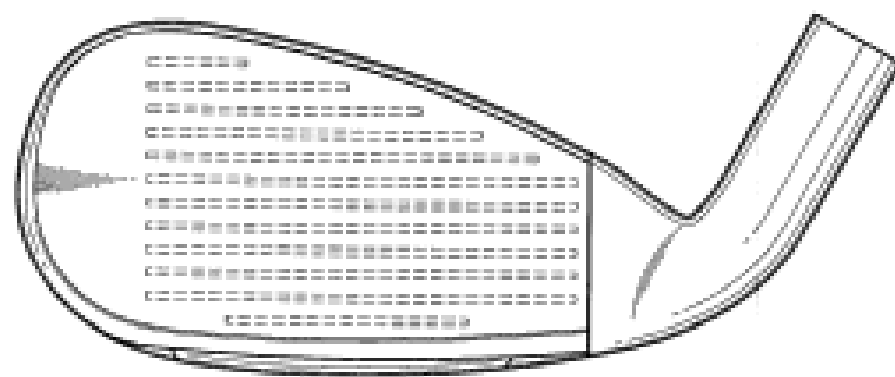
(45) Registration Date: 19 August 2008

(30) Convention priority data:

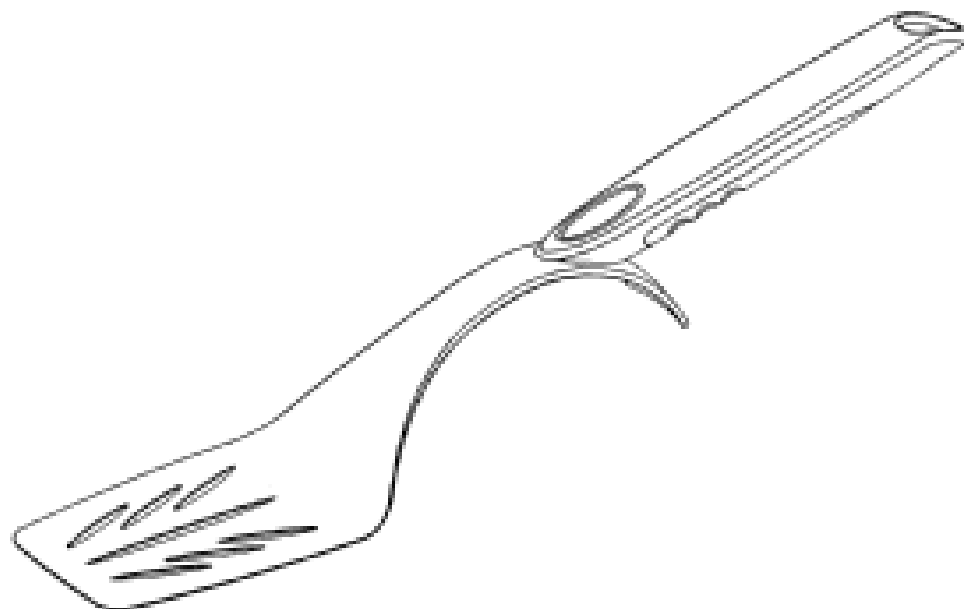
(31) Number (32) Date (33) Country
29/296813 29 Oct 2007 UNITED STATES OF AMERICA

(56) Related Art Documents: Not Applicable

(57) Statement of Newness and Distinctiveness: **Newness and distinctiveness is claimed in those features of shape and/or configuration of a golf club head illustrated in continuous lines in the accompanying representations.**



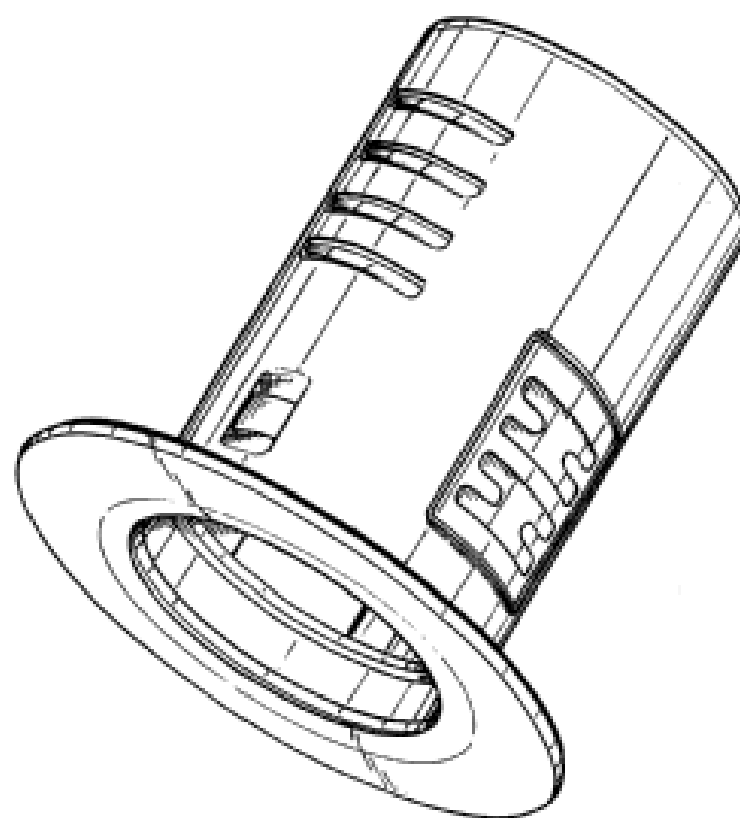
- (21) Design Number: **11995/2008**
(22) Date of Filing Application: **30 April 2008**
(24) Date from which industrial property rights may have effect: **30 April 2008**
(54) Product in respect of which the design is registered: **Spatula**
(51) International Design Classification: **07-04, 07-06NES**
(71) Name(s) and Address(s) of Applicant(s):
Dalsonware Pty Ltd
2/53 Rushdale Street Knoxfield Victoria 3180 Australia
(72) Name(s) of Designer(s): **Rod Wiebenga and Magnus Alstom**
(45) Registration Date: **19 August 2008**
(56) Related Art Documents: **Not Applicable**
(57) Statement of Newness and Distinctiveness: **Nil**



- (21) Design Number: **11998/2008**
(22) Date of Filing Application: **30 April 2008**
(24) Date from which industrial property rights may have effect: **30 April 2008**
(54) Product in respect of which the design is registered: **A light fitting**
(51) International Design Classification: **26-05C**
(71) Name(s) and Address(s) of Applicant(s):
RD Europe Limited
Unit 8/2A Rathmore Road Charlton London SE7 7QW United Kingdom
(72) Name(s) of Designer(s): **Di Hua**
(45) Registration Date: **19 August 2008**
(30) Convention priority data:

(31) Number	(32) Date	(33) Country
000822424	02 Nov 2007	EUROPEAN COMMUNITY

(56) Related Art Documents: **Not Applicable**
(57) Statement of Newness and Distinctiveness: **Nil**



(21) Design Number: **11999/2008**

(22) Date of Filing Application: **30 April 2008**

(24) Date from which industrial property rights may have effect: **30 April 2008**

(54) Product in respect of which the design is registered: **A light fitting**

(51) International Design Classification: **26-05C**

(71) Name(s) and Address(s) of Applicant(s):

RD Europe Limited
Unit 8/2A Rathmore Road Charlton London SE7 7QW United Kingdom

(72) Name(s) of Designer(s): **Di Hua**

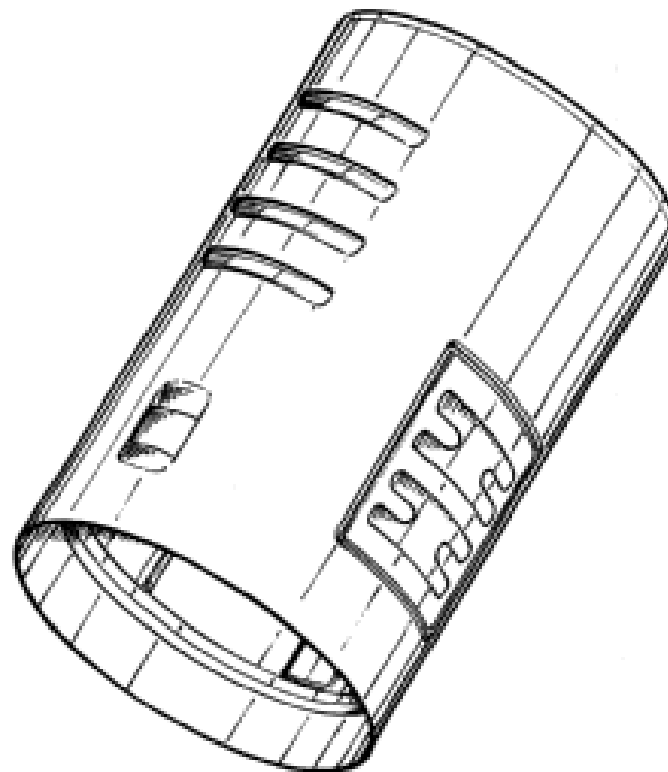
(45) Registration Date: **19 August 2008**

(30) Convention priority data:

(31) Number	(32) Date	(33) Country
000822424	02 Nov 2007	EUROPEAN COMMUNITY

(56) Related Art Documents: **Not Applicable**

(57) Statement of Newness and Distinctiveness: **Nil**



(21) Design Number: **12000/2008**

(22) Date of Filing Application: **30 April 2008**

(24) Date from which industrial property rights may have effect: **30 April 2008**

(54) Product in respect of which the design is registered: **A light fitting**

(51) International Design Classification: **26-05C**

(71) Name(s) and Address(s) of Applicant(s):

RD Europe Limited
Unit 8/2A Rathmore Road Charlton London SE7 7QW United Kingdom

(72) Name(s) of Designer(s): **Di Hua**

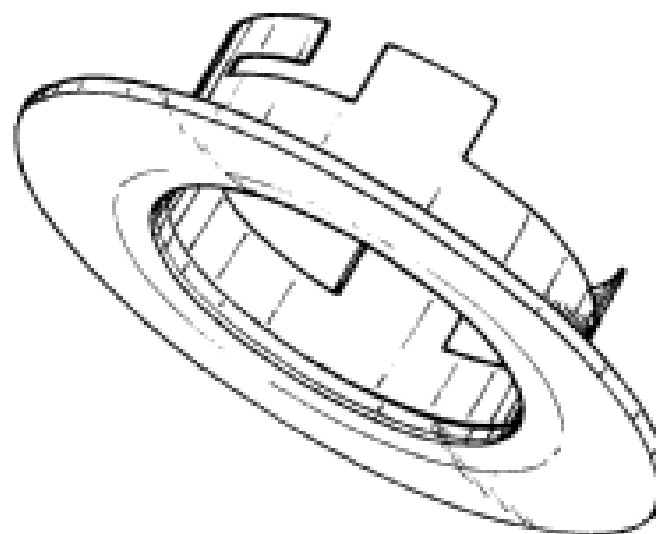
(45) Registration Date: **19 August 2008**

(30) Convention priority data:

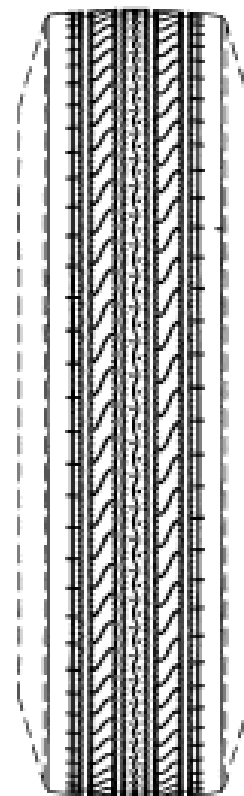
(31) Number	(32) Date	(33) Country
000822424	02 Nov 2007	EUROPEAN COMMUNITY

(56) Related Art Documents: **Not Applicable**

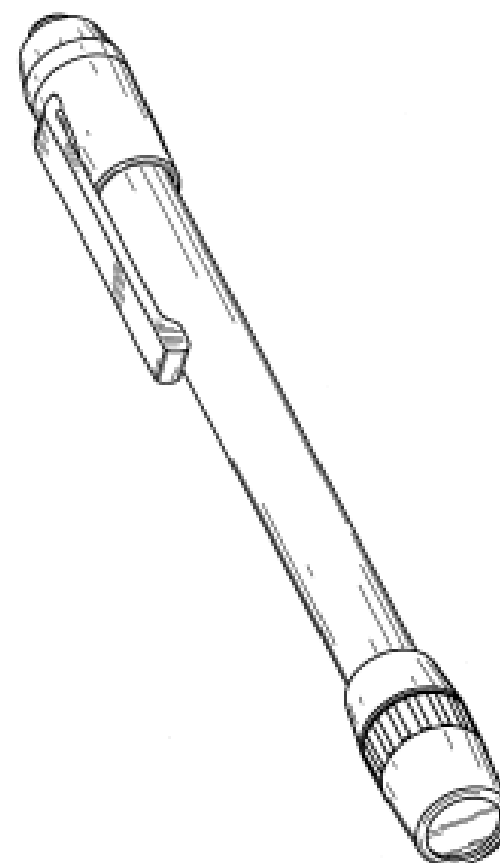
(57) Statement of Newness and Distinctiveness: **Nil**



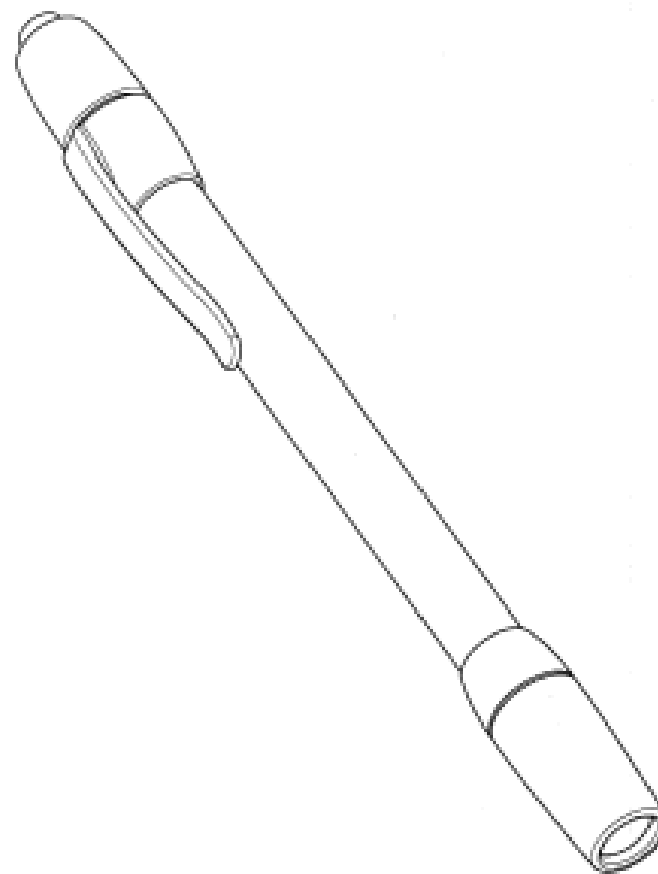
(21) Design Number: **12002/2008**
 (22) Date of Filing Application: **30 April 2008**
 (24) Date from which industrial property rights may have effect: **30 April 2008**
 (54) Product in respect of which the design is registered: **Automobile tire**
 (51) International Design Classification: **12-15B**
 (71) Name(s) and Address(s) of Applicant(s):
Hankook Tire Co., Ltd.
647-15 Yeoksam-dong Gangnam-gu Seoul 135-723 Republic of Korea
 (72) Name(s) of Designer(s): **Ho Kyong Oh**
 (45) Registration Date: **19 August 2008**
 (30) Convention priority data:
 (31) Number (32) Date (33) Country
2007-0045222 30 Oct 2007 REPUBLIC OF KOREA
 (56) Related Art Documents: **Not Applicable**
 (57) Statement of Newness and Distinctiveness: **Newness and distinctiveness is claimed in the features of shape and/or configuration of the tread of an automobile tire as illustrated in the accompanying representations, wherein the shape and/or configuration of the tread is repeated throughout the circumference of the tyre.**



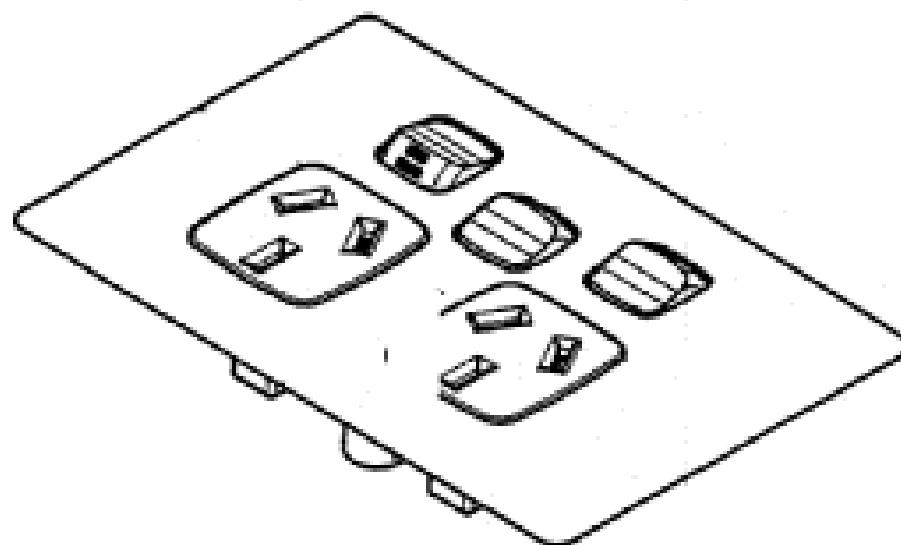
(21) Design Number: **12012/2008**
 (22) Date of Filing Application: **30 April 2008**
 (24) Date from which industrial property rights may have effect: **30 April 2008**
 (54) Product in respect of which the design is registered: **Flashlight**
 (51) International Design Classification: **26-02**
 (71) Name(s) and Address(s) of Applicant(s):
Eveready Battery Company, Inc.
533 Maryville University Drive St Louis Missouri 63141 United States of America
Streamlight Inc.
30 Eagleville Road Eagleville Pennsylvania 19403 United States of America
 (72) Name(s) of Designer(s): **John Crawford and Michael Squires and Angelo Kotsis and Thomas D. Boris**
 (45) Registration Date: **19 August 2008**
 (30) Convention priority data:
 (31) Number (32) Date (33) Country
29/292997 06 Nov 2007 UNITED STATES OF AMERICA
 (56) Related Art Documents: **Not Applicable**
 (57) Statement of Newness and Distinctiveness: **Nil**



- (21) Design Number: **12013/2008**
(22) Date of Filing Application: **30 April 2008**
(24) Date from which industrial property rights may have effect: **30 April 2008**
(54) Product in respect of which the design is registered: **Flashlight**
(51) International Design Classification: **26-02**
(71) Name(s) and Address(s) of Applicant(s):
 Eveready Battery Company, Inc.
 533 Maryville University Drive St Louis Missouri 63141 United States of America
 Streamlight Inc.
 30 Eagleville Road Eagleville Pennsylvania 19403 United States of America
(72) Name(s) of Designer(s): **John Crawford and Michael Squires and Angelo Kotsis**
(45) Registration Date: **19 August 2008**
(30) Convention priority data:
 (31) Number (32) Date (33) Country
 29/292997 06 Nov 2007 UNITED STATES OF AMERICA
(56) Related Art Documents: **Not Applicable**
(57) Statement of Newness and Distinctiveness: **Nil**



- (21) Design Number: **12015/2008**
(22) Date of Filing Application: **30 April 2008**
(24) Date from which industrial property rights may have effect: **30 April 2008**
(54) Product in respect of which the design is registered: **Low profile powerpoint**
(51) International Design Classification: **13-03D**
(71) Name(s) and Address(s) of Applicant(s):
 H.P.M. Industries Pty Ltd
 Unit 4 44-48 O'Dea Avenue Waterloo New South Wales 2017 Australia
(72) Name(s) of Designer(s): **Pradeep Anirudhan**
(45) Registration Date: **19 August 2008**
(56) Related Art Documents: **Not Applicable**
(57) Statement of Newness and Distinctiveness: **Newness is claimed in the features shape and configuration of the low profile powerpoint as shown in the accompanying representations.**



(21) Design Number: **12014/2008**

(22) Date of Filing Application: **30 April 2008**

(24) Date from which industrial property rights may have effect: **30 April 2008**

(54) Product in respect of which the design is registered: **Adjustable bracket**

(51) International Design Classification: **08-08L, 08-08NES**

(71) Name(s) and Address(s) of Applicant(s):

H.P.M. Industries Pty Ltd

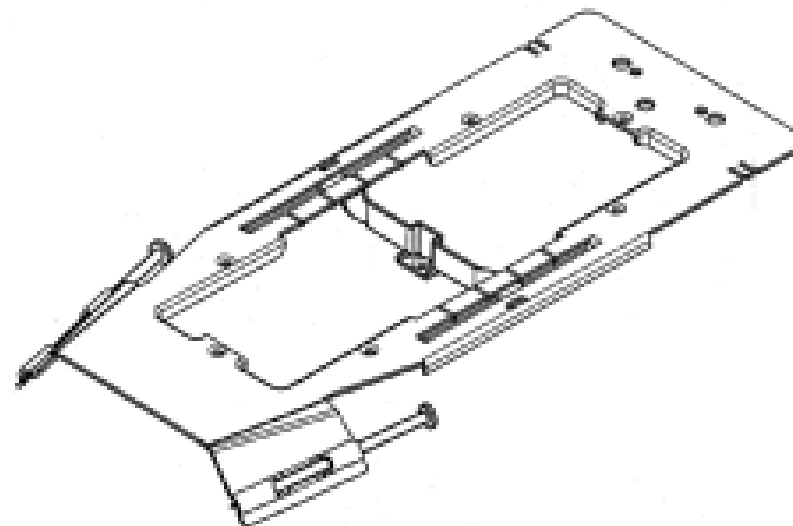
Unit 5/44-48 O'Dea Avenue Waterloo New South Wales 2017 Australia

(72) Name(s) of Designer(s): **Pradeep Anirudhan**

(45) Registration Date: **19 August 2008**

(56) Related Art Documents: **Not Applicable**

(57) Statement of Newness and Distinctiveness: **Newness is claimed in the features shape and configuration of the adjustable bracket as shown in the accompanying representations.**



(21) Design Number: **12020/2008**

(22) Date of Filing Application: **30 April 2008**

(24) Date from which industrial property rights may have effect: **30 April 2008**

(54) Product in respect of which the design is registered: **Pile plate**

(51) International Design Classification: **25-02NES**

(71) Name(s) and Address(s) of Applicant(s):

Piling Contractors Pty Ltd

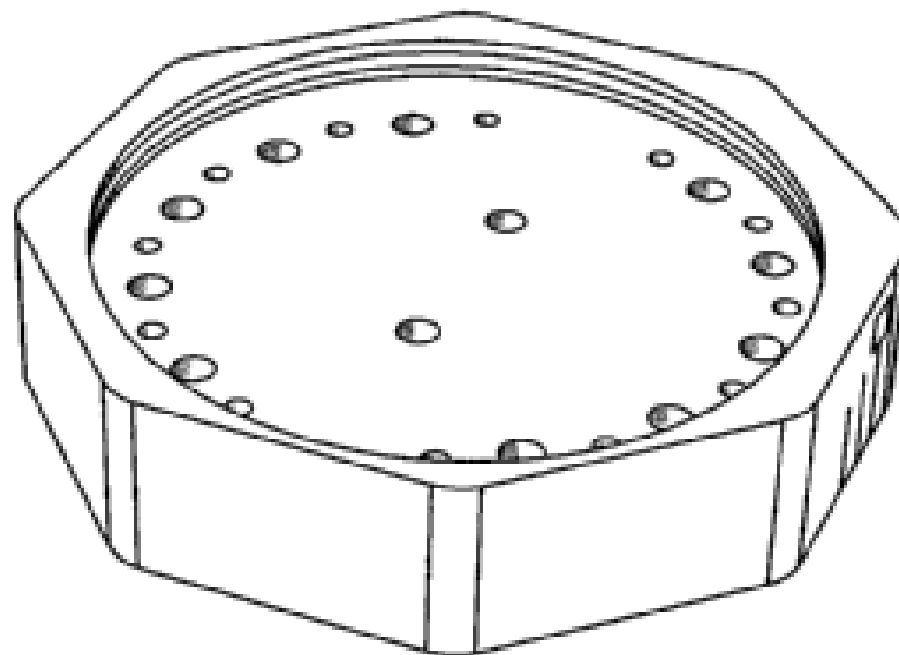
5 Jacque Court Lawton Queensland 4501 Australia

(72) Name(s) of Designer(s): **Keith Smith**

(45) Registration Date: **19 August 2008**

(56) Related Art Documents: **Not Applicable**

(57) Statement of Newness and Distinctiveness: **The newness and distinctiveness of the design resides in the shape and/or configuration of the pile plate shown in the representations.**



(21) Design Number: **10280/2008**
(22) Date of Filing Application: **23 January 2008**
(24) Date from which industrial property rights may have effect: **23 January 2008**
(54) Product in respect of which the design is registered: **A watch**
(51) International Design Classification: **10-02**
(71) Name(s) and Address(s) of Applicant(s):

La Montre Hermes S.A.
Erlenstrasse 31A 2555 Brugg Switzerland

(72) Name(s) of Designer(s): **Didier Nisembaum**

(45) Registration Date: **21 August 2008**

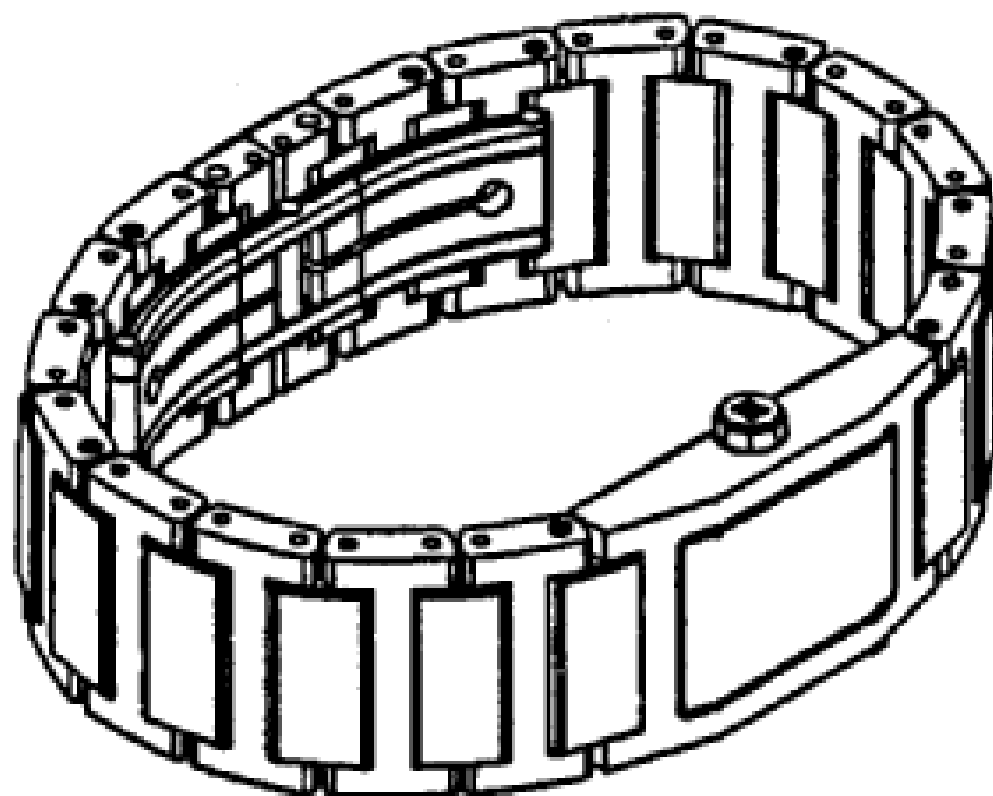
(30) Convention priority data:

(31) Number	(32) Date
DM/069271	25 Jul 2007

(33) Country
**WORLD INTELLECTUAL
PROPERTY ORGANIZATION
(WIPO)**

(56) Related Art Documents: **Not Applicable**

(57) Statement of Newness and Distinctiveness: **Nil**



(21) Design Number: **10281/2008**
(22) Date of Filing Application: **23 January 2008**
(24) Date from which industrial property rights may have effect: **23 January 2008**
(54) Product in respect of which the design is registered: **A bracelet for a watch**
(51) International Design Classification: **10-07**
(71) Name(s) and Address(s) of Applicant(s):

La Montre Hermes S.A.
Erlenstrasse 31A 2555 Brugg Switzerland

(72) Name(s) of Designer(s): **Emmanuel Gueit**

(45) Registration Date: **21 August 2008**

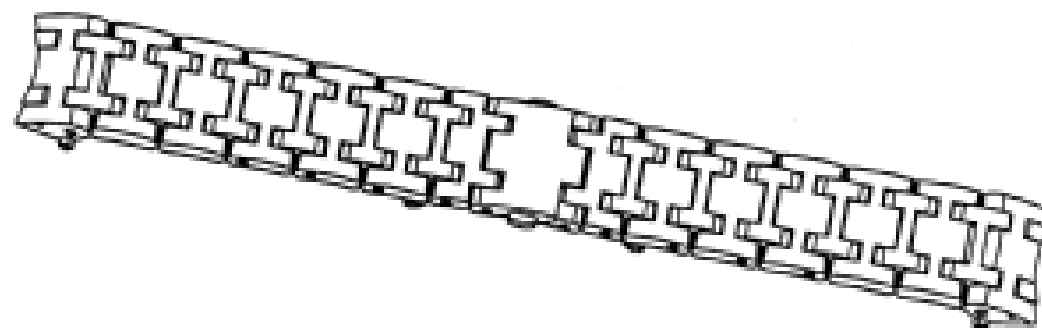
(30) Convention priority data:

(31) Number	(32) Date
DM/069144	25 Jul 2007

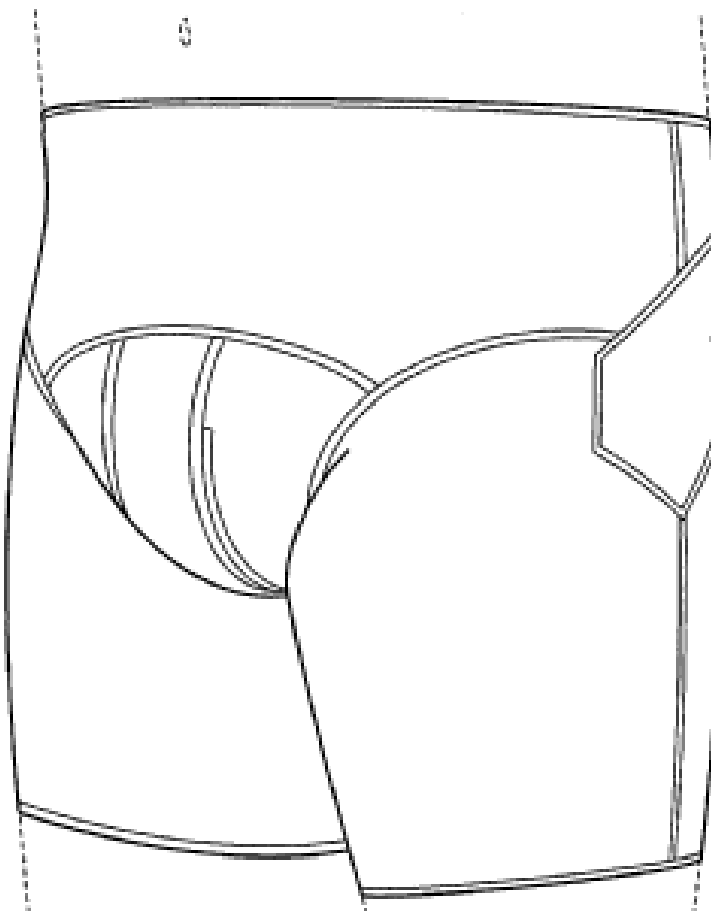
(33) Country
**WORLD INTELLECTUAL
PROPERTY ORGANIZATION
(WIPO)**

(56) Related Art Documents: **Not Applicable**

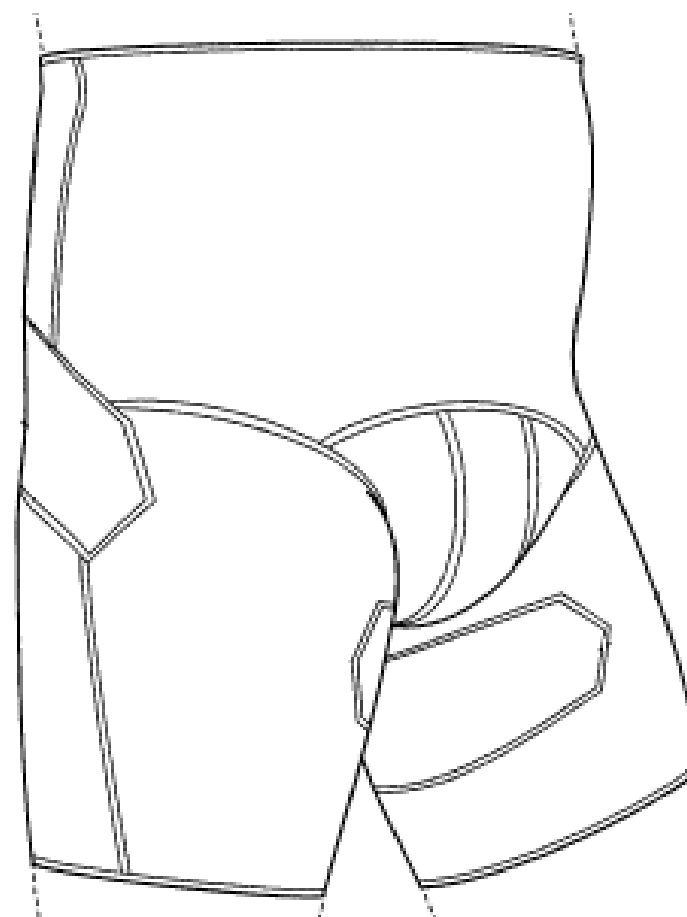
(57) Statement of Newness and Distinctiveness: **Nil**



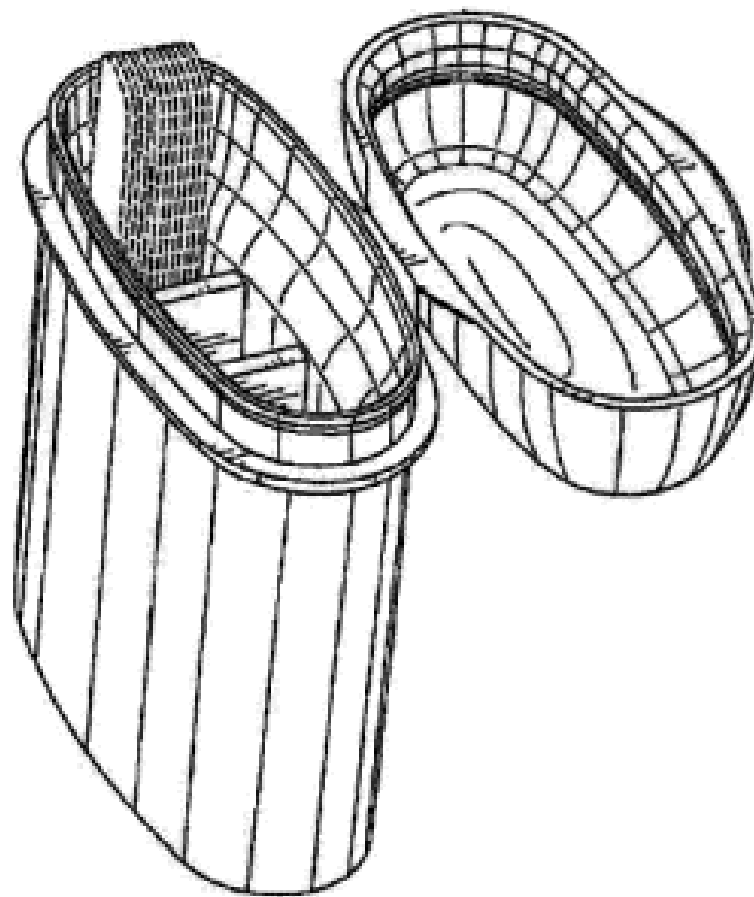
- (21) Design Number: **10376/2008**
(22) Date of Filing Application: **30 January 2008**
(24) Date from which industrial property rights may have effect: **30 January 2008**
(54) Product in respect of which the design is registered: **Therapeutic sports garment**
(51) International Design Classification: **02-01B**
(71) Name(s) and Address(s) of Applicant(s):
Felicity Louise Kermode
83 Napier Street Cottesloe Western Australia 6011 Australia
Jeffrey Boyle
11 Platt Close Mosman Park Western Australia 6012 Australia
Jennifer Ballantyne
3b May Street Scarborough Western Australia 6019 Australia
(72) Name(s) of Designer(s): **Felicity Louise Kermode and Jeffrey Boyle and Jennifer Ballantyne**
(45) Registration Date: **21 August 2008**
(56) Related Art Documents: **Not Applicable**
(57) Statement of Newness and Distinctiveness: **Newness and distinctiveness of the design resides in the arrangement of the panels marked A and B as illustrated in the accompanying representations. In construing the scope of the monopoly of the design, no regard should be given to the height of the waist portion.**



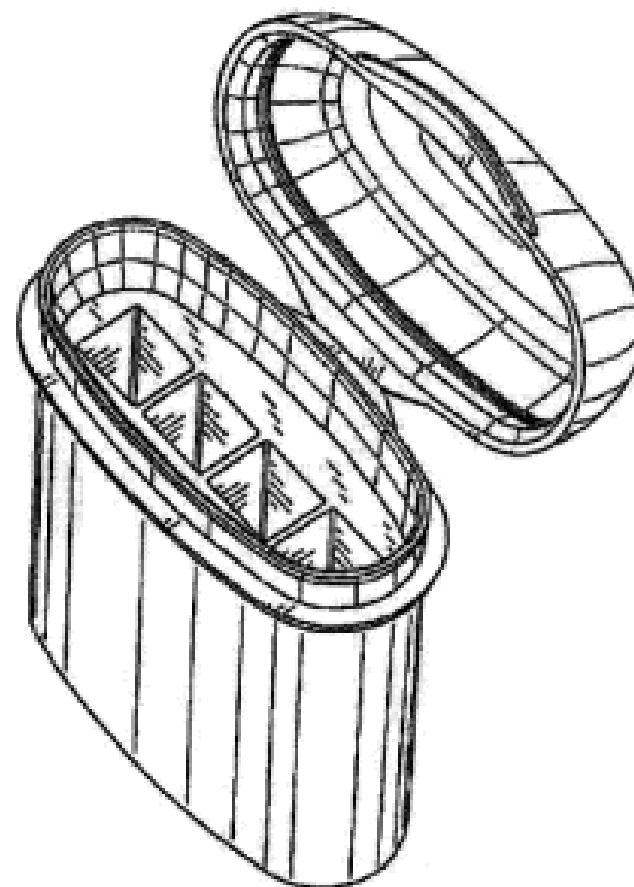
- (21) Design Number: **10377/2008**
(22) Date of Filing Application: **30 January 2008**
(24) Date from which industrial property rights may have effect: **30 January 2008**
(54) Product in respect of which the design is registered: **Therapeutic sports garment**
(51) International Design Classification: **02-01B**
(71) Name(s) and Address(s) of Applicant(s):
Felicity Louise Kermode
83 Napier Street Cottesloe Western Australia 6011 Australia
Jeffrey Boyle
11 Platt Close Mosman Park Western Australia 6012 Australia
Jennifer Ballantyne
3b May Street Scarborough Western Australia 6019 Australia
(72) Name(s) of Designer(s): **Felicity Louise Kermode and Jeffrey Boyle and Jennifer Ballantyne**
(45) Registration Date: **21 August 2008**
(56) Related Art Documents: **Not Applicable**
(57) Statement of Newness and Distinctiveness: **Newness and distinctiveness of the design resides in the arrangement of the panels marked A, B and C as illustrated in the accompanying representations. In construing the scope of the monopoly of the design, no regard should be given to the height of the waist portion.**



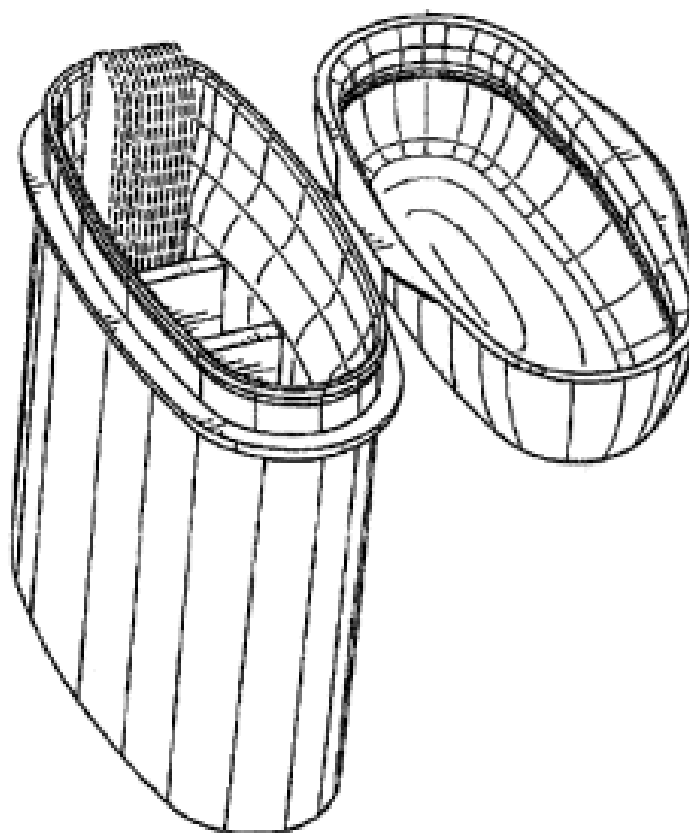
- (21) Design Number: **12721/2008**
(22) Date of Filing Application: **05 June 2008**
(24) Date from which industrial property rights may have effect: **05 June 2008**
(54) Product in respect of which the design is registered: **Oval vial with insert and false bottom**
(51) International Design Classification: **24-02**
(71) Name(s) and Address(s) of Applicant(s):
CSP Technologies, Inc.
1030 Riverfront Center Amsterdam NY 12010 United States of America
(72) Name(s) of Designer(s): **Michael Bucholtz and John Belfance and Ronald Supranowocz**
(45) Registration Date: **21 August 2008**
(30) Convention priority data:
(31) Number (32) Date (33) Country
29/318,272 16 May 2008 UNITED STATES OF AMERICA
(56) Related Art Documents: **Not Applicable**
(57) Statement of Newness and Distinctiveness: **The following visual features of the design are new and distinctive: The shape and configuration of an oval vial with insert and false bottom as shown in solid lines in the accompanying drawings. In considering the newness and distinctiveness of the design, no regard is to be had to the visual features depicted by the broken lines.**



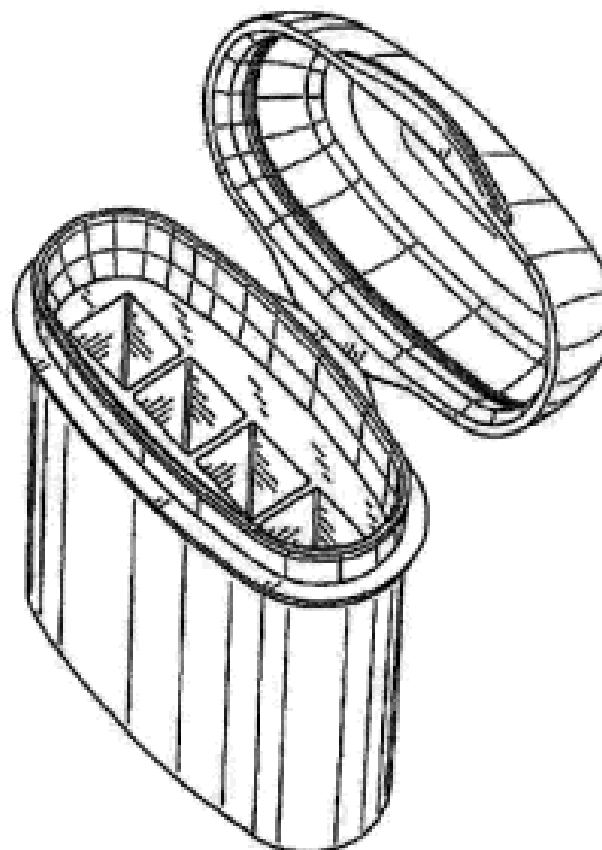
- (21) Design Number: **12722/2008**
(22) Date of Filing Application: **05 June 2008**
(24) Date from which industrial property rights may have effect: **05 June 2008**
(54) Product in respect of which the design is registered: **Oval vial with spline insert**
(51) International Design Classification: **24-02**
(71) Name(s) and Address(s) of Applicant(s):
CSP Technologies, Inc.
1030 Riverfront Center Amsterdam NY 12010 United States of America
(72) Name(s) of Designer(s): **Michael Bucholtz and John Belfance and Ronald Supranowocz**
(45) Registration Date: **21 August 2008**
(30) Convention priority data:
(31) Number (32) Date (33) Country
29/318,272 16 May 2008 UNITED STATES OF AMERICA
(56) Related Art Documents: **Not Applicable**
(57) Statement of Newness and Distinctiveness: **The following visual features of the design are new and distinctive: The shape and configuration of an oval vial with spline insert as shown in solid lines in the accompanying drawings.**



- (21) Design Number: **12723/2008**
(22) Date of Filing Application: **05 June 2008**
(24) Date from which industrial property rights may have effect: **05 June 2008**
(54) Product in respect of which the design is registered: **Oval vial with insert**
(51) International Design Classification: **24-02**
(71) Name(s) and Address(s) of Applicant(s):
CSP Technologies, Inc.
1030 Riverfront Center Amsterdam NY 12010 United States of America
(72) Name(s) of Designer(s): **Michael Bucholtz and John Belfance and Ronald Supranowocz**
(45) Registration Date: **21 August 2008**
(30) Convention priority data:
(31) Number (32) Date (33) Country
29/318,272 16 May 2008 UNITED STATES OF AMERICA
(56) Related Art Documents: **Not Applicable**
(57) Statement of Newness and Distinctiveness: **The following visual features of the design are new and distinctive: The shape and configuration of an oval vial with insert as shown in solid lines in the accompanying drawings. In considering the newness and distinctiveness of the design, no regard is to be had to the visual features depicted by the broken lines.**



- (21) Design Number: **12724/2008**
(22) Date of Filing Application: **05 June 2008**
(24) Date from which industrial property rights may have effect: **05 June 2008**
(54) Product in respect of which the design is registered: **Oval vial with platform**
(51) International Design Classification: **24-02**
(71) Name(s) and Address(s) of Applicant(s):
CSP Technologies, Inc.
1030 Riverfront Center Amsterdam NY 12010 United States of America
(72) Name(s) of Designer(s): **Michael Bucholtz and John Belfance and Ronald Supranowocz**
(45) Registration Date: **21 August 2008**
(30) Convention priority data:
(31) Number (32) Date (33) Country
29/318,272 16 May 2008 UNITED STATES OF AMERICA
(56) Related Art Documents: **Not Applicable**
(57) Statement of Newness and Distinctiveness: **The following visual features of the design are new and distinctive: The shape and configuration of an oval vial with platform as shown in solid lines in the accompanying drawings.**



(21) Design Number: **12770/2008**

(22) Date of Filing Application: **10 June 2008**

(24) Date from which industrial property rights may have effect: **10 June 2008**

(54) Product in respect of which the design is registered: **Container**

(51) International Design Classification: **09-01K**

(71) Name(s) and Address(s) of Applicant(s):

Colgate-Palmolive Company
300 Park Avenue New York New York 10022 United States of America

(72) Name(s) of Designer(s): **John C. Crawford**

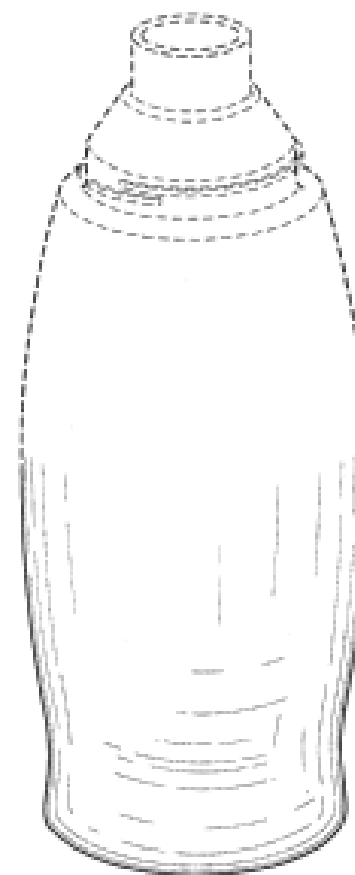
(45) Registration Date: **21 August 2008**

(30) Convention priority data:

(31) Number	(32) Date	(33) Country
29/302097	10 Jan 2008	UNITED STATES OF AMERICA

(56) Related Art Documents: **Not Applicable**

(57) Statement of Newness and Distinctiveness: **Newness and distinctiveness reside in the features of the design shown in solid lines in the representations excluding those features shown in broken lines.**



(21) Design Number: **12771/2008**

(22) Date of Filing Application: **10 June 2008**

(24) Date from which industrial property rights may have effect: **10 June 2008**

(54) Product in respect of which the design is registered: **Container**

(51) International Design Classification: **09-01K**

(71) Name(s) and Address(s) of Applicant(s):

Colgate-Palmolive Company
300 Park Avenue New York New York 10022 United States of America

(72) Name(s) of Designer(s): **John C. Crawford**

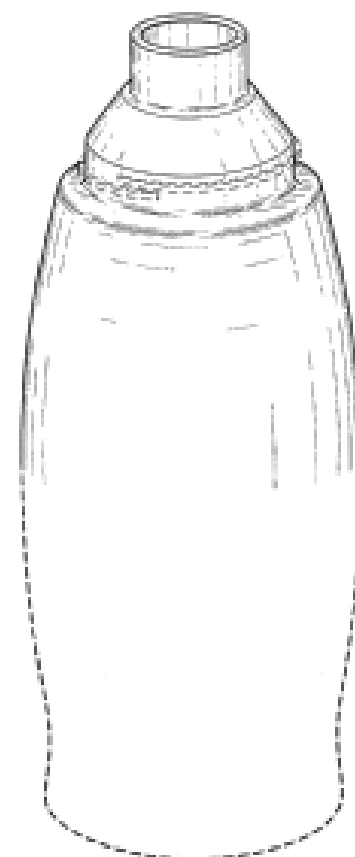
(45) Registration Date: **21 August 2008**

(30) Convention priority data:

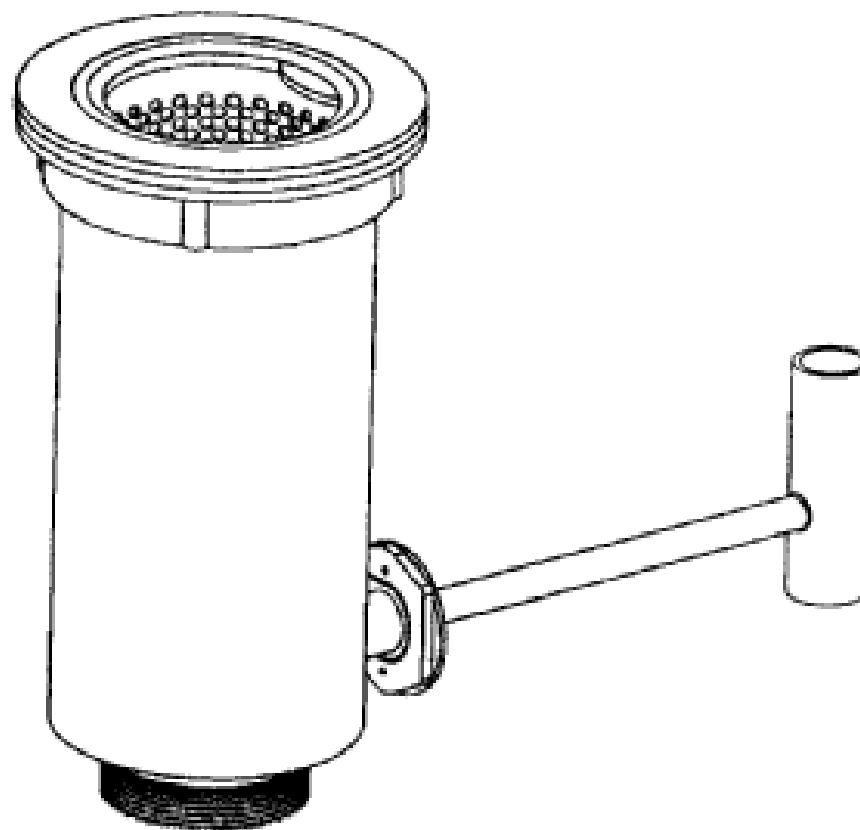
(31) Number	(32) Date	(33) Country
29/302095	10 Jan 2008	UNITED STATES OF AMERICA

(56) Related Art Documents: **Not Applicable**

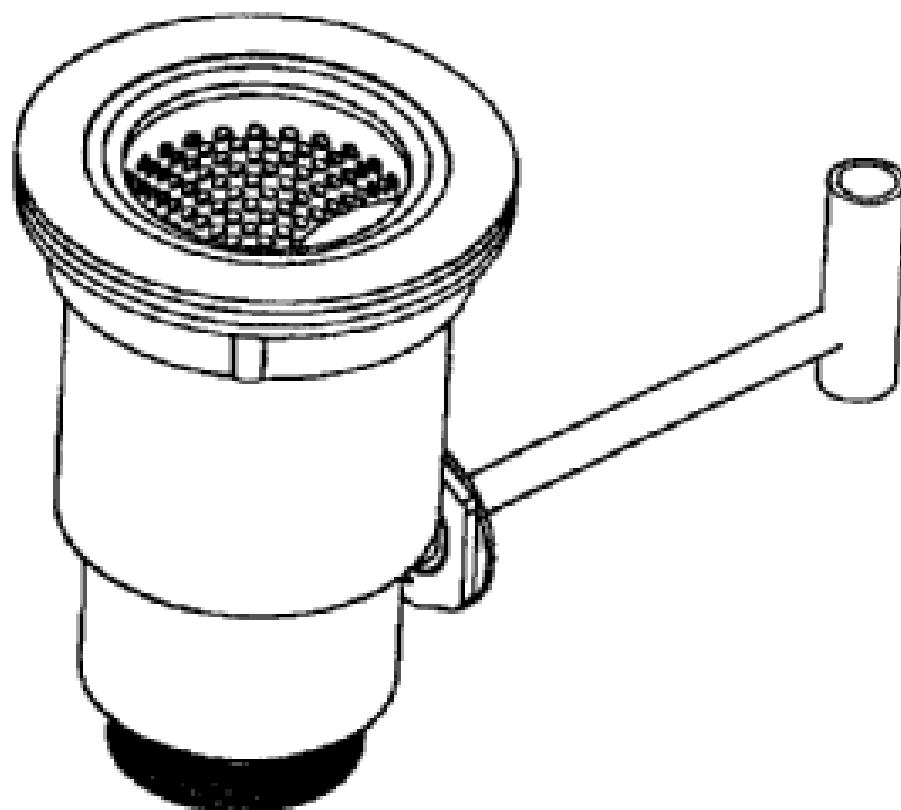
(57) Statement of Newness and Distinctiveness: **Newness and distinctiveness reside in the features of the design shown in solid lines in the representations excluding those features shown in broken lines.**



(21) Design Number: **12888/2008**
(22) Date of Filing Application: **17 June 2008**
(24) Date from which industrial property rights may have effect: **17 June 2008**
(54) Product in respect of which the design is registered: **Plumbing drains and screening devices**
(51) International Design Classification: **23-02E**
(71) Name(s) and Address(s) of Applicant(s):
Vinidex Pty Limited
19 Loyalty Road North Rocks New South Wales 2151 Australia
(72) Name(s) of Designer(s): **John Carroll and Andrew Mackenzie**
(45) Registration Date: **21 August 2008**
(56) Related Art Documents: **Not Applicable**
(57) Statement of Newness and Distinctiveness: **Nil**



(21) Design Number: **12889/2008**
(22) Date of Filing Application: **17 June 2008**
(24) Date from which industrial property rights may have effect: **17 June 2008**
(54) Product in respect of which the design is registered: **Plumbing drains and screening devices**
(51) International Design Classification: **23-02E**
(71) Name(s) and Address(s) of Applicant(s):
Vinidex Pty Limited
19 Loyalty Road North Rocks New South Wales 2151 Australia
(72) Name(s) of Designer(s): **John Carroll and Andrew Mackenzie**
(45) Registration Date: **21 August 2008**
(56) Related Art Documents: **Not Applicable**
(57) Statement of Newness and Distinctiveness: **Nil**



(21) Design Number: **12890/2008**

(22) Date of Filing Application: **17 June 2008**

(24) Date from which industrial property rights may have effect: **17 June 2008**

(54) Product in respect of which the design is registered: **Plumbing drains and screening devices**

(51) International Design Classification: **23-02E**

(71) Name(s) and Address(s) of Applicant(s):

Vinidex Pty Limited

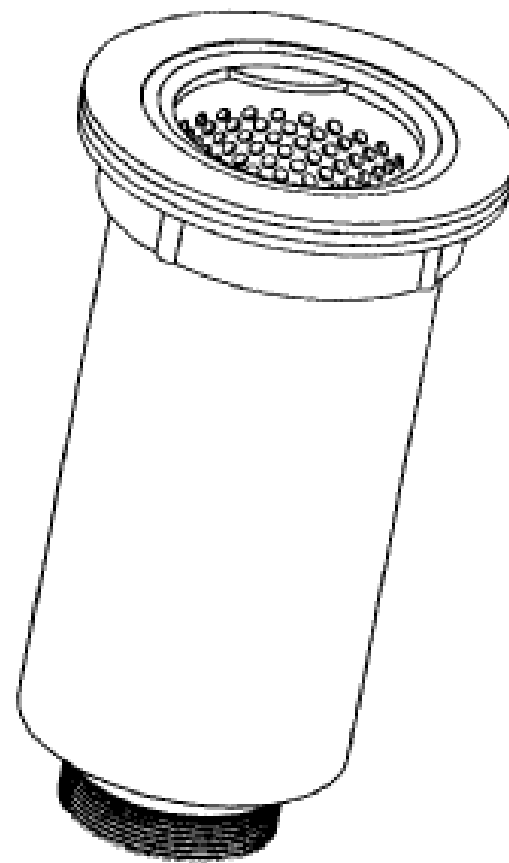
19 Loyalty Road North Rocks New South Wales 2151 Australia

(72) Name(s) of Designer(s): **John Carroll and Andrew Mackenzie**

(45) Registration Date: **21 August 2008**

(56) Related Art Documents: **Not Applicable**

(57) Statement of Newness and Distinctiveness: **Nil**



(21) Design Number: **12891/2008**

(22) Date of Filing Application: **17 June 2008**

(24) Date from which industrial property rights may have effect: **17 June 2008**

(54) Product in respect of which the design is registered: **Plumbing drains and screening devices**

(51) International Design Classification: **23-02E**

(71) Name(s) and Address(s) of Applicant(s):

Vinidex Pty Limited

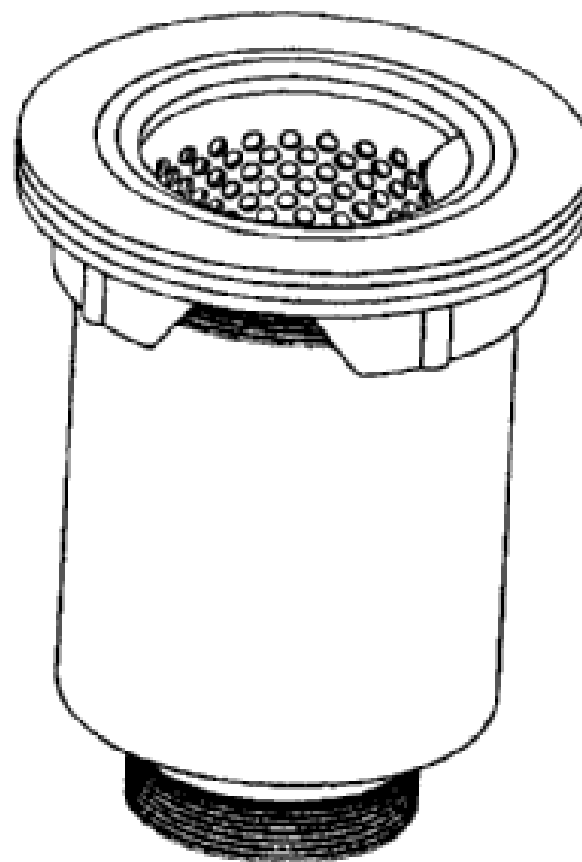
19 Loyalty Road North Rocks New South Wales 2151 Australia

(72) Name(s) of Designer(s): **John Carroll and Andrew Mackenzie**

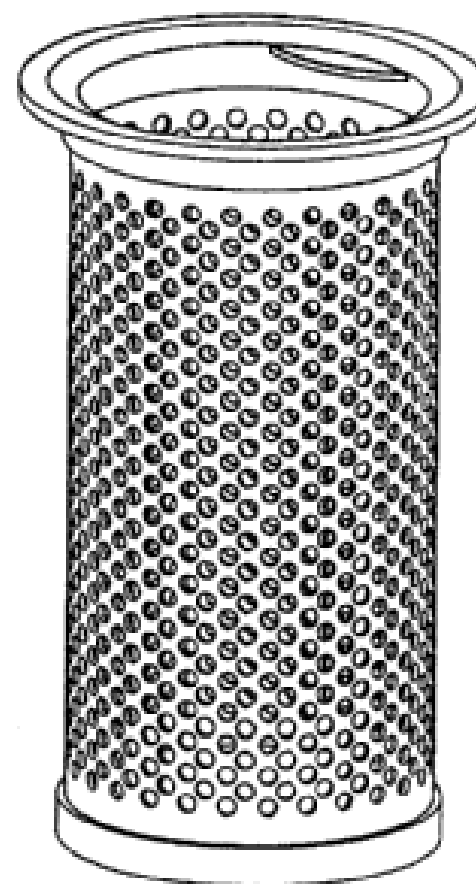
(45) Registration Date: **21 August 2008**

(56) Related Art Documents: **Not Applicable**

(57) Statement of Newness and Distinctiveness: **Nil**

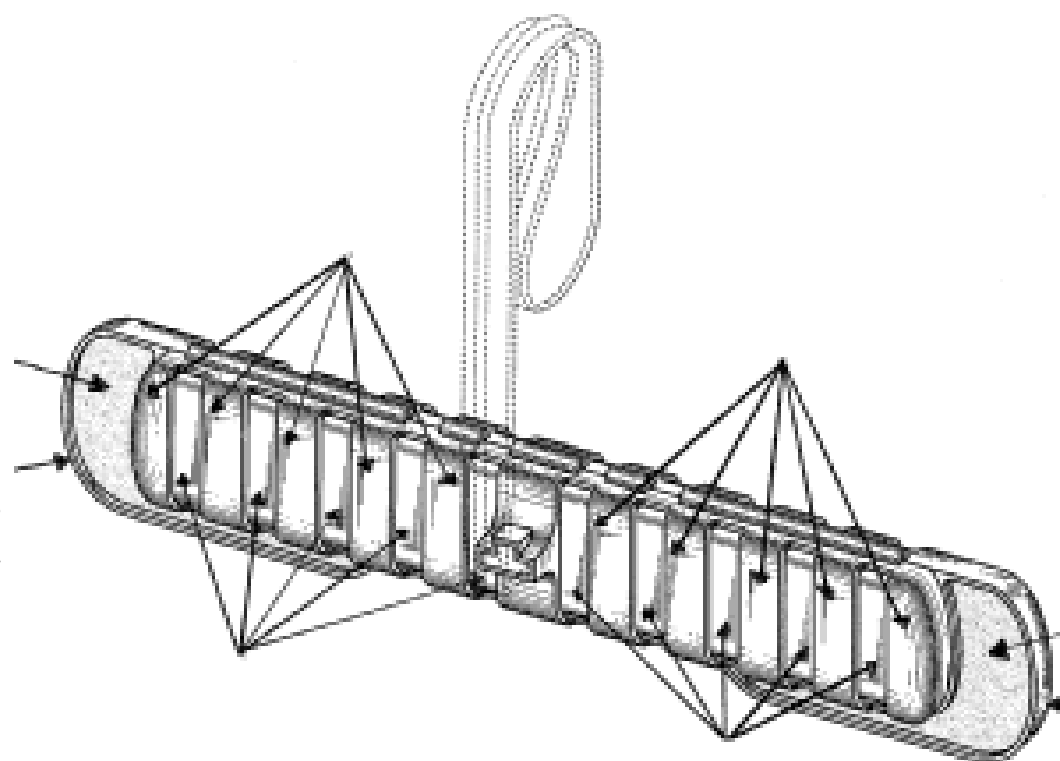


- (21) Design Number: **12892/2008**
- (22) Date of Filing Application: **17 June 2008**
- (24) Date from which industrial property rights may have effect: **17 June 2008**
- (54) Product in respect of which the design is registered: **Plumbing drains and screening devices**
- (51) International Design Classification: **23-02E**
- (71) Name(s) and Address(s) of Applicant(s):
Vinidex Pty Limited
19 Loyalty Road North Rocks New South Wales 2151 Australia
- (72) Name(s) of Designer(s): **John Carroll and Andrew Mackenzie**
- (45) Registration Date: **21 August 2008**
- (56) Related Art Documents: **Not Applicable**
- (57) Statement of Newness and Distinctiveness: **Nil**



- (21) Design Number: **13430/2008**
- (22) Date of Filing Application: **22 July 2008**
- (24) Date from which industrial property rights may have effect: **22 July 2008**
- (54) Product in respect of which the design is registered: **Dynamic dispenser**
- (51) International Design Classification: **09-05, 28-03NES, 24-99**
- (71) Name(s) and Address(s) of Applicant(s):
Reckitt Benckiser Inc.
Morris Corporate Center IV 399 Interpace Parkway Parsippany New Jersey 07054 United States of America
- (72) Name(s) of Designer(s): **Christopher King and Bruno Lablaine**
- (45) Registration Date: **21 August 2008**
- (30) Convention priority data:

(31) Number	(32) Date	(33) Country
000884614-0001	20 Feb 2008	EUROPEAN COMMUNITY
- (56) Related Art Documents: **Not Applicable**
- (57) Statement of Newness and Distinctiveness: **Newness and distinctiveness reside in the features shown in solid lines in the combination of: (i) end portions A, which contain a first material B to be dispensed, (ii) plurality of ribs designated C and (iii) a second material D to be dispensed.**



(21) Design Number: 13431/2008

(22) Date of Filing Application: 22 July 2008

(24) Date from which industrial property rights may have effect: 22 July 2008

(54) Product in respect of which the design is registered: Dynamic dispenser

(51) International Design Classification: 09-05, 28-03NES, 24-99

(71) Name(s) and Address(s) of Applicant(s):

Reckitt Benckiser Inc.

Morris Corporate Center IV 399 Interpace Parkway Parsippany New Jersey 07054 United States of America

(72) Name(s) of Designer(s): Christopher King and Bruno Lablaine

(45) Registration Date: 21 August 2008

(30) Convention priority data:

(31) Number

(32) Date

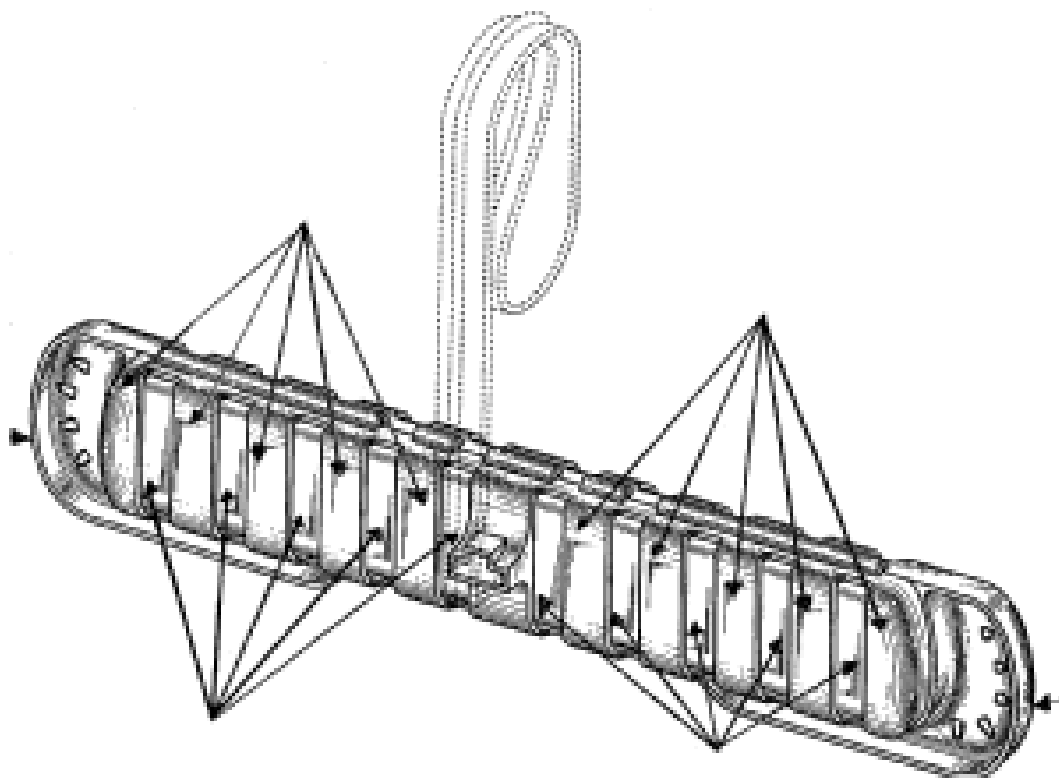
(33) Country

000884614-0002 20 Feb 2008

EUROPEAN COMMUNITY

(56) Related Art Documents: Not Applicable

(57) Statement of Newness and Distinctiveness: Newness and distinctiveness reside in the features shown in solid lines in the combination of: (i) end portions A, which contain a first material (not visible) to be dispensed, (ii) plurality of ribs designated C and (iii) a second material D to be dispensed.



(21) Design Number: 10674/2008

(22) Date of Filing Application: 15 February 2008

(24) Date from which industrial property rights may have effect: 15 February 2008

(54) Product in respect of which the design is registered: Mount for navigation device

(51) International Design Classification: 14-03NES

(71) Name(s) and Address(s) of Applicant(s):

TomTom International B.V.

Rembrandtplein 35 1017 CT Amsterdam The Netherlands

(72) Name(s) of Designer(s): Mark Gretton

(45) Registration Date: 20 August 2008

(30) Convention priority data:

(31) Number

(32) Date

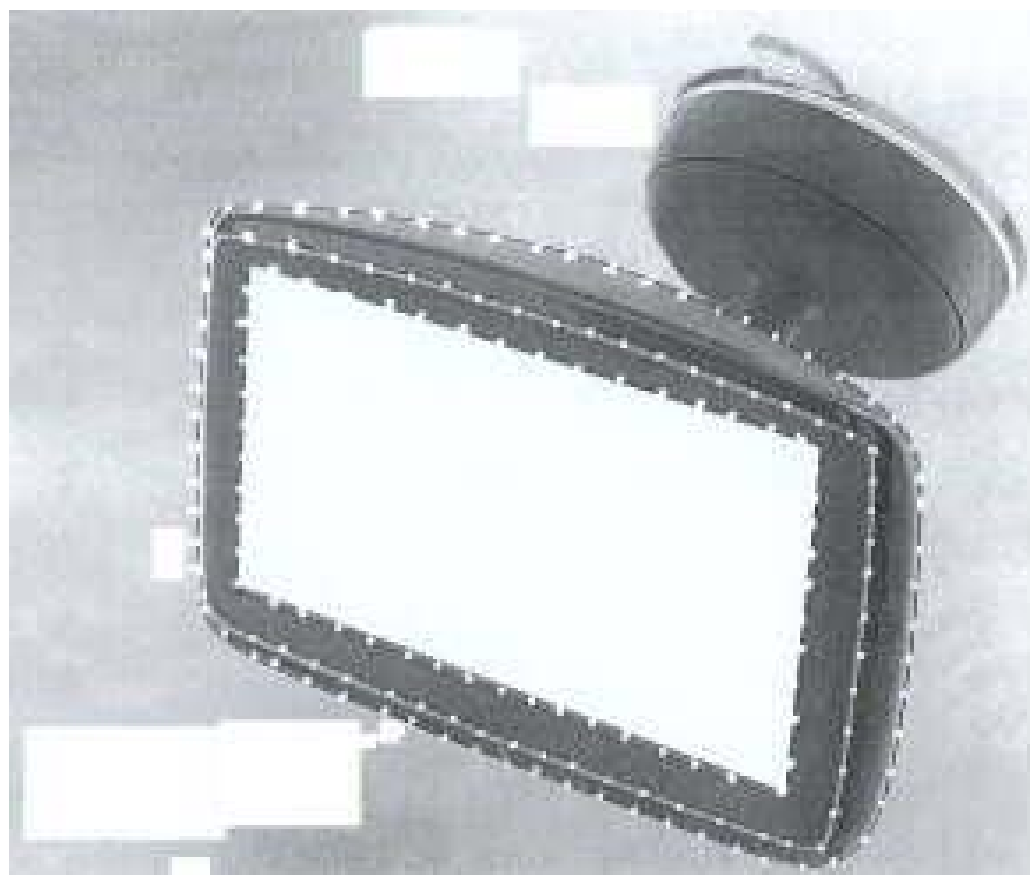
(33) Country

29/283545 16 Aug 2007

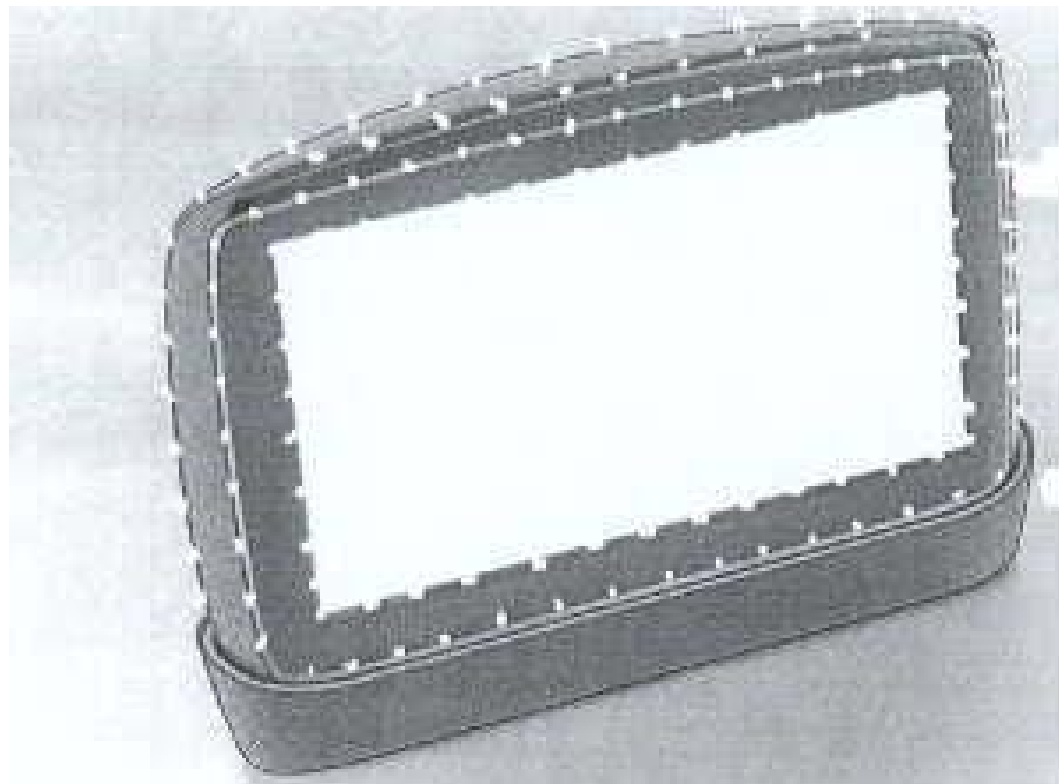
UNITED STATES OF AMERICA

(56) Related Art Documents: Not Applicable

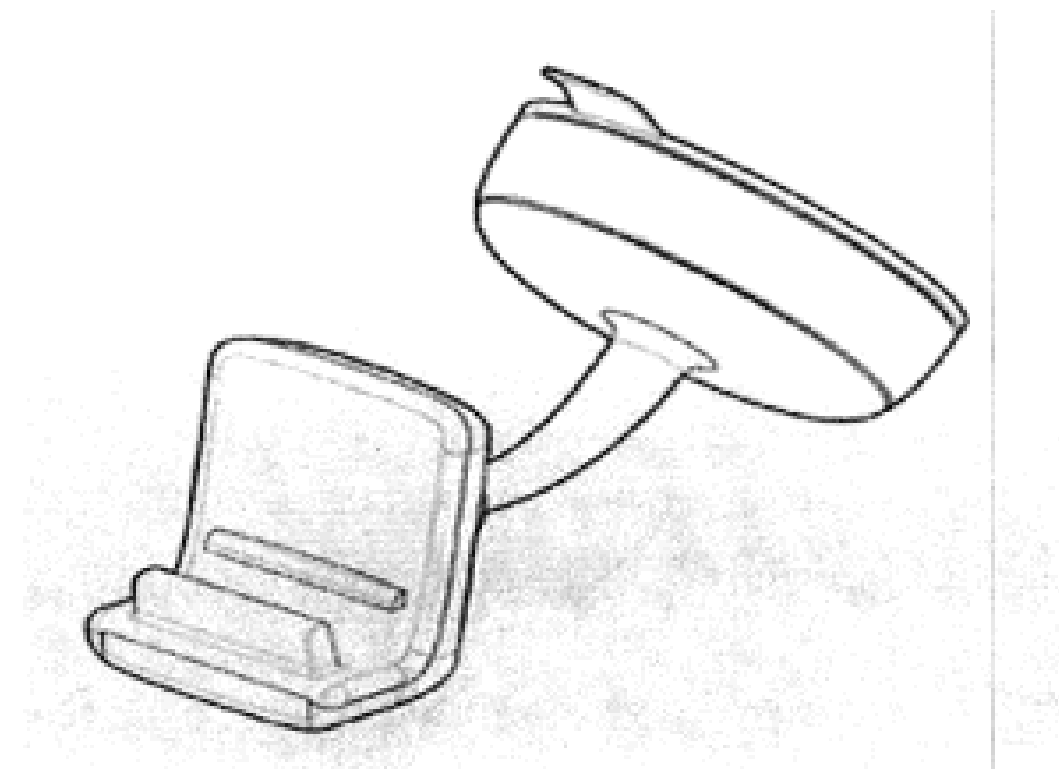
(57) Statement of Newness and Distinctiveness: Newness and distinctiveness is claimed in the features of shape and/or configuration of a mount for a navigation device, as illustrated in the accompanying representation.



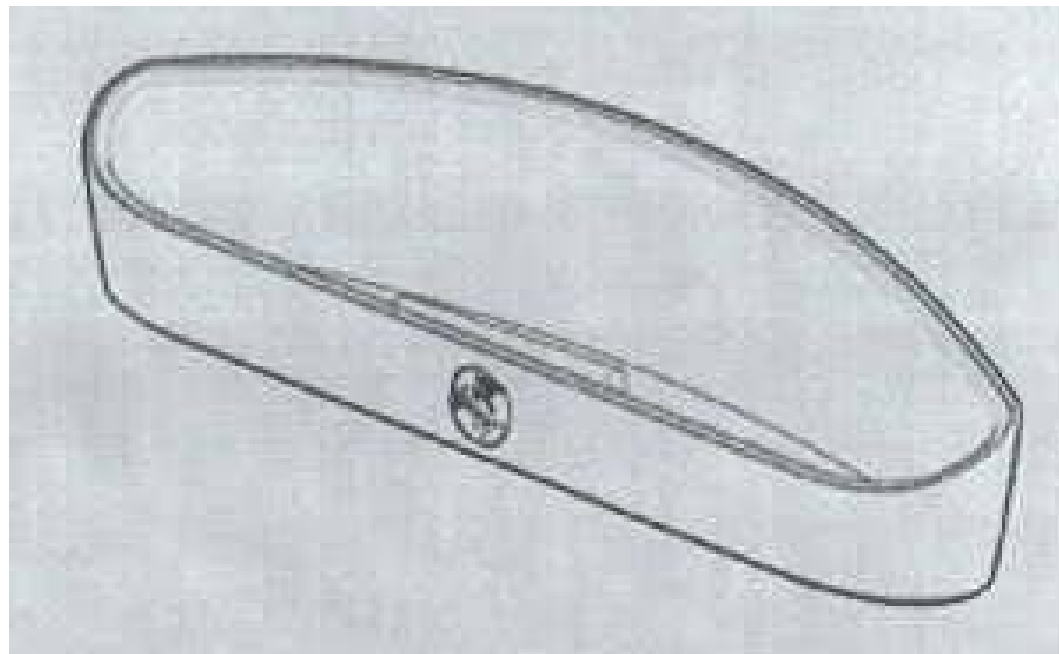
(21) Design Number: **10675/2008**
(22) Date of Filing Application: **15 February 2008**
(24) Date from which industrial property rights may have effect: **15 February 2008**
(54) Product in respect of which the design is registered: **Holder for navigation device**
(51) International Design Classification: **14-03NES**
(71) Name(s) and Address(s) of Applicant(s):
TomTom International B.V.
Rembrandtplein 35 1017 CT Amsterdam The Netherlands
(72) Name(s) of Designer(s): **Mark Gretton**
(45) Registration Date: **20 August 2008**
(30) Convention priority data:
(31) Number (32) Date (33) Country
29/283545 16 Aug 2007 UNITED STATES OF AMERICA
(56) Related Art Documents: **Not Applicable**
(57) Statement of Newness and Distinctiveness: **Newness and distinctiveness is claimed in the features of shape and/or configuration of a holder for a navigation device, as illustrated in the accompanying representation.**



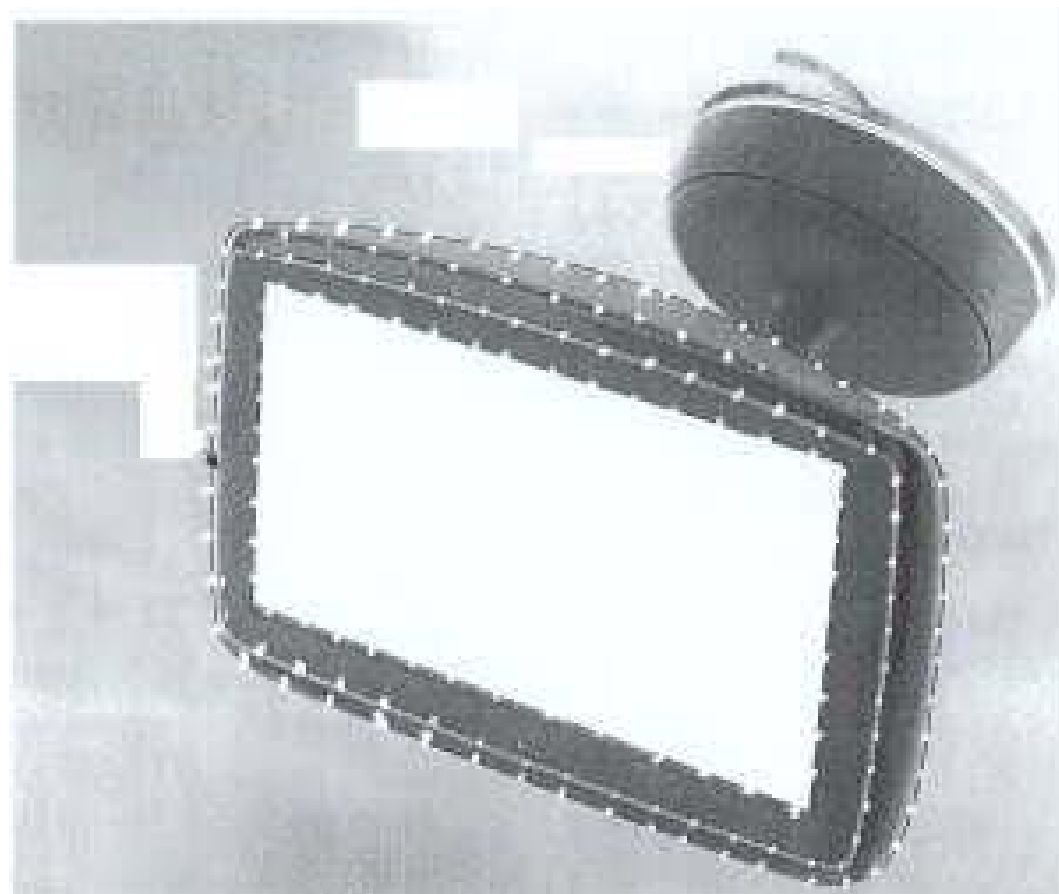
(21) Design Number: **10679/2008**
(22) Date of Filing Application: **15 February 2008**
(24) Date from which industrial property rights may have effect: **15 February 2008**
(54) Product in respect of which the design is registered: **Mount for navigation device**
(51) International Design Classification: **14-99**
(71) Name(s) and Address(s) of Applicant(s):
TomTom International B.V.
Rembrandtplein 35 1017 CT Amsterdam The Netherlands
(72) Name(s) of Designer(s): **Mark Gretton**
(45) Registration Date: **20 August 2008**
(30) Convention priority data:
(31) Number (32) Date (33) Country
29/283546 16 Aug 2007 UNITED STATES OF AMERICA
(56) Related Art Documents: **Not Applicable**
(57) Statement of Newness and Distinctiveness: **Newness and distinctiveness is claimed in the features of shape and/or configuration of a mount for navigation device as illustrated in the accompanying representation.**



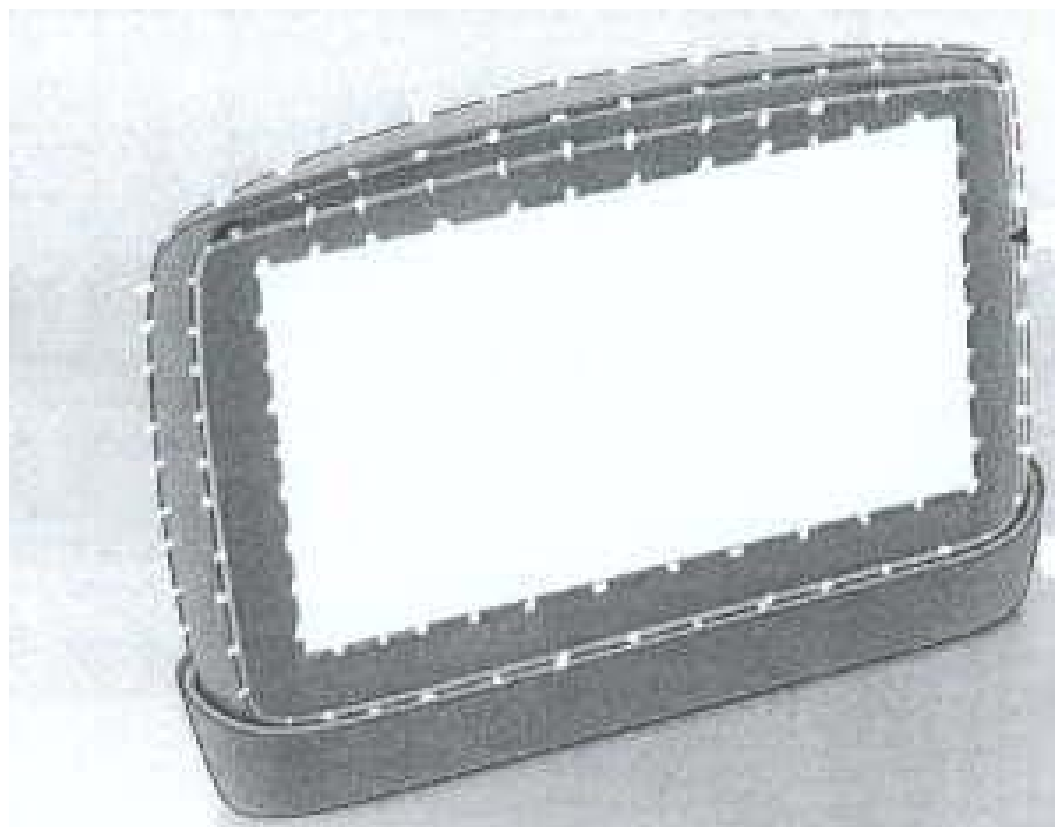
- (21) Design Number: **10680/2008**
(22) Date of Filing Application: **15 February 2008**
(24) Date from which industrial property rights may have effect: **15 February 2008**
(54) Product in respect of which the design is registered: **Holder for navigation device**
(51) International Design Classification: **14-99**
(71) Name(s) and Address(s) of Applicant(s):
TomTom International B.V.
Rembrandtplein 35 1017 CT Amsterdam The Netherlands
(72) Name(s) of Designer(s): **Mark Gretton**
(45) Registration Date: **20 August 2008**
(30) Convention priority data:
(31) Number (32) Date (33) Country
29/283546 16 Aug 2007 UNITED STATES OF AMERICA
(56) Related Art Documents: **Not Applicable**
(57) Statement of Newness and Distinctiveness: **Newness and distinctiveness is claimed in the features of shape and/or configuration of a holder for a navigation device, as illustrated in the accompanying representation.**



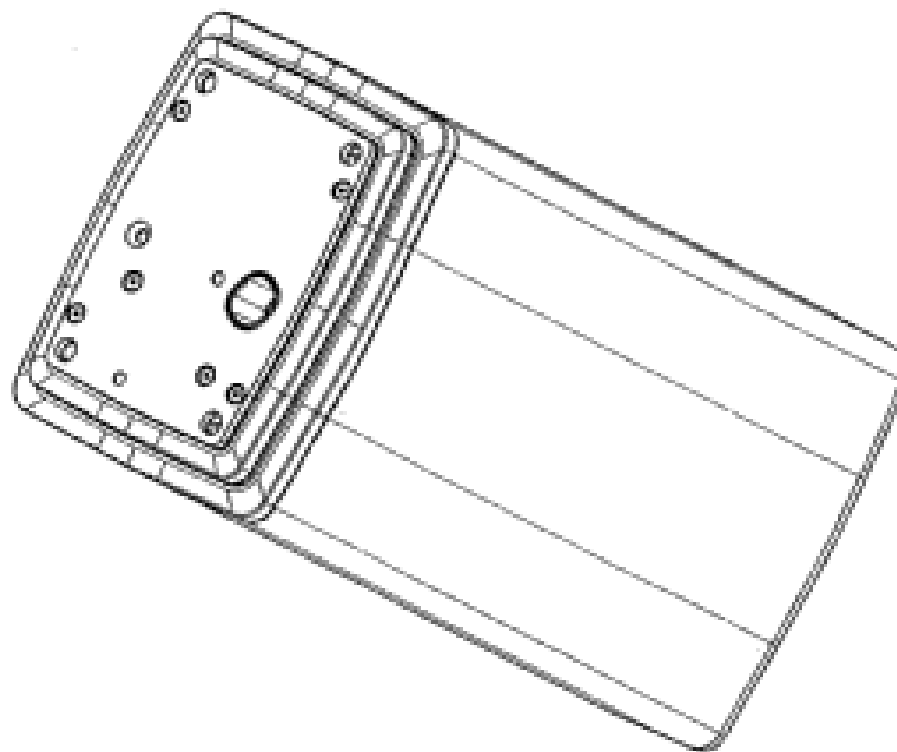
- (21) Design Number: **10681/2008**
(22) Date of Filing Application: **15 February 2008**
(24) Date from which industrial property rights may have effect: **15 February 2008**
(54) Product in respect of which the design is registered: **Mount for navigation device**
(51) International Design Classification: **14-03NES, 08-08NES**
(71) Name(s) and Address(s) of Applicant(s):
TomTom International B.V.
Rembrandtplein 35 1017 CT Amsterdam The Netherlands
(72) Name(s) of Designer(s): **Mark Gretton**
(45) Registration Date: **20 August 2008**
(30) Convention priority data:
(31) Number (32) Date (33) Country
29/283545 16 Aug 2007 UNITED STATES OF AMERICA
(56) Related Art Documents: **Not Applicable**
(57) Statement of Newness and Distinctiveness: **Newness and distinctiveness is claimed in the features of shape and/or configuration of a mount for a navigation device, as illustrated in the accompanying representation.**



- (21) Design Number: **10683/2008**
(22) Date of Filing Application: **15 February 2008**
(24) Date from which industrial property rights may have effect: **15 February 2008**
(54) Product in respect of which the design is registered: **Holder for navigation device**
(51) International Design Classification: **14-99**
(71) Name(s) and Address(s) of Applicant(s):
TomTom International B.V.
Rembrandtplein 35 1017 CT Amsterdam The Netherlands
(72) Name(s) of Designer(s): **Mark Gretton**
(45) Registration Date: **20 August 2008**
(30) Convention priority data:
(31) Number (32) Date (33) Country
29/283545 16 Aug 2007 UNITED STATES OF AMERICA
(56) Related Art Documents: **Not Applicable**
(57) Statement of Newness and Distinctiveness: **Newness and distinctiveness is claimed in the features of shape and/or configuration of a holder for a navigation device, as illustrated in the accompanying representation.**

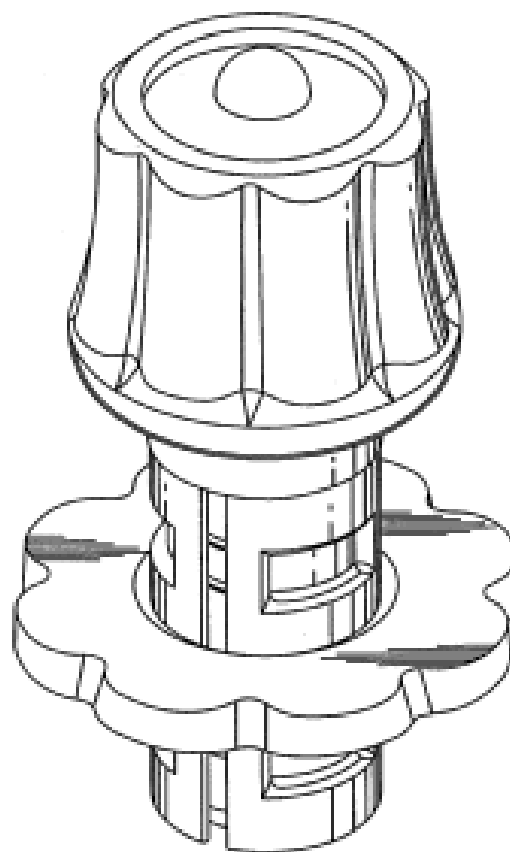


- (21) Design Number: **11974/2008**
(22) Date of Filing Application: **29 April 2008**
(24) Date from which industrial property rights may have effect: **29 April 2008**
(54) Product in respect of which the design is registered: **A lifting column, especially for hospital and care beds**
(51) International Design Classification: **24-01**
(71) Name(s) and Address(s) of Applicant(s):
Linak A/S
Smedevaenget 8 Guderup DK-6430 Nordborg Denmark
(72) Name(s) of Designer(s): **Peter Boldsen Lund and John Landerholm**
(45) Registration Date: **20 August 2008**
(30) Convention priority data:
(31) Number (32) Date (33) Country
2007 00257 02 Nov 2007 DENMARK
(56) Related Art Documents: **Not Applicable**
(57) Statement of Newness and Distinctiveness: **Newness and distinctiveness is claimed in the features of shape and/or configuration of a lifting column, especially for hospital and care beds as illustrated in the accompanying representations: smooth and slightly convex front, rear and side surfaces; the front and rear surfaces being more convex than the side surfaces; the rounded corners of the lifting column; the three telescopic members being of substantially the same shape; the provision of a top frame between the outmost telescopic member and the intermediate telescopic member, as well as between the intermediate telescopic member and the innermost telescopic member; and the top and bottom of the lifting column being constituted of an even plate.**



(19) AU

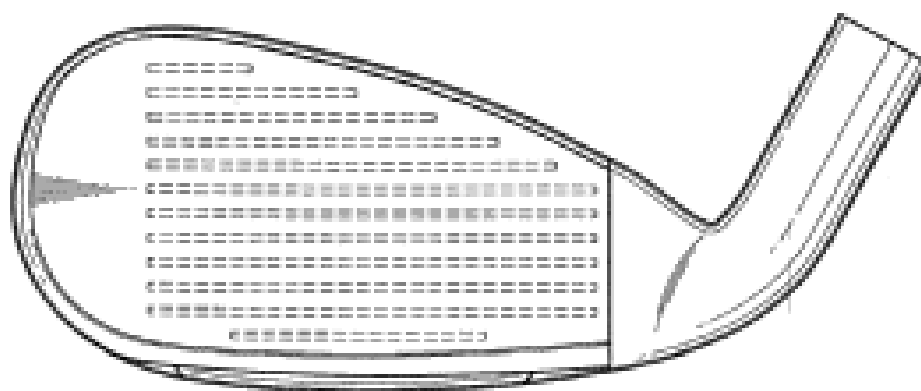
- (21) Design Number: **11975/2008**
- (22) Date of Filing Application: **29 April 2008**
- (24) Date from which industrial property rights may have effect: **29 April 2008**
- (54) Product in respect of which the design is registered: **Chisel**
- (51) International Design Classification: **08-01, 08-03**
- (71) Name(s) and Address(s) of Applicant(s):
Everpads Co., Ltd.
19F-5 No. 123 Sec. 3 Taijungang Road Taichung Taiwan
- (72) Name(s) of Designer(s): **Chun-Li Chiang**
- (45) Registration Date: **20 August 2008**
- (56) Related Art Documents: **Not Applicable**
- (57) Statement of Newness and Distinctiveness: **Newness and distinctiveness is claimed in the features of shape and/or configuration of a chisel as illustrated in the accompanying representations.**



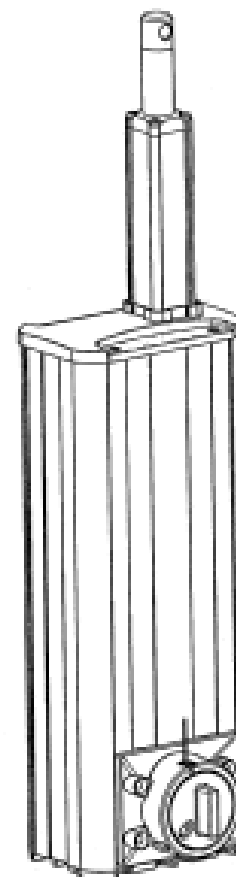
(19) AU

- (21) Design Number: **11976/2008**
- (22) Date of Filing Application: **29 April 2008**
- (24) Date from which industrial property rights may have effect: **29 April 2008**
- (54) Product in respect of which the design is registered: **Golf club head**
- (51) International Design Classification: **21-02C**
- (71) Name(s) and Address(s) of Applicant(s):
Callaway Golf Company
2180 Rutherford Road Carlsbad California 92008-7328 United States of America
- (72) Name(s) of Designer(s): **Philip G. Foster and Larry G. Tang and Chris J. Wieland and Luke R. Williams and Kenneth E. Meacham**
- (45) Registration Date: **20 August 2008**
- (30) Convention priority data:

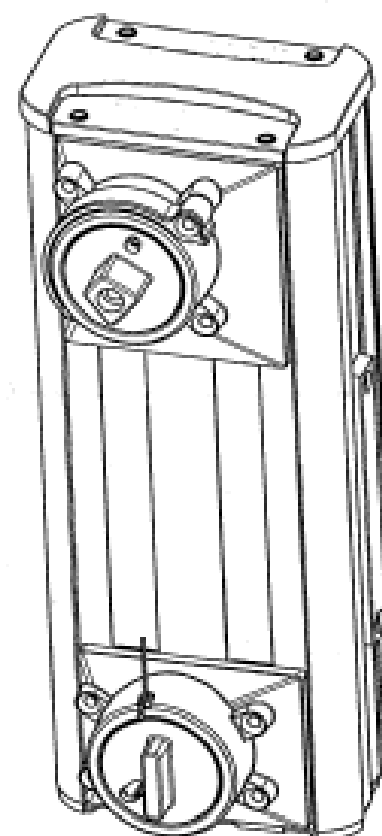
(31) Number	(32) Date	(33) Country
29/296815	29 Oct 2007	UNITED STATES OF AMERICA
- (56) Related Art Documents: **Not Applicable**
- (57) Statement of Newness and Distinctiveness: **Newness and distinctiveness is claimed in those features of shape and/or configuration of a golf club head illustrated in continuous lines in the accompanying representations.**



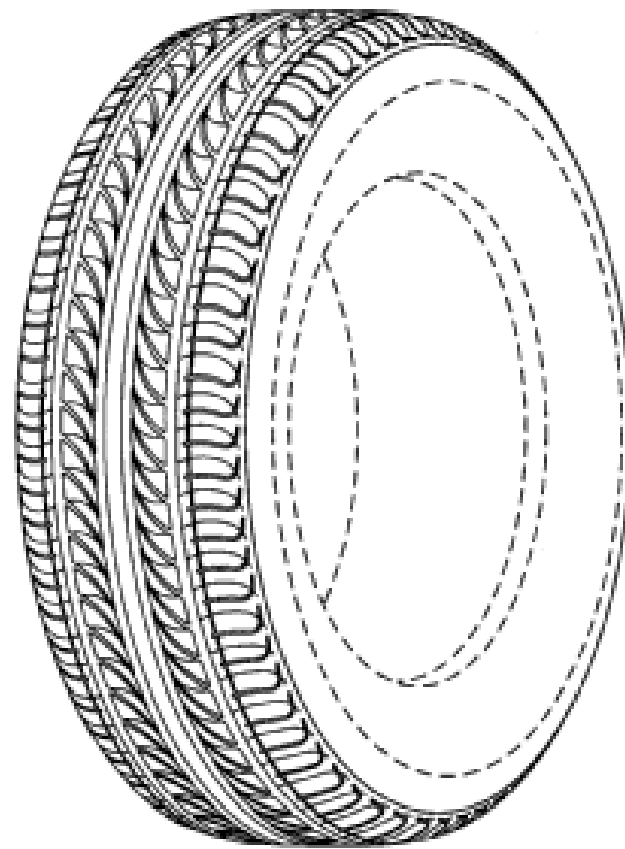
- (21) Design Number: **11977/2008**
(22) Date of Filing Application: **29 April 2008**
(24) Date from which industrial property rights may have effect: **29 April 2008**
(54) Product in respect of which the design is registered: **Motor operator for switchgear**
(51) International Design Classification: **13-03NES**
(71) Name(s) and Address(s) of Applicant(s):
Linak A/S
Smedevaenget 8 Guderup DK-6430 Nordborg Denmark
(72) Name(s) of Designer(s): **Bruno Christensen and Anders Lorenzen and Jens Nansen Paulsen**
(45) Registration Date: **20 August 2008**
(30) Convention priority data:
(31) Number (32) Date (33) Country
DA 2007 31 Oct 2007 DENMARK
00255
(56) Related Art Documents: **Not Applicable**
(57) Statement of Newness and Distinctiveness: **Newness and distinctiveness is claimed in the features of shape and/or configuration of a motor operator for switchgear as illustrated in the accompanying representations.**



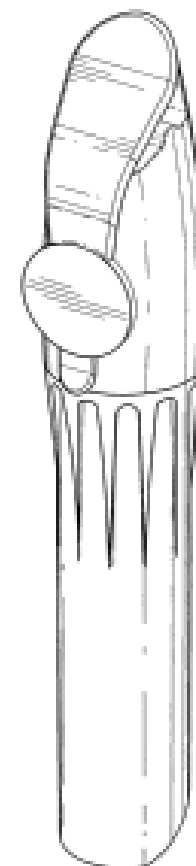
- (21) Design Number: **11978/2008**
(22) Date of Filing Application: **29 April 2008**
(24) Date from which industrial property rights may have effect: **29 April 2008**
(54) Product in respect of which the design is registered: **Motor operator for switchgear**
(51) International Design Classification: **13-03NES**
(71) Name(s) and Address(s) of Applicant(s):
Linak A/S
Smedevaenget 8 Guderup DK-6430 Nordborg Denmark
(72) Name(s) of Designer(s): **Bruno Christensen and Anders Lorenzen and Jens Nansen Paulsen**
(45) Registration Date: **20 August 2008**
(30) Convention priority data:
(31) Number (32) Date (33) Country
DA 2007 31 Oct 2007 DENMARK
00255
(56) Related Art Documents: **Not Applicable**
(57) Statement of Newness and Distinctiveness: **Newness and distinctiveness is claimed in the features of shape and/or configuration of a motor operator for switchgear as illustrated in the accompanying representations.**



- (21) Design Number: **11980/2008**
(22) Date of Filing Application: **29 April 2008**
(24) Date from which industrial property rights may have effect: **29 April 2008**
(54) Product in respect of which the design is registered: **Tread of an automobile tyre**
(51) International Design Classification: **12-15B**
(71) Name(s) and Address(s) of Applicant(s):
The Yokohama Rubber Co., Ltd.
36-11 Shimbashi 5-chome Minato-ku Tokyo Japan
(72) Name(s) of Designer(s): **Hiroshi Hata and Masaki Noro and Izumi Kuramochi and Kenichirou Endou**
(45) Registration Date: **20 August 2008**
(30) Convention priority data:
(31) Number (32) Date (33) Country
2007-029908 30 Oct 2007 JAPAN
(56) Related Art Documents: **Not Applicable**
(57) Statement of Newness and Distinctiveness: **Nil**



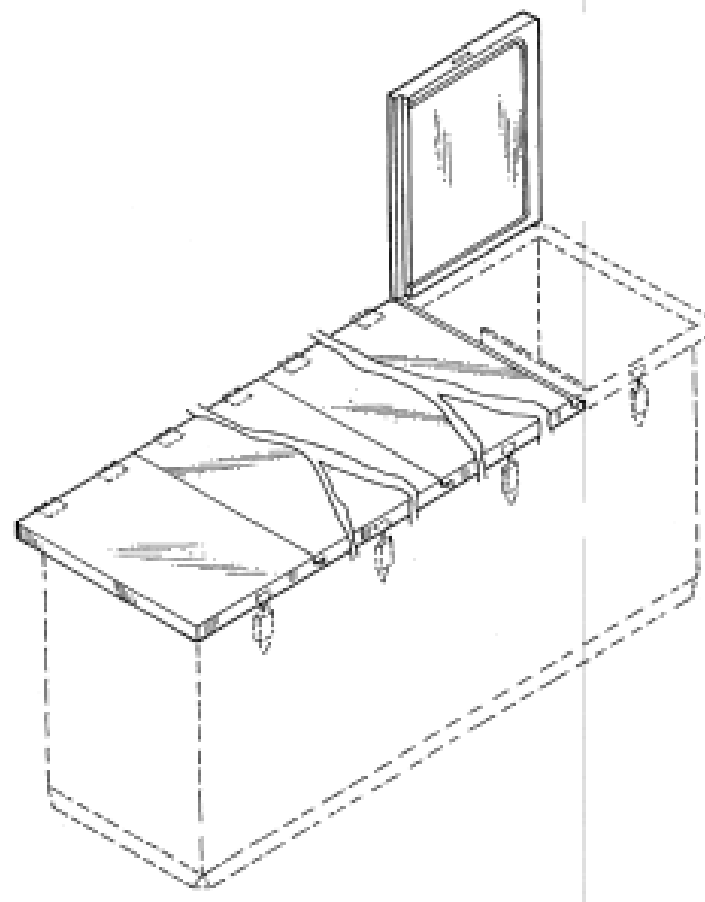
- (21) Design Number: **11981/2008**
(22) Date of Filing Application: **29 April 2008**
(24) Date from which industrial property rights may have effect: **29 April 2008**
(54) Product in respect of which the design is registered: **Medicant dispenser**
(51) International Design Classification: **09-01A, 24-04**
(71) Name(s) and Address(s) of Applicant(s):
Drug Enhancement Company of America, LLC
PO Box 276 Union Kentucky 41091 United States of America
(72) Name(s) of Designer(s): **Gilbert Gonzales and Jacob Griggs and Joel Ira Ivers**
(45) Registration Date: **20 August 2008**
(30) Convention priority data:
(31) Number (32) Date (33) Country
29/296922 31 Oct 2007 UNITED STATES OF AMERICA
(56) Related Art Documents: **Not Applicable**
(57) Statement of Newness and Distinctiveness: **Nil**



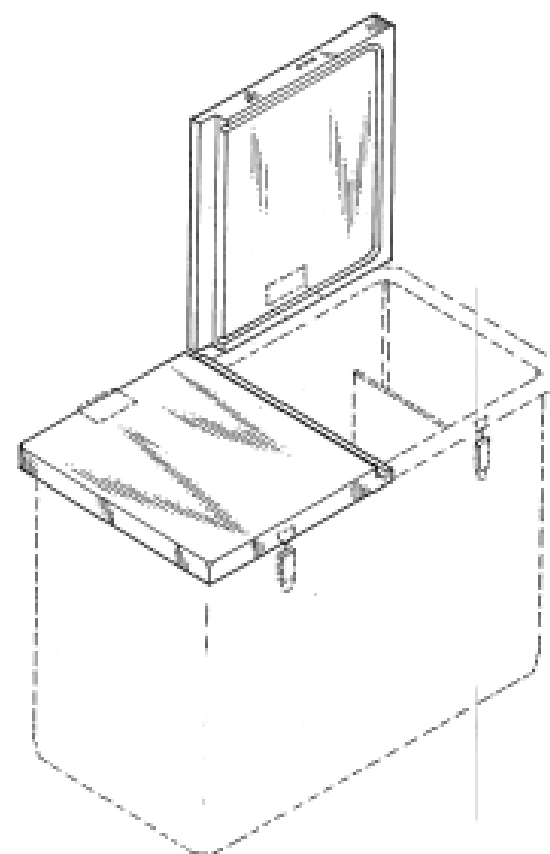
- (21) Design Number: **11982/2008**
(22) Date of Filing Application: **29 April 2008**
(24) Date from which industrial property rights may have effect: **29 April 2008**
(54) Product in respect of which the design is registered: **Hat accessory, bag accessory**
(51) International Design Classification: **02-07A**
(71) Name(s) and Address(s) of Applicant(s):
Michael James Denigan
555 Parkin Road Fly Creek Northern Territory 0837 Australia
(72) Name(s) of Designer(s): **Michael James Denigan**
(45) Registration Date: **20 August 2008**
(56) Related Art Documents: **Not Applicable**
(57) Statement of Newness and Distinctiveness: **The new features of the design are the stitches which secure the components together and for the ability to secure the product to another article, ie. hat or bag.**



- (21) Design Number: **11991/2008**
(22) Date of Filing Application: **29 April 2008**
(24) Date from which industrial property rights may have effect: **29 April 2008**
(54) Product in respect of which the design is registered: **Multipart lid or cover for arrestor or grease trap**
(51) International Design Classification: **23-02E, 23-02NES**
(71) Name(s) and Address(s) of Applicant(s):
Barry Colin Cawthorne
8 Hillview Parade Ashmore Queensland 4214 Australia
(72) Name(s) of Designer(s): **Barry Colin Cawthorne**
(45) Registration Date: **20 August 2008**
(56) Related Art Documents: **Not Applicable**
(57) Statement of Newness and Distinctiveness: **The newness and distinctiveness of the design resides in the features of shape and/or configuration of the lid or cover, having parts of indefinite length, as shown in unbroken lines in the accompanying representations.**



- (21) Design Number: **11992/2008**
(22) Date of Filing Application: **29 April 2008**
(24) Date from which industrial property rights may have effect: **29 April 2008**
(54) Product in respect of which the design is registered: **Multipart lid or cover for arrestor or grease trap**
(51) International Design Classification: **23-02E, 23-02NES**
(71) Name(s) and Address(s) of Applicant(s):
Barry Colin Cawthorne
8 Hillview Parade Ashmore Queensland 4214 Australia
(72) Name(s) of Designer(s): **Barry Colin Cawthorne**
(45) Registration Date: **20 August 2008**
(56) Related Art Documents: **Not Applicable**
(57) Statement of Newness and Distinctiveness: **The newness and distinctiveness of the design resides in the features of shape and/or configuration of the lid or cover shown in unbroken lines in the accompanying representations.**



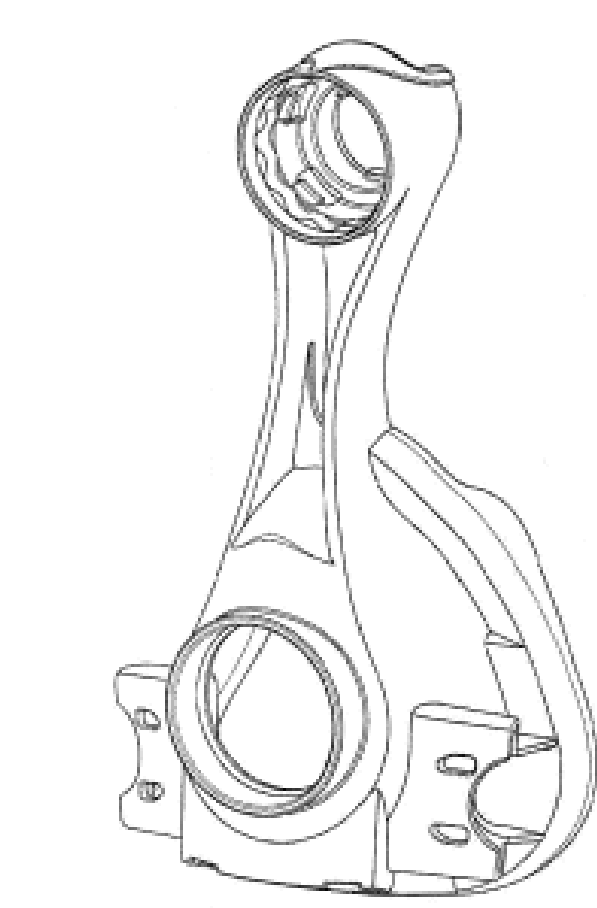
- (21) Design Number: **13396/2008**
(22) Date of Filing Application: **22 July 2008**
(24) Date from which industrial property rights may have effect: **22 July 2008**
(54) Product in respect of which the design is registered: **Educational game**
(51) International Design Classification: **21-01L**
(71) Name(s) and Address(s) of Applicant(s):
David Rouse
241 Carpenter Street Bendigo Victoria 3550 Australia
Leeanne Brown
241 Carpenter Street Bendigo Victoria 3550 Australia
Jennifer Pearce
241 Carpenter Street Bendigo Victoria 3550 Australia
(72) Name(s) of Designer(s): **Vivian James Rouse**
(45) Registration Date: **21 August 2008**
(56) Related Art Documents: **Not Applicable**
(57) Statement of Newness and Distinctiveness: **Child friendly - hinged and folds to a flat compact unit.**



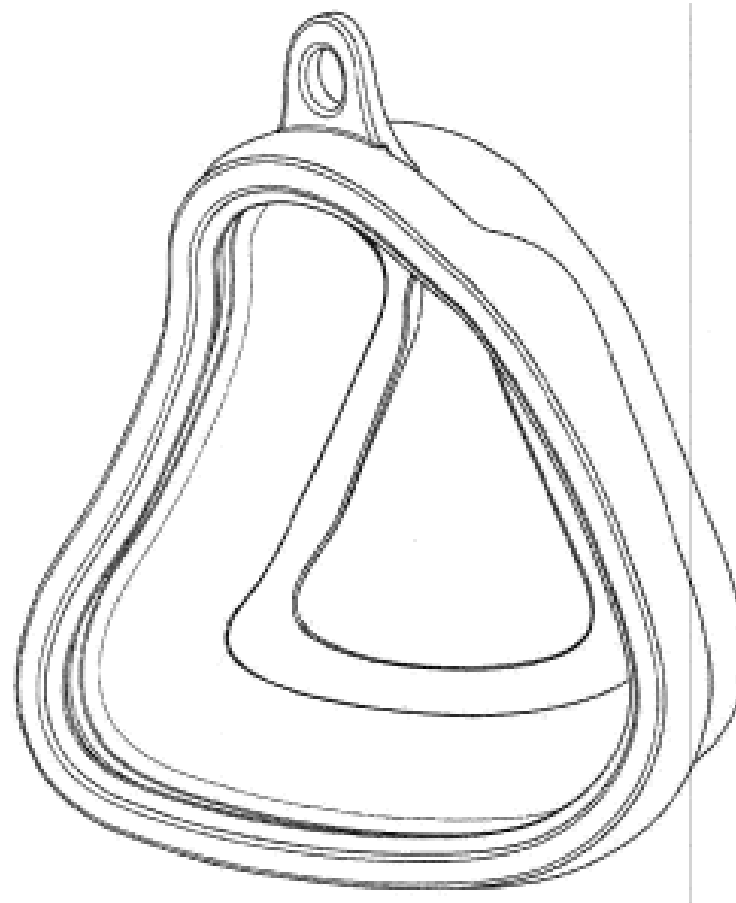
- (21) Design Number: **13441/2008**
(22) Date of Filing Application: **24 July 2008**
(24) Date from which industrial property rights may have effect: **24 July 2008**
(54) Product in respect of which the design is registered: **Bean bag chair for children**
(51) International Design Classification: **06-01L, 06-01E**
(71) Name(s) and Address(s) of Applicant(s):
Gina Niel
27 Parklands Avenue Alphington Victoria 3078 Australia
Julie Fernandez
3 Outlook Drive Doncaster Victoria 3108 Australia
(72) Name(s) of Designer(s): **Julie Fernandez and Gina Niel**
(45) Registration Date: **21 August 2008**
(56) Related Art Documents: **Not Applicable**
(57) Statement of Newness and Distinctiveness: **The features of this bean bag chair are its shape and form.**



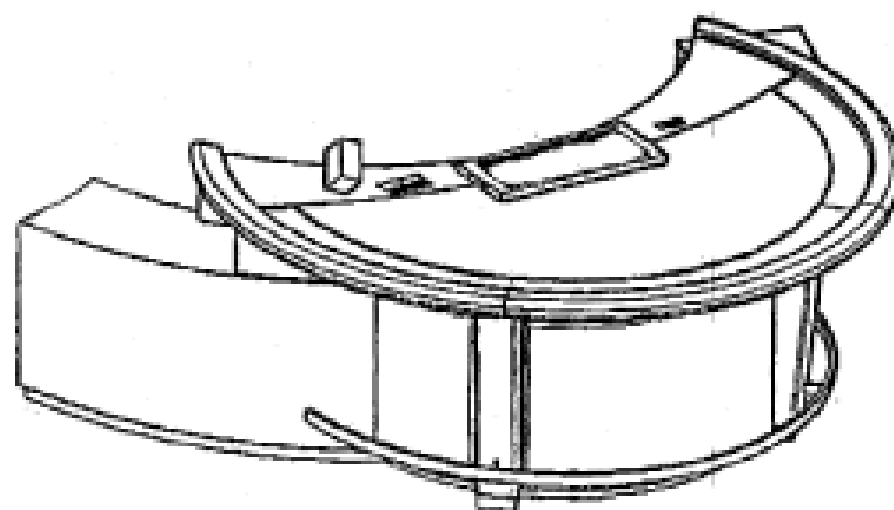
- (21) Design Number: **20991/2007**
(22) Date of Filing Application: **26 November 2007**
(24) Date from which industrial property rights may have effect: **26 November 2007**
(54) Product in respect of which the design is registered: **Frame component of a respiratory mask**
(51) International Design Classification: **24-01**
(71) Name(s) and Address(s) of Applicant(s):
ResMed Ltd
1 Elizabeth Macarthur Drive Bella Vista New South Wales 2153 Australia
(72) Name(s) of Designer(s): **Lemmy Nga and Michael John Reid and Bart Caffin**
(45) Registration Date: **21 August 2008**
(56) Related Art Documents: **Not Applicable**
(57) Statement of Newness and Distinctiveness: **Nil**



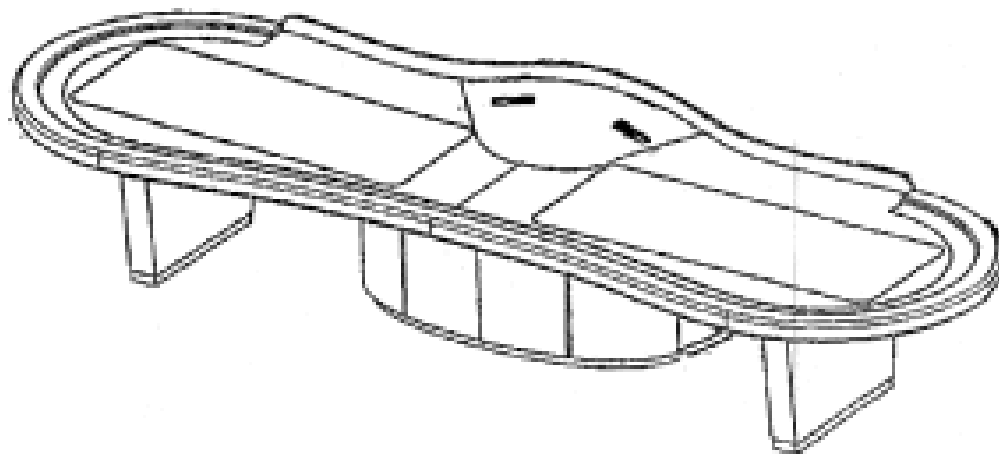
- (21) Design Number: **20992/2007**
(22) Date of Filing Application: **26 November 2007**
(24) Date from which industrial property rights may have effect: **26 November 2007**
(54) Product in respect of which the design is registered: **Cushion component of a respiratory mask**
(51) International Design Classification: **24-01**
(71) Name(s) and Address(s) of Applicant(s):
ResMed Ltd
1 Elizabeth Macarthur Drive Bella Vista New South Wales 2153
Australia
(72) Name(s) of Designer(s): **Michael John Reid and Bart Caffin**
(45) Registration Date: **21 August 2008**
(56) Related Art Documents: **Not Applicable**
(57) Statement of Newness and Distinctiveness: **Nil**



- (21) Design Number: **21349/2007**
(22) Date of Filing Application: **14 December 2007**
(24) Date from which industrial property rights may have effect: **14 December 2007**
(54) Product in respect of which the design is registered: **Black jack table**
(51) International Design Classification: **06-03D**
(71) Name(s) and Address(s) of Applicant(s):
Crown Melbourne Limited
8 Whiteman Street Southbank Victoria 3006 Australia
(72) Name(s) of Designer(s): **Joe Angele and Colin Edwards and Dean Holmes**
(45) Registration Date: **21 August 2008**
(56) Related Art Documents: **Not Applicable**
(57) Statement of Newness and Distinctiveness: **Nil**



(21) Design Number: **21351/2007**
(22) Date of Filing Application: **14 December 2007**
(24) Date from which industrial property rights may have effect: **14 December 2007**
(54) Product in respect of which the design is registered: **Sic bo table**
(51) International Design Classification: **06-03D**
(71) Name(s) and Address(s) of Applicant(s):
Crown Melbourne Limited
8 Whiteman Street Southbank Victoria 3006 Australia
(72) Name(s) of Designer(s): **Joe Angele and Colin Edwards and Dean Holmes**
(45) Registration Date: **21 August 2008**
(56) Related Art Documents: **Not Applicable**
(57) Statement of Newness and Distinctiveness: **Nil**



(21) Design Number: **13513/2008**
(22) Date of Filing Application: **29 July 2008**
(24) Date from which industrial property rights may have effect: **29 July 2008**
(54) Product in respect of which the design is registered: **Surgical reamer**
(51) International Design Classification: **08-05P, 24-02**
(71) Name(s) and Address(s) of Applicant(s):
Orthopedic Development Corporation
6901 90th Avenue Pinellas Park FL 33782 United States of America
(72) Name(s) of Designer(s): **David A. Petersen**
(45) Registration Date: **28 August 2008**
(30) Convention priority data:

(31) Number	(32) Date	(33) Country
29/302,954	29 Jan 2008	UNITED STATES OF AMERICA

(56) Related Art Documents: **Not Applicable**
(57) Statement of Newness and Distinctiveness: **Nil**

(21) Design Number: **13514/2008**

(22) Date of Filing Application: **29 July 2008**

(24) Date from which industrial property rights may have effect: **29 July 2008**

(54) Product in respect of which the design is registered: **Surgical bone plug inserter**

(51) International Design Classification: **24-02**

(71) Name(s) and Address(s) of Applicant(s):

**Orthopedic Development Corporation
6901 90th Avenue Pinellas Park FL 33782 United States of America**

(72) Name(s) of Designer(s): **David A. Petersen**

(45) Registration Date: **28 August 2008**

(30) Convention priority data:

(31) Number	(32) Date	(33) Country
29/302,961	29 Jan 2008	UNITED STATES OF AMERICA

(56) Related Art Documents: **Not Applicable**

(57) Statement of Newness and Distinctiveness: **Nil**

(21) Design Number: **13515/2008**

(22) Date of Filing Application: **29 July 2008**

(24) Date from which industrial property rights may have effect: **29 July 2008**

(54) Product in respect of which the design is registered: **Surgical spatula**

(51) International Design Classification: **24-02**

(71) Name(s) and Address(s) of Applicant(s):

**Orthopedic Development Corporation
6901 90th Avenue Pinellas Park FL 33782 United States of America**

(72) Name(s) of Designer(s): **David A. Petersen**

(45) Registration Date: **28 August 2008**

(30) Convention priority data:

(31) Number	(32) Date	(33) Country
29/302,962	29 Jan 2008	UNITED STATES OF AMERICA

(56) Related Art Documents: **Not Applicable**

(57) Statement of Newness and Distinctiveness: **Nil**

(21) Design Number: **11110/2008**

(22) Date of Filing Application: **04 March 2008**

(24) Date from which industrial property rights may have effect: **04 March 2008**

(54) Product in respect of which the design is registered: **Speed car bed**

(51) International Design Classification: **06-02**

(71) Name(s) and Address(s) of Applicant(s):

Kimyee Furniture Sdn Bhd

**58A Jalan Parit Kangkong Bukit Pasir Batu Pahat Johor 83050
Malaysia**

(72) Name(s) of Designer(s): **Aw Gan Kian**

(45) Registration Date: **28 August 2008**

(56) Related Art Documents: **Not Applicable**

(57) Statement of Newness and Distinctiveness: **Nil**

(21) Design Number: **11111/2008**

(22) Date of Filing Application: **04 March 2008**

(24) Date from which industrial property rights may have effect: **04 March 2008**

(54) Product in respect of which the design is registered: **Modern F1 car bed**

(51) International Design Classification: **06-02**

(71) Name(s) and Address(s) of Applicant(s):

Kimyee Furniture Sdn Bhd

**58A Jalan Parit Kangkong Bukit Pasir Batu Pahat Johor 83050
Malaysia**

(72) Name(s) of Designer(s): **Aw Gan Kian**

(45) Registration Date: **28 August 2008**

(56) Related Art Documents: **Not Applicable**

(57) Statement of Newness and Distinctiveness: **Nil**

(21) Design Number: **11112/2008**

(22) Date of Filing Application: **04 March 2008**

(24) Date from which industrial property rights may have effect: **04 March 2008**

(54) Product in respect of which the design is registered: **Safari bus bunk bed**

(51) International Design Classification: **06-02**

(71) Name(s) and Address(s) of Applicant(s):

Kimyee Furniture Sdn Bhd

**58A Jalan Parit Kangkong Bukit Pasir Batu Pahat Johor 83050
Malaysia**

(72) Name(s) of Designer(s): **Aw Gan Kian**

(45) Registration Date: **28 August 2008**

(56) Related Art Documents: **Not Applicable**

(57) Statement of Newness and Distinctiveness: **Nil**

(21) Design Number: **11113/2008**

(22) Date of Filing Application: **04 March 2008**

(24) Date from which industrial property rights may have effect: **04 March 2008**

(54) Product in respect of which the design is registered: **Fire engine bed with
trundle**

(51) International Design Classification: **06-02**

(71) Name(s) and Address(s) of Applicant(s):

Kimyee Furniture Sdn Bhd

**58A Jalan Parit Kangkong Bukit Pasir Batu Pahat Johor 83050
Malaysia**

(72) Name(s) of Designer(s): **Aw Gan Kian**

(45) Registration Date: **28 August 2008**

(56) Related Art Documents: **Not Applicable**

(57) Statement of Newness and Distinctiveness: **Nil**

- (21) Design Number: **11453/2008**
(22) Date of Filing Application: **27 March 2008**
(24) Date from which industrial property rights may have effect: **27 March 2008**
(54) Product in respect of which the design is registered: **Bed**
(51) International Design Classification: **06-02**
(71) Name(s) and Address(s) of Applicant(s):
 David Eric Pearce
 1/126 Park Street Moonee Ponds Victoria 3039 Australia
(72) Name(s) of Designer(s): **David Eric Pearce**
(45) Registration Date: **28 August 2008**
(56) Related Art Documents: **Not Applicable**
(57) Statement of Newness and Distinctiveness: **Visual features of the design which are new and distinctive are the shape and/or configuration of the bed, as illustrated in the representations.**

- (21) Design Number: **11478/2008**
(22) Date of Filing Application: **28 March 2008**
(24) Date from which industrial property rights may have effect: **28 March 2008**
(54) Product in respect of which the design is registered: **A toilet suite**
(51) International Design Classification: **23-02C**
(71) Name(s) and Address(s) of Applicant(s):
 Xinle Bathroom Products (Foshan) Co., Ltd.
 Ying Bathroom Products H/Q Bld Laichang Gang Shiwan Chancheng
 District Foshan City 528031 Guangdong Province China
(72) Name(s) of Designer(s): **Hongchen Xu and Anthony Lai**
(45) Registration Date: **28 August 2008**
(56) Related Art Documents: **Not Applicable**
(57) Statement of Newness and Distinctiveness: **Newness and distinctiveness is claimed in the features of shape and/configuration of a toilet suite as illustrated in the accompanying representations.**

- (21) Design Number: **12003/2008**
(22) Date of Filing Application: **30 January 2008**
(24) Date from which industrial property rights may have effect: **30 January 2008**
(54) Product in respect of which the design is registered: **Smoking article**
(51) International Design Classification: **27-01**
(71) Name(s) and Address(s) of Applicant(s):
 British American Tobacco (Investments) Limited
 Globe House 1 Water Street London WC2R 3LA United Kingdom
(72) Name(s) of Designer(s): **Karl Kaljura**
(45) Registration Date: **28 August 2008**
(62) Divisional of: **319704**
(56) Related Art Documents: **Not Applicable**
(57) Statement of Newness and Distinctiveness: **Newness and distinctiveness reside in the features of shape and configuration of a smoking article as illustrated in the accompanying representations.**

- (21) Design Number: **12004/2008**
(22) Date of Filing Application: **30 January 2008**
(24) Date from which industrial property rights may have effect: **30 January 2008**
(54) Product in respect of which the design is registered: **Smoking article**
(51) International Design Classification: **27-01**
(71) Name(s) and Address(s) of Applicant(s):
 British American Tobacco (Investments) Limited
 Globe House 1 Water Street London WC2R 3LA United Kingdom
(72) Name(s) of Designer(s): **Karl Kaljura**
(45) Registration Date: **28 August 2008**
(62) Divisional of: **319704**
(56) Related Art Documents: **Not Applicable**
(57) Statement of Newness and Distinctiveness: **Newness and distinctiveness resides in the features of shape and configuration of a smoking article as illustrated in the accompanying representations.**

- (21) Design Number: **12005/2008**
(22) Date of Filing Application: **30 January 2008**
(24) Date from which industrial property rights may have effect: **30 January 2008**
(54) Product in respect of which the design is registered: **Smoking article**
(51) International Design Classification: **27-01**
(71) Name(s) and Address(s) of Applicant(s):
 British American Tobacco (Investments) Limited
 Globe House 1 Water Street London WC2R 3LA United Kingdom
(72) Name(s) of Designer(s): **Karl Kaljura**
(45) Registration Date: **28 August 2008**
(62) Divisional of: **319704**
(56) Related Art Documents: **Not Applicable**
(57) Statement of Newness and Distinctiveness: **Newness and distinctiveness resides in the features of shape and configuration of a smoking article as illustrated in the accompanying representations.**

- (21) Design Number: **12006/2008**
(22) Date of Filing Application: **30 January 2008**
(24) Date from which industrial property rights may have effect: **30 January 2008**
(54) Product in respect of which the design is registered: **Smoking article**
(51) International Design Classification: **27-01**
(71) Name(s) and Address(s) of Applicant(s):
 British American Tobacco (Investments) Limited
 Globe House 1 Water Street London WC2R 3LA United Kingdom
(72) Name(s) of Designer(s): **Karl Kaljura**
(45) Registration Date: **28 August 2008**
(62) Divisional of: **319704**
(56) Related Art Documents: **Not Applicable**
(57) Statement of Newness and Distinctiveness: **Newness and distinctiveness resides in the features of shape and configuration of a smoking article as illustrated in the accompanying representations.**

- (21) Design Number: **12007/2008**
(22) Date of Filing Application: **30 January 2008**
(24) Date from which industrial property rights may have effect: **30 January 2008**
(54) Product in respect of which the design is registered: **Smoking article**
(51) International Design Classification: **27-01**
(71) Name(s) and Address(s) of Applicant(s):
 British American Tobacco (Investments) Limited
 Globe House 1 Water Street London WC2R 3LA United Kingdom
(72) Name(s) of Designer(s): **Karl Kaljura**
(45) Registration Date: **28 August 2008**
(62) Divisional of: **319704**
(56) Related Art Documents: **Not Applicable**
(57) Statement of Newness and Distinctiveness: **Newness and distinctiveness resides in the features of shape and configuration of a smoking article as illustrated in the accompanying representations.**

- (21) Design Number: **12008/2008**
(22) Date of Filing Application: **30 January 2008**
(24) Date from which industrial property rights may have effect: **30 January 2008**
(54) Product in respect of which the design is registered: **Smoking article**
(51) International Design Classification: **27-01**
(71) Name(s) and Address(s) of Applicant(s):
 British American Tobacco (Investments) Limited
 Globe House 1 Water Street London WC2R 3LA United Kingdom
(72) Name(s) of Designer(s): **Karl Kaljura**
(45) Registration Date: **28 August 2008**
(62) Divisional of: **319704**
(56) Related Art Documents: **Not Applicable**
(57) Statement of Newness and Distinctiveness: **Newness and distinctiveness resides in the features of shape and configuration of a smoking article as illustrated in the accompanying representations.**

- (21) Design Number: **12009/2008**
(22) Date of Filing Application: **30 January 2008**
(24) Date from which industrial property rights may have effect: **30 January 2008**
(54) Product in respect of which the design is registered: **Smoking article**
(51) International Design Classification: **27-01**
(71) Name(s) and Address(s) of Applicant(s):
 British American Tobacco (Investments) Limited
 Globe House 1 Water Street London WC2R 3LA United Kingdom
(72) Name(s) of Designer(s): **Karl Kaljura**
(45) Registration Date: **28 August 2008**
(62) Divisional of: **319704**
(56) Related Art Documents: **Not Applicable**
(57) Statement of Newness and Distinctiveness: **Newness and distinctiveness resides in the features of shape and configuration of a smoking article as illustrated in the accompanying representations.**

- (21) Design Number: **12033/2008**
(22) Date of Filing Application: **01 May 2008**
(24) Date from which industrial property rights may have effect: **01 May 2008**
(54) Product in respect of which the design is registered: **Drill stand back support**
(51) International Design Classification: **08-08NES**
(71) Name(s) and Address(s) of Applicant(s):
 Husqvarna Professional Outdoor Products Inc.
 17400W 119th Street Olathe Kansas 66061 United States of America
(72) Name(s) of Designer(s): **Anthony Baratta**
(45) Registration Date: **28 August 2008**
(30) Convention priority data:
 (31) Number (32) Date (33) Country
 29/297098 02 Nov 2007 UNITED STATES OF AMERICA
(56) Related Art Documents: **Not Applicable**
(57) Statement of Newness and Distinctiveness: **Newness and distinctiveness is claimed in the features of shape and/or configuration of a drill stand back support as illustrated in the accompanying representations.**