



Australian Government

IP Australia

AUSTRALIAN OFFICIAL JOURNAL

OF

DESIGNS

Did you know a searchable version of this journal is now available online?

It's FREE and EASY to SEARCH.

Find it at

<http://pericles.ipaustralia.gov.au/ols/epublish/content/olsEpublications.jsp>
or using the "Online Journals" link on the IP Australia home page.

This Page Left Intentionally Blank

Contents

General Information & Notices

Proceedings Under the Designs Act 1906 preserved as a result of the provisions of Chapter 12 Part 2 of the Designs Act 2003

Extension of Period of Registration of Designs	2228
Names Registered - Alterations and Amendments	2228
Registrations Ceased	2228
Subsequent Owners Registered	2228

Proceedings Under the Designs Act 2003

Applications for Extension of Time Under Section 137	2236
Applications Assigned	2236
Applications Lodged	2233
Applications Withdrawn	2235
Certificate of Examination	2239
Corrigenda	2238
Extension of Time Granted Under Section 137	2236
Publication and Registration Proceedings	
Designs Registered 320834 to 320978.....	2240
Registrations Ceased	2236
Subsequent Owners Registered	2236

This Page Left Intentionally Blank

For information on the following please see our website www.ipaustralia.gov.au or contact our Customer Service Network on 1300651010

[Editorial enquiries](#)

[Contact information](#)

[Freedom of Information ACT](#)

[Professional Standards Board](#)

[Sales](#)

[Requests for Information under Section 194 \(c\)](#)

[Country Codes](#)

[Trade Mark and Designs Hearing Sessions](#)

[INID \(Internationally agreed Numbers for the Identification of Data\)](#)

“INID” NUMBERS in use on Australian Design Documents

“INID” is an acronym for “Internationally agreed Numbers for the Identification of Data”.

(10) Data concerning the registration/renewal

- (11) Serial number of the registration and/or number of the design document
- (12) Plain language designation of the kind of published document
- (19) Identification, using the two-letter code according to WIPO Standard ST.3, of the authority publishing or registering the industrial design

(20) Data concerning the application

- (21) Serial number of the application
- (22) Date of filing of the application
- (24) Date from which the industrial design right has effect

(30) Data relating to priority under the Paris Convention

- (31) Serial number assigned to the priority application
- (32) Date of filing of the priority application
- (33) Two-letter code, according to WIPO Standard ST.3, identifying the authority with which the priority application was made

(40) Date(s) of making information available to the public

- (45) Date of publication of the registered industrial design by printing or similar process, or making it available to the public by any other means

(50) Miscellaneous Information

- (51) International Classification for Industrial Designs (class and subclass of the Locarno Classification)
- (54) Designation of article(s) or product(s) covered by the industrial design or title of the industrial design
- (55) Reproduction of the industrial design (e.g., drawing, photograph) and explanations relating to the reproduction
- (56) List of prior art documents, if separate from descriptive text
- (57) Description of characteristic features of the industrial design including indication of colours

(60) References to other legally related application(s) and registration(s)

- (62) Serial number(s) and, if available, filing date(s) of application(s), registration(s) or document(s) related by division
- (66) Serial number(s) of the application, or the registration, of the design(s) which is (are) a variant(s) of the present one

(70) Identification of parties concerned with the application or registration

- (71) Name(s) and address(es) of the applicant(s)
- (72) Name(s) of the creator(s) if known to be such
- (74) Name(s) and address(es) of the representative(s)

This Page Left Intentionally Blank

Official Notice

Missing Representations

The following 17 Design Registrations that have been previously published in the Australian Official Journal of Designs in Vol. 22, No. 18 of 4 September 2008 have their representations missing. The representations for these designs are now advertised in this issue.

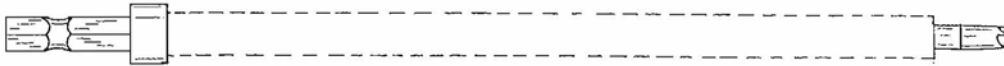
Please note:

The bibliographic information and representations were available from 28 August 2008 on the Australian Designs Data Searching (ADDS), and 18 September 2008 in the Designs Online Searchable Journal.

Contact: IP Australia
Phone: 1300 651 010
Fax: +61 2 6283 7999
E-Mail: assist@ipaustralia.gov.au
Web: www.ipaustralia.gov.au

Official Notice**Missing Representations****AU-S-320817**

In Vol. 22, No. 18 page 2218 under the heading Australian Registered Design: The representation should appear as shown below:

**AU-S-320818**

In Vol. 22, No. 18 page 2219 under the heading Australian Registered Design: The representation should appear as shown below:

**AU-S-320819**

In Vol. 22, No. 18 page 2219 under the heading Australian Registered Design: The representation should appear as shown below:



Contact: IP Australia
Phone: 1300 651 010
Fax: +61 2 6283 7999
E-Mail: assist@ipaaustralia.gov.au
Web: www.ipaustralia.gov.au

Official Notice**Missing Representations****AU-S-320820**

In Vol. 22, No. 18 page 2220 under the heading Australian Registered Design: The representation should appear as shown below:

**AU-S-320821**

In Vol. 22, No. 18 page 2220 under the heading Australian Registered Design: The representation should appear as shown below:



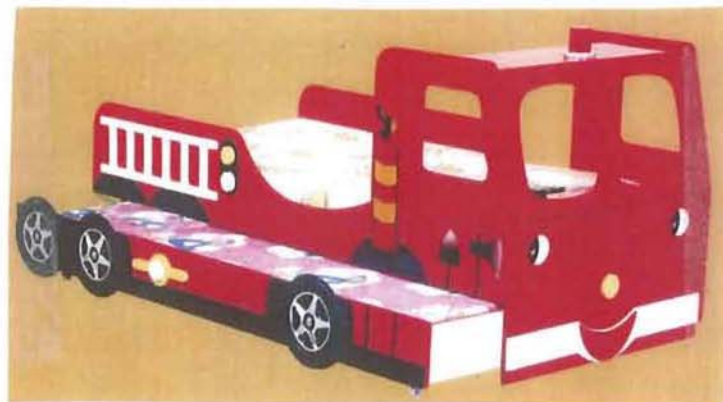
Contact: IP Australia
Phone: 1300 651 010
Fax: +61 2 6283 7999
E-Mail: assist@ipaaustralia.gov.au
Web: www.ipaustralia.gov.au

Official Notice**Missing Representations****AU-S-320822**

In Vol. 22, No. 18 page 2221 under the heading Australian Registered Design: The representation should appear as shown below:

**AU-S-320823**

In Vol. 22, No. 18 page 2221 under the heading Australian Registered Design: The representation should appear as shown below:



Contact: IP Australia
Phone: 1300 651 010
Fax: +61 2 6283 7999
E-Mail: assist@ipaaustralia.gov.au
Web: www.ipaustralia.gov.au

Official Notice**Missing Representations****AU-S-320824**

In Vol. 22, No. 18 page 2222 under the heading Australian Registered Design: The representation should appear as shown below:

**AU-S-320825**

In Vol. 22, No. 18 page 2222 under the heading Australian Registered Design: The representation should appear as shown below:



Contact: IP Australia
Phone: 1300 651 010
Fax: +61 2 6283 7999
E-Mail: assist@ipaaustralia.gov.au
Web: www.ipaustralia.gov.au

Official Notice**Missing Representations****AU-S-320826**

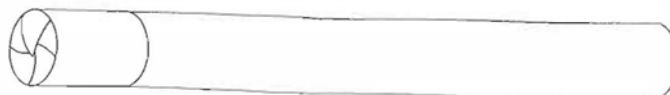
In Vol. 22, No. 18 page 2223 under the heading Australian Registered Design: The representation should appear as shown below:

**AU-S-320827**

In Vol. 22, No. 18 page 2223 under the heading Australian Registered Design: The representation should appear as shown below:

**AU-S-320828**

In Vol. 22, No. 18 page 2224 under the heading Australian Registered Design: The representation should appear as shown below:



Contact: IP Australia
Phone: 1300 651 010
Fax: +61 2 6283 7999
E-Mail: assist@ipaustralia.gov.au
Web: www.ipaustralia.gov.au

Official Notice**Missing Representations****AU-S-320829**

In Vol. 22, No. 18 page 2224 under the heading Australian Registered Design: The representation should appear as shown below:

**AU-S-320830**

In Vol. 22, No. 18 page 2225 under the heading Australian Registered Design: The representation should appear as shown below:

**AU-S-320831**

In Vol. 22, No. 18 page 2225 under the heading Australian Registered Design: The representation should appear as shown below:



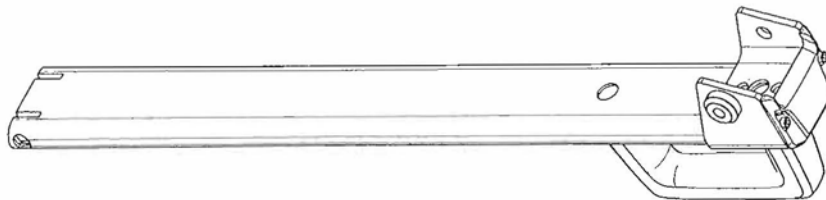
Contact: IP Australia
Phone: 1300 651 010
Fax: +61 2 6283 7999
E-Mail: assist@ipaaustralia.gov.au
Web: www.ipaustralia.gov.au

Official Notice**Missing Representations****AU-S-320832**

In Vol. 22, No. 18 page 2226 under the heading Australian Registered Design: The representation should appear as shown below:

**AU-S-320833**

In Vol. 22, No. 18 page 2226 under the heading Australian Registered Design: The representation should appear as shown below:



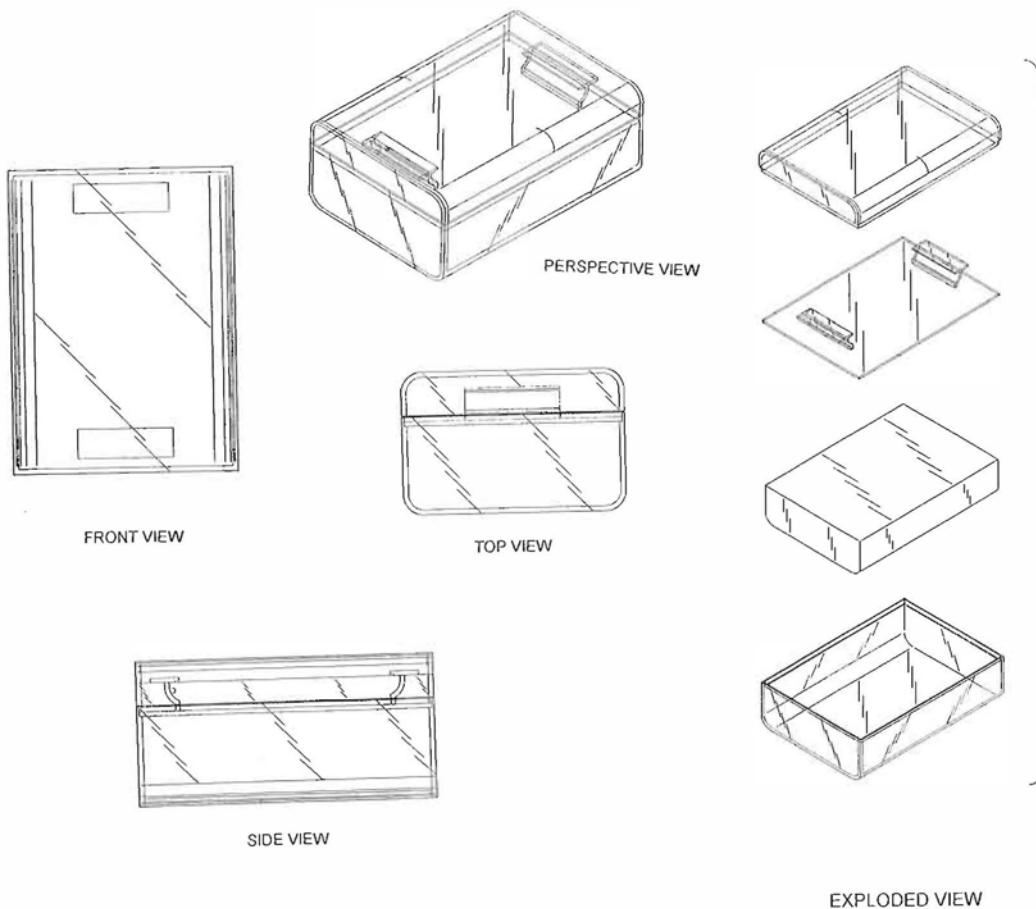
Contact: IP Australia
Phone: 1300 651 010
Fax: +61 2 6283 7999
E-Mail: assist@ipaaustralia.gov.au
Web: www.ipaustralia.gov.au

Official Notice

**Designs Act 2003
Correction of Register**

The following corrections under Regulation 9.05 (1) have been made to details previously published in the Australian Official Journal of Designs.

Registration Number	Amendment type	New details
320392	Representations	Representations as below



Contact: IP Australia
Phone: 1300 651 010
Fax: +61 2 6283 7999
E-Mail: assist@ipaaustralia.gov.au
Web: www.ipaustralia.gov.au

Official Notice**Designs Act 2003
Amendments to Registered Designs at Examination**

The following amendments have been made to details previously published in the Australian Official Journal of Designs during the Examination process:

Registration Numbers	Amendment type	New details
301107	Classification	08-06, 08-07
314873	Classification	04-02, 28-03Z
314874	Classification	04-02, 28-03Z
317924	Classification	07-01F, 07-01G
319230	Classification	08-08Z
319832	Classification	08-09
319833	Classification	08-09
319851	Classification	09-01B
319852	Classification	09-01B
319853	Classification	09-01B
319854	Classification	09-01B
319855	Classification	26-06
319962	Classification	08-08B, 08-08Z
319963	Classification	08-08B, 08-08Z
320018	Classification	11-02Z

Contact: IP Australia
Phone: 1300 651 010
Fax: +61 2 6283 7999
E-Mail: assist@ipaustralia.gov.au
Web: www.ipaustralia.gov.au

Proceedings under the Designs Act 1906 preserved as a result of the provisions of Chapter 12 Part 2 of the Designs Act 2003.

This Page Left Intentionally Blank

Applications Lapsed

There were no Applications Lapsed under this section

Extension of Period of Registration of Designs

2nd Period (Section 27A(12))

149499	149544	149923
150036	150075	150078
150095	150096	150098
150099	150100	150119
150177	150190	150191
150192	150230	150361
150362	150364	150442
150475	150520	150637
150677	150685	150714
150715	150716	150820
150922	150987	151042
151046	151047	151284
151346	151376	151972
152608	153362	154026
154027	154028	154305
154381	154441	154526
154527	154695	155036

3rd Period (Section 27A(13))

131898	133142	133143
133215	133294	133298
133306	133366	133391
133427	133431	133456
133457	133461	133464
133659	133742	133988
134785	135501	136023
136469	138490	139020
139021	139022	143133
144290	157981	

Registrations Ceased

Note: Some of the following Registrations may have been previously advertised as ceased. In this instance, the previous advertisement still prevails.

115611	117034	119538
122368	131039	131040
131041	131042	131043
131274	131307	131309
131317	131318	131480
131481	131859	132046
132086	132087	132088
132761	132762	132763
132764	132765	132766
132767	132768	132769
133408	133811	133812
133813	134011	134249
140130	147624	147626
147627	147628	147629
147630	147649	147685
147686	147687	148188
148231	148628	148662

148769	148778	148910
148986	148987	149176
149596	149879	149913
149914	150013	150773
150792	150793	151844
151977	152440	154209

Subsequent Owners Registered

(The name in parentheses is that of the subsequent owner)

140768	(Harbrae Holdings Pty Ltd) Purecab International Pty Ltd
130692	(Kovatch Nominees Pty Ltd) Energy Based Pty Ltd
129494	(Parmalat Australia Ltd (A.C.N. 072 928 879)) Parmalat Australia Ltd
140423	(Parmalat Australia Ltd (A.C.N. 072 928 879)) Parmalat Australia Ltd
153489	(Parmalat Australia Ltd (A.C.N. 072 928 879)) Parmalat Australia Ltd
153490	(Parmalat Australia Ltd (A.C.N. 072 928 879)) Parmalat Australia Ltd
158239	(Belron Hungary Kft-Zug branch) Carglass Luxembourg S.a.r.l., Zug branch
145054	(Screenex Pty Ltd) Melwire Pty Ltd
124790	(Screenex Pty Ltd) Melwire Pty Ltd
148570	(Screenex Pty Ltd) Melwire Pty Ltd
146844	(Screenex Pty Ltd) Melwire Pty Ltd
157943	(Island Stone International Limited) Stone International Limited
155016	(Tapware Australia Pty Ltd) Monomer Pty Limited
119206	(PPI Corporation Pty Ltd) PPI Industries Pty Ltd
150144	(Sears Brands, L.L.C.) Footstar Corporation

Names Registered - Alterations and Amendments

(The name in parentheses is the new name of the proprietor)

124617	(CAFEA GmbH) Kord Beteiligungsges m.b.H. & Co. K.G
--------	--

This Page Left Intentionally Blank

Proceedings under the Designs Act 2003.

This Page Left Intentionally Blank

Applications Lodged

Lodgement information is in the following order: **Applicant's Name**; International Classification, Name of Product, Lodgement Date and **Design Number**. If the applicant claims an earlier priority date under an International Convention, the Convention Country and the associated filing date are shown in parentheses before the Lodgement Date. Divisional information will also appear in parentheses before the Lodgement Date.

AgResearch Limited; 08-03, 15-03NES, Plough for deboning carcasses, (NZ, 15 Feb 2008) 15 Aug 2008	13994/2008	Elanora Australia; 99-00, Top loading incense tower (3pages), 14 Aug 2008	13995/2008
Aktiebolaget Electrolux; 07-02A, A stove, (Divisional of 11642/2008) 09 Apr 2008	14080/2008	Emcom Technology Inc; 10-05, A sensor, 12 Aug 2008	13835/2008
Ames True Temper, Inc.; 08-03, Edger blade, (US, 11 Mar 2008) 27 Aug 2008	14149/2008	Emker S.A.; 07-05NES, 28-99, Biowashball, (EM, 12 Feb 2008) 12 Aug 2008	13837/2008
Bicycle Corporation Pty Ltd, The; 12-16K, Bicycle carrier, 13 Aug 2008	13886/2008	First Data Corporation; 18-01, Point of sale device, (US, 14 Sep 2007) 14 Mar 2008	13966/2008
Bicycle Corporation Pty Ltd, The; 12-16K, Bicycle carrier, 13 Aug 2008	13887/2008	Frenchporte IP, LLC; 25-02B, An overhead garage door facade, (US, 12 Feb 2008) 12 Aug 2008	13838/2008
Bicycle Corporation Pty Ltd, The; 12-16K, Bicycle carrier detachable base, 13 Aug 2008	13888/2008	Frenchporte IP, LLC; 25-02B, An overhead garage door facade, (US, 12 Feb 2008) 12 Aug 2008	13839/2008
Bicycle Corporation Pty Ltd, The; 12-16K, Bicycle carrier detachable base, 13 Aug 2008	13885/2008	Gripping Eyewear, Inc.; 20-02E, Magnetic display for eyewear, (US, 19 Feb 2008) 13 Aug 2008	13867/2008
Bridgestone Firestone North American Tire, LLC; 12-15C, Tire, (US, 01 Feb 2008) 31 Jul 2008	14294/2008	ITT Manufacturing Enterprises Inc.; 15-02, Pump part, (EM, 26 Feb 2008) 11 Aug 2008	13832/2008
Bridgestone Firestone North American Tire, LLC; 12-15C, Tire, (US, 01 Feb 2008) 31 Jul 2008	14295/2008	ITT Manufacturing Enterprises Inc.; 15-02, Pump part, (EM, 26 Feb 2008) 11 Aug 2008	13831/2008
Bridgestone Firestone North American Tire, LLC; 12-15C, Tire, (US, 01 Feb 2008) 31 Jul 2008	14296/2008	Legrand France; Legrand SNC; 13-03C, Electric box, (EM, 11 Mar 2008) 13 Aug 2008	13866/2008
Creative Technology Ltd; 14-01, Loudspeaker, (US, 22 Feb 2008) 13 Aug 2008	13875/2008	Legrand France; Legrand SNC; 13-03C, Electric box, (EM, 11 Mar 2008) 13 Aug 2008	13865/2008
Creative Technology Ltd; 14-01, Loudspeaker, (US, 22 Feb 2008) 13 Aug 2008	13876/2008	Legrand SNC; Legrand France; 13-03C, Electric box, (EM, 11 Mar 2008) 13 Aug 2008	13865/2008
Creative Technology Ltd; 14-01, Media player, (US, 23 May 2008) 13 Aug 2008	13877/2008	Legrand SNC; Legrand France; 13-03C, Electric box, (EM, 11 Mar 2008) 13 Aug 2008	13866/2008
Creative Technology Ltd; 14-01, Media player, (US, 16 May 2008) 13 Aug 2008	13878/2008	Linda Dugan Pty Ltd; 02-02NES, 02-01NES, Article of clothing, 13 Aug 2008	13863/2008
Creative Technology Ltd; 14-01, Entertainment Device, (US, 23 May 2008) 13 Aug 2008	13879/2008	LG Electronics Inc.; 14-03B, Television monitor, (KR, 14 Feb 2008) 13 Aug 2008	13864/2008
Creative Technology Ltd; 14-01, Loudspeaker, (US, 17 Mar 2008) 13 Aug 2008	13880/2008	Mary Kay, Inc.; 09-03M, Container, (US, 14 Aug 2007) 06 Feb 2008	14133/2008
CSP Technologies, Inc.; 24-02, Vial, (US, 13 Jun 2008) 12 Aug 2008	13840/2008	Mary Kay, Inc.; 09-03M, Container, (US, 14 Aug 2007) 06 Feb 2008	14132/2008
CSP Technologies, Inc.; 24-02, Vial with projection, (US, 13 Jun 2008) 12 Aug 2008	13841/2008	MO-EL S.R.L.; 23-03NES, Infrared heating lamp, (EM, 13 Feb 2008) 12 Aug 2008	13834/2008

Natuzzi S.P.A.; 06-01G, Sofa, 12 Aug 2008	13845/2008	Research In Motion Limited; 14-02, 14-03E, Dual display hand-held electronic device, (US, 15 Feb 2008) 14 Aug 2008	13973/2008
Natuzzi S.P.A.; 06-01G, Sofa, 12 Aug 2008	13846/2008		
Natuzzi S.P.A.; 06-01G, Sofa, 12 Aug 2008	13847/2008	Scott, Benjamin Andrew; 07-02E, The great Australian BBQ plate., 15 Aug 2008	13889/2008
Natuzzi S.P.A.; 06-01G, Sofa, 12 Aug 2008	13848/2008	Shiseido Co., Ltd.; 03-01D, Compact case, 12 Aug 2008	13843/2008
Natuzzi S.P.A.; 06-01G, Sofa, 12 Aug 2008	13849/2008	Shiseido Co., Ltd.; 03-01D, Compact case, 12 Aug 2008	13844/2008
Natuzzi S.P.A.; 06-01G, Sofa, 12 Aug 2008	13850/2008	Surprise Brands Pty Ltd; 09-01K, Bottle with detachable cover plate, 11 Aug 2008	13830/2008
Natuzzi S.P.A.; 06-01G, Sofa, 12 Aug 2008	13851/2008		
Natuzzi S.P.A.; 06-01G, Sofa, 12 Aug 2008	13852/2008	Trim-Tex, Inc.; 08-05N, Sanding pad, (US, 18 Feb 2008) 13 Aug 2008	13869/2008
Norton, Mathew; 08-03, 15-09, The cast toggle latch attachment 230mm dust shroud design, 12 Aug 2008	13882/2008	Trim-Tex, Inc.; 25-01NES, Trimming strip, (US, 24 Apr 2008) 13 Aug 2008	13870/2008
Norton, Mathew; 08-06, Design addition to floor grinder handle and bracket design no 315633, 12 Aug 2008	13883/2008	Vernacare Limited; 23-02F, 24-01, Washbowl, (EM, 11 Feb 2008) 13 Aug 2008	13881/2008
Norton, Mathew; 08-06, Design addition to floor grinder handle and bracket design no 315633, 12 Aug 2008	13884/2008	Weir Minerals Australia Ltd; 15-02, Pump liner component, 14 Aug 2008	13900/2008
Organic Evolution Pty Ltd; 28-03C, Device for shaping hair, 12 Aug 2008	13836/2008	Weir Minerals Australia Ltd; 15-02, Reinforcement ring, 14 Aug 2008	13908/2008
Preston, John Clement; 25-02NES, A barrier panel, 30 Apr 2008	14083/2008	Weir Minerals Australia Ltd; 15-02, Pump liner, 14 Aug 2008	13909/2008
Reckitt Benckiser (UK) Limited; 09-01NES, 28-99, Air freshener device, (EM, 20 Feb 2008) 20 Aug 2008	14071/2008	Weir Minerals Australia Ltd; 15-02, Impeller, 14 Aug 2008	13910/2008
Reckitt Benckiser (UK) Limited; 09-01NES, 28-99, Air freshener device, (EM, 20 Feb 2008) 20 Aug 2008	14072/2008	Weir Minerals Australia Ltd; 15-02, Frame plate liner insert, 14 Aug 2008	13911/2008
Reckitt Benckiser (UK) Limited; 28-99, Air freshener device, (EM, 26 Mar 2008) 20 Aug 2008	14064/2008	Weir Minerals Australia Ltd; 15-02, Pump liner component, 14 Aug 2008	13901/2008
Reckitt Benckiser (UK) Limited; 28-99, Air freshener device, (EM, 26 Mar 2008) 20 Aug 2008	14065/2008	Weir Minerals Australia Ltd; 15-02, Pump intake component, 14 Aug 2008	13902/2008
Reckitt Benckiser (UK) Limited; 28-99, Air freshener device, (EM, 26 Mar 2008) 20 Aug 2008	14066/2008	Weir Minerals Australia Ltd; 15-02, Stuffing box, 14 Aug 2008	13903/2008
Reckitt Benckiser (UK) Limited; 28-99, Air freshener device, (EM, 26 Mar 2008) 20 Aug 2008	14067/2008	Weir Minerals Australia Ltd; 15-02, Reinforcement ring, 14 Aug 2008	13904/2008
Reckitt Benckiser (UK) Limited; 09-01NES, Bottle, (EM, 20 Feb 2008) 20 Aug 2008	14068/2008	Weir Minerals Australia Ltd; 15-02, Threaded ring, 14 Aug 2008	13905/2008
Reckitt Benckiser (UK) Limited; 09-07C, Bottle lid, (EM, 20 Feb 2008) 20 Aug 2008	14069/2008	Weir Minerals Australia Ltd; 15-02, Holder, 14 Aug 2008	13906/2008
Reckitt Benckiser (UK) Limited; 09-01NES, Bottle with lid, (EM, 20 Feb 2008) 20 Aug 2008	14070/2008	Weir Minerals Australia Ltd; 15-02, Pinion gear, 14 Aug 2008	13907/2008
Reckitt Benckiser (UK) Limited; 09-01NES, 28-99, Air freshener device, (EM, 20 Feb 2008) 20 Aug 2008		Weir Minerals Australia Ltd; 15-02, Pump assembly, 14 Aug 2008	13890/2008
		Weir Minerals Australia Ltd; 15-02, Pump casing assembly, 14 Aug 2008	13891/2008
		Weir Minerals Australia Ltd; 23-01B, Intake joint ring, 14 Aug 2008	13892/2008
		Weir Minerals Australia Ltd; 23-01A, Expeller ring, 14 Aug 2008	13893/2008

Weir Minerals Australia Ltd; 23-01A, 15-02, Expeller, 14 Aug 2008	13894/2008	Weir Minerals Australia Ltd; 15-02, Pump casing component, 14 Aug 2008	13898/2008
Weir Minerals Australia Ltd; 15-02, 08-08B, Fixing pin, 14 Aug 2008	13895/2008	Weir Minerals Australia Ltd; 15-02, Pump casing component, 14 Aug 2008	13899/2008
Weir Minerals Australia Ltd; 23-01A, Retainer ring, 14 Aug 2008	13896/2008		
Weir Minerals Australia Ltd; 08-08NES, 15-02, Frame, 14 Aug 2008	13897/2008		

Applications Withdrawn

11846 / 2008 (07-99NES)

Registrations Ceased

312098	312602	313313
313316	315373	315374

Applications for Extension of time under Section 137

Applications under section 137 for extension of time have been lodged. Objections must be lodged within 1 month from the date of this journal.

13010/2008 **Design Mobel NZ Limited** Address for Service:
Griffith Hack GPO Box 4164 SYDNEY NSW 2001

Extensions of time granted under Section 137

Applications lodged under section 137 for extension of time have been granted.

312493 **Juwel Aquarium GmbH & Co. KG**

312494 **Juwel Aquarium GmbH & Co. KG**

312112 **Juwel Aquarium GmbH & Co. KG**

312495 **Juwel Aquarium GmbH & Co. KG**

312096 **Juwel Aquarium GmbH & Co. KG**

312113 **Juwel Aquarium GmbH & Co. KG**

312480 **Juwel Aquarium GmbH & Co. KG**

16757/2007 **Collison Bros Stock Holding and Handling Yards Pty Ltd**

11009/2008 **A/S Vestfrost**

11010/2008 **A/S Vestfrost**

11011/2008 **A/S Vestfrost**

11860/2008 **Seer Corporation Pty Ltd**

11861/2008 **Seer Corporation Pty Ltd**

11862/2008 **Seer Corporation Pty Ltd**

13011/2008 **Design Mobel NZ Limited**

13012/2008 **Design Mobel NZ Limited**

13013/2008 **Design Mobel NZ Limited**

Applications Assigned

(The name in parentheses is that of the subsequent applicant)

13313/2008 (**Visy R & D Pty Ltd**) Visy Board Pty Ltd

13314/2008 (**Visy R & D Pty Ltd**) Visy Board Pty Ltd

10693/2008 (**Globe International Nominees Pty Ltd**) Tony Paton

Subsequent Owners Registered

(The name in parentheses is that of the subsequent owner)

309104 (**Foster's Brands Limited**) Southcorp Brands Pty Ltd

309105 **(Foster's Brands Limited)** Southcorp Brands Pty Ltd
311387 **(Full View Water Pty Ltd)** Brickwood Holdings Pty Ltd
305691 **(Island Stone International Limited)** Stone
 International Ltd
305690 **(Island Stone International Limited)** Stone
 International Ltd
315819 **(Jennifer Jane Leeming)** LX2 Pty Ltd.
315121 **(James Larmont)** LX2 Pty Ltd
309830 **(Gram Engineering Pty Ltd)** Steel With Appeal Pty Ltd
308890 **(Gram Engineering Pty Ltd)** Steel With Appeal Pty Ltd
308891 **(Gram Engineering Pty Ltd)** Steel With Appeal Pty Ltd

Corrigenda

Number 12901/2008

In Vol 22 , No 18 , page 2184 under the heading **Applications Lapsed**; Design No. 12901/2008 (07-07NES) should be deleted.

Number 12897/2008

In Vol 22 , No 18 , page 2184 under the heading **Applications Lapsed**; Design No. 12897/2008 (07-07Nes) should be deleted.

Number 12898/2008

In Vol 22 , No 18 , page 2184 under the heading **Applications Lapsed**; Design No. 12898/2008 (07-07NES) should be deleted.

Number 12899/2008

In Vol 22 , No 18 , page 2184 under the heading **Applications Lapsed**; Design No. 12899/2008 (07-07NES) should be deleted.

Number 12900/2008

In Vol 22 , No 18 , page 2184 under the heading **Applications Lapsed**; Design No. 12900/2008 (07-07NES) should be deleted.

Number 320417

In Vol 22 , No 16 , page 1965 under the heading **Australian Registered Design**; (54) Product in respect of which the design is registered should read: Housing.

Certificate(s) of Examination

Examination of the following Design Registration(s) has been completed. Infringement proceedings may now be commenced.

301107	08-06	29/08/2008
302620	16-06	29/08/2008
304096	07-01D	02/09/2008
305308	08-07	29/08/2008
307703	09-01K	09/09/2008
309095	07-02E	29/08/2008
309315	07-01C	04/09/2008
309922	07-01C	04/09/2008
310871	08-06	29/08/2008
310872	08-06	29/08/2008
313680	25-01F	28/08/2008
314725	23-02C	09/09/2008
314726	23-02C	09/09/2008
314873	04-02	29/08/2008
314874	04-02	29/08/2008
315183	19-06	05/09/2008
317922	08-03	29/08/2008
318228	26-04	29/08/2008
319078	09-01C	29/08/2008
319276	06-06C	29/08/2008
319301	18-01	29/08/2008
319456	25-03	29/08/2008
319497	08-03	29/08/2008
319498	07-02A	29/08/2008
319499	07-02A	29/08/2008
319532	28-02	03/09/2008
319533	28-02	29/08/2008
319707	13-03NES	29/08/2008
319831	14-03NES	29/08/2008
319932	28-03NES	29/08/2008
319933	28-03NES	29/08/2008
319943	12-16NES	29/08/2008
319961	28-03B	29/08/2008
319967	08-08B	01/09/2008
319968	08-08B	01/09/2008
319969	08-08B	01/09/2008
319979	08-08B	01/09/2008
319991	03-01C	29/08/2008
320073	13-02	29/08/2008
320074	15-05	29/08/2008
320192	09-01K	29/08/2008
320537	05-05NES	29/08/2008

Publication and Registration Proceedings

Designs Registered

This section provides a concordance between design number and registration number of Designs covered in this journal. It also shows the main class and registration date.

This section covers Registration numbers 320834 to 320978 .

The registration number shown below should be used in all future correspondence.

Design Number	Registration Number	International Classification Code (IDC)	Registration Date	Design Number	Registration Number	International Classification Code (IDC)	Registration Date
19041/2007	320848	11-01A	03/09/2008	11518/2008	320859	02-02C	03/09/2008
19042/2007	320849	11-01A	03/09/2008	11519/2008	320860	02-02C	03/09/2008
19043/2007	320850	11-01A	03/09/2008	11520/2008	320861	02-02NES	03/09/2008
19044/2007	320851	11-01A	03/09/2008	11521/2008	320862	02-02C	03/09/2008
20150/2007	320880	09-07NES	04/09/2008	11522/2008	320863	02-02C	03/09/2008
20256/2007	320881	07-02E	04/09/2008	11523/2008	320864	02-02NES	03/09/2008
20415/2007	320907	08-07	05/09/2008	11524/2008	320865	02-02C	03/09/2008
20439/2007	320942	02-02C	08/09/2008	11525/2008	320866	02-02C	03/09/2008
20586/2007	320846	09-03F	28/08/2008	11526/2008	320867	02-02NES	03/09/2008
20587/2007	320847	09-03F	28/08/2008	11527/2008	320868	02-02NES	03/09/2008
20608/2007	320852	14-02	03/09/2008	11824/2008	320916	02-04NES	05/09/2008
21001/2007	320906	06-04E	05/09/2008	11825/2008	320917	02-04B	05/09/2008
21119/2007	320853	25-02B	03/09/2008	11826/2008	320918	02-04B	05/09/2008
21317/2007	320905	06-05	09/09/2008	11966/2008	320869	09-01G	03/09/2008
10057/2008	320920	09-01B	09/09/2008	12026/2008	320919	19-06	05/09/2008
10091/2008	320974	08-08C	09/09/2008	12027/2008	320836	19-02	28/08/2008
10536/2008	320854	09-03M	03/09/2008	12030/2008	320837	08-08NES	28/08/2008
10678/2008	320857	14-03NES	03/09/2008	12031/2008	320838	08-08NES	28/08/2008
10682/2008	320908	14-03NES	05/09/2008	12032/2008	320839	08-08NES	28/08/2008
10684/2008	320909	14-03NES	05/09/2008	12034/2008	320840	08-08NES	28/08/2008
10698/2008	320872	02-02NES	04/09/2008	12035/2008	320841	08-08NES	28/08/2008
10744/2008	320921	25-01K	09/09/2008	12036/2008	320842	09-01K	28/08/2008
10976/2008	320922	12-08	09/09/2008	12037/2008	320843	09-01B	28/08/2008
10977/2008	320923	12-08	09/09/2008	12038/2008	320844	15-09	28/08/2008
10978/2008	320924	12-08	09/09/2008	12039/2008	320845	08-01	28/08/2008
10979/2008	320925	12-08	09/09/2008	12052/2008	320944	07-02L	08/09/2008
10980/2008	320926	12-16C	09/09/2008	12053/2008	320945	07-02L	08/09/2008
10981/2008	320910	26-06	05/09/2008	12054/2008	320946	07-02L	08/09/2008
10982/2008	320911	26-06	05/09/2008	12063/2008	320947	25-01K	08/09/2008
10983/2008	320927	12-16C	09/09/2008	12064/2008	320948	25-01K	08/09/2008
11034/2008	320834	20-02E	28/08/2008	12065/2008	320949	25-01K	08/09/2008
11038/2008	320875	28-03B	04/09/2008	12066/2008	320950	25-01K	08/09/2008
11039/2008	320876	28-03B	04/09/2008	12067/2008	320951	25-01K	08/09/2008
11040/2008	320877	28-03B	04/09/2008	12068/2008	320952	25-01K	08/09/2008
11104/2008	320928	24-04	09/09/2008	12069/2008	320953	25-01K	08/09/2008
11174/2008	320931	21-02C	09/09/2008	12070/2008	320954	25-01K	08/09/2008
11176/2008	320878	06-13C	04/09/2008	12071/2008	320955	25-01K	08/09/2008
11234/2008	320932	23-01A	09/09/2008	12072/2008	320956	25-01D	08/09/2008
11235/2008	320933	23-01A	09/09/2008	12073/2008	320957	25-01K	08/09/2008
11236/2008	320934	23-01A	09/09/2008	12074/2008	320958	25-01K	08/09/2008
11237/2008	320935	23-01B	09/09/2008	12075/2008	320959	25-01K	08/09/2008
11238/2008	320936	23-01E	09/09/2008	12076/2008	320960	25-01K	08/09/2008
11239/2008	320937	23-01E	09/09/2008	12078/2008	320895	25-01D	04/09/2008
11240/2008	320938	23-01A	09/09/2008	12079/2008	320961	09-01K	08/09/2008
11241/2008	320939	23-01F	09/09/2008	12080/2008	320962	09-01K	08/09/2008
11242/2008	320940	23-01F	09/09/2008	12081/2008	320963	09-01K	08/09/2008
11343/2008	320912	07-05D	05/09/2008	12109/2008	320964	19-02	09/09/2008
11372/2008	320913	16-06	05/09/2008	12110/2008	320965	19-02	09/09/2008
11452/2008	320879	21-01K	04/09/2008	12112/2008	320966	07-01F	09/09/2008
11467/2008	320914	03-01B	05/09/2008	12114/2008	320967	15-05	09/09/2008
11477/2008	320835	23-02C	28/08/2008	12115/2008	320968	15-05	09/09/2008
11501/2008	320941	15-02	09/09/2008	12116/2008	320969	15-05	09/09/2008
11517/2008	320858	02-02NES	03/09/2008	12117/2008	320970	15-05	09/09/2008

Publication and Registration Proceedings - Designs Registered cont'd

Design Number	Registration Number	International Classification Code (IDC)	Registration Date	Design Number	Registration Number	International Classification Code (IDC)	Registration Date
12118/2008	320971	11-01NES	09/09/2008	13643/2008	320882	04-02	04/09/2008
12130/2008	320871	22-05	03/09/2008	13644/2008	320883	04-02	04/09/2008
12133/2008	320975	09-01K	09/09/2008	13645/2008	320884	04-02	04/09/2008
12134/2008	320976	02-04NES	09/09/2008	13650/2008	320903	22-05	09/09/2008
12135/2008	320977	02-04NES	09/09/2008	13673/2008	320973	22-05	09/09/2008
12136/2008	320978	02-04B	09/09/2008	13773/2008	320904	12-16L	09/09/2008
12185/2008	320972	22-05	09/09/2008	13792/2008	320870	09-01G	03/09/2008
12287/2008	320896	25-01D	09/09/2008	14064/2008	320885	28-99	04/09/2008
12312/2008	320943	02-02C	08/09/2008	14065/2008	320893	28-99	04/09/2008
12378/2008	320897	09-03M	09/09/2008	14066/2008	320886	28-99	04/09/2008
12379/2008	320898	09-03M	09/09/2008	14067/2008	320887	09-01NES	04/09/2008
12380/2008	320899	09-03M	09/09/2008	14068/2008	320888	09-07C	04/09/2008
12381/2008	320900	09-03M	09/09/2008	14069/2008	320889	09-01NES	04/09/2008
12382/2008	320901	09-03M	09/09/2008	14070/2008	320894	09-01NES	04/09/2008
12383/2008	320902	09-03M	09/09/2008	14071/2008	320890	09-01NES	04/09/2008
13360/2008	320915	03-01B	05/09/2008	14072/2008	320891	09-01NES	04/09/2008
13630/2008	320873	02-02C	04/09/2008	14132/2008	320855	09-03M	03/09/2008
13631/2008	320874	02-02C	04/09/2008	14133/2008	320856	09-03M	03/09/2008
13632/2008	320929	24-04	09/09/2008	14149/2008	320892	08-03	04/09/2008
13633/2008	320930	24-04	09/09/2008				

Publication and Registration Proceedings
Class Listing of Designs Published or Registered

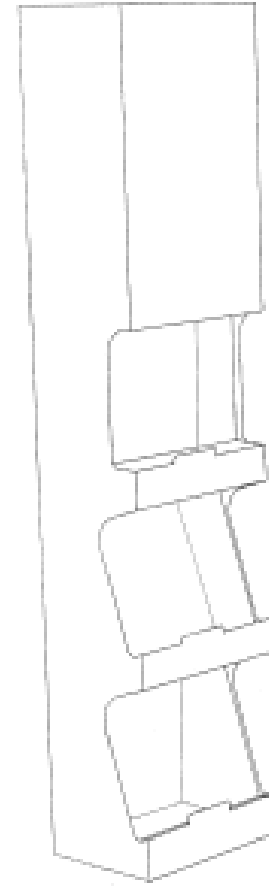
The following section shows an International Classification Code listing of the Registered or Published Designs covered in this supplement.

Classification	Registration Number	Design Number	Classification	Registration Number	Design Number
02-02 C	320859	11518/2008	09-01 NES	320889	14069/2008
02-02 C	320860	11519/2008	09-01 NES	320890	14071/2008
02-02 C	320862	11521/2008	09-01 NES	320891	14072/2008
02-02 C	320863	11522/2008	09-01 NES	320894	14070/2008
02-02 C	320865	11524/2008	09-03 F	320846	20586/2007
02-02 C	320866	11525/2008	09-03 F	320847	20587/2007
02-02 C	320873	13630/2008	09-03 M	320854	10536/2008
02-02 C	320874	13631/2008	09-03 M	320855	14132/2008
02-02 C	320942	20439/2007	09-03 M	320856	14133/2008
02-02 C	320943	12312/2008	09-03 M	320897	12378/2008
02-02 NES	320858	11517/2008	09-03 M	320898	12379/2008
02-02 NES	320861	11520/2008	09-03 M	320899	12380/2008
02-02 NES	320864	11523/2008	09-03 M	320900	12381/2008
02-02 NES	320867	11526/2008	09-03 M	320901	12382/2008
02-02 NES	320868	11527/2008	09-03 M	320902	12383/2008
02-02 NES	320872	10698/2008	09-07 C	320888	14068/2008
02-02 NES	320942	20439/2007	09-07 NES	320880	20150/2007
02-04 B	320917	11825/2008	09-08	320880	20150/2007
02-04 B	320918	11826/2008	09-99	320880	20150/2007
02-04 B	320978	12136/2008	11-01 A	320848	19041/2007
02-04 NES	320916	11824/2008	11-01 A	320849	19042/2007
02-04 NES	320976	12134/2008	11-01 A	320850	19043/2007
02-04 NES	320977	12135/2008	11-01 A	320851	19044/2007
03-01 B	320914	11467/2008	11-01 NES	320971	12118/2008
03-01 B	320915	13360/2008	12-08	320922	10976/2008
04-02	320882	13643/2008	12-08	320923	10977/2008
04-02	320883	13644/2008	12-08	320924	10978/2008
04-02	320884	13645/2008	12-08	320925	10979/2008
06-04 E	320906	21001/2007	12-16 C	320926	10980/2008
06-05	320905	21317/2007	12-16 C	320927	10983/2008
06-13 C	320878	11176/2008	12-16 L	320904	13773/2008
07-01 F	320966	12112/2008	14-02	320852	20608/2007
07-02 E	320881	20256/2007	14-03 NES	320857	10678/2008
07-02 L	320944	12052/2008	14-03 NES	320908	10682/2008
07-02 L	320945	12053/2008	14-03 NES	320909	10684/2008
07-02 L	320946	12054/2008	15-02	320932	11234/2008
07-05 D	320912	11343/2008	15-02	320941	11501/2008
08-01	320845	12039/2008	15-05	320967	12114/2008
08-03	320892	14149/2008	15-05	320968	12115/2008
08-07	320907	20415/2007	15-05	320969	12116/2008
08-08 C	320974	10091/2008	15-05	320970	12117/2008
08-08 NES	320837	12030/2008	15-09	320844	12038/2008
08-08 NES	320838	12031/2008	16-06	320913	11372/2008
08-08 NES	320839	12032/2008	19-02	320836	12027/2008
08-08 NES	320840	12034/2008	19-02	320964	12109/2008
08-08 NES	320841	12035/2008	19-02	320965	12110/2008
09-01 B	320843	12037/2008	19-06	320919	12026/2008
09-01 B	320920	10057/2008	20-02 E	320834	11034/2008
09-01 G	320869	11966/2008	21-01 K	320879	11452/2008
09-01 G	320870	13792/2008	21-02 C	320931	11174/2008
09-01 K	320842	12036/2008	22-05	320871	12130/2008
09-01 K	320961	12079/2008	22-05	320903	13650/2008
09-01 K	320962	12080/2008	22-05	320972	12185/2008
09-01 K	320963	12081/2008	22-05	320973	13673/2008
09-01 K	320975	12133/2008	23-01 A	320932	11234/2008
09-01 NES	320887	14067/2008	23-01 A	320933	11235/2008

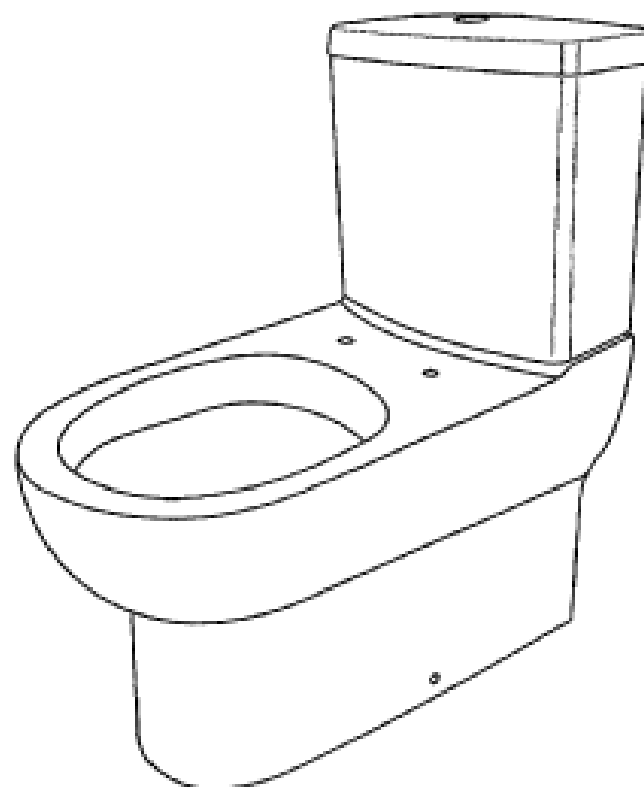
Registration Proceedings - Class Listing of Designs Published or Registered cont'd

Classification	Registration Number	Design Number	Classification	Registration Number	Design Number
23-01 A	320934	11236/2008	25-01 K	320948	12064/2008
23-01 A	320938	11240/2008	25-01 K	320949	12065/2008
23-01 B	320935	11237/2008	25-01 K	320950	12066/2008
23-01 B	320936	11238/2008	25-01 K	320951	12067/2008
23-01 B	320937	11239/2008	25-01 K	320952	12068/2008
23-01 B	320938	11240/2008	25-01 K	320953	12069/2008
23-01 E	320936	11238/2008	25-01 K	320954	12070/2008
23-01 E	320937	11239/2008	25-01 K	320955	12071/2008
23-01 F	320932	11234/2008	25-01 K	320957	12073/2008
23-01 F	320933	11235/2008	25-01 K	320958	12074/2008
23-01 F	320934	11236/2008	25-01 K	320959	12075/2008
23-01 F	320935	11237/2008	25-01 K	320960	12076/2008
23-01 F	320936	11238/2008	25-01 NES	320896	12287/2008
23-01 F	320937	11239/2008	25-02 B	320853	21119/2007
23-01 F	320938	11240/2008	26-06	320910	10981/2008
23-01 F	320939	11241/2008	26-06	320911	10982/2008
23-01 F	320940	11242/2008	28-03 B	320875	11038/2008
23-01 NES	320933	11235/2008	28-03 B	320876	11039/2008
23-02 C	320835	11477/2008	28-03 B	320877	11040/2008
23-03 NES	320941	11501/2008	28-03 NES	320869	11966/2008
24-04	320928	11104/2008	28-03 NES	320870	13792/2008
24-04	320929	13632/2008	28-99	320885	14064/2008
24-04	320930	13633/2008	28-99	320886	14066/2008
25-01 D	320895	12078/2008	28-99	320890	14071/2008
25-01 D	320896	12287/2008	28-99	320891	14072/2008
25-01 D	320956	12072/2008	28-99	320893	14065/2008
25-01 K	320895	12078/2008	28-99	320894	14070/2008
25-01 K	320921	10744/2008			
25-01 K	320947	12063/2008			

- (21) Design Number: **11034/2008**
(22) Date of Filing Application: **03 March 2008**
(24) Date from which industrial property rights may have effect: **03 March 2008**
(54) Product in respect of which the design is registered: **Dispenser**
(51) International Design Classification: **20-02E**
(71) Name(s) and Address(s) of Applicant(s):
Pop Impact Pty Ltd
4 Trevors Lane Cherrybrook New South Wales 2126 Australia
(72) Name(s) of Designer(s): **James Anthony Camilleri**
(45) Registration Date: **28 August 2008**
(56) Related Art Documents: **Not Applicable**
(57) Statement of Newness and Distinctiveness: **Newness and distinctiveness is claimed in the visual features of shape and/or configuration.**



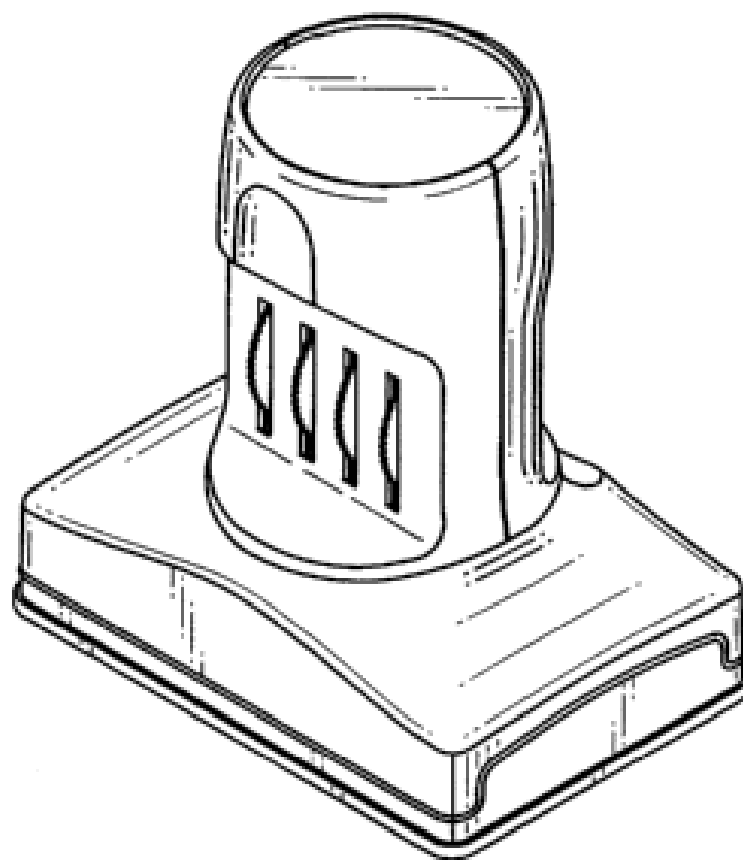
- (21) Design Number: **11477/2008**
(22) Date of Filing Application: **28 March 2008**
(24) Date from which industrial property rights may have effect: **28 March 2008**
(54) Product in respect of which the design is registered: **A toilet suite**
(51) International Design Classification: **23-02C**
(71) Name(s) and Address(s) of Applicant(s):
Xinle Bathroom Products (Foshan) Co., Ltd.
Ying Bathroom Products H/Q Bld Laichang Gang Shiwan Chancheng
District Foshan City 528031 Guangdong Province China
(72) Name(s) of Designer(s): **Hongchen Xu and Anthony Lai**
(45) Registration Date: **28 August 2008**
(56) Related Art Documents: **Not Applicable**
(57) Statement of Newness and Distinctiveness: **Newness and distinctiveness is claimed in the features of shape and/configuration of a toilet suite as illustrated in the accompanying representations.**



- (21) Design Number: **12027/2008**
- (22) Date of Filing Application: **01 May 2008**
- (24) Date from which industrial property rights may have effect: **01 May 2008**
- (54) Product in respect of which the design is registered: **Stamp**
- (51) International Design Classification: **19-02**
- (71) Name(s) and Address(s) of Applicant(s):

Shachihata Inc
No.69 4-Chome Amazuka-cho Nishi-ku Nagoya Aichi 4510021 Japan

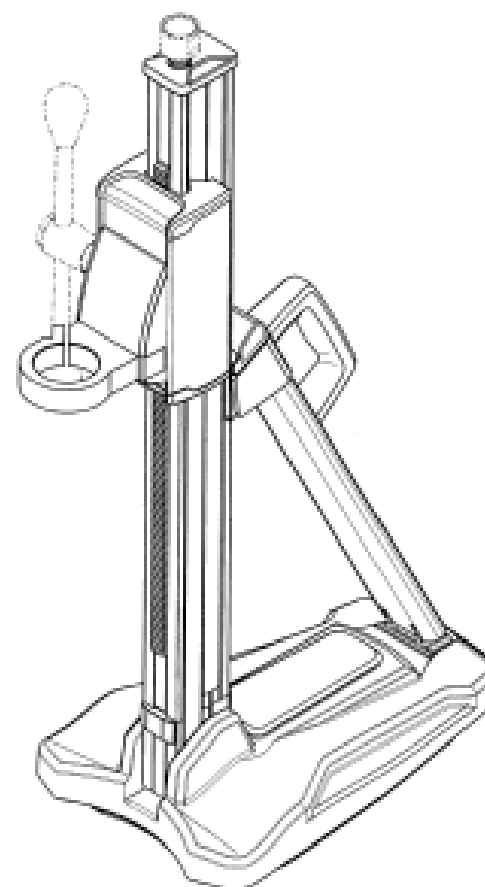
- (72) Name(s) of Designer(s): **Toshio Watanabe and Shoichi Inaguma**
 - (45) Registration Date: **28 August 2008**
 - (30) Convention priority data:
- | | | |
|--------------------|--------------------|--------------|
| (31) Number | (32) Date | (33) Country |
| 2007-031460 | 14 Nov 2007 | JAPAN |
- (56) Related Art Documents: **Not Applicable**
 - (57) Statement of Newness and Distinctiveness: **Nil**



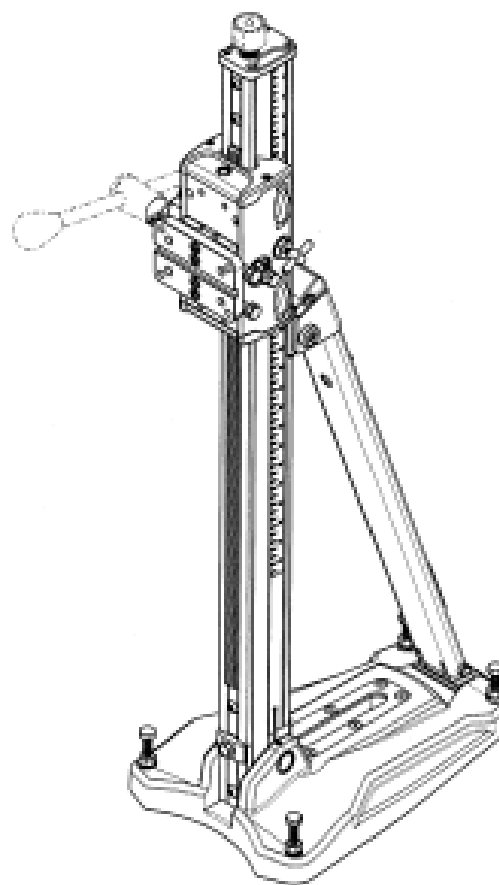
- (21) Design Number: **12030/2008**
- (22) Date of Filing Application: **01 May 2008**
- (24) Date from which industrial property rights may have effect: **01 May 2008**
- (54) Product in respect of which the design is registered: **Drill stand**
- (51) International Design Classification: **08-08NES**
- (71) Name(s) and Address(s) of Applicant(s):

Husqvarna Professional Outdoor Products Inc.
17400W 119th Street Olathe Kansas 66061 United States of America

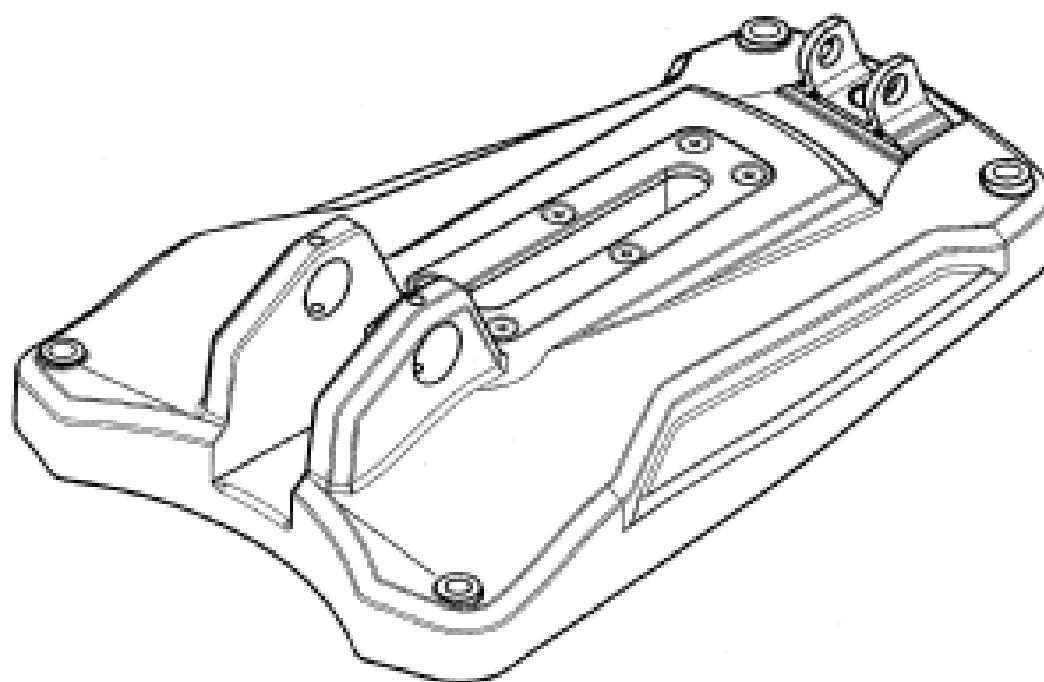
- (72) Name(s) of Designer(s): **Anthony Baratta**
 - (45) Registration Date: **28 August 2008**
 - (30) Convention priority data:
- | | | |
|------------------|--------------------|---------------------------------|
| (31) Number | (32) Date | (33) Country |
| 29/297098 | 02 Nov 2007 | UNITED STATES OF AMERICA |
- (56) Related Art Documents: **Not Applicable**
 - (57) Statement of Newness and Distinctiveness: **Newness and distinctiveness is claimed in those features of shape and/or configuration of a drill stand illustrated in continuous lines in the accompanying representations.**



- (21) Design Number: **12031/2008**
(22) Date of Filing Application: **01 May 2008**
(24) Date from which industrial property rights may have effect: **01 May 2008**
(54) Product in respect of which the design is registered: **Drill stand**
(51) International Design Classification: **08-08NES**
(71) Name(s) and Address(s) of Applicant(s):
Husqvarna Professional Outdoor Products Inc.
17400W 119th Street Olathe Kansas 66061 United States of America
(72) Name(s) of Designer(s): **Anthony Baratta**
(45) Registration Date: **28 August 2008**
(30) Convention priority data:
(31) Number (32) Date (33) Country
29/297098 02 Nov 2007 UNITED STATES OF AMERICA
(56) Related Art Documents: **Not Applicable**
(57) Statement of Newness and Distinctiveness: **Newness and distinctiveness is claimed in those features of shape and/or configuration of a drill stand illustrated in continuous lines in the accompanying representations.**



- (21) Design Number: **12032/2008**
(22) Date of Filing Application: **01 May 2008**
(24) Date from which industrial property rights may have effect: **01 May 2008**
(54) Product in respect of which the design is registered: **Drill stand anchor base**
(51) International Design Classification: **08-08NES**
(71) Name(s) and Address(s) of Applicant(s):
Husqvarna Professional Outdoor Products Inc.
17400W 119th Street Olathe Kansas 66061 United States of America
(72) Name(s) of Designer(s): **Anthony Baratta**
(45) Registration Date: **28 August 2008**
(30) Convention priority data:
(31) Number (32) Date (33) Country
29/297098 02 Nov 2007 UNITED STATES OF AMERICA
(56) Related Art Documents: **Not Applicable**
(57) Statement of Newness and Distinctiveness: **Newness and distinctiveness is claimed in those features of shape and/or configuration of a drill stand anchor base illustrated in continuous lines in the accompanying representations.**



(21) Design Number: **12034/2008**

(22) Date of Filing Application: **01 May 2008**

(24) Date from which industrial property rights may have effect: **01 May 2008**

(54) Product in respect of which the design is registered: **Drill stand carriage**

(51) International Design Classification: **08-08NES**

(71) Name(s) and Address(s) of Applicant(s):

**Husqvarna Professional Outdoor Products Inc.
17400W 119th Street Olathe Kansas 66061 United States of America**

(72) Name(s) of Designer(s): **Anthony Baratta**

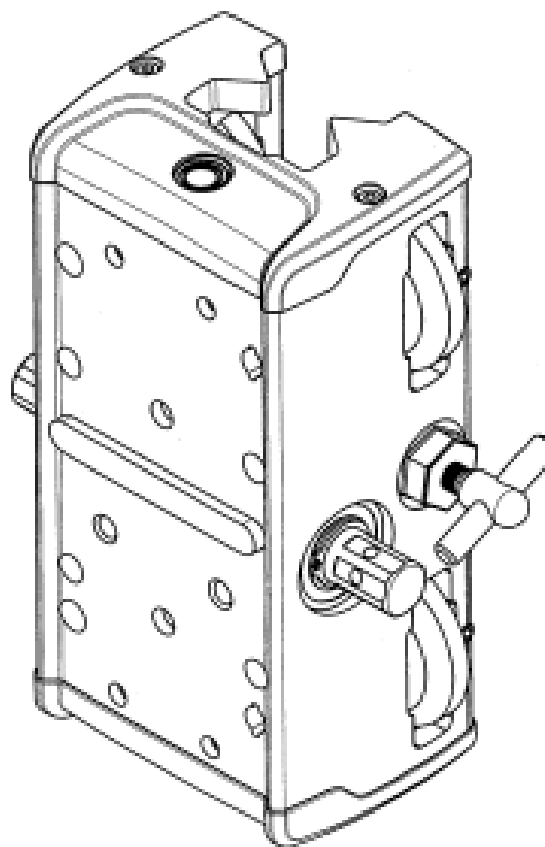
(45) Registration Date: **28 August 2008**

(30) Convention priority data:

(31) Number	(32) Date	(33) Country
29/297098	02 Nov 2007	UNITED STATES OF AMERICA

(56) Related Art Documents: **Not Applicable**

(57) Statement of Newness and Distinctiveness: **Newness and distinctiveness is claimed in the features of shape and/or configuration of a drill stand carriage as illustrated in the accompanying representations.**



(21) Design Number: **12035/2008**

(22) Date of Filing Application: **01 May 2008**

(24) Date from which industrial property rights may have effect: **01 May 2008**

(54) Product in respect of which the design is registered: **Drill stand**

(51) International Design Classification: **08-08NES**

(71) Name(s) and Address(s) of Applicant(s):

**Husqvarna Professional Outdoor Products Inc.
17400W 119th Street Olathe Kansas 66061 United States of America**

(72) Name(s) of Designer(s): **Anthony Baratta**

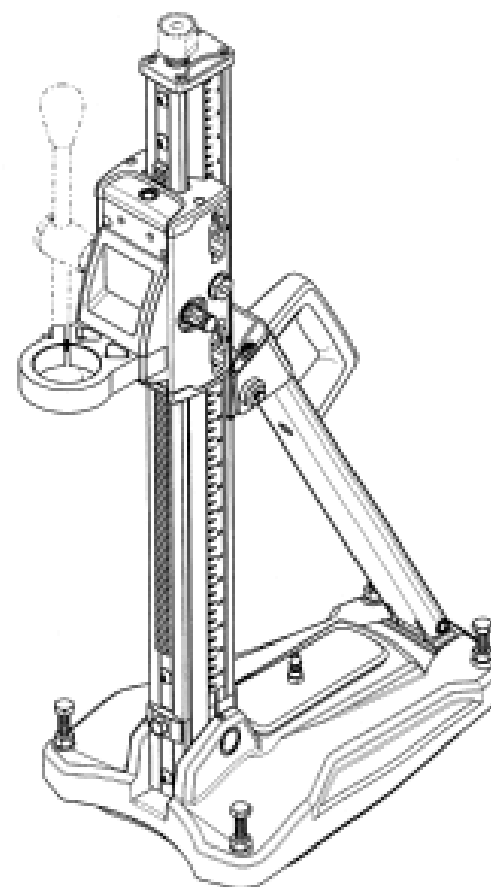
(45) Registration Date: **28 August 2008**

(30) Convention priority data:

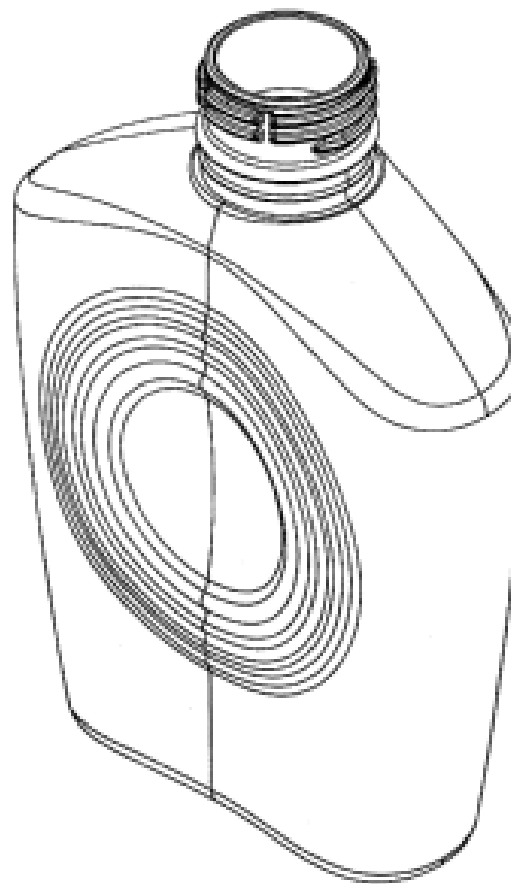
(31) Number	(32) Date	(33) Country
29/297098	02 Nov 2007	UNITED STATES OF AMERICA

(56) Related Art Documents: **Not Applicable**

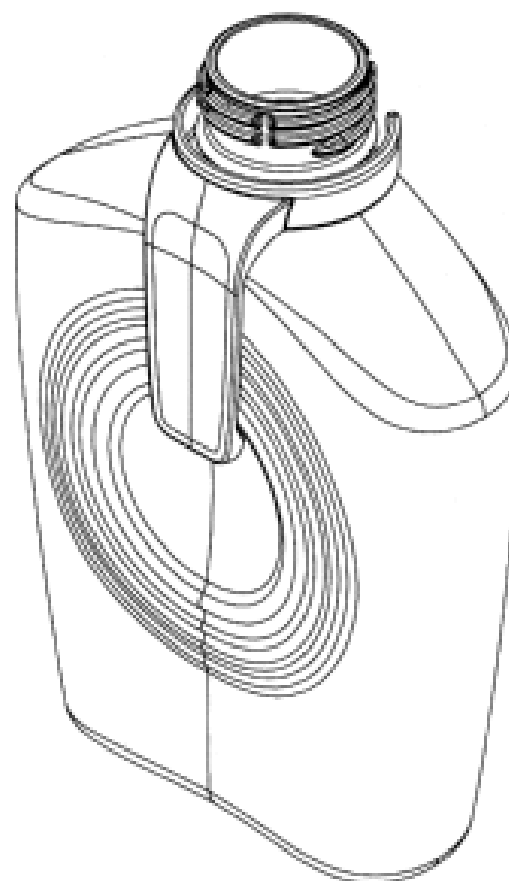
(57) Statement of Newness and Distinctiveness: **Newness and distinctiveness is claimed in those features of shape and/or configuration of a drill stand as illustrated in continuous lines in the accompanying representations.**



- (21) Design Number: **12036/2008**
(22) Date of Filing Application: **01 May 2008**
(24) Date from which industrial property rights may have effect: **01 May 2008**
(54) Product in respect of which the design is registered: **A container**
(51) International Design Classification: **09-01K**
(71) Name(s) and Address(s) of Applicant(s):
Fluid Fashions Pty Ltd
Level 8/46 Market Street Sydney New South Wales 2000 Australia
(72) Name(s) of Designer(s): **Clive Steven Solari and Paul Owen and Scott Brackenreg**
(45) Registration Date: **28 August 2008**
(56) Related Art Documents: **Not Applicable**
(57) Statement of Newness and Distinctiveness: **Newness and distinctiveness is claimed in the features of shape and/or configuration of a container as illustrated in the accompanying representations.**



- (21) Design Number: **12037/2008**
(22) Date of Filing Application: **01 May 2008**
(24) Date from which industrial property rights may have effect: **01 May 2008**
(54) Product in respect of which the design is registered: **A container with a clip**
(51) International Design Classification: **09-01B**
(71) Name(s) and Address(s) of Applicant(s):
Fluid Fashions Pty Ltd
Level 8/46 Market Street Sydney New South Wales 2000 Australia
(72) Name(s) of Designer(s): **Clive Solari and Paul Owen and Scott Brackenreg**
(45) Registration Date: **28 August 2008**
(56) Related Art Documents: **Not Applicable**
(57) Statement of Newness and Distinctiveness: **Newness and distinctiveness is claimed in the features of shape and/or configuration of a container with a clip as illustrated in the accompanying representations.**



(21) Design Number: **12038/2008**

(22) Date of Filing Application: **01 May 2008**

(24) Date from which industrial property rights may have effect: **01 May 2008**

(54) Product in respect of which the design is registered: **A powered planer tool**

(51) International Design Classification: **15-09**

(71) Name(s) and Address(s) of Applicant(s):

GMCA Pty Ltd
45-55 South Centre Road Melbourne Airport Business Pk Melbourne
Airport Victoria 3045 Australia

(72) Name(s) of Designer(s): **Colin Snowball**

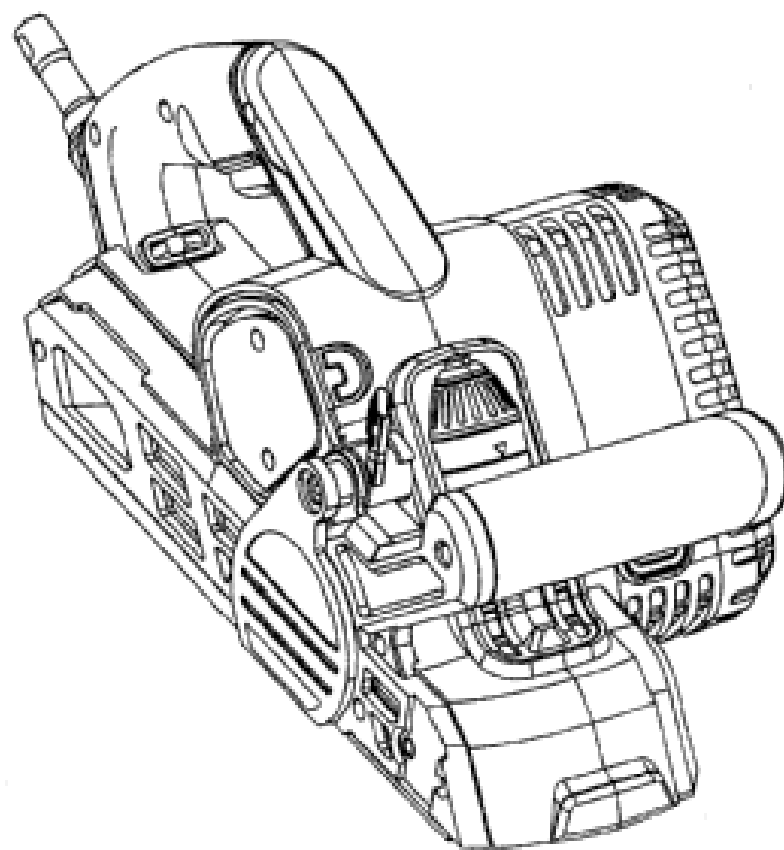
(45) Registration Date: **28 August 2008**

(30) Convention priority data:

(31) Number	(32) Date	(33) Country
4006691	23 Feb 2008	UNITED KINGDOM

(56) Related Art Documents: **Not Applicable**

(57) Statement of Newness and Distinctiveness: **Newness and distinctiveness resides in the features of shape and configuration of a powered planer tool as shown in the accompanying representations.**



(21) Design Number: **12039/2008**

(22) Date of Filing Application: **01 May 2008**

(24) Date from which industrial property rights may have effect: **01 May 2008**

(54) Product in respect of which the design is registered: **A power tool**

(51) International Design Classification: **08-01**

(71) Name(s) and Address(s) of Applicant(s):

GMCA Pty Ltd
45-55 South Centre Road Melbourne Airport Business Pk Melbourne
Airport Victoria 3045 Australia

(72) Name(s) of Designer(s): **Robert Firth**

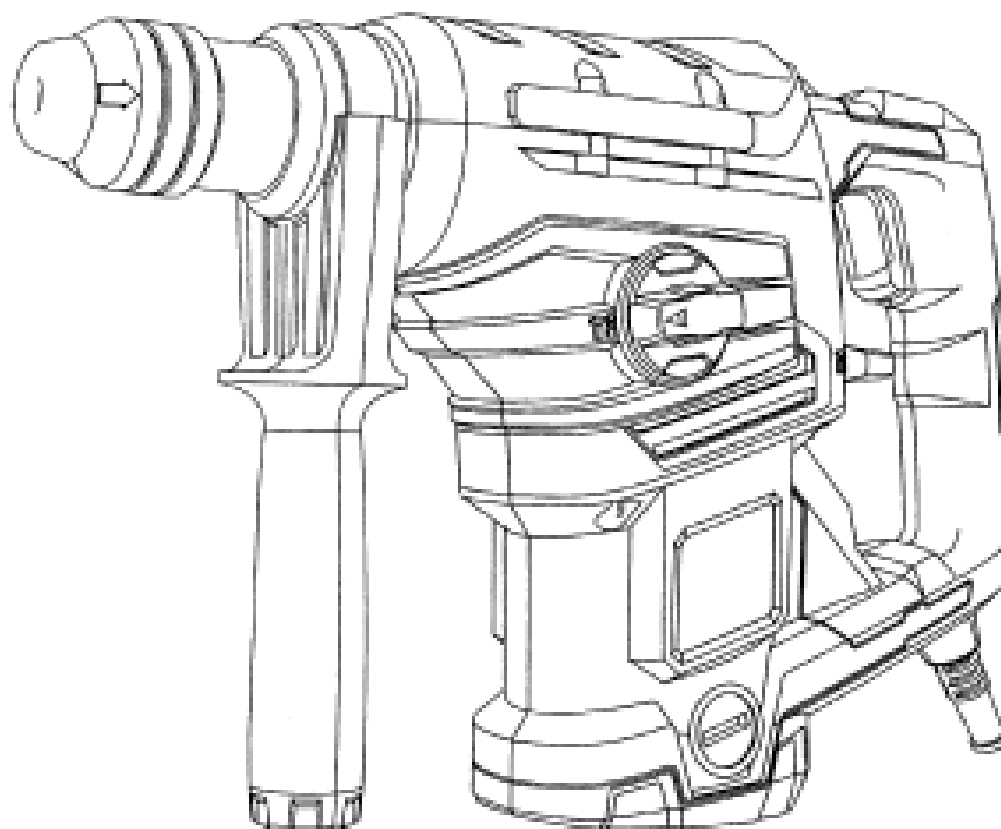
(45) Registration Date: **28 August 2008**

(30) Convention priority data:

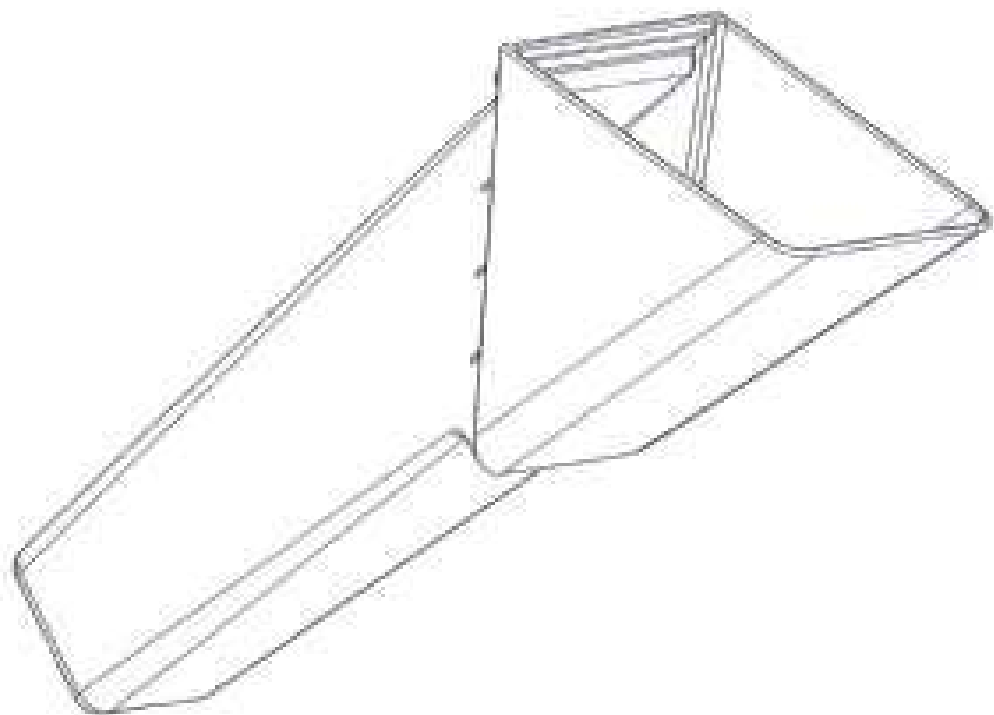
(31) Number	(32) Date	(33) Country
000906029	31 Mar 2008	EUROPEAN COMMUNITY

(56) Related Art Documents: **Not Applicable**

(57) Statement of Newness and Distinctiveness: **Newness and distinctiveness resides in the features of shape and configuration of a power tool as shown in the accompanying representations.**



- (21) Design Number: **20586/2007**
(22) Date of Filing Application: **01 November 2007**
(24) Date from which industrial property rights may have effect: **01 November 2007**
(54) Product in respect of which the design is registered: **Receptacle**
(51) International Design Classification: **09-03F**
(71) Name(s) and Address(s) of Applicant(s):
Hydengro International Pty Ltd
25 Uringa Way Wanneroo Western Australia 6065 Australia
(72) Name(s) of Designer(s): **Antoon Cornelis Richard Holl and Gerard A. Frugtniet**
(45) Registration Date: **28 August 2008**
(56) Related Art Documents: **Not Applicable**
(57) Statement of Newness and Distinctiveness: **Newness and distinctiveness is claimed in the features of shape and/or configuration of a receptacle as shown in these attached representations, wherein the plate indicated by the numeral A is not included in the scope of the design.**



- (21) Design Number: **20587/2007**
(22) Date of Filing Application: **01 November 2007**
(24) Date from which industrial property rights may have effect: **01 November 2007**
(54) Product in respect of which the design is registered: **Plant growing apparatus**
(51) International Design Classification: **09-03F**
(71) Name(s) and Address(s) of Applicant(s):
Hydengro International Pty Ltd
25 Uringa Way Wanneroo Western Australia 6065 Australia
(72) Name(s) of Designer(s): **Antoon Cornelis Richard Holl and Gerard A. Frugtniet**
(45) Registration Date: **28 August 2008**
(56) Related Art Documents: **Not Applicable**
(57) Statement of Newness and Distinctiveness: **Newness and distinctiveness is claimed in the features of shape and/or configuration of a plant growing apparatus as shown in these attached representations, wherein the embossing hydengro is not included in the scope of the design.**



(21) Design Number: **19041/2007**

(22) Date of Filing Application: **23 July 2007**

(24) Date from which industrial property rights may have effect: **23 July 2007**

(54) Product in respect of which the design is registered: **Diamond ring**

(51) International Design Classification: **11-01A**

(71) Name(s) and Address(s) of Applicant(s):

Kym C Lennox

PO Box N273 Grosvenor Place New South Wales 1220 Australia

(72) Name(s) of Designer(s): **Kym Lennox**

(45) Registration Date: **03 September 2008**

(56) Related Art Documents: **Not Applicable**

(57) Statement of Newness and Distinctiveness: **The use of only six supporting points for the securing of the three diamonds.**



(21) Design Number: **19042/2007**

(22) Date of Filing Application: **23 July 2007**

(24) Date from which industrial property rights may have effect: **23 July 2007**

(54) Product in respect of which the design is registered: **Diamond ring**

(51) International Design Classification: **11-01A**

(71) Name(s) and Address(s) of Applicant(s):

Kym C Lennox

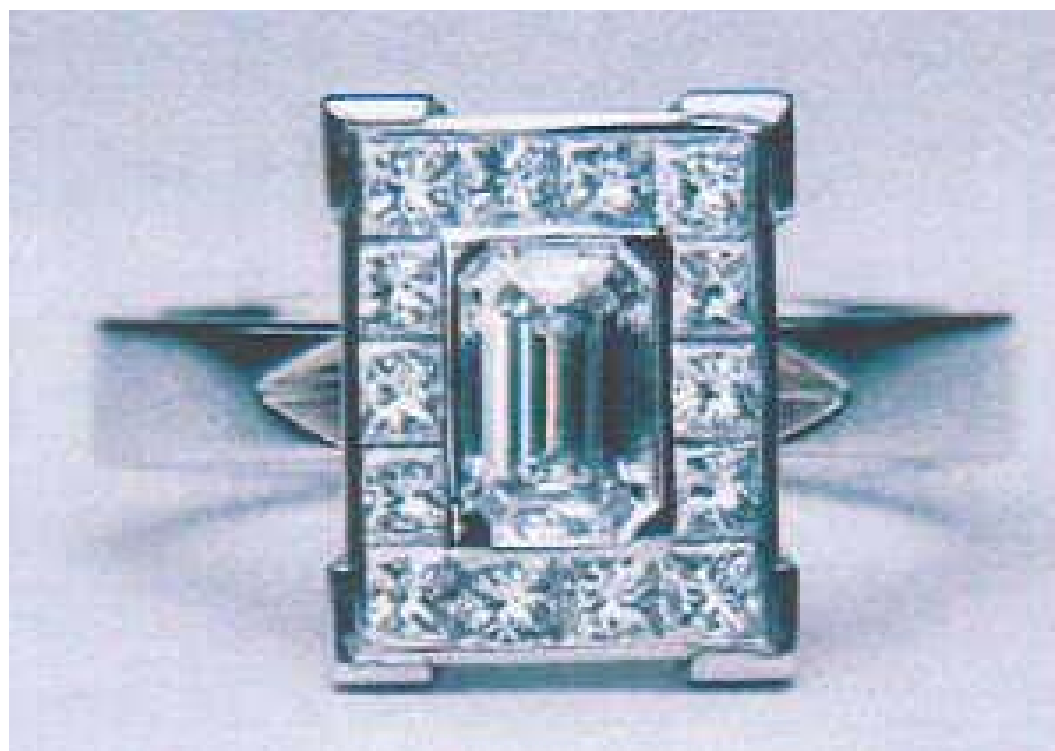
PO Box N273 Grosvenor Place New South Wales 1220 Australia

(72) Name(s) of Designer(s): **Kym Lennox**

(45) Registration Date: **03 September 2008**

(56) Related Art Documents: **Not Applicable**

(57) Statement of Newness and Distinctiveness: **The visual setting of the table of 15 diamonds as though it were a single diamond. The curved "V" profile below the table from the side and when viewing along the ring. The arms appearing curved from the side, but straight when viewed from their apex.**



(21) Design Number: **19043/2007**

(22) Date of Filing Application: **23 July 2007**

(24) Date from which industrial property rights may have effect: **23 July 2007**

(54) Product in respect of which the design is registered: **Diamond ring**

(51) International Design Classification: **11-01A**

(71) Name(s) and Address(s) of Applicant(s):

Kym C Lennox

PO Box N273 Grosvenor Place New South Wales 1220 Australia

(72) Name(s) of Designer(s): **Kym Lennox**

(45) Registration Date: **03 September 2008**

(56) Related Art Documents: **Not Applicable**

(57) Statement of Newness and Distinctiveness: **The raised arches as a continuous curve when viewed from the side. The setting of 4 square diamonds below the ridges noted above.**



(21) Design Number: **19044/2007**

(22) Date of Filing Application: **23 July 2007**

(24) Date from which industrial property rights may have effect: **23 July 2007**

(54) Product in respect of which the design is registered: **Diamond ring**

(51) International Design Classification: **11-01A**

(71) Name(s) and Address(s) of Applicant(s):

Kym C Lennox

PO Box N273 Grosvenor Place New South Wales 1220 Australia

(72) Name(s) of Designer(s): **Kym Lennox**

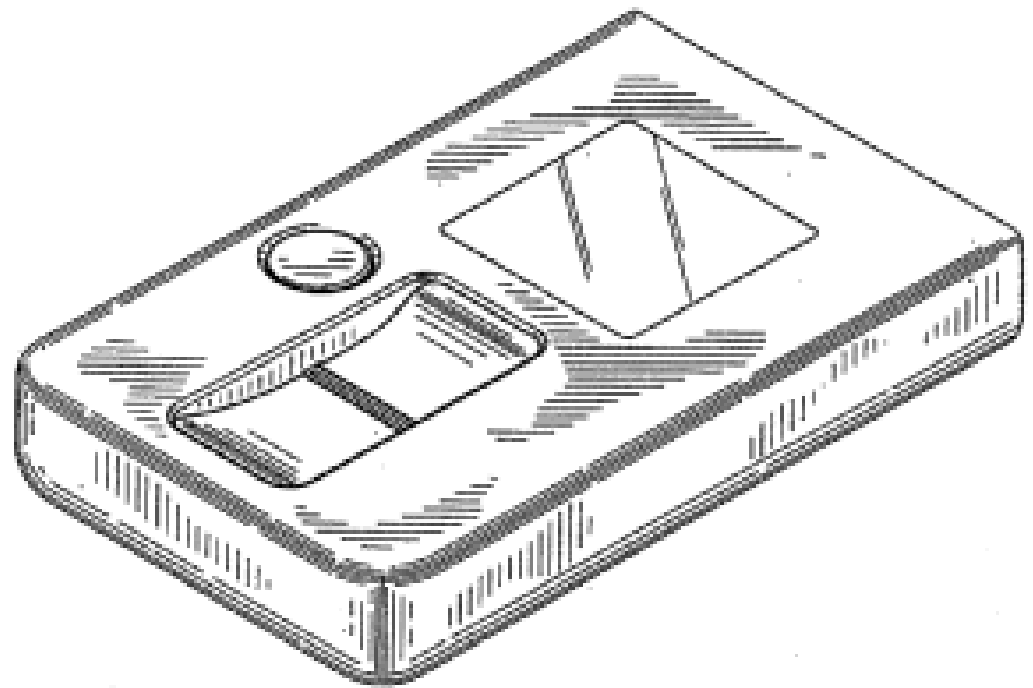
(45) Registration Date: **03 September 2008**

(56) Related Art Documents: **Not Applicable**

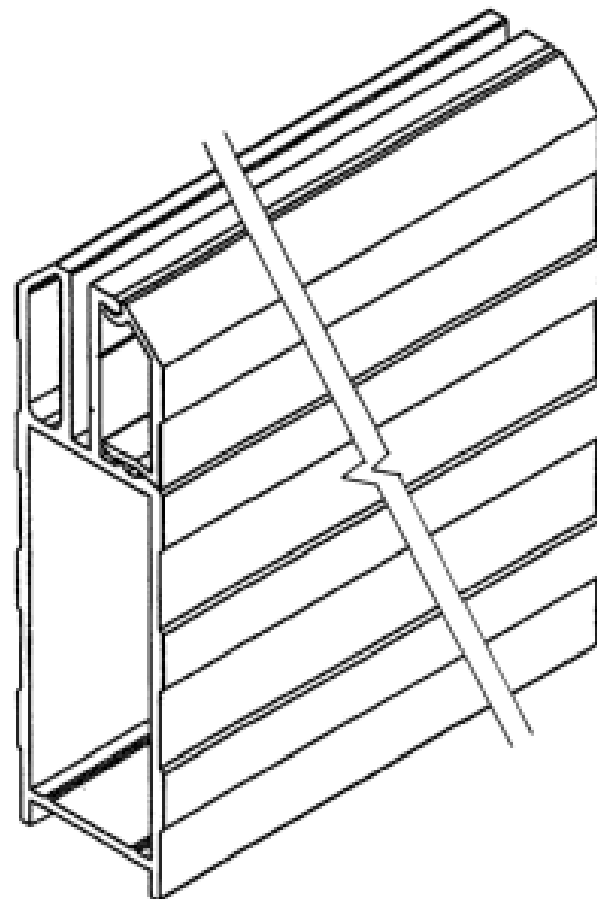
(57) Statement of Newness and Distinctiveness: **The lack of continuous band as shown. The bevelled band ending just prior to the visible edge of the band from above the table.**



- (21) Design Number: **20608/2007**
(22) Date of Filing Application: **02 November 2007**
(24) Date from which industrial property rights may have effect: **02 November 2007**
(54) Product in respect of which the design is registered: **Electronic device**
(51) International Design Classification: **14-02**
(71) Name(s) and Address(s) of Applicant(s):
Bloomberg Finance L.P.
731 Lexington Avenue New York NY 10022 United States of America
(72) Name(s) of Designer(s): **Christopher William Zimman and James William Hook and Masamichi Udagawa and Craig Lockwood**
(45) Registration Date: **03 September 2008**
(30) Convention priority data:
(31) Number (32) Date (33) Country
29/279,652 04 May 2007 UNITED STATES OF AMERICA
(56) Related Art Documents: **Not Applicable**
(57) Statement of Newness and Distinctiveness: **Nil**

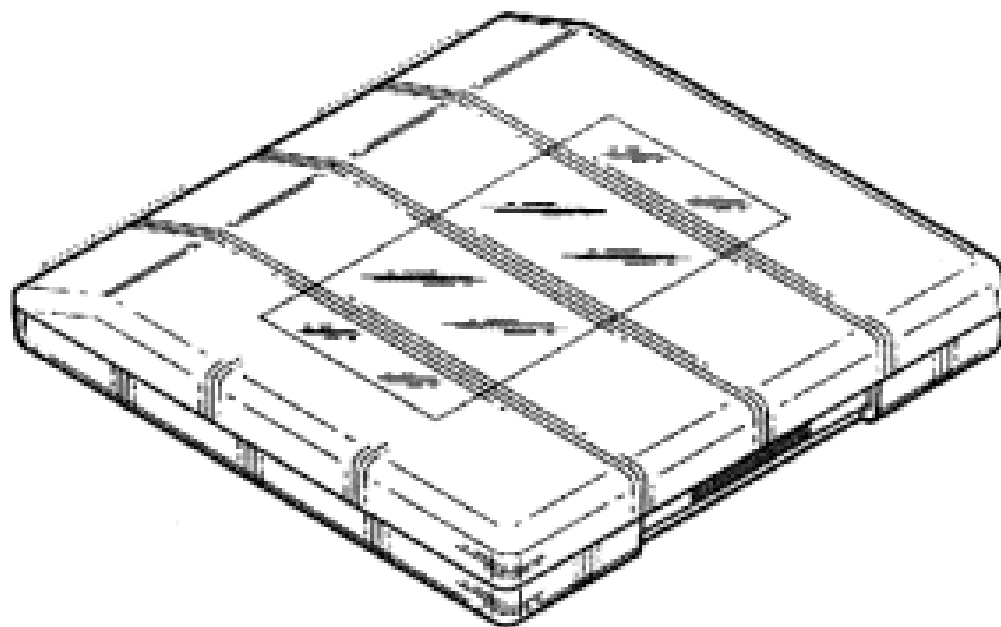


- (21) Design Number: **21119/2007**
(22) Date of Filing Application: **05 December 2007**
(24) Date from which industrial property rights may have effect: **05 December 2007**
(54) Product in respect of which the design is registered: **Door component**
(51) International Design Classification: **25-02B**
(71) Name(s) and Address(s) of Applicant(s):
Locker Group Pty Ltd
42 Fitzpatrick Street Revesby New South Wales 2212 Australia
(72) Name(s) of Designer(s): **Aaron Harvey Sheen and Derek Boden**
(45) Registration Date: **03 September 2008**
(56) Related Art Documents: **Not Applicable**
(57) Statement of Newness and Distinctiveness: **Newness and distinctiveness reside in the features of shape and configuration of a door component of indefinite length as shown in the accompanying drawings.**



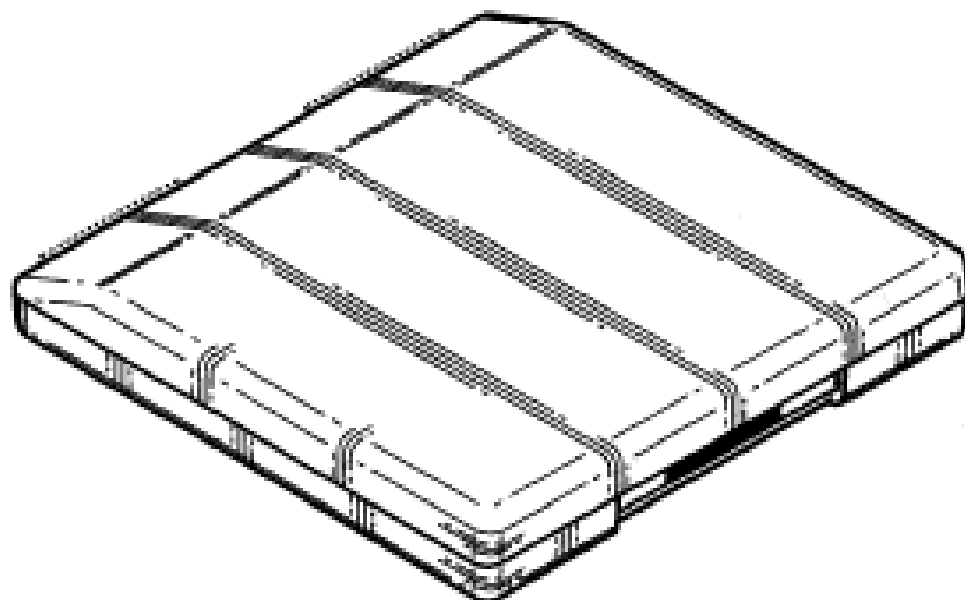
(19) AU

- (21) Design Number: **10536/2008**
(22) Date of Filing Application: **06 February 2008**
(24) Date from which industrial property rights may have effect: **06 February 2008**
(54) Product in respect of which the design is registered: **Container**
(51) International Design Classification: **09-03M**
(71) Name(s) and Address(s) of Applicant(s):
Mary Kay, Inc.
16251 N. Dallas Parkway PO Box 799045 Dallas TX 75379-9045 United States of America
(72) Name(s) of Designer(s): **Dan Dominski and Alex Kwapis and Kyle Every**
(45) Registration Date: **03 September 2008**
(30) Convention priority data:
(31) Number (32) Date (33) Country
29/283,433 14 Aug 2007 UNITED STATES OF AMERICA
(56) Related Art Documents: **Not Applicable**
(57) Statement of Newness and Distinctiveness: **The dashed lines in the representations are environmental structure forming no part of the claimed design. The bottom surface of the design and all other surface(s) or portion(s) of the design not shown in the figures form no part of the claimed design.**



(19) AU

- (21) Design Number: **14132/2008**
(22) Date of Filing Application: **06 February 2008**
(24) Date from which industrial property rights may have effect: **06 February 2008**
(54) Product in respect of which the design is registered: **Container**
(51) International Design Classification: **09-03M**
(71) Name(s) and Address(s) of Applicant(s):
Mary Kay, Inc.
16251 N. Dallas Parkway PO Box 799045 Dallas TX 75379-9045 United States of America
(72) Name(s) of Designer(s): **Dan Dominski and Alex Kwapis and Kyle Every**
(45) Registration Date: **03 September 2008**
(30) Convention priority data:
(31) Number (32) Date (33) Country
29/283,433 14 Aug 2007 UNITED STATES OF AMERICA
(56) Related Art Documents: **Not Applicable**
(57) Statement of Newness and Distinctiveness: **The dashed lines in the representations are environmental structure forming no part of the claimed design. The bottom surface of the design and all other surface(s) or portion(s) of the design not shown in the figures form no part of the claimed design.**



(21) Design Number: **14133/2008**
 (22) Date of Filing Application: **06 February 2008**
 (24) Date from which industrial property rights may have effect: **06 February 2008**
 (54) Product in respect of which the design is registered: **Container**
 (51) International Design Classification: **09-03M**
 (71) Name(s) and Address(s) of Applicant(s):

Mary Kay, Inc.
16251 N. Dallas Parkway PO Box 799045 Dallas TX 75379-9045 United States of America

(72) Name(s) of Designer(s): **Dan Dominski and Alex Kwapis and Kyle Every**

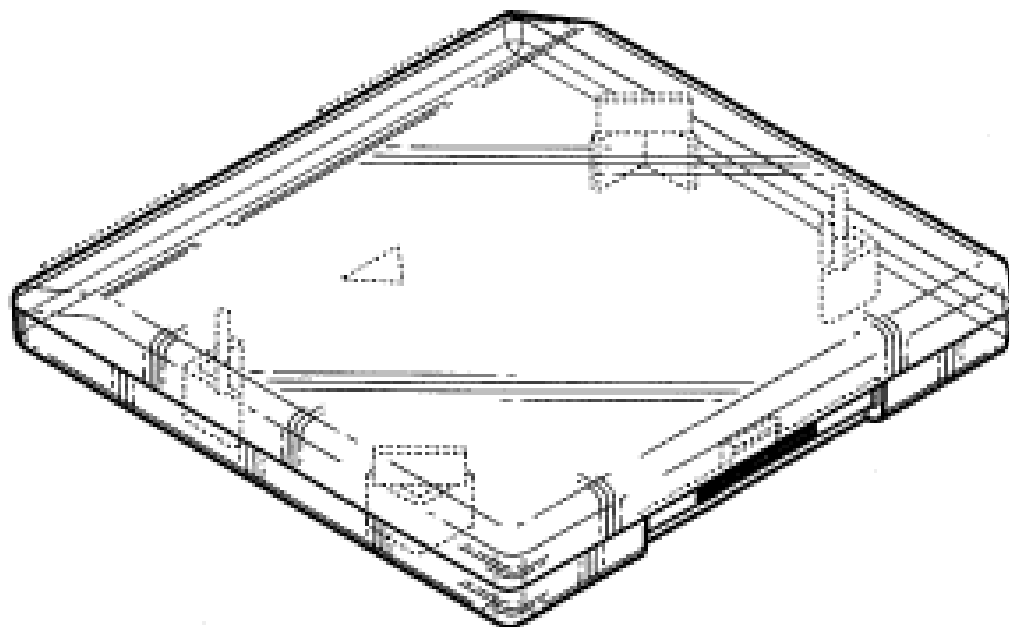
(45) Registration Date: **03 September 2008**

(30) Convention priority data:

(31) Number	(32) Date	(33) Country
29/283,433	14 Aug 2007	UNITED STATES OF AMERICA

(56) Related Art Documents: **Not Applicable**

(57) Statement of Newness and Distinctiveness: **The dashed lines in the representations are environmental structure forming no part of the claimed design. The bottom surface of the design and all other surface(s) or portion(s) of the design not shown in the figures form no part of the claimed design.**



(21) Design Number: **10678/2008**
 (22) Date of Filing Application: **15 February 2008**
 (24) Date from which industrial property rights may have effect: **15 February 2008**
 (54) Product in respect of which the design is registered: **Navigation device**
 (51) International Design Classification: **14-03NES**
 (71) Name(s) and Address(s) of Applicant(s):

TomTom International B.V.
Rembrandtplein 35 1017 CT Amsterdam The Netherlands

(72) Name(s) of Designer(s): **Mark Gretton**

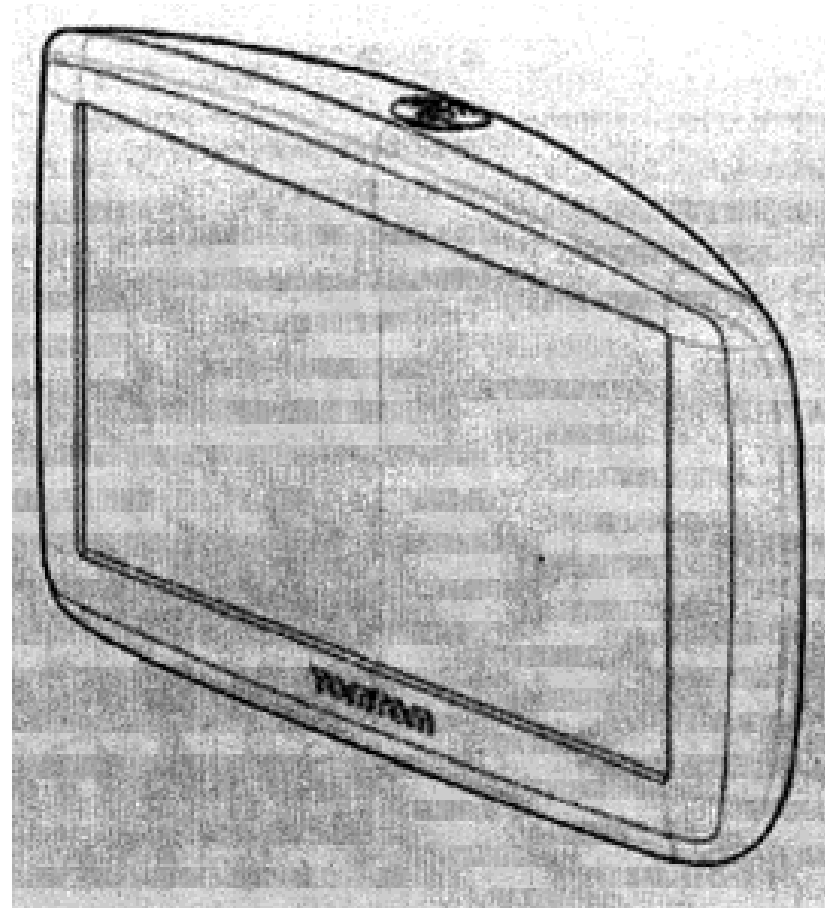
(45) Registration Date: **03 September 2008**

(30) Convention priority data:

(31) Number	(32) Date	(33) Country
29/283546	16 Aug 2007	UNITED STATES OF AMERICA

(56) Related Art Documents: **Not Applicable**

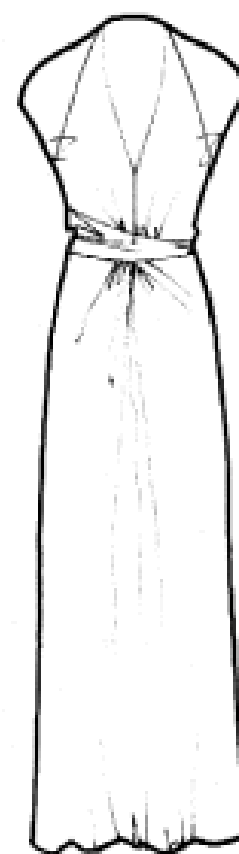
(57) Statement of Newness and Distinctiveness: **Newness and distinctiveness is claimed in the features of shape and/or configuration of a navigation device, as illustrated in the accompanying representations, in which any mounts, holders or connecting accessories should be disregarded.**



(21) Design Number: **11517/2008**
(22) Date of Filing Application: **28 March 2008**
(24) Date from which industrial property rights may have effect: **28 March 2008**
(54) Product in respect of which the design is registered: **Clothing/apparel**
(51) International Design Classification: **02-02NES**
(71) Name(s) and Address(s) of Applicant(s):
The Discovery Clothing Company Pty Ltd
Bld 10 26-34 Dunning Avenue Rosebery New South Wales 2018
Australia
(72) Name(s) of Designer(s): **Charlie Brown**
(45) Registration Date: **03 September 2008**
(56) Related Art Documents: **Not Applicable**
(57) Statement of Newness and Distinctiveness: **Nil**



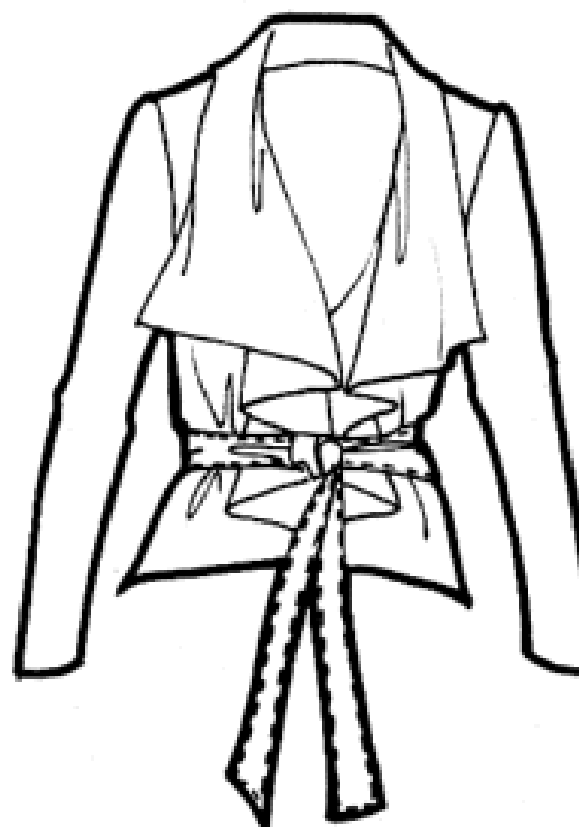
(21) Design Number: **11518/2008**
(22) Date of Filing Application: **28 March 2008**
(24) Date from which industrial property rights may have effect: **28 March 2008**
(54) Product in respect of which the design is registered: **Clothing apparel**
(51) International Design Classification: **02-02C**
(71) Name(s) and Address(s) of Applicant(s):
The Discovery Clothing Company Pty Ltd
Bld 10 26-34 Dunning Avenue Rosebery New South Wales 2018
Australia
(72) Name(s) of Designer(s): **Charlie Brown**
(45) Registration Date: **03 September 2008**
(56) Related Art Documents: **Not Applicable**
(57) Statement of Newness and Distinctiveness: **Nil**



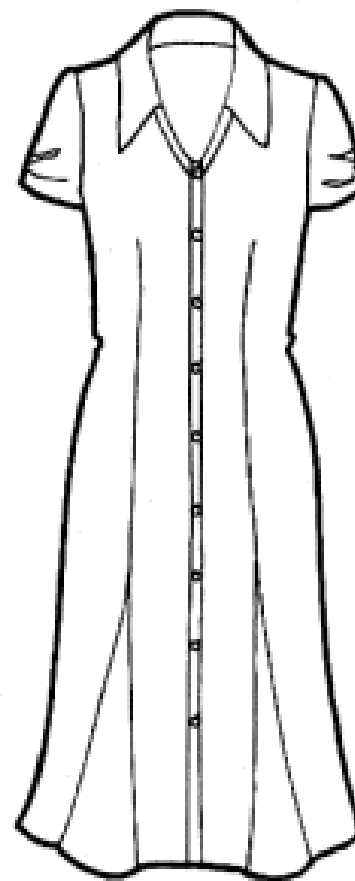
- (21) Design Number: **11519/2008**
(22) Date of Filing Application: **28 March 2008**
(24) Date from which industrial property rights may have effect: **28 March 2008**
(54) Product in respect of which the design is registered: **Clothing/apparel**
(51) International Design Classification: **02-02C**
(71) Name(s) and Address(s) of Applicant(s):
The Discovery Clothing Company Pty Ltd
Bld 10 26-34 Dunning Avenue Rosebery New South Wales 2018
Australia
(72) Name(s) of Designer(s): **Charlie Brown**
(45) Registration Date: **03 September 2008**
(56) Related Art Documents: **Not Applicable**
(57) Statement of Newness and Distinctiveness: **Nil**



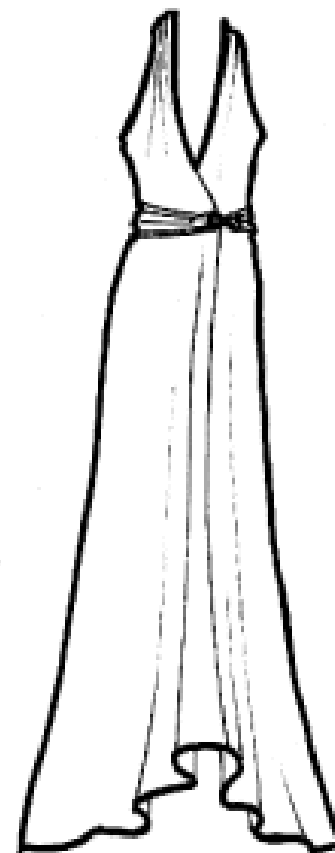
- (21) Design Number: **11520/2008**
(22) Date of Filing Application: **28 March 2008**
(24) Date from which industrial property rights may have effect: **28 March 2008**
(54) Product in respect of which the design is registered: **Clothing/apparel**
(51) International Design Classification: **02-02NES**
(71) Name(s) and Address(s) of Applicant(s):
The Discovery Clothing Company Pty Ltd
Bld 10 26-34 Dunning Avenue Rosebery New South Wales 2018
Australia
(72) Name(s) of Designer(s): **Charlie Brown**
(45) Registration Date: **03 September 2008**
(56) Related Art Documents: **Not Applicable**
(57) Statement of Newness and Distinctiveness: **Nil**



- (21) Design Number: **11521/2008**
- (22) Date of Filing Application: **28 March 2008**
- (24) Date from which industrial property rights may have effect: **28 March 2008**
- (54) Product in respect of which the design is registered: **Clothing/apparel**
- (51) International Design Classification: **02-02C**
- (71) Name(s) and Address(s) of Applicant(s):
The Discovery Clothing Company Pty Ltd
Bld 10 26-34 Dunning Avenue Rosebery New South Wales 2018
Australia
- (72) Name(s) of Designer(s): **Charlie Brown**
- (45) Registration Date: **03 September 2008**
- (56) Related Art Documents: **Not Applicable**
- (57) Statement of Newness and Distinctiveness: **Nil**



- (21) Design Number: **11522/2008**
- (22) Date of Filing Application: **28 March 2008**
- (24) Date from which industrial property rights may have effect: **28 March 2008**
- (54) Product in respect of which the design is registered: **Clothing/apparel**
- (51) International Design Classification: **02-02C**
- (71) Name(s) and Address(s) of Applicant(s):
The Discovery Clothing Company Pty Ltd
Bld 10 26-34 Dunning Avenue Rosebery New South Wales 2018
Australia
- (72) Name(s) of Designer(s): **Charlie Brown**
- (45) Registration Date: **03 September 2008**
- (56) Related Art Documents: **Not Applicable**
- (57) Statement of Newness and Distinctiveness: **Nil**



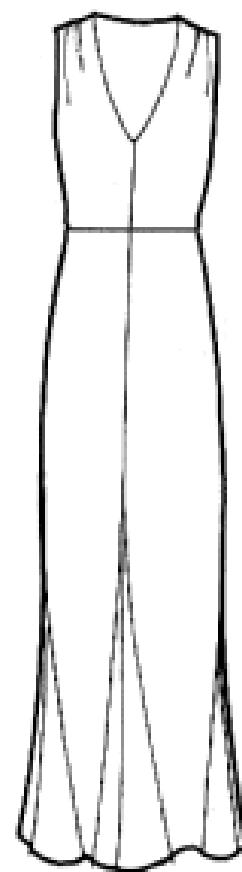
- (21) Design Number: **11523/2008**
(22) Date of Filing Application: **28 March 2008**
(24) Date from which industrial property rights may have effect: **28 March 2008**
(54) Product in respect of which the design is registered: **Clothing/apparel**
(51) International Design Classification: **02-02NES**
(71) Name(s) and Address(s) of Applicant(s):
The Discovery Clothing Company Pty Ltd
Bld 10 26-34 Dunning Avenue Rosebery New South Wales 2018
Australia
(72) Name(s) of Designer(s): **Charlie Brown**
(45) Registration Date: **03 September 2008**
(56) Related Art Documents: **Not Applicable**
(57) Statement of Newness and Distinctiveness: **Nil**



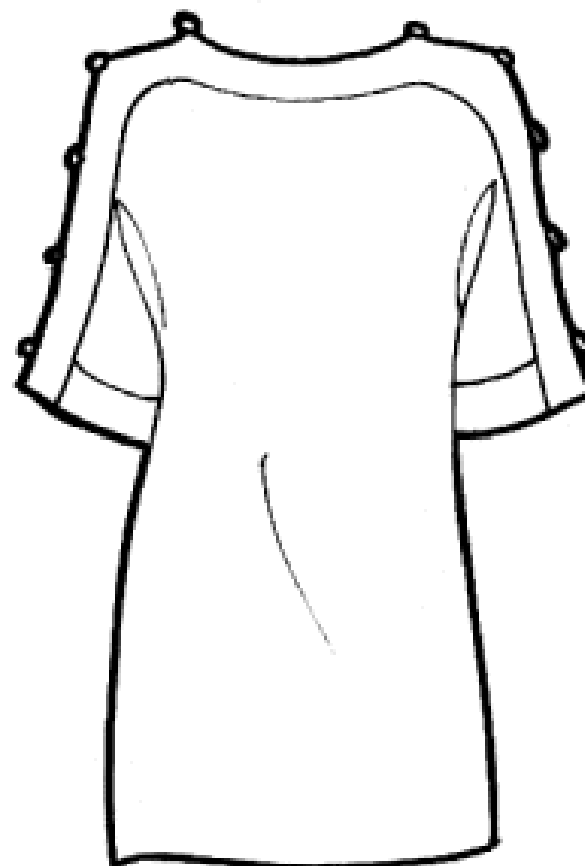
- (21) Design Number: **11524/2008**
(22) Date of Filing Application: **28 March 2008**
(24) Date from which industrial property rights may have effect: **28 March 2008**
(54) Product in respect of which the design is registered: **Clothing/apparel**
(51) International Design Classification: **02-02C**
(71) Name(s) and Address(s) of Applicant(s):
The Discovery Clothing Company Pty Ltd
Bld 10 26-34 Dunning Avenue Rosebery New South Wales 2018
Australia
(72) Name(s) of Designer(s): **Charlie Brown**
(45) Registration Date: **03 September 2008**
(56) Related Art Documents: **Not Applicable**
(57) Statement of Newness and Distinctiveness: **Nil**



(21) Design Number: **11525/2008**
(22) Date of Filing Application: **28 March 2008**
(24) Date from which industrial property rights may have effect: **28 March 2008**
(54) Product in respect of which the design is registered: **Clothing/apparel**
(51) International Design Classification: **02-02C**
(71) Name(s) and Address(s) of Applicant(s):
The Discovery Clothing Company Pty Ltd
Bld 10 26-34 Dunning Avenue Rosebery New South Wales 2018
Australia
(72) Name(s) of Designer(s): **Charlie Brown**
(45) Registration Date: **03 September 2008**
(56) Related Art Documents: **Not Applicable**
(57) Statement of Newness and Distinctiveness: **Nil**



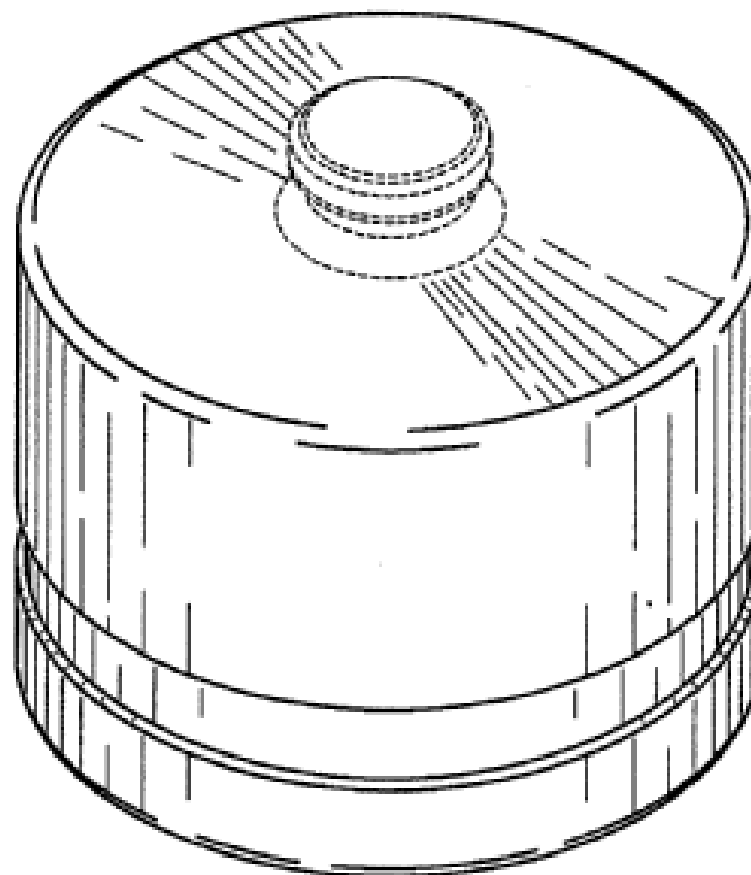
(21) Design Number: **11526/2008**
(22) Date of Filing Application: **28 March 2008**
(24) Date from which industrial property rights may have effect: **28 March 2008**
(54) Product in respect of which the design is registered: **Clothing/apparel**
(51) International Design Classification: **02-02NES**
(71) Name(s) and Address(s) of Applicant(s):
The Discovery Clothing Company Pty Ltd
Bld 10 26-34 Dunning Avenue Rosebery New South Wales 2018
Australia
(72) Name(s) of Designer(s): **Charlie Brown**
(45) Registration Date: **03 September 2008**
(56) Related Art Documents: **Not Applicable**
(57) Statement of Newness and Distinctiveness: **Nil**



(21) Design Number: **11527/2008**
 (22) Date of Filing Application: **28 March 2008**
 (24) Date from which industrial property rights may have effect: **28 March 2008**
 (54) Product in respect of which the design is registered: **Clothing/apparel**
 (51) International Design Classification: **02-02NES**
 (71) Name(s) and Address(s) of Applicant(s):
The Discovery Clothing Company Pty Ltd
Bld 10 26-34 Dunning Avenue Rosebery New South Wales 2018
Australia
 (72) Name(s) of Designer(s): **Charlie Brown**
 (45) Registration Date: **03 September 2008**
 (56) Related Art Documents: **Not Applicable**
 (57) Statement of Newness and Distinctiveness: **Nil**



(21) Design Number: **11966/2008**
 (22) Date of Filing Application: **29 April 2008**
 (24) Date from which industrial property rights may have effect: **29 April 2008**
 (54) Product in respect of which the design is registered: **Container**
 (51) International Design Classification: **09-01G, 28-03NES**
 (71) Name(s) and Address(s) of Applicant(s):
Mary Kay Inc.
16251 N. Dallas Parkway PO Box 799045 Dallas TX 75379-9045 United
States of America
 (72) Name(s) of Designer(s): **Jenny DeMarco**
 (45) Registration Date: **03 September 2008**
 (30) Convention priority data:
 (31) Number (32) Date (33) Country
29/297,697 15 Nov 2007 UNITED STATES OF AMERICA
 (56) Related Art Documents: **Not Applicable**
 (57) Statement of Newness and Distinctiveness: **Nil**



(21) Design Number: **13792/2008**

(22) Date of Filing Application: **29 April 2008**

(24) Date from which industrial property rights may have effect: **29 April 2008**

(54) Product in respect of which the design is registered: **Container**

(51) International Design Classification: **09-01G, 28-03NES**

(71) Name(s) and Address(s) of Applicant(s):

Mary Kay Inc.
16251 N. Dallas Parkway PO Box 799045 Dallas TX 75379-9045 United States of America

(72) Name(s) of Designer(s): **Jenny DeMarco**

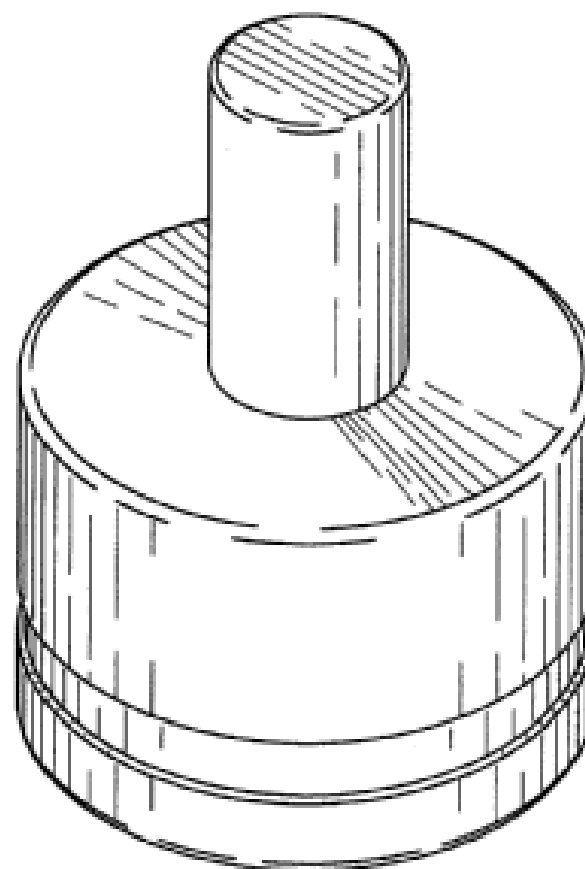
(45) Registration Date: **03 September 2008**

(30) Convention priority data:

(31) Number	(32) Date	(33) Country
29/297,697	15 Nov 2007	UNITED STATES OF AMERICA

(56) Related Art Documents: **Not Applicable**

(57) Statement of Newness and Distinctiveness: **Nil**



(21) Design Number: **12130/2008**

(22) Date of Filing Application: **06 May 2008**

(24) Date from which industrial property rights may have effect: **06 May 2008**

(54) Product in respect of which the design is registered: **A marine catcher**

(51) International Design Classification: **22-05**

(71) Name(s) and Address(s) of Applicant(s):

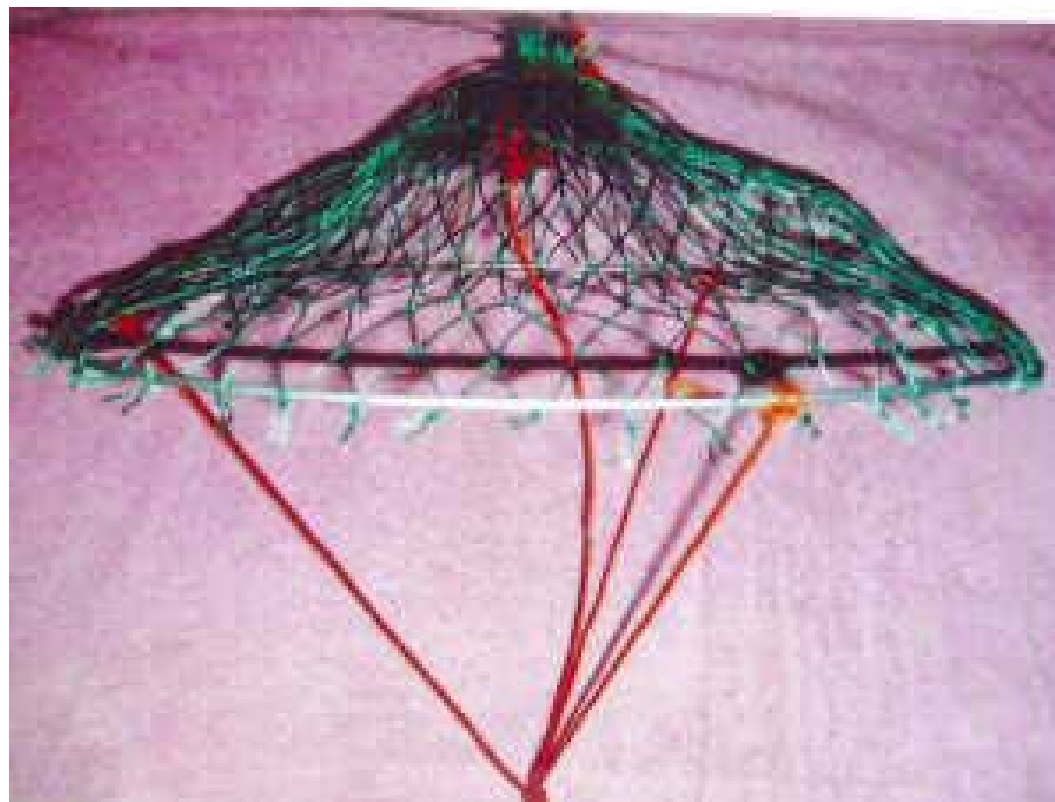
Barry Cullen
12 Granada Street Wynnum Queensland 4178 Australia

(72) Name(s) of Designer(s): **Barry Cullen**

(45) Registration Date: **03 September 2008**

(56) Related Art Documents: **Not Applicable**

(57) Statement of Newness and Distinctiveness: **Monopoly is claimed in the shape and configuration of a castable feeler crustacean catcher as shown in the representations accompanying the application.**



- (21) Design Number: **10698/2008**
(22) Date of Filing Application: **15 February 2008**
(24) Date from which industrial property rights may have effect: **15 February 2008**
(54) Product in respect of which the design is registered: **A top**
(51) International Design Classification: **02-02NES**
(71) Name(s) and Address(s) of Applicant(s):
Review Australia Pty Ltd
25-31 Rokeby Street Collingwood Victoria 3066 Australia
(72) Name(s) of Designer(s): **Jayne Ellis**
(45) Registration Date: **04 September 2008**
(56) Related Art Documents: **Not Applicable**
(57) Statement of Newness and Distinctiveness: **Nil**



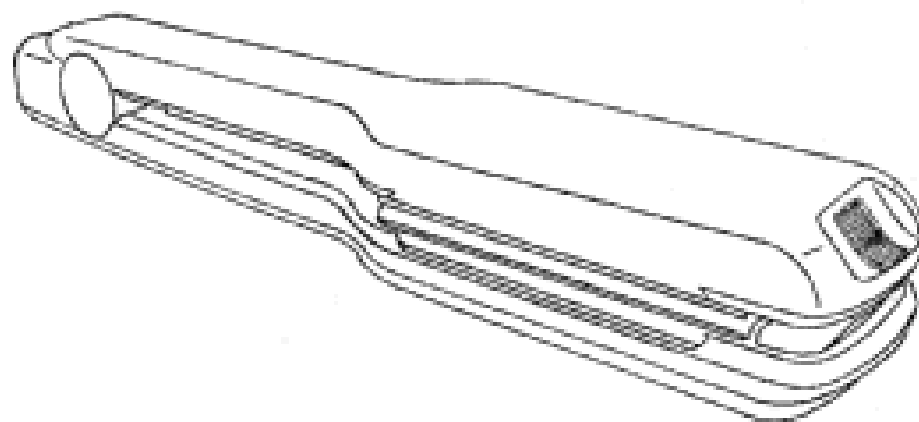
- (21) Design Number: **13630/2008**
(22) Date of Filing Application: **15 February 2008**
(24) Date from which industrial property rights may have effect: **15 February 2008**
(54) Product in respect of which the design is registered: **A tunic**
(51) International Design Classification: **02-02C**
(71) Name(s) and Address(s) of Applicant(s):
Review Australia Pty Ltd
25-31 Rokeby Street Collingwood Victoria 3066 Australia
(72) Name(s) of Designer(s): **Jayne Ellis**
(45) Registration Date: **04 September 2008**
(56) Related Art Documents: **Not Applicable**
(57) Statement of Newness and Distinctiveness: **Nil**



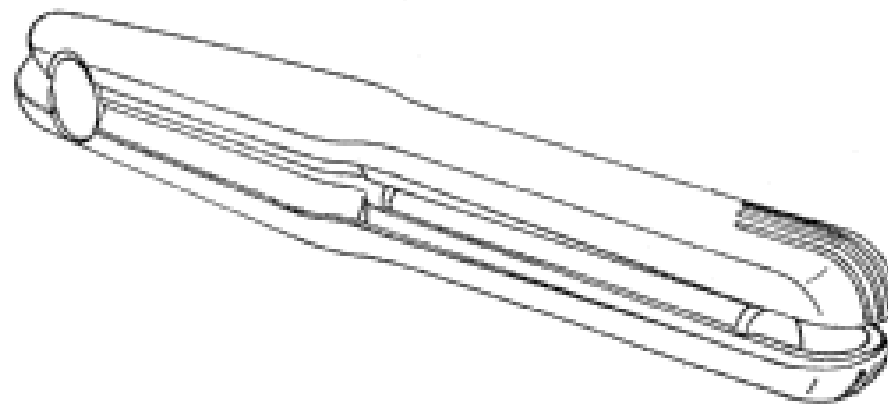
- (21) Design Number: **13631/2008**
(22) Date of Filing Application: **15 February 2008**
(24) Date from which industrial property rights may have effect: **15 February 2008**
(54) Product in respect of which the design is registered: **A dress**
(51) International Design Classification: **02-02C**
(71) Name(s) and Address(s) of Applicant(s):
Review Australia Pty Ltd
25-31 Rokeby Street Collingwood Victoria 3066 Australia
(72) Name(s) of Designer(s): **Jayne Ellis**
(45) Registration Date: **04 September 2008**
(56) Related Art Documents: **Not Applicable**
(57) Statement of Newness and Distinctiveness: **Nil**



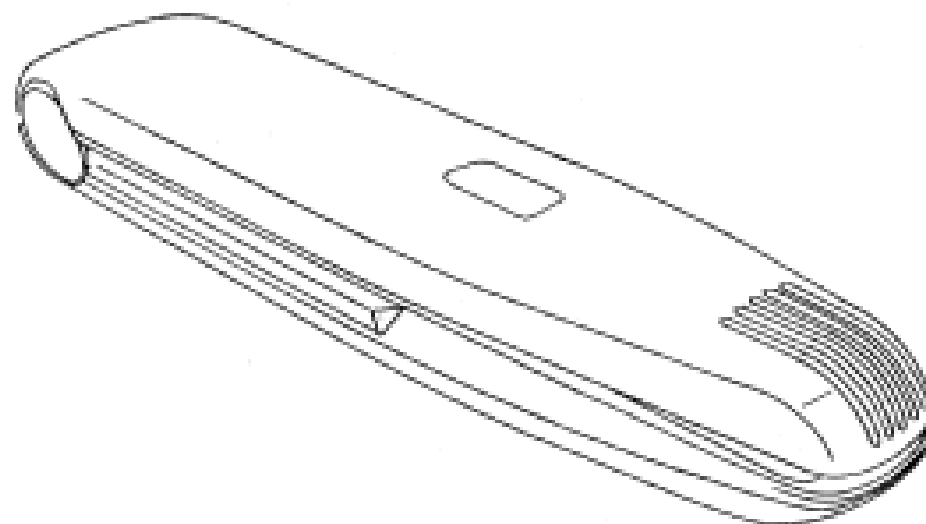
- (21) Design Number: **11038/2008**
(22) Date of Filing Application: **03 March 2008**
(24) Date from which industrial property rights may have effect: **03 March 2008**
(54) Product in respect of which the design is registered: **Hair styling apparatus**
(51) International Design Classification: **28-03B**
(71) Name(s) and Address(s) of Applicant(s):
Jemella Group Limited
Eversheds LLP Eversheds House 70 Great Bridgewater Street
Manchester M1 5ES United Kingdom
(72) Name(s) of Designer(s): **Employee(s) of Glenelg Design**
(45) Registration Date: **04 September 2008**
(30) Convention priority data:
(31) Number (32) Date (33) Country
000785001 03 Sep 2007 EUROPEAN COMMUNITY
(56) Related Art Documents: **Not Applicable**
(57) Statement of Newness and Distinctiveness: **Those features of the hair styling apparatus depicted in the representations that are new and distinctive are the shape and/or configuration.**



(21) Design Number: **11039/2008**
(22) Date of Filing Application: **03 March 2008**
(24) Date from which industrial property rights may have effect: **03 March 2008**
(54) Product in respect of which the design is registered: **Hair styling apparatus**
(51) International Design Classification: **28-03B**
(71) Name(s) and Address(s) of Applicant(s):
Jemella Group Limited
Eversheds LLP Eversheds House 70 Great Bridgewater Street
Manchester M1 5ES United Kingdom
(72) Name(s) of Designer(s): **Employee(s) of Glenelg Design**
(45) Registration Date: **04 September 2008**
(30) Convention priority data:
(31) Number (32) Date (33) Country
000802582 01 Oct 2007 EUROPEAN COMMUNITY
(56) Related Art Documents: **Not Applicable**
(57) Statement of Newness and Distinctiveness: **Those features of the hair styling apparatus depicted in the representations that are new and distinctive are the shape and/or configuration.**



(21) Design Number: **11040/2008**
(22) Date of Filing Application: **03 March 2008**
(24) Date from which industrial property rights may have effect: **03 March 2008**
(54) Product in respect of which the design is registered: **Hair styling apparatus**
(51) International Design Classification: **28-03B**
(71) Name(s) and Address(s) of Applicant(s):
Jemella Group Limited
Eversheds LLP Eversheds House 70 Great Bridgewater Street
Manchester M1 5ES United Kingdom
(72) Name(s) of Designer(s): **Employee(s) of Glenelg Design**
(45) Registration Date: **04 September 2008**
(30) Convention priority data:
(31) Number (32) Date (33) Country
000883681 18 Feb 2008 EUROPEAN COMMUNITY
(56) Related Art Documents: **Not Applicable**
(57) Statement of Newness and Distinctiveness: **Those features of the hair styling apparatus depicted in the representations that are new and distinctive are the shape and/or configuration.**



(21) Design Number: **11176/2008**

(22) Date of Filing Application: **12 March 2008**

(24) Date from which industrial property rights may have effect: **12 March 2008**

(54) Product in respect of which the design is registered: **Beach towel, towels**

(51) International Design Classification: **06-13C**

(71) Name(s) and Address(s) of Applicant(s):

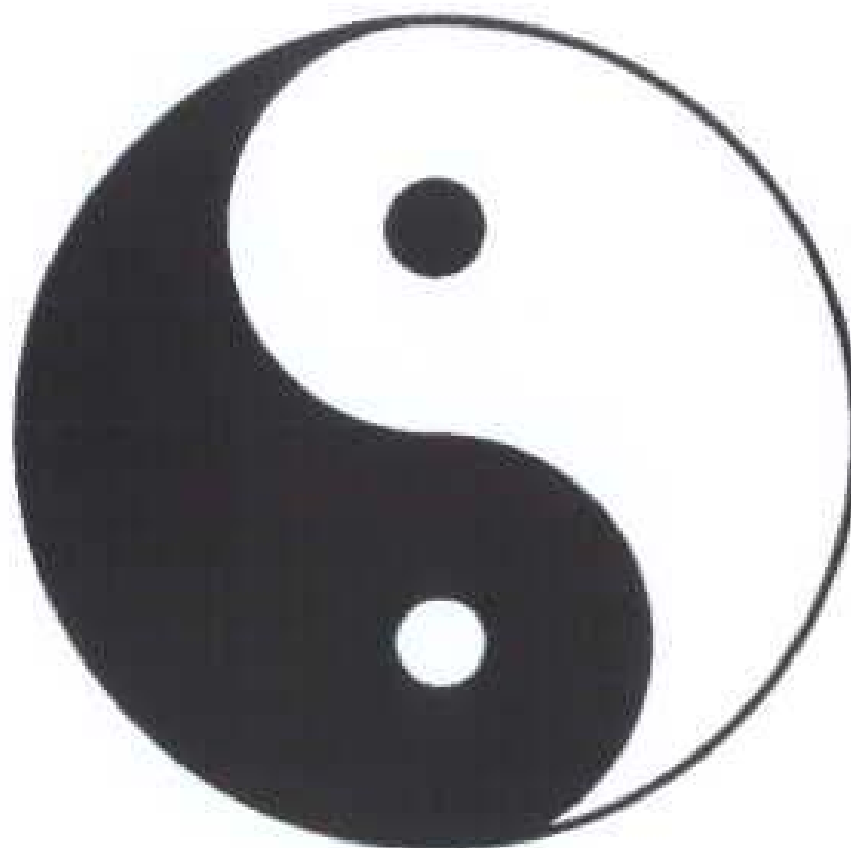
**Beachfoot International Pty Ltd
PO Box 444 Surry Hills New South Wales 2010 Australia**

(72) Name(s) of Designer(s): **Andrew Bird**

(45) Registration Date: **04 September 2008**

(56) Related Art Documents: **Not Applicable**

(57) Statement of Newness and Distinctiveness: **The textile fabric shape that being circular and the visual feature claimed that being the half and half split 2 colour design does not currently exist and is new by design in this class.**



(21) Design Number: **11452/2008**

(22) Date of Filing Application: **25 March 2008**

(24) Date from which industrial property rights may have effect: **25 March 2008**

(54) Product in respect of which the design is registered: **Playing card, Ace of Spades**

(51) International Design Classification: **21-01K**

(71) Name(s) and Address(s) of Applicant(s):

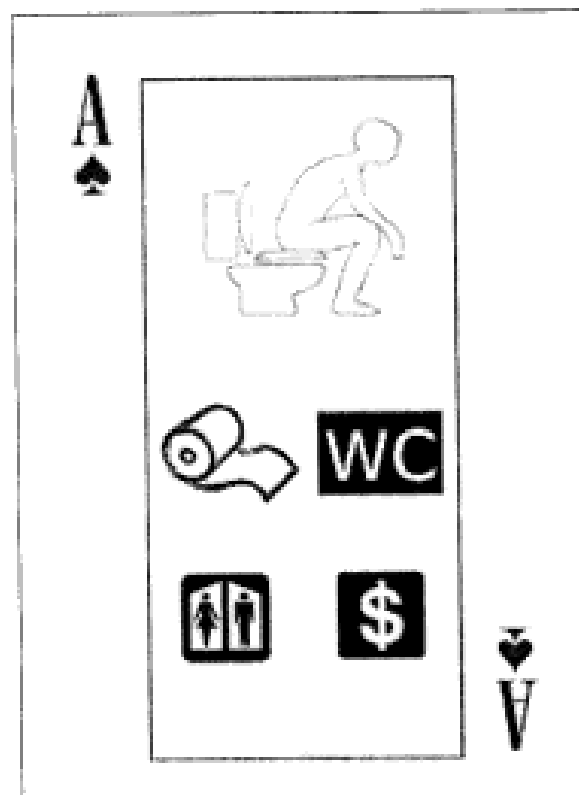
**Julie Hutcheson
PO Box 715 Katoomba New South Wales 2780 Australia
Stuart Littlehales
PO Box 715 Katoomba New South Wales 2780 Australia**

(72) Name(s) of Designer(s): **Julie Hutcheson and Stuart Littlehales**

(45) Registration Date: **04 September 2008**

(56) Related Art Documents: **Not Applicable**

(57) Statement of Newness and Distinctiveness: **This set of playing cards has the new and distinctive feature of doubling as a set of communication pictures/images for use by anyone, travelling anywhere in the world. It is this duality of function that gives this pack its uniqueness, not any individual card, hence it is the deck of cards itself that has the new design feature.**



(21) Design Number: **20150/2007**

(22) Date of Filing Application: **08 October 2007**

(24) Date from which industrial property rights may have effect: **08 October 2007**

(54) Product in respect of which the design is registered: **Protector for open end of a tubular core**

(51) International Design Classification: **09-07NES, 09-08, 09-99**

(71) Name(s) and Address(s) of Applicant(s):

Kurt Schnepf

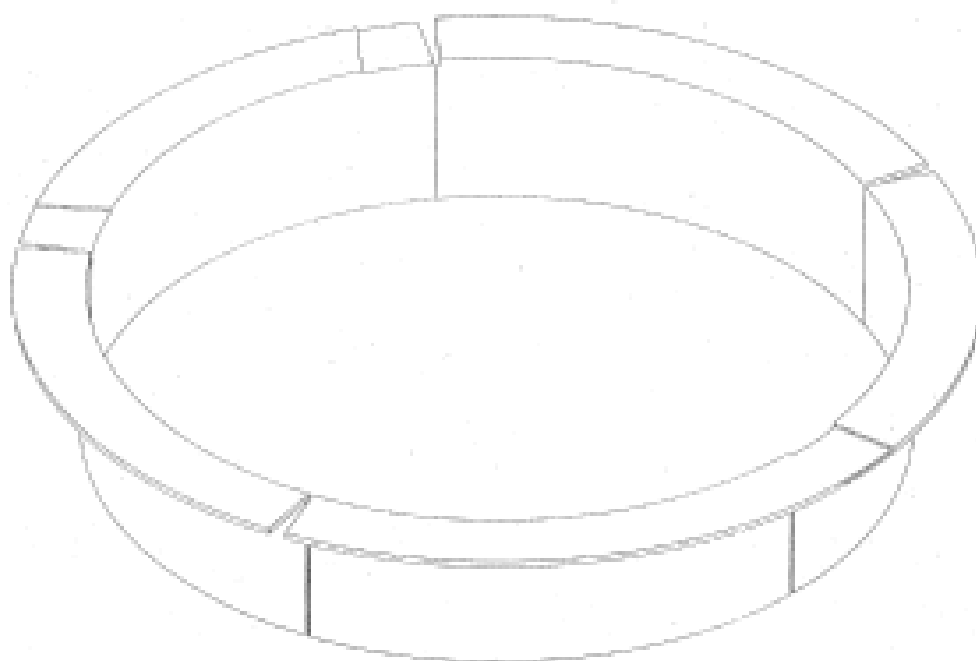
50 Connors Lane Seville Victoria 3139 Australia

(72) Name(s) of Designer(s): **Kurt Schnepf and Bill Hendriks**

(45) Registration Date: **04 September 2008**

(56) Related Art Documents: **Not Applicable**

(57) Statement of Newness and Distinctiveness: **Visual features of the design which are new and distinctive are the features of shape and configuration of a coil core p protector as illustrated in the representations.**



(21) Design Number: **20256/2007**

(22) Date of Filing Application: **15 October 2007**

(24) Date from which industrial property rights may have effect: **15 October 2007**

(54) Product in respect of which the design is registered: **A lid for a cooking appliance such as a barbeque or the like**

(51) International Design Classification: **07-02E**

(71) Name(s) and Address(s) of Applicant(s):

Aktiebolaget Electrolux

S:t Goransgatan 143 SE 105-45 Stockholm Sweden

(72) Name(s) of Designer(s): **Lars Erikson and Craig Williamson and Scott King and Lyndon Craig**

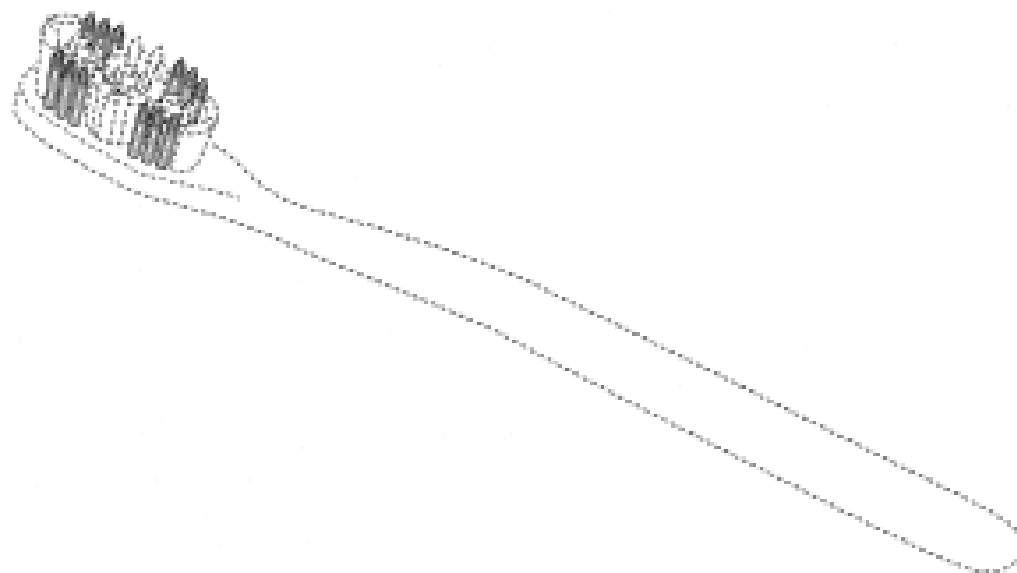
(45) Registration Date: **04 September 2008**

(56) Related Art Documents: **Not Applicable**

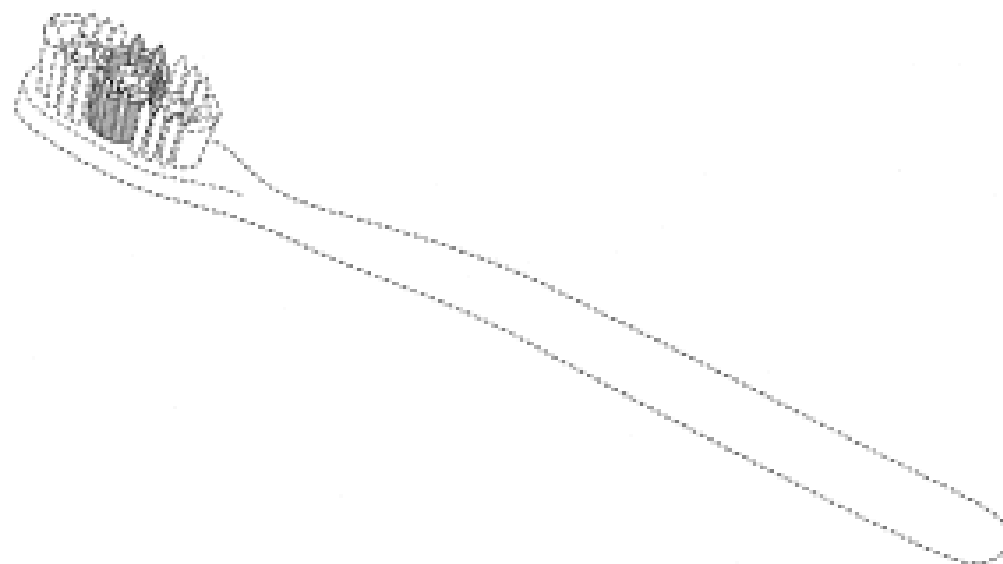
(57) Statement of Newness and Distinctiveness: **Nil**



- (21) Design Number: **13643/2008**
(22) Date of Filing Application: **31 July 2008**
(24) Date from which industrial property rights may have effect: **31 July 2008**
(54) Product in respect of which the design is registered: **Set of bristles for a toothbrush**
(51) International Design Classification: **04-02**
(71) Name(s) and Address(s) of Applicant(s):
Colgate-Palmolive Company
300 Park Avenue New York New York 10022 United States of America
(72) Name(s) of Designer(s): **Bruce M. Russell and Douglas J. Hohlbein and Maria Valentina Sposito and Frank Horn**
(45) Registration Date: **04 September 2008**
(30) Convention priority data:
(31) Number (32) Date (33) Country
29/303749 15 Feb 2008 UNITED STATES OF AMERICA
(56) Related Art Documents: **Not Applicable**
(57) Statement of Newness and Distinctiveness: **Newness and distinctiveness reside in the features of the design shown in solid lines in the representations excluding those features shown in broken lines.**

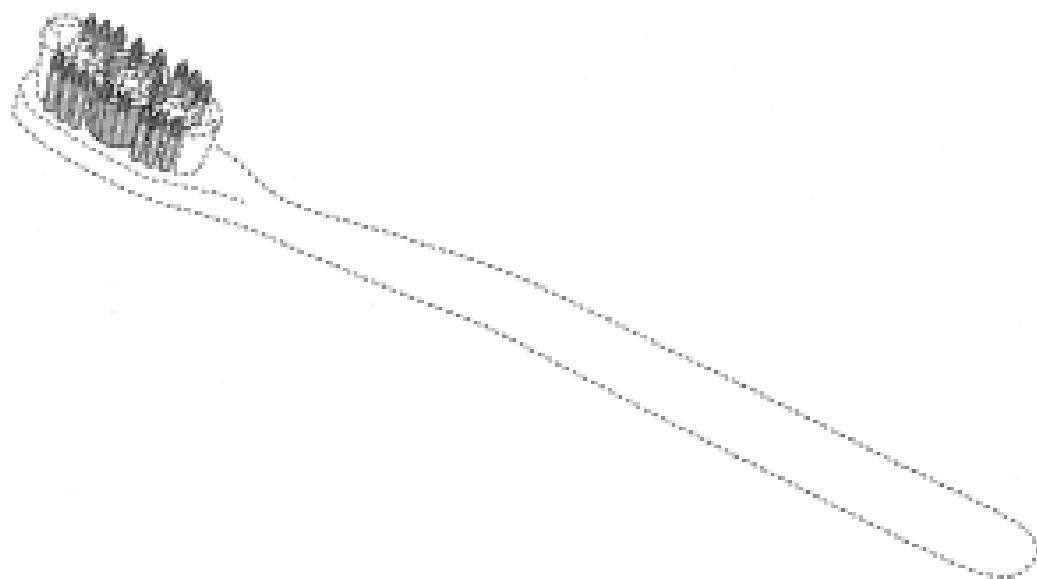


- (21) Design Number: **13644/2008**
(22) Date of Filing Application: **31 July 2008**
(24) Date from which industrial property rights may have effect: **31 July 2008**
(54) Product in respect of which the design is registered: **Set of bristles for a toothbrush**
(51) International Design Classification: **04-02**
(71) Name(s) and Address(s) of Applicant(s):
Colgate-Palmolive Company
300 Park Avenue New York New York 10022 United States of America
(72) Name(s) of Designer(s): **Bruce Russell**
(45) Registration Date: **04 September 2008**
(30) Convention priority data:
(31) Number (32) Date (33) Country
29/303750 15 Feb 2008 UNITED STATES OF AMERICA
(56) Related Art Documents: **Not Applicable**
(57) Statement of Newness and Distinctiveness: **Newness and distinctiveness reside in the features of the design shown in solid lines in the representations excluding those features shown in broken lines.**



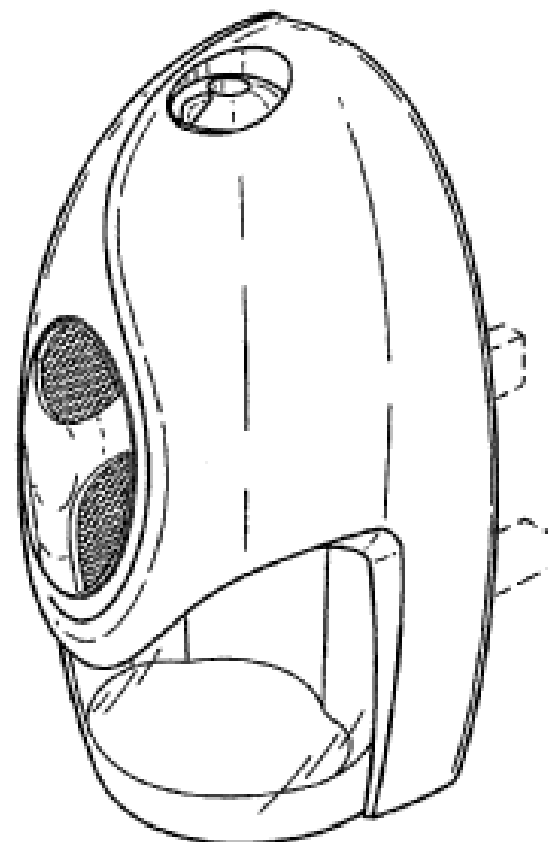
- (21) Design Number: **13645/2008**
- (22) Date of Filing Application: **31 July 2008**
- (24) Date from which industrial property rights may have effect: **31 July 2008**
- (54) Product in respect of which the design is registered: **Set of bristles for a toothbrush**
- (51) International Design Classification: **04-02**
- (71) Name(s) and Address(s) of Applicant(s):
Colgate-Palmolive Company
300 Park Avenue New York New York 10022 United States of America
- (72) Name(s) of Designer(s): **Bruce M. Russell and Douglas J. Hohlbein and Maria Valentina Sposito and Frank Horn**
- (45) Registration Date: **04 September 2008**
- (30) Convention priority data:

(31) Number	(32) Date	(33) Country
29/303751	15 Feb 2008	UNITED STATES OF AMERICA
- (56) Related Art Documents: **Not Applicable**
- (57) Statement of Newness and Distinctiveness: **Newness and distinctiveness reside in the features of the design shown in solid lines in the representations excluding those features shown in broken lines.**



- (21) Design Number: **14064/2008**
- (22) Date of Filing Application: **20 August 2008**
- (24) Date from which industrial property rights may have effect: **20 August 2008**
- (54) Product in respect of which the design is registered: **Air freshener device**
- (51) International Design Classification: **28-99**
- (71) Name(s) and Address(s) of Applicant(s):
Reckitt Benckiser (UK) Limited
103-105 Bath Road Slough Berkshire SL1 3UH United Kingdom
- (72) Name(s) of Designer(s): **Elias Belmonte and Martin Butler and Matthew Copeman and Peter Kay and Tim Sharpe and Dan Tyce**
- (45) Registration Date: **04 September 2008**
- (30) Convention priority data:

(31) Number	(32) Date	(33) Country
000904800-0001	26 Mar 2008	EUROPEAN COMMUNITY
- (56) Related Art Documents: **Not Applicable**
- (57) Statement of Newness and Distinctiveness: **Newness and distinctiveness reside in the features of the design shown in solid lines in the representations excluding those features shown in broken lines.**



(21) Design Number: **14066/2008**

(22) Date of Filing Application: **20 August 2008**

(24) Date from which industrial property rights may have effect: **20 August 2008**

(54) Product in respect of which the design is registered: **Air freshener device**

(51) International Design Classification: **28-99**

(71) Name(s) and Address(s) of Applicant(s):

Reckitt Benckiser (UK) Limited
103-105 Bath Road Slough Berkshire SL1 3UH United Kingdom

(72) Name(s) of Designer(s): **Elias Belmonte and Martin Butler and Matthew Copeman and Peter Kay and Tim Sharpe and Dan Tyce**

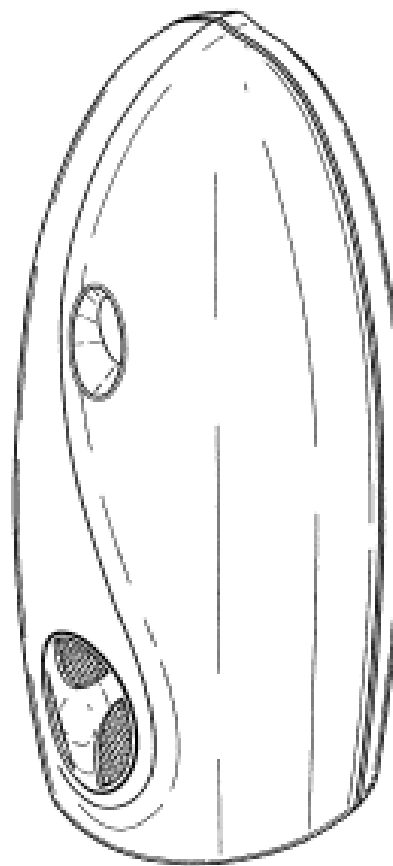
(45) Registration Date: **04 September 2008**

(30) Convention priority data:

(31) Number	(32) Date	(33) Country
000904800-0003	26 Mar 2008	EUROPEAN COMMUNITY

(56) Related Art Documents: **Not Applicable**

(57) Statement of Newness and Distinctiveness: **Newness and distinctiveness reside in the features of the design as shown in the representations.**



(21) Design Number: **14067/2008**

(22) Date of Filing Application: **20 August 2008**

(24) Date from which industrial property rights may have effect: **20 August 2008**

(54) Product in respect of which the design is registered: **Bottle**

(51) International Design Classification: **09-01NES**

(71) Name(s) and Address(s) of Applicant(s):

Reckitt Benckiser (UK) Limited
103-105 Bath Road Slough Berkshire SL1 3UH United Kingdom

(72) Name(s) of Designer(s): **Martin Butler and Andrea Duddington and Benjamin David Hindle and Laurie Labesque**

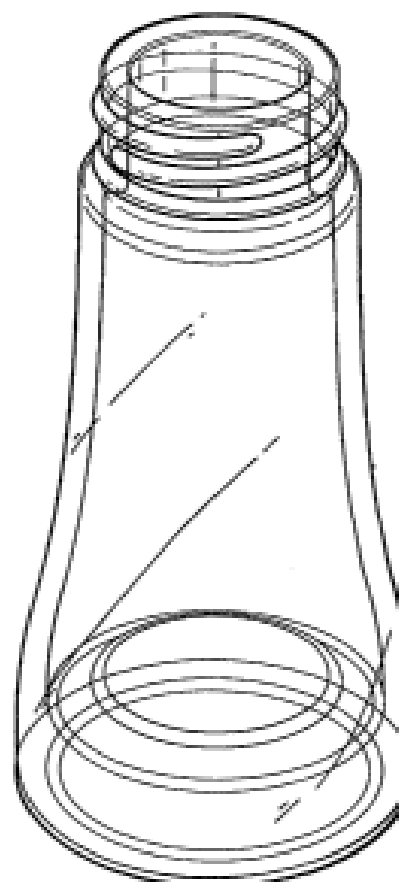
(45) Registration Date: **04 September 2008**

(30) Convention priority data:

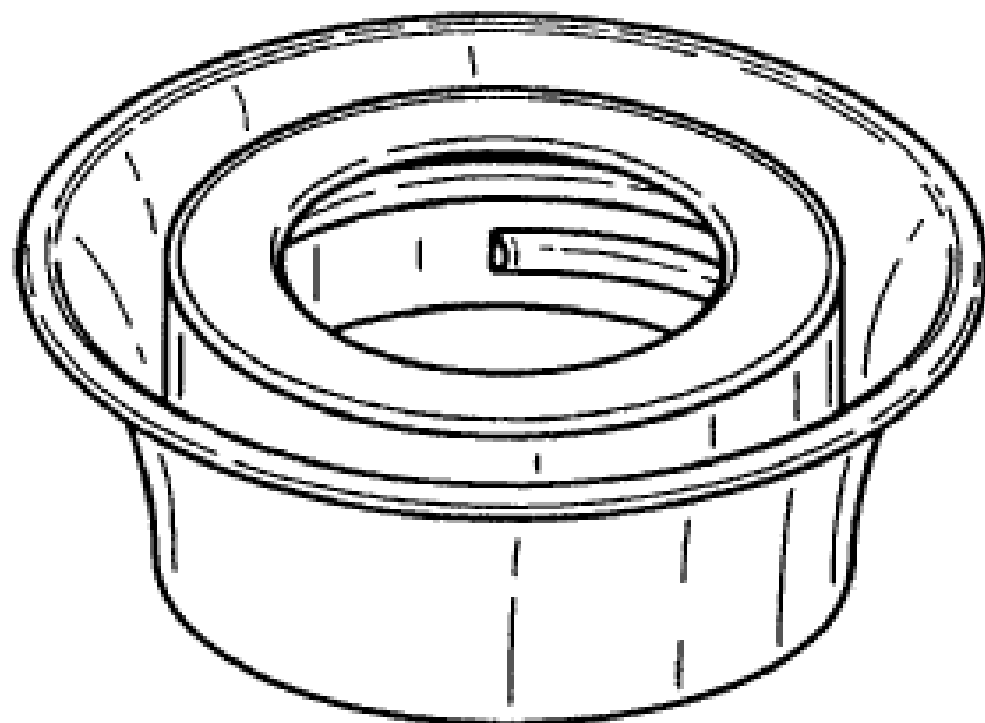
(31) Number	(32) Date	(33) Country
000884648-0001	20 Feb 2008	EUROPEAN COMMUNITY

(56) Related Art Documents: **Not Applicable**

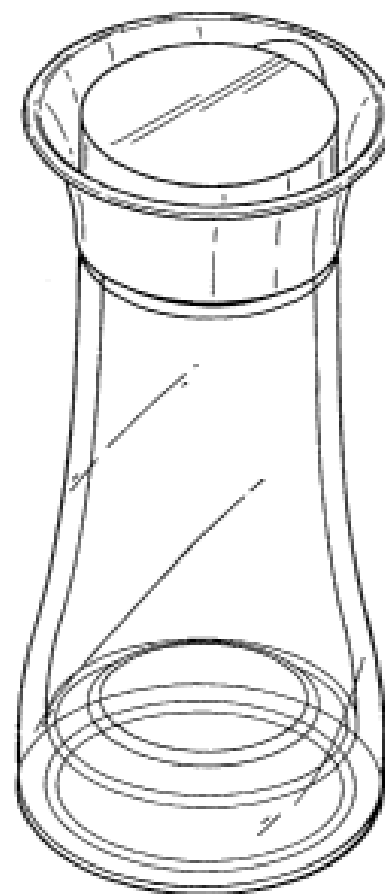
(57) Statement of Newness and Distinctiveness: **Newness and distinctiveness reside in the features of the design as shown in the representations.**



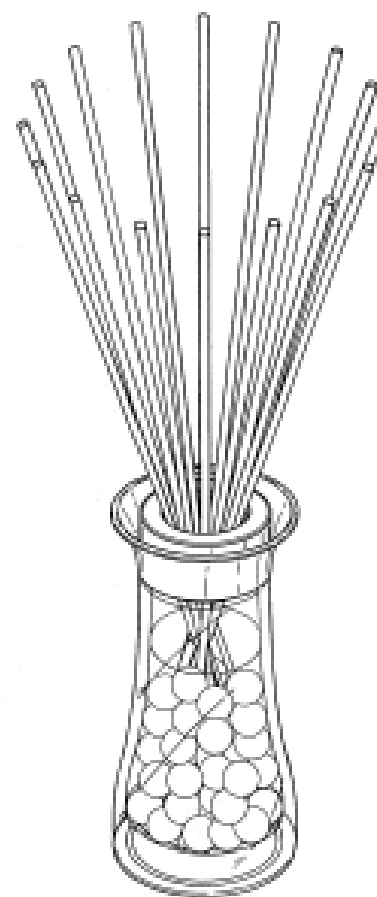
- (21) Design Number: **14068/2008**
(22) Date of Filing Application: **20 August 2008**
(24) Date from which industrial property rights may have effect: **20 August 2008**
(54) Product in respect of which the design is registered: **Bottle lid**
(51) International Design Classification: **09-07C**
(71) Name(s) and Address(s) of Applicant(s):
Reckitt Benckiser (UK) Limited
103-105 Bath Road Slough Berkshire SL1 3UH United Kingdom
(72) Name(s) of Designer(s): **Martin Butler and Andrea Duddington and Benjamin David Hindle and Laurie Labesque**
(45) Registration Date: **04 September 2008**
(30) Convention priority data:
(31) Number (32) Date (33) Country
000884648-0002 20 Feb 2008 EUROPEAN COMMUNITY
(56) Related Art Documents: **Not Applicable**
(57) Statement of Newness and Distinctiveness: **Newness and distinctiveness reside in the features of the design as shown in the representations.**



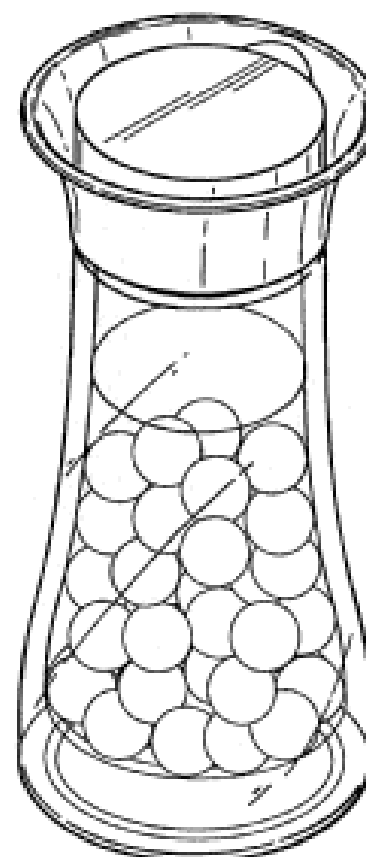
- (21) Design Number: **14069/2008**
(22) Date of Filing Application: **20 August 2008**
(24) Date from which industrial property rights may have effect: **20 August 2008**
(54) Product in respect of which the design is registered: **Bottle with lid**
(51) International Design Classification: **09-01NES**
(71) Name(s) and Address(s) of Applicant(s):
Reckitt Benckiser (UK) Limited
103-105 Bath Road Slough Berkshire SL1 3UH United Kingdom
(72) Name(s) of Designer(s): **Martin Butler and Andrea Duddington and Benjamin David Hindle and Laurie Labesque**
(45) Registration Date: **04 September 2008**
(30) Convention priority data:
(31) Number (32) Date (33) Country
000884648-0003 20 Feb 2008 EUROPEAN COMMUNITY
(56) Related Art Documents: **Not Applicable**
(57) Statement of Newness and Distinctiveness: **Newness and distinctiveness reside in the features of the design as shown in the representations.**



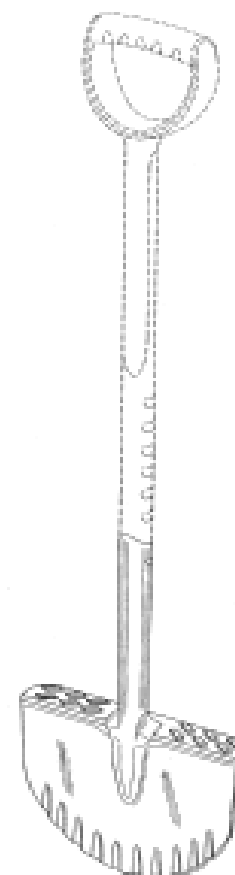
- (21) Design Number: **14071/2008**
(22) Date of Filing Application: **20 August 2008**
(24) Date from which industrial property rights may have effect: **20 August 2008**
(54) Product in respect of which the design is registered: **Air freshener device**
(51) International Design Classification: **09-01NES, 28-99**
(71) Name(s) and Address(s) of Applicant(s):
Reckitt Benckiser (UK) Limited
103-105 Bath Road Slough Berkshire SL1 3UH United Kingdom
(72) Name(s) of Designer(s): **Martin Butler and Benjamin David Hindle and**
Andrea Duddington and Laurie Labesque
(45) Registration Date: **04 September 2008**
(30) Convention priority data:
(31) Number (32) Date (33) Country
000884655-0002 20 Feb 2008 EUROPEAN COMMUNITY
(56) Related Art Documents: **Not Applicable**
(57) Statement of Newness and Distinctiveness: **Newness and distinctiveness**
reside in the features of the design as shown in the representations.



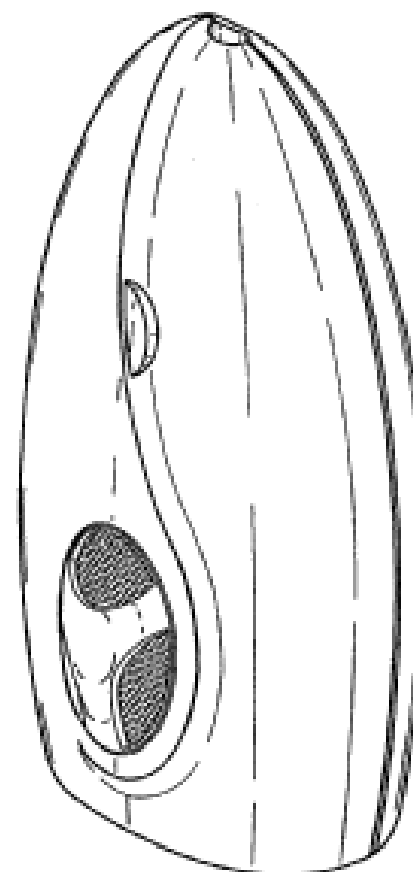
- (21) Design Number: **14072/2008**
(22) Date of Filing Application: **20 August 2008**
(24) Date from which industrial property rights may have effect: **20 August 2008**
(54) Product in respect of which the design is registered: **Air freshener device**
(51) International Design Classification: **09-01NES, 28-99**
(71) Name(s) and Address(s) of Applicant(s):
Reckitt Benckiser (UK) Limited
103-105 Bath Road Slough Berkshire SL1 3UH United Kingdom
(72) Name(s) of Designer(s): **Martin Butler and Benjamin David Hindle and**
Andrea Duddington and Laurie Labesque
(45) Registration Date: **04 September 2008**
(30) Convention priority data:
(31) Number (32) Date (33) Country
000884655-0003 20 Feb 2008 EUROPEAN COMMUNITY
(56) Related Art Documents: **Not Applicable**
(57) Statement of Newness and Distinctiveness: **Newness and distinctiveness**
reside in the features of the design as shown in the representations.



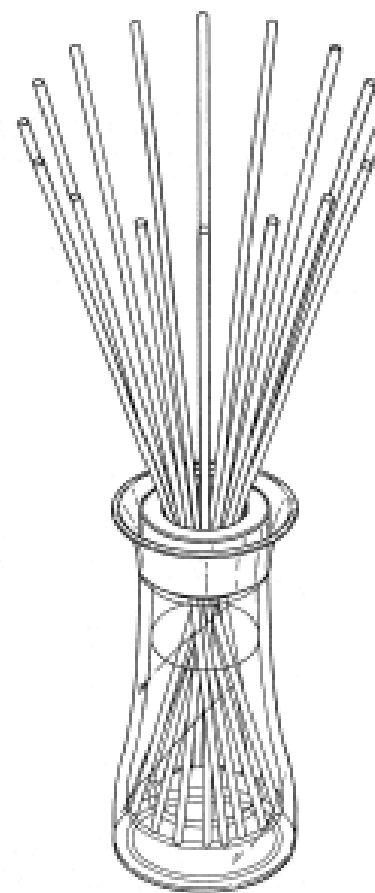
(21) Design Number: **14149/2008**
(22) Date of Filing Application: **27 August 2008**
(24) Date from which industrial property rights may have effect: **27 August 2008**
(54) Product in respect of which the design is registered: **Edger blade**
(51) International Design Classification: **08-03**
(71) Name(s) and Address(s) of Applicant(s):
Ames True Temper, Inc.
465 Railroad Avenue Camp Hill PA 17011 United States of America
(72) Name(s) of Designer(s): **Joshua O. Mullen**
(45) Registration Date: **04 September 2008**
(30) Convention priority data:
(31) Number (32) Date (33) Country
29/304,946 11 Mar 2008 UNITED STATES OF AMERICA
(56) Related Art Documents: **Not Applicable**
(57) Statement of Newness and Distinctiveness: **Nil**



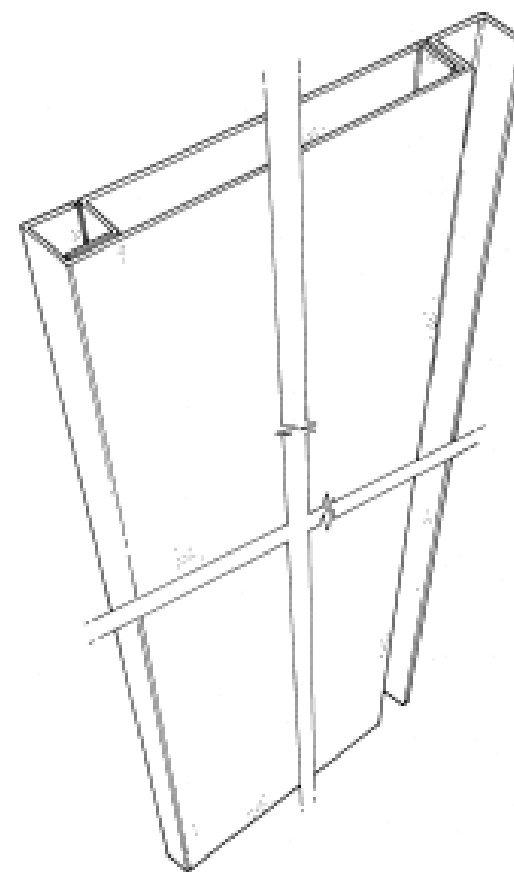
(21) Design Number: **14065/2008**
(22) Date of Filing Application: **20 August 2008**
(24) Date from which industrial property rights may have effect: **20 August 2008**
(54) Product in respect of which the design is registered: **Air freshener device**
(51) International Design Classification: **28-99**
(71) Name(s) and Address(s) of Applicant(s):
Reckitt Benckiser (UK) Limited
103-105 Bath Road Slough Berkshire SL1 3UH United Kingdom
(72) Name(s) of Designer(s): **Elias Belmonte and Martin Butler and Matthew Copeman and Peter Kay and Tim Sharpe and Dan Tyce**
(45) Registration Date: **04 September 2008**
(30) Convention priority data:
(31) Number (32) Date (33) Country
000904800-0002 26 Mar 2008 EUROPEAN COMMUNITY
(56) Related Art Documents: **Not Applicable**
(57) Statement of Newness and Distinctiveness: **Newness and distinctiveness reside in the features of the design as shown in the representations.**



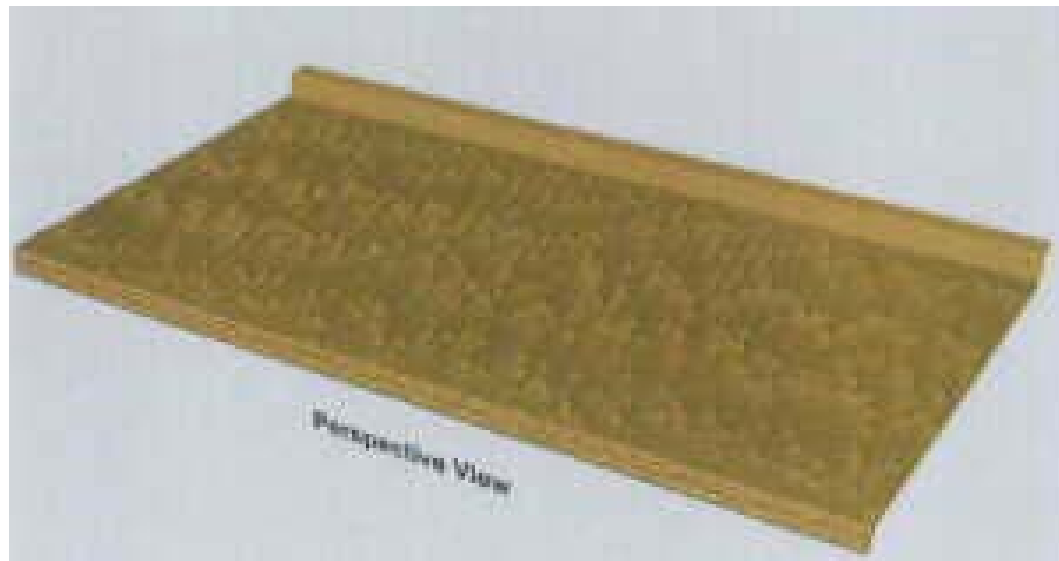
- (21) Design Number: **14070/2008**
(22) Date of Filing Application: **20 August 2008**
(24) Date from which industrial property rights may have effect: **20 August 2008**
(54) Product in respect of which the design is registered: **Air freshener device**
(51) International Design Classification: **09-01NES, 28-99**
(71) Name(s) and Address(s) of Applicant(s):
Reckitt Benckiser (UK) Limited
103-105 Bath Road Slough Berkshire SL1 3UH United Kingdom
(72) Name(s) of Designer(s): **Martin Butler and Benjamin David Hindle and**
Andrea Duddington and Laurie Labesque
(45) Registration Date: **04 September 2008**
(30) Convention priority data:
(31) Number (32) Date (33) Country
000884655-0001 20 Feb 2008 EUROPEAN COMMUNITY
(56) Related Art Documents: **Not Applicable**
(57) Statement of Newness and Distinctiveness: **Newness and distinctiveness**
reside in the features of the design as shown in the representations.



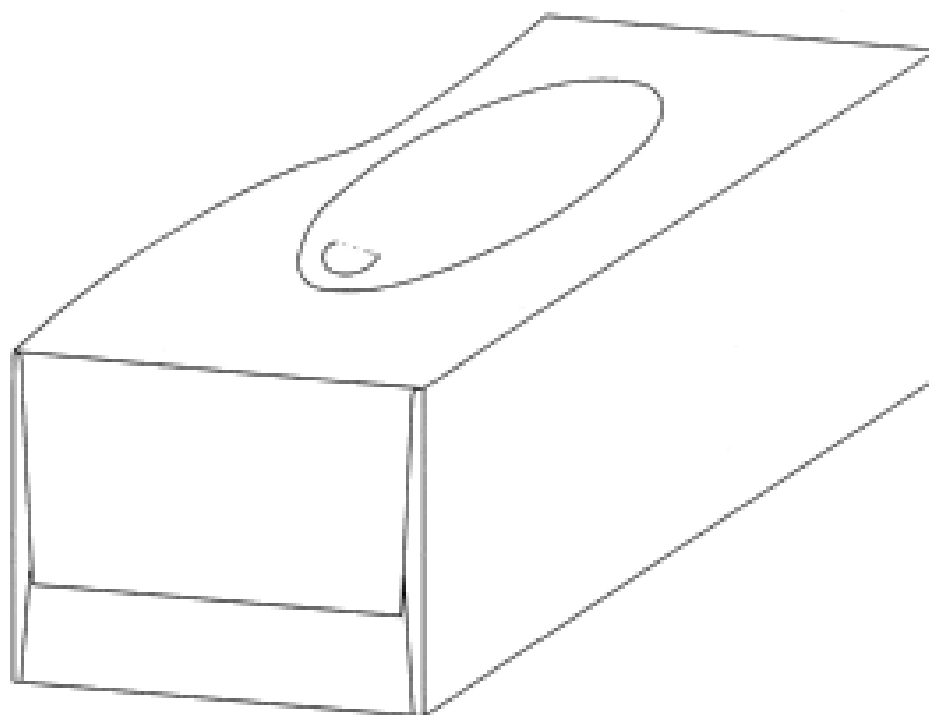
- (21) Design Number: **12078/2008**
(22) Date of Filing Application: **05 May 2008**
(24) Date from which industrial property rights may have effect: **05 May 2008**
(54) Product in respect of which the design is registered: **Interlocking panel**
(51) International Design Classification: **25-01D, 25-01K**
(71) Name(s) and Address(s) of Applicant(s):
Robert James Colleran
15 Waterside Place South Lake Western Australia 6164 Australia
Peter John Colleran
2/139 Darley Circle Bull Creek Western Australia 6149 Australia
(72) Name(s) of Designer(s): **Robert James Colleran and Peter John Colleran**
(45) Registration Date: **04 September 2008**
(56) Related Art Documents: **Not Applicable**
(57) Statement of Newness and Distinctiveness: **The particular visual features of**
the design which are new and distinctive are shape or configuration.



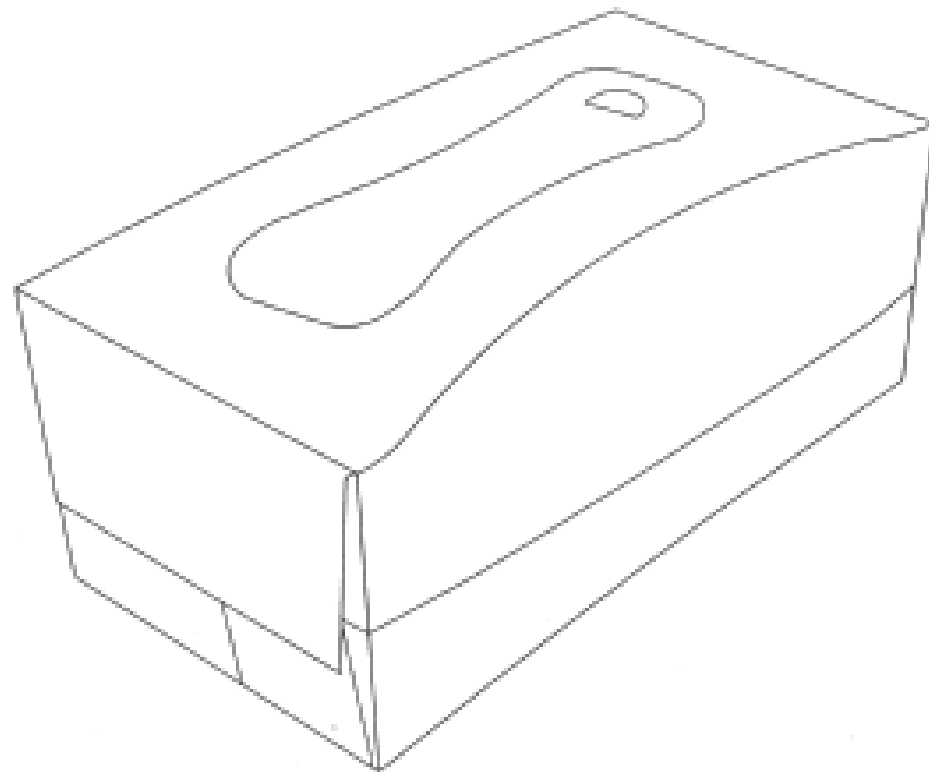
(21) Design Number: **12287/2008**
(22) Date of Filing Application: **13 May 2008**
(24) Date from which industrial property rights may have effect: **13 May 2008**
(54) Product in respect of which the design is registered: **A building component**
(51) International Design Classification: **25-01D, 25-01NES**
(71) Name(s) and Address(s) of Applicant(s):
Roy Patterson
9 Simonsig Street Glen Erasmia Boulevard Glen Erasmia 1638 South Africa
(72) Name(s) of Designer(s): **Roy Patterson**
(45) Registration Date: **09 September 2008**
(30) Convention priority data:
(31) Number (32) Date (33) Country
A2007/02256 20 Dec 2007 SOUTH AFRICA
(56) Related Art Documents: **Not Applicable**
(57) Statement of Newness and Distinctiveness: **Nil**



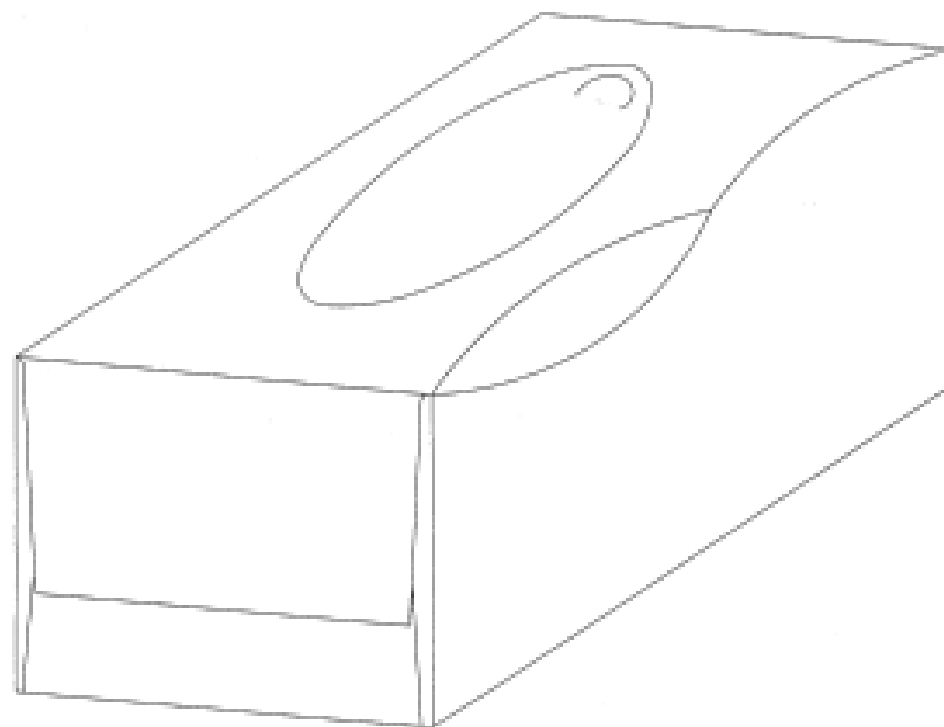
(21) Design Number: **12378/2008**
(22) Date of Filing Application: **20 May 2008**
(24) Date from which industrial property rights may have effect: **20 May 2008**
(54) Product in respect of which the design is registered: **A tissue box**
(51) International Design Classification: **09-03M**
(71) Name(s) and Address(s) of Applicant(s):
Carter Holt Harvey Packaging Pty Limited
56 Pitt Street Sydney New South Wales 2000 Australia
(72) Name(s) of Designer(s): **Silvio Bugelli**
(45) Registration Date: **09 September 2008**
(56) Related Art Documents: **Not Applicable**
(57) Statement of Newness and Distinctiveness: **Newness and distinctiveness resides in the features of shape and configuration of the tissue box as shown in the representations.**



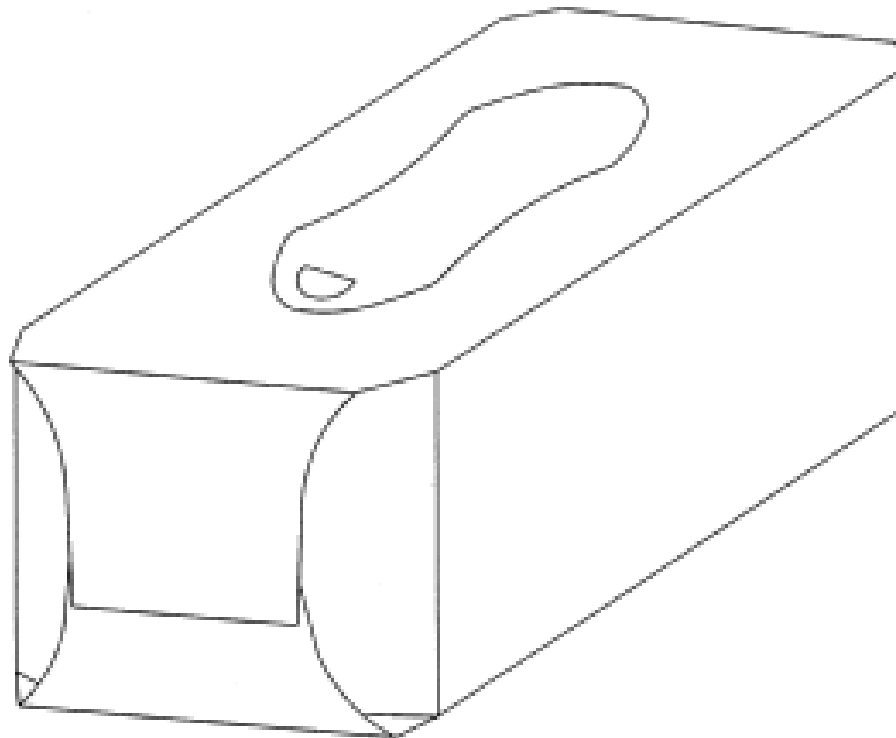
- (21) Design Number: **12379/2008**
(22) Date of Filing Application: **20 May 2008**
(24) Date from which industrial property rights may have effect: **20 May 2008**
(54) Product in respect of which the design is registered: **A tissue box**
(51) International Design Classification: **09-03M**
(71) Name(s) and Address(s) of Applicant(s):
Carter Holt Harvey Packaging Pty Limited
56 Pitt Street Sydney New South Wales 2000 Australia
(72) Name(s) of Designer(s): **Silvio Bugelli**
(45) Registration Date: **09 September 2008**
(56) Related Art Documents: **Not Applicable**
(57) Statement of Newness and Distinctiveness: **Newness and distinctiveness resides in the features of shape and configuration of the tissue box as shown in the representations.**



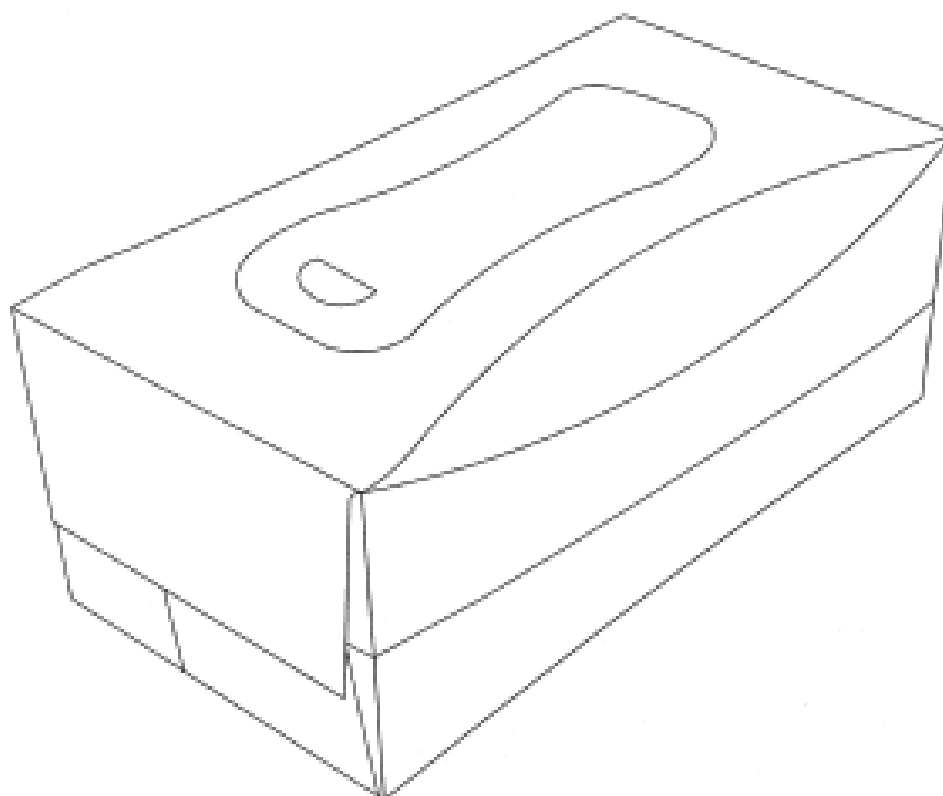
- (21) Design Number: **12380/2008**
(22) Date of Filing Application: **20 May 2008**
(24) Date from which industrial property rights may have effect: **20 May 2008**
(54) Product in respect of which the design is registered: **A tissue box**
(51) International Design Classification: **09-03M**
(71) Name(s) and Address(s) of Applicant(s):
Carter Holt Harvey Packaging Pty Limited
56 Pitt Street Sydney New South Wales 2000 Australia
(72) Name(s) of Designer(s): **Silvio Bugelli**
(45) Registration Date: **09 September 2008**
(56) Related Art Documents: **Not Applicable**
(57) Statement of Newness and Distinctiveness: **Newness and distinctiveness resides in the features of shape and configuration of the tissue box as shown in the representations.**



- (21) Design Number: **12381/2008**
(22) Date of Filing Application: **20 May 2008**
(24) Date from which industrial property rights may have effect: **20 May 2008**
(54) Product in respect of which the design is registered: **Tissue box**
(51) International Design Classification: **09-03M**
(71) Name(s) and Address(s) of Applicant(s):
Carter Holt Harvey Packaging Pty Limited
56 Pitt Street Sydney New South Wales 2000 Australia
(72) Name(s) of Designer(s): **Silvio Bugelli**
(45) Registration Date: **09 September 2008**
(56) Related Art Documents: **Not Applicable**
(57) Statement of Newness and Distinctiveness: **Newness and distinctiveness resides in the features of shape and configuration of the tissue box as shown in the representations.**



- (21) Design Number: **12382/2008**
(22) Date of Filing Application: **20 May 2008**
(24) Date from which industrial property rights may have effect: **20 May 2008**
(54) Product in respect of which the design is registered: **Tissue box**
(51) International Design Classification: **09-03M**
(71) Name(s) and Address(s) of Applicant(s):
Carter Holt Harvey Packaging Pty Limited
56 Pitt Street Sydney New South Wales 2000 Australia
(72) Name(s) of Designer(s): **Silvio Bugelli**
(45) Registration Date: **09 September 2008**
(56) Related Art Documents: **Not Applicable**
(57) Statement of Newness and Distinctiveness: **Newness and distinctiveness resides in the features of shape and configuration of the tissue box as shown in the representations.**



(21) Design Number: **12383/2008**

(22) Date of Filing Application: **20 May 2008**

(24) Date from which industrial property rights may have effect: **20 May 2008**

(54) Product in respect of which the design is registered: **Tissue box**

(51) International Design Classification: **09-03M**

(71) Name(s) and Address(s) of Applicant(s):

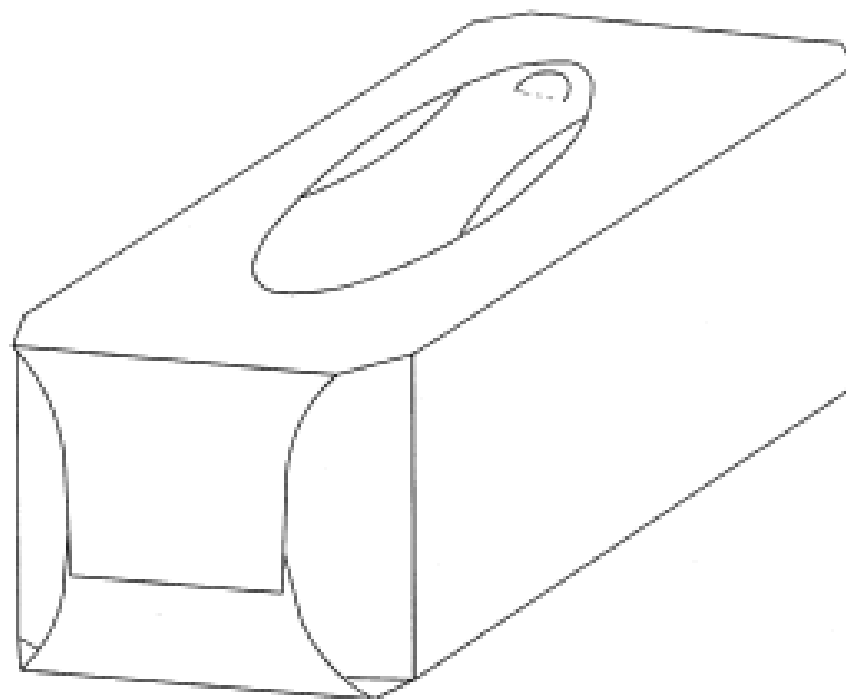
**Carter Holt Harvey Packaging Pty Limited
56 Pitt Street Sydney New South Wales 2000 Australia**

(72) Name(s) of Designer(s): **Silvio Bugelli**

(45) Registration Date: **09 September 2008**

(56) Related Art Documents: **Not Applicable**

(57) Statement of Newness and Distinctiveness: **Newness and distinctiveness resides in the features of shape and configuration of the tissue box as shown in the representations.**



(21) Design Number: **13650/2008**

(22) Date of Filing Application: **04 August 2008**

(24) Date from which industrial property rights may have effect: **04 August 2008**

(54) Product in respect of which the design is registered: **Safety barrel**

(51) International Design Classification: **22-05**

(71) Name(s) and Address(s) of Applicant(s):

**John Szymanski
71 Georgette Road Gracetown Western Australia 6284 Australia**

**Michelle Szymanski
71 Georgette Road Gracetown Western Australia 6284 Australia**

**Wayne Baddock
14B Bayview Drive Gracetown Western Australia 6284 Australia**

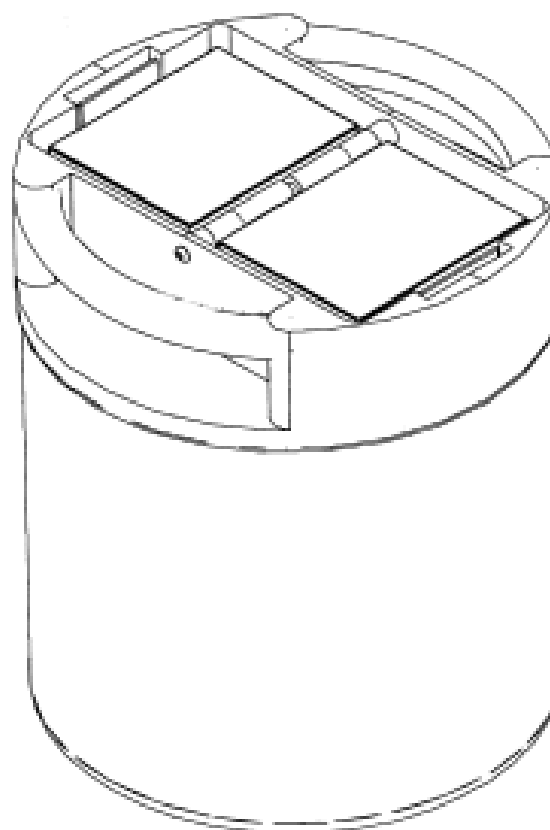
**Vivienne Baddock
14B Bayview Drive Gracetown Western Australia 6284 Australia**

(72) Name(s) of Designer(s): **John Szymanski and Wayne Baddock**

(45) Registration Date: **09 September 2008**

(56) Related Art Documents: **Not Applicable**

(57) Statement of Newness and Distinctiveness: **Monopoly is claimed in the shape and configuration of a safety barrel as illustrated in the accompanying drawings.**



(21) Design Number: **13773/2008**

(22) Date of Filing Application: **07 August 2008**

(24) Date from which industrial property rights may have effect: **07 August 2008**

(54) Product in respect of which the design is registered: **Tow ball**

(51) International Design Classification: **12-16L**

(71) Name(s) and Address(s) of Applicant(s):

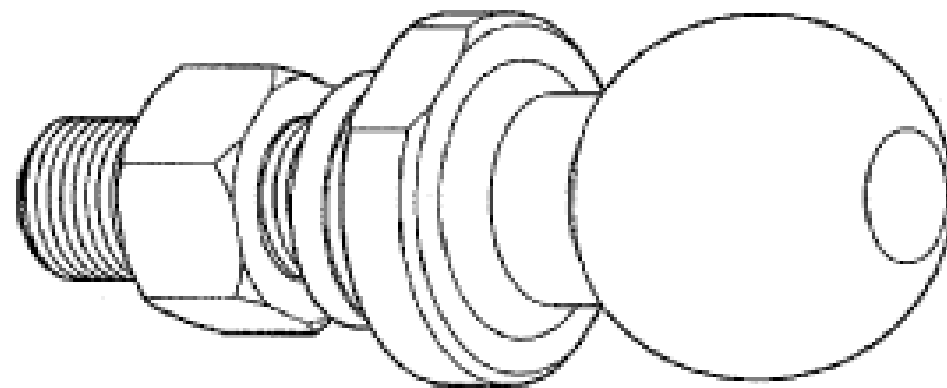
Dalex Pty Ltd
Level 1 98 Kermode Street North Adelaide South Australia 5006
Australia

(72) Name(s) of Designer(s): **Athan Lekkas**

(45) Registration Date: **09 September 2008**

(56) Related Art Documents: **Not Applicable**

(57) Statement of Newness and Distinctiveness: **Is claimed on the two parallel surfaces of the tow ball flange.**



(21) Design Number: **21317/2007**

(22) Date of Filing Application: **13 December 2007**

(24) Date from which industrial property rights may have effect: **13 December 2007**

(54) Product in respect of which the design is registered: **Folding table and chair set**

(51) International Design Classification: **06-05**

(71) Name(s) and Address(s) of Applicant(s):

The Coleman Company, Inc.
3600 N. Hydraulic Wichita KS 67219 United States of America

(72) Name(s) of Designer(s): **Luke E. Kelly**

(45) Registration Date: **09 September 2008**

(30) Convention priority data:

(31) Number	(32) Date	(33) Country
29/281039	13 Jun 2007	UNITED STATES OF AMERICA

(56) Related Art Documents: **Not Applicable**

(57) Statement of Newness and Distinctiveness: **When determining whether the design 1 is substantially similar in overall impression to another design, no regard is to be had to those features shown in dotted outline in the accompanying drawings.**



(21) Design Number: **21001/2007**

(22) Date of Filing Application: **27 November 2007**

(24) Date from which industrial property rights may have effect: **27 November 2007**

(54) Product in respect of which the design is registered: **Food storage cabinet**

(51) International Design Classification: **06-04E**

(71) Name(s) and Address(s) of Applicant(s):

Mark Victor Keefe Fiori

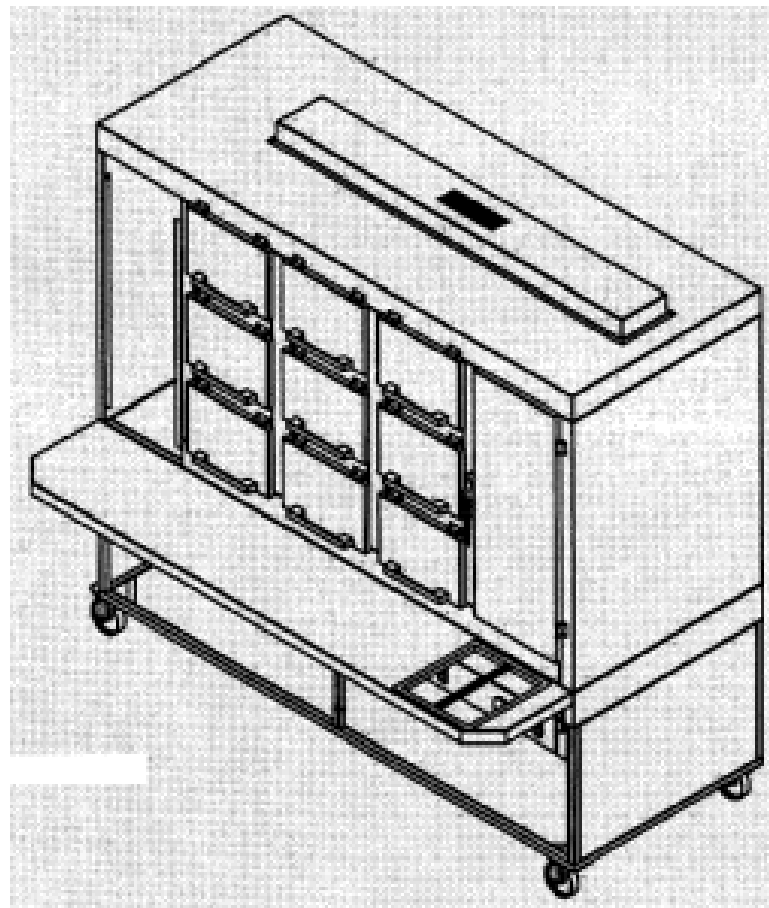
78 Johanson Promenade Murdoch Western Australia 6150 Australia

(72) Name(s) of Designer(s): **Mark Victor Keefe Fiori**

(45) Registration Date: **05 September 2008**

(56) Related Art Documents: **Not Applicable**

(57) Statement of Newness and Distinctiveness: **The particular visual features of the design which are new and distinctive are shape or configuration.**



(21) Design Number: **20415/2007**

(22) Date of Filing Application: **24 October 2007**

(24) Date from which industrial property rights may have effect: **24 October 2007**

(54) Product in respect of which the design is registered: **Latch**

(51) International Design Classification: **08-07**

(71) Name(s) and Address(s) of Applicant(s):

Burgundy Trial Pty Ltd

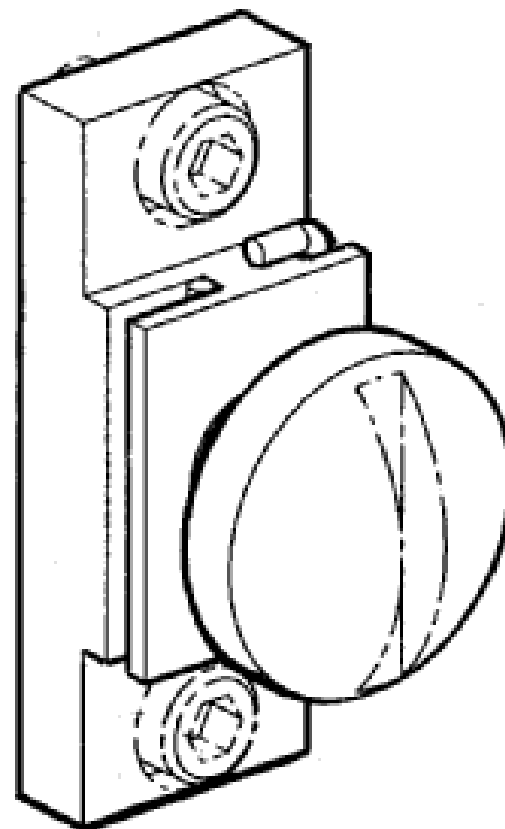
2 Merchant Avenue Thomastown Victoria 3074 Australia

(72) Name(s) of Designer(s): **David Martin Stuckey**

(45) Registration Date: **05 September 2008**

(56) Related Art Documents: **Not Applicable**

(57) Statement of Newness and Distinctiveness: **Nil**



(21) Design Number: **10682/2008**
(22) Date of Filing Application: **15 February 2008**
(24) Date from which industrial property rights may have effect: **15 February 2008**
(54) Product in respect of which the design is registered: **Navigation device**
(51) International Design Classification: **14-03NES**
(71) Name(s) and Address(s) of Applicant(s):
TomTom International B.V.
Rembrandtplein 35 1017 CT Amsterdam The Netherlands
(72) Name(s) of Designer(s): **Mark Gretton**
(45) Registration Date: **05 September 2008**
(30) Convention priority data:
(31) Number (32) Date (33) Country
29/283545 16 Aug 2007 UNITED STATES OF AMERICA
(56) Related Art Documents: **Not Applicable**
(57) Statement of Newness and Distinctiveness: **Newness and distinctiveness is claimed in the features of shape, configuration, pattern and ornamentation of a navigation device, as illustrated in the accompanying representations.**



(21) Design Number: **10684/2008**
(22) Date of Filing Application: **15 February 2008**
(24) Date from which industrial property rights may have effect: **15 February 2008**
(54) Product in respect of which the design is registered: **Navigation device**
(51) International Design Classification: **14-03NES**
(71) Name(s) and Address(s) of Applicant(s):
TomTom International B.V.
Rembrandtplein 35 1017 CT Amsterdam The Netherlands
(72) Name(s) of Designer(s): **Mark Gretton**
(45) Registration Date: **05 September 2008**
(30) Convention priority data:
(31) Number (32) Date (33) Country
29/283545 16 Aug 2007 UNITED STATES OF AMERICA
(56) Related Art Documents: **Not Applicable**
(57) Statement of Newness and Distinctiveness: **Newness and distinctiveness is claimed in the features of shape, configuration, pattern and ornamentation of a navigation device, as illustrated in the accompanying representations.**



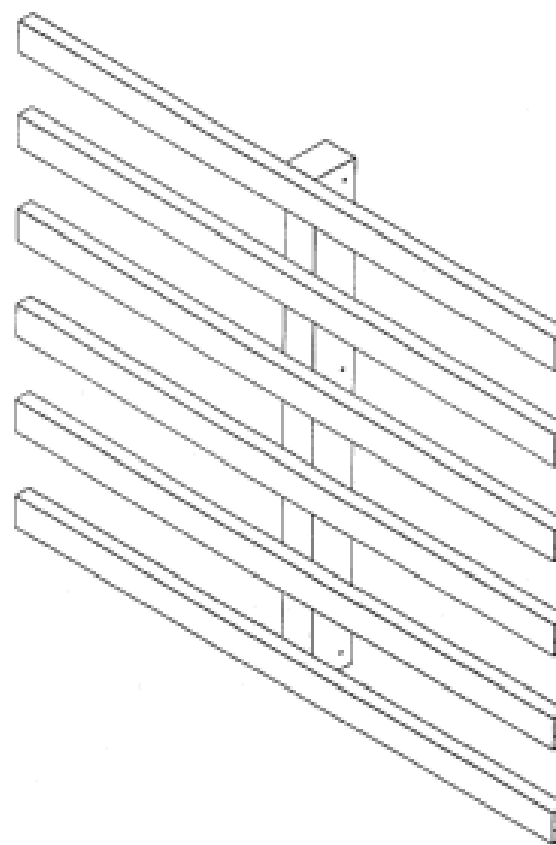
- (21) Design Number: **10981/2008**
(22) Date of Filing Application: **28 February 2008**
(24) Date from which industrial property rights may have effect: **28 February 2008**
(54) Product in respect of which the design is registered: **Front combination lamp for an automobile**
(51) International Design Classification: **26-06**
(71) Name(s) and Address(s) of Applicant(s):
Toyota Jidosha Kabushiki Kaisha
1 Toyota-cho Toyota-shi Aichi-ken 471-8571 Japan
(72) Name(s) of Designer(s): **Yahiko Kumai and Yukinobu Morioka**
(45) Registration Date: **05 September 2008**
(30) Convention priority data:
(31) Number (32) Date (33) Country
2007023573 30 Aug 2007 JAPAN
(56) Related Art Documents: **Not Applicable**
(57) Statement of Newness and Distinctiveness: **The newness and distinctiveness of the design resides in the shape and/or configuration of the front combination lamp for an automobile shown in the representations.**



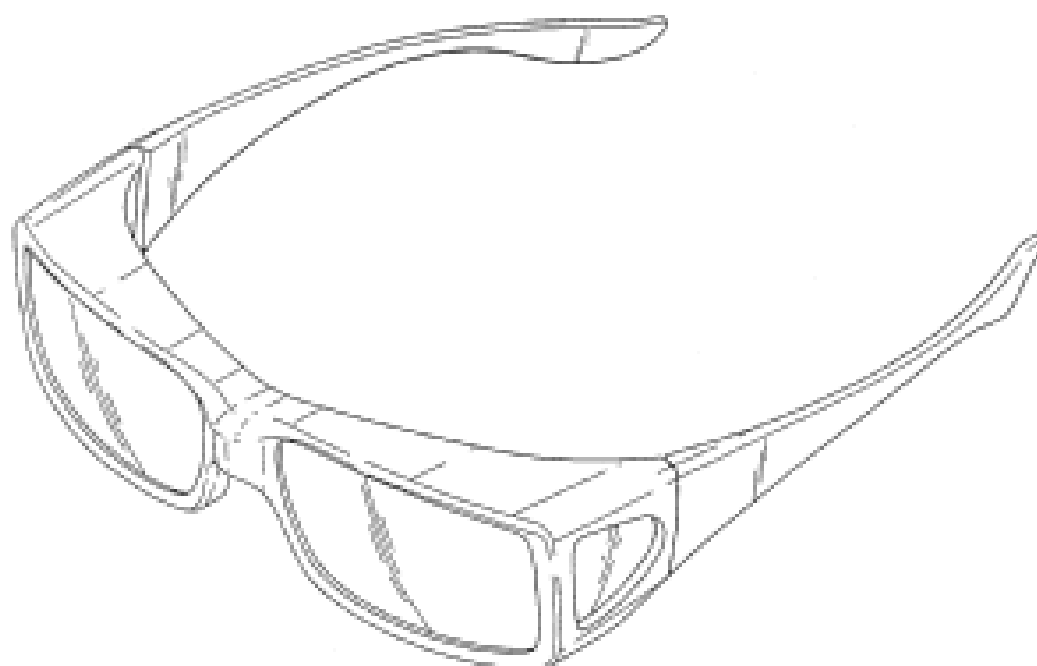
- (21) Design Number: **10982/2008**
(22) Date of Filing Application: **28 February 2008**
(24) Date from which industrial property rights may have effect: **28 February 2008**
(54) Product in respect of which the design is registered: **Rear combination lamp for an automobile**
(51) International Design Classification: **26-06**
(71) Name(s) and Address(s) of Applicant(s):
Toyota Jidosha Kabushiki Kaisha
1 Toyota-cho Toyota-shi Aichi-ken 471-8571 Japan
(72) Name(s) of Designer(s): **Yahiko Kumai and Atsushi Ikeuchi and Yukinobu Morioka**
(45) Registration Date: **05 September 2008**
(30) Convention priority data:
(31) Number (32) Date (33) Country
2007023574 30 Aug 2007 JAPAN
(56) Related Art Documents: **Not Applicable**
(57) Statement of Newness and Distinctiveness: **The newness and distinctiveness of the design resides in the shape and/or configuration of the rear combination lamp for an automobile shown in the representations.**



- (21) Design Number: **11343/2008**
(22) Date of Filing Application: **19 March 2008**
(24) Date from which industrial property rights may have effect: **19 March 2008**
(54) Product in respect of which the design is registered: **A towel rail**
(51) International Design Classification: **07-05D**
(71) Name(s) and Address(s) of Applicant(s):
Feltonmix Limited
Level 3 117 St Georges Bay Road Parnell Auckland New Zealand
(72) Name(s) of Designer(s): **Vaughan Charles Atkin and Stephen James Beagley and Jean Voon**
(45) Registration Date: **05 September 2008**
(30) Convention priority data:
(31) Number (32) Date (33) Country
409698 19 Sep 2007 NEW ZEALAND
(56) Related Art Documents: **Not Applicable**
(57) Statement of Newness and Distinctiveness: **The new and distinctive features of this design reside in the features of shape and configuration of a rail, all as shown in the accompanying representatives.**



- (21) Design Number: **11372/2008**
(22) Date of Filing Application: **20 March 2008**
(24) Date from which industrial property rights may have effect: **20 March 2008**
(54) Product in respect of which the design is registered: **Eyewear**
(51) International Design Classification: **16-06**
(71) Name(s) and Address(s) of Applicant(s):
Dioptics Medical Products, Inc.
125 Venture Drive San Luis Obispo California United States of America
(72) Name(s) of Designer(s): **Henry Welling Lane and Eric Rhea**
(45) Registration Date: **05 September 2008**
(30) Convention priority data:
(31) Number (32) Date (33) Country
29291915 20 Sep 2007 UNITED STATES OF AMERICA
(56) Related Art Documents: **Not Applicable**
(57) Statement of Newness and Distinctiveness: **Nil**



(21) Design Number: **11467/2008**

(22) Date of Filing Application: **28 March 2008**

(24) Date from which industrial property rights may have effect: **28 March 2008**

(54) Product in respect of which the design is registered: **Keyring**

(51) International Design Classification: **03-01B**

(71) Name(s) and Address(s) of Applicant(s):

Michael James Denigan

555 Parkin Road Fly Creek Northern Territory 0837 Australia

(72) Name(s) of Designer(s): **Michael James Denigan**

(45) Registration Date: **05 September 2008**

(56) Related Art Documents: **Not Applicable**

(57) Statement of Newness and Distinctiveness: **The new features of the design are the shape and the configuration of a "plastic creature eye" sandwiched between two pieces of leather.**



(21) Design Number: **13360/2008**

(22) Date of Filing Application: **28 March 2008**

(24) Date from which industrial property rights may have effect: **28 March 2008**

(54) Product in respect of which the design is registered: **Keyring**

(51) International Design Classification: **03-01B**

(71) Name(s) and Address(s) of Applicant(s):

Michael James Denigan

555 Parkin Road Fly Creek Northern Territory 0837 Australia

(72) Name(s) of Designer(s): **Michael James Denigan**

(45) Registration Date: **05 September 2008**

(56) Related Art Documents: **Not Applicable**

(57) Statement of Newness and Distinctiveness: **The new features of the design are the shape and configuration of a "plastic creature eye" sandwiched between two pieces of leather.**



(21) Design Number: **11824/2008**

(22) Date of Filing Application: **18 April 2008**

(24) Date from which industrial property rights may have effect: **18 April 2008**

(54) Product in respect of which the design is registered: **Dance shoe upper**

(51) International Design Classification: **02-04NES**

(71) Name(s) and Address(s) of Applicant(s):

J Bloch Pty Ltd

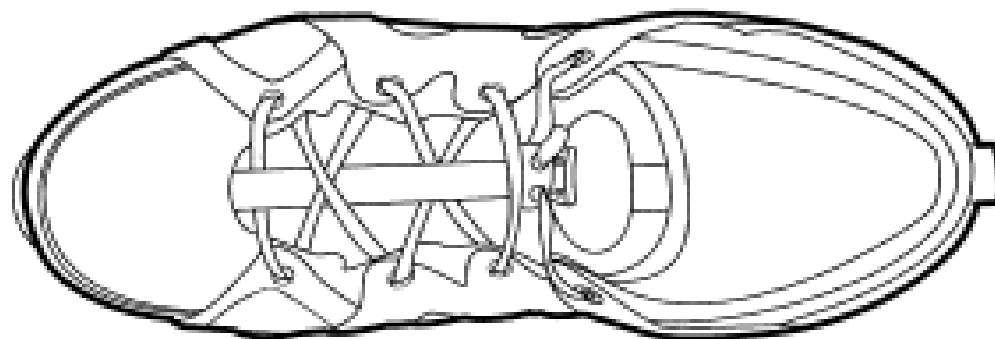
8-18 William Street Beaconsfield New South Wales 2015 Australia

(72) Name(s) of Designer(s): **David Wilkenfeld**

(45) Registration Date: **05 September 2008**

(56) Related Art Documents: **Not Applicable**

(57) Statement of Newness and Distinctiveness: **Newness and distinctiveness is claimed in the features of shape and/or configuration of a dance shoe upper delineated and enclosed by the bold outline in the accompanying representations.**



(21) Design Number: **11825/2008**

(22) Date of Filing Application: **18 April 2008**

(24) Date from which industrial property rights may have effect: **18 April 2008**

(54) Product in respect of which the design is registered: **Dance shoe sole, toe pad**

(51) International Design Classification: **02-04B**

(71) Name(s) and Address(s) of Applicant(s):

J Bloch Pty Ltd

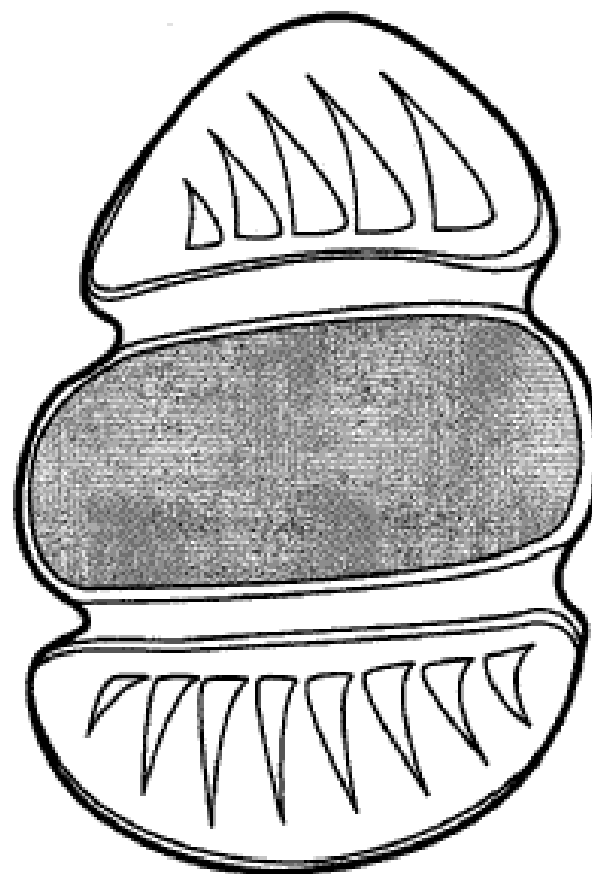
8-18 William Street Beaconsfield New South Wales 2015 Australia

(72) Name(s) of Designer(s): **David Wilkenfeld**

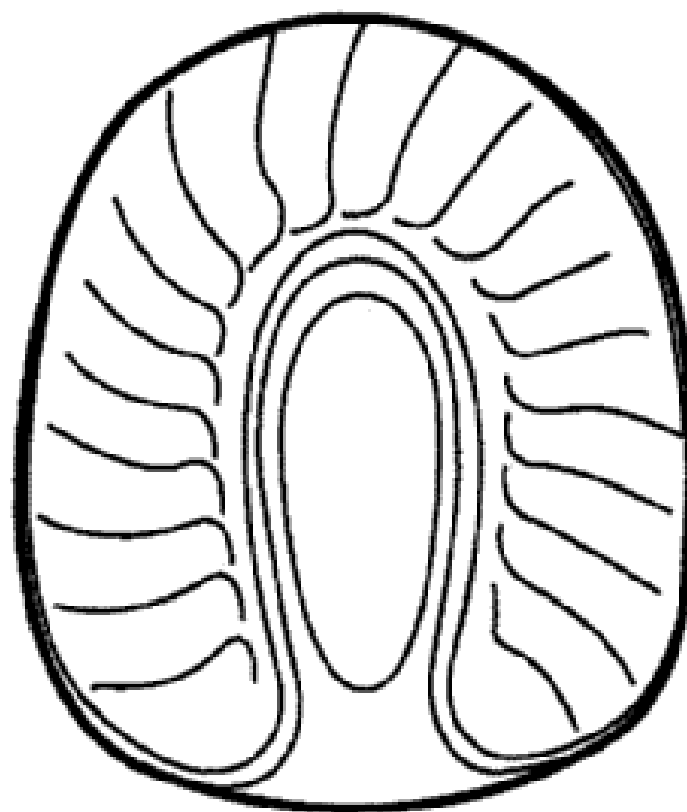
(45) Registration Date: **05 September 2008**

(56) Related Art Documents: **Not Applicable**

(57) Statement of Newness and Distinctiveness: **Newness and distinctiveness is claimed in the features of shape and configuration of the toe pad of a dance shoe sole delineated and enclosed by the bold outline in the accompanying representations.**



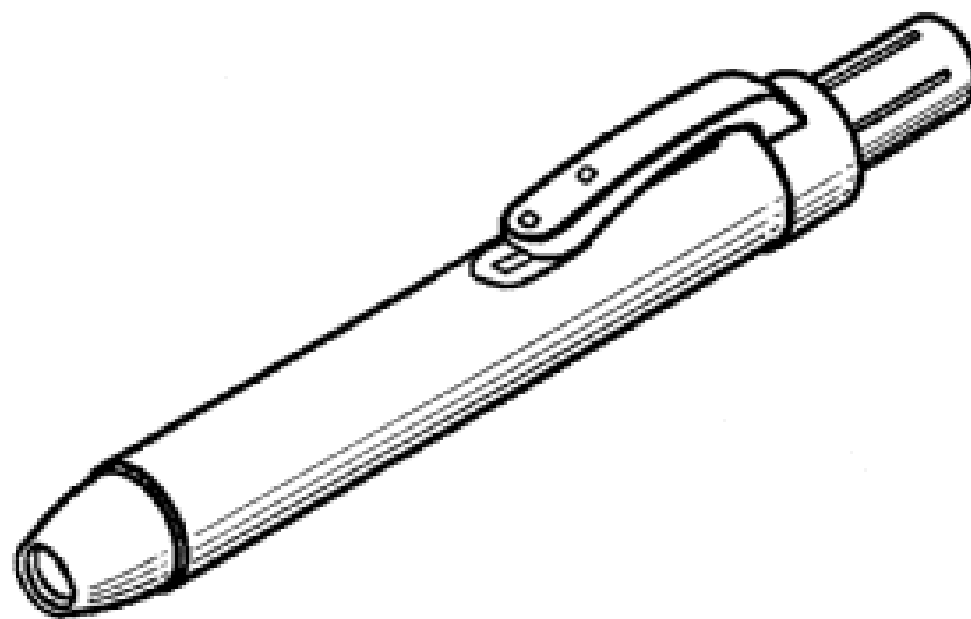
- (21) Design Number: **11826/2008**
(22) Date of Filing Application: **18 April 2008**
(24) Date from which industrial property rights may have effect: **18 April 2008**
(54) Product in respect of which the design is registered: **Dance shoe sole, heel pad**
(51) International Design Classification: **02-04B**
(71) Name(s) and Address(s) of Applicant(s):
J Bloch Pty Ltd
8-18 William Street Beaconsfield New South Wales 2015 Australia
(72) Name(s) of Designer(s): **David Wilkenfeld**
(45) Registration Date: **05 September 2008**
(56) Related Art Documents: **Not Applicable**
(57) Statement of Newness and Distinctiveness: **Newness and distinctiveness is claimed in the features of shape and configuration of the heel pad of a dance shoe sole delineated and enclosed by the bold outline in the accompanying representations.**



- (21) Design Number: **12026/2008**
(22) Date of Filing Application: **01 May 2008**
(24) Date from which industrial property rights may have effect: **01 May 2008**
(54) Product in respect of which the design is registered: **Marking pen**
(51) International Design Classification: **19-06**
(71) Name(s) and Address(s) of Applicant(s):
Shachihata Inc
No.69 4-Chome Amazuka-cho Nishi-ku Nagoya Aichi 4510021 Japan
(72) Name(s) of Designer(s): **Masaki Kida and Motohide Imaizumi**
(45) Registration Date: **05 September 2008**
(30) Convention priority data:

(31) Number	(32) Date	(33) Country
2007-030328	02 Nov 2007	JAPAN

(56) Related Art Documents: **Not Applicable**
(57) Statement of Newness and Distinctiveness: **Nil**



(21) Design Number: **10057/2008**

(22) Date of Filing Application: **04 January 2008**

(24) Date from which industrial property rights may have effect: **04 January 2008**

(54) Product in respect of which the design is registered: **Bottle**

(51) International Design Classification: **09-01B**

(71) Name(s) and Address(s) of Applicant(s):

**Micro Finance Investment AG (a Swiss Corporation)
Churerstrasse 108 Pfaffikon CH-8808 Switzerland**

(72) Name(s) of Designer(s): **Ben Nerubay**

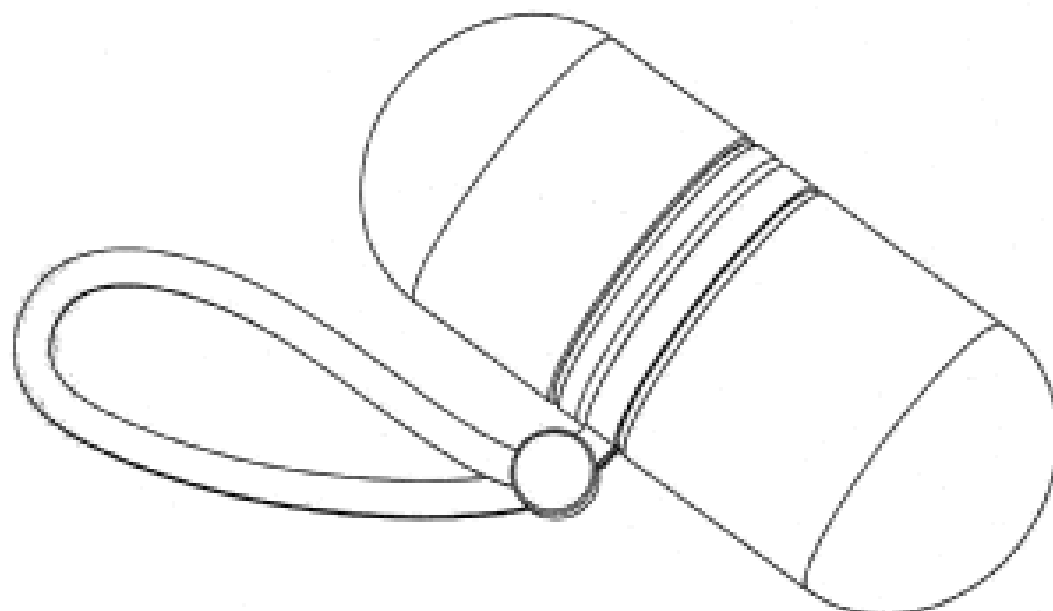
(45) Registration Date: **09 September 2008**

(30) Convention priority data:

(31) Number	(32) Date	(33) Country
45179	11 Dec 2007	ISRAEL

(56) Related Art Documents: **Not Applicable**

(57) Statement of Newness and Distinctiveness: **Newness and distinctiveness resides in the features of shape and/or configuration of a bottle with cap as shown in the accompanying representations. The bottle and/or cap may be: wholly or partly opaque; wholly or partly translucent; and/or, wholly or partly transparent.**



(21) Design Number: **10744/2008**

(22) Date of Filing Application: **18 February 2008**

(24) Date from which industrial property rights may have effect: **18 February 2008**

(54) Product in respect of which the design is registered: **An extrusion (case 1)**

(51) International Design Classification: **25-01K**

(71) Name(s) and Address(s) of Applicant(s):

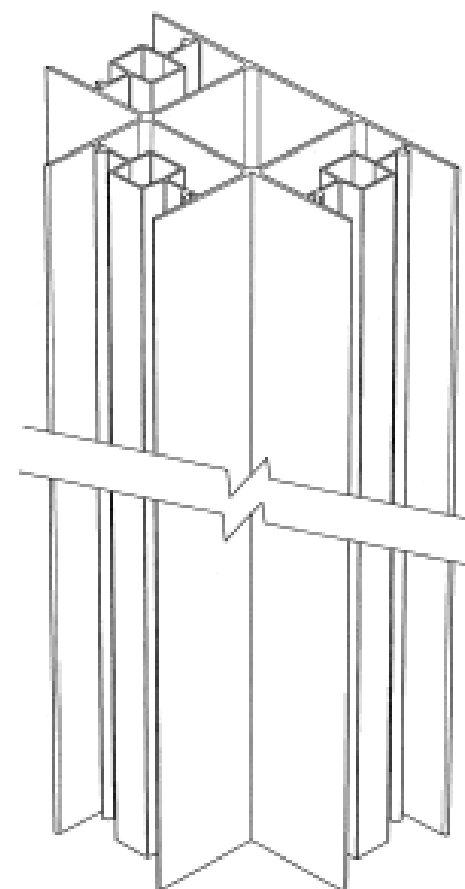
**All Pro Group NT Pty Ltd
6 Strath Road Berrimah Northern Territory 0828 Australia**

(72) Name(s) of Designer(s): **Andrew Hill**

(45) Registration Date: **09 September 2008**

(56) Related Art Documents: **Not Applicable**

(57) Statement of Newness and Distinctiveness: **Newness and distinctiveness is claimed in the shape and/or configuration of the extrusion as shown in the accompanying representations. The extrusion is of indefinite length and of constant cross-section throughout its length.**



- (21) Design Number: **10976/2008**
(22) Date of Filing Application: **28 February 2008**
(24) Date from which industrial property rights may have effect: **28 February 2008**
(54) Product in respect of which the design is registered: **Automobile**
(51) International Design Classification: **12-08**
(71) Name(s) and Address(s) of Applicant(s):
Toyota Jidosha Kabushiki Kaisha
1 Toyota-cho Toyota-shi Aichi-ken 471-8571 Japan
(72) Name(s) of Designer(s): **Kouichi Suga and Yahiko Kumai and Hiroyuki Tada**
(45) Registration Date: **09 September 2008**
(30) Convention priority data:
(31) Number (32) Date (33) Country
2007023570 30 Aug 2007 JAPAN
(56) Related Art Documents: **Not Applicable**
(57) Statement of Newness and Distinctiveness: **The newness and distinctiveness of the design resides in the shape and/or configuration of the automobile shown in the representations. When considering the scope of monopoly in the design, the bottom plan view is to be disregarded and it is to be understood that the left side view is a mirror image of the right side view.**



- (21) Design Number: **10977/2008**
(22) Date of Filing Application: **28 February 2008**
(24) Date from which industrial property rights may have effect: **28 February 2008**
(54) Product in respect of which the design is registered: **Automobile**
(51) International Design Classification: **12-08**
(71) Name(s) and Address(s) of Applicant(s):
Toyota Jidosha Kabushiki Kaisha
1 Toyota-cho Toyota-shi Aichi-ken 471-8571 Japan
(72) Name(s) of Designer(s): **Kenichi Hirai**
(45) Registration Date: **09 September 2008**
(30) Convention priority data:
(31) Number (32) Date (33) Country
2007023569 30 Aug 2007 JAPAN
(56) Related Art Documents: **Not Applicable**
(57) Statement of Newness and Distinctiveness: **The newness and distinctiveness of the design resides in the shape and/or configuration of the automobile shown in the representations. When considering the scope of monopoly in the design, the bottom plan view is to be disregarded and it is to be understood that the left side view is a mirror image of the right side view.**



- (21) Design Number: **10978/2008**
(22) Date of Filing Application: **28 February 2008**
(24) Date from which industrial property rights may have effect: **28 February 2008**
(54) Product in respect of which the design is registered: **Automobile**
(51) International Design Classification: **12-08**
(71) Name(s) and Address(s) of Applicant(s):
Toyota Jidosha Kabushiki Kaisha
1 Toyota-cho Toyota-shi Aichi-ken 471-8571 Japan
(72) Name(s) of Designer(s): **Kouichi Suga and Yahiko Kumai and Hiroyuki Tada**
(45) Registration Date: **09 September 2008**
(30) Convention priority data:
(31) Number (32) Date (33) Country
2007023571 30 Aug 2007 JAPAN
(56) Related Art Documents: **Not Applicable**
(57) Statement of Newness and Distinctiveness: **The newness and distinctiveness of the design resides in the shape and/or configuration of the automobile shown in the representations. When considering the scope of monopoly in the design both the bottom plan view and the lighter outline portion or portions are to be disregarded. Further it is to be understood that the left side view is a mirror image of the right side view.**



- (21) Design Number: **10979/2008**
(22) Date of Filing Application: **28 February 2008**
(24) Date from which industrial property rights may have effect: **28 February 2008**
(54) Product in respect of which the design is registered: **Automobile**
(51) International Design Classification: **12-08**
(71) Name(s) and Address(s) of Applicant(s):
Toyota Jidosha Kabushiki Kaisha
1 Toyota-cho Toyota-shi Aichi-ken 471-8571 Japan
(72) Name(s) of Designer(s): **Kouichi Suga and Yahiko Kumai and Hiroyuki Tada**
(45) Registration Date: **09 September 2008**
(30) Convention priority data:
(31) Number (32) Date (33) Country
2007023572 30 Aug 2007 JAPAN
(56) Related Art Documents: **Not Applicable**
(57) Statement of Newness and Distinctiveness: **The newness and distinctiveness of the design resides in the shape and/or configuration of the automobile shown in the representations. When considering the scope of monopoly in the design both the bottom plan view and the lighter outline portion or portions are to be disregarded. Further it is to be understood that the left side view is a mirror image of the right side view.**



- (21) Design Number: **10980/2008**
(22) Date of Filing Application: **28 February 2008**
(24) Date from which industrial property rights may have effect: **28 February 2008**
(54) Product in respect of which the design is registered: **Front bumper for an automobile**
(51) International Design Classification: **12-16C**
(71) Name(s) and Address(s) of Applicant(s):
Toyota Jidosha Kabushiki Kaisha
1 Toyota-cho Toyota-shi Aichi-ken 471-8571 Japan
(72) Name(s) of Designer(s): **Kouichi Suga and Yahiko Kumai and Hiroyuki Tada**
(45) Registration Date: **09 September 2008**
(30) Convention priority data:
(31) Number (32) Date (33) Country
2007023575 30 Aug 2007 JAPAN
(56) Related Art Documents: **Not Applicable**
(57) Statement of Newness and Distinctiveness: **The newness and distinctiveness of the design resides in the shape and/or configuration of the front bumper for an automobile shown in the representations.**



- (21) Design Number: **10983/2008**
(22) Date of Filing Application: **28 February 2008**
(24) Date from which industrial property rights may have effect: **28 February 2008**
(54) Product in respect of which the design is registered: **Rear bumper for an automobile**
(51) International Design Classification: **12-16C**
(71) Name(s) and Address(s) of Applicant(s):
Toyota Jidosha Kabushiki Kaisha
1 Toyota-cho Toyota-shi Aichi-ken 471-8571 Japan
(72) Name(s) of Designer(s): **Kouichi Suga and Yahiko Kumai and Hiroyuki Tada**
(45) Registration Date: **09 September 2008**
(30) Convention priority data:
(31) Number (32) Date (33) Country
2007023576 30 Aug 2007 JAPAN
(56) Related Art Documents: **Not Applicable**
(57) Statement of Newness and Distinctiveness: **The newness and distinctiveness of the design resides in the shape and/or configuration of the rear bumper for an automobile shown in the representations.**



(21) Design Number: 11104/2008

(22) Date of Filing Application: 05 March 2008

(24) Date from which industrial property rights may have effect: 05 March 2008

(54) Product in respect of which the design is registered: Wound therapy device

(51) International Design Classification: 24-04

(71) Name(s) and Address(s) of Applicant(s):

KCI Licensing Inc
PO Box 659508 San Antonio Texas 78265-9508 United States of America

(72) Name(s) of Designer(s): Aidan Marcus Tout and Ben Pratt

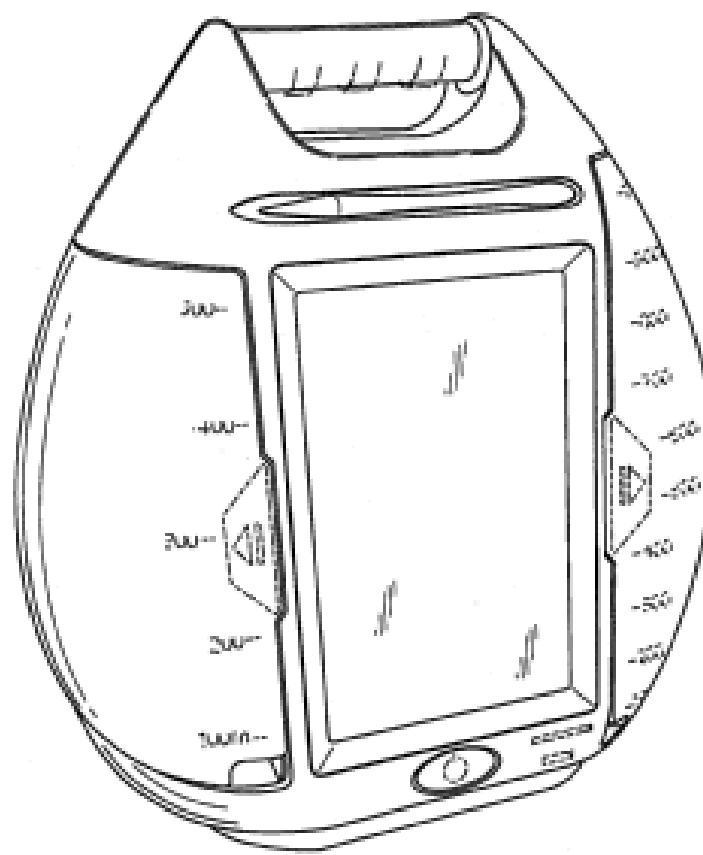
(45) Registration Date: 09 September 2008

(30) Convention priority data:

(31) Number	(32) Date	(33) Country
29/291,850	17 Sep 2007	UNITED STATES OF AMERICA

(56) Related Art Documents: Not Applicable

(57) Statement of Newness and Distinctiveness: Nil



(21) Design Number: 13632/2008

(22) Date of Filing Application: 05 March 2008

(24) Date from which industrial property rights may have effect: 05 March 2008

(54) Product in respect of which the design is registered: Wound therapy device

(51) International Design Classification: 24-04

(71) Name(s) and Address(s) of Applicant(s):

KCI Licensing Inc
PO Box 659508 San Antonio Texas 78265-9508 United States of America

(72) Name(s) of Designer(s): Aidan Marcus Tout and Ben Pratt

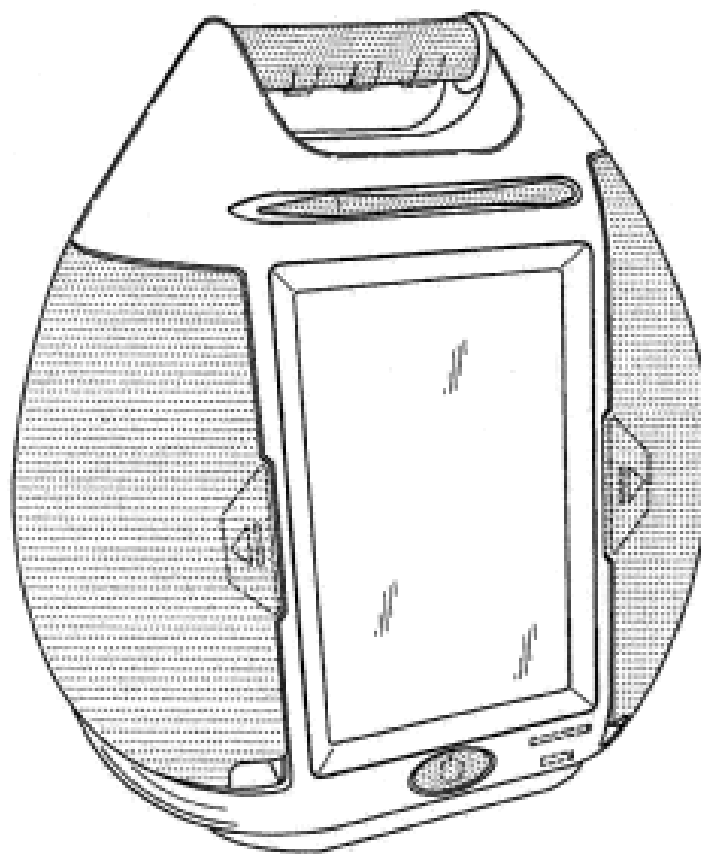
(45) Registration Date: 09 September 2008

(30) Convention priority data:

(31) Number	(32) Date	(33) Country
29/291,850	17 Sep 2007	UNITED STATES OF AMERICA

(56) Related Art Documents: Not Applicable

(57) Statement of Newness and Distinctiveness: Nil



(21) Design Number: **13633/2008**

(22) Date of Filing Application: **05 March 2008**

(24) Date from which industrial property rights may have effect: **05 March 2008**

(54) Product in respect of which the design is registered: **Wound therapy device**

(51) International Design Classification: **24-04**

(71) Name(s) and Address(s) of Applicant(s):

KCI Licensing Inc
PO Box 659508 San Antonio Texas 78265-9508 United States of America

(72) Name(s) of Designer(s): **Aidan Marcus Tout and Ben Pratt**

(45) Registration Date: **09 September 2008**

(30) Convention priority data:

(31) Number	(32) Date	(33) Country
29/291,850	17 Sep 2007	UNITED STATES OF AMERICA

(56) Related Art Documents: **Not Applicable**

(57) Statement of Newness and Distinctiveness: **Nil**



(21) Design Number: **11174/2008**

(22) Date of Filing Application: **11 March 2008**

(24) Date from which industrial property rights may have effect: **11 March 2008**

(54) Product in respect of which the design is registered: **Golf club shaft**

(51) International Design Classification: **21-02C**

(71) Name(s) and Address(s) of Applicant(s):

MRC Composite Products Co., Ltd.
1-2 Ushikawa-Dori 4-chome Toyohashi-shi Aichi 440-8601 Japan

(72) Name(s) of Designer(s): **Tetsuya Atsumi and Takashi Kaneko and Tsutomu Ibuki and Kouji Shiga**

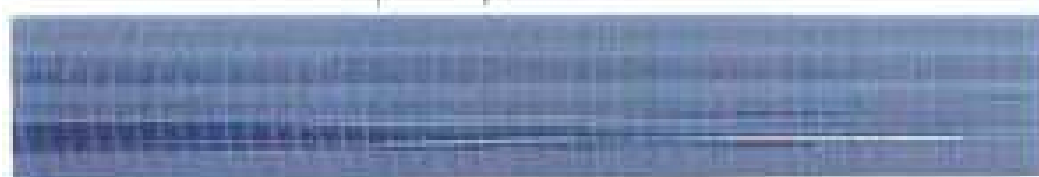
(45) Registration Date: **09 September 2008**

(30) Convention priority data:

(31) Number	(32) Date	(33) Country
2007-024596	10 Sep 2007	JAPAN

(56) Related Art Documents: **Not Applicable**

(57) Statement of Newness and Distinctiveness: **Newness and distinctiveness is claimed in the visual features of the part of the shaft marked X-X in figure 1. The visual features of the parts of the shaft to either side of that part are to be disregarded. The word "Diamana" is to be disregarded and the two horizontal lines within the oval zone containing the word "Diamana" is to be disregarded.**



(21) Design Number: **11234/2008**

(22) Date of Filing Application: **17 March 2008**

(24) Date from which industrial property rights may have effect: **17 March 2008**

(54) Product in respect of which the design is registered: **Pump chamber**

(51) International Design Classification: **23-01A, 23-01F, 15-02**

(71) Name(s) and Address(s) of Applicant(s):

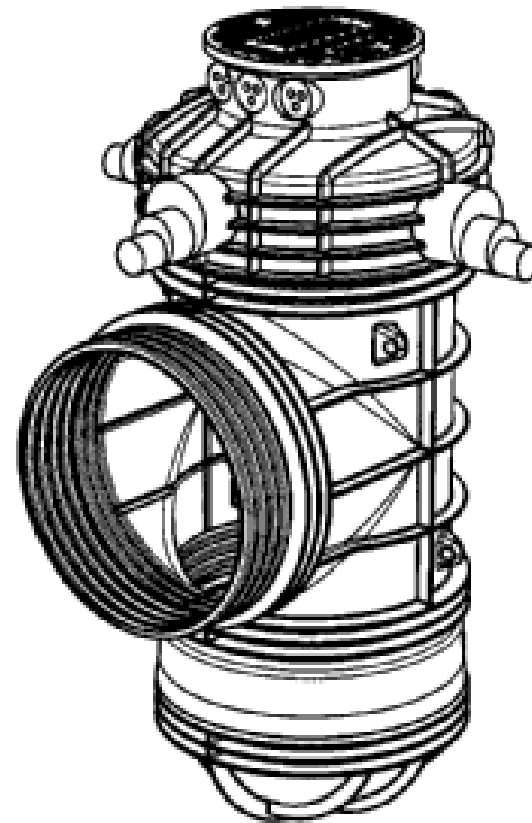
Global Rotomoulding Pty Ltd
1560 Koorlong Avenue Irymple Victoria 3498 Australia

(72) Name(s) of Designer(s): **Howard Ferry**

(45) Registration Date: **09 September 2008**

(56) Related Art Documents: **Not Applicable**

(57) Statement of Newness and Distinctiveness: **The 'pumpchamber' is created by using a number of modular components in a particular assembly. Heavy external ribbing, its vertical cylindrical shape with horizontal 'branch' connection is unique.**



(21) Design Number: **11235/2008**

(22) Date of Filing Application: **17 March 2008**

(24) Date from which industrial property rights may have effect: **17 March 2008**

(54) Product in respect of which the design is registered: **Inspection chamber**

(51) International Design Classification: **23-01A, 23-01NES, 23-01F**

(71) Name(s) and Address(s) of Applicant(s):

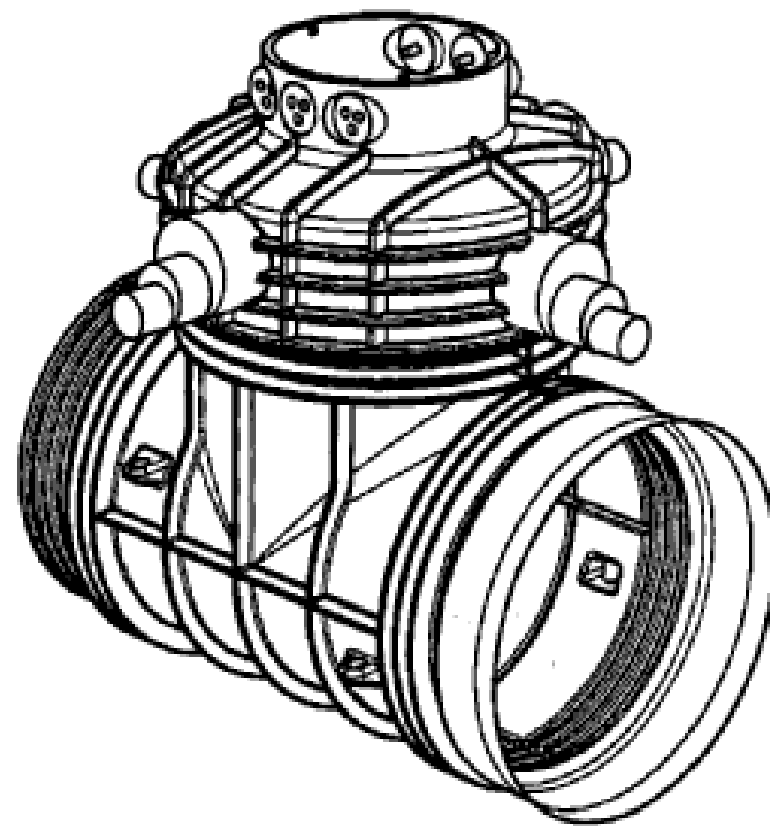
Global Rotomoulding Pty Ltd
1560 Koorlong Avenue Irymple Victoria 3498 Australia

(72) Name(s) of Designer(s): **Howard Ferry**

(45) Registration Date: **09 September 2008**

(56) Related Art Documents: **Not Applicable**

(57) Statement of Newness and Distinctiveness: **The assembly and arrangement of the two (2) components show the position when in use. Heavy ribs on both components with 'spigot' and 'socket' ends on the 'T' module are unique.**



(21) Design Number: **11236/2008**

(22) Date of Filing Application: **17 March 2008**

(24) Date from which industrial property rights may have effect: **17 March 2008**

(54) Product in respect of which the design is registered: **Riser module**

(51) International Design Classification: **23-01A, 23-01F**

(71) Name(s) and Address(s) of Applicant(s):

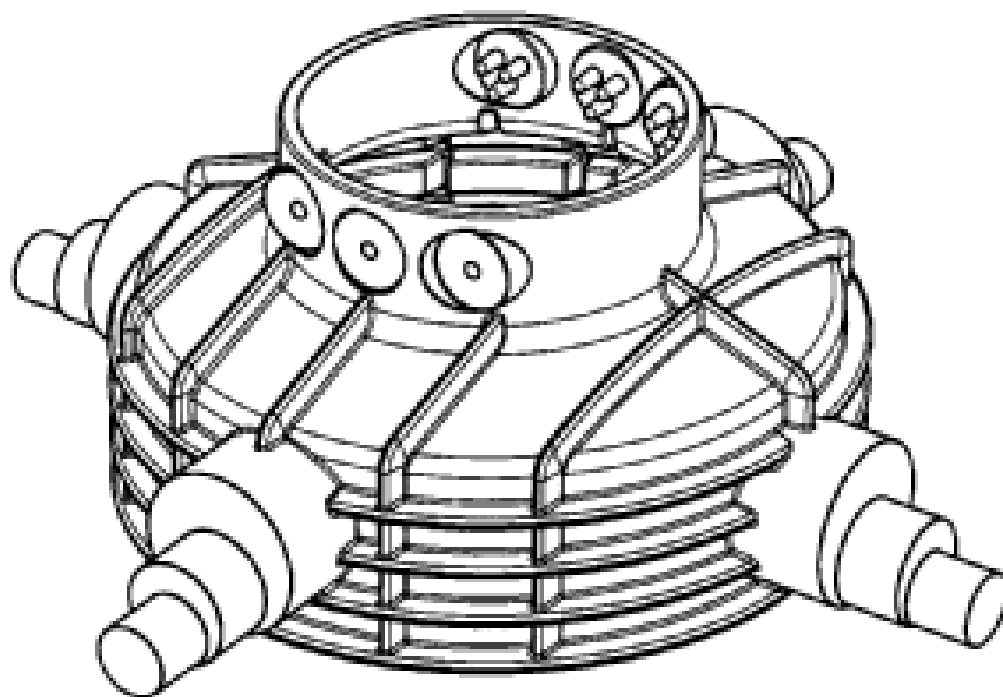
**Global Rotomoulding Pty Ltd
1560 Koorlong Avenue Irymple Victoria 3498 Australia**

(72) Name(s) of Designer(s): **Howard Ferry**

(45) Registration Date: **09 September 2008**

(56) Related Art Documents: **Not Applicable**

(57) Statement of Newness and Distinctiveness: **The riser module has two inlets, two outlets at 90 degrees from one another. Provision for child safety bars in opening, large horizontal and vertical ribs for strength, multiple size pipe access are all unique.**



(21) Design Number: **11237/2008**

(22) Date of Filing Application: **17 March 2008**

(24) Date from which industrial property rights may have effect: **17 March 2008**

(54) Product in respect of which the design is registered: **T-fitting pipe connector**

(51) International Design Classification: **23-01B, 23-01F**

(71) Name(s) and Address(s) of Applicant(s):

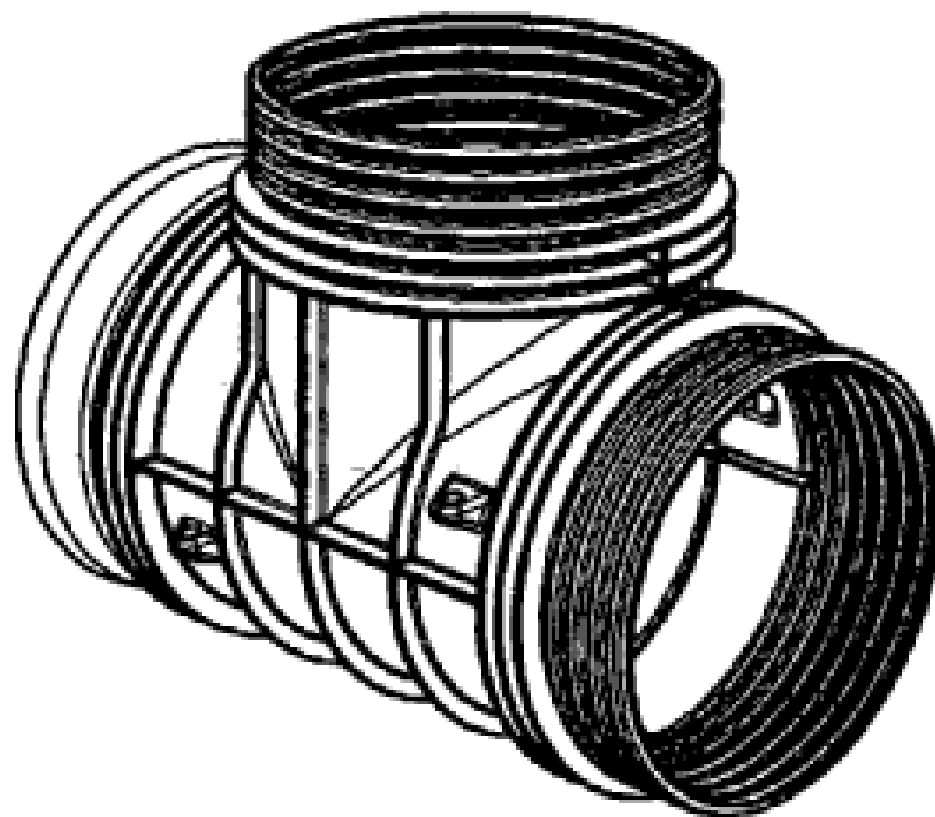
**Global Rotomoulding Pty Ltd
1560 Koorlong Avenue Irymple Victoria 3498 Australia**

(72) Name(s) of Designer(s): **Howard Ferry**

(45) Registration Date: **09 September 2008**

(56) Related Art Documents: **Not Applicable**

(57) Statement of Newness and Distinctiveness: **The 'T' module has both circumferential ribs and lateral ribs which intersect at pre-determined points. The main axis can be horizontal or vertical and the minor axis can be horizontal or vertical. These features are unique. Its shape and configuration is unique.**



(21) Design Number: **11238/2008**

(22) Date of Filing Application: **17 March 2008**

(24) Date from which industrial property rights may have effect: **17 March 2008**

(54) Product in respect of which the design is registered: **End cap for pipe**

(51) International Design Classification: **23-01E, 23-01B, 23-01F**

(71) Name(s) and Address(s) of Applicant(s):

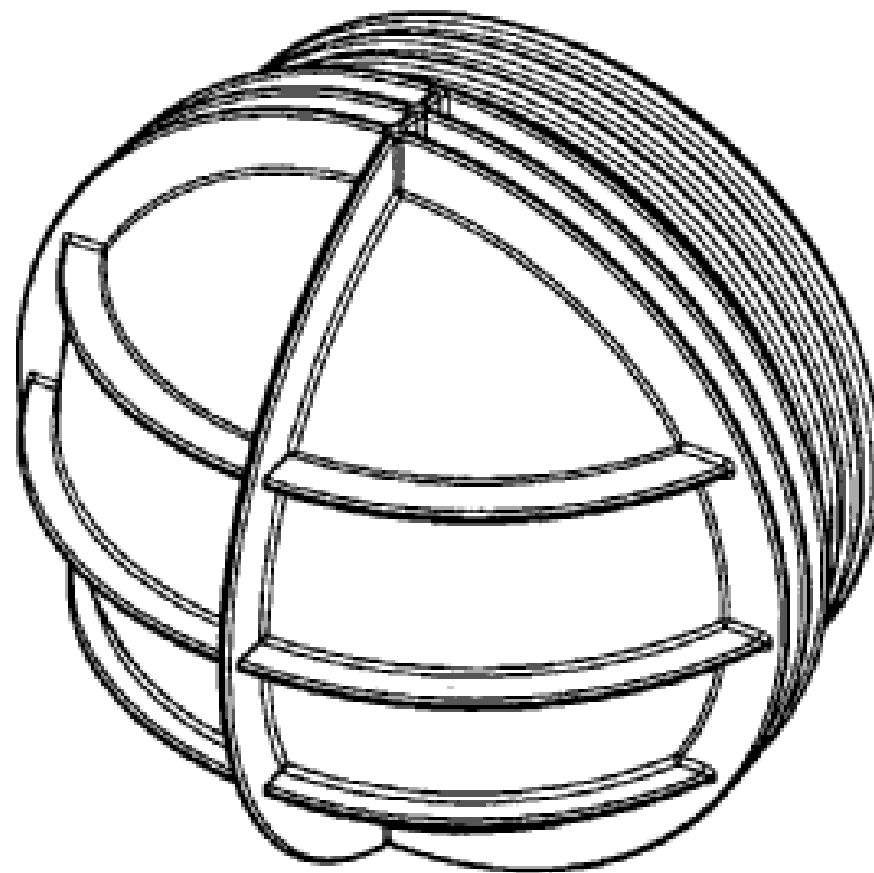
Global Rotomoulding Pty Ltd
1560 Koorlong Avenue Irymple Victoria 3498 Australia

(72) Name(s) of Designer(s): **Howard Ferry**

(45) Registration Date: **09 September 2008**

(56) Related Art Documents: **Not Applicable**

(57) Statement of Newness and Distinctiveness: **The 'dome spigot' uses circumferential and lateral ribs (intersecting where necessary) to create a unique dome shaped plug to fit into the end of pipe in underground plumbing applications. Its shape and configuration is unique.**



(21) Design Number: **11239/2008**

(22) Date of Filing Application: **17 March 2008**

(24) Date from which industrial property rights may have effect: **17 March 2008**

(54) Product in respect of which the design is registered: **End cap for pipe**

(51) International Design Classification: **23-01E, 23-01B, 23-01F**

(71) Name(s) and Address(s) of Applicant(s):

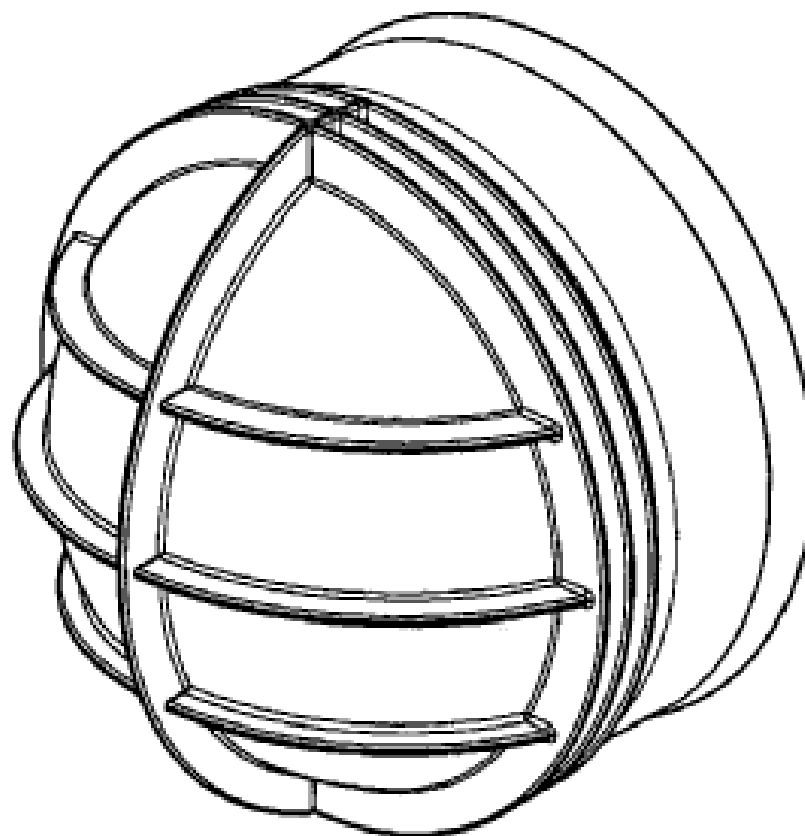
Global Rotomoulding Pty Ltd
1560 Koorlong Avenue Irymple Victoria 3498 Australia

(72) Name(s) of Designer(s): **Howard Ferry**

(45) Registration Date: **09 September 2008**

(56) Related Art Documents: **Not Applicable**

(57) Statement of Newness and Distinctiveness: **The dome socket uses circumferential and lateral ribs (intersecting where necessary) to create a unique dome shaped plug to fit into the end of pipe in underground plumbing applications. Its shape and configuration is unique.**



(21) Design Number: **11240/2008**

(22) Date of Filing Application: **17 March 2008**

(24) Date from which industrial property rights may have effect: **17 March 2008**

(54) Product in respect of which the design is registered: **90 degree bend pipe fitting**

(51) International Design Classification: **23-01A, 23-01B, 23-01F**

(71) Name(s) and Address(s) of Applicant(s):

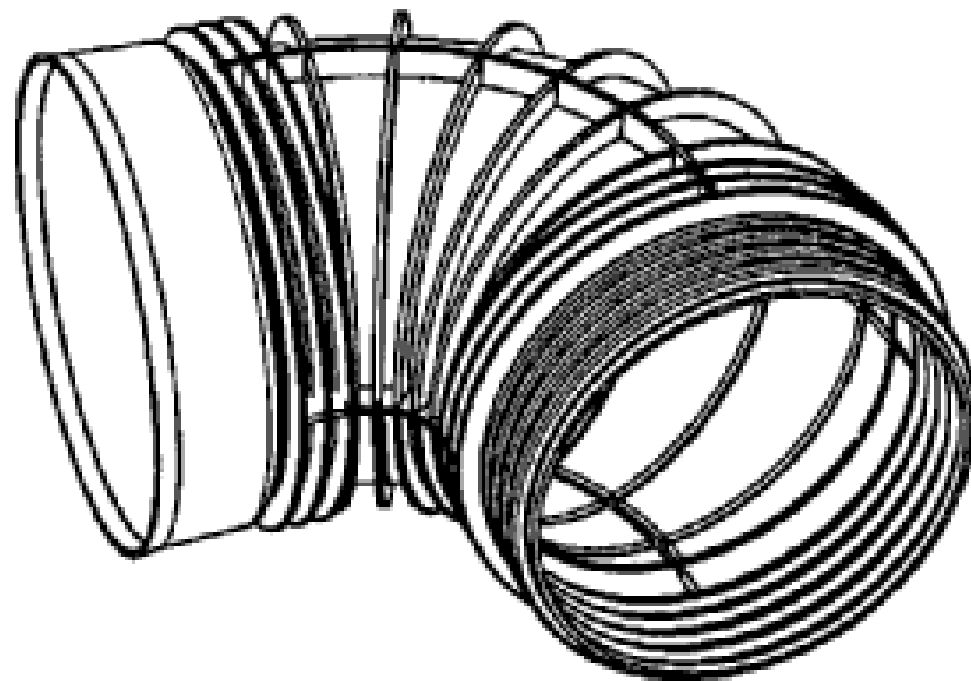
**Global Rotomoulding Pty Ltd
1560 Koorlong Avenue Irymple Victoria 3498 Australia**

(72) Name(s) of Designer(s): **Howard Ferry**

(45) Registration Date: **09 September 2008**

(56) Related Art Documents: **Not Applicable**

(57) Statement of Newness and Distinctiveness: **The 90 degree bend uses circumferential and lateral ribs to increase strength of a 90 degree pipe bend. The ribs are used also to assist in joining to other bends, 'T modules', 'domes' and pipes as necessary. Its shape and configuration is unique.**



(21) Design Number: **11241/2008**

(22) Date of Filing Application: **17 March 2008**

(24) Date from which industrial property rights may have effect: **17 March 2008**

(54) Product in respect of which the design is registered: **Water tank**

(51) International Design Classification: **23-01F**

(71) Name(s) and Address(s) of Applicant(s):

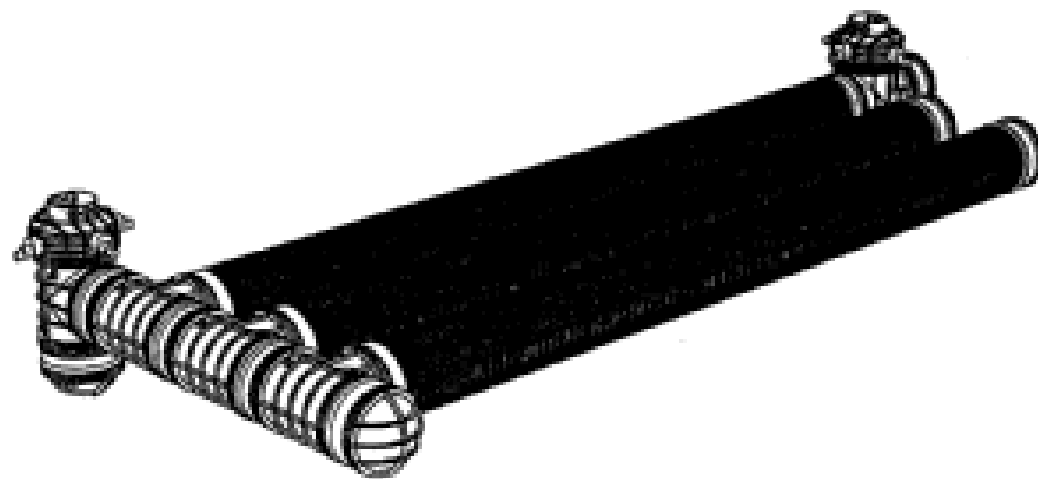
**Global Rotomoulding Pty Ltd
1560 Koorlong Avenue Irymple Victoria 3498 Australia**

(72) Name(s) of Designer(s): **Howard Ferry**

(45) Registration Date: **09 September 2008**

(56) Related Art Documents: **Not Applicable**

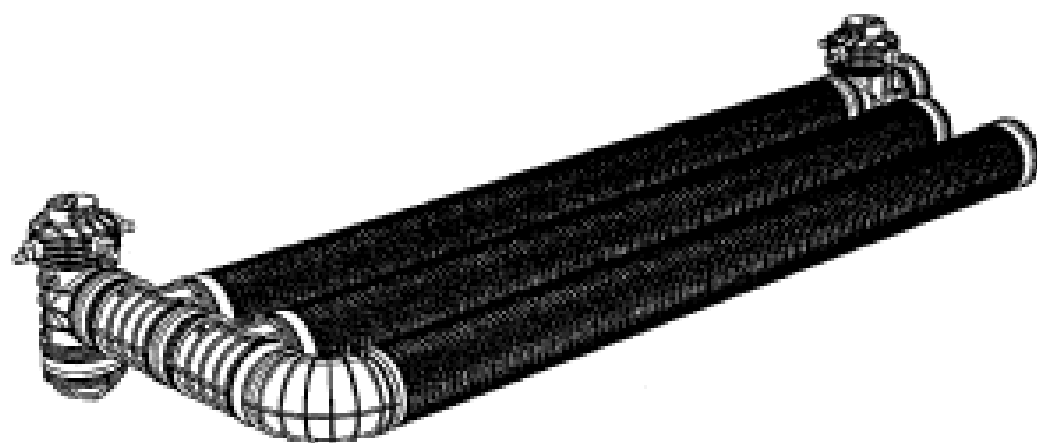
(57) Statement of Newness and Distinctiveness: **The assembly shows a typical (but not exclusive) arrangement of components plus pipe to join some of the components together. The modularity, interconnectiveness of the components make the assembly infinite in potential size and shape. The shape, configuration and modularity of the design is unique.**



- (21) Design Number: **11242/2008**
(22) Date of Filing Application: **17 March 2008**
(24) Date from which industrial property rights may have effect: **17 March 2008**
(54) Product in respect of which the design is registered: **Water tank**
(51) International Design Classification: **23-01F**
(71) Name(s) and Address(s) of Applicant(s):

Global Rotomoulding Pty Ltd
1560 Koorlong Avenue Irymple Victoria 3498 Australia

- (72) Name(s) of Designer(s): **Howard Ferry**
(45) Registration Date: **09 September 2008**
(56) Related Art Documents: **Not Applicable**
(57) Statement of Newness and Distinctiveness: **The assembly shows a typical (but not exclusive) arrangement of components plus pipe to join some of the components together. The modularity, interconnectiveness of the components make the assembly infinite in potential size and shape. The shape, configuration and modularity of the design is unique.**



- (21) Design Number: **11501/2008**
(22) Date of Filing Application: **28 March 2008**
(24) Date from which industrial property rights may have effect: **28 March 2008**
(54) Product in respect of which the design is registered: **Heat pump for swimming pools**
(51) International Design Classification: **15-02, 23-03NES**
(71) Name(s) and Address(s) of Applicant(s):

P.S.A.
2 rue Maurice Mallet F-92130 Issy Les Moulineaux France

- (72) Name(s) of Designer(s): **Francois Buron**
(45) Registration Date: **09 September 2008**
(30) Convention priority data:
(31) Number (32) Date (33) Country
000810338-0001 17 Oct 2007 EUROPEAN COMMUNITY
(56) Related Art Documents: **Not Applicable**
(57) Statement of Newness and Distinctiveness: **Newness and distinctiveness reside in the features of the design as shown in the representations.**



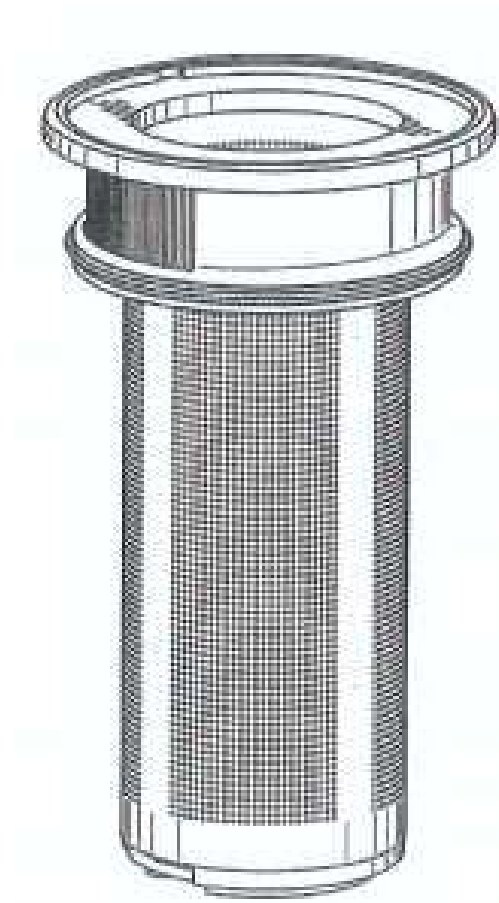
- (21) Design Number: **20439/2007**
(22) Date of Filing Application: **26 October 2007**
(24) Date from which industrial property rights may have effect: **26 October 2007**
(54) Product in respect of which the design is registered: **Ladies top**
(51) International Design Classification: **02-02C, 02-02NES**
(71) Name(s) and Address(s) of Applicant(s):
Grant Olver Investments Pty Ltd trading as Pilgrim Clothing
2 Vale Street St Kilda Victoria 3182 Australia
(72) Name(s) of Designer(s): **Grant Olver**
(45) Registration Date: **08 September 2008**
(56) Related Art Documents: **Not Applicable**
(57) Statement of Newness and Distinctiveness: **Nil**



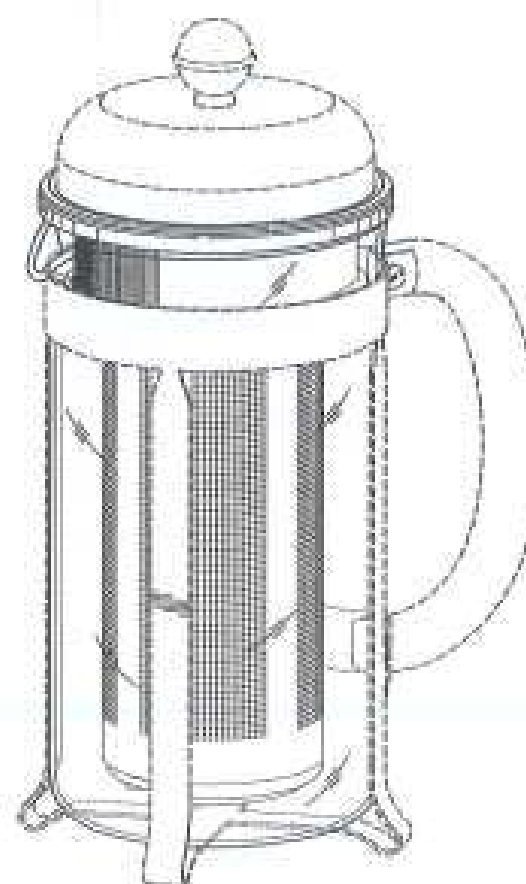
- (21) Design Number: **12312/2008**
(22) Date of Filing Application: **26 October 2007**
(24) Date from which industrial property rights may have effect: **26 October 2007**
(54) Product in respect of which the design is registered: **Dress**
(51) International Design Classification: **02-02C**
(71) Name(s) and Address(s) of Applicant(s):
Grant Olver Investments Pty Ltd trading as Pilgrim Clothing
2 Vale Street St Kilda Victoria 3182 Australia
(72) Name(s) of Designer(s): **Grant Olver**
(45) Registration Date: **08 September 2008**
(56) Related Art Documents: **Not Applicable**
(57) Statement of Newness and Distinctiveness: **Nil**



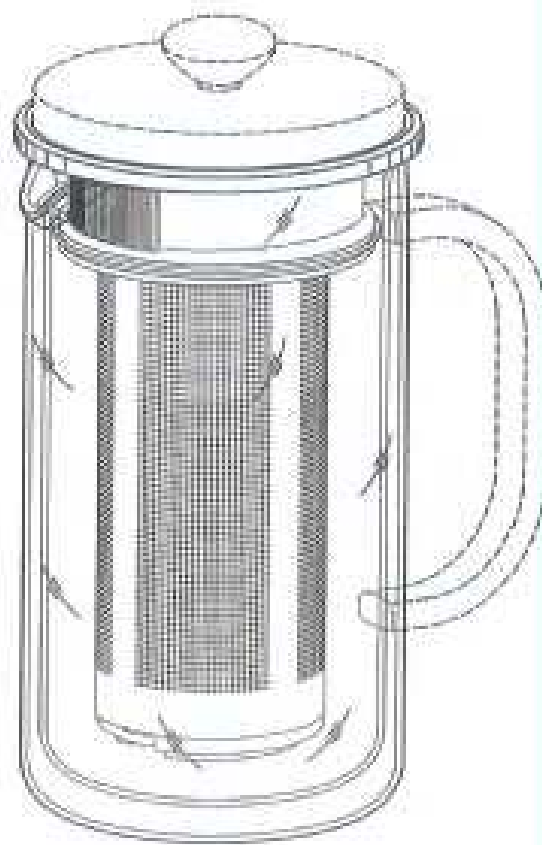
- (21) Design Number: **12052/2008**
(22) Date of Filing Application: **02 May 2008**
(24) Date from which industrial property rights may have effect: **02 May 2008**
(54) Product in respect of which the design is registered: **Filter insert for a coffee maker**
(51) International Design Classification: **07-02L**
(71) Name(s) and Address(s) of Applicant(s):
PI-Design AG
Kantonsstrasse 100 CH-6234 Triengen Switzerland
(72) Name(s) of Designer(s): **Jorgen Bodum**
(45) Registration Date: **08 September 2008**
(30) Convention priority data:
(31) Number (32) Date (33) Country
134.448 05 Nov 2007 SWEDEN
(56) Related Art Documents: **Not Applicable**
(57) Statement of Newness and Distinctiveness: **The shape and configuration of the filter insert is new and distinctive.**



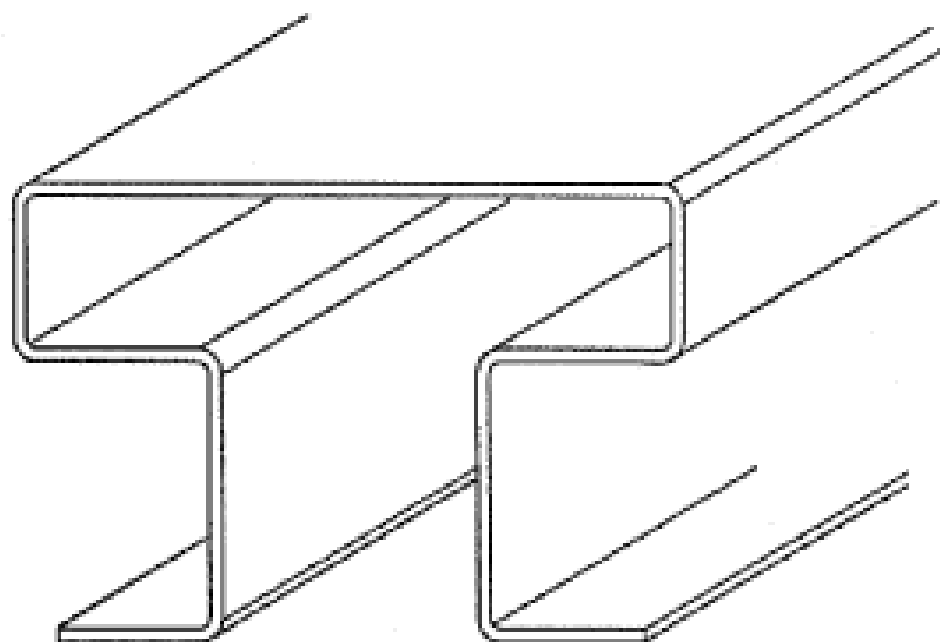
- (21) Design Number: **12053/2008**
(22) Date of Filing Application: **02 May 2008**
(24) Date from which industrial property rights may have effect: **02 May 2008**
(54) Product in respect of which the design is registered: **Coffee maker**
(51) International Design Classification: **07-02L**
(71) Name(s) and Address(s) of Applicant(s):
PI-Design AG
Kantonsstrasse 100 CH-6234 Triengen Switzerland
(72) Name(s) of Designer(s): **Jorgen Bodum**
(45) Registration Date: **08 September 2008**
(30) Convention priority data:
(31) Number (32) Date (33) Country
134.448 05 Nov 2007 SWEDEN
(56) Related Art Documents: **Not Applicable**
(57) Statement of Newness and Distinctiveness: **The shape and configuration of the filter insert of the coffee maker is new and distinctive.**



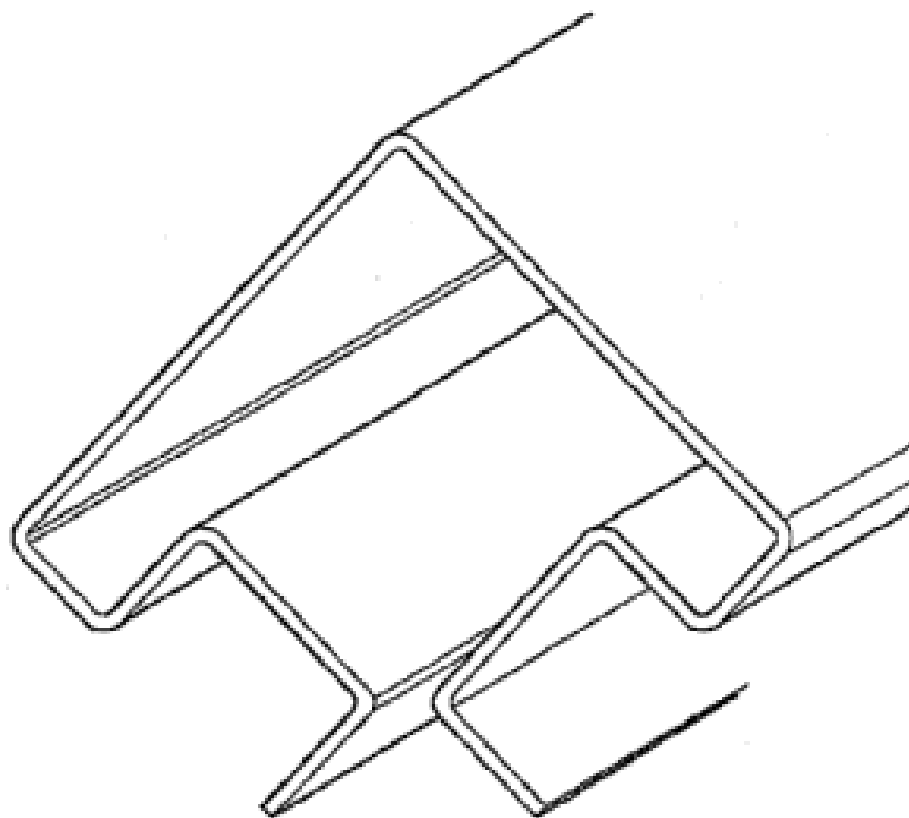
- (21) Design Number: **12054/2008**
(22) Date of Filing Application: **02 May 2008**
(24) Date from which industrial property rights may have effect: **02 May 2008**
(54) Product in respect of which the design is registered: **Coffee maker**
(51) International Design Classification: **07-02L**
(71) Name(s) and Address(s) of Applicant(s):
PI-Design AG
Kantonsstrasse 100 CH-6234 Triengen Switzerland
(72) Name(s) of Designer(s): **Jorgen Bodum**
(45) Registration Date: **08 September 2008**
(30) Convention priority data:
(31) Number (32) Date (33) Country
134.448 05 Nov 2007 SWEDEN
(56) Related Art Documents: **Not Applicable**
(57) Statement of Newness and Distinctiveness: **The shape and configuration of the filter insert of the coffee maker is new and distinctive.**



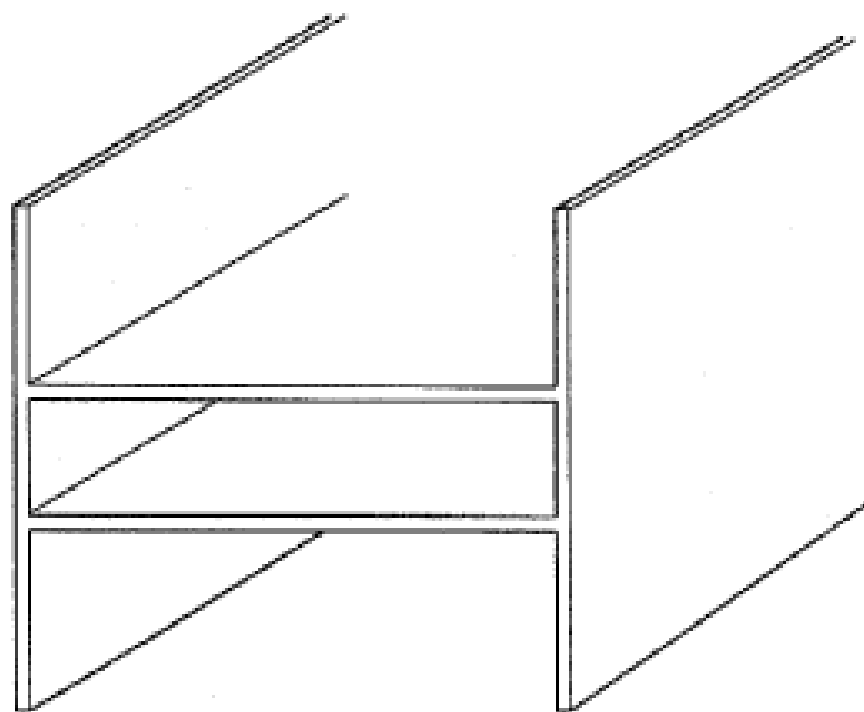
- (21) Design Number: **12063/2008**
(22) Date of Filing Application: **02 May 2008**
(24) Date from which industrial property rights may have effect: **02 May 2008**
(54) Product in respect of which the design is registered: **An extrusion**
(51) International Design Classification: **25-01K**
(71) Name(s) and Address(s) of Applicant(s):
Francesco Antonio Martino
Lot 25 Old Princes Highway Monarto South Australia 5254 Australia
(72) Name(s) of Designer(s): **Francesco Antonio Martino**
(45) Registration Date: **08 September 2008**
(56) Related Art Documents: **Not Applicable**
(57) Statement of Newness and Distinctiveness: **Newness and distinctiveness is claimed in the shape and/or configuration of an extrusion as illustrated in the accompanying representations.**



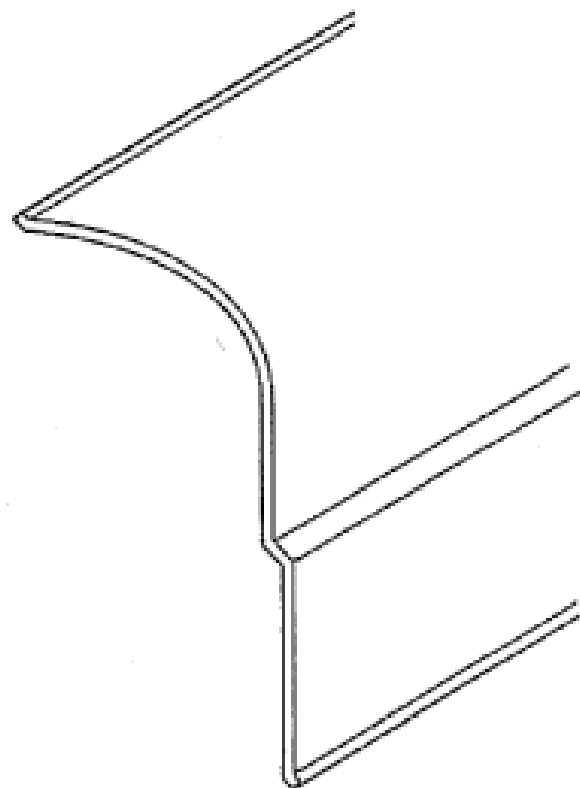
- (21) Design Number: **12064/2008**
- (22) Date of Filing Application: **02 May 2008**
- (24) Date from which industrial property rights may have effect: **02 May 2008**
- (54) Product in respect of which the design is registered: **An extrusion**
- (51) International Design Classification: **25-01K**
- (71) Name(s) and Address(s) of Applicant(s):
Francesco Antonio Martino
Lot 25 Old Princes Highway Monarto South Australia 5254 Australia
- (72) Name(s) of Designer(s): **Francesco Antonio Martino**
- (45) Registration Date: **08 September 2008**
- (56) Related Art Documents: **Not Applicable**
- (57) Statement of Newness and Distinctiveness: **Newness and distinctiveness is claimed in the shape and/or configuration of an extrusion as illustrated in the accompanying representations.**



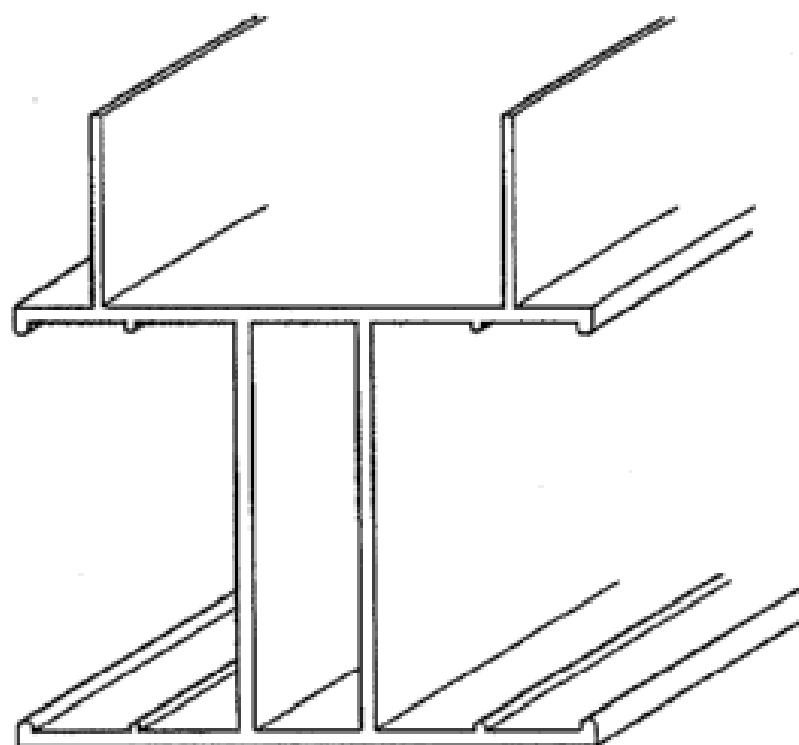
- (21) Design Number: **12065/2008**
- (22) Date of Filing Application: **02 May 2008**
- (24) Date from which industrial property rights may have effect: **02 May 2008**
- (54) Product in respect of which the design is registered: **An extrusion**
- (51) International Design Classification: **25-01K**
- (71) Name(s) and Address(s) of Applicant(s):
Francesco Antonio Martino
Lot 25 Old Princes Highway Monarto South Australia 5254 Australia
- (72) Name(s) of Designer(s): **Francesco Antonio Martino**
- (45) Registration Date: **08 September 2008**
- (56) Related Art Documents: **Not Applicable**
- (57) Statement of Newness and Distinctiveness: **Newness and distinctiveness is claimed in the shape and/or configuration of an extrusion as illustrated in the accompanying representations.**



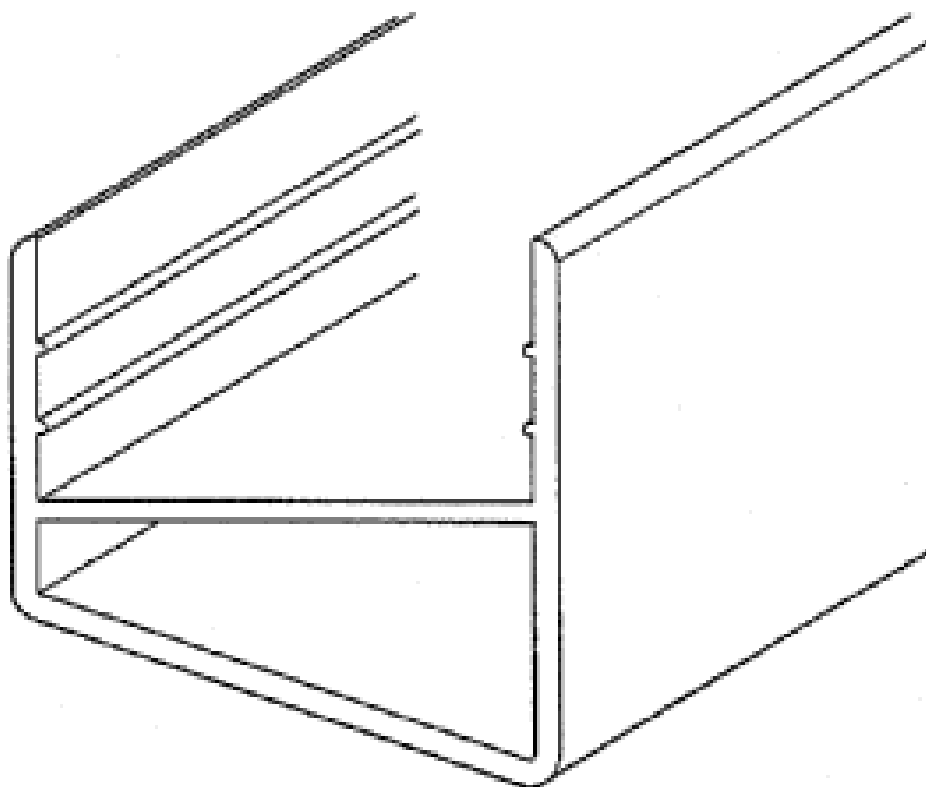
- (21) Design Number: **12066/2008**
- (22) Date of Filing Application: **02 May 2008**
- (24) Date from which industrial property rights may have effect: **02 May 2008**
- (54) Product in respect of which the design is registered: **An extrusion**
- (51) International Design Classification: **25-01K**
- (71) Name(s) and Address(s) of Applicant(s):
Francesco Antonio Martino
Lot 25 Old Princes Highway Monarto South Australia 5254 Australia
- (72) Name(s) of Designer(s): **Francesco Antonio Martino**
- (45) Registration Date: **08 September 2008**
- (56) Related Art Documents: **Not Applicable**
- (57) Statement of Newness and Distinctiveness: **Newness and distinctiveness is claimed in the shape and/or configuration of an extrusion as illustrated in the accompanying representations.**



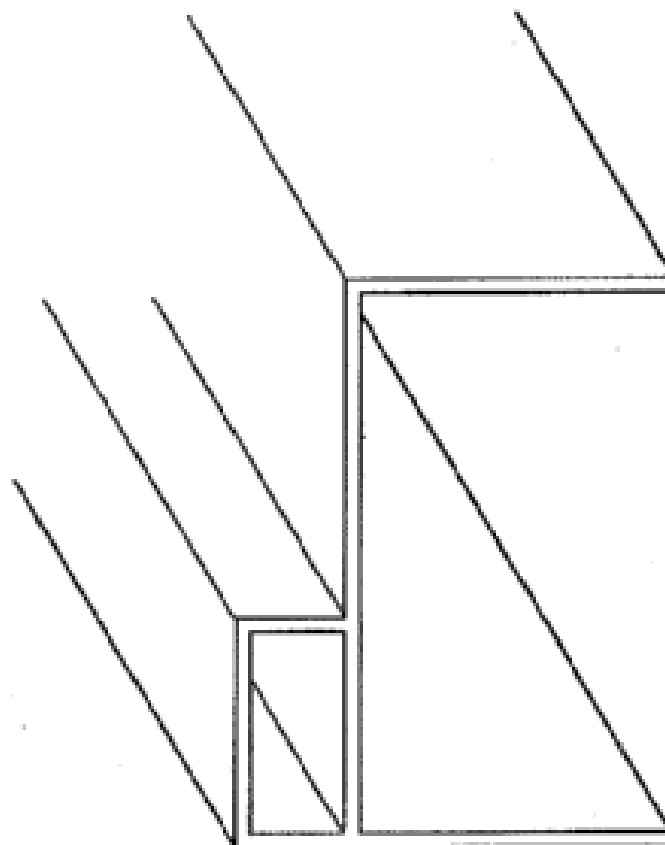
- (21) Design Number: **12067/2008**
- (22) Date of Filing Application: **02 May 2008**
- (24) Date from which industrial property rights may have effect: **02 May 2008**
- (54) Product in respect of which the design is registered: **An extrusion**
- (51) International Design Classification: **25-01K**
- (71) Name(s) and Address(s) of Applicant(s):
Francesco Antonio Martino
Lot 25 Old Princes Highway Monarto South Australia 5254 Australia
- (72) Name(s) of Designer(s): **Francesco Antonio Martino**
- (45) Registration Date: **08 September 2008**
- (56) Related Art Documents: **Not Applicable**
- (57) Statement of Newness and Distinctiveness: **Newness and distinctiveness is claimed in the shape and/or configuration of an extrusion as illustrated in the accompanying representations.**



- (21) Design Number: **12068/2008**
- (22) Date of Filing Application: **02 May 2008**
- (24) Date from which industrial property rights may have effect: **02 May 2008**
- (54) Product in respect of which the design is registered: **An extrusion**
- (51) International Design Classification: **25-01K**
- (71) Name(s) and Address(s) of Applicant(s):
Francesco Antonio Martino
Lot 25 Old Princes Highway Monarto South Australia 5254 Australia
- (72) Name(s) of Designer(s): **Francesco Antonio Martino**
- (45) Registration Date: **08 September 2008**
- (56) Related Art Documents: **Not Applicable**
- (57) Statement of Newness and Distinctiveness: **Newness and distinctiveness is claimed in the shape and/or configuration of an extrusion as illustrated in the accompanying representations.**



- (21) Design Number: **12069/2008**
- (22) Date of Filing Application: **02 May 2008**
- (24) Date from which industrial property rights may have effect: **02 May 2008**
- (54) Product in respect of which the design is registered: **An extrusion**
- (51) International Design Classification: **25-01K**
- (71) Name(s) and Address(s) of Applicant(s):
Francesco Antonio Martino
Lot 25 Old Princes Highway Monarto South Australia 5254 Australia
- (72) Name(s) of Designer(s): **Francesco Antonio Martino**
- (45) Registration Date: **08 September 2008**
- (56) Related Art Documents: **Not Applicable**
- (57) Statement of Newness and Distinctiveness: **Newness and distinctiveness is claimed in the shape and/or configuration of an extrusion as illustrated in the accompanying representations.**



(21) Design Number: **12070/2008**

(22) Date of Filing Application: **02 May 2008**

(24) Date from which industrial property rights may have effect: **02 May 2008**

(54) Product in respect of which the design is registered: **An extrusion**

(51) International Design Classification: **25-01K**

(71) Name(s) and Address(s) of Applicant(s):

Francesco Antonio Martino

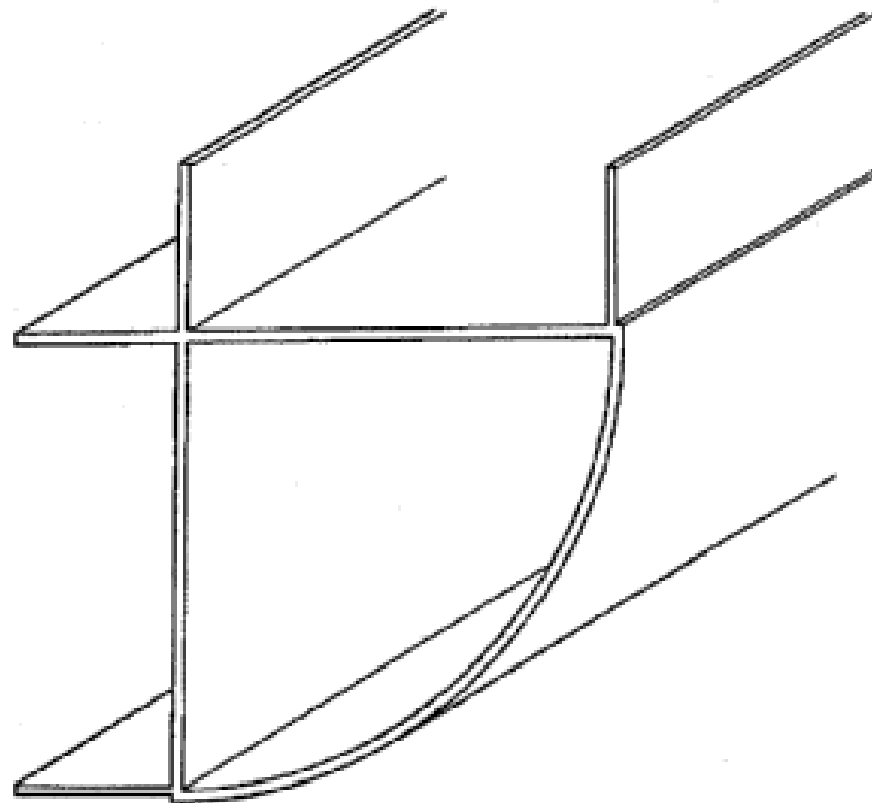
Lot 25 Old Princes Highway Monarto South Australia 5254 Australia

(72) Name(s) of Designer(s): **Francesco Antonio Martino**

(45) Registration Date: **08 September 2008**

(56) Related Art Documents: **Not Applicable**

(57) Statement of Newness and Distinctiveness: **Newness and distinctiveness is claimed in the shape and/or configuration of an extrusion as illustrated in the accompanying representations.**



(21) Design Number: **12071/2008**

(22) Date of Filing Application: **02 May 2008**

(24) Date from which industrial property rights may have effect: **02 May 2008**

(54) Product in respect of which the design is registered: **An extrusion**

(51) International Design Classification: **25-01K**

(71) Name(s) and Address(s) of Applicant(s):

Francesco Antonio Martino

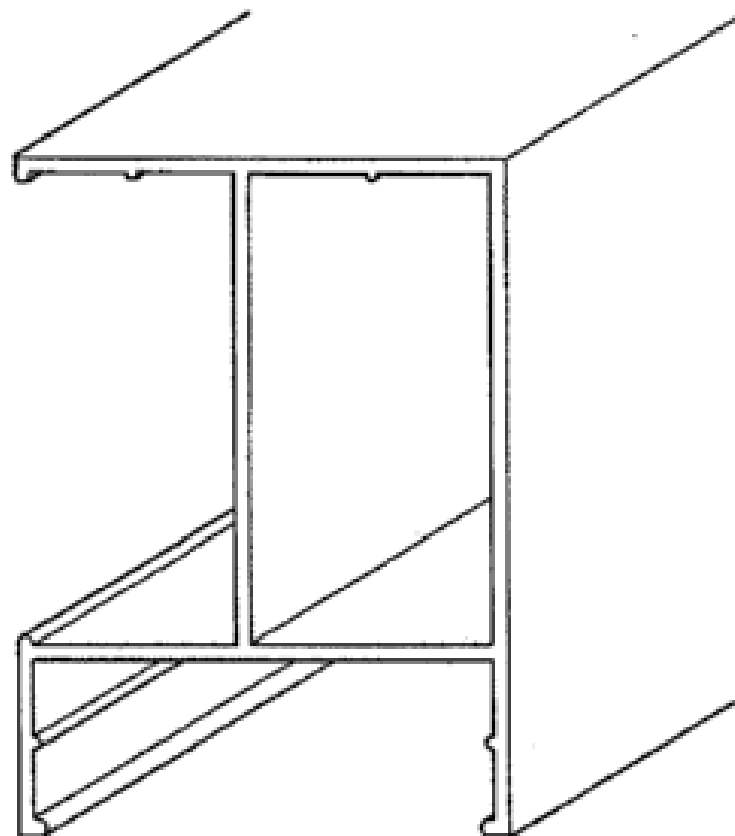
Lot 25 Old Princes Highway Monarto South Australia 5254 Australia

(72) Name(s) of Designer(s): **Francesco Antonio Martino**

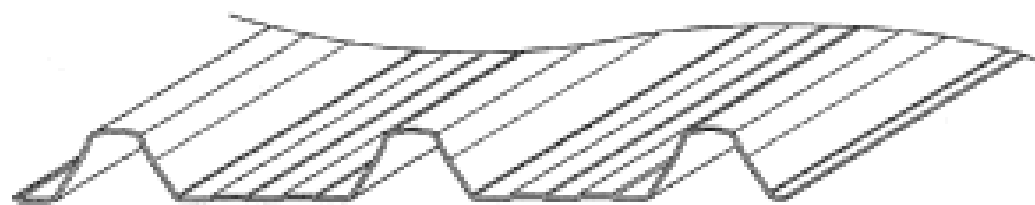
(45) Registration Date: **08 September 2008**

(56) Related Art Documents: **Not Applicable**

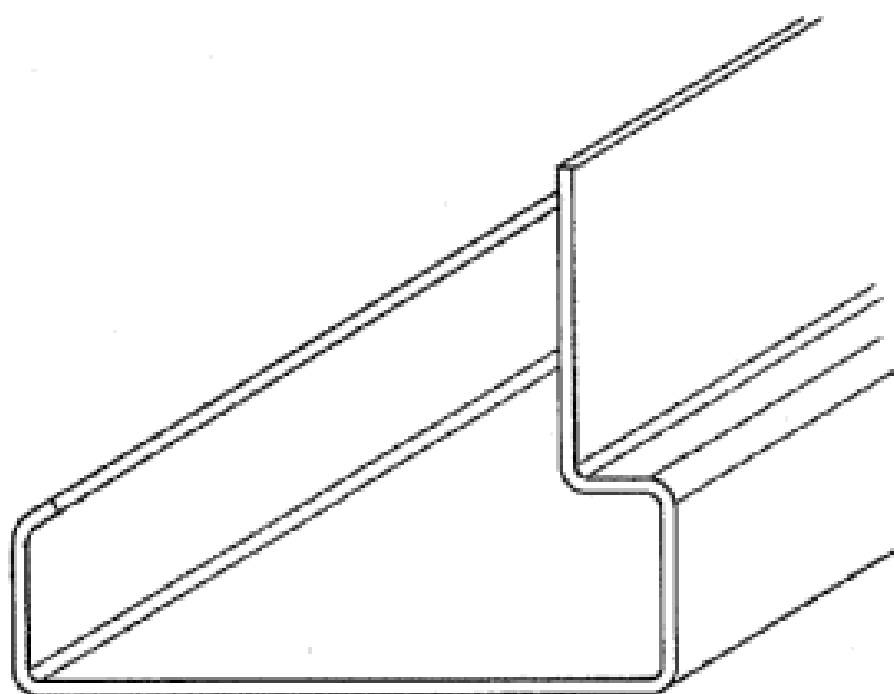
(57) Statement of Newness and Distinctiveness: **Newness and distinctiveness is claimed in the shape and/or configuration of an extrusion as illustrated in the accompanying representations.**



- (21) Design Number: **12072/2008**
(22) Date of Filing Application: **02 May 2008**
(24) Date from which industrial property rights may have effect: **02 May 2008**
(54) Product in respect of which the design is registered: **A profiled panel of indefinite length and width**
(51) International Design Classification: **25-01D**
(71) Name(s) and Address(s) of Applicant(s):
Francesco Antonio Martino
Lot 25 Old Princes Highway Monarto South Australia 5254 Australia
(72) Name(s) of Designer(s): **Francesco Antonio Martino**
(45) Registration Date: **08 September 2008**
(56) Related Art Documents: **Not Applicable**
(57) Statement of Newness and Distinctiveness: **Newness and distinctiveness is claimed in the shape and/or configuration of a profiled panel as illustrated in the accompanying representations.**



- (21) Design Number: **12073/2008**
(22) Date of Filing Application: **02 May 2008**
(24) Date from which industrial property rights may have effect: **02 May 2008**
(54) Product in respect of which the design is registered: **An extrusion**
(51) International Design Classification: **25-01K**
(71) Name(s) and Address(s) of Applicant(s):
Francesco Antonio Martino
Lot 25 Old Princes Highway Monarto South Australia 5254 Australia
(72) Name(s) of Designer(s): **Francesco Antonio Martino**
(45) Registration Date: **08 September 2008**
(56) Related Art Documents: **Not Applicable**
(57) Statement of Newness and Distinctiveness: **Newness and distinctiveness is claimed in the shape and/or configuration of an extrusion as illustrated in the accompanying representations.**



(21) Design Number: **12074/2008**

(22) Date of Filing Application: **02 May 2008**

(24) Date from which industrial property rights may have effect: **02 May 2008**

(54) Product in respect of which the design is registered: **An extrusion**

(51) International Design Classification: **25-01K**

(71) Name(s) and Address(s) of Applicant(s):

Francesco Antonio Martino

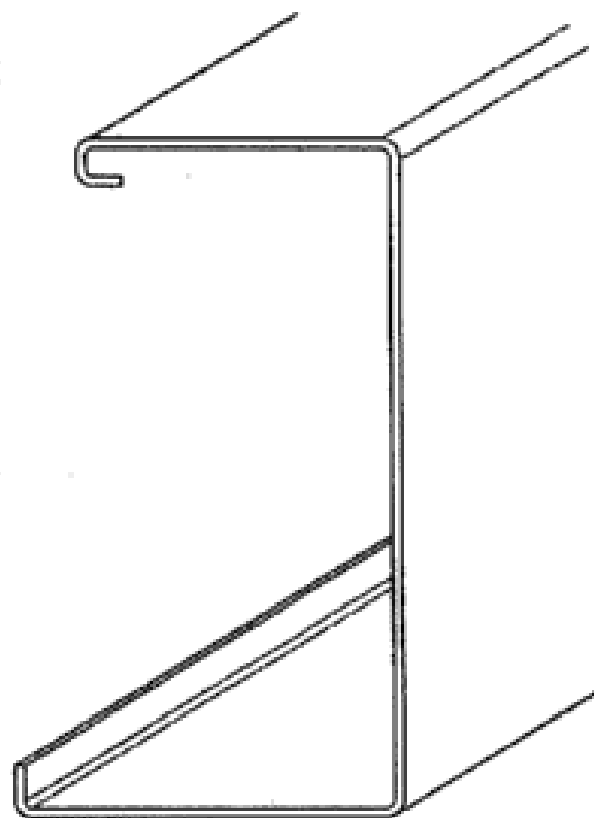
Lot 25 Old Princes Highway Monarto South Australia 5254 Australia

(72) Name(s) of Designer(s): **Francesco Antonio Martino**

(45) Registration Date: **08 September 2008**

(56) Related Art Documents: **Not Applicable**

(57) Statement of Newness and Distinctiveness: **Newness and distinctiveness is claimed in the shape and/or configuration of an extrusion as illustrated in the accompanying representations.**



(21) Design Number: **12075/2008**

(22) Date of Filing Application: **02 May 2008**

(24) Date from which industrial property rights may have effect: **02 May 2008**

(54) Product in respect of which the design is registered: **An extrusion**

(51) International Design Classification: **25-01K**

(71) Name(s) and Address(s) of Applicant(s):

Francesco Antonio Martino

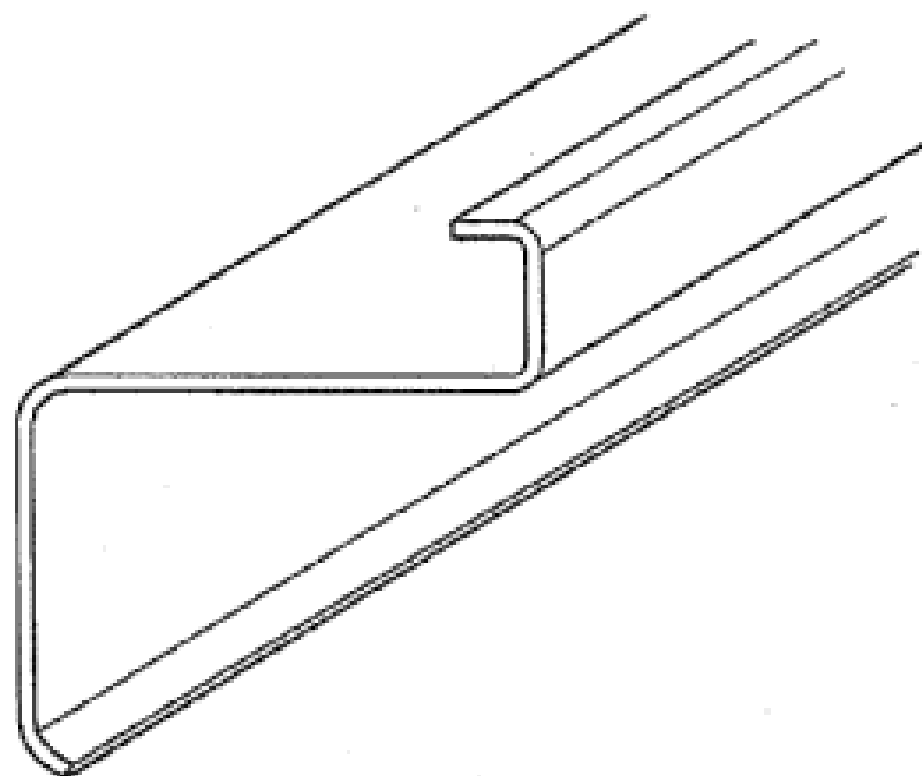
Lot 25 Old Princes Highway Monarto South Australia 5254 Australia

(72) Name(s) of Designer(s): **Francesco Antonio Martino**

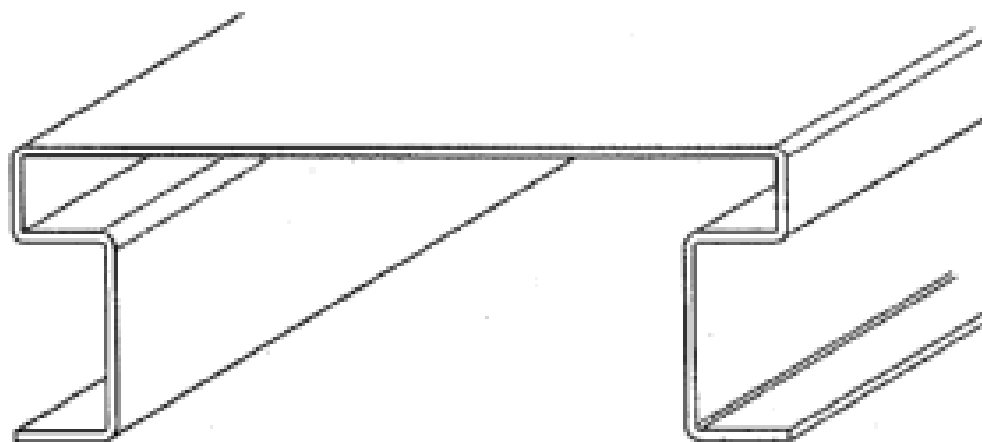
(45) Registration Date: **08 September 2008**

(56) Related Art Documents: **Not Applicable**

(57) Statement of Newness and Distinctiveness: **Newness and distinctiveness is claimed in the shape and/or configuration of an extrusion as illustrated in the accompanying representations.**



- (21) Design Number: **12076/2008**
(22) Date of Filing Application: **02 May 2008**
(24) Date from which industrial property rights may have effect: **02 May 2008**
(54) Product in respect of which the design is registered: **An extrusion**
(51) International Design Classification: **25-01K**
(71) Name(s) and Address(s) of Applicant(s):
Francesco Antonio Martino
Lot 25 Old Princes Highway Monarto South Australia 5254 Australia
(72) Name(s) of Designer(s): **Francesco Antonio Martino**
(45) Registration Date: **08 September 2008**
(56) Related Art Documents: **Not Applicable**
(57) Statement of Newness and Distinctiveness: **Newness and distinctiveness is claimed in the shape and/or configuration of an extrusion as illustrated in the accompanying representations.**



- (21) Design Number: **12079/2008**
(22) Date of Filing Application: **02 May 2008**
(24) Date from which industrial property rights may have effect: **02 May 2008**
(54) Product in respect of which the design is registered: **Bottle**
(51) International Design Classification: **09-01K**
(71) Name(s) and Address(s) of Applicant(s):
Sichuan Wenjun Spirits Company Limited
No. 33, East Ring Road Linqiong Town Qionglai City Chengdu City
Sichuan Province China
(72) Name(s) of Designer(s): **Neil Hirst and Edward Mitchell**
(45) Registration Date: **08 September 2008**
(30) Convention priority data:
(31) Number (32) Date (33) Country
200730321448.4 08 Nov 2007 CHINA
(56) Related Art Documents: **Not Applicable**
(57) Statement of Newness and Distinctiveness: **Newness and distinctiveness is claimed in the features of shape and/or configuration of a bottle as illustrated in the accompanying representations.**



(21) Design Number: **12080/2008**

(22) Date of Filing Application: **02 May 2008**

(24) Date from which industrial property rights may have effect: **02 May 2008**

(54) Product in respect of which the design is registered: **Bottle**

(51) International Design Classification: **09-01K**

(71) Name(s) and Address(s) of Applicant(s):

**Sichuan Wenjun Spirits Company Limited
No. 33, East Ring Road Linqiong Town Qionglai City Chengdu City
Sichuan Province China**

(72) Name(s) of Designer(s): **Neil Hirst and Edward Mitchell**

(45) Registration Date: **08 September 2008**

(30) Convention priority data:

(31) Number	(32) Date	(33) Country
200730321446.5	08 Nov 2007	CHINA

(56) Related Art Documents: **Not Applicable**

(57) Statement of Newness and Distinctiveness: **Newness and distinctiveness is claimed in the features of shape and/or configuration and/or pattern and/or ornamentation of a bottle as illustrated in the accompanying representations.**



(21) Design Number: **12081/2008**

(22) Date of Filing Application: **02 May 2008**

(24) Date from which industrial property rights may have effect: **02 May 2008**

(54) Product in respect of which the design is registered: **A bottle**

(51) International Design Classification: **09-01K**

(71) Name(s) and Address(s) of Applicant(s):

**VIP Plastic Packaging Pty Ltd
Level 17 Como Towers 644 Chapel Street South Yarra Victoria 3061
Australia**

(72) Name(s) of Designer(s): **Bernie Sizer**

(45) Registration Date: **08 September 2008**

(56) Related Art Documents: **Not Applicable**

(57) Statement of Newness and Distinctiveness: **The features of the design which are new and distinctive are the features of shape or configuration as illustrated in the accompanying representations.**



(21) Design Number: **12109/2008**

(22) Date of Filing Application: **05 May 2008**

(24) Date from which industrial property rights may have effect: **05 May 2008**

(54) Product in respect of which the design is registered: **Tray for drawer**

(51) International Design Classification: **19-02**

(71) Name(s) and Address(s) of Applicant(s):

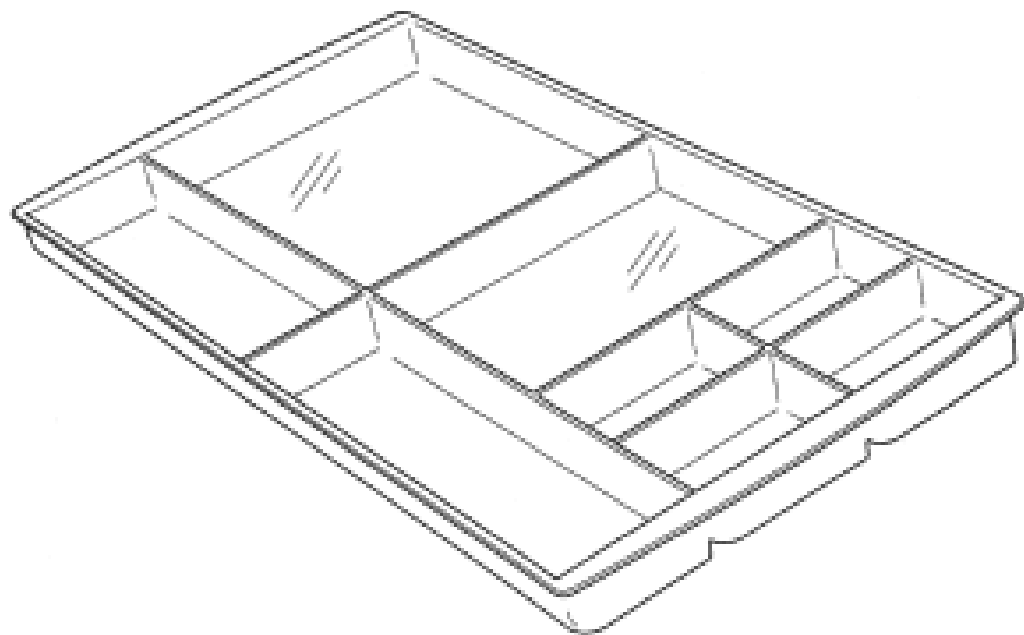
**Esselte Australia Pty Ltd
Level 1 82 Waterloo Road Macquarie Park New South Wales 2113
Australia**

(72) Name(s) of Designer(s): **Nathan Burke and Sam Trewartha and Yashin Radhakrishnan**

(45) Registration Date: **09 September 2008**

(56) Related Art Documents: **Not Applicable**

(57) Statement of Newness and Distinctiveness: **Newness and distinctiveness reside in the features of the shape and configuration of the design as shown in the representations.**



(21) Design Number: **12110/2008**

(22) Date of Filing Application: **05 May 2008**

(24) Date from which industrial property rights may have effect: **05 May 2008**

(54) Product in respect of which the design is registered: **Card holder**

(51) International Design Classification: **19-02**

(71) Name(s) and Address(s) of Applicant(s):

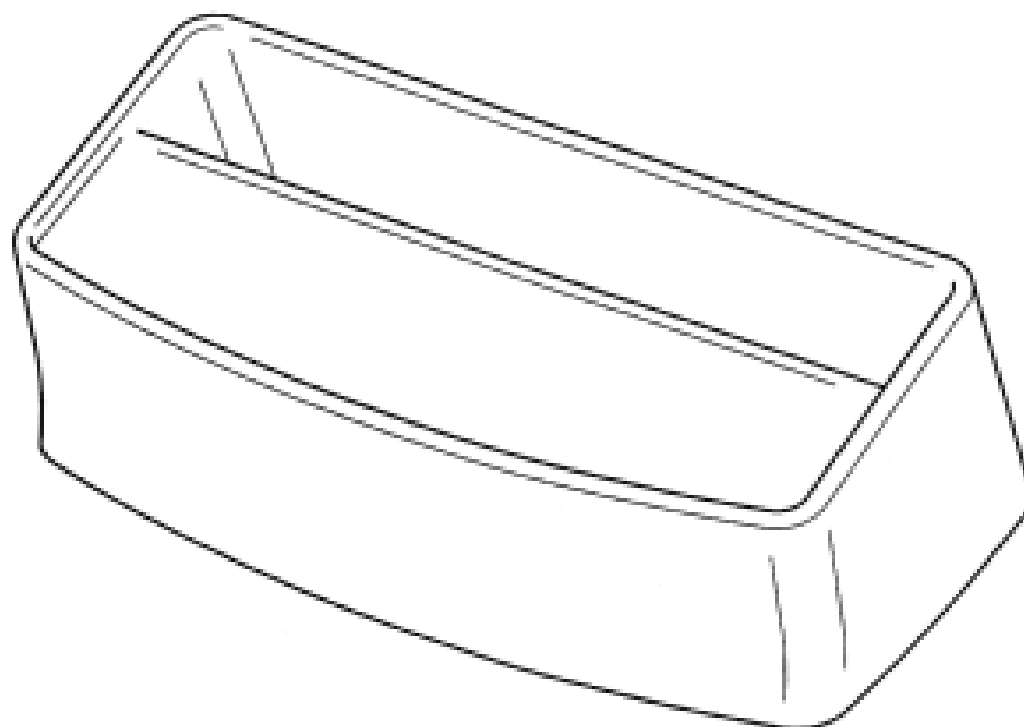
**Esselte Australia Pty Ltd
Level 1 82 Waterloo Road Macquarie Park New South Wales 2113
Australia**

(72) Name(s) of Designer(s): **Nathan Burke and Sam Trewartha and Yashin Radhakrishnan**

(45) Registration Date: **09 September 2008**

(56) Related Art Documents: **Not Applicable**

(57) Statement of Newness and Distinctiveness: **Newness and distinctiveness reside in the features of the shape and configuration of the design as shown in the representations.**



(21) Design Number: **12112/2008**

(22) Date of Filing Application: **05 May 2008**

(24) Date from which industrial property rights may have effect: **05 May 2008**

(54) Product in respect of which the design is registered: **Container**

(51) International Design Classification: **07-01F**

(71) Name(s) and Address(s) of Applicant(s):

Dairy Crest Limited
Claygate House Littleworth Road Esher Surrey KT10 9PN United Kingdom

(72) Name(s) of Designer(s): **Richard Harbutt and James Pryor**

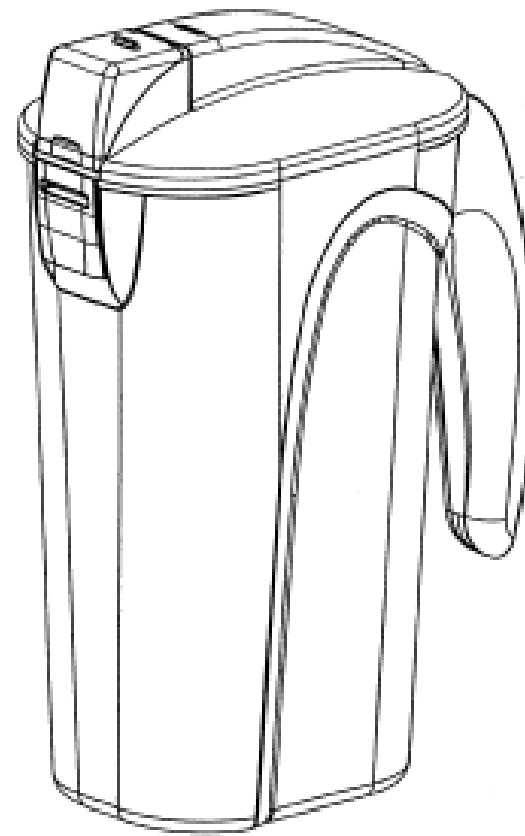
(45) Registration Date: **09 September 2008**

(30) Convention priority data:

(31) Number	(32) Date	(33) Country
000869227-0001	25 Jan 2008	EUROPEAN COMMUNITY

(56) Related Art Documents: **Not Applicable**

(57) Statement of Newness and Distinctiveness: **Newness and distinctiveness reside in the features of the design as shown in the representations.**



(21) Design Number: **12114/2008**

(22) Date of Filing Application: **05 May 2008**

(24) Date from which industrial property rights may have effect: **05 May 2008**

(54) Product in respect of which the design is registered: **Washing machine**

(51) International Design Classification: **15-05**

(71) Name(s) and Address(s) of Applicant(s):

LG Electronics Inc.
20 Yoido-dong Yongdungpo-gu Seoul Republic of Korea

(72) Name(s) of Designer(s): **Young Soo Ha and Jong Hee Han**

(45) Registration Date: **09 September 2008**

(30) Convention priority data:

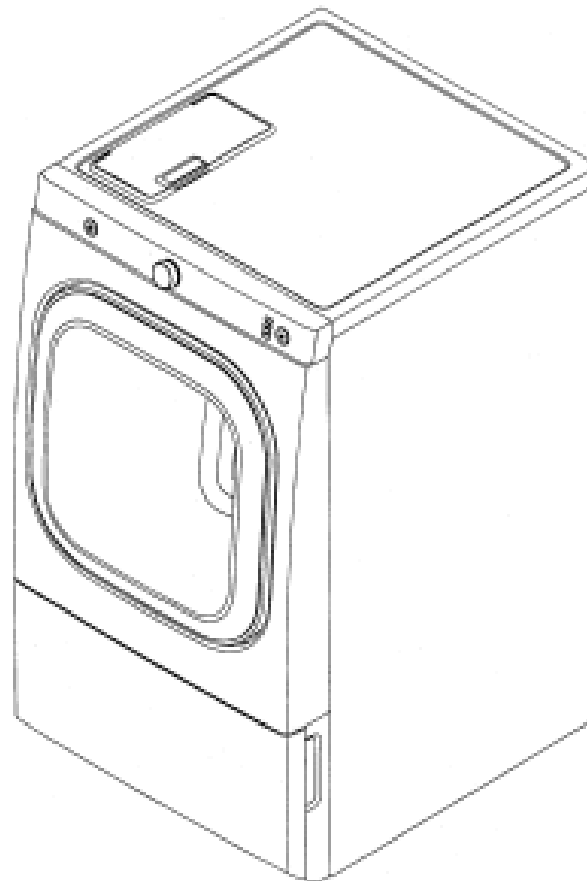
(31) Number	(32) Date	(33) Country
30-2007-0047546	15 Nov 2007	REPUBLIC OF KOREA

(56) Related Art Documents: **Not Applicable**

(57) Statement of Newness and Distinctiveness: **Newness and distinctiveness resides in the visual features of shape and/or configuration of a washing machine as illustrated in the accompanying representations.**



- (21) Design Number: **12115/2008**
(22) Date of Filing Application: **05 May 2008**
(24) Date from which industrial property rights may have effect: **05 May 2008**
(54) Product in respect of which the design is registered: **Washing machine**
(51) International Design Classification: **15-05**
(71) Name(s) and Address(s) of Applicant(s):
LG Electronics Inc.
20 Yoido-dong Yongdungpo-gu Seoul Republic of Korea
(72) Name(s) of Designer(s): **Myung Shik Kim and Seung Hyun Song and Ye Ji Um**
(45) Registration Date: **09 September 2008**
(30) Convention priority data:
(31) Number (32) Date (33) Country
30-2007-0047545 15 Nov 2007 REPUBLIC OF KOREA
(56) Related Art Documents: **Not Applicable**
(57) Statement of Newness and Distinctiveness: **Newness and distinctiveness resides in the visual features of shape and/or configuration of a washing machine as illustrated in the accompanying representations.**



- (21) Design Number: **12116/2008**
(22) Date of Filing Application: **05 May 2008**
(24) Date from which industrial property rights may have effect: **05 May 2008**
(54) Product in respect of which the design is registered: **Washing machine**
(51) International Design Classification: **15-05**
(71) Name(s) and Address(s) of Applicant(s):
LG Electronics Inc.
20 Yoido-dong Yongdungpo-gu Seoul Republic of Korea
(72) Name(s) of Designer(s): **Myung Shik Kim and Seung Hyun Song and Ye Ji Um**
(45) Registration Date: **09 September 2008**
(30) Convention priority data:
(31) Number (32) Date (33) Country
30-2007-0047544 15 Nov 2007 REPUBLIC OF KOREA
(56) Related Art Documents: **Not Applicable**
(57) Statement of Newness and Distinctiveness: **Newness and distinctiveness resides in the visual features of shape and/or configuration of a washing machine as illustrated in the accompanying representations.**



- (21) Design Number: **12117/2008**
(22) Date of Filing Application: **05 May 2008**
(24) Date from which industrial property rights may have effect: **05 May 2008**
(54) Product in respect of which the design is registered: **Washing machine**
(51) International Design Classification: **15-05**
(71) Name(s) and Address(s) of Applicant(s):

LG Electronics Inc.
20 Yoido-dong Yongdungpo-gu Seoul Republic of Korea

(72) Name(s) of Designer(s): **Myung Shik Kim and Soon Uk K Won**

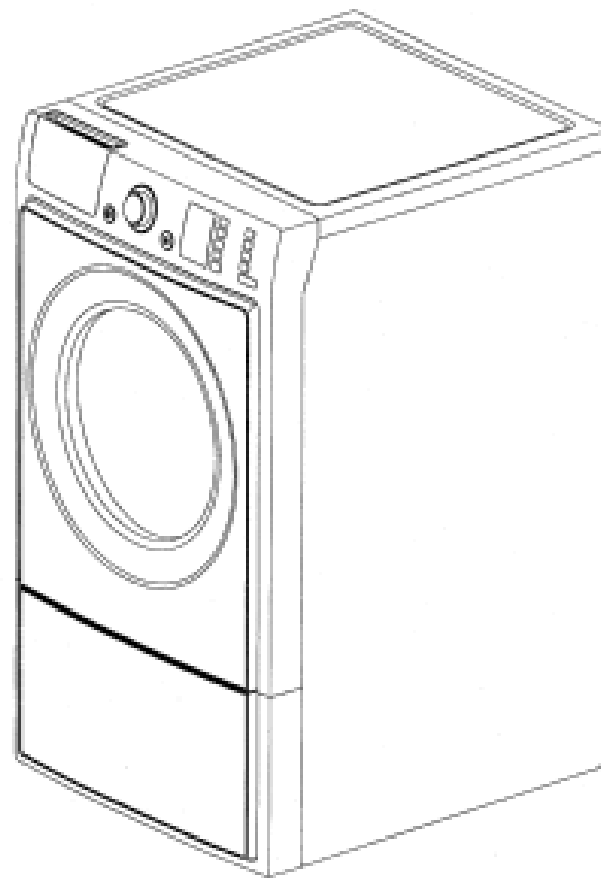
(45) Registration Date: **09 September 2008**

(30) Convention priority data:

(31) Number	(32) Date	(33) Country
30-2007-0047543	15 Nov 2007	REPUBLIC OF KOREA

(56) Related Art Documents: **Not Applicable**

(57) Statement of Newness and Distinctiveness: **Newness and distinctiveness resides in the visual features of shape and/or configuration of a washing machine as illustrated in the accompanying representations.**



- (21) Design Number: **12118/2008**
(22) Date of Filing Application: **05 May 2008**
(24) Date from which industrial property rights may have effect: **05 May 2008**
(54) Product in respect of which the design is registered: **Gemstone**
(51) International Design Classification: **11-01NES**
(71) Name(s) and Address(s) of Applicant(s):

Jacob Siman-Tov Trading as Lili Diamonds
The Diamond Exch Maccabi Bldg 1 Jabotinsky Street Ramat Gan
52520 Israel

Itzhak Siman-Tov Trading as Lili Diamonds
The Diamond Exch Maccabi Bldg 1 Jabotinsky Street Ramat Gan
52520 Israel

Avraham Siman-Tov Trading as Lili Diamonds
The Diamond Exch Maccabi Bldg 1 Jabotinsky Street Ramat Gan
52520 Israel

(72) Name(s) of Designer(s): **Jacob Siman-Tov and Itzhak Siman-Tov and Avraham Siman-Tov**

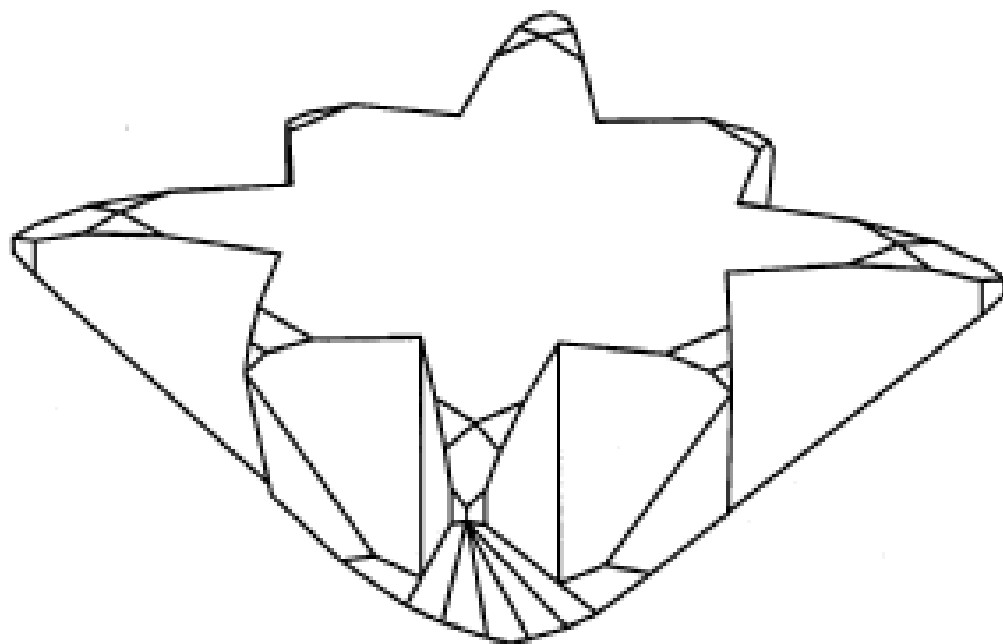
(45) Registration Date: **09 September 2008**

(30) Convention priority data:

(31) Number	(32) Date	(33) Country
45006	08 Nov 2007	ISRAEL

(56) Related Art Documents: **Not Applicable**

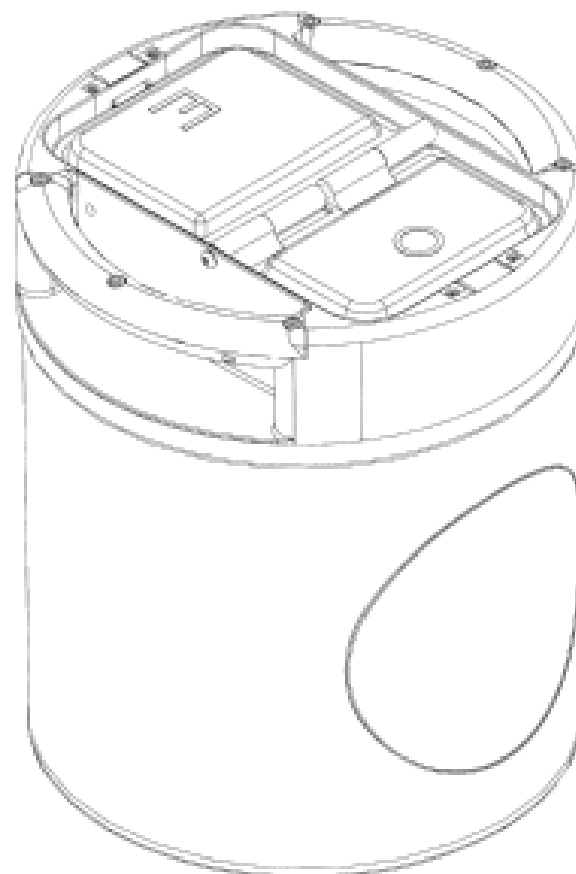
(57) Statement of Newness and Distinctiveness: **Newness and distinctiveness resides in the visual features of shape and/or configuration of a gemstone as illustrated in the accompanying representations.**



- (21) Design Number: **12185/2008**
(22) Date of Filing Application: **05 May 2008**
(24) Date from which industrial property rights may have effect: **05 May 2008**
(54) Product in respect of which the design is registered: **Fishing lure**
(51) International Design Classification: **22-05**
(71) Name(s) and Address(s) of Applicant(s):
Dean Bye
360 Parnall Street Lavington New South Wales 2641 Australia
(72) Name(s) of Designer(s): **Gorden Bye and Dean Bye**
(45) Registration Date: **09 September 2008**
(56) Related Art Documents: **Not Applicable**
(57) Statement of Newness and Distinctiveness: **Nil**



- (21) Design Number: **13673/2008**
(22) Date of Filing Application: **04 August 2008**
(24) Date from which industrial property rights may have effect: **04 August 2008**
(54) Product in respect of which the design is registered: **Safety barrel**
(51) International Design Classification: **22-05**
(71) Name(s) and Address(s) of Applicant(s):
John Szymanski
71 Georgette Road Gracetown Western Australia 6284 Australia
Michelle Szymanski
71 Georgette Road Gracetown Western Australia 6284 Australia
Wayne Baddock
14B Bayview Drive Gracetown Western Australia 6284 Australia
Vivienne Baddock
14B Bayview Drive Gracetown Western Australia 6284 Australia
(72) Name(s) of Designer(s): **John Szymanski and Wayne Baddock**
(45) Registration Date: **09 September 2008**
(56) Related Art Documents: **Not Applicable**
(57) Statement of Newness and Distinctiveness: **Monopoly is claimed in the shape and configuration of a SAFETY BARREL. as illustrated in the accompanying drawings.**



(21) Design Number: **10091/2008**

(22) Date of Filing Application: **09 January 2008**

(24) Date from which industrial property rights may have effect: **09 January 2008**

(54) Product in respect of which the design is registered: **A coil spring**

(51) International Design Classification: **08-08C**

(71) Name(s) and Address(s) of Applicant(s):

L&P Property Management Company
4095 Firestone Boulevard South Gate California 90280 United States
of America

(72) Name(s) of Designer(s): **Guido Eigenmann and Darrell A. Richmond and**
Niels S. Mossbeck

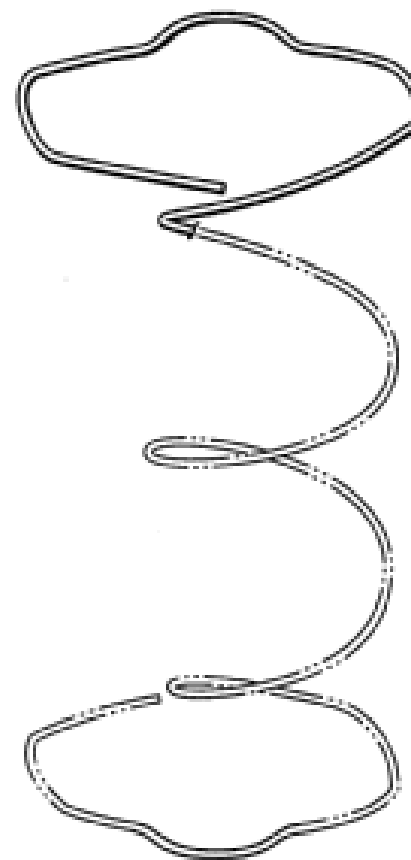
(45) Registration Date: **09 September 2008**

(30) Convention priority data:

(31) Number	(32) Date	(33) Country
29/282036	10 Jul 2007	UNITED STATES OF AMERICA

(56) Related Art Documents: **Not Applicable**

(57) Statement of Newness and Distinctiveness: **Newness and distinctiveness is**
claimed in those features of shape and/or configuration of a coil spring
illustrated in continuous lines in the accompanying representations.



(21) Design Number: **12133/2008**

(22) Date of Filing Application: **06 May 2008**

(24) Date from which industrial property rights may have effect: **06 May 2008**

(54) Product in respect of which the design is registered: **A bottle**

(51) International Design Classification: **09-01K**

(71) Name(s) and Address(s) of Applicant(s):

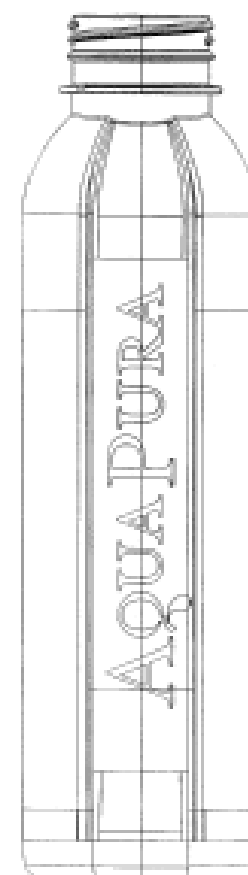
Bickford's Australia Pty Ltd
162 Cross Keys Road Salisbury South South Australia 5106 Australia

(72) Name(s) of Designer(s): **David Melrose**

(45) Registration Date: **09 September 2008**

(56) Related Art Documents: **Not Applicable**

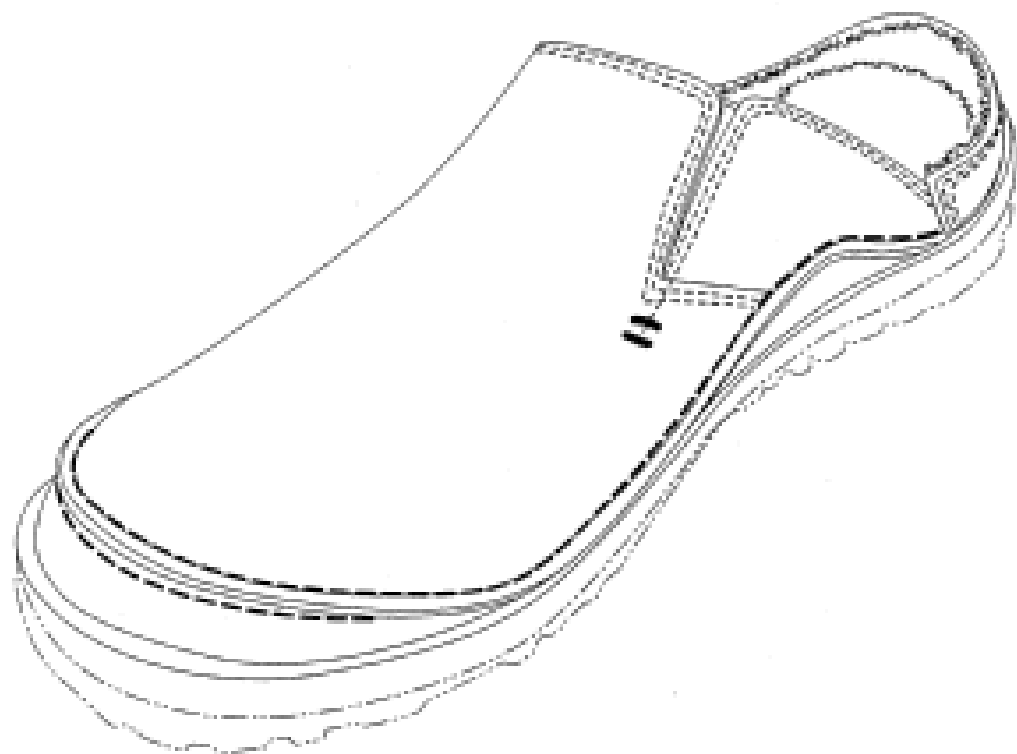
(57) Statement of Newness and Distinctiveness: **Nil**



(21) Design Number: **12134/2008**
 (22) Date of Filing Application: **06 May 2008**
 (24) Date from which industrial property rights may have effect: **06 May 2008**
 (54) Product in respect of which the design is registered: **A footwear upper**
 (51) International Design Classification: **02-04NES**
 (71) Name(s) and Address(s) of Applicant(s):
Wolverine World Wide, Inc.
9341 Courtland Drive NE Rockford Michigan 49351 United States of America
 (72) Name(s) of Designer(s): **Julie St-Louis and Manon Belley**
 (45) Registration Date: **09 September 2008**
 (30) Convention priority data:

(31) Number	(32) Date	(33) Country
29293019	07 Nov 2007	UNITED STATES OF AMERICA

 (56) Related Art Documents: **Not Applicable**
 (57) Statement of Newness and Distinctiveness: **Newness and distinctiveness is claimed in the visual features shown in the representations except for those shown in phantom lines.**



(21) Design Number: **12135/2008**
 (22) Date of Filing Application: **06 May 2008**
 (24) Date from which industrial property rights may have effect: **06 May 2008**
 (54) Product in respect of which the design is registered: **A footwear upper**
 (51) International Design Classification: **02-04NES**
 (71) Name(s) and Address(s) of Applicant(s):
Wolverine World Wide, Inc.
9341 Courtland Drive NE Rockford Michigan 49351 United States of America
 (72) Name(s) of Designer(s): **Julie St-Louis and Manon Belley**
 (45) Registration Date: **09 September 2008**
 (30) Convention priority data:

(31) Number	(32) Date	(33) Country
29293043	07 Nov 2007	UNITED STATES OF AMERICA

 (56) Related Art Documents: **Not Applicable**
 (57) Statement of Newness and Distinctiveness: **Newness and distinctiveness is claimed in the visual features shown in the representations except for those shown in phantom lines.**



(19) AU

(21) Design Number: **12136/2008**

(22) Date of Filing Application: **06 May 2008**

(24) Date from which industrial property rights may have effect: **06 May 2008**

(54) Product in respect of which the design is registered: **A footwear sole**

(51) International Design Classification: **02-04B**

(71) Name(s) and Address(s) of Applicant(s):

Wolverine World Wide, Inc.

9341 Courtland Drive NE Rockford Michigan 49351 United States of America

(72) Name(s) of Designer(s): **Manon Belley and Cristian Ardissono and Grant A. Urie**

(45) Registration Date: **09 September 2008**

(30) Convention priority data:

(31) Number

(32) Date

(33) Country

29293012

07 Nov 2007

UNITED STATES OF AMERICA

(56) Related Art Documents: **Not Applicable**

(57) Statement of Newness and Distinctiveness: **Newness and distinctiveness is claimed in the visual features shown in the representations except for those shown in phantom lines.**

