



Australian Government

IP Australia

AUSTRALIAN OFFICIAL JOURNAL

OF

DESIGNS

Did you know a searchable version of this journal is now available online?
It's FREE and EASY to SEARCH.

Find it at

<http://pericles.ipaustralia.gov.au/ols/epublish/content/olsEpublications.jsp>
or using the "Online Journals" link on the IP Australia home page.

This Page Left Intentionally Blank

Contents

General Information & Notices

**Proceedings Under the Designs Act 1906 preserved as a result of the provisions of Chapter 12
Part 2 of the Designs Act 2003**

Extension of Period of Registration of Designs	2318
Names Registered - Alterations and Amendments	2319
Registrations Ceased	2318
Subsequent Owners Registered	2318

Proceedings Under the Designs Act 2003

Applications Lapsed	2332
Applications Lodged	2323
Certificate of Examination	2336
Corrigenda	2335
Extension of Period of Registration of Design	2334
Extension of Time Granted Under Section 137	2334
Publication and Registration Proceedings	
Designs Registered 320979 to 321243.....	2337
Registrations Ceased	2334
Subsequent Owners Registered	2334

This Page Left Intentionally Blank

For information on the following please see our website www.ipaustralia.gov.au or contact our Customer Service Network on 1300651010

[Editorial enquiries](#)

[Contact information](#)

[Freedom of Information ACT](#)

[Professional Standards Board](#)

[Sales](#)

[Requests for Information under Section 194 \(c\)](#)

[Country Codes](#)

[Trade Mark and Designs Hearing Sessions](#)

[INID \(Internationally agreed Numbers for the Identification of Data\)](#)

“INID” NUMBERS in use on Australian Design Documents

“INID” is an acronym for “Internationally agreed Numbers for the Identification of Data”.

(10) Data concerning the registration/renewal

- (11) Serial number of the registration and/or number of the design document
- (12) Plain language designation of the kind of published document
- (19) Identification, using the two-letter code according to WIPO Standard ST.3, of the authority publishing or registering the industrial design

(20) Data concerning the application

- (21) Serial number of the application
- (22) Date of filing of the application
- (24) Date from which the industrial design right has effect

(30) Data relating to priority under the Paris Convention

- (31) Serial number assigned to the priority application
- (32) Date of filing of the priority application
- (33) Two-letter code, according to WIPO Standard ST.3, identifying the authority with which the priority application was made

(40) Date(s) of making information available to the public

- (45) Date of publication of the registered industrial design by printing or similar process, or making it available to the public by any other means

(50) Miscellaneous Information

- (51) International Classification for Industrial Designs (class and subclass of the Locarno Classification)
- (54) Designation of article(s) or product(s) covered by the industrial design or title of the industrial design
- (55) Reproduction of the industrial design (e.g., drawing, photograph) and explanations relating to the reproduction
- (56) List of prior art documents, if separate from descriptive text
- (57) Description of characteristic features of the industrial design including indication of colours

(60) References to other legally related application(s) and registration(s)

- (62) Serial number(s) and, if available, filing date(s) of application(s), registration(s) or document(s) related by division
- (66) Serial number(s) of the application, or the registration, of the design(s) which is (are) a variant(s) of the present one

(70) Identification of parties concerned with the application or registration

- (71) Name(s) and address(es) of the applicant(s)
- (72) Name(s) of the creator(s) if known to be such
- (74) Name(s) and address(es) of the representative(s)

This Page Left Intentionally Blank

This Page Left Intentionally Blank

Proceedings under the Designs Act 1906 preserved as a result of the provisions of Chapter 12 Part 2 of the Designs Act 2003.

This Page Left Intentionally Blank

Applications Lapsed

There were no Applications Lapsed under this section

Extension of Period of Registration of Designs

2nd Period (Section 27A(12))

149921	149991	150056
150059	150097	150211
150232	150233	150289
150308	150324	150474
150479	150480	150481
150482	150496	150501
150546	150602	150675
150790	150825	150848
150849	150857	150888
150900	150901	150981
151024	151025	151045
151057	151148	151237
151277	151303	151304
151305	151306	151307
151308	151420	151423
151491	151531	151532
151614	151631	151803
151954	152289	152305
152423	152589	152674
152675	153049	153050
153178	153406	153508
153562	153564	153629
154256	154374	154460
154624	154760	154800
154801	155461	155575
155890	156390	156391
156399	156400	156430
157786		

3rd Period (Section 27A(13))

131379	131380	131406
131407	131747	131797
131876	132000	133308
133462	133472	133540
133557	133558	133568
133570	133595	133662
133709	133748	133810
133832	133979	134069
134070	134330	134443
134444	134445	135150
135314	135315	136123
136504	136765	136766
137130	137176	137201
137284	137314	137613
137735	138256	138290
143541	146899	149688
154562		

Registrations Ceased

Note: Some of the following Registrations may have been previously advertised as ceased. In this instance, the previous advertisement still prevails.

116615	116692	116785
116794	116795	116839
116869	117194	117253
117254	117292	117309
117525	117543	117552
117559	117560	117616
117888	117930	118011
118088	119409	119462
119542	119803	119924
120188	120942	121042
129443	129717	129981
130773	131140	131392
131399	131400	131486
131515	131516	131628
131630	131633	131636
131725	131812	131813
131865	131866	131867
131868	131869	132036
132989	132990	132991
133691	135161	135551
135613	135614	147317
147387	147405	147456
147457	147502	147771
148097	148139	148140
148141	148142	148143
148144	148145	148191
148232	148233	148234
148236	148262	148264
148265	148266	148275
148277	148287	148288
148289	148291	148292
148334	148443	148629
148682	148687	148879
148899	148900	149100
149297	149436	149481
149520	149672	149841
150178	150839	150895
152057	152058	152059
152093	152094	152095
152096	152097	152098
152099	152216	152527
152528	152780	152980
153168	153169	153404
153524	157250	

Subsequent Owners Registered

(The name in parentheses is that of the subsequent owner)

150190	(Assa Abloy Australia Pty Limited) Abloy Security Pty Limited
150191	(Assa Abloy Australia Pty Limited) Abloy Security Pty Ltd
150192	(Assa Abloy Australia Pty Limited) Abloy Security Pty Ltd
151723	(Assa Abloy Australia Pty Limited) Abloy Security Pty Ltd
151866	(Assa Abloy Australia Pty Limited) Abloy Security Pty Ltd

Subsequent Owners Registered

- 151867 (**Assa Abloy Australia Pty Limited**) Abloy Security Pty Ltd
- 151868 (**Assa Abloy Australia Pty Limited**) Abloy Security Pty Ltd
- 152530 (**Assa Abloy Australia Pty Limited**) Abloy Security Pty Ltd
- 136437 (**Fielders Australia Pty Ltd**) Woodroffe Industries Pty Limited
- 136438 (**Fielders Australia Pty Ltd**) Woodroffe Industries Pty Limited
- 137346 (**Fielders Australia Pty Ltd**) Woodroffe Industries Pty Limited
- 141006 (**Fielders Australia Pty Ltd**) Woodroffe Industries Pty Limited
- 142385 (**Fielders Australia Pty Ltd**) Woodroffe Industries Pty Limited
- 145075 (**Fielders Australia Pty Ltd**) Woodroffe Industries Pty Limited
- 145074 (**Fielders Australia Pty Ltd**) Woodroffe Industries Pty Limited
- 143664 (**Fielders Australia Pty Ltd**) Woodroffe Industries Pty Limited
- 136436 (**Fielders Australia Pty Ltd**) Woodroffe Industries Pty Limited
- 137345 (**Fielders Australia Pty Ltd**) Woodroffe Industries Pty Limited
- 143297 (**Fielders Australia Pty Ltd**) Fielders Steel Roofing Pty Ltd
- 131711 (**Gryffin EPSS Pty Ltd**) Gryffin Pty Ltd
- 135717 (**Fielders Australia Pty Ltd**) Fielders Steel Roofing Pty Ltd

Names Registered - Alterations and Amendments

(The name in parentheses is the new name of the proprietor)

- 138622 (**Leigh Anthony Byrnes**) Leigh McLaughlin

This Page Left Intentionally Blank

Proceedings under the Designs Act 2003.

This Page Left Intentionally Blank

Applications Lodged

Lodgement information is in the following order: **Applicant's Name**; International Classification, Name of Product, Lodgement Date and **Design Number**. If the applicant claims an earlier priority date under an International Convention, the Convention Country and the associated filing date are shown in parentheses before the Lodgement Date. Divisional information will also appear in parentheses before the Lodgement Date.

icon2 Commercial Products Pty Ltd; 25-01D, Off wire mesh panel assembly set, 15 Aug 2008	13986/2008	AHWI Maschinenbau GmbH; 08-03, Cutting tool, (EM, 07 Mar 2008) 04 Sep 2008	14262/2008
icon2 Commercial Products Pty Ltd; 25-01D, Flat wire mesh panel assembly, 15 Aug 2008	13987/2008	AHWI Maschinenbau GmbH; 08-03, Cutting tool, (EM, 07 Mar 2008) 04 Sep 2008	14263/2008
Advanced Steel Products Limited; 08-99, Security device, 11 Sep 2008	14350/2008	AHWI Maschinenbau GmbH; 08-03, Cutting tool, (EM, 07 Mar 2008) 04 Sep 2008	14264/2008
Ager, Gavin; 12-10, 12-16L, A trailer axle for portable trailers .ie. dinghy, motorbike etc; where - by the main drawbar is able to be detached from, axle., 19 Aug 2008	14061/2008	AJ & JP Smith Limited, Trading as HYDRALADA COMPANY; 12-05, Cherry picker, (NZ, 21 Jul 2008) 19 Aug 2008	13998/2008
Aktiebolaget Electrolux; 15-05, Vacuum cleaner, (EM, 20 May 2008) 15 Sep 2008	14400/2008	ASSA ABLOY Australia Pty Limited; 08-07, Key blank, 28 Aug 2008	14159/2008
Aktiebolaget Electrolux; 08-06, A handle, 25 Oct 2007	14385/2008	Bacoz Pty Ltd; 08-06, A hinge barrel, 18 Aug 2008	13983/2008
Aktiebolaget Electrolux; 15-05, Vacuum cleaner, (EM, 20 May 2008) 15 Sep 2008	14401/2008	Bambis Import Co Pty Ltd; 07-02L, Coffee plunger, 27 Aug 2008	14177/2008
Allspark PC Components Pty Ltd; 14-02, Computer case, 17 Sep 2008	14466/2008	Bambis Import Co Pty Ltd; 07-02K, Tea infuser, 27 Aug 2008	14178/2008
Alma Manufacturing Co., Ltd; 06-03A, Table, (CN, 20 Feb 2008) 20 Aug 2008	14063/2008	Bambis Import Co Pty Ltd; 07-02L, Coffee plunger, 27 Aug 2008	14179/2008
Amrom Technologies Pty Ltd; 21-01C, Toy motorbike, 25 Aug 2008	14124/2008	Bambis Import Co. Pty Ltd; 07-02L, Coffee plunger, 27 Aug 2008	14175/2008
Aquasol Products Pty Ltd; 23-01G, Groundwater filtration system - silt filta, 25 Aug 2008	14089/2008	Bambis Import Co. Pty Ltd; 07-02K, Tea infuser, 27 Aug 2008	14176/2008
Ardent Outdoors Inc.; 22-05, Bait cast fishing reel, (US, 07 Mar 2008) 08 Sep 2008	14328/2008	Beachfoot International Pty Ltd; 06-13C, Beach towel, 28 Aug 2008	14161/2008
Armstrong, Ernest James; Nevell, John Vincent; 25-01B, , 27 Aug 2008	14131/2008	Beachfoot International Pty Ltd; 06-13C, Beach towel, 28 Aug 2008	14160/2008
Arndt, Guenter; 21-02NES, Table tennis table top section, 08 Sep 2008	14341/2008	Behringer, Jody Maree; Overland, Joanne Margaret; 09-05, Shoulder bag, 22 Aug 2008	14098/2008
Assa Abloy Australia Pty Limited; 08-06, Sliding door furniture, 21 Aug 2008	14078/2008	Behringer, Jody Maree; Overland, Joanne Margaret; 03-01B, Pouch bag, 22 Aug 2008	14099/2008
Assa Abloy Australia Pty Limited; 08-06, Sliding door furniture, 21 Aug 2008	14079/2008	Bellnet Pty Ltd; 12-16NES, Automotive induction, 05 Sep 2008	14266/2008
Astral Property Pty Limited; 25-01A, Paver, 09 Sep 2008	14409/2008	Bellnet Pty Ltd; 12-16NES, Automotive induction, 05 Sep 2008	14288/2008
Atsumi Electric Co., Ltd.; 10-05, Infrared sensor, (JP, 27 Feb 2008) 21 Aug 2008	14084/2008	Bellnet Pty Ltd; 12-16NES, Automotive induction, 05 Sep 2008	14289/2008
AHWI Maschinenbau GmbH; 08-03, Cutting tool, (EM, 07 Mar 2008) 04 Sep 2008	14261/2008	Bickerton, Rodney John; 12-06A, Speed boat, 21 Aug 2008	14049/2008
		Bitek Pty Ltd; 13-03D, Media style bullnose wall plate, 05 Sep 2008	14286/2008
		Bitek Pty Ltd; 13-03D, Straight through hdmi wall plate insert, 12 Sep 2008	14388/2008

Bitek Pty Ltd; 13-03D, Right angled hdmi wall plate insert, 12 Sep 2008	14389/2008	Carter Holt Harvey Packaging Pty Limited; 09-03NES, A box, 17 Sep 2008	14471/2008
Black & Decker Inc; 15-05, Cleaning head attachment for a vacuum cleaner, (EM, 14 Mar 2008) 29 Aug 2008	14210/2008	Caruana, Laurie; 12-16L, Front recovery cross member assembly, 19 Aug 2008	13997/2008
Black & Decker Inc; 08-01, Cordless drill, (US, 14 Feb 2008) 13 Aug 2008	13859/2008	Challenge Implements Holdings Pty Limited; 12-16C, A cover, (Divisional of 19995/2007) 19 Aug 2008	14042/2008
Black & Decker, Inc.; 08-05N, Sander, (EM, 26 Feb 2008) 25 Aug 2008	14123/2008	Challenge Implements Holdings Pty Limited; 15-04, Boom arm, (Divisional of 19995/2007) 19 Aug 2008	14043/2008
Blueant Wireless Pty Ltd; 14-03A, A headset, 27 Aug 2008	14151/2008	Chang, Dinh Quan; 25-02H, Stainless steel screening fixing strip, 14 Aug 2008	13931/2008
Bomi Furniture Pty Ltd; 06-03NES, Bedside table, 18 Aug 2008	14031/2008	Chang, Powei; 26-06, Vehicle's tail light, 27 Aug 2008	14145/2008
Bresnahan, Roy S.; 25-02C, Tree guard, 16 Sep 2008	14417/2008	Chang, Powei; 26-06, Vehicle's tail light, 27 Aug 2008	14146/2008
Bridgestone Corporation; 12-15A, Motorcycle tyre, 28 Aug 2008	14171/2008	Chef Works Branding Limited; 09-03B, Container for dispensing garments, (US, 04 Mar 2008) 29 Aug 2008	14213/2008
Bridgestone Corporation; 12-15A, Motorcycle tyre, 28 Aug 2008	14172/2008	Clark Jr., Leonard R.; Greene Jr., H. Peter; 21-01C, Toy car base, (US, 12 Mar 2008) 27 Aug 2008	14143/2008
Bronze Lion Co., Ltd.; 04-02, A make-up brush, (US, 12 Mar 2008) 09 Sep 2008	14343/2008	Clevertronics Pty Ltd; 26-05A, Light fitting, 16 Sep 2008	14426/2008
BVCI Pty Ltd; 25-02NES, Access cover, 18 Aug 2008	14029/2008	Clevertronics Pty Ltd; 26-05A, Light fitting, 16 Sep 2008	14427/2008
Callaway Golf Company; 21-02C, Putter head, (US, 25 Mar 2008) 16 Sep 2008	14432/2008	Coleman, Peter Charles; 08-05F, 08-08D, Clamping support for panel or sheet material either flat or curved and materials that would be considered to be used as, a handrail, 09 Sep 2008	14325/2008
Capitol Clothing Pty Ltd; 02-02C, Pants, trousers, 26 Aug 2008	14118/2008	Coleman, Peter Charles; 08-05F, 08-06, 08-08D, Hinged clamping support for panel or sheet material either flat or curved, 09 Sep 2008	14326/2008
Capitol Clothing Pty Ltd; 02-02NES, Jacket, 26 Aug 2008	14119/2008	Coleman, Peter Charles; 08-05F, 08-08D, Clamping support for panel or sheet material either flat or curved, 09 Sep 2008	14322/2008
Capitol Clothing Pty Ltd; 02-02C, Skirt, 26 Aug 2008	14117/2008	Coleman, Peter Charles; 08-05F, 08-08D, Clamping support for panel or sheet material either flat or curved, 09 Sep 2008	14323/2008
Caroma Industries Limited; 23-02F, A sink, 19 Aug 2008	14033/2008	Coleman, Peter Charles; 08-05F, 08-08D, Clamping insert for panel or sheet material either flat or curved, 09 Sep 2008	14324/2008
Caroma Industries Limited; 23-02F, A sink, 19 Aug 2008	14034/2008	Colonial Castings Pty Ltd; 25-01D, A panel, 12 Sep 2008	14393/2008
Caroma Industries Limited; 23-02F, A sink, 19 Aug 2008	14035/2008	Colonial Castings Pty. Ltd.; 25-01D, A panel, 12 Sep 2008	14392/2008
Caroma Industries Limited; 23-02F, A sink, 19 Aug 2008	14032/2008	Combisafe International AB; 29-02, Basket for a device for fall protection, 27 Aug 2008	14148/2008
Carter Holt Harvey Packaging Pty Limited; 09-03NES, A box, 17 Sep 2008	14476/2008	Con-Serv Corporation Australia Pty Ltd; 06-06H, A foldable shower seat, 11 Sep 2008	14383/2008
Carter Holt Harvey Packaging Pty Limited; 09-03NES, A box, 17 Sep 2008	14472/2008		
Carter Holt Harvey Packaging Pty Limited; 09-03NES, A box, 17 Sep 2008	14473/2008		
Carter Holt Harvey Packaging Pty Limited; 09-03NES, A box, 17 Sep 2008	14474/2008		
Carter Holt Harvey Packaging Pty Limited; 09-03NES, A box, 17 Sep 2008	14475/2008		
Carter Holt Harvey Packaging Pty Limited; 09-03NES, A box, 17 Sep 2008	14470/2008		

Continental Aktiengesellschaft; 12-15B, Tyre, (EM, 16 Jul 2008) 17 Sep 2008	14456/2008	Dent, Keryn; 03-01B, Custom made baby change wallet, 21 Aug 2008	14057/2008
Continental Conveyor & Equipment Pty Ltd; 12-05, Support frame for a conveyor system, 21 Aug 2008	14030/2008	Dias Aluminium Products Pty Ltd; Dias Aluminium Products Pty. Ltd.; 25-01K, Wall channel, 20 Aug 2008	14059/2008
Cooper Brands, Inc.; 08-05NES, Adjustable wrecking bar, (US, 19 May 2008) 28 Aug 2008	14170/2008	Dias Aluminium Products Pty. Ltd.; Dias Aluminium Products Pty Ltd; 25-01K, Wall channel, 20 Aug 2008	14059/2008
Corbet, Philip Neil; 15-01, Inlet manifold, 14 Aug 2008	13927/2008	Dias Aluminium Products Pty. Ltd.; 25-01K, Wall channel with clip-on cover, 20 Aug 2008	14023/2008
Costarid Pty Ltd; 25-02E, A moulded internal cornice, 15 Aug 2008	13981/2008	Dias Aluminium Products Pty. Ltd.; 25-01K, Clip-on cover for wall channel, 20 Aug 2008	14024/2008
Costarid Pty Ltd; 25-02E, A moulded external cornice, 15 Aug 2008	13982/2008	Durance, David; 06-02, Bed frame, 15 Aug 2008	13984/2008
Crack Control Systems Pty Ltd; 08-05NES, A sheath, 13 Aug 2008	13871/2008	Eaton Corporation; 21-02C, Golf grip, (US, 26 Mar 2008) 16 Sep 2008	14434/2008
CIMC Rolling Stock Australia Pty Ltd; 12-05, A demountable kibble frame, 22 Aug 2008	14096/2008	Eaton Corporation; 21-02C, Golf grip, (US, 26 Mar 2008) 17 Sep 2008	14465/2008
CQMS Pty Ltd; 08-08B, A dragline rigging retainer bolt, 15 Aug 2008	13990/2008	EcoSmart TM Fire; 23-03E, Freestanding open fireplace, 20 Aug 2008	14009/2008
CQMS Pty Ltd; 08-08B, A dragline rigging retainer bolt, 15 Aug 2008	13991/2008	EcoSmart TM Fire; 23-03E, Zero clearance firebox insert for an open fireplace, 20 Aug 2008	14010/2008
CQMS Pty Ltd; 08-08B, A dragline rigging retainer bolt, 15 Aug 2008	13992/2008	EcoSmart TM Fire; 23-03E, Zero clearance firebox insert for an open fireplace, 20 Aug 2008	14011/2008
CSAV, Inc.; 06-04NES, Equipment cabinet, (US, 21 Feb 2008) 20 Aug 2008	14075/2008	EcoSmart TM Fire; 23-03E, Zero clearance firebox insert for an open fireplace, 20 Aug 2008	14012/2008
CSAV, Inc.; 06-04NES, Equipment cabinet, (US, 21 Feb 2008) 20 Aug 2008	14076/2008	EcoSmart TM Fire; 23-03D, Zero clearance firebox insert for an open fireplace, 20 Aug 2008	14013/2008
D.S. Numbers Pty Ltd; 20-03C, An illuminated number indicator, 15 Aug 2008	13971/2008	EcoSmart TM Fire; 23-03D, Firescreen for an open fireplace, 20 Aug 2008	14014/2008
D:Net Media Pty Ltd; 14-02, Portable memory device, 10 Sep 2008	14384/2008	EcoSmart TM Fire; 23-03F, , 20 Aug 2008	14015/2008
Dalton, Ruth; 09-99, Sweetiewraps: A cupcake wrap designed for the decoration of cupcakes, 22 Aug 2008	14101/2008	EcoSmart TM Fire; 23-03F, Burner for fireplace, 20 Aug 2008	14016/2008
Dart Industries Inc.; 09-03L, Container, (US, 21 Mar 2008) 29 Aug 2008	14200/2008	EcoSmart TM Fire; 23-03F, Burner for fireplace, 20 Aug 2008	14017/2008
Davies, Katy; 06-02, Portable baby bassinette, 15 Sep 2008	14399/2008	EcoSmart TM Fire; 23-03E, Freestanding open fireplace, 20 Aug 2008	14018/2008
Dekech Pty Ltd; 26-06, LED lamp, 26 Aug 2008	14115/2008	EcoSmart TM Fire; 23-03E, Freestanding fireplace, 20 Aug 2008	14019/2008
Dematic Pty Ltd; 25-01K, Rail, 25 Aug 2008	14128/2008	EcoSmart TM Fire; 23-03E, Freestanding fireplace, 20 Aug 2008	14020/2008
Dematic Pty Ltd; 25-01C, Beam, 25 Aug 2008	14129/2008	Ensitech Pty Ltd; 15-05, Electro-chemical stainless steel weld cleaning apparatus, 19 Aug 2008	14004/2008

Ensitech Pty Ltd; 15-05, Electro-chemical stainless steel weld cleaning apparatus, 19 Aug 2008	14005/2008	Fiona Holdings Pty Ltd; 02-02C, 02-02NES, , 14 Feb 2008	13960/2008
Ensitech Pty Ltd; 15-05, Electro-chemical stainless steel weld cleaning apparatus, 19 Aug 2008	14006/2008	Fiona Holdings Pty Ltd; 02-02C, 02-02NES, , 14 Feb 2008	13961/2008
Environ Air Pty Ltd; 23-04, Air purifier, 28 Aug 2008	14141/2008	Fiona Holdings Pty Ltd; 02-02C, 02-02NES, , 14 Feb 2008	13932/2008
Equmen Pty Ltd; 02-02NES, A singlet, 15 Sep 2008	14403/2008	Fiona Holdings Pty Ltd; 02-02C, Clothing trading, 25 Aug 2008	14130/2008
Equmen Pty Ltd; 02-02NES, Long sleeve t-shirt, 15 Sep 2008	14404/2008	Fiona Holdings Pty Ltd; 02-02C, 02-02NES, , 14 Feb 2008	13933/2008
Equmen Pty Ltd; 02-02NES, Short sleeve t-shirt, 15 Sep 2008	14405/2008	Fiona Holdings Pty Ltd; 02-02C, 02-02NES, , 14 Feb 2008	13934/2008
Eye Corp Pty Limited; 20-02C, Advertising display structure, 12 Sep 2008	14395/2008	Fiona Holdings Pty Ltd; 02-02C, 02-02NES, , 14 Feb 2008	13935/2008
ELC Management LLC; 04-02, Brush head, (US, 18 Jul 2008) 15 Aug 2008	13964/2008	Fiona Holdings Pty Ltd; 02-02C, 02-02NES, , 14 Feb 2008	13936/2008
Fingo Products Pty Ltd; 08-05L, Paint roller bucket used for holding a variety of types of paint that are to be applied to a surface by a traditional, paint roller which would typically be mounted to a handle, 19 Aug 2008	14048/2008	Fiona Holdings Pty Ltd; 02-02C, 02-02NES, , 14 Feb 2008	13937/2008
Fiona Holdings Pty Ltd; 02-02C, 02-02NES, , 14 Feb 2008	13945/2008	Fiona Holdings Pty Ltd; 02-02C, 02-02NES, , 14 Feb 2008	13938/2008
Fiona Holdings Pty Ltd; 02-02C, 02-02NES, , 14 Feb 2008	13946/2008	Fiona Holdings Pty Ltd; 02-02C, 02-02NES, , 14 Feb 2008	13939/2008
Fiona Holdings Pty Ltd; 02-02C, 02-02NES, , 14 Feb 2008	13947/2008	Fiona Holdings Pty Ltd; 02-02C, 02-02NES, , 14 Feb 2008	13940/2008
Fiona Holdings Pty Ltd; 02-02C, 02-02NES, , 14 Feb 2008	13948/2008	Fiona Holdings Pty Ltd; 02-02C, 02-02NES, , 14 Feb 2008	13941/2008
Fiona Holdings Pty Ltd; 02-02C, 02-02NES, , 14 Feb 2008	13949/2008	Fox, Justin James; 21-01C, Pedal car body, 15 Sep 2008	13942/2008
Fiona Holdings Pty Ltd; 02-02C, 02-02NES, , 14 Feb 2008	13950/2008	Frauscher Holding GmbH; 10-07, Housing for measuring-, control- or signal instruments, (EM, 11 Mar 2008) 26 Aug 2008	13943/2008
Fiona Holdings Pty Ltd; 02-02C, 02-02NES, , 14 Feb 2008	13951/2008	Freudenberg KG, Carl; 07-99C, Casing for a toilet brush, (EM, 11 Mar 2008) 19 Aug 2008	13944/2008
Fiona Holdings Pty Ltd; 02-02C, 02-02NES, , 14 Feb 2008	13952/2008	Gabrielle Studio, Inc; 09-01G, Bottle, (US, 29 May 2008) 15 Aug 2008	14406/2008
Fiona Holdings Pty Ltd; 02-02C, 02-02NES, , 14 Feb 2008	13953/2008	Gabrielle Studio, Inc; 09-01G, Bottle, (US, 29 May 2008) 15 Aug 2008	14136/2008
Fiona Holdings Pty Ltd; 02-02C, 02-02NES, , 14 Feb 2008	13954/2008	Gabrielle Studio, Inc; 09-01G, Bottle, (US, 29 May 2008) 15 Aug 2008	14202/2008
Fiona Holdings Pty Ltd; 02-02C, 02-02NES, , 14 Feb 2008	13955/2008	Gabrielle Studio, Inc; 09-01G, Bottle, (US, 29 May 2008) 15 Aug 2008	14203/2008
Fiona Holdings Pty Ltd; 02-02C, 02-02NES, , 14 Feb 2008	13956/2008	Galambos, Zoltan; Galambos, Gemma Marie; 30-08, Animal identification tags, 16 Sep 2008	13963/2008
Fiona Holdings Pty Ltd; 02-02C, 02-02NES, , 14 Feb 2008	13957/2008	Galambos, Gemma Marie; Galambos, Zoltan; 30-08, Animal identification tags, 16 Sep 2008	14428/2008
Fiona Holdings Pty Ltd; 02-02C, 02-02NES, , 14 Feb 2008	13958/2008		
Fiona Holdings Pty Ltd; 02-02C, 02-02NES, , 14 Feb 2008	13959/2008		

General Mills Marketing, Inc.; 25-02B, , (US, 21 Mar 2008) 09 Sep 2008	14346/2008	Hickman, Scott; 09-03NES, , 03 Sep 2008	14260/2008
Gibson, John; 08-05L, Paint roller holder, 21 Aug 2008	14077/2008	Hills Industries Limited; 07-05D, Portable clothesline, 22 Aug 2008	14092/2008
Glaxo Group Limited; 24-01, Mouthpiece, 15 Aug 2008	13962/2008	Hochiki Corporation; 10-05, Fire detector, (JP, 27 May 2008) 27 Aug 2008	14147/2008
GlaxoSmithKline Consumer Healthcare GmbH & Co. KG; 04-02, Toothbrush bristle assembly, (GB, 29 Feb 2008) 27 Aug 2008	14144/2008	Honda Motor Co., Ltd.; 12-16E, A front combination lamp case for a motor scooter, (JP, 17 Mar 2008) 17 Sep 2008	14443/2008
Global Icons Pty Ltd; 11-02NES, Souvenir, collectible, 18 Aug 2008	14003/2008	Honda Motor Co., Ltd.; 12-16E, A rear combination lamp case for a motor scooter, (JP, 17 Mar 2008) 17 Sep 2008	14451/2008
Gore, Bruce Henry; 20-03NES, This design is primarily for the health and confectionary market to portray a natural life, endowed with spirit and, happiness, made from fruit, nuts, muesli and chocolate., 14 Aug 2008	13993/2008	Honda Motor Co., Ltd.; 12-11, A motor scooter, (JP, 17 Mar 2008) 17 Sep 2008	14449/2008
Graco Minnesota Inc.; 15-99, Texture applicator, (US, 22 Apr 2008) 20 Aug 2008	14058/2008	Humidiflyer Technologies Pty Ltd; 24-01, Facial mask holder, 29 Aug 2008	14201/2008
Great Harmony Trading Company Pty Ltd; 05-05A, Fabric, 20 Aug 2008	14025/2008	ITW New Zealand Limited; 08-08NES, Brace anchor, 16 Sep 2008	14429/2008
Greene Jr., H. Peter; Clark Jr., Leonard R.; 21-01C, Toy car base, (US, 12 Mar 2008) 27 Aug 2008	14143/2008	Kabushiki Kaisha Toshiba, also trading as Toshiba Corporation; 14-03B, A television receiver, (JP, 16 Jul 2008) 15 Sep 2008	14402/2008
Grigori, Georgeta; 31-00, Cake cutter, 17 Sep 2008	14467/2008	Kabushiki Kaisha Toshiba, also trading as Toshiba Corporation; Toshiba Home Appliances Corporation; 15-05, Vacuum cleaner, (JP, 08 Jul 2008) 12 Sep 2008	14394/2008
GE Healthcare Bio-Sciences AB; 24-01, An end cap for a chromatography column assembly, (SE, 28 Feb 2008) 12 Aug 2008	13853/2008	Ken Josh & Associates; 07-02D, Tetrahedron shaped solar oven, 12 Sep 2008	14396/2008
GE Healthcare Bio-Sciences AB; 24-01, A chromatography column assembly, (SE, 28 Feb 2008) 12 Aug 2008	13854/2008	Kohler Co.; 23-01H, A faucet, (US, 14 Mar 2008) 11 Sep 2008	14381/2008
GGP Italy S.p.A.; 15-03B, Lawn mower tractor, (EM, 18 Mar 2008) 16 Sep 2008	14431/2008	Kohler Co.; 23-01H, A faucet, (US, 14 Mar 2008) 12 Sep 2008	14382/2008
GM Global Technology Operations, Inc.; 12-16B, Vehicle fascia, 03 Sep 2008	14259/2008	Koninklijke Philips Electronics N.V.; 07-02F, 2 slice toaster, (EM, 31 Mar 2008) 12 Sep 2008	14390/2008
Hager B & R Pty Ltd; 13-03D, Electrical wiring accessory, 29 Aug 2008	14212/2008	Koninklijke Philips Electronics N.V.; 07-02F, 4 slice toaster, (EM, 31 Mar 2008) 12 Sep 2008	14391/2008
Hampton, Christine Barbara; 21-04, The original seatepee - sun shelter/sun shade/beach shade/ beach tent/beach shelter, 21 Aug 2008	14054/2008	Koninklijke Philips Electronics N.V.; 26-05C, Luminaire, 22 Aug 2008	14091/2008
Hampton, Christine Barbara; 21-04, The original seatepee - sun shelter/sun shade/beach shade/ beach tent/beach shelter, 21 Aug 2008	14053/2008	Lewis, Vikki; 24-99, 11-01C, Silicone medical alert bracelet. alerts others/medical personal of the wearers medical condition, 29 Aug 2008	14156/2008
Hampton, Christine Barbara; 21-04, The original seatepee - sun shelter/sun shade/beach shade/ beach tent/beach shelter, 21 Aug 2008	14055/2008	Linda Dugan Pty Ltd; 02-02NES, Article of clothing, 13 Aug 2008	13860/2008
Herrmans Oy Ab; 26-03, Worklight, 16 Sep 2008	14439/2008	Linda Dugan Pty Ltd; 02-02NES, Article of clothing, 13 Aug 2008	13861/2008
Herrmans Oy Ab; 26-03, Worklight, 16 Sep 2008	14440/2008	Linda Dugan Pty Ltd; 02-02C, 02-01B, Article of clothing, 13 Aug 2008	13862/2008

Linke, Gregory; 06-04NES, 08-08L, Storage, 22 Aug 2008	14102/2008	Meher Trailer Products Pty Ltd; 12-16M, Hydraulic caliper, 20 Aug 2008	14022/2008
Linke, Gregory; 06-04NES, 08-08L, Storage, 22 Aug 2008	14103/2008	Melbourne, Keith; 26-05B, Twilight lighting series based on the design and manufactured in a range of sizes., 19 Aug 2008	13996/2008
Linke, Gregory; 06-04NES, 08-08L, Storage, 22 Aug 2008	14104/2008	Melro Distributors Pty Ltd; 02-02C, Ladies clothing, 18 Aug 2008	14026/2008
Linke, Gregory; 06-04NES, 08-08L, Storage, 22 Aug 2008	14105/2008	Melro Distributors Pty Ltd; 02-02C, Ladies clothing, 26 Aug 2008	14138/2008
Lisus Technology Pte Ltd; 08-08NES, One leg glass panel connector, 17 Sep 2008	14454/2008	Mennes, Melania; 02-04A, 24-03, A foot prosthesis to enhance the appearance of a dancer's foot, 17 Sep 2008	14450/2008
Lisus Technology Pte Ltd; 08-09, Roller mechanism with u channel for top hung sliding glass door, 17 Sep 2008	14455/2008	Michelle New and Sharon Saul of Captain Bandanna + Co; 02-02B, Captain bandanna + co childrens entertainment character for stage shows + promotional material., 20 Aug 2008	14021/2008
Lucidity Enterprise Co., Ltd; 26-06, Combination rear light, 21 Aug 2008	14050/2008	Mihalic, Marijan Stephen; 26-05NES, High intensity light flash box used to expose suitable silk screen mesh or film, 11 Sep 2008	14421/2008
Lucidity Enterprise Co., Ltd; 26-06, Sidemarker lamp, 21 Aug 2008	14051/2008	Mikoh Corporation; 10-05, An insert for a security device, 22 Aug 2008	14113/2008
LG Electronics Inc.; 15-05, Washing machine, (KR, 25 Feb 2008) 18 Aug 2008	14028/2008	Mikoh Corporation; 10-05, A holder set for a security insert, 22 Aug 2008	14114/2008
LG Electronics Inc.; 15-05, Washing machine, (KR, 20 Mar 2008) 16 Sep 2008	14435/2008	Molten Corporation; 21-02A, A ball for sports, (JP, 18 Jul 2008) 17 Sep 2008	14464/2008
LG Electronics Inc.; 15-05, Washing machine, (KR, 20 Mar 2008) 16 Sep 2008	14436/2008	Monax Mining Limited; 25-03, Core cutting container, 25 Aug 2008	14090/2008
LG Electronics Inc.; 15-05, Washing machine, (KR, 20 Mar 2008) 16 Sep 2008	14437/2008	Montano, Amanda; 99-00, A plastic mould, pyramid shape to be installed below the mail box in the property to hold the number of the house, 15 Sep 2008	14386/2008
LG Electronics Inc.; 15-05, Washing machine, (KR, 20 Mar 2008) 16 Sep 2008	14438/2008	Mummashaboo; 03-99, Baby sling, 08 Sep 2008	14327/2008
LG Electronics Inc.; 15-05, Washing machine, (KR, 25 Feb 2008) 18 Aug 2008	14027/2008	Murphy, Phillip Joseph; 19-08, Zone tag, 15 Sep 2008	14419/2008
LG Electronics Inc.; 15-05, Washing machine, (KR, 27 Feb 2008) 20 Aug 2008	14062/2008	Murphy, Phillip Joseph; 25-02A, Zone column, 15 Sep 2008	14420/2008
LG Electronics Inc.; 15-05, Washing machine, (KR, 25 Feb 2008) 14 Aug 2008	13978/2008	Neil McIntyre Metal Fabrications Pty Ltd; 25-01K, Aluminium glazing extrusion, 21 Aug 2008	14052/2008
Mackay, Ian Alexander; 23-02E, Drain fitting, 27 Aug 2008	14137/2008	Nevell, John Vincent; Armstrong, Ernest James; 25-01B, , 27 Aug 2008	14131/2008
Makita Corporation; 08-03, Table cutting device, (JP, 10 Mar 2008) 09 Sep 2008	14347/2008	Nexus Developments Limited; 11-05, 20-03NES, Flag display, 15 Sep 2008	14408/2008
Maroon Group Constructions Pty Ltd; 25-01D, A building panel, 08 Sep 2008	14312/2008	Nexus Developments Limited; 11-05, 25-01K, Flagpole extrusion, 01 Sep 2008	14211/2008
Matsushita Electric Industrial Co., Ltd.; 09-99, Mount for packaging of battery, (JP, 18 Jun 2008) 17 Sep 2008	14452/2008	Nine Dragons Exports (Hong Kong) Limited; 20-01, Automatic vending machine, 18 Aug 2008	13999/2008
McNeil-PPC, Inc.; 09-05, Package, (US, 21 Feb 2008) 20 Aug 2008	14073/2008		
Meher Trailer Products Pty Ltd; 12-10, 12-16L, Jockey wheel swing up mounting bracket, 20 Aug 2008	14060/2008		

Nintendo Co., Ltd.; 06-06C, Height-adjustable foot, (JP, 18 Feb 2008) 18 Aug 2008	14002/2008	PFS Fencing Pty Ltd; 25-02C, Fencing, gates, arch, 25 Aug 2008	14097/2008
Oce-Technologies B.V.; 09-05, Packaging for paper rolls, (EM, 28 Feb 2008) 28 Aug 2008	14158/2008	Rado Uhren AG (Rado Watch Co Ltd) (Montres Rado SA); 10-02, Wristwatch, (WO, 27 Mar 2008) 15 Aug 2008	13988/2008
Ohara, Nariko; Takamatsu, Kuniaki; 11-01C, Bracelet, 15 Aug 2008	13965/2008	Republic Tobacco L.P.; 27-99, Machine housing, (US, 26 Mar 2008) 19 Aug 2008	14044/2008
Onesteel Wire Pty Limited; 25-01E, Fence post cap, 21 Aug 2008	14086/2008	Research In Motion Limited; 14-03E, Hand-held electronic device, (US, 29 Feb 2008) 28 Aug 2008	14165/2008
Onesteel Wire Pty Limited; 25-01E, Fence post cap, 21 Aug 2008	14087/2008	Research In Motion Limited; 14-03E, Hand-held electronic device, (US, 29 Feb 2008) 28 Aug 2008	14166/2008
Otis Elevator Company; 13-03NES, Elevator control panel, (KR, 20 Feb 2008) 19 Aug 2008	14047/2008	Research In Motion Limited; 14-03E, Dual display hand-held electronic device, (US, 15 Feb 2008) 14 Aug 2008	13975/2008
Otis Elevator Company; 13-03NES, Elevator control panel, (KR, 20 Feb 2008) 19 Aug 2008	14046/2008	Research In Motion Limited; 14-03E, Hand-held electronic device, (US, 29 Feb 2008) 28 Aug 2008	14163/2008
Overland, Joanne Margaret; Behringer, Jody Maree; 03-01B, Pouch bag, 22 Aug 2008	14099/2008	Research In Motion Limited; 14-03E, Hand-held electronic device, (US, 29 Feb 2008) 28 Aug 2008	14162/2008
Overland, Joanne Margaret; Behringer, Jody Maree; 09-05, Shoulder bag, 22 Aug 2008	14098/2008	Research In Motion Limited; 14-03E, Hand-held electronic device, (US, 29 Feb 2008) 28 Aug 2008	14164/2008
Paddington Furniture Co Pty Ltd; 06-01G, 2008022, 29 Aug 2008	14152/2008	Research In Motion Limited; 14-03E, Hand-held electronic device, (US, 15 Feb 2008) 14 Aug 2008	13972/2008
Paddington Furniture Co Pty Ltd; 06-01G, 2008023, 29 Aug 2008	14153/2008	Review Australia Pty Ltd; 02-02C, Ladies garments, 14 Aug 2008	13980/2008
Paddington Furniture Co Pty Ltd; 06-01G, 2008024, 29 Aug 2008	14154/2008	Review Australia Pty Ltd; 02-02C, Ladies garments, 21 Aug 2008	14085/2008
Paddington Furniture Co Pty Ltd; 06-01G, 2008026, 29 Aug 2008	14155/2008	Ridgeway, Jennifer; 02-02B, Breastfeeding wrap, 26 Aug 2008	14116/2008
Phoenix Industries Pty Ltd; 23-01H, Mixer tap lever, 21 Aug 2008	14081/2008	Romeo, Paul Francesco; 08-05F, , 09 Sep 2008	14345/2008
Phoenix Industries Pty Ltd; 23-01H, Mixer tap and spout, 21 Aug 2008	14082/2008	Roth, Martin; 07-05D, A double towel rail, 25 Aug 2008	14127/2008
Pi-Design AG; 07-01F, Coffee jug, (DK, 06 Mar 2008) 04 Sep 2008	14265/2008	Roth, Martin; 23-02A, A single toilet roll holder, 25 Aug 2008	14126/2008
Plastec Australia Pty Ltd; 23-01NES, Rain head, 22 Aug 2008	14108/2008	Roth, Martin; 23-02A, A double toilet roll holder, 25 Aug 2008	14125/2008
Plastec Australia Pty Ltd; 23-01NES, Rain head, 22 Aug 2008	14109/2008	RGB Industries Pty Ltd; 06-04NES, A rack, 16 Sep 2008	14422/2008
Plastec Australia Pty Ltd; 23-01NES, Grating for a rain head, 22 Aug 2008	14110/2008	S.C. Johnson & Son, Inc.; 28-99, Refill for a volatile dispenser, 15 Aug 2008	13989/2008
Plastec Australia Pty Ltd; 23-01NES, Rain head, 22 Aug 2008	14106/2008	Sams Watchmaker Jeweller Pty Ltd; 11-01NES, A jewellery bead, 05 Sep 2008	14214/2008
Plastec Australia Pty Ltd; 23-01NES, Rain head, 22 Aug 2008	14107/2008	Sandvik Intellectual Property AB; 08-01, Rock drill bit, (EM, 26 Feb 2008) 15 Aug 2008	13967/2008
Press Metal Aluminium (Australia) Pty Ltd; 25-01E, A post, 27 Aug 2008	14150/2008	Sandvik Intellectual Property AB; 08-01, Drill bit, (EM, 26 Feb 2008) 15 Aug 2008	13968/2008
Protocoat Pty Ltd; 23-01G, A filter device, 12 Sep 2008	14387/2008		
PFS Fencing Pty Ltd; 25-02C, Fencing, barrier., 25 Aug 2008	14095/2008		

Sandvik Intellectual Property AB; 08-01, Rock drill bit, (EM, 26 Feb 2008) 15 Aug 2008	13969/2008	Small, Darren; 09-05, PractiPak-medication management device, 25 Aug 2008	14093/2008
Sanford, L.P.; 19-06, Writing instrument, (US, 29 Feb 2008) 28 Aug 2008	14174/2008	Small, Darren; 09-05, Reverse PractiPack-medication management device, 25 Aug 2008	14094/2008
Sanford, L.P.; 19-06, Writing instrument, (US, 29 Feb 2008) 28 Aug 2008	14173/2008	Societe des Produits Nestle S.A.; 31-00, Beverage dispenser, (CH, 10 Apr 2008) 29 Aug 2008	14209/2008
Sanyo Electric Co., Ltd.; 15-07, 20-02C, Cold storage showcase, (JP, 24 Apr 2008) 26 Aug 2008	14140/2008	Societe des Produits Nestle S.A.; 01-01, Chocolate, (CH, 20 Feb 2008) 14 Aug 2008	13912/2008
Schaefer, Murray McRae; 30-99, 08-06, Cattle crush/headbar operating handle, 20 Aug 2008	14007/2008	Societe des Produits Nestle S.A.; 01-01, Chocolate, (CH, 06 Mar 2008) 15 Aug 2008	13970/2008
Schaefer, Murray McRae; 25-02C, Blocking gate for livestock crush/fence, 20 Aug 2008	14008/2008	Societe des Produits Nestle S.A.; 01-01, Chocolate, (CH, 20 Feb 2008) 14 Aug 2008	13913/2008
Schneider Electric New Zealand Holdings Limited; 13-03D, 13-03E, An electrical fitting, (NZ, 15 Apr 2008) 05 May 2008	14237/2008	Societe des Produits Nestle S.A.; 01-01, Chocolate, (CH, 14 Apr 2008) 17 Sep 2008	14460/2008
Schreder; 26-03, Outdoor lighting fixture, (EM, 28 Feb 2008) 26 Aug 2008	14135/2008	Societe des Produits Nestle S.A.; 01-01, Chocolate, (CH, 14 Apr 2008) 17 Sep 2008	14461/2008
Scott Fetzer Company, The; 08-08NES, Mounting collar, (US, 02 May 2008) 14 Aug 2008	13979/2008	Societe des Produits Nestle S.A.; 01-01, Chocolate, (CH, 14 Apr 2008) 17 Sep 2008	14462/2008
Seiko Epson Corporation; 14-02, Waste ink box for printer, (JP, 09 Jun 2008) 17 Sep 2008	14453/2008	Societe des Produits Nestle S.A.; 01-01, Chocolate, (CH, 14 Apr 2008) 17 Sep 2008	14463/2008
Seiko Epson Corporation; 14-02, Waste ink box for printer, (JP, 18 Mar 2008) 17 Sep 2008	14444/2008	Societe des Produits Nestle S.A.; 01-01, Chocolate, (CH, 14 Apr 2008) 17 Sep 2008	14459/2008
Seiko Epson Corporation; 14-02, Waste ink box for printer, (JP, 18 Mar 2008) 17 Sep 2008	14445/2008	Societe des Produits Nestle S.A.; 01-01, Chocolate, (CH, 14 Apr 2008) 17 Sep 2008	14457/2008
Seiko Epson Corporation; 14-02, Waste ink box for printer, (JP, 18 Mar 2008) 17 Sep 2008	14446/2008	Societe des Produits Nestle S.A.; 01-01, Chocolate, (CH, 14 Apr 2008) 17 Sep 2008	14458/2008
Seiko Epson Corporation; 14-02, Waste ink box for printer, (JP, 09 Jun 2008) 17 Sep 2008	14447/2008	Societe des Produits Nestle S.A.; 01-01, Chocolate, (CH, 20 Feb 2008) 14 Aug 2008	13914/2008
Seiko Epson Corporation; 14-02, Waste ink box for printer, (JP, 18 Mar 2008) 17 Sep 2008	14448/2008	Societe des Produits Nestle S.A.; 01-01, Chocolate, (CH, 20 Feb 2008) 14 Aug 2008	13915/2008
Sheargold, Matthew; 07-01B, Ornamental bowl, 15 Sep 2008	14407/2008	Societe des Produits Nestle S.A.; 01-01, Chocolate, (CH, 20 Feb 2008) 14 Aug 2008	13916/2008
Shuffle Master, Inc; 21-01L, Gaming cloth, (US, 09 Nov 2007) 24 Apr 2008	14349/2008	Societe des Produits Nestle S.A.; 01-01, Chocolate, (CH, 20 Feb 2008) 14 Aug 2008	13917/2008
Siebert, Joseph Thomas; 07-05C, , 14 Aug 2008	13855/2008	Societe des Produits Nestle S.A.; 01-01, Chocolate, (CH, 20 Feb 2008) 14 Aug 2008	13918/2008
Silvertrees Properties Pty Ltd; 19-06, Desk whiteboard, 08 Sep 2008	14344/2008	Societe des Produits Nestle S.A.; 01-01, Chocolate, (CH, 20 Feb 2008) 14 Aug 2008	13919/2008
Slidetrack Blinds Pty Ltd; 06-10, A guide track for a blind assembly, 29 Aug 2008	14215/2008		

Societe des Produits Nestle S.A.; 01-01, Chocolate, (CH, 20 Feb 2008) 14 Aug 2008	13920/2008	Thane Direct Company; 15-05, Vacuum Cleaner - H2O MOP ultra, (EM, 31 Mar 2008) 14 Aug 2008	13977/2008
Societe des Produits Nestle S.A.; 01-01, Chocolate, (CH, 20 Feb 2008) 14 Aug 2008	13921/2008	The Chamberlain Group, Inc.; 14-03NES, Transmitter, (US, 22 Feb 2008) 19 Aug 2008	14037/2008
Societe des Produits Nestle S.A.; 01-01, Chocolate, (CH, 20 Feb 2008) 14 Aug 2008	13922/2008	The Decor Corporation Pty Ltd; 07-01NES, Canister lid, 08 Sep 2008	14335/2008
Societe des Produits Nestle S.A.; 01-01, Chocolate, (CH, 20 Feb 2008) 14 Aug 2008	13923/2008	The Decor Corporation Pty Ltd; 07-01NES, Canister lid, 08 Sep 2008	14333/2008
Societe des Produits Nestle S.A.; 01-01, Chocolate, (CH, 20 Feb 2008) 14 Aug 2008	13924/2008	The Decor Corporation Pty Ltd; 07-01NES, Canister, 08 Sep 2008	14336/2008
Societe des Produits Nestle S.A.; 01-01, Chocolate, (CH, 20 Feb 2008) 14 Aug 2008	13925/2008	The Decor Corporation Pty Ltd; 07-01NES, Canister lid, 08 Sep 2008	14337/2008
Societe des Produits Nestle S.A.; 01-01, Chocolate, (CH, 20 Feb 2008) 14 Aug 2008	13926/2008	The Decor Corporation Pty Ltd; 07-01F, Mixing jug, 08 Sep 2008	14338/2008
Societe des Produits Nestle S.A.; 01-01, Chocolate, (CH, 20 Feb 2008) 14 Aug 2008	13926/2008	The Decor Corporation Pty Ltd; 07-01NES, Canister, 08 Sep 2008	14334/2008
Sony Ericsson Mobile Communications AB; 14-03E, Mobile phone, (EM, 25 Mar 2008) 16 Sep 2008	14430/2008	The Decor Corporation Pty Ltd; 07-01F, Non-splash lid for mixing jug, 08 Sep 2008	14339/2008
Sportsgirl Pty Ltd; 02-02C, Various garments, 04 Sep 2008	14267/2008	The Decor Corporation Pty Ltd; 07-01F, Sealing lid for mixing jug, 08 Sep 2008	14340/2008
Standard Innovation Corporation; 28-03NES, Vibrator, (CA, 15 Feb 2008) 15 Aug 2008	13985/2008	The Decor Corporation Pty Ltd; 07-01NES, Lid for container, 08 Sep 2008	14329/2008
Stanley Works, The; 08-03, Chisel, (US, 21 Mar 2008) 17 Sep 2008	14468/2008	The Decor Corporation Pty Ltd; 07-01NES, Lid for container, 08 Sep 2008	14330/2008
Steen, Darren; 20-02E, Sunglass stand, 29 Aug 2008	14205/2008	The Decor Corporation Pty Ltd; 07-01NES, Lid for container, 08 Sep 2008	14331/2008
Steen, Darren; 23-01NES, Inner drain, 29 Aug 2008	14206/2008	The Decor Corporation Pty Ltd; 07-01NES, Canister, 08 Sep 2008	14332/2008
Steen, Darren; 23-01NES, Inner drain, 29 Aug 2008	14207/2008	The Gemini Trust; 23-03H, Water heater, 28 Aug 2008	14142/2008
Steen, Darren; 23-01NES, Outer cast, 29 Aug 2008	14208/2008	The Yokohama Rubber Co., Ltd.; 12-15A, Tread of an automobile tyre, (JP, 26 Feb 2008) 25 Aug 2008	14122/2008
Steenkamp, as trustee of Je-Shan Trust, Andre; 08-05A, A rake, (ZA, 25 Feb 2008) 25 Aug 2008	14121/2008	Thomas, Ramon Sydney; 02-07C, 02-07A, Bow tie clip guide, 14 Aug 2008	13856/2008
Steenkamp, as trustee of Je-Shan Trust, Andre; 08-05A, A rake, (ZA, 25 Feb 2008) 25 Aug 2008	14120/2008	Thomas Peacock & Sons Holding Pty Ltd; 06-09, 06-06NES, Mattress spring, 21 Aug 2008	14056/2008
Sunbeam Corporation Limited; 07-02K, Kettle, 12 Sep 2008	14397/2008	Thompson, Grant Terrence; 06-04NES, Holder for beverage container 1, 16 Sep 2008	14423/2008
SMEG S.p.A.; 07-02C, Oven door, (EM, 12 Mar 2008) 12 Sep 2008	14398/2008	Thompson, Grant Terrence; 06-04NES, Holder for beverage container 2, 16 Sep 2008	14424/2008
Takamatsu, Kuniaki; Ohara, Nariko; 11-01C, Bracelet, 15 Aug 2008	13965/2008	Thompson, Grant Terrence; 06-04NES, Holder for a container 3, 16 Sep 2008	14425/2008
Thane Direct Company; 15-05, Vacuum cleaner - H2O VAC TURBO, (EM, 31 Mar 2008) 14 Aug 2008	13976/2008	Toshiba Home Appliances Corporation; Kabushiki Kaisha Toshiba, also trading as Toshiba Corporation; 15-05, Vacuum cleaner, (JP, 08 Jul 2008) 12 Sep 2008	14394/2008

Toyota Jidosha Kabushiki Kaisha; 12-16B, Front bumper for an automobile, 28 Aug 2008	14169/2008	Vocollect Healthcare Systems, Inc.; 14-03A, 24-01, Body-worn mobile device, (US, 20 Feb 2008) 19 Aug 2008	14039/2008
Toyota Jidosha Kabushiki Kaisha; 12-08, Automobile, 28 Aug 2008	14167/2008	Watkins Manufacturing Corporation; 23-02B, A spa shell, (US, 22 Feb 2008) 18 Aug 2008	14000/2008
Toyota Jidosha Kabushiki Kaisha; 12-16B, Rear bumper for an automobile, 28 Aug 2008	14168/2008	Watkins Manufacturing Corporation; 23-02B, A spa shell, (US, 22 Feb 2008) 18 Aug 2008	14001/2008
Turner, Michael James; 06-01NES, Chair, 21 Aug 2008	14088/2008	Weir Minerals Australia Ltd; 23-01NES, A guard, 29 Aug 2008	14157/2008
TCH (UK) Limited; 08-07, Handcuff grip, 17 Sep 2008	14469/2008	Westaflex (Australia) Pty Ltd; 23-04, Improved diffuser baffle, 14 Aug 2008	13930/2008
TJ Imports Pty Ltd; 25-01A, Core fillable concrete building blocks with pre-attached stacked stone veneer and capping for use in an interlocking, stone wall system, 26 Aug 2008	14139/2008	Wilson, Bruce David; 13-03D, Adaptor plate, (NZ, 01 Apr 2008) 05 Sep 2008	14268/2008
Upper Deck Europe B.V.; 21-01M, Puzzle, (EM, 05 Mar 2008) 03 Sep 2008	14251/2008	Wonderland Nurserygoods Co., Ltd.; 06-01E, High chair, (Divisional of 10797/2008) 22 Feb 2008	14433/2008
V.I.P. Pet Foods Pty. Ltd.; 09-03F, Pet food packaging tray, 27 Aug 2008	14134/2008	Wrigley, Derek F.; 25-02H, 23-03D, Heliolector - to reflect solar heat into southern windows, 08 Sep 2008	14342/2008
VanElverdinghe, Jeffry L.; 21-02F, Flexible enclosure for a recreational structure, 29 Aug 2008	14204/2008	Wyeth; 07-01E, Feeding bottle, (EM, 14 Feb 2008) 14 Aug 2008	13974/2008
Vita-Mix Corporation; 31-00, Container for a blender, (US, 18 Mar 2008) 14 Aug 2008	13928/2008	Yanmar Co., Ltd.; 15-04, Excavator, (JP, 06 Mar 2008) 29 Aug 2008	14194/2008
Vita-Mix Corporation; 31-00, Lid for a container, (US, 18 Mar 2008) 14 Aug 2008	13929/2008	Zacharia, Christa; 06-04D, 06-04NES, 06-03A, 06-01F, Multi-purpose shelving unit, 15 Sep 2008	14418/2008
Vocollect Healthcare Systems, Inc.; 24-01, 14-03A, Connector for a peripheral device, (US, 20 Feb 2008) 19 Aug 2008	14036/2008	Zumtobel Lighting GmbH & Co. KG; 26-05D, Light fixture, (EM, 20 Mar 2008) 22 Aug 2008	14111/2008
Vocollect Healthcare Systems, Inc.; 13-02, 24-01, Battery for use in a mobile device, (US, 20 Feb 2008) 19 Aug 2008	14040/2008	Zumtobel Lighting GmbH & Co. KG; 26-05D, Light fixture, (EM, 20 Mar 2008) 22 Aug 2008	14112/2008
Vocollect Healthcare Systems, Inc.; 14-03A, 24-01, Body-worn mobile device, (US, 20 Feb 2008) 19 Aug 2008	14038/2008	2001 Brands, Inc.; 02-04B, Shoe, (US, 20 Feb 2008) 20 Aug 2008	14074/2008
Vocollect Healthcare Systems, Inc.; 14-03A, 24-01, Body-worn mobile device, (US, 20 Feb 2008) 19 Aug 2008	14041/2008		

Applications Lapsed

16757 / 2007 (25-02C)	20967 / 2007 (23-01G)	11324 / 2008 (15-07)	11348 / 2008 (23-01G)
21340 / 2007 (09-03C)	21341 / 2007 (09-03C)	11355 / 2008 (07-02E)	11571 / 2008 (06-04C)
21342 / 2007 (09-03C)	21343 / 2007 (09-03C)	12915 / 2008 (19-99)	12916 / 2008 (19-99)
21344 / 2007 (09-03C)	21345 / 2007 (09-03C)	12925 / 2008 (99-00)	12926 / 2008 (99-00)
10392 / 2008 (23-01F)	10393 / 2008 (23-01F)	12927 / 2008 (99-00)	12928 / 2008 (99-00)
10438 / 2008 (12-07)	10578 / 2008 (02-04C)	12929 / 2008 (20-02NES)	12952 / 2008 (12-11)
10665 / 2008 (25-02C)	10666 / 2008 (25-02C)	12953 / 2008 (12-11)	13001 / 2008 (12-16N)
10667 / 2008 (25-02C)	10788 / 2008 (02-02C)	13052 / 2008 (25-02C)	13053 / 2008 (25-02C)
10789 / 2008 (02-02NES)	10790 / 2008 (02-02C)	13054 / 2008 (25-01B)	13088 / 2008 (25-01E)
10874 / 2008 (24-01)	10875 / 2008 (24-01)	13089 / 2008 (25-01E)	13308 / 2008 (26-05NES)

14120 / 2008 (08-05A)

14121 / 2008 (08-05A)

Extension of Period of Registration of Designs

317336

Registrations Ceased

311664 314219

Extensions of time granted under Section 137

Applications lodged under section 137 for extension of time have been granted.

10579/2008 **Framelock Structures Pty Ltd**

10583/2008 **Framelock Structures Pty Ltd**

11571/2008 **Mary Patricia Martin**

11776/2008 **Redback Engineering and Sales Pty Ltd**

14357/2008 **Laerdal Medical AS**

14358/2008 **Laerdal Medical AS**

Subsequent Owners Registered

(The name in parentheses is that of the subsequent owner)

301870 **(Assa Abloy Australia Pty Limited)** Abloy Security Pty Ltd

302759 **(Assa Abloy Australia Pty Limited)** Abloy Security Pty Ltd

304636 **(Assa Abloy Australia Pty Limited)** Abloy Security Pty Ltd

304637 **(Assa Abloy Australia Pty Limited)** Abloy Security Pty Ltd

304638 **(Assa Abloy Australia Pty Limited)** Abloy Security Pty Ltd

304639 **(Assa Abloy Australia Pty Limited)** Abloy Security Pty Ltd

302144 **(Gryffin EPSS Pty Ltd)** Gryffin Pty Ltd

316262 **(Gryffin EPSS Pty Ltd)** Gryffin Pty Ltd

317197 **(Gryffin EPSS Pty Ltd)** Gryffin Pty Ltd

317440 **(Gryffin EPSS Pty Ltd)** Gryffin Pty Ltd

303308 **(Christopher Paul Harvey)** Genna Thurstans

303307 **(Christopher Paul Harvey)** Genna Thurstans

303309 **(Christopher Paul Harvey)** Genna Thurstans

317657 **(Multotec Pty Ltd)** Pazza Pty Ltd

Corrigenda

Number 12511/2008

In Vol 22 , No 17 , page 2052 under the heading **Applications Lapsed**; Design No. 12511/2008 (12-05) should be deleted.

Number 12337/2008

In Vol 22 , No 17 , page 2052 under the heading **Applications Lapsed**; Design No. 12337/2008 (08-07) should be deleted.

Number 12280/2008

In Vol 22 , No 18 , page 2184 under the heading **Application Lapsed**; Design No. 12280/2008 (25-04) should be deleted.

Number 12281/2008

In Vol 22 , No 18 , page 2184 under the heading **Applications Lapsed**; Design No. 12281/2008 ((25-04) should be deleted.

Number 12282/2008

In Vol 22 , No 18 , page 2184 under the heading **Applications Lapsed**; Design No. 12282/2008 (25-01K) should be deleted.

Number 12283/2008

In Vol 22 , No 18 , page 2184 under the heading **Applications Lapsed**; Design No. 12283/2008 (25-04) should be deleted.

Number 12284/2008

In Vol 22 , No 18 , page 2184 under the heading **Applications Lapsed**; Design No. 12284/2008 (25-04) should be deleted.

Number 12260/2008

In Vol 22 , No 18 , page 2184 under the heading **Applications Lapsed**; Design No. 12260/2008 (25-04) should be deleted.

Number 12261/2008

In Vol 22 , No 18 , page 2184 under the heading **Applications Lapsed**; Design No. 12261/2008 (25-04) should be deleted.

Number 12262/2008

In Vol 22 , No 18 , page 2184 under the heading **Applications Lapsed**; Design No. 12262/2008 (25-04) should be deleted.

Number 12263/2008

In Vol 22 , No 18 , page 2184 under the heading **Applications Lapsed**; Design No. 12263/2008 (25-04) should be deleted.

Certificate(s) of Examination

Examination of the following Design Registration(s) has been completed. Infringement proceedings may now be commenced.

310762	12-16B	23/09/2008
315041	14-02	18/09/2008
315042	14-02	18/09/2008
315060	14-01	17/09/2008
316011	14-01	23/09/2008
319972	08-08B	12/09/2008
319973	08-08B	12/09/2008
319974	08-08B	12/09/2008

Publication and Registration Proceedings

Designs Registered

This section provides a concordance between design number and registration number of Designs covered in this journal. It also shows the main class and registration date.

This section covers Registration numbers 320979 to 321243 .

The registration number shown below should be used in all future correspondence.

Design Number	Registration Number	International Classification Code (IDC)	Registration Date	Design Number	Registration Number	International Classification Code (IDC)	Registration Date
19968/2007	321202	12-08	22/09/2008	11996/2008	320979	25-02NES	12/09/2008
20263/2007	321229	12-06NES	23/09/2008	12028/2008	321104	06-01F	16/09/2008
20264/2007	321230	12-06NES	23/09/2008	12042/2008	321105	12-16B	16/09/2008
20265/2007	321231	12-06NES	23/09/2008	12043/2008	321106	12-16B	16/09/2008
20398/2007	321232	07-02E	23/09/2008	12077/2008	321107	25-01D	16/09/2008
20520/2007	321233	15-05	23/09/2008	12137/2008	320980	02-07B	12/09/2008
20688/2007	320995	02-02C	12/09/2008	12138/2008	320981	02-04B	12/09/2008
20784/2007	321070	08-06	15/09/2008	12139/2008	320982	02-04B	12/09/2008
10005/2008	321203	02-02C	22/09/2008	12140/2008	320983	02-04B	12/09/2008
10362/2008	321096	10-06	16/09/2008	12141/2008	320984	02-04NES	12/09/2008
10560/2008	321028	23-01D	15/09/2008	12142/2008	320985	02-04NES	12/09/2008
10739/2008	321097	08-02	16/09/2008	12143/2008	320986	02-04A	12/09/2008
10746/2008	321098	08-02	16/09/2008	12144/2008	320987	02-04NES	12/09/2008
10747/2008	321099	08-02	16/09/2008	12145/2008	320988	02-04NES	12/09/2008
10748/2008	321100	08-02	16/09/2008	12146/2008	320989	02-04NES	12/09/2008
11028/2008	321112	10-04	17/09/2008	12147/2008	320990	02-04NES	12/09/2008
11029/2008	321113	10-04	17/09/2008	12148/2008	320991	02-04NES	12/09/2008
11030/2008	321114	10-04	17/09/2008	12149/2008	320992	02-04NES	12/09/2008
11177/2008	321031	04-01	15/09/2008	12150/2008	320993	02-04NES	12/09/2008
11180/2008	321035	10-05	15/09/2008	12151/2008	320996	02-04NES	12/09/2008
11185/2008	321050	08-08NES	15/09/2008	12152/2008	321008	02-04NES	12/09/2008
11328/2008	321082	29-02	16/09/2008	12153/2008	321009	02-04NES	12/09/2008
11439/2008	321071	14-02	18/09/2008	12154/2008	321010	02-04NES	12/09/2008
11499/2008	321036	08-08NES	15/09/2008	12155/2008	321011	02-04NES	12/09/2008
11554/2008	321206	13-03B	22/09/2008	12156/2008	321012	02-04NES	12/09/2008
11555/2008	321137	13-03B	18/09/2008	12157/2008	321013	02-04NES	12/09/2008
11556/2008	321207	13-03B	22/09/2008	12158/2008	321014	02-04NES	12/09/2008
11557/2008	321138	13-03B	18/09/2008	12159/2008	321015	02-04NES	12/09/2008
11558/2008	321208	13-03B	22/09/2008	12160/2008	321016	02-04NES	12/09/2008
11559/2008	321209	13-03B	22/09/2008	12161/2008	321017	02-04NES	12/09/2008
11624/2008	321101	25-01NES	16/09/2008	12162/2008	321018	02-04NES	12/09/2008
11625/2008	321052	13-02	15/09/2008	12163/2008	321019	02-04NES	12/09/2008
11626/2008	321038	13-02	15/09/2008	12164/2008	321020	02-04NES	12/09/2008
11627/2008	321039	13-02	15/09/2008	12165/2008	321021	02-04NES	12/09/2008
11628/2008	321040	13-02	15/09/2008	12166/2008	320997	02-04NES	12/09/2008
11630/2008	321037	13-02	15/09/2008	12167/2008	320998	02-04NES	12/09/2008
11678/2008	321072	23-01E	18/09/2008	12168/2008	320999	02-04B	12/09/2008
11695/2008	321043	12-05	15/09/2008	12169/2008	321000	02-04B	12/09/2008
11709/2008	321210	09-03K	22/09/2008	12170/2008	321001	02-04B	12/09/2008
11710/2008	321211	09-03K	22/09/2008	12171/2008	321002	02-04B	12/09/2008
11711/2008	321212	09-03K	22/09/2008	12172/2008	321003	02-04B	12/09/2008
11739/2008	321083	26-03	16/09/2008	12173/2008	321004	02-04NES	12/09/2008
11740/2008	321084	26-03	16/09/2008	12174/2008	321005	02-04B	12/09/2008
11741/2008	321073	03-03	18/09/2008	12175/2008	321006	02-04NES	12/09/2008
11754/2008	321061	12-10	15/09/2008	12176/2008	321022	02-04NES	12/09/2008
11761/2008	321085	26-03	16/09/2008	12177/2008	321023	02-04NES	12/09/2008
11762/2008	321086	26-03	16/09/2008	12178/2008	321024	02-04NES	12/09/2008
11801/2008	321041	08-07	15/09/2008	12179/2008	321025	02-04NES	12/09/2008
11837/2008	321102	25-01B	16/09/2008	12180/2008	321026	02-04NES	12/09/2008
11904/2008	321053	27-03	15/09/2008	12181/2008	321027	02-04NES	12/09/2008
11905/2008	321054	27-03	15/09/2008	12182/2008	321007	19-08	12/09/2008
11943/2008	321103	25-01B	16/09/2008	12192/2008	321062	07-01B	15/09/2008
11993/2008	321074	08-08B	18/09/2008	12194/2008	321063	07-01B	15/09/2008

Publication and Registration Proceedings - Designs Registered cont'd

Design Number	Registration Number	International Classification Code (IDC)	Registration Date	Design Number	Registration Number	International Classification Code (IDC)	Registration Date
12197/2008	321055	15-05	15/09/2008	12325/2008	321150	12-10	19/09/2008
12198/2008	321056	15-05	15/09/2008	12328/2008	321151	12-16L	19/09/2008
12201/2008	321057	21-02F	15/09/2008	12329/2008	321152	12-16L	19/09/2008
12202/2008	321058	21-02F	15/09/2008	12330/2008	321153	12-16L	19/09/2008
12203/2008	321059	21-02F	15/09/2008	12331/2008	321154	09-01NES	19/09/2008
12204/2008	321060	23-04	15/09/2008	12335/2008	321155	08-07	19/09/2008
12205/2008	321064	08-05N	15/09/2008	12336/2008	321156	14-01	19/09/2008
12207/2008	321065	23-01H	15/09/2008	12339/2008	321157	10-04	19/09/2008
12208/2008	321066	23-01H	15/09/2008	12340/2008	321158	10-04	19/09/2008
12210/2008	321067	23-01E	15/09/2008	12341/2008	321159	08-03	19/09/2008
12211/2008	321069	23-01E	15/09/2008	12343/2008	321160	28-99	19/09/2008
12212/2008	321068	23-01E	15/09/2008	12345/2008	321081	23-01F	18/09/2008
12213/2008	321075	01-06	18/09/2008	12359/2008	321161	26-04	19/09/2008
12214/2008	321076	01-06	18/09/2008	12370/2008	321213	25-02A	22/09/2008
12215/2008	321077	01-06	18/09/2008	12371/2008	321214	14-03NES	22/09/2008
12216/2008	321078	01-06	18/09/2008	12373/2008	321215	09-03L	22/09/2008
12217/2008	321079	01-06	18/09/2008	12377/2008	321162	09-01G	19/09/2008
12218/2008	321080	01-06	18/09/2008	12384/2008	321163	01-01	19/09/2008
12219/2008	321087	09-01K	16/09/2008	12385/2008	321164	03-01A	19/09/2008
12220/2008	321044	25-02K	15/09/2008	12389/2008	321238	12-16N	23/09/2008
12221/2008	321088	15-05	16/09/2008	12392/2008	321165	15-02	19/09/2008
12222/2008	321089	15-05	16/09/2008	12396/2008	321216	13-03C	23/09/2008
12225/2008	321045	09-03A	15/09/2008	12397/2008	321217	12-15NES	23/09/2008
12230/2008	321046	02-03	15/09/2008	12398/2008	321218	12-15NES	23/09/2008
12233/2008	321047	13-02	15/09/2008	12400/2008	321166	06-01F	19/09/2008
12240/2008	321115	21-01A	17/09/2008	12401/2008	321219	07-04	23/09/2008
12243/2008	321116	15-04	17/09/2008	12404/2008	321220	06-01G	23/09/2008
12244/2008	321117	15-04	17/09/2008	12405/2008	321221	06-01G	23/09/2008
12248/2008	321234	08-03	23/09/2008	12406/2008	321222	06-01G	23/09/2008
12249/2008	321090	09-01K	16/09/2008	12407/2008	321223	06-01G	23/09/2008
12250/2008	321091	09-01K	16/09/2008	12408/2008	321224	06-01G	23/09/2008
12251/2008	321092	02-04NES	16/09/2008	12409/2008	321225	06-01G	23/09/2008
12257/2008	321093	14-03A	16/09/2008	12410/2008	321226	06-01G	23/09/2008
12258/2008	321094	14-03A	16/09/2008	12411/2008	321227	06-01G	23/09/2008
12259/2008	321095	14-03A	16/09/2008	12412/2008	321228	06-01G	23/09/2008
12270/2008	321118	14-02	17/09/2008	12413/2008	321183	06-01G	22/09/2008
12271/2008	321119	07-05B	17/09/2008	12414/2008	321184	06-01G	22/09/2008
12272/2008	321120	07-05B	17/09/2008	12415/2008	321185	06-01G	22/09/2008
12275/2008	321121	07-05B	17/09/2008	12416/2008	321186	06-01G	22/09/2008
12276/2008	321122	07-05B	17/09/2008	12417/2008	321187	06-01G	22/09/2008
12277/2008	321123	09-01NES	17/09/2008	12418/2008	321188	06-01G	22/09/2008
12278/2008	321124	25-01K	17/09/2008	12419/2008	321189	06-01G	22/09/2008
12279/2008	321125	30-01	17/09/2008	12420/2008	321190	13-01	22/09/2008
12285/2008	321126	08-08H	17/09/2008	12421/2008	321191	23-02B	22/09/2008
12286/2008	321127	08-08H	17/09/2008	12426/2008	321239	07-02H	23/09/2008
12289/2008	321128	08-07	17/09/2008	12427/2008	321240	08-04	23/09/2008
12291/2008	321129	08-07	17/09/2008	12429/2008	321241	24-04	23/09/2008
12292/2008	321130	09-07B	17/09/2008	12430/2008	321242	24-04	23/09/2008
12296/2008	321131	11-02B	17/09/2008	12437/2008	321192	19-06	22/09/2008
12297/2008	321132	11-02B	17/09/2008	12438/2008	321193	19-06	22/09/2008
12298/2008	321133	11-02B	17/09/2008	12439/2008	321194	19-06	22/09/2008
12300/2008	321134	07-05NES	17/09/2008	12452/2008	321195	25-02NES	22/09/2008
12309/2008	321135	15-04	17/09/2008	12453/2008	321196	25-02NES	22/09/2008
12310/2008	321204	02-02NES	22/09/2008	12464/2008	321243	23-01H	23/09/2008
12311/2008	321205	02-02C	22/09/2008	12477/2008	321167	25-01D	19/09/2008
12318/2008	321235	09-01H	23/09/2008	12479/2008	321139	18-04	18/09/2008
12320/2008	321236	09-09	23/09/2008	12480/2008	321140	18-04	18/09/2008
12322/2008	321237	10-07	23/09/2008	12481/2008	321141	18-04	18/09/2008

Publication and Registration Proceedings - Designs Registered cont'd

Design Number	Registration Number	International Classification Code (IDC)	Registration Date	Design Number	Registration Number	International Classification Code (IDC)	Registration Date
12482/2008	321142	18-04	18/09/2008	12533/2008	321180	14-03A	19/09/2008
12483/2008	321143	18-04	18/09/2008	12534/2008	321181	14-03A	19/09/2008
12484/2008	321144	18-04	18/09/2008	12535/2008	321182	14-03A	19/09/2008
12485/2008	321145	18-04	18/09/2008	12551/2008	321197	13-03E	22/09/2008
12486/2008	321146	18-04	18/09/2008	12552/2008	321198	13-03E	22/09/2008
12487/2008	321147	18-04	18/09/2008	12553/2008	321199	23-01A	22/09/2008
12488/2008	321148	18-04	18/09/2008	12554/2008	321200	09-09	22/09/2008
12489/2008	321149	06-04NES	18/09/2008	12555/2008	321201	09-09	22/09/2008
12518/2008	321108	14-03E	16/09/2008	12592/2008	321170	23-01H	19/09/2008
12519/2008	321168	14-03A	19/09/2008	13090/2008	321029	23-01D	15/09/2008
12521/2008	321109	14-03E	16/09/2008	13091/2008	321030	23-01D	15/09/2008
12522/2008	321169	14-03A	19/09/2008	13512/2008	321048	09-07B	15/09/2008
12523/2008	321110	14-03E	16/09/2008	13639/2008	321049	09-08	15/09/2008
12524/2008	321111	14-03E	16/09/2008	13833/2008	321051	08-08NES	15/09/2008
12525/2008	321172	14-03E	19/09/2008	13868/2008	321042	15-01	15/09/2008
12526/2008	321173	14-03E	19/09/2008	13872/2008	321032	04-01	15/09/2008
12527/2008	321174	14-03E	19/09/2008	13873/2008	321033	04-01	15/09/2008
12528/2008	321175	14-03A	19/09/2008	13874/2008	321034	04-01	15/09/2008
12529/2008	321176	14-03A	19/09/2008	14083/2008	320994	25-02NES	12/09/2008
12530/2008	321177	14-03E	19/09/2008	14159/2008	321136	08-07	17/09/2008
12531/2008	321178	14-03E	19/09/2008	14286/2008	321171	13-03D	19/09/2008
12532/2008	321179	14-03A	19/09/2008				

Publication and Registration Proceedings
Class Listing of Designs Published or Registered

The following section shows an International Classification Code listing of the Registered or Published Designs covered in this supplement.

Classification	Registration Number	Design Number	Classification	Registration Number	Design Number
01-01	321163	12384/2008	02-04 NES	321026	12180/2008
01-06	321075	12213/2008	02-04 NES	321027	12181/2008
01-06	321076	12214/2008	02-04 NES	321092	12251/2008
01-06	321077	12215/2008	02-07 B	320980	12137/2008
01-06	321078	12216/2008	03-01 A	321164	12385/2008
01-06	321079	12217/2008	03-03	321073	11741/2008
01-06	321080	12218/2008	04-01	321031	11177/2008
02-02 C	320995	20688/2007	04-01	321032	13872/2008
02-02 C	321203	10005/2008	04-01	321033	13873/2008
02-02 C	321204	12310/2008	04-01	321034	13874/2008
02-02 C	321205	12311/2008	06-01 F	321104	12028/2008
02-02 NES	321204	12310/2008	06-01 F	321166	12400/2008
02-03	321046	12230/2008	06-01 G	321183	12413/2008
02-03	321164	12385/2008	06-01 G	321184	12414/2008
02-04 A	320986	12143/2008	06-01 G	321185	12415/2008
02-04 B	320981	12138/2008	06-01 G	321186	12416/2008
02-04 B	320982	12139/2008	06-01 G	321187	12417/2008
02-04 B	320983	12140/2008	06-01 G	321188	12418/2008
02-04 B	320999	12168/2008	06-01 G	321189	12419/2008
02-04 B	321000	12169/2008	06-01 G	321220	12404/2008
02-04 B	321001	12170/2008	06-01 G	321221	12405/2008
02-04 B	321002	12171/2008	06-01 G	321222	12406/2008
02-04 B	321003	12172/2008	06-01 G	321223	12407/2008
02-04 B	321005	12174/2008	06-01 G	321224	12408/2008
02-04 NES	320984	12141/2008	06-01 G	321225	12409/2008
02-04 NES	320985	12142/2008	06-01 G	321226	12410/2008
02-04 NES	320987	12144/2008	06-01 G	321227	12411/2008
02-04 NES	320988	12145/2008	06-01 G	321228	12412/2008
02-04 NES	320989	12146/2008	06-01 H	321104	12028/2008
02-04 NES	320990	12147/2008	06-04 NES	321149	12489/2008
02-04 NES	320991	12148/2008	07-01 B	321062	12192/2008
02-04 NES	320992	12149/2008	07-01 B	321063	12194/2008
02-04 NES	320993	12150/2008	07-01 F	321123	12277/2008
02-04 NES	320996	12151/2008	07-02 E	321232	20398/2007
02-04 NES	320997	12166/2008	07-02 H	321239	12426/2008
02-04 NES	320998	12167/2008	07-04	321219	12401/2008
02-04 NES	321004	12173/2008	07-05 B	321119	12271/2008
02-04 NES	321006	12175/2008	07-05 B	321120	12272/2008
02-04 NES	321008	12152/2008	07-05 B	321121	12275/2008
02-04 NES	321009	12153/2008	07-05 B	321122	12276/2008
02-04 NES	321010	12154/2008	07-05 NES	321088	12221/2008
02-04 NES	321011	12155/2008	07-05 NES	321089	12222/2008
02-04 NES	321012	12156/2008	07-05 NES	321134	12300/2008
02-04 NES	321013	12157/2008	07-06 C	321219	12401/2008
02-04 NES	321014	12158/2008	08-01	321097	10739/2008
02-04 NES	321015	12159/2008	08-01	321098	10746/2008
02-04 NES	321016	12160/2008	08-01	321099	10747/2008
02-04 NES	321017	12161/2008	08-01	321100	10748/2008
02-04 NES	321018	12162/2008	08-02	321097	10739/2008
02-04 NES	321019	12163/2008	08-02	321098	10746/2008
02-04 NES	321020	12164/2008	08-02	321099	10747/2008
02-04 NES	321021	12165/2008	08-02	321100	10748/2008
02-04 NES	321022	12176/2008	08-03	321159	12341/2008
02-04 NES	321023	12177/2008	08-03	321234	12248/2008
02-04 NES	321024	12178/2008	08-04	321240	12427/2008
02-04 NES	321025	12179/2008	08-05 N	321064	12205/2008

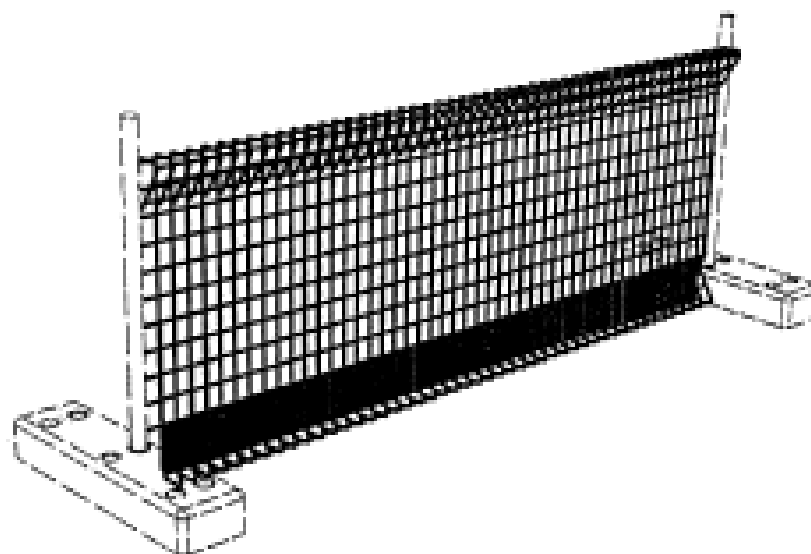
Registration Proceedings - Class Listing of Designs Published or Registered cont'd

Classification	Registration Number	Design Number	Classification	Registration Number	Design Number
08-06	321070	20784/2007	12-15 NES	321218	12398/2008
08-07	321041	11801/2008	12-16 B	321105	12042/2008
08-07	321128	12289/2008	12-16 B	321106	12043/2008
08-07	321129	12291/2008	12-16 L	321151	12328/2008
08-07	321136	14159/2008	12-16 L	321152	12329/2008
08-07	321155	12335/2008	12-16 L	321153	12330/2008
08-08 B	321041	11801/2008	12-16 N	321238	12389/2008
08-08 B	321074	11993/2008	13-01	321190	12420/2008
08-08 B	321117	12244/2008	13-02	321037	11630/2008
08-08 H	321126	12285/2008	13-02	321038	11626/2008
08-08 H	321127	12286/2008	13-02	321039	11627/2008
08-08 N	321036	11499/2008	13-02	321040	11628/2008
08-08 NES	321036	11499/2008	13-02	321047	12233/2008
08-08 NES	321050	11185/2008	13-02	321052	11625/2008
08-08 NES	321051	13833/2008	13-03 B	321137	11555/2008
09-01 G	321162	12377/2008	13-03 B	321138	11557/2008
09-01 H	321235	12318/2008	13-03 B	321206	11554/2008
09-01 K	321087	12219/2008	13-03 B	321207	11556/2008
09-01 K	321090	12249/2008	13-03 B	321208	11558/2008
09-01 K	321091	12250/2008	13-03 B	321209	11559/2008
09-01 NES	321123	12277/2008	13-03 C	321216	12396/2008
09-01 NES	321154	12331/2008	13-03 D	321171	14286/2008
09-03 A	321045	12225/2008	13-03 E	321197	12551/2008
09-03 K	321210	11709/2008	13-03 E	321198	12552/2008
09-03 K	321211	11710/2008	14-01	321156	12336/2008
09-03 K	321212	11711/2008	14-02	321071	11439/2008
09-03 L	321215	12373/2008	14-02	321118	12270/2008
09-07 B	321048	13512/2008	14-03 A	321093	12257/2008
09-07 B	321130	12292/2008	14-03 A	321094	12258/2008
09-07 NES	321048	13512/2008	14-03 A	321095	12259/2008
09-08	321043	11695/2008	14-03 A	321168	12519/2008
09-08	321049	13639/2008	14-03 A	321169	12522/2008
09-09	321199	12553/2008	14-03 A	321175	12528/2008
09-09	321200	12554/2008	14-03 A	321176	12529/2008
09-09	321201	12555/2008	14-03 A	321179	12532/2008
09-09	321236	12320/2008	14-03 A	321180	12533/2008
10-04	321112	11028/2008	14-03 A	321181	12534/2008
10-04	321113	11029/2008	14-03 A	321182	12535/2008
10-04	321114	11030/2008	14-03 E	321108	12518/2008
10-04	321157	12339/2008	14-03 E	321109	12521/2008
10-04	321158	12340/2008	14-03 E	321110	12523/2008
10-05	321035	11180/2008	14-03 E	321111	12524/2008
10-06	321096	10362/2008	14-03 E	321172	12525/2008
10-07	321237	12322/2008	14-03 E	321173	12526/2008
11-02 B	321131	12296/2008	14-03 E	321174	12527/2008
11-02 B	321132	12297/2008	14-03 E	321177	12530/2008
11-02 B	321133	12298/2008	14-03 E	321178	12531/2008
12-05	321043	11695/2008	14-03 NES	321214	12371/2008
12-05	321049	13639/2008	15-01	321042	13868/2008
12-05	321082	11328/2008	15-02	321165	12392/2008
12-06 NES	321042	13868/2008	15-04	321116	12243/2008
12-06 NES	321229	20263/2007	15-04	321117	12244/2008
12-06 NES	321230	20264/2007	15-04	321135	12309/2008
12-06 NES	321231	20265/2007	15-05	321055	12197/2008
12-07	321042	13868/2008	15-05	321056	12198/2008
12-08	321202	19968/2007	15-05	321088	12221/2008
12-10	321061	11754/2008	15-05	321089	12222/2008
12-10	321150	12325/2008	15-05	321233	20520/2007
12-15 NES	321217	12397/2008	18-04	321139	12479/2008

Registration Proceedings - Class Listing of Designs Published or Registered cont'd

Classification	Registration Number	Design Number	Classification	Registration Number	Design Number
18-04	321140	12480/2008	25-01 B	321103	11943/2008
18-04	321141	12481/2008	25-01 D	321107	12077/2008
18-04	321142	12482/2008	25-01 D	321167	12477/2008
18-04	321143	12483/2008	25-01 K	321124	12278/2008
18-04	321144	12484/2008	25-01 NES	321101	11624/2008
18-04	321145	12485/2008	25-02 A	321213	12370/2008
18-04	321146	12486/2008	25-02 C	321082	11328/2008
18-04	321147	12487/2008	25-02 K	321044	12220/2008
18-04	321148	12488/2008	25-02 NES	320979	11996/2008
19-06	321192	12437/2008	25-02 NES	320994	14083/2008
19-06	321193	12438/2008	25-02 NES	321195	12452/2008
19-06	321194	12439/2008	25-02 NES	321196	12453/2008
19-08	321007	12182/2008	26-03	321083	11739/2008
21-01 A	321115	12240/2008	26-03	321084	11740/2008
21-02 F	321057	12201/2008	26-03	321085	11761/2008
21-02 F	321058	12202/2008	26-03	321086	11762/2008
21-02 F	321059	12203/2008	26-04	321083	11739/2008
23-01 A	321199	12553/2008	26-04	321084	11740/2008
23-01 D	321028	10560/2008	26-04	321085	11761/2008
23-01 D	321029	13090/2008	26-04	321086	11762/2008
23-01 D	321030	13091/2008	26-04	321161	12359/2008
23-01 E	321067	12210/2008	27-03	321053	11904/2008
23-01 E	321068	12212/2008	27-03	321054	11905/2008
23-01 E	321069	12211/2008	28-03 NES	321088	12221/2008
23-01 E	321072	11678/2008	28-03 NES	321089	12222/2008
23-01 F	321081	12345/2008	28-99	321160	12343/2008
23-01 H	321065	12207/2008	29-02	320979	11996/2008
23-01 H	321066	12208/2008	29-02	321082	11328/2008
23-01 H	321170	12592/2008	30-01	321125	12279/2008
23-01 H	321243	12464/2008	30-02	321195	12452/2008
23-02 B	321191	12421/2008	30-02	321196	12453/2008
23-02 NES	321072	11678/2008	30-04	321125	12279/2008
23-02 NES	321088	12221/2008	30-99	321157	12339/2008
23-02 NES	321089	12222/2008	30-99	321158	12340/2008
23-04	321060	12204/2008			
24-04	321241	12429/2008			
24-04	321242	12430/2008			
25-01 B	321102	11837/2008			

- (21) Design Number: **11996/2008**
(22) Date of Filing Application: **30 April 2008**
(24) Date from which industrial property rights may have effect: **30 April 2008**
(54) Product in respect of which the design is registered: **A barrier panel**
(51) International Design Classification: **25-02NES, 29-02**
(71) Name(s) and Address(s) of Applicant(s):
John Clement Preston
196 Silverwater Road Silverwater New South Wales 2128 Australia
(72) Name(s) of Designer(s): **John Clement Preston**
(45) Registration Date: **12 September 2008**
(56) Related Art Documents: **Not Applicable**
(57) Statement of Newness and Distinctiveness: **Newness and distinctiveness resides in the visual features of the lower portion of the barrier panel having cut out portions provided at each lower corner thereof. The support post and support foot shown in broken lines are illustrative only and do not form part of the design. The height and width of the barrier panel may vary.**



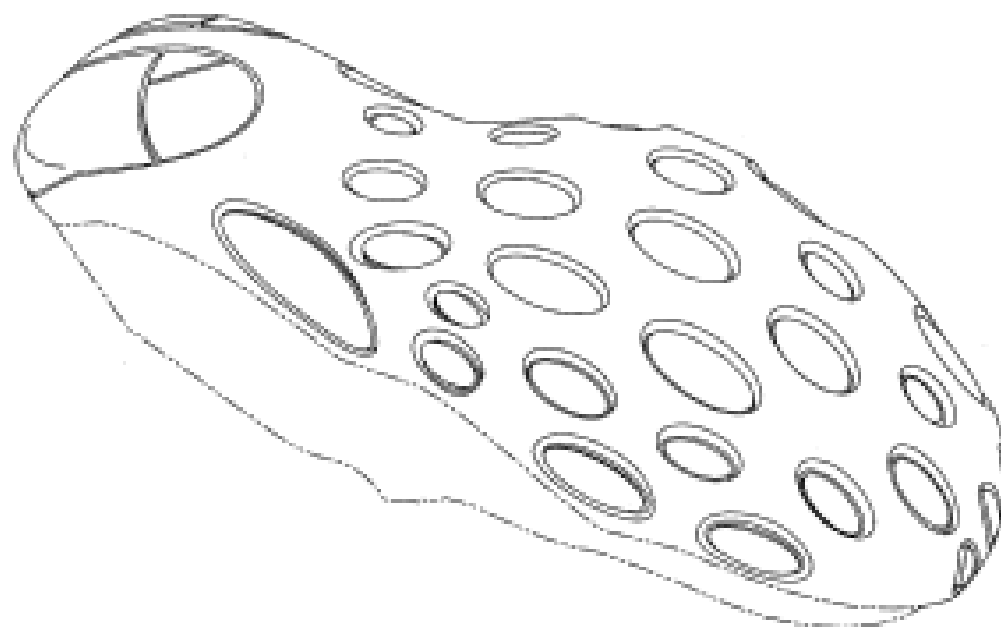
- (21) Design Number: **12137/2008**
(22) Date of Filing Application: **06 May 2008**
(24) Date from which industrial property rights may have effect: **06 May 2008**
(54) Product in respect of which the design is registered: **A strap of a footwear upper**
(51) International Design Classification: **02-07B**
(71) Name(s) and Address(s) of Applicant(s):
Wolverine World Wide, Inc.
9341 Courtland Drive NE Rockford Michigan 49351 United States of America
(72) Name(s) of Designer(s): **Manon Belley and Cristian Ardissono**
(45) Registration Date: **12 September 2008**
(30) Convention priority data:
(31) Number (32) Date (33) Country
29293143 07 Nov 2007 UNITED STATES OF AMERICA
(56) Related Art Documents: **Not Applicable**
(57) Statement of Newness and Distinctiveness: **Newness and distinctiveness is claimed in the visual features shown in the representations except for those shown in phantom lines.**



(21) Design Number: **12138/2008**
 (22) Date of Filing Application: **06 May 2008**
 (24) Date from which industrial property rights may have effect: **06 May 2008**
 (54) Product in respect of which the design is registered: **A footwear sole**
 (51) International Design Classification: **02-04B**
 (71) Name(s) and Address(s) of Applicant(s):
Wolverine World Wide, Inc.
9341 Courtland Drive NE Rockford Michigan 49351 United States of America
 (72) Name(s) of Designer(s): **Manon Belley and Cristian Ardissono**
 (45) Registration Date: **12 September 2008**
 (30) Convention priority data:

(31) Number	(32) Date	(33) Country
29293126	07 Nov 2007	UNITED STATES OF AMERICA

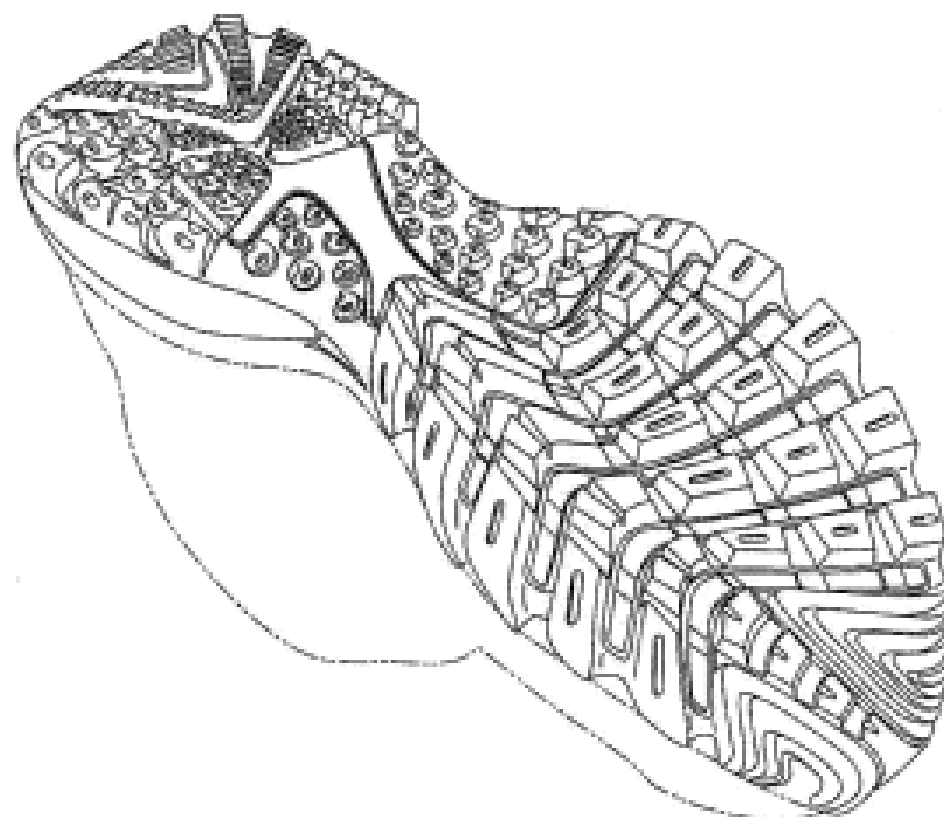
 (56) Related Art Documents: **Not Applicable**
 (57) Statement of Newness and Distinctiveness: **Newness and distinctiveness is claimed in the visual features shown in the representations except for those shown in phantom lines.**



(21) Design Number: **12139/2008**
 (22) Date of Filing Application: **06 May 2008**
 (24) Date from which industrial property rights may have effect: **06 May 2008**
 (54) Product in respect of which the design is registered: **A footwear sole**
 (51) International Design Classification: **02-04B**
 (71) Name(s) and Address(s) of Applicant(s):
Wolverine World Wide, Inc.
9341 Courtland Drive NE Rockford Michigan 49351 United States of America
 (72) Name(s) of Designer(s): **Sylvie M.C. Roy and Defne Yalkut**
 (45) Registration Date: **12 September 2008**
 (30) Convention priority data:

(31) Number	(32) Date	(33) Country
29293022	07 Nov 2007	UNITED STATES OF AMERICA

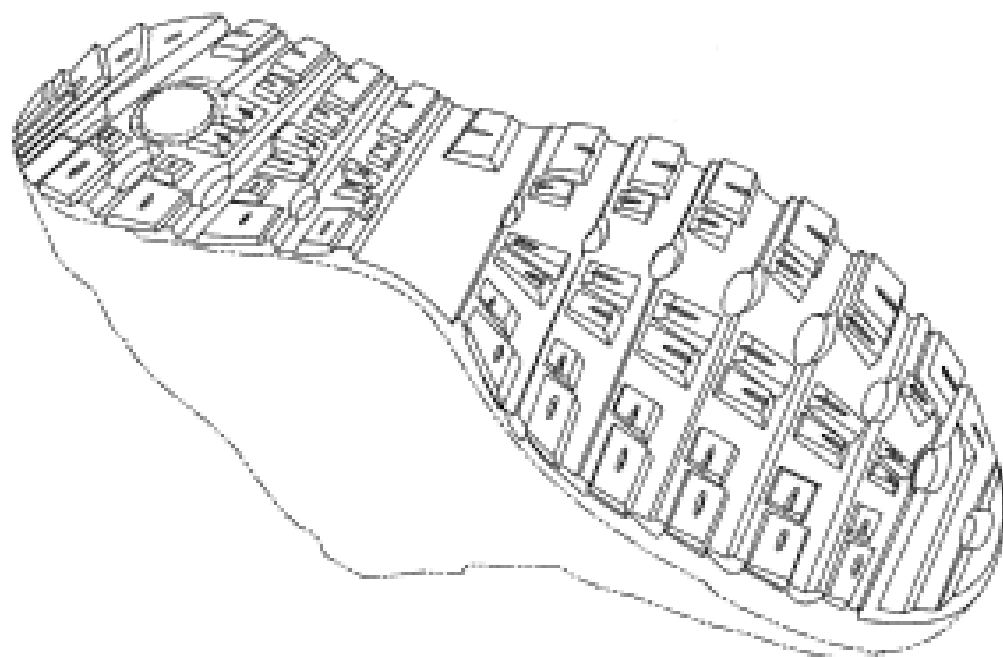
 (56) Related Art Documents: **Not Applicable**
 (57) Statement of Newness and Distinctiveness: **Newness and distinctiveness is claimed in the visual features shown in the representations except for those shown in phantom lines.**



(21) Design Number: **12140/2008**
 (22) Date of Filing Application: **06 May 2008**
 (24) Date from which industrial property rights may have effect: **06 May 2008**
 (54) Product in respect of which the design is registered: **A footwear sole**
 (51) International Design Classification: **02-04B**
 (71) Name(s) and Address(s) of Applicant(s):
Wolverine World Wide, Inc.
9341 Courtland Drive NE Rockford Michigan 49351 United States of America
 (72) Name(s) of Designer(s): **Julie St-Louis and Laura Bianchi**
 (45) Registration Date: **12 September 2008**
 (30) Convention priority data:

(31) Number	(32) Date	(33) Country
29293089	07 Nov 2007	UNITED STATES OF AMERICA

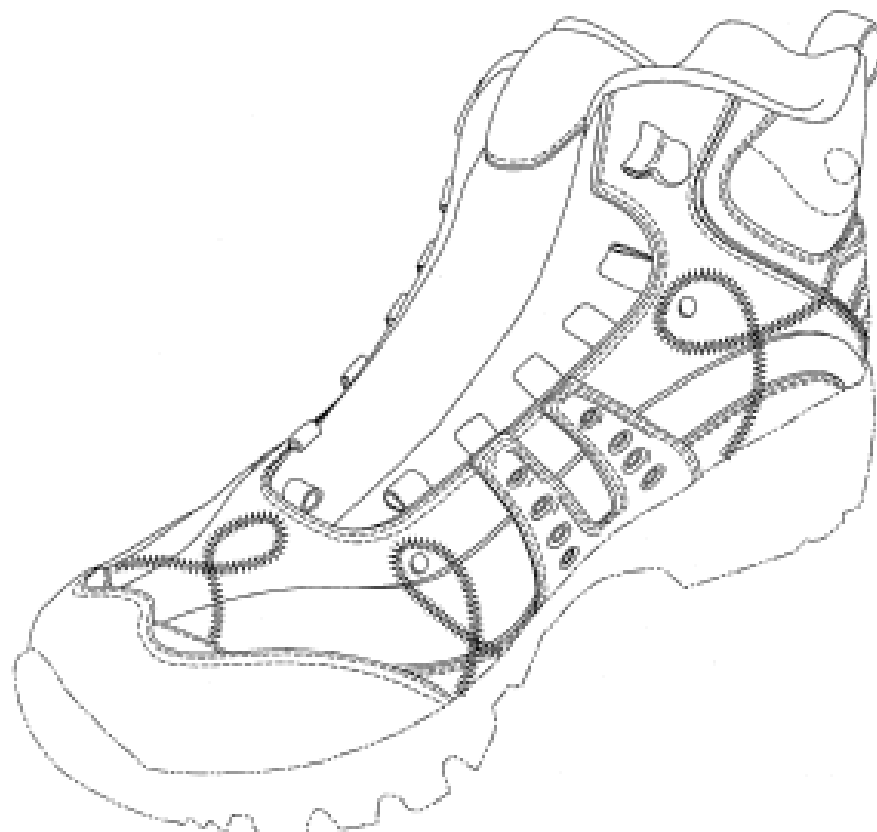
 (56) Related Art Documents: **Not Applicable**
 (57) Statement of Newness and Distinctiveness: **Newness and distinctiveness is claimed in the visual features shown in the representations except for those shown in phantom lines.**



(21) Design Number: **12141/2008**
 (22) Date of Filing Application: **06 May 2008**
 (24) Date from which industrial property rights may have effect: **06 May 2008**
 (54) Product in respect of which the design is registered: **A footwear upper**
 (51) International Design Classification: **02-04NES**
 (71) Name(s) and Address(s) of Applicant(s):
Wolverine World Wide, Inc.
9341 Courtland Drive NE Rockford Michigan 49351 United States of America
 (72) Name(s) of Designer(s): **Sylvie M.C. Roy and Lucio Bandini and Cristian Ardissono**
 (45) Registration Date: **12 September 2008**
 (30) Convention priority data:

(31) Number	(32) Date	(33) Country
29/293117	07 Nov 2007	UNITED STATES OF AMERICA

 (56) Related Art Documents: **Not Applicable**
 (57) Statement of Newness and Distinctiveness: **Newness and distinctiveness is claimed in the visual features shown in the representations except for those shown in phantom lines.**



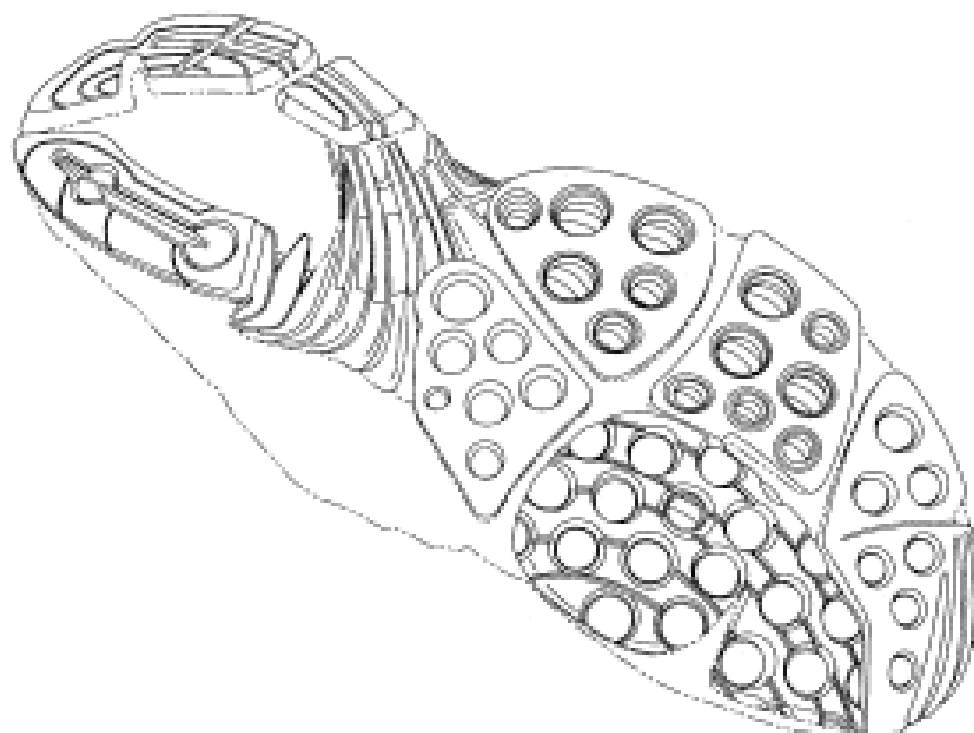
- (21) Design Number: **12142/2008**
- (22) Date of Filing Application: **06 May 2008**
- (24) Date from which industrial property rights may have effect: **06 May 2008**
- (54) Product in respect of which the design is registered: **A footwear upper**
- (51) International Design Classification: **02-04NES**
- (71) Name(s) and Address(s) of Applicant(s):
Wolverine World Wide, Inc.
9341 Courtland Drive NE Rockford Michigan 49351 United States of America
- (72) Name(s) of Designer(s): **Sylvie M.C. Roy and Martin W.F. Dean**
- (45) Registration Date: **12 September 2008**
- (30) Convention priority data:

(31) Number	(32) Date	(33) Country
29/293076	07 Nov 2007	UNITED STATES OF AMERICA
- (56) Related Art Documents: **Not Applicable**
- (57) Statement of Newness and Distinctiveness: **Newness and distinctiveness is claimed in the visual features shown in the representations except for those shown in phantom lines.**

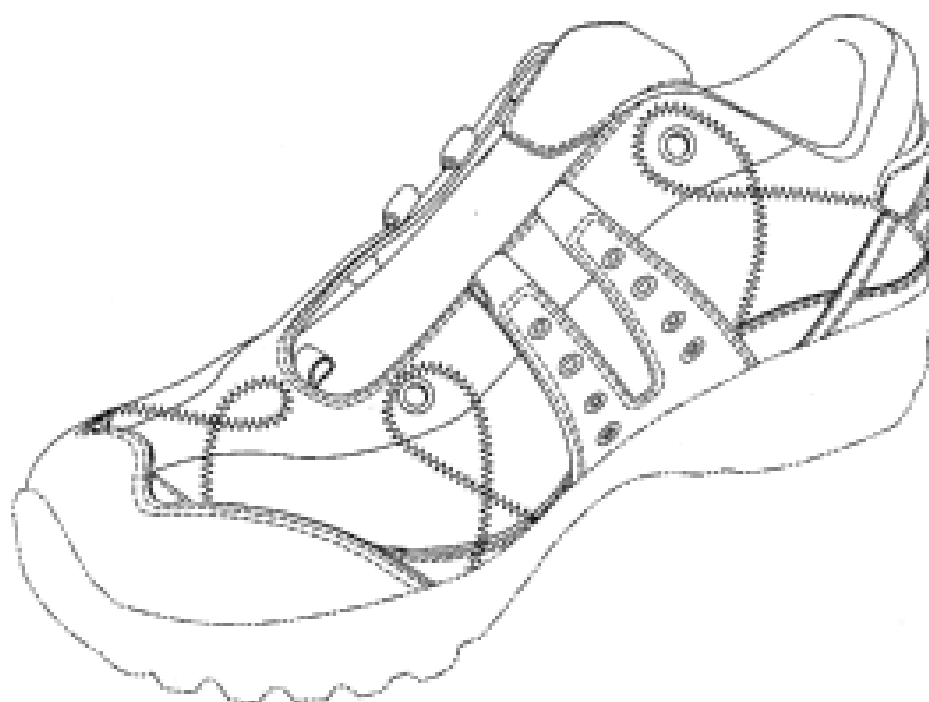


- (21) Design Number: **12143/2008**
- (22) Date of Filing Application: **06 May 2008**
- (24) Date from which industrial property rights may have effect: **06 May 2008**
- (54) Product in respect of which the design is registered: **A footwear sole**
- (51) International Design Classification: **02-04A**
- (71) Name(s) and Address(s) of Applicant(s):
Wolverine World Wide, Inc.
9341 Courtland Drive NE Rockford Michigan 49351 United States of America
- (72) Name(s) of Designer(s): **Gregg Duffy**
- (45) Registration Date: **12 September 2008**
- (30) Convention priority data:

(31) Number	(32) Date	(33) Country
29/293053	07 Nov 2007	UNITED STATES OF AMERICA
- (56) Related Art Documents: **Not Applicable**
- (57) Statement of Newness and Distinctiveness: **Newness and distinctiveness is claimed in the visual features shown in the representations except for those shown in phantom lines.**



- (21) Design Number: **12144/2008**
(22) Date of Filing Application: **06 May 2008**
(24) Date from which industrial property rights may have effect: **06 May 2008**
(54) Product in respect of which the design is registered: **A footwear upper**
(51) International Design Classification: **02-04NES**
(71) Name(s) and Address(s) of Applicant(s):
Wolverine World Wide, Inc.
9341 Courtland Drive NE Rockford Michigan 49351 United States of America
(72) Name(s) of Designer(s): **Sylvie M.C. Roy and Lucio Bandini and Cristian Ardissono**
(45) Registration Date: **12 September 2008**
(30) Convention priority data:
(31) Number (32) Date (33) Country
29/293018 07 Nov 2007 UNITED STATES OF AMERICA
(56) Related Art Documents: **Not Applicable**
(57) Statement of Newness and Distinctiveness: **Newness and distinctiveness is claimed in the visual features shown in the representations except for those shown in phantom lines.**



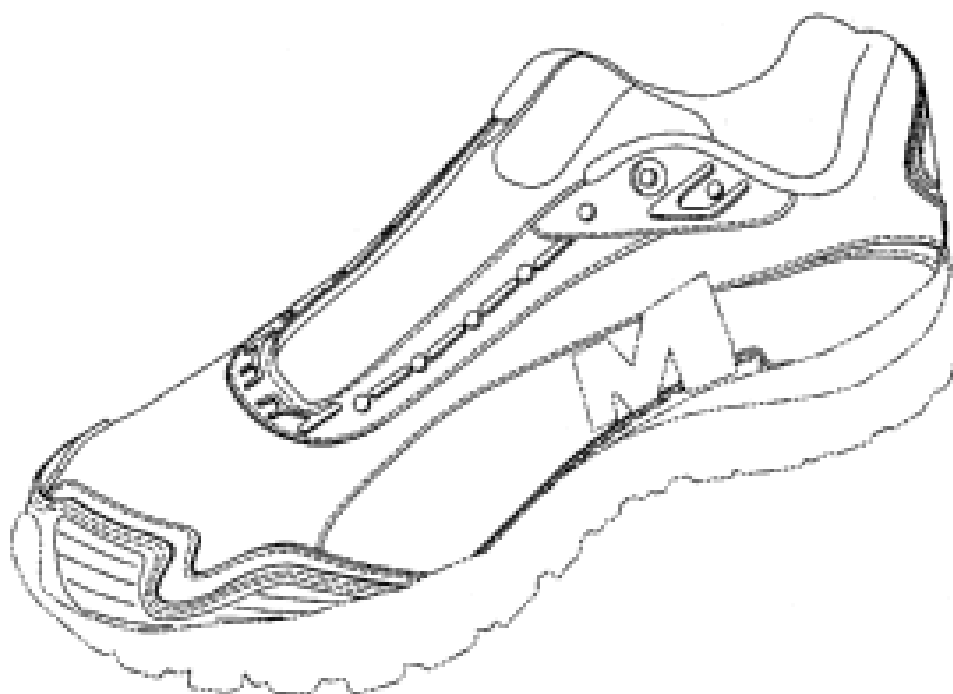
- (21) Design Number: **12145/2008**
(22) Date of Filing Application: **06 May 2008**
(24) Date from which industrial property rights may have effect: **06 May 2008**
(54) Product in respect of which the design is registered: **A footwear upper**
(51) International Design Classification: **02-04NES**
(71) Name(s) and Address(s) of Applicant(s):
Wolverine World Wide, Inc.
9341 Courtland Drive NE Rockford Michigan 49351 United States of America
(72) Name(s) of Designer(s): **Gregg Duffy**
(45) Registration Date: **12 September 2008**
(30) Convention priority data:
(31) Number (32) Date (33) Country
29/293045 07 Nov 2007 UNITED STATES OF AMERICA
(56) Related Art Documents: **Not Applicable**
(57) Statement of Newness and Distinctiveness: **Newness and distinctiveness is claimed in the visual features shown in the representations except for those shown in phantom lines.**



(21) Design Number: **12146/2008**
 (22) Date of Filing Application: **06 May 2008**
 (24) Date from which industrial property rights may have effect: **06 May 2008**
 (54) Product in respect of which the design is registered: **A footwear upper**
 (51) International Design Classification: **02-04NES**
 (71) Name(s) and Address(s) of Applicant(s):
Wolverine World Wide, Inc.
9341 Courtland Drive NE Rockford Michigan 49351 United States of America
 (72) Name(s) of Designer(s): **Gregg Duffy**
 (45) Registration Date: **12 September 2008**
 (30) Convention priority data:

(31) Number	(32) Date	(33) Country
29/293093	07 Nov 2007	UNITED STATES OF AMERICA

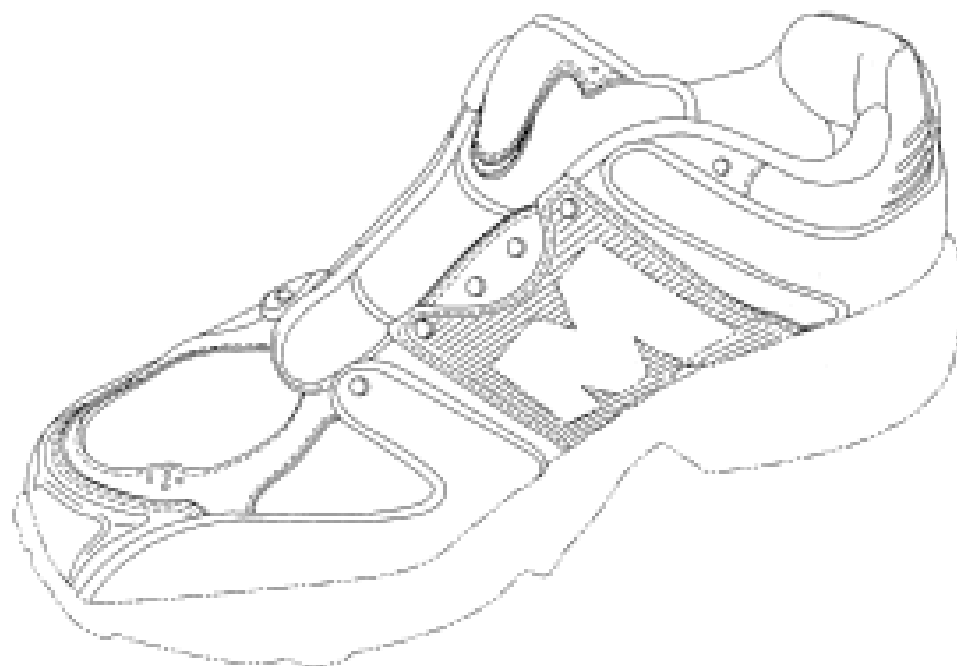
 (56) Related Art Documents: **Not Applicable**
 (57) Statement of Newness and Distinctiveness: **Newness and distinctiveness is claimed in the visual features shown in the representations except for those shown in phantom lines.**



(21) Design Number: **12147/2008**
 (22) Date of Filing Application: **06 May 2008**
 (24) Date from which industrial property rights may have effect: **06 May 2008**
 (54) Product in respect of which the design is registered: **A footwear upper**
 (51) International Design Classification: **02-04NES**
 (71) Name(s) and Address(s) of Applicant(s):
Wolverine World Wide, Inc.
9341 Courtland Drive NE Rockford Michigan 49351 United States of America
 (72) Name(s) of Designer(s): **Gregg Duffy**
 (45) Registration Date: **12 September 2008**
 (30) Convention priority data:

(31) Number	(32) Date	(33) Country
29/293113	07 Nov 2007	UNITED STATES OF AMERICA

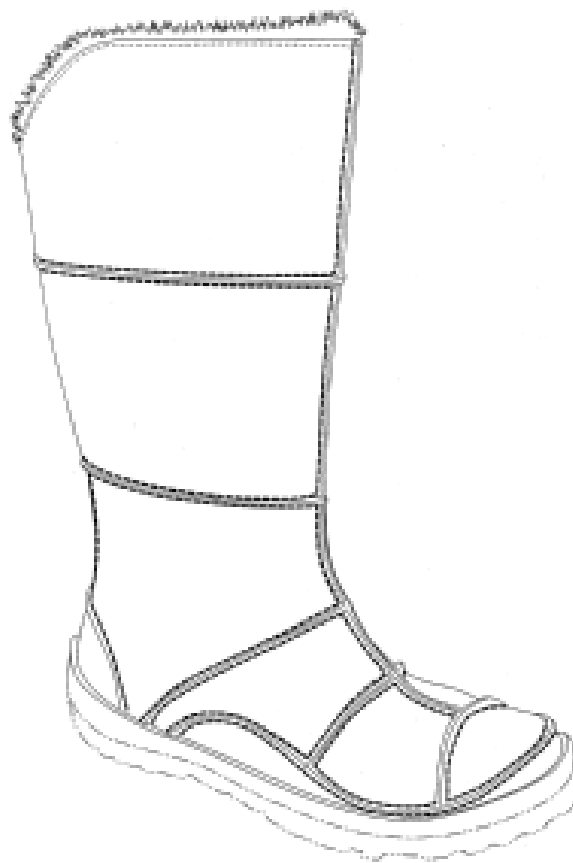
 (56) Related Art Documents: **Not Applicable**
 (57) Statement of Newness and Distinctiveness: **Newness and distinctiveness is claimed in the visual features shown in the representations except for those shown in phantom lines.**



(21) Design Number: **12148/2008**
 (22) Date of Filing Application: **06 May 2008**
 (24) Date from which industrial property rights may have effect: **06 May 2008**
 (54) Product in respect of which the design is registered: **A footwear upper**
 (51) International Design Classification: **02-04NES**
 (71) Name(s) and Address(s) of Applicant(s):
Wolverine World Wide, Inc.
9341 Courtland Drive NE Rockford Michigan 49351 United States of America
 (72) Name(s) of Designer(s): **Manon Belley and Julie St-Louis**
 (45) Registration Date: **12 September 2008**
 (30) Convention priority data:

(31) Number	(32) Date	(33) Country
29293067	07 Nov 2007	UNITED STATES OF AMERICA

 (56) Related Art Documents: **Not Applicable**
 (57) Statement of Newness and Distinctiveness: **Newness and distinctiveness is claimed in the visual features shown in the representations except for those shown in phantom lines.**



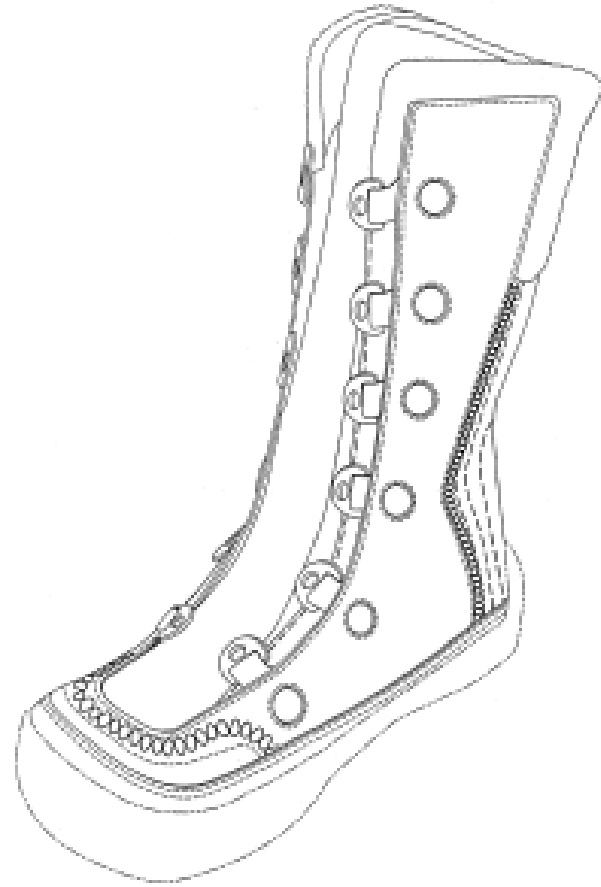
(21) Design Number: **12149/2008**
 (22) Date of Filing Application: **06 May 2008**
 (24) Date from which industrial property rights may have effect: **06 May 2008**
 (54) Product in respect of which the design is registered: **A footwear upper**
 (51) International Design Classification: **02-04NES**
 (71) Name(s) and Address(s) of Applicant(s):
Wolverine World Wide, Inc.
9341 Courtland Drive NE Rockford Michigan 49351 United States of America
 (72) Name(s) of Designer(s): **Manon Belley and Martin W.F. Dean**
 (45) Registration Date: **12 September 2008**
 (30) Convention priority data:

(31) Number	(32) Date	(33) Country
29293135	07 Nov 2007	UNITED STATES OF AMERICA

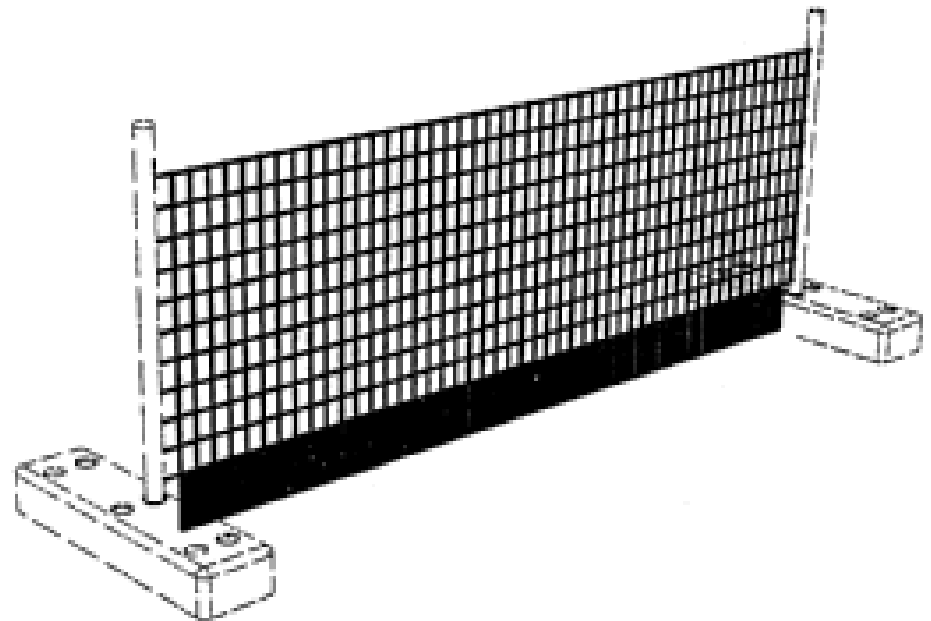
 (56) Related Art Documents: **Not Applicable**
 (57) Statement of Newness and Distinctiveness: **Newness and distinctiveness is claimed in the visual features shown in the representations except for those shown in phantom lines.**



- (21) Design Number: **12150/2008**
(22) Date of Filing Application: **06 May 2008**
(24) Date from which industrial property rights may have effect: **06 May 2008**
(54) Product in respect of which the design is registered: **A footwear upper**
(51) International Design Classification: **02-04NES**
(71) Name(s) and Address(s) of Applicant(s):
Wolverine World Wide, Inc.
9341 Courtland Drive NE Rockford Michigan 49351 United States of America
(72) Name(s) of Designer(s): **Martin W.F. Dean and Manon Belley**
(45) Registration Date: **12 September 2008**
(30) Convention priority data:
(31) Number (32) Date (33) Country
29293136 07 Nov 2007 UNITED STATES OF AMERICA
(56) Related Art Documents: **Not Applicable**
(57) Statement of Newness and Distinctiveness: **Newness and distinctiveness is claimed in the visual features shown in the representations except for those shown in phantom lines.**



- (21) Design Number: **14083/2008**
(22) Date of Filing Application: **30 April 2008**
(24) Date from which industrial property rights may have effect: **30 April 2008**
(54) Product in respect of which the design is registered: **A barrier panel**
(51) International Design Classification: **25-02NES**
(71) Name(s) and Address(s) of Applicant(s):
John Clement Preston
196 Silverwater Road Silverwater New South Wales 2128 Australia
(72) Name(s) of Designer(s): **John Clement Preston**
(45) Registration Date: **12 September 2008**
(56) Related Art Documents: **Not Applicable**
(57) Statement of Newness and Distinctiveness: **Newness and distinctiveness resides in the visual features of the lower portion of the barrier panel having cut out portions provided at each lower corner thereof. The support post and support foot shown in broken lines are illustrative only and do not form part of the design. The height and width of the barrier panel may vary.**



- (21) Design Number: **20688/2007**
- (22) Date of Filing Application: **08 November 2007**
- (24) Date from which industrial property rights may have effect: **08 November 2007**
- (54) Product in respect of which the design is registered: **Tiered printed maxi skirt**
- (51) International Design Classification: **02-02C**
- (71) Name(s) and Address(s) of Applicant(s):
Sportsgirl Pty Ltd
24-40 Rosslyn Street West Melbourne Victoria 3003 Australia
- (72) Name(s) of Designer(s): **Gavin Gage**
- (45) Registration Date: **12 September 2008**
- (56) Related Art Documents: **Not Applicable**
- (57) Statement of Newness and Distinctiveness: **Nil**



- (21) Design Number: **12151/2008**
- (22) Date of Filing Application: **06 May 2008**
- (24) Date from which industrial property rights may have effect: **06 May 2008**
- (54) Product in respect of which the design is registered: **A footwear upper**
- (51) International Design Classification: **02-04NES**
- (71) Name(s) and Address(s) of Applicant(s):
Wolverine World Wide, Inc.
9341 Courtland Drive NE Rockford Michigan 49351 United States of America
- (72) Name(s) of Designer(s): **Manon Belley and Martin W.F. Dean**
- (45) Registration Date: **12 September 2008**
- (30) Convention priority data:

(31) Number	(32) Date	(33) Country
29293137	07 Nov 2007	UNITED STATES OF AMERICA
- (56) Related Art Documents: **Not Applicable**
- (57) Statement of Newness and Distinctiveness: **Newness and distinctiveness is claimed in the visual features shown in the representations except for those shown in phantom lines.**



- (21) Design Number: **12166/2008**
- (22) Date of Filing Application: **06 May 2008**
- (24) Date from which industrial property rights may have effect: **06 May 2008**
- (54) Product in respect of which the design is registered: **A footwear upper**
- (51) International Design Classification: **02-04NES**
- (71) Name(s) and Address(s) of Applicant(s):
Wolverine World Wide, Inc.
9341 Courtland Drive NE Rockford Michigan 49351 United States of America
- (72) Name(s) of Designer(s): **Manon Belley and Martin W.F. Dean**
- (45) Registration Date: **12 September 2008**
- (30) Convention priority data:

(31) Number	(32) Date	(33) Country
29293095	07 Nov 2007	UNITED STATES OF AMERICA
- (56) Related Art Documents: **Not Applicable**
- (57) Statement of Newness and Distinctiveness: **Newness and distinctiveness is claimed in the visual features shown in the representations except for those shown in phantom lines.**



- (21) Design Number: **12167/2008**
- (22) Date of Filing Application: **06 May 2008**
- (24) Date from which industrial property rights may have effect: **06 May 2008**
- (54) Product in respect of which the design is registered: **A footwear upper**
- (51) International Design Classification: **02-04NES**
- (71) Name(s) and Address(s) of Applicant(s):
Wolverine World Wide, Inc.
9341 Courtland Drive NE Rockford Michigan 49351 United States of America
- (72) Name(s) of Designer(s): **Julie St-Louis**
- (45) Registration Date: **12 September 2008**
- (30) Convention priority data:

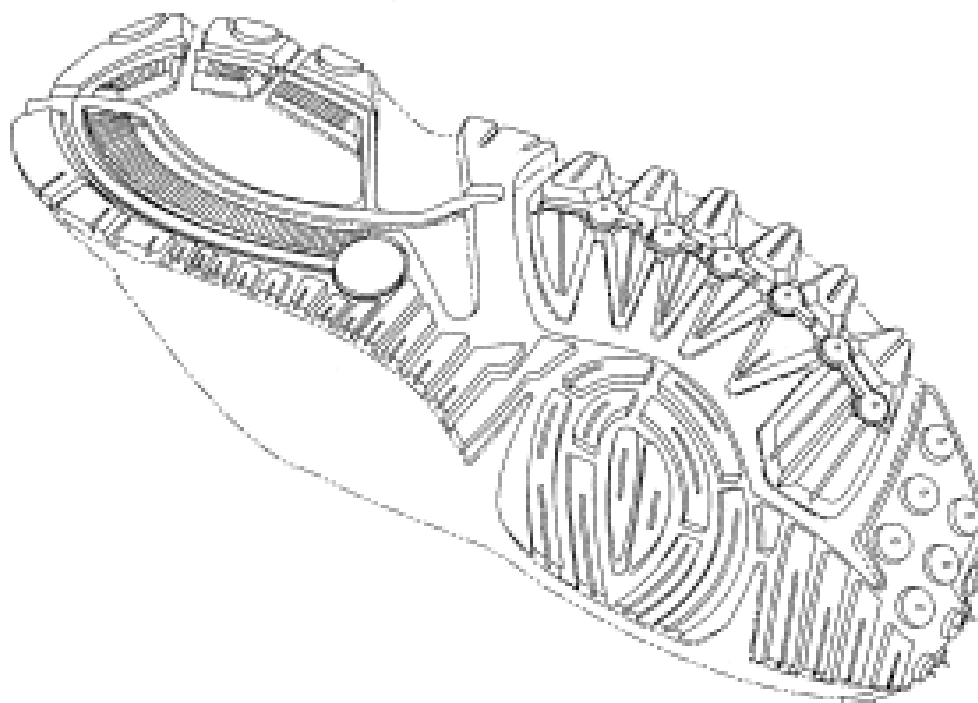
(31) Number	(32) Date	(33) Country
29293141	07 Nov 2007	UNITED STATES OF AMERICA
- (56) Related Art Documents: **Not Applicable**
- (57) Statement of Newness and Distinctiveness: **Newness and distinctiveness is claimed in the visual features shown in the representations except for those shown in phantom lines.**



(19) AU

- (21) Design Number: **12168/2008**
- (22) Date of Filing Application: **06 May 2008**
- (24) Date from which industrial property rights may have effect: **06 May 2008**
- (54) Product in respect of which the design is registered: **A footwear sole**
- (51) International Design Classification: **02-04B**
- (71) Name(s) and Address(s) of Applicant(s):
Wolverine World Wide, Inc.
9341 Courtland Drive NE Rockford Michigan 49351 United States of America
- (72) Name(s) of Designer(s): **Gregg Duffy**
- (45) Registration Date: **12 September 2008**
- (30) Convention priority data:

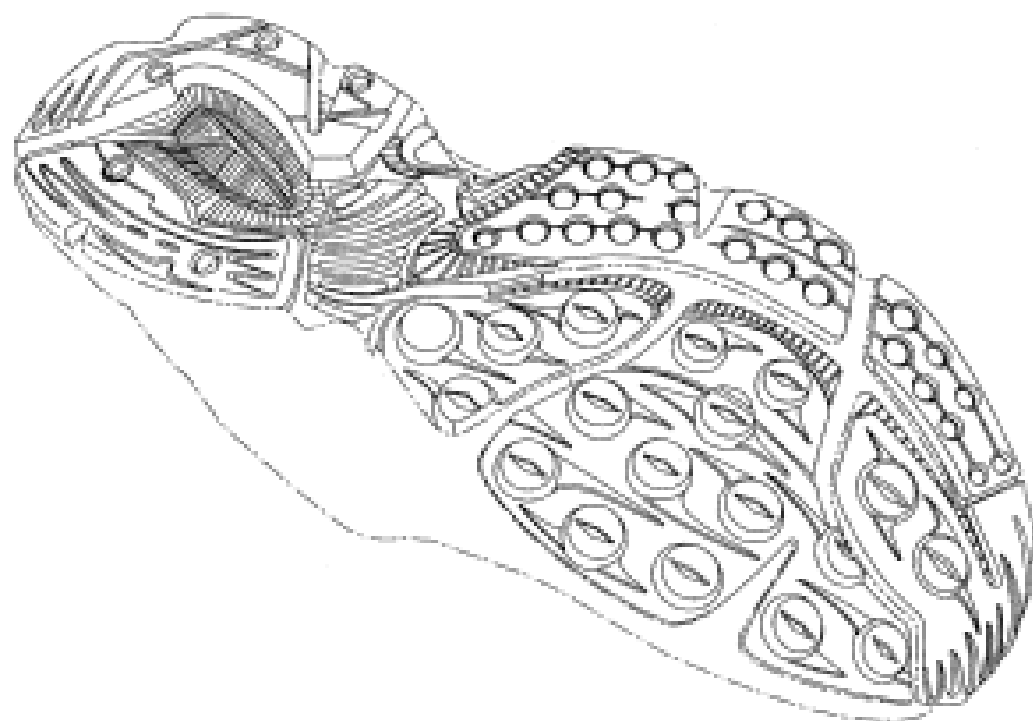
(31) Number	(32) Date	(33) Country
29293054	07 Nov 2007	UNITED STATES OF AMERICA
- (56) Related Art Documents: **Not Applicable**
- (57) Statement of Newness and Distinctiveness: **Newness and distinctiveness is claimed in the visual features shown in the representations except for those shown in phantom lines.**



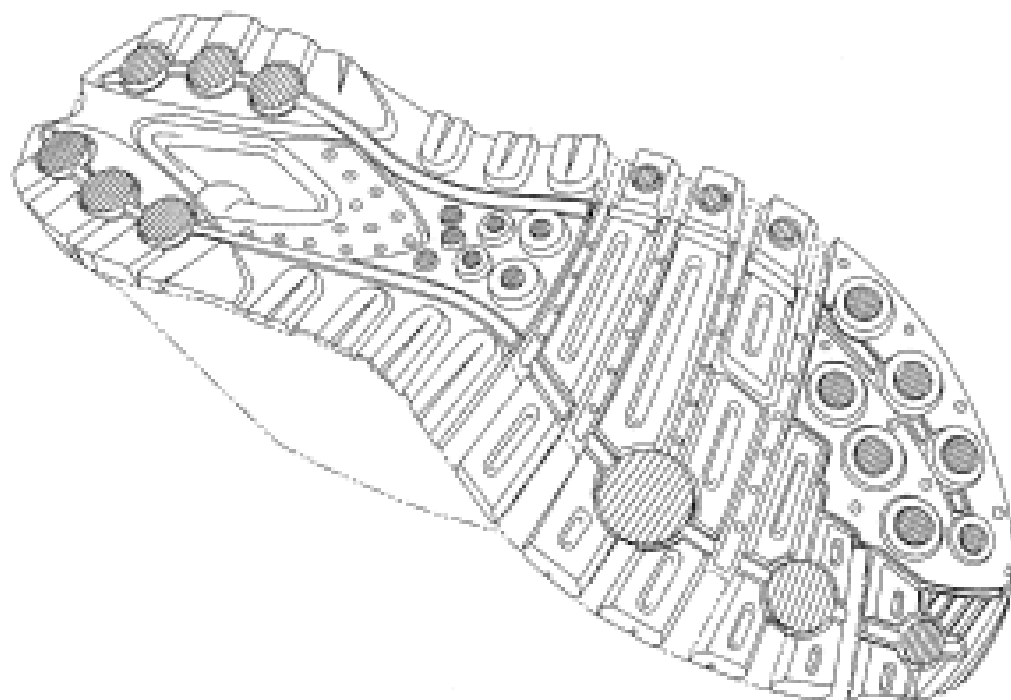
(19) AU

- (21) Design Number: **12169/2008**
- (22) Date of Filing Application: **06 May 2008**
- (24) Date from which industrial property rights may have effect: **06 May 2008**
- (54) Product in respect of which the design is registered: **A footwear sole**
- (51) International Design Classification: **02-04B**
- (71) Name(s) and Address(s) of Applicant(s):
Wolverine World Wide, Inc.
9341 Courtland Drive NE Rockford Michigan 49351 United States of America
- (72) Name(s) of Designer(s): **Gregg Duffy**
- (45) Registration Date: **12 September 2008**
- (30) Convention priority data:

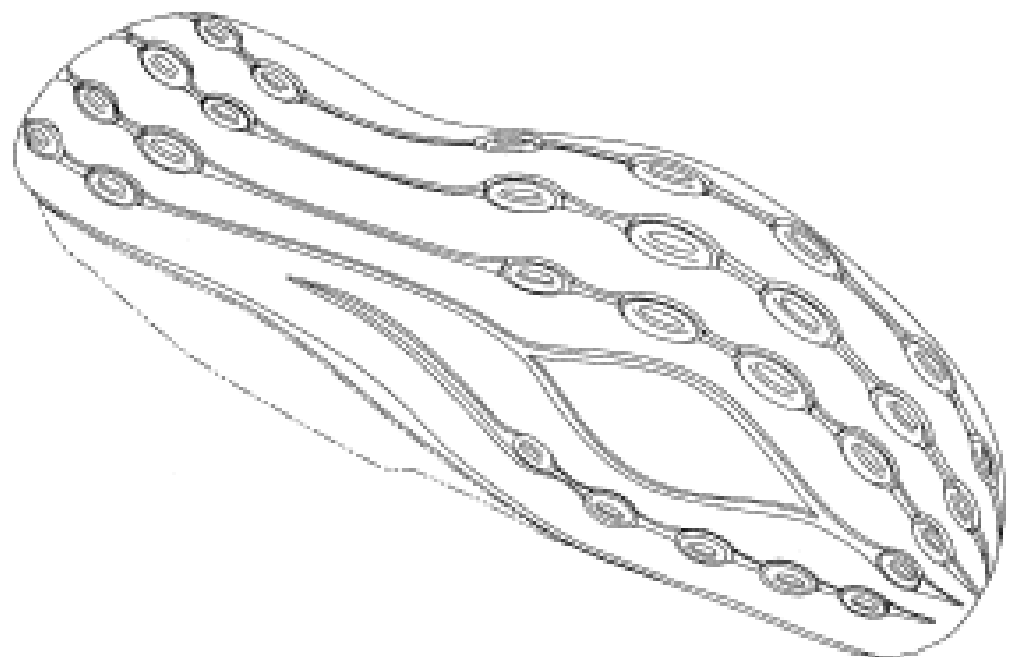
(31) Number	(32) Date	(33) Country
29/293010	07 Nov 2007	UNITED STATES OF AMERICA
- (56) Related Art Documents: **Not Applicable**
- (57) Statement of Newness and Distinctiveness: **Newness and distinctiveness is claimed in the visual features shown in the representations except for those shown in phantom lines.**



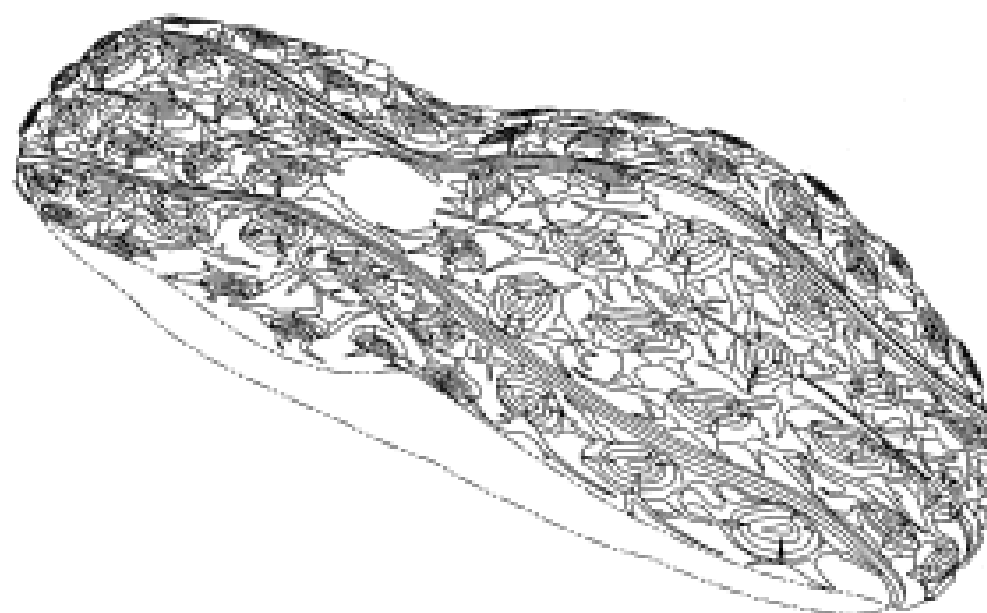
(21) Design Number: **12170/2008**
 (22) Date of Filing Application: **06 May 2008**
 (24) Date from which industrial property rights may have effect: **06 May 2008**
 (54) Product in respect of which the design is registered: **A footwear sole**
 (51) International Design Classification: **02-04B**
 (71) Name(s) and Address(s) of Applicant(s):
Wolverine World Wide, Inc.
9341 Courtland Drive NE Rockford Michigan 49351 United States of America
 (72) Name(s) of Designer(s): **Gregg Duffy**
 (45) Registration Date: **12 September 2008**
 (30) Convention priority data:
 (31) Number (32) Date (33) Country
29/293120 07 Nov 2007 UNITED STATES OF AMERICA
 (56) Related Art Documents: **Not Applicable**
 (57) Statement of Newness and Distinctiveness: **Newness and distinctiveness is claimed in the visual features shown in the representations except for those shown in phantom lines.**



(21) Design Number: **12171/2008**
 (22) Date of Filing Application: **06 May 2008**
 (24) Date from which industrial property rights may have effect: **06 May 2008**
 (54) Product in respect of which the design is registered: **A footwear sole**
 (51) International Design Classification: **02-04B**
 (71) Name(s) and Address(s) of Applicant(s):
Wolverine World Wide, Inc.
9341 Courtland Drive NE Rockford Michigan 49351 United States of America
 (72) Name(s) of Designer(s): **Manon Belley and Martin W.F. Dean and Grant A. Urie**
 (45) Registration Date: **12 September 2008**
 (30) Convention priority data:
 (31) Number (32) Date (33) Country
29/293106 07 Nov 2007 UNITED STATES OF AMERICA
 (56) Related Art Documents: **Not Applicable**
 (57) Statement of Newness and Distinctiveness: **Newness and distinctiveness is claimed in the visual features shown in the representations except for those shown in phantom lines.**



(21) Design Number: **12172/2008**
 (22) Date of Filing Application: **06 May 2008**
 (24) Date from which industrial property rights may have effect: **06 May 2008**
 (54) Product in respect of which the design is registered: **A footwear sole**
 (51) International Design Classification: **02-04B**
 (71) Name(s) and Address(s) of Applicant(s):
Wolverine World Wide, Inc.
9341 Courtland Drive NE Rockford Michigan 49351 United States of America
 (72) Name(s) of Designer(s): **Manon Belley and Martin W.F. Dean and Grant A. Urie**
 (45) Registration Date: **12 September 2008**
 (30) Convention priority data:
 (31) Number (32) Date (33) Country
29293021 07 Nov 2007 UNITED STATES OF AMERICA
 (56) Related Art Documents: **Not Applicable**
 (57) Statement of Newness and Distinctiveness: **Newness and distinctiveness is claimed in the visual features shown in the representations except for those shown in phantom lines.**



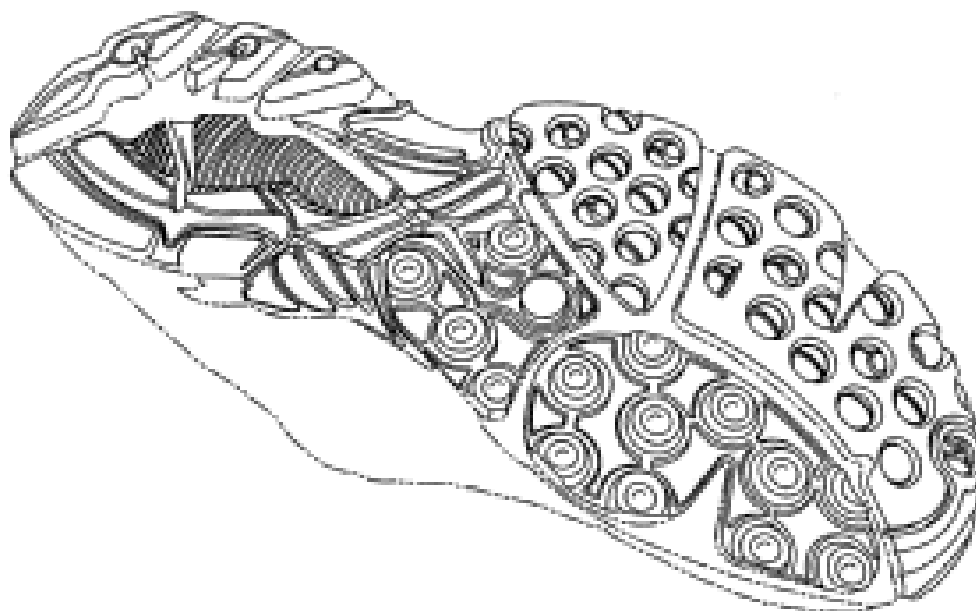
(21) Design Number: **12173/2008**
 (22) Date of Filing Application: **06 May 2008**
 (24) Date from which industrial property rights may have effect: **06 May 2008**
 (54) Product in respect of which the design is registered: **A footwear upper**
 (51) International Design Classification: **02-04NES**
 (71) Name(s) and Address(s) of Applicant(s):
Wolverine World Wide, Inc.
9341 Courtland Drive NE Rockford Michigan 49351 United States of America
 (72) Name(s) of Designer(s): **Sylvie M.C. Roy and Martin W.F. Dean**
 (45) Registration Date: **12 September 2008**
 (30) Convention priority data:
 (31) Number (32) Date (33) Country
29293131 07 Nov 2007 UNITED STATES OF AMERICA
 (56) Related Art Documents: **Not Applicable**
 (57) Statement of Newness and Distinctiveness: **Newness and distinctiveness is claimed in the visual features shown in the representations except for those shown in phantom lines.**



(21) Design Number: **12174/2008**
 (22) Date of Filing Application: **06 May 2008**
 (24) Date from which industrial property rights may have effect: **06 May 2008**
 (54) Product in respect of which the design is registered: **A footwear sole**
 (51) International Design Classification: **02-04B**
 (71) Name(s) and Address(s) of Applicant(s):
Wolverine World Wide, Inc.
9341 Courtland Drive NE Rockford Michigan 49351 United States of America
 (72) Name(s) of Designer(s): **Gregg Duffy**
 (45) Registration Date: **12 September 2008**
 (30) Convention priority data:

(31) Number	(32) Date	(33) Country
29/293124	07 Nov 2007	UNITED STATES OF AMERICA

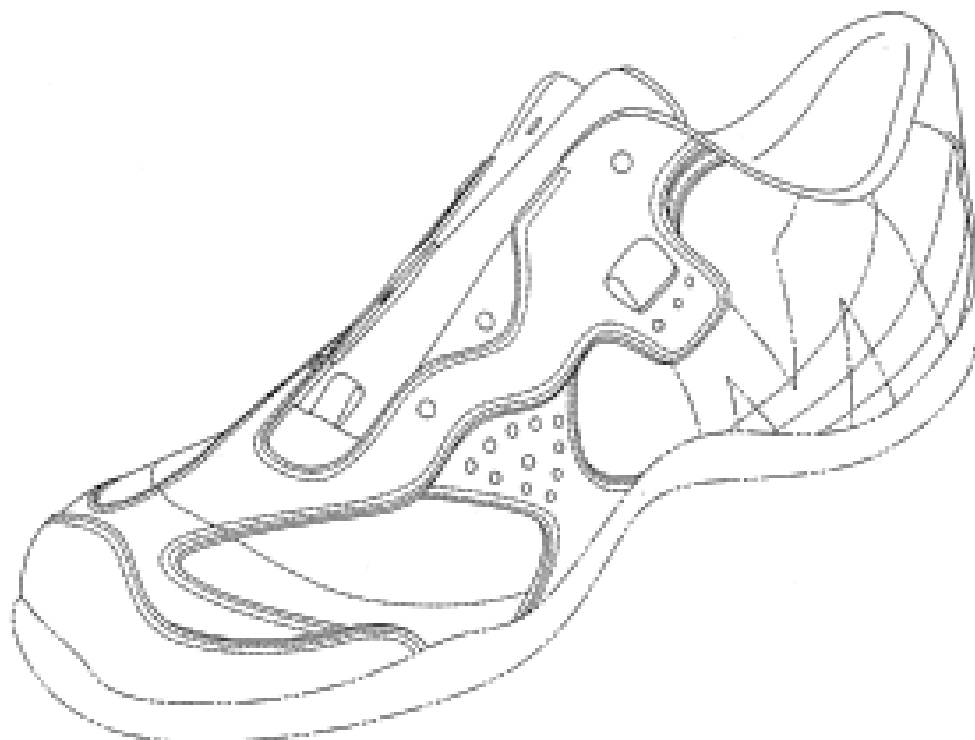
 (56) Related Art Documents: **Not Applicable**
 (57) Statement of Newness and Distinctiveness: **Newness and distinctiveness is claimed in the visual features shown in the representations except for those shown in phantom lines.**



(21) Design Number: **12175/2008**
 (22) Date of Filing Application: **06 May 2008**
 (24) Date from which industrial property rights may have effect: **06 May 2008**
 (54) Product in respect of which the design is registered: **A footwear upper**
 (51) International Design Classification: **02-04NES**
 (71) Name(s) and Address(s) of Applicant(s):
Wolverine World Wide, Inc.
9341 Courtland Drive NE Rockford Michigan 49351 United States of America
 (72) Name(s) of Designer(s): **Manon Belley and Cristian Ardissono**
 (45) Registration Date: **12 September 2008**
 (30) Convention priority data:

(31) Number	(32) Date	(33) Country
29293083	07 Nov 2007	UNITED STATES OF AMERICA

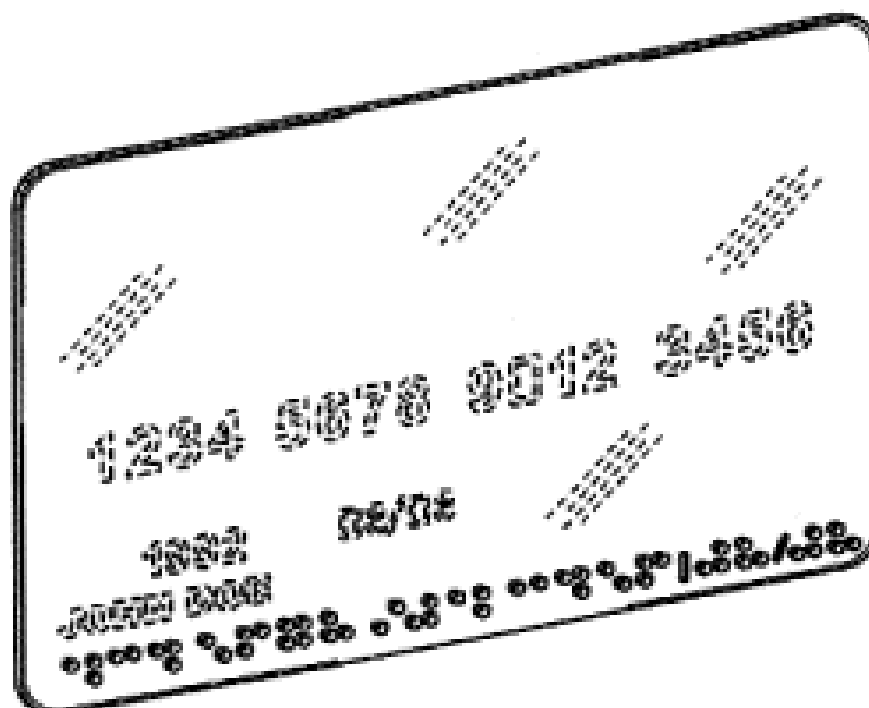
 (56) Related Art Documents: **Not Applicable**
 (57) Statement of Newness and Distinctiveness: **Newness and distinctiveness is claimed in the visual features shown in the representations except for those shown in phantom lines.**



(19) AU

- (21) Design Number: **12182/2008**
- (22) Date of Filing Application: **06 May 2008**
- (24) Date from which industrial property rights may have effect: **06 May 2008**
- (54) Product in respect of which the design is registered: **Braille financial transaction card**
- (51) International Design Classification: **19-08**
- (71) Name(s) and Address(s) of Applicant(s):
Visa U.S.A. Inc.
PO Box 8999 San Francisco California 94128 United States of America
- (72) Name(s) of Designer(s): **John Richard Hachey and LeRoy Kevin Isaac**
- (45) Registration Date: **12 September 2008**
- (30) Convention priority data:

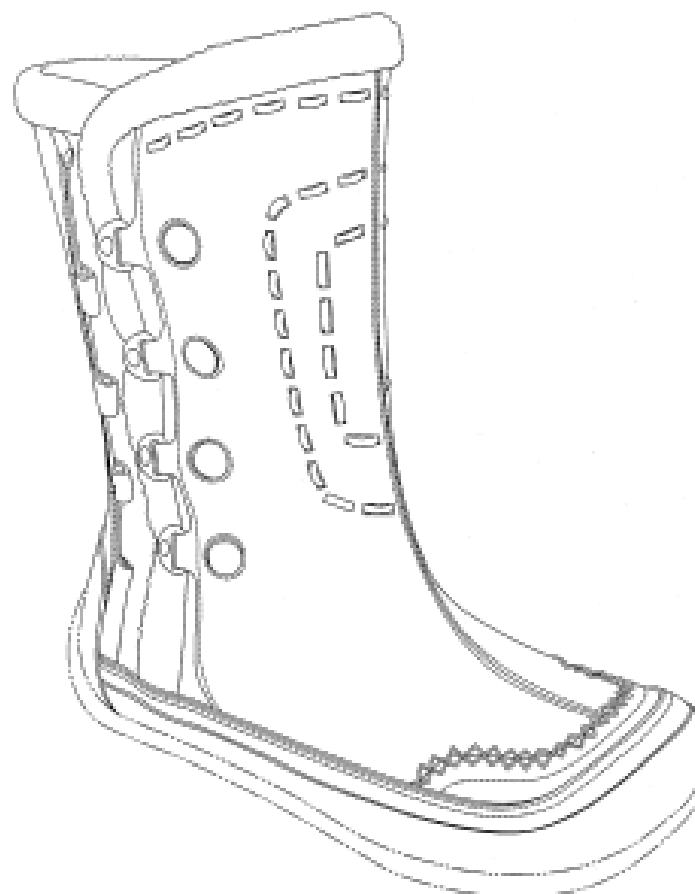
(31) Number	(32) Date	(33) Country
29/303622	13 Feb 2008	UNITED STATES OF AMERICA
- (56) Related Art Documents: **Not Applicable**
- (57) Statement of Newness and Distinctiveness: **Newness and distinctiveness is claimed in the features of shape and/or configuration of the Braille indicia as applied to both surfaces of the Braille financial transaction card as illustrated in the accompanying representations, wherein the elements represented with broken lines are to be disregarded.**



(19) AU

- (21) Design Number: **12152/2008**
- (22) Date of Filing Application: **06 May 2008**
- (24) Date from which industrial property rights may have effect: **06 May 2008**
- (54) Product in respect of which the design is registered: **A footwear upper**
- (51) International Design Classification: **02-04NES**
- (71) Name(s) and Address(s) of Applicant(s):
Wolverine World Wide, Inc.
9341 Courtland Drive NE Rockford Michigan 49351 United States of America
- (72) Name(s) of Designer(s): **Manon Belley and Martin W.F. Dean**
- (45) Registration Date: **12 September 2008**
- (30) Convention priority data:

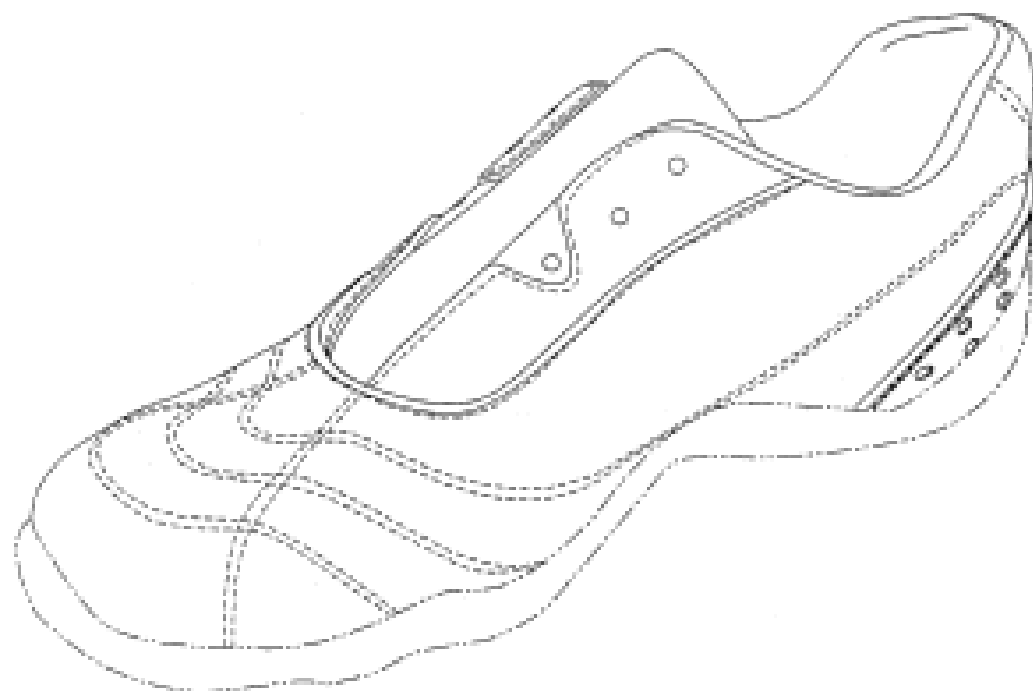
(31) Number	(32) Date	(33) Country
29293078	07 Nov 2007	UNITED STATES OF AMERICA
- (56) Related Art Documents: **Not Applicable**
- (57) Statement of Newness and Distinctiveness: **Newness and distinctiveness is claimed in the visual features shown in the representations except for those shown in phantom lines.**



(21) Design Number: **12153/2008**
 (22) Date of Filing Application: **06 May 2008**
 (24) Date from which industrial property rights may have effect: **06 May 2008**
 (54) Product in respect of which the design is registered: **A footwear upper**
 (51) International Design Classification: **02-04NES**
 (71) Name(s) and Address(s) of Applicant(s):
Wolverine World Wide, Inc.
9341 Courtland Drive NE Rockford Michigan 49351 United States of America
 (72) Name(s) of Designer(s): **Manon Belley and Cristian Ardissono**
 (45) Registration Date: **12 September 2008**
 (30) Convention priority data:

(31) Number	(32) Date	(33) Country
29293044	07 Nov 2007	UNITED STATES OF AMERICA

 (56) Related Art Documents: **Not Applicable**
 (57) Statement of Newness and Distinctiveness: **Newness and distinctiveness is claimed in the visual features shown in the representations except for those shown in phantom lines.**



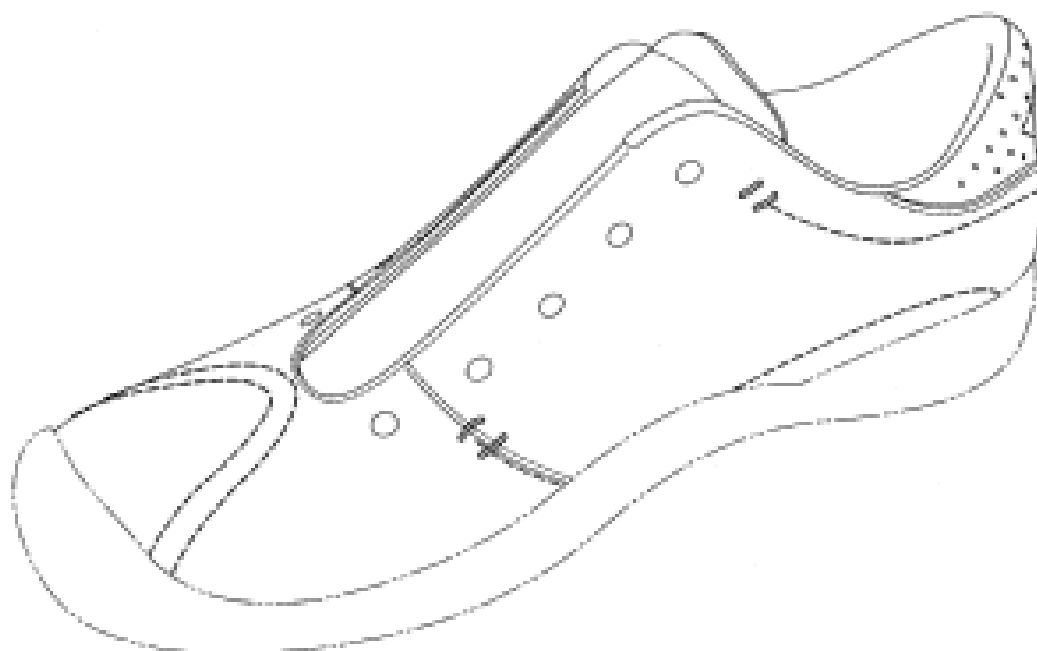
(21) Design Number: **12154/2008**
 (22) Date of Filing Application: **06 May 2008**
 (24) Date from which industrial property rights may have effect: **06 May 2008**
 (54) Product in respect of which the design is registered: **A footwear upper**
 (51) International Design Classification: **02-04NES**
 (71) Name(s) and Address(s) of Applicant(s):
Wolverine World Wide, Inc.
9341 Courtland Drive NE Rockford Michigan 49351 United States of America
 (72) Name(s) of Designer(s): **Julie St-Louis**
 (45) Registration Date: **12 September 2008**
 (30) Convention priority data:

(31) Number	(32) Date	(33) Country
29293015	07 Nov 2007	UNITED STATES OF AMERICA

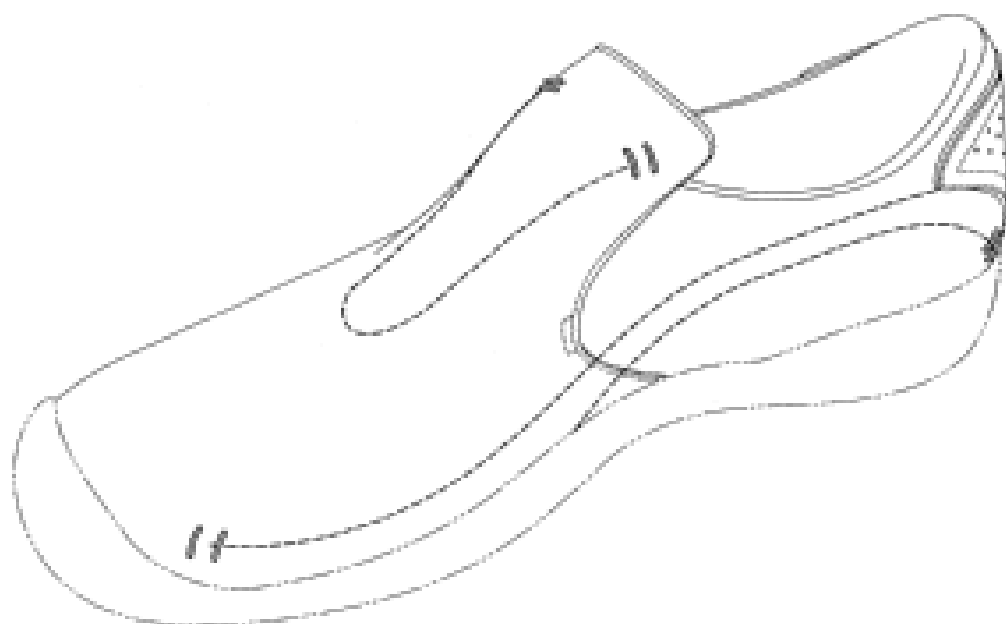
 (56) Related Art Documents: **Not Applicable**
 (57) Statement of Newness and Distinctiveness: **Newness and distinctiveness is claimed in the visual features shown in the representations except for those shown in phantom lines.**



- (21) Design Number: **12155/2008**
(22) Date of Filing Application: **06 May 2008**
(24) Date from which industrial property rights may have effect: **06 May 2008**
(54) Product in respect of which the design is registered: **A footwear upper**
(51) International Design Classification: **02-04NES**
(71) Name(s) and Address(s) of Applicant(s):
Wolverine World Wide, Inc.
9341 Courtland Drive NE Rockford Michigan 49351 United States of America
(72) Name(s) of Designer(s): **Manon Belley and Martin W.F. Dean**
(45) Registration Date: **12 September 2008**
(30) Convention priority data:
(31) Number (32) Date (33) Country
29/293114 07 Nov 2007 UNITED STATES OF AMERICA
(56) Related Art Documents: **Not Applicable**
(57) Statement of Newness and Distinctiveness: **Newness and distinctiveness is claimed in the visual features shown in the representations except for those shown in phantom lines.**

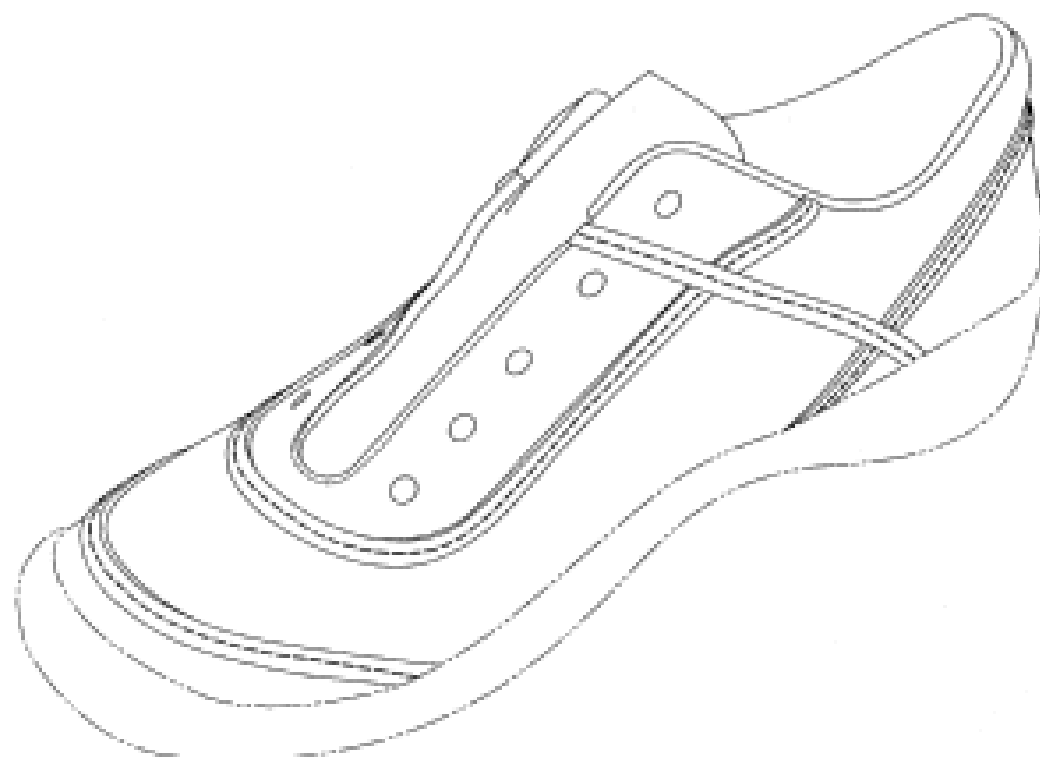


- (21) Design Number: **12156/2008**
(22) Date of Filing Application: **06 May 2008**
(24) Date from which industrial property rights may have effect: **06 May 2008**
(54) Product in respect of which the design is registered: **A footwear upper**
(51) International Design Classification: **02-04NES**
(71) Name(s) and Address(s) of Applicant(s):
Wolverine World Wide, Inc.
9341 Courtland Drive NE Rockford Michigan 49351 United States of America
(72) Name(s) of Designer(s): **Manon Belley and Martin W.F. Dean**
(45) Registration Date: **12 September 2008**
(30) Convention priority data:
(31) Number (32) Date (33) Country
29/293130 07 Nov 2007 UNITED STATES OF AMERICA
(56) Related Art Documents: **Not Applicable**
(57) Statement of Newness and Distinctiveness: **Newness and distinctiveness is claimed in the visual features shown in the representations except for those shown in phantom lines.**



- (21) Design Number: **12157/2008**
- (22) Date of Filing Application: **06 May 2008**
- (24) Date from which industrial property rights may have effect: **06 May 2008**
- (54) Product in respect of which the design is registered: **A footwear upper**
- (51) International Design Classification: **02-04NES**
- (71) Name(s) and Address(s) of Applicant(s):
Wolverine World Wide, Inc.
9341 Courtland Drive NE Rockford Michigan 49351 United States of America
- (72) Name(s) of Designer(s): **Manon Belley and Martin W.F. Dean**
- (45) Registration Date: **12 September 2008**
- (30) Convention priority data:

(31) Number	(32) Date	(33) Country
29/293086	07 Nov 2007	UNITED STATES OF AMERICA
- (56) Related Art Documents: **Not Applicable**
- (57) Statement of Newness and Distinctiveness: **Newness and distinctiveness is claimed in the visual features shown in the representations except for those shown in phantom lines.**



- (21) Design Number: **12158/2008**
- (22) Date of Filing Application: **06 May 2008**
- (24) Date from which industrial property rights may have effect: **06 May 2008**
- (54) Product in respect of which the design is registered: **A footwear upper**
- (51) International Design Classification: **02-04NES**
- (71) Name(s) and Address(s) of Applicant(s):
Wolverine World Wide, Inc.
9341 Courtland Drive NE Rockford Michigan 49351 United States of America
- (72) Name(s) of Designer(s): **Manon Belley and Cristian Ardissono**
- (45) Registration Date: **12 September 2008**
- (30) Convention priority data:

(31) Number	(32) Date	(33) Country
29293007	07 Nov 2007	UNITED STATES OF AMERICA
- (56) Related Art Documents: **Not Applicable**
- (57) Statement of Newness and Distinctiveness: **Newness and distinctiveness is claimed in the visual features shown in the representations except for those shown in phantom lines.**



- (21) Design Number: **12159/2008**
(22) Date of Filing Application: **06 May 2008**
(24) Date from which industrial property rights may have effect: **06 May 2008**
(54) Product in respect of which the design is registered: **A footwear upper**
(51) International Design Classification: **02-04NES**
(71) Name(s) and Address(s) of Applicant(s):
Wolverine World Wide, Inc.
9341 Courtland Drive NE Rockford Michigan 49351 United States of America
(72) Name(s) of Designer(s): **Manon Belley and Cristian Ardissono**
(45) Registration Date: **12 September 2008**
(30) Convention priority data:
(31) Number (32) Date (33) Country
29293112 07 Nov 2007 UNITED STATES OF AMERICA
(56) Related Art Documents: **Not Applicable**
(57) Statement of Newness and Distinctiveness: **Newness and distinctiveness is claimed in the visual features shown in the representations except for those shown in phantom lines.**



- (21) Design Number: **12160/2008**
(22) Date of Filing Application: **06 May 2008**
(24) Date from which industrial property rights may have effect: **06 May 2008**
(54) Product in respect of which the design is registered: **A footwear upper**
(51) International Design Classification: **02-04NES**
(71) Name(s) and Address(s) of Applicant(s):
Wolverine World Wide, Inc.
9341 Courtland Drive NE Rockford Michigan 49351 United States of America
(72) Name(s) of Designer(s): **Gregg Duffy**
(45) Registration Date: **12 September 2008**
(30) Convention priority data:
(31) Number (32) Date (33) Country
29/293128 07 Nov 2007 UNITED STATES OF AMERICA
(56) Related Art Documents: **Not Applicable**
(57) Statement of Newness and Distinctiveness: **Newness and distinctiveness is claimed in the visual features shown in the representations except for those shown in phantom lines.**



- (21) Design Number: **12161/2008**
(22) Date of Filing Application: **06 May 2008**
(24) Date from which industrial property rights may have effect: **06 May 2008**
(54) Product in respect of which the design is registered: **A footwear upper**
(51) International Design Classification: **02-04NES**
(71) Name(s) and Address(s) of Applicant(s):
Wolverine World Wide, Inc.
9341 Courtland Drive NE Rockford Michigan 49351 United States of America
(72) Name(s) of Designer(s): **Julie St-Louis and Manon Belley**
(45) Registration Date: **12 September 2008**
(30) Convention priority data:
(31) Number (32) Date (33) Country
29293068 07 Nov 2007 UNITED STATES OF AMERICA
(56) Related Art Documents: **Not Applicable**
(57) Statement of Newness and Distinctiveness: **Newness and distinctiveness is claimed in the visual features shown in the representations except for those shown in phantom lines.**



- (21) Design Number: **12162/2008**
(22) Date of Filing Application: **06 May 2008**
(24) Date from which industrial property rights may have effect: **06 May 2008**
(54) Product in respect of which the design is registered: **A footwear upper**
(51) International Design Classification: **02-04NES**
(71) Name(s) and Address(s) of Applicant(s):
Wolverine World Wide, Inc.
9341 Courtland Drive NE Rockford Michigan 49351 United States of America
(72) Name(s) of Designer(s): **Julie St-Louis and Manon Belley**
(45) Registration Date: **12 September 2008**
(30) Convention priority data:
(31) Number (32) Date (33) Country
29293102 07 Nov 2007 UNITED STATES OF AMERICA
(56) Related Art Documents: **Not Applicable**
(57) Statement of Newness and Distinctiveness: **Newness and distinctiveness is claimed in the visual features shown in the representations except for those shown in phantom lines.**



(21) Design Number: **12163/2008**
 (22) Date of Filing Application: **06 May 2008**
 (24) Date from which industrial property rights may have effect: **06 May 2008**
 (54) Product in respect of which the design is registered: **A footwear upper**
 (51) International Design Classification: **02-04NES**
 (71) Name(s) and Address(s) of Applicant(s):
Wolverine World Wide, Inc.
9341 Courtland Drive NE Rockford Michigan 49351 United States of America
 (72) Name(s) of Designer(s): **Julie St-Louis and Manon Belley**
 (45) Registration Date: **12 September 2008**
 (30) Convention priority data:

(31) Number	(32) Date	(33) Country
29293023	07 Nov 2007	UNITED STATES OF AMERICA

 (56) Related Art Documents: **Not Applicable**
 (57) Statement of Newness and Distinctiveness: **Newness and distinctiveness is claimed in the visual features shown in the representations except for those shown in phantom lines.**



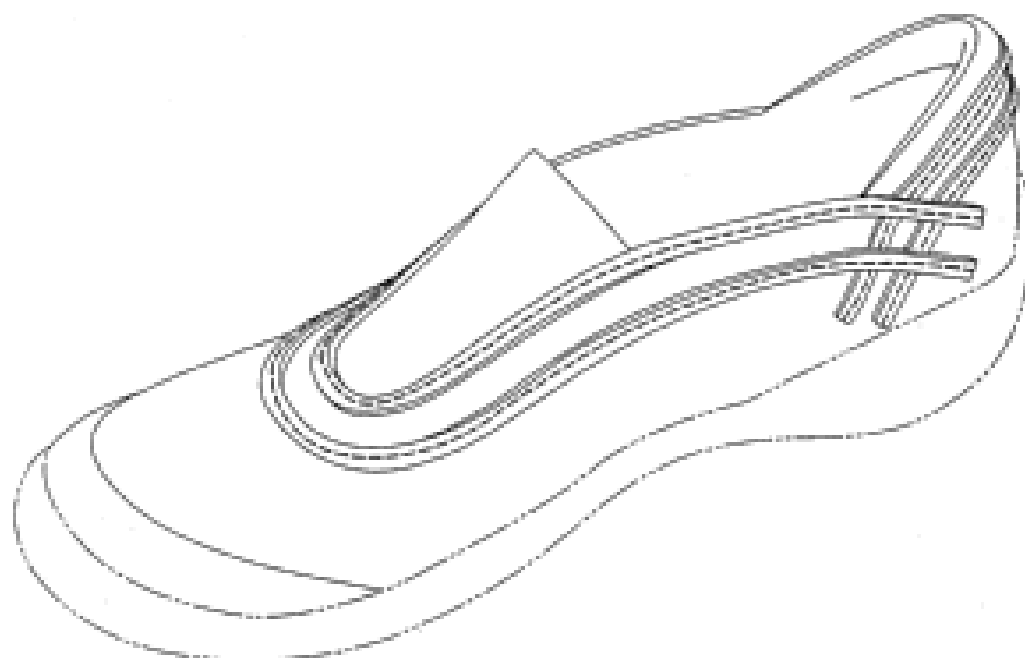
(21) Design Number: **12164/2008**
 (22) Date of Filing Application: **06 May 2008**
 (24) Date from which industrial property rights may have effect: **06 May 2008**
 (54) Product in respect of which the design is registered: **A footwear upper**
 (51) International Design Classification: **02-04NES**
 (71) Name(s) and Address(s) of Applicant(s):
Wolverine World Wide, Inc.
9341 Courtland Drive NE Rockford Michigan 49351 United States of America
 (72) Name(s) of Designer(s): **Julie St-Louis**
 (45) Registration Date: **12 September 2008**
 (30) Convention priority data:

(31) Number	(32) Date	(33) Country
29293121	07 Nov 2007	UNITED STATES OF AMERICA

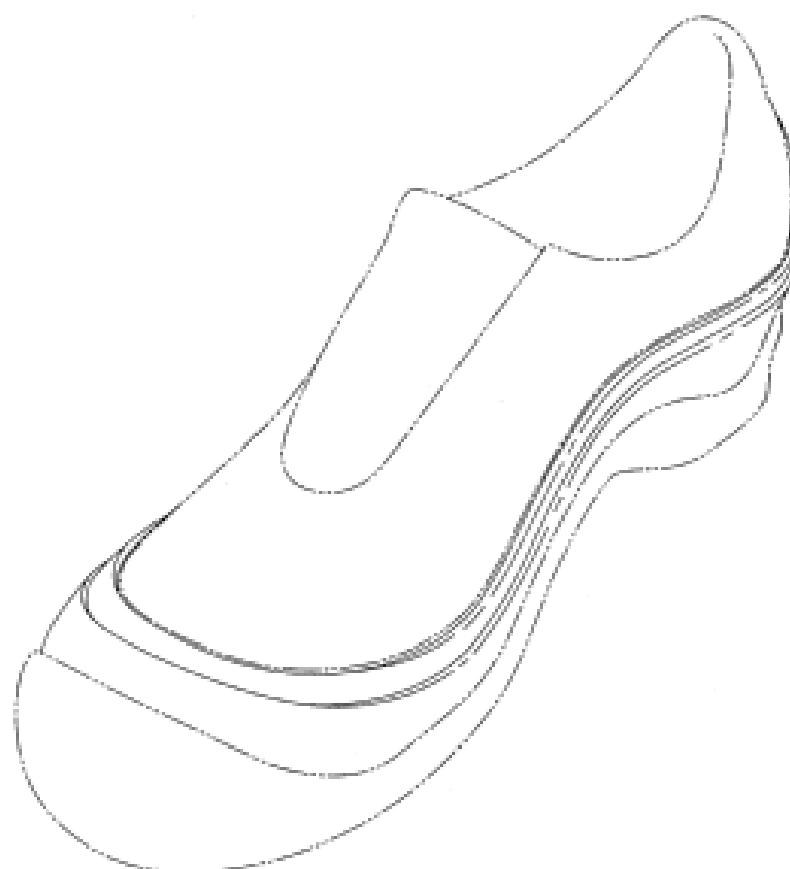
 (56) Related Art Documents: **Not Applicable**
 (57) Statement of Newness and Distinctiveness: **Newness and distinctiveness is claimed in the visual features shown in the representations except for those shown in phantom lines.**



- (21) Design Number: **12165/2008**
(22) Date of Filing Application: **06 May 2008**
(24) Date from which industrial property rights may have effect: **06 May 2008**
(54) Product in respect of which the design is registered: **A footwear upper**
(51) International Design Classification: **02-04NES**
(71) Name(s) and Address(s) of Applicant(s):
Wolverine World Wide, Inc.
9341 Courtland Drive NE Rockford Michigan 49351 United States of America
(72) Name(s) of Designer(s): **Manon Belley and Martin W.F. Dean**
(45) Registration Date: **12 September 2008**
(30) Convention priority data:
(31) Number (32) Date (33) Country
29293101 07 Nov 2007 UNITED STATES OF AMERICA
(56) Related Art Documents: **Not Applicable**
(57) Statement of Newness and Distinctiveness: **Newness and distinctiveness is claimed in the visual features shown in the representations except for those shown in phantom lines.**

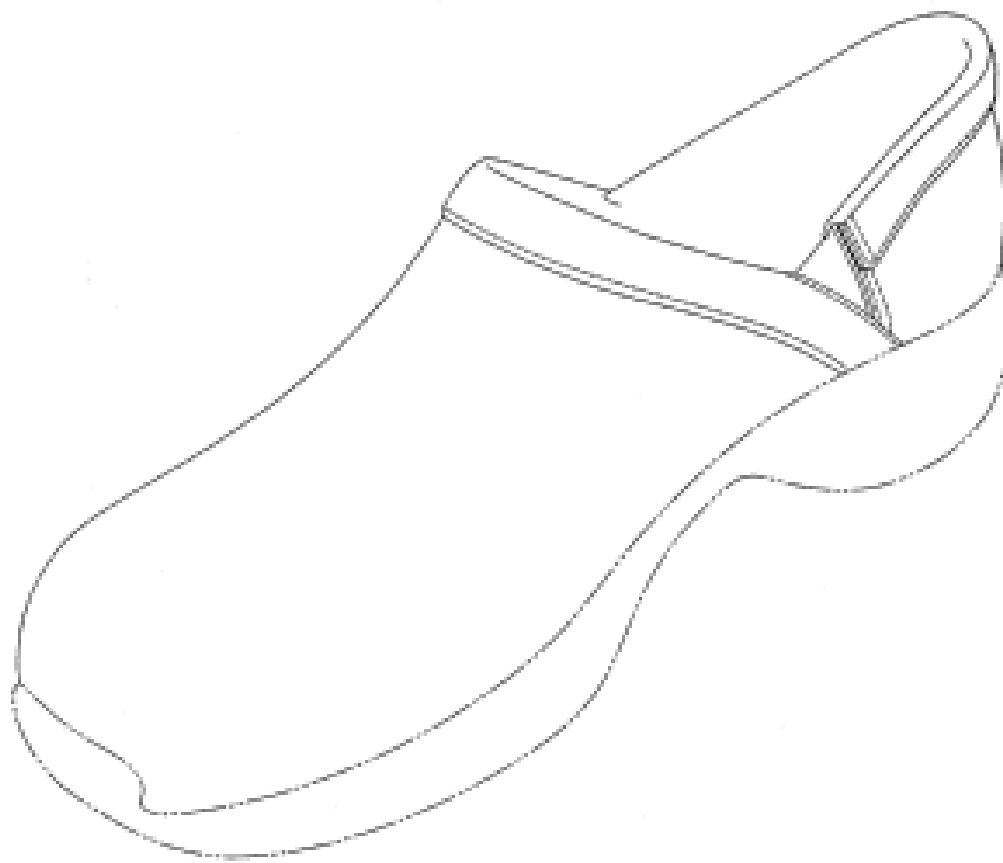


- (21) Design Number: **12176/2008**
(22) Date of Filing Application: **06 May 2008**
(24) Date from which industrial property rights may have effect: **06 May 2008**
(54) Product in respect of which the design is registered: **A footwear upper**
(51) International Design Classification: **02-04NES**
(71) Name(s) and Address(s) of Applicant(s):
Wolverine World Wide, Inc.
9341 Courtland Drive NE Rockford Michigan 49351 United States of America
(72) Name(s) of Designer(s): **Sylvie M.C. Roy and Annamaria Furlanetto**
(45) Registration Date: **12 September 2008**
(30) Convention priority data:
(31) Number (32) Date (33) Country
29293142 07 Nov 2007 UNITED STATES OF AMERICA
(56) Related Art Documents: **Not Applicable**
(57) Statement of Newness and Distinctiveness: **Newness and distinctiveness is claimed in the visual features shown in the representations except for those shown in phantom lines.**



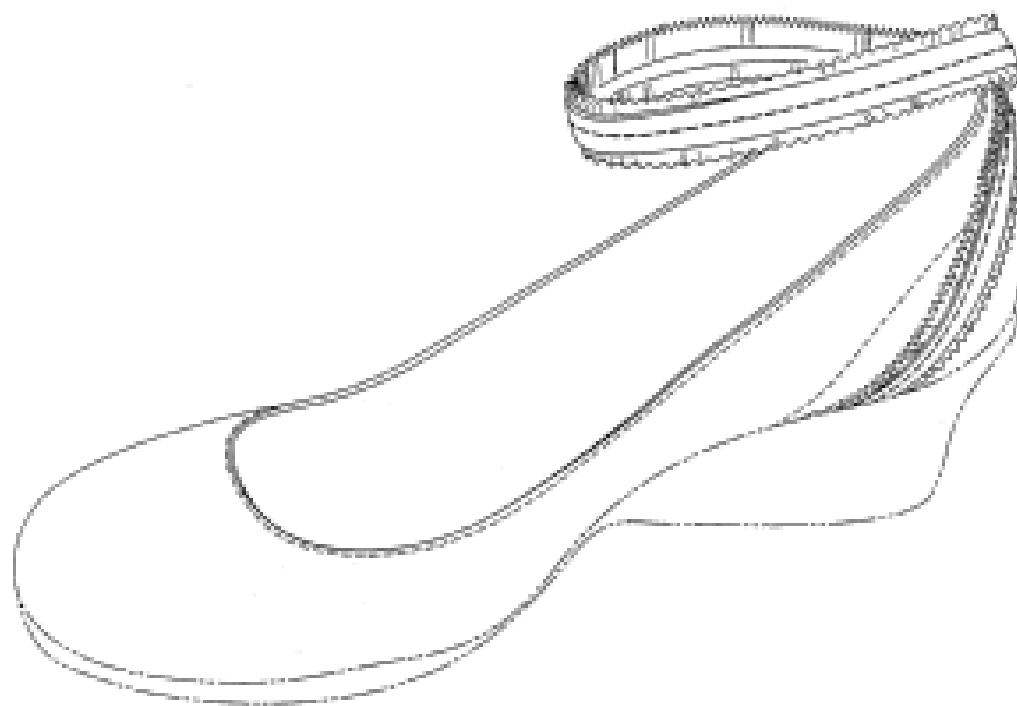
- (21) Design Number: **12177/2008**
- (22) Date of Filing Application: **06 May 2008**
- (24) Date from which industrial property rights may have effect: **06 May 2008**
- (54) Product in respect of which the design is registered: **A footwear upper**
- (51) International Design Classification: **02-04NES**
- (71) Name(s) and Address(s) of Applicant(s):
Wolverine World Wide, Inc.
9341 Courtland Drive NE Rockford Michigan 49351 United States of America
- (72) Name(s) of Designer(s): **Sylvie M.C. Roy**
- (45) Registration Date: **12 September 2008**
- (30) Convention priority data:

(31) Number	(32) Date	(33) Country
29293079	07 Nov 2007	UNITED STATES OF AMERICA
- (56) Related Art Documents: **Not Applicable**
- (57) Statement of Newness and Distinctiveness: **Newness and distinctiveness is claimed in the visual features shown in the representations except for those shown in phantom lines.**



- (21) Design Number: **12178/2008**
- (22) Date of Filing Application: **06 May 2008**
- (24) Date from which industrial property rights may have effect: **06 May 2008**
- (54) Product in respect of which the design is registered: **A footwear upper**
- (51) International Design Classification: **02-04NES**
- (71) Name(s) and Address(s) of Applicant(s):
Wolverine World Wide, Inc.
9341 Courtland Drive NE Rockford Michigan 49351 United States of America
- (72) Name(s) of Designer(s): **Manon Belley and Cristian Ardissono**
- (45) Registration Date: **12 September 2008**
- (30) Convention priority data:

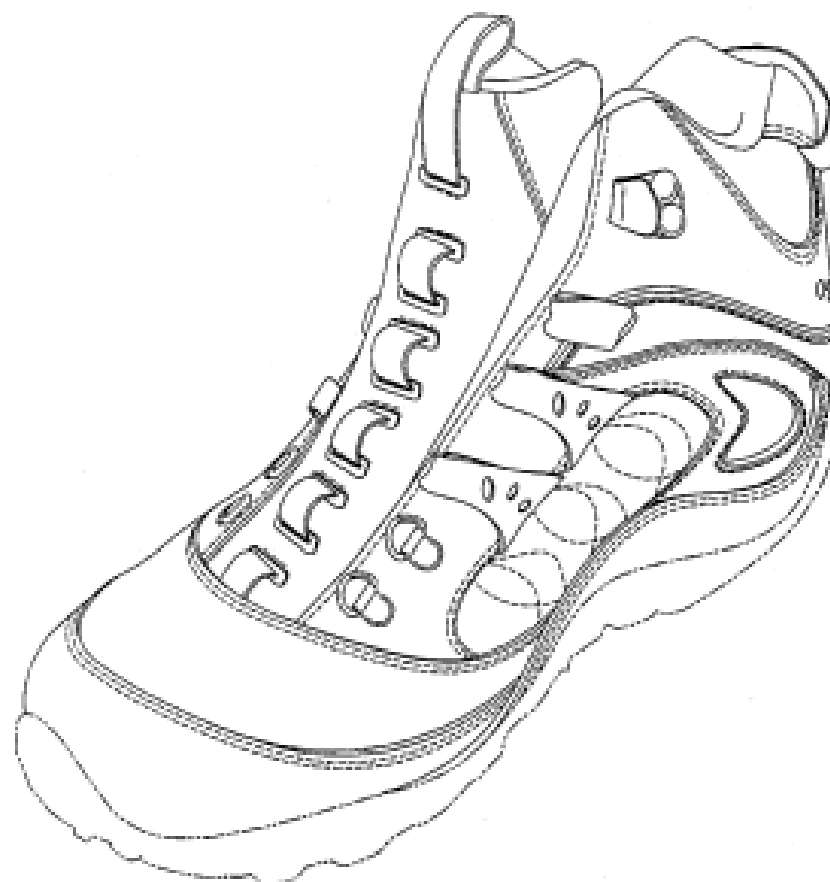
(31) Number	(32) Date	(33) Country
29293109	07 Nov 2007	UNITED STATES OF AMERICA
- (56) Related Art Documents: **Not Applicable**
- (57) Statement of Newness and Distinctiveness: **Newness and distinctiveness is claimed in the visual features shown in the representations except for those shown in phantom lines.**



- (21) Design Number: **12179/2008**
(22) Date of Filing Application: **06 May 2008**
(24) Date from which industrial property rights may have effect: **06 May 2008**
(54) Product in respect of which the design is registered: **A footwear upper**
(51) International Design Classification: **02-04NES**
(71) Name(s) and Address(s) of Applicant(s):
Wolverine World Wide, Inc.
9341 Courtland Drive NE Rockford Michigan 49351 United States of America
(72) Name(s) of Designer(s): **Julie St-Louis**
(45) Registration Date: **12 September 2008**
(30) Convention priority data:
(31) Number (32) Date (33) Country
29293060 07 Nov 2007 UNITED STATES OF AMERICA
(56) Related Art Documents: **Not Applicable**
(57) Statement of Newness and Distinctiveness: **Newness and distinctiveness is claimed in the visual features shown in the representations except for those shown in phantom lines.**



- (21) Design Number: **12180/2008**
(22) Date of Filing Application: **06 May 2008**
(24) Date from which industrial property rights may have effect: **06 May 2008**
(54) Product in respect of which the design is registered: **A footwear upper**
(51) International Design Classification: **02-04NES**
(71) Name(s) and Address(s) of Applicant(s):
Wolverine World Wide, Inc.
9341 Courtland Drive NE Rockford Michigan 49351 United States of America
(72) Name(s) of Designer(s): **Julie St-Louis**
(45) Registration Date: **12 September 2008**
(30) Convention priority data:
(31) Number (32) Date (33) Country
29293080 07 Nov 2007 UNITED STATES OF AMERICA
(56) Related Art Documents: **Not Applicable**
(57) Statement of Newness and Distinctiveness: **Newness and distinctiveness is claimed in the visual features shown in the representations except for those shown in phantom lines.**



(21) Design Number: **12181/2008**

(22) Date of Filing Application: **06 May 2008**

(24) Date from which industrial property rights may have effect: **06 May 2008**

(54) Product in respect of which the design is registered: **A footwear upper**

(51) International Design Classification: **02-04NES**

(71) Name(s) and Address(s) of Applicant(s):

Wolverine World Wide, Inc.
9341 Courtland Drive NE Rockford Michigan 49351 United States of America

(72) Name(s) of Designer(s): **Gregg Duffy**

(45) Registration Date: **12 September 2008**

(30) Convention priority data:

(31) Number	(32) Date	(33) Country
29/293099	07 Nov 2007	UNITED STATES OF AMERICA

(56) Related Art Documents: **Not Applicable**

(57) Statement of Newness and Distinctiveness: **Newness and distinctiveness is claimed in the visual features shown in the representations except for those shown in phantom lines.**



(21) Design Number: **10560/2008**

(22) Date of Filing Application: **07 February 2008**

(24) Date from which industrial property rights may have effect: **07 February 2008**

(54) Product in respect of which the design is registered: **Watering pistol for gardening**

(51) International Design Classification: **23-01D**

(71) Name(s) and Address(s) of Applicant(s):

Claber S.p.A.
Via Pontebbana 22 Fiume Veneto (Pordenone) 33080 Italy

(72) Name(s) of Designer(s): **Oliviano Spadotto**

(45) Registration Date: **15 September 2008**

(56) Related Art Documents: **Not Applicable**

(57) Statement of Newness and Distinctiveness: **The shape and configuration of the product is new and distinctive. The text appearing on the product does not form part of the design.**



(21) Design Number: **13090/2008**

(22) Date of Filing Application: **07 February 2008**

(24) Date from which industrial property rights may have effect: **07 February 2008**

(54) Product in respect of which the design is registered: **Watering pistol for gardening**

(51) International Design Classification: **23-01D**

(71) Name(s) and Address(s) of Applicant(s):

Claber S.p.A.

Via Pontebbana 22 Fiume Veneto (Pordenone) 33080 Italy

(72) Name(s) of Designer(s): **Oliviano Spadotto**

(45) Registration Date: **15 September 2008**

(56) Related Art Documents: **Not Applicable**

(57) Statement of Newness and Distinctiveness: **The shape and configuration of the product is new and distinctive. The text appearing on the product does not form part of the design.**



(21) Design Number: **13091/2008**

(22) Date of Filing Application: **07 February 2008**

(24) Date from which industrial property rights may have effect: **07 February 2008**

(54) Product in respect of which the design is registered: **Watering pistol for gardening**

(51) International Design Classification: **23-01D**

(71) Name(s) and Address(s) of Applicant(s):

Claber S.p.A.

Via Pontebbana 22 Fiume Veneto (Pordenone) 33080 Italy

(72) Name(s) of Designer(s): **Oliviano Spadotto**

(45) Registration Date: **15 September 2008**

(56) Related Art Documents: **Not Applicable**

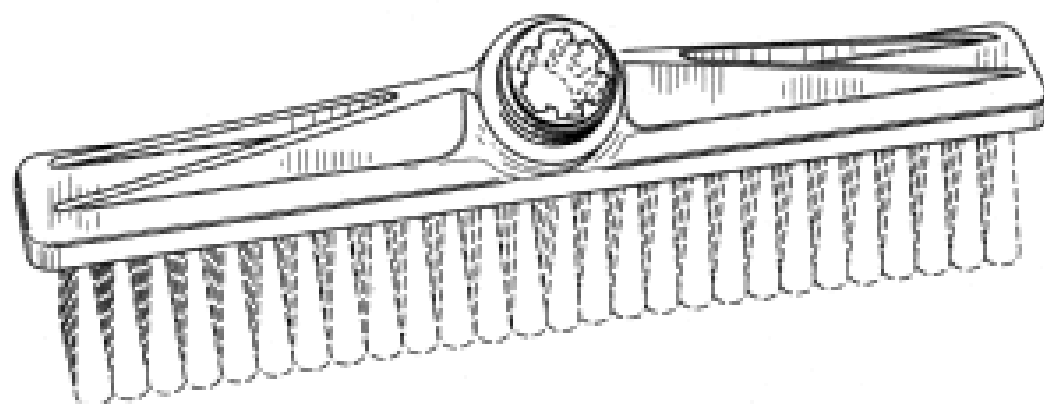
(57) Statement of Newness and Distinctiveness: **The shape and configuration of the product is new and distinctive. The text appearing on the product does not form part of the design.**



(19) AU

- (21) Design Number: **11177/2008**
- (22) Date of Filing Application: **11 March 2008**
- (24) Date from which industrial property rights may have effect: **11 March 2008**
- (54) Product in respect of which the design is registered: **Broom block**
- (51) International Design Classification: **04-01**
- (71) Name(s) and Address(s) of Applicant(s):
Freudenberg Household Products LP
505 Railroad Avenue Northlake Illinois 60164 United States of America
- (72) Name(s) of Designer(s): **Robert Giacolo and Norbert Weis and David McKnight**
- (45) Registration Date: **15 September 2008**
- (30) Convention priority data:

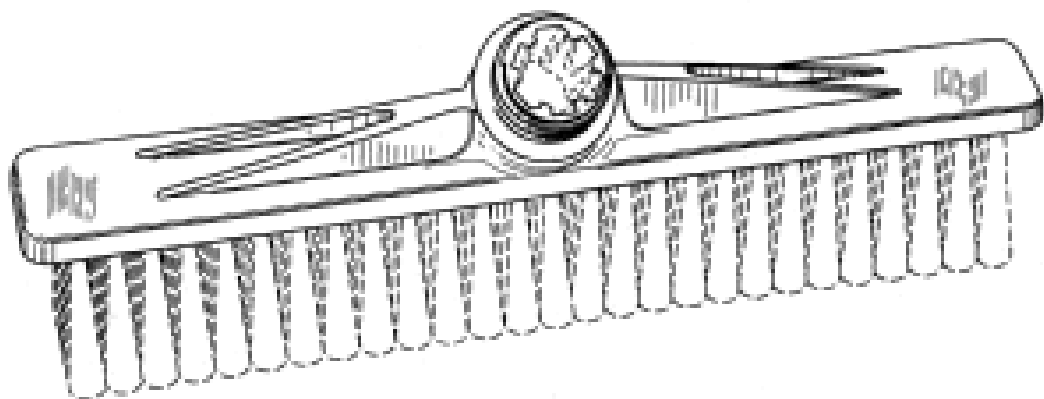
(31) Number	(32) Date	(33) Country
29/297093	02 Nov 2007	UNITED STATES OF AMERICA
- (56) Related Art Documents: **Not Applicable**
- (57) Statement of Newness and Distinctiveness: **Nil**



(19) AU

- (21) Design Number: **13872/2008**
- (22) Date of Filing Application: **11 March 2008**
- (24) Date from which industrial property rights may have effect: **11 March 2008**
- (54) Product in respect of which the design is registered: **Broom block**
- (51) International Design Classification: **04-01**
- (71) Name(s) and Address(s) of Applicant(s):
Freudenberg Household Products LP
505 Railroad Avenue Northlake Illinois 60164 United States of America
- (72) Name(s) of Designer(s): **Robert Giacolo and Norbert Weis and David McKnight**
- (45) Registration Date: **15 September 2008**
- (30) Convention priority data:

(31) Number	(32) Date	(33) Country
29/297093	02 Nov 2007	UNITED STATES OF AMERICA
- (56) Related Art Documents: **Not Applicable**
- (57) Statement of Newness and Distinctiveness: **Nil**



(21) Design Number: **13873/2008**

(22) Date of Filing Application: **11 March 2008**

(24) Date from which industrial property rights may have effect: **11 March 2008**

(54) Product in respect of which the design is registered: **Broom block**

(51) International Design Classification: **04-01**

(71) Name(s) and Address(s) of Applicant(s):

**Freudenberg Household Products LP
505 Railroad Avenue Northlake Illinois 60164 United States of America**

(72) Name(s) of Designer(s): **Robert Giacolo and Norbert Weis and David McKnight**

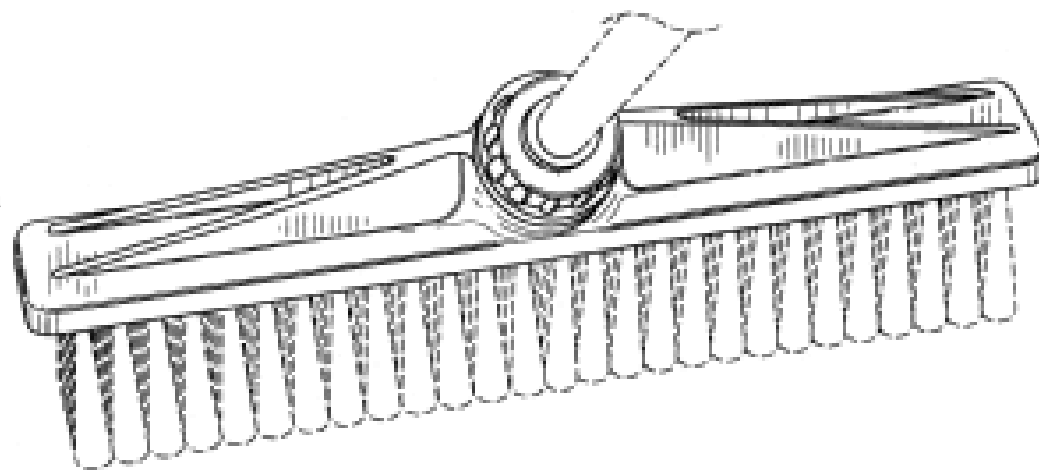
(45) Registration Date: **15 September 2008**

(30) Convention priority data:

(31) Number	(32) Date	(33) Country
29/297093	02 Nov 2007	UNITED STATES OF AMERICA

(56) Related Art Documents: **Not Applicable**

(57) Statement of Newness and Distinctiveness: **Nil**



(21) Design Number: **13874/2008**

(22) Date of Filing Application: **11 March 2008**

(24) Date from which industrial property rights may have effect: **11 March 2008**

(54) Product in respect of which the design is registered: **Broom block**

(51) International Design Classification: **04-01**

(71) Name(s) and Address(s) of Applicant(s):

**Freudenberg Household Products LP
505 Railroad Avenue Northlake Illinois 60164 United States of America**

(72) Name(s) of Designer(s): **Robert Giacolo and Norbert Weis and David McKnight**

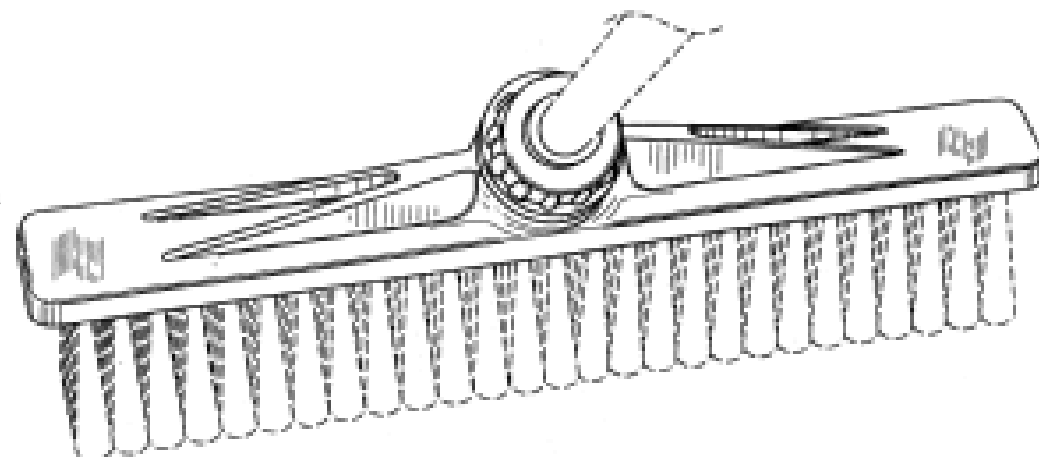
(45) Registration Date: **15 September 2008**

(30) Convention priority data:

(31) Number	(32) Date	(33) Country
29/297093	02 Nov 2007	UNITED STATES OF AMERICA

(56) Related Art Documents: **Not Applicable**

(57) Statement of Newness and Distinctiveness: **Nil**



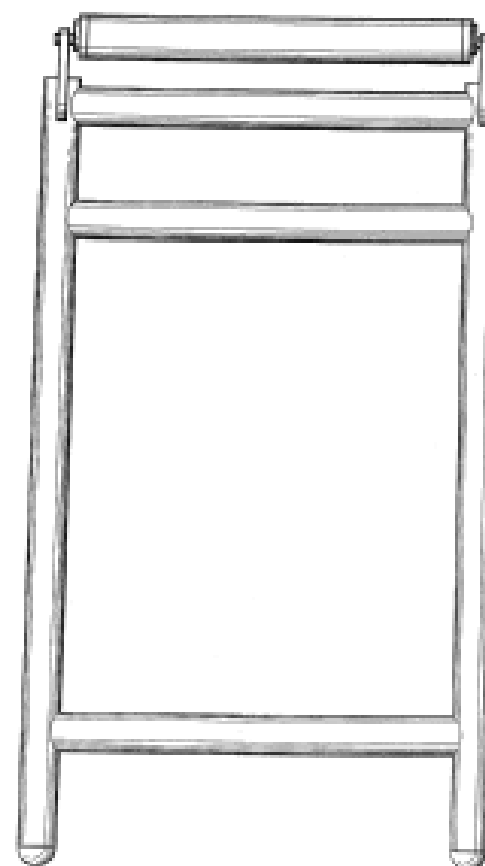
- (21) Design Number: **11180/2008**
(22) Date of Filing Application: **11 March 2008**
(24) Date from which industrial property rights may have effect: **11 March 2008**
(54) Product in respect of which the design is registered: **Instrument panel**
(51) International Design Classification: **10-05**
(71) Name(s) and Address(s) of Applicant(s):
MTU Friedrichshafen GmbH
Maybachplatz 1 88045 Friedrichshafen Germany
(72) Name(s) of Designer(s): **Jurgen Schmid and Harald Brielmayer-Pomino**
(45) Registration Date: **15 September 2008**
(56) Related Art Documents: **Not Applicable**
(57) Statement of Newness and Distinctiveness: **Those features of the instrument panel depicted in the representations that are new and distinctive are the shape and/or configuration.**



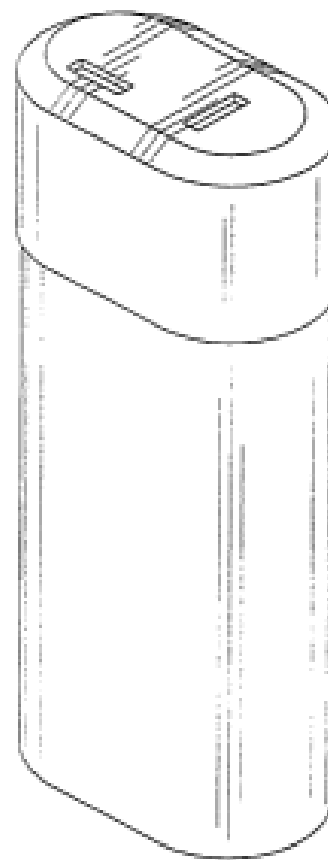
- (21) Design Number: **11499/2008**
(22) Date of Filing Application: **28 March 2008**
(24) Date from which industrial property rights may have effect: **28 March 2008**
(54) Product in respect of which the design is registered: **Stand support member**
(51) International Design Classification: **08-08NES, 08-08N**
(71) Name(s) and Address(s) of Applicant(s):
Keith Patrick Crowley
494 Remuera Road Remuera Auckland 1050 New Zealand
(72) Name(s) of Designer(s): **Keith Patrick Crowley**
(45) Registration Date: **15 September 2008**
(30) Convention priority data:

(31) Number	(32) Date	(33) Country
409855	15 Oct 2007	NEW ZEALAND

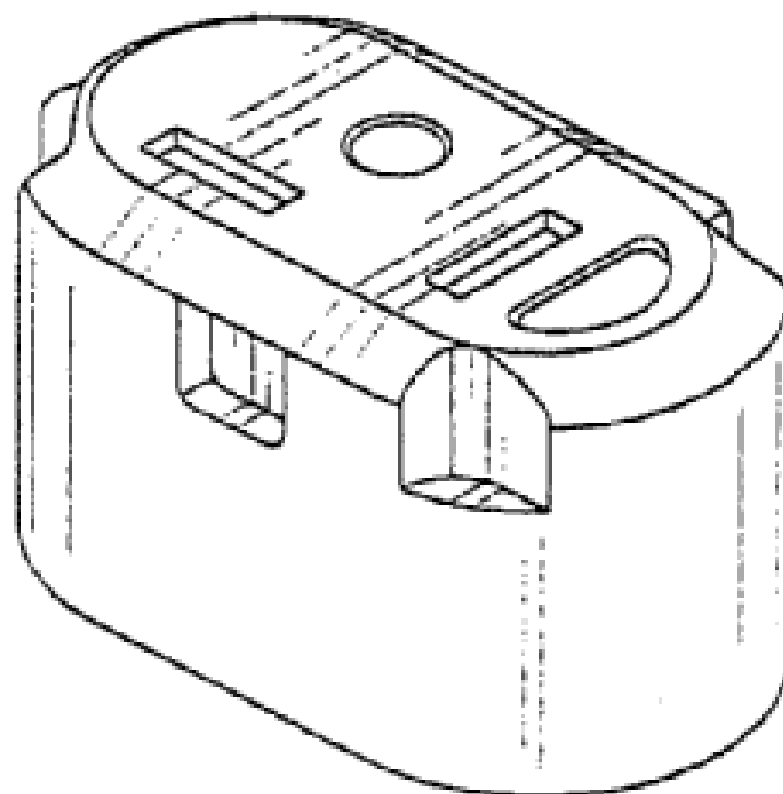
(56) Related Art Documents: **Not Applicable**
(57) Statement of Newness and Distinctiveness: **Newness and distinctiveness resides in the features of shape and configuration of stand support member as shown in the accompanying representations.**



(21) Design Number: **11630/2008**
 (22) Date of Filing Application: **07 April 2008**
 (24) Date from which industrial property rights may have effect: **07 April 2008**
 (54) Product in respect of which the design is registered: **Battery pack**
 (51) International Design Classification: **13-02**
 (71) Name(s) and Address(s) of Applicant(s):
Black & Decker, Inc.
1207 Drummond Plaza Newark Delaware 19711 United States of America
 (72) Name(s) of Designer(s): **Adam M. O'Hern and Tom Murray and Christopher Murray and Lyle Matson**
 (45) Registration Date: **15 September 2008**
 (30) Convention priority data:
 (31) Number (32) Date (33) Country
29/296236 16 Oct 2007 UNITED STATES OF AMERICA
 (56) Related Art Documents: **Not Applicable**
 (57) Statement of Newness and Distinctiveness: **Nil**



(21) Design Number: **11626/2008**
 (22) Date of Filing Application: **07 April 2008**
 (24) Date from which industrial property rights may have effect: **07 April 2008**
 (54) Product in respect of which the design is registered: **End closure for a battery pack**
 (51) International Design Classification: **13-02**
 (71) Name(s) and Address(s) of Applicant(s):
Black & Decker, Inc.
1207 Drummond Plaza Newark Delaware 19711 United States of America
 (72) Name(s) of Designer(s): **Adam M. O'Hern and Tom Murray and Christopher Murray and Lyle Matson**
 (45) Registration Date: **15 September 2008**
 (30) Convention priority data:
 (31) Number (32) Date (33) Country
29/296236 16 Oct 2007 UNITED STATES OF AMERICA
 (56) Related Art Documents: **Not Applicable**
 (57) Statement of Newness and Distinctiveness: **Nil**



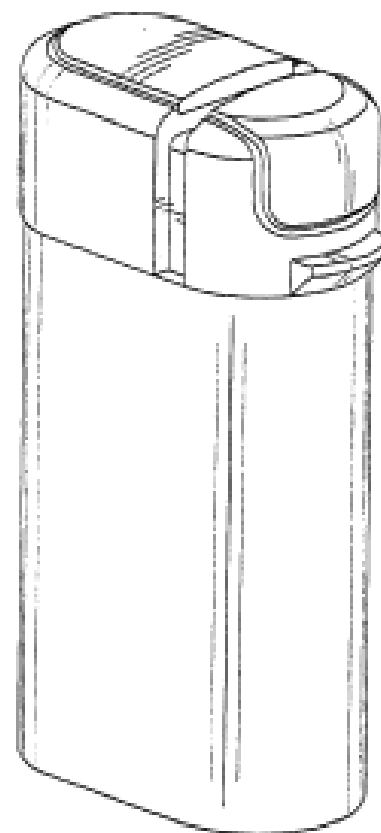
(19) AU

- (21) Design Number: **11627/2008**
- (22) Date of Filing Application: **07 April 2008**
- (24) Date from which industrial property rights may have effect: **07 April 2008**
- (54) Product in respect of which the design is registered: **End closure for a battery pack**
- (51) International Design Classification: **13-02**
- (71) Name(s) and Address(s) of Applicant(s):
Black & Decker, Inc.
1207 Drummond Plaza Newark Delaware 19711 United States of America
- (72) Name(s) of Designer(s): **Adam M. O'Hern and Tom Murray and Christopher Murray and Lyle Matson**
- (45) Registration Date: **15 September 2008**
- (30) Convention priority data:
 - (31) Number (32) Date (33) Country
 - 29/296236 16 Oct 2007 UNITED STATES OF AMERICA**
- (56) Related Art Documents: **Not Applicable**
- (57) Statement of Newness and Distinctiveness: **Nil**

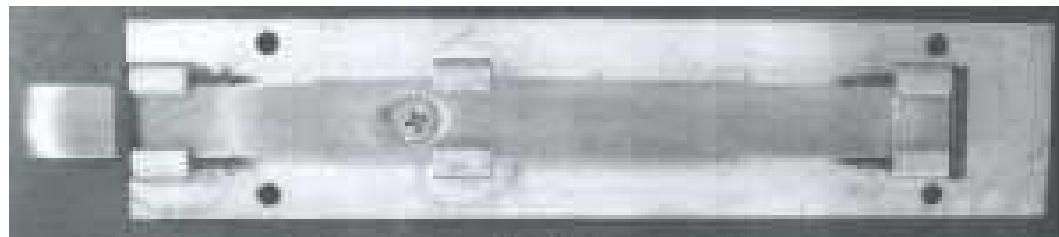


(19) AU

- (21) Design Number: **11628/2008**
- (22) Date of Filing Application: **07 April 2008**
- (24) Date from which industrial property rights may have effect: **07 April 2008**
- (54) Product in respect of which the design is registered: **Battery pack**
- (51) International Design Classification: **13-02**
- (71) Name(s) and Address(s) of Applicant(s):
Black & Decker, Inc.
1207 Drummond Plaza Newark Delaware 19711 United States of America
- (72) Name(s) of Designer(s): **Adam M. O'Hern and Tom Murray and Christopher Murray and Lyle Matson**
- (45) Registration Date: **15 September 2008**
- (30) Convention priority data:
 - (31) Number (32) Date (33) Country
 - 29/296236 16 Oct 2007 UNITED STATES OF AMERICA**
- (56) Related Art Documents: **Not Applicable**
- (57) Statement of Newness and Distinctiveness: **Nil**



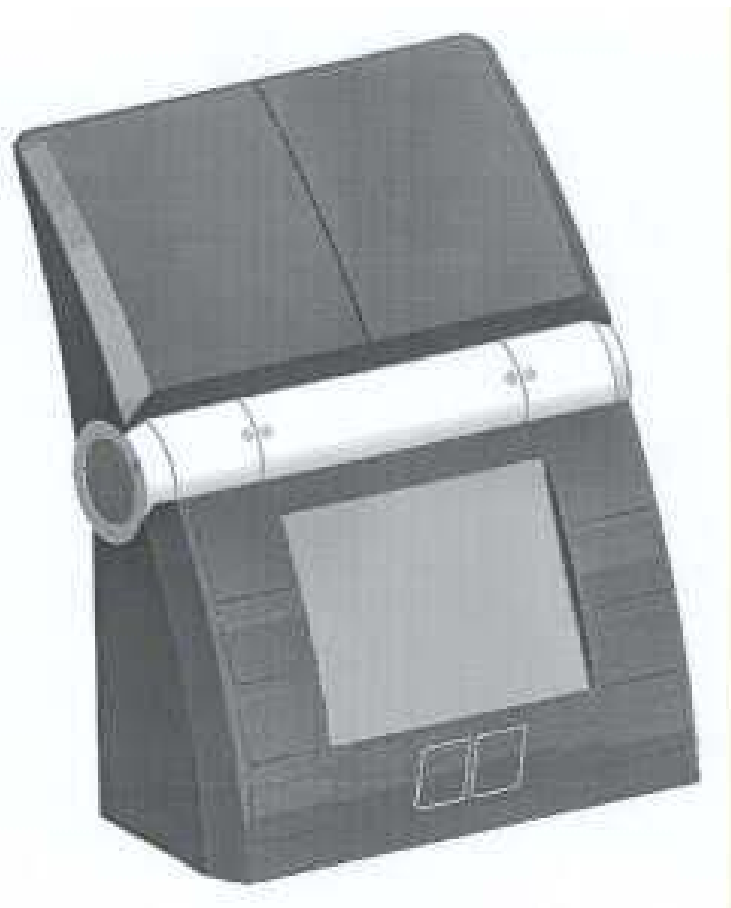
- (21) Design Number: **11801/2008**
(22) Date of Filing Application: **17 April 2008**
(24) Date from which industrial property rights may have effect: **17 April 2008**
(54) Product in respect of which the design is registered: **Flush bolt**
(51) International Design Classification: **08-07, 08-08B**
(71) Name(s) and Address(s) of Applicant(s):
Vinco Hardware Products Pty Ltd
19 Barclay Street Marrickville New South Wales 2204 Australia
(72) Name(s) of Designer(s): **Warren Lam**
(45) Registration Date: **15 September 2008**
(56) Related Art Documents: **Not Applicable**
(57) Statement of Newness and Distinctiveness: **2 plastic clips either end that locks in the throw. This is a standard flush bolt except for the clips which we have designed so this is the important part that we want to stop other companies from duplicating. Ours has interlocking that hold the latch firmly in place.**



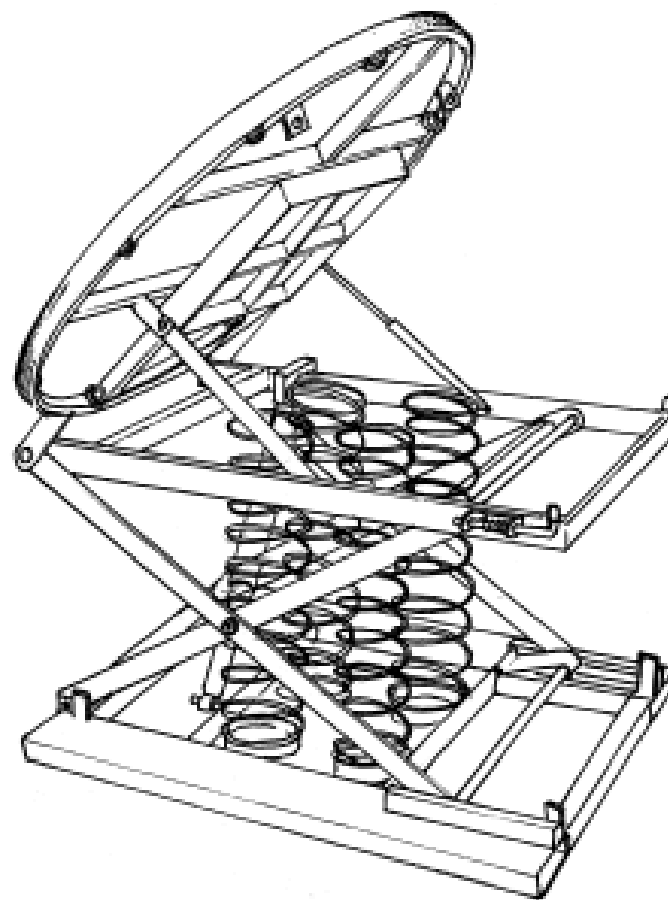
- (21) Design Number: **13868/2008**
(22) Date of Filing Application: **11 March 2008**
(24) Date from which industrial property rights may have effect: **11 March 2008**
(54) Product in respect of which the design is registered: **Throttle**
(51) International Design Classification: **15-01, 12-06NES, 12-07**
(71) Name(s) and Address(s) of Applicant(s):
MTU Friedrichshafen GmbH
Maybachplatz 1 88045 Friedrichshafen Germany
(72) Name(s) of Designer(s): **Jurgen Schmid and Harald Brielmayer-Pomino**
(45) Registration Date: **15 September 2008**
(30) Convention priority data:

(31) Number	(32) Date	(33) Country
407 04 859.6	27 Sep 2007	GERMANY

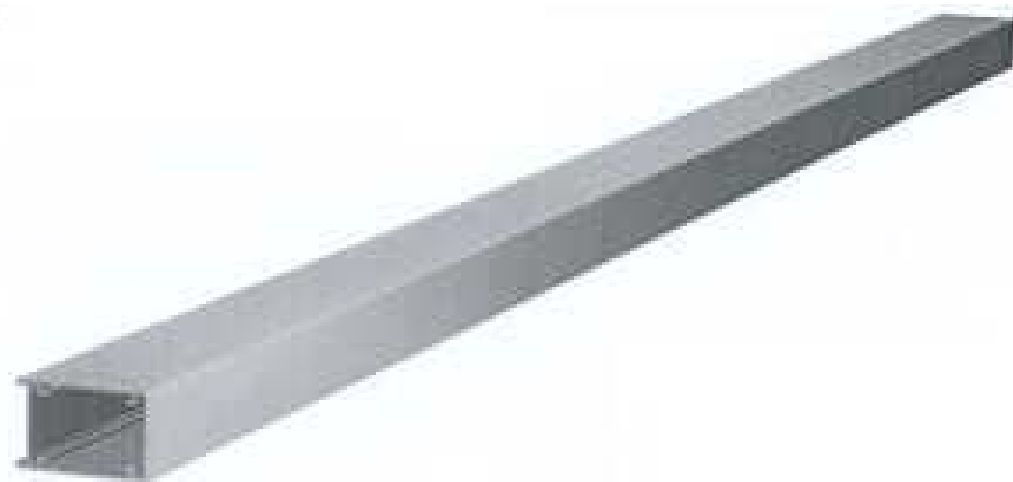
(56) Related Art Documents: **Not Applicable**
(57) Statement of Newness and Distinctiveness: **Those features of the throttle depicted in the representations that are new and distinctive are the shape and/or configuration.**



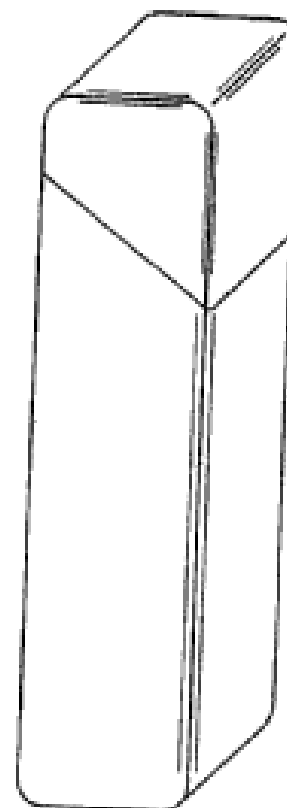
- (21) Design Number: **11695/2008**
(22) Date of Filing Application: **10 April 2008**
(24) Date from which industrial property rights may have effect: **10 April 2008**
(54) Product in respect of which the design is registered: **Pallet elevating device**
(51) International Design Classification: **12-05, 09-08**
(71) Name(s) and Address(s) of Applicant(s):
Harvey David Horsfall
35 Muntenpen Street Leeton New South Wales 2705 Australia
Sue-Ellen Horsfall
35 Muntenpen Street Leeton New South Wales 2705 Australia
(72) Name(s) of Designer(s): **Harvey David Horsfall**
(45) Registration Date: **15 September 2008**
(56) Related Art Documents: **Not Applicable**
(57) Statement of Newness and Distinctiveness: **We claim monopoly on the shape and configuration of the pal-evator as shown in the representation.**



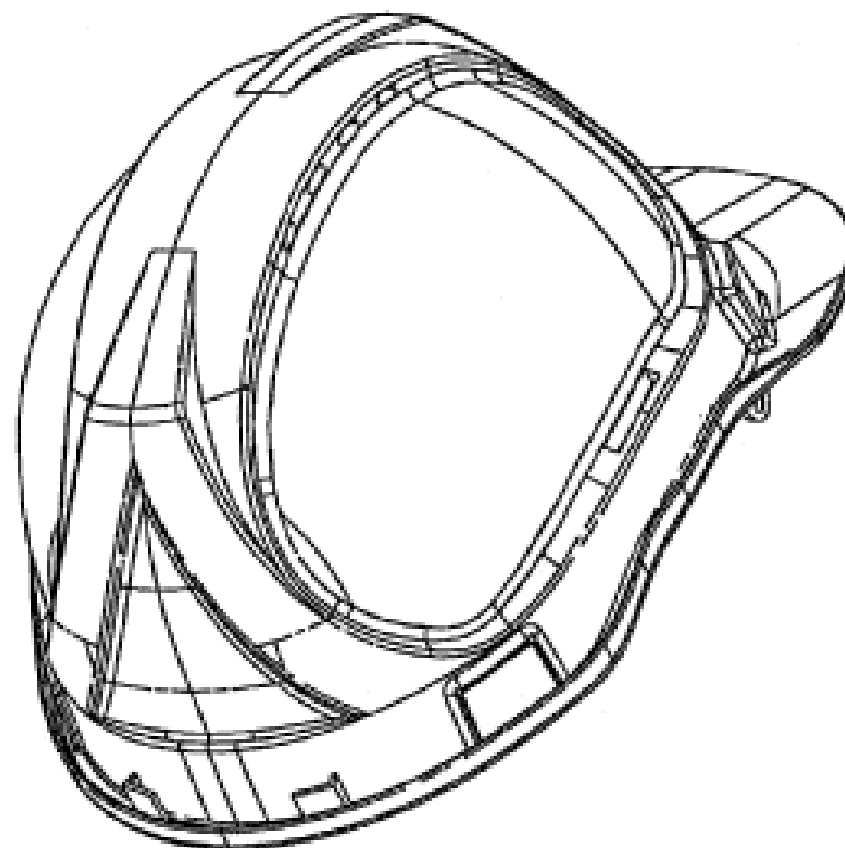
- (21) Design Number: **12220/2008**
(22) Date of Filing Application: **08 May 2008**
(24) Date from which industrial property rights may have effect: **08 May 2008**
(54) Product in respect of which the design is registered: **Louvre blade**
(51) International Design Classification: **25-02K**
(71) Name(s) and Address(s) of Applicant(s):
Peter John Rutgers
5 Clyde Court Oak Park Victoria 3046 Australia
Diane Lee Rutgers
5 Clyde Court Oak Park Victoria 3046 Australia
(72) Name(s) of Designer(s): **Peter John Rutgers and Diane Lee Rutgers**
(45) Registration Date: **15 September 2008**
(56) Related Art Documents: **Not Applicable**
(57) Statement of Newness and Distinctiveness: **Monopoly is claimed in the features of shape and configuration of the louvre blade as illustrated in the representations.**



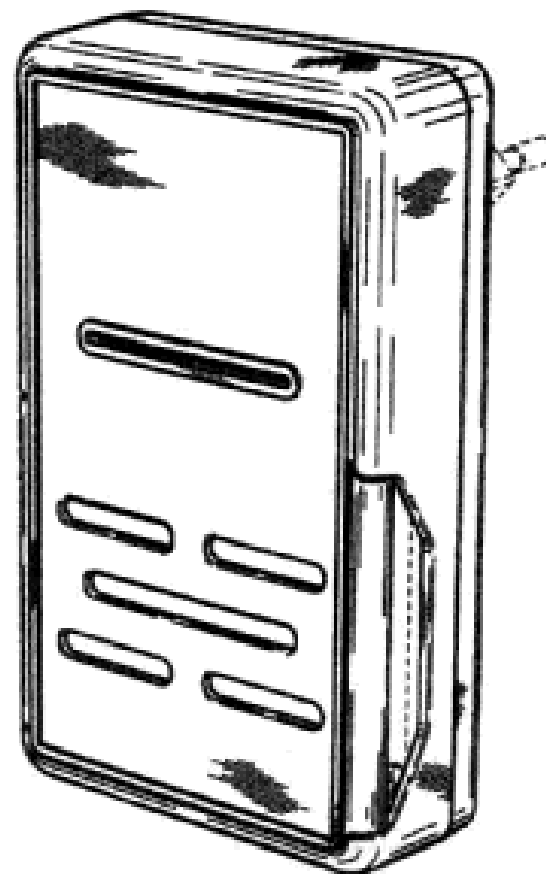
- (21) Design Number: **12225/2008**
(22) Date of Filing Application: **30 January 2008**
(24) Date from which industrial property rights may have effect: **30 January 2008**
(54) Product in respect of which the design is registered: **Cigarette packet**
(51) International Design Classification: **09-03A**
(71) Name(s) and Address(s) of Applicant(s):
British American Tobacco (Investments) Limited
1 Water Street Globe House London WC2R 3LA United Kingdom
(72) Name(s) of Designer(s): **Steven Holford**
(45) Registration Date: **15 September 2008**
(62) Divisional of: **319783**
(56) Related Art Documents: **Not Applicable**
(57) Statement of Newness and Distinctiveness: **Newness and distinctiveness resides in the features of shape and configuration of a cigarette packet as illustrated in the accompanying representations.**



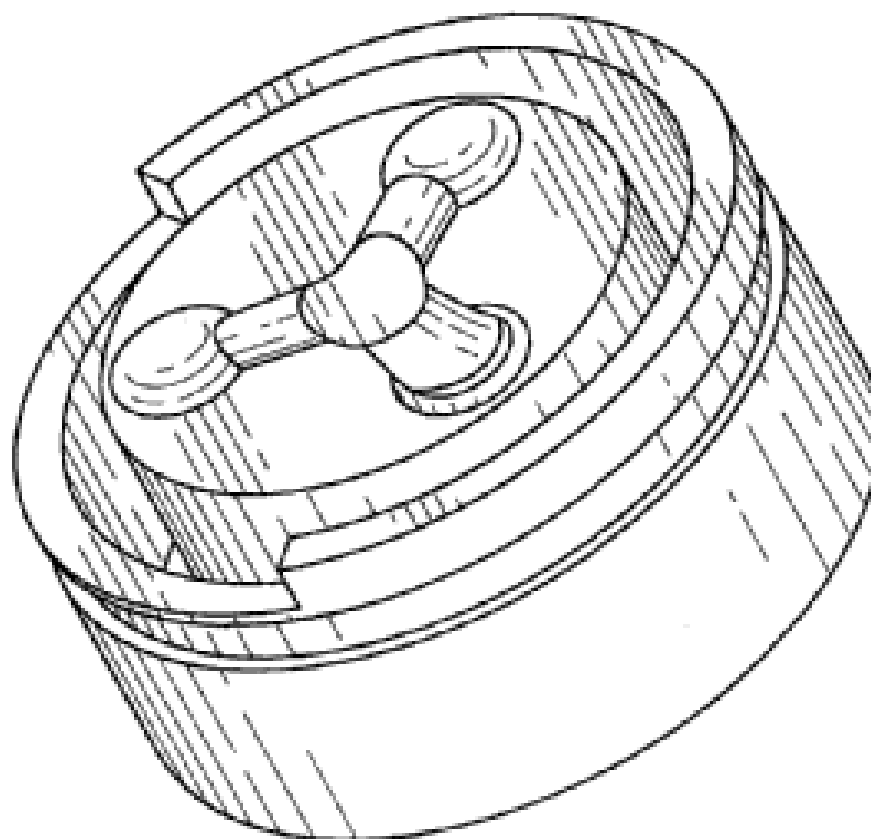
- (21) Design Number: **12230/2008**
(22) Date of Filing Application: **09 May 2008**
(24) Date from which industrial property rights may have effect: **09 May 2008**
(54) Product in respect of which the design is registered: **Helmet**
(51) International Design Classification: **02-03**
(71) Name(s) and Address(s) of Applicant(s):
Chizle Brands Pty Ltd
94 Cochranes Road Moorabbin Victoria 3189 Australia
(72) Name(s) of Designer(s): **Joanne Peart**
(45) Registration Date: **15 September 2008**
(56) Related Art Documents: **Not Applicable**
(57) Statement of Newness and Distinctiveness: **Newness and distinctiveness resides in the features of shape and/or configuration of a helmet as shown in the accompanying representations.**



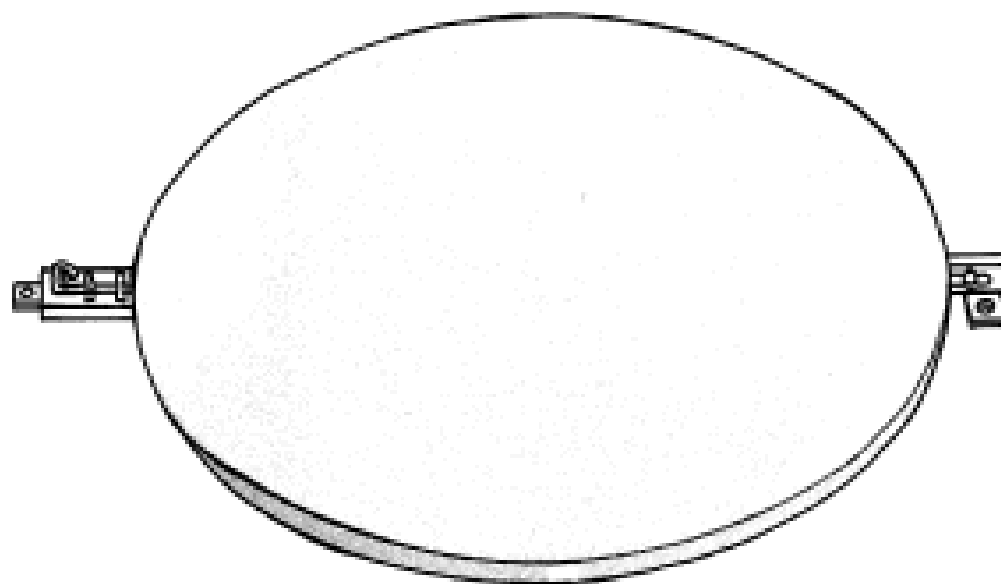
(21) Design Number: **12233/2008**
(22) Date of Filing Application: **09 May 2008**
(24) Date from which industrial property rights may have effect: **09 May 2008**
(54) Product in respect of which the design is registered: **Charger**
(51) International Design Classification: **13-02**
(71) Name(s) and Address(s) of Applicant(s):
Eveready Battery Company, Inc.
533 Maryville University Drive St Louis Missouri 63141 United States of America
(72) Name(s) of Designer(s): **Scott W. Osiecki and Peter C. Castellucci and Paul Kevin Ardron**
(45) Registration Date: **15 September 2008**
(30) Convention priority data:
(31) Number (32) Date (33) Country
29/293487 28 Nov 2007 UNITED STATES OF AMERICA
(56) Related Art Documents: **Not Applicable**
(57) Statement of Newness and Distinctiveness: **Newness and distinctiveness is claimed in those visual features depicted in unbroken lines.**



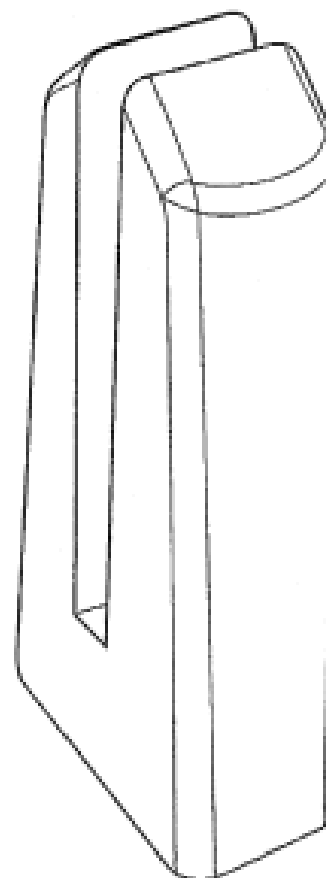
(21) Design Number: **13512/2008**
(22) Date of Filing Application: **29 July 2008**
(24) Date from which industrial property rights may have effect: **29 July 2008**
(54) Product in respect of which the design is registered: **Container cap**
(51) International Design Classification: **09-07B, 09-07NES**
(71) Name(s) and Address(s) of Applicant(s):
Mary Kay, Inc.
16251 N. Dallas Parkway PO Box 799045 Dallas TX 75379-9045 United States of America
(72) Name(s) of Designer(s): **Jenny DeMarco and John Lamie**
(45) Registration Date: **15 September 2008**
(56) Related Art Documents: **Not Applicable**
(57) Statement of Newness and Distinctiveness: **Nil**



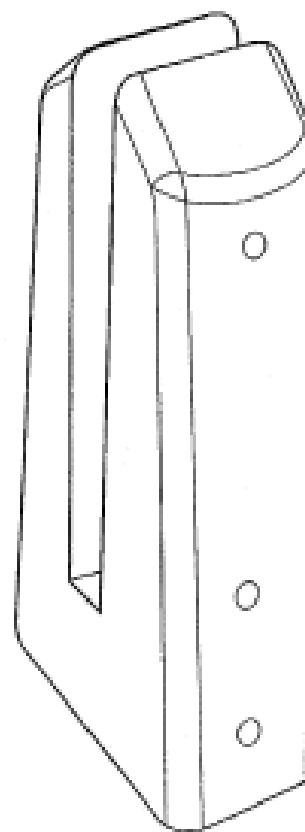
- (21) Design Number: **13639/2008**
(22) Date of Filing Application: **30 July 2008**
(24) Date from which industrial property rights may have effect: **30 July 2008**
(54) Product in respect of which the design is registered: **Pallet positioning device**
(51) International Design Classification: **09-08, 12-05**
(71) Name(s) and Address(s) of Applicant(s):
Sue-Ellen Horsfall
35 Muntenpen Street Leeton New South Wales 2705 Australia
Harvey David Horsfall
35 Muntenpen Street Leeton New South Wales 2705 Australia
(72) Name(s) of Designer(s): **Harvey David Horsfall**
(45) Registration Date: **15 September 2008**
(56) Related Art Documents: **Not Applicable**
(57) Statement of Newness and Distinctiveness: **We claim monopoly on the shape and configuration of the pallet positioning device with a telescoping bottom section as shown in the representations.**



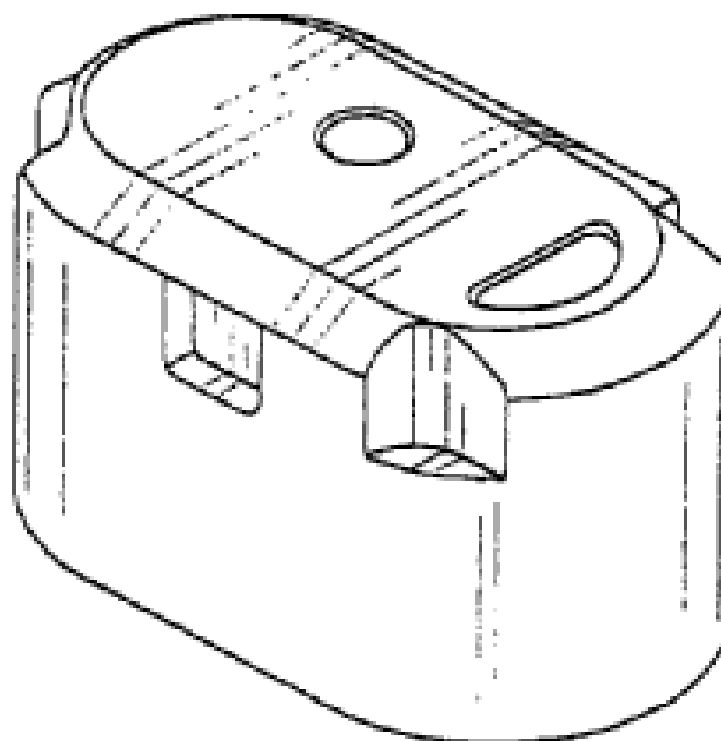
- (21) Design Number: **11185/2008**
(22) Date of Filing Application: **12 March 2008**
(24) Date from which industrial property rights may have effect: **12 March 2008**
(54) Product in respect of which the design is registered: **A glass panel support**
(51) International Design Classification: **08-08NES**
(71) Name(s) and Address(s) of Applicant(s):
Glass Vice Holdings Limited
C/- Simpson Western Lawyers Level 17 AIA Bld 5-7 Byron Ave
Takapuna North Shore City Auckland New Zealand
(72) Name(s) of Designer(s): **Warwick James Allen**
(45) Registration Date: **15 September 2008**
(30) Convention priority data:
(31) Number (32) Date (33) Country
409675 14 Sep 2007 NEW ZEALAND
(56) Related Art Documents: **Not Applicable**
(57) Statement of Newness and Distinctiveness: **The novelty claimed for the design resides in the features of shape and/or configuration all as shown in the representations.**



(21) Design Number: **13833/2008**
(22) Date of Filing Application: **12 March 2008**
(24) Date from which industrial property rights may have effect: **12 March 2008**
(54) Product in respect of which the design is registered: **A glass panel support**
(51) International Design Classification: **08-08NES**
(71) Name(s) and Address(s) of Applicant(s):
Glass Vice Holdings Limited
C/- Simpson Western Lawyers Level 17 AIA Bld 5-7 Byron Ave
Takapuna North Shore City Auckland New Zealand
(72) Name(s) of Designer(s): **Warwick James Allen**
(45) Registration Date: **15 September 2008**
(30) Convention priority data:
(31) Number (32) Date (33) Country
409675 14 Sep 2007 NEW ZEALAND
(56) Related Art Documents: **Not Applicable**
(57) Statement of Newness and Distinctiveness: **The novelty claimed for design resides in the features of shape and/or configuration all as shown in the representations.**



(21) Design Number: **11625/2008**
(22) Date of Filing Application: **07 April 2008**
(24) Date from which industrial property rights may have effect: **07 April 2008**
(54) Product in respect of which the design is registered: **End closure for a battery pack**
(51) International Design Classification: **13-02**
(71) Name(s) and Address(s) of Applicant(s):
Black & Decker, Inc.
1207 Drummond Plaza Newark Delaware 19711 United States of America
(72) Name(s) of Designer(s): **Tom Murray and Christopher Murray and Lyle Matson and Adam M. O'Hern**
(45) Registration Date: **15 September 2008**
(30) Convention priority data:
(31) Number (32) Date (33) Country
29/296236 16 Oct 2007 UNITED STATES OF AMERICA
(56) Related Art Documents: **Not Applicable**
(57) Statement of Newness and Distinctiveness: **Nil**



(21) Design Number: **11904/2008**

(22) Date of Filing Application: **23 April 2008**

(24) Date from which industrial property rights may have effect: **23 April 2008**

(54) Product in respect of which the design is registered: **Urban ashtray simple face**

(51) International Design Classification: **27-03**

(71) Name(s) and Address(s) of Applicant(s):

Jacques Loyer
18 rue du Fecheray Suresnes 82159 France

(72) Name(s) of Designer(s): **Jacques Loyer**

(45) Registration Date: **15 September 2008**

(30) Convention priority data:

(31) Number	(32) Date	(33) Country
427399401	04 Feb 2008	WORLD INTELLECTUAL PROPERTY ORGANIZATION (WIPO)

(56) Related Art Documents: **Not Applicable**

(57) Statement of Newness and Distinctiveness: **When determining whether designs 1 or 2 are substantially similar in overall impression to another design, no regard is to be had to the two-dimensional images or alphanumeric ornamentation as shown in the accompanying representations, which are provided for illustrative purposes only.**



(21) Design Number: **11905/2008**

(22) Date of Filing Application: **23 April 2008**

(24) Date from which industrial property rights may have effect: **23 April 2008**

(54) Product in respect of which the design is registered: **Urban ashtray double face**

(51) International Design Classification: **27-03**

(71) Name(s) and Address(s) of Applicant(s):

Jacques Loyer
18 rue du Fecheray Suresnes 82159 France

(72) Name(s) of Designer(s): **Jacques Loyer**

(45) Registration Date: **15 September 2008**

(30) Convention priority data:

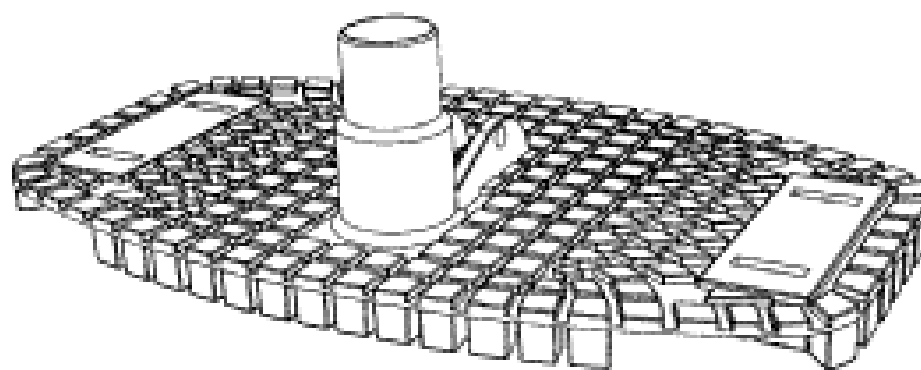
(31) Number	(32) Date	(33) Country
427399401	04 Feb 2008	WORLD INTELLECTUAL PROPERTY ORGANIZATION (WIPO)

(56) Related Art Documents: **Not Applicable**

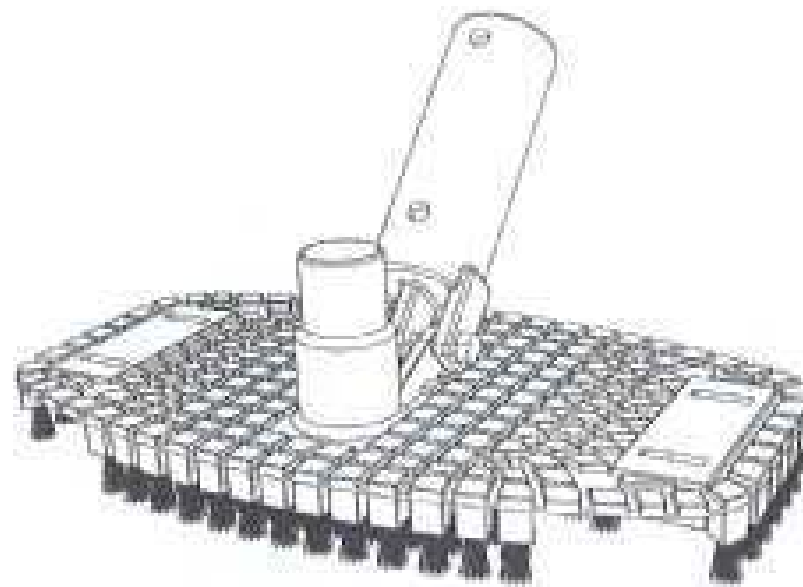
(57) Statement of Newness and Distinctiveness: **When determining whether designs 1 or 2 are substantially similar in overall impression to another design, no regard is to be had to the two-dimensional images or alphanumeric ornamentation as shown in the accompanying representations, which are provided for illustrative purposes only.**



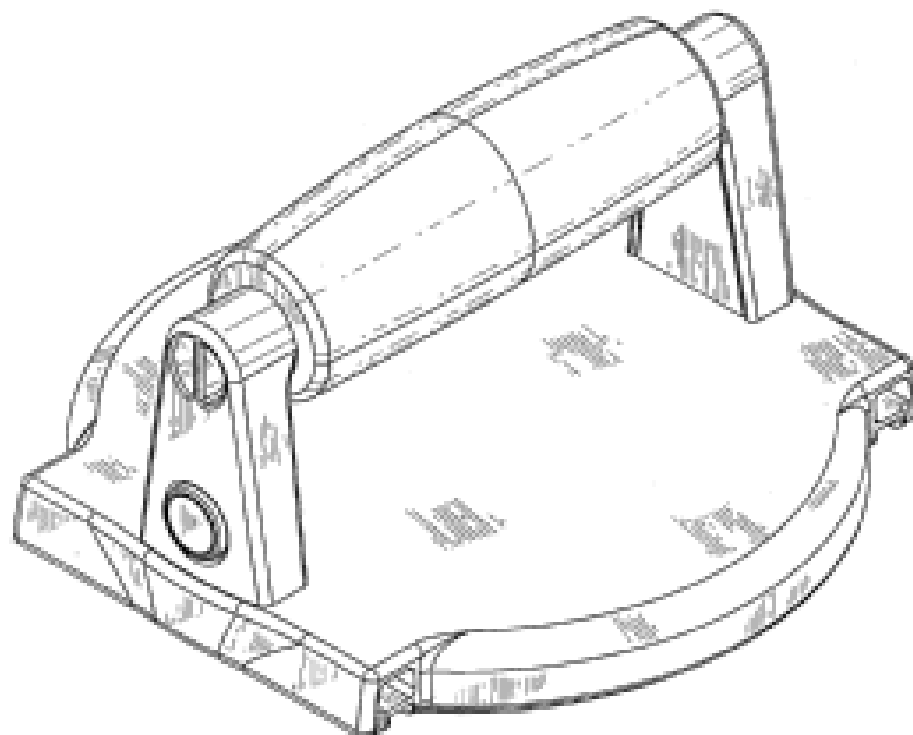
- (21) Design Number: **12197/2008**
(22) Date of Filing Application: **08 May 2008**
(24) Date from which industrial property rights may have effect: **08 May 2008**
(54) Product in respect of which the design is registered: **A head for a vacuum head assembly**
(51) International Design Classification: **15-05**
(71) Name(s) and Address(s) of Applicant(s):
Magnor Pty Limited
C/- LCF Higgins 7 The Parade Norwood South Australia 5067 Australia
(72) Name(s) of Designer(s): **Stephen Bernard Nicholas**
(45) Registration Date: **15 September 2008**
(56) Related Art Documents: **Not Applicable**
(57) Statement of Newness and Distinctiveness: **Nil**



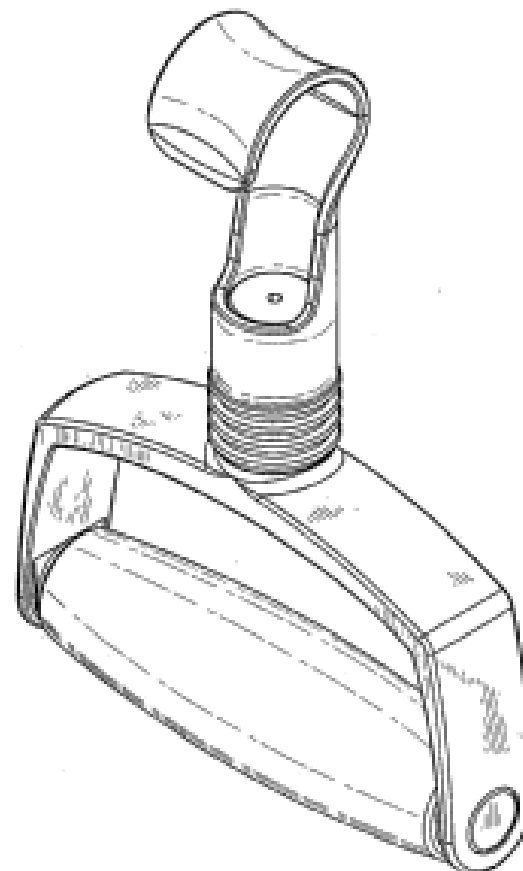
- (21) Design Number: **12198/2008**
(22) Date of Filing Application: **08 May 2008**
(24) Date from which industrial property rights may have effect: **08 May 2008**
(54) Product in respect of which the design is registered: **A vacuum head assembly**
(51) International Design Classification: **15-05**
(71) Name(s) and Address(s) of Applicant(s):
Magnor Pty Limited
C/- LCF Higgins 7 The Parade Norwood South Australia 5067 Australia
(72) Name(s) of Designer(s): **Stephen Bernard Nicholas**
(45) Registration Date: **15 September 2008**
(56) Related Art Documents: **Not Applicable**
(57) Statement of Newness and Distinctiveness: **Nil**



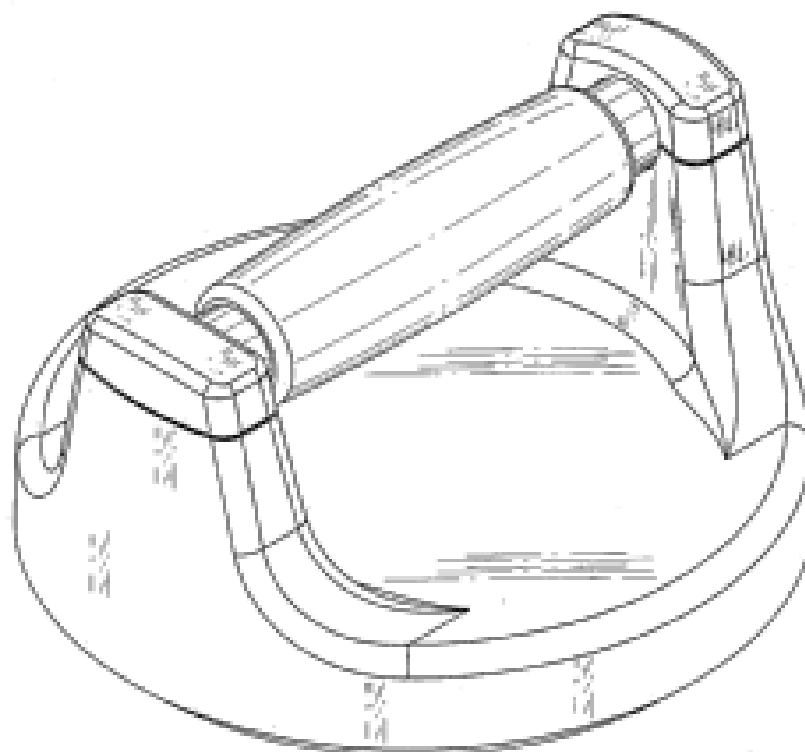
(21) Design Number: **12201/2008**
(22) Date of Filing Application: **07 May 2008**
(24) Date from which industrial property rights may have effect: **07 May 2008**
(54) Product in respect of which the design is registered: **Push-up exercise device**
(51) International Design Classification: **21-02F**
(71) Name(s) and Address(s) of Applicant(s):
Perfect Pushup, LLC
447 Miller Avenue Suite E Mill Valley California 94941 United States of America
(72) Name(s) of Designer(s): **Mark B. Friedman and Stephen G. Hauser and Alden M. Mills**
(45) Registration Date: **15 September 2008**
(30) Convention priority data:
(31) Number (32) Date (33) Country
29/304,058 24 Feb 2008 UNITED STATES OF AMERICA
(56) Related Art Documents: **Not Applicable**
(57) Statement of Newness and Distinctiveness: **Newness and distinctiveness is claimed in the features of shape and/or configuration of the push-up exercise device as illustrated in the accompanying representations.**



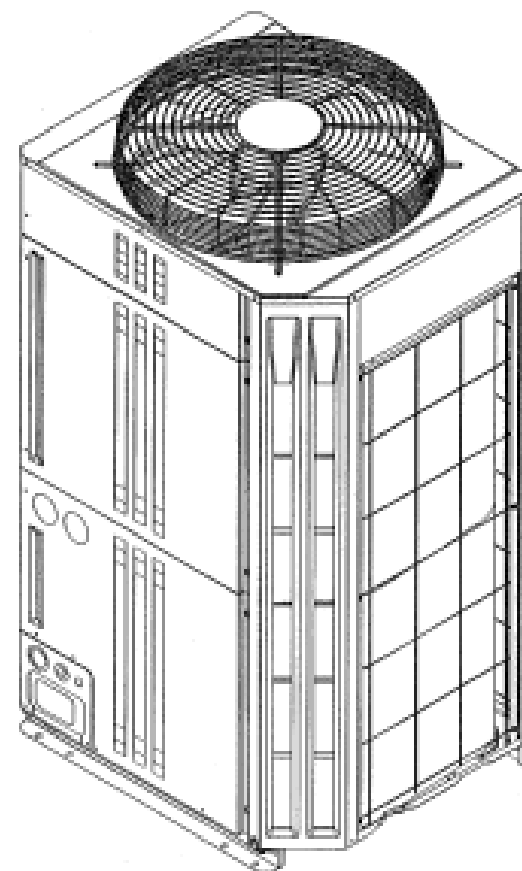
(21) Design Number: **12202/2008**
(22) Date of Filing Application: **07 May 2008**
(24) Date from which industrial property rights may have effect: **07 May 2008**
(54) Product in respect of which the design is registered: **Handle for pullup exercise bar**
(51) International Design Classification: **21-02F**
(71) Name(s) and Address(s) of Applicant(s):
Perfect Pushup, LLC
447 Miller Avenue Suite E Mill Valley California 94941 United States of America
(72) Name(s) of Designer(s): **Mark B. Friedman and Stephen G. Hauser and Alden M. Mills**
(45) Registration Date: **15 September 2008**
(30) Convention priority data:
(31) Number (32) Date (33) Country
29/304,592 05 Mar 2008 UNITED STATES OF AMERICA
(56) Related Art Documents: **Not Applicable**
(57) Statement of Newness and Distinctiveness: **Newness and distinctiveness is claimed in the features of shape and/or configuration of the handle for pullup exercise bar as illustrated in the accompanying representations.**



- (21) Design Number: **12203/2008**
(22) Date of Filing Application: **07 May 2008**
(24) Date from which industrial property rights may have effect: **07 May 2008**
(54) Product in respect of which the design is registered: **Push-up exercise device**
(51) International Design Classification: **21-02F**
(71) Name(s) and Address(s) of Applicant(s):
Perfect Pushup, LLC
447 Miller Avenue Suite E Mill Valley California 94941 United States of America
(72) Name(s) of Designer(s): **Mark B. Friedman and Stephen G. Hauser and Alden M. Mills**
(45) Registration Date: **15 September 2008**
(30) Convention priority data:
(31) Number (32) Date (33) Country
29/304,057 24 Feb 2008 UNITED STATES OF AMERICA
(56) Related Art Documents: **Not Applicable**
(57) Statement of Newness and Distinctiveness: **Newness and distinctiveness is claimed in the features of shape and/or configuration of the push-up exercise device as illustrated in the accompanying representations.**



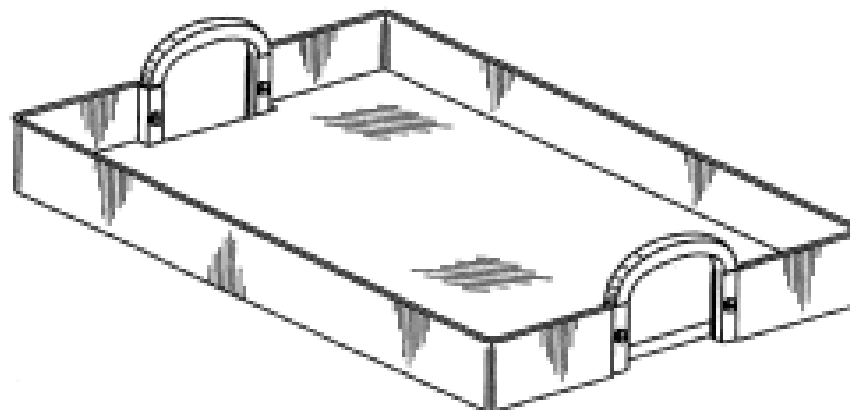
- (21) Design Number: **12204/2008**
(22) Date of Filing Application: **07 May 2008**
(24) Date from which industrial property rights may have effect: **07 May 2008**
(54) Product in respect of which the design is registered: **Outdoor unit of an air conditioner**
(51) International Design Classification: **23-04**
(71) Name(s) and Address(s) of Applicant(s):
Fujitsu General Limited
1116 Suenaga Takatsu-Ku Kawasaki-Shi Kanagawa-ken Japan
(72) Name(s) of Designer(s): **Masaaki Miyata and Takayuki Kudo and Yukihiro Imai**
(45) Registration Date: **15 September 2008**
(30) Convention priority data:
(31) Number (32) Date (33) Country
2007-030697 07 Nov 2007 JAPAN
(56) Related Art Documents: **Not Applicable**
(57) Statement of Newness and Distinctiveness: **Newness and distinctiveness is claimed in the features of shape and/or configuration of the following parts of an outdoor unit of an air conditioner as illustrated and labelled in the accompanying representations: corner regions labelled 'A' in the top view and recesses labelled 'B' in the front view.**



- (21) Design Number: **11754/2008**
(22) Date of Filing Application: **15 April 2008**
(24) Date from which industrial property rights may have effect: **15 April 2008**
(54) Product in respect of which the design is registered: **A self steering trailer**
(51) International Design Classification: **12-10**
(71) Name(s) and Address(s) of Applicant(s):
Geoffrey Robert Crocker
23 East Street Harden New South Wales 2587 Australia
(72) Name(s) of Designer(s): **Geoffrey Robert Crocker**
(45) Registration Date: **15 September 2008**
(56) Related Art Documents: **Not Applicable**
(57) Statement of Newness and Distinctiveness: **This trailer is different as it requires no correctional steering from the towing vehicle. Its road wheels can swivel on a vertical axis. Its connection to vehicle is via two points.**



- (21) Design Number: **12192/2008**
(22) Date of Filing Application: **07 May 2008**
(24) Date from which industrial property rights may have effect: **07 May 2008**
(54) Product in respect of which the design is registered: **Serving tray**
(51) International Design Classification: **07-01B**
(71) Name(s) and Address(s) of Applicant(s):
PI-Design AG
Kantonsstrasse 100 CH-6234 Triengen Switzerland
(72) Name(s) of Designer(s): **Jorgen Bodum**
(45) Registration Date: **15 September 2008**
(30) Convention priority data:
(31) Number (32) Date (33) Country
134.638 14 Dec 2007 SWITZERLAND
(56) Related Art Documents: **Not Applicable**
(57) Statement of Newness and Distinctiveness: **Nil**



(21) Design Number: **12194/2008**
(22) Date of Filing Application: **07 May 2008**
(24) Date from which industrial property rights may have effect: **07 May 2008**
(54) Product in respect of which the design is registered: **Serving tray**
(51) International Design Classification: **07-01B**
(71) Name(s) and Address(s) of Applicant(s):

PI-Design AG
Kantonsstrasse 100 CH-6234 Triengen Switzerland

(72) Name(s) of Designer(s): **Jorgen Bodum**

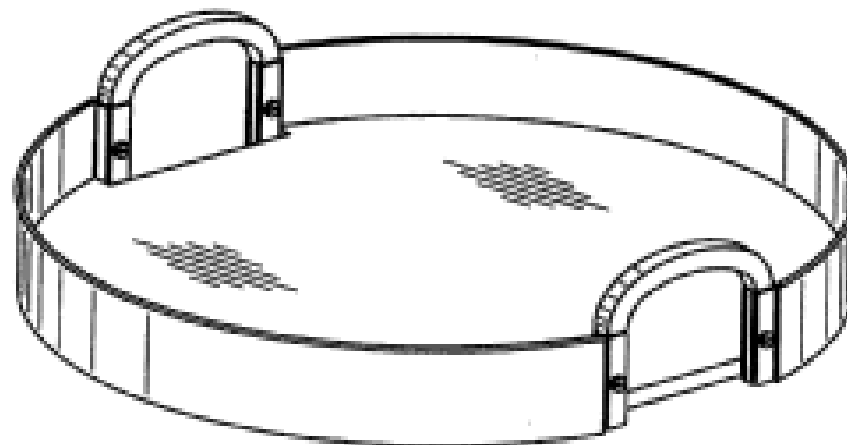
(45) Registration Date: **15 September 2008**

(30) Convention priority data:

(31) Number	(32) Date	(33) Country
134.638	14 Dec 2007	SWITZERLAND

(56) Related Art Documents: **Not Applicable**

(57) Statement of Newness and Distinctiveness: **Nil**



(21) Design Number: **12205/2008**
(22) Date of Filing Application: **07 May 2008**
(24) Date from which industrial property rights may have effect: **07 May 2008**
(54) Product in respect of which the design is registered: **Grinding ring**
(51) International Design Classification: **08-05N**
(71) Name(s) and Address(s) of Applicant(s):

Bradken UK Limited
EPOK Works Dawes Lane Scunthorpe North Lincolnshire DN16 1DN
United Kingdom

(72) Name(s) of Designer(s): **Christopher Eric Sadler**

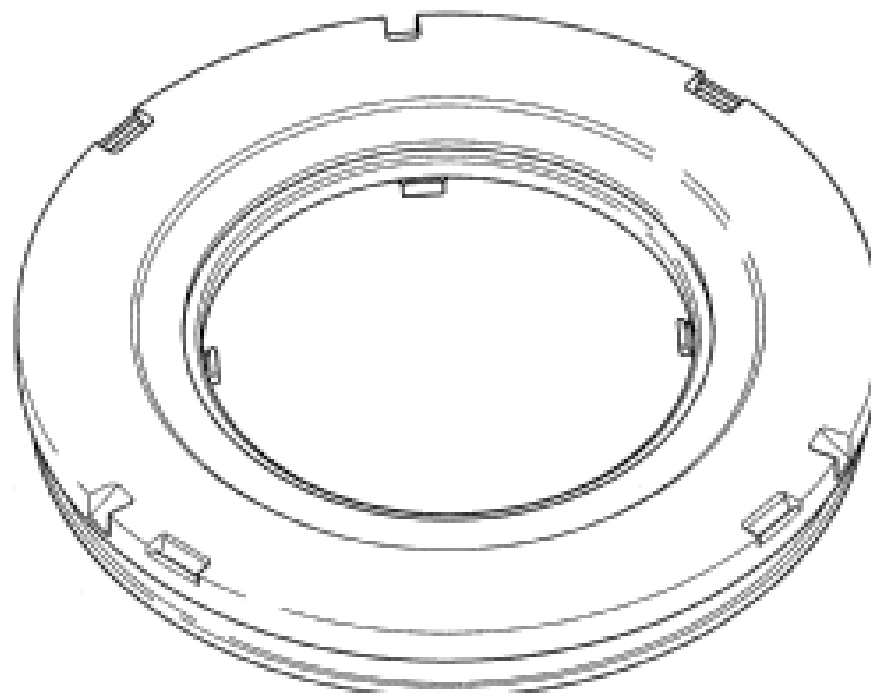
(45) Registration Date: **15 September 2008**

(30) Convention priority data:

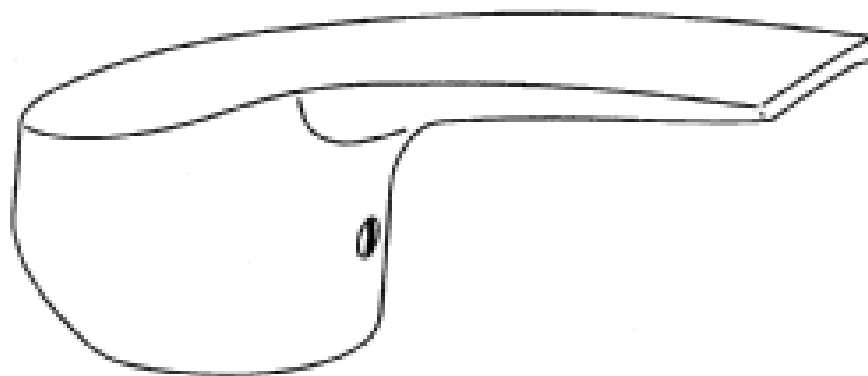
(31) Number	(32) Date	(33) Country
00823927	09 Nov 2007	EUROPEAN COMMUNITY

(56) Related Art Documents: **Not Applicable**

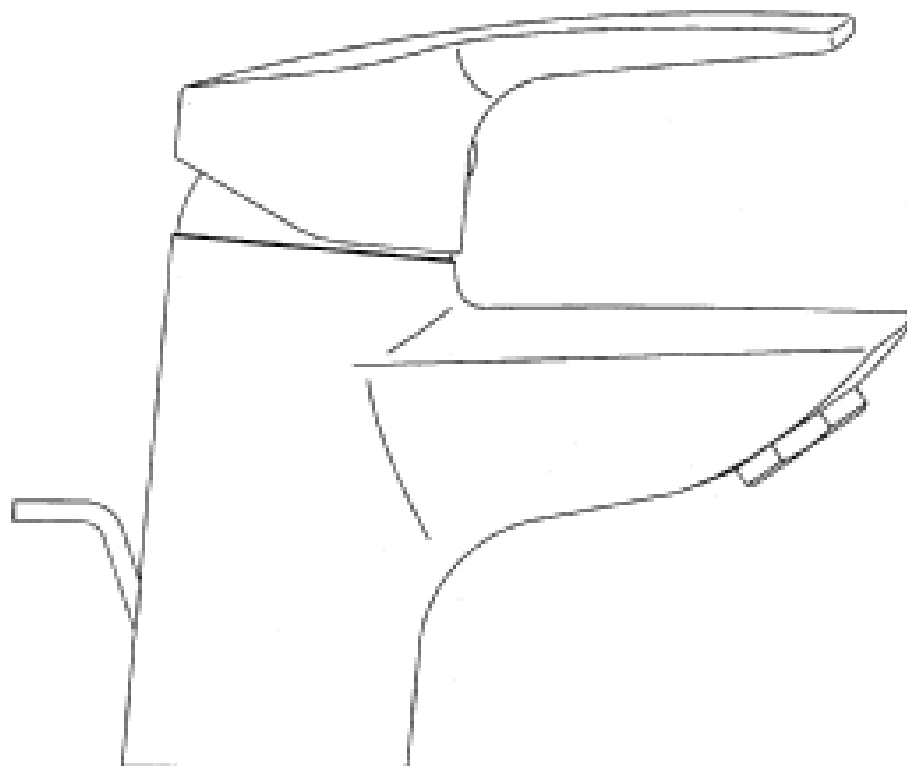
(57) Statement of Newness and Distinctiveness: **The shape and configuration of the grinding ring is new and distinctive.**



(21) Design Number: **12207/2008**
(22) Date of Filing Application: **07 May 2008**
(24) Date from which industrial property rights may have effect: **07 May 2008**
(54) Product in respect of which the design is registered: **A control lever for a mixing tap**
(51) International Design Classification: **23-01H**
(71) Name(s) and Address(s) of Applicant(s):
Hansa Metallwerke AG
Sigmaringer Str. 107 D-70567 Stuttgart Germany
(72) Name(s) of Designer(s): **Reinhard Zetsche**
(45) Registration Date: **15 September 2008**
(30) Convention priority data:
(31) Number (32) Date (33) Country
000822119-0003 08 Nov 2007 EUROPEAN COMMUNITY
(56) Related Art Documents: **Not Applicable**
(57) Statement of Newness and Distinctiveness: **Nil**



(21) Design Number: **12208/2008**
(22) Date of Filing Application: **07 May 2008**
(24) Date from which industrial property rights may have effect: **07 May 2008**
(54) Product in respect of which the design is registered: **A mixing tap**
(51) International Design Classification: **23-01H**
(71) Name(s) and Address(s) of Applicant(s):
Hansa Metallwerke AG
Sigmaringer Str. 107 D-70567 Stuttgart Germany
(72) Name(s) of Designer(s): **Reinhard Zetsche**
(45) Registration Date: **15 September 2008**
(30) Convention priority data:
(31) Number (32) Date (33) Country
000822119-0001 08 Nov 2007 EUROPEAN COMMUNITY
(56) Related Art Documents: **Not Applicable**
(57) Statement of Newness and Distinctiveness: **Nil**



(21) Design Number: **12210/2008**

(22) Date of Filing Application: **07 May 2008**

(24) Date from which industrial property rights may have effect: **07 May 2008**

(54) Product in respect of which the design is registered: **A tube support stake**

(51) International Design Classification: **23-01E**

(71) Name(s) and Address(s) of Applicant(s):

Antelco Pty Ltd
Pallamana Airfield Palmer Road Murray Bridge South Australia 5253
Australia

(72) Name(s) of Designer(s): **Lyll Causby and Robert Sigston**

(45) Registration Date: **15 September 2008**

(56) Related Art Documents: **Not Applicable**

(57) Statement of Newness and Distinctiveness: **Newness and distinctiveness resides in the features of shape and configuration of a tube support stake as shown in the accompanying representations.**



(21) Design Number: **12212/2008**

(22) Date of Filing Application: **07 May 2008**

(24) Date from which industrial property rights may have effect: **07 May 2008**

(54) Product in respect of which the design is registered: **A pinch dripper**

(51) International Design Classification: **23-01E**

(71) Name(s) and Address(s) of Applicant(s):

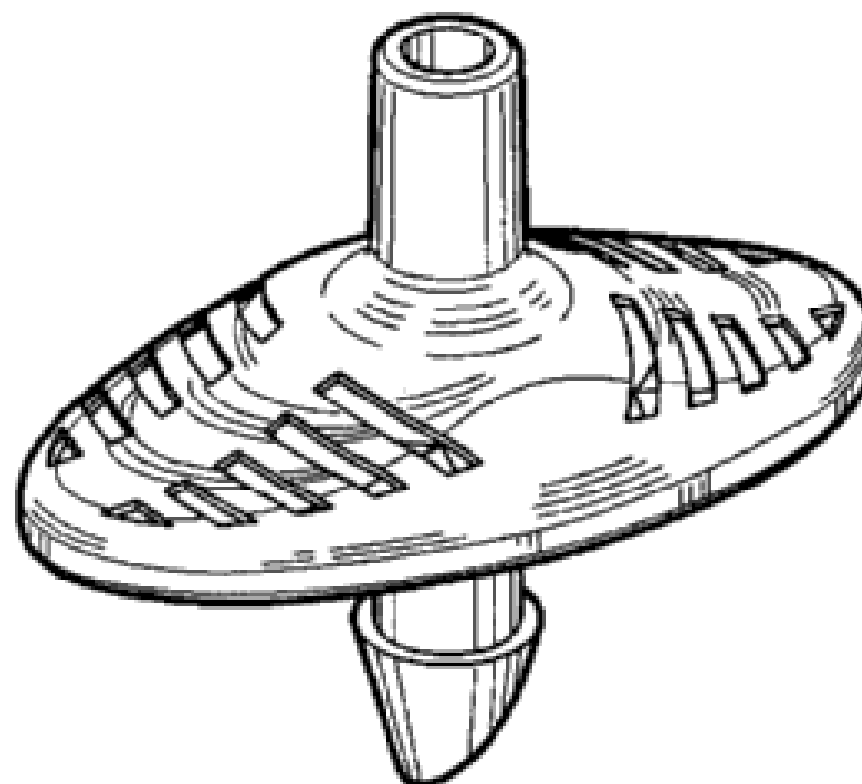
Antelco Pty Ltd
Pallamana Airfield Palmer Road Murray Bridge South Australia 5253
Australia

(72) Name(s) of Designer(s): **Lyll Causby and Robert Sigston**

(45) Registration Date: **15 September 2008**

(56) Related Art Documents: **Not Applicable**

(57) Statement of Newness and Distinctiveness: **Newness and distinctiveness resides in the features of shape and configuration of a pinch dripper as shown in the accompanying representations.**



(21) Design Number: **12211/2008**

(22) Date of Filing Application: **07 May 2008**

(24) Date from which industrial property rights may have effect: **07 May 2008**

(54) Product in respect of which the design is registered: **A spike dripper**

(51) International Design Classification: **23-01E**

(71) Name(s) and Address(s) of Applicant(s):

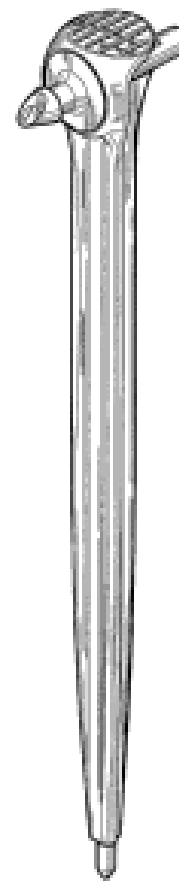
Antelco Pty Ltd
Pallamana Airfield Palmer Road Murray Bridge South Australia 5253
Australia

(72) Name(s) of Designer(s): **Lyall Causby and Robert Sigston**

(45) Registration Date: **15 September 2008**

(56) Related Art Documents: **Not Applicable**

(57) Statement of Newness and Distinctiveness: **Newness and distinctiveness resides in the features of shape and configuration of a spike dripper as shown in the accompanying representations.**



(21) Design Number: **20784/2007**

(22) Date of Filing Application: **13 November 2007**

(24) Date from which industrial property rights may have effect: **13 November 2007**

(54) Product in respect of which the design is registered: **Handle**

(51) International Design Classification: **08-06**

(71) Name(s) and Address(s) of Applicant(s):

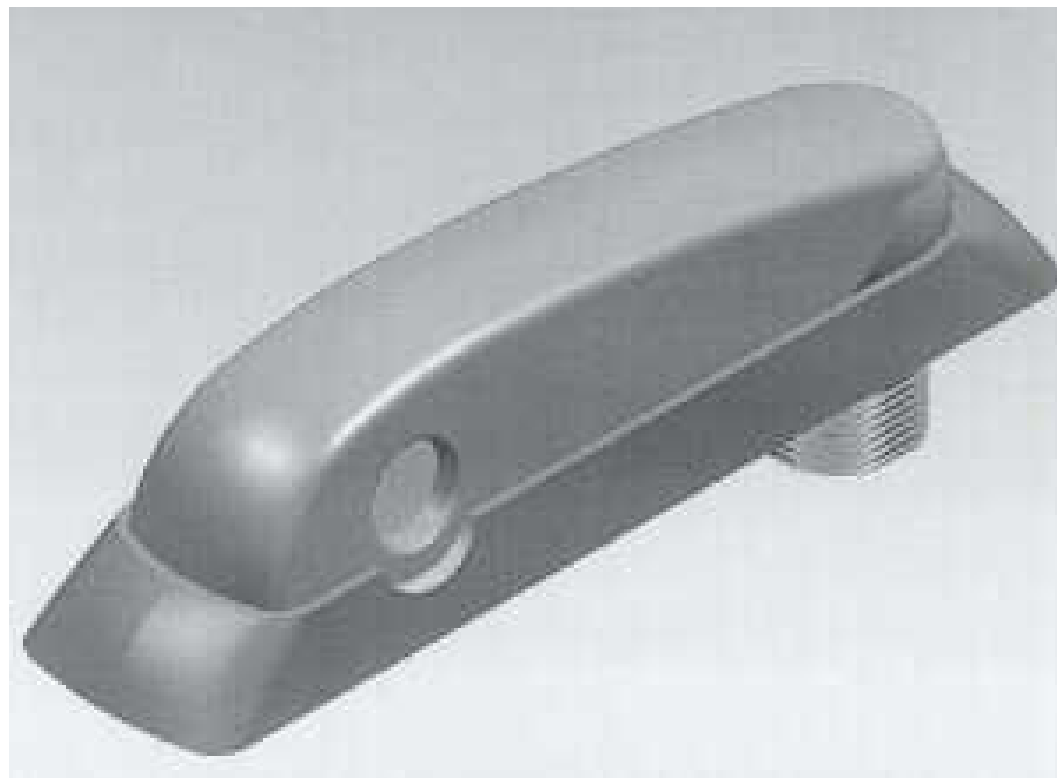
Burgundy Trial Pty Ltd
2 Merchant Avenue Thomastown Victoria 3074 Australia

(72) Name(s) of Designer(s): **David Martin Stuckey**

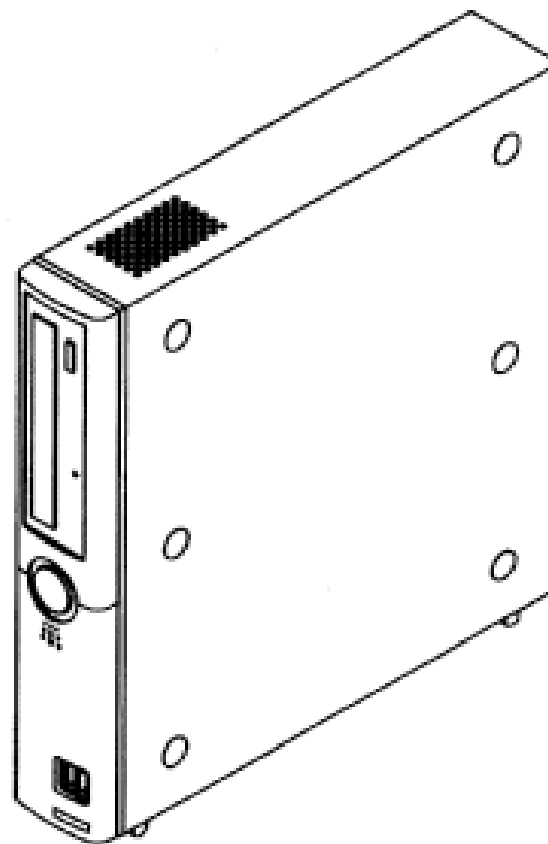
(45) Registration Date: **15 September 2008**

(56) Related Art Documents: **Not Applicable**

(57) Statement of Newness and Distinctiveness: **Nil**



(21) Design Number: **11439/2008**
(22) Date of Filing Application: **25 March 2008**
(24) Date from which industrial property rights may have effect: **25 March 2008**
(54) Product in respect of which the design is registered: **Computer**
(51) International Design Classification: **14-02**
(71) Name(s) and Address(s) of Applicant(s):
NEC Personal Products, Ltd
11-1 Osaki 1-chome Shinagawa-ku Tokyo Japan
(72) Name(s) of Designer(s): **Jun Wakino and Keita Suzuki**
(45) Registration Date: **18 September 2008**
(30) Convention priority data:
(31) Number (32) Date (33) Country
2007-032683 29 Nov 2007 JAPAN
(56) Related Art Documents: **Not Applicable**
(57) Statement of Newness and Distinctiveness: **Nil**



(21) Design Number: **11678/2008**
(22) Date of Filing Application: **10 April 2008**
(24) Date from which industrial property rights may have effect: **10 April 2008**
(54) Product in respect of which the design is registered: **Drainage grate with channel**
(51) International Design Classification: **23-01E, 23-02NES**
(71) Name(s) and Address(s) of Applicant(s):
Vinco Hardware Products Pty Ltd
19 Barclay Street Marrickville New South Wales 2204 Australia
(72) Name(s) of Designer(s): **Warren Lam**
(45) Registration Date: **18 September 2008**
(56) Related Art Documents: **Not Applicable**
(57) Statement of Newness and Distinctiveness: **Grid on top plus the channel.**



(21) Design Number: **11741/2008**

(22) Date of Filing Application: **11 April 2008**

(24) Date from which industrial property rights may have effect: **11 April 2008**

(54) Product in respect of which the design is registered: **A tip for a walking cane**

(51) International Design Classification: **03-03**

(71) Name(s) and Address(s) of Applicant(s):

David Brian Wainwright
1205 S. Lake Drive Fontana Florida FL-33462 United States of America

(72) Name(s) of Designer(s): **David Brian Wainwright**

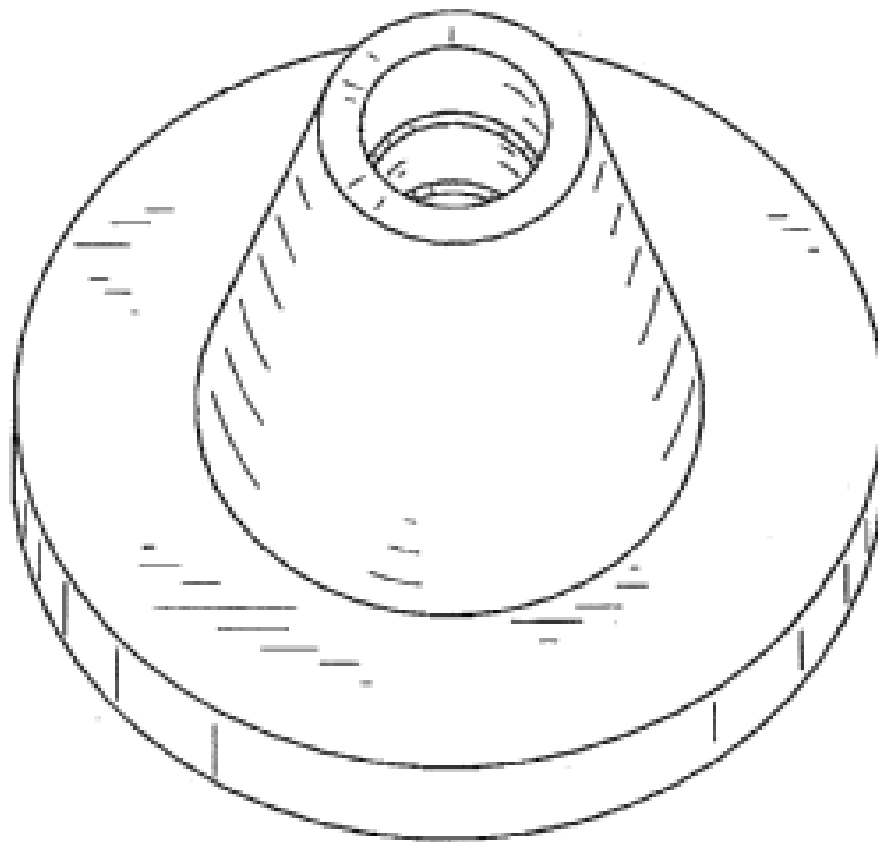
(45) Registration Date: **18 September 2008**

(30) Convention priority data:

(31) Number	(32) Date	(33) Country
29/290006	11 Oct 2007	UNITED STATES OF AMERICA

(56) Related Art Documents: **Not Applicable**

(57) Statement of Newness and Distinctiveness: **Newness and distinctiveness is claimed in the features of shape and/or configuration of a tip for a walking cane as illustrated in the accompanying representations.**



(21) Design Number: **11993/2008**

(22) Date of Filing Application: **29 April 2008**

(24) Date from which industrial property rights may have effect: **29 April 2008**

(54) Product in respect of which the design is registered: **Cover cap for fitting to a shear nut or shear bolt as an indicator**

(51) International Design Classification: **08-08B**

(71) Name(s) and Address(s) of Applicant(s):

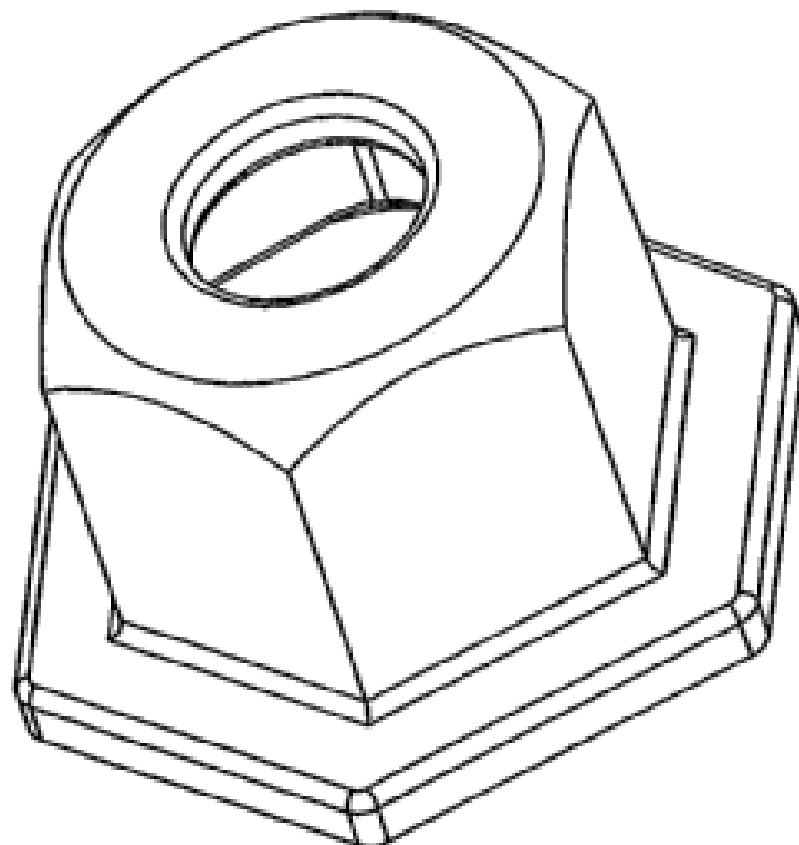
Dulmison Pty Ltd
Unit 2/3 Corella Close Berkeley Vale New South Wales 2261 Australia

(72) Name(s) of Designer(s): **Andrew Thompson**

(45) Registration Date: **18 September 2008**

(56) Related Art Documents: **Not Applicable**

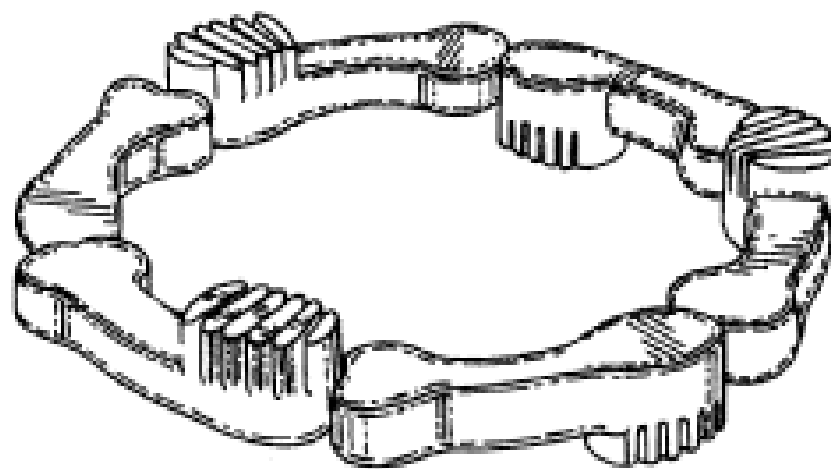
(57) Statement of Newness and Distinctiveness: **Newness and distinctiveness is asserted in the shape of the cover cap.**



(21) Design Number: **12213/2008**
 (22) Date of Filing Application: **08 May 2008**
 (24) Date from which industrial property rights may have effect: **08 May 2008**
 (54) Product in respect of which the design is registered: **Pet chew**
 (51) International Design Classification: **01-06**
 (71) Name(s) and Address(s) of Applicant(s):
Mars, Incorporated
6885 Elm Street McLean VA 22101-3883 United States of America
 (72) Name(s) of Designer(s): **Stewart Townsend and Jason Friedland and Peter Slusarczyk**
 (45) Registration Date: **18 September 2008**
 (30) Convention priority data:

(31) Number	(32) Date	(33) Country
29/297309	08 Nov 2007	UNITED STATES OF AMERICA

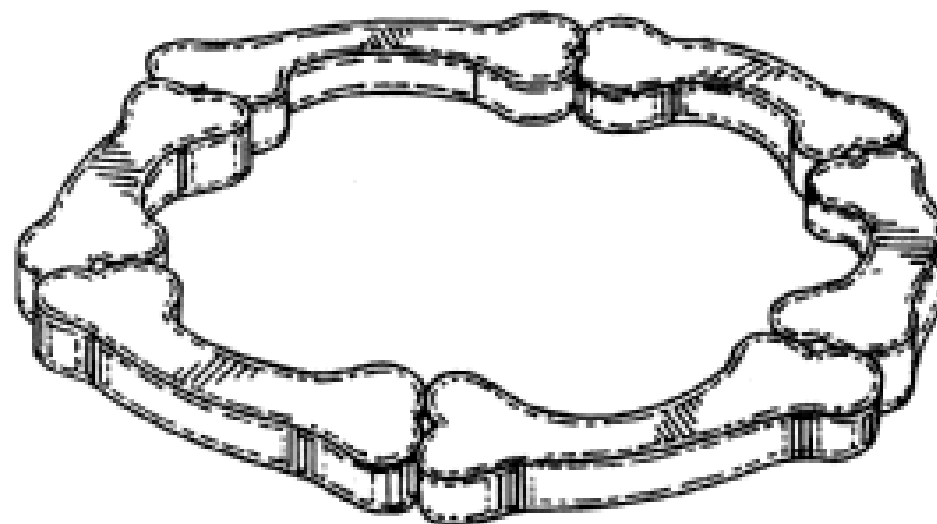
 (56) Related Art Documents: **Not Applicable**
 (57) Statement of Newness and Distinctiveness: **The novelty of the design resides in: (a) the visual appearance of shape and configuration of six individual elements joined together to form the design depicted in figures 1, 3 and 5, and (b) the visual appearance of shape and configuration of the way any two individual elements are joined as depicted in figures 6-9.**



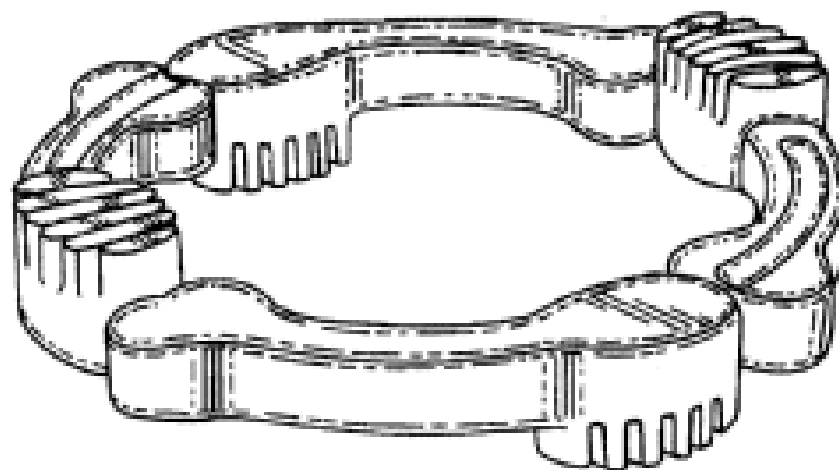
(21) Design Number: **12214/2008**
 (22) Date of Filing Application: **08 May 2008**
 (24) Date from which industrial property rights may have effect: **08 May 2008**
 (54) Product in respect of which the design is registered: **Pet chew**
 (51) International Design Classification: **01-06**
 (71) Name(s) and Address(s) of Applicant(s):
Mars, Incorporated
6885 Elm Street McLean VA 22101-3883 United States of America
 (72) Name(s) of Designer(s): **Stewart Townsend and Jason Friedland and Peter Slusarczyk**
 (45) Registration Date: **18 September 2008**
 (30) Convention priority data:

(31) Number	(32) Date	(33) Country
29/297318	08 Nov 2007	UNITED STATES OF AMERICA

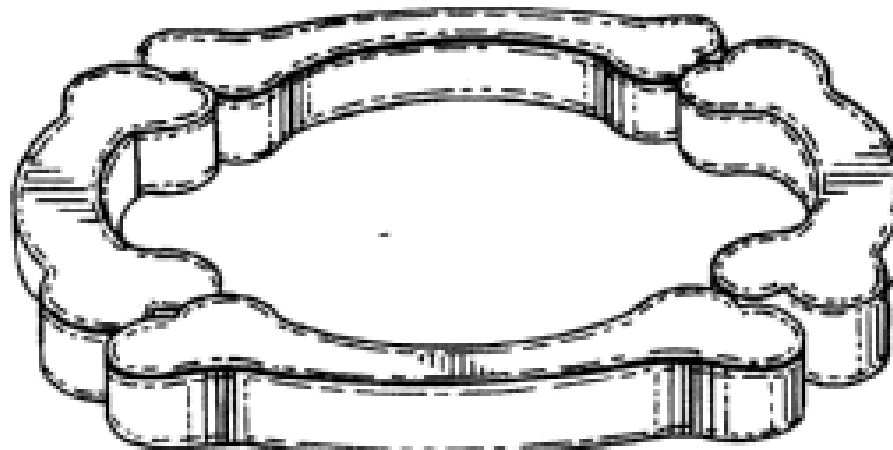
 (56) Related Art Documents: **Not Applicable**
 (57) Statement of Newness and Distinctiveness: **The novelty of the design resides in: (a) the visual appearance of shape and configuration of six individual elements joined together to form the design depicted in figures 1 and 3, and (b) the visual appearance of shape and configuration of the way any two individual elements are joined as depicted in figures 5-7.**



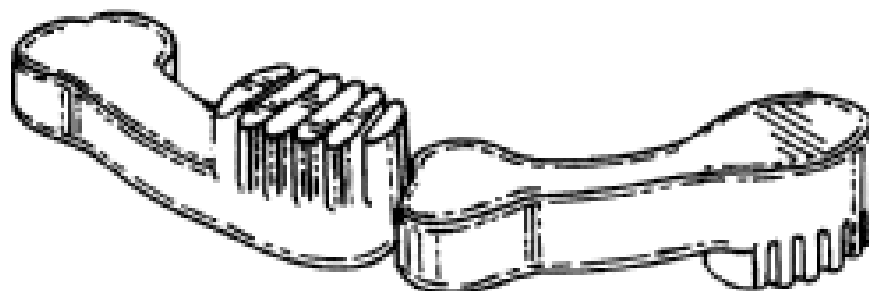
- (21) Design Number: **12215/2008**
(22) Date of Filing Application: **08 May 2008**
(24) Date from which industrial property rights may have effect: **08 May 2008**
(54) Product in respect of which the design is registered: **Pet chew**
(51) International Design Classification: **01-06**
(71) Name(s) and Address(s) of Applicant(s):
Mars, Incorporated
6885 Elm Street McLean VA 22101-3883 United States of America
(72) Name(s) of Designer(s): **Stewart Townsend and Jason Friedland and Peter Slusarczyk**
(45) Registration Date: **18 September 2008**
(30) Convention priority data:
(31) Number (32) Date (33) Country
29/297313 08 Nov 2007 UNITED STATES OF AMERICA
(56) Related Art Documents: **Not Applicable**
(57) Statement of Newness and Distinctiveness: **The novelty of the design resides in the features of shape and configuration as depicted in the attached representations.**



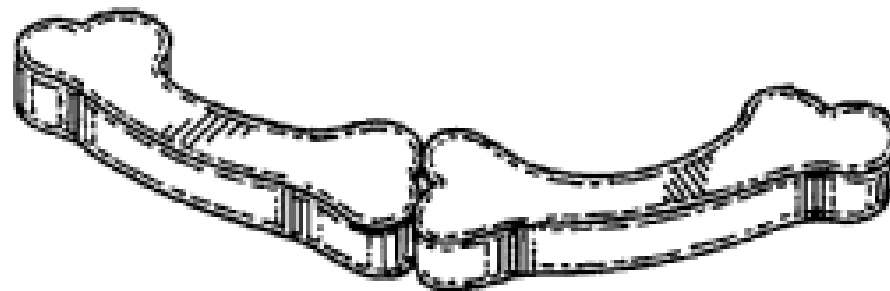
- (21) Design Number: **12216/2008**
(22) Date of Filing Application: **08 May 2008**
(24) Date from which industrial property rights may have effect: **08 May 2008**
(54) Product in respect of which the design is registered: **Pet chew**
(51) International Design Classification: **01-06**
(71) Name(s) and Address(s) of Applicant(s):
Mars, Incorporated
6885 Elm Street McLean VA 22101-3883 United States of America
(72) Name(s) of Designer(s): **Stewart Townsend and Jason Friedland and Peter Slusarczyk**
(45) Registration Date: **18 September 2008**
(30) Convention priority data:
(31) Number (32) Date (33) Country
29/297322 08 Nov 2007 UNITED STATES OF AMERICA
(56) Related Art Documents: **Not Applicable**
(57) Statement of Newness and Distinctiveness: **The novelty of the design resides in the features of shape and configuration as depicted in the attached representations.**



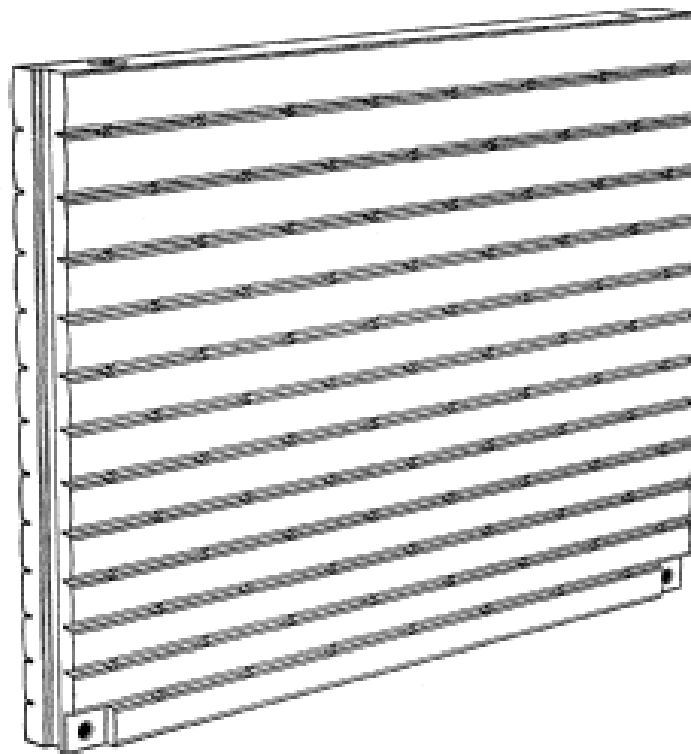
- (21) Design Number: **12217/2008**
(22) Date of Filing Application: **08 May 2008**
(24) Date from which industrial property rights may have effect: **08 May 2008**
(54) Product in respect of which the design is registered: **Pet chew**
(51) International Design Classification: **01-06**
(71) Name(s) and Address(s) of Applicant(s):
Mars, Incorporated
6885 Elm Street McLean VA 22101-3883 United States of America
(72) Name(s) of Designer(s): **Stewart Townsend and Jason Friedland and Peter Slusarczyk**
(45) Registration Date: **18 September 2008**
(56) Related Art Documents: **Not Applicable**
(57) Statement of Newness and Distinctiveness: **The novelty of the design resides in the features of shape and configuration as depicted in representations attached.**



- (21) Design Number: **12218/2008**
(22) Date of Filing Application: **08 May 2008**
(24) Date from which industrial property rights may have effect: **08 May 2008**
(54) Product in respect of which the design is registered: **Pet chew**
(51) International Design Classification: **01-06**
(71) Name(s) and Address(s) of Applicant(s):
Mars, Incorporated
6885 Elm Street McLean VA 22101-3883 United States of America
(72) Name(s) of Designer(s): **Stewart Townsend and Jason Friedland and Peter Slusarczyk**
(45) Registration Date: **18 September 2008**
(56) Related Art Documents: **Not Applicable**
(57) Statement of Newness and Distinctiveness: **The novelty of the design resides in the features of shape and configuration as depicted in representations attached.**



- (21) Design Number: **12345/2008**
(22) Date of Filing Application: **19 May 2008**
(24) Date from which industrial property rights may have effect: **19 May 2008**
(54) Product in respect of which the design is registered: **Poly slim-line rain water tank**
(51) International Design Classification: **23-01F**
(71) Name(s) and Address(s) of Applicant(s):
Thin Tanks Pty Ltd
3-5 Walsh Avenue St Marys South Australia 5042 Australia
(72) Name(s) of Designer(s): **Peter Snelling**
(45) Registration Date: **18 September 2008**
(56) Related Art Documents: **Not Applicable**
(57) Statement of Newness and Distinctiveness: **The thin tank can fit into areas of homes or units that other slim-line tanks can not because our tank is only 230mm wide.**



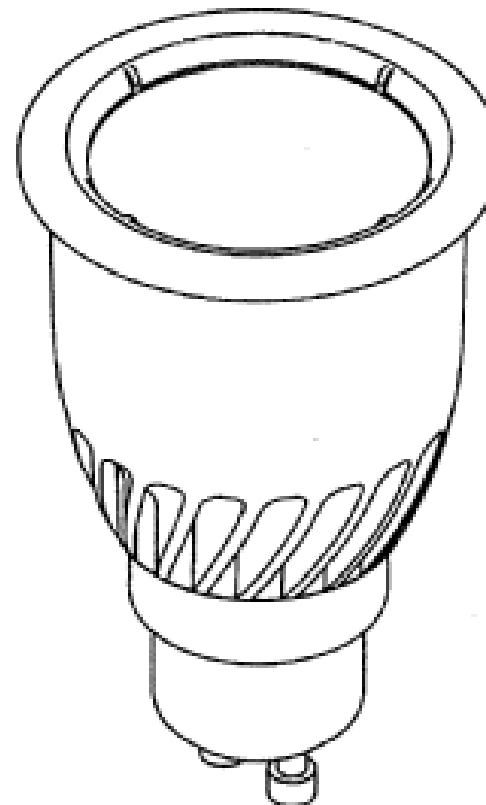
- (21) Design Number: **11328/2008**
(22) Date of Filing Application: **18 March 2008**
(24) Date from which industrial property rights may have effect: **18 March 2008**
(54) Product in respect of which the design is registered: **Safety net**
(51) International Design Classification: **29-02, 25-02C, 12-05**
(71) Name(s) and Address(s) of Applicant(s):
Combisafe International AB
Storsjostraket 15831 34 Ostersund Sweden
(72) Name(s) of Designer(s): **Joakim Svedberg**
(45) Registration Date: **16 September 2008**
(30) Convention priority data:

(31) Number	(32) Date	(33) Country
000791645	18 Sep 2007	EUROPEAN COMMUNITY

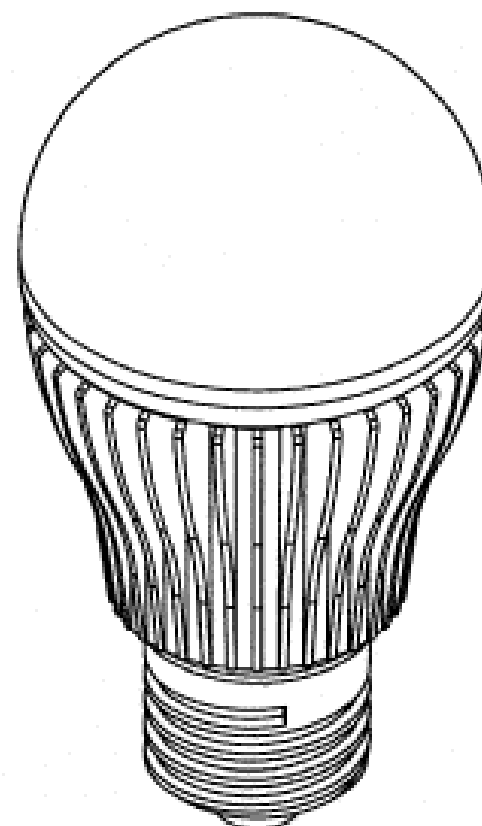
(56) Related Art Documents: **Not Applicable**
(57) Statement of Newness and Distinctiveness: **Nil**



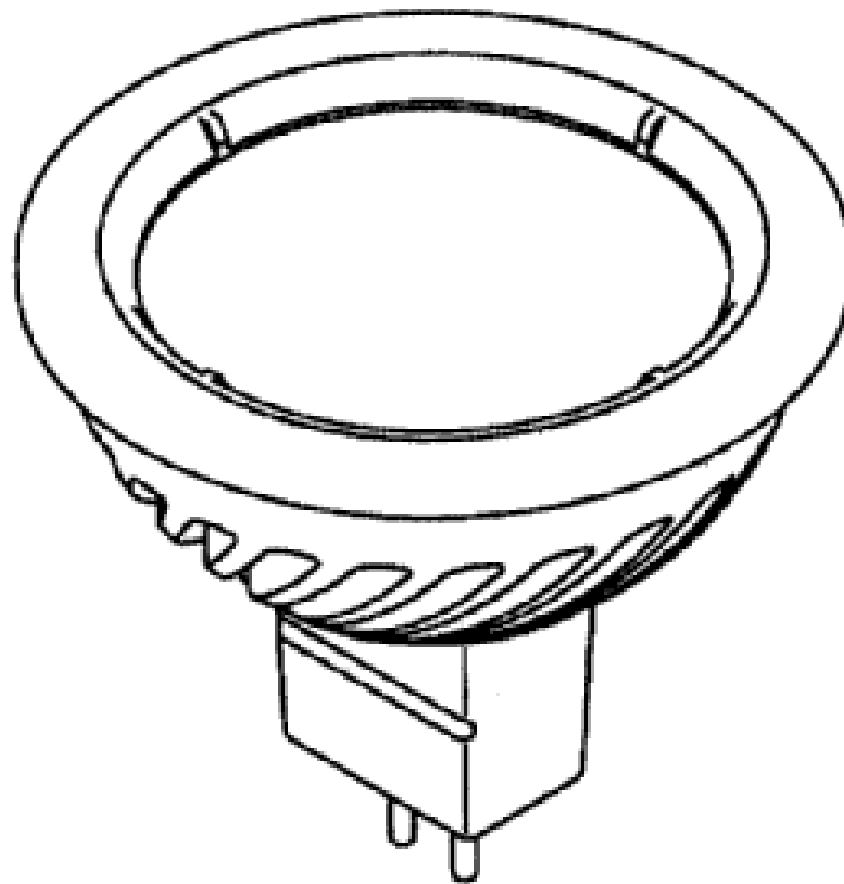
- (21) Design Number: **11739/2008**
(22) Date of Filing Application: **11 April 2008**
(24) Date from which industrial property rights may have effect: **11 April 2008**
(54) Product in respect of which the design is registered: **Lamp housing for solid state spot light**
(51) International Design Classification: **26-03, 26-04**
(71) Name(s) and Address(s) of Applicant(s):
Koninklijke Philips Electronics N.V.
Groenewoudseweg 1 5621 BA Eindhoven The Netherlands
(72) Name(s) of Designer(s): **Ernest Kin Man To and Nan Zhao**
(45) Registration Date: **16 September 2008**
(30) Convention priority data:
(31) Number (32) Date (33) Country
000812359-0001 19 Oct 2007 EUROPEAN COMMUNITY
(56) Related Art Documents: **Not Applicable**
(57) Statement of Newness and Distinctiveness: **Newness and distinctiveness reside in the features of the design as shown in the representations.**



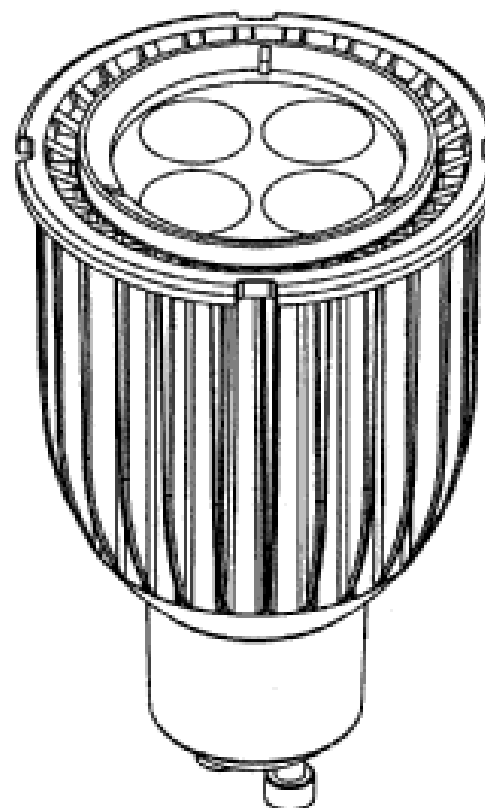
- (21) Design Number: **11740/2008**
(22) Date of Filing Application: **11 April 2008**
(24) Date from which industrial property rights may have effect: **11 April 2008**
(54) Product in respect of which the design is registered: **Lamp housing for solid state spot light**
(51) International Design Classification: **26-03, 26-04**
(71) Name(s) and Address(s) of Applicant(s):
Koninklijke Philips Electronics N.V.
Groenewoudseweg 1 5621 BA Eindhoven The Netherlands
(72) Name(s) of Designer(s): **Ernest Kin Man To and Nan Zhao**
(45) Registration Date: **16 September 2008**
(30) Convention priority data:
(31) Number (32) Date (33) Country
000812359-0004 19 Oct 2007 EUROPEAN COMMUNITY
(56) Related Art Documents: **Not Applicable**
(57) Statement of Newness and Distinctiveness: **Newness and distinctiveness reside in the features of the design as shown in the representations.**



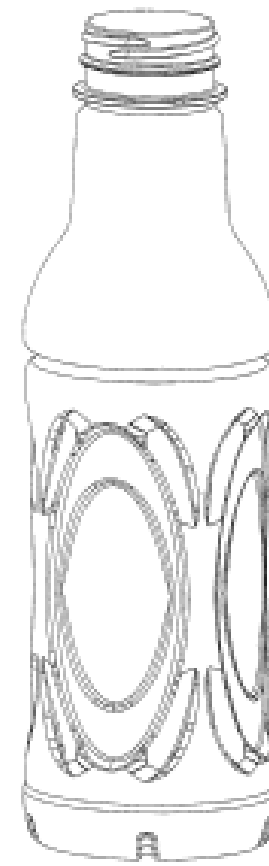
- (21) Design Number: **11761/2008**
(22) Date of Filing Application: **14 April 2008**
(24) Date from which industrial property rights may have effect: **14 April 2008**
(54) Product in respect of which the design is registered: **Lamp housing for solid state spot light**
(51) International Design Classification: **26-03, 26-04**
(71) Name(s) and Address(s) of Applicant(s):
Koninklijke Philips Electronics N.V.
Groenewoudseweg 1 5621 BA Eindhoven The Netherlands
(72) Name(s) of Designer(s): **Ernest Kin Man To and Nan Zhao**
(45) Registration Date: **16 September 2008**
(30) Convention priority data:
(31) Number (32) Date (33) Country
000812359-0002 19 Oct 2007 EUROPEAN COMMUNITY
(56) Related Art Documents: **Not Applicable**
(57) Statement of Newness and Distinctiveness: **Newness and distinctiveness reside in the features of the design as shown in the representations.**



- (21) Design Number: **11762/2008**
(22) Date of Filing Application: **14 April 2008**
(24) Date from which industrial property rights may have effect: **14 April 2008**
(54) Product in respect of which the design is registered: **Lamp housing for solid state spot light**
(51) International Design Classification: **26-03, 26-04**
(71) Name(s) and Address(s) of Applicant(s):
Koninklijke Philips Electronics N.V.
Groenewoudseweg 1 5621 BA Eindhoven The Netherlands
(72) Name(s) of Designer(s): **Ernest Kin Man To and Nan Zhao**
(45) Registration Date: **16 September 2008**
(30) Convention priority data:
(31) Number (32) Date (33) Country
000812359-0003 19 Oct 2007 EUROPEAN COMMUNITY
(56) Related Art Documents: **Not Applicable**
(57) Statement of Newness and Distinctiveness: **Newness and distinctiveness reside in the features of the design as shown in the representations.**



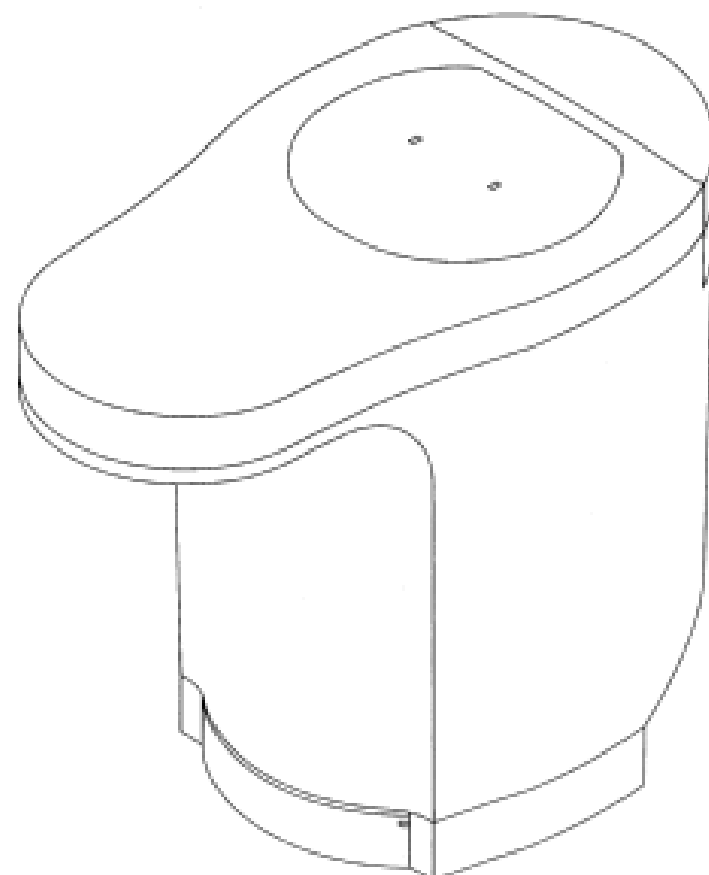
- (21) Design Number: **12219/2008**
(22) Date of Filing Application: **08 May 2008**
(24) Date from which industrial property rights may have effect: **08 May 2008**
(54) Product in respect of which the design is registered: **A bottle**
(51) International Design Classification: **09-01K**
(71) Name(s) and Address(s) of Applicant(s):
VIP Plastic Packaging Pty Ltd
Level 17 Como Towers 644 Chapel Street South Yarra Victoria 3061
Australia
(72) Name(s) of Designer(s): **Chris Redfern and Daryl Black**
(45) Registration Date: **16 September 2008**
(56) Related Art Documents: **Not Applicable**
(57) Statement of Newness and Distinctiveness: **The features of the design which are new and distinctive are the features of shape or configuration of the central panel region of the bottle as illustrated in the accompanying representations.**



- (21) Design Number: **12221/2008**
(22) Date of Filing Application: **08 May 2008**
(24) Date from which industrial property rights may have effect: **08 May 2008**
(54) Product in respect of which the design is registered: **Hand dryer**
(51) International Design Classification: **15-05, 07-05NES, 23-02NES, 28-03NES**
(71) Name(s) and Address(s) of Applicant(s):
Mitsubishi Electric Corporation
7-3 Marunouchi 2-Chome Chiyoda-ku Tokyo 100-8310 Japan
(72) Name(s) of Designer(s): **Hiroyuki Kato and Kei Kasuga**
(45) Registration Date: **16 September 2008**
(30) Convention priority data:

(31) Number	(32) Date	(33) Country
2007-031354	13 Nov 2007	JAPAN

(56) Related Art Documents: **Not Applicable**
(57) Statement of Newness and Distinctiveness: **Newness and distinctiveness is claimed in the features of shape and/or configuration of a hand dryer as illustrated in the accompanying representations.**



- (21) Design Number: **12222/2008**
(22) Date of Filing Application: **08 May 2008**
(24) Date from which industrial property rights may have effect: **08 May 2008**
(54) Product in respect of which the design is registered: **Hand dryer**
(51) International Design Classification: **15-05, 07-05NES, 23-02NES, 28-03NES**
(71) Name(s) and Address(s) of Applicant(s):

Mitsubishi Electric Corporation
7-3 Marunouchi 2-Chome Chiyoda-ku Tokyo 100-8310 Japan

(72) Name(s) of Designer(s): **Kei Kasuga and Hiroyuki Kato**

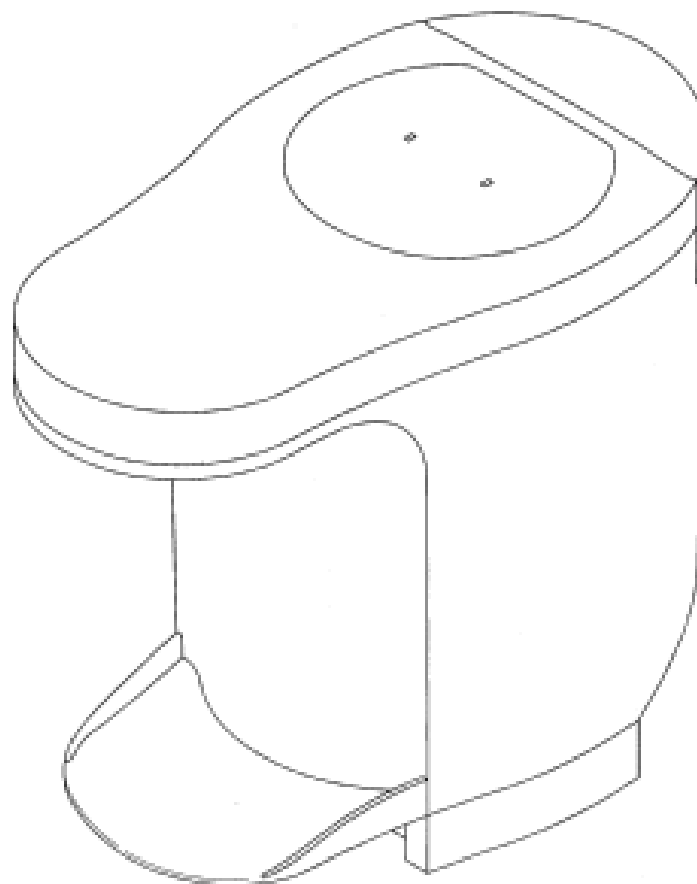
(45) Registration Date: **16 September 2008**

(30) Convention priority data:

(31) Number	(32) Date	(33) Country
2007-031353	13 Nov 2007	JAPAN

(56) Related Art Documents: **Not Applicable**

(57) Statement of Newness and Distinctiveness: **Newness and distinctiveness is claimed in the features of shape and/or configuration of a hand dryer as illustrated in the accompanying representations.**



- (21) Design Number: **12249/2008**
(22) Date of Filing Application: **12 May 2008**
(24) Date from which industrial property rights may have effect: **12 May 2008**
(54) Product in respect of which the design is registered: **Container**
(51) International Design Classification: **09-01K**
(71) Name(s) and Address(s) of Applicant(s):

Henkel AG & Co. KGaA
Henkelstrasse 67 Dusseldorf 40589 Germany

(72) Name(s) of Designer(s): **Colette Baeker and Anthony Slotta**

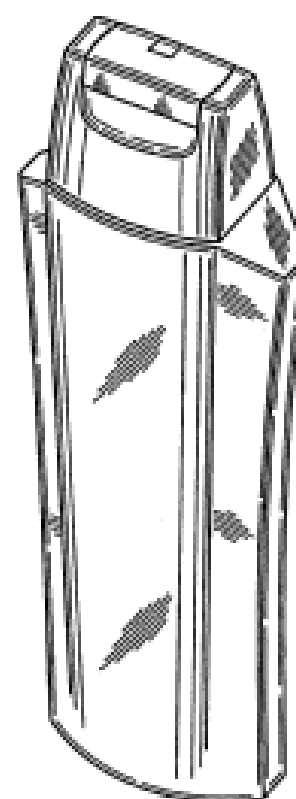
(45) Registration Date: **16 September 2008**

(30) Convention priority data:

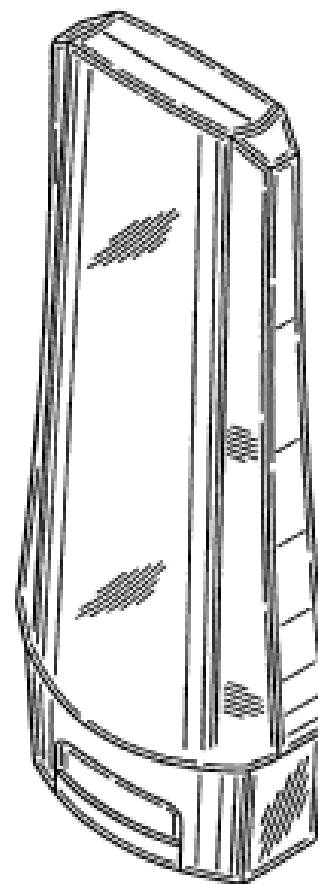
(31) Number	(32) Date	(33) Country
000841721	13 Dec 2007	EUROPEAN COMMUNITY

(56) Related Art Documents: **Not Applicable**

(57) Statement of Newness and Distinctiveness: **Newness and distinctiveness is claimed in the features of shape and/or configuration of a container as illustrated in the accompanying representations.**



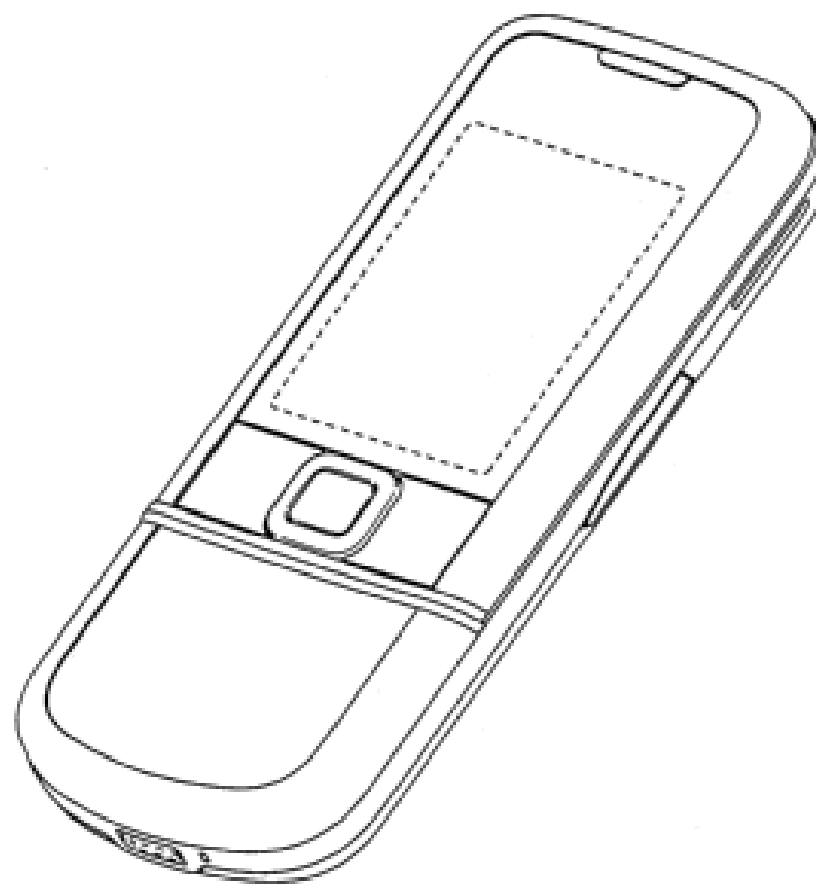
- (21) Design Number: **12250/2008**
(22) Date of Filing Application: **12 May 2008**
(24) Date from which industrial property rights may have effect: **12 May 2008**
(54) Product in respect of which the design is registered: **Container**
(51) International Design Classification: **09-01K**
(71) Name(s) and Address(s) of Applicant(s):
Henkel AG & Co. KGaA
Henkelstrasse 67 Dusseldorf 40589 Germany
(72) Name(s) of Designer(s): **Colette Baeker and Anthony Slotta**
(45) Registration Date: **16 September 2008**
(30) Convention priority data:
(31) Number (32) Date (33) Country
000841721 13 Dec 2007 EUROPEAN COMMUNITY
(56) Related Art Documents: **Not Applicable**
(57) Statement of Newness and Distinctiveness: **Newness and distinctiveness is claimed in the features of shape and/or configuration of a container as illustrated in the accompanying representations.**



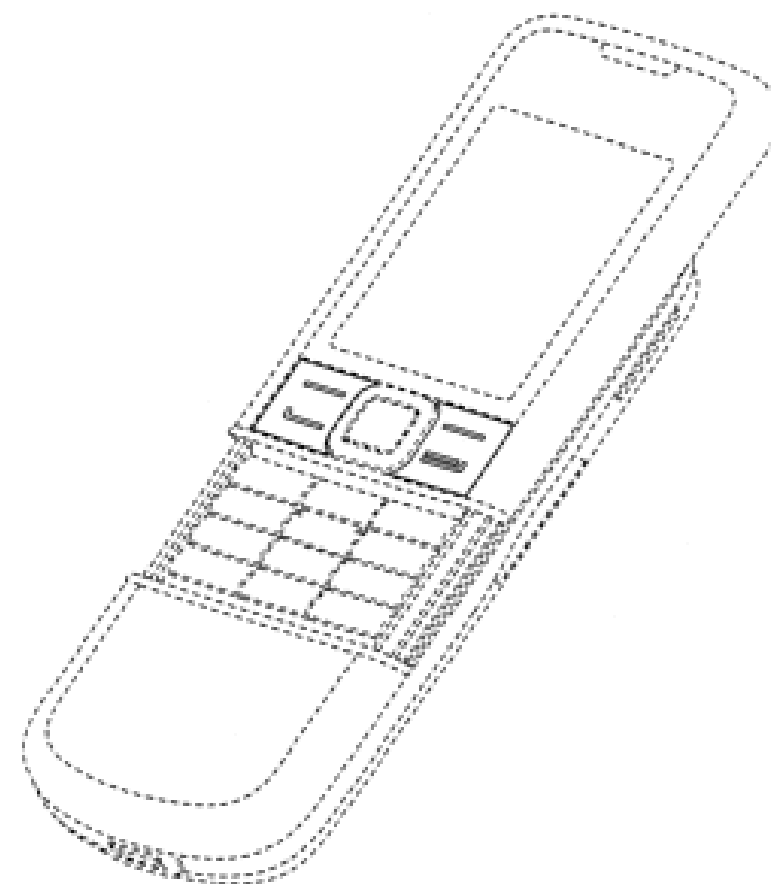
- (21) Design Number: **12251/2008**
(22) Date of Filing Application: **12 May 2008**
(24) Date from which industrial property rights may have effect: **12 May 2008**
(54) Product in respect of which the design is registered: **Footwear**
(51) International Design Classification: **02-04NES**
(71) Name(s) and Address(s) of Applicant(s):
David Fu
Room 2911 29/F Tower 2 The Gateway 25 Canton Road Tsim Sha Tsui
Kowloon Hong Kong
(72) Name(s) of Designer(s): **David Fu**
(45) Registration Date: **16 September 2008**
(30) Convention priority data:
(31) Number (32) Date (33) Country
0702910.9 13 Nov 2007 HONG KONG
(56) Related Art Documents: **Not Applicable**
(57) Statement of Newness and Distinctiveness: **Newness and distinctiveness reside in the contrast in the appearance of the front and rear portions of the product, the colour being present in the representations to illustrate the contrast between, and delimit, the front and rear portions, the design not being limited to the particular colours shown.**



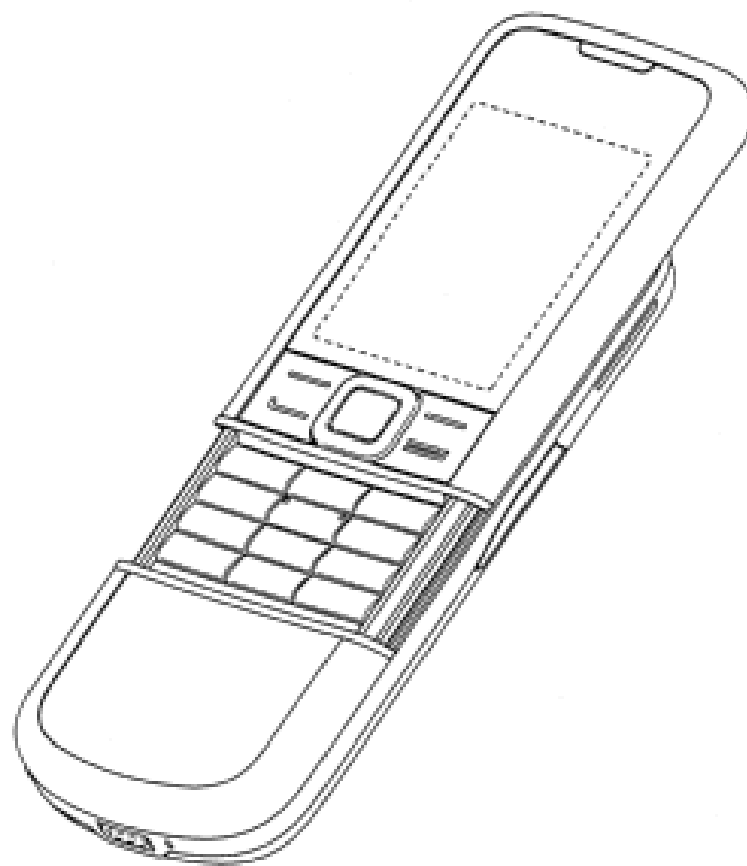
- (21) Design Number: **12257/2008**
(22) Date of Filing Application: **12 May 2008**
(24) Date from which industrial property rights may have effect: **12 May 2008**
(54) Product in respect of which the design is registered: **A handset**
(51) International Design Classification: **14-03A**
(71) Name(s) and Address(s) of Applicant(s):
Nokia Corporation
Keilalahdentie 4 FIN-02150 Espoo Finland
(72) Name(s) of Designer(s): **Ingve Holmung**
(45) Registration Date: **16 September 2008**
(30) Convention priority data:
(31) Number (32) Date (33) Country
29297553 13 Nov 2007 UNITED STATES OF AMERICA
(56) Related Art Documents: **Not Applicable**
(57) Statement of Newness and Distinctiveness: **Newness and distinctiveness is claimed in the visual features shown in solid lines in the representations.**



- (21) Design Number: **12258/2008**
(22) Date of Filing Application: **12 May 2008**
(24) Date from which industrial property rights may have effect: **12 May 2008**
(54) Product in respect of which the design is registered: **Key buttons for a handset**
(51) International Design Classification: **14-03A**
(71) Name(s) and Address(s) of Applicant(s):
Nokia Corporation
Keilalahdentie 4 FIN-02150 Espoo Finland
(72) Name(s) of Designer(s): **Ingve Holmung**
(45) Registration Date: **16 September 2008**
(30) Convention priority data:
(31) Number (32) Date (33) Country
29297553 13 Nov 2007 UNITED STATES OF AMERICA
(56) Related Art Documents: **Not Applicable**
(57) Statement of Newness and Distinctiveness: **Newness and distinctiveness is claimed in the visual features shown in solid lines in the representations.**



- (21) Design Number: **12259/2008**
(22) Date of Filing Application: **12 May 2008**
(24) Date from which industrial property rights may have effect: **12 May 2008**
(54) Product in respect of which the design is registered: **A handset**
(51) International Design Classification: **14-03A**
(71) Name(s) and Address(s) of Applicant(s):
Nokia Corporation
Keilalahdentie 4 FIN-02150 Espoo Finland
(72) Name(s) of Designer(s): **Ingve Holmung**
(45) Registration Date: **16 September 2008**
(30) Convention priority data:
(31) Number (32) Date (33) Country
29297553 13 Nov 2007 UNITED STATES OF AMERICA
(56) Related Art Documents: **Not Applicable**
(57) Statement of Newness and Distinctiveness: **Newness and distinctiveness is claimed in the visual features shown in solid lines in the representations.**



- (21) Design Number: **10362/2008**
(22) Date of Filing Application: **26 February 2008**
(24) Date from which industrial property rights may have effect: **26 February 2008**
(54) Product in respect of which the design is registered: **Electronic speed sign**
(51) International Design Classification: **10-06**
(71) Name(s) and Address(s) of Applicant(s):
RTA Roads & Transport Authority of NSW
129A Ochardeigh Street Yennora New South Wales 2161 Australia
(72) Name(s) of Designer(s): **Graeme Pattison and Enrique Esquivel**
(45) Registration Date: **16 September 2008**
(56) Related Art Documents: **Not Applicable**
(57) Statement of Newness and Distinctiveness: **Nil**



(21) Design Number: **10739/2008**

(22) Date of Filing Application: **18 February 2008**

(24) Date from which industrial property rights may have effect: **18 February 2008**

(54) Product in respect of which the design is registered: **Rod breaker**

(51) International Design Classification: **08-02, 08-01**

(71) Name(s) and Address(s) of Applicant(s):

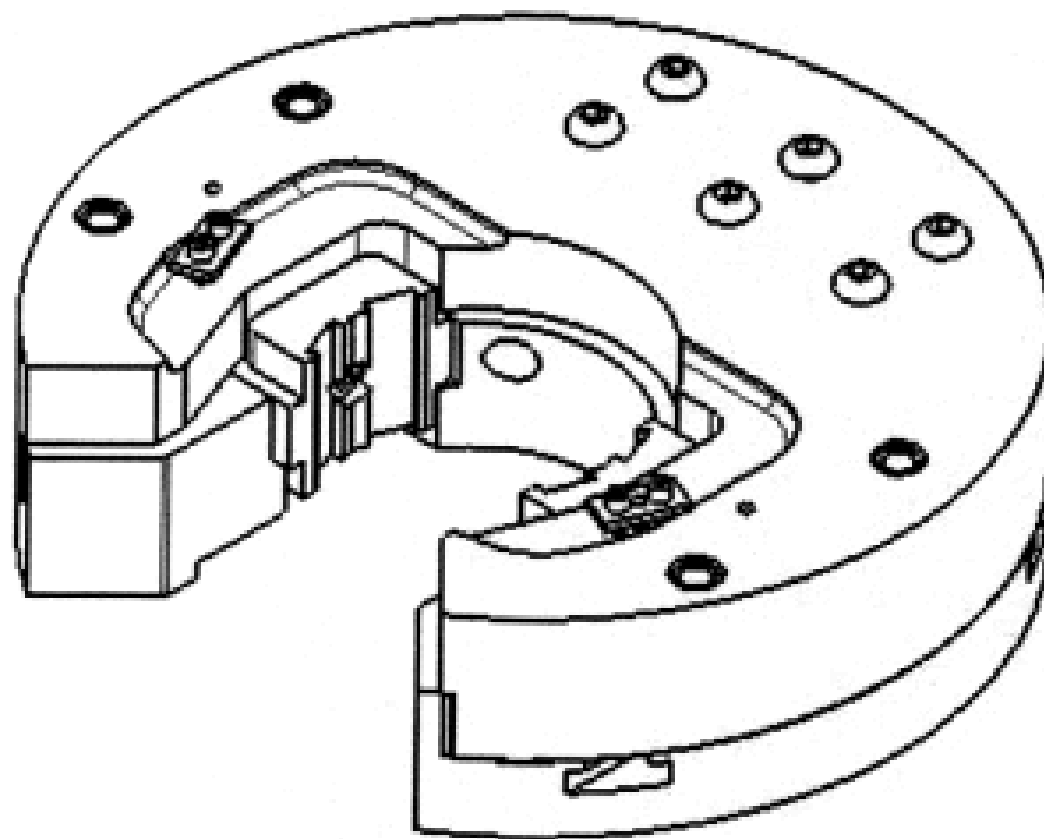
TJMVM Pty Ltd
46 Maritana Street Kalgoorlie Western Australia 6433 Australia

(72) Name(s) of Designer(s): **Michael Ralph Mosby**

(45) Registration Date: **16 September 2008**

(56) Related Art Documents: **Not Applicable**

(57) Statement of Newness and Distinctiveness: **The shape and configuration of a rod breaker unit as shown in solid lines in the accompanying representations.**



(21) Design Number: **10746/2008**

(22) Date of Filing Application: **19 February 2008**

(24) Date from which industrial property rights may have effect: **19 February 2008**

(54) Product in respect of which the design is registered: **Rod breaker**

(51) International Design Classification: **08-02, 08-01**

(71) Name(s) and Address(s) of Applicant(s):

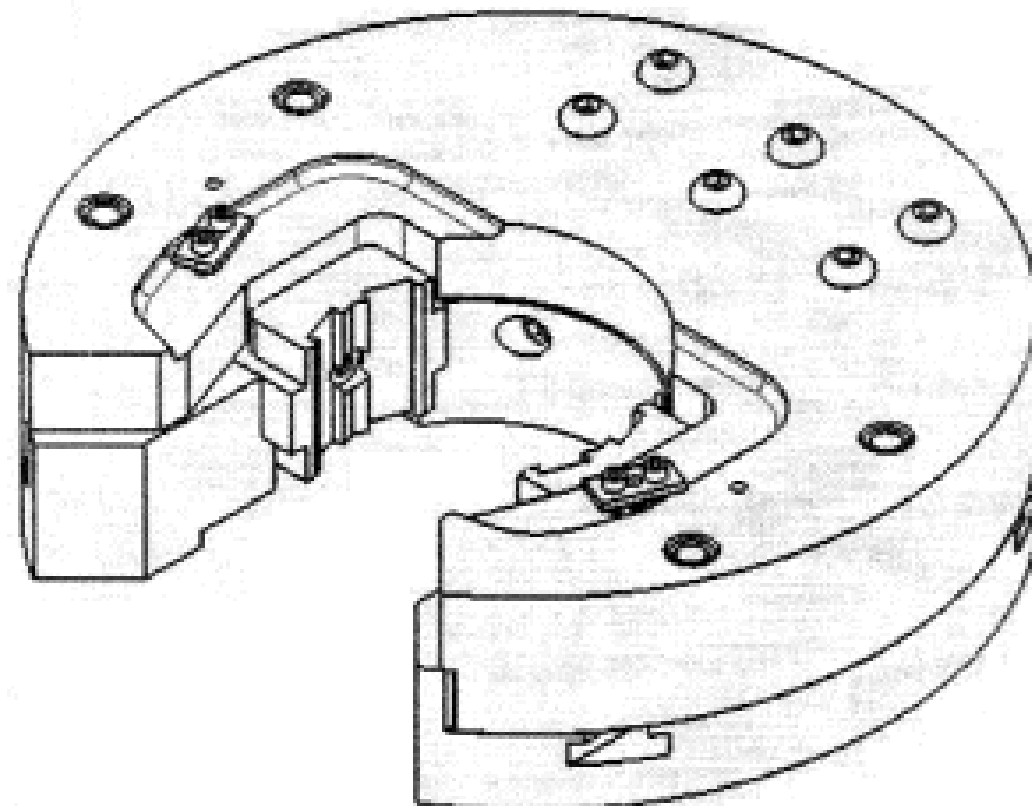
TJMVM Pty Ltd
46 Maritana Street Kalgoorlie Western Australia 6433 Australia

(72) Name(s) of Designer(s): **Michael Ralph Mosby**

(45) Registration Date: **16 September 2008**

(56) Related Art Documents: **Not Applicable**

(57) Statement of Newness and Distinctiveness: **The shape and configuration of a rod breaker as shown in solid lines in the accompanying representations.**



(21) Design Number: **10747/2008**

(22) Date of Filing Application: **19 February 2008**

(24) Date from which industrial property rights may have effect: **19 February 2008**

(54) Product in respect of which the design is registered: **Rod breaker**

(51) International Design Classification: **08-02, 08-01**

(71) Name(s) and Address(s) of Applicant(s):

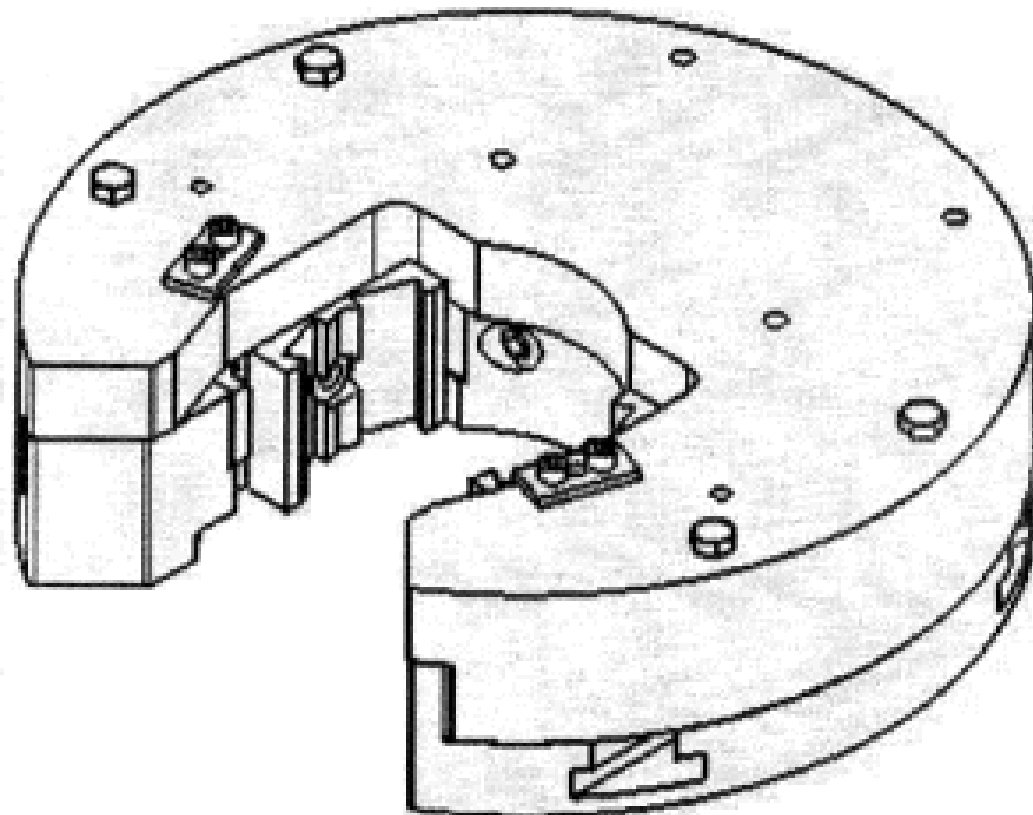
TJMVM Pty Ltd
46 Maritana Street Kalgoorlie Western Australia 6433 Australia

(72) Name(s) of Designer(s): **Michael Ralph Mosby**

(45) Registration Date: **16 September 2008**

(56) Related Art Documents: **Not Applicable**

(57) Statement of Newness and Distinctiveness: **The shape and configuration of a rod breaker as shown in solid lines in the accompanying representations.**



(21) Design Number: **10748/2008**

(22) Date of Filing Application: **19 February 2008**

(24) Date from which industrial property rights may have effect: **19 February 2008**

(54) Product in respect of which the design is registered: **Rod breaker**

(51) International Design Classification: **08-02, 08-01**

(71) Name(s) and Address(s) of Applicant(s):

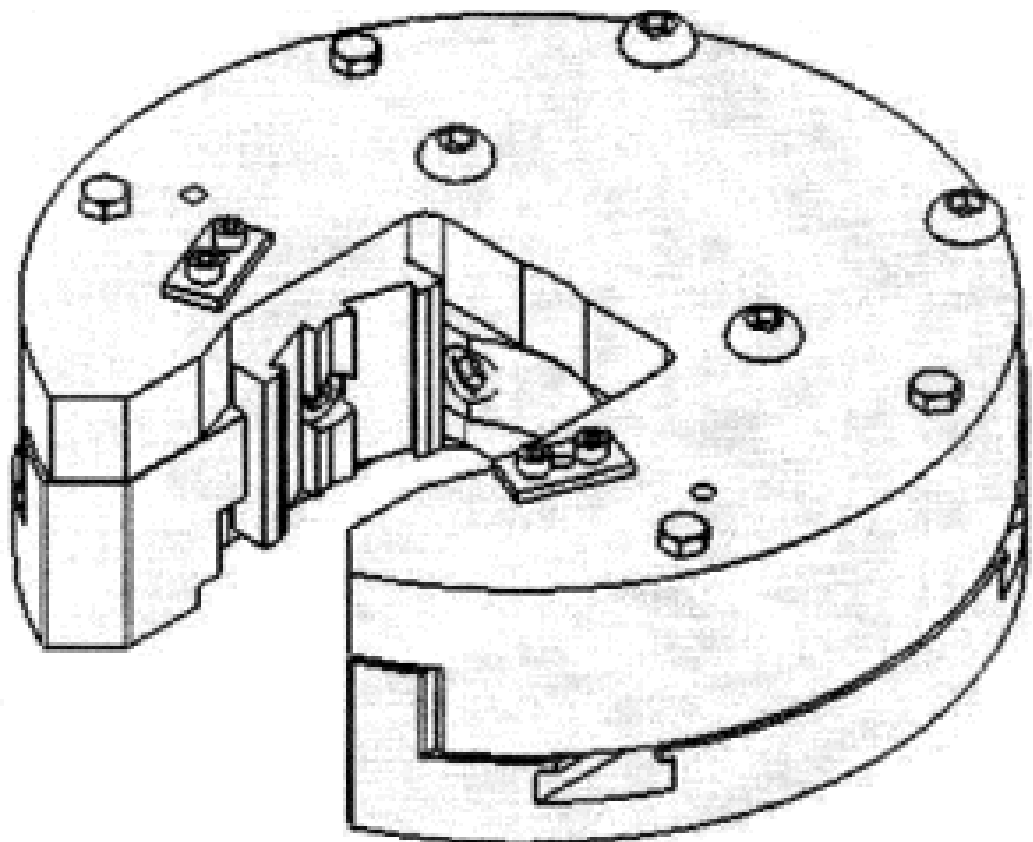
TJMVM Pty Ltd
46 Maritana Street Kalgoorlie Western Australia 6433 Australia

(72) Name(s) of Designer(s): **Michael Ralph Mosby**

(45) Registration Date: **16 September 2008**

(56) Related Art Documents: **Not Applicable**

(57) Statement of Newness and Distinctiveness: **The shape and configuration of a rod breaker as shown in solid lines in the accompanying representations.**



(21) Design Number: **11624/2008**

(22) Date of Filing Application: **04 April 2008**

(24) Date from which industrial property rights may have effect: **04 April 2008**

(54) Product in respect of which the design is registered: **Plinth**

(51) International Design Classification: **25-01NES**

(71) Name(s) and Address(s) of Applicant(s):

Ty Gerard Hermans

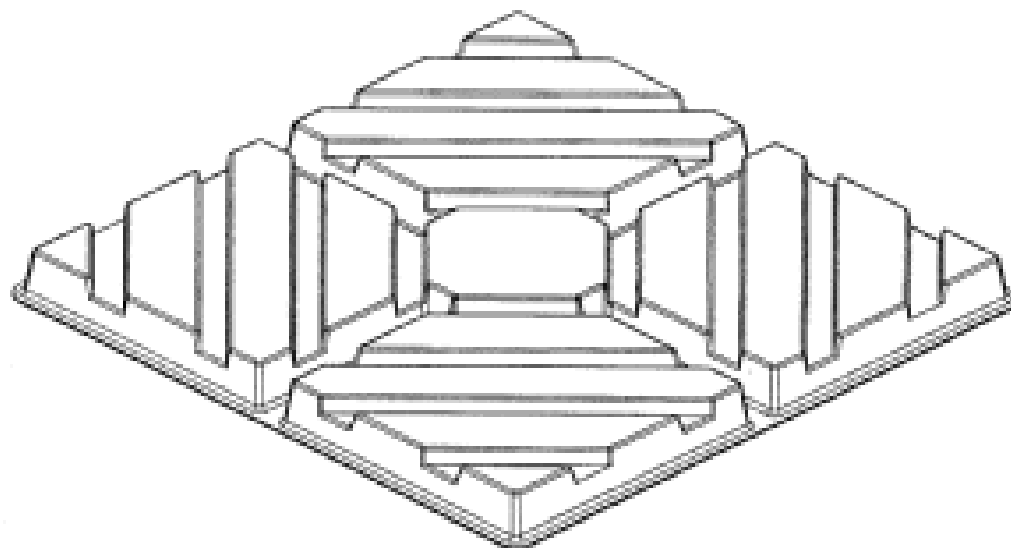
359 MacDonnel Road Clontarf Queensland 4019 Queensland

(72) Name(s) of Designer(s): **Ty Gerard Hermans**

(45) Registration Date: **16 September 2008**

(56) Related Art Documents: **Not Applicable**

(57) Statement of Newness and Distinctiveness: **Newness and distinctiveness resides in the shape and configuration of the plinth illustrated in the accompanying drawings.**



(21) Design Number: **11837/2008**

(22) Date of Filing Application: **16 April 2008**

(24) Date from which industrial property rights may have effect: **16 April 2008**

(54) Product in respect of which the design is registered: **Bar chair**

(51) International Design Classification: **25-01B**

(71) Name(s) and Address(s) of Applicant(s):

Martin Randall

2A Wattle Avenue Biggera Waters Queensland 4216 Australia

(72) Name(s) of Designer(s): **Martin Randall**

(45) Registration Date: **16 September 2008**

(56) Related Art Documents: **Not Applicable**

(57) Statement of Newness and Distinctiveness: **Newness and distinctiveness resides in the shape and configuration of a bar chair as shown in the accompanying drawings.**



(21) Design Number: **11943/2008**

(22) Date of Filing Application: **24 April 2008**

(24) Date from which industrial property rights may have effect: **24 April 2008**

(54) Product in respect of which the design is registered: **Ferrule chair with loops and gussets**

(51) International Design Classification: **25-01B**

(71) Name(s) and Address(s) of Applicant(s):

Martin Randall

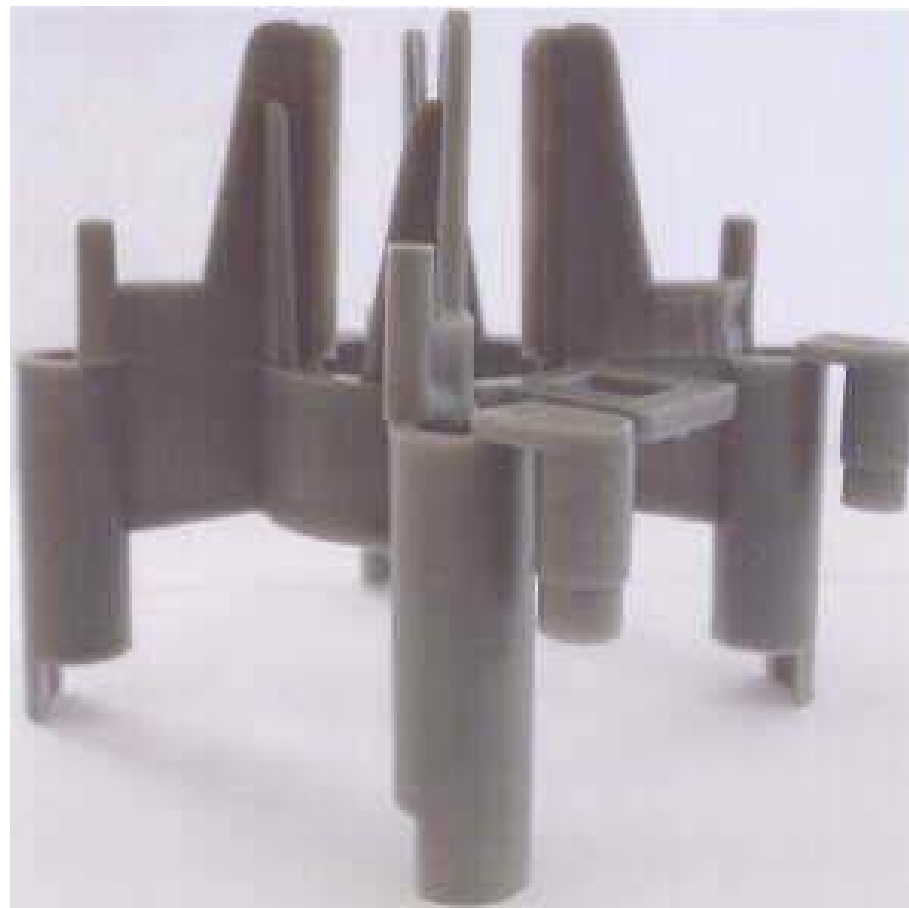
2A Wattle Avenue Biggera Waters Queensland 4216 Australia

(72) Name(s) of Designer(s): **Martin Randall**

(45) Registration Date: **16 September 2008**

(56) Related Art Documents: **Not Applicable**

(57) Statement of Newness and Distinctiveness: **Newness and distinctiveness reside in the shape and configuration of a bar chair as shown in the accompanying drawings.**



(21) Design Number: **12028/2008**

(22) Date of Filing Application: **01 May 2008**

(24) Date from which industrial property rights may have effect: **01 May 2008**

(54) Product in respect of which the design is registered: **The puzzle chair**

(51) International Design Classification: **06-01F, 06-01H**

(71) Name(s) and Address(s) of Applicant(s):

Lorimark Pty. Ltd.

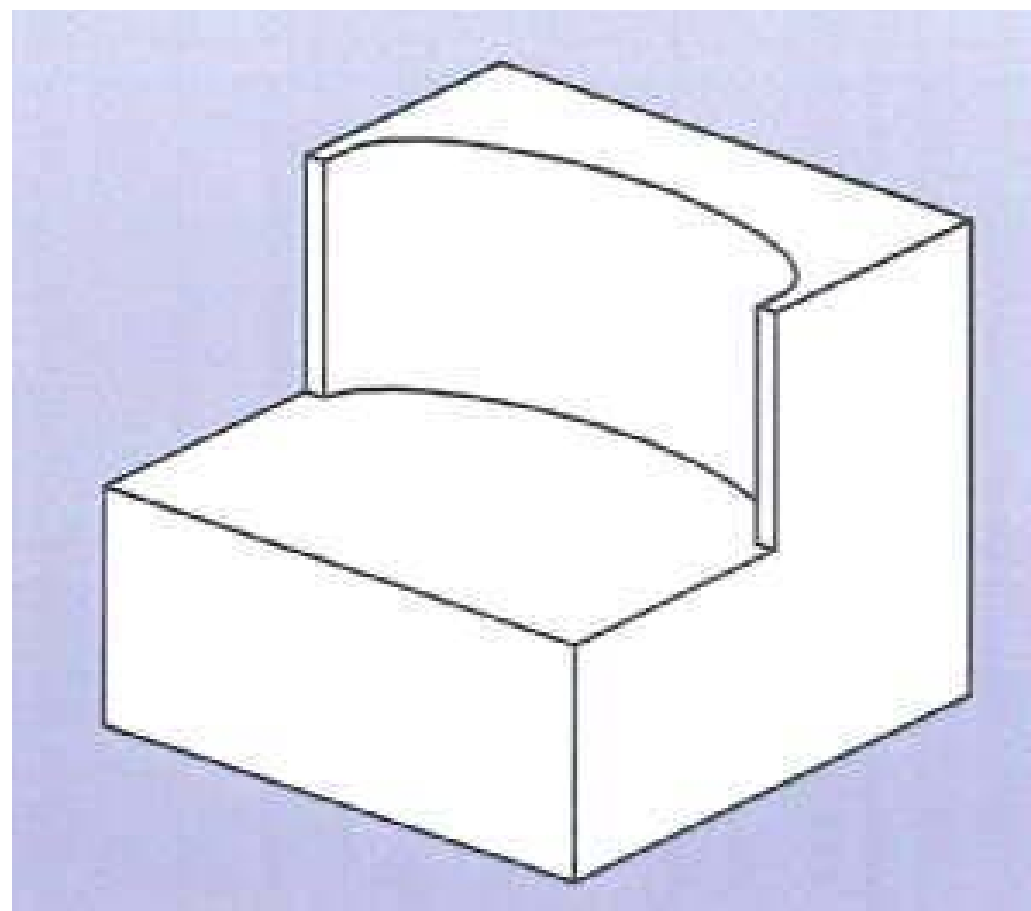
4/21-23 Levanswell Road Moorabbin Victoria 3189 Australia

(72) Name(s) of Designer(s): **Boris Cherny and Roman Androsenko**

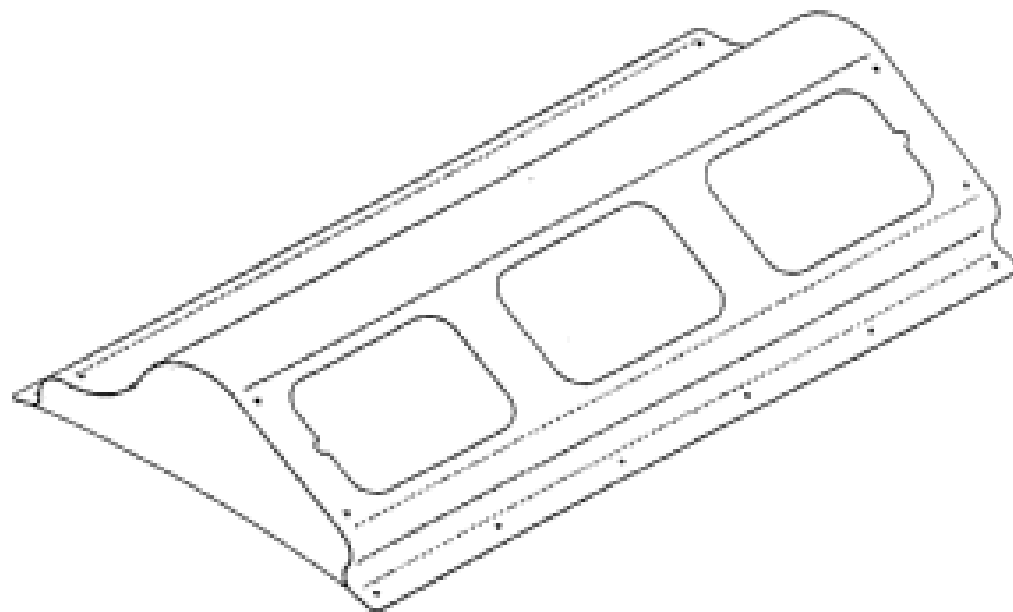
(45) Registration Date: **16 September 2008**

(56) Related Art Documents: **Not Applicable**

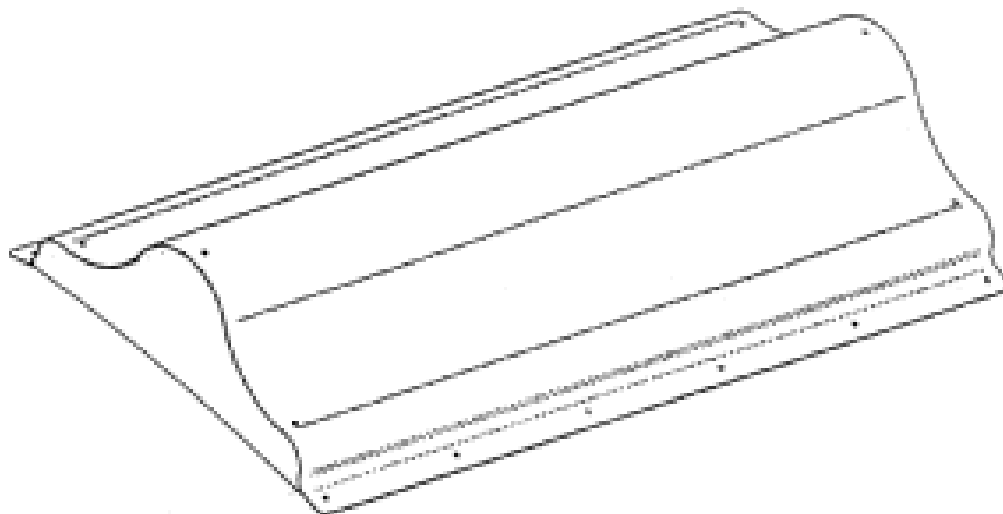
(57) Statement of Newness and Distinctiveness: **This be promoted as a set of 2 or 4 or more chairs and a table stacked together, like a puzzle one on top of the other into a rectangular structure.**



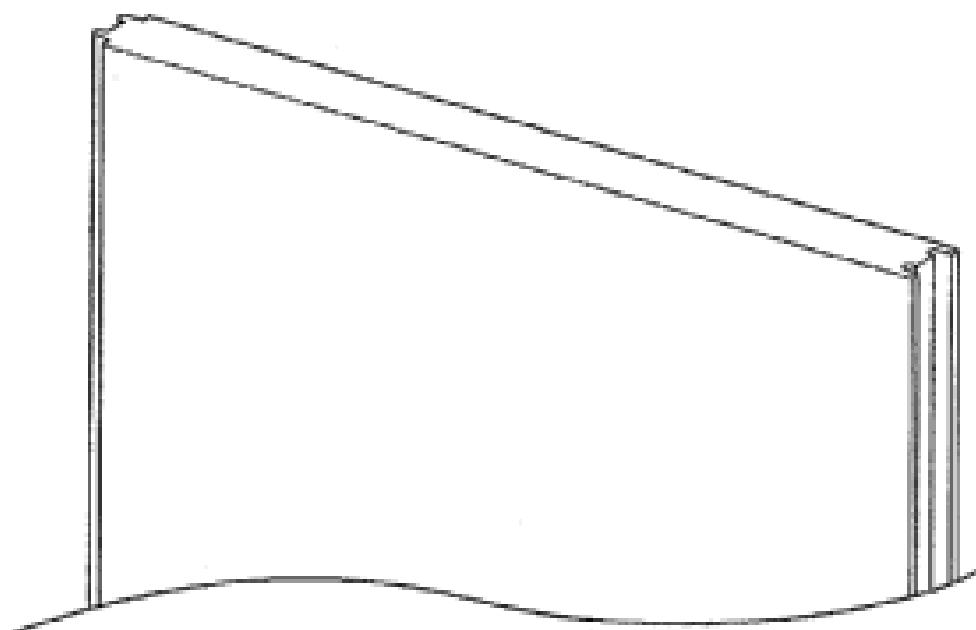
- (21) Design Number: **12042/2008**
(22) Date of Filing Application: **01 May 2008**
(24) Date from which industrial property rights may have effect: **01 May 2008**
(54) Product in respect of which the design is registered: **Mudguard mounting bracket cover**
(51) International Design Classification: **12-16B**
(71) Name(s) and Address(s) of Applicant(s):
Lelox (Australia) Pty Ltd
PO Box 5547 South Windsor New South Wales 2756 Australia
(72) Name(s) of Designer(s): **Miroslav Dosen and Brandon J. Clark and Casey Nas**
(45) Registration Date: **16 September 2008**
(56) Related Art Documents: **Not Applicable**
(57) Statement of Newness and Distinctiveness: **Nil**



- (21) Design Number: **12043/2008**
(22) Date of Filing Application: **01 May 2008**
(24) Date from which industrial property rights may have effect: **01 May 2008**
(54) Product in respect of which the design is registered: **Mudguard mounting bracket cover**
(51) International Design Classification: **12-16B**
(71) Name(s) and Address(s) of Applicant(s):
Lelox (Australia) Pty Ltd
PO Box 5547 South Windsor New South Wales 2756 Australia
(72) Name(s) of Designer(s): **Miroslav Dosen and Brandon J. Clark and Casey Nas**
(45) Registration Date: **16 September 2008**
(56) Related Art Documents: **Not Applicable**
(57) Statement of Newness and Distinctiveness: **Nil**

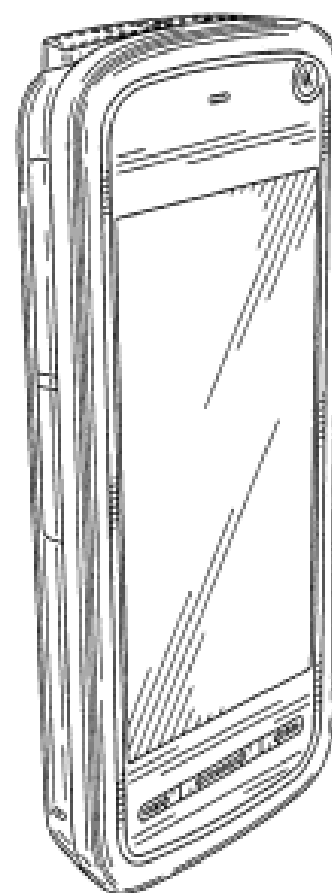


- (21) Design Number: **12077/2008**
- (22) Date of Filing Application: **02 May 2008**
- (24) Date from which industrial property rights may have effect: **02 May 2008**
- (54) Product in respect of which the design is registered: **A wall panel of indefinite length**
- (51) International Design Classification: **25-01D**
- (71) Name(s) and Address(s) of Applicant(s):
Francesco Antonio Martino
Lot 25 Old Princes Highway Monarto South Australia 5254 Australia
- (72) Name(s) of Designer(s): **Francesco Antonio Martino**
- (45) Registration Date: **16 September 2008**
- (56) Related Art Documents: **Not Applicable**
- (57) Statement of Newness and Distinctiveness: **Newness and distinctiveness is claimed in the shape and/or configuration of a wall panel as illustrated in the accompanying representations.**

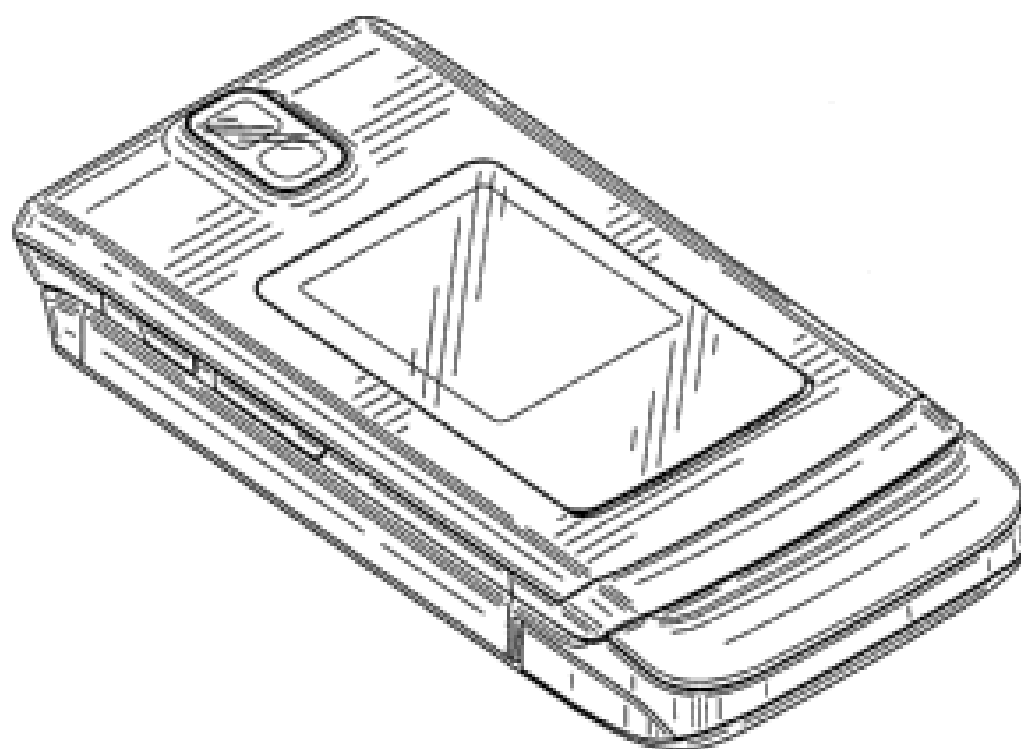


- (21) Design Number: **12518/2008**
- (22) Date of Filing Application: **27 May 2008**
- (24) Date from which industrial property rights may have effect: **27 May 2008**
- (54) Product in respect of which the design is registered: **Handset**
- (51) International Design Classification: **14-03E**
- (71) Name(s) and Address(s) of Applicant(s):
Nokia Corporation
Keilalahdentie 4 FIN-02150 Espoo Finland
- (72) Name(s) of Designer(s): **Tomas Eaton**
- (45) Registration Date: **16 September 2008**
- (30) Convention priority data:

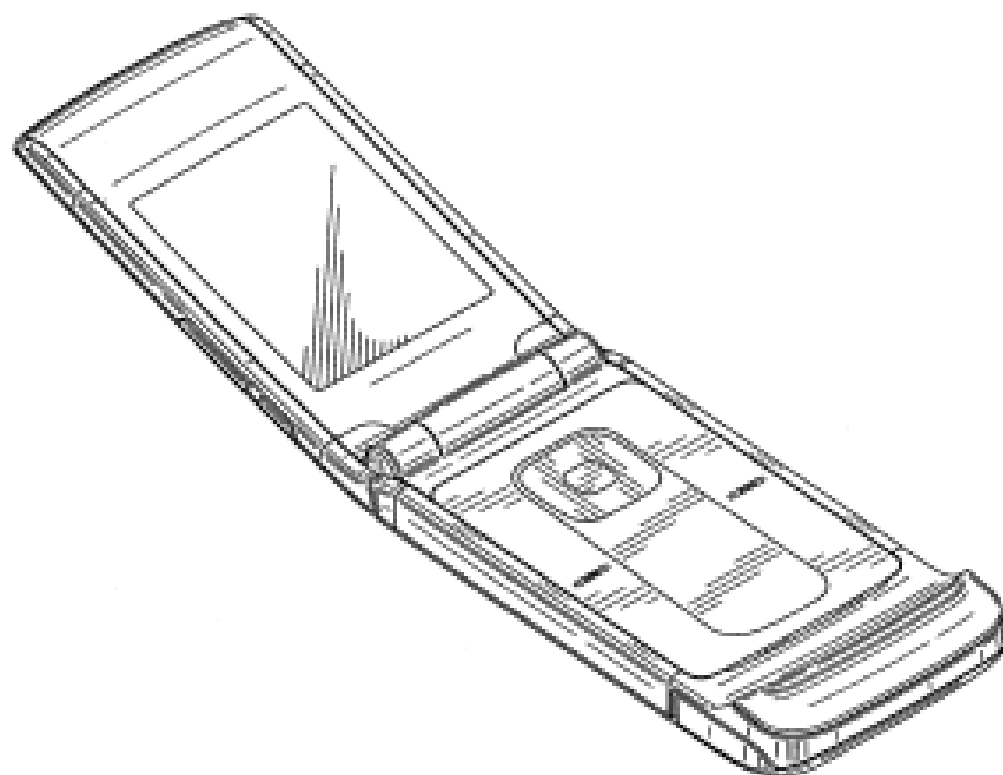
(31) Number	(32) Date	(33) Country
29298347	03 Dec 2007	UNITED STATES OF AMERICA
- (56) Related Art Documents: **Not Applicable**
- (57) Statement of Newness and Distinctiveness: **Newness and distinctiveness is claimed in the visual features shown in solid lines in the representations.**



(21) Design Number: **12521/2008**
(22) Date of Filing Application: **27 May 2008**
(24) Date from which industrial property rights may have effect: **27 May 2008**
(54) Product in respect of which the design is registered: **Handset**
(51) International Design Classification: **14-03E**
(71) Name(s) and Address(s) of Applicant(s):
Nokia Corporation
Keilalahdentie 4 FIN-02150 Espoo Finland
(72) Name(s) of Designer(s): **Jan R. Stillerman**
(45) Registration Date: **16 September 2008**
(30) Convention priority data:
(31) Number (32) Date (33) Country
29298585 07 Dec 2007 UNITED STATES OF AMERICA
(56) Related Art Documents: **Not Applicable**
(57) Statement of Newness and Distinctiveness: **Nil**



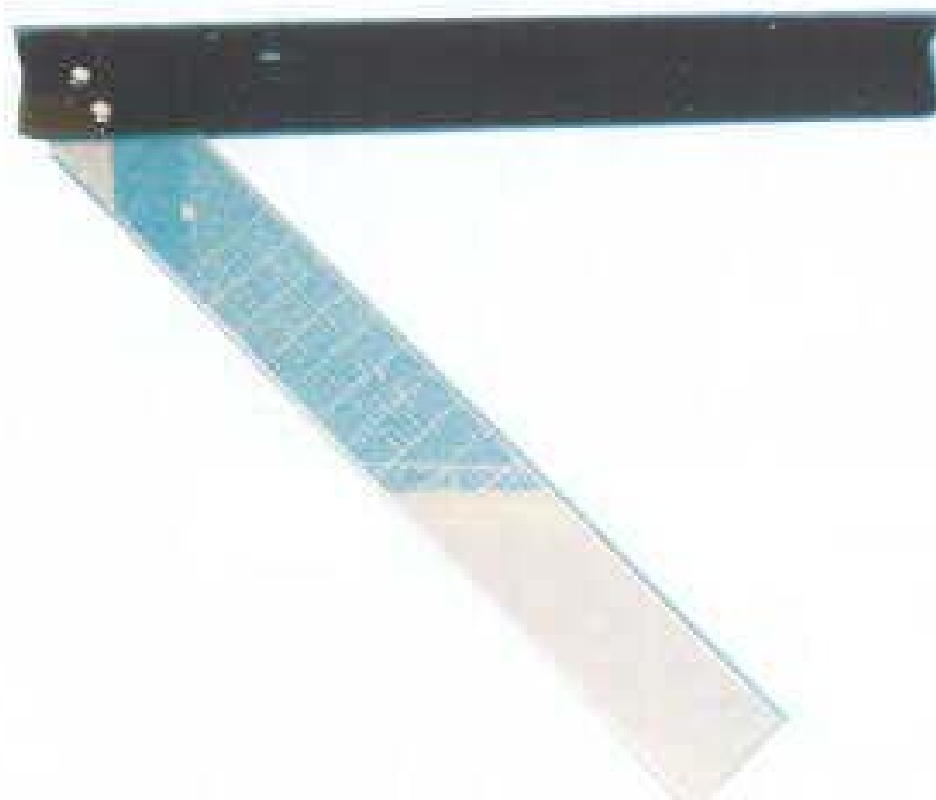
(21) Design Number: **12523/2008**
(22) Date of Filing Application: **27 May 2008**
(24) Date from which industrial property rights may have effect: **27 May 2008**
(54) Product in respect of which the design is registered: **Handset**
(51) International Design Classification: **14-03E**
(71) Name(s) and Address(s) of Applicant(s):
Nokia Corporation
Keilalahdentie 4 FIN-02150 Espoo Finland
(72) Name(s) of Designer(s): **Jan R. Stillerman**
(45) Registration Date: **16 September 2008**
(30) Convention priority data:
(31) Number (32) Date (33) Country
29298582 07 Dec 2007 UNITED STATES OF AMERICA
(56) Related Art Documents: **Not Applicable**
(57) Statement of Newness and Distinctiveness: **Nil**



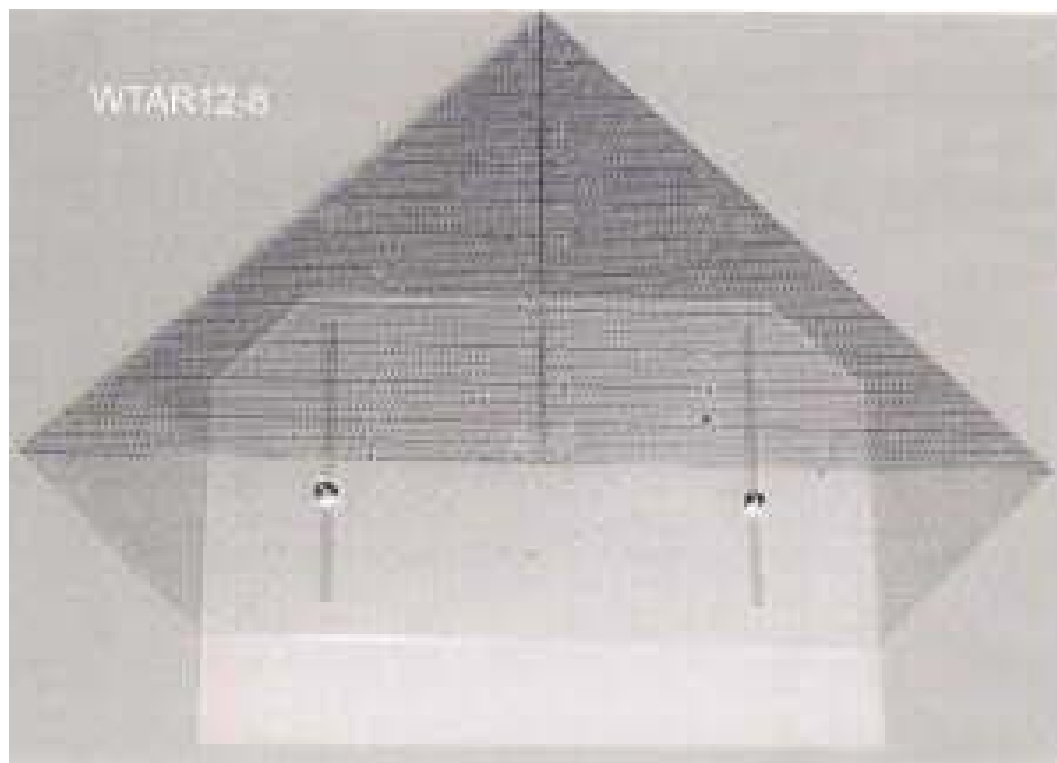
- (21) Design Number: **12524/2008**
(22) Date of Filing Application: **27 May 2008**
(24) Date from which industrial property rights may have effect: **27 May 2008**
(54) Product in respect of which the design is registered: **Handset**
(51) International Design Classification: **14-03E**
(71) Name(s) and Address(s) of Applicant(s):
Nokia Corporation
Keilalahdentie 4 FIN-02150 Espoo Finland
(72) Name(s) of Designer(s): **Pettri Salmi**
(45) Registration Date: **16 September 2008**
(30) Convention priority data:
(31) Number (32) Date (33) Country
29303488 11 Feb 2008 UNITED STATES OF AMERICA
(56) Related Art Documents: **Not Applicable**
(57) Statement of Newness and Distinctiveness: **Nil**



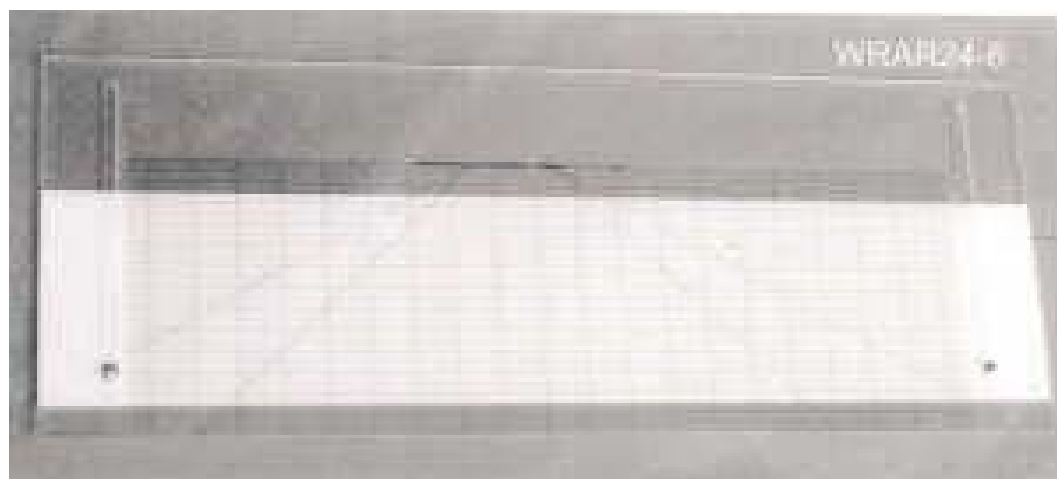
- (21) Design Number: **11028/2008**
(22) Date of Filing Application: **03 March 2008**
(24) Date from which industrial property rights may have effect: **03 March 2008**
(54) Product in respect of which the design is registered: **Two piece ruler with black guide**
(51) International Design Classification: **10-04**
(71) Name(s) and Address(s) of Applicant(s):
William J. West
18 Wright Street Mt Evelyn Victoria 3796 Australia
Leonie V. West
18 Wright Street Mt Evelyn Victoria 3796 Australia
(72) Name(s) of Designer(s): **William J. West and Leonie V. West**
(45) Registration Date: **17 September 2008**
(56) Related Art Documents: **Not Applicable**
(57) Statement of Newness and Distinctiveness: **Two piece ruler and guide - the black fence enables smooth sliding across project with adjustable angled ruler to give accurate and continuous stitching on long arm machines.**



- (21) Design Number: **11029/2008**
(22) Date of Filing Application: **03 March 2008**
(24) Date from which industrial property rights may have effect: **03 March 2008**
(54) Product in respect of which the design is registered: **Two piece triangular ruler with guide**
(51) International Design Classification: **10-04**
(71) Name(s) and Address(s) of Applicant(s):
William J. West
18 Wright Street Mt Evelyn Victoria 3796 Australia
Leonie V. West
18 Wright Street Mt Evelyn Victoria 3796 Australia
(72) Name(s) of Designer(s): **William J. West and Leonie V. West**
(45) Registration Date: **17 September 2008**
(56) Related Art Documents: **Not Applicable**
(57) Statement of Newness and Distinctiveness: **Two piece triangular ruler and guide - the guide is adjustable and enables accurate repetition fabric cutting.**



- (21) Design Number: **11030/2008**
(22) Date of Filing Application: **03 March 2008**
(24) Date from which industrial property rights may have effect: **03 March 2008**
(54) Product in respect of which the design is registered: **Two piece rectangular ruler with guide**
(51) International Design Classification: **10-04**
(71) Name(s) and Address(s) of Applicant(s):
William J. West
18 Wright Street Mt Evelyn Victoria 3796 Australia
Leonie V. West
18 Wright Street Mt Evelyn Victoria 3796 Australia
(72) Name(s) of Designer(s): **William J. West and Leonie V. West**
(45) Registration Date: **17 September 2008**
(56) Related Art Documents: **Not Applicable**
(57) Statement of Newness and Distinctiveness: **Two piece rectangular ruler and guide - the guide is adjustable and enables accurate repetition fabric cutting at a range of measurements.**



(21) Design Number: **12240/2008**

(22) Date of Filing Application: **13 May 2008**

(24) Date from which industrial property rights may have effect: **13 May 2008**

(54) Product in respect of which the design is registered: **A soft toy puppet**

(51) International Design Classification: **21-01A**

(71) Name(s) and Address(s) of Applicant(s):

Jozzies Pty Ltd

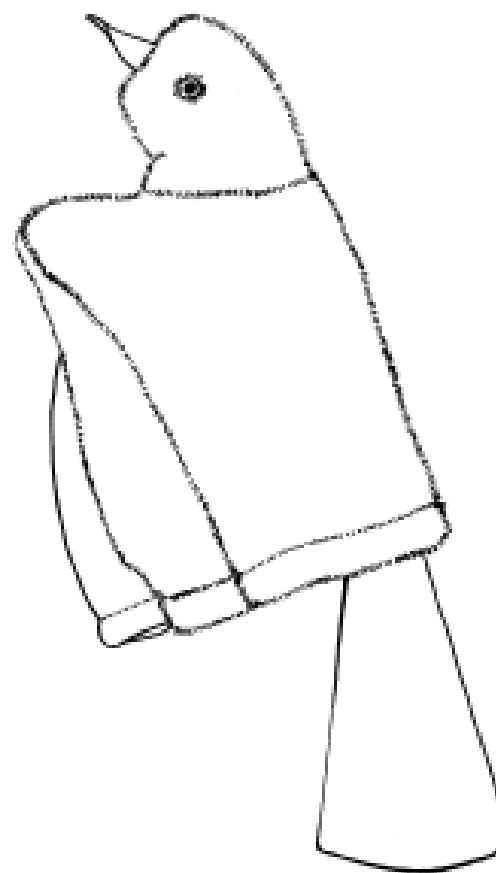
15 George Pine Drive Thirlmere New South Wales 2572 Australia

(72) Name(s) of Designer(s): **Rae Lesley Anderson**

(45) Registration Date: **17 September 2008**

(56) Related Art Documents: **Not Applicable**

(57) Statement of Newness and Distinctiveness: **Monopoly is claimed in the shape and/or configuration of a soft toy puppet as illustrated in the attached representations.**



(21) Design Number: **12243/2008**

(22) Date of Filing Application: **12 May 2008**

(24) Date from which industrial property rights may have effect: **12 May 2008**

(54) Product in respect of which the design is registered: **A coupler assembly and/or combined components thereof**

(51) International Design Classification: **15-04**

(71) Name(s) and Address(s) of Applicant(s):

JB Attachments Limited

22 Stonedon Drive East Tamaki Auckland New Zealand

(72) Name(s) of Designer(s): **Michael Kevin Scheib and Timothy Craig Balemi**

(45) Registration Date: **17 September 2008**

(30) Convention priority data:

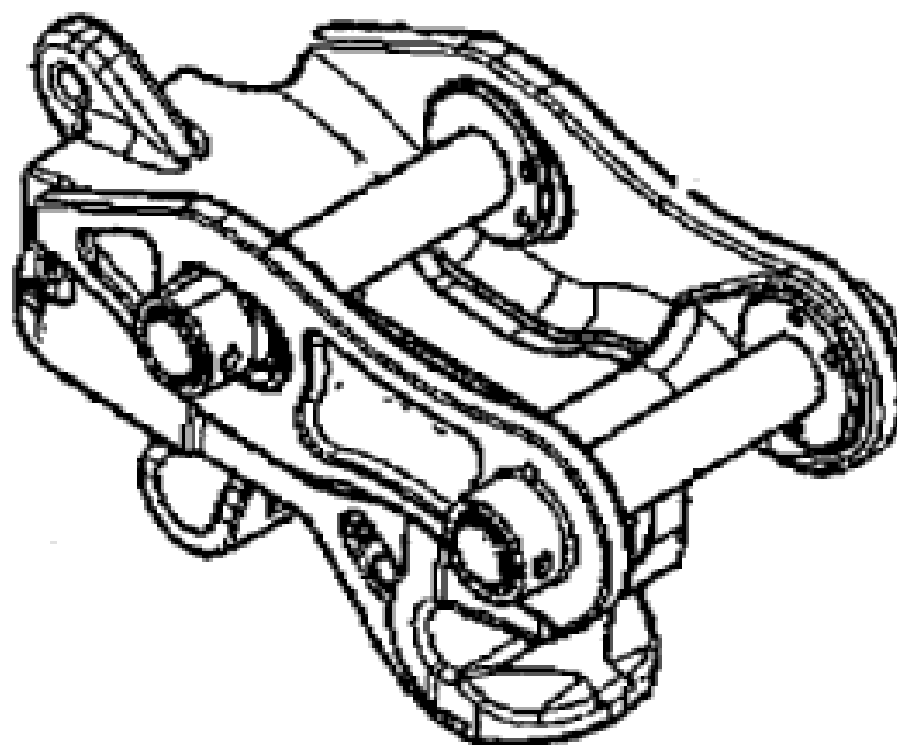
(31) Number
410770

(32) Date
01 May 2008

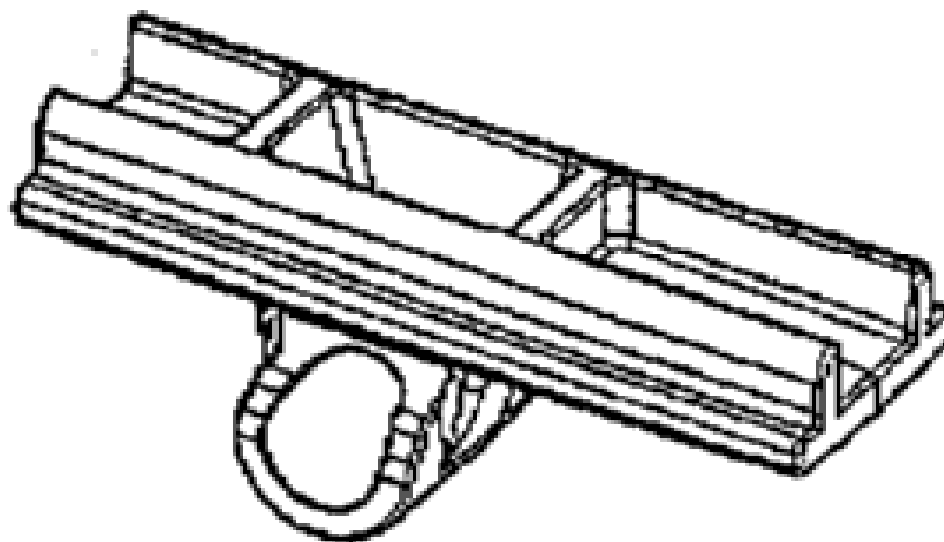
(33) Country
NEW ZEALAND

(56) Related Art Documents: **Not Applicable**

(57) Statement of Newness and Distinctiveness: **The novelty claimed for the design resides in the features of shape and/or configuration all as shown in the representations.**



- (21) Design Number: **12244/2008**
(22) Date of Filing Application: **12 May 2008**
(24) Date from which industrial property rights may have effect: **12 May 2008**
(54) Product in respect of which the design is registered: **A draw pin slide for a coupler**
(51) International Design Classification: **15-04, 08-08B**
(71) Name(s) and Address(s) of Applicant(s):
JB Attachments Limited
22 Stonedon Drive East Tamaki Auckland New Zealand
(72) Name(s) of Designer(s): **Michael Kevin Scheib and Timothy Craig Balemi**
(45) Registration Date: **17 September 2008**
(30) Convention priority data:
(31) Number (32) Date (33) Country
410771 01 May 2008 NEW ZEALAND
(56) Related Art Documents: **Not Applicable**
(57) Statement of Newness and Distinctiveness: **The novelty claimed for the design resides in the features of shape and/or configuration all as shown in the representations.**



- (21) Design Number: **12270/2008**
(22) Date of Filing Application: **14 May 2008**
(24) Date from which industrial property rights may have effect: **14 May 2008**
(54) Product in respect of which the design is registered: **Docking station**
(51) International Design Classification: **14-02**
(71) Name(s) and Address(s) of Applicant(s):
Mediate Pty Ltd
1 Kurara Close Terrey Hills New South Wales 2084 Australia
(72) Name(s) of Designer(s): **John Dwyer**
(45) Registration Date: **17 September 2008**
(56) Related Art Documents: **Not Applicable**
(57) Statement of Newness and Distinctiveness: **Monopoly and distinctiveness is claimed in the form of the design and configuration of the docking station shown in the accompanying representations. When considering the overall impression of the design the penetrations are to be disregarded.**



(21) Design Number: **12271/2008**

(22) Date of Filing Application: **13 May 2008**

(24) Date from which industrial property rights may have effect: **13 May 2008**

(54) Product in respect of which the design is registered: **Laundry cabinet**

(51) International Design Classification: **07-05B**

(71) Name(s) and Address(s) of Applicant(s):

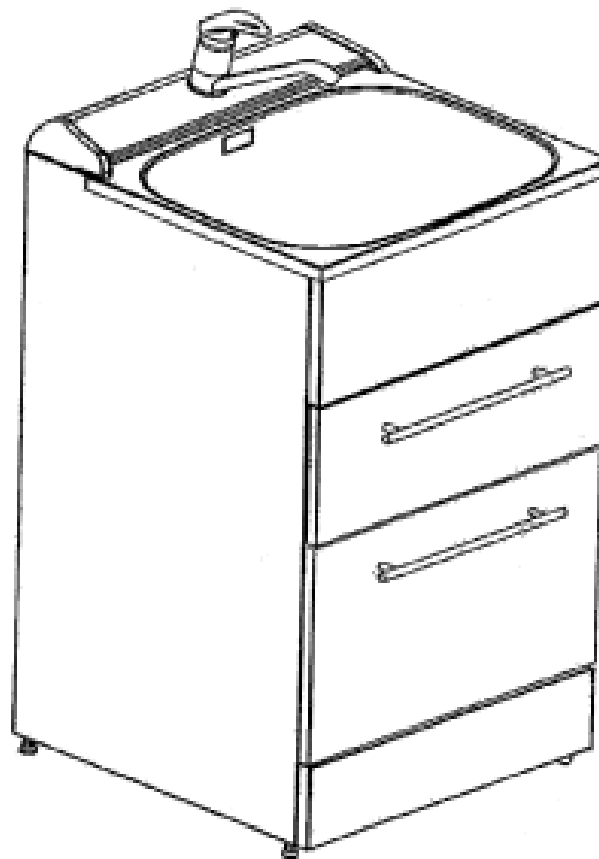
Robinhood Limited
Level 17 Customhouse Quay Wellington New Zealand

(72) Name(s) of Designer(s): **James Powell**

(45) Registration Date: **17 September 2008**

(56) Related Art Documents: **Not Applicable**

(57) Statement of Newness and Distinctiveness: **Newness and distinctiveness is claimed in the features of shape and/or configuration of the laundry cabinet as shown in the accompanying representations. In considering which features are new and distinctive, the tap, the location of the tap, and the drawer handles are to be disregarded.**



(21) Design Number: **12272/2008**

(22) Date of Filing Application: **13 May 2008**

(24) Date from which industrial property rights may have effect: **13 May 2008**

(54) Product in respect of which the design is registered: **Laundry cabinet**

(51) International Design Classification: **07-05B**

(71) Name(s) and Address(s) of Applicant(s):

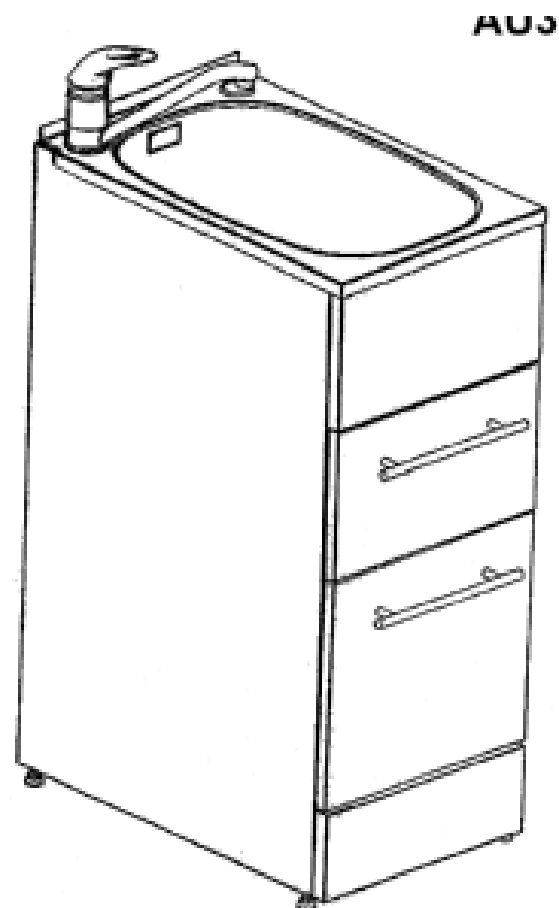
Robinhood Limited
Level 17 Customhouse Quay Wellington New Zealand

(72) Name(s) of Designer(s): **James Powell**

(45) Registration Date: **17 September 2008**

(56) Related Art Documents: **Not Applicable**

(57) Statement of Newness and Distinctiveness: **Newness and distinctiveness is claimed in the features of shape and/or configuration of the laundry cabinet as shown in the accompanying representations. In considering which features are new and distinctive, the tap, the location of the tap, and the drawer handles are to be disregarded.**



(21) Design Number: **12275/2008**

(22) Date of Filing Application: **13 May 2008**

(24) Date from which industrial property rights may have effect: **13 May 2008**

(54) Product in respect of which the design is registered: **Laundry cabinet**

(51) International Design Classification: **07-05B**

(71) Name(s) and Address(s) of Applicant(s):

Robinhood Limited

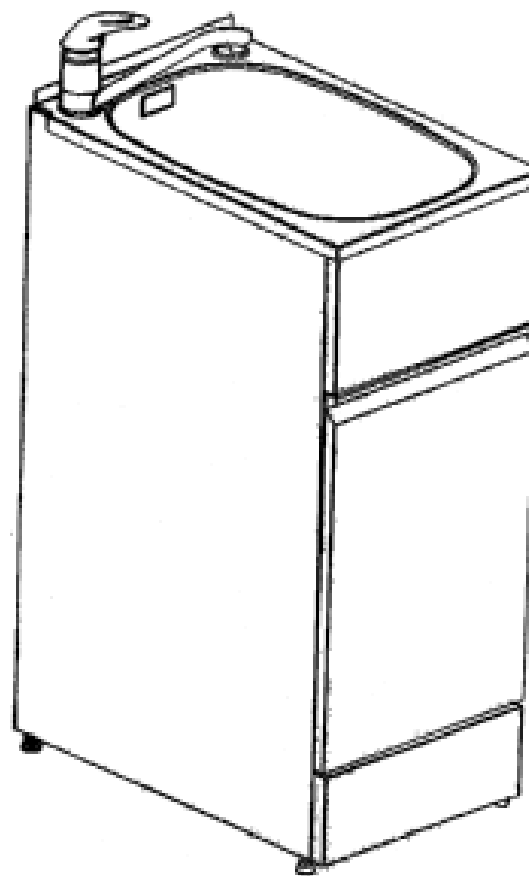
Level 17 Customhouse Quay Wellington New Zealand

(72) Name(s) of Designer(s): **James Powell**

(45) Registration Date: **17 September 2008**

(56) Related Art Documents: **Not Applicable**

(57) Statement of Newness and Distinctiveness: **Newness and distinctiveness is claimed in the features of shape and/or configuration of the laundry cabinet as shown in the accompanying representations. In considering which features are new and distinctive, the tap, the location of the tap, and the drawer handles are to be disregarded.**



(21) Design Number: **12276/2008**

(22) Date of Filing Application: **13 May 2008**

(24) Date from which industrial property rights may have effect: **13 May 2008**

(54) Product in respect of which the design is registered: **Laundry cabinet**

(51) International Design Classification: **07-05B**

(71) Name(s) and Address(s) of Applicant(s):

Robinhood Limited

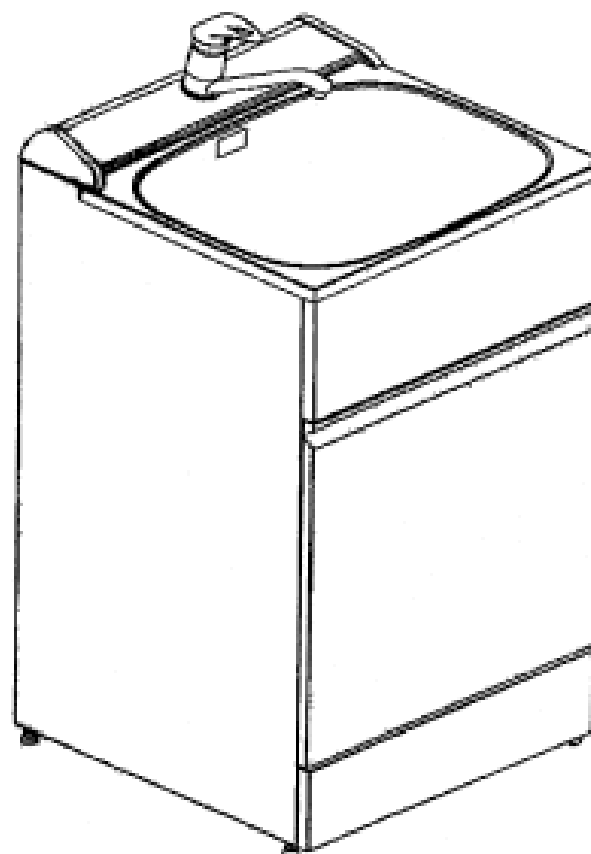
Level 17 Customhouse Quay Wellington New Zealand

(72) Name(s) of Designer(s): **James Powell**

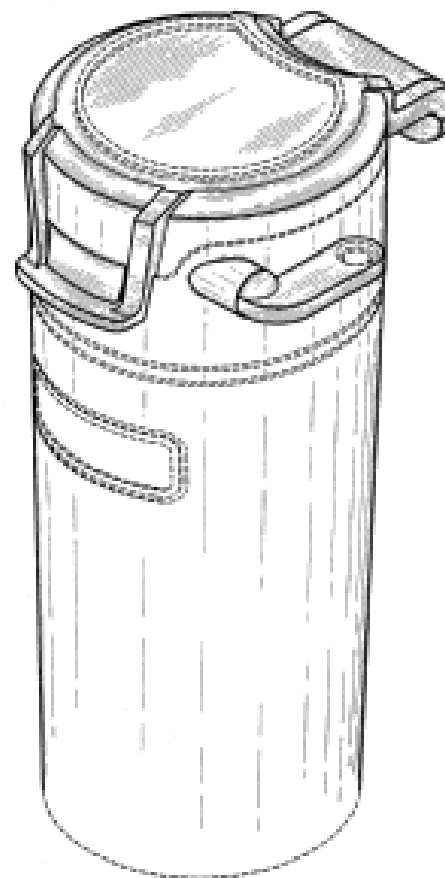
(45) Registration Date: **17 September 2008**

(56) Related Art Documents: **Not Applicable**

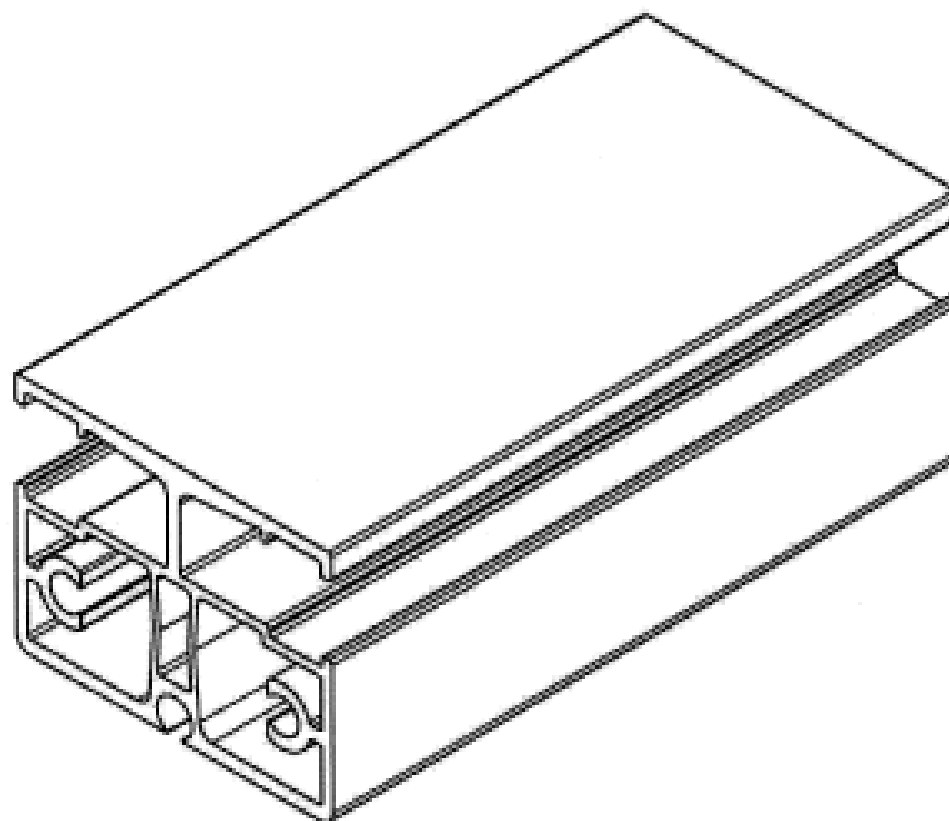
(57) Statement of Newness and Distinctiveness: **Newness and distinctiveness is claimed in the features of shape and/or configuration of the laundry cabinet as shown in the accompanying representations. In considering which features are new and distinctive, the tap, the location of the tap, and the drawer handles are to be disregarded.**



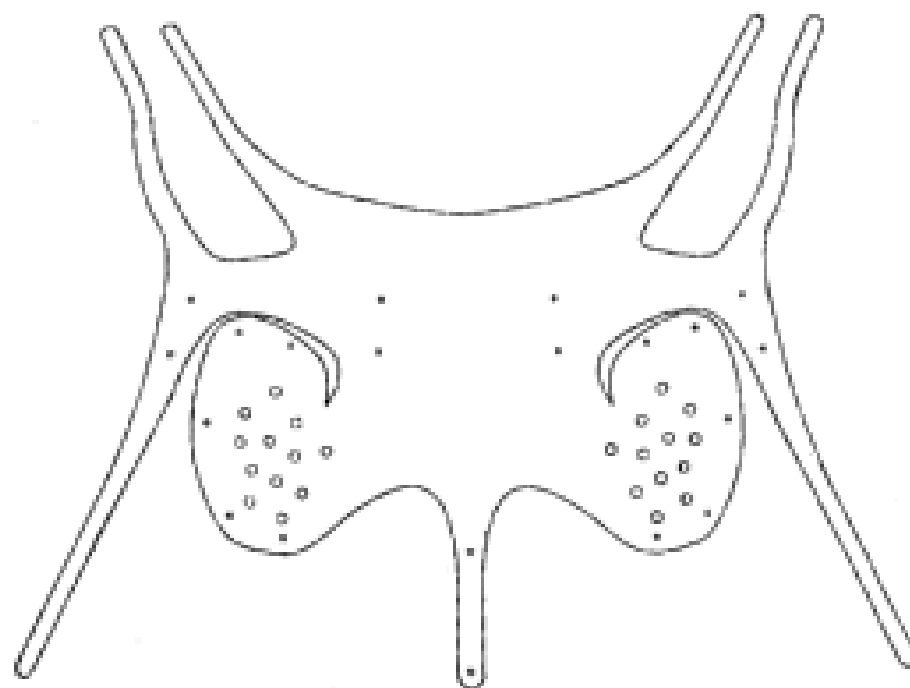
- (21) Design Number: **12277/2008**
(22) Date of Filing Application: **13 May 2008**
(24) Date from which industrial property rights may have effect: **13 May 2008**
(54) Product in respect of which the design is registered: **Container with beverage infuser**
(51) International Design Classification: **09-01NES, 07-01F**
(71) Name(s) and Address(s) of Applicant(s):
Pacific Market International, LLC
2401 Elliott Avenue Fourth Floor Seattle WA 98121 United States of America
(72) Name(s) of Designer(s): **Tyler Sean Gilbert**
(45) Registration Date: **17 September 2008**
(30) Convention priority data:
(31) Number (32) Date (33) Country
29/297,526 13 Nov 2007 UNITED STATES OF AMERICA
(56) Related Art Documents: **Not Applicable**
(57) Statement of Newness and Distinctiveness: **The shape and configuration of those parts of the design shown by means of solid lines in the representations are new and distinctive.**



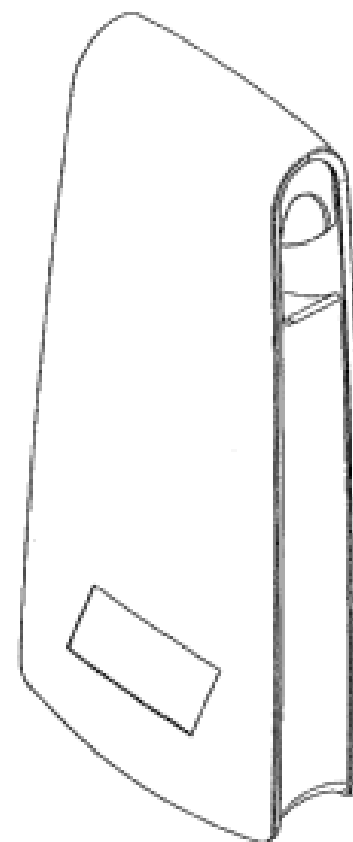
- (21) Design Number: **12278/2008**
(22) Date of Filing Application: **13 May 2008**
(24) Date from which industrial property rights may have effect: **13 May 2008**
(54) Product in respect of which the design is registered: **Architectural section**
(51) International Design Classification: **25-01K**
(71) Name(s) and Address(s) of Applicant(s):
ALUKOV HZ Spol.s.r.o.
Orel 18 CZ-518 21 Slatinany Czech Republic
(72) Name(s) of Designer(s): **Jan Zitko**
(45) Registration Date: **17 September 2008**
(30) Convention priority data:
(31) Number (32) Date (33) Country
000825377-5 13 Nov 2007 EUROPEAN COMMUNITY
(56) Related Art Documents: **Not Applicable**
(57) Statement of Newness and Distinctiveness: **Newness and distinctiveness is claimed in the features of shape and/or configuration of an architectural section of indefinite length as illustrated in the accompanying representations.**



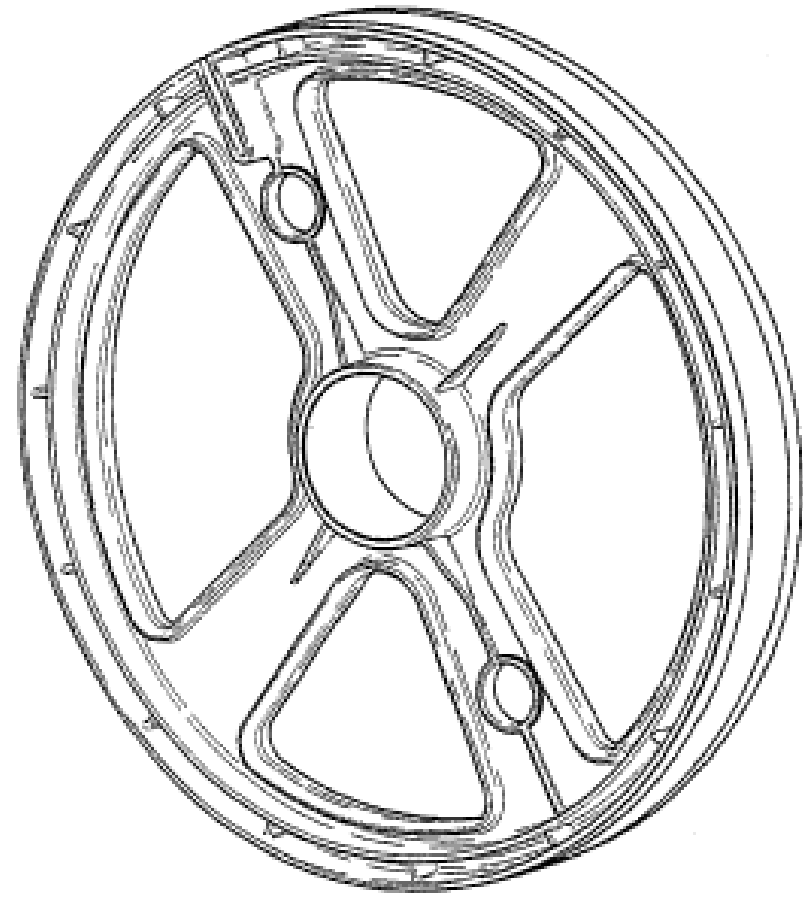
- (21) Design Number: **12279/2008**
(22) Date of Filing Application: **13 May 2008**
(24) Date from which industrial property rights may have effect: **13 May 2008**
(54) Product in respect of which the design is registered: **Animal visor blank**
(51) International Design Classification: **30-01, 30-04**
(71) Name(s) and Address(s) of Applicant(s):
Anastasios Stampoultzis
RMB NZ1 Navigators Road Ballarat Victoria 3352 Australia
(72) Name(s) of Designer(s): **Anastasios Stampoultzis**
(45) Registration Date: **17 September 2008**
(56) Related Art Documents: **Not Applicable**
(57) Statement of Newness and Distinctiveness: **Newness and distinctiveness is claimed in the features of shape and configuration of an animal visor blank as illustrated in the accompanying representations.**



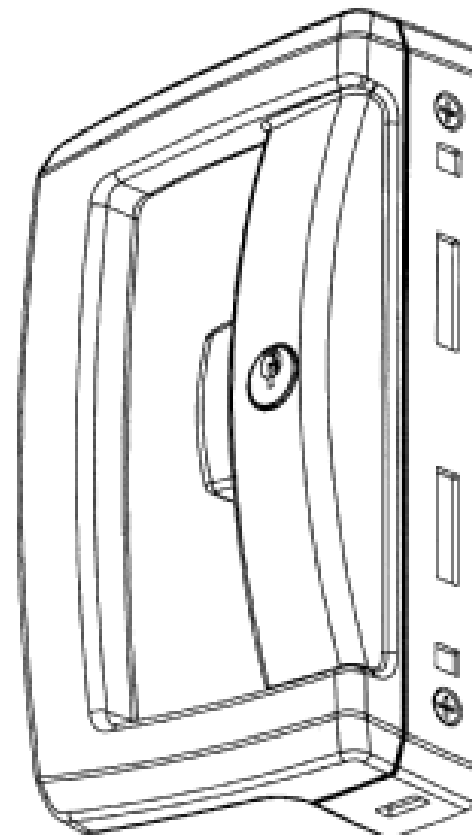
- (21) Design Number: **12285/2008**
(22) Date of Filing Application: **13 May 2008**
(24) Date from which industrial property rights may have effect: **13 May 2008**
(54) Product in respect of which the design is registered: **Cord weight**
(51) International Design Classification: **08-08H**
(71) Name(s) and Address(s) of Applicant(s):
Hunter Douglas Industries B.V.
PO BOX 5072 Rotterdam 3008 AB The Netherlands
(72) Name(s) of Designer(s): **Stefanus Franciscus Wilhelmus Joosten**
(45) Registration Date: **17 September 2008**
(30) Convention priority data:
(31) Number (32) Date (33) Country
000831367-0001 20 Nov 2007 EUROPEAN COMMUNITY
(56) Related Art Documents: **Not Applicable**
(57) Statement of Newness and Distinctiveness: **Nil**



(21) Design Number: **12286/2008**
(22) Date of Filing Application: **13 May 2008**
(24) Date from which industrial property rights may have effect: **13 May 2008**
(54) Product in respect of which the design is registered: **Slat core**
(51) International Design Classification: **08-08H**
(71) Name(s) and Address(s) of Applicant(s):
Turnils AB
Sandbergsvagen Kristineholm S-44115 Alingsas The Netherlands
(72) Name(s) of Designer(s): **Christer Samuelsson**
(45) Registration Date: **17 September 2008**
(30) Convention priority data:
(31) Number (32) Date (33) Country
000831359-0001 20 Nov 2007 EUROPEAN COMMUNITY
(56) Related Art Documents: **Not Applicable**
(57) Statement of Newness and Distinctiveness: **Nil**



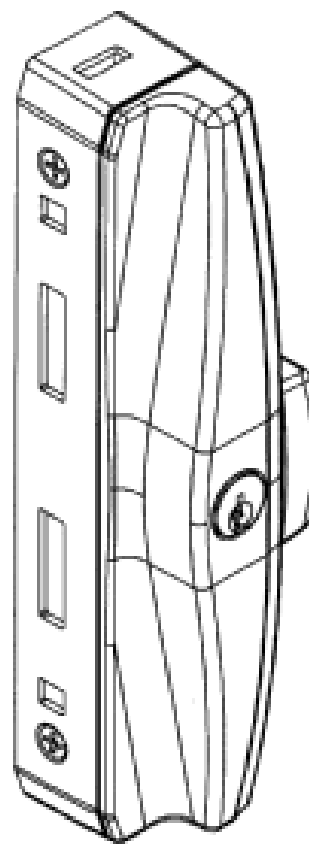
(21) Design Number: **12289/2008**
(22) Date of Filing Application: **13 May 2008**
(24) Date from which industrial property rights may have effect: **13 May 2008**
(54) Product in respect of which the design is registered: **Sliding door furniture**
(51) International Design Classification: **08-07**
(71) Name(s) and Address(s) of Applicant(s):
Assa Abloy Australia Pty Limited
50 Edward Street Oakleigh Victoria 3166 Australia
(72) Name(s) of Designer(s): **Anaru Terei**
(45) Registration Date: **17 September 2008**
(56) Related Art Documents: **Not Applicable**
(57) Statement of Newness and Distinctiveness: **The features of shape and configuration of the design are new and distinctive. However, the screws, screw holes, key cylinder, key cylinder hole and the other openings and apertures are not essential features of the design and may be changed or omitted.**



- (21) Design Number: **12291/2008**
- (22) Date of Filing Application: **13 May 2008**
- (24) Date from which industrial property rights may have effect: **13 May 2008**
- (54) Product in respect of which the design is registered: **Sliding door furniture**
- (51) International Design Classification: **08-07**
- (71) Name(s) and Address(s) of Applicant(s):

Assa Abloy Australia Pty Limited
50 Edward Street Oakleigh Victoria 3166 Australia

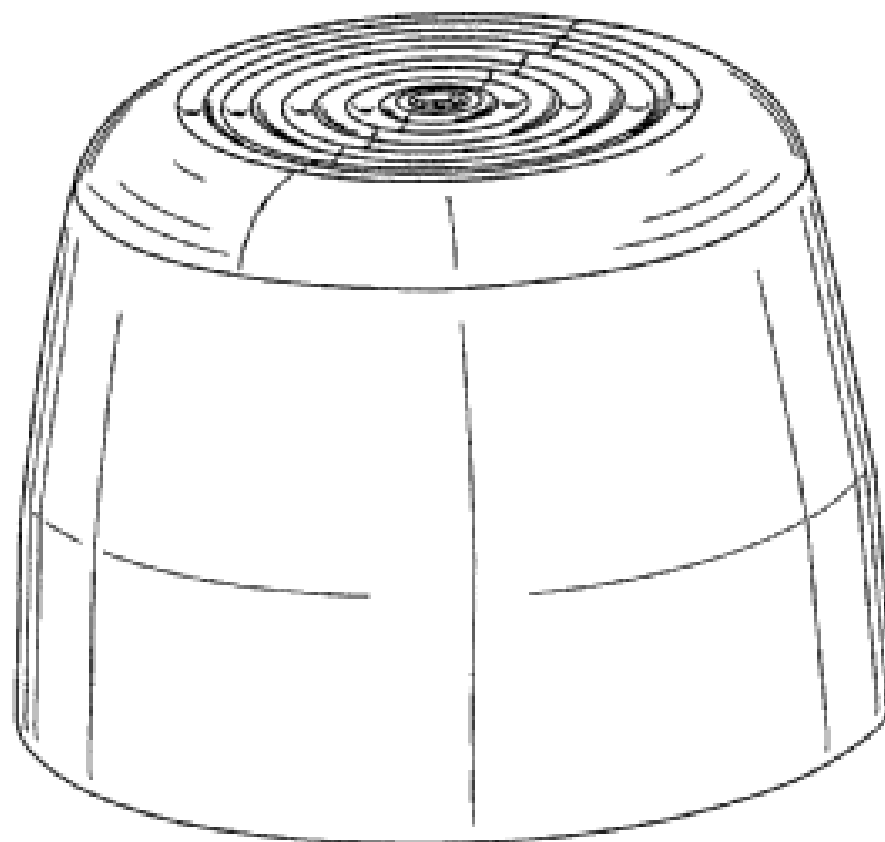
- (72) Name(s) of Designer(s): **Anaru Terei**
- (45) Registration Date: **17 September 2008**
- (56) Related Art Documents: **Not Applicable**
- (57) Statement of Newness and Distinctiveness: **The features of shape and configuration of the design are new and distinctive. However, the screws, screw holes, key cylinder, key cylinder hole and the other openings and apertures are not essential features of the design and may be changed or omitted.**



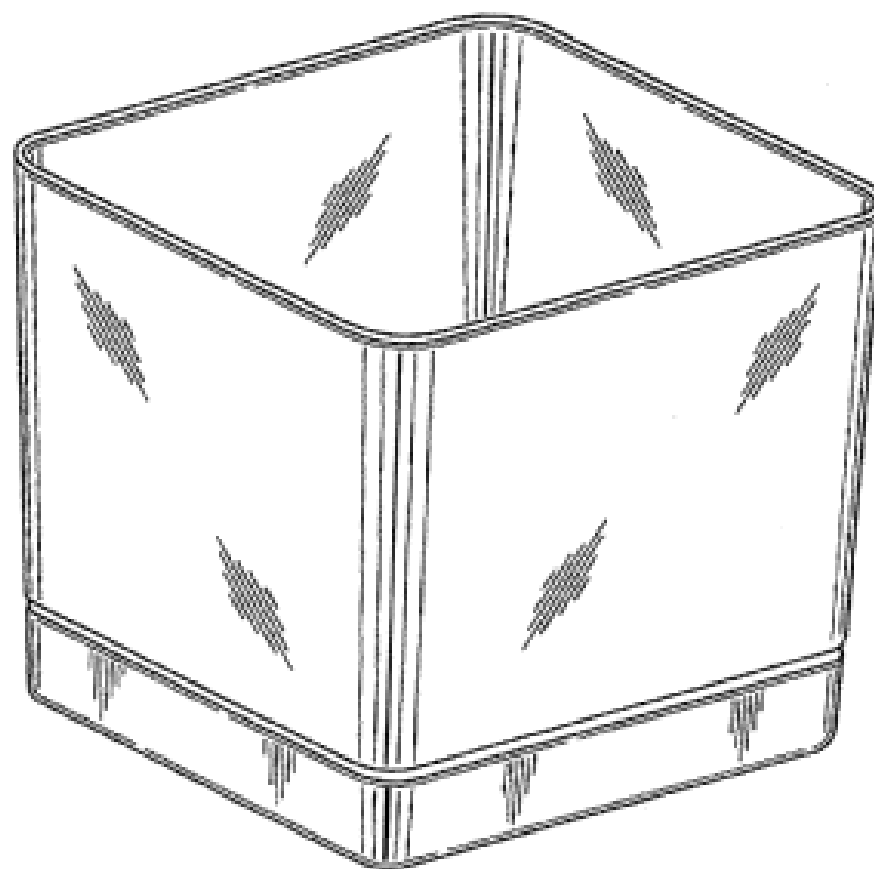
- (21) Design Number: **12292/2008**
- (22) Date of Filing Application: **13 May 2008**
- (24) Date from which industrial property rights may have effect: **13 May 2008**
- (54) Product in respect of which the design is registered: **Aerosol cap**
- (51) International Design Classification: **09-07B**
- (71) Name(s) and Address(s) of Applicant(s):

BISSELL Homecare, Inc
2345 Walker Avenue N.W. Grand Rapids MI 49544 United States of America

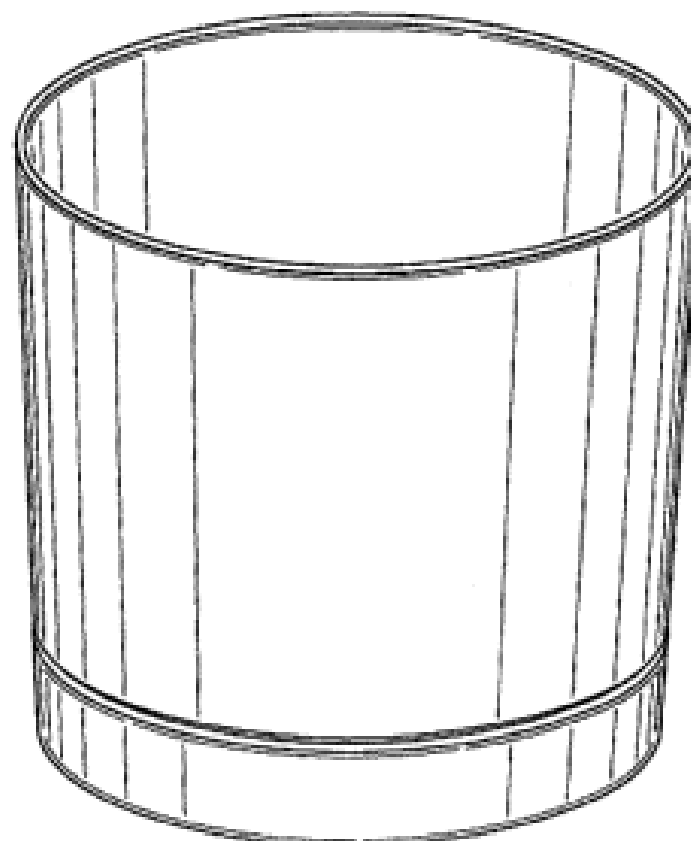
- (72) Name(s) of Designer(s): **Douglas J. Medema**
 - (45) Registration Date: **17 September 2008**
 - (30) Convention priority data:
- | | | |
|-------------------|--------------------|---------------------------------|
| (31) Number | (32) Date | (33) Country |
| 29/298,740 | 12 Dec 2007 | UNITED STATES OF AMERICA |
- (56) Related Art Documents: **Not Applicable**
 - (57) Statement of Newness and Distinctiveness: **The shape and configuration of the design of the product is new and distinctive.**



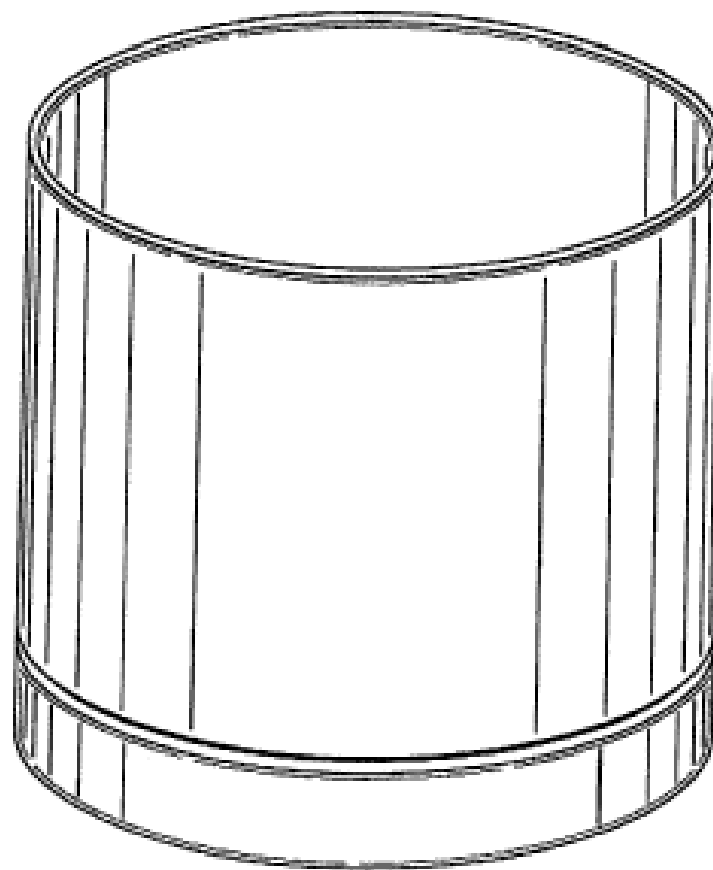
(21) Design Number: **12296/2008**
(22) Date of Filing Application: **13 May 2008**
(24) Date from which industrial property rights may have effect: **13 May 2008**
(54) Product in respect of which the design is registered: **Flower pot with saucer**
(51) International Design Classification: **11-02B**
(71) Name(s) and Address(s) of Applicant(s):
Pi-Design AG
Kantonsstrasse 100 CH-6234 Triengen Switzerland
(72) Name(s) of Designer(s): **Jorgen Bodum**
(45) Registration Date: **17 September 2008**
(30) Convention priority data:
(31) Number (32) Date (33) Country
134.596 12 Dec 2007 SWITZERLAND
(56) Related Art Documents: **Not Applicable**
(57) Statement of Newness and Distinctiveness: **Nil**



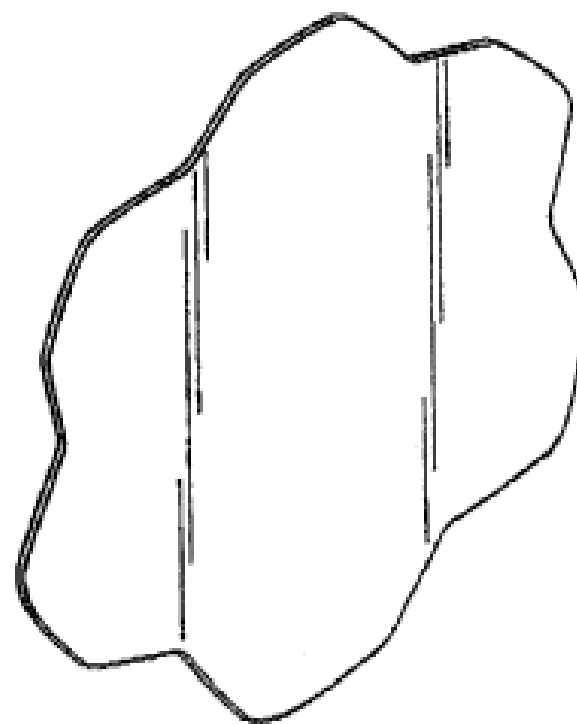
(21) Design Number: **12297/2008**
(22) Date of Filing Application: **13 May 2008**
(24) Date from which industrial property rights may have effect: **13 May 2008**
(54) Product in respect of which the design is registered: **Flower pot with saucer**
(51) International Design Classification: **11-02B**
(71) Name(s) and Address(s) of Applicant(s):
Pi-Design AG
Kantonsstrasse 100 CH-6234 Triengen Switzerland
(72) Name(s) of Designer(s): **Jorgen Bodum**
(45) Registration Date: **17 September 2008**
(30) Convention priority data:
(31) Number (32) Date (33) Country
134.596 12 Dec 2007 SWITZERLAND
(56) Related Art Documents: **Not Applicable**
(57) Statement of Newness and Distinctiveness: **Nil**



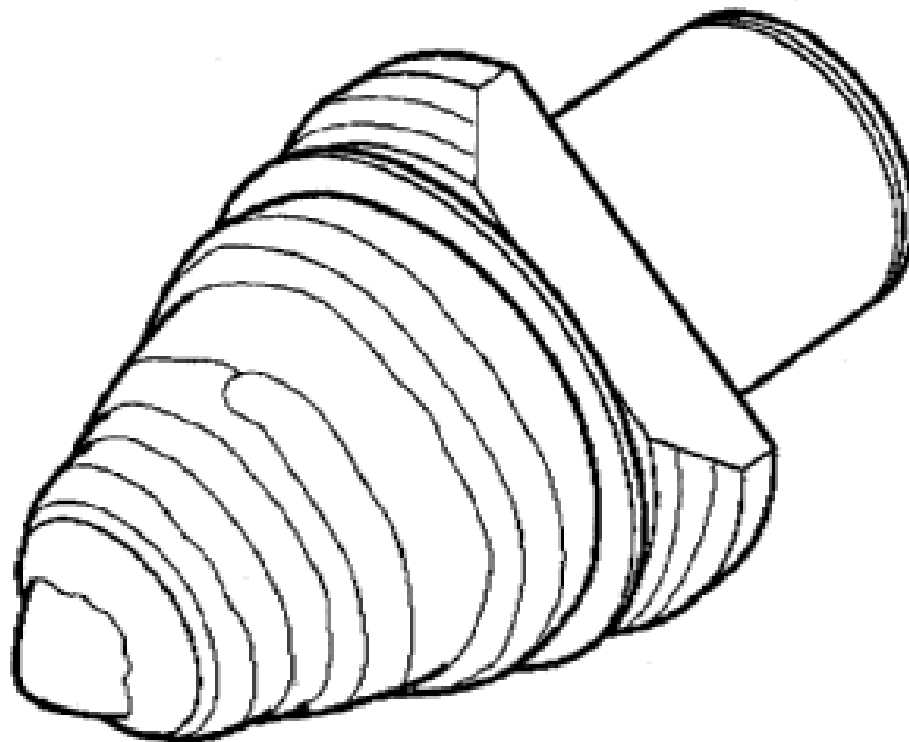
(21) Design Number: **12298/2008**
(22) Date of Filing Application: **13 May 2008**
(24) Date from which industrial property rights may have effect: **13 May 2008**
(54) Product in respect of which the design is registered: **Flower pot with saucer**
(51) International Design Classification: **11-02B**
(71) Name(s) and Address(s) of Applicant(s):
Pi-Design AG
Kantonsstrasse 100 CH-6234 Triengen Switzerland
(72) Name(s) of Designer(s): **Jorgen Bodum**
(45) Registration Date: **17 September 2008**
(30) Convention priority data:
(31) Number (32) Date (33) Country
134.596 12 Dec 2007 SWITZERLAND
(56) Related Art Documents: **Not Applicable**
(57) Statement of Newness and Distinctiveness: **Nil**



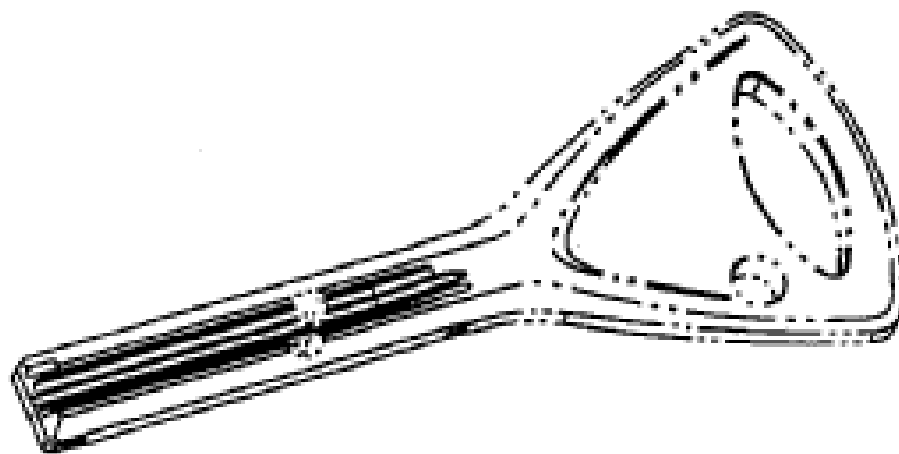
(21) Design Number: **12300/2008**
(22) Date of Filing Application: **14 May 2008**
(24) Date from which industrial property rights may have effect: **14 May 2008**
(54) Product in respect of which the design is registered: **Laundry composition component**
(51) International Design Classification: **07-05NES**
(71) Name(s) and Address(s) of Applicant(s):
Unilever PLC
Unilever House Blackfriars London EC4P 4BQ United Kingdom
(72) Name(s) of Designer(s): **Zbigniew Swiderski**
(45) Registration Date: **17 September 2008**
(30) Convention priority data:
(31) Number (32) Date (33) Country
4005296 16 Nov 2007 UNITED KINGDOM
(56) Related Art Documents: **Not Applicable**
(57) Statement of Newness and Distinctiveness: **Newness and distinctiveness is claimed in the visual features shown in solid lines in the representations.**



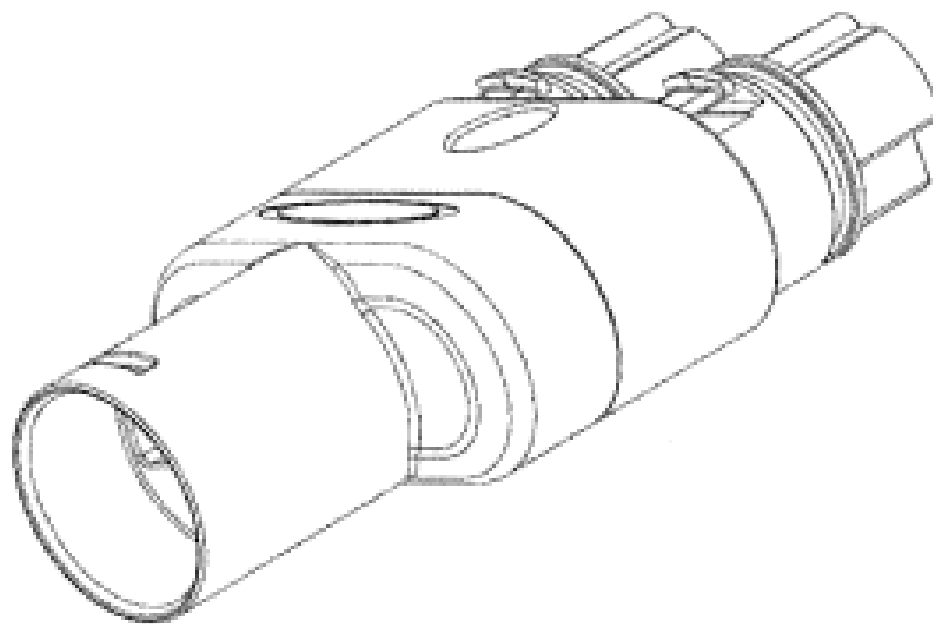
- (21) Design Number: **12309/2008**
(22) Date of Filing Application: **13 May 2008**
(24) Date from which industrial property rights may have effect: **13 May 2008**
(54) Product in respect of which the design is registered: **Pick and tool holder combination**
(51) International Design Classification: **15-04**
(71) Name(s) and Address(s) of Applicant(s):
Fortescue Metals Group Ltd
87 Adelaide Terrace East Perth Western Australia 6004 Australia
(72) Name(s) of Designer(s): **David James Mendelawitz**
(45) Registration Date: **17 September 2008**
(56) Related Art Documents: **Not Applicable**
(57) Statement of Newness and Distinctiveness: **Newness and distinctiveness is claimed in the features of shape and/or configuration of a pick and tool holder combination as shown in the accompanying representations.**



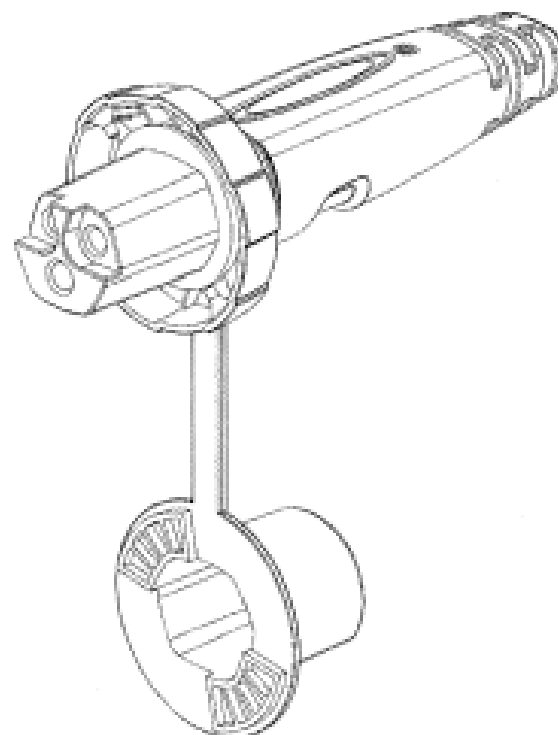
- (21) Design Number: **14159/2008**
(22) Date of Filing Application: **28 August 2008**
(24) Date from which industrial property rights may have effect: **28 August 2008**
(54) Product in respect of which the design is registered: **Key blank**
(51) International Design Classification: **08-07**
(71) Name(s) and Address(s) of Applicant(s):
ASSA ABLOY Australia Pty Limited
235 Huntingdale Road Oakleigh Victoria 3166 Australia
(72) Name(s) of Designer(s): **Seppo Kiiski**
(45) Registration Date: **17 September 2008**
(56) Related Art Documents: **Not Applicable**
(57) Statement of Newness and Distinctiveness: **Those features of the key blank that are new and distinctive are the cross-sectional shape of the blade of the key blank as depicted in the profile of the key blank as shown in section A-A and B-B views. The shape and/or configuration of the head of the key blank and dimple bittings shown in broken line are not part of the design and are to be disregarded when considering the overall impression of the design.**



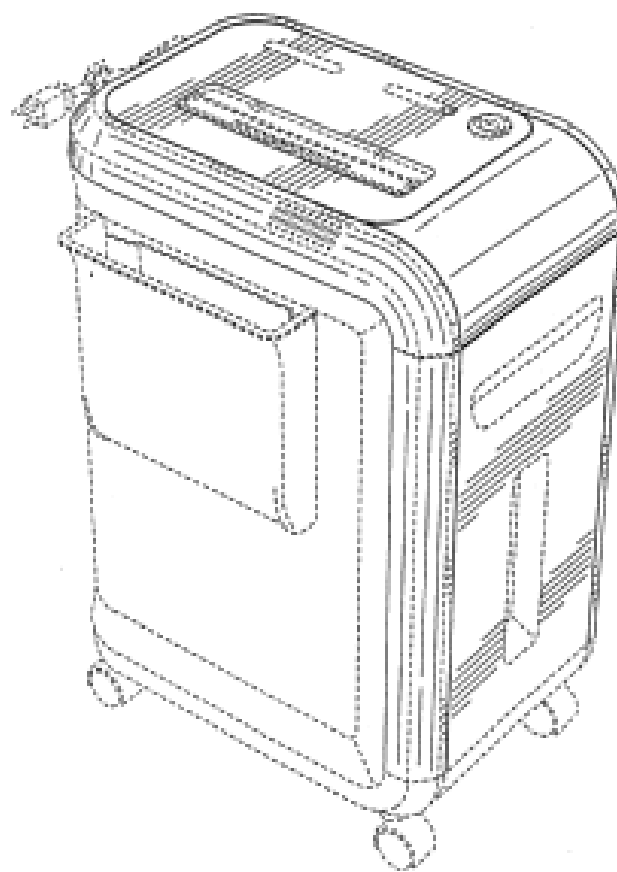
(21) Design Number: **11555/2008**
(22) Date of Filing Application: **02 April 2008**
(24) Date from which industrial property rights may have effect: **02 April 2008**
(54) Product in respect of which the design is registered: **Electrical connector**
(51) International Design Classification: **13-03B**
(71) Name(s) and Address(s) of Applicant(s):
CTEK Sweden AB
Rostugnsvagen 3 776 70 Vikmanshyttan Sweden
(72) Name(s) of Designer(s): **Tor Magnusson**
(45) Registration Date: **18 September 2008**
(30) Convention priority data:
(31) Number (32) Date (33) Country
000801055-0005 03 Oct 2007 EUROPEAN COMMUNITY
(56) Related Art Documents: **Not Applicable**
(57) Statement of Newness and Distinctiveness: **Nil**



(21) Design Number: **11557/2008**
(22) Date of Filing Application: **02 April 2008**
(24) Date from which industrial property rights may have effect: **02 April 2008**
(54) Product in respect of which the design is registered: **Electrical connector**
(51) International Design Classification: **13-03B**
(71) Name(s) and Address(s) of Applicant(s):
CTEK Sweden AB
Rostugnsvagen 3 776 70 Vikmanshyttan Sweden
(72) Name(s) of Designer(s): **Tor Magnusson**
(45) Registration Date: **18 September 2008**
(30) Convention priority data:
(31) Number (32) Date (33) Country
000801055-0002 03 Oct 2007 EUROPEAN COMMUNITY
(56) Related Art Documents: **Not Applicable**
(57) Statement of Newness and Distinctiveness: **Nil**



- (21) Design Number: **12479/2008**
(22) Date of Filing Application: **26 May 2008**
(24) Date from which industrial property rights may have effect: **26 May 2008**
(54) Product in respect of which the design is registered: **Shredder**
(51) International Design Classification: **18-04**
(71) Name(s) and Address(s) of Applicant(s):
Fellowes Inc.
1789 Norwood Avenue Itasca Illinois 60143 United States of America
(72) Name(s) of Designer(s): **Gregory James Holderfield and Sebastien J. Labat**
(45) Registration Date: **18 September 2008**
(30) Convention priority data:
(31) Number (32) Date (33) Country
29298665 10 Dec 2007 UNITED STATES OF AMERICA
(56) Related Art Documents: **Not Applicable**
(57) Statement of Newness and Distinctiveness: **Newness and distinctiveness is claimed in the visual features shown in solid lines in the representations.**



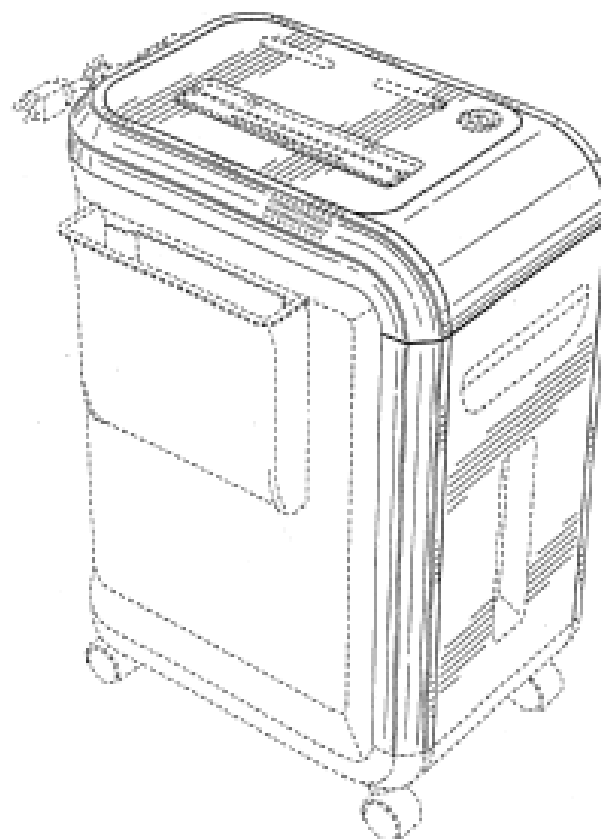
- (21) Design Number: **12480/2008**
(22) Date of Filing Application: **26 May 2008**
(24) Date from which industrial property rights may have effect: **26 May 2008**
(54) Product in respect of which the design is registered: **Shredder**
(51) International Design Classification: **18-04**
(71) Name(s) and Address(s) of Applicant(s):
Fellowes Inc.
1789 Norwood Avenue Itasca Illinois 60143 United States of America
(72) Name(s) of Designer(s): **Gregory James Holderfield and Sebastien J. Labat**
(45) Registration Date: **18 September 2008**
(30) Convention priority data:
(31) Number (32) Date (33) Country
29298642 10 Dec 2007 UNITED STATES OF AMERICA
(56) Related Art Documents: **Not Applicable**
(57) Statement of Newness and Distinctiveness: **Newness and distinctiveness is claimed in the visual features shown in solid lines in the representations.**



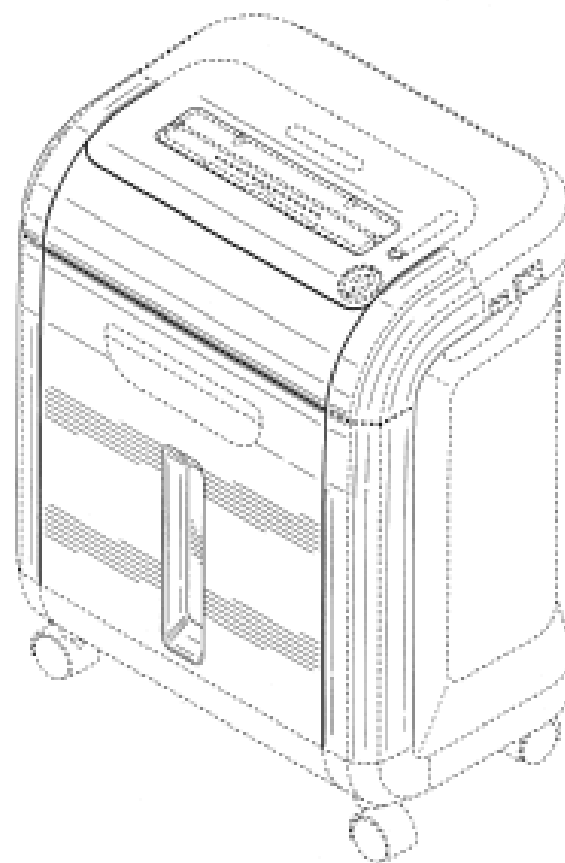
- (21) Design Number: **12481/2008**
(22) Date of Filing Application: **26 May 2008**
(24) Date from which industrial property rights may have effect: **26 May 2008**
(54) Product in respect of which the design is registered: **Shredder**
(51) International Design Classification: **18-04**
(71) Name(s) and Address(s) of Applicant(s):
Fellowes Inc.
1789 Norwood Avenue Itasca Illinois 60143 United States of America
(72) Name(s) of Designer(s): **Gregory James Holderfield and Sebastien J. Labat**
(45) Registration Date: **18 September 2008**
(30) Convention priority data:
(31) Number (32) Date (33) Country
29298642 10 Dec 2007 UNITED STATES OF AMERICA
(56) Related Art Documents: **Not Applicable**
(57) Statement of Newness and Distinctiveness: **Newness and distinctiveness is claimed in the visual features shown in solid lines in the representations.**



- (21) Design Number: **12482/2008**
(22) Date of Filing Application: **26 May 2008**
(24) Date from which industrial property rights may have effect: **26 May 2008**
(54) Product in respect of which the design is registered: **Shredder**
(51) International Design Classification: **18-04**
(71) Name(s) and Address(s) of Applicant(s):
Fellowes Inc.
1789 Norwood Avenue Itasca Illinois 60143 United States of America
(72) Name(s) of Designer(s): **Gregory James Holderfield and Sebastien J. Labat**
(45) Registration Date: **18 September 2008**
(30) Convention priority data:
(31) Number (32) Date (33) Country
29298665 10 Dec 2007 UNITED STATES OF AMERICA
(56) Related Art Documents: **Not Applicable**
(57) Statement of Newness and Distinctiveness: **Newness and distinctiveness is claimed in the visual features shown in solid lines in the representations.**



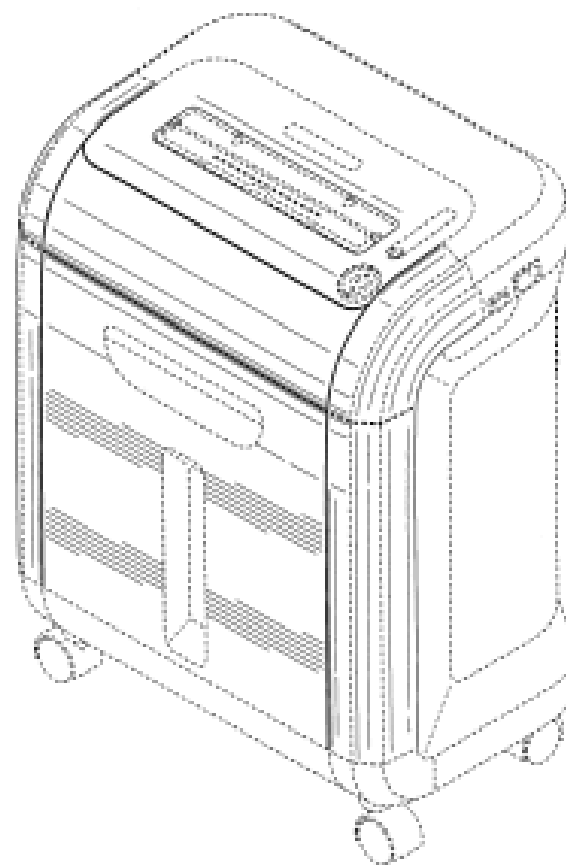
(21) Design Number: **12483/2008**
(22) Date of Filing Application: **26 May 2008**
(24) Date from which industrial property rights may have effect: **26 May 2008**
(54) Product in respect of which the design is registered: **Shredder**
(51) International Design Classification: **18-04**
(71) Name(s) and Address(s) of Applicant(s):
Fellowes Inc.
1789 Norwood Avenue Itasca Illinois 60143 United States of America
(72) Name(s) of Designer(s): **Gregory James Holderfield and Sebastien J. Labat**
(45) Registration Date: **18 September 2008**
(30) Convention priority data:
(31) Number (32) Date (33) Country
29298642 10 Dec 2007 UNITED STATES OF AMERICA
(56) Related Art Documents: **Not Applicable**
(57) Statement of Newness and Distinctiveness: **Newness and distinctiveness is claimed in the visual features shown in solid lines in the representations.**



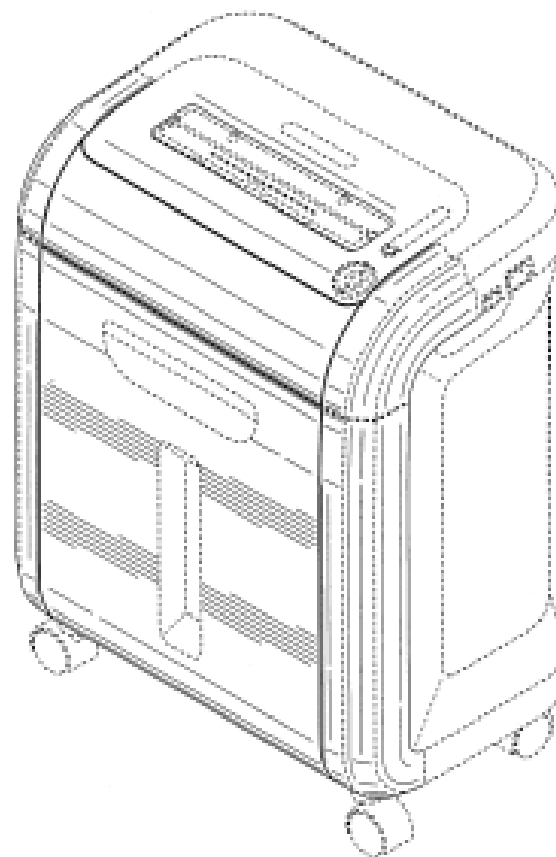
(21) Design Number: **12484/2008**
(22) Date of Filing Application: **26 May 2008**
(24) Date from which industrial property rights may have effect: **26 May 2008**
(54) Product in respect of which the design is registered: **Shredder**
(51) International Design Classification: **18-04**
(71) Name(s) and Address(s) of Applicant(s):
Fellowes Inc.
1789 Norwood Avenue Itasca Illinois 60143 United States of America
(72) Name(s) of Designer(s): **Gregory James Holderfield and Sebastien J. Labat**
(45) Registration Date: **18 September 2008**
(30) Convention priority data:
(31) Number (32) Date (33) Country
29298642 10 Dec 2007 UNITED STATES OF AMERICA
(56) Related Art Documents: **Not Applicable**
(57) Statement of Newness and Distinctiveness: **Nil**



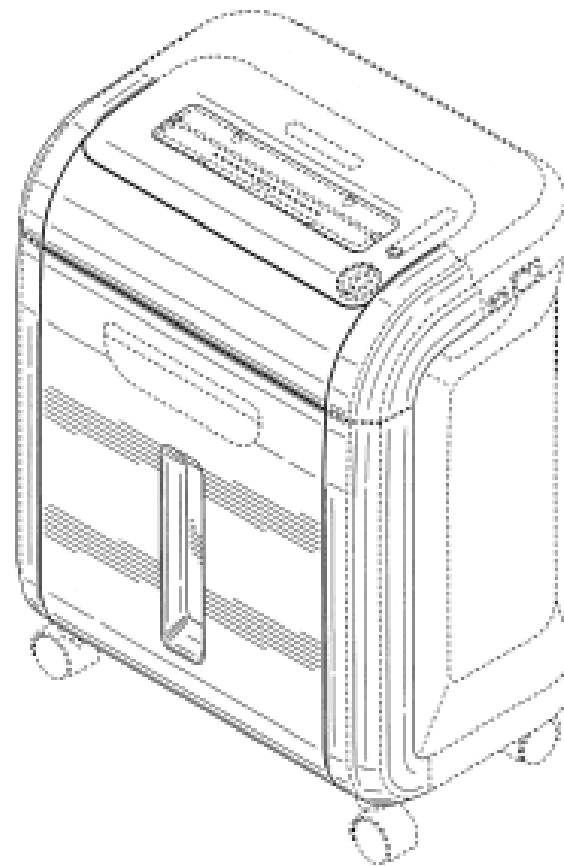
- (21) Design Number: **12485/2008**
(22) Date of Filing Application: **26 May 2008**
(24) Date from which industrial property rights may have effect: **26 May 2008**
(54) Product in respect of which the design is registered: **Shredder**
(51) International Design Classification: **18-04**
(71) Name(s) and Address(s) of Applicant(s):
Fellowes Inc.
1789 Norwood Avenue Itasca Illinois 60143 United States of America
(72) Name(s) of Designer(s): **Gregory James Holderfield and Sebastien J. Labat**
(45) Registration Date: **18 September 2008**
(30) Convention priority data:
(31) Number (32) Date (33) Country
29298642 10 Dec 2007 UNITED STATES OF AMERICA
(56) Related Art Documents: **Not Applicable**
(57) Statement of Newness and Distinctiveness: **Newness and distinctiveness is claimed in the visual features shown in solid lines in the representations.**



- (21) Design Number: **12486/2008**
(22) Date of Filing Application: **26 May 2008**
(24) Date from which industrial property rights may have effect: **26 May 2008**
(54) Product in respect of which the design is registered: **Shredder**
(51) International Design Classification: **18-04**
(71) Name(s) and Address(s) of Applicant(s):
Fellowes Inc.
1789 Norwood Avenue Itasca Illinois 60143 United States of America
(72) Name(s) of Designer(s): **Gregory James Holderfield and Sebastien J. Labat**
(45) Registration Date: **18 September 2008**
(30) Convention priority data:
(31) Number (32) Date (33) Country
29298642 10 Dec 2007 UNITED STATES OF AMERICA
(56) Related Art Documents: **Not Applicable**
(57) Statement of Newness and Distinctiveness: **Newness and distinctiveness is claimed in the visual features shown in solid lines in the representations.**



- (21) Design Number: **12487/2008**
(22) Date of Filing Application: **26 May 2008**
(24) Date from which industrial property rights may have effect: **26 May 2008**
(54) Product in respect of which the design is registered: **Shredder**
(51) International Design Classification: **18-04**
(71) Name(s) and Address(s) of Applicant(s):
Fellowes Inc.
1789 Norwood Avenue Itasca Illinois 60143 United States of America
(72) Name(s) of Designer(s): **Gregory James Holderfield and Sebastien J. Labat**
(45) Registration Date: **18 September 2008**
(30) Convention priority data:
(31) Number (32) Date (33) Country
29298642 10 Dec 2007 UNITED STATES OF AMERICA
(56) Related Art Documents: **Not Applicable**
(57) Statement of Newness and Distinctiveness: **Newness and distinctiveness is claimed in the visual features shown in solid lines in the representations.**



- (21) Design Number: **12488/2008**
(22) Date of Filing Application: **26 May 2008**
(24) Date from which industrial property rights may have effect: **26 May 2008**
(54) Product in respect of which the design is registered: **Shredder**
(51) International Design Classification: **18-04**
(71) Name(s) and Address(s) of Applicant(s):
Fellowes Inc.
1789 Norwood Avenue Itasca Illinois 60143 United States of America
(72) Name(s) of Designer(s): **Gregory James Holderfield and Sebastien J. Labat**
(45) Registration Date: **18 September 2008**
(30) Convention priority data:
(31) Number (32) Date (33) Country
29298665 10 Dec 2007 UNITED STATES OF AMERICA
(56) Related Art Documents: **Not Applicable**
(57) Statement of Newness and Distinctiveness: **Nil**



(21) Design Number: **12489/2008**

(22) Date of Filing Application: **26 May 2008**

(24) Date from which industrial property rights may have effect: **26 May 2008**

(54) Product in respect of which the design is registered: **CD rack**

(51) International Design Classification: **06-04NES**

(71) Name(s) and Address(s) of Applicant(s):

Scott Barry Smith
39 Candover Street Geelong West Victoria 3218 Australia

(72) Name(s) of Designer(s): **Scott Barry Smith**

(45) Registration Date: **18 September 2008**

(56) Related Art Documents: **Not Applicable**

(57) Statement of Newness and Distinctiveness: **The shape and configuration of the product illustrated in the accompanying representations is new and distinctive.**



(21) Design Number: **12325/2008**

(22) Date of Filing Application: **16 May 2008**

(24) Date from which industrial property rights may have effect: **16 May 2008**

(54) Product in respect of which the design is registered: **Caravan layout**

(51) International Design Classification: **12-10**

(71) Name(s) and Address(s) of Applicant(s):

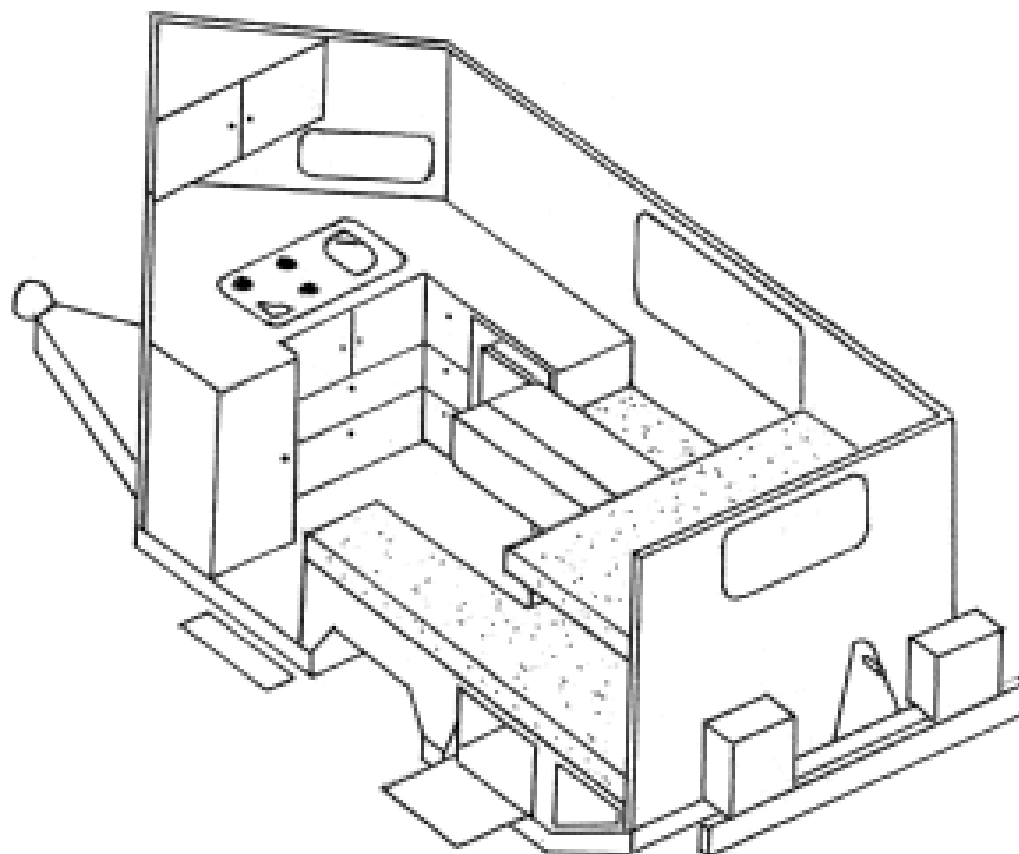
Chris Mills
10 Stingray Point Mallacoota Victoria 3982 Australia

(72) Name(s) of Designer(s): **Christopher Laurie Mills**

(45) Registration Date: **19 September 2008**

(56) Related Art Documents: **Not Applicable**

(57) Statement of Newness and Distinctiveness: **The design achieves all of the following: low towing resistance; rugged 'off-road' construction; low packup and setup times; high levels of comfort and utility; moderate weight and construction cost; sleeps 4 adults or 3 adults and 2 children; seats 6-8 adults; separates cooking, seating and sleeping areas; considerable scope for customisation.**



- (21) Design Number: **12328/2008**
- (22) Date of Filing Application: **16 May 2008**
- (24) Date from which industrial property rights may have effect: **16 May 2008**
- (54) Product in respect of which the design is registered: **A coupler**
- (51) International Design Classification: **12-16L**
- (71) Name(s) and Address(s) of Applicant(s):

JB Attachments Limited
22 Stonedon Drive East Tamaki Auckland New Zealand

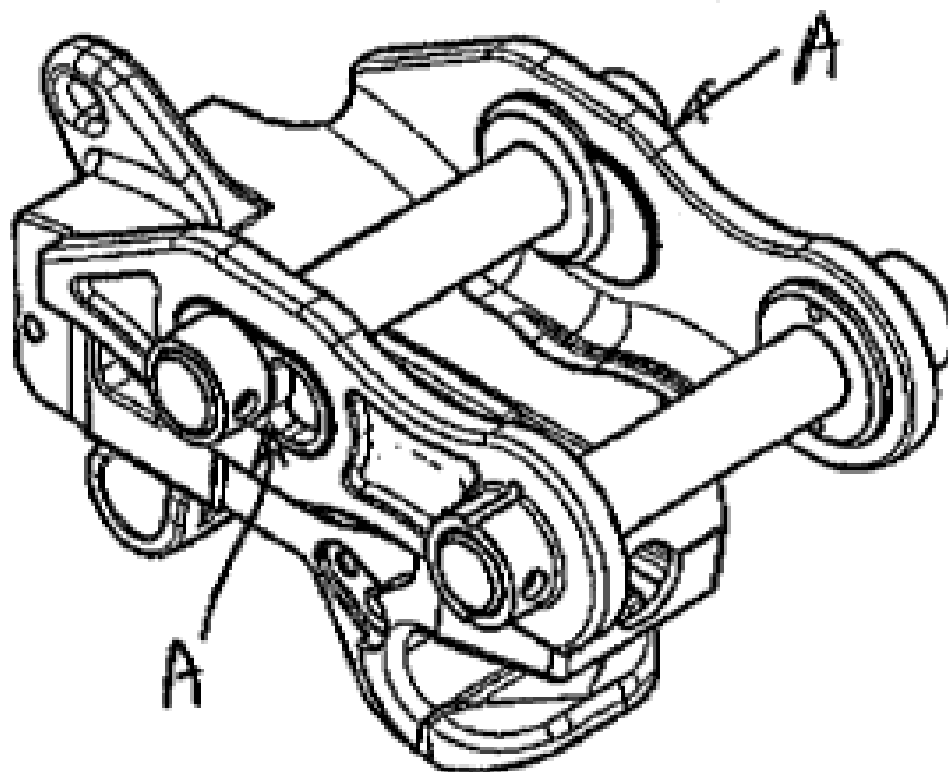
- (72) Name(s) of Designer(s): **Timothy Craig Balemi and Michael Kevin Scheib**
- (45) Registration Date: **19 September 2008**

(30) Convention priority data:

(31) Number	(32) Date	(33) Country
410043	16 Nov 2007	NEW ZEALAND

(56) Related Art Documents: **Not Applicable**

(57) Statement of Newness and Distinctiveness: **The novelty claimed for the design resides in the features of shape and/or configuration of the design features highlighted as "A" all as shown in the representations.**



- (21) Design Number: **12329/2008**
- (22) Date of Filing Application: **16 May 2008**
- (24) Date from which industrial property rights may have effect: **16 May 2008**
- (54) Product in respect of which the design is registered: **A coupler**
- (51) International Design Classification: **12-16L**
- (71) Name(s) and Address(s) of Applicant(s):

JB Attachments Limited
22 Stonedon Drive East Tamaki Auckland New Zealand

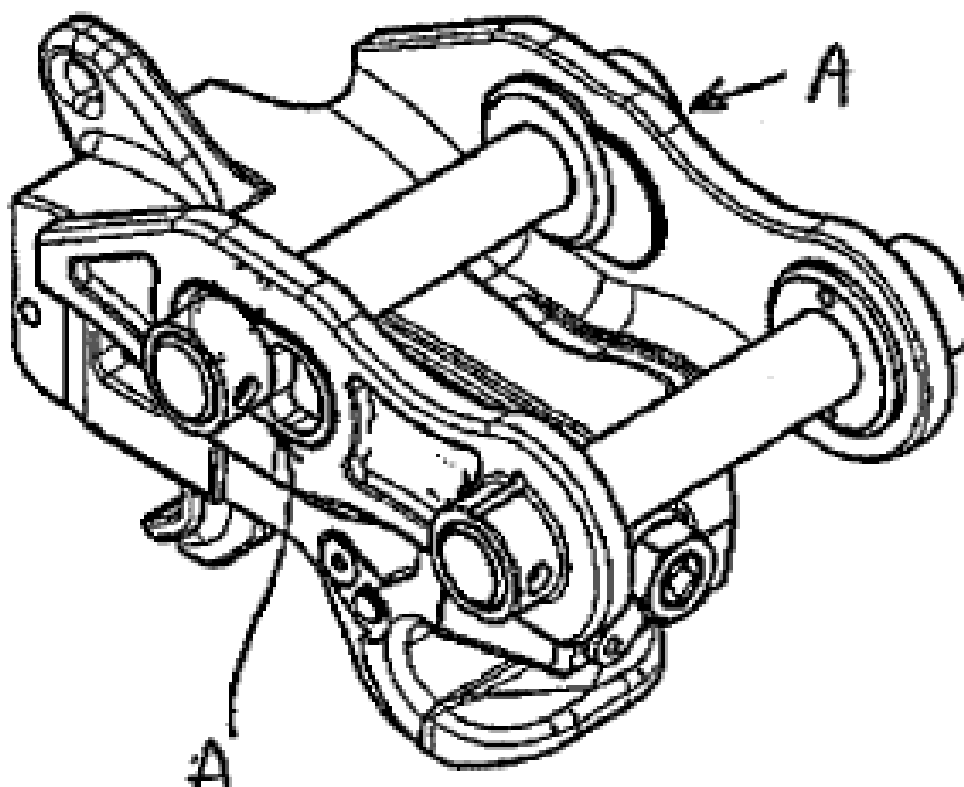
- (72) Name(s) of Designer(s): **Timothy Craig Balemi and Michael Kevin Scheib**
- (45) Registration Date: **19 September 2008**

(30) Convention priority data:

(31) Number	(32) Date	(33) Country
410042	16 Nov 2007	NEW ZEALAND

(56) Related Art Documents: **Not Applicable**

(57) Statement of Newness and Distinctiveness: **The novelty claimed for the design resides in the features of shape and/or configuration of the design features highlighted as "A" all as shown in the representations.**



(19) AU

- (21) Design Number: **12330/2008**
- (22) Date of Filing Application: **16 May 2008**
- (24) Date from which industrial property rights may have effect: **16 May 2008**
- (54) Product in respect of which the design is registered: **A coupler**
- (51) International Design Classification: **12-16L**
- (71) Name(s) and Address(s) of Applicant(s):

JB Attachments Limited
22 Stonedon Drive East Tamaki Auckland New Zealand

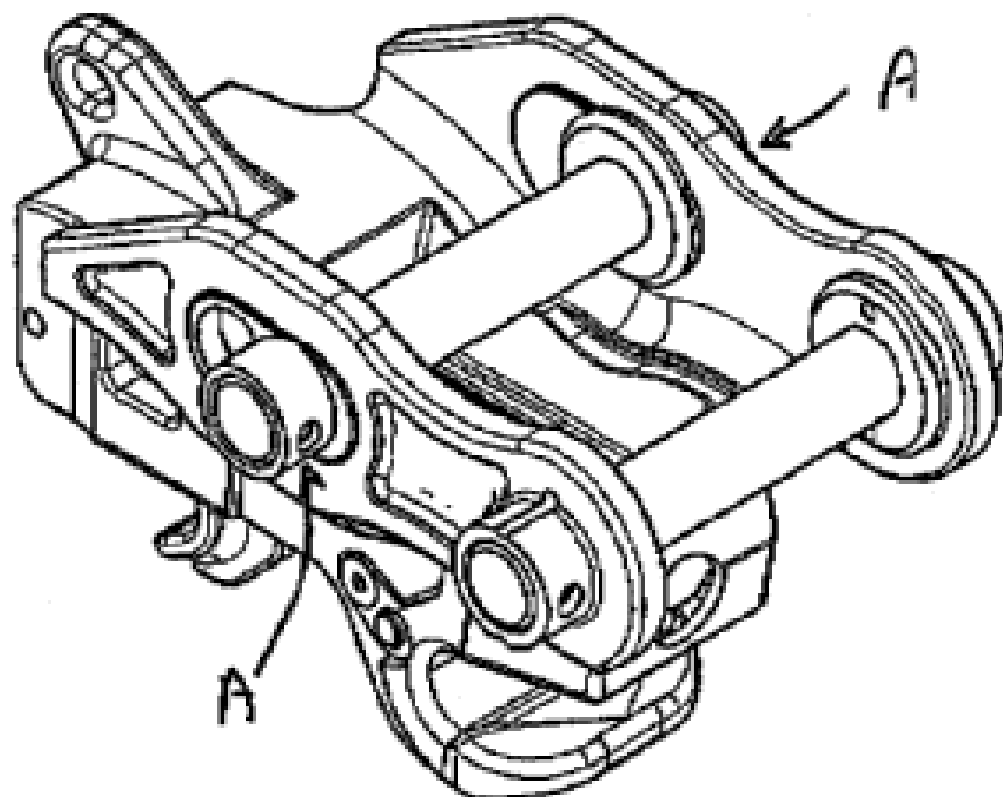
- (72) Name(s) of Designer(s): **Timothy Craig Balemi and Michael Kevin Scheib**
- (45) Registration Date: **19 September 2008**

(30) Convention priority data:

(31) Number	(32) Date	(33) Country
410044	16 Nov 2007	NEW ZEALAND

(56) Related Art Documents: **Not Applicable**

(57) Statement of Newness and Distinctiveness: **The novelty claimed for the design resides in the features of shape and/or configuration of the design features highlighted as "A" all as shown in the representations.**



(19) AU

- (21) Design Number: **12331/2008**
- (22) Date of Filing Application: **16 May 2008**
- (24) Date from which industrial property rights may have effect: **16 May 2008**
- (54) Product in respect of which the design is registered: **A container**
- (51) International Design Classification: **09-01NES**
- (71) Name(s) and Address(s) of Applicant(s):

David Murray Melrose
88 Balmoral Road Mount Eden Auckland 1024 New Zealand

- (72) Name(s) of Designer(s): **David Murray Melrose and Tania Maria Robinson and Andrew Candy and Campbell Melrose-Allen**
- (45) Registration Date: **19 September 2008**

(30) Convention priority data:

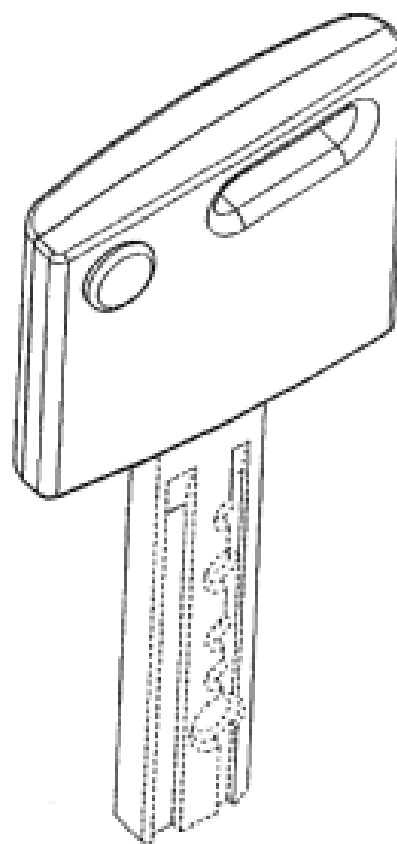
(31) Number	(32) Date	(33) Country
410073	22 Nov 2007	NEW ZEALAND

(56) Related Art Documents: **Not Applicable**

(57) Statement of Newness and Distinctiveness: **The novelty of the design is in respect of it's shape or configuration excluding any novelty in it's neck and base portions.**

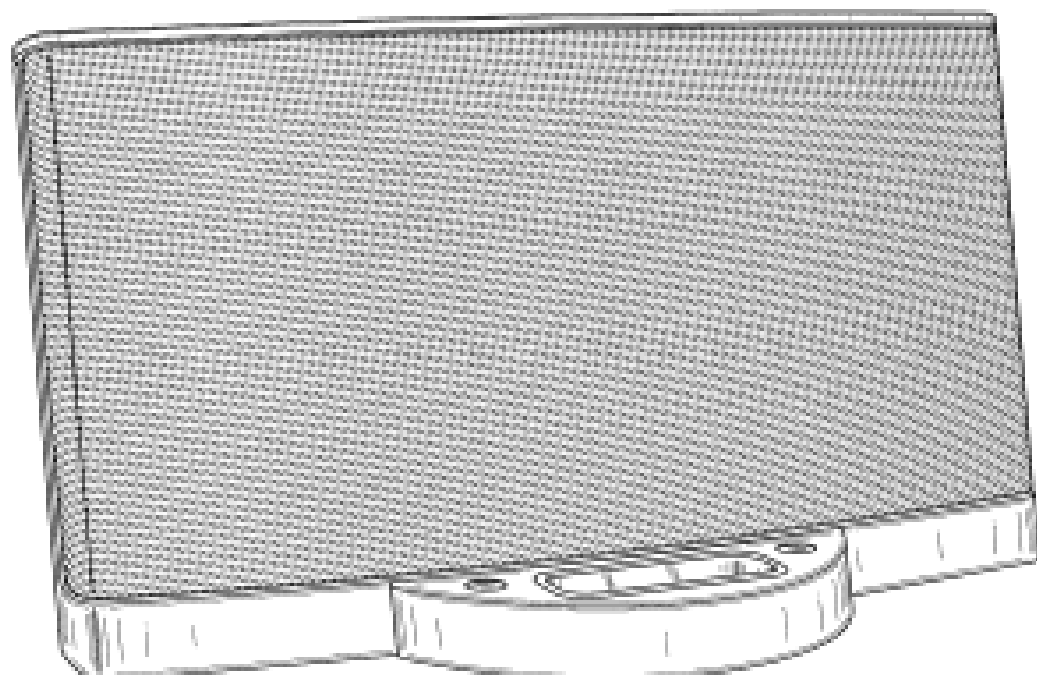


- (21) Design Number: **12335/2008**
- (22) Date of Filing Application: **16 May 2008**
- (24) Date from which industrial property rights may have effect: **16 May 2008**
- (54) Product in respect of which the design is registered: **Key head**
- (51) International Design Classification: **08-07**
- (71) Name(s) and Address(s) of Applicant(s):
ASSA ABLOY Australia Pty Limited
235 Huntingdale Road Oakleigh Victoria 3166 Australia
- (72) Name(s) of Designer(s): **Craig Anthony Caspersz**
- (45) Registration Date: **19 September 2008**
- (56) Related Art Documents: **Not Applicable**
- (57) Statement of Newness and Distinctiveness: **Those features of the key head depicted in the representations that are new and distinctive are the shape and/or configuration. The features shown in broken lines are not part of the design and are to be disregarded when considering the overall impression of the design.**



- (21) Design Number: **12336/2008**
- (22) Date of Filing Application: **16 May 2008**
- (24) Date from which industrial property rights may have effect: **16 May 2008**
- (54) Product in respect of which the design is registered: **Music system**
- (51) International Design Classification: **14-01**
- (71) Name(s) and Address(s) of Applicant(s):
Bose Corporation
The Mountain Framingham Massachusetts 01701-9168 United States of America
- (72) Name(s) of Designer(s): **Stuart R. Jang and John A. Lee Jr**
- (45) Registration Date: **19 September 2008**
- (30) Convention priority data:

(31) Number	(32) Date	(33) Country
29/299,161	20 Dec 2007	UNITED STATES OF AMERICA
- (56) Related Art Documents: **Not Applicable**
- (57) Statement of Newness and Distinctiveness: **Those features of the music system depicted in the representations that are new and distinctive are the shape and/or configuration.**



(21) Design Number: **12339/2008**

(22) Date of Filing Application: **16 May 2008**

(24) Date from which industrial property rights may have effect: **16 May 2008**

(54) Product in respect of which the design is registered: **Animal weighing scale**

(51) International Design Classification: **10-04, 30-99**

(71) Name(s) and Address(s) of Applicant(s):

Bill Hartmann

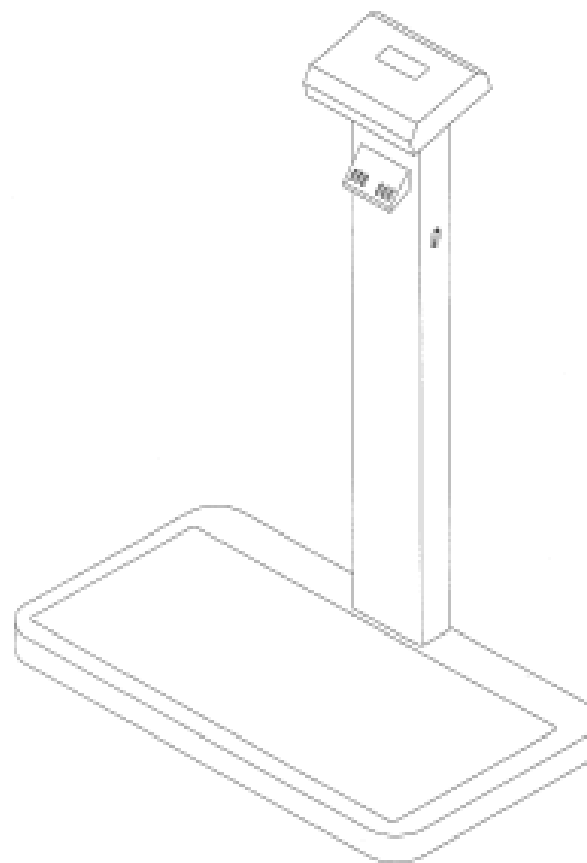
5 Sara Grove Tottenham Victoria 3012 Australia

(72) Name(s) of Designer(s): **Bill Hartmann and Scott Mayman**

(45) Registration Date: **19 September 2008**

(56) Related Art Documents: **Not Applicable**

(57) Statement of Newness and Distinctiveness: **The features of shape and configuration of the animal weighing scale shown in the accompanying representations are considered to be new and distinctive.**



(21) Design Number: **12340/2008**

(22) Date of Filing Application: **16 May 2008**

(24) Date from which industrial property rights may have effect: **16 May 2008**

(54) Product in respect of which the design is registered: **Animal weighing scale**

(51) International Design Classification: **10-04, 30-99**

(71) Name(s) and Address(s) of Applicant(s):

Bill Hartmann

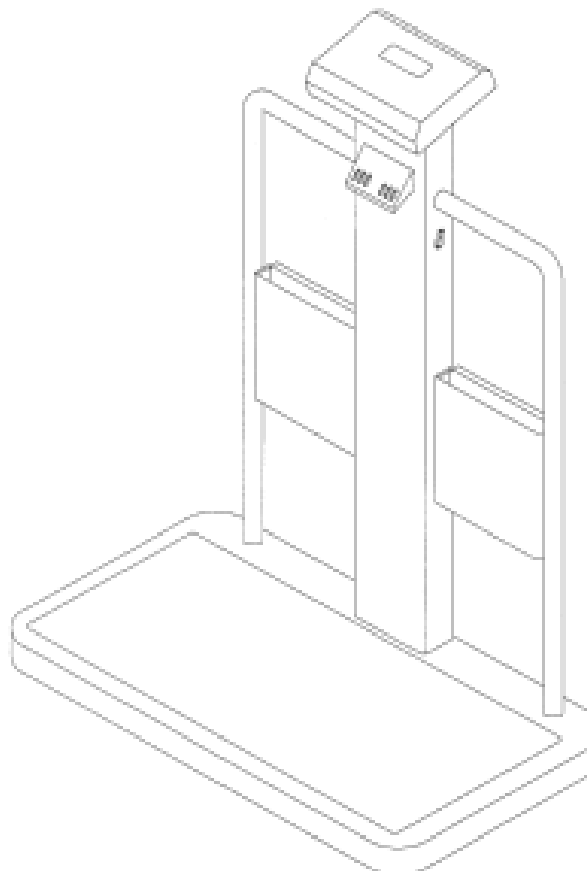
5 Sara Grove Tottenham Victoria 3012 Australia

(72) Name(s) of Designer(s): **Bill Hartmann and Scott Mayman**

(45) Registration Date: **19 September 2008**

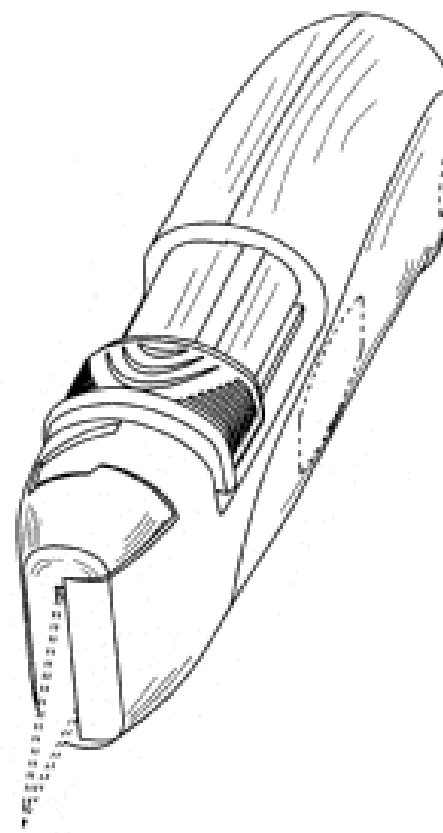
(56) Related Art Documents: **Not Applicable**

(57) Statement of Newness and Distinctiveness: **The features of shape and configuration of the animal weighing scale shown in the accompanying representations are considered to be new and distinctive.**



(19) AU

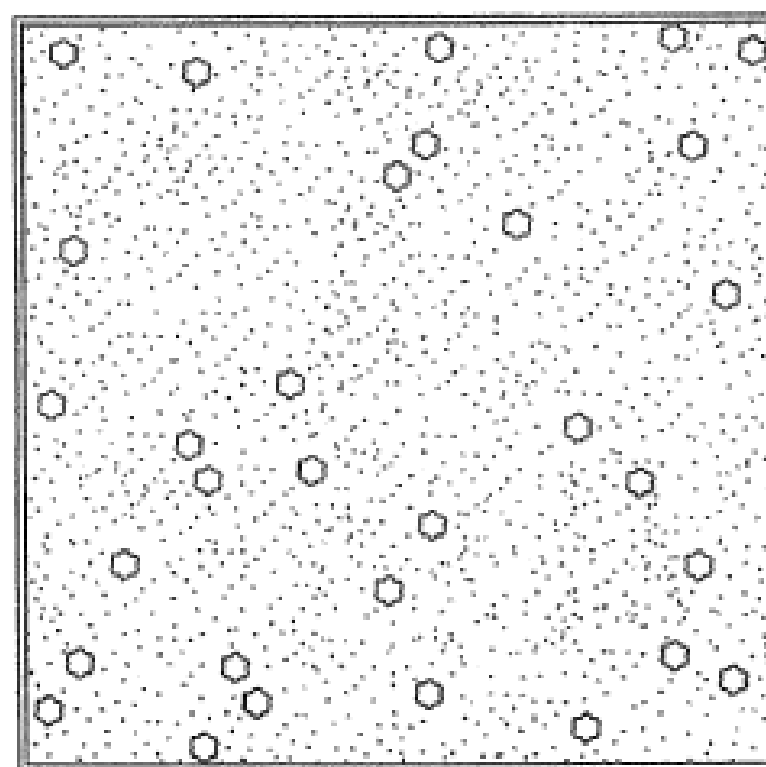
- (21) Design Number: **12341/2008**
- (22) Date of Filing Application: **19 May 2008**
- (24) Date from which industrial property rights may have effect: **19 May 2008**
- (54) Product in respect of which the design is registered: **A utility knife with an auto-retractable blade**
- (51) International Design Classification: **08-03**
- (71) Name(s) and Address(s) of Applicant(s):
Yuewei Wu
Industrial Zone of Xidian Ninghai Zhejiang 315613 People's Republic of China
- (72) Name(s) of Designer(s): **Yuewei Wu**
- (45) Registration Date: **19 September 2008**
- (56) Related Art Documents: **Not Applicable**
- (57) Statement of Newness and Distinctiveness: **Nil**



(19) AU

- (21) Design Number: **12343/2008**
- (22) Date of Filing Application: **16 May 2008**
- (24) Date from which industrial property rights may have effect: **16 May 2008**
- (54) Product in respect of which the design is registered: **Laundry composition component**
- (51) International Design Classification: **28-99**
- (71) Name(s) and Address(s) of Applicant(s):
Unilever PLC
Unilever House Blackfriars London EC4P 4BQ United Kingdom
- (72) Name(s) of Designer(s): **Zbigniew Swiderski**
- (45) Registration Date: **19 September 2008**
- (30) Convention priority data:

(31) Number	(32) Date	(33) Country
4005291	16 Nov 2007	UNITED KINGDOM
- (56) Related Art Documents: **Not Applicable**
- (57) Statement of Newness and Distinctiveness: **Newness and distinctiveness is claimed in the visual features shown in solid lines in the representations.**



(21) Design Number: **12359/2008**

(22) Date of Filing Application: **16 May 2008**

(24) Date from which industrial property rights may have effect: **16 May 2008**

(54) Product in respect of which the design is registered: **Solid state lighting spot**

(51) International Design Classification: **26-04**

(71) Name(s) and Address(s) of Applicant(s):

**Koninklijke Philips Electronics N.V.
Groenewoudseweg 1 5621 BA Eindhoven The Netherlands**

(72) Name(s) of Designer(s): **Ernest Kin Man To and Yongsi Bi**

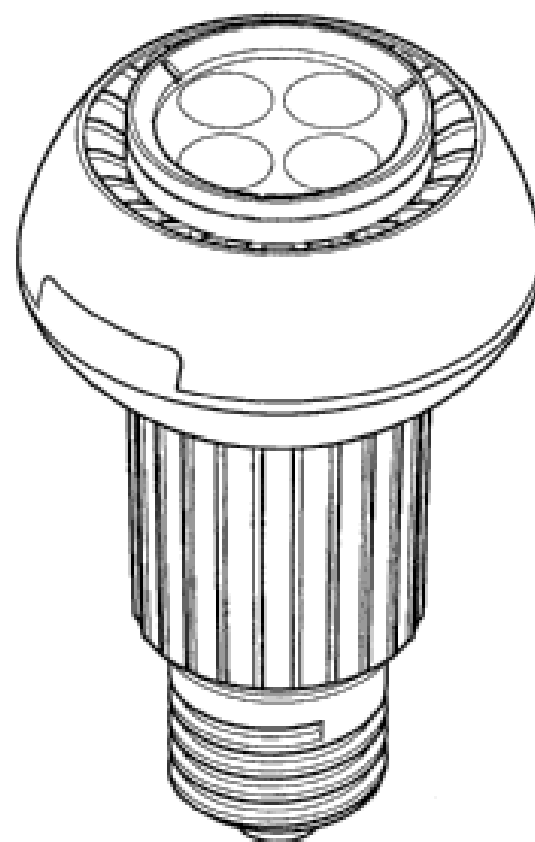
(45) Registration Date: **19 September 2008**

(30) Convention priority data:

(31) Number	(32) Date	(33) Country
000833512	28 Nov 2007	EUROPEAN COMMUNITY

(56) Related Art Documents: **Not Applicable**

(57) Statement of Newness and Distinctiveness: **Newness and distinctiveness reside in the features of the design as shown in the representations.**



(21) Design Number: **12377/2008**

(22) Date of Filing Application: **20 May 2008**

(24) Date from which industrial property rights may have effect: **20 May 2008**

(54) Product in respect of which the design is registered: **Flask for perfumery products**

(51) International Design Classification: **09-01G**

(71) Name(s) and Address(s) of Applicant(s):

**Parfums Givenchy
77 Rue Anatole France 92 300 Levallois-Perret France**

(72) Name(s) of Designer(s): **Serge Mansau**

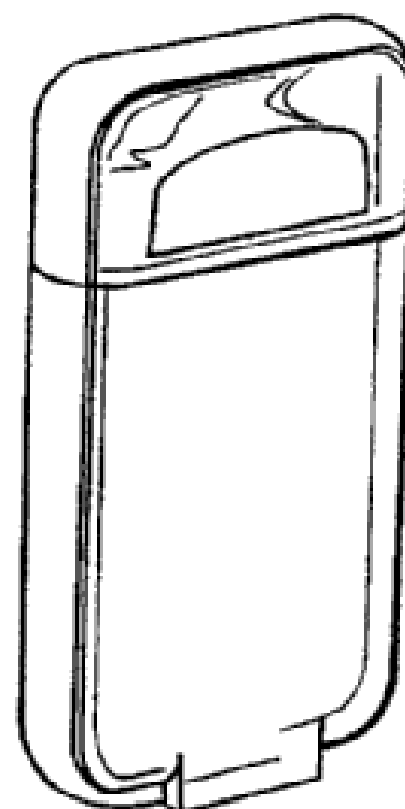
(45) Registration Date: **19 September 2008**

(30) Convention priority data:

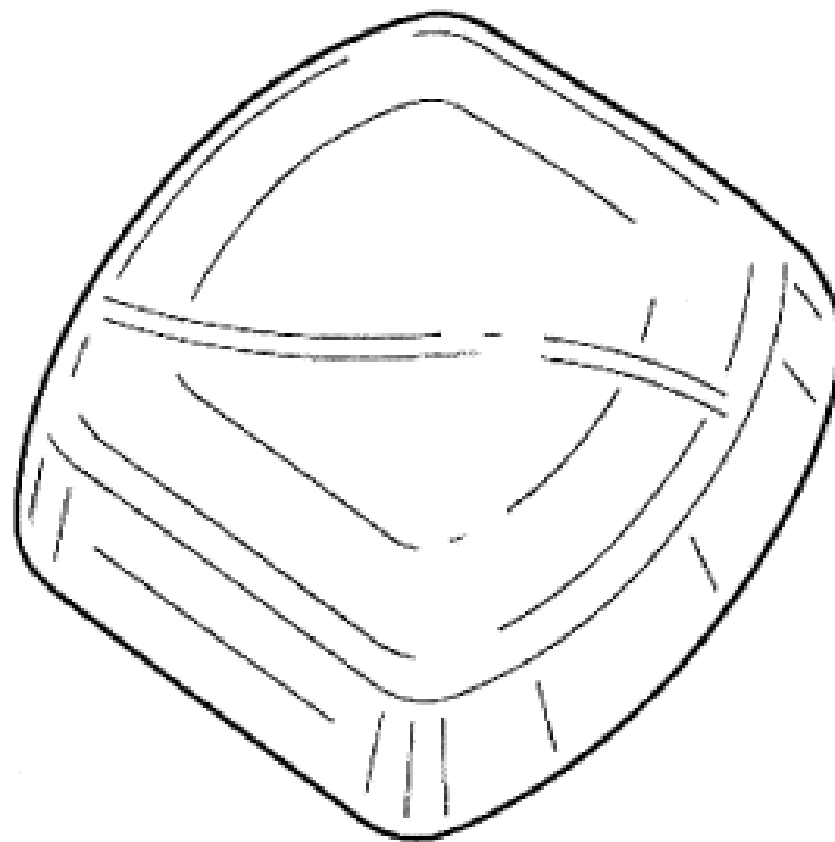
(31) Number	(32) Date	(33) Country
07/5308	22 Nov 2007	FRANCE

(56) Related Art Documents: **Not Applicable**

(57) Statement of Newness and Distinctiveness: **The shape, configuration, shape and configuration, of the flask for a perfumery product are new and distinctive.**



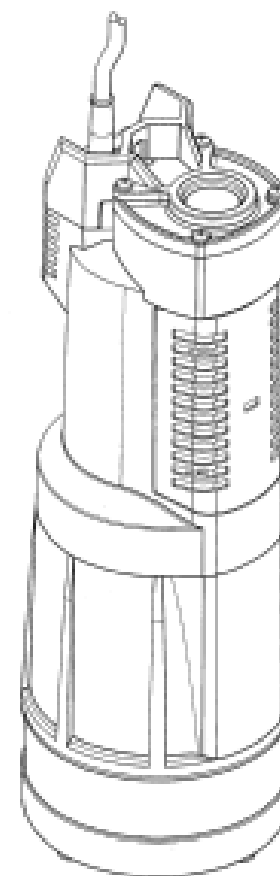
(21) Design Number: **12384/2008**
(22) Date of Filing Application: **20 May 2008**
(24) Date from which industrial property rights may have effect: **20 May 2008**
(54) Product in respect of which the design is registered: **Confectionery**
(51) International Design Classification: **01-01**
(71) Name(s) and Address(s) of Applicant(s):
Mars, Incorporated
6885 Elm Street McLean Virginia 22101-3883 United States of America
(72) Name(s) of Designer(s): **Lynn Krumholz and Brent Anderson**
(45) Registration Date: **19 September 2008**
(30) Convention priority data:
(31) Number (32) Date (33) Country
29/290,330 20 Nov 2007 UNITED STATES OF AMERICA
(56) Related Art Documents: **Not Applicable**
(57) Statement of Newness and Distinctiveness: **The novelty of the design resides in: (a) the features of shape and configuration as depicted in the attached representations, and (b) the wave depicted across the top of the design in figs. 1 and 2.**



(21) Design Number: **12385/2008**
(22) Date of Filing Application: **20 May 2008**
(24) Date from which industrial property rights may have effect: **20 May 2008**
(54) Product in respect of which the design is registered: **Backpack shaped like a baseball cap**
(51) International Design Classification: **03-01A, 02-03**
(71) Name(s) and Address(s) of Applicant(s):
Michael C. Ferren
6517 36th Avenue SW Seattle Washington 98126 United States of America
Michael A. Valencia
3017 Trieste Way El Dorada Hills California 95762 United States of America
(72) Name(s) of Designer(s): **Michael C. Ferren and Michael A. Valencia**
(45) Registration Date: **19 September 2008**
(56) Related Art Documents: **Not Applicable**
(57) Statement of Newness and Distinctiveness: **Newness and distinctiveness resides in the features of shape and/or configuration of a backpack shaped like a baseball cap as illustrated in the accompanying representations.**



(21) Design Number: **12392/2008**
(22) Date of Filing Application: **19 May 2008**
(24) Date from which industrial property rights may have effect: **19 May 2008**
(54) Product in respect of which the design is registered: **Pump**
(51) International Design Classification: **15-02**
(71) Name(s) and Address(s) of Applicant(s):
Leader Pumps Group S.p.A.
Via Bonanno Pisano 1 Bientina 56031 Italy
(72) Name(s) of Designer(s): **Luca Casalini**
(45) Registration Date: **19 September 2008**
(30) Convention priority data:
(31) Number (32) Date (33) Country
000847462 20 Dec 2007 EUROPEAN COMMUNITY
(56) Related Art Documents: **Not Applicable**
(57) Statement of Newness and Distinctiveness: **Nil**



(21) Design Number: **12400/2008**
(22) Date of Filing Application: **21 May 2008**
(24) Date from which industrial property rights may have effect: **21 May 2008**
(54) Product in respect of which the design is registered: **Chair**
(51) International Design Classification: **06-01F**
(71) Name(s) and Address(s) of Applicant(s):
Don't Lean Back Limited
20 Selby Close Chislehurst Kent BR7 5XH United Kingdom
(72) Name(s) of Designer(s): **Tom Wates**
(45) Registration Date: **19 September 2008**
(30) Convention priority data:
(31) Number (32) Date (33) Country
000837463 05 Dec 2007 EUROPEAN COMMUNITY
(56) Related Art Documents: **Not Applicable**
(57) Statement of Newness and Distinctiveness: **Newness and distinctiveness is claimed for the features of the shape and/or configuration of a chair as illustrated in the attached representation.**



(21) Design Number: **12477/2008**

(22) Date of Filing Application: **24 May 2008**

(24) Date from which industrial property rights may have effect: **24 May 2008**

(54) Product in respect of which the design is registered: **Building panel**

(51) International Design Classification: **25-01D**

(71) Name(s) and Address(s) of Applicant(s):

Farzad Shirazi

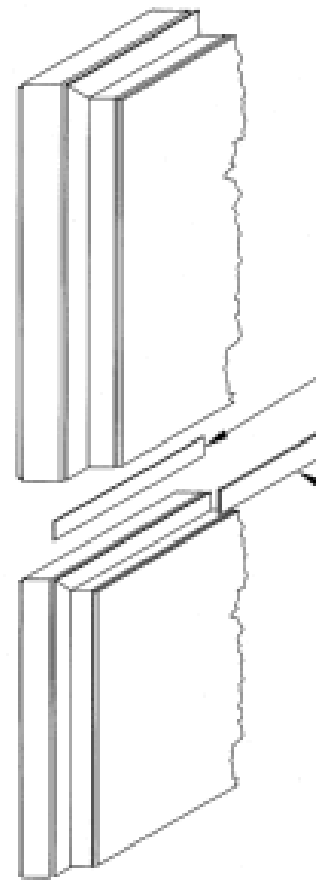
378A Hillsborough Road Hillsborough Auckland 1042 New Zealand

(72) Name(s) of Designer(s): **Farzad Shirazi**

(45) Registration Date: **19 September 2008**

(56) Related Art Documents: **Not Applicable**

(57) Statement of Newness and Distinctiveness: **This unique jointing system comes in unlimited lengths and is composed of 3 parts, the profile, locking bar and cover plate. The joint is meant to join two building panels together and at the same time provide a duct that building services like pipes and cables can run through. Depending on the neighbouring panels, a panel may have only one, two, three or all four sides manufactured with the jointing system. It is to be noted that what makes this joint unique is the fact that service ducting and jointing of panels are combined.**



(21) Design Number: **12519/2008**

(22) Date of Filing Application: **27 May 2008**

(24) Date from which industrial property rights may have effect: **27 May 2008**

(54) Product in respect of which the design is registered: **Holder for a handset**

(51) International Design Classification: **14-03A**

(71) Name(s) and Address(s) of Applicant(s):

Nokia Corporation

Keilalahdentie 4 FIN-02150 Espoo Finland

(72) Name(s) of Designer(s): **Janne Kettula**

(45) Registration Date: **19 September 2008**

(30) Convention priority data:

(31) Number

(32) Date

(33) Country

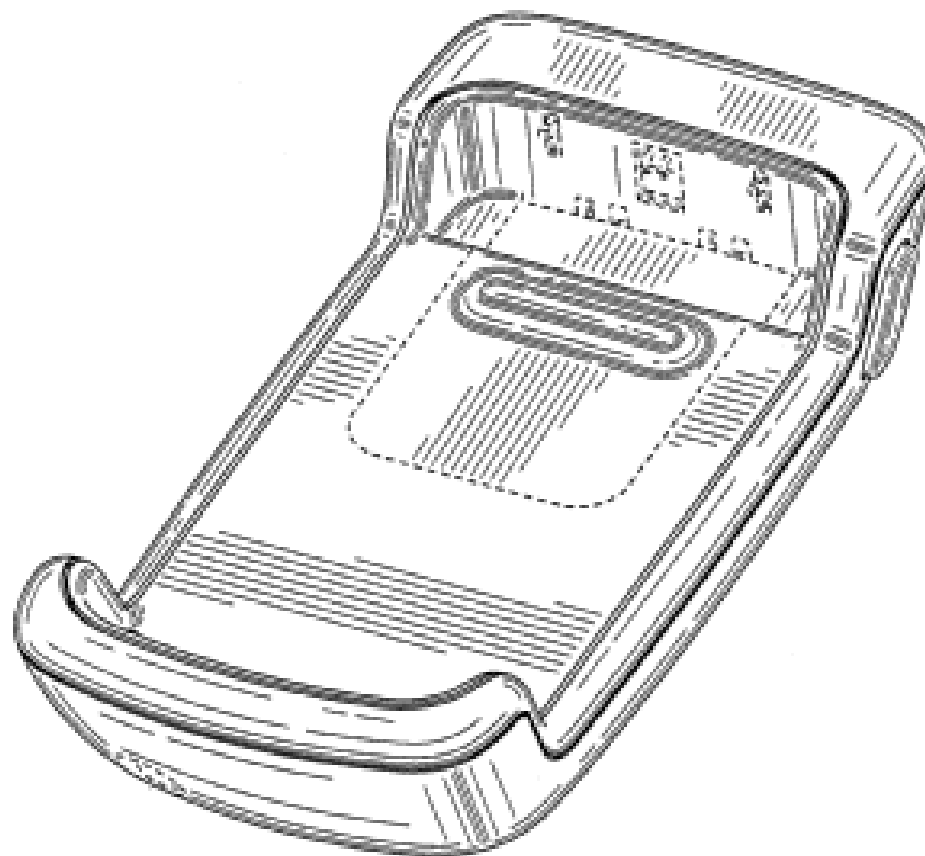
29298339

03 Dec 2007

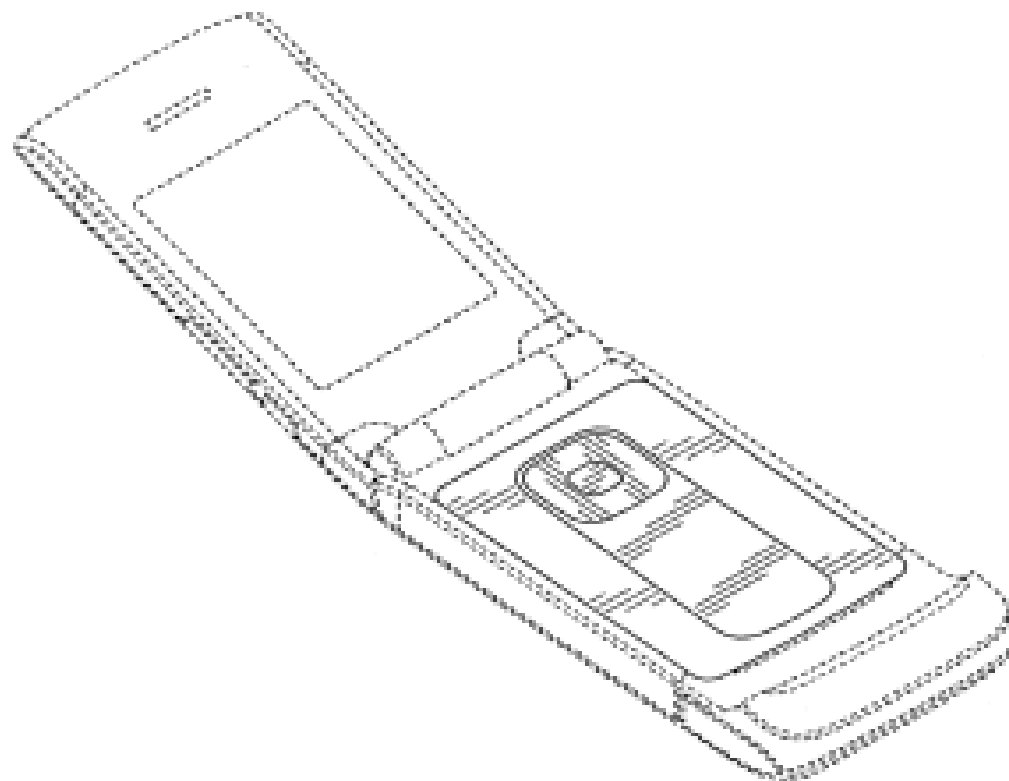
UNITED STATES OF AMERICA

(56) Related Art Documents: **Not Applicable**

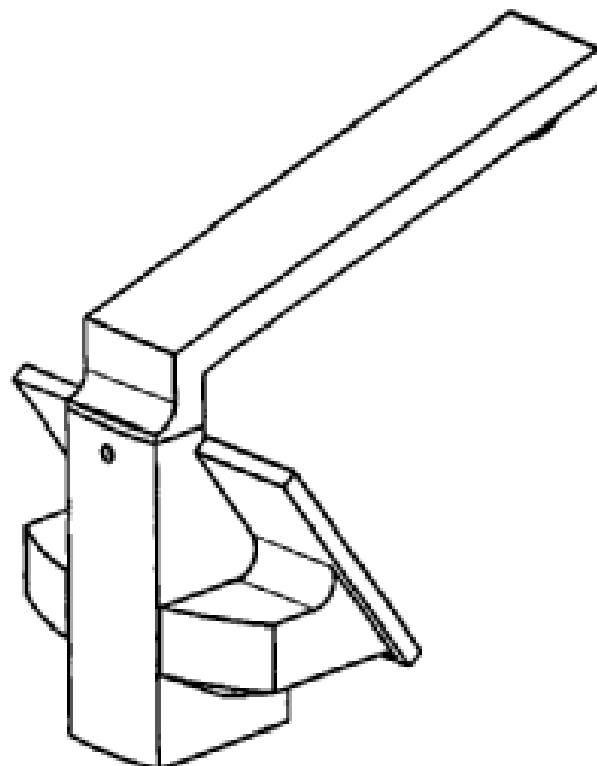
(57) Statement of Newness and Distinctiveness: **Newness and distinctiveness is claimed in the visual features shown in solid lines in the representations.**



- (21) Design Number: **12522/2008**
(22) Date of Filing Application: **27 May 2008**
(24) Date from which industrial property rights may have effect: **27 May 2008**
(54) Product in respect of which the design is registered: **Key panel for a handset**
(51) International Design Classification: **14-03A**
(71) Name(s) and Address(s) of Applicant(s):
Nokia Corporation
Keilalahdentie 4 FIN-02150 Espoo Finland
(72) Name(s) of Designer(s): **Jan R. Stillerman**
(45) Registration Date: **19 September 2008**
(30) Convention priority data:
(31) Number (32) Date (33) Country
29298584 07 Dec 2007 UNITED STATES OF AMERICA
(56) Related Art Documents: **Not Applicable**
(57) Statement of Newness and Distinctiveness: **Newness and distinctiveness is claimed in the visual features shown in solid lines in the representations.**



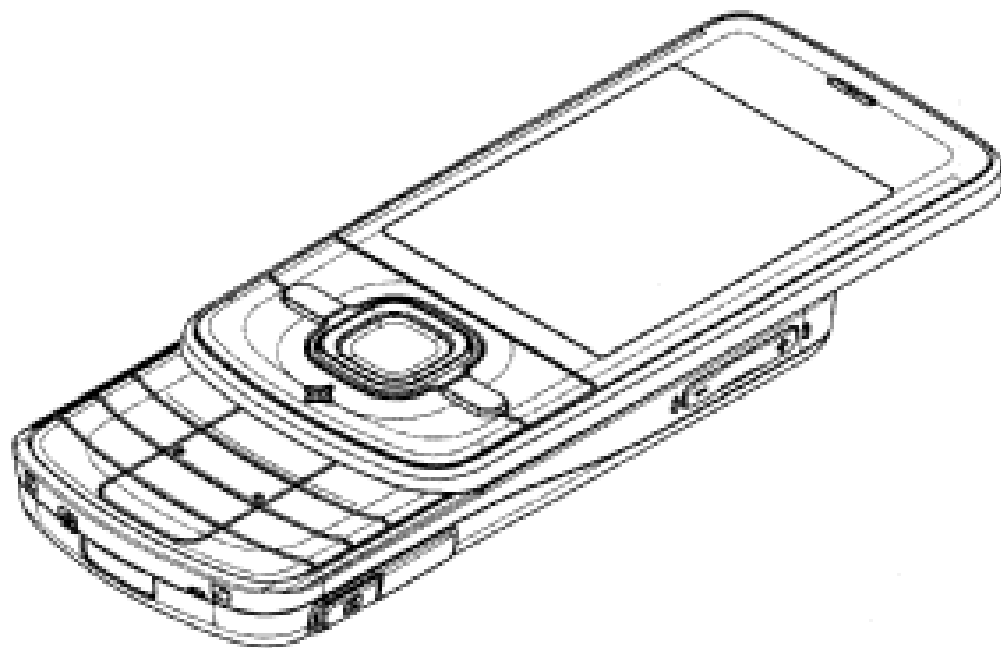
- (21) Design Number: **12592/2008**
(22) Date of Filing Application: **28 May 2008**
(24) Date from which industrial property rights may have effect: **28 May 2008**
(54) Product in respect of which the design is registered: **A mixer tap**
(51) International Design Classification: **23-01H**
(71) Name(s) and Address(s) of Applicant(s):
Caroma Industries Limited
10 Market Street Brisbane Queensland 4000 Australia
(72) Name(s) of Designer(s): **Stephen John Cummings and David Giorgio**
(45) Registration Date: **19 September 2008**
(56) Related Art Documents: **Not Applicable**
(57) Statement of Newness and Distinctiveness: **Newness and distinctiveness is claimed in the features of shape and/or configuration of a mixer tap as illustrated in the accompanying representations.**



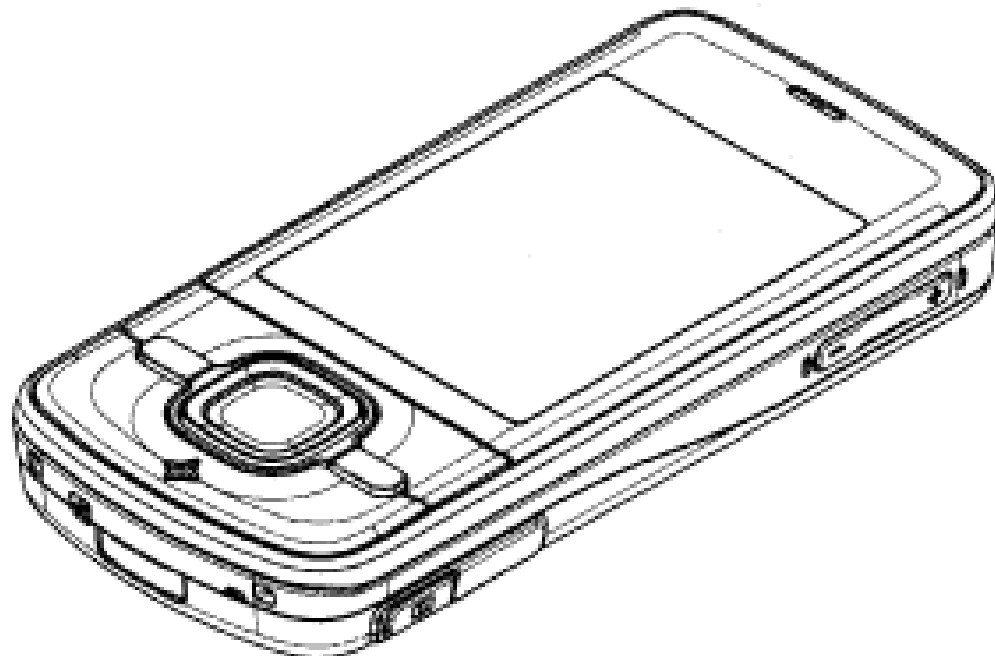
- (21) Design Number: **14286/2008**
(22) Date of Filing Application: **05 September 2008**
(24) Date from which industrial property rights may have effect: **05 September 2008**
(54) Product in respect of which the design is registered: **Media style bullnose wall plate**
(51) International Design Classification: **13-03D**
(71) Name(s) and Address(s) of Applicant(s):
Bitek Pty Ltd
84 Sheppard Street Hume ACT 2620 Australia
(72) Name(s) of Designer(s): **Kazik Bialecki**
(45) Registration Date: **19 September 2008**
(56) Related Art Documents: **Not Applicable**
(57) Statement of Newness and Distinctiveness: **Media wall plate allowing of cable to be fed through used in the installations of plasma/LCD TV's where it is difficult to terminate many cables, thus covering hole in wall, also known as bull nose wall plate.**



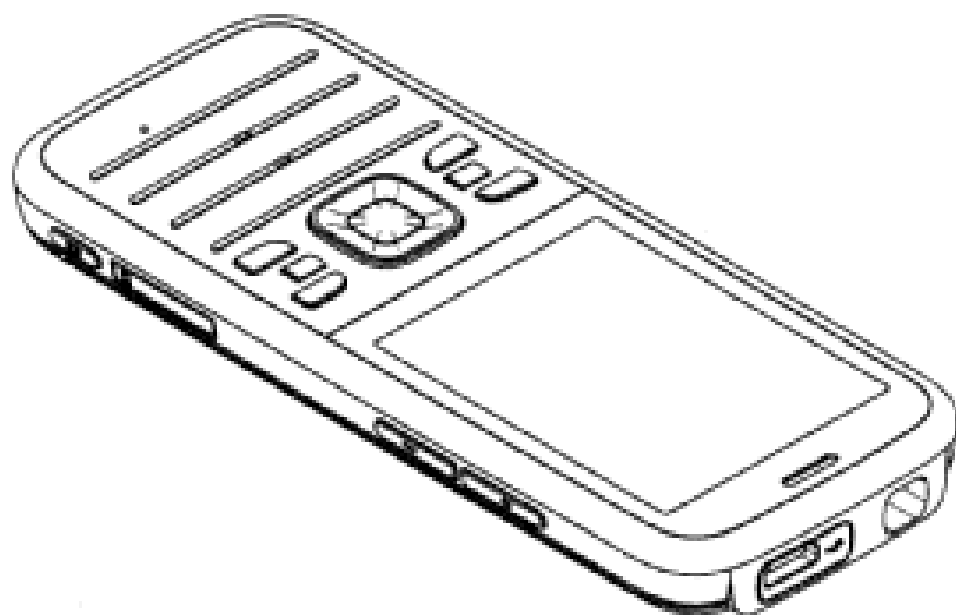
- (21) Design Number: **12525/2008**
(22) Date of Filing Application: **27 May 2008**
(24) Date from which industrial property rights may have effect: **27 May 2008**
(54) Product in respect of which the design is registered: **Handset**
(51) International Design Classification: **14-03E**
(71) Name(s) and Address(s) of Applicant(s):
Nokia Corporation
Keilalahdentie 4 FIN-02150 Espoo Finland
(72) Name(s) of Designer(s): **Hanna Voulteenaho and Nora Brelo and Anna Klemettila**
(45) Registration Date: **19 September 2008**
(30) Convention priority data:
(31) Number (32) Date (33) Country
29303529 11 Feb 2008 UNITED STATES OF AMERICA
(56) Related Art Documents: **Not Applicable**
(57) Statement of Newness and Distinctiveness: **Nil**



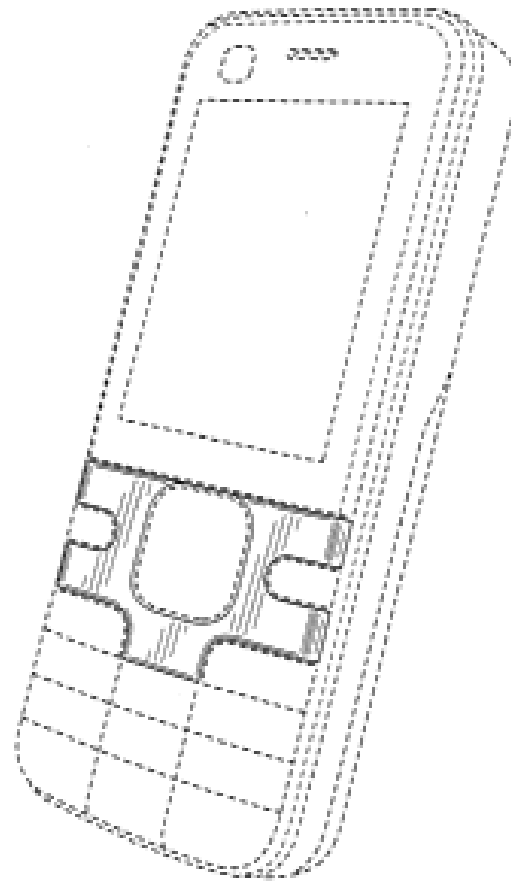
- (21) Design Number: **12526/2008**
(22) Date of Filing Application: **27 May 2008**
(24) Date from which industrial property rights may have effect: **27 May 2008**
(54) Product in respect of which the design is registered: **Handset**
(51) International Design Classification: **14-03E**
(71) Name(s) and Address(s) of Applicant(s):
Nokia Corporation
Keilalahdentie 4 FIN-02150 Espoo Finland
(72) Name(s) of Designer(s): **Hanna Voulteenaho and Nora Brelo and Anna Klemettila**
(45) Registration Date: **19 September 2008**
(30) Convention priority data:
(31) Number (32) Date (33) Country
29303529 11 Feb 2008 UNITED STATES OF AMERICA
(56) Related Art Documents: **Not Applicable**
(57) Statement of Newness and Distinctiveness: **Nil**



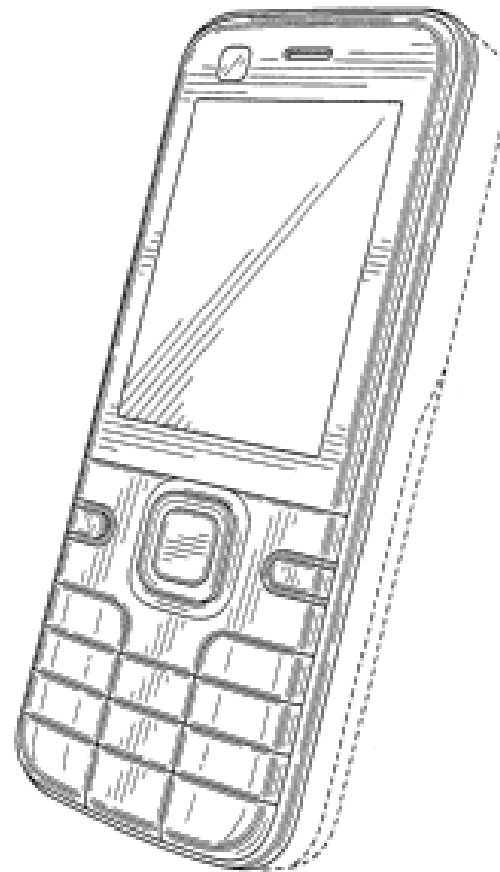
- (21) Design Number: **12527/2008**
(22) Date of Filing Application: **27 May 2008**
(24) Date from which industrial property rights may have effect: **27 May 2008**
(54) Product in respect of which the design is registered: **Handset**
(51) International Design Classification: **14-03E**
(71) Name(s) and Address(s) of Applicant(s):
Nokia Corporation
Keilalahdentie 4 FIN-02150 Espoo Finland
(72) Name(s) of Designer(s): **Adam Stone**
(45) Registration Date: **19 September 2008**
(30) Convention priority data:
(31) Number (32) Date (33) Country
29303456 08 Feb 2008 UNITED STATES OF AMERICA
(56) Related Art Documents: **Not Applicable**
(57) Statement of Newness and Distinctiveness: **Nil**



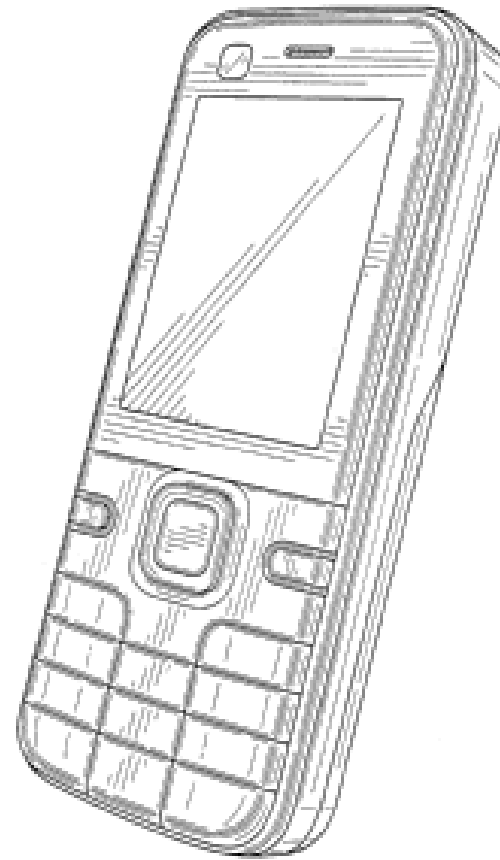
- (21) Design Number: **12528/2008**
(22) Date of Filing Application: **27 May 2008**
(24) Date from which industrial property rights may have effect: **27 May 2008**
(54) Product in respect of which the design is registered: **Key button for a handset**
(51) International Design Classification: **14-03A**
(71) Name(s) and Address(s) of Applicant(s):
Nokia Corporation
Keilalahdentie 4 FIN-02150 Espoo Finland
(72) Name(s) of Designer(s): **Mika Nenonen**
(45) Registration Date: **19 September 2008**
(30) Convention priority data:
(31) Number (32) Date (33) Country
29304427 29 Feb 2008 UNITED STATES OF AMERICA
(56) Related Art Documents: **Not Applicable**
(57) Statement of Newness and Distinctiveness: **Newness and distinctiveness is claimed in the visual features shown in solid lines in the representations.**



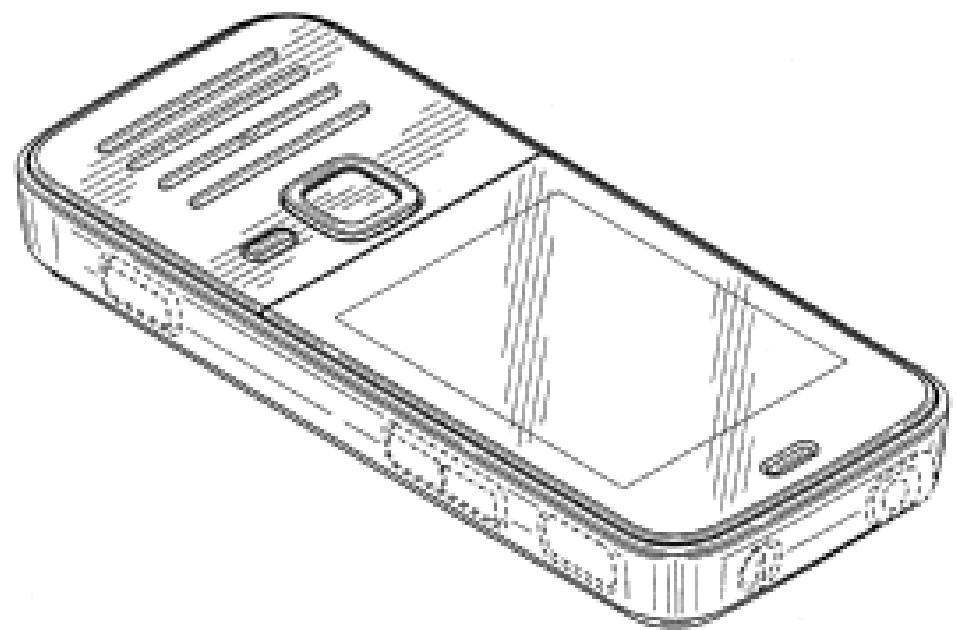
- (21) Design Number: **12529/2008**
(22) Date of Filing Application: **27 May 2008**
(24) Date from which industrial property rights may have effect: **27 May 2008**
(54) Product in respect of which the design is registered: **Front cover for a handset**
(51) International Design Classification: **14-03A**
(71) Name(s) and Address(s) of Applicant(s):
Nokia Corporation
Keilalahdentie 4 FIN-02150 Espoo Finland
(72) Name(s) of Designer(s): **Mika Nenonen**
(45) Registration Date: **19 September 2008**
(30) Convention priority data:
(31) Number (32) Date (33) Country
29304430 29 Feb 2008 UNITED STATES OF AMERICA
(56) Related Art Documents: **Not Applicable**
(57) Statement of Newness and Distinctiveness: **Newness and distinctiveness is claimed in the visual features shown in solid lines in the representations.**



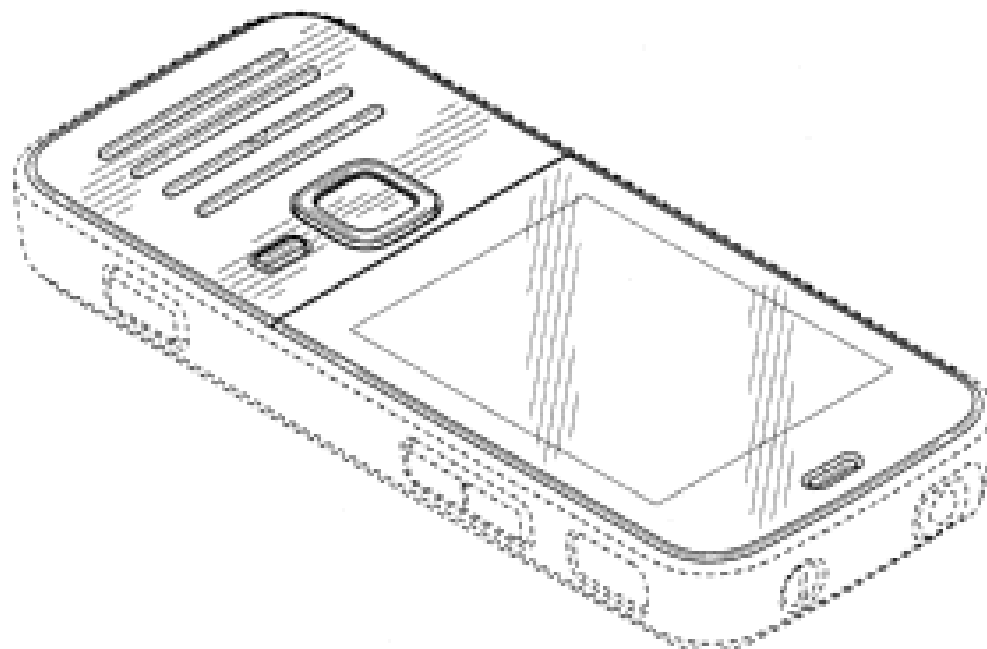
(21) Design Number: **12530/2008**
(22) Date of Filing Application: **27 May 2008**
(24) Date from which industrial property rights may have effect: **27 May 2008**
(54) Product in respect of which the design is registered: **Handset**
(51) International Design Classification: **14-03E**
(71) Name(s) and Address(s) of Applicant(s):
Nokia Corporation
Keilalahdentie 4 FIN-02150 Espoo Finland
(72) Name(s) of Designer(s): **Mika Nenonen**
(45) Registration Date: **19 September 2008**
(30) Convention priority data:
(31) Number (32) Date (33) Country
29304432 29 Feb 2008 UNITED STATES OF AMERICA
(56) Related Art Documents: **Not Applicable**
(57) Statement of Newness and Distinctiveness: **Nil**



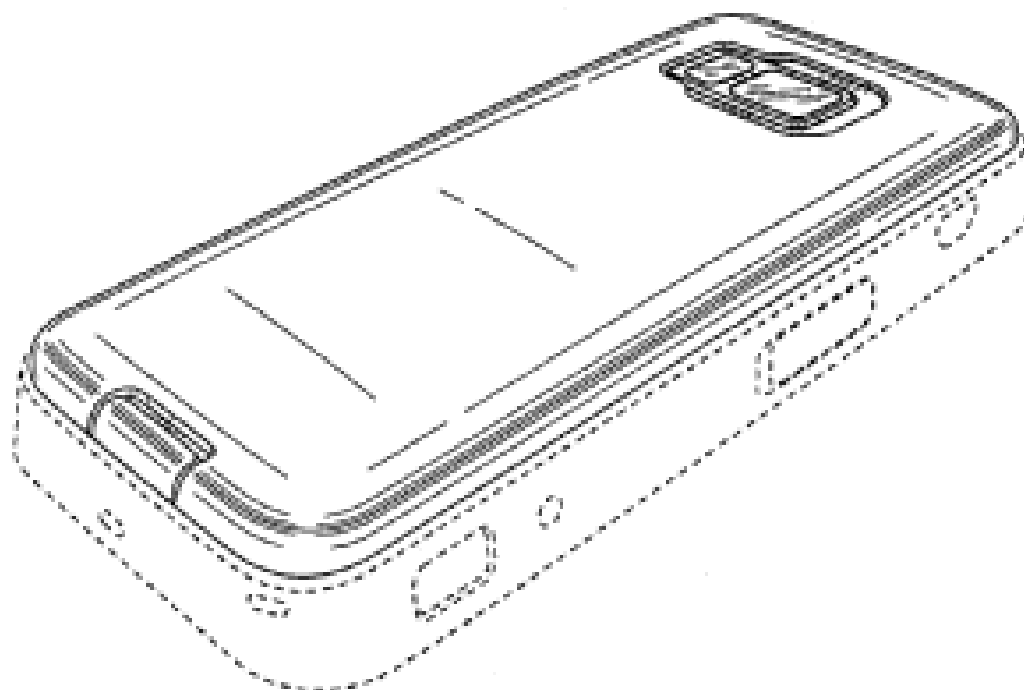
(21) Design Number: **12531/2008**
(22) Date of Filing Application: **27 May 2008**
(24) Date from which industrial property rights may have effect: **27 May 2008**
(54) Product in respect of which the design is registered: **Handset**
(51) International Design Classification: **14-03E**
(71) Name(s) and Address(s) of Applicant(s):
Nokia Corporation
Keilalahdentie 4 FIN-02150 Espoo Finland
(72) Name(s) of Designer(s): **Joeske Schellen**
(45) Registration Date: **19 September 2008**
(30) Convention priority data:
(31) Number (32) Date (33) Country
29303448 08 Feb 2008 UNITED STATES OF AMERICA
(56) Related Art Documents: **Not Applicable**
(57) Statement of Newness and Distinctiveness: **Newness and distinctiveness is claimed in the visual features shown in solid lines in the representations.**



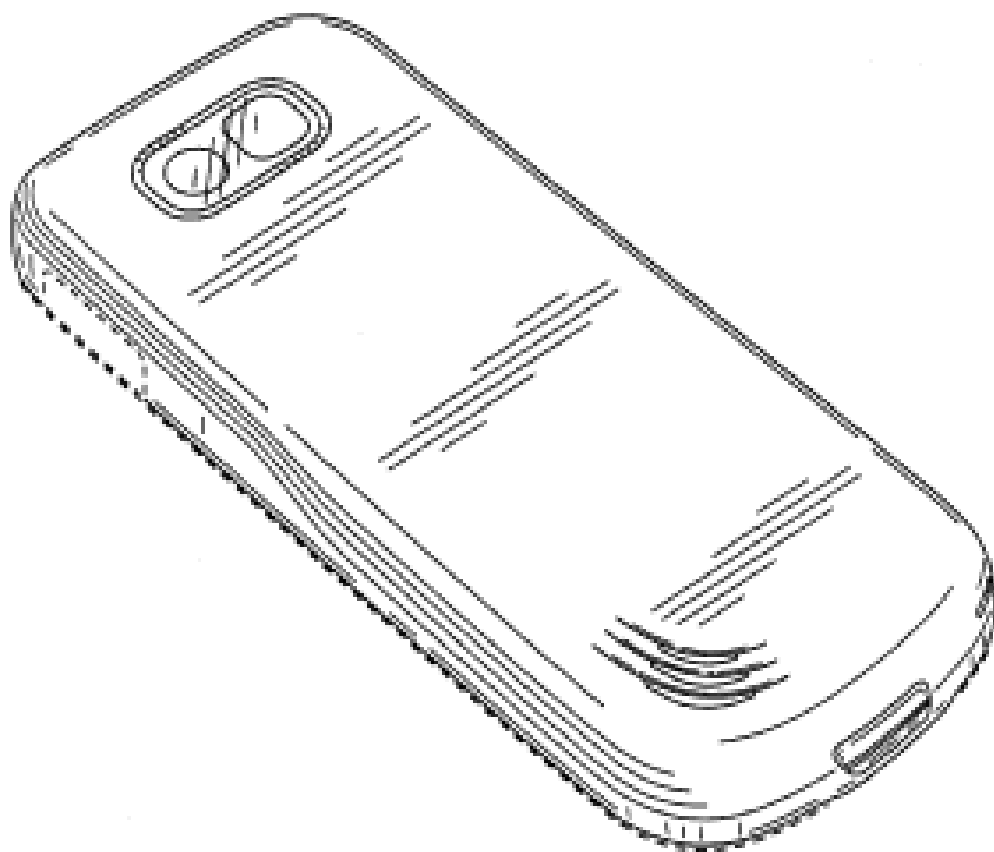
- (21) Design Number: **12532/2008**
(22) Date of Filing Application: **27 May 2008**
(24) Date from which industrial property rights may have effect: **27 May 2008**
(54) Product in respect of which the design is registered: **Front cover for a handset**
(51) International Design Classification: **14-03A**
(71) Name(s) and Address(s) of Applicant(s):
Nokia Corporation
Keilalahdentie 4 FIN-02150 Espoo Finland
(72) Name(s) of Designer(s): **Joeske Schellen**
(45) Registration Date: **19 September 2008**
(30) Convention priority data:
(31) Number (32) Date (33) Country
29303461 08 Feb 2008 UNITED STATES OF AMERICA
(56) Related Art Documents: **Not Applicable**
(57) Statement of Newness and Distinctiveness: **Newness and distinctiveness is claimed in the visual features shown in solid lines in the representations.**



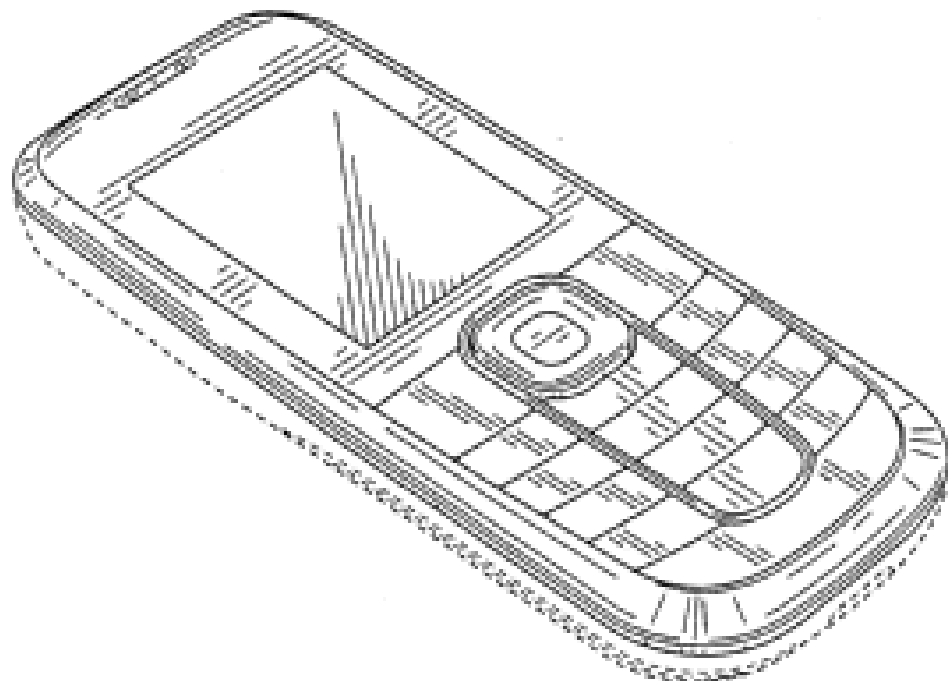
- (21) Design Number: **12533/2008**
(22) Date of Filing Application: **27 May 2008**
(24) Date from which industrial property rights may have effect: **27 May 2008**
(54) Product in respect of which the design is registered: **Back cover for a handset**
(51) International Design Classification: **14-03A**
(71) Name(s) and Address(s) of Applicant(s):
Nokia Corporation
Keilalahdentie 4 FIN-02150 Espoo Finland
(72) Name(s) of Designer(s): **Joeske Schellen**
(45) Registration Date: **19 September 2008**
(30) Convention priority data:
(31) Number (32) Date (33) Country
29303465 08 Feb 2008 UNITED STATES OF AMERICA
(56) Related Art Documents: **Not Applicable**
(57) Statement of Newness and Distinctiveness: **Newness and distinctiveness is claimed in the visual features shown in solid lines in the representations.**



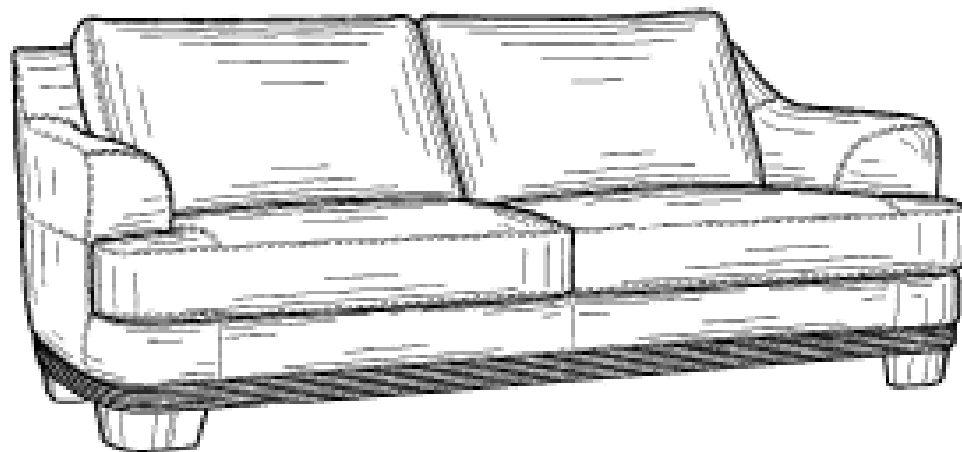
- (21) Design Number: **12534/2008**
(22) Date of Filing Application: **27 May 2008**
(24) Date from which industrial property rights may have effect: **27 May 2008**
(54) Product in respect of which the design is registered: **A handset rear panel**
(51) International Design Classification: **14-03A**
(71) Name(s) and Address(s) of Applicant(s):
Nokia Corporation
Keilalahdentie 4 FIN-02150 Espoo Finland
(72) Name(s) of Designer(s): **Liu Hang**
(45) Registration Date: **19 September 2008**
(30) Convention priority data:
(31) Number (32) Date (33) Country
29298341 03 Dec 2007 UNITED STATES OF AMERICA
(56) Related Art Documents: **Not Applicable**
(57) Statement of Newness and Distinctiveness: **Newness and distinctiveness is claimed in the visual features shown in solid lines in the representations.**



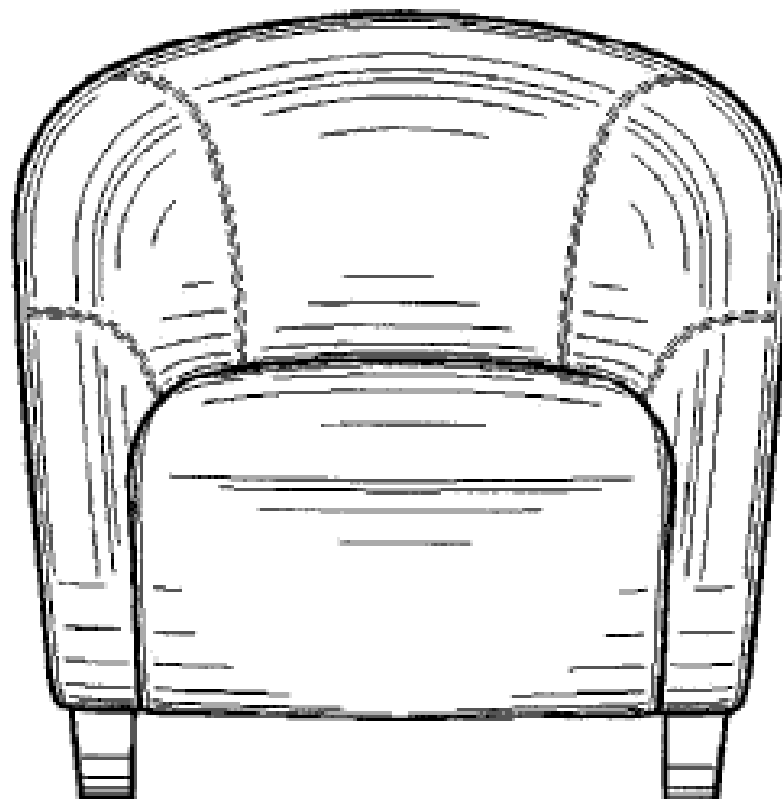
- (21) Design Number: **12535/2008**
(22) Date of Filing Application: **27 May 2008**
(24) Date from which industrial property rights may have effect: **27 May 2008**
(54) Product in respect of which the design is registered: **A handset front panel**
(51) International Design Classification: **14-03A**
(71) Name(s) and Address(s) of Applicant(s):
Nokia Corporation
Keilalahdentie 4 FIN-02150 Espoo Finland
(72) Name(s) of Designer(s): **Liu Hang**
(45) Registration Date: **19 September 2008**
(30) Convention priority data:
(31) Number (32) Date (33) Country
29298340 03 Dec 2007 UNITED STATES OF AMERICA
(56) Related Art Documents: **Not Applicable**
(57) Statement of Newness and Distinctiveness: **Newness and distinctiveness is claimed in the visual features shown in solid lines in the representations.**



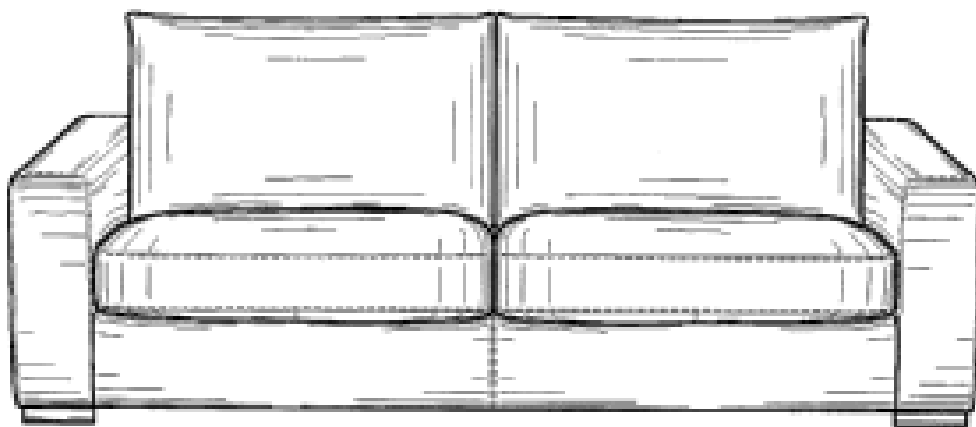
- (21) Design Number: **12413/2008**
(22) Date of Filing Application: **21 May 2008**
(24) Date from which industrial property rights may have effect: **21 May 2008**
(54) Product in respect of which the design is registered: **Sofa**
(51) International Design Classification: **06-01G**
(71) Name(s) and Address(s) of Applicant(s):
Natuzzi S.P.A.
51 Corso Cavour 1-70121 Bari Italy
(72) Name(s) of Designer(s): **Pasquale Natuzzi**
(45) Registration Date: **22 September 2008**
(56) Related Art Documents: **Not Applicable**
(57) Statement of Newness and Distinctiveness: **Nil**



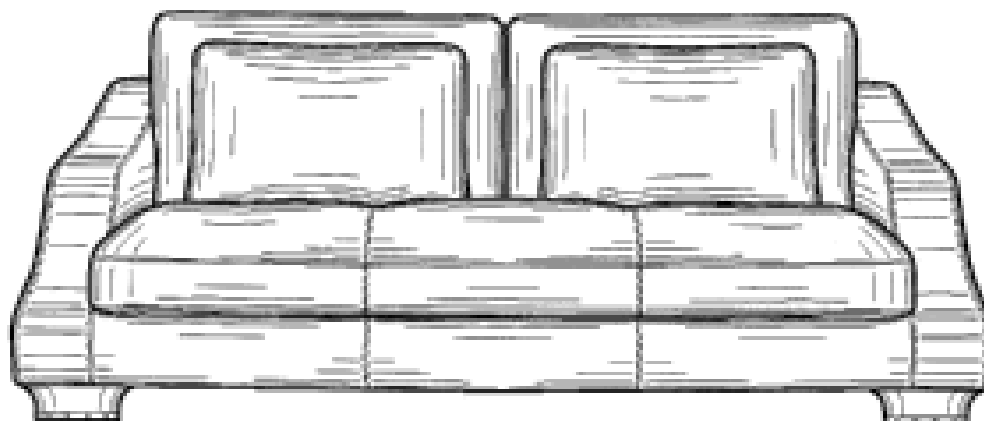
- (21) Design Number: **12414/2008**
(22) Date of Filing Application: **21 May 2008**
(24) Date from which industrial property rights may have effect: **21 May 2008**
(54) Product in respect of which the design is registered: **Chair**
(51) International Design Classification: **06-01G**
(71) Name(s) and Address(s) of Applicant(s):
Natuzzi S.P.A.
51 Corso Cavour 1-70121 Bari Italy
(72) Name(s) of Designer(s): **Pasquale Natuzzi**
(45) Registration Date: **22 September 2008**
(56) Related Art Documents: **Not Applicable**
(57) Statement of Newness and Distinctiveness: **Nil**



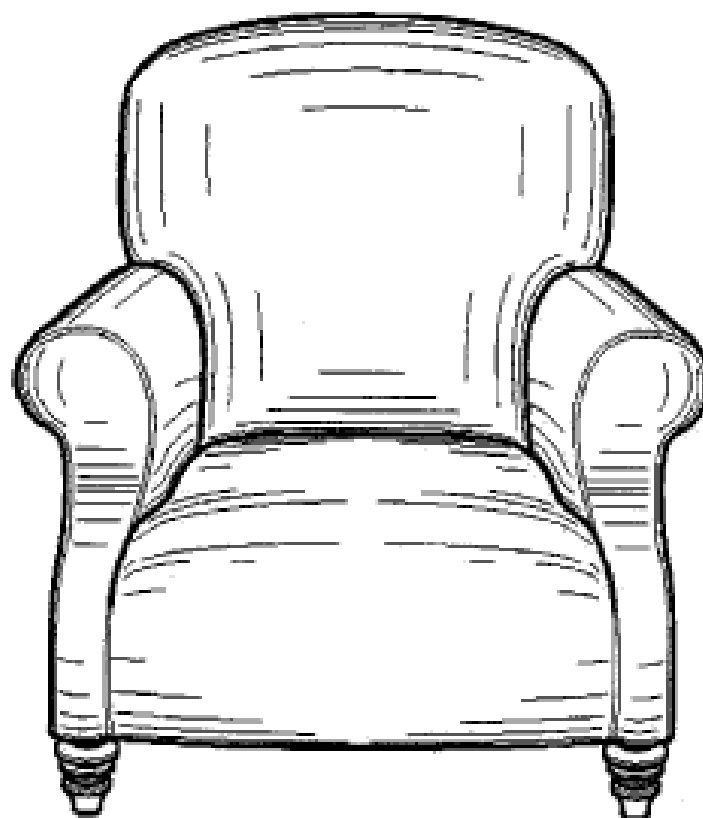
- (21) Design Number: **12415/2008**
- (22) Date of Filing Application: **21 May 2008**
- (24) Date from which industrial property rights may have effect: **21 May 2008**
- (54) Product in respect of which the design is registered: **Sofa**
- (51) International Design Classification: **06-01G**
- (71) Name(s) and Address(s) of Applicant(s):
Natuzzi S.P.A.
51 Corso Cavour 1-70121 Bari Italy
- (72) Name(s) of Designer(s): **Pasquale Natuzzi**
- (45) Registration Date: **22 September 2008**
- (56) Related Art Documents: **Not Applicable**
- (57) Statement of Newness and Distinctiveness: **Nil**



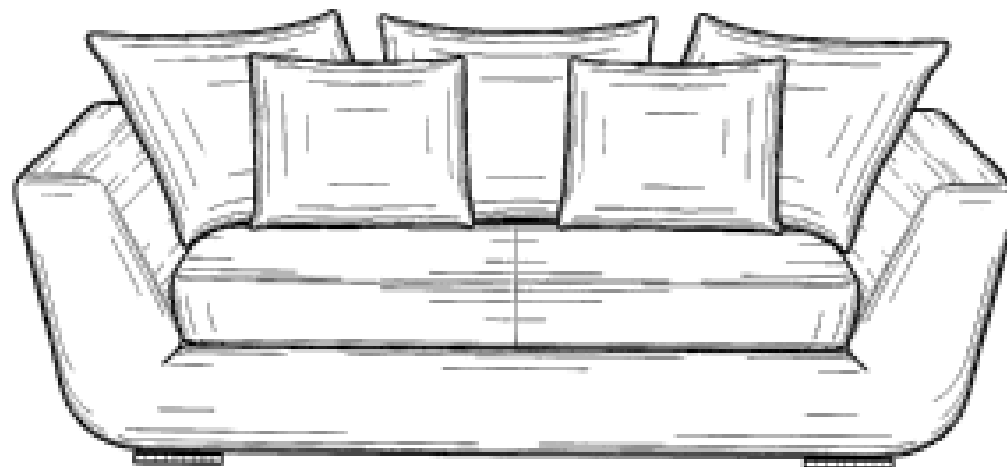
- (21) Design Number: **12416/2008**
- (22) Date of Filing Application: **21 May 2008**
- (24) Date from which industrial property rights may have effect: **21 May 2008**
- (54) Product in respect of which the design is registered: **Sofa**
- (51) International Design Classification: **06-01G**
- (71) Name(s) and Address(s) of Applicant(s):
Natuzzi S.P.A.
51 Corso Cavour 1-70121 Bari Italy
- (72) Name(s) of Designer(s): **Pasquale Natuzzi**
- (45) Registration Date: **22 September 2008**
- (56) Related Art Documents: **Not Applicable**
- (57) Statement of Newness and Distinctiveness: **Nil**



- (21) Design Number: **12417/2008**
(22) Date of Filing Application: **21 May 2008**
(24) Date from which industrial property rights may have effect: **21 May 2008**
(54) Product in respect of which the design is registered: **Chair**
(51) International Design Classification: **06-01G**
(71) Name(s) and Address(s) of Applicant(s):
Natuzzi S.P.A.
51 Corso Cavour 1-70121 Bari Italy
(72) Name(s) of Designer(s): **Pasquale Natuzzi**
(45) Registration Date: **22 September 2008**
(56) Related Art Documents: **Not Applicable**
(57) Statement of Newness and Distinctiveness: **Nil**



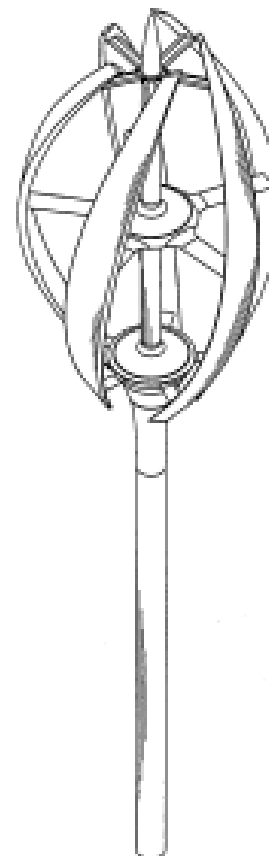
- (21) Design Number: **12418/2008**
(22) Date of Filing Application: **21 May 2008**
(24) Date from which industrial property rights may have effect: **21 May 2008**
(54) Product in respect of which the design is registered: **Sofa**
(51) International Design Classification: **06-01G**
(71) Name(s) and Address(s) of Applicant(s):
Natuzzi S.P.A.
51 Corso Cavour 1-70121 Bari Italy
(72) Name(s) of Designer(s): **Pasquale Natuzzi**
(45) Registration Date: **22 September 2008**
(56) Related Art Documents: **Not Applicable**
(57) Statement of Newness and Distinctiveness: **Nil**



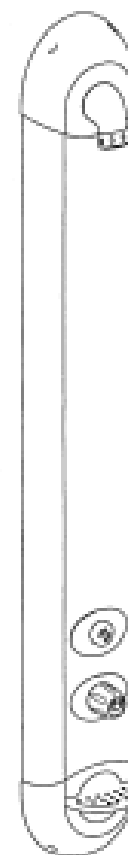
- (21) Design Number: **12419/2008**
(22) Date of Filing Application: **21 May 2008**
(24) Date from which industrial property rights may have effect: **21 May 2008**
(54) Product in respect of which the design is registered: **Sofa**
(51) International Design Classification: **06-01G**
(71) Name(s) and Address(s) of Applicant(s):
Natuzzi S.P.A.
51 Corso Cavour 1-70121 Bari Italy
(72) Name(s) of Designer(s): **Pasquale Natuzzi**
(45) Registration Date: **22 September 2008**
(56) Related Art Documents: **Not Applicable**
(57) Statement of Newness and Distinctiveness: **Nil**



- (21) Design Number: **12420/2008**
(22) Date of Filing Application: **21 May 2008**
(24) Date from which industrial property rights may have effect: **21 May 2008**
(54) Product in respect of which the design is registered: **Wind turbine**
(51) International Design Classification: **13-01**
(71) Name(s) and Address(s) of Applicant(s):
Jenn Feng Industrial Co., Ltd
No 19 Lane 118 Sec 2 Min-Tsu Road Ping-Chang City Taoyuan Taiwan
(72) Name(s) of Designer(s): **Yung-Te Chiang**
(45) Registration Date: **22 September 2008**
(56) Related Art Documents: **Not Applicable**
(57) Statement of Newness and Distinctiveness: **Nil**



- (21) Design Number: **12421/2008**
(22) Date of Filing Application: **21 May 2008**
(24) Date from which industrial property rights may have effect: **21 May 2008**
(54) Product in respect of which the design is registered: **Shower panel**
(51) International Design Classification: **23-02B**
(71) Name(s) and Address(s) of Applicant(s):
Les Robinets Presto, Societe Anonyme
7 rue Racine 92 120 Montrouge France
(72) Name(s) of Designer(s): **Daniel Dutheil**
(45) Registration Date: **22 September 2008**
(30) Convention priority data:
(31) Number (32) Date (33) Country
000811484-0006 18 Oct 2007 EUROPEAN COMMUNITY
(56) Related Art Documents: **Not Applicable**
(57) Statement of Newness and Distinctiveness: **Those features of the shower panel depicted in the representations that are new and distinctive are the shape and/or configuration.**



- (21) Design Number: **12437/2008**
(22) Date of Filing Application: **22 May 2008**
(24) Date from which industrial property rights may have effect: **22 May 2008**
(54) Product in respect of which the design is registered: **Writing instrument**
(51) International Design Classification: **19-06**
(71) Name(s) and Address(s) of Applicant(s):
Sanford, L.P.
2707 Butterfield Road Oak Brook IL 60523 United States of America
(72) Name(s) of Designer(s): **Matthew J. Gerules and Ying Li and Steffen F. Koury**
(45) Registration Date: **22 September 2008**
(30) Convention priority data:
(31) Number (32) Date (33) Country
29/304,394 29 Feb 2008 UNITED STATES OF AMERICA
(56) Related Art Documents: **Not Applicable**
(57) Statement of Newness and Distinctiveness: **The newness and distinctiveness of the design resides in the features of shape, configuration, pattern and/or ornamentation of the clip and grip for a writing instrument shown in the accompanying representations, in considering the newness and distinctiveness of the design no consideration should be given to the features shown in dashed outline as they are for illustrative purposes and form no part of the design.**



(19) AU

(21) Design Number: 12438/2008

(22) Date of Filing Application: 22 May 2008

(24) Date from which industrial property rights may have effect: 22 May 2008

(54) Product in respect of which the design is registered: Writing instrument

(51) International Design Classification: 19-06

(71) Name(s) and Address(s) of Applicant(s):

Sanford, L.P.

2707 Butterfield Road Oak Brook IL 60523 United States of America

(72) Name(s) of Designer(s): Matthew J. Gerules and Ying Li and Steffen F. Koury

(45) Registration Date: 22 September 2008

(30) Convention priority data:

(31) Number
29/304,394

(32) Date
29 Feb 2008

(33) Country
UNITED STATES OF AMERICA

(56) Related Art Documents: Not Applicable

(57) Statement of Newness and Distinctiveness: The newness and distinctiveness of the design resides in the features of shape, configuration, pattern and/or ornamentation of the clip and grip for a writing instrument shown in the accompanying representations, in considering the newness and distinctiveness of the design no consideration should be given to the features shown in dashed outline as they are for illustrative purposes and form no part of the design.



(19) AU

(21) Design Number: 12439/2008

(22) Date of Filing Application: 22 May 2008

(24) Date from which industrial property rights may have effect: 22 May 2008

(54) Product in respect of which the design is registered: Writing instrument

(51) International Design Classification: 19-06

(71) Name(s) and Address(s) of Applicant(s):

Sanford, L.P.

2707 Butterfield Road Oak Brook IL 60523 United States of America

(72) Name(s) of Designer(s): Matthew J. Gerules and Ying Li and Steffen F. Koury

(45) Registration Date: 22 September 2008

(30) Convention priority data:

(31) Number
29/304,394

(32) Date
29 Feb 2008

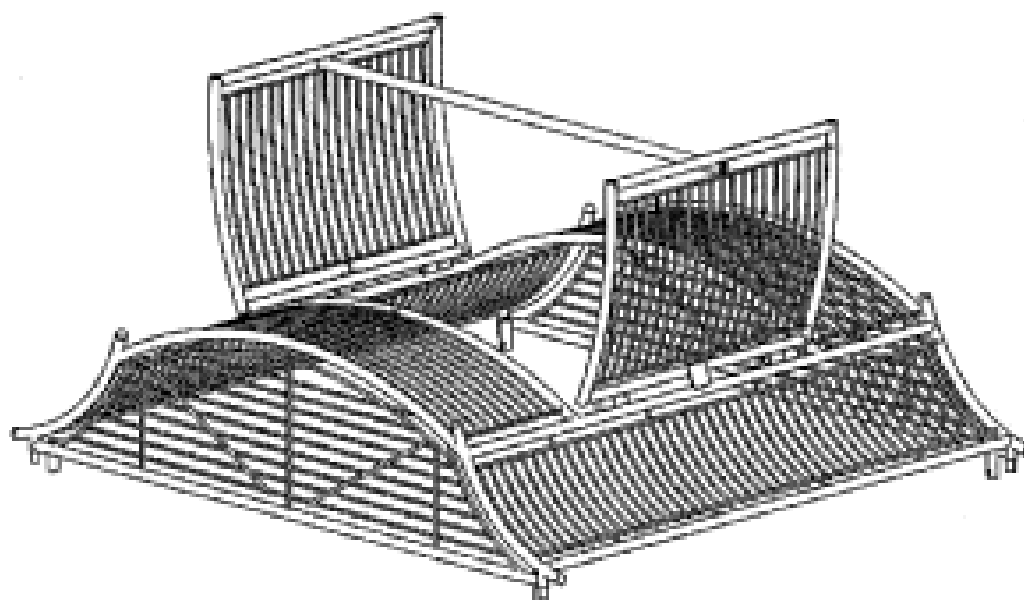
(33) Country
UNITED STATES OF AMERICA

(56) Related Art Documents: Not Applicable

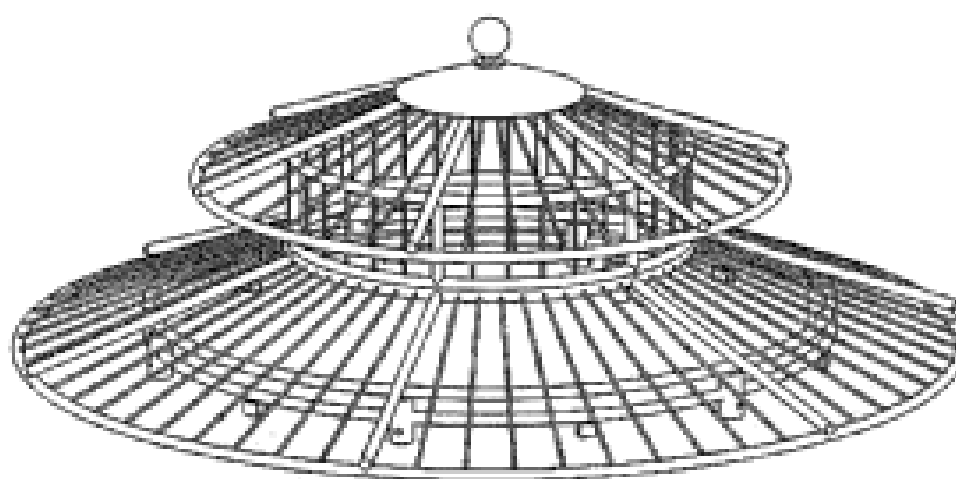
(57) Statement of Newness and Distinctiveness: The newness and distinctiveness of the design resides in the features of shape, configuration, pattern and/or ornamentation of the clip and grip for a writing instrument shown in the accompanying representations, in considering the newness and distinctiveness of the design no consideration should be given to the features shown in dashed outline as they are for illustrative purposes and form no part of the design.



(21) Design Number: **12452/2008**
 (22) Date of Filing Application: **23 May 2008**
 (24) Date from which industrial property rights may have effect: **23 May 2008**
 (54) Product in respect of which the design is registered: **Birdcage roof**
 (51) International Design Classification: **25-02NES, 30-02**
 (71) Name(s) and Address(s) of Applicant(s):
Marvelous Pet Supplies, LLC
1810 A York Road #381 Lutherville Maryland 21093 United States of America
 (72) Name(s) of Designer(s): **Leon Yang**
 (45) Registration Date: **22 September 2008**
 (30) Convention priority data:
 (31) Number (32) Date (33) Country
29/318,231 15 May 2008 UNITED STATES OF AMERICA
 (56) Related Art Documents: **Not Applicable**
 (57) Statement of Newness and Distinctiveness: **Nil no part of the design.**



(21) Design Number: **12453/2008**
 (22) Date of Filing Application: **23 May 2008**
 (24) Date from which industrial property rights may have effect: **23 May 2008**
 (54) Product in respect of which the design is registered: **Birdcage roof**
 (51) International Design Classification: **25-02NES, 30-02**
 (71) Name(s) and Address(s) of Applicant(s):
Marvelous Pet Supplies, LLC
1810 A York Road #381 Lutherville Maryland 21093 United States of America
 (72) Name(s) of Designer(s): **Leon Yang**
 (45) Registration Date: **22 September 2008**
 (30) Convention priority data:
 (31) Number (32) Date (33) Country
29/318,230 15 May 2008 UNITED STATES OF AMERICA
 (56) Related Art Documents: **Not Applicable**
 (57) Statement of Newness and Distinctiveness: **Nil no part of the design.**



(21) Design Number: **12551/2008**

(22) Date of Filing Application: **27 May 2008**

(24) Date from which industrial property rights may have effect: **27 May 2008**

(54) Product in respect of which the design is registered: **Connector**

(51) International Design Classification: **13-03E**

(71) Name(s) and Address(s) of Applicant(s):

CTEK Sweden AB

Rostugnsvagen 3 Vikmanshyttan 776 70 Sweden

(72) Name(s) of Designer(s): **Tor Magnusson and Joakim Norin**

(45) Registration Date: **22 September 2008**

(30) Convention priority data:

(31) Number

(32) Date

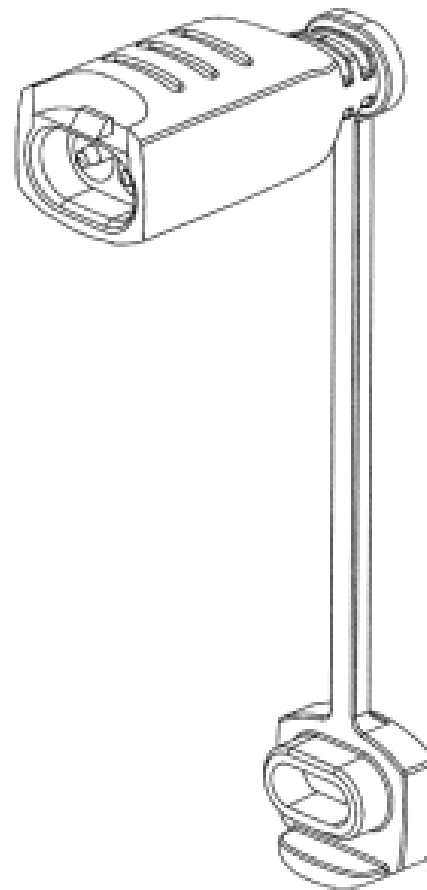
(33) Country

000835541-0001 30 Nov 2007

EUROPEAN COMMUNITY

(56) Related Art Documents: **Not Applicable**

(57) Statement of Newness and Distinctiveness: **Nil**



(21) Design Number: **12552/2008**

(22) Date of Filing Application: **27 May 2008**

(24) Date from which industrial property rights may have effect: **27 May 2008**

(54) Product in respect of which the design is registered: **Connector**

(51) International Design Classification: **13-03E**

(71) Name(s) and Address(s) of Applicant(s):

CTEK Sweden AB

Rostugnsvagen 3 Vikmanshyttan 776 70 Sweden

(72) Name(s) of Designer(s): **Tor Magnusson and Joakim Norin**

(45) Registration Date: **22 September 2008**

(30) Convention priority data:

(31) Number

(32) Date

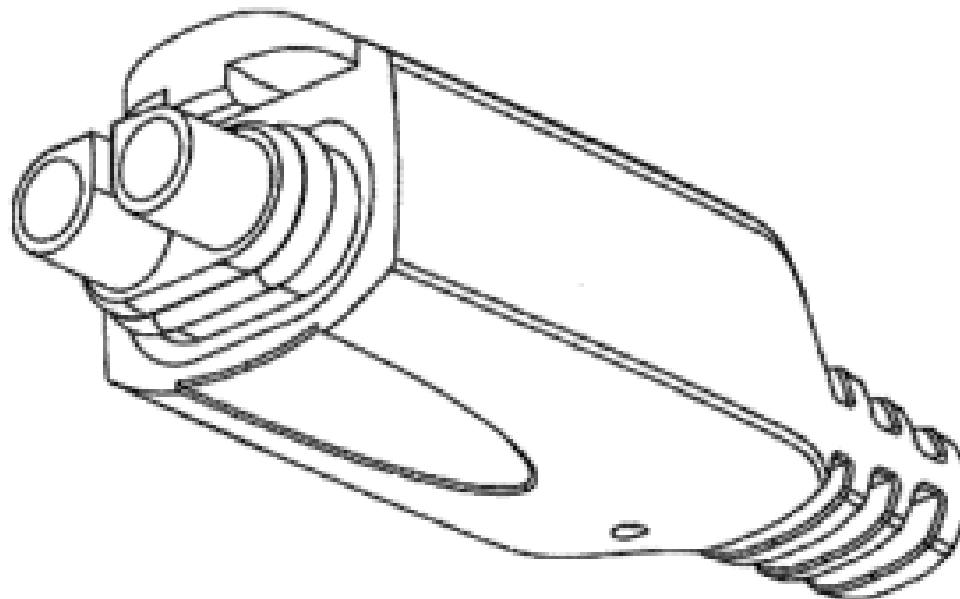
(33) Country

000835541-0002 30 Nov 2007

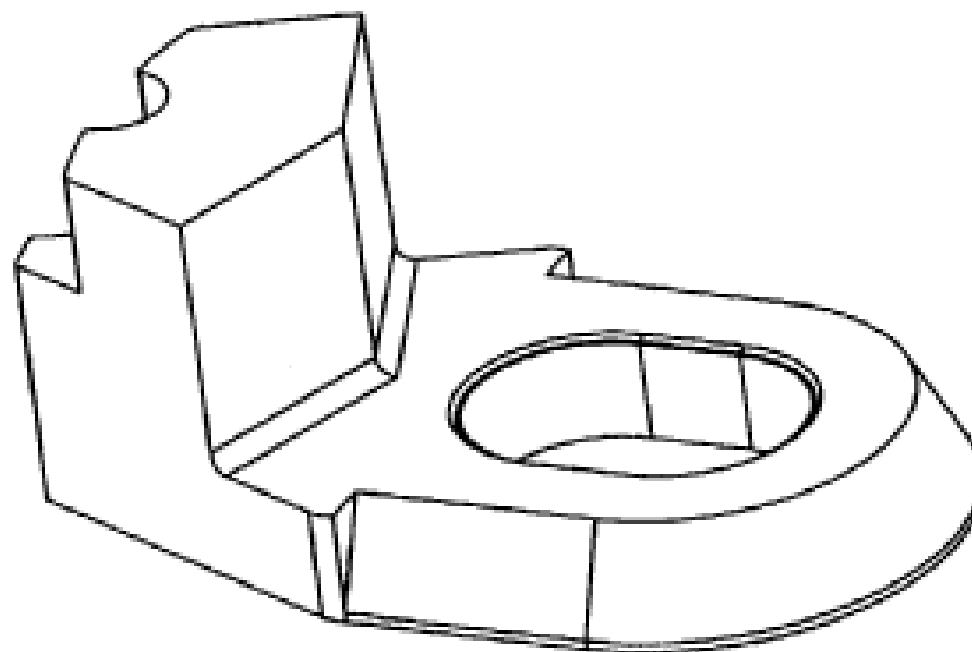
EUROPEAN COMMUNITY

(56) Related Art Documents: **Not Applicable**

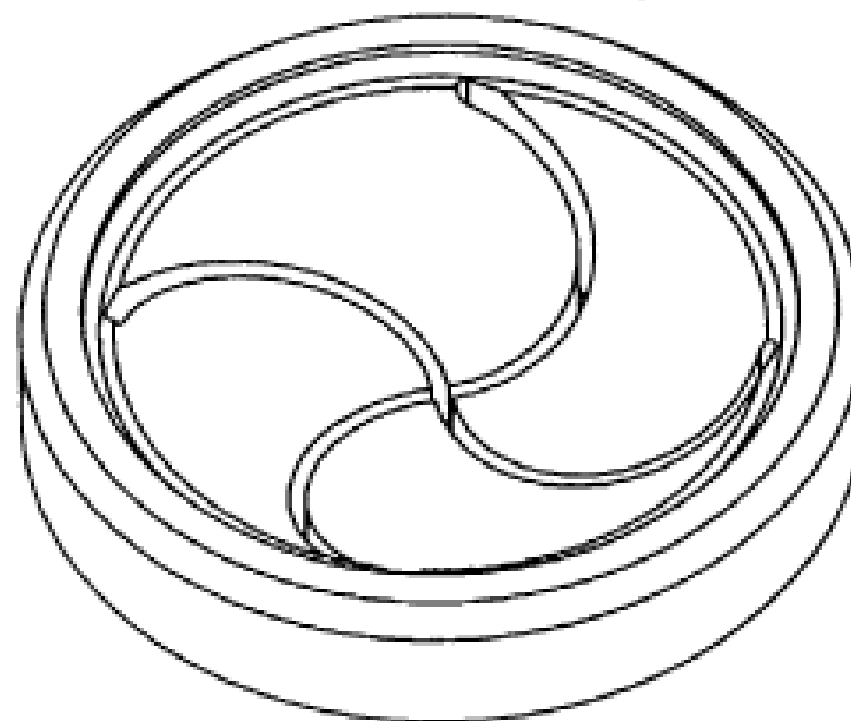
(57) Statement of Newness and Distinctiveness: **Nil**



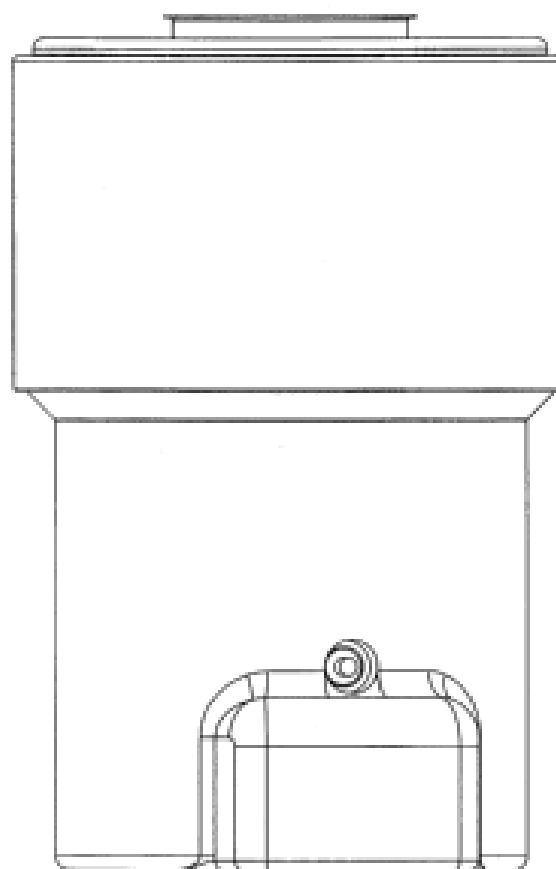
- (21) Design Number: **12553/2008**
(22) Date of Filing Application: **27 May 2008**
(24) Date from which industrial property rights may have effect: **27 May 2008**
(54) Product in respect of which the design is registered: **Swivel lug in a food waste disposal unit**
(51) International Design Classification: **23-01A, 09-09**
(71) Name(s) and Address(s) of Applicant(s):
Johnson Electric S.A.
Rue Fritz-Courvoisier 40 CH-2300 La Chaux-de-Fonds Switzerland
(72) Name(s) of Designer(s): **Ji Cheng Pan and Israr Ahmed Khan Saeed**
(45) Registration Date: **22 September 2008**
(56) Related Art Documents: **Not Applicable**
(57) Statement of Newness and Distinctiveness: **Newness and distinctiveness reside in the shape and configuration of the swivel lug as shown in the accompanying representations.**



- (21) Design Number: **12554/2008**
(22) Date of Filing Application: **27 May 2008**
(24) Date from which industrial property rights may have effect: **27 May 2008**
(54) Product in respect of which the design is registered: **Inlet baffle in a food waste disposal unit**
(51) International Design Classification: **09-09**
(71) Name(s) and Address(s) of Applicant(s):
Johnson Electric S.A.
Rue Fritz-Courvoisier 40 CH-2300 La Chaux-de-Fonds Switzerland
(72) Name(s) of Designer(s): **Ji Cheng Pan**
(45) Registration Date: **22 September 2008**
(56) Related Art Documents: **Not Applicable**
(57) Statement of Newness and Distinctiveness: **Newness and distinctiveness reside in the shape and configuration of the design for an inlet baffle as shown in the accompanying representations.**



- (21) Design Number: **12555/2008**
(22) Date of Filing Application: **27 May 2008**
(24) Date from which industrial property rights may have effect: **27 May 2008**
(54) Product in respect of which the design is registered: **Food waste disposal unit**
(51) International Design Classification: **09-09**
(71) Name(s) and Address(s) of Applicant(s):
Johnson Electric S.A.
Rue Fritz-Courvoisier 40 CH-2300 La Chaux-de-Fonds Switzerland
(72) Name(s) of Designer(s): **Israr Saeed and Kwong Yip Poon and Cheuk Yan Wong and Gary M. Marcy and Wai Hung Yip**
(45) Registration Date: **22 September 2008**
(56) Related Art Documents: **Not Applicable**
(57) Statement of Newness and Distinctiveness: **Newness and distinctiveness reside in the design for a food waste disposal unit as shown in the accompanying representations.**



- (21) Design Number: **19968/2007**
(22) Date of Filing Application: **27 September 2007**
(24) Date from which industrial property rights may have effect: **27 September 2007**
(54) Product in respect of which the design is registered: **Automobile**
(51) International Design Classification: **12-08**
(71) Name(s) and Address(s) of Applicant(s):
Toyota Jidosha Kabushiki Kaisha
1 Toyota-cho Toyota-shi Aichi-ken 471-8571 Japan
(72) Name(s) of Designer(s): **Thomas Bergeron**
(45) Registration Date: **22 September 2008**
(56) Related Art Documents: **Not Applicable**
(57) Statement of Newness and Distinctiveness: **Those features of the automobile depicted in the representations that are new and distinctive are the shape and/or configuration.**



- (21) Design Number: **10005/2008**
(22) Date of Filing Application: **02 January 2008**
(24) Date from which industrial property rights may have effect: **02 January 2008**
(54) Product in respect of which the design is registered: **Dress**
(51) International Design Classification: **02-02C**
(71) Name(s) and Address(s) of Applicant(s):
Grant Olver Investments Pty Ltd trading as Pilgrim Clothing
2 Vale Street St Kilda Victoria 3182 Australia
(72) Name(s) of Designer(s): **Grant Olver**
(45) Registration Date: **22 September 2008**
(56) Related Art Documents: **Not Applicable**
(57) Statement of Newness and Distinctiveness: **Nil**



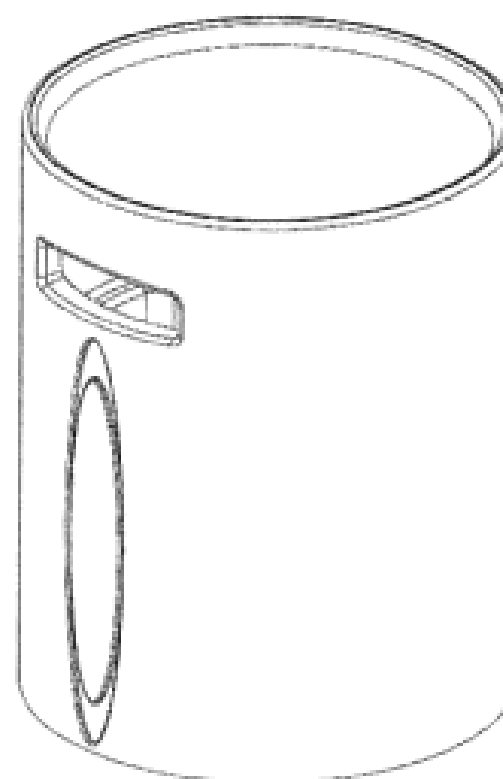
- (21) Design Number: **12310/2008**
(22) Date of Filing Application: **15 May 2008**
(24) Date from which industrial property rights may have effect: **15 May 2008**
(54) Product in respect of which the design is registered: **Ladies Top**
(51) International Design Classification: **02-02NES, 02-02C**
(71) Name(s) and Address(s) of Applicant(s):
Grant Olver Investments Pty Ltd trading as Pilgrim Clothing
2 Vale Street St Kilda Victoria 3182 Australia
(72) Name(s) of Designer(s): **Grant Olver**
(45) Registration Date: **22 September 2008**
(56) Related Art Documents: **Not Applicable**
(57) Statement of Newness and Distinctiveness: **Nil**



(21) Design Number: **12311/2008**
(22) Date of Filing Application: **15 May 2008**
(24) Date from which industrial property rights may have effect: **15 May 2008**
(54) Product in respect of which the design is registered: **Dress**
(51) International Design Classification: **02-02C**
(71) Name(s) and Address(s) of Applicant(s):
Grant Olver Investments Pty Ltd trading as Pilgrim Clothing
2 Vale Street St Kilda Victoria 3182 Australia
(72) Name(s) of Designer(s): **Grant Olver**
(45) Registration Date: **22 September 2008**
(56) Related Art Documents: **Not Applicable**
(57) Statement of Newness and Distinctiveness: **Nil**



(21) Design Number: **11554/2008**
(22) Date of Filing Application: **02 April 2008**
(24) Date from which industrial property rights may have effect: **02 April 2008**
(54) Product in respect of which the design is registered: **Electrical connector**
(51) International Design Classification: **13-03B**
(71) Name(s) and Address(s) of Applicant(s):
CTEK Sweden AB
Rostugnsvagen 3 776 70 Vikmanshyttan Sweden
(72) Name(s) of Designer(s): **Tor Magnusson**
(45) Registration Date: **22 September 2008**
(30) Convention priority data:
(31) Number (32) Date (33) Country
000801055-0006 03 Oct 2007 EUROPEAN COMMUNITY
(56) Related Art Documents: **Not Applicable**
(57) Statement of Newness and Distinctiveness: **Nil**



(21) Design Number: **11556/2008**

(22) Date of Filing Application: **02 April 2008**

(24) Date from which industrial property rights may have effect: **02 April 2008**

(54) Product in respect of which the design is registered: **Electrical connector**

(51) International Design Classification: **13-03B**

(71) Name(s) and Address(s) of Applicant(s):

CTEK Sweden AB

Rostugnsvagen 3 776 70 Vikmanshyttan Sweden

(72) Name(s) of Designer(s): **Tor Magnusson**

(45) Registration Date: **22 September 2008**

(30) Convention priority data:

(31) Number

(32) Date

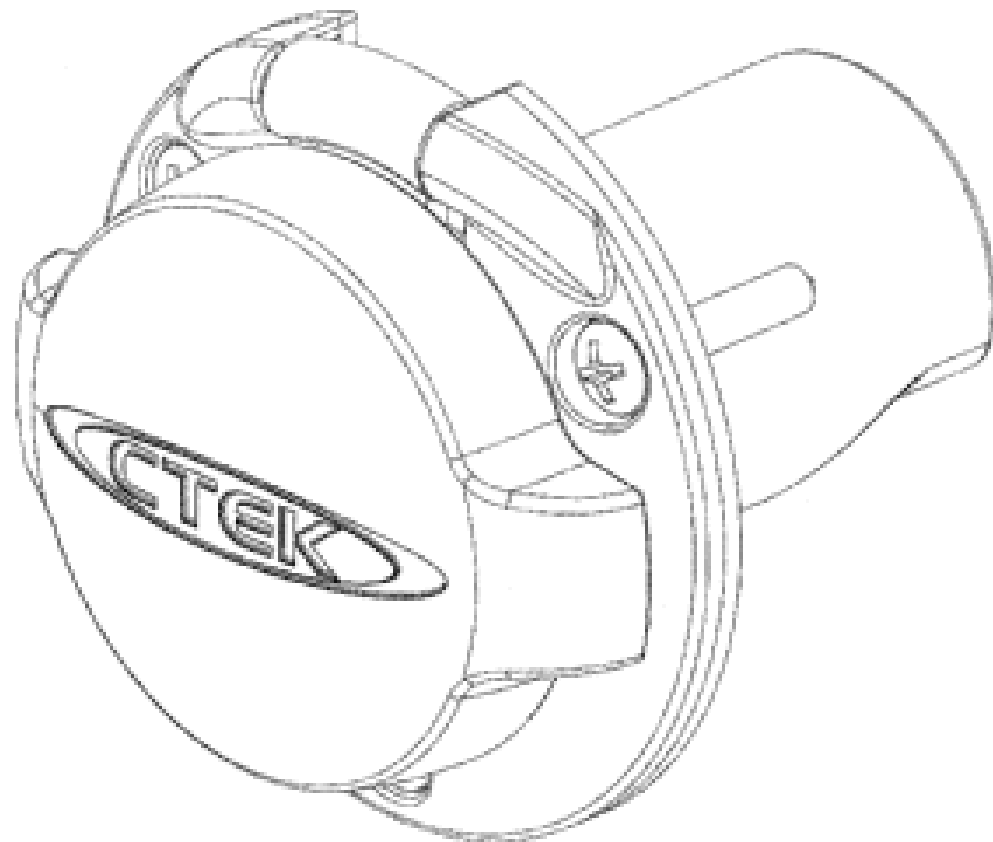
(33) Country

000801055-0004 03 Oct 2007

EUROPEAN COMMUNITY

(56) Related Art Documents: **Not Applicable**

(57) Statement of Newness and Distinctiveness: **When determining whether the design 1 is substantially similar in overall impression to another design, no regard is to be had to the alphanumeric characters as displayed in the design, the subject of the representations.**



(21) Design Number: **11558/2008**

(22) Date of Filing Application: **02 April 2008**

(24) Date from which industrial property rights may have effect: **02 April 2008**

(54) Product in respect of which the design is registered: **Electrical connector**

(51) International Design Classification: **13-03B**

(71) Name(s) and Address(s) of Applicant(s):

CTEK Sweden AB

Rostugnsvagen 3 776 70 Vikmanshyttan Sweden

(72) Name(s) of Designer(s): **Tor Magnusson**

(45) Registration Date: **22 September 2008**

(30) Convention priority data:

(31) Number

(32) Date

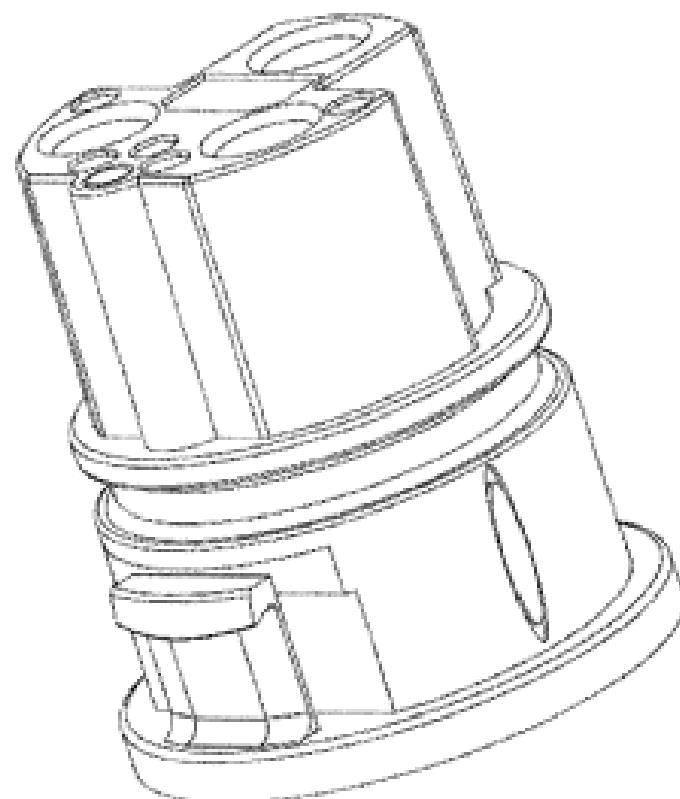
(33) Country

000801055-0001 03 Oct 2007

EUROPEAN COMMUNITY

(56) Related Art Documents: **Not Applicable**

(57) Statement of Newness and Distinctiveness: **Nil**



- (21) Design Number: **11559/2008**
(22) Date of Filing Application: **02 April 2008**
(24) Date from which industrial property rights may have effect: **02 April 2008**
(54) Product in respect of which the design is registered: **Electrical connector**
(51) International Design Classification: **13-03B**
(71) Name(s) and Address(s) of Applicant(s):

CTEK Sweden AB
Rostugnsvagen 3 776 70 Vikmanshyttan Sweden

(72) Name(s) of Designer(s): **Tor Magnusson**

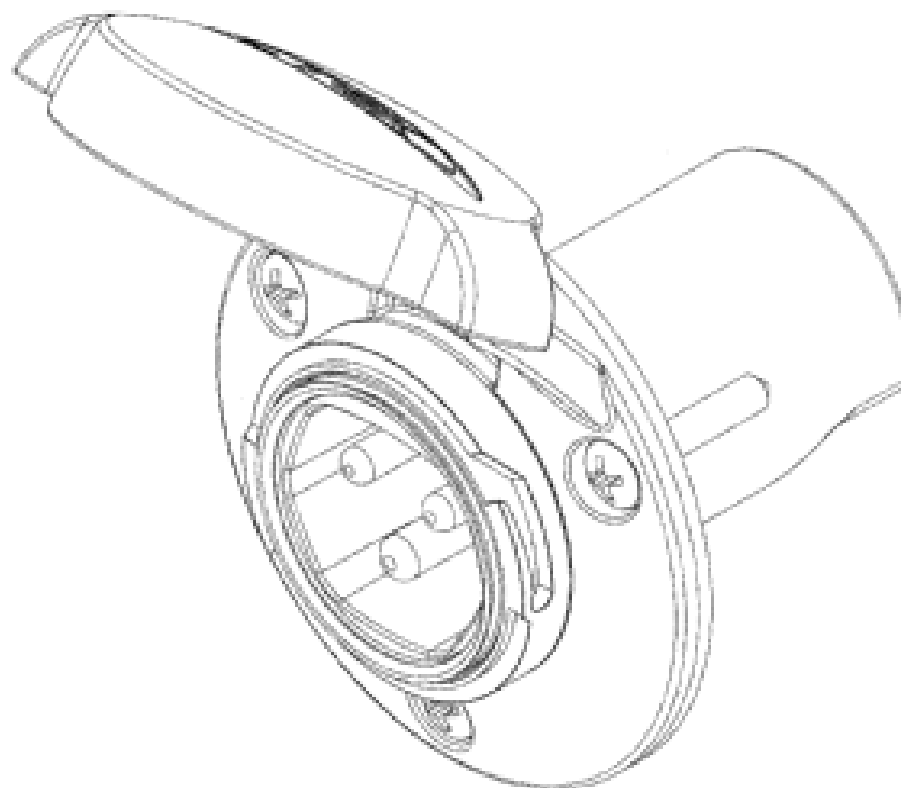
(45) Registration Date: **22 September 2008**

(30) Convention priority data:

(31) Number	(32) Date	(33) Country
000801055-0003	03 Oct 2007	EUROPEAN COMMUNITY

(56) Related Art Documents: **Not Applicable**

(57) Statement of Newness and Distinctiveness: **When determining whether the design 1 is substantially similar in overall impression to another design, no regard is to be had to the alphanumeric characters as displayed in the design, the subject of the representations.**



- (21) Design Number: **11709/2008**
(22) Date of Filing Application: **10 April 2008**
(24) Date from which industrial property rights may have effect: **10 April 2008**
(54) Product in respect of which the design is registered: **Container**
(51) International Design Classification: **09-03K**
(71) Name(s) and Address(s) of Applicant(s):

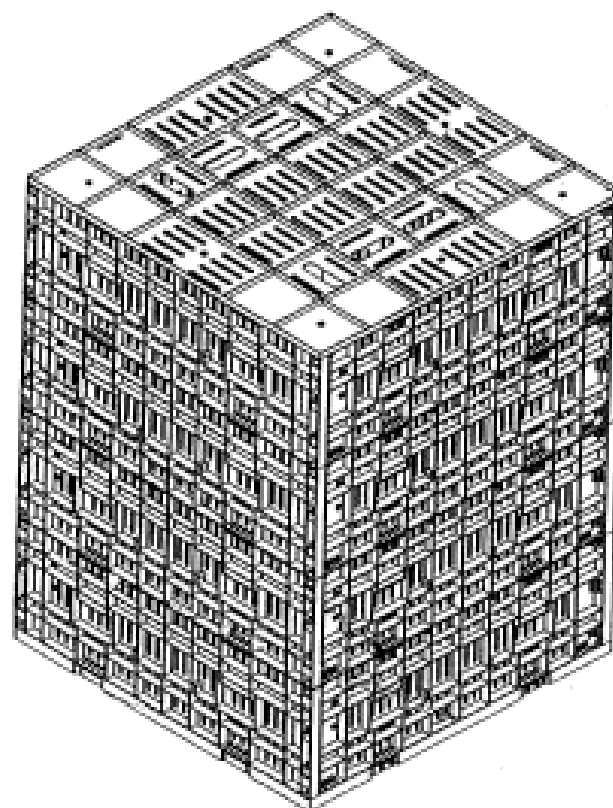
Lamanna Bananas Pty Ltd
103-107 Hyde Street Footscray Victoria 3011 Australia

(72) Name(s) of Designer(s): **Craig Hunter**

(45) Registration Date: **22 September 2008**

(56) Related Art Documents: **Not Applicable**

(57) Statement of Newness and Distinctiveness: **Newness and distinctiveness reside in the features of the design as shown in the representations.**



(21) Design Number: **11710/2008**

(22) Date of Filing Application: **10 April 2008**

(24) Date from which industrial property rights may have effect: **10 April 2008**

(54) Product in respect of which the design is registered: **Base of a container**

(51) International Design Classification: **09-03K**

(71) Name(s) and Address(s) of Applicant(s):

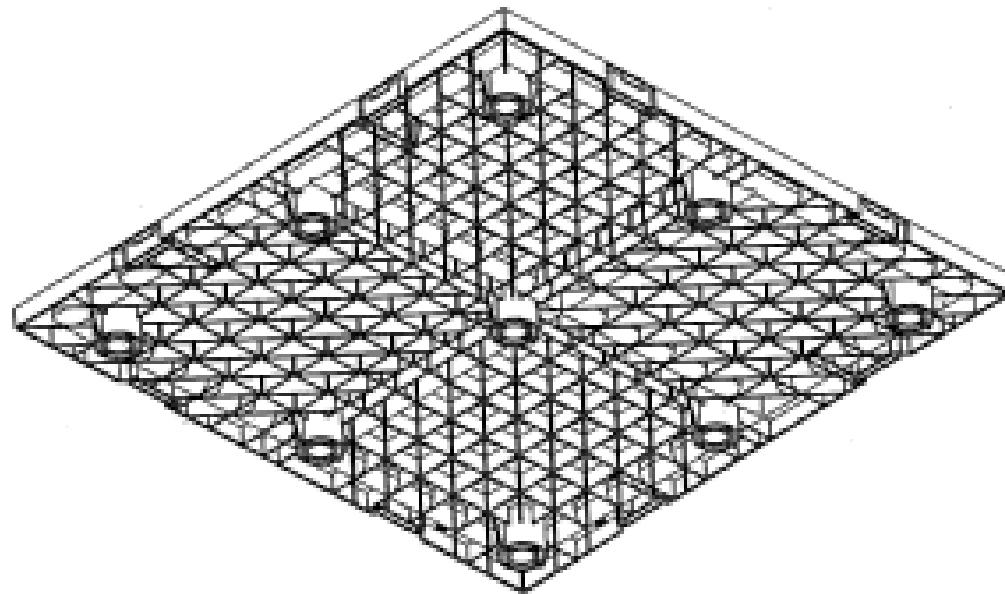
Lamanna Bananas Pty Ltd
103-107 Hyde Street Footscray Victoria 3011 Australia

(72) Name(s) of Designer(s): **Craig Hunter**

(45) Registration Date: **22 September 2008**

(56) Related Art Documents: **Not Applicable**

(57) Statement of Newness and Distinctiveness: **Newness and distinctiveness reside in the features of the design as shown in the representations.**



(21) Design Number: **11711/2008**

(22) Date of Filing Application: **10 April 2008**

(24) Date from which industrial property rights may have effect: **10 April 2008**

(54) Product in respect of which the design is registered: **Side panel of a container**

(51) International Design Classification: **09-03K**

(71) Name(s) and Address(s) of Applicant(s):

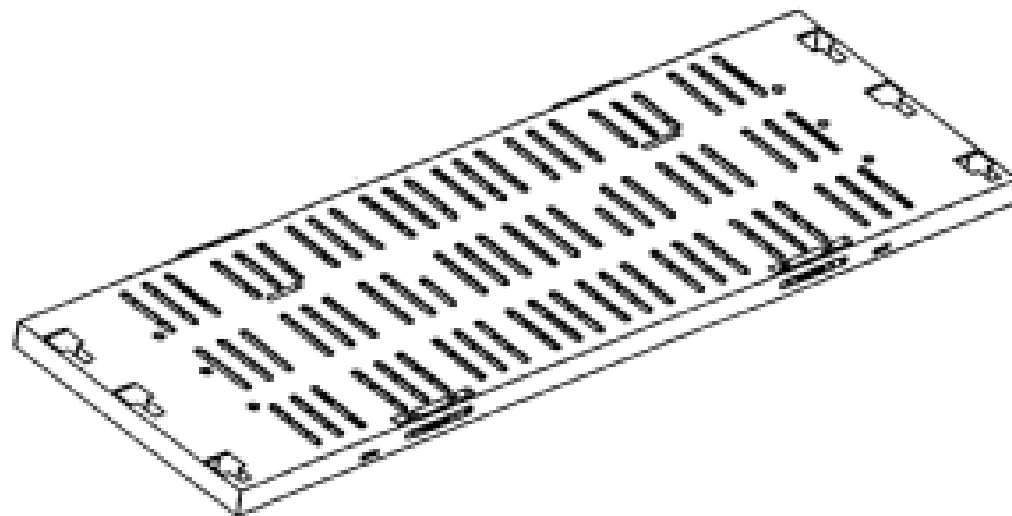
Lamanna Bananas Pty Ltd
103-107 Hyde Street Footscray Victoria 3011 Australia

(72) Name(s) of Designer(s): **Craig Hunter**

(45) Registration Date: **22 September 2008**

(56) Related Art Documents: **Not Applicable**

(57) Statement of Newness and Distinctiveness: **Newness and distinctiveness reside in the features of the design as shown in the representations.**



(21) Design Number: **12370/2008**

(22) Date of Filing Application: **19 May 2008**

(24) Date from which industrial property rights may have effect: **19 May 2008**

(54) Product in respect of which the design is registered: **Post supports**

(51) International Design Classification: **25-02A**

(71) Name(s) and Address(s) of Applicant(s):

Combisafe International AB
Storsjostraket 15 Ostersund 831 34 Sweden

(72) Name(s) of Designer(s): **Joakim Svedberg**

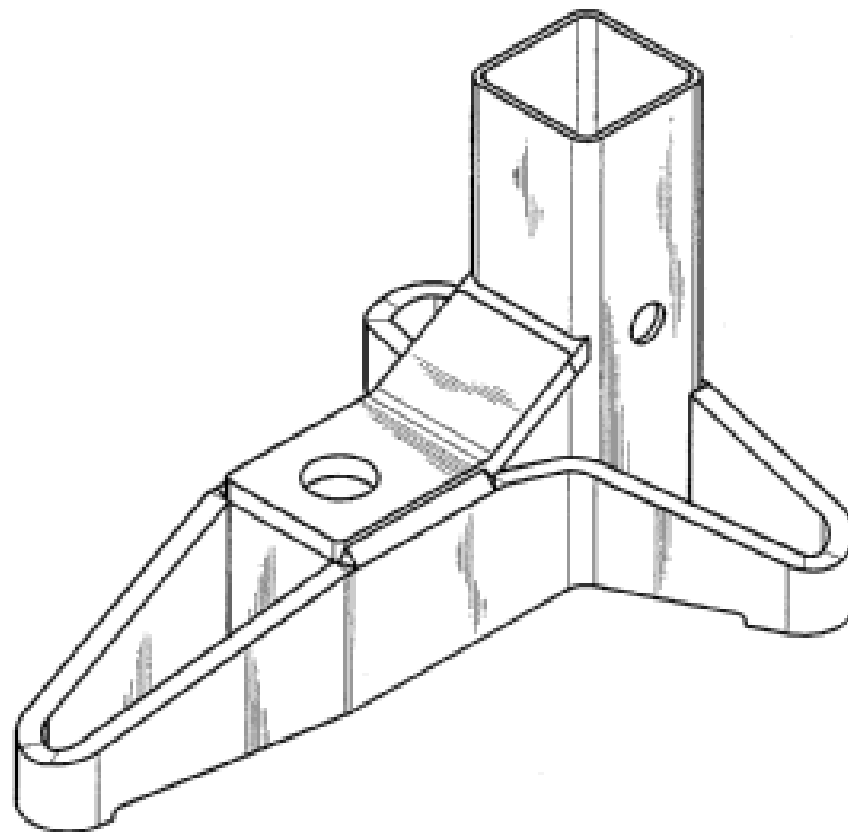
(45) Registration Date: **22 September 2008**

(30) Convention priority data:

(31) Number	(32) Date	(33) Country
000834825	30 Nov 2007	EUROPEAN COMMUNITY

(56) Related Art Documents: **Not Applicable**

(57) Statement of Newness and Distinctiveness: **The newness and distinctiveness of the design resides in the shape and/or configuration of the post supports shown in the representations.**



(21) Design Number: **12371/2008**

(22) Date of Filing Application: **19 May 2008**

(24) Date from which industrial property rights may have effect: **19 May 2008**

(54) Product in respect of which the design is registered: **Casing for control device**

(51) International Design Classification: **14-03NES**

(71) Name(s) and Address(s) of Applicant(s):

SOMFY SAS
50 avenue du Nouveau Monde Cluses 74300 France

(72) Name(s) of Designer(s): **Matthieu Bonnaud**

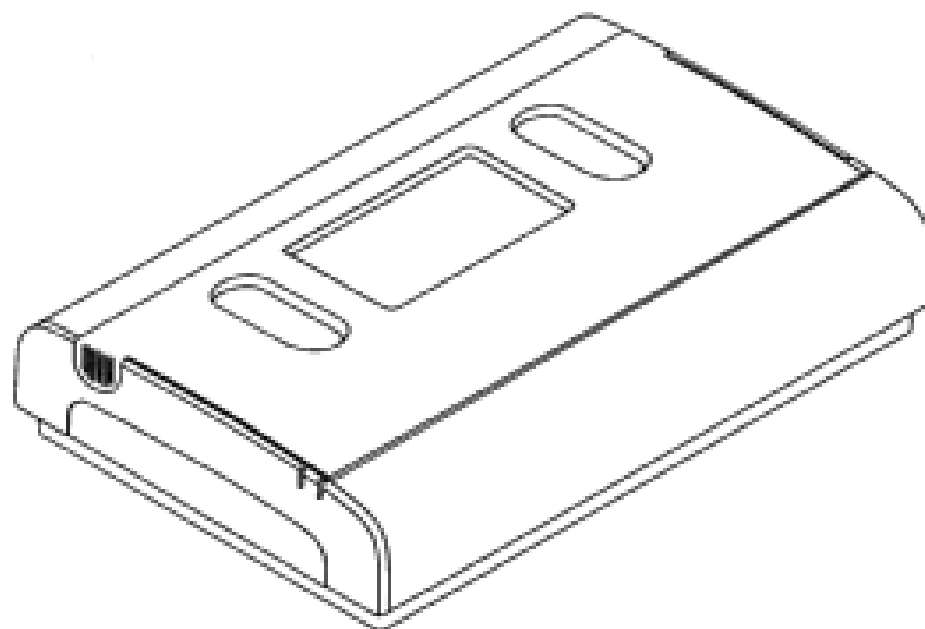
(45) Registration Date: **22 September 2008**

(30) Convention priority data:

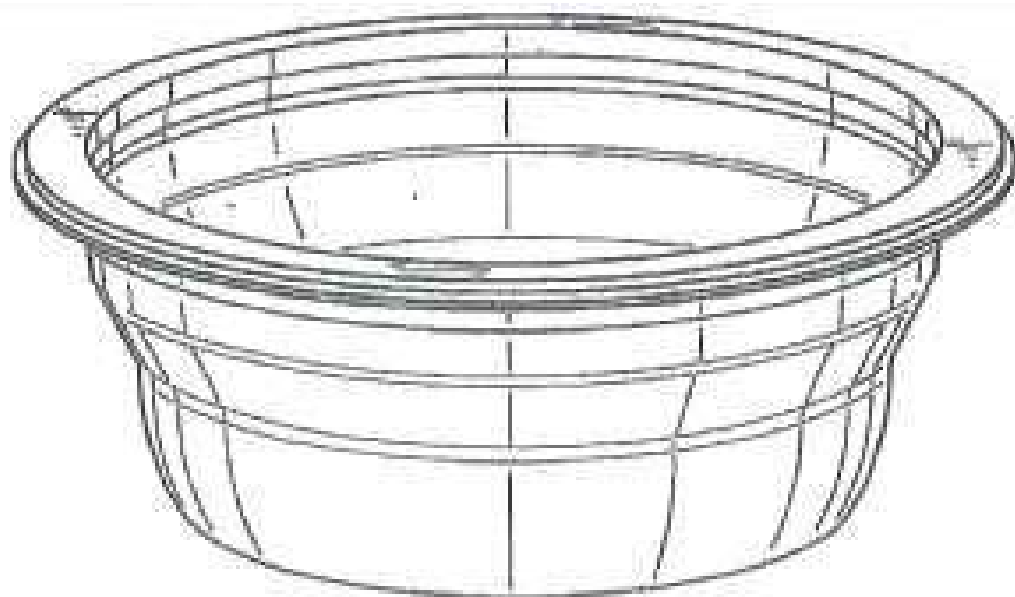
(31) Number	(32) Date	(33) Country
000829635	20 Nov 2007	EUROPEAN COMMUNITY

(56) Related Art Documents: **Not Applicable**

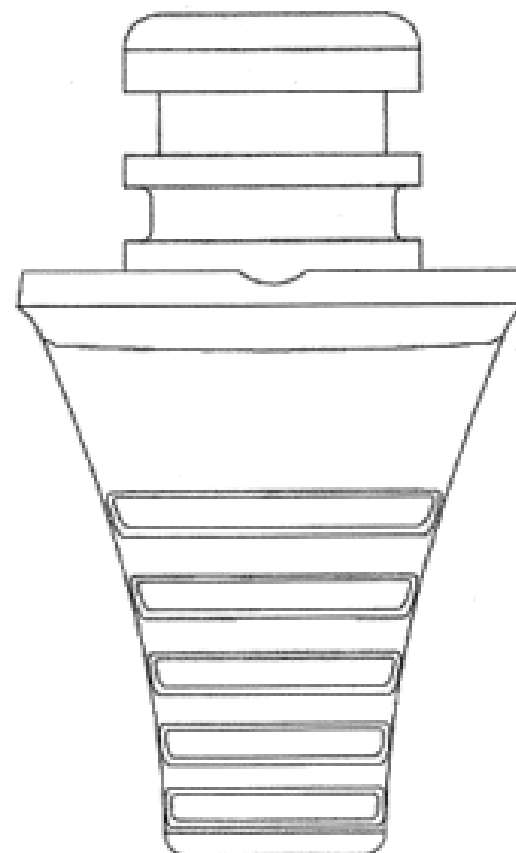
(57) Statement of Newness and Distinctiveness: **Nil**



(21) Design Number: **12373/2008**
(22) Date of Filing Application: **19 May 2008**
(24) Date from which industrial property rights may have effect: **19 May 2008**
(54) Product in respect of which the design is registered: **Container**
(51) International Design Classification: **09-03L**
(71) Name(s) and Address(s) of Applicant(s):
Mars Incorporated
6885 Elm Street McLean Virginia 22101-3883 United States of America
(72) Name(s) of Designer(s): **Michael J. Wilson and Bryan W. Ware and Sean C. Silk**
(45) Registration Date: **22 September 2008**
(30) Convention priority data:
(31) Number (32) Date (33) Country
29/298,079 28 Nov 2007 UNITED STATES OF AMERICA
(56) Related Art Documents: **Not Applicable**
(57) Statement of Newness and Distinctiveness: **Nil**



(21) Design Number: **12396/2008**
(22) Date of Filing Application: **21 May 2008**
(24) Date from which industrial property rights may have effect: **21 May 2008**
(54) Product in respect of which the design is registered: **Conduit entry**
(51) International Design Classification: **13-03C**
(71) Name(s) and Address(s) of Applicant(s):
CTEK Sweden AB
Rostugnsvagen 3 776 70 Vikmanshyttan Sweden
(72) Name(s) of Designer(s): **Robin Sundberg**
(45) Registration Date: **23 September 2008**
(30) Convention priority data:
(31) Number (32) Date (33) Country
000911839 08 Apr 2008 EUROPEAN COMMUNITY
(56) Related Art Documents: **Not Applicable**
(57) Statement of Newness and Distinctiveness: **Nil**



- (21) Design Number: **12397/2008**
(22) Date of Filing Application: **21 May 2008**
(24) Date from which industrial property rights may have effect: **21 May 2008**
(54) Product in respect of which the design is registered: **Tyre**
(51) International Design Classification: **12-15NES**
(71) Name(s) and Address(s) of Applicant(s):

Continental Aktiengesellschaft
Vahrenwalder Strasse 9 D-30165 Hannover Germany

- (72) Name(s) of Designer(s): **Stefan Rittweger**

- (45) Registration Date: **23 September 2008**

- (30) Convention priority data:

(31) Number	(32) Date	(33) Country
000911052	08 Apr 2008	EUROPEAN COMMUNITY

- (56) Related Art Documents: **Not Applicable**

- (57) Statement of Newness and Distinctiveness: **When deciding whether the design 1 is substantially similar in overall impression to another design, it is to be understood that the word "continental" appearing on the article forms no part of the design.**



- (21) Design Number: **12398/2008**
(22) Date of Filing Application: **21 May 2008**
(24) Date from which industrial property rights may have effect: **21 May 2008**
(54) Product in respect of which the design is registered: **Tyre**
(51) International Design Classification: **12-15NES**
(71) Name(s) and Address(s) of Applicant(s):

Continental Aktiengesellschaft
Vahrenwalder Strasse 9 D-30165 Hannover Germany

- (72) Name(s) of Designer(s): **Stefan Rittweger**

- (45) Registration Date: **23 September 2008**

- (30) Convention priority data:

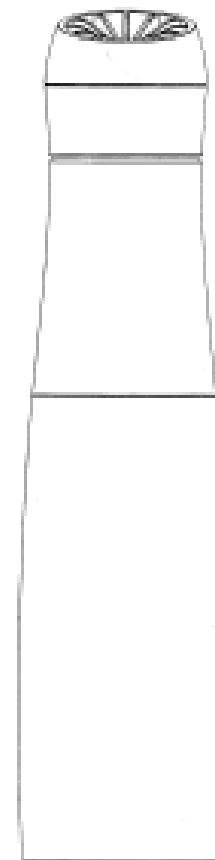
(31) Number	(32) Date	(33) Country
000911052	08 Apr 2008	EUROPEAN COMMUNITY

- (56) Related Art Documents: **Not Applicable**

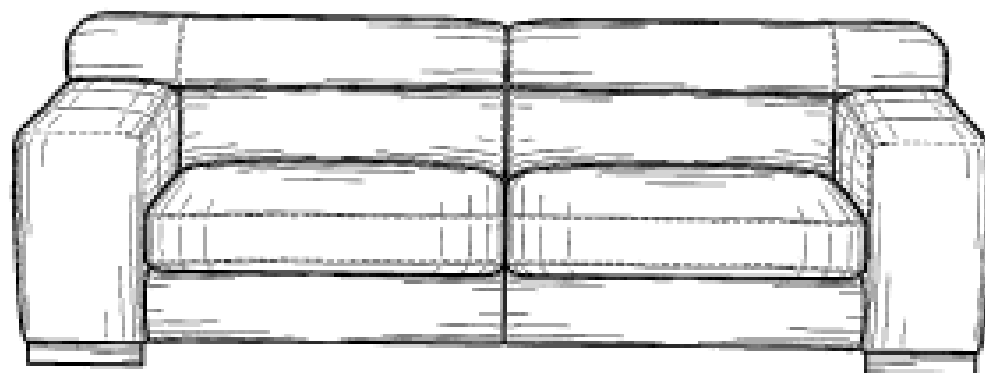
- (57) Statement of Newness and Distinctiveness: **When deciding whether the design 1 is substantially similar in overall impression to another design, it is to be understood that the word "continental" appearing on the article forms no part of the design.**



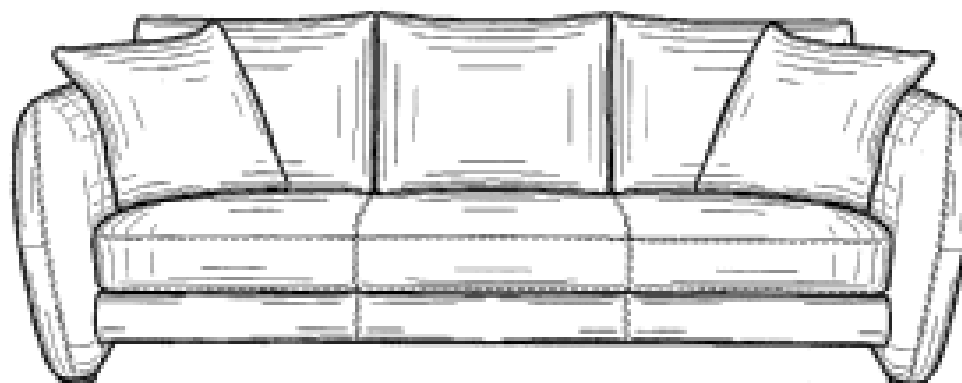
(21) Design Number: **12401/2008**
(22) Date of Filing Application: **21 May 2008**
(24) Date from which industrial property rights may have effect: **21 May 2008**
(54) Product in respect of which the design is registered: **Mill for culinary purposes**
(51) International Design Classification: **07-04, 07-06C**
(71) Name(s) and Address(s) of Applicant(s):
DKB Household UK Limited
Bridge House Eelmoor Road Farnborough Hampshire GU14 7UE
United Kingdom
(72) Name(s) of Designer(s): **Daniel Kestenbaum**
(45) Registration Date: **23 September 2008**
(30) Convention priority data:
(31) Number (32) Date (33) Country
000831334-0001 19 Nov 2007 EUROPEAN COMMUNITY
(56) Related Art Documents: **Not Applicable**
(57) Statement of Newness and Distinctiveness: **Nil**



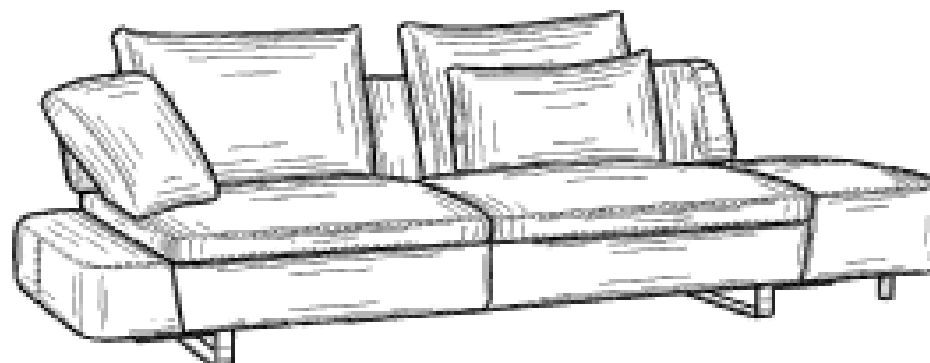
(21) Design Number: **12404/2008**
(22) Date of Filing Application: **21 May 2008**
(24) Date from which industrial property rights may have effect: **21 May 2008**
(54) Product in respect of which the design is registered: **Sofa**
(51) International Design Classification: **06-01G**
(71) Name(s) and Address(s) of Applicant(s):
Natuzzi S.P.A.
51 Corso Cavour 1-70121 Bari Italy
(72) Name(s) of Designer(s): **Pasquale Natuzzi**
(45) Registration Date: **23 September 2008**
(56) Related Art Documents: **Not Applicable**
(57) Statement of Newness and Distinctiveness: **Nil**



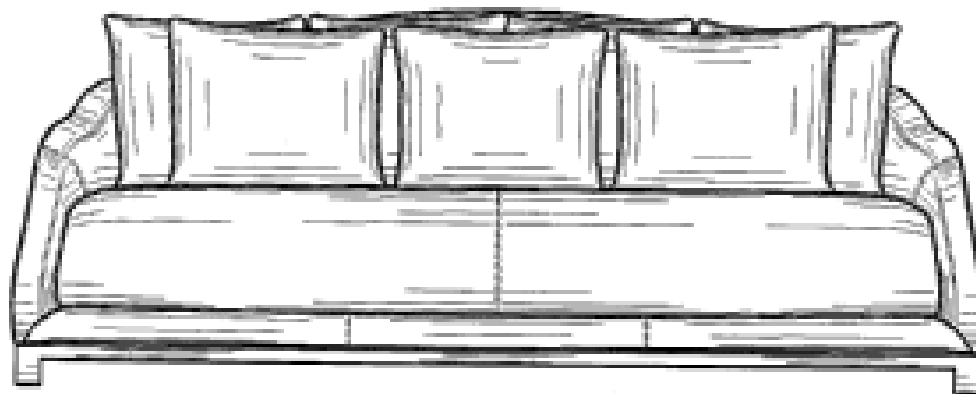
- (21) Design Number: **12405/2008**
(22) Date of Filing Application: **21 May 2008**
(24) Date from which industrial property rights may have effect: **21 May 2008**
(54) Product in respect of which the design is registered: **Sofa**
(51) International Design Classification: **06-01G**
(71) Name(s) and Address(s) of Applicant(s):
Natuzzi S.P.A.
51 Corso Cavour 1-70121 Bari Italy
(72) Name(s) of Designer(s): **Pasquale Natuzzi**
(45) Registration Date: **23 September 2008**
(56) Related Art Documents: **Not Applicable**
(57) Statement of Newness and Distinctiveness: **Nil**



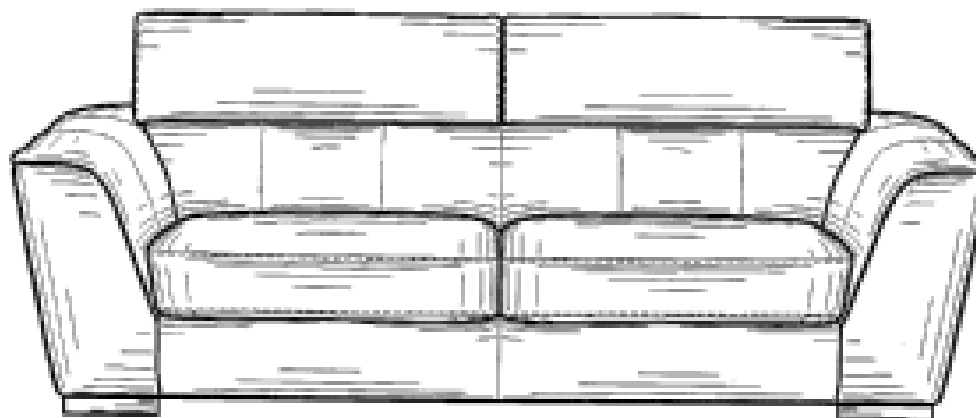
- (21) Design Number: **12406/2008**
(22) Date of Filing Application: **21 May 2008**
(24) Date from which industrial property rights may have effect: **21 May 2008**
(54) Product in respect of which the design is registered: **Sofa**
(51) International Design Classification: **06-01G**
(71) Name(s) and Address(s) of Applicant(s):
Natuzzi S.P.A.
51 Corso Cavour 1-70121 Bari Italy
(72) Name(s) of Designer(s): **Pasquale Natuzzi**
(45) Registration Date: **23 September 2008**
(56) Related Art Documents: **Not Applicable**
(57) Statement of Newness and Distinctiveness: **Nil**



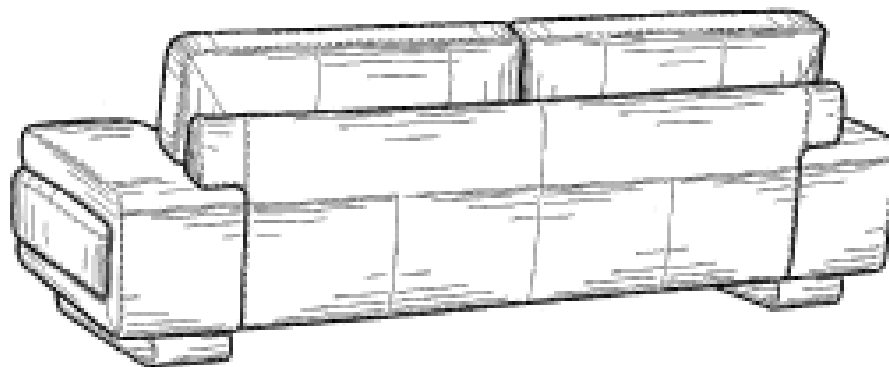
- (21) Design Number: **12407/2008**
- (22) Date of Filing Application: **21 May 2008**
- (24) Date from which industrial property rights may have effect: **21 May 2008**
- (54) Product in respect of which the design is registered: **Sofa**
- (51) International Design Classification: **06-01G**
- (71) Name(s) and Address(s) of Applicant(s):
Natuzzi S.P.A.
51 Corso Cavour 1-70121 Bari Italy
- (72) Name(s) of Designer(s): **Pasquale Natuzzi**
- (45) Registration Date: **23 September 2008**
- (56) Related Art Documents: **Not Applicable**
- (57) Statement of Newness and Distinctiveness: **Nil**



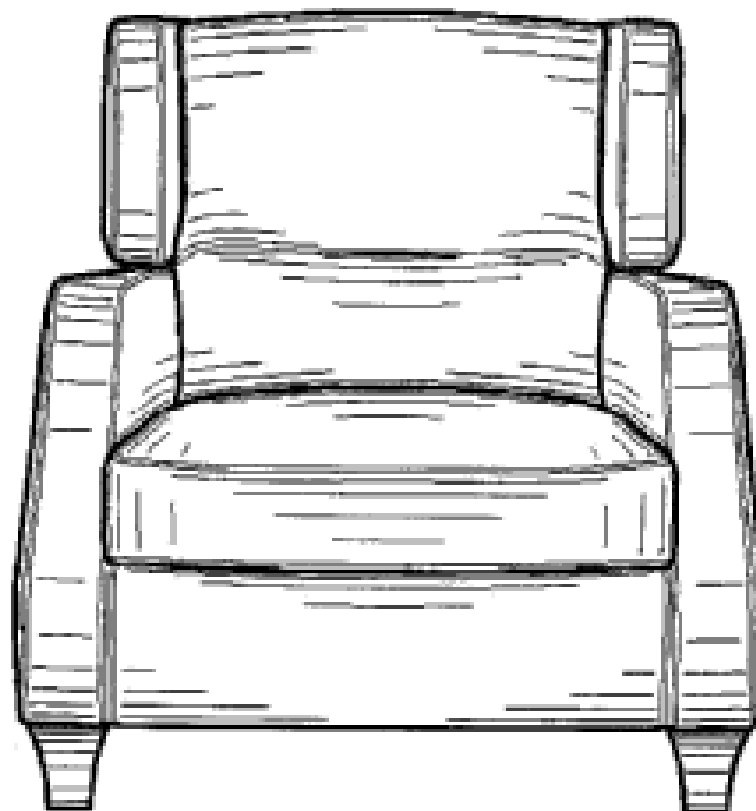
- (21) Design Number: **12408/2008**
- (22) Date of Filing Application: **21 May 2008**
- (24) Date from which industrial property rights may have effect: **21 May 2008**
- (54) Product in respect of which the design is registered: **Sofa**
- (51) International Design Classification: **06-01G**
- (71) Name(s) and Address(s) of Applicant(s):
Natuzzi S.P.A.
51 Corso Cavour 1-70121 Bari Italy
- (72) Name(s) of Designer(s): **Pasquale Natuzzi**
- (45) Registration Date: **23 September 2008**
- (56) Related Art Documents: **Not Applicable**
- (57) Statement of Newness and Distinctiveness: **Nil**



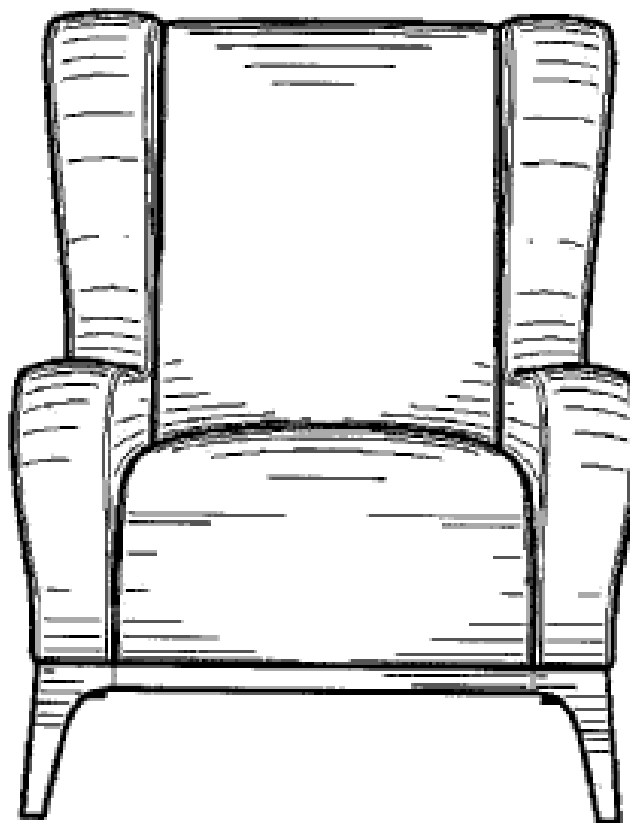
(21) Design Number: **12409/2008**
(22) Date of Filing Application: **21 May 2008**
(24) Date from which industrial property rights may have effect: **21 May 2008**
(54) Product in respect of which the design is registered: **Sofa**
(51) International Design Classification: **06-01G**
(71) Name(s) and Address(s) of Applicant(s):
Natuzzi S.P.A.
51 Corso Cavour 1-70121 Bari Italy
(72) Name(s) of Designer(s): **Pasquale Natuzzi**
(45) Registration Date: **23 September 2008**
(56) Related Art Documents: **Not Applicable**
(57) Statement of Newness and Distinctiveness: **Nil**



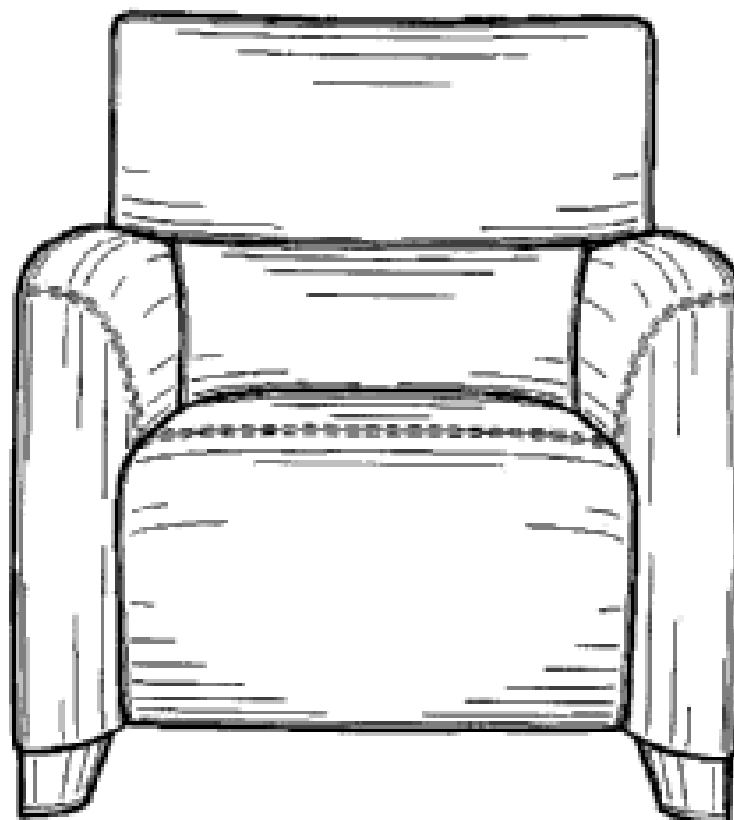
(21) Design Number: **12410/2008**
(22) Date of Filing Application: **21 May 2008**
(24) Date from which industrial property rights may have effect: **21 May 2008**
(54) Product in respect of which the design is registered: **Chair**
(51) International Design Classification: **06-01G**
(71) Name(s) and Address(s) of Applicant(s):
Natuzzi S.P.A.
51 Corso Cavour 1-70121 Bari Italy
(72) Name(s) of Designer(s): **Pasquale Natuzzi**
(45) Registration Date: **23 September 2008**
(56) Related Art Documents: **Not Applicable**
(57) Statement of Newness and Distinctiveness: **Nil**



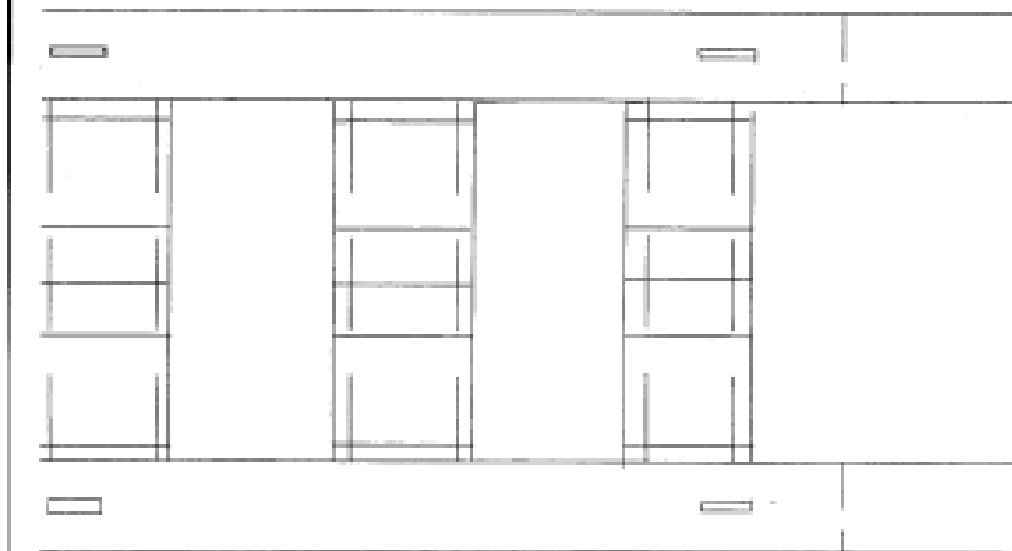
- (21) Design Number: **12411/2008**
- (22) Date of Filing Application: **21 May 2008**
- (24) Date from which industrial property rights may have effect: **21 May 2008**
- (54) Product in respect of which the design is registered: **Chair**
- (51) International Design Classification: **06-01G**
- (71) Name(s) and Address(s) of Applicant(s):
Natuzzi S.P.A.
51 Corso Cavour 1-70121 Bari Italy
- (72) Name(s) of Designer(s): **Pasquale Natuzzi**
- (45) Registration Date: **23 September 2008**
- (56) Related Art Documents: **Not Applicable**
- (57) Statement of Newness and Distinctiveness: **Nil**



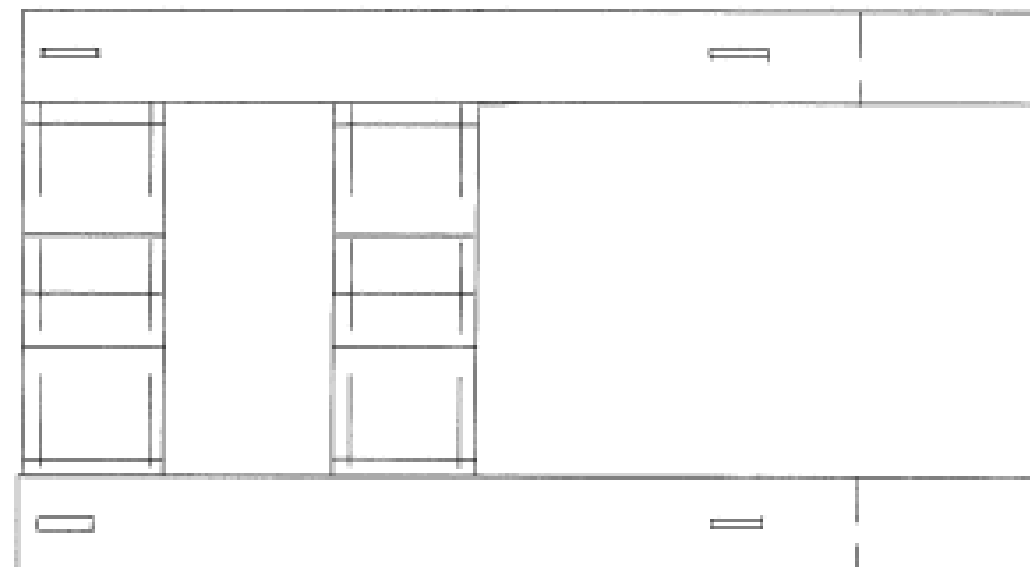
- (21) Design Number: **12412/2008**
- (22) Date of Filing Application: **21 May 2008**
- (24) Date from which industrial property rights may have effect: **21 May 2008**
- (54) Product in respect of which the design is registered: **Chair**
- (51) International Design Classification: **06-01G**
- (71) Name(s) and Address(s) of Applicant(s):
Natuzzi S.P.A.
51 Corso Cavour 1-70121 Bari Italy
- (72) Name(s) of Designer(s): **Pasquale Natuzzi**
- (45) Registration Date: **23 September 2008**
- (56) Related Art Documents: **Not Applicable**
- (57) Statement of Newness and Distinctiveness: **Nil**



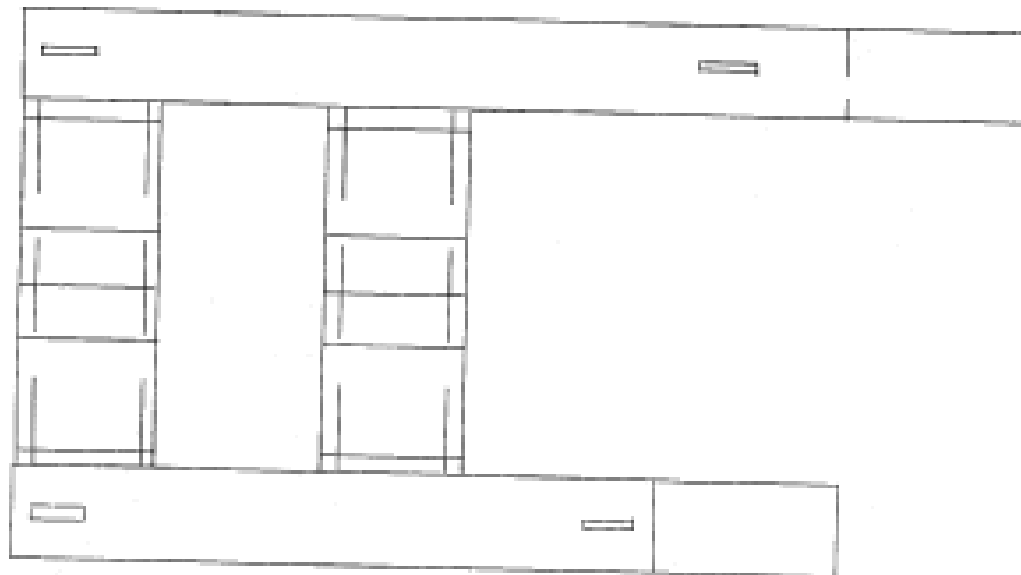
- (21) Design Number: **20263/2007**
- (22) Date of Filing Application: **16 October 2007**
- (24) Date from which industrial property rights may have effect: **16 October 2007**
- (54) Product in respect of which the design is registered: **Floating boat guide and docking system**
- (51) International Design Classification: **12-06NES**
- (71) Name(s) and Address(s) of Applicant(s):
PAAR Enterprises Pty Ltd
63 Graydens Road Tyabb Victoria 3913 Australia
- (72) Name(s) of Designer(s): **Philip Adams**
- (45) Registration Date: **23 September 2008**
- (56) Related Art Documents: **Not Applicable**
- (57) Statement of Newness and Distinctiveness: **Two 6 meter parallel HDPE pontoons with an angled down entry end, the pontoons are capped to allow the pontoons to remain buoyant, these pontoons are connected together by HDPE ties, located at the front, centre, and rear, with adjustable sections in the middle of each tie section to allow for adjustable width, for different vessels.**



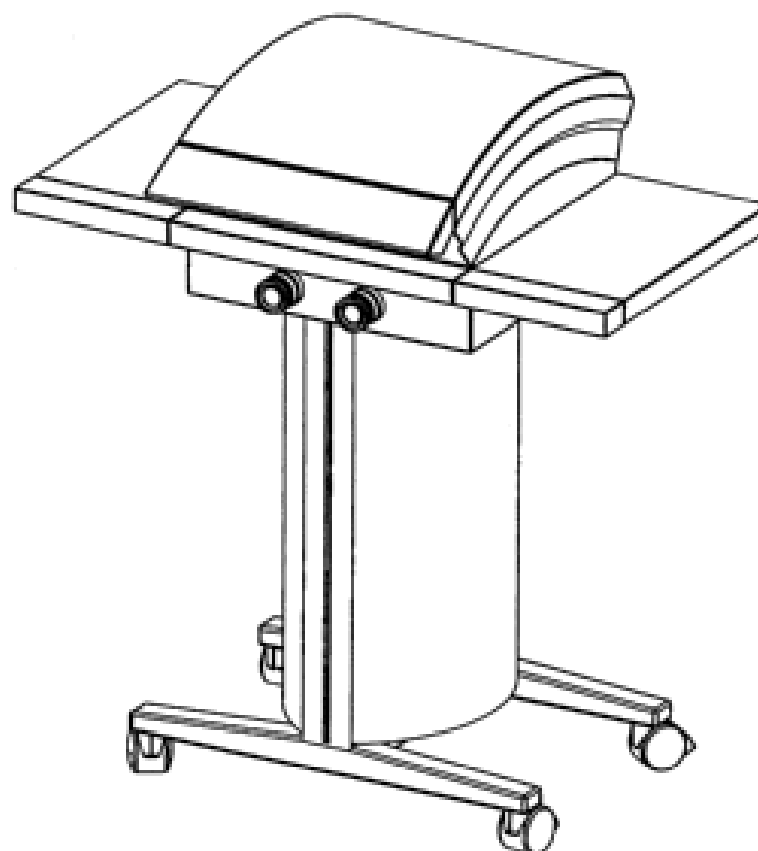
- (21) Design Number: **20264/2007**
- (22) Date of Filing Application: **16 October 2007**
- (24) Date from which industrial property rights may have effect: **16 October 2007**
- (54) Product in respect of which the design is registered: **Floating boat guide and docking system**
- (51) International Design Classification: **12-06NES**
- (71) Name(s) and Address(s) of Applicant(s):
PAAR Enterprises Pty Ltd
63 Graydens Road Tyabb Victoria 3913 Australia
- (72) Name(s) of Designer(s): **Philip Adams**
- (45) Registration Date: **23 September 2008**
- (56) Related Art Documents: **Not Applicable**
- (57) Statement of Newness and Distinctiveness: **Two 6 meter parallel HDPE pontoons with an angled down entry end, the pontoons are capped to allow the pontoons to remain buoyant, these pontoons are connected together by HDPE ties, located at the front, and centre with adjustable sections in the middle of each tie section to allow for adjustable width, for different vessels.**



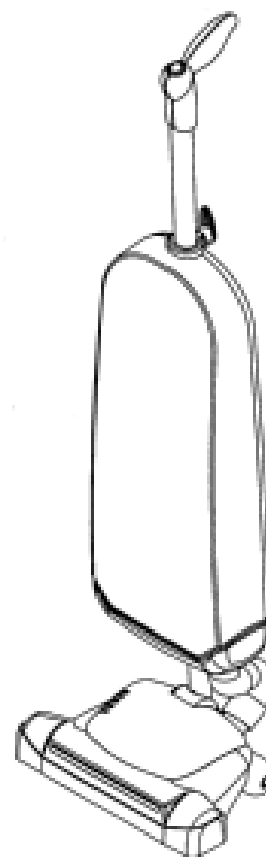
- (21) Design Number: **20265/2007**
- (22) Date of Filing Application: **16 October 2007**
- (24) Date from which industrial property rights may have effect: **16 October 2007**
- (54) Product in respect of which the design is registered: **Floating boat guide and docking system**
- (51) International Design Classification: **12-06NES**
- (71) Name(s) and Address(s) of Applicant(s):
PAAR Enterprises Pty Ltd
63 Graydens Road Tyabb Victoria 3913 Australia
- (72) Name(s) of Designer(s): **Philip Adams**
- (45) Registration Date: **23 September 2008**
- (56) Related Art Documents: **Not Applicable**
- (57) Statement of Newness and Distinctiveness: **Two parallel HDPE pontoons one slightly longer, angled down entry ends, the pontoons are capped to allow the pontoons to remain buoyant, these pontoons are connected together by HDPE ties, located at the front, and centre with adjustable sections in the middle of each tie section to allow for adjustable width, for different vessels.**



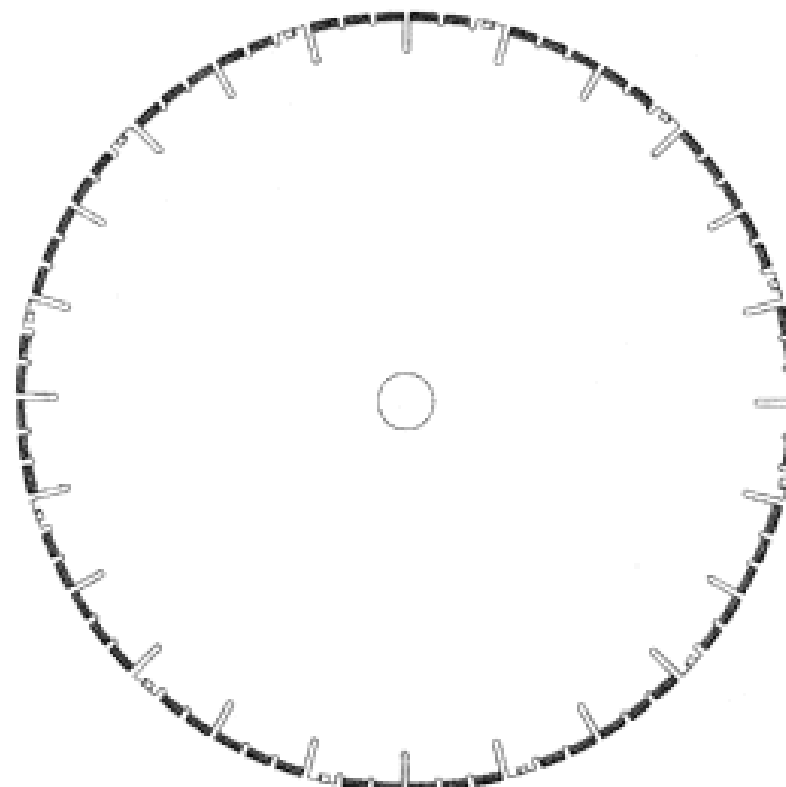
- (21) Design Number: **20398/2007**
- (22) Date of Filing Application: **23 October 2007**
- (24) Date from which industrial property rights may have effect: **23 October 2007**
- (54) Product in respect of which the design is registered: **Barbecue**
- (51) International Design Classification: **07-02E**
- (71) Name(s) and Address(s) of Applicant(s):
Focus Lifestyle Products Pty Ltd
223-225 Governor Road Braeside Victoria 3195 Australia
- (72) Name(s) of Designer(s): **Ryan Owen**
- (45) Registration Date: **23 September 2008**
- (56) Related Art Documents: **Not Applicable**
- (57) Statement of Newness and Distinctiveness: **Nil**



(21) Design Number: **20520/2007**
(22) Date of Filing Application: **29 October 2007**
(24) Date from which industrial property rights may have effect: **29 October 2007**
(54) Product in respect of which the design is registered: **Vacuum Cleaner**
(51) International Design Classification: **15-05**
(71) Name(s) and Address(s) of Applicant(s):
Shop-Vac Corporation
2323 Reach Road Williamsport PA 17701 United States of America
(72) Name(s) of Designer(s): **John Griffin**
(45) Registration Date: **23 September 2008**
(30) Convention priority data:
(31) Number (32) Date (33) Country
29/279295 25 Apr 2007 UNITED STATES OF AMERICA
(56) Related Art Documents: **Not Applicable**
(57) Statement of Newness and Distinctiveness: **When determining whether the design 1 is substantially similiar in overall impression to another design, no regard is to be had to the bottom of the vacuum cleaner, which forms no part of the design**



(21) Design Number: **12248/2008**
(22) Date of Filing Application: **12 May 2008**
(24) Date from which industrial property rights may have effect: **12 May 2008**
(54) Product in respect of which the design is registered: **Cutting blade**
(51) International Design Classification: **08-03**
(71) Name(s) and Address(s) of Applicant(s):
Rin-Soon Park
Yongsang Apartment 1-401 150-3 Wongjong-dong Ojeong-gu
Bucheon-si Gyeonggi-do 421-200 Republic of Korea
(72) Name(s) of Designer(s): **Rin-Soon Park**
(45) Registration Date: **23 September 2008**
(30) Convention priority data:
(31) Number (32) Date (33) Country
30-2007-0046798 12 Nov 2007 REPUBLIC OF KOREA
(56) Related Art Documents: **Not Applicable**
(57) Statement of Newness and Distinctiveness: **Nil**



(21) Design Number: **12318/2008**

(22) Date of Filing Application: **15 May 2008**

(24) Date from which industrial property rights may have effect: **15 May 2008**

(54) Product in respect of which the design is registered: **A bottle**

(51) International Design Classification: **09-01H**

(71) Name(s) and Address(s) of Applicant(s):

**Allied Domecq Spirits & Wine Limited
72 Chancellors Road Chivas House London W6 9RS United Kingdom**

(72) Name(s) of Designer(s): **Graham Shearsby and Antonia Hayward and Emma Warner and Ian Robertshaw and Laurent Robin-Prevallee and Ed Mitchell**

(45) Registration Date: **23 September 2008**

(30) Convention priority data:

(31) Number	(32) Date	(33) Country
911177	08 Apr 2008	EUROPEAN COMMUNITY

(56) Related Art Documents: **Not Applicable**

(57) Statement of Newness and Distinctiveness: **Newness and distinctiveness resides in the pattern and/or ornamentation of the bottle. Newness and distinctiveness also resides in the colour of the base of the bottle being the colour red.**



(21) Design Number: **12320/2008**

(22) Date of Filing Application: **15 May 2008**

(24) Date from which industrial property rights may have effect: **15 May 2008**

(54) Product in respect of which the design is registered: **Waste disposal device**

(51) International Design Classification: **09-09**

(71) Name(s) and Address(s) of Applicant(s):

**Playtex Products, Inc.
300 Nyala Farms Road Westport Connecticut 06880 United States of America**

(72) Name(s) of Designer(s): **John Rousso and Steve Mowers and John Cichello and Rick Corney and Michael Jackson**

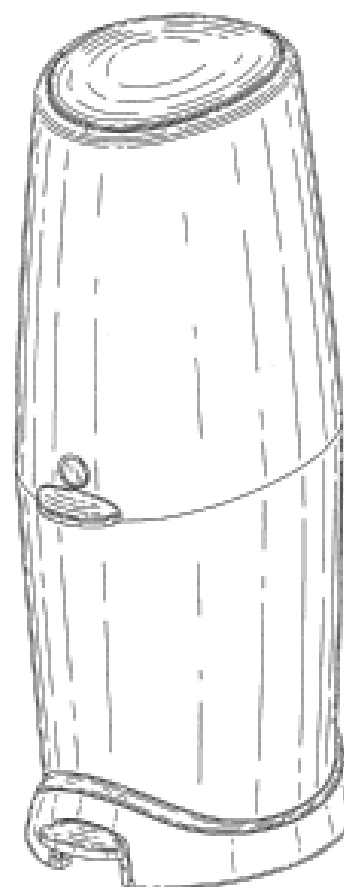
(45) Registration Date: **23 September 2008**

(30) Convention priority data:

(31) Number	(32) Date	(33) Country
29/293,319	16 Nov 2007	UNITED STATES OF AMERICA

(56) Related Art Documents: **Not Applicable**

(57) Statement of Newness and Distinctiveness: **Those features of the waste disposal device depicted in the representations that are new and distinctive are the shape and/or configuration.**



(21) Design Number: **12322/2008**

(22) Date of Filing Application: **15 May 2008**

(24) Date from which industrial property rights may have effect: **15 May 2008**

(54) Product in respect of which the design is registered: **Watch case**

(51) International Design Classification: **10-07**

(71) Name(s) and Address(s) of Applicant(s):

Swatch AG (Swatch SA) (Swatch Ltd)
94 rue Jakob Stampfli Bienne Switzerland

(72) Name(s) of Designer(s): **Damien Goyet**

(45) Registration Date: **23 September 2008**

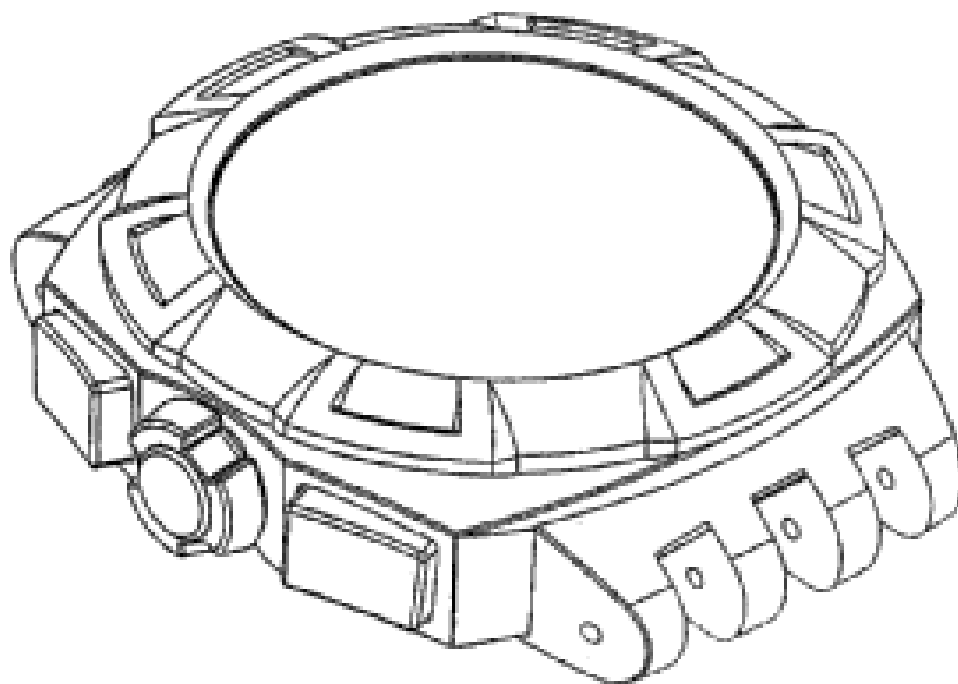
(30) Convention priority data:

(31) Number (32) Date
DM/069 762 21 Feb 2008

(33) Country
**WORLD INTELLECTUAL
PROPERTY ORGANIZATION
(WIPO)**

(56) Related Art Documents: **Not Applicable**

(57) Statement of Newness and Distinctiveness: **Nil**



(21) Design Number: **12389/2008**

(22) Date of Filing Application: **21 May 2008**

(24) Date from which industrial property rights may have effect: **21 May 2008**

(54) Product in respect of which the design is registered: **Chrome exhaust extension**

(51) International Design Classification: **12-16N**

(71) Name(s) and Address(s) of Applicant(s):

Chromend Supply Co.
13 Windsor Street Richmond New south Wales 2753 Australia

(72) Name(s) of Designer(s): **Daniel Woodbury**

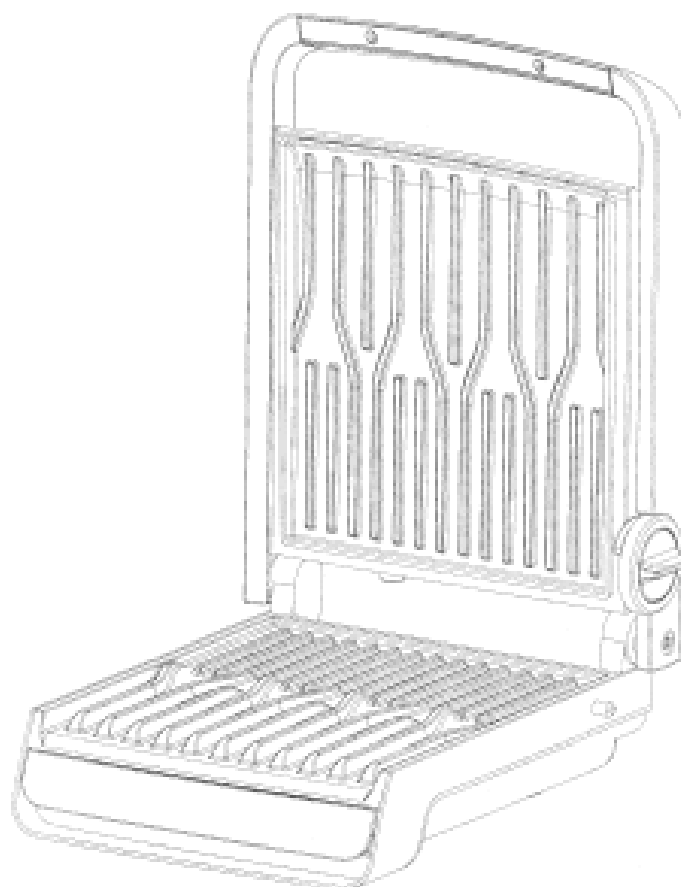
(45) Registration Date: **23 September 2008**

(56) Related Art Documents: **Not Applicable**

(57) Statement of Newness and Distinctiveness: **The exhaust extension has a half rolled edge designed to suit a dual exhaust. With a 90mm dual outlet collecting back into a single inlet. This is distinctive in size and character with its compact size comparison. Has a unique collector.**



(21) Design Number: **12426/2008**
 (22) Date of Filing Application: **22 May 2008**
 (24) Date from which industrial property rights may have effect: **22 May 2008**
 (54) Product in respect of which the design is registered: **Grill**
 (51) International Design Classification: **07-02H**
 (71) Name(s) and Address(s) of Applicant(s):
Sunbeam Corporation Limited
Units 5 & 6 13 Lord Street Botany New South Wales 2019 Australia
 (72) Name(s) of Designer(s): **Andrew Grigor**
 (45) Registration Date: **23 September 2008**
 (56) Related Art Documents: **Not Applicable**
 (57) Statement of Newness and Distinctiveness: **Newness and distinctiveness in the design is claimed in the features of shape and/or configuration of a grill as illustrated in the accompanying drawings.**



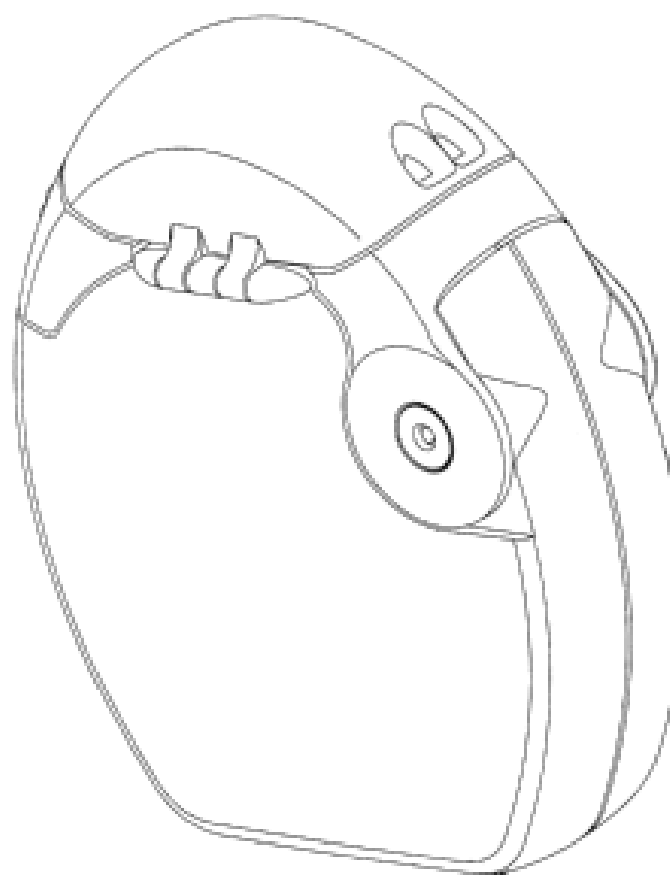
(21) Design Number: **12427/2008**
 (22) Date of Filing Application: **22 May 2008**
 (24) Date from which industrial property rights may have effect: **22 May 2008**
 (54) Product in respect of which the design is registered: **Screwdriver**
 (51) International Design Classification: **08-04**
 (71) Name(s) and Address(s) of Applicant(s):
Black & Decker Inc
1207 Drummond Plaza Newark Delaware 19711 United States of America
 (72) Name(s) of Designer(s): **Thomas W. Murray and Christopher J. Murray**
 (45) Registration Date: **23 September 2008**
 (30) Convention priority data:

(31) Number	(32) Date	(33) Country
29/298714	12 Dec 2007	UNITED STATES OF AMERICA

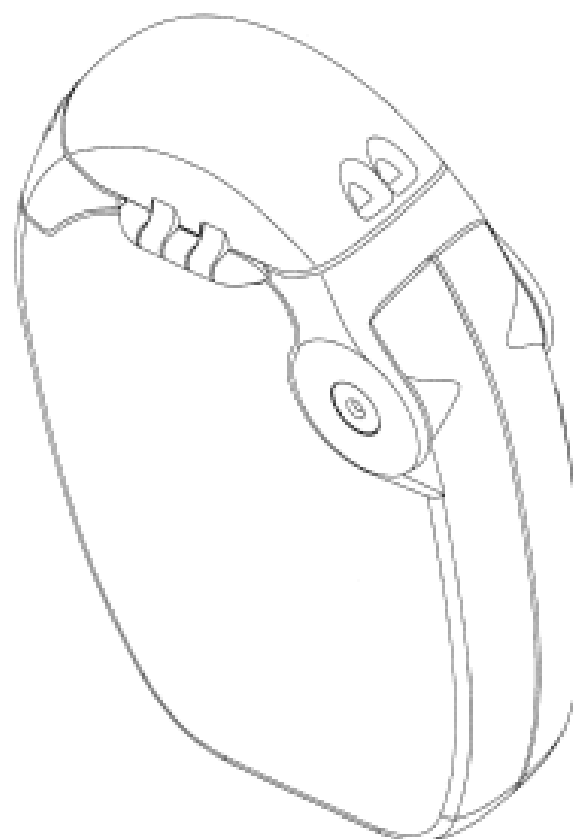
 (56) Related Art Documents: **Not Applicable**
 (57) Statement of Newness and Distinctiveness: **Nil**



(21) Design Number: **12429/2008**
(22) Date of Filing Application: **22 May 2008**
(24) Date from which industrial property rights may have effect: **22 May 2008**
(54) Product in respect of which the design is registered: **Inhaler**
(51) International Design Classification: **24-04**
(71) Name(s) and Address(s) of Applicant(s):
Vectura Delivery Devices Limited
1 Prospect West Chippenham Wiltshire SN14 6FH United Kingdom
(72) Name(s) of Designer(s): **Matthew Neil Sarkar and Roger William Clarke**
and Stephen William Eason and Graham Roger Gibbins
(45) Registration Date: **23 September 2008**
(30) Convention priority data:
(31) Number (32) Date (33) Country
000831730 23 Nov 2007 EUROPEAN COMMUNITY
(56) Related Art Documents: **Not Applicable**
(57) Statement of Newness and Distinctiveness: **Nil**



(21) Design Number: **12430/2008**
(22) Date of Filing Application: **22 May 2008**
(24) Date from which industrial property rights may have effect: **22 May 2008**
(54) Product in respect of which the design is registered: **Inhaler**
(51) International Design Classification: **24-04**
(71) Name(s) and Address(s) of Applicant(s):
Vectura Delivery Devices Limited
1 Prospect West Chippenham Wiltshire SN14 6FH United Kingdom
(72) Name(s) of Designer(s): **Matthew Neil Sarkar and Roger William Clarke**
and Stephen William Eason and Graham Roger Gibbins
(45) Registration Date: **23 September 2008**
(30) Convention priority data:
(31) Number (32) Date (33) Country
000831730 23 Nov 2007 EUROPEAN COMMUNITY
(56) Related Art Documents: **Not Applicable**
(57) Statement of Newness and Distinctiveness: **Nil**



- (21) Design Number: **12464/2008**
(22) Date of Filing Application: **23 May 2008**
(24) Date from which industrial property rights may have effect: **23 May 2008**
(54) Product in respect of which the design is registered: **Mixer tap and spout**
(51) International Design Classification: **23-01H**
(71) Name(s) and Address(s) of Applicant(s):
 Phoenix Industries Pty Ltd
 31 Gilbert Park Drive Knoxfield Victoria 3180 Australia
(72) Name(s) of Designer(s): **Andrew Cocks**
(45) Registration Date: **23 September 2008**
(56) Related Art Documents: **Not Applicable**
(57) Statement of Newness and Distinctiveness: **Nil**

