



**Australian Government**

---

**IP Australia**

**AUSTRALIAN OFFICIAL JOURNAL**

**OF**

**DESIGNS**

Did you know a searchable version of this journal is now available online?  
It's FREE and EASY to SEARCH.

Find it at

<http://pericles.ipaustralia.gov.au/ols/epublish/content/olsEpublications.jsp>  
or using the "Online Journals" link on the IP Australia home page.

This Page Left Intentionally Blank

## Contents

### General Information & Notices

#### Proceedings Under the Designs Act 1906 preserved as a result of the provisions of Chapter 12 Part 2 of the Designs Act 2003

Applications for Extension of Time .....	2478
Extension of Period of Registration of Designs .....	2478
Names Registered - Alterations and Amendments .....	2478
Registrations Ceased .....	2478
Subsequent Owners Registered .....	2478

#### Proceedings Under the Designs Act 2003

Applications for Extension of Time Under Section 137 .....	2490
Applications Lapsed .....	2489
Applications Lodged .....	2483
Applications Withdrawn .....	2489
Certificate of Examination .....	2491
Extension of Time Granted Under Section 137 .....	2490
Names Registered - Alterations and Amendments .....	2490
Publication and Registration Proceedings	
Designs Registered 321244 to 321387.....	2492
Registrations Ceased .....	2490
Subsequent Owners Registered .....	2490

This Page Left Intentionally Blank

For information on the following please see our website [www.ipaustralia.gov.au](http://www.ipaustralia.gov.au) or contact our Customer Service Network on 1300651010

[Editorial enquiries](#)

[Contact information](#)

[Freedom of Information ACT](#)

[Professional Standards Board](#)

[Sales](#)

[Requests for Information under Section 194 \(c\)](#)

[Country Codes](#)

[Trade Mark and Designs Hearing Sessions](#)

[INID \(Internationally agreed Numbers for the Identification of Data\)](#)

## “INID” NUMBERS in use on Australian Design Documents

“INID” is an acronym for “Internationally agreed Numbers for the Identification of Data”.

### (10) Data concerning the registration/renewal

- (11) Serial number of the registration and/or number of the design document
- (12) Plain language designation of the kind of published document
- (19) Identification, using the two-letter code according to WIPO Standard ST.3, of the authority publishing or registering the industrial design

### (20) Data concerning the application

- (21) Serial number of the application
- (22) Date of filing of the application
- (24) Date from which the industrial design right has effect

### (30) Data relating to priority under the Paris Convention

- (31) Serial number assigned to the priority application
- (32) Date of filing of the priority application
- (33) Two-letter code, according to WIPO Standard ST.3, identifying the authority with which the priority application was made

### (40) Date(s) of making information available to the public

- (45) Date of publication of the registered industrial design by printing or similar process, or making it available to the public by any other means

### (50) Miscellaneous Information

- (51) International Classification for Industrial Designs (class and subclass of the Locarno Classification)
- (54) Designation of article(s) or product(s) covered by the industrial design or title of the industrial design
- (55) Reproduction of the industrial design (e.g., drawing, photograph) and explanations relating to the reproduction
- (56) List of prior art documents, if separate from descriptive text
- (57) Description of characteristic features of the industrial design including indication of colours

### (60) References to other legally related application(s) and registration(s)

- (62) Serial number(s) and, if available, filing date(s) of application(s), registration(s) or document(s) related by division
- (66) Serial number(s) of the application, or the registration, of the design(s) which is (are) a variant(s) of the present one

### (70) Identification of parties concerned with the application or registration

- (71) Name(s) and address(es) of the applicant(s)
- (72) Name(s) of the creator(s) if known to be such
- (74) Name(s) and address(es) of the representative(s)

This Page Left Intentionally Blank

**Official Notice****Designs Act 2003  
Amendments to Registered Designs at Examination**

The following amendments have been made to details previously published in the Australian Official Journal of Designs during the Examination process:

<b>Registration Numbers</b>	<b>Amendment type</b>	<b>New details</b>
315183	Classification	19-02, 19-06
315257	Classification	04-01
315258	Classification	04-01
319272	Classification	07-07Z
319493	Classification	06-09
320400	Classification	25-01G, 25-02C
320535	Classification	09-05

**Contact:** IP Australia  
**Phone:** 1300 651 010  
**Fax:** +61 2 6283 7999  
**E-Mail:** [assist@ipaustralia.gov.au](mailto:assist@ipaustralia.gov.au)  
**Web:** [www.ipaustralia.gov.au](http://www.ipaustralia.gov.au)

Official Notice

**Designs Act 2003  
Correction of Register**

The following corrections under Regulation 9.05 (1) have been made to details previously published in the Australian Official Journal of Designs:

Registration Number	Amendment type	New details
320997	Representations	Representations as below

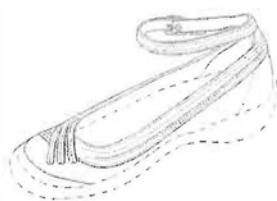


Fig 1

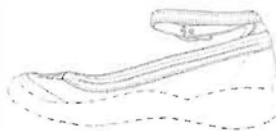


Fig.3



Fig.5

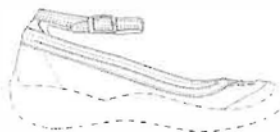


Fig.4



Fig 6



Fig 2

**Representations**

Figure 1 is a perspective view of the footwear upper.

Figure 2 is a top view thereof.

Figure 3 is a right side view thereof.

Figure 4 is a left side view thereof.

Figure 5 is a front view thereof, and

Figure 6 is a rear view thereof.

Figs. 1-6 show features of an article of footwear in phantom lines. These features are shown for environmental purposes and do not form any part of the claimed design. Further, the phantom lines immediately adjacent the solid-line portions of the design form the boundary of the design, with the phantom lines forming no part of the claimed design.

**Contact:** IP Australia  
**Phone:** 1300 651 010  
**Fax:** +61 2 6283 7999  
**E-Mail:** [assist@ipaaustralia.gov.au](mailto:assist@ipaaustralia.gov.au)  
**Web:** [www.ipaustralia.gov.au](http://www.ipaustralia.gov.au)

**Proceedings under the Designs Act 1906 preserved as a  
result of the provisions of Chapter 12 Part 2 of the Designs  
Act 2003.**

This Page Left Intentionally Blank

**Applications Lapsed**

There were no Applications Lapsed under this section

**Extension of Period of Registration of Designs**

**2nd Period (Section 27A(12))**

148504	148955	149607
149647	150041	150131
150149	150150	150151
150152	150209	150228
150326	150522	150523
150600	150601	150767
150807	150844	150854
150967	150968	150969
150970	151104	151261
151368	151711	151834
151878	151973	152177
152178	152193	152194
152195	152309	152341
152419	152672	152866
152881	152882	152883
154088	154528	154563
154564	154642	155149
155334	155336	155337
155687	156312	157945

**3rd Period (Section 27A(13))**

131658	131659	131660
133187	133390	133888
134825	134826	134989
135536	135815	136124
137085		

**Registrations Ceased**

Note: Some of the following Registrations may have been previously advertised as ceased. In this instance, the previous advertisement still prevails.

115998	116085	116176
116729	116730	116731
116732	116755	116842
116916	116918	116919
116920	117219	117402
117701	117777	118240
118488	118531	119763
119858	119927	120114
121207	121630	121631
121632	121633	121638
122590	129842	129843
129940	131462	131492
131530	131767	131961
131962	132294	132295
132323	132550	132670
132803	134221	134327
135110	135311	136281
141862	146940	147407
147408	147570	147837
148005	148293	148360

148392	148393	148395
148417	148444	148631
148690	148691	148712
148713	148714	148715
148716	148717	148718
148848	148849	148881
148882	148883	148884
148885	148886	148905
148973	149117	149196
149212	151605	152340
152457	152726	152889
153585	154108	155287
156841	157964	

**Applications for Extension of time**

Applications for extension of time have been lodged. Objections must be lodged within 1 month from the date of this journal.

130441 **Raymond Gary Hollis** Extension of time to extend a registration. Address for Service: R.G. Hollis 60A Hansens Road MINTO HEIGHTS NSW 2566

**Subsequent Owners Registered**

(The name in parentheses is that of the subsequent owner)

144392	( <b>Husqvarna AB</b> ) Jenn Feng Industrial Co. Ltd
146836	( <b>Husqvarna AB</b> ) Jenn Feng Industrial Co. Ltd
149782	( <b>Husqvarna AB</b> ) Jenn Feng Industrial Co. Ltd
139953	( <b>Morinda Australia Pty Ltd</b> ) EMMS Investments Pty Ltd
141949	( <b>Morinda Australia Pty Ltd</b> ) EMMS Investment Pty Ltd
154433	( <b>APC Group Holdings Pty Ltd</b> ) APC Storage Solutions Pty Ltd

**Names Registered - Alterations and Amendments**

(The name in parentheses is the new name of the proprietor)

124129	( <b>Hanson Building Products Pty Ltd</b> ) Pioneer Building Products (Qld) Pty Ltd
146963	( <b>Hanson Building Products Pty Ltd</b> ) Pioneer Building Products (Qld) Pty Ltd

This Page Left Intentionally Blank



**Proceedings under the Designs Act 2003.**

This Page Left Intentionally Blank

**Applications Lodged**

Lodgement information is in the following order: **Applicant's Name**; International Classification, Name of Product, Lodgement Date and **Design Number**. If the applicant claims an earlier priority date under an International Convention, the Convention Country and the associated filing date are shown in parentheses before the Lodgement Date. Divisional information will also appear in parentheses before the Lodgement Date.

<b>Acerack Pty Limited;</b> 07-01NES, Storage bin, 30 Sep 2008	<b>14673/2008</b>	<b>Bambis Imports Co. Pty Ltd;</b> 23-02A, Paper roll holder, 02 Oct 2008	<b>14770/2008</b>
<b>Acerack Pty Limited;</b> 07-01NES, Storage bin, 30 Sep 2008	<b>14674/2008</b>	<b>Bambis Imports Co. Pty Ltd;</b> 07-01NES, Canister, 02 Oct 2008	<b>14771/2008</b>
<b>Actron Technology Pty Ltd;</b> 06-07, Digital photo frame, 25 Sep 2008	<b>14620/2008</b>	<b>Bambis Imports Co. Pty Ltd;</b> 06-07, Mirror, 02 Oct 2008	<b>14772/2008</b>
<b>Apple Inc.;</b> 14-01, Electronic device, (US, 07 Apr 2008) 30 Sep 2008	<b>14656/2008</b>	<b>Bambis Imports Co. Pty Ltd;</b> 09-07A, Liquid dispenser, 02 Oct 2008	<b>14766/2008</b>
<b>Apple Inc.;</b> 14-01, Electronic device, (US, 07 Apr 2008) 30 Sep 2008	<b>14657/2008</b>	<b>Bayer Schering Pharma Oy;</b> 28-01, Intrauterine device, (EM, 02 Apr 2008) 19 Sep 2008	<b>14502/2008</b>
<b>Apple Inc.;</b> 14-01, Electronic device, (US, 07 Apr 2008) 30 Sep 2008	<b>14658/2008</b>	<b>Bayer Schering Pharma Oy;</b> 28-01, Intrauterine device, (EM, 02 Apr 2008) 19 Sep 2008	<b>14503/2008</b>
<b>Apple Inc.;</b> 14-01, Electronic device, (US, 07 Apr 2008) 30 Sep 2008	<b>14659/2008</b>	<b>Bayer Schering Pharma Oy;</b> 28-01, Intrauterine device, (EM, 02 Apr 2008) 19 Sep 2008	<b>14504/2008</b>
<b>Apple Inc.;</b> 14-01, Electronic device, (US, 07 Apr 2008) 30 Sep 2008	<b>14660/2008</b>	<b>Bayer Schering Pharma Oy;</b> 28-01, Intrauterine device, (EM, 02 Apr 2008) 19 Sep 2008	<b>14505/2008</b>
<b>Apple Inc.;</b> 14-01, Electronic device, (US, 07 Apr 2008) 30 Sep 2008	<b>14661/2008</b>	<b>Bayer Schering Pharma Oy;</b> 28-01, Intrauterine device, (EM, 02 Apr 2008) 19 Sep 2008	<b>14506/2008</b>
<b>Apple Inc.;</b> 14-01, Electronic device, (US, 07 Apr 2008) 30 Sep 2008	<b>14662/2008</b>	<b>Bayer Schering Pharma Oy;</b> 28-01, Intrauterine device, (EM, 02 Apr 2008) 19 Sep 2008	<b>14507/2008</b>
<b>Apple Inc.;</b> 14-01, Electronic device, (US, 07 Apr 2008) 30 Sep 2008	<b>14663/2008</b>	<b>Bayer Schering Pharma Oy;</b> 28-01, Intrauterine device, (EM, 02 Apr 2008) 19 Sep 2008	<b>14508/2008</b>
<b>Apple Inc.;</b> 14-01, Electronic device, (US, 07 Apr 2008) 30 Sep 2008	<b>14655/2008</b>	<b>Bayer Schering Pharma Oy;</b> 28-01, Intrauterine device, (EM, 02 Apr 2008) 19 Sep 2008	<b>14509/2008</b>
<b>ADC Communications (Australia) Pty Limited;</b> 14-03A, Base plate for a telecommunications outlet box, 25 Sep 2008	<b>14600/2008</b>	<b>Bayer Schering Pharma Oy;</b> 28-01, Intrauterine device, (EM, 02 Apr 2008) 19 Sep 2008	<b>14510/2008</b>
<b>ASTP Pty Ltd;</b> 08-05K, A level guide stand for tiling, 26 Sep 2008	<b>14642/2008</b>	<b>Bayer Schering Pharma Oy;</b> 28-01, Intrauterine device, 19 Sep 2008	<b>14511/2008</b>
<b>B.J.B. Industries Pty Limited;</b> 25-02C, 25-01K, Fencing upper section, 19 Sep 2008	<b>14515/2008</b>	<b>Bellnet Pty Ltd;</b> 12-16NES, Air intake unit, 24 Sep 2008	<b>14584/2008</b>
<b>Bambis Import Co. Pty Ltd;</b> 09-07A, Liquid dispenser, 02 Oct 2008	<b>14758/2008</b>	<b>Benet, Agnieszka;</b> 07-02L, 23-01G, Disposable tea/coffee filter, 11 Aug 2008	<b>13828/2008</b>
<b>Bambis Imports Co. Pty Ltd;</b> 07-01C, Tumbler, 02 Oct 2008	<b>14767/2008</b>	<b>Benex Technologies Pty Ltd;</b> 25-01NES, A filler plate, 19 Sep 2008	<b>14492/2008</b>
<b>Bambis Imports Co. Pty Ltd;</b> 23-02A, Soap holder, 02 Oct 2008	<b>14768/2008</b>	<b>Brennan, Katherine;</b> 11-02F, Decorative screens, 09 Apr 2008	<b>14576/2008</b>
<b>Bambis Imports Co. Pty Ltd;</b> 04-02, Toilet brush and holder, 02 Oct 2008	<b>14769/2008</b>	<b>Brennan, Katherine;</b> 11-02F, Decorative screens, 09 Apr 2008	<b>14574/2008</b>
		<b>Brennan, Katherine;</b> 11-02F, Decorative screens, 09 Apr 2008	<b>14575/2008</b>

<b>Brennan, Katherine;</b> 11-02F, Decorative screens, 09 Apr 2008	<b>14570/2008</b>	<b>Connolly Key Joint Pty Ltd;</b> 08-08NES, Support leg for dowel sleeve, 25 Sep 2008	<b>14593/2008</b>
<b>Brennan, Katherine;</b> 11-02F, Decorative screens, 09 Apr 2008	<b>14571/2008</b>	<b>Connolly Key Joint Pty Ltd;</b> 08-08NES, End cap for dowel sleeve, 25 Sep 2008	<b>14594/2008</b>
<b>Brennan, Katherine;</b> 11-02F, Decorative screens, 09 Apr 2008	<b>14572/2008</b>	<b>Connolly Key Joint Pty Ltd;</b> 08-08NES, End for dowel sleeve, 25 Sep 2008	<b>14595/2008</b>
<b>Bridgestone Corporation;</b> 12-15A, Tyre, 01 Oct 2008	<b>14679/2008</b>	<b>Cook, David George;</b> 25-01K, Extrusion, 23 Sep 2008	<b>14605/2008</b>
<b>Bridgestone Corporation;</b> 12-15A, Tyre, 01 Oct 2008	<b>14680/2008</b>	<b>Cook, David George;</b> 25-01K, Extrusion, 22 Sep 2008	<b>14516/2008</b>
<b>Bridgestone Corporation;</b> 12-15A, Tyre, 01 Oct 2008	<b>14681/2008</b>	<b>Cook, David George;</b> 08-08NES, 21-04, Stake, 05 Sep 2008	<b>14318/2008</b>
<b>Bridgestone Corporation;</b> 12-15A, Tyre, 01 Oct 2008	<b>14682/2008</b>	<b>Cook, David George;</b> 25-01K, Extrusion, 10 Sep 2008	<b>14370/2008</b>
<b>Bridgestone Corporation;</b> 12-15A, Tyre, 01 Oct 2008	<b>14683/2008</b>	<b>Daimler AG;</b> 12-16A, Wheel for vehicle, (EM, 31 Mar 2008) 29 Sep 2008	<b>14639/2008</b>
<b>Bridgestone Corporation;</b> 12-15A, Tyre, 01 Oct 2008	<b>14684/2008</b>	<b>Daimler AG;</b> 12-16A, Wheel for vehicle, (EM, 31 Mar 2008) 29 Sep 2008	<b>14637/2008</b>
<b>Bridgestone Corporation;</b> 12-15A, Tyre, 01 Oct 2008	<b>14685/2008</b>	<b>Daimler AG;</b> 12-16A, Wheel for vehicle, (EM, 31 Mar 2008) 29 Sep 2008	<b>14638/2008</b>
<b>Bridgestone Corporation;</b> 12-15A, Tyre, 01 Oct 2008	<b>14676/2008</b>	<b>Danson, Robert John;</b> 25-01E, A fence post, 06 Oct 2008	<b>14750/2008</b>
<b>Bridgestone Corporation;</b> 12-15A, Tyre, 01 Oct 2008	<b>14677/2008</b>	<b>De'Longhi Spa;</b> 07-05A, Steam generator for an iron, (EM, 01 Apr 2008) 25 Sep 2008	<b>14585/2008</b>
<b>Bridgestone Corporation;</b> 12-15A, Tyre, 01 Oct 2008	<b>14678/2008</b>	<b>De'Longhi Spa;</b> 07-05A, Steam generator for an iron, (EM, 01 Apr 2008) 25 Sep 2008	<b>14586/2008</b>
<b>Brown, Stanley; James, Warren;</b> 08-08NES, 08-03, Roller ball attachment for an edge trimmer, 29 Sep 2008	<b>14622/2008</b>	<b>De'Longhi Spa;</b> 07-05A, Steam generator for an iron, (EM, 01 Apr 2008) 25 Sep 2008	<b>14587/2008</b>
<b>Bulgari Time (Switzerland) SA;</b> 10-02, Wrist watch, (EM, 31 Mar 2008) 26 Sep 2008	<b>14614/2008</b>	<b>De'Longhi Spa;</b> 07-05A, Flat iron, (EM, 01 Apr 2008) 25 Sep 2008	<b>14588/2008</b>
<b>C.S.B. Commodities, Inc.;</b> 07-01B, Tray, 30 Sep 2008	<b>14668/2008</b>	<b>Diamond, Bruce;</b> 03-01B, Green plastic tab 2 1/2 cm x 2 1/2 cm in the shape of a bag., 23 Sep 2008	<b>14532/2008</b>
<b>C.S.B. Commodities, Inc.;</b> 19-06, Pen holder, 30 Sep 2008	<b>14669/2008</b>	<b>Dioptics Medical Products, Inc.;</b> 16-06, Eyewear, (US, 09 Apr 2008) 23 Sep 2008	<b>14559/2008</b>
<b>Capitol Clothing Pty Ltd;</b> 02-02C, Jeans, 23 Sep 2008	<b>14546/2008</b>	<b>Dioptics Medical Products, Inc.;</b> 16-06, Eyewear, (US, 09 Apr 2008) 23 Sep 2008	<b>14560/2008</b>
<b>Chen, Peter Arthur;</b> 19-04, Table bookings diaries, 25 Sep 2008	<b>14613/2008</b>	<b>Dioptics Medical Products, Inc.;</b> 16-06, Eyewear, (US, 09 Apr 2008) 23 Sep 2008	<b>14561/2008</b>
<b>Chiang, Herman;</b> 16-06, 21-02D, Swimming goggles, 25 Sep 2008	<b>14589/2008</b>	<b>Dioptics Medical Products, Inc.;</b> 16-06, Eyewear, (US, 09 Apr 2008) 23 Sep 2008	<b>14562/2008</b>
<b>Coleman, Peter Charles;</b> 08-05F, Clamping support for panel or sheet material either flat or curved, 23 Sep 2008	<b>14547/2008</b>	<b>Dioptics Medical Products, Inc.;</b> 16-06, Eyewear, (US, 09 Apr 2008) 23 Sep 2008	<b>14563/2008</b>
<b>Comvita Limited;</b> 25-04, A container with a flip top lid, (NZ, 19 Oct 2007) 18 Apr 2008	<b>14645/2008</b>		
<b>Connolly Key Joint Pty Ltd;</b> 08-08NES, Support leg for dowel sleeve, 25 Sep 2008	<b>14592/2008</b>		

<b>Dioptics Medical Products, Inc.;</b> 16-06, Eyewear, (US, 09 Apr 2008) 23 Sep 2008	<b>14558/2008</b>	<b>Glaxo Group Limited;</b> 24-04, Mouthpiece, (GB, 18 Feb 2008) 15 Aug 2008	<b>14538/2008</b>
<b>Dulwich Hill Sewing Centre;</b> 20-02E, , 25 Sep 2008	<b>14599/2008</b>	<b>Glaxo Group Limited;</b> 24-04, Mouthpiece, (GB, 18 Feb 2008) 15 Aug 2008	<b>14539/2008</b>
<b>Eaton Corporation;</b> 21-02C, Golf grip, (US, 26 Mar 2008) 23 Sep 2008	<b>14565/2008</b>	<b>Glaxo Group Limited;</b> 24-04, Mouthpiece, (GB, 18 Feb 2008) 15 Aug 2008	<b>14540/2008</b>
<b>Eaton Corporation;</b> 21-02C, Golf grip, (US, 26 Mar 2008) 23 Sep 2008	<b>14566/2008</b>	<b>Glaxo Group Limited;</b> 24-04, Mouthpiece, (GB, 18 Feb 2008) 15 Aug 2008	<b>14541/2008</b>
<b>Eaton Corporation;</b> 21-02C, Golf grip, (US, 26 Mar 2008) 23 Sep 2008	<b>14564/2008</b>	<b>Glaxo Group Limited;</b> 24-04, Mouthpiece, (GB, 18 Feb 2008) 15 Aug 2008	<b>14542/2008</b>
<b>Eaton Corporation;</b> 21-02C, Golf grip, (US, 26 Mar 2008) 22 Sep 2008	<b>14523/2008</b>	<b>Glaxo Group Limited;</b> 24-04, Mouthpiece, (GB, 18 Feb 2008) 15 Aug 2008	<b>14543/2008</b>
<b>Eaton Corporation;</b> 21-02C, Golf grip, (US, 26 Mar 2008) 19 Sep 2008	<b>14512/2008</b>	<b>Glaxo Group Limited;</b> 24-04, Mouthpiece, 15 Aug 2008	<b>14544/2008</b>
<b>Eaton Corporation;</b> 21-02C, Golf grip, (US, 26 Mar 2008) 22 Sep 2008	<b>14524/2008</b>	<b>Glaxo Group Limited;</b> 24-04, Mouthpiece, 15 Aug 2008	<b>14545/2008</b>
<b>Eaton Corporation;</b> 21-02C, Golf grip, (US, 26 Mar 2008) 22 Sep 2008	<b>14525/2008</b>	<b>Global Shopping Network Pty Ltd;</b> 20-02C, Display stand, 25 Sep 2008	<b>14548/2008</b>
<b>Electrolux Home Products Corporation N.V.;</b> 31-00, Beverage dispenser, (EM, 04 Apr 2008) 03 Oct 2008	<b>14749/2008</b>	<b>Gojo Industries Inc.;</b> 09-07A, Dispenser pumphead, (US, 27 May 2008) 25 Sep 2008	<b>14621/2008</b>
<b>Event Studios Australia Pty. Ltd.;</b> 25-03, Portable building, 29 Sep 2008	<b>14649/2008</b>	<b>Gration, Tristan Kent;</b> 06-01E, Seat, 23 Sep 2008	<b>14517/2008</b>
<b>Fujitsu Limited;</b> 14-02, Personal computer, (JP, 28 Mar 2008) 26 Sep 2008	<b>14616/2008</b>	<b>Greirson, Kim;</b> 12-08, Improved mining truck design, 26 Sep 2008	<b>14650/2008</b>
<b>Fujitsu Limited;</b> 14-02, Personal computer stand, (JP, 28 Mar 2008) 26 Sep 2008	<b>14617/2008</b>	<b>Hartex Engineering and Installation Services Pty Ltd;</b> 12-16NES, Hydraulic pit jack, axle pick up head, heavy vehicle, 03 Oct 2008	<b>14725/2008</b>
<b>Gardam, Ross; Spaceleft;</b> 06-04NES, Flat jack, X board bookcase/storage unit, 02 Oct 2008	<b>14689/2008</b>	<b>Hartex Engineering and Installation Services Pty Ltd;</b> 12-05, Hydraulic pit jack, axle pick-up head, pit jack carriage, trolley, 03 Oct 2008	<b>14724/2008</b>
<b>GeekIT Group Pty Limited;</b> 04-02, Headphone cable clip, 02 Oct 2008	<b>14691/2008</b>	<b>Hartex Engineering and Installation Services Pty Ltd;</b> 12-05, Hydraulic pit jack, heavy vehicle, 03 Oct 2008	<b>14726/2008</b>
<b>GeekIT Group Pty Limited;</b> 04-02, Cable clip, 02 Oct 2008	<b>14690/2008</b>	<b>Healley, Stewart Norman;</b> 11-05, Flag, 06 Oct 2008	<b>14773/2008</b>
<b>Glaxo Group Limited;</b> 24-04, Mouthpiece, (GB, 18 Feb 2008) 15 Aug 2008	<b>14534/2008</b>	<b>Hernandez, Richard;</b> 23-01F, Water tank, 01 Oct 2008	<b>14728/2008</b>
<b>Glaxo Group Limited;</b> 24-04, Mouthpiece, (GB, 18 Feb 2008) 15 Aug 2008	<b>14535/2008</b>	<b>Hernandez, Richard;</b> 23-01F, Design 1: Corner water tank - triangle shape, 01 Oct 2008	<b>14729/2008</b>
<b>Glaxo Group Limited;</b> 24-04, Mouthpiece, (GB, 18 Feb 2008) 15 Aug 2008	<b>14533/2008</b>	<b>Hill Equipment &amp; Refrigeration Co. Pty Ltd;</b> 23-04, Air conditioning filter distribution manifold, 19 Sep 2008	<b>14491/2008</b>
<b>Glaxo Group Limited;</b> 24-04, Mouthpiece, 15 Aug 2008	<b>14536/2008</b>	<b>Honda Motor Co., Ltd.;</b> 12-11, Motorcycle, (JP, 31 Mar 2008) 30 Sep 2008	<b>14654/2008</b>
<b>Glaxo Group Limited;</b> 24-04, Mouthpiece, 15 Aug 2008	<b>14537/2008</b>		

<b>Hudson, Brian John;</b> 13-01, Solar powered 240/110 volt. AC. generator portable, 30 Sep 2008	<b>14670/2008</b>	<b>Marley New Zealand Limited;</b> 08-05A, A spreader unit, (NZ, 28 Mar 2008) 25 Sep 2008	<b>14602/2008</b>
<b>Hydro Kits Pty Ltd;</b> 15-99, Element for a hydrogen extraction electrolyzer, 01 Oct 2008	<b>14675/2008</b>	<b>Marley New Zealand Limited;</b> 08-05A, A spreader unit, (NZ, 28 Mar 2008) 25 Sep 2008	<b>14603/2008</b>
<b>Intellectual Property Energy Mad Limited;</b> 26-05D, Light fitting, (NZ, 20 Mar 2008) 19 Sep 2008	<b>14514/2008</b>	<b>Mars Incorporated;</b> 01-01, Confectionery, (EM, 30 May 2008) 26 Sep 2008	<b>14619/2008</b>
<b>Intellectual Property Energy Mad Limited;</b> 26-04, A light bulb, (NZ, 31 Mar 2008) 26 Sep 2008	<b>14633/2008</b>	<b>Mars Incorporated;</b> 01-01, Confectionery, (EM, 30 May 2008) 26 Sep 2008	<b>14618/2008</b>
<b>Involve Group Pty Ltd;</b> 09-03NES, , 01 Oct 2008	<b>14696/2008</b>	<b>Martell &amp; Co;</b> 09-01K, A bottle, (EM, 18 Jul 2008) 26 Sep 2008	<b>14641/2008</b>
<b>ISM Objects Pty Ltd;</b> 26-05B, Kapelo floor lamp, 26 Sep 2008	<b>14606/2008</b>	<b>Mazda Motor Corporation;</b> 12-08, Motor vehicle, (JP, 07 Jul 2008) 26 Sep 2008	<b>14615/2008</b>
<b>J B Sales International Limited;</b> 15-04, A coupler, (NZ, 18 Oct 2007) 17 Apr 2008	<b>14569/2008</b>	<b>Melbourne, Keith;</b> 06-03A, Flare table system manufactured in a range of heights and top sizes, 02 Oct 2008	<b>14695/2008</b>
<b>James, Warren; Brown, Stanley;</b> 08-08NES, 08-03, Roller ball attachment for an edge trimmer, 29 Sep 2008	<b>14622/2008</b>	<b>Michelin Recherche et Technique S.A.;</b> <b>Societe De Technologie Michelin;</b> 12-15A, A tyre, (US, 31 Mar 2008) 26 Sep 2008	<b>14626/2008</b>
<b>Kabushiki Kaisha Pilot Corporation, also trading as Pilot Corporation;</b> 19-06, Ballpoint pen, (JP, 24 Mar 2008) 24 Sep 2008	<b>14578/2008</b>	<b>Michelin Recherche et Technique S.A.;</b> <b>Societe De Technologie Michelin;</b> 12-15A, A tyre, (US, 31 Mar 2008) 26 Sep 2008	<b>14625/2008</b>
<b>Kabushiki Kaisha Pilot Corporation, also trading as Pilot Corporation;</b> 19-06, Ballpoint pen, (JP, 24 Mar 2008) 24 Sep 2008	<b>14580/2008</b>	<b>Mokum Textiles Limited;</b> 15-06, Holder, (NZ, 19 Oct 2007) 18 Apr 2008	<b>14568/2008</b>
<b>KeepCup Pty Ltd;</b> 07-01C, Cup, 29 Sep 2008	<b>14640/2008</b>	<b>Mon.Zon Development AB;</b> 25-04, A scaffolding part, (EM, 28 Mar 2008) 29 Sep 2008	<b>14648/2008</b>
<b>King Furniture (Australia) Pty Ltd;</b> 06-06C, Adjustable foot for an article of furniture, 23 Sep 2008	<b>14567/2008</b>	<b>Mon.Zon Development AB;</b> 25-04, A scaffolding part, (EM, 28 Mar 2008) 29 Sep 2008	<b>14646/2008</b>
<b>Lisus Technology Pte Ltd;</b> 08-08NES, Support structural connector for glass panel, 25 Sep 2008	<b>14597/2008</b>	<b>Mon.Zon Development AB;</b> 25-04, A scaffolding part, (EM, 28 Mar 2008) 29 Sep 2008	<b>14647/2008</b>
<b>Lisus Technology Pte Ltd;</b> 08-08NES, Adjustable structural connector for glass panel, 25 Sep 2008	<b>14598/2008</b>	<b>Mon.Zon Development AB;</b> 25-04, A scaffolding part, (EM, 28 Mar 2008) 29 Sep 2008	<b>14643/2008</b>
<b>Lolitta Clothing;</b> 02-02C, , 01 Oct 2008	<b>14710/2008</b>	<b>Mon.Zon Development AB;</b> 25-04, A scaffolding part, (EM, 28 Mar 2008) 29 Sep 2008	<b>14644/2008</b>
<b>Lolitta Clothing;</b> 02-02C, , 22 Sep 2008	<b>14520/2008</b>	<b>Natuzzi S.P.A.;</b> 06-01G, Sofa, 03 Oct 2008	<b>14733/2008</b>
<b>LG Electronics Inc.;</b> 23-04, Wall-mounted airconditioner, (KR, 04 Apr 2008) 01 Oct 2008	<b>14712/2008</b>	<b>Natuzzi S.P.A.;</b> 06-01G, Sofa, 03 Oct 2008	<b>14736/2008</b>
<b>LSI Industries, Inc.;</b> 26-05C, Lighting, (US, 11 Apr 2008) 03 Oct 2008	<b>14747/2008</b>	<b>Natuzzi S.P.A.;</b> 06-01G, Sofa, 03 Oct 2008	<b>14734/2008</b>
<b>LSI Industries, Inc.;</b> 26-05C, Lighting, (US, 11 Apr 2008) 03 Oct 2008	<b>14748/2008</b>	<b>Natuzzi S.P.A.;</b> 06-01G, Sofa, 03 Oct 2008	<b>14735/2008</b>
<b>Marley New Zealand Limited;</b> 08-05A, A T-section for a spreader unit, (NZ, 28 Mar 2008) 25 Sep 2008	<b>14601/2008</b>	<b>Natuzzi S.P.A.;</b> 06-01G, Sofa, 03 Oct 2008	<b>14732/2008</b>
		<b>Natuzzi S.P.A.;</b> 06-01G, Chair, 03 Oct 2008	<b>14738/2008</b>
		<b>Natuzzi S.P.A.;</b> 06-01G, Sofa, 03 Oct 2008	<b>14739/2008</b>

<b>Natuzzi S.P.A.;</b> 06-01G, Sofa, 03 Oct 2008	<b>14740/2008</b>	<b>Performance Design, Inc.;</b> 21-03, Playground equipment, (US, 31 May 2008) 03 Oct 2008	<b>14721/2008</b>
<b>Natuzzi S.P.A.;</b> 06-01G, Sofa, 03 Oct 2008	<b>14741/2008</b>	<b>Pi-Design AG;</b> 07-01C, Glasses with grip, (DK, 25 Apr 2008) 30 Sep 2008	<b>14651/2008</b>
<b>Natuzzi S.P.A.;</b> 06-01G, Sofa, 03 Oct 2008	<b>14742/2008</b>	<b>Pi-Design AG;</b> 07-01C, Glasses with grip, (DK, 25 Apr 2008) 30 Sep 2008	<b>14652/2008</b>
<b>Natuzzi S.P.A.;</b> 06-01G, Sofa, 03 Oct 2008	<b>14743/2008</b>	<b>Pi-Design AG;</b> 07-06A, Grip for glasses and jugs, (DK, 25 Apr 2008) 30 Sep 2008	<b>14653/2008</b>
<b>Natuzzi S.P.A.;</b> 06-01G, Sofa, 03 Oct 2008	<b>14744/2008</b>	<b>Plastic Fabrication Pty Ltd;</b> 08-08NES, Bird net support, 25 Sep 2008	<b>14604/2008</b>
<b>Natuzzi S.P.A.;</b> 06-01G, Sofa, 03 Oct 2008	<b>14745/2008</b>	<b>Playtex Products, Inc.;</b> 24-04, Teething device, (US, 28 Mar 2008) 26 Sep 2008	<b>14629/2008</b>
<b>Natuzzi S.P.A.;</b> 06-01G, Sofa, 03 Oct 2008	<b>14746/2008</b>	<b>Playtex Products, Inc.;</b> 09-07B, Lid with spout, (US, 31 Mar 2008) 30 Sep 2008	<b>14664/2008</b>
<b>Natuzzi S.P.A.;</b> 06-01G, Sofa, 03 Oct 2008	<b>14730/2008</b>	<b>Playtex Products, Inc.;</b> 09-07B, Lid with closure, (US, 31 Mar 2008) 30 Sep 2008	<b>14665/2008</b>
<b>Natuzzi S.P.A.;</b> 06-01G, Chair, 03 Oct 2008	<b>14737/2008</b>	<b>Playtex Products, Inc.;</b> 24-04, Pacifier, (US, 31 Mar 2008) 30 Sep 2008	<b>14666/2008</b>
<b>Nichiha Corporation;</b> 25-01K, Reentering corner formative member, (JP, 31 Mar 2008) 30 Sep 2008	<b>14671/2008</b>	<b>Playtex Products, Inc.;</b> 07-01NES, Container, (US, 31 Mar 2008) 30 Sep 2008	<b>14667/2008</b>
<b>Nichiha Corporation;</b> 25-01K, Reentering corner fixing plate, (JP, 31 Mar 2008) 30 Sep 2008	<b>14672/2008</b>	<b>Prasad, Daniel Viren Thapa;</b> 08-08NES, Article support device, 29 Sep 2008	<b>14634/2008</b>
<b>Nichiha Corporation;</b> 08-08NES, Metal fixture, 26 Sep 2008	<b>14631/2008</b>	<b>Puddicombe, Christy;</b> 06-09, Foam feeding pillow - designed for bottle feeding twin babies, 03 Oct 2008	<b>14727/2008</b>
<b>Nichiha Corporation;</b> 08-08NES, Metal fixing clip, 26 Sep 2008	<b>14632/2008</b>	<b>PZ Cussons (International) Limited;</b> 09-01NES, Container, 19 Sep 2008	<b>14501/2008</b>
<b>Nichiha Corporation;</b> 08-08NES, Metal fitting plate, 26 Sep 2008	<b>14630/2008</b>	<b>Reckitt Benckiser (Australia) Pty Limited;</b> 22-06, Rodent bait station, (EM, 03 Jul 2008) 22 Sep 2008	<b>14522/2008</b>
<b>NCI Holdings Pty Ltd;</b> 09-03M, Container with lid, 23 Sep 2008	<b>14553/2008</b>	<b>Reckitt Benckiser (Australia) Pty Limited;</b> 22-06, Rodent bait station, (EM, 03 Jul 2008) 22 Sep 2008	<b>14521/2008</b>
<b>NCI Holdings Pty Ltd;</b> 09-03M, Container with lid, 23 Sep 2008	<b>14554/2008</b>	<b>Rees, Brian Douglas;</b> 17-99, 19-99, A teaching tool for all stringed musical instruments, 12 Aug 2008	<b>13842/2008</b>
<b>O'Brien, Vincent William;</b> 24-04, Calf compressor to assist in the prevention of deep vein thrombosis., 19 Sep 2008	<b>14513/2008</b>	<b>ResMed Limited;</b> 24-01, Pad for headgear of respiratory mask, 30 Sep 2008	<b>14686/2008</b>
<b>Osram GmbH;</b> 26-04, LED-Luminaire, (EM, 03 Apr 2008) 03 Oct 2008	<b>14720/2008</b>	<b>Review Australia Pty Ltd;</b> 02-02C, 02-02NES, Ladies garments, 05 Sep 2008	<b>14292/2008</b>
<b>Osram GmbH;</b> 26-04, Led-luminaire, (EM, 03 Apr 2008) 03 Oct 2008	<b>14719/2008</b>	<b>Roads and Traffic Authority of New South Wales;</b> 12-02, Trolley, 28 Aug 2008	<b>14526/2008</b>
<b>Otsuka Pharmaceutical Co., Ltd.;</b> 09-05, Packaging sachet, (JP, 04 Apr 2008) 03 Oct 2008	<b>14723/2008</b>	<b>Roads and Traffic Authority of New South Wales;</b> 20-03NES, Display sign face, 28 Aug 2008	<b>14527/2008</b>
<b>Perfetti Van Melle S.p.A.;</b> 07-01NES, Container for food products, 26 Sep 2008	<b>14596/2008</b>	<b>Royal Wolf Trading Australia Pty Limited;</b> 09-03K, Hoardings, 03 Oct 2008	<b>14774/2008</b>
<b>Performance Design, Inc.;</b> 21-03, Playground equipment, (US, 31 May 2008) 03 Oct 2008	<b>14722/2008</b>		

<b>Rubbermaid Commercial Products LLC;</b> 12-02, Cleaning cart, (US, 21 Aug 2008) 26 Sep 2008	<b>14623/2008</b>	<b>Sony Ericsson Mobile Communications AB;</b> 14-01, Portable speakers, (EM, 19 Jun 2008) 23 Sep 2008	<b>14557/2008</b>
<b>Rubbermaid Commercial Products LLC;</b> 12-02, Cleaning cart, (US, 21 Aug 2008) 26 Sep 2008	<b>14624/2008</b>	<b>Space Left;</b> 06-01F, Squash me chair, 25 Sep 2008	<b>14583/2008</b>
<b>Ruud Lighting, Inc.;</b> 26-03, Floodlight fixture post top mount, (US, 28 Mar 2008) 29 Sep 2008	<b>14636/2008</b>	<b>Spaceleft; Gardam, Ross;</b> 06-04NES, Flat jack, X board bookcase/storage unit, 02 Oct 2008	<b>14689/2008</b>
<b>Ruud Lighting, Inc.;</b> 26-05C, Light fixture, (US, 04 Apr 2008) 03 Oct 2008	<b>14775/2008</b>	<b>Spareco Pty Ltd;</b> 12-16N, An automobile exhaust extension tip, 23 Sep 2008	<b>14531/2008</b>
<b>Ruud Lighting, Inc.;</b> 26-03, Floodlight fixture post top mount, (US, 28 Mar 2008) 29 Sep 2008	<b>14635/2008</b>	<b>Spier, Brian;</b> 14-02, USB flash memory drive, 01 Sep 2008	<b>14231/2008</b>
<b>Samar, LLC;</b> 28-99, Refill for air deodorising apparatus, (EM, 02 Apr 2008) 01 Oct 2008	<b>14708/2008</b>	<b>The Coca-Cola Company;</b> 15-07, Cooler, (US, 16 Apr 2008) 24 Sep 2008	<b>14577/2008</b>
<b>Samar, LLC;</b> 12-04, Air deodorising apparatus, (EM, 02 Apr 2008) 01 Oct 2008	<b>14709/2008</b>	<b>The Goodyear Tire &amp; Rubber Company;</b> 12-15C, Tyre for automobile, (JP, 25 Apr 2007) 05 Sep 2008	<b>14305/2008</b>
<b>Schneider Electric New Zealand Holdings Limited;</b> 13-03D, A switch module, (NZ, 13 Nov 2007) 13 May 2008	<b>14591/2008</b>	<b>Toshiba Carrier Corporation;</b> 23-04, Air conditioner, (JP, 26 Mar 2008) 24 Sep 2008	<b>14579/2008</b>
<b>Scruff Pty Ltd;</b> 21-02NES, Snowboard training device, 02 Oct 2008	<b>14694/2008</b>	<b>Toyota Jidosha Kabushiki Kaisha;</b> 12-16B, Front grille for automobile, 01 Oct 2008	<b>14706/2008</b>
<b>Scruff Pty Ltd;</b> 21-02NES, Snowboard training device, 02 Oct 2008	<b>14693/2008</b>	<b>Toyota Jidosha Kabushiki Kaisha;</b> 12-16E, 26-06, Rear combination lamp for an automobile, 01 Oct 2008	<b>14707/2008</b>
<b>Sheppard, Stephen;</b> 19-01, Greeting card, 23 Sep 2008	<b>14529/2008</b>	<b>Toyota Jidosha Kabushiki Kaisha;</b> 12-08, Automobile, 01 Oct 2008	<b>14700/2008</b>
<b>Sheppard, Stephen;</b> 19-01, Greeting card, 23 Sep 2008	<b>14530/2008</b>	<b>Toyota Jidosha Kabushiki Kaisha;</b> 12-08, Automobile, 01 Oct 2008	<b>14701/2008</b>
<b>Shop-Vac Corporation;</b> 15-05, Vacuum cleaner nozzle, (US, 25 Jun 2008) 24 Sep 2008	<b>14590/2008</b>	<b>Toyota Jidosha Kabushiki Kaisha;</b> 12-16B, Front grille for automobile, 01 Oct 2008	<b>14702/2008</b>
<b>Smash Enterprises Pty Ltd;</b> 07-01NES, Lunch box, 26 Sep 2008	<b>14628/2008</b>	<b>Toyota Jidosha Kabushiki Kaisha;</b> 12-16B, Front grille for automobile, 01 Oct 2008	<b>14703/2008</b>
<b>Smash Enterprises Pty Ltd;</b> 07-01NES, Food storage container and lid, 26 Sep 2008	<b>14627/2008</b>	<b>Toyota Jidosha Kabushiki Kaisha;</b> 12-08, Automobile, 01 Oct 2008	<b>14704/2008</b>
<b>Societe De Technologie Michelin; Michelin Recherche et Technique S.A.;</b> 12-15A, A tyre, (US, 31 Mar 2008) 26 Sep 2008	<b>14625/2008</b>	<b>Toyota Jidosha Kabushiki Kaisha;</b> 12-16B, Front assembly for automobile, 01 Oct 2008	<b>14705/2008</b>
<b>Societe De Technologie Michelin; Michelin Recherche et Technique S.A.;</b> 12-15A, A tyre, (US, 31 Mar 2008) 26 Sep 2008	<b>14626/2008</b>	<b>Toyota Motor Corporation Australia Limited;</b> 12-16B, Rear bumper for vehicle, 02 Oct 2008	<b>14717/2008</b>
<b>Sony DADC Austria AG;</b> 03-01C, Cardboard packaging for optical disc, (EM, 04 Apr 2008) 01 Oct 2008	<b>14711/2008</b>	<b>Toyota Motor Corporation Australia Limited;</b> 12-16B, Spoiler for vehicle, 02 Oct 2008	<b>14718/2008</b>
<b>Sony Ericsson Mobile Communications AB;</b> 14-01, Portable speakers, (EM, 19 Jun 2008) 23 Sep 2008	<b>14556/2008</b>	<b>Turner, Michael James;</b> 06-01L, Chair, 11 Aug 2008	<b>13829/2008</b>
<b>Sony Ericsson Mobile Communications AB;</b> 14-01, Portable speakers, (EM, 19 Jun 2008) 23 Sep 2008	<b>14555/2008</b>	<b>Turnour, Edward;</b> 25-01E, The design relates to a laser cut, roll formed or punched channel that fits within colorbond posts and allows the, insertion of patented molded plugs and superior screens colorbond slats to be fixed to the colorbond fence post, 25 Sep 2008	<b>14581/2008</b>
		<b>Turnour, Edward;</b> 25-01E, The design relates to a laser cut, roll formed or punched channel that fits within colorbond posts and can be used as, a blank infill for the colorbond fence post, 25 Sep 2008	<b>14582/2008</b>

<b>TAG Heuer SA;</b> 10-07, Watch dial, (WO, 31 Mar 2008) 22 Sep 2008	<b>14518/2008</b>	<b>Weldtek Pty Ltd;</b> 25-02C, Fencing, awning, screen, gate, doors, shade panel, dividers, panel, pool fencing, 24 Sep 2008	<b>14607/2008</b>
<b>TAG Heuer SA;</b> 10-02, Watch body, (WO, 31 Mar 2008) 22 Sep 2008	<b>14519/2008</b>	<b>Weldtek Pty Ltd;</b> 25-02C, Fencing, awning, screen, gate, doors, shade panel, dividers, panels, pool fencing, 24 Sep 2008	<b>14610/2008</b>
<b>Universal Money Boxes Pty Ltd;</b> 03-01NES, A donation box, 16 Sep 2008	<b>14441/2008</b>	<b>Weldtek Pty Ltd;</b> 25-02C, Fencing, awning, screen, gate, doors, shade panel, dividers, panel, pool fence, 24 Sep 2008	<b>14609/2008</b>
<b>Universal Trade and Investment Pty Ltd;</b> 07-08, Fire tool, 01 Oct 2008	<b>14697/2008</b>	<b>Weldtek Pty Ltd;</b> 25-02C, Fencing, awning, screen, gate, doors, shade panel, dividers, panels, pool fencing, 24 Sep 2008	<b>14608/2008</b>
<b>Universal Trade and Investment Pty Ltd;</b> 07-08, Fire screen, 01 Oct 2008	<b>14698/2008</b>	<b>3M Innovative Properties Company;</b> 02-03, Visor frame for headgear article, (US, 03 Apr 2008) 02 Oct 2008	<b>14757/2008</b>
<b>Universal Trade and Investment Pty Ltd;</b> 07-08, Wood bucket, 01 Oct 2008	<b>14699/2008</b>	<b>3M Innovative Properties Company;</b> 02-01B, Belt, (EM, 04 Apr 2008) 02 Oct 2008	<b>14756/2008</b>
<b>Verdon-Roe, Gay Mary;</b> 24-01, Portable collapsible chin rest for medical use, (GB, 08 Apr 2008) 02 May 2008	<b>14687/2008</b>	<b>3M Innovative Properties Company;</b> 02-03, Jaw frame for headgear article, (US, 03 Apr 2008) 02 Oct 2008	<b>14751/2008</b>
<b>Verdon-Roe, Gay Mary;</b> 24-01, Portable collapsible chin in a box for medical use, (GB, 08 Apr 2008) 02 May 2008	<b>14688/2008</b>	<b>3M Innovative Properties Company;</b> 29-02, Remote controller, (EM, 04 Apr 2008) 02 Oct 2008	<b>14754/2008</b>
<b>Vickers, Frank Manvell;</b> 07-99NES, Plastic bag dispenser, 23 Sep 2008	<b>14551/2008</b>	<b>3M Innovative Properties Company;</b> 29-02, Profile at breathing tube connection for respiratory protection system, (US, 03 Apr 2008) 02 Oct 2008	<b>14752/2008</b>
<b>Vickers, Frank Manvell;</b> 07-99NES, Plastic bag dispenser, 23 Sep 2008	<b>14552/2008</b>	<b>3M Innovative Properties Company;</b> 29-02, Air blower, (EM, 04 Apr 2008) 02 Oct 2008	<b>14753/2008</b>
<b>Wacker Neuson Corporation;</b> 26-03, Light tower, 25 Sep 2008	<b>14612/2008</b>	<b>3M Innovative Properties Company;</b> 02-03, Headgear article having recessed portions, (US, 03 Apr 2008) 02 Oct 2008	<b>14755/2008</b>
<b>Warner, Peter;</b> 08-08G, Weight hook, 25 Sep 2008	<b>14611/2008</b>		
<b>Watts Hardware Manufacturing Pty Ltd;</b> 08-07, Door lock, 01 Oct 2008	<b>14692/2008</b>		
<b>Weir Minerals Australia Ltd;</b> 23-01G, Mine dewatering apparatus, 22 Sep 2008	<b>14528/2008</b>		
<b>Weir Minerals Australia Ltd;</b> 15-02, Pump coupling, 22 Sep 2008	<b>14549/2008</b>		
<b>Weir Minerals Australia Ltd;</b> 23-01A, Coupling housing, 22 Sep 2008	<b>14550/2008</b>		

**Applications Withdrawn**

12120 / 2008 (06-99)	12121 / 2008 (06-99)	14348 / 2008
12122 / 2008 (06-99)	12123 / 2008 (06-99)	
12124 / 2008 (06-99)	12125 / 2008 (06-99)	
12126 / 2008 (06-99)	12127 / 2008 (06-99)	
12337 / 2008 (08-07)	14100 / 2008	

**Applications Lapsed**

19482 / 2007 (21-02NES)	10876 / 2008 (21-01L)	11650 / 2008 (03-01A)	11679 / 2008 (24-01)
11423 / 2008 (23-02NES)	11438 / 2008 (02-02C)	11680 / 2008 (24-01)	11747 / 2008 (24-01)
11549 / 2008 (15-09)	11620 / 2008 (25-02NES)	11831 / 2008 (08-08NES)	
11631 / 2008 (99-00)	11634 / 2008 (09-05)		

**Registrations Ceased**

309385                      309403                      313668

**Applications for Extension of time under Section 137**

Applications under section 137 for extension of time have been lodged. Objections must be lodged within 1 month from the date of this journal.

14305/2008 **The Goodyear Tire & Rubber Company** Address for Service: SPRUSON & FERGUSON GPO Box 3898 SYDNEY NSW 2001

**Extensions of time granted under Section 137**

Applications lodged under section 137 for extension of time have been granted.

316659 **Ka Wei International Trading Company Ltd**

11368/2008 **Jacqueline Oberdorf**

11620/2008 **Kelvin John Crozier**

13052/2008 **John Schopf**

13053/2008 **John Schopf**

13054/2008 **AFI Branding Solutions Pty Ltd**

14120/2008 **Andre Steenkamp, as trustee of Je-Shan Trust**

14121/2008 **Andre Steenkamp, as trustee of Je-Shan Trust**

**Subsequent Owners Registered**

(The name in parentheses is that of the subsequent owner)

- 309845            ( **Husqvarna AB** ) Hsin-Chih Chung Lee
- 302380            ( **Husqvarna AB** ) Jenn Feng Industrial Co., Ltd
- 306511            ( **Biocorp Services Pty Ltd** ) Biocorp Australia Pty Ltd
- 316864            ( **Biocorp Services Pty Ltd** ) Biocorp Australia Pty Ltd
- 320459            ( **ADC GmbH** ) ADC Communications (Australia) Pty Limited
- 310616            ( **Shadowboxer Systems Pty Ltd** ) Shadow Boxer Group Pty Ltd
- 320155            ( **Merial Ltd** ) Ashmont Holdings Limited
- 320156            ( **Merial Ltd** ) Ashmont Holdings Limited

**Names Registered - Alterations and Amendments**

(The name in parentheses is that of the subsequent applicant)

- 312813            ( **Kieron Dowd;Rod Hunwick** ) Kieron Dowd;Rod Hunwick;Rodney Darryl Hunwick

**Certificate(s) of Examination**

Examination of the following Design Registration(s) has been completed. Infringement proceedings may now be commenced.

301543	06-06C	29/09/2008
309219	13-02	08/10/2008
309220	26-02	30/09/2008
310873	08-06	29/09/2008
310874	08-06	29/09/2008
311309	12-16A	29/09/2008
311310	12-16A	29/09/2008
314682	07-99NES	30/09/2008
314683	07-04	30/09/2008
314684	07-04	30/09/2008
315067	09-03L	30/09/2008
315257	04-01	30/09/2008
315258	04-01	30/09/2008
316099	06-13C	30/09/2008
316517	28-03NES	02/10/2008
316525	12-15C	26/09/2008
316526	12-15C	26/09/2008
316659	25-01NES	29/09/2008
316934	06-01F	30/09/2008
316935	14-01	30/09/2008
317919	08-03	30/09/2008
317920	08-03	30/09/2008
317921	08-03	30/09/2008
318214	14-02	30/09/2008
318723	23-04	30/09/2008
318879	09-01G	29/09/2008
318966	09-03M	07/10/2008
318967	09-03M	07/10/2008
318988	07-02B	29/09/2008
319272	07-07NES	30/09/2008
319491	13-02	30/09/2008
319492	13-02	30/09/2008
319493	06-09	30/09/2008
319531	28-03NES	29/09/2008
319856	03-01A	30/09/2008
320015	03-01NES	30/09/2008
320048	14-01	30/09/2008
320059	24-04	30/09/2008
320060	24-04	30/09/2008
320061	24-04	30/09/2008
320103	12-05	30/09/2008
320113	09-01K	08/10/2008
320189	14-03E	30/09/2008
320190	09-05	30/09/2008
320191	09-05	30/09/2008
320193	03-01NES	30/09/2008
320203	14-01	30/09/2008
320204	14-01	30/09/2008
320205	14-01	30/09/2008
320206	14-01	30/09/2008
320207	24-04	30/09/2008
320208	24-04	30/09/2008
320221	15-01	30/09/2008
320234	19-06	30/09/2008
320235	19-06	30/09/2008
320236	19-06	30/09/2008
320296	09-01G	30/09/2008
320297	09-01G	30/09/2008
320400	25-02C	30/09/2008
320441	19-06	29/09/2008
320535	09-05	30/09/2008
320538	22-06	30/09/2008

**Publication and Registration Proceedings**

**Designs Registered**

This section provides a concordance between design number and registration number of Designs covered in this journal. It also shows the main class and registration date.

This section covers Registration numbers 321244 to 321387 .

The registration number shown below should be used in all future correspondence.

Design Number	Registration Number	International Classification Code (IDC)	Registration Date	Design Number	Registration Number	International Classification Code (IDC)	Registration Date
19995/2007	321299	15-04	01/10/2008	12460/2008	321282	06-06E	02/10/2008
20144/2007	321253	23-01F	26/09/2008	12461/2008	321283	06-06NES	02/10/2008
20145/2007	321254	23-01F	26/09/2008	12462/2008	321284	07-05C	02/10/2008
20146/2007	321255	23-01F	26/09/2008	12465/2008	321285	23-01H	02/10/2008
20147/2007	321256	23-01F	26/09/2008	12466/2008	321286	23-01H	02/10/2008
20148/2007	321257	23-01F	26/09/2008	12469/2008	321287	15-03B	02/10/2008
20149/2007	321258	23-01F	26/09/2008	12470/2008	321288	09-03L	02/10/2008
21007/2007	321300	25-02C	01/10/2008	12476/2008	321289	25-01K	02/10/2008
21207/2007	321351	06-06H	03/10/2008	12514/2008	321290	09-07C	02/10/2008
21208/2007	321352	06-06H	03/10/2008	12596/2008	321272	21-02D	02/10/2008
21322/2007	321278	16-99	02/10/2008	12601/2008	321312	02-04A	02/10/2008
10693/2008	321373	02-04NES	03/10/2008	12604/2008	321303	13-03NES	01/10/2008
10694/2008	321374	02-04B	03/10/2008	12605/2008	321304	06-06G	01/10/2008
10738/2008	321263	08-08NES	02/10/2008	12606/2008	321305	06-06G	01/10/2008
11168/2008	321264	11-04	02/10/2008	12607/2008	321306	06-06G	01/10/2008
11188/2008	321259	12-16NES	02/10/2008	12608/2008	321307	12-15C	01/10/2008
11231/2008	321244	02-04NES	26/09/2008	12609/2008	321308	20-03NES	01/10/2008
11232/2008	321245	02-04NES	26/09/2008	12611/2008	321309	08-99	01/10/2008
11233/2008	321246	02-04NES	26/09/2008	12612/2008	321313	23-01H	02/10/2008
11247/2008	321247	18-01	26/09/2008	12613/2008	321314	09-03M	02/10/2008
11344/2008	321248	07-05D	26/09/2008	12615/2008	321334	23-01A	02/10/2008
11370/2008	321291	23-02E	01/10/2008	12616/2008	321335	09-05	02/10/2008
11371/2008	321292	23-02E	01/10/2008	12617/2008	321336	23-02F	02/10/2008
11376/2008	321249	12-16NES	26/09/2008	12622/2008	321337	02-04NES	02/10/2008
11472/2008	321311	23-04	02/10/2008	12623/2008	321338	02-04NES	02/10/2008
11535/2008	321353	25-02C	03/10/2008	12625/2008	321315	16-06	02/10/2008
11560/2008	321366	26-03	02/10/2008	12626/2008	321316	06-09	02/10/2008
11589/2008	321375	08-99	03/10/2008	12629/2008	321317	02-02C	02/10/2008
11642/2008	321302	07-02A	01/10/2008	12630/2008	321339	08-08NES	02/10/2008
11700/2008	321293	13-02	01/10/2008	12631/2008	321340	08-08NES	02/10/2008
11712/2008	321251	09-03K	26/09/2008	12632/2008	321341	08-08NES	02/10/2008
11713/2008	321252	09-03K	26/09/2008	12633/2008	321342	08-08NES	02/10/2008
11719/2008	321294	15-07	01/10/2008	12634/2008	321343	15-04	02/10/2008
11751/2008	321295	26-05D	01/10/2008	12636/2008	321344	10-04	02/10/2008
11841/2008	321354	03-01A	03/10/2008	12637/2008	321345	01-01	02/10/2008
11855/2008	321331	08-08L	02/10/2008	12638/2008	321346	07-05A	02/10/2008
11856/2008	321332	08-08L	02/10/2008	12640/2008	321347	31-00	02/10/2008
11857/2008	321333	08-08L	02/10/2008	12647/2008	321348	23-02C	02/10/2008
12021/2008	321296	25-02NES	01/10/2008	12648/2008	321349	23-02C	02/10/2008
12245/2008	321260	12-16L	02/10/2008	12649/2008	321350	23-02C	02/10/2008
12246/2008	321261	12-16L	02/10/2008	12651/2008	321318	07-01B	02/10/2008
12247/2008	321262	12-16L	02/10/2008	12652/2008	321356	24-01	03/10/2008
12290/2008	321355	08-07	03/10/2008	12655/2008	321319	12-08	02/10/2008
12303/2008	321265	06-11	02/10/2008	12656/2008	321320	12-08	02/10/2008
12304/2008	321266	06-11	02/10/2008	12657/2008	321321	23-04	02/10/2008
12323/2008	321267	03-01D	02/10/2008	12658/2008	321322	23-04	02/10/2008
12388/2008	321268	09-01K	02/10/2008	12659/2008	321323	23-04	02/10/2008
12425/2008	321269	07-02C	02/10/2008	12660/2008	321324	23-04	02/10/2008
12428/2008	321270	25-02B	02/10/2008	12662/2008	321357	02-05	03/10/2008
12456/2008	321279	06-06NES	02/10/2008	12669/2008	321358	24-01	03/10/2008
12457/2008	321280	06-06NES	02/10/2008	12683/2008	321359	07-01F	03/10/2008
12458/2008	321271	06-04B	02/10/2008	12684/2008	321360	07-01F	03/10/2008
12459/2008	321281	06-06E	02/10/2008	12685/2008	321361	13-03E	03/10/2008

Publication and Registration Proceedings - Designs Registered cont'd

Design Number	Registration Number	International Classification Code (IDC)	Registration Date	Design Number	Registration Number	International Classification Code (IDC)	Registration Date
12686/2008	321362	13-03E	03/10/2008	12848/2008	321385	13-03D	03/10/2008
12687/2008	321363	23-03NES	03/10/2008	12858/2008	321386	16-03	03/10/2008
12688/2008	321364	23-03NES	03/10/2008	12893/2008	321387	06-07	03/10/2008
12697/2008	321365	11-99	03/10/2008	13241/2008	321297	07-06A	01/10/2008
12766/2008	321367	28-03A	02/10/2008	13242/2008	321298	07-06A	01/10/2008
12772/2008	321368	13-02	02/10/2008	13361/2008	321301	25-02C	01/10/2008
12773/2008	321369	08-03	02/10/2008	13864/2008	321325	14-03B	02/10/2008
12774/2008	321370	06-04NES	02/10/2008	13867/2008	321326	20-02E	02/10/2008
12775/2008	321371	26-04	02/10/2008	13869/2008	321327	08-05N	02/10/2008
12776/2008	321372	26-04	02/10/2008	13870/2008	321328	25-01NES	02/10/2008
12805/2008	321376	23-02B	03/10/2008	13966/2008	321250	18-01	26/09/2008
12826/2008	321378	12-15A	03/10/2008	14080/2008	321310	07-02A	01/10/2008
12827/2008	321377	12-15A	03/10/2008	14322/2008	321273	08-05F	02/10/2008
12829/2008	321379	12-15C	03/10/2008	14323/2008	321274	08-05F	02/10/2008
12831/2008	321380	02-04A	03/10/2008	14324/2008	321275	08-05F	02/10/2008
12832/2008	321381	02-04A	03/10/2008	14325/2008	321276	08-05F	02/10/2008
12836/2008	321382	28-03C	03/10/2008	14326/2008	321277	08-05F	02/10/2008
12837/2008	321383	08-01	03/10/2008	14388/2008	321329	13-03D	02/10/2008
12839/2008	321384	04-01	03/10/2008	14389/2008	321330	13-03D	02/10/2008

**Publication and Registration Proceedings**  
**Class Listing of Designs Published or Registered**

The following section shows an International Classification Code listing of the Registered or Published Designs covered in this supplement.

<b>Classification</b>	<b>Registration Number</b>	<b>Design Number</b>	<b>Classification</b>	<b>Registration Number</b>	<b>Design Number</b>
01-01	321345	12637/2008	08-05 F	321274	14323/2008
02-02 C	321317	12629/2008	08-05 F	321275	14324/2008
02-04 A	321312	12601/2008	08-05 F	321276	14325/2008
02-04 A	321380	12831/2008	08-05 F	321277	14326/2008
02-04 A	321381	12832/2008	08-05 N	321327	13869/2008
02-04 B	321374	10694/2008	08-06	321277	14326/2008
02-04 NES	321244	11231/2008	08-07	321355	12290/2008
02-04 NES	321245	11232/2008	08-08 D	321273	14322/2008
02-04 NES	321246	11233/2008	08-08 D	321274	14323/2008
02-04 NES	321337	12622/2008	08-08 D	321275	14324/2008
02-04 NES	321338	12623/2008	08-08 D	321276	14325/2008
02-04 NES	321373	10693/2008	08-08 D	321277	14326/2008
02-05	321278	21322/2007	08-08 L	321331	11855/2008
02-05	321357	12662/2008	08-08 L	321332	11856/2008
03-01 A	321354	11841/2008	08-08 L	321333	11857/2008
03-01 D	321267	12323/2008	08-08 NES	321263	10738/2008
04-01	321384	12839/2008	08-08 NES	321339	12630/2008
06-04 B	321271	12458/2008	08-08 NES	321340	12631/2008
06-04 NES	321370	12774/2008	08-08 NES	321341	12632/2008
06-06 E	321281	12459/2008	08-08 NES	321342	12633/2008
06-06 E	321282	12460/2008	08-09	321263	10738/2008
06-06 G	321304	12605/2008	08-09	321376	12805/2008
06-06 G	321305	12606/2008	08-99	321309	12611/2008
06-06 G	321306	12607/2008	08-99	321375	11589/2008
06-06 H	321351	21207/2007	09-01 K	321268	12388/2008
06-06 H	321352	21208/2007	09-03 K	321251	11712/2008
06-06 NES	321279	12456/2008	09-03 K	321252	11713/2008
06-06 NES	321280	12457/2008	09-03 L	321288	12470/2008
06-06 NES	321283	12461/2008	09-03 M	321314	12613/2008
06-07	321387	12893/2008	09-05	321335	12616/2008
06-09	321316	12626/2008	09-07 C	321290	12514/2008
06-11	321265	12303/2008	10-04	321344	12636/2008
06-11	321266	12304/2008	11-04	321264	11168/2008
06-12	321265	12303/2008	11-99	321365	12697/2008
06-12	321266	12304/2008	12-08	321319	12655/2008
06-13 NES	321265	12303/2008	12-08	321320	12656/2008
06-13 NES	321266	12304/2008	12-15 A	321377	12827/2008
07-01 B	321318	12651/2008	12-15 A	321378	12826/2008
07-01 F	321359	12683/2008	12-15 C	321307	12608/2008
07-01 F	321360	12684/2008	12-15 C	321379	12829/2008
07-02 A	321302	11642/2008	12-16 L	321260	12245/2008
07-02 A	321310	14080/2008	12-16 L	321261	12246/2008
07-02 C	321269	12425/2008	12-16 L	321262	12247/2008
07-02 H	321269	12425/2008	12-16 NES	321249	11376/2008
07-05 A	321346	12638/2008	12-16 NES	321259	11188/2008
07-05 C	321284	12462/2008	13-02	321293	11700/2008
07-05 D	321248	11344/2008	13-02	321368	12772/2008
07-06 A	321297	13241/2008	13-03 D	321329	14388/2008
07-06 A	321298	13242/2008	13-03 D	321330	14389/2008
07-99 C	321267	12323/2008	13-03 D	321385	12848/2008
08-01	321340	12631/2008	13-03 E	321361	12685/2008
08-01	321341	12632/2008	13-03 E	321362	12686/2008
08-01	321343	12634/2008	13-03 NES	321303	12604/2008
08-01	321383	12837/2008	14-03 B	321325	13864/2008
08-03	321369	12773/2008	15-03 B	321287	12469/2008
08-05 F	321273	14322/2008	15-04	321299	19995/2007

Registration Proceedings - Class Listing of Designs Published or Registered cont'd

Classification	Registration Number	Design Number	Classification	Registration Number	Design Number
15-04	321343	12634/2008	23-03 NES	321363	12687/2008
15-07	321294	11719/2008	23-03 NES	321364	12688/2008
16-03	321386	12858/2008	23-04	321311	11472/2008
16-06	321315	12625/2008	23-04	321321	12657/2008
16-99	321278	21322/2007	23-04	321322	12658/2008
18-01	321247	11247/2008	23-04	321323	12659/2008
18-01	321250	13966/2008	23-04	321324	12660/2008
20-02 E	321326	13867/2008	24-01	321336	12617/2008
20-03 NES	321308	12609/2008	24-01	321356	12652/2008
21-01 C	321319	12655/2008	24-01	321358	12669/2008
21-01 C	321320	12656/2008	25-01 B	321296	12021/2008
21-02 D	321272	12596/2008	25-01 K	321270	12428/2008
23-01 A	321334	12615/2008	25-01 K	321289	12476/2008
23-01 F	321253	20144/2007	25-01 K	321387	12893/2008
23-01 F	321254	20145/2007	25-01 NES	321328	13870/2008
23-01 F	321255	20146/2007	25-02 B	321270	12428/2008
23-01 F	321256	20147/2007	25-02 C	321300	21007/2007
23-01 F	321257	20148/2007	25-02 C	321301	13361/2008
23-01 F	321258	20149/2007	25-02 C	321353	11535/2008
23-01 H	321285	12465/2008	25-02 NES	321296	12021/2008
23-01 H	321286	12466/2008	25-99	321365	12697/2008
23-01 H	321313	12612/2008	26-03	321295	11751/2008
23-02 B	321263	10738/2008	26-03	321366	11560/2008
23-02 B	321376	12805/2008	26-04	321371	12775/2008
23-02 C	321348	12647/2008	26-04	321372	12776/2008
23-02 C	321349	12648/2008	26-05 D	321295	11751/2008
23-02 C	321350	12649/2008	28-03 A	321367	12766/2008
23-02 E	321291	11370/2008	28-03 C	321382	12836/2008
23-02 E	321292	11371/2008	31-00	321347	12640/2008
23-02 F	321336	12617/2008			

(21) Design Number: **11231/2008**

(22) Date of Filing Application: **14 March 2008**

(24) Date from which industrial property rights may have effect: **14 March 2008**

(54) Product in respect of which the design is registered: **Baby shoes**

(51) International Design Classification: **02-04NES**

(71) Name(s) and Address(s) of Applicant(s):

**Elizabeth A. Rennie**

**192 Park Road Auburn New South Wales 2144 Australia**

(72) Name(s) of Designer(s): **Elizabeth A. Rennie**

(45) Registration Date: **26 September 2008**

(56) Related Art Documents: **Not Applicable**

(57) Statement of Newness and Distinctiveness: **The distinctive features of these designs, are the use of textured leather and that they are miniature sophisticated adult style shoes rather than pink or cutesy type styles that are generally available for babies.**



(21) Design Number: **11232/2008**

(22) Date of Filing Application: **14 March 2008**

(24) Date from which industrial property rights may have effect: **14 March 2008**

(54) Product in respect of which the design is registered: **Baby shoes**

(51) International Design Classification: **02-04NES**

(71) Name(s) and Address(s) of Applicant(s):

**Elizabeth A. Rennie**

**192 Park Road Auburn New South Wales 2144 Australia**

(72) Name(s) of Designer(s): **Elizabeth A. Rennie**

(45) Registration Date: **26 September 2008**

(56) Related Art Documents: **Not Applicable**

(57) Statement of Newness and Distinctiveness: **The distinctive features of these designs, are the use of textured leather and that they are miniature sophisticated adult style shoes rather than pink or cutesy type styles that are generally available for babies.**



- (21) Design Number: **11233/2008**  
(22) Date of Filing Application: **14 March 2008**  
(24) Date from which industrial property rights may have effect: **14 March 2008**  
(54) Product in respect of which the design is registered: **Baby shoes**  
(51) International Design Classification: **02-04NES**  
(71) Name(s) and Address(s) of Applicant(s):

**Elizabeth A. Rennie**  
**192 Park Road Auburn New South Wales 2144 Australia**

- (72) Name(s) of Designer(s): **Elizabeth A. Rennie**  
(45) Registration Date: **26 September 2008**  
(56) Related Art Documents: **Not Applicable**  
(57) Statement of Newness and Distinctiveness: **The distinctive features of these designs, are the use of textured leather and that they are miniature sophisticated adult style shoes rather than pink or cutesy type styles that are generally available for babies.**



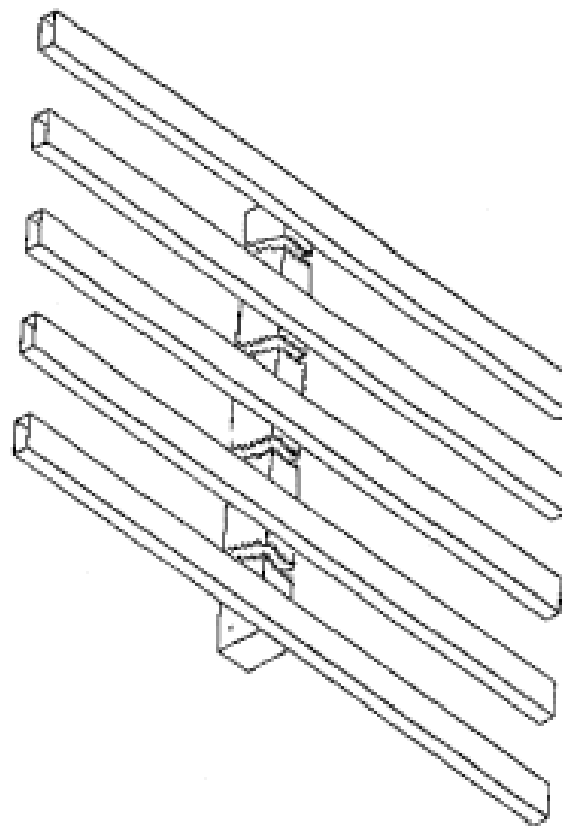
- (21) Design Number: **11247/2008**  
(22) Date of Filing Application: **14 March 2008**  
(24) Date from which industrial property rights may have effect: **14 March 2008**  
(54) Product in respect of which the design is registered: **Point of sale device**  
(51) International Design Classification: **18-01**  
(71) Name(s) and Address(s) of Applicant(s):

**First Data Corporation**  
**6200 South Quebec Street Greenwood Village Colorado 80111 United States of America**

- (72) Name(s) of Designer(s): **Eric Nelson and James Price and Hugh McCormack**  
(45) Registration Date: **26 September 2008**  
(30) Convention priority data:  
(31) Number      (32) Date      (33) Country  
**29/284799      14 Sep 2007      UNITED STATES OF AMERICA**  
(56) Related Art Documents: **Not Applicable**  
(57) Statement of Newness and Distinctiveness: **Newness and distinctiveness is claimed in the visual features shown in solid lines in the representations.**



- (21) Design Number: **11344/2008**  
(22) Date of Filing Application: **19 March 2008**  
(24) Date from which industrial property rights may have effect: **19 March 2008**  
(54) Product in respect of which the design is registered: **A towel rail**  
(51) International Design Classification: **07-05D**  
(71) Name(s) and Address(s) of Applicant(s):  
**Feltonmix Limited**  
**Level 3 117 St Georges Bay Road Parnell Auckland New Zealand**  
(72) Name(s) of Designer(s): **Vaughan Charles Atkin and Stephen James Beagley and Jean Voon**  
(45) Registration Date: **26 September 2008**  
(30) Convention priority data:  
(31) Number (32) Date (33) Country  
**409700 19 Sep 2007 NEW ZEALAND**  
(56) Related Art Documents: **Not Applicable**  
(57) Statement of Newness and Distinctiveness: **The new and distinctive features of this design reside in the features of shape and configuration of a rail with 0,2,3 ,5,6,8 or more intermediate portions, as indicated, being present.**



- (21) Design Number: **11376/2008**  
(22) Date of Filing Application: **20 March 2008**  
(24) Date from which industrial property rights may have effect: **20 March 2008**  
(54) Product in respect of which the design is registered: **An instrument cluster for an automobile**  
(51) International Design Classification: **12-16NES**  
(71) Name(s) and Address(s) of Applicant(s):  
**Honda Motor Co., Ltd**  
**1-1 Minami-Aoyama 2-chome Minato-ku Tokyo 107-8556 Japan**  
(72) Name(s) of Designer(s): **Yosuke Shimizu**  
(45) Registration Date: **26 September 2008**  
(30) Convention priority data:  
(31) Number (32) Date (33) Country  
**2007-025609 21 Sep 2007 JAPAN**  
(56) Related Art Documents: **Not Applicable**  
(57) Statement of Newness and Distinctiveness: **The instrument cluster for an automobile shown in the representations is new and distinctive.**



(21) Design Number: **13966/2008**

(22) Date of Filing Application: **14 March 2008**

(24) Date from which industrial property rights may have effect: **14 March 2008**

(54) Product in respect of which the design is registered: **Point of sale device**

(51) International Design Classification: **18-01**

(71) Name(s) and Address(s) of Applicant(s):

**First Data Corporation  
6200 South Quebec Street Greenwood Village Colorado 80111 United States of America**

(72) Name(s) of Designer(s): **Eric Nelson and James Price and Hugh McCormack**

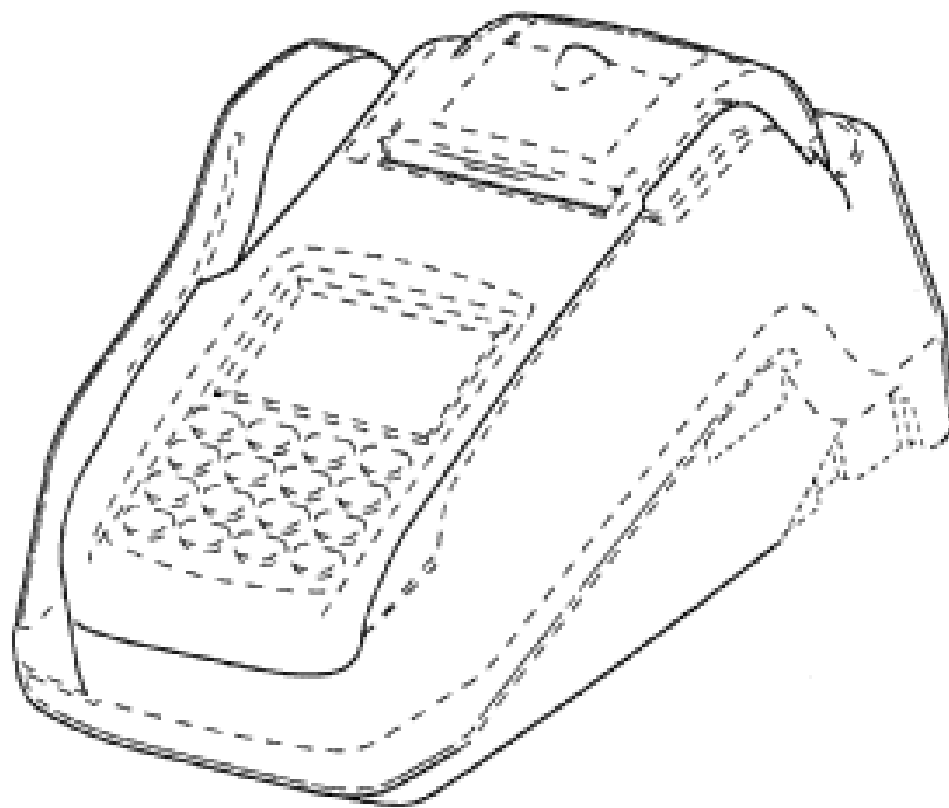
(45) Registration Date: **26 September 2008**

(30) Convention priority data:

(31) Number	(32) Date	(33) Country
<b>29/284799</b>	<b>14 Sep 2007</b>	<b>UNITED STATES OF AMERICA</b>

(56) Related Art Documents: **Not Applicable**

(57) Statement of Newness and Distinctiveness: **Newness and distinctiveness is claimed in the visual features shown in solid lines in the representations.**



(21) Design Number: **11712/2008**

(22) Date of Filing Application: **10 April 2008**

(24) Date from which industrial property rights may have effect: **10 April 2008**

(54) Product in respect of which the design is registered: **Side panel of a container**

(51) International Design Classification: **09-03K**

(71) Name(s) and Address(s) of Applicant(s):

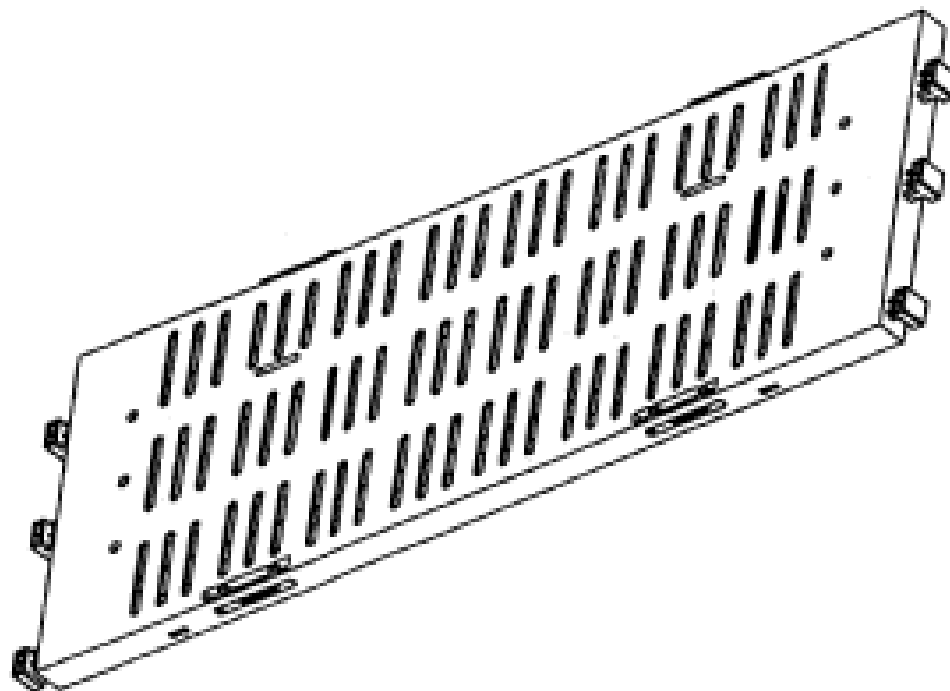
**Lamanna Bananas Pty Ltd  
103-107 Hyde Street Footscray Victoria 3011 Australia**

(72) Name(s) of Designer(s): **Craig Hunter**

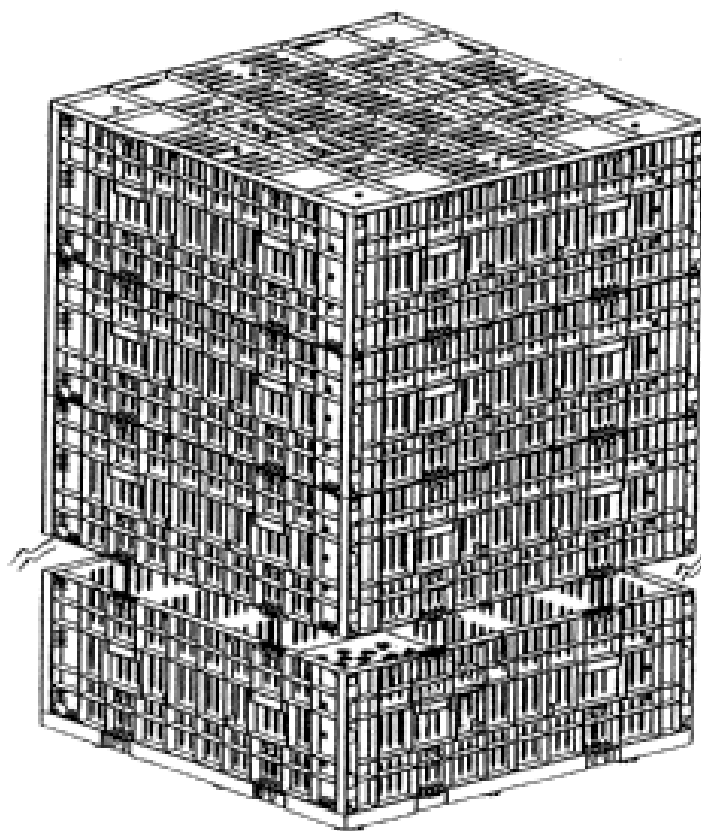
(45) Registration Date: **26 September 2008**

(56) Related Art Documents: **Not Applicable**

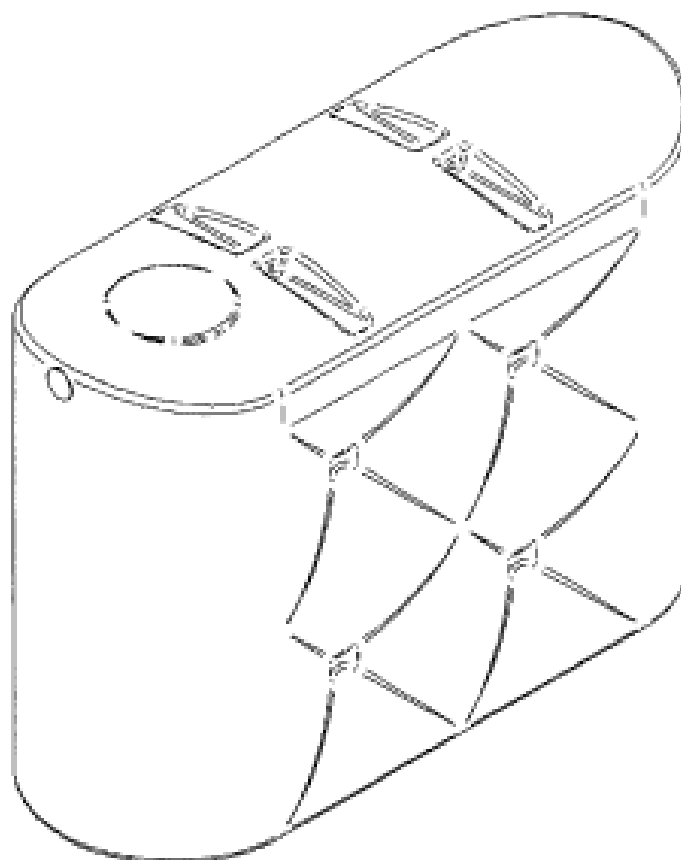
(57) Statement of Newness and Distinctiveness: **Newness and distinctiveness reside in the features of the design as shown in the representations.**



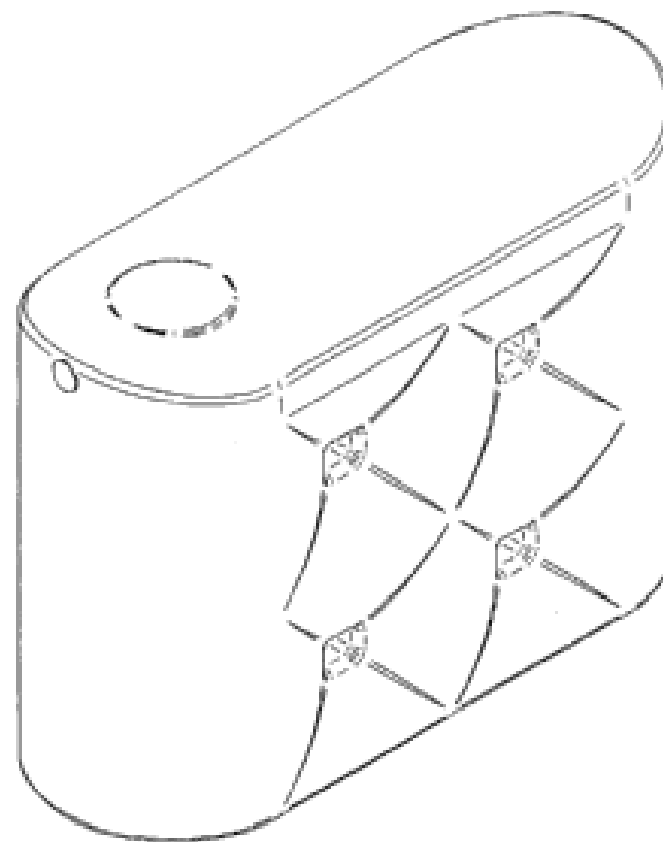
- (21) Design Number: **11713/2008**  
(22) Date of Filing Application: **10 April 2008**  
(24) Date from which industrial property rights may have effect: **10 April 2008**  
(54) Product in respect of which the design is registered: **Container of variable height**  
(51) International Design Classification: **09-03K**  
(71) Name(s) and Address(s) of Applicant(s):  
**Lamanna Bananas Pty Ltd**  
**103-107 Hyde Street Footscray Victoria 3011 Australia**  
(72) Name(s) of Designer(s): **Craig Hunter**  
(45) Registration Date: **26 September 2008**  
(56) Related Art Documents: **Not Applicable**  
(57) Statement of Newness and Distinctiveness: **Newness and distinctiveness reside in the features of the packaging system of variable height having an indefinite number of side panels as shown in the representations.**



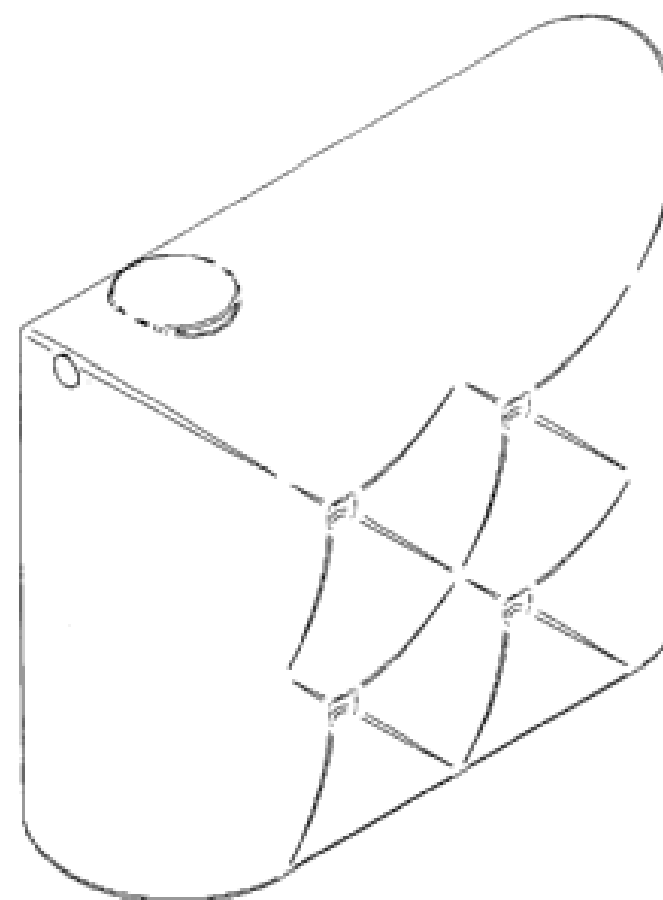
- (21) Design Number: **20144/2007**  
(22) Date of Filing Application: **08 October 2007**  
(24) Date from which industrial property rights may have effect: **08 October 2007**  
(54) Product in respect of which the design is registered: **Fluid tank**  
(51) International Design Classification: **23-01F**  
(71) Name(s) and Address(s) of Applicant(s):  
**Cumminscorp Limited**  
**16-18 Kingston Drive Gaven Queensland 4211 Australia**  
(72) Name(s) of Designer(s): **Ian Geoffrey Cummins**  
(45) Registration Date: **26 September 2008**  
(56) Related Art Documents: **Not Applicable**  
(57) Statement of Newness and Distinctiveness: **Newness and distinctiveness are claimed in the shape and configuration of a fluid tank as illustrated in the accompanying representations.**



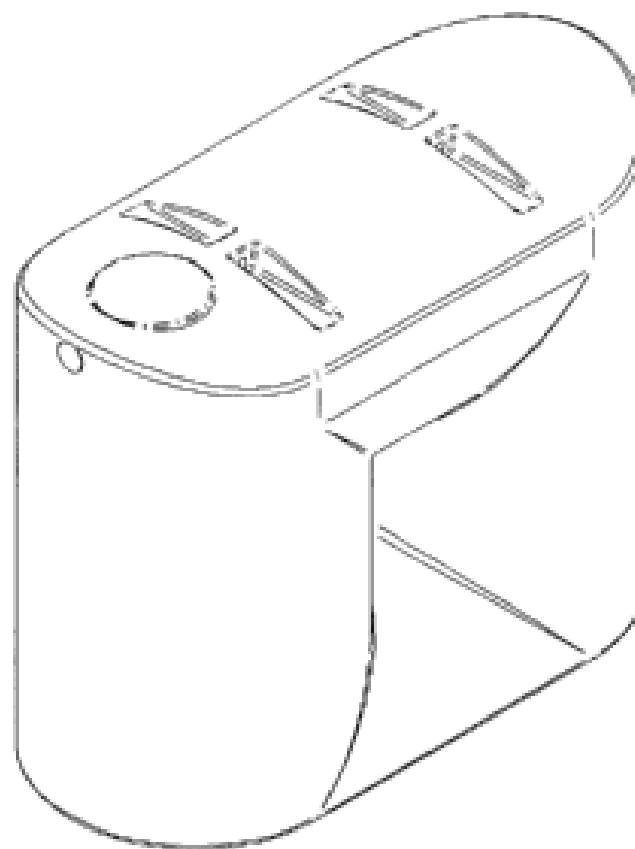
- (21) Design Number: **20145/2007**  
(22) Date of Filing Application: **08 October 2007**  
(24) Date from which industrial property rights may have effect: **08 October 2007**  
(54) Product in respect of which the design is registered: **Fluid tank**  
(51) International Design Classification: **23-01F**  
(71) Name(s) and Address(s) of Applicant(s):  
**Cumminscorp Limited**  
**16-18 Kingston Drive Gaven Queensland 4211 Australia**  
(72) Name(s) of Designer(s): **Ian Geoffrey Cummins**  
(45) Registration Date: **26 September 2008**  
(56) Related Art Documents: **Not Applicable**  
(57) Statement of Newness and Distinctiveness: **Newness and distinctiveness are claimed in the shape and configuration of a fluid tank as illustrated in the accompanying representations.**



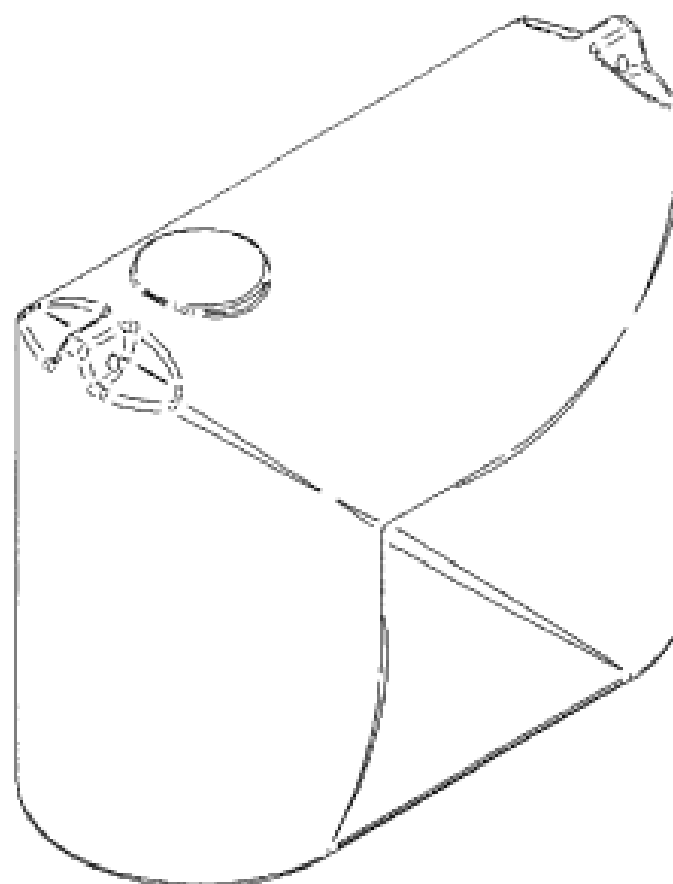
- (21) Design Number: **20146/2007**  
(22) Date of Filing Application: **08 October 2007**  
(24) Date from which industrial property rights may have effect: **08 October 2007**  
(54) Product in respect of which the design is registered: **Fluid tank**  
(51) International Design Classification: **23-01F**  
(71) Name(s) and Address(s) of Applicant(s):  
**Cumminscorp Limited**  
**16-18 Kingston Drive Gaven Queensland 4211 Australia**  
(72) Name(s) of Designer(s): **Ian Geoffrey Cummins**  
(45) Registration Date: **26 September 2008**  
(56) Related Art Documents: **Not Applicable**  
(57) Statement of Newness and Distinctiveness: **Newness and distinctiveness are claimed in the shape and configuration of a fluid tank as illustrated in the accompanying representations.**



- (21) Design Number: **20147/2007**  
(22) Date of Filing Application: **08 October 2007**  
(24) Date from which industrial property rights may have effect: **08 October 2007**  
(54) Product in respect of which the design is registered: **Fluid tank**  
(51) International Design Classification: **23-01F**  
(71) Name(s) and Address(s) of Applicant(s):  
**Cumminscorp Limited**  
**16-18 Kingston Drive Gaven Queensland 4211 Australia**  
(72) Name(s) of Designer(s): **Ian Geoffrey Cummins**  
(45) Registration Date: **26 September 2008**  
(56) Related Art Documents: **Not Applicable**  
(57) Statement of Newness and Distinctiveness: **Newness and distinctiveness are claimed in the shape and configuration of a fluid tank as illustrated in the accompanying representations.**



- (21) Design Number: **20148/2007**  
(22) Date of Filing Application: **08 October 2007**  
(24) Date from which industrial property rights may have effect: **08 October 2007**  
(54) Product in respect of which the design is registered: **Fluid tank**  
(51) International Design Classification: **23-01F**  
(71) Name(s) and Address(s) of Applicant(s):  
**Cumminscorp Limited**  
**16-18 Kingston Drive Gaven Queensland 4211 Australia**  
(72) Name(s) of Designer(s): **Ian Geoffrey Cummins**  
(45) Registration Date: **26 September 2008**  
(56) Related Art Documents: **Not Applicable**  
(57) Statement of Newness and Distinctiveness: **Newness and distinctiveness are claimed in the shape and configuration of a fluid tank as illustrated in the accompanying representations.**



(21) Design Number: **20149/2007**

(22) Date of Filing Application: **08 October 2007**

(24) Date from which industrial property rights may have effect: **08 October 2007**

(54) Product in respect of which the design is registered: **Fluid tank**

(51) International Design Classification: **23-01F**

(71) Name(s) and Address(s) of Applicant(s):

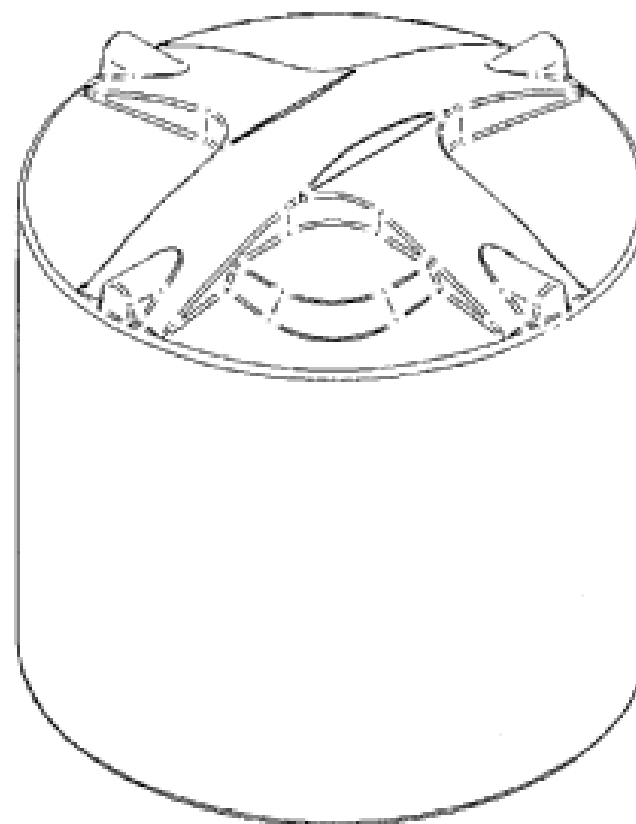
**Cumminscorp Limited**  
**16-18 Kingston Drive Gaven Queensland 4211 Australia**

(72) Name(s) of Designer(s): **Ian Geoffrey Cummins**

(45) Registration Date: **26 September 2008**

(56) Related Art Documents: **Not Applicable**

(57) Statement of Newness and Distinctiveness: **Newness and distinctiveness are claimed in the shape and configuration of a fluid tank as illustrated in the accompanying representations.**



(21) Design Number: **11188/2008**

(22) Date of Filing Application: **12 March 2008**

(24) Date from which industrial property rights may have effect: **12 March 2008**

(54) Product in respect of which the design is registered: **An axle**

(51) International Design Classification: **12-16NES**

(71) Name(s) and Address(s) of Applicant(s):

**Vehicle Components Pty Ltd**  
**352B Bilsen Road Geebung Queensland 4034 Australia**

(72) Name(s) of Designer(s): **Arthur Goddard**

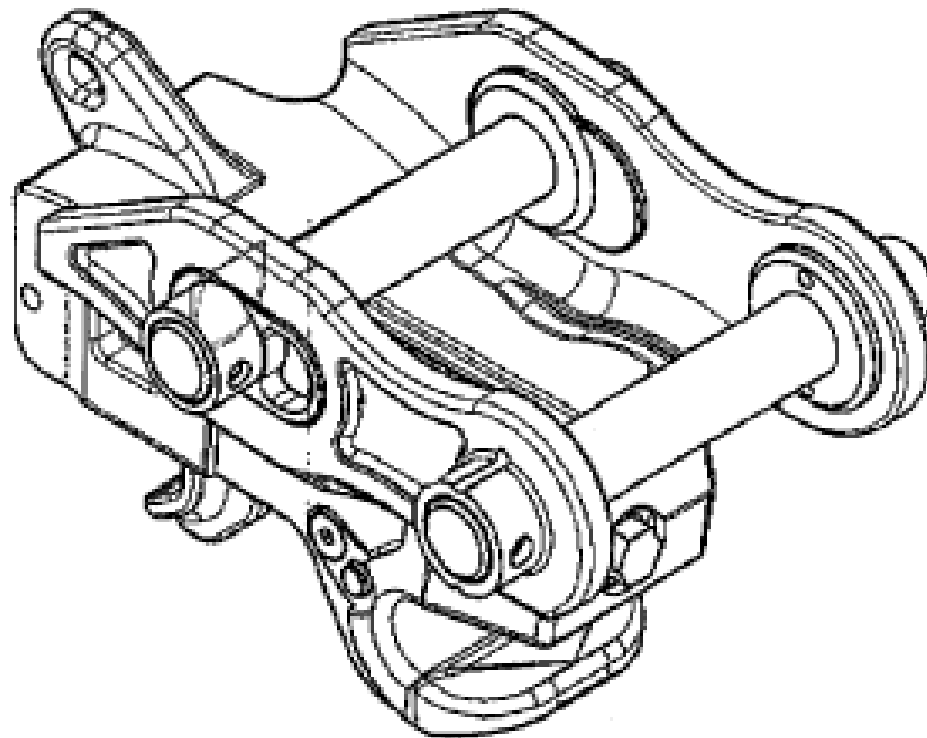
(45) Registration Date: **02 October 2008**

(56) Related Art Documents: **Not Applicable**

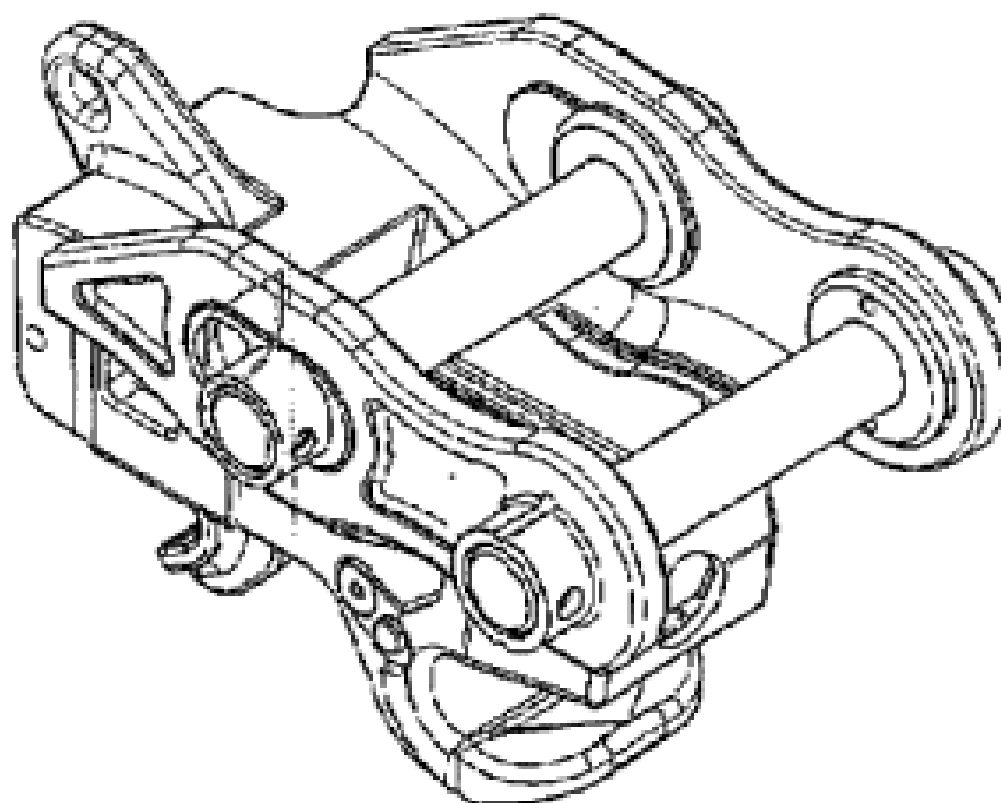
(57) Statement of Newness and Distinctiveness: **The shape and configuration of the axle tube end which receives the stub axle end is new and distinctive.**



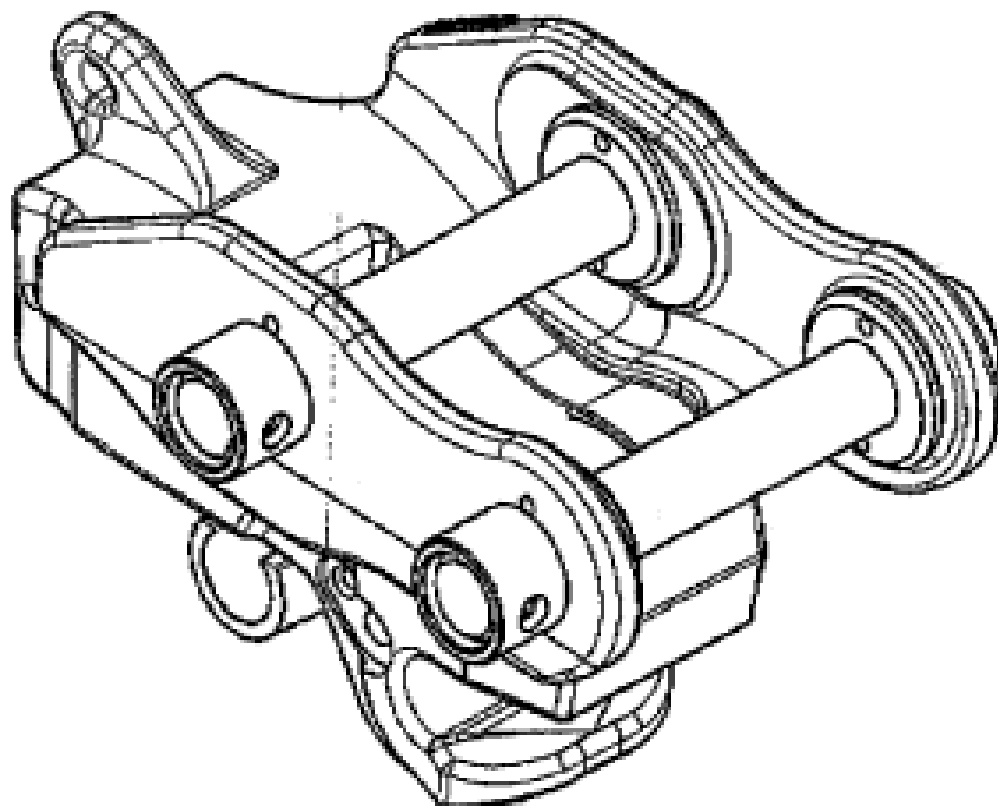
- (21) Design Number: **12245/2008**  
(22) Date of Filing Application: **12 May 2008**  
(24) Date from which industrial property rights may have effect: **12 May 2008**  
(54) Product in respect of which the design is registered: **A coupler**  
(51) International Design Classification: **12-16L**  
(71) Name(s) and Address(s) of Applicant(s):  
**JB Attachments Limited**  
**22 Stonedon Drive East Tamaki Auckland New Zealand**  
(72) Name(s) of Designer(s): **Michael Kevin Scheib and Timothy Craig Balemi**  
(45) Registration Date: **02 October 2008**  
(30) Convention priority data:  
(31) Number (32) Date (33) Country  
**410042 16 Nov 2007 NEW ZEALAND**  
(56) Related Art Documents: **Not Applicable**  
(57) Statement of Newness and Distinctiveness: **The novelty claimed for the design resides in the features of shape and/or configuration all as shown in the representations.**



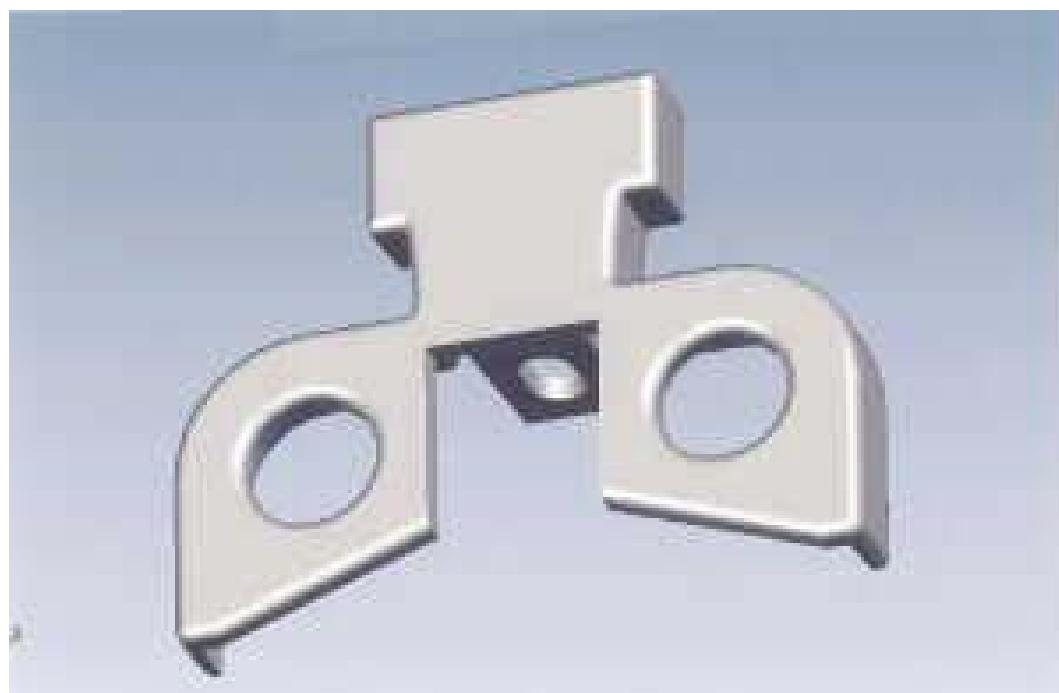
- (21) Design Number: **12246/2008**  
(22) Date of Filing Application: **12 May 2008**  
(24) Date from which industrial property rights may have effect: **12 May 2008**  
(54) Product in respect of which the design is registered: **A coupler**  
(51) International Design Classification: **12-16L**  
(71) Name(s) and Address(s) of Applicant(s):  
**JB Attachments Limited**  
**22 Stonedon Drive East Tamaki Auckland New Zealand**  
(72) Name(s) of Designer(s): **Michael Kevin Scheib and Timothy Craig Balemi**  
(45) Registration Date: **02 October 2008**  
(30) Convention priority data:  
(31) Number (32) Date (33) Country  
**410044 16 Nov 2007 NEW ZEALAND**  
(56) Related Art Documents: **Not Applicable**  
(57) Statement of Newness and Distinctiveness: **The novelty claimed for the design resides in the features of shape and/or configuration all as shown in the representations.**



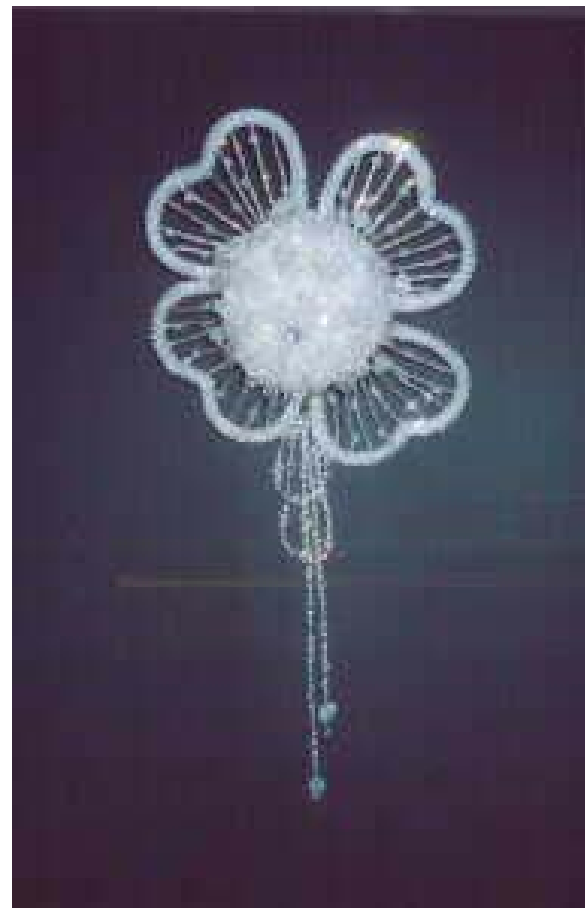
- (21) Design Number: **12247/2008**  
(22) Date of Filing Application: **12 May 2008**  
(24) Date from which industrial property rights may have effect: **12 May 2008**  
(54) Product in respect of which the design is registered: **A coupler**  
(51) International Design Classification: **12-16L**  
(71) Name(s) and Address(s) of Applicant(s):  
**JB Attachments Limited**  
**22 Stonedon Drive East Tamaki Auckland New Zealand**  
(72) Name(s) of Designer(s): **Michael Kevin Scheib and Timothy Craig Balemi**  
(45) Registration Date: **02 October 2008**  
(30) Convention priority data:  
(31) Number (32) Date (33) Country  
**410043 16 Nov 2007 NEW ZEALAND**  
(56) Related Art Documents: **Not Applicable**  
(57) Statement of Newness and Distinctiveness: **The novelty claimed for the design resides in the features of shape and/or configuration all as shown in the representations.**



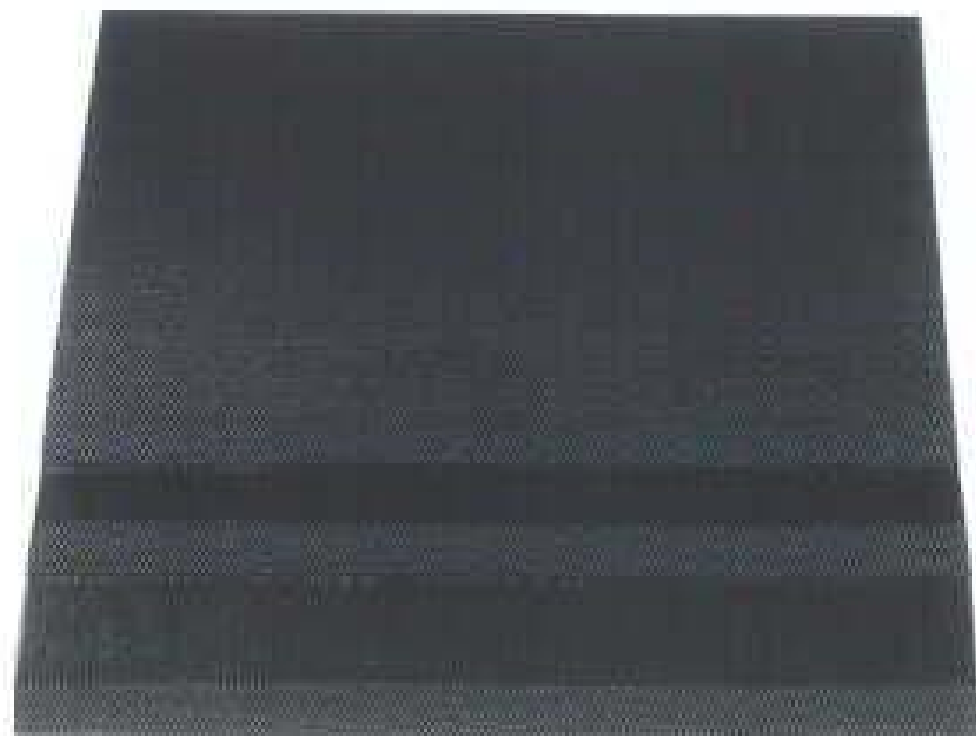
- (21) Design Number: **10738/2008**  
(22) Date of Filing Application: **07 February 2008**  
(24) Date from which industrial property rights may have effect: **07 February 2008**  
(54) Product in respect of which the design is registered: **Shower enclosure door end cap/door stop**  
(51) International Design Classification: **08-08NES, 08-09, 23-02B**  
(71) Name(s) and Address(s) of Applicant(s):  
**Dias Aluminium Products Pty. Ltd.**  
**201-205 Browns Road Noble Park Victoria 3174 Australia**  
(72) Name(s) of Designer(s): **Ian David Paterson**  
(45) Registration Date: **02 October 2008**  
(56) Related Art Documents: **Not Applicable**  
(57) Statement of Newness and Distinctiveness: **Nil**



- (21) Design Number: **11168/2008**  
(22) Date of Filing Application: **10 March 2008**  
(24) Date from which industrial property rights may have effect: **10 March 2008**  
(54) Product in respect of which the design is registered: **Crystal bridal bouquet - "Forever in Love"**  
(51) International Design Classification: **11-04**  
(71) Name(s) and Address(s) of Applicant(s):  
**Judith Bacon**  
**7/44 Bayswater Street Drummoyne New South Wales 2047 Australia**  
(72) Name(s) of Designer(s): **Judith Bacon**  
(45) Registration Date: **02 October 2008**  
(56) Related Art Documents: **Not Applicable**  
(57) Statement of Newness and Distinctiveness: **Handmade 4 heart shape petal bouquet made with swarovski crystals - individual flowers, leaves, beaded with crystal beads.**



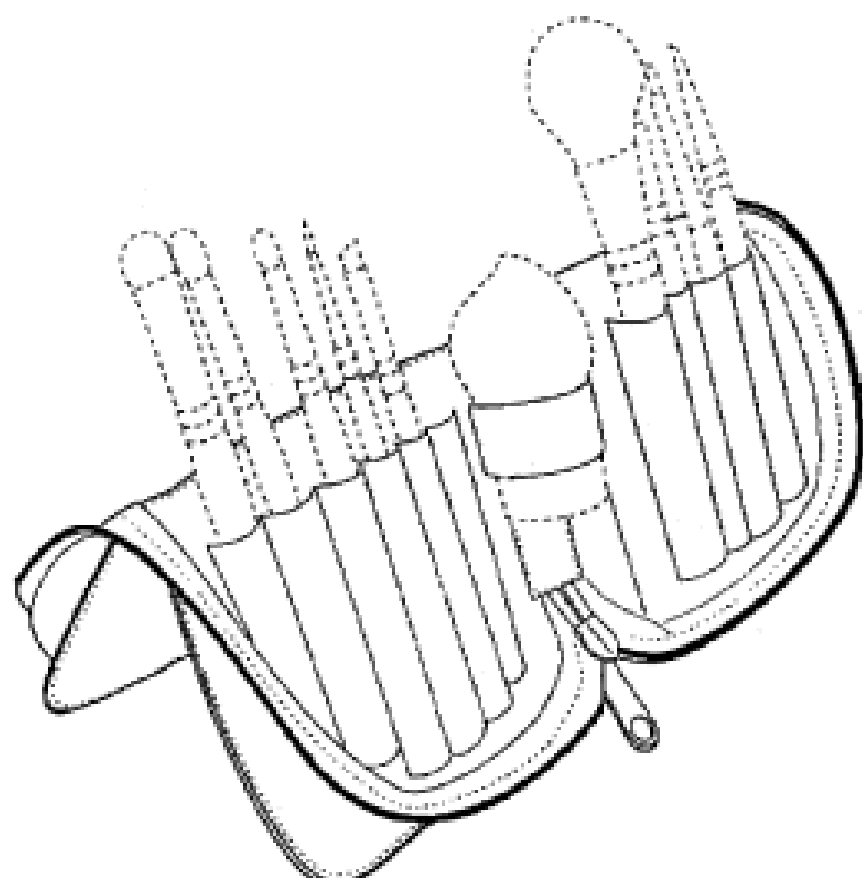
- (21) Design Number: **12303/2008**  
(22) Date of Filing Application: **14 May 2008**  
(24) Date from which industrial property rights may have effect: **14 May 2008**  
(54) Product in respect of which the design is registered: **Covering**  
(51) International Design Classification: **06-11, 06-12, 06-13NES**  
(71) Name(s) and Address(s) of Applicant(s):  
**Chilewich Sultan LLC**  
**44 East 32nd Street New York New York 10016 United States of America**  
(72) Name(s) of Designer(s): **Sandra Chilewich**  
(45) Registration Date: **02 October 2008**  
(56) Related Art Documents: **Not Applicable**  
(57) Statement of Newness and Distinctiveness: **Nil**



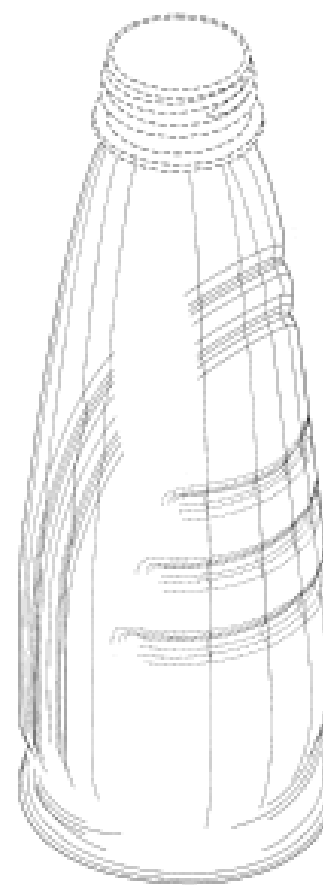
(21) Design Number: **12304/2008**  
(22) Date of Filing Application: **14 May 2008**  
(24) Date from which industrial property rights may have effect: **14 May 2008**  
(54) Product in respect of which the design is registered: **Covering**  
(51) International Design Classification: **06-11, 06-12, 06-13NES**  
(71) Name(s) and Address(s) of Applicant(s):  
**Chilewich Sultan LLC**  
**44 East 32nd Street New York New York 10016 United States of America**  
(72) Name(s) of Designer(s): **Sandra Chilewich**  
(45) Registration Date: **02 October 2008**  
(56) Related Art Documents: **Not Applicable**  
(57) Statement of Newness and Distinctiveness: **Nil**



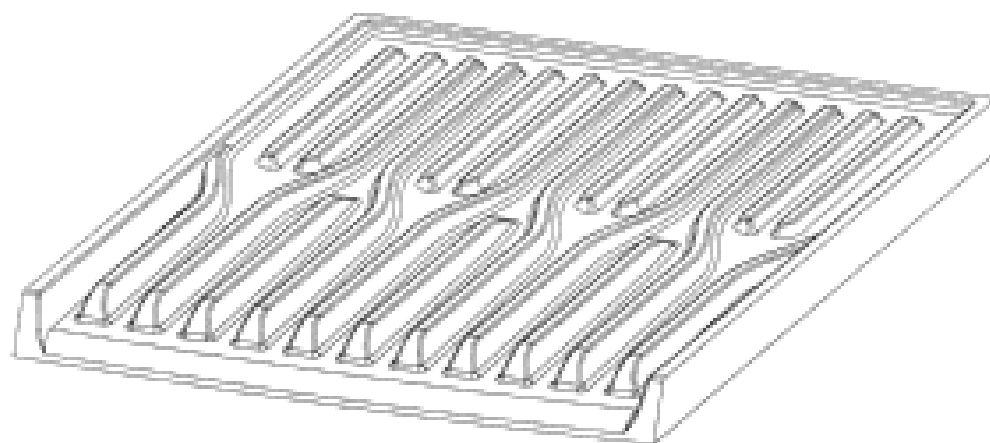
(21) Design Number: **12323/2008**  
(22) Date of Filing Application: **15 May 2008**  
(24) Date from which industrial property rights may have effect: **15 May 2008**  
(54) Product in respect of which the design is registered: **A cosmetic brush pouch and holder**  
(51) International Design Classification: **03-01D, 07-99C**  
(71) Name(s) and Address(s) of Applicant(s):  
**Roger Douglas Lang**  
**9 Fossilwood Court Buderim Queensland 4556 Australia**  
**Sonja Belinda Lang**  
**9 Fossilwood Court Buderim Queensland 4556 Australia**  
(72) Name(s) of Designer(s): **Roger Douglas Lang**  
(45) Registration Date: **02 October 2008**  
(56) Related Art Documents: **Not Applicable**  
(57) Statement of Newness and Distinctiveness: **Nil**



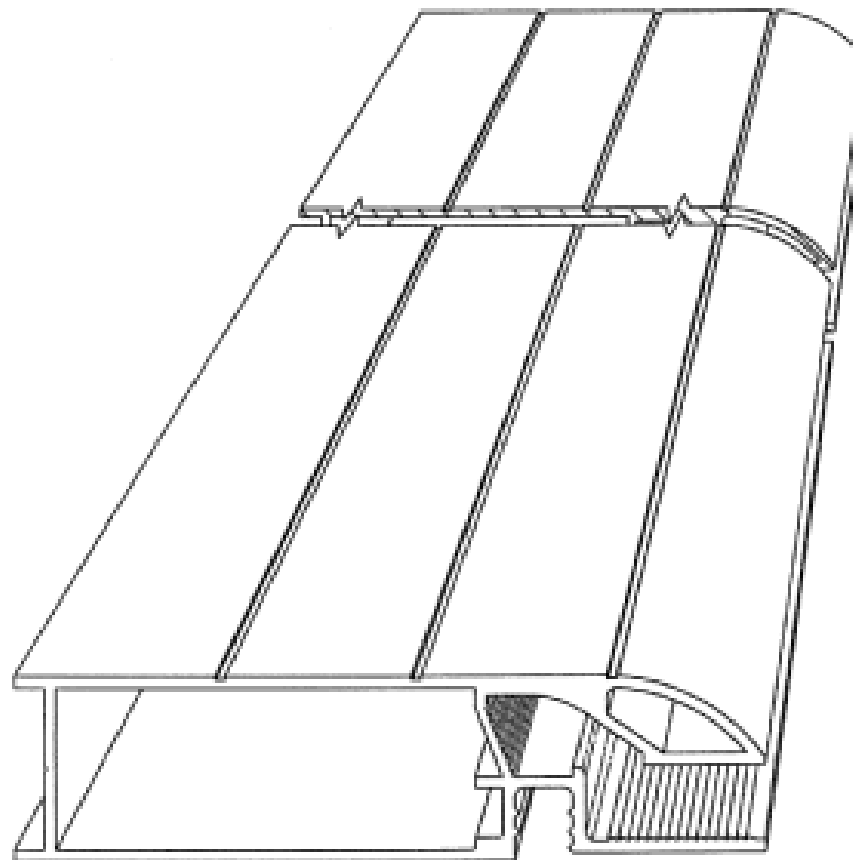
- (21) Design Number: **12388/2008**  
(22) Date of Filing Application: **21 May 2008**  
(24) Date from which industrial property rights may have effect: **21 May 2008**  
(54) Product in respect of which the design is registered: **A container**  
(51) International Design Classification: **09-01K**  
(71) Name(s) and Address(s) of Applicant(s):  
**David Murray Melrose**  
**88 Balmoral Road Mount Eden Auckland 1024 New Zealand**  
(72) Name(s) of Designer(s): **David Murray Melrose and Tania Maria Robinson and Andrew Candy and Campbell Melrose-Allen**  
(45) Registration Date: **02 October 2008**  
(30) Convention priority data:  
(31) Number (32) Date (33) Country  
**410240 21 Dec 2007 NEW ZEALAND**  
(56) Related Art Documents: **Not Applicable**  
(57) Statement of Newness and Distinctiveness: **Shape or configuration excluding any novelty in its neck and base portions and the ribs, all shown in broken lines.**



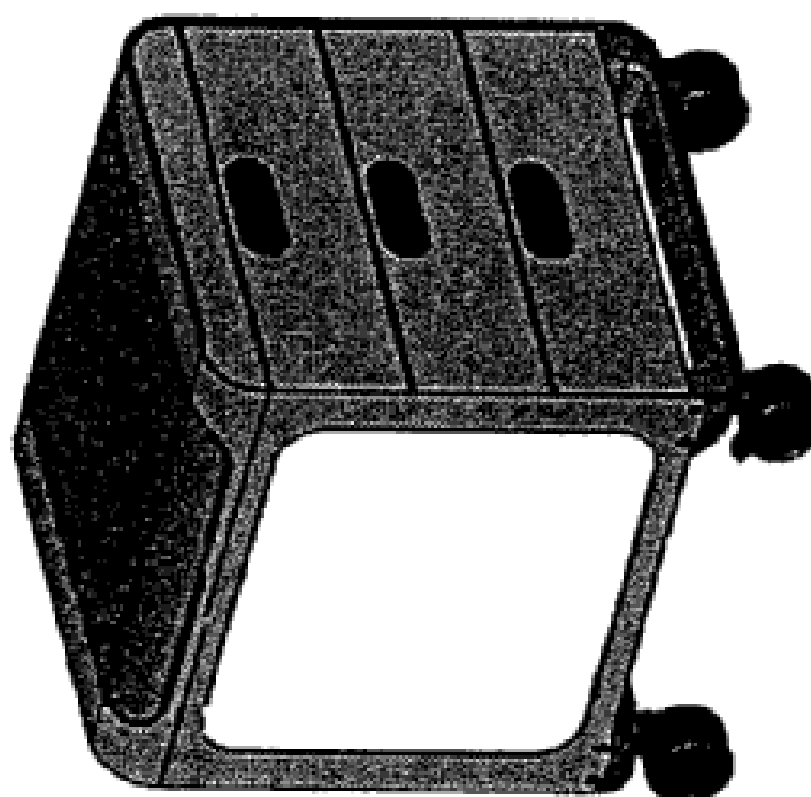
- (21) Design Number: **12425/2008**  
(22) Date of Filing Application: **22 May 2008**  
(24) Date from which industrial property rights may have effect: **22 May 2008**  
(54) Product in respect of which the design is registered: **Cooking plate**  
(51) International Design Classification: **07-02C, 07-02H**  
(71) Name(s) and Address(s) of Applicant(s):  
**Sunbeam Corporation Limited**  
**Units 5 & 6 13 Lord Street Botany New South Wales 2019 Australia**  
(72) Name(s) of Designer(s): **Andrew Grigor**  
(45) Registration Date: **02 October 2008**  
(56) Related Art Documents: **Not Applicable**  
(57) Statement of Newness and Distinctiveness: **Newness and distinctiveness in the design is claimed in the features of shape and/or configuration of a cooking plate as illustrated in the accompanying drawings. As shown in top views 2 and 3 the length and/or width of the cooking plate may be varied.**



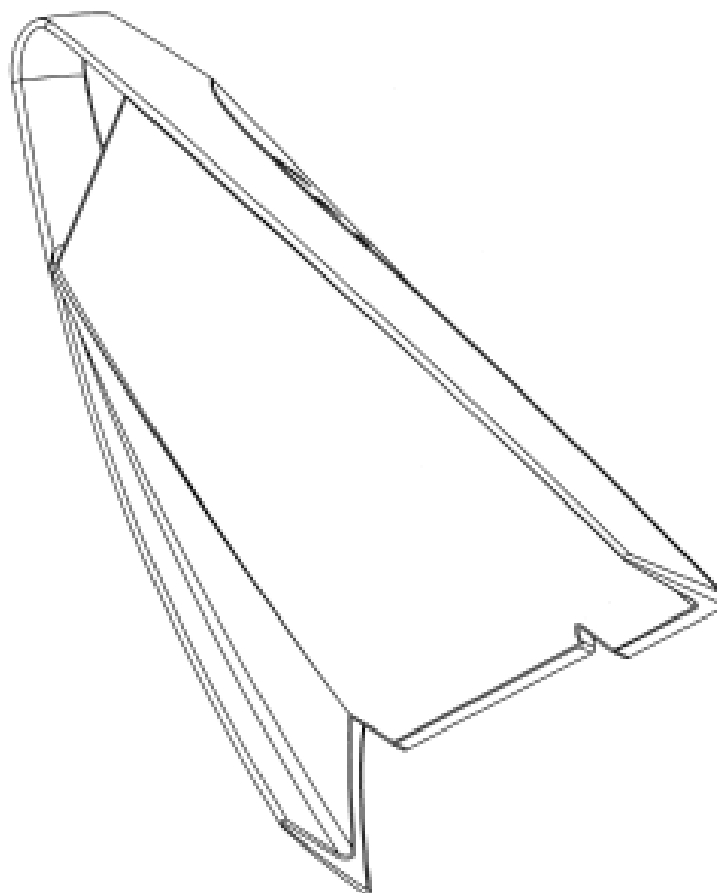
- (21) Design Number: **12428/2008**  
(22) Date of Filing Application: **22 May 2008**  
(24) Date from which industrial property rights may have effect: **22 May 2008**  
(54) Product in respect of which the design is registered: **Door frame extrusion**  
(51) International Design Classification: **25-02B, 25-01K**  
(71) Name(s) and Address(s) of Applicant(s):  
**Abra Products Pty Ltd**  
**118-120 Freight Drive Somerton Victoria 3062 Australia**  
(72) Name(s) of Designer(s): **Donald Allen**  
(45) Registration Date: **02 October 2008**  
(56) Related Art Documents: **Not Applicable**  
(57) Statement of Newness and Distinctiveness: **Nil**



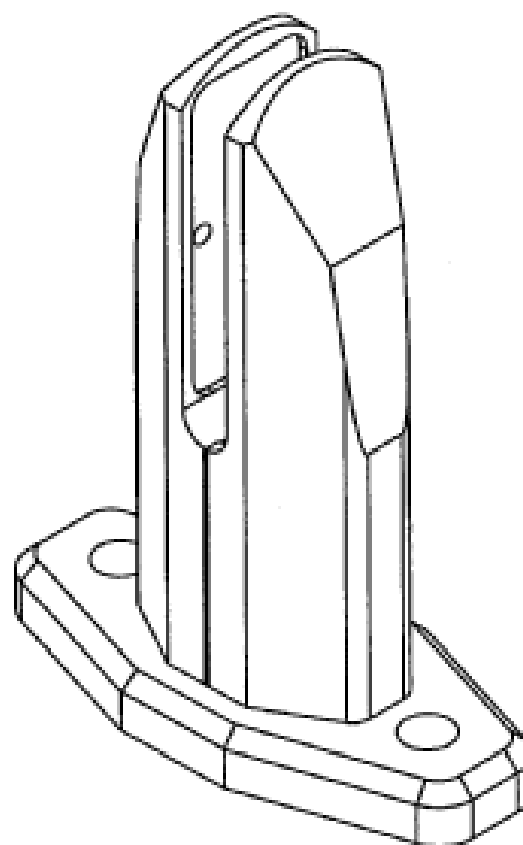
- (21) Design Number: **12458/2008**  
(22) Date of Filing Application: **23 May 2008**  
(24) Date from which industrial property rights may have effect: **23 May 2008**  
(54) Product in respect of which the design is registered: **A caddy**  
(51) International Design Classification: **06-04B**  
(71) Name(s) and Address(s) of Applicant(s):  
**Fluid Furniture Pty Limited**  
**6A Childs Road Chipping Norton New South Wales 2170 Australia**  
(72) Name(s) of Designer(s): **Warren Hayden Asquith**  
(45) Registration Date: **02 October 2008**  
(56) Related Art Documents: **Not Applicable**  
(57) Statement of Newness and Distinctiveness: **Newness and distinctiveness is claimed in the features of shape and/or configuration of a caddy as illustrated in the accompanying representations.**



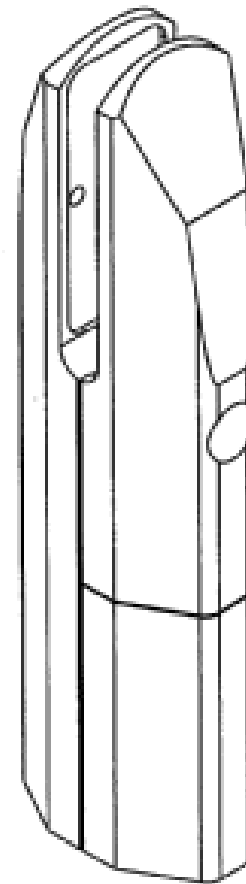
- (21) Design Number: **12596/2008**  
(22) Date of Filing Application: **29 May 2008**  
(24) Date from which industrial property rights may have effect: **29 May 2008**  
(54) Product in respect of which the design is registered: **Swim fin**  
(51) International Design Classification: **21-02D**  
(71) Name(s) and Address(s) of Applicant(s):  
**Pod Ware Pty Ltd**  
**26 Curtin Crescent Maroubra New South Wales 2035 Australia**  
(72) Name(s) of Designer(s): **Shane Thomas Anthony Vassallo**  
(45) Registration Date: **02 October 2008**  
(56) Related Art Documents: **Not Applicable**  
(57) Statement of Newness and Distinctiveness: **Nil**



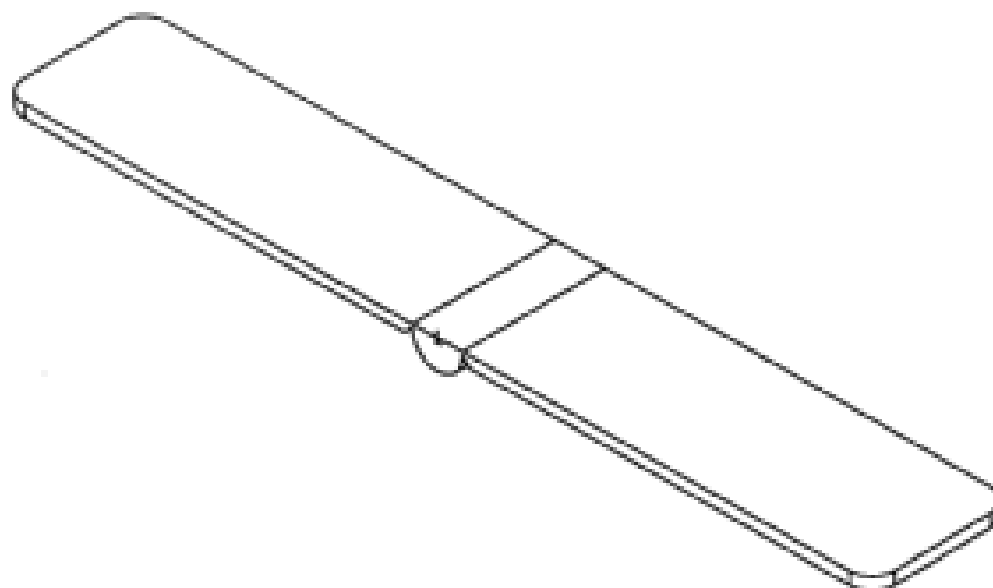
- (21) Design Number: **14322/2008**  
(22) Date of Filing Application: **09 September 2008**  
(24) Date from which industrial property rights may have effect: **09 September 2008**  
(54) Product in respect of which the design is registered: **Clamping support for panel or sheet material either flat or curved**  
(51) International Design Classification: **08-05F, 08-08D**  
(71) Name(s) and Address(s) of Applicant(s):  
**Peter Charles Coleman**  
**2/107 Enterprise Street Kunda Park Queensland 4556 Australia**  
(72) Name(s) of Designer(s): **Peter Charles Coleman**  
(45) Registration Date: **02 October 2008**  
(56) Related Art Documents: **Not Applicable**  
(57) Statement of Newness and Distinctiveness: **Base plate fixed with sliding side for easy installation and removal of sheet or panel materials.**



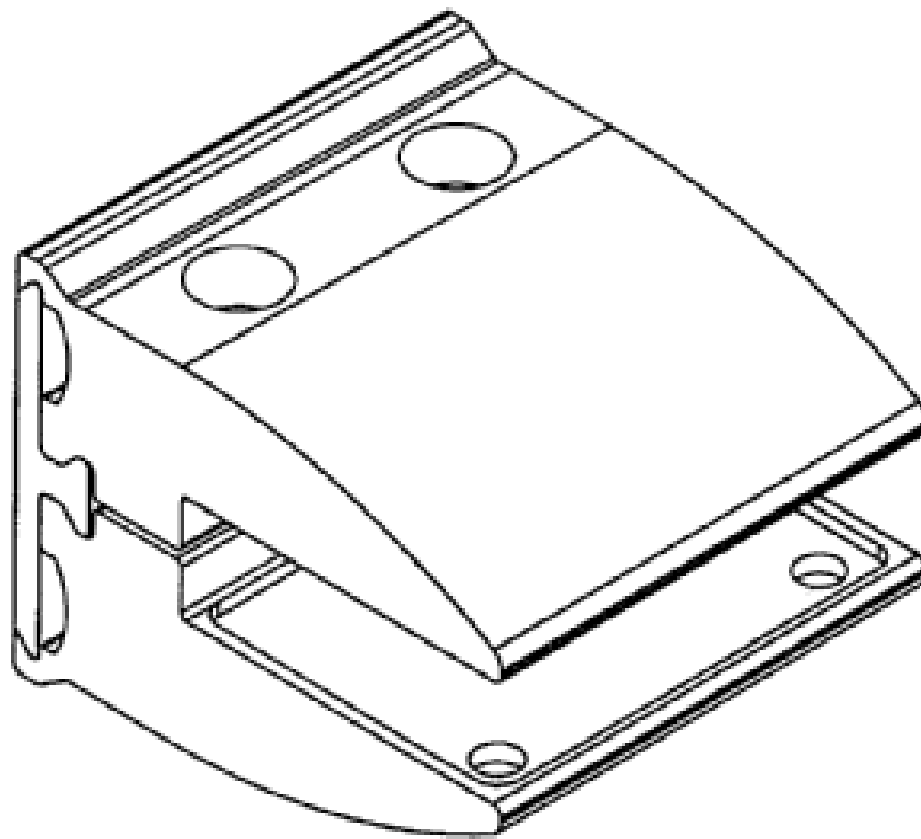
- (21) Design Number: **14323/2008**  
(22) Date of Filing Application: **09 September 2008**  
(24) Date from which industrial property rights may have effect: **09 September 2008**  
(54) Product in respect of which the design is registered: **Clamping support for panel or sheet material either flat or curved**  
(51) International Design Classification: **08-05F, 08-08D**  
(71) Name(s) and Address(s) of Applicant(s):  
**Peter Charles Coleman**  
**2/107 Enterprise Street Kunda Park Queensland 4556 Australia**  
(72) Name(s) of Designer(s): **Peter Charles Coleman**  
(45) Registration Date: **02 October 2008**  
(56) Related Art Documents: **Not Applicable**  
(57) Statement of Newness and Distinctiveness: **Split side for easy installation and removal of sheet or panel materials.**



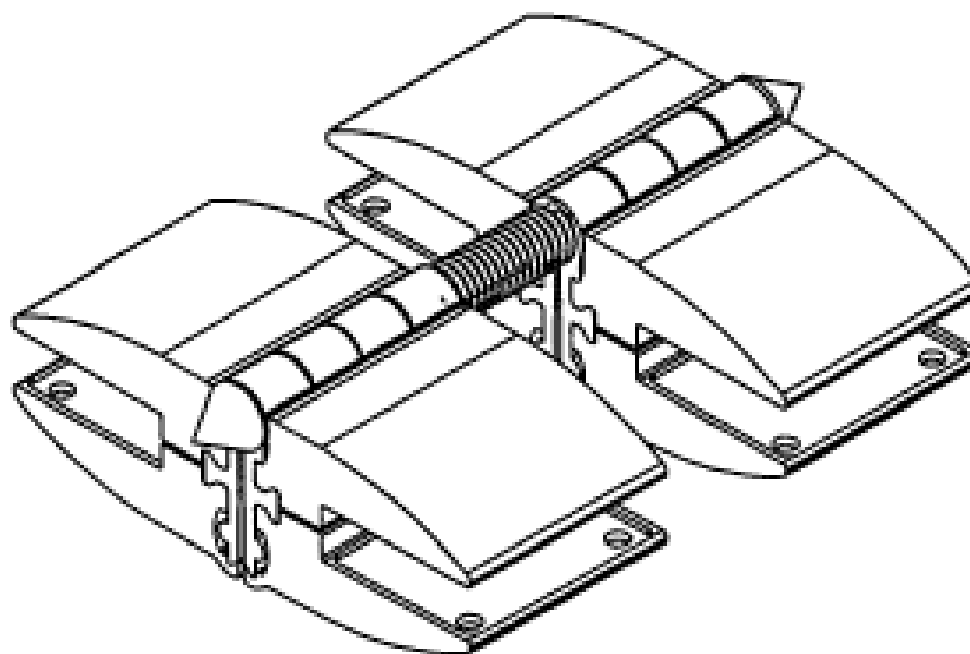
- (21) Design Number: **14324/2008**  
(22) Date of Filing Application: **09 September 2008**  
(24) Date from which industrial property rights may have effect: **09 September 2008**  
(54) Product in respect of which the design is registered: **Clamping insert for panel or sheet material either flat or curved**  
(51) International Design Classification: **08-05F, 08-08D**  
(71) Name(s) and Address(s) of Applicant(s):  
**Peter Charles Coleman**  
**2/107 Enterprise Street Kunda Park Queensland 4556 Australia**  
(72) Name(s) of Designer(s): **Peter Charles Coleman**  
(45) Registration Date: **02 October 2008**  
(56) Related Art Documents: **Not Applicable**  
(57) Statement of Newness and Distinctiveness: **Tapered folding rubber clamping insert.**



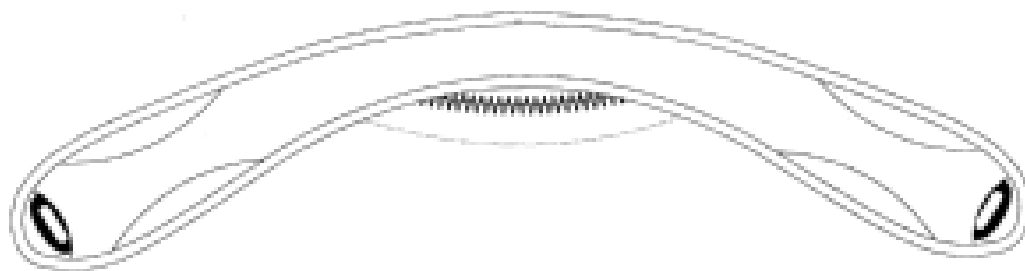
- (21) Design Number: **14325/2008**  
(22) Date of Filing Application: **09 September 2008**  
(24) Date from which industrial property rights may have effect: **09 September 2008**  
(54) Product in respect of which the design is registered: **Clamping support for panel or sheet material either flat or curved and materials that would be considered to be used as**  
(51) International Design Classification: **08-05F, 08-08D**  
(71) Name(s) and Address(s) of Applicant(s):  
**Peter Charles Coleman**  
**2/107 Enterprise Street Kunda Park Queensland 4556 Australia**  
(72) Name(s) of Designer(s): **Peter Charles Coleman**  
(45) Registration Date: **02 October 2008**  
(56) Related Art Documents: **Not Applicable**  
(57) Statement of Newness and Distinctiveness: **Self clamping with interlocking tee piece for fixing clamp to wall or other support and for fixing handrail material to clamp.**



- (21) Design Number: **14326/2008**  
(22) Date of Filing Application: **09 September 2008**  
(24) Date from which industrial property rights may have effect: **09 September 2008**  
(54) Product in respect of which the design is registered: **Hinged clamping support for panel or sheet material either flat or curved**  
(51) International Design Classification: **08-05F, 08-06, 08-08D**  
(71) Name(s) and Address(s) of Applicant(s):  
**Peter Charles Coleman**  
**2/107 Enterprise Street Kunda Park Queensland 4556 Australia**  
(72) Name(s) of Designer(s): **Peter Charles Coleman**  
(45) Registration Date: **02 October 2008**  
(56) Related Art Documents: **Not Applicable**  
(57) Statement of Newness and Distinctiveness: **Self clamping support that has interlocking section that forms the basis of a hinge when two clamps are joined with a common pin. A self closing hinge is formed when two clamps are joined with a common pin and a spring is placed between the two individual hinge clamps.**



- (21) Design Number: **21322/2007**  
(22) Date of Filing Application: **13 December 2007**  
(24) Date from which industrial property rights may have effect: **13 December 2007**  
(54) Product in respect of which the design is registered: **Strap**  
(51) International Design Classification: **16-99, 02-05**  
(71) Name(s) and Address(s) of Applicant(s):  
**Cashmere Blazer Pty Ltd**  
**6 Chelmsford Street Kensington Victoria 3031 Australia**  
(72) Name(s) of Designer(s): **Stuart Neil Crumpler**  
(45) Registration Date: **02 October 2008**  
(56) Related Art Documents: **Not Applicable**  
(57) Statement of Newness and Distinctiveness: **Nil**



- (21) Design Number: **12456/2008**  
(22) Date of Filing Application: **23 May 2008**  
(24) Date from which industrial property rights may have effect: **23 May 2008**  
(54) Product in respect of which the design is registered: **A spacer for a furniture assembly**  
(51) International Design Classification: **06-06NES**  
(71) Name(s) and Address(s) of Applicant(s):  
**Fluid Furniture Pty Limited**  
**6A Childs Road Chipping Norton New South Wales 2170 Australia**  
(72) Name(s) of Designer(s): **Warren Hayden Asquith**  
(45) Registration Date: **02 October 2008**  
(56) Related Art Documents: **Not Applicable**  
(57) Statement of Newness and Distinctiveness: **Newness and distinctiveness is claimed in the features of shape and/or configuration of a spacer for a furniture assembly as illustrated in the accompanying representations.**



(21) Design Number: **12457/2008**

(22) Date of Filing Application: **23 May 2008**

(24) Date from which industrial property rights may have effect: **23 May 2008**

(54) Product in respect of which the design is registered: **A furniture coupling**

(51) International Design Classification: **06-06NES**

(71) Name(s) and Address(s) of Applicant(s):

**Fluid Furniture Pty Limited**

**6A Childs Road Chipping Norton New South Wales 2170 Australia**

(72) Name(s) of Designer(s): **Warren Hayden Asquith**

(45) Registration Date: **02 October 2008**

(56) Related Art Documents: **Not Applicable**

(57) Statement of Newness and Distinctiveness: **Newness and distinctiveness is claimed in the features of shape and/or configuration of a furniture coupling as illustrated in the accompanying representations.**



(21) Design Number: **12459/2008**

(22) Date of Filing Application: **23 May 2008**

(24) Date from which industrial property rights may have effect: **23 May 2008**

(54) Product in respect of which the design is registered: **A furniture leg**

(51) International Design Classification: **06-06E**

(71) Name(s) and Address(s) of Applicant(s):

**Fluid Furniture Pty Limited**

**6A Childs Road Chipping Norton New South Wales 2170 Australia**

(72) Name(s) of Designer(s): **Warren Hayden Asquith**

(45) Registration Date: **02 October 2008**

(56) Related Art Documents: **Not Applicable**

(57) Statement of Newness and Distinctiveness: **Newness and distinctiveness is claimed in the features of shape and/or configuration of a furniture leg as illustrated in the accompanying representations.**



(21) Design Number: **12460/2008**

(22) Date of Filing Application: **23 May 2008**

(24) Date from which industrial property rights may have effect: **23 May 2008**

(54) Product in respect of which the design is registered: **A furniture leg**

(51) International Design Classification: **06-06E**

(71) Name(s) and Address(s) of Applicant(s):

**Fluid Furniture Pty Limited**

**6A Childs Road Chipping Norton New South Wales 2170 Australia**

(72) Name(s) of Designer(s): **Warren Hayden Asquith**

(45) Registration Date: **02 October 2008**

(56) Related Art Documents: **Not Applicable**

(57) Statement of Newness and Distinctiveness: **Newness and distinctiveness is claimed in the features of shape and/or configuration of a furniture leg as illustrated in the accompanying representations.**



(21) Design Number: **12461/2008**

(22) Date of Filing Application: **23 May 2008**

(24) Date from which industrial property rights may have effect: **23 May 2008**

(54) Product in respect of which the design is registered: **A furniture spacer**

(51) International Design Classification: **06-06NES**

(71) Name(s) and Address(s) of Applicant(s):

**Fluid Furniture Pty Limited**

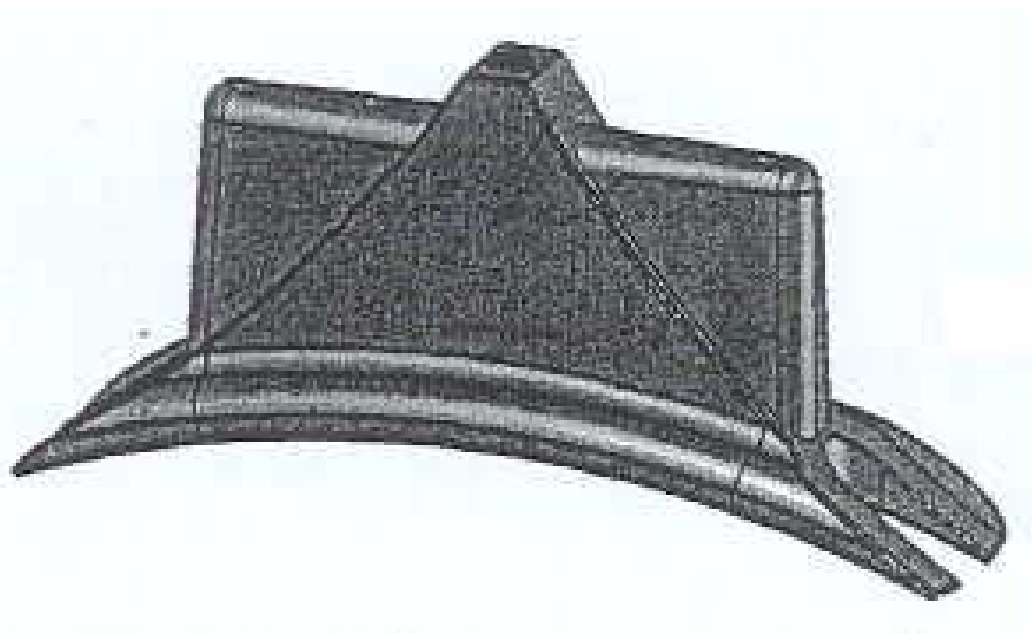
**6A Childs Road Chipping Norton New South Wales 2170 Australia**

(72) Name(s) of Designer(s): **Warren Hayden Asquith**

(45) Registration Date: **02 October 2008**

(56) Related Art Documents: **Not Applicable**

(57) Statement of Newness and Distinctiveness: **Newness and distinctiveness is claimed in the features of shape and/or configuration of a furniture spacer as illustrated in the accompanying representations.**



(21) Design Number: **12462/2008**

(22) Date of Filing Application: **23 May 2008**

(24) Date from which industrial property rights may have effect: **23 May 2008**

(54) Product in respect of which the design is registered: **Peg basket**

(51) International Design Classification: **07-05C**

(71) Name(s) and Address(s) of Applicant(s):

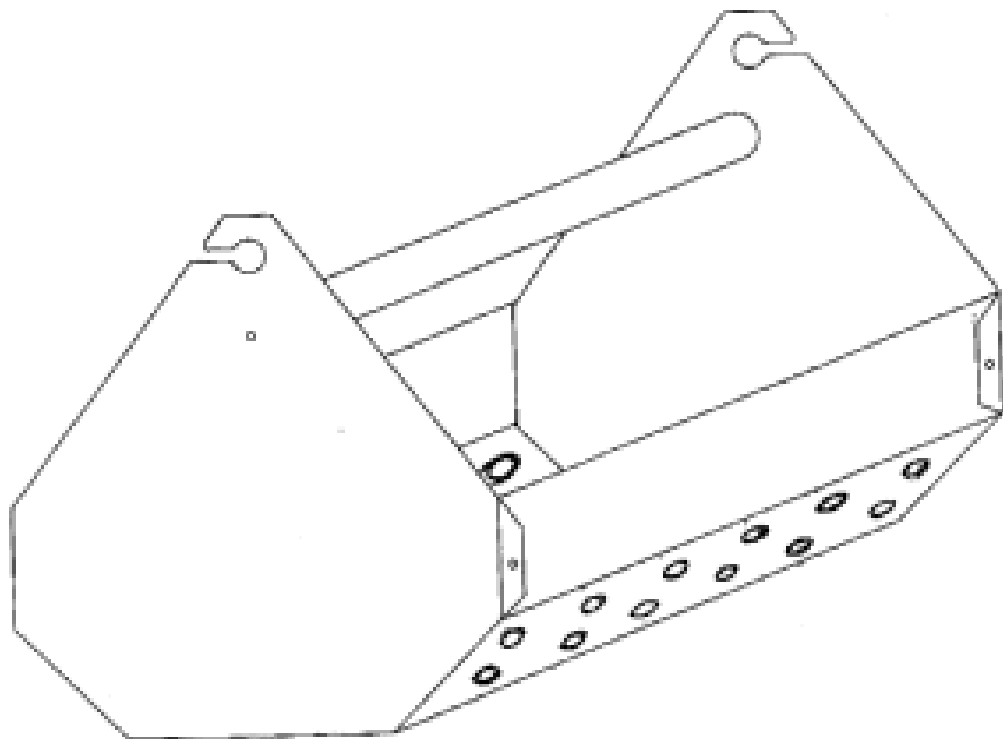
**Anthony John Haney**  
**2/20 Sunderland Street Evans Head New South Wales 2473 Australia**

(72) Name(s) of Designer(s): **Anthony John Haney**

(45) Registration Date: **02 October 2008**

(56) Related Art Documents: **Not Applicable**

(57) Statement of Newness and Distinctiveness: **Nil**



(21) Design Number: **12465/2008**

(22) Date of Filing Application: **23 May 2008**

(24) Date from which industrial property rights may have effect: **23 May 2008**

(54) Product in respect of which the design is registered: **Mixer tap and spout**

(51) International Design Classification: **23-01H**

(71) Name(s) and Address(s) of Applicant(s):

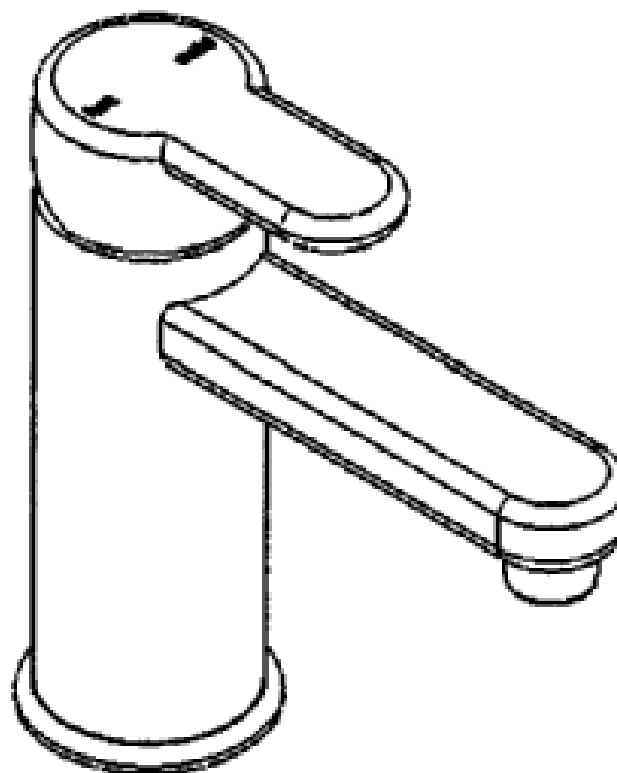
**Phoenix Industries Pty Ltd**  
**31 Gilbert Park Drive Knoxfield Victoria 3180 Australia**

(72) Name(s) of Designer(s): **Andrew Cocks**

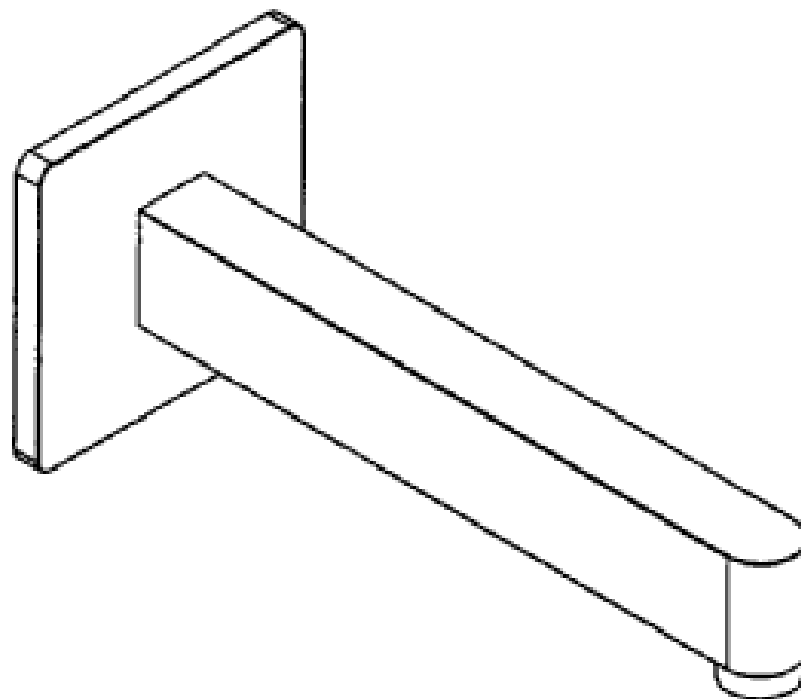
(45) Registration Date: **02 October 2008**

(56) Related Art Documents: **Not Applicable**

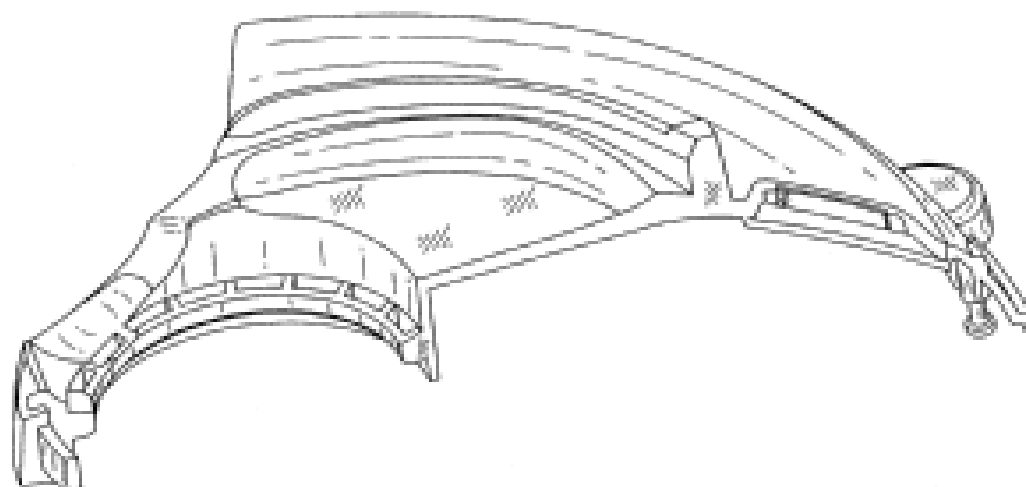
(57) Statement of Newness and Distinctiveness: **Nil**



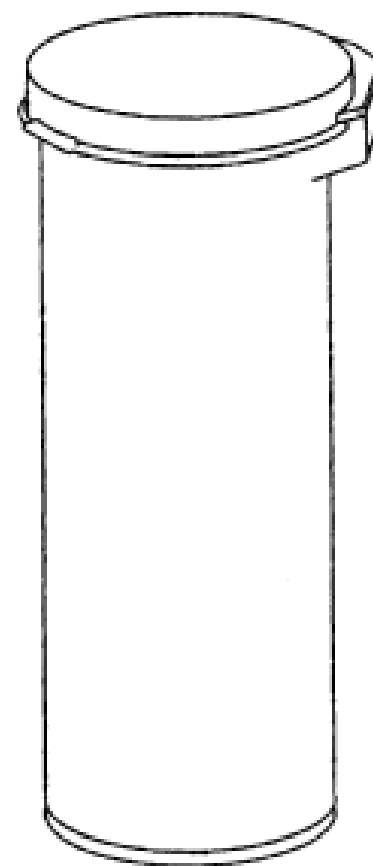
(21) Design Number: **12466/2008**  
(22) Date of Filing Application: **23 May 2008**  
(24) Date from which industrial property rights may have effect: **23 May 2008**  
(54) Product in respect of which the design is registered: **Spout**  
(51) International Design Classification: **23-01H**  
(71) Name(s) and Address(s) of Applicant(s):  
**Phoenix Industries Pty Ltd**  
**31 Gilbert Park Drive Knoxfield Victoria 3180 Australia**  
(72) Name(s) of Designer(s): **Andrew Cocks**  
(45) Registration Date: **02 October 2008**  
(56) Related Art Documents: **Not Applicable**  
(57) Statement of Newness and Distinctiveness: **Nil**



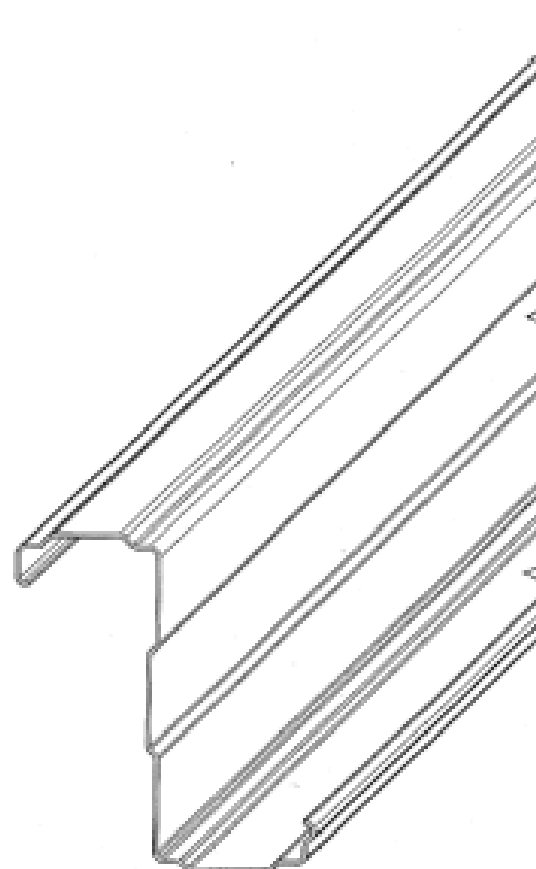
(21) Design Number: **12469/2008**  
(22) Date of Filing Application: **23 May 2008**  
(24) Date from which industrial property rights may have effect: **23 May 2008**  
(54) Product in respect of which the design is registered: **Two-piece vegetation trimmer guard**  
(51) International Design Classification: **15-03B**  
(71) Name(s) and Address(s) of Applicant(s):  
**Black & Decker Inc**  
**1207 Drummond Plaza Newark Delaware 19711 United States of America**  
(72) Name(s) of Designer(s): **Scott Bradford**  
(45) Registration Date: **02 October 2008**  
(30) Convention priority data:  
(31) Number (32) Date (33) Country  
**000834296 29 Nov 2007 EUROPEAN COMMUNITY**  
(56) Related Art Documents: **Not Applicable**  
(57) Statement of Newness and Distinctiveness: **Nil**



(21) Design Number: **12470/2008**  
(22) Date of Filing Application: **23 May 2008**  
(24) Date from which industrial property rights may have effect: **23 May 2008**  
(54) Product in respect of which the design is registered: **Container**  
(51) International Design Classification: **09-03L**  
(71) Name(s) and Address(s) of Applicant(s):  
**SmithKline Beecham Corporation**  
**One Franklin Plaza PO Box 7929 Philadelphia Pennsylvania 19101**  
**United States of America**  
(72) Name(s) of Designer(s): **Ronald Supranowicz**  
(45) Registration Date: **02 October 2008**  
(30) Convention priority data:  
(31) Number      (32) Date      (33) Country  
**29297974      26 Nov 2007      UNITED STATES OF AMERICA**  
(56) Related Art Documents: **Not Applicable**  
(57) Statement of Newness and Distinctiveness: **Nil**



(21) Design Number: **12476/2008**  
(22) Date of Filing Application: **23 May 2008**  
(24) Date from which industrial property rights may have effect: **23 May 2008**  
(54) Product in respect of which the design is registered: **A Z-section structural member**  
(51) International Design Classification: **25-01K**  
(71) Name(s) and Address(s) of Applicant(s):  
**Fielders Australia Pty Ltd**  
**15 Railway Terrace Mile End South Australia 5031 Australia**  
(72) Name(s) of Designer(s): **Robert Wee and Rachael Zeuner and Colin Searle**  
(45) Registration Date: **02 October 2008**  
(56) Related Art Documents: **Not Applicable**  
(57) Statement of Newness and Distinctiveness: **Newness and distinctiveness resides in the shape and configuration of the flange portions of the Z section structural member as shown in the accompanying representations.**



(21) Design Number: **12514/2008**

(22) Date of Filing Application: **23 May 2008**

(24) Date from which industrial property rights may have effect: **23 May 2008**

(54) Product in respect of which the design is registered: **Bottle cap**

(51) International Design Classification: **09-07C**

(71) Name(s) and Address(s) of Applicant(s):

**Yantai Hicap Closures Co., Ltd.**

**1 Haipu APEC Industry Park of Laishan Shandong 264003 China**

(72) Name(s) of Designer(s): **Ruiyuan Sun**

(45) Registration Date: **02 October 2008**

(30) Convention priority data:

(31) Number

(32) Date

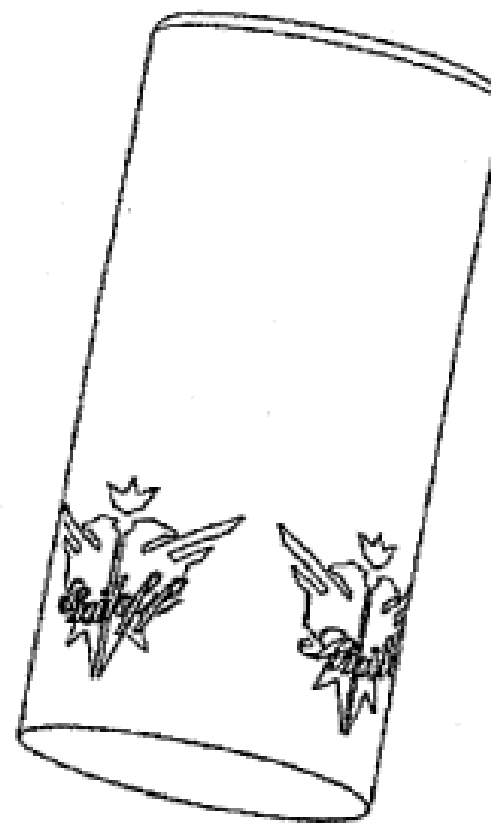
(33) Country

**200730283310.X 10 Dec 2007**

**CHINA**

(56) Related Art Documents: **Not Applicable**

(57) Statement of Newness and Distinctiveness: **Nil**



(21) Design Number: **11370/2008**

(22) Date of Filing Application: **14 March 2008**

(24) Date from which industrial property rights may have effect: **14 March 2008**

(54) Product in respect of which the design is registered: **Water diverter**

(51) International Design Classification: **23-02E**

(71) Name(s) and Address(s) of Applicant(s):

**Hannu Ketola**

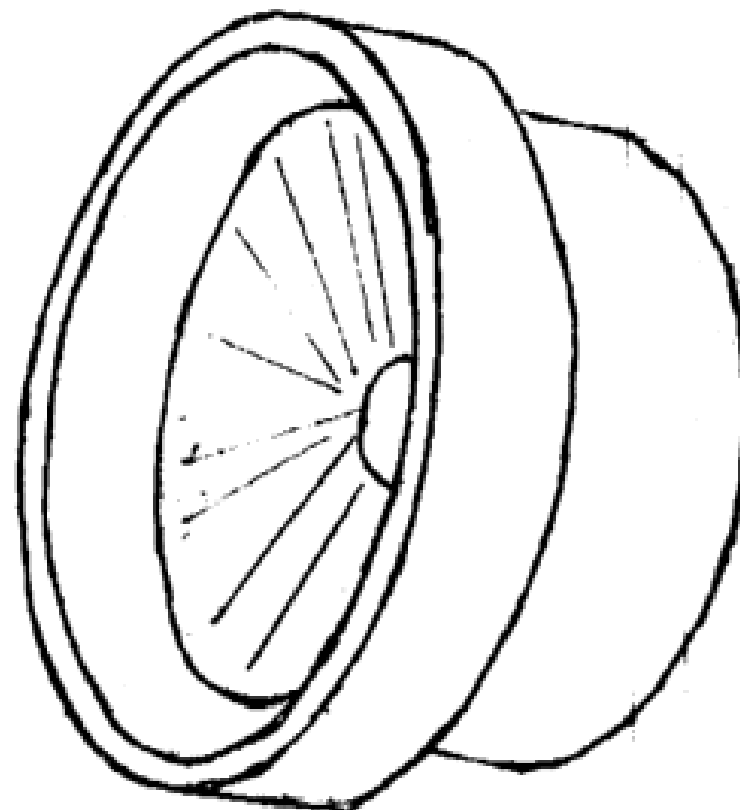
**5-63 Carabella Street Kirribilli New South Wales 2061 Australia**

(72) Name(s) of Designer(s): **Hannu Ketola**

(45) Registration Date: **01 October 2008**

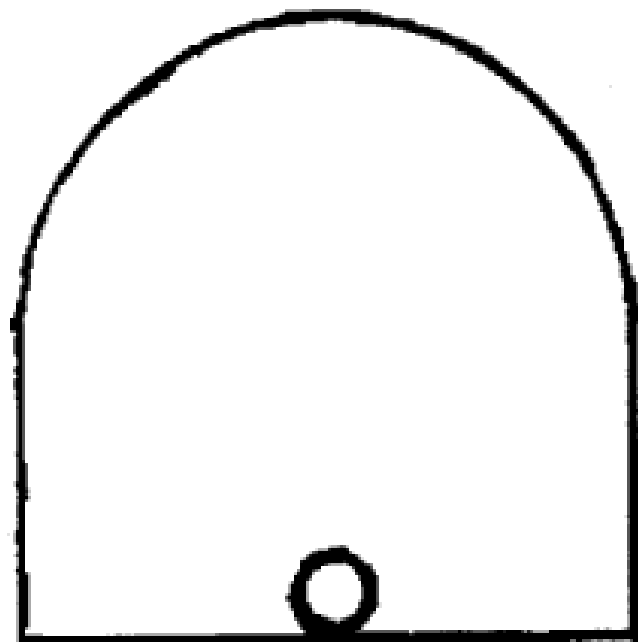
(56) Related Art Documents: **Not Applicable**

(57) Statement of Newness and Distinctiveness: **Nil**



(19) AU

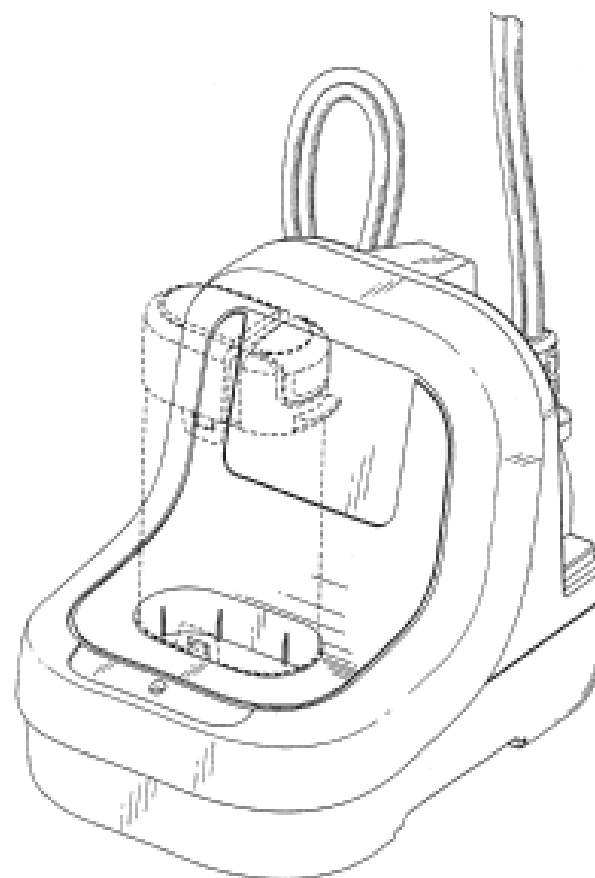
- (21) Design Number: **11371/2008**
- (22) Date of Filing Application: **14 March 2008**
- (24) Date from which industrial property rights may have effect: **14 March 2008**
- (54) Product in respect of which the design is registered: **First flush device**
- (51) International Design Classification: **23-02E**
- (71) Name(s) and Address(s) of Applicant(s):  
**Hannu Ketola**  
**5-63 Carabella Street Kirribilli New South Wales 2061 Australia**
- (72) Name(s) of Designer(s): **Hannu Ketola**
- (45) Registration Date: **01 October 2008**
- (56) Related Art Documents: **Not Applicable**
- (57) Statement of Newness and Distinctiveness: **Nil**



(19) AU

- (21) Design Number: **11700/2008**
- (22) Date of Filing Application: **10 April 2008**
- (24) Date from which industrial property rights may have effect: **10 April 2008**
- (54) Product in respect of which the design is registered: **A battery charger**
- (51) International Design Classification: **13-02**
- (71) Name(s) and Address(s) of Applicant(s):  
**Black & Decker, Inc.**  
**1207 Drummond Plaza Newark Delaware 19711 United States of America**
- (72) Name(s) of Designer(s): **Adam M. O'Hern**
- (45) Registration Date: **01 October 2008**
- (30) Convention priority data:

(31) Number	(32) Date	(33) Country
<b>29/296277</b>	<b>17 Oct 2007</b>	<b>UNITED STATES OF AMERICA</b>
- (56) Related Art Documents: **Not Applicable**
- (57) Statement of Newness and Distinctiveness: **Newness and distinctiveness is claimed in the visual features shown in solid lines in the representations.**



(21) Design Number: **11719/2008**

(22) Date of Filing Application: **04 April 2008**

(24) Date from which industrial property rights may have effect: **04 April 2008**

(54) Product in respect of which the design is registered: **Refrigerator**

(51) International Design Classification: **15-07**

(71) Name(s) and Address(s) of Applicant(s):

**Electrolux Home Products Corporation N.V.  
Belgicastraat 17 Zaventem 1930 Belgium**

(72) Name(s) of Designer(s): **Gina Green Gonzalez and Mark Hetterich**

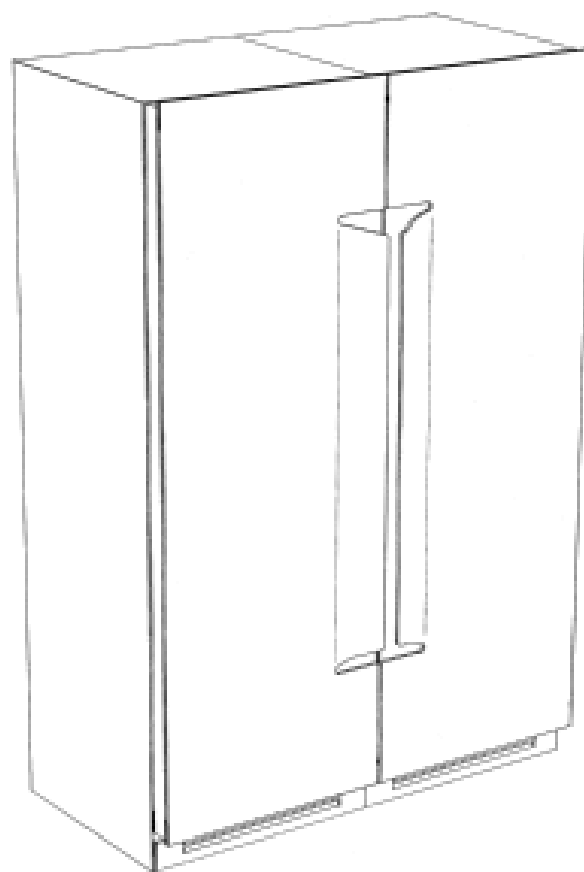
(45) Registration Date: **01 October 2008**

(30) Convention priority data:

(31) Number	(32) Date	(33) Country
<b>802517</b>	<b>05 Oct 2007</b>	<b>EUROPEAN COMMUNITY</b>

(56) Related Art Documents: **Not Applicable**

(57) Statement of Newness and Distinctiveness: **Nil**



(21) Design Number: **11751/2008**

(22) Date of Filing Application: **14 April 2008**

(24) Date from which industrial property rights may have effect: **14 April 2008**

(54) Product in respect of which the design is registered: **A lighting fixture for outdoor lighting**

(51) International Design Classification: **26-05D, 26-03**

(71) Name(s) and Address(s) of Applicant(s):

**Schreder  
Rue de Lusambo 67 Brussels B-1190 Belgium**

(72) Name(s) of Designer(s): **Mike Elam**

(45) Registration Date: **01 October 2008**

(30) Convention priority data:

(31) Number	(32) Date	(33) Country
<b>000809405-0001</b>	<b>16 Oct 2007</b>	<b>EUROPEAN COMMUNITY</b>

(56) Related Art Documents: **Not Applicable**

(57) Statement of Newness and Distinctiveness: **Nil**



(21) Design Number: **12021/2008**

(22) Date of Filing Application: **30 April 2008**

(24) Date from which industrial property rights may have effect: **30 April 2008**

(54) Product in respect of which the design is registered: **Pile plate**

(51) International Design Classification: **25-02NES, 25-01B**

(71) Name(s) and Address(s) of Applicant(s):

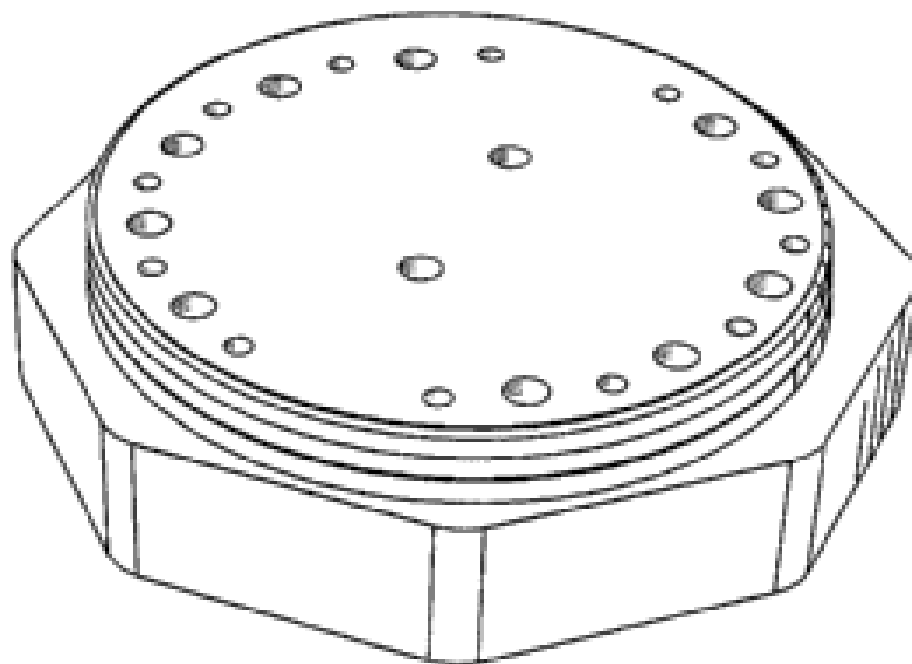
**Piling Contractors Pty Ltd  
5 Jacque Court Lawton Queensland 4501 Australia**

(72) Name(s) of Designer(s): **Keith Smith**

(45) Registration Date: **01 October 2008**

(56) Related Art Documents: **Not Applicable**

(57) Statement of Newness and Distinctiveness: **The newness and distinctiveness of the design resides in the shape and/or configuration of the pile plate as shown in the representations.**



(21) Design Number: **13241/2008**

(22) Date of Filing Application: **11 July 2008**

(24) Date from which industrial property rights may have effect: **11 July 2008**

(54) Product in respect of which the design is registered: **Wine glass holder**

(51) International Design Classification: **07-06A**

(71) Name(s) and Address(s) of Applicant(s):

**John O'Halloran  
19 Newcastle Drive Pottsville New South Wales 2489 Australia**

(72) Name(s) of Designer(s): **John O'Halloran**

(45) Registration Date: **01 October 2008**

(56) Related Art Documents: **Not Applicable**

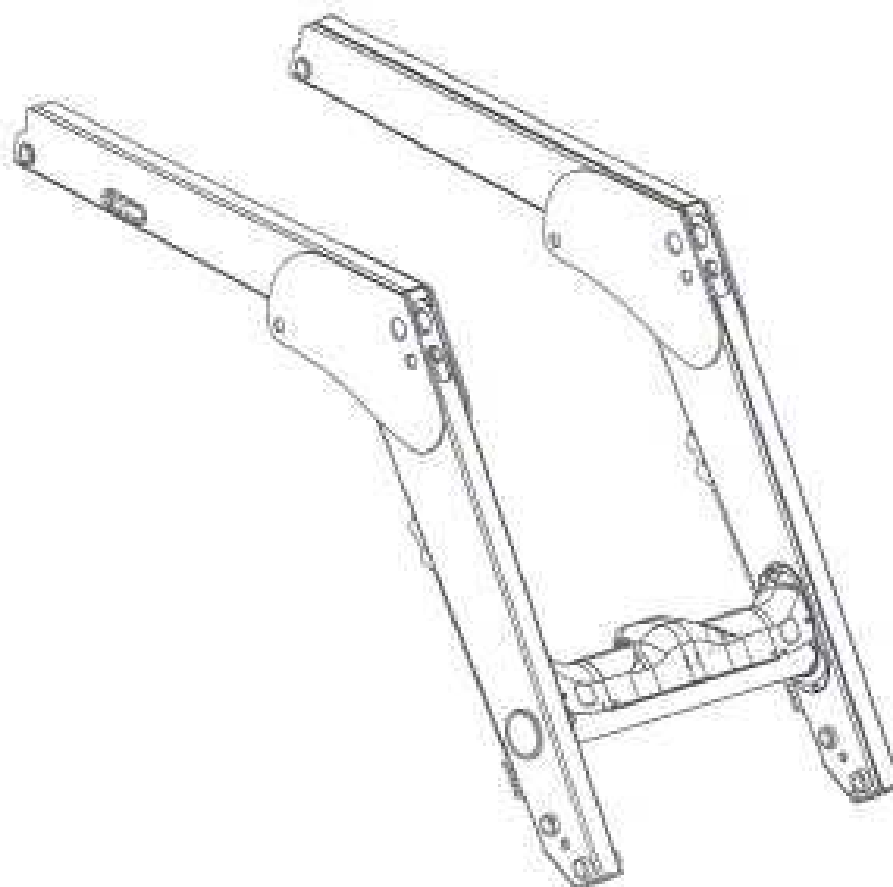
(57) Statement of Newness and Distinctiveness: **Distinct shape gives it the ability to insert and hold a wine/glass when attach to a lanyard/string/clip and support. It has a hole top centre on each arm to attach. It is produce on a angle wider from top to narrower at the bottom. Wine glass holder made for hand free mobility.**



- (21) Design Number: **13242/2008**  
(22) Date of Filing Application: **11 July 2008**  
(24) Date from which industrial property rights may have effect: **11 July 2008**  
(54) Product in respect of which the design is registered: **Wine glass holder strap**  
(51) International Design Classification: **07-06A**  
(71) Name(s) and Address(s) of Applicant(s):  
**John O'Halloran**  
**19 Newcastle Drive Pottsville New South Wales 2489 Australia**  
(72) Name(s) of Designer(s): **John O'Halloran and Mark Hawken**  
(45) Registration Date: **01 October 2008**  
(56) Related Art Documents: **Not Applicable**  
(57) Statement of Newness and Distinctiveness: **Two strap together angle arm up, sew angle gives the opening a wide angle at top narrower at bottom allows the strap to support angle glass and attach for mobility.**



- (21) Design Number: **19995/2007**  
(22) Date of Filing Application: **28 September 2007**  
(24) Date from which industrial property rights may have effect: **28 September 2007**  
(54) Product in respect of which the design is registered: **Front end loader**  
(51) International Design Classification: **15-04**  
(71) Name(s) and Address(s) of Applicant(s):  
**Challenge Implements Holdings Pty Limited**  
**Leewood Drive Orange New South Wales 2800 Australia**  
(72) Name(s) of Designer(s): **Tim Smith and Daniel Webb and Craig Healey and Collin O'Shaughnessy and John Healey**  
(45) Registration Date: **01 October 2008**  
(56) Related Art Documents: **Not Applicable**  
(57) Statement of Newness and Distinctiveness: **Newness and distinctiveness is claimed in those visual features depicted in unbroken lines.**



- (21) Design Number: **21007/2007**  
(22) Date of Filing Application: **27 November 2007**  
(24) Date from which industrial property rights may have effect: **27 November 2007**  
(54) Product in respect of which the design is registered: **Mesh panel**  
(51) International Design Classification: **25-02C**  
(71) Name(s) and Address(s) of Applicant(s):  
**Berkana Holdings Pty Ltd**  
**1/19 Villiers Drive Currumbin Queensland 4223 Australia**  
(72) Name(s) of Designer(s): **David Kenneth Dart**  
(45) Registration Date: **01 October 2008**  
(56) Related Art Documents: **Not Applicable**  
(57) Statement of Newness and Distinctiveness: **Newness and distinctiveness are claimed in the shape and configuration of a mesh panel as illustrated in the accompanying representations.**



- (21) Design Number: **13361/2008**  
(22) Date of Filing Application: **27 November 2007**  
(24) Date from which industrial property rights may have effect: **27 November 2007**  
(54) Product in respect of which the design is registered: **Mesh panel**  
(51) International Design Classification: **25-02C**  
(71) Name(s) and Address(s) of Applicant(s):  
**Berkana Holdings Pty Ltd**  
**1/19 Villiers Drive Currumbin Queensland 4223 Australia**  
(72) Name(s) of Designer(s): **David Kenneth Dart**  
(45) Registration Date: **01 October 2008**  
(56) Related Art Documents: **Not Applicable**  
(57) Statement of Newness and Distinctiveness: **Newness and distinctiveness are claimed in the shape and configuration of a mesh panel as illustrated in the accompanying representations.**



(21) Design Number: **11642/2008**

(22) Date of Filing Application: **07 April 2008**

(24) Date from which industrial property rights may have effect: **07 April 2008**

(54) Product in respect of which the design is registered: **A stove**

(51) International Design Classification: **07-02A**

(71) Name(s) and Address(s) of Applicant(s):

**Aktiebolaget Electrolux  
SE-105 45 Stockholm Sweden**

(72) Name(s) of Designer(s): **Gustavo Eugenio Monteiro Sindeaux and Marcos Dos Santos De Oliveira**

(45) Registration Date: **01 October 2008**

(30) Convention priority data:

(31) Number	(32) Date	(33) Country
<b>6702933-7</b>	<b>05 Oct 2007</b>	<b>BRAZIL</b>

(56) Related Art Documents: **Not Applicable**

(57) Statement of Newness and Distinctiveness: **Nil**



(21) Design Number: **12604/2008**

(22) Date of Filing Application: **28 May 2008**

(24) Date from which industrial property rights may have effect: **28 May 2008**

(54) Product in respect of which the design is registered: **Circuit breaker**

(51) International Design Classification: **13-03NES**

(71) Name(s) and Address(s) of Applicant(s):

**Schneider Electric Industries SAS  
89 boulevard Franklin Roosevelt 92500 Rueil-Malmaison France**

(72) Name(s) of Designer(s): **Benoit Corteel**

(45) Registration Date: **01 October 2008**

(30) Convention priority data:

(31) Number	(32) Date	(33) Country
<b>07 5608</b>	<b>10 Dec 2007</b>	<b>FRANCE</b>

(56) Related Art Documents: **Not Applicable**

(57) Statement of Newness and Distinctiveness: **Nil**



(21) Design Number: **12605/2008**

(22) Date of Filing Application: **29 May 2008**

(24) Date from which industrial property rights may have effect: **29 May 2008**

(54) Product in respect of which the design is registered: **A selector handle for an office chair**

(51) International Design Classification: **06-06G**

(71) Name(s) and Address(s) of Applicant(s):

**Justin Peter Brown**

**7 Cord Street Dudley Park South Australia 5008 Australia**

(72) Name(s) of Designer(s): **Justin Peter Brown**

(45) Registration Date: **01 October 2008**

(56) Related Art Documents: **Not Applicable**

(57) Statement of Newness and Distinctiveness: **Nil**



(21) Design Number: **12606/2008**

(22) Date of Filing Application: **29 May 2008**

(24) Date from which industrial property rights may have effect: **29 May 2008**

(54) Product in respect of which the design is registered: **A selector handle for an office chair**

(51) International Design Classification: **06-06G**

(71) Name(s) and Address(s) of Applicant(s):

**Justin Peter Brown**

**7 Cord Street Dudley Park South Australia 5008 Australia**

(72) Name(s) of Designer(s): **Justin Peter Brown**

(45) Registration Date: **01 October 2008**

(56) Related Art Documents: **Not Applicable**

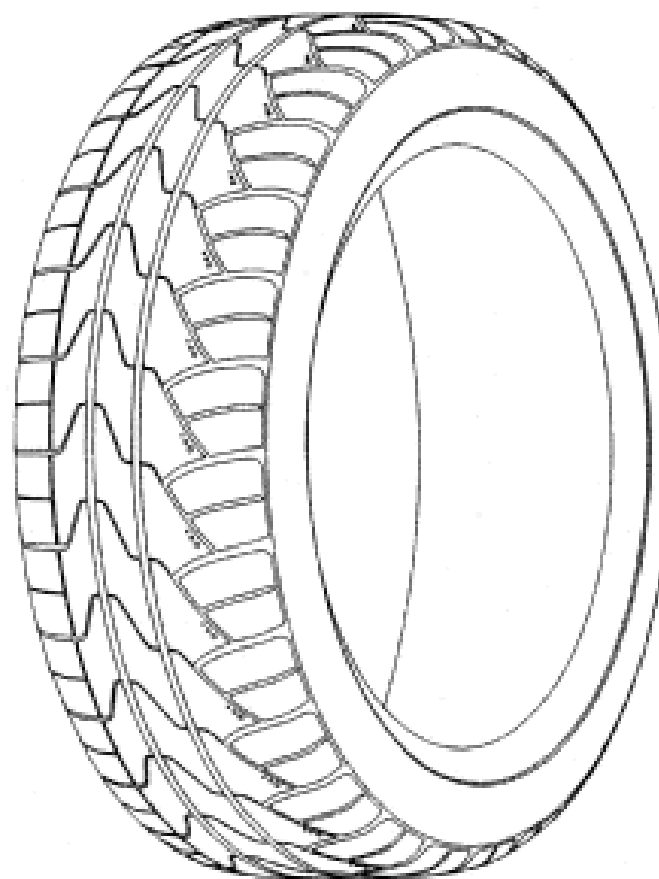
(57) Statement of Newness and Distinctiveness: **Nil**



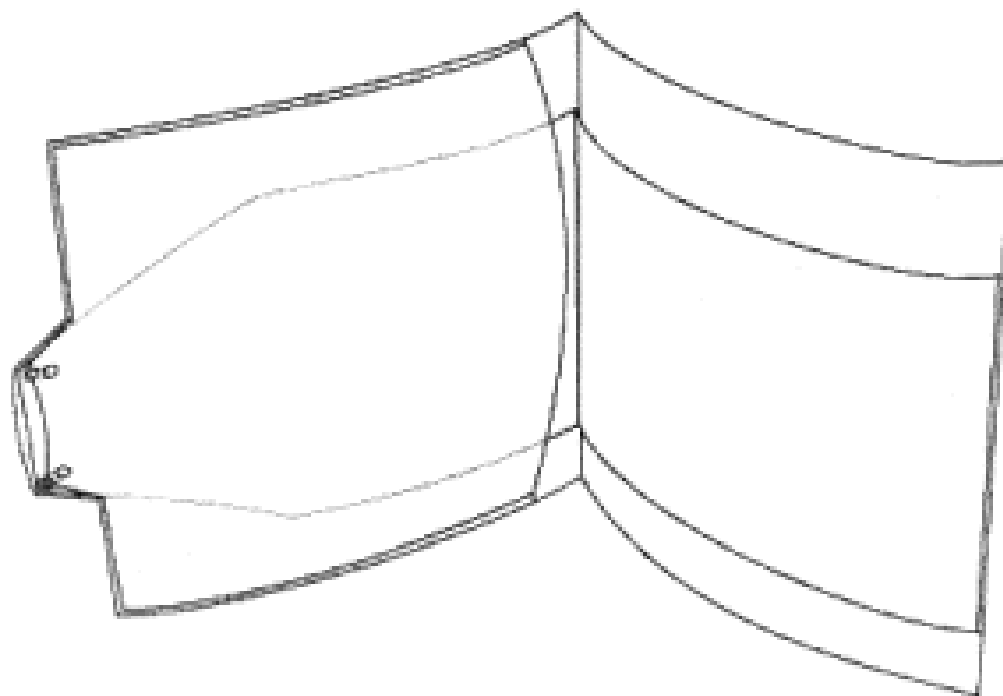
- (21) Design Number: **12607/2008**  
(22) Date of Filing Application: **29 May 2008**  
(24) Date from which industrial property rights may have effect: **29 May 2008**  
(54) Product in respect of which the design is registered: **A selector handle for an office chair**  
(51) International Design Classification: **06-06G**  
(71) Name(s) and Address(s) of Applicant(s):  
**Justin Peter Brown**  
**7 Cord Street Dudley Park South Australia 5008 Australia**  
(72) Name(s) of Designer(s): **Justin Peter Brown**  
(45) Registration Date: **01 October 2008**  
(56) Related Art Documents: **Not Applicable**  
(57) Statement of Newness and Distinctiveness: **Nil**



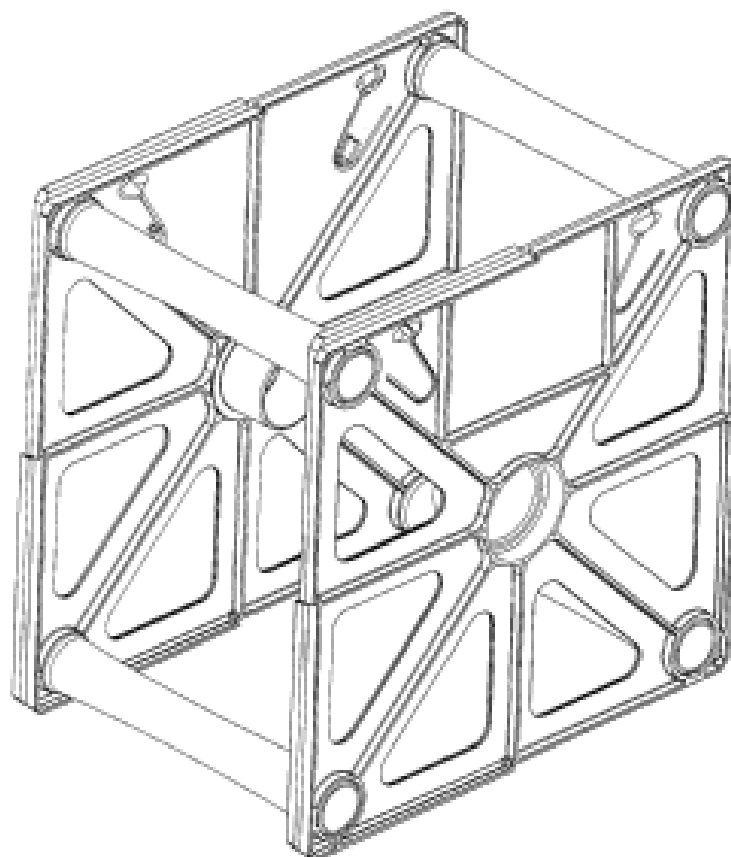
- (21) Design Number: **12608/2008**  
(22) Date of Filing Application: **29 May 2008**  
(24) Date from which industrial property rights may have effect: **29 May 2008**  
(54) Product in respect of which the design is registered: **Tire for a car**  
(51) International Design Classification: **12-15C**  
(71) Name(s) and Address(s) of Applicant(s):  
**Kumho Tire Co., Inc.**  
**555 Sochon-dong Gwangsan-gu Gwangju 506-711 Republic of Korea**  
(72) Name(s) of Designer(s): **Si On Lee**  
(45) Registration Date: **01 October 2008**  
(30) Convention priority data:  
(31) Number      (32) Date      (33) Country  
**30-2008-0002400** **17 Jan 2008**      **REPUBLIC OF KOREA**  
(56) Related Art Documents: **Not Applicable**  
(57) Statement of Newness and Distinctiveness: **Newness and distinctiveness is claimed in the shape and/or configuration of a tire as illustrated in the representations.**



- (21) Design Number: **12609/2008**  
(22) Date of Filing Application: **29 May 2008**  
(24) Date from which industrial property rights may have effect: **29 May 2008**  
(54) Product in respect of which the design is registered: **A license permit holder for a vehicle**  
(51) International Design Classification: **20-03NES**  
(71) Name(s) and Address(s) of Applicant(s):  
**Christine Filer**  
**417 Nursery Road Holland Park Brisbane 4121 Queensland Australia**  
(72) Name(s) of Designer(s): **Christine Filer**  
(45) Registration Date: **01 October 2008**  
(56) Related Art Documents: **Not Applicable**  
(57) Statement of Newness and Distinctiveness: **Monopoly is claimed in the shape and configuration of a license permit holder for a vehicle as illustrated in the accompanying representations.**



- (21) Design Number: **12611/2008**  
(22) Date of Filing Application: **29 May 2008**  
(24) Date from which industrial property rights may have effect: **29 May 2008**  
(54) Product in respect of which the design is registered: **Reel assembly**  
(51) International Design Classification: **08-99**  
(71) Name(s) and Address(s) of Applicant(s):  
**ADC Communications (Australia) Pty Ltd**  
**2 Hereford Street Berkeley Vale New South Wales 2261 Australia**  
(72) Name(s) of Designer(s): **Brent Allwood**  
(45) Registration Date: **01 October 2008**  
(56) Related Art Documents: **Not Applicable**  
(57) Statement of Newness and Distinctiveness: **The features of shape and configuration of the reel assembly shown in the accompanying representations are considered to be new and distinctive.**

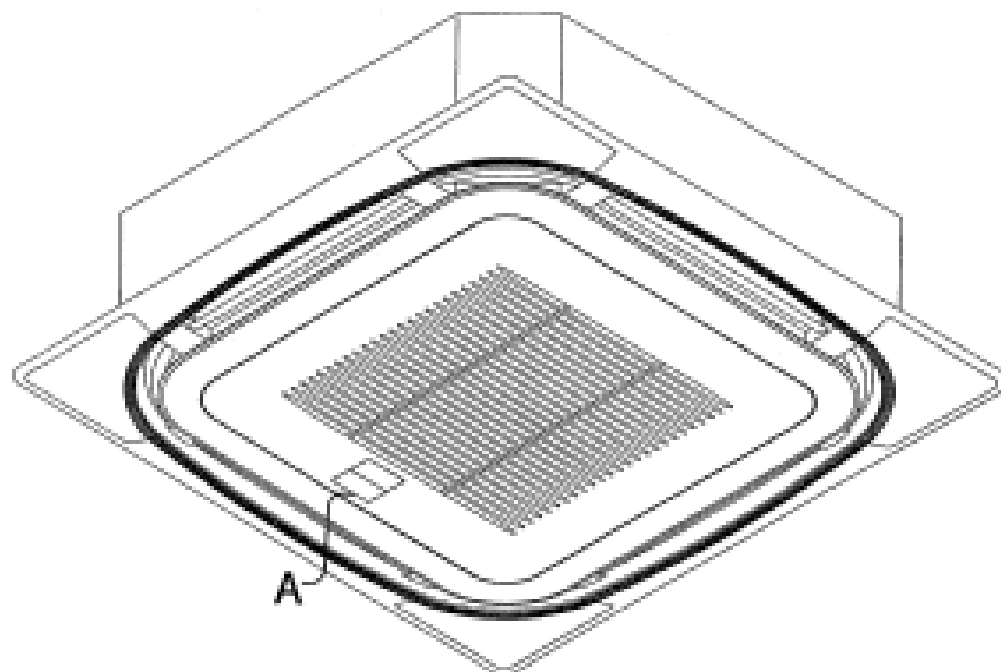


- (21) Design Number: **14080/2008**
- (22) Date of Filing Application: **07 April 2008**
- (24) Date from which industrial property rights may have effect: **07 April 2008**
- (54) Product in respect of which the design is registered: **A stove**
- (51) International Design Classification: **07-02A**
- (71) Name(s) and Address(s) of Applicant(s):  
**Aktiebolaget Electrolux**  
**SE-105 45 Stockholm Sweden**
- (72) Name(s) of Designer(s): **Gustavo Eugenio Monteiro Sindeaux and Marcos Dos Santos De Oliveira**
- (45) Registration Date: **01 October 2008**
- (62) Divisional of: **321302**
- (56) Related Art Documents: **Not Applicable**
- (57) Statement of Newness and Distinctiveness: **Nil**

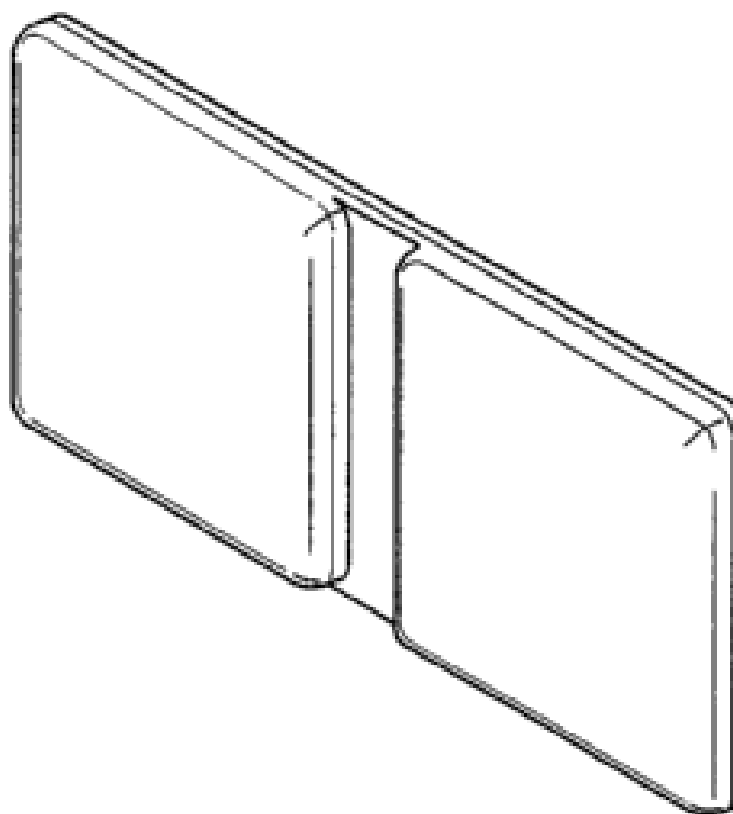


- (21) Design Number: **11472/2008**
- (22) Date of Filing Application: **26 March 2008**
- (24) Date from which industrial property rights may have effect: **26 March 2008**
- (54) Product in respect of which the design is registered: **Air-conditioner**
- (51) International Design Classification: **23-04**
- (71) Name(s) and Address(s) of Applicant(s):  
**Daikin Industries Ltd.**  
**Umeda Center Building 4-12 Nakazaki-Nishi 2-chome Kita-Ku**  
**Osaka-shi Osaka-fu Japan**
- (72) Name(s) of Designer(s): **Hiroko Kashimoto**
- (45) Registration Date: **02 October 2008**
- (30) Convention priority data:

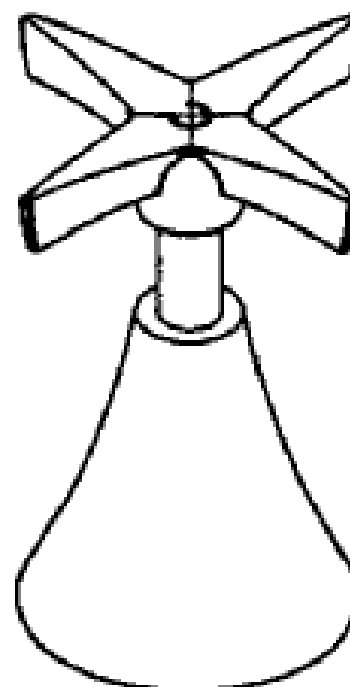
(31) Number	(32) Date	(33) Country
<b>2007-33098</b>	<b>03 Dec 2007</b>	<b>JAPAN</b>
- (56) Related Art Documents: **Not Applicable**
- (57) Statement of Newness and Distinctiveness: **The newness and distinctiveness of the design resides in the visual features of the air conditioner marked with the letter "A" in Figures 1 and 2 of the accompanying drawings.**



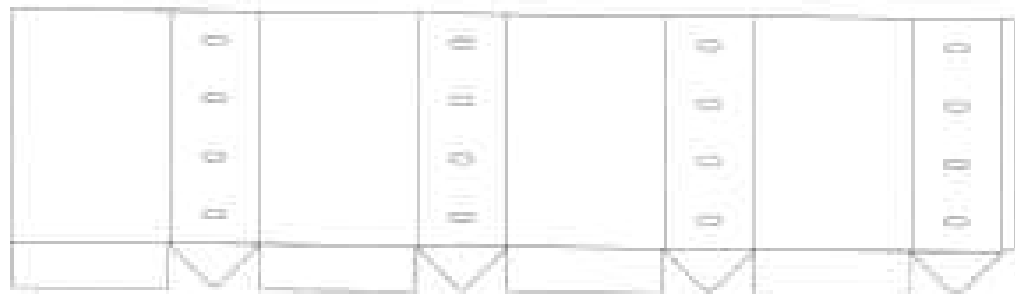
- (21) Design Number: **12601/2008**  
(22) Date of Filing Application: **28 May 2008**  
(24) Date from which industrial property rights may have effect: **28 May 2008**  
(54) Product in respect of which the design is registered: **Toe cushion for footwear**  
(51) International Design Classification: **02-04A**  
(71) Name(s) and Address(s) of Applicant(s):  
**LRC Products Limited**  
**35 New Bridge Street London EC4V 6BW United Kingdom**  
**Pittsburgh Plastics Manufacturing, Inc.**  
**140 Kriess Road Butler PA 16001 United States of America**  
(72) Name(s) of Designer(s): **Angela Parker and William Charles Gearheart**  
(45) Registration Date: **02 October 2008**  
(30) Convention priority data:  
(31) Number (32) Date (33) Country  
**000837141-0001 29 Nov 2007 EUROPEAN COMMUNITY**  
(56) Related Art Documents: **Not Applicable**  
(57) Statement of Newness and Distinctiveness: **The shape and configuration of the toe cushion is new and distinctive. Figures 2.1 and 2.2 show the toe cushion folded around a portion of an article of footwear. The article of footwear is shown in broken lines, and does not form part of this design.**



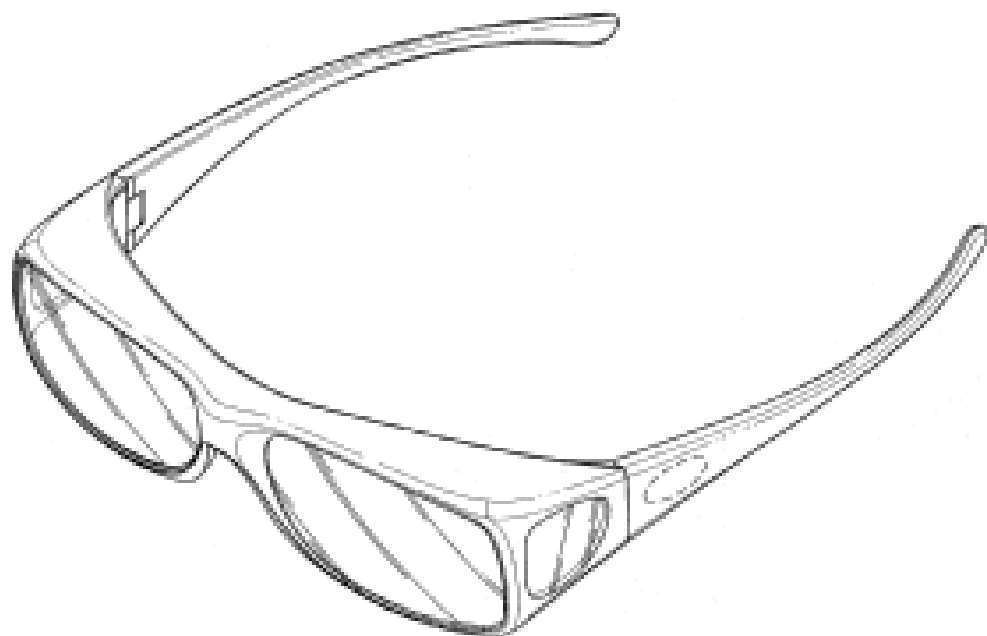
- (21) Design Number: **12612/2008**  
(22) Date of Filing Application: **29 May 2008**  
(24) Date from which industrial property rights may have effect: **29 May 2008**  
(54) Product in respect of which the design is registered: **Tap handle and flange**  
(51) International Design Classification: **23-01H**  
(71) Name(s) and Address(s) of Applicant(s):  
**Phoenix Industries Pty Ltd**  
**31 Gilbert Park Drive Knoxfield Victoria 3180 Australia**  
(72) Name(s) of Designer(s): **Andrew Cocks**  
(45) Registration Date: **02 October 2008**  
(56) Related Art Documents: **Not Applicable**  
(57) Statement of Newness and Distinctiveness: **Nil**



- (21) Design Number: **12613/2008**  
(22) Date of Filing Application: **29 May 2008**  
(24) Date from which industrial property rights may have effect: **29 May 2008**  
(54) Product in respect of which the design is registered: **A container and blank therefor**  
(51) International Design Classification: **09-03M**  
(71) Name(s) and Address(s) of Applicant(s):  
**Visy R & D Pty Ltd**  
**Level 2/533 Little Lonsdale Street Melbourne Victoria 3000 Australia**  
(72) Name(s) of Designer(s): **Sean Meneaud**  
(45) Registration Date: **02 October 2008**  
(56) Related Art Documents: **Not Applicable**  
(57) Statement of Newness and Distinctiveness: **The features of the design which are new and distinctive are the shape or configuration of the container and the blank for forming the container, as illustrated in the accompanying representations.**



- (21) Design Number: **12625/2008**  
(22) Date of Filing Application: **03 June 2008**  
(24) Date from which industrial property rights may have effect: **03 June 2008**  
(54) Product in respect of which the design is registered: **Sunglasses**  
(51) International Design Classification: **16-06**  
(71) Name(s) and Address(s) of Applicant(s):  
**Paul Stables**  
**15 Shirley Street Ourimbah New South Wales 2258 Australia**  
(72) Name(s) of Designer(s): **Paul Stables**  
(45) Registration Date: **02 October 2008**  
(56) Related Art Documents: **Not Applicable**  
(57) Statement of Newness and Distinctiveness: **The shape and configuration of the side lens in the side of frame, along with the shape of the front lens gives this design newness and distinctiveness.**



(21) Design Number: **12626/2008**

(22) Date of Filing Application: **03 June 2008**

(24) Date from which industrial property rights may have effect: **03 June 2008**

(54) Product in respect of which the design is registered: **Baby change mat**

(51) International Design Classification: **06-09**

(71) Name(s) and Address(s) of Applicant(s):

**Matthew Beresford**

**Unit 1/136 Hutton Street Thornbury Victoria 3071 Australia**

**Jessica Low**

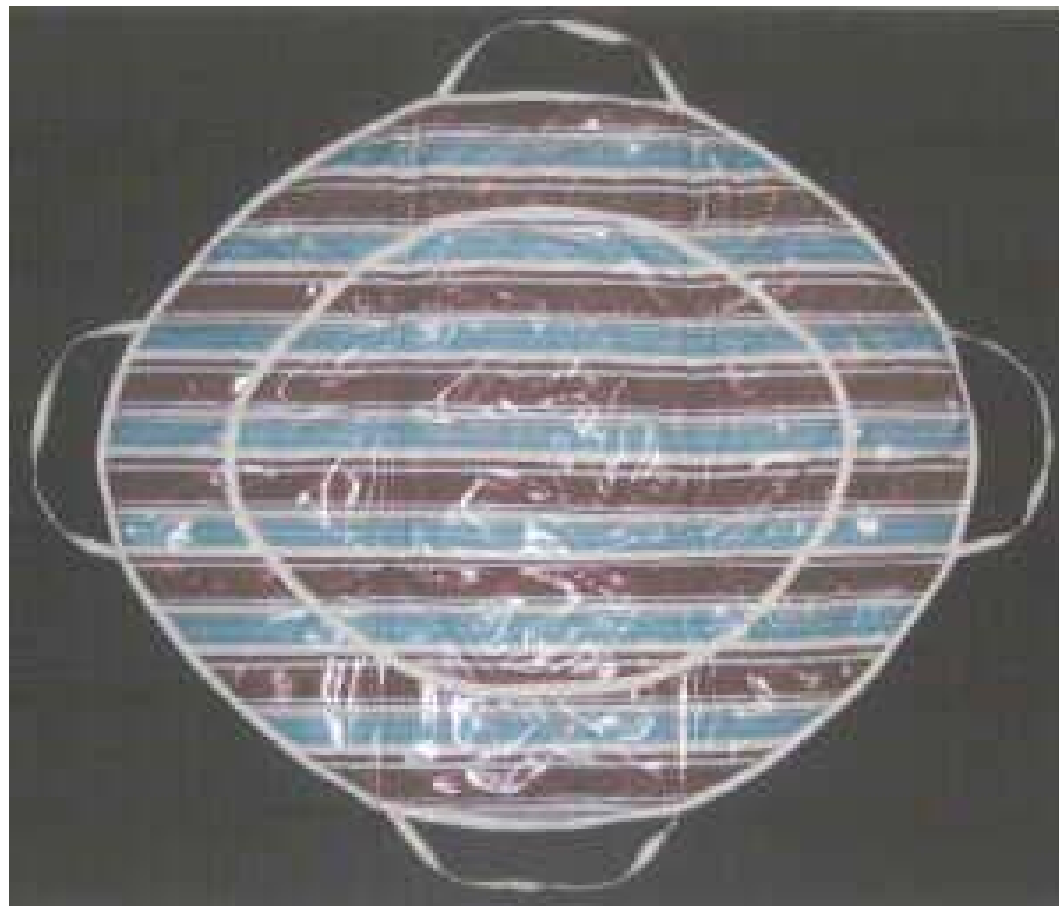
**Unit 1/136 Hutton Street Thornbury Victoria 3071 Australia**

(72) Name(s) of Designer(s): **Jessica Low and Matthew Beresford and Jennifer Mackisack**

(45) Registration Date: **02 October 2008**

(56) Related Art Documents: **Not Applicable**

(57) Statement of Newness and Distinctiveness: **Oval, pod shape and transparent pockets as described in page one of 5 reference images as attached.**



(21) Design Number: **12629/2008**

(22) Date of Filing Application: **03 June 2008**

(24) Date from which industrial property rights may have effect: **03 June 2008**

(54) Product in respect of which the design is registered: **Pants, trousers**

(51) International Design Classification: **02-02C**

(71) Name(s) and Address(s) of Applicant(s):

**Capitol Clothing Pty Ltd**

**24-32 O'Riordan Street Alexandria New South Wales 2015 Australia**

(72) Name(s) of Designer(s): **Nickolas Jacenko**

(45) Registration Date: **02 October 2008**

(56) Related Art Documents: **Not Applicable**

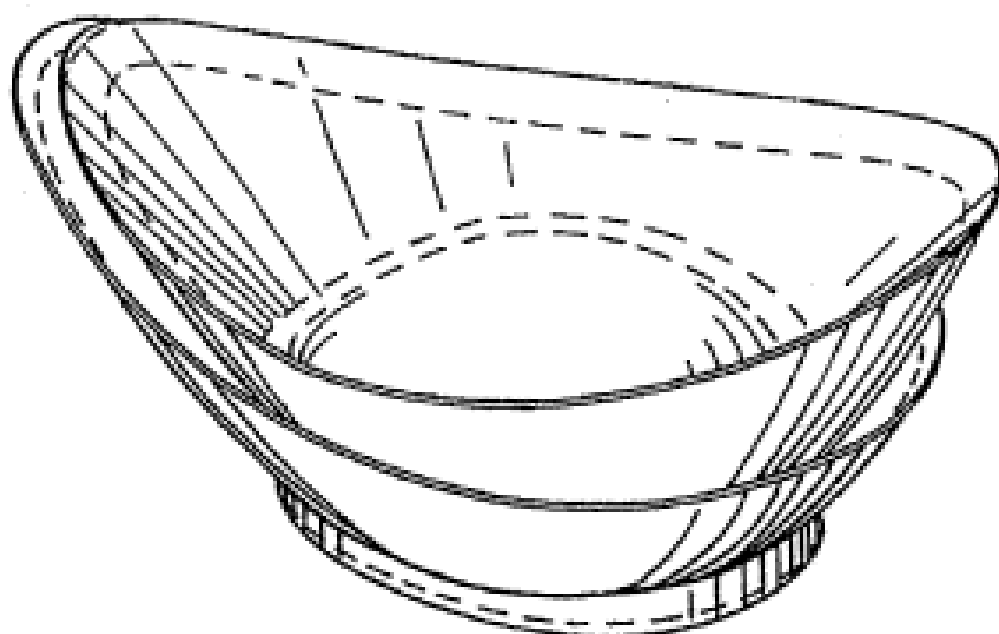
(57) Statement of Newness and Distinctiveness: **Newness and distinctiveness resides in the centre split double stitched waist band as illustrated in the accompanying representation.**



(21) Design Number: **12651/2008**  
 (22) Date of Filing Application: **03 June 2008**  
 (24) Date from which industrial property rights may have effect: **03 June 2008**  
 (54) Product in respect of which the design is registered: **Bowl**  
 (51) International Design Classification: **07-01B**  
 (71) Name(s) and Address(s) of Applicant(s):  
**S.C. Johnson & Son, Inc.**  
**1525 Howe Street Racine Wisconsin 53403-2236 United States of America**  
 (72) Name(s) of Designer(s): **Simon M. Conway**  
 (45) Registration Date: **02 October 2008**  
 (30) Convention priority data:  

(31) Number	(32) Date	(33) Country
<b>29/298324</b>	<b>03 Dec 2007</b>	<b>UNITED STATES OF AMERICA</b>

 (56) Related Art Documents: **Not Applicable**  
 (57) Statement of Newness and Distinctiveness: **Newness and distinctiveness is claimed in those features of shape and/or configuration of a bowl as illustrated in continuous lines in the accompanying representations.**



(21) Design Number: **12655/2008**  
 (22) Date of Filing Application: **03 June 2008**  
 (24) Date from which industrial property rights may have effect: **03 June 2008**  
 (54) Product in respect of which the design is registered: **A motor vehicle and a model vehicle**  
 (51) International Design Classification: **12-08, 21-01C**  
 (71) Name(s) and Address(s) of Applicant(s):  
**GM Global Technology Operations, Inc**  
**300 Renaissance Center Detroit Michigan 48265-3000 United States of America**  
 (72) Name(s) of Designer(s): **Warrack Leach**  
 (45) Registration Date: **02 October 2008**  
 (30) Convention priority data:  

(31) Number	(32) Date	(33) Country
<b>410172</b>	<b>17 Dec 2007</b>	<b>NEW ZEALAND</b>

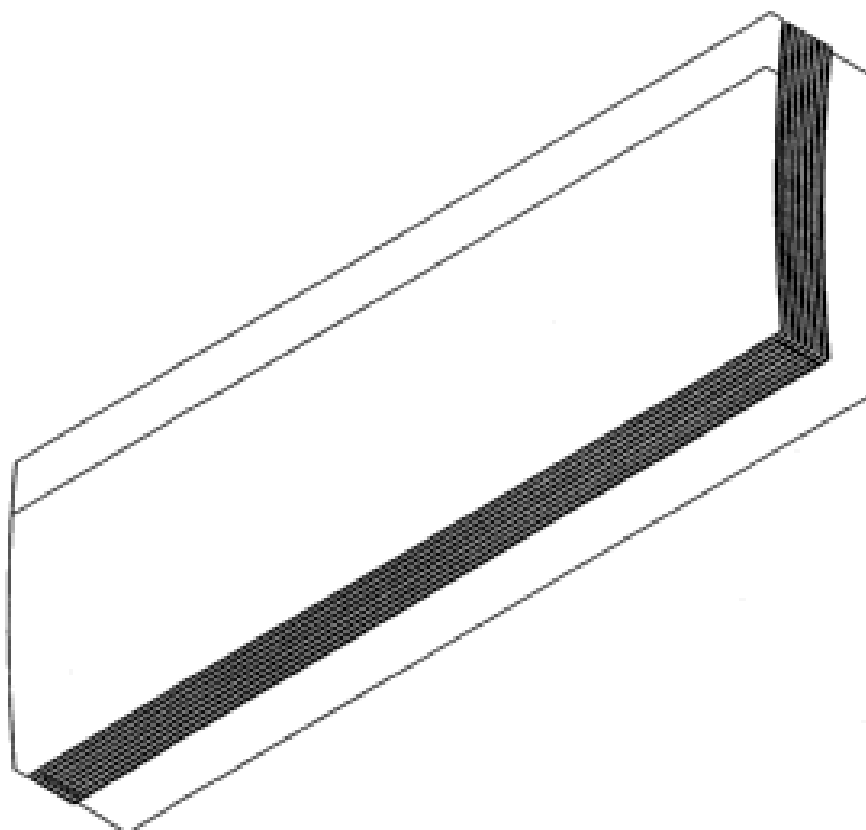
 (56) Related Art Documents: **Not Applicable**  
 (57) Statement of Newness and Distinctiveness: **Newness and distinctiveness is claimed in the shape and/or configuration of a motor vehicle and a model vehicle as shown in the representations, except that the wheels and tyres are to be disregarded.**



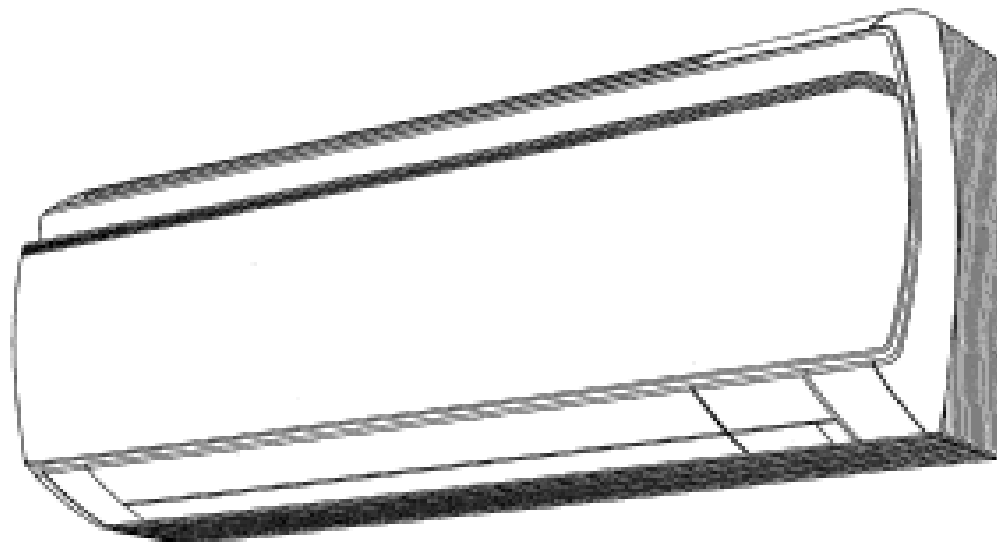
- (21) Design Number: **12656/2008**
- (22) Date of Filing Application: **03 June 2008**
- (24) Date from which industrial property rights may have effect: **03 June 2008**
- (54) Product in respect of which the design is registered: **A motor vehicle and a model vehicle**
- (51) International Design Classification: **12-08, 21-01C**
- (71) Name(s) and Address(s) of Applicant(s):  
**GM Global Technology Operations, Inc**  
**300 Renaissance Center Detroit Michigan 48265-3000 United States of America**
- (72) Name(s) of Designer(s): **Warrack Leach**
- (45) Registration Date: **02 October 2008**
- (30) Convention priority data:
  - (31) Number      (32) Date      (33) Country
  - 410173      17 Dec 2007      NEW ZEALAND**
- (56) Related Art Documents: **Not Applicable**
- (57) Statement of Newness and Distinctiveness: **Newness and distinctiveness is claimed in the shape and/or configuration of a motor vehicle and a model vehicle as shown in the representations, except that the wheels and tyres are to be disregarded.**



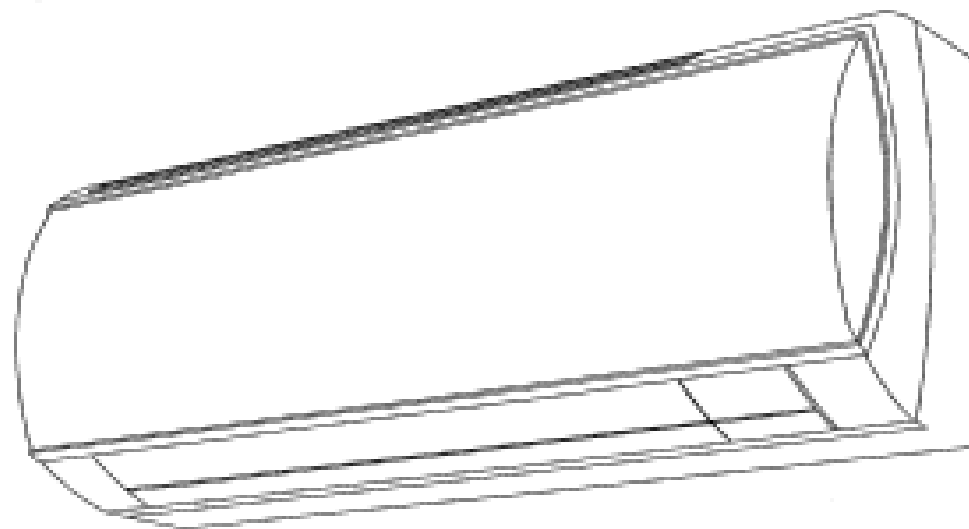
- (21) Design Number: **12657/2008**
- (22) Date of Filing Application: **03 June 2008**
- (24) Date from which industrial property rights may have effect: **03 June 2008**
- (54) Product in respect of which the design is registered: **Air- conditioner**
- (51) International Design Classification: **23-04**
- (71) Name(s) and Address(s) of Applicant(s):  
**Daikin Industries Ltd.**  
**Umeda Center Building 4-12 Nakazaki-Nishi 2-chome Kita-Ku**  
**Osaka-shi Osaka-fu Japan**
- (72) Name(s) of Designer(s): **Kentarou Niki and Kouichirou Seki**
- (45) Registration Date: **02 October 2008**
- (56) Related Art Documents: **Not Applicable**
- (57) Statement of Newness and Distinctiveness: **Nil**



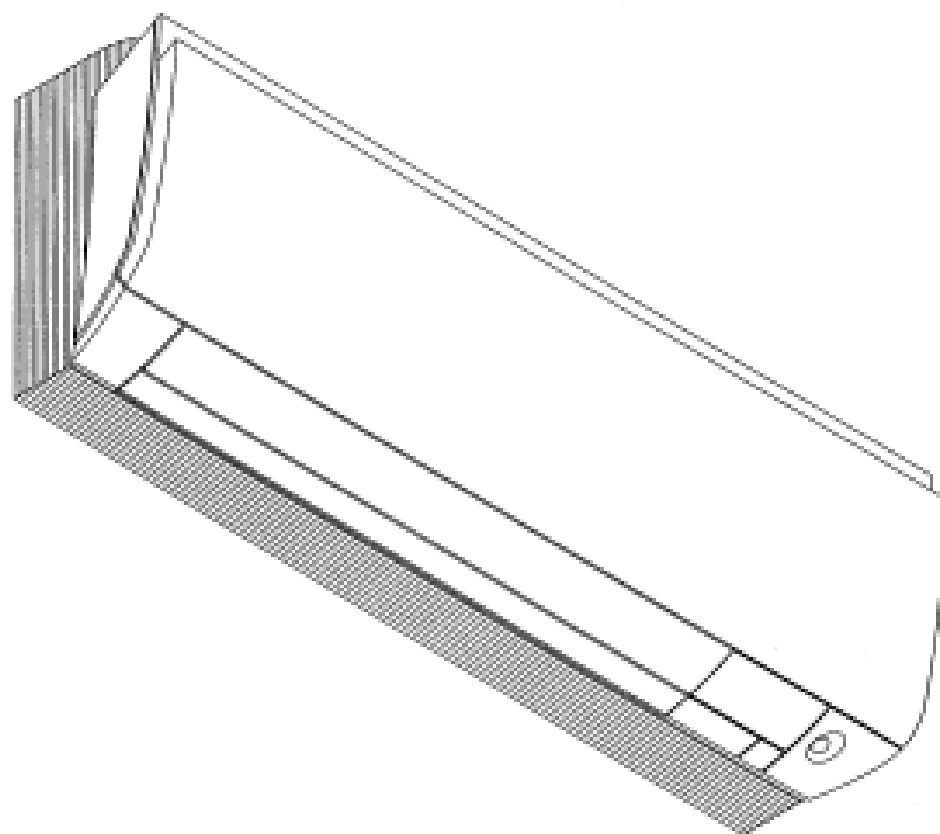
(21) Design Number: **12658/2008**  
(22) Date of Filing Application: **03 June 2008**  
(24) Date from which industrial property rights may have effect: **03 June 2008**  
(54) Product in respect of which the design is registered: **Air-conditioner**  
(51) International Design Classification: **23-04**  
(71) Name(s) and Address(s) of Applicant(s):  
**Daikin Industries Ltd.**  
**Umeda Center Building 4-12 Nakazaki-Nishi 2-chome Kita-Ku**  
**Osaka-shi Osaka-fu Japan**  
(72) Name(s) of Designer(s): **Kentarou Niki and Kouichirou Seki**  
(45) Registration Date: **02 October 2008**  
(56) Related Art Documents: **Not Applicable**  
(57) Statement of Newness and Distinctiveness: **Nil**



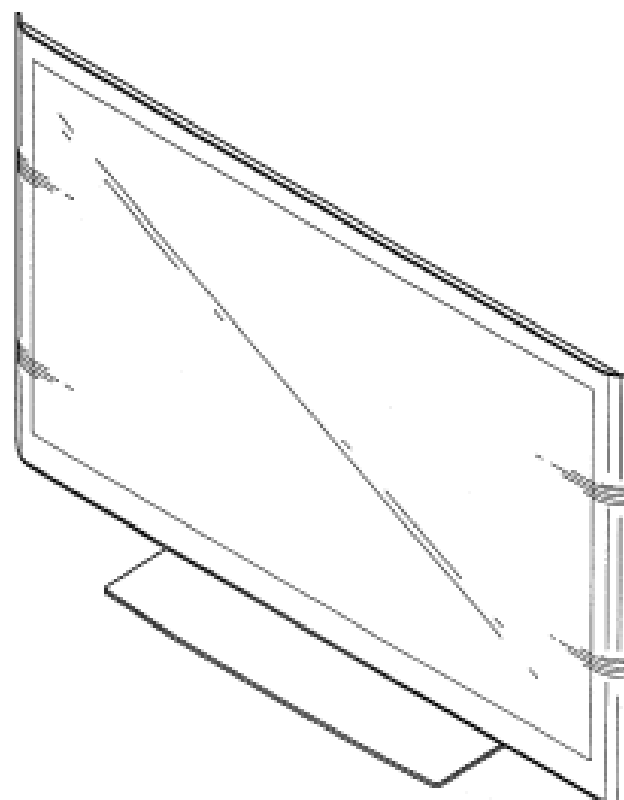
(21) Design Number: **12659/2008**  
(22) Date of Filing Application: **03 June 2008**  
(24) Date from which industrial property rights may have effect: **03 June 2008**  
(54) Product in respect of which the design is registered: **Air-conditioner**  
(51) International Design Classification: **23-04**  
(71) Name(s) and Address(s) of Applicant(s):  
**Daikin Industries Ltd.**  
**Umeda Center Building 4-12 Nakazaki-Nishi 2-chome Kita-Ku**  
**Osaka-shi Osaka-fu Japan**  
(72) Name(s) of Designer(s): **Kentarou Niki and Kouichirou Seki**  
(45) Registration Date: **02 October 2008**  
(56) Related Art Documents: **Not Applicable**  
(57) Statement of Newness and Distinctiveness: **Nil**



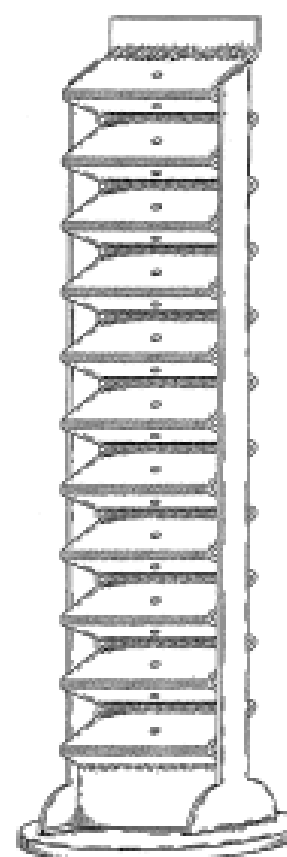
- (21) Design Number: **12660/2008**  
(22) Date of Filing Application: **03 June 2008**  
(24) Date from which industrial property rights may have effect: **03 June 2008**  
(54) Product in respect of which the design is registered: **Air-conditioner**  
(51) International Design Classification: **23-04**  
(71) Name(s) and Address(s) of Applicant(s):  
**Daikin Industries Ltd.**  
**Umeda Center Building 4-12 Nakazaki-Nishi 2-chome Kita-Ku**  
**Osaka-shi Osaka-fu Japan**  
(72) Name(s) of Designer(s): **Junji Nakamura**  
(45) Registration Date: **02 October 2008**  
(56) Related Art Documents: **Not Applicable**  
(57) Statement of Newness and Distinctiveness: **Nil**



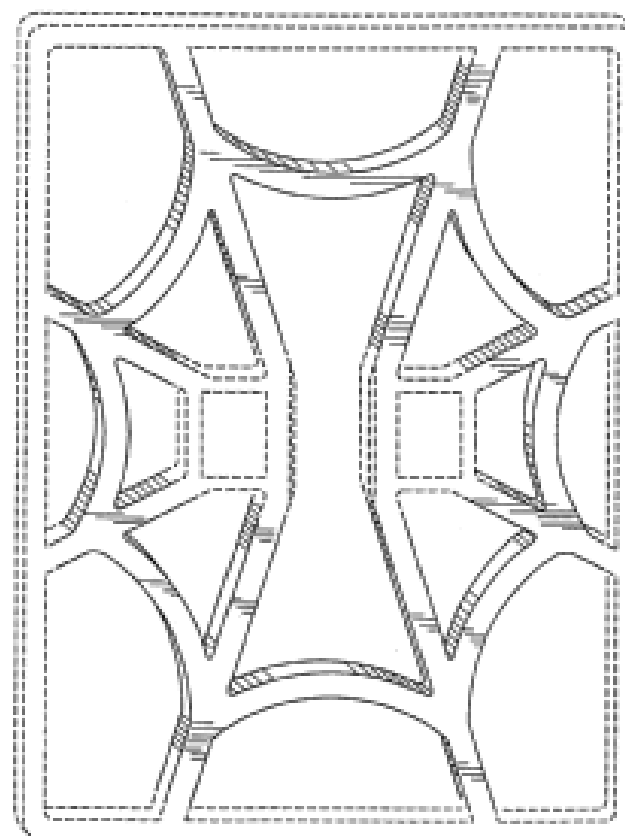
- (21) Design Number: **13864/2008**  
(22) Date of Filing Application: **13 August 2008**  
(24) Date from which industrial property rights may have effect: **13 August 2008**  
(54) Product in respect of which the design is registered: **Television monitor**  
(51) International Design Classification: **14-03B**  
(71) Name(s) and Address(s) of Applicant(s):  
**LG Electronics Inc.**  
**20 Yeouido-dong Yeongdeungpo-gu Seoul 150-721 Republic of Korea**  
(72) Name(s) of Designer(s): **Yong Ho Lee and A.Reum Kwon and Jeong Rok Lee and Sang Gi Kim**  
(45) Registration Date: **02 October 2008**  
(30) Convention priority data:  
(31) Number      (32) Date      (33) Country  
**30-2008-0006289 14 Feb 2008      REPUBLIC OF KOREA**  
(56) Related Art Documents: **Not Applicable**  
(57) Statement of Newness and Distinctiveness: **The visual features of the design illustrated in the accompanying representations that are new and distinctive are the backwardly curved side portions of the display of the television monitor and the elongate rectangular shape of the stand of the television monitor.**



(21) Design Number: **13867/2008**  
 (22) Date of Filing Application: **13 August 2008**  
 (24) Date from which industrial property rights may have effect: **13 August 2008**  
 (54) Product in respect of which the design is registered: **Magnetic display for eyewear**  
 (51) International Design Classification: **20-02E**  
 (71) Name(s) and Address(s) of Applicant(s):  
**Gripping Eyewear, Inc**  
**10430 Kirkwood Road Suite 150 Houston Texas 77099 United States of America**  
 (72) Name(s) of Designer(s): **Jerry Alexander**  
 (45) Registration Date: **02 October 2008**  
 (30) Convention priority data:  
 (31) Number (32) Date (33) Country  
**29/303,867 19 Feb 2008 UNITED STATES OF AMERICA**  
 (56) Related Art Documents: **Not Applicable**  
 (57) Statement of Newness and Distinctiveness: **Nil**



(21) Design Number: **13869/2008**  
 (22) Date of Filing Application: **13 August 2008**  
 (24) Date from which industrial property rights may have effect: **13 August 2008**  
 (54) Product in respect of which the design is registered: **Sanding pad**  
 (51) International Design Classification: **08-05N**  
 (71) Name(s) and Address(s) of Applicant(s):  
**Trim-Tex, Inc**  
**3700 West Pratt Avenue Lincolnwood Illinois 60645 United States of America**  
 (72) Name(s) of Designer(s): **Mark Budzik**  
 (45) Registration Date: **02 October 2008**  
 (30) Convention priority data:  
 (31) Number (32) Date (33) Country  
**29/303,802 18 Feb 2008 UNITED STATES OF AMERICA**  
 (56) Related Art Documents: **Not Applicable**  
 (57) Statement of Newness and Distinctiveness: **Those features of the sanding pad depicted in the representations that are new and distinctive are the shape and/or configuration. The features shown in broken line are not part of the design and are to be disregarded when considering the overall impression of the design.**



(21) Design Number: **13870/2008**

(22) Date of Filing Application: **13 August 2008**

(24) Date from which industrial property rights may have effect: **13 August 2008**

(54) Product in respect of which the design is registered: **Trimming strip**

(51) International Design Classification: **25-01NES**

(71) Name(s) and Address(s) of Applicant(s):

**Trim-Tex, Inc**  
**3700 West Pratt Avenue Lincolnwood Illinois 60645 United States of America**

(72) Name(s) of Designer(s): **Joseph M. Koenig, Jr**

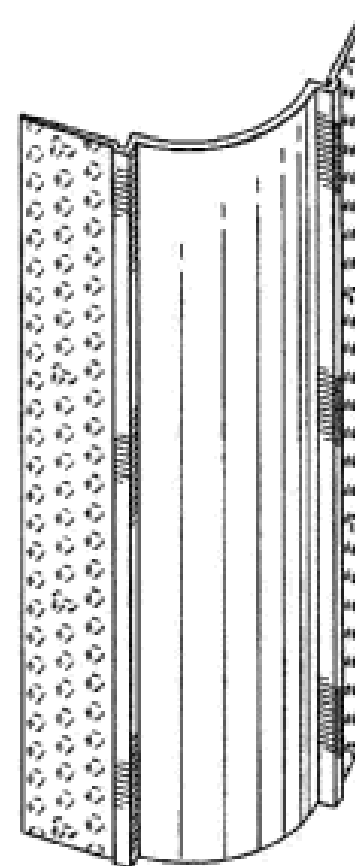
(45) Registration Date: **02 October 2008**

(30) Convention priority data:

(31) Number	(32) Date	(33) Country
<b>29/317,199</b>	<b>24 Apr 2008</b>	<b>UNITED STATES OF AMERICA</b>

(56) Related Art Documents: **Not Applicable**

(57) Statement of Newness and Distinctiveness: **Those features of the trimming strip depicted in the representations that are new and distinctive are the shape and/or configuration. The trimming strip may be of any length.**



(21) Design Number: **14388/2008**

(22) Date of Filing Application: **12 September 2008**

(24) Date from which industrial property rights may have effect: **12 September 2008**

(54) Product in respect of which the design is registered: **Straight through hdmi wall plate insert**

(51) International Design Classification: **13-03D**

(71) Name(s) and Address(s) of Applicant(s):

**Bitek Pty Ltd**  
**84 Sheppard Street Hume ACT 2620 Australia**

(72) Name(s) of Designer(s): **Kazik Bialecki**

(45) Registration Date: **02 October 2008**

(56) Related Art Documents: **Not Applicable**

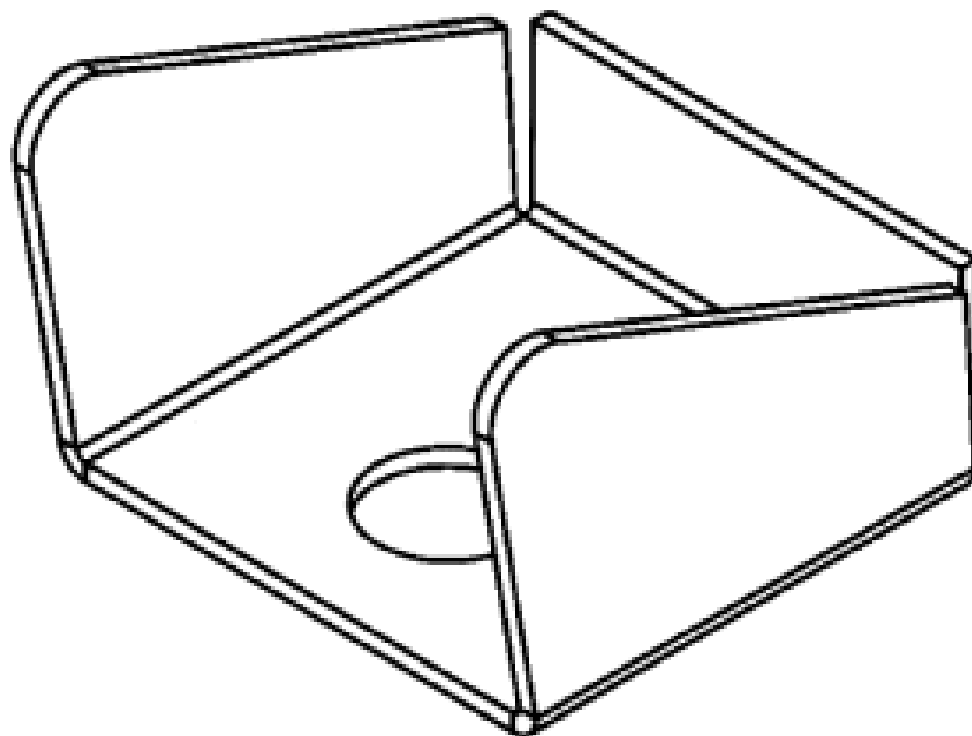
(57) Statement of Newness and Distinctiveness: **Hdmi wall plate insert to fit wall plates on market in Australia, where insert is pushed into wall plate. It allows connection/termination of hdmi leads.**



- (21) Design Number: **14389/2008**  
(22) Date of Filing Application: **12 September 2008**  
(24) Date from which industrial property rights may have effect: **12 September 2008**  
(54) Product in respect of which the design is registered: **Right angled hdmi wall plate insert**  
(51) International Design Classification: **13-03D**  
(71) Name(s) and Address(s) of Applicant(s):  
**Bitek Pty Ltd**  
**84 Sheppard Street Hume ACT 2620 Australia**  
(72) Name(s) of Designer(s): **Kazik Bialecki**  
(45) Registration Date: **02 October 2008**  
(56) Related Art Documents: **Not Applicable**  
(57) Statement of Newness and Distinctiveness: **Hdmi wall plate insert to fit wall plates on market in Australia, where insert is pushed into wall plate. It allows termination/connection of hdmi leads.**



- (21) Design Number: **11855/2008**  
(22) Date of Filing Application: **18 April 2008**  
(24) Date from which industrial property rights may have effect: **18 April 2008**  
(54) Product in respect of which the design is registered: **Centre bracket**  
(51) International Design Classification: **08-08L**  
(71) Name(s) and Address(s) of Applicant(s):  
**Insurance Australia Limited**  
**388 George Street Sydney New South Wales 2000 Australia**  
(72) Name(s) of Designer(s): **James Thomson**  
(45) Registration Date: **02 October 2008**  
(56) Related Art Documents: **Not Applicable**  
(57) Statement of Newness and Distinctiveness: **Newness and distinctiveness reside in the features of the design as shown in the representations.**



(21) Design Number: **11856/2008**

(22) Date of Filing Application: **18 April 2008**

(24) Date from which industrial property rights may have effect: **18 April 2008**

(54) Product in respect of which the design is registered: **Left bracket**

(51) International Design Classification: **08-08L**

(71) Name(s) and Address(s) of Applicant(s):

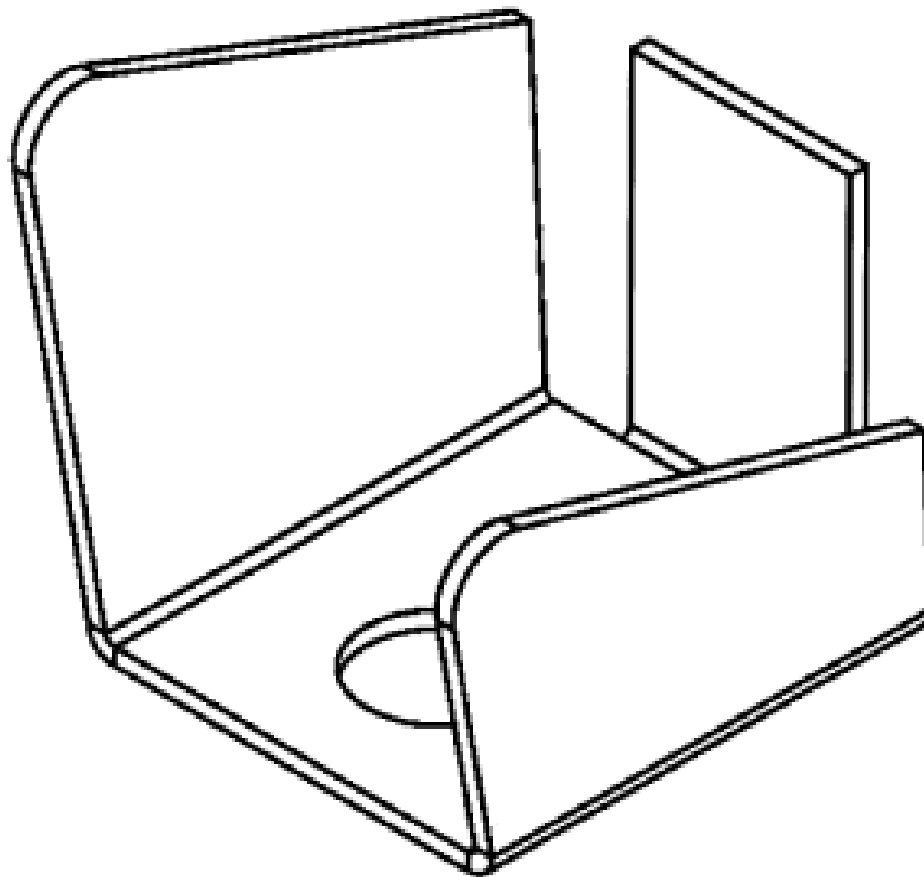
**Insurance Australia Limited  
388 George Street Sydney New South Wales 2000 Australia**

(72) Name(s) of Designer(s): **James Thomson**

(45) Registration Date: **02 October 2008**

(56) Related Art Documents: **Not Applicable**

(57) Statement of Newness and Distinctiveness: **Newness and distinctiveness reside in the features of the design as shown in the representations.**



(21) Design Number: **11857/2008**

(22) Date of Filing Application: **18 April 2008**

(24) Date from which industrial property rights may have effect: **18 April 2008**

(54) Product in respect of which the design is registered: **Right bracket**

(51) International Design Classification: **08-08L**

(71) Name(s) and Address(s) of Applicant(s):

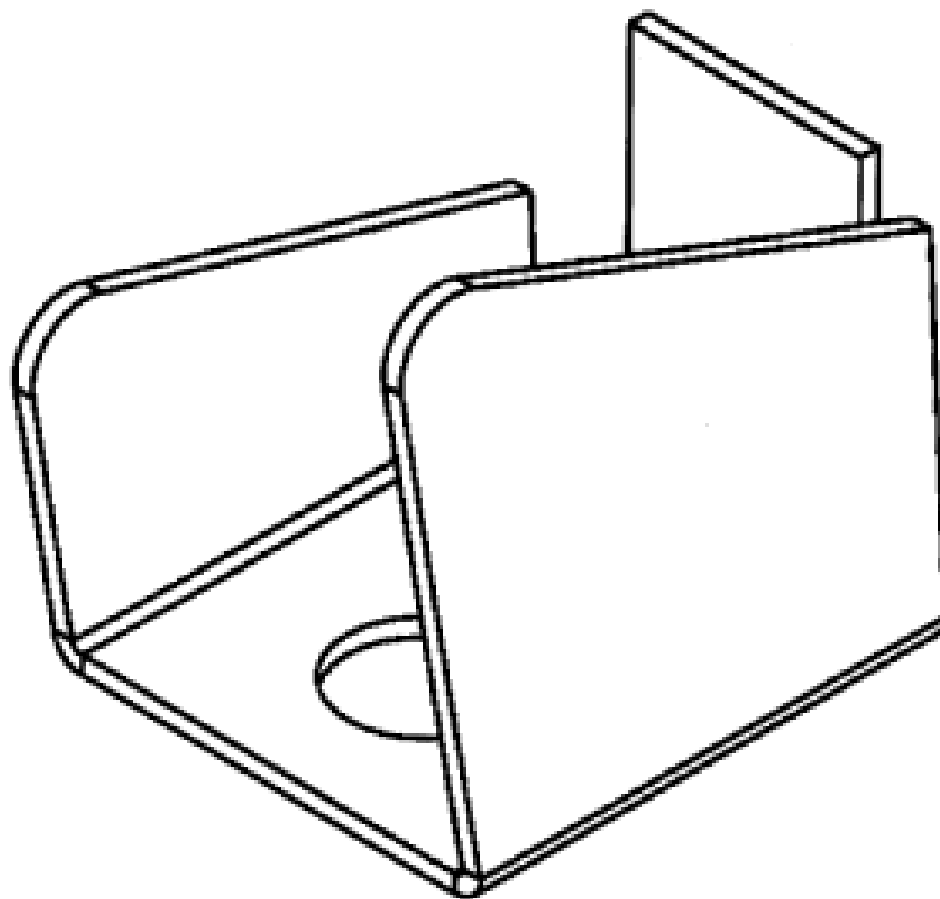
**Insurance Australia Limited  
388 George Street Sydney New South Wales 2000 Australia**

(72) Name(s) of Designer(s): **James Thomson**

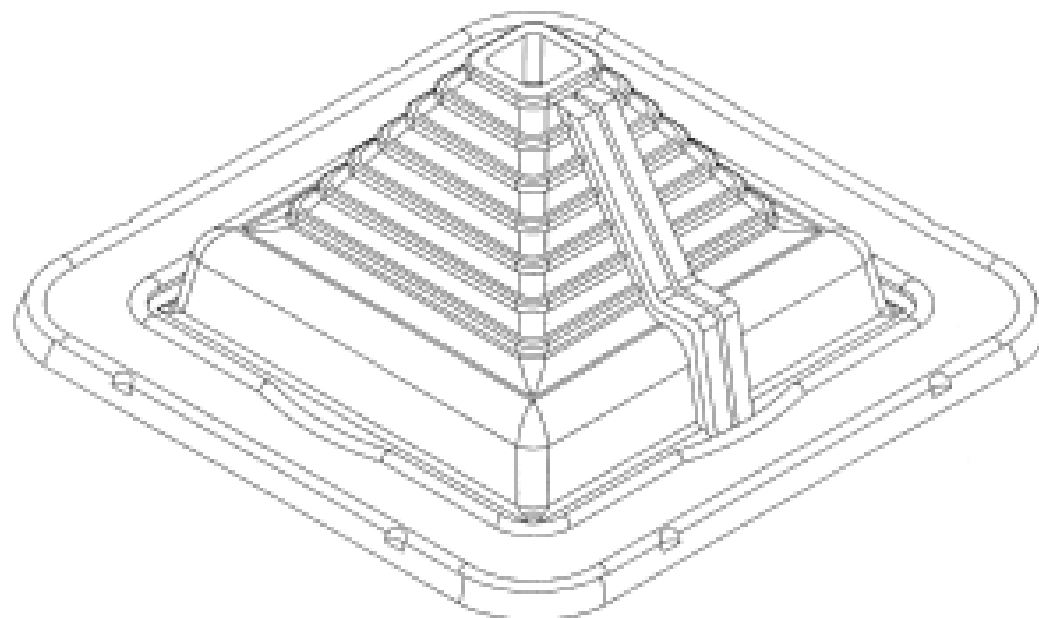
(45) Registration Date: **02 October 2008**

(56) Related Art Documents: **Not Applicable**

(57) Statement of Newness and Distinctiveness: **Newness and distinctiveness reside in the features of the design as shown in the representations.**



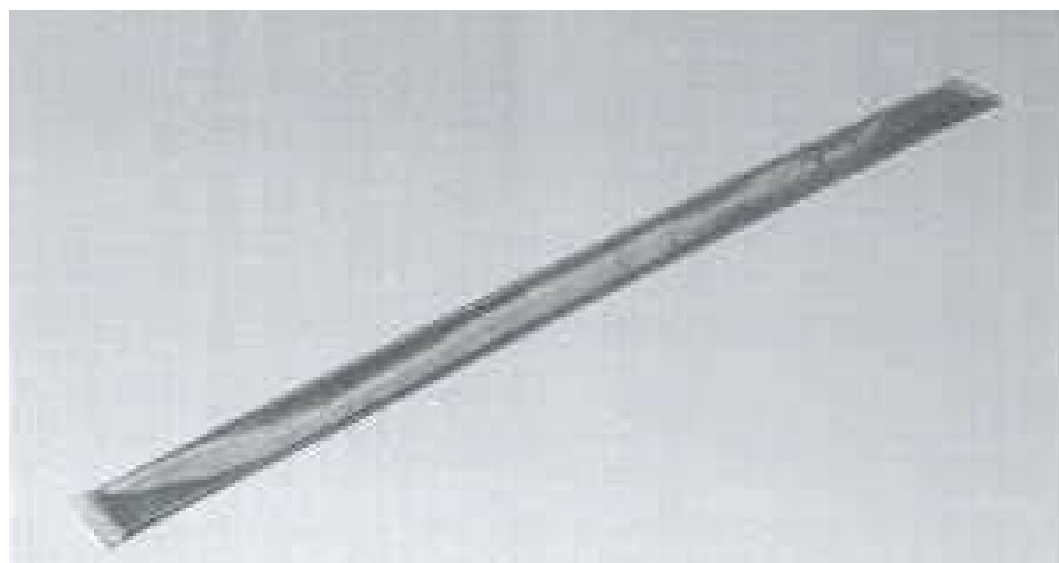
- (21) Design Number: **12615/2008**  
(22) Date of Filing Application: **30 May 2008**  
(24) Date from which industrial property rights may have effect: **30 May 2008**  
(54) Product in respect of which the design is registered: **Flashing**  
(51) International Design Classification: **23-01A**  
(71) Name(s) and Address(s) of Applicant(s):  
**Aquarius Rubber (Aust.) Pty. Ltd.**  
**46 Rusdale Street Knoxfield Victoria 3180 Australia**  
(72) Name(s) of Designer(s): **Werner Schalle**  
(45) Registration Date: **02 October 2008**  
(56) Related Art Documents: **Not Applicable**  
(57) Statement of Newness and Distinctiveness: **Those features of the flashing depicted in the representations that are new and distinctive are the shape and/or configuration.**



- (21) Design Number: **12616/2008**  
(22) Date of Filing Application: **02 June 2008**  
(24) Date from which industrial property rights may have effect: **02 June 2008**  
(54) Product in respect of which the design is registered: **Packaging for honey in straw shape**  
(51) International Design Classification: **09-05**  
(71) Name(s) and Address(s) of Applicant(s):  
**Superbee Network Singapore Pte Ltd**  
**6 Ubi Road 1 #02-01 Wintech Centre 408726 Singapore**  
(72) Name(s) of Designer(s): **Jacksaa Tan**  
(45) Registration Date: **02 October 2008**  
(30) Convention priority data:  

(31) Number	(32) Date	(33) Country
<b>0703064.4</b>	<b>03 Dec 2007</b>	<b>HONG KONG</b>

  
(56) Related Art Documents: **Not Applicable**  
(57) Statement of Newness and Distinctiveness: **Nil**



(21) Design Number: **12617/2008**  
(22) Date of Filing Application: **30 May 2008**  
(24) Date from which industrial property rights may have effect: **30 May 2008**  
(54) Product in respect of which the design is registered: **Washbowl**  
(51) International Design Classification: **23-02F, 24-01**  
(71) Name(s) and Address(s) of Applicant(s):

**Vernacare Limited**  
**Folds Road Bolton Lancashire BL1 2TX United Kingdom**

(72) Name(s) of Designer(s): **Garry Partington and Wayne Nelson**

(45) Registration Date: **02 October 2008**

(30) Convention priority data:

(31) Number	(32) Date	(33) Country
<b>000835491-0001</b>	<b>30 Nov 2007</b>	<b>EUROPEAN COMMUNITY</b>

(56) Related Art Documents: **Not Applicable**

(57) Statement of Newness and Distinctiveness: **Newness and distinctiveness reside in the features of shape and configuration and/or pattern and ornamentation of the design for a washbowl as shown in the accompanying representations.**



(21) Design Number: **12622/2008**  
(22) Date of Filing Application: **30 May 2008**  
(24) Date from which industrial property rights may have effect: **30 May 2008**  
(54) Product in respect of which the design is registered: **Footwear**  
(51) International Design Classification: **02-04NES**  
(71) Name(s) and Address(s) of Applicant(s):

**Vibram USA, Inc.**  
**Suite H3 Damon Mill Square Concord Massachusetts 01742 United States of America**

(72) Name(s) of Designer(s): **Peter Von Conta and Robert Fliri**

(45) Registration Date: **02 October 2008**

(30) Convention priority data:

(31) Number	(32) Date	(33) Country
<b>29/298,168</b>	<b>30 Nov 2007</b>	<b>UNITED STATES OF AMERICA</b>

(56) Related Art Documents: **Not Applicable**

(57) Statement of Newness and Distinctiveness: **Nil**



(21) Design Number: **12623/2008**  
 (22) Date of Filing Application: **30 May 2008**  
 (24) Date from which industrial property rights may have effect: **30 May 2008**  
 (54) Product in respect of which the design is registered: **Footwear**  
 (51) International Design Classification: **02-04NES**  
 (71) Name(s) and Address(s) of Applicant(s):  
**Vibram USA, Inc.**  
**Suite H3 Damon Mill Square Concord Massachusetts 01742 United States of America**  
 (72) Name(s) of Designer(s): **Kirk Swanson and Robert Fliri**  
 (45) Registration Date: **02 October 2008**  
 (30) Convention priority data:  

(31) Number	(32) Date	(33) Country
<b>29/298,171</b>	<b>30 Nov 2007</b>	<b>UNITED STATES OF AMERICA</b>

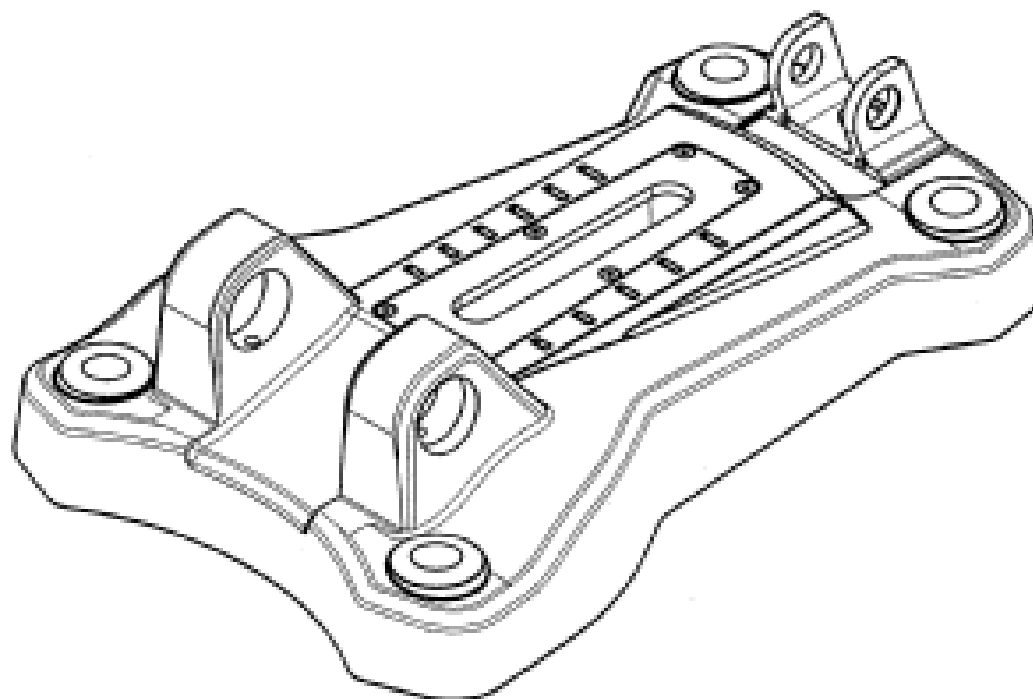
 (56) Related Art Documents: **Not Applicable**  
 (57) Statement of Newness and Distinctiveness: **Nil**



(21) Design Number: **12630/2008**  
 (22) Date of Filing Application: **02 June 2008**  
 (24) Date from which industrial property rights may have effect: **02 June 2008**  
 (54) Product in respect of which the design is registered: **Drill stand anchor base**  
 (51) International Design Classification: **08-08NES**  
 (71) Name(s) and Address(s) of Applicant(s):  
**Husqvarna Professional Outdoor Products Inc.**  
**17400W 119th Street Olathe Kansas 66061 United States of America**  
 (72) Name(s) of Designer(s): **Anthony Baratta**  
 (45) Registration Date: **02 October 2008**  
 (30) Convention priority data:  

(31) Number	(32) Date	(33) Country
<b>29299852</b>	<b>04 Jan 2008</b>	<b>UNITED STATES OF AMERICA</b>

 (56) Related Art Documents: **Not Applicable**  
 (57) Statement of Newness and Distinctiveness: **Newness and distinctiveness is claimed in those features of shape and/or configuration of a drill stand anchor base illustrated in continuous lines in the accompanying representations.**



(21) Design Number: **12631/2008**

(22) Date of Filing Application: **02 June 2008**

(24) Date from which industrial property rights may have effect: **02 June 2008**

(54) Product in respect of which the design is registered: **Drill stand**

(51) International Design Classification: **08-08NES, 08-01**

(71) Name(s) and Address(s) of Applicant(s):

**Husqvarna Professional Outdoor Products Inc.  
17400W 119th Street Olathe Kansas 66061 United States of America**

(72) Name(s) of Designer(s): **Anthony Baratta**

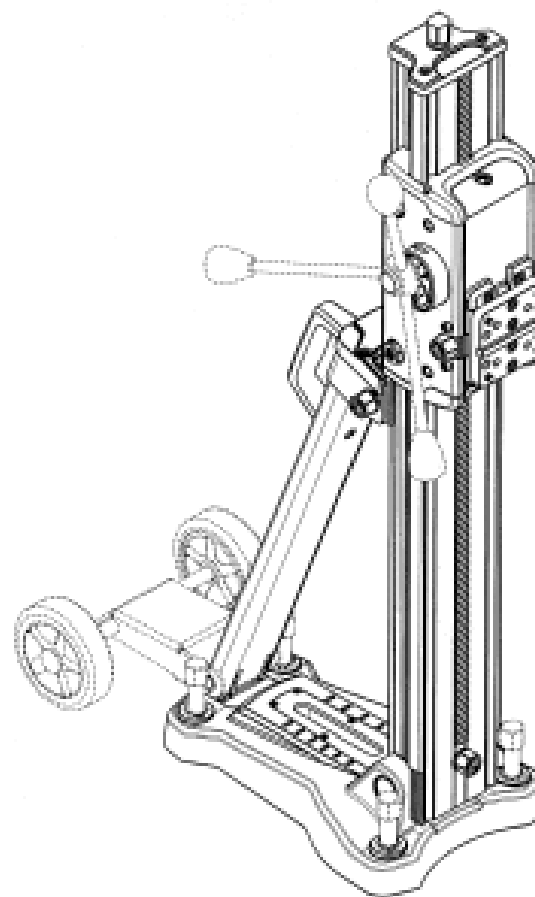
(45) Registration Date: **02 October 2008**

(30) Convention priority data:

(31) Number	(32) Date	(33) Country
<b>29299852</b>	<b>04 Jan 2008</b>	<b>UNITED STATES OF AMERICA</b>

(56) Related Art Documents: **Not Applicable**

(57) Statement of Newness and Distinctiveness: **Newness and distinctiveness is claimed in those features of shape and/or configuration of a drill stand illustrated in continuous lines in the accompanying representations.**



(21) Design Number: **12632/2008**

(22) Date of Filing Application: **02 June 2008**

(24) Date from which industrial property rights may have effect: **02 June 2008**

(54) Product in respect of which the design is registered: **Drill stand**

(51) International Design Classification: **08-08NES, 08-01**

(71) Name(s) and Address(s) of Applicant(s):

**Husqvarna Professional Outdoor Products Inc.  
17400W 119th Street Olathe Kansas 66061 United States of America**

(72) Name(s) of Designer(s): **Anthony Baratta**

(45) Registration Date: **02 October 2008**

(30) Convention priority data:

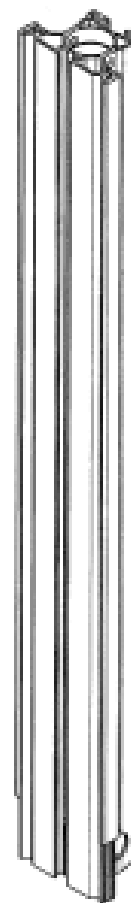
(31) Number	(32) Date	(33) Country
<b>29299852</b>	<b>04 Jan 2008</b>	<b>UNITED STATES OF AMERICA</b>

(56) Related Art Documents: **Not Applicable**

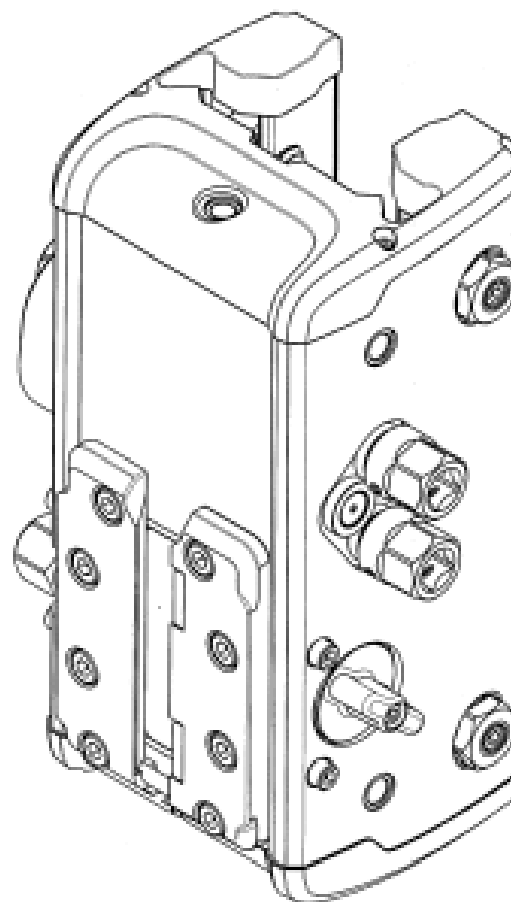
(57) Statement of Newness and Distinctiveness: **Newness and distinctiveness is claimed in the features of shape and/or configuration of a drill stand as illustrated in the accompanying representations.**



- (21) Design Number: **12633/2008**  
(22) Date of Filing Application: **02 June 2008**  
(24) Date from which industrial property rights may have effect: **02 June 2008**  
(54) Product in respect of which the design is registered: **Drill stand support column**  
(51) International Design Classification: **08-08NES**  
(71) Name(s) and Address(s) of Applicant(s):  
**Husqvarna Professional Outdoor Products Inc.**  
**17400W 119th Street Olathe Kansas 66061 United States of America**  
(72) Name(s) of Designer(s): **Anthony Baratta**  
(45) Registration Date: **02 October 2008**  
(30) Convention priority data:  
(31) Number (32) Date (33) Country  
**29299852 04 Jan 2008 UNITED STATES OF AMERICA**  
(56) Related Art Documents: **Not Applicable**  
(57) Statement of Newness and Distinctiveness: **Newness and distinctiveness is claimed in the features of shape and/or configuration of a drill stand support column as illustrated in the accompanying representations.**



- (21) Design Number: **12634/2008**  
(22) Date of Filing Application: **02 June 2008**  
(24) Date from which industrial property rights may have effect: **02 June 2008**  
(54) Product in respect of which the design is registered: **Drill stand carriage**  
(51) International Design Classification: **15-04, 08-01**  
(71) Name(s) and Address(s) of Applicant(s):  
**Husqvarna Professional Outdoor Products Inc.**  
**17400W 119th Street Olathe Kansas 66061 United States of America**  
(72) Name(s) of Designer(s): **Anthony Baratta**  
(45) Registration Date: **02 October 2008**  
(30) Convention priority data:  
(31) Number (32) Date (33) Country  
**29299852 04 Jan 2008 UNITED STATES OF AMERICA**  
(56) Related Art Documents: **Not Applicable**  
(57) Statement of Newness and Distinctiveness: **Newness and distinctiveness is claimed in the features of shape and/or configuration of a drill stand carriage as illustrated in the accompanying representations.**



(21) Design Number: **12636/2008**

(22) Date of Filing Application: **02 June 2008**

(24) Date from which industrial property rights may have effect: **02 June 2008**

(54) Product in respect of which the design is registered: **Load cell for a scale**

(51) International Design Classification: **10-04**

(71) Name(s) and Address(s) of Applicant(s):

**Mettler-Toledo AG**  
**Im Langacher CH-8606 Griefensee Switzerland**

(72) Name(s) of Designer(s): **Yves Marmier**

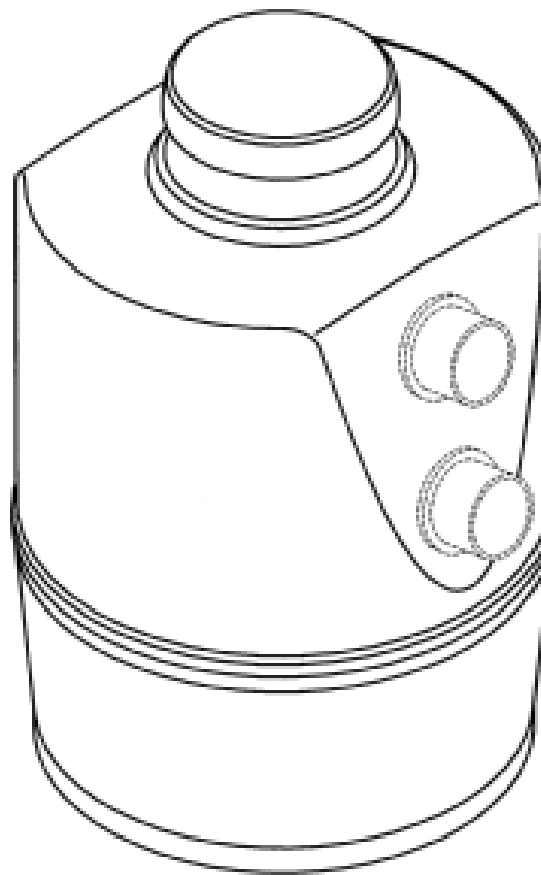
(45) Registration Date: **02 October 2008**

(30) Convention priority data:

(31) Number	(32) Date	(33) Country
<b>000859467</b>	<b>16 Jan 2008</b>	<b>EUROPEAN COMMUNITY</b>

(56) Related Art Documents: **Not Applicable**

(57) Statement of Newness and Distinctiveness: **When determining whether the design 1 is substantially similar in overall impression to another design, no regard is to be had to those features shown in dotted outline in the accompanying drawings.**



(21) Design Number: **12637/2008**

(22) Date of Filing Application: **02 June 2008**

(24) Date from which industrial property rights may have effect: **02 June 2008**

(54) Product in respect of which the design is registered: **Confectionery**

(51) International Design Classification: **01-01**

(71) Name(s) and Address(s) of Applicant(s):

**Mars Australia Pty Ltd**  
**Ring Road Ballarat Victoria 3350 Australia**

(72) Name(s) of Designer(s): **Angela Burr**

(45) Registration Date: **02 October 2008**

(56) Related Art Documents: **Not Applicable**

(57) Statement of Newness and Distinctiveness: **The novelty of the design resides in (a) the features of shape and configuration depicted in figure 1; and (b) the features of pattern and ornamentation depicted in figures 1 and 2, excluding the colour.**



(21) Design Number: **12638/2008**

(22) Date of Filing Application: **02 June 2008**

(24) Date from which industrial property rights may have effect: **02 June 2008**

(54) Product in respect of which the design is registered: **Steam iron**

(51) International Design Classification: **07-05A**

(71) Name(s) and Address(s) of Applicant(s):

**Calor**

**Place Ambroise Courtois 69008 Lyon France**

(72) Name(s) of Designer(s): **Dick Powell**

(45) Registration Date: **02 October 2008**

(30) Convention priority data:

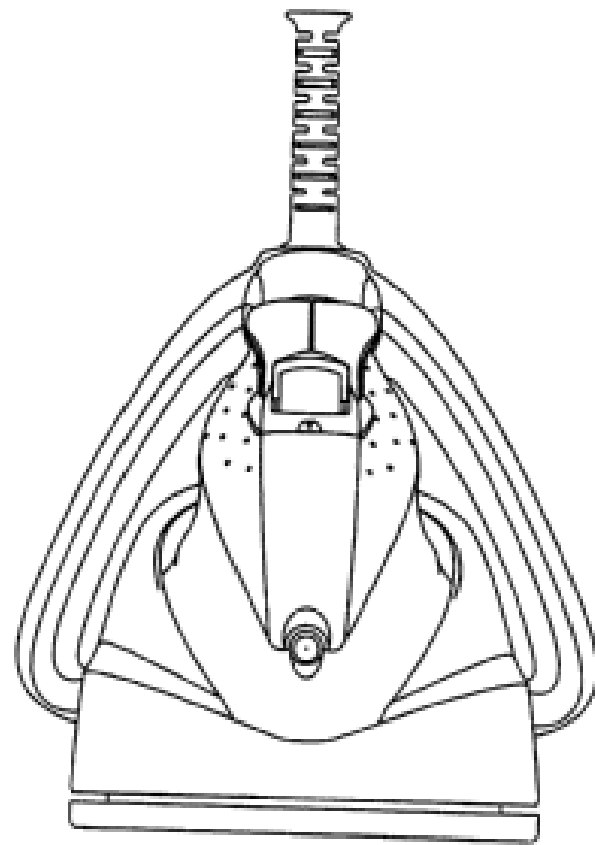
(31) Number  
**07 5491**

(32) Date  
**12 Dec 2007**

(33) Country  
**FRANCE**

(56) Related Art Documents: **Not Applicable**

(57) Statement of Newness and Distinctiveness: **The shape and configuration of the steam iron are new and distinctive.**



(21) Design Number: **12640/2008**

(22) Date of Filing Application: **02 June 2008**

(24) Date from which industrial property rights may have effect: **02 June 2008**

(54) Product in respect of which the design is registered: **Pasta maker**

(51) International Design Classification: **31-00**

(71) Name(s) and Address(s) of Applicant(s):

**FYC International Srl**

**Sanchez de Loria 652 Ciudad de Buenos Aires Buenos Aires Argentina**

(72) Name(s) of Designer(s): **Gonzalo Martinez**

(45) Registration Date: **02 October 2008**

(30) Convention priority data:

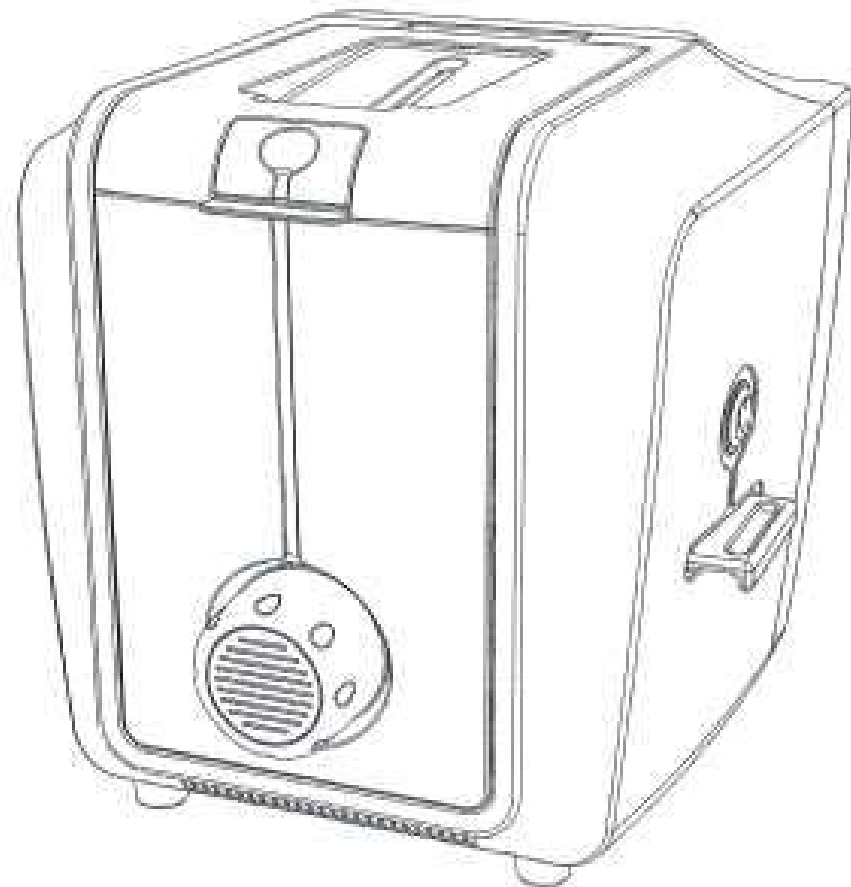
(31) Number  
**77363**

(32) Date  
**14 Dec 2007**

(33) Country  
**ARGENTINA**

(56) Related Art Documents: **Not Applicable**

(57) Statement of Newness and Distinctiveness: **Nil**



(21) Design Number: **12647/2008**

(22) Date of Filing Application: **03 June 2008**

(24) Date from which industrial property rights may have effect: **03 June 2008**

(54) Product in respect of which the design is registered: **A toilet pan**

(51) International Design Classification: **23-02C**

(71) Name(s) and Address(s) of Applicant(s):

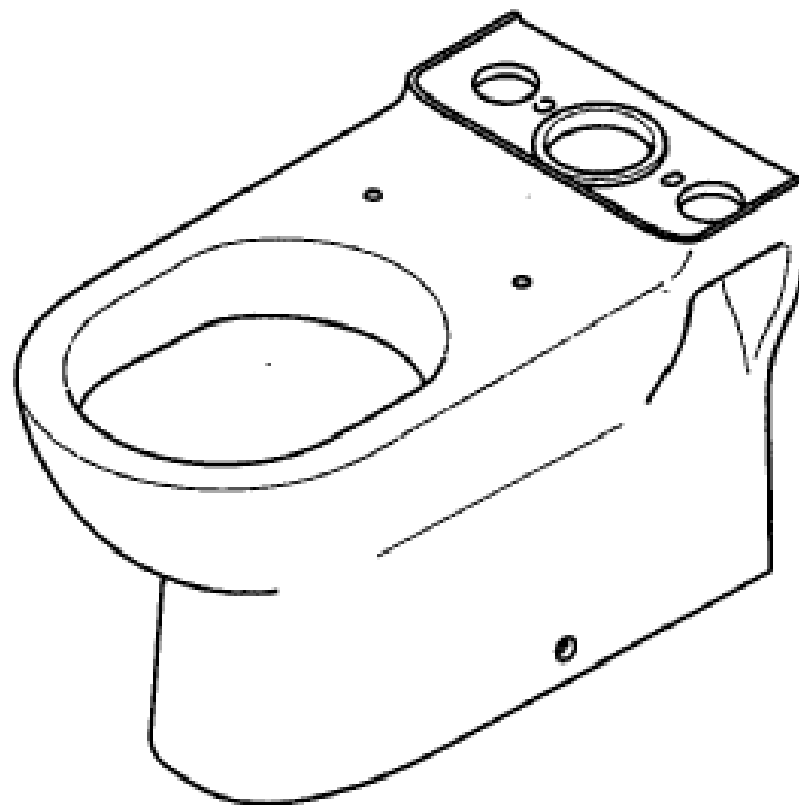
**Caroma Industries Limited**  
**10 Market Street Brisbane Queensland 4000 Australia**

(72) Name(s) of Designer(s): **Stephen John Cummings and Vincent Kai Hong Ho**

(45) Registration Date: **02 October 2008**

(56) Related Art Documents: **Not Applicable**

(57) Statement of Newness and Distinctiveness: **Newness and distinctiveness is claimed in the features of shape and/or configuration of a toilet pan as illustrated in the accompanying representations.**



(21) Design Number: **12648/2008**

(22) Date of Filing Application: **03 June 2008**

(24) Date from which industrial property rights may have effect: **03 June 2008**

(54) Product in respect of which the design is registered: **A toilet pan**

(51) International Design Classification: **23-02C**

(71) Name(s) and Address(s) of Applicant(s):

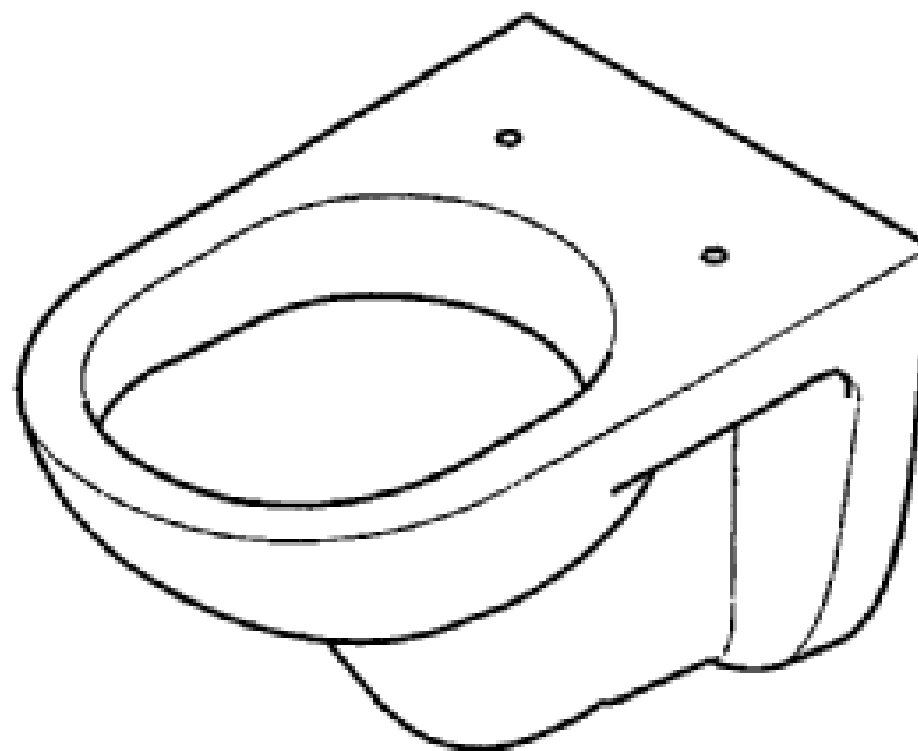
**Caroma Industries Limited**  
**10 Market Street Brisbane Queensland 4000 Australia**

(72) Name(s) of Designer(s): **Stephen John Cummings and Vincent Kai Hong Ho**

(45) Registration Date: **02 October 2008**

(56) Related Art Documents: **Not Applicable**

(57) Statement of Newness and Distinctiveness: **Newness and distinctiveness is claimed in the features of shape and/or configuration of a toilet pan as illustrated in the accompanying representations.**



(21) Design Number: **12649/2008**

(22) Date of Filing Application: **03 June 2008**

(24) Date from which industrial property rights may have effect: **03 June 2008**

(54) Product in respect of which the design is registered: **A toilet pan**

(51) International Design Classification: **23-02C**

(71) Name(s) and Address(s) of Applicant(s):

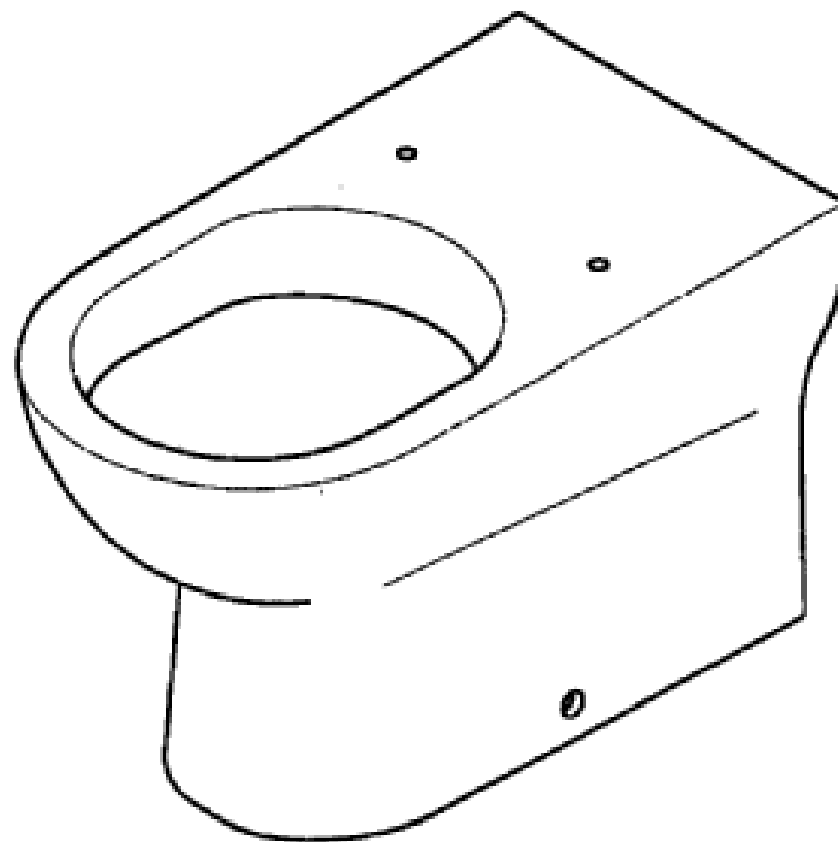
**Caroma Industries Limited**  
**10 Market Street Brisbane Queensland 4000 Australia**

(72) Name(s) of Designer(s): **Stephen John Cummings and Vincent Kai Hong Ho**

(45) Registration Date: **02 October 2008**

(56) Related Art Documents: **Not Applicable**

(57) Statement of Newness and Distinctiveness: **Newness and distinctiveness is claimed in the features of shape and/or configuration of a toilet pan as illustrated in the accompanying representations.**



(21) Design Number: **21207/2007**

(22) Date of Filing Application: **11 December 2007**

(24) Date from which industrial property rights may have effect: **11 December 2007**

(54) Product in respect of which the design is registered: **Chair frame**

(51) International Design Classification: **06-06H**

(71) Name(s) and Address(s) of Applicant(s):

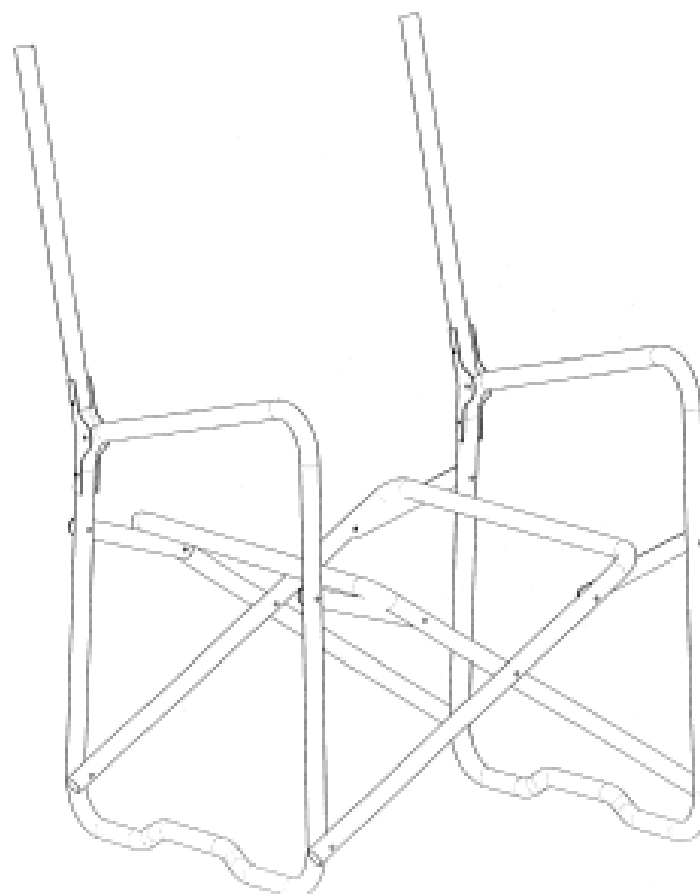
**William Day Pty Ltd**  
**3/313 Burwood Road Hawthorn Victoria 3122 Australia**

(72) Name(s) of Designer(s): **Maxwell William Day**

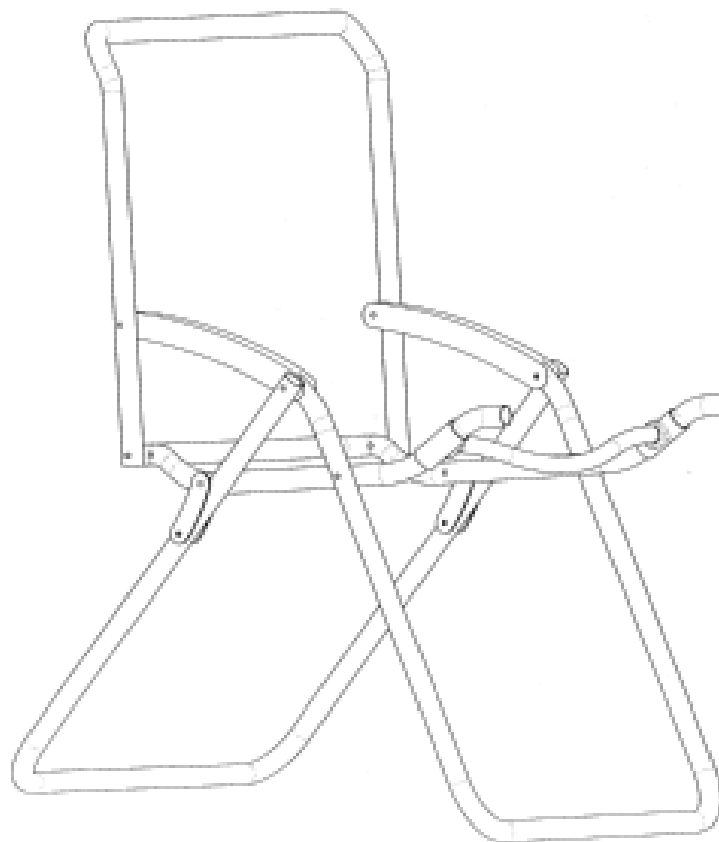
(45) Registration Date: **03 October 2008**

(56) Related Art Documents: **Not Applicable**

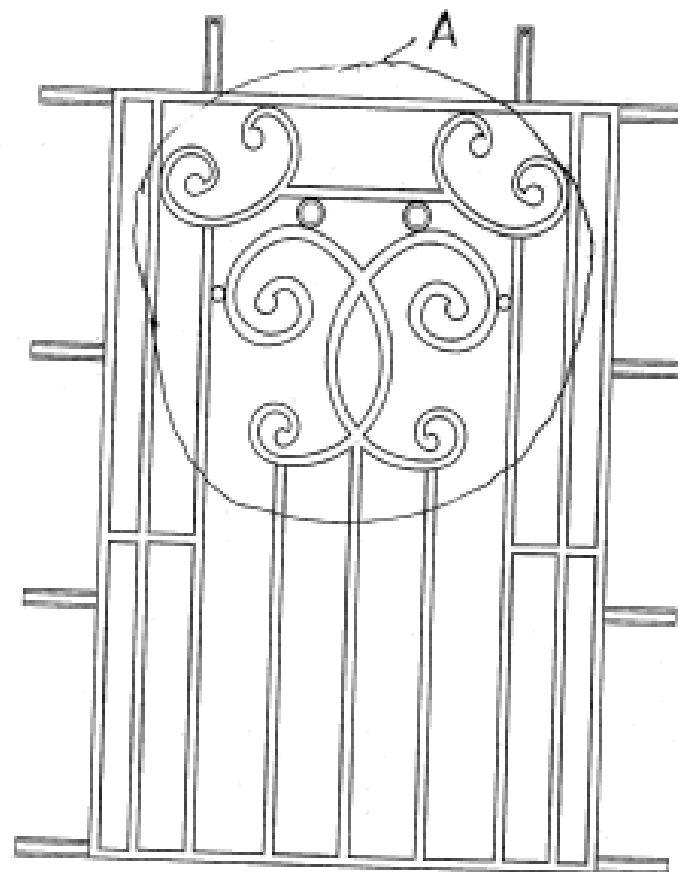
(57) Statement of Newness and Distinctiveness: **Nil**



- (21) Design Number: **21208/2007**  
(22) Date of Filing Application: **11 December 2007**  
(24) Date from which industrial property rights may have effect: **11 December 2007**  
(54) Product in respect of which the design is registered: **Chair frame**  
(51) International Design Classification: **06-06H**  
(71) Name(s) and Address(s) of Applicant(s):  
**William Day Pty Ltd**  
**3/313 Burwood Road Hawthorn Victoria 3122 Australia**  
(72) Name(s) of Designer(s): **Maxwell William Day**  
(45) Registration Date: **03 October 2008**  
(56) Related Art Documents: **Not Applicable**  
(57) Statement of Newness and Distinctiveness: **Nil**



- (21) Design Number: **11535/2008**  
(22) Date of Filing Application: **01 April 2008**  
(24) Date from which industrial property rights may have effect: **01 April 2008**  
(54) Product in respect of which the design is registered: **A panel**  
(51) International Design Classification: **25-02C**  
(71) Name(s) and Address(s) of Applicant(s):  
**Colonial Castings Pty. Ltd.**  
**95-97 Market Street Smithfield New South Wales 2164 Australia**  
(72) Name(s) of Designer(s): **Roy Norman Alchin**  
(45) Registration Date: **03 October 2008**  
(56) Related Art Documents: **Not Applicable**  
(57) Statement of Newness and Distinctiveness: **Newness and distinctiveness is claimed in the features of shape and/or configuration of the part of a panel labelled "A" in the accompanying representation.**



(21) Design Number: **11841/2008**

(22) Date of Filing Application: **18 April 2008**

(24) Date from which industrial property rights may have effect: **18 April 2008**

(54) Product in respect of which the design is registered: **Multi-purpose cooler bag**

(51) International Design Classification: **03-01A**

(71) Name(s) and Address(s) of Applicant(s):

**MHJ (UK) Limited**  
**Linton Brook Calderview Court Pepper Hill Shelf Halifax HX3 7UA**  
**United Kingdom**

(72) Name(s) of Designer(s): **Mark Scott**

(45) Registration Date: **03 October 2008**

(30) Convention priority data:

(31) Number	(32) Date	(33) Country
<b>000811237-0001</b>	<b>18 Oct 2007</b>	<b>EUROPEAN COMMUNITY</b>

(56) Related Art Documents: **Not Applicable**

(57) Statement of Newness and Distinctiveness: **Nil**



(21) Design Number: **12290/2008**

(22) Date of Filing Application: **13 May 2008**

(24) Date from which industrial property rights may have effect: **13 May 2008**

(54) Product in respect of which the design is registered: **Sliding door furniture**

(51) International Design Classification: **08-07**

(71) Name(s) and Address(s) of Applicant(s):

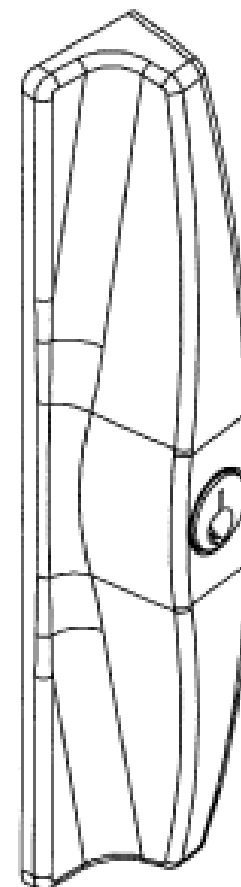
**Assa Abloy Australia Pty Limited**  
**50 Edward Street Oakleigh Victoria 3166 Australia**

(72) Name(s) of Designer(s): **Anaru Terei**

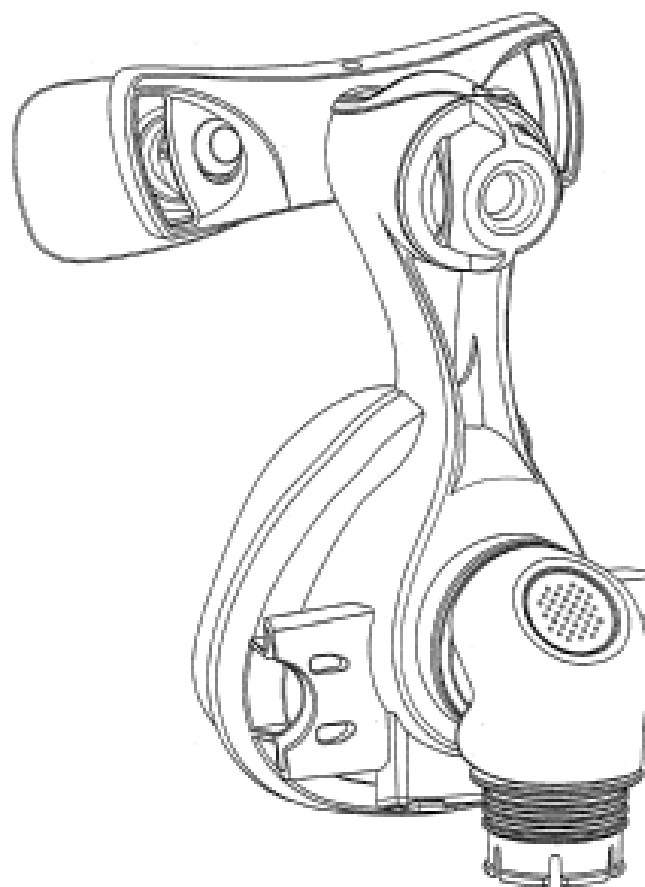
(45) Registration Date: **03 October 2008**

(56) Related Art Documents: **Not Applicable**

(57) Statement of Newness and Distinctiveness: **The features of shape and configuration of the design are new and distinctive. However, the elements shown in dashed lines, and also the key cylinder and key cylinder hole, are not essential features of the design and may be changed or omitted.**



(21) Design Number: **12652/2008**  
(22) Date of Filing Application: **03 June 2008**  
(24) Date from which industrial property rights may have effect: **03 June 2008**  
(54) Product in respect of which the design is registered: **Mask and/or components thereof**  
(51) International Design Classification: **24-01**  
(71) Name(s) and Address(s) of Applicant(s):  
**ResMed Ltd**  
**1 Elizabeth Macarthur Drive Bella Vista New South Wales 2153**  
**Australia**  
(72) Name(s) of Designer(s): **Dimitri Marco Maurer and Lemmy Nga and Michael John Reid and Aaron Samuel Davidson**  
(45) Registration Date: **03 October 2008**  
(30) Convention priority data:  
(31) Number (32) Date (33) Country  
**29/290799 15 Jan 2008 UNITED STATES OF AMERICA**  
(56) Related Art Documents: **Not Applicable**  
(57) Statement of Newness and Distinctiveness: **Nil**



(21) Design Number: **12662/2008**  
(22) Date of Filing Application: **02 June 2008**  
(24) Date from which industrial property rights may have effect: **02 June 2008**  
(54) Product in respect of which the design is registered: **Baby's reversible bib**  
(51) International Design Classification: **02-05**  
(71) Name(s) and Address(s) of Applicant(s):  
**Heidi Warta**  
**95C Pitt Road North Curl Curl New South Wales 2099 Australia**  
**Carol-Ann Siew**  
**95C Pitt Road North Curl Curl New South Wales 2099 Australia**  
(72) Name(s) of Designer(s): **Heidi Warta and Carol-Ann Siew**  
(45) Registration Date: **03 October 2008**  
(56) Related Art Documents: **Not Applicable**  
(57) Statement of Newness and Distinctiveness: **The bib is scooped at the neck and has a knot tied in one end making it look like a bandana/scarf and is reversible.**



(21) Design Number: **12669/2008**

(22) Date of Filing Application: **30 May 2008**

(24) Date from which industrial property rights may have effect: **30 May 2008**

(54) Product in respect of which the design is registered: **Nasal cannula**

(51) International Design Classification: **24-01**

(71) Name(s) and Address(s) of Applicant(s):

**Ngah Chai Leow**

**No. 7 Jalan KIP 3 Taman Perindustrian KIP 52200 Kuala Lumpur  
Malaysia**

(72) Name(s) of Designer(s): **Ngah Chai Leow**

(45) Registration Date: **03 October 2008**

(30) Convention priority data:

(31) Number

(32) Date

(33) Country

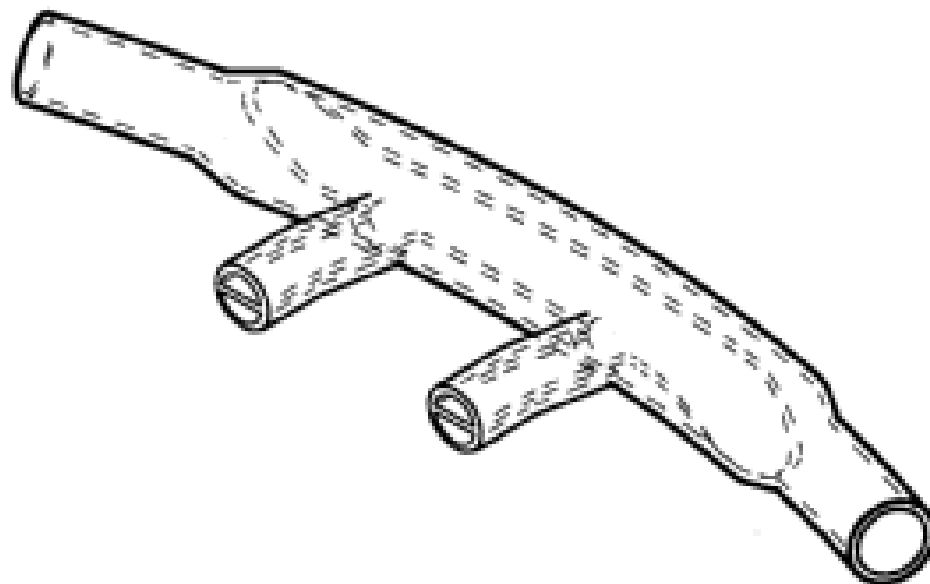
**07-01917-0101**

**31 Dec 2007**

**MALAYSIA**

(56) Related Art Documents: **Not Applicable**

(57) Statement of Newness and Distinctiveness: **Nil**



(21) Design Number: **12683/2008**

(22) Date of Filing Application: **04 June 2008**

(24) Date from which industrial property rights may have effect: **04 June 2008**

(54) Product in respect of which the design is registered: **Thermos flask**

(51) International Design Classification: **07-01F**

(71) Name(s) and Address(s) of Applicant(s):

**Pi-Design AG**

**Kantonsstrasse 100 Postfach 463 CH-6234 Triengen Switzerland**

(72) Name(s) of Designer(s): **Jorgen Bodum**

(45) Registration Date: **03 October 2008**

(30) Convention priority data:

(31) Number

(32) Date

(33) Country

**DA 2007**

**07 Dec 2007**

**DENMARK**

**00292**

(56) Related Art Documents: **Not Applicable**

(57) Statement of Newness and Distinctiveness: **Nil**



(21) Design Number: **12684/2008**

(22) Date of Filing Application: **04 June 2008**

(24) Date from which industrial property rights may have effect: **04 June 2008**

(54) Product in respect of which the design is registered: **Thermos flask (new)**

(51) International Design Classification: **07-01F**

(71) Name(s) and Address(s) of Applicant(s):

**Pi-Design AG**

**Kantonsstrasse 100 Postfach 463 CH-6234 Triengen Switzerland**

(72) Name(s) of Designer(s): **Jorgen Bodum**

(45) Registration Date: **03 October 2008**

(56) Related Art Documents: **Not Applicable**

(57) Statement of Newness and Distinctiveness: **Nil**



(21) Design Number: **12685/2008**

(22) Date of Filing Application: **04 June 2008**

(24) Date from which industrial property rights may have effect: **04 June 2008**

(54) Product in respect of which the design is registered: **Power board**

(51) International Design Classification: **13-03E**

(71) Name(s) and Address(s) of Applicant(s):

**Cable Accessories (Australia) Pty. Ltd.**

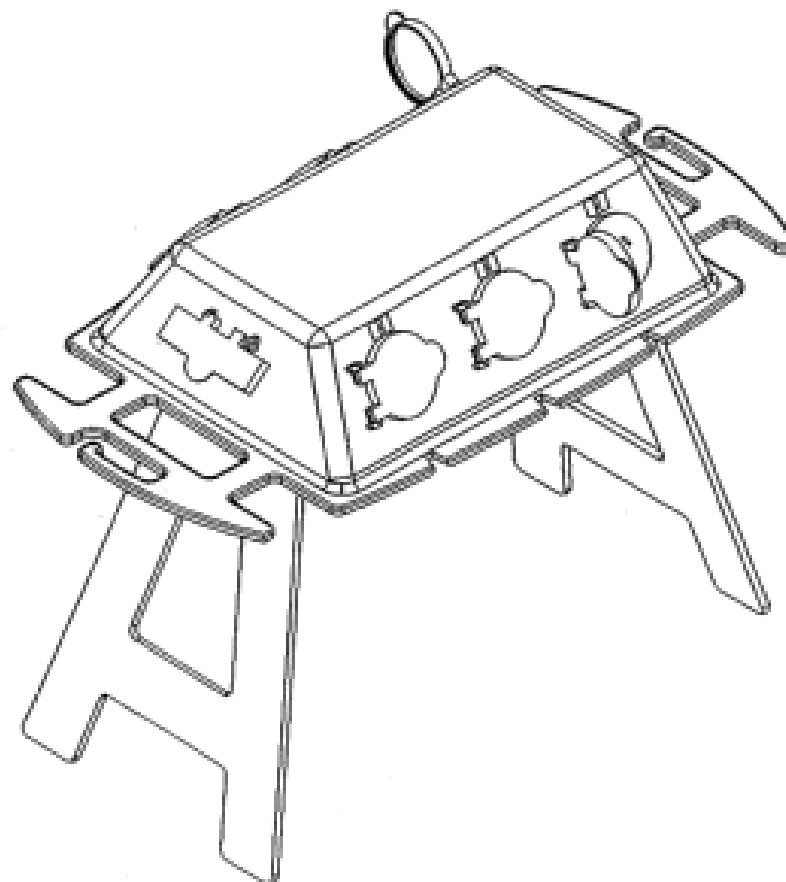
**26 Derby Street Silverwater New South Wales 2128 Australia**

(72) Name(s) of Designer(s): **Bruce James Ogden**

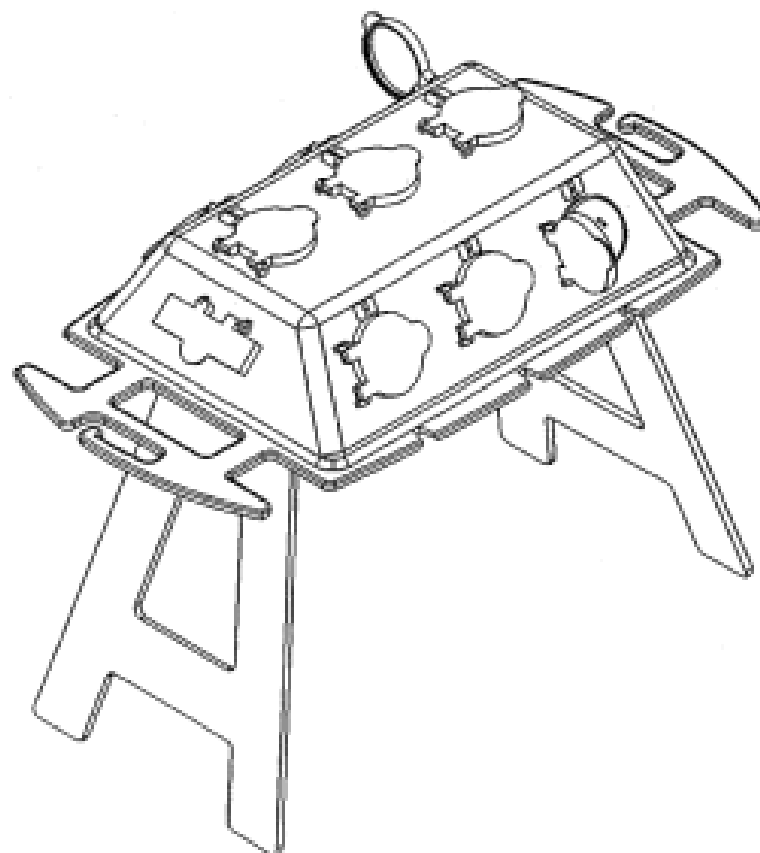
(45) Registration Date: **03 October 2008**

(56) Related Art Documents: **Not Applicable**

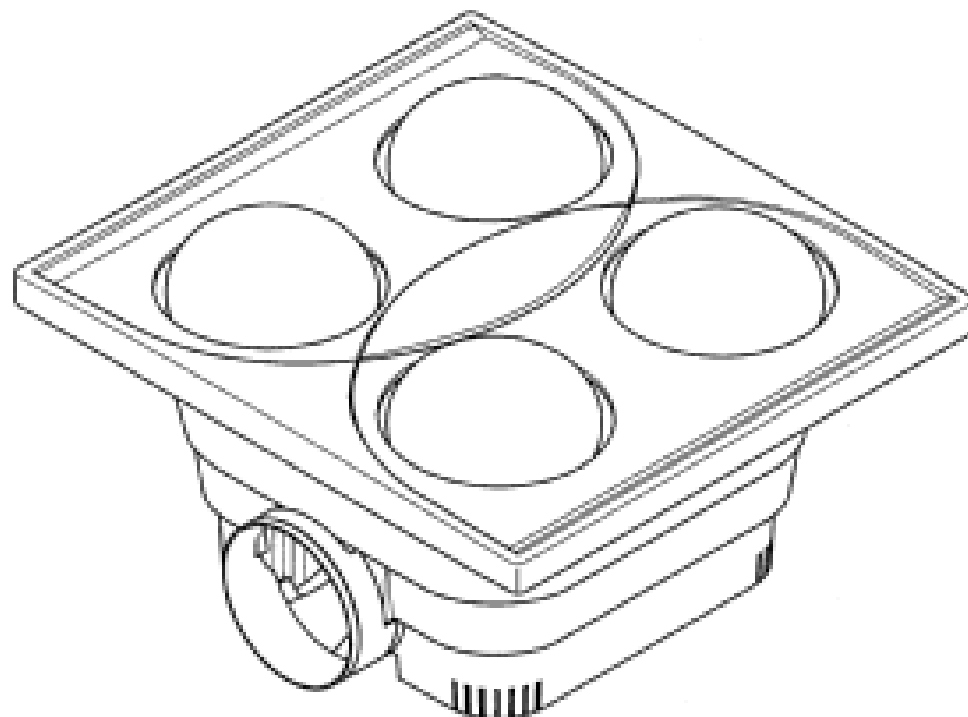
(57) Statement of Newness and Distinctiveness: **Newness and distinctiveness is claimed in the features of shape and/or configuration of a power board as illustrated in the accompanying representations.**



- (21) Design Number: **12686/2008**  
(22) Date of Filing Application: **04 June 2008**  
(24) Date from which industrial property rights may have effect: **04 June 2008**  
(54) Product in respect of which the design is registered: **Power board**  
(51) International Design Classification: **13-03E**  
(71) Name(s) and Address(s) of Applicant(s):  
**Cable Accessories (Australia) Pty. Ltd.**  
**26 Derby Street Silverwater New South Wales 2128 Australia**  
(72) Name(s) of Designer(s): **Bruce James Ogden**  
(45) Registration Date: **03 October 2008**  
(56) Related Art Documents: **Not Applicable**  
(57) Statement of Newness and Distinctiveness: **Newness and distinctiveness is claimed in the features of shape and/or configuration of a power board as illustrated in the accompanying representations.**



- (21) Design Number: **12687/2008**  
(22) Date of Filing Application: **04 June 2008**  
(24) Date from which industrial property rights may have effect: **04 June 2008**  
(54) Product in respect of which the design is registered: **Bathroom heater**  
(51) International Design Classification: **23-03NES**  
(71) Name(s) and Address(s) of Applicant(s):  
**Koninklijke Philips Electronics N.V.**  
**Groenewoudseweg 1 5621 BA Eindhoven The Netherlands**  
(72) Name(s) of Designer(s): **Xiao Jin Jia**  
(45) Registration Date: **03 October 2008**  
(30) Convention priority data:  
(31) Number      (32) Date      (33) Country  
**000840178-0002 11 Dec 2007      EUROPEAN COMMUNITY**  
(56) Related Art Documents: **Not Applicable**  
(57) Statement of Newness and Distinctiveness: **Newness and distinctiveness reside in the features of the design as shown in the representations.**



(21) Design Number: **12688/2008**

(22) Date of Filing Application: **04 June 2008**

(24) Date from which industrial property rights may have effect: **04 June 2008**

(54) Product in respect of which the design is registered: **Bathroom heater**

(51) International Design Classification: **23-03NES**

(71) Name(s) and Address(s) of Applicant(s):

**Koninklijke Philips Electronics N.V.  
Groenewoudseweg 1 5621 BA Eindhoven The Netherlands**

(72) Name(s) of Designer(s): **Xiao Jin Jia**

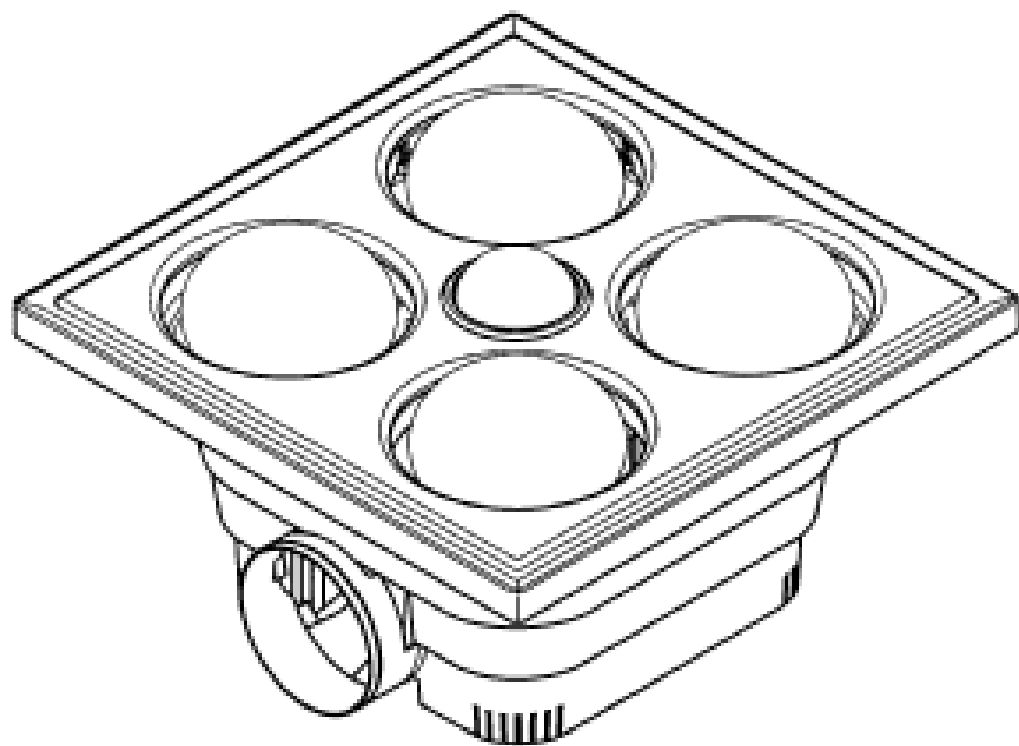
(45) Registration Date: **03 October 2008**

(30) Convention priority data:

(31) Number	(32) Date	(33) Country
<b>000840178-0001</b>	<b>11 Dec 2007</b>	<b>EUROPEAN COMMUNITY</b>

(56) Related Art Documents: **Not Applicable**

(57) Statement of Newness and Distinctiveness: **Newness and distinctiveness reside in the features of the design as shown in the representations.**



(21) Design Number: **12697/2008**

(22) Date of Filing Application: **06 June 2008**

(24) Date from which industrial property rights may have effect: **06 June 2008**

(54) Product in respect of which the design is registered: **A pond or a fountain**

(51) International Design Classification: **11-99, 25-99**

(71) Name(s) and Address(s) of Applicant(s):

**Cheng Shi Wu  
21 Strickland Street Bass Hill New South Wales 2197 Australia**

(72) Name(s) of Designer(s): **Cheng Shi Wu**

(45) Registration Date: **03 October 2008**

(56) Related Art Documents: **Not Applicable**

(57) Statement of Newness and Distinctiveness: **A pond with two handles and three S shape bases.**



(21) Design Number: **11560/2008**

(22) Date of Filing Application: **02 April 2008**

(24) Date from which industrial property rights may have effect: **02 April 2008**

(54) Product in respect of which the design is registered: **Outdoor marketing light**

(51) International Design Classification: **26-03**

(71) Name(s) and Address(s) of Applicant(s):

**Touchstone Accent Lighting, Inc.  
2425 W. Industrial Boulevard Long Lake MN 55356 United States of  
America**

(72) Name(s) of Designer(s): **Mark Hanson**

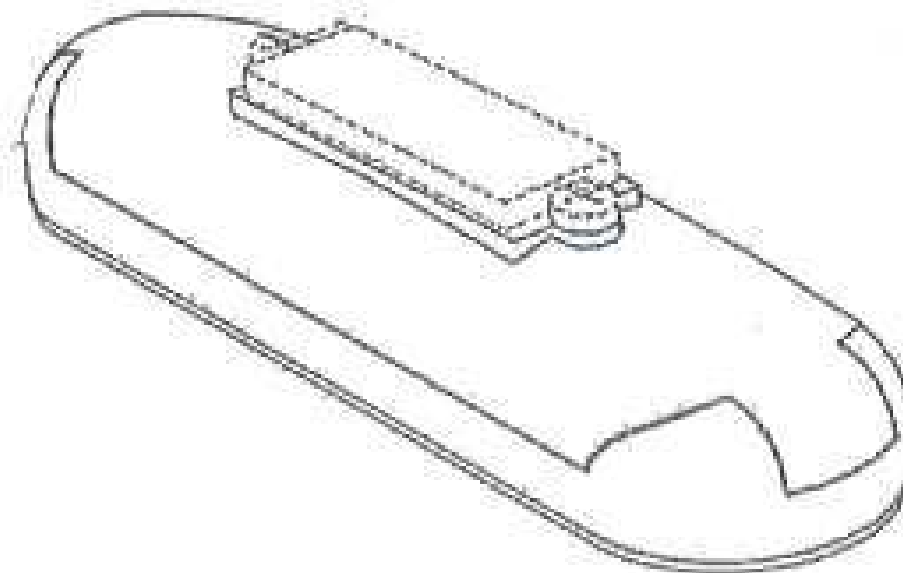
(45) Registration Date: **02 October 2008**

(30) Convention priority data:

(31) Number	(32) Date	(33) Country
<b>29/295,606</b>	<b>02 Oct 2007</b>	<b>UNITED STATES OF AMERICA</b>

(56) Related Art Documents: **Not Applicable**

(57) Statement of Newness and Distinctiveness: **The broken lines showing a dock, a cleat and relevant hardware in Figure 1 and showing a dock, a cap and relevant hardware in Figure 2 are for environmental purposes only and form no part of the claimed design.**



(21) Design Number: **12766/2008**

(22) Date of Filing Application: **10 June 2008**

(24) Date from which industrial property rights may have effect: **10 June 2008**

(54) Product in respect of which the design is registered: **Flash lamp epilator**

(51) International Design Classification: **28-03A**

(71) Name(s) and Address(s) of Applicant(s):

**Koninklijke Philips Electronics N.V.  
Groenewoudseweg 1 5621 BA Eindhoven The Netherlands**

(72) Name(s) of Designer(s): **Lieven Adriaenssen**

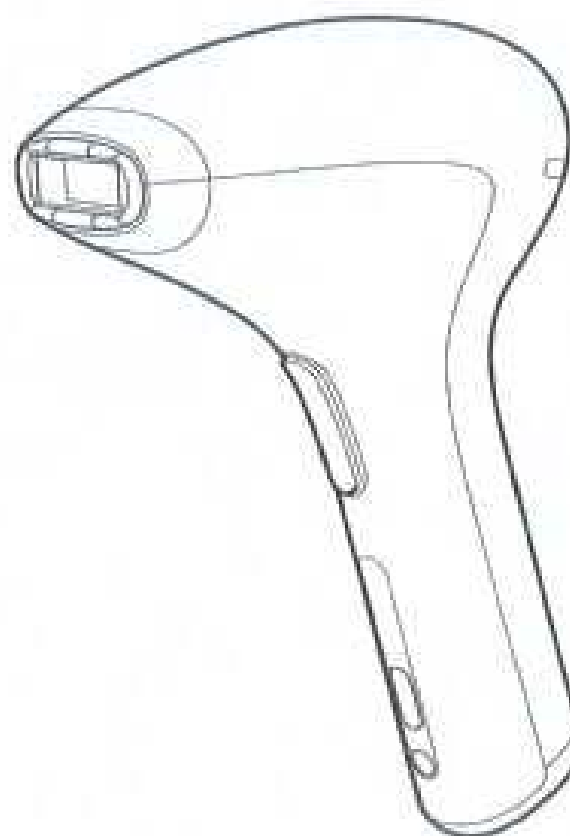
(45) Registration Date: **02 October 2008**

(30) Convention priority data:

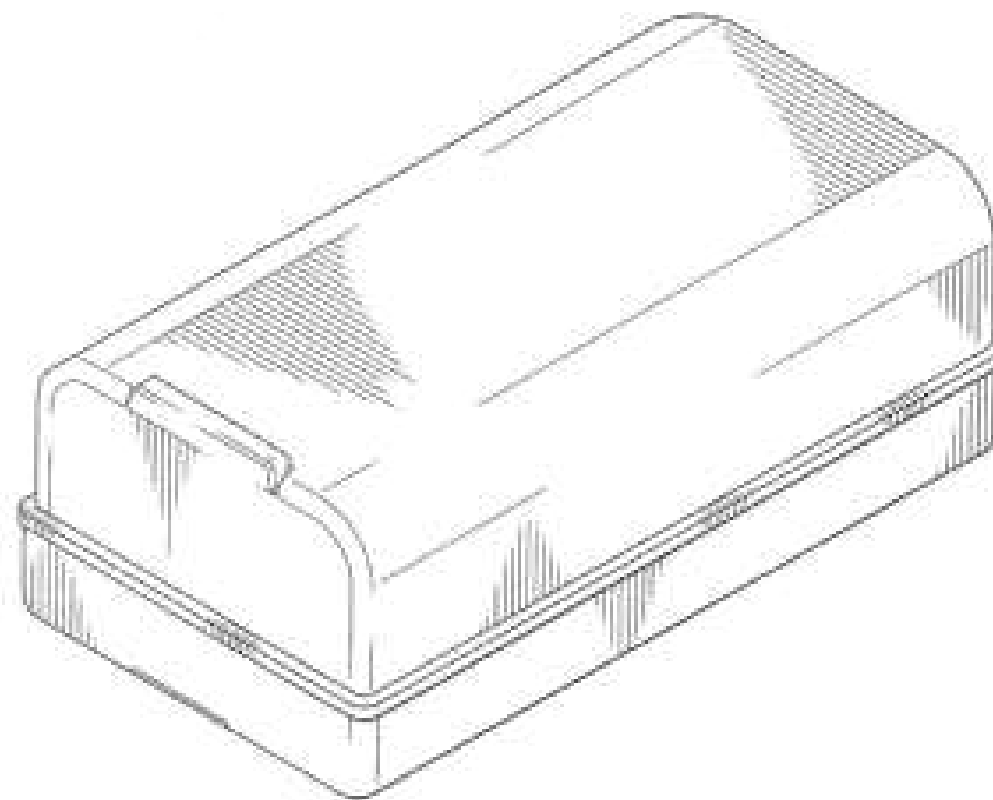
(31) Number	(32) Date	(33) Country
<b>000840988</b>	<b>12 Dec 2007</b>	<b>EUROPEAN COMMUNITY</b>

(56) Related Art Documents: **Not Applicable**

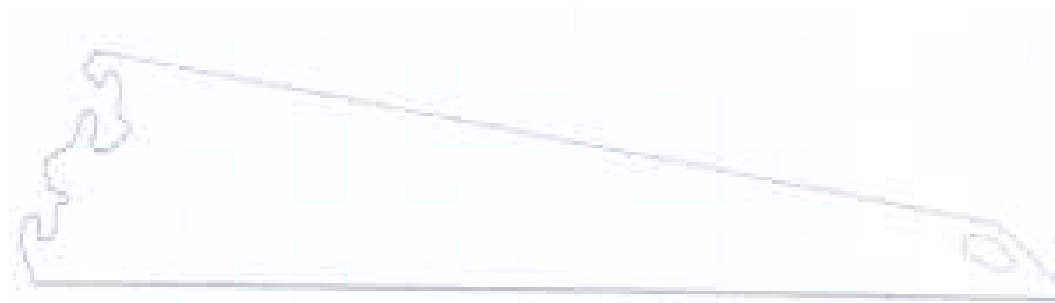
(57) Statement of Newness and Distinctiveness: **Newness and distinctiveness reside in the features of the design as shown in the representations.**



(21) Design Number: **12772/2008**  
(22) Date of Filing Application: **10 June 2008**  
(24) Date from which industrial property rights may have effect: **10 June 2008**  
(54) Product in respect of which the design is registered: **A battery for a combustion tool**  
(51) International Design Classification: **13-02**  
(71) Name(s) and Address(s) of Applicant(s):  
**Illinois Tool Works Inc.**  
**3600 West Lake Avenue Glenview Illinois 60026 United States of America**  
(72) Name(s) of Designer(s): **William J. Heinzen and Robert L. Turk and Robert Meyer**  
(45) Registration Date: **02 October 2008**  
(30) Convention priority data:  
(31) Number (32) Date (33) Country  
**29/298652 10 Dec 2007 UNITED STATES OF AMERICA**  
(56) Related Art Documents: **Not Applicable**  
(57) Statement of Newness and Distinctiveness: **Nil**



(21) Design Number: **12773/2008**  
(22) Date of Filing Application: **10 June 2008**  
(24) Date from which industrial property rights may have effect: **10 June 2008**  
(54) Product in respect of which the design is registered: **Saw blade**  
(51) International Design Classification: **08-03**  
(71) Name(s) and Address(s) of Applicant(s):  
**Kapman AB**  
**c/o SNA Europe Industries AB Sandviken 811 81 Sweden**  
(72) Name(s) of Designer(s): **Hans Himbert and Conny Jansson and Marten Andren and Emil Clahr**  
(45) Registration Date: **02 October 2008**  
(30) Convention priority data:  
(31) Number (32) Date (33) Country  
**840277-0002 11 Dec 2007 EUROPEAN COMMUNITY**  
(56) Related Art Documents: **Not Applicable**  
(57) Statement of Newness and Distinctiveness: **The shape and configuration of those parts of the product shown other than by means of broken lines in the representations is new and distinctive.**



(21) Design Number: **12774/2008**

(22) Date of Filing Application: **11 June 2008**

(24) Date from which industrial property rights may have effect: **11 June 2008**

(54) Product in respect of which the design is registered: **Wine rack module**

(51) International Design Classification: **06-04NES**

(71) Name(s) and Address(s) of Applicant(s):

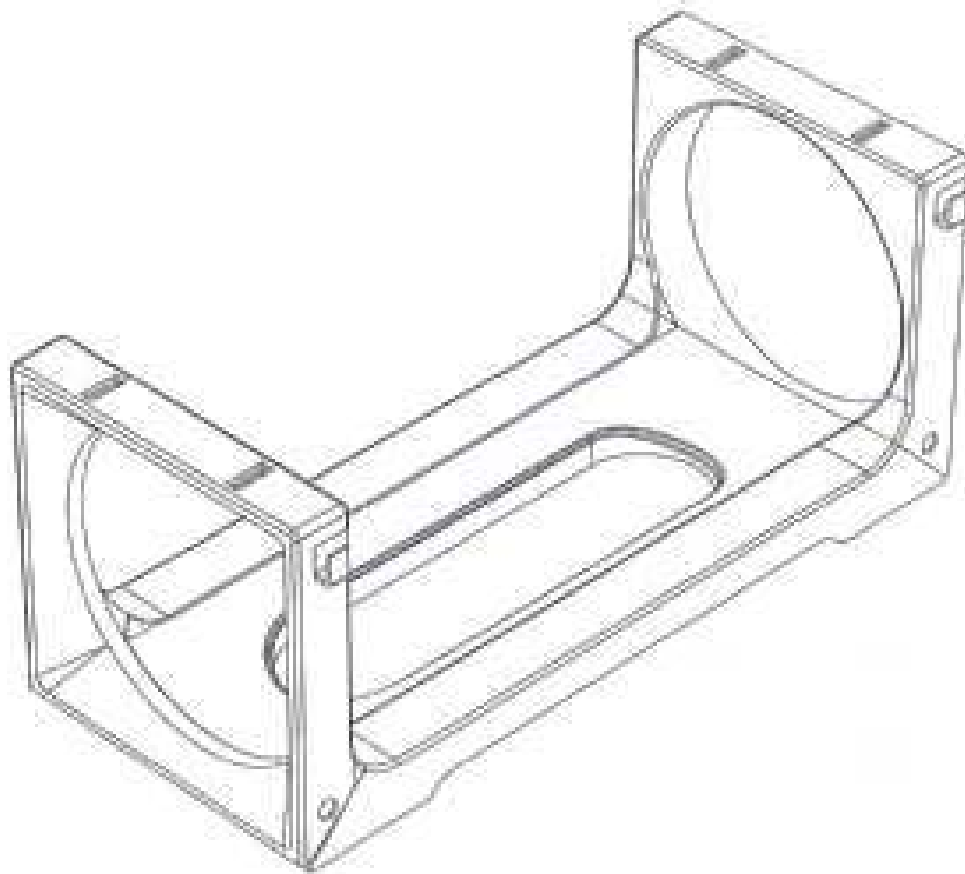
**Matthew Dawson Busby**  
**3/5 Leeway Court Osborne Park Western Australia 6017 Australia**

(72) Name(s) of Designer(s): **Edward Joseph Khoury**

(45) Registration Date: **02 October 2008**

(56) Related Art Documents: **Not Applicable**

(57) Statement of Newness and Distinctiveness: **Nil**



(21) Design Number: **12775/2008**

(22) Date of Filing Application: **10 June 2008**

(24) Date from which industrial property rights may have effect: **10 June 2008**

(54) Product in respect of which the design is registered: **Fluorescent tube**

(51) International Design Classification: **26-04**

(71) Name(s) and Address(s) of Applicant(s):

**Mass Technology (H.K.) Limited**  
**Room 2902-6 Tower 6 The Gateway 9 Canton Road Tsimshatsui**  
**Kowloon Hong Kong**

(72) Name(s) of Designer(s): **Onn Fah Foo**

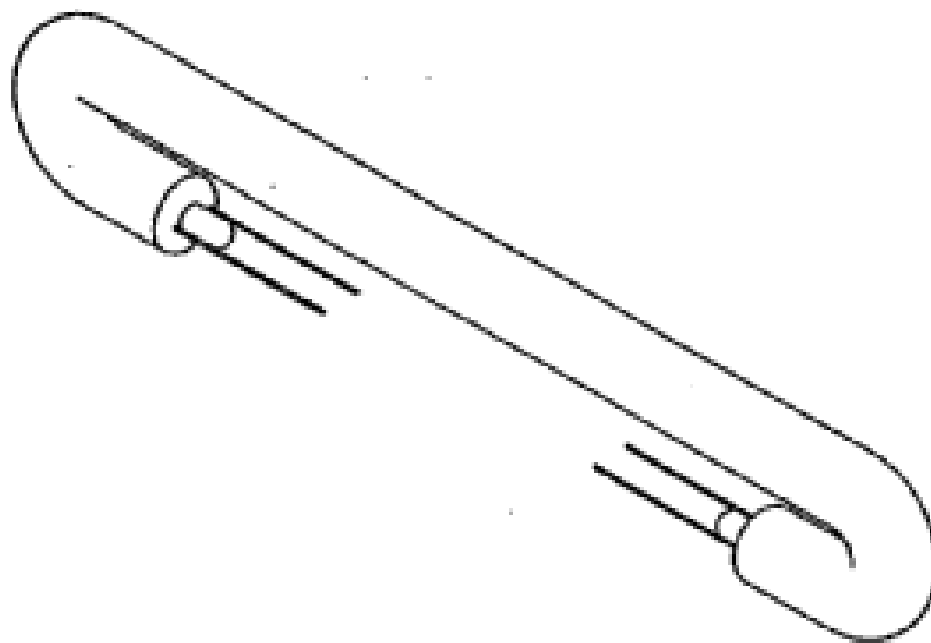
(45) Registration Date: **02 October 2008**

(30) Convention priority data:

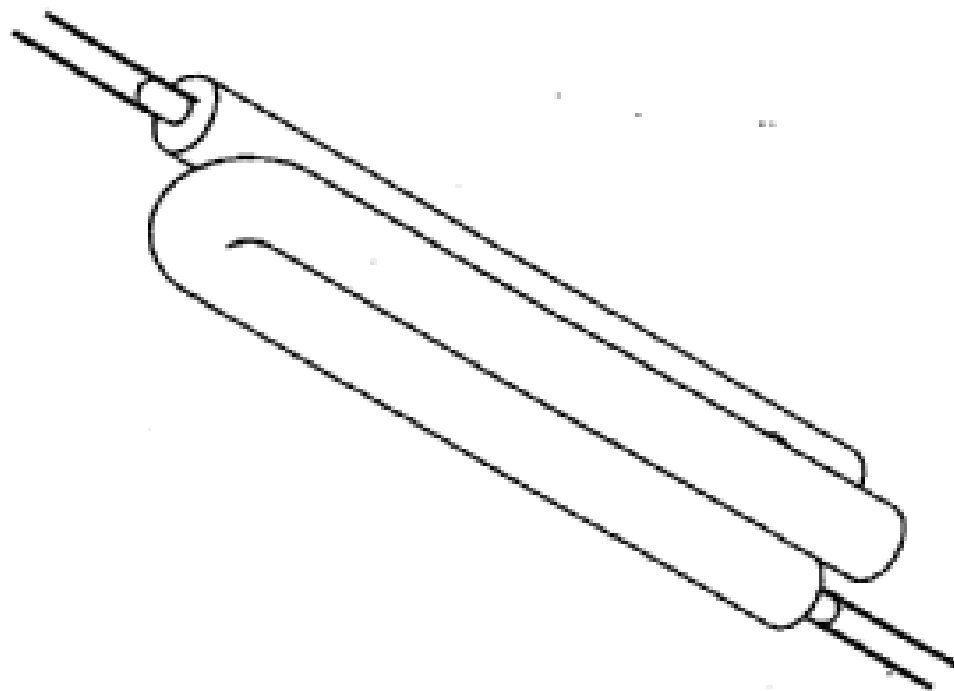
(31) Number	(32) Date	(33) Country
<b>0801410.8MOO1</b>	<b>23 May 2008</b>	<b>HONG KONG</b>

(56) Related Art Documents: **Not Applicable**

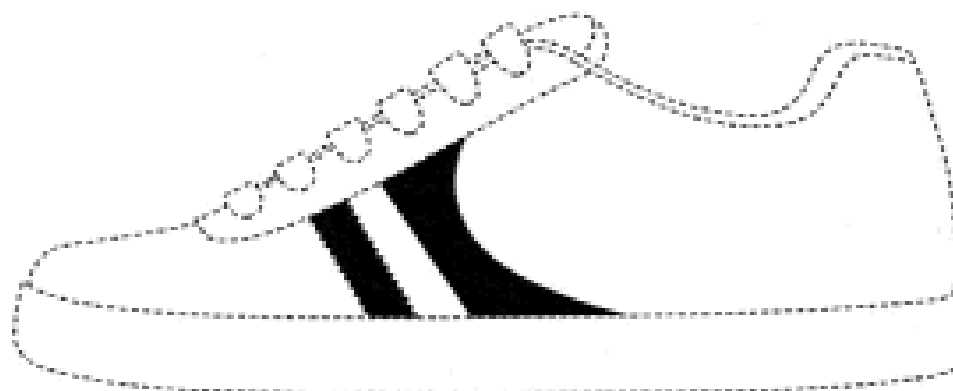
(57) Statement of Newness and Distinctiveness: **Nil**



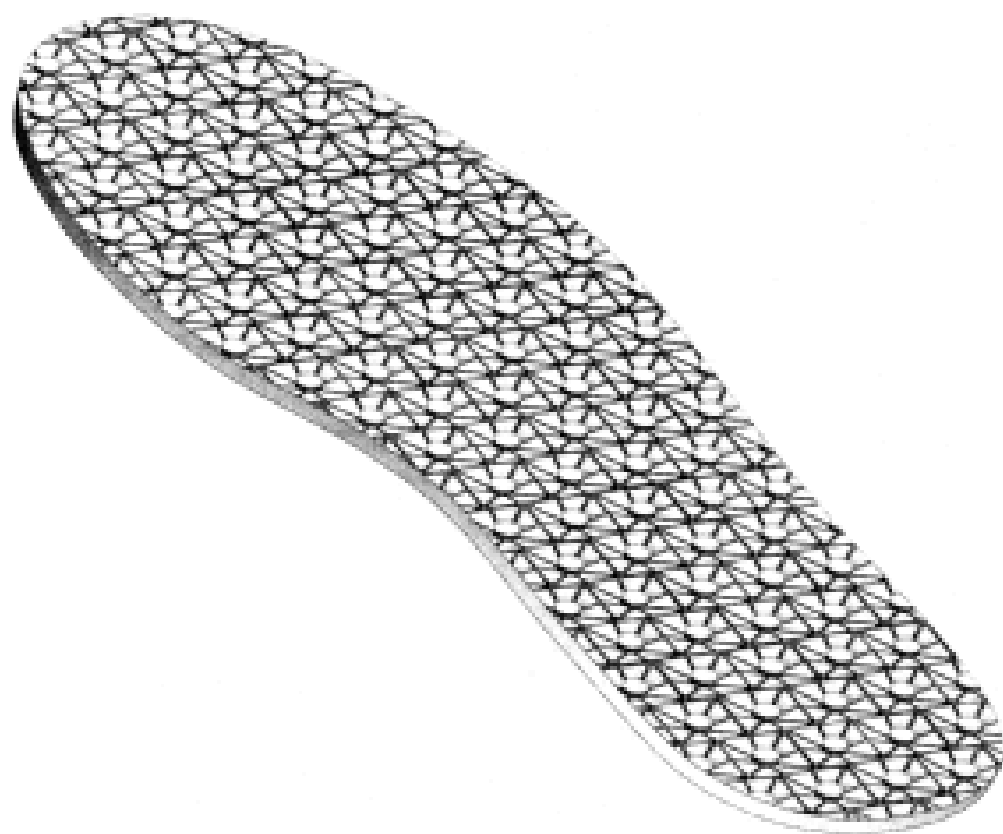
(21) Design Number: **12776/2008**  
(22) Date of Filing Application: **10 June 2008**  
(24) Date from which industrial property rights may have effect: **10 June 2008**  
(54) Product in respect of which the design is registered: **Fluorescent tube**  
(51) International Design Classification: **26-04**  
(71) Name(s) and Address(s) of Applicant(s):  
**Mass Technology (H.K.) Limited**  
**Room 2902-6 Tower 6 The Gateway 9 Canton Road Tsimshatsui**  
**Kowloon Hong Kong**  
(72) Name(s) of Designer(s): **Onn Fah Foo**  
(45) Registration Date: **02 October 2008**  
(30) Convention priority data:  
(31) Number (32) Date (33) Country  
**0801410.8MOO2 23 May 2008 HONG KONG**  
(56) Related Art Documents: **Not Applicable**  
(57) Statement of Newness and Distinctiveness: **Nil**



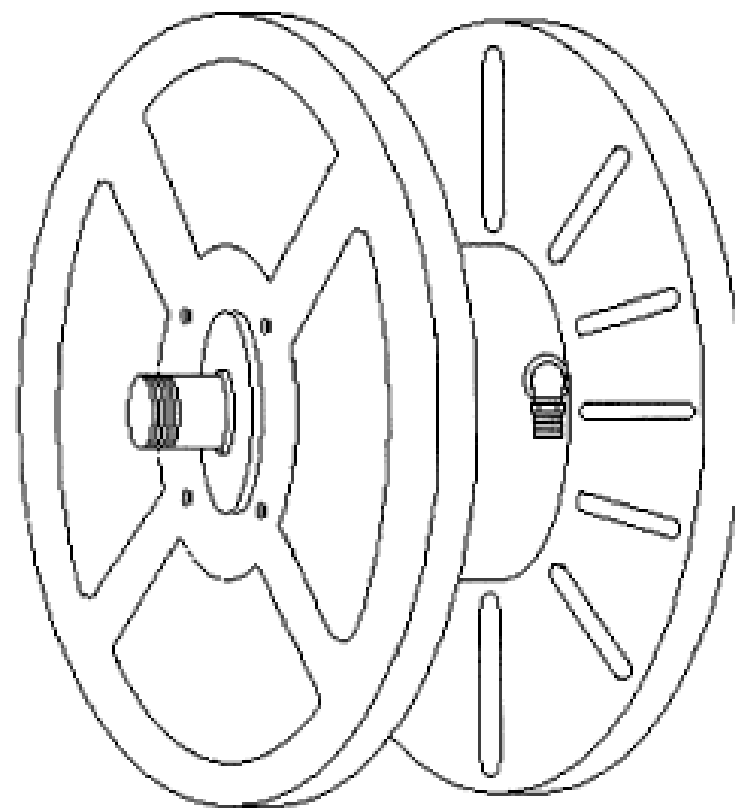
(21) Design Number: **10693/2008**  
(22) Date of Filing Application: **15 February 2008**  
(24) Date from which industrial property rights may have effect: **15 February 2008**  
(54) Product in respect of which the design is registered: **Shoe**  
(51) International Design Classification: **02-04NES**  
(71) Name(s) and Address(s) of Applicant(s):  
**Globe International Nominees Pty Ltd**  
**42 Barkly Street St Kilda Victoria 3182 Australia**  
(72) Name(s) of Designer(s): **Derek John Yuen**  
(45) Registration Date: **03 October 2008**  
(56) Related Art Documents: **Not Applicable**  
(57) Statement of Newness and Distinctiveness: **Newness and distinctiveness is claimed in the features appearing as geometric shapes on the sides of a shoe as represented in the attached drawings. The broken lines in the drawings are for illustrative purposes only and do not form part of the claimed design.**



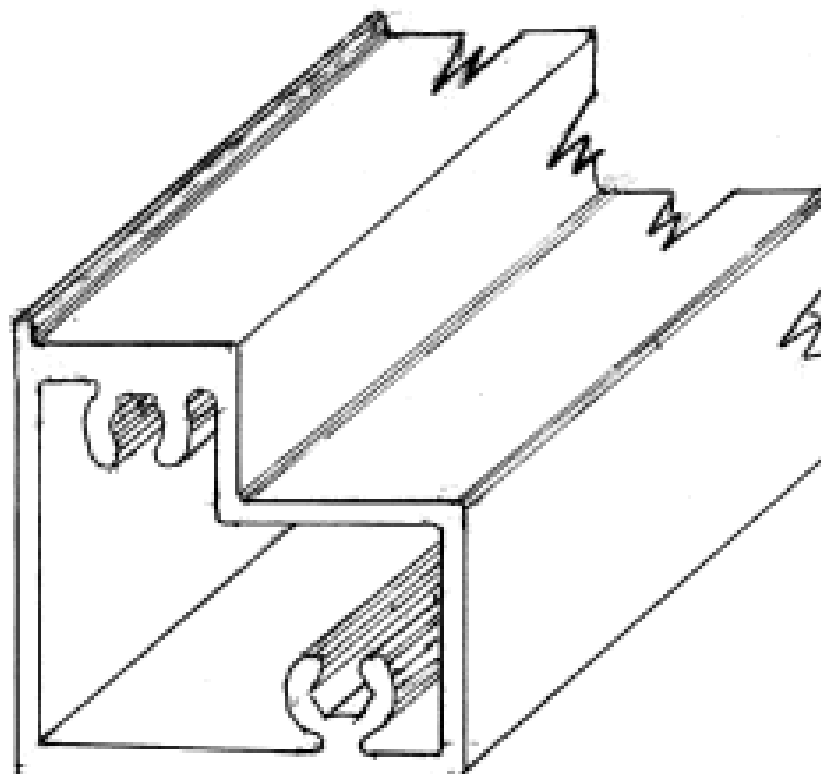
- (21) Design Number: **10694/2008**  
(22) Date of Filing Application: **15 February 2008**  
(24) Date from which industrial property rights may have effect: **15 February 2008**  
(54) Product in respect of which the design is registered: **Shoe sole**  
(51) International Design Classification: **02-04B**  
(71) Name(s) and Address(s) of Applicant(s):  
**Globe International Nominees Pty Ltd**  
**42 Barkly Street St Kilda Victoria 3182 Australia**  
(72) Name(s) of Designer(s): **James Shadoan**  
(45) Registration Date: **03 October 2008**  
(56) Related Art Documents: **Not Applicable**  
(57) Statement of Newness and Distinctiveness: **Newness and distinctiveness is claimed in the visual features shown in the representations.**



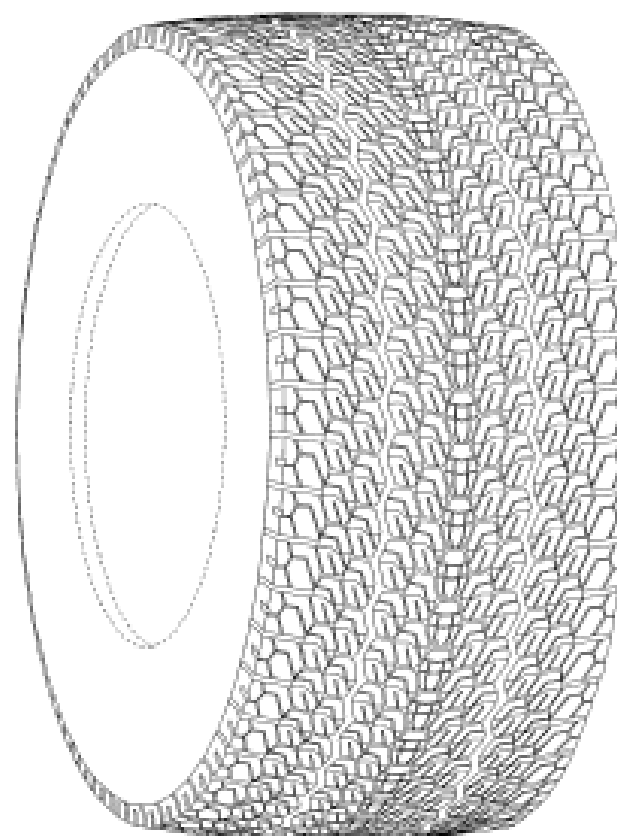
- (21) Design Number: **11589/2008**  
(22) Date of Filing Application: **03 April 2008**  
(24) Date from which industrial property rights may have effect: **03 April 2008**  
(54) Product in respect of which the design is registered: **Hose reel**  
(51) International Design Classification: **08-99**  
(71) Name(s) and Address(s) of Applicant(s):  
**FSP Holdings Pty Ltd**  
**123 Maison Dieu Road Singleton New South Wales 2330 Australia**  
(72) Name(s) of Designer(s): **Stephan Hewitt**  
(45) Registration Date: **03 October 2008**  
(56) Related Art Documents: **Not Applicable**  
(57) Statement of Newness and Distinctiveness: **Newness and distinctiveness reside in the features of the design as shown in the representations.**



- (21) Design Number: **12805/2008**  
(22) Date of Filing Application: **11 June 2008**  
(24) Date from which industrial property rights may have effect: **11 June 2008**  
(54) Product in respect of which the design is registered: **Shower screen head sill**  
(51) International Design Classification: **23-02B, 08-09**  
(71) Name(s) and Address(s) of Applicant(s):  
**Dias Aluminium Products Pty. Ltd.**  
**201-205 Browns Road Noble Park Victoria 3174 Australia**  
(72) Name(s) of Designer(s): **Ian David Paterson**  
(45) Registration Date: **03 October 2008**  
(56) Related Art Documents: **Not Applicable**  
(57) Statement of Newness and Distinctiveness: **Nil**



- (21) Design Number: **12827/2008**  
(22) Date of Filing Application: **12 June 2008**  
(24) Date from which industrial property rights may have effect: **12 June 2008**  
(54) Product in respect of which the design is registered: **Automobile tyre**  
(51) International Design Classification: **12-15A**  
(71) Name(s) and Address(s) of Applicant(s):  
**Bridgestone Corporation**  
**10-1 Kyobashi 1-chome Chuo-ku Tokyo 104-8340 Japan**  
(72) Name(s) of Designer(s): **Hidenori Ogawa**  
(45) Registration Date: **03 October 2008**  
(56) Related Art Documents: **Not Applicable**  
(57) Statement of Newness and Distinctiveness: **The shape, configuration and pattern of the tread portion of the automobile tyre shown in the representations is new and distinctive.**



(21) Design Number: **12826/2008**

(22) Date of Filing Application: **12 June 2008**

(24) Date from which industrial property rights may have effect: **12 June 2008**

(54) Product in respect of which the design is registered: **Automobile tyre**

(51) International Design Classification: **12-15A**

(71) Name(s) and Address(s) of Applicant(s):

**Bridgestone Corporation**

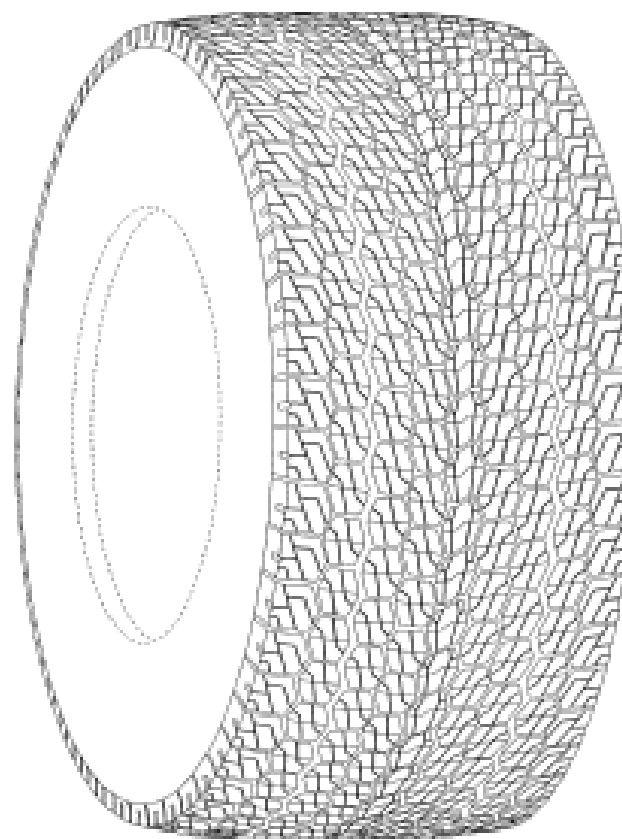
**10-1 Kyobashi 1-chome Chuo-ku Tokyo 104-8340 Japan**

(72) Name(s) of Designer(s): **Yusuke Yoshikawa**

(45) Registration Date: **03 October 2008**

(56) Related Art Documents: **Not Applicable**

(57) Statement of Newness and Distinctiveness: **The shape, configuration and pattern of the tread portion of the automobile tyre shown in the representations is new and distinctive.**



(21) Design Number: **12829/2008**

(22) Date of Filing Application: **12 June 2008**

(24) Date from which industrial property rights may have effect: **12 June 2008**

(54) Product in respect of which the design is registered: **Tyre**

(51) International Design Classification: **12-15C**

(71) Name(s) and Address(s) of Applicant(s):

**Bridgestone Corporation**

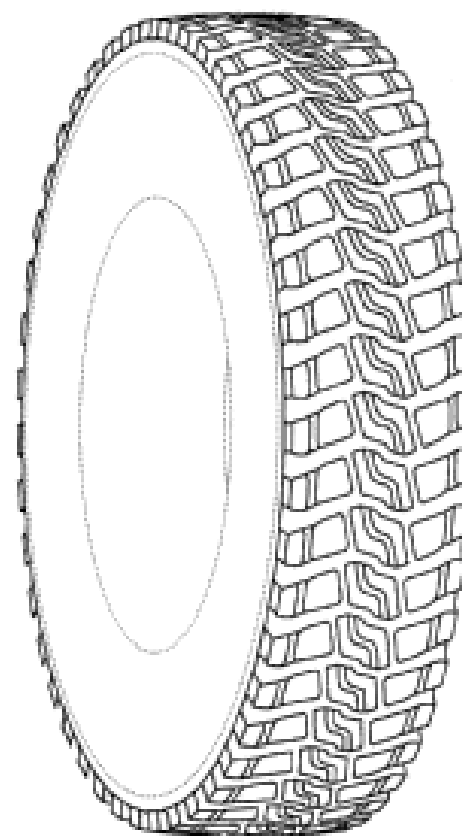
**10-1 Kyobashi 1-chome Chuo-ku Tokyo 104-8340 Japan**

(72) Name(s) of Designer(s): **Yukihiro Takada**

(45) Registration Date: **03 October 2008**

(56) Related Art Documents: **Not Applicable**

(57) Statement of Newness and Distinctiveness: **The shape, configuration and pattern of the tread portion of the tyre shown in the representations is new and distinctive.**



(21) Design Number: **12831/2008**

(22) Date of Filing Application: **12 June 2008**

(24) Date from which industrial property rights may have effect: **12 June 2008**

(54) Product in respect of which the design is registered: **Dance shoe sole, toe pad**

(51) International Design Classification: **02-04A**

(71) Name(s) and Address(s) of Applicant(s):

**J Bloch Pty Ltd**

**8-18 William Street Beaconsfield New South Wales 2015 Australia**

(72) Name(s) of Designer(s): **David Wilkenfeld**

(45) Registration Date: **03 October 2008**

(56) Related Art Documents: **Not Applicable**

(57) Statement of Newness and Distinctiveness: **Newness and distinctiveness is claimed in the features of shape and configuration of the toe pad of a dance shoe sole delineated and enclosed by the bold outline in the accompanying representations.**



(21) Design Number: **12832/2008**

(22) Date of Filing Application: **12 June 2008**

(24) Date from which industrial property rights may have effect: **12 June 2008**

(54) Product in respect of which the design is registered: **Dance shoe sole, heel pad**

(51) International Design Classification: **02-04A**

(71) Name(s) and Address(s) of Applicant(s):

**J Bloch Pty Ltd**

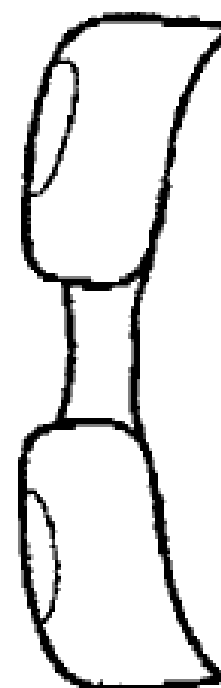
**8-18 William Street Beaconsfield New South Wales 2015 Australia**

(72) Name(s) of Designer(s): **David Wilkenfeld**

(45) Registration Date: **03 October 2008**

(56) Related Art Documents: **Not Applicable**

(57) Statement of Newness and Distinctiveness: **Newness and distinctiveness is claimed in the features of shape and configuration of the heel pad of a dance shoe sole delineated and enclosed by the bold outline in the accompanying representations.**



(21) Design Number: **12836/2008**

(22) Date of Filing Application: **12 June 2008**

(24) Date from which industrial property rights may have effect: **12 June 2008**

(54) Product in respect of which the design is registered: **Hair clip**

(51) International Design Classification: **28-03C**

(71) Name(s) and Address(s) of Applicant(s):

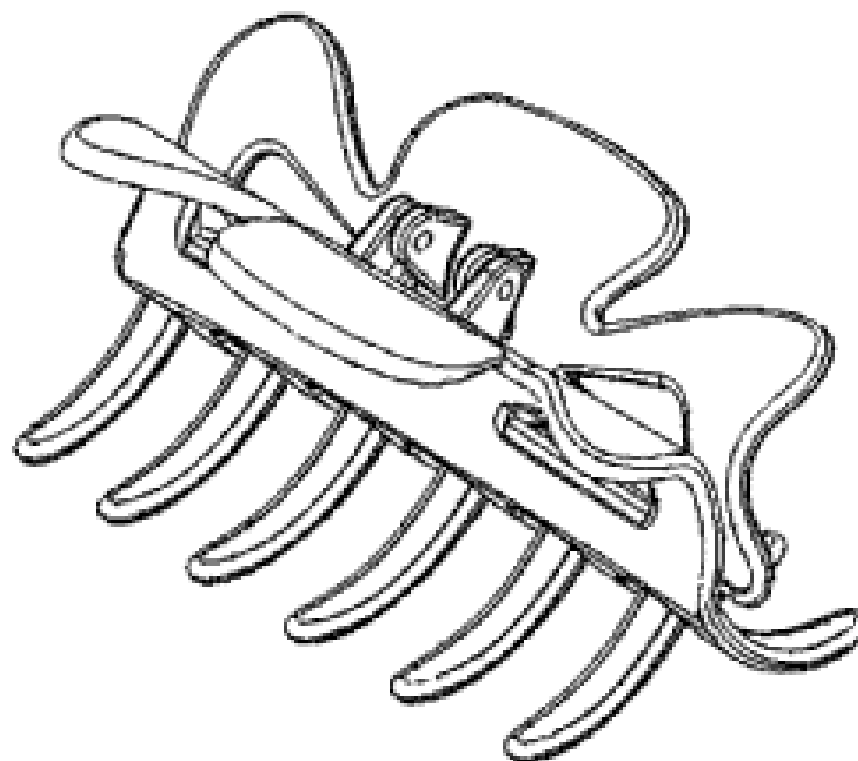
**QVS Global Australia Pty Limited  
Unit 10/247 Coward Street Mascot New South Wales 2020 Australia**

(72) Name(s) of Designer(s): **Anthony G. Jenkins**

(45) Registration Date: **03 October 2008**

(56) Related Art Documents: **Not Applicable**

(57) Statement of Newness and Distinctiveness: **Newness and distinctiveness is claimed in the shape and/or configuration of hair clip as illustrated by the unbroken lines in the accompanying representation/s.**



(21) Design Number: **12837/2008**

(22) Date of Filing Application: **13 June 2008**

(24) Date from which industrial property rights may have effect: **13 June 2008**

(54) Product in respect of which the design is registered: **Digging tool**

(51) International Design Classification: **08-01**

(71) Name(s) and Address(s) of Applicant(s):

**Glenn Raymond Dalby  
32 Bluewaters Drive Ocean Grove Victoria 3226 Australia**

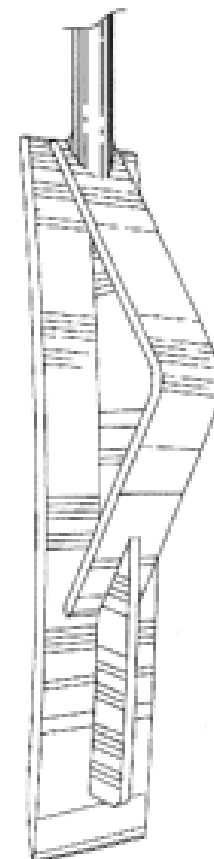
**Robert Andrew Dickson  
48 Cordillia Street Coolum Beach Queensland 4573 Australia**

(72) Name(s) of Designer(s): **Glenn Raymond Dalby and Robert Andrew Dickson**

(45) Registration Date: **03 October 2008**

(56) Related Art Documents: **Not Applicable**

(57) Statement of Newness and Distinctiveness: **Nil**



(21) Design Number: **12839/2008**

(22) Date of Filing Application: **13 June 2008**

(24) Date from which industrial property rights may have effect: **13 June 2008**

(54) Product in respect of which the design is registered: **Electric broom**

(51) International Design Classification: **04-01**

(71) Name(s) and Address(s) of Applicant(s):

**Royal Appliance Mfg. Co.  
7005 Cochran Road Glenwillow OH 44139 United States of America**

(72) Name(s) of Designer(s): **Mark Butts and David Collins and Suzy Ponikvar and Karim Rashid and Greg Pajak and Louis Yip Yuen Cheong and Zhang Jian Hua and David Khalil**

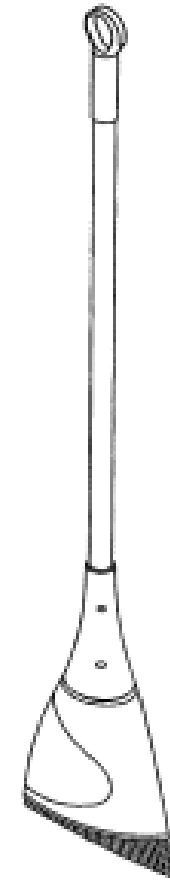
(45) Registration Date: **03 October 2008**

(30) Convention priority data:

(31) Number	(32) Date	(33) Country
<b>29/293,903</b>	<b>17 Dec 2007</b>	<b>UNITED STATES OF AMERICA</b>

(56) Related Art Documents: **Not Applicable**

(57) Statement of Newness and Distinctiveness: **The shape, configuration, shape and configuration, pattern and ornamentation of the design of the product is new and distinctive. The components illustrated in dashed line in figure 6 form no part of the claimed design.**



(21) Design Number: **12848/2008**

(22) Date of Filing Application: **12 June 2008**

(24) Date from which industrial property rights may have effect: **12 June 2008**

(54) Product in respect of which the design is registered: **A power board**

(51) International Design Classification: **13-03D**

(71) Name(s) and Address(s) of Applicant(s):

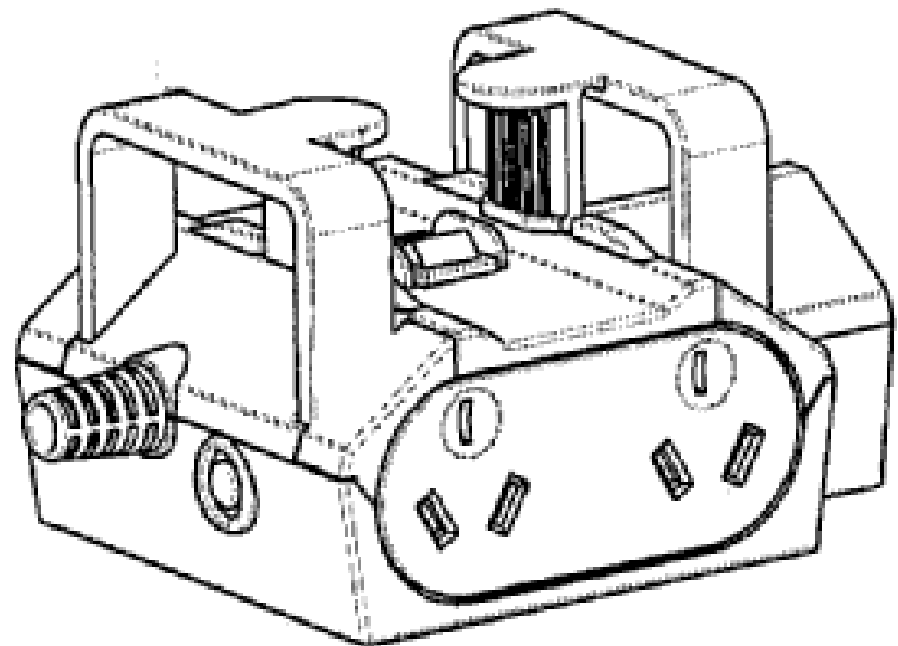
**Jackson Industries Pty Limited  
16 Brookhollow Avenue Norwest Business Park Baulkham Hills New South Wales 2153 Australia**

(72) Name(s) of Designer(s): **Ross Alec Jackson**

(45) Registration Date: **03 October 2008**

(56) Related Art Documents: **Not Applicable**

(57) Statement of Newness and Distinctiveness: **Newness and distinctiveness is claimed in the features of shape and/or configuration of a radiused casing and cable restraints of a power board as illustrated in the accompanying representations.**



(21) Design Number: **12858/2008**

(22) Date of Filing Application: **16 June 2008**

(24) Date from which industrial property rights may have effect: **16 June 2008**

(54) Product in respect of which the design is registered: **Facsimile machine**

(51) International Design Classification: **16-03**

(71) Name(s) and Address(s) of Applicant(s):

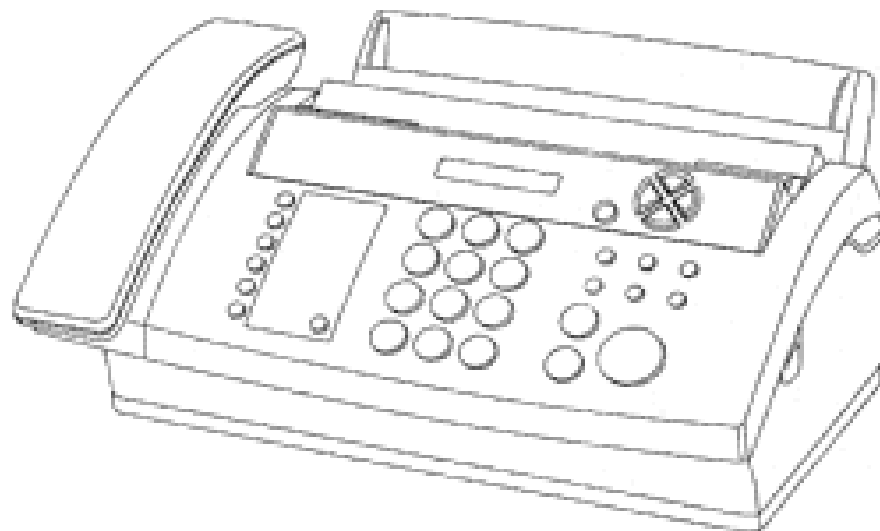
**Brother Industries, Ltd.**  
**15-1 Naeshiro-cho Mizuho-ku Nagoya-shi Aichi-ken Japan**

(72) Name(s) of Designer(s): **Shigeharu Katayama**

(45) Registration Date: **03 October 2008**

(56) Related Art Documents: **Not Applicable**

(57) Statement of Newness and Distinctiveness: **The newness and distinctiveness of the design resides in the following: a) the features of shape and configuration depicted in the accompanying representations; b) the left, right and front sides of the control panel jut out over the bottom supporting structure of the facsimile machine; and c) the foremost surface of the control panel and the bottom edge of the ear receiver holder are aligned.**



(21) Design Number: **12893/2008**

(22) Date of Filing Application: **12 June 2008**

(24) Date from which industrial property rights may have effect: **12 June 2008**

(54) Product in respect of which the design is registered: **Frameless mirror mount/lip**

(51) International Design Classification: **06-07, 25-01K**

(71) Name(s) and Address(s) of Applicant(s):

**Dias Aluminium Products Pty. Ltd.**  
**201-205 Browns Road Noble Park Victoria 3174 Australia**

(72) Name(s) of Designer(s): **Ian David Paterson**

(45) Registration Date: **03 October 2008**

(56) Related Art Documents: **Not Applicable**

(57) Statement of Newness and Distinctiveness: **Nil**

