



**Australian Government**

---

**IP Australia**

**AUSTRALIAN OFFICIAL JOURNAL**

**OF**

**DESIGNS**

Did you know a searchable version of this journal is now available online?  
It's FREE and EASY to SEARCH.

Find it at

<http://pericles.ipaustralia.gov.au/ols/epublish/content/olsEpublications.jsp>  
or using the "Online Journals" link on the IP Australia home page.

This Page Left Intentionally Blank

**Contents**

**General Information & Notices**

**Proceedings Under the Designs Act 1906 preserved as a result of the provisions of Chapter 12  
Part 2 of the Designs Act 2003**

<b>Extension of Period of Registration of Designs .....</b>	<b>2570</b>
<b>Extensions of Time Granted .....</b>	<b>2570</b>
<b>Names Registered - Alterations and Amendments .....</b>	<b>2571</b>
<b>Registrations Ceased .....</b>	<b>2570</b>
<b>Subsequent Owners Registered .....</b>	<b>2570</b>

**Proceedings Under the Designs Act 2003**

<b>Applications Lapsed .....</b>	<b>2579</b>
<b>Applications Lodged .....</b>	<b>2575</b>
<b>Certificate of Examination .....</b>	<b>2582</b>
<b>Corrigenda .....</b>	<b>2581</b>
<b>Extension of Time Granted Under Section 137 .....</b>	<b>2580</b>
<b>Publication and Registration Proceedings</b>	
<b>Designs Registered 321388 to 321645.....</b>	<b>2583</b>
<b>Registrations Ceased .....</b>	<b>2580</b>
<b>Subsequent Owners Registered .....</b>	<b>2580</b>

This Page Left Intentionally Blank

For information on the following please see our website [www.ipaustralia.gov.au](http://www.ipaustralia.gov.au) or contact our Customer Service Network on 1300651010

[Editorial enquiries](#)

[Contact information](#)

[Freedom of Information ACT](#)

[Professional Standards Board](#)

[Sales](#)

[Requests for Information under Section 194 \(c\)](#)

[Country Codes](#)

[Trade Mark and Designs Hearing Sessions](#)

[INID \(Internationally agreed Numbers for the Identification of Data\)](#)

## “INID” NUMBERS in use on Australian Design Documents

“INID” is an acronym for “Internationally agreed Numbers for the Identification of Data”.

### (10) Data concerning the registration/renewal

- (11) Serial number of the registration and/or number of the design document
- (12) Plain language designation of the kind of published document
- (19) Identification, using the two-letter code according to WIPO Standard ST.3, of the authority publishing or registering the industrial design

### (20) Data concerning the application

- (21) Serial number of the application
- (22) Date of filing of the application
- (24) Date from which the industrial design right has effect

### (30) Data relating to priority under the Paris Convention

- (31) Serial number assigned to the priority application
- (32) Date of filing of the priority application
- (33) Two-letter code, according to WIPO Standard ST.3, identifying the authority with which the priority application was made

### (40) Date(s) of making information available to the public

- (45) Date of publication of the registered industrial design by printing or similar process, or making it available to the public by any other means

### (50) Miscellaneous Information

- (51) International Classification for Industrial Designs (class and subclass of the Locarno Classification)
- (54) Designation of article(s) or product(s) covered by the industrial design or title of the industrial design
- (55) Reproduction of the industrial design (e.g., drawing, photograph) and explanations relating to the reproduction
- (56) List of prior art documents, if separate from descriptive text
- (57) Description of characteristic features of the industrial design including indication of colours

### (60) References to other legally related application(s) and registration(s)

- (62) Serial number(s) and, if available, filing date(s) of application(s), registration(s) or document(s) related by division
- (66) Serial number(s) of the application, or the registration, of the design(s) which is (are) a variant(s) of the present one

### (70) Identification of parties concerned with the application or registration

- (71) Name(s) and address(es) of the applicant(s)
- (72) Name(s) of the creator(s) if known to be such
- (74) Name(s) and address(es) of the representative(s)

This Page Left Intentionally Blank

Official Notice

**Declaration of the 2008/2009 Public Holidays**

**Declaration of the days in 2008/2009 when the Designs Office, the Patent Office, the PBR Office and the Trade Marks Office and their sub-offices are taken not to be open for business, plus Family and Community Day 4 November 2008 in the Australian Capital Territory.**

On 14 October 2008, the Director General of IP Australia declared under the close-down provisions the days when the Canberra offices and the State offices will not be open for business for the 2009 Calendar year. A copy of the declaration is attached. You will note that it covers the period from 1 January 2009 to 1 January 2010: from the first day of the 2009 Calendar year to the last day of IP Australia's 2010 Christmas to New Year close-down.

For further information please see the [official notice](#).

**Queries:** Contact Diana Bizjak  
Section Customer Service Delivery and Support  
+61 2 6283 2411

**Contact:** IP Australia  
**Phone:** 1300 651 010  
**Fax:** +61 2 6283 7999  
**E-mail:** [assist@ipaaustralia.gov.au](mailto:assist@ipaaustralia.gov.au)  
**Web:** [www.ipaustralia.gov.au](http://www.ipaustralia.gov.au)

Official Notice**Declaration of the days in 2008-2009 when the Designs Office, the Patent Office, the PBR Office and the Trade Marks Office and their sub-offices are taken not to be open for business**

The close-down provisions in the designs, olympic insignia protection, patents, plant breeder's rights and trade marks legislation provide for the effect of Designs Office, the Patent Office, the PBR Office and the Trade Marks Office ('the Canberra offices') or any of their sub-offices in the State capitals ('State offices') not being open for business.

On 14 October 2008, the Director General of IP Australia declared under the close-down provisions the days when the Canberra offices and the State offices will not be open for business for the 2008-2009 Calendar year. A copy of the declaration is attached. You will note that it covers the period from 14 October 2008 to 1 January 2010.

The Canberra offices and the State offices will not be open for business on the following days in the period 14 October 2008 to 1 January 2010.

All the Canberra offices and the State offices:

All Saturdays and Sundays in the period

Thursday, 25 December 2008

to Thursday, 1 January 2009

Monday 26 January 2009

Friday, 10 April 2009

Monday, 13 April 2009

Friday, 25 December 2009

to Friday 1 January 2010

Christmas to New Year close-down

Australia Day

Good Friday

Easter Monday

Christmas to New Year close-down

The following are the days in 2008-2009 when the Canberra offices and particular States offices will not be open for business:

**The Canberra offices**

Tuesday, 4 November 2008

Monday 9 March 2009

Monday, 27 April 2009

Monday 8 June 2009

Monday 5 October 2009

Tuesday, 3 November 2009

Family and Community Day

Canberra Day

Anzac Day

Queen's Birthday holiday

Labour Day

Family and Community Day



**Official Notice**

**The New South Wales office**

Dates not yet proclaimed in NSW

**The Queensland office**

Monday 4 May 2009

Labour Day

Monday 8 June 2009

Queen's Birthday holiday

Wednesday 12 August 2009

Royal Queensland Show Day

**The South Australian office**

Monday 9 March 2009

Adelaide Cup Day

Monday 8 June 2009

Queen's Birthday holiday

Monday 5 October 2009

Labour Day

**The Tasmanian office**

Thursday, 23 October 2008

Royal Hobart Show Day

Monday 9 February 2009

Royal Hobart Regatta holiday

Monday 9 March 2009

Eight Hours Day

Monday 8 June 2009

Queen's Birthday holiday

Thursday 22 October 2009

Royal Hobart Show Day

**The Victorian office**

Tuesday 4 November 2008

Melbourne Cup Day

Monday 9 March 2009

Labour Day

Monday 8 June 2009

Queen's Birthday holiday

Tuesday 3 November 2009

Melbourne Cup Day

**The Western Australian office**

Monday 2 March 2009

Labour Day

Monday 27 April 2009

Anzac Day

Monday 1 June 2009

Foundation Day

Monday 28 September 2009

Queen's Birthday holiday

**Official Notice**

For more information on the effect of the close-down provisions, please see the Official Notices of 23 March 2007 titled *Intellectual Property Legislation Amendment Regulations 2007 (No. 1)* and *The new close-down provisions in the trade marks legislation* available on IP Australia's website through the page [www.ipaustralia.gov.au/resources/officialnotices.shtml](http://www.ipaustralia.gov.au/resources/officialnotices.shtml).

**Contact:** IP Australia  
**Phone:** 1300 651 010  
**Fax:** +61 2 6283 7999  
**E-mail:** [assist@ipaustralia.gov.au](mailto:assist@ipaustralia.gov.au)  
**Web:** [www.ipaustralia.gov.au](http://www.ipaustralia.gov.au)

**Official Notice****Designs Act 2003  
Amendments to Registered Designs at Examination**

The following amendments have been made to details previously published in the Australian Official Journal of Designs during the Examination process:

<b>Registration Numbers</b>	<b>Amendment type</b>	<b>New details</b>
318966	Classification	09-03H, 09-03M
318967	Classification	09-03H, 09-03M

**Contact:** IP Australia  
**Phone:** 1300 651 010  
**Fax:** +61 2 6283 7999  
**E-Mail:** [assist@ipaustralia.gov.au](mailto:assist@ipaustralia.gov.au)  
**Web:** [www.ipaustralia.gov.au](http://www.ipaustralia.gov.au)

This Page Left Intentionally Blank

**Proceedings under the Designs Act 1906 preserved as a  
result of the provisions of Chapter 12 Part 2 of the Designs  
Act 2003.**

This Page Left Intentionally Blank

**Applications Lapsed**

There were no Applications Lapsed under this section

**Extension of Period of Registration of Designs**

**2nd Period (Section 27A(12))**

146991	149555	150171
150328	150344	150499
150500	150527	150547
150627	150641	150678
150679	150718	150885
150907	150983	151006
151026	151027	151029
151152	151190	151295
151323	151387	151515
151712	151940	152257
152868	153017	153707
153893	153946	154009
154010	154011	154012
154110	154111	154112
154127	154154	154251
154956	155056	155077
155251	155412	155803
155870	156276	

**3rd Period (Section 27A(13))**

132853	133139	133597
133676	133706	133747
133831	133884	133952
133972	134164	134333
134533	134789	134866
134867	135925	135926
135967	135968	135969
135970	136121	136147
137408	137409	137410
137452	147775	

**Registrations Ceased**

Note: Some of the following Registrations may have been previously advertised as ceased. In this instance, the previous advertisement still prevails.

116887	116888	116889
116892	116931	116932
116981	116982	116986
117366	117420	117889
118709	118781	118960
120378	121248	131654
131773	131990	132153
132254	132255	132382
133410	133579	133779
133892	135200	136381
136382	147430	147729
148398	148502	148550
148613	148651	148652
148695	148696	148722
148734	148735	148736
148737	148738	148739

148740	148741	148742
148790	148870	148871
149147	149155	149234
149384	149385	149420
149656	149776	149777
149842	149843	149933
149954	150010	150011
150012	150319	150470
151505	151506	151507
151816	151817	151818
151819	151822	151830
151831	151920	151922
151923	152188	152418
152442		

**Extensions of time granted**

Applications lodged for extension of time have been granted.

146991 **Design Enviro Pty Ltd** An Extension of time to extend a registration has been granted to 23/08/2008

**Subsequent Owners Registered**

(The name in parentheses is that of the subsequent owner)

138618	( <b>Konami Digital Entertainment Co., Ltd.</b> ) Konami Co. Ltd
134859	( <b>Konami Digital Entertainment Co., Ltd.</b> ) Konami Co. Ltd
139491	( <b>Konami Digital Entertainment Co., Ltd.</b> ) Konami Co. Ltd
139660	( <b>Konami Digital Entertainment Co., Ltd.</b> ) Konami Co. Ltd
139710	( <b>Konami Digital Entertainment Co., Ltd.</b> ) Konami Co. Ltd
140277	( <b>Konami Digital Entertainment Co., Ltd.</b> ) Konami Co. Ltd
141531	( <b>Konami Digital Entertainment Co., Ltd.</b> ) Konami Co. Ltd
133679	( <b>Biocorp Services Pty Ltd</b> ) Bio-Service Pty Ltd
145049	( <b>Minova Australia Pty Limited</b> ) Industrial Rollformers Pty Limited
145050	( <b>Minova Australia Pty Limited</b> ) Industrial Rollformers Pty Limited
147148	( <b>Minova Australia Pty Limited</b> ) Industrial Roll Formers Pty. Limited
148058	( <b>Minova Australia Pty Limited</b> ) Industrial Roll Formers Pty. Limited
149729	( <b>Minova Australia Pty Limited</b> ) Industrial Roll Formers Pty Limited
149892	( <b>Minova Australia Pty Limited</b> ) Industrial Roll Formers Pty Limited
151484	( <b>Minova Australia Pty Limited</b> ) Industrial Roll Formers Pty Limited
153348	( <b>Minova Australia Pty Limited</b> ) Industrial Roll Formers Pty Limited
158307	( <b>Minova Australia Pty Limited</b> ) Industrial Roll Formers Pty Ltd



**Subsequent Owners Registered**

146991 ( **Design Enviro Pty Ltd** ) Dirk Huenerberg

**Names Registered - Alterations and Amendments**

(The name in parentheses is the new name of the proprietor)

142356 ( **Rexam Closure Systems Inc.** ) Owens-Illinois Closure Inc.

144532 ( **Rexam Closure Systems Inc.** ) Owens-Illinois Closure Inc.

149392 ( **Rexam Closure Systems Inc.** ) Owens-Illinois Closure Inc.

149393 ( **Rexam Closure Systems Inc.** ) Owens-Illinois Closure Inc.

This Page Left Intentionally Blank

**Proceedings under the Designs Act 2003.**

This Page Left Intentionally Blank

**Applications Lodged**

Lodgement information is in the following order: **Applicant's Name**; International Classification, Name of Product, Lodgement Date and **Design Number**. If the applicant claims an earlier priority date under an International Convention, the Convention Country and the associated filing date are shown in parentheses before the Lodgement Date. Divisional information will also appear in parentheses before the Lodgement Date.

<b>Aktiebolaget Electrolux;</b> 15-05, Vacuum cleaner, (EM, 10 Apr 2008) 07 Oct 2008	<b>14779/2008</b>	<b>Christian Casey LLC;</b> 09-01G, Bottle, (US, 26 Mar 2008) 05 Aug 2008	<b>14979/2008</b>
<b>Allboard Pty Ltd;</b> 03-01D, Tool box trolley, 07 Oct 2008	<b>14794/2008</b>	<b>Colgate-Palmolive Company;</b> 09-01K, Container, (US, 07 May 2008) 08 Oct 2008	<b>14814/2008</b>
<b>Alto Packaging Limited;</b> 09-03F, Food tray, 02 Oct 2008	<b>14715/2008</b>	<b>Colgate-Palmolive Company;</b> 09-01K, Container and closure, (US, 06 May 2008) 09 Oct 2008	<b>14831/2008</b>
<b>Art Plastics Pty Ltd;</b> 23-02E, Floor waste, 13 Oct 2008	<b>14846/2008</b>	<b>Colgate-Palmolive Company;</b> 09-01K, Dispenser, (US, 27 May 2008) 09 Oct 2008	<b>14832/2008</b>
<b>Art Plastics Pty Ltd;</b> 23-01L, Gutter outlet, 15 Oct 2008	<b>14916/2008</b>	<b>Cushie Tushies Pty Ltd;</b> 02-01B, Cushie tushies all-in-one fitted nappy, 14 Oct 2008	<b>14934/2008</b>
<b>Art Plastics Pty Ltd;</b> 23-01L, Gutter outlet, 15 Oct 2008	<b>14917/2008</b>	<b>De Bruin, Wim Jan;</b> 08-08NES, Rail holder, (NZ, 03 Apr 2008) 02 Oct 2008	<b>14793/2008</b>
<b>Art Plastics Pty Ltd;</b> 23-02E, Floor waste, 13 Oct 2008	<b>14847/2008</b>	<b>De Licht Co., Ltd;</b> 26-05B, Table lamp, 07 Oct 2008	<b>14787/2008</b>
<b>ABB France;</b> 13-03B, Electric connector, (EM, 14 Apr 2008) 10 Oct 2008	<b>14845/2008</b>	<b>Deslandes, Sam; Martinez, Steve;</b> 07-06D, Bottle opener, 07 Oct 2008	<b>14785/2008</b>
<b>Bambis Import Pty Ltd.;</b> 03-01NES, Money box, 02 Oct 2008	<b>14765/2008</b>	<b>Draper, Shirelle Ruth;</b> 06-13NES, Shopping trolley cover, 03 Oct 2008	<b>14792/2008</b>
<b>Bambis Imports Co. Pty Ltd;</b> 03-01NES, Money box, 02 Oct 2008	<b>14759/2008</b>	<b>DC Short Ltd;</b> 07-05D, Towel rail, (NZ, 24 Apr 2008) 20 Oct 2008	<b>15021/2008</b>
<b>Bambis Imports Co. Pty Ltd;</b> 03-01NES, Money box, 02 Oct 2008	<b>14760/2008</b>	<b>DC Short Ltd;</b> 23-02A, Bathroom accessory, (NZ, 23 Apr 2008) 20 Oct 2008	<b>15029/2008</b>
<b>Bambis Imports Co. Pty Ltd;</b> 03-01NES, Money box, 02 Oct 2008	<b>14761/2008</b>	<b>DC Short Ltd;</b> 23-02A, Bathroom accessory, (NZ, 23 Apr 2008) 20 Oct 2008	<b>15030/2008</b>
<b>Bambis Imports Co. Pty Ltd;</b> 03-01NES, Money box, 02 Oct 2008	<b>14762/2008</b>	<b>DC Short Ltd;</b> 07-05D, Towel rail, (NZ, 23 Apr 2008) 20 Oct 2008	<b>15022/2008</b>
<b>Bambis Imports Co. Pty Ltd;</b> 03-01NES, Money box, 02 Oct 2008	<b>14763/2008</b>	<b>DC Short Ltd;</b> 07-05D, Towel rail, (NZ, 23 Apr 2008) 20 Oct 2008	<b>15023/2008</b>
<b>Bambis Imports Co. Pty Ltd;</b> 03-01NES, Money box, 02 Oct 2008	<b>14764/2008</b>	<b>DC Short Ltd;</b> 07-05D, Towel rail, (NZ, 23 Apr 2008) 20 Oct 2008	<b>15024/2008</b>
<b>Blake, Warren;</b> 21-02D, A wetsuit flusher, 14 Oct 2008	<b>14920/2008</b>	<b>DC Short Ltd;</b> 07-05D, TOWEL RAIL, (NZ, 23 Apr 2008) 20 Oct 2008	<b>15025/2008</b>
<b>Brico Depot;</b> 08-06, Tool handle, (EM, 14 Apr 2008) 13 Oct 2008	<b>14906/2008</b>	<b>DC Short Ltd;</b> 23-02A, Bathroom accessory, (NZ, 23 Apr 2008) 20 Oct 2008	<b>15026/2008</b>
<b>Brico Depot;</b> 08-06, Tool handle, (EM, 14 Apr 2008) 13 Oct 2008	<b>14907/2008</b>	<b>DC Short Ltd;</b> 23-02A, Bathroom accessory, (NZ, 23 Apr 2008) 20 Oct 2008	<b>15027/2008</b>
<b>Brico Depot;</b> 08-06, Tool handle, (EM, 14 Apr 2008) 13 Oct 2008	<b>14908/2008</b>		
<b>Brite LED Tech Pty Ltd;</b> 26-04, Illumination device, 16 Oct 2008	<b>14935/2008</b>		
<b>Chong, Alan Le;</b> 21-02F, Fitness and health exercise, sculpting profile, core strength, toning muscles, digestion, cardiovascular, 13 Oct 2008	<b>14910/2008</b>		

<b>DC Short Ltd;</b> 23-02A, Bathroom accessory, (NZ, 23 Apr 2008) 20 Oct 2008	<b>15028/2008</b>	<b>Formway Furniture Limited;</b> 06-01F, A chair, (NZ, 09 Apr 2008) 07 Oct 2008	<b>14790/2008</b>
<b>Ebbenga, Mark;</b> 12-05, Winch drum, (US, 17 Apr 2008) 11 Oct 2008	<b>14840/2008</b>	<b>Formway Furniture Limited;</b> 06-01F, A chair, (NZ, 09 Apr 2008) 07 Oct 2008	<b>14788/2008</b>
<b>Ebbenga, Mark;</b> 12-05, Winch drum, (US, 17 Apr 2008) 11 Oct 2008	<b>14836/2008</b>	<b>Fountain Products Pty Ltd;</b> 07-07NES, Laundry basket, 14 Oct 2008	<b>14905/2008</b>
<b>Ebbenga, Mark;</b> 12-05, Winch drum, (US, 17 Apr 2008) 11 Oct 2008	<b>14837/2008</b>	<b>Fraser, Christopher George;</b> 25-01D, Concrete retaining panels, 07 Oct 2008	<b>14827/2008</b>
<b>Ebbenga, Mark;</b> 12-05, Winch drum, (US, 17 Apr 2008) 11 Oct 2008	<b>14838/2008</b>	<b>Fraser, Christopher George;</b> 23-01E, Concrete no fines open drainage filter, 07 Oct 2008	<b>14833/2008</b>
<b>Ebbenga, Mark;</b> 12-05, Winch drum, (US, 17 Apr 2008) 11 Oct 2008	<b>14839/2008</b>	<b>George, Isla;</b> 02-03, Head protection, soft headwear, padded headwear, 10 Oct 2008	<b>14878/2008</b>
<b>Ecolab Inc.;</b> 07-05NES, Grill tool, (US, 11 Apr 2008) 10 Oct 2008	<b>14865/2008</b>	<b>Gillard, Michael Kenneth;</b> 25-01K, A filler of indefinite length for insertion into a blast hole, 06 Oct 2008	<b>14778/2008</b>
<b>Ecolab Inc.;</b> 07-05NES, Grill tool, (US, 11 Apr 2008) 10 Oct 2008	<b>14866/2008</b>	<b>Gravolin, Sandra; Gravolin, Dennis;</b> 12-16L, Trailer socket, (CN, 14 Mar 2008) 09 Oct 2008	<b>14808/2008</b>
<b>Ecolab Inc.;</b> 07-05NES, Grill tool, (US, 11 Apr 2008) 10 Oct 2008	<b>14870/2008</b>	<b>Gravolin, Dennis; Gravolin, Sandra;</b> 12-16L, Trailer socket, (CN, 14 Mar 2008) 09 Oct 2008	<b>14808/2008</b>
<b>Ecolab Inc.;</b> 07-05NES, Cleaning pad, (US, 11 Apr 2008) 10 Oct 2008	<b>14862/2008</b>	<b>GWR Pty Ltd, trading as Uniquip Industries;</b> 13-03E, Industrial switch, 10 Oct 2008	<b>14828/2008</b>
<b>Ecolab Inc.;</b> 07-05NES, Cleaning pad, (US, 11 Apr 2008) 10 Oct 2008	<b>14858/2008</b>	<b>Han, Jong-Hwi;</b> 20-03C, Bus billboard, (KR, 17 Apr 2008) 06 Oct 2008	<b>14776/2008</b>
<b>Ecolab Inc.;</b> 07-05NES, Cleaning pad, (US, 11 Apr 2008) 10 Oct 2008	<b>14863/2008</b>	<b>Hermans, Ty Gerard;</b> 15-02, Pump cover, 07 Oct 2008	<b>14777/2008</b>
<b>Ecolab Inc.;</b> 07-05NES, Cleaning pad, (US, 11 Apr 2008) 10 Oct 2008	<b>14864/2008</b>	<b>Honda Motor Co., Ltd.;</b> 12-16E, Rear combination lamp for automobile, (JP, 14 Apr 2008) 10 Oct 2008	<b>14869/2008</b>
<b>Eddy Brewer (Sales) Pty Ltd;</b> 23-01H, Bathroom tap, 05 May 2008	<b>14904/2008</b>	<b>Honda Motor Co., Ltd.;</b> 12-16E, Front combination lamp for automobile, (JP, 14 Apr 2008) 10 Oct 2008	<b>14867/2008</b>
<b>Exhibition Services Pty Ltd;</b> 20-02E, Portable exhibit module, 20 Oct 2008	<b>15031/2008</b>	<b>Honda Motor Co., Ltd.;</b> 12-08, Automobile, (JP, 15 Apr 2008) 10 Oct 2008	<b>14868/2008</b>
<b>Fisher &amp; Paykel Healthcare Limited;</b> 24-04, Nasal pillows, 10 Oct 2008	<b>14842/2008</b>	<b>Hussy Clothing;</b> 02-02C, Love child dress, 13 Oct 2008	<b>14875/2008</b>
<b>Fisher &amp; Paykel Healthcare Limited;</b> 24-04, Nasal pillows, 10 Oct 2008	<b>14873/2008</b>	<b>Hussy Clothing;</b> 02-02C, Teardrop long dress, 13 Oct 2008	<b>14876/2008</b>
<b>Fisher &amp; Paykel Healthcare Limited;</b> 24-04, Nasal pillows, 10 Oct 2008	<b>14871/2008</b>	<b>Hussy Clothing;</b> 02-02C, Rainshower short dress, 13 Oct 2008	<b>14874/2008</b>
<b>Fisher &amp; Paykel Healthcare Limited;</b> 24-01, Full face mask, 10 Oct 2008	<b>14872/2008</b>	<b>Hussy Clothing;</b> 02-02C, Mistress dress, 13 Oct 2008	<b>14877/2008</b>
<b>Fisher &amp; Paykel Healthcare Limited;</b> 24-04, Nasal pillows, 10 Oct 2008	<b>14841/2008</b>	<b>Illinois Tool Works Inc.;</b> 23-01K, Valve cap for a fuel cell, (US, 18 Apr 2008) 10 Oct 2008	<b>14855/2008</b>
<b>Flameproof Engineering Pty Ltd;</b> 09-03M, Flameproof enclosure, 06 Oct 2008	<b>14786/2008</b>	<b>Insitu Systems Limited;</b> 24-02, A surgical manipulator, (NZ, 08 Apr 2008) 03 Oct 2008	<b>14835/2008</b>
<b>Formway Furniture Limited;</b> 06-01F, A chair, (NZ, 09 Apr 2008) 07 Oct 2008	<b>14789/2008</b>	<b>Intelligent Container Systems Pty Ltd;</b> 06-04NES, A multi-folding collapsible stillage, 14 Oct 2008	<b>15032/2008</b>

<b>International Mining Supplies Pty Ltd;</b> 09-03F, Core tray, 08 Oct 2008	<b>14807/2008</b>	<b>McCann, Christine;</b> 11-04, Short stemmed large petal flower, 10 Oct 2008	<b>14880/2008</b>
<b>International Mining Supplies Pty Ltd;</b> 09-03F, Core Tray, 08 Oct 2008	<b>14806/2008</b>	<b>McCann, Christine;</b> 11-04, Short beaded stemmed small flower with leaves, 10 Oct 2008	<b>14889/2008</b>
<b>International Mining Supplies Pty Ltd;</b> 09-03F, Core tray, 08 Oct 2008	<b>14805/2008</b>	<b>McCann, Christine;</b> 11-04, Short beaded stemmed large petal flower, 10 Oct 2008	<b>14890/2008</b>
<b>International Mining Supplies Pty Ltd;</b> 09-03F, Core tray, 08 Oct 2008	<b>14804/2008</b>	<b>McCann, Christine;</b> 11-04, Short beaded stemmed multi petal flower, 10 Oct 2008	<b>14891/2008</b>
<b>International Mining Supplies Pty Ltd;</b> 09-03F, Core tray, 08 Oct 2008	<b>14803/2008</b>	<b>McCann, Christine;</b> 11-04, Short beaded split open petal flower, 10 Oct 2008	<b>14892/2008</b>
<b>JBS Group 2006 Limited;</b> 20-01, Vending machine, 09 Oct 2008	<b>14830/2008</b>	<b>McCann, Christine;</b> 11-04, Short beaded stemmed open petal flower, 10 Oct 2008	<b>14893/2008</b>
<b>Kohler Co.;</b> 23-02C, A toilet, (US, 09 Apr 2008) 08 Oct 2008	<b>14826/2008</b>	<b>McCann, Christine;</b> 11-04, Short Beaded split stemmed large petal flower, 10 Oct 2008	<b>14894/2008</b>
<b>Kohler Co.;</b> 23-02F, A wash basin, (US, 08 Apr 2008) 07 Oct 2008	<b>14791/2008</b>	<b>McCann, Christine;</b> 11-04, Short beaded stemmed small multi petal flower, 10 Oct 2008	<b>14895/2008</b>
<b>Koninklijke Grolsch N.V.;</b> 09-01K, Beer bottle, (EM, 29 Apr 2008) 08 Oct 2008	<b>14825/2008</b>	<b>McCann, Christine;</b> 11-04, Short beaded stemmed multi petal flower, 10 Oct 2008	<b>14896/2008</b>
<b>LG Electronics Inc.;</b> 15-05, Vacuum cleaner, (KR, 10 Apr 2008) 07 Oct 2008	<b>14797/2008</b>	<b>McCann, Christine;</b> 11-04, Short beaded stemmed multi petal flower, 10 Oct 2008	<b>14883/2008</b>
<b>Martinez, Steve; Deslandes, Sam;</b> 07-06D, Bottle opener, 07 Oct 2008	<b>14785/2008</b>	<b>McCann, Christine;</b> 11-04, Short stemmed multi small petal flower, 10 Oct 2008	<b>14884/2008</b>
<b>McCann, Christine;</b> 11-04, Short stemmed flower, 10 Oct 2008	<b>14879/2008</b>	<b>McCann, Christine;</b> 11-04, Short stemmed open petal flower, 10 Oct 2008	<b>14885/2008</b>
<b>McCann, Christine;</b> 11-04, Short stemmed flower with leaves, 10 Oct 2008	<b>14897/2008</b>	<b>McCann, Christine;</b> 11-04, Beaded short stemmed multi petal flower with sepals, 10 Oct 2008	<b>14886/2008</b>
<b>McCann, Christine;</b> 11-04, Flowers with spiked leaves, 10 Oct 2008	<b>14898/2008</b>	<b>McCormick &amp; Company, Incorporated;</b> 15-09, Adjustable grinder, (US, 08 Apr 2008) 08 Oct 2008	<b>14802/2008</b>
<b>McCann, Christine;</b> 11-04, Flowers with variegated leaves, 10 Oct 2008	<b>14899/2008</b>	<b>Naylor, Peter John;</b> 08-05F, Clamp assembly, 16 Oct 2008	<b>14936/2008</b>
<b>McCann, Christine;</b> 11-04, Flowers with long leaves, 10 Oct 2008	<b>14900/2008</b>	<b>Newman, Liuxin;</b> 02-07D, Stitch regulator, 09 Oct 2008	<b>14800/2008</b>
<b>McCann, Christine;</b> 11-04, Flowers with broad leaves, 10 Oct 2008	<b>14901/2008</b>	<b>Nintendo Co., Ltd.;</b> 14-02, A connector plug, (JP, 15 Apr 2008) 10 Oct 2008	<b>14856/2008</b>
<b>McCann, Christine;</b> 11-04, Short split stemmed multi petal flower with sepals, 10 Oct 2008	<b>14902/2008</b>	<b>Nintendo Co., Ltd.;</b> 14-02, Power supply adapter, (JP, 15 Apr 2008) 10 Oct 2008	<b>14857/2008</b>
<b>McCann, Christine;</b> 11-04, Beaded short split stemmed multi petal flower with sepal, 10 Oct 2008	<b>14903/2008</b>	<b>NEC Personal Products, Ltd.;</b> 14-02, Computer, (JP, 15 Apr 2008) 07 Oct 2008	<b>14781/2008</b>
<b>McCann, Christine;</b> 11-04, Short beaded stemmed flower, 10 Oct 2008	<b>14887/2008</b>	<b>Oxoid Limited;</b> 24-01, Diagnostic test strip, (US, 11 Apr 2008) 10 Oct 2008	<b>14860/2008</b>
<b>McCann, Christine;</b> 11-04, Short beaded stemmed flower with leaves, 10 Oct 2008	<b>14888/2008</b>		
<b>McCann, Christine;</b> 11-04, Short stemmed large petal flower with split stem, 10 Oct 2008	<b>14881/2008</b>		
<b>McCann, Christine;</b> 11-04, Short stemmed multi petal flower with split stem, 10 Oct 2008	<b>14882/2008</b>		

<b>Oxoid Limited;</b> 24-01, Diagnostic test strip, (US, 11 Apr 2008) 10 Oct 2008	<b>14861/2008</b>	<b>Societe des Produits Nestle S.A.;</b> 20-02E, Food dispenser, (CH, 19 May 2008) 02 Oct 2008	<b>14714/2008</b>
<b>Oxoid Limited;</b> 24-01, Diagnostic test strip, (US, 11 Apr 2008) 10 Oct 2008	<b>14859/2008</b>	<b>Sony Ericsson Mobile Communications AB;</b> 14-03A, Handsfree set (microphone), (EM, 20 May 2008) 07 Oct 2008	<b>14795/2008</b>
<b>Oxoid Limited;</b> 24-01, Diagnostic test strip, (US, 11 Apr 2008) 10 Oct 2008	<b>14843/2008</b>	<b>Sony Ericsson Mobile Communications AB;</b> 14-03A, Handsfree set (earpiece), (EM, 20 May 2008) 07 Oct 2008	<b>14796/2008</b>
<b>Panasonic Corporation;</b> 15-05, Washing machine, (JP, 05 Jun 2008) 07 Oct 2008	<b>14780/2008</b>	<b>Superior Alternative Innovations Pty Ltd;</b> 06-08, 20-03NES, An advertising tie for a hanger, 09 Oct 2008	<b>14822/2008</b>
<b>Progressive International Corporation;</b> 07-04, Chopper and slicer, (US, 09 Apr 2008) 08 Oct 2008	<b>14809/2008</b>	<b>Superior Alternative Innovations Pty Ltd;</b> 06-08, A hanger, 09 Oct 2008	<b>14820/2008</b>
<b>Pur Water Purification Products, Inc.;</b> 23-01G, A connector for a faucet mounted water filter, (US, 17 Apr 2008) 14 Oct 2008	<b>14921/2008</b>	<b>Superior Alternative Innovations Pty Ltd;</b> 06-08, A retail hook for a hanger, 09 Oct 2008	<b>14823/2008</b>
<b>Pur Water Purification Products, Inc.;</b> 23-01G, A connector for a faucet mounted water filter, (US, 17 Apr 2008) 14 Oct 2008	<b>14922/2008</b>	<b>Superior Alternative Innovations Pty Ltd;</b> 06-08, A cascade hook for a hanger, 09 Oct 2008	<b>14824/2008</b>
<b>Pur Water Purification Products, Inc.;</b> 23-01G, A conector for a faucet mounted water filter, (US, 17 Apr 2008) 14 Oct 2008	<b>14923/2008</b>	<b>Superior Alternative Innovations Pty Ltd;</b> 06-08, A hanger body, 09 Oct 2008	<b>14821/2008</b>
<b>Pur Water Purification Products, Inc.;</b> 23-01G, A connector for a faucet mounted water filter, (US, 17 Apr 2008) 14 Oct 2008	<b>14924/2008</b>	<b>SMG Brands, Inc.;</b> 22-06, Rodent trap, (US, 29 May 2008) 16 Jun 2008	<b>14912/2008</b>
<b>Pur Water Purification Products, Inc.;</b> 23-01G, A conector for a faucet mounted water filter, (US, 17 Apr 2008) 14 Oct 2008	<b>14925/2008</b>	<b>SMG Brands, Inc.;</b> 22-06, Rodent trap, (US, 14 Dec 2007) 16 Jun 2008	<b>14913/2008</b>
<b>Review Australia Pty Ltd;</b> 02-02C, Ladies garments, 09 Oct 2008	<b>14829/2008</b>	<b>SOCIETE BIC;</b> 28-03A, Razor handle, (EM, 17 Apr 2008) 09 Oct 2008	<b>14819/2008</b>
<b>S.C. Johnson &amp; Son, Inc.;</b> 09-07A, Sprayer head, (US, 11 Apr 2008) 10 Oct 2008	<b>14844/2008</b>	<b>The Coca-Cola Company;</b> 07-07A, Cooler, (US, 05 May 2008) 10 Oct 2008	<b>14911/2008</b>
<b>Samsung Electronics Co., Ltd.;</b> 14-03E, Mobile phone, (KR, 09 Jun 2008) 10 Oct 2008	<b>14854/2008</b>	<b>Toyota Motor Corporation Australia Limited;</b> 12-16B, Front bumper for vehicle, 02 Oct 2008	<b>14716/2008</b>
<b>Sanyo Electric Co., Ltd.;</b> 10-04, Temperature indicator for a showcase, (JP, 03 Apr 2008) 02 Oct 2008	<b>14713/2008</b>	<b>Trimax Holdings Limited;</b> 15-03B, A housing, (NZ, 11 Apr 2008) 08 Oct 2008	<b>14811/2008</b>
<b>Scott Health &amp; Safety Ltd;</b> 29-02, Harness for carrying breathing apparatus, (EM, 09 Apr 2008) 09 Oct 2008	<b>14818/2008</b>	<b>Ubabub Pty Ltd;</b> 06-02, Child's bed or cot, 14 Oct 2008	<b>14918/2008</b>
<b>Seapa Pty Ltd;</b> 08-08NES, An improved clip for lines used to support aquaculture baskets, 01 Aug 2008	<b>14834/2008</b>	<b>Ubabub Pty Ltd;</b> 06-02, Child's bed or cot, 14 Oct 2008	<b>14919/2008</b>
<b>Siemens Water Technologies Corp.;</b> 15-02, Airlift pump, 14 Oct 2008	<b>14915/2008</b>	<b>Underwood Companies Holding Pty Ltd;</b> 25-01D, A dimpled metal sheet with holes and marginal edge perforation, 10 Oct 2008	<b>14848/2008</b>
<b>Siemens Water Technologies Corp.;</b> 15-02, Bell for airlift pump, 14 Oct 2008	<b>14914/2008</b>	<b>Uneeda Vac Pty Ltd;</b> 15-05, A vacuum cleaner, 08 Oct 2008	<b>14810/2008</b>
<b>Sierra Wireless Inc.;</b> 14-02, Wireless USB modem, (CA, 13 Jun 2008) 13 Oct 2008	<b>14909/2008</b>	<b>Unilever PLC;</b> 09-05, Container, (GB, 18 Apr 2008) 08 Oct 2008	<b>14801/2008</b>
<b>Societe des Produits Nestle S.A.;</b> 08-08L, Bracket, (US, 04 Jun 2008) 17 Oct 2008	<b>15020/2008</b>	<b>Unistraw Patent Holdings Limited, LL 03919;</b> 07-06NES, Drinking straw, (Divisional of 12097/2008) 05 May 2008	<b>14816/2008</b>
		<b>Unistraw Patent Holdings Limited, LL 03919;</b> 07-06NES, Drinking straw, (Divisional of 12097/2008) 05 May 2008	<b>14817/2008</b>



<b>Visa U.S.A. Inc.;</b> 19-08, Braille financial transaction card, 07 Oct 2008	<b>14798/2008</b>	<b>Whites Wires Australia Pty Ltd;</b> 08-08NES, Clip for gutter mesh, 08 Oct 2008	<b>14813/2008</b>
<b>Visa U.S.A. Inc.;</b> 19-08, Braille financial transaction card, 07 Oct 2008	<b>14799/2008</b>	<b>Willsee Company Limited;</b> 02-04NES, Footwear, (EM, 03 Jun 2008) 15 Oct 2008	<b>14937/2008</b>
<b>Whites Wires Australia Pty Ltd;</b> 08-08NES, Clip for gutter mesh, 08 Oct 2008	<b>14812/2008</b>		

---

**Applications Lapsed**

11488 / 2008 (02-02C)	11489 / 2008 (02-02C)
11490 / 2008 (02-02C)	11491 / 2008 (02-02C)
11644 / 2008 (15-09)	11645 / 2008 (15-09)
11646 / 2008 (15-09)	11647 / 2008 (15-09)
11660 / 2008 (25-01E)	11753 / 2008 (08-07)
11766 / 2008 (23-02B)	11808 / 2008 (25-02C)
11926 / 2008 (14-03NES)	11929 / 2008 (20-02NES)
11964 / 2008 (26-05NES)	11965 / 2008 (07-07A)
11968 / 2008 (21-03)	11984 / 2008 (12-10)
11985 / 2008 (02-02C)	11986 / 2008 (02-02NES)
11987 / 2008 (02-02C)	11988 / 2008 (02-02NES)
11989 / 2008 (02-02NES)	11990 / 2008 (02-02C)
12044 / 2008 (21-01K)	12045 / 2008 (21-01L)
13382 / 2008 (02-02B)	13389 / 2008 (03-01B)
13469 / 2008 (20-02E)	13707 / 2008 (08-07)

**Registrations Ceased**

313003                      313005                      316320

**Extensions of time granted under Section 137**

Applications lodged under section 137 for extension of time have been granted.

315334 **Framelock Structures Pty Ltd**

11728/2008 **Ren International Pty Ltd**

**Subsequent Owners Registered**

(The name in parentheses is that of the subsequent owner)

310649	( <b>Garden City Planters Pty Ltd</b> ) Steven Turner
317420	( <b>Garden City Planters Pty Ltd</b> ) Steven Thomas Turner;Klaus Pattberg
317421	( <b>Garden City Planters Pty Ltd</b> ) Steven Turner;Klaus Pattberg
314009	( <b>Cool Chili Limited;Fiesta S.A.</b> ) Cool Chili Limited
320579	( <b>ADC GmbH</b> ) ADC Communications (Australia) Pty Limited
312634	( <b>Primus Australia Pty Limited</b> ) Bromic Pty Ltd
312635	( <b>Primus Australia Pty Limited</b> ) Bromic Pty Ltd

**Corrigenda**

Number 12120/2008

In Vol 22 , No 21 , page 2489 under the heading **Applications Withdrawn**; Design No. 12120/2008 (06-99) should be deleted.

Number 12121/2008

In Vol 22 , No 21 , page 2489 under the heading **Applications Withdrawn**; Design No. 12121/2008 (06-99) should be deleted.

Number 12122/2008

In Vol 22 , No 21 , page 2489 under the heading **Applications Withdrawn**; Design No. 12122/2008 (06-99) should be deleted.

Number 12123/2008

In Vol 22 , No 21 , page 2489 under the heading **Applications Withdrawn**; Design No. 12123/2008 (06-99) should be deleted.

Number 12124/2008

In Vol 22 , No 21 , page 2489 under the heading **Applications Withdrawn**; Design No. 12124/2008 (06-99) should be deleted.

Number 12125/2008

In Vol 22 , No 21 , page 2489 under the heading **Applications Withdrawn**; Design No. 12125/2008 (06-99) should be deleted.

Number 12126/2008

In Vol 22 , No 21 , page 2489 under the heading **Applications Withdrawn**; Design No. 12126/2008 (06-99) should be deleted.

Number 12127/2008

In Vol 22 , No 21 , page 2489 under the heading **Applications Withdrawn**; Design No. 12127/2008 (06-99) should be deleted.

**Certificate(s) of Examination**

Examination of the following Design Registration(s) has been completed. Infringement proceedings may now be commenced.

318364	25-01K	10/10/2008
320058	24-04	10/10/2008
320556	15-09	22/10/2008
320558	15-05	22/10/2008
320559	15-05	22/10/2008
320560	10-04	22/10/2008
320561	24-03	22/10/2008
320562	28-03NES	22/10/2008

**Publication and Registration Proceedings**

**Designs Registered**

This section provides a concordance between design number and registration number of Designs covered in this journal. It also shows the main class and registration date.

This section covers Registration numbers 321388 to 321645 .

The registration number shown below should be used in all future correspondence.

Design Number	Registration Number	International Classification Code (IDC)	Registration Date	Design Number	Registration Number	International Classification Code (IDC)	Registration Date
20423/2007	321591	08-06	20/10/2008	12588/2008	321398	06-01F	10/10/2008
21027/2007	321435	09-08	13/10/2008	12589/2008	321399	21-01F	10/10/2008
21536/2007	321555	09-09	20/10/2008	12590/2008	321581	14-02	20/10/2008
21537/2007	321556	09-09	20/10/2008	12591/2008	321582	14-02	20/10/2008
10036/2008	321537	02-02C	20/10/2008	12671/2008	321583	15-04	20/10/2008
10579/2008	321633	25-02NES	21/10/2008	12672/2008	321584	15-04	20/10/2008
10583/2008	321634	25-01K	21/10/2008	12690/2008	321616	06-08	21/10/2008
11550/2008	321487	23-01C	15/10/2008	12702/2008	321416	06-09	13/10/2008
11582/2008	321615	21-02D	21/10/2008	12703/2008	321419	06-09	13/10/2008
11590/2008	321559	12-16B	17/10/2008	12712/2008	321400	14-03NES	10/10/2008
11591/2008	321560	12-16B	17/10/2008	12714/2008	321401	09-03NES	10/10/2008
11592/2008	321561	12-16B	17/10/2008	12715/2008	321402	01-01	10/10/2008
11776/2008	321415	12-05	13/10/2008	12716/2008	321403	25-02B	10/10/2008
11779/2008	321562	20-02E	17/10/2008	12717/2008	321404	25-02B	10/10/2008
11780/2008	321563	08-08G	17/10/2008	12718/2008	321417	29-02	13/10/2008
11850/2008	321564	25-01B	17/10/2008	12719/2008	321418	29-02	13/10/2008
11888/2008	321565	19-02	17/10/2008	12726/2008	321420	10-04	13/10/2008
11917/2008	321497	21-01L	21/10/2008	12729/2008	321421	09-03F	13/10/2008
12108/2008	321405	09-03M	14/10/2008	12731/2008	321422	08-05N	13/10/2008
12111/2008	321406	19-02	14/10/2008	12734/2008	321423	07-02K	13/10/2008
12234/2008	321498	07-07A	21/10/2008	12735/2008	321424	28-03A	13/10/2008
12235/2008	321499	07-07A	21/10/2008	12736/2008	321425	28-03A	13/10/2008
12236/2008	321500	07-07A	21/10/2008	12737/2008	321426	28-03A	13/10/2008
12237/2008	321501	07-07A	21/10/2008	12738/2008	321427	15-04	13/10/2008
12238/2008	321502	07-07A	21/10/2008	12740/2008	321428	09-03NES	13/10/2008
12256/2008	321436	14-02	13/10/2008	12741/2008	321429	23-01L	13/10/2008
12268/2008	321592	19-08	20/10/2008	12742/2008	321430	02-07A	13/10/2008
12269/2008	321445	12-10	14/10/2008	12746/2008	321431	02-07A	13/10/2008
12274/2008	321446	19-08	14/10/2008	12750/2008	321432	02-07A	13/10/2008
12288/2008	321388	14-99	10/10/2008	12785/2008	321466	08-08A	15/10/2008
12305/2008	321464	08-08K	15/10/2008	12786/2008	321467	08-08A	15/10/2008
12306/2008	321465	08-08K	15/10/2008	12792/2008	321468	15-03B	15/10/2008
12326/2008	321437	23-01F	13/10/2008	12793/2008	321469	15-03B	15/10/2008
12402/2008	321538	10-05	20/10/2008	12794/2008	321470	15-03B	15/10/2008
12435/2008	321593	13-03B	20/10/2008	12795/2008	321471	15-03B	15/10/2008
12436/2008	321594	13-03B	20/10/2008	12797/2008	321472	06-11	15/10/2008
12441/2008	321557	15-05	20/10/2008	12798/2008	321473	06-11	15/10/2008
12443/2008	321447	06-06G	14/10/2008	12799/2008	321474	16-06	15/10/2008
12444/2008	321448	06-06H	14/10/2008	12802/2008	321450	26-05B	14/10/2008
12445/2008	321449	06-03C	14/10/2008	12803/2008	321451	21-02C	14/10/2008
12446/2008	321579	12-11	20/10/2008	12806/2008	321452	23-02B	14/10/2008
12467/2008	321389	14-02	10/10/2008	12813/2008	321433	13-03C	13/10/2008
12468/2008	321539	12-12	20/10/2008	12828/2008	321453	12-15C	14/10/2008
12471/2008	321390	08-08C	10/10/2008	12842/2008	321434	08-08B	13/10/2008
12474/2008	321391	02-02C	10/10/2008	12851/2008	321438	08-06	13/10/2008
12492/2008	321392	15-04	10/10/2008	12853/2008	321444	28-03NES	13/10/2008
12493/2008	321393	10-05	10/10/2008	12854/2008	321439	07-07NES	13/10/2008
12511/2008	321475	12-05	14/10/2008	12855/2008	321440	07-07NES	13/10/2008
12536/2008	321394	14-03A	10/10/2008	12857/2008	321441	10-06	13/10/2008
12539/2008	321395	15-03B	10/10/2008	12860/2008	321454	08-08L	14/10/2008
12540/2008	321396	25-02C	10/10/2008	12861/2008	321455	07-02K	14/10/2008
12542/2008	321580	12-16L	20/10/2008	12862/2008	321456	07-02K	14/10/2008
12550/2008	321397	23-03NES	10/10/2008	12863/2008	321457	07-02K	14/10/2008

Publication and Registration Proceedings - Designs Registered cont'd

Design Number	Registration Number	International Classification Code (IDC)	Registration Date	Design Number	Registration Number	International Classification Code (IDC)	Registration Date
12864/2008	321458	07-02L	14/10/2008	12985/2008	321495	14-01	15/10/2008
12865/2008	321459	24-01	14/10/2008	12986/2008	321496	02-07A	15/10/2008
12866/2008	321460	24-01	14/10/2008	12991/2008	321516	08-08NES	21/10/2008
12867/2008	321461	08-03	14/10/2008	13003/2008	321558	08-05N	20/10/2008
12872/2008	321462	02-04NES	14/10/2008	13006/2008	321518	26-05NES	16/10/2008
12875/2008	321463	12-02	14/10/2008	13007/2008	321519	26-02	16/10/2008
12879/2008	321442	08-08NES	13/10/2008	13009/2008	321520	21-02C	16/10/2008
12880/2008	321443	09-01A	13/10/2008	13014/2008	321521	09-01A	16/10/2008
12881/2008	321540	09-01NES	20/10/2008	13015/2008	321522	09-01A	16/10/2008
12882/2008	321541	15-05	20/10/2008	13016/2008	321523	09-01A	16/10/2008
12883/2008	321542	26-06	20/10/2008	13017/2008	321524	09-01A	16/10/2008
12884/2008	321543	26-06	20/10/2008	13018/2008	321525	09-01A	16/10/2008
12885/2008	321544	12-08	20/10/2008	13019/2008	321526	09-01A	16/10/2008
12886/2008	321545	28-03NES	20/10/2008	13020/2008	321527	09-01A	16/10/2008
12887/2008	321585	08-08L	20/10/2008	13021/2008	321528	09-01A	16/10/2008
12896/2008	321586	25-01NES	20/10/2008	13022/2008	321529	09-01A	16/10/2008
12902/2008	321546	12-08	20/10/2008	13023/2008	321530	09-01A	16/10/2008
12905/2008	321587	26-04	20/10/2008	13024/2008	321531	02-02C	16/10/2008
12906/2008	321588	26-04	20/10/2008	13025/2008	321532	13-03B	16/10/2008
12909/2008	321589	99-00	20/10/2008	13026/2008	321533	13-03B	16/10/2008
12912/2008	321547	28-03NES	20/10/2008	13027/2008	321534	13-03B	16/10/2008
12917/2008	321548	25-01A	20/10/2008	13029/2008	321535	08-03	16/10/2008
12918/2008	321549	25-01A	20/10/2008	13064/2008	321566	09-07C	17/10/2008
12919/2008	321550	26-06	20/10/2008	13065/2008	321567	09-01C	17/10/2008
12920/2008	321476	02-03	14/10/2008	13066/2008	321568	09-01C	17/10/2008
12921/2008	321503	08-08B	21/10/2008	13067/2008	321569	09-01C	17/10/2008
12922/2008	321504	15-01	21/10/2008	13068/2008	321570	23-04	17/10/2008
12923/2008	321477	10-02	14/10/2008	13069/2008	321571	02-07C	17/10/2008
12930/2008	321478	20-02NES	14/10/2008	13070/2008	321572	02-07C	17/10/2008
12931/2008	321551	23-02B	20/10/2008	13079/2008	321573	23-03A	17/10/2008
12932/2008	321552	08-08NES	20/10/2008	13080/2008	321574	23-03A	17/10/2008
12936/2008	321505	14-03A	21/10/2008	13081/2008	321575	23-03A	17/10/2008
12937/2008	321506	07-06B	21/10/2008	13082/2008	321576	23-03A	17/10/2008
12938/2008	321507	07-06NES	21/10/2008	13083/2008	321577	23-03A	17/10/2008
12939/2008	321508	07-06NES	21/10/2008	13084/2008	321578	23-03A	17/10/2008
12942/2008	321479	09-01C	14/10/2008	13112/2008	321635	07-02L	21/10/2008
12943/2008	321480	09-01C	14/10/2008	13113/2008	321636	07-02L	21/10/2008
12944/2008	321481	09-01C	14/10/2008	13116/2008	321637	08-08NES	21/10/2008
12945/2008	321482	09-01C	14/10/2008	13117/2008	321638	08-08NES	21/10/2008
12946/2008	321483	21-01C	14/10/2008	13118/2008	321639	08-08NES	21/10/2008
12947/2008	321484	06-03B	14/10/2008	13119/2008	321640	24-01	21/10/2008
12950/2008	321509	08-08L	21/10/2008	13120/2008	321641	21-02C	21/10/2008
12951/2008	321553	08-08L	20/10/2008	13132/2008	321642	03-01C	21/10/2008
12956/2008	321485	23-01F	14/10/2008	13135/2008	321643	11-02E	21/10/2008
12958/2008	321486	13-03D	14/10/2008	13136/2008	321644	08-08NES	21/10/2008
12964/2008	321488	09-03L	15/10/2008	13183/2008	321595	10-02	20/10/2008
12966/2008	321489	06-03B	15/10/2008	13187/2008	321596	25-02C	20/10/2008
12967/2008	321490	03-01B	15/10/2008	13188/2008	321597	25-02C	20/10/2008
12972/2008	321510	06-01E	21/10/2008	13189/2008	321598	26-05A	20/10/2008
12973/2008	321511	02-06	21/10/2008	13190/2008	321599	26-05D	20/10/2008
12974/2008	321512	08-05E	21/10/2008	13191/2008	321600	08-08K	20/10/2008
12975/2008	321513	08-05E	21/10/2008	13193/2008	321601	26-05C	20/10/2008
12976/2008	321514	10-04	21/10/2008	13194/2008	321602	26-05D	20/10/2008
12977/2008	321515	25-02D	21/10/2008	13196/2008	321603	26-05A	20/10/2008
12979/2008	321491	12-15A	15/10/2008	13197/2008	321604	26-05C	20/10/2008
12980/2008	321492	26-05C	15/10/2008	13198/2008	321605	26-05D	20/10/2008
12981/2008	321493	03-01A	15/10/2008	13199/2008	321606	26-05D	20/10/2008
12984/2008	321494	13-02	15/10/2008	13200/2008	321607	13-03B	20/10/2008

Publication and Registration Proceedings - Designs Registered cont'd

Design Number	Registration Number	International Classification Code (IDC)	Registration Date	Design Number	Registration Number	International Classification Code (IDC)	Registration Date
13201/2008	321608	26-05C	20/10/2008	13291/2008	321628	09-01NES	21/10/2008
13202/2008	321609	08-03	20/10/2008	13293/2008	321629	09-01NES	21/10/2008
13203/2008	321610	21-02C	20/10/2008	13294/2008	321630	09-01NES	21/10/2008
13204/2008	321611	29-02	20/10/2008	13295/2008	321631	09-01NES	21/10/2008
13205/2008	321612	29-02	20/10/2008	13296/2008	321632	09-01NES	21/10/2008
13206/2008	321613	15-03B	20/10/2008	13862/2008	321554	02-02C	20/10/2008
13247/2008	321614	02-01B	20/10/2008	14195/2008	321407	28-03NES	14/10/2008
13277/2008	321617	15-03B	21/10/2008	14196/2008	321408	28-03NES	14/10/2008
13278/2008	321618	15-03B	21/10/2008	14349/2008	321517	21-01L	21/10/2008
13279/2008	321619	15-03B	21/10/2008	14355/2008	321645	06-06G	21/10/2008
13280/2008	321620	14-02	21/10/2008	14384/2008	321409	14-02	14/10/2008
13282/2008	321621	21-02C	21/10/2008	14385/2008	321590	08-06	20/10/2008
13285/2008	321622	21-02C	21/10/2008	14480/2008	321410	25-01A	14/10/2008
13286/2008	321623	21-02C	21/10/2008	14483/2008	321411	22-06	14/10/2008
13287/2008	321624	21-02C	21/10/2008	14486/2008	321412	07-06A	14/10/2008
13288/2008	321625	21-02C	21/10/2008	14521/2008	321413	22-06	14/10/2008
13289/2008	321626	21-02C	21/10/2008	14522/2008	321414	22-06	14/10/2008
13290/2008	321627	09-01NES	21/10/2008	14905/2008	321536	07-07NES	16/10/2008

**Publication and Registration Proceedings**  
**Class Listing of Designs Published or Registered**

The following section shows an International Classification Code listing of the Registered or Published Designs covered in this supplement.

<b>Classification</b>	<b>Registration Number</b>	<b>Design Number</b>	<b>Classification</b>	<b>Registration Number</b>	<b>Design Number</b>
01-01	321402	12715/2008	07-07 NES	321555	21536/2007
02-01 B	321554	13862/2008	07-07 NES	321556	21537/2007
02-01 B	321614	13247/2008	08-03	321461	12867/2008
02-02 C	321391	12474/2008	08-03	321535	13029/2008
02-02 C	321531	13024/2008	08-03	321609	13202/2008
02-02 C	321537	10036/2008	08-05 E	321512	12974/2008
02-02 C	321554	13862/2008	08-05 E	321513	12975/2008
02-03	321476	12920/2008	08-05 E	321514	12976/2008
02-04 NES	321462	12872/2008	08-05 N	321422	12731/2008
02-06	321511	12973/2008	08-05 N	321558	13003/2008
02-07 A	321430	12742/2008	08-06	321438	12851/2008
02-07 A	321431	12746/2008	08-06	321590	14385/2008
02-07 A	321432	12750/2008	08-06	321591	20423/2007
02-07 A	321496	12986/2008	08-07	321513	12975/2008
02-07 C	321571	13069/2008	08-08 A	321466	12785/2008
02-07 C	321572	13070/2008	08-08 A	321467	12786/2008
03-01 A	321493	12981/2008	08-08 B	321434	12842/2008
03-01 B	321490	12967/2008	08-08 B	321503	12921/2008
03-01 C	321642	13132/2008	08-08 C	321390	12471/2008
03-03	321478	12930/2008	08-08 G	321563	11780/2008
06-01 E	321510	12972/2008	08-08 K	321464	12305/2008
06-01 F	321398	12588/2008	08-08 K	321465	12306/2008
06-01 L	321484	12947/2008	08-08 K	321600	13191/2008
06-03 B	321484	12947/2008	08-08 L	321454	12860/2008
06-03 B	321489	12966/2008	08-08 L	321509	12950/2008
06-03 C	321449	12445/2008	08-08 L	321553	12951/2008
06-06 G	321447	12443/2008	08-08 L	321585	12887/2008
06-06 G	321645	14355/2008	08-08 NES	321442	12879/2008
06-06 H	321448	12444/2008	08-08 NES	321478	12930/2008
06-08	321616	12690/2008	08-08 NES	321516	12991/2008
06-09	321416	12702/2008	08-08 NES	321552	12932/2008
06-09	321419	12703/2008	08-08 NES	321585	12887/2008
06-11	321472	12797/2008	08-08 NES	321637	13116/2008
06-11	321473	12798/2008	08-08 NES	321638	13117/2008
06-12	321472	12797/2008	08-08 NES	321639	13118/2008
06-12	321473	12798/2008	08-08 NES	321644	13136/2008
07-02 K	321423	12734/2008	08-09	321452	12806/2008
07-02 K	321455	12861/2008	09-01 A	321443	12880/2008
07-02 K	321456	12862/2008	09-01 A	321521	13014/2008
07-02 K	321457	12863/2008	09-01 A	321522	13015/2008
07-02 L	321458	12864/2008	09-01 A	321523	13016/2008
07-02 L	321635	13112/2008	09-01 A	321524	13017/2008
07-02 L	321636	13113/2008	09-01 A	321525	13018/2008
07-06 A	321412	14486/2008	09-01 A	321526	13019/2008
07-06 B	321506	12937/2008	09-01 A	321527	13020/2008
07-06 D	321571	13069/2008	09-01 A	321528	13021/2008
07-06 NES	321507	12938/2008	09-01 A	321529	13022/2008
07-06 NES	321508	12939/2008	09-01 A	321530	13023/2008
07-07 A	321498	12234/2008	09-01 C	321479	12942/2008
07-07 A	321499	12235/2008	09-01 C	321480	12943/2008
07-07 A	321500	12236/2008	09-01 C	321481	12944/2008
07-07 A	321501	12237/2008	09-01 C	321482	12945/2008
07-07 A	321502	12238/2008	09-01 C	321567	13065/2008
07-07 NES	321439	12854/2008	09-01 C	321568	13066/2008
07-07 NES	321440	12855/2008	09-01 C	321569	13067/2008
07-07 NES	321536	14905/2008	09-01 NES	321540	12881/2008



Registration Proceedings - Class Listing of Designs Published or Registered cont'd

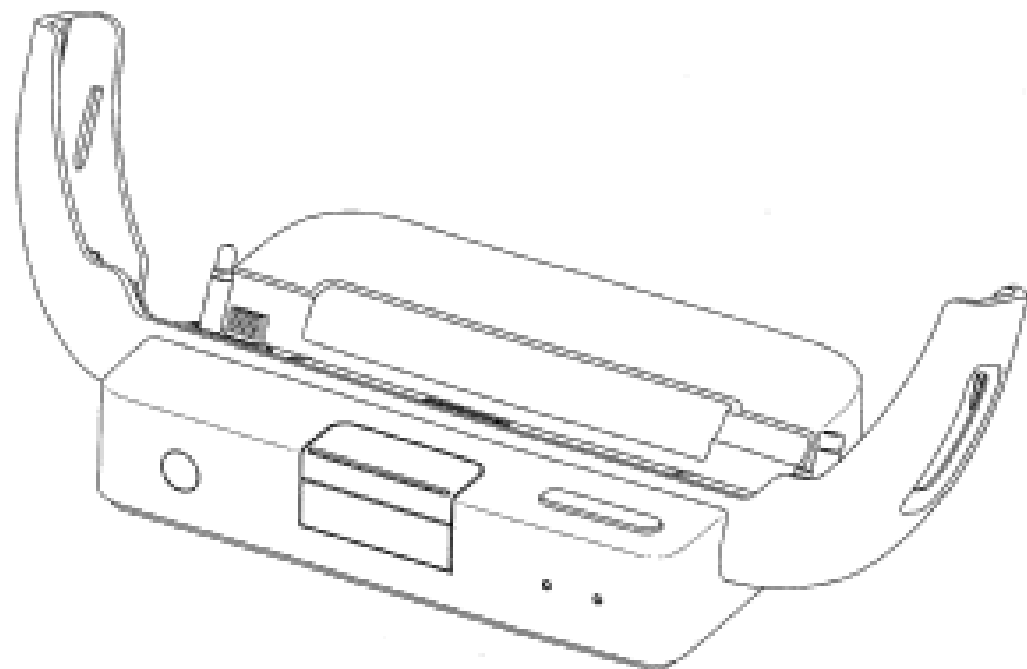
Classification	Registration Number	Design Number	Classification	Registration Number	Design Number
09-01 NES	321627	13290/2008	14-02	321409	14384/2008
09-01 NES	321628	13291/2008	14-02	321436	12256/2008
09-01 NES	321629	13293/2008	14-02	321532	13025/2008
09-01 NES	321630	13294/2008	14-02	321533	13026/2008
09-01 NES	321631	13295/2008	14-02	321534	13027/2008
09-01 NES	321632	13296/2008	14-02	321581	12590/2008
09-03 F	321421	12729/2008	14-02	321582	12591/2008
09-03 F	321439	12854/2008	14-02	321620	13280/2008
09-03 F	321440	12855/2008	14-03 A	321394	12536/2008
09-03 L	321488	12964/2008	14-03 A	321495	12985/2008
09-03 M	321405	12108/2008	14-03 A	321505	12936/2008
09-03 NES	321401	12714/2008	14-03 NES	321390	12471/2008
09-03 NES	321428	12740/2008	14-03 NES	321393	12493/2008
09-07 C	321566	13064/2008	14-03 NES	321400	12712/2008
09-08	321435	21027/2007	14-99	321388	12288/2008
09-09	321555	21536/2007	14-99	321637	13116/2008
09-09	321556	21537/2007	14-99	321638	13117/2008
10-02	321477	12923/2008	14-99	321639	13118/2008
10-02	321595	13183/2008	15-01	321504	12922/2008
10-04	321420	12726/2008	15-03 B	321395	12539/2008
10-04	321512	12974/2008	15-03 B	321468	12792/2008
10-04	321513	12975/2008	15-03 B	321469	12793/2008
10-04	321514	12976/2008	15-03 B	321470	12794/2008
10-05	321393	12493/2008	15-03 B	321471	12795/2008
10-05	321538	12402/2008	15-03 B	321613	13206/2008
10-06	321441	12857/2008	15-03 B	321617	13277/2008
10-07	321477	12923/2008	15-03 B	321618	13278/2008
11-01 B	321490	12967/2008	15-03 B	321619	13279/2008
11-01 NES	321490	12967/2008	15-04	321392	12492/2008
11-02 E	321643	13135/2008	15-04	321427	12738/2008
11-03	321610	13203/2008	15-04	321583	12671/2008
12-02	321463	12875/2008	15-04	321584	12672/2008
12-05	321415	11776/2008	15-05	321541	12882/2008
12-05	321475	12511/2008	15-05	321557	12441/2008
12-08	321544	12885/2008	15-09	321583	12671/2008
12-08	321546	12902/2008	15-09	321584	12672/2008
12-10	321445	12269/2008	16-06	321474	12799/2008
12-11	321399	12589/2008	19-02	321406	12111/2008
12-11	321579	12446/2008	19-02	321565	11888/2008
12-12	321539	12468/2008	19-08	321446	12274/2008
12-15 A	321491	12979/2008	19-08	321592	12268/2008
12-15 C	321453	12828/2008	20-01	321635	13112/2008
12-16 B	321559	11590/2008	20-01	321636	13113/2008
12-16 B	321560	11591/2008	20-02 E	321562	11779/2008
12-16 B	321561	11592/2008	20-02 E	321565	11888/2008
12-16 L	321580	12542/2008	20-02 NES	321478	12930/2008
12-16 NES	321445	12269/2008	21-01 C	321483	12946/2008
12-16 NES	321585	12887/2008	21-01 C	321546	12902/2008
13-02	321494	12984/2008	21-01 F	321399	12589/2008
13-03 B	321532	13025/2008	21-01 F	321579	12446/2008
13-03 B	321533	13026/2008	21-01 L	321497	11917/2008
13-03 B	321534	13027/2008	21-01 L	321517	14349/2008
13-03 B	321593	12435/2008	21-02 C	321451	12803/2008
13-03 B	321594	12436/2008	21-02 C	321520	13009/2008
13-03 B	321607	13200/2008	21-02 C	321610	13203/2008
13-03 C	321433	12813/2008	21-02 C	321621	13282/2008
13-03 D	321486	12958/2008	21-02 C	321622	13285/2008
14-01	321495	12985/2008	21-02 C	321623	13286/2008
14-02	321389	12467/2008	21-02 C	321624	13287/2008

Registration Proceedings - Class Listing of Designs Published or Registered cont'd

Classification	Registration Number	Design Number	Classification	Registration Number	Design Number
21-02 C	321625	13288/2008	26-02	321519	13007/2008
21-02 C	321626	13289/2008	26-04	321587	12905/2008
21-02 C	321641	13120/2008	26-04	321588	12906/2008
21-02 D	321615	11582/2008	26-05 A	321598	13189/2008
21-02 NES	321547	12912/2008	26-05 A	321603	13196/2008
22-06	321411	14483/2008	26-05 B	321450	12802/2008
22-06	321413	14521/2008	26-05 C	321488	12964/2008
22-06	321414	14522/2008	26-05 C	321492	12980/2008
23-01 C	321487	11550/2008	26-05 C	321601	13193/2008
23-01 F	321437	12326/2008	26-05 C	321604	13197/2008
23-01 F	321485	12956/2008	26-05 C	321608	13201/2008
23-01 L	321429	12741/2008	26-05 D	321599	13190/2008
23-02 B	321452	12806/2008	26-05 D	321602	13194/2008
23-02 B	321551	12931/2008	26-05 D	321605	13198/2008
23-03 A	321573	13079/2008	26-05 D	321606	13199/2008
23-03 A	321574	13080/2008	26-05 NES	321518	13006/2008
23-03 A	321575	13081/2008	26-06	321542	12883/2008
23-03 A	321576	13082/2008	26-06	321543	12884/2008
23-03 A	321577	13083/2008	26-06	321550	12919/2008
23-03 A	321578	13084/2008	26-99	321441	12857/2008
23-03 NES	321397	12550/2008	28-03 A	321424	12735/2008
23-04	321570	13068/2008	28-03 A	321425	12736/2008
24-01	321389	12467/2008	28-03 A	321426	12737/2008
24-01	321459	12865/2008	28-03 NES	321407	14195/2008
24-01	321460	12866/2008	28-03 NES	321408	14196/2008
24-01	321640	13119/2008	28-03 NES	321444	12853/2008
24-04	321511	12973/2008	28-03 NES	321545	12886/2008
25-01 A	321410	14480/2008	28-03 NES	321547	12912/2008
25-01 A	321548	12917/2008	29-02	321415	11776/2008
25-01 A	321549	12918/2008	29-02	321417	12718/2008
25-01 B	321564	11850/2008	29-02	321418	12719/2008
25-01 K	321634	10583/2008	29-02	321474	12799/2008
25-01 NES	321586	12896/2008	29-02	321611	13204/2008
25-02 B	321403	12716/2008	29-02	321612	13205/2008
25-02 B	321404	12717/2008	30-04	321611	13204/2008
25-02 C	321396	12540/2008	30-04	321612	13205/2008
25-02 C	321596	13187/2008	99-00	321509	12950/2008
25-02 C	321597	13188/2008	99-00	321589	12909/2008
25-02 D	321515	12977/2008			
25-02 NES	321564	11850/2008			
25-02 NES	321586	12896/2008			
25-02 NES	321633	10579/2008			

(19) AU

- (21) Design Number: **12288/2008**  
(22) Date of Filing Application: **13 May 2008**  
(24) Date from which industrial property rights may have effect: **13 May 2008**  
(54) Product in respect of which the design is registered: **Supporting base for a portable electronic device**  
(51) International Design Classification: **14-99**  
(71) Name(s) and Address(s) of Applicant(s):  
**Sony Computer Entertainment Inc.**  
**2-6-21 Minami-Aoyama Minato-ku Tokyo 107-0062 Japan**  
(72) Name(s) of Designer(s): **Naoto Shimizu**  
(45) Registration Date: **10 October 2008**  
(30) Convention priority data:  
(31) Number      (32) Date      (33) Country  
**2007-035526      26 Dec 2007      JAPAN**  
(56) Related Art Documents: **Not Applicable**  
(57) Statement of Newness and Distinctiveness: **Newness and distinctiveness resides in the features of shape and configuration of a supporting base for a portable electronic device as illustrated in the accompanying representations. The portable electronic device shown in broken line, in Figures 12 and 13 is shown for illustrative purposes only and does not form part of the design.**



(19) AU

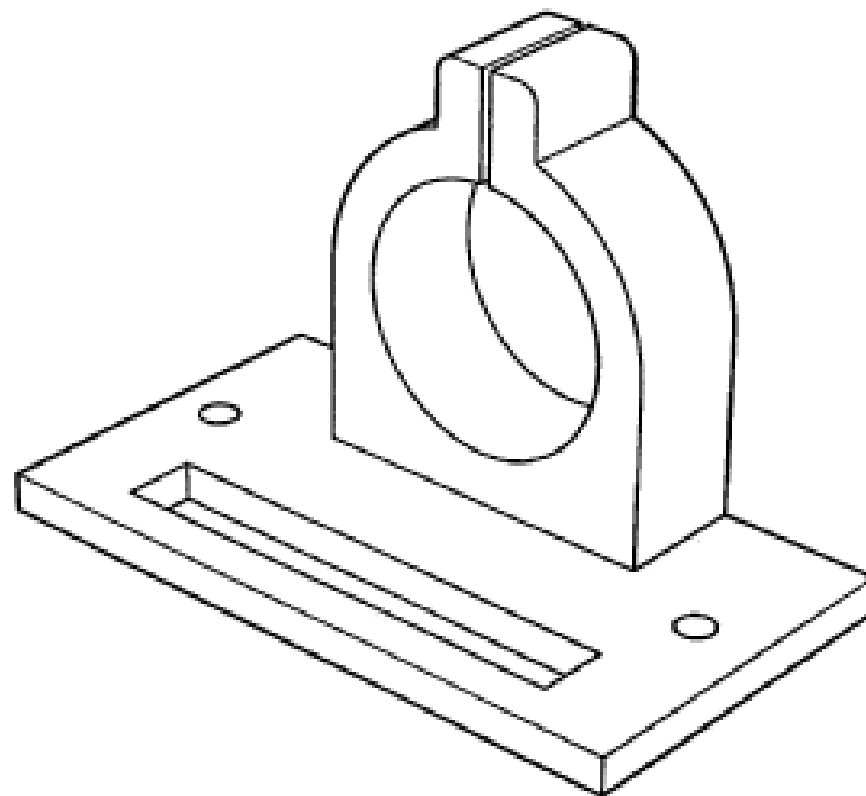
- (21) Design Number: **12467/2008**  
(22) Date of Filing Application: **23 May 2008**  
(24) Date from which industrial property rights may have effect: **23 May 2008**  
(54) Product in respect of which the design is registered: **Monitor**  
(51) International Design Classification: **14-02, 24-01**  
(71) Name(s) and Address(s) of Applicant(s):  
**Omron Healthcare Co., Ltd.**  
**24 Yamanouchi Yamanoshita-cho Ukyo-ku Kyoto-shi Kyoto 615-0084 Japan**  
(72) Name(s) of Designer(s): **Kansuke Fukuda and Masahiko Yumoto and Takashi Ono and Takuto Serizawa and Takashi Shigeno and Kazuya Andachi**  
(45) Registration Date: **10 October 2008**  
(30) Convention priority data:  
(31) Number      (32) Date      (33) Country  
**2007-032434      27 Nov 2007      JAPAN**  
(56) Related Art Documents: **Not Applicable**  
(57) Statement of Newness and Distinctiveness: **Those features of the monitor depicted in the representations that are new and distinctive are the features shown in the front view.**



- (21) Design Number: **12471/2008**
- (22) Date of Filing Application: **27 May 2008**
- (24) Date from which industrial property rights may have effect: **27 May 2008**
- (54) Product in respect of which the design is registered: **Antenna clip**
- (51) International Design Classification: **08-08C, 14-03NES**
- (71) Name(s) and Address(s) of Applicant(s):

**Robert Stanley Ayles**  
**34 Gladstone Road Brighton South Australia 5048 Australia**

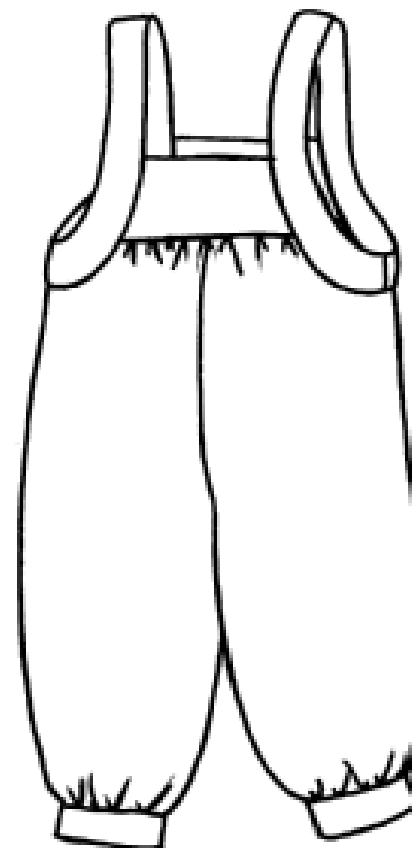
- (72) Name(s) of Designer(s): **Robert Stanley Ayles**
- (45) Registration Date: **10 October 2008**
- (56) Related Art Documents: **Not Applicable**
- (57) Statement of Newness and Distinctiveness: **Nil**



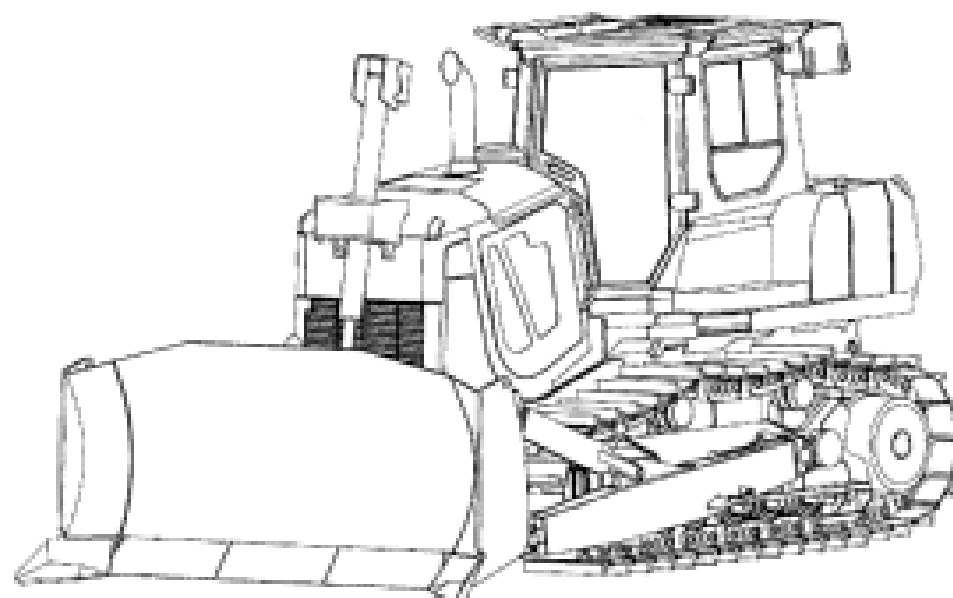
- (21) Design Number: **12474/2008**
- (22) Date of Filing Application: **27 May 2008**
- (24) Date from which industrial property rights may have effect: **27 May 2008**
- (54) Product in respect of which the design is registered: **Baby overalls**
- (51) International Design Classification: **02-02C**
- (71) Name(s) and Address(s) of Applicant(s):

**Susan Margaret Allison-Rogers**  
**2 Binney Court Sandy Bay Tasmania 7005 Australia**

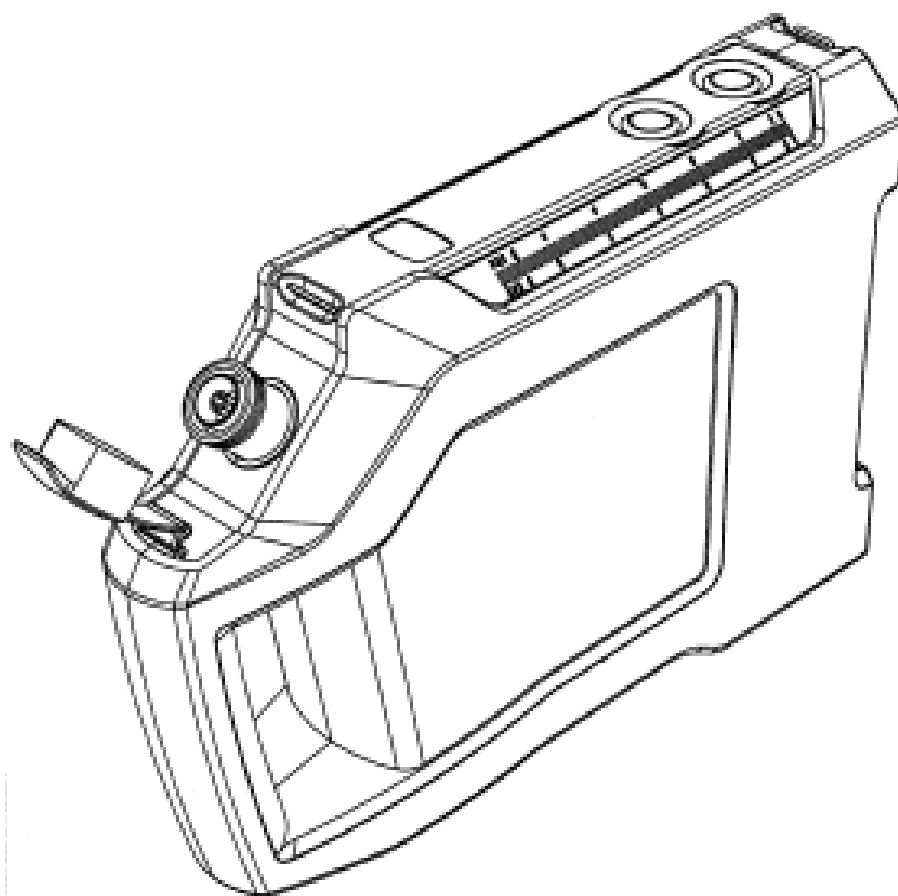
- (72) Name(s) of Designer(s): **Susan Margaret Allison-Rogers**
- (45) Registration Date: **10 October 2008**
- (56) Related Art Documents: **Not Applicable**
- (57) Statement of Newness and Distinctiveness: **Monopoly is claimed in the shape and/or configuration of the clothing as illustrated in the accompanying representations.**



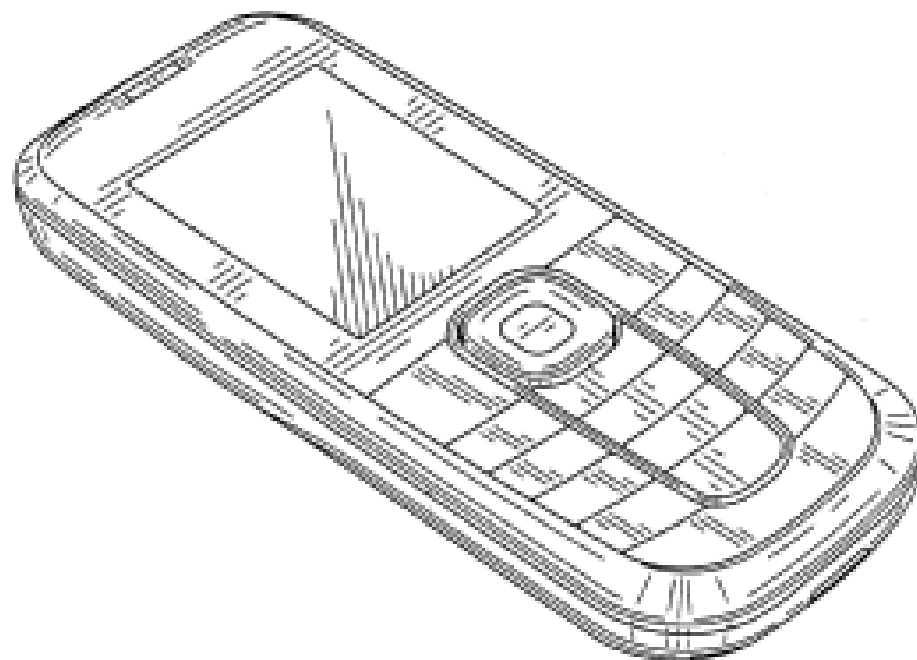
- (21) Design Number: **12492/2008**  
(22) Date of Filing Application: **26 May 2008**  
(24) Date from which industrial property rights may have effect: **26 May 2008**  
(54) Product in respect of which the design is registered: **Earth moving machine**  
(51) International Design Classification: **15-04**  
(71) Name(s) and Address(s) of Applicant(s):  
**Caterpillar Inc.**  
**100 N E Adams Street Peoria Illinois 61629-6490 United States of America**  
(72) Name(s) of Designer(s): **Michael D. Betz and Stephen C. Garnett and Ashley D. Menges and Amy L. Moore-McKee and Daniel J. Whiting and Paul S. Petersen and Gerald A. Nuese**  
(45) Registration Date: **10 October 2008**  
(30) Convention priority data:  
(31) Number (32) Date (33) Country  
**29/293705 07 Dec 2007 UNITED STATES OF AMERICA**  
(56) Related Art Documents: **Not Applicable**  
(57) Statement of Newness and Distinctiveness: **Nil**



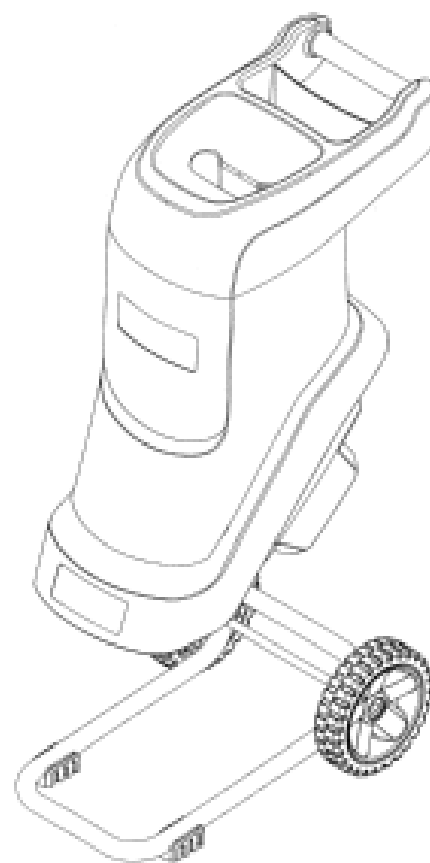
- (21) Design Number: **12493/2008**  
(22) Date of Filing Application: **26 May 2008**  
(24) Date from which industrial property rights may have effect: **26 May 2008**  
(54) Product in respect of which the design is registered: **Interference test apparatus**  
(51) International Design Classification: **10-05, 14-03NES**  
(71) Name(s) and Address(s) of Applicant(s):  
**Triasx Pty Ltd**  
**Unit 2/205 Queensport Road Murrarie Queensland 4172 Australia**  
(72) Name(s) of Designer(s): **Greg Delforce**  
(45) Registration Date: **10 October 2008**  
(56) Related Art Documents: **Not Applicable**  
(57) Statement of Newness and Distinctiveness: **Nil**



- (21) Design Number: **12536/2008**  
(22) Date of Filing Application: **27 May 2008**  
(24) Date from which industrial property rights may have effect: **27 May 2008**  
(54) Product in respect of which the design is registered: **Handset**  
(51) International Design Classification: **14-03A**  
(71) Name(s) and Address(s) of Applicant(s):  
**Nokia Corporation**  
**Keilalahdentie 4 FIN-02150 Espoo Finland**  
(72) Name(s) of Designer(s): **Liu Hang**  
(45) Registration Date: **10 October 2008**  
(30) Convention priority data:  
(31) Number (32) Date (33) Country  
**29298338 03 Dec 2007 UNITED STATES OF AMERICA**  
(56) Related Art Documents: **Not Applicable**  
(57) Statement of Newness and Distinctiveness: **Newness and distinctiveness is claimed in the visual features shown in solid lines in the representations.**



- (21) Design Number: **12539/2008**  
(22) Date of Filing Application: **27 May 2008**  
(24) Date from which industrial property rights may have effect: **27 May 2008**  
(54) Product in respect of which the design is registered: **Impact shredder**  
(51) International Design Classification: **15-03B**  
(71) Name(s) and Address(s) of Applicant(s):  
**Techtronic Industries Company Limited**  
**24/F CDW Building 388 Castle Peak Road Tsuen Wan New Territories**  
**Hong Kong**  
(72) Name(s) of Designer(s): **Ka Chun Lau and Hee Wing Lau and Benson**  
**Chun Kit Cheung**  
(45) Registration Date: **10 October 2008**  
(56) Related Art Documents: **Not Applicable**  
(57) Statement of Newness and Distinctiveness: **Nil**



(21) Design Number: **12540/2008**

(22) Date of Filing Application: **28 May 2008**

(24) Date from which industrial property rights may have effect: **28 May 2008**

(54) Product in respect of which the design is registered: **Fencing-gates**

(51) International Design Classification: **25-02C**

(71) Name(s) and Address(s) of Applicant(s):

**Henry Stubbings**

**44 Magdalene Terrace Pasadena South Australia 5042 Australia**

(72) Name(s) of Designer(s): **Henry Stubbings**

(45) Registration Date: **10 October 2008**

(56) Related Art Documents: **Not Applicable**

(57) Statement of Newness and Distinctiveness: **Tubular fence of decorative appearance. Reducing cost. Hazard free.**



(21) Design Number: **12550/2008**

(22) Date of Filing Application: **27 May 2008**

(24) Date from which industrial property rights may have effect: **27 May 2008**

(54) Product in respect of which the design is registered: **Heating module for a contact lens warming apparatus**

(51) International Design Classification: **23-03NES**

(71) Name(s) and Address(s) of Applicant(s):

**Qirx Pty Ltd**

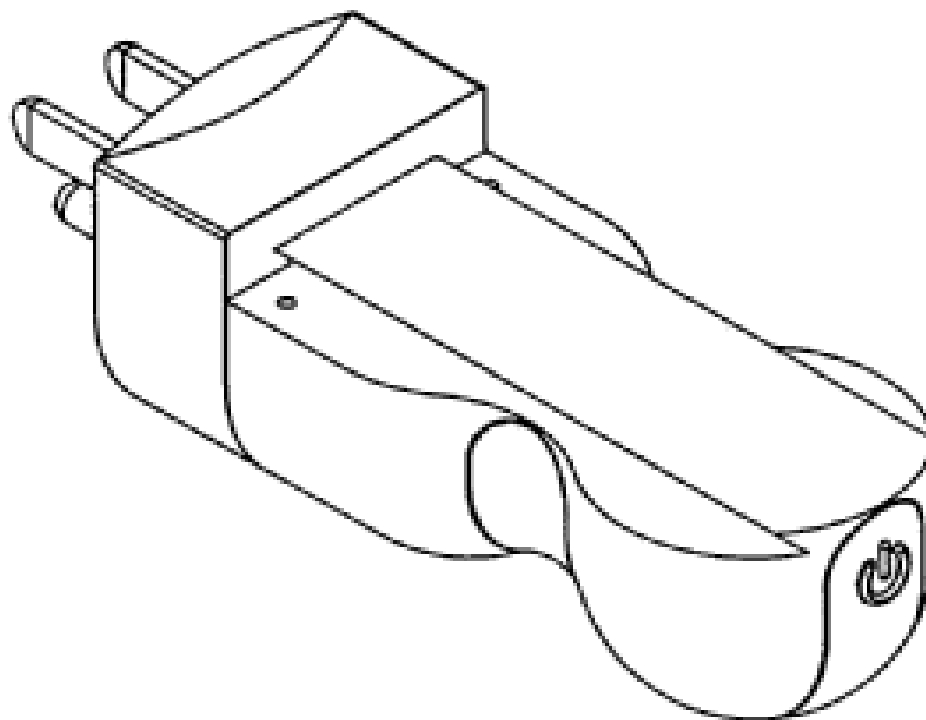
**5/19 Tooth Street Mitchell ACT 2911 Australia**

(72) Name(s) of Designer(s): **Dale Stevens and Blake Stevens**

(45) Registration Date: **10 October 2008**

(56) Related Art Documents: **Not Applicable**

(57) Statement of Newness and Distinctiveness: **Newness and distinctiveness is claimed in the features of shape and/or configuration of a heating module for a contact lens warming apparatus as illustrated in the accompanying representations, apart from the three power prongs at the rear.**



(21) Design Number: **12588/2008**

(22) Date of Filing Application: **28 May 2008**

(24) Date from which industrial property rights may have effect: **28 May 2008**

(54) Product in respect of which the design is registered: **Chair with arms**

(51) International Design Classification: **06-01F**

(71) Name(s) and Address(s) of Applicant(s):

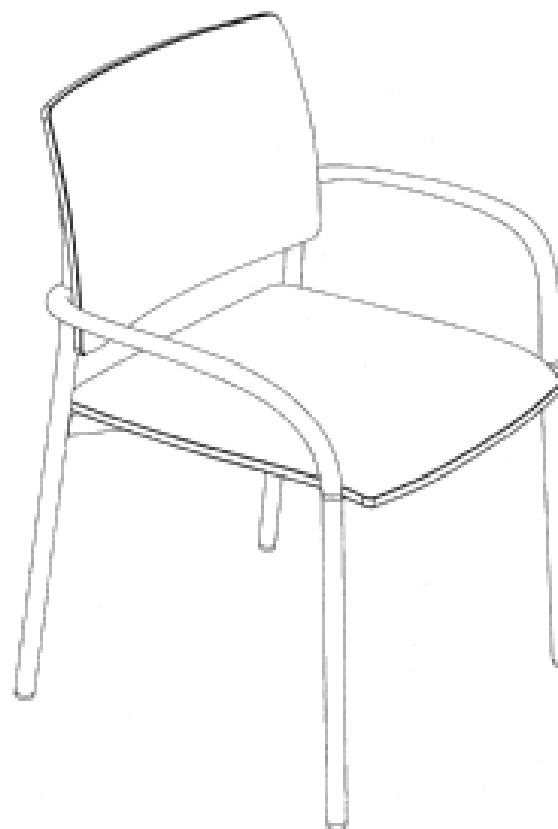
**Eccosit Industries Pty Ltd**  
**16 Lilian Fowler Place Marrickville New South Wales 2204 Australia**

(72) Name(s) of Designer(s): **Karl Kehrer**

(45) Registration Date: **10 October 2008**

(56) Related Art Documents: **Not Applicable**

(57) Statement of Newness and Distinctiveness: **Visual features of the design which are new and distinctive are inter alia the features of shape and/or configuration of the chair as illustrated in the accompanying representations. The chair is shown without upholstery and back and seat cushions as such features do not form part of the design and are to be disregarded in considering the extent of monopoly protection.**



(21) Design Number: **12589/2008**

(22) Date of Filing Application: **28 May 2008**

(24) Date from which industrial property rights may have effect: **28 May 2008**

(54) Product in respect of which the design is registered: **Tricyclic scooter**

(51) International Design Classification: **21-01F, 12-11**

(71) Name(s) and Address(s) of Applicant(s):

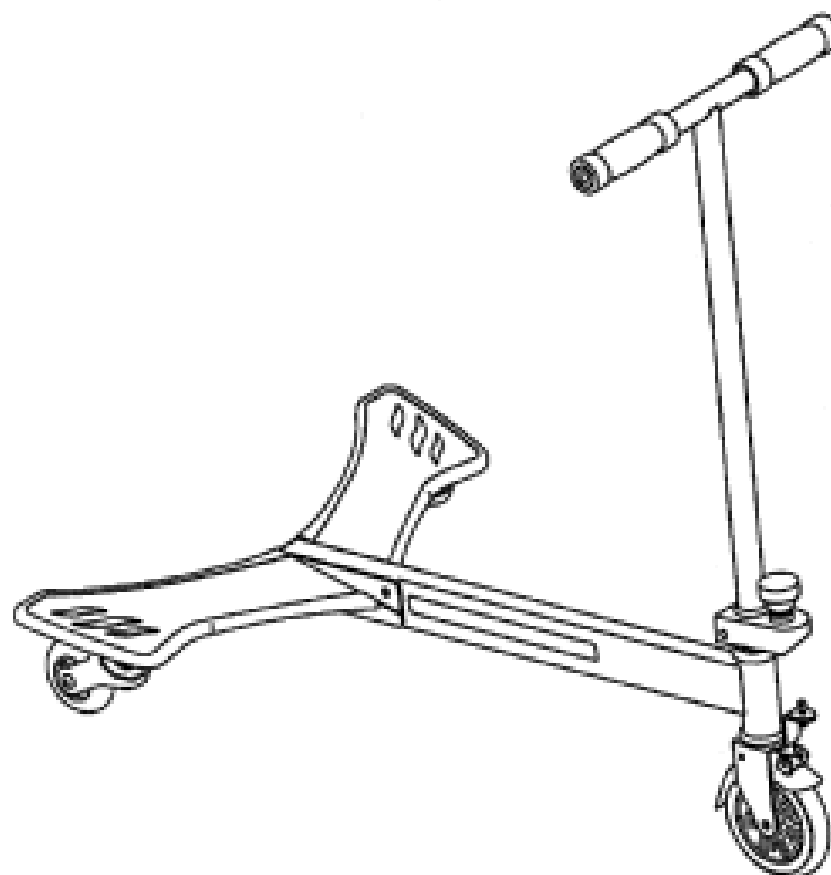
**Razor USA LLC**  
**16200A Carmenita Road Cerritos CA 90703 United States of America**

(72) Name(s) of Designer(s): **Steve Sramek and Robert Hadley**

(45) Registration Date: **10 October 2008**

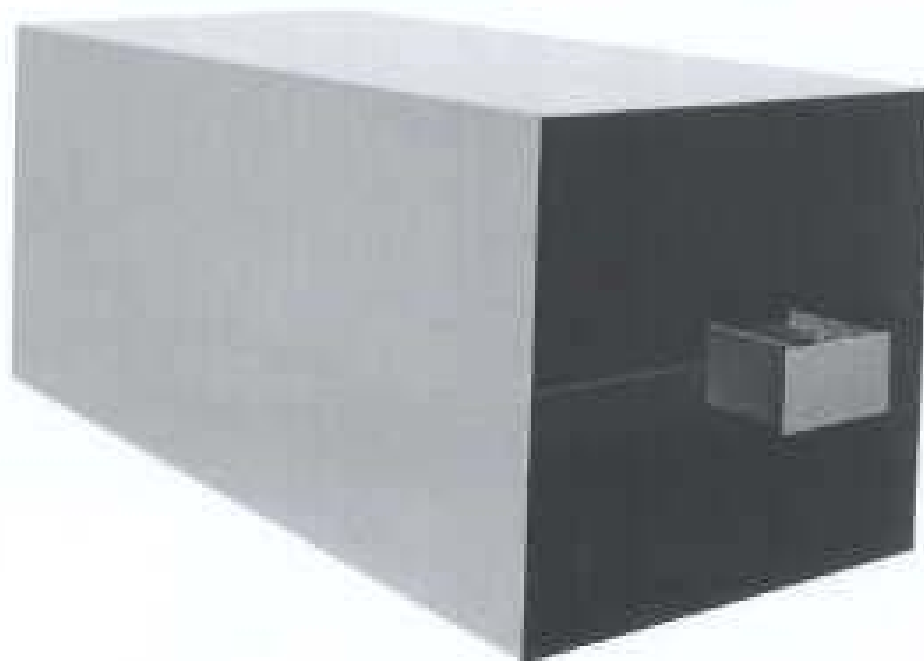
(56) Related Art Documents: **Not Applicable**

(57) Statement of Newness and Distinctiveness: **Nil**

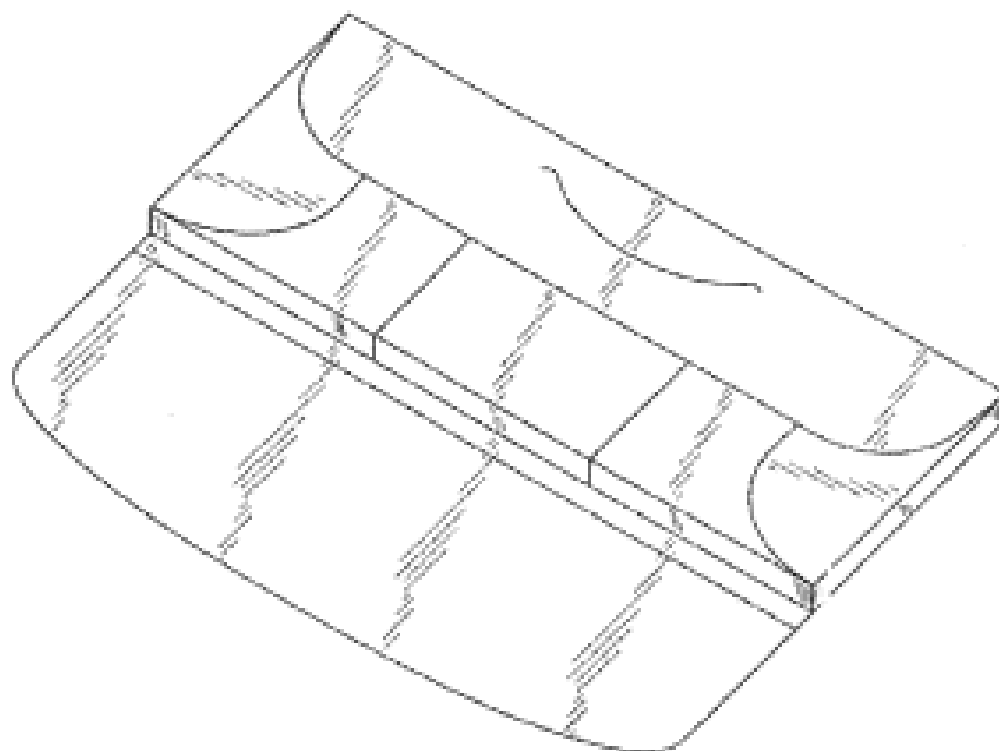




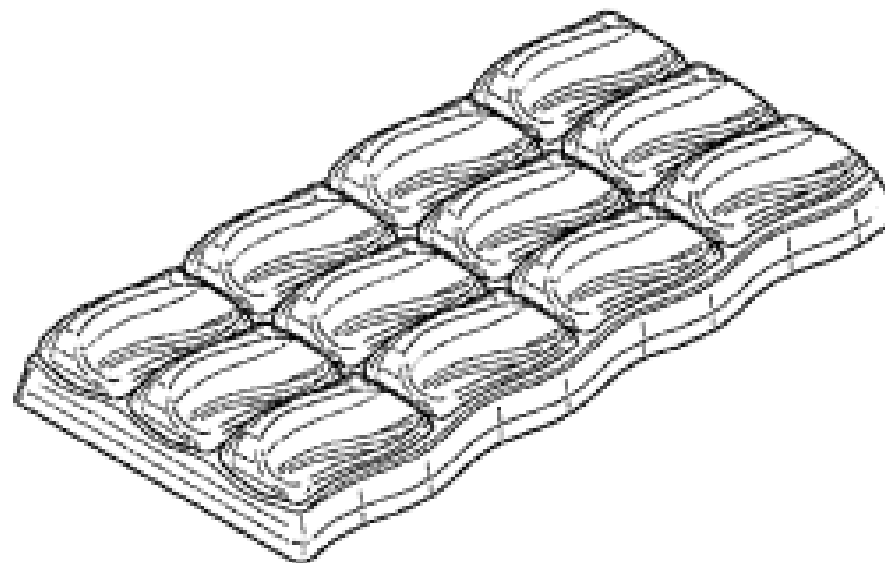
- (21) Design Number: **12712/2008**  
(22) Date of Filing Application: **05 June 2008**  
(24) Date from which industrial property rights may have effect: **05 June 2008**  
(54) Product in respect of which the design is registered: **EMC intense electric field antenna**  
(51) International Design Classification: **14-03NES**  
(71) Name(s) and Address(s) of Applicant(s):  
**Masprodenkoh Kabushikikaisha**  
**80 Johnoh Asada-cho Nisshin-shi Aichi Japan**  
(72) Name(s) of Designer(s): **Masamune Takeda and Kota Yamada**  
(45) Registration Date: **10 October 2008**  
(56) Related Art Documents: **Not Applicable**  
(57) Statement of Newness and Distinctiveness: **Newness and distinctiveness is claimed in the features of shape, pattern and/or configuration of an EMC intense electric field antenna as illustrated in the accompanying representations.**



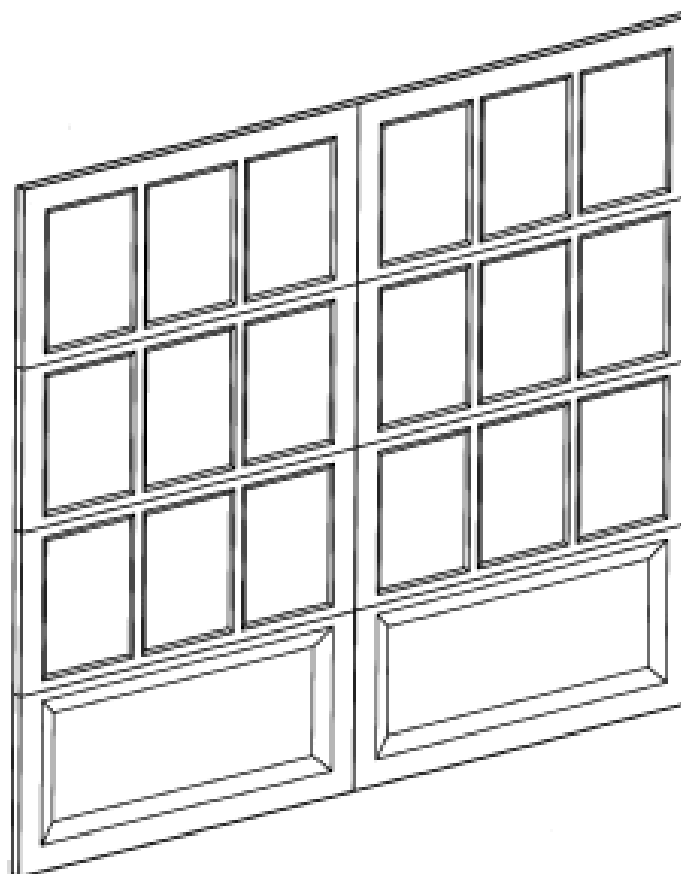
- (21) Design Number: **12714/2008**  
(22) Date of Filing Application: **05 June 2008**  
(24) Date from which industrial property rights may have effect: **05 June 2008**  
(54) Product in respect of which the design is registered: **Packaging**  
(51) International Design Classification: **09-03NES**  
(71) Name(s) and Address(s) of Applicant(s):  
**Mars, Incorporated**  
**6885 Elm Street McLean Virginia 22101-3883 United States of America**  
(72) Name(s) of Designer(s): **Robert M. Friedman and Lawrence A. Bone and Sharon M. Weaver**  
(45) Registration Date: **10 October 2008**  
(30) Convention priority data:  
(31) Number (32) Date (33) Country  
**29/317,343 28 Apr 2008 UNITED STATES OF AMERICA**  
(56) Related Art Documents: **Not Applicable**  
(57) Statement of Newness and Distinctiveness: **The novelty of the design resides in the features of shape and configuration as depicted in the attached representations.**



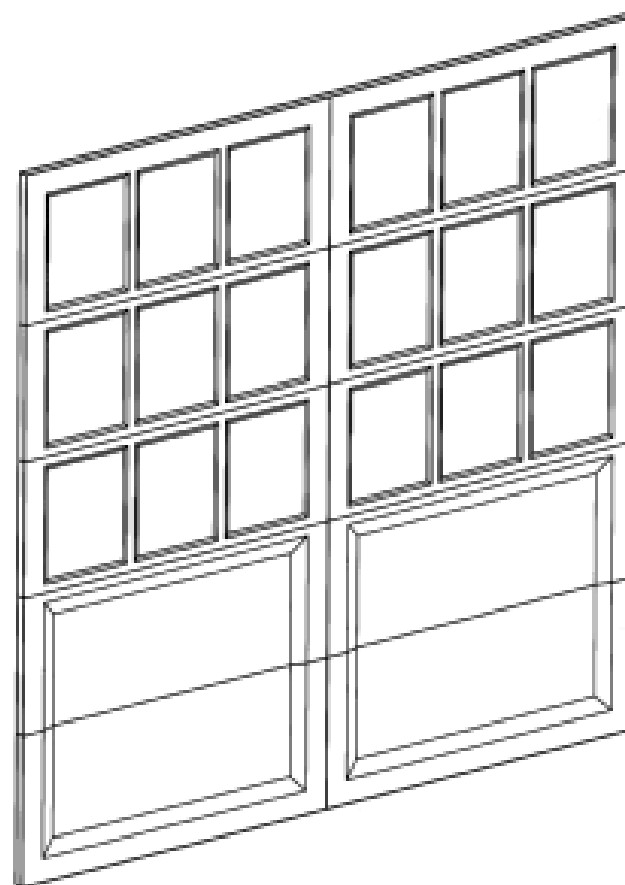
(21) Design Number: **12715/2008**  
(22) Date of Filing Application: **05 June 2008**  
(24) Date from which industrial property rights may have effect: **05 June 2008**  
(54) Product in respect of which the design is registered: **Confectionery**  
(51) International Design Classification: **01-01**  
(71) Name(s) and Address(s) of Applicant(s):  
**Mars, Incorporated**  
**6885 Elm Street McLean Virginia 22101-3883 United States of America**  
(72) Name(s) of Designer(s): **Sue Wilson and Lauren Brooking and Phil Jenkins and Rob Wheatcroft**  
(45) Registration Date: **10 October 2008**  
(30) Convention priority data:  
(31) Number (32) Date (33) Country  
**29/299,205 20 Dec 2007 UNITED STATES OF AMERICA**  
(56) Related Art Documents: **Not Applicable**  
(57) Statement of Newness and Distinctiveness: **The novelty of the design resides in: (a) the visual appearance of shape and configuration of 12 elements joined together to form the design as depicted in Figures 1, 2 and 3, and (b) the visual appearance of the frame surrounding the entire design as depicted in Figures 1, 2, 4 and 5.**



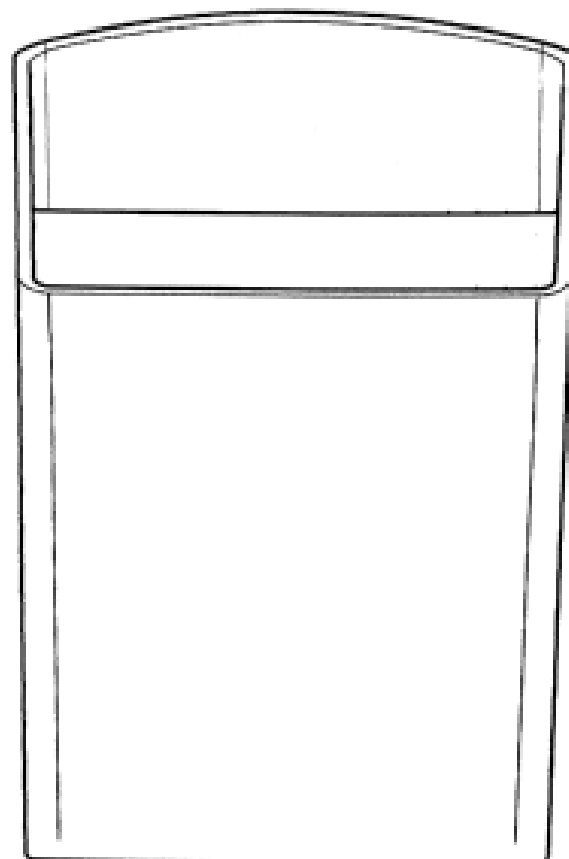
(21) Design Number: **12716/2008**  
(22) Date of Filing Application: **05 June 2008**  
(24) Date from which industrial property rights may have effect: **05 June 2008**  
(54) Product in respect of which the design is registered: **Overhead garage door facade**  
(51) International Design Classification: **25-02B**  
(71) Name(s) and Address(s) of Applicant(s):  
**Frenchporte IP, LLC**  
**121 Congressional Lane Penthouse Suite Rockville Maryland 20852 United States of America**  
(72) Name(s) of Designer(s): **Jennifer Armstrong Maher**  
(45) Registration Date: **10 October 2008**  
(56) Related Art Documents: **Not Applicable**  
(57) Statement of Newness and Distinctiveness: **Newness and distinctiveness reside in the shape and/or configuration of an overhead garage door facade illustrated by solid lines in the accompanying representations. The features shown in discontinuous lines or in broken outline are for illustrative purposes only and do not form part of the design**



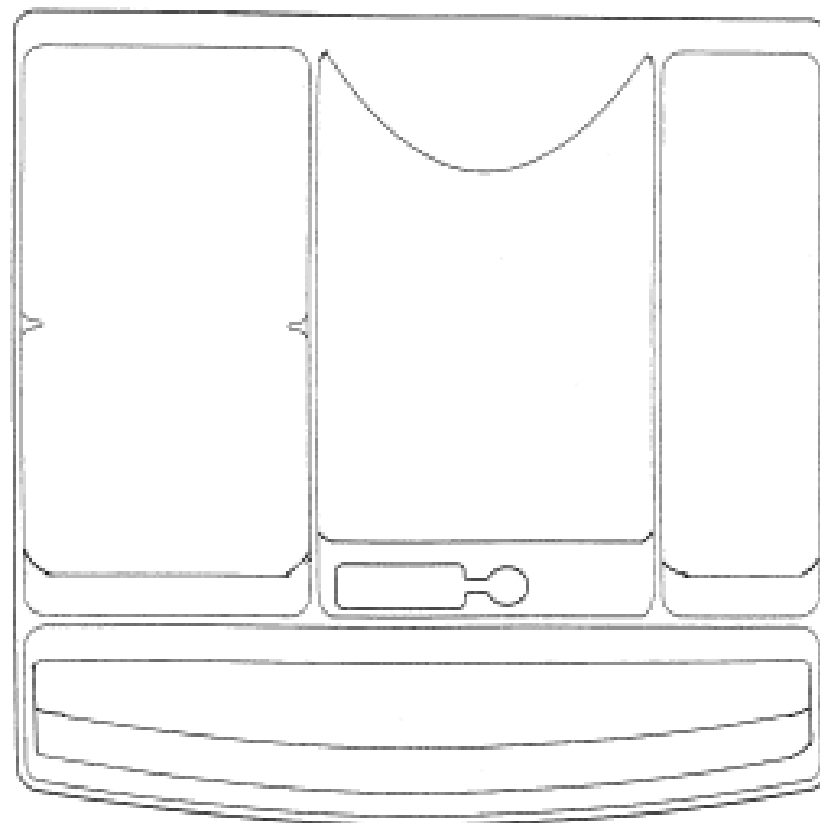
- (21) Design Number: **12717/2008**  
(22) Date of Filing Application: **05 June 2008**  
(24) Date from which industrial property rights may have effect: **05 June 2008**  
(54) Product in respect of which the design is registered: **Overhead garage door facade**  
(51) International Design Classification: **25-02B**  
(71) Name(s) and Address(s) of Applicant(s):  
**Frenchporte IP, LLC**  
**121 Congressional Lane Penthouse Suite Rockville Maryland 20852**  
**United States of America**  
(72) Name(s) of Designer(s): **Jennifer Armstrong Maher**  
(45) Registration Date: **10 October 2008**  
(56) Related Art Documents: **Not Applicable**  
(57) Statement of Newness and Distinctiveness: **Newness and distinctiveness reside in the shape and/or configuration of an overhead garage door facade illustrated by solid lines in the accompanying representations. The features shown in discontinuous lines or in broken outline are for illustrative purposes only and do not form part of the design.**



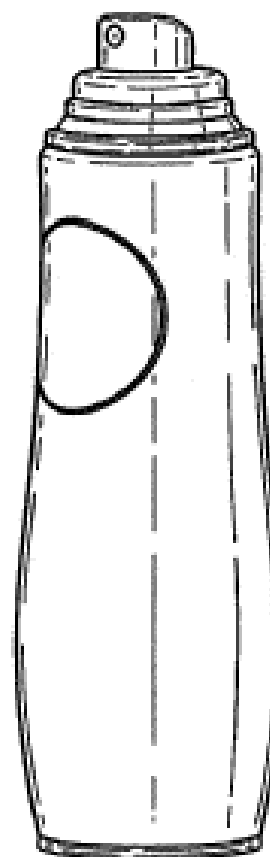
- (21) Design Number: **12108/2008**  
(22) Date of Filing Application: **05 May 2008**  
(24) Date from which industrial property rights may have effect: **05 May 2008**  
(54) Product in respect of which the design is registered: **Container**  
(51) International Design Classification: **09-03M**  
(71) Name(s) and Address(s) of Applicant(s):  
**Esselte Australia Pty Ltd**  
**Level 1 82 Waterloo Road Macquarie Park New South Wales 2113**  
**Australia**  
(72) Name(s) of Designer(s): **Nathan Burke and Sam Trewartha and Yashin Radhakrishnan**  
(45) Registration Date: **14 October 2008**  
(56) Related Art Documents: **Not Applicable**  
(57) Statement of Newness and Distinctiveness: **Newness and distinctiveness reside in the features of the shape and configuration of the design as shown in the representations.**



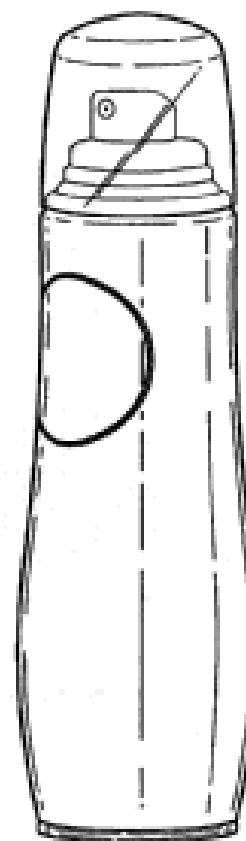
- (21) Design Number: **12111/2008**  
(22) Date of Filing Application: **05 May 2008**  
(24) Date from which industrial property rights may have effect: **05 May 2008**  
(54) Product in respect of which the design is registered: **Tray**  
(51) International Design Classification: **19-02**  
(71) Name(s) and Address(s) of Applicant(s):  
**Esselte Australia Pty Ltd**  
**Level 1 82 Waterloo Road Macquarie Park New South Wales 2113**  
**Australia**  
(72) Name(s) of Designer(s): **Nathan Burke and Sam Trewartha and Yashin Radhakrishnan**  
(45) Registration Date: **14 October 2008**  
(56) Related Art Documents: **Not Applicable**  
(57) Statement of Newness and Distinctiveness: **Newness and distinctiveness reside in the features of the shape and configuration of the design as shown in the representations, and in particular in the appearance of the through slot.**



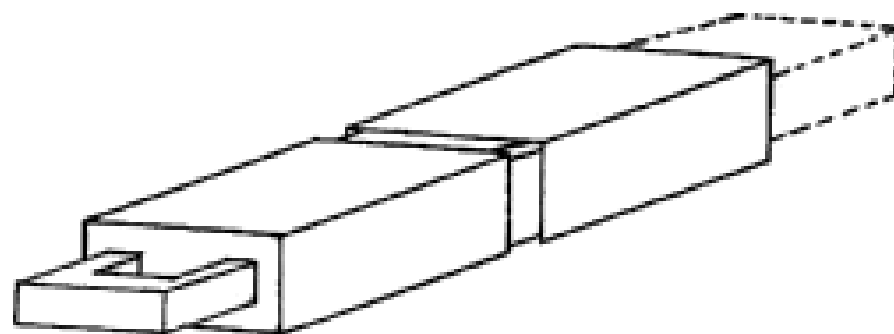
- (21) Design Number: **14195/2008**  
(22) Date of Filing Application: **29 August 2008**  
(24) Date from which industrial property rights may have effect: **29 August 2008**  
(54) Product in respect of which the design is registered: **Cosmetic container**  
(51) International Design Classification: **28-03NES**  
(71) Name(s) and Address(s) of Applicant(s):  
**Reckitt Benckiser (UK) Limited**  
**103-105 Bath Road Slough Berkshire SL1 3UH United Kingdom**  
(72) Name(s) of Designer(s): **Chris Padain and Matthew Wright and Julian Sellers**  
(45) Registration Date: **14 October 2008**  
(30) Convention priority data:  
(31) Number      (32) Date      (33) Country  
**000898622-0001   17 Mar 2008      EUROPEAN COMMUNITY**  
(56) Related Art Documents: **Not Applicable**  
(57) Statement of Newness and Distinctiveness: **Newness and distinctiveness reside in the features of the design as shown in the representations.**



- (21) Design Number: **14196/2008**  
(22) Date of Filing Application: **29 August 2008**  
(24) Date from which industrial property rights may have effect: **29 August 2008**  
(54) Product in respect of which the design is registered: **Cosmetic container**  
(51) International Design Classification: **28-03NES**  
(71) Name(s) and Address(s) of Applicant(s):  
**Reckitt Benckiser (UK) Limited**  
**103-105 Bath Road Slough Berkshire SL1 3UH United Kingdom**  
(72) Name(s) of Designer(s): **Chris Padain and Matthew Wright and Julian Sellers**  
(45) Registration Date: **14 October 2008**  
(30) Convention priority data:  
(31) Number (32) Date (33) Country  
**000898622-0002 17 Mar 2008 EUROPEAN COMMUNITY**  
(56) Related Art Documents: **Not Applicable**  
(57) Statement of Newness and Distinctiveness: **Newness and distinctiveness reside in the features of the design as shown in the representations.**



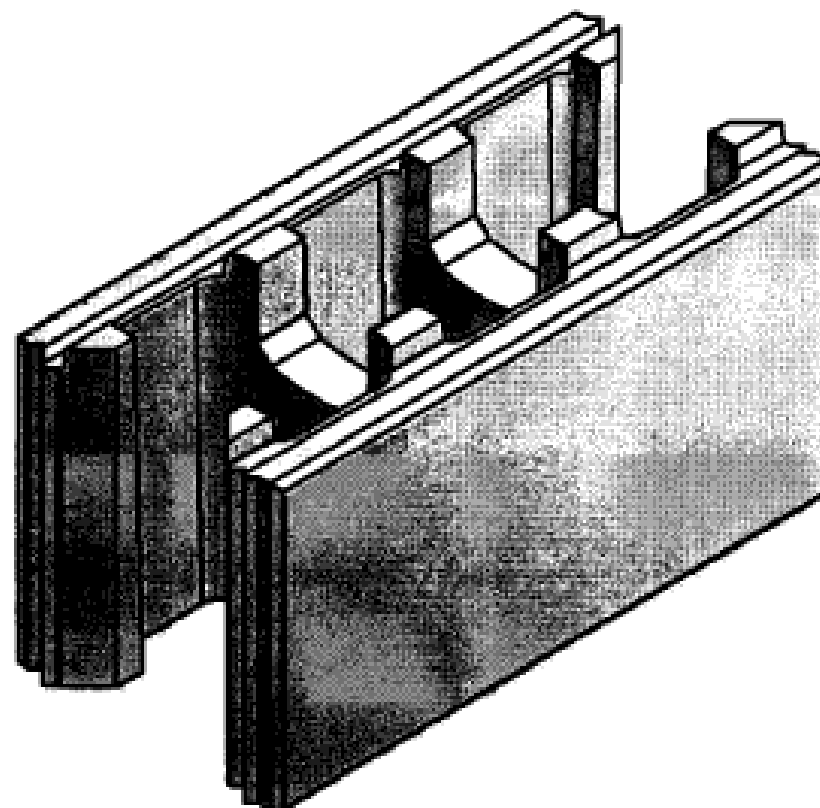
- (21) Design Number: **14384/2008**  
(22) Date of Filing Application: **10 September 2008**  
(24) Date from which industrial property rights may have effect: **10 September 2008**  
(54) Product in respect of which the design is registered: **Portable memory device**  
(51) International Design Classification: **14-02**  
(71) Name(s) and Address(s) of Applicant(s):  
**D:Net Media Pty Ltd**  
**14 Raleigh Street Windsor Victoria 3181 Australia**  
(72) Name(s) of Designer(s): **Nathan Burke**  
(45) Registration Date: **14 October 2008**  
(56) Related Art Documents: **Not Applicable**  
(57) Statement of Newness and Distinctiveness: **Newness and distinctiveness is claimed in respect of the shape and/or configuration of the product illustrated in the accompanying representations and in considering the newness and distinctiveness the shape and/or configuration of the male connector shown in dotted lines does not form part of the design and is to be disregarded.**



- (21) Design Number: **14480/2008**  
(22) Date of Filing Application: **19 September 2008**  
(24) Date from which industrial property rights may have effect: **19 September 2008**  
(54) Product in respect of which the design is registered: **Masonry block**  
(51) International Design Classification: **25-01A**  
(71) Name(s) and Address(s) of Applicant(s):

**C & M Brick Pty Ltd**  
**Level 1 157 Grenfell Street Adelaide South Australia 5000 Australia**

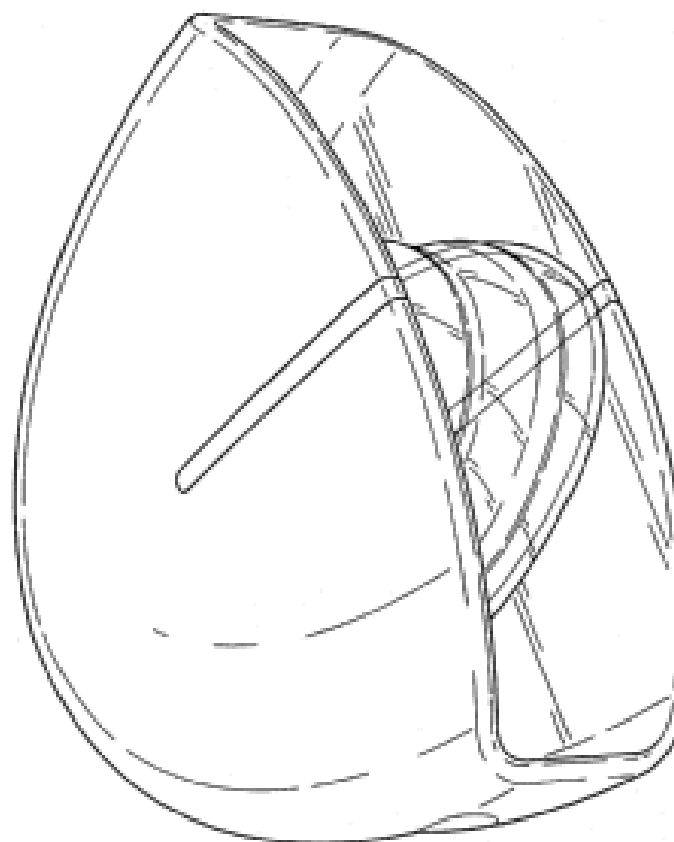
- (72) Name(s) of Designer(s): **John Kenneth Dyson**  
(45) Registration Date: **14 October 2008**  
(56) Related Art Documents: **Not Applicable**  
(57) Statement of Newness and Distinctiveness: **The newness and distinctiveness of the design resides in the shape and/or configuration of the masonry block shown in the representations having particular regard to the shape/contours of the ends of the blocks and the alignment of the vertically extending nibs with the struts connecting the two side faces.**



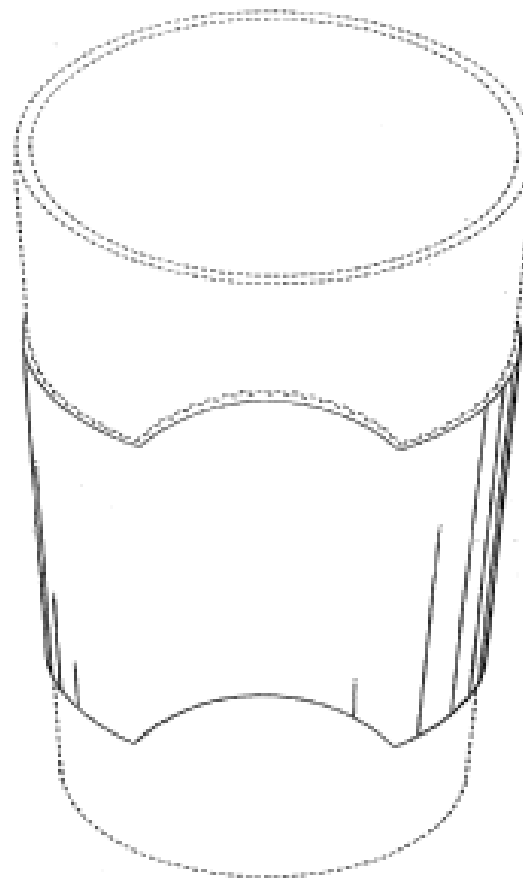
- (21) Design Number: **14483/2008**  
(22) Date of Filing Application: **18 September 2008**  
(24) Date from which industrial property rights may have effect: **18 September 2008**  
(54) Product in respect of which the design is registered: **Rodent bait station**  
(51) International Design Classification: **22-06**  
(71) Name(s) and Address(s) of Applicant(s):

**Reckitt Benckiser (Australia) Pty Limited**  
**44 Wharf Road West Ryde New South Wales 2114 Australia**

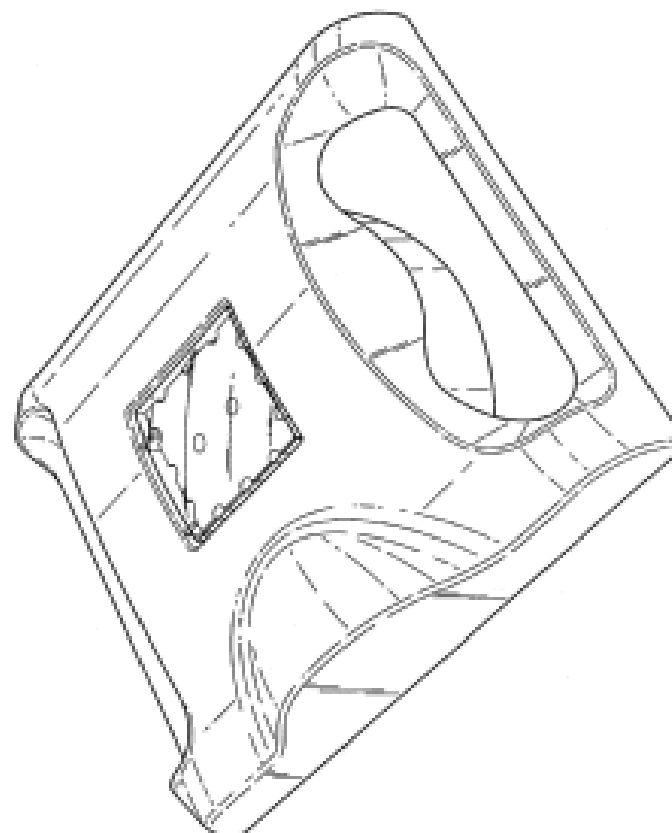
- (72) Name(s) of Designer(s): **Guido Brandt and Jerry Chiang and Daniel Serra**  
(45) Registration Date: **14 October 2008**  
(30) Convention priority data:  
(31) Number      (32) Date      (33) Country  
**000917042-0001   16 Apr 2008      EUROPEAN COMMUNITY**  
(56) Related Art Documents: **Not Applicable**  
(57) Statement of Newness and Distinctiveness: **Newness and distinctiveness reside in the features of the design as shown in the representations.**



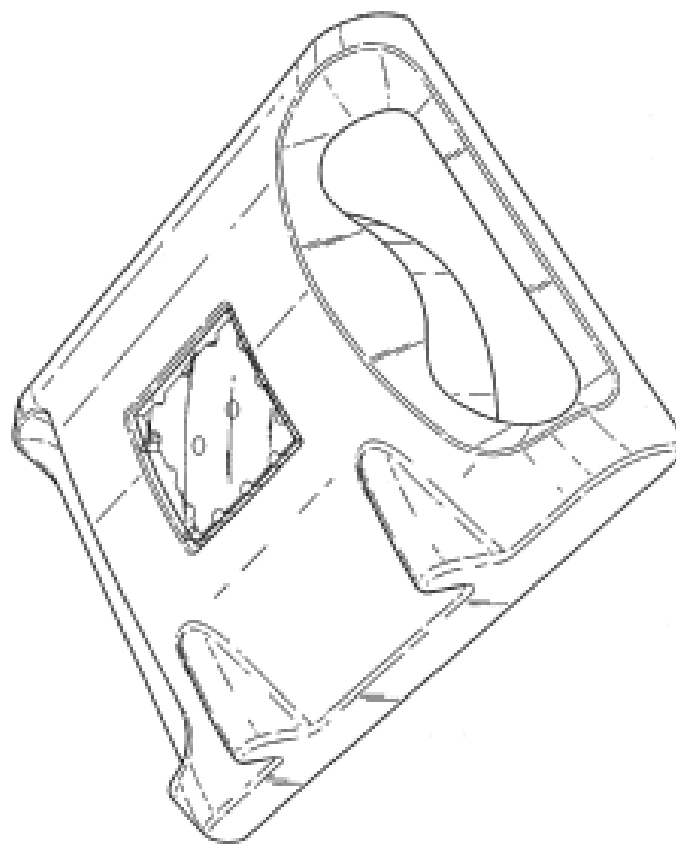
- (21) Design Number: **14486/2008**  
(22) Date of Filing Application: **19 September 2008**  
(24) Date from which industrial property rights may have effect: **19 September 2008**  
(54) Product in respect of which the design is registered: **Protective sleeve**  
(51) International Design Classification: **07-06A**  
(71) Name(s) and Address(s) of Applicant(s):  
**LBP Manufacturing, Inc.**  
**1325 S. Cicero Avenue Cicero IL 60804 United States of America**  
(72) Name(s) of Designer(s): **Barry L. Silverstein and Matthew R. Cook and Kurt M. Wolf and James A. Hubbard Jr.**  
(45) Registration Date: **14 October 2008**  
(30) Convention priority data:  
(31) Number (32) Date (33) Country  
**29/321,925 25 Jul 2008 UNITED STATES OF AMERICA**  
(56) Related Art Documents: **Not Applicable**  
(57) Statement of Newness and Distinctiveness: **Nil**



- (21) Design Number: **14521/2008**  
(22) Date of Filing Application: **22 September 2008**  
(24) Date from which industrial property rights may have effect: **22 September 2008**  
(54) Product in respect of which the design is registered: **Rodent bait station**  
(51) International Design Classification: **22-06**  
(71) Name(s) and Address(s) of Applicant(s):  
**Reckitt Benckiser (Australia) Pty Limited**  
**44 Wharf Road West Ryde New South Wales 2114 Australia**  
(72) Name(s) of Designer(s): **Guido Brandt and Jerry Chiang and Daniel Serra**  
(45) Registration Date: **14 October 2008**  
(30) Convention priority data:  
(31) Number (32) Date (33) Country  
**000964374-0001 03 Jul 2008 EUROPEAN COMMUNITY**  
(56) Related Art Documents: **Not Applicable**  
(57) Statement of Newness and Distinctiveness: **Newness and distinctiveness resides in the features of the design as shown in the representations.**



- (21) Design Number: **14522/2008**  
(22) Date of Filing Application: **22 September 2008**  
(24) Date from which industrial property rights may have effect: **22 September 2008**  
(54) Product in respect of which the design is registered: **Rodent bait station**  
(51) International Design Classification: **22-06**  
(71) Name(s) and Address(s) of Applicant(s):  
**Reckitt Benckiser (Australia) Pty Limited**  
**44 Wharf Road West Ryde New South Wales 2114 Australia**  
(72) Name(s) of Designer(s): **Guido Brandt and Jerry Chiang and Daniel Serra**  
(45) Registration Date: **14 October 2008**  
(30) Convention priority data:  
(31) Number (32) Date (33) Country  
**000964374-0002 03 Jul 2008 EUROPEAN COMMUNITY**  
(56) Related Art Documents: **Not Applicable**  
(57) Statement of Newness and Distinctiveness: **Newness and distinctiveness resides in the features of the design as shown in the representations.**



- (21) Design Number: **11776/2008**  
(22) Date of Filing Application: **16 April 2008**  
(24) Date from which industrial property rights may have effect: **16 April 2008**  
(54) Product in respect of which the design is registered: **Safety drop bar**  
(51) International Design Classification: **12-05, 29-02**  
(71) Name(s) and Address(s) of Applicant(s):  
**Redback Engineering and Sales Pty Ltd**  
**955 Barkers Lodge Road Picton New South Wales 2571 Australia**  
(72) Name(s) of Designer(s): **Stephen John McDonald**  
(45) Registration Date: **13 October 2008**  
(56) Related Art Documents: **Not Applicable**  
(57) Statement of Newness and Distinctiveness: **Nil**

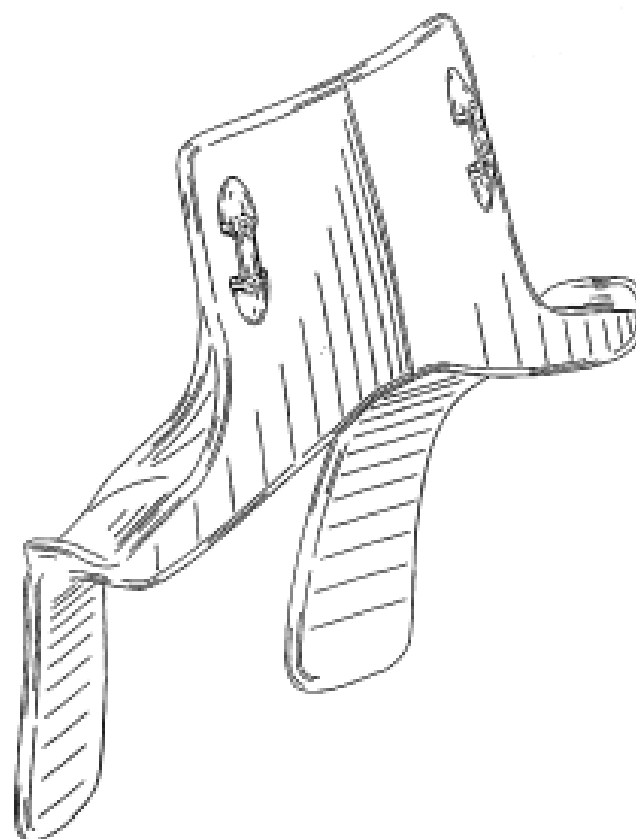




- (21) Design Number: **12702/2008**  
(22) Date of Filing Application: **06 June 2008**  
(24) Date from which industrial property rights may have effect: **06 June 2008**  
(54) Product in respect of which the design is registered: **Cushion for the leg or foot**  
(51) International Design Classification: **06-09**  
(71) Name(s) and Address(s) of Applicant(s):  
**Parnham & Associates Pty Ltd**  
**243 Centre Dandenong Road Cheltenham Victoria 3186 Australia**  
(72) Name(s) of Designer(s): **Leon Parnham**  
(45) Registration Date: **13 October 2008**  
(56) Related Art Documents: **Not Applicable**  
(57) Statement of Newness and Distinctiveness: **Newness and distinctiveness is claimed in the features of shape and/or configuration of the cushion in the accompanying photographs.**



- (21) Design Number: **12718/2008**  
(22) Date of Filing Application: **05 June 2008**  
(24) Date from which industrial property rights may have effect: **05 June 2008**  
(54) Product in respect of which the design is registered: **Restraint device**  
(51) International Design Classification: **29-02**  
(71) Name(s) and Address(s) of Applicant(s):  
**Hans Performance Products**  
**5096 Peachtree Road Atlanta GA 30341 United States of America**  
(72) Name(s) of Designer(s): **Mark A. Stiles**  
(45) Registration Date: **13 October 2008**  
(30) Convention priority data:  
(31) Number (32) Date (33) Country  
**29/298,467 05 Dec 2007 UNITED STATES OF AMERICA**  
(56) Related Art Documents: **Not Applicable**  
(57) Statement of Newness and Distinctiveness: **The shape and configuration of those parts of the restraint device shown other than by means of broken lines in the figures are new and distinctive.**



(21) Design Number: **12719/2008**

(22) Date of Filing Application: **05 June 2008**

(24) Date from which industrial property rights may have effect: **05 June 2008**

(54) Product in respect of which the design is registered: **Restraint device**

(51) International Design Classification: **29-02**

(71) Name(s) and Address(s) of Applicant(s):

**Hans Performance Products  
5096 Peachtree Road Atlanta GA 30341 United States of America**

(72) Name(s) of Designer(s): **Mark A. Stiles**

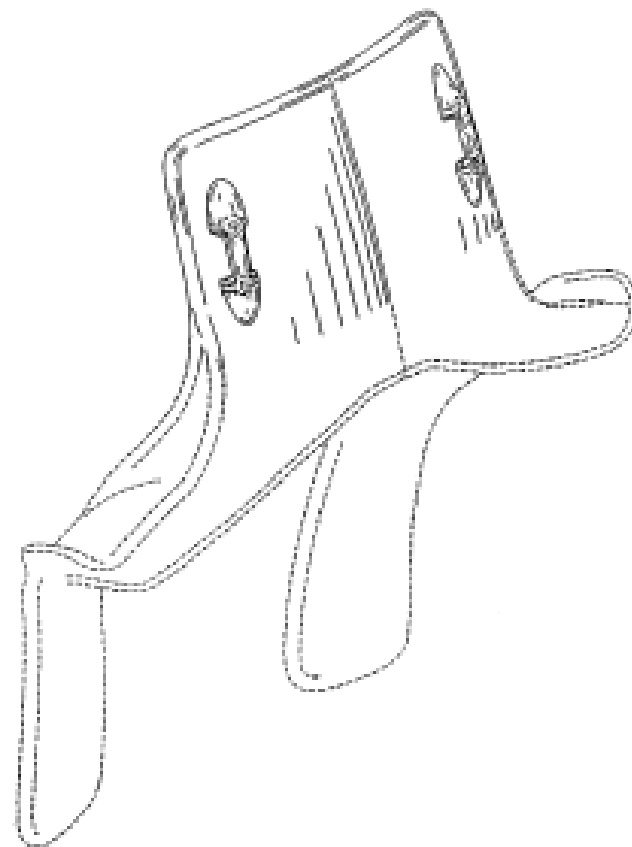
(45) Registration Date: **13 October 2008**

(30) Convention priority data:

(31) Number	(32) Date	(33) Country
<b>29/298,467</b>	<b>05 Dec 2007</b>	<b>UNITED STATES OF AMERICA</b>

(56) Related Art Documents: **Not Applicable**

(57) Statement of Newness and Distinctiveness: **The shape and configuration of those parts of the restraint device shown other than by means of broken lines in the figures are new and distinctive.**



(21) Design Number: **12703/2008**

(22) Date of Filing Application: **06 June 2008**

(24) Date from which industrial property rights may have effect: **06 June 2008**

(54) Product in respect of which the design is registered: **Cushions for the legs and feet**

(51) International Design Classification: **06-09**

(71) Name(s) and Address(s) of Applicant(s):

**Parnham & Associates Pty Ltd  
243 Centre Dandenong Road Cheltenham Victoria 3192 Australia**

(72) Name(s) of Designer(s): **Leon Parnham**

(45) Registration Date: **13 October 2008**

(56) Related Art Documents: **Not Applicable**

(57) Statement of Newness and Distinctiveness: **Newness and distinctiveness is claimed in the features of shape and/or configuration of the cushion in the accompanying photographs.**



- (21) Design Number: **12726/2008**  
(22) Date of Filing Application: **05 June 2008**  
(24) Date from which industrial property rights may have effect: **05 June 2008**  
(54) Product in respect of which the design is registered: **Pedometer**  
(51) International Design Classification: **10-04**  
(71) Name(s) and Address(s) of Applicant(s):

**Nintendo Co., Ltd.**  
**11-1 Hokotate-cho Kamitoba Minami-ku Kyoto-shi Kyoto Japan**

(72) Name(s) of Designer(s): **Kazuhiro Maruyama and Noriko Akita**

(45) Registration Date: **13 October 2008**

(30) Convention priority data:

(31) Number	(32) Date	(33) Country
<b>2007-033613</b>	<b>07 Dec 2007</b>	<b>JAPAN</b>

(56) Related Art Documents: **Not Applicable**

(57) Statement of Newness and Distinctiveness: **Nil**



- (21) Design Number: **12729/2008**  
(22) Date of Filing Application: **06 June 2008**  
(24) Date from which industrial property rights may have effect: **06 June 2008**  
(54) Product in respect of which the design is registered: **A core tray**  
(51) International Design Classification: **09-03F**  
(71) Name(s) and Address(s) of Applicant(s):

**Neil Stockman**  
**28 Jimmy Waston Drive Woodcroft South Australia 5162 Australia**

**Christine Stockman**  
**28 Jimmy Waston Drive Woodcroft South Australia 5162 Australia**

**Heath Stockman**  
**28 Jimmy Waston Drive Woodcroft South Australia 5162 Australia**

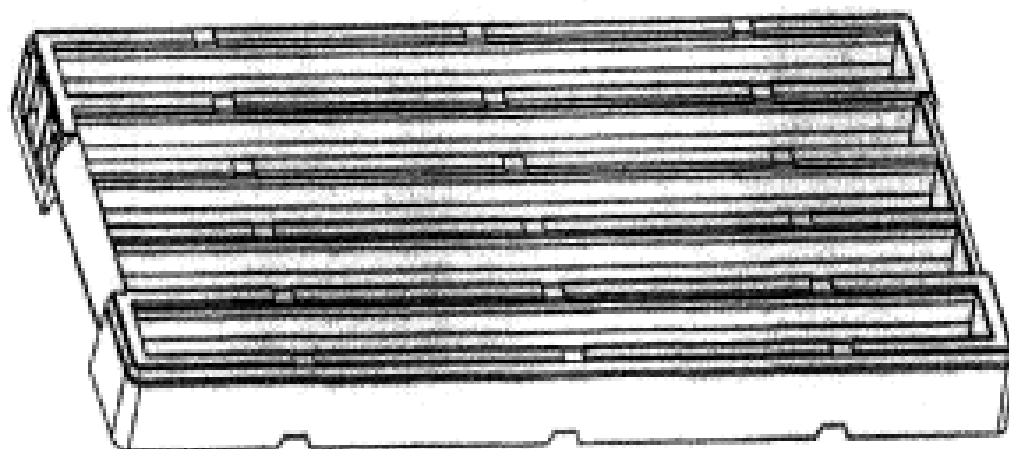
**Kimberly Stockman**  
**28 Jimmy Waston Drive Woodcroft South Australia 5162 Australia**

(72) Name(s) of Designer(s): **Neil Stockman**

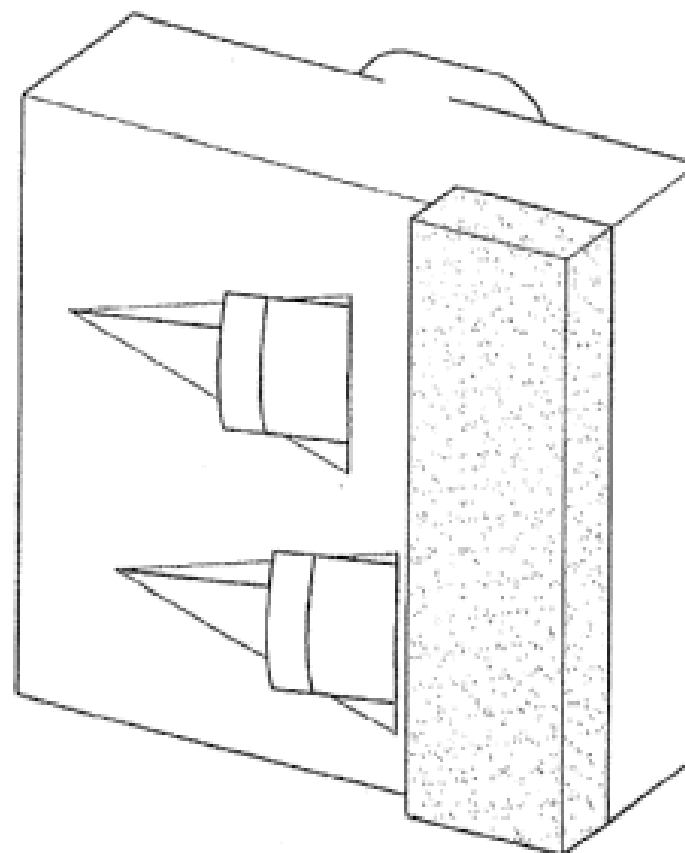
(45) Registration Date: **13 October 2008**

(56) Related Art Documents: **Not Applicable**

(57) Statement of Newness and Distinctiveness: **Newness and distinctiveness is claimed in the shape and configuration of the handles and periphery section of the core tray.**



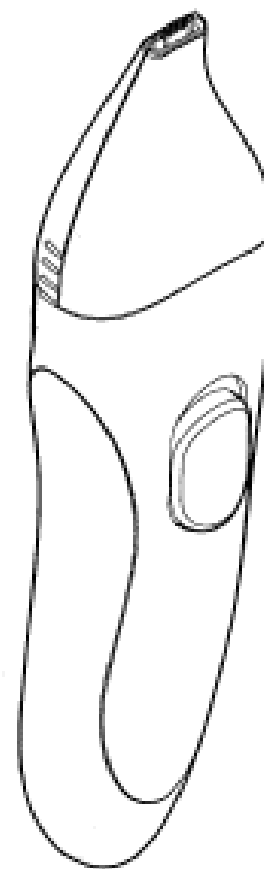
(21) Design Number: **12731/2008**  
(22) Date of Filing Application: **06 June 2008**  
(24) Date from which industrial property rights may have effect: **06 June 2008**  
(54) Product in respect of which the design is registered: **Grinder tip for a grinder**  
(51) International Design Classification: **08-05N**  
(71) Name(s) and Address(s) of Applicant(s):  
**Rin-Soon Park**  
**Yongsang Apartment 1-401 150-3 Wongjong-dong Ojeong-gu**  
**Bucheon-si Gyeonggi-do 421-200 Republic of Korea**  
(72) Name(s) of Designer(s): **Rin-Soon Park**  
(45) Registration Date: **13 October 2008**  
(30) Convention priority data:  
(31) Number (32) Date (33) Country  
**30-2007-0050853 07 Dec 2007 REPUBLIC OF KOREA**  
(56) Related Art Documents: **Not Applicable**  
(57) Statement of Newness and Distinctiveness: **Nil**



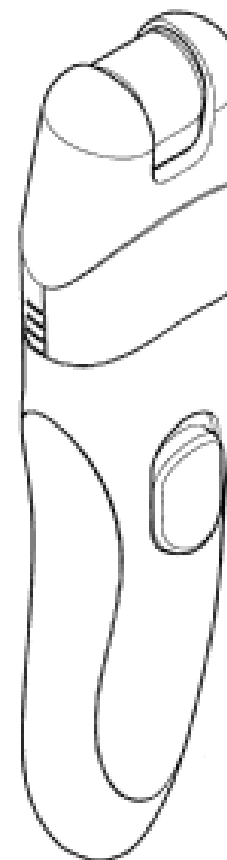
(21) Design Number: **12734/2008**  
(22) Date of Filing Application: **06 June 2008**  
(24) Date from which industrial property rights may have effect: **06 June 2008**  
(54) Product in respect of which the design is registered: **Teapot**  
(51) International Design Classification: **07-02K**  
(71) Name(s) and Address(s) of Applicant(s):  
**Pi-Design**  
**Kantonsstrasse 100 Postfach 463 CH-6234 Triengen Switzerland**  
(72) Name(s) of Designer(s): **Jorgen Bodum**  
(45) Registration Date: **13 October 2008**  
(30) Convention priority data:  
(31) Number (32) Date (33) Country  
**DA 12 Dec 2007 DENMARK**  
**200700296**  
(56) Related Art Documents: **Not Applicable**  
(57) Statement of Newness and Distinctiveness: **Nil**



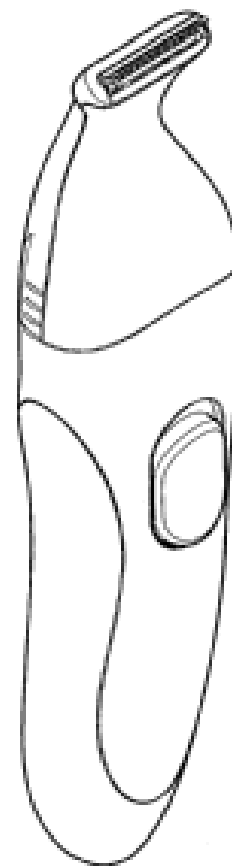
- (21) Design Number: **12735/2008**  
(22) Date of Filing Application: **06 June 2008**  
(24) Date from which industrial property rights may have effect: **06 June 2008**  
(54) Product in respect of which the design is registered: **Epilator with trimmer  
8mm**  
(51) International Design Classification: **28-03A**  
(71) Name(s) and Address(s) of Applicant(s):  
**Koninklijke Philips Electronics N.V.**  
**Groenewoudseweg 1 5621 BA Eindhoven The Netherlands**  
(72) Name(s) of Designer(s): **Rafael Tamsiran**  
(45) Registration Date: **13 October 2008**  
(30) Convention priority data:  
(31) Number (32) Date (33) Country  
**000841077-0003 12 Dec 2007 EUROPEAN COMMUNITY**  
(56) Related Art Documents: **Not Applicable**  
(57) Statement of Newness and Distinctiveness: **Newness and distinctiveness  
reside in the features of the design as shown in the representations.**



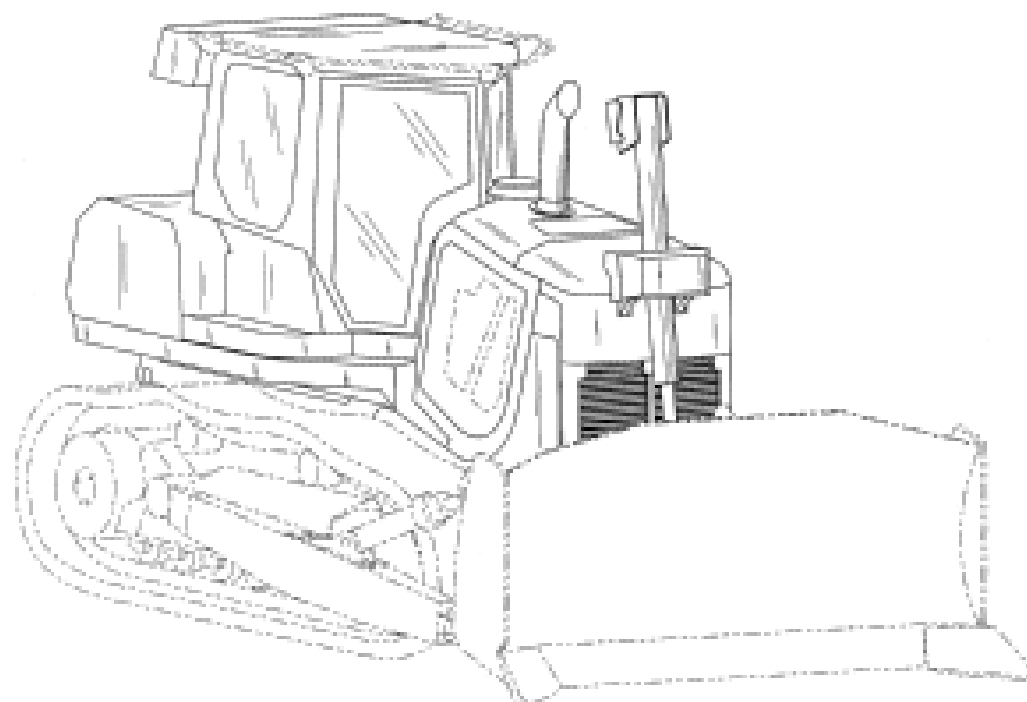
- (21) Design Number: **12736/2008**  
(22) Date of Filing Application: **06 June 2008**  
(24) Date from which industrial property rights may have effect: **06 June 2008**  
(54) Product in respect of which the design is registered: **Epilator**  
(51) International Design Classification: **28-03A**  
(71) Name(s) and Address(s) of Applicant(s):  
**Koninklijke Philips Electronics N.V.**  
**Groenewoudseweg 1 5621 BA Eindhoven The Netherlands**  
(72) Name(s) of Designer(s): **Rafael Tamsiran**  
(45) Registration Date: **13 October 2008**  
(30) Convention priority data:  
(31) Number (32) Date (33) Country  
**000841077-0005 12 Dec 2007 EUROPEAN COMMUNITY**  
(56) Related Art Documents: **Not Applicable**  
(57) Statement of Newness and Distinctiveness: **Newness and distinctiveness  
reside in the features of the design shown in the representations.**



- (21) Design Number: **12737/2008**  
(22) Date of Filing Application: **06 June 2008**  
(24) Date from which industrial property rights may have effect: **06 June 2008**  
(54) Product in respect of which the design is registered: **Epilator with trimmer 21mm**  
(51) International Design Classification: **28-03A**  
(71) Name(s) and Address(s) of Applicant(s):  
**Koninklijke Philips Electronics N.V.**  
**Groenewoudseweg 1 5621 BA Eindhoven The Netherlands**  
(72) Name(s) of Designer(s): **Rafael Tamsiran**  
(45) Registration Date: **13 October 2008**  
(30) Convention priority data:  
(31) Number (32) Date (33) Country  
**000841077-0001 12 Dec 2007 EUROPEAN COMMUNITY**  
(56) Related Art Documents: **Not Applicable**  
(57) Statement of Newness and Distinctiveness: **Newness and distinctiveness reside in the features of the design shown in the representations.**



- (21) Design Number: **12738/2008**  
(22) Date of Filing Application: **06 June 2008**  
(24) Date from which industrial property rights may have effect: **06 June 2008**  
(54) Product in respect of which the design is registered: **Earth moving machine**  
(51) International Design Classification: **15-04**  
(71) Name(s) and Address(s) of Applicant(s):  
**Caterpillar Inc.**  
**100 N E Adams Street Peoria Illinois 61629-6490 United States of America**  
(72) Name(s) of Designer(s): **Michael D. Betz and Stephen C. Garnett and Ashley D. Menges and Amy L. Moore-McKee and Gerald A Nuese and Daniel J. Whiting and Paul S. Petersen**  
(45) Registration Date: **13 October 2008**  
(30) Convention priority data:  
(31) Number (32) Date (33) Country  
**29/293705 07 Dec 2007 UNITED STATES OF AMERICA**  
(56) Related Art Documents: **Not Applicable**  
(57) Statement of Newness and Distinctiveness: **The newness and distinctiveness of the design resides in the shapes and configurations bounded by solid lines in the accompanying drawings.**



(21) Design Number: **12740/2008**

(22) Date of Filing Application: **06 June 2008**

(24) Date from which industrial property rights may have effect: **06 June 2008**

(54) Product in respect of which the design is registered: **Pesticide container**

(51) International Design Classification: **09-03NES**

(71) Name(s) and Address(s) of Applicant(s):

**Grant R. Pavy**

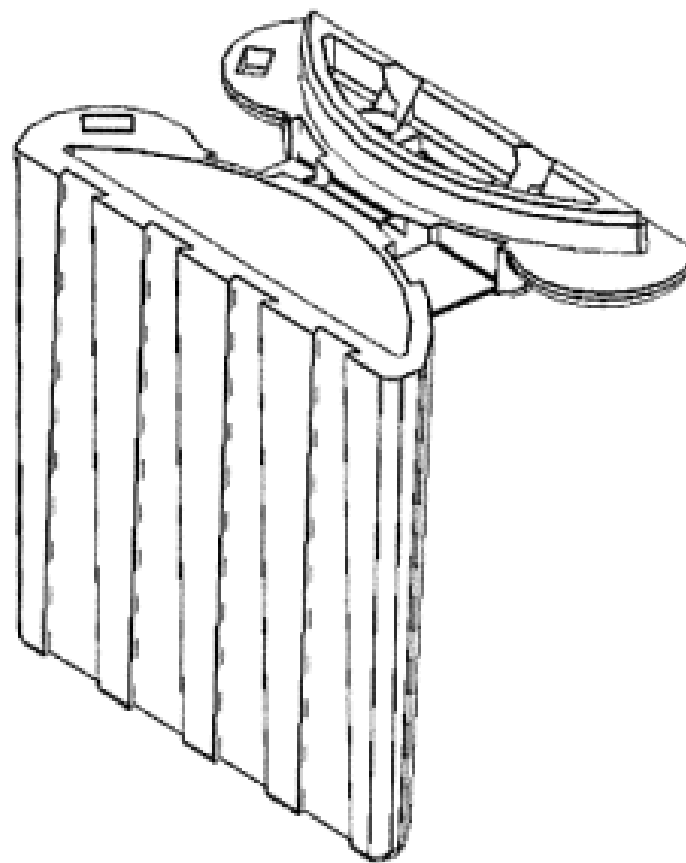
**4 Akala Place Capalaba Queensland 4157 Australia**

(72) Name(s) of Designer(s): **Grant R. Pavy and Jennifer A. Pavy**

(45) Registration Date: **13 October 2008**

(56) Related Art Documents: **Not Applicable**

(57) Statement of Newness and Distinctiveness: **Nil**



(21) Design Number: **12741/2008**

(22) Date of Filing Application: **06 June 2008**

(24) Date from which industrial property rights may have effect: **06 June 2008**

(54) Product in respect of which the design is registered: **Culvert**

(51) International Design Classification: **23-01L**

(71) Name(s) and Address(s) of Applicant(s):

**Otto Developments Pty Ltd**

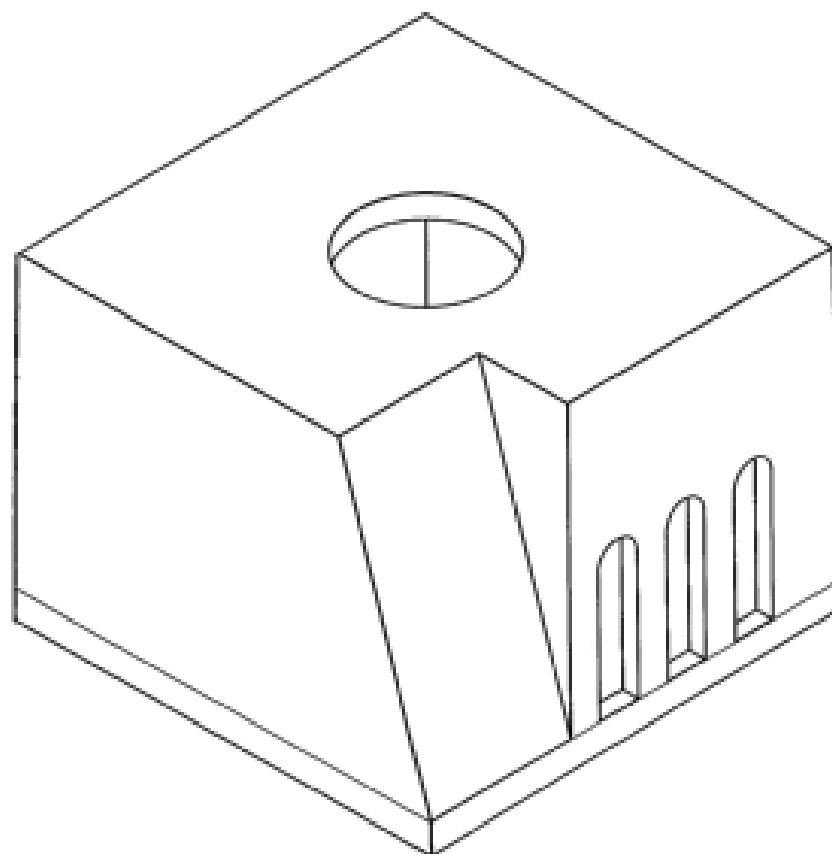
**43 Enterprise Street Bundaberg Queensland 4670 Australia**

(72) Name(s) of Designer(s): **Brett Adrian Otto**

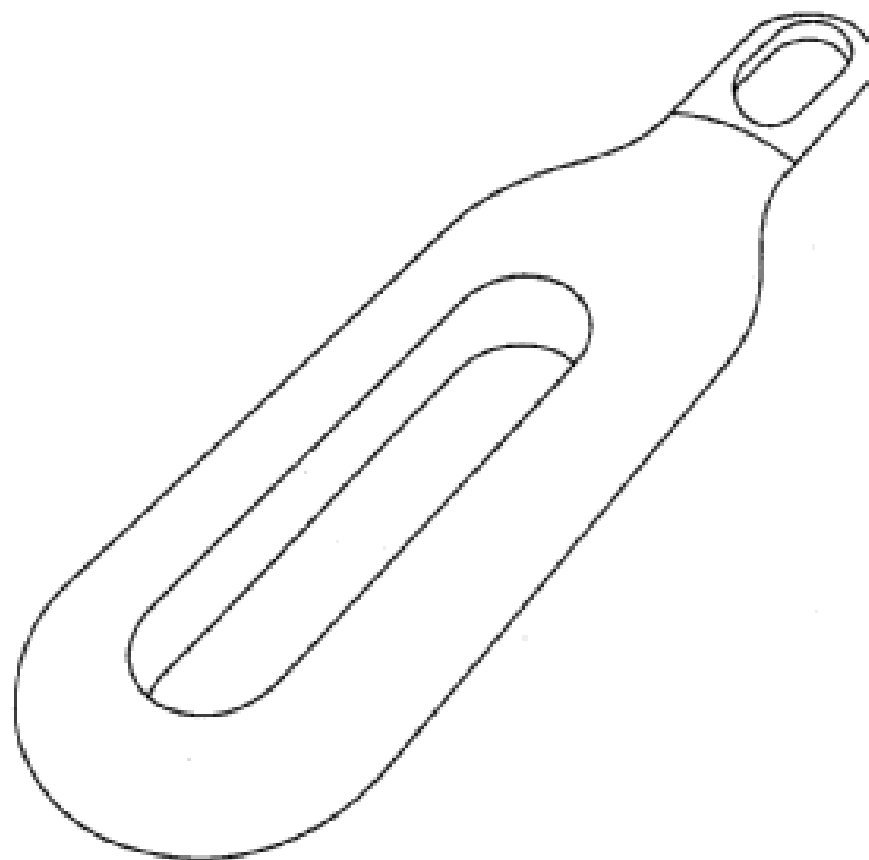
(45) Registration Date: **13 October 2008**

(56) Related Art Documents: **Not Applicable**

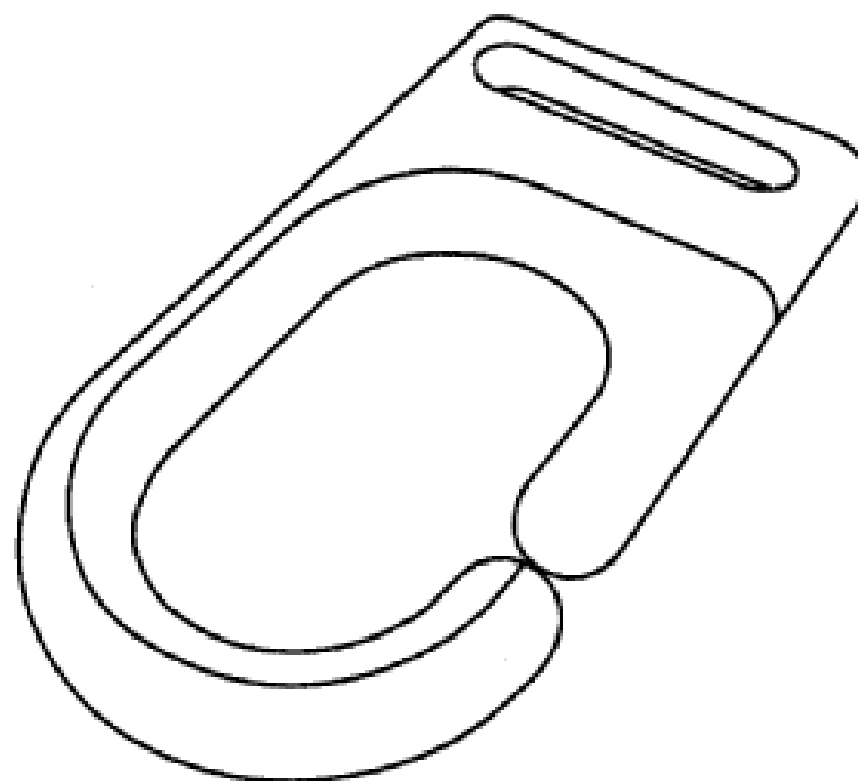
(57) Statement of Newness and Distinctiveness: **The newness and distinctiveness of the design resides in the shape and configuration of the culvert shown in the representations.**



(21) Design Number: **12742/2008**  
(22) Date of Filing Application: **06 June 2008**  
(24) Date from which industrial property rights may have effect: **06 June 2008**  
(54) Product in respect of which the design is registered: **A bolt**  
(51) International Design Classification: **02-07A**  
(71) Name(s) and Address(s) of Applicant(s):  
**Sao Paulo Alpargatas S.A.**  
**Rua Funchal no 160 Vila Olimpia Sao Paulo Brazil**  
(72) Name(s) of Designer(s): **I. Baron**  
(45) Registration Date: **13 October 2008**  
(30) Convention priority data:  
(31) Number (32) Date (33) Country  
**DL 10 Dec 2007 BRAZIL**  
**6705283-5**  
(56) Related Art Documents: **Not Applicable**  
(57) Statement of Newness and Distinctiveness: **Nil**



(21) Design Number: **12746/2008**  
(22) Date of Filing Application: **06 June 2008**  
(24) Date from which industrial property rights may have effect: **06 June 2008**  
(54) Product in respect of which the design is registered: **A hook**  
(51) International Design Classification: **02-07A**  
(71) Name(s) and Address(s) of Applicant(s):  
**Sao Paulo Alpargatas S.A.**  
**Rua Funchal no 160 Vila Olimpia Sao Paulo Brazil**  
(72) Name(s) of Designer(s): **I. Baron**  
(45) Registration Date: **13 October 2008**  
(30) Convention priority data:  
(31) Number (32) Date (33) Country  
**DL 10 Dec 2007 BRAZIL**  
**6705278-9**  
(56) Related Art Documents: **Not Applicable**  
(57) Statement of Newness and Distinctiveness: **Nil**





(21) Design Number: **12750/2008**

(22) Date of Filing Application: **06 June 2008**

(24) Date from which industrial property rights may have effect: **06 June 2008**

(54) Product in respect of which the design is registered: **A button**

(51) International Design Classification: **02-07A**

(71) Name(s) and Address(s) of Applicant(s):

**Sao Paulo Alpargatas S.A.  
Rua Funchal no 160 Vila Olimpia Sao Paulo Brazil**

(72) Name(s) of Designer(s): **I. Baron**

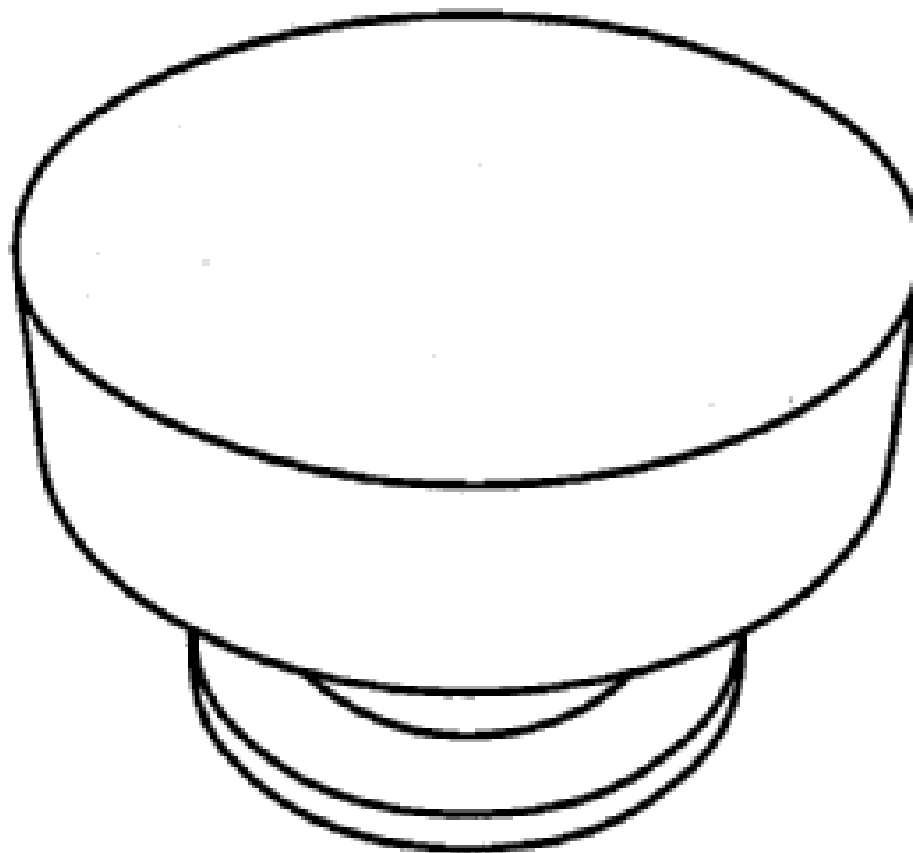
(45) Registration Date: **13 October 2008**

(30) Convention priority data:

(31) Number	(32) Date	(33) Country
<b>DL 6705280-0</b>	<b>10 Dec 2007</b>	<b>BRAZIL</b>

(56) Related Art Documents: **Not Applicable**

(57) Statement of Newness and Distinctiveness: **Nil**



(21) Design Number: **12813/2008**

(22) Date of Filing Application: **12 June 2008**

(24) Date from which industrial property rights may have effect: **12 June 2008**

(54) Product in respect of which the design is registered: **Energy storage and power electronics enclosure**

(51) International Design Classification: **13-03C**

(71) Name(s) and Address(s) of Applicant(s):

**RedFlow Pty Ltd  
1/27 Counihan Road Seventeen Mile Rocks Queensland 4073  
Australia**

(72) Name(s) of Designer(s): **Christopher Hans Winter and Alexander Rudolf Winter**

(45) Registration Date: **13 October 2008**

(56) Related Art Documents: **Not Applicable**

(57) Statement of Newness and Distinctiveness: **The newness and distinctiveness of the design resides in the shape and/or configuration of the energy storage and power electronics enclosure shown in the representations.**



(21) Design Number: **12842/2008**

(22) Date of Filing Application: **11 June 2008**

(24) Date from which industrial property rights may have effect: **11 June 2008**

(54) Product in respect of which the design is registered: **Anchor devices**

(51) International Design Classification: **08-08B**

(71) Name(s) and Address(s) of Applicant(s):

**Neil Evans Limited**  
**84-90 Hillside Road Glenfield 0627 New Zealand**

(72) Name(s) of Designer(s): **Neil George Evans and Paul Gordon Evans**

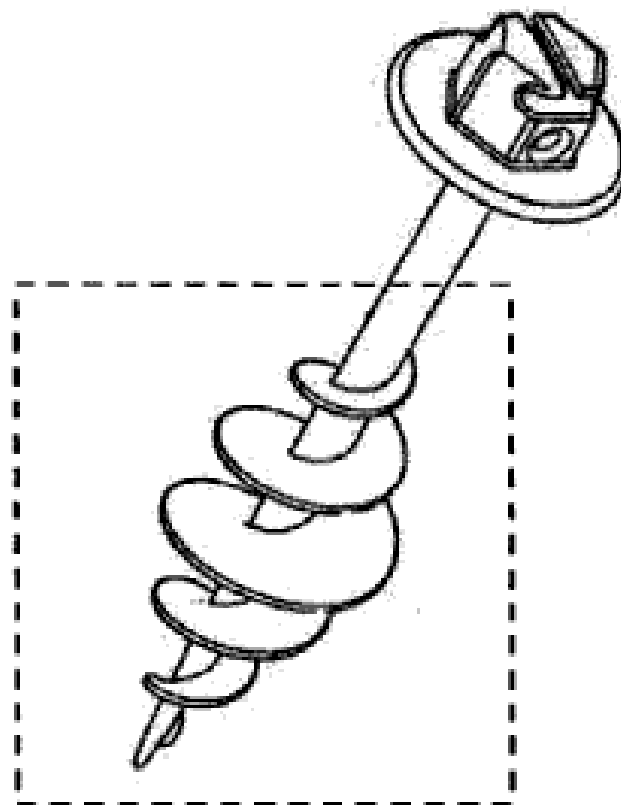
(45) Registration Date: **13 October 2008**

(30) Convention priority data:

(31) Number	(32) Date	(33) Country
<b>410154</b>	<b>12 Dec 2007</b>	<b>NEW ZEALAND</b>

(56) Related Art Documents: **Not Applicable**

(57) Statement of Newness and Distinctiveness: **The shape and configuration of those parts of the the design shown in the dashed boxes in the representations are new and distinctive.**



(21) Design Number: **21027/2007**

(22) Date of Filing Application: **27 November 2007**

(24) Date from which industrial property rights may have effect: **27 November 2007**

(54) Product in respect of which the design is registered: **Mini pallet**

(51) International Design Classification: **09-08**

(71) Name(s) and Address(s) of Applicant(s):

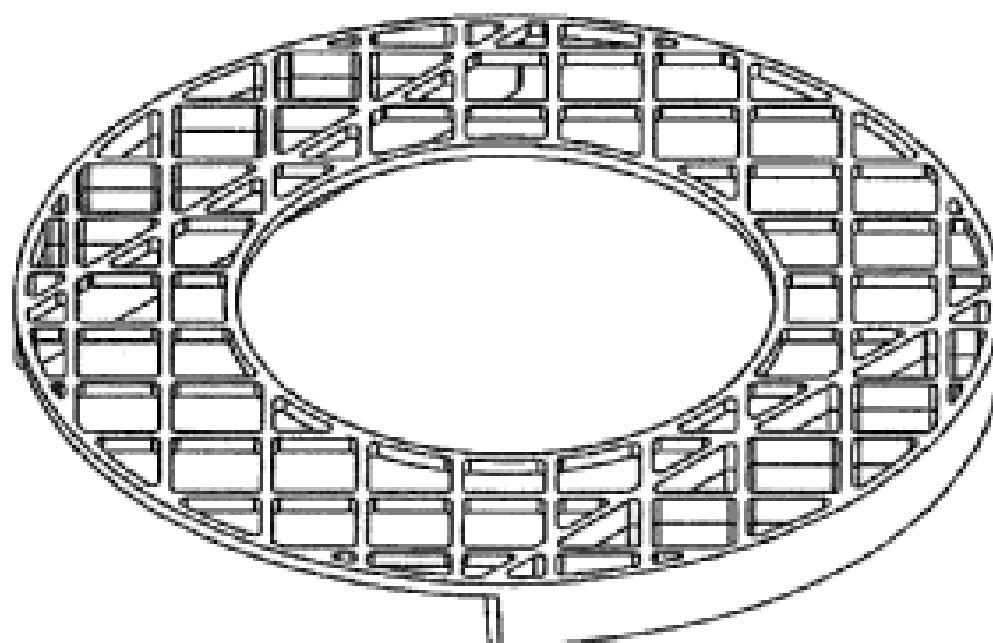
**Peter K Pty Ltd**  
**13 Angus Street Goodwood South Australia 5061 Australia**

(72) Name(s) of Designer(s): **Peter William Kuhlmann and Nigel Ian Wilkinson**

(45) Registration Date: **13 October 2008**

(56) Related Art Documents: **Not Applicable**

(57) Statement of Newness and Distinctiveness: **Those features of the mini pallet depicted in the representations that are new and distinctive are the shape and/or configuration.**



(21) Design Number: **12256/2008**

(22) Date of Filing Application: **12 May 2008**

(24) Date from which industrial property rights may have effect: **12 May 2008**

(54) Product in respect of which the design is registered: **Belt clip for hand-held computer case**

(51) International Design Classification: **14-02**

(71) Name(s) and Address(s) of Applicant(s):

**EnterMo Limited**

**41 Main Road Ballarat Victoria 3354 Australia**

(72) Name(s) of Designer(s): **Paul Charlwood**

(45) Registration Date: **13 October 2008**

(56) Related Art Documents: **Not Applicable**

(57) Statement of Newness and Distinctiveness: **Those features of the belt clip for a hand-held computer case depicted in the representations that are new and distinctive are the shape and/or configuration. The colours of the belt clip are not part of the design and are to be disregarded when considering the overall impression of the design.**



(21) Design Number: **12326/2008**

(22) Date of Filing Application: **16 May 2008**

(24) Date from which industrial property rights may have effect: **16 May 2008**

(54) Product in respect of which the design is registered: **Underground water tank small plate**

(51) International Design Classification: **23-01F**

(71) Name(s) and Address(s) of Applicant(s):

**Astral Property Pty Limited**

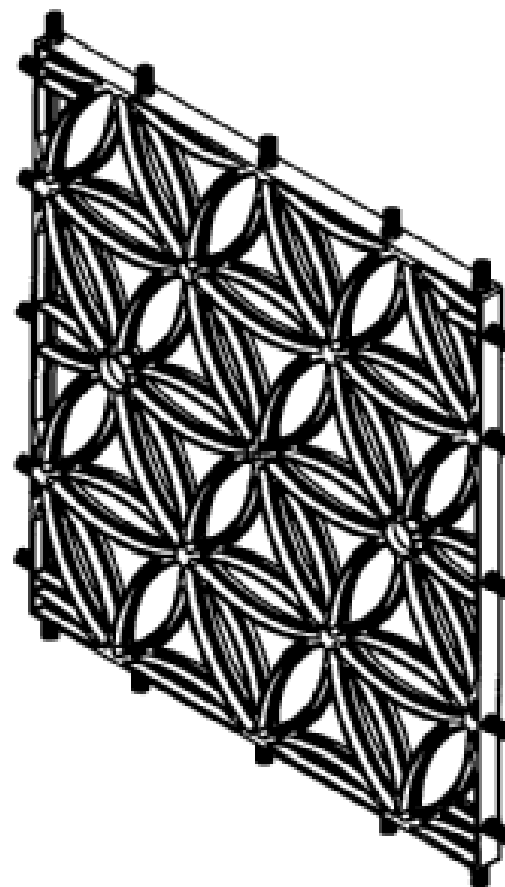
**Unit 3 19-21 Gibbes Street Chatswood New South Wales 2067  
Australia**

(72) Name(s) of Designer(s): **Humberto Urriola**

(45) Registration Date: **13 October 2008**

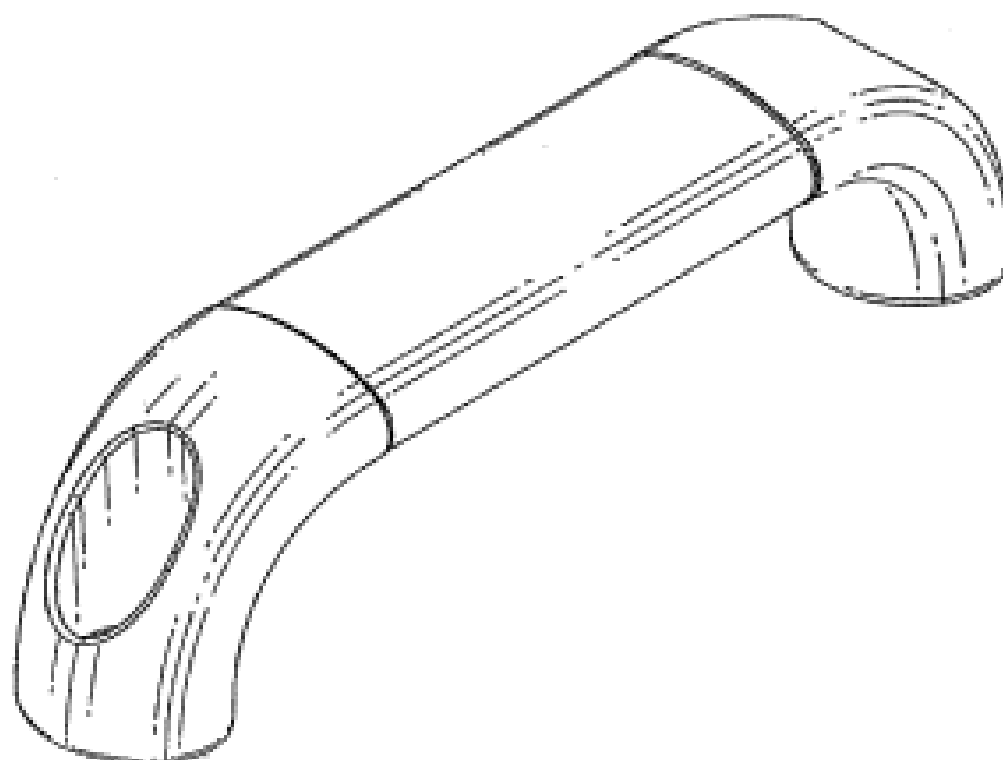
(56) Related Art Documents: **Not Applicable**

(57) Statement of Newness and Distinctiveness: **The newness and distinctiveness in respect of the design is claimed in the features of shape and configuration of the underground water tank small plate, as illustrated in the accompanying representations.**



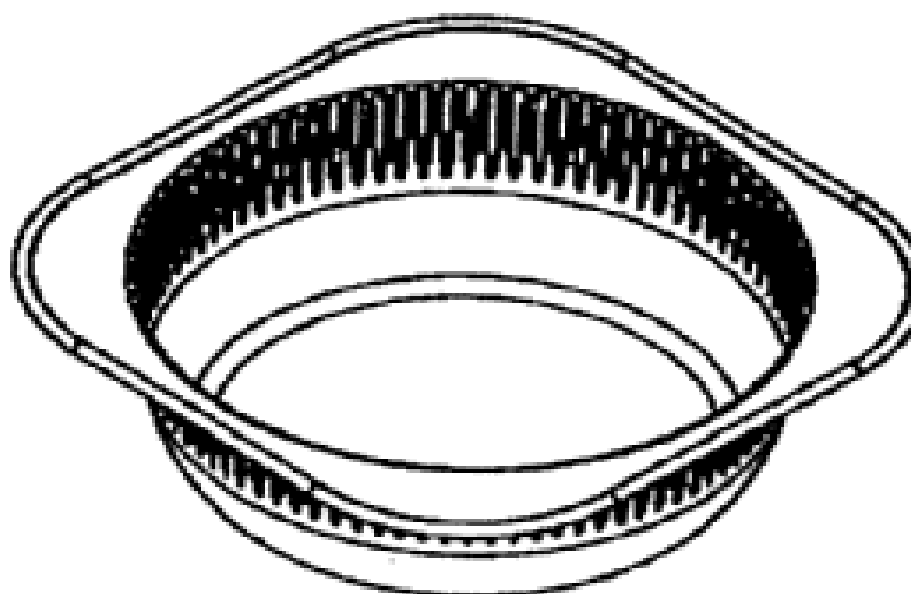
(19) AU

- (21) Design Number: **12851/2008**  
(22) Date of Filing Application: **13 June 2008**  
(24) Date from which industrial property rights may have effect: **13 June 2008**  
(54) Product in respect of which the design is registered: **Modular transit assist handle**  
(51) International Design Classification: **08-06**  
(71) Name(s) and Address(s) of Applicant(s):  
**Wabtec Holding Corp.**  
**1001 Air Brake Avenue Wilmerding PA 15148 United States of America**  
(72) Name(s) of Designer(s): **Peter Heidrich and David C. Griffis**  
(45) Registration Date: **13 October 2008**  
(30) Convention priority data:  
(31) Number (32) Date (33) Country  
**29/298837 13 Dec 2007 UNITED STATES OF AMERICA**  
(56) Related Art Documents: **Not Applicable**  
(57) Statement of Newness and Distinctiveness: **Nil**



(19) AU

- (21) Design Number: **12854/2008**  
(22) Date of Filing Application: **16 June 2008**  
(24) Date from which industrial property rights may have effect: **16 June 2008**  
(54) Product in respect of which the design is registered: **Container**  
(51) International Design Classification: **07-07NES, 09-03F**  
(71) Name(s) and Address(s) of Applicant(s):  
**Alcan Technology & Management Ltd.**  
**Badische Bahnhofstrasse 16 Neuhausen am Rheinfall CH-8212 Switzerland**  
(72) Name(s) of Designer(s): **Jan Johannes Middelbrink and Dick Cornelis Verbeek**  
(45) Registration Date: **13 October 2008**  
(30) Convention priority data:  
(31) Number (32) Date (33) Country  
**840558-0002 11 Dec 2007 EUROPEAN COMMUNITY**  
(56) Related Art Documents: **Not Applicable**  
(57) Statement of Newness and Distinctiveness: **Nil**



(21) Design Number: **12855/2008**

(22) Date of Filing Application: **16 June 2008**

(24) Date from which industrial property rights may have effect: **16 June 2008**

(54) Product in respect of which the design is registered: **Container**

(51) International Design Classification: **07-07NES, 09-03F**

(71) Name(s) and Address(s) of Applicant(s):

**Alcan Technology & Management Ltd.**  
**Badische Bahnhofstrasse 16 Neuhausen am Rheinfall CH-8212**  
**Switzerland**

(72) Name(s) of Designer(s): **Dick Cornelis Verbeek and Jan Johannes Middelbrink**

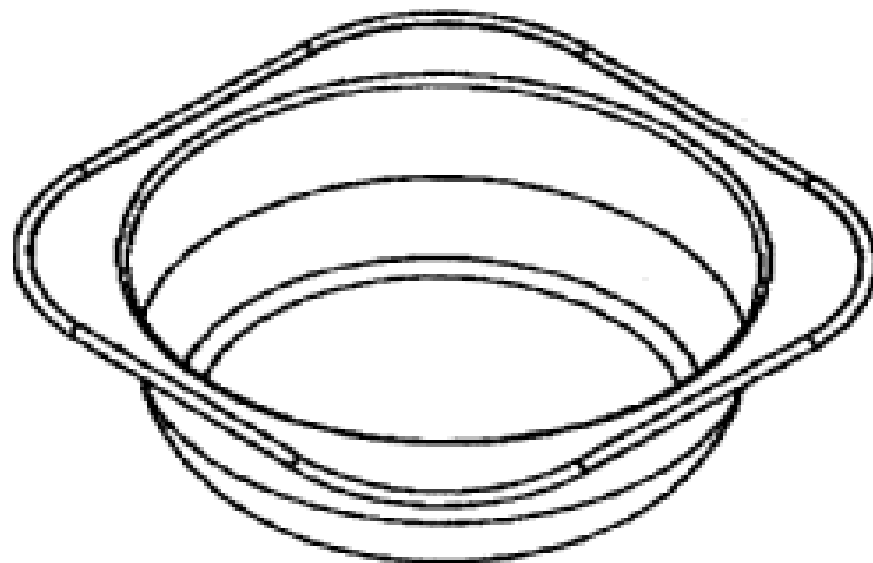
(45) Registration Date: **13 October 2008**

(30) Convention priority data:

(31) Number	(32) Date	(33) Country
<b>840558-0004</b>	<b>11 Dec 2007</b>	<b>EUROPEAN COMMUNITY</b>

(56) Related Art Documents: **Not Applicable**

(57) Statement of Newness and Distinctiveness: **Nil**



(21) Design Number: **12857/2008**

(22) Date of Filing Application: **16 June 2008**

(24) Date from which industrial property rights may have effect: **16 June 2008**

(54) Product in respect of which the design is registered: **Signal lamp**

(51) International Design Classification: **10-06, 26-99**

(71) Name(s) and Address(s) of Applicant(s):

**SOMFY SAS**  
**50 avenue du Nouveau Monde Cluses 74300 France**

(72) Name(s) of Designer(s): **Olivier Poulet and Olivier Charleux**

(45) Registration Date: **13 October 2008**

(30) Convention priority data:

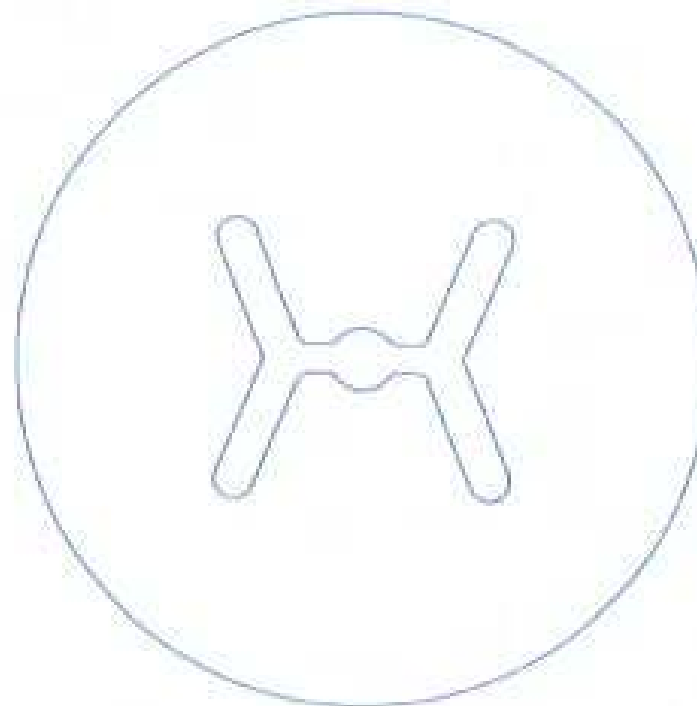
(31) Number	(32) Date	(33) Country
<b>000848270</b>	<b>20 Dec 2007</b>	<b>EUROPEAN COMMUNITY</b>

(56) Related Art Documents: **Not Applicable**

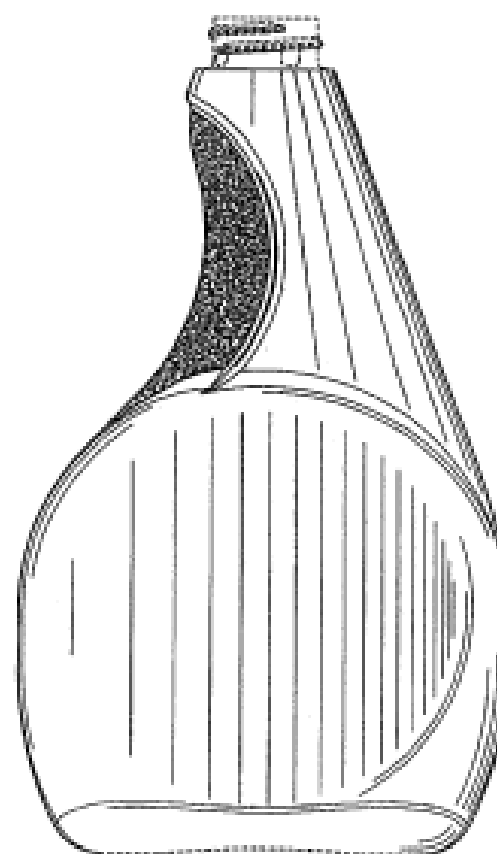
(57) Statement of Newness and Distinctiveness: **Nil**



- (21) Design Number: **12879/2008**  
(22) Date of Filing Application: **17 June 2008**  
(24) Date from which industrial property rights may have effect: **17 June 2008**  
(54) Product in respect of which the design is registered: **Push on retainer clip for the support of fibrous material**  
(51) International Design Classification: **08-08NES**  
(71) Name(s) and Address(s) of Applicant(s):  
**Gordon Tardrew**  
**27 Bennetts Road West Dundas New South Wales 2117 Australia**  
(72) Name(s) of Designer(s): **Gordon Tardrew**  
(45) Registration Date: **13 October 2008**  
(56) Related Art Documents: **Not Applicable**  
(57) Statement of Newness and Distinctiveness: **Uniquely designed center cut out section to ensure required holding strength on various size material.**



- (21) Design Number: **12880/2008**  
(22) Date of Filing Application: **17 June 2008**  
(24) Date from which industrial property rights may have effect: **17 June 2008**  
(54) Product in respect of which the design is registered: **Bottle**  
(51) International Design Classification: **09-01A**  
(71) Name(s) and Address(s) of Applicant(s):  
**S.C. Johnson & Son, Inc.**  
**1525 Howe Street Racine Wisconsin 53403-2236 United States of America**  
(72) Name(s) of Designer(s): **Rodney L. Prater and Simon M. Conway**  
(45) Registration Date: **13 October 2008**  
(30) Convention priority data:  
(31) Number (32) Date (33) Country  
**29/298977 17 Dec 2007 UNITED STATES OF AMERICA**  
(56) Related Art Documents: **Not Applicable**  
(57) Statement of Newness and Distinctiveness: **Newness and distinctiveness is claimed in those features of shape and/or configuration of a bottle as illustrated in continuous lines in the accompanying representations.**



(21) Design Number: **12853/2008**

(22) Date of Filing Application: **13 June 2008**

(24) Date from which industrial property rights may have effect: **13 June 2008**

(54) Product in respect of which the design is registered: **Compact case with mirror**

(51) International Design Classification: **28-03NES**

(71) Name(s) and Address(s) of Applicant(s):

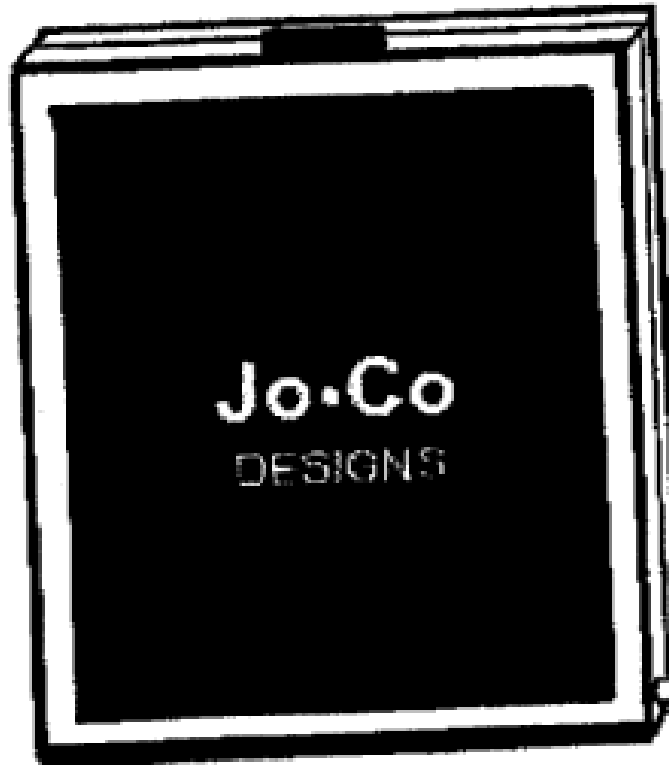
**Narinder Kour Johar**  
**709-161 New South Head Road Edgecliff New South Wales 2027**  
**Australia**

(72) Name(s) of Designer(s): **Narinder Kour Johar**

(45) Registration Date: **13 October 2008**

(56) Related Art Documents: **Not Applicable**

(57) Statement of Newness and Distinctiveness: **The newness of the design lies in a square shaped compact cosmetic mirror and case (make-up holder). The cover of the compact cosmetic mirror and case is designed with a logo that is inverted from the opening point so that when opened, it is the right way up to onlookers to see the logo (figure 1). This logo has LED lights placed behind the letters which are illuminated if switched on. The top interior of compact cosmetic case has a mirror with numerous transparent-opaques/frosted circles with the same LED lights that are behind the logo, also behind each circle that is placed around the perimeter of the mirror's surface as illustrated in figure 2. The bottom half of the interior case is designed in a circular crust to house any form of make-up (as seen in figure 2). The batteries are housed on the underside of the compact cosmetic case and mirror (figure 4). They are accessed via a battery cover also on the underside. There is also an on/off switch located on the underside of the compact cosmetic case (figure 4).**



(21) Design Number: **12269/2008**

(22) Date of Filing Application: **14 May 2008**

(24) Date from which industrial property rights may have effect: **14 May 2008**

(54) Product in respect of which the design is registered: **Torsion axles inner star shaped bar**

(51) International Design Classification: **12-10, 12-16NES**

(71) Name(s) and Address(s) of Applicant(s):

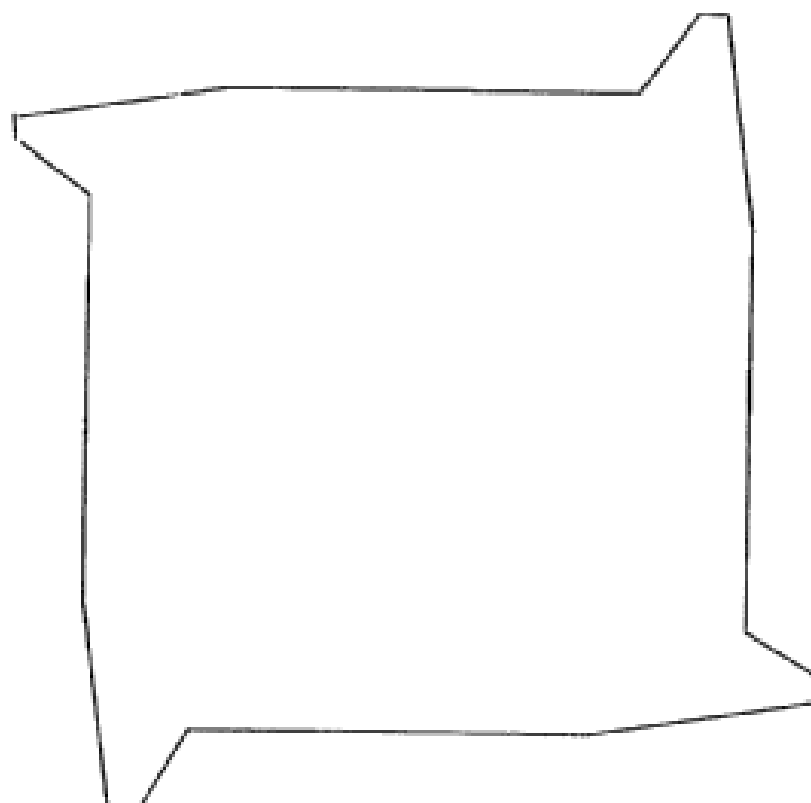
**Felk Trailers Pty Ltd**  
**54 Medcalf Street Warners Bay New South Wales 2282 Australia**

(72) Name(s) of Designer(s): **Edward Karl Felk**

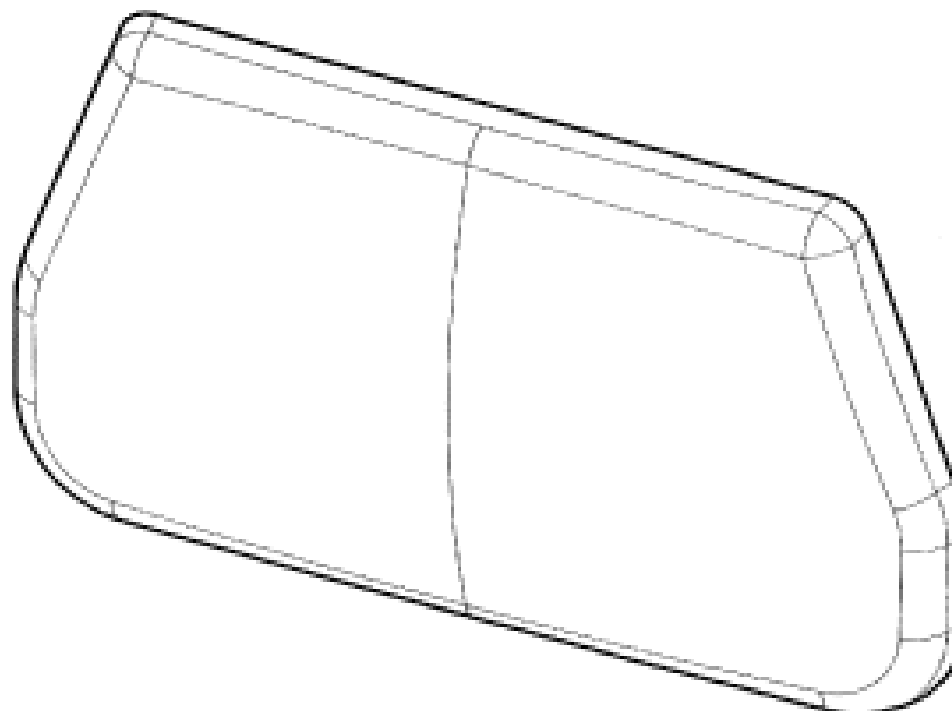
(45) Registration Date: **14 October 2008**

(56) Related Art Documents: **Not Applicable**

(57) Statement of Newness and Distinctiveness: **Monopoly is claimed on the shape of the bar as viewed through the sectional view of the bar.**



- (21) Design Number: **12274/2008**  
(22) Date of Filing Application: **13 May 2008**  
(24) Date from which industrial property rights may have effect: **13 May 2008**  
(54) Product in respect of which the design is registered: **An adhesive label**  
(51) International Design Classification: **19-08**  
(71) Name(s) and Address(s) of Applicant(s):  
**Schneider Electric New Zealand Holdings Limited**  
**11 Moncur Place Middleton Christchurch New Zealand**  
(72) Name(s) of Designer(s): **Ian Derek Richardson**  
(45) Registration Date: **14 October 2008**  
(30) Convention priority data:  
(31) Number (32) Date (33) Country  
**410029 13 Nov 2007 NEW ZEALAND**  
(56) Related Art Documents: **Not Applicable**  
(57) Statement of Newness and Distinctiveness: **The novelty claimed for the design resides in the features of shape and/or configuration all as shown in the representations.**



- (21) Design Number: **12443/2008**  
(22) Date of Filing Application: **22 May 2008**  
(24) Date from which industrial property rights may have effect: **22 May 2008**  
(54) Product in respect of which the design is registered: **Chair seat**  
(51) International Design Classification: **06-06G**  
(71) Name(s) and Address(s) of Applicant(s):  
**Intro-Tech Automotive, Inc.**  
**3961 Schaefer Avenue Chino California 91710 United States of America**  
(72) Name(s) of Designer(s): **Henri B. Lenterman**  
(45) Registration Date: **14 October 2008**  
(56) Related Art Documents: **Not Applicable**  
(57) Statement of Newness and Distinctiveness: **Nil**

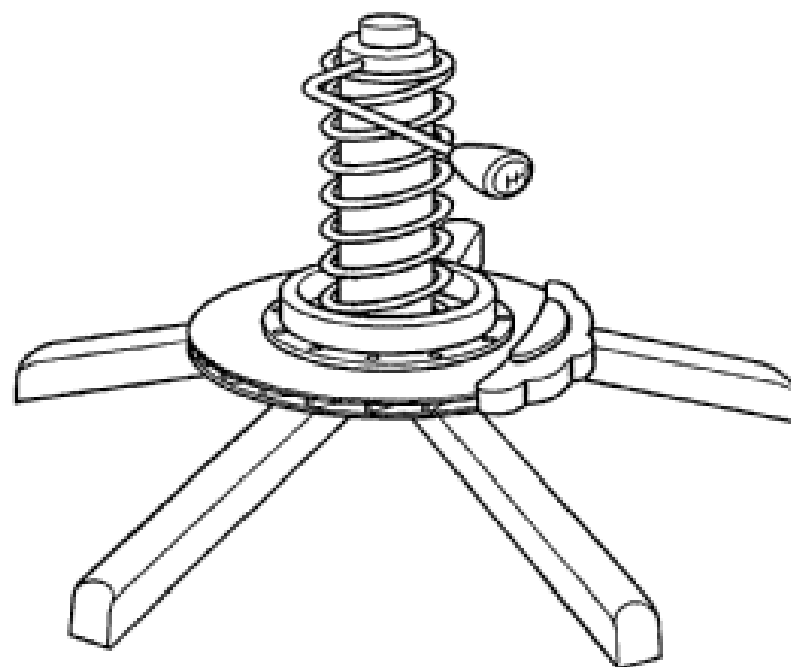




(21) Design Number: **12444/2008**  
(22) Date of Filing Application: **22 May 2008**  
(24) Date from which industrial property rights may have effect: **22 May 2008**  
(54) Product in respect of which the design is registered: **Chair frame**  
(51) International Design Classification: **06-06H**  
(71) Name(s) and Address(s) of Applicant(s):

**Intro-Tech Automotive, Inc.**  
**3961 Schaefer Avenue Chino California 91710 United States of America**

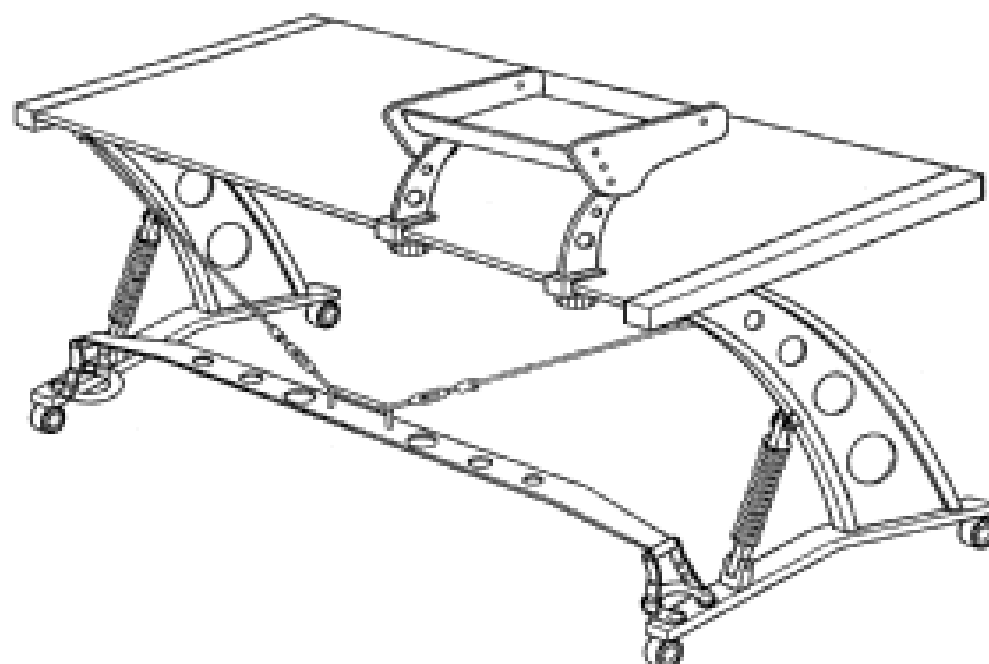
(72) Name(s) of Designer(s): **Henri B. Lenterman**  
(45) Registration Date: **14 October 2008**  
(56) Related Art Documents: **Not Applicable**  
(57) Statement of Newness and Distinctiveness: **Nil**



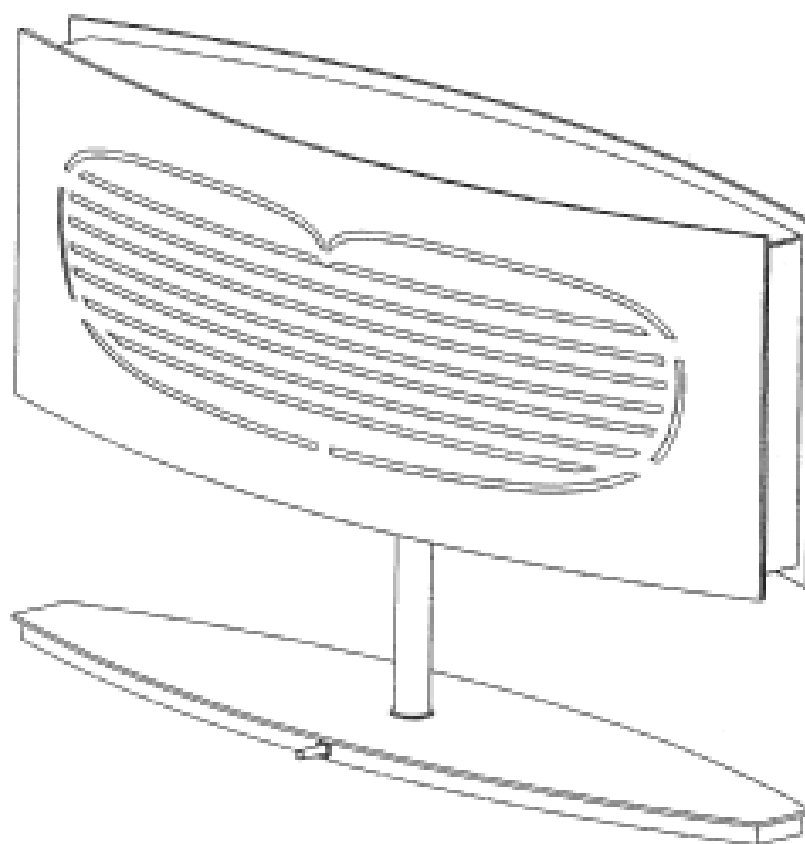
(21) Design Number: **12445/2008**  
(22) Date of Filing Application: **22 May 2008**  
(24) Date from which industrial property rights may have effect: **22 May 2008**  
(54) Product in respect of which the design is registered: **Desk**  
(51) International Design Classification: **06-03C**  
(71) Name(s) and Address(s) of Applicant(s):

**Intro-Tech Automotive, Inc.**  
**3961 Schaefer Avenue Chino California 91710 United States of America**

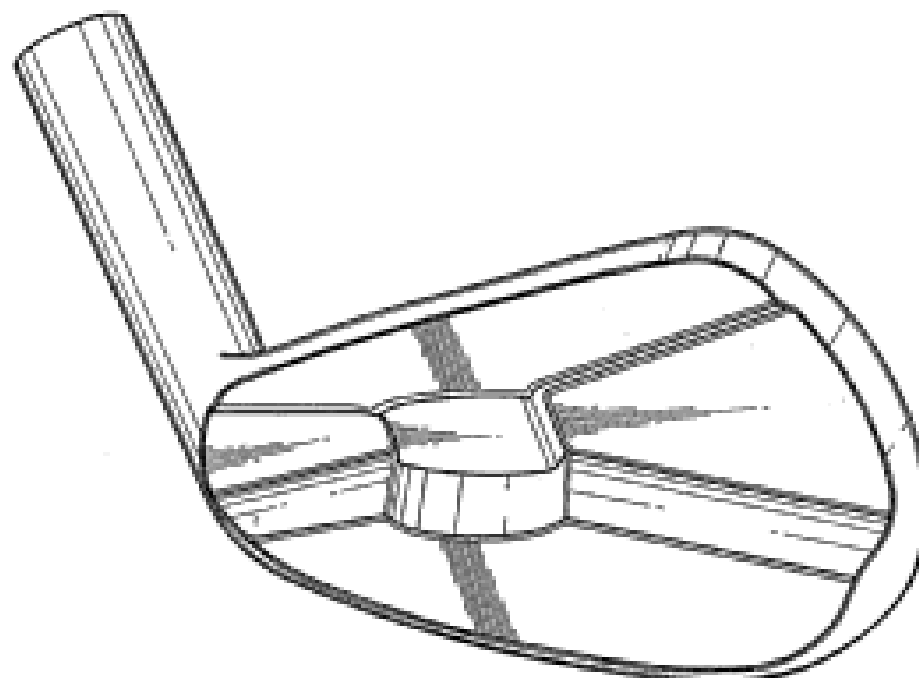
(72) Name(s) of Designer(s): **Henri B. Lenterman**  
(45) Registration Date: **14 October 2008**  
(56) Related Art Documents: **Not Applicable**  
(57) Statement of Newness and Distinctiveness: **Nil**



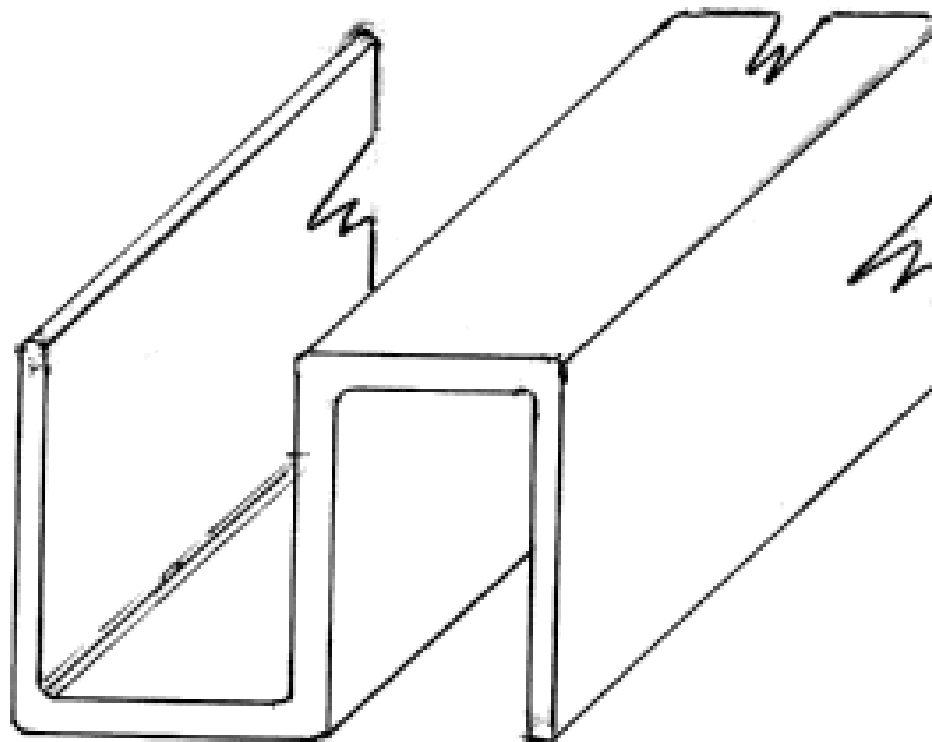
(21) Design Number: **12802/2008**  
(22) Date of Filing Application: **11 June 2008**  
(24) Date from which industrial property rights may have effect: **11 June 2008**  
(54) Product in respect of which the design is registered: **Lighting device**  
(51) International Design Classification: **26-05B**  
(71) Name(s) and Address(s) of Applicant(s):  
**Maserati S.p.A.**  
**Viale Ciro Menotti 322 I-41100 Modena Italy**  
(72) Name(s) of Designer(s): **Marco Morosini**  
(45) Registration Date: **14 October 2008**  
(30) Convention priority data:  
(31) Number (32) Date (33) Country  
**000849179 21 Dec 2007 EUROPEAN COMMUNITY**  
(56) Related Art Documents: **Not Applicable**  
(57) Statement of Newness and Distinctiveness: **Those features of the lighting device depicted in the representations that are new and distinctive are the shape and/or configuration.**



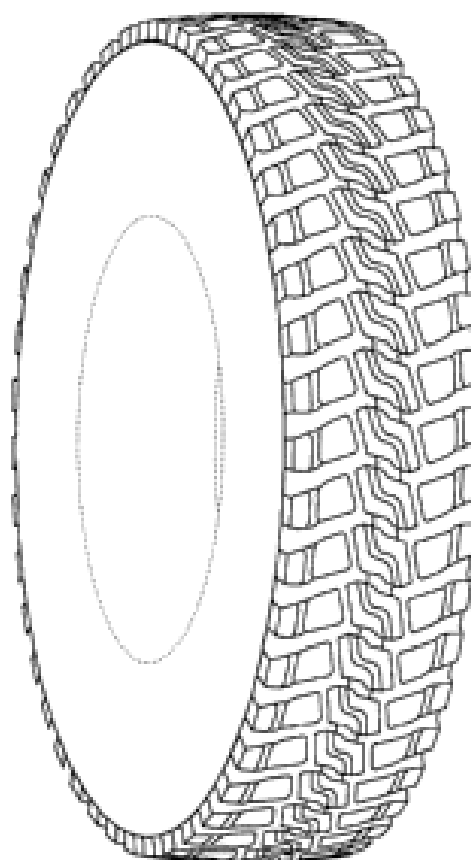
(21) Design Number: **12803/2008**  
(22) Date of Filing Application: **11 June 2008**  
(24) Date from which industrial property rights may have effect: **11 June 2008**  
(54) Product in respect of which the design is registered: **Golf club head**  
(51) International Design Classification: **21-02C**  
(71) Name(s) and Address(s) of Applicant(s):  
**Callaway Golf Company**  
**2180 Rutherford Road Carlsbad California 92008-7328 United States of America**  
(72) Name(s) of Designer(s): **Roger Cleveland and Augustin W. Rollinson and Luke R. Williams**  
(45) Registration Date: **14 October 2008**  
(30) Convention priority data:  
(31) Number (32) Date (33) Country  
**29/298723 12 Dec 2007 UNITED STATES OF AMERICA**  
(56) Related Art Documents: **Not Applicable**  
(57) Statement of Newness and Distinctiveness: **Newness and distinctiveness is claimed in the features of shape and/or configuration of a golf club head as illustrated in the accompanying representations.**



- (21) Design Number: **12806/2008**  
(22) Date of Filing Application: **11 June 2008**  
(24) Date from which industrial property rights may have effect: **11 June 2008**  
(54) Product in respect of which the design is registered: **Shower screen wall jamb**  
(51) International Design Classification: **23-02B, 08-09**  
(71) Name(s) and Address(s) of Applicant(s):  
**Dias Aluminium Products Pty. Ltd.**  
**201-205 Browns Road Noble Park Victoria 3174 Australia**  
(72) Name(s) of Designer(s): **Ian David Paterson**  
(45) Registration Date: **14 October 2008**  
(56) Related Art Documents: **Not Applicable**  
(57) Statement of Newness and Distinctiveness: **Nil**



- (21) Design Number: **12828/2008**  
(22) Date of Filing Application: **12 June 2008**  
(24) Date from which industrial property rights may have effect: **12 June 2008**  
(54) Product in respect of which the design is registered: **Tyre**  
(51) International Design Classification: **12-15C**  
(71) Name(s) and Address(s) of Applicant(s):  
**Bridgestone Corporation**  
**10-1 Kyobashi 1-chome Chuo-ku Tokyo 104-8340 Japan**  
(72) Name(s) of Designer(s): **Yukihiro Takada and Shiro Ohashi**  
(45) Registration Date: **14 October 2008**  
(56) Related Art Documents: **Not Applicable**  
(57) Statement of Newness and Distinctiveness: **The shape, configuration and pattern of the tread portion of the tyre shown in the representations is new and distinctive.**



(21) Design Number: **12860/2008**

(22) Date of Filing Application: **16 June 2008**

(24) Date from which industrial property rights may have effect: **16 June 2008**

(54) Product in respect of which the design is registered: **Upright protector**

(51) International Design Classification: **08-08L**

(71) Name(s) and Address(s) of Applicant(s):

**Dematic Pty Ltd**

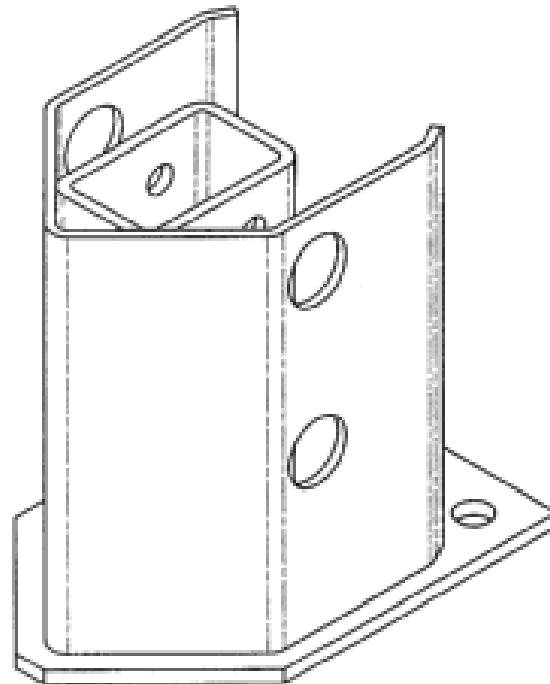
**24 Narabang Way Belrose New South Wales 2085 Australia**

(72) Name(s) of Designer(s): **Paul Armstrong Berry and Stephen John Celati and Murray James Clarke and Robert Ernest Partridge**

(45) Registration Date: **14 October 2008**

(56) Related Art Documents: **Not Applicable**

(57) Statement of Newness and Distinctiveness: **Nil**



(21) Design Number: **12861/2008**

(22) Date of Filing Application: **17 June 2008**

(24) Date from which industrial property rights may have effect: **17 June 2008**

(54) Product in respect of which the design is registered: **Kettle for base**

(51) International Design Classification: **07-02K**

(71) Name(s) and Address(s) of Applicant(s):

**Breville Pty Ltd**

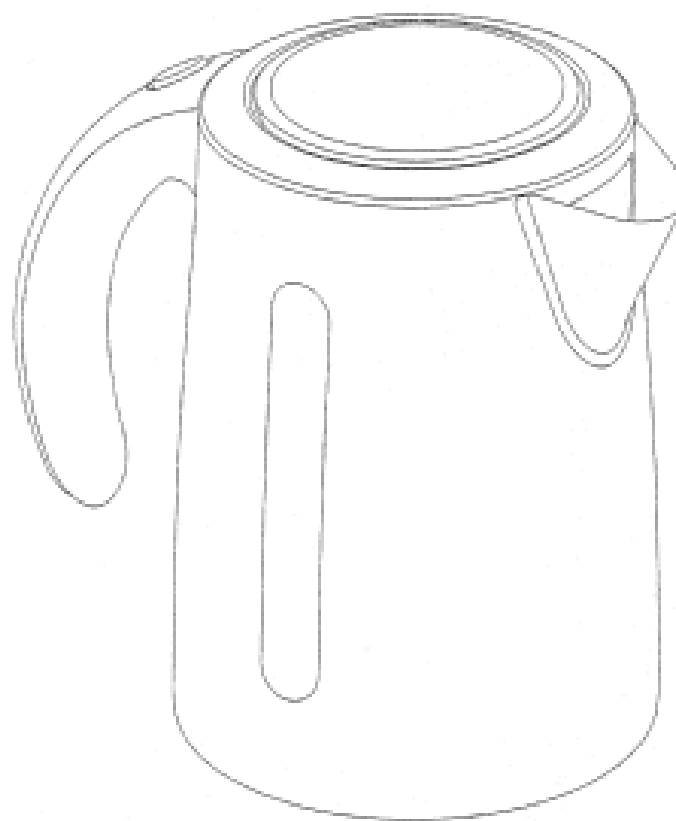
**Building 2 Port Air Industrial Estate 1A Hale Street Botany New South Wales 2019 Australia**

(72) Name(s) of Designer(s): **Paul Cohen**

(45) Registration Date: **14 October 2008**

(56) Related Art Documents: **Not Applicable**

(57) Statement of Newness and Distinctiveness: **Newness is claimed in the features of shape and configuration of the kettle for base as shown in the accompanying representations. Newness is not claimed in the shape or configuration of the laterally located water level indicators that appear, for example, as oblong shapes in the right and left side views. Further, newness is not claimed in the shape, pattern or configuration of the centrally located electrically coupling shown in the bottom plan view nor in the feet shown as a circular array of small circles that are located radially inward from the outside diameter of the kettle, in the bottom plan view, nor in the arcuate molded features located between the feet and the central electrical coupling, nor in the three circular fasteners located just radially outward of the central electrical coupling in the bottom plan view.**



(21) Design Number: **12862/2008**

(22) Date of Filing Application: **17 June 2008**

(24) Date from which industrial property rights may have effect: **17 June 2008**

(54) Product in respect of which the design is registered: **Base for kettle**

(51) International Design Classification: **07-02K**

(71) Name(s) and Address(s) of Applicant(s):

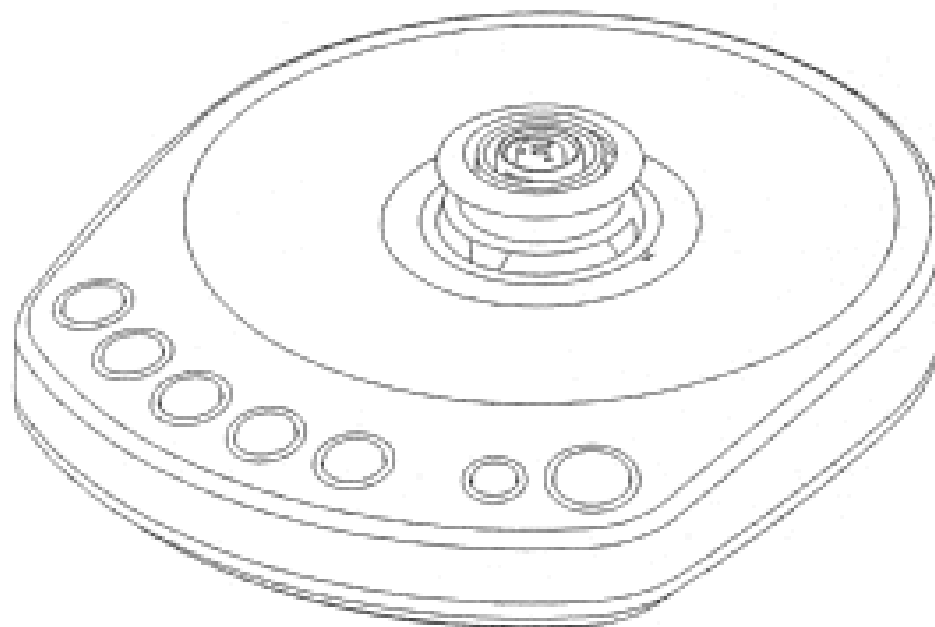
**Breville Pty Ltd**  
**Building 2 Port Air Industrial Estate 1A Hale Street Botany New South**  
**Wales 2019 Australia**

(72) Name(s) of Designer(s): **Paul Cohen**

(45) Registration Date: **14 October 2008**

(56) Related Art Documents: **Not Applicable**

(57) Statement of Newness and Distinctiveness: **Newness is claimed in the features of shape and configuration of the base for kettle as shown in the accompanying representations. Newness is not claimed in the shape, pattern or configuration of the centrally located electrical coupling nor in any of the details shown within the outer most perimeter of the base, as shown in the bottom plan view.**



(21) Design Number: **12863/2008**

(22) Date of Filing Application: **17 June 2008**

(24) Date from which industrial property rights may have effect: **17 June 2008**

(54) Product in respect of which the design is registered: **Combination kettle and base**

(51) International Design Classification: **07-02K**

(71) Name(s) and Address(s) of Applicant(s):

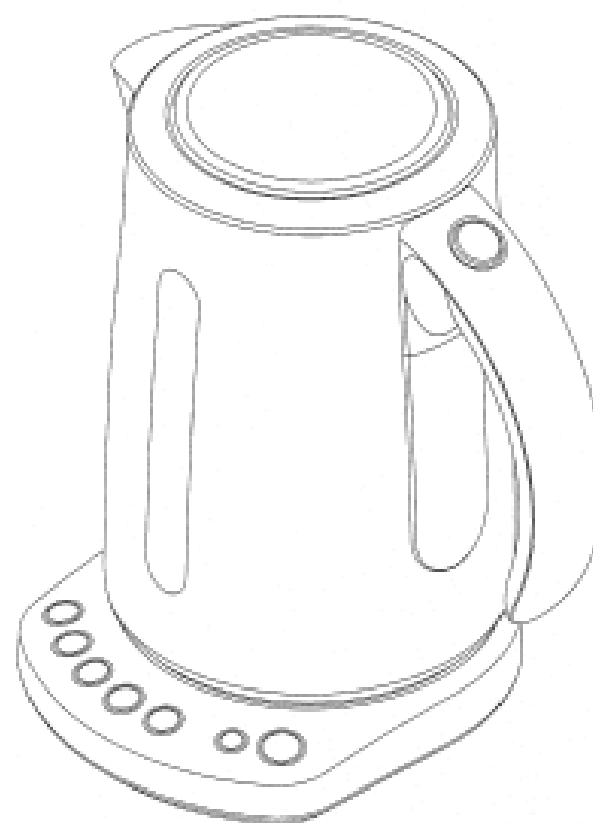
**Breville Pty Ltd**  
**Building 2 Port Air Industrial Estate 1A Hale Street Botany New South**  
**Wales 2019 Australia**

(72) Name(s) of Designer(s): **Paul Cohen**

(45) Registration Date: **14 October 2008**

(56) Related Art Documents: **Not Applicable**

(57) Statement of Newness and Distinctiveness: **Newness is claimed in the features of shape and configuration of the combination kettle and base as shown in the accompanying representations. Newness is not claimed in the shape, pattern or configuration of the vertically extending, oblong level indicators shown in the left and right side views, nor in the underside details of the base as shown in the bottom plan view.**



(21) Design Number: **12864/2008**

(22) Date of Filing Application: **17 June 2008**

(24) Date from which industrial property rights may have effect: **17 June 2008**

(54) Product in respect of which the design is registered: **Espresso machine**

(51) International Design Classification: **07-02L**

(71) Name(s) and Address(s) of Applicant(s):

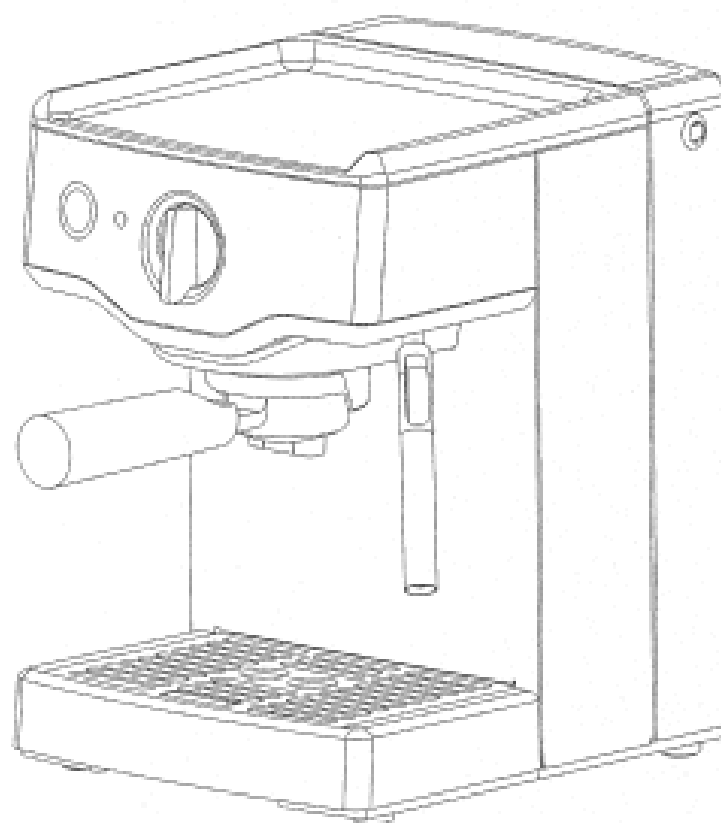
**Breville Pty Limited**  
**Building 2 Port Air Industrial Estate 1A Hale St Botany New South**  
**Wales 2019 Australia**

(72) Name(s) of Designer(s): **Khon Thai and David Davenport**

(45) Registration Date: **14 October 2008**

(56) Related Art Documents: **Not Applicable**

(57) Statement of Newness and Distinctiveness: **Newness is claimed in the features of shape and configuration of the espresso machine as shown in the accompanying representations. Newness is not claimed in the shape or configuration of the feet or other details shown only in the bottom plan view.**



(21) Design Number: **12865/2008**

(22) Date of Filing Application: **16 June 2008**

(24) Date from which industrial property rights may have effect: **16 June 2008**

(54) Product in respect of which the design is registered: **Health monitor display device**

(51) International Design Classification: **24-01**

(71) Name(s) and Address(s) of Applicant(s):

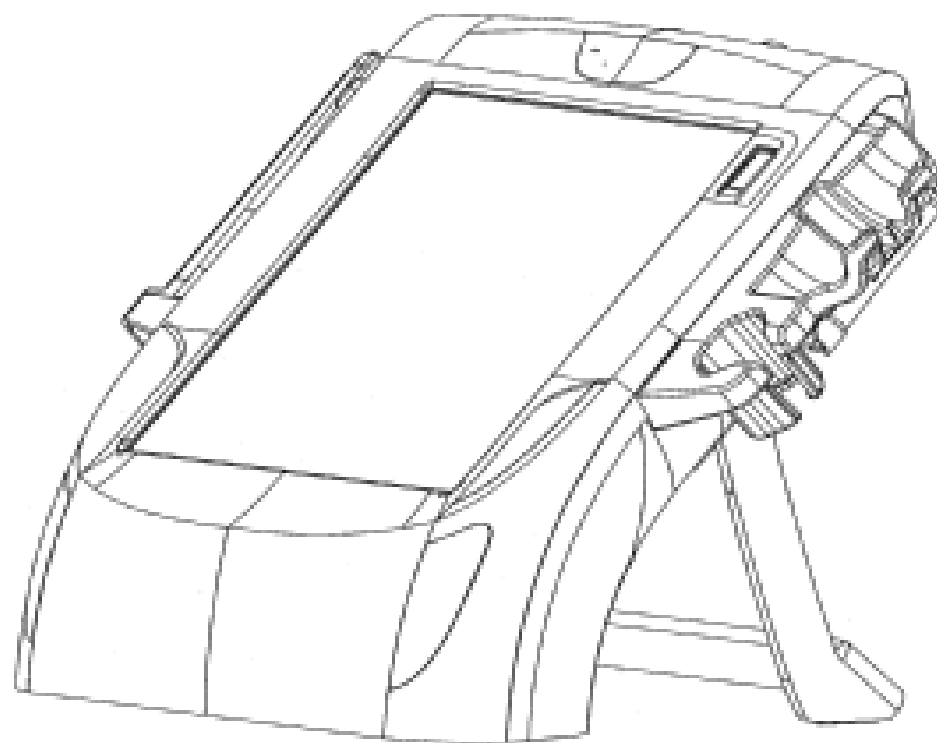
**MedCare IP Pty Limited**  
**Unit 7 Level 1 6-8 Crew Place Rosebery New South Wales 2018**  
**Australia**

(72) Name(s) of Designer(s): **Branko George Cellar and Anthony Honeyfield and Anthony Lenthen and Giovanni Champa and Peter Gregory Montgomery**

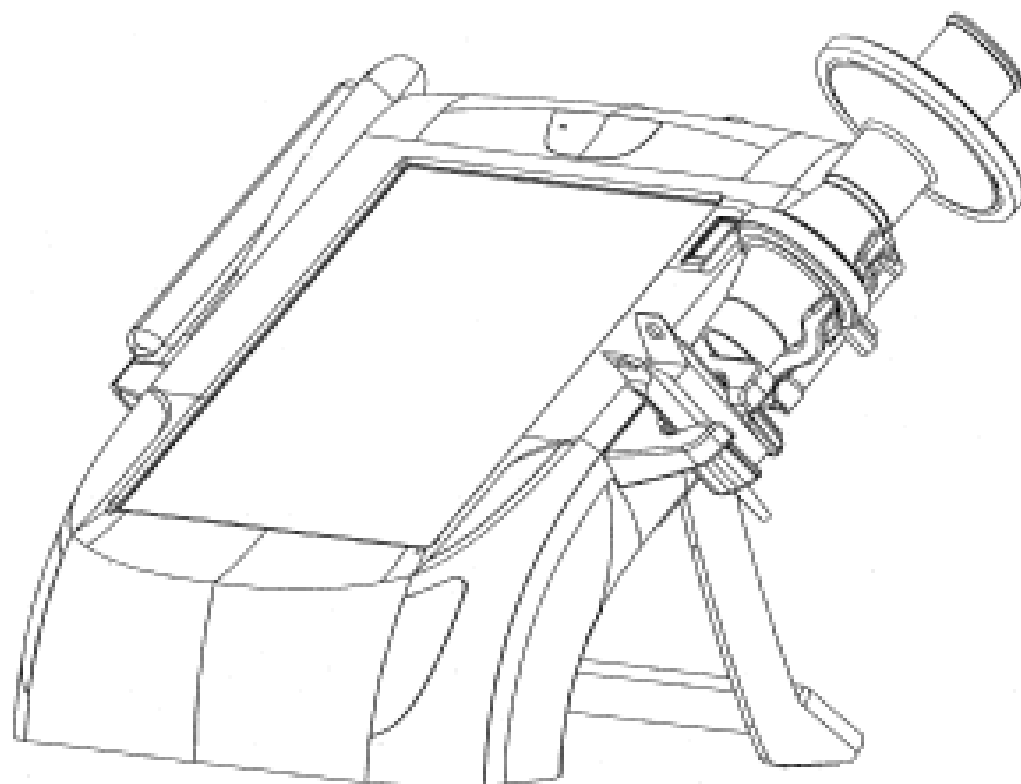
(45) Registration Date: **14 October 2008**

(56) Related Art Documents: **Not Applicable**

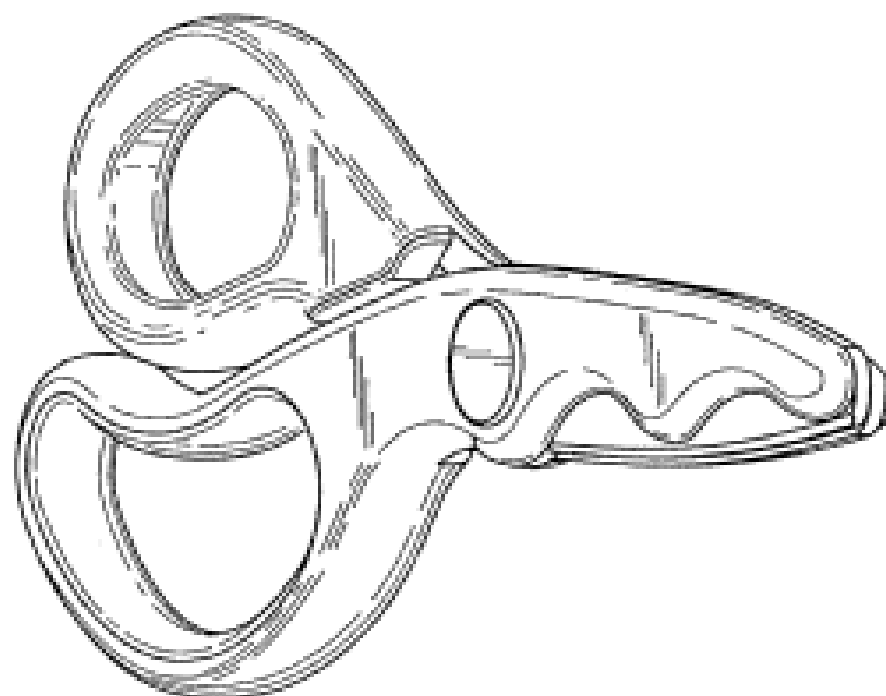
(57) Statement of Newness and Distinctiveness: **The newness and distinctiveness of the design are in the features of shape and/or configuration of the health monitor display device as depicted in the accompanying representations. No regard is to be had to the curved and zigzagged line or part text in the top plan view, or to the text in the back plan view. No regard is to be had to the shape, configuration or layout of the electrical/electronic inlets or outlets in the bottom plan view.**



- (21) Design Number: **12866/2008**  
(22) Date of Filing Application: **16 June 2008**  
(24) Date from which industrial property rights may have effect: **16 June 2008**  
(54) Product in respect of which the design is registered: **Health monitor and display apparatus**  
(51) International Design Classification: **24-01**  
(71) Name(s) and Address(s) of Applicant(s):  
**MedCare IP Pty Limited**  
**Unit 7 Level 1 6-8 Crew Place Rosebery New South Wales 2018**  
**Australia**  
(72) Name(s) of Designer(s): **Branko George Cellar and Anthony Honeyfield and Anthony Lenthén and Giovanni Champa and Peter Gregory Montgomery**  
(45) Registration Date: **14 October 2008**  
(56) Related Art Documents: **Not Applicable**  
(57) Statement of Newness and Distinctiveness: **The newness and distinctiveness of the design are in the features of shape and/or configuration of the health monitor and display apparatus as depicted in the accompanying representations. No regard is to be had to the curved and zigzagged line or part text in the top plan view, or to the text in the back plan view. No regard is to be had to the shape, configuration or layout of the electrical/electronic inlets or outlets in the bottom plan view.**



- (21) Design Number: **12867/2008**  
(22) Date of Filing Application: **16 June 2008**  
(24) Date from which industrial property rights may have effect: **16 June 2008**  
(54) Product in respect of which the design is registered: **Scissors**  
(51) International Design Classification: **08-03**  
(71) Name(s) and Address(s) of Applicant(s):  
**3M Innovative Properties Company**  
**3M Center Saint Paul Minnesota 55133-3427 United States of America**  
(72) Name(s) of Designer(s): **Scott D. Pearson and Peter J. Newbould and Gabriel F. Zangari**  
(45) Registration Date: **14 October 2008**  
(30) Convention priority data:  
(31) Number (32) Date (33) Country  
**29/302190 11 Jan 2008 UNITED STATES OF AMERICA**  
(56) Related Art Documents: **Not Applicable**  
(57) Statement of Newness and Distinctiveness: **Newness and distinctiveness of the design as applied to scissors lies in the shape and configuration thereof as shown in the accompanying drawings.**



(21) Design Number: **12872/2008**

(22) Date of Filing Application: **16 June 2008**

(24) Date from which industrial property rights may have effect: **16 June 2008**

(54) Product in respect of which the design is registered: **Dance shoe upper**

(51) International Design Classification: **02-04NES**

(71) Name(s) and Address(s) of Applicant(s):

**J Bloch Pty Ltd**

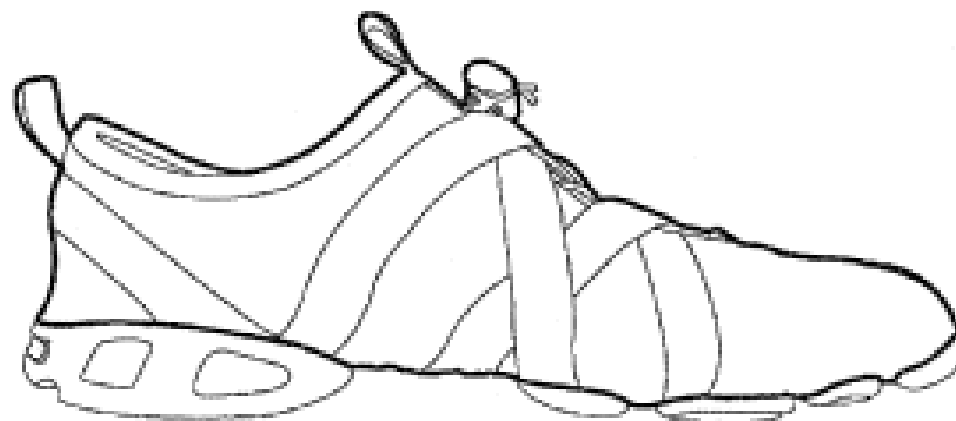
**8-18 William Street Beaconsfield New South Wales 2015 Australia**

(72) Name(s) of Designer(s): **David Wilkenfeld**

(45) Registration Date: **14 October 2008**

(56) Related Art Documents: **Not Applicable**

(57) Statement of Newness and Distinctiveness: **Newness and distinctiveness is claimed in the features of shape and/or configuration of a dance shoe upper delineated and enclosed by the bold outline in the accompanying representations.**



(21) Design Number: **12875/2008**

(22) Date of Filing Application: **16 June 2008**

(24) Date from which industrial property rights may have effect: **16 June 2008**

(54) Product in respect of which the design is registered: **Part for shopping cart**

(51) International Design Classification: **12-02**

(71) Name(s) and Address(s) of Applicant(s):

**Wanzl Metallwarenfabrik GmbH**

**Bubesheimer Strasse 4 89340 Leipheim Germany**

(72) Name(s) of Designer(s): **Bernhard Maatz and Armin Thalhofer and Johann Daminger**

(45) Registration Date: **14 October 2008**

(30) Convention priority data:

(31) Number  
**846332-0006**

(32) Date  
**19 Dec 2007**

(33) Country  
**EUROPEAN COMMUNITY**

(56) Related Art Documents: **Not Applicable**

(57) Statement of Newness and Distinctiveness: **Nil**





(21) Design Number: **12305/2008**

(22) Date of Filing Application: **14 May 2008**

(24) Date from which industrial property rights may have effect: **14 May 2008**

(54) Product in respect of which the design is registered: **Bracket for supporting railing from a post**

(51) International Design Classification: **08-08K**

(71) Name(s) and Address(s) of Applicant(s):

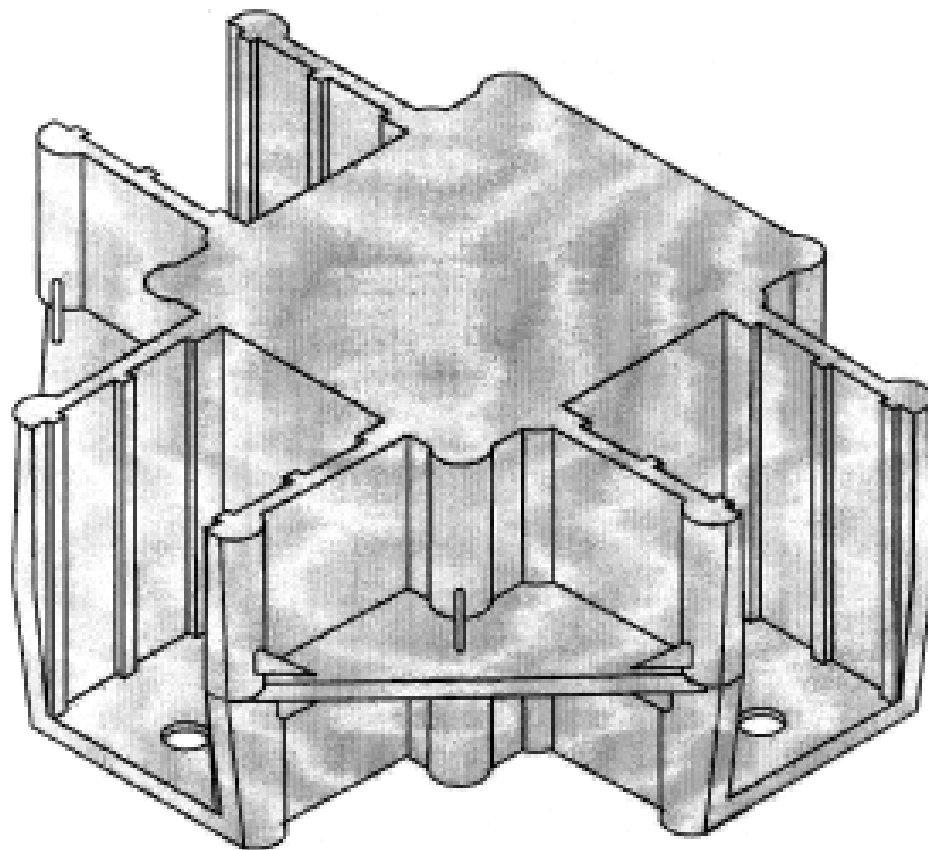
**Independent Fastening Systems Pty Ltd  
6 Broadfield Road Broadmeadows Victoria 3047 Australia**

(72) Name(s) of Designer(s): **Jeffrey Paul Wellard**

(45) Registration Date: **15 October 2008**

(56) Related Art Documents: **Not Applicable**

(57) Statement of Newness and Distinctiveness: **Newness and distinctiveness is claimed in the visual features shown in solid lines in the representations.**



(21) Design Number: **12306/2008**

(22) Date of Filing Application: **14 May 2008**

(24) Date from which industrial property rights may have effect: **14 May 2008**

(54) Product in respect of which the design is registered: **Bracket for supporting railing from a post**

(51) International Design Classification: **08-08K**

(71) Name(s) and Address(s) of Applicant(s):

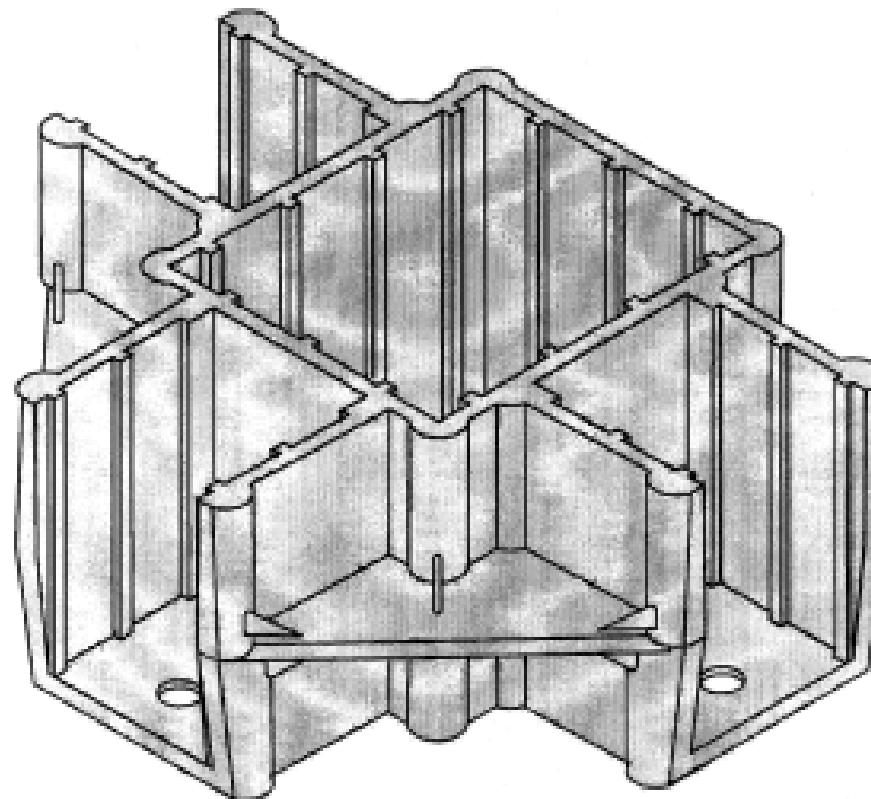
**Independent Fastening Systems Pty Ltd  
6 Broadfield Road Broadmeadows Victoria 3047 Australia**

(72) Name(s) of Designer(s): **Jeffrey Paul Wellard**

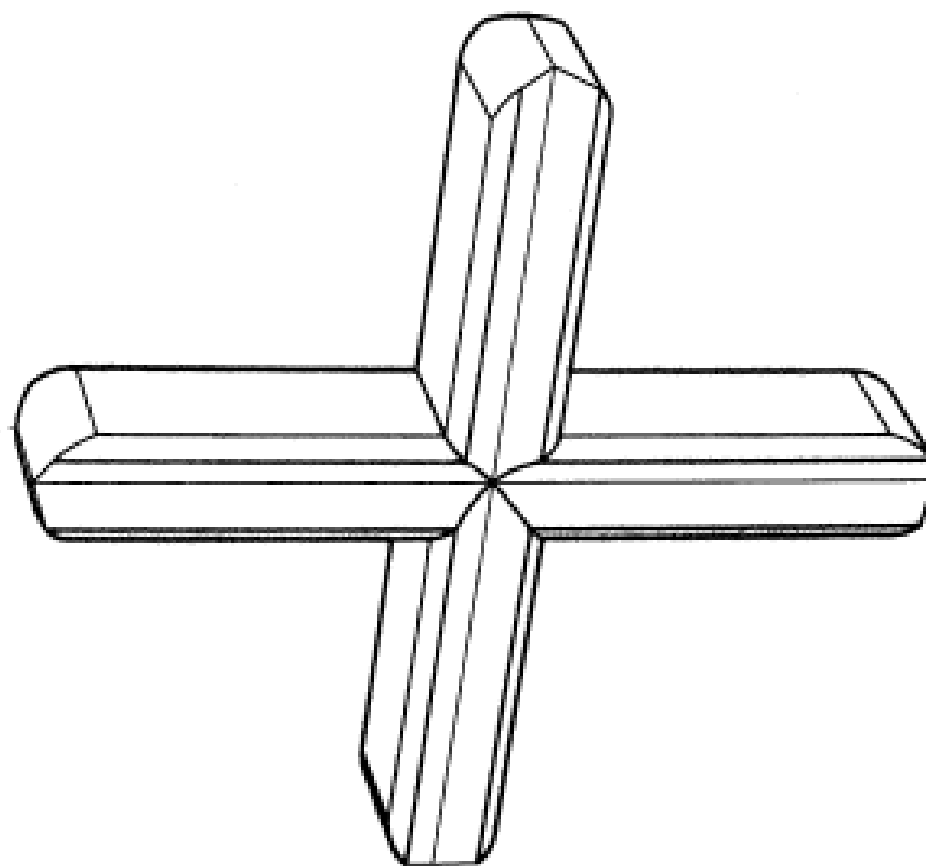
(45) Registration Date: **15 October 2008**

(56) Related Art Documents: **Not Applicable**

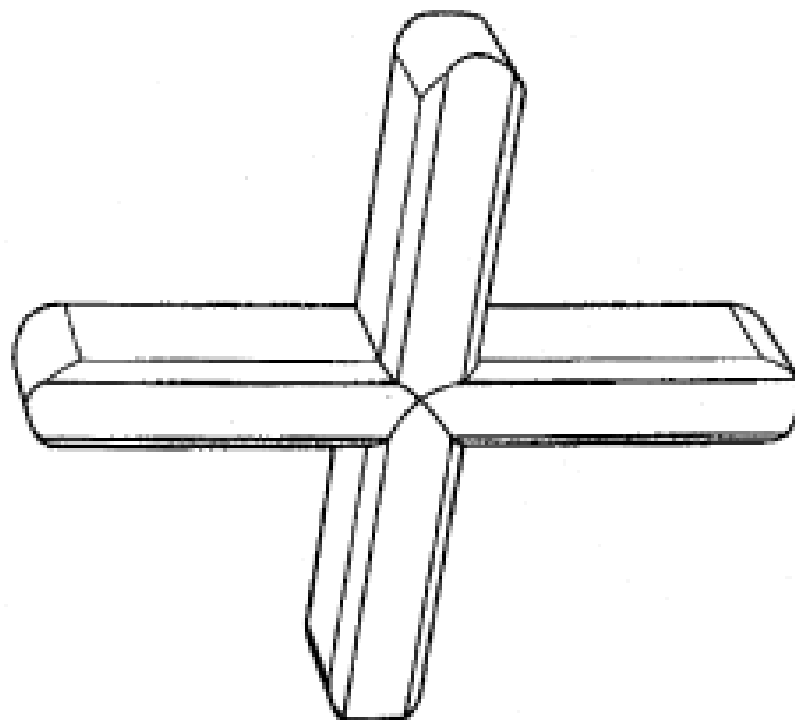
(57) Statement of Newness and Distinctiveness: **Nil**



(21) Design Number: **12785/2008**  
(22) Date of Filing Application: **11 June 2008**  
(24) Date from which industrial property rights may have effect: **11 June 2008**  
(54) Product in respect of which the design is registered: **A tile cross**  
(51) International Design Classification: **08-08A**  
(71) Name(s) and Address(s) of Applicant(s):  
**Meng Kai**  
**15 Bilney Drive Athelstone South Australia 5076 Australia**  
(72) Name(s) of Designer(s): **Meng Kai**  
(45) Registration Date: **15 October 2008**  
(56) Related Art Documents: **Not Applicable**  
(57) Statement of Newness and Distinctiveness: **Nil**



(21) Design Number: **12786/2008**  
(22) Date of Filing Application: **11 June 2008**  
(24) Date from which industrial property rights may have effect: **11 June 2008**  
(54) Product in respect of which the design is registered: **A tile cross**  
(51) International Design Classification: **08-08A**  
(71) Name(s) and Address(s) of Applicant(s):  
**Meng Kai**  
**15 Bilney Drive Athelstone South Australia 5076 Australia**  
(72) Name(s) of Designer(s): **Meng Kai**  
(45) Registration Date: **15 October 2008**  
(56) Related Art Documents: **Not Applicable**  
(57) Statement of Newness and Distinctiveness: **Nil**



(21) Design Number: **12792/2008**

(22) Date of Filing Application: **11 June 2008**

(24) Date from which industrial property rights may have effect: **11 June 2008**

(54) Product in respect of which the design is registered: **Engine cowl**

(51) International Design Classification: **15-03B**

(71) Name(s) and Address(s) of Applicant(s):

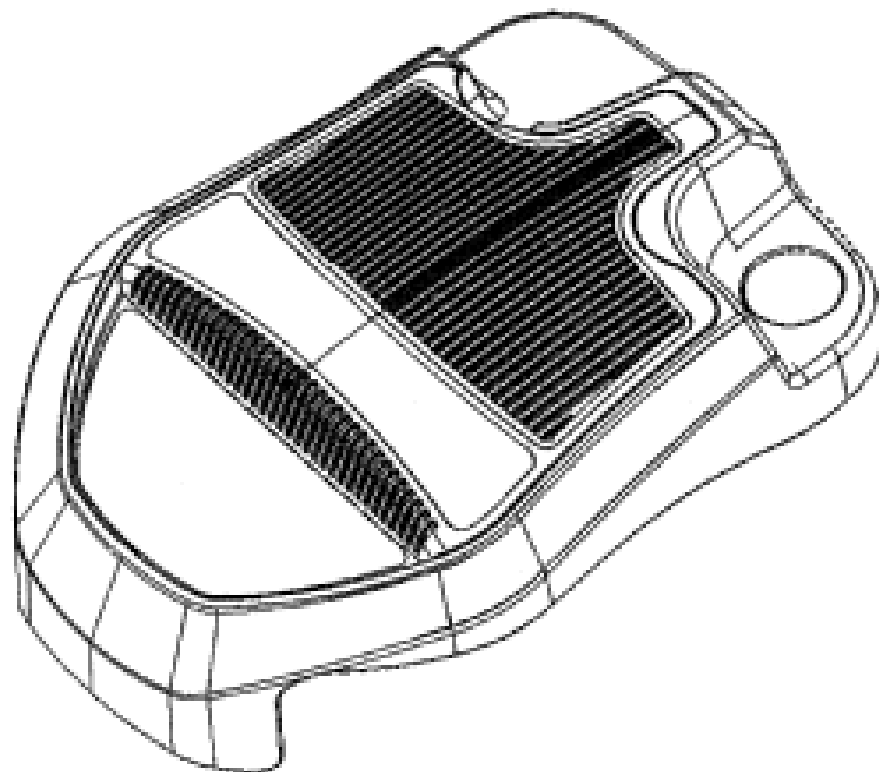
**Rover Mowers Limited**  
**155 Fison Avenue West Eagle Farm Queensland 4009 Australia**

(72) Name(s) of Designer(s): **Stephen Leonard Jackson and Craig Frederick Hicks**

(45) Registration Date: **15 October 2008**

(56) Related Art Documents: **Not Applicable**

(57) Statement of Newness and Distinctiveness: **Novelty is claimed in the shape and configuration of the engine cowl as shown.**



(21) Design Number: **12793/2008**

(22) Date of Filing Application: **11 June 2008**

(24) Date from which industrial property rights may have effect: **11 June 2008**

(54) Product in respect of which the design is registered: **Engine cowl**

(51) International Design Classification: **15-03B**

(71) Name(s) and Address(s) of Applicant(s):

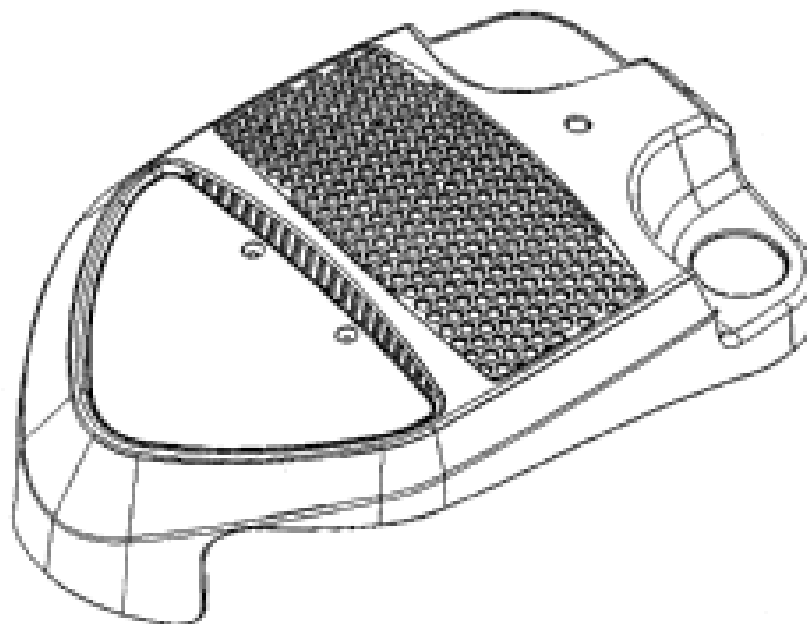
**Rover Mowers Limited**  
**155 Fison Avenue West Eagle Farm Queensland 4009 Australia**

(72) Name(s) of Designer(s): **Stephen Leonard Jackson and Craig Frederick Hicks**

(45) Registration Date: **15 October 2008**

(56) Related Art Documents: **Not Applicable**

(57) Statement of Newness and Distinctiveness: **Novelty is claimed in the shape and configuration of the engine cowl as shown.**



(21) Design Number: **12794/2008**

(22) Date of Filing Application: **11 June 2008**

(24) Date from which industrial property rights may have effect: **11 June 2008**

(54) Product in respect of which the design is registered: **Engine cowl**

(51) International Design Classification: **15-03B**

(71) Name(s) and Address(s) of Applicant(s):

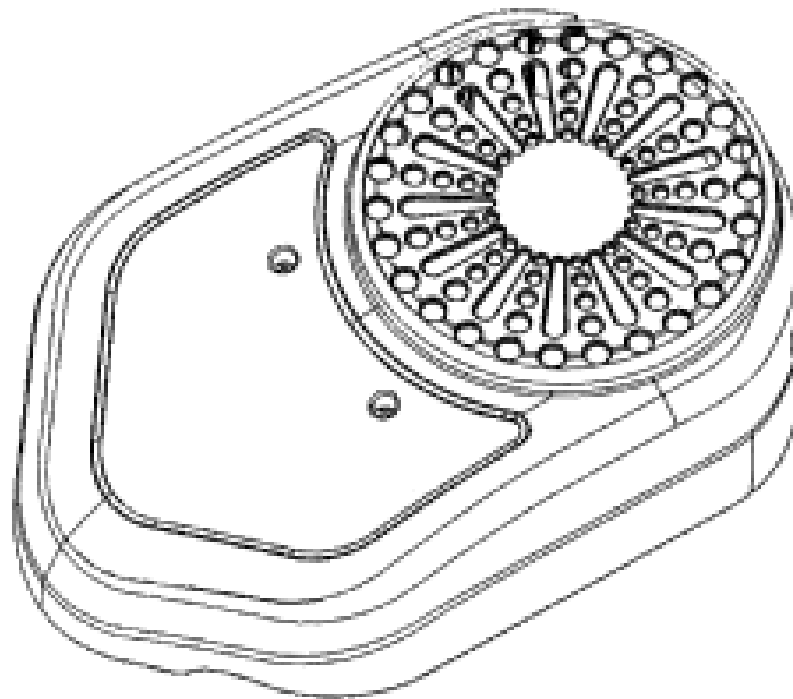
**Rover Mowers Limited**  
**155 Fison Avenue West Eagle Farm Queensland 4009 Australia**

(72) Name(s) of Designer(s): **Stephen Leonard Jackson and Craig Frederick Hicks**

(45) Registration Date: **15 October 2008**

(56) Related Art Documents: **Not Applicable**

(57) Statement of Newness and Distinctiveness: **Novelty is claimed in the shape and configuration of the engine cowl as shown.**



(21) Design Number: **12795/2008**

(22) Date of Filing Application: **11 June 2008**

(24) Date from which industrial property rights may have effect: **11 June 2008**

(54) Product in respect of which the design is registered: **Engine cowl**

(51) International Design Classification: **15-03B**

(71) Name(s) and Address(s) of Applicant(s):

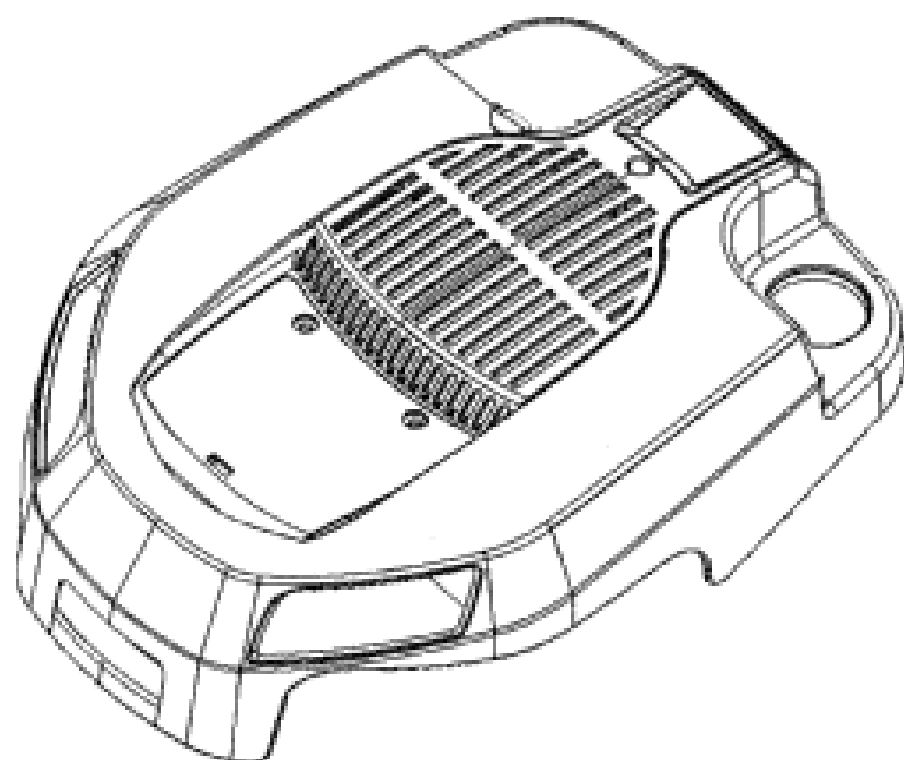
**Rover Mowers Limited**  
**155 Fison Avenue West Eagle Farm Queensland 4009 Australia**

(72) Name(s) of Designer(s): **Stephen Leonard Jackson and Craig Frederick Hicks**

(45) Registration Date: **15 October 2008**

(56) Related Art Documents: **Not Applicable**

(57) Statement of Newness and Distinctiveness: **Novelty is claimed in the shape and configuration of the engine cowl as shown.**



(21) Design Number: **12797/2008**

(22) Date of Filing Application: **11 June 2008**

(24) Date from which industrial property rights may have effect: **11 June 2008**

(54) Product in respect of which the design is registered: **Floor mat**

(51) International Design Classification: **06-11, 06-12**

(71) Name(s) and Address(s) of Applicant(s):

**Deflecto Corporation**

**11937 Exit Five Parkway Fishers IN 46038 United States of America**

(72) Name(s) of Designer(s): **Bill Schwartz**

(45) Registration Date: **15 October 2008**

(30) Convention priority data:

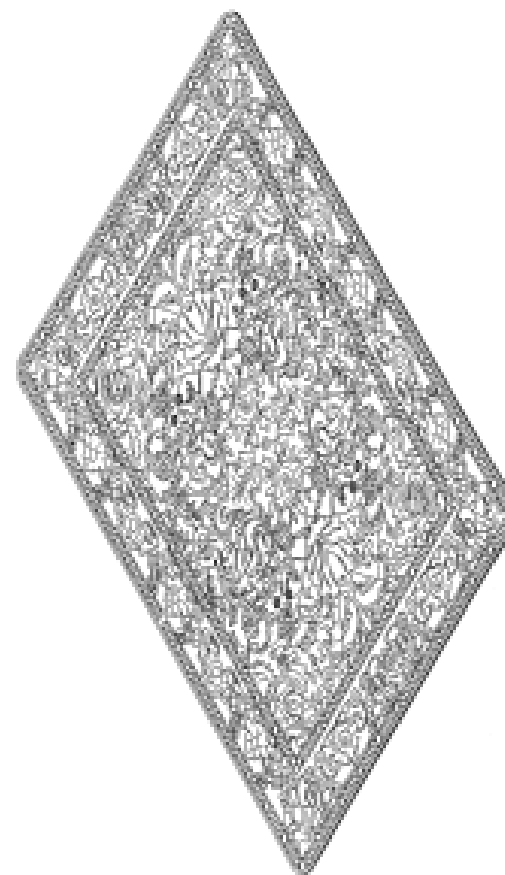
(31) Number  
**29/303744**

(32) Date  
**15 Feb 2008**

(33) Country  
**UNITED STATES OF AMERICA**

(56) Related Art Documents: **Not Applicable**

(57) Statement of Newness and Distinctiveness: **Nil**



(21) Design Number: **12798/2008**

(22) Date of Filing Application: **11 June 2008**

(24) Date from which industrial property rights may have effect: **11 June 2008**

(54) Product in respect of which the design is registered: **Floor mat**

(51) International Design Classification: **06-11, 06-12**

(71) Name(s) and Address(s) of Applicant(s):

**Deflecto Corporation**

**11937 Exit Five Parkway Fishers IN 46038 United States of America**

(72) Name(s) of Designer(s): **Bill Schwartz**

(45) Registration Date: **15 October 2008**

(30) Convention priority data:

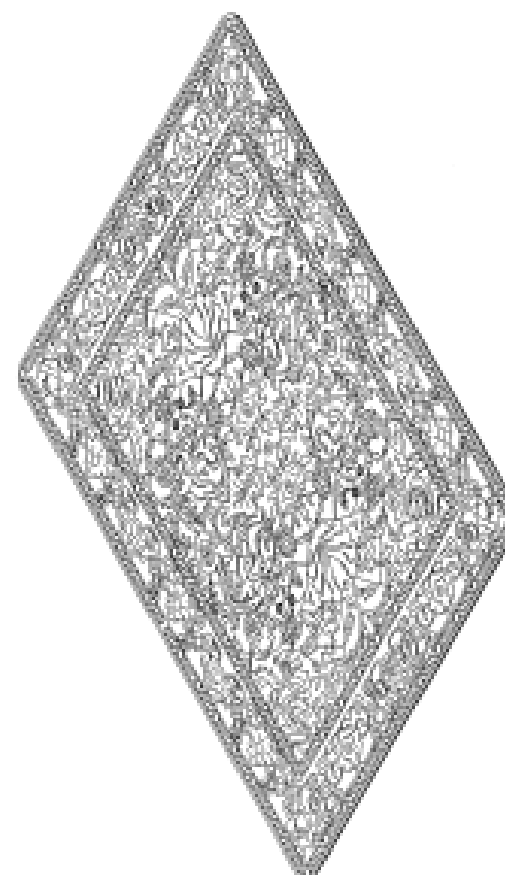
(31) Number  
**29/303743**

(32) Date  
**15 Feb 2008**

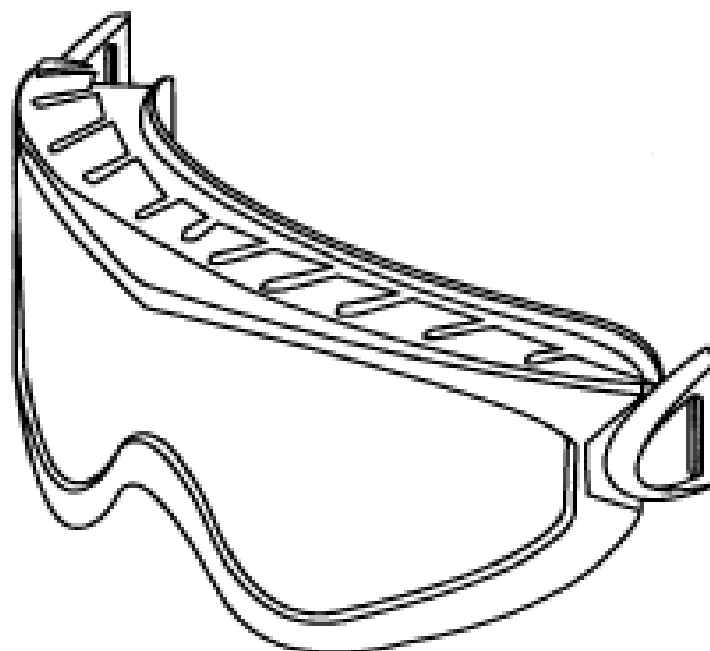
(33) Country  
**UNITED STATES OF AMERICA**

(56) Related Art Documents: **Not Applicable**

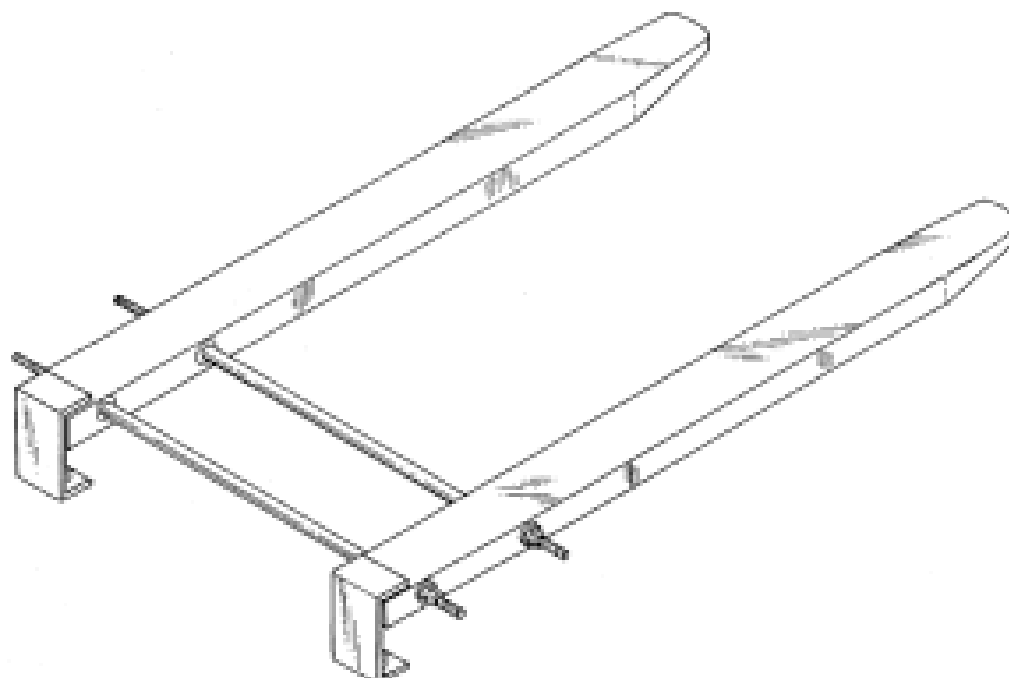
(57) Statement of Newness and Distinctiveness: **Nil**



- (21) Design Number: **12799/2008**  
(22) Date of Filing Application: **11 June 2008**  
(24) Date from which industrial property rights may have effect: **11 June 2008**  
(54) Product in respect of which the design is registered: **Safety spectacles and goggles**  
(51) International Design Classification: **16-06, 29-02**  
(71) Name(s) and Address(s) of Applicant(s):  
**Swissone Safety**  
**20 rue de la Dent-Blanche Sion 1950 Switzerland**  
(72) Name(s) of Designer(s): **Jean-Pierre Passaquay**  
(45) Registration Date: **15 October 2008**  
(30) Convention priority data:  
(31) Number (32) Date (33) Country  
**134605 13 Dec 2007 SWITZERLAND**  
(56) Related Art Documents: **Not Applicable**  
(57) Statement of Newness and Distinctiveness: **Newness is claimed in the shape and/or configuration**



- (21) Design Number: **12511/2008**  
(22) Date of Filing Application: **22 May 2008**  
(24) Date from which industrial property rights may have effect: **22 May 2008**  
(54) Product in respect of which the design is registered: **A fork lift attachment**  
(51) International Design Classification: **12-05**  
(71) Name(s) and Address(s) of Applicant(s):  
**Finglen Pty Limited**  
**14 Killara Avenue Killara New South Wales 2071 Australia**  
(72) Name(s) of Designer(s): **Fraser Patison Old**  
(45) Registration Date: **14 October 2008**  
(56) Related Art Documents: **Not Applicable**  
(57) Statement of Newness and Distinctiveness: **Newness and distinctiveness is claimed in respect of the shape and/or configuration of the product illustrated in the accompanying representations.**



(21) Design Number: **12920/2008**

(22) Date of Filing Application: **20 June 2008**

(24) Date from which industrial property rights may have effect: **20 June 2008**

(54) Product in respect of which the design is registered: **Visor**

(51) International Design Classification: **02-03**

(71) Name(s) and Address(s) of Applicant(s):

**Section A Pty Ltd**

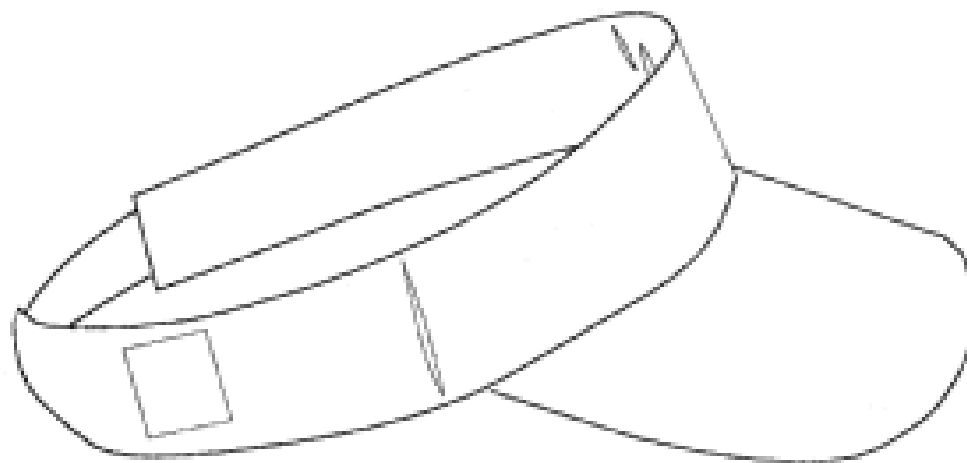
**9 North Head Scenic Drive Manly New South Wales 2095 Australia**

(72) Name(s) of Designer(s): **Karl Kowalczuk**

(45) Registration Date: **14 October 2008**

(56) Related Art Documents: **Not Applicable**

(57) Statement of Newness and Distinctiveness: **Visor with especially designed pockets and openings for holding and operating music players whilst concealing cables.**



(21) Design Number: **12923/2008**

(22) Date of Filing Application: **20 June 2008**

(24) Date from which industrial property rights may have effect: **20 June 2008**

(54) Product in respect of which the design is registered: **Watch case with bracelet**

(51) International Design Classification: **10-02, 10-07**

(71) Name(s) and Address(s) of Applicant(s):

**Rado Uhren AG (Rado Watch Co Ltd) (Montres Rado SA)**

**Bielstrasse 45 Lengnau Switzerland**

(72) Name(s) of Designer(s): **Jasper Morrison**

(45) Registration Date: **14 October 2008**

(30) Convention priority data:

(31) Number  
**DM/069 852**

(32) Date  
**18 Mar 2008**

(33) Country  
**WORLD INTELLECTUAL  
PROPERTY ORGANIZATION  
(WIPO)**

(56) Related Art Documents: **Not Applicable**

(57) Statement of Newness and Distinctiveness: **Nil**



- (21) Design Number: **12930/2008**  
(22) Date of Filing Application: **23 June 2008**  
(24) Date from which industrial property rights may have effect: **23 June 2008**  
(54) Product in respect of which the design is registered: **An upright, including but not limited to an upright for an umbrella, sign or post having an attachment portion**  
(51) International Design Classification: **20-02NES, 08-08NES, 03-03**  
(71) Name(s) and Address(s) of Applicant(s):  
**Nikolaos Filaretos Bakopoulos**  
**75 Quinton Court Pasadena South Australia 5042 Australia**  
(72) Name(s) of Designer(s): **Nikolaos Filaretos Bakopoulos**  
(45) Registration Date: **14 October 2008**  
(56) Related Art Documents: **Not Applicable**  
(57) Statement of Newness and Distinctiveness: **Nil**



- (21) Design Number: **12942/2008**  
(22) Date of Filing Application: **24 June 2008**  
(24) Date from which industrial property rights may have effect: **24 June 2008**  
(54) Product in respect of which the design is registered: **A container**  
(51) International Design Classification: **09-01C**  
(71) Name(s) and Address(s) of Applicant(s):  
**Societe des Produits Nestle S.A.**  
**1800 Vevey Switzerland**  
(72) Name(s) of Designer(s): **David Francis and Beatrice Mariotti**  
(45) Registration Date: **14 October 2008**  
(30) Convention priority data:  

(31) Number	(32) Date	(33) Country
<b>134759</b>	<b>28 Jan 2008</b>	<b>SWITZERLAND</b>

  
(56) Related Art Documents: **Not Applicable**  
(57) Statement of Newness and Distinctiveness: **Nil**





(21) Design Number: **12943/2008**

(22) Date of Filing Application: **24 June 2008**

(24) Date from which industrial property rights may have effect: **24 June 2008**

(54) Product in respect of which the design is registered: **A container**

(51) International Design Classification: **09-01C**

(71) Name(s) and Address(s) of Applicant(s):

**Societe des Produits Nestle S.A.  
1800 Vevey Switzerland**

(72) Name(s) of Designer(s): **David Francis and Beatrice Mariotti**

(45) Registration Date: **14 October 2008**

(30) Convention priority data:

(31) Number	(32) Date	(33) Country
<b>134759</b>	<b>28 Jan 2008</b>	<b>SWITZERLAND</b>

(56) Related Art Documents: **Not Applicable**

(57) Statement of Newness and Distinctiveness: **Nil**



(21) Design Number: **12944/2008**

(22) Date of Filing Application: **24 June 2008**

(24) Date from which industrial property rights may have effect: **24 June 2008**

(54) Product in respect of which the design is registered: **A container**

(51) International Design Classification: **09-01C**

(71) Name(s) and Address(s) of Applicant(s):

**Societe des Produits Nestle S.A.  
1800 Vevey Switzerland**

(72) Name(s) of Designer(s): **David Francis and Beatrice Mariotti**

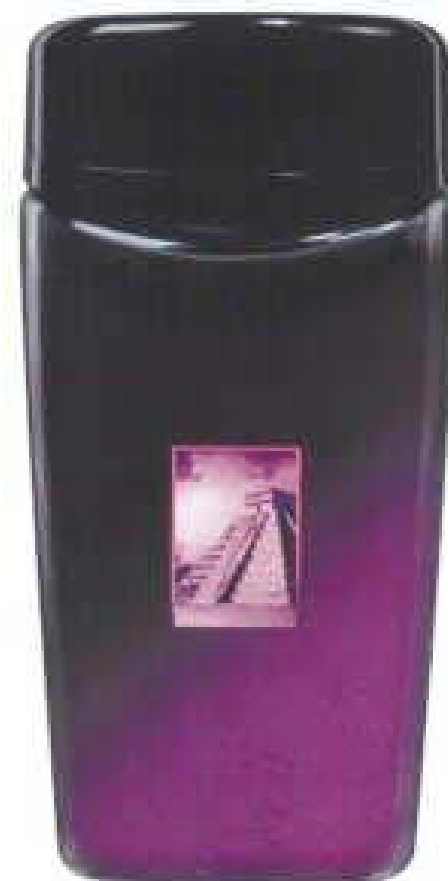
(45) Registration Date: **14 October 2008**

(30) Convention priority data:

(31) Number	(32) Date	(33) Country
<b>134759</b>	<b>28 Jan 2008</b>	<b>SWITZERLAND</b>

(56) Related Art Documents: **Not Applicable**

(57) Statement of Newness and Distinctiveness: **Nil**



(21) Design Number: **12945/2008**

(22) Date of Filing Application: **24 June 2008**

(24) Date from which industrial property rights may have effect: **24 June 2008**

(54) Product in respect of which the design is registered: **A container**

(51) International Design Classification: **09-01C**

(71) Name(s) and Address(s) of Applicant(s):

**Societe des Produits Nestle S.A.  
1800 Vevey Switzerland**

(72) Name(s) of Designer(s): **David Francis and Beatrice Mariotti**

(45) Registration Date: **14 October 2008**

(30) Convention priority data:

(31) Number	(32) Date	(33) Country
<b>134759</b>	<b>28 Jan 2008</b>	<b>SWITZERLAND</b>

(56) Related Art Documents: **Not Applicable**

(57) Statement of Newness and Distinctiveness: **Nil**



(21) Design Number: **12946/2008**

(22) Date of Filing Application: **23 June 2008**

(24) Date from which industrial property rights may have effect: **23 June 2008**

(54) Product in respect of which the design is registered: **Toy vehicle**

(51) International Design Classification: **21-01C**

(71) Name(s) and Address(s) of Applicant(s):

**Tomy Company, Ltd  
7-9-10 Tateishi Katsushika-Ku Tokyo Japan**

(72) Name(s) of Designer(s): **Junichi Nagaoka**

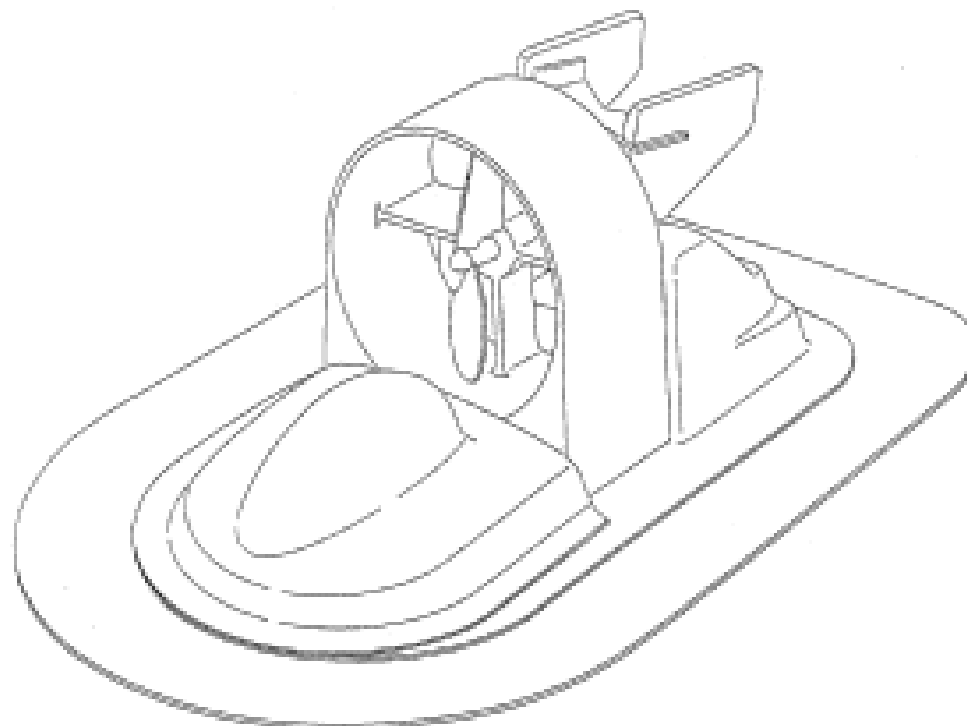
(45) Registration Date: **14 October 2008**

(30) Convention priority data:

(31) Number	(32) Date	(33) Country
<b>2008-495</b>	<b>11 Jan 2008</b>	<b>JAPAN</b>

(56) Related Art Documents: **Not Applicable**

(57) Statement of Newness and Distinctiveness: **Monopoly is claimed in the shape and configuration of a toy vehicle as shown in the accompanying representations.**



(21) Design Number: **12947/2008**

(22) Date of Filing Application: **24 June 2008**

(24) Date from which industrial property rights may have effect: **24 June 2008**

(54) Product in respect of which the design is registered: **Coffee table/chair**

(51) International Design Classification: **06-03B, 06-01L**

(71) Name(s) and Address(s) of Applicant(s):

**Yoshio Takagi**

**204 Anzac Tce Bassendean Perth Western Australia 6054 Australia**

(72) Name(s) of Designer(s): **Yoshio Takagi**

(45) Registration Date: **14 October 2008**

(56) Related Art Documents: **Not Applicable**

(57) Statement of Newness and Distinctiveness: **The shape of the table/chair**



(21) Design Number: **12956/2008**

(22) Date of Filing Application: **24 June 2008**

(24) Date from which industrial property rights may have effect: **24 June 2008**

(54) Product in respect of which the design is registered: **Underground storage reservoir**

(51) International Design Classification: **23-01F**

(71) Name(s) and Address(s) of Applicant(s):

**Ronald Frederick Hopley**

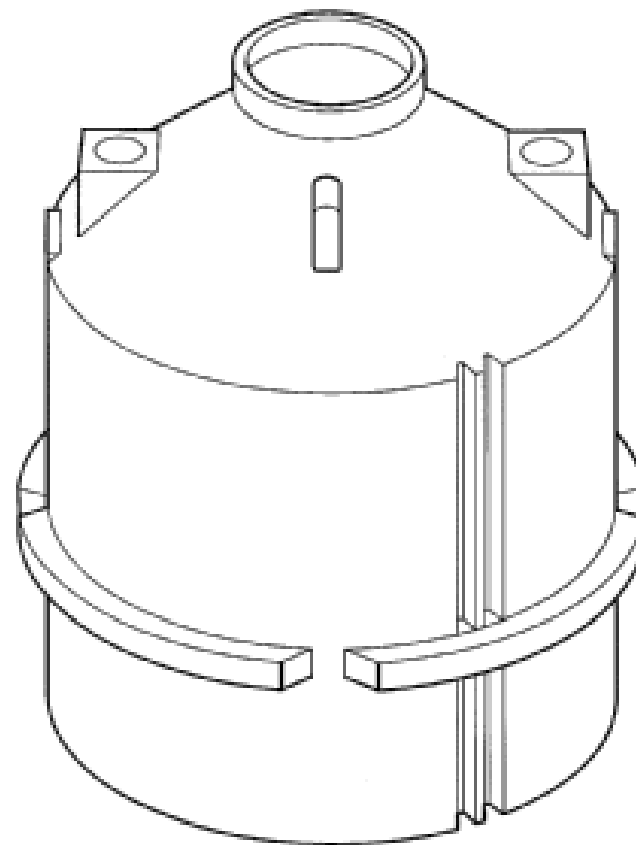
**59 McCombe Road Bunbury Western Australia 6230 Australia**

(72) Name(s) of Designer(s): **Ronald Frederick Hopley**

(45) Registration Date: **14 October 2008**

(56) Related Art Documents: **Not Applicable**

(57) Statement of Newness and Distinctiveness: **Each feature of the design considered separately or in combination with any other feature or features.**



(21) Design Number: **12958/2008**

(22) Date of Filing Application: **24 June 2008**

(24) Date from which industrial property rights may have effect: **24 June 2008**

(54) Product in respect of which the design is registered: **Electric controller**

(51) International Design Classification: **13-03D**

(71) Name(s) and Address(s) of Applicant(s):

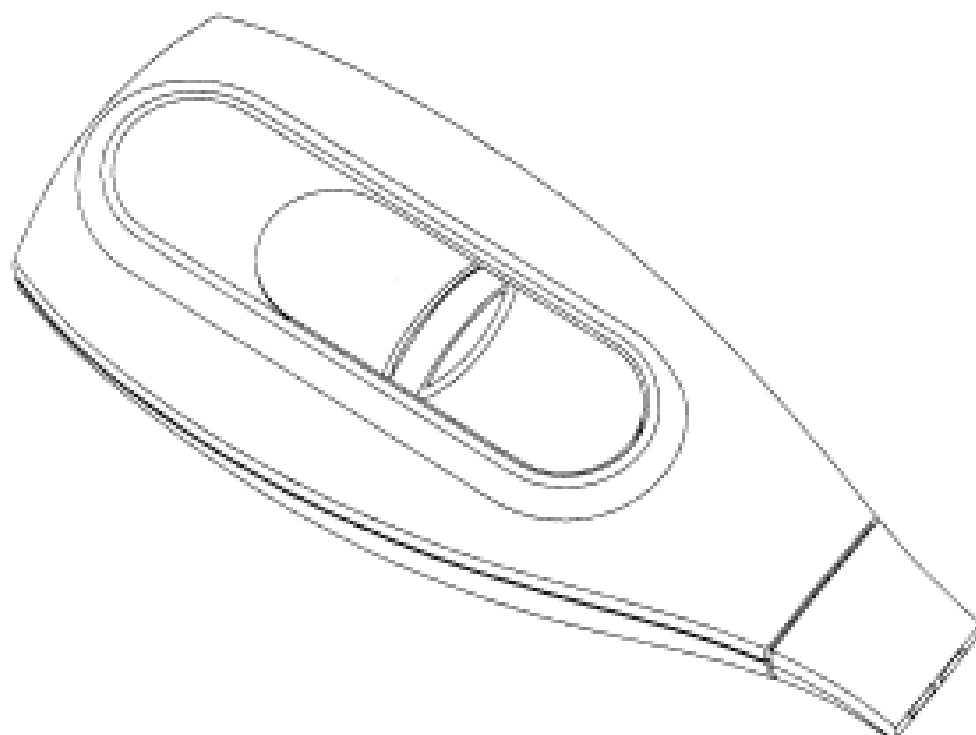
**Sunbeam Corporation Limited**  
**Units 5 & 6 13 Lord Street Botany New South Wales 2019 Australia**

(72) Name(s) of Designer(s): **Mark Thomas and Phil Rose**

(45) Registration Date: **14 October 2008**

(56) Related Art Documents: **Not Applicable**

(57) Statement of Newness and Distinctiveness: **Newness and distinctiveness of the design as applied to an electric controller resides in the shape and/or configuration thereof as shown in the accompanying**



(21) Design Number: **11550/2008**

(22) Date of Filing Application: **02 April 2008**

(24) Date from which industrial property rights may have effect: **02 April 2008**

(54) Product in respect of which the design is registered: **Hose cock connector**

(51) International Design Classification: **23-01C**

(71) Name(s) and Address(s) of Applicant(s):

**A.A.P. Industries Pty Ltd**  
**125 Crockford Street Northgate Queensland 4013 Australia**

(72) Name(s) of Designer(s): **Gary Granville Blewitt**

(45) Registration Date: **15 October 2008**

(56) Related Art Documents: **Not Applicable**

(57) Statement of Newness and Distinctiveness: **Newness and distinctiveness resides in the shape and configuration of the flow passage through the connector as shown in the accompanying representations in which: Fig. 1 is a perspective view of the connector from one side; Fig. 2 is a perspective view of the connector from the other side; Figs. 3 and 4 are perspective views of the connector from one end; Figs. 5 and 6 are perspective views of the connector from the other end; Fig. 7 is an elevation of the connector; and Fig. 8 is a sectional elevation of the connector along a diametral plane containing the connector axis. The external thread shown in Figs. 1, 2, 3 and 5 are also present in Figs 7 and 8 according to Australian Standard Engineering Practices. Fig. 7 and 8 are provided for the purpose of determining the shape and configuration of the hose-cock connector bore.**



(21) Design Number: **12964/2008**

(22) Date of Filing Application: **26 June 2008**

(24) Date from which industrial property rights may have effect: **26 June 2008**

(54) Product in respect of which the design is registered: **Downlight canister**

(51) International Design Classification: **09-03L, 26-05C**

(71) Name(s) and Address(s) of Applicant(s):

**John Separovich**

**59 Collingwood Street Osborne Park Western Australia 6017  
Australia**

**Rodney Trevor Powell**

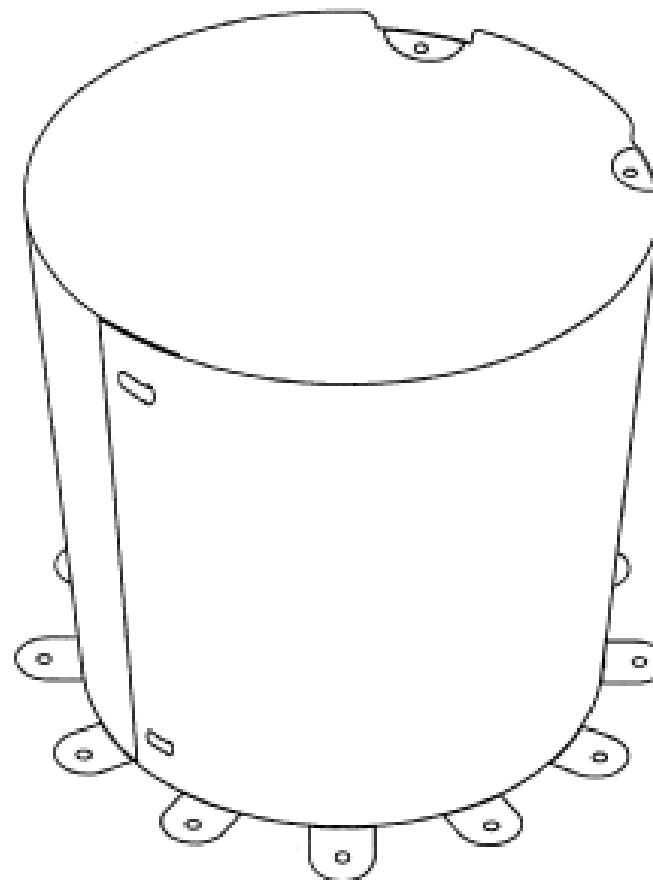
**59 Collingwood Street Osborne Park Western Australia 6017 Australia**

(72) Name(s) of Designer(s): **Rodney Trevor Powell**

(45) Registration Date: **15 October 2008**

(56) Related Art Documents: **Not Applicable**

(57) Statement of Newness and Distinctiveness: **Newness and distinctiveness is claimed in the shape and/or configuration of a downlight canister as illustrated in the accompanying representations.**



(21) Design Number: **12966/2008**

(22) Date of Filing Application: **26 June 2008**

(24) Date from which industrial property rights may have effect: **26 June 2008**

(54) Product in respect of which the design is registered: **Table**

(51) International Design Classification: **06-03B**

(71) Name(s) and Address(s) of Applicant(s):

**Anthony Iverach**

**18 Burns Road Springwood New South Wales 2777 Australia**

(72) Name(s) of Designer(s): **Anthony Iverach**

(45) Registration Date: **15 October 2008**

(56) Related Art Documents: **Not Applicable**

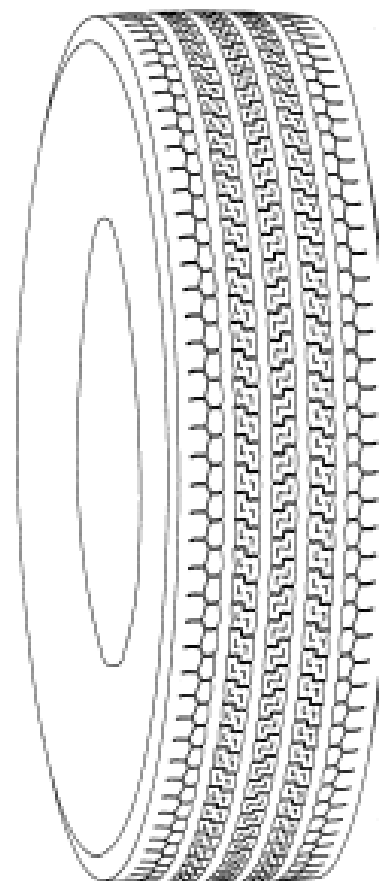
(57) Statement of Newness and Distinctiveness: **Continuous curved frame without any visible joins. Five points of frame located at the top corners and tapered inwards to the bottom at different angles. Top is five sides with radius at each intersection forming irregular shape. Glass top attached to frame with metal discs at five top points of frame. Unusual shape and form.**



- (21) Design Number: **12967/2008**  
(22) Date of Filing Application: **26 June 2008**  
(24) Date from which industrial property rights may have effect: **26 June 2008**  
(54) Product in respect of which the design is registered: **Heart shaped foldable handbag hook**  
(51) International Design Classification: **03-01B, 11-01B, 11-01NES**  
(71) Name(s) and Address(s) of Applicant(s):  
**Global Shopping Network Pty Ltd**  
**1607/83-85 Spring Street Bondi Junction New South Wales 2022**  
**Australia**  
(72) Name(s) of Designer(s): **Ana Slavka**  
(45) Registration Date: **15 October 2008**  
(56) Related Art Documents: **Not Applicable**  
(57) Statement of Newness and Distinctiveness: **New and distinctive features of the design are the shape and overall appearance of the hook and the shape of the hook.**



- (21) Design Number: **12979/2008**  
(22) Date of Filing Application: **26 June 2008**  
(24) Date from which industrial property rights may have effect: **26 June 2008**  
(54) Product in respect of which the design is registered: **A pneumatic tyre**  
(51) International Design Classification: **12-15A**  
(71) Name(s) and Address(s) of Applicant(s):  
**Societe De Technologie Michelin**  
**23 rue Breschet F-63000 Clermont-Ferrand Cedex France**  
**Michelin Recherche et Technique S.A.**  
**Route Louis Braille 10 et 12 CH-1763 Granges-Paccot Switzerland**  
(72) Name(s) of Designer(s): **Patrice Bonhomme**  
(45) Registration Date: **15 October 2008**  
(30) Convention priority data:  
(31) Number (32) Date (33) Country  
**08/0043 03 Jan 2008 FRANCE**  
(56) Related Art Documents: **Not Applicable**  
(57) Statement of Newness and Distinctiveness: **Novelty resides in the shape or configuration applied to the tread region of the pneumatic tyre.**



(21) Design Number: **12980/2008**

(22) Date of Filing Application: **26 June 2008**

(24) Date from which industrial property rights may have effect: **26 June 2008**

(54) Product in respect of which the design is registered: **Lamp**

(51) International Design Classification: **26-05C**

(71) Name(s) and Address(s) of Applicant(s):

**Koninklijke Philips Electronics N.V.  
Groenewoudseweg 1 5621 BA Eindhoven The Netherlands**

(72) Name(s) of Designer(s): **Li Zhang and Ernest Kin Man To**

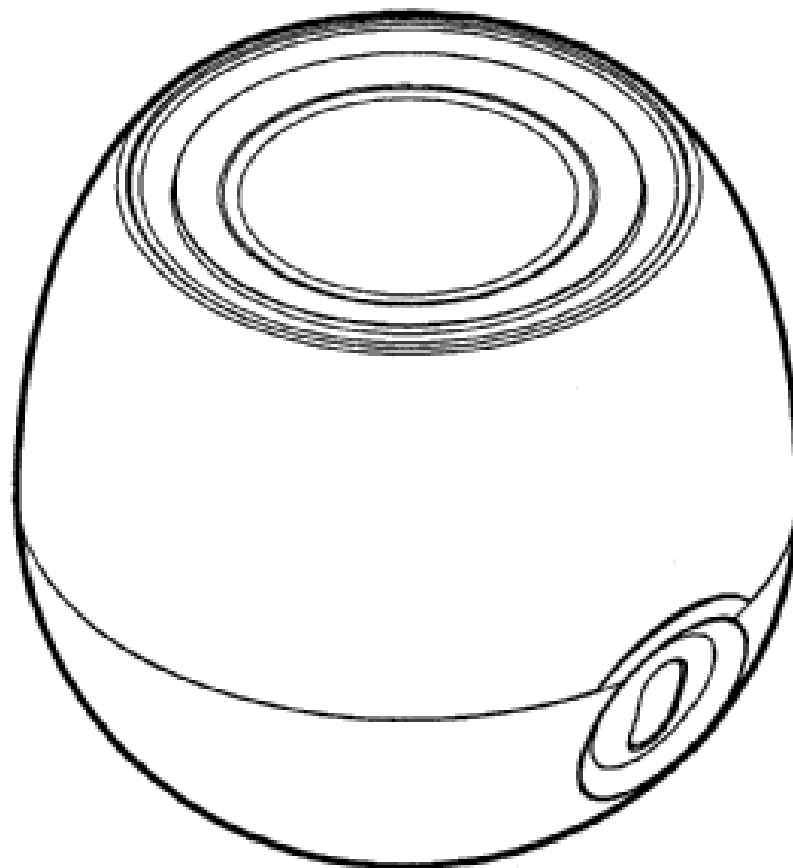
(45) Registration Date: **15 October 2008**

(30) Convention priority data:

(31) Number	(32) Date	(33) Country
<b>000868724</b>	<b>30 Jan 2008</b>	<b>EUROPEAN COMMUNITY</b>

(56) Related Art Documents: **Not Applicable**

(57) Statement of Newness and Distinctiveness: **Newness and distinctiveness reside in the features of the design as shown in the representations.**



(21) Design Number: **12981/2008**

(22) Date of Filing Application: **26 June 2008**

(24) Date from which industrial property rights may have effect: **26 June 2008**

(54) Product in respect of which the design is registered: **Double flap bag**

(51) International Design Classification: **03-01A**

(71) Name(s) and Address(s) of Applicant(s):

**Smith & Nephew PLC  
15 Adam Street London WC2N 6LA United Kingdom**

(72) Name(s) of Designer(s): **Richard Mann and Andrew Duncan Pidgeon**

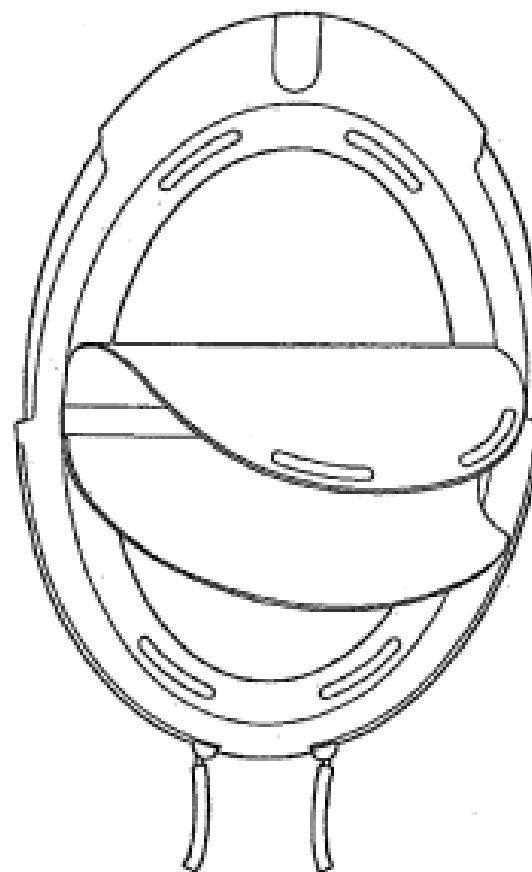
(45) Registration Date: **15 October 2008**

(30) Convention priority data:

(31) Number	(32) Date	(33) Country
<b>000851001</b>	<b>28 Dec 2007</b>	<b>EUROPEAN COMMUNITY</b>

(56) Related Art Documents: **Not Applicable**

(57) Statement of Newness and Distinctiveness: **Newness and distinctiveness reside in the features of the design as shown in the representations.**





(21) Design Number: **12984/2008**

(22) Date of Filing Application: **26 June 2008**

(24) Date from which industrial property rights may have effect: **26 June 2008**

(54) Product in respect of which the design is registered: **Battery**

(51) International Design Classification: **13-02**

(71) Name(s) and Address(s) of Applicant(s):

**Matsushita Electric Industrial Co., Ltd.  
1006 Oaza Kadoma Kadoma-shi Osaka 571-8501 Japan**

(72) Name(s) of Designer(s): **Noriko Himeda**

(45) Registration Date: **15 October 2008**

(30) Convention priority data:

(31) Number	(32) Date	(33) Country
<b>2007-036188</b>	<b>28 Dec 2007</b>	<b>JAPAN</b>

(56) Related Art Documents: **Not Applicable**

(57) Statement of Newness and Distinctiveness: **Newness and distinctiveness is claimed in the features of pattern and/or ornamentation of a battery as illustrated in the accompanying representations.**



(21) Design Number: **12985/2008**

(22) Date of Filing Application: **26 June 2008**

(24) Date from which industrial property rights may have effect: **26 June 2008**

(54) Product in respect of which the design is registered: **Headphone**

(51) International Design Classification: **14-01, 14-03A**

(71) Name(s) and Address(s) of Applicant(s):

**Kabushiki Kaisha Audio-Technica  
2206 Naruse Machida-shi Tokyo Japan**

(72) Name(s) of Designer(s): **Taira Ohori**

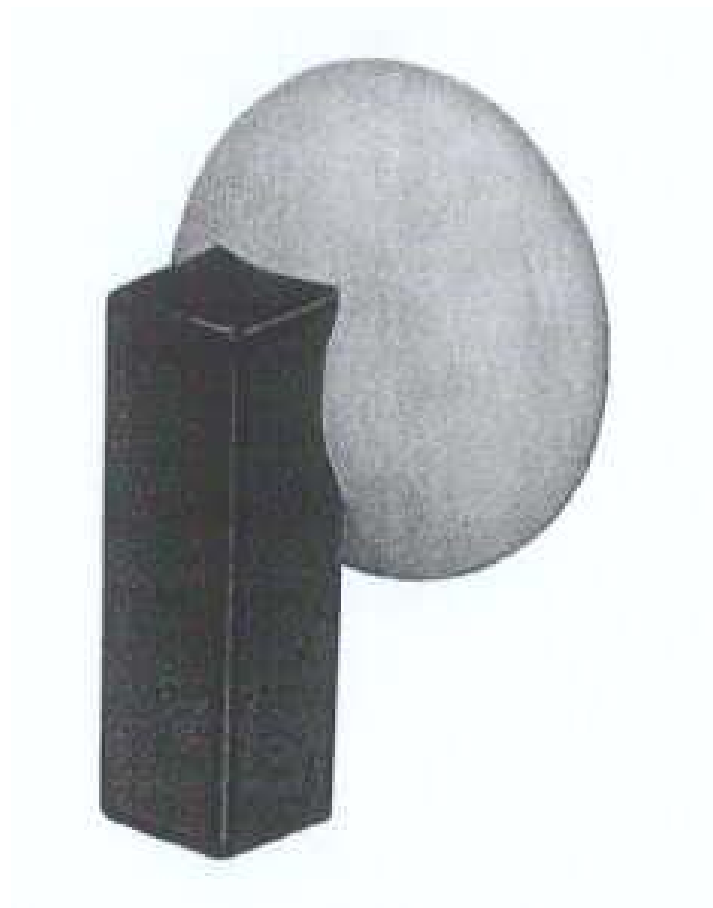
(45) Registration Date: **15 October 2008**

(30) Convention priority data:

(31) Number	(32) Date	(33) Country
<b>2008-005661</b>	<b>07 Mar 2008</b>	<b>JAPAN</b>

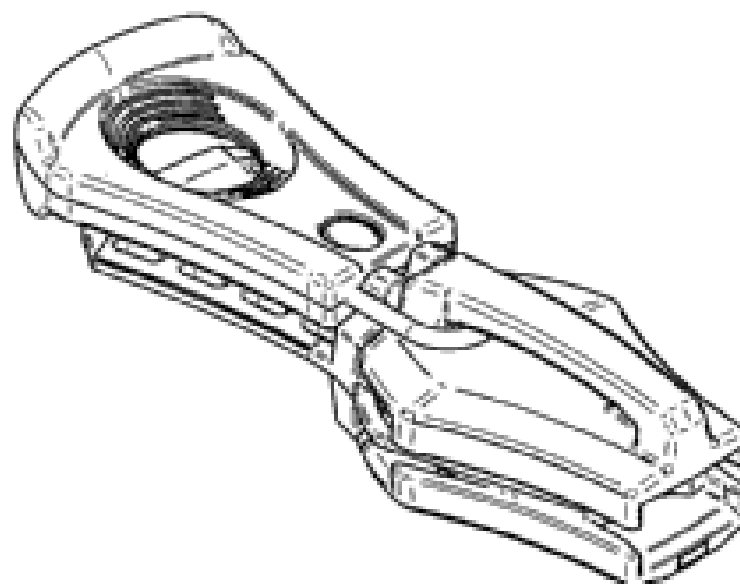
(56) Related Art Documents: **Not Applicable**

(57) Statement of Newness and Distinctiveness: **Newness and distinctiveness is claimed in the features of shape and/or configuration of a headphone as illustrated in the accompanying representations with particular regard to be had to the shape of the rectangular pillar connected to the earpiece.**

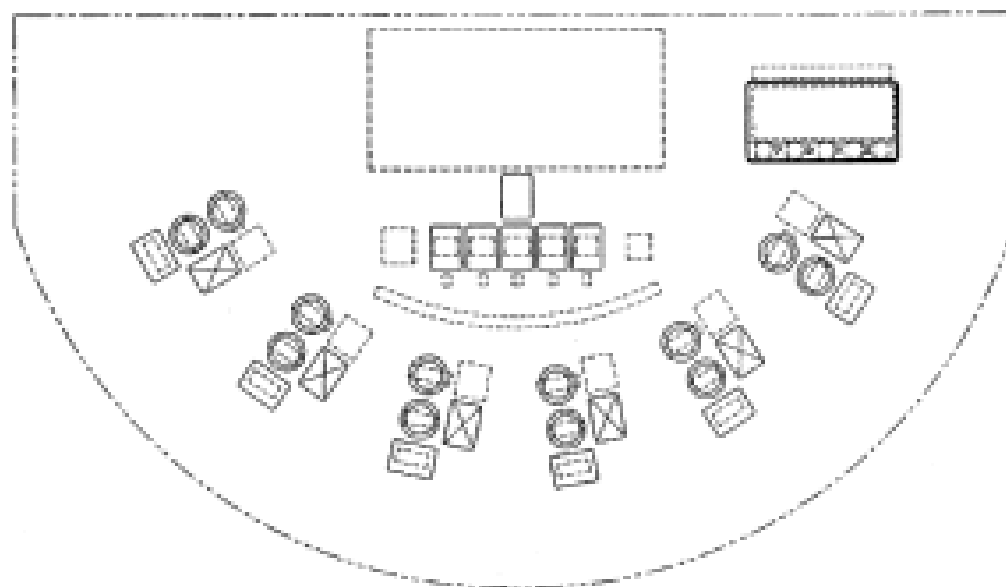




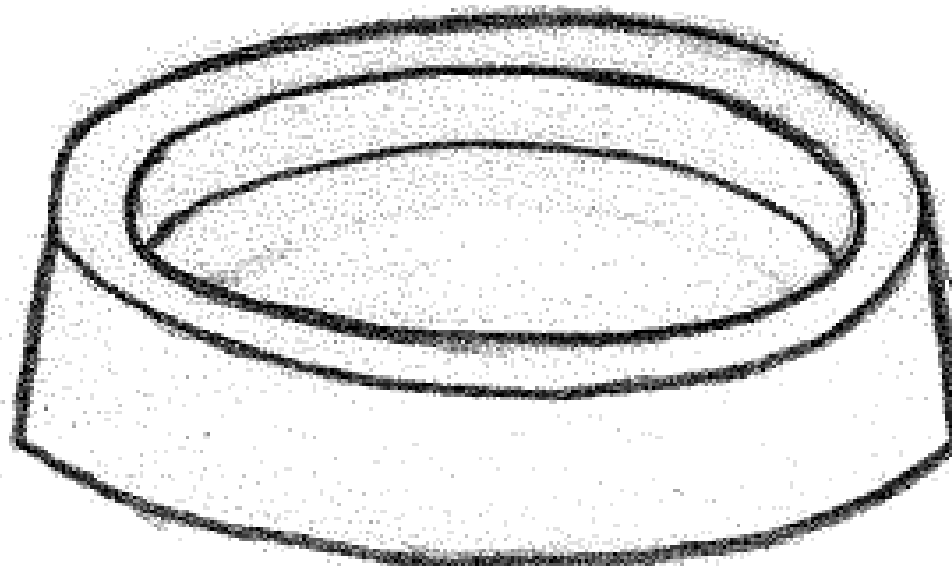
(21) Design Number: **12986/2008**  
 (22) Date of Filing Application: **26 June 2008**  
 (24) Date from which industrial property rights may have effect: **26 June 2008**  
 (54) Product in respect of which the design is registered: **Stop and slider of a slide fastener**  
 (51) International Design Classification: **02-07A**  
 (71) Name(s) and Address(s) of Applicant(s):  
**Riri Group SA**  
**Via Catenazzi 23 CH-6850 Mendrisio Switzerland**  
 (72) Name(s) of Designer(s): **Livio Cossutti**  
 (45) Registration Date: **15 October 2008**  
 (30) Convention priority data:  
 (31) Number      (32) Date      (33) Country  
**000950092      12 Jun 2008      SWITZERLAND**  
 (56) Related Art Documents: **Not Applicable**  
 (57) Statement of Newness and Distinctiveness: **Nil**



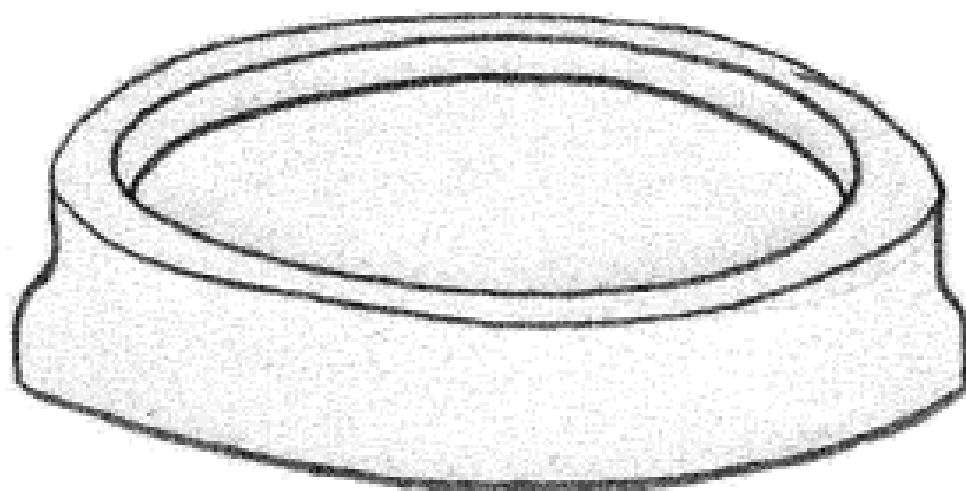
(21) Design Number: **11917/2008**  
 (22) Date of Filing Application: **24 April 2008**  
 (24) Date from which industrial property rights may have effect: **24 April 2008**  
 (54) Product in respect of which the design is registered: **Gaming cloth**  
 (51) International Design Classification: **21-01L**  
 (71) Name(s) and Address(s) of Applicant(s):  
**Shuffle Master, Inc.**  
**1106 Palms Airport Drive Las Vegas Nevada 89119 United States of America**  
 (72) Name(s) of Designer(s): **Natalie A. Murphy and Daymon B. Savage and Roger M. Snow**  
 (45) Registration Date: **21 October 2008**  
 (30) Convention priority data:  
 (31) Number      (32) Date      (33) Country  
**29/293,221      09 Nov 2007      UNITED STATES OF AMERICA**  
 (56) Related Art Documents: **Not Applicable**  
 (57) Statement of Newness and Distinctiveness: **Nil**



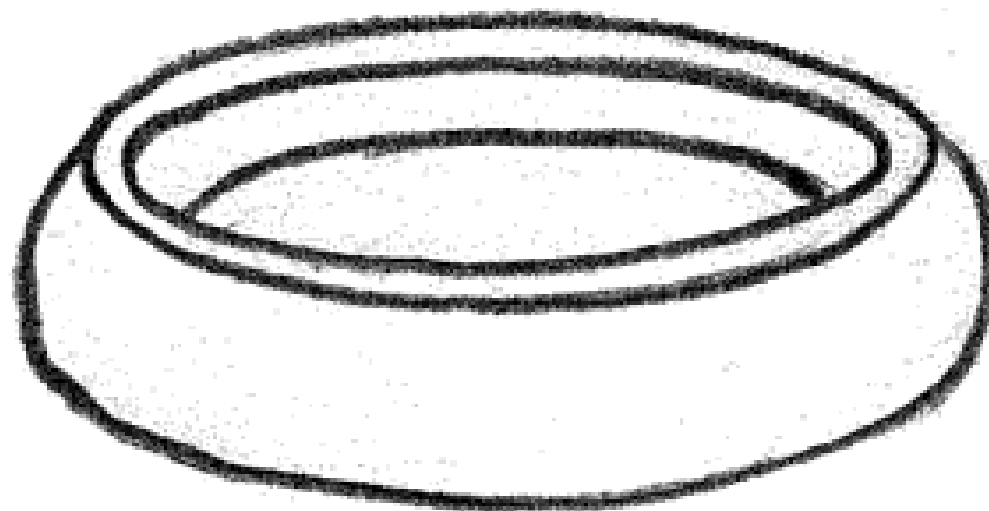
- (21) Design Number: **12234/2008**
- (22) Date of Filing Application: **09 May 2008**
- (24) Date from which industrial property rights may have effect: **09 May 2008**
- (54) Product in respect of which the design is registered: **Refreezable ice brick/pack**
- (51) International Design Classification: **07-07A**
- (71) Name(s) and Address(s) of Applicant(s):  
**Daniel Lee Robinson**  
**5/15 Cooper Road Morley Western Australia 6062 Australia**
- (72) Name(s) of Designer(s): **Daniel Lee Robinson**
- (45) Registration Date: **21 October 2008**
- (56) Related Art Documents: **Not Applicable**
- (57) Statement of Newness and Distinctiveness: **Nil**



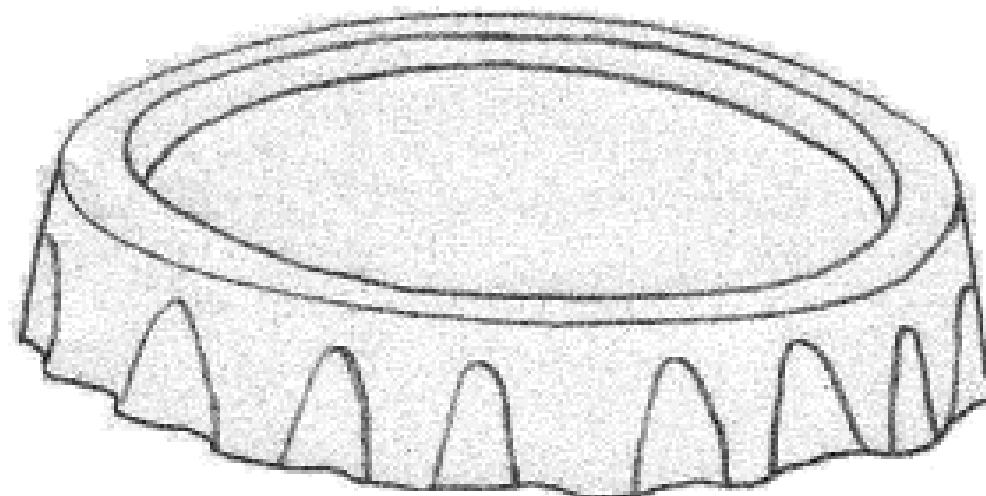
- (21) Design Number: **12235/2008**
- (22) Date of Filing Application: **09 May 2008**
- (24) Date from which industrial property rights may have effect: **09 May 2008**
- (54) Product in respect of which the design is registered: **Refreezable ice brick/pack**
- (51) International Design Classification: **07-07A**
- (71) Name(s) and Address(s) of Applicant(s):  
**Daniel Lee Robinson**  
**5/15 Cooper Road Morley Western Australia 6062 Australia**
- (72) Name(s) of Designer(s): **Daniel Lee Robinson**
- (45) Registration Date: **21 October 2008**
- (56) Related Art Documents: **Not Applicable**
- (57) Statement of Newness and Distinctiveness: **Nil**



- (21) Design Number: **12236/2008**
- (22) Date of Filing Application: **09 May 2008**
- (24) Date from which industrial property rights may have effect: **09 May 2008**
- (54) Product in respect of which the design is registered: **Refreezable ice brick/pack**
- (51) International Design Classification: **07-07A**
- (71) Name(s) and Address(s) of Applicant(s):  
**Daniel Lee Robinson**  
**5/15 Cooper Road Morley Western Australia 6062 Australia**
- (72) Name(s) of Designer(s): **Daniel Lee Robinson**
- (45) Registration Date: **21 October 2008**
- (56) Related Art Documents: **Not Applicable**
- (57) Statement of Newness and Distinctiveness: **Nil**



- (21) Design Number: **12237/2008**
- (22) Date of Filing Application: **09 May 2008**
- (24) Date from which industrial property rights may have effect: **09 May 2008**
- (54) Product in respect of which the design is registered: **Refreezable ice brick/pack**
- (51) International Design Classification: **07-07A**
- (71) Name(s) and Address(s) of Applicant(s):  
**Daniel Lee Robinson**  
**5/15 Cooper Road Morley Western Australia 6062 Australia**
- (72) Name(s) of Designer(s): **Daniel Lee Robinson**
- (45) Registration Date: **21 October 2008**
- (56) Related Art Documents: **Not Applicable**
- (57) Statement of Newness and Distinctiveness: **Nil**



(21) Design Number: **12238/2008**

(22) Date of Filing Application: **09 May 2008**

(24) Date from which industrial property rights may have effect: **09 May 2008**

(54) Product in respect of which the design is registered: **Refreezable ice brick/pack**

(51) International Design Classification: **07-07A**

(71) Name(s) and Address(s) of Applicant(s):

**Daniel Lee Robinson**

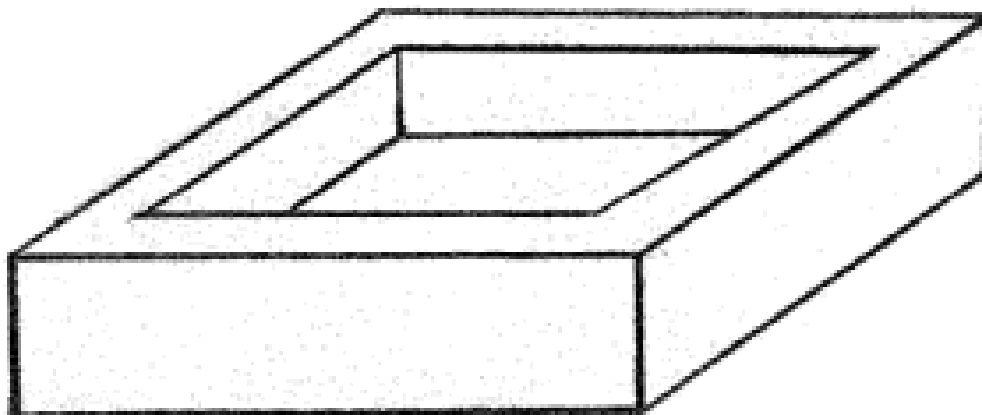
**5/15 Cooper Road Morley Western Australia 6062 Australia**

(72) Name(s) of Designer(s): **Daniel Lee Robinson**

(45) Registration Date: **21 October 2008**

(56) Related Art Documents: **Not Applicable**

(57) Statement of Newness and Distinctiveness: **Nil**



(21) Design Number: **12921/2008**

(22) Date of Filing Application: **20 June 2008**

(24) Date from which industrial property rights may have effect: **20 June 2008**

(54) Product in respect of which the design is registered: **A screw**

(51) International Design Classification: **08-08B**

(71) Name(s) and Address(s) of Applicant(s):

**ITW Australia Pty Ltd**

**3 Chester Street Oakleigh Victoria 3166 Australia**

(72) Name(s) of Designer(s): **John Christopher Mallet**

(45) Registration Date: **21 October 2008**

(56) Related Art Documents: **Not Applicable**

(57) Statement of Newness and Distinctiveness: **Newness and distinctiveness is claimed in the shape and configuration of the head portion of the screw as shown in solid lines in the representations.**



(21) Design Number: **12922/2008**

(22) Date of Filing Application: **20 June 2008**

(24) Date from which industrial property rights may have effect: **20 June 2008**

(54) Product in respect of which the design is registered: **Clutch housing**

(51) International Design Classification: **15-01**

(71) Name(s) and Address(s) of Applicant(s):

**BorgWarner Inc.**

**3850 Hamlin Road Auburn Hills MI 48326 United States of America**

(72) Name(s) of Designer(s): **Samuel Settineri**

(45) Registration Date: **21 October 2008**

(30) Convention priority data:

(31) Number

(32) Date

(33) Country

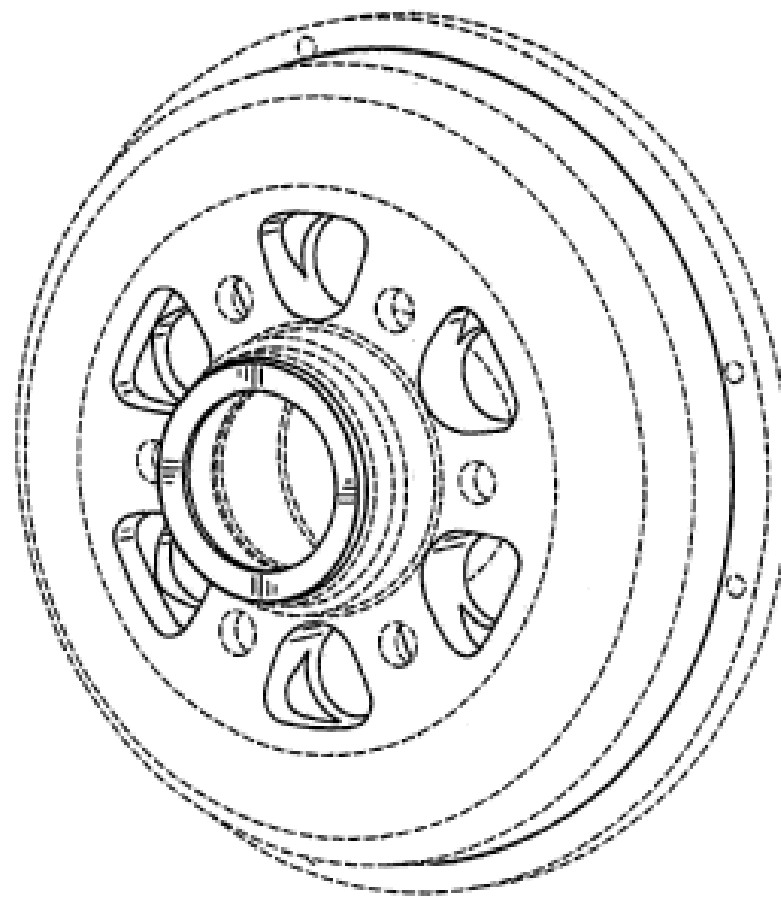
**29/299,271**

**21 Dec 2007**

**UNITED STATES OF AMERICA**

(56) Related Art Documents: **Not Applicable**

(57) Statement of Newness and Distinctiveness: **The shape and configuration of the parts of the design shown in solid lines are new and distinctive.**



(21) Design Number: **12936/2008**

(22) Date of Filing Application: **23 June 2008**

(24) Date from which industrial property rights may have effect: **23 June 2008**

(54) Product in respect of which the design is registered: **Charger**

(51) International Design Classification: **14-03A**

(71) Name(s) and Address(s) of Applicant(s):

**Nokia Corporation**

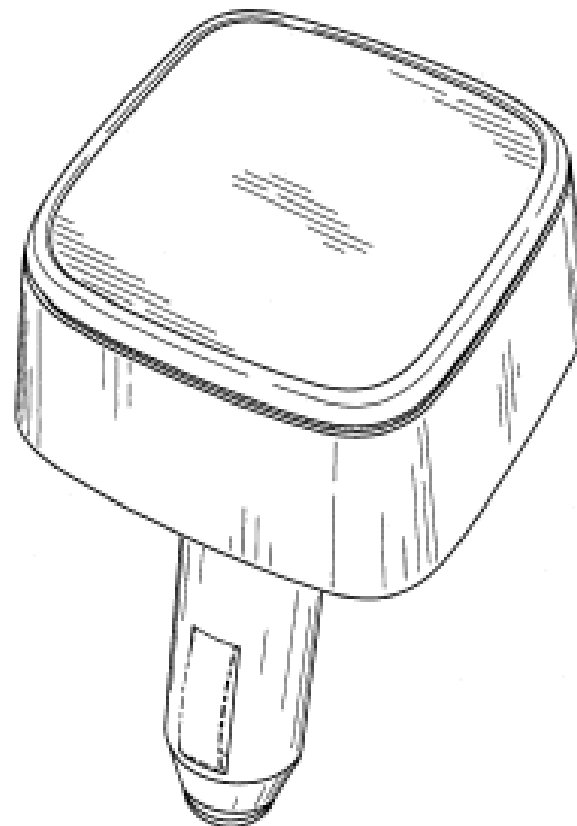
**Keilalahdentie 4 FIN-02150 Espoo Finland**

(72) Name(s) of Designer(s): **Jan Kettula**

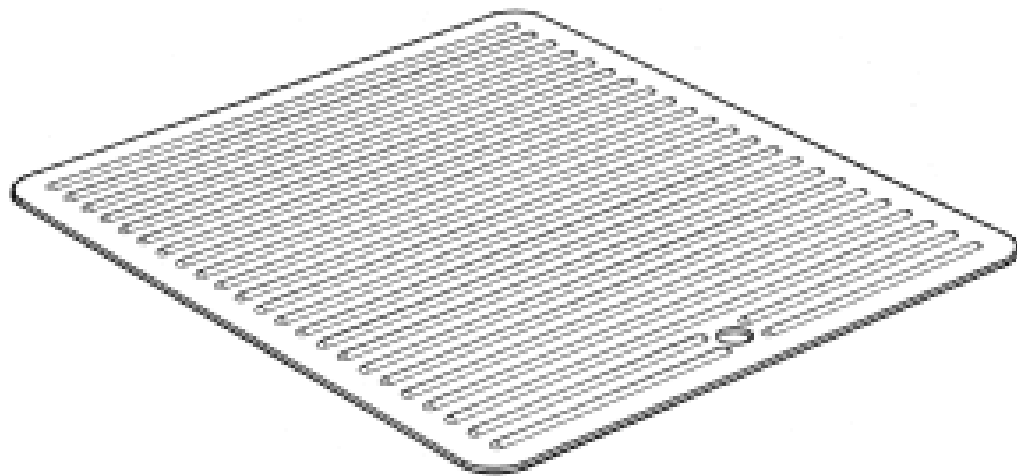
(45) Registration Date: **21 October 2008**

(56) Related Art Documents: **Not Applicable**

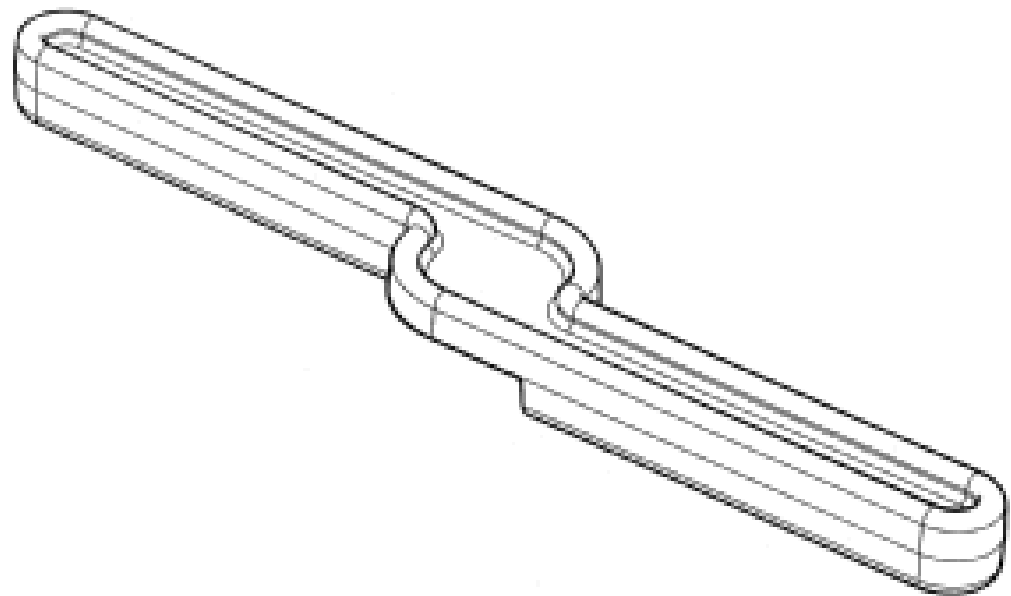
(57) Statement of Newness and Distinctiveness: **Nil**



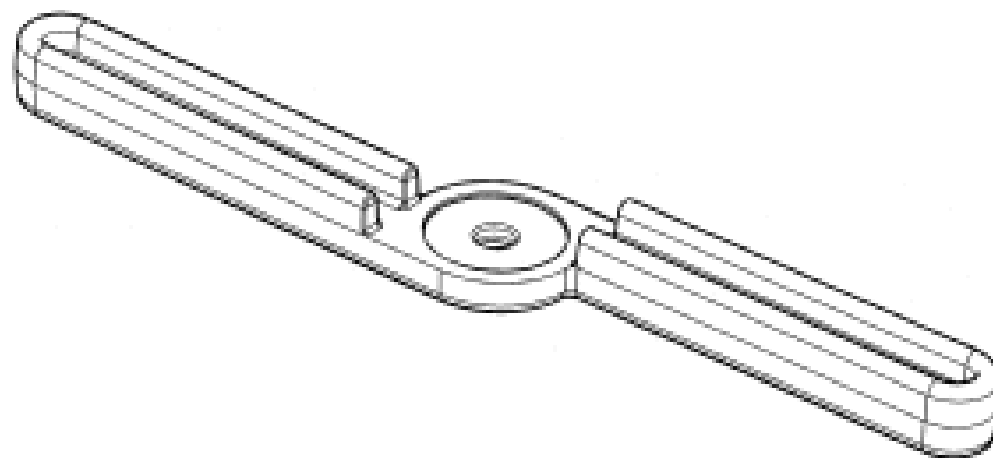
(21) Design Number: **12937/2008**  
(22) Date of Filing Application: **23 June 2008**  
(24) Date from which industrial property rights may have effect: **23 June 2008**  
(54) Product in respect of which the design is registered: **Heat mat**  
(51) International Design Classification: **07-06B**  
(71) Name(s) and Address(s) of Applicant(s):  
**The Decor Corporation Pty Ltd**  
**1314 Ferntree Gully Road Scoresby Victoria 3179 Australia**  
(72) Name(s) of Designer(s): **Arthur Richard Carlson**  
(45) Registration Date: **21 October 2008**  
(56) Related Art Documents: **Not Applicable**  
(57) Statement of Newness and Distinctiveness: **Nil**



(21) Design Number: **12938/2008**  
(22) Date of Filing Application: **23 June 2008**  
(24) Date from which industrial property rights may have effect: **23 June 2008**  
(54) Product in respect of which the design is registered: **Trivet**  
(51) International Design Classification: **07-06NES**  
(71) Name(s) and Address(s) of Applicant(s):  
**The Decor Corporation Pty Ltd**  
**1314 Ferntree Gully Road Scoresby Victoria 3179 Australia**  
(72) Name(s) of Designer(s): **Arthur Richard Carlson**  
(45) Registration Date: **21 October 2008**  
(56) Related Art Documents: **Not Applicable**  
(57) Statement of Newness and Distinctiveness: **Nil**



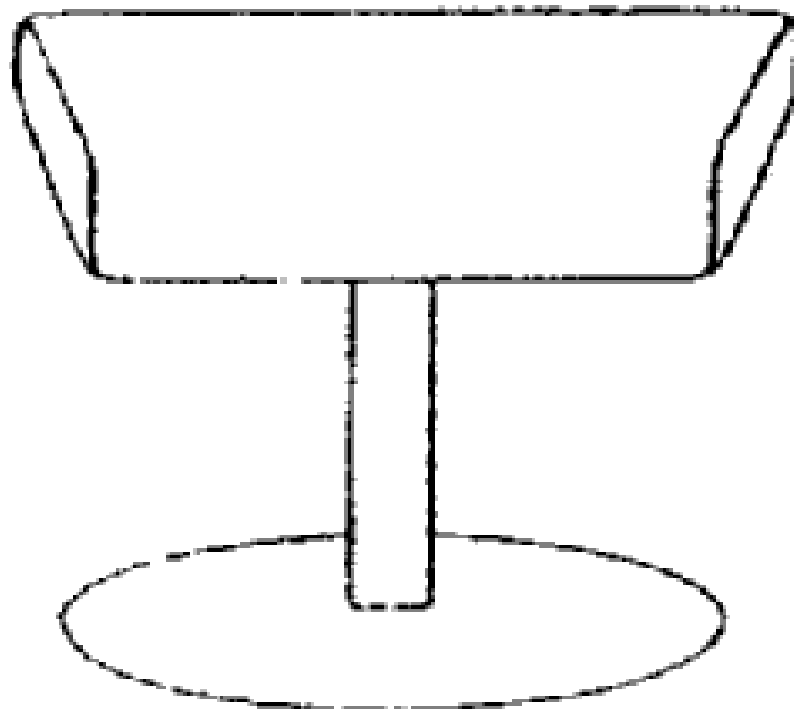
(21) Design Number: **12939/2008**  
(22) Date of Filing Application: **23 June 2008**  
(24) Date from which industrial property rights may have effect: **23 June 2008**  
(54) Product in respect of which the design is registered: **Trivet**  
(51) International Design Classification: **07-06NES**  
(71) Name(s) and Address(s) of Applicant(s):  
**The Decor Corporation Pty Ltd**  
**1314 Ferntree Gully Road Scoresby Victoria 3179 Australia**  
(72) Name(s) of Designer(s): **Arthur Richard Carlson**  
(45) Registration Date: **21 October 2008**  
(56) Related Art Documents: **Not Applicable**  
(57) Statement of Newness and Distinctiveness: **Nil**



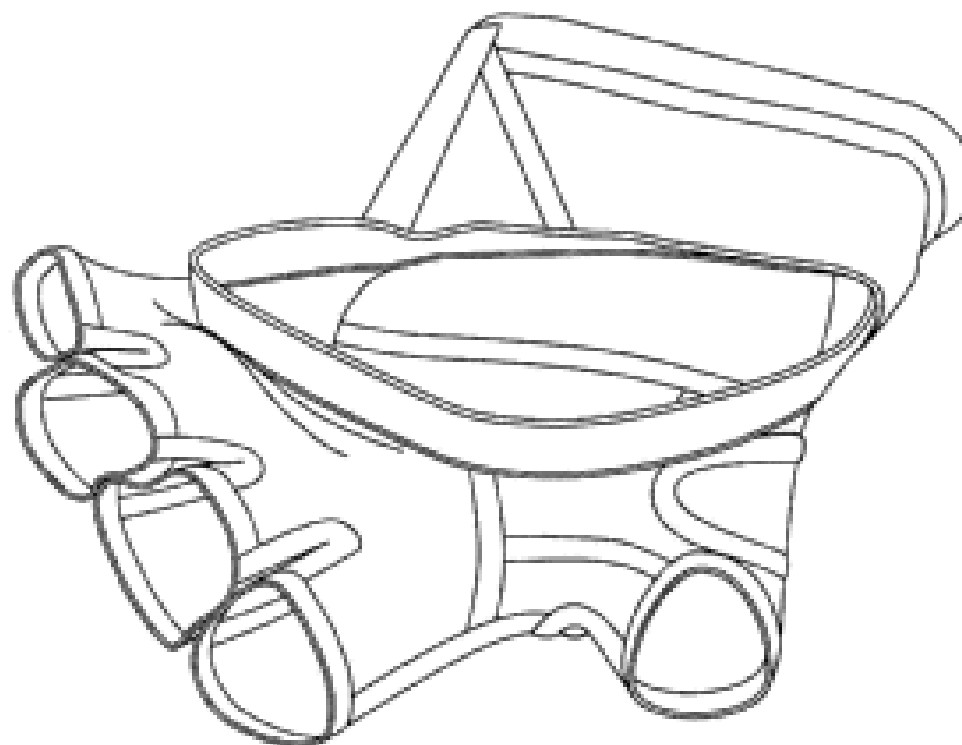
(21) Design Number: **12950/2008**  
(22) Date of Filing Application: **25 June 2008**  
(24) Date from which industrial property rights may have effect: **25 June 2008**  
(54) Product in respect of which the design is registered: **Tree-support arm stabiliser**  
(51) International Design Classification: **08-08L, 99-00**  
(71) Name(s) and Address(s) of Applicant(s):  
**Henry Stubbings**  
**44 Magdalene Terrace Pasadena South Australia 5042 Australia**  
(72) Name(s) of Designer(s): **Henry Stubbings**  
(45) Registration Date: **21 October 2008**  
(56) Related Art Documents: **Not Applicable**  
(57) Statement of Newness and Distinctiveness: **The tree support arm encircles the young tree itself - therefor protecting it from wind damage helping it to grow upright also.**



- (21) Design Number: **12972/2008**  
(22) Date of Filing Application: **25 June 2008**  
(24) Date from which industrial property rights may have effect: **25 June 2008**  
(54) Product in respect of which the design is registered: **A footstool**  
(51) International Design Classification: **06-01E**  
(71) Name(s) and Address(s) of Applicant(s):  
**King Furniture (Australia) Pty Ltd**  
**123 Turrella Street Turrella New South Wales 2205 Australia**  
(72) Name(s) of Designer(s): **Steve Higgs and David Russell King**  
(45) Registration Date: **21 October 2008**  
(56) Related Art Documents: **Not Applicable**  
(57) Statement of Newness and Distinctiveness: **Newness and distinctiveness reside in the features of the design as shown in the representations.**

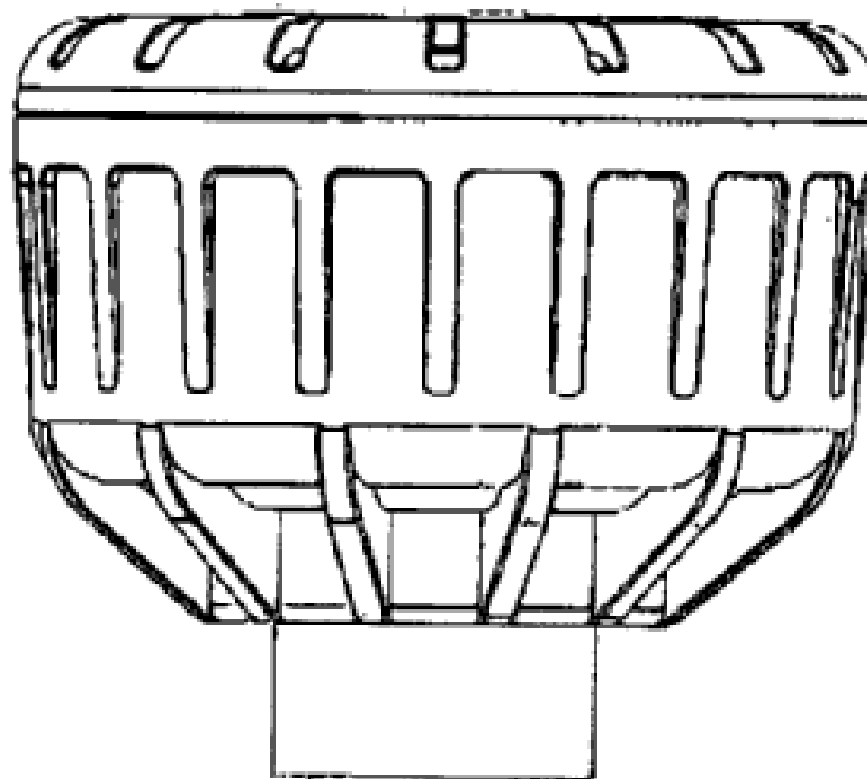


- (21) Design Number: **12973/2008**  
(22) Date of Filing Application: **25 June 2008**  
(24) Date from which industrial property rights may have effect: **25 June 2008**  
(54) Product in respect of which the design is registered: **Orthotic glove**  
(51) International Design Classification: **02-06, 24-04**  
(71) Name(s) and Address(s) of Applicant(s):  
**DM Orthotics Limited**  
**Tescan Units Pool Industrial Estate Redruth Cornwall TR15 3RX**  
**United Kingdom**  
(72) Name(s) of Designer(s): **Martin Matthews**  
(45) Registration Date: **21 October 2008**  
(30) Convention priority data:  
(31) Number (32) Date (33) Country  
**000849583-0001 26 Dec 2007 EUROPEAN COMMUNITY**  
(56) Related Art Documents: **Not Applicable**  
(57) Statement of Newness and Distinctiveness: **Newness and distinctiveness resides in the features of shape and/or configuration of a orthotic glove as illustrated in the accompanying representations.**

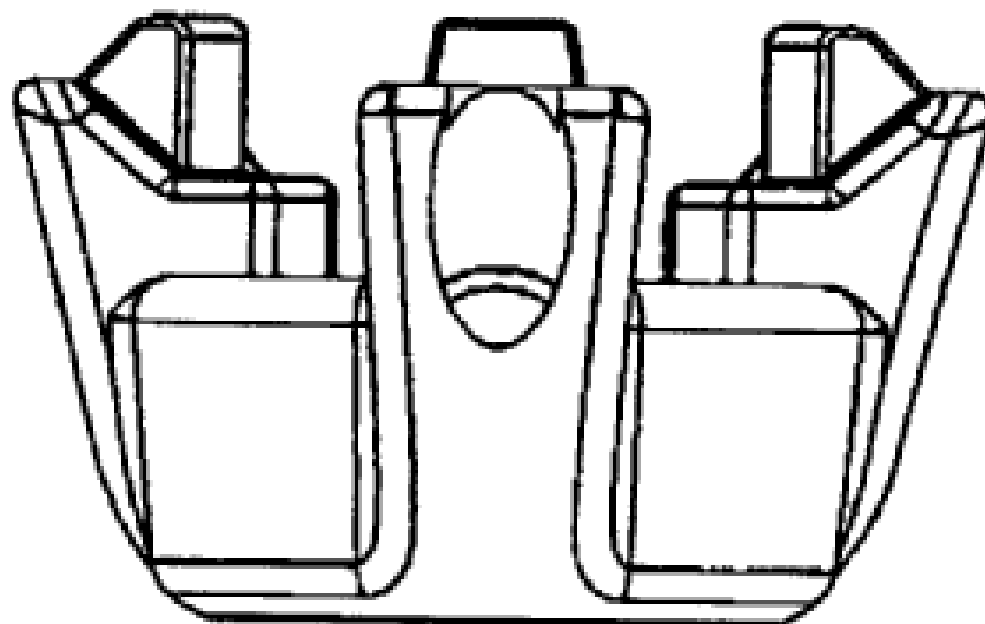




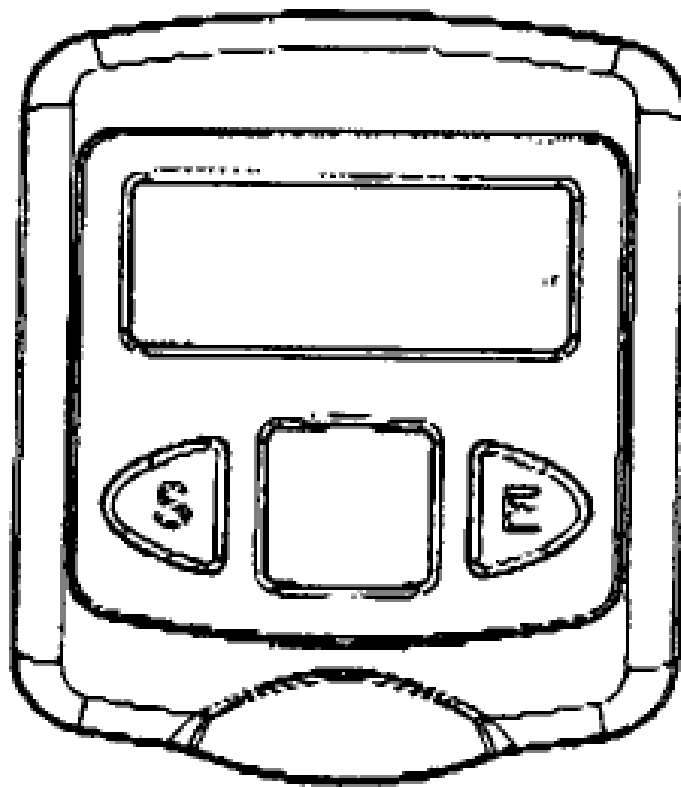
(21) Design Number: **12974/2008**  
(22) Date of Filing Application: **25 June 2008**  
(24) Date from which industrial property rights may have effect: **25 June 2008**  
(54) Product in respect of which the design is registered: **Sensor for tire pressure monitoring system**  
(51) International Design Classification: **08-05E, 10-04**  
(71) Name(s) and Address(s) of Applicant(s):  
**Suzhou Sate Auto Electronic Co., Ltd.**  
**6F-138 Qingyun Road Zhanjiang Hi-Tech Zone Pudong New Area**  
**Shanghai 201203 P.R. China**  
(72) Name(s) of Designer(s): **Yong Zheng**  
(45) Registration Date: **21 October 2008**  
(30) Convention priority data:  
(31) Number (32) Date (33) Country  
**200730290860.4 25 Dec 2007 CHINA**  
(56) Related Art Documents: **Not Applicable**  
(57) Statement of Newness and Distinctiveness: **Nil**



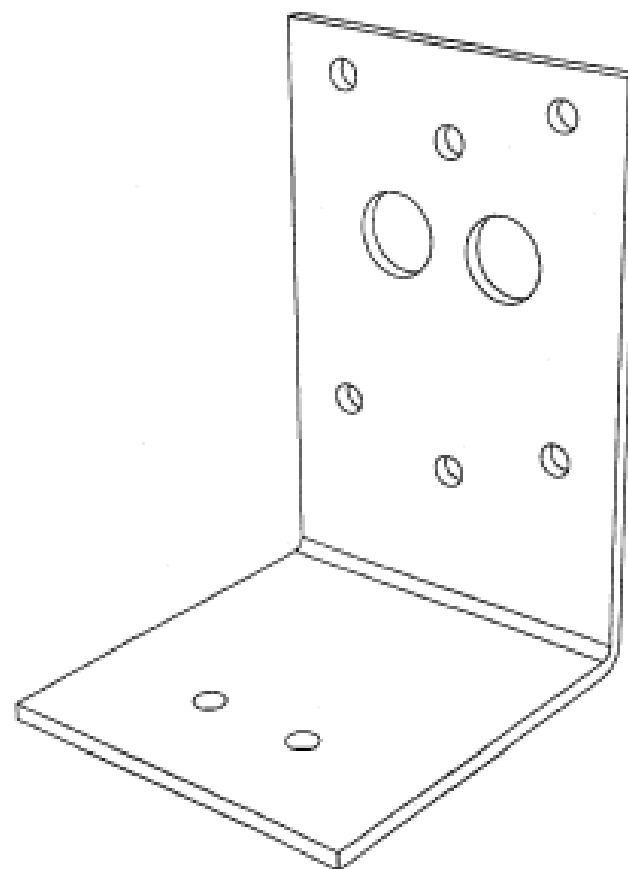
(21) Design Number: **12975/2008**  
(22) Date of Filing Application: **25 June 2008**  
(24) Date from which industrial property rights may have effect: **25 June 2008**  
(54) Product in respect of which the design is registered: **Lock for tire pressure monitoring system**  
(51) International Design Classification: **08-05E, 08-07, 10-04**  
(71) Name(s) and Address(s) of Applicant(s):  
**Suzhou Sate Auto Electronic Co., Ltd.**  
**6F-138 Qingyun Road Zhanjiang Hi-Tech Zone Pudong New Area**  
**Shanghai 201203 P.R. China**  
(72) Name(s) of Designer(s): **Yong Zheng**  
(45) Registration Date: **21 October 2008**  
(30) Convention priority data:  
(31) Number (32) Date (33) Country  
**200730291203.1 25 Dec 2007 CHINA**  
(56) Related Art Documents: **Not Applicable**  
(57) Statement of Newness and Distinctiveness: **Nil**



- (21) Design Number: **12976/2008**
- (22) Date of Filing Application: **25 June 2008**
- (24) Date from which industrial property rights may have effect: **25 June 2008**
- (54) Product in respect of which the design is registered: **Central monitor for tire pressure monitoring system**
- (51) International Design Classification: **10-04, 08-05E**
- (71) Name(s) and Address(s) of Applicant(s):  
**Suzhou Sate Auto Electronic Co., Ltd.**  
**6F-138 Qingyun Road Zhanjiang Hi-Tech Zone Pudong New Area**  
**Shanghai 201203 P.R. China**
- (72) Name(s) of Designer(s): **Yong Zheng**
- (45) Registration Date: **21 October 2008**
- (30) Convention priority data:
  - (31) Number      (32) Date      (33) Country
  - 200730290859.1   25 Dec 2007      CHINA**
- (56) Related Art Documents: **Not Applicable**
- (57) Statement of Newness and Distinctiveness: **Nil**



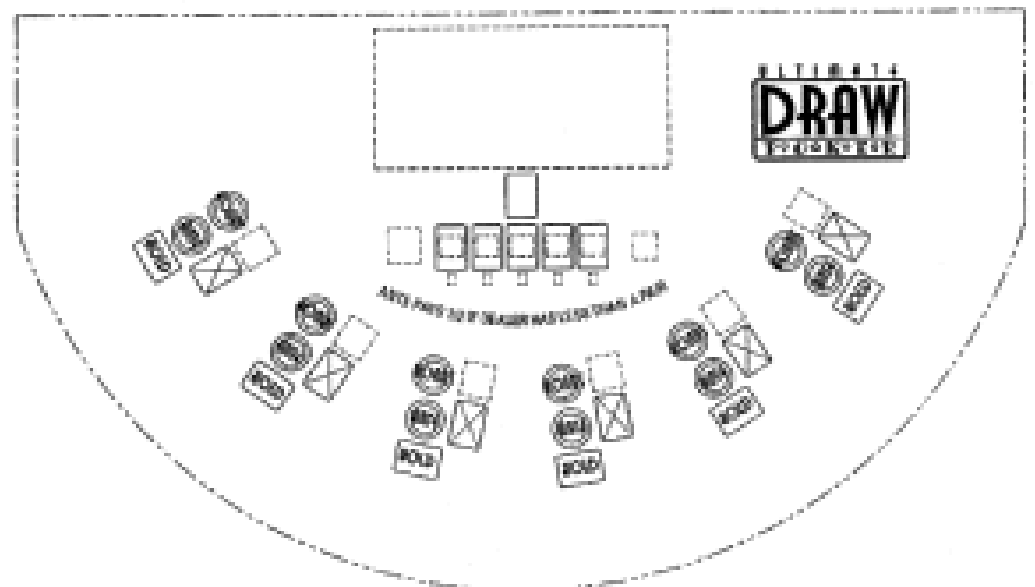
- (21) Design Number: **12977/2008**
- (22) Date of Filing Application: **25 June 2008**
- (24) Date from which industrial property rights may have effect: **25 June 2008**
- (54) Product in respect of which the design is registered: **A support bracket**
- (51) International Design Classification: **25-02D**
- (71) Name(s) and Address(s) of Applicant(s):  
**ITW Australia Pty Ltd**  
**3 Chester Street Oakleigh Victoria 3166 Australia**
- (72) Name(s) of Designer(s): **Bernard Joseph Kennelly**
- (45) Registration Date: **21 October 2008**
- (56) Related Art Documents: **Not Applicable**
- (57) Statement of Newness and Distinctiveness: **Newness and distinctiveness is claimed in the shape and configuration of the holes in the bracket as shown in the representations.**



- (21) Design Number: **12991/2008**  
(22) Date of Filing Application: **25 June 2008**  
(24) Date from which industrial property rights may have effect: **25 June 2008**  
(54) Product in respect of which the design is registered: **Anchor clip**  
(51) International Design Classification: **08-08NES**  
(71) Name(s) and Address(s) of Applicant(s):  
**Henry Stubbings**  
**44 Magdalene Terrace Pasadena South Australia 5042 Australia**  
(72) Name(s) of Designer(s): **Henry Stubbings**  
(45) Registration Date: **21 October 2008**  
(56) Related Art Documents: **Not Applicable**  
(57) Statement of Newness and Distinctiveness: **The anchor, clip, is used to secure one product to another - removing the need for rivets or screws.**



- (21) Design Number: **14349/2008**  
(22) Date of Filing Application: **24 April 2008**  
(24) Date from which industrial property rights may have effect: **24 April 2008**  
(54) Product in respect of which the design is registered: **Gaming cloth**  
(51) International Design Classification: **21-01L**  
(71) Name(s) and Address(s) of Applicant(s):  
**Shuffle Master, Inc**  
**1106 Palms Airport Drive Las Vegas NV 89119 United States of America**  
(72) Name(s) of Designer(s): **Natalie A. Murphy and Daymon B. Savage and Roger M. Snow**  
(45) Registration Date: **21 October 2008**  
(30) Convention priority data:  
(31) Number (32) Date (33) Country  
**29/293,221 09 Nov 2007 UNITED STATES OF AMERICA**  
(56) Related Art Documents: **Not Applicable**  
(57) Statement of Newness and Distinctiveness: **Nil**



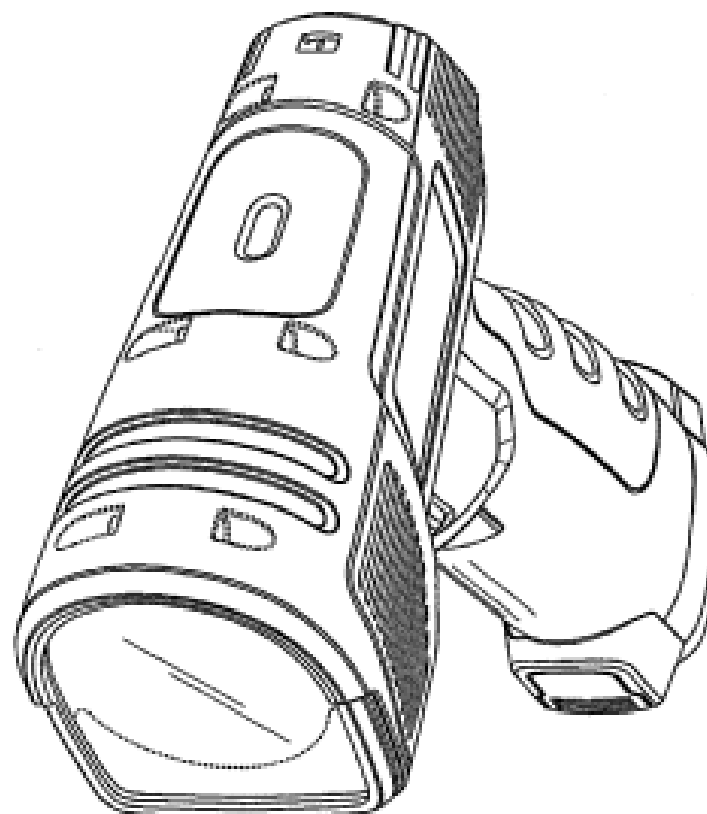
- (21) Design Number: **13006/2008**
- (22) Date of Filing Application: **30 June 2008**
- (24) Date from which industrial property rights may have effect: **30 June 2008**
- (54) Product in respect of which the design is registered: **Lighting device**
- (51) International Design Classification: **26-05NES**
- (71) Name(s) and Address(s) of Applicant(s):  
**Eveready Battery Company, Inc.**  
**533 Maryville University Drive St Louis Missouri 63141 United States of America**
- (72) Name(s) of Designer(s): **Lai King Ma and Michael S. Squires and Angelo Kotsis**
- (45) Registration Date: **16 October 2008**
- (30) Convention priority data:  

(31) Number	(32) Date	(33) Country
<b>29/294725</b>	<b>24 Jan 2008</b>	<b>UNITED STATES OF AMERICA</b>
- (56) Related Art Documents: **Not Applicable**
- (57) Statement of Newness and Distinctiveness: **Newness and distinctiveness is claimed in those visual features depicted in unbroken lines.**

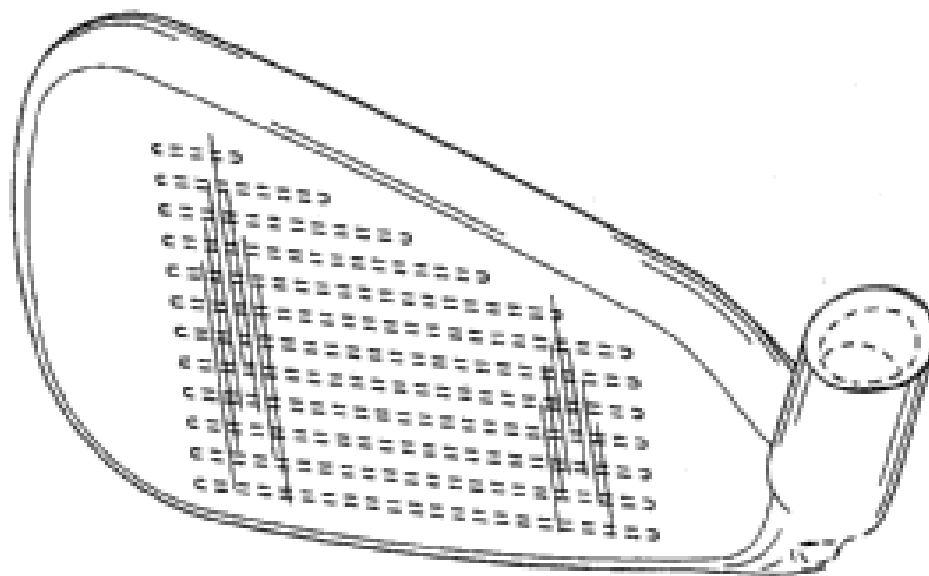


- (21) Design Number: **13007/2008**
- (22) Date of Filing Application: **30 June 2008**
- (24) Date from which industrial property rights may have effect: **30 June 2008**
- (54) Product in respect of which the design is registered: **Lighting device**
- (51) International Design Classification: **26-02**
- (71) Name(s) and Address(s) of Applicant(s):  
**Eveready Battery Company, Inc.**  
**533 Maryville University Drive St Louis Missouri 63141 United States of America**
- (72) Name(s) of Designer(s): **John Crawford and Donwoong Kang and Todd B. Abernethy and Scott W. Osiecki**
- (45) Registration Date: **16 October 2008**
- (30) Convention priority data:  

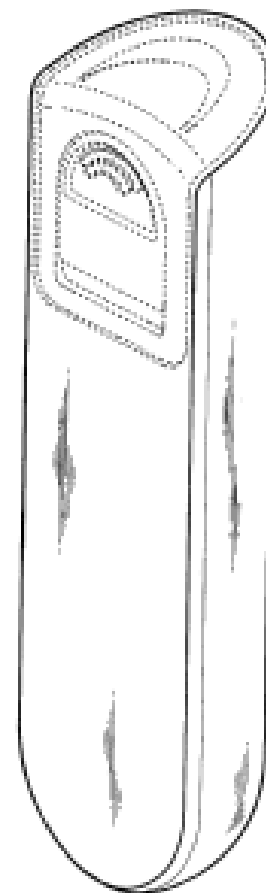
(31) Number	(32) Date	(33) Country
<b>29/302841</b>	<b>25 Jan 2008</b>	<b>UNITED STATES OF AMERICA</b>
- (56) Related Art Documents: **Not Applicable**
- (57) Statement of Newness and Distinctiveness: **Newness and distinctiveness is claimed in those visual features depicted in unbroken lines.**



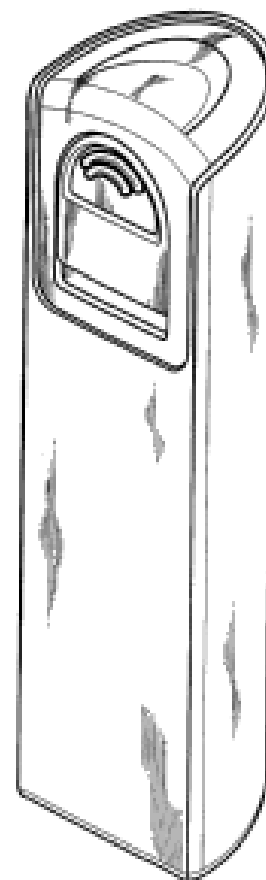
- (21) Design Number: **13009/2008**  
(22) Date of Filing Application: **30 June 2008**  
(24) Date from which industrial property rights may have effect: **30 June 2008**  
(54) Product in respect of which the design is registered: **Golf iron head**  
(51) International Design Classification: **21-02C**  
(71) Name(s) and Address(s) of Applicant(s):  
**Karsten Manufacturing Corporation**  
**2201 West Desert Cove Phoenix Arizona 85029 United States of America**  
(72) Name(s) of Designer(s): **Bradley D. Schweigert and Xiaojian Chen and Michael R. Nicolette**  
(45) Registration Date: **16 October 2008**  
(30) Convention priority data:  
(31) Number (32) Date (33) Country  
**29/306075 01 Apr 2008 UNITED STATES OF AMERICA**  
(56) Related Art Documents: **Not Applicable**  
(57) Statement of Newness and Distinctiveness: **Newness and distinctiveness is claimed in the visual features shown in solid lines in the representations.**



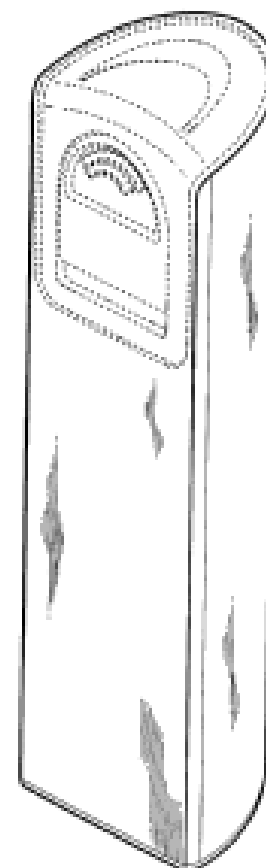
- (21) Design Number: **13014/2008**  
(22) Date of Filing Application: **30 June 2008**  
(24) Date from which industrial property rights may have effect: **30 June 2008**  
(54) Product in respect of which the design is registered: **Dispenser for mouth spray**  
(51) International Design Classification: **09-01A**  
(71) Name(s) and Address(s) of Applicant(s):  
**McNeil AB**  
**Norrbroplatsen 2 251 09 Helsingborg Sweden**  
(72) Name(s) of Designer(s): **Paul Graham Hayton and Tom Edward Walker and David Gary Cottle and Philip Walsh and Philip Beardsall**  
(45) Registration Date: **16 October 2008**  
(30) Convention priority data:  
(31) Number (32) Date (33) Country  
**000863865 22 Jan 2008 EUROPEAN COMMUNITY**  
(56) Related Art Documents: **Not Applicable**  
(57) Statement of Newness and Distinctiveness: **Newness and distinctiveness resides in the features of shape and configuration of a dispenser for mouth spray as illustrated in the accompanying representations. The features in dashed lines are shown for illustrative purposes only and do not form part of the design.**



- (21) Design Number: **13015/2008**  
(22) Date of Filing Application: **30 June 2008**  
(24) Date from which industrial property rights may have effect: **30 June 2008**  
(54) Product in respect of which the design is registered: **Dispenser for mouth spray**  
(51) International Design Classification: **09-01A**  
(71) Name(s) and Address(s) of Applicant(s):  
**McNeil AB**  
**Norrbroplatsen 2 251 09 Helsingborg Sweden**  
(72) Name(s) of Designer(s): **Paul Graham Hayton and Tom Edward Walker and David Gary Cottle and Philip Walsh and Philip Beardsall**  
(45) Registration Date: **16 October 2008**  
(30) Convention priority data:  
(31) Number (32) Date (33) Country  
**000863865 22 Jan 2008 EUROPEAN COMMUNITY**  
(56) Related Art Documents: **Not Applicable**  
(57) Statement of Newness and Distinctiveness: **Newness and distinctiveness resides in the features of shape and configuration of a dispenser for mouth spray as illustrated in the accompanying representations.**



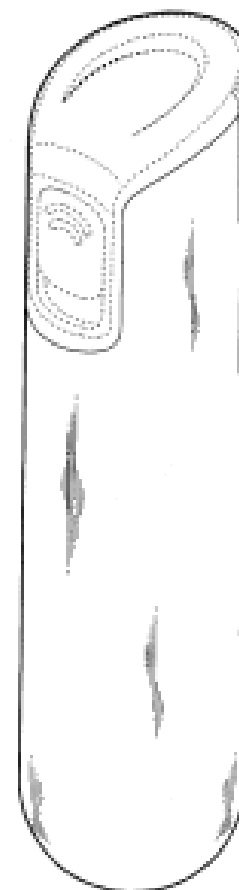
- (21) Design Number: **13016/2008**  
(22) Date of Filing Application: **30 June 2008**  
(24) Date from which industrial property rights may have effect: **30 June 2008**  
(54) Product in respect of which the design is registered: **Dispenser for mouth spray**  
(51) International Design Classification: **09-01A**  
(71) Name(s) and Address(s) of Applicant(s):  
**McNeil AB**  
**Norrbroplatsen 2 251 09 Helsingborg Sweden**  
(72) Name(s) of Designer(s): **Paul Graham Hayton and Tom Edward Walker and David Gary Cottle and Philip Walsh and Philip Beardsall**  
(45) Registration Date: **16 October 2008**  
(30) Convention priority data:  
(31) Number (32) Date (33) Country  
**000863865 22 Jan 2008 EUROPEAN COMMUNITY**  
(56) Related Art Documents: **Not Applicable**  
(57) Statement of Newness and Distinctiveness: **Newness and distinctiveness resides in the features of shape and configuration of a dispenser for mouth spray as illustrated in the accompanying representations. The features in dashed lines are shown for illustrative purposes only and do not form part of the design.**



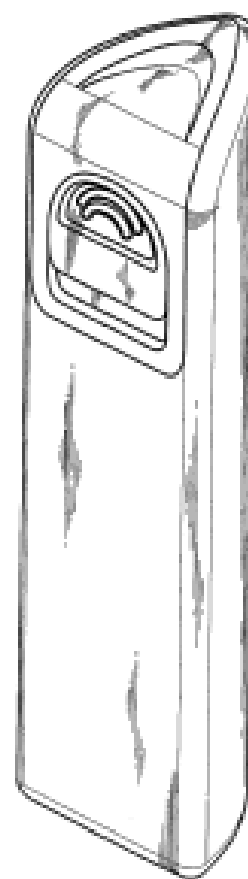
- (21) Design Number: **13017/2008**  
(22) Date of Filing Application: **30 June 2008**  
(24) Date from which industrial property rights may have effect: **30 June 2008**  
(54) Product in respect of which the design is registered: **Dispenser for mouth spray**  
(51) International Design Classification: **09-01A**  
(71) Name(s) and Address(s) of Applicant(s):  
**McNeil AB**  
**Norrbroplatsen 2 251 09 Helsingborg Sweden**  
(72) Name(s) of Designer(s): **Paul Graham Hayton and Tom Edward Walker and David Gary Cottle and Philip Walsh and Philip Beardsall**  
(45) Registration Date: **16 October 2008**  
(30) Convention priority data:  
(31) Number      (32) Date      (33) Country  
**000863865      22 Jan 2008      EUROPEAN COMMUNITY**  
(56) Related Art Documents: **Not Applicable**  
(57) Statement of Newness and Distinctiveness: **Newness and distinctiveness resides in the features of shape and configuration of a dispenser for mouth spray as illustrated in the accompanying representations.**



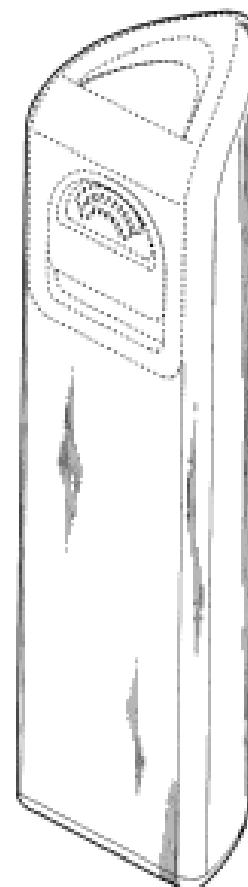
- (21) Design Number: **13018/2008**  
(22) Date of Filing Application: **30 June 2008**  
(24) Date from which industrial property rights may have effect: **30 June 2008**  
(54) Product in respect of which the design is registered: **Dispenser for mouth spray**  
(51) International Design Classification: **09-01A**  
(71) Name(s) and Address(s) of Applicant(s):  
**McNeil AB**  
**Norrbroplatsen 2 251 09 Helsingborg Sweden**  
(72) Name(s) of Designer(s): **Paul Graham Hayton and Tom Edward Walker and David Gary Cottle and Philip Walsh and Philip Beardsall**  
(45) Registration Date: **16 October 2008**  
(30) Convention priority data:  
(31) Number      (32) Date      (33) Country  
**000863865      22 Jan 2008      EUROPEAN COMMUNITY**  
(56) Related Art Documents: **Not Applicable**  
(57) Statement of Newness and Distinctiveness: **Newness and distinctiveness resides in the features of shape and configuration of a dispenser for mouth spray as illustrated in the accompanying representations. The features in dashed lines are shown for illustrative purposes only and do not form part of the design.**



- (21) Design Number: **13019/2008**  
(22) Date of Filing Application: **30 June 2008**  
(24) Date from which industrial property rights may have effect: **30 June 2008**  
(54) Product in respect of which the design is registered: **Dipenser for mouth spray**  
(51) International Design Classification: **09-01A**  
(71) Name(s) and Address(s) of Applicant(s):  
**McNeil AB**  
**Norrbroplatsen 2 251 09 Helsingborg Sweden**  
(72) Name(s) of Designer(s): **Paul Graham Hayton and Tom Edward Walker and David Gary Cottle and Philip Walsh and Philip Beardsall**  
(45) Registration Date: **16 October 2008**  
(30) Convention priority data:  
(31) Number (32) Date (33) Country  
**000863865 22 Jan 2008 EUROPEAN COMMUNITY**  
(56) Related Art Documents: **Not Applicable**  
(57) Statement of Newness and Distinctiveness: **Newness and distinctiveness resides in the features of shape and configuration of a dispenser for mouth spray as illustrated in the accompanying representations.**

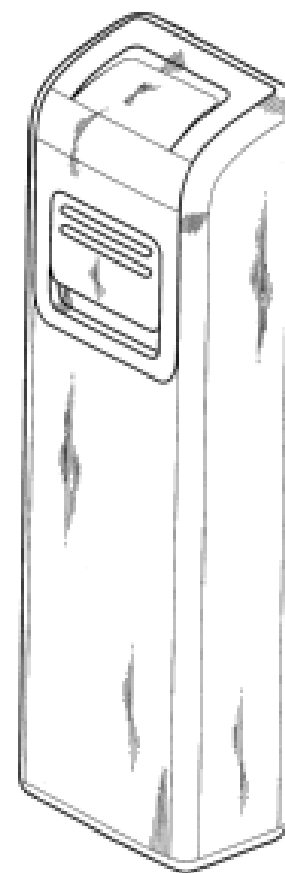


- (21) Design Number: **13020/2008**  
(22) Date of Filing Application: **30 June 2008**  
(24) Date from which industrial property rights may have effect: **30 June 2008**  
(54) Product in respect of which the design is registered: **Dispenser for mouth spray**  
(51) International Design Classification: **09-01A**  
(71) Name(s) and Address(s) of Applicant(s):  
**McNeil AB**  
**Norrbroplatsen 2 251 09 Helsingborg Sweden**  
(72) Name(s) of Designer(s): **Paul Graham Hayton and Tom Edward Walker and David Gary Cottle and Philip Walsh and Philip Beardsall**  
(45) Registration Date: **16 October 2008**  
(30) Convention priority data:  
(31) Number (32) Date (33) Country  
**000863865 22 Jan 2008 EUROPEAN COMMUNITY**  
(56) Related Art Documents: **Not Applicable**  
(57) Statement of Newness and Distinctiveness: **Newness and distinctiveness resides in the features of shape and configuration of a dispenser for mouth spray as illustrated in the accompanying representations. The features in dashed lines are shown for illustrative purposes only and do not form part of the design.**

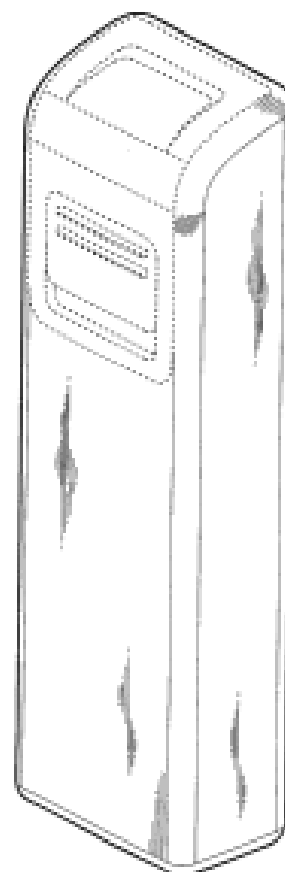




- (21) Design Number: **13021/2008**  
(22) Date of Filing Application: **30 June 2008**  
(24) Date from which industrial property rights may have effect: **30 June 2008**  
(54) Product in respect of which the design is registered: **Dispenser for mouth spray**  
(51) International Design Classification: **09-01A**  
(71) Name(s) and Address(s) of Applicant(s):  
**McNeil AB**  
**Norrbroplatsen 2 251 09 Helsingborg Sweden**  
(72) Name(s) of Designer(s): **Paul Graham Hayton and Tom Edward Walker and David Gary Cottle and Philip Walsh and Philip Beardsall**  
(45) Registration Date: **16 October 2008**  
(30) Convention priority data:  
(31) Number (32) Date (33) Country  
**000863865 22 Jan 2008 EUROPEAN COMMUNITY**  
(56) Related Art Documents: **Not Applicable**  
(57) Statement of Newness and Distinctiveness: **Newness and distinctiveness resides in the features of shape and configuration of a dispenser for mouth spray as illustrated in the accompanying representations.**



- (21) Design Number: **13022/2008**  
(22) Date of Filing Application: **30 June 2008**  
(24) Date from which industrial property rights may have effect: **30 June 2008**  
(54) Product in respect of which the design is registered: **Dispenser for mouth spray**  
(51) International Design Classification: **09-01A**  
(71) Name(s) and Address(s) of Applicant(s):  
**McNeil AB**  
**Norrbroplatsen 2 251 09 Helsingborg Sweden**  
(72) Name(s) of Designer(s): **Paul Graham Hayton and Tom Edward Walker and David Gary Cottle and Philip Walsh and Philip Beardsall**  
(45) Registration Date: **16 October 2008**  
(30) Convention priority data:  
(31) Number (32) Date (33) Country  
**000863865 22 Jan 2008 EUROPEAN COMMUNITY**  
(56) Related Art Documents: **Not Applicable**  
(57) Statement of Newness and Distinctiveness: **Newness and distinctiveness resides in the features of shape and configuration of a dispenser for mouth spray as illustrated in the accompanying representations. The features in dashed lines are shown for illustrative purposes only and do not form part of the design.**



(21) Design Number: **13023/2008**

(22) Date of Filing Application: **30 June 2008**

(24) Date from which industrial property rights may have effect: **30 June 2008**

(54) Product in respect of which the design is registered: **Dispenser of mouth spray**

(51) International Design Classification: **09-01A**

(71) Name(s) and Address(s) of Applicant(s):

**McNeil AB**

**Norrbroplatsen 2 251 09 Helsingborg Sweden**

(72) Name(s) of Designer(s): **Paul Graham Hayton and Tom Edward Walker and David Gary Cottle and Philip Walsh and Philip Beardsall**

(45) Registration Date: **16 October 2008**

(30) Convention priority data:

(31) Number

(32) Date

(33) Country

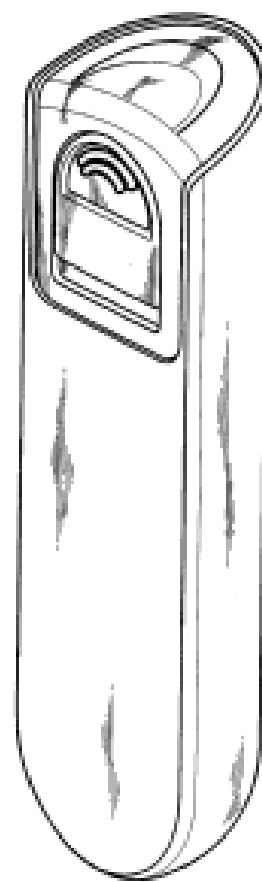
**000863865**

**22 Jan 2008**

**EUROPEAN COMMUNITY**

(56) Related Art Documents: **Not Applicable**

(57) Statement of Newness and Distinctiveness: **Newness and distinctiveness resides in the features of shape and configuration of a dispenser for mouth spray as illustrated in the accompanying representations.**



(21) Design Number: **13024/2008**

(22) Date of Filing Application: **30 June 2008**

(24) Date from which industrial property rights may have effect: **30 June 2008**

(54) Product in respect of which the design is registered: **Waterproof overnight pants**

(51) International Design Classification: **02-02C**

(71) Name(s) and Address(s) of Applicant(s):

**Sue Allison-Rogers**

**2 Binney Court Sandy Bay Tasmania 7005 Australia**

(72) Name(s) of Designer(s): **Susan Allison-Rogers**

(45) Registration Date: **16 October 2008**

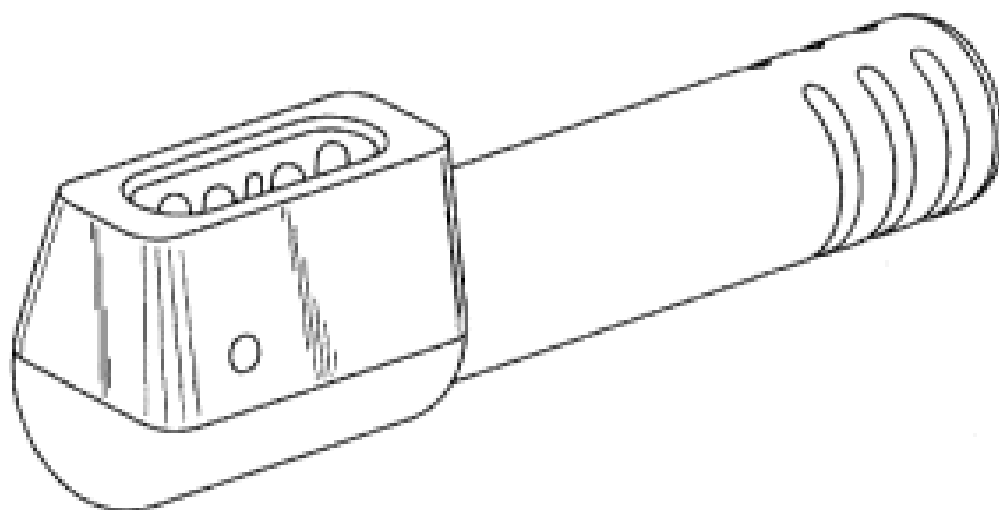
(56) Related Art Documents: **Not Applicable**

(57) Statement of Newness and Distinctiveness: **Monopoly is claimed in the shape and/or configuration of the waterproof overnight pants.**



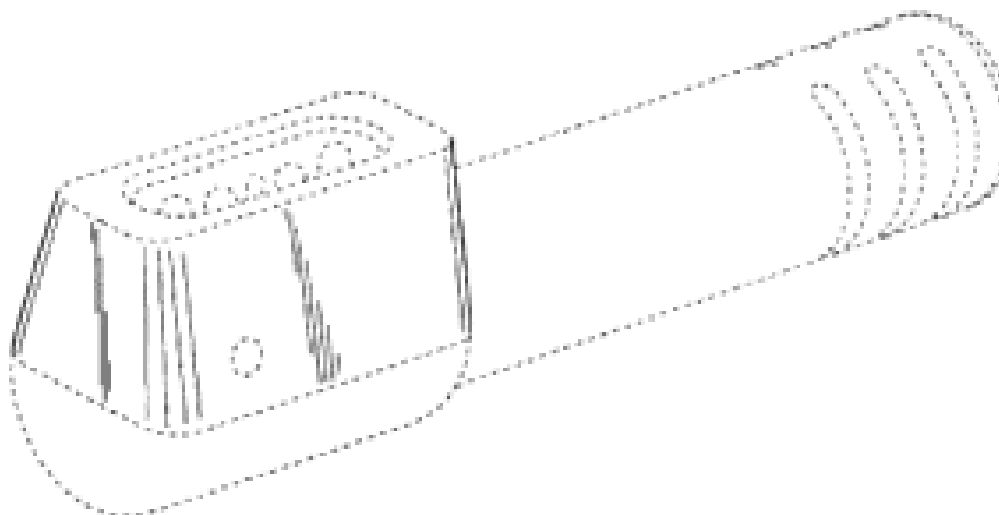
- (21) Design Number: **13025/2008**
- (22) Date of Filing Application: **30 June 2008**
- (24) Date from which industrial property rights may have effect: **30 June 2008**
- (54) Product in respect of which the design is registered: **Connector**
- (51) International Design Classification: **13-03B, 14-02**
- (71) Name(s) and Address(s) of Applicant(s):  
**Apple Inc.**  
**1 Infinite Loop Cupertino California 95014 United States of America**
- (72) Name(s) of Designer(s): **Daniel J. Coster and Daniele De Iuliis and Evans Hankey and Richard P. Howarth and Jonathan P. Ive and Duncan Robert Kerr and Shin Nishibori and Matthew Dean Rohrbach and Peter Russell-Clarke and Douglas B. Satzger and Christopher J. Stringer and Eugene Antony Whang and Rico Zorkendorfer and Bartley K. Andre**
- (45) Registration Date: **16 October 2008**
- (30) Convention priority data:  

(31) Number	(32) Date	(33) Country
<b>29/294334</b>	<b>04 Jan 2008</b>	<b>UNITED STATES OF AMERICA</b>
- (56) Related Art Documents: **Not Applicable**
- (57) Statement of Newness and Distinctiveness: **Nil**

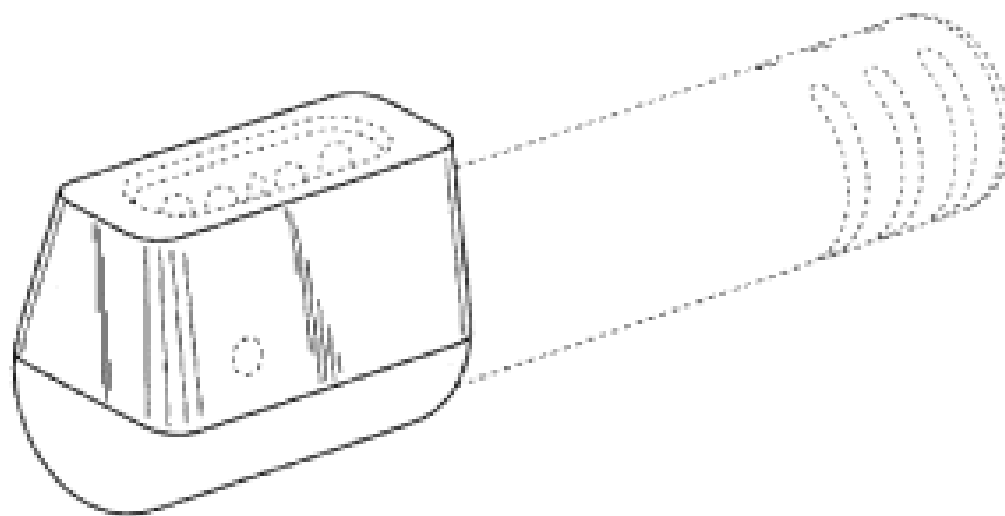


- (21) Design Number: **13026/2008**
- (22) Date of Filing Application: **30 June 2008**
- (24) Date from which industrial property rights may have effect: **30 June 2008**
- (54) Product in respect of which the design is registered: **Connector**
- (51) International Design Classification: **13-03B, 14-02**
- (71) Name(s) and Address(s) of Applicant(s):  
**Apple Inc.**  
**1 Infinite Loop Cupertino California 95014 United States of America**
- (72) Name(s) of Designer(s): **Bartley K. Andre and Daniel J. Coster and Daniele De Iuliis and Evans Hankey and Richard P. Howarth and Jonathan P. Ive and Duncan Robert Kerr and Shin Nishibori and Matthew Dean Rohrbach and Peter Russell-Clarke and Douglas B. Satzger and Christopher J. Stringer and Eugene Antony Whang and Rico Zorkendorfer**
- (45) Registration Date: **16 October 2008**
- (30) Convention priority data:  

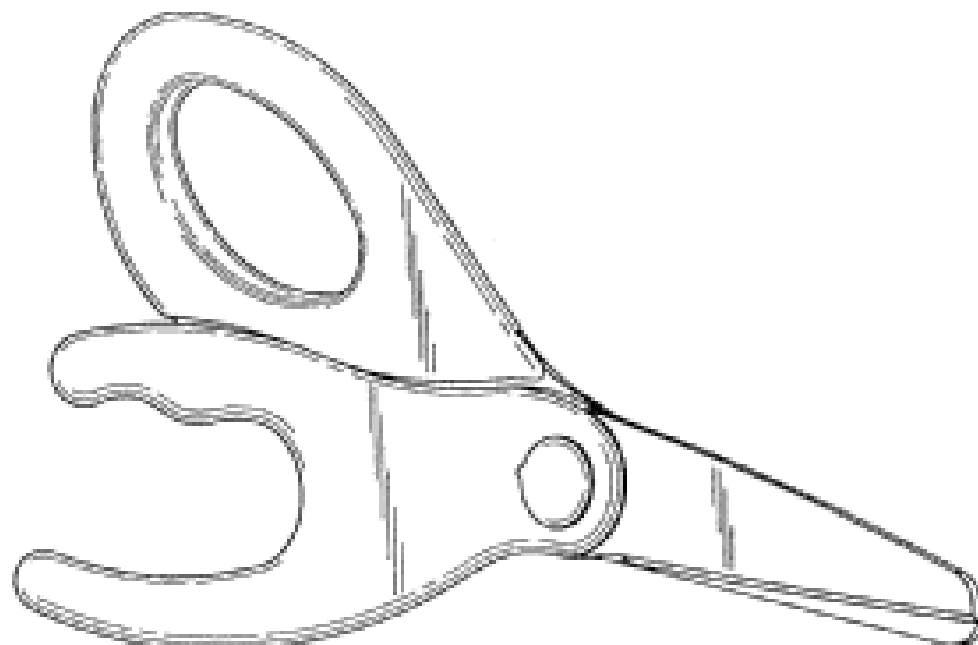
(31) Number	(32) Date	(33) Country
<b>29/294334</b>	<b>04 Jan 2008</b>	<b>UNITED STATES OF AMERICA</b>
- (56) Related Art Documents: **Not Applicable**
- (57) Statement of Newness and Distinctiveness: **Newness and distinctiveness of the design resides in the features of shape and configuration of the connector illustrated in solid lines in the accompanying representations.**



(21) Design Number: **13027/2008**  
 (22) Date of Filing Application: **30 June 2008**  
 (24) Date from which industrial property rights may have effect: **30 June 2008**  
 (54) Product in respect of which the design is registered: **Connector**  
 (51) International Design Classification: **13-03B, 14-02**  
 (71) Name(s) and Address(s) of Applicant(s):  
**Apple Inc.**  
**1 Infinite Loop Cupertino California 95014 United States of America**  
 (72) Name(s) of Designer(s): **Bartley K. Andre and Daniel J. Coster and Daniele De Iuliis and Evans Hankey and Richard P. Howarth and Jonathan P. Ive and Duncan Robert Kerr and Shin Nishibori and Matthew Dean Rohrbach and Peter Russell-Clarke and Douglas B. Satzger and Christopher J. Stringer and Eugene Antony Whang and Rico Zorkendorfer**  
 (45) Registration Date: **16 October 2008**  
 (30) Convention priority data:  
 (31) Number (32) Date (33) Country  
**29/294334 04 Jan 2008 UNITED STATES OF AMERICA**  
 (56) Related Art Documents: **Not Applicable**  
 (57) Statement of Newness and Distinctiveness: **Newness and distinctiveness of the design resides in the features of shape and configuration of the connector illustrated in solid lines in the accompanying representations.**



(21) Design Number: **13029/2008**  
 (22) Date of Filing Application: **27 June 2008**  
 (24) Date from which industrial property rights may have effect: **27 June 2008**  
 (54) Product in respect of which the design is registered: **Scissors**  
 (51) International Design Classification: **08-03**  
 (71) Name(s) and Address(s) of Applicant(s):  
**3M Innovative Properties Company**  
**3M Center Saint Paul Minnesota 55133-3427 United States of America**  
 (72) Name(s) of Designer(s): **Scott D. Pearson and Pasquale Cirulli and Peter J. Newbould and Gabriel F. Zangari**  
 (45) Registration Date: **16 October 2008**  
 (30) Convention priority data:  
 (31) Number (32) Date (33) Country  
**29/302193 11 Jan 2008 UNITED STATES OF AMERICA**  
 (56) Related Art Documents: **Not Applicable**  
 (57) Statement of Newness and Distinctiveness: **Newness and distinctiveness of the design as applied to scissors lies in the shape and/or configuration thereof shown in the accompanying drawings.**



- (21) Design Number: **14905/2008**  
(22) Date of Filing Application: **14 October 2008**  
(24) Date from which industrial property rights may have effect: **14 October 2008**  
(54) Product in respect of which the design is registered: **Laundry basket**  
(51) International Design Classification: **07-07NES**  
(71) Name(s) and Address(s) of Applicant(s):  
**Fountain Products Pty Ltd**  
**38-40 Hood Street Airport West Melbourne Victoria 3042 Australia**  
(72) Name(s) of Designer(s): **Frank Shannon**  
(45) Registration Date: **16 October 2008**  
(56) Related Art Documents: **Not Applicable**  
(57) Statement of Newness and Distinctiveness: **I designed the basket from scratch which has original holes, sizes and shapes of holes also the combination of the holes and shape of the handles and curves of the basket gives it an overall distinctive look.**



- (21) Design Number: **10036/2008**  
(22) Date of Filing Application: **04 January 2008**  
(24) Date from which industrial property rights may have effect: **04 January 2008**  
(54) Product in respect of which the design is registered: **A skirt**  
(51) International Design Classification: **02-02C**  
(71) Name(s) and Address(s) of Applicant(s):  
**Review Australia Pty Ltd**  
**25-31 Rokeby Street Collingwood Victoria 3066 Australia**  
(72) Name(s) of Designer(s): **Jayne Ellis**  
(45) Registration Date: **20 October 2008**  
(56) Related Art Documents: **Not Applicable**  
(57) Statement of Newness and Distinctiveness: **Nil**



(21) Design Number: **12402/2008**

(22) Date of Filing Application: **22 May 2008**

(24) Date from which industrial property rights may have effect: **22 May 2008**

(54) Product in respect of which the design is registered: **Motion sensing device**

(51) International Design Classification: **10-05**

(71) Name(s) and Address(s) of Applicant(s):

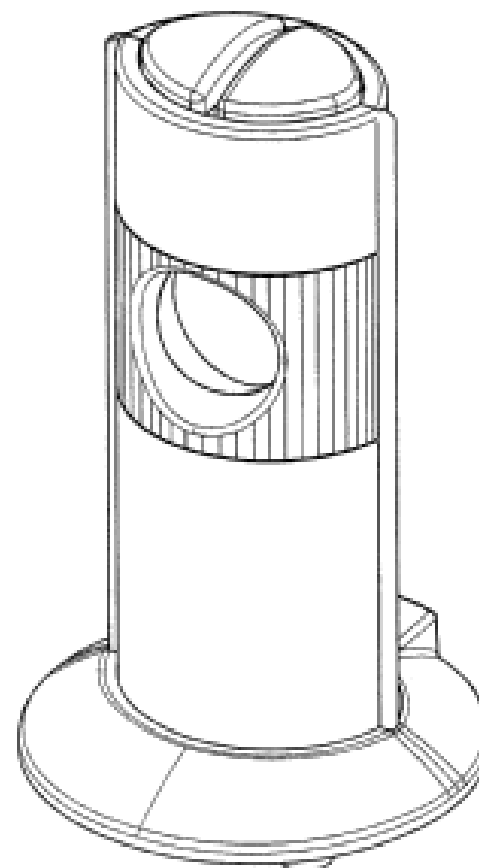
**Qwind Pty Ltd**  
**Suite 3/18 Stirling Highway Nedlands Western Australia 6009**  
**Australia**

(72) Name(s) of Designer(s): **Edward Joseph Khoury**

(45) Registration Date: **20 October 2008**

(56) Related Art Documents: **Not Applicable**

(57) Statement of Newness and Distinctiveness: **Nil**



(21) Design Number: **12468/2008**

(22) Date of Filing Application: **23 May 2008**

(24) Date from which industrial property rights may have effect: **23 May 2008**

(54) Product in respect of which the design is registered: **Frame for perambulators and pushchairs**

(51) International Design Classification: **12-12**

(71) Name(s) and Address(s) of Applicant(s):

**Peg Perego S.p.A.**  
**Via De Gasperi 50 Arcore MI 20043 Italy**

(72) Name(s) of Designer(s): **Lucio Perego**

(45) Registration Date: **20 October 2008**

(30) Convention priority data:

(31) Number	(32) Date	(33) Country
<b>000832472</b>	<b>26 Nov 2007</b>	<b>UNION OF COUNTRIES UNDER THE EUROPEAN COMMUNITY PATENT CONV.</b>

(56) Related Art Documents: **Not Applicable**

(57) Statement of Newness and Distinctiveness: **Nil**



(21) Design Number: **12881/2008**  
 (22) Date of Filing Application: **17 June 2008**  
 (24) Date from which industrial property rights may have effect: **17 June 2008**  
 (54) Product in respect of which the design is registered: **Hourglass beverage pouch with shape and spout**  
 (51) International Design Classification: **09-01NES**  
 (71) Name(s) and Address(s) of Applicant(s):  
**Ronald H. Berman**  
**203 Agronne Avenue Bx 211 Long Beach CA 90803 United States of America**  
 (72) Name(s) of Designer(s): **Ronald H. Berman**  
 (45) Registration Date: **20 October 2008**  
 (30) Convention priority data:  

(31) Number	(32) Date	(33) Country
<b>29/302064</b>	<b>09 Jan 2008</b>	<b>UNITED STATES OF AMERICA</b>

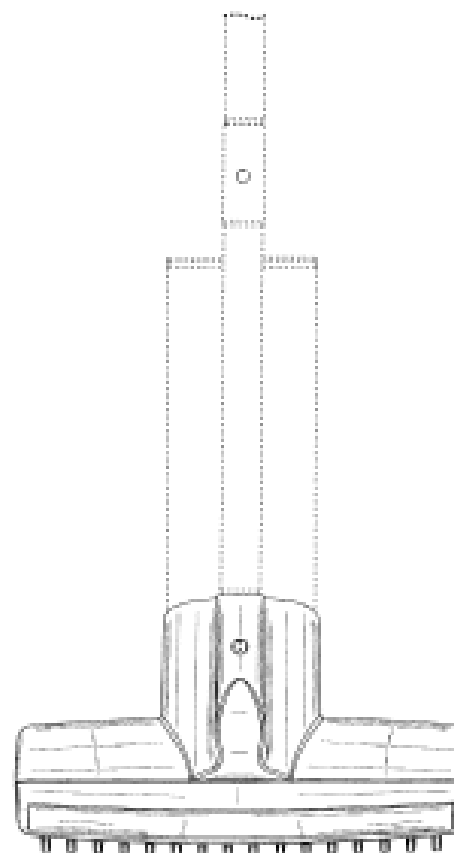
 (56) Related Art Documents: **Not Applicable**  
 (57) Statement of Newness and Distinctiveness: **Nil**



(21) Design Number: **12882/2008**  
 (22) Date of Filing Application: **17 June 2008**  
 (24) Date from which industrial property rights may have effect: **17 June 2008**  
 (54) Product in respect of which the design is registered: **Cleaning fluid dispenser**  
 (51) International Design Classification: **15-05**  
 (71) Name(s) and Address(s) of Applicant(s):  
**BISSELL Homecare, Inc.**  
**2345 Walker Avenue N.W. Grand Rapids MI 49544 United States of America**  
 (72) Name(s) of Designer(s): **Justin Benacquisto**  
 (45) Registration Date: **20 October 2008**  
 (30) Convention priority data:  

(31) Number	(32) Date	(33) Country
<b>29/302,185</b>	<b>11 Jan 2008</b>	<b>UNITED STATES OF AMERICA</b>

 (56) Related Art Documents: **Not Applicable**  
 (57) Statement of Newness and Distinctiveness: **The shape and configuration of the design of the product is new and distinctive. The features shown in dotted lines form no part of the design and should not be taken into consideration when considering the design as a whole.**



(21) Design Number: **12883/2008**  
(22) Date of Filing Application: **17 June 2008**  
(24) Date from which industrial property rights may have effect: **17 June 2008**  
(54) Product in respect of which the design is registered: **Front lamp unit for an automobile**  
(51) International Design Classification: **26-06**  
(71) Name(s) and Address(s) of Applicant(s):  
**Honda Motor Co., Ltd.**  
**1-1 Minami-Aoyama 2-Chome Minato-Ku Tokyo 107-8556 Japan**  
(72) Name(s) of Designer(s): **Randall Smock and Gou Koyama**  
(45) Registration Date: **20 October 2008**  
(30) Convention priority data:  
(31) Number (32) Date (33) Country  
**29/290,598 19 Dec 2007 UNITED STATES OF AMERICA**  
(56) Related Art Documents: **Not Applicable**  
(57) Statement of Newness and Distinctiveness: **Nil**



(21) Design Number: **12884/2008**  
(22) Date of Filing Application: **17 June 2008**  
(24) Date from which industrial property rights may have effect: **17 June 2008**  
(54) Product in respect of which the design is registered: **Rear lamp unit for an automobile**  
(51) International Design Classification: **26-06**  
(71) Name(s) and Address(s) of Applicant(s):  
**Honda Motor Co., Ltd.**  
**1-1 Minami-Aoyama 2-Chome Minato-Ku Tokyo 107-8556 Japan**  
(72) Name(s) of Designer(s): **Randall Smock and Gou Koyama**  
(45) Registration Date: **20 October 2008**  
(30) Convention priority data:  
(31) Number (32) Date (33) Country  
**29/290,593 19 Dec 2007 UNITED STATES OF AMERICA**  
(56) Related Art Documents: **Not Applicable**  
(57) Statement of Newness and Distinctiveness: **Nil**





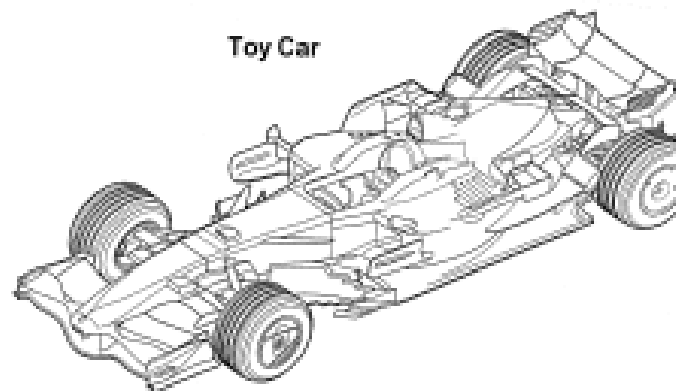
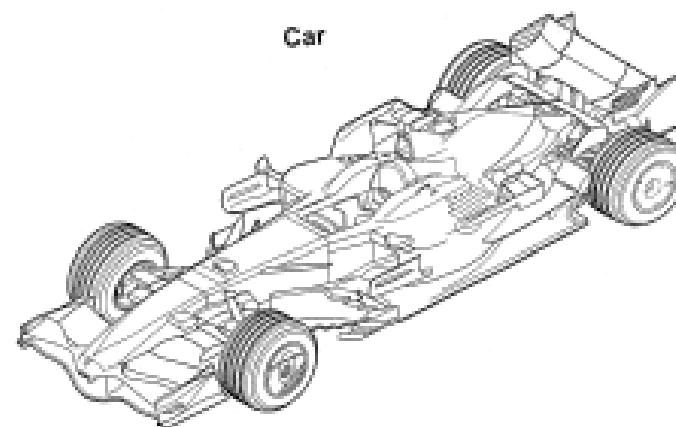
(21) Design Number: **12885/2008**  
(22) Date of Filing Application: **17 June 2008**  
(24) Date from which industrial property rights may have effect: **17 June 2008**  
(54) Product in respect of which the design is registered: **Automobile**  
(51) International Design Classification: **12-08**  
(71) Name(s) and Address(s) of Applicant(s):  
**Honda Motor Co., Ltd.**  
**1-1 Minami-Aoyama 2-Chome Minato-Ku Tokyo 107-8556 Japan**  
(72) Name(s) of Designer(s): **Damon A. Schell**  
(45) Registration Date: **20 October 2008**  
(30) Convention priority data:  
(31) Number (32) Date (33) Country  
**29/290,596 19 Dec 2007 UNITED STATES OF AMERICA**  
(56) Related Art Documents: **Not Applicable**  
(57) Statement of Newness and Distinctiveness: **Nil**



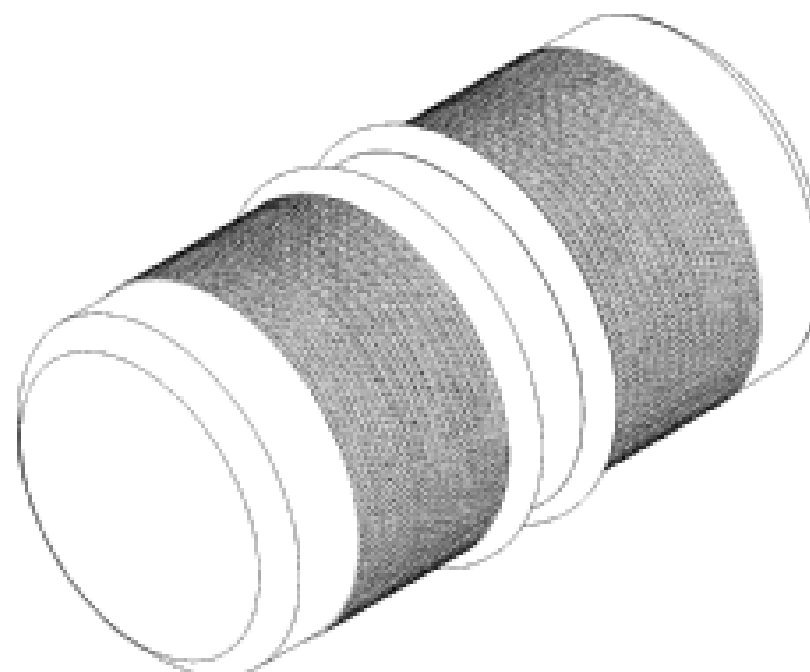
(21) Design Number: **12886/2008**  
(22) Date of Filing Application: **17 June 2008**  
(24) Date from which industrial property rights may have effect: **17 June 2008**  
(54) Product in respect of which the design is registered: **Hair treatment applicator**  
(51) International Design Classification: **28-03NES**  
(71) Name(s) and Address(s) of Applicant(s):  
**S.O.S. Color Ltd.**  
**209 Ben-Yehuda Street 63502 Tel-Aviv Israel**  
(72) Name(s) of Designer(s): **Michel Mercier and Alon Razgour and Shula Recanati**  
(45) Registration Date: **20 October 2008**  
(30) Convention priority data:  
(31) Number (32) Date (33) Country  
**29/290,558 17 Dec 2007 UNITED STATES OF AMERICA**  
(56) Related Art Documents: **Not Applicable**  
(57) Statement of Newness and Distinctiveness: **Newness and distinctiveness resides in the features of shape and/or configuration of a hair treatment applicator as shown in the accompanying representations.**



- (21) Design Number: **12902/2008**  
(22) Date of Filing Application: **18 June 2008**  
(24) Date from which industrial property rights may have effect: **18 June 2008**  
(54) Product in respect of which the design is registered: **Car and toy car**  
(51) International Design Classification: **12-08, 21-01C**  
(71) Name(s) and Address(s) of Applicant(s):  
**Ferrari S.p.A.**  
**Via Emilia Est 1163 I-41100 Modena Italy**  
(72) Name(s) of Designer(s): **Nikolaos Tombazis**  
(45) Registration Date: **20 October 2008**  
(30) Convention priority data:  
(31) Number (32) Date (33) Country  
**000849153 21 Dec 2007 EUROPEAN COMMUNITY**  
(56) Related Art Documents: **Not Applicable**  
(57) Statement of Newness and Distinctiveness: **Those features of the car and toy car depicted in the representations that are new and distinctive are the shape and/or configuration.**



- (21) Design Number: **12912/2008**  
(22) Date of Filing Application: **19 June 2008**  
(24) Date from which industrial property rights may have effect: **19 June 2008**  
(54) Product in respect of which the design is registered: **Exercise therapy aid with profiled and textured surface**  
(51) International Design Classification: **28-03NES, 21-02NES**  
(71) Name(s) and Address(s) of Applicant(s):  
**Josephine Key**  
**10 Duke Place East Balmain New South Wales 2041 Australia**  
(72) Name(s) of Designer(s): **Josephine Key**  
(45) Registration Date: **20 October 2008**  
(56) Related Art Documents: **Not Applicable**  
(57) Statement of Newness and Distinctiveness: **The new and distinctive features of the design are the anatomically determined profiling and texturing of the surface of the exercise therapy aid.**



(21) Design Number: **12917/2008**

(22) Date of Filing Application: **18 June 2008**

(24) Date from which industrial property rights may have effect: **18 June 2008**

(54) Product in respect of which the design is registered: **A building block**

(51) International Design Classification: **25-01A**

(71) Name(s) and Address(s) of Applicant(s):

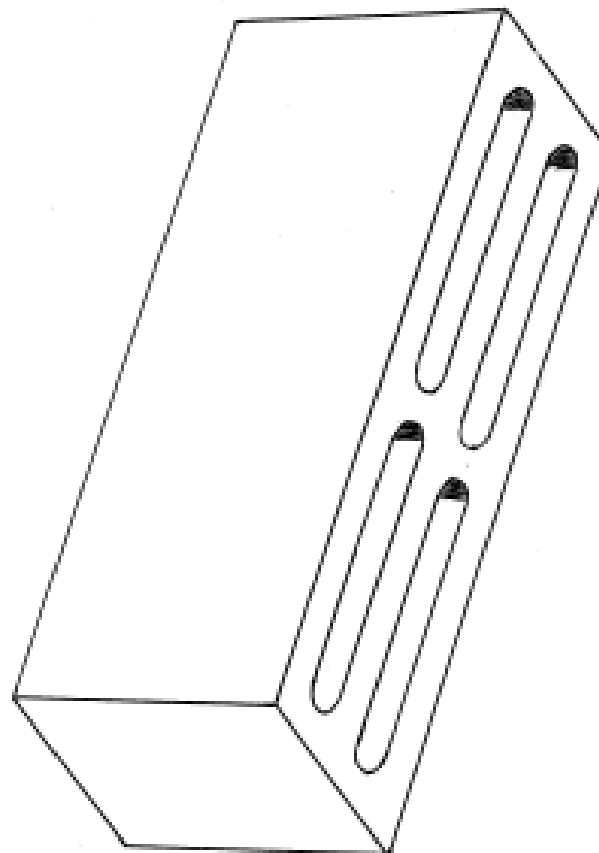
**Brick and Block Company Pty Ltd**  
**Lot 1 Darcy Road Port Kembla New South Wales 2505 Australia**

(72) Name(s) of Designer(s): **Pat Costa**

(45) Registration Date: **20 October 2008**

(56) Related Art Documents: **Not Applicable**

(57) Statement of Newness and Distinctiveness: **Novelty resides in the shape and configuration of the block as shown in the representations.**



(21) Design Number: **12918/2008**

(22) Date of Filing Application: **19 June 2008**

(24) Date from which industrial property rights may have effect: **19 June 2008**

(54) Product in respect of which the design is registered: **A building block**

(51) International Design Classification: **25-01A**

(71) Name(s) and Address(s) of Applicant(s):

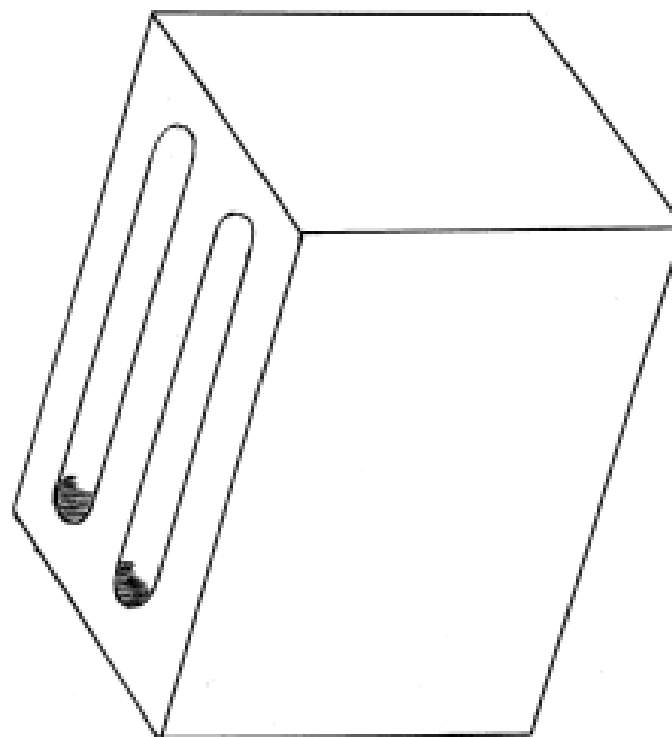
**Brick and Block Company Pty Ltd**  
**Lot 1 Darcy Road Port Kembla New South Wales 2505 Australia**

(72) Name(s) of Designer(s): **Pat Costa**

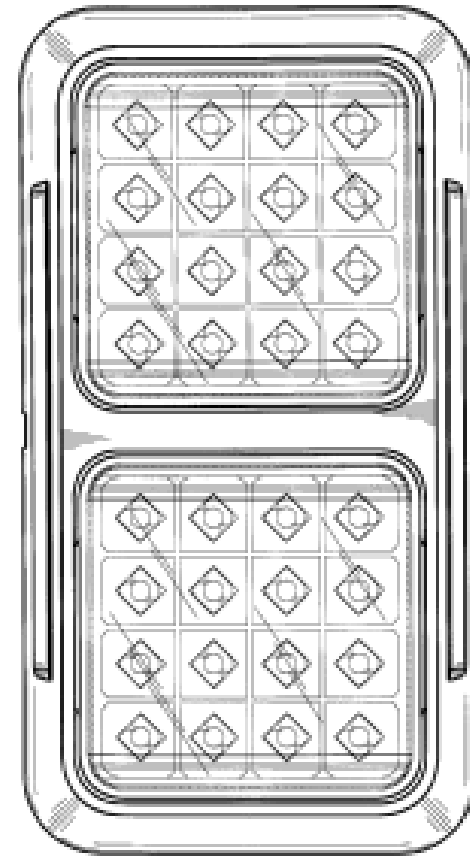
(45) Registration Date: **20 October 2008**

(56) Related Art Documents: **Not Applicable**

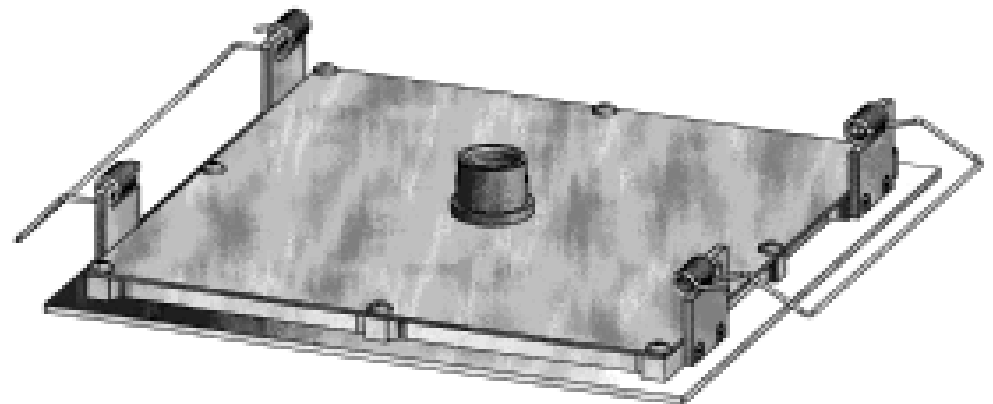
(57) Statement of Newness and Distinctiveness: **Novelty resides in the shape and configuration of the block as shown in the representations.**



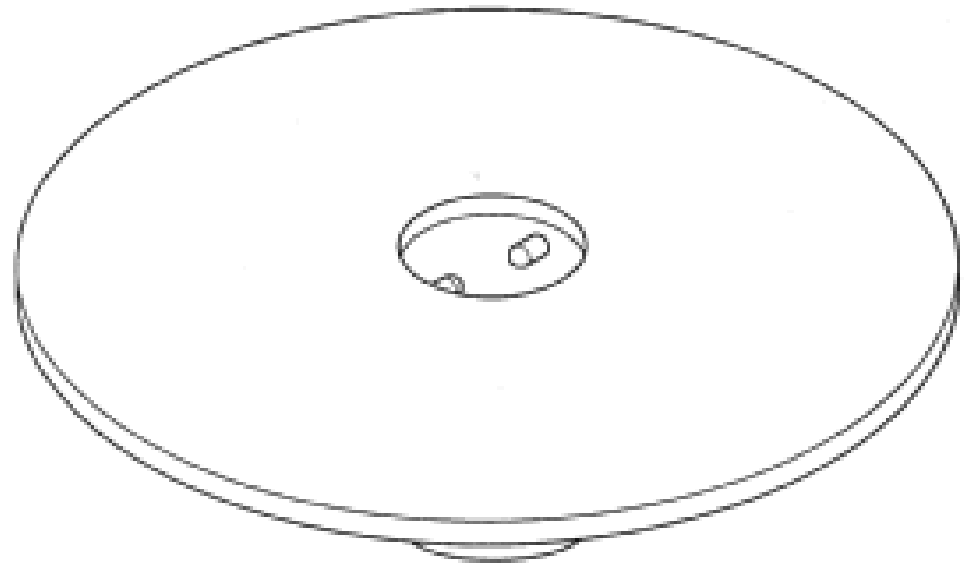
- (21) Design Number: **12919/2008**
- (22) Date of Filing Application: **17 June 2008**
- (24) Date from which industrial property rights may have effect: **17 June 2008**
- (54) Product in respect of which the design is registered: **Combination rear light**
- (51) International Design Classification: **26-06**
- (71) Name(s) and Address(s) of Applicant(s):  
**Lucidity Enterprise Co., Ltd**  
**1F/83 Yung An Road An-Nan District Tainan City Taiwan R.O.C.**
- (72) Name(s) of Designer(s): **Jun-Ren Wang and Hsi-Hsien Tsai**
- (45) Registration Date: **20 October 2008**
- (56) Related Art Documents: **Not Applicable**
- (57) Statement of Newness and Distinctiveness: **Nil**



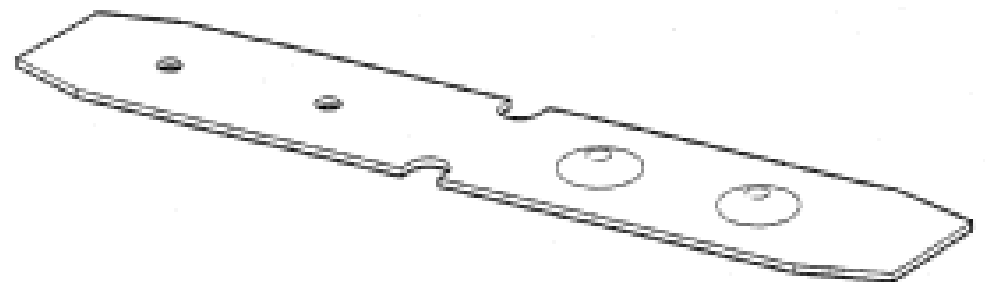
- (21) Design Number: **12931/2008**
- (22) Date of Filing Application: **18 June 2008**
- (24) Date from which industrial property rights may have effect: **18 June 2008**
- (54) Product in respect of which the design is registered: **Shower - mounted flush with ceiling**
- (51) International Design Classification: **23-02B**
- (71) Name(s) and Address(s) of Applicant(s):  
**Ramtaps Pty Ltd**  
**556 Curtin Avenue East Eagle Farm Queensland 4009 Australia**
- (72) Name(s) of Designer(s): **Simon Fraser and Mark Davis**
- (45) Registration Date: **20 October 2008**
- (56) Related Art Documents: **Not Applicable**
- (57) Statement of Newness and Distinctiveness: **Monopoly is claimed in the features of shape and/or configuration of the flush-mounted ceiling shower as illustrated in the accompanying representations.**



- (21) Design Number: **12932/2008**  
(22) Date of Filing Application: **23 June 2008**  
(24) Date from which industrial property rights may have effect: **23 June 2008**  
(54) Product in respect of which the design is registered: **A ground anchor for an upright**  
(51) International Design Classification: **08-08NES**  
(71) Name(s) and Address(s) of Applicant(s):  
**Nikolaos Filaretos Bakopoulos**  
**75 Quinton Court Pasadena South Australia 5042 Australia**  
(72) Name(s) of Designer(s): **Nikolaos Filaretos Bakopoulos**  
(45) Registration Date: **20 October 2008**  
(56) Related Art Documents: **Not Applicable**  
(57) Statement of Newness and Distinctiveness: **Nil**



- (21) Design Number: **12951/2008**  
(22) Date of Filing Application: **25 June 2008**  
(24) Date from which industrial property rights may have effect: **25 June 2008**  
(54) Product in respect of which the design is registered: **Fastener-sleeve**  
(51) International Design Classification: **08-08L**  
(71) Name(s) and Address(s) of Applicant(s):  
**Henry Stubbings**  
**44 Magdalene Terrace Pasadena South Australia 5042 Australia**  
(72) Name(s) of Designer(s): **Henry Stubbings**  
(45) Registration Date: **20 October 2008**  
(56) Related Art Documents: **Not Applicable**  
(57) Statement of Newness and Distinctiveness: **The sleeve is for joining two parts together with screws - so end of screw is then covered for safety. No exposed end of screws seen.**



(21) Design Number: **13862/2008**

(22) Date of Filing Application: **13 August 2008**

(24) Date from which industrial property rights may have effect: **13 August 2008**

(54) Product in respect of which the design is registered: **Article of clothing**

(51) International Design Classification: **02-02C, 02-01B**

(71) Name(s) and Address(s) of Applicant(s):

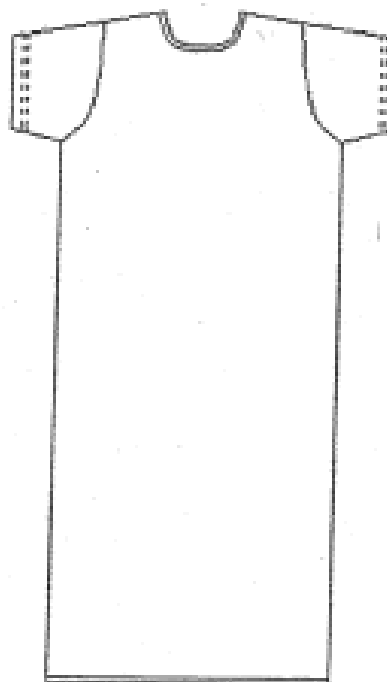
**Linda Dugan Pty Ltd**  
**1104/666 Chapel Street South Yarra Victoria 3141 Australia**

(72) Name(s) of Designer(s): **Linda Dugan**

(45) Registration Date: **20 October 2008**

(56) Related Art Documents: **Not Applicable**

(57) Statement of Newness and Distinctiveness: **Newness and distinctiveness resides in the features of shape and/or configuration of an article of clothing as shown in the accompanying representations.**



(21) Design Number: **21536/2007**

(22) Date of Filing Application: **21 December 2007**

(24) Date from which industrial property rights may have effect: **21 December 2007**

(54) Product in respect of which the design is registered: **Waste receptacle**

(51) International Design Classification: **09-09, 07-07NES**

(71) Name(s) and Address(s) of Applicant(s):

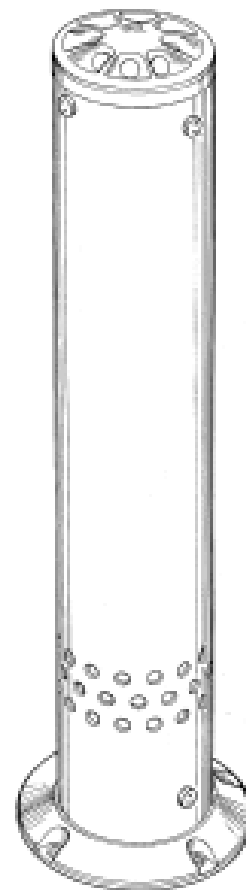
**Enviro Design Australia Pty Ltd**  
**Level 1 395 Collins Street Melbourne Victoria 3000 Australia**

(72) Name(s) of Designer(s): **Wally Tench**

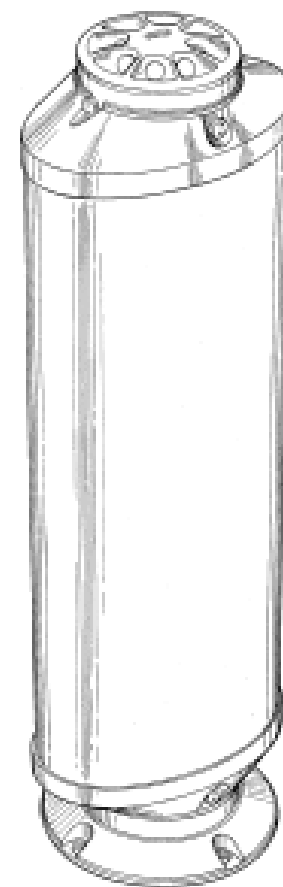
(45) Registration Date: **20 October 2008**

(56) Related Art Documents: **Not Applicable**

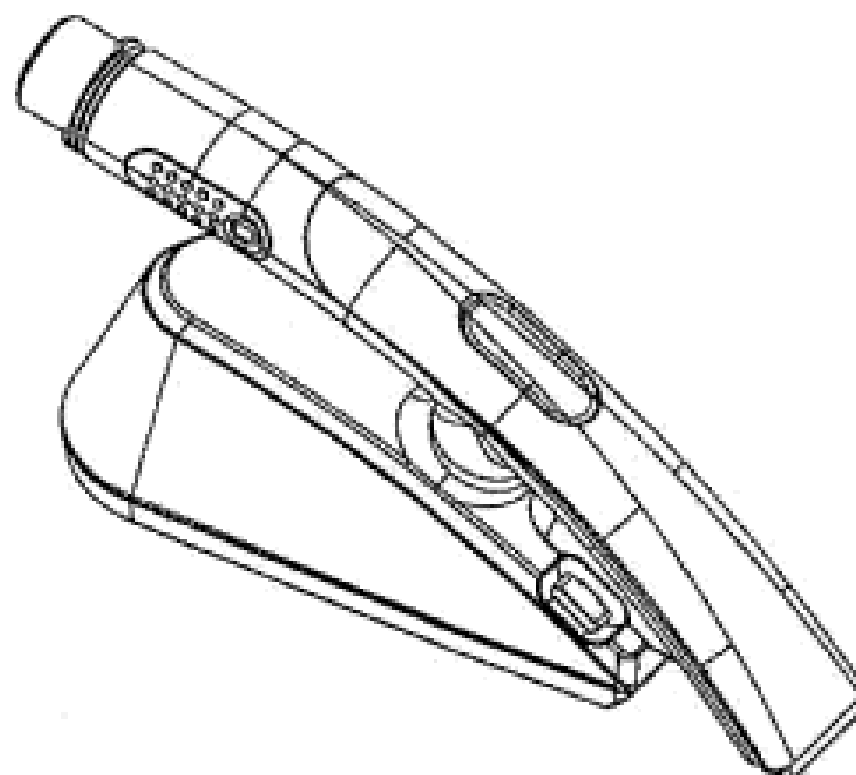
(57) Statement of Newness and Distinctiveness: **Newness and distinctiveness resides in the visual features of shape and/or configuration of a waste receptacle as illustrated in the accompanying representation.**



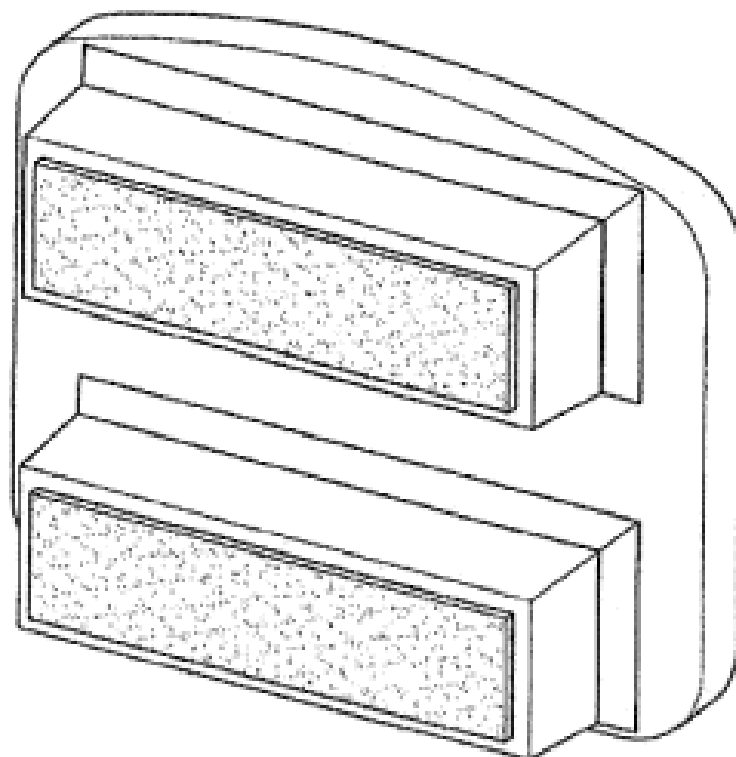
- (21) Design Number: **21537/2007**  
(22) Date of Filing Application: **21 December 2007**  
(24) Date from which industrial property rights may have effect: **21 December 2007**  
(54) Product in respect of which the design is registered: **Waste receptacle**  
(51) International Design Classification: **09-09, 07-07NES**  
(71) Name(s) and Address(s) of Applicant(s):  
**Enviro Design Australia Pty Ltd**  
**Level 1 395 Collins Street Melbourne Victoria 3000 Australia**  
(72) Name(s) of Designer(s): **Wally Tench**  
(45) Registration Date: **20 October 2008**  
(56) Related Art Documents: **Not Applicable**  
(57) Statement of Newness and Distinctiveness: **Newness and distinctiveness resides in the visual features of shape and/or configuration of a waste receptacle as illustrated in the accompanying representation.**



- (21) Design Number: **12441/2008**  
(22) Date of Filing Application: **21 May 2008**  
(24) Date from which industrial property rights may have effect: **21 May 2008**  
(54) Product in respect of which the design is registered: **Vacuum cleaner attachment**  
(51) International Design Classification: **15-05**  
(71) Name(s) and Address(s) of Applicant(s):  
**Morphy Richards Limited**  
**Talbot Road Mexborough South Yorkshire S64 8AJ United Kingdom**  
(72) Name(s) of Designer(s): **Glyn Hauser**  
(45) Registration Date: **20 October 2008**  
(30) Convention priority data:  
(31) Number (32) Date (33) Country  
**844 865 18 Dec 2007 EUROPEAN COMMUNITY**  
(56) Related Art Documents: **Not Applicable**  
(57) Statement of Newness and Distinctiveness: **Newness and distinctiveness are claimed in the shape and/or configuration of the vacuum cleaner attachment as illustrated in the representations.**



(21) Design Number: **13003/2008**  
(22) Date of Filing Application: **30 June 2008**  
(24) Date from which industrial property rights may have effect: **30 June 2008**  
(54) Product in respect of which the design is registered: **Grinding tip for grinder**  
(51) International Design Classification: **08-05N**  
(71) Name(s) and Address(s) of Applicant(s):  
**Rin-Soon Park**  
**Yongsang APT. 1-401 150-3 Wonjong-dong Ojeong-gu Bucheon-si**  
**Gyeonggi-do 421-200 Republic of Korea**  
(72) Name(s) of Designer(s): **Rin-Soon Park**  
(45) Registration Date: **20 October 2008**  
(30) Convention priority data:  
(31) Number (32) Date (33) Country  
**30-2007-0054418 31 Dec 2007 REPUBLIC OF KOREA**  
(56) Related Art Documents: **Not Applicable**  
(57) Statement of Newness and Distinctiveness: **Nil**



(21) Design Number: **11590/2008**  
(22) Date of Filing Application: **04 April 2008**  
(24) Date from which industrial property rights may have effect: **04 April 2008**  
(54) Product in respect of which the design is registered: **Front motorcycle fairing for Honda CBR 250 RR MC22**  
(51) International Design Classification: **12-16B**  
(71) Name(s) and Address(s) of Applicant(s):  
**Simon Andrew Richard Long**  
**C/- Michael Czajka 7 Boyle Court Sunshine Victoria 3020 Australia**  
(72) Name(s) of Designer(s): **Simon Andrew Richard Long**  
(45) Registration Date: **17 October 2008**  
(56) Related Art Documents: **Not Applicable**  
(57) Statement of Newness and Distinctiveness: **Nil**





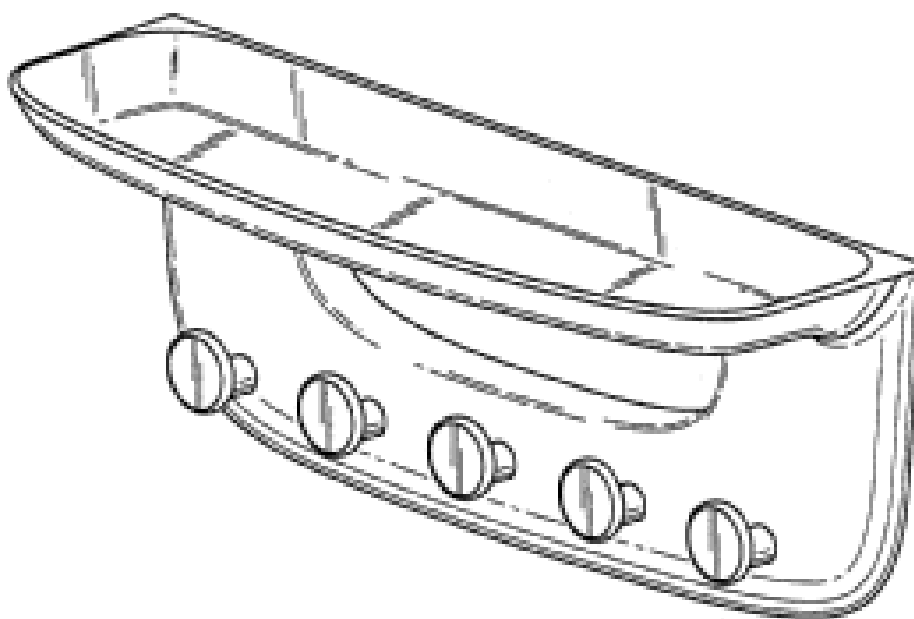
- (21) Design Number: **11591/2008**  
(22) Date of Filing Application: **04 April 2008**  
(24) Date from which industrial property rights may have effect: **04 April 2008**  
(54) Product in respect of which the design is registered: **Rear motorcycle fairing for Honda CBR 250 R MC 19**  
(51) International Design Classification: **12-16B**  
(71) Name(s) and Address(s) of Applicant(s):  
**Simon Andrew Richard Long**  
**C/- Michael Czajka 7 Boyle Court Sunshine Victoria 3020 Australia**  
(72) Name(s) of Designer(s): **Simon Andrew Richard Long**  
(45) Registration Date: **17 October 2008**  
(56) Related Art Documents: **Not Applicable**  
(57) Statement of Newness and Distinctiveness: **Nil**



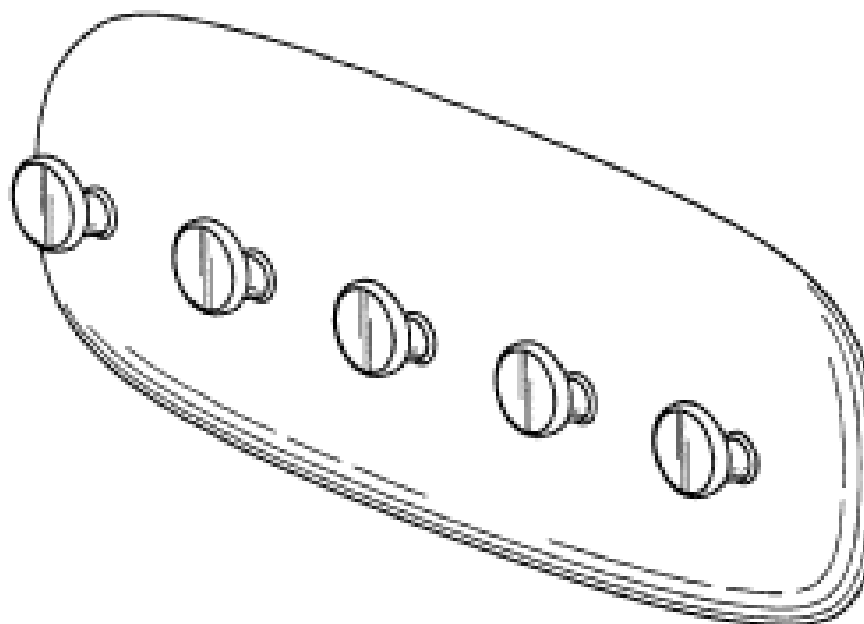
- (21) Design Number: **11592/2008**  
(22) Date of Filing Application: **04 April 2008**  
(24) Date from which industrial property rights may have effect: **04 April 2008**  
(54) Product in respect of which the design is registered: **Rear motorcycle fairing for Honda CBR 250 RR MC 22**  
(51) International Design Classification: **12-16B**  
(71) Name(s) and Address(s) of Applicant(s):  
**Simon Andrew Richard Long**  
**C/- Michael Czajka 7 Boyle Court Sunshine Victoria 3020 Australia**  
(72) Name(s) of Designer(s): **Simon Andrew Richard Long**  
(45) Registration Date: **17 October 2008**  
(56) Related Art Documents: **Not Applicable**  
(57) Statement of Newness and Distinctiveness: **Nil**



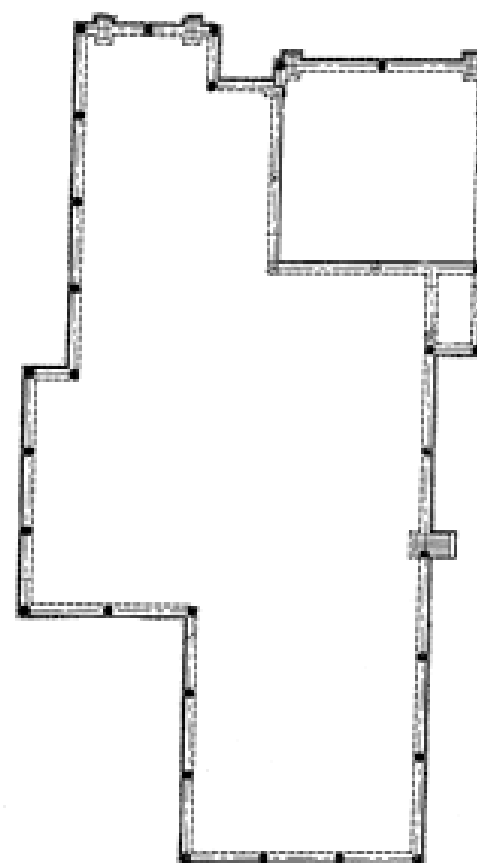
(21) Design Number: **11779/2008**  
 (22) Date of Filing Application: **15 April 2008**  
 (24) Date from which industrial property rights may have effect: **15 April 2008**  
 (54) Product in respect of which the design is registered: **Wall mountable jewelery rack assembly**  
 (51) International Design Classification: **20-02E**  
 (71) Name(s) and Address(s) of Applicant(s):  
**3M Innovative Properties Company**  
**3M Center Saint Paul Minnesota 55133-3427 United States of America**  
 (72) Name(s) of Designer(s): **Craig Thompson and Peter J. Newbould and Byron E. Trotter and Michele Cestone**  
 (45) Registration Date: **17 October 2008**  
 (30) Convention priority data:  
 (31) Number (32) Date (33) Country  
**29/296,610 24 Oct 2007 UNITED STATES OF AMERICA**  
 (56) Related Art Documents: **Not Applicable**  
 (57) Statement of Newness and Distinctiveness: **Newness and distinctiveness is claimed in the visual features shown in solid lines in the representations.**



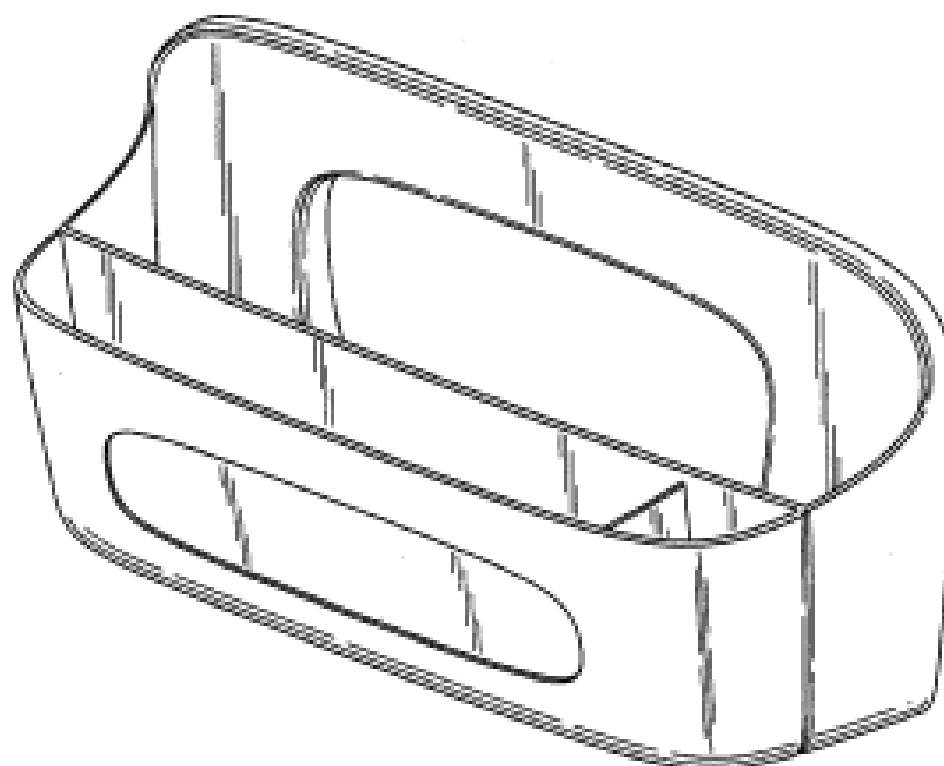
(21) Design Number: **11780/2008**  
 (22) Date of Filing Application: **15 April 2008**  
 (24) Date from which industrial property rights may have effect: **15 April 2008**  
 (54) Product in respect of which the design is registered: **Wall mountable hook assembly**  
 (51) International Design Classification: **08-08G**  
 (71) Name(s) and Address(s) of Applicant(s):  
**3M Innovative Properties Company**  
**3M Center Saint Paul Minnesota 55133-3427 United States of America**  
 (72) Name(s) of Designer(s): **Craig D. Thompson and Peter J. Newbould and Byron E. Trotter and Michele Cestone**  
 (45) Registration Date: **17 October 2008**  
 (30) Convention priority data:  
 (31) Number (32) Date (33) Country  
**29/296,613 24 Oct 2007 UNITED STATES OF AMERICA**  
 (56) Related Art Documents: **Not Applicable**  
 (57) Statement of Newness and Distinctiveness: **Newness and distinctiveness is claimed in the visual features shown in solid lines in the representations.**



- (21) Design Number: **11850/2008**  
(22) Date of Filing Application: **18 April 2008**  
(24) Date from which industrial property rights may have effect: **18 April 2008**  
(54) Product in respect of which the design is registered: **Concrete slab**  
(51) International Design Classification: **25-01B, 25-02NES**  
(71) Name(s) and Address(s) of Applicant(s):  
**Heltech Industries Pty Ltd**  
**60 Export Drive Molendinar Queensland 4214 Australia**  
(72) Name(s) of Designer(s): **Paul Camilleri**  
(45) Registration Date: **17 October 2008**  
(56) Related Art Documents: **Not Applicable**  
(57) Statement of Newness and Distinctiveness: **Newness and distinctiveness resides in the shape and configuration of the concrete slab illustrated in the accompanying drawings. The thickness of the slab is substantially constant across the length and width.**



- (21) Design Number: **11888/2008**  
(22) Date of Filing Application: **22 April 2008**  
(24) Date from which industrial property rights may have effect: **22 April 2008**  
(54) Product in respect of which the design is registered: **Wall mountable desk organiser**  
(51) International Design Classification: **19-02, 20-02E**  
(71) Name(s) and Address(s) of Applicant(s):  
**3M Innovative Properties Company**  
**3M Center Saint Paul Minnesota 55133-3427 United States of America**  
(72) Name(s) of Designer(s): **Craig Thompson and John M. Pilgrim and Byron E. Trotter and Ivana Babic**  
(45) Registration Date: **17 October 2008**  
(30) Convention priority data:  
(31) Number      (32) Date      (33) Country  
**29/296,612      24 Oct 2007      UNITED STATES OF AMERICA**  
(56) Related Art Documents: **Not Applicable**  
(57) Statement of Newness and Distinctiveness: **Newness and distinctiveness is claimed in the visual features shown in solid lines in the representations.**



- (21) Design Number: **13064/2008**  
(22) Date of Filing Application: **03 July 2008**  
(24) Date from which industrial property rights may have effect: **03 July 2008**  
(54) Product in respect of which the design is registered: **Cap**  
(51) International Design Classification: **09-07C**  
(71) Name(s) and Address(s) of Applicant(s):  
**Les Laboratoires Servier**  
**12 Place de La Defense F-92415 Courbevoie Cedex France**  
(72) Name(s) of Designer(s): **Mark Maillouchon**  
(45) Registration Date: **17 October 2008**  
(30) Convention priority data:  
(31) Number (32) Date (33) Country  
**855192-0001 08 Jan 2008 FRANCE**  
(56) Related Art Documents: **Not Applicable**  
(57) Statement of Newness and Distinctiveness: **Newness and distinctiveness resides in the visual features of shape and/or configuration of a cap for a pillbox as illustrated in the accompanying representations.**



- (21) Design Number: **13065/2008**  
(22) Date of Filing Application: **03 July 2008**  
(24) Date from which industrial property rights may have effect: **03 July 2008**  
(54) Product in respect of which the design is registered: **Pillbox**  
(51) International Design Classification: **09-01C**  
(71) Name(s) and Address(s) of Applicant(s):  
**Les Laboratoires Servier**  
**12 Place de La Defense F-92415 Courbevoie Cedex France**  
(72) Name(s) of Designer(s): **Mark Maillouchon**  
(45) Registration Date: **17 October 2008**  
(30) Convention priority data:  
(31) Number (32) Date (33) Country  
**855192-0004 08 Jan 2008 FRANCE**  
(56) Related Art Documents: **Not Applicable**  
(57) Statement of Newness and Distinctiveness: **Newness and distinctiveness resides in the visual features of pattern and/or ornamentation and of shape and/or configuration of a pillbox of indefinite height as illustrated in the accompanying representations.**



(21) Design Number: **13066/2008**

(22) Date of Filing Application: **03 July 2008**

(24) Date from which industrial property rights may have effect: **03 July 2008**

(54) Product in respect of which the design is registered: **Pillbox**

(51) International Design Classification: **09-01C**

(71) Name(s) and Address(s) of Applicant(s):

**Les Laboratoires Servier  
12 Place de La Defense F-92415 Courbevoie Cedex France**

(72) Name(s) of Designer(s): **Mark Maillochon**

(45) Registration Date: **17 October 2008**

(30) Convention priority data:

(31) Number	(32) Date	(33) Country
<b>855192-0003</b>	<b>08 Jan 2008</b>	<b>FRANCE</b>

(56) Related Art Documents: **Not Applicable**

(57) Statement of Newness and Distinctiveness: **Newness and distinctiveness resides in the visual features of pattern and/or ornamentation and of shape and/or configuration of a pillbox of indefinite height as illustrated in the accompanying representations.**



(21) Design Number: **13067/2008**

(22) Date of Filing Application: **03 July 2008**

(24) Date from which industrial property rights may have effect: **03 July 2008**

(54) Product in respect of which the design is registered: **Pillbox**

(51) International Design Classification: **09-01C**

(71) Name(s) and Address(s) of Applicant(s):

**Les Laboratoires Servier  
12 Place de La Defense F-92415 Courbevoie Cedex France**

(72) Name(s) of Designer(s): **Mark Maillochon**

(45) Registration Date: **17 October 2008**

(30) Convention priority data:

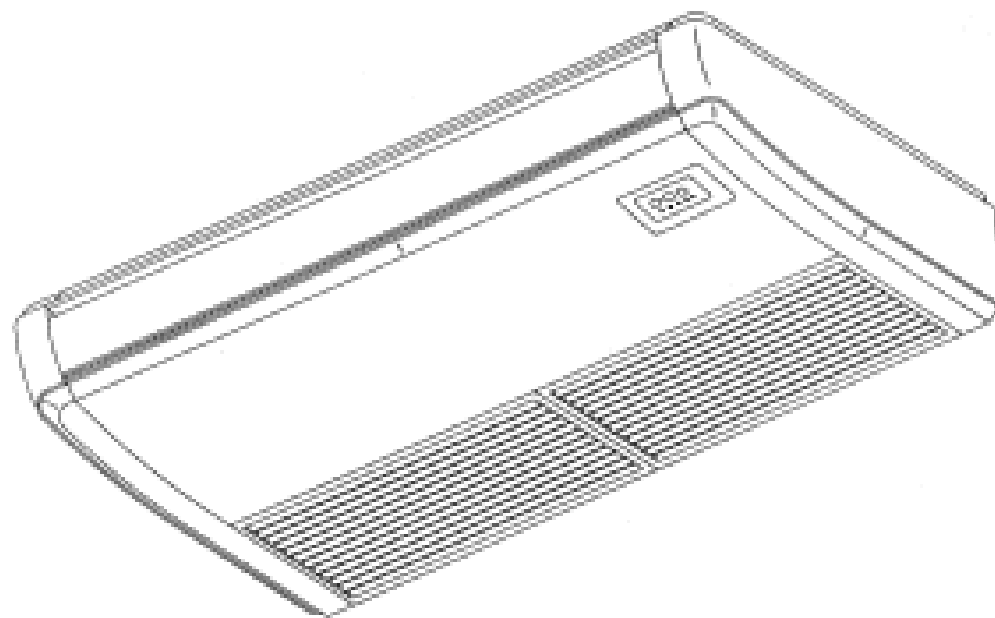
(31) Number	(32) Date	(33) Country
<b>855192-0002</b>	<b>08 Jan 2008</b>	<b>FRANCE</b>

(56) Related Art Documents: **Not Applicable**

(57) Statement of Newness and Distinctiveness: **Newness and distinctiveness resides in the visual features of shape and/or configuration of a pillbox of indefinite height as illustrated in the accompanying representations.**



- (21) Design Number: **13068/2008**  
(22) Date of Filing Application: **03 July 2008**  
(24) Date from which industrial property rights may have effect: **03 July 2008**  
(54) Product in respect of which the design is registered: **Air conditioner**  
(51) International Design Classification: **23-04**  
(71) Name(s) and Address(s) of Applicant(s):  
**Hitachi Appliances, Inc.**  
**16-1 Kaigan 1-chome Minato-ku Tokyo Japan**  
(72) Name(s) of Designer(s): **Kunihito Kawamura and Ayako Morita and Satoshi Nakayama and Tomoyuki Miyata and Kensaku Maeda**  
(45) Registration Date: **17 October 2008**  
(30) Convention priority data:  
(31) Number      (32) Date      (33) Country  
**2008-007880      28 Mar 2008      JAPAN**  
(56) Related Art Documents: **Not Applicable**  
(57) Statement of Newness and Distinctiveness: **Nil**



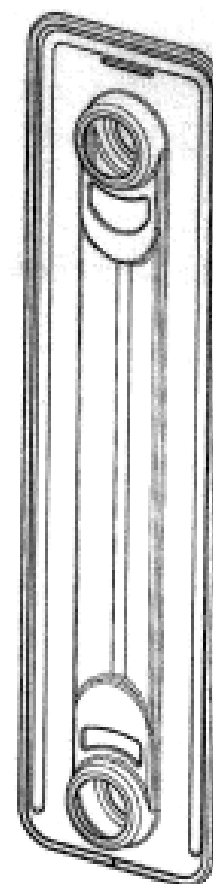
- (21) Design Number: **13069/2008**  
(22) Date of Filing Application: **03 July 2008**  
(24) Date from which industrial property rights may have effect: **03 July 2008**  
(54) Product in respect of which the design is registered: **Hat**  
(51) International Design Classification: **02-07C, 07-06D**  
(71) Name(s) and Address(s) of Applicant(s):  
**USPA Accessories LLC**  
**362 Fifth Avenue New York New York 10001 United States of America**  
(72) Name(s) of Designer(s): **Cesar Hernandez**  
(45) Registration Date: **17 October 2008**  
(30) Convention priority data:  
(31) Number      (32) Date      (33) Country  
**29/299,724      03 Jan 2008      UNITED STATES OF AMERICA**  
(56) Related Art Documents: **Not Applicable**  
(57) Statement of Newness and Distinctiveness: **Newness and distinctiveness is claimed in the bottle cap feature shown in solid lines in the accompanying representations and its position along the brim of the hat.**



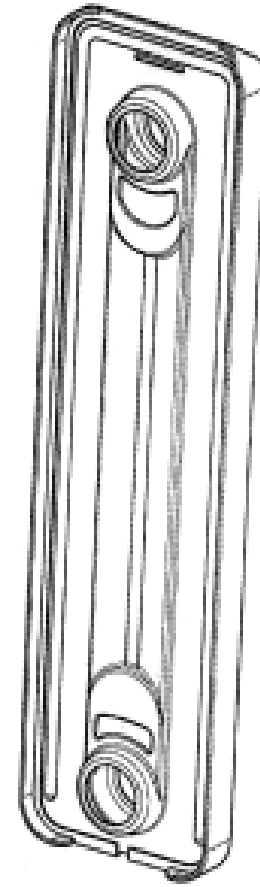
(21) Design Number: **13070/2008**  
(22) Date of Filing Application: **03 July 2008**  
(24) Date from which industrial property rights may have effect: **03 July 2008**  
(54) Product in respect of which the design is registered: **Hat**  
(51) International Design Classification: **02-07C**  
(71) Name(s) and Address(s) of Applicant(s):  
**USPA Accessories LLC**  
**362 Fifth Avenue New York New York 10001 United States of America**  
(72) Name(s) of Designer(s): **Cesar Hernandez**  
(45) Registration Date: **17 October 2008**  
(30) Convention priority data:  
(31) Number (32) Date (33) Country  
**29/299,718 03 Jan 2008 UNITED STATES OF AMERICA**  
(56) Related Art Documents: **Not Applicable**  
(57) Statement of Newness and Distinctiveness: **Newness and distinctiveness is claimed in the bottle cap feature shown in solid lines in the accompanying representations and its position along the brim of the hat.**



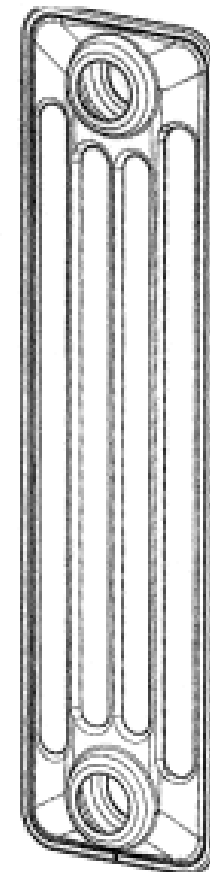
(21) Design Number: **13079/2008**  
(22) Date of Filing Application: **03 July 2008**  
(24) Date from which industrial property rights may have effect: **03 July 2008**  
(54) Product in respect of which the design is registered: **Radiator for heating (part of-)**  
(51) International Design Classification: **23-03A**  
(71) Name(s) and Address(s) of Applicant(s):  
**De' Longhi SPA**  
**Via Lodovico Seitz 47 31100 Treviso (TV) Italy**  
(72) Name(s) of Designer(s): **Guiseppe De' Longhi**  
(45) Registration Date: **17 October 2008**  
(30) Convention priority data:  
(31) Number (32) Date (33) Country  
**855960-0011 10 Jan 2008 EUROPEAN COMMUNITY**  
(56) Related Art Documents: **Not Applicable**  
(57) Statement of Newness and Distinctiveness: **Newness and distinctiveness reside in the features of shape and/or configuration of the radiator, as shown in the representations.**



- (21) Design Number: **13080/2008**  
(22) Date of Filing Application: **03 July 2008**  
(24) Date from which industrial property rights may have effect: **03 July 2008**  
(54) Product in respect of which the design is registered: **Radiator for heating (part of -)**  
(51) International Design Classification: **23-03A**  
(71) Name(s) and Address(s) of Applicant(s):  
**De' Longhi SPA**  
**Via Lodovico Seitz 47 31100 Treviso (TV) Italy**  
(72) Name(s) of Designer(s): **Guiseppe De' Longhi**  
(45) Registration Date: **17 October 2008**  
(30) Convention priority data:  
(31) Number (32) Date (33) Country  
**855960-0013 10 Jan 2008 EUROPEAN COMMUNITY**  
(56) Related Art Documents: **Not Applicable**  
(57) Statement of Newness and Distinctiveness: **Newness and distinctiveness reside in the features of shape and/or configuration of the radiator, as shown in the representations.**

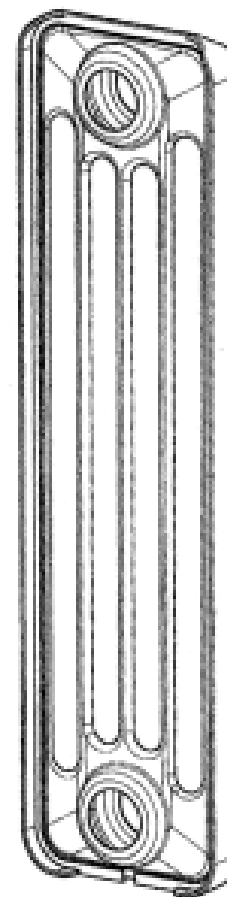


- (21) Design Number: **13081/2008**  
(22) Date of Filing Application: **03 July 2008**  
(24) Date from which industrial property rights may have effect: **03 July 2008**  
(54) Product in respect of which the design is registered: **Radiator for heating (part of-)**  
(51) International Design Classification: **23-03A**  
(71) Name(s) and Address(s) of Applicant(s):  
**De' Longhi SPA**  
**Via Lodovico Seitz 47 31100 Treviso (TV) Italy**  
(72) Name(s) of Designer(s): **Guiseppe De' Longhi**  
(45) Registration Date: **17 October 2008**  
(30) Convention priority data:  
(31) Number (32) Date (33) Country  
**855960-0014 10 Jan 2008 EUROPEAN COMMUNITY**  
(56) Related Art Documents: **Not Applicable**  
(57) Statement of Newness and Distinctiveness: **Newness and distinctiveness reside in the features of shape and/or configuration of the radiator, as shown in the representations.**

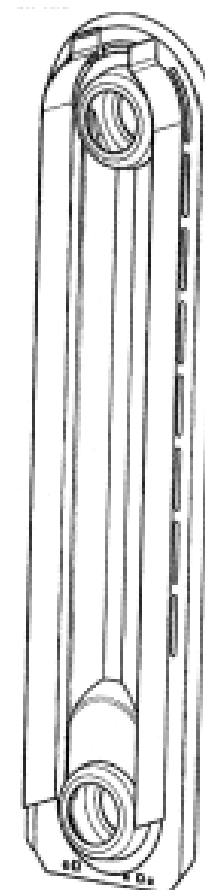




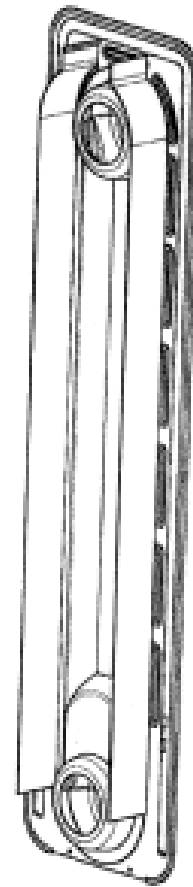
- (21) Design Number: **13082/2008**  
(22) Date of Filing Application: **03 July 2008**  
(24) Date from which industrial property rights may have effect: **03 July 2008**  
(54) Product in respect of which the design is registered: **Radiator for heating (part of-)**  
(51) International Design Classification: **23-03A**  
(71) Name(s) and Address(s) of Applicant(s):  
**De' Longhi SPA**  
**Via Lodovico Seitz 47 31100 Treviso (TV) Italy**  
(72) Name(s) of Designer(s): **Guiseppe De' Longhi**  
(45) Registration Date: **17 October 2008**  
(30) Convention priority data:  
(31) Number (32) Date (33) Country  
**855960-0016 10 Jan 2008 EUROPEAN COMMUNITY**  
(56) Related Art Documents: **Not Applicable**  
(57) Statement of Newness and Distinctiveness: **Newness and distinctiveness reside in the features of shape and/or configuration of the radiator, as shown in the representations.**



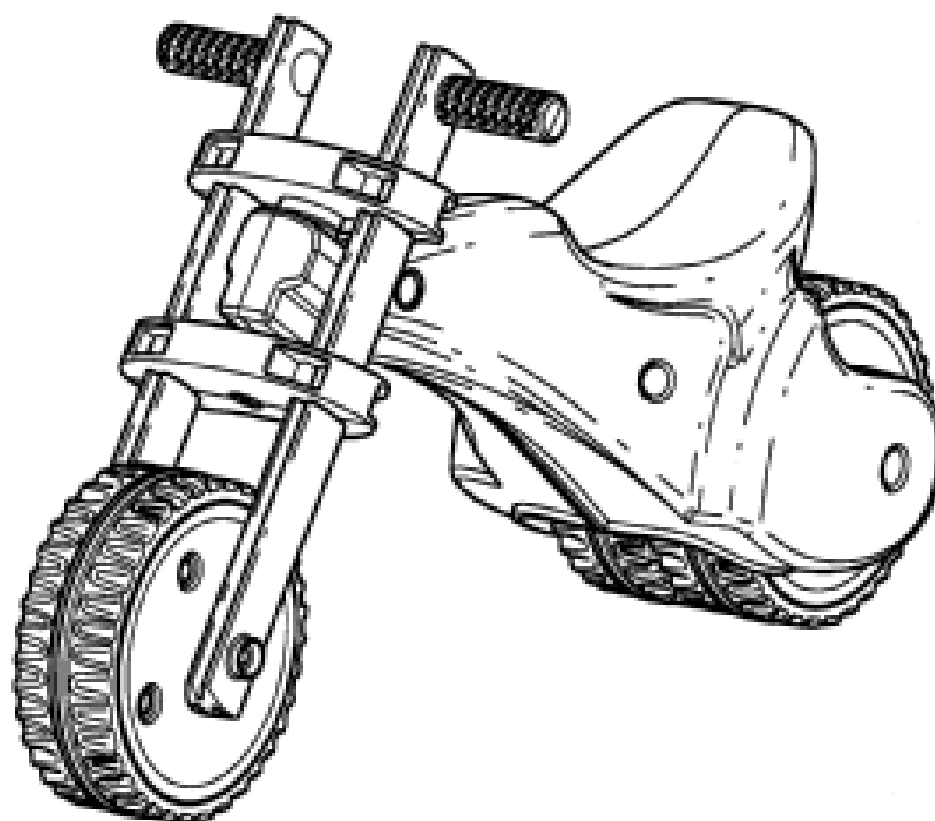
- (21) Design Number: **13083/2008**  
(22) Date of Filing Application: **03 July 2008**  
(24) Date from which industrial property rights may have effect: **03 July 2008**  
(54) Product in respect of which the design is registered: **Radiator for heating (part of-)**  
(51) International Design Classification: **23-03A**  
(71) Name(s) and Address(s) of Applicant(s):  
**De' Longhi SPA**  
**Via Lodovico Seitz 47 31100 Treviso (TV) Italy**  
(72) Name(s) of Designer(s): **Guiseppe De' Longhi**  
(45) Registration Date: **17 October 2008**  
(30) Convention priority data:  
(31) Number (32) Date (33) Country  
**855960-0017 10 Jan 2008 EUROPEAN COMMUNITY**  
(56) Related Art Documents: **Not Applicable**  
(57) Statement of Newness and Distinctiveness: **Newness and distinctiveness reside in the features of shape and/or configuration of the radiator, as shown in the representations.**



- (21) Design Number: **13084/2008**  
(22) Date of Filing Application: **03 July 2008**  
(24) Date from which industrial property rights may have effect: **03 July 2008**  
(54) Product in respect of which the design is registered: **Radiator for heating (part of-)**  
(51) International Design Classification: **23-03A**  
(71) Name(s) and Address(s) of Applicant(s):  
**De' Longhi SPA**  
**Via Lodovico Seitz 47 31100 Treviso (TV) Italy**  
(72) Name(s) of Designer(s): **Guiseppe De' Longhi**  
(45) Registration Date: **17 October 2008**  
(30) Convention priority data:  
(31) Number (32) Date (33) Country  
**855960-0018 10 Jan 2008 EUROPEAN COMMUNITY**  
(56) Related Art Documents: **Not Applicable**  
(57) Statement of Newness and Distinctiveness: **Newness and distinctiveness reside in the features of shape and/or configuration of the radiator, as shown in the representations.**



- (21) Design Number: **12446/2008**  
(22) Date of Filing Application: **20 May 2008**  
(24) Date from which industrial property rights may have effect: **20 May 2008**  
(54) Product in respect of which the design is registered: **A scooter**  
(51) International Design Classification: **12-11, 21-01F**  
(71) Name(s) and Address(s) of Applicant(s):  
**Chrome Cherry Design Studio (Pty) Ltd**  
**C/- Unit 12 Fish Eagle Park Olive Grove Ind Estate Somerset West**  
**South Africa**  
(72) Name(s) of Designer(s): **Jaco Kruger and Jean Pierre Van Der Merwe**  
(45) Registration Date: **20 October 2008**  
(56) Related Art Documents: **Not Applicable**  
(57) Statement of Newness and Distinctiveness: **Nil**



(21) Design Number: **12542/2008**

(22) Date of Filing Application: **28 May 2008**

(24) Date from which industrial property rights may have effect: **28 May 2008**

(54) Product in respect of which the design is registered: **A tow bar bracket**

(51) International Design Classification: **12-16L**

(71) Name(s) and Address(s) of Applicant(s):

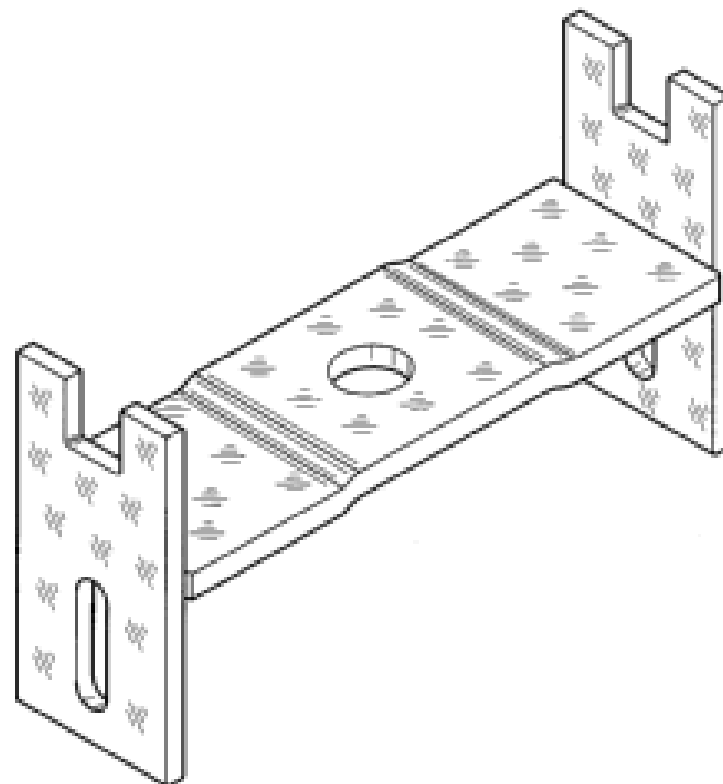
**Stanfred Metal Products Pty Ltd**  
**92 Capital Link Drive Campbellfield Victoria 3061 Australia**

(72) Name(s) of Designer(s): **Andrew John Shephard**

(45) Registration Date: **20 October 2008**

(56) Related Art Documents: **Not Applicable**

(57) Statement of Newness and Distinctiveness: **Newness and distinctiveness resides in the raised central ridge of the tow bar bracket.**



(21) Design Number: **12590/2008**

(22) Date of Filing Application: **28 May 2008**

(24) Date from which industrial property rights may have effect: **28 May 2008**

(54) Product in respect of which the design is registered: **Ink cartridge**

(51) International Design Classification: **14-02**

(71) Name(s) and Address(s) of Applicant(s):

**Brother Industries, Ltd.**  
**15-1 Naeshiro-cho Mizuho-ku Nagoya-shi Aichi-ken Japan**

(72) Name(s) of Designer(s): **Shingo Hattori**

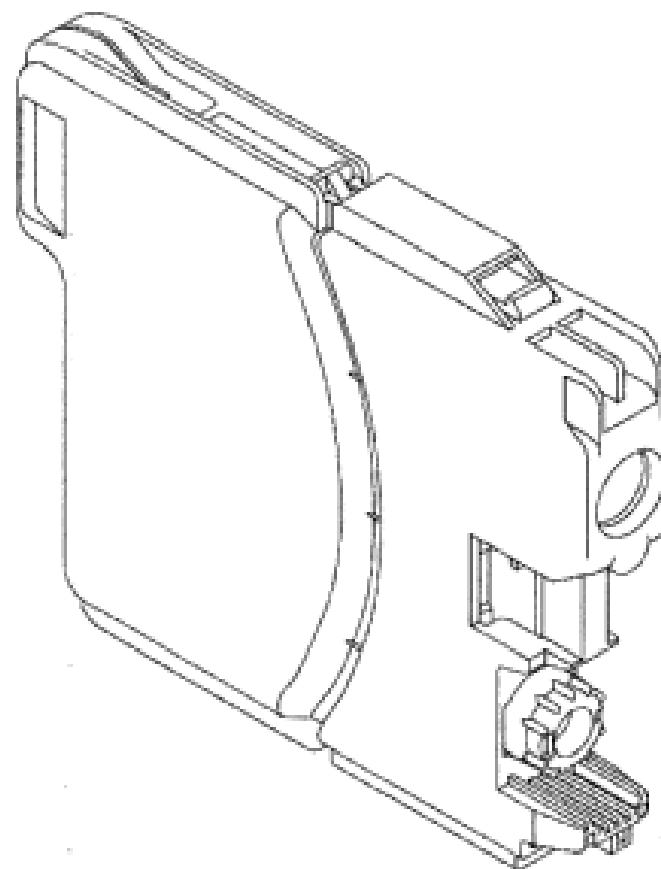
(45) Registration Date: **20 October 2008**

(30) Convention priority data:

(31) Number	(32) Date	(33) Country
<b>2007-033061</b>	<b>30 Nov 2007</b>	<b>JAPAN</b>

(56) Related Art Documents: **Not Applicable**

(57) Statement of Newness and Distinctiveness: **The newness and distinctiveness of the design resides in the following visual features: a) the shape and configuration of the design depicted in the accompanying representations; and b) the semi circular indentation in the middle of the ink cartridge body as depicted in figures 1, 5, 7, 8 and 11.**



- (21) Design Number: **12591/2008**  
(22) Date of Filing Application: **28 May 2008**  
(24) Date from which industrial property rights may have effect: **28 May 2008**  
(54) Product in respect of which the design is registered: **Ink cartridge**  
(51) International Design Classification: **14-02**  
(71) Name(s) and Address(s) of Applicant(s):

**Brother Industries, Ltd.**  
**15-1 Naeshiro-cho Mizuho-ku Nagoya-shi Aichi-ken Japan**

(72) Name(s) of Designer(s): **Shingo Hattori**

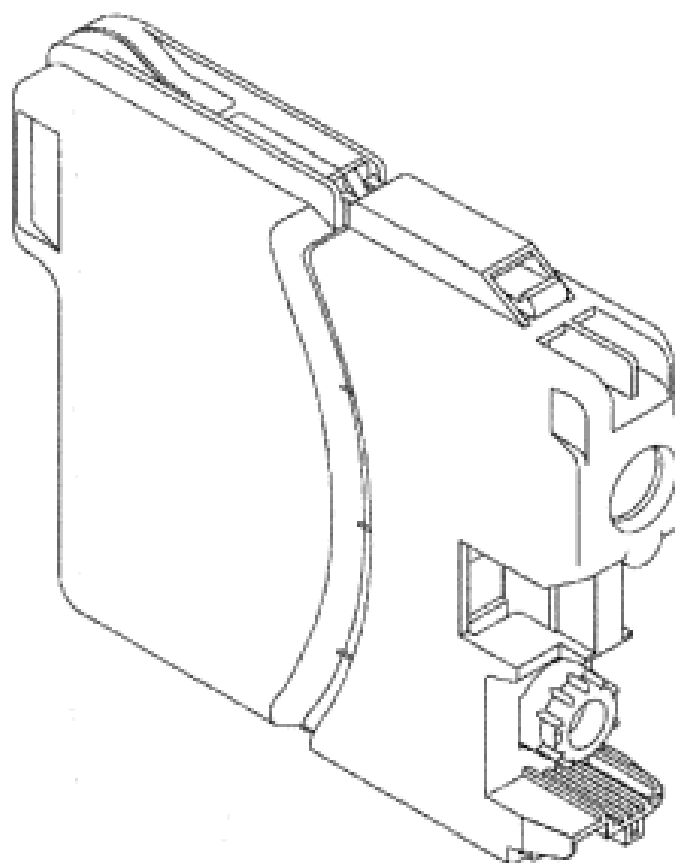
(45) Registration Date: **20 October 2008**

(30) Convention priority data:

(31) Number	(32) Date	(33) Country
<b>2007-033062</b>	<b>30 Nov 2007</b>	<b>JAPAN</b>

(56) Related Art Documents: **Not Applicable**

(57) Statement of Newness and Distinctiveness: **The newness and distinctiveness of the design resides in the following visual features: a) the shape and configuration of the design depicted in the accompanying representations; b) the semi-circular indentation in the middle of the ink cartridge body as depicted in figures 1, 5, 7, 8 and 11; and c) the front portion of body of the ink cartridge is wider than the rear portion of the body of the ink cartridge as depicted in figures 2, 3, 4 and 6.**



- (21) Design Number: **12671/2008**  
(22) Date of Filing Application: **05 June 2008**  
(24) Date from which industrial property rights may have effect: **05 June 2008**  
(54) Product in respect of which the design is registered: **Round tube postpuncher**  
(51) International Design Classification: **15-04, 15-09**  
(71) Name(s) and Address(s) of Applicant(s):

**Kevin Frank Meade**  
**3 Arch Bridge Station Road Tisbury Wiltshire SP36RA United Kingdom**

**Meade Machines Ltd**  
**3 Arch Bridge Station Road Tisbury Wiltshire SP36RA United Kingdom**

(72) Name(s) of Designer(s): **Kevin Frank Meade**

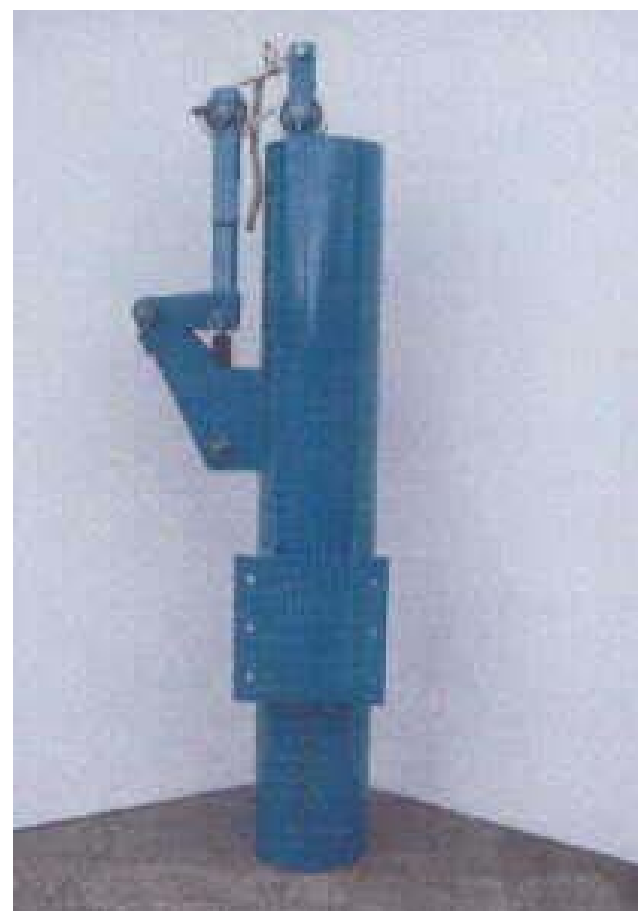
(45) Registration Date: **20 October 2008**

(30) Convention priority data:

(31) Number	(32) Date	(33) Country
<b>3013280</b>	<b>21 Jun 2003</b>	<b>UNITED KINGDOM</b>

(56) Related Art Documents: **Not Applicable**

(57) Statement of Newness and Distinctiveness: **Round tube enclosed weight post driver.**



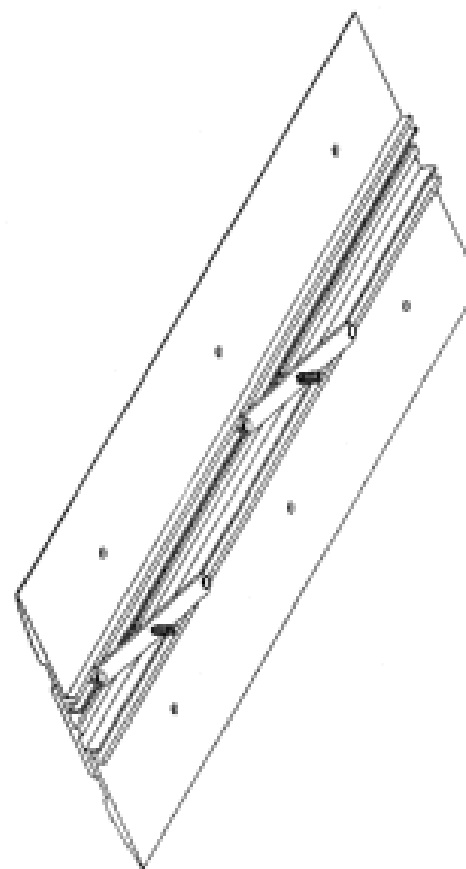
- (21) Design Number: **12672/2008**  
(22) Date of Filing Application: **05 June 2008**  
(24) Date from which industrial property rights may have effect: **05 June 2008**  
(54) Product in respect of which the design is registered: **Square tube postpuncher**  
(51) International Design Classification: **15-04, 15-09**  
(71) Name(s) and Address(s) of Applicant(s):  
**Kevin Frank Meade**  
**3 Arch Bridge Station Road Tisbury Wiltshire SP36RA United Kingdom**  
**Meade Machines Ltd**  
**3 Arch Bridge Station Road Tisbury Wiltshire SP36RA United Kingdom**  
(72) Name(s) of Designer(s): **Kevin Frank Meade**  
(45) Registration Date: **20 October 2008**  
(30) Convention priority data:  
(31) Number      (32) Date      (33) Country  
**3024477      08 Apr 2006      UNITED KINGDOM**  
(56) Related Art Documents: **Not Applicable**  
(57) Statement of Newness and Distinctiveness: **Square tube enclosed weight post driver.**



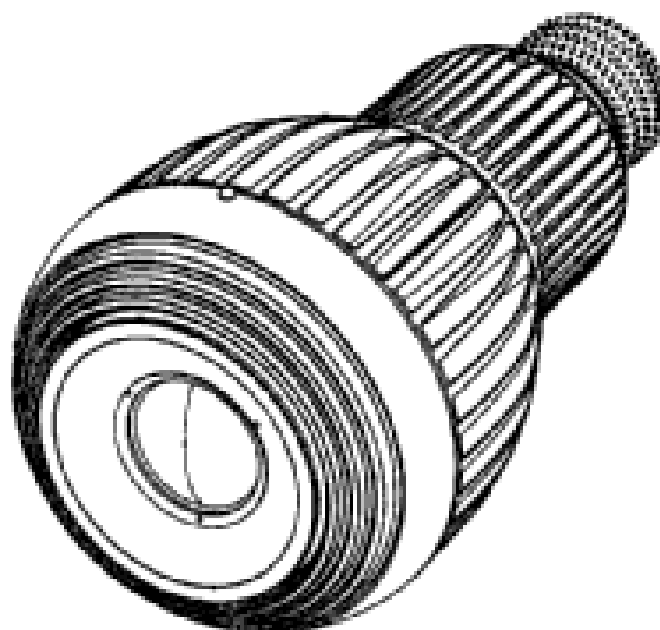
- (21) Design Number: **12887/2008**  
(22) Date of Filing Application: **18 June 2008**  
(24) Date from which industrial property rights may have effect: **18 June 2008**  
(54) Product in respect of which the design is registered: **Webbing to winch drum connector plate**  
(51) International Design Classification: **08-08L, 08-08NES, 12-16NES**  
(71) Name(s) and Address(s) of Applicant(s):  
**Felk Trailers Pty Ltd**  
**54 Medcalf Street Warners Bay New South Wales 2282 Australia**  
(72) Name(s) of Designer(s): **Edward Karl Felk**  
(45) Registration Date: **20 October 2008**  
(56) Related Art Documents: **Not Applicable**  
(57) Statement of Newness and Distinctiveness: **Monopoly is claimed on the design of the shape of the connector plate.**



- (21) Design Number: **12896/2008**  
(22) Date of Filing Application: **18 June 2008**  
(24) Date from which industrial property rights may have effect: **18 June 2008**  
(54) Product in respect of which the design is registered: **Expansion joint of indefinite length**  
(51) International Design Classification: **25-01NES, 25-02NES**  
(71) Name(s) and Address(s) of Applicant(s):  
**ITW Constrution Systems Australia Pty Ltd**  
**3 Chester Street Oakleigh Victoria 3166 Australia**  
(72) Name(s) of Designer(s): **Ronald Ward**  
(45) Registration Date: **20 October 2008**  
(56) Related Art Documents: **Not Applicable**  
(57) Statement of Newness and Distinctiveness: **Newness and distinctiveness is claimed in the features of shape and/or configuration of the expansion joint shown in the representations.**



- (21) Design Number: **12905/2008**  
(22) Date of Filing Application: **18 June 2008**  
(24) Date from which industrial property rights may have effect: **18 June 2008**  
(54) Product in respect of which the design is registered: **A lamp**  
(51) International Design Classification: **26-04**  
(71) Name(s) and Address(s) of Applicant(s):  
**Arlec Australia Pty. Ltd.**  
**272-274 Maroondah Highway Chirnside Park Victoria 3116 Australia**  
(72) Name(s) of Designer(s): **John Montagnat and Balu Jeganathan**  
(45) Registration Date: **20 October 2008**  
(56) Related Art Documents: **Not Applicable**  
(57) Statement of Newness and Distinctiveness: **Newness and distinctiveness is claimed in the features of shape and configuration as shown in solid lines in the representations, and not including the connection fitting shown in broken lines in the representations.**



(21) Design Number: **12906/2008**

(22) Date of Filing Application: **18 June 2008**

(24) Date from which industrial property rights may have effect: **18 June 2008**

(54) Product in respect of which the design is registered: **A lamp**

(51) International Design Classification: **26-04**

(71) Name(s) and Address(s) of Applicant(s):

**Arlec Australia Pty. Ltd.**

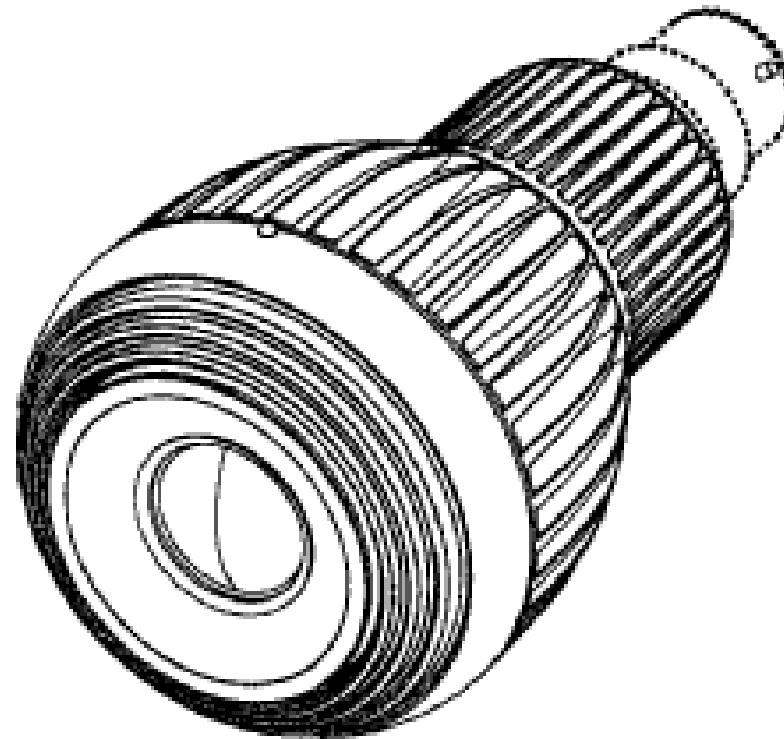
**272-274 Maroondah Highway Chirnside Park Victoria 3116 Australia**

(72) Name(s) of Designer(s): **John Montagnat and Balu Jeganathan**

(45) Registration Date: **20 October 2008**

(56) Related Art Documents: **Not Applicable**

(57) Statement of Newness and Distinctiveness: **Newness and distinctiveness is claimed in the features of shape and configuration as shown in solid lines in the representations, and not including the connection fitting shown in broken lines in the representations.**



(21) Design Number: **12909/2008**

(22) Date of Filing Application: **18 June 2008**

(24) Date from which industrial property rights may have effect: **18 June 2008**

(54) Product in respect of which the design is registered: **Monument**

(51) International Design Classification: **99-00**

(71) Name(s) and Address(s) of Applicant(s):

**Doug Dick & Co Pty Ltd**

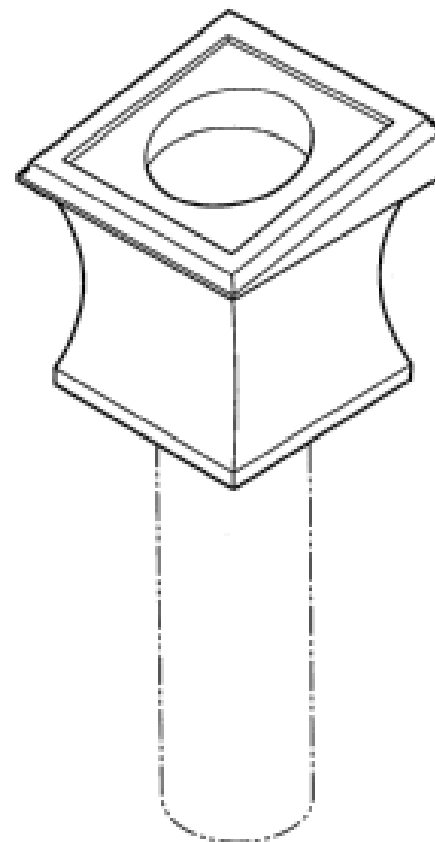
**313 Unley Road Malvern South Australia 5061 Australia**

(72) Name(s) of Designer(s): **Douglas Dick**

(45) Registration Date: **20 October 2008**

(56) Related Art Documents: **Not Applicable**

(57) Statement of Newness and Distinctiveness: **Newness and distinctiveness is claimed in a monument as illustrated in the accompanying drawings. When considering the scope of the design registration, no regard will be had to the post shown in dotted lines.**



(21) Design Number: **14385/2008**

(22) Date of Filing Application: **25 October 2007**

(24) Date from which industrial property rights may have effect: **25 October 2007**

(54) Product in respect of which the design is registered: **A handle**

(51) International Design Classification: **08-06**

(71) Name(s) and Address(s) of Applicant(s):

**Aktiebolaget Electrolux**

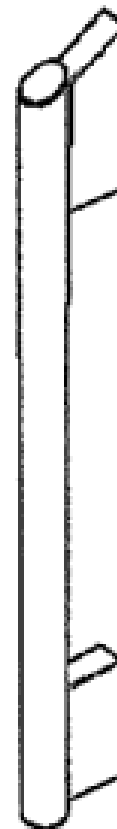
**S:t Goransgatan 143 SE 105-45 Stockholm Sweden**

(72) Name(s) of Designer(s): **Justin Formica and Robert Susmilch**

(45) Registration Date: **20 October 2008**

(56) Related Art Documents: **Not Applicable**

(57) Statement of Newness and Distinctiveness: **Newness and distinctiveness resides in a handle which includes a generally rectangular pedestal and a generally trapezoidal pedestal attached to a handle bar.**



(21) Design Number: **20423/2007**

(22) Date of Filing Application: **25 October 2007**

(24) Date from which industrial property rights may have effect: **25 October 2007**

(54) Product in respect of which the design is registered: **A handle**

(51) International Design Classification: **08-06**

(71) Name(s) and Address(s) of Applicant(s):

**Aktiebolaget Electrolux**

**S:t Goransgatan 143 SE 105-45 Stockholm Sweden**

(72) Name(s) of Designer(s): **Justin Formica and Robert Susmilch**

(45) Registration Date: **20 October 2008**

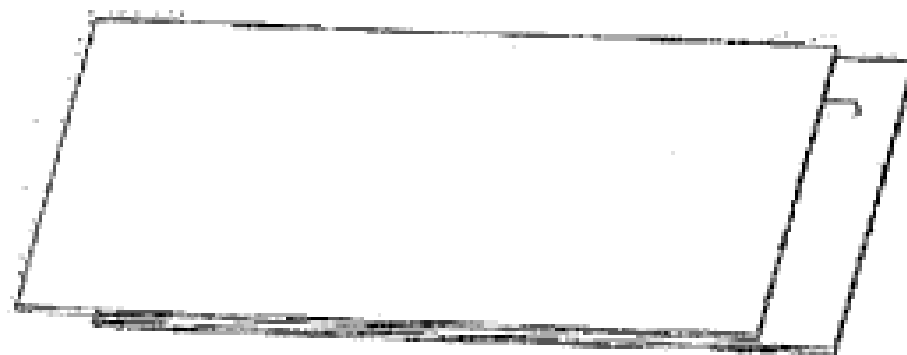
(56) Related Art Documents: **Not Applicable**

(57) Statement of Newness and Distinctiveness: **Newness and distinctiveness resides in a handle which includes a generally rectangular pedestal and a generally trapezoidal pedestal attached to a handle bar.**

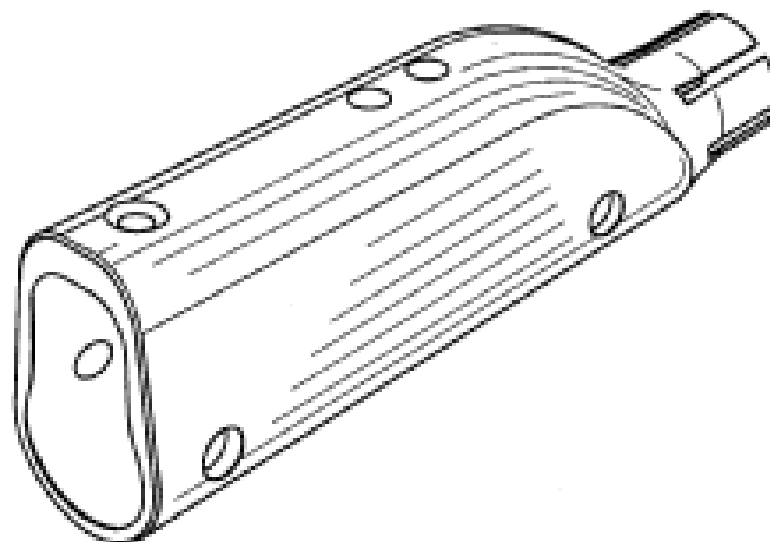




- (21) Design Number: **12268/2008**  
(22) Date of Filing Application: **14 May 2008**  
(24) Date from which industrial property rights may have effect: **14 May 2008**  
(54) Product in respect of which the design is registered: **Slide out business card**  
(51) International Design Classification: **19-08**  
(71) Name(s) and Address(s) of Applicant(s):  
**Adam Marek Wierzbowski**  
**C/- Trademarks Works Level 27/101 Collins Street Melbourne 3000**  
**Victoria Australia**  
**Sascha Joseph Caller**  
**C/- Trademarks Works Level 27/101 Collins Street Melbourne 3000**  
**Victoria Australia**  
(72) Name(s) of Designer(s): **Adam Marek Wierzbowski and Sascha Joseph Caller**  
(45) Registration Date: **20 October 2008**  
(56) Related Art Documents: **Not Applicable**  
(57) Statement of Newness and Distinctiveness: **Slide out business card.**



- (21) Design Number: **12435/2008**  
(22) Date of Filing Application: **22 May 2008**  
(24) Date from which industrial property rights may have effect: **22 May 2008**  
(54) Product in respect of which the design is registered: **Electrical connector**  
(51) International Design Classification: **13-03B**  
(71) Name(s) and Address(s) of Applicant(s):  
**Carmine Bocchino**  
**3 Attunga Street Macleay Island Queensland 4184 Australia**  
(72) Name(s) of Designer(s): **Carmine Bocchino**  
(45) Registration Date: **20 October 2008**  
(56) Related Art Documents: **Not Applicable**  
(57) Statement of Newness and Distinctiveness: **The newness and distinctiveness of the design resides in the shape and/or configuration of the electrical connector shown in the representations.**



(21) Design Number: **12436/2008**

(22) Date of Filing Application: **22 May 2008**

(24) Date from which industrial property rights may have effect: **22 May 2008**

(54) Product in respect of which the design is registered: **Electrical connector**

(51) International Design Classification: **13-03B**

(71) Name(s) and Address(s) of Applicant(s):

**Carmine Bocchino**

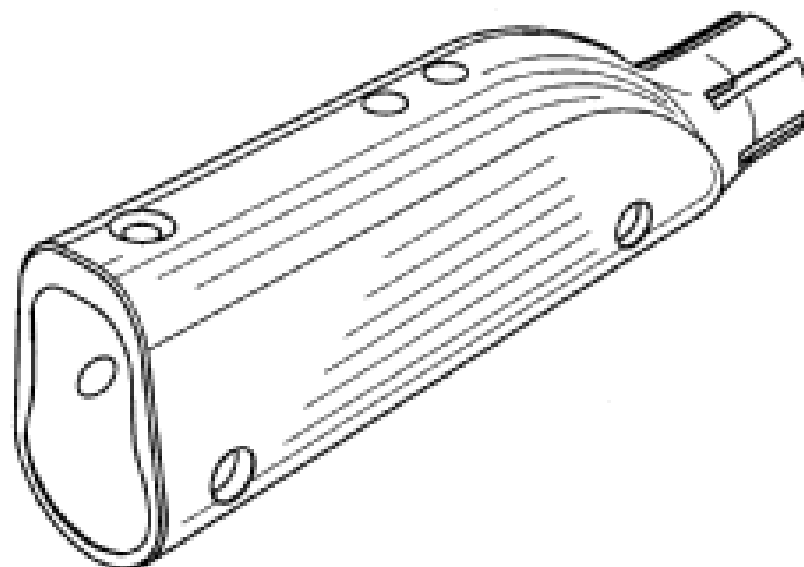
**3 Attunga Street Macleay Island Queensland 4184 Australia**

(72) Name(s) of Designer(s): **Carmine Bocchino**

(45) Registration Date: **20 October 2008**

(56) Related Art Documents: **Not Applicable**

(57) Statement of Newness and Distinctiveness: **The newness and distinctiveness of the design resides in the shape and/or configuration of the electrical connector shown in the representations.**



(21) Design Number: **13183/2008**

(22) Date of Filing Application: **09 July 2008**

(24) Date from which industrial property rights may have effect: **09 July 2008**

(54) Product in respect of which the design is registered: **Wristwatch**

(51) International Design Classification: **10-02**

(71) Name(s) and Address(s) of Applicant(s):

**Rado Uhren AG (Rado Watch Co Ltd) (Montres Rado SA)**

**Bielstrasse 45 Lengnau Switzerland**

(72) Name(s) of Designer(s): **Christophe Barbier**

(45) Registration Date: **20 October 2008**

(30) Convention priority data:

(31) Number

(32) Date

(33) Country

**DM/069 930**

**31 Mar 2008**

**EUROPEAN COMMUNITY**

(56) Related Art Documents: **Not Applicable**

(57) Statement of Newness and Distinctiveness: **Nil**



(21) Design Number: **13187/2008**

(22) Date of Filing Application: **09 July 2008**

(24) Date from which industrial property rights may have effect: **09 July 2008**

(54) Product in respect of which the design is registered: **Fencing**

(51) International Design Classification: **25-02C**

(71) Name(s) and Address(s) of Applicant(s):

**John Clement Preston**

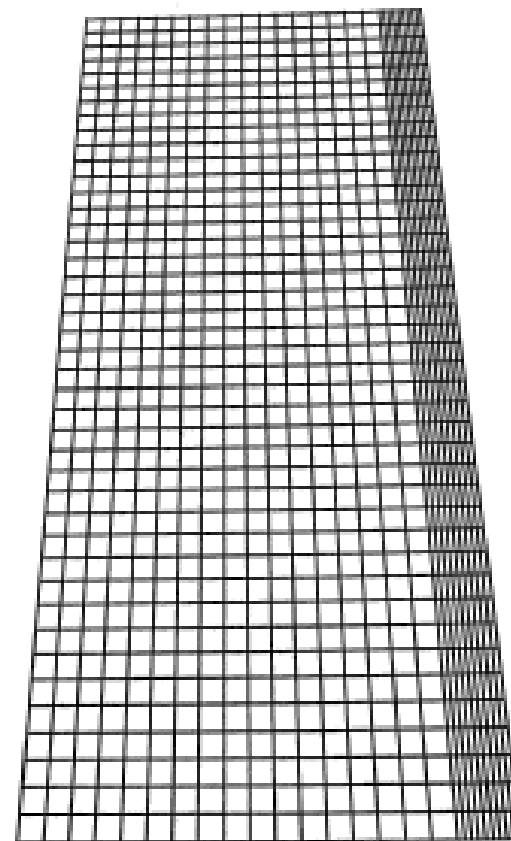
**196 Silverwater Road Silverwater New South Wales 2128 Australia**

(72) Name(s) of Designer(s): **John Clement Preston**

(45) Registration Date: **20 October 2008**

(56) Related Art Documents: **Not Applicable**

(57) Statement of Newness and Distinctiveness: **Nil**



(21) Design Number: **13188/2008**

(22) Date of Filing Application: **09 July 2008**

(24) Date from which industrial property rights may have effect: **09 July 2008**

(54) Product in respect of which the design is registered: **A barrier panel**

(51) International Design Classification: **25-02C**

(71) Name(s) and Address(s) of Applicant(s):

**John Clement Preston**

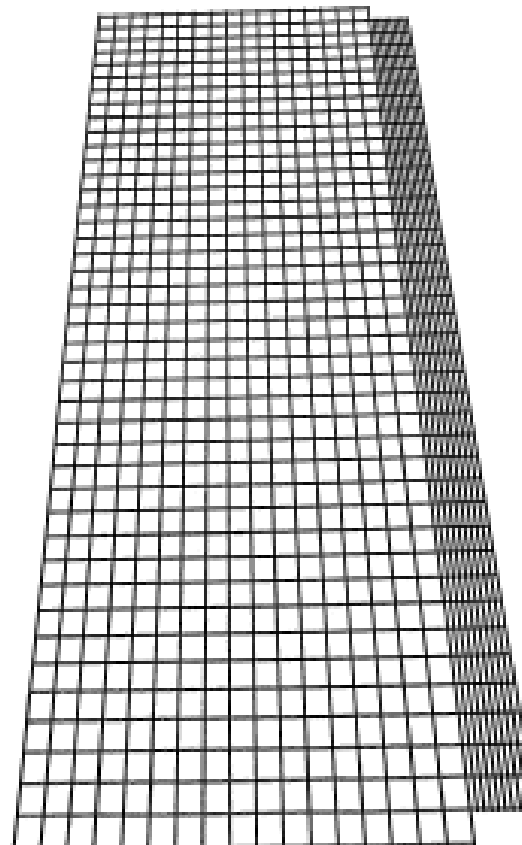
**196 Silverwater Road Silverwater New South Wales 2128 Australia**

(72) Name(s) of Designer(s): **John Clement Preston**

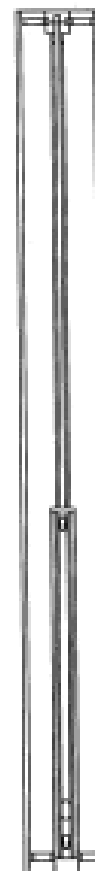
(45) Registration Date: **20 October 2008**

(56) Related Art Documents: **Not Applicable**

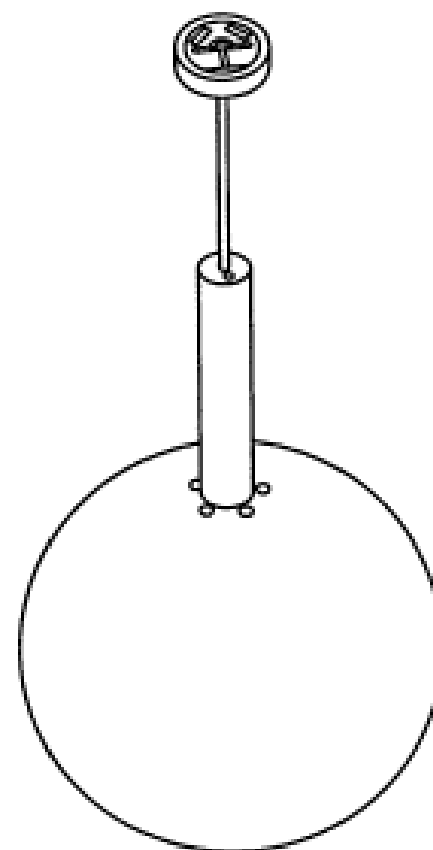
(57) Statement of Newness and Distinctiveness: **Newness and distinctiveness lies in the visual features of a barrier panel shown in the accompanying representations. The height and width of the barrier panel may vary.**



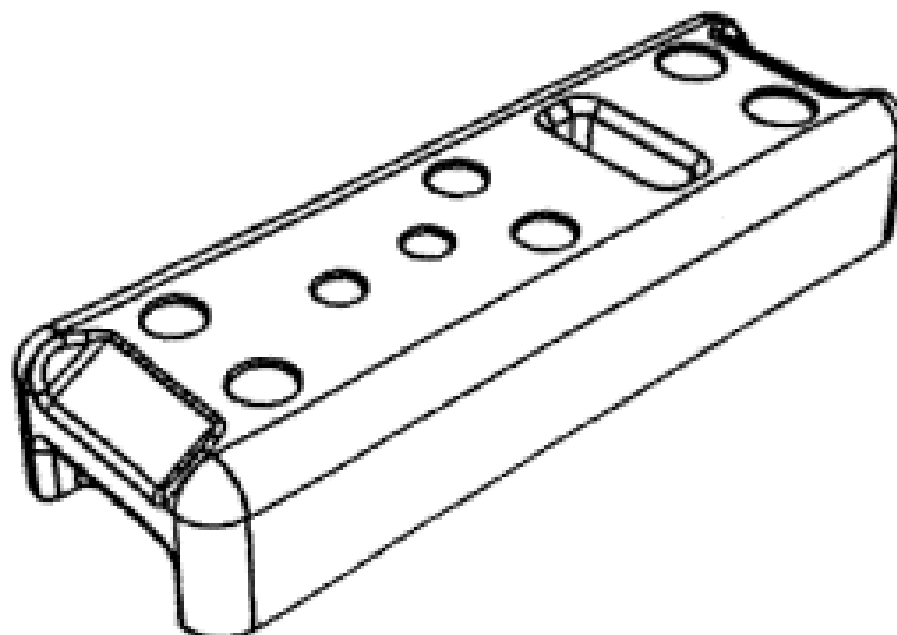
- (21) Design Number: **13189/2008**  
(22) Date of Filing Application: **09 July 2008**  
(24) Date from which industrial property rights may have effect: **09 July 2008**  
(54) Product in respect of which the design is registered: **Light fixture**  
(51) International Design Classification: **26-05A**  
(71) Name(s) and Address(s) of Applicant(s):  
**Zumtobel Lighting GmbH & Co. KG**  
**Grevenmarschstr. 74 32657 Lemgo Germany**  
(72) Name(s) of Designer(s): **Matteo Thun**  
(45) Registration Date: **20 October 2008**  
(30) Convention priority data:  
(31) Number (32) Date (33) Country  
**000858196-0001 11 Jan 2008 EUROPEAN COMMUNITY**  
(56) Related Art Documents: **Not Applicable**  
(57) Statement of Newness and Distinctiveness: **Newness and distinctiveness is claimed in the features of shape and/or configuration of a light fixture as illustrated in the accompanying representations.**



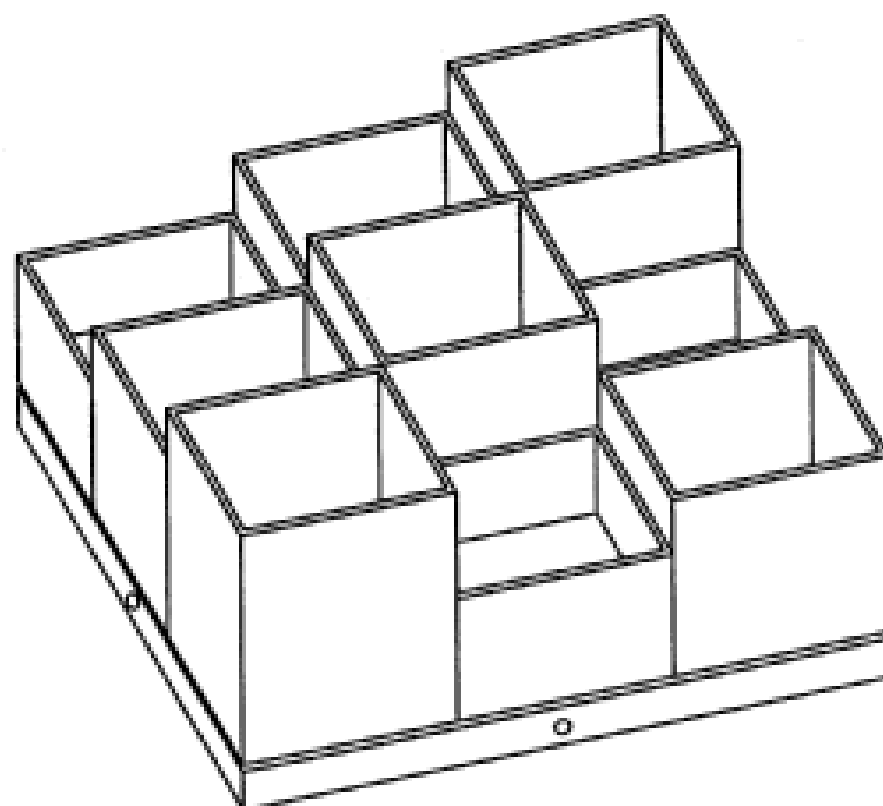
- (21) Design Number: **13190/2008**  
(22) Date of Filing Application: **09 July 2008**  
(24) Date from which industrial property rights may have effect: **09 July 2008**  
(54) Product in respect of which the design is registered: **Light fixture**  
(51) International Design Classification: **26-05D**  
(71) Name(s) and Address(s) of Applicant(s):  
**Zumtobel Lighting GmbH & Co. KG**  
**Grevenmarschstr. 74 32657 Lemgo Germany**  
(72) Name(s) of Designer(s): **Matteo Thun**  
(45) Registration Date: **20 October 2008**  
(30) Convention priority data:  
(31) Number (32) Date (33) Country  
**000858196-0003 11 Jan 2008 EUROPEAN COMMUNITY**  
(56) Related Art Documents: **Not Applicable**  
(57) Statement of Newness and Distinctiveness: **Newness and distinctiveness is claimed in the features of shape and/or configuration of a light fixture as illustrated in the accompanying representations.**



- (21) Design Number: **13191/2008**  
(22) Date of Filing Application: **09 July 2008**  
(24) Date from which industrial property rights may have effect: **09 July 2008**  
(54) Product in respect of which the design is registered: **Fence footing**  
(51) International Design Classification: **08-08K**  
(71) Name(s) and Address(s) of Applicant(s):  
**Jeremy Scott Joyce**  
**11 Rose Place Cambridge Gardens New South Wales 2747 Australia**  
**Sharon Louise Joyce**  
**11 Rose Place Cambridge Gardens New South Wales 2747 Australia**  
(72) Name(s) of Designer(s): **Jeremy Scott Joyce**  
(45) Registration Date: **20 October 2008**  
(56) Related Art Documents: **Not Applicable**  
(57) Statement of Newness and Distinctiveness: **Newness and distinctiveness is claimed in the following features of a fence footing as illustrated in the accompanying representations: a) the configuration of the holes labelled 'A' in the plan view; and b) the shape and/or configuration of the intergrally formed handles marked 'B' in the plan view.**



- (21) Design Number: **13193/2008**  
(22) Date of Filing Application: **09 July 2008**  
(24) Date from which industrial property rights may have effect: **09 July 2008**  
(54) Product in respect of which the design is registered: **Light fixture**  
(51) International Design Classification: **26-05C**  
(71) Name(s) and Address(s) of Applicant(s):  
**Zumtobel Lighting GmbH & Co. KG**  
**Grevenmarschstr. 74 32657 Lemgo Germany**  
(72) Name(s) of Designer(s): **Matteo Thun**  
(45) Registration Date: **20 October 2008**  
(30) Convention priority data:  
(31) Number      (32) Date      (33) Country  
**000858196-0004 11 Jan 2008      EUROPEAN COMMUNITY**  
(56) Related Art Documents: **Not Applicable**  
(57) Statement of Newness and Distinctiveness: **Newness and distinctiveness is claimed in the features of shape and/or configuration of a light fixture as illustrated in the accompanying representations.**



(21) Design Number: **13194/2008**

(22) Date of Filing Application: **09 July 2008**

(24) Date from which industrial property rights may have effect: **09 July 2008**

(54) Product in respect of which the design is registered: **Light fixture**

(51) International Design Classification: **26-05D**

(71) Name(s) and Address(s) of Applicant(s):

**Zumtobel Lighting GmbH & Co. KG  
Grevenmarschstr. 74 32657 Lemgo Germany**

(72) Name(s) of Designer(s): **Matteo Thun**

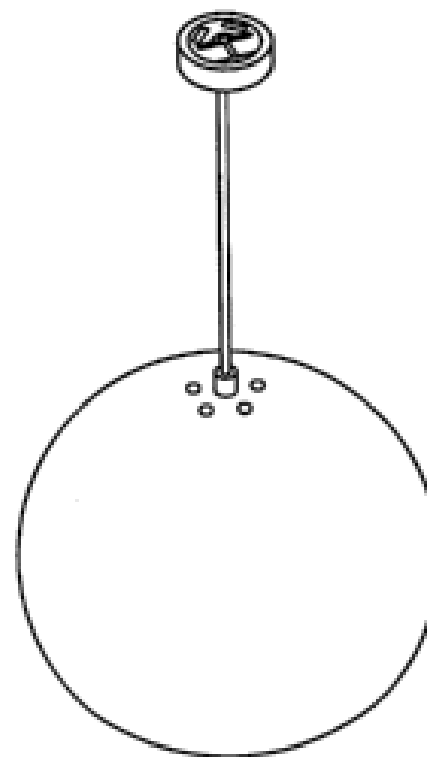
(45) Registration Date: **20 October 2008**

(30) Convention priority data:

(31) Number	(32) Date	(33) Country
<b>000858196-0012</b>	<b>11 Jan 2008</b>	<b>EUROPEAN COMMUNITY</b>

(56) Related Art Documents: **Not Applicable**

(57) Statement of Newness and Distinctiveness: **Newness and distinctiveness is claimed in the features of shape and/or configuration of a light fixture as illustrated in the accompanying representations.**



(21) Design Number: **13196/2008**

(22) Date of Filing Application: **09 July 2008**

(24) Date from which industrial property rights may have effect: **09 July 2008**

(54) Product in respect of which the design is registered: **Light fixture**

(51) International Design Classification: **26-05A**

(71) Name(s) and Address(s) of Applicant(s):

**Zumtobel Lighting GmbH & Co. KG  
Grevenmarschstr. 74 32657 Lemgo Germany**

(72) Name(s) of Designer(s): **Matteo Thun**

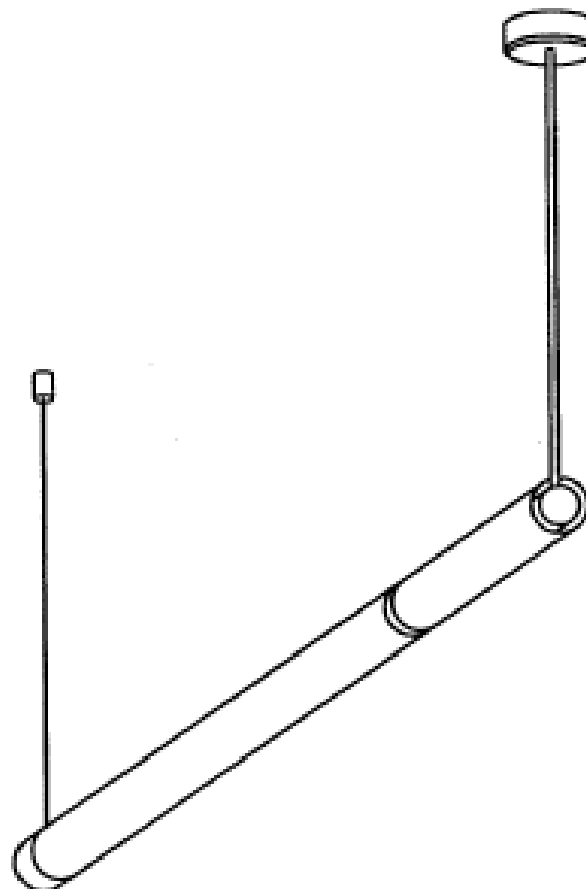
(45) Registration Date: **20 October 2008**

(30) Convention priority data:

(31) Number	(32) Date	(33) Country
<b>000858196-0006</b>	<b>11 Jan 2008</b>	<b>EUROPEAN COMMUNITY</b>

(56) Related Art Documents: **Not Applicable**

(57) Statement of Newness and Distinctiveness: **Newness and distinctiveness is claimed in the features of shape and/or configuration of a light fixture as illustrated in the accompanying representations.**



(21) Design Number: **13197/2008**

(22) Date of Filing Application: **09 July 2008**

(24) Date from which industrial property rights may have effect: **09 July 2008**

(54) Product in respect of which the design is registered: **Light fixture**

(51) International Design Classification: **26-05C**

(71) Name(s) and Address(s) of Applicant(s):

**Zumtobel Lighting GmbH & Co. KG  
Grevenmarschstr. 74 32657 Lemgo Germany**

(72) Name(s) of Designer(s): **Matteo Thun**

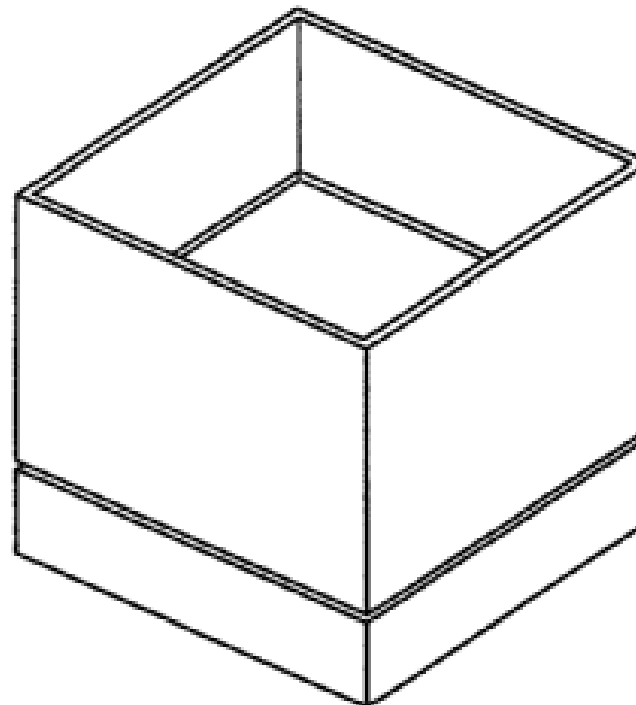
(45) Registration Date: **20 October 2008**

(30) Convention priority data:

(31) Number	(32) Date	(33) Country
<b>000858196-0010</b>	<b>11 Jan 2008</b>	<b>EUROPEAN COMMUNITY</b>

(56) Related Art Documents: **Not Applicable**

(57) Statement of Newness and Distinctiveness: **Newness and distinctiveness is claimed in the features of shape and/or configuration of a light fixture as illustrated in the accompanying representations.**



(21) Design Number: **13198/2008**

(22) Date of Filing Application: **09 July 2008**

(24) Date from which industrial property rights may have effect: **09 July 2008**

(54) Product in respect of which the design is registered: **Light fixture**

(51) International Design Classification: **26-05D**

(71) Name(s) and Address(s) of Applicant(s):

**Zumtobel Lighting GmbH & Co. KG  
Grevenmarschstr. 74 32657 Lemgo Germany**

(72) Name(s) of Designer(s): **Matteo Thun**

(45) Registration Date: **20 October 2008**

(30) Convention priority data:

(31) Number	(32) Date	(33) Country
<b>000858196-0008</b>	<b>11 Jan 2008</b>	<b>EUROPEAN COMMUNITY</b>

(56) Related Art Documents: **Not Applicable**

(57) Statement of Newness and Distinctiveness: **Newness and distinctiveness is claimed in the features of shape and/or configuration of a light fixture as illustrated in the accompanying representations.**



(21) Design Number: **13199/2008**  
(22) Date of Filing Application: **09 July 2008**  
(24) Date from which industrial property rights may have effect: **09 July 2008**  
(54) Product in respect of which the design is registered: **Light fixture**  
(51) International Design Classification: **26-05D**  
(71) Name(s) and Address(s) of Applicant(s):

**Zumtobel Lighting GmbH & Co. KG**  
**Grevenmarschstr. 74 32657 Lemgo Germany**

(72) Name(s) of Designer(s): **David Chipperfield**

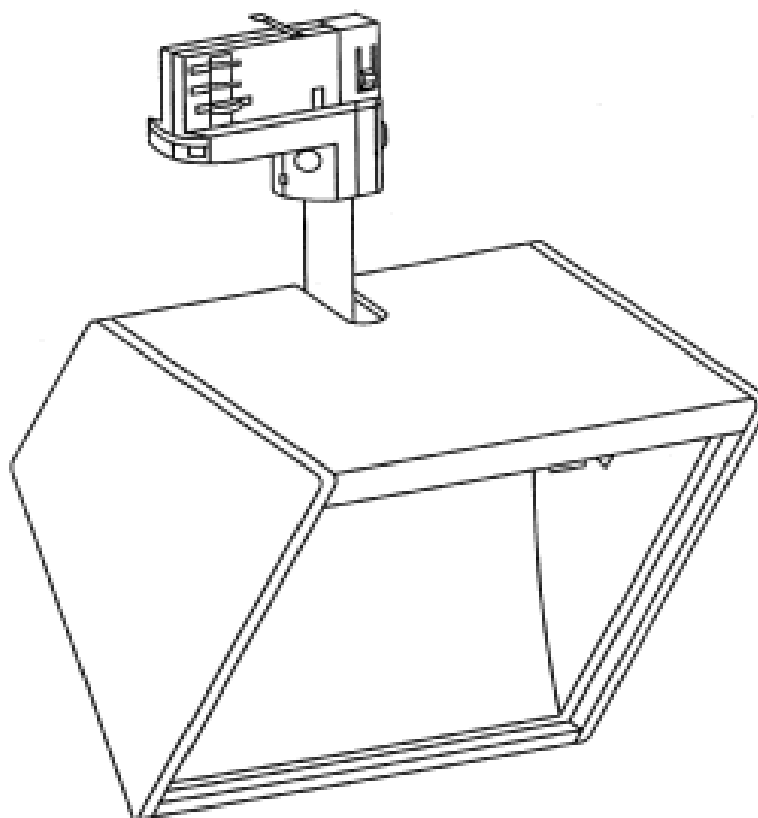
(45) Registration Date: **20 October 2008**

(30) Convention priority data:

(31) Number	(32) Date	(33) Country
<b>000858204-0002</b>	<b>11 Jan 2008</b>	<b>EUROPEAN COMMUNITY</b>

(56) Related Art Documents: **Not Applicable**

(57) Statement of Newness and Distinctiveness: **Newness and distinctiveness is claimed in the features of shape and/or configuration of a light fixture as illustrated in the accompanying representations.**



(21) Design Number: **13200/2008**  
(22) Date of Filing Application: **09 July 2008**  
(24) Date from which industrial property rights may have effect: **09 July 2008**  
(54) Product in respect of which the design is registered: **Battery cover**  
(51) International Design Classification: **13-03B**  
(71) Name(s) and Address(s) of Applicant(s):

**Johnson Controls Technology Company**  
**912 East 32nd Street Holland Michigan 49423 United States of America**

(72) Name(s) of Designer(s): **Robert J. Mack**

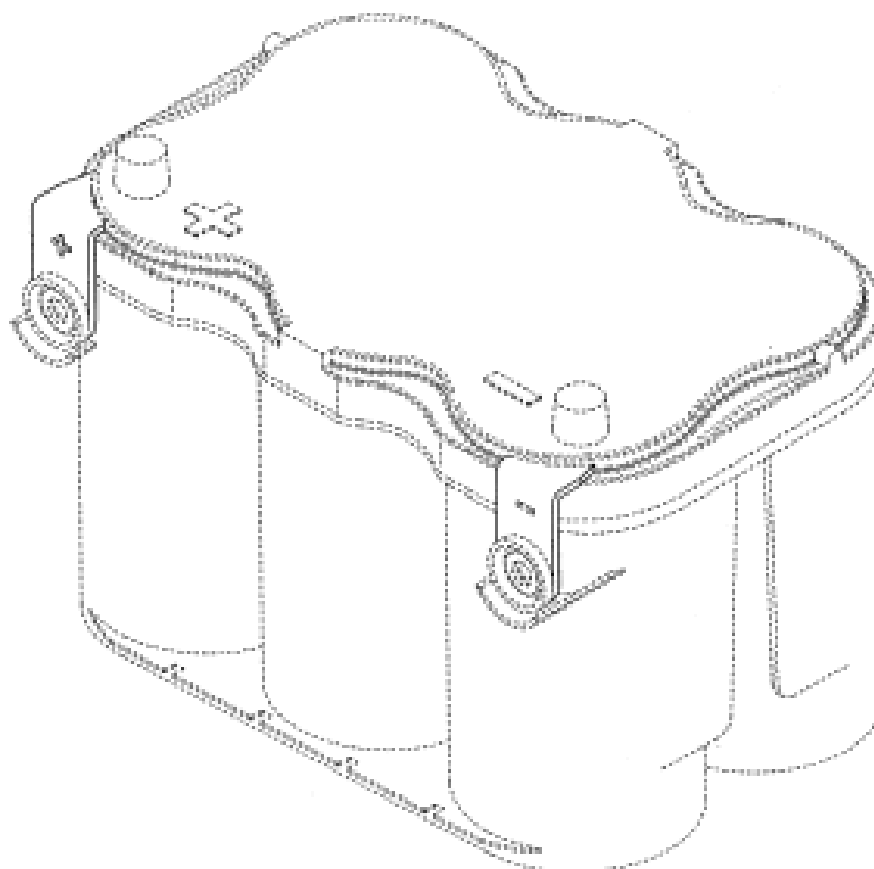
(45) Registration Date: **20 October 2008**

(30) Convention priority data:

(31) Number	(32) Date	(33) Country
<b>29/302069</b>	<b>09 Jan 2008</b>	<b>UNITED STATES OF AMERICA</b>

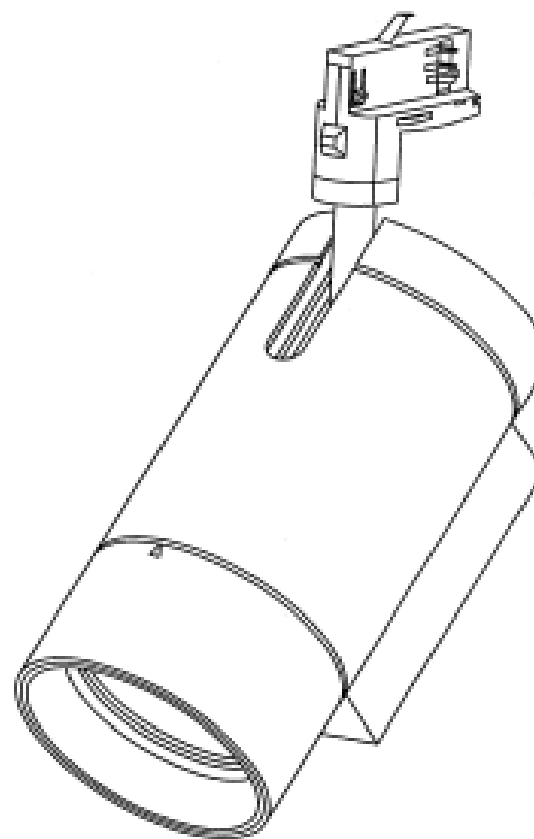
(56) Related Art Documents: **Not Applicable**

(57) Statement of Newness and Distinctiveness: **Newness and distinctiveness is claimed in those features of shape and/or configuration of a battery cover illustrated in continuous lines in the accompanying representations.**

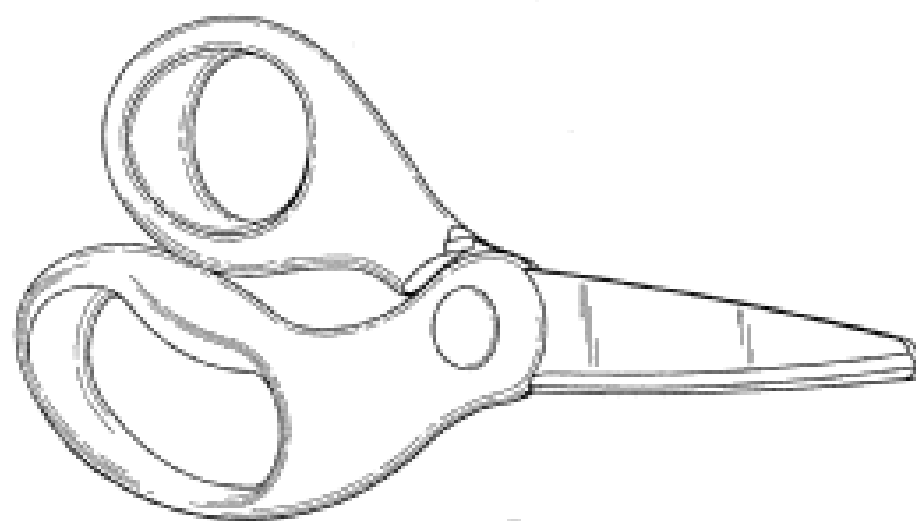




- (21) Design Number: **13201/2008**  
(22) Date of Filing Application: **09 July 2008**  
(24) Date from which industrial property rights may have effect: **09 July 2008**  
(54) Product in respect of which the design is registered: **Light fixture**  
(51) International Design Classification: **26-05C**  
(71) Name(s) and Address(s) of Applicant(s):  
**Zumtobel Lighting GmbH & Co. KG**  
**Grevenmarschstr. 74 32657 Lemgo Germany**  
(72) Name(s) of Designer(s): **David Chipperfield**  
(45) Registration Date: **20 October 2008**  
(30) Convention priority data:  
(31) Number (32) Date (33) Country  
**000858204-0001 11 Jan 2008 EUROPEAN COMMUNITY**  
(56) Related Art Documents: **Not Applicable**  
(57) Statement of Newness and Distinctiveness: **Newness and distinctiveness is claimed in the features of shape and/or configuration of a light fixture as illustrated in the accompanying representations.**

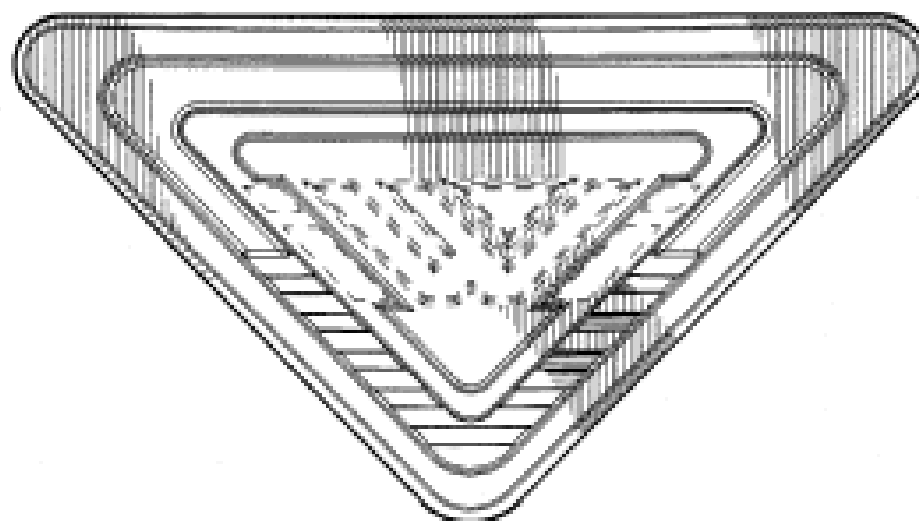


- (21) Design Number: **13202/2008**  
(22) Date of Filing Application: **09 July 2008**  
(24) Date from which industrial property rights may have effect: **09 July 2008**  
(54) Product in respect of which the design is registered: **Scissors**  
(51) International Design Classification: **08-03**  
(71) Name(s) and Address(s) of Applicant(s):  
**3M Innovative Properties Company**  
**3M Center Saint Paul Minnesota 55133-3427 United States of America**  
(72) Name(s) of Designer(s): **Scott D. Pearson and Cirulli Pasquale and Peter J. Newbould**  
(45) Registration Date: **20 October 2008**  
(30) Convention priority data:  
(31) Number (32) Date (33) Country  
**29/302192 11 Jan 2008 UNITED STATES OF AMERICA**  
(56) Related Art Documents: **Not Applicable**  
(57) Statement of Newness and Distinctiveness: **Newness and distinctiveness of the design as applied to scissors lies in the shape and/or configuration thereof shown in the accompanying drawings.**

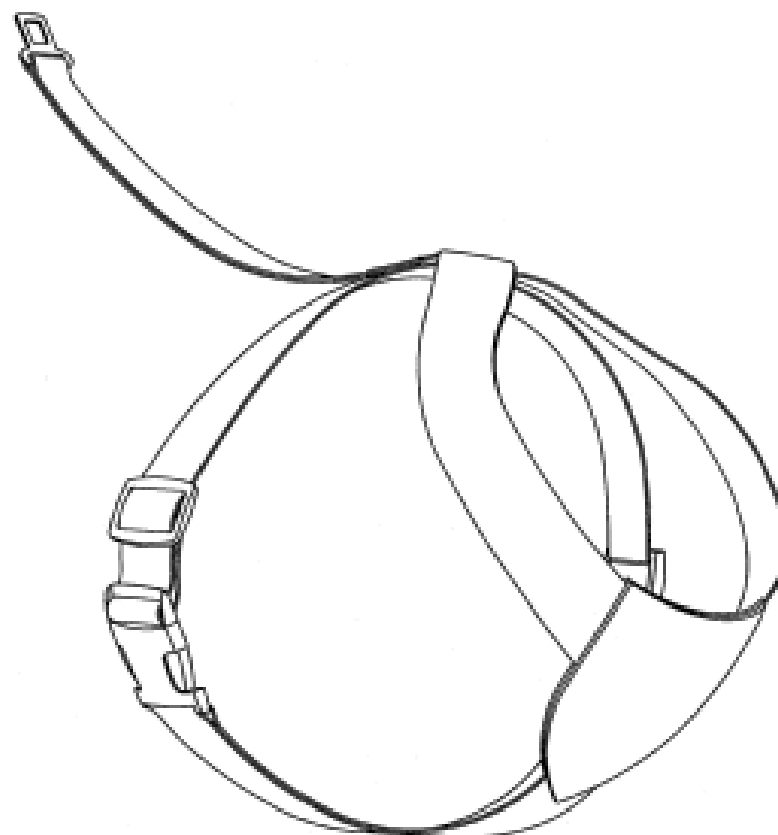


Perspective View

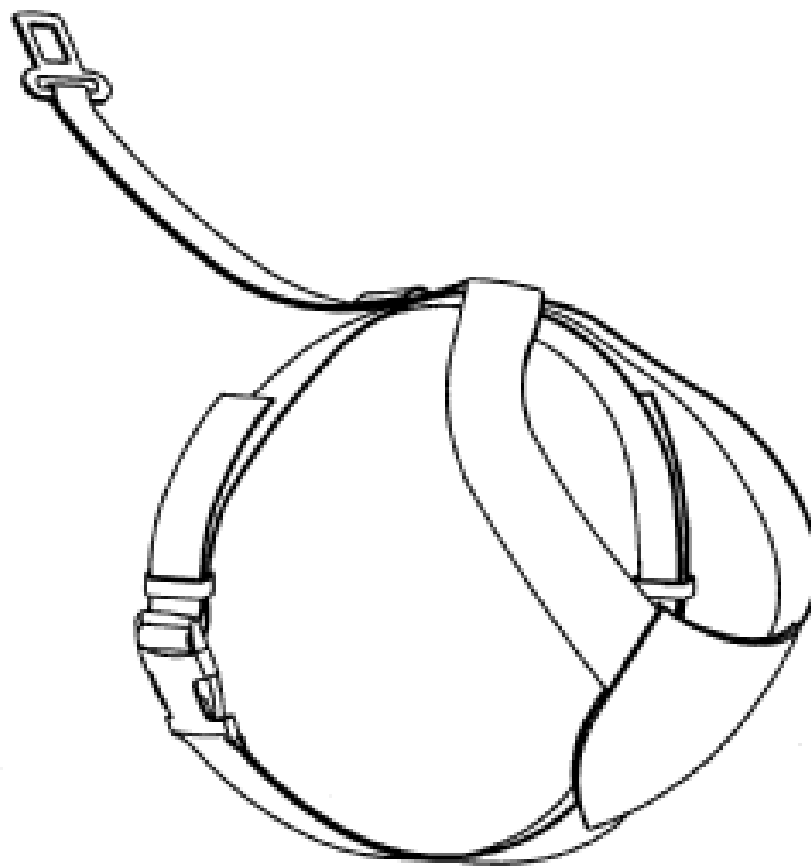
(21) Design Number: **13203/2008**  
 (22) Date of Filing Application: **09 July 2008**  
 (24) Date from which industrial property rights may have effect: **09 July 2008**  
 (54) Product in respect of which the design is registered: **Badge for a golf club head**  
 (51) International Design Classification: **21-02C, 11-03**  
 (71) Name(s) and Address(s) of Applicant(s):  
**Karsten Manufacturing Corporation**  
**2201 West Desert Cove Phoenix Arizona 85029 United States of America**  
 (72) Name(s) of Designer(s): **David D. Jones and Xiaojian Chen and Richard R. Sanchez**  
 (45) Registration Date: **20 October 2008**  
 (30) Convention priority data:  
 (31) Number (32) Date (33) Country  
**29/306668 14 Apr 2008 UNITED STATES OF AMERICA**  
 (56) Related Art Documents: **Not Applicable**  
 (57) Statement of Newness and Distinctiveness: **Newness and distinctiveness is claimed in the visual features shown in solid lines in the representations.**



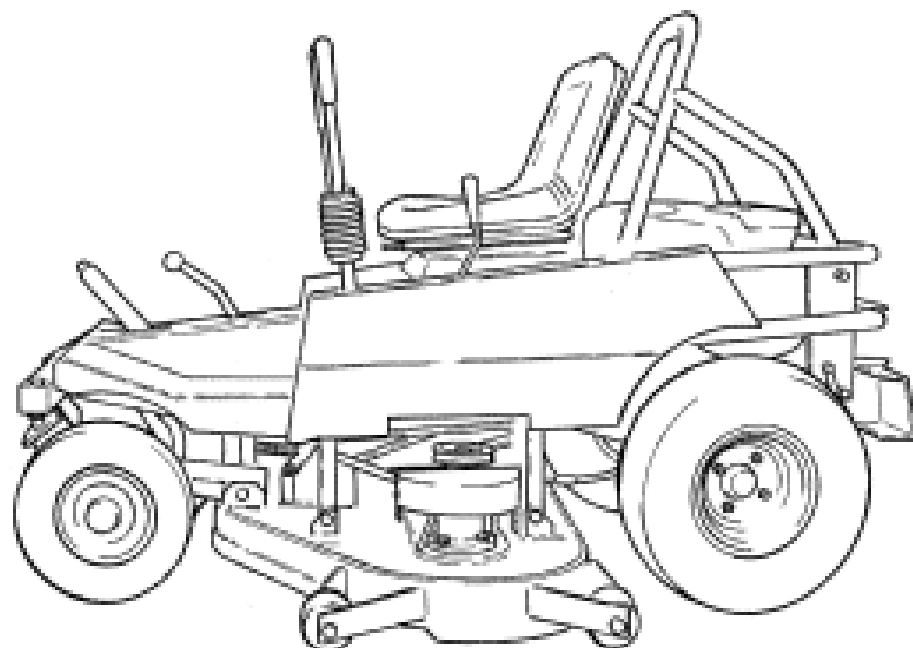
(21) Design Number: **13204/2008**  
 (22) Date of Filing Application: **09 July 2008**  
 (24) Date from which industrial property rights may have effect: **09 July 2008**  
 (54) Product in respect of which the design is registered: **Harness**  
 (51) International Design Classification: **29-02, 30-04**  
 (71) Name(s) and Address(s) of Applicant(s):  
**The Company of Animals Limited**  
**Ruxbury Farm St. Ann's Hill Rd Chertsey Surrey KT16 9NL United Kingdom**  
 (72) Name(s) of Designer(s): **Roger Arthur Mugford**  
 (45) Registration Date: **20 October 2008**  
 (30) Convention priority data:  
 (31) Number (32) Date (33) Country  
**862362-0001 15 Jan 2008 EUROPEAN COMMUNITY**  
 (56) Related Art Documents: **Not Applicable**  
 (57) Statement of Newness and Distinctiveness: **Newness and distinctiveness reside in the features of the design as shown in the representations.**



- (21) Design Number: **13205/2008**  
(22) Date of Filing Application: **09 July 2008**  
(24) Date from which industrial property rights may have effect: **09 July 2008**  
(54) Product in respect of which the design is registered: **Harness**  
(51) International Design Classification: **29-02, 30-04**  
(71) Name(s) and Address(s) of Applicant(s):  
**The Company of Animals Limited**  
**Ruxbury Farm St. Ann's Hill Rd Chertsey Surrey KT16 9NL United Kingdom**  
(72) Name(s) of Designer(s): **Roger Arthur Mugford**  
(45) Registration Date: **20 October 2008**  
(30) Convention priority data:  
(31) Number (32) Date (33) Country  
**862362-0002 15 Jan 2008 EUROPEAN COMMUNITY**  
(56) Related Art Documents: **Not Applicable**  
(57) Statement of Newness and Distinctiveness: **Newness and distinctiveness reside in the features of the design as shown in the representations.**



- (21) Design Number: **13206/2008**  
(22) Date of Filing Application: **09 July 2008**  
(24) Date from which industrial property rights may have effect: **09 July 2008**  
(54) Product in respect of which the design is registered: **A mower**  
(51) International Design Classification: **15-03B**  
(71) Name(s) and Address(s) of Applicant(s):  
**Kiwi Motors Limited**  
**56 Park Road Katikati 3166 New Zealand**  
(72) Name(s) of Designer(s): **Alan Clifford Smyth**  
(45) Registration Date: **20 October 2008**  
(56) Related Art Documents: **Not Applicable**  
(57) Statement of Newness and Distinctiveness: **Nil**



(21) Design Number: **13247/2008**

(22) Date of Filing Application: **09 July 2008**

(24) Date from which industrial property rights may have effect: **09 July 2008**

(54) Product in respect of which the design is registered: **Baby wrap**

(51) International Design Classification: **02-01B**

(71) Name(s) and Address(s) of Applicant(s):

**Sarah Lynden-Bell**

**11 Charltons Creek Road Berrilee New South Wales 2159 Australia**

(72) Name(s) of Designer(s): **Sarah Lynden-Bell**

(45) Registration Date: **20 October 2008**

(56) Related Art Documents: **Not Applicable**

(57) Statement of Newness and Distinctiveness: **Features pocket for arms so the baby is wrapped with arms "up". Features "gathering" to ensure a snug fit around shoulders.**



(21) Design Number: **11582/2008**

(22) Date of Filing Application: **03 April 2008**

(24) Date from which industrial property rights may have effect: **03 April 2008**

(54) Product in respect of which the design is registered: **Aquatic device**

(51) International Design Classification: **21-02D**

(71) Name(s) and Address(s) of Applicant(s):

**Heather Pritchard**

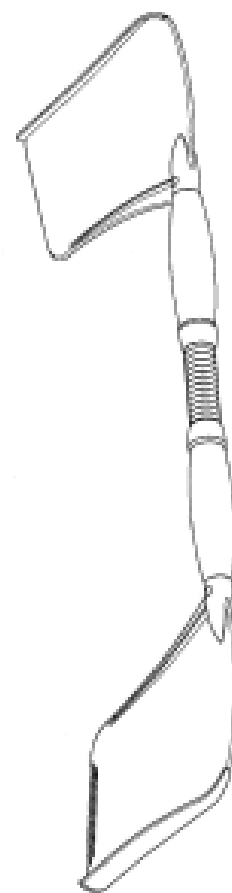
**61 Peppermint Crescent Ballajura Western Australia 6066 Australia**

(72) Name(s) of Designer(s): **Walter John Edwards and Heather Pritchard and Matthew Lee Roe**

(45) Registration Date: **21 October 2008**

(56) Related Art Documents: **Not Applicable**

(57) Statement of Newness and Distinctiveness: **Nil**



(21) Design Number: **12690/2008**  
(22) Date of Filing Application: **11 March 2008**  
(24) Date from which industrial property rights may have effect: **11 March 2008**  
(54) Product in respect of which the design is registered: **Multi-use hanger**  
(51) International Design Classification: **06-08**  
(71) Name(s) and Address(s) of Applicant(s):

**Jennie Alice Greaves**  
**35 Coco Drive Falcon Western Australia 6210 Australia**

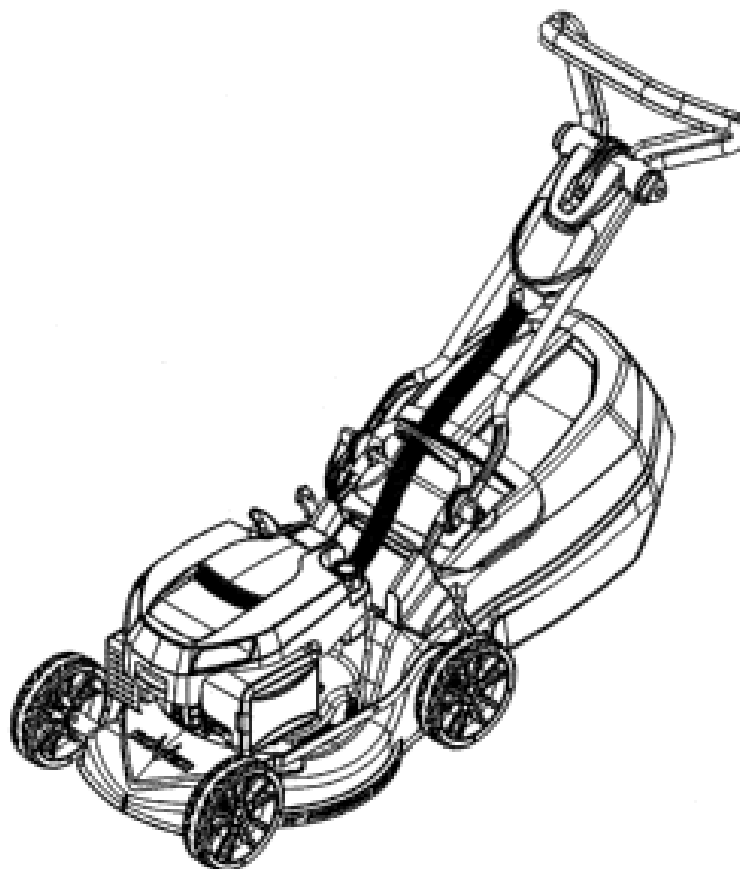
(72) Name(s) of Designer(s): **Jennie Alice Greaves**  
(45) Registration Date: **21 October 2008**  
(62) Divisional of: **320384**  
(56) Related Art Documents: **Not Applicable**  
(57) Statement of Newness and Distinctiveness: **Nil**



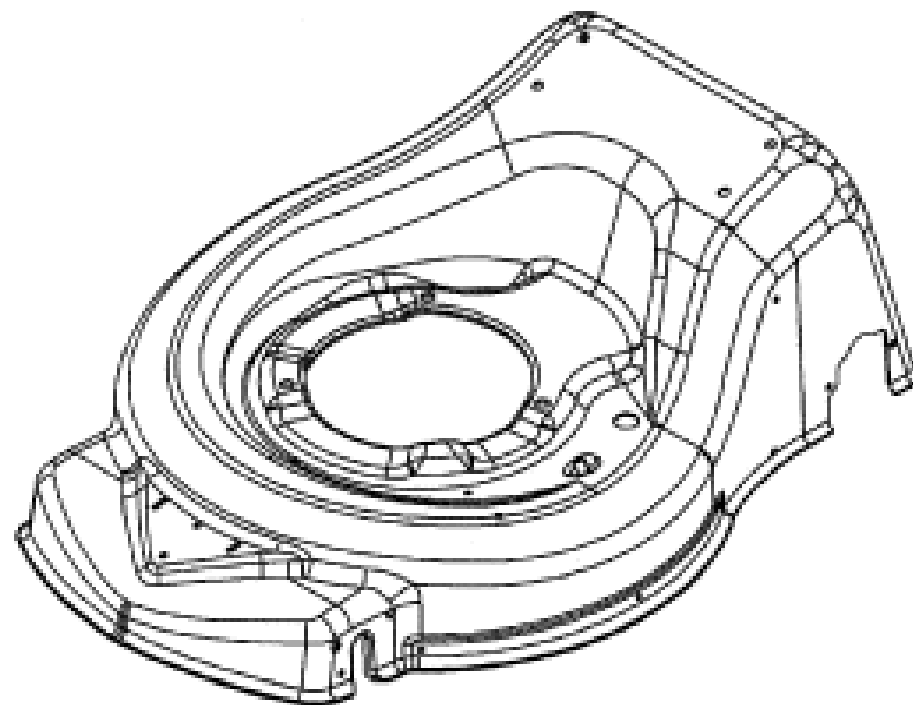
(21) Design Number: **13277/2008**  
(22) Date of Filing Application: **11 July 2008**  
(24) Date from which industrial property rights may have effect: **11 July 2008**  
(54) Product in respect of which the design is registered: **Mower**  
(51) International Design Classification: **15-03B**  
(71) Name(s) and Address(s) of Applicant(s):

**Rover Mowers Limited**  
**155 Fison Avenue West Eagle Farm Queensland 4009 Australia**

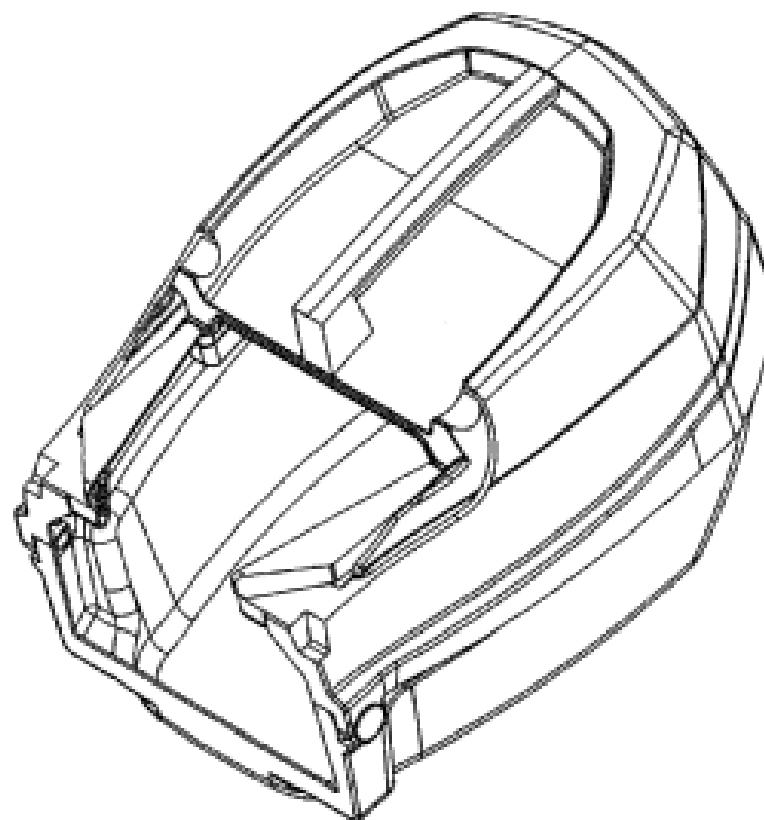
(72) Name(s) of Designer(s): **Stephen Leonard Jackson**  
(45) Registration Date: **21 October 2008**  
(56) Related Art Documents: **Not Applicable**  
(57) Statement of Newness and Distinctiveness: **Nil**



(21) Design Number: **13278/2008**  
(22) Date of Filing Application: **11 July 2008**  
(24) Date from which industrial property rights may have effect: **11 July 2008**  
(54) Product in respect of which the design is registered: **Cutter deck**  
(51) International Design Classification: **15-03B**  
(71) Name(s) and Address(s) of Applicant(s):  
**Rover Mowers Limited**  
**155 Fison Avenue West Eagle Farm Queensland 4009 Australia**  
(72) Name(s) of Designer(s): **Stephen Leonard Jackson**  
(45) Registration Date: **21 October 2008**  
(56) Related Art Documents: **Not Applicable**  
(57) Statement of Newness and Distinctiveness: **Nil**



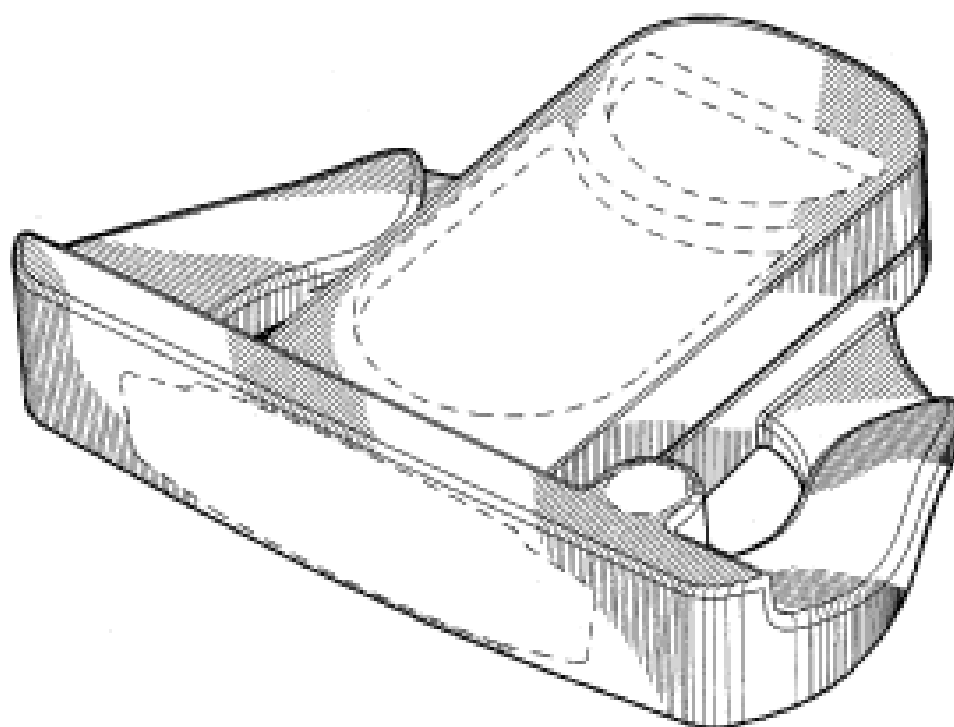
(21) Design Number: **13279/2008**  
(22) Date of Filing Application: **11 July 2008**  
(24) Date from which industrial property rights may have effect: **11 July 2008**  
(54) Product in respect of which the design is registered: **Grass catcher**  
(51) International Design Classification: **15-03B**  
(71) Name(s) and Address(s) of Applicant(s):  
**Rover Mowers Limited**  
**155 Fison Avenue West Eagle Farm Queensland 4009 Australia**  
(72) Name(s) of Designer(s): **Stephen Leonard Jackson**  
(45) Registration Date: **21 October 2008**  
(56) Related Art Documents: **Not Applicable**  
(57) Statement of Newness and Distinctiveness: **Nil**



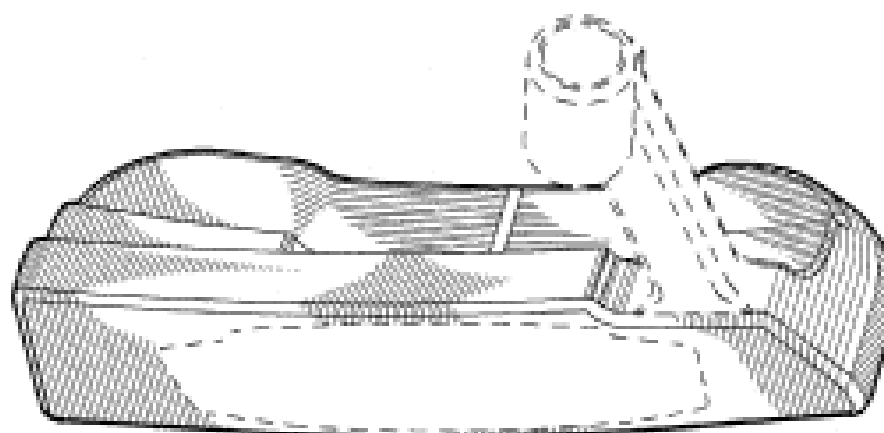
(21) Design Number: **13280/2008**  
(22) Date of Filing Application: **11 July 2008**  
(24) Date from which industrial property rights may have effect: **11 July 2008**  
(54) Product in respect of which the design is registered: **A computer housing**  
(51) International Design Classification: **14-02**  
(71) Name(s) and Address(s) of Applicant(s):  
**Everywhere Internet Pty Ltd**  
**Suite 11 Lvl 14 Meriton Towers 534 Kent Street Sydney New South**  
**Wales 2000 Australia**  
(72) Name(s) of Designer(s): **Martin Rushe and Andrew Simpson**  
(45) Registration Date: **21 October 2008**  
(56) Related Art Documents: **Not Applicable**  
(57) Statement of Newness and Distinctiveness: **Nil**



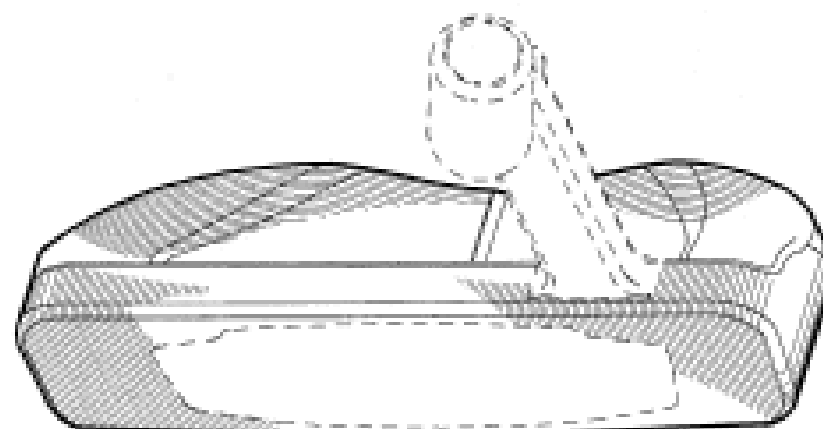
(21) Design Number: **13282/2008**  
(22) Date of Filing Application: **11 July 2008**  
(24) Date from which industrial property rights may have effect: **11 July 2008**  
(54) Product in respect of which the design is registered: **Golf club head**  
(51) International Design Classification: **21-02C**  
(71) Name(s) and Address(s) of Applicant(s):  
**Karsten Manufacturing Corporation**  
**2201 West Desert Cove Phoenix Arizona 85029 United States of**  
**America**  
(72) Name(s) of Designer(s): **David D. Jones and Xiaojian Chen and Richard R.**  
**Sanchez**  
(45) Registration Date: **21 October 2008**  
(30) Convention priority data:  
(31) Number (32) Date (33) Country  
**29/306655 14 Apr 2008 UNITED STATES OF AMERICA**  
(56) Related Art Documents: **Not Applicable**  
(57) Statement of Newness and Distinctiveness: **Newness and distinctiveness is**  
**claimed in the visual features shown in solid lines in the representations.**



- (21) Design Number: **13285/2008**  
(22) Date of Filing Application: **11 July 2008**  
(24) Date from which industrial property rights may have effect: **11 July 2008**  
(54) Product in respect of which the design is registered: **Golf club head**  
(51) International Design Classification: **21-02C**  
(71) Name(s) and Address(s) of Applicant(s):  
**Karsten Manufacturing Corporation**  
**2201 West Desert Cove Phoenix Arizona 85029 United States of America**  
(72) Name(s) of Designer(s): **David D. Jones and Xiaojian Chen and Richard R. Sanchez**  
(45) Registration Date: **21 October 2008**  
(30) Convention priority data:  
(31) Number (32) Date (33) Country  
**29/306647 14 Apr 2008 UNITED STATES OF AMERICA**  
(56) Related Art Documents: **Not Applicable**  
(57) Statement of Newness and Distinctiveness: **Newness and distinctiveness is claimed in the visual features shown in solid lines in the representations.**

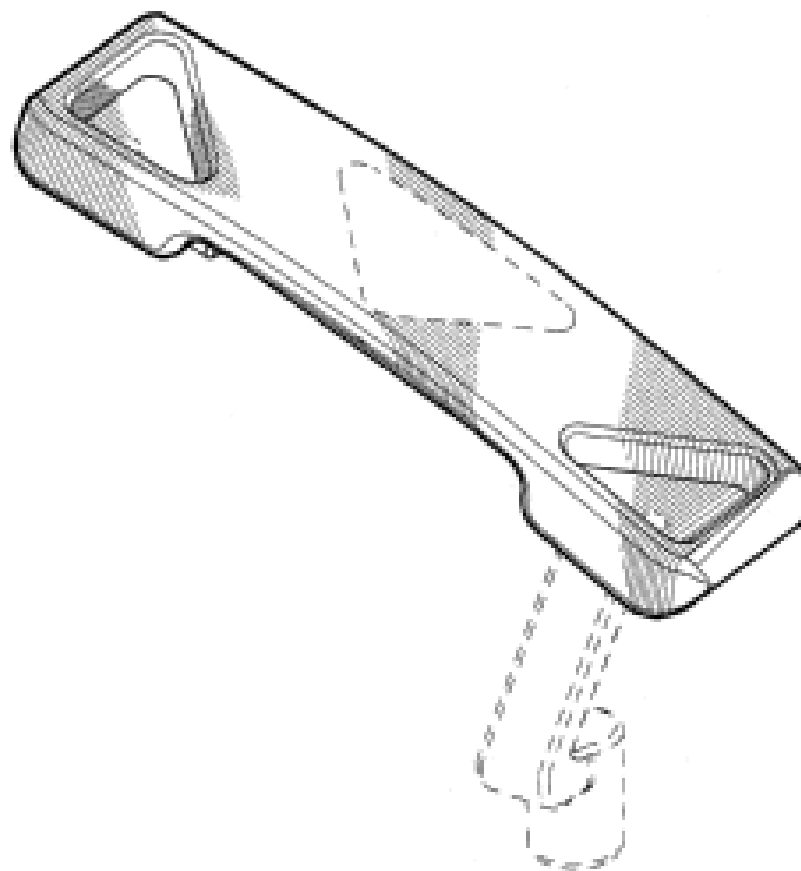


- (21) Design Number: **13286/2008**  
(22) Date of Filing Application: **11 July 2008**  
(24) Date from which industrial property rights may have effect: **11 July 2008**  
(54) Product in respect of which the design is registered: **Golf club head**  
(51) International Design Classification: **21-02C**  
(71) Name(s) and Address(s) of Applicant(s):  
**Karsten Manufacturing Corporation**  
**2201 West Desert Cove Phoenix Arizona 85029 United States of America**  
(72) Name(s) of Designer(s): **David D. Jones and Xiaojian Chen and Richard R. Sanchez**  
(45) Registration Date: **21 October 2008**  
(30) Convention priority data:  
(31) Number (32) Date (33) Country  
**29/306646 14 Apr 2008 UNITED STATES OF AMERICA**  
(56) Related Art Documents: **Not Applicable**  
(57) Statement of Newness and Distinctiveness: **Newness and distinctiveness is claimed in the visual features shown in solid lines in the representations.**

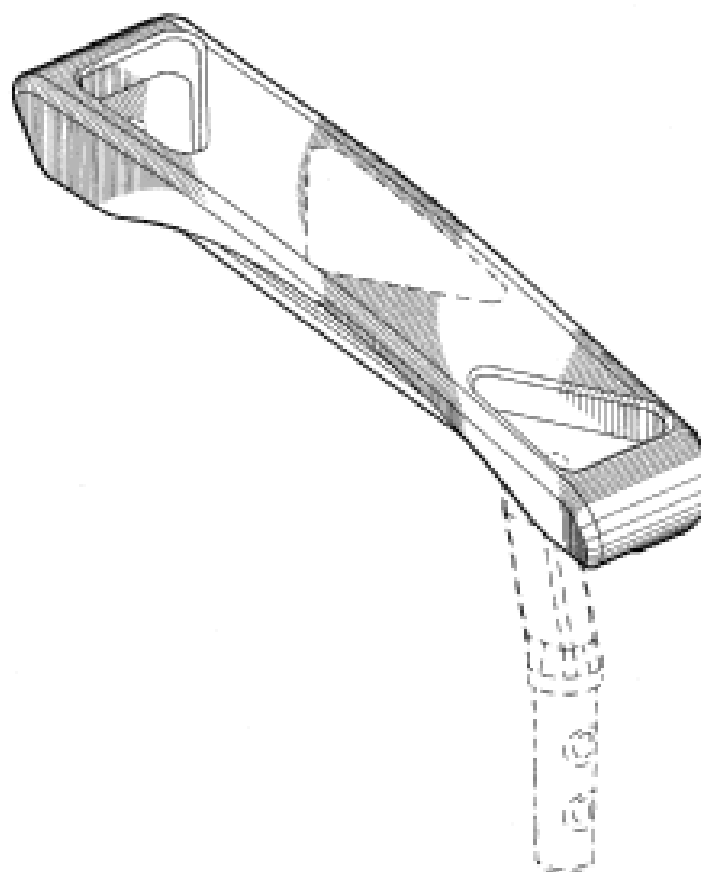




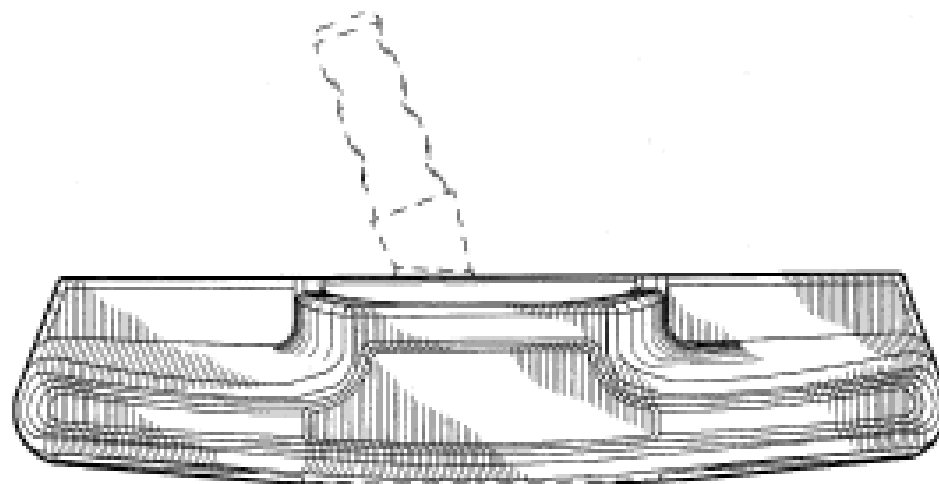
(21) Design Number: **13287/2008**  
 (22) Date of Filing Application: **11 July 2008**  
 (24) Date from which industrial property rights may have effect: **11 July 2008**  
 (54) Product in respect of which the design is registered: **Golf club head**  
 (51) International Design Classification: **21-02C**  
 (71) Name(s) and Address(s) of Applicant(s):  
**Karsten Manufacturing Corporation**  
**2201 West Desert Cove Phoenix Arizona 85029 United States of America**  
 (72) Name(s) of Designer(s): **David D. Jones and Xiaojian Chen and Richard R. Sanchez**  
 (45) Registration Date: **21 October 2008**  
 (30) Convention priority data:  
 (31) Number (32) Date (33) Country  
**29/306644 14 Apr 2008 UNITED STATES OF AMERICA**  
 (56) Related Art Documents: **Not Applicable**  
 (57) Statement of Newness and Distinctiveness: **Newness and distinctiveness is claimed in the visual features shown in solid lines in the representations.**



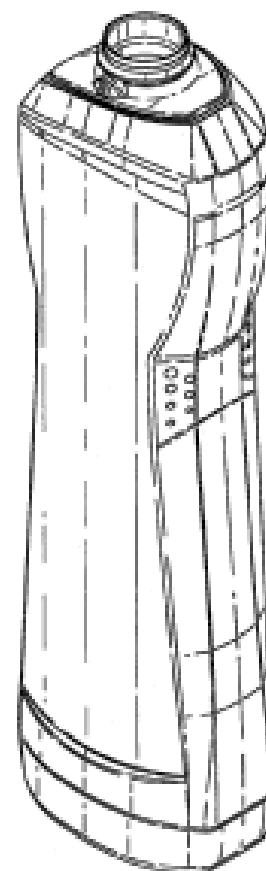
(21) Design Number: **13288/2008**  
 (22) Date of Filing Application: **11 July 2008**  
 (24) Date from which industrial property rights may have effect: **11 July 2008**  
 (54) Product in respect of which the design is registered: **Golf club head**  
 (51) International Design Classification: **21-02C**  
 (71) Name(s) and Address(s) of Applicant(s):  
**Karsten Manufacturing Corporation**  
**2201 West Desert Cove Phoenix Arizona 85029 United States of America**  
 (72) Name(s) of Designer(s): **David D. Jones and Xiaojian Chen and Richard R. Sanchez**  
 (45) Registration Date: **21 October 2008**  
 (30) Convention priority data:  
 (31) Number (32) Date (33) Country  
**29/306652 14 Apr 2008 UNITED STATES OF AMERICA**  
 (56) Related Art Documents: **Not Applicable**  
 (57) Statement of Newness and Distinctiveness: **Newness and distinctiveness is claimed in the visual features shown in solid lines in the representations.**



- (21) Design Number: **13289/2008**  
(22) Date of Filing Application: **11 July 2008**  
(24) Date from which industrial property rights may have effect: **11 July 2008**  
(54) Product in respect of which the design is registered: **Golf club head**  
(51) International Design Classification: **21-02C**  
(71) Name(s) and Address(s) of Applicant(s):  
**Karsten Manufacturing Corporation**  
**2201 West Desert Cove Phoenix Arizona 85029 United States of America**  
(72) Name(s) of Designer(s): **David D. Jones and Xiaojian Chen and Richard R. Sanchez**  
(45) Registration Date: **21 October 2008**  
(30) Convention priority data:  
(31) Number (32) Date (33) Country  
**29/306649 14 Apr 2008 UNITED STATES OF AMERICA**  
(56) Related Art Documents: **Not Applicable**  
(57) Statement of Newness and Distinctiveness: **Newness and distinctiveness is claimed in the visual features shown in solid lines in the representations.**



- (21) Design Number: **13290/2008**  
(22) Date of Filing Application: **11 July 2008**  
(24) Date from which industrial property rights may have effect: **11 July 2008**  
(54) Product in respect of which the design is registered: **Bottle**  
(51) International Design Classification: **09-01NES**  
(71) Name(s) and Address(s) of Applicant(s):  
**Unilever PLC**  
**Unilever House Blackfriars London EC4P 4BQ United Kingdom**  
(72) Name(s) of Designer(s): **Bertrand Dominique Barre**  
(45) Registration Date: **21 October 2008**  
(30) Convention priority data:  
(31) Number (32) Date (33) Country  
**4006042 29 Jan 2008 UNITED KINGDOM**  
(56) Related Art Documents: **Not Applicable**  
(57) Statement of Newness and Distinctiveness: **Newness and distinctiveness is claimed in the visual features shown in solid lines in the representations having regard for the following: the asymmetric curves in the top section following the contours at the top of the bottle; the protrusions on the side of the bottle; the asymmetric lines on the side of the bottle; and/or the octagonal cross-section in the waist section.**



(21) Design Number: **13291/2008**  
 (22) Date of Filing Application: **11 July 2008**  
 (24) Date from which industrial property rights may have effect: **11 July 2008**  
 (54) Product in respect of which the design is registered: **Bottle**  
 (51) International Design Classification: **09-01NES**  
 (71) Name(s) and Address(s) of Applicant(s):

**Unilever PLC**  
**Unilever House Blackfriars London EC4P 4BQ United Kingdom**

(72) Name(s) of Designer(s): **Bertrand Dominique Barre**

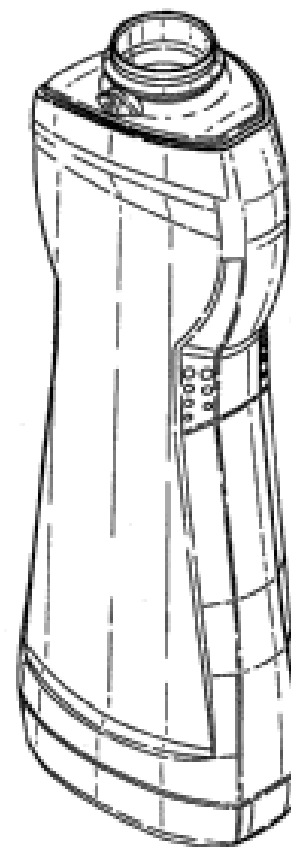
(45) Registration Date: **21 October 2008**

(30) Convention priority data:

(31) Number	(32) Date	(33) Country
<b>4006041</b>	<b>29 Jan 2008</b>	<b>UNITED KINGDOM</b>

(56) Related Art Documents: **Not Applicable**

(57) Statement of Newness and Distinctiveness: **Newness and distinctiveness is claimed in the visual features shown in solid lines in the representations having regard for the following: the asymmetric curves in the top section following the contours at the top of the bottle; the protrusions on the side of the bottle; the asymmetric lines on the side of the bottle; and/or the octagonal cross-section in the waist section.**



(21) Design Number: **13293/2008**  
 (22) Date of Filing Application: **11 July 2008**  
 (24) Date from which industrial property rights may have effect: **11 July 2008**  
 (54) Product in respect of which the design is registered: **Bottle**  
 (51) International Design Classification: **09-01NES**  
 (71) Name(s) and Address(s) of Applicant(s):

**Unilever PLC**  
**Unilever House Blackfriars London EC4P 4BQ United Kingdom**

(72) Name(s) of Designer(s): **Bertrand Dominique Barre**

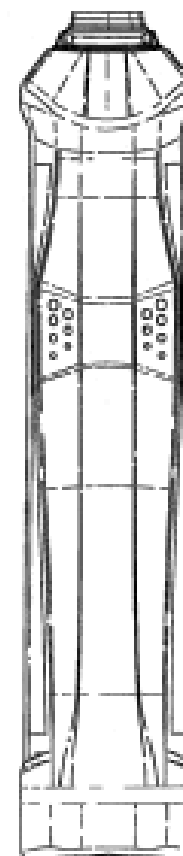
(45) Registration Date: **21 October 2008**

(30) Convention priority data:

(31) Number	(32) Date	(33) Country
<b>4006043</b>	<b>29 Jan 2008</b>	<b>UNITED KINGDOM</b>

(56) Related Art Documents: **Not Applicable**

(57) Statement of Newness and Distinctiveness: **Newness and distinctiveness is claimed in the visual features shown in solid lines in the representations having regard for the following: the asymmetric curves in the top section following the contours at the top of the bottle; the protrusions on the side of the bottle; the asymmetric lines on the side of the bottle; and/or the octagonal cross-section in the waist section.**



- (21) Design Number: **13294/2008**
- (22) Date of Filing Application: **11 July 2008**
- (24) Date from which industrial property rights may have effect: **11 July 2008**
- (54) Product in respect of which the design is registered: **Bottle**
- (51) International Design Classification: **09-01NES**
- (71) Name(s) and Address(s) of Applicant(s):

**Unilever PLC**  
**Unilever House Blackfriars London EC4P 4BQ United Kingdom**

(72) Name(s) of Designer(s): **Bertrand Dominique Barre**

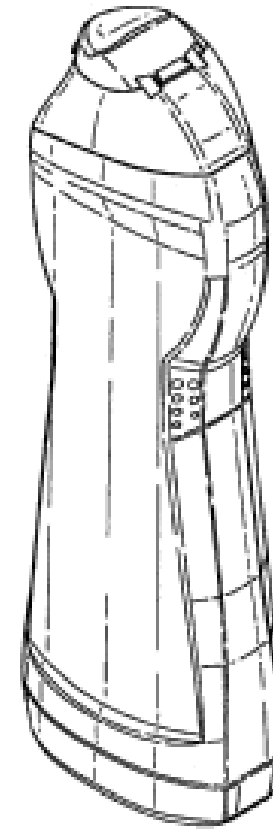
(45) Registration Date: **21 October 2008**

(30) Convention priority data:

(31) Number	(32) Date	(33) Country
<b>4006044</b>	<b>29 Jan 2008</b>	<b>UNITED KINGDOM</b>

(56) Related Art Documents: **Not Applicable**

(57) Statement of Newness and Distinctiveness: **Newness and distinctiveness is claimed in the visual features shown in solid lines in the representations having regard for the following: the asymmetric curves in the top section following the contours at the top of the bottle; the protrusions on the side of the bottle; the asymmetric lines on the side of the bottle; and/or the octagonal cross-section in the waist section.**



- (21) Design Number: **13295/2008**
- (22) Date of Filing Application: **11 July 2008**
- (24) Date from which industrial property rights may have effect: **11 July 2008**
- (54) Product in respect of which the design is registered: **Bottle**
- (51) International Design Classification: **09-01NES**
- (71) Name(s) and Address(s) of Applicant(s):

**Unilever PLC**  
**Unilever House Blackfriars London EC4P 4BQ United Kingdom**

(72) Name(s) of Designer(s): **Bertrand Dominique Barre**

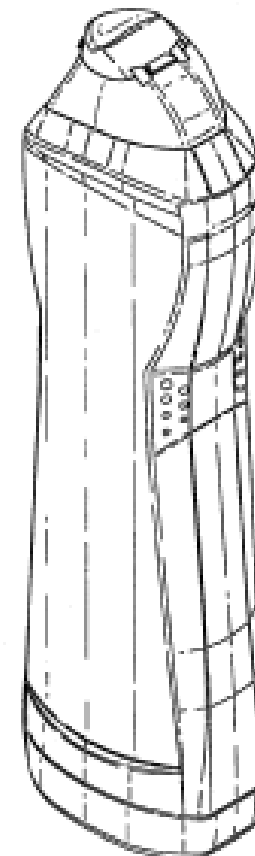
(45) Registration Date: **21 October 2008**

(30) Convention priority data:

(31) Number	(32) Date	(33) Country
<b>4006045</b>	<b>29 Jan 2008</b>	<b>UNITED KINGDOM</b>

(56) Related Art Documents: **Not Applicable**

(57) Statement of Newness and Distinctiveness: **Newness and distinctiveness is claimed in the visual features shown in solid lines in the representations having regard for the following: the asymmetric curves in the top section following the contours at the top of the bottle; the protrusions on the side of the bottle; the asymmetric lines on the side of the bottle; and/or the octagonal cross-section in the waist section.**



(21) Design Number: **13296/2008**  
(22) Date of Filing Application: **11 July 2008**  
(24) Date from which industrial property rights may have effect: **11 July 2008**  
(54) Product in respect of which the design is registered: **Bottle**  
(51) International Design Classification: **09-01NES**  
(71) Name(s) and Address(s) of Applicant(s):

**Unilever PLC**  
**Unilever House Blackfriars London EC4P 4BQ United Kingdom**

(72) Name(s) of Designer(s): **Bertrand Dominique Barre**

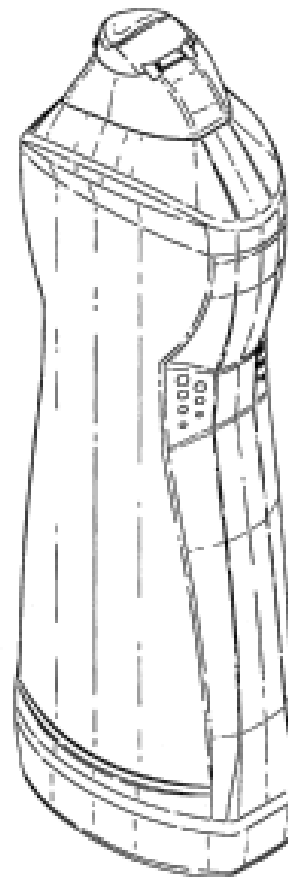
(45) Registration Date: **21 October 2008**

(30) Convention priority data:

(31) Number	(32) Date	(33) Country
<b>4006046</b>	<b>29 Jan 2008</b>	<b>UNITED KINGDOM</b>

(56) Related Art Documents: **Not Applicable**

(57) Statement of Newness and Distinctiveness: **Newness and distinctiveness is claimed in the visual features shown in solid lines in the representations having regard for the following: the asymmetric curves in the top section following the contours at the top of the bottle; the protrusions on the side of the bottle; the asymmetric lines on the side of the bottle; and/or the octagonal cross-section in the waist section.**



(21) Design Number: **10579/2008**  
(22) Date of Filing Application: **11 February 2008**  
(24) Date from which industrial property rights may have effect: **11 February 2008**  
(54) Product in respect of which the design is registered: **Side element assembly for platform**  
(51) International Design Classification: **25-02NES**  
(71) Name(s) and Address(s) of Applicant(s):

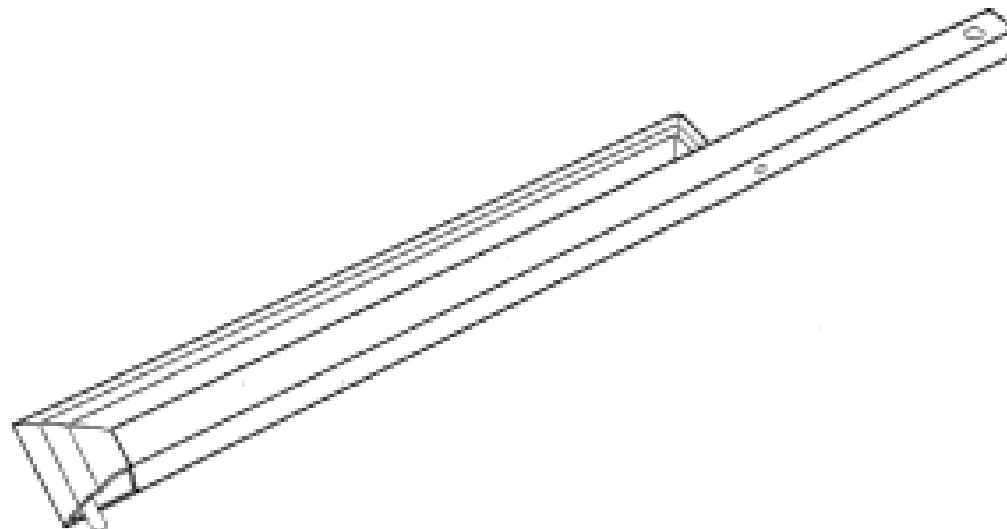
**Framelock Structures Pty Ltd**  
**24 Stuart Highway Stuart Park Northern Territory 0820 Australia**

(72) Name(s) of Designer(s): **Colin Campbell West**

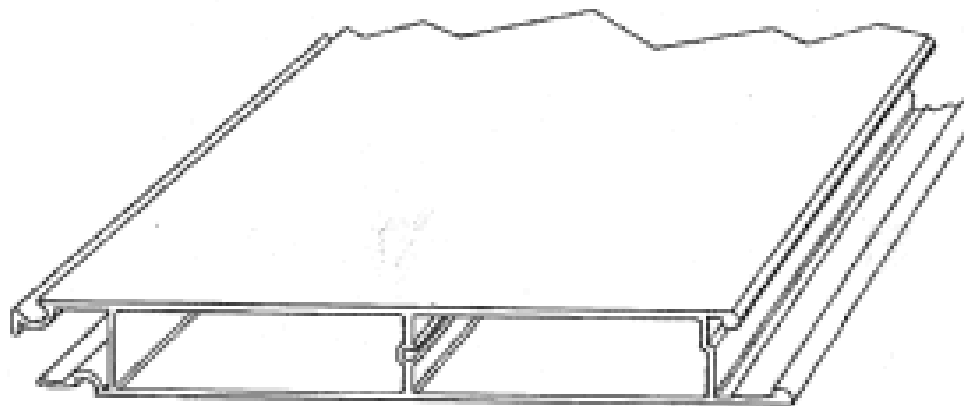
(45) Registration Date: **21 October 2008**

(56) Related Art Documents: **Not Applicable**

(57) Statement of Newness and Distinctiveness: **Nil**



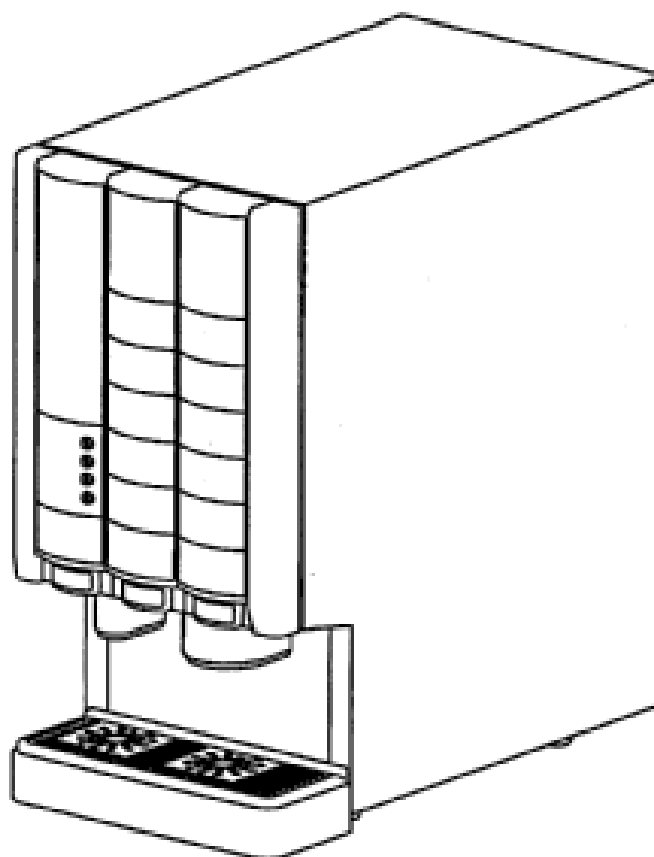
- (21) Design Number: **10583/2008**  
(22) Date of Filing Application: **11 February 2008**  
(24) Date from which industrial property rights may have effect: **11 February 2008**  
(54) Product in respect of which the design is registered: **Extrusion**  
(51) International Design Classification: **25-01K**  
(71) Name(s) and Address(s) of Applicant(s):  
**Framelock Structures Pty Ltd**  
**24 Stuart Highway Stuart Park Northern Territory 0820 Australia**  
(72) Name(s) of Designer(s): **Colin Campbell West**  
(45) Registration Date: **21 October 2008**  
(56) Related Art Documents: **Not Applicable**  
(57) Statement of Newness and Distinctiveness: **Nil**



- (21) Design Number: **13112/2008**  
(22) Date of Filing Application: **04 July 2008**  
(24) Date from which industrial property rights may have effect: **04 July 2008**  
(54) Product in respect of which the design is registered: **Drink dispenser**  
(51) International Design Classification: **07-02L, 20-01**  
(71) Name(s) and Address(s) of Applicant(s):  
**Sanyo Electric Co., Ltd.**  
**5-5 Keihanondori 2-chome Moriguchi-shi Osaka 570-8677 Japan**  
(72) Name(s) of Designer(s): **Taiki Terada and Katsuhiko Adachi**  
(45) Registration Date: **21 October 2008**  
(30) Convention priority data:  

(31) Number	(32) Date	(33) Country
<b>2008-000173</b>	<b>09 Jan 2008</b>	<b>JAPAN</b>

  
(56) Related Art Documents: **Not Applicable**  
(57) Statement of Newness and Distinctiveness: **Nil**



(21) Design Number: **13113/2008**

(22) Date of Filing Application: **04 July 2008**

(24) Date from which industrial property rights may have effect: **04 July 2008**

(54) Product in respect of which the design is registered: **Drink dispenser**

(51) International Design Classification: **07-02L, 20-01**

(71) Name(s) and Address(s) of Applicant(s):

**Sanyo Electric Co., Ltd.**

**5-5 Keihanondori 2-chome Moriguchi-shi Osaka 570-8677 Japan**

(72) Name(s) of Designer(s): **Taiki Terada and Katsuhiko Adachi**

(45) Registration Date: **21 October 2008**

(30) Convention priority data:

(31) Number

(32) Date

(33) Country

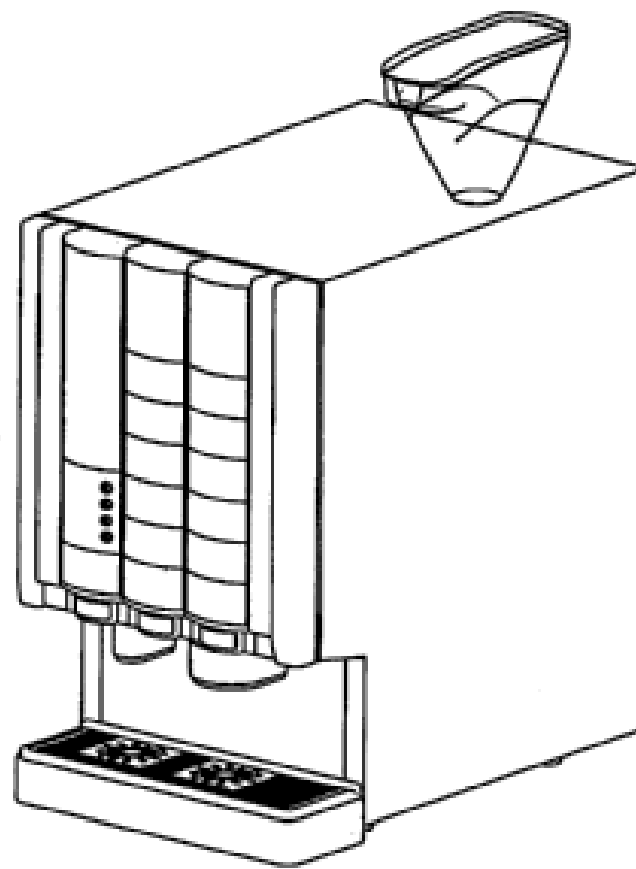
**2008-000174**

**09 Jan 2008**

**JAPAN**

(56) Related Art Documents: **Not Applicable**

(57) Statement of Newness and Distinctiveness: **Nil**



(21) Design Number: **13116/2008**

(22) Date of Filing Application: **04 July 2008**

(24) Date from which industrial property rights may have effect: **04 July 2008**

(54) Product in respect of which the design is registered: **Pivoting arm for an electronic display**

(51) International Design Classification: **08-08NES, 14-99**

(71) Name(s) and Address(s) of Applicant(s):

**CSAV, Inc.**

**8401 Eagle Creek Parkway Suite 700 Savage Minnesota 55378 United States of America**

(72) Name(s) of Designer(s): **Scott Russell and Nick Stanek**

(45) Registration Date: **21 October 2008**

(30) Convention priority data:

(31) Number

(32) Date

(33) Country

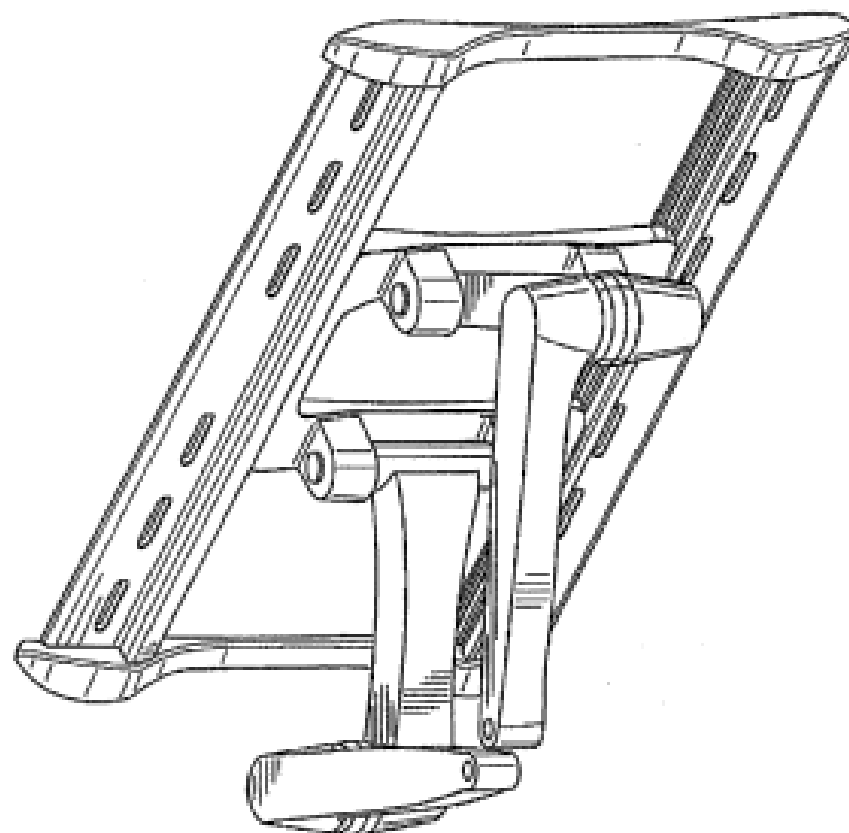
**29/299828**

**04 Jan 2008**

**UNITED STATES OF AMERICA**

(56) Related Art Documents: **Not Applicable**

(57) Statement of Newness and Distinctiveness: **Newness and distinctiveness is claimed in the features of shape and/or configuration of a pivoting arm for an electronic display as illustrated in the accompanying representations.**



(21) Design Number: **13117/2008**  
 (22) Date of Filing Application: **04 July 2008**  
 (24) Date from which industrial property rights may have effect: **04 July 2008**  
 (54) Product in respect of which the design is registered: **Dual position mount for an electronic display**  
 (51) International Design Classification: **08-08NES, 14-99**  
 (71) Name(s) and Address(s) of Applicant(s):

**CSAV, Inc.**  
**8401 Eagle Creek Parkway Savage Minnesota 55378 United States of America**

(72) Name(s) of Designer(s): **Joseph Skull**

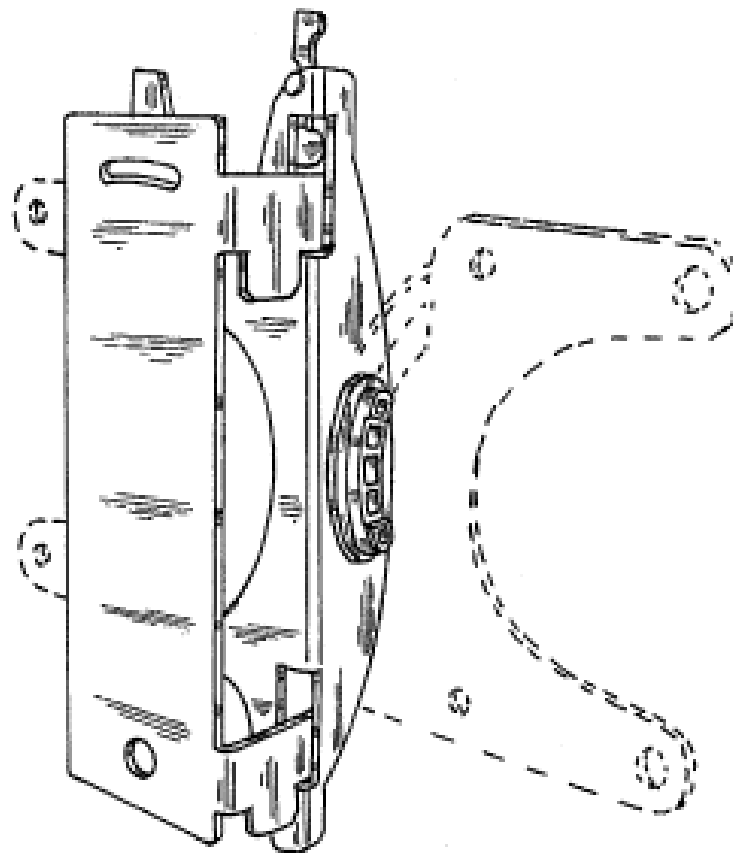
(45) Registration Date: **21 October 2008**

(30) Convention priority data:

(31) Number	(32) Date	(33) Country
<b>29/299831</b>	<b>04 Jan 2008</b>	<b>UNITED STATES OF AMERICA</b>

(56) Related Art Documents: **Not Applicable**

(57) Statement of Newness and Distinctiveness: **Newness and distinctiveness is claimed in those features of shape and/or configuration of a dual position mount for an electronic display as illustrated in continuous lines in the accompanying representations.**



(21) Design Number: **13118/2008**  
 (22) Date of Filing Application: **04 July 2008**  
 (24) Date from which industrial property rights may have effect: **04 July 2008**  
 (54) Product in respect of which the design is registered: **Display mount with non-cylindrical cross supports**  
 (51) International Design Classification: **08-08NES, 14-99**  
 (71) Name(s) and Address(s) of Applicant(s):

**CSAV, Inc.**  
**8401 Eagle Creek Parkway Suite 700 Savage Minnesota 55378 United States of America**

(72) Name(s) of Designer(s): **Scott Russell and Joel Pfister**

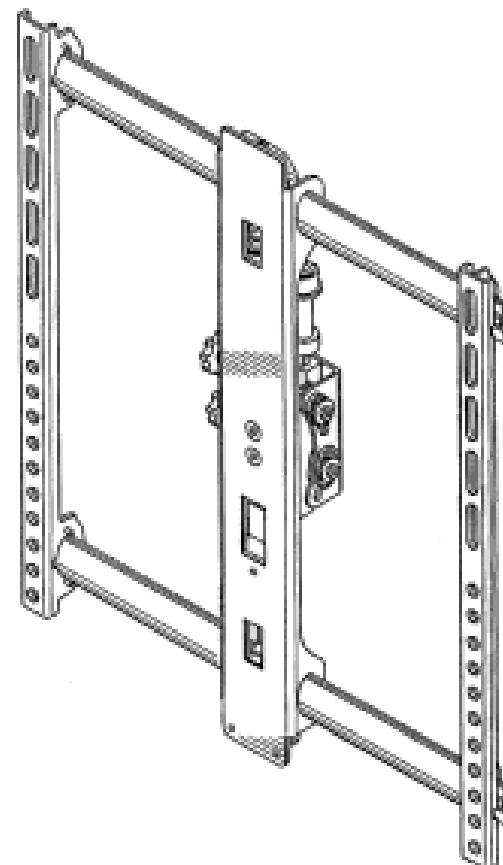
(45) Registration Date: **21 October 2008**

(30) Convention priority data:

(31) Number	(32) Date	(33) Country
<b>29/299839</b>	<b>04 Jan 2008</b>	<b>UNITED STATES OF AMERICA</b>

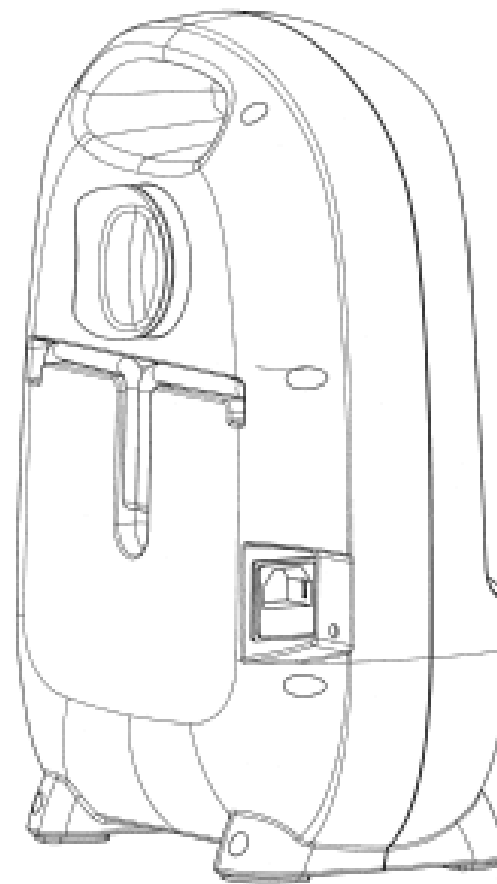
(56) Related Art Documents: **Not Applicable**

(57) Statement of Newness and Distinctiveness: **Newness and distinctiveness is claimed in the features of shape and/or configuration of a display mount with non- cylindrical cross supports as illustrated in the accompanying representations.**





(21) Design Number: **13119/2008**  
(22) Date of Filing Application: **04 July 2008**  
(24) Date from which industrial property rights may have effect: **04 July 2008**  
(54) Product in respect of which the design is registered: **Therapy apparatus**  
(51) International Design Classification: **24-01**  
(71) Name(s) and Address(s) of Applicant(s):  
**Smith & Nephew PLC**  
**15 Adam Street London WC2N 6LA United Kingdom**  
(72) Name(s) of Designer(s): **John MacDonald and Christopher Althorpe and Michael Unwin**  
(45) Registration Date: **21 October 2008**  
(30) Convention priority data:  
(31) Number (32) Date (33) Country  
**000859913 16 Jan 2008 EUROPEAN COMMUNITY**  
(56) Related Art Documents: **Not Applicable**  
(57) Statement of Newness and Distinctiveness: **Newness and distinctiveness reside in the features of the design as shown in the representations.**



(21) Design Number: **13120/2008**  
(22) Date of Filing Application: **04 July 2008**  
(24) Date from which industrial property rights may have effect: **04 July 2008**  
(54) Product in respect of which the design is registered: **Golf grip**  
(51) International Design Classification: **21-02C**  
(71) Name(s) and Address(s) of Applicant(s):  
**Eaton Corporation**  
**Eaton Center 1111 Superior Ave Cleveland Ohio 44114#2584 United States of America**  
(72) Name(s) of Designer(s): **Ching Chi Chen**  
(45) Registration Date: **21 October 2008**  
(30) Convention priority data:  
(31) Number (32) Date (33) Country  
**29/294423 10 Jan 2008 UNITED STATES OF AMERICA**  
(56) Related Art Documents: **Not Applicable**  
(57) Statement of Newness and Distinctiveness: **Newness and distinctiveness reside in the features of the design as shown in the representations.**



(21) Design Number: **13132/2008**

(22) Date of Filing Application: **04 July 2008**

(24) Date from which industrial property rights may have effect: **04 July 2008**

(54) Product in respect of which the design is registered: **Blank for a CD wallet**

(51) International Design Classification: **03-01C**

(71) Name(s) and Address(s) of Applicant(s):

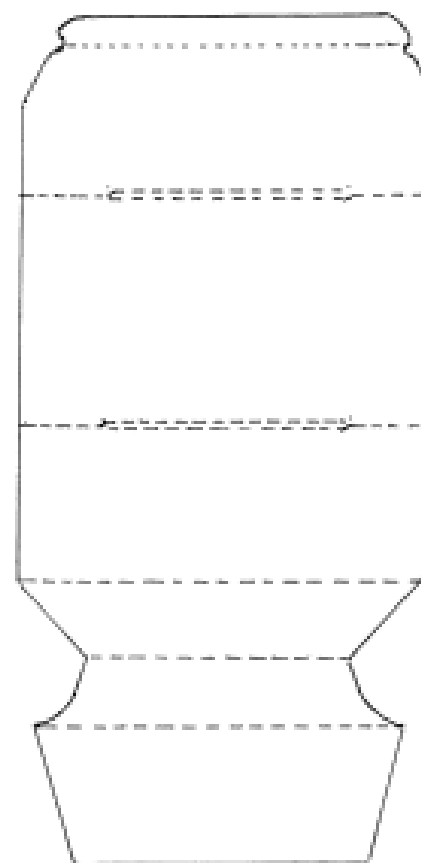
**Software Images Pty Limited  
10E/107 Miles Platting Road Eight Miles Plains Queensland 4113  
Australia**

(72) Name(s) of Designer(s): **Allan Morton**

(45) Registration Date: **21 October 2008**

(56) Related Art Documents: **Not Applicable**

(57) Statement of Newness and Distinctiveness: **The shape and configuration of the blank of the CD wallet as shown in the accompanying representation and a CD wallet is new and distinctive.**



(21) Design Number: **13135/2008**

(22) Date of Filing Application: **04 July 2008**

(24) Date from which industrial property rights may have effect: **04 July 2008**

(54) Product in respect of which the design is registered: **A sheep statue**

(51) International Design Classification: **11-02E**

(71) Name(s) and Address(s) of Applicant(s):

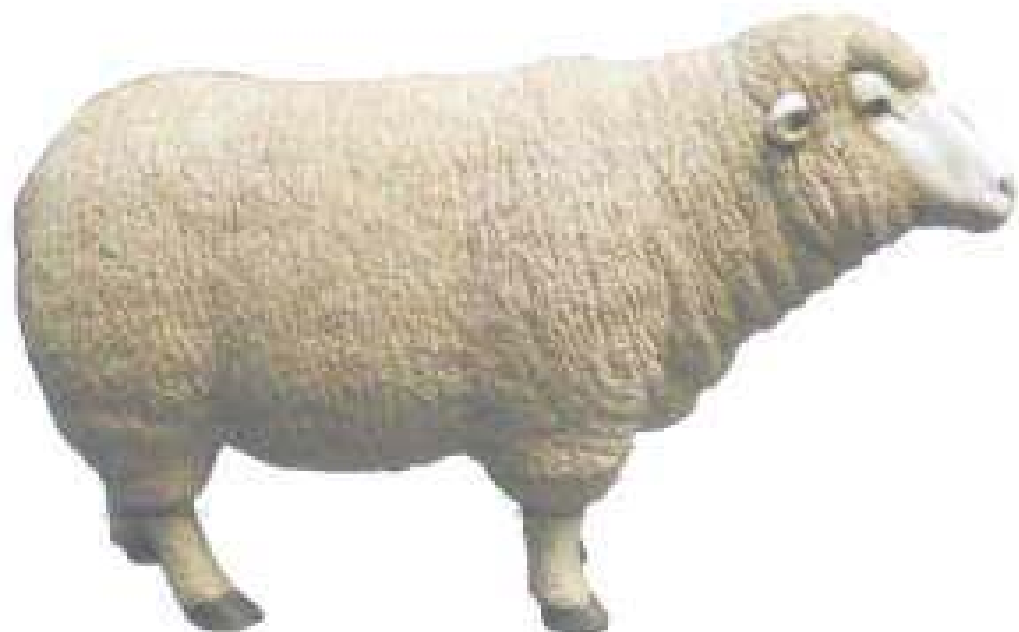
**Robert John Clifford Curtin  
PO Box 369 Collins Street West Melbourne Victoria 8007 Australia**

(72) Name(s) of Designer(s): **Robert John Clifford Curtin and Karel Heinen**

(45) Registration Date: **21 October 2008**

(56) Related Art Documents: **Not Applicable**

(57) Statement of Newness and Distinctiveness: **A sheep statue as illustrated in the accompanying representations.**



- (21) Design Number: **13136/2008**  
(22) Date of Filing Application: **04 July 2008**  
(24) Date from which industrial property rights may have effect: **04 July 2008**  
(54) Product in respect of which the design is registered: **A support bracket**  
(51) International Design Classification: **08-08NES**  
(71) Name(s) and Address(s) of Applicant(s):  
**ITW Australia Pty Ltd**  
**3 Chester Street Oakleigh Victoria 3166 Australia**  
(72) Name(s) of Designer(s): **Afzal Lahir and Bernard Joseph Kennelly**  
(45) Registration Date: **21 October 2008**  
(56) Related Art Documents: **Not Applicable**  
(57) Statement of Newness and Distinctiveness: **Newness and distinctiveness is claimed in the shape and configuration of the holes in the bracket and in the shape and configuration of the grooves opening onto the rear surface of the bracket as shown in the representations.**



- (21) Design Number: **14355/2008**  
(22) Date of Filing Application: **10 September 2008**  
(24) Date from which industrial property rights may have effect: **10 September 2008**  
(54) Product in respect of which the design is registered: **Back rest for a chair**  
(51) International Design Classification: **06-06G**  
(71) Name(s) and Address(s) of Applicant(s):  
**King Furniture (Australia) Pty Ltd**  
**123 Turrella Street Turrella New South Wales 2205 Australia**  
(72) Name(s) of Designer(s): **David Russell King and Steven Leonard Higgs**  
(45) Registration Date: **21 October 2008**  
(56) Related Art Documents: **Not Applicable**  
(57) Statement of Newness and Distinctiveness: **Newness and distinctiveness reside in the features of the design shown in solid lines in the representations excluding those features shown in broken lines.**

