



Australian Government

IP Australia

AUSTRALIAN OFFICIAL JOURNAL

OF

DESIGNS

Did you know a searchable version of this journal is now available online?

It's FREE and EASY to SEARCH.

Find it at

<http://pericles.ipaustralia.gov.au/ols/epublish/content/olsEpublications.jsp>
or using the "Online Journals" link on the IP Australia home page.

This Page Left Intentionally Blank

Contents

General Information & Notices

Proceedings Under the Designs Act 1906 preserved as a result of the provisions of Chapter 12 Part 2 of the Designs Act 2003

Corrigenda	2721
Extension of Period of Registration of Designs	2720
Registrations Ceased	2720
Subsequent Owners Registered	2720

Proceedings Under the Designs Act 2003

Applications Lapsed	2728
Applications Lodged	2725
Applications Withdrawn	2728
Certificate of Examination	2731
Corrigenda	2730
Extension of Time Granted Under Section 137	2729
Publication and Registration Proceedings	
Designs Registered 321646 to 321872.....	2732
Registrations Ceased	2729
Subsequent Owners Registered	2729

This Page Left Intentionally Blank

For information on the following please see our website www.ipaustralia.gov.au or contact our Customer Service Network on 1300651010

[Editorial enquiries](#)

[Contact information](#)

[Freedom of Information ACT](#)

[Professional Standards Board](#)

[Sales](#)

[Requests for Information under Section 194 \(c\)](#)

[Country Codes](#)

[Trade Mark and Designs Hearing Sessions](#)

[INID \(Internationally agreed Numbers for the Identification of Data\)](#)

“INID” NUMBERS in use on Australian Design Documents

“INID” is an acronym for “Internationally agreed Numbers for the Identification of Data”.

(10) Data concerning the registration/renewal

- (11) Serial number of the registration and/or number of the design document
- (12) Plain language designation of the kind of published document
- (19) Identification, using the two-letter code according to WIPO Standard ST.3, of the authority publishing or registering the industrial design

(20) Data concerning the application

- (21) Serial number of the application
- (22) Date of filing of the application
- (24) Date from which the industrial design right has effect

(30) Data relating to priority under the Paris Convention

- (31) Serial number assigned to the priority application
- (32) Date of filing of the priority application
- (33) Two-letter code, according to WIPO Standard ST.3, identifying the authority with which the priority application was made

(40) Date(s) of making information available to the public

- (45) Date of publication of the registered industrial design by printing or similar process, or making it available to the public by any other means

(50) Miscellaneous Information

- (51) International Classification for Industrial Designs (class and subclass of the Locarno Classification)
- (54) Designation of article(s) or product(s) covered by the industrial design or title of the industrial design
- (55) Reproduction of the industrial design (e.g., drawing, photograph) and explanations relating to the reproduction
- (56) List of prior art documents, if separate from descriptive text
- (57) Description of characteristic features of the industrial design including indication of colours

(60) References to other legally related application(s) and registration(s)

- (62) Serial number(s) and, if available, filing date(s) of application(s), registration(s) or document(s) related by division
- (66) Serial number(s) of the application, or the registration, of the design(s) which is (are) a variant(s) of the present one

(70) Identification of parties concerned with the application or registration

- (71) Name(s) and address(es) of the applicant(s)
- (72) Name(s) of the creator(s) if known to be such
- (74) Name(s) and address(es) of the representative(s)

This Page Left Intentionally Blank

Official Notice

Western Australia State Office Relocation

We are pleased to announce that the Western Australian State Office of IP Australia will be co-locating with AusIndustry and moving to new premises effective from Monday 24 November 2008.

The new address will be:

St Martins Tower
Level 25
44 St Georges Terrace
Perth WA.

The last day of business at Level 2, East point Plaza, 233 Adelaide Terrace Perth WA will be on Friday 21 November 2008. Business operations will resume on Monday 24 November 2008 at St Martins Tower level 25, 44 St Georges Terrace Perth WA.

Normal office hours will not be effected and all contact telephone and fax numbers will remain the same.

Queries: Diana Bizjak
Customer Service Delivery
+61 2 6283 2411

Contact: IP Australia
Phone: 1300 651 010
Fax: +61 2 6283 7999
E-mail: assist@ipaustralia.gov.au
Web: www.ipaustralia.gov.au

OFFICIAL NOTICES

Changes to the Trade Mark and Design Certificates

As of early November 2008 IP Australia will be changing the format of the Trade Marks certificates with the Designs certificate format changing in early 2009. The changes are being undertaken to improve the quality in this product.

The new format will allow IP Australia to provide a certificate that contains a coloured representation of the mark. Endorsements will be provided as required.

Certificates will contain all information in a printed format.

Contact: IP Australia **Phone:** 1300 651

010 **Fax:** +61 2 6283 7999 **E-mail:**

assist@ipaustrialia.gov.au **Web:**

www.ipaustrialia.gov.au

Official Notice**Surrender of Registration****320046**

A request under Section 49 of the *Designs Act 2003* has been made by the registered owner of Design Registration No. 320046 to surrender the registration.

Any interested person may give notice to the Registrar that he or she wishes to be heard in relation to the above offer. This notice must be given within 1 month after 13 November 2008.

Your attention is drawn to Regulation 4.10 and 4.11 of the *Designs Regulations 2004*.

Address for Service: Freehills Patent & Trade Mark Attorneys, Level 38, MLC Centre Martin Place, Sydney New South Wales 2000 Australia.

Contact: IP Australia
Phone: 1300 651 010
Fax: +61 2 6283 7999
E-Mail: assist@ipaustralia.gov.au
Web: www.ipaustralia.gov.au

Official Notice**Designs Act 2003
Amendments to Registered Designs at Examination**

The following amendments have been made to details previously published in the Australian Official Journal of Designs during the Examination process:

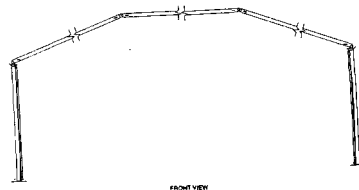
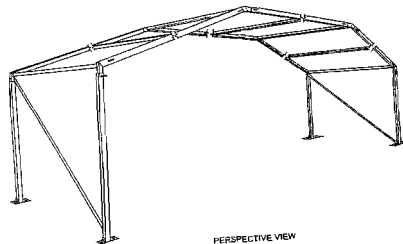
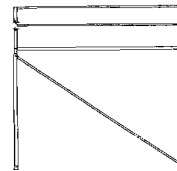
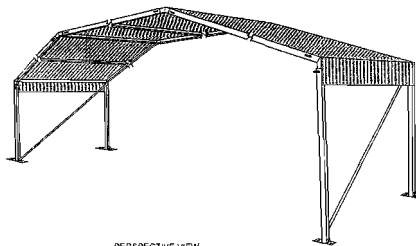
Registration Numbers	Amendment type	New details
318364	Classification	25-01K, 25-02H

Contact: IP Australia
Phone: 1300 651 010
Fax: +61 2 6283 7999
E-Mail: assist@ipaustralia.gov.au
Web: www.ipaustralia.gov.au

Official Notice**Designs Act 2003
Correction of Register**

The following correction under Regulation 9.05 has been made to details previously published in the Australian Official Journal of Designs:

Registration Numbers	Amendment type	New details
315334	Representations	Representations as below



Contact: IP Australia
Phone: 1300 651 010
Fax: +61 2 6283 7999
E-Mail: assist@ipaustalia.gov.au
Web: www.ipaustralia.gov.au

This Page Left Intentionally Blank

Proceedings under the Designs Act 1906 preserved as a result of the provisions of Chapter 12 Part 2 of the Designs Act 2003.

This Page Left Intentionally Blank

Applications Lapsed

There were no Applications Lapsed under this section

Extension of Period of Registration of Designs

2nd Period (Section 27A(12))

149018	149863	149926
150471	150502	150681
150682	151084	151085
151215	151265	151274
151501	151716	151729
151766	151899	152673
153175	153747	154250
154626	154627	154652
154943	155057	155117
155641	156022	157286
158374		

3rd Period (Section 27A(13))

130898	132035	132557
132664	132775	134111
134112	134254	134266
134286	134323	134538
134610	134790	134791
135017	135018	135164
135165	135179	135816
136231	136505	136842
137006	137278	137279
137285	137434	138348
138645	138748	143381
147866		

148042	148276	148617
148618	148657	148658
148663	148772	148791
148793	148994	149118
149119	149122	149394
149599	149638	149778
149880	149934	150633
151168	152421	152647
152671	152687	153626
153705	153706	154143
154144	154145	154542
154543	154544	154545

Subsequent Owners Registered

(The name in parentheses is that of the subsequent owner)

149555	(Rhino-Rack Australia Pty Ltd) Fetovu Pty Ltd
156840	(Jonathan Cheung) Maniva Pty Ltd
145219	(Window Weather Systems Pty Ltd) Andrew Paul Cottle
136322	(JCDecaux SA) JCDecaux Australia Pty Limited
136323	(JCDecaux SA) JCDecaux Australia Pty Limited
136325	(JCDecaux SA) JCDecaux Australia Pty Limited
136326	(JCDecaux SA) JCDecaux Australia Pty Limited
136327	(JCDecaux SA) JCDecaux Australia Pty Limited
137591	(JCDecaux SA) JCDecaux Australia Pty Limited
137593	(JCDecaux SA) JCDecaux Australia Pty Limited
137596	(JCDecaux SA) JCDecaux Australia Pty Limited

Registrations Ceased

Note: Some of the following Registrations may have been previously advertised as ceased. In this instance, the previous advertisement still prevails.

115846	116937	116987
116988	117003	117005
117006	117029	117038
117081	117103	117121
117122	117161	117198
117311	117314	117357
117405	117503	117646
117647	117818	117819
117820	117894	117977
117999	118000	118255
118256	118276	118959
119047	119116	119980
120321	120532	121766
124413	129807	129978
130358	131739	131775
131776	131780	131784
131969	131971	132052
132053	132106	132400
133412	133413	133506
134689	134854	134855
135956	135974	148026

Corrigenda

Number

In Vol 22 , No 17 , page 2038 under the heading **Extension of Period of Registration of Design** Registration No. 148042 should be deleted.

This Page Left Intentionally Blank

Proceedings under the Designs Act 2003.

This Page Left Intentionally Blank

Applications Lodged

Lodgement information is in the following order: **Applicant's Name**; International Classification, Name of Product, Lodgement Date and **Design Number**. If the applicant claims an earlier priority date under an International Convention, the Convention Country and the associated filing date are shown in parentheses before the Lodgement Date. Divisional information will also appear in parentheses before the Lodgement Date.

A.R.C. Strang Australia Pty Ltd; 12-16A, Wheel spacer, 17 Oct 2008	15019/2008	Capral Aluminium Limited; 25-01K, Sill, 17 Oct 2008	15008/2008
ARB Corporation Limited; 08-08NES, Impact absorber mount, 16 Oct 2008	14970/2008	Capral Aluminium Limited; 25-01K, Narrowline head, 17 Oct 2008	15009/2008
Bartier, Lynne; 06-09, Decorative cushion for supporting a book, magazine, paper or laptop in bed, seated in a chair or on a, table - lightweight., 17 Oct 2008	14959/2008	Capral Aluminium Limited; 25-01K, Sill, 17 Oct 2008	15010/2008
Billington, Oliver; 25-02D, An interconnecting wall paneling system designed to form a three dimensional surface covering., 14 Oct 2008	14942/2008	Capral Aluminium Limited; 25-01K, Meeting stile, 17 Oct 2008	15011/2008
Bird, Kelland Michael; 28-03A, 500ml cordless shaving mug, 17 Oct 2008	14973/2008	Capral Aluminium Limited; 25-01K, Head adaptor, 17 Oct 2008	15012/2008
Braun GmbH; 04-02, Toothbrush, (US, 21 Apr 2008) 21 Oct 2008	15060/2008	Capral Aluminium Limited; 25-01K, Sill adaptor, 17 Oct 2008	15007/2008
Bravilor Holding BV; 07-02L, Coffee machine, hot plate, coffee pot and filter, 21 Oct 2008	15076/2008	Charlwood, Grant; 08-08NES, A construction connector, 16 Oct 2008	14961/2008
Bredie Pty Ltd, trading as UDO Systems; 25-02NES, Support pillar, 16 Oct 2008	14956/2008	Charlwood, Grant; 08-08NES, A construction connector, 16 Oct 2008	14962/2008
Bredie Pty Ltd, trading as UDO Systems; 25-02NES, Support pillar, 16 Oct 2008	14957/2008	Charlwood, Grant; 08-08L, A gutter corner assembly, 16 Oct 2008	14963/2008
Brennan, Katherine; 06-99, Decorative screen, 15 Jul 2008	15088/2008	Charlwood, Grant; 08-08L, A bracket, 16 Oct 2008	14964/2008
Brennan, Katherine; 06-99, Decorative Screen, 15 Jul 2008	15089/2008	Cowey, Steven John; 08-08NES, A dock bumper slide mounting, 17 Oct 2008	14998/2008
Brown, James Colin; 30-03, Stock feeder, 15 May 2008	15063/2008	Cowey, Steven John; 08-08NES, A dock bumper slide mounting, 17 Oct 2008	14997/2008
Capral Aluminium Limited; 25-01K, Meeting stile, 17 Oct 2008	15005/2008	Crocs, Inc.; 02-04NES, Footwear, (US, 18 Apr 2008) 17 Oct 2008	15013/2008
Capral Aluminium Limited; 25-01K, Head and sill, 17 Oct 2008	15006/2008	Cutler, Daniel; 03-03, Canopy, (EM, 16 Apr 2008) 16 Oct 2008	14971/2008
Capral Aluminium Limited; 25-01K, Interlock stile, 17 Oct 2008	15004/2008	Dart Industries Inc.; 07-99NES, Funnel, (US, 11 Jun 2008) 21 Oct 2008	15075/2008
Capral Aluminium Limited; 25-01K, Female stile, 17 Oct 2008	15000/2008	Davies, Cindy-Lee; 10-01, Time to reflect-clock, 17 Jun 2008	15033/2008
Capral Aluminium Limited; 25-01K, Interlock stile, 17 Oct 2008	15001/2008	Eaton Corporation; 21-02C, Golf grip, (US, 22 Apr 2008) 21 Oct 2008	15082/2008
Capral Aluminium Limited; 25-01K, Female stile, 17 Oct 2008	15002/2008	Electrolux Home Products Pty Limited; 07-06NES, A trivet, 21 Oct 2008	15070/2008
Capral Aluminium Limited; 25-01K, Interlock, 17 Oct 2008	15003/2008	Fiskars Brands, Inc.; 08-06, Handle for a hand tool, (US, 30 Apr 2008) 16 Oct 2008	14958/2008
Capral Aluminium Limited; 25-01K, Narrowline head, 17 Oct 2008	14999/2008	Framelock Structures Pty Ltd; 25-02C, Barrier structure, (US, 22 Apr 2008) 17 Oct 2008	14996/2008
		Galloway, Ian; 21-01L, Board game, 21 Oct 2008	15059/2008

Glem Gas S.p.A; 07-02A, Cooking appliance, (EM, 24 Jul 2008) 17 Oct 2008	15014/2008	Howard, Robert Grant; 08-05NES, A guide insert for a mitre box, (NZ, 30 Apr 2008) 21 Oct 2008	15062/2008
Grant Olver Investments, Trading as Pilgrim Clothing Pty Ltd.; 02-02C, Dress, 12 Aug 2008	14986/2008	Illinois Tool Works Inc.; 10-04, Metering valve for a fuel cell, (US, 23 Apr 2008) 20 Oct 2008	15034/2008
Grant Olver Investments, Trading as Pilgrim Clothing Pty Ltd.; 02-02C, Dress, 12 Aug 2008	14989/2008	Jets Swimwear Pty Ltd; 02-02A, Swimwear, 29 May 2008	15166/2008
Grant Olver Investments, Trading as Pilgrim Clothing Pty Ltd.; 02-02C, Dress, 12 Aug 2008	14990/2008	Joseph Licciardi Design Pty Ltd; 23-02B, Shower base, 16 Oct 2008	14950/2008
Grant Olver Investments, Trading as Pilgrim Clothing Pty Ltd.; 02-02C, Dress, 12 Aug 2008	14991/2008	Joseph Licciardi Design Pty Ltd; 23-02B, Shower base, 16 Oct 2008	14951/2008
Grant Olver Investments, Trading as Pilgrim Clothing Pty Ltd.; 02-02C, Dress, 12 Aug 2008	14992/2008	Joseph Licciardi Design Pty Ltd; 23-02B, Shower base, 16 Oct 2008	14952/2008
Grant Olver Investments, Trading as Pilgrim Clothing Pty Ltd.; 02-02NES, Jacket, 12 Aug 2008	14993/2008	Joseph Licciardi Design Pty Ltd; 23-02F, Basin, 16 Oct 2008	14953/2008
Grant Olver Investments, Trading as Pilgrim Clothing Pty Ltd.; 02-02C, Dress, 12 Aug 2008	14994/2008	Joseph Licciardi Design Pty Ltd; 23-02F, Basin, 16 Oct 2008	14954/2008
Grant Olver Investments, Trading as Pilgrim Clothing Pty Ltd.; 02-02C, Pants, 12 Aug 2008	14987/2008	Joseph Licciardi Design Pty Ltd; 23-02F, Basin, 16 Oct 2008	14955/2008
Grant Olver Investments, Trading as Pilgrim Clothing Pty Ltd.; 02-02NES, Top, 12 Aug 2008	14988/2008	Keenan, Nicole; Nardi, Peter; 08-08B, Hexagonal bolt and screw sleeve for hexagonal drivers, 21 Oct 2008	15071/2008
Grant Olver Investments, Trading as Pilgrim Clothing Pty Ltd.; 02-02C, Dress, 12 Aug 2008	14984/2008	Knowledge & Merchandising Inc. Hardware Limited; 28-03A, Razor handle, (EM, 23 Apr 2008) 16 Oct 2008	14969/2008
Grant Olver Investments, Trading as Pilgrim Clothing Pty Ltd.; 02-02C, Dress, 12 Aug 2008	14985/2008	Koninklijke Philips Electronics N.V.; 15-05, Vacuum cleaner, (EM, 25 Apr 2008) 16 Oct 2008	14966/2008
Grant Olver Investments Pty Ltd trading as Pilgrim Clothing; 02-02C, Dress, 08 May 2008	14980/2008	Koninklijke Philips Electronics N.V.; 14-01, Headphone, (EM, 28 Apr 2008) 17 Oct 2008	15018/2008
Grant Olver Investments Pty Ltd trading as Pilgrim Clothing; 02-02C, Dress, 08 May 2008	14981/2008	Koninklijke Philips Electronics N.V.; 15-05, Vacuum cleaner with head, (EM, 25 Apr 2008) 16 Oct 2008	14967/2008
Grant Olver Investments Pty Ltd trading as Pilgrim Clothing; 02-02C, Dress, 08 May 2008	14982/2008	Liquid Fire Trade And Invest 21 (Pty) Ltd; 24-04, Limb bag, 16 Oct 2008	14975/2008
Grant Olver Investments Pty Ltd trading as Pilgrim Clothing; 02-02C, Dress, 08 May 2008	14983/2008	Liquid Fire Trade And Invest 21 (Pty) Ltd; 24-04, Limb bag, 16 Oct 2008	14974/2008
Gurd, Eve; 02-02NES, Printed teeshirt, 20 Oct 2008	15086/2008	Lorraine, Sandra; Ronald, Dennis; 08-08L, Universal lamp bracket, 22 Oct 2008	15065/2008
GMC Worldwide Pty Ltd; 15-09, Powered planer tool, 20 Oct 2008	15052/2008	LBP Manufacturing, Inc.; 07-06A, Protective sleeve, (US, 19 Sep 2008) 23 Oct 2008	15116/2008
Heelas, Alistair; Manning, Joseph; 21-04, An inflatable chamber for receiving people therein, (EM, 18 Apr 2008) 16 Oct 2008	14965/2008	Manning, Joseph; Heelas, Alistair; 21-04, An inflatable chamber for receiving people therein, (EM, 18 Apr 2008) 16 Oct 2008	14965/2008
Howard, Robert Grant; 08-05NES, A mitre box, (NZ, 30 Apr 2008) 21 Oct 2008	15061/2008	McCormick & Company, Incorporated; 09-01F, Bottle, (US, 29 May 2008) 15 Oct 2008	14960/2008
		Moog Inc.; 14-03NES, Eight-speaker remote acoustic hailing device, (US, 21 Apr 2008) 21 Oct 2008	15077/2008
		Moog Inc.; 14-03NES, Six-speaker remote acoustic hailing device, (US, 21 Apr 2008) 21 Oct 2008	15078/2008

Moog Inc.; 14-03NES, Two-speaker remote acoustic hailing device, (US, 21 Apr 2008) 21 Oct 2008	15079/2008	Signature Games Pty Ltd; 21-01L, A board game, 21 Oct 2008	15064/2008
Moog Inc.; 14-03NES, Four-speaker remote acoustic hailing device, (US, 21 Apr 2008) 21 Oct 2008	15080/2008	Sinclair, Clive James; Upfield, Antony William; 25-01K, Building element, 16 Oct 2008	14972/2008
Nardi, Peter; Keenan, Nicole; 08-08B, Hexagonal bolt and screw sleeve for hexagonal drivers, 21 Oct 2008	15071/2008	Spa Parts Pty Ltd; 25-03, Modular spa pool, 20 Oct 2008	15087/2008
Parkinson, Sam; 21-02C, Golf putter head, 20 Oct 2008	15057/2008	Steel, Kenneth; 08-05A, Soil retention plate, (NZ, 21 Apr 2008) 21 Oct 2008	15083/2008
Preformed Line Products (Australia) Pty Ltd; 25-01K, Extrusion of indefinite length, 20 Oct 2008	15058/2008	Steel, Kenneth; 08-05A, Soil retention plate, (NZ, 21 Apr 2008) 21 Oct 2008	15084/2008
Quinn, John Paul; 22-05, Telescopic fishing rod holder, 07 Oct 2008	14943/2008	SCA Hygiene Products AB; 23-02A, Soap dispenser, (EM, 24 Apr 2008) 20 Oct 2008	15035/2008
Reckitt Benckiser Inc.; 09-07A, Dispensing pump head, (EM, 06 May 2008) 17 Oct 2008	15017/2008	SCA Hygiene Products AB; 23-02A, Soap dispenser, (EM, 24 Apr 2008) 20 Oct 2008	15037/2008
Ronald, Dennis; Lorraine, Sandra; 08-08L, Universal lamp bracket, 22 Oct 2008	15065/2008	SCA Hygiene Products AB; 23-02A, Tissue dispenser, (EM, 24 Apr 2008) 20 Oct 2008	15038/2008
S.C. Johnson & Son, Inc.; 09-01NES, Portion of a bottle, (US, 09 May 2008) 21 Oct 2008	15068/2008	SCA Hygiene Products AB; 23-02A, Tissue dispenser, (EM, 24 Apr 2008) 20 Oct 2008	15049/2008
Samtara Holdings Limited; 12-16F, Sun shade for an automobile window, 22 Oct 2008	15067/2008	SCA Hygiene Products AB; 23-02A, Tissue dispenser, (EM, 24 Apr 2008) 20 Oct 2008	15039/2008
Samtara Holdings Limited; 12-16F, Sun shade for an automobile window, 22 Oct 2008	15066/2008	SCA Hygiene Products AB; 23-02A, Tissue dispenser, (EM, 24 Apr 2008) 20 Oct 2008	15040/2008
Schering-Plough Healthcare Products, Inc.; 09-01NES, Bottle, (US, 18 Apr 2008) 16 Oct 2008	14944/2008	SCA Hygiene Products AB; 23-02A, Tissue dispenser, (EM, 24 Apr 2008) 20 Oct 2008	15041/2008
Schering-Plough Healthcare Products, Inc.; 09-01NES, Bottle, (US, 18 Apr 2008) 16 Oct 2008	14945/2008	SCA Hygiene Products AB; 23-02A, Tissue dispenser, (EM, 24 Apr 2008) 20 Oct 2008	15042/2008
Schering-Plough Healthcare Products, Inc.; 09-01NES, Bottle, (US, 18 Apr 2008) 16 Oct 2008	14946/2008	SCA Hygiene Products AB; 23-02A, Tissue dispenser, (EM, 24 Apr 2008) 20 Oct 2008	15050/2008
Schering-Plough Healthcare Products, Inc.; 09-01NES, Bottle, (US, 18 Apr 2008) 16 Oct 2008	14947/2008	SCA Hygiene Products AB; 23-02A, Tissue dispenser, (EM, 24 Apr 2008) 20 Oct 2008	15043/2008
Schering-Plough Healthcare Products, Inc.; 09-01NES, Bottle, (US, 18 Apr 2008) 16 Oct 2008	14948/2008	SCA Hygiene Products AB; 23-02A, Tissue dispenser, (EM, 24 Apr 2008) 20 Oct 2008	15044/2008
Schering-Plough Healthcare Products, Inc.; 09-01NES, Bottle, (US, 18 Apr 2008) 16 Oct 2008	14949/2008	SCA Hygiene Products AB; 23-02A, Tissue dispenser, 20 Oct 2008	15051/2008
Schopf, Manfred; Schopf, John; 25-02NES, Collar for frameless glassfence to cover core or mounting holes, 16 Oct 2008	14968/2008	SCA Hygiene Products AB; 23-02A, Tissue dispenser, (EM, 24 Apr 2008) 20 Oct 2008	15045/2008
Schopf, John; Schopf, Manfred; 25-02NES, Collar for frameless glassfence to cover core or mounting holes, 16 Oct 2008	14968/2008	SCA Hygiene Products AB; 23-02A, Tissue dispenser, (EM, 24 Apr 2008) 20 Oct 2008	15046/2008
Scotch Pty Ltd; 03-01A, Mobile luggage, 21 Oct 2008	15081/2008	SCA Hygiene Products AB; 23-02A, Tissue dispenser, (EM, 24 Apr 2008) 20 Oct 2008	15047/2008

SCA Hygiene Products AB; 23-02A, Tissue dispenser, (EM, 24 Apr 2008) 20 Oct 2008	15048/2008	The Goodyear Tire & Rubber Company; 12-15C, Tyre for automobile, (JP, 21 Apr 2008) 20 Oct 2008	15055/2008
SCA Hygiene Products AB; 23-02A, Soap dispenser, (EM, 24 Apr 2008) 20 Oct 2008	15036/2008	The Goodyear Tire & Rubber Company; 12-15C, Tyre for automobile, (JP, 21 Apr 2008) 20 Oct 2008	15053/2008
SMEG S.p.A.; 07-02C, Hotplate, (EM, 15 Apr 2008) 15 Oct 2008	14976/2008	The Procter & Gamble Company; 24-99, Dental floss pick, (US, 28 Apr 2008) 21 Oct 2008	15085/2008
SMEG S.p.A.; 07-02C, Dished hotplate, (EM, 15 Apr 2008) 15 Oct 2008	14978/2008	Upfield, Antony William; Sinclair, Clive James; 25-01K, Building element, 16 Oct 2008	14972/2008
SMEG S.p.A.; 07-02C, Oven front, (EM, 15 Apr 2008) 15 Oct 2008	14977/2008	USG Interiors, Inc; 25-02E, Bridge apparatus useful for ceiling grid systems, (US, 22 Apr 2008) 17 Oct 2008	15015/2008
Tayeco Limited; 10-04, Utility meter, (EM, 25 Apr 2008) 21 Oct 2008	15072/2008	Woolworths Limited; 07-07NES, A cutlery tray, 17 Oct 2008	15016/2008
Tayeco Limited; 10-04, Utility meter, (EM, 25 Apr 2008) 21 Oct 2008	15073/2008	Woolworths Limited; 07-07NES, Laundry basket, 21 Oct 2008	15069/2008
Tayeco Limited; 10-04, Utility meter, (EM, 25 Apr 2008) 21 Oct 2008	15074/2008	Woolworths Limited; 07-07NES, Laundry hamper and basket assembly, 20 Oct 2008	15056/2008
The Goodyear Tire & Rubber Company; 12-15C, Tyre for automobile, (JP, 22 Apr 2008) 20 Oct 2008	15054/2008		

Applications Withdrawn

12393 / 2008 (19-08)	12627 / 2008 (22-05)
13808 / 2008 (02-02C)	15125 / 2008

Applications Lapsed

11802 / 2008 (25-02A)	11844 / 2008 (19-99)
11845 / 2008 (07-99NES)	11932 / 2008 (02-02C)
12187 / 2008 (11-02NES)	12224 / 2008 (20-02NES)
12239 / 2008 (19-01)	12614 / 2008 (21-01L)
14089 / 2008 (23-01G)	

Registrations Ceased

315604	315605	315606
315607	315610	315611

Extensions of time granted under Section 137

Applications lodged under section 137 for extension of time have been granted.

311032 **Turner Broadcasting System, Inc.**

311093 **Turner Broadcasting System, Inc.**

311033 **Turner Broadcasting System, Inc.**

13010/2008 **Design Mobel NZ Limited**

Subsequent Owners Registered

(The name in parentheses is that of the subsequent owner)

305632	(Robert John Wells) Slabset Manufacturing Pty Ltd
306242	(Robert John Wells) Slabset Manufacturing Pty Ltd
305595	(Window Weather Systems Pty Ltd) Andrew Paul Cottle

Corrigenda

Number 321319

In Vol 22 , No 21 , page 2533 under the heading **Australian Registered Design**; (57) Statement of Newness and Distinctiveness should read: Newness and distinctiveness is claimed in the shape and/or configuration of a motor vehicle and a model vehicle as shown in the representations, except that the wheels and tyres are to be disregarded..

Certificate(s) of Examination

Examination of the following Design Registration(s) has been completed. Infringement proceedings may now be commenced.

307872	19-06	05/11/2008
308326	09-05	31/10/2008
315005	06-01F	05/11/2008
315006	06-01F	05/11/2008
315057	06-01F	05/11/2008
315058	06-01F	05/11/2008
315334	03-03	05/11/2008
315866	09-05	31/10/2008
317071	12-06A	05/11/2008
318137	23-01H	31/10/2008
319313	08-03	29/10/2008
319314	08-03	29/10/2008
319315	08-03	29/10/2008
319508	18-99	31/10/2008
319509	18-99	31/10/2008
319717	14-02	27/10/2008
319718	14-02	27/10/2008
319719	14-01	31/10/2008
319720	14-01	31/10/2008
319721	14-01	31/10/2008
319722	14-01	31/10/2008
319723	14-01	31/10/2008
319724	14-01	31/10/2008
319726	14-02	27/10/2008
319806	09-05	31/10/2008
319807	09-05	31/10/2008
319808	09-05	31/10/2008
319859	10-06	31/10/2008
319914	14-02	27/10/2008
319955	26-05D	05/11/2008
319970	08-08B	31/10/2008
319971	08-08B	31/10/2008
319990	15-05	31/10/2008
320039	11-02E	31/10/2008
320102	12-05	05/11/2008
320137	06-03B	31/10/2008
320151	06-03B	31/10/2008
320159	12-15B	31/10/2008
320402	07-01C	29/10/2008
320456	08-05P	31/10/2008
320525	07-05D	31/10/2008
320526	07-05D	31/10/2008
320536	03-01C	31/10/2008
320583	09-01G	29/10/2008
320584	09-01G	29/10/2008
320585	09-01G	29/10/2008
320634	02-04B	31/10/2008

Publication and Registration Proceedings

Designs Registered

This section provides a concordance between design number and registration number of Designs covered in this journal. It also shows the main class and registration date.

This section covers Registration numbers 321646 to 321872 .

The registration number shown below should be used in all future correspondence.

Design Number	Registration Number	International Classification Code (IDC)	Registration Date	Design Number	Registration Number	International Classification Code (IDC)	Registration Date
19687/2007	321854	22-05	31/10/2008	12431/2008	321682	09-01K	27/10/2008
20560/2007	321761	25-04	30/10/2008	12491/2008	321823	12-16NES	30/10/2008
21500/2007	321773	02-04B	29/10/2008	12593/2008	321697	23-02B	27/10/2008
10700/2008	321812	25-01K	30/10/2008	12594/2008	321698	23-01H	27/10/2008
10701/2008	321813	25-01K	30/10/2008	12595/2008	321699	23-01H	27/10/2008
10702/2008	321814	25-01K	30/10/2008	12598/2008	321700	14-03A	27/10/2008
10703/2008	321815	25-01K	30/10/2008	12599/2008	321701	14-03A	27/10/2008
10704/2008	321816	25-01K	30/10/2008	12600/2008	321702	14-03A	27/10/2008
10705/2008	321817	25-01K	30/10/2008	12610/2008	321769	08-08A	29/10/2008
10706/2008	321818	25-01K	30/10/2008	12639/2008	321683	23-02F	27/10/2008
10718/2008	321676	24-01	27/10/2008	12661/2008	321777	30-01	29/10/2008
10797/2008	321677	06-01E	27/10/2008	12664/2008	321731	23-01F	28/10/2008
11184/2008	321678	14-99	27/10/2008	12677/2008	321732	02-04A	28/10/2008
11449/2008	321819	20-03NES	30/10/2008	12678/2008	321778	06-04NES	29/10/2008
11571/2008	321787	06-04C	30/10/2008	12691/2008	321824	07-05A	30/10/2008
11620/2008	321863	25-02NES	03/11/2008	12692/2008	321825	07-05A	30/10/2008
11636/2008	321762	16-06	29/10/2008	12696/2008	321770	12-16NES	29/10/2008
11637/2008	321763	16-06	29/10/2008	12725/2008	321771	99-00	29/10/2008
11638/2008	321764	16-06	29/10/2008	12777/2008	321807	30-99	30/10/2008
11639/2008	321765	16-06	29/10/2008	12787/2008	321733	23-01F	28/10/2008
11640/2008	321766	16-06	29/10/2008	12856/2008	321808	23-02B	30/10/2008
11641/2008	321679	02-07A	27/10/2008	12869/2008	321734	25-01G	28/10/2008
11651/2008	321774	11-02F	29/10/2008	12870/2008	321735	25-01G	28/10/2008
11652/2008	321775	11-02F	29/10/2008	12970/2008	321749	06-13NES	30/10/2008
11653/2008	321680	08-05NES	27/10/2008	12999/2008	321809	23-01F	30/10/2008
11677/2008	321864	13-02	03/11/2008	13004/2008	321826	09-05	30/10/2008
11725/2008	321788	26-06	30/10/2008	13030/2008	321827	06-08	30/10/2008
11726/2008	321789	26-06	30/10/2008	13036/2008	321828	08-05A	30/10/2008
11727/2008	321790	26-06	30/10/2008	13047/2008	321829	09-02A	30/10/2008
11742/2008	321865	26-04	03/11/2008	13058/2008	321840	11-02E	03/11/2008
11743/2008	321866	26-04	03/11/2008	13059/2008	321841	11-02E	03/11/2008
11744/2008	321867	26-04	03/11/2008	13060/2008	321703	26-05D	27/10/2008
11767/2008	321801	19-06	30/10/2008	13099/2008	321646	23-02C	24/10/2008
11809/2008	321681	26-05C	27/10/2008	13100/2008	321647	23-02F	24/10/2008
11828/2008	321802	15-04	30/10/2008	13101/2008	321648	23-02F	24/10/2008
11843/2008	321803	15-06	30/10/2008	13102/2008	321649	23-02F	24/10/2008
11871/2008	321728	12-16A	28/10/2008	13103/2008	321650	23-02C	24/10/2008
11872/2008	321729	12-16A	28/10/2008	13104/2008	321651	23-02F	24/10/2008
11960/2008	321730	25-01E	28/10/2008	13105/2008	321652	23-02F	24/10/2008
12022/2008	321870	21-04	03/11/2008	13106/2008	321653	23-02F	24/10/2008
12025/2008	321871	26-05NES	03/11/2008	13107/2008	321654	23-02F	24/10/2008
12029/2008	321872	26-04	03/11/2008	13108/2008	321655	23-02F	24/10/2008
12093/2008	321804	07-05E	30/10/2008	13109/2008	321656	23-02F	24/10/2008
12094/2008	321805	25-99	30/10/2008	13110/2008	321657	23-02C	24/10/2008
12103/2008	321696	13-03D	27/10/2008	13111/2008	321830	09-01NES	30/10/2008
12129/2008	321767	03-01B	29/10/2008	13157/2008	321831	06-01L	30/10/2008
12183/2008	321776	17-02	29/10/2008	13168/2008	321832	24-99	30/10/2008
12227/2008	321806	02-04A	30/10/2008	13170/2008	321833	08-05N	30/10/2008
12327/2008	321748	23-01F	28/10/2008	13171/2008	321684	07-02D	27/10/2008
12374/2008	321820	25-03	30/10/2008	13172/2008	321704	07-99NES	27/10/2008
12375/2008	321821	25-03	30/10/2008	13181/2008	321705	08-07	27/10/2008
12376/2008	321822	25-03	30/10/2008	13182/2008	321706	10-02	27/10/2008
12395/2008	321768	06-06E	29/10/2008	13208/2008	321685	06-04NES	27/10/2008

Publication and Registration Proceedings - Designs Registered cont'd

Design Number	Registration Number	International Classification Code (IDC)	Registration Date	Design Number	Registration Number	International Classification Code (IDC)	Registration Date
13212/2008	321686	13-01	27/10/2008	13336/2008	321722	07-01A	27/10/2008
13213/2008	321736	01-01	28/10/2008	13337/2008	321723	07-01A	27/10/2008
13214/2008	321687	30-04	27/10/2008	13338/2008	321724	07-01A	27/10/2008
13215/2008	321688	30-04	27/10/2008	13339/2008	321725	07-01A	27/10/2008
13216/2008	321689	30-04	27/10/2008	13340/2008	321726	07-01A	27/10/2008
13217/2008	321690	30-04	27/10/2008	13341/2008	321727	07-01A	27/10/2008
13218/2008	321691	30-04	27/10/2008	13342/2008	321747	15-05	28/10/2008
13243/2008	321692	08-08L	27/10/2008	13343/2008	321755	15-05	30/10/2008
13244/2008	321693	08-08L	27/10/2008	13344/2008	321756	15-05	30/10/2008
13246/2008	321694	12-08	27/10/2008	13345/2008	321757	12-12	30/10/2008
13253/2008	321737	23-04	28/10/2008	13352/2008	321758	14-01	30/10/2008
13254/2008	321738	23-04	28/10/2008	13365/2008	321791	08-08NES	30/10/2008
13255/2008	321739	23-04	28/10/2008	13366/2008	321792	12-15A	30/10/2008
13256/2008	321740	23-04	28/10/2008	13367/2008	321793	12-15A	30/10/2008
13259/2008	321658	08-08H	24/10/2008	13368/2008	321794	23-02C	30/10/2008
13260/2008	321659	08-08H	24/10/2008	13371/2008	321795	29-02	30/10/2008
13261/2008	321660	08-08H	24/10/2008	13372/2008	321796	07-04	30/10/2008
13262/2008	321661	08-08H	24/10/2008	13373/2008	321797	12-15B	30/10/2008
13263/2008	321662	08-08H	24/10/2008	13387/2008	321798	09-01NES	30/10/2008
13264/2008	321663	08-08H	24/10/2008	13390/2008	321799	09-05	30/10/2008
13265/2008	321664	08-08H	24/10/2008	13392/2008	321800	23-02B	30/10/2008
13266/2008	321665	08-08H	24/10/2008	13408/2008	321779	06-01NES	29/10/2008
13267/2008	321666	08-08H	24/10/2008	13414/2008	321842	16-06	03/11/2008
13268/2008	321667	08-08H	24/10/2008	13415/2008	321843	26-05D	03/11/2008
13269/2008	321668	08-08H	24/10/2008	13419/2008	321844	14-03E	03/11/2008
13270/2008	321669	08-08H	24/10/2008	13420/2008	321845	14-03E	03/11/2008
13271/2008	321670	08-08H	24/10/2008	13421/2008	321846	23-02F	03/11/2008
13272/2008	321671	08-08H	24/10/2008	13422/2008	321847	23-02F	03/11/2008
13273/2008	321672	08-08H	24/10/2008	13423/2008	321848	23-02F	03/11/2008
13274/2008	321673	08-08H	24/10/2008	13424/2008	321849	23-02F	03/11/2008
13275/2008	321674	08-08H	24/10/2008	13425/2008	321850	23-02F	03/11/2008
13276/2008	321675	08-08H	24/10/2008	13426/2008	321851	23-02F	03/11/2008
13303/2008	321741	07-01B	28/10/2008	13427/2008	321852	23-02F	03/11/2008
13304/2008	321742	07-05E	28/10/2008	13428/2008	321853	23-02F	03/11/2008
13305/2008	321743	12-15A	28/10/2008	13745/2008	321868	13-02	03/11/2008
13306/2008	321744	09-03M	28/10/2008	13995/2008	321772	99-00	29/10/2008
13307/2008	321745	23-01H	28/10/2008	14194/2008	321759	15-04	30/10/2008
13309/2008	321746	06-04NES	28/10/2008	14232/2008	321834	11-05	30/10/2008
13310/2008	321750	26-05D	30/10/2008	14233/2008	321835	11-05	30/10/2008
13312/2008	321751	06-01C	30/10/2008	14234/2008	321836	11-05	30/10/2008
13313/2008	321752	09-07NES	30/10/2008	14235/2008	321837	11-05	30/10/2008
13314/2008	321753	09-07NES	30/10/2008	14236/2008	321838	11-05	30/10/2008
13315/2008	321754	12-08	30/10/2008	14237/2008	321695	13-03D	27/10/2008
13316/2008	321707	16-02	27/10/2008	14356/2008	321869	06-06G	03/11/2008
13318/2008	321708	23-01A	27/10/2008	14548/2008	321839	20-02C	30/10/2008
13321/2008	321709	07-02L	27/10/2008	14567/2008	321760	06-06C	30/10/2008
13322/2008	321710	07-02L	27/10/2008	14568/2008	321810	15-06	30/10/2008
13323/2008	321711	09-07B	27/10/2008	14569/2008	321811	15-04	30/10/2008
13324/2008	321712	09-07B	27/10/2008	14570/2008	321780	11-02F	29/10/2008
13325/2008	321713	03-99	27/10/2008	14571/2008	321781	11-02F	29/10/2008
13327/2008	321714	10-04	27/10/2008	14572/2008	321782	11-02F	29/10/2008
13329/2008	321715	07-01G	27/10/2008	14573/2008	321783	11-02F	29/10/2008
13330/2008	321716	07-01D	27/10/2008	14574/2008	321784	11-02F	29/10/2008
13331/2008	321717	07-01D	27/10/2008	14575/2008	321785	11-02F	29/10/2008
13332/2008	321718	07-01B	27/10/2008	14576/2008	321786	11-02F	29/10/2008
13333/2008	321719	07-01B	27/10/2008	14711/2008	321855	03-01C	31/10/2008
13334/2008	321720	07-01B	27/10/2008	14795/2008	321856	14-03A	31/10/2008
13335/2008	321721	07-01B	27/10/2008	14796/2008	321857	14-03A	31/10/2008

Publication and Registration Proceedings - Designs Registered cont'd

Design Number	Registration Number	International Classification Code (IDC)	Registration Date	Design Number	Registration Number	International Classification Code (IDC)	Registration Date
14814/2008	321858	09-01K	31/10/2008	15017/2008	321862	09-07A	31/10/2008
14831/2008	321859	09-01NES	31/10/2008	15116/2008	321861	07-06A	31/10/2008
14832/2008	321860	09-01NES	31/10/2008				

Publication and Registration Proceedings
Class Listing of Designs Published or Registered

The following section shows an International Classification Code listing of the Registered or Published Designs covered in this supplement.

Classification	Registration Number	Design Number	Classification	Registration Number	Design Number
01-01	321736	13213/2008	08-07	321705	13181/2008
02-04 A	321732	12677/2008	08-08 A	321769	12610/2008
02-04 A	321806	12227/2008	08-08 H	321658	13259/2008
02-04 B	321773	21500/2007	08-08 H	321659	13260/2008
02-07 A	321679	11641/2008	08-08 H	321660	13261/2008
03-01 B	321679	11641/2008	08-08 H	321661	13262/2008
03-01 B	321767	12129/2008	08-08 H	321662	13263/2008
03-01 C	321855	14711/2008	08-08 H	321663	13264/2008
03-99	321713	13325/2008	08-08 H	321664	13265/2008
06-01 C	321751	13312/2008	08-08 H	321665	13266/2008
06-01 E	321677	10797/2008	08-08 H	321666	13267/2008
06-01 L	321831	13157/2008	08-08 H	321667	13268/2008
06-01 NES	321779	13408/2008	08-08 H	321668	13269/2008
06-03 B	321831	13157/2008	08-08 H	321669	13270/2008
06-04 C	321787	11571/2008	08-08 H	321670	13271/2008
06-04 NES	321685	13208/2008	08-08 H	321671	13272/2008
06-04 NES	321746	13309/2008	08-08 H	321672	13273/2008
06-04 NES	321778	12678/2008	08-08 H	321673	13274/2008
06-06 C	321760	14567/2008	08-08 H	321674	13275/2008
06-06 E	321768	12395/2008	08-08 H	321675	13276/2008
06-06 G	321869	14356/2008	08-08 L	321692	13243/2008
06-08	321827	13030/2008	08-08 L	321693	13244/2008
06-10	321664	13265/2008	08-08 NES	321680	11653/2008
06-10	321666	13267/2008	08-08 NES	321791	13365/2008
06-10	321667	13268/2008	08-08 NES	321838	14236/2008
06-13 NES	321749	12970/2008	08-09	321805	12094/2008
07-01 A	321722	13336/2008	08-99	321836	14234/2008
07-01 A	321723	13337/2008	09-01 K	321682	12431/2008
07-01 A	321724	13338/2008	09-01 K	321858	14814/2008
07-01 A	321725	13339/2008	09-01 NES	321798	13387/2008
07-01 A	321726	13340/2008	09-01 NES	321830	13111/2008
07-01 A	321727	13341/2008	09-01 NES	321859	14831/2008
07-01 B	321718	13332/2008	09-01 NES	321860	14832/2008
07-01 B	321719	13333/2008	09-02 A	321829	13047/2008
07-01 B	321720	13334/2008	09-03 M	321744	13306/2008
07-01 B	321721	13335/2008	09-05	321799	13390/2008
07-01 B	321741	13303/2008	09-05	321826	13004/2008
07-01 D	321716	13330/2008	09-07 A	321862	15017/2008
07-01 D	321717	13331/2008	09-07 B	321711	13323/2008
07-01 G	321715	13329/2008	09-07 B	321712	13324/2008
07-02 D	321684	13171/2008	09-07 NES	321752	13313/2008
07-02 L	321709	13321/2008	09-07 NES	321753	13314/2008
07-02 L	321710	13322/2008	10-02	321706	13182/2008
07-04	321796	13372/2008	10-04	321714	13327/2008
07-05 A	321824	12691/2008	10-06	321795	13371/2008
07-05 A	321825	12692/2008	11-02 E	321840	13058/2008
07-05 E	321742	13304/2008	11-02 E	321841	13059/2008
07-05 E	321804	12093/2008	11-02 F	321774	11651/2008
07-06 A	321861	15116/2008	11-02 F	321775	11652/2008
07-07 A	321841	13059/2008	11-02 F	321780	14570/2008
07-99 NES	321704	13172/2008	11-02 F	321781	14571/2008
08-05 A	321828	13036/2008	11-02 F	321782	14572/2008
08-05 E	321823	12491/2008	11-02 F	321783	14573/2008
08-05 F	321680	11653/2008	11-02 F	321784	14574/2008
08-05 N	321833	13170/2008	11-02 F	321785	14575/2008
08-05 NES	321680	11653/2008	11-02 F	321786	14576/2008

Registration Proceedings - Class Listing of Designs Published or Registered cont'd

Classification	Registration Number	Design Number	Classification	Registration Number	Design Number
11-05	321819	11449/2008	23-01 F	321748	12327/2008
11-05	321834	14232/2008	23-01 F	321809	12999/2008
11-05	321835	14233/2008	23-01 F	321829	13047/2008
11-05	321836	14234/2008	23-01 H	321698	12594/2008
11-05	321837	14235/2008	23-01 H	321699	12595/2008
11-05	321838	14236/2008	23-01 H	321745	13307/2008
12-08	321694	13246/2008	23-02 B	321697	12593/2008
12-08	321754	13315/2008	23-02 B	321800	13392/2008
12-12	321757	13345/2008	23-02 B	321808	12856/2008
12-15 A	321743	13305/2008	23-02 C	321646	13099/2008
12-15 A	321792	13366/2008	23-02 C	321650	13103/2008
12-15 A	321793	13367/2008	23-02 C	321657	13110/2008
12-15 B	321797	13373/2008	23-02 C	321794	13368/2008
12-16 A	321728	11871/2008	23-02 F	321647	13100/2008
12-16 A	321729	11872/2008	23-02 F	321648	13101/2008
12-16 NES	321770	12696/2008	23-02 F	321649	13102/2008
12-16 NES	321823	12491/2008	23-02 F	321651	13104/2008
13-01	321686	13212/2008	23-02 F	321652	13105/2008
13-02	321864	11677/2008	23-02 F	321653	13106/2008
13-02	321868	13745/2008	23-02 F	321654	13107/2008
13-03 D	321695	14237/2008	23-02 F	321655	13108/2008
13-03 D	321696	12103/2008	23-02 F	321656	13109/2008
13-03 E	321695	14237/2008	23-02 F	321683	12639/2008
14-01	321758	13352/2008	23-02 F	321846	13421/2008
14-03 A	321700	12598/2008	23-02 F	321847	13422/2008
14-03 A	321701	12599/2008	23-02 F	321848	13423/2008
14-03 A	321702	12600/2008	23-02 F	321849	13424/2008
14-03 A	321856	14795/2008	23-02 F	321850	13425/2008
14-03 A	321857	14796/2008	23-02 F	321851	13426/2008
14-03 E	321844	13419/2008	23-02 F	321852	13427/2008
14-03 E	321845	13420/2008	23-02 F	321853	13428/2008
14-99	321678	11184/2008	23-04	321737	13253/2008
15-04	321759	14194/2008	23-04	321738	13254/2008
15-04	321802	11828/2008	23-04	321739	13255/2008
15-04	321811	14569/2008	23-04	321740	13256/2008
15-05	321747	13342/2008	24-01	321676	10718/2008
15-05	321755	13343/2008	24-99	321832	13168/2008
15-05	321756	13344/2008	25-01 B	321863	11620/2008
15-06	321803	11843/2008	25-01 D	321863	11620/2008
15-06	321810	14568/2008	25-01 E	321730	11960/2008
15-09	321833	13170/2008	25-01 G	321734	12869/2008
16-02	321707	13316/2008	25-01 G	321735	12870/2008
16-06	321762	11636/2008	25-01 K	321812	10700/2008
16-06	321763	11637/2008	25-01 K	321813	10701/2008
16-06	321764	11638/2008	25-01 K	321814	10702/2008
16-06	321765	11639/2008	25-01 K	321815	10703/2008
16-06	321766	11640/2008	25-01 K	321816	10704/2008
16-06	321842	13414/2008	25-01 K	321817	10705/2008
17-02	321776	12183/2008	25-01 K	321818	10706/2008
19-06	321801	11767/2008	25-01 K	321834	14232/2008
20-02 C	321839	14548/2008	25-01 K	321835	14233/2008
20-03 NES	321819	11449/2008	25-01 K	321836	14234/2008
21-01 C	321754	13315/2008	25-01 K	321837	14235/2008
21-03	321779	13408/2008	25-02 NES	321863	11620/2008
21-04	321870	12022/2008	25-03	321820	12374/2008
22-05	321854	19687/2007	25-03	321821	12375/2008
23-01 A	321708	13318/2008	25-03	321822	12376/2008
23-01 F	321731	12664/2008	25-04	321761	20560/2007
23-01 F	321733	12787/2008	25-99	321805	12094/2008

Registration Proceedings - Class Listing of Designs Published or Registered cont'd

Classification	Registration Number	Design Number	Classification	Registration Number	Design Number
26-03	321681	11809/2008	26-06	321789	11726/2008
26-04	321865	11742/2008	26-06	321790	11727/2008
26-04	321866	11743/2008	29-02	321795	13371/2008
26-04	321867	11744/2008	30-01	321777	12661/2008
26-04	321872	12029/2008	30-04	321687	13214/2008
26-05 A	321866	11743/2008	30-04	321688	13215/2008
26-05 A	321867	11744/2008	30-04	321689	13216/2008
26-05 C	321681	11809/2008	30-04	321690	13217/2008
26-05 C	321865	11742/2008	30-04	321691	13218/2008
26-05 D	321703	13060/2008	30-99	321807	12777/2008
26-05 D	321750	13310/2008	99-00	321771	12725/2008
26-05 D	321843	13415/2008	99-00	321772	13995/2008
26-05 NES	321871	12025/2008			
26-06	321788	11725/2008			

(21) Design Number: **13099/2008**

(22) Date of Filing Application: **04 July 2008**

(24) Date from which industrial property rights may have effect: **04 July 2008**

(54) Product in respect of which the design is registered: **Wall hung toilet**

(51) International Design Classification: **23-02C**

(71) Name(s) and Address(s) of Applicant(s):

Kohler France SAS
Immeuble Le Cap 3 rue de Brennus 93631 La Plaine St. Denis Cedex
France

(72) Name(s) of Designer(s): **Jean-Hugues Soulier**

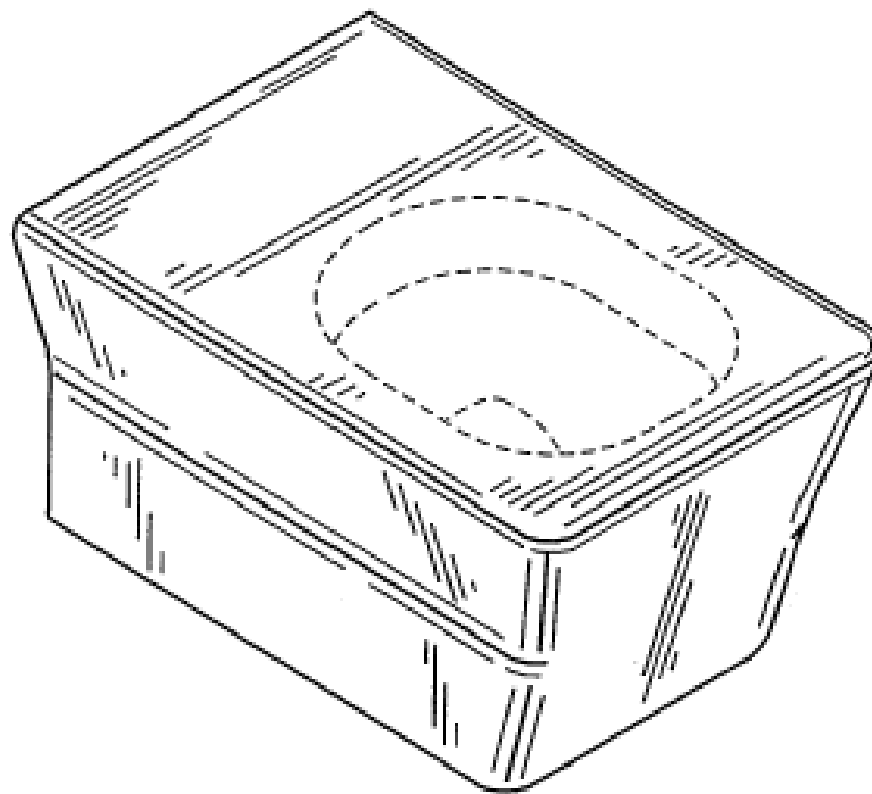
(45) Registration Date: **24 October 2008**

(30) Convention priority data:

(31) Number	(32) Date	(33) Country
000853361	04 Jan 2008	EUROPEAN PATENT OFFICE (EPO)

(56) Related Art Documents: **Not Applicable**

(57) Statement of Newness and Distinctiveness: **When determining whether the design 1 is substantially similar in overall impression to another design, no regard is to be had to those features shown in dotted outline in the accompanying drawings.**



(21) Design Number: **13100/2008**

(22) Date of Filing Application: **04 July 2008**

(24) Date from which industrial property rights may have effect: **04 July 2008**

(54) Product in respect of which the design is registered: **Wash basin**

(51) International Design Classification: **23-02F**

(71) Name(s) and Address(s) of Applicant(s):

Kohler France SAS
Immeuble Le Cap 3 rue de Brennus 93631 La Plaine St. Denis Cedex
France

(72) Name(s) of Designer(s): **Jean-Hugues Soulier**

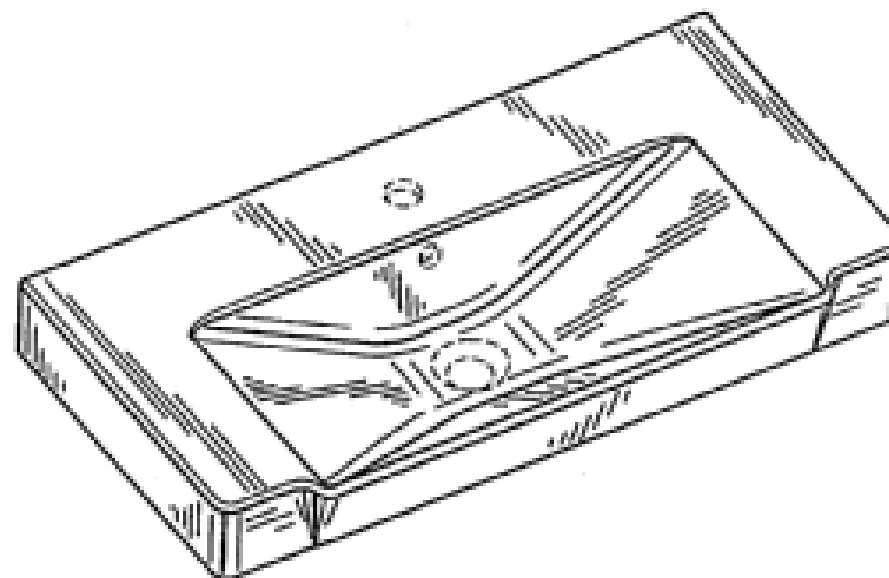
(45) Registration Date: **24 October 2008**

(30) Convention priority data:

(31) Number	(32) Date	(33) Country
000853379	04 Jan 2008	EUROPEAN PATENT OFFICE (EPO)

(56) Related Art Documents: **Not Applicable**

(57) Statement of Newness and Distinctiveness: **When determining whether the design 1 is substantially similar in overall impression to another design, no regard is to be had to those features shown in dotted outline in the accompanying drawings.**



(21) Design Number: **13101/2008**

(22) Date of Filing Application: **04 July 2008**

(24) Date from which industrial property rights may have effect: **04 July 2008**

(54) Product in respect of which the design is registered: **Wash basin**

(51) International Design Classification: **23-02F**

(71) Name(s) and Address(s) of Applicant(s):

Kohler France SAS
Immeuble Le Cap 3 rue de Brennus 93631 La Plaine St. Denis Cedex
France

(72) Name(s) of Designer(s): **Jean-Hugues Soulier**

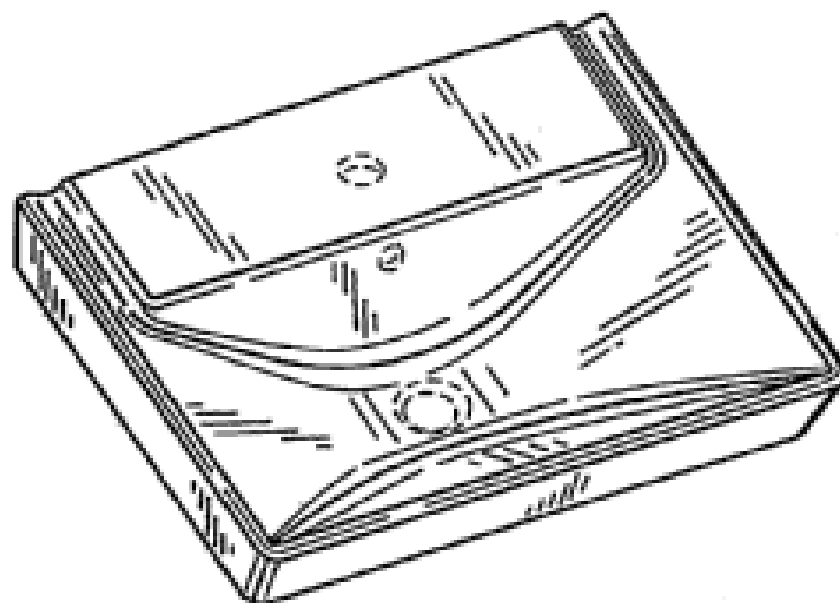
(45) Registration Date: **24 October 2008**

(30) Convention priority data:

(31) Number	(32) Date	(33) Country
000853379	04 Jan 2008	EUROPEAN PATENT OFFICE (EPO)

(56) Related Art Documents: **Not Applicable**

(57) Statement of Newness and Distinctiveness: **When determining whether the design 1 is substantially similar in overall impression to another design, no regard is to be had to those features shown in dotted outline in the accompanying drawings.**



(21) Design Number: **13102/2008**

(22) Date of Filing Application: **04 July 2008**

(24) Date from which industrial property rights may have effect: **04 July 2008**

(54) Product in respect of which the design is registered: **Wash basin**

(51) International Design Classification: **23-02F**

(71) Name(s) and Address(s) of Applicant(s):

Kohler France SAS
Immeuble Le Cap 3 rue de Brennus 93631 La Plaine St. Denis Cedex
France

(72) Name(s) of Designer(s): **Jean-Hugues Soulier**

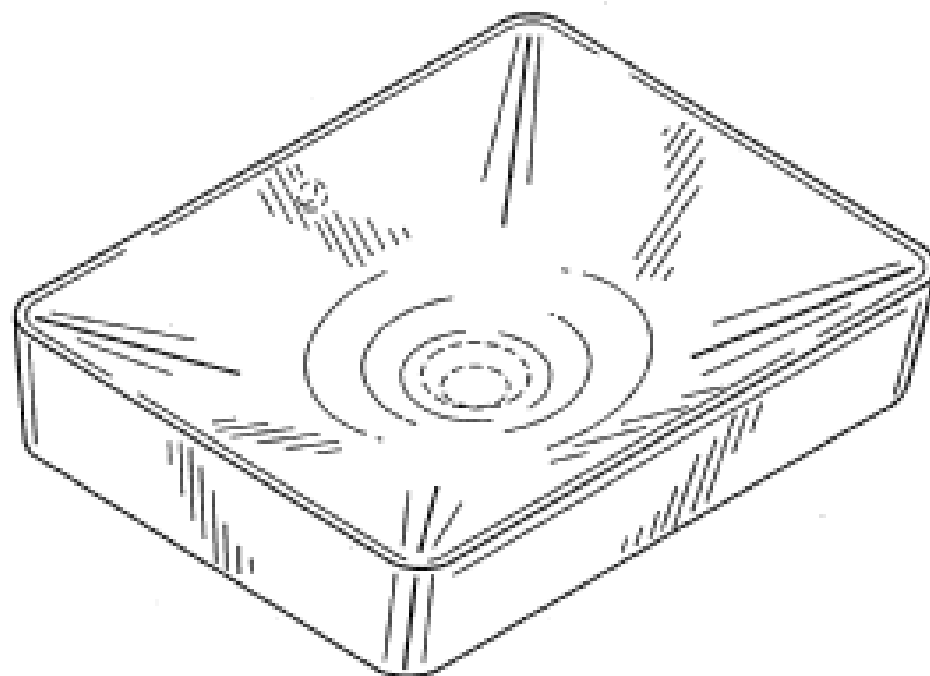
(45) Registration Date: **24 October 2008**

(30) Convention priority data:

(31) Number	(32) Date	(33) Country
000853320	04 Jan 2008	EUROPEAN PATENT OFFICE (EPO)

(56) Related Art Documents: **Not Applicable**

(57) Statement of Newness and Distinctiveness: **When determining whether the design 1 is substantially similar in overall impression to another design, no regard is to be had to those features shown in dotted outline in the accompanying drawings.**



(21) Design Number: **13103/2008**

(22) Date of Filing Application: **04 July 2008**

(24) Date from which industrial property rights may have effect: **04 July 2008**

(54) Product in respect of which the design is registered: **Toilet**

(51) International Design Classification: **23-02C**

(71) Name(s) and Address(s) of Applicant(s):

Kohler France SAS
Immeuble Le Cap 3 rue de Brennus 93631 La Plaine St. Denis Cedex
France

(72) Name(s) of Designer(s): **Jean-Hugues Soulier**

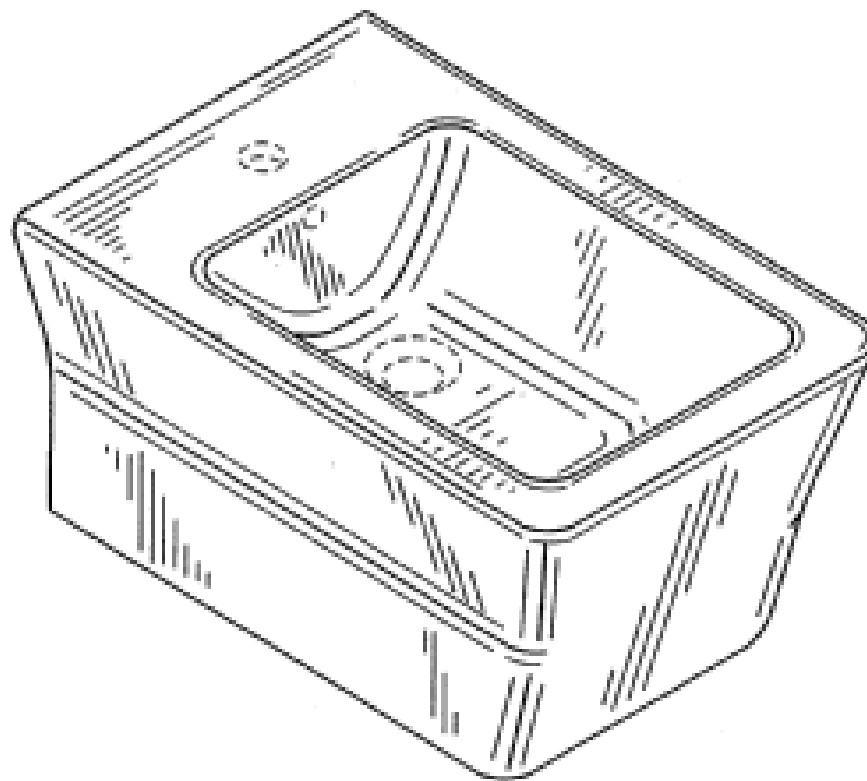
(45) Registration Date: **24 October 2008**

(30) Convention priority data:

(31) Number	(32) Date	(33) Country
000853338	04 Jan 2008	EUROPEAN PATENT OFFICE (EPO)

(56) Related Art Documents: **Not Applicable**

(57) Statement of Newness and Distinctiveness: **When determining whether the design 1 is substantially similar in overall impression to another design, no regard is to be had to those features shown in dotted outline in the accompanying drawings.**



(21) Design Number: **13104/2008**

(22) Date of Filing Application: **04 July 2008**

(24) Date from which industrial property rights may have effect: **04 July 2008**

(54) Product in respect of which the design is registered: **Wash basin**

(51) International Design Classification: **23-02F**

(71) Name(s) and Address(s) of Applicant(s):

Kohler France SAS
Immeuble Le Cap 3 rue de Brennus 93631 La Plaine St. Denis Cedex
France

(72) Name(s) of Designer(s): **Jean-Hugues Soulier**

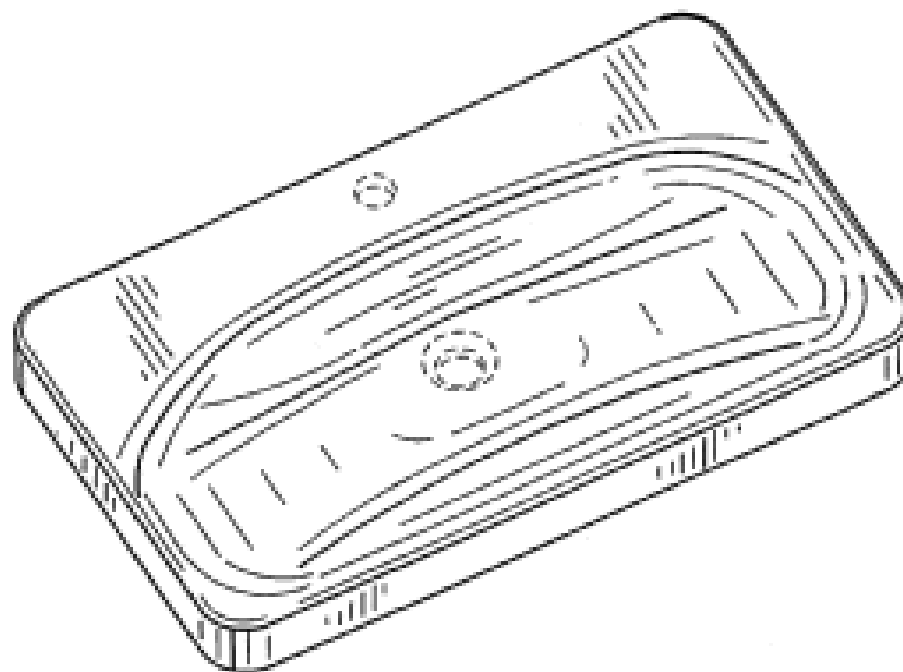
(45) Registration Date: **24 October 2008**

(30) Convention priority data:

(31) Number	(32) Date	(33) Country
000853353	04 Jan 2008	EUROPEAN PATENT OFFICE (EPO)

(56) Related Art Documents: **Not Applicable**

(57) Statement of Newness and Distinctiveness: **When determining whether the design 1 is substantially similar in overall impression to another design, no regard is to be had to those features shown in dotted outline in the accompanying drawings.**



(21) Design Number: **13105/2008**

(22) Date of Filing Application: **04 July 2008**

(24) Date from which industrial property rights may have effect: **04 July 2008**

(54) Product in respect of which the design is registered: **Wash basin**

(51) International Design Classification: **23-02F**

(71) Name(s) and Address(s) of Applicant(s):

Kohler France SAS
Immeuble Le Cap 3 rue de Brennus 93631 La Plaine St. Denis Cedex
France

(72) Name(s) of Designer(s): **Jean-Hugues Soulier**

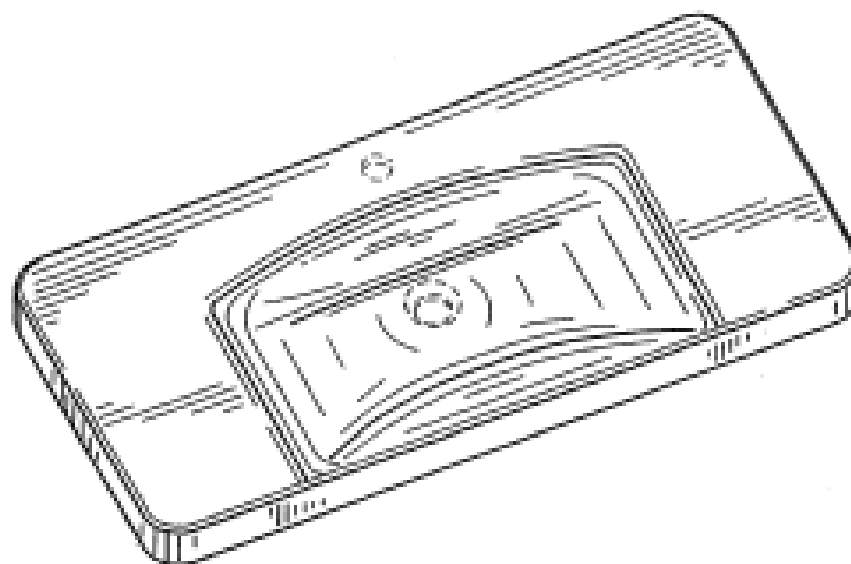
(45) Registration Date: **24 October 2008**

(30) Convention priority data:

(31) Number	(32) Date	(33) Country
000853353	04 Jan 2008	EUROPEAN PATENT OFFICE (EPO)

(56) Related Art Documents: **Not Applicable**

(57) Statement of Newness and Distinctiveness: **When determining whether the design 1 is substantially similar in overall impression to another design, no regard is to be had to those features shown in dotted outline in the accompanying drawings.**



(21) Design Number: **13106/2008**

(22) Date of Filing Application: **04 July 2008**

(24) Date from which industrial property rights may have effect: **04 July 2008**

(54) Product in respect of which the design is registered: **Wash basin pedestal**

(51) International Design Classification: **23-02F**

(71) Name(s) and Address(s) of Applicant(s):

Kohler France SAS
Immeuble Le Cap 3 rue de Brennus 93631 La Plaine St. Denis Cedex
France

(72) Name(s) of Designer(s): **Jean-Hugues Soulier**

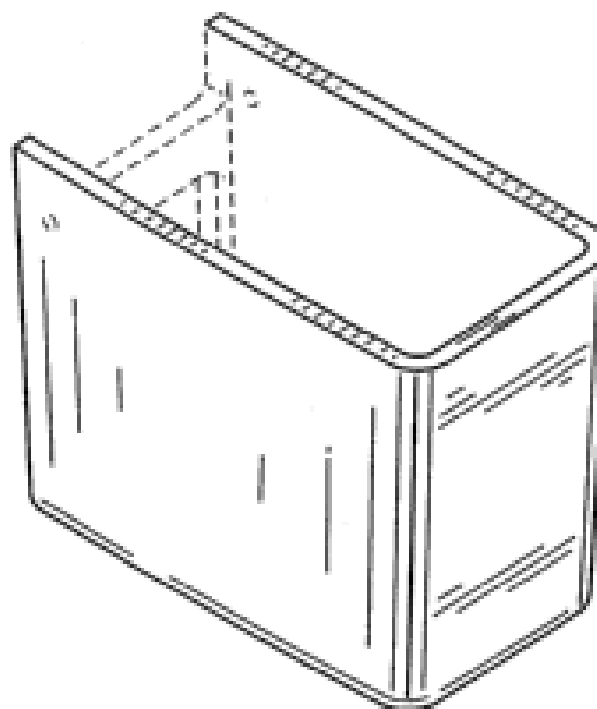
(45) Registration Date: **24 October 2008**

(30) Convention priority data:

(31) Number	(32) Date	(33) Country
000853346	04 Jan 2008	EUROPEAN PATENT OFFICE (EPO)

(56) Related Art Documents: **Not Applicable**

(57) Statement of Newness and Distinctiveness: **When determining whether the design 1 is substantially similar in overall impression to another design, no regard is to be had to those features shown in dotted outline in the accompanying drawings.**



(21) Design Number: **13107/2008**

(22) Date of Filing Application: **04 July 2008**

(24) Date from which industrial property rights may have effect: **04 July 2008**

(54) Product in respect of which the design is registered: **Wash basin pedestal**

(51) International Design Classification: **23-02F**

(71) Name(s) and Address(s) of Applicant(s):

Kohler France SAS
Immeuble Le Cap 3 rue de Brennus 93631 La Plaine St. Denis Cedex
France

(72) Name(s) of Designer(s): **Jean-Hugues Soulier**

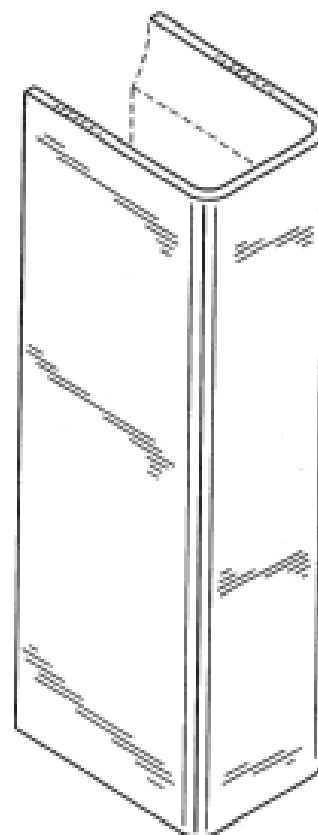
(45) Registration Date: **24 October 2008**

(30) Convention priority data:

(31) Number	(32) Date	(33) Country
000853346	04 Jan 2008	EUROPEAN PATENT OFFICE (EPO)

(56) Related Art Documents: **Not Applicable**

(57) Statement of Newness and Distinctiveness: **When determining whether the design 1 is substantially similar in overall impression to another design, no regard is to be had to those features shown in dotted outline in the accompanying drawings.**



(21) Design Number: **13108/2008**

(22) Date of Filing Application: **04 July 2008**

(24) Date from which industrial property rights may have effect: **04 July 2008**

(54) Product in respect of which the design is registered: **Wash basin**

(51) International Design Classification: **23-02F**

(71) Name(s) and Address(s) of Applicant(s):

Kohler France SAS
Immeuble Le Cap 3 rue de Brennus 93631 La Plaine St. Denis Cedex
France

(72) Name(s) of Designer(s): **Jean-Hugues Soulier**

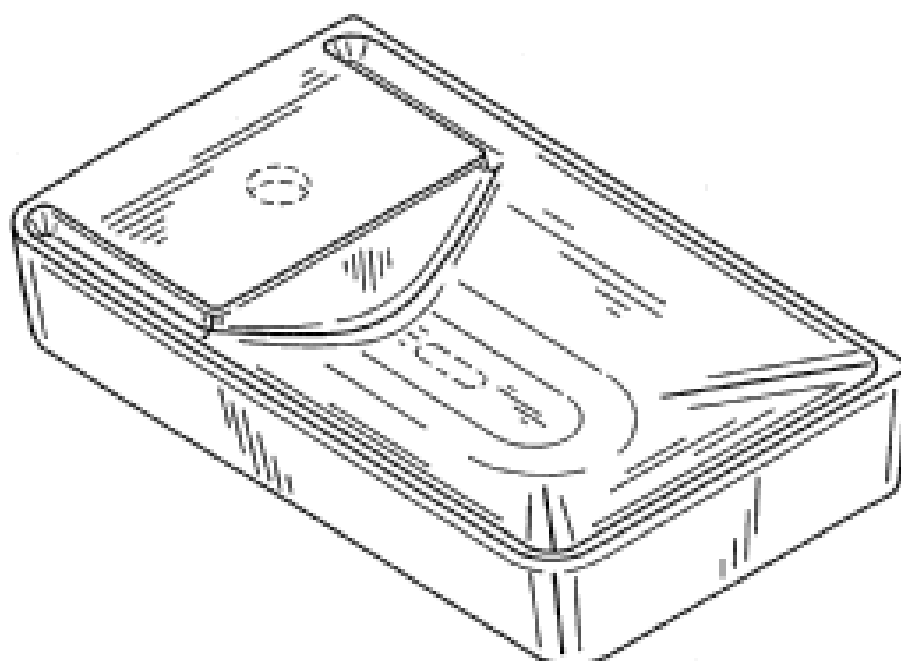
(45) Registration Date: **24 October 2008**

(30) Convention priority data:

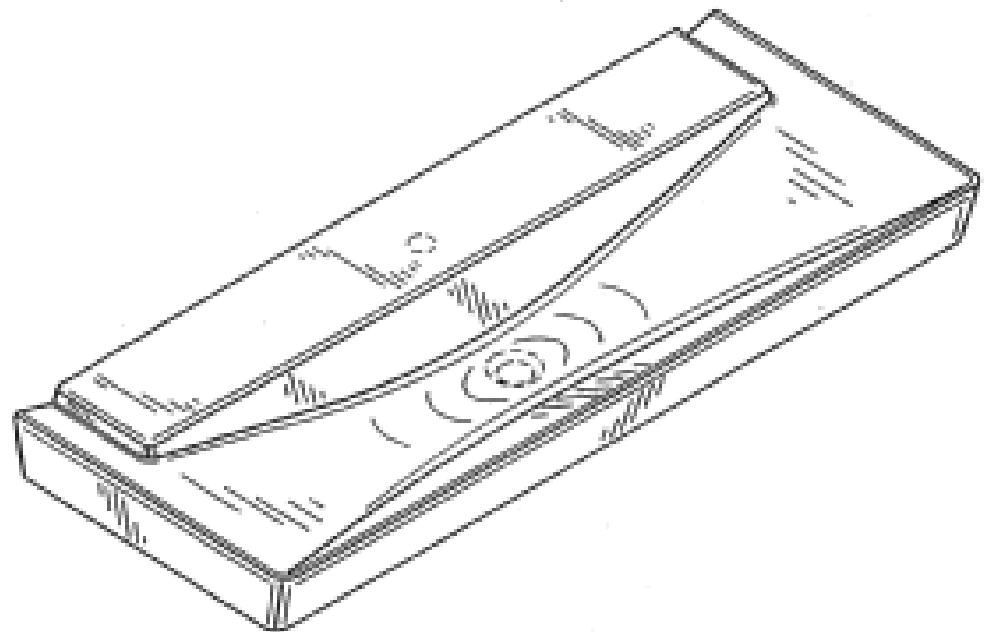
(31) Number	(32) Date	(33) Country
000853320	04 Jan 2008	EUROPEAN PATENT OFFICE (EPO)

(56) Related Art Documents: **Not Applicable**

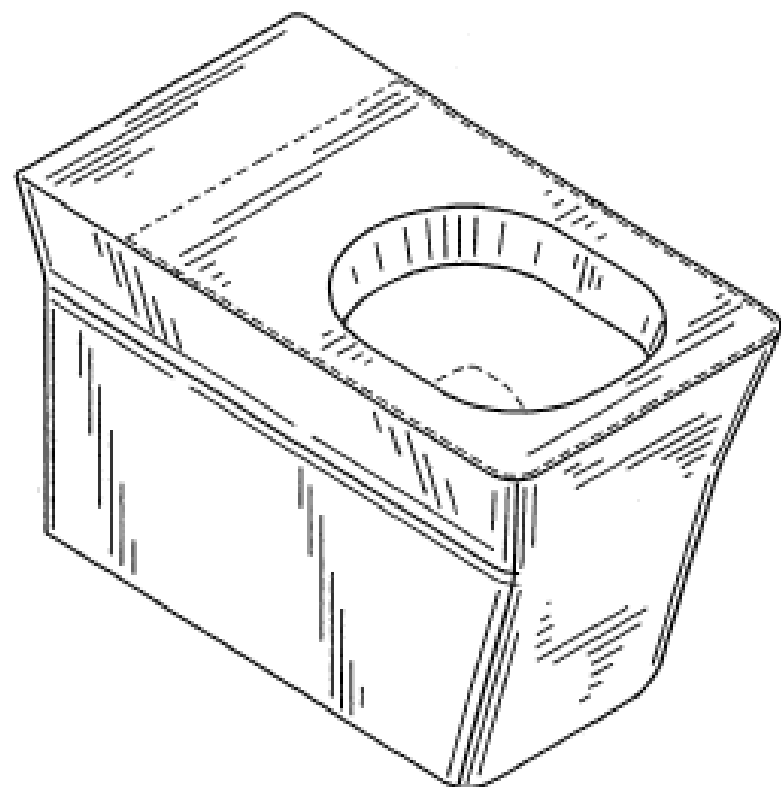
(57) Statement of Newness and Distinctiveness: **When determining whether the design 1 is substantially similar in overall impression to another design, no regard is to be had to those features shown in dotted outline in the accompanying drawings.**



(21) Design Number: **13109/2008**
(22) Date of Filing Application: **04 July 2008**
(24) Date from which industrial property rights may have effect: **04 July 2008**
(54) Product in respect of which the design is registered: **Wash basin**
(51) International Design Classification: **23-02F**
(71) Name(s) and Address(s) of Applicant(s):
Kohler France SAS
Immeuble Le Cap 3 rue de Brennus 93631 La Plaine St. Denis Cedex
France
(72) Name(s) of Designer(s): **Jean-Hugues Soulier**
(45) Registration Date: **24 October 2008**
(30) Convention priority data:
(31) Number (32) Date (33) Country
000853320 04 Jan 2008 EUROPEAN PATENT OFFICE
(EPO)
(56) Related Art Documents: **Not Applicable**
(57) Statement of Newness and Distinctiveness: **When determining whether the design 1 is substantially similar in overall impression to another design, no regard is to be had to those features shown in dotted outline in the accompanying drawings.**



(21) Design Number: **13110/2008**
(22) Date of Filing Application: **04 July 2008**
(24) Date from which industrial property rights may have effect: **04 July 2008**
(54) Product in respect of which the design is registered: **Toilet**
(51) International Design Classification: **23-02C**
(71) Name(s) and Address(s) of Applicant(s):
Kohler France SAS
Immeuble Le Cap 3 rue de Brennus 93631 La Plaine St. Denis Cedex
France
(72) Name(s) of Designer(s): **Jean-Hugues Soulier**
(45) Registration Date: **24 October 2008**
(30) Convention priority data:
(31) Number (32) Date (33) Country
000853338 04 Jan 2008 EUROPEAN PATENT OFFICE
(EPO)
(56) Related Art Documents: **Not Applicable**
(57) Statement of Newness and Distinctiveness: **When determining whether the design 1 is substantially similar in overall impression to another design, no regard is to be had to those features shown in dotted outline in the accompanying drawings.**



(21) Design Number: **13259/2008**

(22) Date of Filing Application: **11 July 2008**

(24) Date from which industrial property rights may have effect: **11 July 2008**

(54) Product in respect of which the design is registered: **Bracket for roller blinds**

(51) International Design Classification: **08-08H**

(71) Name(s) and Address(s) of Applicant(s):

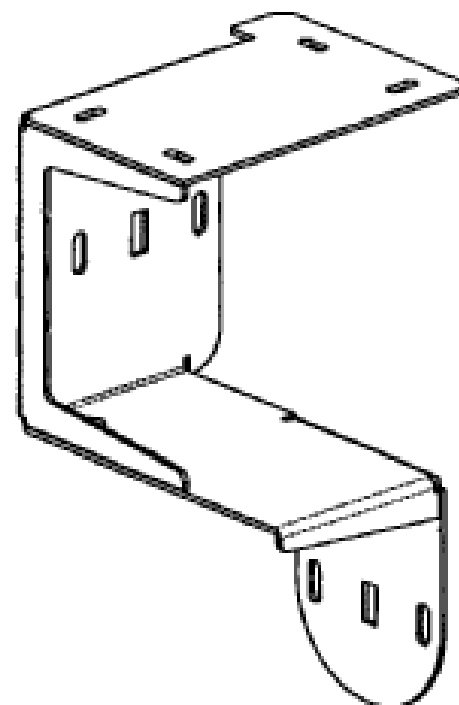
**Designed Blinds Australia Pty Ltd
1507 Centre Road Clayton Victoria 3168 Australia**

(72) Name(s) of Designer(s): **Kevin Clarke**

(45) Registration Date: **24 October 2008**

(56) Related Art Documents: **Not Applicable**

(57) Statement of Newness and Distinctiveness: **Nil**



(21) Design Number: **13260/2008**

(22) Date of Filing Application: **11 July 2008**

(24) Date from which industrial property rights may have effect: **11 July 2008**

(54) Product in respect of which the design is registered: **Bracket for roller blinds**

(51) International Design Classification: **08-08H**

(71) Name(s) and Address(s) of Applicant(s):

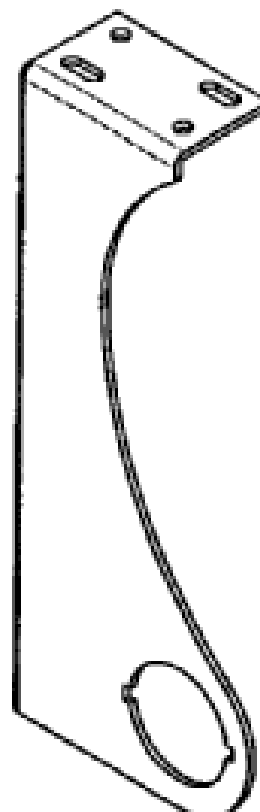
**Designed Blinds Australia Pty Ltd
1507 Centre Road Clayton Victoria 3168 Australia**

(72) Name(s) of Designer(s): **Kevin Clarke**

(45) Registration Date: **24 October 2008**

(56) Related Art Documents: **Not Applicable**

(57) Statement of Newness and Distinctiveness: **Nil**



(21) Design Number: **13261/2008**

(22) Date of Filing Application: **11 July 2008**

(24) Date from which industrial property rights may have effect: **11 July 2008**

(54) Product in respect of which the design is registered: **Bracket for roller blinds**

(51) International Design Classification: **08-08H**

(71) Name(s) and Address(s) of Applicant(s):

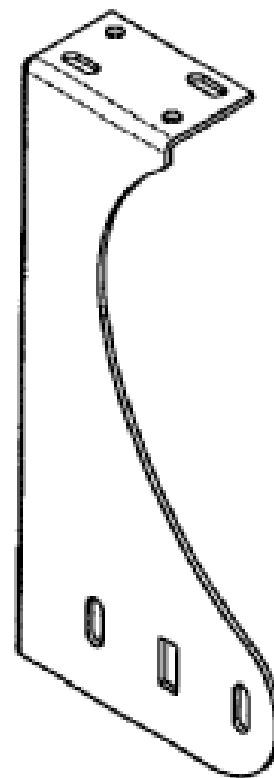
**Designed Blinds Australia Pty Ltd
1507 Centre Road Clayton Victoria 3168 Australia**

(72) Name(s) of Designer(s): **Kevin Clarke**

(45) Registration Date: **24 October 2008**

(56) Related Art Documents: **Not Applicable**

(57) Statement of Newness and Distinctiveness: **Nil**



(21) Design Number: **13262/2008**

(22) Date of Filing Application: **11 July 2008**

(24) Date from which industrial property rights may have effect: **11 July 2008**

(54) Product in respect of which the design is registered: **Bracket for roller blinds**

(51) International Design Classification: **08-08H**

(71) Name(s) and Address(s) of Applicant(s):

**Designed Blinds Australia Pty Ltd
1507 Centre Road Clayton Victoria 3168 Australia**

(72) Name(s) of Designer(s): **Kevin Clarke**

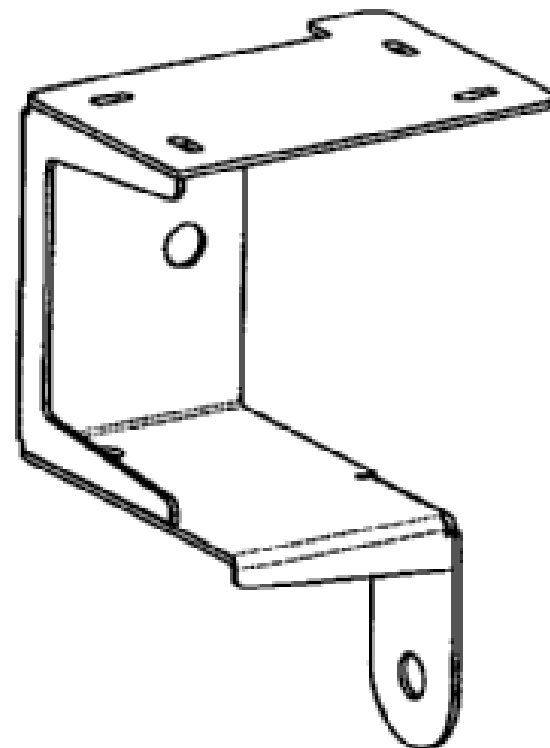
(45) Registration Date: **24 October 2008**

(56) Related Art Documents: **Not Applicable**

(57) Statement of Newness and Distinctiveness: **Nil**



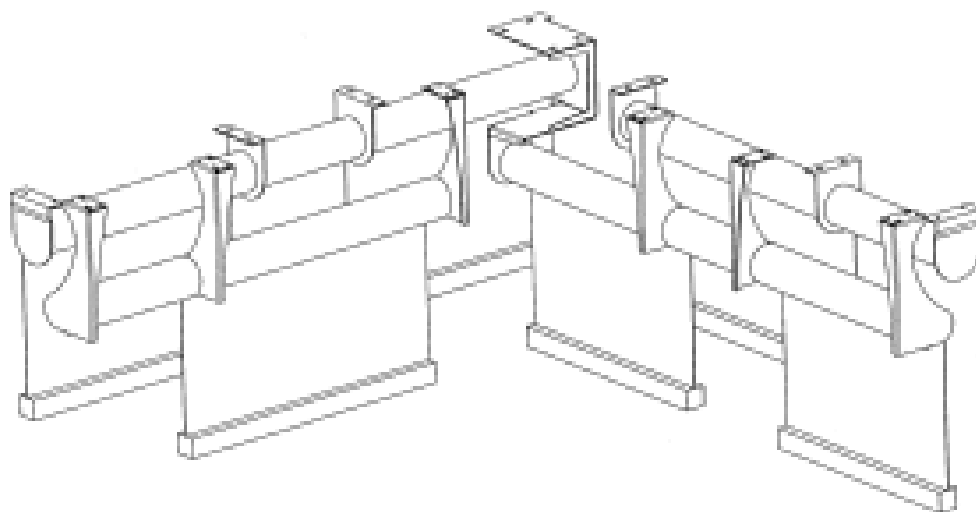
(21) Design Number: **13263/2008**
(22) Date of Filing Application: **11 July 2008**
(24) Date from which industrial property rights may have effect: **11 July 2008**
(54) Product in respect of which the design is registered: **Bracket for roller blinds**
(51) International Design Classification: **08-08H**
(71) Name(s) and Address(s) of Applicant(s):
Designed Blinds Australia Pty Ltd
1507 Centre Road Clayton Victoria 3168 Australia
(72) Name(s) of Designer(s): **Kevin Clarke**
(45) Registration Date: **24 October 2008**
(56) Related Art Documents: **Not Applicable**
(57) Statement of Newness and Distinctiveness: **Nil**



(21) Design Number: **13264/2008**
(22) Date of Filing Application: **11 July 2008**
(24) Date from which industrial property rights may have effect: **11 July 2008**
(54) Product in respect of which the design is registered: **Bracket for roller blinds**
(51) International Design Classification: **08-08H**
(71) Name(s) and Address(s) of Applicant(s):
Designed Blinds Australia Pty Ltd
1507 Centre Road Clayton Victoria 3168 Australia
(72) Name(s) of Designer(s): **Kevin Clarke**
(45) Registration Date: **24 October 2008**
(56) Related Art Documents: **Not Applicable**
(57) Statement of Newness and Distinctiveness: **Nil**



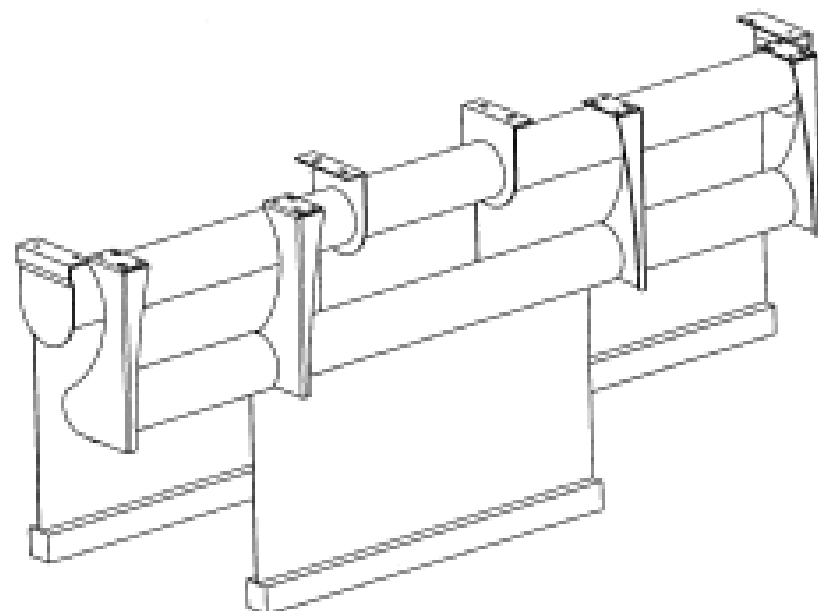
- (21) Design Number: **13265/2008**
(22) Date of Filing Application: **11 July 2008**
(24) Date from which industrial property rights may have effect: **11 July 2008**
(54) Product in respect of which the design is registered: **Overlap bracket system for roller blinds**
(51) International Design Classification: **08-08H, 06-10**
(71) Name(s) and Address(s) of Applicant(s):
Designed Blinds Australia Pty Ltd
1507 Centre Road Clayton Victoria 3168 Australia
(72) Name(s) of Designer(s): **Kevin Clarke**
(45) Registration Date: **24 October 2008**
(56) Related Art Documents: **Not Applicable**
(57) Statement of Newness and Distinctiveness: **Nil**



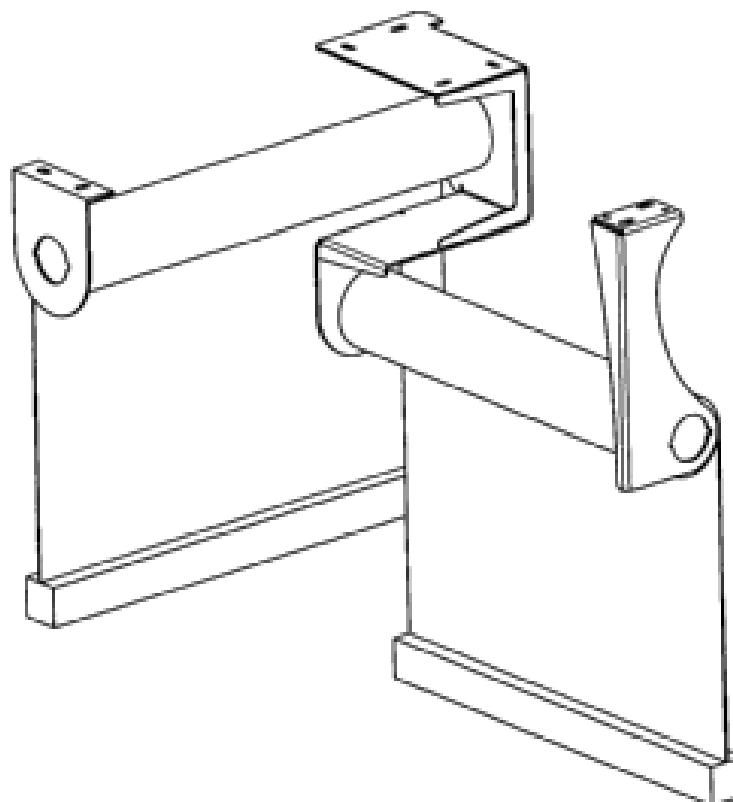
- (21) Design Number: **13266/2008**
(22) Date of Filing Application: **11 July 2008**
(24) Date from which industrial property rights may have effect: **11 July 2008**
(54) Product in respect of which the design is registered: **Bracket for roller blinds**
(51) International Design Classification: **08-08H**
(71) Name(s) and Address(s) of Applicant(s):
Designed Blinds Australia Pty Ltd
1507 Centre Road Clayton Victoria 3168 Australia
(72) Name(s) of Designer(s): **Kevin Clarke**
(45) Registration Date: **24 October 2008**
(56) Related Art Documents: **Not Applicable**
(57) Statement of Newness and Distinctiveness: **Nil**



- (21) Design Number: **13267/2008**
(22) Date of Filing Application: **11 July 2008**
(24) Date from which industrial property rights may have effect: **11 July 2008**
(54) Product in respect of which the design is registered: **Overlap bracket system for roller blinds**
(51) International Design Classification: **08-08H, 06-10**
(71) Name(s) and Address(s) of Applicant(s):
Designed Blinds Australia Pty Ltd
1507 Centre Road Clayton Victoria 3168 Australia
(72) Name(s) of Designer(s): **Kevin Clarke**
(45) Registration Date: **24 October 2008**
(56) Related Art Documents: **Not Applicable**
(57) Statement of Newness and Distinctiveness: **Nil**



- (21) Design Number: **13268/2008**
(22) Date of Filing Application: **11 July 2008**
(24) Date from which industrial property rights may have effect: **11 July 2008**
(54) Product in respect of which the design is registered: **Overlap bracket system for roller blinds**
(51) International Design Classification: **08-08H, 06-10**
(71) Name(s) and Address(s) of Applicant(s):
Designed Blinds Australia Pty Ltd
1507 Centre Road Clayton Victoria 3168 Australia
(72) Name(s) of Designer(s): **Kevin Clarke**
(45) Registration Date: **24 October 2008**
(56) Related Art Documents: **Not Applicable**
(57) Statement of Newness and Distinctiveness: **Nil**



(21) Design Number: **13269/2008**

(22) Date of Filing Application: **11 July 2008**

(24) Date from which industrial property rights may have effect: **11 July 2008**

(54) Product in respect of which the design is registered: **Bracket for roller blinds**

(51) International Design Classification: **08-08H**

(71) Name(s) and Address(s) of Applicant(s):

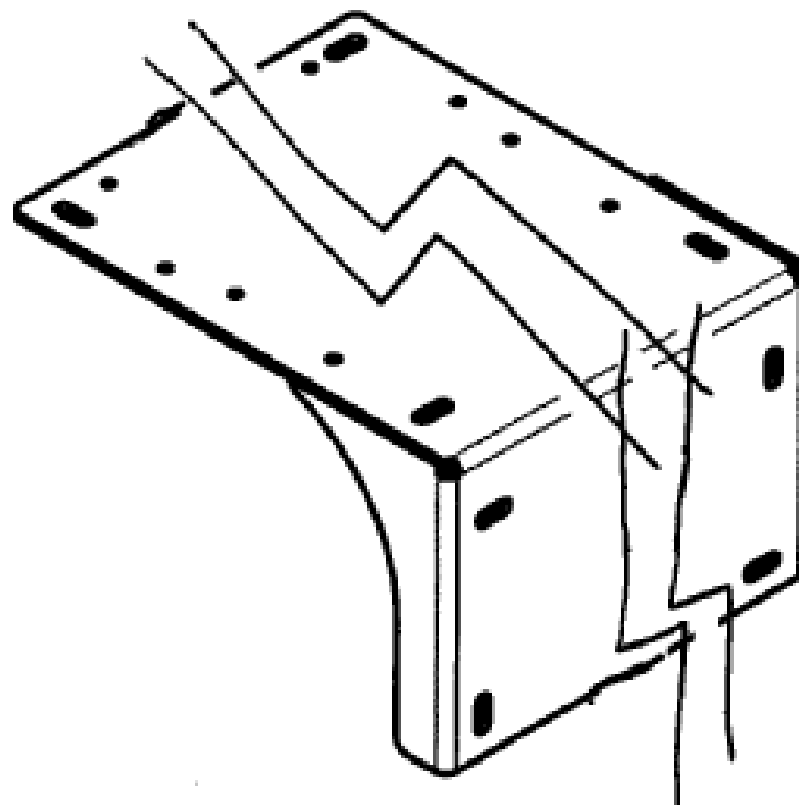
**Designed Blinds Australia Pty Ltd
1507 Centre Road Clayton Victoria 3168 Australia**

(72) Name(s) of Designer(s): **Kevin Clarke**

(45) Registration Date: **24 October 2008**

(56) Related Art Documents: **Not Applicable**

(57) Statement of Newness and Distinctiveness: **Nil**



(21) Design Number: **13270/2008**

(22) Date of Filing Application: **11 July 2008**

(24) Date from which industrial property rights may have effect: **11 July 2008**

(54) Product in respect of which the design is registered: **Bracket for roller blinds**

(51) International Design Classification: **08-08H**

(71) Name(s) and Address(s) of Applicant(s):

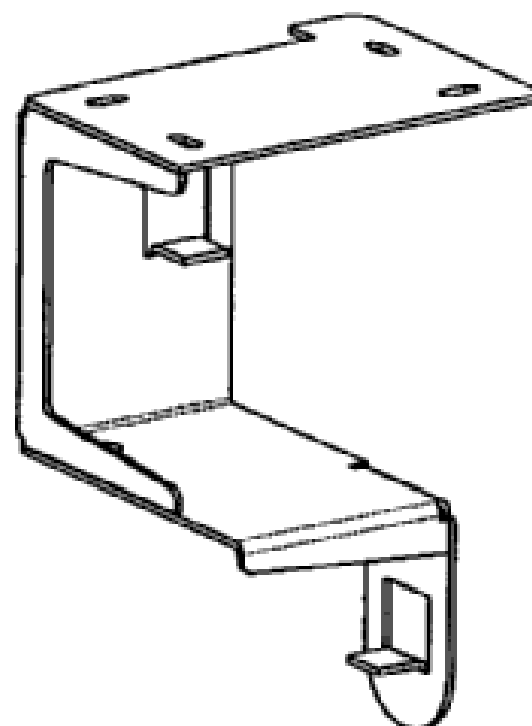
**Designed Blinds Australia Pty Ltd
1507 Centre Road Clayton Victoria 3168 Australia**

(72) Name(s) of Designer(s): **Kevin Clarke**

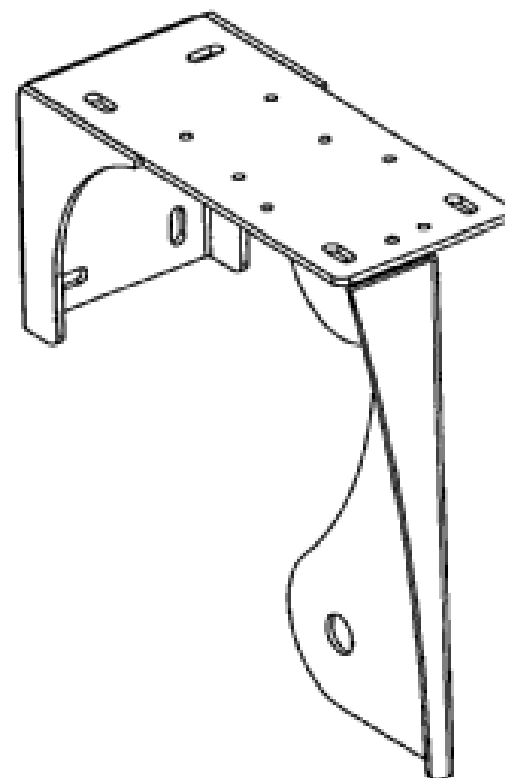
(45) Registration Date: **24 October 2008**

(56) Related Art Documents: **Not Applicable**

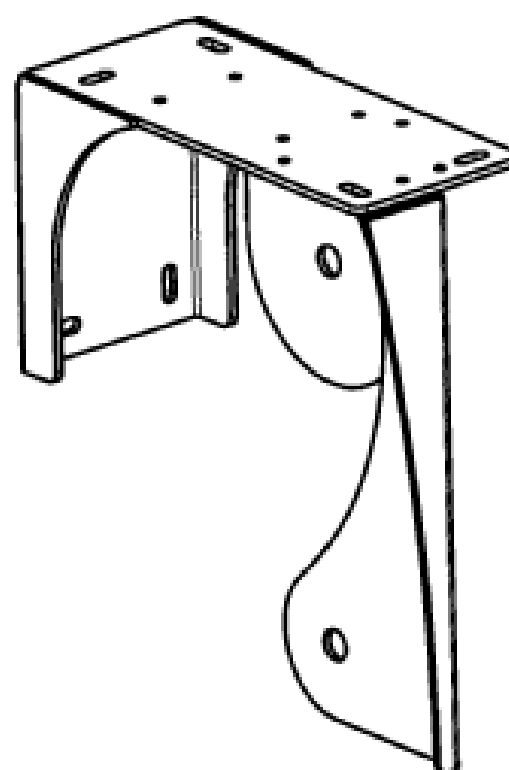
(57) Statement of Newness and Distinctiveness: **Nil**



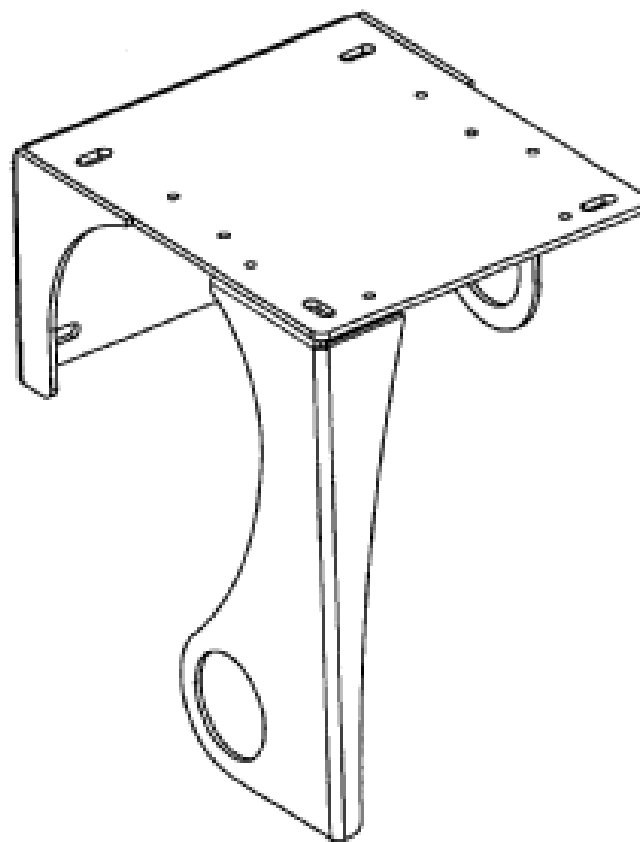
- (21) Design Number: **13271/2008**
(22) Date of Filing Application: **11 July 2008**
(24) Date from which industrial property rights may have effect: **11 July 2008**
(54) Product in respect of which the design is registered: **Overlap bracket system for roller blinds**
(51) International Design Classification: **08-08H**
(71) Name(s) and Address(s) of Applicant(s):
Designed Blinds Australia Pty Ltd
1507 Centre Road Clayton Victoria 3168 Australia
(72) Name(s) of Designer(s): **Kevin Clarke**
(45) Registration Date: **24 October 2008**
(56) Related Art Documents: **Not Applicable**
(57) Statement of Newness and Distinctiveness: **Nil**



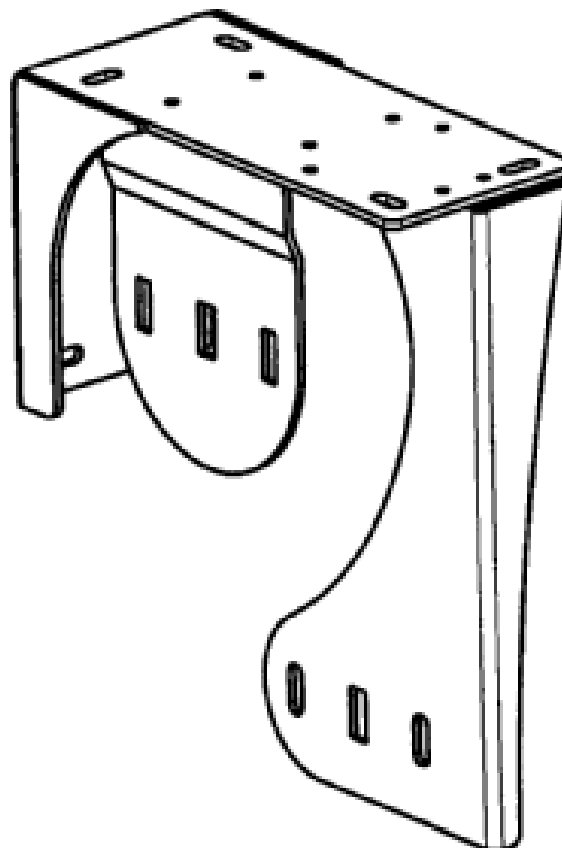
- (21) Design Number: **13272/2008**
(22) Date of Filing Application: **11 July 2008**
(24) Date from which industrial property rights may have effect: **11 July 2008**
(54) Product in respect of which the design is registered: **Overlap bracket system for roller blinds**
(51) International Design Classification: **08-08H**
(71) Name(s) and Address(s) of Applicant(s):
Designed Blinds Australia Pty Ltd
1507 Centre Road Clayton Victoria 3168 Australia
(72) Name(s) of Designer(s): **Kevin Clarke**
(45) Registration Date: **24 October 2008**
(56) Related Art Documents: **Not Applicable**
(57) Statement of Newness and Distinctiveness: **Nil**



- (21) Design Number: **13273/2008**
(22) Date of Filing Application: **11 July 2008**
(24) Date from which industrial property rights may have effect: **11 July 2008**
(54) Product in respect of which the design is registered: **Overlap bracket system for roller blinds**
(51) International Design Classification: **08-08H**
(71) Name(s) and Address(s) of Applicant(s):
Designed Blinds Australia Pty Ltd
1507 Centre Road Clayton Victoria 3168 Australia
(72) Name(s) of Designer(s): **Kevin Clarke**
(45) Registration Date: **24 October 2008**
(56) Related Art Documents: **Not Applicable**
(57) Statement of Newness and Distinctiveness: **Nil**



- (21) Design Number: **13274/2008**
(22) Date of Filing Application: **11 July 2008**
(24) Date from which industrial property rights may have effect: **11 July 2008**
(54) Product in respect of which the design is registered: **Overlap bracket system for roller blinds**
(51) International Design Classification: **08-08H**
(71) Name(s) and Address(s) of Applicant(s):
Designed Blinds Australia Pty Ltd
1507 Centre Road Clayton Victoria 3168 Australia
(72) Name(s) of Designer(s): **Kevin Clarke**
(45) Registration Date: **24 October 2008**
(56) Related Art Documents: **Not Applicable**
(57) Statement of Newness and Distinctiveness: **Nil**



(21) Design Number: **13275/2008**

(22) Date of Filing Application: **11 July 2008**

(24) Date from which industrial property rights may have effect: **11 July 2008**

(54) Product in respect of which the design is registered: **Overlap bracket system for roller blinds**

(51) International Design Classification: **08-08H**

(71) Name(s) and Address(s) of Applicant(s):

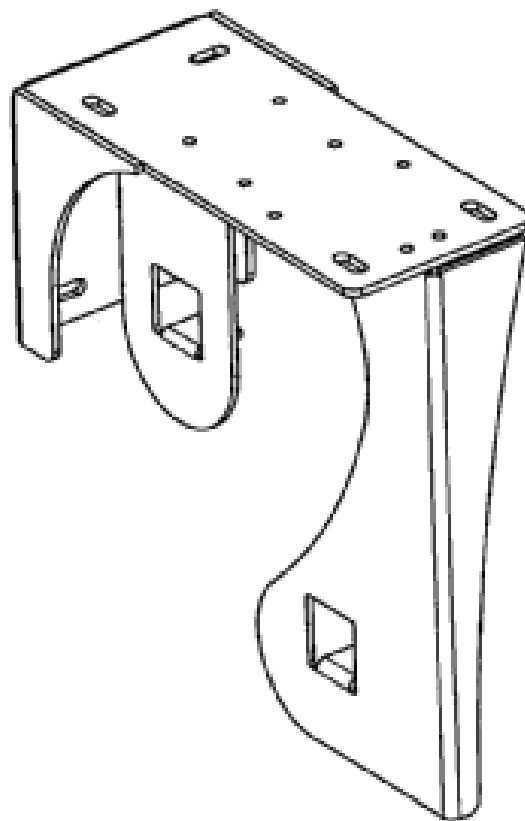
**Designed Blinds Australia Pty Ltd
1507 Centre Road Clayton Victoria 3168 Australia**

(72) Name(s) of Designer(s): **Kevin Clarke**

(45) Registration Date: **24 October 2008**

(56) Related Art Documents: **Not Applicable**

(57) Statement of Newness and Distinctiveness: **Nil**



(21) Design Number: **13276/2008**

(22) Date of Filing Application: **11 July 2008**

(24) Date from which industrial property rights may have effect: **11 July 2008**

(54) Product in respect of which the design is registered: **Overlap bracket system for roller blinds**

(51) International Design Classification: **08-08H**

(71) Name(s) and Address(s) of Applicant(s):

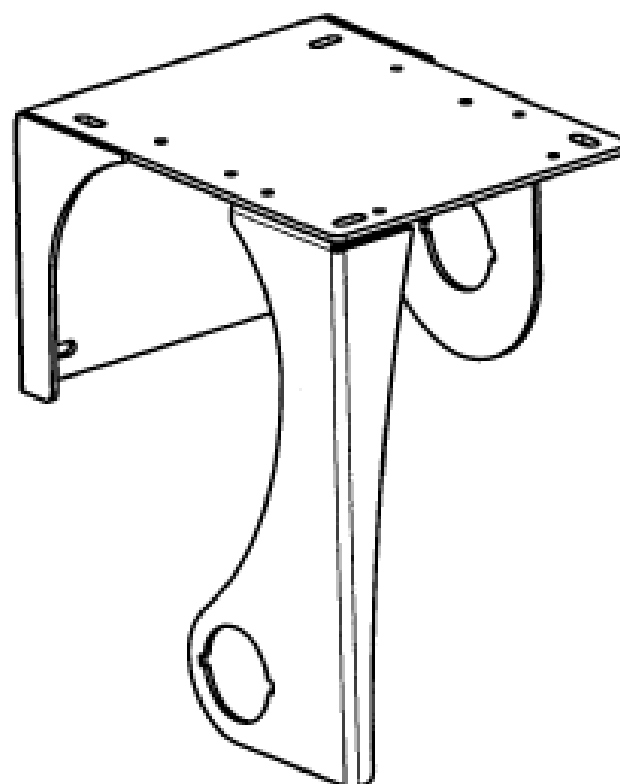
**Designed Blinds Australia Pty Ltd
1507 Centre Road Clayton Victoria 3168 Australia**

(72) Name(s) of Designer(s): **Kevin Clarke**

(45) Registration Date: **24 October 2008**

(56) Related Art Documents: **Not Applicable**

(57) Statement of Newness and Distinctiveness: **Nil**



(21) Design Number: **10718/2008**

(22) Date of Filing Application: **18 February 2008**

(24) Date from which industrial property rights may have effect: **18 February 2008**

(54) Product in respect of which the design is registered: **Mask frame**

(51) International Design Classification: **24-01**

(71) Name(s) and Address(s) of Applicant(s):

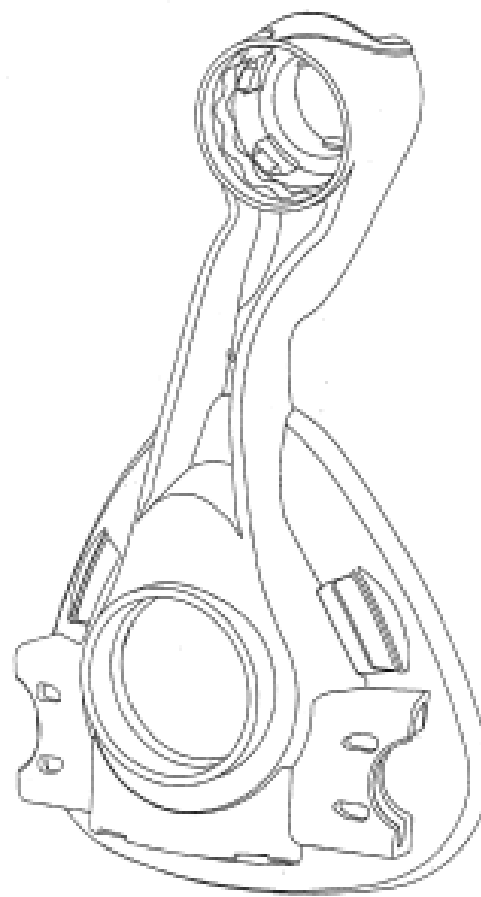
ResMed Ltd
1 Elizabeth Macarthur Drive Bella Vista New South Wales 2153
Australia

(72) Name(s) of Designer(s): **Karthikeyan Selvarajan and Scott Howard and Bruce Davies**

(45) Registration Date: **27 October 2008**

(56) Related Art Documents: **Not Applicable**

(57) Statement of Newness and Distinctiveness: **Nil**



(21) Design Number: **10797/2008**

(22) Date of Filing Application: **20 February 2008**

(24) Date from which industrial property rights may have effect: **20 February 2008**

(54) Product in respect of which the design is registered: **High Chair**

(51) International Design Classification: **06-01E**

(71) Name(s) and Address(s) of Applicant(s):

Wonderland Nurserygoods Co., Ltd.
Offshore Incorporations Centre Road Town Tortola British Virgin Islands

(72) Name(s) of Designer(s): **Eric Biermann and Imre Peter Jacobs and Martijn Hans Van Gelderen**

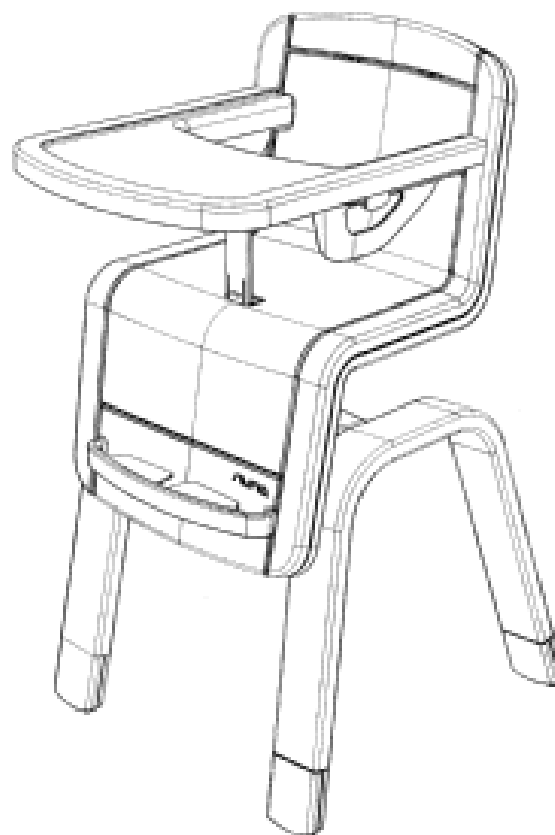
(45) Registration Date: **27 October 2008**

(30) Convention priority data:

(31) Number	(32) Date	(33) Country
779830	28 Aug 2007	EUROPEAN COMMUNITY

(56) Related Art Documents: **Not Applicable**

(57) Statement of Newness and Distinctiveness: **Newness and distinctiveness resides in the features of shape and/or configuration of a high chair as illustrated in the accompanying representations.**



(21) Design Number: **11184/2008**

(22) Date of Filing Application: **11 March 2008**

(24) Date from which industrial property rights may have effect: **11 March 2008**

(54) Product in respect of which the design is registered: **Monitor stand**

(51) International Design Classification: **14-99**

(71) Name(s) and Address(s) of Applicant(s):

Campbell Boyer

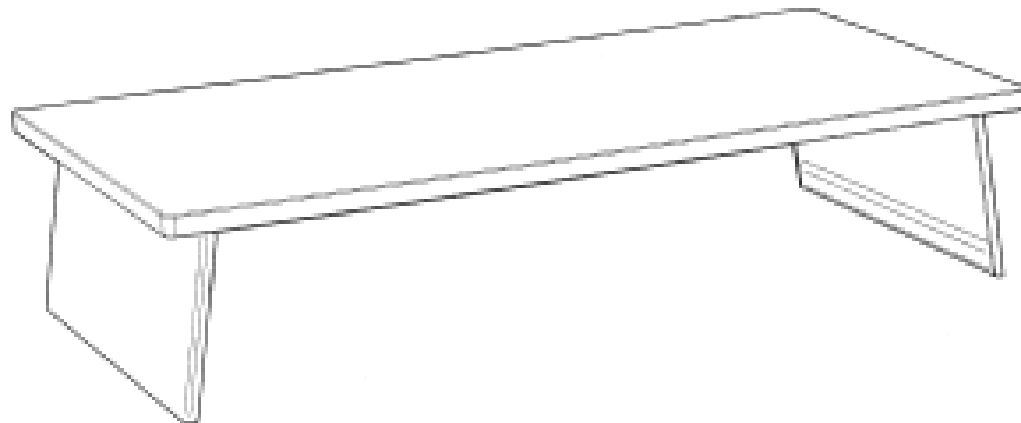
56 Boyers Lane Narrawong Victoria 3285 Australia

(72) Name(s) of Designer(s): **Campbell Boyer**

(45) Registration Date: **27 October 2008**

(56) Related Art Documents: **Not Applicable**

(57) Statement of Newness and Distinctiveness: **Solid horizontal structure supported by two thin removable plate legs. The legs are configurable to different angles changing the height of the top structure and therefore the height of the monitor on top.**



(21) Design Number: **11641/2008**

(22) Date of Filing Application: **07 April 2008**

(24) Date from which industrial property rights may have effect: **07 April 2008**

(54) Product in respect of which the design is registered: **Belted bag**

(51) International Design Classification: **02-07A, 03-01B**

(71) Name(s) and Address(s) of Applicant(s):

Lisa Lenobel

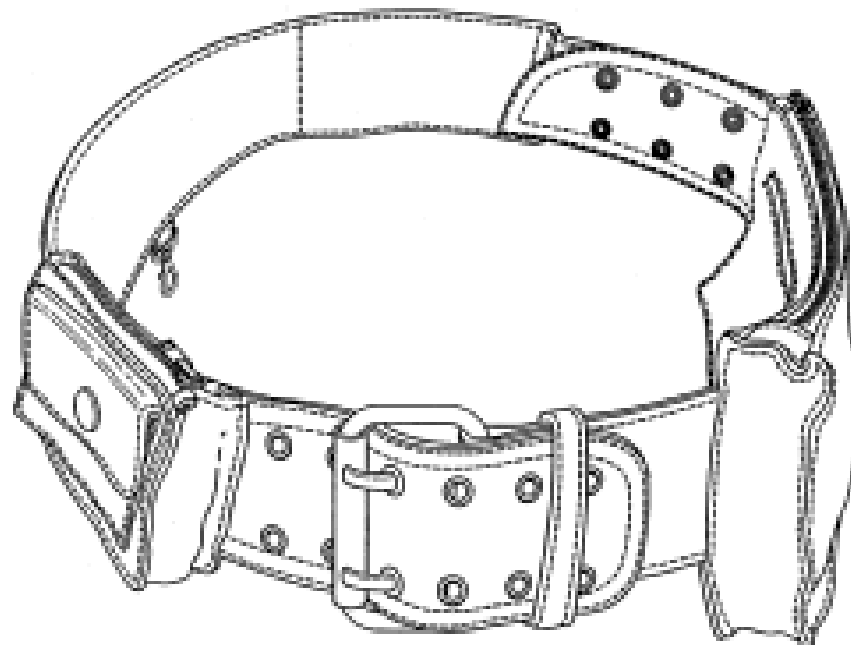
205/540 Sydney Road Seaforth New South Wales 2092 Australia

(72) Name(s) of Designer(s): **Lisa Lenobel**

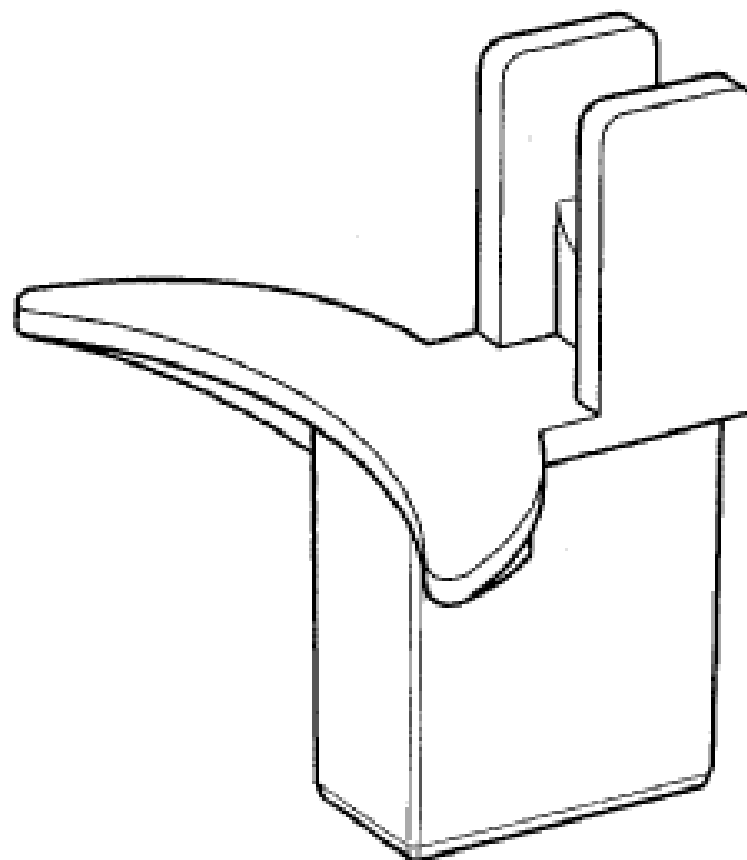
(45) Registration Date: **27 October 2008**

(56) Related Art Documents: **Not Applicable**

(57) Statement of Newness and Distinctiveness: **Newness and distinctiveness is claimed in the features of shape and/or configuration of the following parts of a belted bag as illustrated and labelled in the accompanying drawings; the press stud extension shown and labelled A in the first front view which permits the two portions of the bag to be connected; the two bags labelled B and C; and the zip pouch labelled D.**



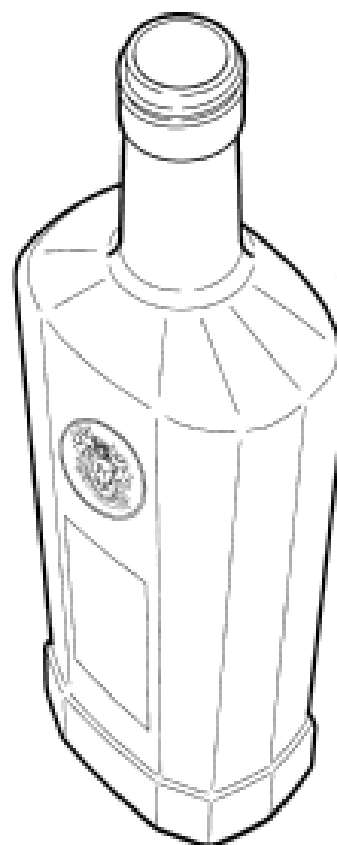
- (21) Design Number: **11653/2008**
(22) Date of Filing Application: **08 April 2008**
(24) Date from which industrial property rights may have effect: **08 April 2008**
(54) Product in respect of which the design is registered: **Component for a tool for assisting a user to position a joiner**
(51) International Design Classification: **08-05NES, 08-05F, 08-08NES**
(71) Name(s) and Address(s) of Applicant(s):
Ross Manton Hutchens
3 Gundaigai Street Goolwa South Australia 5214 Australia
(72) Name(s) of Designer(s): **Ross Manton Hutchens**
(45) Registration Date: **27 October 2008**
(56) Related Art Documents: **Not Applicable**
(57) Statement of Newness and Distinctiveness: **Newness and distinctiveness resides in the features of shape and configuration of a tool component as shown in the accompanying representations.**



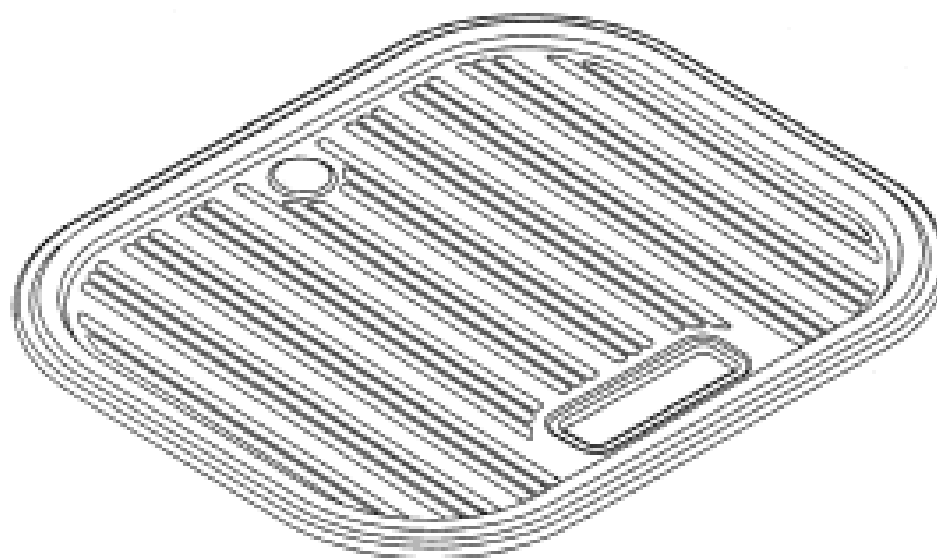
- (21) Design Number: **11809/2008**
(22) Date of Filing Application: **16 April 2008**
(24) Date from which industrial property rights may have effect: **16 April 2008**
(54) Product in respect of which the design is registered: **Spotlight**
(51) International Design Classification: **26-05C, 26-03**
(71) Name(s) and Address(s) of Applicant(s):
ERCO Leuchten GmbH
Brockhauser Weg 80-82 58507 Ludenscheid Germany
(72) Name(s) of Designer(s): **Alois Dworschak**
(45) Registration Date: **27 October 2008**
(30) Convention priority data:
(31) Number (32) Date (33) Country
000811542 18 Oct 2007 EUROPEAN COMMUNITY
(56) Related Art Documents: **Not Applicable**
(57) Statement of Newness and Distinctiveness: **Newness and distinctiveness resides only in the appearance of the visible face of the spotlight when installed.**



- (21) Design Number: **12431/2008**
(22) Date of Filing Application: **22 May 2008**
(24) Date from which industrial property rights may have effect: **22 May 2008**
(54) Product in respect of which the design is registered: **Bottle**
(51) International Design Classification: **09-01K**
(71) Name(s) and Address(s) of Applicant(s):
Calvet S.A.S.
Route de Balizac 33720 Landiras France
(72) Name(s) of Designer(s): **Laurence Helfrich**
(45) Registration Date: **27 October 2008**
(56) Related Art Documents: **Not Applicable**
(57) Statement of Newness and Distinctiveness: **Nil**



- (21) Design Number: **12639/2008**
(22) Date of Filing Application: **02 June 2008**
(24) Date from which industrial property rights may have effect: **02 June 2008**
(54) Product in respect of which the design is registered: **Tray**
(51) International Design Classification: **23-02F**
(71) Name(s) and Address(s) of Applicant(s):
Tasman Sinkware Pty Ltd
51 Naweena Road Regency Park South Australia 5942 Australia
(72) Name(s) of Designer(s): **Jeremy Axton**
(45) Registration Date: **27 October 2008**
(56) Related Art Documents: **Not Applicable**
(57) Statement of Newness and Distinctiveness: **The newness and distinctiveness of the article resides in the shape and configuration of the tray as shown in the accompanying drawings.**



(21) Design Number: **13171/2008**

(22) Date of Filing Application: **10 July 2008**

(24) Date from which industrial property rights may have effect: **10 July 2008**

(54) Product in respect of which the design is registered: **Fire box (foldaway campfire)**

(51) International Design Classification: **07-02D**

(71) Name(s) and Address(s) of Applicant(s):

Terence James Gordon

57 Coromandel Road Ebenezer New South Wales 2756 Australia

(72) Name(s) of Designer(s): **Terence James Gordon**

(45) Registration Date: **27 October 2008**

(56) Related Art Documents: **Not Applicable**

(57) Statement of Newness and Distinctiveness: **The new features of the design are that the sides and base and legs fold flat for easy storage and portability.**



(21) Design Number: **13208/2008**

(22) Date of Filing Application: **10 July 2008**

(24) Date from which industrial property rights may have effect: **10 July 2008**

(54) Product in respect of which the design is registered: **Shelving post**

(51) International Design Classification: **06-04NES**

(71) Name(s) and Address(s) of Applicant(s):

Lane Industries (Australia) Pty Ltd

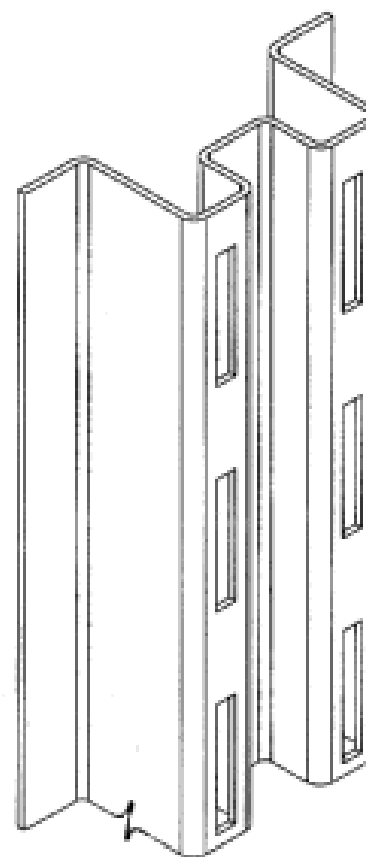
13 Zeta Crescent O'Connor Western Australia 6163 Australia

(72) Name(s) of Designer(s): **David Wyness**

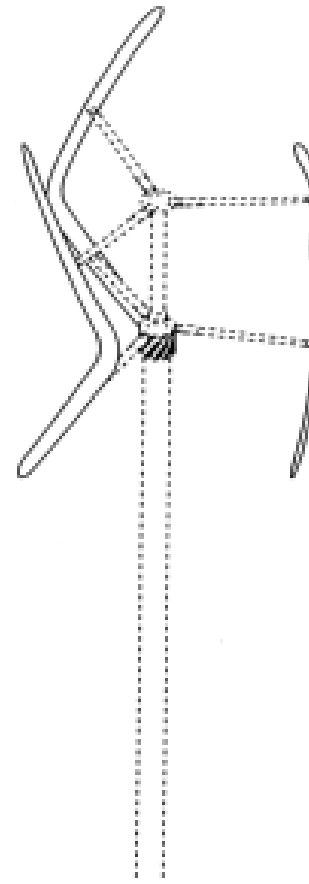
(45) Registration Date: **27 October 2008**

(56) Related Art Documents: **Not Applicable**

(57) Statement of Newness and Distinctiveness: **Newness and distinctiveness is claimed in the shape and/or configuration of a shelving post of indefinite length as illustrated in the accompanying representations.**

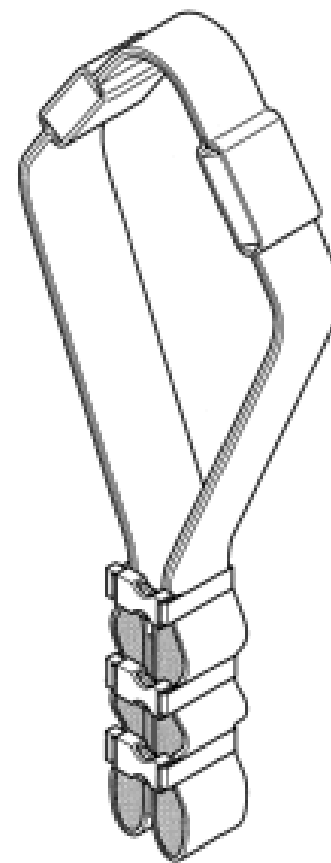


- (21) Design Number: **13212/2008**
- (22) Date of Filing Application: **10 July 2008**
- (24) Date from which industrial property rights may have effect: **10 July 2008**
- (54) Product in respect of which the design is registered: **Wind turbine**
- (51) International Design Classification: **13-01**
- (71) Name(s) and Address(s) of Applicant(s):
Nepean Engineering Pty Ltd
23 Graham Hill Road Narellan New South Wales 2567 Australia
- (72) Name(s) of Designer(s): **Mark Oddy**
- (45) Registration Date: **27 October 2008**
- (56) Related Art Documents: **Not Applicable**
- (57) Statement of Newness and Distinctiveness: **Newness and distinctiveness reside in the features of the design shown in solid lines in the representations excluding those features shown in broken lines.**



- (21) Design Number: **13214/2008**
- (22) Date of Filing Application: **10 July 2008**
- (24) Date from which industrial property rights may have effect: **10 July 2008**
- (54) Product in respect of which the design is registered: **A collar for an animal**
- (51) International Design Classification: **30-04**
- (71) Name(s) and Address(s) of Applicant(s):
ITI Scotland Limited
191 West George Street 5th Floor Glasgow G2 2LB United Kingdom
- (72) Name(s) of Designer(s): **Toby Mottram**
- (45) Registration Date: **27 October 2008**
- (30) Convention priority data:

(31) Number	(32) Date	(33) Country
000894720	28 Feb 2008	EUROPEAN COMMUNITY
- (56) Related Art Documents: **Not Applicable**
- (57) Statement of Newness and Distinctiveness: **Newness and distinctiveness resides in the features of shape and configuration of a collar for an animal as shown in the accompanying representations.**



(21) Design Number: **13215/2008**

(22) Date of Filing Application: **10 July 2008**

(24) Date from which industrial property rights may have effect: **10 July 2008**

(54) Product in respect of which the design is registered: **A collar for an animal**

(51) International Design Classification: **30-04**

(71) Name(s) and Address(s) of Applicant(s):

ITI Scotland Limited

191 West George Street 5th Floor Glasgow G2 2LB United Kingdom

(72) Name(s) of Designer(s): **Toby Mottram**

(45) Registration Date: **27 October 2008**

(30) Convention priority data:

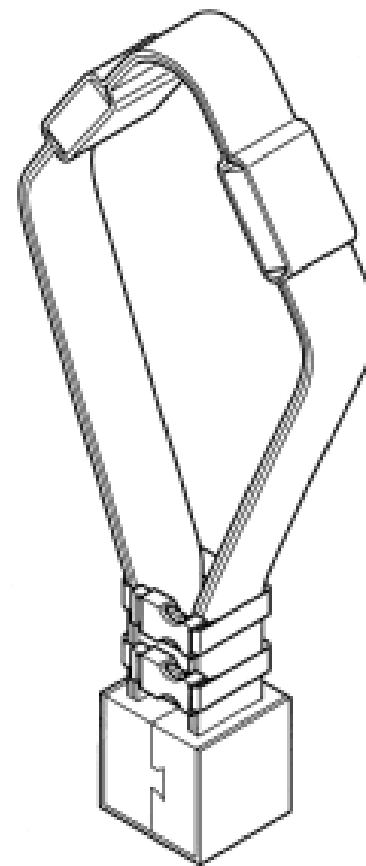
(31) Number
000894720

(32) Date
28 Feb 2008

(33) Country
EUROPEAN COMMUNITY

(56) Related Art Documents: **Not Applicable**

(57) Statement of Newness and Distinctiveness: **Newness and distinctiveness resides in the features of shape and configuration of a collar for an animal as shown in the accompanying representations.**



(21) Design Number: **13216/2008**

(22) Date of Filing Application: **10 July 2008**

(24) Date from which industrial property rights may have effect: **10 July 2008**

(54) Product in respect of which the design is registered: **A collar for an animal**

(51) International Design Classification: **30-04**

(71) Name(s) and Address(s) of Applicant(s):

ITI Scotland Limited

191 West George Street 5th Floor Glasgow G2 2LB United Kingdom

(72) Name(s) of Designer(s): **Toby Mottram**

(45) Registration Date: **27 October 2008**

(30) Convention priority data:

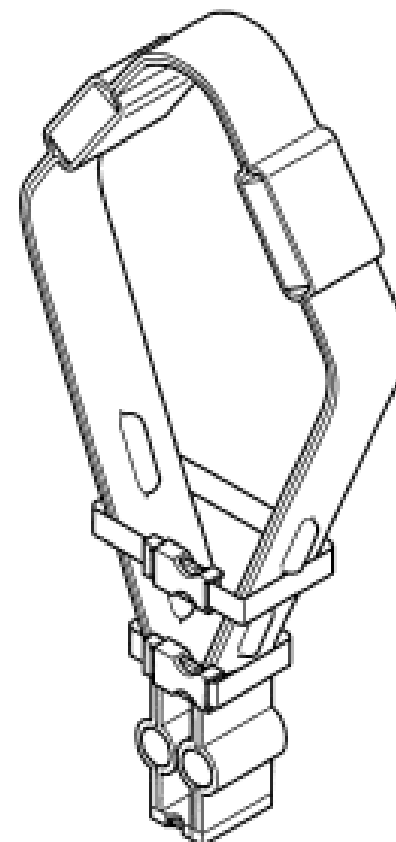
(31) Number
000894720

(32) Date
28 Feb 2008

(33) Country
EUROPEAN COMMUNITY

(56) Related Art Documents: **Not Applicable**

(57) Statement of Newness and Distinctiveness: **Newness and distinctiveness resides in the features of shape and configuration of a collar for an animal as shown in the accompanying representations.**



(21) Design Number: **13217/2008**

(22) Date of Filing Application: **10 July 2008**

(24) Date from which industrial property rights may have effect: **10 July 2008**

(54) Product in respect of which the design is registered: **A collar for an animal**

(51) International Design Classification: **30-04**

(71) Name(s) and Address(s) of Applicant(s):

ITI Scotland Limited

191 West George Street 5th Floor Glasgow G2 2LB United Kingdom

(72) Name(s) of Designer(s): **Toby Mottram**

(45) Registration Date: **27 October 2008**

(30) Convention priority data:

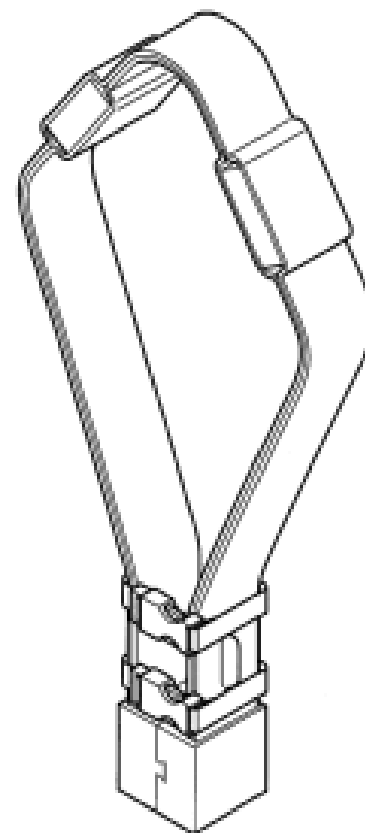
(31) Number
000894720

(32) Date
28 Feb 2008

(33) Country
EUROPEAN COMMUNITY

(56) Related Art Documents: **Not Applicable**

(57) Statement of Newness and Distinctiveness: **Newness and distinctiveness resides in the features of shape and configuration of a collar for an animal as shown in the accompanying representations.**



(21) Design Number: **13218/2008**

(22) Date of Filing Application: **10 July 2008**

(24) Date from which industrial property rights may have effect: **10 July 2008**

(54) Product in respect of which the design is registered: **A collar for an animal**

(51) International Design Classification: **30-04**

(71) Name(s) and Address(s) of Applicant(s):

ITI Scotland Limited

191 West George Street 5th Floor Glasgow G2 2LB United Kingdom

(72) Name(s) of Designer(s): **Toby Mottram**

(45) Registration Date: **27 October 2008**

(30) Convention priority data:

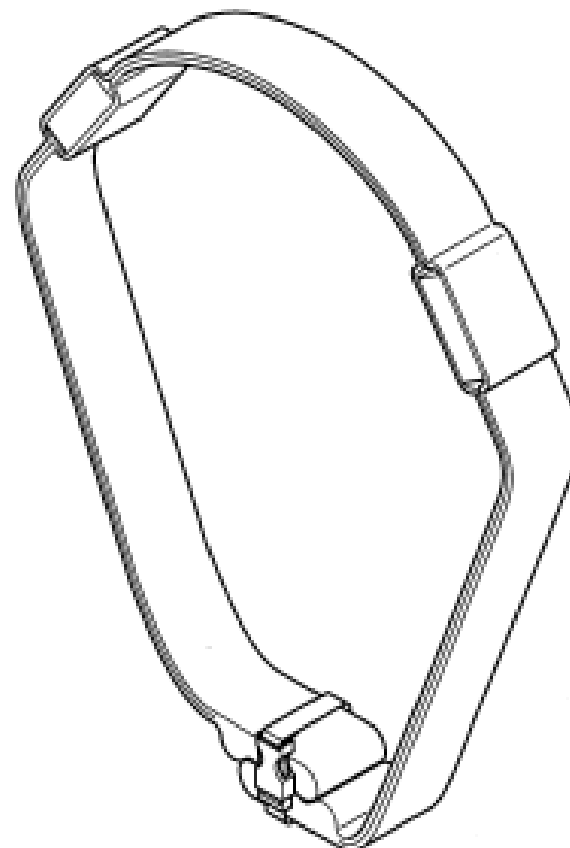
(31) Number
000894720

(32) Date
28 Feb 2008

(33) Country
EUROPEAN COMMUNITY

(56) Related Art Documents: **Not Applicable**

(57) Statement of Newness and Distinctiveness: **Newness and distinctiveness resides in the features of shape and configuration of a collar for an animal as shown in the accompanying representations.**



(21) Design Number: **13243/2008**

(22) Date of Filing Application: **10 July 2008**

(24) Date from which industrial property rights may have effect: **10 July 2008**

(54) Product in respect of which the design is registered: **A panel retention bracket**

(51) International Design Classification: **08-08L**

(71) Name(s) and Address(s) of Applicant(s):

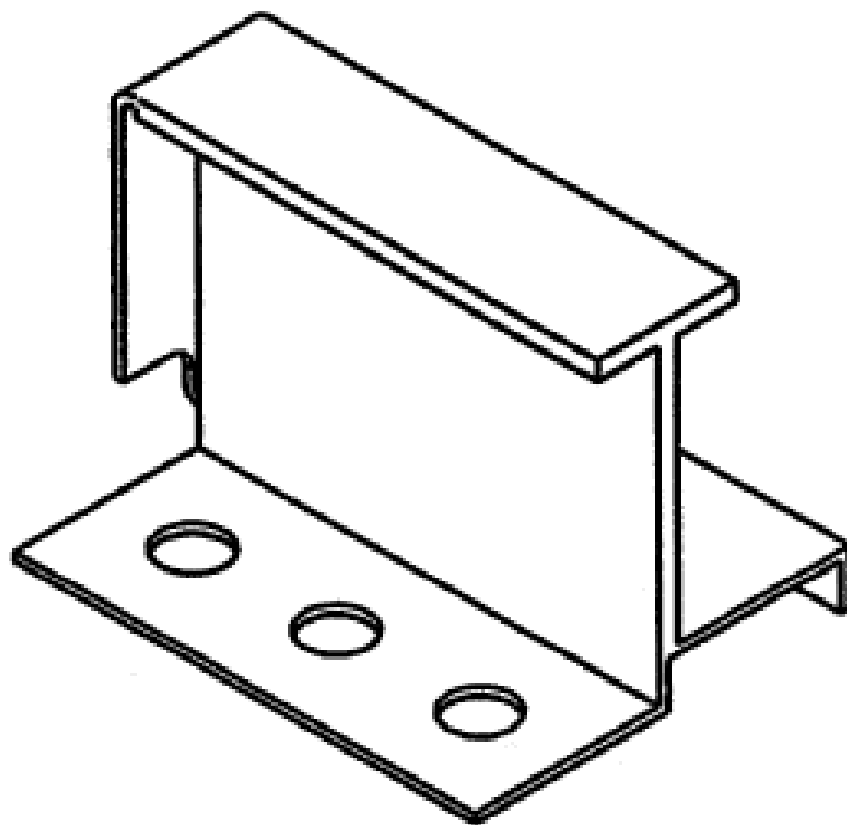
Burnside Plastics Australia Pty Ltd
517a Cross Keys Road Cavan South Australia 5094 Australia

(72) Name(s) of Designer(s): **Delton John Billingsley**

(45) Registration Date: **27 October 2008**

(56) Related Art Documents: **Not Applicable**

(57) Statement of Newness and Distinctiveness: **Nil**



(21) Design Number: **13244/2008**

(22) Date of Filing Application: **10 July 2008**

(24) Date from which industrial property rights may have effect: **10 July 2008**

(54) Product in respect of which the design is registered: **A panel retention bracket**

(51) International Design Classification: **08-08L**

(71) Name(s) and Address(s) of Applicant(s):

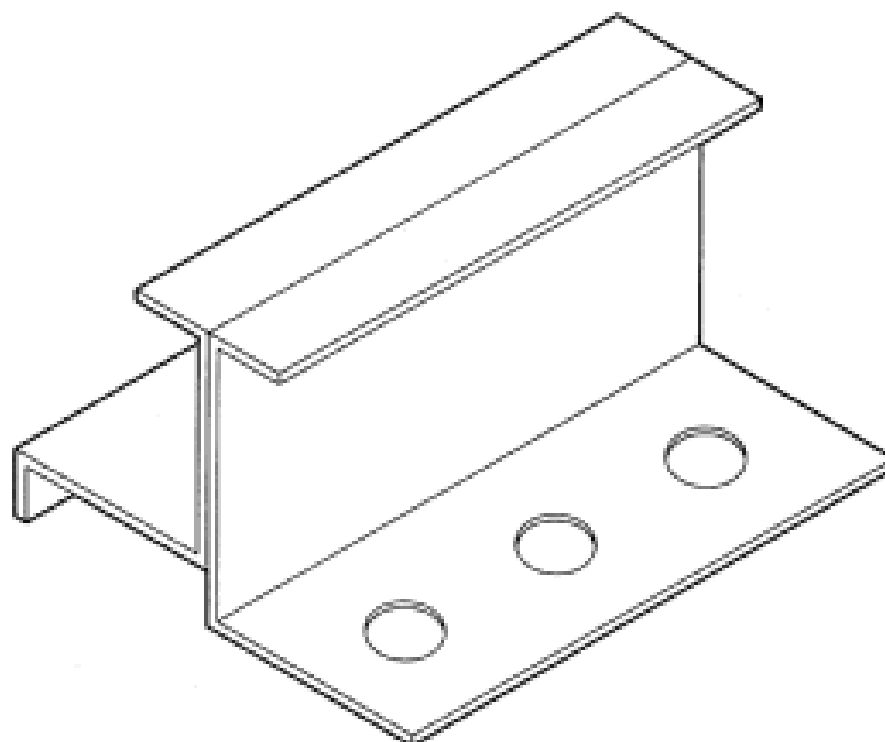
Burnside Plastics Australia Pty Ltd
517a Cross Keys Road Cavan South Australia 5094 Australia

(72) Name(s) of Designer(s): **Delton John Billingsley**

(45) Registration Date: **27 October 2008**

(56) Related Art Documents: **Not Applicable**

(57) Statement of Newness and Distinctiveness: **Nil**



(21) Design Number: **13246/2008**

(22) Date of Filing Application: **10 July 2008**

(24) Date from which industrial property rights may have effect: **10 July 2008**

(54) Product in respect of which the design is registered: **A vehicle**

(51) International Design Classification: **12-08**

(71) Name(s) and Address(s) of Applicant(s):

**Perusahaan Otomobil Nasional SDN. BHD.
Hicom Industrial Estate Batu 3 40000 Shah Alam Selangor Malaysia**

(72) Name(s) of Designer(s): **Azlan Bin Othman**

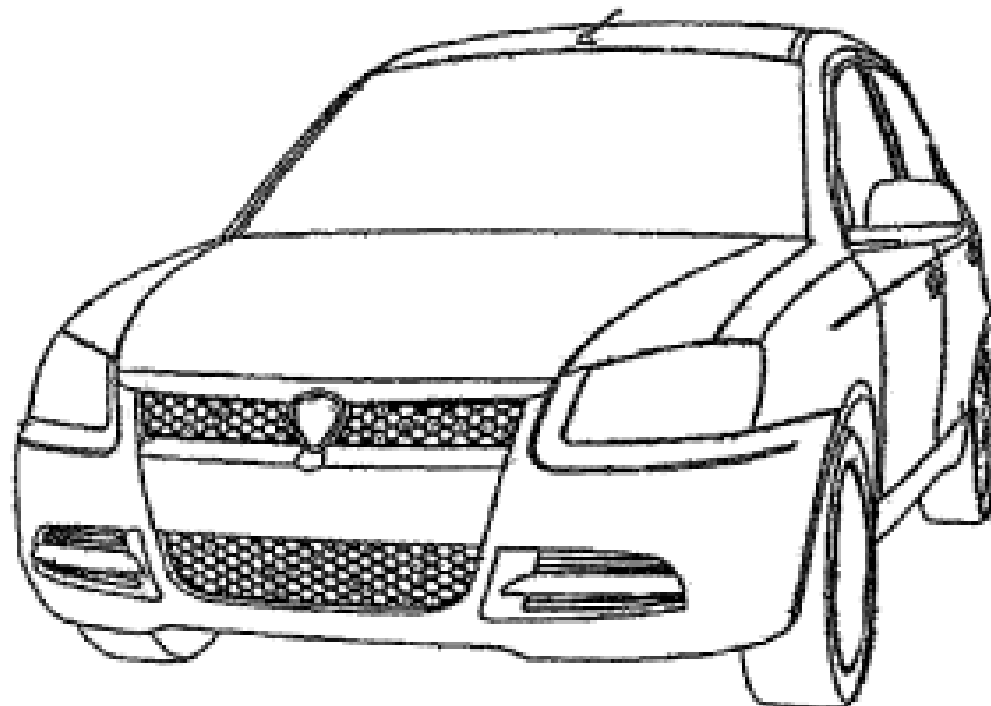
(45) Registration Date: **27 October 2008**

(30) Convention priority data:

(31) Number	(32) Date	(33) Country
08-00069-0101	16 Jan 2008	MALAYSIA

(56) Related Art Documents: **Not Applicable**

(57) Statement of Newness and Distinctiveness: **Newness and distinctiveness reside in the visual shape, ornamentation and configuration of a motor vehicle as illustrated in the accompanying representations.**



(21) Design Number: **14237/2008**

(22) Date of Filing Application: **05 May 2008**

(24) Date from which industrial property rights may have effect: **05 May 2008**

(54) Product in respect of which the design is registered: **An electrical fitting**

(51) International Design Classification: **13-03D, 13-03E**

(71) Name(s) and Address(s) of Applicant(s):

**Schneider Electric New Zealand Holdings Limited
11 Moncur Place Middleton Christchurch New Zealand**

(72) Name(s) of Designer(s): **John Gills**

(45) Registration Date: **27 October 2008**

(30) Convention priority data:

(31) Number	(32) Date	(33) Country
410691	15 Apr 2008	NEW ZEALAND

(56) Related Art Documents: **Not Applicable**

(57) Statement of Newness and Distinctiveness: **The novelty claimed for the design resides in the features of shape and/or configuration all as shown in the representations excluding the shape and configuration of the pins of the plug and pin-receiving slots of the connector.**



(21) Design Number: **12103/2008**

(22) Date of Filing Application: **05 May 2008**

(24) Date from which industrial property rights may have effect: **05 May 2008**

(54) Product in respect of which the design is registered: **An electrical fitting**

(51) International Design Classification: **13-03D**

(71) Name(s) and Address(s) of Applicant(s):

**Schneider Electric New Zealand Holdings Limited
11 Moncur Place Middleton Christchurch New Zealand**

(72) Name(s) of Designer(s): **John Gills**

(45) Registration Date: **27 October 2008**

(30) Convention priority data:

(31) Number	(32) Date	(33) Country
410691	15 Apr 2008	NEW ZEALAND

(56) Related Art Documents: **Not Applicable**

(57) Statement of Newness and Distinctiveness: **The novelty claimed for the design resides in the features of shape and/or configuration all as shown in the representations excluding the shape and configuration of the pins of the plug and pin - receiving slots of the connector.**



(21) Design Number: **12593/2008**

(22) Date of Filing Application: **28 May 2008**

(24) Date from which industrial property rights may have effect: **28 May 2008**

(54) Product in respect of which the design is registered: **A shower arrangement**

(51) International Design Classification: **23-02B**

(71) Name(s) and Address(s) of Applicant(s):

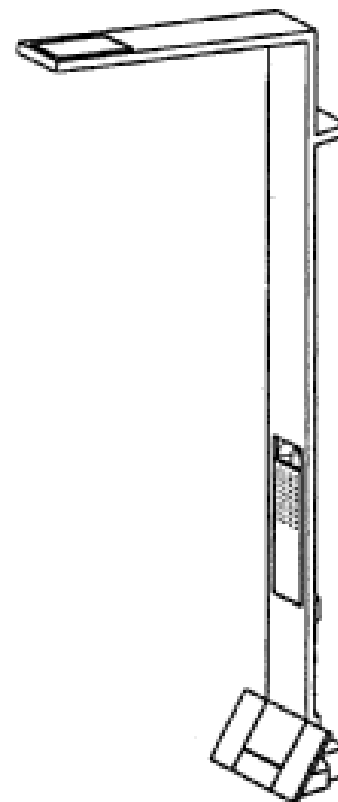
**Caroma Industries Limited
10 Market Street Brisbane Queensland 4000 Australia**

(72) Name(s) of Designer(s): **Stephen John Cummings and David Giorgio**

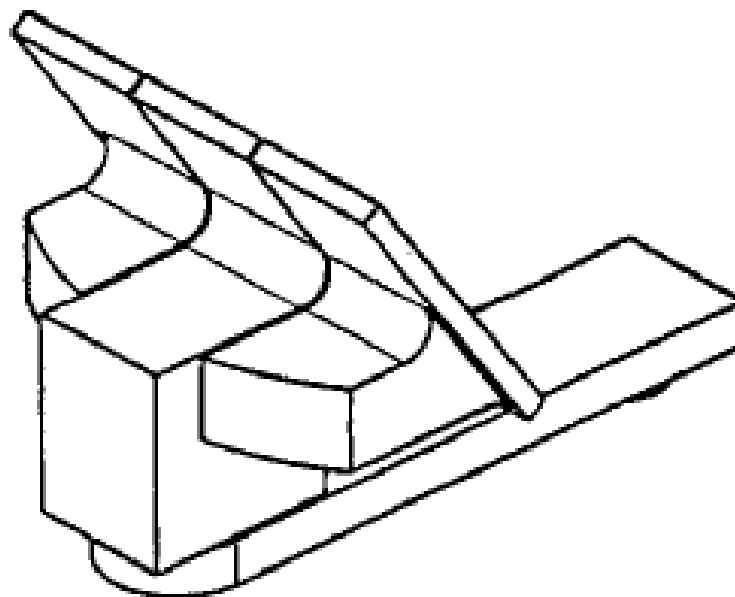
(45) Registration Date: **27 October 2008**

(56) Related Art Documents: **Not Applicable**

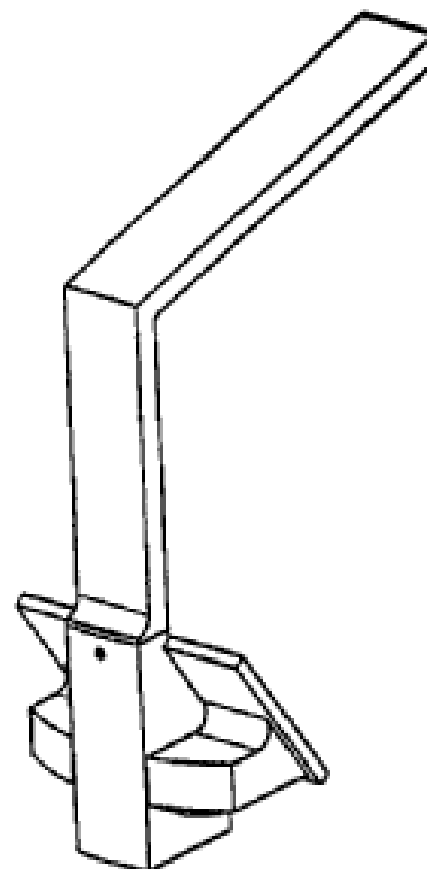
(57) Statement of Newness and Distinctiveness: **Newness and distinctiveness is claimed in the features of shape and/or configuration of a shower arrangement as illustrated in the accompanying representations.**



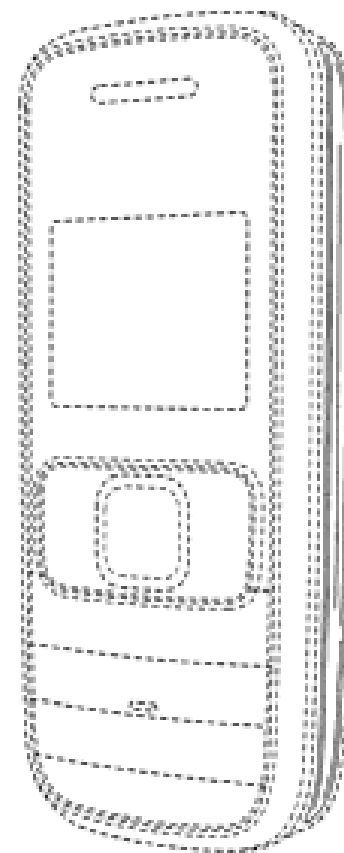
- (21) Design Number: **12594/2008**
- (22) Date of Filing Application: **28 May 2008**
- (24) Date from which industrial property rights may have effect: **28 May 2008**
- (54) Product in respect of which the design is registered: **A mixer tap**
- (51) International Design Classification: **23-01H**
- (71) Name(s) and Address(s) of Applicant(s):
Caroma Industries Limited
10 Market Street Brisbane Queensland 4000 Australia
- (72) Name(s) of Designer(s): **Stephen John Cummings and David Giorgio**
- (45) Registration Date: **27 October 2008**
- (56) Related Art Documents: **Not Applicable**
- (57) Statement of Newness and Distinctiveness: **Newness and distinctiveness is claimed in the features of shape and/or configuration of a mixer tap as illustrated in the accompanying representations.**



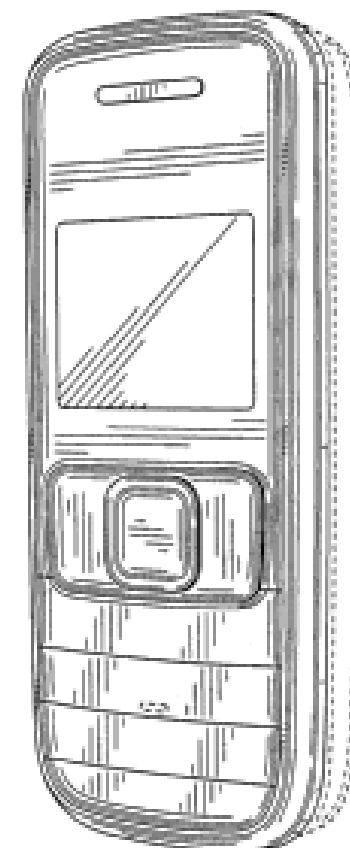
- (21) Design Number: **12595/2008**
- (22) Date of Filing Application: **28 May 2008**
- (24) Date from which industrial property rights may have effect: **28 May 2008**
- (54) Product in respect of which the design is registered: **A mixer tap**
- (51) International Design Classification: **23-01H**
- (71) Name(s) and Address(s) of Applicant(s):
Caroma Industries Limited
10 Market Street Brisbane Queensland 4000 Australia
- (72) Name(s) of Designer(s): **Stephen John Cummings and David Giorgio**
- (45) Registration Date: **27 October 2008**
- (56) Related Art Documents: **Not Applicable**
- (57) Statement of Newness and Distinctiveness: **Newness and distinctiveness is claimed in the features of shape and/or configuration of a mixer tap as illustrated in the accompanying representations.**



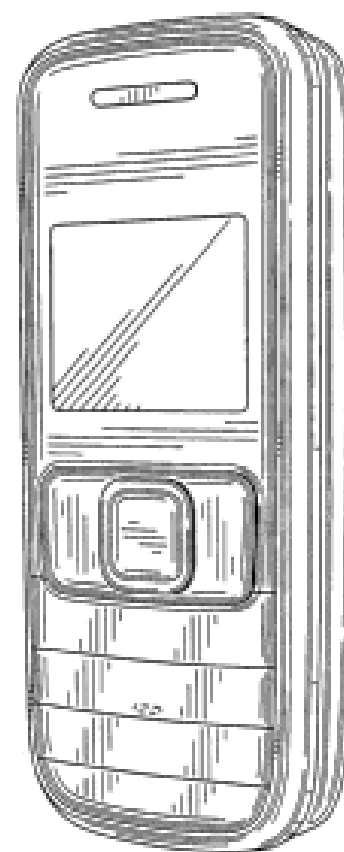
- (21) Design Number: **12598/2008**
(22) Date of Filing Application: **28 May 2008**
(24) Date from which industrial property rights may have effect: **28 May 2008**
(54) Product in respect of which the design is registered: **Portion of a handset**
(51) International Design Classification: **14-03A**
(71) Name(s) and Address(s) of Applicant(s):
Nokia Corporation
Keilalahdentie 4 FIN-02150 Espoo Finland
(72) Name(s) of Designer(s): **Xiaoxi Shi**
(45) Registration Date: **27 October 2008**
(30) Convention priority data:
(31) Number (32) Date (33) Country
29299805 04 Jan 2008 UNITED STATES OF AMERICA
(56) Related Art Documents: **Not Applicable**
(57) Statement of Newness and Distinctiveness: **Newness and distinctiveness is claimed in the visual features shown in solid lines in the representations.**



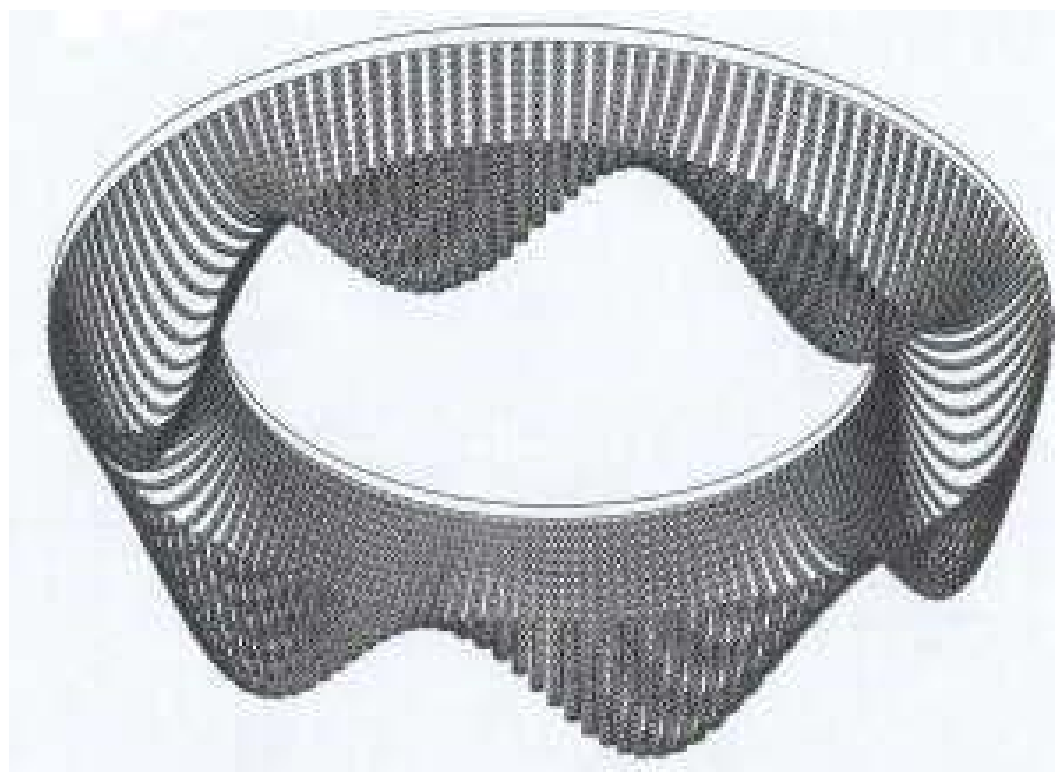
- (21) Design Number: **12599/2008**
(22) Date of Filing Application: **28 May 2008**
(24) Date from which industrial property rights may have effect: **28 May 2008**
(54) Product in respect of which the design is registered: **Front cover for a handset**
(51) International Design Classification: **14-03A**
(71) Name(s) and Address(s) of Applicant(s):
Nokia Corporation
Keilalahdentie 4 FIN-02150 Espoo Finland
(72) Name(s) of Designer(s): **Xiaoxi Shi**
(45) Registration Date: **27 October 2008**
(30) Convention priority data:
(31) Number (32) Date (33) Country
29299802 04 Jan 2008 UNITED STATES OF AMERICA
(56) Related Art Documents: **Not Applicable**
(57) Statement of Newness and Distinctiveness: **Newness and distinctiveness is claimed in the visual features shown in solid lines in the representations.**



- (21) Design Number: **12600/2008**
(22) Date of Filing Application: **28 May 2008**
(24) Date from which industrial property rights may have effect: **28 May 2008**
(54) Product in respect of which the design is registered: **Handset**
(51) International Design Classification: **14-03A**
(71) Name(s) and Address(s) of Applicant(s):
Nokia Corporation
Keilalahdentie 4 FIN-02150 Espoo Finland
(72) Name(s) of Designer(s): **Xiaoxi Shi**
(45) Registration Date: **27 October 2008**
(30) Convention priority data:
(31) Number (32) Date (33) Country
29299800 04 Jan 2008 UNITED STATES OF AMERICA
(56) Related Art Documents: **Not Applicable**
(57) Statement of Newness and Distinctiveness: **Nil**



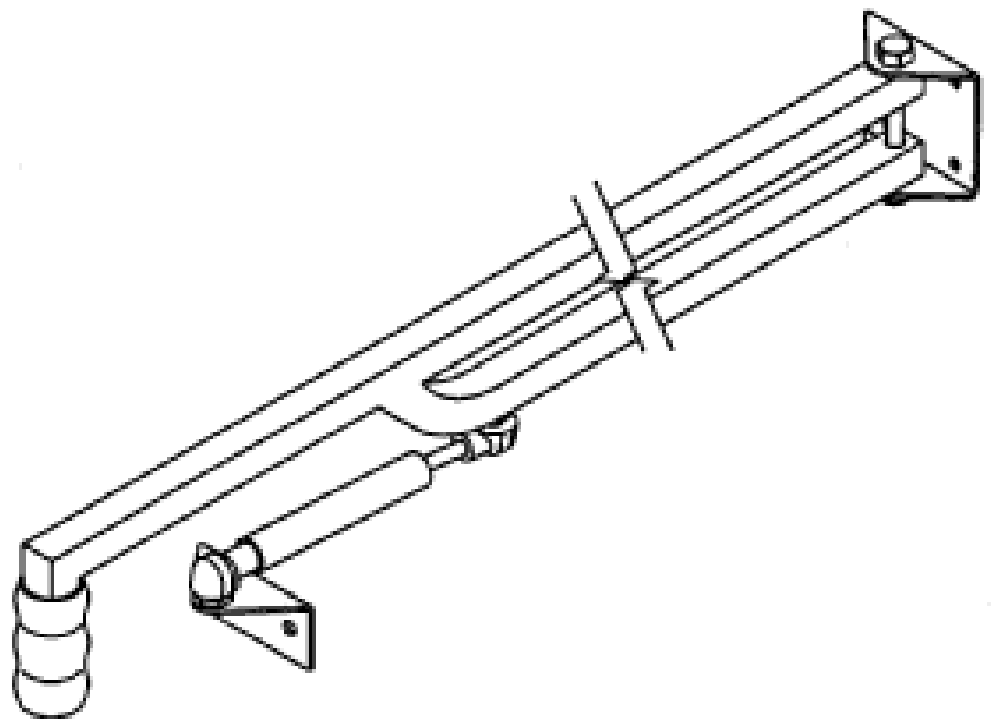
- (21) Design Number: **13060/2008**
(22) Date of Filing Application: **03 July 2008**
(24) Date from which industrial property rights may have effect: **03 July 2008**
(54) Product in respect of which the design is registered: **Chandeliers, luminaires**
(51) International Design Classification: **26-05D**
(71) Name(s) and Address(s) of Applicant(s):
John Howland
16 Adeline Street Preston Victoria 3072 Australia
(72) Name(s) of Designer(s): **John Howland**
(45) Registration Date: **27 October 2008**
(56) Related Art Documents: **Not Applicable**
(57) Statement of Newness and Distinctiveness: **The distinctiveness and new appearance of these chandeliers is the use of specifically calculated lengths of crystal chains arranged to form wavelike patterns suspended from the supporting rails of the chandelier.**



(21) Design Number: **13172/2008**
(22) Date of Filing Application: **09 July 2008**
(24) Date from which industrial property rights may have effect: **09 July 2008**
(54) Product in respect of which the design is registered: **A food beaters protective surround**
(51) International Design Classification: **07-99NES**
(71) Name(s) and Address(s) of Applicant(s):
Michael Shaun Flynn
1 Olave Hill Road Upper Sturt South Australia 5156 Australia
(72) Name(s) of Designer(s): **Michael Shaun Flynn**
(45) Registration Date: **27 October 2008**
(56) Related Art Documents: **Not Applicable**
(57) Statement of Newness and Distinctiveness: **Nil**



(21) Design Number: **13181/2008**
(22) Date of Filing Application: **09 July 2008**
(24) Date from which industrial property rights may have effect: **09 July 2008**
(54) Product in respect of which the design is registered: **Lock assembly for caravan & motorhome slide out**
(51) International Design Classification: **08-07**
(71) Name(s) and Address(s) of Applicant(s):
Jayco Corporation Pty Ltd
1 Jayco Drive Dandenong South Victoria 3175 Australia
(72) Name(s) of Designer(s): **Bernd Rominger**
(45) Registration Date: **27 October 2008**
(56) Related Art Documents: **Not Applicable**
(57) Statement of Newness and Distinctiveness: **Nil**



(21) Design Number: **13182/2008**

(22) Date of Filing Application: **09 July 2008**

(24) Date from which industrial property rights may have effect: **09 July 2008**

(54) Product in respect of which the design is registered: **Watch**

(51) International Design Classification: **10-02**

(71) Name(s) and Address(s) of Applicant(s):

Omega SA (Omega AG) (Omega Ltd)
Jakob-Staempfli-Strasse 05 2502 Biel/Bienne Switzerland

(72) Name(s) of Designer(s): **Jean-Claude Monachon**

(45) Registration Date: **27 October 2008**

(30) Convention priority data:

(31) Number
DM/069 917

(32) Date
25 Mar 2008

(33) Country
**WORLD INTELLECTUAL
PROPERTY ORGANIZATION
(WIPO)**

(56) Related Art Documents: **Not Applicable**

(57) Statement of Newness and Distinctiveness: **Nil**



(21) Design Number: **13316/2008**

(22) Date of Filing Application: **15 July 2008**

(24) Date from which industrial property rights may have effect: **15 July 2008**

(54) Product in respect of which the design is registered: **Data projector**

(51) International Design Classification: **16-02**

(71) Name(s) and Address(s) of Applicant(s):

Kabushiki Kaisha Toshiba
1-1 Shibaura 1-chome Minato-ku Tokyo Japan

(72) Name(s) of Designer(s): **Yasuko Chigira and Koji Nagase**

(45) Registration Date: **27 October 2008**

(30) Convention priority data:

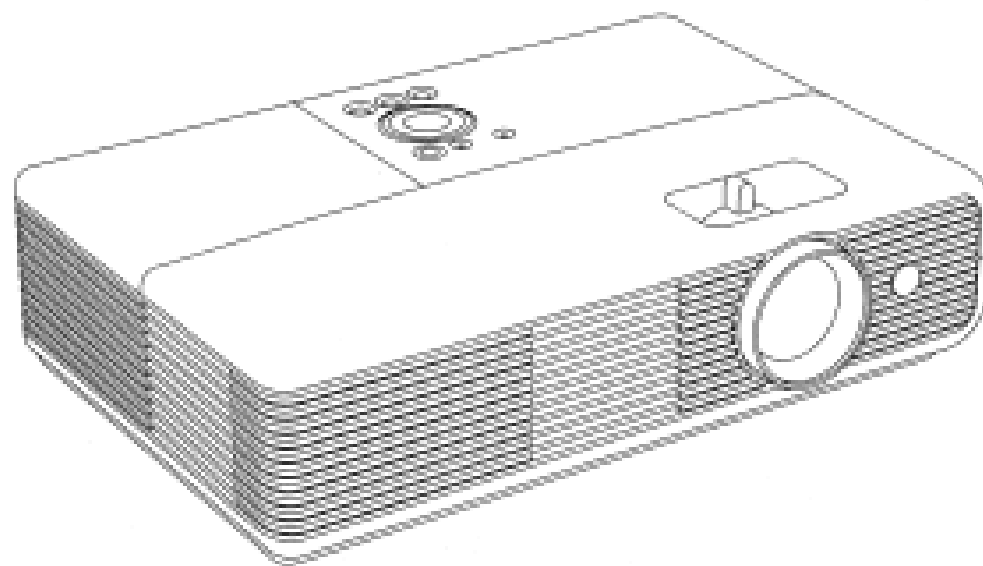
(31) Number
2008-012205

(32) Date
16 May 2008

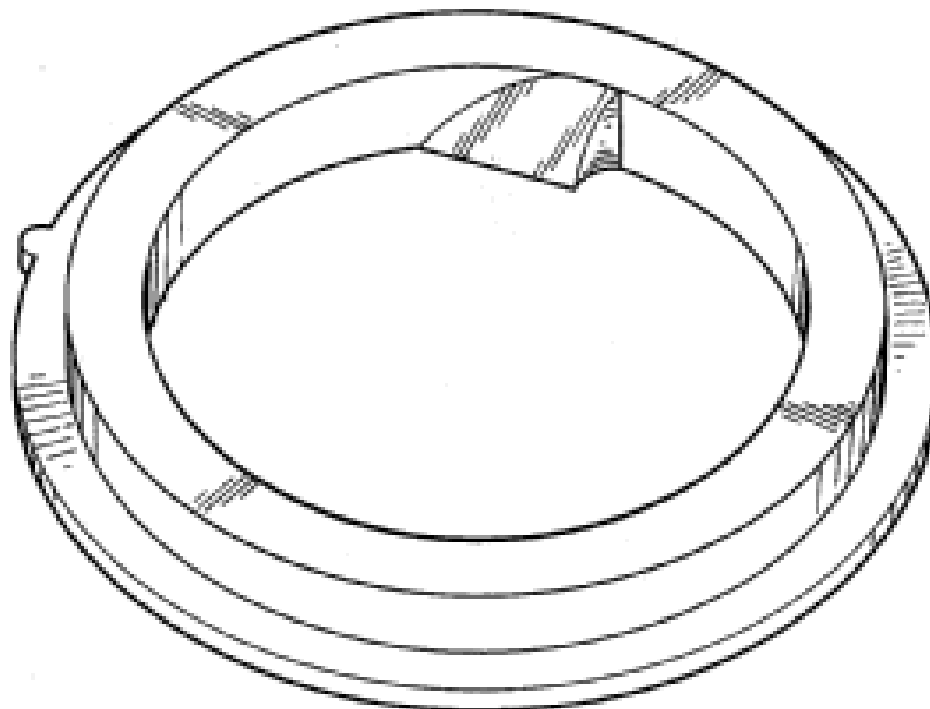
(33) Country
JAPAN

(56) Related Art Documents: **Not Applicable**

(57) Statement of Newness and Distinctiveness: **Nil**



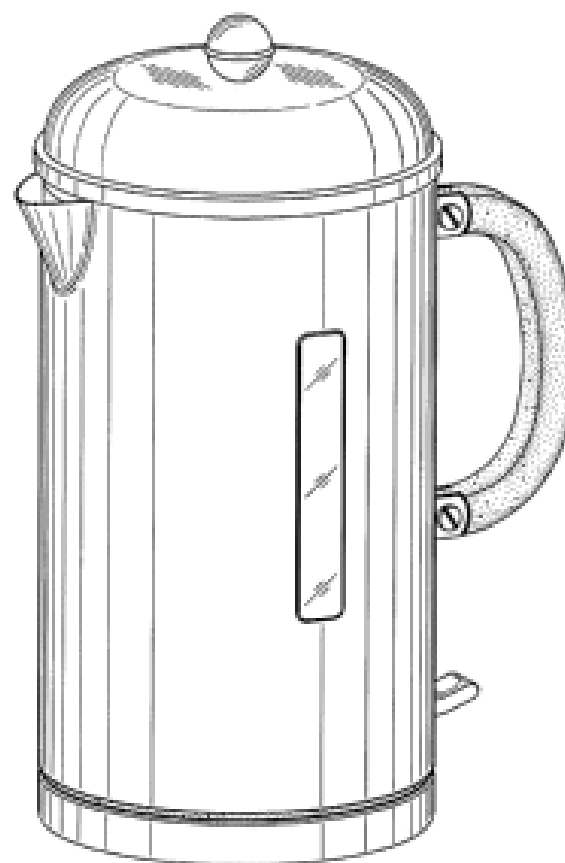
(21) Design Number: **13318/2008**
(22) Date of Filing Application: **15 July 2008**
(24) Date from which industrial property rights may have effect: **15 July 2008**
(54) Product in respect of which the design is registered: **Bore sleeve**
(51) International Design Classification: **23-01A**
(71) Name(s) and Address(s) of Applicant(s):
Nigel Mark Weiland
19 View Hill Crescent Eltham Victoria 3095 Australia
(72) Name(s) of Designer(s): **Nigel Mark Weiland**
(45) Registration Date: **27 October 2008**
(56) Related Art Documents: **Not Applicable**
(57) Statement of Newness and Distinctiveness: **Nil**



(21) Design Number: **13321/2008**
(22) Date of Filing Application: **15 July 2008**
(24) Date from which industrial property rights may have effect: **15 July 2008**
(54) Product in respect of which the design is registered: **Electric beverage heater**
(51) International Design Classification: **07-02L**
(71) Name(s) and Address(s) of Applicant(s):
Pi-Design AG
Kantonsstrasse 100 6234 Triengen Switzerland
(72) Name(s) of Designer(s): **Jorgen Bodum**
(45) Registration Date: **27 October 2008**
(30) Convention priority data:

(31) Number	(32) Date	(33) Country
DM 069 770	29 Jan 2008	DOMINICA

(56) Related Art Documents: **Not Applicable**
(57) Statement of Newness and Distinctiveness: **Nil**



(21) Design Number: **13322/2008**
(22) Date of Filing Application: **15 July 2008**
(24) Date from which industrial property rights may have effect: **15 July 2008**
(54) Product in respect of which the design is registered: **Electric beverage heater**
(51) International Design Classification: **07-02L**
(71) Name(s) and Address(s) of Applicant(s):

Pi-Design AG
Kantonsstrasse 100 6234 Triengen Switzerland

(72) Name(s) of Designer(s): **Jorgen Bodum**

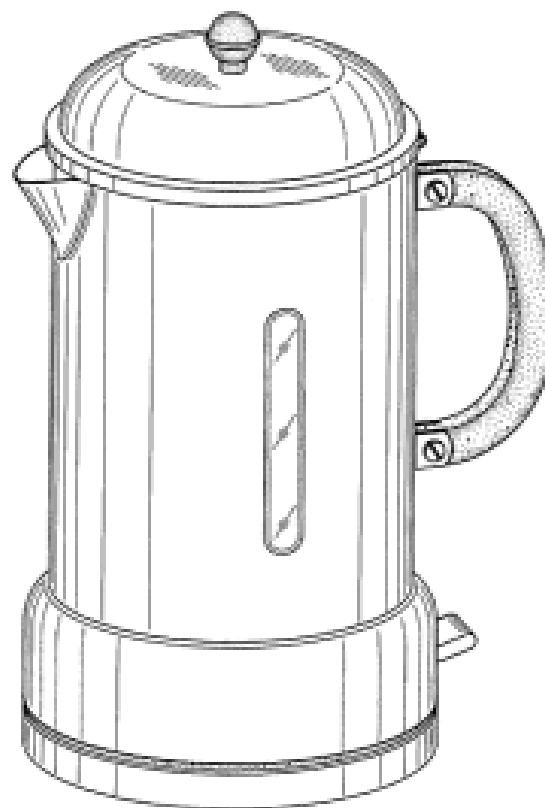
(45) Registration Date: **27 October 2008**

(30) Convention priority data:

(31) Number	(32) Date	(33) Country
134 760	19 Feb 2008	SWITZERLAND

(56) Related Art Documents: **Not Applicable**

(57) Statement of Newness and Distinctiveness: **Nil**



(21) Design Number: **13323/2008**
(22) Date of Filing Application: **15 July 2008**
(24) Date from which industrial property rights may have effect: **15 July 2008**
(54) Product in respect of which the design is registered: **Plug with overcap**
(51) International Design Classification: **09-07B**
(71) Name(s) and Address(s) of Applicant(s):

Rieke Corporation
500 West Seventh Street Auburn Indiana 46706 United States of America

(72) Name(s) of Designer(s): **Gary M. Baughman**

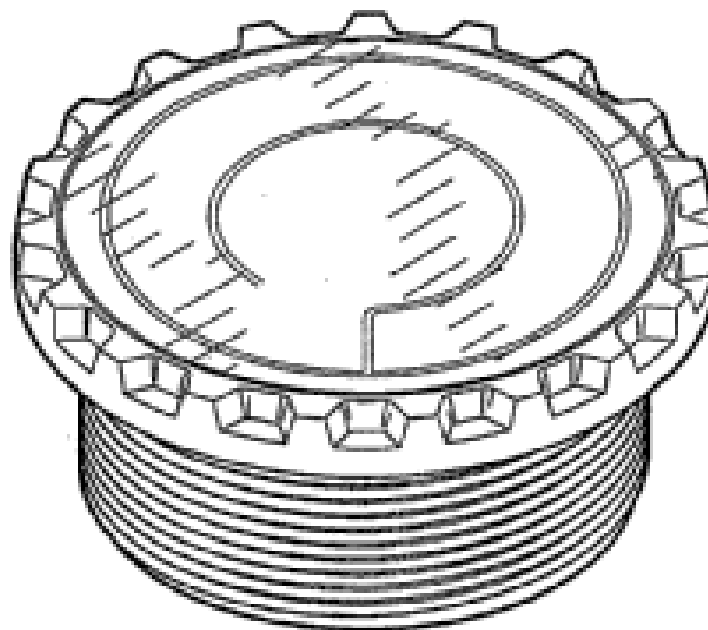
(45) Registration Date: **27 October 2008**

(30) Convention priority data:

(31) Number	(32) Date	(33) Country
29/303440	08 Feb 2008	UNITED STATES OF AMERICA

(56) Related Art Documents: **Not Applicable**

(57) Statement of Newness and Distinctiveness: **Newness and distinctiveness is claimed in the features of shape and/or configuration of the annular ring of raised bumps on the top of the plug with overcap illustrated in the accompanying representations.**



(21) Design Number: **13324/2008**

(22) Date of Filing Application: **15 July 2008**

(24) Date from which industrial property rights may have effect: **15 July 2008**

(54) Product in respect of which the design is registered: **Plug with overcap**

(51) International Design Classification: **09-07B**

(71) Name(s) and Address(s) of Applicant(s):

Rieke Corporation
500 West Seventh Street Auburn Indiana 46706 United States of America

(72) Name(s) of Designer(s): **Gary M. Baughman**

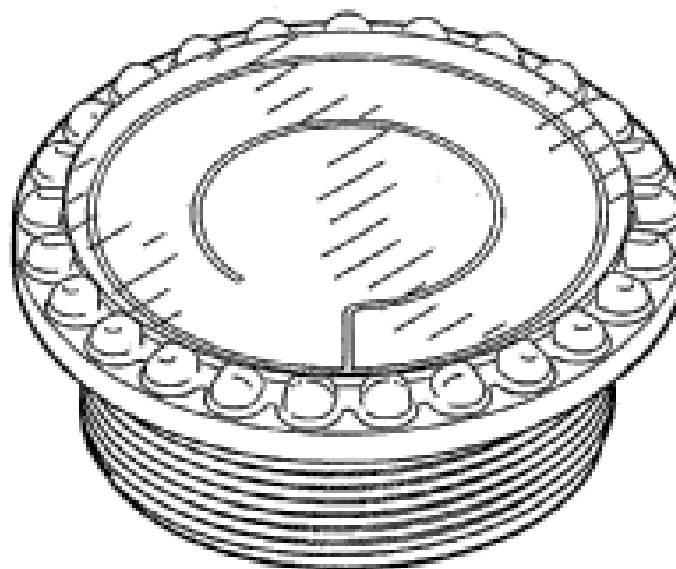
(45) Registration Date: **27 October 2008**

(30) Convention priority data:

(31) Number	(32) Date	(33) Country
29/303440	08 Feb 2008	UNITED STATES OF AMERICA

(56) Related Art Documents: **Not Applicable**

(57) Statement of Newness and Distinctiveness: **Newness and distinctiveness is claimed in the features of shape and/or configuration of the annular ring of raised bumps on the top of the plug with overcap illustrated in the accompanying representations.**



(21) Design Number: **13325/2008**

(22) Date of Filing Application: **15 July 2008**

(24) Date from which industrial property rights may have effect: **15 July 2008**

(54) Product in respect of which the design is registered: **A child carrying device**

(51) International Design Classification: **03-99**

(71) Name(s) and Address(s) of Applicant(s):

Baby Bjorn AB
P.O. Box 595 Satraangsvagen 8 SE-182 15 Danderyd Sweden

(72) Name(s) of Designer(s): **Philip Sauer and Lisen Elmberg and Jens Johansson**

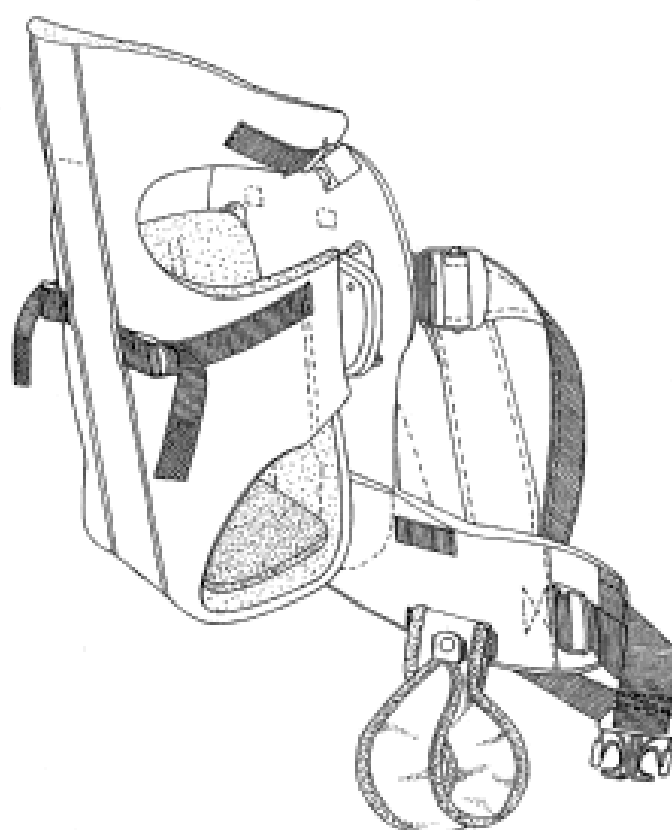
(45) Registration Date: **27 October 2008**

(30) Convention priority data:

(31) Number	(32) Date	(33) Country
000859590	17 Jan 2008	EUROPEAN COMMUNITY

(56) Related Art Documents: **Not Applicable**

(57) Statement of Newness and Distinctiveness: **Newness and distinctiveness is claimed in the features of shape and/or configuration of the following features of a child carrying device as illustrated in the accompanying representations, and labelled in the plan view: leg supports labelled "A"; seat labelled "B"; support band labelled "C"; and adjustable band labelled "D".**



(21) Design Number: **13327/2008**

(22) Date of Filing Application: **15 July 2008**

(24) Date from which industrial property rights may have effect: **15 July 2008**

(54) Product in respect of which the design is registered: **Collapsible measuring cup with pivoting handle**

(51) International Design Classification: **10-04**

(71) Name(s) and Address(s) of Applicant(s):

Ellis N. Shamon

2833 Park Bridge Court Dallas Texas 75219 United States of America

(72) Name(s) of Designer(s): **Ellis N. Shamon**

(45) Registration Date: **27 October 2008**

(30) Convention priority data:

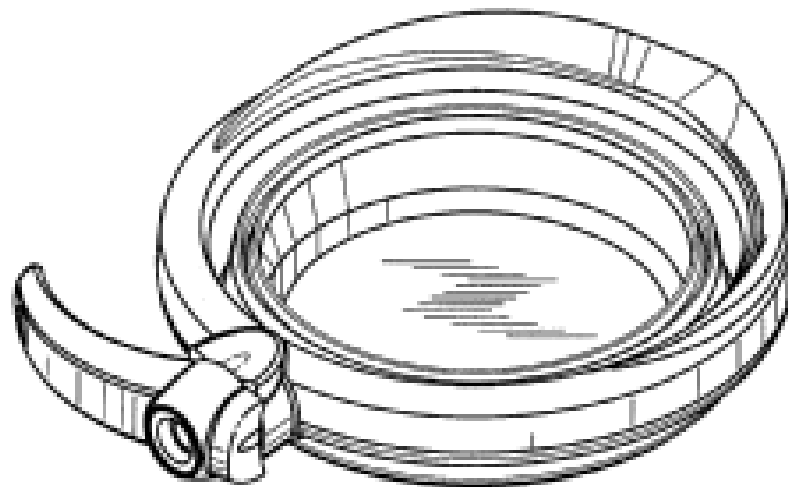
(31) Number
29/302620

(32) Date
13 Feb 2008

(33) Country
UNITED STATES OF AMERICA

(56) Related Art Documents: **Not Applicable**

(57) Statement of Newness and Distinctiveness: **Newness and distinctiveness reside in the features of the design as shown in the representations.**



(21) Design Number: **13329/2008**

(22) Date of Filing Application: **16 July 2008**

(24) Date from which industrial property rights may have effect: **16 July 2008**

(54) Product in respect of which the design is registered: **Pot**

(51) International Design Classification: **07-01G**

(71) Name(s) and Address(s) of Applicant(s):

Villeroy & Boch AG

Saaruferstrasse 14-18 D-66693 Mettlach Germany

(72) Name(s) of Designer(s): **Christian Haas**

(45) Registration Date: **27 October 2008**

(30) Convention priority data:

(31) Number
000 861 083

(32) Date
16 Jan 2008

(33) Country
EUROPEAN COMMUNITY

(56) Related Art Documents: **Not Applicable**

(57) Statement of Newness and Distinctiveness: **The shape and configuration of the product is new and distinctive. The text and logo on the under-side of the product should not be considered when construing visual features of the design.**



(21) Design Number: **13330/2008**

(22) Date of Filing Application: **16 July 2008**

(24) Date from which industrial property rights may have effect: **16 July 2008**

(54) Product in respect of which the design is registered: **Cup**

(51) International Design Classification: **07-01D**

(71) Name(s) and Address(s) of Applicant(s):

Villeroy & Boch AG

Saaruferstrasse 14-18 D-66693 Mettlach Germany

(72) Name(s) of Designer(s): **Christian Haas**

(45) Registration Date: **27 October 2008**

(30) Convention priority data:

(31) Number
000 861 083

(32) Date
16 Jan 2008

(33) Country
EUROPEAN COMMUNITY

(56) Related Art Documents: **Not Applicable**

(57) Statement of Newness and Distinctiveness: **The shape and configuration of the product is new and distinctive. The text and logo on the under-side of the product should not be considered when construing visual features of the design.**



(21) Design Number: **13331/2008**

(22) Date of Filing Application: **16 July 2008**

(24) Date from which industrial property rights may have effect: **16 July 2008**

(54) Product in respect of which the design is registered: **Saucer**

(51) International Design Classification: **07-01D**

(71) Name(s) and Address(s) of Applicant(s):

Villeroy & Boch AG

Saaruferstrasse 14-18 D-66693 Mettlach Germany

(72) Name(s) of Designer(s): **Christian Haas**

(45) Registration Date: **27 October 2008**

(30) Convention priority data:

(31) Number
000 861 083

(32) Date
16 Jan 2008

(33) Country
EUROPEAN COMMUNITY

(56) Related Art Documents: **Not Applicable**

(57) Statement of Newness and Distinctiveness: **The shape and configuration of the product is new and distinctive. The text and logo on the under-side of the product should not be considered when construing visual features of the design.**



(21) Design Number: **13332/2008**

(22) Date of Filing Application: **16 July 2008**

(24) Date from which industrial property rights may have effect: **16 July 2008**

(54) Product in respect of which the design is registered: **Sugar bowl**

(51) International Design Classification: **07-01B**

(71) Name(s) and Address(s) of Applicant(s):

Villeroy & Boch AG

Saaruferstrasse 14-18 D-66693 Mettlach Germany

(72) Name(s) of Designer(s): **Christian Haas**

(45) Registration Date: **27 October 2008**

(30) Convention priority data:

(31) Number

(32) Date

(33) Country

000 861 083

16 Jan 2008

EUROPEAN COMMUNITY

(56) Related Art Documents: **Not Applicable**

(57) Statement of Newness and Distinctiveness: **The shape and configuration of the product is new and distinctive. The text and logo on the under-side of the product should not be considered when construing visual features of the design.**



(21) Design Number: **13333/2008**

(22) Date of Filing Application: **16 July 2008**

(24) Date from which industrial property rights may have effect: **16 July 2008**

(54) Product in respect of which the design is registered: **Bowl**

(51) International Design Classification: **07-01B**

(71) Name(s) and Address(s) of Applicant(s):

Villeroy & Boch AG

Saaruferstrasse 14-18 D-66693 Mettlach Germany

(72) Name(s) of Designer(s): **Christian Haas**

(45) Registration Date: **27 October 2008**

(30) Convention priority data:

(31) Number

(32) Date

(33) Country

000 861 083

16 Jan 2008

EUROPEAN COMMUNITY

(56) Related Art Documents: **Not Applicable**

(57) Statement of Newness and Distinctiveness: **The shape and configuration of the product is new and distinctive. The text and logo on the under-side of the product should not be considered when construing visual features of the design.**



(21) Design Number: **13334/2008**

(22) Date of Filing Application: **16 July 2008**

(24) Date from which industrial property rights may have effect: **16 July 2008**

(54) Product in respect of which the design is registered: **Bowl**

(51) International Design Classification: **07-01B**

(71) Name(s) and Address(s) of Applicant(s):

Villeroy & Boch AG

Saaruferstrasse 14-18 D-66693 Mettlach Germany

(72) Name(s) of Designer(s): **Christian Haas**

(45) Registration Date: **27 October 2008**

(30) Convention priority data:

(31) Number

(32) Date

(33) Country

000 861 083

16 Jan 2008

EUROPEAN COMMUNITY

(56) Related Art Documents: **Not Applicable**

(57) Statement of Newness and Distinctiveness: **The shape and configuration of the product is new and distinctive. The text and logo on the under-side of the product should not be considered when construing visual features of the design.**



(21) Design Number: **13335/2008**

(22) Date of Filing Application: **16 July 2008**

(24) Date from which industrial property rights may have effect: **16 July 2008**

(54) Product in respect of which the design is registered: **Bowl**

(51) International Design Classification: **07-01B**

(71) Name(s) and Address(s) of Applicant(s):

Villeroy & Boch AG

Saaruferstrasse 14-18 D-66693 Mettlach Germany

(72) Name(s) of Designer(s): **Christian Haas**

(45) Registration Date: **27 October 2008**

(30) Convention priority data:

(31) Number

(32) Date

(33) Country

000 861 083

16 Jan 2008

EUROPEAN COMMUNITY

(56) Related Art Documents: **Not Applicable**

(57) Statement of Newness and Distinctiveness: **The shape and configuration of the product is new and distinctive. The text and logo on the under-side of the product should not be considered when construing visual features of the design.**



(21) Design Number: **13336/2008**

(22) Date of Filing Application: **16 July 2008**

(24) Date from which industrial property rights may have effect: **16 July 2008**

(54) Product in respect of which the design is registered: **Plate**

(51) International Design Classification: **07-01A**

(71) Name(s) and Address(s) of Applicant(s):

Villeroy & Boch AG

Saaruferstrasse 14-18 D-66693 Mettlach Germany

(72) Name(s) of Designer(s): **Christian Haas**

(45) Registration Date: **27 October 2008**

(30) Convention priority data:

(31) Number

(32) Date

(33) Country

000 861 083

16 Jan 2008

EUROPEAN COMMUNITY

(56) Related Art Documents: **Not Applicable**

(57) Statement of Newness and Distinctiveness: **The shape and configuration of the product is new and distinctive. The text and logo on the under-side of the product should not be considered when construing visual features of the design.**



(21) Design Number: **13337/2008**

(22) Date of Filing Application: **16 July 2008**

(24) Date from which industrial property rights may have effect: **16 July 2008**

(54) Product in respect of which the design is registered: **Plate**

(51) International Design Classification: **07-01A**

(71) Name(s) and Address(s) of Applicant(s):

Villeroy & Boch AG

Saaruferstrasse 14-18 D-66693 Mettlach Germany

(72) Name(s) of Designer(s): **Christian Haas**

(45) Registration Date: **27 October 2008**

(30) Convention priority data:

(31) Number

(32) Date

(33) Country

000 861 083

16 Jan 2008

EUROPEAN COMMUNITY

(56) Related Art Documents: **Not Applicable**

(57) Statement of Newness and Distinctiveness: **The shape and configuration of the product is new and distinctive. The text and logo on the under-side of the product should not be considered when construing visual features of the design.**



(21) Design Number: **13338/2008**

(22) Date of Filing Application: **16 July 2008**

(24) Date from which industrial property rights may have effect: **16 July 2008**

(54) Product in respect of which the design is registered: **plate**

(51) International Design Classification: **07-01A**

(71) Name(s) and Address(s) of Applicant(s):

Villeroy & Boch AG

Saaruferstrasse 14-18 D-66693 Mettlach Germany

(72) Name(s) of Designer(s): **Christian Haas**

(45) Registration Date: **27 October 2008**

(30) Convention priority data:

(31) Number

(32) Date

(33) Country

000 861 083

16 Jan 2008

EUROPEAN COMMUNITY

(56) Related Art Documents: **Not Applicable**

(57) Statement of Newness and Distinctiveness: **The shape and configuration of the product is new and distinctive. The text and logo on the under-side of the product should not be considered when construing visual features of the design.**



(21) Design Number: **13339/2008**

(22) Date of Filing Application: **16 July 2008**

(24) Date from which industrial property rights may have effect: **16 July 2008**

(54) Product in respect of which the design is registered: **Plate**

(51) International Design Classification: **07-01A**

(71) Name(s) and Address(s) of Applicant(s):

Villeroy & Boch AG

Saaruferstrasse 14-18 D-66693 Mettlach Germany

(72) Name(s) of Designer(s): **Christian Haas**

(45) Registration Date: **27 October 2008**

(30) Convention priority data:

(31) Number

(32) Date

(33) Country

000 861 083

16 Jan 2008

EUROPEAN COMMUNITY

(56) Related Art Documents: **Not Applicable**

(57) Statement of Newness and Distinctiveness: **The shape and configuration of the product is new and distinctive. The text and logo on the under-side of the product should not be considered when construing visual features of the design.**



(21) Design Number: **13340/2008**

(22) Date of Filing Application: **16 July 2008**

(24) Date from which industrial property rights may have effect: **16 July 2008**

(54) Product in respect of which the design is registered: **Plate**

(51) International Design Classification: **07-01A**

(71) Name(s) and Address(s) of Applicant(s):

Villeroy & Boch AG
Saaruferstrasse 14-18 D-66693 Mettlach Germany

(72) Name(s) of Designer(s): **Christian Haas**

(45) Registration Date: **27 October 2008**

(30) Convention priority data:

(31) Number	(32) Date	(33) Country
000 861 083	16 Jan 2008	EUROPEAN COMMUNITY

(56) Related Art Documents: **Not Applicable**

(57) Statement of Newness and Distinctiveness: **The shape and configuration of the product is new and distinctive. The text and logo on the under-side of the product should not be considered when construing visual features of the design.**



(21) Design Number: **13341/2008**

(22) Date of Filing Application: **16 July 2008**

(24) Date from which industrial property rights may have effect: **16 July 2008**

(54) Product in respect of which the design is registered: **Plate**

(51) International Design Classification: **07-01A**

(71) Name(s) and Address(s) of Applicant(s):

Villeroy & Boch AG
Saaruferstrasse 14-18 D-66693 Mettlach Germany

(72) Name(s) of Designer(s): **Christian Haas**

(45) Registration Date: **27 October 2008**

(30) Convention priority data:

(31) Number	(32) Date	(33) Country
000 861 083	16 Jan 2008	EUROPEAN COMMUNITY

(56) Related Art Documents: **Not Applicable**

(57) Statement of Newness and Distinctiveness: **The shape and configuration of the product is new and distinctive. The text and logo on the under-side of the product should not be considered when construing visual features of the design.**



- (21) Design Number: **11871/2008**
- (22) Date of Filing Application: **21 April 2008**
- (24) Date from which industrial property rights may have effect: **21 April 2008**
- (54) Product in respect of which the design is registered: **Vehicle wheel**
- (51) International Design Classification: **12-16A**
- (71) Name(s) and Address(s) of Applicant(s):
GM Global Technology Operations, Inc
300 Renaissance Center Detroit Michigan 48265-3000 United States of America
- (72) Name(s) of Designer(s): **Adam Dean Smith**
- (45) Registration Date: **28 October 2008**
- (56) Related Art Documents: **Not Applicable**
- (57) Statement of Newness and Distinctiveness: **Newness and distinctiveness is claimed in the shape and/or configuration of a vehicle wheel as shown in the accompanying representations, except that the rim is to be disregarded.**



- (21) Design Number: **11872/2008**
- (22) Date of Filing Application: **21 April 2008**
- (24) Date from which industrial property rights may have effect: **21 April 2008**
- (54) Product in respect of which the design is registered: **Vehicle wheel**
- (51) International Design Classification: **12-16A**
- (71) Name(s) and Address(s) of Applicant(s):
GM Global Technology Operations, Inc
300 Renaissance Center Detroit Michigan 48265-3000 United States of America
- (72) Name(s) of Designer(s): **Julian Mark Quincey**
- (45) Registration Date: **28 October 2008**
- (56) Related Art Documents: **Not Applicable**
- (57) Statement of Newness and Distinctiveness: **Newness and distinctiveness is claimed in the shape and/or configuration of a vehicle wheel as shown in the accompanying representations, except that the rim is to be disregarded.**



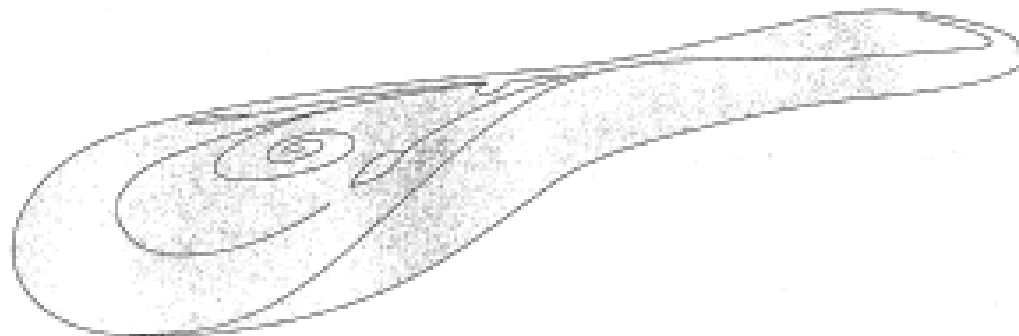
- (21) Design Number: **11960/2008**
(22) Date of Filing Application: **28 April 2008**
(24) Date from which industrial property rights may have effect: **28 April 2008**
(54) Product in respect of which the design is registered: **Fence post**
(51) International Design Classification: **25-01E**
(71) Name(s) and Address(s) of Applicant(s):
Ashley Dean Olsson
989 Crookwell Road Goulburn New South Wales 2580 Australia
Ashley Norman Olsson
989 Crookwell Road Goulburn New South Wales 2580 Australia
Nathanael Dean Olsson
989 Crookwell Road Goulburn New South Wales 2580 Australia
Stafford James Olsson
989 Crookwell Road Goulburn New South Wales 2580 Australia
Kieran Blake Olsson
989 Crookwell Road Goulburn New South Wales 2580 Australia
(72) Name(s) of Designer(s): **Ashley Dean Olsson and Ashley Norman Olsson and Nathanael Dean Olsson and Stafford James Olsson and Kieran Blake Olsson**
(45) Registration Date: **28 October 2008**
(56) Related Art Documents: **Not Applicable**
(57) Statement of Newness and Distinctiveness: **In determining the newness and distinctiveness of the design as applied to a fence post, particular attention is to be paid to the features of shape and configuration of the openings that are spaced along a length of the fence post, and any indicia appearing on the fence post are to be disregarded.**



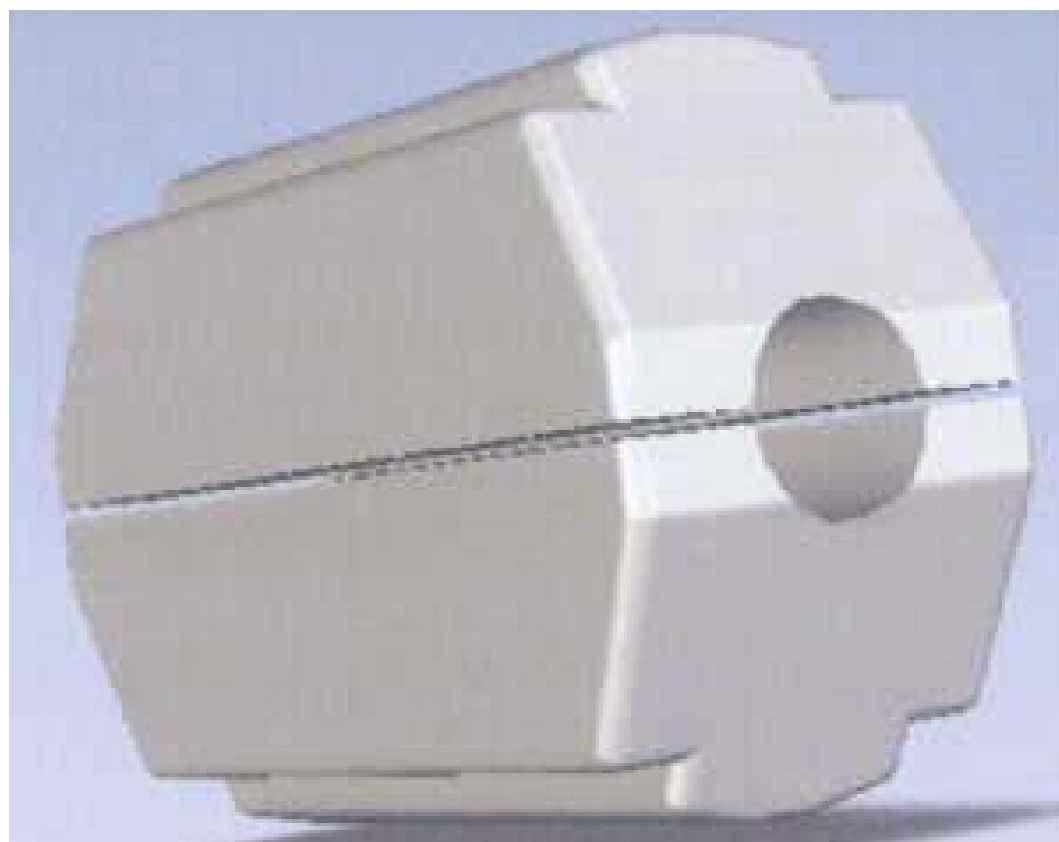
- (21) Design Number: **12664/2008**
(22) Date of Filing Application: **28 May 2008**
(24) Date from which industrial property rights may have effect: **28 May 2008**
(54) Product in respect of which the design is registered: **Underground liquid storage tank**
(51) International Design Classification: **23-01F**
(71) Name(s) and Address(s) of Applicant(s):
Kessel (NZ) Limited
387 Karaka Bay Road Wellington 6022 New Zealand
(72) Name(s) of Designer(s): **Jurgen Kessel**
(45) Registration Date: **28 October 2008**
(56) Related Art Documents: **Not Applicable**
(57) Statement of Newness and Distinctiveness: **The novelty claimed for the design resides in the features of shape and/or configuration all as shown in the representations.**



- (21) Design Number: **12677/2008**
(22) Date of Filing Application: **04 June 2008**
(24) Date from which industrial property rights may have effect: **04 June 2008**
(54) Product in respect of which the design is registered: **Orthotic device**
(51) International Design Classification: **02-04A**
(71) Name(s) and Address(s) of Applicant(s):
Rockbrook Holdings Limited
PO Box N-7776 #211 Nassau NP Bahamas
(72) Name(s) of Designer(s): **Phillip J. Vasyli**
(45) Registration Date: **28 October 2008**
(30) Convention priority data:
(31) Number (32) Date (33) Country
29/295,446 28 Sep 2007 UNITED STATES OF AMERICA
(56) Related Art Documents: **Not Applicable**
(57) Statement of Newness and Distinctiveness: **Newness and distinctiveness resides in the shape and configuration of an orthotic device as shown in the representations.**



- (21) Design Number: **12787/2008**
(22) Date of Filing Application: **12 June 2008**
(24) Date from which industrial property rights may have effect: **12 June 2008**
(54) Product in respect of which the design is registered: **Magnetic systems used in water conditioning**
(51) International Design Classification: **23-01F**
(71) Name(s) and Address(s) of Applicant(s):
International Magnetic Solutions Pty Ltd
Unit 1/12 Jura Street Heatherbrae NSW 2324 Australia
(72) Name(s) of Designer(s): **Victor Cassar**
(45) Registration Date: **28 October 2008**
(56) Related Art Documents: **Not Applicable**
(57) Statement of Newness and Distinctiveness: **Nil**



(21) Design Number: **12869/2008**

(22) Date of Filing Application: **17 June 2008**

(24) Date from which industrial property rights may have effect: **17 June 2008**

(54) Product in respect of which the design is registered: **T bar roof anchor**

(51) International Design Classification: **25-01G**

(71) Name(s) and Address(s) of Applicant(s):

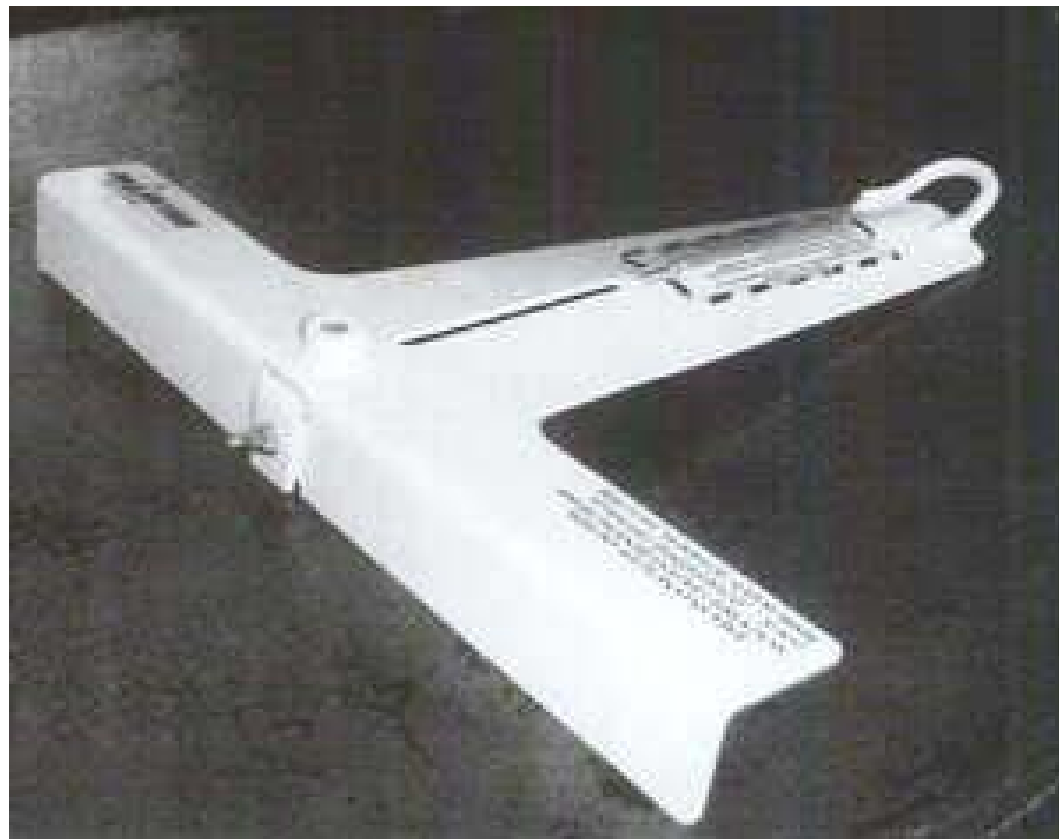
Warren Ballantyne
50 Mawarra Street Albion QLD 4010

(72) Name(s) of Designer(s): **Warren Ballantyne**

(45) Registration Date: **28 October 2008**

(56) Related Art Documents: **Not Applicable**

(57) Statement of Newness and Distinctiveness: **Nil**



(21) Design Number: **12870/2008**

(22) Date of Filing Application: **17 June 2008**

(24) Date from which industrial property rights may have effect: **17 June 2008**

(54) Product in respect of which the design is registered: **Tether diversory anchor**

(51) International Design Classification: **25-01G**

(71) Name(s) and Address(s) of Applicant(s):

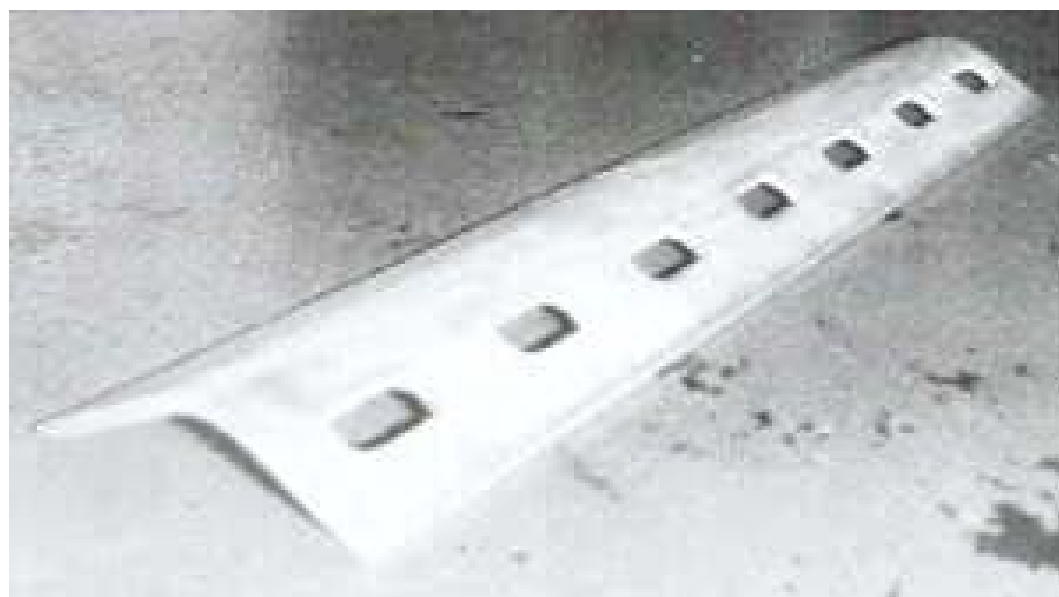
Warren Ballantyne
50 Mawarra Street Albion QLD 4010

(72) Name(s) of Designer(s): **Warren Ballantyne**

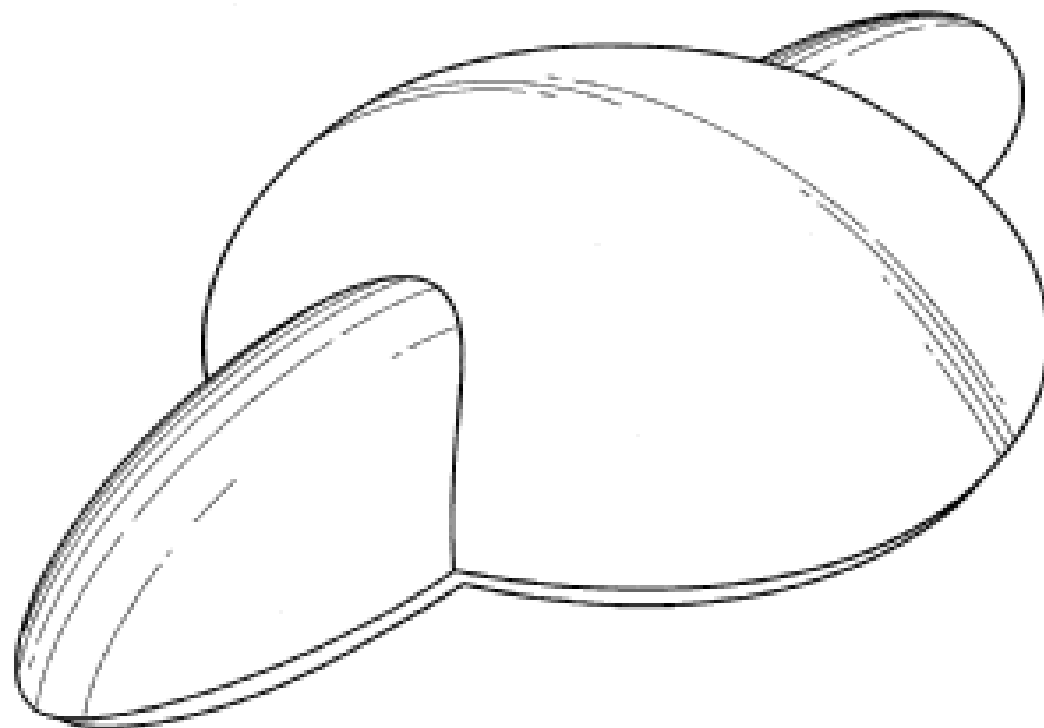
(45) Registration Date: **28 October 2008**

(56) Related Art Documents: **Not Applicable**

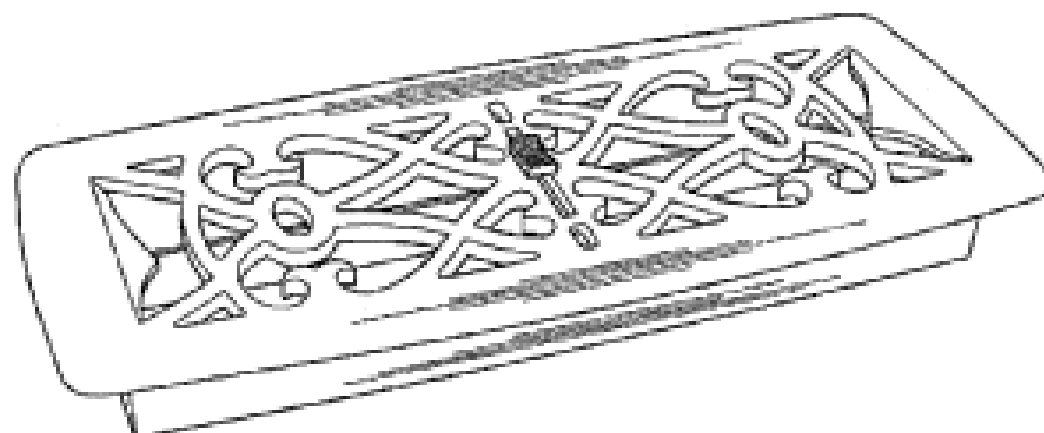
(57) Statement of Newness and Distinctiveness: **Nil**



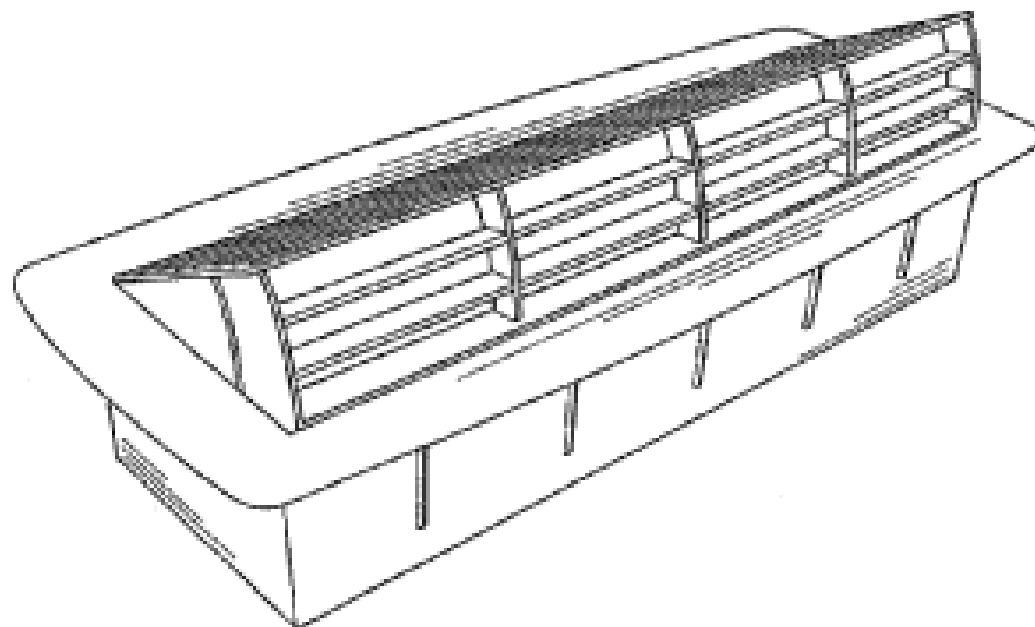
(21) Design Number: **13213/2008**
(22) Date of Filing Application: **11 July 2008**
(24) Date from which industrial property rights may have effect: **11 July 2008**
(54) Product in respect of which the design is registered: **Bread bun**
(51) International Design Classification: **01-01**
(71) Name(s) and Address(s) of Applicant(s):
Mark Anthony Murray
8a Macintosh Rise Duncraig Western Australia 6023 Australia
(72) Name(s) of Designer(s): **Mark Anthony Murray**
(45) Registration Date: **28 October 2008**
(56) Related Art Documents: **Not Applicable**
(57) Statement of Newness and Distinctiveness: **Nil**



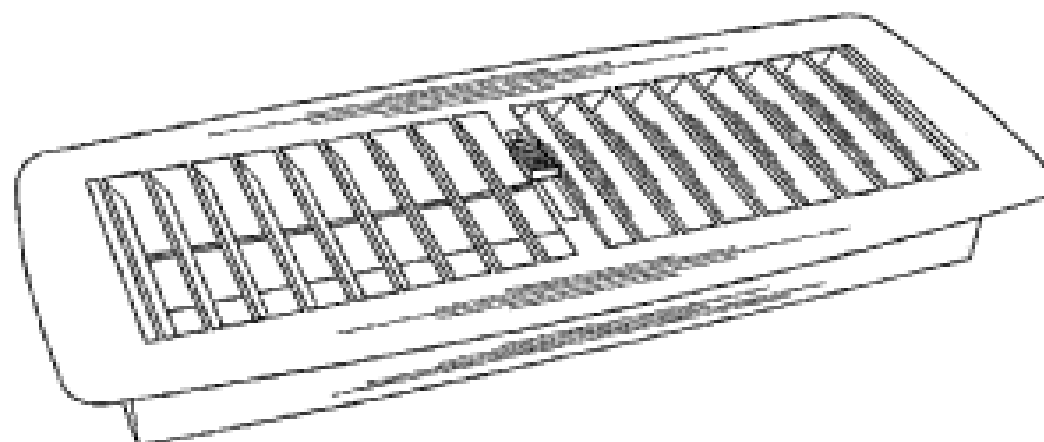
(21) Design Number: **13253/2008**
(22) Date of Filing Application: **14 July 2008**
(24) Date from which industrial property rights may have effect: **14 July 2008**
(54) Product in respect of which the design is registered: **Air conditioning vent**
(51) International Design Classification: **23-04**
(71) Name(s) and Address(s) of Applicant(s):
Metalflex Pty Ltd
13-17 Brand Drive Thomastown Victoria 3074 Australia
(72) Name(s) of Designer(s): **Russell Amiguet**
(45) Registration Date: **28 October 2008**
(56) Related Art Documents: **Not Applicable**
(57) Statement of Newness and Distinctiveness: **Nil**



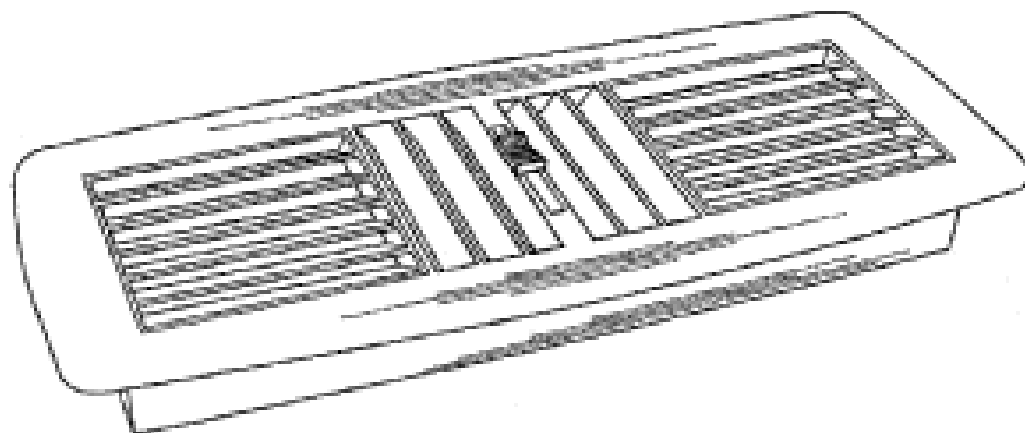
(21) Design Number: **13254/2008**
(22) Date of Filing Application: **14 July 2008**
(24) Date from which industrial property rights may have effect: **14 July 2008**
(54) Product in respect of which the design is registered: **Air conditioning vent**
(51) International Design Classification: **23-04**
(71) Name(s) and Address(s) of Applicant(s):
Metalflex Pty Ltd
13-17 Brand Drive Thomastown Victoria 3074 Australia
(72) Name(s) of Designer(s): **Russell Amiguet**
(45) Registration Date: **28 October 2008**
(56) Related Art Documents: **Not Applicable**
(57) Statement of Newness and Distinctiveness: **Nil**



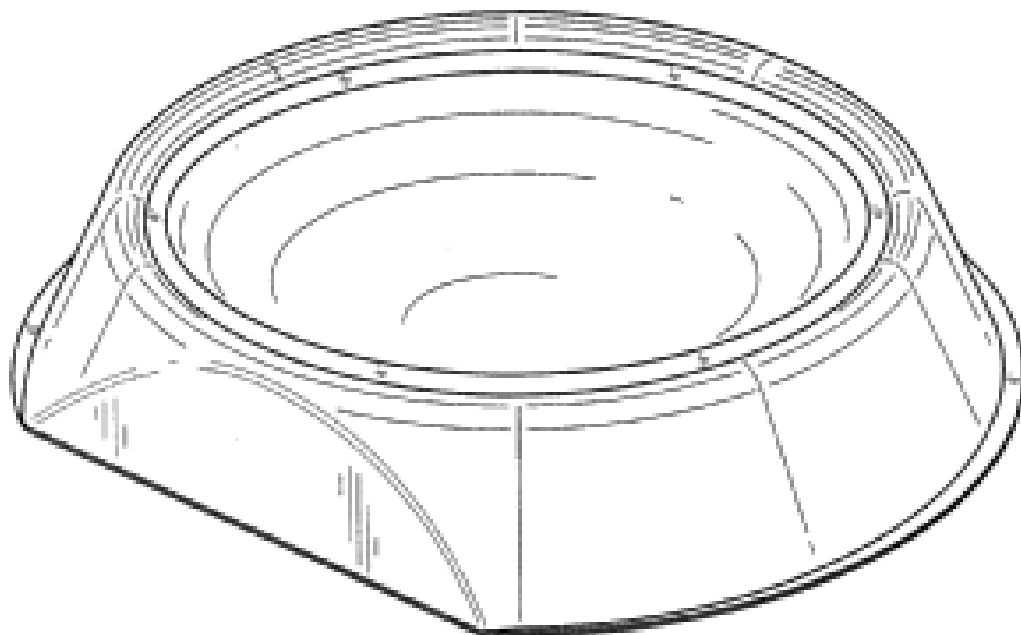
(21) Design Number: **13255/2008**
(22) Date of Filing Application: **14 July 2008**
(24) Date from which industrial property rights may have effect: **14 July 2008**
(54) Product in respect of which the design is registered: **Air conditioning vent**
(51) International Design Classification: **23-04**
(71) Name(s) and Address(s) of Applicant(s):
Metalflex Pty Ltd
13-17 Brand Drive Thomastown Victoria 3074 Australia
(72) Name(s) of Designer(s): **Russell Amiguet**
(45) Registration Date: **28 October 2008**
(56) Related Art Documents: **Not Applicable**
(57) Statement of Newness and Distinctiveness: **Nil**



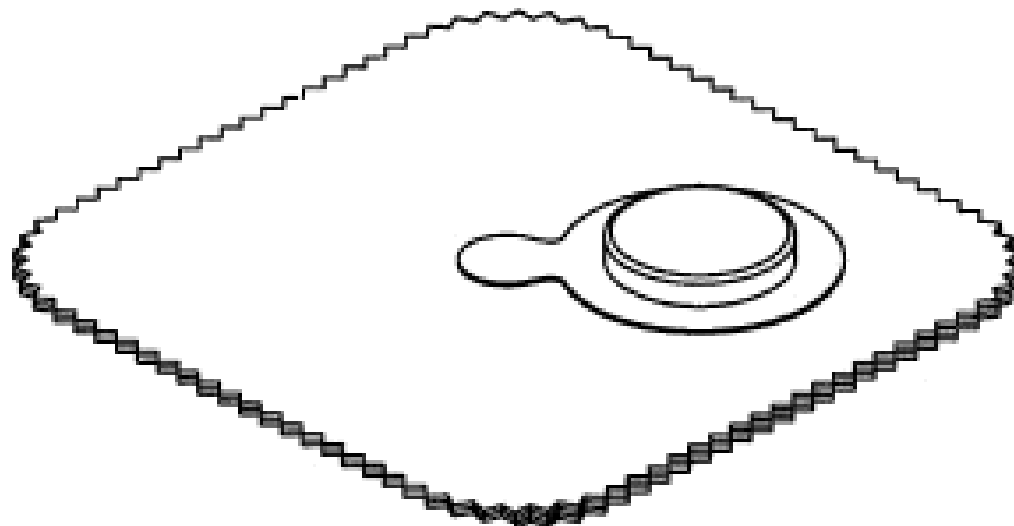
(21) Design Number: **13256/2008**
(22) Date of Filing Application: **14 July 2008**
(24) Date from which industrial property rights may have effect: **14 July 2008**
(54) Product in respect of which the design is registered: **Air conditioning vent**
(51) International Design Classification: **23-04**
(71) Name(s) and Address(s) of Applicant(s):
Metalflex Pty Ltd
13-17 Brand Drive Thomastown Victoria 3074 Australia
(72) Name(s) of Designer(s): **Russell Amiguet**
(45) Registration Date: **28 October 2008**
(56) Related Art Documents: **Not Applicable**
(57) Statement of Newness and Distinctiveness: **Nil**



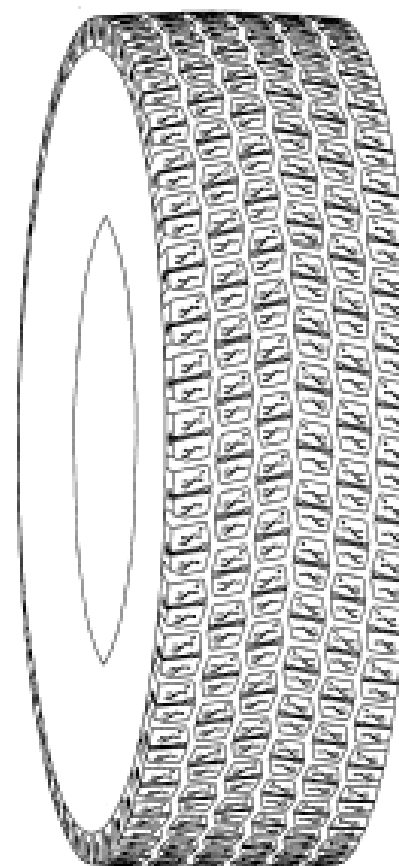
(21) Design Number: **13303/2008**
(22) Date of Filing Application: **14 July 2008**
(24) Date from which industrial property rights may have effect: **14 July 2008**
(54) Product in respect of which the design is registered: **Bowl**
(51) International Design Classification: **07-01B**
(71) Name(s) and Address(s) of Applicant(s):
Mars, Incorporated
6885 Elm Street McLean Virginia 22101-3883 United States of America
(72) Name(s) of Designer(s): **Jason M. Friedland and Gary Chisholm**
(45) Registration Date: **28 October 2008**
(30) Convention priority data:
(31) Number (32) Date (33) Country
29/302,482 17 Jan 2008 UNITED STATES OF AMERICA
(56) Related Art Documents: **Not Applicable**
(57) Statement of Newness and Distinctiveness: **The newness and distinctiveness of the design resides in the following visual features: a) the features of shape and configuration of the design depicted in the accompanying representations and b) the left side of the circular bowl is cut by a chord shaped segment that has a flat outer edge.**



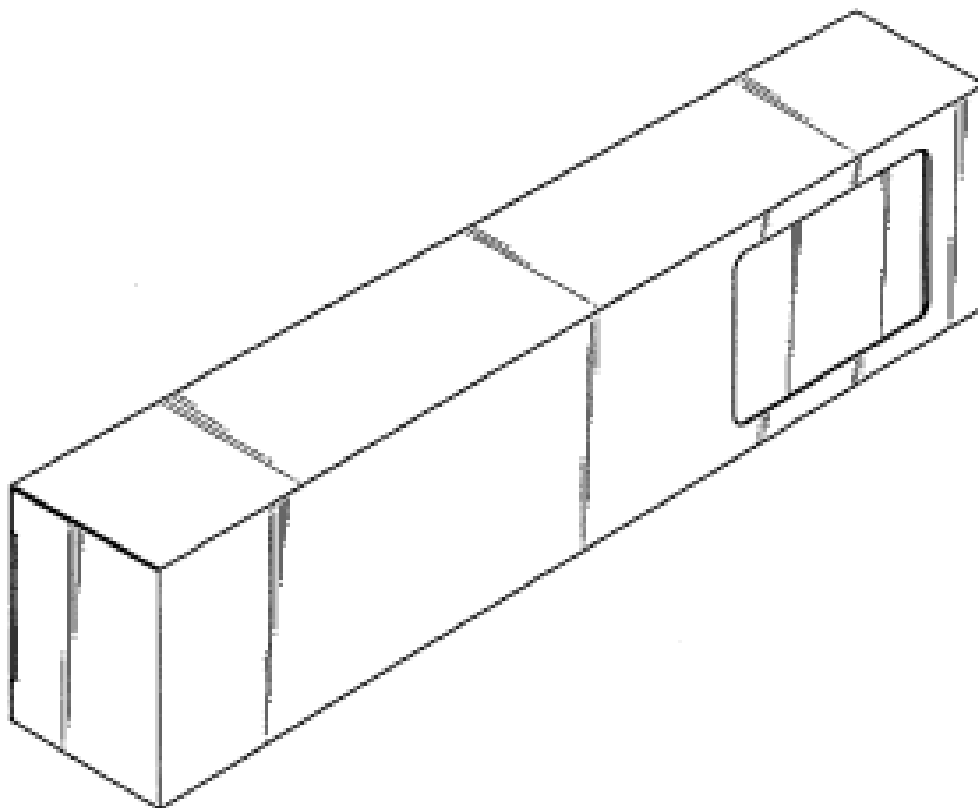
(21) Design Number: **13304/2008**
(22) Date of Filing Application: **14 July 2008**
(24) Date from which industrial property rights may have effect: **14 July 2008**
(54) Product in respect of which the design is registered: **Shoe polish applicator**
(51) International Design Classification: **07-05E**
(71) Name(s) and Address(s) of Applicant(s):
Samar, LLC
70 West Madison Chicago IL 60602 United States of America
(72) Name(s) of Designer(s): **Joost van Haasteren**
(45) Registration Date: **28 October 2008**
(30) Convention priority data:
(31) Number (32) Date (33) Country
000910245 31 Mar 2008 EUROPEAN COMMUNITY
(56) Related Art Documents: **Not Applicable**
(57) Statement of Newness and Distinctiveness: **Nil**



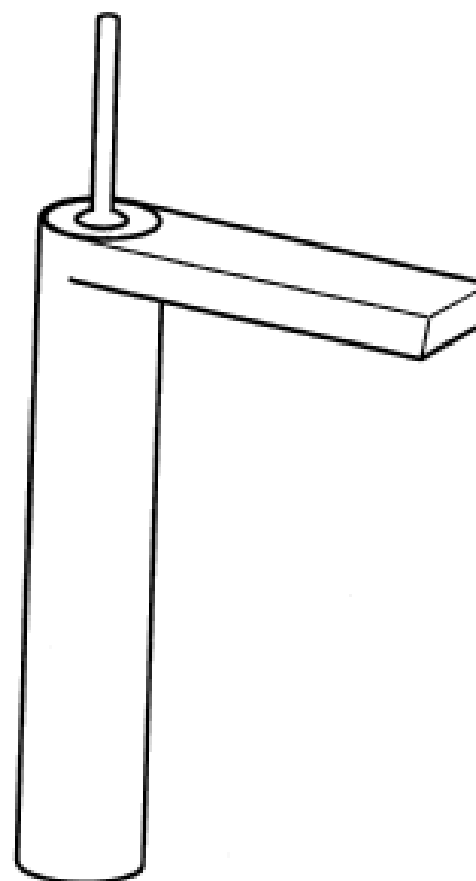
(21) Design Number: **13305/2008**
(22) Date of Filing Application: **14 July 2008**
(24) Date from which industrial property rights may have effect: **14 July 2008**
(54) Product in respect of which the design is registered: **A tyre**
(51) International Design Classification: **12-15A**
(71) Name(s) and Address(s) of Applicant(s):
Michelin Recherche et Technique S.A.
Route Louis Braille 10 et 12 CH-1763 Granges-Paccot Switzerland
Societe De Technologie Michelin
23 rue Breschet F-63000 Clermont-Ferrand Cedex France
(72) Name(s) of Designer(s): **Gilles Godeau**
(45) Registration Date: **28 October 2008**
(30) Convention priority data:
(31) Number (32) Date (33) Country
08/0287 17 Jan 2008 FRANCE
(56) Related Art Documents: **Not Applicable**
(57) Statement of Newness and Distinctiveness: **Newness resides in the pattern and shape of the tread region of the tyre.**



(21) Design Number: **13306/2008**
(22) Date of Filing Application: **14 July 2008**
(24) Date from which industrial property rights may have effect: **14 July 2008**
(54) Product in respect of which the design is registered: **Carton**
(51) International Design Classification: **09-03M**
(71) Name(s) and Address(s) of Applicant(s):
Glaxo Group Limited
Glaxo Wellcome House Berkeley Avenue Greenford Middlesex UB6
0NN United Kingdom
(72) Name(s) of Designer(s): **Alan John Gilbody and Angela Inglis and Kerry**
Louise O'Callaghan
(45) Registration Date: **28 October 2008**
(30) Convention priority data:
(31) Number (32) Date (33) Country
4005897 16 Jan 2008 UNITED KINGDOM
(56) Related Art Documents: **Not Applicable**
(57) Statement of Newness and Distinctiveness: **Nil**



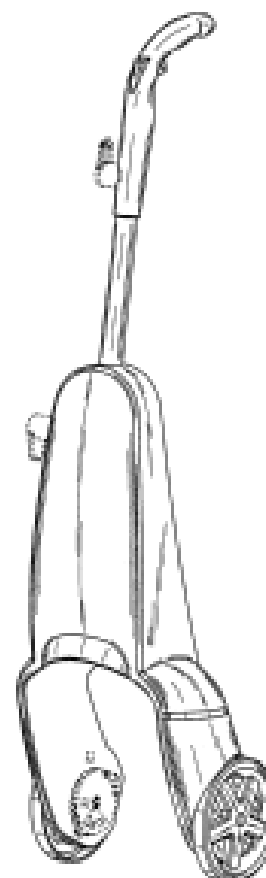
(21) Design Number: **13307/2008**
(22) Date of Filing Application: **14 July 2008**
(24) Date from which industrial property rights may have effect: **14 July 2008**
(54) Product in respect of which the design is registered: **Mixer tap**
(51) International Design Classification: **23-01H**
(71) Name(s) and Address(s) of Applicant(s):
Hansa Metallwerke AG
Sigmaringer Str. 107 D-70567 Stuttgart Germany
(72) Name(s) of Designer(s): **Reinhard Zetsche**
(45) Registration Date: **28 October 2008**
(30) Convention priority data:
(31) Number (32) Date (33) Country
000870654 01 Feb 2008 EUROPEAN COMMUNITY
(56) Related Art Documents: **Not Applicable**
(57) Statement of Newness and Distinctiveness: **Nil**



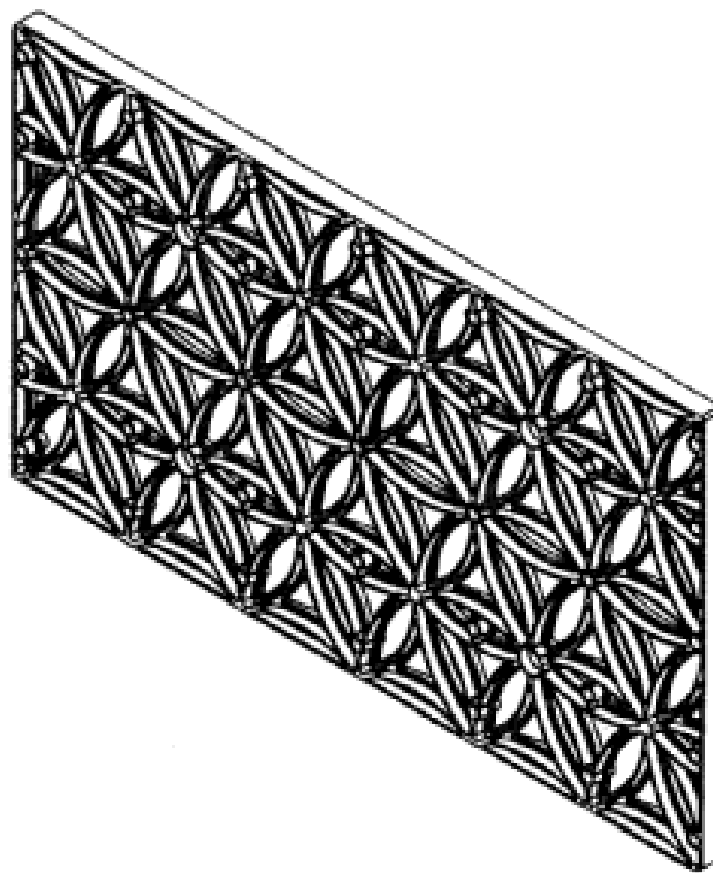
- (21) Design Number: **13309/2008**
(22) Date of Filing Application: **15 July 2008**
(24) Date from which industrial property rights may have effect: **15 July 2008**
(54) Product in respect of which the design is registered: **Metal plate/s attachment to drawer runners for medical and general storage units and trolleys**
(51) International Design Classification: **06-04NES**
(71) Name(s) and Address(s) of Applicant(s):
HSD Medstor Pty Ltd/Barrie I. Middup
8/98 Old Pittwater Road Brookvale New South Wales 2100 Australia
(72) Name(s) of Designer(s): **Barrie Ian Middup**
(45) Registration Date: **28 October 2008**
(56) Related Art Documents: **Not Applicable**
(57) Statement of Newness and Distinctiveness: **We are in the healthcare industry and are suppliers of various types of medical trolleys and storage units. In the past, the method for storing consumer items and drugs has been either on standard shelving or wall mounted plastic containers. Our system uses trays of three different depths which fit into either trolleys or cabinets/mobile units. To improve the accessibility to the products stored in the trays, we have developed a metal plate attachment which is fixed on to standard drawer runners (see photos). The metal plates allow the trays to be placed on to the drawer runners, but without the need for them to be fixed permanently. They are then easily removable for cleaning, re-stocking, etc. The secondary plate allows the drawer runners to be fitted into standard shelf strip or pre-drilled holes in our trolley frames. By slightly angling the drawer runners on to the plate, which is either attached to the shelf strip or into the holes in the trolley frame, the runner will not accidentally slide out whilst the trolley is being moved around. This is a safety feature which prevents any accidental spillage. The above design is unique and is a first in Australasia.**



- (21) Design Number: **13342/2008**
(22) Date of Filing Application: **16 July 2008**
(24) Date from which industrial property rights may have effect: **16 July 2008**
(54) Product in respect of which the design is registered: **Floor care appliance upper portion**
(51) International Design Classification: **15-05**
(71) Name(s) and Address(s) of Applicant(s):
BISSELL Homecare, Inc.
2345 Walker Avenue N.W. Grand Rapids MI 49544 United States of America
(72) Name(s) of Designer(s): **Justin Benacquisto and Meghan L. McNeil and Douglas J. Medema and Adam G. Carr**
(45) Registration Date: **28 October 2008**
(30) Convention priority data:
(31) Number (32) Date (33) Country
29/303,569 12 Feb 2008 UNITED STATES OF AMERICA
(56) Related Art Documents: **Not Applicable**
(57) Statement of Newness and Distinctiveness: **The shape and configuration of those parts of the Floor Care Appliance Upper Portion shown other than by means of dotted lines in the representations are new and distinctive.**



- (21) Design Number: **12327/2008**
(22) Date of Filing Application: **16 May 2008**
(24) Date from which industrial property rights may have effect: **16 May 2008**
(54) Product in respect of which the design is registered: **Underground water tank large plate**
(51) International Design Classification: **23-01F**
(71) Name(s) and Address(s) of Applicant(s):
Astral Property Pty Limited
Unit 3 19-21 Gibbes Street Chatswood New South Wales 2067
Australia
(72) Name(s) of Designer(s): **Humberto Urriola**
(45) Registration Date: **28 October 2008**
(56) Related Art Documents: **Not Applicable**
(57) Statement of Newness and Distinctiveness: **The newness and distinctiveness in respect of the design is claimed in the features of shape and configuration of the underground water tank large plate, as illustrated in the accompanying representations.**



- (21) Design Number: **12970/2008**
(22) Date of Filing Application: **24 June 2008**
(24) Date from which industrial property rights may have effect: **24 June 2008**
(54) Product in respect of which the design is registered: **Protective cover for pressure care chairs (air, water and foam)**
(51) International Design Classification: **06-13NES**
(71) Name(s) and Address(s) of Applicant(s):
Valerie E. Caines
PO Box 1129 Rockdale New South Wales 2216 Australia
Jeffrey J. Squires
PO Box 1129 Rockdale New South Wales 2216 Australia
(72) Name(s) of Designer(s): **Valerie E. Caines and Jeffrey J. Squires**
(45) Registration Date: **30 October 2008**
(56) Related Art Documents: **Not Applicable**
(57) Statement of Newness and Distinctiveness: **Uni-fitting protective cover for use with pressure care chairs (air, water and foam) 2 x side attaching straps and elasticated top and bottom fixings.**



(21) Design Number: **13310/2008**
(22) Date of Filing Application: **15 July 2008**
(24) Date from which industrial property rights may have effect: **15 July 2008**
(54) Product in respect of which the design is registered: **Lamp**
(51) International Design Classification: **26-05D**
(71) Name(s) and Address(s) of Applicant(s):

Jo Engebrigsten
Ola Valdris vei 8 Bekkestua NO-1357 Norway

(72) Name(s) of Designer(s): **Jo Engebrigsten**

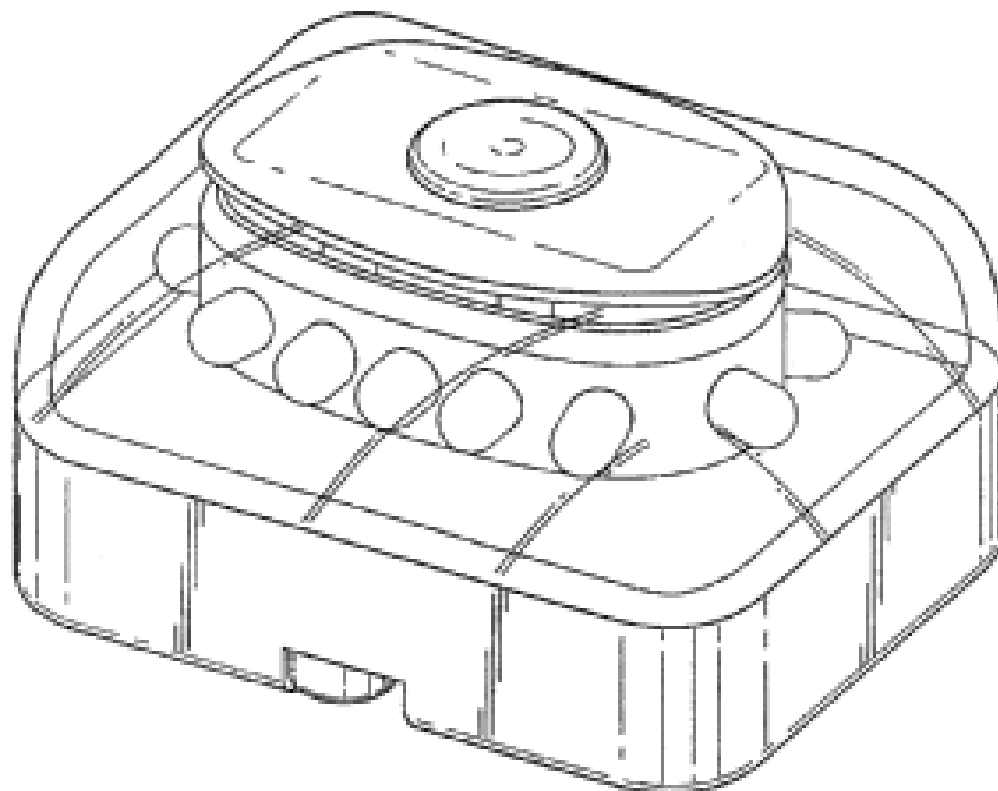
(45) Registration Date: **30 October 2008**

(30) Convention priority data:

(31) Number	(32) Date	(33) Country
20080052	25 Jan 2008	NORWAY

(56) Related Art Documents: **Not Applicable**

(57) Statement of Newness and Distinctiveness: **Nil**



(21) Design Number: **13312/2008**
(22) Date of Filing Application: **15 July 2008**
(24) Date from which industrial property rights may have effect: **15 July 2008**
(54) Product in respect of which the design is registered: **Bench**
(51) International Design Classification: **06-01C**
(71) Name(s) and Address(s) of Applicant(s):

Katherine Brennan
526 Malvern Road Prahran Victoria 3181 Australia

(72) Name(s) of Designer(s): **Katherine Brennan**

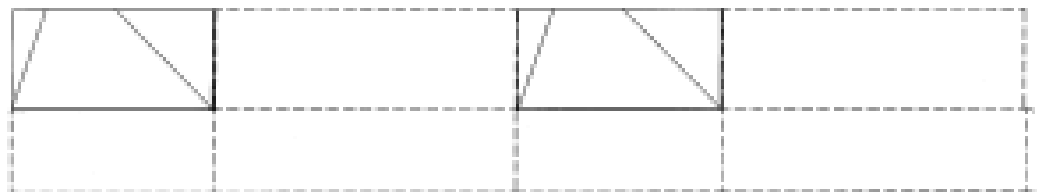
(45) Registration Date: **30 October 2008**

(56) Related Art Documents: **Not Applicable**

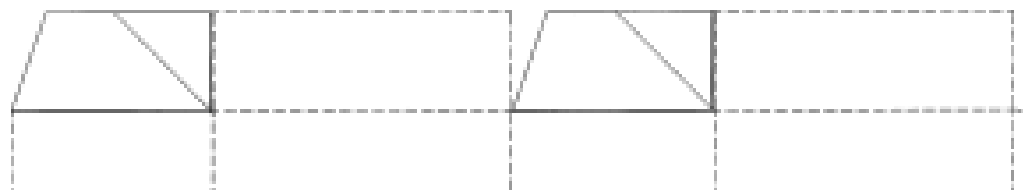
(57) Statement of Newness and Distinctiveness: **Nil**



- (21) Design Number: **13313/2008**
- (22) Date of Filing Application: **15 July 2008**
- (24) Date from which industrial property rights may have effect: **15 July 2008**
- (54) Product in respect of which the design is registered: **Box lid blank**
- (51) International Design Classification: **09-07NES**
- (71) Name(s) and Address(s) of Applicant(s):
Visy R & D Pty Ltd
Level 2 533 Little Collins Street Melbourne Victoria 3000 Australia
- (72) Name(s) of Designer(s): **Russell Sytsma**
- (45) Registration Date: **30 October 2008**
- (56) Related Art Documents: **Not Applicable**
- (57) Statement of Newness and Distinctiveness: **Newness and distinctiveness is claimed in the visual features shown in solid lines in the representations.**

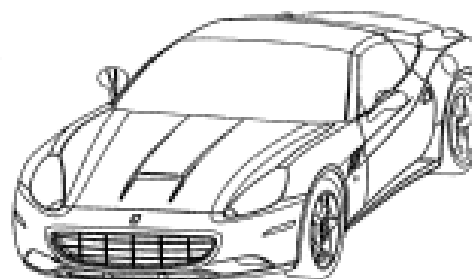


- (21) Design Number: **13314/2008**
- (22) Date of Filing Application: **15 July 2008**
- (24) Date from which industrial property rights may have effect: **15 July 2008**
- (54) Product in respect of which the design is registered: **Box lid blank**
- (51) International Design Classification: **09-07NES**
- (71) Name(s) and Address(s) of Applicant(s):
Visy R & D Pty Ltd
Level 2 533 Little Collins Street Melbourne Victoria 3000 Australia
- (72) Name(s) of Designer(s): **Russell Sytsma**
- (45) Registration Date: **30 October 2008**
- (56) Related Art Documents: **Not Applicable**
- (57) Statement of Newness and Distinctiveness: **Newness and distinctiveness is claimed in the visual features shown in solid lines in the representations.**



- (21) Design Number: **13315/2008**
- (22) Date of Filing Application: **15 July 2008**
- (24) Date from which industrial property rights may have effect: **15 July 2008**
- (54) Product in respect of which the design is registered: **Car and toy car**
- (51) International Design Classification: **12-08, 21-01C**
- (71) Name(s) and Address(s) of Applicant(s):
Ferrari S.p.A.
Via Emilia Est 1163 I-41100 Modena Italy
- (72) Name(s) of Designer(s): **Roberto Corradi**
- (45) Registration Date: **30 October 2008**
- (30) Convention priority data:

(31) Number	(32) Date	(33) Country
000876784	12 Feb 2008	EUROPEAN COMMUNITY
- (56) Related Art Documents: **Not Applicable**
- (57) Statement of Newness and Distinctiveness: **Those features of the car and toy car depicted in the representations that are new and distinctive are the shape and/or configuration.**



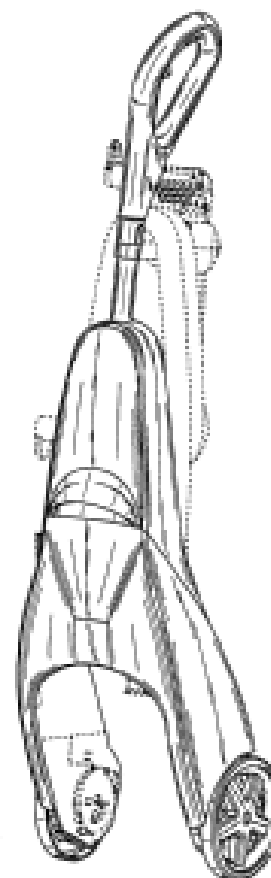
Car



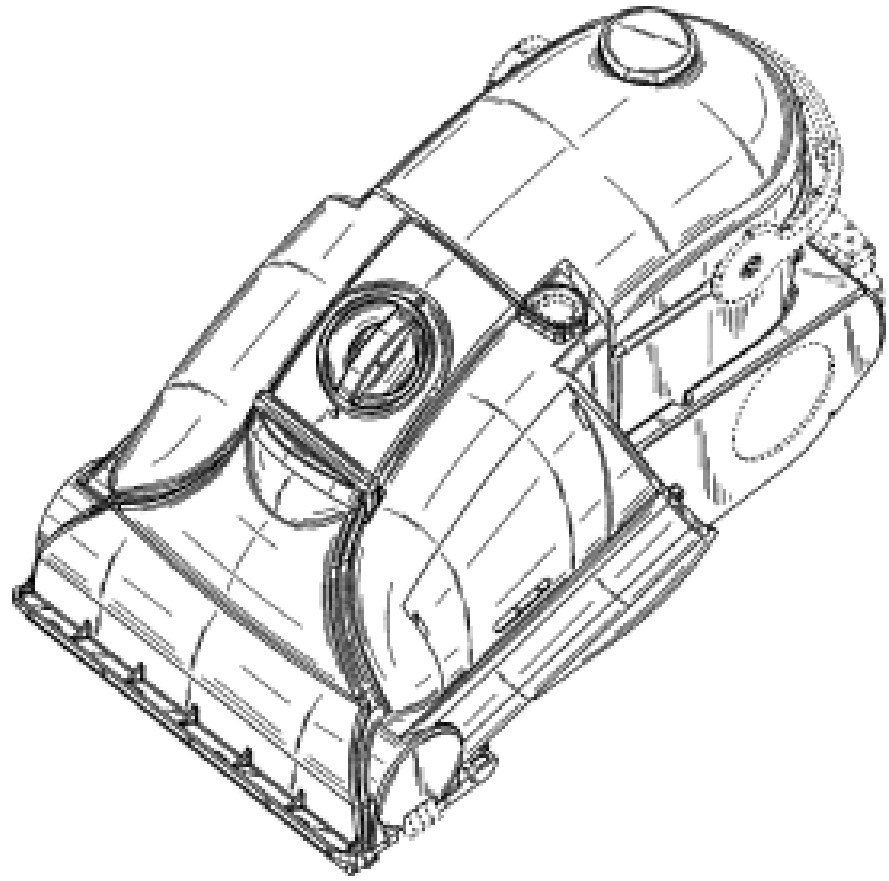
Toy Car

- (21) Design Number: **13343/2008**
- (22) Date of Filing Application: **16 July 2008**
- (24) Date from which industrial property rights may have effect: **16 July 2008**
- (54) Product in respect of which the design is registered: **Floor care appliance upper portion**
- (51) International Design Classification: **15-05**
- (71) Name(s) and Address(s) of Applicant(s):
BISSELL Homecare, Inc.
2345 Walker Avenue N.W. Grand Rapids MI 49544 United States of America
- (72) Name(s) of Designer(s): **Justin Benacquisto and Meghan L. McNeil and Douglas J. Medema and Adam G. Carr**
- (45) Registration Date: **30 October 2008**
- (30) Convention priority data:

(31) Number	(32) Date	(33) Country
29/303,571	12 Feb 2008	UNITED STATES OF AMERICA
- (56) Related Art Documents: **Not Applicable**
- (57) Statement of Newness and Distinctiveness: **The shape and configuration of those parts of the Floor Care Appliance Upper Portion shown other than by means of dotted lines in the representations are new and distinctive.**



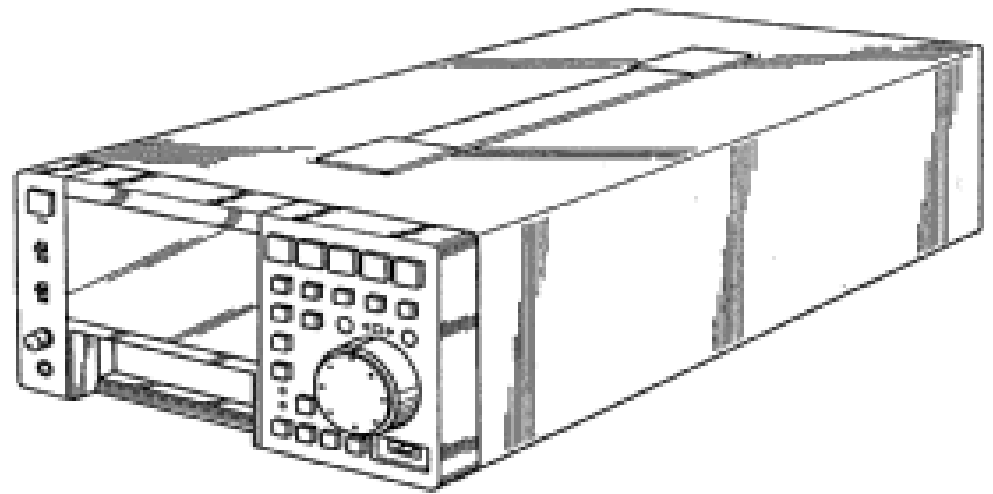
- (21) Design Number: **13344/2008**
(22) Date of Filing Application: **16 July 2008**
(24) Date from which industrial property rights may have effect: **16 July 2008**
(54) Product in respect of which the design is registered: **Floor care appliance base portion**
(51) International Design Classification: **15-05**
(71) Name(s) and Address(s) of Applicant(s):
BISSELL Homecare, Inc.
2345 Walker Avenue N.W. Grand Rapids MI 49544 United States of America
(72) Name(s) of Designer(s): **Justin Benacquisto and Meghan L. McNeil and Douglas J. Medema and Adam G. Carr**
(45) Registration Date: **30 October 2008**
(30) Convention priority data:
(31) Number (32) Date (33) Country
29/303,573 12 Feb 2008 UNITED STATES OF AMERICA
(56) Related Art Documents: **Not Applicable**
(57) Statement of Newness and Distinctiveness: **The shape and configuration of those parts of the Floor Care Appliance Base Portion shown other than by means of dotted lines in the representations are new and distinctive.**



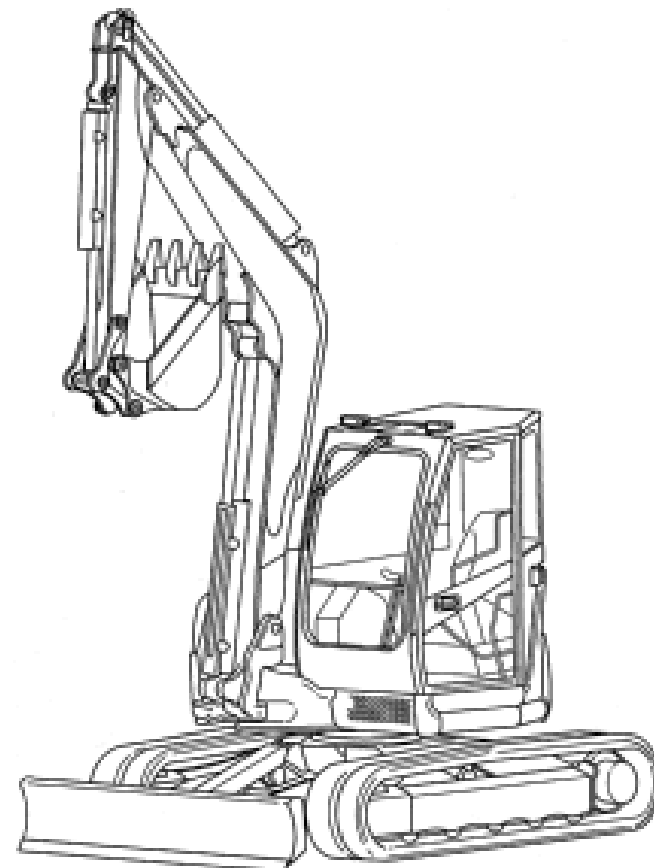
- (21) Design Number: **13345/2008**
(22) Date of Filing Application: **16 July 2008**
(24) Date from which industrial property rights may have effect: **16 July 2008**
(54) Product in respect of which the design is registered: **Pushchairs**
(51) International Design Classification: **12-12**
(71) Name(s) and Address(s) of Applicant(s):
Jean-Michel Francois Chauderge
Domaine de Muscapeau Route de Bras Tourves 83170 France
(72) Name(s) of Designer(s): **Jean-Michel Francois Chauderge**
(45) Registration Date: **30 October 2008**
(30) Convention priority data:
(31) Number (32) Date (33) Country
000860192-0001 17 Jan 2008 EUROPEAN COMMUNITY
(56) Related Art Documents: **Not Applicable**
(57) Statement of Newness and Distinctiveness: **The shape, configuration, shape and configuration, pattern, ornamentation, pattern and ornamentation of the design of the product is new and distinctive.**



- (21) Design Number: **13352/2008**
(22) Date of Filing Application: **16 July 2008**
(24) Date from which industrial property rights may have effect: **16 July 2008**
(54) Product in respect of which the design is registered: **Images and sound editor**
(51) International Design Classification: **14-01**
(71) Name(s) and Address(s) of Applicant(s):
Kabushiki Kaisha Toshiba also Trading as Toshiba Corporation
1-1 Shibaura 1-chome Minato-ku Tokyo Japan
(72) Name(s) of Designer(s): **Hideki Tsuboi**
(45) Registration Date: **30 October 2008**
(30) Convention priority data:
(31) Number (32) Date (33) Country
2008-008758 04 Apr 2008 JAPAN
(56) Related Art Documents: **Not Applicable**
(57) Statement of Newness and Distinctiveness: **The features of the product which are new and distinctive are the shape and configuration thereof as shown in the accompanying representations.**



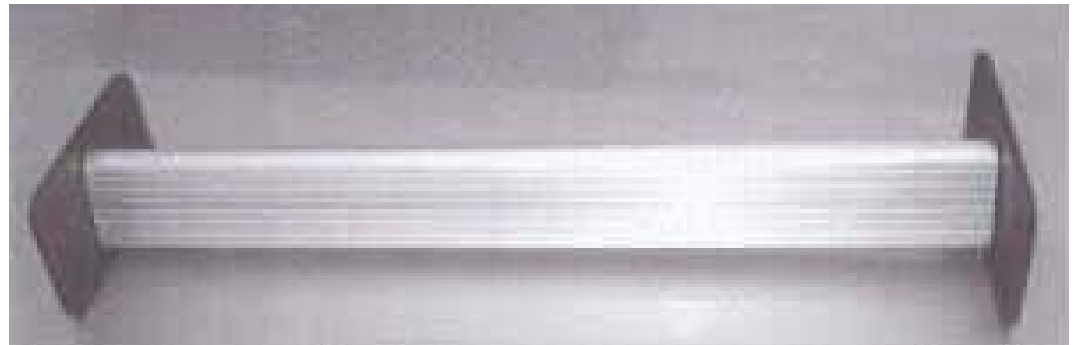
- (21) Design Number: **14194/2008**
(22) Date of Filing Application: **29 August 2008**
(24) Date from which industrial property rights may have effect: **29 August 2008**
(54) Product in respect of which the design is registered: **Excavator**
(51) International Design Classification: **15-04**
(71) Name(s) and Address(s) of Applicant(s):
Yanmar Co., Ltd.
1-32 Chayamachi Kita-ku Osaka-shi Osaka 530-0013 Japan
(72) Name(s) of Designer(s): **Kiyoshi Yonekura and Yasuyuki Oyamada and Masamitsu Uemura and Katashi Tanaka and Hiroyuki Ootsuki**
(45) Registration Date: **30 October 2008**
(30) Convention priority data:
(31) Number (32) Date (33) Country
2008-5604 06 Mar 2008 JAPAN
(56) Related Art Documents: **Not Applicable**
(57) Statement of Newness and Distinctiveness: **Newness and distinctiveness reside in the features of the design as shown in the representations.**



- (21) Design Number: **14567/2008**
(22) Date of Filing Application: **23 September 2008**
(24) Date from which industrial property rights may have effect: **23 September 2008**
(54) Product in respect of which the design is registered: **Adjustable foot for an article of furniture**
(51) International Design Classification: **06-06C**
(71) Name(s) and Address(s) of Applicant(s):
King Furniture (Australia) Pty Ltd
123 Turrella Street Turrella New South Wales 2205 Australia
(72) Name(s) of Designer(s): **Steven Leonard Higgs and David Russell King**
(45) Registration Date: **30 October 2008**
(56) Related Art Documents: **Not Applicable**
(57) Statement of Newness and Distinctiveness: **Newness and distinctiveness reside in the features of shape and/or configuration of the design as shown in the representations.**



- (21) Design Number: **20560/2007**
(22) Date of Filing Application: **02 November 2007**
(24) Date from which industrial property rights may have effect: **02 November 2007**
(54) Product in respect of which the design is registered: **Rung replacement kit**
(51) International Design Classification: **25-04**
(71) Name(s) and Address(s) of Applicant(s):
Mark Ronald Kenny
4 Palmer Place Narangba Queensland 4504 Australia
(72) Name(s) of Designer(s): **Mark Ronald Kenny**
(45) Registration Date: **30 October 2008**
(56) Related Art Documents: **Not Applicable**
(57) Statement of Newness and Distinctiveness: **Distinctive features are moulded plastic design for the diy replacement of damaged extension ladder rungs. Flanges are unique owing to the fact there is nothing on the market currently.**



(21) Design Number: **11636/2008**

(22) Date of Filing Application: **07 April 2008**

(24) Date from which industrial property rights may have effect: **07 April 2008**

(54) Product in respect of which the design is registered: **Goggles**

(51) International Design Classification: **16-06**

(71) Name(s) and Address(s) of Applicant(s):

**Silhouette International Schmied AG
Ellbognerstrasse 24 Linz A-4020 Austria**

(72) Name(s) of Designer(s): **Gerard Fuchs**

(45) Registration Date: **29 October 2008**

(30) Convention priority data:

(31) Number	(32) Date	(33) Country
00837034-001	04 Dec 2007	EUROPEAN COMMUNITY

(56) Related Art Documents: **Not Applicable**

(57) Statement of Newness and Distinctiveness: **Nil**



(21) Design Number: **11637/2008**

(22) Date of Filing Application: **07 April 2008**

(24) Date from which industrial property rights may have effect: **07 April 2008**

(54) Product in respect of which the design is registered: **Glasses**

(51) International Design Classification: **16-06**

(71) Name(s) and Address(s) of Applicant(s):

**Silhouette International Schmied AG
Ellbognerstrasse 24 Linz A-4020 Austria**

(72) Name(s) of Designer(s): **Gerard Fuchs**

(45) Registration Date: **29 October 2008**

(30) Convention priority data:

(31) Number	(32) Date	(33) Country
00837034-002	04 Dec 2007	EUROPEAN COMMUNITY

(56) Related Art Documents: **Not Applicable**

(57) Statement of Newness and Distinctiveness: **Nil**



(21) Design Number: **11638/2008**
(22) Date of Filing Application: **07 April 2008**
(24) Date from which industrial property rights may have effect: **07 April 2008**
(54) Product in respect of which the design is registered: **Glasses**
(51) International Design Classification: **16-06**
(71) Name(s) and Address(s) of Applicant(s):
Silhouette International Schmied AG
Eilbognerstrasse 24 Linz A-4020 Austria
(72) Name(s) of Designer(s): **Sonia Serlenga**
(45) Registration Date: **29 October 2008**
(30) Convention priority data:
(31) Number (32) Date (33) Country
00837034-003 04 Dec 2007 EUROPEAN COMMUNITY
(56) Related Art Documents: **Not Applicable**
(57) Statement of Newness and Distinctiveness: **Nil**



(21) Design Number: **11639/2008**
(22) Date of Filing Application: **07 April 2008**
(24) Date from which industrial property rights may have effect: **07 April 2008**
(54) Product in respect of which the design is registered: **Glasses**
(51) International Design Classification: **16-06**
(71) Name(s) and Address(s) of Applicant(s):
Silhouette International Schmied AG
Eilbognerstrasse 24 Linz A-4020 Austria
(72) Name(s) of Designer(s): **Sonia Serlenga**
(45) Registration Date: **29 October 2008**
(30) Convention priority data:
(31) Number (32) Date (33) Country
00837034-004 04 Dec 2007 EUROPEAN COMMUNITY
(56) Related Art Documents: **Not Applicable**
(57) Statement of Newness and Distinctiveness: **Nil**



(21) Design Number: **11640/2008**

(22) Date of Filing Application: **07 April 2008**

(24) Date from which industrial property rights may have effect: **07 April 2008**

(54) Product in respect of which the design is registered: **Glasses**

(51) International Design Classification: **16-06**

(71) Name(s) and Address(s) of Applicant(s):

**Silhouette International Schmied AG
Ellbognerstrasse 24 Linz A-4020 Austria**

(72) Name(s) of Designer(s): **Sonia Serlenga**

(45) Registration Date: **29 October 2008**

(30) Convention priority data:

(31) Number	(32) Date	(33) Country
00837034-005	04 Dec 2007	EUROPEAN COMMUNITY

(56) Related Art Documents: **Not Applicable**

(57) Statement of Newness and Distinctiveness: **Nil**



(21) Design Number: **12129/2008**

(22) Date of Filing Application: **02 May 2008**

(24) Date from which industrial property rights may have effect: **02 May 2008**

(54) Product in respect of which the design is registered: **Bag, carry**

(51) International Design Classification: **03-01B**

(71) Name(s) and Address(s) of Applicant(s):

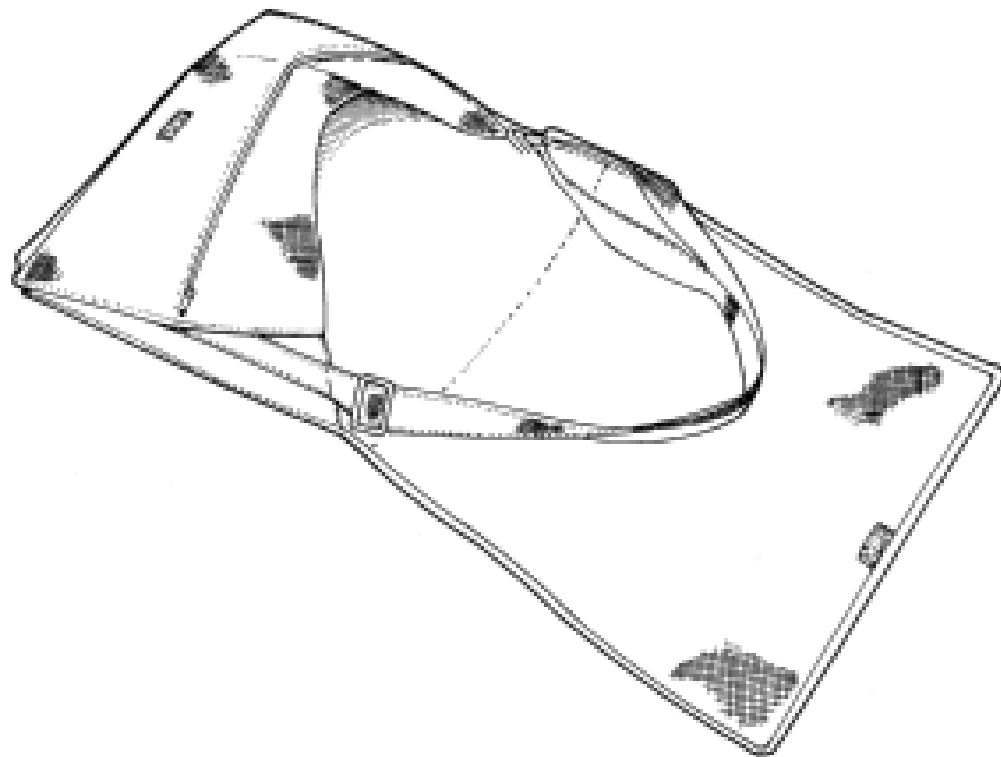
**Ecopouch Pty Ltd
1 Caper White Crescent Kallangur Queensland 4503 Australia**

(72) Name(s) of Designer(s): **Wendy Gilmore**

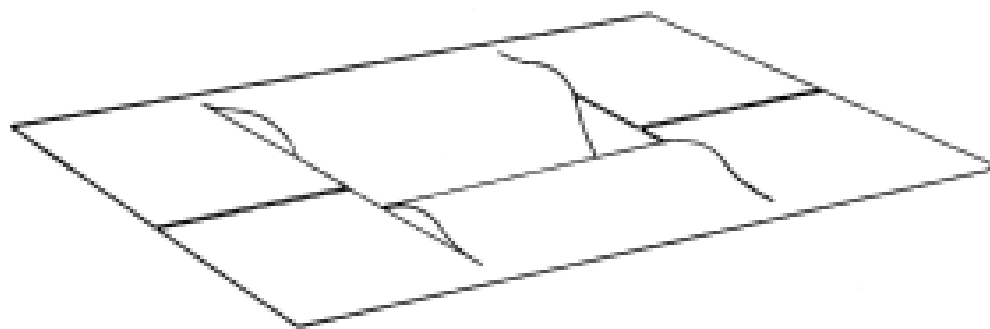
(45) Registration Date: **29 October 2008**

(56) Related Art Documents: **Not Applicable**

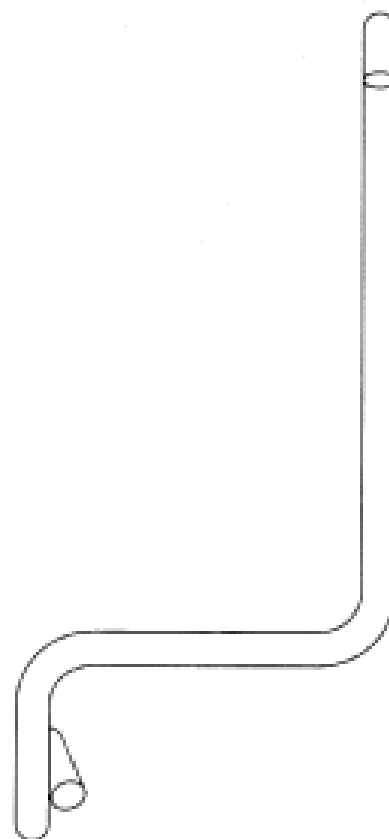
(57) Statement of Newness and Distinctiveness: **Nil**



- (21) Design Number: **12395/2008**
- (22) Date of Filing Application: **21 May 2008**
- (24) Date from which industrial property rights may have effect: **21 May 2008**
- (54) Product in respect of which the design is registered: **Table top**
- (51) International Design Classification: **06-06E**
- (71) Name(s) and Address(s) of Applicant(s):
Troy Backhouse
15 The Esplanade Maribyrnong Victoria 3032 Australia
- (72) Name(s) of Designer(s): **Troy Backhouse**
- (45) Registration Date: **29 October 2008**
- (56) Related Art Documents: **Not Applicable**
- (57) Statement of Newness and Distinctiveness: **The curves in the table top from one sheet of material.**



- (21) Design Number: **12610/2008**
- (22) Date of Filing Application: **29 May 2008**
- (24) Date from which industrial property rights may have effect: **29 May 2008**
- (54) Product in respect of which the design is registered: **Tile clip**
- (51) International Design Classification: **08-08A**
- (71) Name(s) and Address(s) of Applicant(s):
Neofoil Pty. Ltd.
Factory 9 11 England Street Dandenong Victoria 3175 Australia
- (72) Name(s) of Designer(s): **Colin Albert Baxter**
- (45) Registration Date: **29 October 2008**
- (56) Related Art Documents: **Not Applicable**
- (57) Statement of Newness and Distinctiveness: **Nil**



(21) Design Number: **12696/2008**

(22) Date of Filing Application: **06 June 2008**

(24) Date from which industrial property rights may have effect: **06 June 2008**

(54) Product in respect of which the design is registered: **Cold Air Intake Enclosure 2**

(51) International Design Classification: **12-16NES**

(71) Name(s) and Address(s) of Applicant(s):

Steven Angelovski

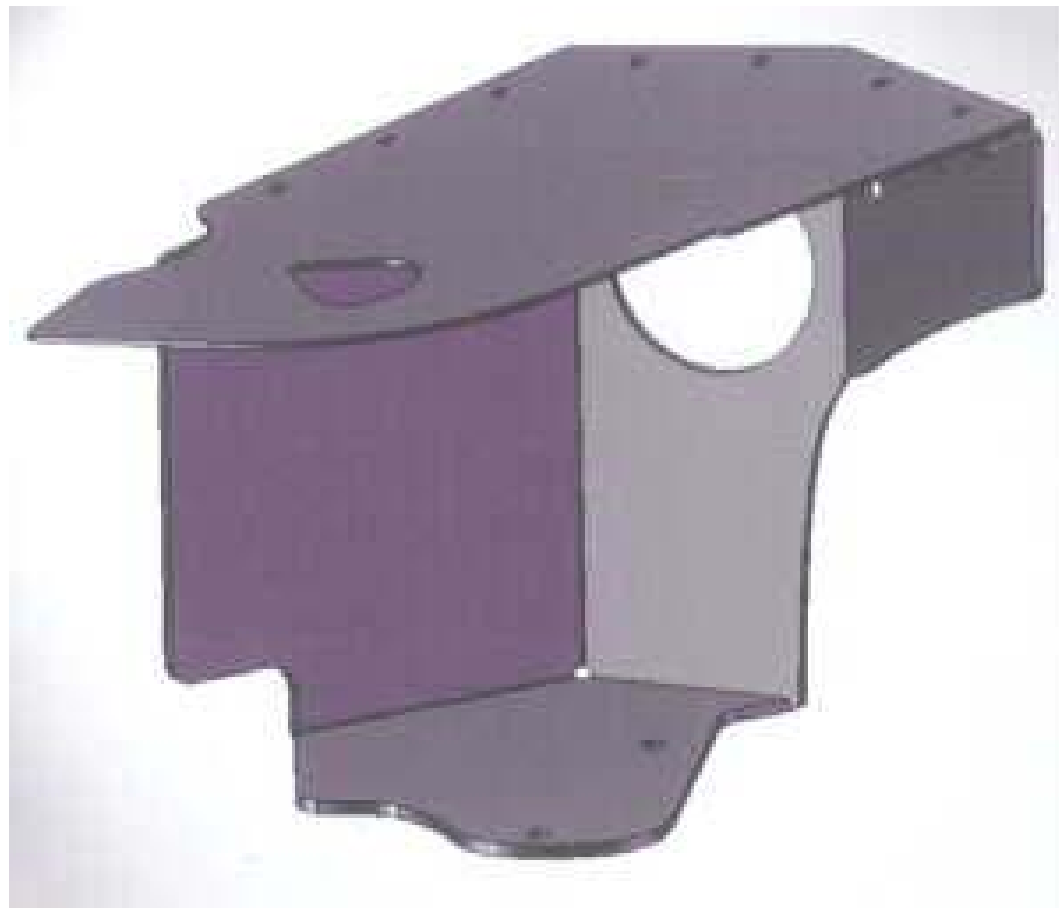
1A East Court Lalor Victoria 3075 Australia

(72) Name(s) of Designer(s): **Steven Angelovski**

(45) Registration Date: **29 October 2008**

(56) Related Art Documents: **Not Applicable**

(57) Statement of Newness and Distinctiveness: **The uniqueness is within the shape and form of the enclosure with specific contours for the engine bays of Holden Commodores VT to VY range including both V6 and V8's.**



(21) Design Number: **12725/2008**

(22) Date of Filing Application: **05 June 2008**

(24) Date from which industrial property rights may have effect: **05 June 2008**

(54) Product in respect of which the design is registered: **Multi- compartment mailbox unit with common access roller door**

(51) International Design Classification: **99-00**

(71) Name(s) and Address(s) of Applicant(s):

Australian Postal Corporation

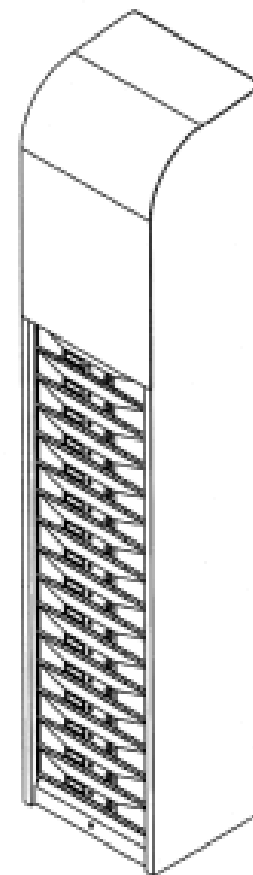
Level 20/321 Exhibition Street Melbourne Victoria 3000 Australia

(72) Name(s) of Designer(s): **Vladimir Milan and Robert Schelbach and Kenneth Hickson and John Malone**

(45) Registration Date: **29 October 2008**

(56) Related Art Documents: **Not Applicable**

(57) Statement of Newness and Distinctiveness: **Newness and distinctiveness is claimed in the features of shape and/or configuration of the multi-compartment mailbox unit with common access roller door as shown in the representations.**



(21) Design Number: 13995/2008

(22) Date of Filing Application: 14 August 2008

(24) Date from which industrial property rights may have effect: 14 August 2008

(54) Product in respect of which the design is registered: **Top loading incense tower (3pages)**

(51) International Design Classification: 99-00

(71) Name(s) and Address(s) of Applicant(s):

Peter Streit

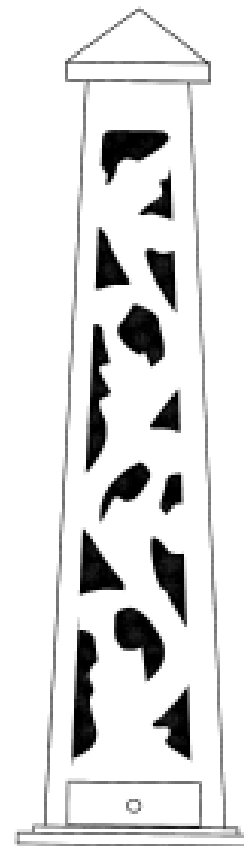
27 Hawke Drive Woolgoolga New South Wales 2456 Australia

(72) Name(s) of Designer(s): **Peter Streit**

(45) Registration Date: 29 October 2008

(56) Related Art Documents: **Not Applicable**

(57) Statement of Newness and Distinctiveness: **The top loading incense tower has the unique feature that it is the only designed incense tower that the incense stick is placed into the top (roof cavity, upside down), rather than placed in the base which is traditional. The benefit of this is that the ash falls straight down into the tray for disposal. It also encourages better burning without going out, which is common place with the traditional base planted incense sticks. The slotting design featured in the illustration allows the air to pass through and encourages the aromatic incense aromas to more freely administer into the atmosphere. Because of its structure it can take any brand of incense stick or any length of incense stick for the tower stands some 27cm to allow for all sizes to be accepted. This top loading incense tower is designed to ensure that the ash from the incense stick falls directly down into the ash draw. This avoids a person being possibly burnt by hot ash and restricts the possibility of hot ash creating a fire for it remains within the tower. The incense stick illustrated on page one in the Design Registration is to show the actual direction of the incense stick being fitted in the tower. It is not part of the design build.**



(21) Design Number: 21500/2007

(22) Date of Filing Application: 20 December 2007

(24) Date from which industrial property rights may have effect: 20 December 2007

(54) Product in respect of which the design is registered: **Footwear sole**

(51) International Design Classification: 02-04B

(71) Name(s) and Address(s) of Applicant(s):

O & S Holdings (Vic) Pty Ltd

Cnr Prest & Humffray Streets Ballarat Victoria 3350 Australia

(72) Name(s) of Designer(s): **Andrew Oliver**

(45) Registration Date: 29 October 2008

(56) Related Art Documents: **Not Applicable**

(57) Statement of Newness and Distinctiveness: **Those features of the footwear sole depicted in the representations that are new and distinctive are the shape and/or configuration.**



(21) Design Number: **11651/2008**

(22) Date of Filing Application: **09 April 2008**

(24) Date from which industrial property rights may have effect: **09 April 2008**

(54) Product in respect of which the design is registered: **Decorative screens**

(51) International Design Classification: **11-02F**

(71) Name(s) and Address(s) of Applicant(s):

Katherine Brennan

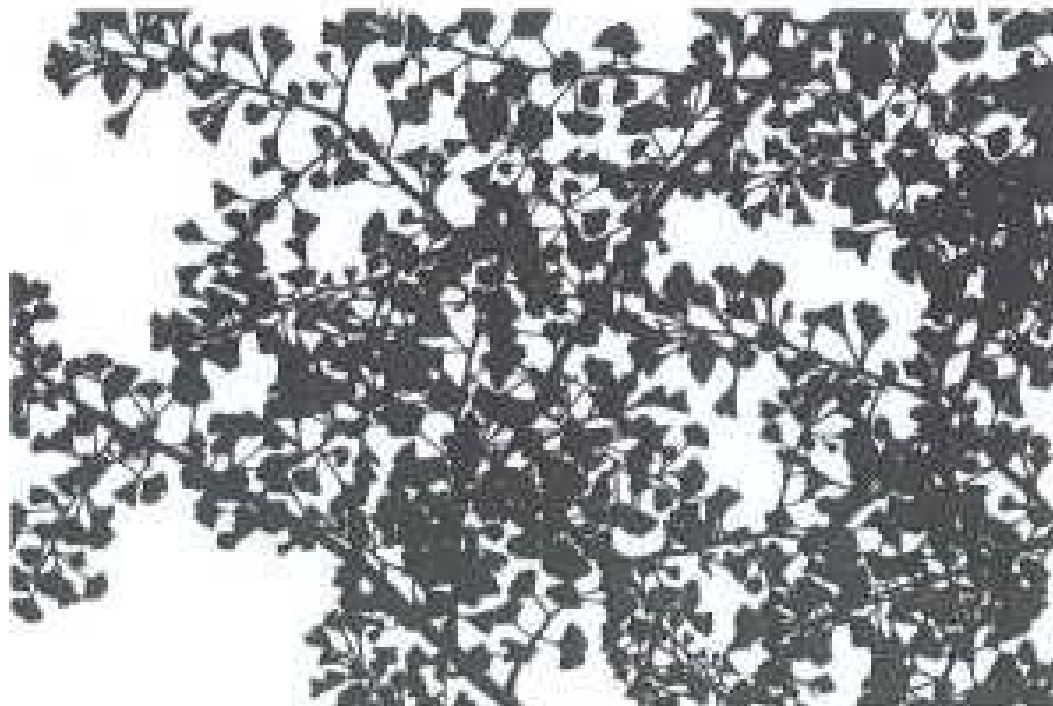
526 Malvern Road Prahran Victoria 3181 Australia

(72) Name(s) of Designer(s): **Katherine Brennan**

(45) Registration Date: **29 October 2008**

(56) Related Art Documents: **Not Applicable**

(57) Statement of Newness and Distinctiveness: **Nil**



(21) Design Number: **11652/2008**

(22) Date of Filing Application: **09 April 2008**

(24) Date from which industrial property rights may have effect: **09 April 2008**

(54) Product in respect of which the design is registered: **Decorative screens**

(51) International Design Classification: **11-02F**

(71) Name(s) and Address(s) of Applicant(s):

Katherine Brennan

526 Malvern Road Prahran Victoria 3181 Australia

(72) Name(s) of Designer(s): **Katherine Brennan**

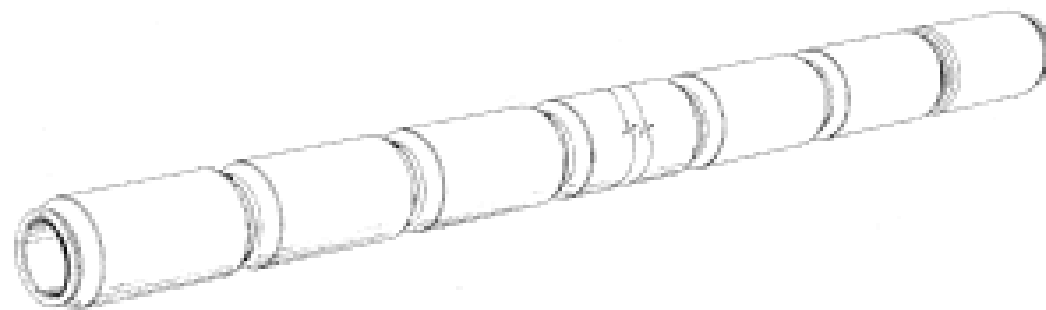
(45) Registration Date: **29 October 2008**

(56) Related Art Documents: **Not Applicable**

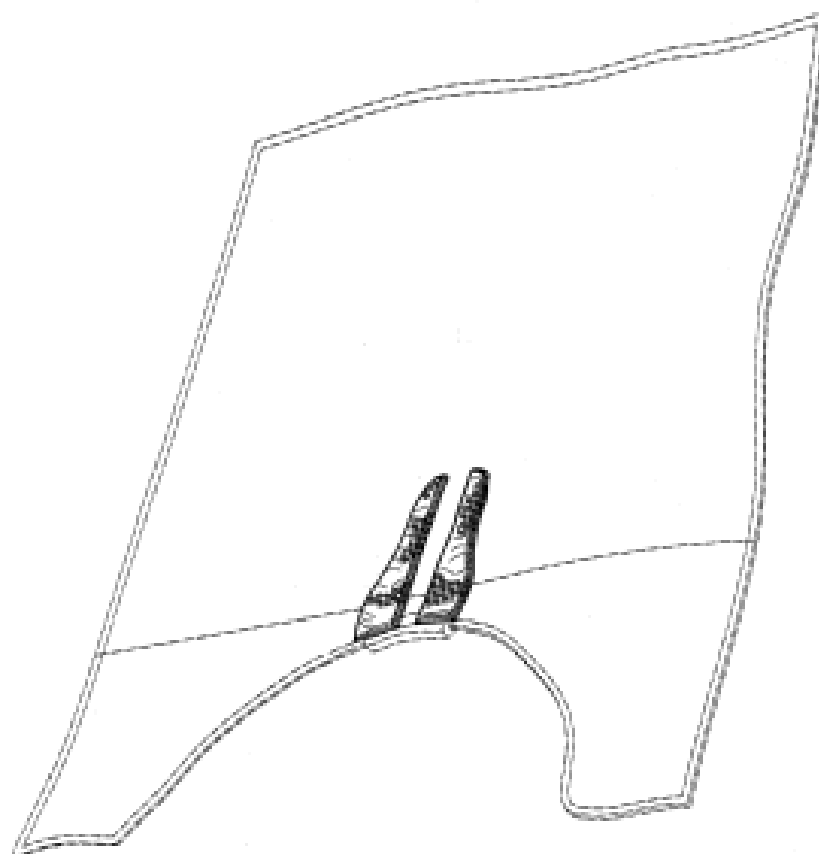
(57) Statement of Newness and Distinctiveness: **Nil**



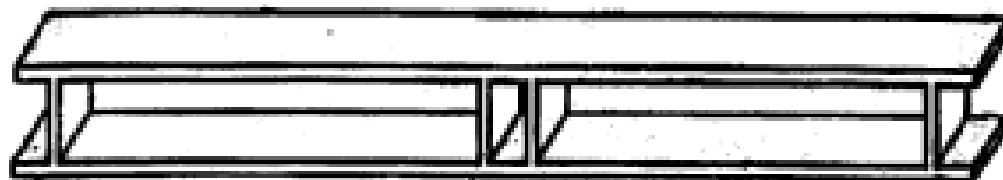
- (21) Design Number: **12183/2008**
(22) Date of Filing Application: **06 May 2008**
(24) Date from which industrial property rights may have effect: **06 May 2008**
(54) Product in respect of which the design is registered: **Didgeridoo - musical instrument**
(51) International Design Classification: **17-02**
(71) Name(s) and Address(s) of Applicant(s):
Wayne Bennett
88 Haldane Road Niddrie Victoria 3042 Australia
(72) Name(s) of Designer(s): **Wayne Bennett**
(45) Registration Date: **29 October 2008**
(56) Related Art Documents: **Not Applicable**
(57) Statement of Newness and Distinctiveness: **The musical instrument I've created and designed is distinctive due to the fact it is made out of aluminium cans, which are stacked on top of one another. Although the instrument looks like a souvenir item, it still works and sounds like a didgeridoo when played.**



- (21) Design Number: **12661/2008**
(22) Date of Filing Application: **03 June 2008**
(24) Date from which industrial property rights may have effect: **03 June 2008**
(54) Product in respect of which the design is registered: **"Horse blanket with wither relief pads"**
(51) International Design Classification: **30-01**
(71) Name(s) and Address(s) of Applicant(s):
Weatherbeeta Pty Ltd
8 Moncrief Road Nunawading Victoria 3131 Australia
(72) Name(s) of Designer(s): **Sinead Elizabeth Ladkin**
(45) Registration Date: **29 October 2008**
(56) Related Art Documents: **Not Applicable**
(57) Statement of Newness and Distinctiveness: **Nil**



- (21) Design Number: **12678/2008**
(22) Date of Filing Application: **03 June 2008**
(24) Date from which industrial property rights may have effect: **03 June 2008**
(54) Product in respect of which the design is registered: **Plastic leader board unit for timber pallets**
(51) International Design Classification: **06-04NES**
(71) Name(s) and Address(s) of Applicant(s):
Whiteford Plastics Pty Ltd
37 Keith Street Clovelly New South Wales 2031 Australia
(72) Name(s) of Designer(s): **Bede Whiteford**
(45) Registration Date: **29 October 2008**
(56) Related Art Documents: **Not Applicable**
(57) Statement of Newness and Distinctiveness: **The design integrates the lead boards at multiple points to share the stresses from impacts along multiple load paths. Unlike fully plastic pallets, only the lead boards are plastic. Attaches to stringers of wood pallet, both new and needing repair.**



- (21) Design Number: **13408/2008**
(22) Date of Filing Application: **21 July 2008**
(24) Date from which industrial property rights may have effect: **21 July 2008**
(54) Product in respect of which the design is registered: **Swing seat**
(51) International Design Classification: **06-01NES, 21-03**
(71) Name(s) and Address(s) of Applicant(s):
TP Activity Toys Limited
Severn Road Stourport-on-Severn Worcestershire DY13 9EX United Kingdom
(72) Name(s) of Designer(s): **Miles Mann**
(45) Registration Date: **29 October 2008**
(30) Convention priority data:
(31) Number (32) Date (33) Country
000874797-0001 05 Feb 2008 EUROPEAN COMMUNITY
(56) Related Art Documents: **Not Applicable**
(57) Statement of Newness and Distinctiveness: **The newness and distinctiveness resides in the features of shape and configuration of the swing seat as shown in the representations. The colours in the representations do not form part of the design.**



(21) Design Number: **14570/2008**

(22) Date of Filing Application: **09 April 2008**

(24) Date from which industrial property rights may have effect: **09 April 2008**

(54) Product in respect of which the design is registered: **Decorative screens**

(51) International Design Classification: **11-02F**

(71) Name(s) and Address(s) of Applicant(s):

Katherine Brennan

526 Malvern Road Prahran Victoria 3181 Australia

(72) Name(s) of Designer(s): **Katherine Brennan**

(45) Registration Date: **29 October 2008**

(56) Related Art Documents: **Not Applicable**

(57) Statement of Newness and Distinctiveness: **Nil**



(21) Design Number: **14571/2008**

(22) Date of Filing Application: **09 April 2008**

(24) Date from which industrial property rights may have effect: **09 April 2008**

(54) Product in respect of which the design is registered: **Decorative screens**

(51) International Design Classification: **11-02F**

(71) Name(s) and Address(s) of Applicant(s):

Katherine Brennan

526 Malvern Road Prahran Victoria 3181 Australia

(72) Name(s) of Designer(s): **Katherine Brennan**

(45) Registration Date: **29 October 2008**

(56) Related Art Documents: **Not Applicable**

(57) Statement of Newness and Distinctiveness: **Nil**



(21) Design Number: **14572/2008**

(22) Date of Filing Application: **09 April 2008**

(24) Date from which industrial property rights may have effect: **09 April 2008**

(54) Product in respect of which the design is registered: **Decorative screens**

(51) International Design Classification: **11-02F**

(71) Name(s) and Address(s) of Applicant(s):

Katherine Brennan

526 Malvern Road Prahran Victoria 3181 Australia

(72) Name(s) of Designer(s): **Katherine Brennan**

(45) Registration Date: **29 October 2008**

(56) Related Art Documents: **Not Applicable**

(57) Statement of Newness and Distinctiveness: **Nil**



(21) Design Number: **14573/2008**

(22) Date of Filing Application: **09 April 2008**

(24) Date from which industrial property rights may have effect: **09 April 2008**

(54) Product in respect of which the design is registered: **Decorative screens**

(51) International Design Classification: **11-02F**

(71) Name(s) and Address(s) of Applicant(s):

Katherine Brennan

526 Malvern Road Prahran Victoria 3181 Australia

(72) Name(s) of Designer(s): **Katherine Brennan**

(45) Registration Date: **29 October 2008**

(56) Related Art Documents: **Not Applicable**

(57) Statement of Newness and Distinctiveness: **Nil**



(21) Design Number: **14574/2008**

(22) Date of Filing Application: **09 April 2008**

(24) Date from which industrial property rights may have effect: **09 April 2008**

(54) Product in respect of which the design is registered: **Decorative screens**

(51) International Design Classification: **11-02F**

(71) Name(s) and Address(s) of Applicant(s):

Katherine Brennan

526 Malvern Road Prahran Victoria 3181 Australia

(72) Name(s) of Designer(s): **Katherine Brennan**

(45) Registration Date: **29 October 2008**

(56) Related Art Documents: **Not Applicable**

(57) Statement of Newness and Distinctiveness: **Nil**



(21) Design Number: **14575/2008**

(22) Date of Filing Application: **09 April 2008**

(24) Date from which industrial property rights may have effect: **09 April 2008**

(54) Product in respect of which the design is registered: **Decorative screens**

(51) International Design Classification: **11-02F**

(71) Name(s) and Address(s) of Applicant(s):

Katherine Brennan

526 Malvern Road Prahran Victoria 3181 Australia

(72) Name(s) of Designer(s): **Katherine Brennan**

(45) Registration Date: **29 October 2008**

(56) Related Art Documents: **Not Applicable**

(57) Statement of Newness and Distinctiveness: **Nil**



(21) Design Number: **14576/2008**

(22) Date of Filing Application: **09 April 2008**

(24) Date from which industrial property rights may have effect: **09 April 2008**

(54) Product in respect of which the design is registered: **Decorative screens**

(51) International Design Classification: **11-02F**

(71) Name(s) and Address(s) of Applicant(s):

Katherine Brennan

526 Malvern Road Prahran Victoria 3181 Australia

(72) Name(s) of Designer(s): **Katherine Brennan**

(45) Registration Date: **29 October 2008**

(56) Related Art Documents: **Not Applicable**

(57) Statement of Newness and Distinctiveness: **Nil**



(21) Design Number: **11571/2008**

(22) Date of Filing Application: **25 March 2008**

(24) Date from which industrial property rights may have effect: **25 March 2008**

(54) Product in respect of which the design is registered: **Wardrobe**

(51) International Design Classification: **06-04C**

(71) Name(s) and Address(s) of Applicant(s):

Mary Patricia Martin

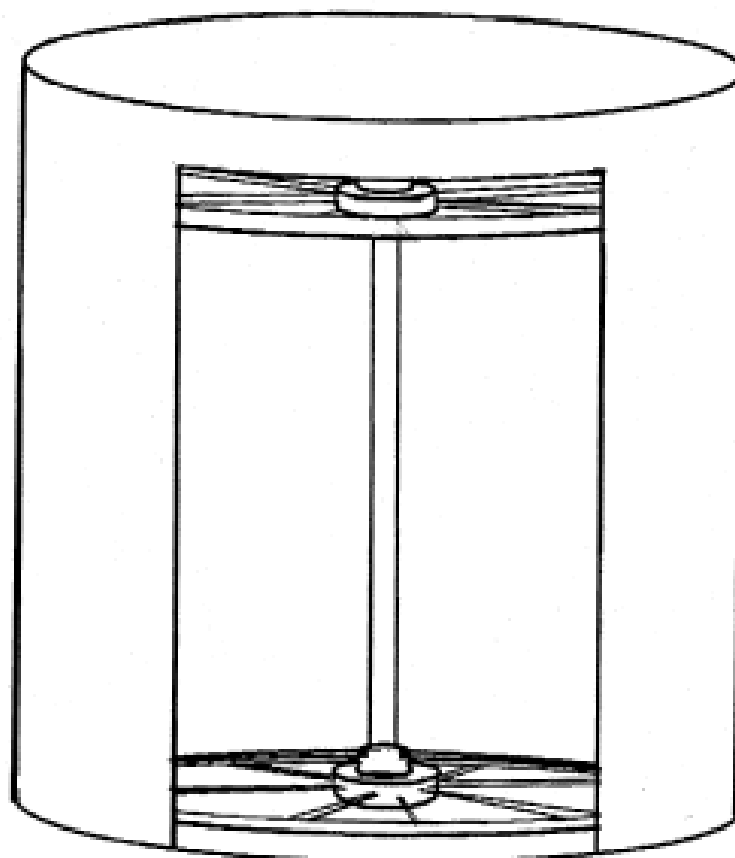
3 Willetts Road Bauple Queensland 4650 Australia

(72) Name(s) of Designer(s): **Mary Patricia Martin**

(45) Registration Date: **30 October 2008**

(56) Related Art Documents: **Not Applicable**

(57) Statement of Newness and Distinctiveness: **The entire wardrobe is unique.**



(21) Design Number: **11725/2008**

(22) Date of Filing Application: **11 April 2008**

(24) Date from which industrial property rights may have effect: **11 April 2008**

(54) Product in respect of which the design is registered: **A combination lamp**

(51) International Design Classification: **26-06**

(71) Name(s) and Address(s) of Applicant(s):

**Ren International Pty Ltd
275 Perry Road Keysborough Victoria 3195 Australia**

(72) Name(s) of Designer(s): **Lawrence Alfred Armstrong**

(45) Registration Date: **30 October 2008**

(56) Related Art Documents: **Not Applicable**

(57) Statement of Newness and Distinctiveness: **The features of shape and configuration of the combination lamp as shown in the representations accompanying this application are new and distinctive. The newness and distinctiveness of the combination lamp resides in the combination of lenses and reflector panel or panels, in particular, the convex shape of the lenses which are complimented by the concave shaped reflector panel or panels.**



(21) Design Number: **11726/2008**

(22) Date of Filing Application: **11 April 2008**

(24) Date from which industrial property rights may have effect: **11 April 2008**

(54) Product in respect of which the design is registered: **A single tail lamp**

(51) International Design Classification: **26-06**

(71) Name(s) and Address(s) of Applicant(s):

**Ren International Pty Ltd
275 Perry Road Keysborough Victoria 3195 Australia**

(72) Name(s) of Designer(s): **Lawrence Alfred Armstrong**

(45) Registration Date: **30 October 2008**

(56) Related Art Documents: **Not Applicable**

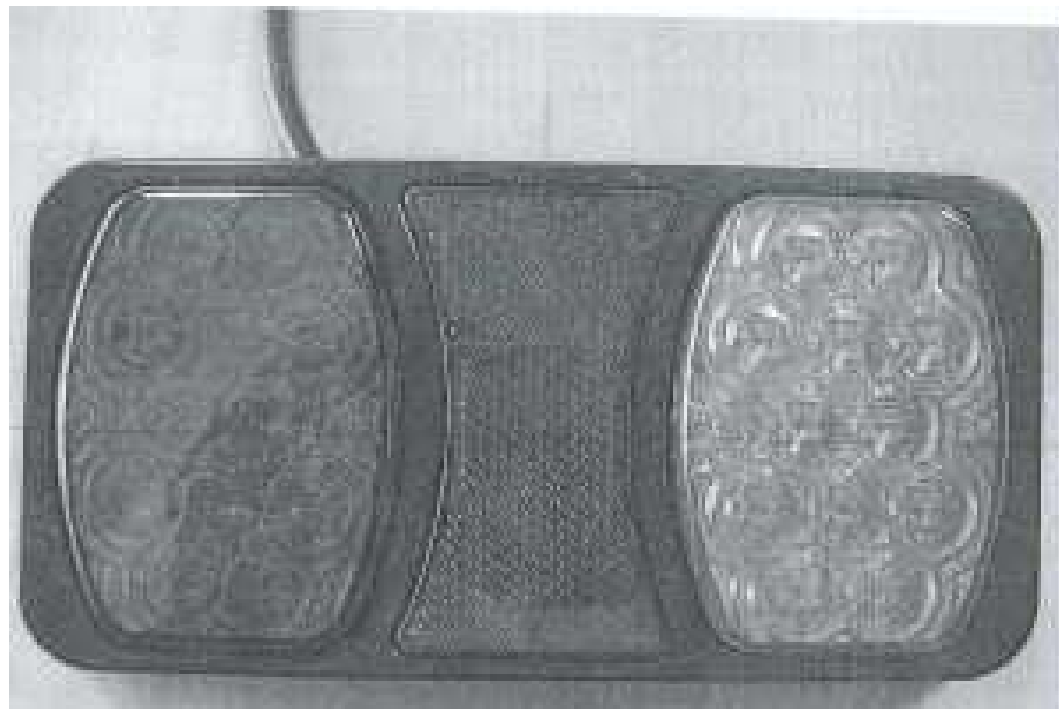
(57) Statement of Newness and Distinctiveness: **The features of shape and configuration of the single tail lamp as shown in the representations accompanying this application are new and distinctive. The newness and distinctiveness of the single tail light resides in the convex shape of the single tail lamp.**



- (21) Design Number: **11727/2008**
- (22) Date of Filing Application: **11 April 2008**
- (24) Date from which industrial property rights may have effect: **11 April 2008**
- (54) Product in respect of which the design is registered: **A combination lamp**
- (51) International Design Classification: **26-06**
- (71) Name(s) and Address(s) of Applicant(s):

Ren International Pty Ltd
275 Perry Road Keysborough Victoria 3195 Australia

- (72) Name(s) of Designer(s): **Lawrence Alfred Armstrong**
- (45) Registration Date: **30 October 2008**
- (56) Related Art Documents: **Not Applicable**
- (57) Statement of Newness and Distinctiveness: **The features of shape and configuration of the combination lamp as shown in the representations accompanying this application are new and distinctive. The newness and distinctiveness of the combination lamp resides in the combination of lenses and reflector panel or panels, in particular, the convex shape of the lenses which are complimented by the concave shaped reflector panel or panels.**

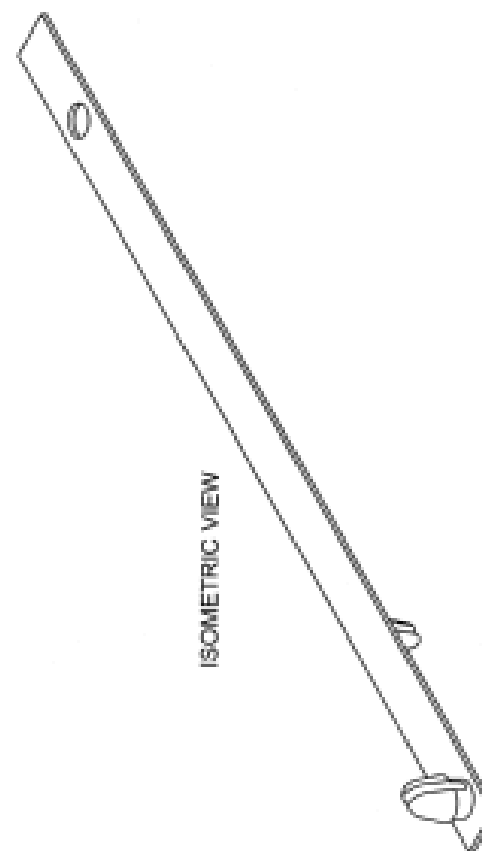


- (21) Design Number: **13365/2008**
- (22) Date of Filing Application: **17 July 2008**
- (24) Date from which industrial property rights may have effect: **17 July 2008**
- (54) Product in respect of which the design is registered: **Strap**
- (51) International Design Classification: **08-08NES**
- (71) Name(s) and Address(s) of Applicant(s):

Bradley Pitt
16 Oak Street Whittlesea Victoria 3757 Australia

George Parissis
595 Epping Road Wollert Victoria 3750 Australia

- (72) Name(s) of Designer(s): **Bradley Pitt and George Parissis**
- (45) Registration Date: **30 October 2008**
- (56) Related Art Documents: **Not Applicable**
- (57) Statement of Newness and Distinctiveness: **Those features of the strap depicted in the representations that are new and distinctive are the shape and/or configuration.**



(21) Design Number: **13366/2008**

(22) Date of Filing Application: **17 July 2008**

(24) Date from which industrial property rights may have effect: **17 July 2008**

(54) Product in respect of which the design is registered: **Tyre for motorcycle**

(51) International Design Classification: **12-15A**

(71) Name(s) and Address(s) of Applicant(s):

**The Goodyear Tire & Rubber Company
1144 East Market Street Akron Ohio 44316 United States of America**

(72) Name(s) of Designer(s): **Teruka Kumamoto**

(45) Registration Date: **30 October 2008**

(30) Convention priority data:

(31) Number	(32) Date	(33) Country
2008-001727	29 Jan 2008	JAPAN

(56) Related Art Documents: **Not Applicable**

(57) Statement of Newness and Distinctiveness: **Newness and distinctiveness is claimed in the features of shape and/or configuration of a tyre for a motorcycle as illustrated in the accompanying representations. The shape/and or configuration of the tread is repeated throughout the circumference of the tyre.**



(21) Design Number: **13367/2008**

(22) Date of Filing Application: **17 July 2008**

(24) Date from which industrial property rights may have effect: **17 July 2008**

(54) Product in respect of which the design is registered: **Tyre for motorcycle**

(51) International Design Classification: **12-15A**

(71) Name(s) and Address(s) of Applicant(s):

**The Goodyear Tire & Rubber Company
1144 East Market Street Akron Ohio 44316-0001 United States of America**

(72) Name(s) of Designer(s): **Teruka Kumamoto**

(45) Registration Date: **30 October 2008**

(30) Convention priority data:

(31) Number	(32) Date	(33) Country
2008-001728	29 Jan 2008	JAPAN

(56) Related Art Documents: **Not Applicable**

(57) Statement of Newness and Distinctiveness: **Newness and distinctiveness is claimed in the features of shape and/or configuration of a tyre for a motorcycle as illustrated in the accompanying representations. The shape/and or configuration of the tread is repeated throughout the circumference of the tyre.**



(21) Design Number: **13368/2008**

(22) Date of Filing Application: **17 July 2008**

(24) Date from which industrial property rights may have effect: **17 July 2008**

(54) Product in respect of which the design is registered: **A toilet pan**

(51) International Design Classification: **23-02C**

(71) Name(s) and Address(s) of Applicant(s):

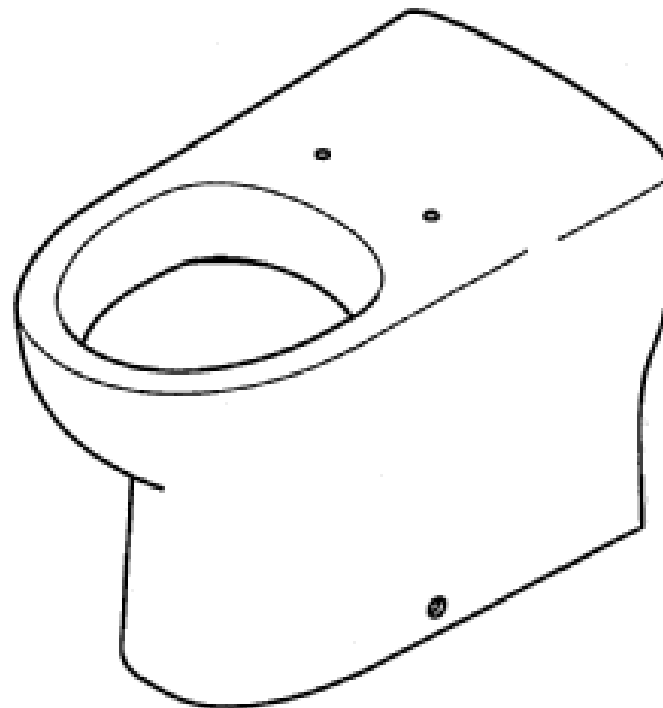
Caroma Industries Limited
10 Market Street Brisbane Queensland 4000 Australia

(72) Name(s) of Designer(s): **Stephen John Cummings and Vincent Kai Hong Ho**

(45) Registration Date: **30 October 2008**

(56) Related Art Documents: **Not Applicable**

(57) Statement of Newness and Distinctiveness: **Newness and distinctiveness is claimed in the features of shape and/or configuration of a toilet pan as illustrated in the accompanying representations.**



(21) Design Number: **13371/2008**

(22) Date of Filing Application: **18 July 2008**

(24) Date from which industrial property rights may have effect: **18 July 2008**

(54) Product in respect of which the design is registered: **Personal safety device**

(51) International Design Classification: **29-02, 10-06**

(71) Name(s) and Address(s) of Applicant(s):

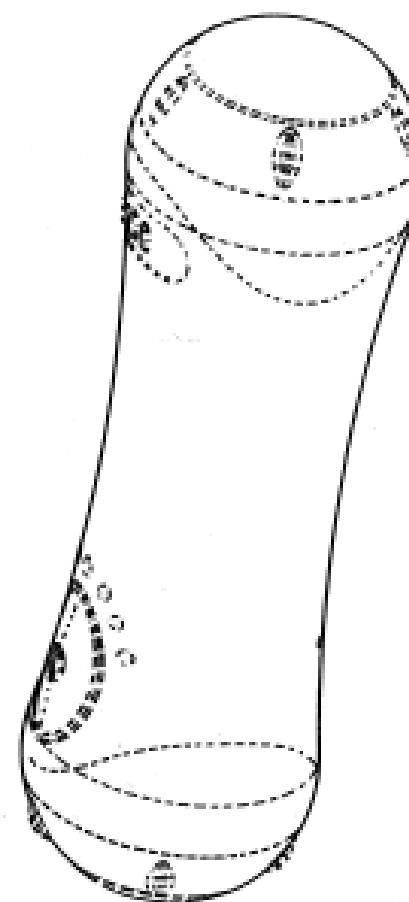
Brent Sanders
31A Varna Street Clovelly New South Wales 2031 Australia

(72) Name(s) of Designer(s): **Joseph Samuel Ormrod and Christopher Peters and Yashin Mark Radhakrishnan**

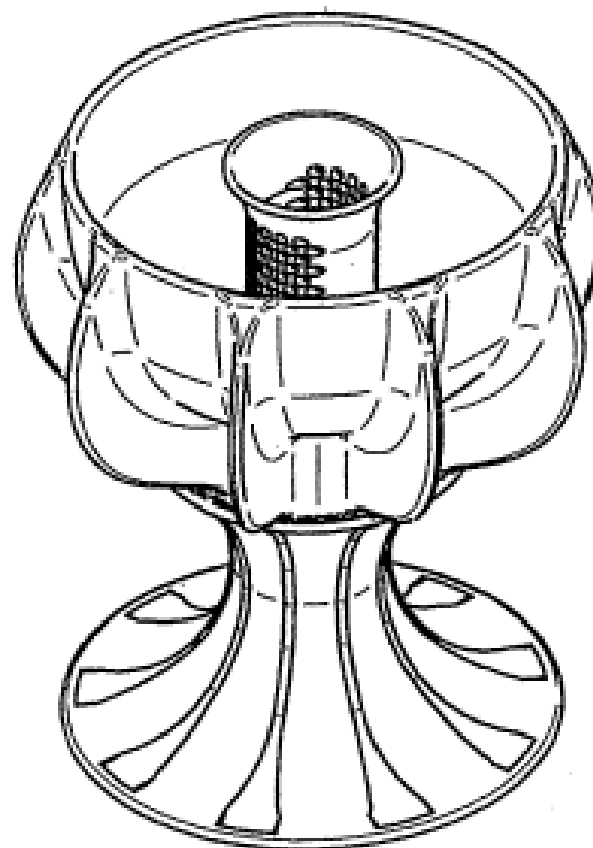
(45) Registration Date: **30 October 2008**

(56) Related Art Documents: **Not Applicable**

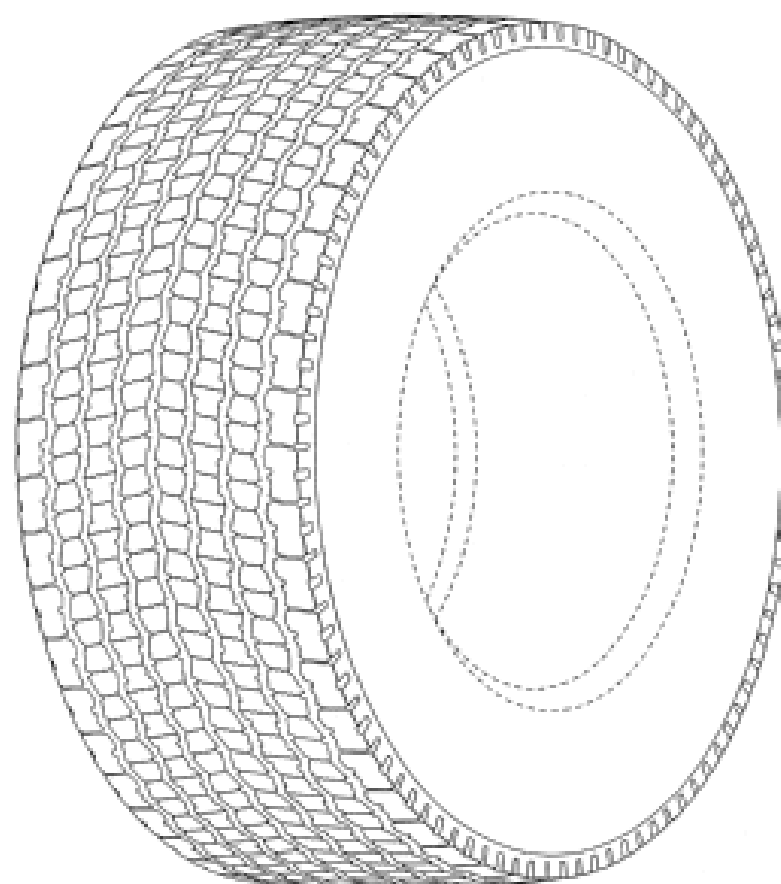
(57) Statement of Newness and Distinctiveness: **Newness and distinctiveness is claimed in the features of shape and/or configuration of a personal safety device as illustrated in the accompanying representations.**



(21) Design Number: **13372/2008**
(22) Date of Filing Application: **18 July 2008**
(24) Date from which industrial property rights may have effect: **18 July 2008**
(54) Product in respect of which the design is registered: **Wine aerator**
(51) International Design Classification: **07-04**
(71) Name(s) and Address(s) of Applicant(s):
Westport Global Limited
Ground Floor Spain House 5 The Spain Petersfield Hampshire GU32
3JZ United Kingdom
(72) Name(s) of Designer(s): **Peter Benton and Patricia Robertson and Robin Loftus**
(45) Registration Date: **30 October 2008**
(30) Convention priority data:
(31) Number (32) Date (33) Country
000865159-0001 18 Jan 2008 EUROPEAN COMMUNITY
(56) Related Art Documents: **Not Applicable**
(57) Statement of Newness and Distinctiveness: **Nil**



(21) Design Number: **13373/2008**
(22) Date of Filing Application: **18 July 2008**
(24) Date from which industrial property rights may have effect: **18 July 2008**
(54) Product in respect of which the design is registered: **Tyre**
(51) International Design Classification: **12-15B**
(71) Name(s) and Address(s) of Applicant(s):
Societe De Technologie Michelin
23 rue Breschet F-63000 Clermont-Ferrand Cedex France
Michelin Recherche et Technique S.A.
Route Louis Braille 10 et 12 CH-1763 Granges-Paccot Switzerland
(72) Name(s) of Designer(s): **Robert C. Radulescu and Lawrence O. Williamson and Lee A. Montgomery**
(45) Registration Date: **30 October 2008**
(30) Convention priority data:
(31) Number (32) Date (33) Country
29/303,276 05 Feb 2008 UNITED STATES OF AMERICA
(56) Related Art Documents: **Not Applicable**
(57) Statement of Newness and Distinctiveness: **Newness reside in the shape and pattern applied to the tyre in the tread region thereof.**



(21) Design Number: **13387/2008**

(22) Date of Filing Application: **21 July 2008**

(24) Date from which industrial property rights may have effect: **21 July 2008**

(54) Product in respect of which the design is registered: **Liquid dispenser**

(51) International Design Classification: **09-01NES**

(71) Name(s) and Address(s) of Applicant(s):

The Procter & Gamble Company
One Procter & Gamble Plaza Cincinnati Ohio 45202 United States of America

(72) Name(s) of Designer(s): **Yamilca Del Carmen Rodriguez and Karl Anton Bakker and Stacy Alycia Thomas**

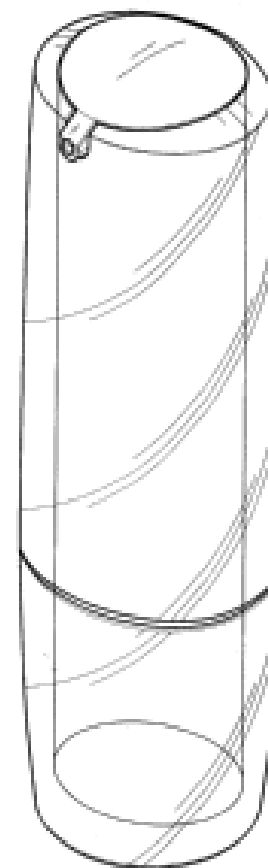
(45) Registration Date: **30 October 2008**

(30) Convention priority data:

(31) Number	(32) Date	(33) Country
29/301,243	19 Feb 2008	UNITED STATES OF AMERICA

(56) Related Art Documents: **Not Applicable**

(57) Statement of Newness and Distinctiveness: **Newness and distinctiveness reside in the features of shape and/or configuration of the liquid dispenser, as shown in the representations. Newness and distinctiveness also reside in the liquid dispenser featuring an outer body of sufficient translucence or transparency such that the inner liquid containment article of the liquid dispenser is apparent through said outer body of the liquid dispenser and wherein an actuator for said inner liquid containment article and a horizontal band are discernable from the outer body.**



(21) Design Number: **13390/2008**

(22) Date of Filing Application: **21 July 2008**

(24) Date from which industrial property rights may have effect: **21 July 2008**

(54) Product in respect of which the design is registered: **Bag**

(51) International Design Classification: **09-05**

(71) Name(s) and Address(s) of Applicant(s):

Toyo Seikan Kaisha, Ltd.
1-3-1 Uchisaiwaicho Chiyoda-ku Tokyo Japan

Nutri Co., Ltd.
1-122 Fujicho Yokkaichi-shi Mie Japan

(72) Name(s) of Designer(s): **Takashi Tsurumoto and Yukari Fujita**

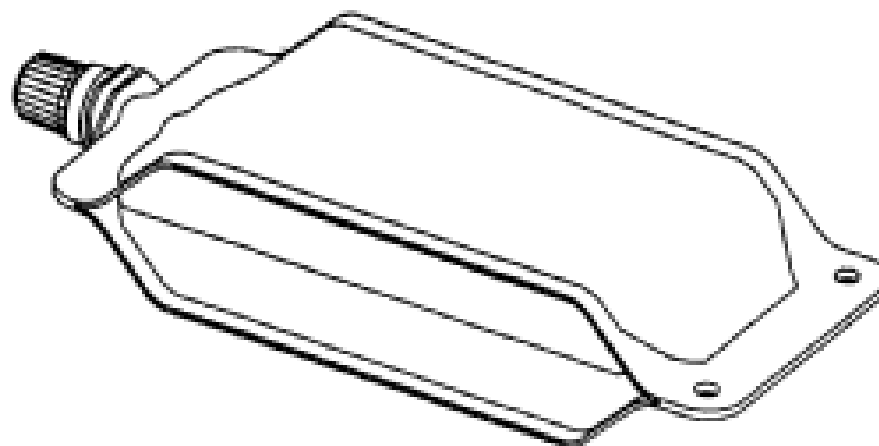
(45) Registration Date: **30 October 2008**

(30) Convention priority data:

(31) Number	(32) Date	(33) Country
2008-999	21 Jan 2008	JAPAN

(56) Related Art Documents: **Not Applicable**

(57) Statement of Newness and Distinctiveness: **Newness and distinctiveness is claimed in the features of shape and/or configuration of holes labelled "X" and spout labelled "Y" of a bag as illustrated in continuous lines in the accompanying representations.**



(21) Design Number: **13392/2008**

(22) Date of Filing Application: **21 July 2008**

(24) Date from which industrial property rights may have effect: **21 July 2008**

(54) Product in respect of which the design is registered: **Hand shower**

(51) International Design Classification: **23-02B**

(71) Name(s) and Address(s) of Applicant(s):

Hansgrohe AG

Auestrasse 5-9 77761 Schiltach Germany

(72) Name(s) of Designer(s): **Tom Schonherr and Sven Feustel**

(45) Registration Date: **30 October 2008**

(30) Convention priority data:

(31) Number

(32) Date

(33) Country

EU

30 Jan 2008

EUROPEAN COMMUNITY

000869607

(56) Related Art Documents: **Not Applicable**

(57) Statement of Newness and Distinctiveness: **Nil**



(21) Design Number: **11767/2008**

(22) Date of Filing Application: **14 April 2008**

(24) Date from which industrial property rights may have effect: **14 April 2008**

(54) Product in respect of which the design is registered: **An easel**

(51) International Design Classification: **19-06**

(71) Name(s) and Address(s) of Applicant(s):

Darren Bemi

7-59 Grosvenor Crescent Summer Hill New South Wales 2130

Australia

(72) Name(s) of Designer(s): **Darren Bemi**

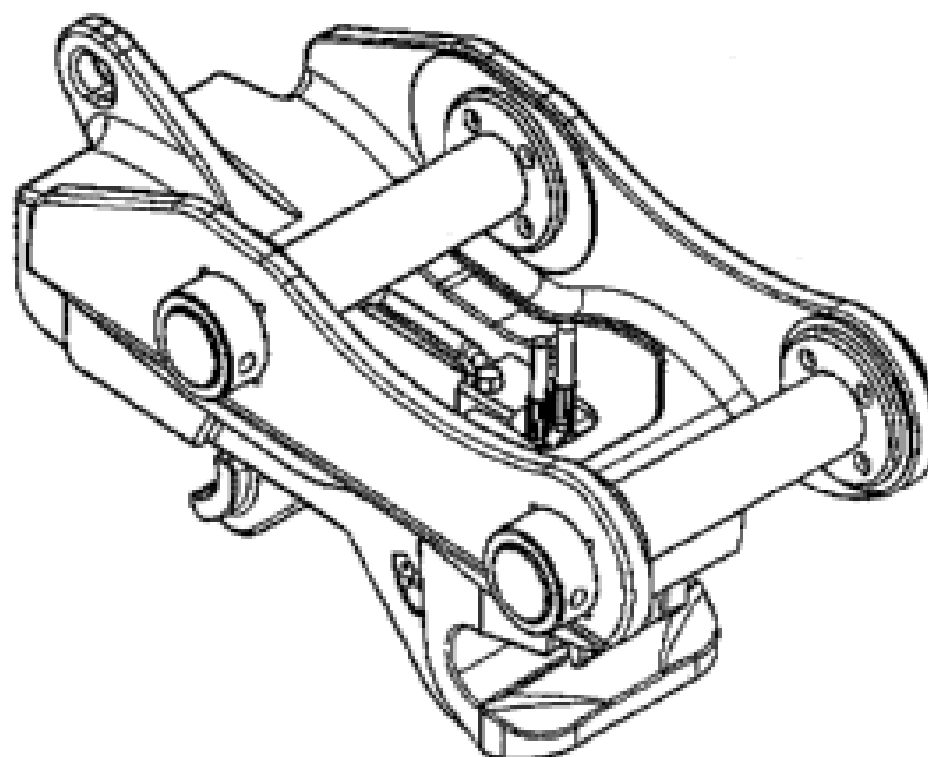
(45) Registration Date: **30 October 2008**

(56) Related Art Documents: **Not Applicable**

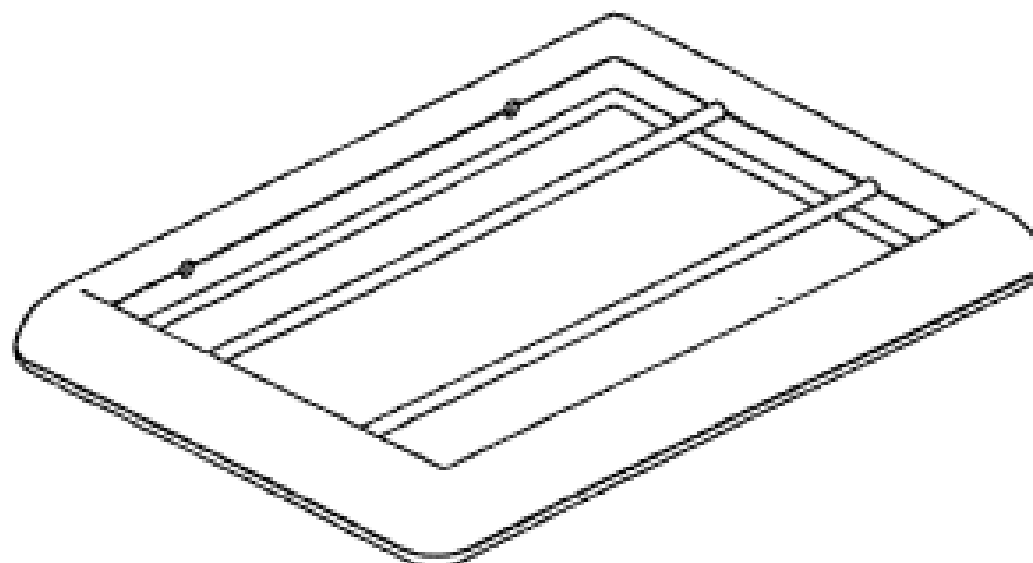
(57) Statement of Newness and Distinctiveness: **Nil**



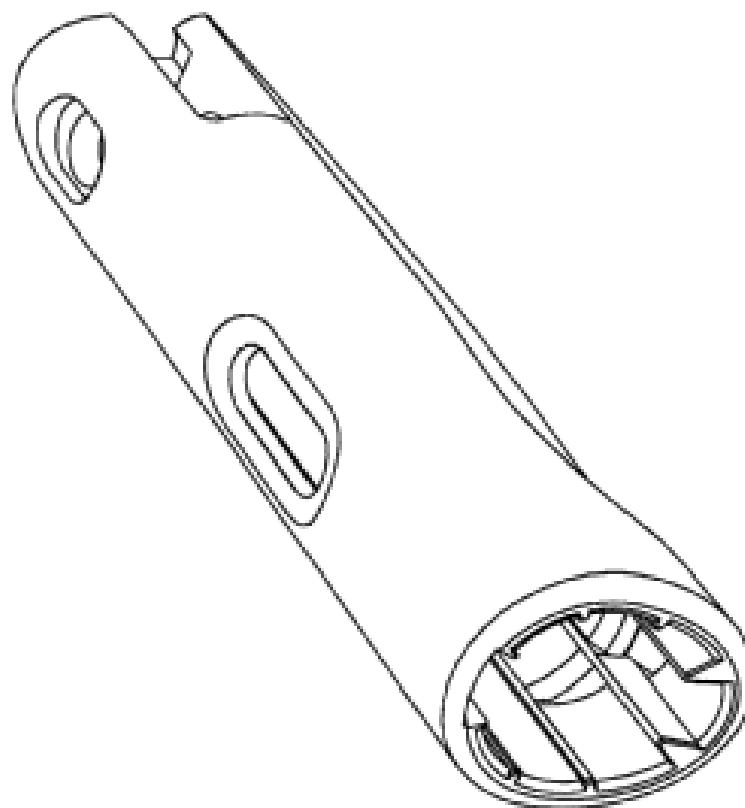
- (21) Design Number: **11828/2008**
(22) Date of Filing Application: **17 April 2008**
(24) Date from which industrial property rights may have effect: **17 April 2008**
(54) Product in respect of which the design is registered: **A coupler**
(51) International Design Classification: **15-04**
(71) Name(s) and Address(s) of Applicant(s):
J B Sales International Limited
22 Stonedone Drive East Tamaki 2013 Auckland New Zealand
(72) Name(s) of Designer(s): **Michael Kevin Schieb and Timothy Craig Balemi**
(45) Registration Date: **30 October 2008**
(30) Convention priority data:
(31) Number (32) Date (33) Country
409877 18 Oct 2007 NEW ZEALAND
(56) Related Art Documents: **Not Applicable**
(57) Statement of Newness and Distinctiveness: **The novelty claimed for the design resides in the features of shape and/or configuration of the tongue all as shown in the representations, the tongue being shown in solid lines in a repeat version of the representations showing the non-tongue features of shape and/or configuration in broken lines.**



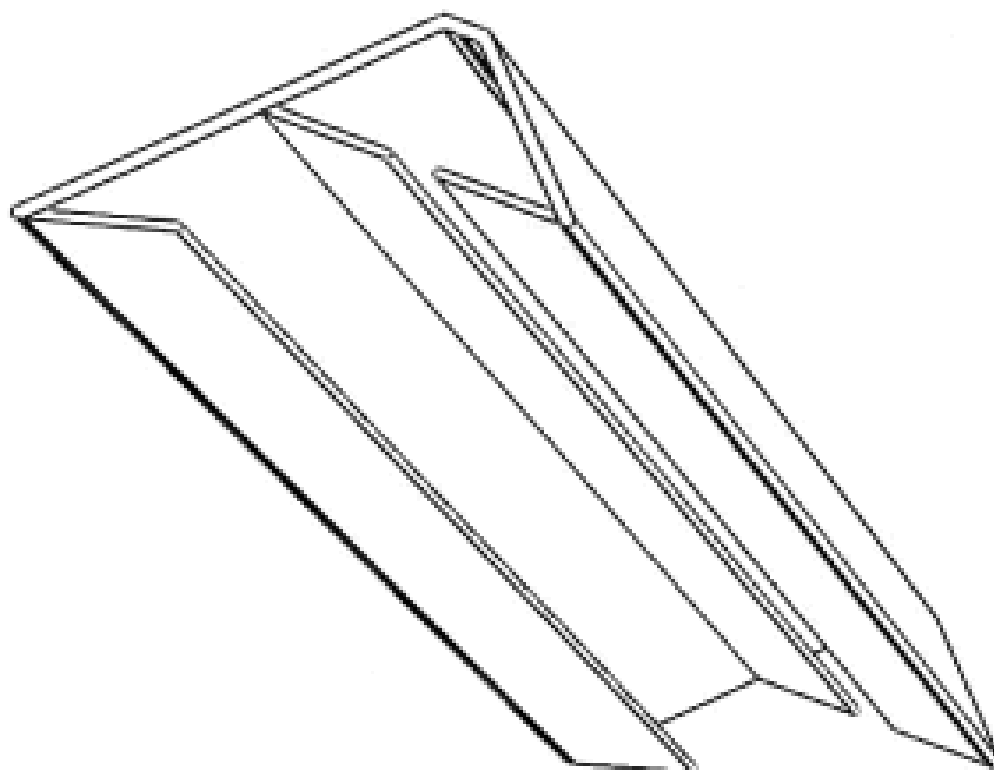
- (21) Design Number: **11843/2008**
(22) Date of Filing Application: **18 April 2008**
(24) Date from which industrial property rights may have effect: **18 April 2008**
(54) Product in respect of which the design is registered: **Holder**
(51) International Design Classification: **15-06**
(71) Name(s) and Address(s) of Applicant(s):
Mokum Textiles Limited
138 Pavilion Drive Mangere Manukau 2022 New Zealand
(72) Name(s) of Designer(s): **Edwin Rysenbry and Charles James Reynolds Griffin and Cameron Brennan Robinson**
(45) Registration Date: **30 October 2008**
(30) Convention priority data:
(31) Number (32) Date (33) Country
409894 19 Oct 2007 NEW ZEALAND
(56) Related Art Documents: **Not Applicable**
(57) Statement of Newness and Distinctiveness: **Nil**



- (21) Design Number: **12093/2008**
(22) Date of Filing Application: **05 May 2008**
(24) Date from which industrial property rights may have effect: **05 May 2008**
(54) Product in respect of which the design is registered: **Window cleaner handle**
(51) International Design Classification: **07-05E**
(71) Name(s) and Address(s) of Applicant(s):
Raven Products Pty Ltd
PO Box 67 Lonsdale South Australia 5160 Australia
(72) Name(s) of Designer(s): **Russell Clark and Neil Raven**
(45) Registration Date: **30 October 2008**
(56) Related Art Documents: **Not Applicable**
(57) Statement of Newness and Distinctiveness: **The slot at the base of the handle is new and distinctive. The base or open end is new.**



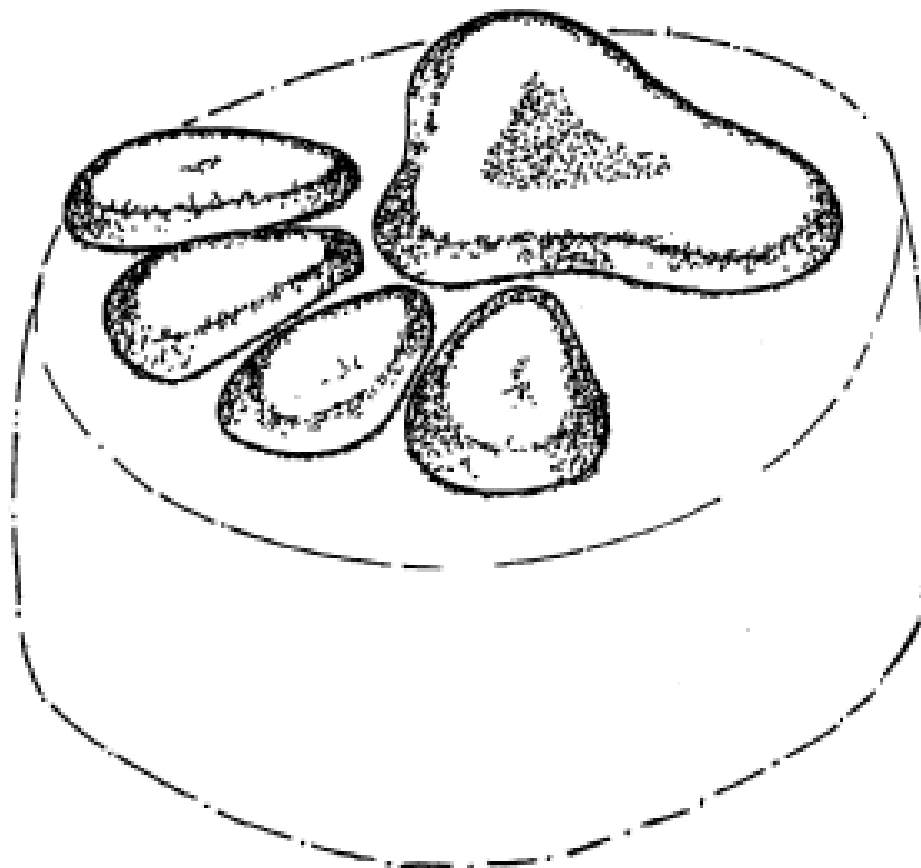
- (21) Design Number: **12094/2008**
(22) Date of Filing Application: **05 May 2008**
(24) Date from which industrial property rights may have effect: **05 May 2008**
(54) Product in respect of which the design is registered: **Door perimeter seal**
(51) International Design Classification: **25-99, 08-09**
(71) Name(s) and Address(s) of Applicant(s):
Raven Products Pty Ltd
PO Box 67 Lonsdale South Australia 5160 Australia
(72) Name(s) of Designer(s): **Russell Clark and Neil Raven and Paul Raven**
(45) Registration Date: **30 October 2008**
(56) Related Art Documents: **Not Applicable**
(57) Statement of Newness and Distinctiveness: **The design is new and distinctive in it's shape. For a co-extrusion.**



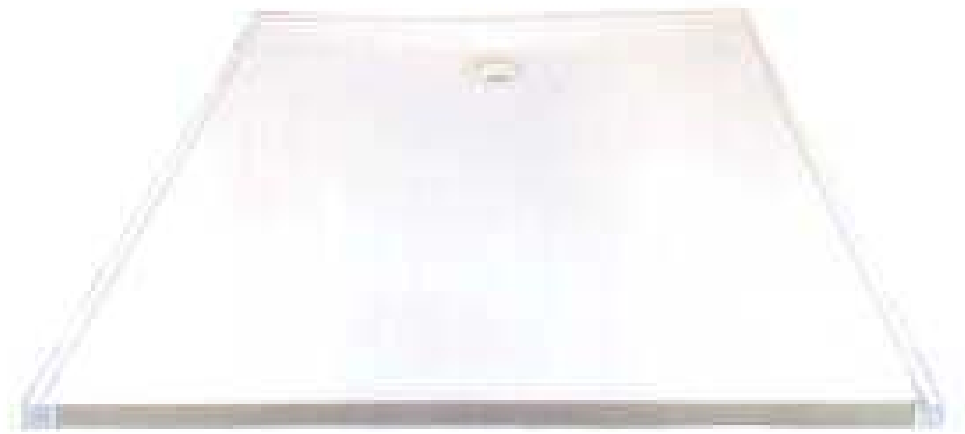
- (21) Design Number: **12227/2008**
- (22) Date of Filing Application: **08 May 2008**
- (24) Date from which industrial property rights may have effect: **08 May 2008**
- (54) Product in respect of which the design is registered: **Orthotic/insert for high-heeled shoes**
- (51) International Design Classification: **02-04A**
- (71) Name(s) and Address(s) of Applicant(s):
Nicole Reilly
144 Ellesmere Road Gymea Bay New South Wales 2227 Australia
- (72) Name(s) of Designer(s): **Nicole Reilly**
- (45) Registration Date: **30 October 2008**
- (56) Related Art Documents: **Not Applicable**
- (57) Statement of Newness and Distinctiveness: **Orthotic containing hook in shape at rear and front displays a 45 degree angled cut out.**



- (21) Design Number: **12777/2008**
- (22) Date of Filing Application: **06 June 2008**
- (24) Date from which industrial property rights may have effect: **06 June 2008**
- (54) Product in respect of which the design is registered: **A food item for an animal**
- (51) International Design Classification: **30-99**
- (71) Name(s) and Address(s) of Applicant(s):
Jane Ericksen
10 Wingfield Street Annerley Queensland 4103 Australia
- (72) Name(s) of Designer(s): **Jane Ericksen**
- (45) Registration Date: **30 October 2008**
- (56) Related Art Documents: **Not Applicable**
- (57) Statement of Newness and Distinctiveness: **The shape, pattern, ornamentation and configuration of an animal product as depicted in the accompanying representations. Elements shown in dashed lines are beyond that to which the visual features are applied.**



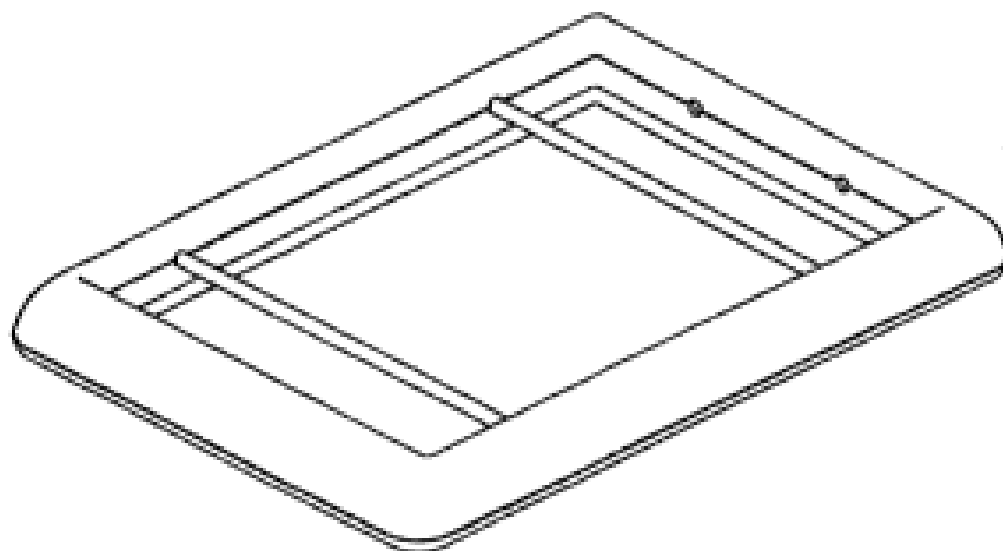
- (21) Design Number: **12856/2008**
(22) Date of Filing Application: **16 June 2008**
(24) Date from which industrial property rights may have effect: **16 June 2008**
(54) Product in respect of which the design is registered: **A shower base**
(51) International Design Classification: **23-02B**
(71) Name(s) and Address(s) of Applicant(s):
Polymarble Pty Ltd
8 Bungaleen Court Dandenong South Victoria 3175 Australia
(72) Name(s) of Designer(s): **Like Li**
(45) Registration Date: **30 October 2008**
(56) Related Art Documents: **Not Applicable**
(57) Statement of Newness and Distinctiveness: **Newness and distinctiveness claimed in the shape of the lipped zone along one or more outer edge portions of the shower base.**



- (21) Design Number: **12999/2008**
(22) Date of Filing Application: **27 June 2008**
(24) Date from which industrial property rights may have effect: **27 June 2008**
(54) Product in respect of which the design is registered: **A water displacement device for water saving purposes**
(51) International Design Classification: **23-01F**
(71) Name(s) and Address(s) of Applicant(s):
Amanda Van Rosmalen
3 Grampion Circuit North Lakes Queensland 4509 Australia
(72) Name(s) of Designer(s): **Amanda Van Rosmalen**
(45) Registration Date: **30 October 2008**
(56) Related Art Documents: **Not Applicable**
(57) Statement of Newness and Distinctiveness: **The shape, pattern, ornamentation and configuration of a water displacement device for water saving purposes as depicted in the accompanying representations. The water displacement device includes an outer wall of a flexible, substantially fluid-impervious material and top and bottom compartments. The outer wall is capable of containing a volume of air, and the top and bottom compartments a substance, such as water, sand, etc. When filled with the substance, the top compartment displaces the volume of air contained by the outer wall so that when the water displacement device is placed in a receptacle. The bottom compartment, when filled with the substance, acts as an anchor for positioning the device in the receptacle.**



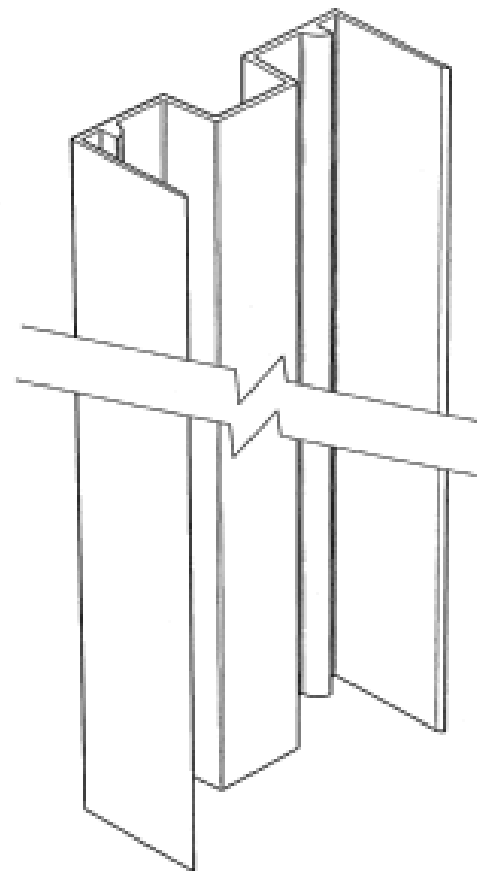
- (21) Design Number: **14568/2008**
(22) Date of Filing Application: **18 April 2008**
(24) Date from which industrial property rights may have effect: **18 April 2008**
(54) Product in respect of which the design is registered: **Holder**
(51) International Design Classification: **15-06**
(71) Name(s) and Address(s) of Applicant(s):
Mokum Textiles Limited
138 Pavilion Drive Mangere Manukau 2022 New Zealand
(72) Name(s) of Designer(s): **Edwin Rysenbry and Charles James Reynolds**
Griffin and Cameron Brennan Robinson
(45) Registration Date: **30 October 2008**
(30) Convention priority data:
(31) Number (32) Date (33) Country
409894 19 Oct 2007 NEW ZEALAND
(56) Related Art Documents: **Not Applicable**
(57) Statement of Newness and Distinctiveness: **Nil**



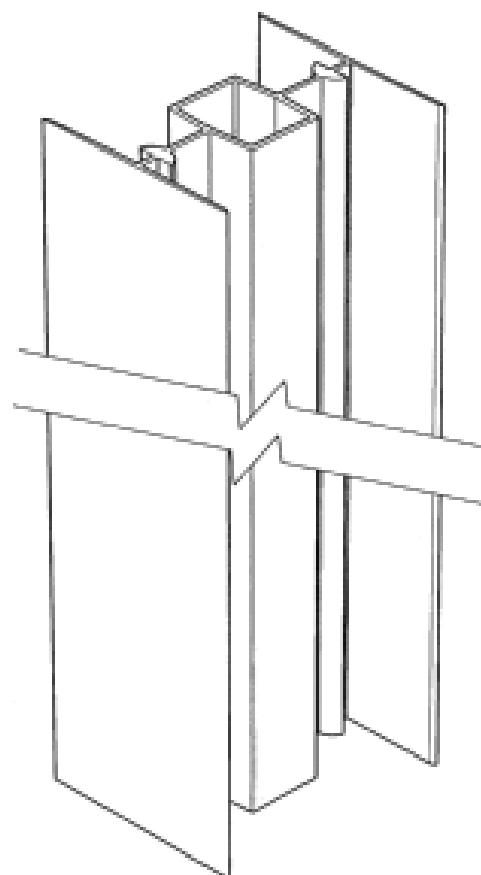
- (21) Design Number: **14569/2008**
(22) Date of Filing Application: **17 April 2008**
(24) Date from which industrial property rights may have effect: **17 April 2008**
(54) Product in respect of which the design is registered: **A coupler**
(51) International Design Classification: **15-04**
(71) Name(s) and Address(s) of Applicant(s):
J B Sales International Limited
22 Stonedone Drive East Tamaki 2013 Auckland New Zealand
(72) Name(s) of Designer(s): **Michael Kevin Schieb and Timothy Craig Balemi**
(45) Registration Date: **30 October 2008**
(30) Convention priority data:
(31) Number (32) Date (33) Country
409877 18 Oct 2007 NEW ZEALAND
(56) Related Art Documents: **Not Applicable**
(57) Statement of Newness and Distinctiveness: **The novelty claimed for the design resides in the features of shape and/or configuration of the tongue all as shown in the representations, the tongue being shown in solid lines in a repeat version of the representations showing the non-tongue features of shape and/or configuration in broken lines.**



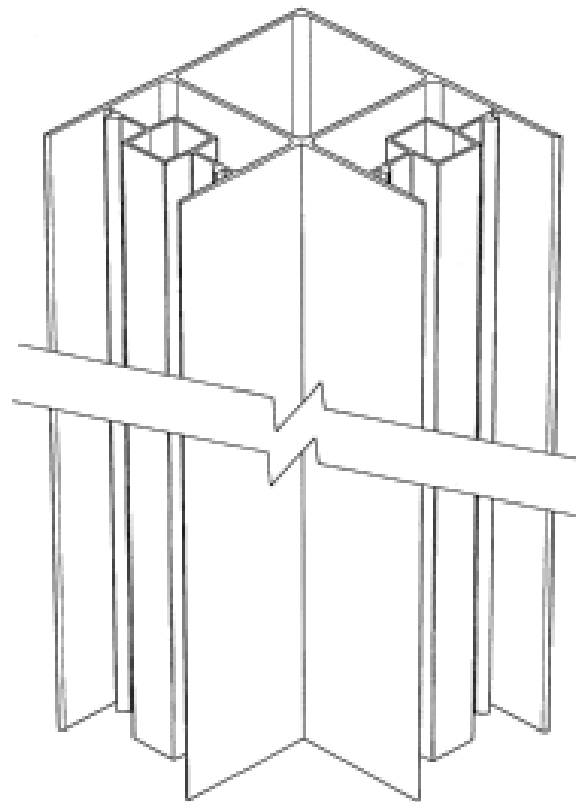
- (21) Design Number: **10700/2008**
(22) Date of Filing Application: **18 February 2008**
(24) Date from which industrial property rights may have effect: **18 February 2008**
(54) Product in respect of which the design is registered: **An extrusion (case 2)**
(51) International Design Classification: **25-01K**
(71) Name(s) and Address(s) of Applicant(s):
All Pro Group NT Pty Ltd
6 Strath Road Berrimah Northern Territory 0828 Australia
(72) Name(s) of Designer(s): **Andrew Hill**
(45) Registration Date: **30 October 2008**
(56) Related Art Documents: **Not Applicable**
(57) Statement of Newness and Distinctiveness: **Newness and distinctiveness is claimed in the shape and/or configuration of the extrusion as shown in the accompanying representation. The extrusion is of indefinite length and of constant cross-section throughout its length.**



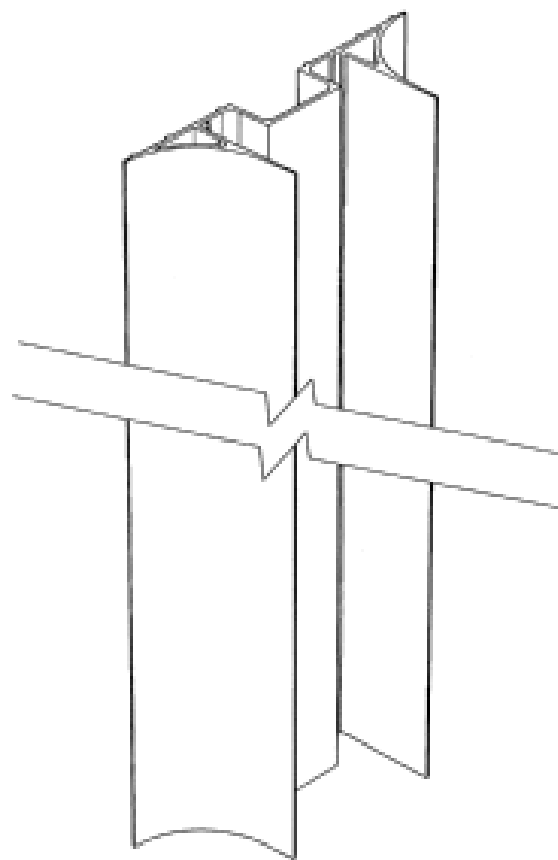
- (21) Design Number: **10701/2008**
(22) Date of Filing Application: **18 February 2008**
(24) Date from which industrial property rights may have effect: **18 February 2008**
(54) Product in respect of which the design is registered: **An extrusion (case 3)**
(51) International Design Classification: **25-01K**
(71) Name(s) and Address(s) of Applicant(s):
All Pro Group NT Pty Ltd
6 Strath Road Berrimah Northern Territory 0828 Australia
(72) Name(s) of Designer(s): **Andrew Hill**
(45) Registration Date: **30 October 2008**
(56) Related Art Documents: **Not Applicable**
(57) Statement of Newness and Distinctiveness: **Newness and distinctiveness is claimed in the shape and/or configuration of the extrusion as shown in the accompanying representation. The extrusion is of indefinite length and of constant cross-section throughout its length.**



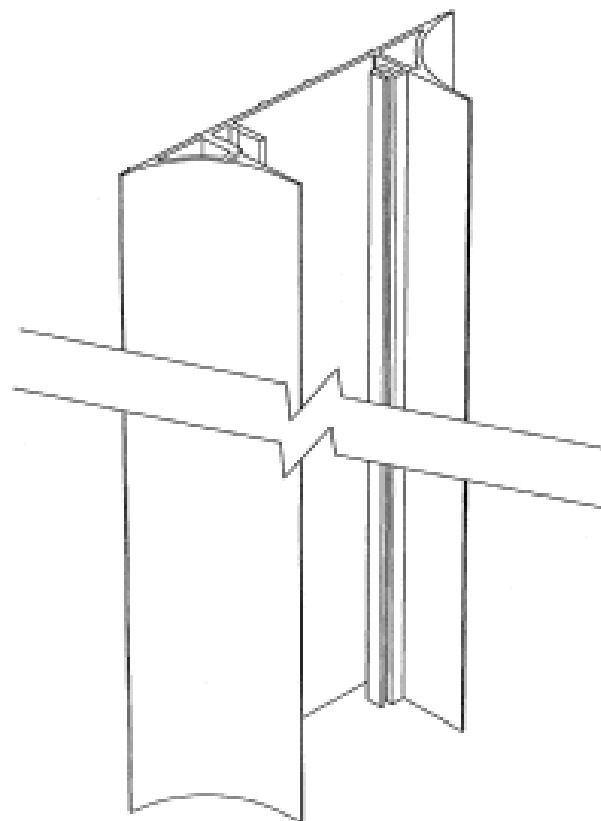
- (21) Design Number: **10702/2008**
(22) Date of Filing Application: **18 February 2008**
(24) Date from which industrial property rights may have effect: **18 February 2008**
(54) Product in respect of which the design is registered: **An extrusion (case 4)**
(51) International Design Classification: **25-01K**
(71) Name(s) and Address(s) of Applicant(s):
All Pro Group NT Pty Ltd
6 Strath Road Berrimah Northern Territory 0828 Australia
(72) Name(s) of Designer(s): **Andrew Hill**
(45) Registration Date: **30 October 2008**
(56) Related Art Documents: **Not Applicable**
(57) Statement of Newness and Distinctiveness: **Newness and distinctiveness is claimed in the shape and/or configuration of the extrusion as shown in the accompanying representation. The extrusion is of indefinite length and of constant cross-section throughout its length.**



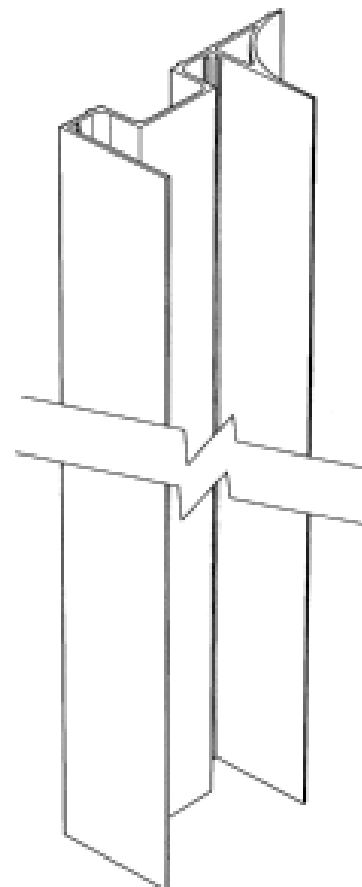
- (21) Design Number: **10703/2008**
(22) Date of Filing Application: **18 February 2008**
(24) Date from which industrial property rights may have effect: **18 February 2008**
(54) Product in respect of which the design is registered: **An extrusion (case 5)**
(51) International Design Classification: **25-01K**
(71) Name(s) and Address(s) of Applicant(s):
All Pro Group NT Pty Ltd
6 Strath Road Berrimah Northern Territory 0828 Australia
(72) Name(s) of Designer(s): **Andrew Hill**
(45) Registration Date: **30 October 2008**
(56) Related Art Documents: **Not Applicable**
(57) Statement of Newness and Distinctiveness: **Newness and distinctiveness is claimed in the shape and/or configuration of the extrusion as shown in the accompanying representation. The extrusion is of indefinite length and of constant cross-section throughout its length.**



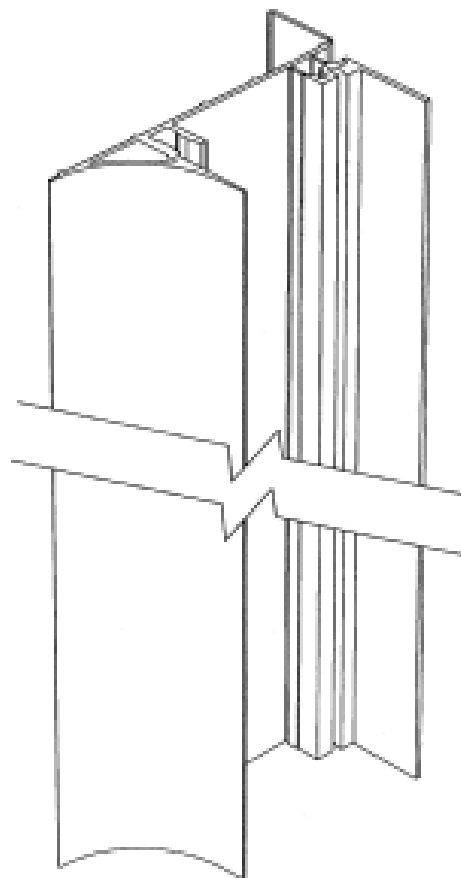
- (21) Design Number: **10704/2008**
(22) Date of Filing Application: **18 February 2008**
(24) Date from which industrial property rights may have effect: **18 February 2008**
(54) Product in respect of which the design is registered: **An extrusion (case 6)**
(51) International Design Classification: **25-01K**
(71) Name(s) and Address(s) of Applicant(s):
All Pro Group NT Pty Ltd
6 Strath Road Berrimah Northern Territory 0828 Australia
(72) Name(s) of Designer(s): **Andrew Hill**
(45) Registration Date: **30 October 2008**
(56) Related Art Documents: **Not Applicable**
(57) Statement of Newness and Distinctiveness: **Newness and distinctiveness is claimed in the shape and/or configuration of the extrusion as shown in the accompanying representation. The extrusion is of indefinite length and of constant cross-section throughout its length.**



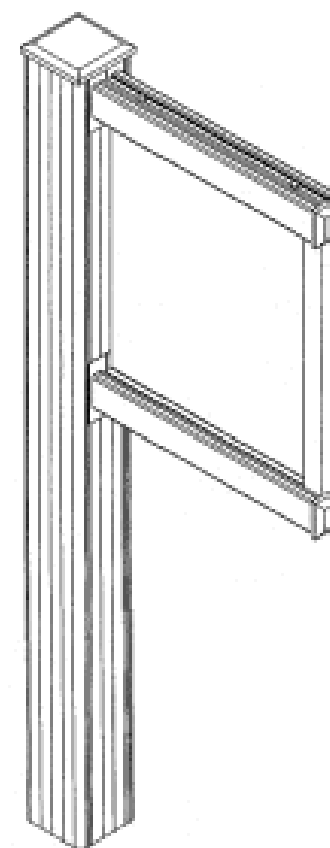
- (21) Design Number: **10705/2008**
(22) Date of Filing Application: **18 February 2008**
(24) Date from which industrial property rights may have effect: **18 February 2008**
(54) Product in respect of which the design is registered: **An extrusion (case 7)**
(51) International Design Classification: **25-01K**
(71) Name(s) and Address(s) of Applicant(s):
All Pro Group NT Pty Ltd
6 Strath Road Berrimah Northern Territory 0828 Australia
(72) Name(s) of Designer(s): **Andrew Hill**
(45) Registration Date: **30 October 2008**
(56) Related Art Documents: **Not Applicable**
(57) Statement of Newness and Distinctiveness: **Newness and distinctiveness is claimed in the shape and/or configuration of the extrusion as shown in the accompanying representation. The extrusion is of indefinite length and of constant cross-section throughout its length.**



- (21) Design Number: **10706/2008**
(22) Date of Filing Application: **18 February 2008**
(24) Date from which industrial property rights may have effect: **18 February 2008**
(54) Product in respect of which the design is registered: **An extrusion (case 8)**
(51) International Design Classification: **25-01K**
(71) Name(s) and Address(s) of Applicant(s):
All Pro Group NT Pty Ltd
6 Strath Road Berrimah Northern Territory 0828 Australia
(72) Name(s) of Designer(s): **Andrew Hill**
(45) Registration Date: **30 October 2008**
(56) Related Art Documents: **Not Applicable**
(57) Statement of Newness and Distinctiveness: **Newness and distinctiveness is claimed in the shape and/or configuration of the extrusion as shown in the accompanying representation. The extrusion is of indefinite length and of constant cross-section throughout its length.**



- (21) Design Number: **11449/2008**
(22) Date of Filing Application: **25 March 2008**
(24) Date from which industrial property rights may have effect: **25 March 2008**
(54) Product in respect of which the design is registered: **Aluminium banner pole for application in display fixed signage and flexible banners**
(51) International Design Classification: **20-03NES, 11-05**
(71) Name(s) and Address(s) of Applicant(s):
Aluminium Industries of Australia Pty Ltd
10 Carson Avenue Keysborough Victoria 3173 Australia
(72) Name(s) of Designer(s): **Mark Hill**
(45) Registration Date: **30 October 2008**
(56) Related Art Documents: **Not Applicable**
(57) Statement of Newness and Distinctiveness: **Concealed banner tensioning arm system, interchangeable decorative infill covers and ability to change sign/banner size by moving pole arm strut and adjustable arm fixing spigot along the pole to different positions as per diagrams attached.**



(21) Design Number: **12374/2008**

(22) Date of Filing Application: **19 May 2008**

(24) Date from which industrial property rights may have effect: **19 May 2008**

(54) Product in respect of which the design is registered: **A transportable building**

(51) International Design Classification: **25-03**

(71) Name(s) and Address(s) of Applicant(s):

Francesco Antonio Martino

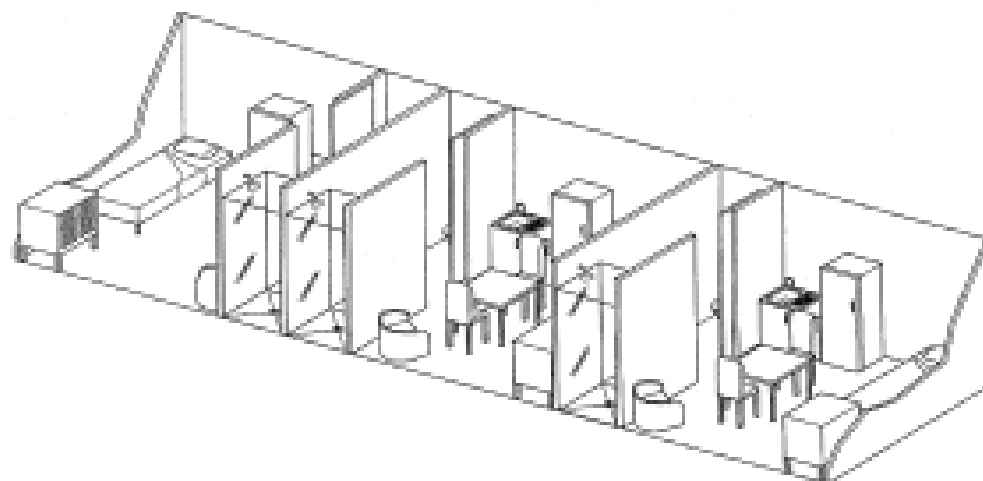
Lot 25 Old Princes Highway Monarto South Australia 5254 Australia

(72) Name(s) of Designer(s): **Francesco Antonio Martino**

(45) Registration Date: **30 October 2008**

(56) Related Art Documents: **Not Applicable**

(57) Statement of Newness and Distinctiveness: **Newness and distinctiveness resides on the floor plan layout of the transportable building shown in the accompanying representations. The contents of the transportable building which are not fixtures are to be disregarded.**



(21) Design Number: **12375/2008**

(22) Date of Filing Application: **19 May 2008**

(24) Date from which industrial property rights may have effect: **19 May 2008**

(54) Product in respect of which the design is registered: **A transportable building**

(51) International Design Classification: **25-03**

(71) Name(s) and Address(s) of Applicant(s):

Francesco Antonio Martino

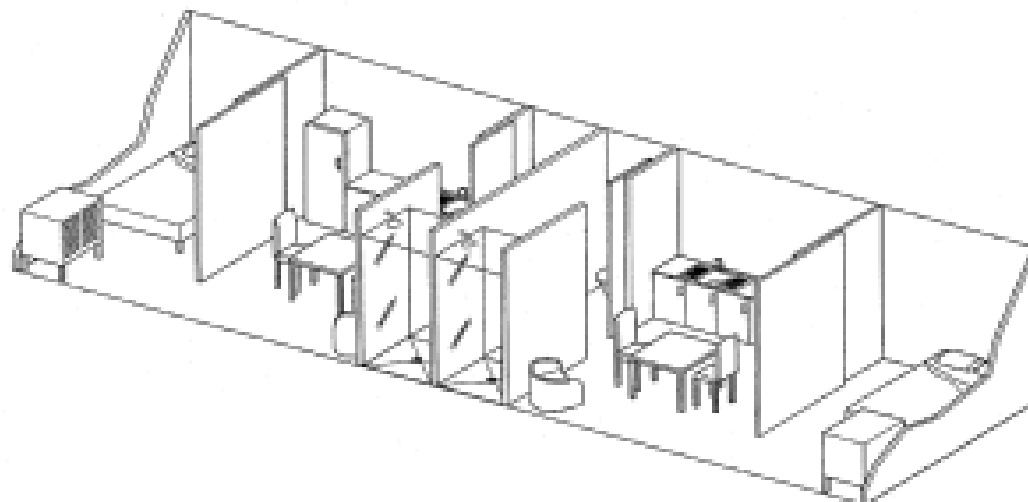
Lot 25 Old Princes Highway Monarto South Australia 5254 Australia

(72) Name(s) of Designer(s): **Francesco Antonio Martino**

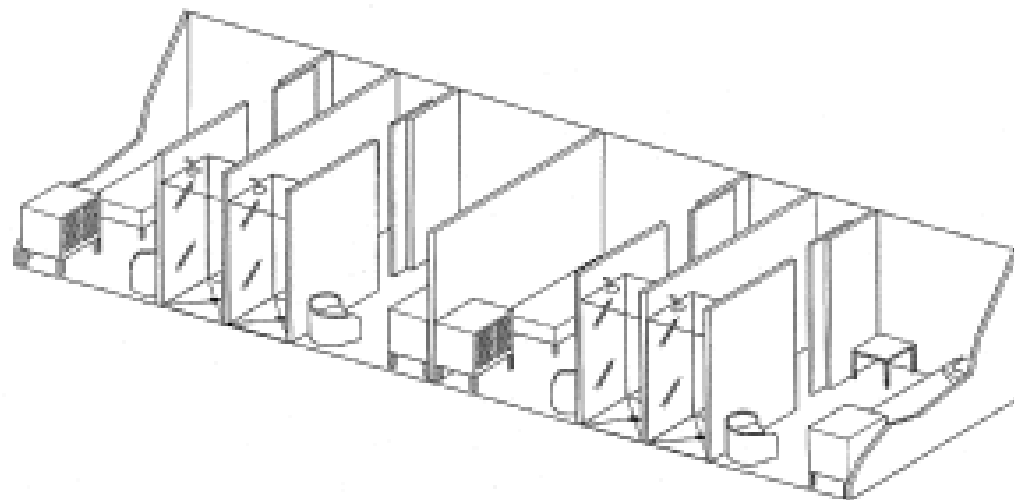
(45) Registration Date: **30 October 2008**

(56) Related Art Documents: **Not Applicable**

(57) Statement of Newness and Distinctiveness: **Newness and distinctiveness resides on the floor plan layout of the transportable building shown in the accompanying representations. The contents of the transportable building which are not fixtures are to be disregarded.**



- (21) Design Number: **12376/2008**
(22) Date of Filing Application: **19 May 2008**
(24) Date from which industrial property rights may have effect: **19 May 2008**
(54) Product in respect of which the design is registered: **A transportable building**
(51) International Design Classification: **25-03**
(71) Name(s) and Address(s) of Applicant(s):
Francesco Antonio Martino
Lot 25 Old Princes Highway Monarto South Australia 5254 Australia
(72) Name(s) of Designer(s): **Francesco Antonio Martino**
(45) Registration Date: **30 October 2008**
(56) Related Art Documents: **Not Applicable**
(57) Statement of Newness and Distinctiveness: **Newness and distinctiveness resides on the floor plan layout of the transportable building shown in the accompanying representations. The contents of the transportable building which are not fixtures are to be disregarded.**



- (21) Design Number: **12491/2008**
(22) Date of Filing Application: **26 May 2008**
(24) Date from which industrial property rights may have effect: **26 May 2008**
(54) Product in respect of which the design is registered: **Truck and car wheel changer**
(51) International Design Classification: **12-16NES, 08-05E**
(71) Name(s) and Address(s) of Applicant(s):
Jackmate (Australia) Pty Ltd
25 Brooklyn Court Campbellfield Victoria 3061 Australia
(72) Name(s) of Designer(s): **Norm Browning**
(45) Registration Date: **30 October 2008**
(56) Related Art Documents: **Not Applicable**
(57) Statement of Newness and Distinctiveness: **Nil**



(21) Design Number: **12691/2008**

(22) Date of Filing Application: **04 June 2008**

(24) Date from which industrial property rights may have effect: **04 June 2008**

(54) Product in respect of which the design is registered: **Sole plate for laundry iron**

(51) International Design Classification: **07-05A**

(71) Name(s) and Address(s) of Applicant(s):

Calor

Place Ambroise Courtois 69008 Lyon France

(72) Name(s) of Designer(s): **Dick Powell**

(45) Registration Date: **30 October 2008**

(30) Convention priority data:

(31) Number
07 5490

(32) Date
04 Dec 2007

(33) Country
FRANCE

(56) Related Art Documents: **Not Applicable**

(57) Statement of Newness and Distinctiveness: **The shape and configuration of the sole plate for laundry iron is new and distinctive.**



(21) Design Number: **12692/2008**

(22) Date of Filing Application: **04 June 2008**

(24) Date from which industrial property rights may have effect: **04 June 2008**

(54) Product in respect of which the design is registered: **Sole plate for laundry iron**

(51) International Design Classification: **07-05A**

(71) Name(s) and Address(s) of Applicant(s):

Calor

Place Ambroise Courtois 69008 Lyon France

(72) Name(s) of Designer(s): **Dick Powell**

(45) Registration Date: **30 October 2008**

(30) Convention priority data:

(31) Number
07 5490

(32) Date
04 Dec 2007

(33) Country
FRANCE

(56) Related Art Documents: **Not Applicable**

(57) Statement of Newness and Distinctiveness: **The shape and configuration of the sole plate for laundry iron is new and distinctive.**



(21) Design Number: **13004/2008**

(22) Date of Filing Application: **01 July 2008**

(24) Date from which industrial property rights may have effect: **01 July 2008**

(54) Product in respect of which the design is registered: **Plastic bag**

(51) International Design Classification: **09-05**

(71) Name(s) and Address(s) of Applicant(s):

Frank Manvell Vickers
153 Marine Parade Eastbourne Wellington 5013 New Zealand

(72) Name(s) of Designer(s): **Frank Manvell Vickers**

(45) Registration Date: **30 October 2008**

(56) Related Art Documents: **Not Applicable**

(57) Statement of Newness and Distinctiveness: **The novelty of the design resides in the features of shape and configuration of a plastic bag as shown in the accompanying representations.**



(21) Design Number: **13030/2008**

(22) Date of Filing Application: **30 June 2008**

(24) Date from which industrial property rights may have effect: **30 June 2008**

(54) Product in respect of which the design is registered: **Hanger**

(51) International Design Classification: **06-08**

(71) Name(s) and Address(s) of Applicant(s):

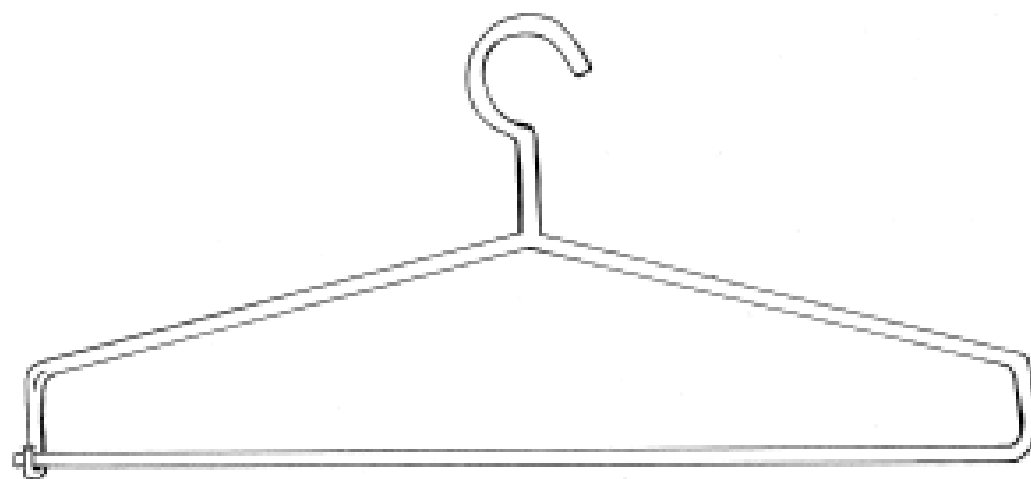
Jennie Greaves
35 Coco Drive Falcon Western Australia 6210 Australia

(72) Name(s) of Designer(s): **Jennie Greaves**

(45) Registration Date: **30 October 2008**

(56) Related Art Documents: **Not Applicable**

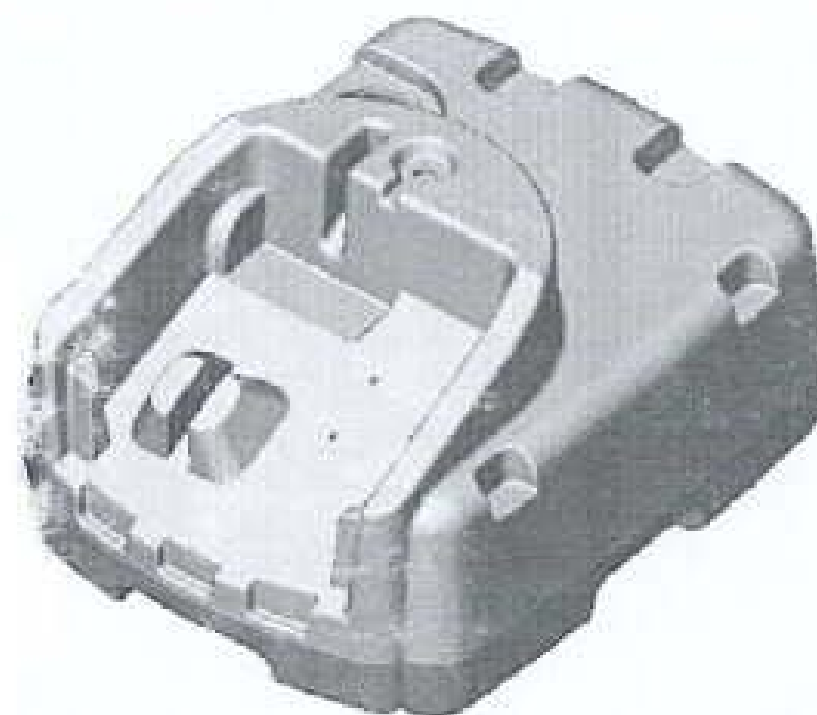
(57) Statement of Newness and Distinctiveness: **Nil**



- (21) Design Number: **13036/2008**
(22) Date of Filing Application: **02 July 2008**
(24) Date from which industrial property rights may have effect: **02 July 2008**
(54) Product in respect of which the design is registered: **Weeding tool**
(51) International Design Classification: **08-05A**
(71) Name(s) and Address(s) of Applicant(s):
Roy Thomas Littler
105 River Road Peachester Queensland 4519 Australia
(72) Name(s) of Designer(s): **Roy Thomas Littler**
(45) Registration Date: **30 October 2008**
(56) Related Art Documents: **Not Applicable**
(57) Statement of Newness and Distinctiveness: **Monopoly is claimed in the shape and configuration of a weeding tool for lawns and gardens as illustrated in the accompanying representations.**



- (21) Design Number: **13047/2008**
(22) Date of Filing Application: **03 July 2008**
(24) Date from which industrial property rights may have effect: **03 July 2008**
(54) Product in respect of which the design is registered: **Diesel tank**
(51) International Design Classification: **09-02A, 23-01F**
(71) Name(s) and Address(s) of Applicant(s):
Silvan Australia Pty Ltd
244-264 Greens Road Dandenong South Victoria 3175 Australia
(72) Name(s) of Designer(s): **Leighton James O'Rielly**
(45) Registration Date: **30 October 2008**
(56) Related Art Documents: **Not Applicable**
(57) Statement of Newness and Distinctiveness: **Nil**



(21) Design Number: **13111/2008**

(22) Date of Filing Application: **04 July 2008**

(24) Date from which industrial property rights may have effect: **04 July 2008**

(54) Product in respect of which the design is registered: **Bottle**

(51) International Design Classification: **09-01NES**

(71) Name(s) and Address(s) of Applicant(s):

Lidl Stiftung & Co. KG
Stiftsbergstrasse 1 74167 Neckarsulm Germany

(72) Name(s) of Designer(s): **Andreas Hackl**

(45) Registration Date: **30 October 2008**

(30) Convention priority data:

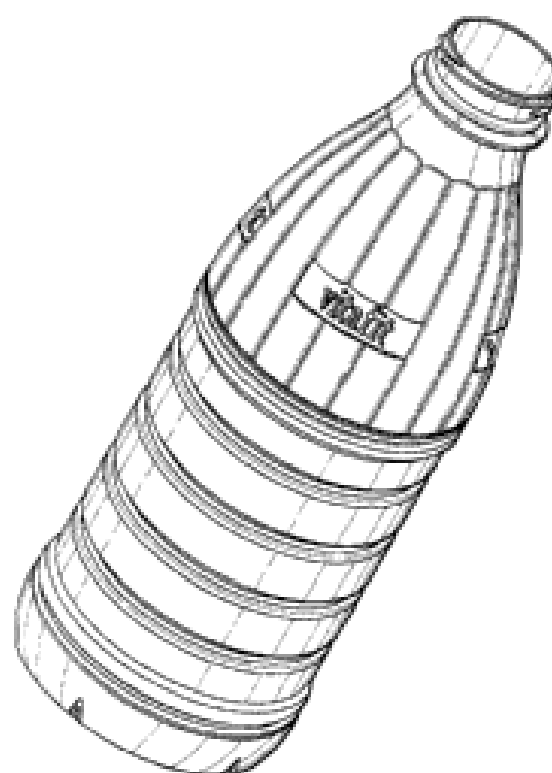
(31) Number
DM/070065

(32) Date
05 May 2008

(33) Country
**WORLD INTELLECTUAL
PROPERTY ORGANIZATION
(WIPO)**

(56) Related Art Documents: **Not Applicable**

(57) Statement of Newness and Distinctiveness: **When determining whether the design 1 is substantially similar in overall impression to another design, no regard is to be had to the words "vita fit" as shown on the bottle in the accompanying representations.**



(21) Design Number: **13157/2008**

(22) Date of Filing Application: **09 July 2008**

(24) Date from which industrial property rights may have effect: **09 July 2008**

(54) Product in respect of which the design is registered: **Chatabelt**

(51) International Design Classification: **06-01L, 06-03B**

(71) Name(s) and Address(s) of Applicant(s):

Jenna Ryan
89 Orange Street Greystaves New South Wales 2145 Australia

(72) Name(s) of Designer(s): **Jenna Ryan**

(45) Registration Date: **30 October 2008**

(56) Related Art Documents: **Not Applicable**

(57) Statement of Newness and Distinctiveness: **Chatabelt is unique as it combines a chair and table. Not only is its shape distinctive but the technique of weaving out of recycled belts is a new idea which encourages sustainability and adds creative flair to the piece.**



- (21) Design Number: **13168/2008**
(22) Date of Filing Application: **08 July 2008**
(24) Date from which industrial property rights may have effect: **08 July 2008**
(54) Product in respect of which the design is registered: **Neck support**
(51) International Design Classification: **24-99**
(71) Name(s) and Address(s) of Applicant(s):

Alpinestars Research SRL
Via De Gasperi 54 Coste Di Maser Treviso I-31010 Italy

- (72) Name(s) of Designer(s): **Giovanni Mazzarolo and Colin Ballantyne**

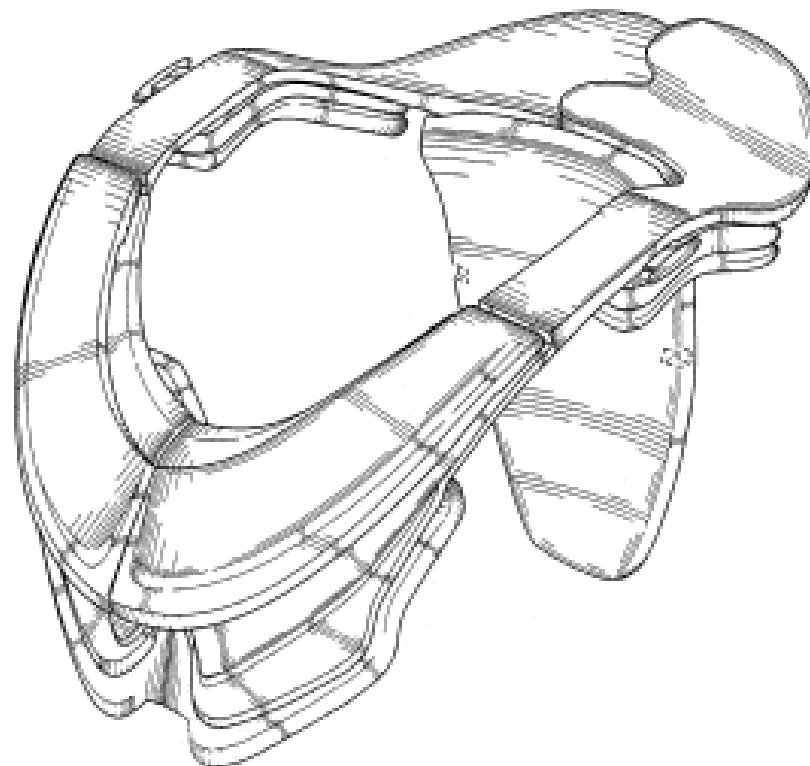
- (45) Registration Date: **30 October 2008**

- (30) Convention priority data:

(31) Number	(32) Date	(33) Country
TV2008O000006	06 Mar 2008	ITALY

- (56) Related Art Documents: **Not Applicable**

- (57) Statement of Newness and Distinctiveness: **The shape and configuration of the parts of the neck support shown by means of solid lines are new and distinctive. Features shown by means of broken lines are included for illustrative purposes only and form no part of the design.**



- (21) Design Number: **13170/2008**
(22) Date of Filing Application: **08 July 2008**
(24) Date from which industrial property rights may have effect: **08 July 2008**
(54) Product in respect of which the design is registered: **Abrasive wheel**
(51) International Design Classification: **08-05N, 15-09**
(71) Name(s) and Address(s) of Applicant(s):

Rin-soon Park
Yongsang Apartment 1-401 150-3 Wonjong-dong Ojeong-gu
Bucheon-si Gyeonggi-do Republic of Korea

- (72) Name(s) of Designer(s): **Rin-soon Park**

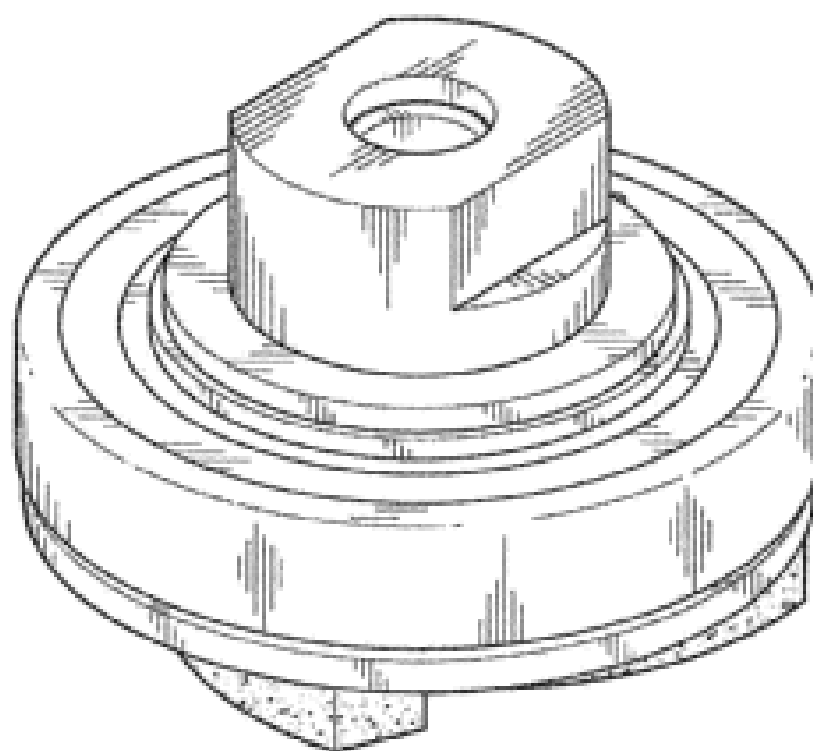
- (45) Registration Date: **30 October 2008**

- (30) Convention priority data:

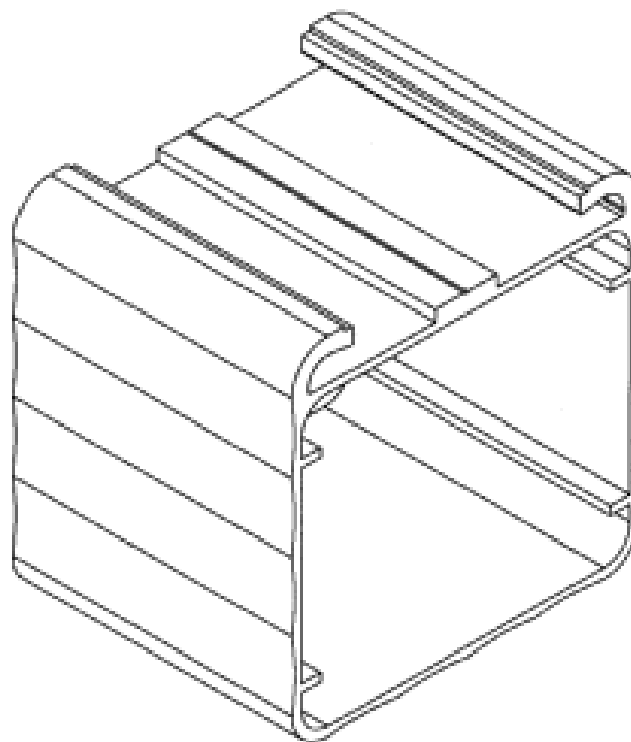
(31) Number	(32) Date	(33) Country
30-2008-0004872	01 Feb 2008	REPUBLIC OF KOREA

- (56) Related Art Documents: **Not Applicable**

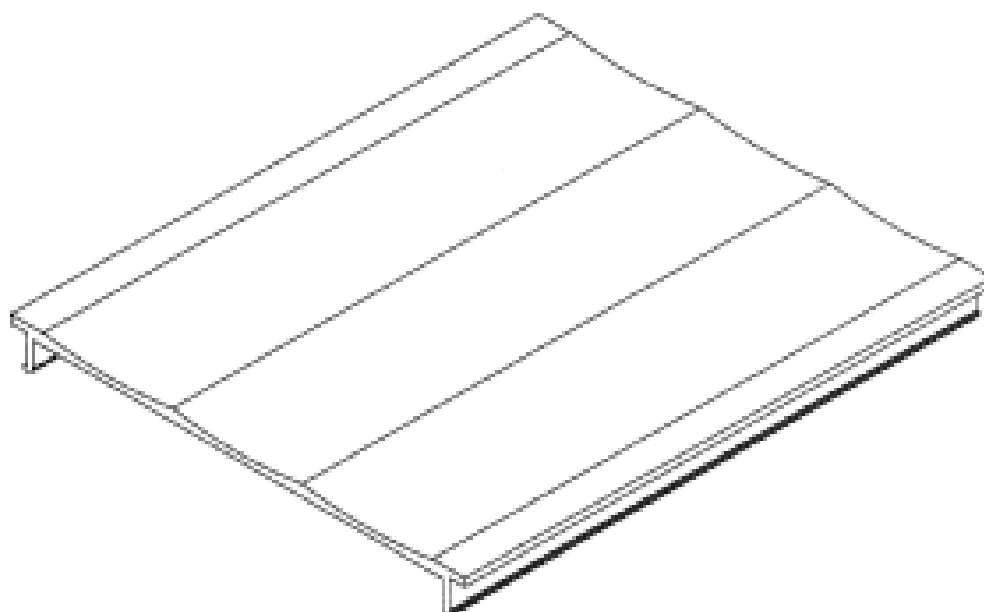
- (57) Statement of Newness and Distinctiveness: **Newness and distinctiveness resides in the features of shape and configuration of an abrasive wheel as shown in the accompanying representations.**



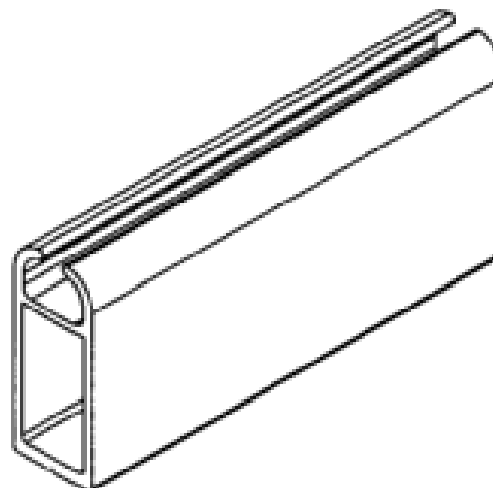
- (21) Design Number: **14232/2008**
(22) Date of Filing Application: **25 March 2008**
(24) Date from which industrial property rights may have effect: **25 March 2008**
(54) Product in respect of which the design is registered: **Pole section for banner pole product**
(51) International Design Classification: **11-05, 25-01K**
(71) Name(s) and Address(s) of Applicant(s):
Aluminium Industries of Australia Pty Ltd
10 Carson Avenue Keysborough Victoria 3173 Australia
(72) Name(s) of Designer(s): **Mark Hill**
(45) Registration Date: **30 October 2008**
(56) Related Art Documents: **Not Applicable**
(57) Statement of Newness and Distinctiveness: **As per attached drawing "Pole"**



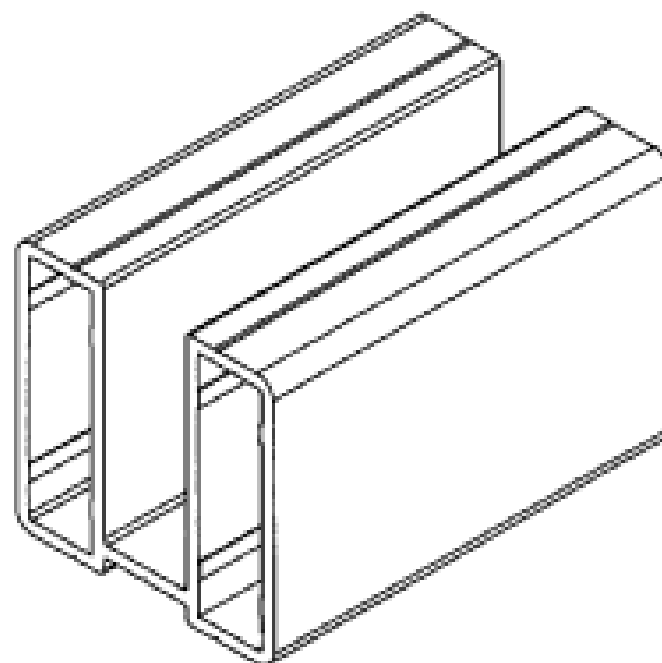
- (21) Design Number: **14233/2008**
(22) Date of Filing Application: **25 March 2008**
(24) Date from which industrial property rights may have effect: **25 March 2008**
(54) Product in respect of which the design is registered: **Infill cover for banner pole product**
(51) International Design Classification: **11-05, 25-01K**
(71) Name(s) and Address(s) of Applicant(s):
Aluminium Industries of Australia Pty Ltd
10 Carson Avenue Keysborough Victoria 3173 Australia
(72) Name(s) of Designer(s): **Mark Hill**
(45) Registration Date: **30 October 2008**
(56) Related Art Documents: **Not Applicable**
(57) Statement of Newness and Distinctiveness: **As per attached drawing "Infill Cover"**



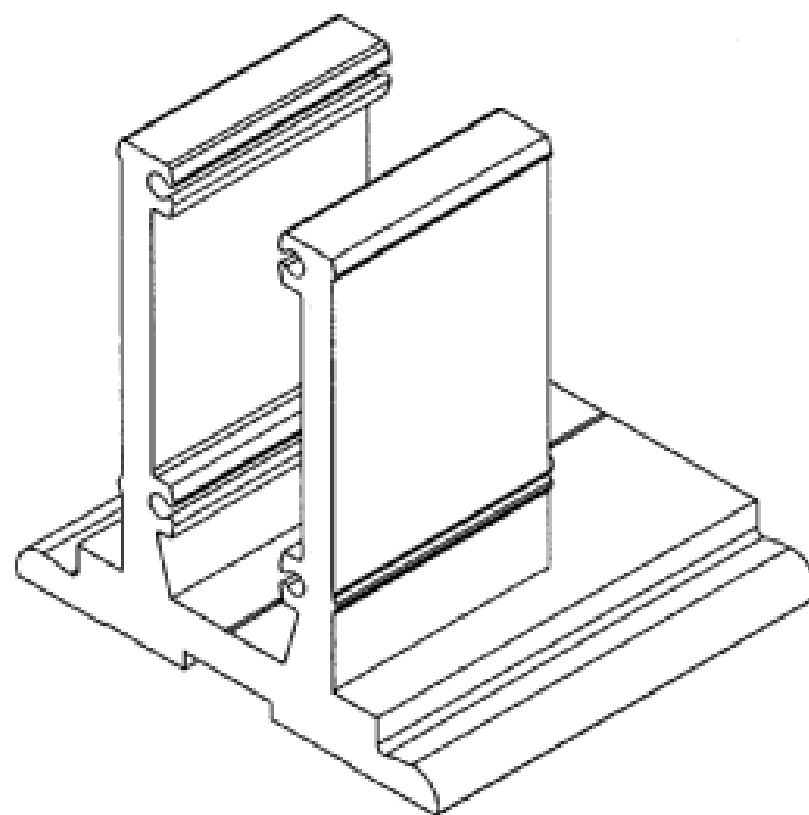
- (21) Design Number: **14234/2008**
(22) Date of Filing Application: **25 March 2008**
(24) Date from which industrial property rights may have effect: **25 March 2008**
(54) Product in respect of which the design is registered: **Banner tensioning arm for banner pole product**
(51) International Design Classification: **11-05, 25-01K, 08-99**
(71) Name(s) and Address(s) of Applicant(s):
Aluminium Industries of Australia Pty Ltd
10 Carson Avenue Keysborough Victoria 3173 Australia
(72) Name(s) of Designer(s): **Mark Hill**
(45) Registration Date: **30 October 2008**
(56) Related Art Documents: **Not Applicable**
(57) Statement of Newness and Distinctiveness: **As per attached drawing "Banner Tension Arm"**



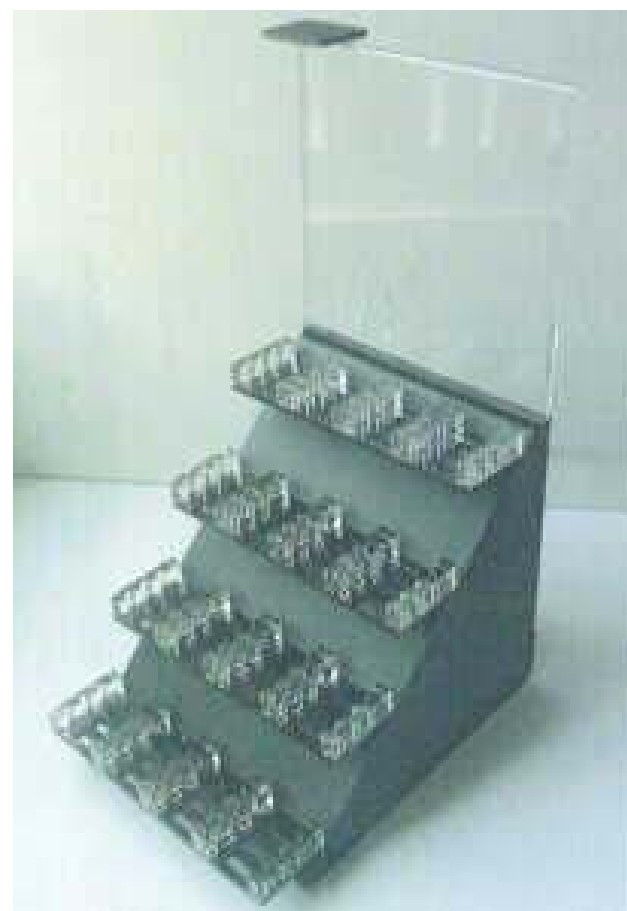
- (21) Design Number: **14235/2008**
(22) Date of Filing Application: **25 March 2008**
(24) Date from which industrial property rights may have effect: **25 March 2008**
(54) Product in respect of which the design is registered: **Pole arm strut for banner pole product**
(51) International Design Classification: **11-05, 25-01K**
(71) Name(s) and Address(s) of Applicant(s):
Aluminium Industries of Australia Pty Ltd
10 Carson Avenue Keysborough Victoria 3173 Australia
(72) Name(s) of Designer(s): **Mark Hill**
(45) Registration Date: **30 October 2008**
(56) Related Art Documents: **Not Applicable**
(57) Statement of Newness and Distinctiveness: **As per attached drawing "Pole Arm Strut"**



- (21) Design Number: **14236/2008**
(22) Date of Filing Application: **25 March 2008**
(24) Date from which industrial property rights may have effect: **25 March 2008**
(54) Product in respect of which the design is registered: **Adjustable arm fixing spigot for banner pole product**
(51) International Design Classification: **11-05, 08-08NES**
(71) Name(s) and Address(s) of Applicant(s):
Aluminium Industries of Australia Pty Ltd
10 Carson Avenue Keysborough Victoria 3173 Australia
(72) Name(s) of Designer(s): **Mark Hill**
(45) Registration Date: **30 October 2008**
(56) Related Art Documents: **Not Applicable**
(57) Statement of Newness and Distinctiveness: **As per attached drawing "Adjustable Arm Fixing Spigot"**



- (21) Design Number: **14548/2008**
(22) Date of Filing Application: **25 September 2008**
(24) Date from which industrial property rights may have effect: **25 September 2008**
(54) Product in respect of which the design is registered: **Display stand**
(51) International Design Classification: **20-02C**
(71) Name(s) and Address(s) of Applicant(s):
Global Shopping Network Pty Ltd
1607/83-85 Spring Street Bondi Junction New South Wales 2022
Australia
(72) Name(s) of Designer(s): **Stephane Kljajic**
(45) Registration Date: **30 October 2008**
(56) Related Art Documents: **Not Applicable**
(57) Statement of Newness and Distinctiveness: **Monopoly is claimed in the features of shape and/or configuration applied to a display stand as illustrated in the accompanying representations.**



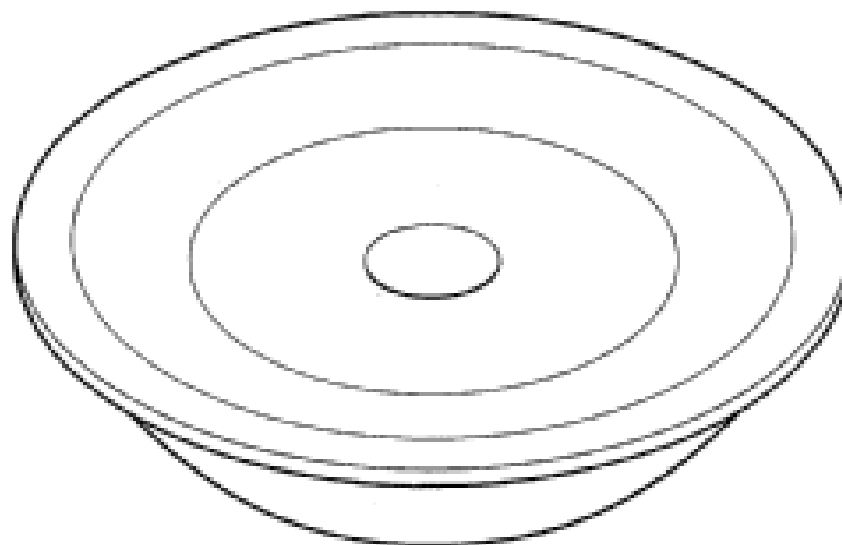
- (21) Design Number: **13058/2008**
- (22) Date of Filing Application: **03 July 2008**
- (24) Date from which industrial property rights may have effect: **03 July 2008**
- (54) Product in respect of which the design is registered: **Statue of a wombat**
- (51) International Design Classification: **11-02E**
- (71) Name(s) and Address(s) of Applicant(s):
Robert John Clifford Curtin
Unit 5 2/14 Hope Street South Yarra Australia
- (72) Name(s) of Designer(s): **Robert J. Curtin and Matt Johnsson**
- (45) Registration Date: **03 November 2008**
- (56) Related Art Documents: **Not Applicable**
- (57) Statement of Newness and Distinctiveness: **Nil**



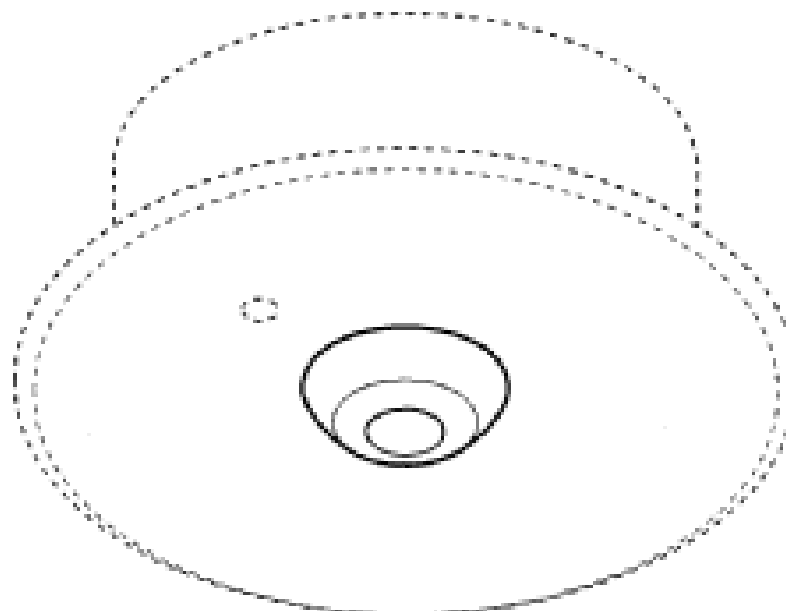
- (21) Design Number: **13059/2008**
- (22) Date of Filing Application: **03 July 2008**
- (24) Date from which industrial property rights may have effect: **03 July 2008**
- (54) Product in respect of which the design is registered: **A wombat cooler**
- (51) International Design Classification: **11-02E, 07-07A**
- (71) Name(s) and Address(s) of Applicant(s):
Robert John Clifford Curtin
Unit 5 2/14 Hope Street South Yarra Australia
- (72) Name(s) of Designer(s): **Robert John Clifford Curtin and Matt Johnsson**
- (45) Registration Date: **03 November 2008**
- (56) Related Art Documents: **Not Applicable**
- (57) Statement of Newness and Distinctiveness: **A wombat cooler as illustrated in the accompanying representations.**



- (21) Design Number: **13414/2008**
(22) Date of Filing Application: **22 July 2008**
(24) Date from which industrial property rights may have effect: **22 July 2008**
(54) Product in respect of which the design is registered: **Lens**
(51) International Design Classification: **16-06**
(71) Name(s) and Address(s) of Applicant(s):
Pierlite Australia Pty Ltd
96-112 Gow Street Padstow 2211 New South Wales Australia
(72) Name(s) of Designer(s): **Bryan Negrone**
(45) Registration Date: **03 November 2008**
(56) Related Art Documents: **Not Applicable**
(57) Statement of Newness and Distinctiveness: **Newness and distinctiveness resides in the features of shape and configuration of the lens as shown in the accompanying representations.**



- (21) Design Number: **13415/2008**
(22) Date of Filing Application: **22 July 2008**
(24) Date from which industrial property rights may have effect: **22 July 2008**
(54) Product in respect of which the design is registered: **Lighting device**
(51) International Design Classification: **26-05D**
(71) Name(s) and Address(s) of Applicant(s):
Pierlite Australia Pty Ltd
96-112 Gow Street Padstow 2211 New South Wales Australia
(72) Name(s) of Designer(s): **Bryan Negrone**
(45) Registration Date: **03 November 2008**
(56) Related Art Documents: **Not Applicable**
(57) Statement of Newness and Distinctiveness: **Newness and distinctiveness resides in the features of shape and configuration of the lens of the lighting device shown in the accompanying representations. When considering the scope of the design, no regard will be had to the features shown in dotted lines.**



(21) Design Number: **13419/2008**

(22) Date of Filing Application: **22 July 2008**

(24) Date from which industrial property rights may have effect: **22 July 2008**

(54) Product in respect of which the design is registered: **Moblie phone**

(51) International Design Classification: **14-03E**

(71) Name(s) and Address(s) of Applicant(s):

**Sony Ericsson Mobile Communications AB
Nya Vattentorget SE 221 88 Lund Sweden**

(72) Name(s) of Designer(s): **Simon Chung**

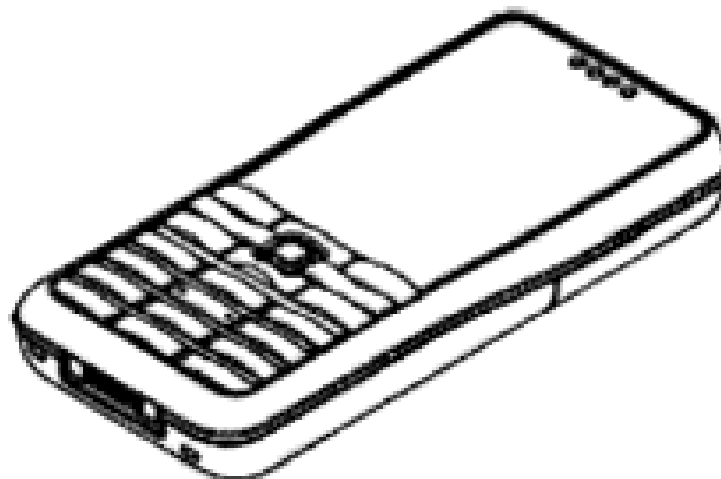
(45) Registration Date: **03 November 2008**

(30) Convention priority data:

(31) Number	(32) Date	(33) Country
880224.0003-004	18 Feb 2008	EUROPEAN COMMUNITY

(56) Related Art Documents: **Not Applicable**

(57) Statement of Newness and Distinctiveness: **Nil**



(21) Design Number: **13420/2008**

(22) Date of Filing Application: **22 July 2008**

(24) Date from which industrial property rights may have effect: **22 July 2008**

(54) Product in respect of which the design is registered: **Mobile phone**

(51) International Design Classification: **14-03E**

(71) Name(s) and Address(s) of Applicant(s):

**Sony Ericsson Mobile Communications AB
Nya Vattentorget SE 221 88 Lund Sweden**

(72) Name(s) of Designer(s): **Benjamin Fagnot**

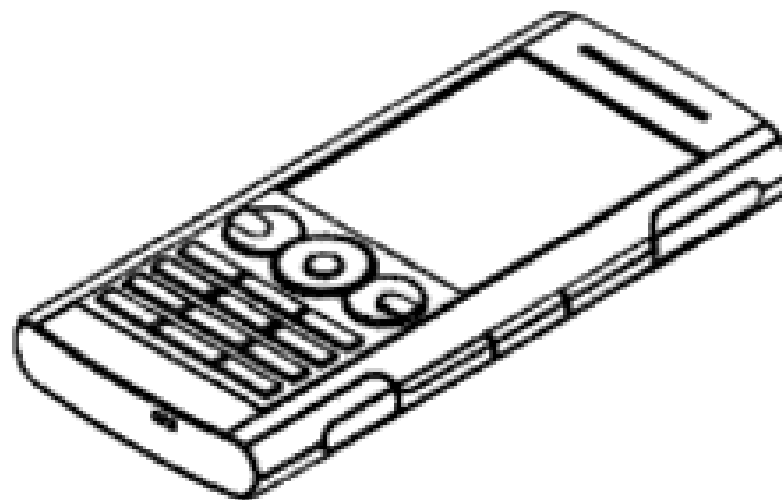
(45) Registration Date: **03 November 2008**

(30) Convention priority data:

(31) Number	(32) Date	(33) Country
880224.0003-004	18 Feb 2008	EUROPEAN COMMUNITY

(56) Related Art Documents: **Not Applicable**

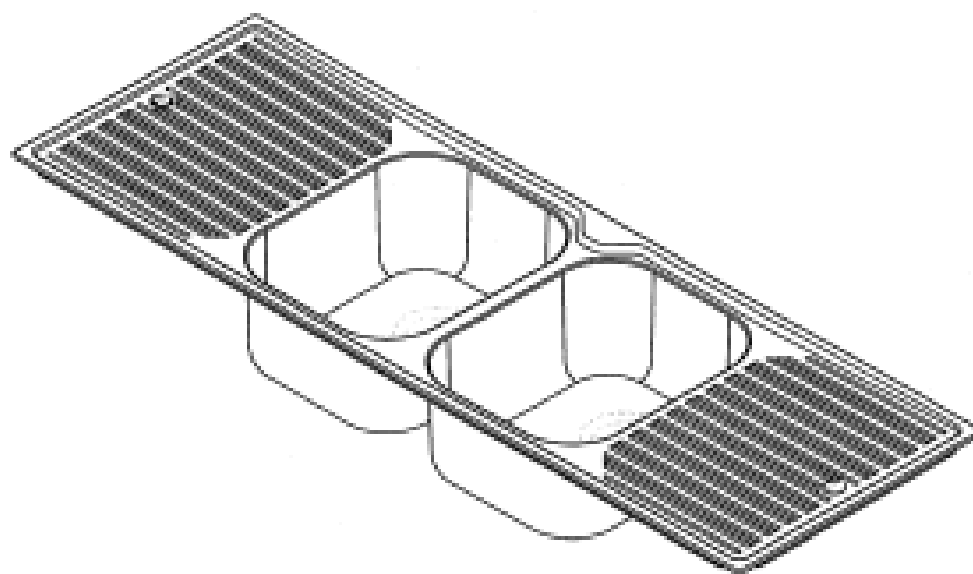
(57) Statement of Newness and Distinctiveness: **Nil**



- (21) Design Number: **13421/2008**
- (22) Date of Filing Application: **22 July 2008**
- (24) Date from which industrial property rights may have effect: **22 July 2008**
- (54) Product in respect of which the design is registered: **Sink**
- (51) International Design Classification: **23-02F**
- (71) Name(s) and Address(s) of Applicant(s):

Tasman Sinkware Pty Ltd
51 Naweena Road Regency Park South Australia 5942 Australia

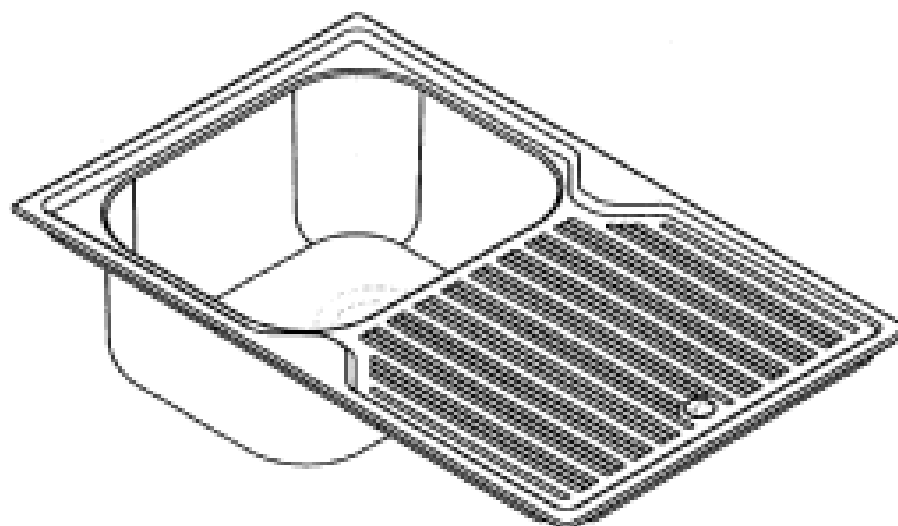
- (72) Name(s) of Designer(s): **Jeremy Axton**
- (45) Registration Date: **03 November 2008**
- (56) Related Art Documents: **Not Applicable**
- (57) Statement of Newness and Distinctiveness: **The newness and distinctiveness of the article resides in the shape and configuration of the sink as shown in the accompanying drawings. The drain hole shown in dashed outline in the representations does not form part of the design and may be varied from that shown.**



- (21) Design Number: **13422/2008**
- (22) Date of Filing Application: **22 July 2008**
- (24) Date from which industrial property rights may have effect: **22 July 2008**
- (54) Product in respect of which the design is registered: **Sink**
- (51) International Design Classification: **23-02F**
- (71) Name(s) and Address(s) of Applicant(s):

Tasman Sinkware Pty Ltd
51 Naweena Road Regency Park South Australia 5942 Australia

- (72) Name(s) of Designer(s): **Jeremy Axton**
- (45) Registration Date: **03 November 2008**
- (56) Related Art Documents: **Not Applicable**
- (57) Statement of Newness and Distinctiveness: **The newness and distinctiveness of the article resides in the shape and configuration of the sink as shown in the accompanying drawings. The drain hole shown in dashed outline in the representations does not form part of the design and may be varied from that shown.**



(21) Design Number: **13423/2008**

(22) Date of Filing Application: **22 July 2008**

(24) Date from which industrial property rights may have effect: **22 July 2008**

(54) Product in respect of which the design is registered: **Sink**

(51) International Design Classification: **23-02F**

(71) Name(s) and Address(s) of Applicant(s):

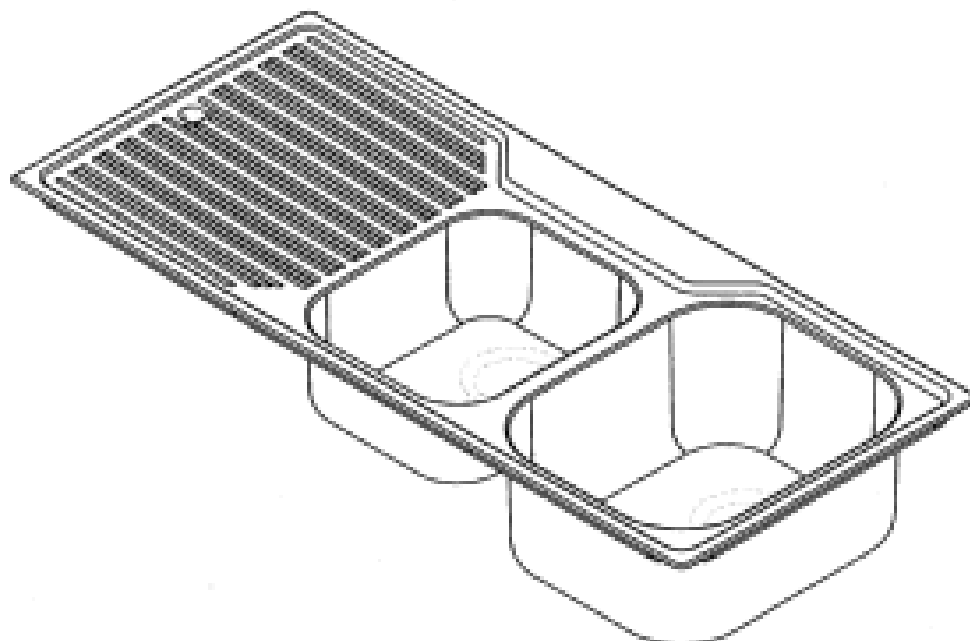
Tasman Sinkware Pty Ltd
51 Naweena Road Regency Park South Australia 5942 Australia

(72) Name(s) of Designer(s): **Jeremy Axton**

(45) Registration Date: **03 November 2008**

(56) Related Art Documents: **Not Applicable**

(57) Statement of Newness and Distinctiveness: **The newness and distinctiveness of the article resides in the shape and configuration of the sink as shown in the accompanying drawings. The drain hole shown in dashed outline in the representations does not form part of the design and may be varied from that shown.**



(21) Design Number: **13424/2008**

(22) Date of Filing Application: **22 July 2008**

(24) Date from which industrial property rights may have effect: **22 July 2008**

(54) Product in respect of which the design is registered: **Sink**

(51) International Design Classification: **23-02F**

(71) Name(s) and Address(s) of Applicant(s):

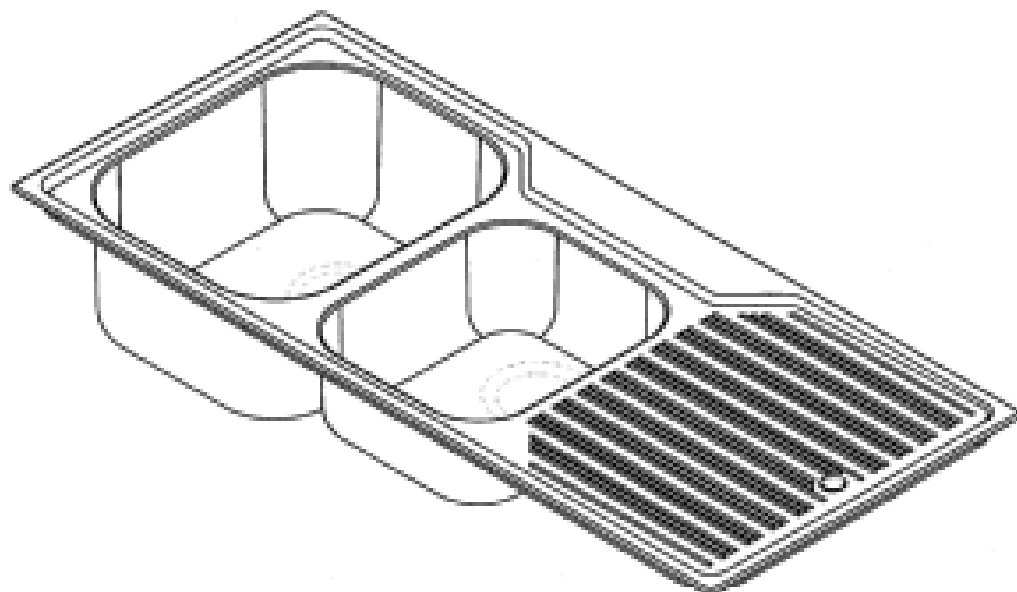
Tasman Sinkware Pty Ltd
51 Naweena Road Regency Park South Australia 5942 Australia

(72) Name(s) of Designer(s): **Jeremy Axton**

(45) Registration Date: **03 November 2008**

(56) Related Art Documents: **Not Applicable**

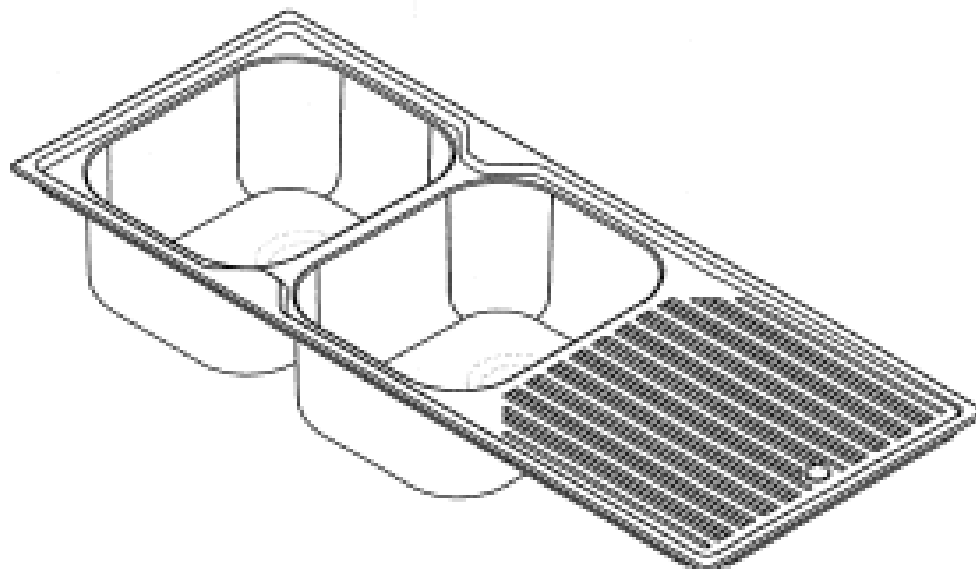
(57) Statement of Newness and Distinctiveness: **The newness and distinctiveness of the article resides in the shape and configuration of the sink as shown in the accompanying drawings. The drain hole shown in dashed outline in the representations does not form part of the design and may be varied from that shown.**



- (21) Design Number: **13425/2008**
- (22) Date of Filing Application: **22 July 2008**
- (24) Date from which industrial property rights may have effect: **22 July 2008**
- (54) Product in respect of which the design is registered: **Sink**
- (51) International Design Classification: **23-02F**
- (71) Name(s) and Address(s) of Applicant(s):

Tasman Sinkware Pty Ltd
51 Naweena Road Regency Park South Australia 5942 Australia

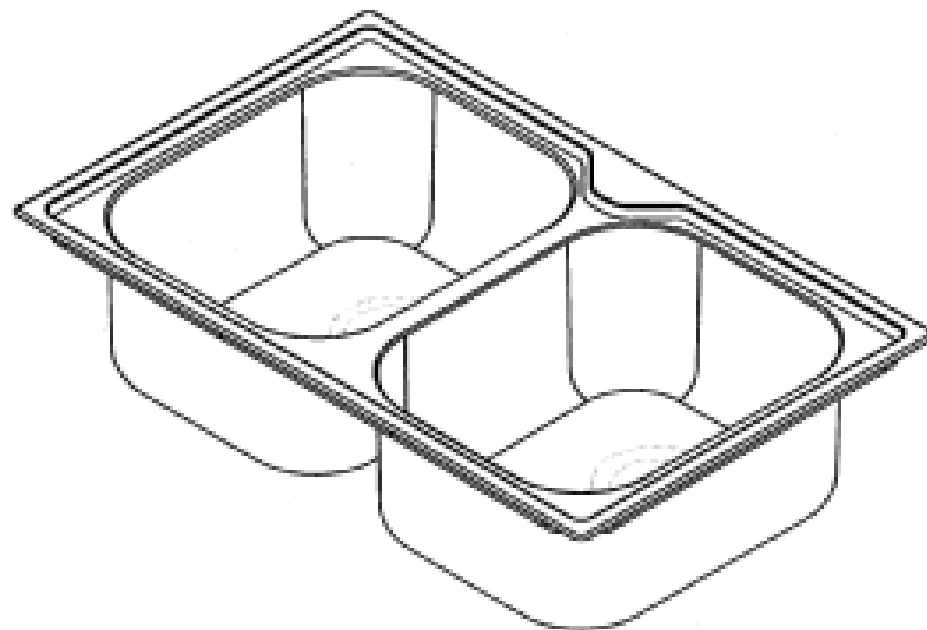
- (72) Name(s) of Designer(s): **Jeremy Axton**
- (45) Registration Date: **03 November 2008**
- (56) Related Art Documents: **Not Applicable**
- (57) Statement of Newness and Distinctiveness: **The newness and distinctiveness of the article resides in the shape and configuration of the sink as shown in the accompanying drawings. The drain hole shown in dashed outline in the representations does not form part of the design and may be varied from that shown.**



- (21) Design Number: **13426/2008**
- (22) Date of Filing Application: **22 July 2008**
- (24) Date from which industrial property rights may have effect: **22 July 2008**
- (54) Product in respect of which the design is registered: **Sink**
- (51) International Design Classification: **23-02F**
- (71) Name(s) and Address(s) of Applicant(s):

Tasman Sinkware Pty Ltd
51 Naweena Road Regency Park South Australia 5942 Australia

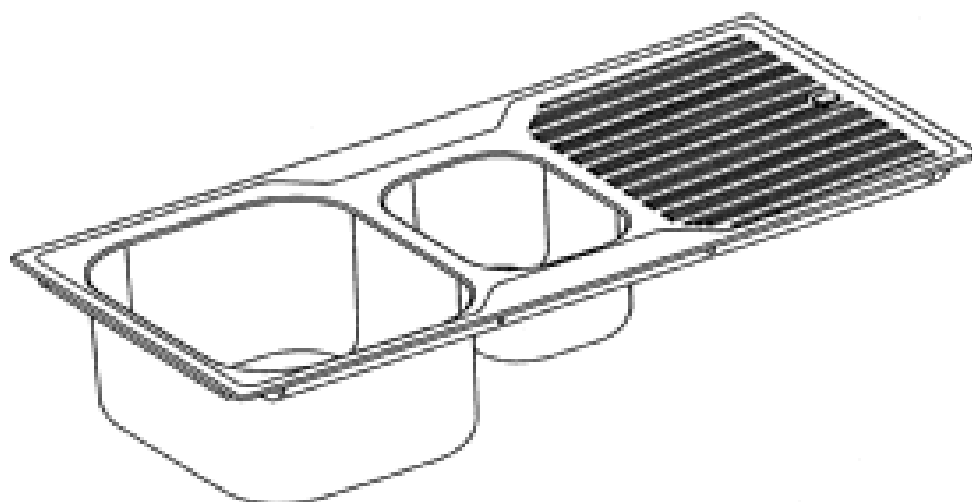
- (72) Name(s) of Designer(s): **Jeremy Axton**
- (45) Registration Date: **03 November 2008**
- (56) Related Art Documents: **Not Applicable**
- (57) Statement of Newness and Distinctiveness: **The newness and distinctiveness of the article resides in the shape and configuration of the sink as shown in the accompanying drawings. The drain hole shown in dashed outline in the representations does not form part of the design and may be varied from that shown.**



- (21) Design Number: **13427/2008**
- (22) Date of Filing Application: **22 July 2008**
- (24) Date from which industrial property rights may have effect: **22 July 2008**
- (54) Product in respect of which the design is registered: **Sink**
- (51) International Design Classification: **23-02F**
- (71) Name(s) and Address(s) of Applicant(s):

Tasman Sinkware Pty Ltd
51 Naweena Road Regency Park South Australia 5942 Australia

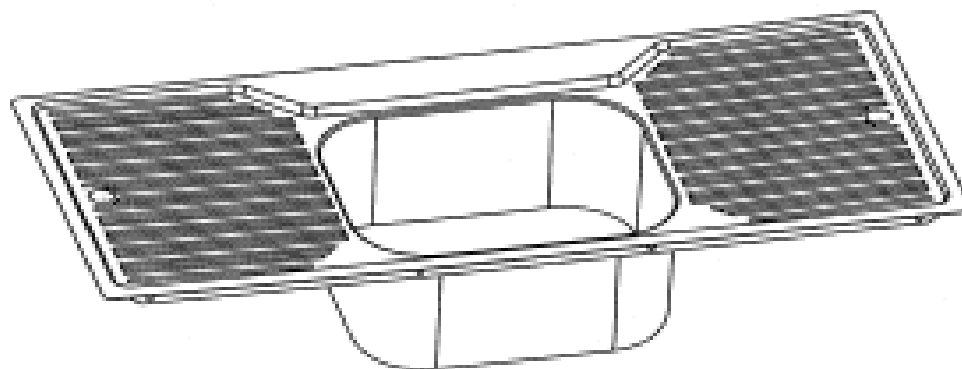
- (72) Name(s) of Designer(s): **Jeremy Axton**
- (45) Registration Date: **03 November 2008**
- (56) Related Art Documents: **Not Applicable**
- (57) Statement of Newness and Distinctiveness: **The newness and distinctiveness of the article resides in the shape and configuration of the sink as shown in the accompanying drawings. The drain hole shown in dashed outline in the representations does not form part of the design and may be varied from that shown.**



- (21) Design Number: **13428/2008**
- (22) Date of Filing Application: **22 July 2008**
- (24) Date from which industrial property rights may have effect: **22 July 2008**
- (54) Product in respect of which the design is registered: **Sink**
- (51) International Design Classification: **23-02F**
- (71) Name(s) and Address(s) of Applicant(s):

Tasman Sinkware Pty Ltd
51 Naweena Road Regency Park South Australia 5942 Australia

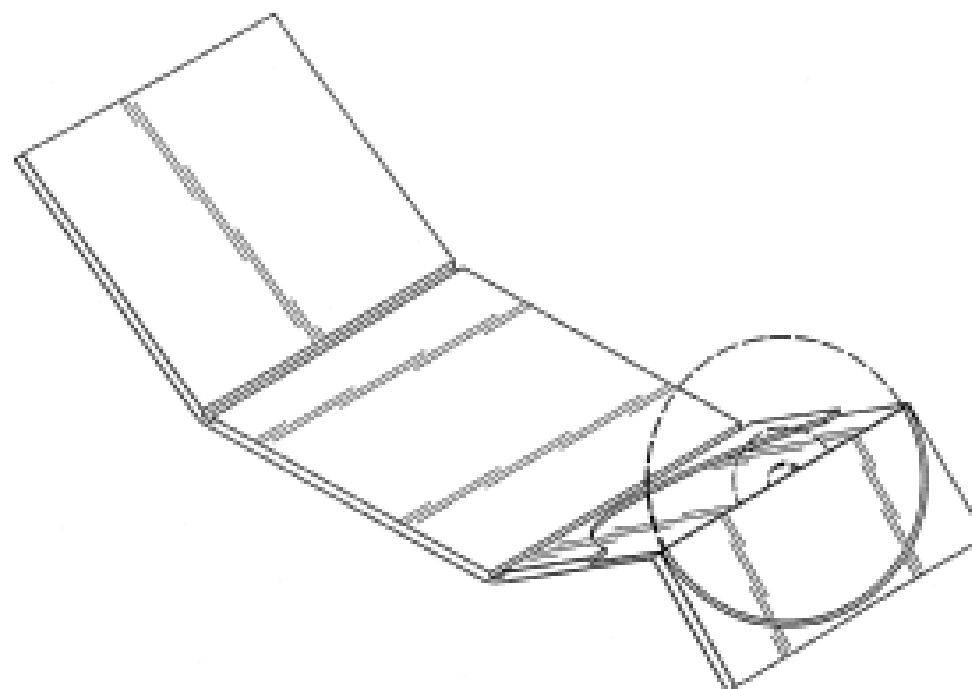
- (72) Name(s) of Designer(s): **Jeremy Axton**
- (45) Registration Date: **03 November 2008**
- (56) Related Art Documents: **Not Applicable**
- (57) Statement of Newness and Distinctiveness: **The newness and distinctiveness of the article resides in the shape and configuration of the sink as shown in the accompanying drawings. The drain hole shown in dashed outline in the representations does not form part of the design and may be varied from that shown.**



- (21) Design Number: **19687/2007**
(22) Date of Filing Application: **10 September 2007**
(24) Date from which industrial property rights may have effect: **10 September 2007**
(54) Product in respect of which the design is registered: **Fishing rod holder - when fishing to hold or support a fishing rod sufficiently high enough above ground level,**
(51) International Design Classification: **22-05**
(71) Name(s) and Address(s) of Applicant(s):
John Quinn
5 Merideth Place Green Point New South Wales 2251 Australia
(72) Name(s) of Designer(s): **John Quinn**
(45) Registration Date: **31 October 2008**
(56) Related Art Documents: **Not Applicable**
(57) Statement of Newness and Distinctiveness: **The pvc plastic pipe insert 35cmL within the outer pipe, 55cmL, can be extended/retracted in/out, submerged to varying depth, outside pipe sits 55cm from ground level. This aid is light, transportable in back pack, colour varied, able to be reflective at night, exsisting suitable product is 1 metre L or to heavy for physical carrying.**



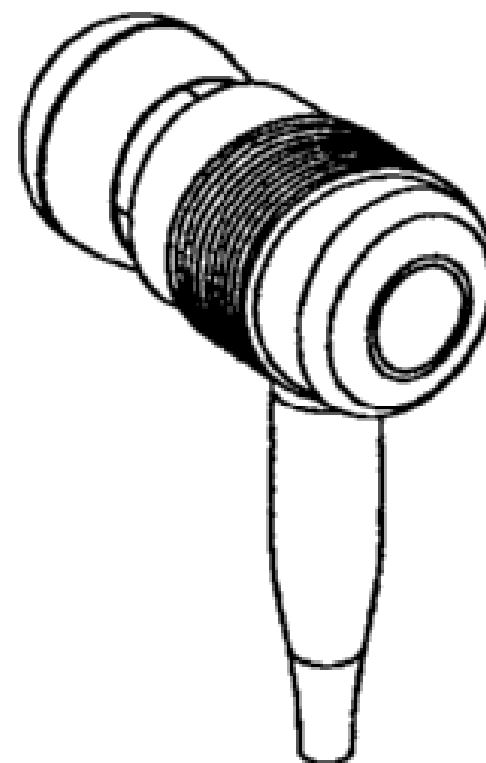
- (21) Design Number: **14711/2008**
(22) Date of Filing Application: **01 October 2008**
(24) Date from which industrial property rights may have effect: **01 October 2008**
(54) Product in respect of which the design is registered: **Cardboard packaging for optical disc**
(51) International Design Classification: **03-01C**
(71) Name(s) and Address(s) of Applicant(s):
Sony DADC Austria AG
Sonystrasse 20 A-5081 Anif Austria
(72) Name(s) of Designer(s): **Dieter Daum and Gunther Schindlauer and Erwin Wagner and Kathrin Feldmaier and Anton Rangetiner**
(45) Registration Date: **31 October 2008**
(30) Convention priority data:
(31) Number (32) Date (33) Country
000914510-0001 04 Apr 2008 EUROPEAN COMMUNITY
(56) Related Art Documents: **Not Applicable**
(57) Statement of Newness and Distinctiveness: **Newness and distinctiveness resides in the packaging design shown in unbroken lines. The dotted lines, which do not form part of the design, are for clarity only and are only intended to show how a disc fits in the packaging.**



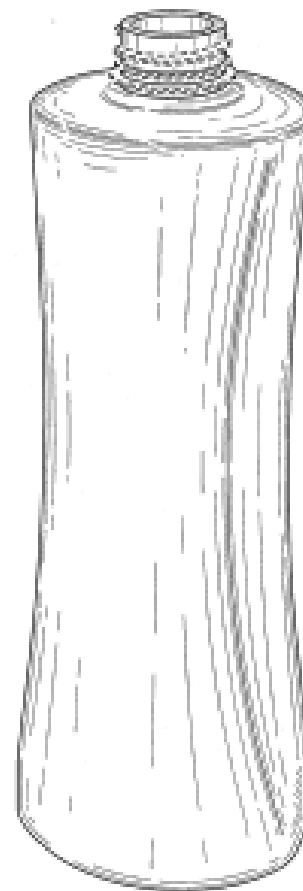
(21) Design Number: **14795/2008**
(22) Date of Filing Application: **07 October 2008**
(24) Date from which industrial property rights may have effect: **07 October 2008**
(54) Product in respect of which the design is registered: **Handsfree set (microphone)**
(51) International Design Classification: **14-03A**
(71) Name(s) and Address(s) of Applicant(s):
Sony Ericsson Mobile Communications AB
Nya Vattentorget SE 221 88 Lund Sweden
(72) Name(s) of Designer(s): **Daniel Mauritzsson**
(45) Registration Date: **31 October 2008**
(30) Convention priority data:
(31) Number (32) Date (33) Country
000937198-0002 20 May 2008 EUROPEAN COMMUNITY
(56) Related Art Documents: **Not Applicable**
(57) Statement of Newness and Distinctiveness: **Nil**



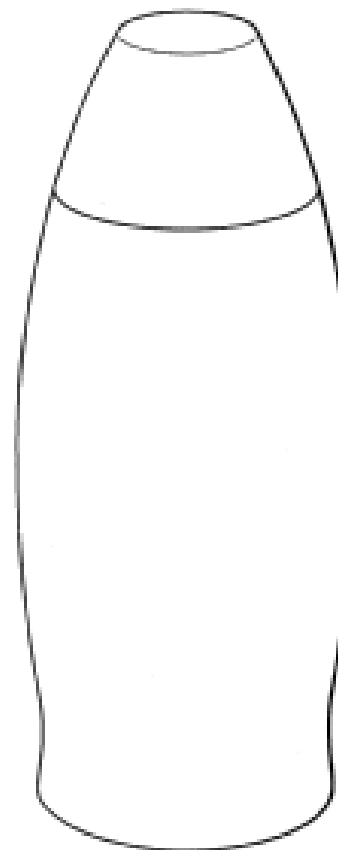
(21) Design Number: **14796/2008**
(22) Date of Filing Application: **07 October 2008**
(24) Date from which industrial property rights may have effect: **07 October 2008**
(54) Product in respect of which the design is registered: **Handsfree set (earpiece)**
(51) International Design Classification: **14-03A**
(71) Name(s) and Address(s) of Applicant(s):
Sony Ericsson Mobile Communications AB
Nya Vattentorget SE 221 88 Lund Sweden
(72) Name(s) of Designer(s): **Daniel Mauritzsson**
(45) Registration Date: **31 October 2008**
(30) Convention priority data:
(31) Number (32) Date (33) Country
000937198-0003 20 May 2008 EUROPEAN COMMUNITY
(56) Related Art Documents: **Not Applicable**
(57) Statement of Newness and Distinctiveness: **Nil**



- (21) Design Number: **14814/2008**
(22) Date of Filing Application: **08 October 2008**
(24) Date from which industrial property rights may have effect: **08 October 2008**
(54) Product in respect of which the design is registered: **Container**
(51) International Design Classification: **09-01K**
(71) Name(s) and Address(s) of Applicant(s):
Colgate-Palmolive Company
300 Park Avenue New York New York 10022 United States of America
(72) Name(s) of Designer(s): **Bruce Cummings and Jeffrey Mayers and Elaine Casey**
(45) Registration Date: **31 October 2008**
(30) Convention priority data:
(31) Number (32) Date (33) Country
29/317799 07 May 2008 UNITED STATES OF AMERICA
(56) Related Art Documents: **Not Applicable**
(57) Statement of Newness and Distinctiveness: **Newness and distinctiveness reside in the features of the design shown in solid lines in the representations excluding those features shown in broken lines.**



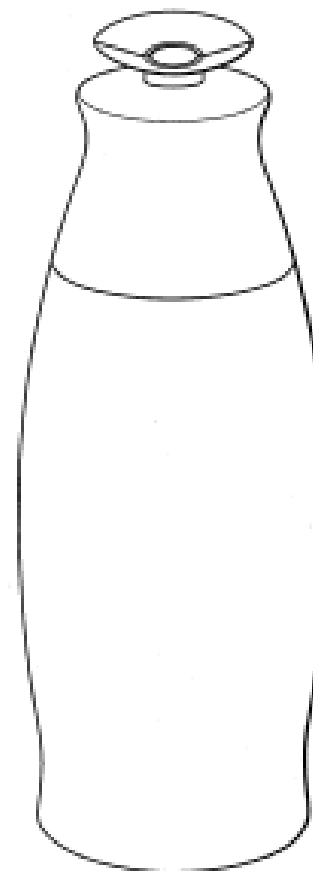
- (21) Design Number: **14831/2008**
(22) Date of Filing Application: **09 October 2008**
(24) Date from which industrial property rights may have effect: **09 October 2008**
(54) Product in respect of which the design is registered: **Container and closure**
(51) International Design Classification: **09-01NES**
(71) Name(s) and Address(s) of Applicant(s):
Colgate-Palmolive Company
300 Park Avenue New York New York 10022 United States of America
(72) Name(s) of Designer(s): **John C. Crawford**
(45) Registration Date: **31 October 2008**
(30) Convention priority data:
(31) Number (32) Date (33) Country
29/317752 06 May 2008 UNITED STATES OF AMERICA
(56) Related Art Documents: **Not Applicable**
(57) Statement of Newness and Distinctiveness: **Newness and distinctiveness reside in the features of the design as shown in the representations.**



(19) AU

- (21) Design Number: **14832/2008**
- (22) Date of Filing Application: **09 October 2008**
- (24) Date from which industrial property rights may have effect: **09 October 2008**
- (54) Product in respect of which the design is registered: **Dispenser**
- (51) International Design Classification: **09-01NES**
- (71) Name(s) and Address(s) of Applicant(s):
Colgate-Palmolive Company
300 Park Avenue New York New York 10022 United States of America
- (72) Name(s) of Designer(s): **Christopher M. Bradley and John Jamieson and Jeffrey Tilley and John C. Crawford**
- (45) Registration Date: **31 October 2008**
- (30) Convention priority data:

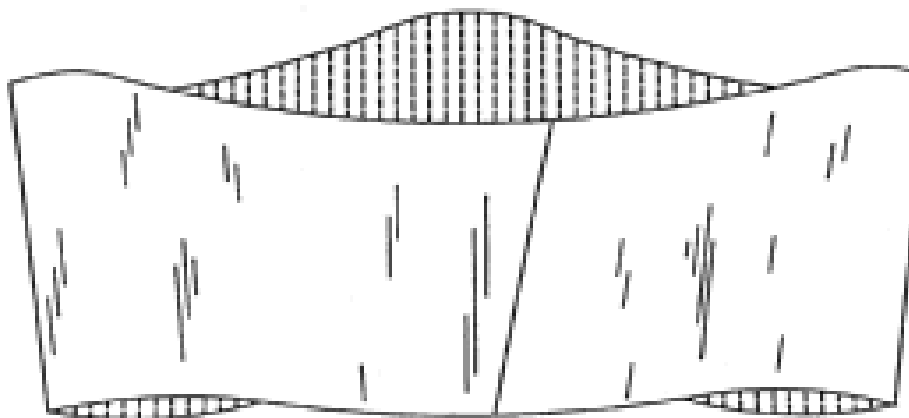
(31) Number	(32) Date	(33) Country
29/318708	27 May 2008	UNITED STATES OF AMERICA
- (56) Related Art Documents: **Not Applicable**
- (57) Statement of Newness and Distinctiveness: **Newness and distinctiveness reside in the features of the design as shown in the representations.**



(19) AU

- (21) Design Number: **15116/2008**
- (22) Date of Filing Application: **23 October 2008**
- (24) Date from which industrial property rights may have effect: **23 October 2008**
- (54) Product in respect of which the design is registered: **Protective sleeve**
- (51) International Design Classification: **07-06A**
- (71) Name(s) and Address(s) of Applicant(s):
LBP Manufacturing, Inc.
1325 S. Cicero Avenue Cicero IL 60804 United States of America
- (72) Name(s) of Designer(s): **Barry L. Silverstein and Matthew R. Cook and James A. Hubbard Jr. and Kurt M. Wolf**
- (45) Registration Date: **31 October 2008**
- (30) Convention priority data:

(31) Number	(32) Date	(33) Country
29/324,764	19 Sep 2008	UNITED STATES OF AMERICA
- (56) Related Art Documents: **Not Applicable**
- (57) Statement of Newness and Distinctiveness: **Nil**



(21) Design Number: **15017/2008**

(22) Date of Filing Application: **17 October 2008**

(24) Date from which industrial property rights may have effect: **17 October 2008**

(54) Product in respect of which the design is registered: **Dispensing pump head**

(51) International Design Classification: **09-07A**

(71) Name(s) and Address(s) of Applicant(s):

Reckitt Benckiser Inc.

Morris Corporate Center IV 399 Interpace Parkway Parsippany New Jersey 07054 United States of America

(72) Name(s) of Designer(s): **Paulo Contiero**

(45) Registration Date: **31 October 2008**

(30) Convention priority data:

(31) Number

(32) Date

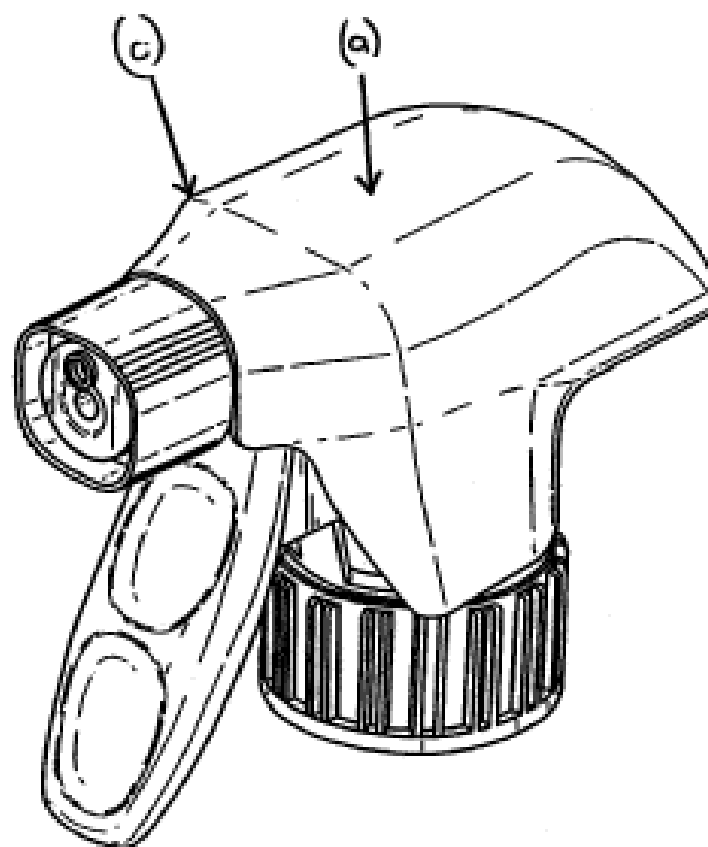
(33) Country

000929955-0001 06 May 2008

EUROPEAN COMMUNITY

(56) Related Art Documents: **Not Applicable**

(57) Statement of Newness and Distinctiveness: **Newness and distinctiveness reside in the combination of the features of the design as shown in the representations, particularly the features labelled as a (flat top), b (straight sides) and c (angled sides toward nozzle).**



(21) Design Number: **11620/2008**

(22) Date of Filing Application: **04 April 2008**

(24) Date from which industrial property rights may have effect: **04 April 2008**

(54) Product in respect of which the design is registered: **A suspended concrete floor system**

(51) International Design Classification: **25-02NES, 25-01B, 25-01D**

(71) Name(s) and Address(s) of Applicant(s):

Kelvin John Crozier

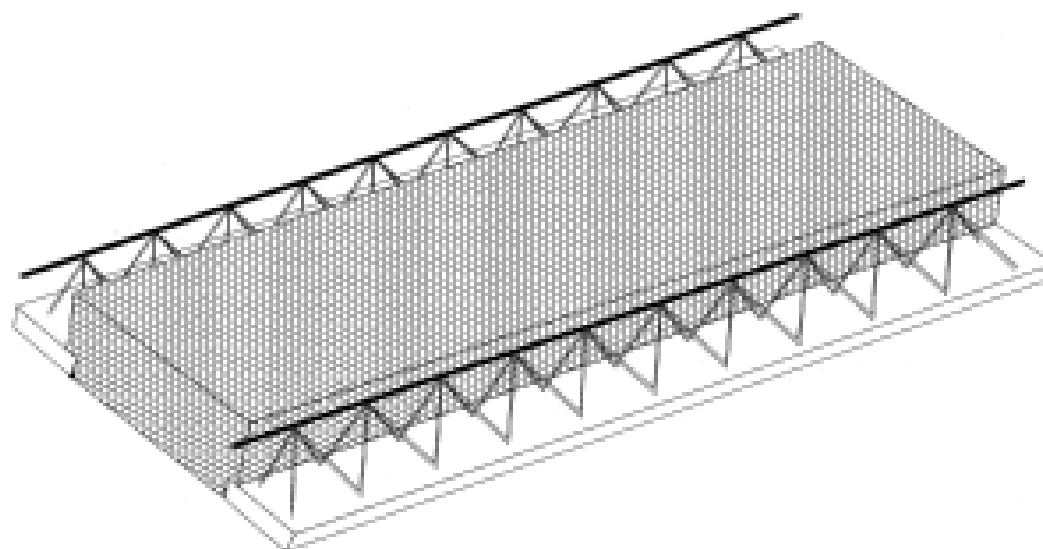
1/15 The Grand Bong Bong Street Bowral New South Wales 2576 Australia

(72) Name(s) of Designer(s): **Kelvin John Crozier**

(45) Registration Date: **03 November 2008**

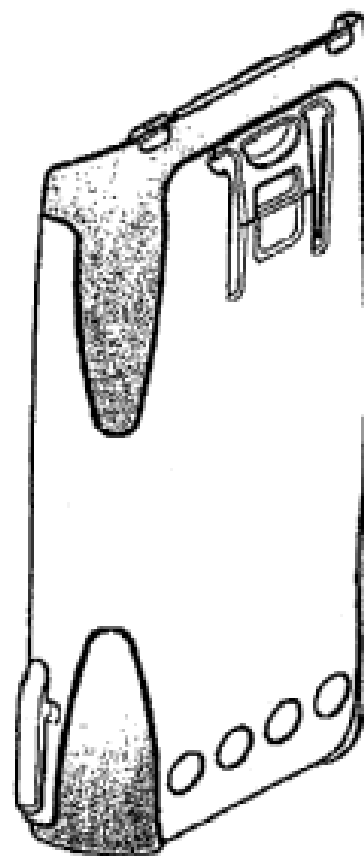
(56) Related Art Documents: **Not Applicable**

(57) Statement of Newness and Distinctiveness: **Nil**



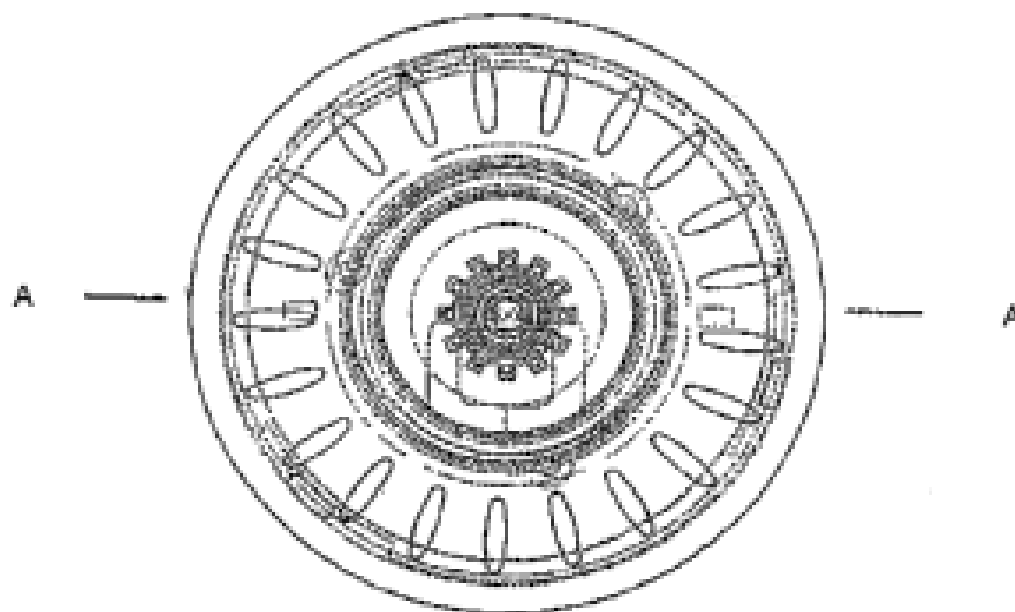
- (21) Design Number: **11677/2008**
- (22) Date of Filing Application: **09 April 2008**
- (24) Date from which industrial property rights may have effect: **09 April 2008**
- (54) Product in respect of which the design is registered: **A battery**
- (51) International Design Classification: **13-02**
- (71) Name(s) and Address(s) of Applicant(s):
Tait Electronics Limited
558 Wairakei Road Burnside Christchurch New Zealand
- (72) Name(s) of Designer(s): **Gregory David Kendall and Rodney Steven Mackrell and Aaron Maurice Duncan**
- (45) Registration Date: **03 November 2008**
- (30) Convention priority data:

(31) Number	(32) Date	(33) Country
409838	10 Oct 2007	NEW ZEALAND
- (56) Related Art Documents: **Not Applicable**
- (57) Statement of Newness and Distinctiveness: **The novelty claimed for the design resides in the features of shape and/or configuration of a battery, including the parts shown shaded at the top and bottom of the battery, all as shown in the representations.**



- (21) Design Number: **11742/2008**
- (22) Date of Filing Application: **11 April 2008**
- (24) Date from which industrial property rights may have effect: **11 April 2008**
- (54) Product in respect of which the design is registered: **Surround for a lighting fixture**
- (51) International Design Classification: **26-04, 26-05C**
- (71) Name(s) and Address(s) of Applicant(s):
Aquatechnics Europe GmbH
Lindenstrasse 14 85667 Oberpframmern Germany
- (72) Name(s) of Designer(s): **Jorg Linke**
- (45) Registration Date: **03 November 2008**
- (30) Convention priority data:

(31) Number	(32) Date	(33) Country
000807722	12 Oct 2007	EUROPEAN PATENT OFFICE (EPO)
- (56) Related Art Documents: **Not Applicable**
- (57) Statement of Newness and Distinctiveness: **Newness and distinctiveness is claimed in the features of shape and/or configuration of a light as illustrated in the accompanying representations.**



(21) Design Number: **11743/2008**

(22) Date of Filing Application: **11 April 2008**

(24) Date from which industrial property rights may have effect: **11 April 2008**

(54) Product in respect of which the design is registered: **Lighting fixture**

(51) International Design Classification: **26-04, 26-05A**

(71) Name(s) and Address(s) of Applicant(s):

**Aquatechnics Europe GmbH
Lindenstrasse 14 85667 Oberpframmern Germany**

(72) Name(s) of Designer(s): **Jorg Linke**

(45) Registration Date: **03 November 2008**

(30) Convention priority data:

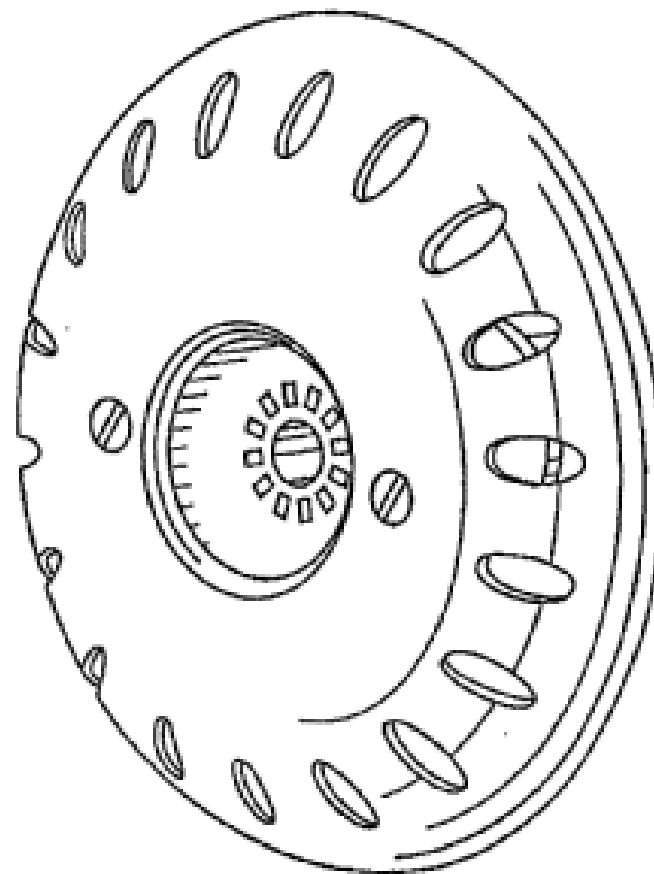
(31) Number
000807722

(32) Date
12 Oct 2007

(33) Country
**EUROPEAN PATENT OFFICE
(EPO)**

(56) Related Art Documents: **Not Applicable**

(57) Statement of Newness and Distinctiveness: **Newness and distinctiveness is claimed in the features of shape and/or configuration of a light as illustrated in the accompanying representations.**



(21) Design Number: **11744/2008**

(22) Date of Filing Application: **11 April 2008**

(24) Date from which industrial property rights may have effect: **11 April 2008**

(54) Product in respect of which the design is registered: **Lighting assembly**

(51) International Design Classification: **26-04, 26-05A**

(71) Name(s) and Address(s) of Applicant(s):

**Aquatechnics Europe GmbH
Lindenstrasse 14 85667 Oberpframmern Germany**

(72) Name(s) of Designer(s): **Jorg Linke**

(45) Registration Date: **03 November 2008**

(30) Convention priority data:

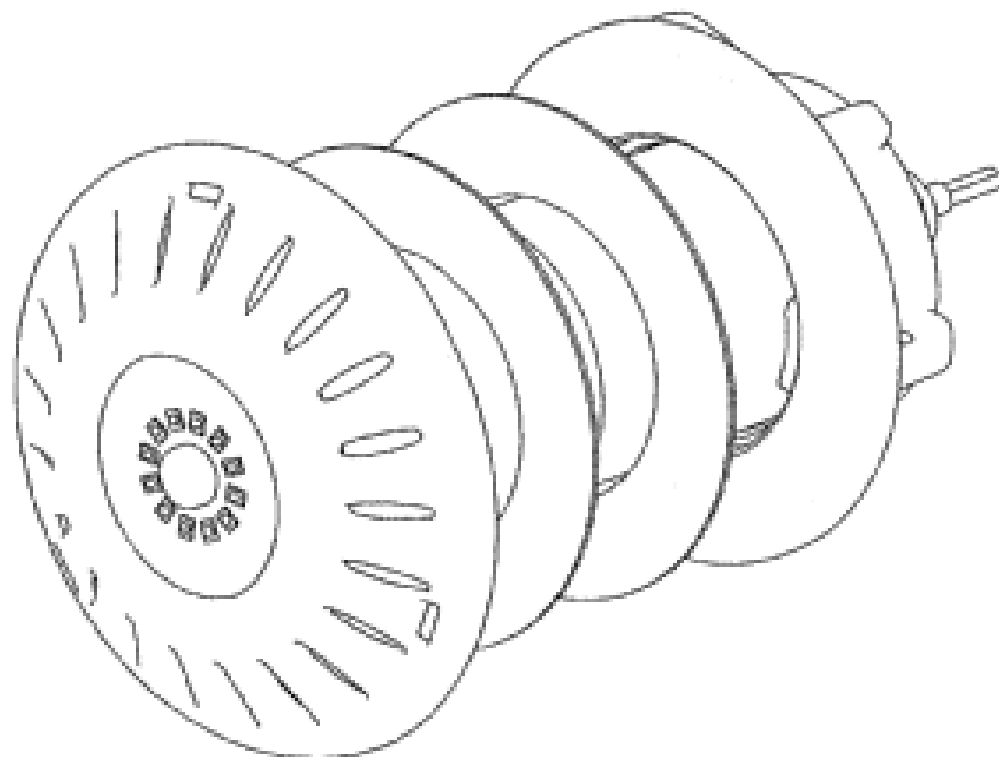
(31) Number
000807722

(32) Date
12 Oct 2007

(33) Country
**EUROPEAN PATENT OFFICE
(EPO)**

(56) Related Art Documents: **Not Applicable**

(57) Statement of Newness and Distinctiveness: **Newness and distinctiveness is claimed in the features of shape and/or configuration of a light as illustrated in the accompanying representations.**



(21) Design Number: **13745/2008**

(22) Date of Filing Application: **09 April 2008**

(24) Date from which industrial property rights may have effect: **09 April 2008**

(54) Product in respect of which the design is registered: **A battery**

(51) International Design Classification: **13-02**

(71) Name(s) and Address(s) of Applicant(s):

Tait Electronics Limited
558 Wairakei Road Burnside Christchurch New Zealand

(72) Name(s) of Designer(s): **Gregory David Kendall and Rodney Steven Mackrell and Aaron Maurice Duncan**

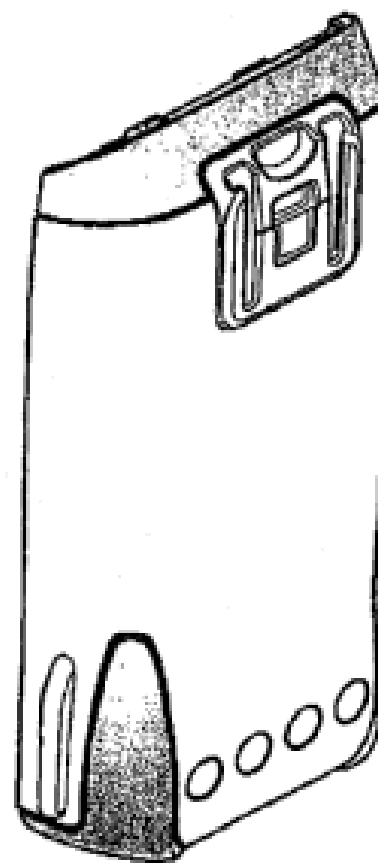
(45) Registration Date: **03 November 2008**

(30) Convention priority data:

(31) Number	(32) Date	(33) Country
409838	10 Oct 2007	NEW ZEALAND

(56) Related Art Documents: **Not Applicable**

(57) Statement of Newness and Distinctiveness: **The novelty claimed for the design resides in the features of shape and/or configuration of a battery, including the parts shown shaded at the top and bottom of the battery, all as shown in the representations.**



(21) Design Number: **14356/2008**

(22) Date of Filing Application: **10 September 2008**

(24) Date from which industrial property rights may have effect: **10 September 2008**

(54) Product in respect of which the design is registered: **Back support for a chair**

(51) International Design Classification: **06-06G**

(71) Name(s) and Address(s) of Applicant(s):

King Furniture (Australia) Pty Ltd
123 Turrella Street Turrella New South Wales 2205 Australia

(72) Name(s) of Designer(s): **David Russell King and Steven Leonard Higgs**

(45) Registration Date: **03 November 2008**

(56) Related Art Documents: **Not Applicable**

(57) Statement of Newness and Distinctiveness: **Newness and distinctiveness reside in the features of the design as shown in the representations.**



- (21) Design Number: **12022/2008**
(22) Date of Filing Application: **30 April 2008**
(24) Date from which industrial property rights may have effect: **30 April 2008**
(54) Product in respect of which the design is registered: **Swag**
(51) International Design Classification: **21-04**
(71) Name(s) and Address(s) of Applicant(s):
Roman Camping Equipment Pty Ltd
Unit 43/34-36 Ralph Street Alexandria New South Wales 2015
Australia
(72) Name(s) of Designer(s): **Michael Heyman**
(45) Registration Date: **03 November 2008**
(56) Related Art Documents: **Not Applicable**
(57) Statement of Newness and Distinctiveness: **Nil**



- (21) Design Number: **12025/2008**
(22) Date of Filing Application: **30 April 2008**
(24) Date from which industrial property rights may have effect: **30 April 2008**
(54) Product in respect of which the design is registered: **Fibre optics mesh light for a tent**
(51) International Design Classification: **26-05NES**
(71) Name(s) and Address(s) of Applicant(s):
Roman Camping Equipment Pty Ltd
Unit 43/34-36 Ralph Street Alexandria New South Wales 2015
Australia
(72) Name(s) of Designer(s): **Michael Heyman**
(45) Registration Date: **03 November 2008**
(56) Related Art Documents: **Not Applicable**
(57) Statement of Newness and Distinctiveness: **Fibre optics mesh light inside a tent. Can be switched on and off.**



(21) Design Number: **12029/2008**

(22) Date of Filing Application: **30 April 2008**

(24) Date from which industrial property rights may have effect: **30 April 2008**

(54) Product in respect of which the design is registered: **Ribbon shaped neon light for tent**

(51) International Design Classification: **26-04**

(71) Name(s) and Address(s) of Applicant(s):

**Roman Camping Equipment Pty Ltd
Unit 43/34-36 Ralph Street Alexandria New South Wales 2015
Australia**

(72) Name(s) of Designer(s): **Michael Heyman**

(45) Registration Date: **03 November 2008**

(56) Related Art Documents: **Not Applicable**

(57) Statement of Newness and Distinctiveness: **A neon light which runs down the front zipper.**

