



**Australian Government**

---

**IP Australia**

**AUSTRALIAN OFFICIAL JOURNAL**

**OF**

**DESIGNS**

Did you know a searchable version of this journal is now available online?

It's FREE and EASY to SEARCH.

Find it at

<http://pericles.ipaustralia.gov.au/ols/epublish/content/olsEpublications.jsp>  
or using the "Online Journals" link on the IP Australia home page.

This Page Left Intentionally Blank

## Contents

### General Information & Notices

#### Proceedings Under the Designs Act 1906 preserved as a result of the provisions of Chapter 12 Part 2 of the Designs Act 2003

Extension of Period of Registration of Designs .....	3060
Extensions of Time Granted .....	3060
Names Registered - Alterations and Amendments .....	3061
Registrations Ceased .....	3060
Subsequent Owners Registered .....	3060

#### Proceedings Under the Designs Act 2003

Applications Assigned .....	3073
Applications Lapsed .....	3071
Applications Lodged .....	3065
Applications Withdrawn .....	3071
Certificate of Examination .....	3075
Corrigenda .....	3074
Extension of Time Granted Under Section 137 .....	3072
Mortgages Registered .....	3072
Names Registered - Alterations and Amendments .....	3073
Publication and Registration Proceedings	
Designs Registered 322236 to 322447.....	3076
Registrations Ceased .....	3072
Revocation of Design Registrations .....	3072
Subsequent Owners Registered .....	3073

This Page Left Intentionally Blank

For information on the following please see our website [www.ipaustralia.gov.au](http://www.ipaustralia.gov.au) or contact our Customer Service Network on 1300651010

[Editorial enquiries](#)

[Contact information](#)

[Freedom of Information ACT](#)

[Professional Standards Board](#)

[Sales](#)

[Requests for Information under Section 194 \(c\)](#)

[Country Codes](#)

[Trade Mark and Designs Hearing Sessions](#)

[INID \(Internationally agreed Numbers for the Identification of Data\)](#)

## “INID” NUMBERS in use on Australian Design Documents

“INID” is an acronym for “Internationally agreed Numbers for the Identification of Data”.

### (10) Data concerning the registration/renewal

- (11) Serial number of the registration and/or number of the design document
- (12) Plain language designation of the kind of published document
- (19) Identification, using the two-letter code according to WIPO Standard ST.3, of the authority publishing or registering the industrial design

### (20) Data concerning the application

- (21) Serial number of the application
- (22) Date of filing of the application
- (24) Date from which the industrial design right has effect

### (30) Data relating to priority under the Paris Convention

- (31) Serial number assigned to the priority application
- (32) Date of filing of the priority application
- (33) Two-letter code, according to WIPO Standard ST.3, identifying the authority with which the priority application was made

### (40) Date(s) of making information available to the public

- (45) Date of publication of the registered industrial design by printing or similar process, or making it available to the public by any other means

### (50) Miscellaneous Information

- (51) International Classification for Industrial Designs (class and subclass of the Locarno Classification)
- (54) Designation of article(s) or product(s) covered by the industrial design or title of the industrial design
- (55) Reproduction of the industrial design (e.g., drawing, photograph) and explanations relating to the reproduction
- (56) List of prior art documents, if separate from descriptive text
- (57) Description of characteristic features of the industrial design including indication of colours

### (60) References to other legally related application(s) and registration(s)

- (62) Serial number(s) and, if available, filing date(s) of application(s), registration(s) or document(s) related by division
- (66) Serial number(s) of the application, or the registration, of the design(s) which is (are) a variant(s) of the present one

### (70) Identification of parties concerned with the application or registration

- (71) Name(s) and address(es) of the applicant(s)
- (72) Name(s) of the creator(s) if known to be such
- (74) Name(s) and address(es) of the representative(s)

This Page Left Intentionally Blank

Official Notice

**Australia Post closed Friday 2 January, 2009**

IP Australia will be closed for Christmas shutdown commencing Thursday 25 December 2008 to Thursday 1 January 2009 inclusive. IP Australia will recommence business operations effective as of Friday 2 January 2009.

Please note that Australia Post will be closed for business on Friday 2 January 2009 and as a result all mail sent to IP Australia and not received by 24 December will not be received by IP Australia before Monday 5 January 2009.

**Queries:** Contact Diana Bizjak  
Section Customer Service Delivery and Support  
+61 2 6283 2411

**Contact:** IP Australia  
**Phone:** 1300 651 010  
**Fax:** +61 2 6283 7999  
**E-mail:** [assist@ipaustralia.gov.au](mailto:assist@ipaustralia.gov.au)  
**Web:** [www.ipaustralia.gov.au](http://www.ipaustralia.gov.au)

## ABSTRACTS OF DECISIONS

## DECISION OF A DEPUTY REGISTRAR OF DESIGNS

- Designs** : No. **310528** in the name of **Mark Nicholas Collymore**  
: Nos. **312217** and **312218** in the name of **Courier Pete Pty Ltd** (as assignee of Mark Collymore)
- Product(s)** : **Rain Water Tanks, and Modular Rainwater tanks**
- Action** : Requests under s.51 for revocation, by **Metroll Queensland Pty Ltd**
- Decision** : Issued **1 December 2008**.

**Abstract**

Metroll Queensland Pty Ltd (Metroll) manufactured *inter alia* water tanks. Mark Collymore was an employee, and filed three designs relating to water tanks. Metroll sought revocation of the designs under s.51, on the basis that they were an entitled person by reason of the employer/employee relationship.

The normal duties of Collymore did not involve any ongoing expectation of creativity. Design 310528 was created in his own time. Metroll had no entitlement to that design.

On learning of Collymore's first design, Metroll asked him to build tanks according to his design. The tanks built had some differences from his design. The representations for designs 312217 and 312218 were photographs of those tanks taken on the premises of Metroll. Assuming the tanks built were not substantially similar in overall impression to Collymore's first design, those tanks involved a new design that came about as a result of a workplace direction – and Metroll was thereby an entitled person. Alternatively, the designs came about as a result of Metroll having Collymore 'play around' with a tank (with implicit expectations of creativity) – and thereby Metroll was an entitled person. In either event, Collymore (and hence Courier Pete Pty Ltd) was not an entitled person.

**Observed.** Newness and distinctiveness were not considerations in s.51 matters. Nevertheless it was appropriate to assume that the tanks of designs 312217 and 312218 were not substantially similar in overall impression to design 310528 – as otherwise they would be invalid over that design for lack of distinctiveness.

Designs 312217 and 312218 revoked.



**Proceedings under the Designs Act 1906 preserved as a result of the provisions of Chapter 12 Part 2 of the Designs Act 2003.**

This Page Left Intentionally Blank

**Applications Lapsed**

There were no Applications Lapsed under this section

**Extension of Period of Registration of Designs**

**2nd Period (Section 27A(12))**

149454	149455	149456
150365	150587	150746
150887	150889	150890
151028	151050	151082
151083	151107	151200
151201	151214	151240
151254	151279	151280
151310	151311	151320
151401	151424	151490
151536	151566	151611
151612	151719	151768
151769	152028	152540
153550	153551	153552
153626	153630	154504
154505	154984	155525
155545	155722	

**3rd Period (Section 27A(13))**

130441	132947	133209
133211	133212	133213
133214	133312	133313
133314	133315	133318
133328	133329	133330
133331	133336	133376
133383	133388	134072
134076	134119	134120
134185	134186	134191
134200	134268	134288
134289	134415	134417
134509	134510	135200
135318	135859	136769
137392	137843	138464
139191	139210	139211
140289	148869	

**Registrations Ceased**

Note: Some of the following Registrations may have been previously advertised as ceased. In this instance, the previous advertisement still prevails.

116689	117233	117269
117270	117271	117272
117327	117361	117362
117372	117374	117381
117382	117383	117406
117452	117453	117454
117456	117457	117458
117459	117460	117461
117462	117463	117469
117475	117476	117787
117824	118242	118243
118466	118780	118940

118941	119008	119983
120232	120743	120993
121708	122770	122776
123335	130673	131927
131930	131931	131932
131933	131935	131936
131938	131940	132081
132113	132175	132176
132226	132245	132445
132602	134022	134945
135615	136362	136617
137002	148053	148146
148482	148634	148773
149000	149012	149017
149216	149264	149277
149278	149305	149390
150138	150139	150140
150239	150672	150775
150975	151037	151205
151777	151778	151779
151780	152443	152471
152472	153024	153102
153103	153905	153906
153908	154004	154005
154024	154025	154063

**Extensions of time granted**

Applications lodged for extension of time have been granted.

130441 **Raymond Gary Hollis** An Extension of time to extend a registration has been granted to 21/10/2008

153626 **James Redvers Green** An Extension of time to extend a registration has been granted to 07/11/2008

**Subsequent Owners Registered**

(The name in parentheses is that of the subsequent owner)

131532	( Mars Sugar Australia Pty Ltd ) Mars Incorporated
137879	( Mars Sugar Australia Pty Ltd ) Mars Incorporated
148337	( Mars Sugar Australia Pty Ltd ) Mars Incorporated
148338	( Mars Sugar Australia Pty Ltd ) Mars Incorporated
150107	( Mars Sugar Australia Pty Ltd ) Mars Australia Pty Ltd
118441	( Sandie Holdings Pty Ltd ) Michael Henry Choake
121806	( Sandie Holdings Pty Ltd ) Michael Henry Choake
131992	( Sandie Holdings Pty Ltd ) Michael Henry Choake
135173	( Sandie Holdings Pty Ltd ) Michael Henry Choake
138538	( Sandie Holdings Pty Ltd ) Michael Henry Choake
156800	( HUB STREET EQUIPMENT PTY LTD ) 4 Design Pty Ltd
157008	( HUB STREET EQUIPMENT PTY LTD ) 4 Design Pty Ltd
157009	( HUB STREET EQUIPMENT PTY LTD ) 4 Design Pty Ltd
157010	( HUB STREET EQUIPMENT PTY LTD ) 4 Design Pty Ltd

**Subsequent Owners Registered**

		134076	( <b>Clipsal Australia Pty Ltd</b> ) Gerard Industries Pty Ltd
		134119	( <b>Clipsal Australia Pty Ltd</b> ) Gerard Industries Pty Ltd
131689	( <b>The Fabric Care Company of Australia Pty Ltd</b> ) John Fletcher Smith	134120	( <b>Clipsal Australia Pty Ltd</b> ) Gerard Industries Pty Ltd
133249	( <b>The Fabric Care Company of Australia Pty Ltd</b> ) John Fletcher Smith	128225	( <b>Cadbury Enterprises Pte. Ltd.</b> ) MacRobertson Foods Pte Limited
134440	( <b>Polylok, Inc</b> ) Zabel Industries International Ltd., d/b/a Zabel Environmental Technology	128226	( <b>Cadbury Enterprises Pte. Ltd.</b> ) MacRobertson Foods Pte Limited
138191	( <b>SRB Manufacturing Pty Ltd</b> ) SRB Construction Technologies Pty Ltd		
140037	( <b>SRB Manufacturing Pty Ltd</b> ) SRB Construction Technologies Pty Ltd		
140143	( <b>SRB Manufacturing Pty Ltd</b> ) SRB Construction Technologies Pty Ltd		
140967	( <b>SRB Manufacturing Pty Ltd</b> ) SRB Construction Technologies Pty Ltd		
140992	( <b>SRB Manufacturing Pty Ltd</b> ) SRB Construction Technologies Pty Ltd		
142464	( <b>SRB Manufacturing Pty Ltd</b> ) SRB Construction Technologies Pty Ltd		
142467	( <b>SRB Manufacturing Pty Ltd</b> ) SRB Construction Technologies Pty Ltd		
143915	( <b>SRB Manufacturing Pty Ltd</b> ) SRB Construction Technologies Pty Ltd		
143917	( <b>SRB Manufacturing Pty Ltd</b> ) SRB Construction Technologies Pty Ltd		
145462	( <b>SRB Manufacturing Pty Ltd</b> ) SRB Construction Technologies Pty Ltd		
148389	( <b>SRB Manufacturing Pty Ltd</b> ) SRB Construction Technologies Pty Ltd		
148612	( <b>SRB Manufacturing Pty Ltd</b> ) SRB Construction Technologies Pty Ltd		
150641	( <b>SRB Manufacturing Pty Ltd</b> ) SRB Construction Technologies Pty Ltd		
150678	( <b>SRB Manufacturing Pty Ltd</b> ) SRB Construction Technologies Pty Ltd		
150887	( <b>SRB Manufacturing Pty Ltd</b> ) SRB Construction Technologies Pty Ltd		
125694	( <b>Coates Signco Pty Limited</b> ) Coates Signco Pty Ltd		
141085	( <b>Denis Hargreaves</b> ) Denis Hargreaves;Lynette Hargreaves		
158424	( <b>Coates Signco Pty Limited</b> ) Coates Signco Pty Ltd		
135985	( <b>Summit Manufacturing Pty Ltd</b> ) Signum Specialities Pty Ltd		
152309	( <b>Summit Manufacturing Pty Ltd</b> ) Signum Specialities Pty Ltd		
154290	( <b>Summit Manufacturing Pty Ltd</b> ) Signum Specialities Pty Ltd		
156979	( <b>Summit Manufacturing Pty Ltd</b> ) Signum Specialities Pty Ltd		
158125	( <b>Summit Manufacturing Pty Ltd</b> ) Signum Specialities Pty Ltd		
158180	( <b>Summit Manufacturing Pty Ltd</b> ) Signum Specialities Pty Ltd		
158294	( <b>Summit Manufacturing Pty Ltd</b> ) Signum Specialities Pty Ltd		

**Names Registered - Alterations and Amendments**

(The name in parentheses is the new name of the proprietor)

This Page Left Intentionally Blank

**Proceedings under the Designs Act 2003.**

This Page Left Intentionally Blank



**Applications Lodged**

Lodgement information is in the following order: **Applicant's Name**; International Classification, Name of Product, Lodgement Date and **Design Number**. If the applicant claims an earlier priority date under an International Convention, the Convention Country and the associated filing date are shown in parentheses before the Lodgement Date. Divisional information will also appear in parentheses before the Lodgement Date.

<b>Aktiebolaget Electrolux;</b> 15-05, Vacuum cleaner, (EM, 21 Dec 2007) 30 Apr 2008	<b>15429/2008</b>	<b>Carter Holt Harvey Limited;</b> 25-02NES, A rib assembly, (NZ, 21 Jul 2008) 11 Nov 2008	<b>15311/2008</b>
<b>Aktiebolaget Electrolux;</b> 25-01K, Extrusion, (Divisional of 10571/2008) 08 Feb 2008	<b>15525/2008</b>	<b>Cascade Designs, Inc.;</b> 23-01G, Fluid filtration device, (US, 15 May 2008) 14 Nov 2008	<b>15395/2008</b>
<b>Andreco-Hurll Refractory Services Pty Ltd;</b> 23-03NES, Refractory insulating ring, 20 Nov 2008	<b>15500/2008</b>	<b>Catilina Nominees Pty Ltd;</b> 09-02B, Container, 18 Nov 2008	<b>15460/2008</b>
<b>Assembly Electronics Pty Ltd;</b> 13-03B, An electrical connector, 26 Nov 2008	<b>15592/2008</b>	<b>Chromend Supply Co.;</b> 08-08L, Heavy duty rubber mount with 10mm steel rod universal hanger bracket, 18 Nov 2008	<b>15408/2008</b>
<b>Assembly Electronics Pty Ltd;</b> 13-03B, A connector base, 27 Nov 2008	<b>15621/2008</b>	<b>Colgate-Palmolive Company;</b> 09-01NES, Container, (US, 06 Jun 2008) 14 Nov 2008	<b>15388/2008</b>
<b>AL-KO International Pty Ltd;</b> 12-16M, Mechanical calliper, 24 Nov 2008	<b>15568/2008</b>	<b>Colgate-Palmolive Company;</b> 09-07A, Pump actuator, (US, 05 Jun 2008) 19 Nov 2008	<b>15475/2008</b>
<b>Bang &amp; Olufsen A/S;</b> 10-05, An electronic alarm and/or control device, (DK, 23 May 2008) 18 Nov 2008	<b>15467/2008</b>	<b>Colgate-Palmolive Company;</b> 09-01NES, Container, (US, 05 Jun 2008) 14 Nov 2008	<b>15389/2008</b>
<b>Bang &amp; Olufsen A/S;</b> 10-05, An electronic alarm and/or control device, (DK, 23 May 2008) 18 Nov 2008	<b>15468/2008</b>	<b>Colgate-Palmolive Company;</b> 09-01NES, Container, (US, 12 Jun 2008) 14 Nov 2008	<b>15390/2008</b>
<b>BedNest Limited;</b> 06-02, Cot with stand, (GB, 30 May 2008) 21 Nov 2008	<b>15524/2008</b>	<b>Collins, Phil;</b> 23-01L, A gutter element, 19 Nov 2008	<b>15478/2008</b>
<b>Beek, Crispin Jean;</b> 14-03B, 15-07, Glass door bottle chiller with flat screen monitor incorporated above, (NZ, 22 May 2008) 18 Nov 2008	<b>15404/2008</b>	<b>Cook, Murray Norman;</b> 23-01E, Drain inlet, 26 Nov 2008	<b>15590/2008</b>
<b>Billie Group Pty Ltd;</b> 02-04NES, Shoe, 26 Nov 2008	<b>15598/2008</b>	<b>Coral Golf Pty Ltd;</b> 06-03A, A tabletop with recess for receiving a cooking device, 17 Nov 2008	<b>15410/2008</b>
<b>Black &amp; Decker Inc;</b> 08-01, Cordless drill, (US, 14 Feb 2008) (Divisional of 13859/2008) 13 Aug 2008	<b>15427/2008</b>	<b>Country Chef Pty Ltd;</b> 01-01, Meringue based dessert, 25 Nov 2008	<b>15575/2008</b>
<b>Blueant Wireless Pty Limited;</b> 14-03E, Speakerphone, 26 Nov 2008	<b>15574/2008</b>	<b>Creative Technology Ltd;</b> 14-01, Media player, (SG, 16 Jul 2008) 26 Nov 2008	<b>15599/2008</b>
<b>Bond, Norma Beatrice Carmen;</b> 25-01K, A door on face and reveal sub frame, 19 Nov 2008	<b>15458/2008</b>	<b>Creative Technology Ltd;</b> 14-01, Loudspeaker, (US, 25 Jun 2008) 26 Nov 2008	<b>15600/2008</b>
<b>Breville Pty Limited;</b> 07-02L, Espresso machine, 20 Nov 2008	<b>15499/2008</b>	<b>Creative Technology Ltd;</b> 14-01, Loudspeaker, (US, 29 Jul 2008) 26 Nov 2008	<b>15601/2008</b>
<b>Bridgestone Corporation;</b> 12-15A, Automobile tyre, 27 Nov 2008	<b>15612/2008</b>	<b>Creative Technology Ltd;</b> 14-01, Loudspeaker, (US, 29 Jul 2008) 26 Nov 2008	<b>15602/2008</b>
<b>Burton, Richard;</b> 21-02NES, 06-11, Cricket mat, (EM, 27 Nov 2007) (Divisional of 12538/2008) 27 May 2008	<b>15420/2008</b>	<b>Creative Technology Ltd;</b> 14-01, Loudspeaker, (US, 13 Aug 2008) 26 Nov 2008	<b>15603/2008</b>
<b>Byrne, Brendan;</b> 02-03, A blank for a visor, 15 Jul 2008	<b>15567/2008</b>	<b>Creative Technology Ltd;</b> 14-01, Loudspeaker, (US, 25 Jun 2008) 26 Nov 2008	<b>15604/2008</b>
<b>Camilleri, Terry; Staley, Sandra Joan;</b> 07-01NES, Container, 24 Nov 2008	<b>15548/2008</b>		

<b>CTA Australia Pty Ltd;</b> 25-02C, Handrail tactile indicator, 24 Nov 2008	<b>15555/2008</b>	<b>Furniture Classics Pty Ltd;</b> 26-05B, Task lamp, 21 Nov 2008	<b>15514/2008</b>
<b>CTA Australia Pty Ltd;</b> 25-02C, Handrail tactile indicator, 24 Nov 2008	<b>15552/2008</b>	<b>Garant GP;</b> 08-03, Hatchet, (CA, 20 May 2008) 20 Nov 2008	<b>15511/2008</b>
<b>CTA Australia Pty Ltd;</b> 08-08A, Anti-slip safety stud, 28 Nov 2008	<b>15638/2008</b>	<b>Garant GP;</b> 08-03, Axe, (CA, 02 Jun 2008) 20 Nov 2008	<b>15512/2008</b>
<b>CTA Australia Pty Ltd;</b> 25-02C, Handrail tactile indicator, 24 Nov 2008	<b>15553/2008</b>	<b>Germans Boada, S.A.;</b> 08-03, Cutter device, (EM, 23 May 2008) 24 Nov 2008	<b>15551/2008</b>
<b>CTA Australia Pty Ltd;</b> 25-02C, Handrail tactile indicator, 24 Nov 2008	<b>15554/2008</b>	<b>Graco Minnesota Inc.;</b> 08-05L, Spray applicator, (US, 21 May 2008) 14 Nov 2008	<b>15396/2008</b>
<b>Davis, Ashley Lionel;</b> 12-16NES, Inflatable portable car cover for protection against hail damage - available in multiple sizes., 05 Nov 2008	<b>15226/2008</b>	<b>Grant Olver Investments, trading as Pilgrim Clothing;</b> 02-02C, Dress, 05 Jun 2008	<b>15470/2008</b>
<b>Demetriou, James;</b> 23-01E, Water drain outlet fitting, 25 Nov 2008	<b>15573/2008</b>	<b>Grant Olver Investments, trading as Pilgrim Clothing;</b> 02-02C, Dress, 05 Jun 2008	<b>15471/2008</b>
<b>Demetriou, James;</b> 23-01A, Leak control flange, 25 Nov 2008	<b>15580/2008</b>	<b>Grant Olver Investments, trading as Pilgrim Clothing;</b> 02-02NES, Top, 05 Jun 2008	<b>15472/2008</b>
<b>Dr. Ing.h.c. F Porsche Aktiengesellschaft;</b> 12-16N, Exhaust and pipe, 31 Oct 2008	<b>15183/2008</b>	<b>Grant Olver Investments, trading as Pilgrim Clothing;</b> 02-02NES, Top, 05 Jun 2008	<b>15473/2008</b>
<b>Dudley, Shaun; Duff, Simon;</b> 23-04, Exhaust fan and air duct ceiling cover, 25 Nov 2008	<b>15579/2008</b>	<b>Gravolin, Dennis Ronald; Gravolin, Sandra Lorraine;</b> 12-16L, 12-10, Trailer plugs, 21 Nov 2008	<b>15513/2008</b>
<b>Duff, Simon; Dudley, Shaun;</b> 23-04, Exhaust fan and air duct ceiling cover, 25 Nov 2008	<b>15579/2008</b>	<b>Gravolin, Sandra Lorraine; Gravolin, Dennis Ronald;</b> 12-16L, 12-10, Trailer plugs, 21 Nov 2008	<b>15513/2008</b>
<b>Dyson Limited;</b> 23-04, A fan, (GB, 06 Jun 2008) 19 Nov 2008	<b>15482/2008</b>	<b>Green, Brian;</b> 12-16L, , 24 Nov 2008	<b>15520/2008</b>
<b>Dyson Limited;</b> 23-04, A fan, (GB, 06 Jun 2008) 19 Nov 2008	<b>15483/2008</b>	<b>Gripple Limited;</b> 25-01E, A termination device for fence and trellis wires, (EM, 29 May 2008) 14 Nov 2008	<b>15394/2008</b>
<b>Edwards, Paul Michael;</b> 20-99, Swatch book, (EM, 27 May 2008) 27 Nov 2008	<b>15617/2008</b>	<b>GMC Worldwide Pty Ltd;</b> 13-02, Power tool battery, (CN, 03 Jun 2008) 27 Nov 2008	<b>15618/2008</b>
<b>Eighty Eight Investments Pty Ltd;</b> 08-08L, Mounting bracket, 17 Nov 2008	<b>15426/2008</b>	<b>GMC Worldwide Pty Ltd;</b> 13-02, Battery charger, (CN, 03 Jun 2008) 27 Nov 2008	<b>15619/2008</b>
<b>Eighty Eight Investments Pty Ltd;</b> 23-01NES, Housing, 17 Nov 2008	<b>15425/2008</b>	<b>GMC Worldwide Pty Ltd;</b> 08-01, Powered drill, (CN, 03 Jun 2008) 27 Nov 2008	<b>15620/2008</b>
<b>Eskimo Red Pty Ltd;</b> 02-02NES, Garment, 19 Nov 2008	<b>15476/2008</b>	<b>Hardy, Chris;</b> 06-04F, Mobile pedestal 660, 18 Nov 2008	<b>15402/2008</b>
<b>Eskimo Red Pty Ltd;</b> 02-02NES, Garment, 19 Nov 2008	<b>15477/2008</b>	<b>Hardy, Chris;</b> 06-04F, Credenza 660, 18 Nov 2008	<b>15403/2008</b>
<b>Everstone International Pty Ltd;</b> 25-01F, Tile formation, 14 Nov 2008	<b>15392/2008</b>	<b>Haughton, Michael;</b> 22-05, Crown seal spinning lure, 20 Nov 2008	<b>15494/2008</b>
<b>Ewing, Iain;</b> 08-05P, Spanner and socket, 24 Nov 2008	<b>15519/2008</b>	<b>Huxtable, Paul;</b> 23-02C, Toilet suites, 19 Nov 2008	<b>15517/2008</b>
<b>Faughey, Anthony;</b> 02-02C, 11-05, Australian flag suit, 28 Nov 2008	<b>15641/2008</b>	<b>Imperial Tobacco Canada Limited;</b> 09-03A, Packaging, (IB, 01 Jul 2008) 26 Nov 2008	<b>15593/2008</b>
<b>Fawoo Technology Co. LTD;</b> 26-04, Lamp, (KR, 30 May 2008) 20 Nov 2008	<b>15504/2008</b>		
<b>Ferman, Michael;</b> 12-16H, Rear view mirror for vehicle, 19 Nov 2008	<b>15480/2008</b>		
<b>Ferman, Michael;</b> 12-16H, Mirror for vehicle, 19 Nov 2008	<b>15481/2008</b>		

<b>Imperial Tobacco Canada Limited;</b> 09-03A, Packaging, (IB, 01 Jul 2008) 26 Nov 2008	<b>15594/2008</b>	<b>Karsten Manufacturing Corporation;</b> 21-02C, Badge for golf club head, (US, 16 Jul 2008) 27 Nov 2008	<b>15610/2008</b>
<b>Imperial Tobacco Canada Limited;</b> 09-03A, Packaging, (IB, 01 Jul 2008) 26 Nov 2008	<b>15595/2008</b>	<b>Karsten Manufacturing Corporation;</b> 21-02C, Badge for golf club head, (US, 16 Jul 2008) 27 Nov 2008	<b>15611/2008</b>
<b>Imperial Tobacco Canada Limited;</b> 09-03A, Packaging, (IB, 01 Jul 2008) 26 Nov 2008	<b>15596/2008</b>	<b>Katapo Pty Ltd;</b> 22-05, Combination lobster, crayfish and crab trap, 04 Aug 2008	<b>15526/2008</b>
<b>International Edge Inc.;</b> 28-03NES, Foot file with handle, (US, 03 Jun 2008) 28 Nov 2008	<b>15637/2008</b>	<b>Kimberly-Clark Worldwide, Inc.;</b> 02-01B, Disposable absorbent pant, (US, 30 May 2008) 14 Nov 2008	<b>15387/2008</b>
<b>ITW Construction Systems Australia Pty Ltd;</b> 08-08A, A fastener for insulation, 25 Nov 2008	<b>15581/2008</b>	<b>Koninklijke Philips Electronics N.V.;</b> 24-02, Diagnosis apparatus cartridge, (EM, 22 May 2008) 20 Nov 2008	<b>15502/2008</b>
<b>James Hardie International Finance B.V.;</b> 25-01D, 25-01K, Beaded building panel, (US, 20 May 2008) 19 Nov 2008	<b>15484/2008</b>	<b>Koninklijke Philips Electronics N.V.;</b> 24-02, Diagnosis apparatus reader, (EM, 22 May 2008) 20 Nov 2008	<b>15501/2008</b>
<b>Johnson &amp; Johnson Ind. E Com. Ltda;</b> 24-04, Embossed sanitary article, (US, 09 Jun 2008) 27 Nov 2008	<b>15608/2008</b>	<b>Lego A/S;</b> 21-01E, Toy building element, (EM, 10 Nov 2008) 26 Nov 2008	<b>15605/2008</b>
<b>Jtagz Pty Ltd;</b> 10-05, Tag, 17 Nov 2008	<b>15405/2008</b>	<b>Liang, Zhiqiang;</b> 07-02E, Cooking apparatus, (CN, 12 Aug 2008) 17 Nov 2008	<b>15411/2008</b>
<b>JETS Swimwear PTY LTD;</b> 02-02A, Swimwear, 17 Nov 2008	<b>15527/2008</b>	<b>Liang, Zhiqiang;</b> 07-02E, Cooking apparatus, 17 Nov 2008	<b>15412/2008</b>
<b>JETS Swimwear PTY LTD;</b> 02-02A, Swimwear, 17 Nov 2008	<b>15528/2008</b>	<b>Liang, Zhiqiang;</b> 07-02E, Cooking apparatus, 17 Nov 2008	<b>15413/2008</b>
<b>JF Arbuckle Medical Pty Ltd;</b> 07-01B, Functional base for crockery, 21 Nov 2008	<b>15533/2008</b>	<b>Liang, Zhiqiang;</b> 07-02E, Cooking apparatus, 17 Nov 2008	<b>15414/2008</b>
<b>JF Arbuckle Medical Pty Ltd;</b> 07-01C, Drinking Vessel, 21 Nov 2008	<b>15534/2008</b>	<b>Liang, Zhiqiang;</b> 07-02E, Cooking apparatus, 17 Nov 2008	<b>15415/2008</b>
<b>JF Arbuckle Medical Pty Ltd;</b> 07-01C, Drinking vessel, 21 Nov 2008	<b>15535/2008</b>	<b>Liang, Zhiqiang;</b> 07-02E, Cooking apparatus, 17 Nov 2008	<b>15416/2008</b>
<b>JF Arbuckle Medical Pty Ltd;</b> 07-02P, Baked product template, 21 Nov 2008	<b>15536/2008</b>	<b>Liang, Zhiqiang;</b> 07-02E, Cooking apparatus, 17 Nov 2008	<b>15417/2008</b>
<b>JF Arbuckle Medical Pty Ltd;</b> 03-01B, Key ring, 21 Nov 2008	<b>15537/2008</b>	<b>Liang, Zhiqiang;</b> 07-02E, Cooking apparatus, 17 Nov 2008	<b>15418/2008</b>
<b>JF Arbuckle Medical Pty Ltd;</b> 07-01A, Crockery, 21 Nov 2008	<b>15531/2008</b>	<b>Liang, Zhiqiang;</b> 07-02E, Cooking apparatus, 17 Nov 2008	<b>15419/2008</b>
<b>JF Arbuckle Medical Pty Ltd;</b> 07-01A, Crockery, 21 Nov 2008	<b>15532/2008</b>	<b>Lifetime Products, Inc.;</b> 06-06E, Support, (US, 28 May 2008) 25 Nov 2008	<b>15576/2008</b>
<b>Kabushiki Kaisha Audio-Technica;</b> 14-01, Headphone, (JP, 30 May 2008) 25 Nov 2008	<b>15577/2008</b>	<b>Lincoln Global, Inc.;</b> 03-01A, Corner system, (US, 22 May 2008) 20 Nov 2008	<b>15507/2008</b>
<b>Kabushiki Kaisha Audio-Technica, trading as Audio-Technica Corporation;</b> 14-01, Headphone, (JP, 30 May 2008) 26 Nov 2008	<b>15597/2008</b>	<b>Lincoln Global, Inc.;</b> 03-01A, Corner cap, (US, 22 May 2008) 20 Nov 2008	<b>15508/2008</b>
<b>Kabushiki Kaisha Toshiba;</b> 14-03B, A television receiver, (JP, 16 Jul 2008) 24 Nov 2008	<b>15549/2008</b>	<b>LED Technologies Pty Ltd;</b> 26-05C, Lighting assembly, 17 Nov 2008	<b>15422/2008</b>
<b>Kabushiki Kaisha Toshiba;</b> 14-02, Recording medium, (JP, 02 Jun 2008) 18 Nov 2008	<b>15459/2008</b>	<b>LED Technologies Pty Ltd;</b> 26-05C, Lighting assembly, 17 Nov 2008	<b>15424/2008</b>
<b>Karsten Manufacturing Corporation;</b> 21-02C, Badge for golf club head, (US, 16 Jul 2008) 27 Nov 2008	<b>15609/2008</b>	<b>LED Technologies Pty Ltd;</b> 26-05C, Lighting assembly, 17 Nov 2008	<b>15423/2008</b>
		<b>LED Technologies Pty Ltd;</b> 26-05C, Lighting assembly, 17 Nov 2008	<b>15421/2008</b>

<b>Madinoz Pty Ltd;</b> 08-06, Handle, 30 Oct 2008	<b>15164/2008</b>	<b>Perfect Pushup, LLC;</b> 21-02NES, Counting device for a push-up exercise, (US, 06 Nov 2008) 17 Nov 2008	<b>15409/2008</b>
<b>Madinoz Pty Ltd;</b> 08-06, Handle, 30 Oct 2008	<b>15165/2008</b>	<b>Pi-Design AG;</b> 07-02L, Thermal insulation sleeve for a beverage maker, (DM, 24 Jun 2008) 27 Nov 2008	<b>15607/2008</b>
<b>Magimix;</b> 07-02F, Toaster, (EM, 30 Jun 2008) 28 Nov 2008	<b>15636/2008</b>	<b>Playtex Products, Inc.;</b> 24-04, Teething device, (US, 28 Mar 2008) 26 Sep 2008	<b>15541/2008</b>
<b>Megara (Australia);</b> 09-03E, Packaging-chismas 2008, 21 Nov 2008	<b>15515/2008</b>	<b>Playtex Products, Inc.;</b> 09-01K, Canister, (US, 23 May 2008) 24 Nov 2008	<b>15566/2008</b>
<b>Michelin Recherche et Technique S.A.;</b> <b>Societe De Technologie Michelin;</b> 12-15C, Tyre, (US, 05 Aug 2008) 18 Nov 2008	<b>15456/2008</b>	<b>Playtex Products, Inc.;</b> 09-01K, Canister, (US, 23 May 2008) 24 Nov 2008	<b>15572/2008</b>
<b>Moisture Matic Pty. Ltd.;</b> 23-01D, Watering device, 27 Nov 2008	<b>15591/2008</b>	<b>Pork CRC Ltd;</b> 30-08, An RFID tag at UHF for identification of animals, in particular pigs, 24 Nov 2008	<b>15518/2008</b>
<b>Mort Bay Traders Pty Ltd;</b> 26-05NES, A battery powered night light, 18 Nov 2008	<b>15454/2008</b>	<b>Pourounidis, Harry; Stone, Curtis;</b> 08-03, Carving knife, 24 Nov 2008	<b>15561/2008</b>
<b>Mort Bay Traders Pty Ltd;</b> 26-05NES, A mains powered night light, 18 Nov 2008	<b>15455/2008</b>	<b>Pourounidis, Harry; Stone, Curtis;</b> 07-01F, Oil/vinegar dispenser, 24 Nov 2008	<b>15547/2008</b>
<b>Motorola, Inc.;</b> 14-03NES, Remote control device, (US, 31 May 2008) 18 Nov 2008	<b>15461/2008</b>	<b>Pourounidis, Harry; Stone, Curtis;</b> 08-03, Utility knife, 24 Nov 2008	<b>15559/2008</b>
<b>Murray, Peter Allan;</b> 14-02, Cover for a hand-held display, 17 Nov 2008	<b>15401/2008</b>	<b>Pourounidis, Harry; Stone, Curtis;</b> 08-03, Chef knife, 24 Nov 2008	<b>15545/2008</b>
<b>Nokia Corporation;</b> 14-03A, Handset, 27 Nov 2008	<b>15613/2008</b>	<b>Pourounidis, Harry; Stone, Curtis;</b> 08-03, Serrated utility knife, 24 Nov 2008	<b>15546/2008</b>
<b>Nokia Corporation;</b> 14-03A, Handset, 27 Nov 2008	<b>15614/2008</b>	<b>Pourounidis, Harry; Stone, Curtis;</b> 06-03NES, Work bench chef's station, 24 Nov 2008	<b>15542/2008</b>
<b>Nokia Corporation;</b> 14-03E, Handset, 27 Nov 2008	<b>15615/2008</b>	<b>Pourounidis, Harry; Stone, Curtis;</b> 08-03, 08-06, Handle detail, 24 Nov 2008	<b>15562/2008</b>
<b>Nokia Corporation;</b> 14-03E, Handset, 27 Nov 2008	<b>15616/2008</b>	<b>Pourounidis, Harry; Stone, Curtis;</b> 07-99NES, Knife block, 24 Nov 2008	<b>15543/2008</b>
<b>North Pacific Supplies Pty Ltd;</b> 08-08NES, Wheel stop, 25 Nov 2008	<b>15583/2008</b>	<b>Pourounidis, Harry; Stone, Curtis;</b> 10-04, 07-03, Ceramic measuring spoons, 24 Nov 2008	<b>15560/2008</b>
<b>Ontex Hygieneartikel Deutschland GmbH;</b> 24-04, Tampon, 22 Jul 2008	<b>15210/2008</b>	<b>Pourounidis, Harry; Stone, Curtis;</b> 08-03, Bread knife, 24 Nov 2008	<b>15544/2008</b>
<b>Ontex Hygieneartikel Deutschland GmbH;</b> 24-04, Tampon, 22 Jul 2008	<b>15211/2008</b>	<b>Pourounidis, Harry; Stone, Curtis;</b> 10-04, 07-01B, Ceramic mixing bowls and measuring cups, 24 Nov 2008	<b>15563/2008</b>
<b>Ontex Hygieneartikel Deutschland GmbH;</b> 24-04, Tampon, 22 Jul 2008	<b>15212/2008</b>	<b>Powers Fasteners Australasia Pty Ltd;</b> 08-08B, Fastener, 26 Nov 2008	<b>15606/2008</b>
<b>Ontex Hygieneartikel Deutschland GmbH;</b> 24-04, Tampon, 22 Jul 2008	<b>15213/2008</b>	<b>Qirx Pty Ltd;</b> 16-99, Thermally engagable housing for type "H" contact lens containers, 20 Nov 2008	<b>15503/2008</b>
<b>Ontex Hygieneartikel Deutschland GmbH;</b> 24-04, Tampon, 22 Jul 2008	<b>15214/2008</b>	<b>Ragusa, Salvatore Giuseppe;</b> 23-01F, Mobile liquid supply apparatus, 25 Nov 2008	<b>15582/2008</b>
<b>Ontex Hygieneartikel Deutschland GmbH;</b> 24-04, Tampon, 22 Jul 2008	<b>15215/2008</b>	<b>Randall, Sean Trading as Bar Icon Group;</b> 07-01C, Drinking vessel, 24 Nov 2008	<b>15569/2008</b>
<b>Otsuka Pharmaceutical Co., Ltd.; Otsuka Techno Corporation;</b> 24-04, Inhaler, (JP, 23 May 2008) 19 Nov 2008	<b>15489/2008</b>	<b>Revay, David; Revay, Beah;</b> 06-03A, Flexible height table; which can be used for dining or as a coffee table, 24 Nov 2008	<b>15578/2008</b>
<b>Otsuka Techno Corporation; Otsuka Pharmaceutical Co., Ltd.;</b> 24-04, Inhaler, (JP, 23 May 2008) 19 Nov 2008	<b>15489/2008</b>		
<b>Panasonic Corporation;</b> 07-02B, Microwave oven, 25 Nov 2008	<b>15584/2008</b>		

<b>Revay, Beah; Revay, David;</b> 06-03A, Flexible height table; which can be used for dining or as a coffee table, 24 Nov 2008	<b>15578/2008</b>	<b>Shenzhen Shenchuang Electrical Appliance Co., Ltd.;</b> 28-03B, Hair dryer, 19 Nov 2008	<b>15431/2008</b>
<b>Ruud Lighting, Inc.;</b> 26-03, Lighting fixture, (US, 15 May 2008) 17 Nov 2008	<b>15406/2008</b>	<b>Shenzhen Shenchuang Electrical Appliance Co., Ltd.;</b> 28-03B, Hair dryer, 19 Nov 2008	<b>15432/2008</b>
<b>Ruud Lighting, Inc.;</b> 26-03, Lighting fixture, (US, 15 May 2008) 17 Nov 2008	<b>15407/2008</b>	<b>Shenzhen Shenchuang Electrical Appliance Co., Ltd.;</b> 28-03B, Hair dryer, 19 Nov 2008	<b>15433/2008</b>
<b>RJR Innovations Pty Ltd;</b> 13-03C, A straight adaptor, 24 Nov 2008	<b>15538/2008</b>	<b>Shenzhen Shenchuang Electrical Appliance Co., Ltd.;</b> 28-03B, Curling iron, 19 Nov 2008	<b>15434/2008</b>
<b>RJR Innovations Pty Ltd;</b> 13-03C, A T adaptor, 24 Nov 2008	<b>15539/2008</b>	<b>Shenzhen Shenchuang Electrical Appliance Co., Ltd.;</b> 28-03B, Hair straightener, 19 Nov 2008	<b>15435/2008</b>
<b>RJR Innovations Pty Ltd;</b> 13-03C, A manifold, 24 Nov 2008	<b>15540/2008</b>	<b>Shenzhen Shenchuang Electrical Appliance Co., Ltd.;</b> 28-03B, Hair straightener, 19 Nov 2008	<b>15436/2008</b>
<b>RJR Innovations Pty Ltd;</b> 13-03C, A 4-way adaptor, 24 Nov 2008	<b>15522/2008</b>	<b>Shenzhen Shenchuang Electrical Appliance Co., Ltd.;</b> 28-03B, Hair straightener, 19 Nov 2008	<b>15437/2008</b>
<b>RJR Innovations Pty Ltd;</b> 13-03C, A corner adaptor, 24 Nov 2008	<b>15521/2008</b>	<b>Shenzhen Shenchuang Electrical Appliance Co., Ltd.;</b> 28-03B, Hair straightener, 19 Nov 2008	<b>15438/2008</b>
<b>RMD Press Co. Pty Ltd;</b> 08-06, Adjustable weld on gudgeon, 17 Nov 2008	<b>15443/2008</b>	<b>Shenzhen Shenchuang Electrical Appliance Co., Ltd.;</b> 28-03B, Hair straightener, 19 Nov 2008	<b>15439/2008</b>
<b>RMD Press Co. Pty Ltd;</b> 08-06, Adjustable bolt on hinge, 17 Nov 2008	<b>15444/2008</b>	<b>Shenzhen Shenchuang Electrical Appliance Co., Ltd.;</b> 28-03B, Hair straightener, 19 Nov 2008	<b>15440/2008</b>
<b>RMD Press Co. Pty Ltd;</b> 08-08K, Rail bracket for fencing, 17 Nov 2008	<b>15445/2008</b>	<b>Shenzhen Shenchuang Electrical Appliance Co., Ltd.;</b> 28-03B, Hair straightener, 19 Nov 2008	<b>15441/2008</b>
<b>Safety Specialists Australia Pty Ltd;</b> 02-03, Safety helmet, 17 Nov 2008	<b>15428/2008</b>	<b>Shenzhen Shenchuang Electrical Appliance Co., Ltd.;</b> 28-03B, Hair straightener, 19 Nov 2008	<b>15442/2008</b>
<b>Sandvik Intellectual Property AB;</b> 08-03, Tool for cutting surface, such as in road grading, (US, 19 May 2008) 19 Nov 2008	<b>15496/2008</b>	<b>Shine Enterprises Pty Ltd;</b> 02-04A, Cover for a shoe, 21 Nov 2008	<b>15523/2008</b>
<b>Sandvik Intellectual Property AB;</b> 08-03, Tool for cutting surface, such as in road grading, (US, 19 May 2008) 19 Nov 2008	<b>15497/2008</b>	<b>Shop-Vac Corporation;</b> 15-05, Yard vacuum, (US, 13 Jun 2008) 27 Nov 2008	<b>15622/2008</b>
<b>Sandvik Intellectual Property AB;</b> 08-03, Tool for cutting surface, such as in road grading, (US, 19 May 2008) 19 Nov 2008	<b>15495/2008</b>	<b>Shuffle Master, Inc.;</b> 21-01L, Gaming cloth, (US, 09 Nov 2007) 30 Apr 2008	<b>15469/2008</b>
<b>Scruff Pty Ltd;</b> 07-04, Citrus juicing utensil, 17 Nov 2008	<b>15393/2008</b>	<b>Sigrist Technology ApS;</b> 10-05, Shell for monitoring movement, 19 Nov 2008	<b>15479/2008</b>
<b>Seating Matters Ltd;</b> 06-01NES, Chair, (EM, 28 May 2008) 26 Nov 2008	<b>15588/2008</b>	<b>Smart Openers Pty Ltd;</b> 13-03NES, Door operator transmitter, 20 Nov 2008	<b>15505/2008</b>
<b>Seating Matters Ltd;</b> 06-01NES, Chair, (EM, 28 May 2008) 26 Nov 2008	<b>15587/2008</b>	<b>Smart Openers Pty Ltd;</b> 13-03NES, Door operator motor drive assembly, 20 Nov 2008	<b>15506/2008</b>
<b>Selleys Pty Limited;</b> 09-07A, Cap with applicator, 20 Nov 2008	<b>15509/2008</b>	<b>Societe Bic;</b> 19-06, Cap for writing instrument, (EM, 05 Aug 2008) 19 Nov 2008	<b>15486/2008</b>
<b>Selleys Pty Limited;</b> 09-03NES, Wiper insert for a container, 20 Nov 2008	<b>15510/2008</b>	<b>Societe Bic;</b> 19-06, Writing instrument and cap, (EM, 08 Aug 2008) 19 Nov 2008	<b>15485/2008</b>
<b>Sgourakis, Henry;</b> 06-01L, Furniture, 21 Nov 2008	<b>15529/2008</b>		
<b>Shenzhen Shenchuang Electrical Appliance Co., Ltd.;</b> 28-03B, Holder for hair straightener, 19 Nov 2008	<b>15430/2008</b>		

<b>Societe De Technologie Michelin; Michelin Recherche et Technique S.A.;</b> 12-15C, Tyre, (US, 05 Aug 2008) 18 Nov 2008	<b>15456/2008</b>	<b>Toyota Jidosha Kabushiki Kaisha;</b> 12-16B, Vehicle front assembly, 14 Nov 2008	<b>15398/2008</b>
<b>Staley, Sandra Joan; Camilleri, Terry;</b> 07-01NES, Container, 24 Nov 2008	<b>15548/2008</b>	<b>Transnet NZ Limited;</b> 13-03C, Electrical connection box, (NZ, 16 Jun 2008) 20 Nov 2008	<b>15493/2008</b>
<b>Steelcase, Inc.;</b> 06-01F, Seating unit, (US, 26 May 2008) 24 Nov 2008	<b>15564/2008</b>	<b>Tribute Group Pty Ltd;</b> 25-03, Roof mounted veranda covering over face to face buildings. Engineered for wind region A. Materials can be adapted to, regions B, C and D, 18 Nov 2008	<b>15498/2008</b>
<b>Steelcase, Inc.;</b> 06-01F, Seating unit, (US, 26 May 2008) 24 Nov 2008	<b>15565/2008</b>	<b>Tyco Electronics Corporation; Tyco Electronics Canada ULC;</b> 08-05F, Clamp, (US, 23 May 2008) 21 Nov 2008	<b>15530/2008</b>
<b>Stone, Curtis; Pourounidis, Harry;</b> 08-03, Serrated utility knife, 24 Nov 2008	<b>15546/2008</b>	<b>Tyco Electronics Canada ULC; Tyco Electronics Corporation;</b> 08-05F, Clamp, (US, 23 May 2008) 21 Nov 2008	<b>15530/2008</b>
<b>Stone, Curtis; Pourounidis, Harry;</b> 08-03, Chef knife, 24 Nov 2008	<b>15545/2008</b>	<b>TAG Oral Health Care Technologies Inc.;</b> 04-02, Tooth and gum cleaning device, (US, 02 Jun 2008) 26 Nov 2008	<b>15586/2008</b>
<b>Stone, Curtis; Pourounidis, Harry;</b> 08-03, Utility knife, 24 Nov 2008	<b>15559/2008</b>	<b>United States Gypsum Company;</b> 08-05K, Outside corner gate for beading apparatus, (US, 25 Feb 2008) 07 Aug 2008	<b>15492/2008</b>
<b>Stone, Curtis; Pourounidis, Harry;</b> 07-01F, Oil/vinegar dispenser, 24 Nov 2008	<b>15547/2008</b>	<b>United States Gypsum Company;</b> 08-05K, Outside corner gate for paper beading apparatus, (US, 25 Feb 2008) 07 Aug 2008	<b>15491/2008</b>
<b>Stone, Curtis; Pourounidis, Harry;</b> 08-03, Carving knife, 24 Nov 2008	<b>15561/2008</b>	<b>United States Gypsum Company;</b> 08-05K, Outside corner gate for paper beading apparatus, (US, 25 Feb 2008) 07 Aug 2008	<b>15490/2008</b>
<b>Stone, Curtis; Pourounidis, Harry;</b> 10-04, 07-03, Ceramic measuring spoons, 24 Nov 2008	<b>15560/2008</b>	<b>Unreal Stone Pty Ltd;</b> 25-01K, An extrusion, 14 Nov 2008	<b>15391/2008</b>
<b>Stone, Curtis; Pourounidis, Harry;</b> 10-04, 07-01B, Ceramic mixing bowls and measuring cups, 24 Nov 2008	<b>15563/2008</b>	<b>Visor Distributors Limited;</b> 12-16B, A set of truck body parts, (NZ, 18 Sep 2008) 19 Nov 2008	<b>15516/2008</b>
<b>Stone, Curtis; Pourounidis, Harry;</b> 08-03, Bread knife, 24 Nov 2008	<b>15544/2008</b>	<b>Visor Distributors Limited;</b> 12-16B, An air deflector for a vehicle, (NZ, 02 May 2008) 01 Aug 2008	<b>15570/2008</b>
<b>Stone, Curtis; Pourounidis, Harry;</b> 07-99NES, Knife block, 24 Nov 2008	<b>15543/2008</b>	<b>Visor Distributors Limited;</b> 12-16B, An air deflector for a vehicle, (NZ, 02 May 2008) 01 Aug 2008	<b>15571/2008</b>
<b>Stone, Curtis; Pourounidis, Harry;</b> 08-03, 08-06, Handle detail, 24 Nov 2008	<b>15562/2008</b>	<b>Visy R &amp; D Pty Ltd;</b> 09-03M, Leakproof carton and blank for forming same, 28 Nov 2008	<b>15639/2008</b>
<b>Stone, Curtis; Pourounidis, Harry;</b> 06-03NES, Work bench chef's station, 24 Nov 2008	<b>15542/2008</b>	<b>Visy R &amp; D Pty Ltd;</b> 09-03M, Lid for leakproof carton and blank for forming same and lid and carton combination, 28 Nov 2008	<b>15640/2008</b>
<b>Tenmat Limited;</b> 26-05C, Down lighter cover, 18 Nov 2008	<b>15457/2008</b>	<b>Voss, Roland Stephen;</b> 25-01G, Roof anchor point, 14 Nov 2008	<b>15550/2008</b>
<b>The Coca-Cola Company;</b> 20-01, 15-07, Dispenser, (US, 16 May 2008) 31 Oct 2008	<b>15487/2008</b>	<b>Waters, Tina;</b> 03-01A, 03-01B, Bags, 25 Nov 2008	<b>15585/2008</b>
<b>The Coca-Cola Company;</b> 20-01, 15-07, Dispenser, (US, 16 May 2008) 31 Oct 2008	<b>15488/2008</b>	<b>Wolverine World Wide, Inc.;</b> 02-04NES, Footwear upper, (US, 20 May 2008) 18 Nov 2008	<b>15462/2008</b>
<b>The Coleman Company, Inc.;</b> 07-06A, Holder, 26 Nov 2008	<b>15589/2008</b>	<b>Wolverine World Wide, Inc.;</b> 02-04NES, Footwear upper, (US, 20 May 2008) 18 Nov 2008	<b>15463/2008</b>
<b>The Decor Corporation Pty Ltd;</b> 10-04, 07-04, Set of measuring cups, 24 Nov 2008	<b>15556/2008</b>		
<b>The Decor Corporation Pty Ltd;</b> 10-04, 07-04, Set of measuring spoons, 24 Nov 2008	<b>15557/2008</b>		
<b>The Decor Corporation Pty Ltd;</b> 08-05NES, Scraper, 24 Nov 2008	<b>15558/2008</b>		
<b>Toyota Jidosha Kabushiki Kaisha;</b> 12-08, Automobile, 14 Nov 2008	<b>15397/2008</b>		

<b>Wolverine World Wide, Inc.;</b> 02-04NES, Footwear upper, (US, 20 May 2008) 18 Nov 2008	<b>15464/2008</b>	<b>Wolverine World Wide, Inc.;</b> 02-04NES, Footwear upper, (US, 20 May 2008) 18 Nov 2008	<b>15449/2008</b>
<b>Wolverine World Wide, Inc.;</b> 02-04NES, Footwear upper, (US, 20 May 2008) 18 Nov 2008	<b>15465/2008</b>	<b>Wolverine World Wide, Inc.;</b> 02-04NES, Footwear upper, (US, 20 May 2008) 18 Nov 2008	<b>15450/2008</b>
<b>Wolverine World Wide, Inc.;</b> 02-04NES, Footwear upper, (US, 20 May 2008) 18 Nov 2008	<b>15466/2008</b>	<b>Wolverine World Wide, Inc.;</b> 02-04NES, Footwear upper, (US, 20 May 2008) 18 Nov 2008	<b>15451/2008</b>
<b>Wolverine World Wide, Inc.;</b> 02-04NES, Footwear upper, (US, 20 May 2008) 18 Nov 2008	<b>15446/2008</b>	<b>Wolverine World Wide, Inc.;</b> 02-04NES, Footwear upper, (US, 20 May 2008) 18 Nov 2008	<b>15452/2008</b>
<b>Wolverine World Wide, Inc.;</b> 02-04NES, Footwear upper, (US, 20 May 2008) 18 Nov 2008	<b>15447/2008</b>	<b>Wolverine World Wide, Inc.;</b> 02-04NES, Footwear upper, (US, 20 May 2008) 18 Nov 2008	<b>15453/2008</b>
<b>Wolverine World Wide, Inc.;</b> 02-04NES, Footwear upper, (US, 20 May 2008) 18 Nov 2008	<b>15448/2008</b>		

**Applications Withdrawn**

12543 / 2008 (16-99)	12545 / 2008 (16-99)
12546 / 2008 (16-99)	12547 / 2008 (16-99)
12548 / 2008 (16-99)	12549 / 2008 (16-99)

**Applications Lapsed**

10147 / 2008 (06-03NES)	11450 / 2008 (20-02E)
12223 / 2008 (28-03C)	12231 / 2008 (02-02NES)
12232 / 2008 (02-02NES)	12319 / 2008 (25-02A)
12332 / 2008 (21-01B)	12346 / 2008 (12-10)
12348 / 2008 (02-02NES)	12390 / 2008 (25-02A)
12512 / 2008 (25-02H)	12650 / 2008 (26-01)
12653 / 2008 (07-02C)	12665 / 2008 (07-01C)
12698 / 2008 (02-02NES)	12699 / 2008 (02-02C)
12700 / 2008 (02-02C)	12728 / 2008 (02-02C)
12743 / 2008 (03-01B)	12744 / 2008 (03-01B)
12745 / 2008 (03-01B)	12747 / 2008 (02-07A)
12749 / 2008 (02-07A)	12751 / 2008 (02-07A)
12752 / 2008 (03-01B)	12753 / 2008 (03-01B)
12754 / 2008 (02-07A)	12755 / 2008 (03-01B)
12760 / 2008 (20-02NES)	12778 / 2008 (99-00)
12780 / 2008 (02-02C)	12781 / 2008 (02-02C)
12954 / 2008 (08-08L)	12955 / 2008 (08-08L)
12997 / 2008 (06-03NES)	13028 / 2008 (12-06B)
13075 / 2008 (02-02C)	13076 / 2008 (02-02C)
13077 / 2008 (02-02C)	13078 / 2008 (02-02C)
13871 / 2008 (08-05NES)	14327 / 2008 (03-99)
14351 / 2008 (06-04NES)	14352 / 2008 (06-13A)
14353 / 2008 (07-04)	



**Revocation of Design Registrations**

The following Design Registration(s) have been revoked and are taken never to have been registered:

- 312217 23-01F
- 312218 23-01F

**Registrations Ceased**

- 315401                      316087                      318907

**Extensions of time granted under Section 137**

Applications lodged under section 137 for extension of time have been granted.

- 315402 **Colgate-Palmolive Company**
- 10665/2008 **B2B Fintech Ltd**
- 10665/2008 **B2B Fintech Ltd**
- 10666/2008 **B2B Fintech Ltd**
- 10666/2008 **B2B Fintech Ltd**
- 10667/2008 **B2B Fintech Ltd**
- 10667/2008 **B2B Fintech Ltd**
- 12614/2008 **Shuffle Master, Inc**
- 12841/2008 **Sea to Summit Pty Ltd**
- 14089/2008 **Aquasol Products Pty Ltd**
- 14305/2008 **The Goodyear Tire & Rubber Company**
- 15469/2008 **Shuffle Master, Inc**

**Mortgages Registered**

- 309282                      A mortgage has been granted to **Fraser Patison OLD**
- 309313                      A mortgage has been granted to **Fraser Patison OLD**
- 309314                      A mortgage has been granted to **Fraser Patison OLD**
- 309315                      A mortgage has been granted to **Fraser Patison OLD**
- 309332                      A mortgage has been granted to **Fraser Patison OLD**
- 309333                      A mortgage has been granted to **Fraser Patison OLD**
- 309334                      A mortgage has been granted to **Fraser Patison OLD**
- 309335                      A mortgage has been granted to **Fraser Patison OLD**
- 309336                      A mortgage has been granted to **Fraser Patison OLD**
- 309615                      A mortgage has been granted to **Fraser Patison OLD**
- 309616                      A mortgage has been granted to **Fraser Patison OLD**
- 309826                      A mortgage has been granted to **Fraser Patison OLD**
- 309922                      A mortgage has been granted to **Fraser Patison OLD**
- 309923                      A mortgage has been granted to **Fraser Patison OLD**
- 312566                      A mortgage has been granted to **Fraser Patison OLD**



312567 A mortgage has been granted to **Fraser Patison OLD**  
 312568 A mortgage has been granted to **Fraser Patison OLD**  
 313026 A mortgage has been granted to **Fraser Patison OLD**  
 313441 A mortgage has been granted to **Fraser Patison OLD**  
 313789 A mortgage has been granted to **Fraser Patison OLD**  
 313827 A mortgage has been granted to **Fraser Patison OLD**  
 315371 A mortgage has been granted to **Fraser Patison OLD**  
 315372 A mortgage has been granted to **Fraser Patison OLD**

309001 (**RBC Trustees (CI) Limited**) Abacus (C.I.) Limited  
 315070 (**Roadside Products Pty Ltd**) Dura-Post (Aust) Pty Ltd  
 317760 (**W.I.B. ENTERPRISES PTY LTD**) Jenny Tremaine;Jo Gale  
 320242 (**ADC GmbH**) ADC Communications (Australia) Pty Limited  
 321309 (**ADC GmbH**) ADC Communications (Australia) Pty Ltd

**Names Registered - Alterations and Amendments**

(The name in parentheses is that of the subsequent applicant)

315504 (**ITW Construction Systems Australia Pty Ltd**) ITW Construction Products Australia Pty Ltd

**Applications Assigned**

(The name in parentheses is that of the subsequent applicant)

13042/2008 (**Hartman Pacific Pty Ltd;Miberlan Industrial Co Ltd**) Hartman Pacific Pty Ltd  
 13043/2008 (**Hartman Pacific Pty Ltd;Miberlan Industrial Co Ltd**) Hartman Pacific Pty Ltd  
 13044/2008 (**Hartman Pacific Pty Ltd;Miberlan Industrial Co Ltd**) Hartman Pacific Pty Ltd  
 13045/2008 (**Hartman Pacific Pty Ltd;Miberlan Industrial Co Ltd**) Hartman Pacific Pty Ltd

**Subsequent Owners Registered**

(The name in parentheses is that of the subsequent owner)

301435 (**Mars Sugar Australia Pty Ltd**) Mars Australia Pty Ltd  
 301436 (**Mars Sugar Australia Pty Ltd**) Mars Australia Pty Ltd  
 317967 (**JUST ADD PLANTS PTY LTD**) Indoor Foliage Australia Pty Ltd  
 317968 (**JUST ADD PLANTS PTY LTD**) Indoor Foliage Australia Pty Ltd  
 317969 (**JUST ADD PLANTS PTY LTD**) Indoor Foliage Australia Pty Ltd  
 303348 (**SRB Manufacturing Pty Ltd**) SRB Construction Technologies Pty Ltd  
 313975 (**Brook Orr**) Tom Orr  
 318470 (**Indian Ocean Medical Inc**) International Patents Inc.  
 307337 (**Summit Manufacturing Pty Ltd**) Signum Specialities Pty Ltd  
 308862 (**Summit Manufacturing Pty Ltd**) Signum Specialities Pty Ltd  
 308863 (**Summit Manufacturing Pty Ltd**) Signum Specialities Pty Ltd  
 309731 (**Summit Manufacturing Pty Ltd**) Signum Specialities Pty Ltd  
 309732 (**Summit Manufacturing Pty Ltd**) Signum Specialities Pty Ltd  
 309876 (**Summit Manufacturing Pty Ltd**) Signum Specialities Pty Ltd  
 300610 (**Scott Andrew Cazin;Mary-Ann Errington**) Reginald John Bean

**Corrigenda**

Number 11860/2008

In Vol 22 , No 17 , page 2052 under the heading **Applications Lapsed**; Design No. 11860/2008 (03-01A) should be deleted..

Number 11861/2008

In Vol 22 , No 17 , page 2052 under the heading **Applications Lapsed**; Design No. 11861/2008 (03-01A) should be deleted..

Number 11862/2008

In Vol 22 , No 17 , page 2052 under the heading **Applictions Lapsed**; Design No. 11862/2008 (03-01A) should be deleted..

Number 11860/2008

In Vol 22 , No 19 , page 2236 under the heading **Extensions of time granted under Section** Design No. 11860/2008 (03-01A) should be deleted..

Number 11861/2008

In Vol 22 , No 19 , page 2236 under the heading **Extensions of time granted under Section** Design No. 11861/2008 (03-01A) should be deleted..

Number 11862/2008

In Vol 22 , No 19 , page 2236 under the heading **Extensions of time granted under Section** Design No. 11862/2008 (03-01A) should be deleted..

**Certificate(s) of Examination**

Examination of the following Design Registration(s) has been completed. Infringement proceedings may now be commenced.

307342	23-04	26/11/2008
307569	19-06	26/11/2008
308351	02-04NES	28/11/2008
313241	24-01	24/11/2008
313242	24-01	24/11/2008
314343	24-04	24/11/2008
315003	06-01F	27/11/2008
315004	06-01F	27/11/2008
315655	15-05	20/11/2008
315656	15-05	20/11/2008
316344	21-99	28/11/2008
317661	09-01H	28/11/2008
317819	08-08K	28/11/2008
319369	25-03	28/11/2008
319370	25-03	28/11/2008
319371	25-03	28/11/2008
320140	14-01	28/11/2008
320383	29-02	28/11/2008
320417	13-03C	24/11/2008
320418	13-03C	24/11/2008
320513	07-05A	28/11/2008
320557	12-06A	28/11/2008
320623	02-04B	28/11/2008
320702	14-03E	28/11/2008
320703	14-03E	28/11/2008
320782	09-03NES	27/11/2008
320783	09-03NES	27/11/2008
320784	09-03NES	27/11/2008
320785	09-03NES	27/11/2008
320786	09-01K	27/11/2008
320787	09-01K	27/11/2008
320793	09-05	28/11/2008
320794	09-05	28/11/2008
320885	28-99	28/11/2008
320886	28-99	28/11/2008
320887	09-01NES	28/11/2008
320888	09-07C	28/11/2008
320889	09-01NES	28/11/2008
320890	09-01NES	28/11/2008
320891	09-01NES	28/11/2008
320892	08-01	28/11/2008
320893	28-99	28/11/2008
320894	09-01NES	28/11/2008
320904	12-16L	28/11/2008
321048	09-07B	28/11/2008
321976	10-04	26/11/2008

**Publication and Registration Proceedings**

**Designs Registered**

This section provides a concordance between design number and registration number of Designs covered in this journal. It also shows the main class and registration date.

This section covers Registration numbers 322236 to 322447 .

The registration number shown below should be used in all future correspondence.

Design Number	Registration Number	International Classification Code (IDC)	Registration Date	Design Number	Registration Number	International Classification Code (IDC)	Registration Date
20229/2007	322252	19-01	24/11/2008	12941/2008	322260	03-01C	24/11/2008
21332/2007	322251	08-10	26/11/2008	13008/2008	322433	26-02	02/12/2008
10334/2008	322427	15-07	02/12/2008	13042/2008	322383	25-01K	01/12/2008
10841/2008	322358	02-01B	26/11/2008	13043/2008	322384	25-01K	01/12/2008
10988/2008	322428	12-16B	02/12/2008	13044/2008	322385	25-01K	01/12/2008
10989/2008	322429	12-08	02/12/2008	13045/2008	322386	25-01K	01/12/2008
10997/2008	322359	08-08G	26/11/2008	13164/2008	322365	13-02	26/11/2008
11363/2008	322253	15-09	24/11/2008	13184/2008	322261	08-08K	24/11/2008
11364/2008	322254	15-09	24/11/2008	13185/2008	322262	08-08K	24/11/2008
11365/2008	322255	15-09	24/11/2008	13186/2008	322263	08-08K	24/11/2008
11366/2008	322256	15-09	24/11/2008	13346/2008	322238	02-04NES	26/11/2008
11367/2008	322257	15-09	24/11/2008	13350/2008	322297	26-06	24/11/2008
11368/2008	322294	02-99	24/11/2008	13351/2008	322276	26-06	21/11/2008
11573/2008	322412	02-01B	02/12/2008	13355/2008	322298	12-10	24/11/2008
11574/2008	322413	02-01B	02/12/2008	13358/2008	322240	10-04	26/11/2008
11575/2008	322414	02-01B	02/12/2008	13359/2008	322241	10-04	26/11/2008
11577/2008	322415	02-01B	02/12/2008	13488/2008	322434	08-07	02/12/2008
11578/2008	322416	02-01B	02/12/2008	13615/2008	322242	14-03E	26/11/2008
11580/2008	322417	02-02C	02/12/2008	13616/2008	322243	14-03E	26/11/2008
11581/2008	322418	02-02C	02/12/2008	13617/2008	322244	14-03E	26/11/2008
11777/2008	322373	02-01B	02/12/2008	13618/2008	322245	14-03A	26/11/2008
11963/2008	322293	07-01A	24/11/2008	13619/2008	322246	14-03E	26/11/2008
12095/2008	322360	12-16NES	26/11/2008	13620/2008	322247	14-03A	26/11/2008
12096/2008	322361	12-16NES	26/11/2008	13621/2008	322248	14-03E	26/11/2008
12097/2008	322272	07-06NES	21/11/2008	13622/2008	322249	14-03E	26/11/2008
12098/2008	322328	06-02	26/11/2008	13623/2008	322299	14-03A	24/11/2008
12099/2008	322329	06-03A	26/11/2008	13624/2008	322300	14-03A	24/11/2008
12100/2008	322330	06-04NES	26/11/2008	13625/2008	322301	14-03A	24/11/2008
12101/2008	322331	06-04NES	26/11/2008	13626/2008	322302	25-01B	24/11/2008
12102/2008	322332	06-04NES	26/11/2008	13646/2008	322381	12-16NES	02/12/2008
12104/2008	322362	23-01H	26/11/2008	13675/2008	322382	12-06C	02/12/2008
12105/2008	322363	23-01H	26/11/2008	13747/2008	322393	11-01NES	01/12/2008
12119/2008	322273	02-04NES	21/11/2008	13748/2008	322394	11-01NES	01/12/2008
12241/2008	322375	09-01D	02/12/2008	13751/2008	322395	16-06	01/12/2008
12242/2008	322376	09-01D	02/12/2008	13754/2008	322396	19-02	01/12/2008
12313/2008	322236	03-01A	26/11/2008	13755/2008	322397	10-04	01/12/2008
12314/2008	322237	03-01B	26/11/2008	13756/2008	322398	10-04	01/12/2008
12463/2008	322390	26-02	01/12/2008	13757/2008	322399	10-04	01/12/2008
12557/2008	322391	06-03A	01/12/2008	13758/2008	322400	07-04	01/12/2008
12602/2008	322295	28-99	24/11/2008	13759/2008	322401	10-04	01/12/2008
12603/2008	322296	28-99	24/11/2008	13760/2008	322402	03-01NES	01/12/2008
12641/2008	322258	23-01F	24/11/2008	13762/2008	322403	26-04	01/12/2008
12761/2008	322274	12-10	21/11/2008	13763/2008	322404	30-03	01/12/2008
12762/2008	322275	12-10	21/11/2008	13764/2008	322405	12-15NES	01/12/2008
12820/2008	322430	06-01H	02/12/2008	13780/2008	322339	19-03	02/12/2008
12821/2008	322431	06-01G	02/12/2008	13790/2008	322406	12-06A	01/12/2008
12822/2008	322432	06-01B	02/12/2008	13822/2008	322340	14-03NES	02/12/2008
12838/2008	322308	14-03E	26/11/2008	13828/2008	322341	07-02L	02/12/2008
12871/2008	322309	09-07B	26/11/2008	13831/2008	322342	15-02	02/12/2008
12877/2008	322377	22-06	02/12/2008	13832/2008	322343	15-02	02/12/2008
12878/2008	322379	22-06	02/12/2008	13834/2008	322344	23-03NES	02/12/2008
12908/2008	322392	19-03	01/12/2008	13836/2008	322345	28-03D	02/12/2008
12940/2008	322259	03-01C	24/11/2008	13837/2008	322346	28-99	02/12/2008

Publication and Registration Proceedings - Designs Registered cont'd

Design Number	Registration Number	International Classification Code (IDC)	Registration Date	Design Number	Registration Number	International Classification Code (IDC)	Registration Date
13838/2008	322347	25-02B	02/12/2008	14029/2008	322319	25-02NES	26/11/2008
13839/2008	322348	25-02B	02/12/2008	14031/2008	322320	06-03NES	26/11/2008
13840/2008	322349	24-02	02/12/2008	14032/2008	322321	23-02F	26/11/2008
13841/2008	322350	24-02	02/12/2008	14033/2008	322322	23-02F	26/11/2008
13843/2008	322351	03-01D	02/12/2008	14034/2008	322323	23-02F	26/11/2008
13844/2008	322352	03-01D	02/12/2008	14035/2008	322324	23-02F	26/11/2008
13851/2008	322353	06-01G	02/12/2008	14036/2008	322325	24-01	26/11/2008
13852/2008	322354	06-01G	02/12/2008	14037/2008	322326	14-03NES	26/11/2008
13853/2008	322355	24-01	02/12/2008	14038/2008	322366	14-03A	26/11/2008
13854/2008	322356	24-01	02/12/2008	14039/2008	322367	14-03A	26/11/2008
13856/2008	322239	02-07C	26/11/2008	14040/2008	322368	13-02	26/11/2008
13857/2008	322407	02-07C	01/12/2008	14041/2008	322387	14-03A	01/12/2008
13860/2008	322264	02-02NES	24/11/2008	14044/2008	322369	27-99	26/11/2008
13861/2008	322265	02-02NES	24/11/2008	14046/2008	322370	13-03NES	26/11/2008
13863/2008	322408	02-02C	01/12/2008	14047/2008	322371	13-03NES	26/11/2008
13865/2008	322409	13-03C	01/12/2008	14048/2008	322372	08-05L	26/11/2008
13866/2008	322410	13-03C	01/12/2008	14050/2008	322423	26-06	02/12/2008
13875/2008	322303	14-01	24/11/2008	14051/2008	322424	26-06	02/12/2008
13876/2008	322304	14-01	24/11/2008	14052/2008	322425	25-01K	02/12/2008
13877/2008	322305	14-01	24/11/2008	14135/2008	322426	26-03	02/12/2008
13878/2008	322306	14-01	24/11/2008	14158/2008	322435	09-05	02/12/2008
13879/2008	322307	14-01	24/11/2008	14162/2008	322436	14-03E	02/12/2008
13967/2008	322277	08-01	21/11/2008	14163/2008	322437	14-03E	02/12/2008
13968/2008	322278	08-01	21/11/2008	14164/2008	322438	14-03E	02/12/2008
13969/2008	322279	08-01	21/11/2008	14165/2008	322439	14-03E	02/12/2008
13970/2008	322280	01-01	21/11/2008	14166/2008	322440	14-03E	02/12/2008
13971/2008	322281	20-03C	21/11/2008	14167/2008	322441	12-08	02/12/2008
13972/2008	322266	14-03E	24/11/2008	14168/2008	322442	12-16B	02/12/2008
13973/2008	322267	14-03E	24/11/2008	14169/2008	322443	12-16B	02/12/2008
13974/2008	322268	07-01E	24/11/2008	14170/2008	322444	08-05NES	02/12/2008
13975/2008	322269	14-03E	24/11/2008	14171/2008	322357	12-15A	02/12/2008
13978/2008	322270	15-05	24/11/2008	14172/2008	322447	12-15A	02/12/2008
13979/2008	322271	08-08NES	24/11/2008	14249/2008	322250	12-10	26/11/2008
13981/2008	322282	25-02E	21/11/2008	14442/2008	322374	02-01B	02/12/2008
13982/2008	322283	25-02E	21/11/2008	14526/2008	322445	12-02	02/12/2008
13983/2008	322310	08-06	26/11/2008	14527/2008	322446	20-03NES	02/12/2008
13984/2008	322284	06-02	21/11/2008	14721/2008	322388	21-03	01/12/2008
13988/2008	322285	10-02	21/11/2008	14722/2008	322389	21-03	01/12/2008
13989/2008	322286	28-99	21/11/2008	14816/2008	322291	07-06NES	21/11/2008
13990/2008	322287	08-08B	21/11/2008	14817/2008	322292	07-06NES	21/11/2008
13991/2008	322288	08-08B	21/11/2008	14904/2008	322364	23-01H	26/11/2008
13992/2008	322289	08-08B	21/11/2008	14912/2008	322378	22-06	02/12/2008
13994/2008	322290	08-03	21/11/2008	14913/2008	322380	22-06	02/12/2008
13997/2008	322311	12-16L	26/11/2008	15179/2008	322333	08-08B	26/11/2008
13998/2008	322312	12-05	26/11/2008	15180/2008	322334	08-08B	26/11/2008
13999/2008	322313	20-01	26/11/2008	15220/2008	322335	09-01NES	26/11/2008
14000/2008	322314	23-02B	26/11/2008	15243/2008	322336	09-09	26/11/2008
14001/2008	322315	23-02B	26/11/2008	15388/2008	322327	09-01NES	26/11/2008
14003/2008	322316	11-02NES	26/11/2008	15389/2008	322337	09-01NES	26/11/2008
14022/2008	322419	12-16M	02/12/2008	15390/2008	322338	09-01NES	26/11/2008
14023/2008	322420	25-01K	02/12/2008	15585/2008	322411	03-01A	01/12/2008
14024/2008	322421	25-01K	02/12/2008				
14025/2008	322422	05-05A	02/12/2008				
14027/2008	322317	15-05	26/11/2008				
14028/2008	322318	15-05	26/11/2008				

**Publication and Registration Proceedings**  
**Class Listing of Designs Published or Registered**

The following section shows an International Classification Code listing of the Registered or Published Designs covered in this supplement.

<b>Classification</b>	<b>Registration Number</b>	<b>Design Number</b>	<b>Classification</b>	<b>Registration Number</b>	<b>Design Number</b>
01-01	322280	13970/2008	08-01	322279	13969/2008
02-01 B	322358	10841/2008	08-03	322290	13994/2008
02-01 B	322373	11777/2008	08-05 L	322372	14048/2008
02-01 B	322374	14442/2008	08-05 NES	322407	13857/2008
02-01 B	322412	11573/2008	08-05 NES	322444	14170/2008
02-01 B	322413	11574/2008	08-06	322310	13983/2008
02-01 B	322414	11575/2008	08-07	322434	13488/2008
02-01 B	322415	11577/2008	08-08 B	322287	13990/2008
02-01 B	322416	11578/2008	08-08 B	322288	13991/2008
02-01 NES	322408	13863/2008	08-08 B	322289	13992/2008
02-02 C	322408	13863/2008	08-08 B	322333	15179/2008
02-02 C	322417	11580/2008	08-08 B	322334	15180/2008
02-02 C	322418	11581/2008	08-08 G	322359	10997/2008
02-02 NES	322264	13860/2008	08-08 K	322261	13184/2008
02-02 NES	322265	13861/2008	08-08 K	322262	13185/2008
02-04 NES	322238	13346/2008	08-08 K	322263	13186/2008
02-04 NES	322273	12119/2008	08-08 NES	322271	13979/2008
02-07 A	322239	13856/2008	08-08 NES	322340	13822/2008
02-07 C	322239	13856/2008	08-10	322251	21332/2007
02-07 C	322407	13857/2008	09-01 D	322375	12241/2008
02-99	322294	11368/2008	09-01 D	322376	12242/2008
03-01 A	322236	12313/2008	09-01 NES	322327	15388/2008
03-01 A	322411	15585/2008	09-01 NES	322335	15220/2008
03-01 B	322237	12314/2008	09-01 NES	322337	15389/2008
03-01 B	322411	15585/2008	09-01 NES	322338	15390/2008
03-01 C	322259	12940/2008	09-03 NES	322435	14158/2008
03-01 C	322260	12941/2008	09-05	322435	14158/2008
03-01 D	322351	13843/2008	09-07 B	322309	12871/2008
03-01 D	322352	13844/2008	09-09	322336	15243/2008
03-01 NES	322402	13760/2008	10-02	322285	13988/2008
05-05 A	322422	14025/2008	10-04	322240	13358/2008
06-01 B	322432	12822/2008	10-04	322241	13359/2008
06-01 C	322432	12822/2008	10-04	322396	13754/2008
06-01 G	322353	13851/2008	10-04	322397	13755/2008
06-01 G	322354	13852/2008	10-04	322398	13756/2008
06-01 G	322431	12821/2008	10-04	322399	13757/2008
06-01 H	322430	12820/2008	10-04	322400	13758/2008
06-02	322284	13984/2008	10-04	322401	13759/2008
06-02	322328	12098/2008	11-01 NES	322393	13747/2008
06-03 A	322329	12099/2008	11-01 NES	322394	13748/2008
06-03 A	322391	12557/2008	11-02 NES	322316	14003/2008
06-03 NES	322320	14031/2008	12-02	322445	14526/2008
06-04 NES	322330	12100/2008	12-05	322312	13998/2008
06-04 NES	322331	12101/2008	12-06 A	322406	13790/2008
06-04 NES	322332	12102/2008	12-06 C	322382	13675/2008
06-04 NES	322396	13754/2008	12-08	322429	10989/2008
07-01 A	322293	11963/2008	12-08	322441	14167/2008
07-01 E	322268	13974/2008	12-10	322250	14249/2008
07-02 L	322341	13828/2008	12-10	322274	12761/2008
07-04	322400	13758/2008	12-10	322275	12762/2008
07-06 NES	322272	12097/2008	12-10	322298	13355/2008
07-06 NES	322291	14816/2008	12-15 A	322357	14171/2008
07-06 NES	322292	14817/2008	12-15 A	322447	14172/2008
07-06 NES	322397	13755/2008	12-15 NES	322405	13764/2008
08-01	322277	13967/2008	12-16 B	322428	10988/2008
08-01	322278	13968/2008	12-16 B	322442	14168/2008

Registration Proceedings - Class Listing of Designs Published or Registered cont'd

Classification	Registration Number	Design Number	Classification	Registration Number	Design Number
12-16 B	322443	14169/2008	15-09	322254	11364/2008
12-16 C	322442	14168/2008	15-09	322255	11365/2008
12-16 C	322443	14169/2008	15-09	322256	11366/2008
12-16 L	322311	13997/2008	15-09	322257	11367/2008
12-16 M	322419	14022/2008	16-06	322395	13751/2008
12-16 NES	322360	12095/2008	19-01	322252	20229/2007
12-16 NES	322361	12096/2008	19-02	322396	13754/2008
12-16 NES	322381	13646/2008	19-03	322339	13780/2008
13-02	322365	13164/2008	19-03	322392	12908/2008
13-02	322368	14040/2008	19-07	322392	12908/2008
13-03 C	322409	13865/2008	20-01	322313	13999/2008
13-03 C	322410	13866/2008	20-03 C	322281	13971/2008
13-03 NES	322370	14046/2008	20-03 NES	322281	13971/2008
13-03 NES	322371	14047/2008	20-03 NES	322446	14527/2008
14-01	322303	13875/2008	21-03	322388	14721/2008
14-01	322304	13876/2008	21-03	322389	14722/2008
14-01	322305	13877/2008	22-06	322377	12877/2008
14-01	322306	13878/2008	22-06	322378	14912/2008
14-01	322307	13879/2008	22-06	322379	12878/2008
14-02	322436	14162/2008	22-06	322380	14913/2008
14-02	322437	14163/2008	23-01 F	322258	12641/2008
14-02	322438	14164/2008	23-01 G	322341	13828/2008
14-02	322439	14165/2008	23-01 H	322362	12104/2008
14-02	322440	14166/2008	23-01 H	322363	12105/2008
14-03 A	322245	13618/2008	23-01 H	322364	14904/2008
14-03 A	322247	13620/2008	23-02 B	322314	14000/2008
14-03 A	322299	13623/2008	23-02 B	322315	14001/2008
14-03 A	322300	13624/2008	23-02 F	322321	14032/2008
14-03 A	322301	13625/2008	23-02 F	322322	14033/2008
14-03 A	322325	14036/2008	23-02 F	322323	14034/2008
14-03 A	322366	14038/2008	23-02 F	322324	14035/2008
14-03 A	322367	14039/2008	23-03 NES	322344	13834/2008
14-03 A	322387	14041/2008	24-01	322325	14036/2008
14-03 E	322242	13615/2008	24-01	322355	13853/2008
14-03 E	322243	13616/2008	24-01	322356	13854/2008
14-03 E	322244	13617/2008	24-01	322366	14038/2008
14-03 E	322246	13619/2008	24-01	322367	14039/2008
14-03 E	322248	13621/2008	24-01	322368	14040/2008
14-03 E	322249	13622/2008	24-01	322387	14041/2008
14-03 E	322266	13972/2008	24-02	322349	13840/2008
14-03 E	322267	13973/2008	24-02	322350	13841/2008
14-03 E	322269	13975/2008	25-01 B	322302	13626/2008
14-03 E	322300	13624/2008	25-01 K	322383	13042/2008
14-03 E	322308	12838/2008	25-01 K	322384	13043/2008
14-03 E	322436	14162/2008	25-01 K	322385	13044/2008
14-03 E	322437	14163/2008	25-01 K	322386	13045/2008
14-03 E	322438	14164/2008	25-01 K	322420	14023/2008
14-03 E	322439	14165/2008	25-01 K	322421	14024/2008
14-03 E	322440	14166/2008	25-01 K	322425	14052/2008
14-03 NES	322326	14037/2008	25-02 B	322347	13838/2008
14-03 NES	322340	13822/2008	25-02 B	322348	13839/2008
15-02	322342	13831/2008	25-02 E	322282	13981/2008
15-02	322343	13832/2008	25-02 E	322283	13982/2008
15-03 NES	322290	13994/2008	25-02 NES	322319	14029/2008
15-05	322270	13978/2008	26-02	322390	12463/2008
15-05	322317	14027/2008	26-02	322433	13008/2008
15-05	322318	14028/2008	26-03	322426	14135/2008
15-07	322427	10334/2008	26-04	322403	13762/2008
15-09	322253	11363/2008	26-06	322276	13351/2008

**Registration Proceedings - Class Listing of Designs Published or Registered cont'd**

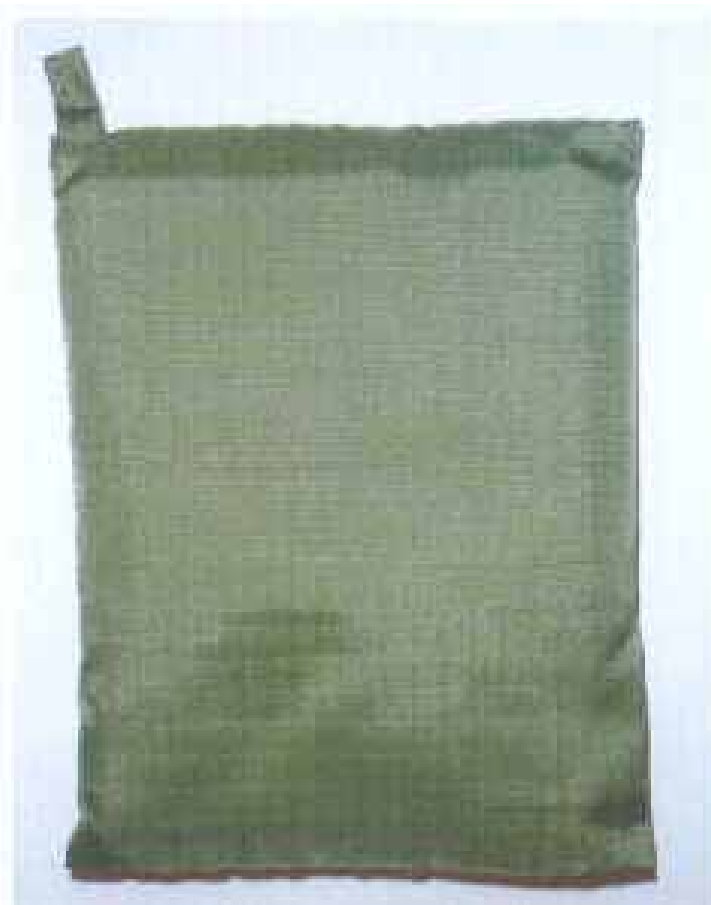
<b>Classification</b>	<b>Registration Number</b>	<b>Design Number</b>	<b>Classification</b>	<b>Registration Number</b>	<b>Design Number</b>
26-06	322297	13350/2008	28-99	322295	12602/2008
26-06	322423	14050/2008	28-99	322296	12603/2008
26-06	322424	14051/2008	28-99	322346	13837/2008
27-99	322369	14044/2008	30-03	322404	13763/2008
28-03 D	322345	13836/2008			
28-99	322286	13989/2008			



- (21) Design Number: **12313/2008**  
(22) Date of Filing Application: **15 May 2008**  
(24) Date from which industrial property rights may have effect: **15 May 2008**  
(54) Product in respect of which the design is registered: **Carrying bag**  
(51) International Design Classification: **03-01A**  
(71) Name(s) and Address(s) of Applicant(s):  
**Narelle Ciantar**  
**28 Dredge Street RESERVOIR VIC 3073**  
(72) Name(s) of Designer(s): **Narelle Ciantar**  
(45) Registration Date: **26 November 2008**  
(56) Related Art Documents: **Not Applicable**  
(57) Statement of Newness and Distinctiveness: **Collapsible gusset at base.**



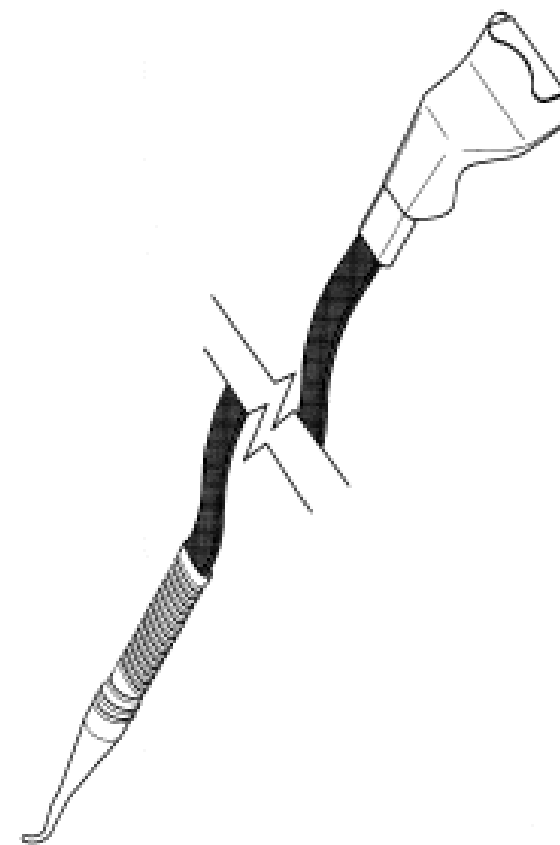
- (21) Design Number: **12314/2008**  
(22) Date of Filing Application: **15 May 2008**  
(24) Date from which industrial property rights may have effect: **15 May 2008**  
(54) Product in respect of which the design is registered: **Pouch**  
(51) International Design Classification: **03-01B**  
(71) Name(s) and Address(s) of Applicant(s):  
**Narelle Ciantar**  
**28 Dredge Street RESERVOIR VIC 3073**  
(72) Name(s) of Designer(s): **Narelle Ciantar**  
(45) Registration Date: **26 November 2008**  
(56) Related Art Documents: **Not Applicable**  
(57) Statement of Newness and Distinctiveness: **Nil**



- (21) Design Number: **13346/2008**  
(22) Date of Filing Application: **16 July 2008**  
(24) Date from which industrial property rights may have effect: **16 July 2008**  
(54) Product in respect of which the design is registered: **Footwear**  
(51) International Design Classification: **02-04NES**  
(71) Name(s) and Address(s) of Applicant(s):  
**Daisy Shoe Company (Aust) Pty Ltd**  
**Unit 10 1153 Burke Road KEW Victoria 3101 Australia**  
(72) Name(s) of Designer(s): **Chris McSorley**  
(45) Registration Date: **26 November 2008**  
(56) Related Art Documents: **Not Applicable**  
(57) Statement of Newness and Distinctiveness: **Completely new concept of injection moulding of a shoe and adding a slip resistant rubber outsole. There are manufacturers patents involved with the adhesion of the upper.**



- (21) Design Number: **13856/2008**  
(22) Date of Filing Application: **14 August 2008**  
(24) Date from which industrial property rights may have effect: **14 August 2008**  
(54) Product in respect of which the design is registered: **Bow tie clip guide**  
(51) International Design Classification: **02-07C, 02-07A**  
(71) Name(s) and Address(s) of Applicant(s):  
**Ramon Sydney Thomas**  
**1 Allen Street Burnside South Australia 5066 Australia**  
(72) Name(s) of Designer(s): **Ramon Sydney Thomas**  
(45) Registration Date: **26 November 2008**  
(56) Related Art Documents: **Not Applicable**  
(57) Statement of Newness and Distinctiveness: **In considering the extent of monopoly the length of the cord is to be disregarded.**



(21) Design Number: **13358/2008**

(22) Date of Filing Application: **16 July 2008**

(24) Date from which industrial property rights may have effect: **16 July 2008**

(54) Product in respect of which the design is registered: **Weighing apparatus**

(51) International Design Classification: **10-04**

(71) Name(s) and Address(s) of Applicant(s):

**Rinstrum Pty Ltd**

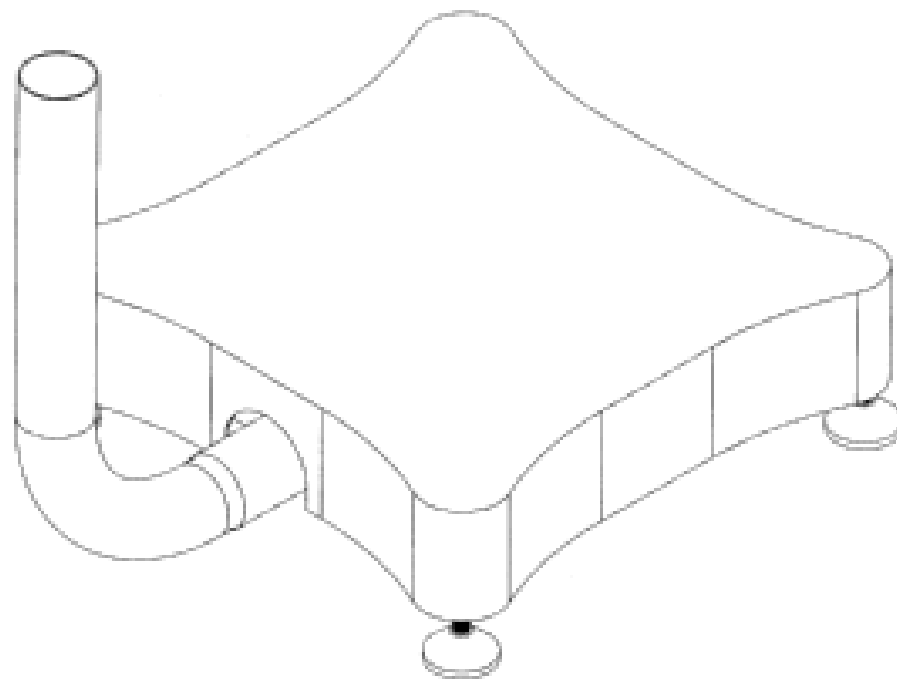
**41 Success Street Acacia Ridge Queensland 4110 Australia**

(72) Name(s) of Designer(s): **Darren Pearson and Ken Bray and Jason Bennett and Joel Nobel**

(45) Registration Date: **26 November 2008**

(56) Related Art Documents: **Not Applicable**

(57) Statement of Newness and Distinctiveness: **Newness and distinctiveness resides in the shape, configuration and ornamentation of the product as shown in the representations.**



(21) Design Number: **13359/2008**

(22) Date of Filing Application: **16 July 2008**

(24) Date from which industrial property rights may have effect: **16 July 2008**

(54) Product in respect of which the design is registered: **Weighing apparatus**

(51) International Design Classification: **10-04**

(71) Name(s) and Address(s) of Applicant(s):

**Rinstrum Pty Ltd**

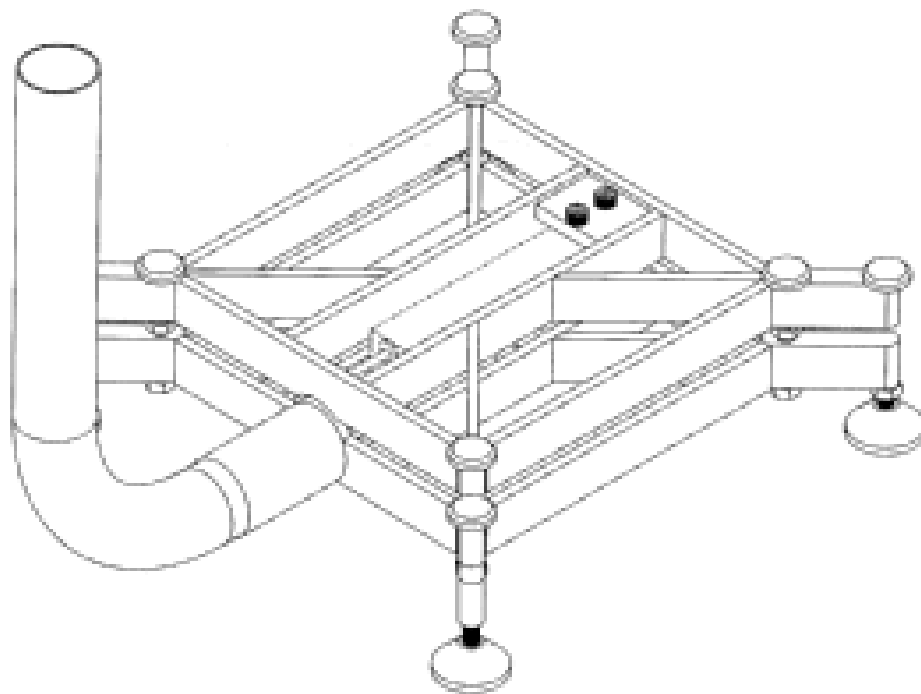
**41 Success Street Acacia Ridge Queensland 4110 Australia**

(72) Name(s) of Designer(s): **Darren Pearson and Ken Bray and Jason Bennett and Joel Nobel**

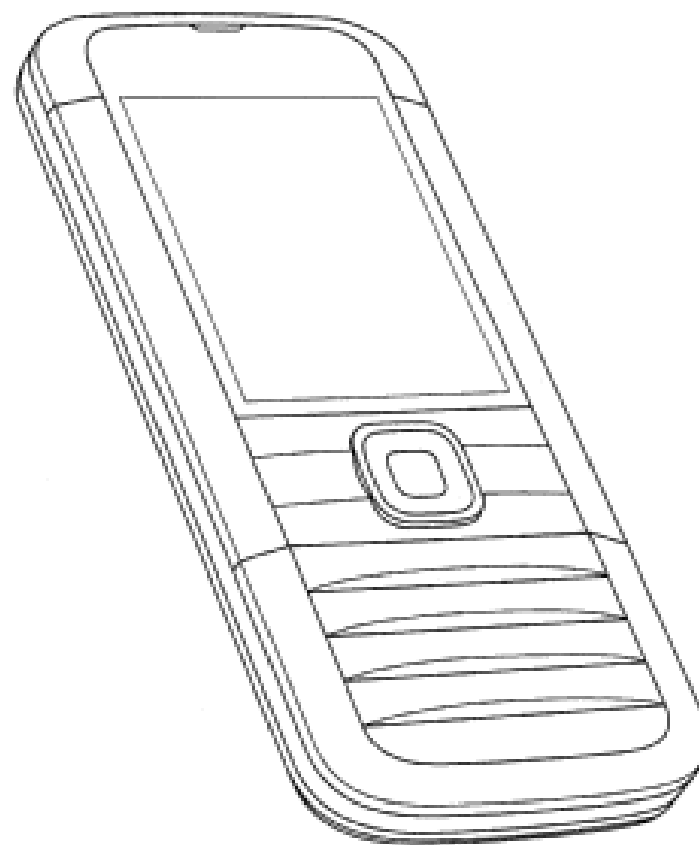
(45) Registration Date: **26 November 2008**

(56) Related Art Documents: **Not Applicable**

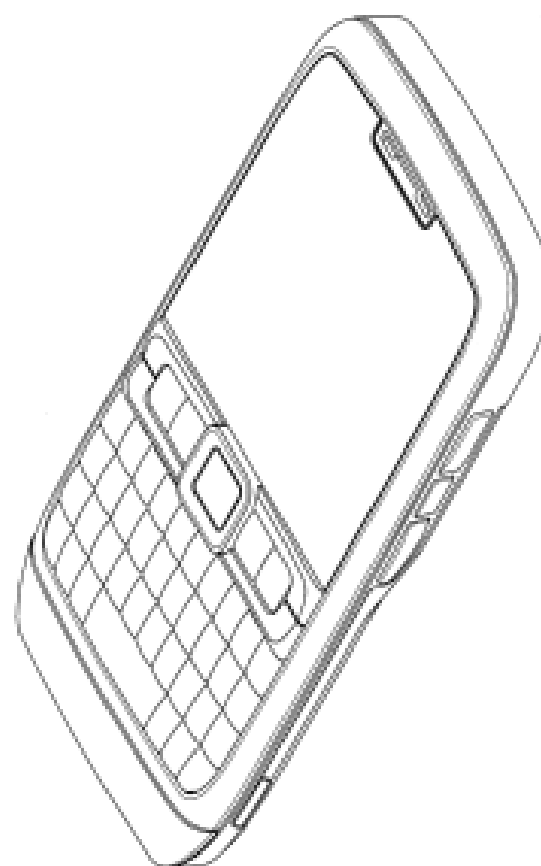
(57) Statement of Newness and Distinctiveness: **Newness and distinctiveness resides in the shape, configuration and ornamentation of the product as shown in the representations.**



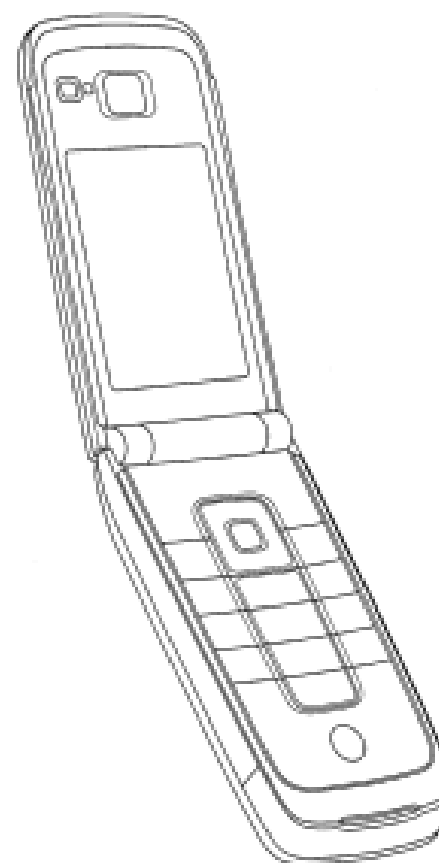
(21) Design Number: **13615/2008**  
(22) Date of Filing Application: **30 July 2008**  
(24) Date from which industrial property rights may have effect: **30 July 2008**  
(54) Product in respect of which the design is registered: **Handset**  
(51) International Design Classification: **14-03E**  
(71) Name(s) and Address(s) of Applicant(s):  
**Nokia Corporation**  
**Keilalahdentie 4 FIN-02150 Espoo Finland**  
(72) Name(s) of Designer(s): **Xiaoxi Shi**  
(45) Registration Date: **26 November 2008**  
(30) Convention priority data:  
(31) Number      (32) Date      (33) Country  
**29305394      19 Mar 2008      UNITED STATES OF AMERICA**  
(56) Related Art Documents: **Not Applicable**  
(57) Statement of Newness and Distinctiveness: **Nil**



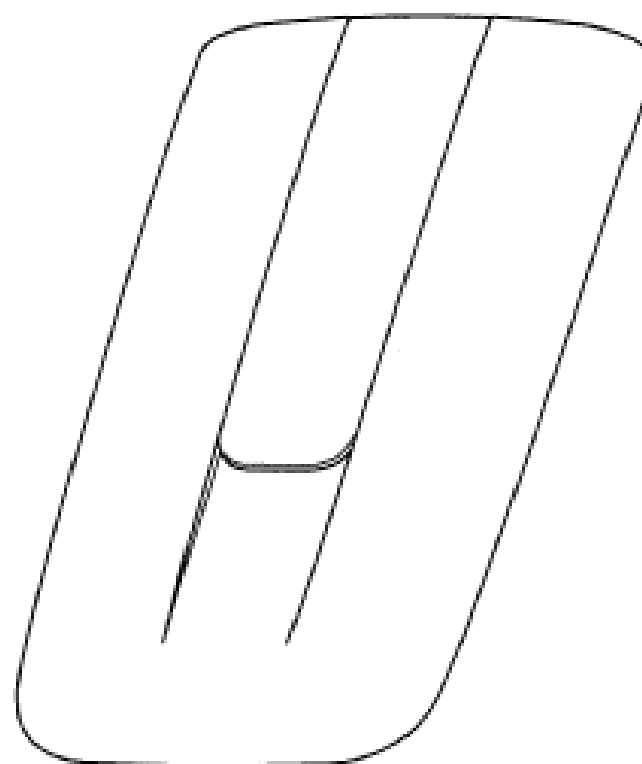
(21) Design Number: **13616/2008**  
(22) Date of Filing Application: **30 July 2008**  
(24) Date from which industrial property rights may have effect: **30 July 2008**  
(54) Product in respect of which the design is registered: **Handset**  
(51) International Design Classification: **14-03E**  
(71) Name(s) and Address(s) of Applicant(s):  
**Nokia Corporation**  
**Keilalahdentie 4 FIN-02150 Espoo Finland**  
(72) Name(s) of Designer(s): **Benoit Rouger**  
(45) Registration Date: **26 November 2008**  
(30) Convention priority data:  
(31) Number      (32) Date      (33) Country  
**29317151      23 Apr 2008      UNITED STATES OF AMERICA**  
(56) Related Art Documents: **Not Applicable**  
(57) Statement of Newness and Distinctiveness: **Nil**



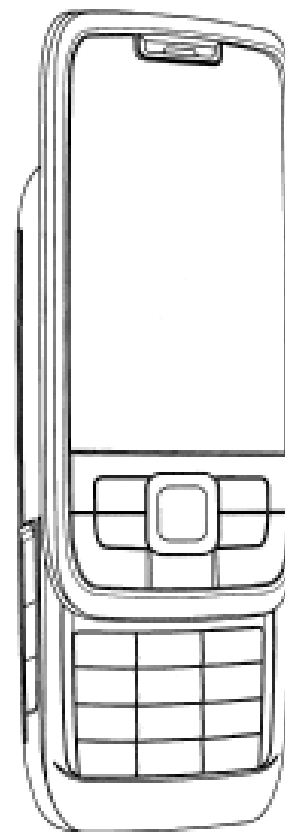
(21) Design Number: **13617/2008**  
(22) Date of Filing Application: **30 July 2008**  
(24) Date from which industrial property rights may have effect: **30 July 2008**  
(54) Product in respect of which the design is registered: **Handset**  
(51) International Design Classification: **14-03E**  
(71) Name(s) and Address(s) of Applicant(s):  
**Nokia Corporation**  
**Keilalahdentie 4 FIN-02150 Espoo Finland**  
(72) Name(s) of Designer(s): **Aki Laine**  
(45) Registration Date: **26 November 2008**  
(30) Convention priority data:  
(31) Number      (32) Date      (33) Country  
**29305923      31 Mar 2008      UNITED STATES OF AMERICA**  
(56) Related Art Documents: **Not Applicable**  
(57) Statement of Newness and Distinctiveness: **Nil**



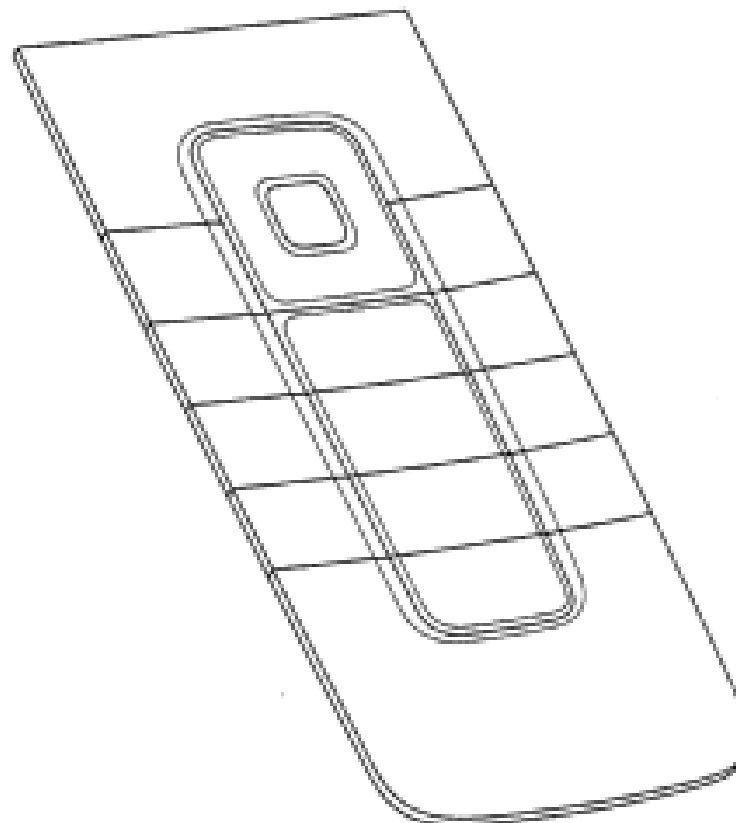
(21) Design Number: **13618/2008**  
(22) Date of Filing Application: **30 July 2008**  
(24) Date from which industrial property rights may have effect: **30 July 2008**  
(54) Product in respect of which the design is registered: **Front Cover for a handset**  
(51) International Design Classification: **14-03A**  
(71) Name(s) and Address(s) of Applicant(s):  
**Nokia Corporation**  
**Keilalahdentie 4 FIN-02150 Espoo Finland**  
(72) Name(s) of Designer(s): **Leonard Wozniak**  
(45) Registration Date: **26 November 2008**  
(30) Convention priority data:  
(31) Number      (32) Date      (33) Country  
**29305524      21 Mar 2008      UNITED STATES OF AMERICA**  
(56) Related Art Documents: **Not Applicable**  
(57) Statement of Newness and Distinctiveness: **Nil**



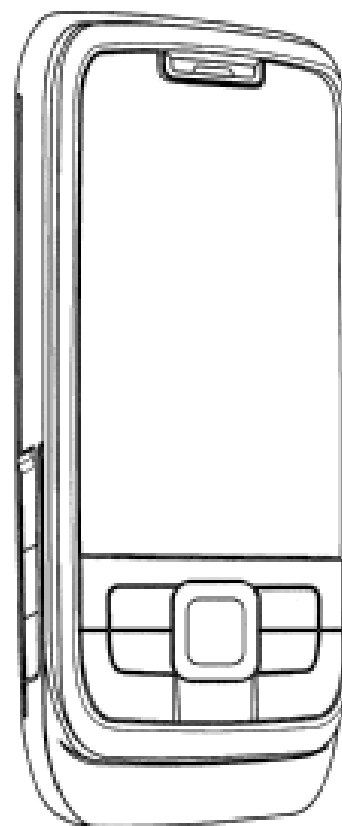
(21) Design Number: **13619/2008**  
(22) Date of Filing Application: **30 July 2008**  
(24) Date from which industrial property rights may have effect: **30 July 2008**  
(54) Product in respect of which the design is registered: **Handset**  
(51) International Design Classification: **14-03E**  
(71) Name(s) and Address(s) of Applicant(s):  
**Nokia Corporation**  
**Keilalahdentie 4 FIN-02150 Espoo Finland**  
(72) Name(s) of Designer(s): **Veikko Rihu**  
(45) Registration Date: **26 November 2008**  
(30) Convention priority data:  
(31) Number      (32) Date      (33) Country  
**29317128      23 Apr 2008      UNITED STATES OF AMERICA**  
(56) Related Art Documents: **Not Applicable**  
(57) Statement of Newness and Distinctiveness: **Nil**



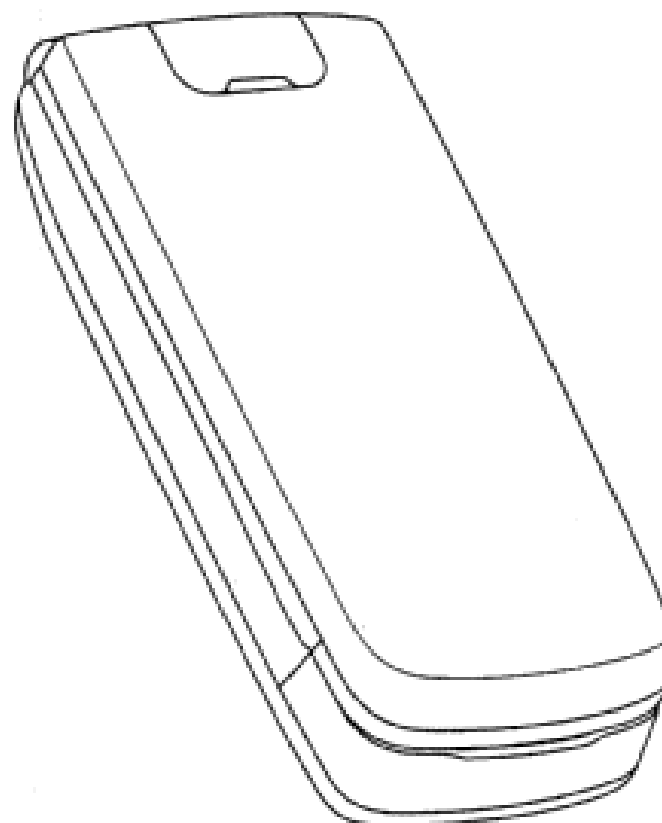
(21) Design Number: **13620/2008**  
(22) Date of Filing Application: **30 July 2008**  
(24) Date from which industrial property rights may have effect: **30 July 2008**  
(54) Product in respect of which the design is registered: **Keypad for a handset**  
(51) International Design Classification: **14-03A**  
(71) Name(s) and Address(s) of Applicant(s):  
**Nokia Corporation**  
**Keilalahdentie 4 FIN-02150 Espoo Finland**  
(72) Name(s) of Designer(s): **Aki Laine**  
(45) Registration Date: **26 November 2008**  
(30) Convention priority data:  
(31) Number      (32) Date      (33) Country  
**29305928      31 Mar 2008      UNITED STATES OF AMERICA**  
(56) Related Art Documents: **Not Applicable**  
(57) Statement of Newness and Distinctiveness: **Nil**



(21) Design Number: **13621/2008**  
(22) Date of Filing Application: **30 July 2008**  
(24) Date from which industrial property rights may have effect: **30 July 2008**  
(54) Product in respect of which the design is registered: **Handset**  
(51) International Design Classification: **14-03E**  
(71) Name(s) and Address(s) of Applicant(s):  
**Nokia Corporation**  
**Keilalahdentie 4 FIN-02150 Espoo Finland**  
(72) Name(s) of Designer(s): **Veikko Rihu**  
(45) Registration Date: **26 November 2008**  
(30) Convention priority data:  
(31) Number      (32) Date      (33) Country  
**29317132      23 Apr 2008      UNITED STATES OF AMERICA**  
(56) Related Art Documents: **Not Applicable**  
(57) Statement of Newness and Distinctiveness: **Nil**



(21) Design Number: **13622/2008**  
(22) Date of Filing Application: **30 July 2008**  
(24) Date from which industrial property rights may have effect: **30 July 2008**  
(54) Product in respect of which the design is registered: **Handset**  
(51) International Design Classification: **14-03E**  
(71) Name(s) and Address(s) of Applicant(s):  
**Nokia Corporation**  
**Keilalahdentie 4 FIN-02150 Espoo Finland**  
(72) Name(s) of Designer(s): **Aki Laine**  
(45) Registration Date: **26 November 2008**  
(30) Convention priority data:  
(31) Number      (32) Date      (33) Country  
**29305931      31 Mar 2008      UNITED STATES OF AMERICA**  
(56) Related Art Documents: **Not Applicable**  
(57) Statement of Newness and Distinctiveness: **Nil**

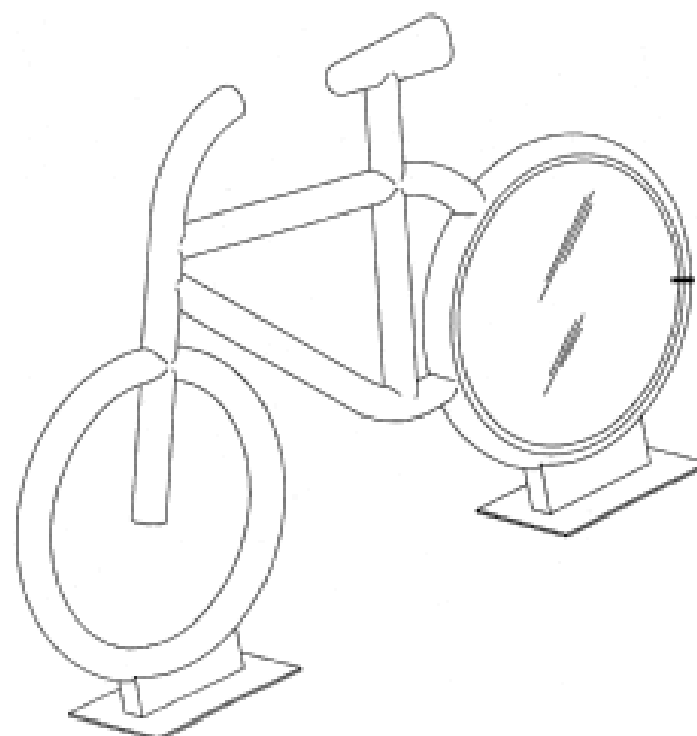


- (21) Design Number: **14249/2008**
- (22) Date of Filing Application: **03 September 2008**
- (24) Date from which industrial property rights may have effect: **03 September 2008**
- (54) Product in respect of which the design is registered: **Foldable motorbike trailer**
- (51) International Design Classification: **12-10**
- (71) Name(s) and Address(s) of Applicant(s):  
**P P & L Enterprises Pty Ltd**  
**142A Clontarf Road Hamilton Western Australia 6163 Australia**  
**Trailers by Design Pty Ltd**  
**142A Clontarf Road Hamilton Western Australia 6163 Australia**
- (72) Name(s) of Designer(s): **Darren James Brakespeare and Arthur Romaine Brakespeare**
- (45) Registration Date: **26 November 2008**
- (56) Related Art Documents: **Not Applicable**
- (57) Statement of Newness and Distinctiveness: **Trailer for motorbikes and motorcycles with collapsable structure.**



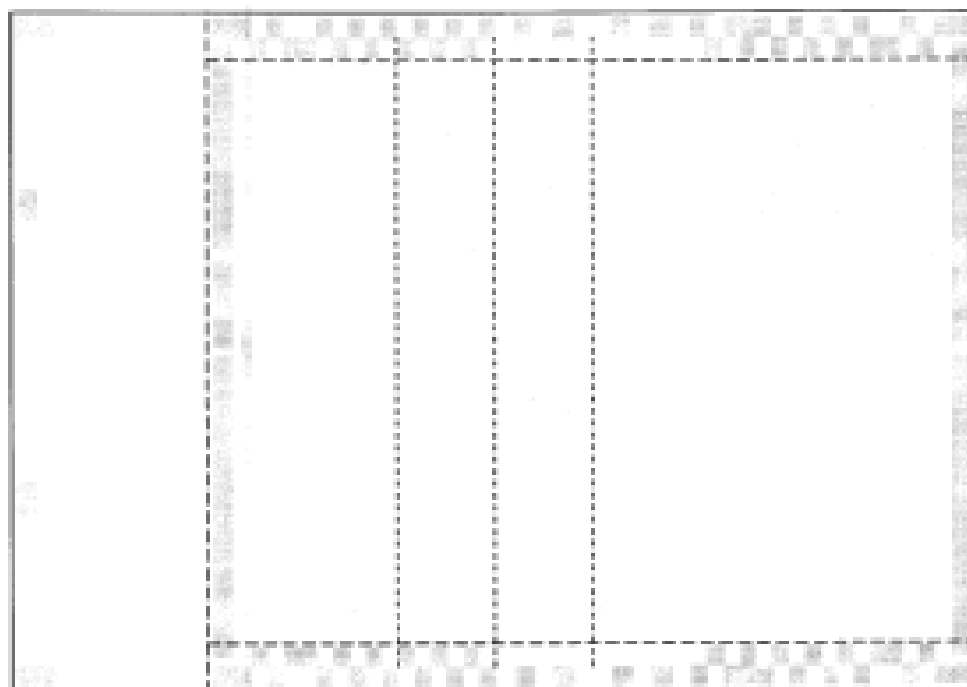
- (21) Design Number: **21332/2007**
- (22) Date of Filing Application: **13 December 2007**
- (24) Date from which industrial property rights may have effect: **13 December 2007**
- (54) Product in respect of which the design is registered: **A bike stand with information panel**
- (51) International Design Classification: **08-10**
- (71) Name(s) and Address(s) of Applicant(s):  
**Matthew Hammond**  
**16 Palliser Road Roseneath Wellington New Zealand**
- (72) Name(s) of Designer(s): **Matthew Hammond**
- (45) Registration Date: **26 November 2008**
- (30) Convention priority data:  

(31) Number	(32) Date	(33) Country
<b>409284</b>	<b>14 Jun 2007</b>	<b>NEW ZEALAND</b>
- (56) Related Art Documents: **Not Applicable**
- (57) Statement of Newness and Distinctiveness: **The novelty of the design resides in the features of shape and configuration of a bike stand with information panel as shown in the accompanying representations. "A" represents an information panel, which can be located within any of the front wheel, the rear wheel, or both wheels of the bike stand.**

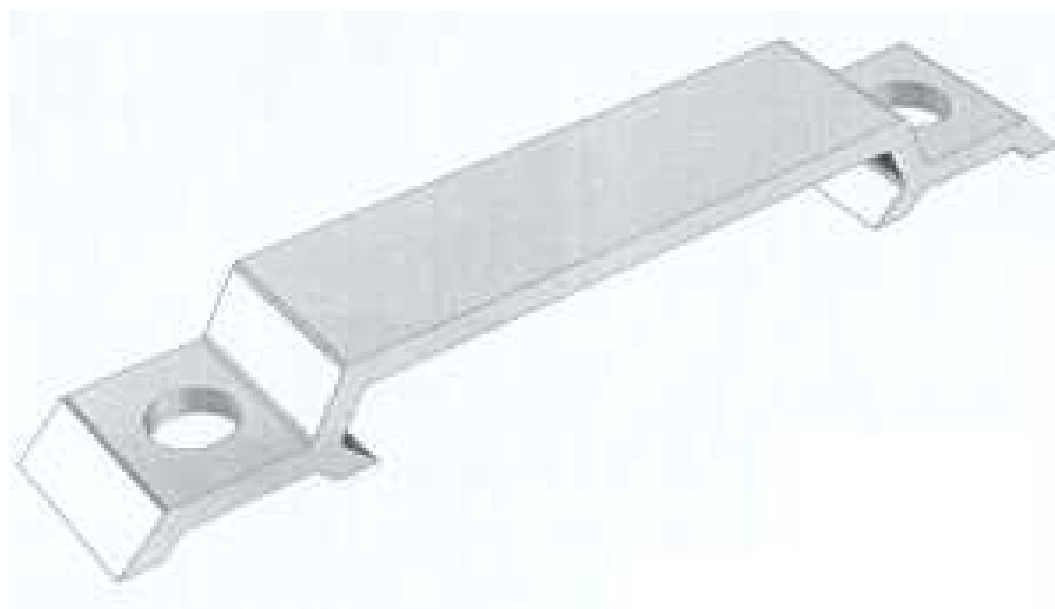




- (21) Design Number: **20229/2007**  
(22) Date of Filing Application: **15 October 2007**  
(24) Date from which industrial property rights may have effect: **15 October 2007**  
(54) Product in respect of which the design is registered: **Direct mail laser paper A4**  
(51) International Design Classification: **19-01**  
(71) Name(s) and Address(s) of Applicant(s):  
**Bernard Joseph Omodei**  
**5/50 Harvey Street East Woodville Park South Australia 5011 Australia**  
(72) Name(s) of Designer(s): **Bernard Joseph Omodei**  
(45) Registration Date: **24 November 2008**  
(56) Related Art Documents: **Not Applicable**  
(57) Statement of Newness and Distinctiveness: **Nil**



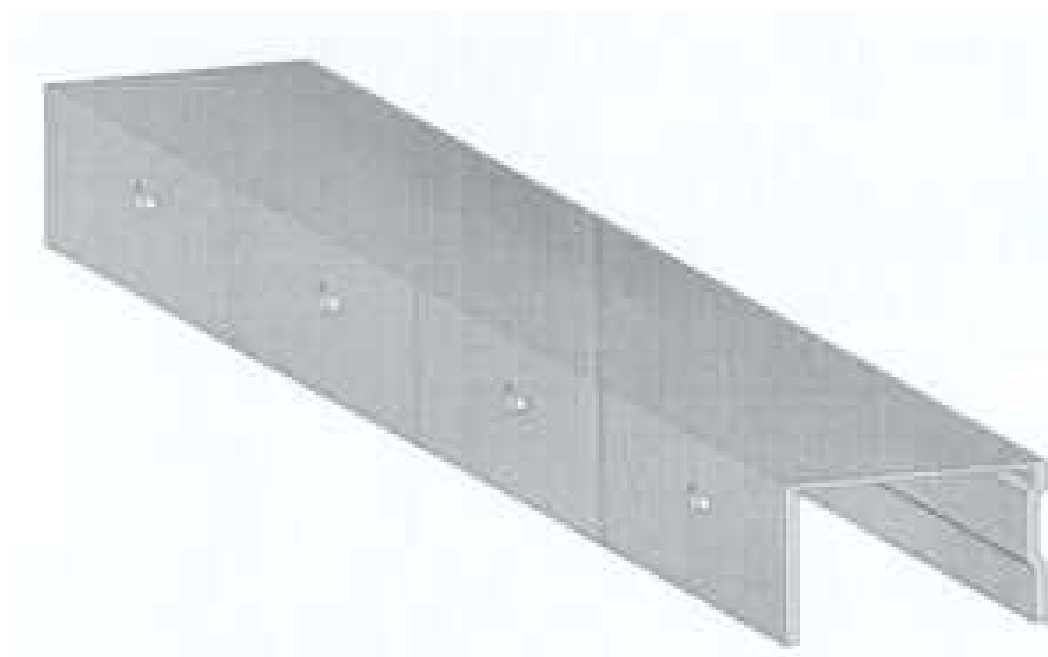
- (21) Design Number: **11363/2008**  
(22) Date of Filing Application: **20 March 2008**  
(24) Date from which industrial property rights may have effect: **20 March 2008**  
(54) Product in respect of which the design is registered: **Center Locker for the Fast Form System**  
(51) International Design Classification: **15-09**  
(71) Name(s) and Address(s) of Applicant(s):  
**BTI Holdings Pty Ltd**  
**Level 29 221 St. George's Terrace Perth Western Australia 6000 Australia**  
(72) Name(s) of Designer(s): **Victor Papineau**  
(45) Registration Date: **24 November 2008**  
(56) Related Art Documents: **Not Applicable**  
(57) Statement of Newness and Distinctiveness: **Nil**



- (21) Design Number: **11364/2008**  
(22) Date of Filing Application: **20 March 2008**  
(24) Date from which industrial property rights may have effect: **20 March 2008**  
(54) Product in respect of which the design is registered: **Segment of the Fast Form System**  
(51) International Design Classification: **15-09**  
(71) Name(s) and Address(s) of Applicant(s):  
**BTI Holdings Pty Ltd**  
**Level 29 221 St. George's Terrace Perth Western Australia 6000**  
**Australia**  
(72) Name(s) of Designer(s): **Victor Papineau**  
(45) Registration Date: **24 November 2008**  
(56) Related Art Documents: **Not Applicable**  
(57) Statement of Newness and Distinctiveness: **Nil**



- (21) Design Number: **11365/2008**  
(22) Date of Filing Application: **20 March 2008**  
(24) Date from which industrial property rights may have effect: **20 March 2008**  
(54) Product in respect of which the design is registered: **U Beam for the Fast Form System**  
(51) International Design Classification: **15-09**  
(71) Name(s) and Address(s) of Applicant(s):  
**BTI Holdings Pty Ltd**  
**Level 29 221 St. George's Terrace Perth Western Australia 6000**  
**Australia**  
(72) Name(s) of Designer(s): **Victor Papineau**  
(45) Registration Date: **24 November 2008**  
(56) Related Art Documents: **Not Applicable**  
(57) Statement of Newness and Distinctiveness: **Nil**



(21) Design Number: **11366/2008**

(22) Date of Filing Application: **20 March 2008**

(24) Date from which industrial property rights may have effect: **20 March 2008**

(54) Product in respect of which the design is registered: **External Corner for the Fast Form System**

(51) International Design Classification: **15-09**

(71) Name(s) and Address(s) of Applicant(s):

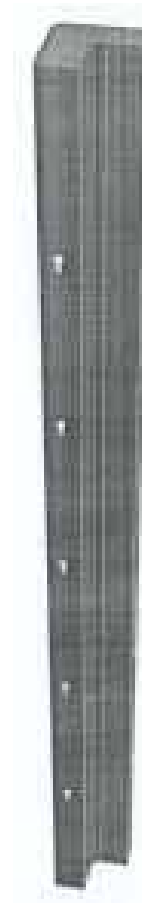
**BTI Holdings Pty Ltd**  
**Level 29 221 St. George's Terrace Perth Western Australia 6000**  
**Australia**

(72) Name(s) of Designer(s): **Victor Papineau**

(45) Registration Date: **24 November 2008**

(56) Related Art Documents: **Not Applicable**

(57) Statement of Newness and Distinctiveness: **Nil**



(21) Design Number: **11367/2008**

(22) Date of Filing Application: **20 March 2008**

(24) Date from which industrial property rights may have effect: **20 March 2008**

(54) Product in respect of which the design is registered: **Internal Corner for the Fast Form System**

(51) International Design Classification: **15-09**

(71) Name(s) and Address(s) of Applicant(s):

**BTI Holdings Pty Ltd**  
**Level 29 221 St. George's Terrace Perth Western Australia 6000**  
**Australia**

(72) Name(s) of Designer(s): **Victor Papineau**

(45) Registration Date: **24 November 2008**

(56) Related Art Documents: **Not Applicable**

(57) Statement of Newness and Distinctiveness: **Nil**



(21) Design Number: **12641/2008**

(22) Date of Filing Application: **01 June 2008**

(24) Date from which industrial property rights may have effect: **01 June 2008**

(54) Product in respect of which the design is registered: **Water tank**

(51) International Design Classification: **23-01F**

(71) Name(s) and Address(s) of Applicant(s):

**Stuart Donaldson**

**1 Dion Street Glen Iris Victoria 3146 Australia**

(72) Name(s) of Designer(s): **Stuart George Donaldson**

(45) Registration Date: **24 November 2008**

(56) Related Art Documents: **Not Applicable**

(57) Statement of Newness and Distinctiveness: **The design includes 1- A metal frame. 2- A waterproof bag. 3- Hoops. 4- The bag bulges between the hoops. 5- The frame is proud of the bulges. 6- The columns are proud of the bag. 7- The bag is fixed to the frame at the top.**



(21) Design Number: **12940/2008**

(22) Date of Filing Application: **23 June 2008**

(24) Date from which industrial property rights may have effect: **23 June 2008**

(54) Product in respect of which the design is registered: **Blank for a CD wallet**

(51) International Design Classification: **03-01C**

(71) Name(s) and Address(s) of Applicant(s):

**Software Images Pty Limited**

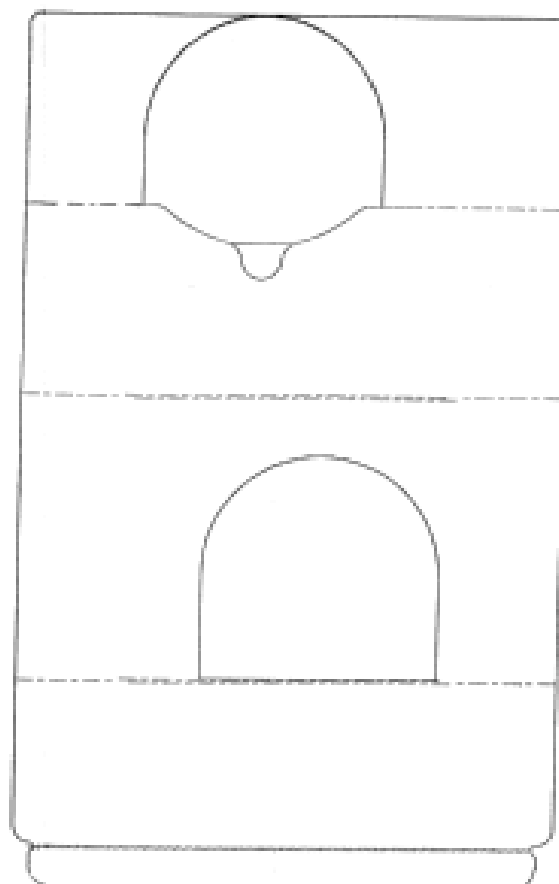
**10E, 107 Miles Platting Road Eight Mile Plains Brisbane Queensland  
4113 Australia**

(72) Name(s) of Designer(s): **Allan Morton**

(45) Registration Date: **24 November 2008**

(56) Related Art Documents: **Not Applicable**

(57) Statement of Newness and Distinctiveness: **The shape and configuration of the blank of the CD wallet as shown in the accompanying representation and a CD wallet is new and distinctive.**



(21) Design Number: **12941/2008**

(22) Date of Filing Application: **23 June 2008**

(24) Date from which industrial property rights may have effect: **23 June 2008**

(54) Product in respect of which the design is registered: **Blank for a CD wallet**

(51) International Design Classification: **03-01C**

(71) Name(s) and Address(s) of Applicant(s):

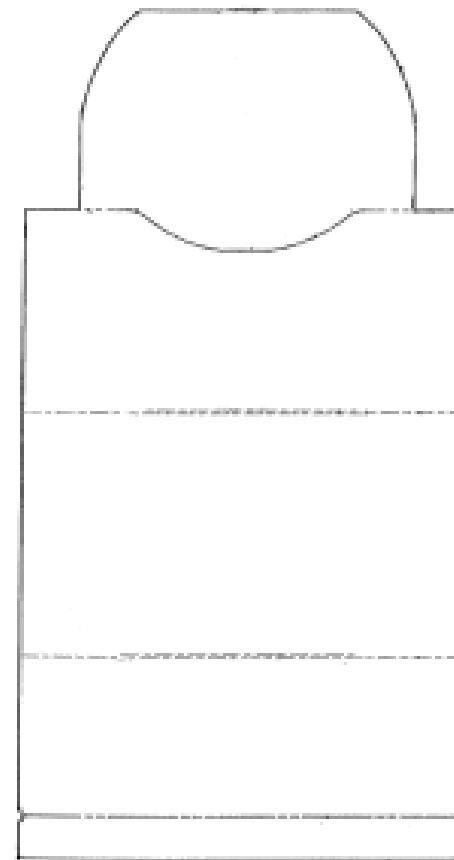
**Software Images Pty Limited**  
**10E, 107 Miles Platting Road Eight Mile Plains Brisbane Queensland**  
**4113 Australia**

(72) Name(s) of Designer(s): **Allan Morton**

(45) Registration Date: **24 November 2008**

(56) Related Art Documents: **Not Applicable**

(57) Statement of Newness and Distinctiveness: **The shape and configuration of the blank of the CD wallet as shown in the accompanying representation and a CD wallet is new and distinctive.**



(21) Design Number: **13184/2008**

(22) Date of Filing Application: **09 July 2008**

(24) Date from which industrial property rights may have effect: **09 July 2008**

(54) Product in respect of which the design is registered: **Fence panel footing block**

(51) International Design Classification: **08-08K**

(71) Name(s) and Address(s) of Applicant(s):

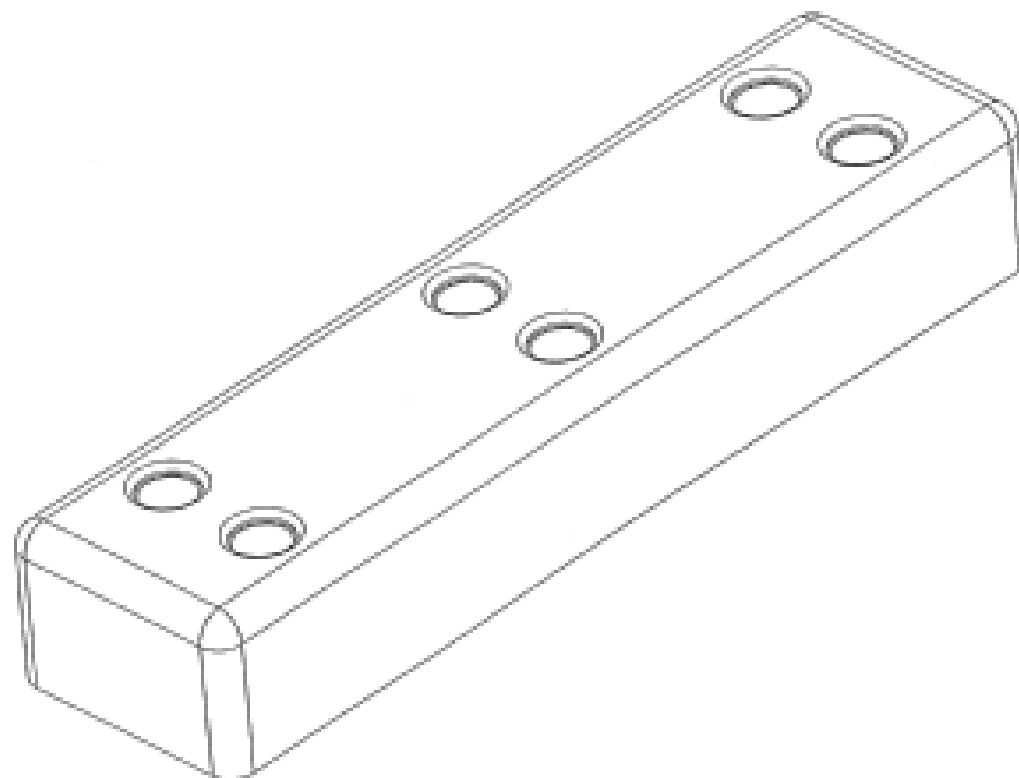
**John Clement Preston**  
**196 Silverwater Road Silverwater New South Wales 2128 Australia**

(72) Name(s) of Designer(s): **John Clement Preston**

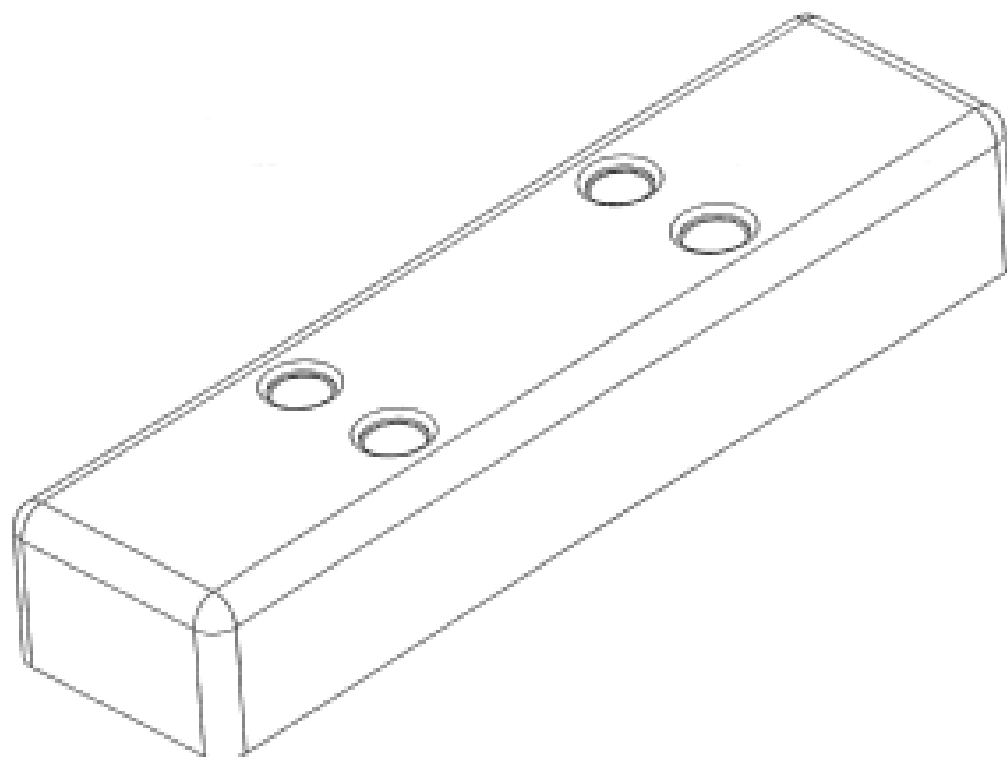
(45) Registration Date: **24 November 2008**

(56) Related Art Documents: **Not Applicable**

(57) Statement of Newness and Distinctiveness: **Nil**



- (21) Design Number: **13185/2008**
- (22) Date of Filing Application: **09 July 2008**
- (24) Date from which industrial property rights may have effect: **09 July 2008**
- (54) Product in respect of which the design is registered: **Fence panel footing block**
- (51) International Design Classification: **08-08K**
- (71) Name(s) and Address(s) of Applicant(s):  
**John Clement Preston**  
**196 Silverwater Road Silverwater New South Wales 2128 Australia**
- (72) Name(s) of Designer(s): **John Clement Preston**
- (45) Registration Date: **24 November 2008**
- (56) Related Art Documents: **Not Applicable**
- (57) Statement of Newness and Distinctiveness: **Nil**



- (21) Design Number: **13186/2008**
- (22) Date of Filing Application: **09 July 2008**
- (24) Date from which industrial property rights may have effect: **09 July 2008**
- (54) Product in respect of which the design is registered: **Fence panel footing block**
- (51) International Design Classification: **08-08K**
- (71) Name(s) and Address(s) of Applicant(s):  
**John Clement Preston**  
**196 Silverwater Road Silverwater New South Wales 2128 Australia**
- (72) Name(s) of Designer(s): **John Clement Preston**
- (45) Registration Date: **24 November 2008**
- (56) Related Art Documents: **Not Applicable**
- (57) Statement of Newness and Distinctiveness: **Nil**

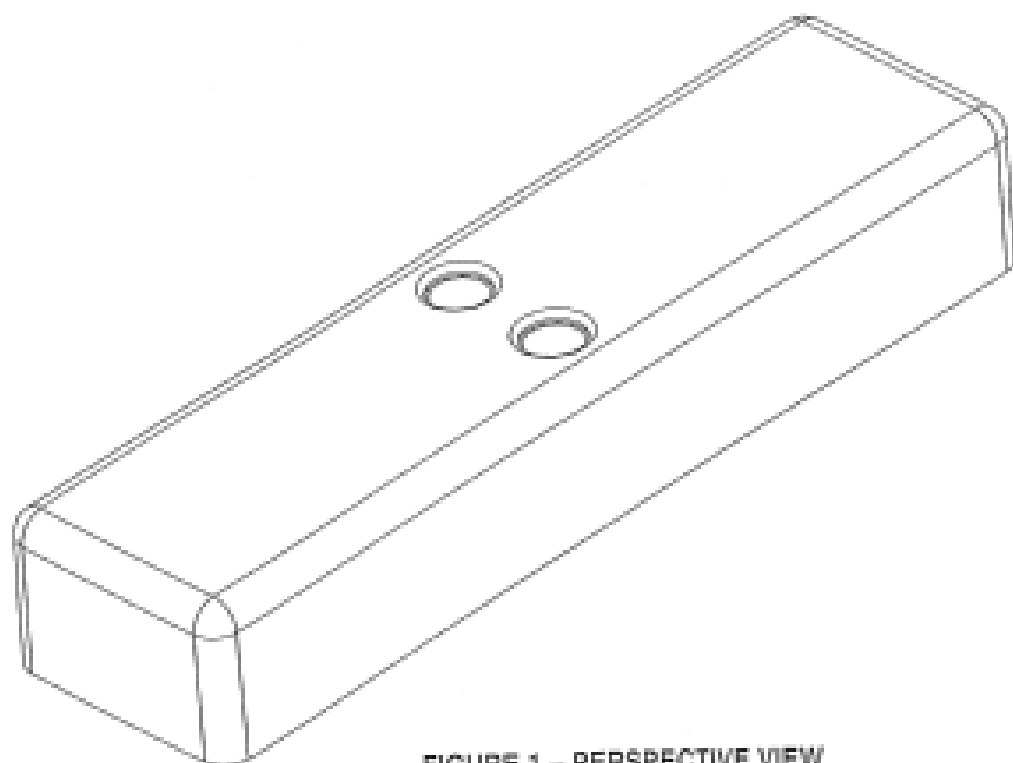
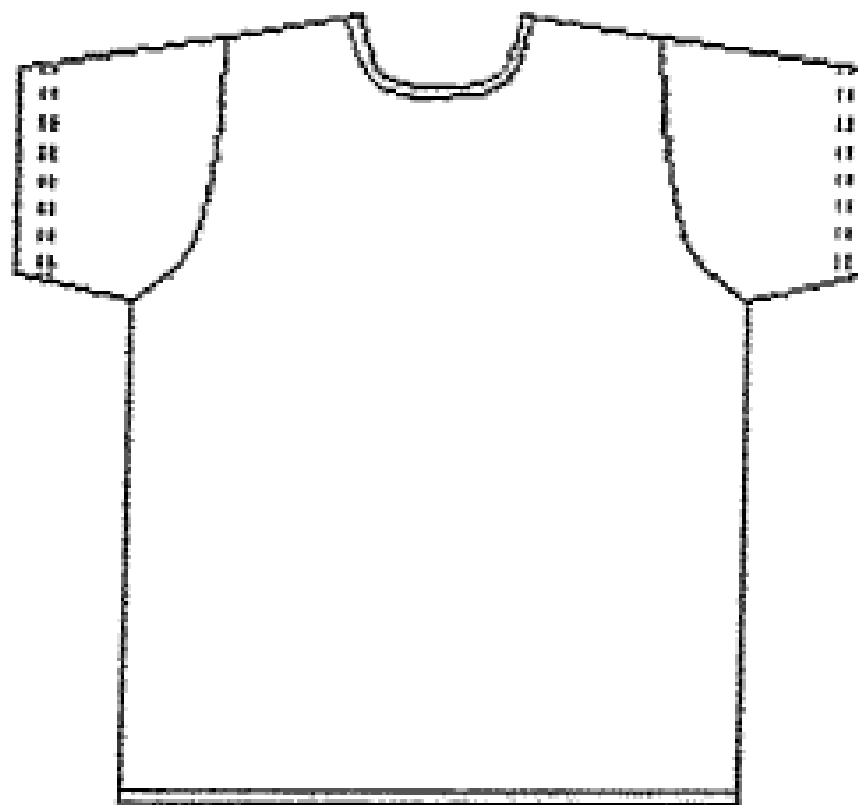
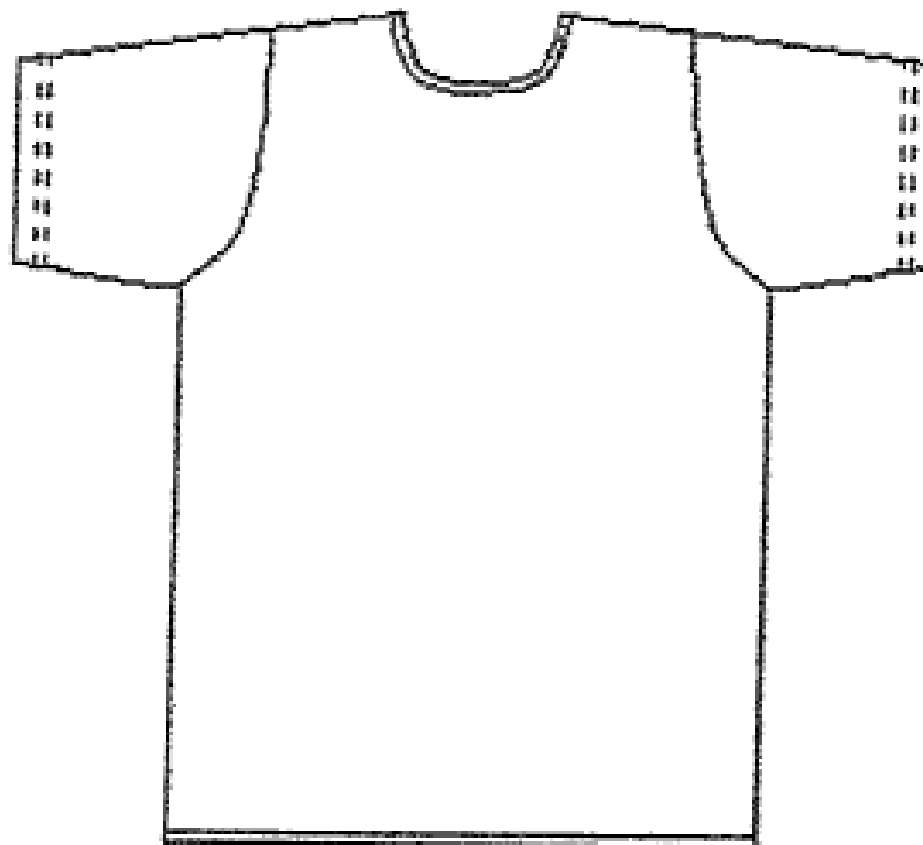


FIGURE 1 – PERSPECTIVE VIEW

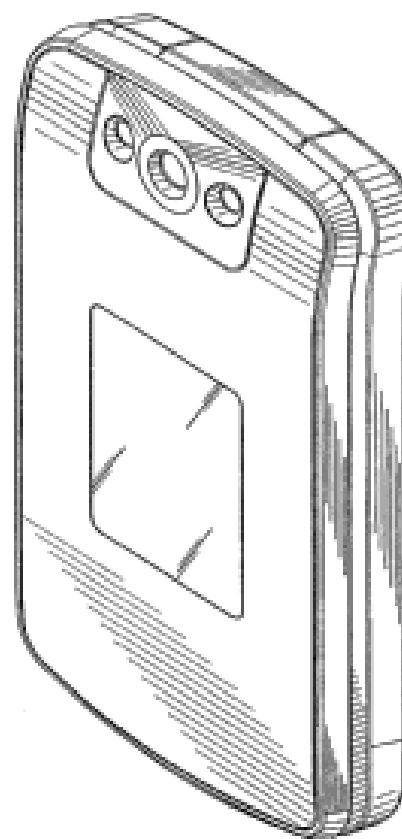
- (21) Design Number: **13860/2008**
- (22) Date of Filing Application: **13 August 2008**
- (24) Date from which industrial property rights may have effect: **13 August 2008**
- (54) Product in respect of which the design is registered: **Article of clothing**
- (51) International Design Classification: **02-02NES**
- (71) Name(s) and Address(s) of Applicant(s):  
**Linda Dugan Pty Ltd**  
**1104/666 Chapel Street South Yarra Victoria 3141 Australia**
- (72) Name(s) of Designer(s): **Linda Dugan**
- (45) Registration Date: **24 November 2008**
- (56) Related Art Documents: **Not Applicable**
- (57) Statement of Newness and Distinctiveness: **Newness and distinctiveness resides in the features of shape and/or configuration of an article of clothing as shown in the accompanying representations.**



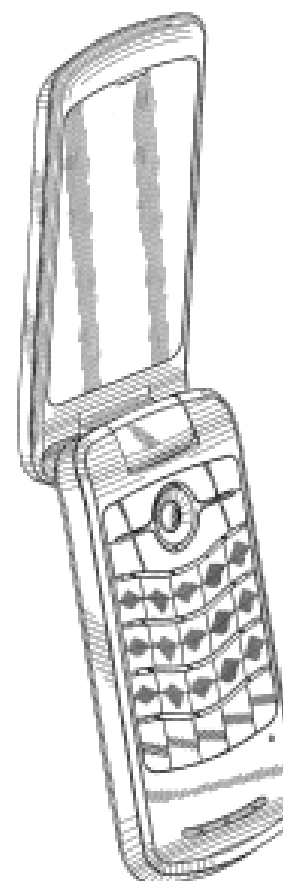
- (21) Design Number: **13861/2008**
- (22) Date of Filing Application: **13 August 2008**
- (24) Date from which industrial property rights may have effect: **13 August 2008**
- (54) Product in respect of which the design is registered: **Article of clothing**
- (51) International Design Classification: **02-02NES**
- (71) Name(s) and Address(s) of Applicant(s):  
**Linda Dugan Pty Ltd**  
**1104/666 Chapel Street South Yarra Victoria 3141 Australia**
- (72) Name(s) of Designer(s): **Linda Dugan**
- (45) Registration Date: **24 November 2008**
- (56) Related Art Documents: **Not Applicable**
- (57) Statement of Newness and Distinctiveness: **Newness and distinctiveness resides in the features of shape and/or configuration of an article of clothing as shown in the accompanying representations.**



- (21) Design Number: **13972/2008**  
(22) Date of Filing Application: **14 August 2008**  
(24) Date from which industrial property rights may have effect: **14 August 2008**  
(54) Product in respect of which the design is registered: **Hand-held electronic device**  
(51) International Design Classification: **14-03E**  
(71) Name(s) and Address(s) of Applicant(s):  
**Research In Motion Limited**  
**295 Phillip Street Waterloo Ontario N2L 3W8 Canada**  
(72) Name(s) of Designer(s): **Archer Chi Kwong Wun and Kwok Ching Leung and Todd Andrew Wood**  
(45) Registration Date: **24 November 2008**  
(30) Convention priority data:  
(31) Number (32) Date (33) Country  
**29/303715 15 Feb 2008 UNITED STATES OF AMERICA**  
(56) Related Art Documents: **Not Applicable**  
(57) Statement of Newness and Distinctiveness: **Newness and distinctiveness is claimed in the features of shape and/or configuration of a hand-held electronic device as illustrated in the accompanying representations.**

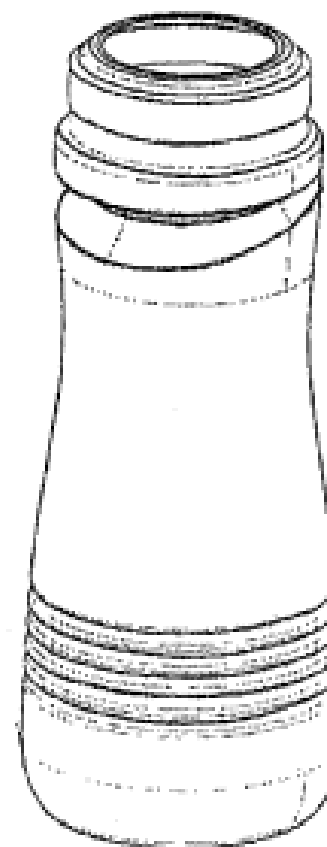


- (21) Design Number: **13973/2008**  
(22) Date of Filing Application: **14 August 2008**  
(24) Date from which industrial property rights may have effect: **14 August 2008**  
(54) Product in respect of which the design is registered: **Dual display hand-held electronic device**  
(51) International Design Classification: **14-03E**  
(71) Name(s) and Address(s) of Applicant(s):  
**Research In Motion Limited**  
**295 Phillip Street Waterloo Ontario N2L 3W8 Canada**  
(72) Name(s) of Designer(s): **Archer Chi Kwong Wun and Kwok Ching Leung and Todd Andrew Wood**  
(45) Registration Date: **24 November 2008**  
(30) Convention priority data:  
(31) Number (32) Date (33) Country  
**29/303720 15 Feb 2008 UNITED STATES OF AMERICA**  
(56) Related Art Documents: **Not Applicable**  
(57) Statement of Newness and Distinctiveness: **Newness and distinctiveness is claimed in the features of shape and/or configuration of a dual display hand-held electronic device as illustrated in the accompanying representations.**





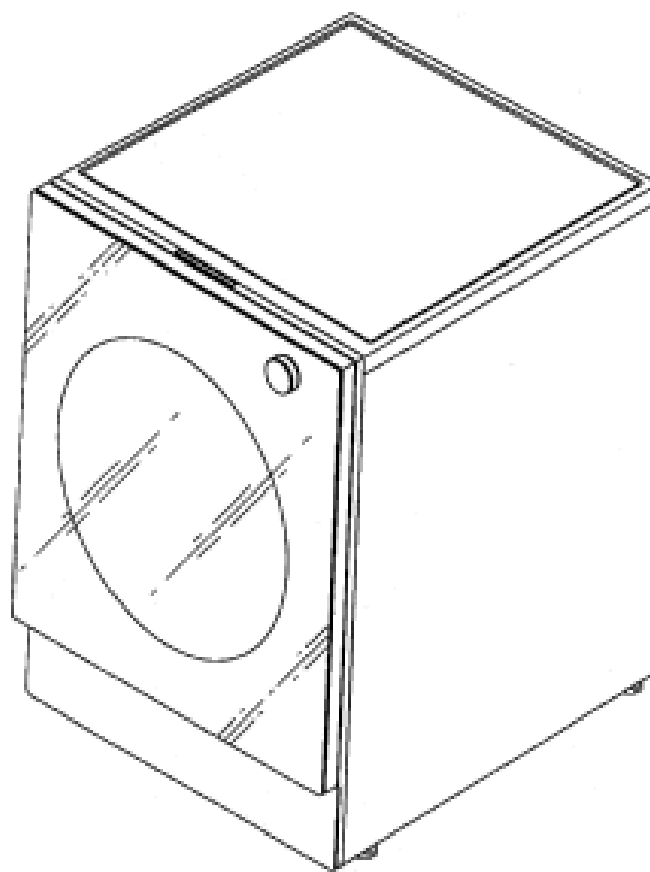
- (21) Design Number: **13974/2008**  
(22) Date of Filing Application: **14 August 2008**  
(24) Date from which industrial property rights may have effect: **14 August 2008**  
(54) Product in respect of which the design is registered: **Feeding bottle**  
(51) International Design Classification: **07-01E**  
(71) Name(s) and Address(s) of Applicant(s):  
**Wyeth**  
**5 Giralda Farms Madison New Jersey 07940-0874 United States of America**  
(72) Name(s) of Designer(s): **William Maskell**  
(45) Registration Date: **24 November 2008**  
(30) Convention priority data:  
(31) Number (32) Date (33) Country  
**00081792-003 14 Feb 2008 EUROPEAN COMMUNITY**  
(56) Related Art Documents: **Not Applicable**  
(57) Statement of Newness and Distinctiveness: **Newness and distinctiveness is claimed in the features of shape and/or configuration of a feeding bottle as illustrated in the accompanying representations.**



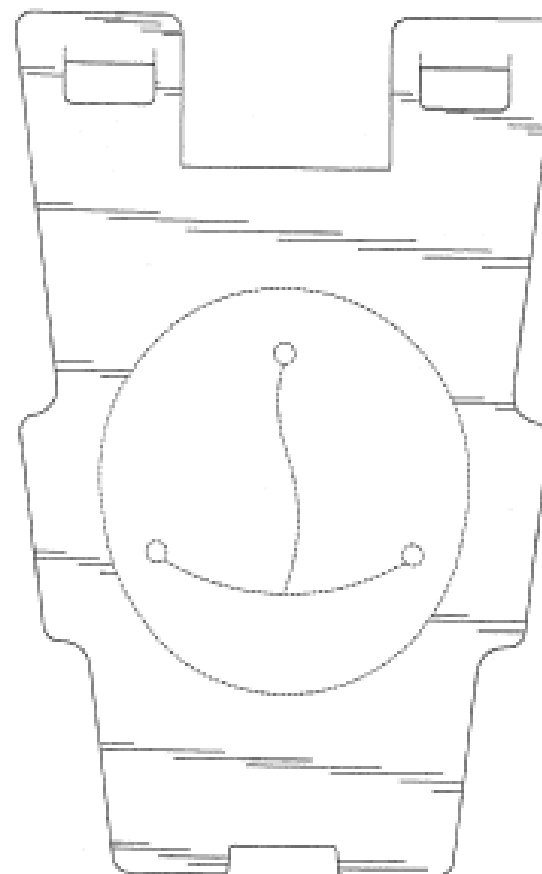
- (21) Design Number: **13975/2008**  
(22) Date of Filing Application: **14 August 2008**  
(24) Date from which industrial property rights may have effect: **14 August 2008**  
(54) Product in respect of which the design is registered: **Dual display hand-held electronic device**  
(51) International Design Classification: **14-03E**  
(71) Name(s) and Address(s) of Applicant(s):  
**Research In Motion Limited**  
**295 Phillip Street Waterloo Ontario N2L 3W8 Canada**  
(72) Name(s) of Designer(s): **Archer Chi Kwong Wun and Kwok Ching Leung and Todd Andrew Wood**  
(45) Registration Date: **24 November 2008**  
(30) Convention priority data:  
(31) Number (32) Date (33) Country  
**29/303720 15 Feb 2008 UNITED STATES OF AMERICA**  
(56) Related Art Documents: **Not Applicable**  
(57) Statement of Newness and Distinctiveness: **Newness and distinctiveness is claimed in the features of shape and/or configuration of a dual display hand-held electronic device as illustrated in the accompanying representations.**



(21) Design Number: **13978/2008**  
 (22) Date of Filing Application: **14 August 2008**  
 (24) Date from which industrial property rights may have effect: **14 August 2008**  
 (54) Product in respect of which the design is registered: **Washing machine**  
 (51) International Design Classification: **15-05**  
 (71) Name(s) and Address(s) of Applicant(s):  
**LG Electronics Inc.**  
**20 Yoido-dong Yongdungpo-gu Seoul Republic of Korea**  
 (72) Name(s) of Designer(s): **So Jin Park and Seung Hyun Song and Jong Hee Han and Na Jung Cho and Jae Seok Seong**  
 (45) Registration Date: **24 November 2008**  
 (30) Convention priority data:  
 (31) Number (32) Date (33) Country  
**30-2008-0008017 25 Feb 2008 REPUBLIC OF KOREA**  
 (56) Related Art Documents: **Not Applicable**  
 (57) Statement of Newness and Distinctiveness: **Newness and distinctiveness resides in the visual features of shape and/or configuration of a washing machine as illustrated in the accompanying representations.**



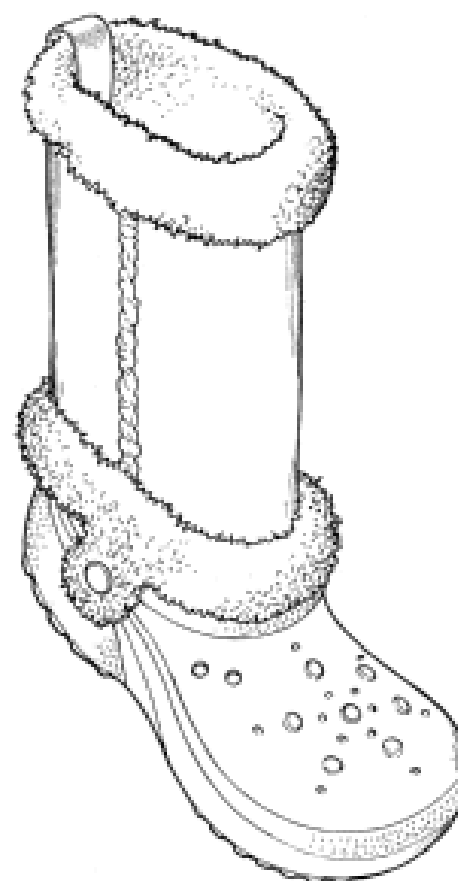
(21) Design Number: **13979/2008**  
 (22) Date of Filing Application: **14 August 2008**  
 (24) Date from which industrial property rights may have effect: **14 August 2008**  
 (54) Product in respect of which the design is registered: **Mounting collar**  
 (51) International Design Classification: **08-08NES**  
 (71) Name(s) and Address(s) of Applicant(s):  
**The Scott Fetzer Company**  
**28800 Clemens Road Westlake Ohio 45145 United States of America**  
 (72) Name(s) of Designer(s): **David B. Rennecker and Gregg A. McAllise and Laura L. Winkelmann**  
 (45) Registration Date: **24 November 2008**  
 (30) Convention priority data:  
 (31) Number (32) Date (33) Country  
**29/317,586 02 May 2008 UNITED STATES OF AMERICA**  
 (56) Related Art Documents: **Not Applicable**  
 (57) Statement of Newness and Distinctiveness: **Those features of the mounting collar depicted in the representations that are new and distinctive are the shape and configuration. The features shown in broken lines are to be disregarded when considering the overall impression of the design.**



- (21) Design Number: **12097/2008**  
(22) Date of Filing Application: **05 May 2008**  
(24) Date from which industrial property rights may have effect: **05 May 2008**  
(54) Product in respect of which the design is registered: **Drinking straw**  
(51) International Design Classification: **07-06NES**  
(71) Name(s) and Address(s) of Applicant(s):  
**Unistraw Patent Holdings Limited, LL 03919**  
**U0195 Jalan Merdeka 87007 Federal Territory of Labuan Malaysia**  
(72) Name(s) of Designer(s): **Peter Baron**  
(45) Registration Date: **21 November 2008**  
(56) Related Art Documents: **Not Applicable**  
(57) Statement of Newness and Distinctiveness: **Newness and distinctiveness reside in the shape and configuration and/or pattern and ornamentation of the drinking straw as shown in the accompanying representations. These features shown in broken line are illustrative only and do not form part of the design.**



- (21) Design Number: **12119/2008**  
(22) Date of Filing Application: **05 May 2008**  
(24) Date from which industrial property rights may have effect: **05 May 2008**  
(54) Product in respect of which the design is registered: **Footwear**  
(51) International Design Classification: **02-04NES**  
(71) Name(s) and Address(s) of Applicant(s):  
**Crocs, Inc.**  
**6328 Monarch Park Place Niwot Colorado 80503 United States of America**  
(72) Name(s) of Designer(s): **Stefano del Biondi and Marianna Zuin**  
(45) Registration Date: **21 November 2008**  
(30) Convention priority data:  
(31) Number (32) Date (33) Country  
**29/297212 06 Nov 2007 UNITED STATES OF AMERICA**  
(56) Related Art Documents: **Not Applicable**  
(57) Statement of Newness and Distinctiveness: **Newness and distinctiveness resides in the features of shape and configuration of the assembled footwear as shown in the representations. In deciding whether the design is substantially similar in overall impression to another design, no regard is to be given to: the CROCS trade mark and logo; nor the textural material and the tread pattern on the sole; the textural material and reference lines included in the representations; the background objects in the photographs.**



(21) Design Number: **12761/2008**

(22) Date of Filing Application: **10 June 2008**

(24) Date from which industrial property rights may have effect: **10 June 2008**

(54) Product in respect of which the design is registered: **Container for a trailer**

(51) International Design Classification: **12-10**

(71) Name(s) and Address(s) of Applicant(s):

**Susan Catherine Lindsay**

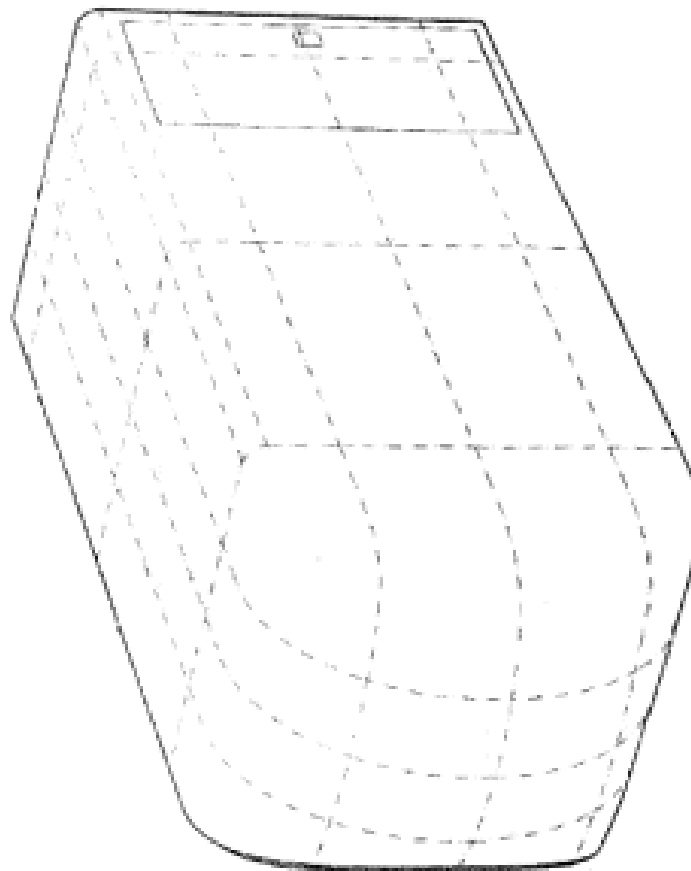
**10 Longview Street Balmain New South Wales 2041 Australia**

(72) Name(s) of Designer(s): **Susan Catherine Lindsay**

(45) Registration Date: **21 November 2008**

(56) Related Art Documents: **Not Applicable**

(57) Statement of Newness and Distinctiveness: **Newness and distinctiveness is claimed in the visual features of the doors of the container, the tail fin of the container and the shape and/or configuration shown in solid lines in the representations. The dot-dash lines have been provided for clarity to illustrate the shape of the container and should not be regarded as part of the design of the container.**



(21) Design Number: **12762/2008**

(22) Date of Filing Application: **10 June 2008**

(24) Date from which industrial property rights may have effect: **10 June 2008**

(54) Product in respect of which the design is registered: **Container for a trailer**

(51) International Design Classification: **12-10**

(71) Name(s) and Address(s) of Applicant(s):

**Susan Catherine Lindsay**

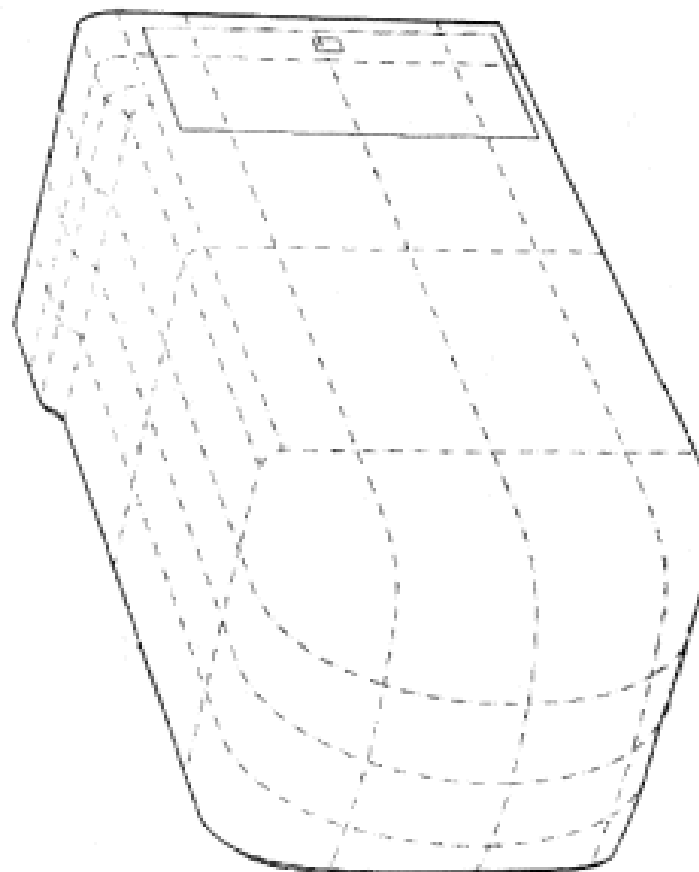
**10 Longview Street Balmain New South Wales 2041 Australia**

(72) Name(s) of Designer(s): **Susan Catherine Lindsay**

(45) Registration Date: **21 November 2008**

(56) Related Art Documents: **Not Applicable**

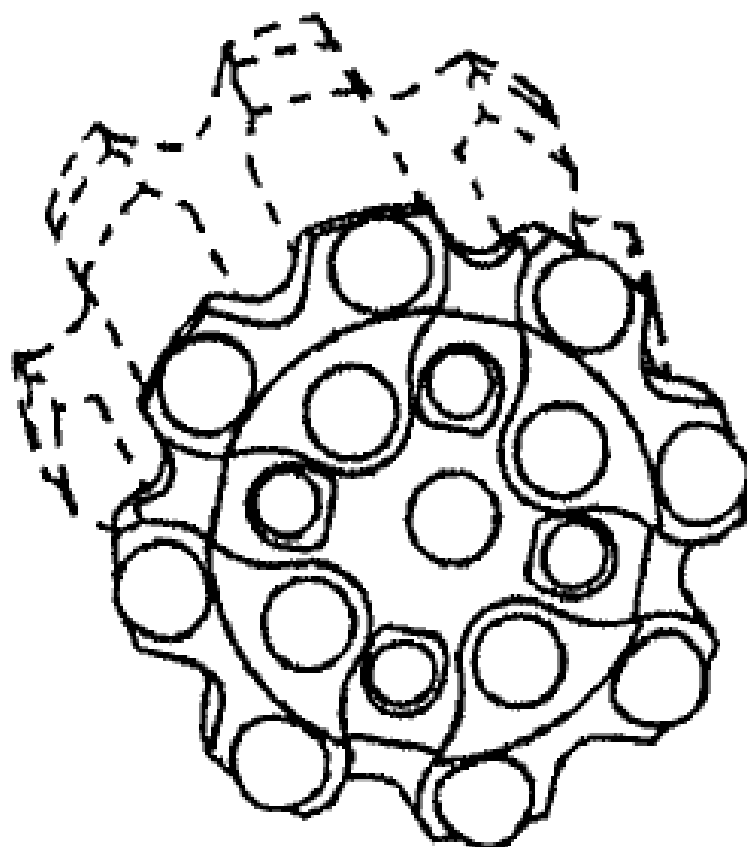
(57) Statement of Newness and Distinctiveness: **Newness and distinctiveness is claimed in the visual features of the doors of the container and the shape and/or configuration shown in solid lines in the representations. The dot-dash lines have been provided for clarity to illustrate the shape of the container and should not be regarded as part of the design of the container.**



- (21) Design Number: **13351/2008**  
(22) Date of Filing Application: **16 July 2008**  
(24) Date from which industrial property rights may have effect: **16 July 2008**  
(54) Product in respect of which the design is registered: **Front combination lamp for automobile**  
(51) International Design Classification: **26-06**  
(71) Name(s) and Address(s) of Applicant(s):  
**Honda Motor Co., Ltd.**  
**1-1 Minamiaoyama 2-chome Minato-ku Tokyo Japan**  
(72) Name(s) of Designer(s): **Keisuke Nakamura**  
(45) Registration Date: **21 November 2008**  
(30) Convention priority data:  
(31) Number      (32) Date      (33) Country  
**2008-000650      16 Jan 2008      JAPAN**  
(56) Related Art Documents: **Not Applicable**  
(57) Statement of Newness and Distinctiveness: **Newness and distinctiveness is claimed in the features of shape and/or configuration of a front combination lamp for automobile as illustrated in the accompanying representations.**



- (21) Design Number: **13967/2008**  
(22) Date of Filing Application: **15 August 2008**  
(24) Date from which industrial property rights may have effect: **15 August 2008**  
(54) Product in respect of which the design is registered: **Rock drill bit**  
(51) International Design Classification: **08-01**  
(71) Name(s) and Address(s) of Applicant(s):  
**Sandvik Intellectual Property AB**  
**Sandviken SE-811 81 Sweden**  
(72) Name(s) of Designer(s): **Jens Sundin**  
(45) Registration Date: **21 November 2008**  
(30) Convention priority data:  
(31) Number      (32) Date      (33) Country  
**000885264      26 Feb 2008      EUROPEAN COMMUNITY**  
(56) Related Art Documents: **Not Applicable**  
(57) Statement of Newness and Distinctiveness: **The shape and configuration of the parts of the rock drill bit shown by means of solid lines are new and distinctive.**



(21) Design Number: **13968/2008**

(22) Date of Filing Application: **15 August 2008**

(24) Date from which industrial property rights may have effect: **15 August 2008**

(54) Product in respect of which the design is registered: **Drill bit**

(51) International Design Classification: **08-01**

(71) Name(s) and Address(s) of Applicant(s):

**Sandvik Intellectual Property AB  
Sandviken SE-811 81 Sweden**

(72) Name(s) of Designer(s): **Jens Sundin**

(45) Registration Date: **21 November 2008**

(30) Convention priority data:

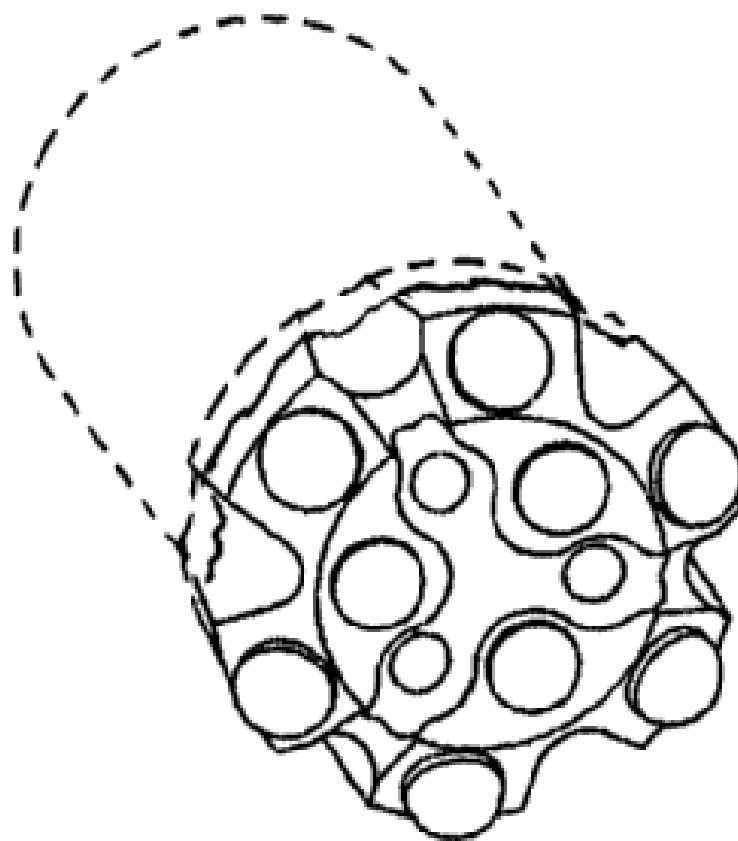
(31) Number  
**000885256**

(32) Date  
**26 Feb 2008**

(33) Country  
**EUROPEAN COMMUNITY**

(56) Related Art Documents: **Not Applicable**

(57) Statement of Newness and Distinctiveness: **The shape and configuration of the parts of the drill bit shown by means of solid lines are new and distinctive.**



(21) Design Number: **13969/2008**

(22) Date of Filing Application: **15 August 2008**

(24) Date from which industrial property rights may have effect: **15 August 2008**

(54) Product in respect of which the design is registered: **Rock drill bit**

(51) International Design Classification: **08-01**

(71) Name(s) and Address(s) of Applicant(s):

**Sandvik Intellectual Property AB  
Sandviken SE-811 81 Sweden**

(72) Name(s) of Designer(s): **Jens Sundin**

(45) Registration Date: **21 November 2008**

(30) Convention priority data:

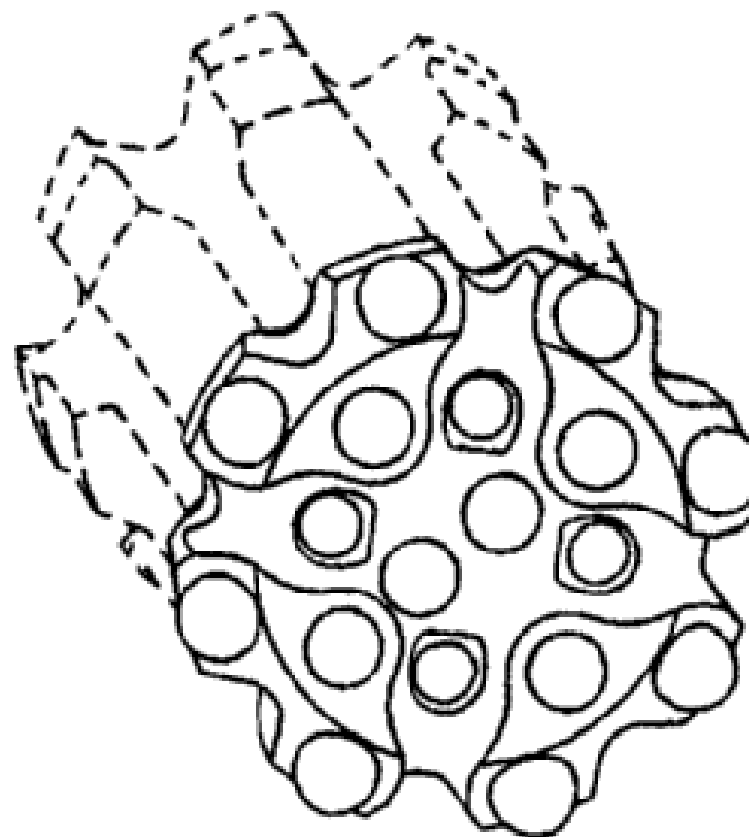
(31) Number  
**000885264**

(32) Date  
**26 Feb 2008**

(33) Country  
**EUROPEAN COMMUNITY**

(56) Related Art Documents: **Not Applicable**

(57) Statement of Newness and Distinctiveness: **The shape and configuration of the parts of the rock drill bit shown by means of solid lines are new and distinctive.**



(21) Design Number: **13970/2008**

(22) Date of Filing Application: **15 August 2008**

(24) Date from which industrial property rights may have effect: **15 August 2008**

(54) Product in respect of which the design is registered: **Chocolate**

(51) International Design Classification: **01-01**

(71) Name(s) and Address(s) of Applicant(s):

**Societe des Produits Nestle S.A.  
1800 Vevey Switzerland**

(72) Name(s) of Designer(s): **Christoph Hartmann and Olivier Breton**

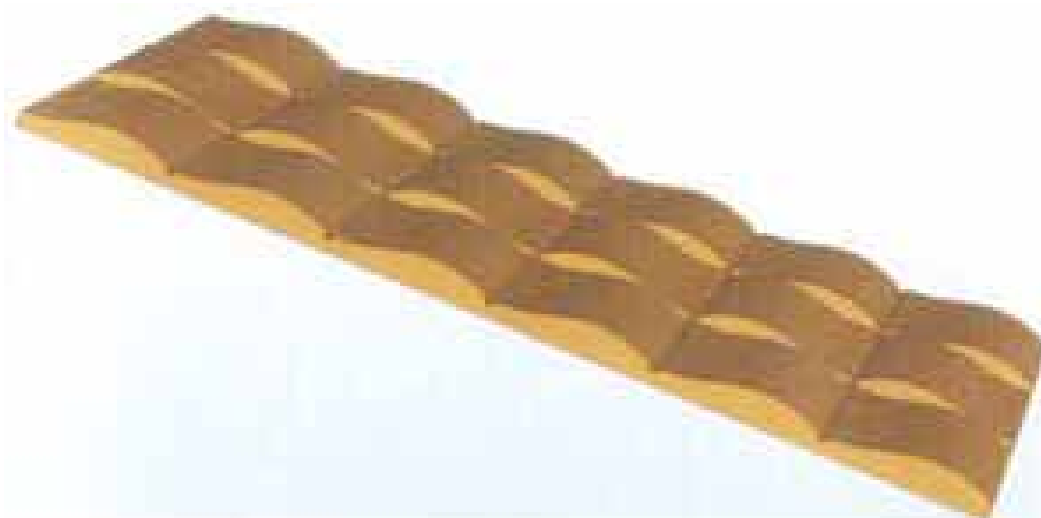
(45) Registration Date: **21 November 2008**

(30) Convention priority data:

(31) Number	(32) Date	(33) Country
<b>134794</b>	<b>06 Mar 2008</b>	<b>SWITZERLAND</b>

(56) Related Art Documents: **Not Applicable**

(57) Statement of Newness and Distinctiveness: **Nil**



(21) Design Number: **13971/2008**

(22) Date of Filing Application: **15 August 2008**

(24) Date from which industrial property rights may have effect: **15 August 2008**

(54) Product in respect of which the design is registered: **An illuminated number indicator**

(51) International Design Classification: **20-03C, 20-03NES**

(71) Name(s) and Address(s) of Applicant(s):

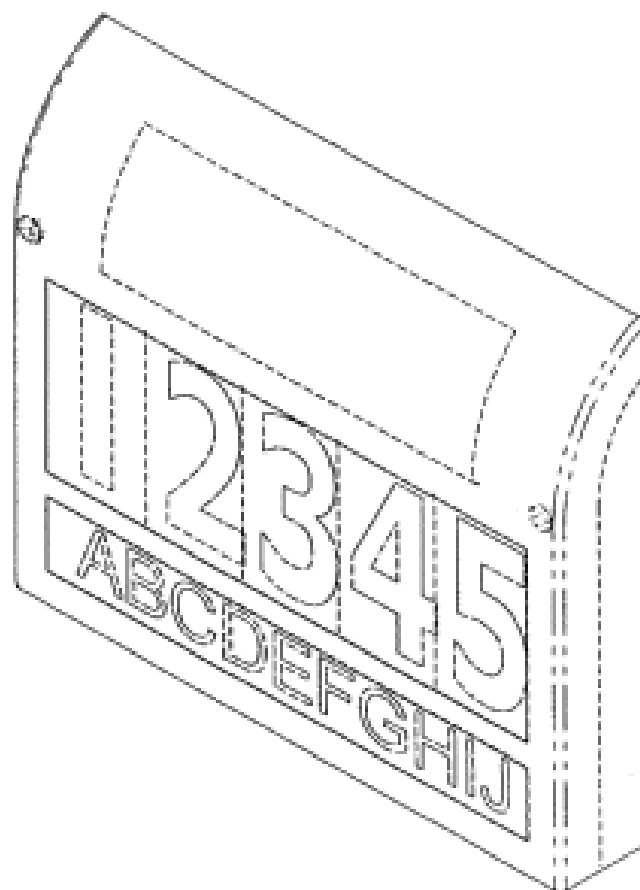
**D.S. Numbers Pty Ltd  
Unit 37/367 Algester Road Algester Queensland 4115 Australia**

(72) Name(s) of Designer(s): **Nirvan Soogrim and Daniel Noel Friel**

(45) Registration Date: **21 November 2008**

(56) Related Art Documents: **Not Applicable**

(57) Statement of Newness and Distinctiveness: **The newness and distinctiveness for which protection is claimed resides in the shape and/or configuration of an illuminated number indicator as shown in solid lines in the accompanying representations.**



(21) Design Number: **13981/2008**

(22) Date of Filing Application: **15 August 2008**

(24) Date from which industrial property rights may have effect: **15 August 2008**

(54) Product in respect of which the design is registered: **A moulded internal cornice**

(51) International Design Classification: **25-02E**

(71) Name(s) and Address(s) of Applicant(s):

**Costarid Pty Ltd**

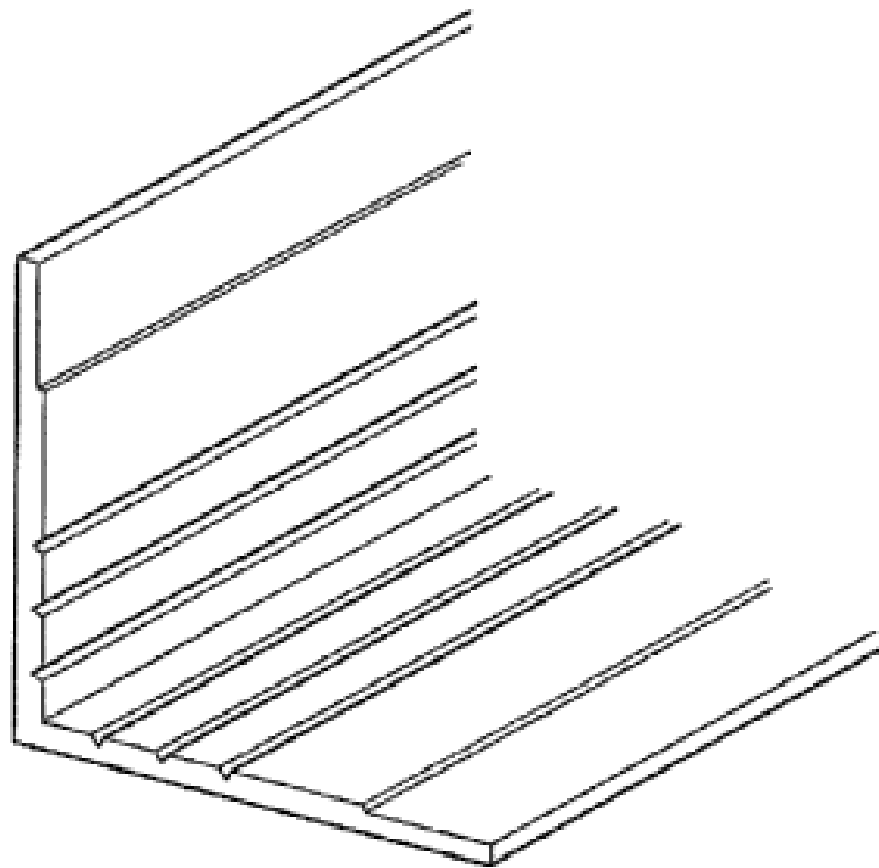
**59 George Street Thebarton South Australia 5031 Australia**

(72) Name(s) of Designer(s): **Dimitri Costaridis**

(45) Registration Date: **21 November 2008**

(56) Related Art Documents: **Not Applicable**

(57) Statement of Newness and Distinctiveness: **Nil**



(21) Design Number: **13982/2008**

(22) Date of Filing Application: **15 August 2008**

(24) Date from which industrial property rights may have effect: **15 August 2008**

(54) Product in respect of which the design is registered: **A moulded external cornice**

(51) International Design Classification: **25-02E**

(71) Name(s) and Address(s) of Applicant(s):

**Costarid Pty Ltd**

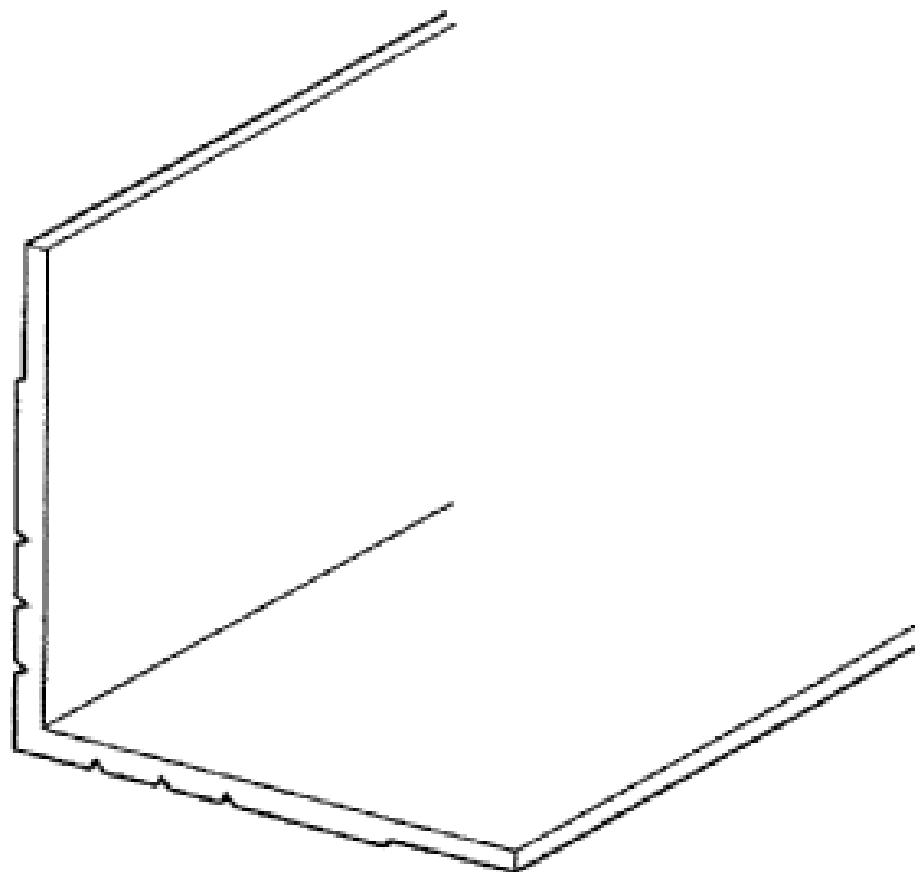
**59 George Street Thebarton South Australia 5031 Australia**

(72) Name(s) of Designer(s): **Dimitri Costaridis**

(45) Registration Date: **21 November 2008**

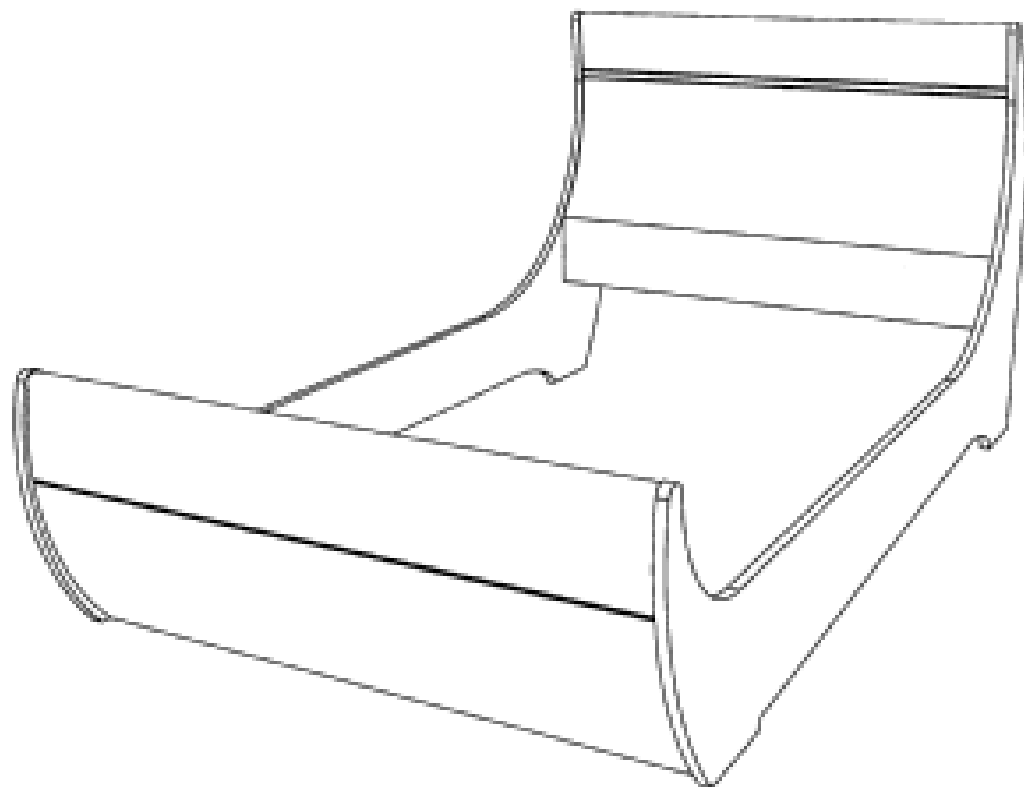
(56) Related Art Documents: **Not Applicable**

(57) Statement of Newness and Distinctiveness: **Nil**





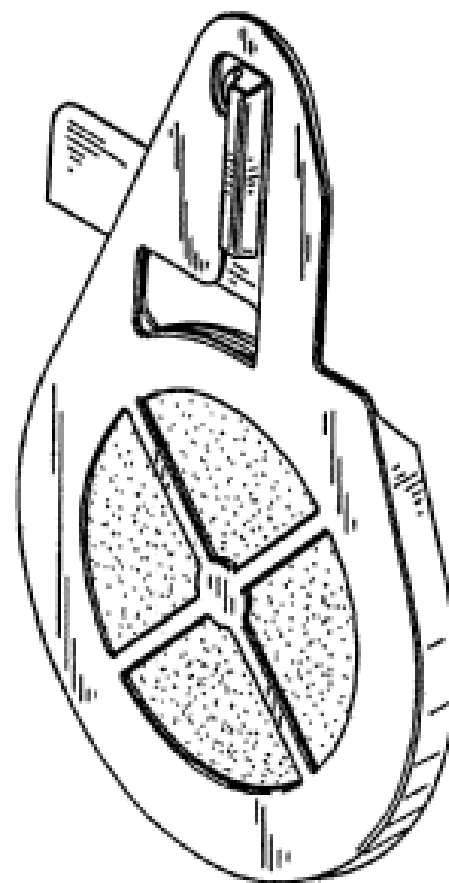
(21) Design Number: **13984/2008**  
(22) Date of Filing Application: **15 August 2008**  
(24) Date from which industrial property rights may have effect: **15 August 2008**  
(54) Product in respect of which the design is registered: **Bed frame**  
(51) International Design Classification: **06-02**  
(71) Name(s) and Address(s) of Applicant(s):  
**David Durance**  
**Rear 24 Cunningham Street Northcote Victoria 3070 Australia**  
(72) Name(s) of Designer(s): **David Durance**  
(45) Registration Date: **21 November 2008**  
(56) Related Art Documents: **Not Applicable**  
(57) Statement of Newness and Distinctiveness: **Nil**



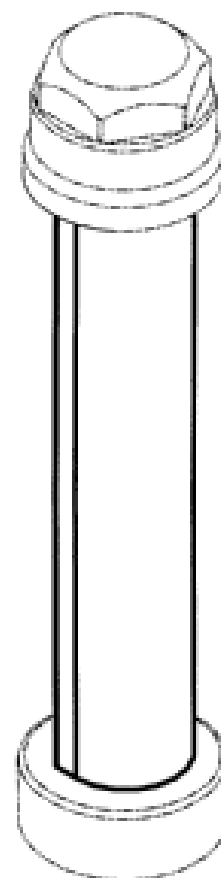
(21) Design Number: **13988/2008**  
(22) Date of Filing Application: **15 August 2008**  
(24) Date from which industrial property rights may have effect: **15 August 2008**  
(54) Product in respect of which the design is registered: **Wristwatch**  
(51) International Design Classification: **10-02**  
(71) Name(s) and Address(s) of Applicant(s):  
**Rado Uhren AG (Rado Watch Co Ltd) (Montres Rado SA)**  
**Bielstrasse 45 Lengnau Switzerland**  
(72) Name(s) of Designer(s): **Alessandra Furetta**  
(45) Registration Date: **21 November 2008**  
(30) Convention priority data:  
(31) Number (32) Date (33) Country  
**DM/069 981 27 Mar 2008 WORLD INTELLECTUAL  
PROPERTY ORGANIZATION  
(WIPO)**  
(56) Related Art Documents: **Not Applicable**  
(57) Statement of Newness and Distinctiveness: **Nil**



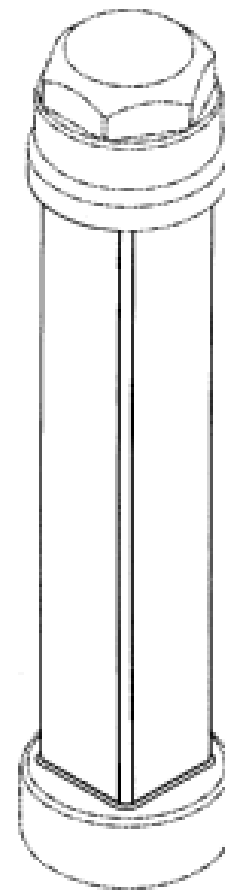
- (21) Design Number: **13989/2008**  
(22) Date of Filing Application: **15 August 2008**  
(24) Date from which industrial property rights may have effect: **15 August 2008**  
(54) Product in respect of which the design is registered: **Refill for a volatile dispenser**  
(51) International Design Classification: **28-99**  
(71) Name(s) and Address(s) of Applicant(s):  
**S.C. Johnson & Son, Inc.**  
**1525 Howe Street Racine Wisconsin 53403-2236 United States of America**  
(72) Name(s) of Designer(s): **Dirk K. Nickel and Michael T. Hudak and Sean P. Kingston and Donald J. Schumacher**  
(45) Registration Date: **21 November 2008**  
(56) Related Art Documents: **Not Applicable**  
(57) Statement of Newness and Distinctiveness: **Newness and distinctiveness is claimed in the features of shape and/or configuration of a refill for a volatile dispenser as illustrated in the accompanying representations.**



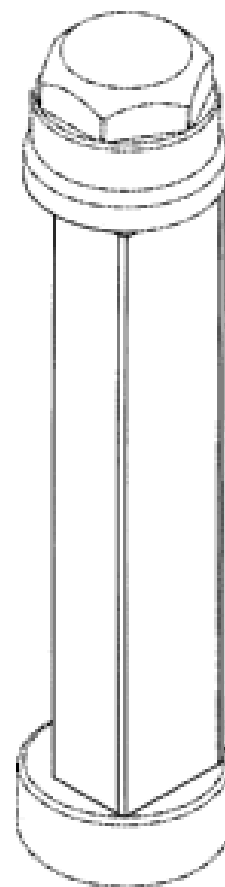
- (21) Design Number: **13990/2008**  
(22) Date of Filing Application: **15 August 2008**  
(24) Date from which industrial property rights may have effect: **15 August 2008**  
(54) Product in respect of which the design is registered: **A dragline rigging retainer bolt**  
(51) International Design Classification: **08-08B**  
(71) Name(s) and Address(s) of Applicant(s):  
**CQMS Pty Ltd**  
**36 Enterprise Street Mackay Queensland 4740 Australia**  
(72) Name(s) of Designer(s): **David Garnet John Conroy**  
(45) Registration Date: **21 November 2008**  
(56) Related Art Documents: **Not Applicable**  
(57) Statement of Newness and Distinctiveness: **The newness and distinctiveness of the design resides in the shape and/or configuration of A DRAGLINE RIGGING RETAINER BOLT as shown in the representations. The shape and configuration of the end portions shown in phantom should be disregarded when assessing the newness and distinctiveness of the design.**



- (21) Design Number: **13991/2008**
- (22) Date of Filing Application: **15 August 2008**
- (24) Date from which industrial property rights may have effect: **15 August 2008**
- (54) Product in respect of which the design is registered: **A dragline rigging retainer bolt**
- (51) International Design Classification: **08-08B**
- (71) Name(s) and Address(s) of Applicant(s):  
**CQMS Pty Ltd**  
**36 Enterprise Street Mackay Queensland 4740 Australia**
- (72) Name(s) of Designer(s): **David Garnet John Conroy**
- (45) Registration Date: **21 November 2008**
- (56) Related Art Documents: **Not Applicable**
- (57) Statement of Newness and Distinctiveness: **The newness and distinctiveness of the design resides in the shape and/or configuration of A DRAGLINE RIGGING RETAINER BOLT as shown in the representations. The shape and configuration of the end portions shown in phantom should be disregarded when assessing the newness and distinctiveness of the design.**

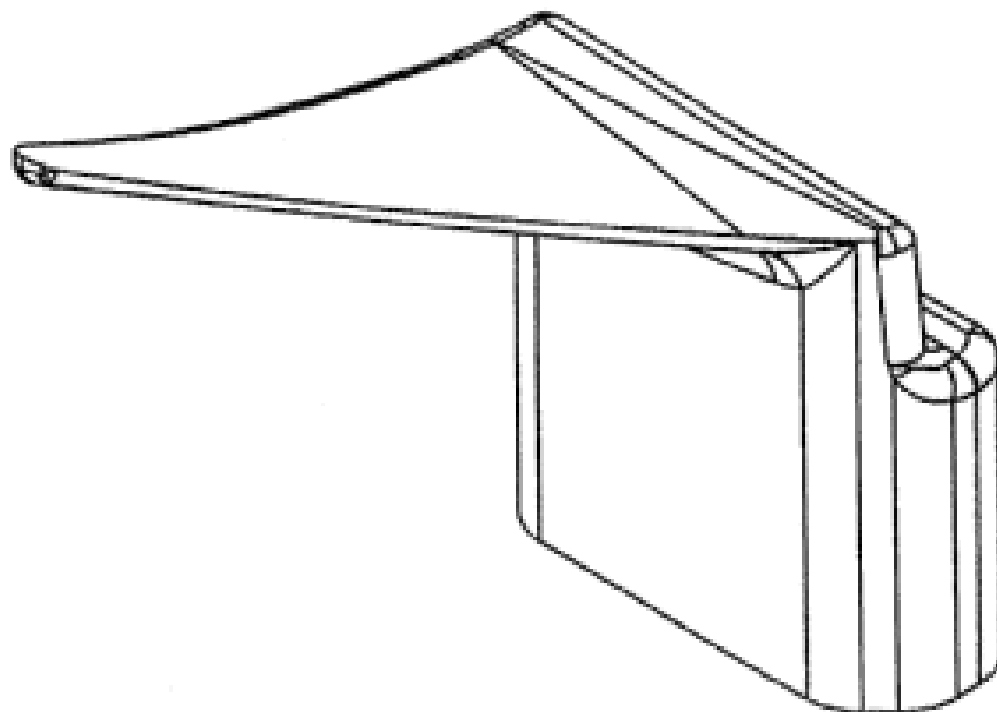


- (21) Design Number: **13992/2008**
- (22) Date of Filing Application: **15 August 2008**
- (24) Date from which industrial property rights may have effect: **15 August 2008**
- (54) Product in respect of which the design is registered: **A dragline rigging retainer bolt**
- (51) International Design Classification: **08-08B**
- (71) Name(s) and Address(s) of Applicant(s):  
**CQMS Pty Ltd**  
**36 Enterprise Street Mackay Queensland 4740 Australia**
- (72) Name(s) of Designer(s): **David Garnet John Conroy**
- (45) Registration Date: **21 November 2008**
- (56) Related Art Documents: **Not Applicable**
- (57) Statement of Newness and Distinctiveness: **The newness and distinctiveness of the design resides in the shape and/or configuration of A DRAGLINE RIGGING RETAINER BOLT as shown in the representations. The shape and configuration of the end portions shown in phantom should be disregarded when assessing the newness and distinctiveness of the design.**



- (21) Design Number: **13994/2008**
- (22) Date of Filing Application: **15 August 2008**
- (24) Date from which industrial property rights may have effect: **15 August 2008**
- (54) Product in respect of which the design is registered: **Plough for deboning carcasses**
- (51) International Design Classification: **08-03, 15-03NES**
- (71) Name(s) and Address(s) of Applicant(s):  
**AgResearch Limited**  
**East Street Ruakura Campus Hamilton New Zealand**
- (72) Name(s) of Designer(s): **Thomas John Sherrard**
- (45) Registration Date: **21 November 2008**
- (30) Convention priority data:  

(31) Number	(32) Date	(33) Country
<b>410464</b>	<b>15 Feb 2008</b>	<b>NEW ZEALAND</b>
- (56) Related Art Documents: **Not Applicable**
- (57) Statement of Newness and Distinctiveness: **Newness and distinctiveness resides in the features of shape and configuration of a plough for deboning carcasses as shown in the accompanying representations.**



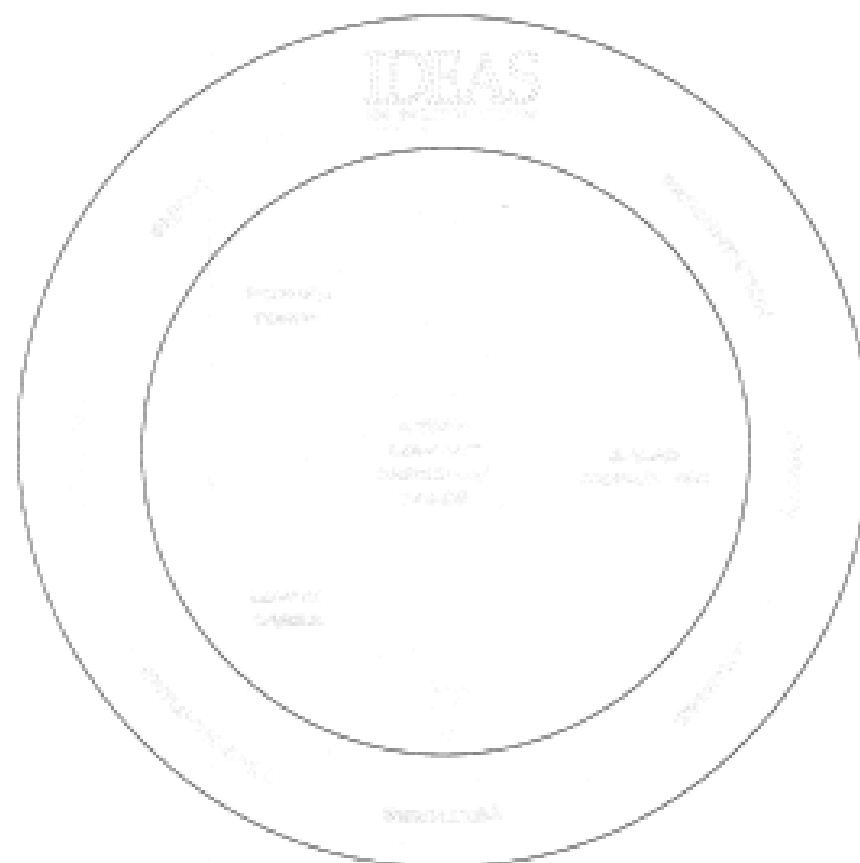
- (21) Design Number: **14816/2008**
- (22) Date of Filing Application: **05 May 2008**
- (24) Date from which industrial property rights may have effect: **05 May 2008**
- (54) Product in respect of which the design is registered: **Drinking straw**
- (51) International Design Classification: **07-06NES**
- (71) Name(s) and Address(s) of Applicant(s):  
**Unistraw Patent Holdings Limited, LL 03919**  
**U0195 Jalan Merdeka 87007 Federal Territory of Labuan Malaysia**
- (72) Name(s) of Designer(s): **Peter Baron**
- (45) Registration Date: **21 November 2008**
- (62) Divisional of: **322272**
- (56) Related Art Documents: **Not Applicable**
- (57) Statement of Newness and Distinctiveness: **Newness and distinctiveness resides in the shape and configuration and/or pattern and ornamentation of the drinking straw as shown in the accompanying representations. Those features shown in broken line are illustrative only and do not form part of the design.**



- (21) Design Number: **14817/2008**
- (22) Date of Filing Application: **05 May 2008**
- (24) Date from which industrial property rights may have effect: **05 May 2008**
- (54) Product in respect of which the design is registered: **Drinking straw**
- (51) International Design Classification: **07-06NES**
- (71) Name(s) and Address(s) of Applicant(s):  
**Unistraw Patent Holdings Limited, LL 03919**  
**U0195 Jalan Merdeka 87007 Federal Territory of Labuan Malaysia**
- (72) Name(s) of Designer(s): **Peter Baron**
- (45) Registration Date: **21 November 2008**
- (62) Divisional of: **322272**
- (56) Related Art Documents: **Not Applicable**
- (57) Statement of Newness and Distinctiveness: **Newness and distinctiveness resides in the shape and configuration and/or pattern and ornamentation of the drinking straw as shown in the accompanying representations. Those features shown in broken line are illustrative only and do not form part of the design.**



- (21) Design Number: **11963/2008**
- (22) Date of Filing Application: **30 April 2008**
- (24) Date from which industrial property rights may have effect: **30 April 2008**
- (54) Product in respect of which the design is registered: **A plate**
- (51) International Design Classification: **07-01A**
- (71) Name(s) and Address(s) of Applicant(s):  
**Great Ideas In Nutrition Pty Ltd**  
**Showcase on the Beach Level 1 72-80 Marine Parade Coolangatta**  
**Queensland 4225 Australia**
- (72) Name(s) of Designer(s): **Amanda Clark**
- (45) Registration Date: **24 November 2008**
- (56) Related Art Documents: **Not Applicable**
- (57) Statement of Newness and Distinctiveness: **Newness and distinctiveness of the design resides in the features of shape, configuration, and/or ornamentation of a plate as illustrated in solid lines in the accompanying representation.**

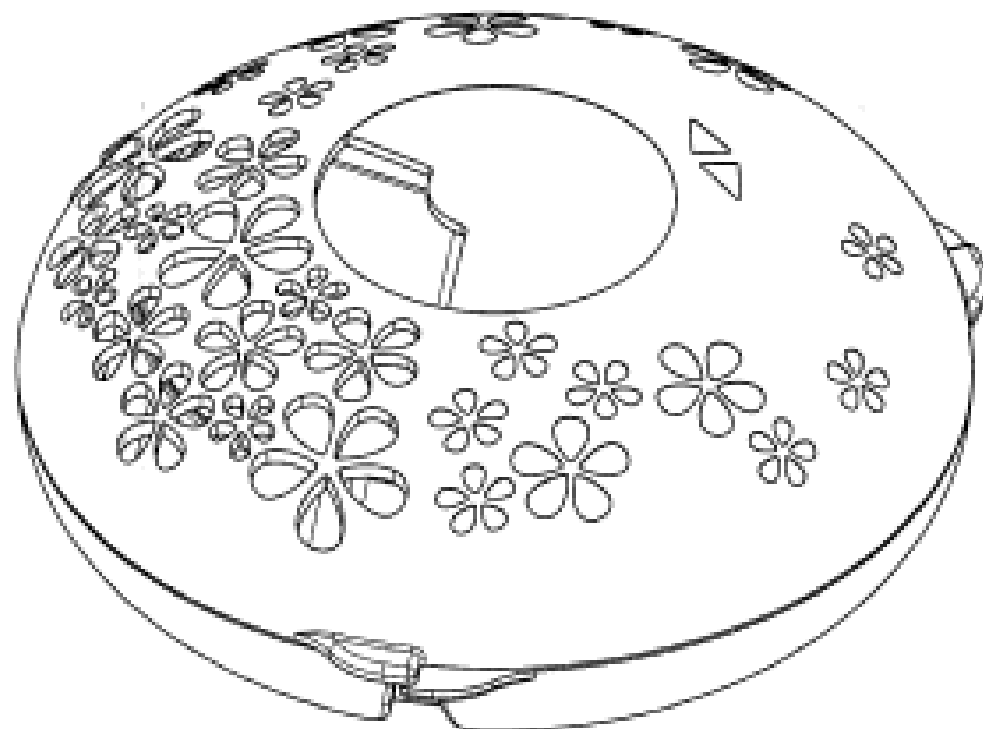


- (21) Design Number: **11368/2008**
- (22) Date of Filing Application: **17 March 2008**
- (24) Date from which industrial property rights may have effect: **17 March 2008**
- (54) Product in respect of which the design is registered: **Baby carrier/wrap/sling**
- (51) International Design Classification: **02-99**
- (71) Name(s) and Address(s) of Applicant(s):  
**Jacqueline Oberdorf**  
**16 Eungella Terrace Forest Lake Queensland 4078 Australia**
- (72) Name(s) of Designer(s): **Jacqueline Oberdorf**
- (45) Registration Date: **24 November 2008**
- (56) Related Art Documents: **Not Applicable**
- (57) Statement of Newness and Distinctiveness: **The wrap is attached to a permanent waistband tie, made from stretch fabric, cotton, denim, print, cord, has a built in blanket mobile phone pocket and inner pacifier clip.**

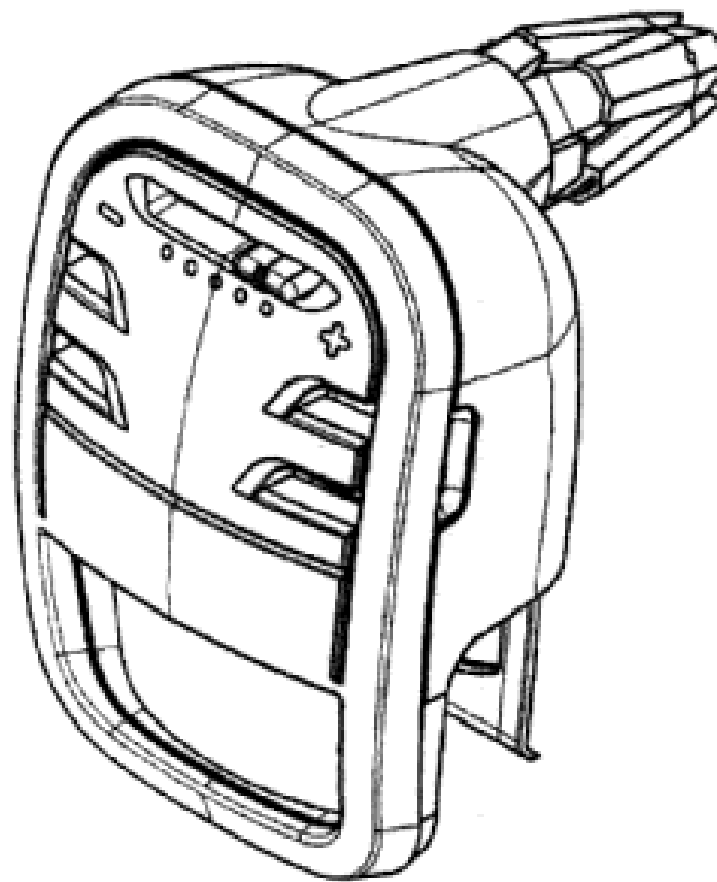


- (21) Design Number: **12602/2008**
- (22) Date of Filing Application: **28 May 2008**
- (24) Date from which industrial property rights may have effect: **28 May 2008**
- (54) Product in respect of which the design is registered: **Air deodorising apparatus**
- (51) International Design Classification: **28-99**
- (71) Name(s) and Address(s) of Applicant(s):  
**Samar, LLC**  
**70 West Madison Chicago Illinois 60602 United States of America**
- (72) Name(s) of Designer(s): **Bjorn Weggelaar**
- (45) Registration Date: **24 November 2008**
- (30) Convention priority data:  

(31) Number	(32) Date	(33) Country
<b>000868336-0001</b>	<b>29 Jan 2008</b>	<b>EUROPEAN COMMUNITY</b>
- (56) Related Art Documents: **Not Applicable**
- (57) Statement of Newness and Distinctiveness: **Nil**



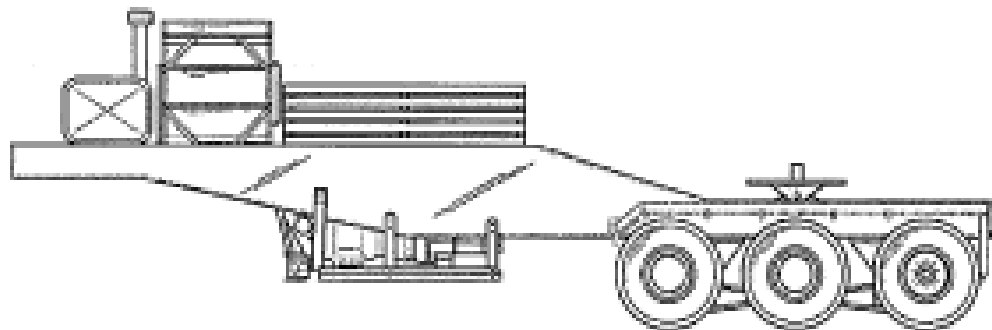
- (21) Design Number: **12603/2008**  
(22) Date of Filing Application: **28 May 2008**  
(24) Date from which industrial property rights may have effect: **28 May 2008**  
(54) Product in respect of which the design is registered: **Air deodorising apparatus**  
(51) International Design Classification: **28-99**  
(71) Name(s) and Address(s) of Applicant(s):  
**Samar, LLC**  
**70 West Madison Chicago Illinois 60602 United States of America**  
(72) Name(s) of Designer(s): **Bjorn Weggelaar**  
(45) Registration Date: **24 November 2008**  
(30) Convention priority data:  
(31) Number (32) Date (33) Country  
**000896758-0001 12 Mar 2008 EUROPEAN COMMUNITY**  
(56) Related Art Documents: **Not Applicable**  
(57) Statement of Newness and Distinctiveness: **Nil**



- (21) Design Number: **13350/2008**  
(22) Date of Filing Application: **16 July 2008**  
(24) Date from which industrial property rights may have effect: **16 July 2008**  
(54) Product in respect of which the design is registered: **Rear combination lamp for automobile**  
(51) International Design Classification: **26-06**  
(71) Name(s) and Address(s) of Applicant(s):  
**Honda Motor Co., Ltd.**  
**1-1 Minamiaoyama 2-chome Minato-ku Tokyo Japan**  
(72) Name(s) of Designer(s): **Akihiko Ohhashi**  
(45) Registration Date: **24 November 2008**  
(30) Convention priority data:  
(31) Number (32) Date (33) Country  
**2008-000651 16 Jan 2008 JAPAN**  
(56) Related Art Documents: **Not Applicable**  
(57) Statement of Newness and Distinctiveness: **Newness and distinctiveness is claimed in the features of shape and/or configuration of a rear combination lamp for automobile as illustrated in the accompanying representations.**



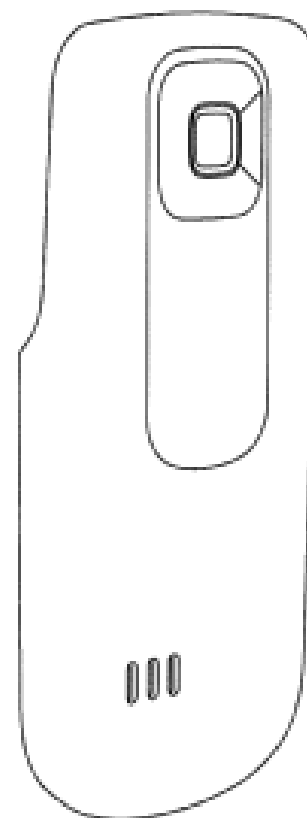
(21) Design Number: **13355/2008**  
 (22) Date of Filing Application: **16 July 2008**  
 (24) Date from which industrial property rights may have effect: **16 July 2008**  
 (54) Product in respect of which the design is registered: **Tri-axle dolly**  
 (51) International Design Classification: **12-10**  
 (71) Name(s) and Address(s) of Applicant(s):  
**James W. Cooper**  
**94 Cullen Bay Crescent Larrakeyah Northern Territory 0820 Australia**  
 (72) Name(s) of Designer(s): **James W. Cooper**  
 (45) Registration Date: **24 November 2008**  
 (56) Related Art Documents: **Not Applicable**  
 (57) Statement of Newness and Distinctiveness: **Newness is claimed in respect of a tri-axle dolly with an engine.**



(21) Design Number: **13623/2008**  
 (22) Date of Filing Application: **30 July 2008**  
 (24) Date from which industrial property rights may have effect: **30 July 2008**  
 (54) Product in respect of which the design is registered: **Rear cover for a handset**  
 (51) International Design Classification: **14-03A**  
 (71) Name(s) and Address(s) of Applicant(s):  
**Nokia Corporation**  
**Keilalahdentie 4 FIN-02150 Espoo Finland**  
 (72) Name(s) of Designer(s): **Alasdair McPhail**  
 (45) Registration Date: **24 November 2008**  
 (30) Convention priority data:  

(31) Number	(32) Date	(33) Country
<b>29305927</b>	<b>31 Mar 2008</b>	<b>UNITED STATES OF AMERICA</b>

 (56) Related Art Documents: **Not Applicable**  
 (57) Statement of Newness and Distinctiveness: **Nil**





(21) Design Number: **13624/2008**  
(22) Date of Filing Application: **30 July 2008**  
(24) Date from which industrial property rights may have effect: **30 July 2008**  
(54) Product in respect of which the design is registered: **Handset**  
(51) International Design Classification: **14-03A, 14-03E**  
(71) Name(s) and Address(s) of Applicant(s):

**Nokia Corporation**  
**Keilalahdentie 4 FIN-02150 Espoo Finland**

(72) Name(s) of Designer(s): **Alasdair McPhail**

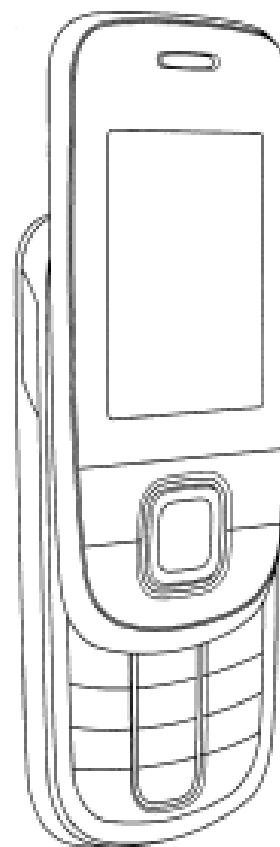
(45) Registration Date: **24 November 2008**

(30) Convention priority data:

(31) Number	(32) Date	(33) Country
<b>29305918</b>	<b>31 Mar 2008</b>	<b>UNITED STATES OF AMERICA</b>

(56) Related Art Documents: **Not Applicable**

(57) Statement of Newness and Distinctiveness: **Nil**



(21) Design Number: **13625/2008**  
(22) Date of Filing Application: **30 July 2008**  
(24) Date from which industrial property rights may have effect: **30 July 2008**  
(54) Product in respect of which the design is registered: **Handset**  
(51) International Design Classification: **14-03A**  
(71) Name(s) and Address(s) of Applicant(s):

**Nokia Corporation**  
**Keilalahdentie 4 FIN-02150 Espoo Finland**

(72) Name(s) of Designer(s): **Edward Mitchell and Christine Oh**

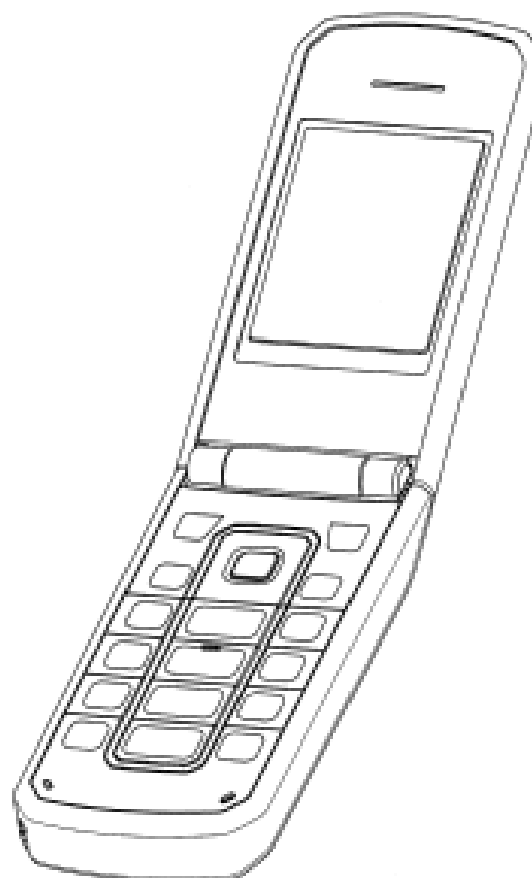
(45) Registration Date: **24 November 2008**

(30) Convention priority data:

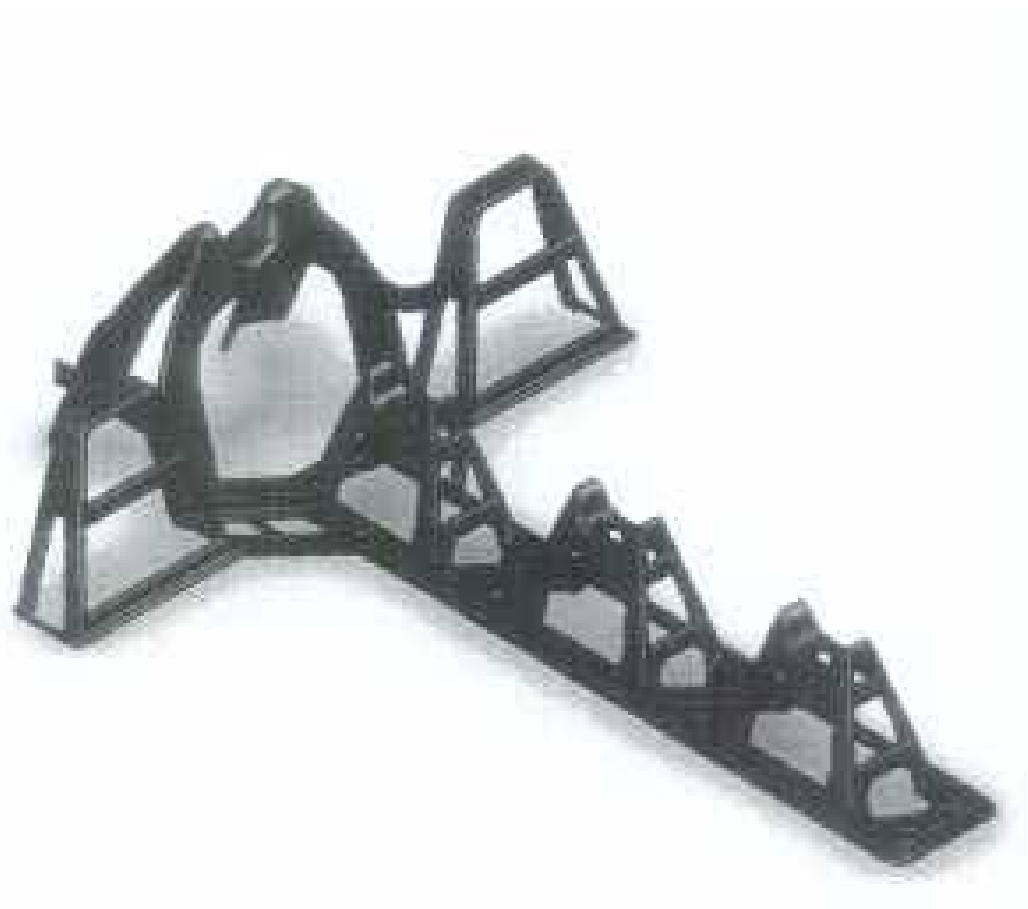
(31) Number	(32) Date	(33) Country
<b>29305710</b>	<b>26 Mar 2008</b>	<b>UNITED STATES OF AMERICA</b>

(56) Related Art Documents: **Not Applicable**

(57) Statement of Newness and Distinctiveness: **Nil**

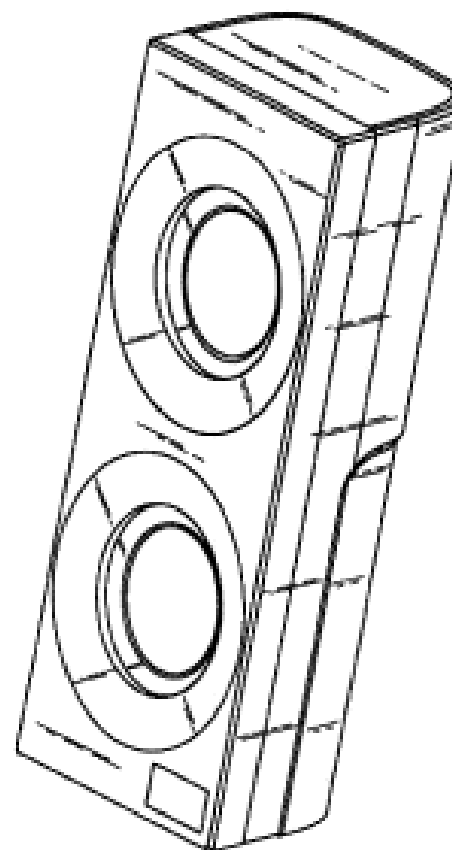


- (21) Design Number: **13626/2008**
- (22) Date of Filing Application: **30 July 2008**
- (24) Date from which industrial property rights may have effect: **30 July 2008**
- (54) Product in respect of which the design is registered: **A support for concrete reinforcement**
- (51) International Design Classification: **25-01B**
- (71) Name(s) and Address(s) of Applicant(s):  
  - Petersmith Pty. Ltd**  
**96 London Road Belmont Queensland 4153 Australia**
  - Amarula Pty Ltd**  
**596 Boundary Road Richlands Queensland 4077 Australia**
  - Onesteel Reinforcing Pty Ltd**  
**Level 23/1 York Street Sydney New South Wales 2000 Australia**
- (72) Name(s) of Designer(s): **Gary Thomas Gibson and Jason Timothy Edmonds and Robert West and Alex de Muelenaere**
- (45) Registration Date: **24 November 2008**
- (56) Related Art Documents: **Not Applicable**
- (57) Statement of Newness and Distinctiveness: **The shape and configuration of the product is new and distinctive.**



- (21) Design Number: **13875/2008**
- (22) Date of Filing Application: **13 August 2008**
- (24) Date from which industrial property rights may have effect: **13 August 2008**
- (54) Product in respect of which the design is registered: **Loudspeaker**
- (51) International Design Classification: **14-01**
- (71) Name(s) and Address(s) of Applicant(s):  
  - Creative Technology Ltd**  
**31 International Business Park Creative Resource 609921 Singapore**
- (72) Name(s) of Designer(s): **Soo Beng Damien Khoo and Chien Mei Linda Ang and Yu Weng Alvin Sitoh**
- (45) Registration Date: **24 November 2008**
- (30) Convention priority data:  

(31) Number	(32) Date	(33) Country
<b>29/304,038</b>	<b>22 Feb 2008</b>	<b>UNITED STATES OF AMERICA</b>
- (56) Related Art Documents: **Not Applicable**
- (57) Statement of Newness and Distinctiveness: **The newness and distinctiveness of the design resides in the features of shape and configuration as depicted in the attached representations.**



(21) Design Number: **13876/2008**

(22) Date of Filing Application: **13 August 2008**

(24) Date from which industrial property rights may have effect: **13 August 2008**

(54) Product in respect of which the design is registered: **Loudspeaker**

(51) International Design Classification: **14-01**

(71) Name(s) and Address(s) of Applicant(s):

**Creative Technology Ltd**  
**31 International Business Park Creative Resource 609921 Singapore**

(72) Name(s) of Designer(s): **Soo Beng Damien Khoo and Chien Mei Linda Ang and Yu Weng Alvin Sitoh**

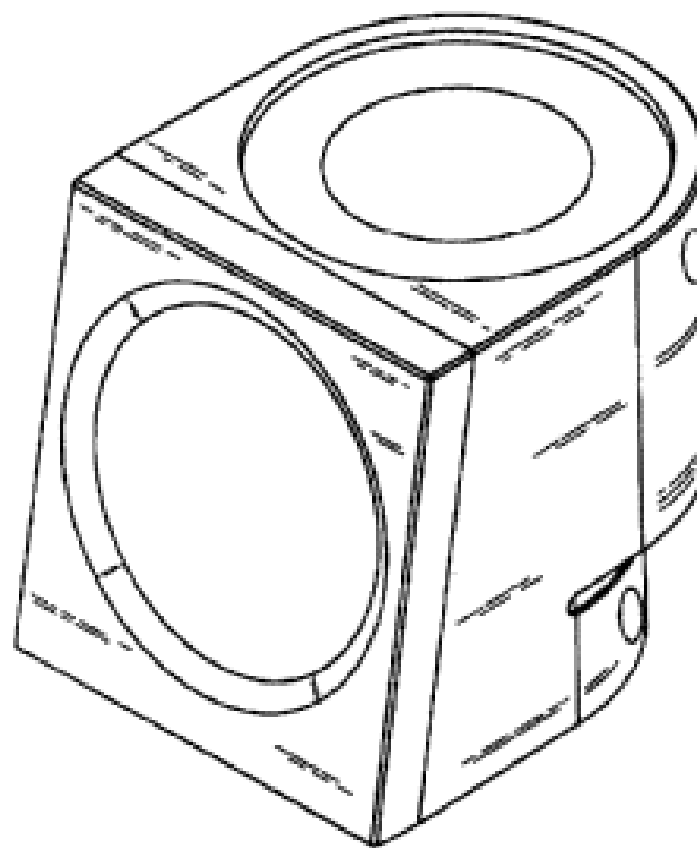
(45) Registration Date: **24 November 2008**

(30) Convention priority data:

(31) Number	(32) Date	(33) Country
<b>29/304,028</b>	<b>22 Feb 2008</b>	<b>UNITED STATES OF AMERICA</b>

(56) Related Art Documents: **Not Applicable**

(57) Statement of Newness and Distinctiveness: **The newness and distinctiveness of the design resides in the features of shape and configuration as depicted in the attached representations.**



(21) Design Number: **13877/2008**

(22) Date of Filing Application: **13 August 2008**

(24) Date from which industrial property rights may have effect: **13 August 2008**

(54) Product in respect of which the design is registered: **Media player**

(51) International Design Classification: **14-01**

(71) Name(s) and Address(s) of Applicant(s):

**Creative Technology Ltd**  
**31 International Business Park Creative Resource 609921 Singapore**

(72) Name(s) of Designer(s): **Kok Chong Anthony Oh and Qing Li and Ai Wei Tan**

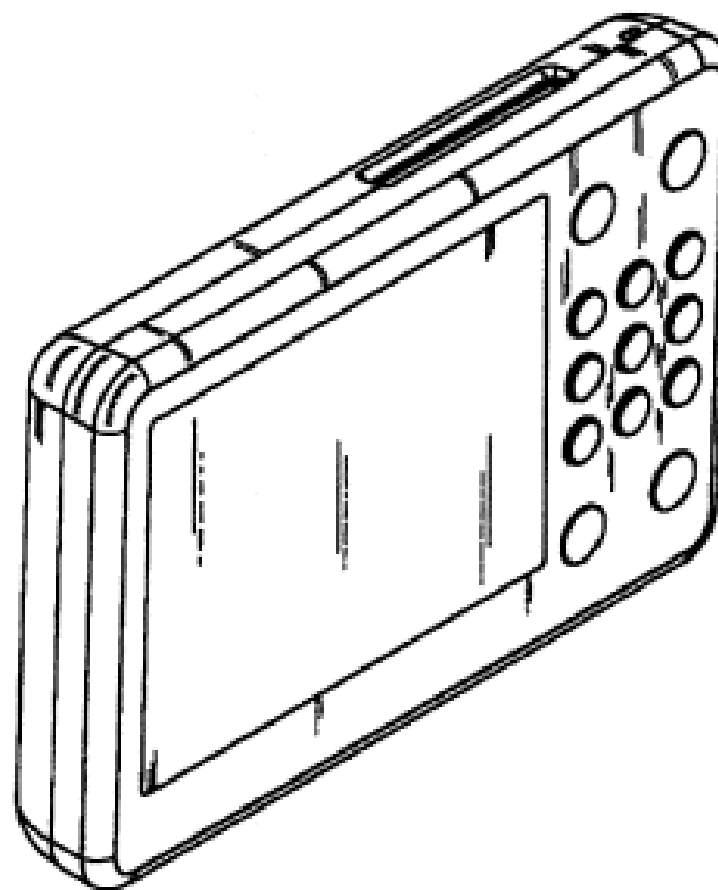
(45) Registration Date: **24 November 2008**

(30) Convention priority data:

(31) Number	(32) Date	(33) Country
<b>29/318,636</b>	<b>23 May 2008</b>	<b>UNITED STATES OF AMERICA</b>

(56) Related Art Documents: **Not Applicable**

(57) Statement of Newness and Distinctiveness: **The newness and distinctiveness of the design resides in the features of shape and configuration as depicted in the attached representations.**



(21) Design Number: **13878/2008**

(22) Date of Filing Application: **13 August 2008**

(24) Date from which industrial property rights may have effect: **13 August 2008**

(54) Product in respect of which the design is registered: **Media player**

(51) International Design Classification: **14-01**

(71) Name(s) and Address(s) of Applicant(s):

**Creative Technology Ltd**

**31 International Business Park Creative Resource 609921 Singapore**

(72) Name(s) of Designer(s): **Hao Yu Sheng and Bin Yu and Yan Hui Zha**

(45) Registration Date: **24 November 2008**

(30) Convention priority data:

(31) Number

(32) Date

(33) Country

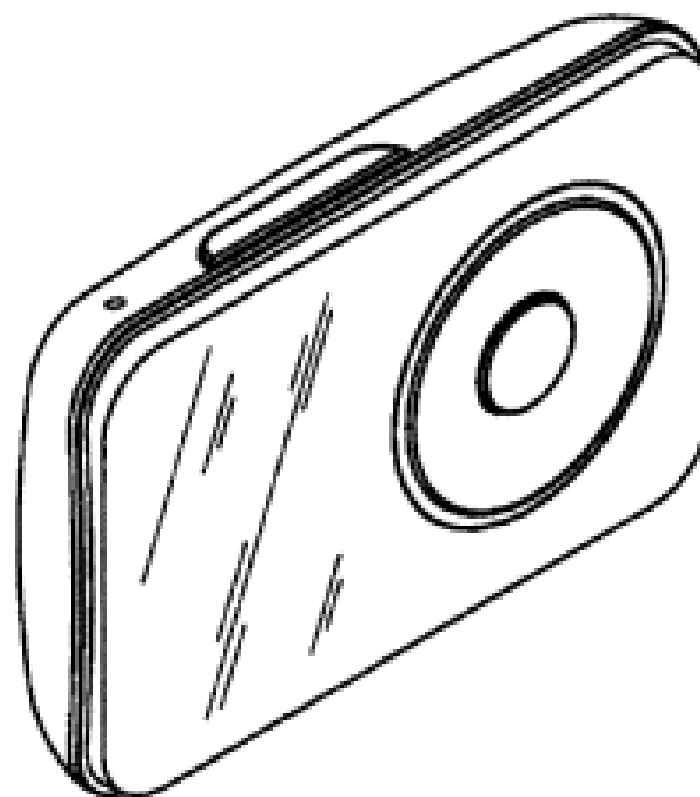
**29/318,293**

**16 May 2008**

**UNITED STATES OF AMERICA**

(56) Related Art Documents: **Not Applicable**

(57) Statement of Newness and Distinctiveness: **The newness and distinctiveness of the design resides in the features of shape and configuration as depicted in the attached representations.**



(21) Design Number: **13879/2008**

(22) Date of Filing Application: **13 August 2008**

(24) Date from which industrial property rights may have effect: **13 August 2008**

(54) Product in respect of which the design is registered: **Entertainment Device**

(51) International Design Classification: **14-01**

(71) Name(s) and Address(s) of Applicant(s):

**Creative Technology Ltd**

**31 International Business Park Creative Resource 609921 Singapore**

(72) Name(s) of Designer(s): **Kok Chong Anthony Oh and Boon Keat Eddy Toh and Jeng Khim Tan**

(45) Registration Date: **24 November 2008**

(30) Convention priority data:

(31) Number

(32) Date

(33) Country

**29/318,629**

**23 May 2008**

**UNITED STATES OF AMERICA**

(56) Related Art Documents: **Not Applicable**

(57) Statement of Newness and Distinctiveness: **The newness and distinctiveness of the design resides in the features of shape and configuration as depicted in the attached representations.**



(21) Design Number: **12838/2008**

(22) Date of Filing Application: **19 June 2008**

(24) Date from which industrial property rights may have effect: **19 June 2008**

(54) Product in respect of which the design is registered: **Cellular phone**

(51) International Design Classification: **14-03E**

(71) Name(s) and Address(s) of Applicant(s):

**LG Electronics Inc.**

**20 Yeouido-dong Yeongdeungpo-gu Seoul 150-721 Republic of Korea**

(72) Name(s) of Designer(s): **Jung Soo Yang**

(45) Registration Date: **26 November 2008**

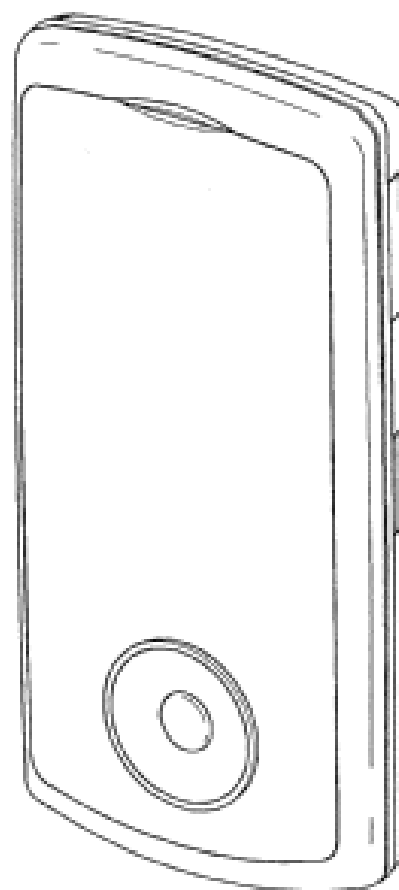
(30) Convention priority data:

(31) Number (32) Date  
**30-2008-0003995 28 Jan 2008**

(33) Country  
**REPUBLIC OF KOREA**

(56) Related Art Documents: **Not Applicable**

(57) Statement of Newness and Distinctiveness: **Newness and distinctiveness in the design as applied to a cellular phone resides in the shape and/or configuration thereof as is illustrated in the accompanying representations.**



(21) Design Number: **12871/2008**

(22) Date of Filing Application: **17 June 2008**

(24) Date from which industrial property rights may have effect: **17 June 2008**

(54) Product in respect of which the design is registered: **A cup lid**

(51) International Design Classification: **09-07B**

(71) Name(s) and Address(s) of Applicant(s):

**Huhtamaki Oyj**

**Keilaranta 10 FI-02150 ESPOO Finland**

(72) Name(s) of Designer(s): **Stephen Knipe**

(45) Registration Date: **26 November 2008**

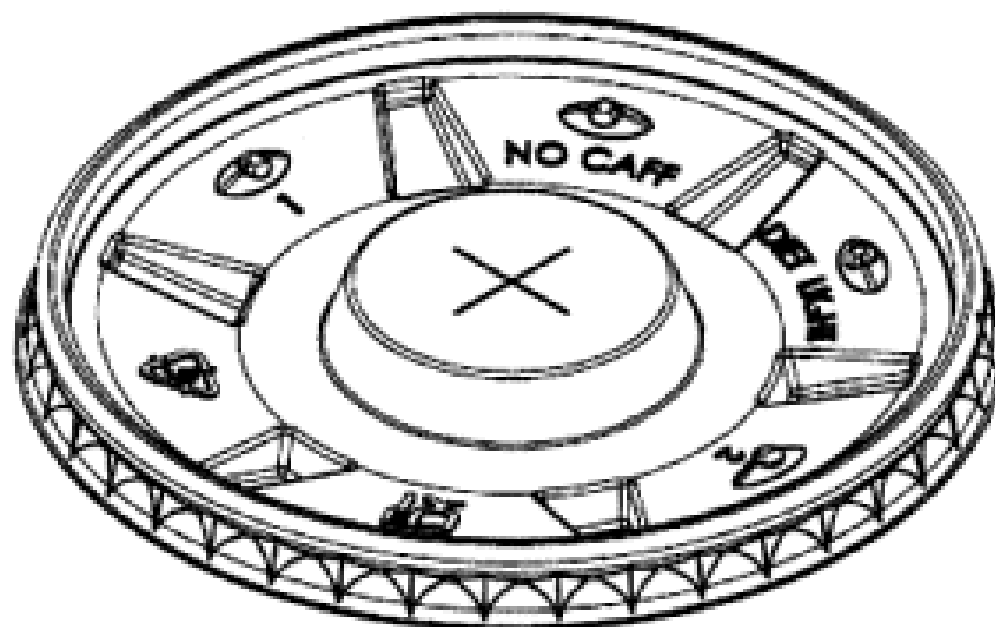
(30) Convention priority data:

(31) Number (32) Date  
**000859657-0001 17 Jan 2008**

(33) Country  
**EUROPEAN COMMUNITY**

(56) Related Art Documents: **Not Applicable**

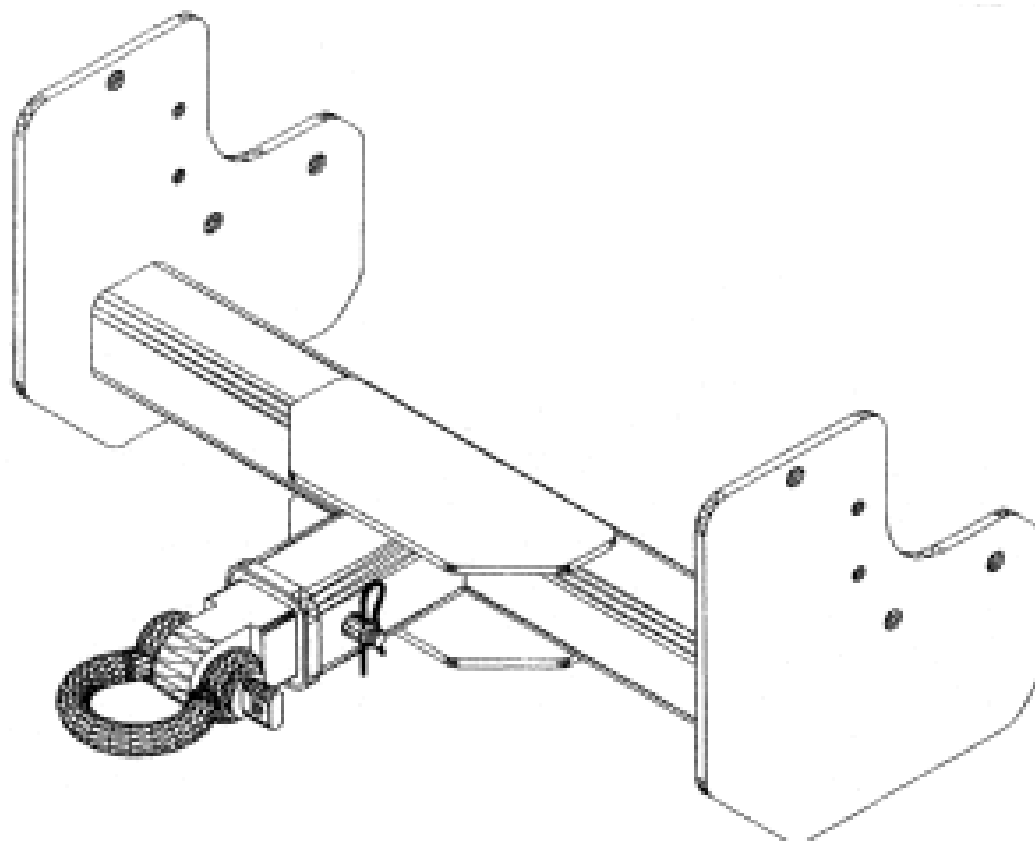
(57) Statement of Newness and Distinctiveness: **In considering the newness or distinctiveness of the design, regard is to be given to the overall shape and/or configuration of a cup lid as shown in the representations. In considering which features are new and distinctive, the indicia appearing on the cup lid are to be disregarded.**



- (21) Design Number: **13983/2008**
- (22) Date of Filing Application: **18 August 2008**
- (24) Date from which industrial property rights may have effect: **18 August 2008**
- (54) Product in respect of which the design is registered: **A hinge barrel**
- (51) International Design Classification: **08-06**
- (71) Name(s) and Address(s) of Applicant(s):  
**Bacoz Pty Ltd**  
**11 Coolac Street Cheltenham Victoria 3192 Australia**
- (72) Name(s) of Designer(s): **Brian Cook**
- (45) Registration Date: **26 November 2008**
- (56) Related Art Documents: **Not Applicable**
- (57) Statement of Newness and Distinctiveness: **Nil**



- (21) Design Number: **13997/2008**
- (22) Date of Filing Application: **19 August 2008**
- (24) Date from which industrial property rights may have effect: **19 August 2008**
- (54) Product in respect of which the design is registered: **Front recovery cross member assembly**
- (51) International Design Classification: **12-16L**
- (71) Name(s) and Address(s) of Applicant(s):  
**Laurie Caruana**  
**24 Winship Street Ormiston Queensland 4160 Australia**
- (72) Name(s) of Designer(s): **Laurie Caruana**
- (45) Registration Date: **26 November 2008**
- (56) Related Art Documents: **Not Applicable**
- (57) Statement of Newness and Distinctiveness: **Product is designed to fit on the front of the vehicle with specifically designed chassis mounting plates with crucial bolting configurations.**



(21) Design Number: **13998/2008**

(22) Date of Filing Application: **19 August 2008**

(24) Date from which industrial property rights may have effect: **19 August 2008**

(54) Product in respect of which the design is registered: **Elevating Work Platform**

(51) International Design Classification: **12-05**

(71) Name(s) and Address(s) of Applicant(s):

**AJ & JP Smith Limited Trading as HYDRALADA COMPANY  
700 Omaha Road Hastings New Zealand**

(72) Name(s) of Designer(s): **Andrew Smith**

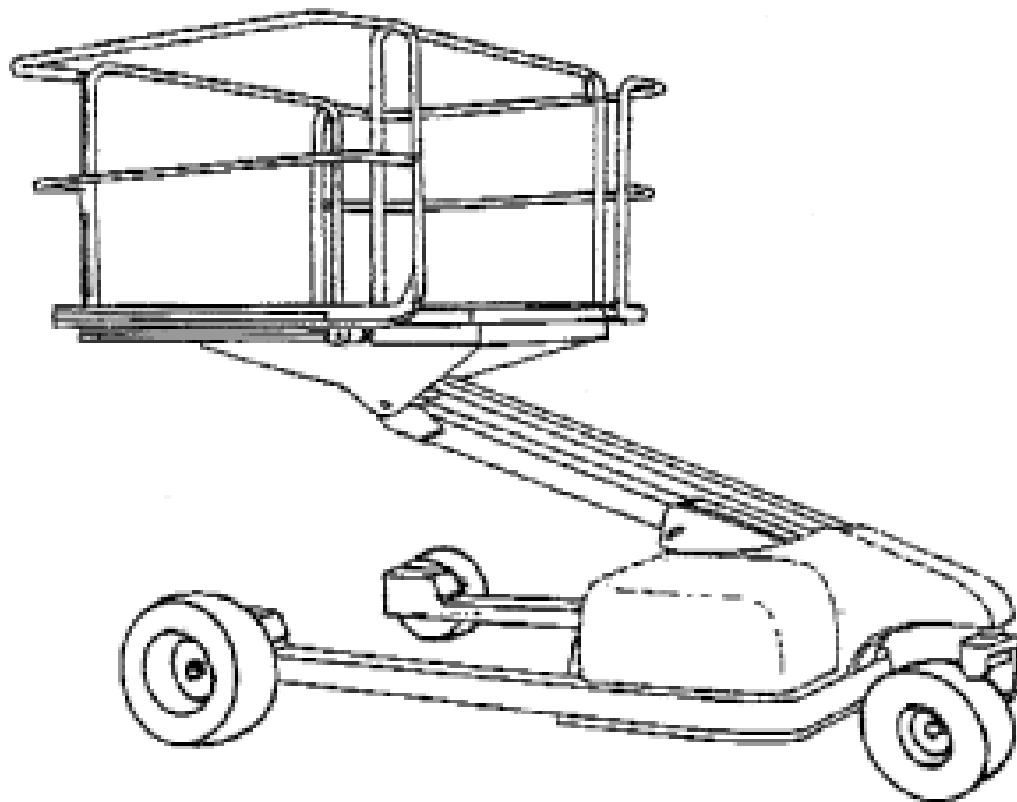
(45) Registration Date: **26 November 2008**

(30) Convention priority data:

(31) Number	(32) Date	(33) Country
<b>411110</b>	<b>21 Jul 2008</b>	<b>NEW ZEALAND</b>

(56) Related Art Documents: **Not Applicable**

(57) Statement of Newness and Distinctiveness: **Newness and distinctiveness resides in the shape and configuration of the three wheeled arrangement of the elevating work platform and of the cage. Newness and distinctiveness does not reside in any of the features shown in broken lines.**



(21) Design Number: **13999/2008**

(22) Date of Filing Application: **18 August 2008**

(24) Date from which industrial property rights may have effect: **18 August 2008**

(54) Product in respect of which the design is registered: **Automatic vending machine**

(51) International Design Classification: **20-01**

(71) Name(s) and Address(s) of Applicant(s):

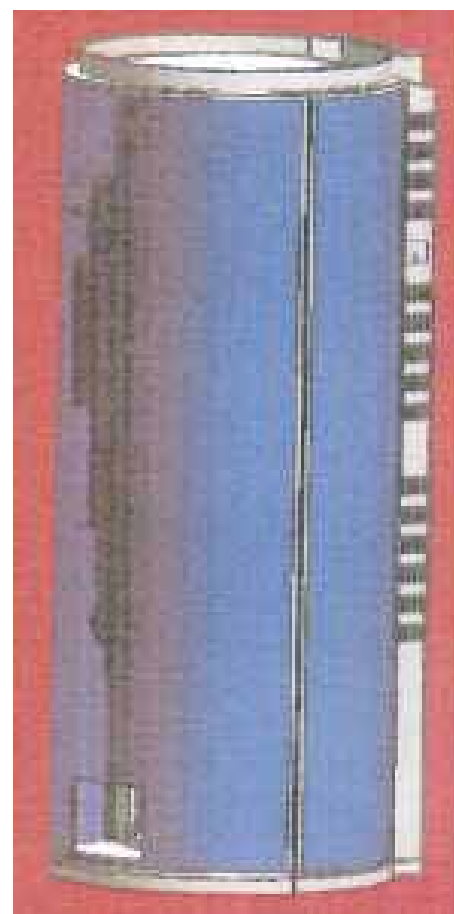
**Nine Dragons Exports (Hong Kong) Limited  
4th Floor Kingpower Commercial Building 409-413 Jaffe Road,  
Wanchai Hong Kong**

(72) Name(s) of Designer(s): **Franklyn Ernest Yates**

(45) Registration Date: **26 November 2008**

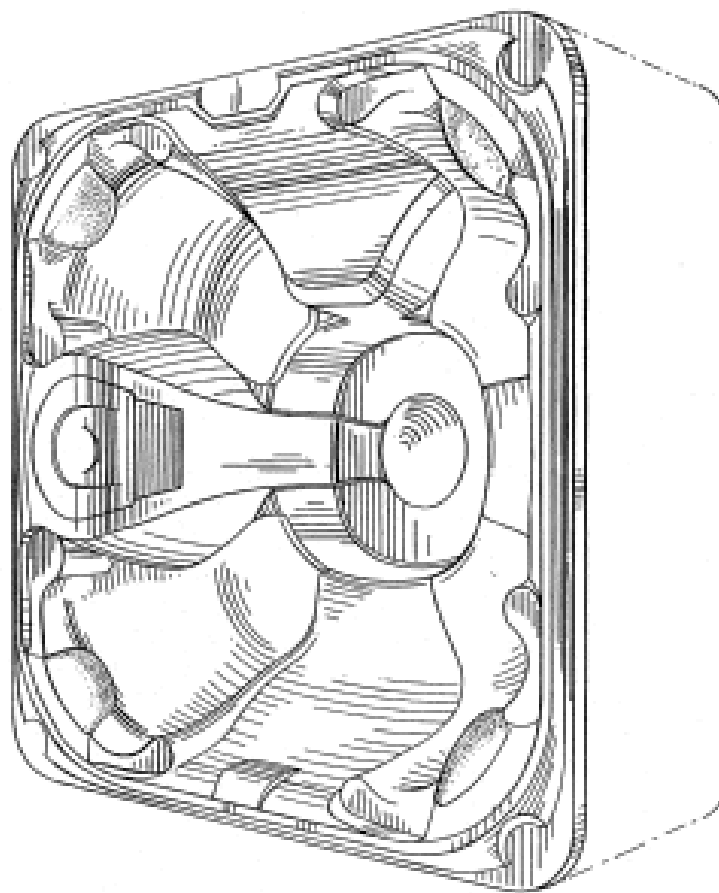
(56) Related Art Documents: **Not Applicable**

(57) Statement of Newness and Distinctiveness: **Newness and distinctiveness is claimed in the features of shape and configuration as shown in the representations.**



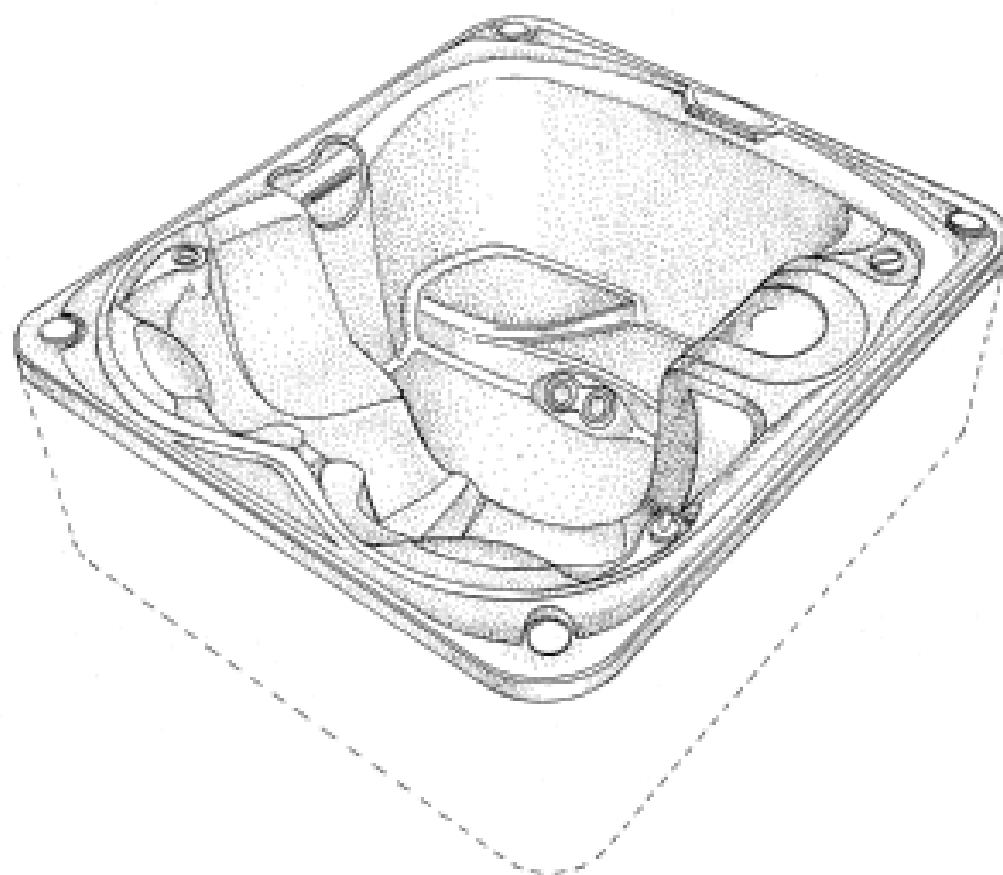
- (21) Design Number: **14000/2008**
- (22) Date of Filing Application: **18 August 2008**
- (24) Date from which industrial property rights may have effect: **18 August 2008**
- (54) Product in respect of which the design is registered: **A spa shell**
- (51) International Design Classification: **23-02B**
- (71) Name(s) and Address(s) of Applicant(s):  
**Watkins Manufacturing Corporation**  
**1280 Park Center Drive Vista California 92081 United States of America**
- (72) Name(s) of Designer(s): **Christopher C. Larsen**
- (45) Registration Date: **26 November 2008**
- (30) Convention priority data:  

(31) Number	(32) Date	(33) Country
<b>29304043</b>	<b>22 Feb 2008</b>	<b>UNITED STATES OF AMERICA</b>
- (56) Related Art Documents: **Not Applicable**
- (57) Statement of Newness and Distinctiveness: **Newness and distinctiveness is claimed in the visual features shown in solid lines in the representations.**



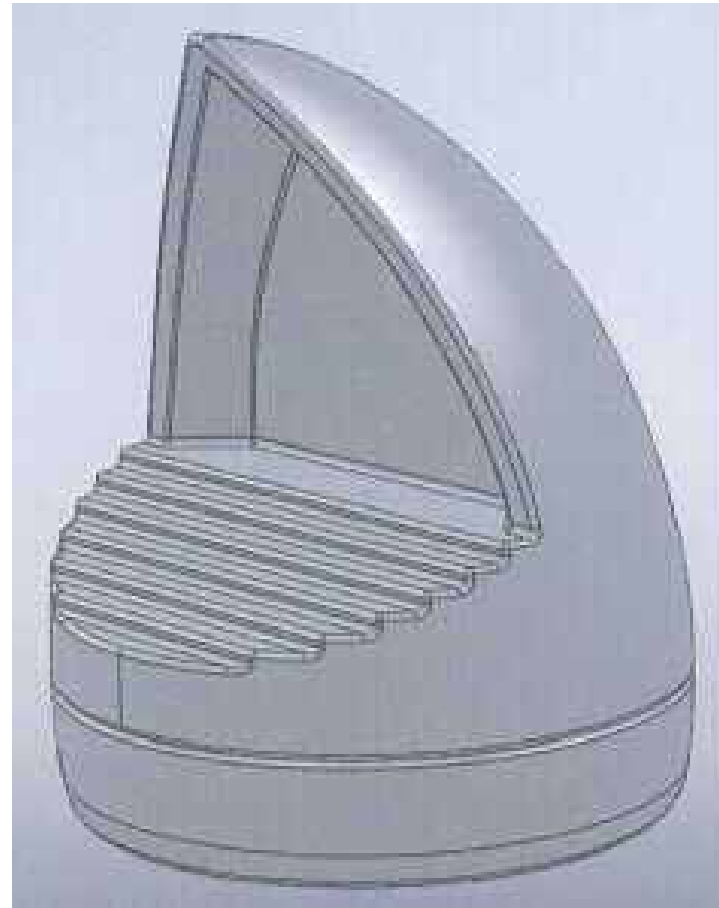
- (21) Design Number: **14001/2008**
- (22) Date of Filing Application: **18 August 2008**
- (24) Date from which industrial property rights may have effect: **18 August 2008**
- (54) Product in respect of which the design is registered: **A spa shell**
- (51) International Design Classification: **23-02B**
- (71) Name(s) and Address(s) of Applicant(s):  
**Watkins Manufacturing Corporation**  
**1280 Park Center Drive Vista California 92081 United States of America**
- (72) Name(s) of Designer(s): **Christopher C. Larsen**
- (45) Registration Date: **26 November 2008**
- (30) Convention priority data:  

(31) Number	(32) Date	(33) Country
<b>29304045</b>	<b>22 Feb 2008</b>	<b>UNITED STATES OF AMERICA</b>
- (56) Related Art Documents: **Not Applicable**
- (57) Statement of Newness and Distinctiveness: **Newness and distinctiveness is claimed in the visual features shown in solid lines in the representations.**

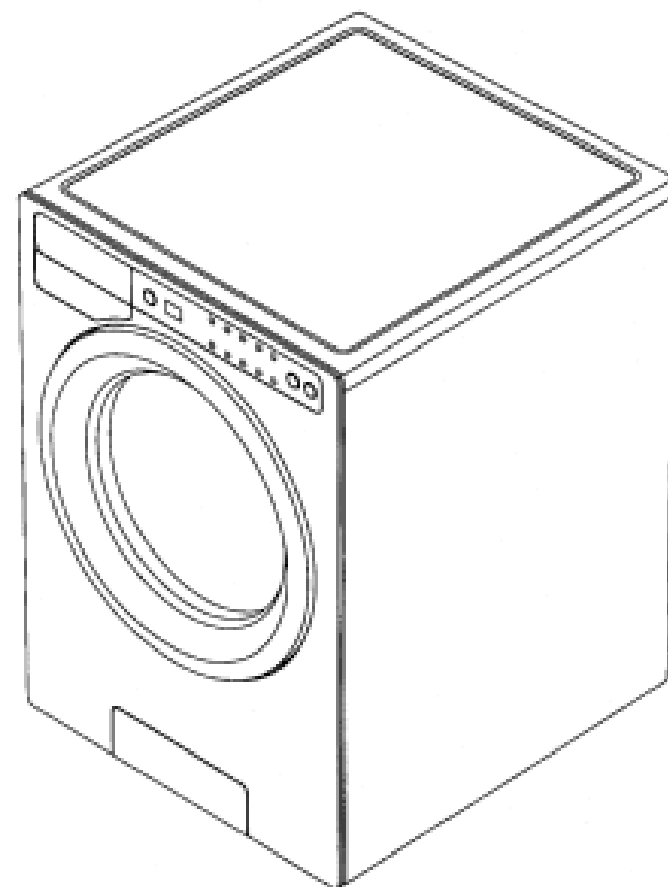




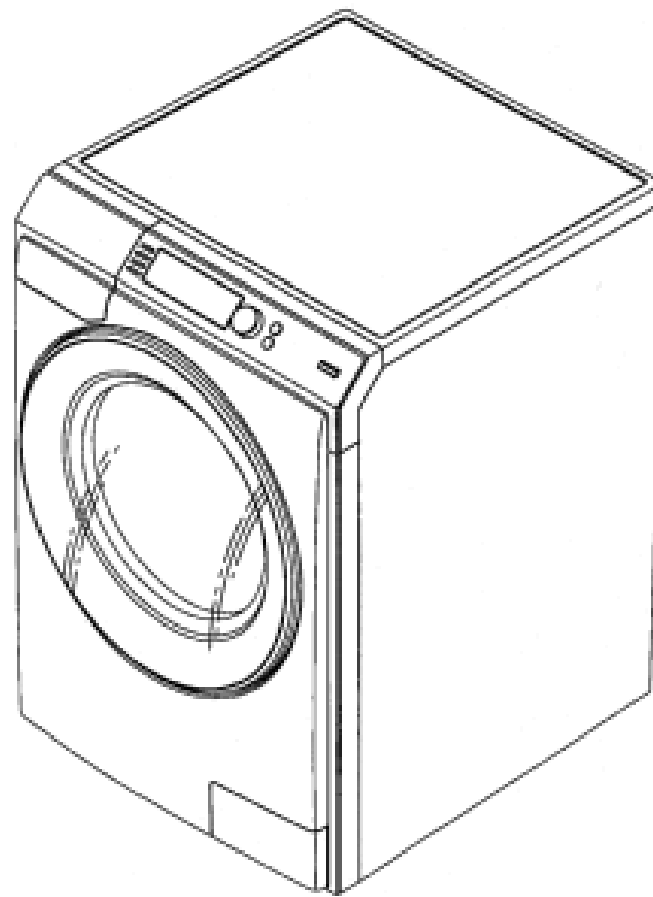
- (21) Design Number: **14003/2008**  
(22) Date of Filing Application: **18 August 2008**  
(24) Date from which industrial property rights may have effect: **18 August 2008**  
(54) Product in respect of which the design is registered: **Souvenir, collectible**  
(51) International Design Classification: **11-02NES**  
(71) Name(s) and Address(s) of Applicant(s):  
**Global Icons Pty Ltd**  
**1 Bevin Avenue Five Dock New South Wales 2046 Australia**  
(72) Name(s) of Designer(s): **Paul Bailey**  
(45) Registration Date: **26 November 2008**  
(56) Related Art Documents: **Not Applicable**  
(57) Statement of Newness and Distinctiveness: **Stairway directly adjoining arch (not behind arch or distant from arch) front and silhouette angles and proportions.**



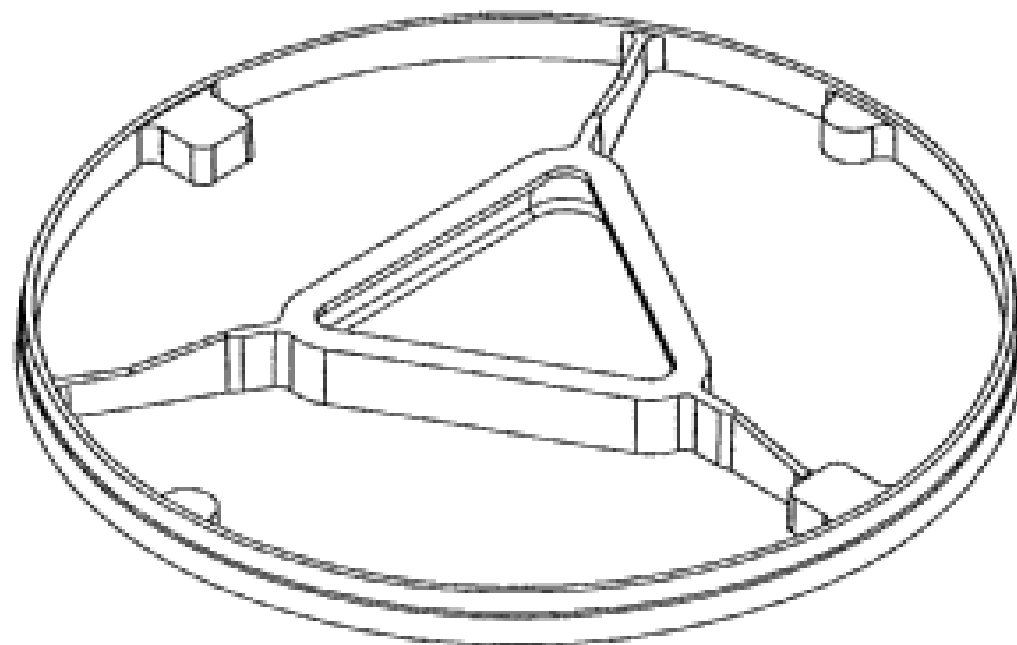
- (21) Design Number: **14027/2008**  
(22) Date of Filing Application: **18 August 2008**  
(24) Date from which industrial property rights may have effect: **18 August 2008**  
(54) Product in respect of which the design is registered: **Washing machine**  
(51) International Design Classification: **15-05**  
(71) Name(s) and Address(s) of Applicant(s):  
**LG Electronics Inc.**  
**20 Yoido-dong Yongdungpo-gu Seoul Republic of Korea**  
(72) Name(s) of Designer(s): **So Jin Park and Seung Hyun Song and Jong Hee Han and Na Jung Cho and Jae Seok Seong**  
(45) Registration Date: **26 November 2008**  
(30) Convention priority data:  
(31) Number      (32) Date      (33) Country  
**30-2008-0008020 25 Feb 2008      REPUBLIC OF KOREA**  
(56) Related Art Documents: **Not Applicable**  
(57) Statement of Newness and Distinctiveness: **Newness and distinctiveness resides in the visual features of shape and/or configuration of a washing machine as illustrated in the accompanying representations.**



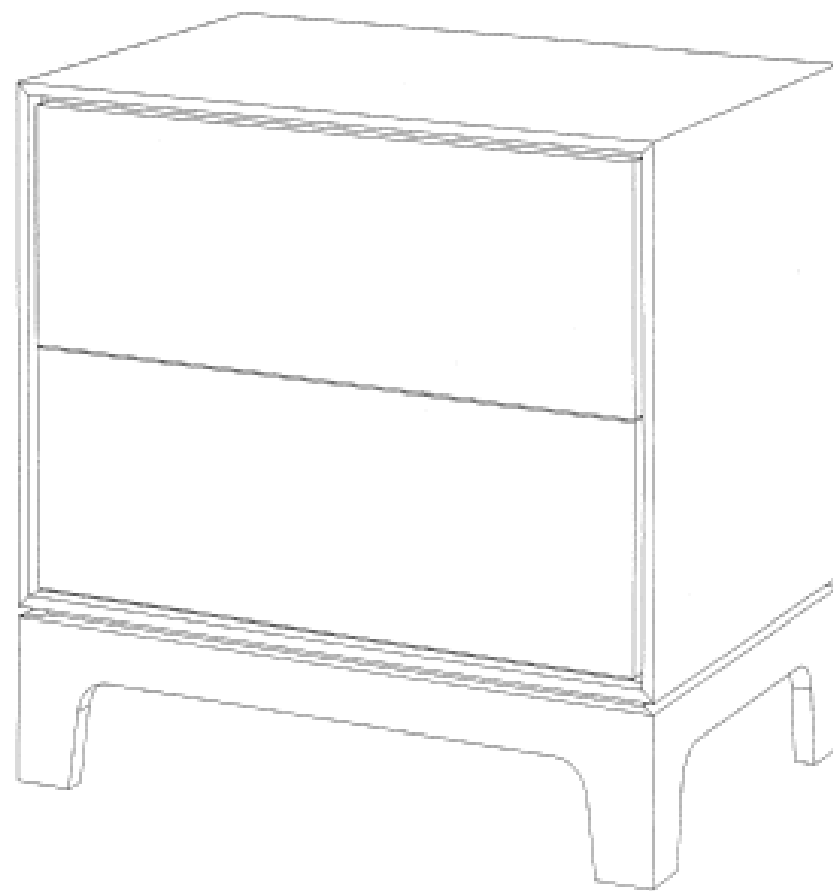
- (21) Design Number: **14028/2008**  
(22) Date of Filing Application: **18 August 2008**  
(24) Date from which industrial property rights may have effect: **18 August 2008**  
(54) Product in respect of which the design is registered: **Washing machine**  
(51) International Design Classification: **15-05**  
(71) Name(s) and Address(s) of Applicant(s):  
**LG Electronics Inc.**  
**20 Yoido-dong Yongdungpo-gu Seoul Republic of Korea**  
(72) Name(s) of Designer(s): **So Jin Park and Seung Hyun Song and Jong Hee Han and Na Jung Cho and Jae Seok Seong**  
(45) Registration Date: **26 November 2008**  
(30) Convention priority data:  
(31) Number (32) Date (33) Country  
**30-2008-0008019 25 Feb 2008 REPUBLIC OF KOREA**  
(56) Related Art Documents: **Not Applicable**  
(57) Statement of Newness and Distinctiveness: **Newness and distinctiveness resides in the visual features of shape and/or configuration of a washing machine as illustrated in the accompanying representations.**



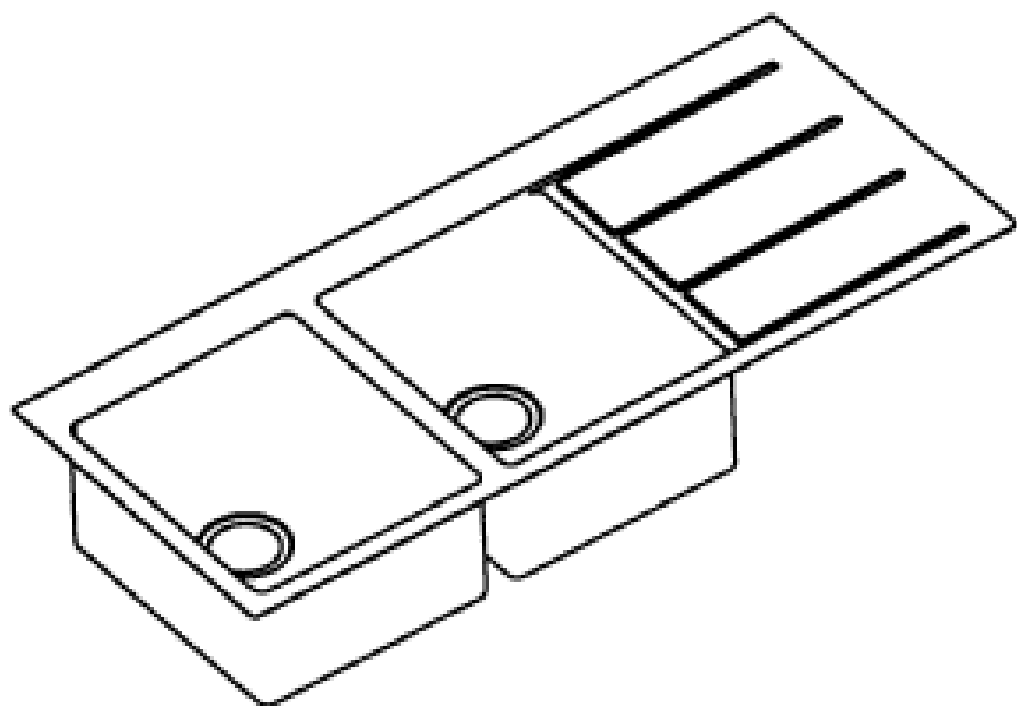
- (21) Design Number: **14029/2008**  
(22) Date of Filing Application: **18 August 2008**  
(24) Date from which industrial property rights may have effect: **18 August 2008**  
(54) Product in respect of which the design is registered: **Access cover**  
(51) International Design Classification: **25-02NES**  
(71) Name(s) and Address(s) of Applicant(s):  
**BVCI Pty Ltd**  
**Carngham Road Ballarat Victoria 3351 Australia**  
(72) Name(s) of Designer(s): **Christopher Anderson**  
(45) Registration Date: **26 November 2008**  
(56) Related Art Documents: **Not Applicable**  
(57) Statement of Newness and Distinctiveness: **Newness and distinctiveness resides in the shape and configuration of the underside view of the access cover shown in the annexed drawings, the top view not forming part of the design.**



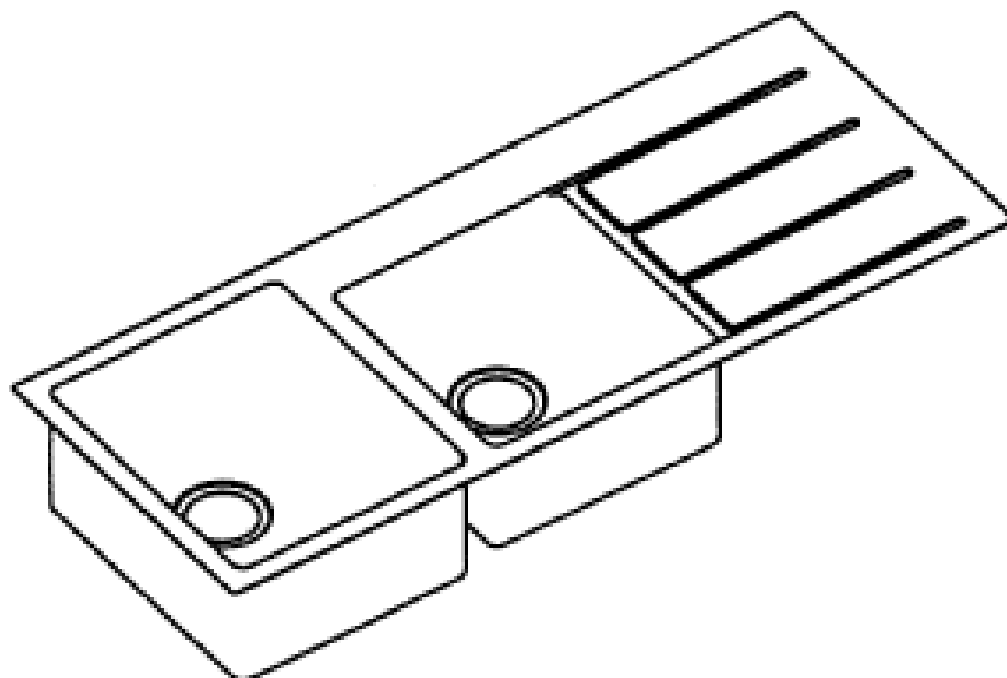
- (21) Design Number: **14031/2008**  
(22) Date of Filing Application: **18 August 2008**  
(24) Date from which industrial property rights may have effect: **18 August 2008**  
(54) Product in respect of which the design is registered: **Bedside table**  
(51) International Design Classification: **06-03NES**  
(71) Name(s) and Address(s) of Applicant(s):  
**Bomi Furniture Pty Ltd**  
**11-17 Sages Road Glenroy Victoria 3046 Australia**  
(72) Name(s) of Designer(s): **Howard Alfred Bowler and Simon Bowler and Damir Tankovic**  
(45) Registration Date: **26 November 2008**  
(56) Related Art Documents: **Not Applicable**  
(57) Statement of Newness and Distinctiveness: **Nil**



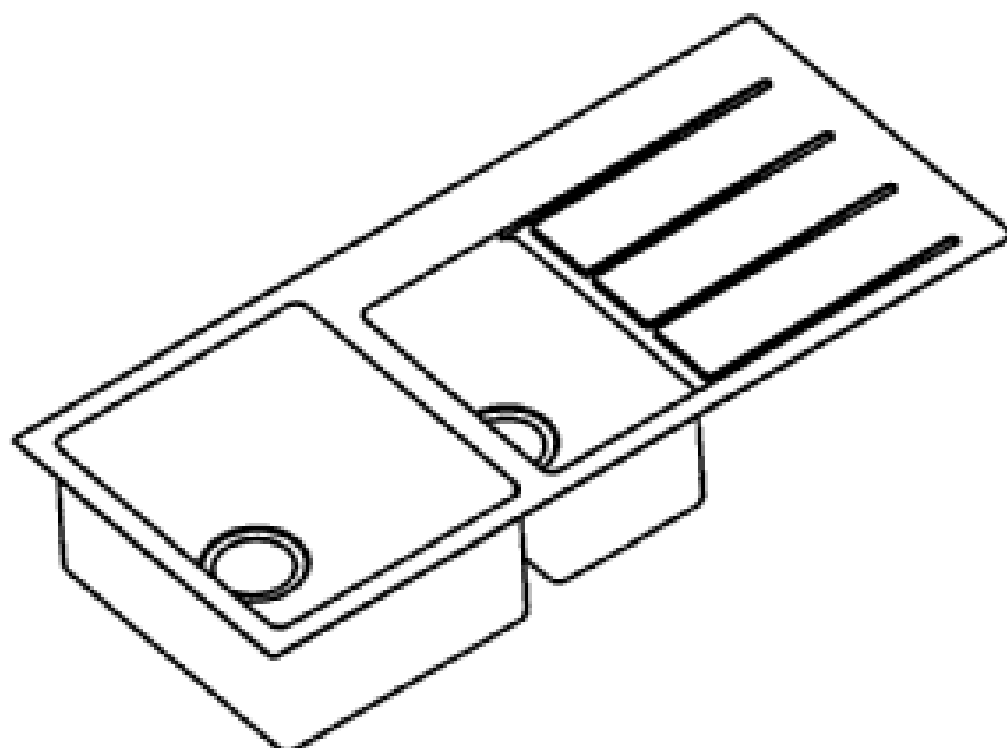
- (21) Design Number: **14032/2008**  
(22) Date of Filing Application: **19 August 2008**  
(24) Date from which industrial property rights may have effect: **19 August 2008**  
(54) Product in respect of which the design is registered: **A sink**  
(51) International Design Classification: **23-02F**  
(71) Name(s) and Address(s) of Applicant(s):  
**Caroma Industries Limited**  
**10 Market Street Brisbane Queensland 4000 Australia**  
(72) Name(s) of Designer(s): **Stephen John Cummings and David Giorgio**  
(45) Registration Date: **26 November 2008**  
(56) Related Art Documents: **Not Applicable**  
(57) Statement of Newness and Distinctiveness: **Newness and distinctiveness is claimed in the features of shape and/or configuration of a sink as illustrated in the accompanying representations.**



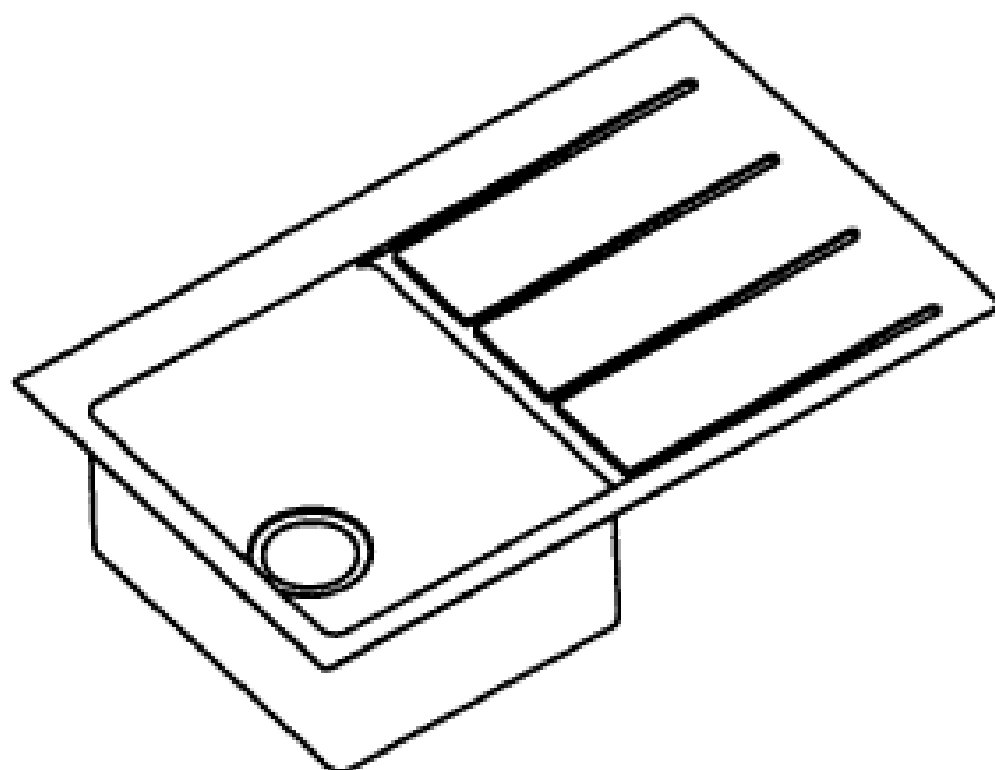
- (21) Design Number: **14033/2008**  
(22) Date of Filing Application: **19 August 2008**  
(24) Date from which industrial property rights may have effect: **19 August 2008**  
(54) Product in respect of which the design is registered: **A sink**  
(51) International Design Classification: **23-02F**  
(71) Name(s) and Address(s) of Applicant(s):  
**Caroma Industries Limited**  
**10 Market Street Brisbane Queensland 4000 Australia**  
(72) Name(s) of Designer(s): **Stephen John Cummings and David Giorgio**  
(45) Registration Date: **26 November 2008**  
(56) Related Art Documents: **Not Applicable**  
(57) Statement of Newness and Distinctiveness: **Newness and distinctiveness is claimed in the features of shape and/or configuration of a sink as illustrated in the accompanying representations.**



- (21) Design Number: **14034/2008**  
(22) Date of Filing Application: **19 August 2008**  
(24) Date from which industrial property rights may have effect: **19 August 2008**  
(54) Product in respect of which the design is registered: **A sink**  
(51) International Design Classification: **23-02F**  
(71) Name(s) and Address(s) of Applicant(s):  
**Caroma Industries Limited**  
**10 Market Street Brisbane Queensland 4000 Australia**  
(72) Name(s) of Designer(s): **Stephen John Cummings and David Giorgio**  
(45) Registration Date: **26 November 2008**  
(56) Related Art Documents: **Not Applicable**  
(57) Statement of Newness and Distinctiveness: **Newness and distinctiveness is claimed in the features of shape and/or configuration of a sink as illustrated in the accompanying representations.**

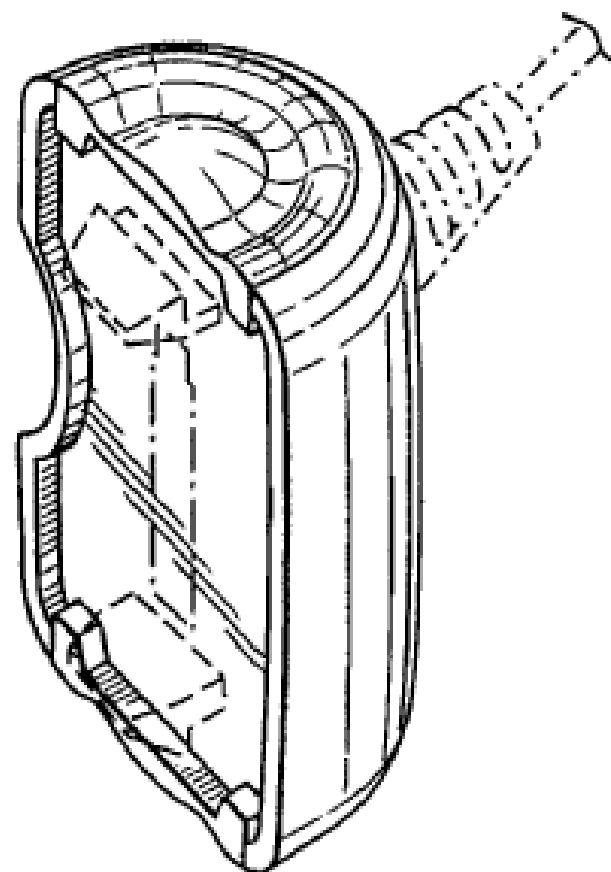


- (21) Design Number: **14035/2008**
- (22) Date of Filing Application: **19 August 2008**
- (24) Date from which industrial property rights may have effect: **19 August 2008**
- (54) Product in respect of which the design is registered: **A sink**
- (51) International Design Classification: **23-02F**
- (71) Name(s) and Address(s) of Applicant(s):  
**Caroma Industries Limited**  
**10 Market Street Brisbane Queensland 4000 Australia**
- (72) Name(s) of Designer(s): **Stephen John Cummings and David Giorgio**
- (45) Registration Date: **26 November 2008**
- (56) Related Art Documents: **Not Applicable**
- (57) Statement of Newness and Distinctiveness: **Newness and distinctiveness is claimed in the features of shape and/or configuration of a sink as illustrated in the accompanying representations.**



- (21) Design Number: **14036/2008**
- (22) Date of Filing Application: **19 August 2008**
- (24) Date from which industrial property rights may have effect: **19 August 2008**
- (54) Product in respect of which the design is registered: **Connector for a peripheral device**
- (51) International Design Classification: **24-01, 14-03A**
- (71) Name(s) and Address(s) of Applicant(s):  
**Vocollect Healthcare Systems, Inc.**  
**701 Rodi Road Suite 102 Pittsburgh Pennsylvania 15235-4559 United States of America**
- (72) Name(s) of Designer(s): **James Wahl and Chris Nightingale**
- (45) Registration Date: **26 November 2008**
- (30) Convention priority data:  

(31) Number	(32) Date	(33) Country
<b>29/303922</b>	<b>20 Feb 2008</b>	<b>UNITED STATES OF AMERICA</b>
- (56) Related Art Documents: **Not Applicable**
- (57) Statement of Newness and Distinctiveness: **Newness and distinctiveness is claimed in the features of shape and/or configuration of a connector for a peripheral device as illustrated in continuous lines in the accompanying representations.**



(21) Design Number: **14037/2008**

(22) Date of Filing Application: **19 August 2008**

(24) Date from which industrial property rights may have effect: **19 August 2008**

(54) Product in respect of which the design is registered: **Transmitter**

(51) International Design Classification: **14-03NES**

(71) Name(s) and Address(s) of Applicant(s):

**The Chamberlain Group, Inc.  
845 Larch Avenue Elmhurst Illinois 60126 United States of America**

(72) Name(s) of Designer(s): **Eric J. Peterson and Matthew Randazzo and  
Stephan Coates**

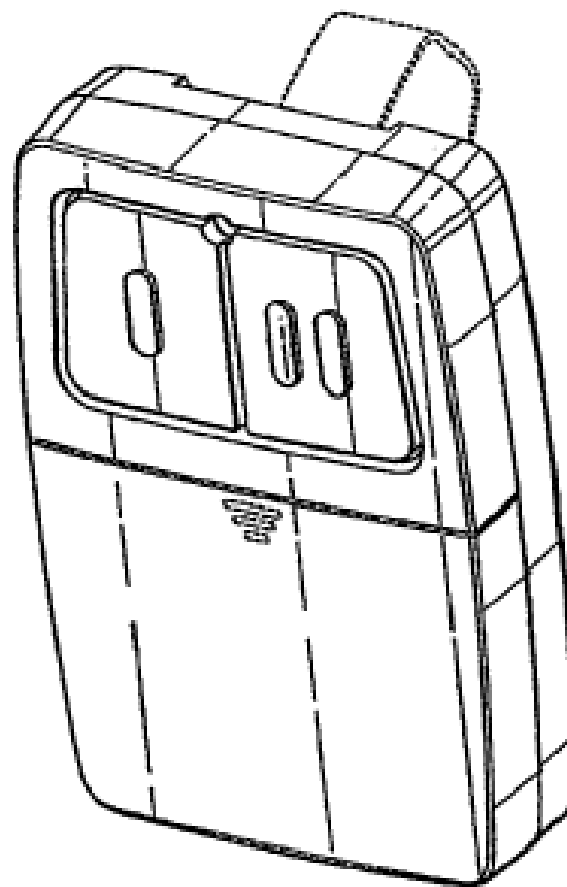
(45) Registration Date: **26 November 2008**

(30) Convention priority data:

(31) Number	(32) Date	(33) Country
<b>29/304035</b>	<b>22 Feb 2008</b>	<b>UNITED STATES OF AMERICA</b>

(56) Related Art Documents: **Not Applicable**

(57) Statement of Newness and Distinctiveness: **Newness and distinctiveness is claimed in the features of shape and/or configuration of a transmitter as illustrated in solid lines in the accompanying representations.**



(21) Design Number: **15388/2008**

(22) Date of Filing Application: **14 November 2008**

(24) Date from which industrial property rights may have effect: **14 November 2008**

(54) Product in respect of which the design is registered: **Container**

(51) International Design Classification: **09-01NES**

(71) Name(s) and Address(s) of Applicant(s):

**Colgate-Palmolive Company  
300 Park Avenue New York New York 10022 United States of America**

(72) Name(s) of Designer(s): **Eric Charles and John Swanson and Peter R.  
Hilliard Jr.**

(45) Registration Date: **26 November 2008**

(30) Convention priority data:

(31) Number	(32) Date	(33) Country
<b>29/319282</b>	<b>06 Jun 2008</b>	<b>UNITED STATES OF AMERICA</b>

(56) Related Art Documents: **Not Applicable**

(57) Statement of Newness and Distinctiveness: **Newness and distinctiveness reside in the features of the design shown in solid lines in the representations excluding those features shown in broken lines.**



(21) Design Number: **12098/2008**

(22) Date of Filing Application: **06 May 2008**

(24) Date from which industrial property rights may have effect: **06 May 2008**

(54) Product in respect of which the design is registered: **Bed**

(51) International Design Classification: **06-02**

(71) Name(s) and Address(s) of Applicant(s):

**James Borsting Madsen**

**Lot 25 Morilla Road Mundaring Western Australia 6073 Australia**

(72) Name(s) of Designer(s): **James Borsting Madsen**

(45) Registration Date: **26 November 2008**

(56) Related Art Documents: **Not Applicable**

(57) Statement of Newness and Distinctiveness: **Nil**



(21) Design Number: **12099/2008**

(22) Date of Filing Application: **06 May 2008**

(24) Date from which industrial property rights may have effect: **06 May 2008**

(54) Product in respect of which the design is registered: **Coffee table**

(51) International Design Classification: **06-03A**

(71) Name(s) and Address(s) of Applicant(s):

**James Borsting Madsen**

**Lot 25 Morilla Road Mundaring Western Australia 6073 Australia**

(72) Name(s) of Designer(s): **James Borsting Madsen**

(45) Registration Date: **26 November 2008**

(56) Related Art Documents: **Not Applicable**

(57) Statement of Newness and Distinctiveness: **Nil**



(21) Design Number: **12100/2008**

(22) Date of Filing Application: **06 May 2008**

(24) Date from which industrial property rights may have effect: **06 May 2008**

(54) Product in respect of which the design is registered: **Entertainment unit**

(51) International Design Classification: **06-04NES**

(71) Name(s) and Address(s) of Applicant(s):

**James Borsting Madsen**

**Lot 25 Morilla Road Mundaring Western Australia 6073 Australia**

(72) Name(s) of Designer(s): **James Borsting Madsen**

(45) Registration Date: **26 November 2008**

(56) Related Art Documents: **Not Applicable**

(57) Statement of Newness and Distinctiveness: **Nil**



(21) Design Number: **12101/2008**

(22) Date of Filing Application: **06 May 2008**

(24) Date from which industrial property rights may have effect: **06 May 2008**

(54) Product in respect of which the design is registered: **Entertainment unit**

(51) International Design Classification: **06-04NES**

(71) Name(s) and Address(s) of Applicant(s):

**James Borsting Madsen**

**Lot 25 Morilla Road Mundaring Western Australia 6073 Australia**

(72) Name(s) of Designer(s): **James Borsting Madsen**

(45) Registration Date: **26 November 2008**

(56) Related Art Documents: **Not Applicable**

(57) Statement of Newness and Distinctiveness: **Nil**





- (21) Design Number: **12102/2008**
- (22) Date of Filing Application: **06 May 2008**
- (24) Date from which industrial property rights may have effect: **06 May 2008**
- (54) Product in respect of which the design is registered: **Entertainment unit**
- (51) International Design Classification: **06-04NES**
- (71) Name(s) and Address(s) of Applicant(s):

**James Borsting Madsen**  
**Lot 25 Morilla Road Mundaring Western Australia 6073 Australia**

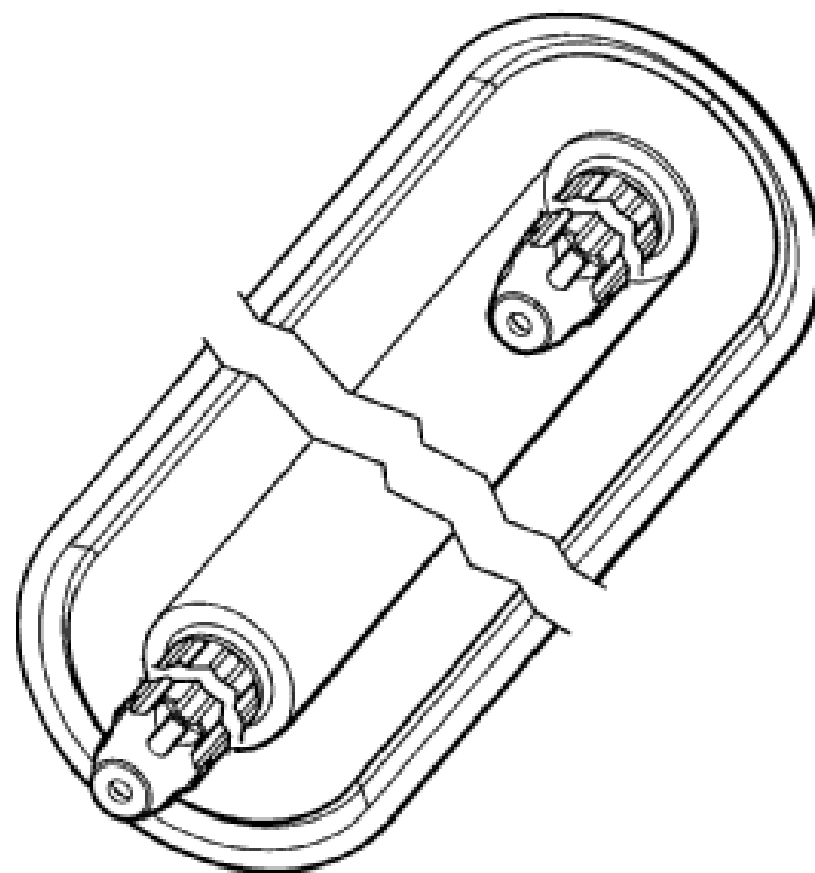
- (72) Name(s) of Designer(s): **James Borsting Madsen**
- (45) Registration Date: **26 November 2008**
- (56) Related Art Documents: **Not Applicable**
- (57) Statement of Newness and Distinctiveness: **Nil**



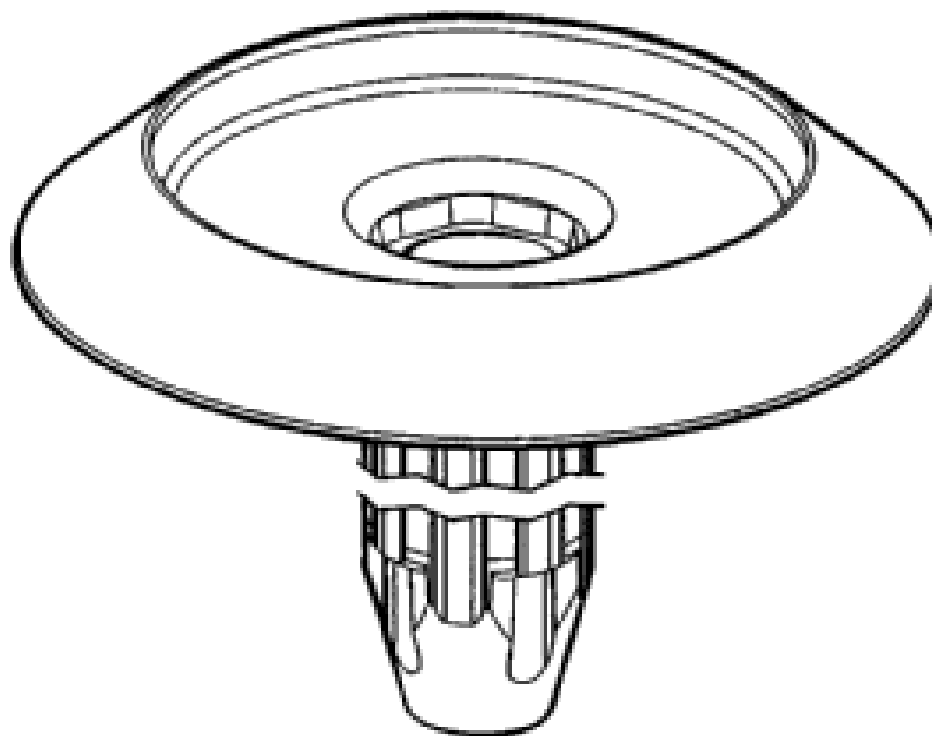
- (21) Design Number: **15179/2008**
- (22) Date of Filing Application: **31 October 2008**
- (24) Date from which industrial property rights may have effect: **31 October 2008**
- (54) Product in respect of which the design is registered: **Cap and mounting plug portion of a tactile indicator strip**
- (51) International Design Classification: **08-08B**
- (71) Name(s) and Address(s) of Applicant(s):

**DECE Holdings Pty Ltd**  
**Unit 4/1-7 Friars Road Moorabbin Victoria 3189 Australia**

- (72) Name(s) of Designer(s): **Dean Alexander Homicki**
- (45) Registration Date: **26 November 2008**
- (56) Related Art Documents: **Not Applicable**
- (57) Statement of Newness and Distinctiveness: **Newness and distinctiveness resides in the features of shape and/or configuration of a cap and mounting plug portion of a tactile indicator strip of indefinite length as shown in the accompanying representations. The shafts of the mounting plug portion being of indefinite length.**



(21) Design Number: **15180/2008**  
 (22) Date of Filing Application: **31 October 2008**  
 (24) Date from which industrial property rights may have effect: **31 October 2008**  
 (54) Product in respect of which the design is registered: **Cap and mounting plug portion of a tactile indicator**  
 (51) International Design Classification: **08-08B**  
 (71) Name(s) and Address(s) of Applicant(s):  
**DECE Holdings Pty Ltd**  
**Unit 4/1-7 Friars Road Moorabbin Victoria 3189 Australia**  
 (72) Name(s) of Designer(s): **Dean Alexander Homicki**  
 (45) Registration Date: **26 November 2008**  
 (56) Related Art Documents: **Not Applicable**  
 (57) Statement of Newness and Distinctiveness: **Newness and distinctiveness resides in the features of shape and/or configuration of a cap and mounting plug portion of a tactile indicator as shown in the accompanying representations. The shaft of the mounting plug portion being of indefinite length.**



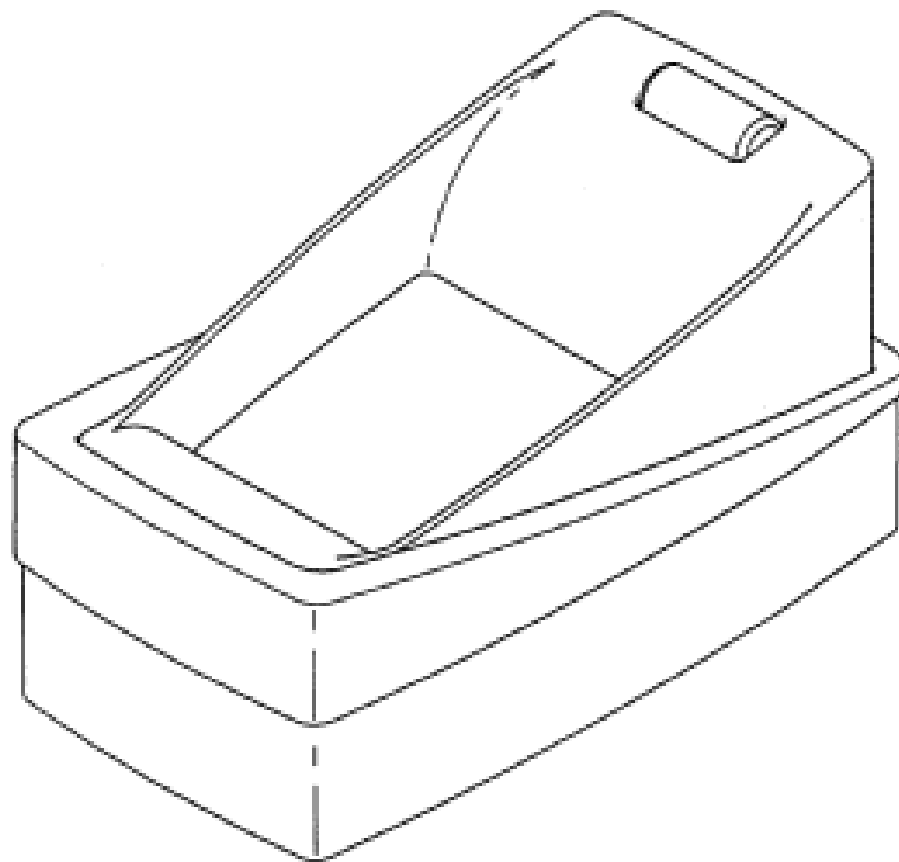
(21) Design Number: **15220/2008**  
 (22) Date of Filing Application: **04 November 2008**  
 (24) Date from which industrial property rights may have effect: **04 November 2008**  
 (54) Product in respect of which the design is registered: **Container**  
 (51) International Design Classification: **09-01NES**  
 (71) Name(s) and Address(s) of Applicant(s):  
**Colgate-Palmolive Company**  
**300 Park Avenue New York New York 10022 United States of America**  
 (72) Name(s) of Designer(s): **Isaac Milhem and Jeffrey Mayers**  
 (45) Registration Date: **26 November 2008**  
 (30) Convention priority data:  

(31) Number	(32) Date	(33) Country
<b>29/318566</b>	<b>22 May 2008</b>	<b>UNITED STATES OF AMERICA</b>

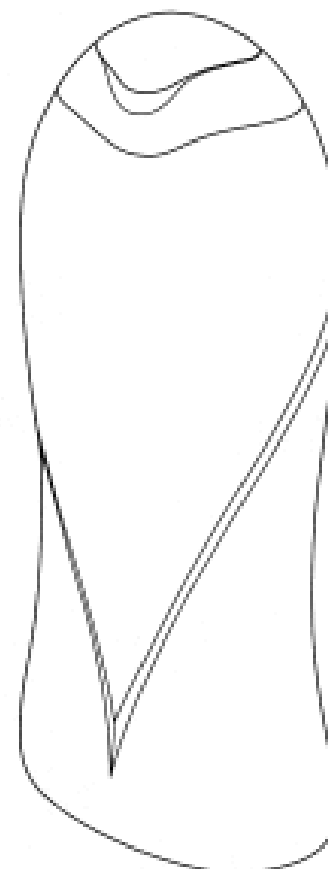
 (56) Related Art Documents: **Not Applicable**  
 (57) Statement of Newness and Distinctiveness: **Newness and distinctiveness reside in the features of the design shown in solid lines in the representations excluding those features shown in broken lines.**



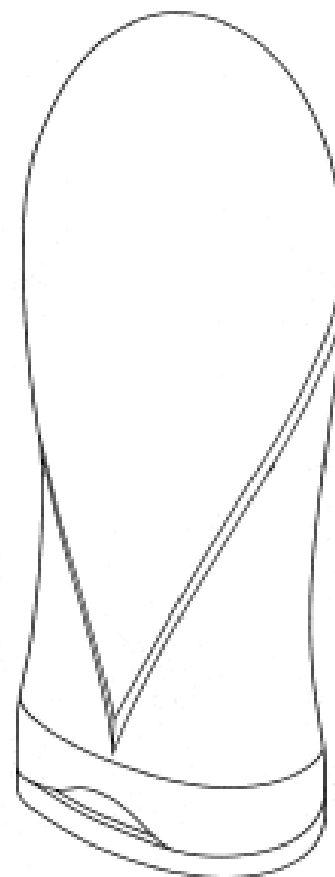
(21) Design Number: **15243/2008**  
(22) Date of Filing Application: **05 November 2008**  
(24) Date from which industrial property rights may have effect: **05 November 2008**  
(54) Product in respect of which the design is registered: **Lid for a trash can**  
(51) International Design Classification: **09-09**  
(71) Name(s) and Address(s) of Applicant(s):  
**Invenco Inc.**  
**4th Floor Shinmyeong Building 645-21 Yeoksam-dong Gangnam-gu**  
**135-080 Seoul South Korea**  
(72) Name(s) of Designer(s): **Young-Hee Lim and Kyoung-Soo Choi**  
(45) Registration Date: **26 November 2008**  
(30) Convention priority data:  
(31) Number (32) Date (33) Country  
**30-2008-0019587 08 May 2008 REPUBLIC OF KOREA**  
(56) Related Art Documents: **Not Applicable**  
(57) Statement of Newness and Distinctiveness: **Nil**



(21) Design Number: **15389/2008**  
(22) Date of Filing Application: **14 November 2008**  
(24) Date from which industrial property rights may have effect: **14 November 2008**  
(54) Product in respect of which the design is registered: **Container**  
(51) International Design Classification: **09-01NES**  
(71) Name(s) and Address(s) of Applicant(s):  
**Colgate-Palmolive Company**  
**300 Park Avenue New York New York 10022 United States of America**  
(72) Name(s) of Designer(s): **Kiat-Cheong Toh and Liam Hawry**  
(45) Registration Date: **26 November 2008**  
(30) Convention priority data:  
(31) Number (32) Date (33) Country  
**29/319169 05 Jun 2008 UNITED STATES OF AMERICA**  
(56) Related Art Documents: **Not Applicable**  
(57) Statement of Newness and Distinctiveness: **Newness and distinctiveness reside in the features of the design as shown in the representations.**



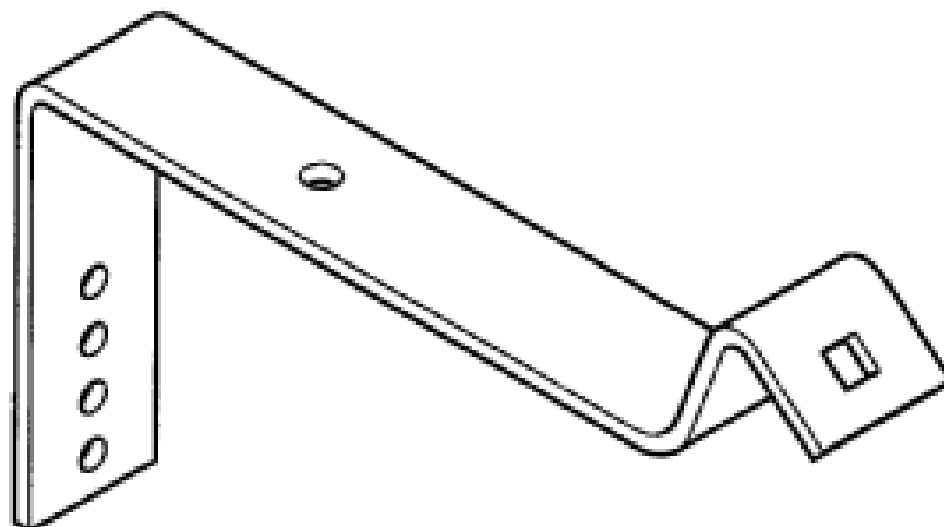
(21) Design Number: **15390/2008**  
(22) Date of Filing Application: **14 November 2008**  
(24) Date from which industrial property rights may have effect: **14 November 2008**  
(54) Product in respect of which the design is registered: **Container**  
(51) International Design Classification: **09-01NES**  
(71) Name(s) and Address(s) of Applicant(s):  
**Colgate-Palmolive Company**  
**300 Park Avenue New York New York 10022 United States of America**  
(72) Name(s) of Designer(s): **Kiat-Cheong Toh and Liam Hawry**  
(45) Registration Date: **26 November 2008**  
(30) Convention priority data:  
(31) Number (32) Date (33) Country  
**29/319673 12 Jun 2008 UNITED STATES OF AMERICA**  
(56) Related Art Documents: **Not Applicable**  
(57) Statement of Newness and Distinctiveness: **Newness and distinctiveness reside in the features of the design as shown in the representations.**



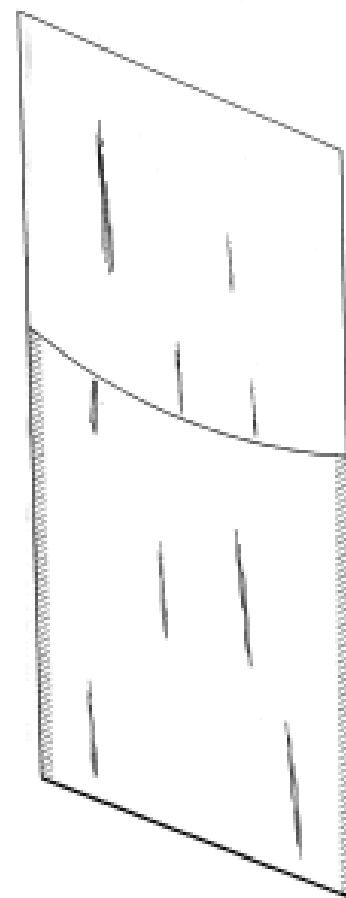
(21) Design Number: **13780/2008**  
(22) Date of Filing Application: **11 August 2008**  
(24) Date from which industrial property rights may have effect: **11 August 2008**  
(54) Product in respect of which the design is registered: **Magnetised calendar.**  
(51) International Design Classification: **19-03**  
(71) Name(s) and Address(s) of Applicant(s):  
**Shannon James Coles**  
**18 Gurrah Avenue Southport Gold Coast Queensland 4215 Australia**  
(72) Name(s) of Designer(s): **Shannon James Coles**  
(45) Registration Date: **02 December 2008**  
(56) Related Art Documents: **Not Applicable**  
(57) Statement of Newness and Distinctiveness: **Distinctive features: Numerals divided in to 4 sections of both 250 gram/4 ounce increments, that can be coloured in once that weight increment has been lost.**



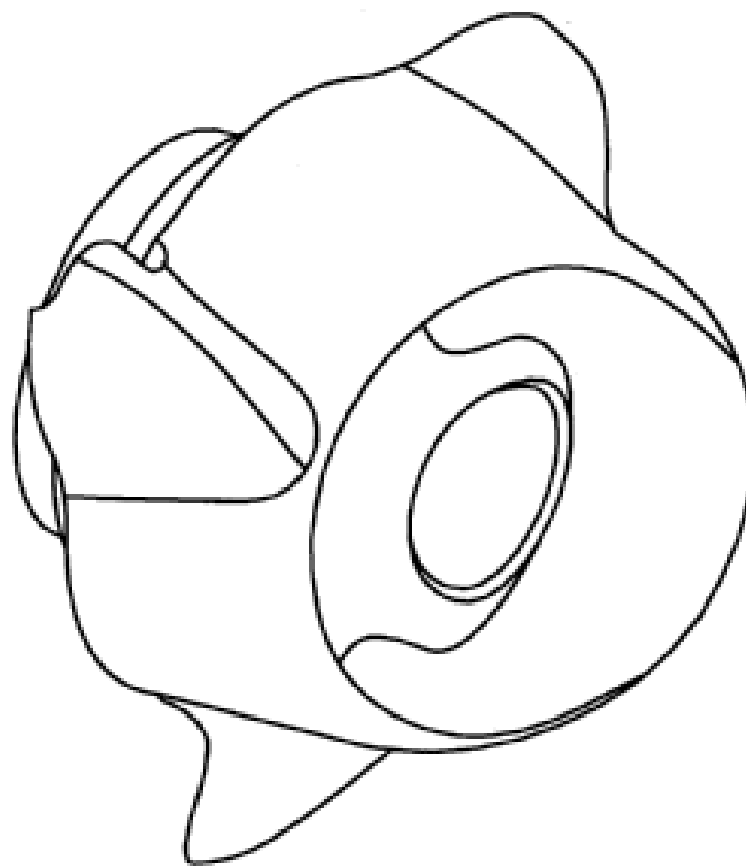
- (21) Design Number: **13822/2008**  
(22) Date of Filing Application: **11 August 2008**  
(24) Date from which industrial property rights may have effect: **11 August 2008**  
(54) Product in respect of which the design is registered: **Bracket**  
(51) International Design Classification: **14-03NES, 08-08NES**  
(71) Name(s) and Address(s) of Applicant(s):  
**Hills Industries Limited**  
**944-956 South Road Edwardstown South Australia 5039 Australia**  
(72) Name(s) of Designer(s): **Robert John Richards**  
(45) Registration Date: **02 December 2008**  
(56) Related Art Documents: **Not Applicable**  
(57) Statement of Newness and Distinctiveness: **Newness and distinctiveness resides in the features of the shape and configuration of a bracket as shown in the accompanying representations.**



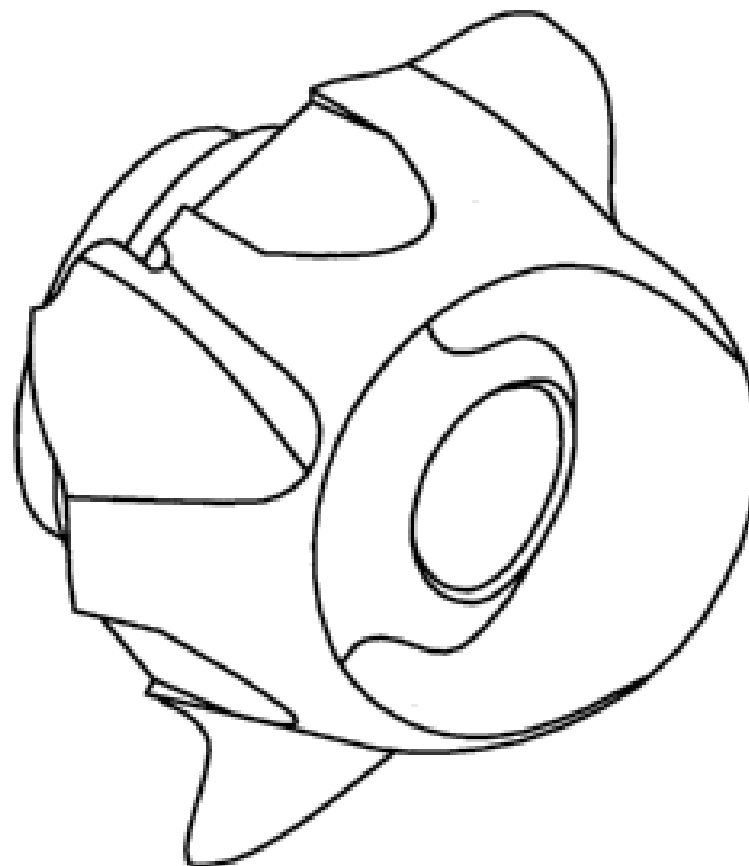
- (21) Design Number: **13828/2008**  
(22) Date of Filing Application: **11 August 2008**  
(24) Date from which industrial property rights may have effect: **11 August 2008**  
(54) Product in respect of which the design is registered: **Disposable tea/coffee filter**  
(51) International Design Classification: **07-02L, 23-01G**  
(71) Name(s) and Address(s) of Applicant(s):  
**Agnieszka Benet**  
**Unit 2/33 Denver Street East Bentleigh Victoria 3165 Australia**  
(72) Name(s) of Designer(s): **Agnieszka Benet**  
(45) Registration Date: **02 December 2008**  
(56) Related Art Documents: **Not Applicable**  
(57) Statement of Newness and Distinctiveness: **Nil**



(21) Design Number: **13831/2008**  
(22) Date of Filing Application: **11 August 2008**  
(24) Date from which industrial property rights may have effect: **11 August 2008**  
(54) Product in respect of which the design is registered: **Pump part**  
(51) International Design Classification: **15-02**  
(71) Name(s) and Address(s) of Applicant(s):  
**ITT Manufacturing Enterprises Inc.**  
**1105 North Market Street Suite 1217 Wilmington De 19801 United States of America**  
(72) Name(s) of Designer(s): **Bengt Sodergard**  
(45) Registration Date: **02 December 2008**  
(30) Convention priority data:  
(31) Number      (32) Date      (33) Country  
**000885967-0002   26 Feb 2008      EUROPEAN COMMUNITY**  
(56) Related Art Documents: **Not Applicable**  
(57) Statement of Newness and Distinctiveness: **Nil**



(21) Design Number: **13832/2008**  
(22) Date of Filing Application: **11 August 2008**  
(24) Date from which industrial property rights may have effect: **11 August 2008**  
(54) Product in respect of which the design is registered: **Pump part**  
(51) International Design Classification: **15-02**  
(71) Name(s) and Address(s) of Applicant(s):  
**ITT Manufacturing Enterprises Inc.**  
**1105 North Market Street Suite 1217 Wilmington De 19801 United States of America**  
(72) Name(s) of Designer(s): **Bengt Sodergard**  
(45) Registration Date: **02 December 2008**  
(30) Convention priority data:  
(31) Number      (32) Date      (33) Country  
**000885967-0001   26 Feb 2008      EUROPEAN COMMUNITY**  
(56) Related Art Documents: **Not Applicable**  
(57) Statement of Newness and Distinctiveness: **Nil**



- (21) Design Number: **13834/2008**
- (22) Date of Filing Application: **12 August 2008**
- (24) Date from which industrial property rights may have effect: **12 August 2008**
- (54) Product in respect of which the design is registered: **Infrared heating lamp**
- (51) International Design Classification: **23-03NES**
- (71) Name(s) and Address(s) of Applicant(s):

**MO-EL S.R.L.**  
**Via Galvani 18 42027 Montecchio Emilia\_(RE) Italy**

- (72) Name(s) of Designer(s): **Carlo Bertani**

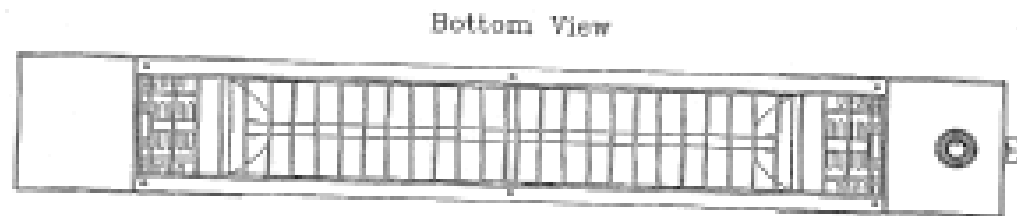
- (45) Registration Date: **02 December 2008**

- (30) Convention priority data:

(31) Number	(32) Date	(33) Country
<b>000878442-0002</b>	<b>13 Feb 2008</b>	<b>EUROPEAN COMMUNITY</b>

- (56) Related Art Documents: **Not Applicable**

- (57) Statement of Newness and Distinctiveness: **Newness and distinctiveness reside in the features of shape and/or configuration of the infrared heating lamp, as shown in the representations.**



Right side view

- (21) Design Number: **13836/2008**
- (22) Date of Filing Application: **12 August 2008**
- (24) Date from which industrial property rights may have effect: **12 August 2008**
- (54) Product in respect of which the design is registered: **Device for shaping hair**
- (51) International Design Classification: **28-03D**
- (71) Name(s) and Address(s) of Applicant(s):

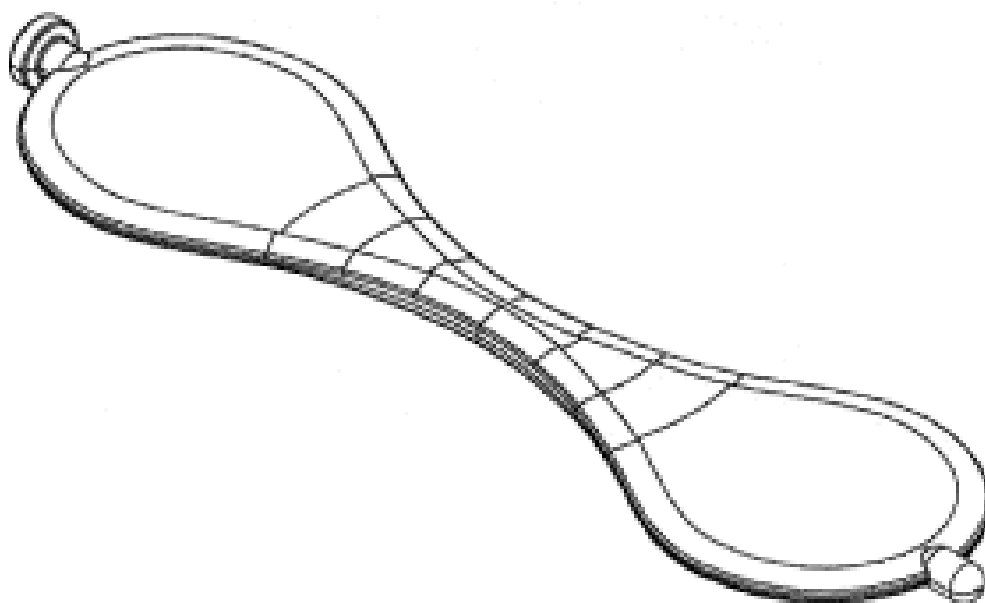
**Organic Evolution Pty Ltd**  
**36 Kings Lane Darlinghurst New South Wales 2010 Australia**

- (72) Name(s) of Designer(s): **Dario Cotroneo**

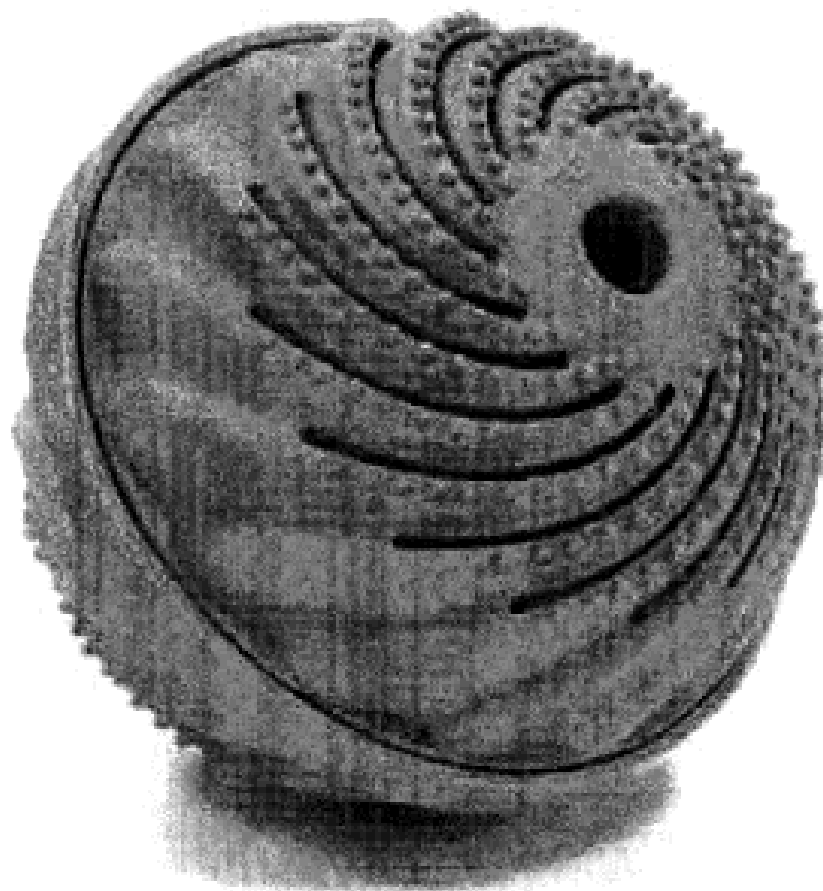
- (45) Registration Date: **02 December 2008**

- (56) Related Art Documents: **Not Applicable**

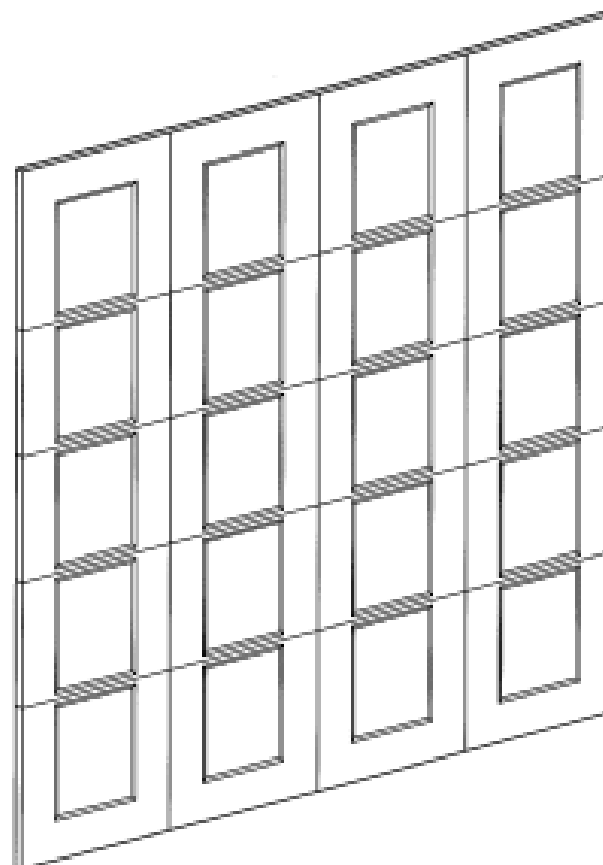
- (57) Statement of Newness and Distinctiveness: **Newness and distinctiveness resides in the shape and configuration of the hair shaping device illustrated in the accompanying representations.**



(21) Design Number: **13837/2008**  
 (22) Date of Filing Application: **12 August 2008**  
 (24) Date from which industrial property rights may have effect: **12 August 2008**  
 (54) Product in respect of which the design is registered: **Biowashball**  
 (51) International Design Classification: **28-99**  
 (71) Name(s) and Address(s) of Applicant(s):  
**Emker S.A.**  
**Rue du Jeu de l'Arc 15 1207 Geneve Switzerland**  
 (72) Name(s) of Designer(s): **Andre Studer**  
 (45) Registration Date: **02 December 2008**  
 (30) Convention priority data:  
 (31) Number (32) Date (33) Country  
**000877030-0001 12 Feb 2008 EUROPEAN COMMUNITY**  
 (56) Related Art Documents: **Not Applicable**  
 (57) Statement of Newness and Distinctiveness: **Newness and distinctiveness resides in the shape and configuration and/or pattern and ornamentation of the design for a biowashball as shown in the accompanying representations.**

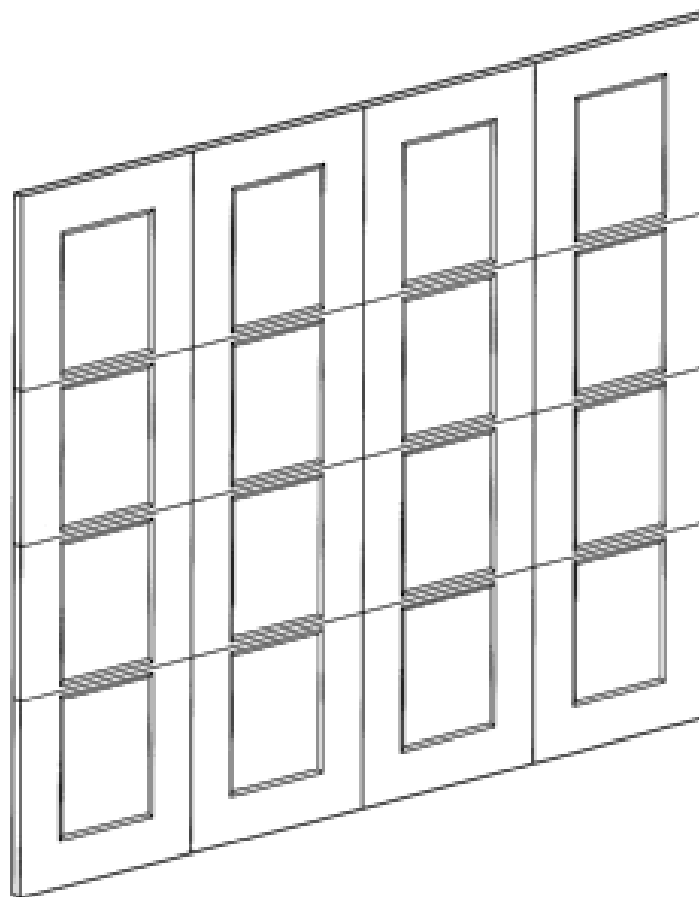


(21) Design Number: **13838/2008**  
 (22) Date of Filing Application: **12 August 2008**  
 (24) Date from which industrial property rights may have effect: **12 August 2008**  
 (54) Product in respect of which the design is registered: **An overhead garage door facade**  
 (51) International Design Classification: **25-02B**  
 (71) Name(s) and Address(s) of Applicant(s):  
**Frenchporte IP, LLC**  
**121 Congressional Lane Penthouse Suite Rockville Maryland 20852**  
**United States of America**  
 (72) Name(s) of Designer(s): **Jennifer Armstrong Maher**  
 (45) Registration Date: **02 December 2008**  
 (30) Convention priority data:  
 (31) Number (32) Date (33) Country  
**29/303594 12 Feb 2008 UNITED STATES OF AMERICA**  
 (56) Related Art Documents: **Not Applicable**  
 (57) Statement of Newness and Distinctiveness: **Newness and distinctiveness reside in the shape and/or configuration of an overhead garage door facade illustrated by solid lines in the accompanying representations. The features shown in the discontinuous lines or in broken outline are for illustrative purposes only and do not form part of the design.**

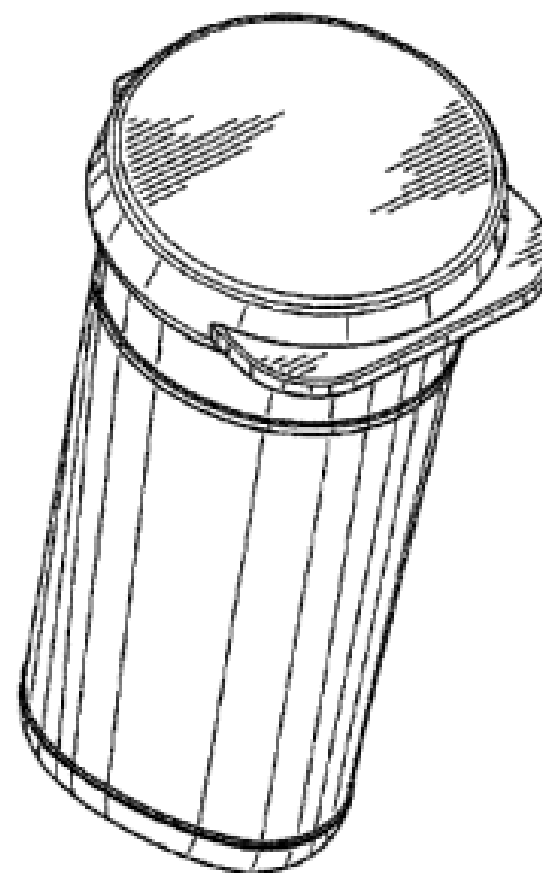




(21) Design Number: **13839/2008**  
 (22) Date of Filing Application: **12 August 2008**  
 (24) Date from which industrial property rights may have effect: **12 August 2008**  
 (54) Product in respect of which the design is registered: **An overhead garage door facade**  
 (51) International Design Classification: **25-02B**  
 (71) Name(s) and Address(s) of Applicant(s):  
**Frenchporte IP, LLC**  
**121 Congressional Lane Penthouse Suite Rockville Maryland 20852**  
**United States of America**  
 (72) Name(s) of Designer(s): **Jennifer Armstrong Maher**  
 (45) Registration Date: **02 December 2008**  
 (30) Convention priority data:  
 (31) Number (32) Date (33) Country  
**29/303593 12 Feb 2008 UNITED STATES OF AMERICA**  
 (56) Related Art Documents: **Not Applicable**  
 (57) Statement of Newness and Distinctiveness: **Newness and distinctiveness reside in the shape and/or configuration of an overhead garage door facade illustrated by solid lines in the accompanying representations. The features shown in discontinuous lines or in broken outline are for illustrative purposes only and do not form part of the design.**



(21) Design Number: **13840/2008**  
 (22) Date of Filing Application: **12 August 2008**  
 (24) Date from which industrial property rights may have effect: **12 August 2008**  
 (54) Product in respect of which the design is registered: **Vial**  
 (51) International Design Classification: **24-02**  
 (71) Name(s) and Address(s) of Applicant(s):  
**CSP Technologies, Inc.**  
**1030 Riverfront Center Amsterdam NY 12010 United States of America**  
 (72) Name(s) of Designer(s): **David Chedotal and Jean-Pierre Giraud**  
 (45) Registration Date: **02 December 2008**  
 (30) Convention priority data:  
 (31) Number (32) Date (33) Country  
**29/319,754 13 Jun 2008 UNITED STATES OF AMERICA**  
 (56) Related Art Documents: **Not Applicable**  
 (57) Statement of Newness and Distinctiveness: **The following visual features of the design are new and distinctive: The shape and configuration of a vial as shown in solid lines in the accompanying drawings.**



(21) Design Number: **13841/2008**

(22) Date of Filing Application: **12 August 2008**

(24) Date from which industrial property rights may have effect: **12 August 2008**

(54) Product in respect of which the design is registered: **Vial with projection**

(51) International Design Classification: **24-02**

(71) Name(s) and Address(s) of Applicant(s):

**CSP Technologies, Inc.**

**1030 Riverfront Center Amsterdam NY 12010 United States of America**

(72) Name(s) of Designer(s): **Jean-Pierre Giraud and David Chedotal**

(45) Registration Date: **02 December 2008**

(30) Convention priority data:

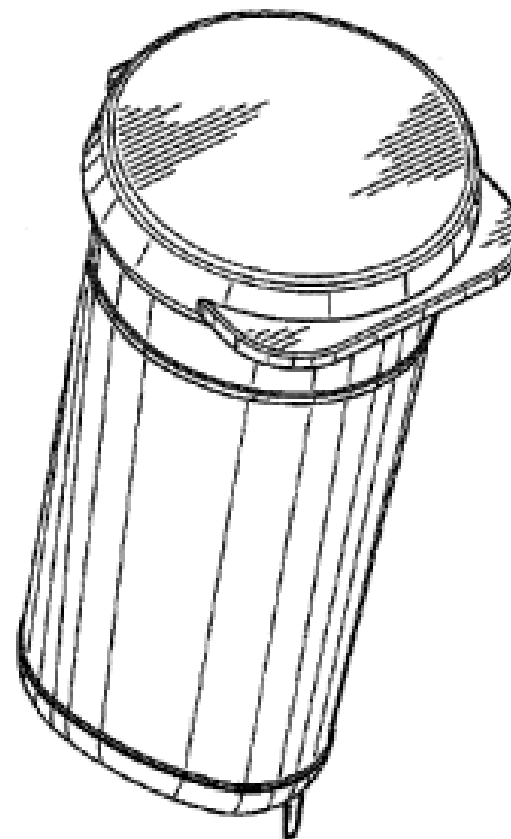
(31) Number  
**29/319,754**

(32) Date  
**13 Jun 2008**

(33) Country  
**UNITED STATES OF AMERICA**

(56) Related Art Documents: **Not Applicable**

(57) Statement of Newness and Distinctiveness: **The following visual features of the design are new and distinctive: The shape and configuration of a vial with projection as shown in solid lines in the accompanying drawings.**



(21) Design Number: **13843/2008**

(22) Date of Filing Application: **12 August 2008**

(24) Date from which industrial property rights may have effect: **12 August 2008**

(54) Product in respect of which the design is registered: **Compact case**

(51) International Design Classification: **03-01D**

(71) Name(s) and Address(s) of Applicant(s):

**Shiseido Co., Ltd.**

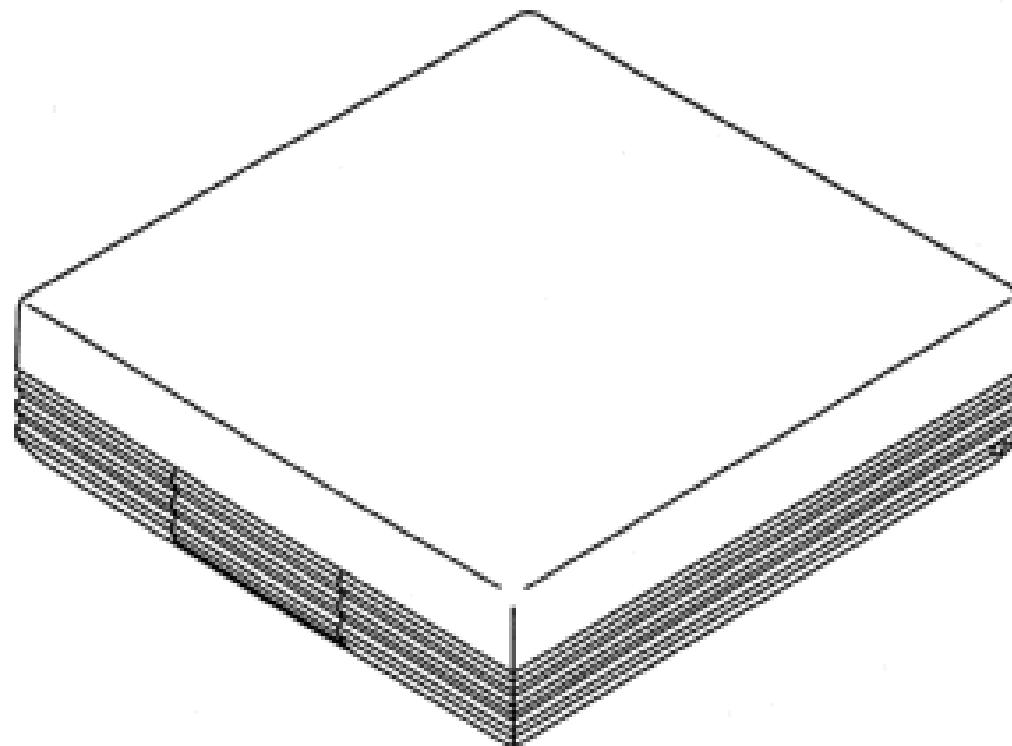
**5-5 Ginza 7-chome Chuo-ku Tokyo Japan**

(72) Name(s) of Designer(s): **Chieko Yamamoto**

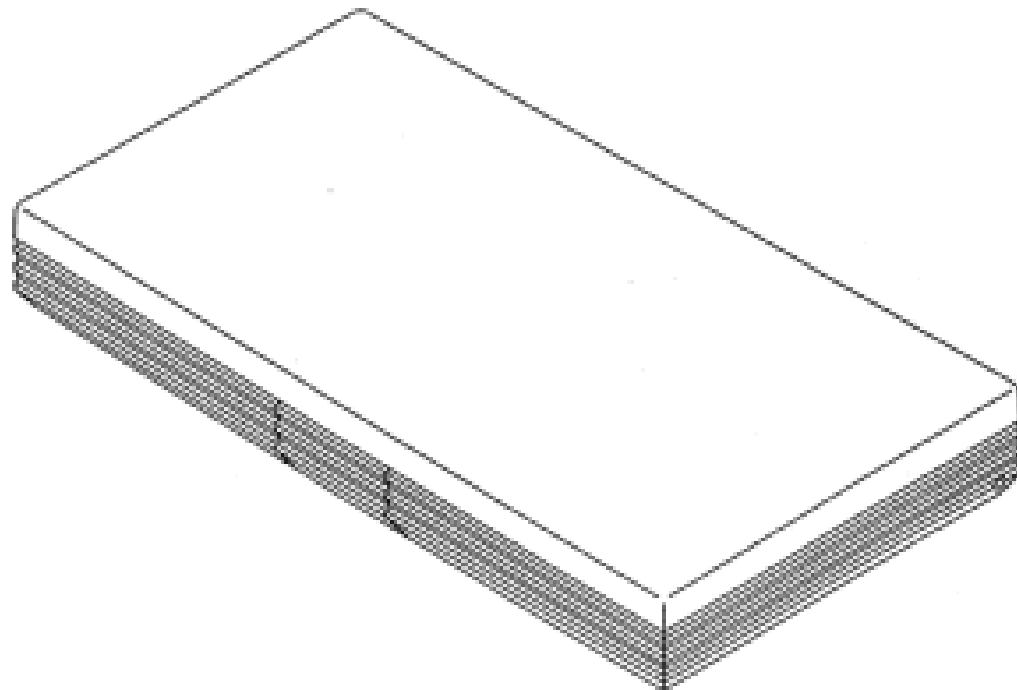
(45) Registration Date: **02 December 2008**

(56) Related Art Documents: **Not Applicable**

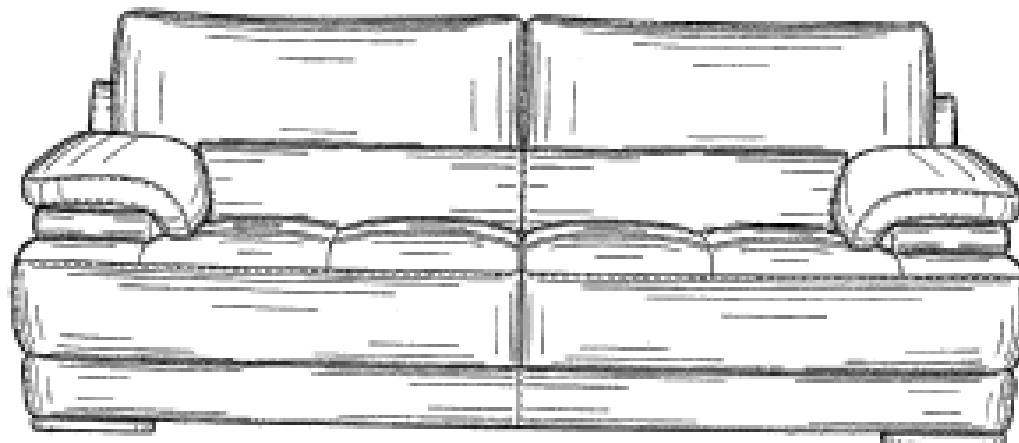
(57) Statement of Newness and Distinctiveness: **Nil**



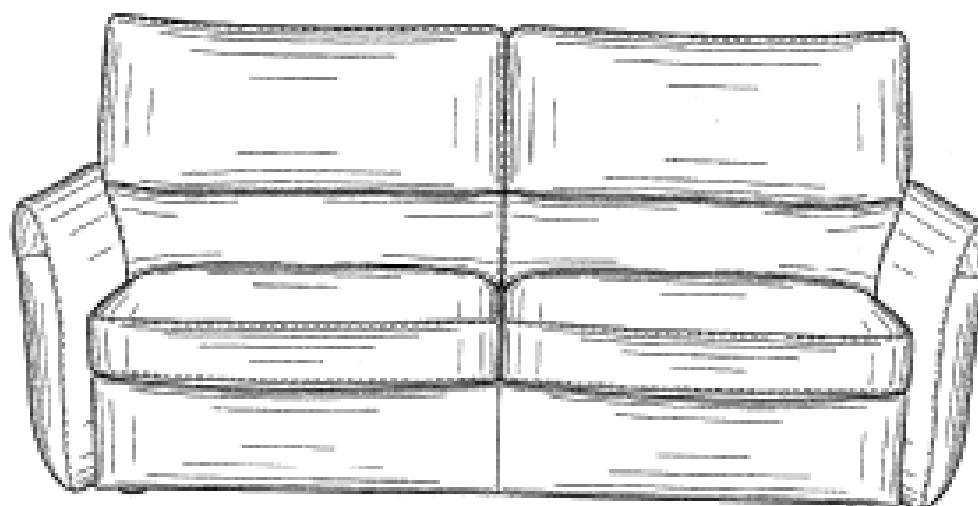
- (21) Design Number: **13844/2008**  
(22) Date of Filing Application: **12 August 2008**  
(24) Date from which industrial property rights may have effect: **12 August 2008**  
(54) Product in respect of which the design is registered: **Compact case**  
(51) International Design Classification: **03-01D**  
(71) Name(s) and Address(s) of Applicant(s):  
**Shiseido Co., Ltd.**  
**5-5 Ginza 7-chome Chuo-ku Tokyo Japan**  
(72) Name(s) of Designer(s): **Chieko Yamamoto**  
(45) Registration Date: **02 December 2008**  
(56) Related Art Documents: **Not Applicable**  
(57) Statement of Newness and Distinctiveness: **Nil**



- (21) Design Number: **13851/2008**  
(22) Date of Filing Application: **12 August 2008**  
(24) Date from which industrial property rights may have effect: **12 August 2008**  
(54) Product in respect of which the design is registered: **Sofa**  
(51) International Design Classification: **06-01G**  
(71) Name(s) and Address(s) of Applicant(s):  
**Natuzzi S.P.A.**  
**51 Corso Cavour 1-70121 Bari Italy**  
(72) Name(s) of Designer(s): **Pasquale Natuzzi**  
(45) Registration Date: **02 December 2008**  
(56) Related Art Documents: **Not Applicable**  
(57) Statement of Newness and Distinctiveness: **Nil**



(21) Design Number: **13852/2008**  
 (22) Date of Filing Application: **12 August 2008**  
 (24) Date from which industrial property rights may have effect: **12 August 2008**  
 (54) Product in respect of which the design is registered: **Sofa**  
 (51) International Design Classification: **06-01G**  
 (71) Name(s) and Address(s) of Applicant(s):  
**Natuzzi S.P.A.**  
**51 Corso Cavour 1-70121 Bari Italy**  
 (72) Name(s) of Designer(s): **Pasquale Natuzzi**  
 (45) Registration Date: **02 December 2008**  
 (56) Related Art Documents: **Not Applicable**  
 (57) Statement of Newness and Distinctiveness: **Nil**



(21) Design Number: **13853/2008**  
 (22) Date of Filing Application: **12 August 2008**  
 (24) Date from which industrial property rights may have effect: **12 August 2008**  
 (54) Product in respect of which the design is registered: **An end cap for a chromatography column assembly**  
 (51) International Design Classification: **24-01**  
 (71) Name(s) and Address(s) of Applicant(s):  
**GE Healthcare Bio-Sciences AB**  
**Bjorkgatan 30 Uppsala SE-751 84 Sweden**  
 (72) Name(s) of Designer(s): **Sven Wounder**  
 (45) Registration Date: **02 December 2008**  
 (30) Convention priority data:  

(31) Number	(32) Date	(33) Country
<b>2008/0117</b>	<b>28 Feb 2008</b>	<b>SWEDEN</b>

 (56) Related Art Documents: **Not Applicable**  
 (57) Statement of Newness and Distinctiveness: **Nil**

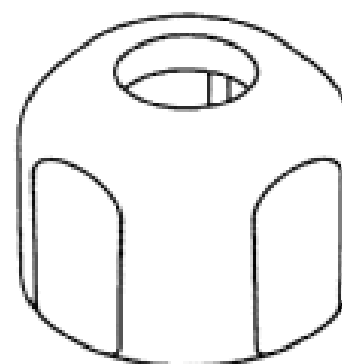


Fig. 1

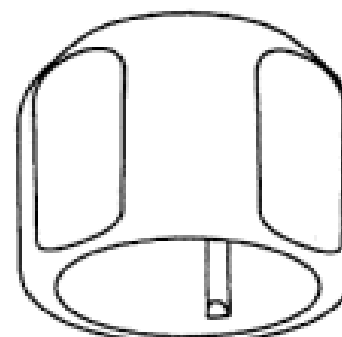
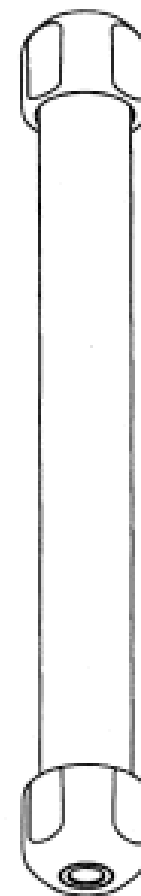
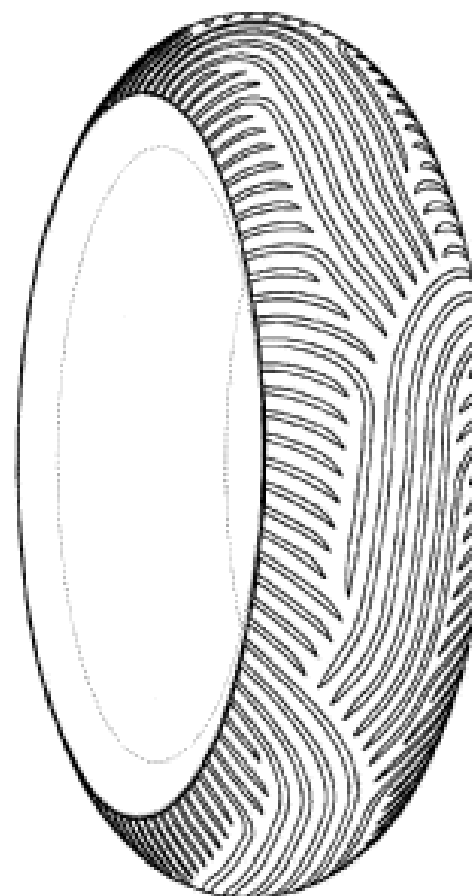


Fig. 2

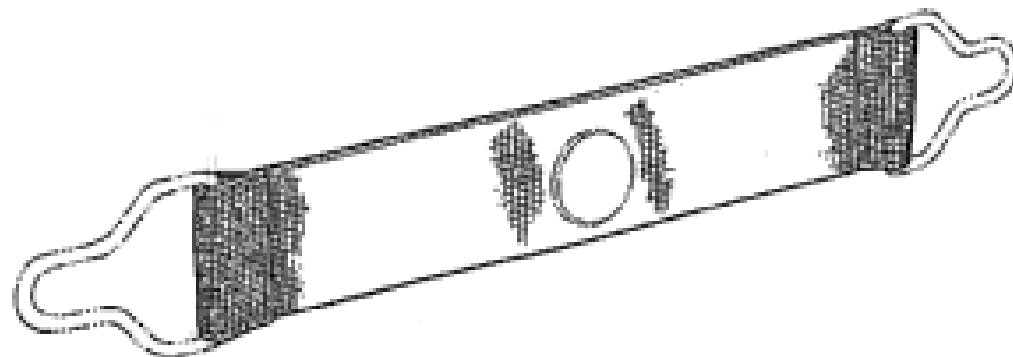
- (21) Design Number: **13854/2008**  
(22) Date of Filing Application: **12 August 2008**  
(24) Date from which industrial property rights may have effect: **12 August 2008**  
(54) Product in respect of which the design is registered: **A chromatography column assembly**  
(51) International Design Classification: **24-01**  
(71) Name(s) and Address(s) of Applicant(s):  
**GE Healthcare Bio-Sciences AB**  
**Bjorkgatan 30 Uppsala SE-751 84 Sweden**  
(72) Name(s) of Designer(s): **Sven Wounder**  
(45) Registration Date: **02 December 2008**  
(30) Convention priority data:  
(31) Number      (32) Date      (33) Country  
**2008/0117      28 Feb 2008      SWEDEN**  
(56) Related Art Documents: **Not Applicable**  
(57) Statement of Newness and Distinctiveness: **Nil**



- (21) Design Number: **14171/2008**  
(22) Date of Filing Application: **28 August 2008**  
(24) Date from which industrial property rights may have effect: **28 August 2008**  
(54) Product in respect of which the design is registered: **Motorcycle tyre**  
(51) International Design Classification: **12-15A**  
(71) Name(s) and Address(s) of Applicant(s):  
**Bridgestone Corporation**  
**10-1 Kyobashi 1-chome Chuo-ku Tokyo 104-8340 Japan**  
(72) Name(s) of Designer(s): **Masatomo Oshima**  
(45) Registration Date: **02 December 2008**  
(56) Related Art Documents: **Not Applicable**  
(57) Statement of Newness and Distinctiveness: **The features of the motorcycle tyre shown in the representations by means of solid lines are new and distinctive.**



- (21) Design Number: **10841/2008**  
(22) Date of Filing Application: **20 February 2008**  
(24) Date from which industrial property rights may have effect: **20 February 2008**  
(54) Product in respect of which the design is registered: **Waist reduction device**  
(51) International Design Classification: **02-01B**  
(71) Name(s) and Address(s) of Applicant(s):  
**JMJ Designs Pty Ltd**  
**39 Argyle Avenue Chelsea Victoria 3196 Australia**  
(72) Name(s) of Designer(s): **Joanne Tracey Brown**  
(45) Registration Date: **26 November 2008**  
(56) Related Art Documents: **Not Applicable**  
(57) Statement of Newness and Distinctiveness: **Nil**



- (21) Design Number: **10997/2008**  
(22) Date of Filing Application: **26 February 2008**  
(24) Date from which industrial property rights may have effect: **26 February 2008**  
(54) Product in respect of which the design is registered: **Closed loop J hook**  
(51) International Design Classification: **08-08G**  
(71) Name(s) and Address(s) of Applicant(s):  
**Polyweld Pty Ltd**  
**259 Rex Road Campbellfield Victoria 3061 Australia**  
(72) Name(s) of Designer(s): **John Gray**  
(45) Registration Date: **26 November 2008**  
(56) Related Art Documents: **Not Applicable**  
(57) Statement of Newness and Distinctiveness: **The metal wire hook is formed by a rectangular loop being bent into a J shape when viewed from the end.**



(21) Design Number: **12095/2008**

(22) Date of Filing Application: **05 May 2008**

(24) Date from which industrial property rights may have effect: **05 May 2008**

(54) Product in respect of which the design is registered: **Screw adjustable buckle**

(51) International Design Classification: **12-16NES**

(71) Name(s) and Address(s) of Applicant(s):

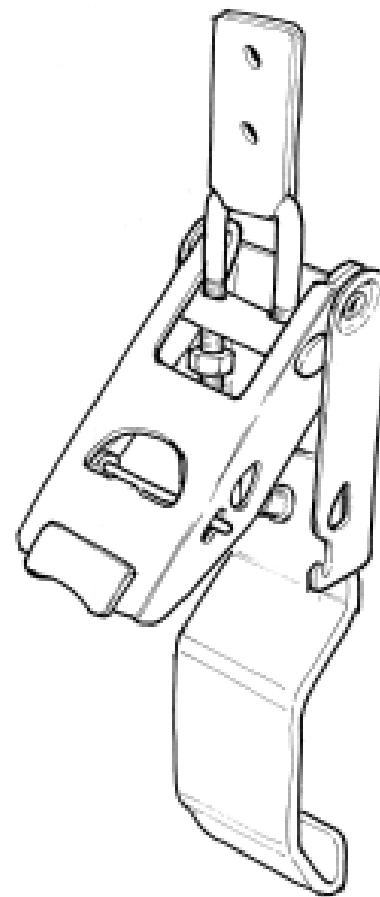
**Polyweld Pty Ltd**  
**259 Rex Road Victoria 3061 Australia**

(72) Name(s) of Designer(s): **Jun Gray**

(45) Registration Date: **26 November 2008**

(56) Related Art Documents: **Not Applicable**

(57) Statement of Newness and Distinctiveness: **U-shaped bolt through lever bar and mounting plate arrangement flat hook offset so buckle face is flush with mounting plate. Lever has latch pin and slot.**



(21) Design Number: **12096/2008**

(22) Date of Filing Application: **05 May 2008**

(24) Date from which industrial property rights may have effect: **05 May 2008**

(54) Product in respect of which the design is registered: **Roller tube coupling**

(51) International Design Classification: **12-16NES**

(71) Name(s) and Address(s) of Applicant(s):

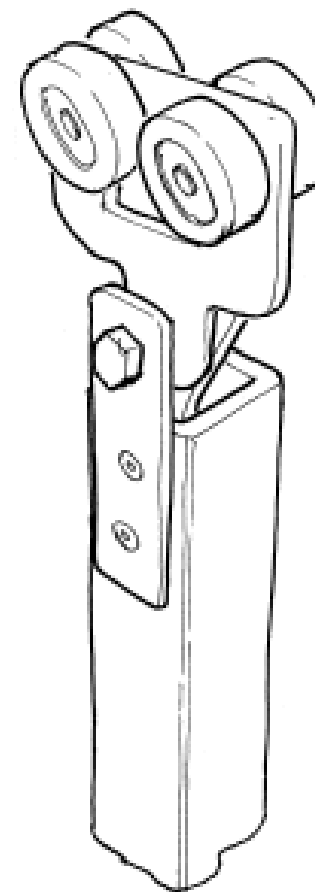
**Polyweld Pty Ltd**  
**259 Rex Road Victoria 3061 Australia**

(72) Name(s) of Designer(s): **Jun Gray**

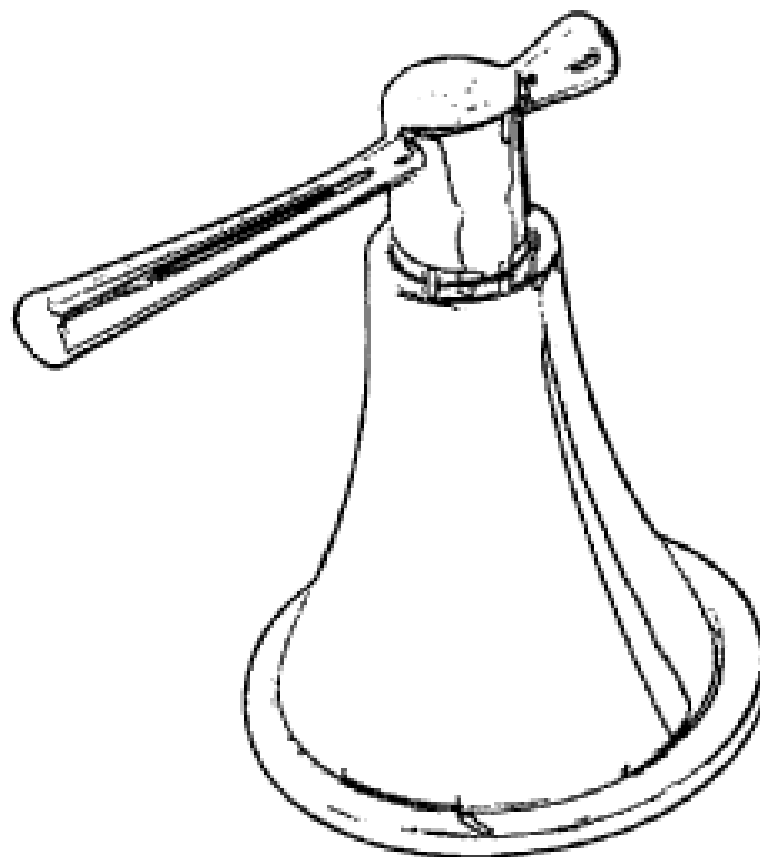
(45) Registration Date: **26 November 2008**

(56) Related Art Documents: **Not Applicable**

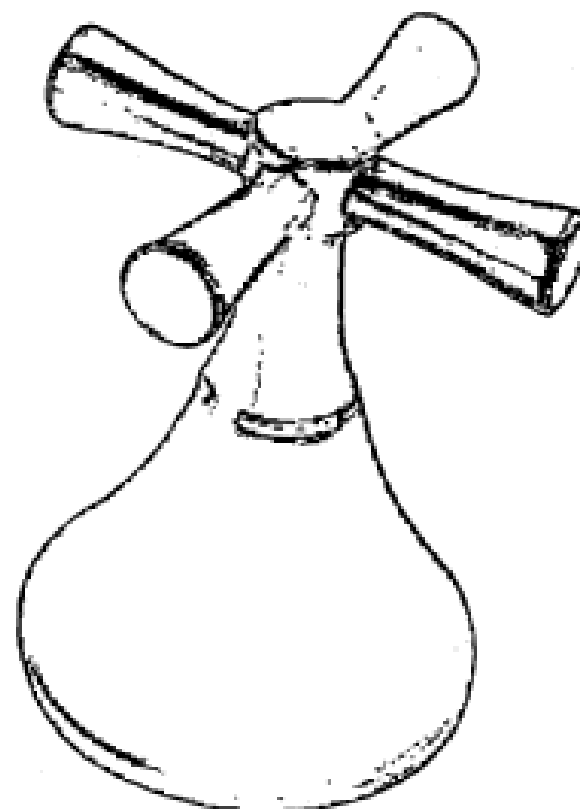
(57) Statement of Newness and Distinctiveness: **The circular plate part of the roller is coupled with a bolt to two plates. One plate is flat and one plate is bent. A wall of a tube is sandwiched between the two plates that are coupled to the roller.**



(21) Design Number: **12104/2008**  
(22) Date of Filing Application: **05 May 2008**  
(24) Date from which industrial property rights may have effect: **05 May 2008**  
(54) Product in respect of which the design is registered: **Bathroom tap**  
(51) International Design Classification: **23-01H**  
(71) Name(s) and Address(s) of Applicant(s):  
**Eddy Brewer (Sales) Pty Ltd**  
**225 East Boundary Road East Bentleigh Victoria 3165 Australia**  
(72) Name(s) of Designer(s): **Paul Pearson**  
(45) Registration Date: **26 November 2008**  
(56) Related Art Documents: **Not Applicable**  
(57) Statement of Newness and Distinctiveness: **Nil**

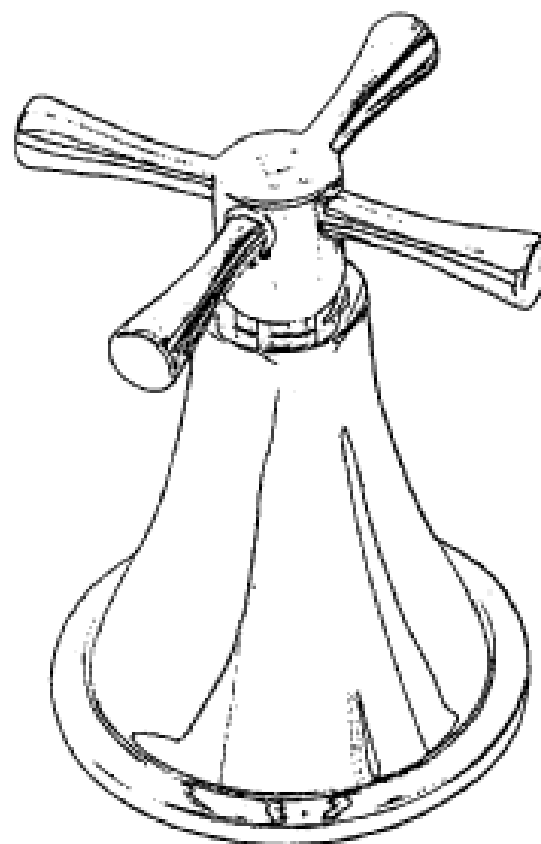


(21) Design Number: **12105/2008**  
(22) Date of Filing Application: **05 May 2008**  
(24) Date from which industrial property rights may have effect: **05 May 2008**  
(54) Product in respect of which the design is registered: **Bathroom tap**  
(51) International Design Classification: **23-01H**  
(71) Name(s) and Address(s) of Applicant(s):  
**Eddy Brewer (Sales) Pty Ltd**  
**225 East Boundary Road East Bentleigh Victoria 3165 Australia**  
(72) Name(s) of Designer(s): **Paul Pearson**  
(45) Registration Date: **26 November 2008**  
(56) Related Art Documents: **Not Applicable**  
(57) Statement of Newness and Distinctiveness: **Nil**

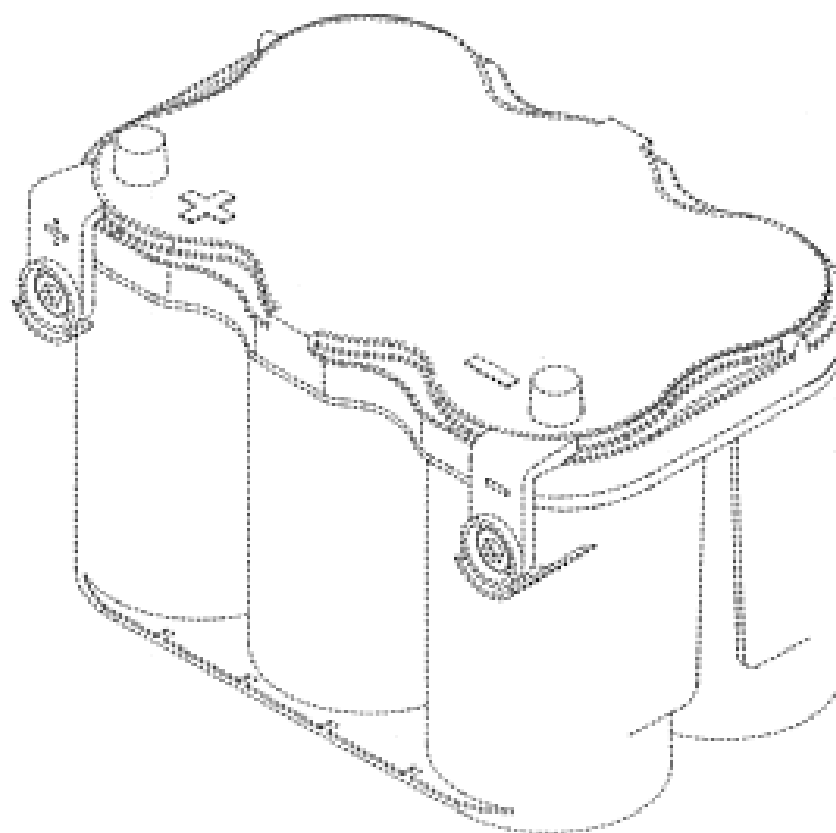




(21) Design Number: **14904/2008**  
(22) Date of Filing Application: **05 May 2008**  
(24) Date from which industrial property rights may have effect: **05 May 2008**  
(54) Product in respect of which the design is registered: **Bathroom tap**  
(51) International Design Classification: **23-01H**  
(71) Name(s) and Address(s) of Applicant(s):  
**Eddy Brewer (Sales) Pty Ltd**  
**225 East Boundary Road East Bentleigh Victoria 3165 Australia**  
(72) Name(s) of Designer(s): **Paul Pearson**  
(45) Registration Date: **26 November 2008**  
(56) Related Art Documents: **Not Applicable**  
(57) Statement of Newness and Distinctiveness: **Nil**



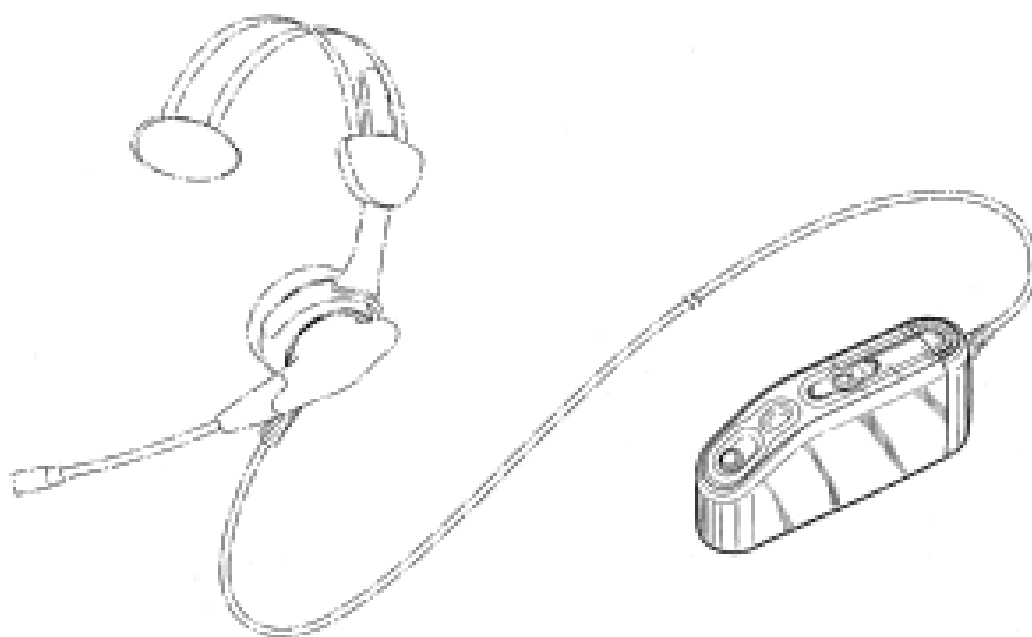
(21) Design Number: **13164/2008**  
(22) Date of Filing Application: **08 July 2008**  
(24) Date from which industrial property rights may have effect: **08 July 2008**  
(54) Product in respect of which the design is registered: **Battery**  
(51) International Design Classification: **13-02**  
(71) Name(s) and Address(s) of Applicant(s):  
**Johnson Controls Technology Company**  
**912 East 32nd Street Holland Michigan 49423 United States of America**  
(72) Name(s) of Designer(s): **Robert J. Mack**  
(45) Registration Date: **26 November 2008**  
(30) Convention priority data:  
(31) Number (32) Date (33) Country  
**29/302069 09 Jan 2008 UNITED STATES OF AMERICA**  
(56) Related Art Documents: **Not Applicable**  
(57) Statement of Newness and Distinctiveness: **Newness and distinctiveness is claimed in those features of shape and/or configuration of a battery illustrated in continuous lines in the accompanying representations.**



(19) AU

- (21) Design Number: **14038/2008**
- (22) Date of Filing Application: **19 August 2008**
- (24) Date from which industrial property rights may have effect: **19 August 2008**
- (54) Product in respect of which the design is registered: **Body-worn mobile device**
- (51) International Design Classification: **14-03A, 24-01**
- (71) Name(s) and Address(s) of Applicant(s):  
**Vocollect Healthcare Systems, Inc.**  
**701 Rodi Road Suite 102 Pittsburgh Pennsylvania 15235-4559 United States of America**
- (72) Name(s) of Designer(s): **James Wahl and Chris Nightingale**
- (45) Registration Date: **26 November 2008**
- (30) Convention priority data:  

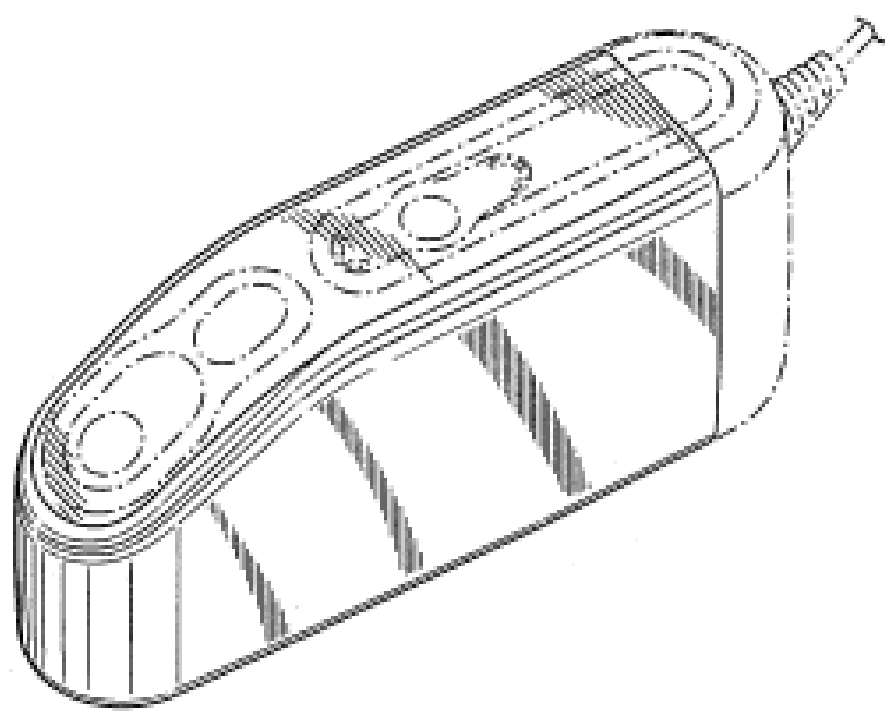
(31) Number	(32) Date	(33) Country
<b>29/303919</b>	<b>20 Feb 2008</b>	<b>UNITED STATES OF AMERICA</b>
- (56) Related Art Documents: **Not Applicable**
- (57) Statement of Newness and Distinctiveness: **Newness and distinctiveness is claimed in the features of shape and/or configuration of a body-worn mobile device as illustrated in continuous lines in the accompanying representations.**



(19) AU

- (21) Design Number: **14039/2008**
- (22) Date of Filing Application: **19 August 2008**
- (24) Date from which industrial property rights may have effect: **19 August 2008**
- (54) Product in respect of which the design is registered: **Body-worn mobile device**
- (51) International Design Classification: **14-03A, 24-01**
- (71) Name(s) and Address(s) of Applicant(s):  
**Vocollect Healthcare Systems, Inc.**  
**701 Rodi Road Suite 102 Pittsburgh Pennsylvania 15235-4559 United States of America**
- (72) Name(s) of Designer(s): **James Wahl and Chris Nightingale**
- (45) Registration Date: **26 November 2008**
- (30) Convention priority data:  

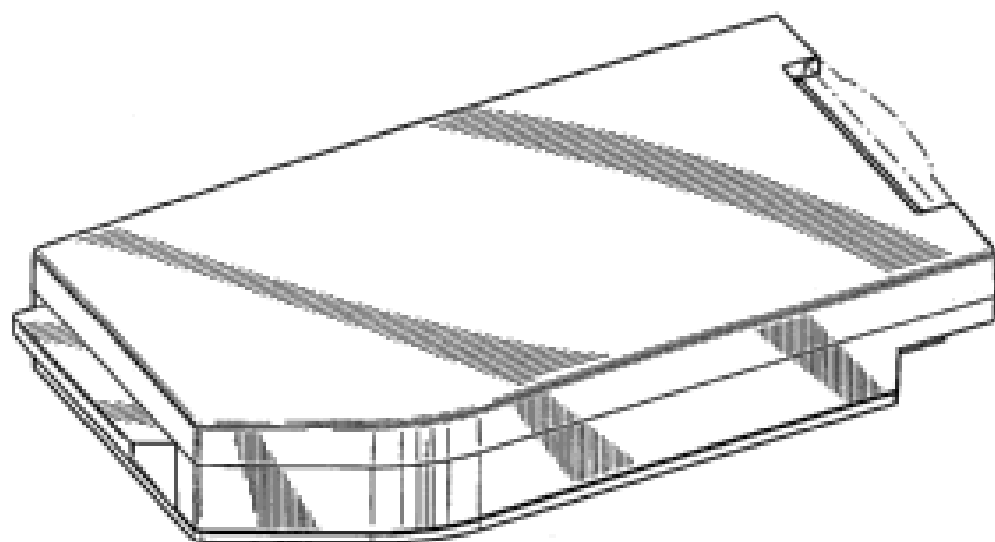
(31) Number	(32) Date	(33) Country
<b>29/303919</b>	<b>20 Feb 2008</b>	<b>UNITED STATES OF AMERICA</b>
- (56) Related Art Documents: **Not Applicable**
- (57) Statement of Newness and Distinctiveness: **Newness and distinctiveness is claimed in the features of shape and/or configuration of a body-worn mobile device as illustrated in continuous lines in the accompanying representations.**



(19) AU

- (21) Design Number: **14040/2008**
- (22) Date of Filing Application: **19 August 2008**
- (24) Date from which industrial property rights may have effect: **19 August 2008**
- (54) Product in respect of which the design is registered: **Battery for use in a mobile device**
- (51) International Design Classification: **13-02, 24-01**
- (71) Name(s) and Address(s) of Applicant(s):  
**Vocollect Healthcare Systems, Inc.**  
**701 Rodi Road Suite 102 Pittsburgh Pennsylvania 15235-4559 United States of America**
- (72) Name(s) of Designer(s): **James Wahl and Chris Nightingale**
- (45) Registration Date: **26 November 2008**
- (30) Convention priority data:  

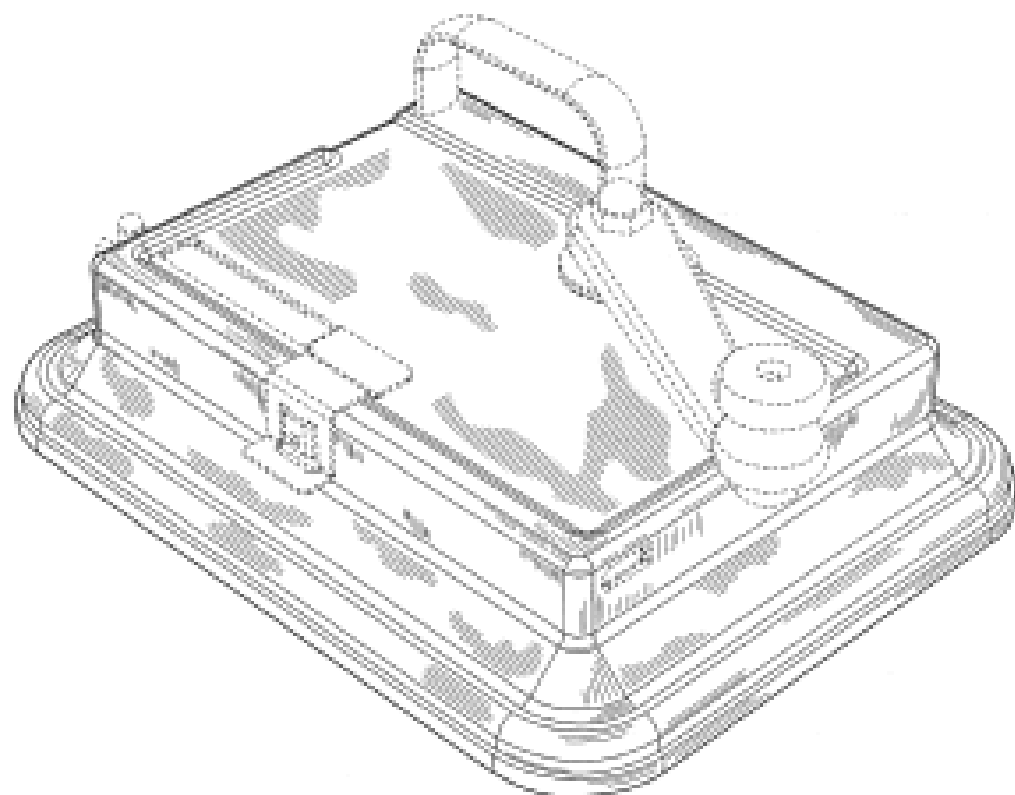
(31) Number	(32) Date	(33) Country
<b>29/303923</b>	<b>20 Feb 2008</b>	<b>UNITED STATES OF AMERICA</b>
- (56) Related Art Documents: **Not Applicable**
- (57) Statement of Newness and Distinctiveness: **Newness and distinctiveness is claimed in the features of shape and/or configuration of a battery for use in a mobile device as illustrated in continuous lines in the accompanying representations.**



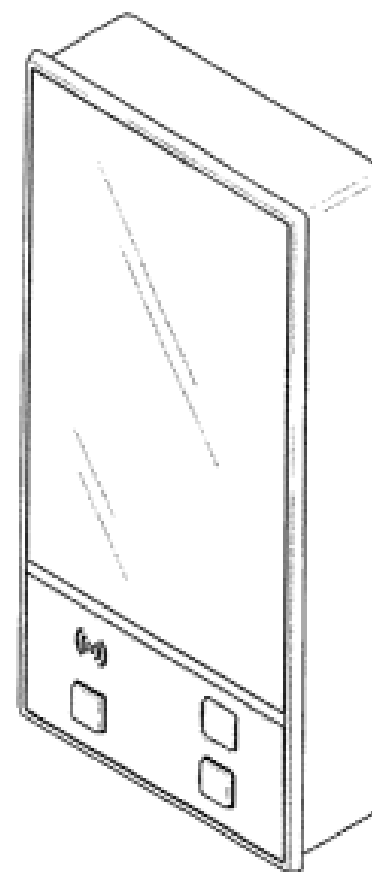
(19) AU

- (21) Design Number: **14044/2008**
- (22) Date of Filing Application: **19 August 2008**
- (24) Date from which industrial property rights may have effect: **19 August 2008**
- (54) Product in respect of which the design is registered: **Machine housing**
- (51) International Design Classification: **27-99**
- (71) Name(s) and Address(s) of Applicant(s):  
**Republic Tobacco L.P.**  
**2301 Ravine Way Glenview IL 60025 United States of America**
- (72) Name(s) of Designer(s): **Mei Lin and Robert Patrick Muncer**
- (45) Registration Date: **26 November 2008**
- (30) Convention priority data:  

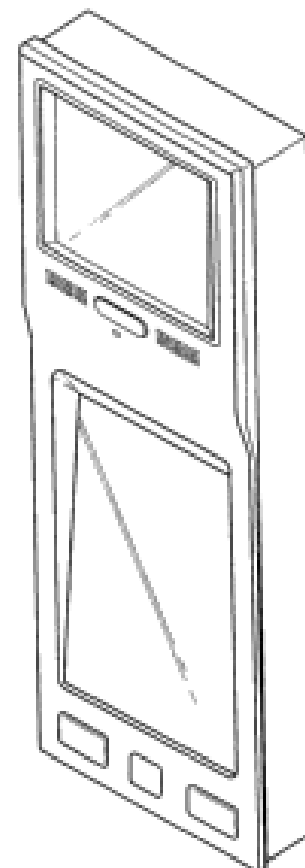
(31) Number	(32) Date	(33) Country
<b>29/305715</b>	<b>26 Mar 2008</b>	<b>UNITED STATES OF AMERICA</b>
- (56) Related Art Documents: **Not Applicable**
- (57) Statement of Newness and Distinctiveness: **When determining whether the design 1 is substantially similar in overall impression to another design, no regard is to be had to those features shown in dotted outline in the accompanying drawings.**



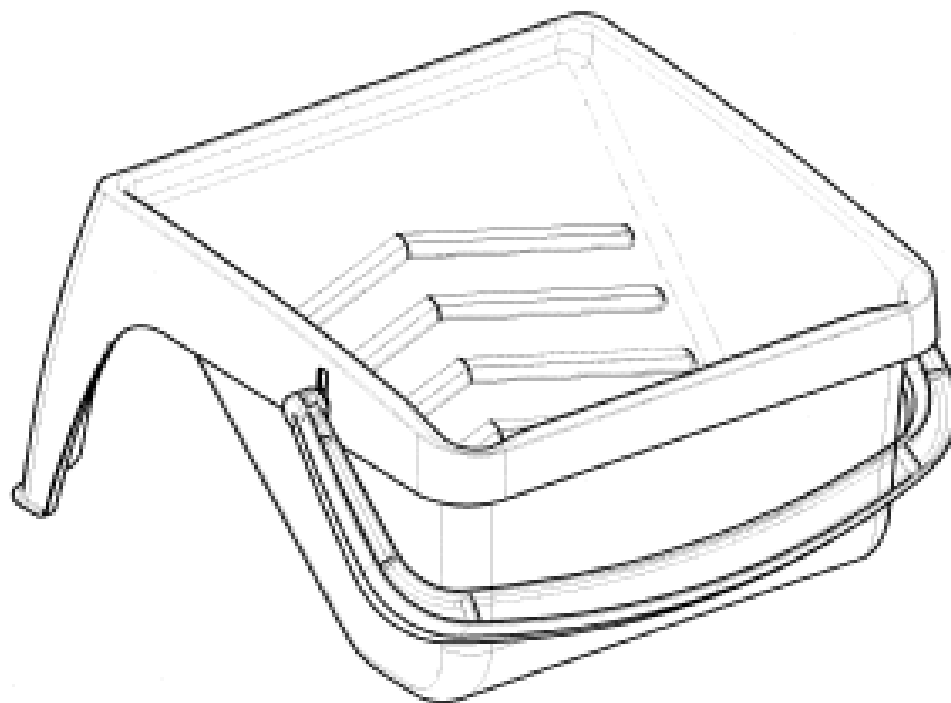
(21) Design Number: **14046/2008**  
(22) Date of Filing Application: **19 August 2008**  
(24) Date from which industrial property rights may have effect: **19 August 2008**  
(54) Product in respect of which the design is registered: **Elevator control panel**  
(51) International Design Classification: **13-03NES**  
(71) Name(s) and Address(s) of Applicant(s):  
**Otis Elevator Company**  
**Ten Farm Springs Road Farmington Connecticut 06032 United States of America**  
(72) Name(s) of Designer(s): **Hak Cheol Kim**  
(45) Registration Date: **26 November 2008**  
(30) Convention priority data:  
(31) Number (32) Date (33) Country  
**30-2008-0007138 20 Feb 2008 REPUBLIC OF KOREA**  
(56) Related Art Documents: **Not Applicable**  
(57) Statement of Newness and Distinctiveness: **Nil**



(21) Design Number: **14047/2008**  
(22) Date of Filing Application: **19 August 2008**  
(24) Date from which industrial property rights may have effect: **19 August 2008**  
(54) Product in respect of which the design is registered: **Elevator control panel**  
(51) International Design Classification: **13-03NES**  
(71) Name(s) and Address(s) of Applicant(s):  
**Otis Elevator Company**  
**Ten Farm Springs Road Farmington Connecticut 06032 United States of America**  
(72) Name(s) of Designer(s): **Han U. Lee**  
(45) Registration Date: **26 November 2008**  
(30) Convention priority data:  
(31) Number (32) Date (33) Country  
**30-2008-0007139 20 Feb 2008 REPUBLIC OF KOREA**  
(56) Related Art Documents: **Not Applicable**  
(57) Statement of Newness and Distinctiveness: **Nil**



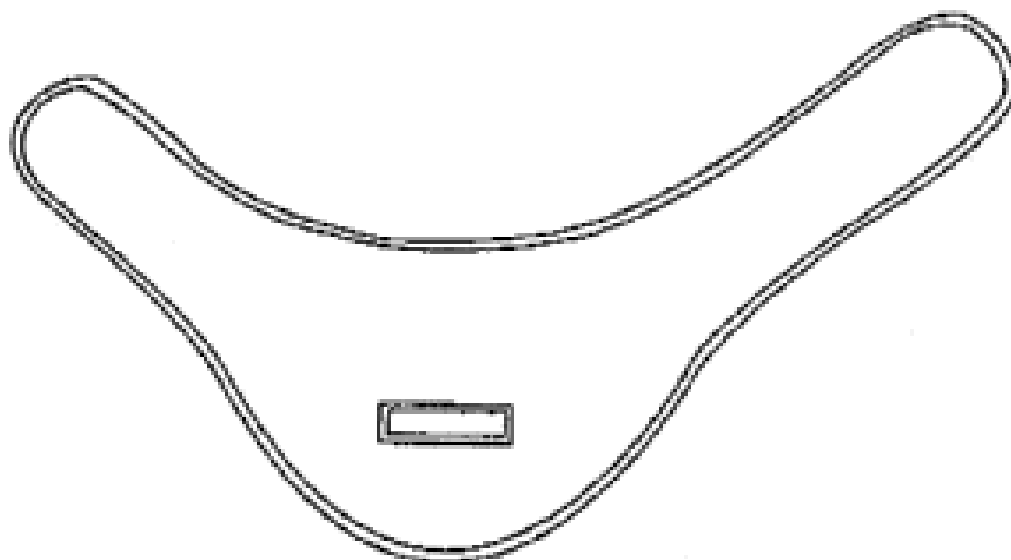
- (21) Design Number: **14048/2008**  
(22) Date of Filing Application: **19 August 2008**  
(24) Date from which industrial property rights may have effect: **19 August 2008**  
(54) Product in respect of which the design is registered: **Paint roller bucket used for holding a variety of types of paint that are to be applied to a surface by a traditional**  
(51) International Design Classification: **08-05L**  
(71) Name(s) and Address(s) of Applicant(s):  
**Fingo Products Pty Ltd**  
**23 Reddie Street Henley Beach South Australia 5022 Australia**  
(72) Name(s) of Designer(s): **Andrew Kumnick and Giles McDonald and Andrew Whittaker**  
(45) Registration Date: **26 November 2008**  
(56) Related Art Documents: **Not Applicable**  
(57) Statement of Newness and Distinctiveness: **The stabilising legs provide support and allow the product to be stacked. The key hole that accepts the handle allows the handle to be locked in an upright position. The angle of the tray allows the bucket to safely hold paint and be easily transported via the accompanying handle.**



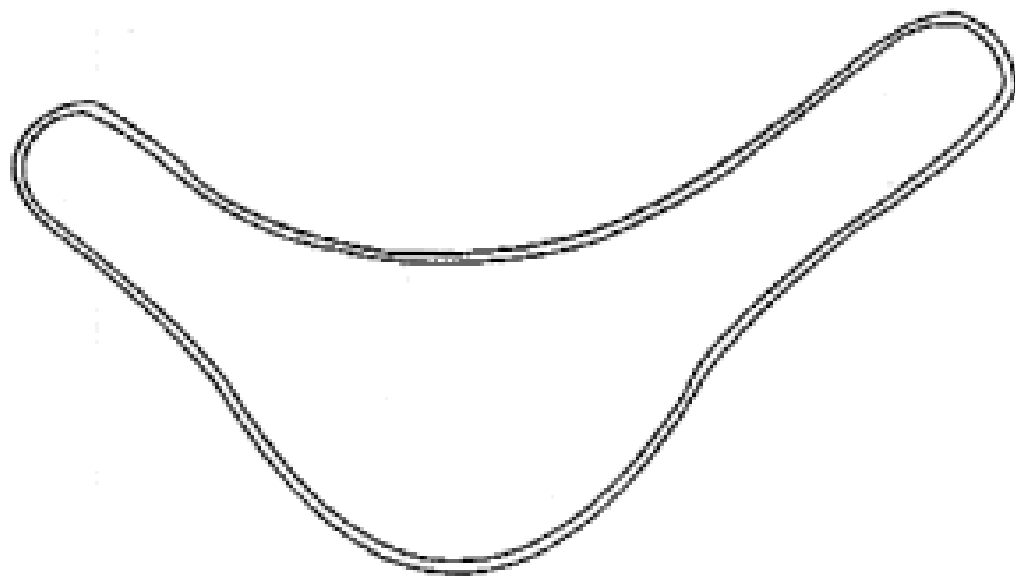
- (21) Design Number: **11777/2008**  
(22) Date of Filing Application: **15 April 2008**  
(24) Date from which industrial property rights may have effect: **15 April 2008**  
(54) Product in respect of which the design is registered: **Infant attire**  
(51) International Design Classification: **02-01B**  
(71) Name(s) and Address(s) of Applicant(s):  
**Amelia Anne Bristed Nilsson**  
**76 St Michaels Avenue Point Chevalier Auckland New Zealand**  
(72) Name(s) of Designer(s): **Amelia Anne Bristed Nilsson**  
(45) Registration Date: **02 December 2008**  
(30) Convention priority data:  

(31) Number	(32) Date	(33) Country
<b>409874</b>	<b>17 Oct 2007</b>	<b>NEW ZEALAND</b>

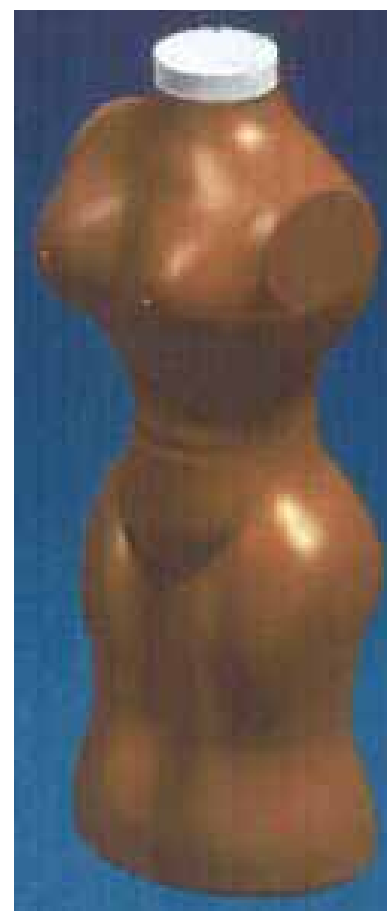
  
(56) Related Art Documents: **Not Applicable**  
(57) Statement of Newness and Distinctiveness: **The new and distinctive features of this design reside in the features of shape and/or configuration of infant attire articles all as shown in the accompanying representations.**



- (21) Design Number: **14442/2008**  
(22) Date of Filing Application: **15 April 2008**  
(24) Date from which industrial property rights may have effect: **15 April 2008**  
(54) Product in respect of which the design is registered: **Infant attire**  
(51) International Design Classification: **02-01B**  
(71) Name(s) and Address(s) of Applicant(s):  
**Amelia Anne Bristed Nilsson**  
**76 St Michaels Avenue Point Chevalier Auckland New Zealand**  
(72) Name(s) of Designer(s): **Amelia Anne Bristed Nilsson**  
(45) Registration Date: **02 December 2008**  
(30) Convention priority data:  
(31) Number (32) Date (33) Country  
**409874 17 Oct 2007 NEW ZEALAND**  
(56) Related Art Documents: **Not Applicable**  
(57) Statement of Newness and Distinctiveness: **The new and distinctive features of this design reside in the features of shape and/or configuration of infant attire articles all as shown in the accompanying representations.**



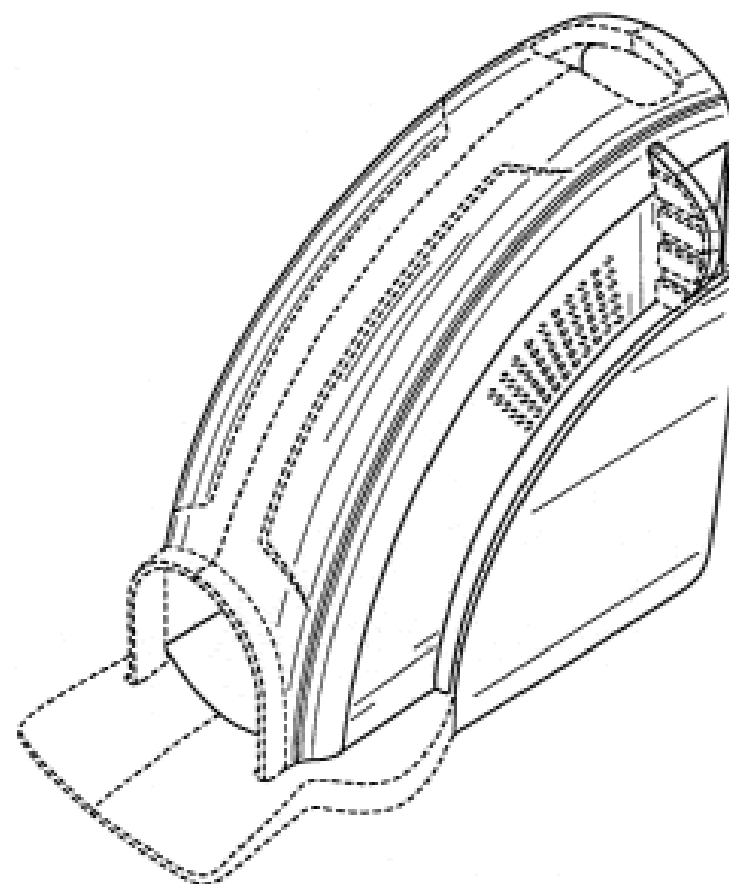
- (21) Design Number: **12241/2008**  
(22) Date of Filing Application: **12 May 2008**  
(24) Date from which industrial property rights may have effect: **12 May 2008**  
(54) Product in respect of which the design is registered: **A beverage bottle**  
(51) International Design Classification: **09-01D**  
(71) Name(s) and Address(s) of Applicant(s):  
**Giuseppe Cagliuso**  
**50 Prince Street Alberton South Australia 5014 Australia**  
(72) Name(s) of Designer(s): **Giuseppe Cagliuso**  
(45) Registration Date: **02 December 2008**  
(56) Related Art Documents: **Not Applicable**  
(57) Statement of Newness and Distinctiveness: **Nil**



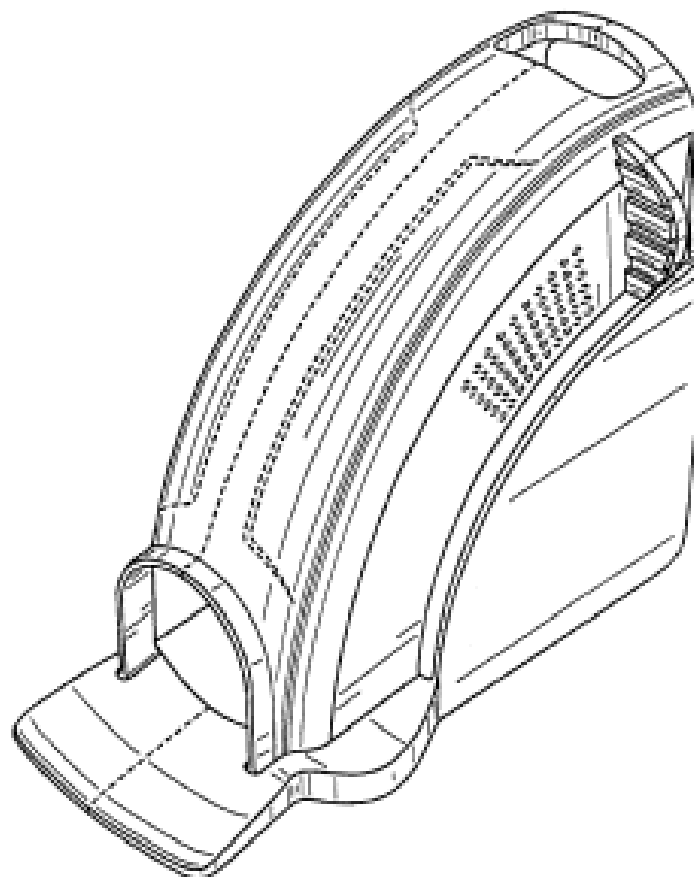
(21) Design Number: **12242/2008**  
(22) Date of Filing Application: **12 May 2008**  
(24) Date from which industrial property rights may have effect: **12 May 2008**  
(54) Product in respect of which the design is registered: **A beverage bottle**  
(51) International Design Classification: **09-01D**  
(71) Name(s) and Address(s) of Applicant(s):  
**Giuseppe Cagliuso**  
**50 Prince Street Alberton South Australia 5014 Australia**  
(72) Name(s) of Designer(s): **Giuseppe Cagliuso**  
(45) Registration Date: **02 December 2008**  
(56) Related Art Documents: **Not Applicable**  
(57) Statement of Newness and Distinctiveness: **Nil**



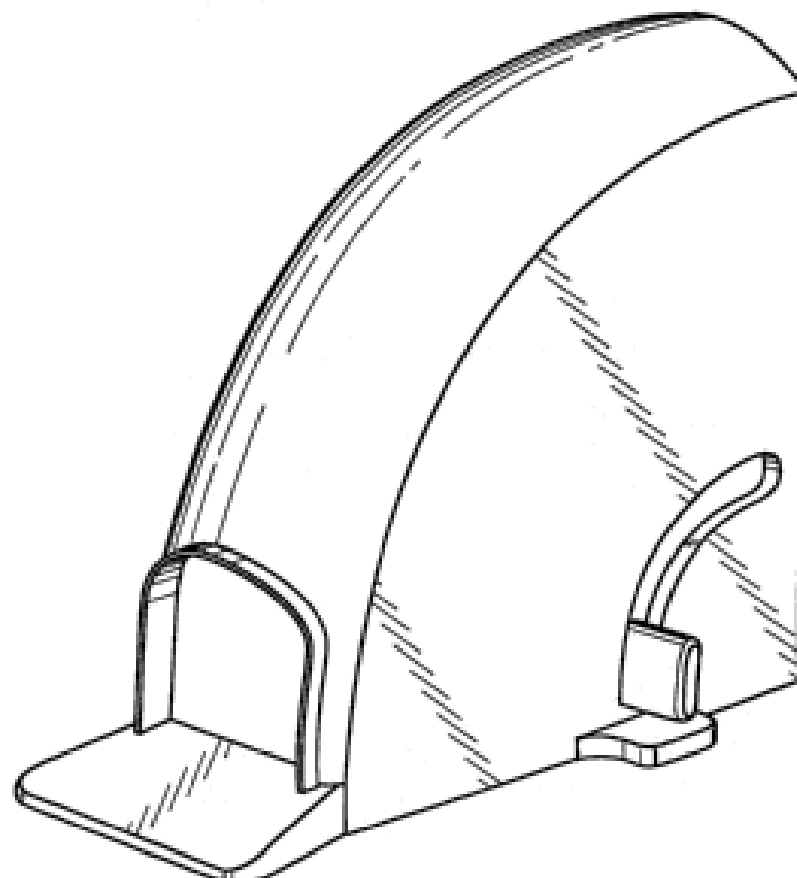
(21) Design Number: **12877/2008**  
(22) Date of Filing Application: **16 June 2008**  
(24) Date from which industrial property rights may have effect: **16 June 2008**  
(54) Product in respect of which the design is registered: **Rodent trap**  
(51) International Design Classification: **22-06**  
(71) Name(s) and Address(s) of Applicant(s):  
**SMG Brands, Inc**  
**1105 N Market Street Suite 1300 Wilmington DE 19801 United States of America**  
(72) Name(s) of Designer(s): **Matthew L. Phillips and Philip Nathan and Lynn Briggs and Robert Bruno and Peter J. Everett and Thomas Paul Danniger and Richard Gene Foster and Katie Chapman**  
(45) Registration Date: **02 December 2008**  
(30) Convention priority data:  
(31) Number      (32) Date      (33) Country  
**29/318,862      29 May 2008      UNITED STATES OF AMERICA**  
(56) Related Art Documents: **Not Applicable**  
(57) Statement of Newness and Distinctiveness: **Nil**



(21) Design Number: **14912/2008**  
 (22) Date of Filing Application: **16 June 2008**  
 (24) Date from which industrial property rights may have effect: **16 June 2008**  
 (54) Product in respect of which the design is registered: **Rodent trap**  
 (51) International Design Classification: **22-06**  
 (71) Name(s) and Address(s) of Applicant(s):  
**SMG Brands, Inc**  
**1105 N Market Street Suite 1300 Wilmington DE 19801 United States of America**  
 (72) Name(s) of Designer(s): **Matthew L. Phillips and Philip Nathan and Lynn Briggs and Robert Bruno and Peter J. Everett and Thomas Paul Danniger and Richard Gene Foster and Katie Chapman**  
 (45) Registration Date: **02 December 2008**  
 (30) Convention priority data:  
 (31) Number (32) Date (33) Country  
**29/318,862 29 May 2008 UNITED STATES OF AMERICA**  
 (56) Related Art Documents: **Not Applicable**  
 (57) Statement of Newness and Distinctiveness: **Nil**



(21) Design Number: **12878/2008**  
 (22) Date of Filing Application: **16 June 2008**  
 (24) Date from which industrial property rights may have effect: **16 June 2008**  
 (54) Product in respect of which the design is registered: **Rodent trap**  
 (51) International Design Classification: **22-06**  
 (71) Name(s) and Address(s) of Applicant(s):  
**SMG Brands, Inc**  
**1105 N Market Street Suite 1300 Wilmington DE 19801 United States of America**  
 (72) Name(s) of Designer(s): **Philip Nathan and Matthew L. Phillips and Lynn Briggs and Thomas Paul Danniger and Richard Gene Foster**  
 (45) Registration Date: **02 December 2008**  
 (30) Convention priority data:  
 (31) Number (32) Date (33) Country  
**11/956,939 14 Dec 2007 UNITED STATES OF AMERICA**  
 (56) Related Art Documents: **Not Applicable**  
 (57) Statement of Newness and Distinctiveness: **Nil**





(21) Design Number: **14913/2008**

(22) Date of Filing Application: **16 June 2008**

(24) Date from which industrial property rights may have effect: **16 June 2008**

(54) Product in respect of which the design is registered: **Rodent trap**

(51) International Design Classification: **22-06**

(71) Name(s) and Address(s) of Applicant(s):

**SMG Brands, Inc**  
**1105 N Market Street Suite 1300 Wilmington DE 19801 United States of America**

(72) Name(s) of Designer(s): **Philip Nathan and Matthew L. Phillips and Lynn Briggs and Thomas Paul Danniger and Richard Gene Foster**

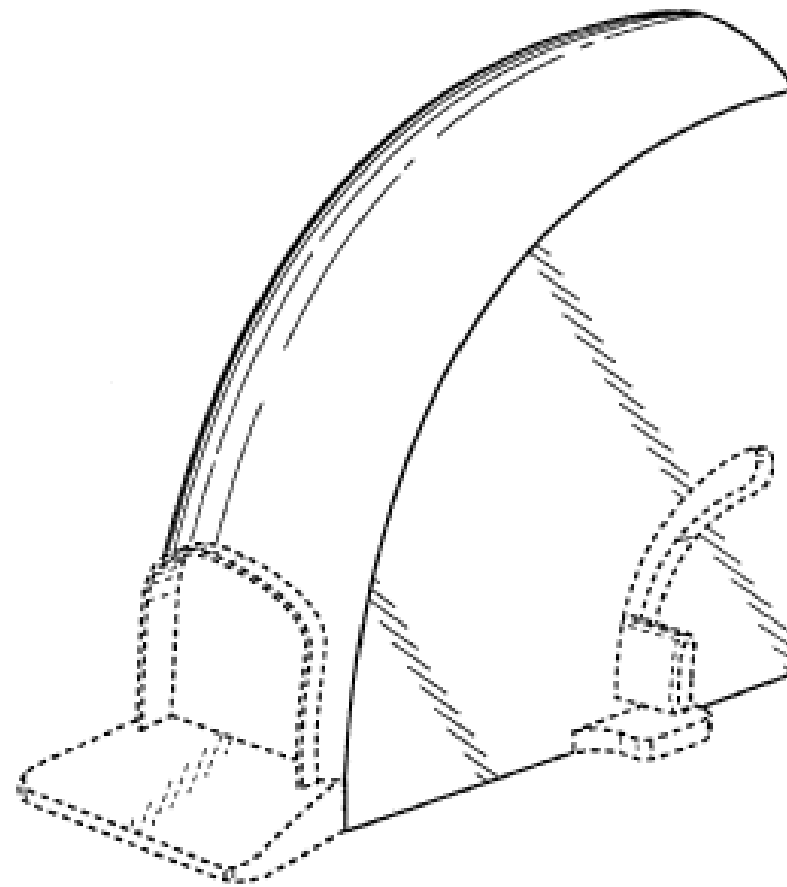
(45) Registration Date: **02 December 2008**

(30) Convention priority data:

(31) Number	(32) Date	(33) Country
<b>11/956,939</b>	<b>14 Dec 2007</b>	<b>UNITED STATES OF AMERICA</b>

(56) Related Art Documents: **Not Applicable**

(57) Statement of Newness and Distinctiveness: **Nil**



(21) Design Number: **13646/2008**

(22) Date of Filing Application: **31 July 2008**

(24) Date from which industrial property rights may have effect: **31 July 2008**

(54) Product in respect of which the design is registered: **All leaf springs which are finished with a unique zinc coating.**

(51) International Design Classification: **12-16NES**

(71) Name(s) and Address(s) of Applicant(s):

**Meher Trailer Products Pty Ltd**  
**11 National Drive Hallam Victoria 3803 Australia**

(72) Name(s) of Designer(s): **Param Singh Viridi and Kamaldeep Kaur Viridi**

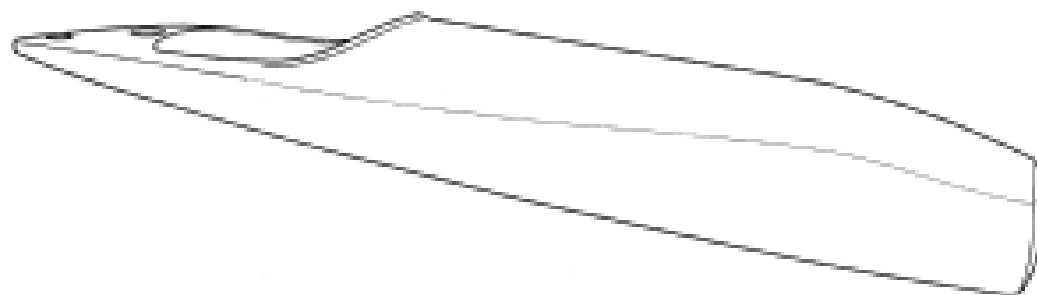
(45) Registration Date: **02 December 2008**

(56) Related Art Documents: **Not Applicable**

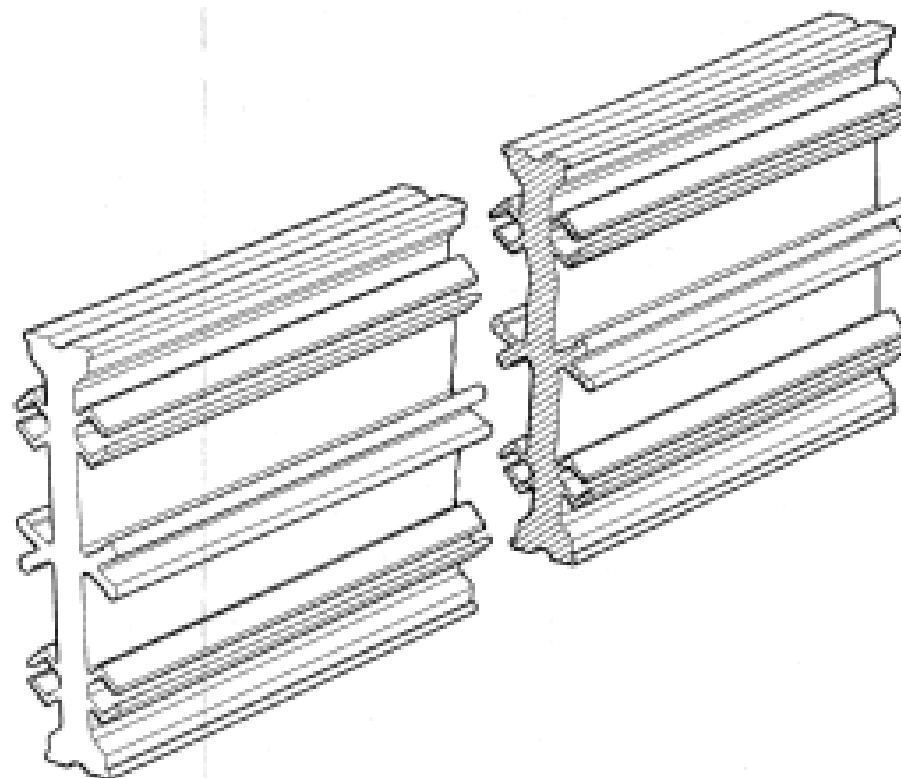
(57) Statement of Newness and Distinctiveness: **The surface finish of the leaf springs is unique. The surface is coated with zinc spray which eliminates cracks developed by the process of hot dip galvanizing.**



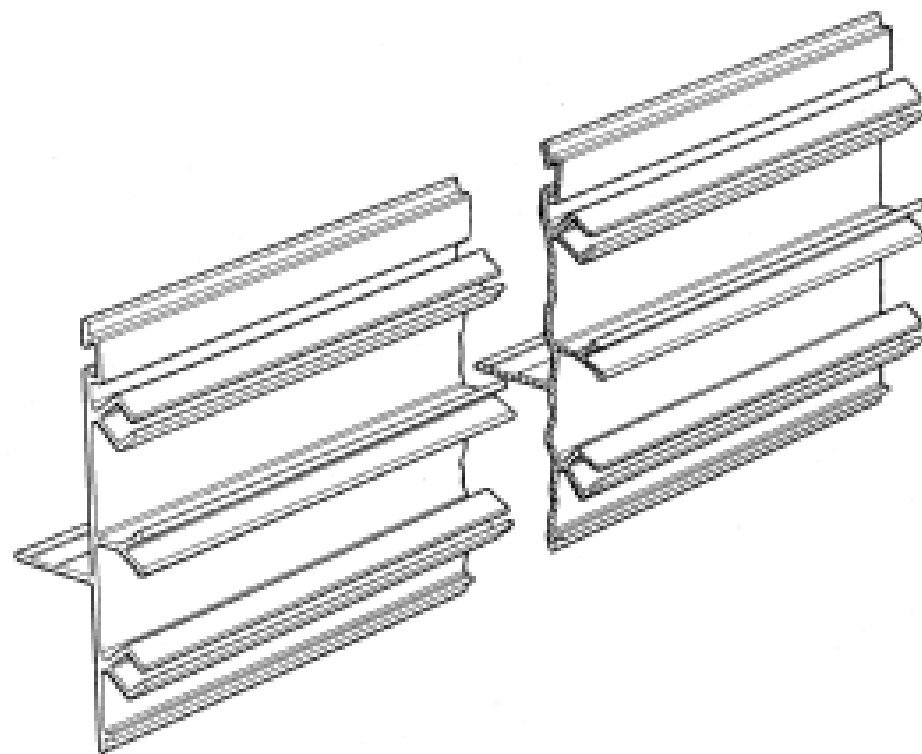
- (21) Design Number: **13675/2008**  
(22) Date of Filing Application: **01 August 2008**  
(24) Date from which industrial property rights may have effect: **01 August 2008**  
(54) Product in respect of which the design is registered: **Watercraft**  
(51) International Design Classification: **12-06C**  
(71) Name(s) and Address(s) of Applicant(s):  
**James Robert Payne**  
**8 Quayside Mews Hillarys Western Australia 6025 Australia**  
(72) Name(s) of Designer(s): **James Robert Payne**  
(45) Registration Date: **02 December 2008**  
(56) Related Art Documents: **Not Applicable**  
(57) Statement of Newness and Distinctiveness: **Nil.**



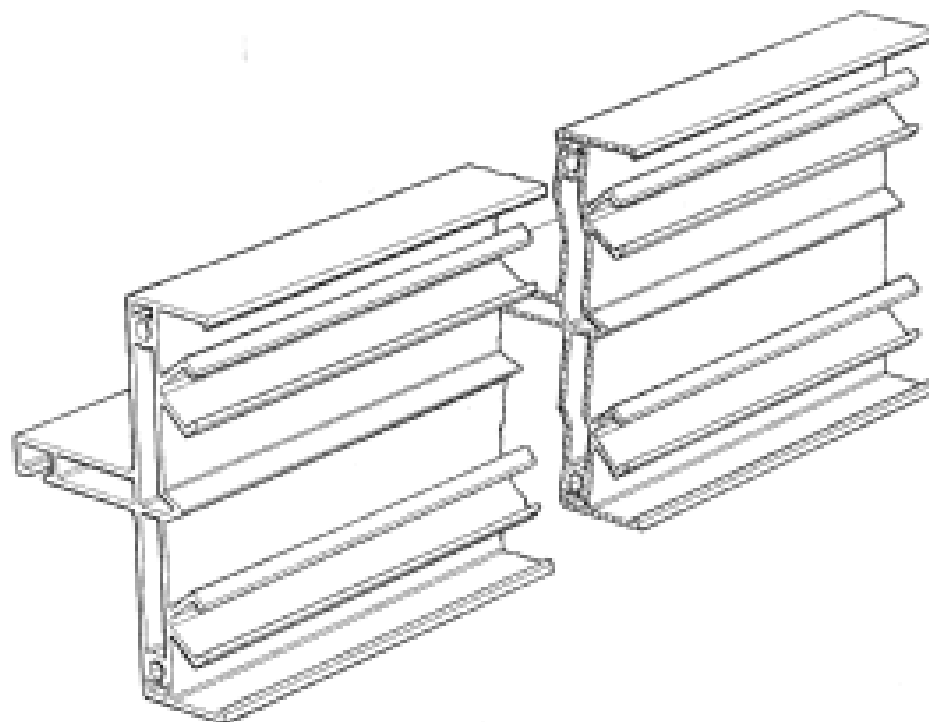
- (21) Design Number: **13042/2008**  
(22) Date of Filing Application: **02 July 2008**  
(24) Date from which industrial property rights may have effect: **02 July 2008**  
(54) Product in respect of which the design is registered: **Modular building component extrusion**  
(51) International Design Classification: **25-01K**  
(71) Name(s) and Address(s) of Applicant(s):  
**Hartman Pacific Pty Ltd**  
**1/1 Federation Way Chifley Business Park Mentone Victoria 3194 Australia**  
**Miberlan Industrial Co Ltd**  
**10F-6 No 81 Shui Lee Road Hsin Chu TAIWAN**  
(72) Name(s) of Designer(s): **Gavin Rundle**  
(45) Registration Date: **01 December 2008**  
(56) Related Art Documents: **Not Applicable**  
(57) Statement of Newness and Distinctiveness: **Each feature of the extrusion of indefinite length considered separately or in combination with any other feature or features.**



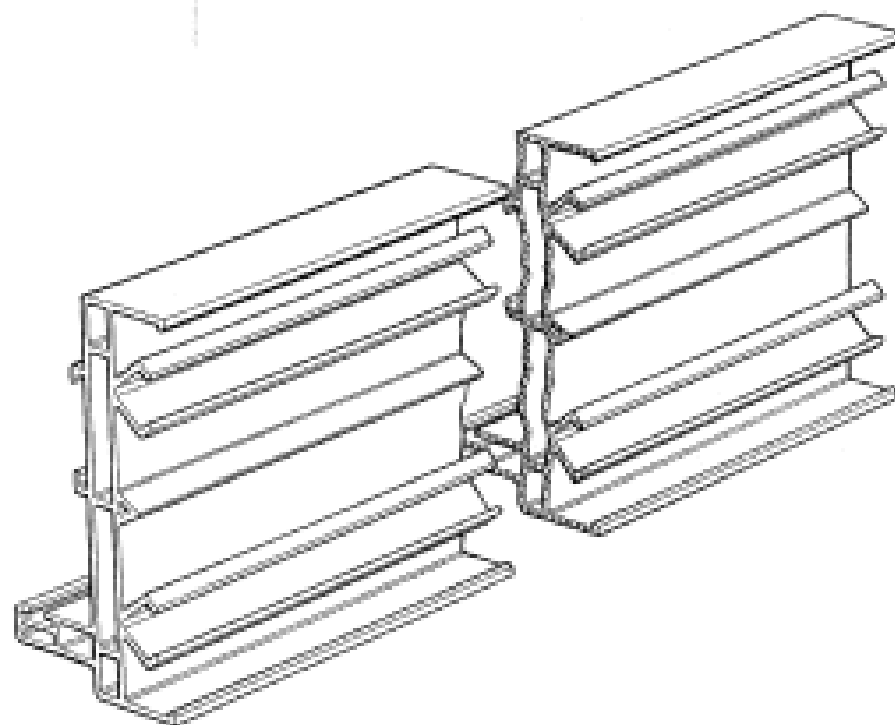
- (21) Design Number: **13043/2008**  
(22) Date of Filing Application: **02 July 2008**  
(24) Date from which industrial property rights may have effect: **02 July 2008**  
(54) Product in respect of which the design is registered: **Modular building component extrusion**  
(51) International Design Classification: **25-01K**  
(71) Name(s) and Address(s) of Applicant(s):  
**Hartman Pacific Pty Ltd**  
**1/1 Federation Way Chifley Business Park Mentone Victoria 3194**  
**Australia**  
**Miberlan Industrial Co Ltd**  
**10F-6 No 81 Shui Lee Road Hsin Chu TAIWAN**  
(72) Name(s) of Designer(s): **Gavin Rundle**  
(45) Registration Date: **01 December 2008**  
(56) Related Art Documents: **Not Applicable**  
(57) Statement of Newness and Distinctiveness: **Each feature of the extrusion of indefinite length considered separately or in combination with any other feature or features.**



- (21) Design Number: **13044/2008**  
(22) Date of Filing Application: **02 July 2008**  
(24) Date from which industrial property rights may have effect: **02 July 2008**  
(54) Product in respect of which the design is registered: **Modular building component extrusion**  
(51) International Design Classification: **25-01K**  
(71) Name(s) and Address(s) of Applicant(s):  
**Hartman Pacific Pty Ltd**  
**1/1 Federation Way Chifley Business Park Mentone Victoria 3194**  
**Australia**  
**Miberlan Industrial Co Ltd**  
**10F-6 No 81 Shui Lee Road Hsin Chu TAIWAN**  
(72) Name(s) of Designer(s): **Gavin Rundle**  
(45) Registration Date: **01 December 2008**  
(56) Related Art Documents: **Not Applicable**  
(57) Statement of Newness and Distinctiveness: **Each feature of the extrusion of indefinite length considered separately or in combination with any other feature or features.**

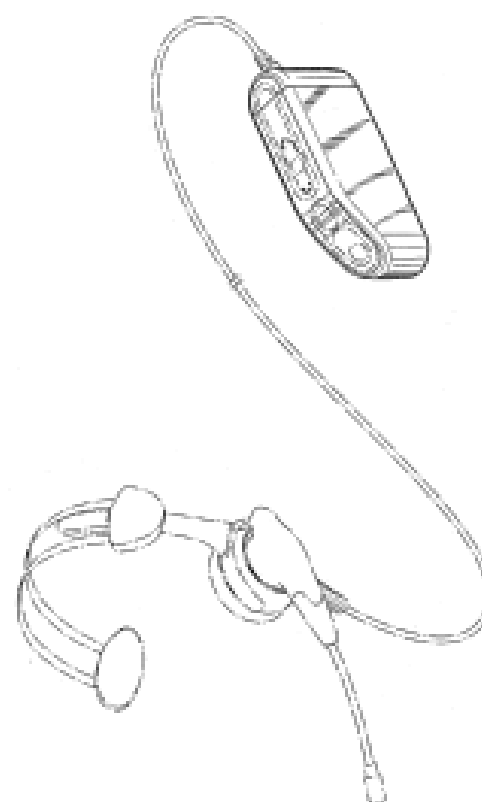


- (21) Design Number: **13045/2008**
- (22) Date of Filing Application: **02 July 2008**
- (24) Date from which industrial property rights may have effect: **02 July 2008**
- (54) Product in respect of which the design is registered: **Modular building component extrusion**
- (51) International Design Classification: **25-01K**
- (71) Name(s) and Address(s) of Applicant(s):  
**Hartman Pacific Pty Ltd**  
**1/1 Federation Way Chifley Business Park Mentone Victoria 3194**  
**Australia**  
**Miberlan Industrial Co Ltd**  
**10F-6 No 81 Shui Lee Road Hsin Chu TAIWAN**
- (72) Name(s) of Designer(s): **Gavin Rundle**
- (45) Registration Date: **01 December 2008**
- (56) Related Art Documents: **Not Applicable**
- (57) Statement of Newness and Distinctiveness: **Each feature of the extrusion of indefinite length considered separately or in combination with any other feature or features.**



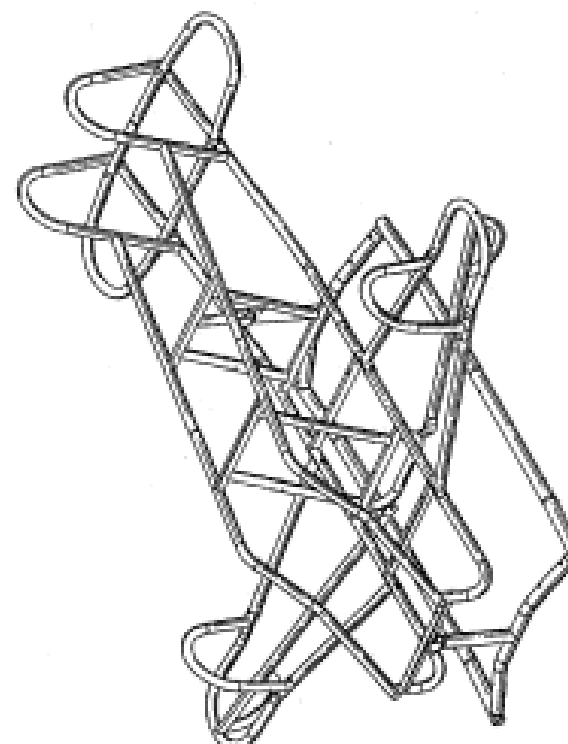
- (21) Design Number: **14041/2008**
- (22) Date of Filing Application: **19 August 2008**
- (24) Date from which industrial property rights may have effect: **19 August 2008**
- (54) Product in respect of which the design is registered: **Body-worn mobile device**
- (51) International Design Classification: **14-03A, 24-01**
- (71) Name(s) and Address(s) of Applicant(s):  
**Vocollect Healthcare Systems, Inc.**  
**701 Rodi Road Suite 102 Pittsburgh Pennsylvania 15235-4559 United**  
**States of America**
- (72) Name(s) of Designer(s): **James Wahl and Chris Nightingale**
- (45) Registration Date: **01 December 2008**
- (30) Convention priority data:  

(31) Number	(32) Date	(33) Country
<b>29/303919</b>	<b>20 Feb 2008</b>	<b>UNITED STATES OF AMERICA</b>
- (56) Related Art Documents: **Not Applicable**
- (57) Statement of Newness and Distinctiveness: **Newness and distinctiveness is claimed in the features of shape and/or configuration of a body-worn mobile device as illustrated in continuous lines in the accompanying representations.**



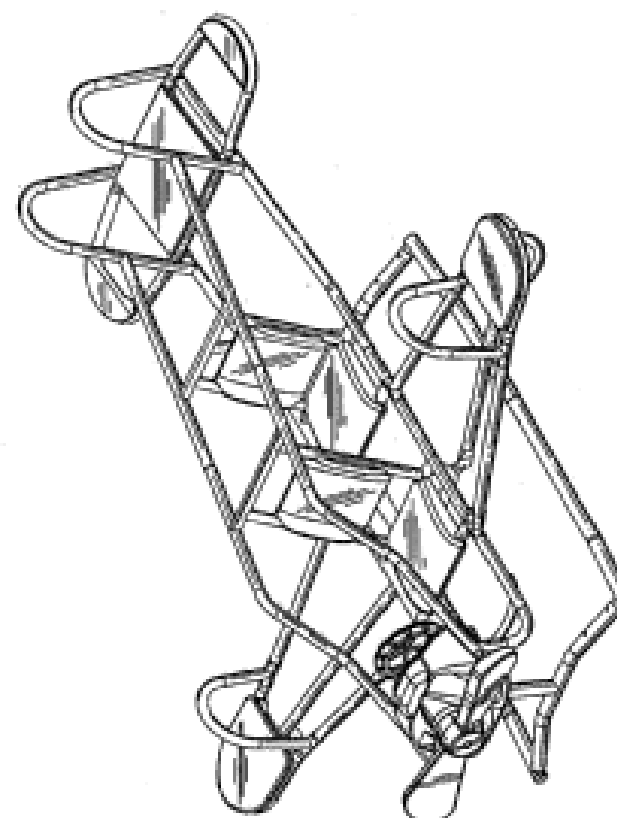
- (21) Design Number: **14721/2008**
- (22) Date of Filing Application: **03 October 2008**
- (24) Date from which industrial property rights may have effect: **03 October 2008**
- (54) Product in respect of which the design is registered: **Playground equipment**
- (51) International Design Classification: **21-03**
- (71) Name(s) and Address(s) of Applicant(s):  
**Performance Design, Inc.**  
**PO Box 160513 Freeport Center Building G-6 Clearfield UT 84016-0153**  
**United States of America**
- (72) Name(s) of Designer(s): **Jacob Kearl and Stephen F Nye**
- (45) Registration Date: **01 December 2008**
- (30) Convention priority data:  

(31) Number	(32) Date	(33) Country
<b>29/318,956</b>	<b>31 May 2008</b>	<b>UNITED STATES OF AMERICA</b>
- (56) Related Art Documents: **Not Applicable**
- (57) Statement of Newness and Distinctiveness: **The shape and configuration of the playground equipment provide features of novelty and distinctiveness. The broken lines shown in the figures are for illustrative purposes only and form no part of the features of the design.**

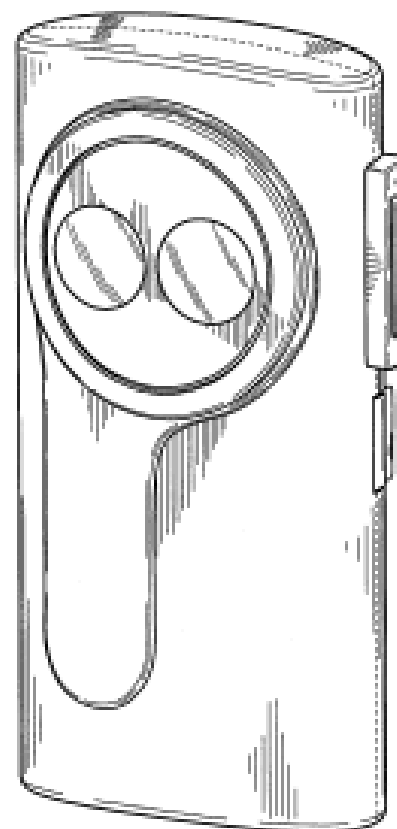


- (21) Design Number: **14722/2008**
- (22) Date of Filing Application: **03 October 2008**
- (24) Date from which industrial property rights may have effect: **03 October 2008**
- (54) Product in respect of which the design is registered: **Playground equipment**
- (51) International Design Classification: **21-03**
- (71) Name(s) and Address(s) of Applicant(s):  
**Performance Design, Inc.**  
**PO Box 160513 Freeport Center Building G-6 Clearfield UT 84016-0153**  
**United States of America**
- (72) Name(s) of Designer(s): **Jacob Kearl and Stephen F Nye**
- (45) Registration Date: **01 December 2008**
- (30) Convention priority data:  

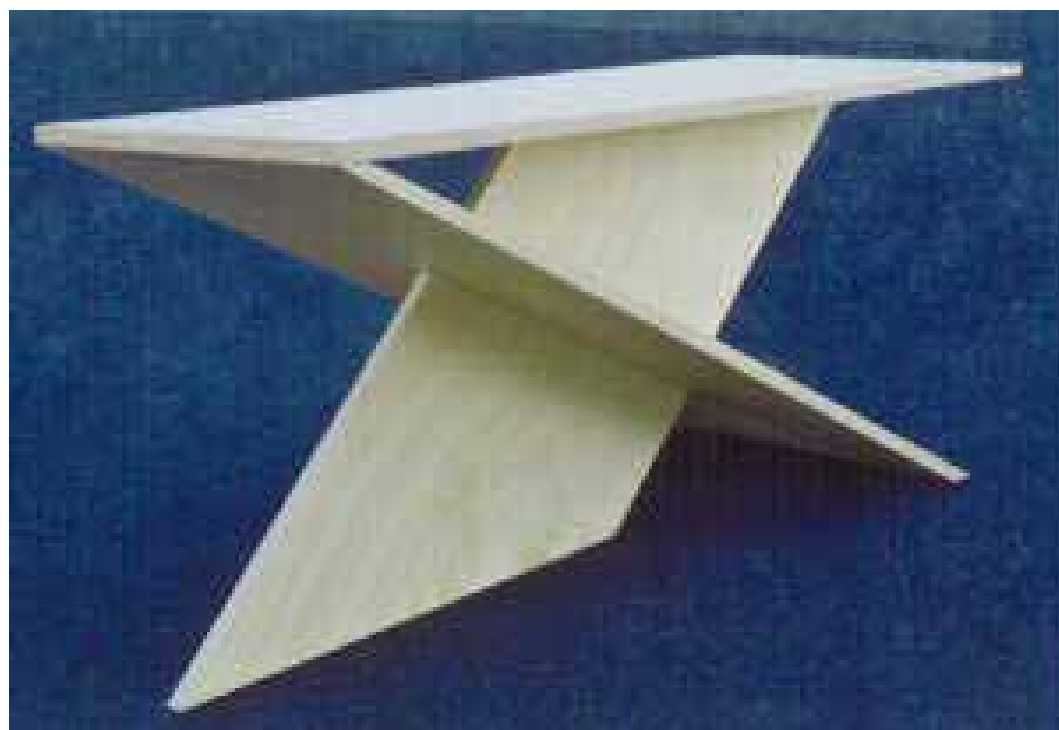
(31) Number	(32) Date	(33) Country
<b>29/318,956</b>	<b>31 May 2008</b>	<b>UNITED STATES OF AMERICA</b>
- (56) Related Art Documents: **Not Applicable**
- (57) Statement of Newness and Distinctiveness: **The shape and configuration of the playground equipment provide features of novelty and distinctiveness. The broken lines shown in the figures are for illustrative purposes only and form no part of the features of the design.**



- (21) Design Number: **12463/2008**
- (22) Date of Filing Application: **23 May 2008**
- (24) Date from which industrial property rights may have effect: **23 May 2008**
- (54) Product in respect of which the design is registered: **Lighting device**
- (51) International Design Classification: **26-02**
- (71) Name(s) and Address(s) of Applicant(s):  
**Eveready Battery Company, Inc.**  
**533 Maryville University Drive St Louis Missouri 63141 United States of America**
- (72) Name(s) of Designer(s): **Lai King Ma**
- (45) Registration Date: **01 December 2008**
- (30) Convention priority data:
  - (31) Number      (32) Date      (33) Country
  - 200730286509.8   10 Dec 2007      CHINA**
- (56) Related Art Documents: **Not Applicable**
- (57) Statement of Newness and Distinctiveness: **Newness and distinctiveness is claimed in respect of the shape and or configuration of those visual features depicted in unbroken lines, without any limitation as to colour or shading.**



- (21) Design Number: **12557/2008**
- (22) Date of Filing Application: **28 May 2008**
- (24) Date from which industrial property rights may have effect: **28 May 2008**
- (54) Product in respect of which the design is registered: **Table**
- (51) International Design Classification: **06-03A**
- (71) Name(s) and Address(s) of Applicant(s):  
**Kyriacos (Jack) Papoutsidis**  
**90 Bayview Street Williamstown Victoria 3016 Australia**
- (72) Name(s) of Designer(s): **Kyriacos (Jack) Papoutsidis**
- (45) Registration Date: **01 December 2008**
- (56) Related Art Documents: **Not Applicable**
- (57) Statement of Newness and Distinctiveness: **Nil**



(21) Design Number: **12908/2008**

(22) Date of Filing Application: **18 June 2008**

(24) Date from which industrial property rights may have effect: **18 June 2008**

(54) Product in respect of which the design is registered: **Educational chart**

(51) International Design Classification: **19-03, 19-07**

(71) Name(s) and Address(s) of Applicant(s):

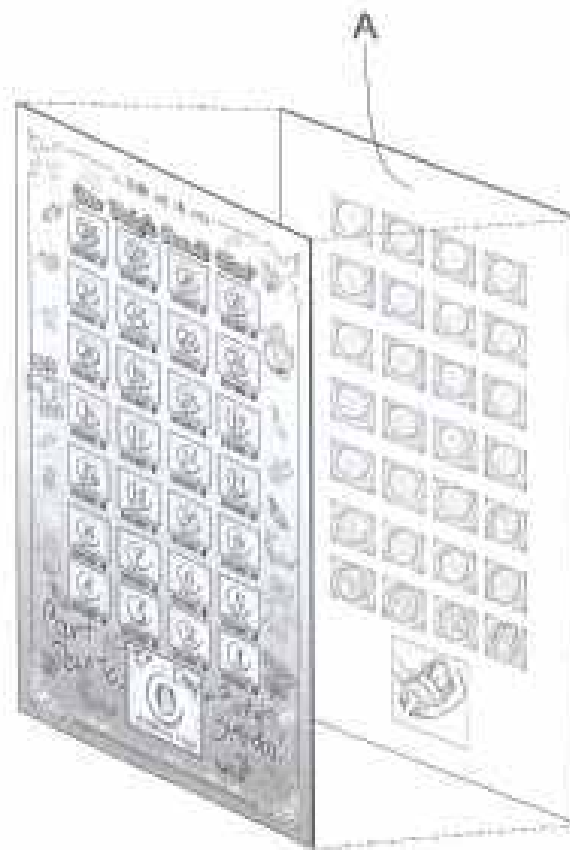
**Powerful Parenting Tools Pty Ltd  
14 Jacklin Court Parkwood Queensland 4214 Australia**

(72) Name(s) of Designer(s): **Reginald Lance Williams and Caroline Elizabeth Williams**

(45) Registration Date: **01 December 2008**

(56) Related Art Documents: **Not Applicable**

(57) Statement of Newness and Distinctiveness: **The newness and distinctiveness resides in the pattern and/or ornamentation of the educational chart as shown in the accompanying representations.**



(21) Design Number: **13747/2008**

(22) Date of Filing Application: **06 August 2008**

(24) Date from which industrial property rights may have effect: **06 August 2008**

(54) Product in respect of which the design is registered: **A jewellery component**

(51) International Design Classification: **11-01NES**

(71) Name(s) and Address(s) of Applicant(s):

**Paspaley Pearl Sales Pty Ltd  
Ground Floor 19 The Mall Darwin City Northern Territory 0800  
Australia**

(72) Name(s) of Designer(s): **Paul Stoddard and Charles Cormack**

(45) Registration Date: **01 December 2008**

(56) Related Art Documents: **Not Applicable**

(57) Statement of Newness and Distinctiveness: **Newness and distinctiveness reside in the features of the design as shown in the representations, more particularly, the feature of a pearl with a gemstone mounted in the pearl using a mount which is hidden by the gemstone.**



(21) Design Number: **13748/2008**

(22) Date of Filing Application: **06 August 2008**

(24) Date from which industrial property rights may have effect: **06 August 2008**

(54) Product in respect of which the design is registered: **A jewellery component**

(51) International Design Classification: **11-01NES**

(71) Name(s) and Address(s) of Applicant(s):

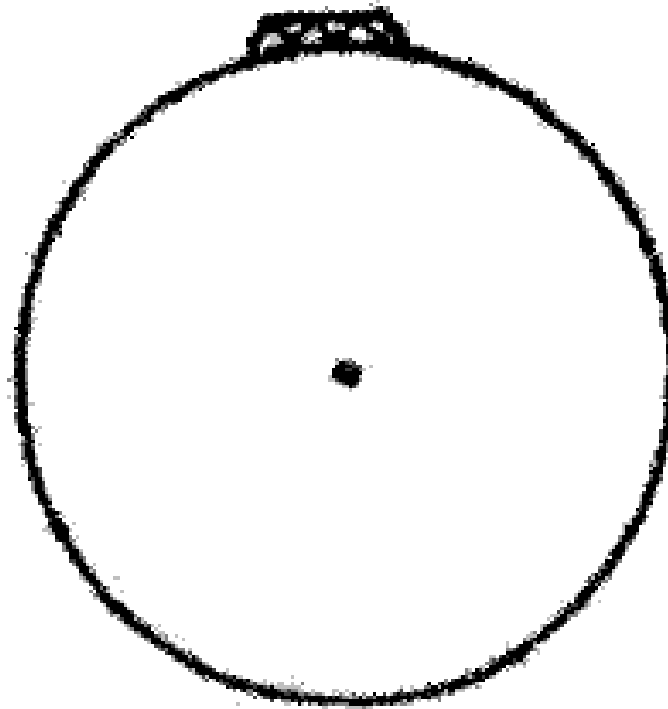
**Paspaley Pearl Sales Pty Ltd**  
**Ground Floor 19 The Mall Darwin City Northern Territory 0800**  
**Australia**

(72) Name(s) of Designer(s): **Paul Stoddard and Charles Cormack**

(45) Registration Date: **01 December 2008**

(56) Related Art Documents: **Not Applicable**

(57) Statement of Newness and Distinctiveness: **Newness and distinctiveness reside in the features of the design as shown in the representations, more particularly, the feature of a pearl with a gemstone mounted in the pearl using a mount which is hidden by the gemstone.**



(21) Design Number: **13751/2008**

(22) Date of Filing Application: **20 March 2008**

(24) Date from which industrial property rights may have effect: **20 March 2008**

(54) Product in respect of which the design is registered: **Eyewear**

(51) International Design Classification: **16-06**

(71) Name(s) and Address(s) of Applicant(s):

**Dioptics Medical Products, Inc.**  
**125 Venture Drive San Luis Obispo California United States of**  
**America**

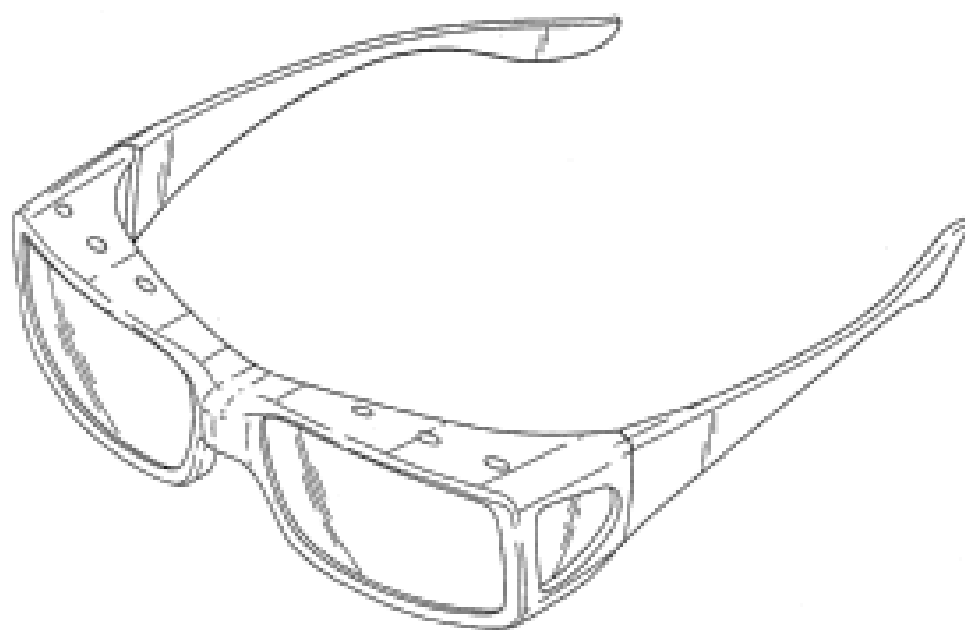
(72) Name(s) of Designer(s): **Henry Welling Lane and Eric Rhea**

(45) Registration Date: **01 December 2008**

(62) Divisional of: **320913**

(56) Related Art Documents: **Not Applicable**

(57) Statement of Newness and Distinctiveness: **Nil**





(21) Design Number: **13754/2008**

(22) Date of Filing Application: **07 August 2008**

(24) Date from which industrial property rights may have effect: **07 August 2008**

(54) Product in respect of which the design is registered: **Scale with cookbook holder**

(51) International Design Classification: **19-02, 10-04, 06-04NES**

(71) Name(s) and Address(s) of Applicant(s):

**HoMedics Group Ltd.**

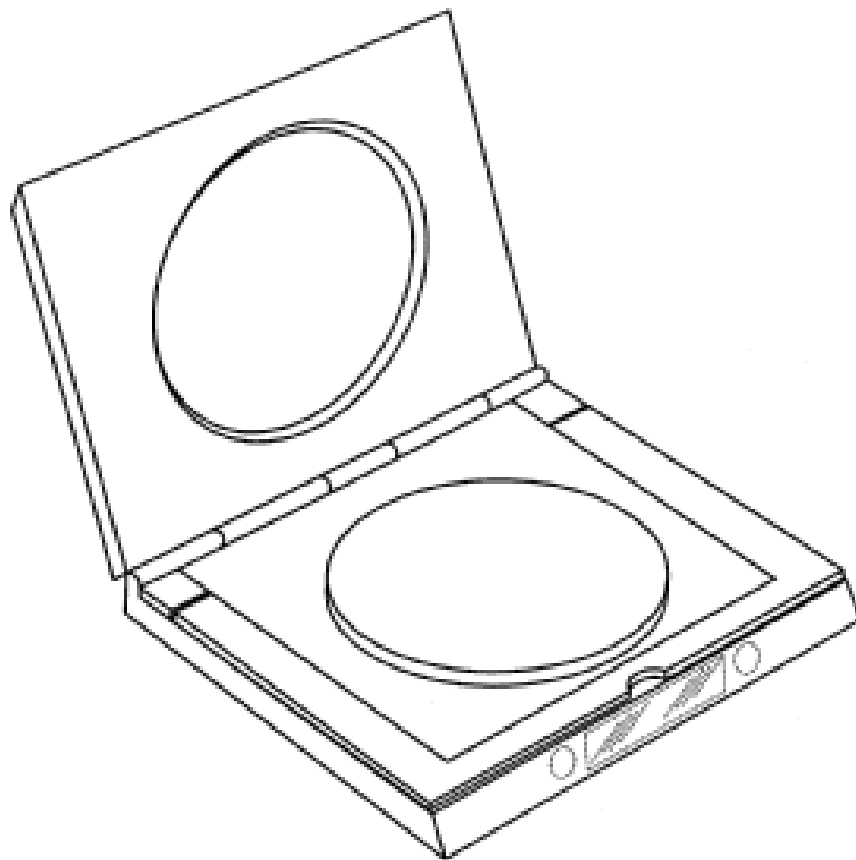
**HoMedics House Somerhill Business Park Five Oak Green Road  
Tonbridge Kent TN11 OGP United Kingdom**

(72) Name(s) of Designer(s): **Karen Brown**

(45) Registration Date: **01 December 2008**

(56) Related Art Documents: **Not Applicable**

(57) Statement of Newness and Distinctiveness: **Newness and distinctiveness resides in the visual features of the design illustrated in solid lines in the accompanying representations.**



(21) Design Number: **13755/2008**

(22) Date of Filing Application: **07 August 2008**

(24) Date from which industrial property rights may have effect: **07 August 2008**

(54) Product in respect of which the design is registered: **Trivet scale**

(51) International Design Classification: **10-04, 07-06NES**

(71) Name(s) and Address(s) of Applicant(s):

**HoMedics Group Ltd.**

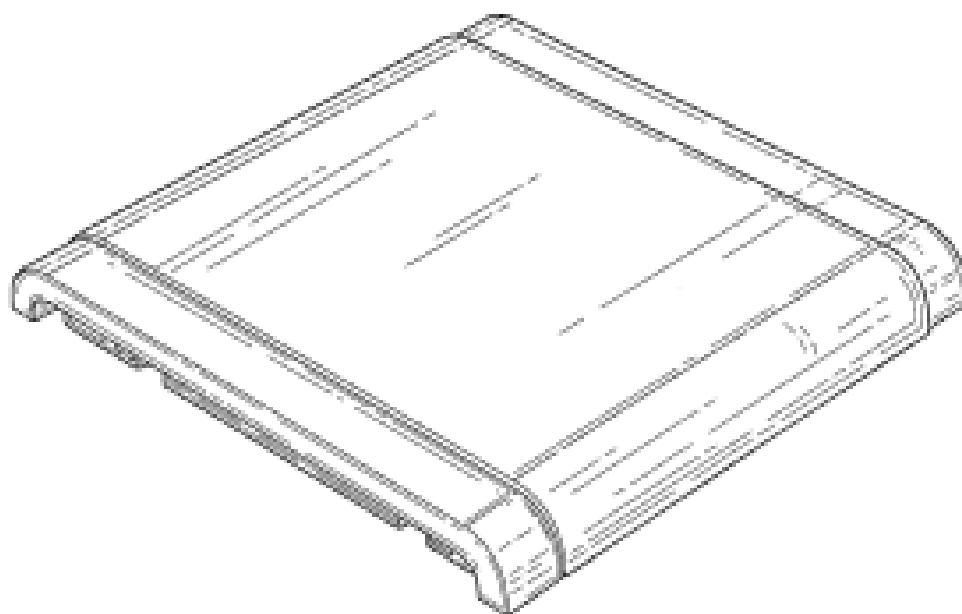
**HoMedics House Somerhill Business Park Five Oak Green Road  
Tonbridge Kent TN11 OGP United Kingdom**

(72) Name(s) of Designer(s): **Karen Brown**

(45) Registration Date: **01 December 2008**

(56) Related Art Documents: **Not Applicable**

(57) Statement of Newness and Distinctiveness: **Newness and distinctiveness resides in the visual features of the design illustrated in solid lines in the accompanying representations.**



(21) Design Number: **13756/2008**

(22) Date of Filing Application: **07 August 2008**

(24) Date from which industrial property rights may have effect: **07 August 2008**

(54) Product in respect of which the design is registered: **Bathroom scale**

(51) International Design Classification: **10-04**

(71) Name(s) and Address(s) of Applicant(s):

**HoMedics Group Ltd.**

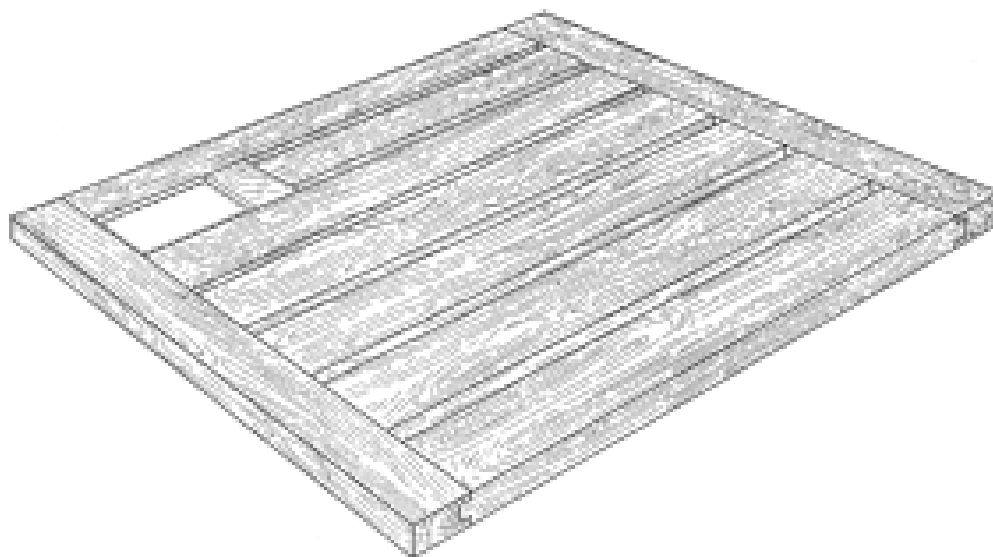
**HoMedics House Somerhill Business Park Five Oak Green Road  
Tonbridge Kent TN11 OGP United Kingdom**

(72) Name(s) of Designer(s): **Robert Gates**

(45) Registration Date: **01 December 2008**

(56) Related Art Documents: **Not Applicable**

(57) Statement of Newness and Distinctiveness: **Newness and distinctiveness resides in the visual features of the design illustrated in solid lines in the accompanying representations.**



(21) Design Number: **13757/2008**

(22) Date of Filing Application: **07 August 2008**

(24) Date from which industrial property rights may have effect: **07 August 2008**

(54) Product in respect of which the design is registered: **Bathroom scale**

(51) International Design Classification: **10-04**

(71) Name(s) and Address(s) of Applicant(s):

**HoMedics Group Ltd.**

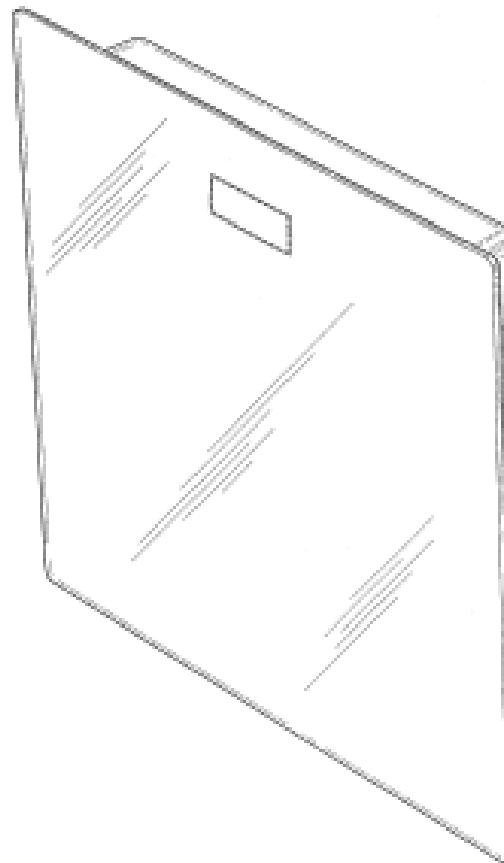
**HoMedics House Somerhill Business Park Five Oak Green Road  
Tonbridge Kent TN11 OGP United Kingdom**

(72) Name(s) of Designer(s): **Robert Gates**

(45) Registration Date: **01 December 2008**

(56) Related Art Documents: **Not Applicable**

(57) Statement of Newness and Distinctiveness: **Newness and distinctiveness resides in the visual features of the design illustrated in solid lines in the accompanying representations.**



(21) Design Number: **13758/2008**

(22) Date of Filing Application: **07 August 2008**

(24) Date from which industrial property rights may have effect: **07 August 2008**

(54) Product in respect of which the design is registered: **Chopping board scale**

(51) International Design Classification: **07-04, 10-04**

(71) Name(s) and Address(s) of Applicant(s):

**HoMedics Group Ltd.**

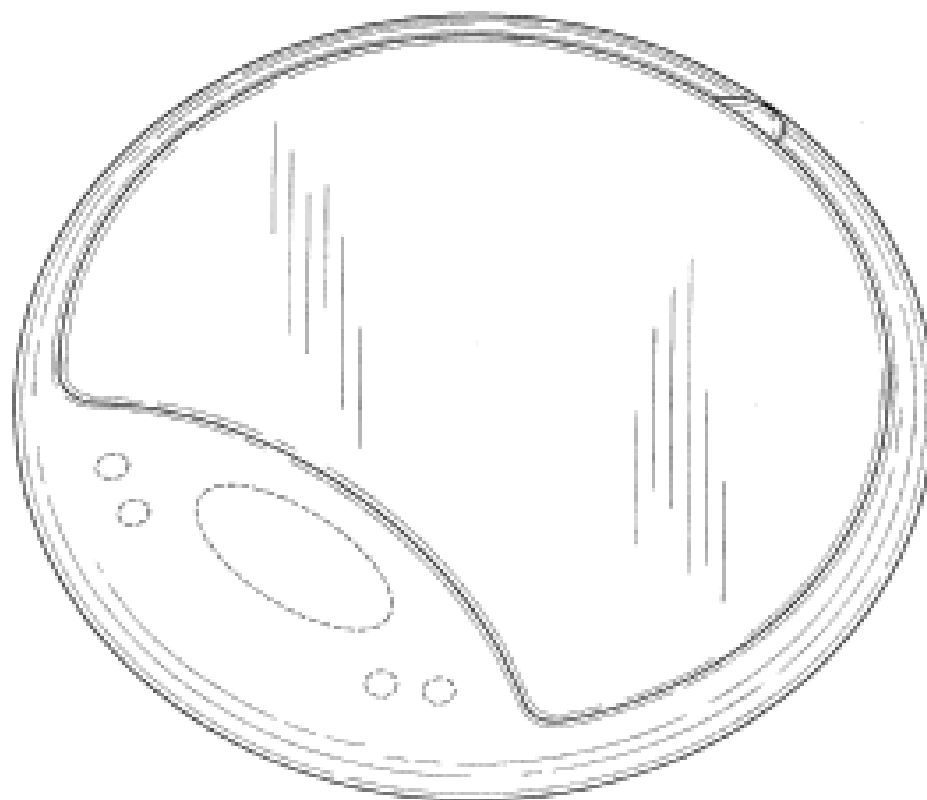
**HoMedics House Somerhill Business Park Five Oak Green Road  
Tonbridge Kent TN11 OGP United Kingdom**

(72) Name(s) of Designer(s): **Karen Brown**

(45) Registration Date: **01 December 2008**

(56) Related Art Documents: **Not Applicable**

(57) Statement of Newness and Distinctiveness: **Newness and distinctiveness resides in the visual features of the design illustrated in solid lines in the accompanying representations.**



(21) Design Number: **13759/2008**

(22) Date of Filing Application: **07 August 2008**

(24) Date from which industrial property rights may have effect: **07 August 2008**

(54) Product in respect of which the design is registered: **Digital kitchen scale**

(51) International Design Classification: **10-04**

(71) Name(s) and Address(s) of Applicant(s):

**HoMedics Group Ltd.**

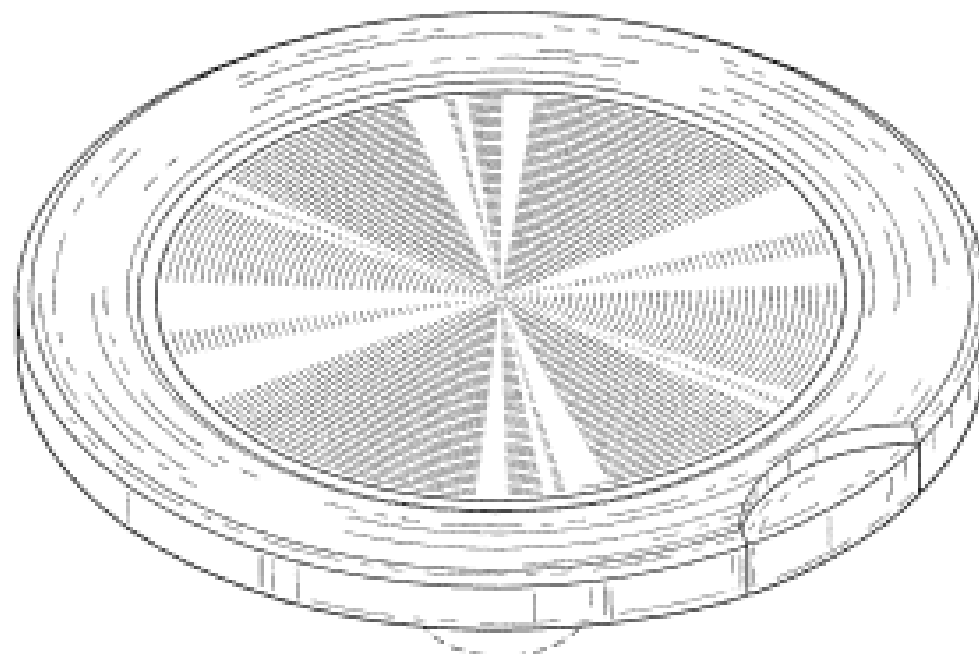
**HoMedics House Somerhill Business Park Five Oak Green Road  
Tonbridge Kent TN11 OGP United Kingdom**

(72) Name(s) of Designer(s): **Karen Brown**

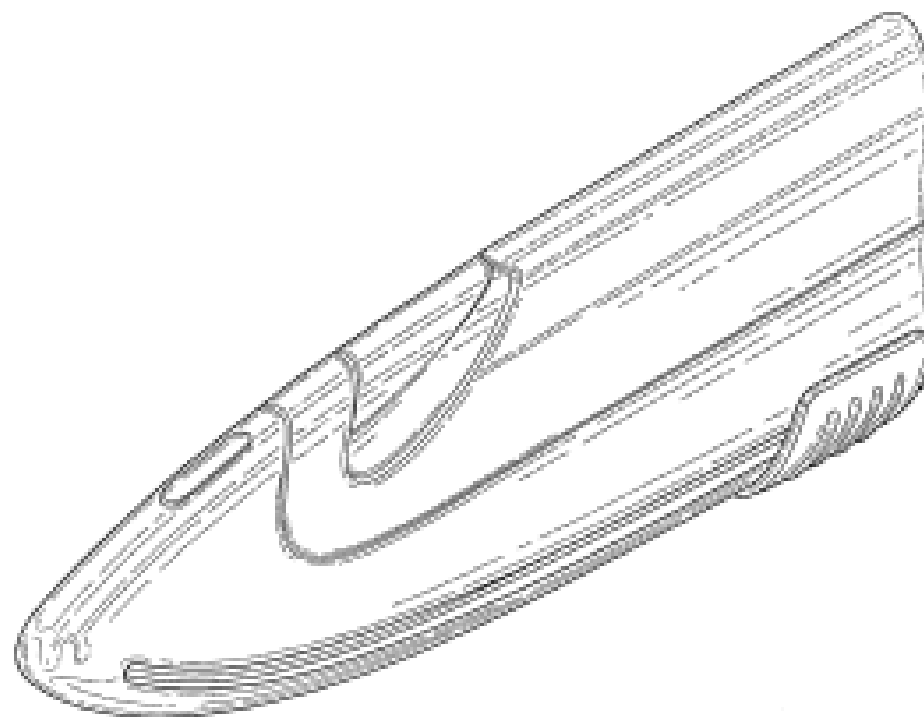
(45) Registration Date: **01 December 2008**

(56) Related Art Documents: **Not Applicable**

(57) Statement of Newness and Distinctiveness: **Newness and distinctiveness resides in the visual features of the design illustrated in solid lines in the accompanying representations.**



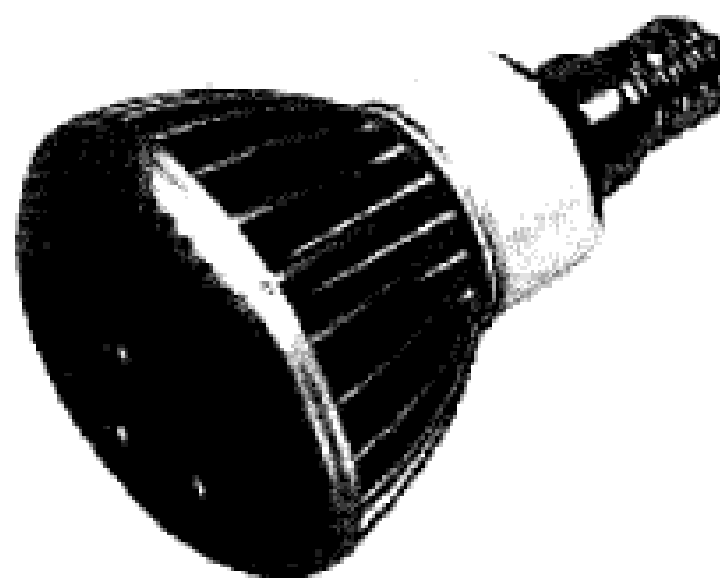
- (21) Design Number: **13760/2008**  
(22) Date of Filing Application: **07 August 2008**  
(24) Date from which industrial property rights may have effect: **07 August 2008**  
(54) Product in respect of which the design is registered: **Knife storage case**  
(51) International Design Classification: **03-01NES**  
(71) Name(s) and Address(s) of Applicant(s):  
**HoMedics Group Ltd.**  
**HoMedics House Somerhill Business Park Five Oak Green Road**  
**Tonbridge Kent TN11 OGP United Kingdom**  
(72) Name(s) of Designer(s): **Adam Clark**  
(45) Registration Date: **01 December 2008**  
(56) Related Art Documents: **Not Applicable**  
(57) Statement of Newness and Distinctiveness: **Nil**



- (21) Design Number: **13762/2008**  
(22) Date of Filing Application: **07 August 2008**  
(24) Date from which industrial property rights may have effect: **07 August 2008**  
(54) Product in respect of which the design is registered: **Lamp**  
(51) International Design Classification: **26-04**  
(71) Name(s) and Address(s) of Applicant(s):  
**Osram GmbH**  
**Hellabrunner Strasse 1, D-81543 Munich, Germany**  
(72) Name(s) of Designer(s): **Jurgen Komar**  
(45) Registration Date: **01 December 2008**  
(30) Convention priority data:  

(31) Number	(32) Date	(33) Country
<b>402008</b>	<b>13 Feb 2008</b>	<b>GERMANY</b>
<b>000836.7</b>		

  
(56) Related Art Documents: **Not Applicable**  
(57) Statement of Newness and Distinctiveness: **Nil**



(21) Design Number: **13763/2008**

(22) Date of Filing Application: **07 August 2008**

(24) Date from which industrial property rights may have effect: **07 August 2008**

(54) Product in respect of which the design is registered: **Collapsible pet feeder**

(51) International Design Classification: **30-03**

(71) Name(s) and Address(s) of Applicant(s):

**Ellis N. Shamoon**

**2833 Park Bridge Court Dallas Texas 75219 United States of America**

(72) Name(s) of Designer(s): **Ellis N. Shamoon**

(45) Registration Date: **01 December 2008**

(30) Convention priority data:

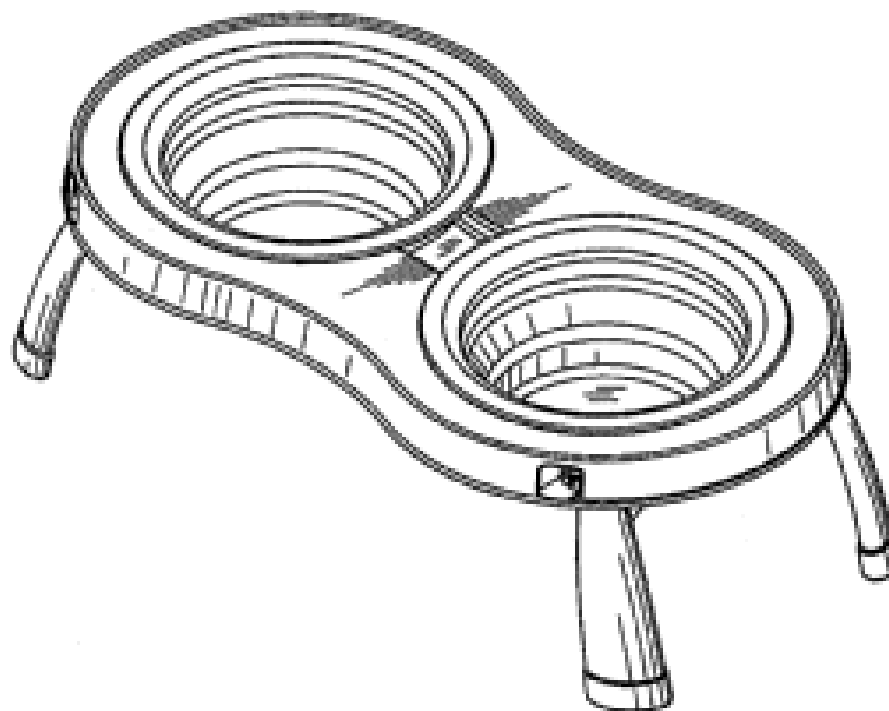
(31) Number  
**29303619**

(32) Date  
**13 Feb 2008**

(33) Country  
**UNITED STATES OF AMERICA**

(56) Related Art Documents: **Not Applicable**

(57) Statement of Newness and Distinctiveness: **Newness and distinctiveness reside in the features of the design as shown in the representations.**



(21) Design Number: **13764/2008**

(22) Date of Filing Application: **07 August 2008**

(24) Date from which industrial property rights may have effect: **07 August 2008**

(54) Product in respect of which the design is registered: **Tyre**

(51) International Design Classification: **12-15NES**

(71) Name(s) and Address(s) of Applicant(s):

**Continental Aktiengesellschaft**

**Vahrenwalder Strasse 9 Hannover 30165 Germany**

(72) Name(s) of Designer(s): **Stefan Rittweger**

(45) Registration Date: **01 December 2008**

(30) Convention priority data:

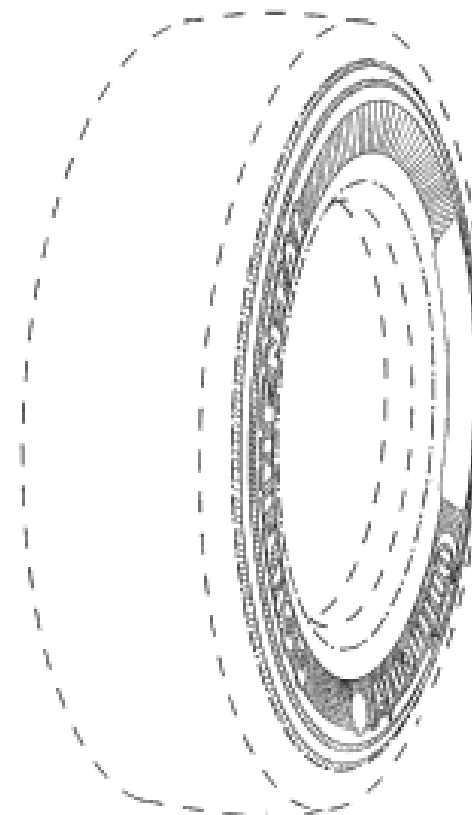
(31) Number  
**000911052**

(32) Date  
**04 Apr 2008**

(33) Country  
**EUROPEAN COMMUNITY**

(56) Related Art Documents: **Not Applicable**

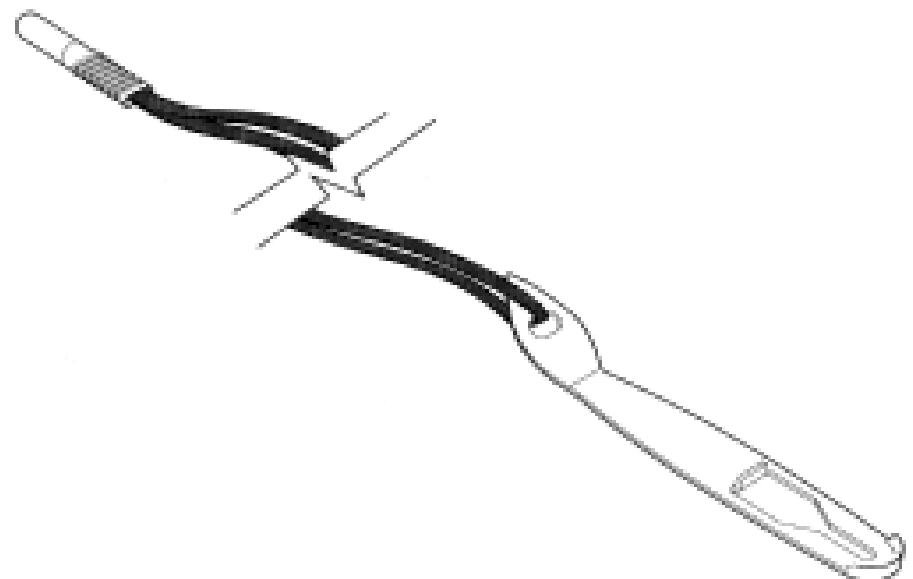
(57) Statement of Newness and Distinctiveness: **When determining whether the design 1 is substantially similar in overall impression to another design, no regard is to be had to those features shown in dotted outline in the accompanying drawings. Furthermore, it is to be understood that the word "Continental" appearing on the article forms no part of the design.**



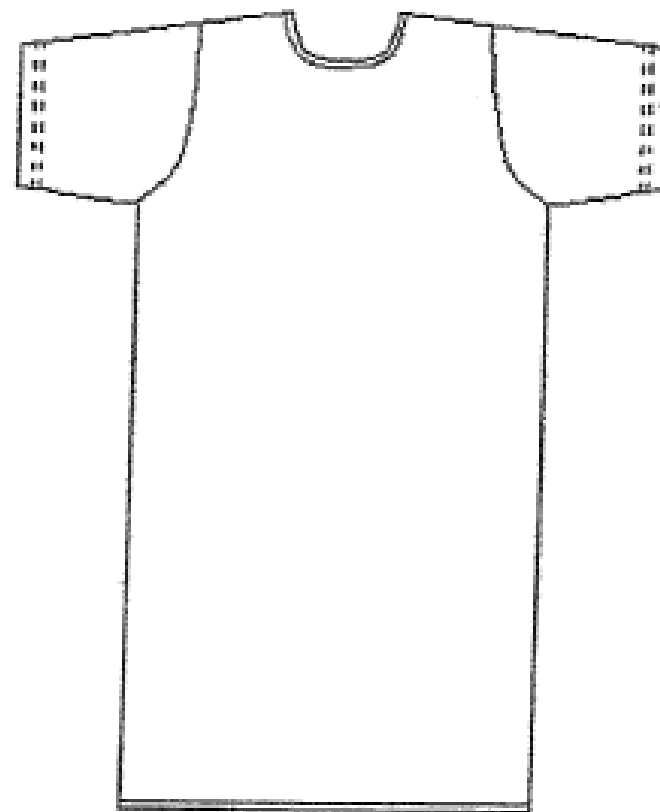
- (21) Design Number: **13790/2008**  
(22) Date of Filing Application: **08 August 2008**  
(24) Date from which industrial property rights may have effect: **08 August 2008**  
(54) Product in respect of which the design is registered: **A boat hull**  
(51) International Design Classification: **12-06A**  
(71) Name(s) and Address(s) of Applicant(s):  
**Hyper Jet Pty Ltd**  
**Unit 2/20-24 Manufacturers Dr Molendinar Queensland 4214 Australia**  
(72) Name(s) of Designer(s): **Tony Russell**  
(45) Registration Date: **01 December 2008**  
(56) Related Art Documents: **Not Applicable**  
(57) Statement of Newness and Distinctiveness: **Nil**



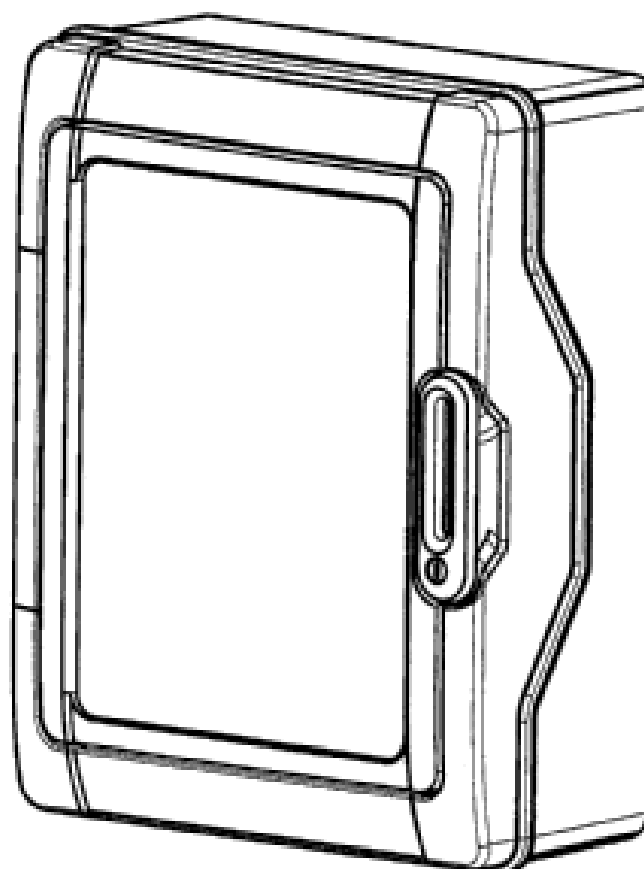
- (21) Design Number: **13857/2008**  
(22) Date of Filing Application: **14 August 2008**  
(24) Date from which industrial property rights may have effect: **14 August 2008**  
(54) Product in respect of which the design is registered: **Button engagement device**  
(51) International Design Classification: **02-07C, 08-05NES**  
(71) Name(s) and Address(s) of Applicant(s):  
**Ramon Sydney Thomas**  
**1 Allen Street Burnside South Australia 5066 Australia**  
(72) Name(s) of Designer(s): **Ramon Sydney Thomas**  
(45) Registration Date: **01 December 2008**  
(56) Related Art Documents: **Not Applicable**  
(57) Statement of Newness and Distinctiveness: **In considering the extent of monopoly the length of the cord is to be disregarded.**



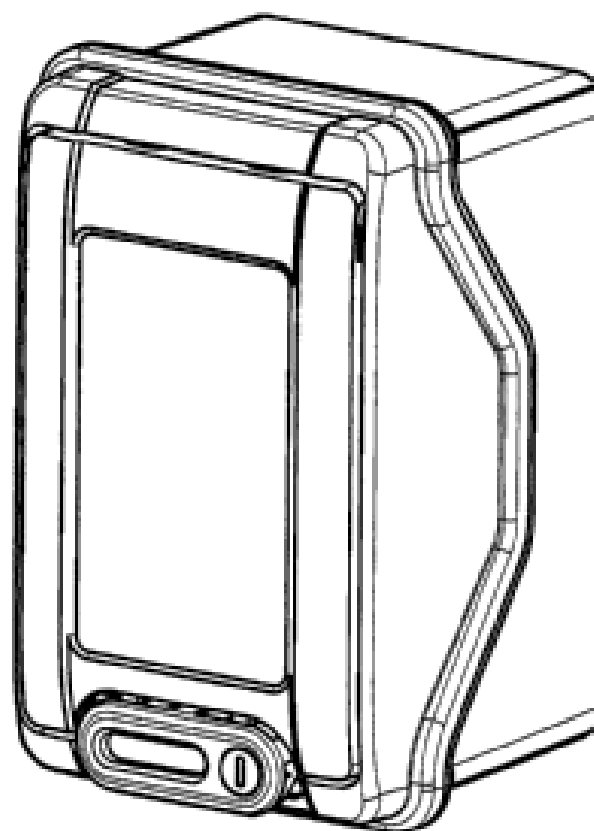
- (21) Design Number: **13863/2008**
- (22) Date of Filing Application: **13 August 2008**
- (24) Date from which industrial property rights may have effect: **13 August 2008**
- (54) Product in respect of which the design is registered: **Article of clothing**
- (51) International Design Classification: **02-02C, 02-01NES**
- (71) Name(s) and Address(s) of Applicant(s):  
**Linda Dugan Pty Ltd**  
**1104/666 Chapel Street South Yarra Victoria 3141 Australia**
- (72) Name(s) of Designer(s): **Linda Dugan**
- (45) Registration Date: **01 December 2008**
- (56) Related Art Documents: **Not Applicable**
- (57) Statement of Newness and Distinctiveness: **Newness and distinctiveness resides in the features of shape and/or configuration of an article of clothing as shown in the accompanying representations.**



- (21) Design Number: **13865/2008**
- (22) Date of Filing Application: **13 August 2008**
- (24) Date from which industrial property rights may have effect: **13 August 2008**
- (54) Product in respect of which the design is registered: **Electric box**
- (51) International Design Classification: **13-03C**
- (71) Name(s) and Address(s) of Applicant(s):  
**Legrand SNC**  
**128 avenue du Marechal de Lattre-de-Tassigny FR-87000 Limoges**  
**France**  
**Legrand France**  
**128 avenue du Marechal de Lattre-de-Tassigny FR-87000 Limoges**  
**France**
- (72) Name(s) of Designer(s): **Florent GLENISSON and Philippe BLANC-TAILLEUR and Daniele TESTA**
- (45) Registration Date: **01 December 2008**
- (30) Convention priority data:  
(31) Number      (32) Date      (33) Country  
**000904834      11 Mar 2008      EUROPEAN COMMUNITY**
- (56) Related Art Documents: **Not Applicable**
- (57) Statement of Newness and Distinctiveness: **Nil**



- (21) Design Number: **13866/2008**  
(22) Date of Filing Application: **13 August 2008**  
(24) Date from which industrial property rights may have effect: **13 August 2008**  
(54) Product in respect of which the design is registered: **Electric box**  
(51) International Design Classification: **13-03C**  
(71) Name(s) and Address(s) of Applicant(s):  
**Legrand France**  
**128 avenue du Marechal de Lattre-de-Tassigny FR-87000 Limoges**  
**France**  
**Legrand SNC**  
**128 avenue du Marechal de Lattre-de-Tassigny FR-87000 Limoges**  
**France**  
(72) Name(s) of Designer(s): **Florent GLENISSON and Philippe BLANC-TAILLEUR and Daniele TESTA**  
(45) Registration Date: **01 December 2008**  
(30) Convention priority data:  
(31) Number (32) Date (33) Country  
**000904834 11 Mar 2008 EUROPEAN COMMUNITY**  
(56) Related Art Documents: **Not Applicable**  
(57) Statement of Newness and Distinctiveness: **Nil**

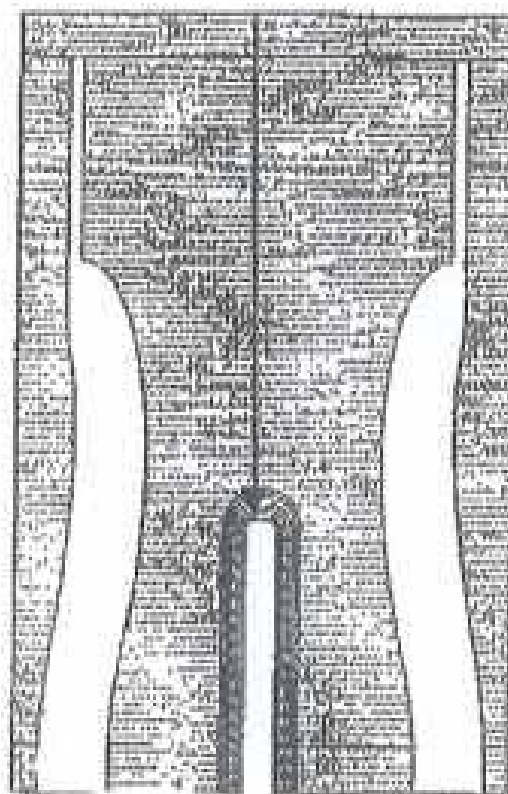


- (21) Design Number: **15585/2008**  
(22) Date of Filing Application: **25 November 2008**  
(24) Date from which industrial property rights may have effect: **25 November 2008**  
(54) Product in respect of which the design is registered: **Bags**  
(51) International Design Classification: **03-01A, 03-01B**  
(71) Name(s) and Address(s) of Applicant(s):  
**Tina Waters**  
**42 Mangrove Road Narara New South Wales 2250 Australia**  
(72) Name(s) of Designer(s): **Tina Waters**  
(45) Registration Date: **01 December 2008**  
(56) Related Art Documents: **Not Applicable**  
(57) Statement of Newness and Distinctiveness: **The bag has multiple pockets, where due to the design may be turned inside out, for a different look bag with versatility to be used other ways, as well as increasing space within the bag. Decorative beading shows front of bag thus knowing where everything is no need to search for everything at bottom of bag. Can be used shopping, baby, sport, beach, art etc. etc.**

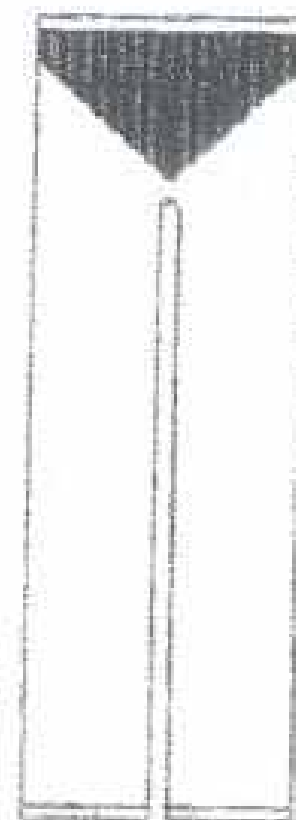




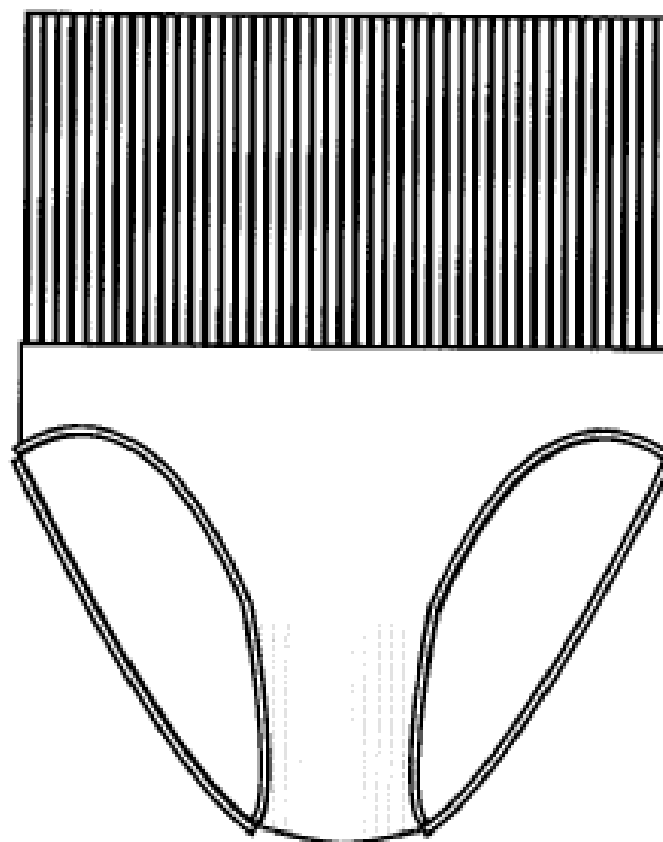
- (21) Design Number: **11573/2008**  
(22) Date of Filing Application: **03 April 2008**  
(24) Date from which industrial property rights may have effect: **03 April 2008**  
(54) Product in respect of which the design is registered: **An undergarment**  
(51) International Design Classification: **02-01B**  
(71) Name(s) and Address(s) of Applicant(s):  
**Lesley Abeysekera**  
**12/663 Victoria Street Abbotsford Victoria 3067 Australia**  
**Michel Abeysekera**  
**12/663 Victoria Street Abbotsford Victoria 3067 Australia**  
(72) Name(s) of Designer(s): **Lesley Abeysekera**  
(45) Registration Date: **02 December 2008**  
(56) Related Art Documents: **Not Applicable**  
(57) Statement of Newness and Distinctiveness: **Seamless design with reinforced stitching in and under buttock area and in front of tummy.**



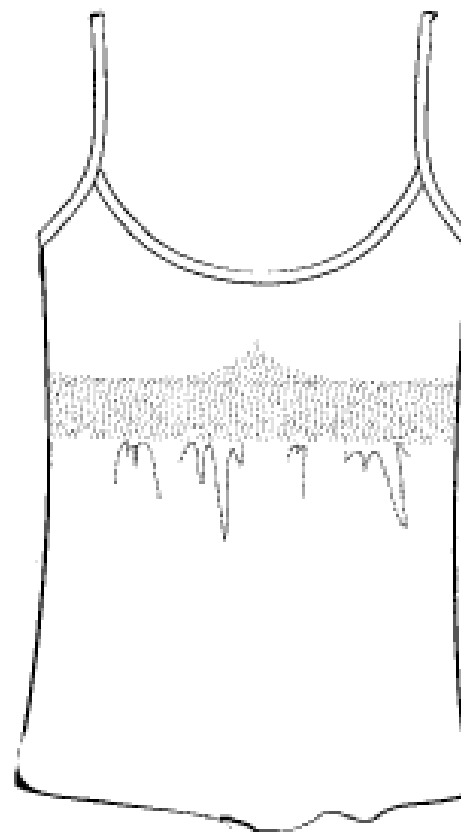
- (21) Design Number: **11574/2008**  
(22) Date of Filing Application: **03 April 2008**  
(24) Date from which industrial property rights may have effect: **03 April 2008**  
(54) Product in respect of which the design is registered: **A pair of leggings**  
(51) International Design Classification: **02-01B**  
(71) Name(s) and Address(s) of Applicant(s):  
**Lesley Abeysekera**  
**12/663 Victoria Street Abbotsford Victoria 3067 Australia**  
**Michel Abeysekera**  
**12/663 Victoria Street Abbotsford Victoria 3067 Australia**  
(72) Name(s) of Designer(s): **Lesley Abeysekera**  
(45) Registration Date: **02 December 2008**  
(56) Related Art Documents: **Not Applicable**  
(57) Statement of Newness and Distinctiveness: **Seamless design with reinforced stitching in and under buttock area and in front of tummy.**



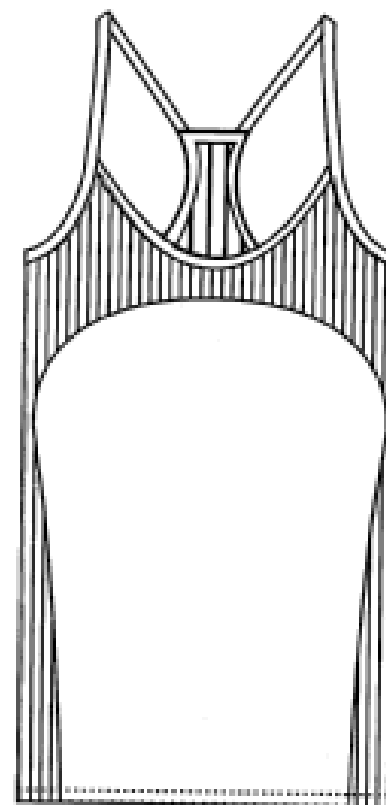
- (21) Design Number: **11575/2008**  
(22) Date of Filing Application: **03 April 2008**  
(24) Date from which industrial property rights may have effect: **03 April 2008**  
(54) Product in respect of which the design is registered: **An undergarment**  
(51) International Design Classification: **02-01B**  
(71) Name(s) and Address(s) of Applicant(s):  
**Lesley Abeysekera**  
**12/663 Victoria Street Abbotsford Victoria 3067 Australia**  
**Michel Abeysekera**  
**12/663 Victoria Street Abbotsford Victoria 3067 Australia**  
(72) Name(s) of Designer(s): **Lesley Abeysekera**  
(45) Registration Date: **02 December 2008**  
(56) Related Art Documents: **Not Applicable**  
(57) Statement of Newness and Distinctiveness: **Seamless design with reinforced stitching in and under buttock area and in front of tummy.**



- (21) Design Number: **11577/2008**  
(22) Date of Filing Application: **03 April 2008**  
(24) Date from which industrial property rights may have effect: **03 April 2008**  
(54) Product in respect of which the design is registered: **Camisole**  
(51) International Design Classification: **02-01B**  
(71) Name(s) and Address(s) of Applicant(s):  
**Lesley Abeysekera**  
**12/663 Victoria Street Abbotsford Victoria 3067 Australia**  
**Michel Abeysekera**  
**12/663 Victoria Street Abbotsford Victoria 3067 Australia**  
(72) Name(s) of Designer(s): **Lesley Abeysekera**  
(45) Registration Date: **02 December 2008**  
(56) Related Art Documents: **Not Applicable**  
(57) Statement of Newness and Distinctiveness: **This seamless cami has smocking under bust and around to back.**



- (21) Design Number: **11578/2008**  
(22) Date of Filing Application: **03 April 2008**  
(24) Date from which industrial property rights may have effect: **03 April 2008**  
(54) Product in respect of which the design is registered: **Camisole**  
(51) International Design Classification: **02-01B**  
(71) Name(s) and Address(s) of Applicant(s):  
**Lesley Abeysekera**  
**12/663 Victoria Street Abbotsford Victoria 3067 Australia**  
**Michel Abeysekera**  
**12/663 Victoria Street Abbotsford Victoria 3067 Australia**  
(72) Name(s) of Designer(s): **Lesley Abeysekera**  
(45) Registration Date: **02 December 2008**  
(56) Related Art Documents: **Not Applicable**  
(57) Statement of Newness and Distinctiveness: **This seamless racer back cami has a shelf bra insert. The unique stitching on chest area around to back and unique styling of racer back.**



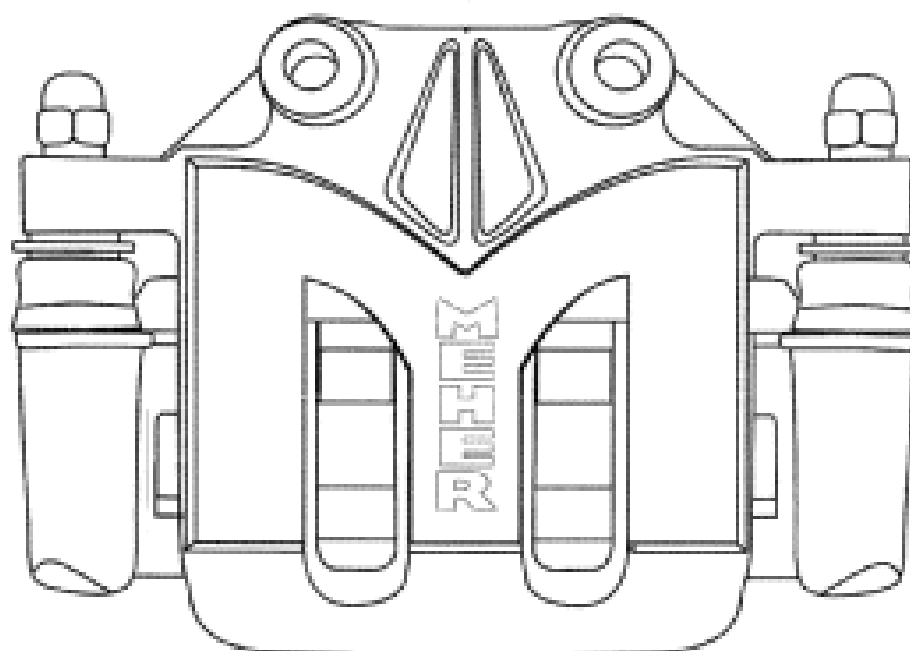
- (21) Design Number: **11580/2008**  
(22) Date of Filing Application: **03 April 2008**  
(24) Date from which industrial property rights may have effect: **03 April 2008**  
(54) Product in respect of which the design is registered: **A skirt**  
(51) International Design Classification: **02-02C**  
(71) Name(s) and Address(s) of Applicant(s):  
**Lesley Abeysekera**  
**12/663 Victoria Street Abbotsford Victoria 3067 Australia**  
**Michel Abeysekera**  
**12/663 Victoria Street Abbotsford Victoria 3067 Australia**  
(72) Name(s) of Designer(s): **Lesley Abeysekera**  
(45) Registration Date: **02 December 2008**  
(56) Related Art Documents: **Not Applicable**  
(57) Statement of Newness and Distinctiveness: **This seamless mock denim mini skirt has unique mock stitching on pocket and waistband.**



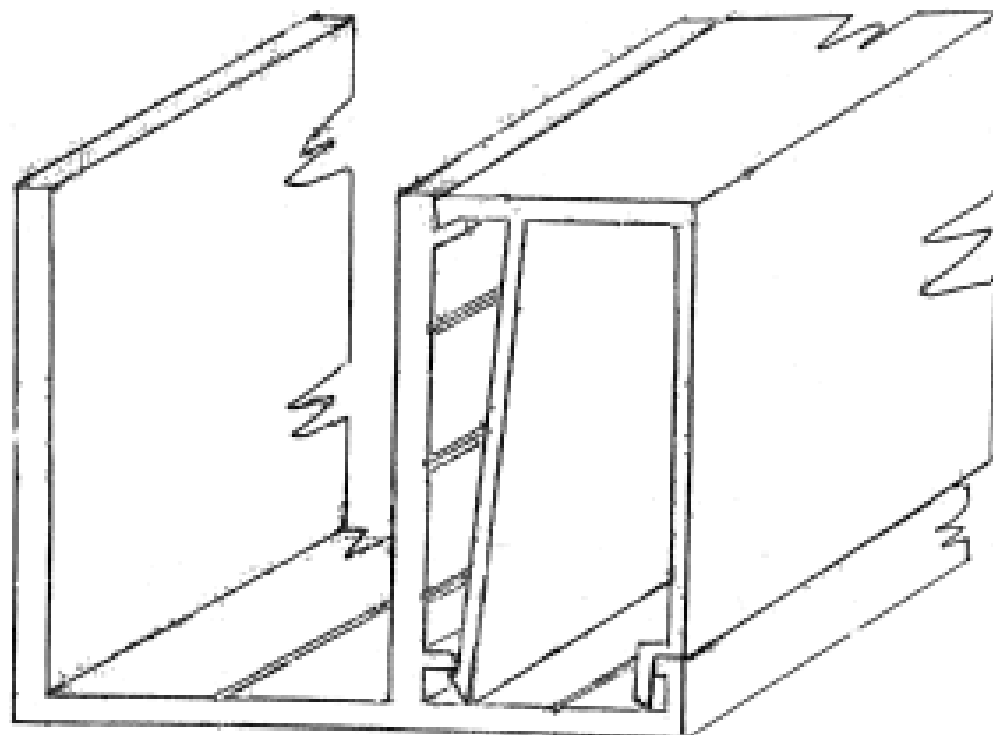
- (21) Design Number: **11581/2008**  
(22) Date of Filing Application: **03 April 2008**  
(24) Date from which industrial property rights may have effect: **03 April 2008**  
(54) Product in respect of which the design is registered: **A dress**  
(51) International Design Classification: **02-02C**  
(71) Name(s) and Address(s) of Applicant(s):  
**Lesley Abeysekera**  
**12/663 Victoria Street Abbotsford Victoria 3067 Australia**  
**Michel Abeysekera**  
**12/663 Victoria Street Abbotsford Victoria 3067 Australia**  
(72) Name(s) of Designer(s): **Lesley Abeysekera**  
(45) Registration Date: **02 December 2008**  
(56) Related Art Documents: **Not Applicable**  
(57) Statement of Newness and Distinctiveness: **This seamless dress has jacquard detailing and no straps.**



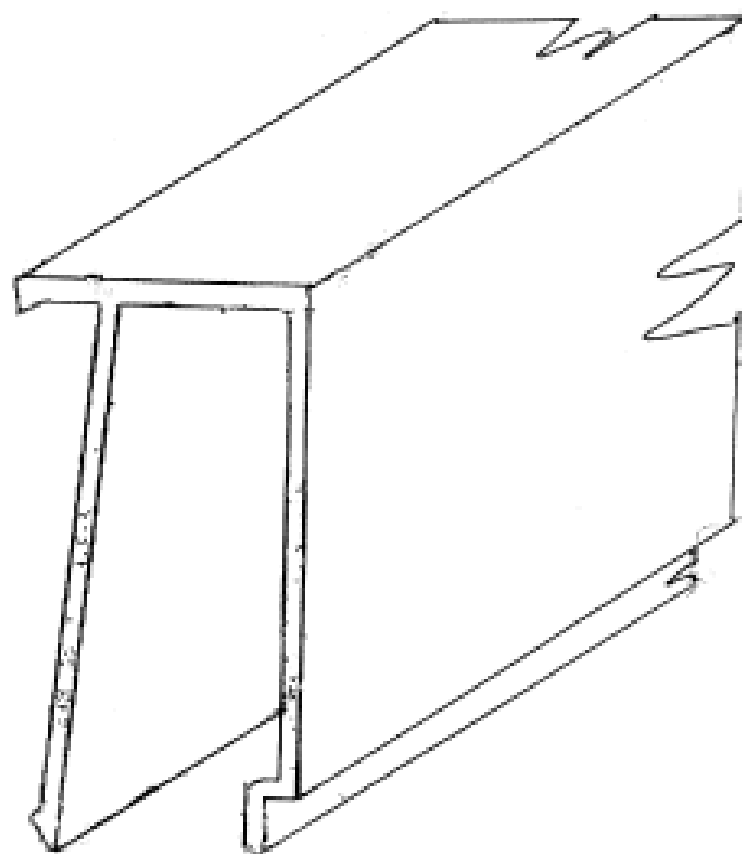
- (21) Design Number: **14022/2008**  
(22) Date of Filing Application: **20 August 2008**  
(24) Date from which industrial property rights may have effect: **20 August 2008**  
(54) Product in respect of which the design is registered: **Hydraulic caliper**  
(51) International Design Classification: **12-16M**  
(71) Name(s) and Address(s) of Applicant(s):  
**Meher Trailer Products Pty Ltd**  
**11 National Drive Hallam Victoria 3803 Australia**  
(72) Name(s) of Designer(s): **Paramraj Singh Viridi and Kamaldeep Kaur Viridi**  
(45) Registration Date: **02 December 2008**  
(56) Related Art Documents: **Not Applicable**  
(57) Statement of Newness and Distinctiveness: **Distinctive visual appearance as illustrated incorporating the Meher logo into the body. Any words, letters or numbers appearing in the representations are excluded from the design.**



- (21) Design Number: **14023/2008**  
(22) Date of Filing Application: **20 August 2008**  
(24) Date from which industrial property rights may have effect: **20 August 2008**  
(54) Product in respect of which the design is registered: **Wall channel with clip-on cover**  
(51) International Design Classification: **25-01K**  
(71) Name(s) and Address(s) of Applicant(s):  
**Dias Aluminium Products Pty. Ltd.**  
**201-205 Browns Road Noble Park Victoria 3174 Australia**  
(72) Name(s) of Designer(s): **Ian David Paterson**  
(45) Registration Date: **02 December 2008**  
(56) Related Art Documents: **Not Applicable**  
(57) Statement of Newness and Distinctiveness: **Nil**



- (21) Design Number: **14024/2008**  
(22) Date of Filing Application: **20 August 2008**  
(24) Date from which industrial property rights may have effect: **20 August 2008**  
(54) Product in respect of which the design is registered: **Clip-on cover for wall channel**  
(51) International Design Classification: **25-01K**  
(71) Name(s) and Address(s) of Applicant(s):  
**Dias Aluminium Products Pty. Ltd.**  
**201-205 Browns Road Noble Park Victoria 3174 Australia**  
(72) Name(s) of Designer(s): **Ian David Paterson**  
(45) Registration Date: **02 December 2008**  
(56) Related Art Documents: **Not Applicable**  
(57) Statement of Newness and Distinctiveness: **Nil**



(21) Design Number: **14025/2008**

(22) Date of Filing Application: **20 August 2008**

(24) Date from which industrial property rights may have effect: **20 August 2008**

(54) Product in respect of which the design is registered: **Fabric**

(51) International Design Classification: **05-05A**

(71) Name(s) and Address(s) of Applicant(s):

**Great Harmony Trading Company Pty Ltd  
Unit 6 7-9 Percy Street Auburn New South Wales 2144 Australia**

(72) Name(s) of Designer(s): **Palmer Wang**

(45) Registration Date: **02 December 2008**

(56) Related Art Documents: **Not Applicable**

(57) Statement of Newness and Distinctiveness: **Strips of frangipani flowers of varying size, running indefinitely along the warp(length) of the fabric. One strip has a higher density of frangipani flowers and has a palm leaf background, creating a 'wreath' like effect. The design is produced in various colours of flowers and background.**



(21) Design Number: **14050/2008**

(22) Date of Filing Application: **21 August 2008**

(24) Date from which industrial property rights may have effect: **21 August 2008**

(54) Product in respect of which the design is registered: **Combination rear light**

(51) International Design Classification: **26-06**

(71) Name(s) and Address(s) of Applicant(s):

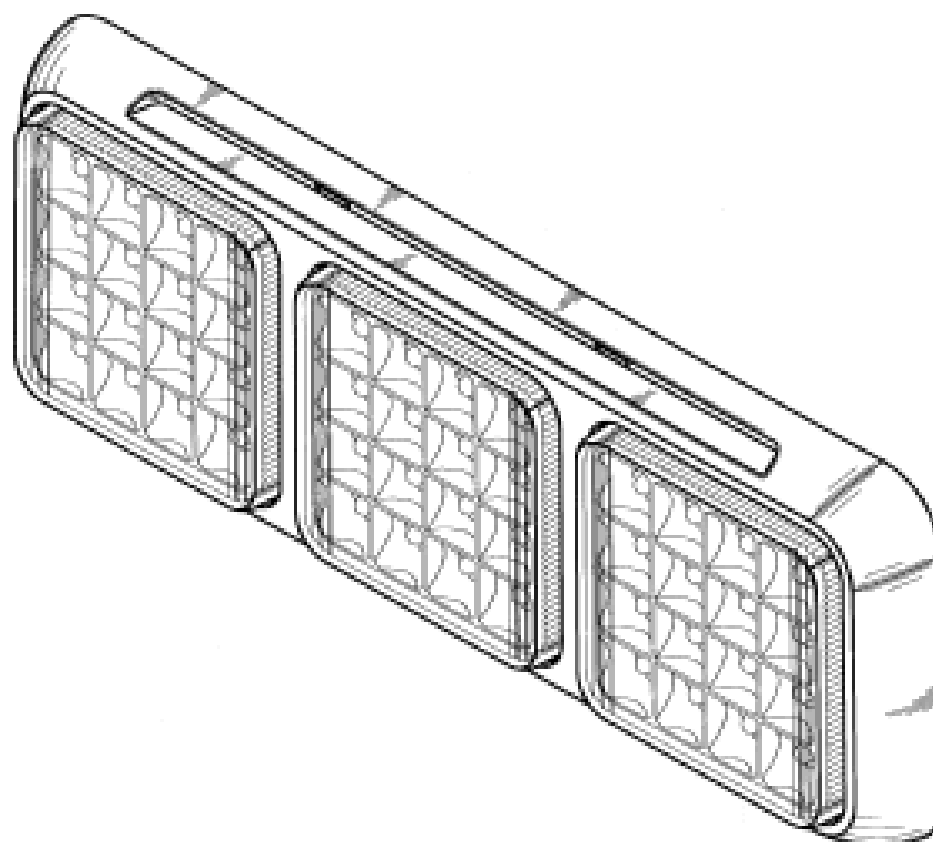
**Lucidity Enterprise Co., Ltd  
1F No.83 Yung An Road An-Nan District Tainan City Taiwan R.O.C.**

(72) Name(s) of Designer(s): **Hsi-Hsien Tsai and Jun-Ren Wang**

(45) Registration Date: **02 December 2008**

(56) Related Art Documents: **Not Applicable**

(57) Statement of Newness and Distinctiveness: **Nil**



(21) Design Number: **14051/2008**

(22) Date of Filing Application: **21 August 2008**

(24) Date from which industrial property rights may have effect: **21 August 2008**

(54) Product in respect of which the design is registered: **Sidemarker lamp**

(51) International Design Classification: **26-06**

(71) Name(s) and Address(s) of Applicant(s):

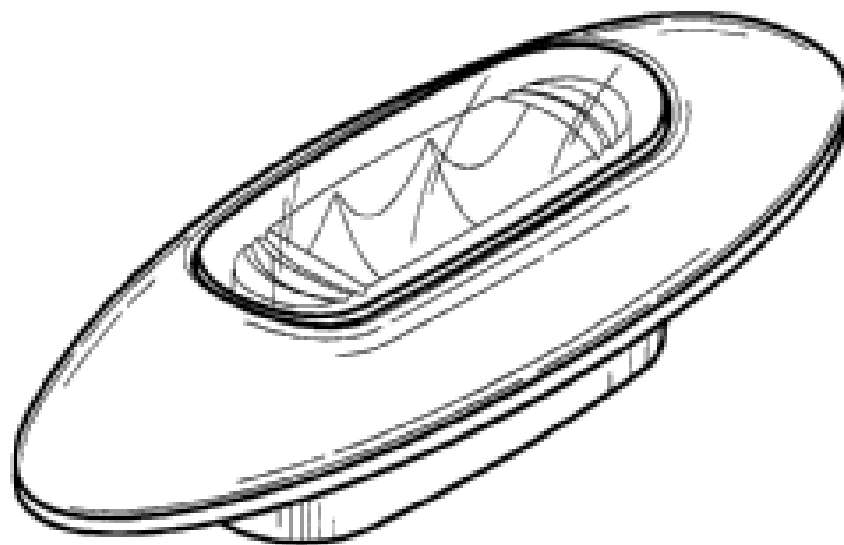
**Lucidity Enterprise Co., Ltd**  
**1F No.83 Yung An Road An-Nan District Tainan City Taiwan R.O.C.**

(72) Name(s) of Designer(s): **Chi-Kang Lei**

(45) Registration Date: **02 December 2008**

(56) Related Art Documents: **Not Applicable**

(57) Statement of Newness and Distinctiveness: **Nil**



(21) Design Number: **14052/2008**

(22) Date of Filing Application: **21 August 2008**

(24) Date from which industrial property rights may have effect: **21 August 2008**

(54) Product in respect of which the design is registered: **Aluminium glazing extrusion**

(51) International Design Classification: **25-01K**

(71) Name(s) and Address(s) of Applicant(s):

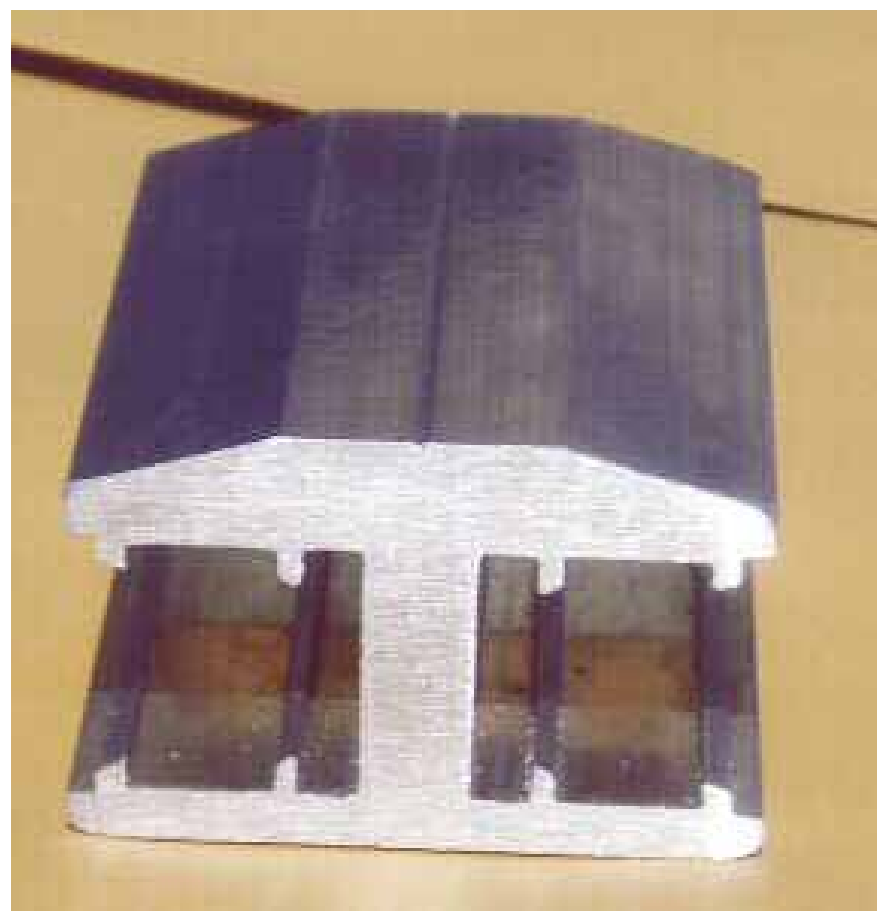
**Neil McIntyre Metal Fabrications Pty Ltd**  
**Unit 4/5 Cnr Johnstone Road & Belconnen Cres Brendale Queensland**  
**4500 Australia**

(72) Name(s) of Designer(s): **Neil Joseph McIntyre**

(45) Registration Date: **02 December 2008**

(56) Related Art Documents: **Not Applicable**

(57) Statement of Newness and Distinctiveness: **The aluminium extruded glazing section is a 'H' patten with two opposing glazing channels with ridges to suit standard glazing rubber section. 'H' section is flat on one side, thicker on the other side with beveled edges and a flat top with center line groove.**



(21) Design Number: **14135/2008**  
(22) Date of Filing Application: **26 August 2008**  
(24) Date from which industrial property rights may have effect: **26 August 2008**  
(54) Product in respect of which the design is registered: **Outdoor lighting fixture**  
(51) International Design Classification: **26-03**  
(71) Name(s) and Address(s) of Applicant(s):

**Schreder**  
**Rue de Lusambo 67 Brussels B-1190 Belgium**

(72) Name(s) of Designer(s): **Alain Bare**  
(45) Registration Date: **02 December 2008**

(30) Convention priority data:

(31) Number	(32) Date	(33) Country
<b>000887906-0001</b>	<b>28 Feb 2008</b>	<b>EUROPEAN COMMUNITY</b>

(56) Related Art Documents: **Not Applicable**

(57) Statement of Newness and Distinctiveness: **Nil**



(21) Design Number: **10334/2008**  
(22) Date of Filing Application: **25 January 2008**  
(24) Date from which industrial property rights may have effect: **25 January 2008**  
(54) Product in respect of which the design is registered: **Handle for a refrigerator or freezer**  
(51) International Design Classification: **15-07**  
(71) Name(s) and Address(s) of Applicant(s):

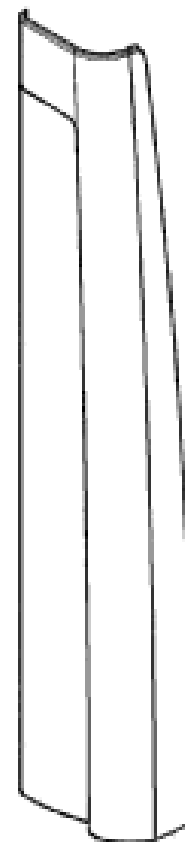
**Aktiebolaget Electrolux**  
**S:t Goransgatan 143 SE 105-45 Stockholm Sweden**

(72) Name(s) of Designer(s): **Justin Formica**

(45) Registration Date: **02 December 2008**

(56) Related Art Documents: **Not Applicable**

(57) Statement of Newness and Distinctiveness: **Newness and distinctiveness is claimed in those visual features depicted in unbroken lines.**





- (21) Design Number: **10988/2008**  
(22) Date of Filing Application: **28 February 2008**  
(24) Date from which industrial property rights may have effect: **28 February 2008**  
(54) Product in respect of which the design is registered: **Grille for an automobile**  
(51) International Design Classification: **12-16B**  
(71) Name(s) and Address(s) of Applicant(s):  
**Toyota Jidosha Kabushiki Kaisha**  
**1 Toyota-cho Toyota-shi Aichi-ken 471-8571 Japan**  
(72) Name(s) of Designer(s): **Takahiro Kanno and Nobuyuki Tomatsu**  
(45) Registration Date: **02 December 2008**  
(56) Related Art Documents: **Not Applicable**  
(57) Statement of Newness and Distinctiveness: **Nil**



- (21) Design Number: **10989/2008**  
(22) Date of Filing Application: **28 February 2008**  
(24) Date from which industrial property rights may have effect: **28 February 2008**  
(54) Product in respect of which the design is registered: **Automobile**  
(51) International Design Classification: **12-08**  
(71) Name(s) and Address(s) of Applicant(s):  
**Toyota Jidosha Kabushiki Kaisha**  
**1 Toyota-cho Toyota-shi Aichi-ken 471-8571 Japan**  
(72) Name(s) of Designer(s): **Takahiro Kanno and Nobuyuki Tomatsu**  
(45) Registration Date: **02 December 2008**  
(56) Related Art Documents: **Not Applicable**  
(57) Statement of Newness and Distinctiveness: **Nil**



(21) Design Number: **12820/2008**

(22) Date of Filing Application: **12 June 2008**

(24) Date from which industrial property rights may have effect: **12 June 2008**

(54) Product in respect of which the design is registered: **Side chair**

(51) International Design Classification: **06-01H**

(71) Name(s) and Address(s) of Applicant(s):

**DEDON GmbH**

**Zeppelinstrasse 22 Luneburg 21337 Germany**

(72) Name(s) of Designer(s): **Martin Bergmann and Gernot Bohmann**

(45) Registration Date: **02 December 2008**

(56) Related Art Documents: **Not Applicable**

(57) Statement of Newness and Distinctiveness: **Nil**



(21) Design Number: **12821/2008**

(22) Date of Filing Application: **12 June 2008**

(24) Date from which industrial property rights may have effect: **12 June 2008**

(54) Product in respect of which the design is registered: **Side chair**

(51) International Design Classification: **06-01G**

(71) Name(s) and Address(s) of Applicant(s):

**DEDON GmbH**

**Zeppelinstrasse 22 Luneburg 21337 Germany**

(72) Name(s) of Designer(s): **Martin Bergmann and Gernot Bohmann**

(45) Registration Date: **02 December 2008**

(56) Related Art Documents: **Not Applicable**

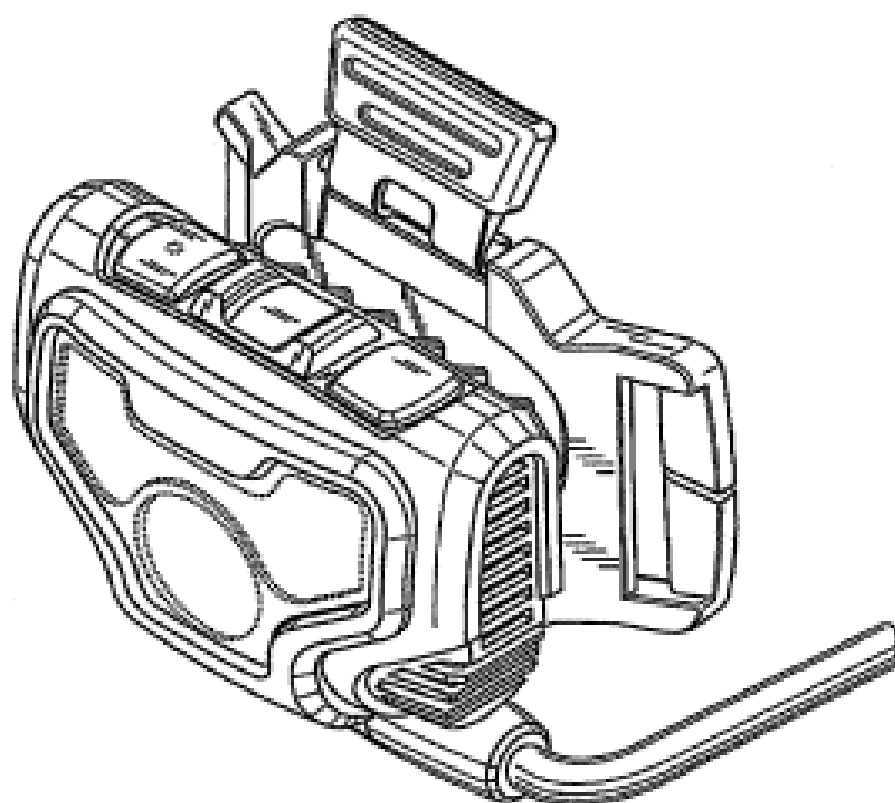
(57) Statement of Newness and Distinctiveness: **Nil**



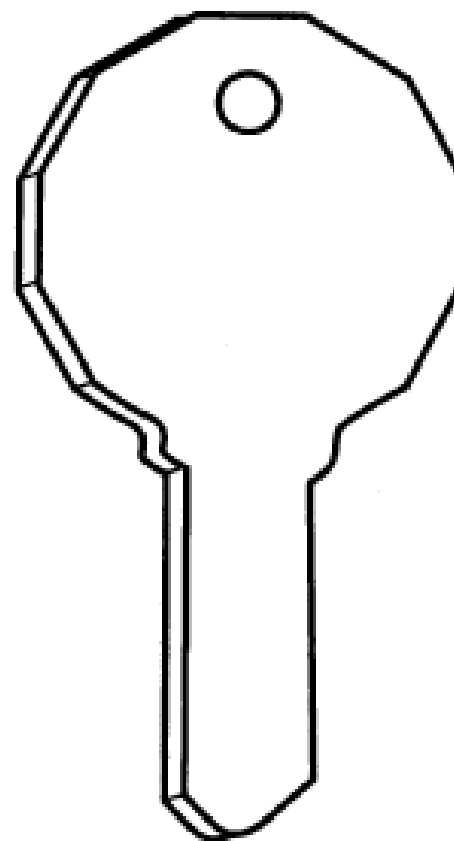
- (21) Design Number: **12822/2008**  
(22) Date of Filing Application: **12 June 2008**  
(24) Date from which industrial property rights may have effect: **12 June 2008**  
(54) Product in respect of which the design is registered: **Bench**  
(51) International Design Classification: **06-01B, 06-01C**  
(71) Name(s) and Address(s) of Applicant(s):  
**DEDON GmbH**  
**Zeppelinstrasse 22 Luneburg 21337 Germany**  
(72) Name(s) of Designer(s): **Martin Bergmann and Gernot Bohmann**  
(45) Registration Date: **02 December 2008**  
(56) Related Art Documents: **Not Applicable**  
(57) Statement of Newness and Distinctiveness: **Nil**



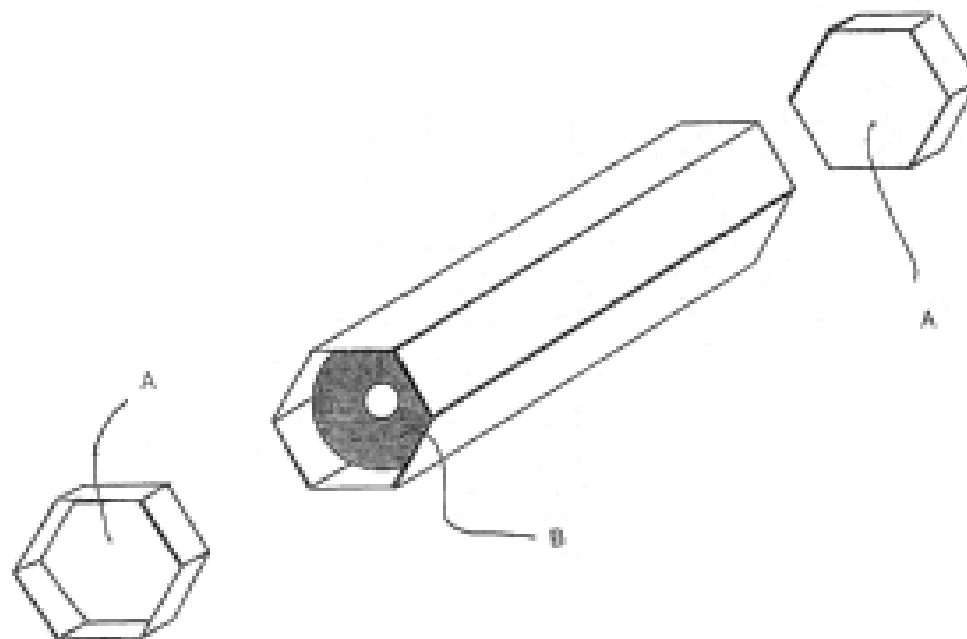
- (21) Design Number: **13008/2008**  
(22) Date of Filing Application: **30 June 2008**  
(24) Date from which industrial property rights may have effect: **30 June 2008**  
(54) Product in respect of which the design is registered: **Lighting device**  
(51) International Design Classification: **26-02**  
(71) Name(s) and Address(s) of Applicant(s):  
**Eveready Battery Company, Inc.**  
**533 Maryville University Drive St Louis Missouri 63141 United States of America**  
(72) Name(s) of Designer(s): **John D. Crawford and Todd B. Abernethy and Donwoong Kang and Scott W. Osiecki and David J. Hine**  
(45) Registration Date: **02 December 2008**  
(30) Convention priority data:  
(31) Number (32) Date (33) Country  
**29/302837 25 Jan 2008 UNITED STATES OF AMERICA**  
(56) Related Art Documents: **Not Applicable**  
(57) Statement of Newness and Distinctiveness: **Newness and distinctiveness is claimed in those visual features depicted in unbroken lines.**



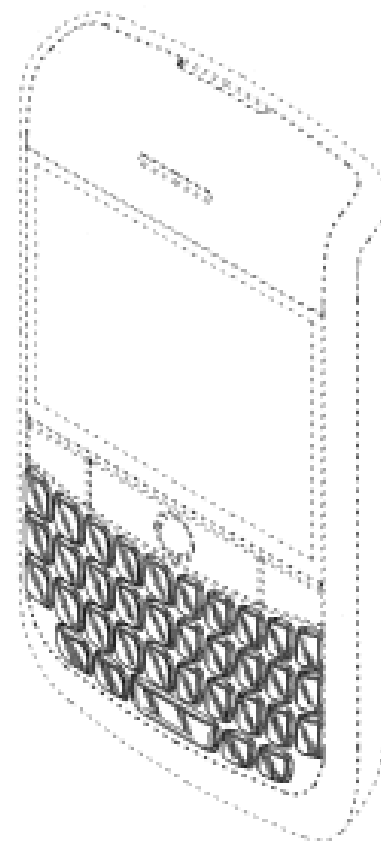
- (21) Design Number: **13488/2008**  
(22) Date of Filing Application: **28 July 2008**  
(24) Date from which industrial property rights may have effect: **28 July 2008**  
(54) Product in respect of which the design is registered: **Key**  
(51) International Design Classification: **08-07**  
(71) Name(s) and Address(s) of Applicant(s):  
**Sporty Keys Pty Ltd**  
**c/- Nicholson's Solicitors Level 12 379 Queen Street Brisbane**  
**Queensland 4001 Australia**  
(72) Name(s) of Designer(s): **William Bona and Louise Bona**  
(45) Registration Date: **02 December 2008**  
(56) Related Art Documents: **Not Applicable**  
(57) Statement of Newness and Distinctiveness: **Key has head with 11 sides, 9 at 7.5mm and 2 at 4.5mm.**



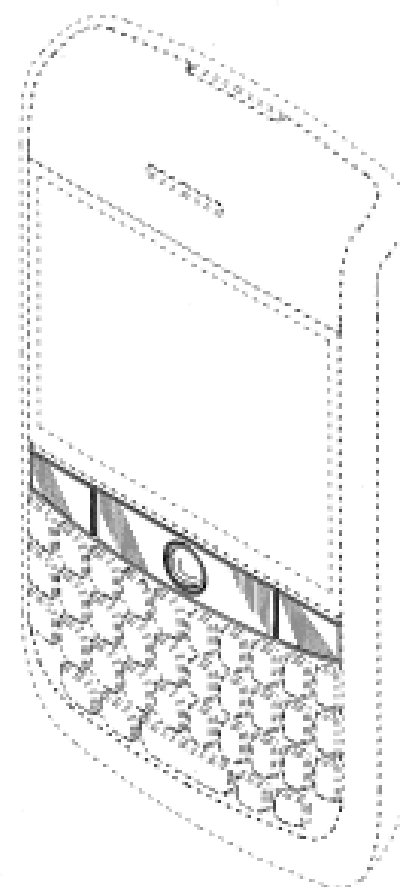
- (21) Design Number: **14158/2008**  
(22) Date of Filing Application: **28 August 2008**  
(24) Date from which industrial property rights may have effect: **28 August 2008**  
(54) Product in respect of which the design is registered: **Packaging for paper rolls**  
(51) International Design Classification: **09-05, 09-03NES**  
(71) Name(s) and Address(s) of Applicant(s):  
**Oce-Technologies B.V.**  
**St. Urbanusweg 43 5914 CA Venlo Netherlands**  
(72) Name(s) of Designer(s): **Andre P. Langendoen and Han M. van Aanholt and Johannes A.B. Van der Laan**  
(45) Registration Date: **02 December 2008**  
(30) Convention priority data:  
(31) Number (32) Date (33) Country  
**887666-0001 28 Feb 2008 EUROPEAN COMMUNITY**  
(56) Related Art Documents: **Not Applicable**  
(57) Statement of Newness and Distinctiveness: **The paper roll "B" does not form part of the design and is shown for illustrative purposes only.**



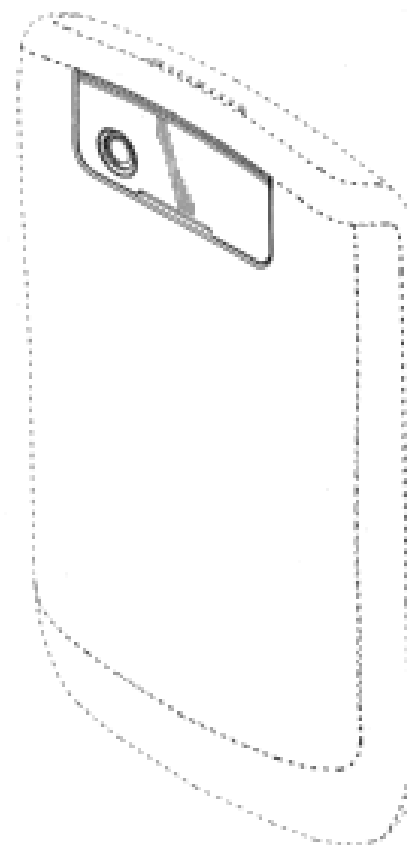
- (21) Design Number: **14162/2008**  
(22) Date of Filing Application: **28 August 2008**  
(24) Date from which industrial property rights may have effect: **28 August 2008**  
(54) Product in respect of which the design is registered: **Hand-held electronic device**  
(51) International Design Classification: **14-03E, 14-02**  
(71) Name(s) and Address(s) of Applicant(s):  
**Research In Motion Limited**  
**295 Phillip Street Waterloo Ontario N2L 3W8 Canada**  
(72) Name(s) of Designer(s): **Marco Sixtus Ferrari and Todd Andrew Wood and Roman Rak**  
(45) Registration Date: **02 December 2008**  
(30) Convention priority data:  
(31) Number (32) Date (33) Country  
**29/304384 29 Feb 2008 UNITED STATES OF AMERICA**  
(56) Related Art Documents: **Not Applicable**  
(57) Statement of Newness and Distinctiveness: **Newness and distinctiveness is claimed in the features of shape and/or configuration of a hand-held electronic device as illustrated in solid, continuous lines in the accompanying representations.**



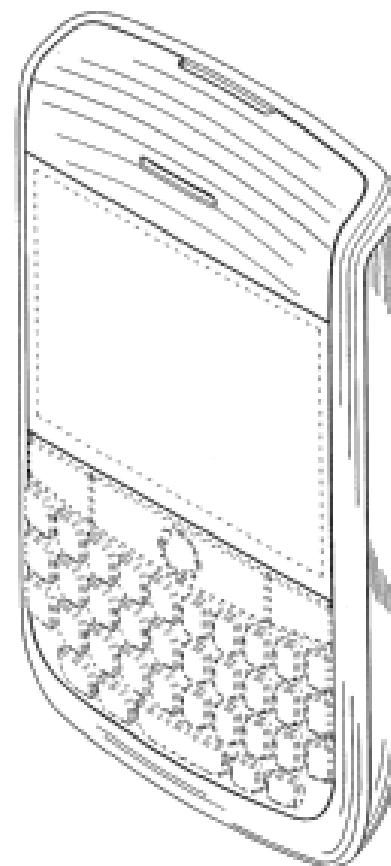
- (21) Design Number: **14163/2008**  
(22) Date of Filing Application: **28 August 2008**  
(24) Date from which industrial property rights may have effect: **28 August 2008**  
(54) Product in respect of which the design is registered: **Hand-held electronic device**  
(51) International Design Classification: **14-03E, 14-02**  
(71) Name(s) and Address(s) of Applicant(s):  
**Research In Motion Limited**  
**295 Phillip Street Waterloo Ontario N2L 3W8 Canada**  
(72) Name(s) of Designer(s): **Marco Sixtus Ferrari and Todd Andrew Wood and Roman Rak**  
(45) Registration Date: **02 December 2008**  
(30) Convention priority data:  
(31) Number (32) Date (33) Country  
**29/304384 29 Feb 2008 UNITED STATES OF AMERICA**  
(56) Related Art Documents: **Not Applicable**  
(57) Statement of Newness and Distinctiveness: **Newness and distinctiveness is claimed in the features of shape and/or configuration of a hand-held electronic device as illustrated in solid, continuous lines in the accompanying representations.**



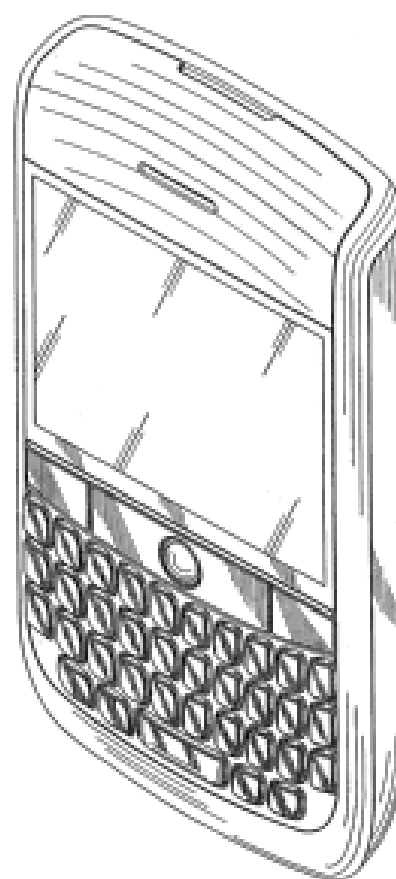
(21) Design Number: **14164/2008**  
(22) Date of Filing Application: **28 August 2008**  
(24) Date from which industrial property rights may have effect: **28 August 2008**  
(54) Product in respect of which the design is registered: **Hand-held electronic device**  
(51) International Design Classification: **14-03E, 14-02**  
(71) Name(s) and Address(s) of Applicant(s):  
**Research In Motion Limited**  
**295 Phillip Street Waterloo Ontario N2L 3W8 Canada**  
(72) Name(s) of Designer(s): **Marco Sixtus Ferrari and Todd Andrew Wood and Roman Rak**  
(45) Registration Date: **02 December 2008**  
(30) Convention priority data:  
(31) Number (32) Date (33) Country  
**29/304384 29 Feb 2008 UNITED STATES OF AMERICA**  
(56) Related Art Documents: **Not Applicable**  
(57) Statement of Newness and Distinctiveness: **Newness and distinctiveness is claimed in the features of shape and/or configuration of a hand-held electronic device as illustrated in solid, continuous lines in the accompanying representations.**



(21) Design Number: **14165/2008**  
(22) Date of Filing Application: **28 August 2008**  
(24) Date from which industrial property rights may have effect: **28 August 2008**  
(54) Product in respect of which the design is registered: **Hand-held electronic device**  
(51) International Design Classification: **14-03E, 14-02**  
(71) Name(s) and Address(s) of Applicant(s):  
**Research In Motion Limited**  
**295 Phillip Street Waterloo Ontario N2L 3W8 Canada**  
(72) Name(s) of Designer(s): **Marco Sixtus Ferrari and Todd Andrew Wood and Roman Rak**  
(45) Registration Date: **02 December 2008**  
(30) Convention priority data:  
(31) Number (32) Date (33) Country  
**29/304384 29 Feb 2008 UNITED STATES OF AMERICA**  
(56) Related Art Documents: **Not Applicable**  
(57) Statement of Newness and Distinctiveness: **Newness and distinctiveness is claimed in the features of shape and/or configuration of a hand-held electronic device as illustrated in solid, continuous lines in the accompanying representations.**



- (21) Design Number: **14166/2008**  
(22) Date of Filing Application: **28 August 2008**  
(24) Date from which industrial property rights may have effect: **28 August 2008**  
(54) Product in respect of which the design is registered: **Hand-held electronic device**  
(51) International Design Classification: **14-03E, 14-02**  
(71) Name(s) and Address(s) of Applicant(s):  
**Research In Motion Limited**  
**295 Phillip Street Waterloo Ontario N2L 3W8 Canada**  
(72) Name(s) of Designer(s): **Marco Sixtus Ferrari and Todd Andrew Wood and Roman Rak**  
(45) Registration Date: **02 December 2008**  
(30) Convention priority data:  
(31) Number (32) Date (33) Country  
**29/304381 29 Feb 2008 UNITED STATES OF AMERICA**  
(56) Related Art Documents: **Not Applicable**  
(57) Statement of Newness and Distinctiveness: **Newness and distinctiveness is claimed in the features of shape and/or configuration of a hand-held electronic device as illustrated in the accompanying representations.**



- (21) Design Number: **14167/2008**  
(22) Date of Filing Application: **28 August 2008**  
(24) Date from which industrial property rights may have effect: **28 August 2008**  
(54) Product in respect of which the design is registered: **Automobile**  
(51) International Design Classification: **12-08**  
(71) Name(s) and Address(s) of Applicant(s):  
**Toyota Jidosha Kabushiki Kaisha**  
**1 Toyota-Cho Toyota-Shi Aichi-ken 471-8571 Japan**  
(72) Name(s) of Designer(s): **Toshiyuki Nagafuchi and Satoshi Kimura**  
(45) Registration Date: **02 December 2008**  
(56) Related Art Documents: **Not Applicable**  
(57) Statement of Newness and Distinctiveness: **Newness and distinctiveness is claimed in the features of shape and/or configuration of an automobile as illustrated in the accompanying representations.**



- (21) Design Number: **14168/2008**  
(22) Date of Filing Application: **28 August 2008**  
(24) Date from which industrial property rights may have effect: **28 August 2008**  
(54) Product in respect of which the design is registered: **Rear bumper for an automobile**  
(51) International Design Classification: **12-16B, 12-16C**  
(71) Name(s) and Address(s) of Applicant(s):  
**Toyota Jidosha Kabushiki Kaisha**  
**1 Toyota-Cho Toyota-Shi Aichi-ken 471-8571 Japan**  
(72) Name(s) of Designer(s): **Satoshi Kimura**  
(45) Registration Date: **02 December 2008**  
(56) Related Art Documents: **Not Applicable**  
(57) Statement of Newness and Distinctiveness: **Newness and distinctiveness is claimed in the features of shape and/or configuration of a rear bumper for an automobile as illustrated in the accompanying representations.**

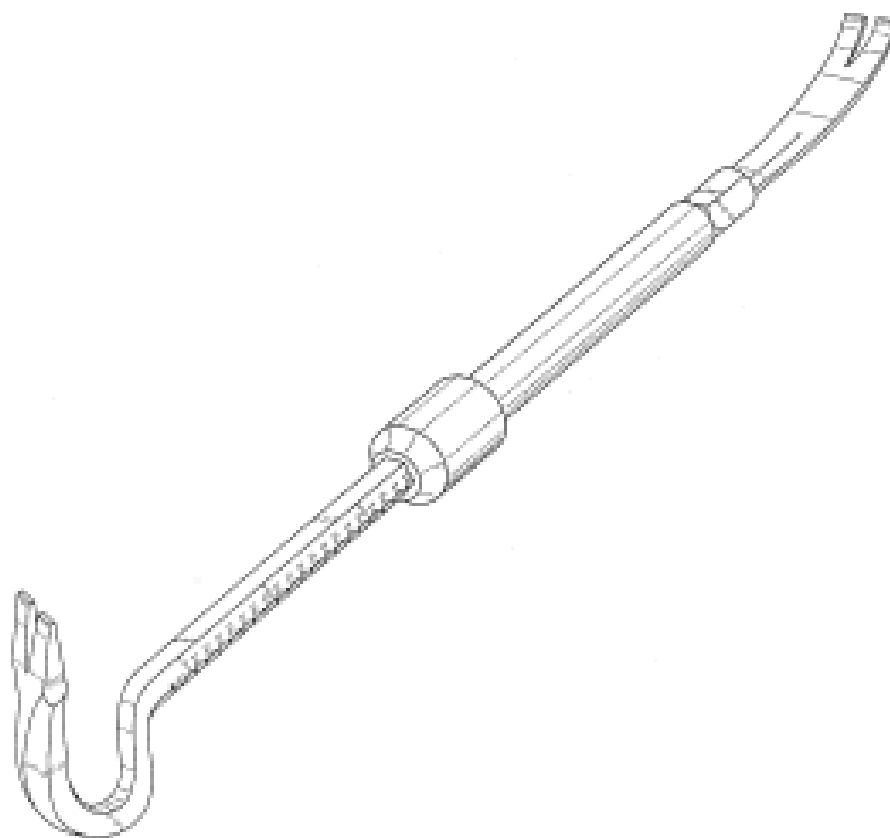


- (21) Design Number: **14169/2008**  
(22) Date of Filing Application: **28 August 2008**  
(24) Date from which industrial property rights may have effect: **28 August 2008**  
(54) Product in respect of which the design is registered: **Front bumper for an automobile**  
(51) International Design Classification: **12-16B, 12-16C**  
(71) Name(s) and Address(s) of Applicant(s):  
**Toyota Jidosha Kabushiki Kaisha**  
**1 Toyota-Cho Toyota-Shi Aichi-ken 471-8571 Japan**  
(72) Name(s) of Designer(s): **Toshiyuki Nagafuchi**  
(45) Registration Date: **02 December 2008**  
(56) Related Art Documents: **Not Applicable**  
(57) Statement of Newness and Distinctiveness: **Newness and distinctiveness is claimed in the features of shape and/or configuration of a front bumper for an automobile as illustrated in the accompanying representations.**

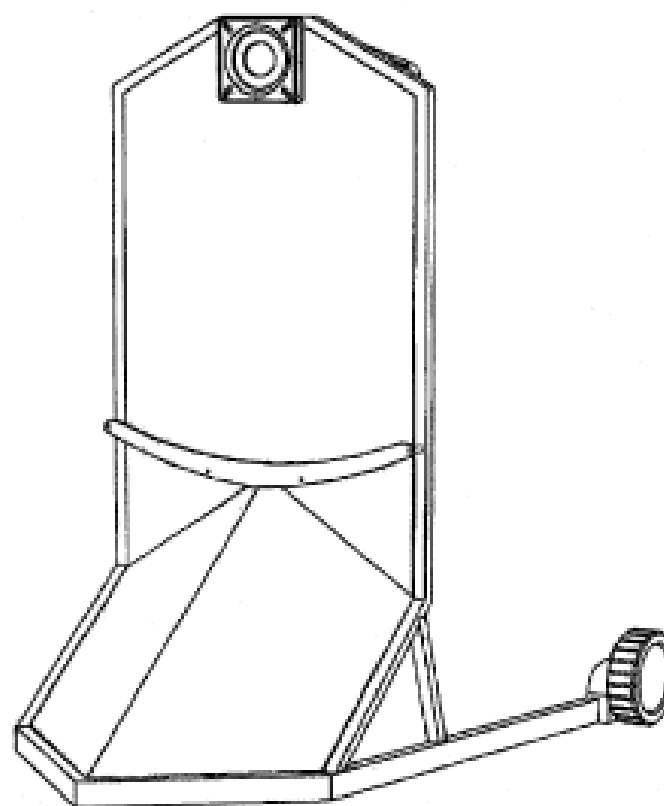




- (21) Design Number: **14170/2008**  
(22) Date of Filing Application: **28 August 2008**  
(24) Date from which industrial property rights may have effect: **28 August 2008**  
(54) Product in respect of which the design is registered: **Adjustable wrecking bar**  
(51) International Design Classification: **08-05NES**  
(71) Name(s) and Address(s) of Applicant(s):  
**Cooper Brands, Inc.**  
**600 Travis Suite 5800 Houston Texas 77002 United States of America**  
(72) Name(s) of Designer(s): **Alan D. Anderson and Bob Thompson**  
(45) Registration Date: **02 December 2008**  
(30) Convention priority data:  
(31) Number      (32) Date      (33) Country  
**29/318373      19 May 2008      UNITED STATES OF AMERICA**  
(56) Related Art Documents: **Not Applicable**  
(57) Statement of Newness and Distinctiveness: **Newness and distinctiveness resides in the features of shape and configuration of the adjustable wrecking bar as shown in solid lines in the representations.**



- (21) Design Number: **14526/2008**  
(22) Date of Filing Application: **28 August 2008**  
(24) Date from which industrial property rights may have effect: **28 August 2008**  
(54) Product in respect of which the design is registered: **Trolley**  
(51) International Design Classification: **12-02**  
(71) Name(s) and Address(s) of Applicant(s):  
**Roads and Traffic Authority of New South Wales**  
**Centennial Plaza 260 Elizabeth St Surry Hills New South Wales 2010**  
**Australia**  
(72) Name(s) of Designer(s): **Graeme Pattison and Enrique Esquivel**  
(45) Registration Date: **02 December 2008**  
(56) Related Art Documents: **Not Applicable**  
(57) Statement of Newness and Distinctiveness: **Newness and distinctiveness is claimed in respect of the shape and/or configuration of the trolley illustrated in the accompanying registrations.**



(21) Design Number: **14527/2008**

(22) Date of Filing Application: **28 August 2008**

(24) Date from which industrial property rights may have effect: **28 August 2008**

(54) Product in respect of which the design is registered: **Display sign face**

(51) International Design Classification: **20-03NES**

(71) Name(s) and Address(s) of Applicant(s):

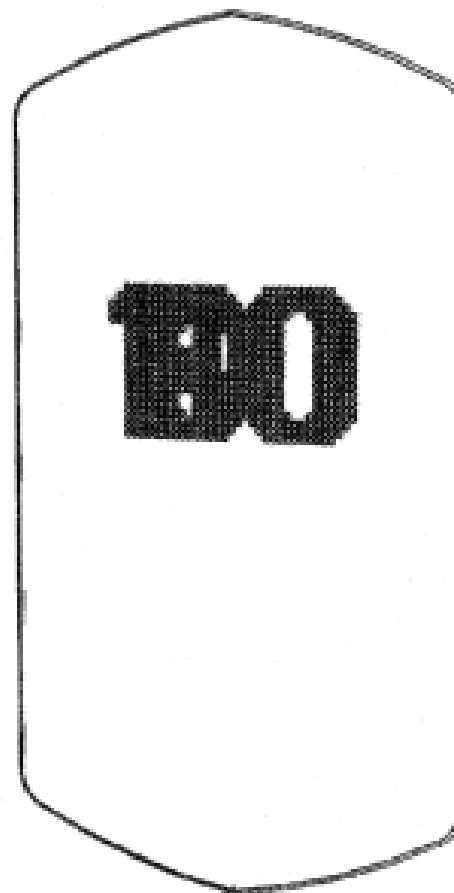
**Roads and Traffic Authority of New South Wales  
Centennial Plaza 260 Elizabeth St Surry Hills New South Wales 2010  
Australia**

(72) Name(s) of Designer(s): **Graeme Pattison and Enrique Esquivel**

(45) Registration Date: **02 December 2008**

(56) Related Art Documents: **Not Applicable**

(57) Statement of Newness and Distinctiveness: **Fig. 1 is a front view of a display sign face. Newness and distinctiveness is claimed in respect of the shape and/or configuration of the apertures disposed through the display face as illustrated in the accompanying representations. In carrying out a consideration in accordance with Section 19 the shape and/or configuration of the periphery of the display sign face is not to be considered either new or distinctive and does not form part of the design. Fig. 2 is a rear view of the display sign face of Fig. 1, and Fig.3 is a perspective view of the display sign face of Fig. 1.**



(21) Design Number: **14172/2008**

(22) Date of Filing Application: **28 August 2008**

(24) Date from which industrial property rights may have effect: **28 August 2008**

(54) Product in respect of which the design is registered: **Motorcycle tyre**

(51) International Design Classification: **12-15A**

(71) Name(s) and Address(s) of Applicant(s):

**Bridgestone Corporation  
10-1 Kyobashi 1-chome Chuo-ku Tokyo 104-8340 Japan**

(72) Name(s) of Designer(s): **Masatomol Oshima**

(45) Registration Date: **02 December 2008**

(56) Related Art Documents: **Not Applicable**

(57) Statement of Newness and Distinctiveness: **The features of the motorcycle tyre shown in the representations by means of solid lines are new and distinctive.**

